

Power Products Parts Manual

Policies, Procedures, Warranty, and Glossary	Section 0	Wheel Locks.....	Section 14
Frames	Section 1	Controllers, Control Systems and Remotes.....	Section 15
Anti-tips	Section 2	Specialty Controls (Dufco and LaBac™)	Section 16
Armrests.....	Section 3	Specialty Controls (Qtronix)	Section 17
Axles	Section 4	Power Seating Systems (Integrated)	Section 18
Backrests.....	Section 5	Power Seating Systems (Quickie Smart Seat).....	Section 19
Battery Chargers	Section 6	Power Seating Systems (Tiltmaster)	Section 20
Battery Support Systems, Batteries, and Battery Box Assemblies	Section 7	Quickie Xtender.....	Section 21
Casters and Forks.....	Section 8	Kid Kart Xpress, Z-500 Power Pak	Section 22
Footrests	Section 9	Accessories	Section 23
Front Frame Hangers.....	Section 10	Power Products Price List.....	Section 24
Motors.....	Section 11		
Seats and Slings	Section 12		
Wheels	Section 13		



*This document printed partially on recycled paper
and partially on recyclable paper.*

POLICIES, PROCEDURES, AND WARRANTY

MANUAL OVERVIEW:

Your new "user-friendly" parts manual will help you place orders for wheelchair parts. Use this manual as a tool to easily locate and order the correct parts for your customers.

The parts manual is categorized by frame types, component types and accessories. Refer to the table of contents to locate the section for the items you need. For example, reference the frame sections in the beginning of the parts manual for the frame parts. Reference the component sections for others types of parts (i.e. for parts relating to backrests, refer to the section labeled "Backrests").

Each item is shown in an "exploded view" illustration. Below each drawing is a legend that has an item number, part number, product description, and quantity used per assembly. Some parts may be included in an assembly but may not be available for purchase separately. Such parts will be included in the drawing but will not be called out individually in the legend below the drawing. Prices for parts are located in the Quickie Parts Pricing Guide, and are in numerical order by part number.

FREE FREIGHT:

- All orders (parts and products) placed on our website (www.sunrisemedical.com) or via electronic data interface (EDI) regardless of order amount will receive free freight.
- All non-web orders over \$1,000 will receive free freight.
- All non-web orders under \$1,000 will be subject to a handling charge based upon order value per the following schedule:
 - \$10 handling fee for orders between \$1 - \$250
 - \$25 handling fee for orders between \$251 - \$500
 - \$35 handling fee for orders between \$501 - \$750
 - \$45 handling fee for orders between \$751 - \$999

ORDER QUANTITY:

Product should be ordered in case quantity increments.

GENERAL RETURNED GOODS POLICY:

Advance authorization must be received from Sunrise Medical customer service prior to returning merchandise. All returns must be channeled through an authorized Sunrise Medical supplier.

Your request for return authorization must be phoned to 800-333-4000 and include:

- ◆ Reason for return
- ◆ Item number and quantity
- ◆ Invoice number, original sales order number, or original purchase order number and date.
- ◆ Serial number if applicable

Returned merchandise is subject to a 20% restocking fee.

Sunrise Medical Home Healthcare Group will accept new, non-modified merchandise for return in its original packaging if returned within 60 days of receipt. Obsolete and discontinued product will not be accepted for return. Specialized and/or modified products can not be returned.

SHORTAGES AND SHIPPING DAMAGE:

Please inspect your order immediately. Claims for shortages and shipping damage must be made within 10 days of receipt of merchandise. Damaged merchandise should be retained in original carton and reported to carrier. Claims after 10 days will not be honored.

WARRANTY:

See individual product warranty inserts in owner's manual for warranty information by product line.

All claims and repairs should be processed through a Sunrise supplier. All returns and repairs require a return merchandise authorization (RMA) number, which is obtained by calling customer service at 1-800-333-4000. Warranty returns should be shipped freight prepaid to the manufacturing facility or certified repair facility specified by customer service. A valid return merchandise authorization number should be visible on the outside of the box for immediate processing. Merchandise without a valid return merchandise authorization number will be refused. Warranty returns should be received within 30 days of authorization.

REBUILT EXCHANGE:

Rebuilt exchange parts pricing is available only with the return of defective parts within 30 days. Rebuilt exchanges available for certain products only.

WARRANTY LIMITATIONS:

We do not warrant damage due to:

- ◆ Neglect, misuse, or improper installation or repair
- ◆ Use of parts or changes not authorized by Sunrise Medical
- ◆ Exceeding the maximum weight limit specified for product

The warranty is void if the original serial number is removed or altered.

Except for express warranties made within product warranty guides, all other warranties, including implied warranties of merchantability and warranties of fitness for a particular purpose are excluded. Remedied for breach of express warranties are limited to repair or replacement of the goods. In no event shall damages for breach of any warranty include any consequential damages or exceed the cost of non-conforming goods sold. Sunrise Medical reserves the right to change this policy and any products herein without notification.

GLOSSARY OF ABBREVIATIONS

ABD	Abductor	HK	Hook	REC	Receiver
AD	Arm Drive	HL	Heel Loops	REG	Regular
ADJ	Adjustable	HM	High Mount	REL	Release
ADPT	Adapter	HNDL	Handle	REV	Reverse
ALR	Articulating Legrest	HNGR	Hanger	RH	Right-hand
ALUM	Aluminum	HP	High Pressure	RNUT(S)	Rivnut(s)
AMH	Adjustable Mounting Hardware	HR	Handrim	RR	Rear
		HT	Height		
ANO	Anodized	ID	Inner Dimension	S/A	Swing-away
ASSM	Assembly	KDS	Kids	S/F	Side Frame
AT	Anti-tip	KVLR	Kevlar	SCW	Screw
				SHT	Short
BCK	Back	L	Left	SLD	Solid
BH	Button Head	LH	Left-hand	SLNG	Sling
BKL	Buckle	LK	Lock	SLTD	Slotted
B-LOCK	Back Lock	LNG	Long	SM	Small
BLK	Black	LO	Lift-off	SNGL	Single
BLU	Blue	LPS	Loops	SOC	Socket
BRD	Board	LRG	Large	SPCR	Spacer
BRNG	Bearing	LT	Long Tab	SPEC CLR	Specify Color
BRKT	Bracket	LTRL	Lateral	SPK	Spoke
BSHNG	Bushing			SQZ	Squeeze
BTTN	Button	MACH	Machine	SS	Stainless Steel
BTRY	Battery	MECH	Mechanism	ST	Seat
		MED	Medium	STD	Standard
CHRGR	Charger	mm	Millimeter	STL	Style
CLMP	Clamp	MNT	Mount	STRLR	Stroller
CLR	Clear	MNTG	Mounting	STRT	Straight
COMP	Complete	M/S	Machine Screw	T	Tab
CMPST	Composite	NAUG	Naugahyde	THRD	Threaded
CRM	Chrome	NF	Non-folding	Ti	Titanium
C/S	Cap Screw	NR	Non-recessed	TL	Tall
C-S	Countersunk	OBLQ	Oblique	TTS	Tilt-in-space
CSTR	Caster	OD	Outer Dimension	UNTHRD	Unthreaded
CV	Conventional	O/S	Old Style	UPH	Upholstery
CVRS	Covers	P1	Quickie P100	VERT	Vertical
CYL	Cylinder	P2	Quickie P200	W	With
DAB	Depth-adjustable Back	P3	Quickie P300	WD	Wide
DBL	Double	P5	Zippie P500	W/O	Without
DL	Desk Length	PED	Pediatric	WHL	Wheel
DRV	Drive	PH	Push Handle	YLW	Yellow
EA	Each	PHIL	Phillips		
ELR	Elevating Legrest	PLT	Plate	ZN	Zinc
EXT	Extension	PLST	Plastic		
EXTND	Extended	PLY	Plywood		
F	Folding Frame	P/L	Pin Lock		
FL	Full-length	PNEU	Pneumatic		
FL FT	Flip-up Footrest	PNK	Pink		
FLP	Flip	PNT	Paint		
FT	Foot	PNTD	Painted		
F/REST	Footrest	POLY	Polyurethane		
FRNT	Front	PR	Pair		
FT PLT	Footplate	PROJ	Projection		
F/UP	Flip-up	PRPL	Purple		
		PSH	Push		
H	Hole	PTTRN	Pattern		
HB	High Brake	PWR	Power		
HD	Head				
HDRST	Headrest	QR	Quick-release		
HDWR	Hardware	R	Right		
HEX	Hexagon	RCLNR	Recliner		
HH	Hemi-height				

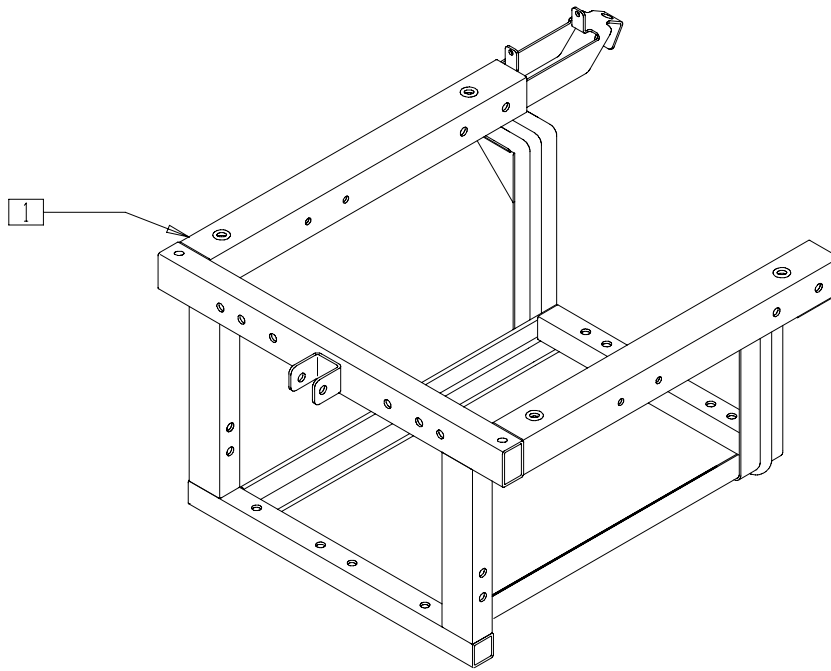
Frames

IN THIS SECTION

Frame (Quickie G-424) (Disc.)	1.1	Seat Frame	
Frame (Quickie G-424)	1.1	(Quickie P300 Manual Recliner) (Disc.)	1.17
Seat Frame (Quickie G-424)	1.2	Frame (Fixed Seat) (Quickie P300) (Disc.)	1.18
Seat Frame Interface (Quickie G-424) (Disc.)	1.3	Frame (Shock Suspension Seat)	
Seat Frame Interface (Quickie G-424)	1.4	(Quickie P300) (Disc.)	1.19
Shroud (Quickie G-424) (Disc.)	1.5	Base Frame (Quickie P320) (Disc.)	1.20
Shroud (Quickie G-424)	1.5	Seat Frame (Quickie P320) (Disc.)	1.21
Front Trailing Arm Suspension		Seat Frame	
(Quickie G-424) (Disc.)	1.6	(Quickie P320 Manual Recline) (Disc.)	1.22
Front Trailing Arm Suspension		Frame (Quickie S-525)	1.23
(Quickie G-424) (Disc.)	1.6	Fixed Seat Frame (Quickie S-525)	1.24
Front Trailing Arm Suspension (Quickie G-424)	1.7	Seat Frame Interface (Quickie S-525)	1.25
Rear Trailing Arm Suspension		Frame (Quickie S-626)	1.26
(Quickie G-424) (Disc.)	1.7	Frame (Quickie S-646/S-646SE)	1.27
Rear Trailing Arm Suspension (Quickie G-424)	1.8	Front Vertical Seat Support (22"-24" Wide)	
Base Frame (Quickie V100[P100])	1.8	(Quickie S-626/S-646/S-646SE)	1.28
Swing-away Front Side Frame		Seat Frame (Quickie S-626/S-646/S-646SE)	1.29
(Quickie P110) (Disc.)	1.9	Frame (Quickie V-121[P120])	1.30
Rear Side Frame (Quickie P110) (Disc.)	1.9	Side Frame (Quickie V-521)	1.31
Cross Tube Assembly (Quickie P110) (Disc.)	1.10	Cross Tube Assembly (Quickie V-521)	1.31
Cross Tube Extensions (Quickie P110) (Disc.)	1.10	Base Frame (Quickie Z500[Zippie P500])	1.32
Base Frame (Quickie P190) (Disc.)	1.11	Seat Frame (Quickie Z500[Zippie P500])	1.32
Seat Frame (14"/15") (Quickie P200)	1.11	Base Frame (Quickie Freestyle)	1.33
Seat Frame (16"-20") (Quickie P200)	1.12	Seat Frame (Quickie Freestyle)	1.33
Frame (Quickie P210) (Disc.)	1.12	Seat Posts and Hardware (Quickie Freestyle)	1.34
Frame (Quickie P-220/P-222SE)	1.13	Rehab Seat Frame (Quickie Freestyle)	1.34
Shroud (Quickie P-220/P-222SE)	1.13	Shrouds Mini (Quickie Freestyle)	1.35
Seat Frame Interface (Quickie P-220)	1.14	Shrouds Full (Quickie Freestyle)	1.36
Seat Frame Interface (Quickie P-222/P-222SE)	1.15	Front Trailing Arm and Cover (Quickie Freestyle) ..	1.37
Frame (Quickie P-222) (Disc.)	1.16	Rear Trailing Arm (Quickie Freestyle)	1.37
Shroud (Quickie P-222) (Disc.)	1.16	Suspension Stopper (Quickie Freestyle)	1.37
Seat Frame (Quickie P300) (Disc.)	1.17		

FRAME (QUICKIE G-424)

(Discontinued 1/21/02 - parts only)



G4240X06

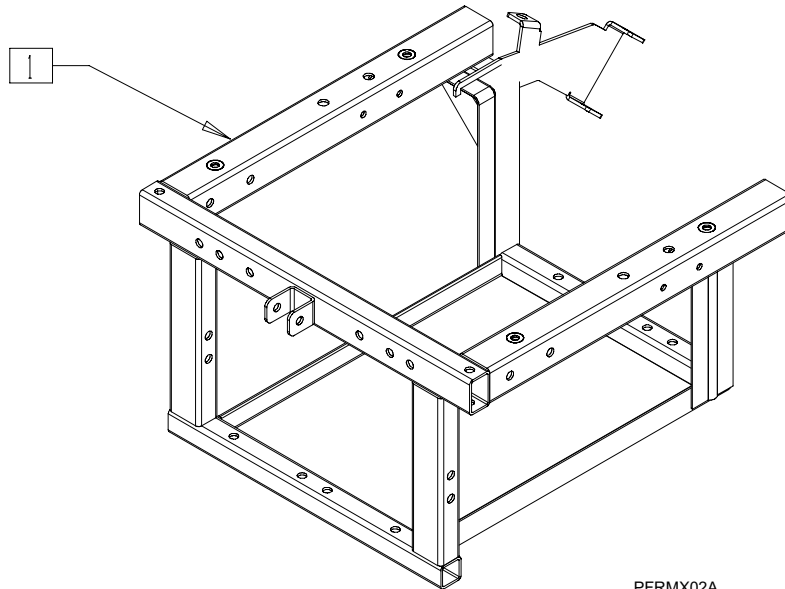
ITEM	NUMBER	DESCRIPTION	QTY
1	540280*	FRAME WELDMENT G424	1

ITEM	NUMBER	DESCRIPTION	QTY
1	540308	FRAME WELDMENT UPDRD G424	1

* ORDER 540280 FOR CHAIRS PRIOR TO 9/6/01.

FRAME (QUICKIE G-424)

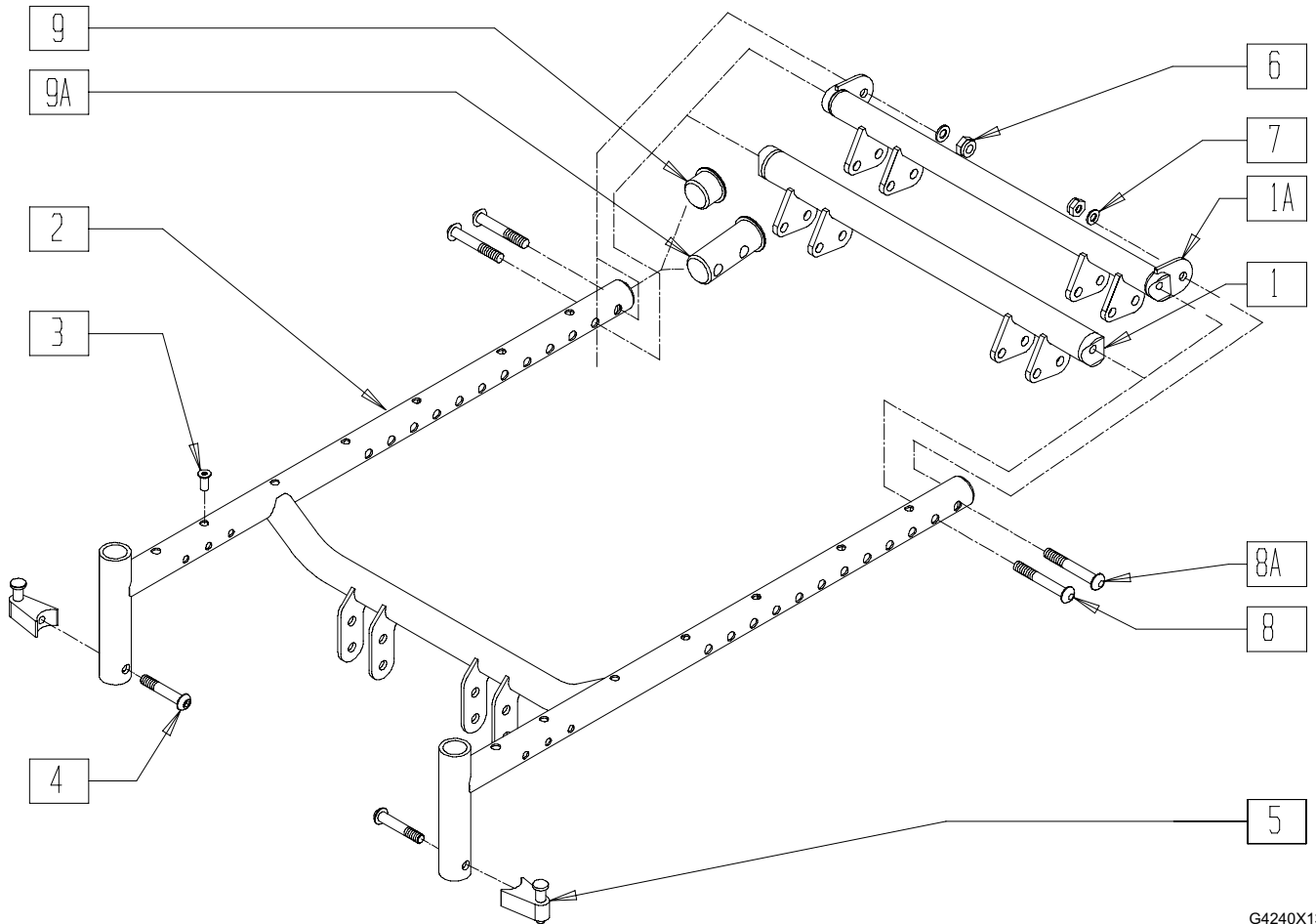
(Effective 1/21/02)



PFRMX02A

ITEM	NUMBER	DESCRIPTION	QTY
1	540288	FRAME WLDMNT G424	1

SEAT FRAME (QUICKIE G-424)



G4240X13A

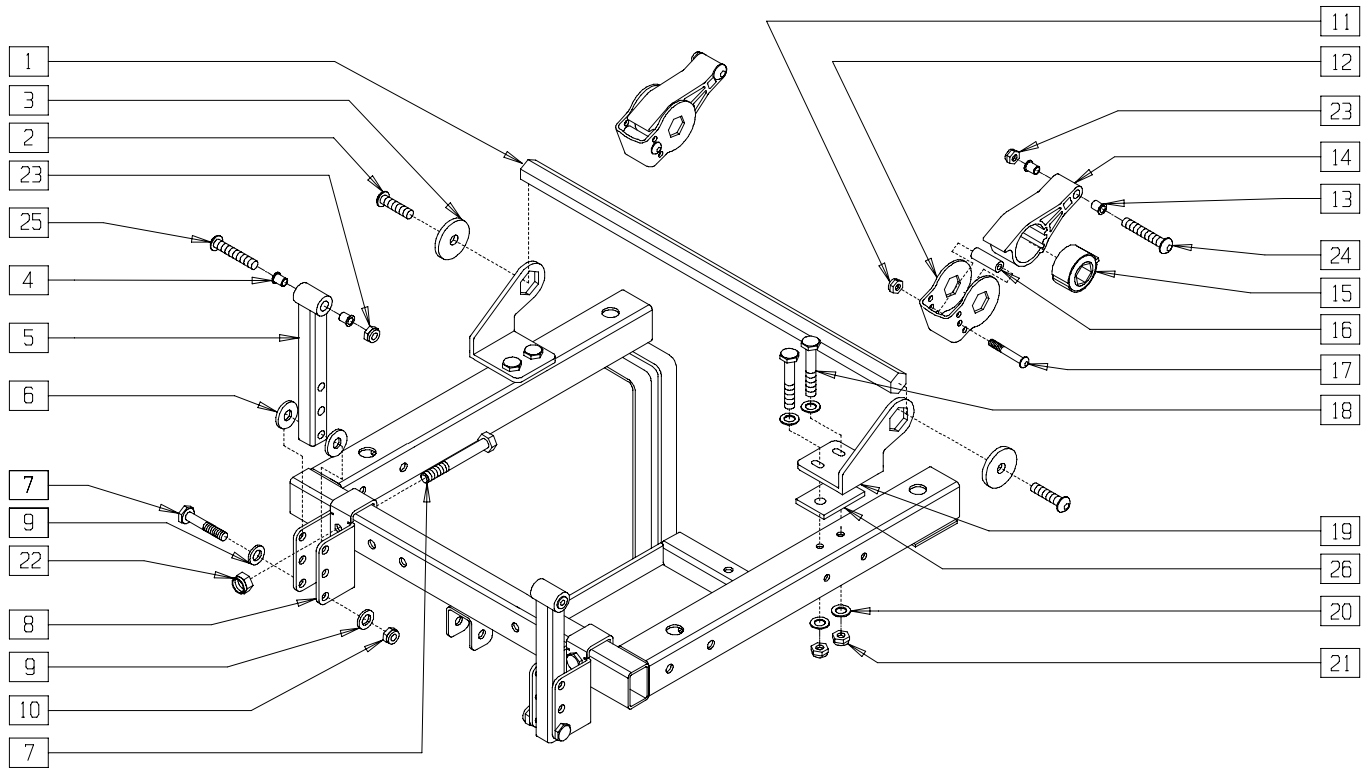
ITEM	NUMBER	DESCRIPTION	QTY
1	540027-540030	BACK TUBE WLDMNT 17"-20" G424 (NON-TILT)	1
1A	540380-540382	BACK TUBE WLDMNT 14"-16" STL S525 (TILT)	1
2	660134-660140	SEAT FRAME ONLY 14"-20" S-525 (SPECIFY SIZE)	1
3	341497	10-32 x .020-.130 RIVNUT GOLD	14
4	226218	5/16-18 x 1 3/4 BH C/S BLK	2
5	881691	S/A LATCH BLCK PRSD ASSM BLK	2
6	202117	5/16-18 NYLOCK NUT THICK BLK	2

ITEM	NUMBER	DESCRIPTION	QTY
7	263100	5/16 AN WASHER FLAT	2
8	226231	5/16-18 x 2 1/2 BH C/S BLK	2
8A	226218	5/16-18 x 1 3/4 BH C/S BLK	2
9	560315	1" BUSHING .065	2
9A	483185	SEAT END PLUG	2
4,5	920244	S/A LATCH ASSM W/BLK BOLT	
1-3	660196-	SEAT FRAME ASSM 17"-20" G424	
6-9	660199		
1A,2,3,6-8,8A,9A	660144-660146	SEAT FRAME ASSM 14"-16" S525/G424	

NOTE: FOR ATTACHMENT HARDWARE, PLEASE SEE SEAT FRAME INTERFACE (QUICKIE G-424) ON PAGE 1.4.

SEAT FRAME INTERFACE (QUICKIE G-424)

(Discontinued 7/13/99 - parts only)



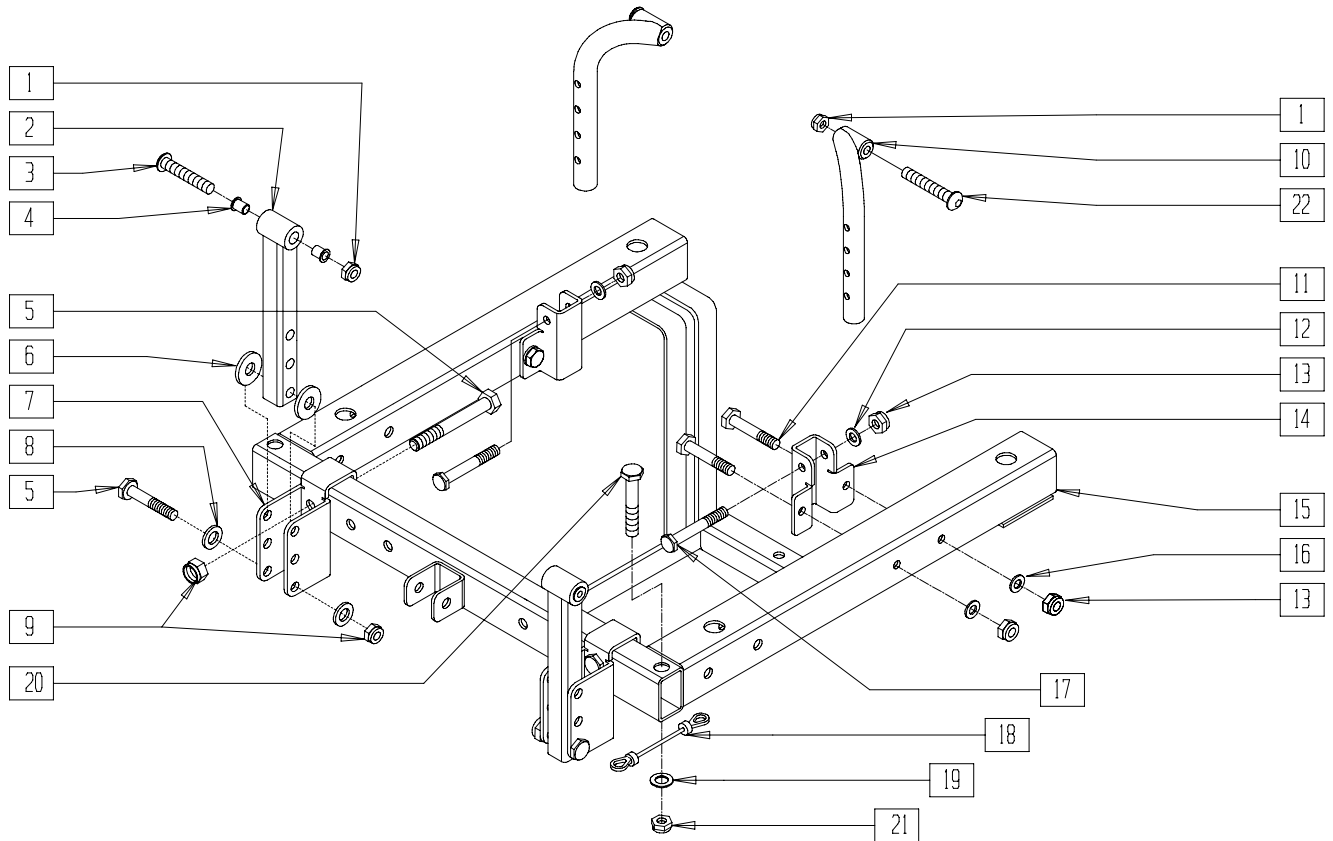
G4240X26

ITEM	NUMBER	DESCRIPTION	QTY
1	505849	KEY BAR G424	1
2	226213	3/8-16 x 1 BH C/S BLK ZN	2
3	340021	MOTOR MOUNT WASHER	2
4	340172	BUSHING IGUS	4
5	540121	SEAT/FRAME FRONT VERT G424	2
6	561059	3/4 OD x .318 ID WASHER	4
7	222110	5/16-24 x 1 3/4 HEX C/S	4
8	481178	FRONT SEAT MOUNT G424	2
9	263100	5/16 AN WASHER FLAT	8
10	202104	5/16-24 NYLOCK NUT	2
11	201100	1/4-28 NYLOCK NUT THIN	2
12	505845	SUSPENSION STP BRACKET 250LB S525	2
13	340172	BUSHING IGUS	4

ITEM	NUMBER	DESCRIPTION	QTY
14	550019	SEAT SUSPENSION RECEIVER	2
15	550018	SEAT SUSPENSION INSERT	2
16	180111	SUSPENSION STOP BUMPER G424	2
17	221192	1/4-28 x 2 G8 HEX C/S	2
18	221191	1/4-28 x 2 1/4 G8 HEX C/S	4
19	481188, 481189	REAR SEAT BRACKET G424 (EA)	1
20	262100-QU	1/4 AN WASHER FLAT	8
21	201110	1/4-28 NYLOCK NUT	4
22	202104	5/16-24 NYLOCK NUT	2
23	202116	5/16-18 NYLOCK NUT THIN BLK	4
24	226217	5/16-18 x 2" BH C/S BLK	2
25	226218	5/16-18 x 1 3/4 BH C/S BLK	2
26	500029	REAR SEAT BRACKET SPACER G424	2

SEAT FRAME INTERFACE (QUICKIE G-424)

(Effective 7/13/99)



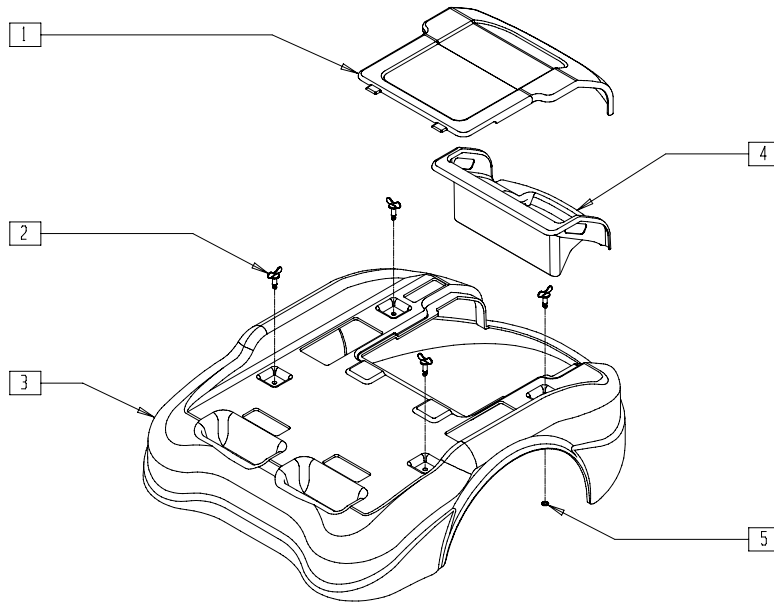
G424X33A

ITEM	NUMBER	DESCRIPTION	QTY
1	202116	5/16-18 NYLOCK NUT THIN BLK	4
2	540121	SEAT/FRAME FRONT VERT G424	2
3	226218	5/16-18 x 1 3/4 BH C/S BLK	2
4	340172	BUSHING IGUS	4
5	222110	5/16-24 x 1 3/4 HEX C/S	4
6	561059	3/4 OD x .318 ID WASHER	4
7	481178	FRONT SEAT MOUNT G424	2
8	263100	5/16 AN WASHER FLAT	4
9	202104	5/16-24 NYLOCK NUT	4
10	542022, 542023	REAR SEAT POST WELDMNT G424 (EA)	1
11	221192	1/4-28 x 2 G8 HEX C/S	4

ITEM	NUMBER	DESCRIPTION	QTY
12	262100-QU	1/4 AN WASHER FLAT	2
13	201110-QU	1/4-28 NYLOCK NUT	6
14	481170	MID WHEEL VERT BRACKET	2
16	262100	1/4 AN WASHER FLAT	4
17	221127	1/4-28 x 1 3/8 HEX C/S	2
18	342091	CABLE ASSEMBLY 4.75"	2
19	261521	5/16 x 7/8 OD CUT WASHER	2
20	226195	5/16-18 x 1.82 BH C/S	2
21	202102	5/16-18 NYLOCK NUT THIN	2
22	226217	5/16-18 x 2 BH C/S BLK	2
1-17,22	660151	SEAT FRAME INTERFACE ASSM G424	
1-4,10,22	660158	SEAT FRM INTFC EXCHGE KIT G424	

SHROUD (QUICKIE G-424)

(Discontinued 1/21/02 - parts only)



G4240X20

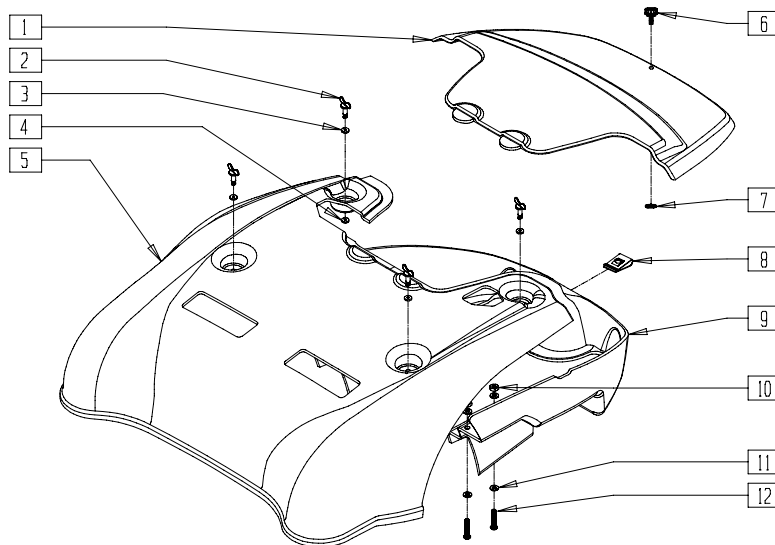
ITEM	NUMBER	DESCRIPTION	QTY
1	881175-881179	SHROUD LID W/TRUNK LID G424	1
2	340125	WING NUT PIN G424	4
4	560326	TRUNK COMPARTMENT COMPACT G424	1

ITEM	NUMBER	DESCRIPTION	QTY
5	340127	WING NUT WASHER G424	4
1-5	882245, 882247, 882248	SHROUD ASSM G424	

NOTE: WHEN REPLACING SHROUD FOR CHAIRS PRIOR TO 777/00, SOLID FLIP-UP FOOTREST (QUICKIE G-424) (EFFECTIVE 777/00) IS NEEDED (SHOWN ON PAGE 9.16).

SHROUD (QUICKIE G-424)

(Effective 1/21/02)



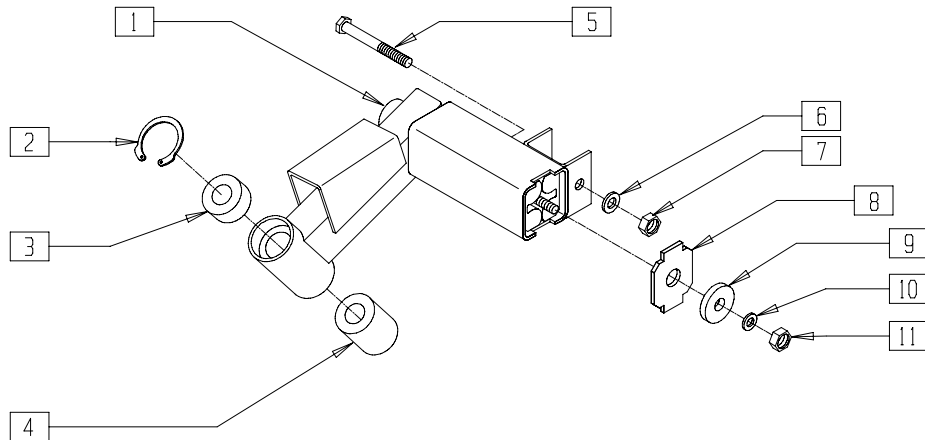
G424X20B

ITEM	NUMBER	DESCRIPTION	QTY
1,6,7	885100-885103	SHROUD HOOD ASSM G424	1
2	340125	WING NUT PIN G424	4
3	263100	5/16 AN WASHER FLAT	4
4	340127	WING NUT WASHER G424	4
2-5	885080-885083	SHROUD MAIN ASSM G424	1
6	349954	THUMB SCREW 1/4-20 x 9/16	1

ITEM	NUMBER	DESCRIPTION	QTY
7	349955	PUSH RETAINER 1/4" BOLT	1
8	349953	CLIP ON U-NUT	1
10	201110-QU	1/4-28 NYLOCK NUT	4
11	262100-QU	1/4 AN WASHER FLAT	8
12	221192	1/4-28 x 2 G8 HEX C/S	4
1-12	883090-883093	SHROUD ASSM G424	

FRONT TRAILING ARM SUSPENSION (QUICKIE G-424)

(Effective 12/29/98) (Discontinued 5/11/99 - parts only)



G4240X07A

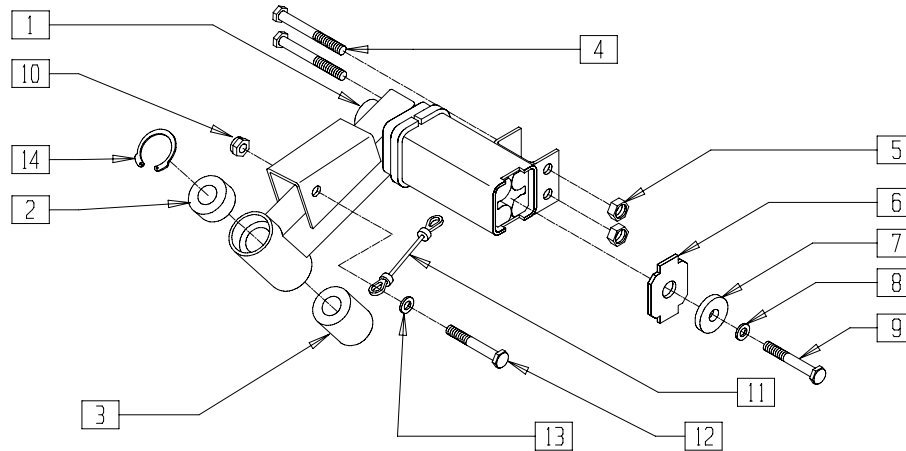
ITEM	NUMBER	DESCRIPTION	QTY
1	550363, 550364	TRAILING ARM ASSM REAR G424 (EA)	1
2	342019	1 1/8 OD SNAP RING	1
3	349500	1 1/8 x 1/2 BEARING	1
4	560128	PLASTIC BUSHING G424	1
5	222242	5/16-24 x 2 1/2 HEX C/S	1
6	263100	5/16 AN WASHER FLAT	1

ITEM	NUMBER	DESCRIPTION	QTY
7	202100-MJ	5/16-24 NYLOCK NUT THIN	1
8	500051	SUSPENSION HOUSING CAP G424	1
9	340016	RUBBER INSULATOR G424	1
10	262100-QU	1/4 AN WASHER FLAT	1
11	201240	1/4-20 NYLOCK NUT SS	1
1-11	540050, 540051	TRAILING ARM SUP ASSM FRNT (EA)	

* INCLUDES FORK, NOT SHOWN. FOR FORK, SEE FRONT FORK ASSEMBLY (QUICKIE G-424) ON PAGE 8.1.

FRONT TRAILING ARM SUSPENSION (QUICKIE G-424)

(Used with 7 x 1 3/4 caster) (Effective 5/11/99) (Discontinued 9/05/01 - parts only)



G4240X07

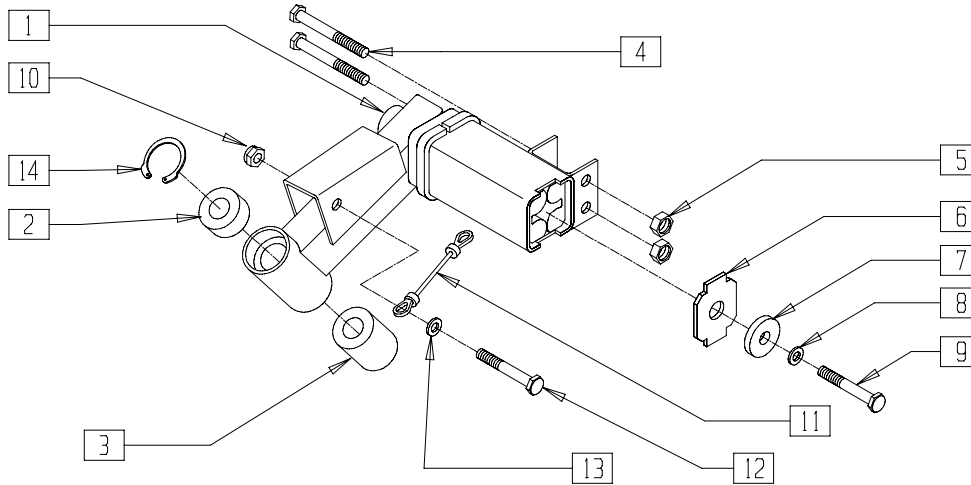
ITEM	NUMBER	DESCRIPTION	QTY
2	349500	1 1/8 x 1/2 BEARING	1
3	560128	PLASTIC BUSHING G424	1
4	226293	5/16-24 x 2 1/4 HEX C/S	2
5	202100-MJ	5/16-24 NYLOCK NUT THIN	2
6	500051	SUSPENSION HOUSING CAP G424	1
7	340016	RUBBER INSULATOR G424	1
8	262120	1/4 SAE WASHER	1
9	221114	1/4-20 x 1 1/2 HEX C/S W/PATCH	1
10	202104	5/16-24 NYLOCK NUT	1

ITEM	NUMBER	DESCRIPTION	QTY
11	342091	CABLE ASSEMBLY 4.75"	1
12	222110	5/16-24 x 1 3/4 HEX C/S	1
13	261521	5/16 x 7/8 OD CUT WASHER	1
14	342019	1 1/8 OD SNAP RING	1
1-3	540085	TRLNG ARM SUP ASSM FRNT R 350	
6-9,14	540086	TRLNG ARM SUP ASSM FRNT L 350	
1-3,	887190*	FRT TRLNG ARM ASSM R W/FRK 350	
6-9,14	887191*	FRT TRLNG ARM ASSM L W/FRK 350	

* INCLUDES FORK, NOT SHOWN. FOR FORK, SEE FRONT FORK ASSEMBLY (QUICKIE G-424) ON PAGE 8.1.

FRONT TRAILING ARM SUSPENSION (QUICKIE G-424)

(Used with 8 x 2 caster) (Effective 9/6/01)



G4240X07

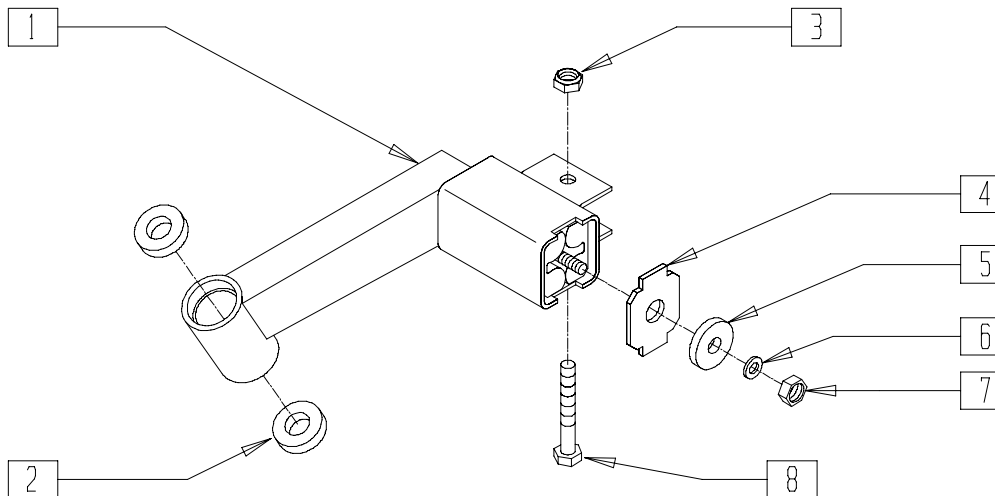
ITEM	NUMBER	DESCRIPTION	QTY
2	349500	1 1/8 x 1/2 BEARING	1
3	560128	PLASTIC BUSHING G424	1
4	226293	5/16-24 x 2 1/4 HEX C/S	2
5	202104	5/16-24 NYLOCK NUT	2
6	500051	SUSPENSION HOUSING CAP G424	1
7	340016	RUBBER INSULATOR G424	1
8	262120	1/4 SAE WASHER	1
9	221114	1/4-20 x 1 1/2 HEX C/S W/PATCH	1
10	202104	5/16-24 NYLOCK NUT	1

ITEM	NUMBER	DESCRIPTION	QTY
11	342091	CABLE ASSEMBLY 4.75"	1
12	222110	5/16-24 x 1 3/4 HEX C/S	1
13	261521	5/16 x 7/8 OD CUT WASHER	1
14	342019	1 1/8 OD SNAP RING	1
1-3, 6-9,14	540283	TRLNG ARM SUP ASSM FRNT R MDFY	
	540284	TRLNG ARM SUP ASSM FRNT L MDFY	
	887944*	FRT TRLNG ARM ASSM R W/FRK MDY	
	887945*	FRT TRLNG ARM ASSM L W/FRK MDY	

* INCLUDES FORK, NOT SHOWN. FOR FORK, SEE FRONT FORK ASSEMBLY (QUICKIE G-424) ON PAGE 8.1.

REAR TRAILING ARM SUSPENSION (QUICKIE G-424)

(Effective 12/29/98) (Discontinued 5/11/99 - Parts only)



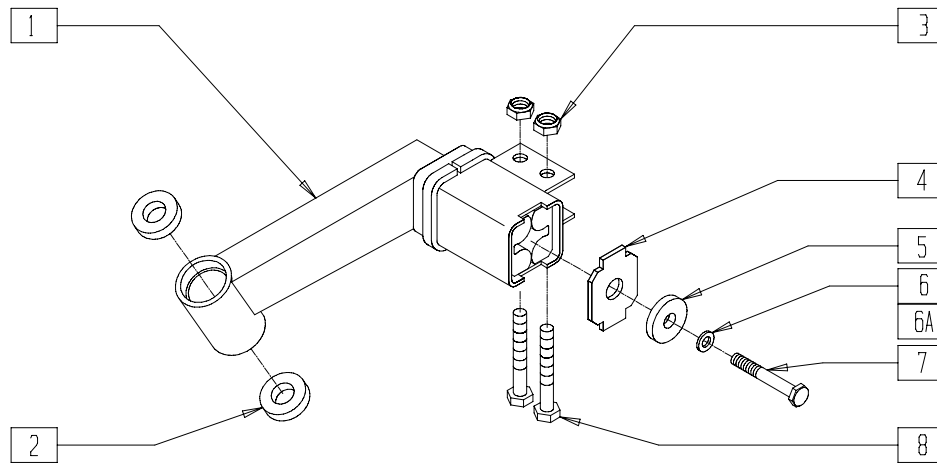
G4240X02A

ITEM	NUMBER	DESCRIPTION	QTY
2	349500	1 1/8 x 1/2 BEARING	1
3	202100-MJ	5/16-24 NYLOCK NUT THIN	1
4	500051	SUSPENSION HOUSING CAP G424	1
5	340016	RUBBER INSULATOR G424	1
6	262100-QU	1/4" AN WASHER FLAT	1

ITEM	NUMBER	DESCRIPTION	QTY
7	201240	1/4-20 NYLOCK NUT SS	1
8	222099	5/16-24 x 1 1/2 HEX C/S	1
2,4-7	540052, 540053	TRAILING ARM SUP ASSM REAR (EA)	

REAR TRAILING ARM SUSPENSION (QUICKIE G-424)

(Effective 5/11/99)

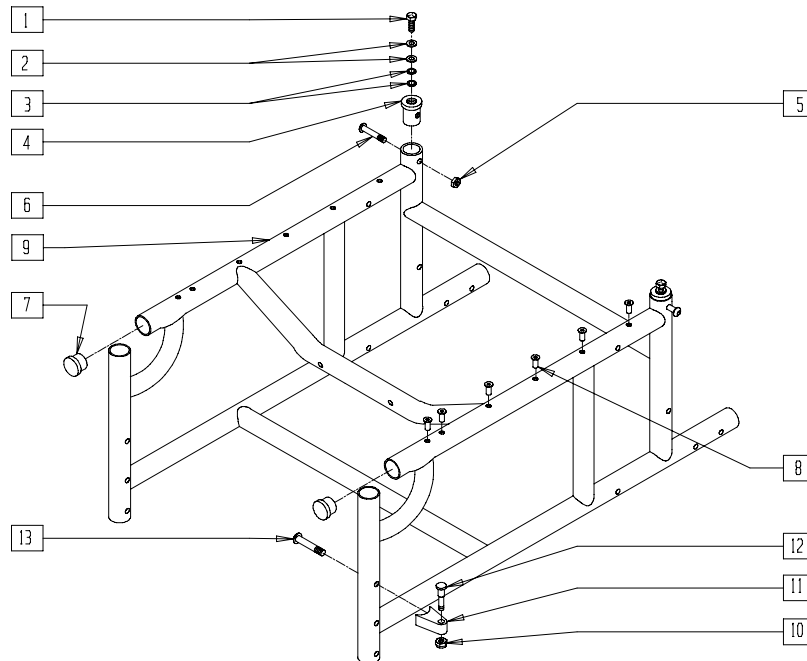


G4240X02

ITEM	NUMBER	DESCRIPTION	QTY
2	349500	1 1/8 x 1/2 BEARING	2
3	202100-MJ	5/16-24 NYLOCK NUT THIN	2
4	500051	SUSPENSION HOUSING CAP G424	1
5	340016	RUBBER INSULATOR G424	1
6	455037-QU	1/4 x 1 FLAT WASHER	1
6A	262120	1/4 SAE WASHER	1

ITEM	NUMBER	DESCRIPTION	QTY
7	221113	1/4-20 x 1 HEX C/S W/PATCH	1
8	222099	5/16-24 x 1 1/2 HEX C/S	2
1,2,4, 5,6A,7	540087, 540088	TRLNG ARM SUP ASSEMBLY REAR 250 (EA)	
1,2, 4-7	540089, 540090	TRLNG ARM SUP ASSEMBLY REAR 350 (EA)	

BASE FRAME (QUICKIE V100[P100])



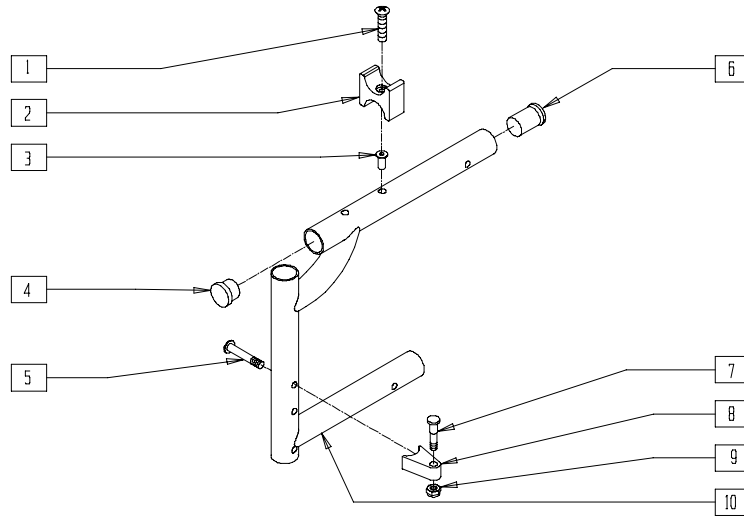
P100X01

ITEM	NUMBER	DESCRIPTION	QTY
1	221050	1/4-20 x 3/8 HEX C/S	2
2	262110	1/4 AN WASHER FLAT THIN	4
3	262130	6mm WASHER WAVE	4
4	483010	Q1/GP BACK REL ANGLE PLUG	2
5	201120	1/4-28 AUTOMATION NUT	2
6	226130	1/4-28 x 1 1/2 BH C/S	2
7	561002	1" INSERT PLUG .083	2
8	341497	10-32 x .020-.130 RIVNUT GOLD	10-12

ITEM	NUMBER	DESCRIPTION	QTY
1-9	661752- 661795	FRAME PNTD P100 16"x15" TO 20"x18" (SPECIFY COLOR)	
10	202300	1/4-28 NYLOCK NUT THIN BLK ZN	2
11	551310	LATCH STUD SUPPORT BLK	2
12	481023	S/A LATCH STUD NEW	2
13	226218	5/16-18 x 1 3/4" BH C/S BLK	2
10-13	920244	S/A LATCH ASSM W/BLK BOLT	

SWING-AWAY FRONT SIDE FRAME (QUICKIE P110)

(Discontinued 6/30/00 - parts only)



Drawing shows left side

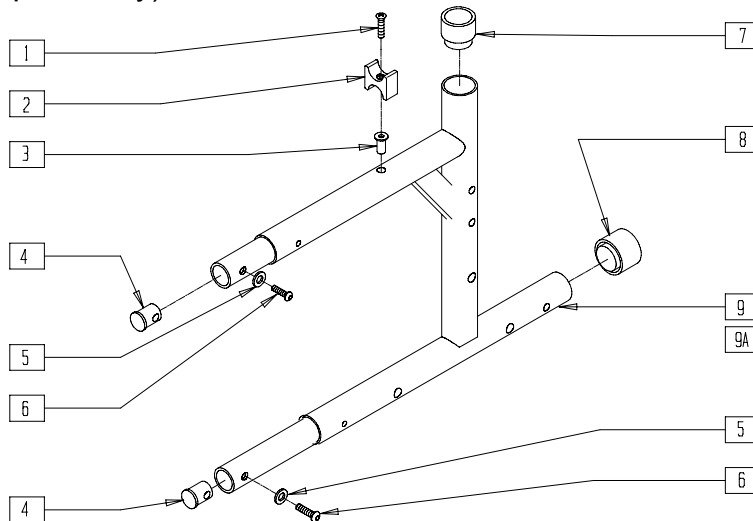
P100X36

ITEM	NUMBER	DESCRIPTION	QTY
1	281122	10-32 x 3/4 PAN PHIL	1
2	561030	SUSPENSION SADDLE STD	1
3	341497	10-32 x .020-.130 RIVNUT GOLD	1
4	561002	1" INSERT PLUG .083	1
5	226218	5/16-18 x 1 3/4" BH C/S BLK	1
6	560406	FRAME BUSHING	1
7	481023	S/A LATCH STUD NEW	1

ITEM	NUMBER	DESCRIPTION	QTY
8	551310	LATCH STUD SUPPORT BLK	1
9	202300	1/4-28 NYLOCK NUT THIN BLK ZN	1
4,6,10	640105	FRONT S/F KIDS PAINTED S/A (SPECIFY COLOR)	
1-4,6,10	640202	FRONT S/F PNTD S/A P110 (SPECIFY COLOR)	
5,7-9	920244	S/A LATCH ASSM W/BLK BOLT	

REAR SIDE FRAME (QUICKIE P110)

(Discontinued 6/30/00 - parts only)



Drawing shows left side

P100X37

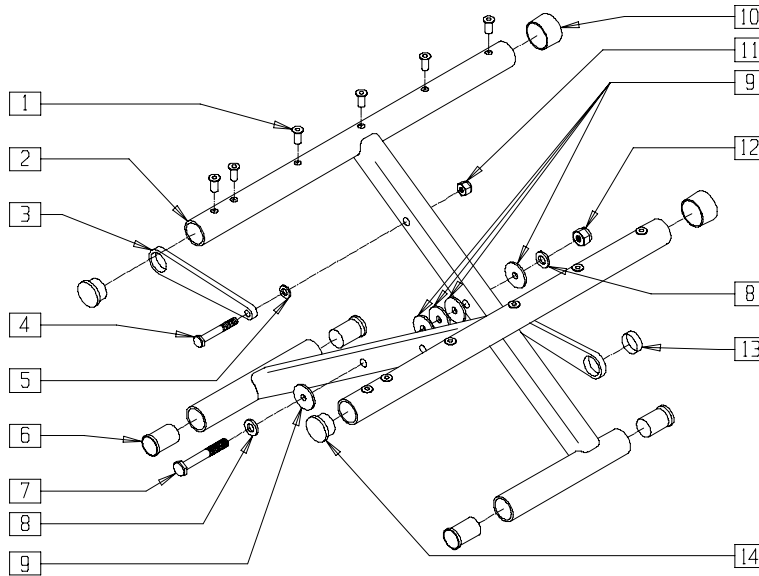
ITEM	NUMBER	DESCRIPTION	QTY
1	281122	10-32 x 3/4 PAN PHIL	1
2	561030	SUSPENSION SADDLE STD	1
3	341497	10-32 x .020-.130 RIVNUT GOLD	1
4	483001	Q2 FRAME/FOOT RETAINING PLUG	2
5	262130	6mm WASHER WAVE	2
6	226120	1/4-20 x 1 BH C/S	2

ITEM	NUMBER	DESCRIPTION	QTY
7	561083	1-1/8" TUBE END BUSHING THIN	1
8	561018	1" TUBE END BUSHING THICK	1
1-9	650116*	REAR S/F PNTD R P110 (SPECIFY COLOR)	
1-8,9A	650117*	REAR S/F PNTD L P110 (SPECIFY COLOR)	

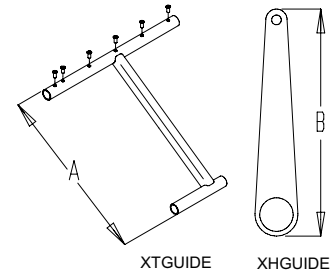
* A PERFORMANCE ENHANCEMENT HAS REVISED THE APPEARANCE OF THE SIDE FRAME. ORDERED SIDE FRAMES MAY NOT APPEAR AS PICTURED AND MAY BE SUPPLIED IN MATCHED PAIRS.

CROSS TUBE ASSEMBLY (QUICKIE P110)

(Discontinued 6/30/00 - parts only)



MEASURING GUIDE



	"A"	"B"
16"	18 1/2	5 1/4
18"	20 3/8	6 1/8

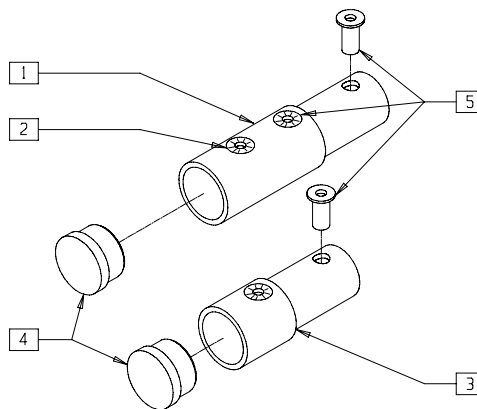
Q20X09

ITEM	NUMBER	DESCRIPTION	QTY
1	341497	10-32 x .020-.130 RIVNUT GOLD	8-14
3	923602	X-HINGE 14" (PR)	1
	923604	X-HINGE 16" (PR)	
	923606	X-HINGE 18" (PR)	
4	221151-QU	1/4-28 x 1 3/4 G8 HEX C/S	2
5	561028	1/4" NYLON WASHER	2
6	560402	3/4" I.D. NY-LINER	4
7	222249	5/16-24 x 3 G8 HEX C/S	1
8	263110-QU	5/16 AN WASHER FLAT THIN	2

ITEM	NUMBER	DESCRIPTION	QTY
9	561016	1" WASHER 5/16" HOLE	5
10	561012	1" SMALL CAP	2
11	201110-QU	1/4-28 NYLOCK NUT	2
12	202100-MJ	5/16-24 NYLOCK NUT THIN	1
13	580200	TEFLON STRIP BEARING	2
14	561002	1" INSERT PLUG .083	2
1-14	672416	X-TUBE ASSM 14" x 16"	
	672616	X-TUBE ASSM 16" x 16"	
	672818	X-TUBE ASSM 18" x 18"	

CROSS TUBE EXTENSIONS (QUICKIE P110)

(Discontinued 6/30/00 - parts only)



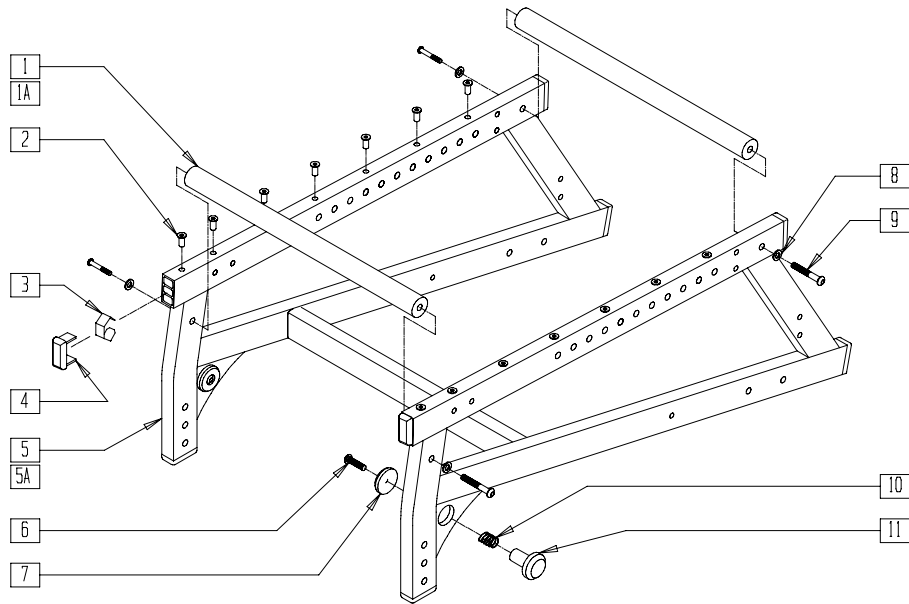
P100X39

ITEM	NUMBER	DESCRIPTION	QTY
2	341497	10-32 x .020-.130 RIVNUT GOLD	1
4	561002	1" INSERT PLUG .083	1
5	341491	10-32 x .130-.225 RIVNUT GOLD	2

ITEM	NUMBER	DESCRIPTION	QTY
3-5	920150	X-TUBE EXTENSION 1" W/HDWR (17" DEPTH)	
1,2,4,5	920152	X-TUBE EXTENSION 2" W/HDWR (18" DEPTH)	

BASE FRAME (QUICKIE P190)

(Discontinued 7/1/99 - parts only)

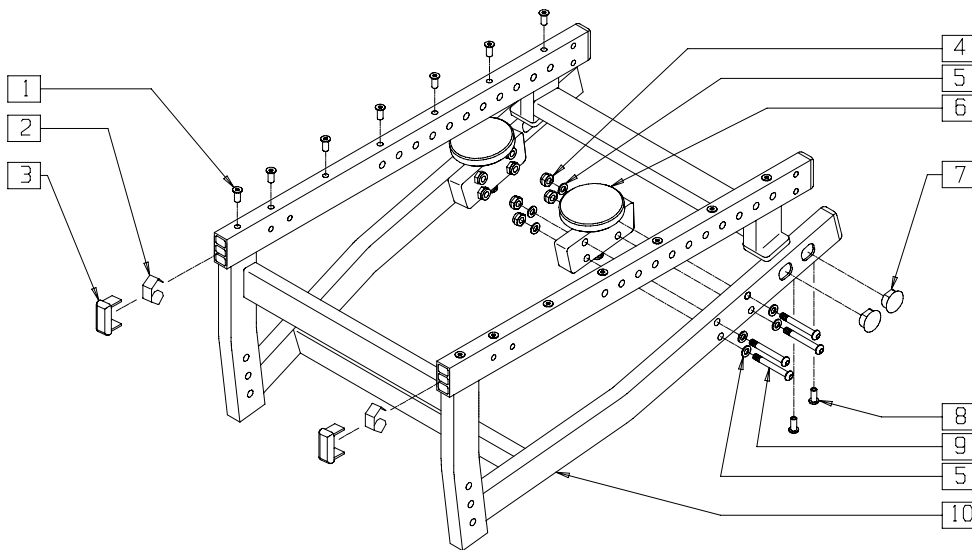


P190X02

ITEM	NUMBER	DESCRIPTION	QTY
1	505390	STRUT BAR 16" P190/P3	2
1A	505392	STRUT BAR 18" P190/P3	2
2	341512	10/32 x .080-.130 RIVNUT ZN	14
3	540190	RECT TUBING CAP SPRING P2	8
4	561372	3/4" x 1 1/2" RECT TUBING CAP	8
6	226100	1/4-28 x 3/4 BH C/S	2
7	560257	QUAD RELEASE END P190	2
8	263100	5/16 AN WASHER FLAT	4

ITEM	NUMBER	DESCRIPTION	QTY
9	226190	5/16-18 x 1 3/4 BH C/S SHLDR	4
10	321720	SPRING QUAD LATCH RELEASE P190	2
11	560256	QUAD RELEASE BUTTON P190	2
6,7,10,11	881020	QUAD RELEASE ASSM P190	
1-5,8,9	605060	FRAME PNTD 16" P190	
1A,2-5,8,9	605061	FRAME PNTD 18" P190	

SEAT FRAME (14"/15") (QUICKIE P200)

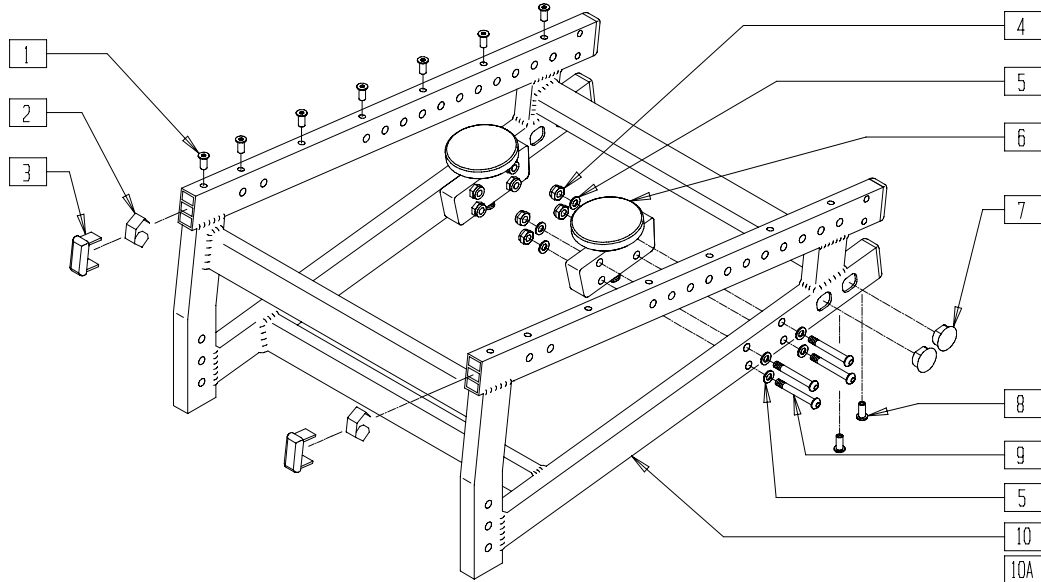


P200X45

ITEM	NUMBER	DESCRIPTION	QTY
1	341512	10/32 x .080-.130 RIVNUT ZN	14
2	540190	RECT TUBING CAP SPRING P2	6
3	561372	3/4" x 1-1/2" RECT TUBING CAP	6
4	202103	5/16-18 NYLOCK NUT THICK	4
5	263100	5/16 AN WASHER FLAT	8
7	560736	.75 DOUBLE D HOLE PLUG BLK	4
8	341503	RIVNUT 1/4" x 28 RIBBED	4
9	226198	5/16-18 x 2 BH C/S SHT THREAD	4

ITEM	NUMBER	DESCRIPTION	QTY
1-3,7,8,10	605012	FRAME PNTD 14" REG P2 (SPECIFY COLOR AND HEIGHT)	
	605013	FRAME PNTD 15" REG P2 (SPECIFY COLOR AND HEIGHT)	
4-6,9	880546	QUICKCNNCT KNB/BLOCK ASSM P2 (EA)	
	920245	QUICKCNNCT KNB/BLOCK ASSM P2 (PR)	

SEAT FRAME (16"-20") (QUICKIE P200)

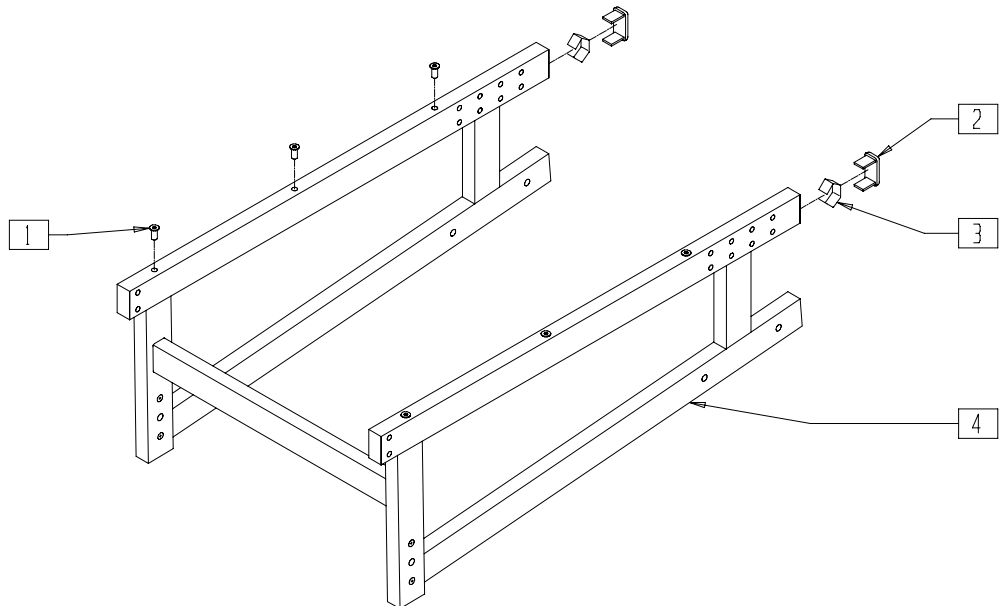


P200X20

ITEM	NUMBER	DESCRIPTION	QTY
1	341512	10/32 x .080-.130 RIVNUT ZN	14,16
2	540190	RECT TUBING CAP SPRING P2	6
3	561372	3/4" x 1-1/2" RECT TUBING CAP	6
4	202103	5/16-18 NYLOCK NUT THICK	4
5	263100	5/16 AN WASHER FLAT	8
7	560736	.75 DOUBLE D HOLE PLUG BLK	4
8	341503	RIVNUT 1/4" x 28 RIBBED	4
9	226198	5/16-18 x 2 BH C/S SHT THREAD	4

ITEM	NUMBER	DESCRIPTION	QTY
1-3,7, 8,10	605014	FRAME PNTD REG 16-20 P2 (SPECIFY COLOR AND DIMENSIONS)	
1-3,7, 8,10A	605015	FRAME PNTD LNG 16-20 P2 (SPECIFY COLOR AND DIMENSIONS)	
4-6,9	880546	QUICK CNNCT KNOB/BLOCK ASSM P2 (EA)	
	920245	QUICK CNNCT KNOB/BLOCK ASSM P2 (PR)	

FRAME (QUICKIE P210) (Discontinued 11/1/02 - parts only)

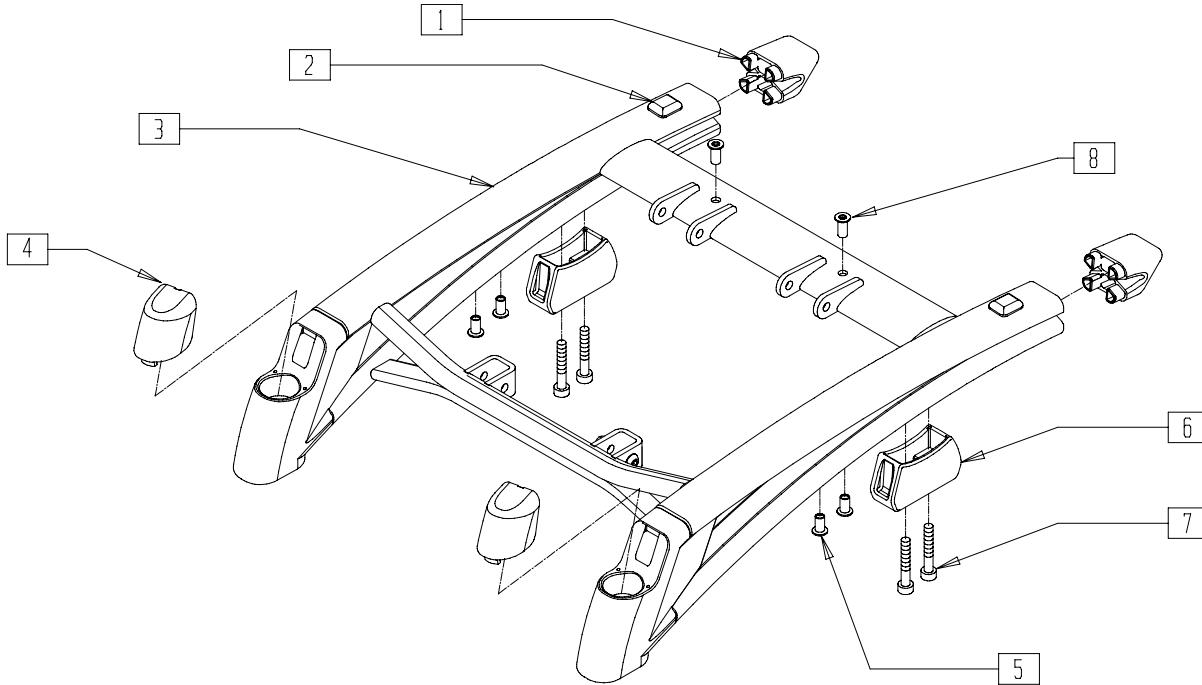


P200X43

ITEM	NUMBER	DESCRIPTION	QTY
1	341512	10/32 x .080-.130 RIVNUT ZN	6
2	561372	3/4" x 1-1/2" RECT TUBING CAP	2
3	540190	RECT TUBING CAP SPRING P2	2

ITEM	NUMBER	DESCRIPTION	QTY
1-4	605023-	FRAME PNTD P2 PRS (P210)	
	605026		
	605032- 605035		
		FRAME PNTD P2R (P210 TARSYS)	

FRAME (QUICKIE P-220/P-222 SE)

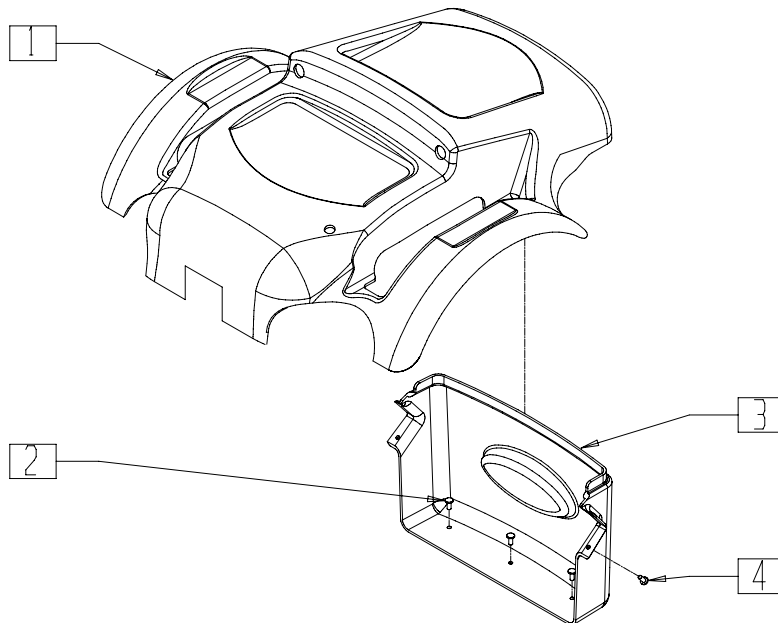


P220X01A

ITEM	NUMBER	DESCRIPTION	QTY
1	560025	SIDE FRAME CAP P222	2
2	349578	RUBBER SUBBASE BUMPER	2
4	560026	CASTER CAP P222	2
5	341503	RIVNUT 1/4" x 28 RIBBED	4
6	483238	MALE INTERCONNECT P222	2
7	226272	3/8-16 x 3/4 SOC C/S BLK	4
8	341519	RIVNUT 1/4-28 RIBBED LONG	2

ITEM	NUMBER	DESCRIPTION	QTY
3,5-8	660051	P220/P222 BASE 14"-18" WIDE	
	660052	P220/P222 BASE 19"-20" WIDE	
	660053	P220/P222 BASE 22"-24" WIDE	
1-8	660724	BASE FRM P220 14"-18" WIDE	
	660725	BASE FRM P220 19"-20" WIDE	
	660726	BASE FRM P220 20"-24" WIDE	

SHROUD (QUICKIE P-220/P-222 SE)

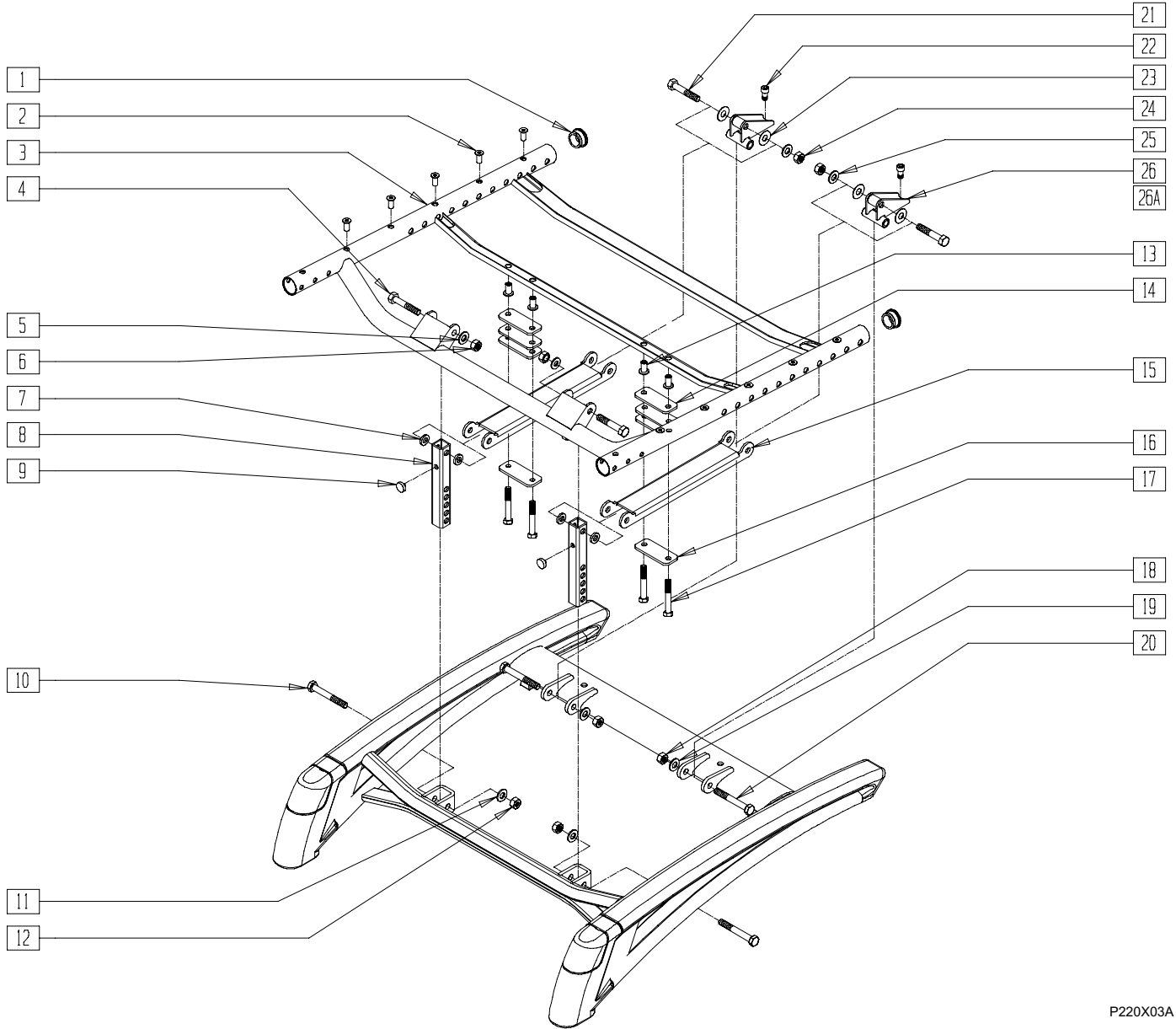


P220X02A

ITEM	NUMBER	DESCRIPTION	QTY
1	882506	TOP SHROUD STD VSI ASSM (P-220)	1
	882507	TOP SHROUD WIDE VSI ASSM (P-220)	
	882508	TOP SHROUD STD QTRONIX ASSM (P-220/P-222SE)	
	882509	TOP SHROUD WIDE QTRONIX ASSM (P-220/P-222SE)	

ITEM	NUMBER	DESCRIPTION	QTY
2	240162	5/32 x .29 AL/ST BLIND RIVET BLK	3
3	562856	REAR SHROUD TECH PAK	1
4	240111	RIVET POP AD55H BLK	2
2-4	882274	REAR SHROUD ASSM P220	

SEAT FRAME INTERFACE (QUICKIE P-220)



P220X03A

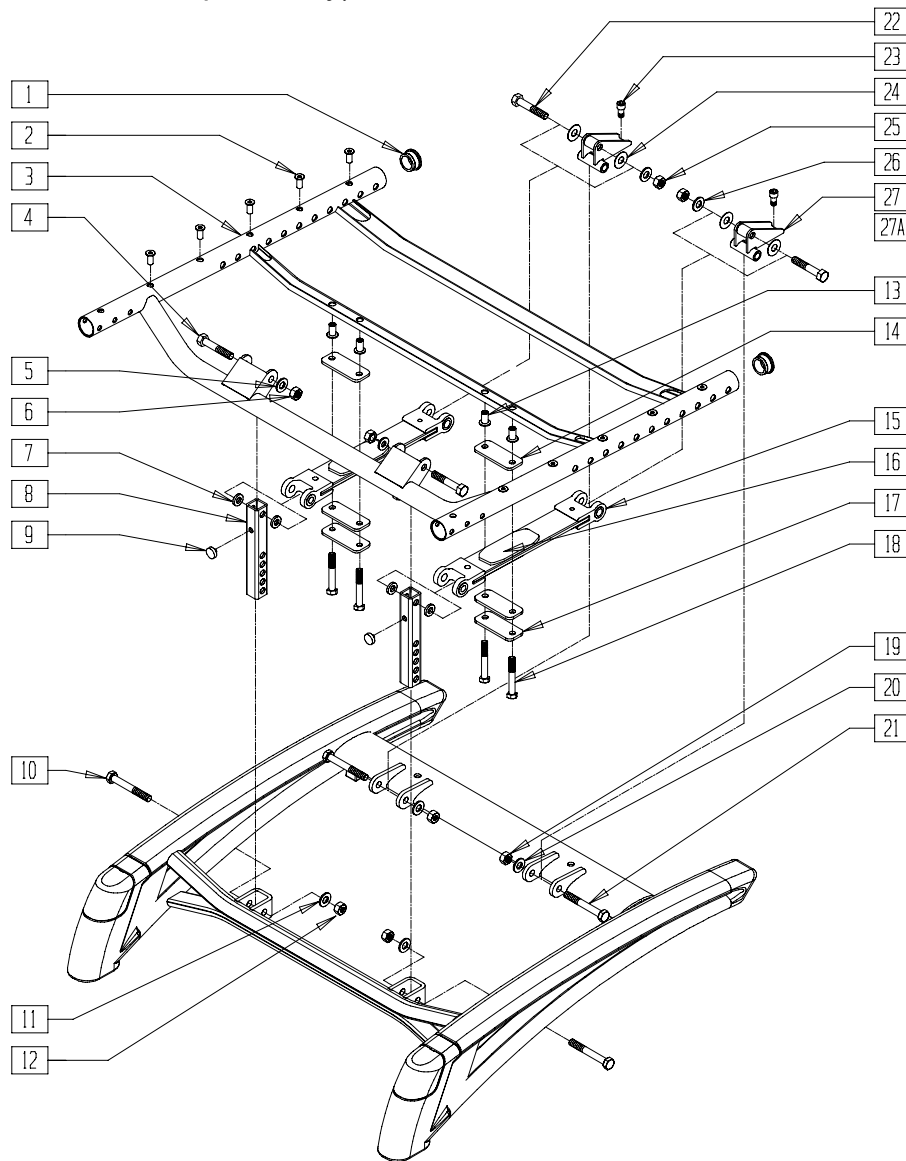
ITEM	NUMBER	DESCRIPTION	QTY
1	560315	1" BUSHING .065	2
2	341523	RIVNUT M5 3.3 GRIP	10-12
4	222103	5/16 AN5-20A HEX C/S	2
5	263100	5/16 AN WASHER FLAT	2
6	202106	5/16-24 NYLOCK NUT THIN BLK	2
7	560313	INTERCONNECT BUSHING P222	4
8	501537	SUSPENSION VERTICAL	2
9	349559	RUBBER BUMPER HANGER P2	2
10	222099	5/16-24 x 1 1/2 HEX C/S	2
11	263100	5/16 AN WASHER FLAT	2
12	202106	5/16-24 NYLOCK NUT THIN BLK	2
13	341503	RIVNUT 1/4" x 28 RIBBED	4
14	341561	SPRING ISOLATOR	4
15	542164	FIXED SEAT MOUNT	2
16	501538	SPRING KEEPER	4
17	221151	1/4-28 x 1 3/4 G8 HEX C/S	4
18	202106	5/16-24 NYLOCK NUT THIN BLK	2
19	263100	5/16 AN WASHER FLAT	2

ITEM	NUMBER	DESCRIPTION	QTY
20	222113	5/16 AN5-22A HEX C/S	2
21	222101	5/16 AN5-16A HEX C/S	2
22	226064	1/4-28 x 3/4 BH C/S BLK W/PTCH	2
23	561275	5/16 x 7/8 x .015 NYLON WASHER	4
24	202106	5/16-24 NYLOCK NUT THIN BLK	2
25	263100	5/16 AN WASHER FLAT	2
26	540176	REAR VERTICAL WLDMNT 1"	2
26A	540177	REAR VERTICAL WLDMNT 2"	2
1-3,13	660024-	SEAT FRAME PNTD 14"-24"W STD	
	660032		
	660034-	SEAT FRAME PNTD 14"-24"W LNG	
1-20	660042		
	663880-	SEAT FRAME 14"-24"W STD ASSM	
	663888		
1-20	663889-	SEAT FRAME 14"-24"W LNG ASSM	
	663897		
4-12,14-20	900809	SEAT FIXED BRACKET ASSM	
21-26,26A	900810	SEAT HGT KIT 19"-20" STF	

NOTE: SEAT HEIGHT KIT (900810: ITEMS 21-26,26A) ARE ONLY USED WITH 19"/20" SEAT HEIGHT.

SEAT FRAME INTERFACE (QUICKIE P-222/P-222 SE)

(P-222 discontinued 8/15/02 - parts only)



P2220X01

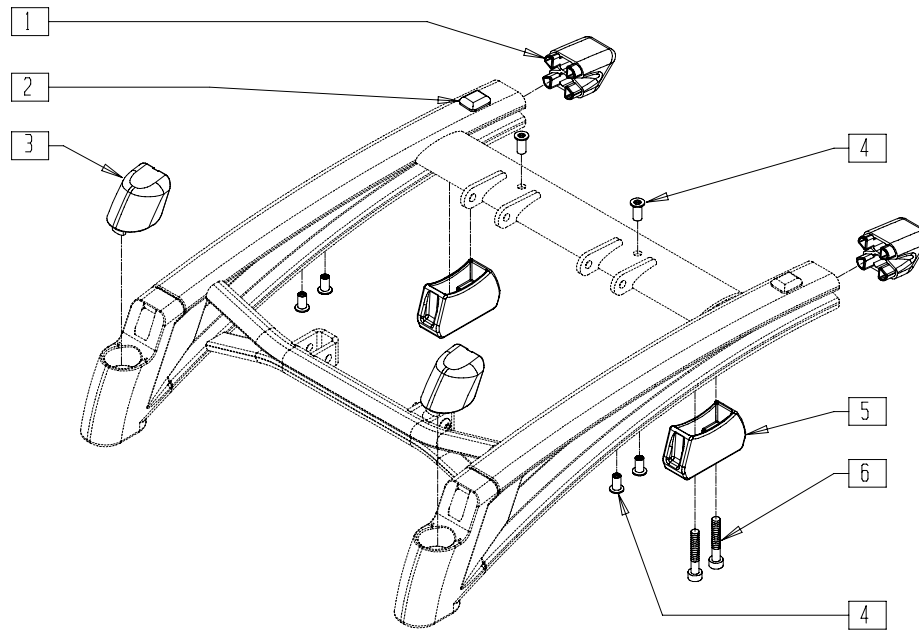
ITEM	NUMBER	DESCRIPTION	QTY
1	560315	1" BUSHING .065	2
2	341523	RIVNUT M5 3.3 GRIP	10-12
4	222103	5/16 AN5-20A HEX C/S	2
5	263100	5/16 AN WASHER FLAT	2
6	202106	5/16-24 NYLOCK NUT THIN BLK	2
7	560313	INTERCONNECT BUSHING P222	4
8	501537	SUSPENSION VERTICAL	2
9	349559	RUBBER BUMPER HANGER P2	2
10	222099	5/16-24 x 1 1/2 HEX C/S	2
11	263100	5/16 AN WASHER FLAT	2
12	202106	5/16-24 NYLOCK NUT THIN BLK	2
13	341503	RIVNUT 1/4" x 28 RIBBED	4
14	341561	SPRING ISOLATOR	4
15	505660	SEAT SUSPNSN .25 SPRING ASSM	2
16	561578	SUSPENSION LOAD DISTRIBUTOR	2
17	501538	SPRING KEEPER	2
18	221101	1/4-28 x 1 1/2 HHC/S G8 W/PTCH	4
19	202106	5/16-24 NYLOCK NUT THIN BLK	2
20	263100	5/16 AN WASHER FLAT	2

ITEM	NUMBER	DESCRIPTION	QTY
21	222113	5/16 AN5-22A HEX C/S	2
22	222101	5/16 AN5-16A HEX C/S	2
23	226064	1/4-28 x 3/4 BH C/S BLK W/PTCH	2
24	561275	5/16 x 7/8 x .015 NYLON WASHER	4
25	202106	5/16-24 NYLOCK NUT THIN BLK	2
26	263100	5/16 AN WASHER FLAT	2
27	540176	REAR VERTICAL WLDMNT 1"	2
27A	540177	REAR VERTICAL WLDMNT 2"	2
1-3,13	660024-	SEAT FRAME PNTD 14"-24"W STD	
	660032-	SEAT FRAME PNTD 14"-24"W LNG	
	660034- 660042		
1-21	663767- 663775	SEAT FRAME 14"-24"W STD ASSM	
	663776- 663784	SEAT FRAME 14"-24"W LNG ASSM	
4-12,14-21	900808	SEAT SUSPENSION ASSM	
22-27,27A	900810	SEAT HGT KIT 19"-20" STF	

NOTE: SEAT HEIGHT KIT (900810) ITEMS 22-27A ARE ONLY USED WITH 19"/20" SEAT HEIGHT.

FRAME (QUICKIE P-222)

(Discontinued 8/15/02 - parts only)



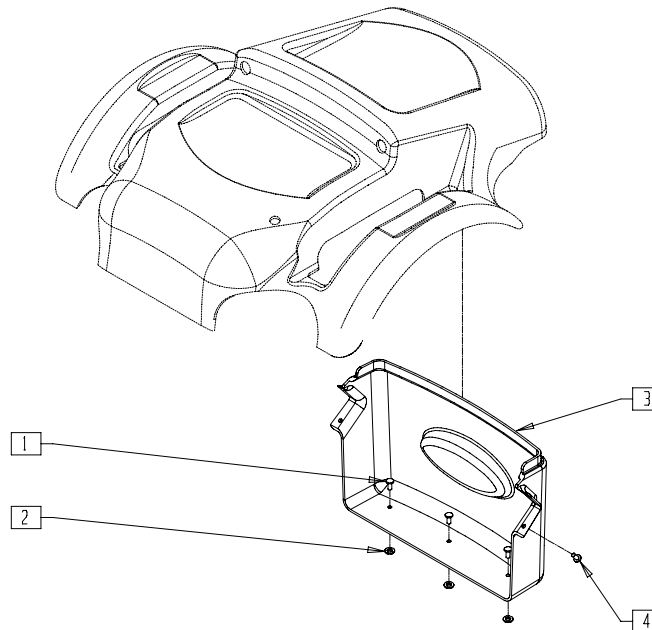
P222X03A

ITEM	NUMBER	DESCRIPTION	QTY
1	560025	SIDE FRAME CAP P222	2
2	349578	RUBBER SUBBASE BUMPER	2
3	560026	CASTER CAP P222	2

ITEM	NUMBER	DESCRIPTION	QTY
4	341503	RIVNUT 1/4" x 28 RIBBED	6
5	483238	MALE INTERCONNECT P222	2
6	226272	3/8-16 x 3/4 SOC C/S BLK	4

SHROUD (QUICKIE P-222)

(Discontinued 8/15/02 - parts only)



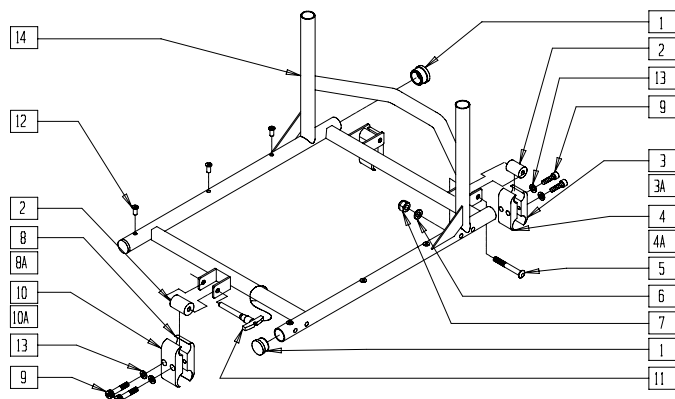
P222X02B

ITEM	NUMBER	DESCRIPTION	QTY
1	240112	RIVET POP SD46BS BLK	3
2	261100	1/8 WASHER BACKUP	3
3	562846	REAR SHROUD	1

ITEM	NUMBER	DESCRIPTION	QTY
4	240111	RIVET POP AD55H BLK	2
1-4	882273	REAR SHROUD ASSEMBLY	

SEAT FRAME (QUICKIE P300)

(Discontinued - parts only) (Fits Quickie P300 prior to serial number P3-10500)



SEAT CLAMP KIT REFERENCE GUIDE

PART NUMBER	FLOOR TO SEAT HEIGHT	
	FRONT	REAR
P300 (20" DRIVE WHEEL)		
920700	18 1/2"	17 1/2"
920701	19 1/2"	18 1/2"
920702	19 1/2"	17 1/2"
P300 (10" DRIVE WHEEL)		
920700	17 1/2"	16 1/2"
920701	18 1/2"	17 1/2"
920702	18 1/2"	16 1/2"

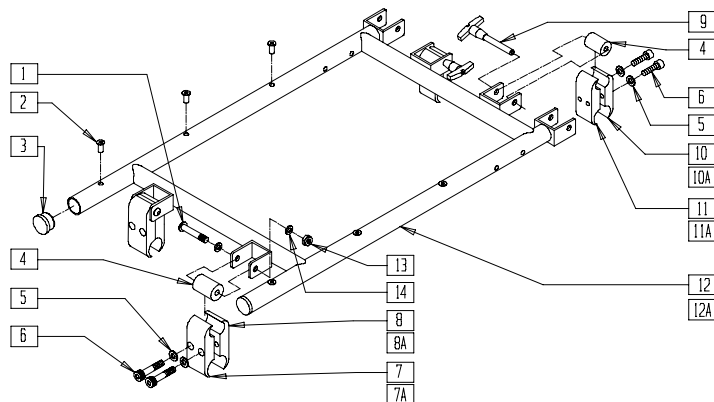
P300X02

ITEM	NUMBER	DESCRIPTION	QTY
1	560315	1" BUSHING .065	4
2	483704	SEAT CLAMP SPACER P300	3
3	550257	CLAMP 1 1/4" RECESS FULL CLR	2
3A	550277	CLAMP 2 1/4" RECESS CLR	2
4	550258	CLAMP 1 1/4" THREADED CLR	2
4A	550276	CLAMP 2 1/4" THREADED CLR	2
5	226198	5/16-18 x 2 BH C/S SHT THREAD	2
6	263100	5/16 AN WASHER FLAT	2
7	202103	5/16-18 NYLOCK NUT THICK	2
8	550276	CLAMP 2 1/4" THREADED CLR	1
8A	550716	CLAMP 3 1/4" THREADED	1
9	226112	1/4-28 x 1 SOC C/S BLK	6
10	550277	CLAMP 2 1/4" RECESS CLR	1

ITEM	NUMBER	DESCRIPTION	QTY
10A	550717	CLAMP 3 1/4" RECESS	1
11	349022	PIN SEAT REL P300	1
12	341497	10-32 x .020-.130 RIVNUT GOLD	8-12
13	262114	1/4 WASHER HI COLLAR LOCK ZN	6
2-10,13	920700	SEAT/BASE CLAMP KIT P300	
2,3A,4A, 5-7,8A,9, 10A,13	920701	SEAT/BASE CLAMP KIT +1" P300	
2-7,8A,9, 10A,14	920702	SEAT/BASE CLAMP KIT + 2" P300	
1,12,14	663802- 663866	SEAT FRAME P300 LOW 14" x 14" - 20" x 18-20"	

SEAT FRAME (QUICKIE P300 MANUAL RECLINER)

(Discontinued 6/30/00 - parts only)



SEAT CLAMP KIT REFERENCE GUIDE

PART NUMBER	FLOOR TO SEAT HEIGHT	
	FRONT	REAR
P300 RECLINER (20" DRIVE WHEEL)		
920707	18 1/2"	17 1/2"
920708	19 1/2"	18 1/2"
920709	19 1/2"	17 1/2"
P300 RECLINER (10" DRIVE WHEEL)		
920707	17 1/2"	16 1/2"
920708	18 1/2"	17 1/2"
920709	18 1/2"	16 1/2"

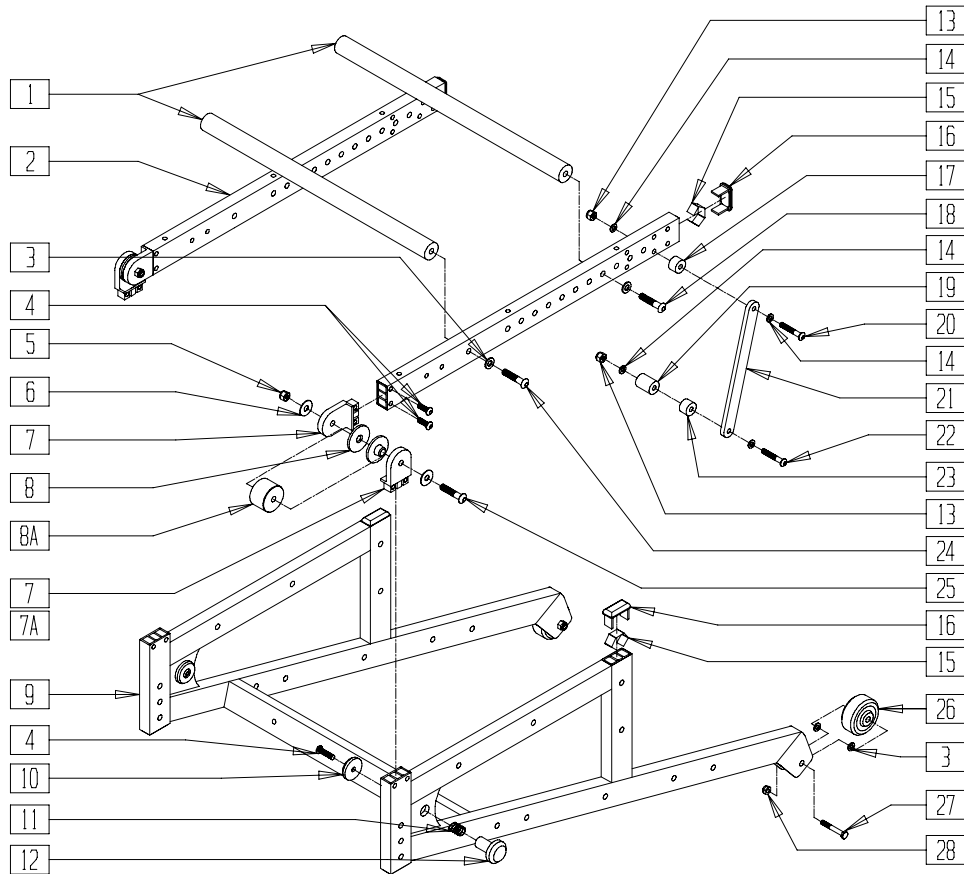
P300X46

ITEM	NUMBER	DESCRIPTION	QTY
1	226198	5/16-18 x 2 BH C/S SHT THREAD	2
2	341497	10-32 x .020-.130 RIVNUT GOLD	6
3	560315	1" BUSHING .065	2
4	483704	SEAT CLAMP SPACER P300	4
5	262114	1/4 WASHER HI COLLAR LOCK ZN	8
6	226112	1/4-28 x 1 SOC C/S BLK	8
7	550276	CLAMP 2 1/4" THREADED CLR	2
7A	550716	CLAMP 3 1/4" THREADED	2
8	550277	CLAMP 2 1/4" RECESS CLR	2
8A	550717	CLAMP 3 1/4" RECESS	2
9	349022	PIN SEAT REL P300	2
10	550257	CLAMP 1 1/4" RECESS FULL CLR	2
10A	550277	CLAMP 2 1/4" RECESS CLR	2
11	550258	CLAMP 1 1/4" THREADED CLR	2
11A	550276	CLAMP 2 1/4" THREADED CLR	2

ITEM	NUMBER	DESCRIPTION	QTY
13	202103	5/16-18 NYLOCK NUT THICK	2
14	263100	5/16 AN WASHER FLAT	4
2,3,12	663870	SEAT FRM STD RCLNR P3 (SPECIFY DIMENSIONS)	
2,3,12A	663871	SEAT FRM LNG RCLNR P3 (SPECIFY DIMENSIONS)	
1,4-8,10, 11,13,14	920707	SEAT/BASE CLMP KIT RCLNR P3 (P300 W/20" WHEELS)	
1,4-6,7A, 8A,10A, 11A,13,14	920708	SEAT/BASE CLMP KIT RCLNR +1" P3 (P300 W/10" WHEELS)	
1,4-6,7A, 8A,10,11, 13,14	920709	SEAT/BASE CLMP KIT RCLNR +2" P3	

FRAME (FIXED SEAT) (QUICKIE P300)

(Discontinued 6/30/00 - parts only) (Fits P300 beginning serial number P3-10500)



P300AX1C

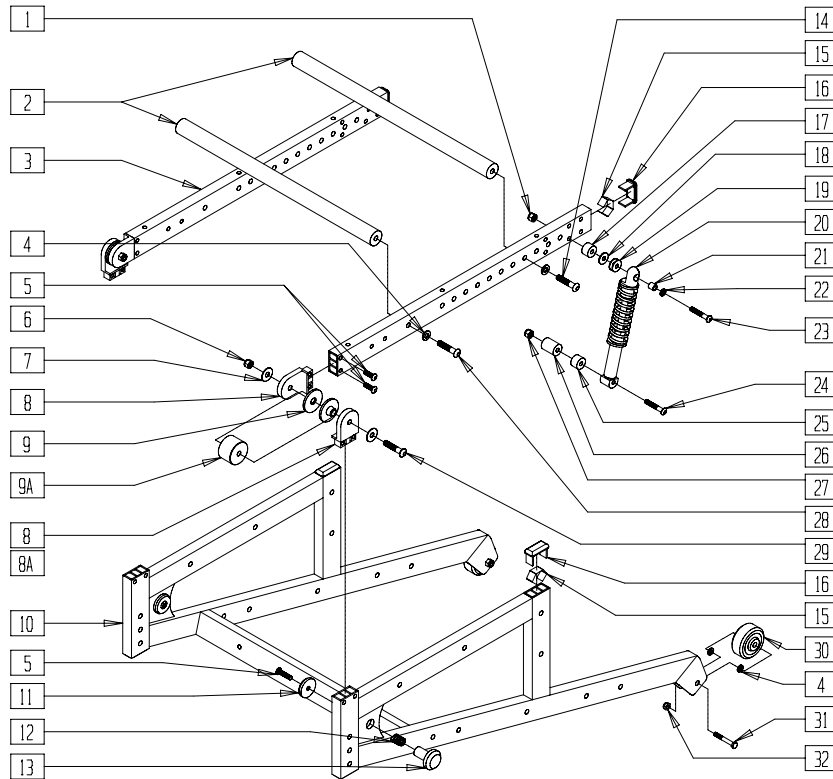
ITEM	NUMBER	DESCRIPTION	QTY
1	505388-505394	STRUT BAR P3	2
3	263100	5/16 AN WASHER FLAT	8
4	226100	1/4-28 x 3/4 BH C/S	10
5	202103	5/16-18 NYLOCK NUT THICK	2
6	263118	5/16 WASHER TYPE B R SERIES	4
7*	550020	SEAT PIVOT REG P3	2-4
7A	550021	SEAT PIVOT TALL P3	2
8	560800	FRAME BUSHING T45/P3N	4
8A	550234	FRAME SPACER 1/2" P3 (17", 19" WIDTH)	2
	550235	FRAME SPACER 1" P3 (16" WIDTH)	
	550236	FRAME SPACER 1 1/2" P3 (15" WIDTH)	
	550237	FRAME SPACER 2" P3 (14" WIDTH)	
	560257	QUAD RELEASE END P190	
10	321720	SPRING QUAD LATCH RELEASE P190	2
11	560256	QUAD RELEASE BUTTON P190	2
12	560256	QUAD RELEASE BUTTON P190	2
13	201100-QU	1/4-28 NYLOCK NUT THIN	2
14	262110-QU	1/4 AN WASHER FLAT THIN	8
15	540190	RECT TUBING CAP SPRING P2	4
16	561372	3/4" x 1 1/2" RECT TUBING CAP	4
17	330031	SUSPENSION SPACER 1/2" P3 (15" WIDTH)	2
	330032	SUSPENSION SPACER 1" P3 (14" WIDTH)	2
18	226198	5/16-18 x 2 BH C/S SHT THREAD	2
19	330032	SUSPENSION SPCR 1" P3	2
20	226130	1/4-28 x 1 1/2 BH C/S (16"-20" WIDTH)	2
	226150	1/4-28 x 2 BH C/S (15" WIDTH)	2
	226166	1/4-28 x 2 1/2 BH C/S BLK (14" WIDTH)	2
21	505455	FIXED SEAT ADJ BRKT P3	2

ITEM	NUMBER	DESCRIPTION	QTY
22	221151-QU	1/4-28 x 1 3/4 G8 HEX C/S (14"-17", 19" WIDTH)	2
	221191	1/4-28 x 2 1/4 G8 HEX C/S (18", 20" WIDTH)	2
23	330031	SUSPENSION SPACER 1/2" P3 (18", 20" WIDTHS)	2
24	226190	5/16-18 x 1 3/4 BH C/S SHLDR	2
	222256	5/16-18 x 1 1/2 BH C/S (18", 20" WIDTH)	2
	226198	5/16-18 x 2 BH C/S SHT THREAD (17", 19" WIDTH)	
	222242	5/16-18 x 2 1/2 HEX C/S (16" WIDTH)	
	222192	5/16-18 x 3 HEX C/S (15" WIDTH)	
222255	5/16-18 x 3 1/2 HEX C/S (14" WIDTH)		
26	400010	WHEEL ONLY 2" x 7/8" ANTI TIP	2
27	235010	M8-45 HEX C/S	2
28	210072	M8 NYLOCK NUT	2
1-4,7,15,16,18,24	662754-662760	SEAT FRAME PNTD P3 RECT 14"-20" (SPECIFY COLOR)	
4,7,9,15,16	605065	FRAME STD P3 RECT REG PVT (14"-18" SEAT)	
	605066	FRAME WIDE P3 RECT REG PVT (19"-20" SEAT)	
	605067	FRAME STD LONG P3 RECT REG PVT (14"-18" SEAT)	
	605068	FRAME WIDE LNG P3 RECT REG PVT (19"-20" SEAT)	
4,7A,9,15,16	605070	FRAME STD P3 RECT TALL PVT	
	605071	FRAME WIDE P3 RECT TALL PVT	
	605072	FRAME STD LNG P3 RECT TALL PVT	
	605073	FRAME WIDE LNG P3 RECT TALL PVT	

* REGULAR FRAME USES FOUR OF ITEM 7; TALL FRAME USES TWO OF ITEM 7 AND TWO OF ITEM 7A.

FRAME (SHOCK SUSPENSION SEAT) (QUICKIE P300)

(Discontinued 6/30/00 - parts only) (Fits P300 beginning serial number P3-10500)



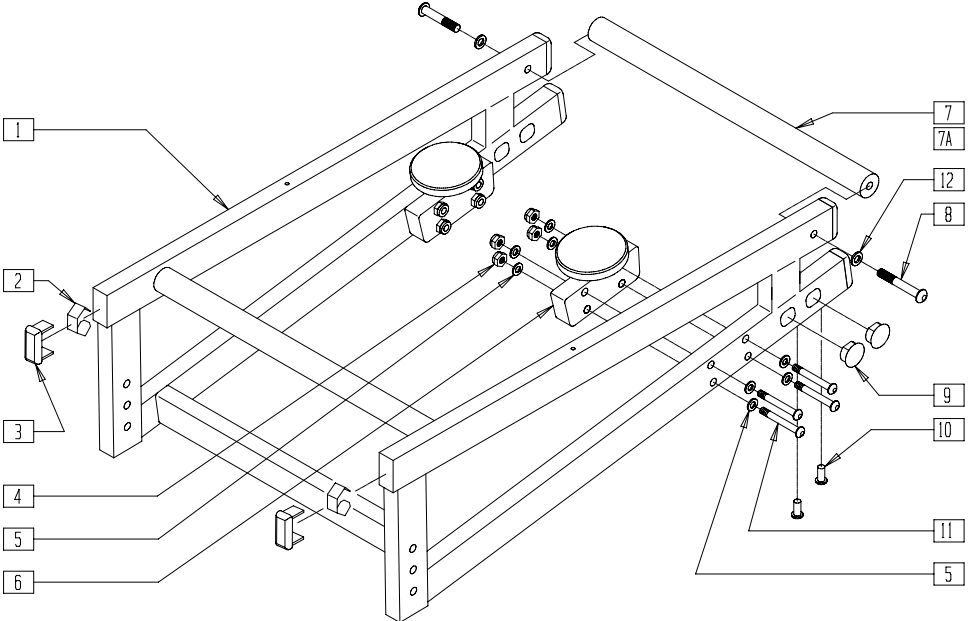
P300AX1B

ITEM	NUMBER	DESCRIPTION	QTY
1	201110	1/4-28 NYLOCK NUT	2
2	505388-505394	STRUT BAR P3	2
4	263100	5/16 AN WASHER FLAT	8
5	226100	1/4-28 x 3/4 BH C/S	10
6	202103	5/16-18 NYLOCK NUT THICK	2
7	263118	5/16 WASHER TYPE B R SERIES	4
8*	550020	SEAT PIVOT REG P3	2-4
8A	550021	SEAT PIVOT TALL P3	2
9	560800	FRAME BUSHING T45/P3N	4
9A	550234	FRAME SPACER 1/2" P3 (17", 19" WIDTH)	2
	550235	FRAME SPACER 1" P3 (16" WIDTH)	
	550236	FRAME SPACER 1 1/2" P3 (15" WIDTH)	
	550237	FRAME SPACER 2" P3 (14" WIDTH)	
11	560257	QUAD RELEASE END P190	2
12	321720	SPRING QUAD LATCH RELEASE P190	2
13	560256	QUAD RELEASE BUTTON P190	2
14	226198	5/16-18 x 2 BH C/S SHT THREAD	2
15	540190	RECT TUBING CAP SPRING P2	4
16	561372	3/4" x 1 1/2" RECT TUBING CAP	4
17	330031	SUSPENSION SPACER 1/2" P3 (14", 17", 19" WIDTH)	2
	330032	SUSPENSION SPACER 1" P3 (16" WIDTH)	
18	561026	3/4" WASHER 1/4 HOLE	2
19	263142	3/8 ID x .75 OD WASHER NYLON	4
20	880890-880892	SHOCK ASSEMBLY P3	2
21	481157	WHEEL LOCK SPACER	2
22	262100-QU	1/4 AN WASHER FLAT	4
23	226140	1/4-28 x 1 3/4 BH C/S (15", 18", 20" WIDTH)	2
	226155	1/4-28 x 2 1/4 BH C/S (14", 17", 19" WIDTH)	
	221193	1/4-28 x 2 3/4 G8 HEX C/S (16" WIDTH)	

ITEM	NUMBER	DESCRIPTION	QTY
24	221181	1/4-28 x 2 1/2 G8 HEX C/S (14", 15" WIDTH)	2
	221191	1/4-28 x 2 1/4 G8 HEX C/S	
25	330031	SUSPENSION SPACER 1/2" P3 (14", 15" WIDTH)	2
26	330031	SUSPENSION SPACER 1/2" P3 (14", 15" WIDTH)	2
	330032	SUSPENSION SPACER 1" P3 (16"-20" WIDTH)	
27	201100	1/4-28 NYLOCK NUT THIN	2
28	226190	5/16-18 x 1 3/4 BH C/S SHLDR	2
29	222256	5/16-18 x 1 1/2 BH C/S (18", 20" WIDTH)	2
	226198	5/16-18 x 2 BH C/S SHT THREAD (17", 19" WIDTH)	
	222242	5/16-18 x 2 1/2 HEX C/S (16" WIDTH)	
	222192	5/16-18 x 3 HEX C/S (15" WIDTH)	
	222255	5/16-18 x 3 1/2 HEX C/S (14" WIDTH)	
30	400010	WHEEL ONLY 2" x 7/8" ANTI TIP	2
31	235010	M8-45 HEX C/S	2
32	210072	M8 NYLOCK NUT	2
2-5,8,14-16,28	662754-662760	SEAT FRAME PNTD P3 RECT 14"-20" (SPECIFY COLOR)	
5,8,10,15,16	605065	FRAME STD P3 RECT REG PVT (14"-18" SEAT)	
	605066	FRAME WIDE P3 RECT REG PVT (19"-20" SEAT)	
	605067	FRAME STD LONG P3 RECT REG PVT (14"-18" SEAT)	
	605068	FRAME WIDE LNG P3 RECT REG PVT (19"-20" SEAT)	
5,8A,10,15,16	605070	FRAME STD P3 RECT TALL PVT	
	605071	FRAME WIDE P3 RECT TALL PVT	
	605072	FRAME STD LNG P3 RECT TALL PVT	
	605073	FRAME WIDE LNG P3 RECT TALL PVT	

* REGULAR FRAME USES FOUR OF ITEM 8; TALL FRAME USES TWO OF ITEM 8 AND TWO OF ITEM 8A.

BASE FRAME (QUICKIE P320)
 (Discontinued 6/30/00 - parts only)



P200X71

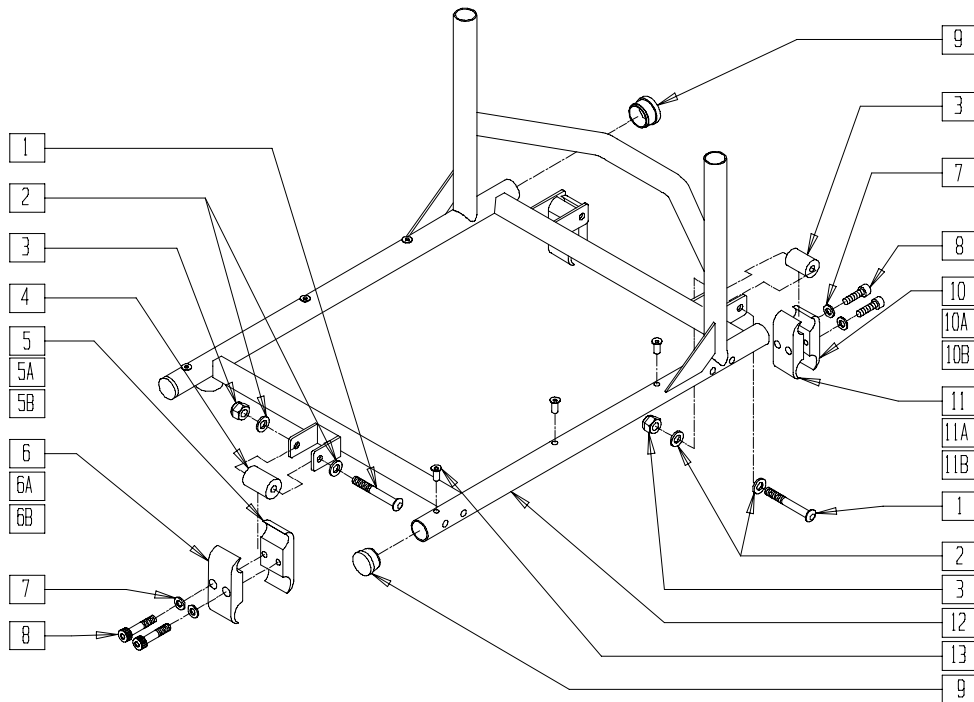
ITEM	NUMBER	DESCRIPTION	QTY
2	540190	RECT TUBING CAP SPRING P2	6
3	561372	3/4" x 1-1/2" RECT TUBING CAP	6
4	202103	5/16-18 NYLOCK NUT THICK	8
5	263100	5/16 AN WASHER FLAT	8
7	505380	STRUT BAR STD P320	1
7A	505382	STRUT BAR WIDE P320	1
8	226190	5/16-18 x 1 3/4 BH C/S SHLDR	2
9	560736	.75 DOUBLE D HOLE PLUG BLK	4
10	341503	RIVNUT 1/4" x 28 RIBBED	4
11	226198	5/16-18 x 2 BH C/S SHT THREAD	8

ITEM	NUMBER	DESCRIPTION	QTY
12	263100	5/16 AN WASHER FLAT	2
1-3,9,10	605030	FRAME PNTD STANDARD P320 (SPECIFY COLOR)	
	605031	FRAME PNTD WIDE P320 (SPECIFY COLOR)	
4-6,11	880546	QUICKCNNCT KNB/BLCK ASSM P2 (EA)	
	920245	QUICKCNNCT KNB/BLCK ASSM P2 (PR)	
7,8,12	675061	P320 STD STRUT BAR ASSM	
7A,8,12	675062	P320 WIDE STRUT BAR ASSM	

* ITEMS 7,8 AND 12 ARE NOT USED WITH THE LABAC SYSTEM.

SEAT FRAME (QUICKIE P320)

(Discontinued 6/30/00 - parts only)



SEAT CLAMP KIT REFERENCE GUIDE

PART NUMBER	FLOOR TO SEAT HEIGHT	
	FRONT	REAR
P320		
920800	17 1/2"	17"
920801	18 1/2"	18 1/4"
920802	18 1/2"	17"
920803	19 1/2"	17"
920804	19 1/2"	18 1/4"
920805	19 1/2"	19"

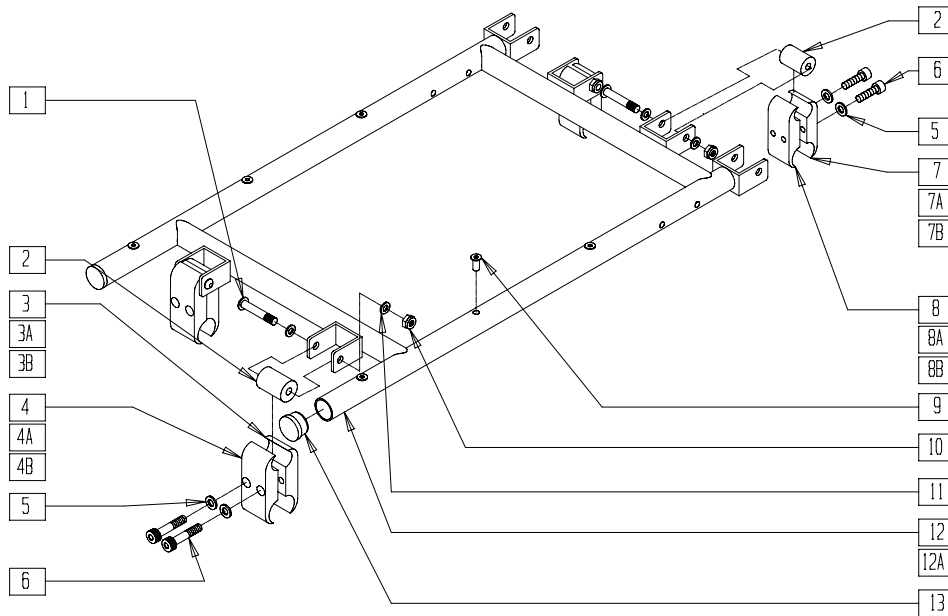
P300X02A

ITEM	NUMBER	DESCRIPTION	QTY
1	226198	5/16-18 x 2 BH C/S SHT THREAD	3
2	263100	5/16 AN WASHER FLAT	6
3	202103	5/16-18 NYLOCK NUT THICK	3
4	483704	SEAT CLAMP SPACER P300	3
5	550708	CLAMP 1 1/2" THREADED	1
5A	550276	CLAMP 2 1/4" THREADED CLR	1
5B	550716	CLAMP 3 1/4" THREADED	1
6	550709	CLAMP 1 1/2" RECESSED	1
6A	550277	CLAMP 2 1/4" RECESS CLR	1
6B	550717	CLAMP 3 1/4" RECESS	1
7	262114	1/4 WASHER HI COLLAR LOCK ZN	6
8	226112	1/4-28 x 1 SOC C/S BLK	6
9	560315	1" BUSHING .065	4
10	550709	CLAMP 1 1/2" RECESSED	2
10A	550277	CLAMP 2 1/4" RECESS CLR	2
10B	550717	CLAMP 3 1/4" RECESS	2
11	550708	CLAMP 1 1/2" THREADED	2
11A	550276	CLAMP 2 1/4" THREADED CLR	2

ITEM	NUMBER	DESCRIPTION	QTY
11B	550716	CLAMP 3 1/4" THREADED	2
9, 12,13	663802-663866	SEAT FRAME P300 LOW 14"x14" - 20"x18-20"	
1-8,10,11	920800	CLMP KIT 17 1/2F, 17R P320	
1-4,5A,6A,7,8,10,11	920802	CLMP KIT 18 1/2F, 17R P320	
1-4,5A,6A,7,8,10A,11A	920801	CLMP KIT 18 1/2F, 18 1/4R P320	
1-4,5B,6B,7,8,10,11	920803	CLMP 19 1/2F, 17R P320	
1-4,5B,6B,7,8,10A,11A	920804	CLMP KIT 19 1/2F, 18 1/4R P320	
1-4,5B,6B,7,8,10B,11B	920805	CLMP KIT 19 1/2F, 19R P320	

SEAT FRAME (QUICKIE P320 MANUAL RECLINE)

(Discontinued 6/30/00 - parts only)



SEAT CLAMP KIT REFERENCE GUIDE

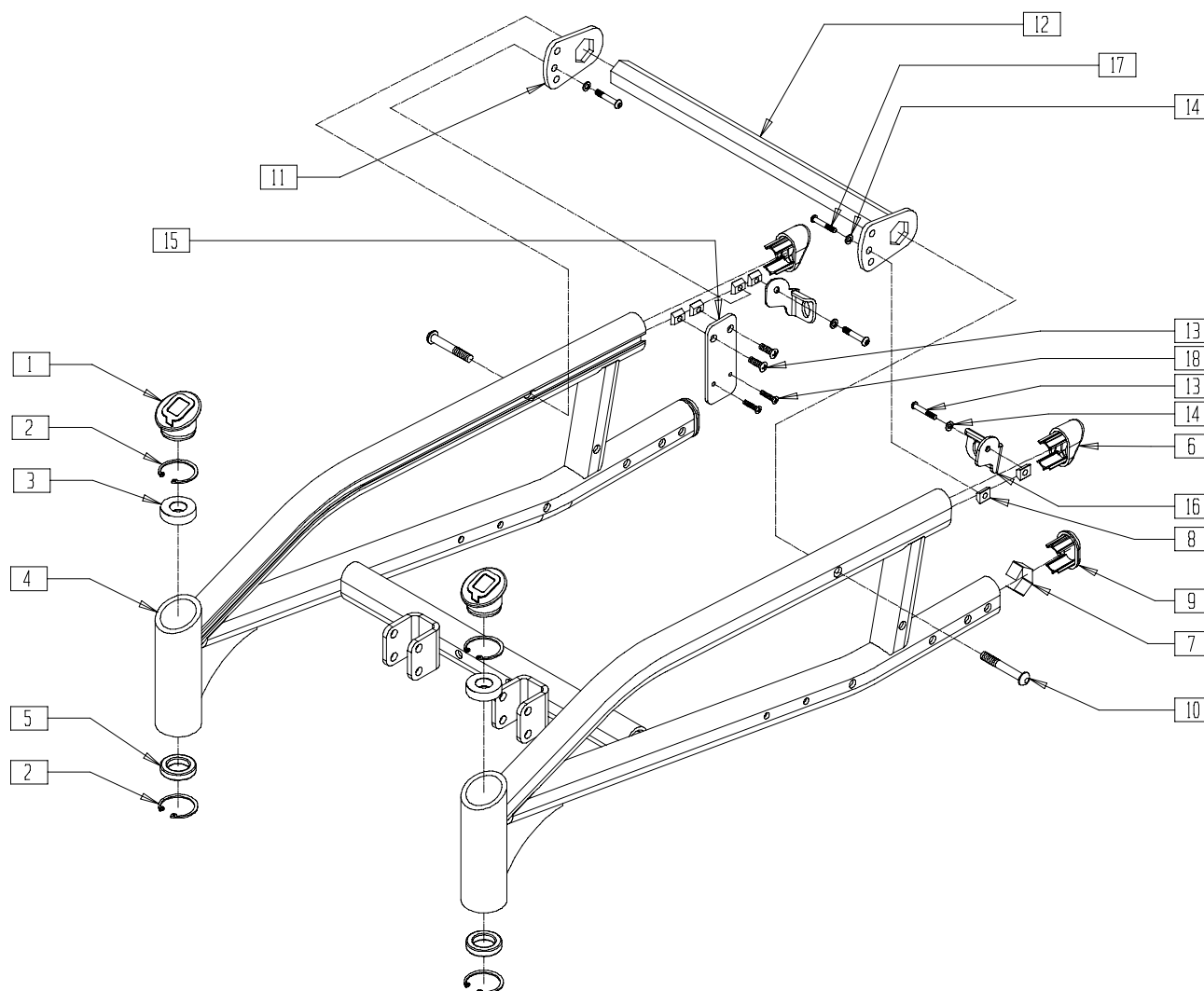
PART NUMBER	FLOOR TO SEAT HEIGHT	
	FRONT	REAR
P320 RECLINER		
920806	17 1/2"	17"
920807	18 1/2"	18 1/4"
920808	18 1/2"	17"
920809	19 1/2"	17"
920810	19 1/2"	18 1/4"
920811	19 1/2"	19"

P300X46A

ITEM	NUMBER	DESCRIPTION	QTY
1	226198	5/16-18 x 2 BH C/S SHT THREAD	4
2	483704	SEAT CLAMP SPACER P300	4
3	550708	CLAMP 1 1/2" THREADED	2
3A	550276	CLAMP 2 1/4" THREADED CLR	2
3B	550716	CLAMP 3 1/4" THREADED	2
4	550709	CLAMP 1 1/2" RECESSED	2
4A	550277	CLAMP 2 1/4" RECESS CLR	2
4B	550717	CLAMP 3 1/4" RECESS	2
5	262114	1/4 WASHER HI COLLAR LOCK ZN	8
6	226112	1/4-28 x 1 SOC C/S BLK	8
7	550709	CLAMP 1 1/2" RECESSED	2
7A	550277	CLAMP 2 1/4" RECESS CLR	2
7B	550717	CLAMP 3 1/4" RECESS	2
8	550708	CLAMP 1 1/2" THREADED	2
8A	550276	CLAMP 2 1/4" THREADED CLR	2
8B	550716	CLAMP 3 1/4" THREADED	2
9	341497	10-32 x .020-.130 RIVNUT GOLD	6
10	202103	5/16-18 NYLOCK NUT THICK	4
11	263100	5/16 AN WASHER FLAT	8
13	560315	1" BUSHING .065	2

ITEM	NUMBER	DESCRIPTION	QTY
9,12,13	663870	SEAT FRM STD RCLNR P3 (SPECIFY DIMENSIONS)	
9,12A,13	663871	SEAT FRM LONG RCLNR P3 (SPECIFY DIMENSIONS)	
1-8,10,11	920806	CLMP KIT 17 1/2F, 17R P320R	
1,2,3A,4A,5-8,10,11	920808	CLMP KIT 18 1/2F, 17R P320R	
1,2,3B,4A,5,6,7A,8A,10,11	920807	CLMP KIT 18 1/2F, 18 1/4R P320R	
1,2,3B,4B,5-8,10,11	920809	CLMP KIT 19 1/2F, 17R P320R	
1,2,3B,4B,5,6,7A,8A,10,11	920810	CLMP KIT 19 1/2F, 18 1/4R P320R	
1,2,3B,4B,5,6,7B,8B,10,11	920811	CLMP KIT 19 1/2F, 19R P320R	

FRAME (QUICKIE S-525)

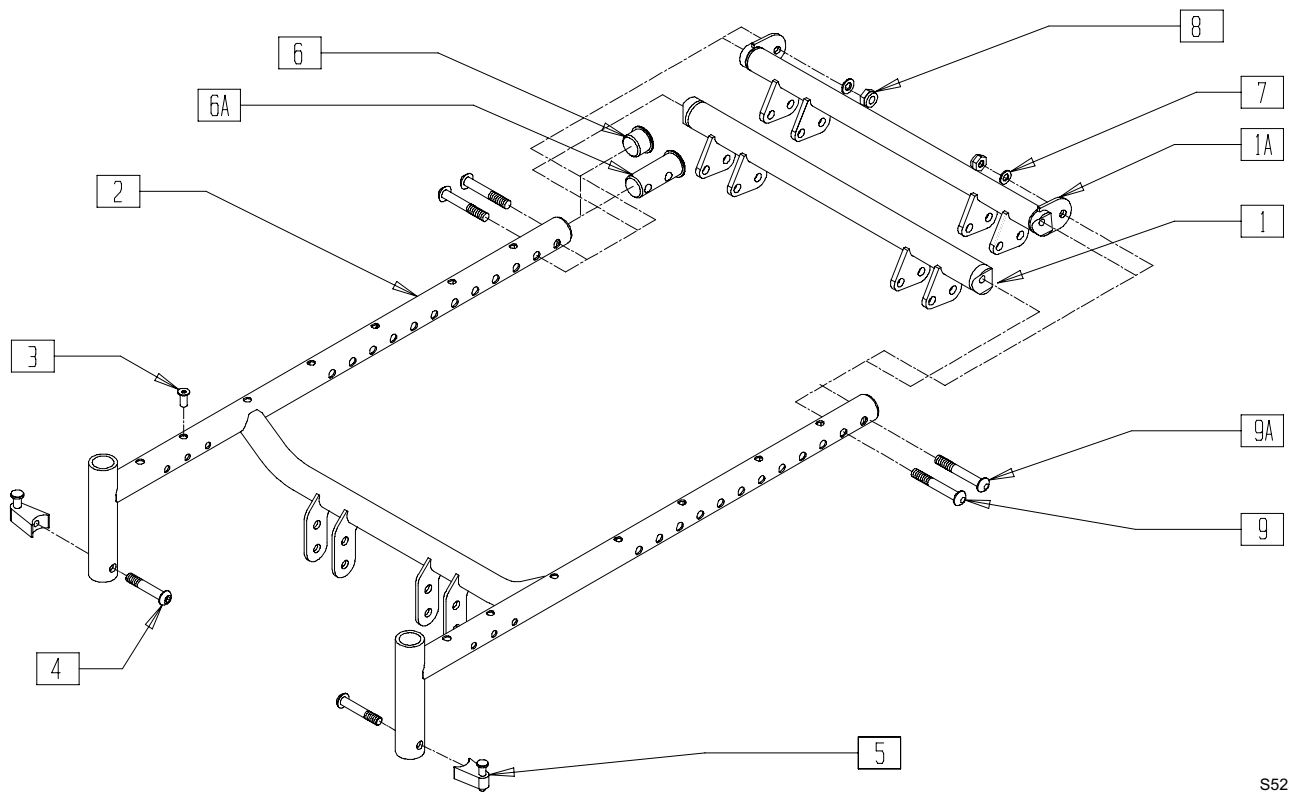


S525X03

ITEM	NUMBER	DESCRIPTION	QTY
1	567001	CASTER CAP S525	2
2	340003	INTERNAL RETAINING RING 1.39	4
3	349504	BEARING 32mm x 15mm x 9mm THICK	2
5	349490	BEARING 32mm x 20mm x 7mm	2
6	567004	END PLUG OVAL/BEVEL	2
7	540189	END CAP SPRING S525	2
8	481106-QU	1/4-28 CHANNEL NUT	6
9	567003	END PLUG OVAL	2
10	226228	3/8-16 x 2 BH C/S BLK	2
11	505901	ANTI-ROTATE KEY PLATE ADJ S525	2
12	505846	KEY BAR 16"	1
	505847	KEY BAR 18"	
	505848	KEY BAR 20"	

ITEM	NUMBER	DESCRIPTION	QTY
13	221090	1/4-28 x 3/8 BH C/S BLK	4
14	262100-QU	1/4 AN WASHER FLAT	4
15	550027	CONNECTOR PLATE S525	1
16	505839	LATCH RECEIVER R S525	1
	505841	LATCH RECEIVER L S525	1
17	221090	1/4-28 x 3/8 BH C/S BLK	2
18	281071	6-32 x 1 PAN PHIL M/S ZN	2
1-9, 13,17	662730	BASE FRAME 14"-16" PNTD S525	
	662731	BASE FRAME 17"-18" PNTD S525	
	662732	BASE FRAME 19"-20" PNTD S525	

FIXED SEAT FRAME (QUICKIE S-525)



S5250X13B

ITEM	NUMBER	DESCRIPTION	QTY
1	540027-	BACK TUBE WLDMNT 17"-20" G424	1
	540030	(S525 17"-18" NARROW, 19"-20" MEDIUM)	
1A	540380-	BACK TUBE WLDMNT	1
	540386	(14"-20") STL S525	
	540387-	BACK TUBE WLDMNT	1
	540389	(18"-20") 350 S525	
3	341497	10-32 x .020-.130 RIVNUT GOLD	14
4	226218	5/16-18 x 1 3/4 BH C/S BLK	2
5	881691	S/A LATCH BLCK PRSD ASSM BLK	2
6	560315	1" BUSHING .065	2
6A	483185	SEAT END PLUG	2
7	263100	5/16 AN WASHER FLAT	2

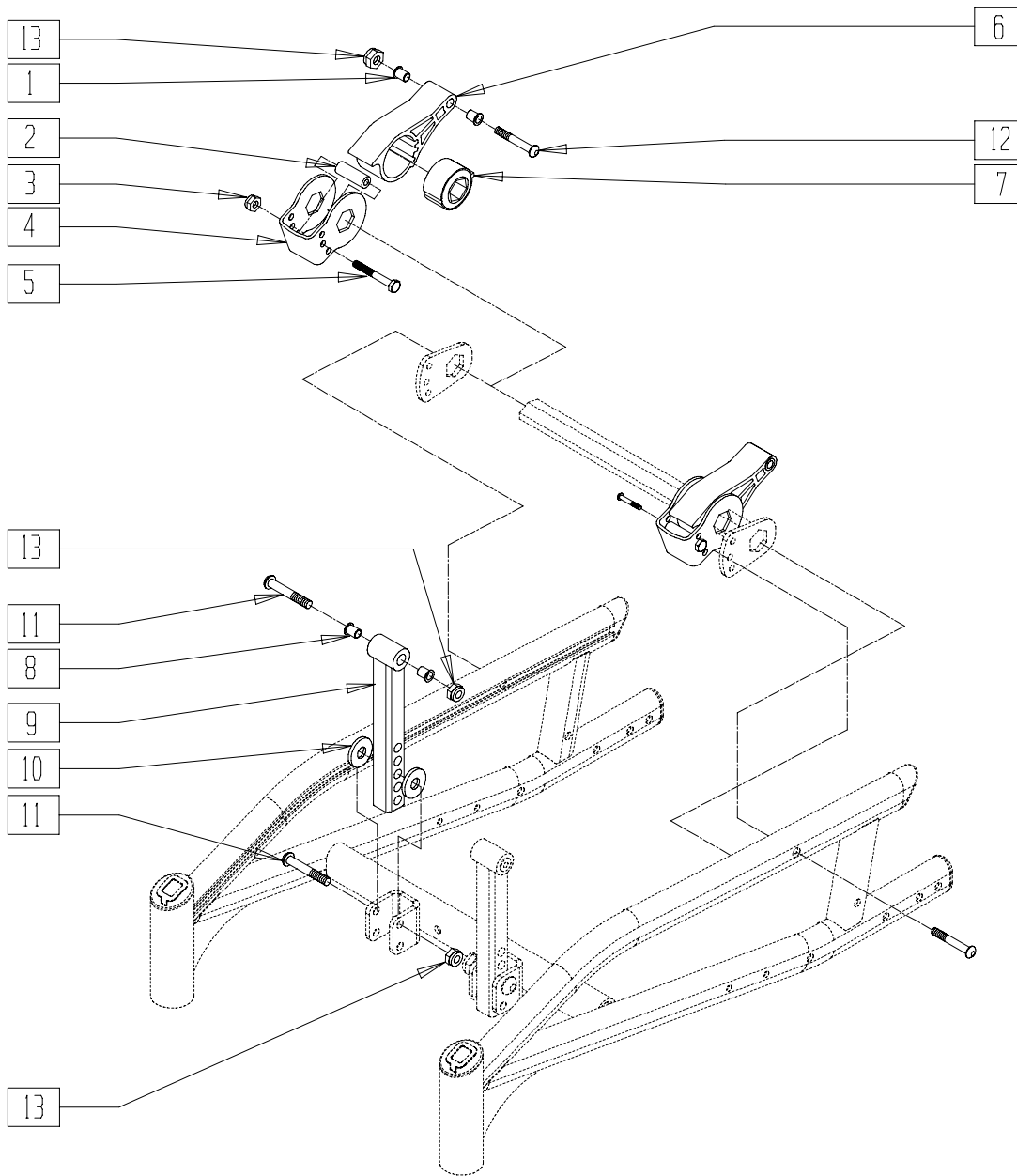
ITEM	NUMBER	DESCRIPTION	QTY
8	202117	5/16-18 NYLOCK NUT THICK BLK	2
9	226231	5/16-18 x 2 1/2 BH C/S BLK	2
9A	226218	5/16-18 x 1 3/4 BH C/S BLK	2
4,5	920244	S/A LATCH ASSM W/BLK BOLT	
1A,2,3,6A,7-9,9A	660144-660150	SEAT FRAME ASSM S525	
1A,2,3,6A,7-9,9A	660168-660170	SEAT FRAME ASSM S525 350LB 18"-20"	
1-3,6-9*	660205,660206	SEAT FRAME ASSM (17-18") NRROW S525	
	660207,660208	SEAT FRAME ASSM (19-20") MEDIUM S525	

NOTE: FOR ATTACHEMENT HARDWARE, PLEASE SEE SEAT FRAME INTERFACE (QUICKIE S-525) ON PAGE 1.26.

NOTE: SEAT FRAMES FOR CG TILT CHAIRS CAN BE FOUND ON PAGE 18.5 FOR THE POWER SEATING SYSTEM (INTEGRATED).

* ORDER ASSEMBLIES 660205-660208 FOR SPECIAL CIRCUMSTANCES THAT REQUIRE SEAT FRAME TO BE WIDER THAN BASE FRAME.

SEAT FRAME INTERFACE (QUICKIE S-525)



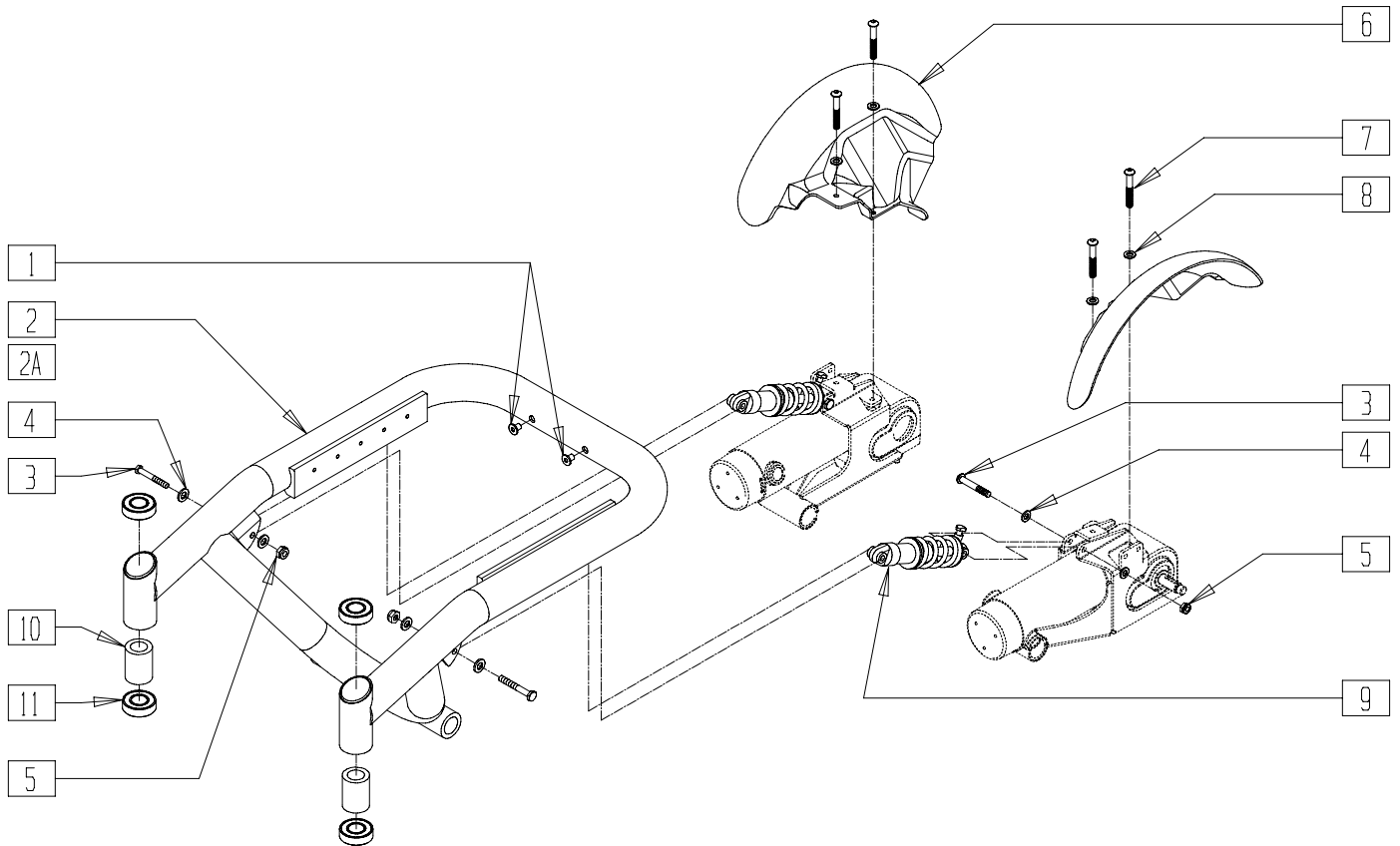
S5250X32

ITEM	NUMBER	DESCRIPTION	QTY
1	340172	BUSHING IGUS	4
2	560103	SUSPENSION FORWARD STOP BUMPER	2
	180111	SUSPENSION STOP BUMPER G424	
3	204110	1/4-28 NYLOCK NUT BLK ZN	1
4	505845	SUSPENSION STOP BRKT 250LB S525	1
	505844	SUSPENSION STOP BRCKT 350LB S525	
5	221192	1/4-28 x 2 G8 HEX C/S	2
6	550019	SEAT SUSPENSION RECEIVER	1
	550029	SEAT SUSPENSION RECEIVER 350 LB	

ITEM	NUMBER	DESCRIPTION	QTY
7	321000	TORSILASTIC SPRING LIGHT (150lb)	2
	321001	TORSILASTIC SPRING MED (250lb)	
	321002	TORSILASTIC SPRING HEAVY (350lb)	
	550018	SEAT SUSPENSION INSERT	
8	340172	BUSHING IGUS	4
9	540121	SEAT/FRAME FRONT VERT G424	2
10	561059	3/4 OD x .318 ID WASHER	4
11	226218	5/16-18 x 1 3/4" BH C/S BLK	4
12	226350	5/16-18 x 2" BH SHLDR C/S BLK	2
13	202116	5/16-18 NYLOCK NUT THIN BLK	6

FRAME (QUICKIE S-626)

(Quickie S-626 transitioned into the Quickie S-646 beginning 7/26/02)



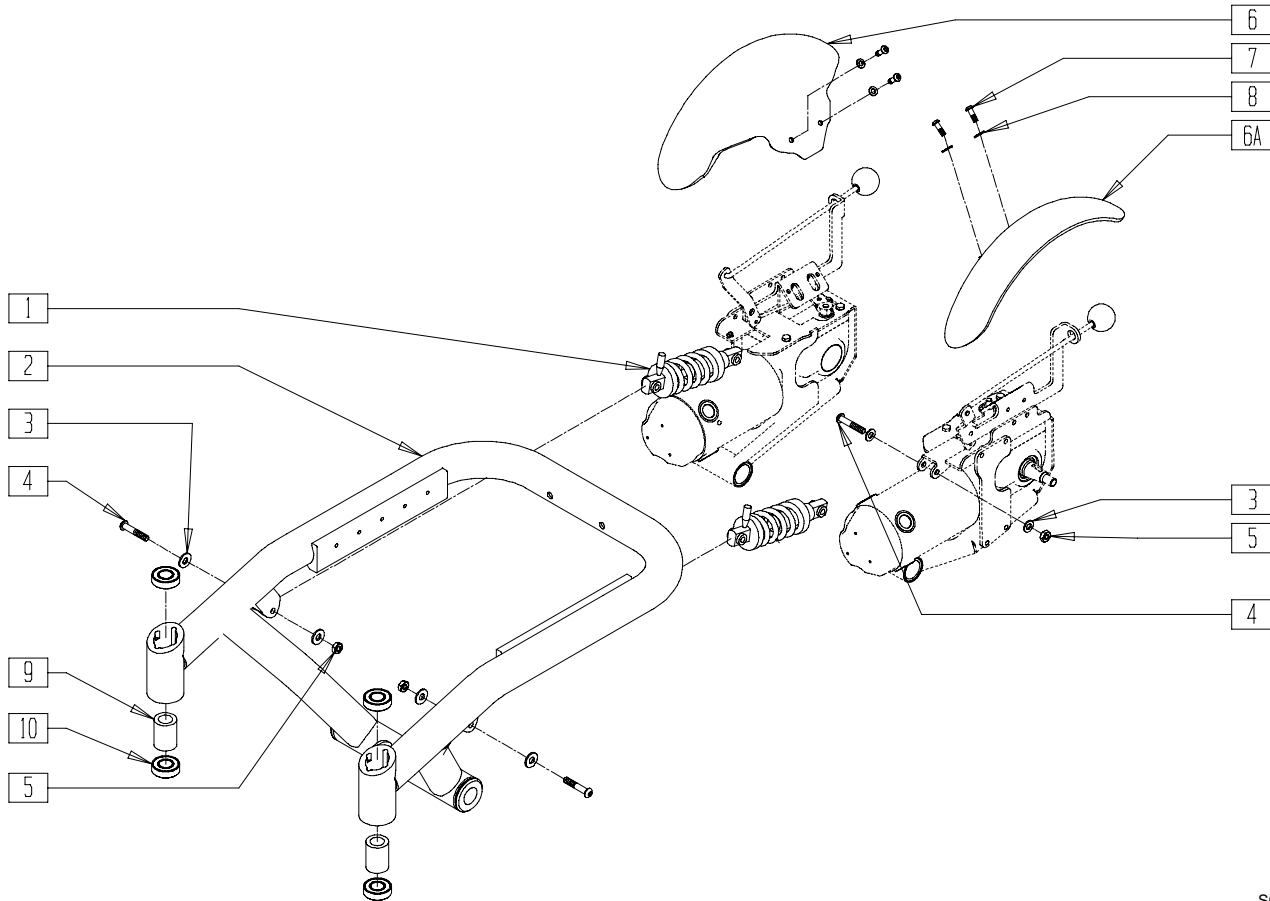
S6260X5B

ITEM	NUMBER	DESCRIPTION	QTY
1	341503	RIVNUT 1/4" x 28 RIBBED	2
3	222235	5/16-18 x 1 3/4" HEX C/S BLK	4
4	263100	5/16 AN WASHER FLAT	8
5	202117	5/16-18 NYLOCK NUT THICK BLK	4
6	900320	DRIVE WHEEL FENDER S626 (PR)	1
7	226064	1/4-28 x 3/4 BH C/S BLK W/PTCH	4
8	262100-QU	1/4 AN WASHER FLAT	4

ITEM	NUMBER	DESCRIPTION	QTY
9	883040	SHOCK ASSEMBLY 250lb	1
	883041	SHOCK ASSEMBLY 400lb	
	883042	SHOCK ASSEMBLY 250lb TILT	
	883043	SHOCK ASSEMBLY 400lb TILT	
1,2,10,11	662740*	BASE FRM S62 16" W/LRG BRNG STM (14-20" WIDE CHAIR)	
1,2A,10,11	662741*	BASE FRM S62 18" W/LRG BRNG STM (22-24" WIDE CHAIR)	

* BASE FRAME ASSEMBLIES (662740, 662741) INCLUDE CASTER BEARINGS AND SPACERS (ITEMS 10 AND 11), ANTI-FLUTTER DISCS AND BEARING SNAP RINGS (NOT SHOWN). PLEASE SEE FRONT FIXED FORK AND CASTER ASSEMBLY (QUICKIE S-626/S-646/S-646SE) ON PAGE 8.13 FOR THESE PARTS.

FRAME (QUICKIE S-646/S-646SE)



S646X04A

ITEM	NUMBER	DESCRIPTION	QTY
1	883040	SHOCK ASSEMBLY 250lb	1
	883041	SHOCK ASSEMBLY 400lb	
	883042	SHOCK ASSEMBLY 250lb TILT	
	883043	SHOCK ASSEMBLY 400lb TILT	
2,9,10	662744*	BASE FRM S646 16" W/LRG BRNG	1
	662745*	BASE FRM S646 18"W/LRG BRNG	
3	263110-QU	5/16 AN WASHER FLAT THIN	8

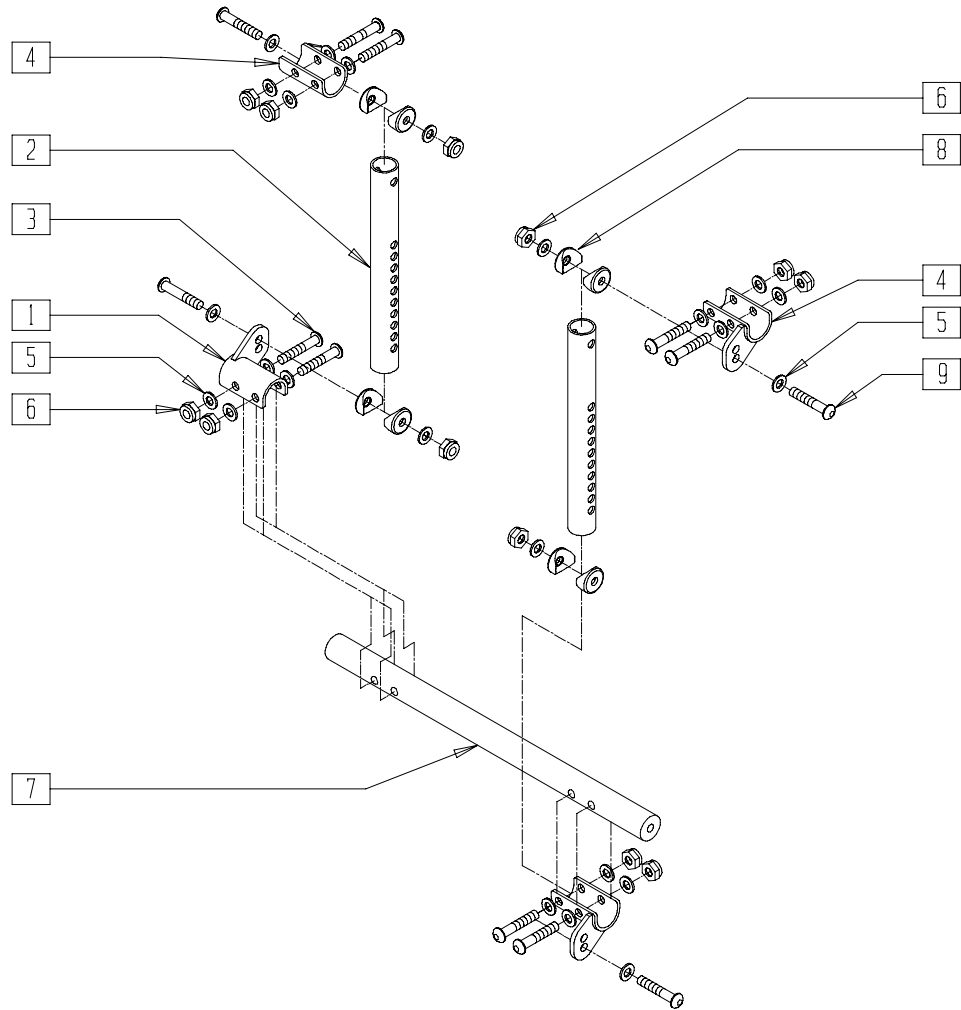
ITEM	NUMBER	DESCRIPTION	QTY
4	222235	5/16-18 x 1 3/4" HEX C/S BLK	4
5	202117	5/16-18 NYLOCK NUT THICK BLK	4
6	562774	DRIVE WHEEL FENDER 4-POLE R	1
6A	562775	DRIVE WHEEL FENDER 4-POLE L	1
7	221203	1/4-28 x 3/8 HEX C/S W/PATCH	4
8	262110-QU	1/4 AN WASHER FLAT THIN	4

* BASE FRAME ASSEMBLIES (662744, 662745) INCLUDE CASTER BEARINGS AND SPACERS (ITEMS 9 AND 10), ANTI-FLUTTER DISCS AND BEARING SNAP RINGS (NOT SHOWN). PLEASE SEE FRONT FIXED FORK AND CASTER ASSEMBLY (QUICKIE S-626/S-646/S-646SE) ON PAGE 8.13 FOR THESE PARTS.

FRONT VERTICAL SEAT SUPPORT (22"- 24" WIDE)

(QUICKIE S-626/S-646/S-646SE)

(Quickie S-626 transitioned into the Quickie S-646 beginning 7/26/02)



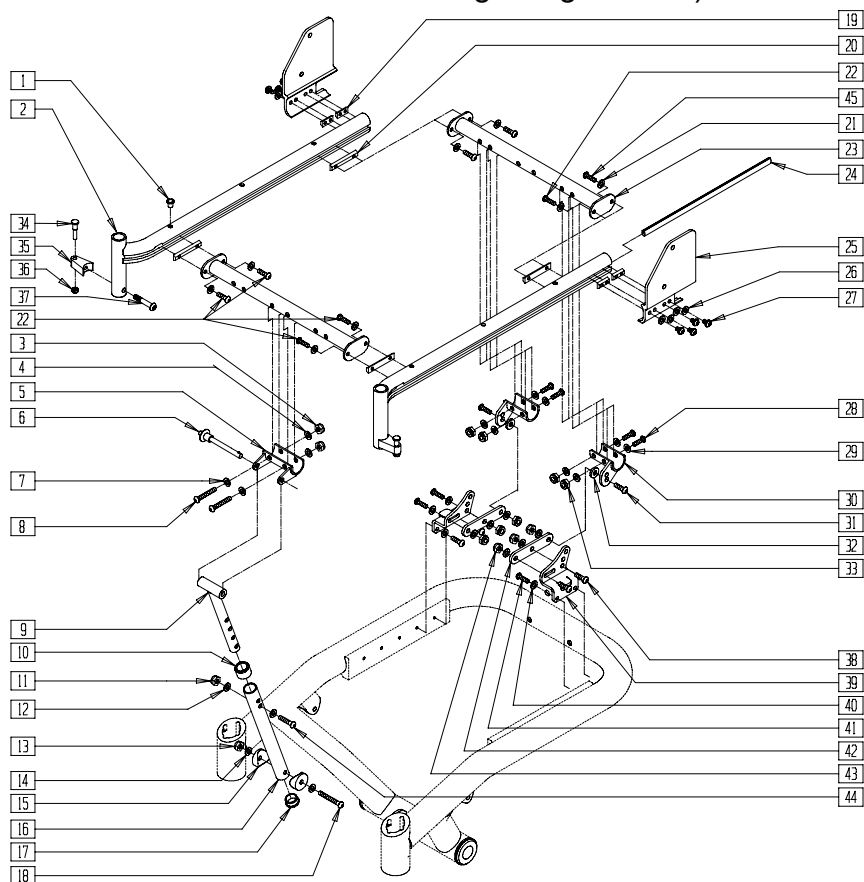
S626X46A

ITEM	NUMBER	DESCRIPTION	QTY
1	542031	RR SEAT MNT WELDMENT R S626	1
2	527451	VERT SUPPORT SEAT TUBE 22"-24" OPT	2
3	226218	5/16-18 x 1 3/4" BH C/S BLK	8
4	542030	RR SEAT MNT WELDMENT L S626	3
5	263100	5/16 AN WASHER FLAT	24

ITEM	NUMBER	DESCRIPTION	QTY
6	202117	5/16-18 NYLOCK NUT THICK BLK	12
7	505397	CROSS SUPPORT TUBE 22"-24"W OPT	1
8	561006	1" SADDLE 5/16" HOLE	8
9	226289	5/16-18 x 2 BH C/S BLK ZN	4
1-9	887721	FRONT VERT SEAT SUPPORT ASSM 22"-24"	

SEAT FRAME (QUICKIE S-626/S-646/S-646SE)

(Quickie S-626 transitioned into the Quickie S-646 beginning 7/26/02)



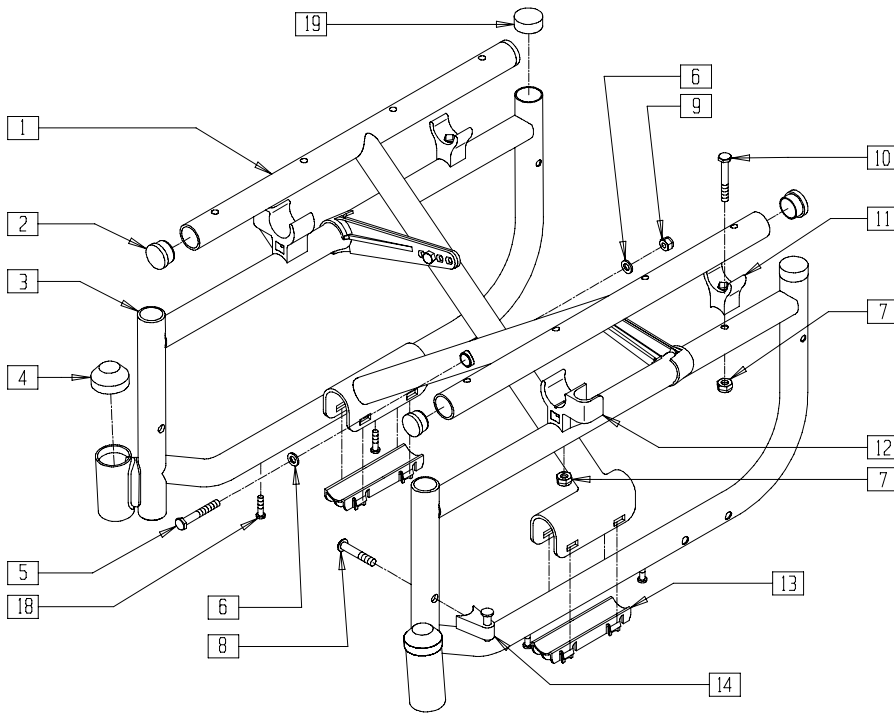
Drawing shows S-646 frame. S-626 frame is slightly different.

S646X06A

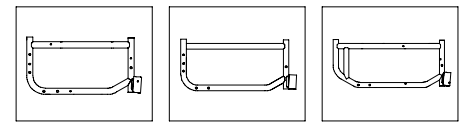
ITEM	NUMBER	DESCRIPTION	QTY
1	341497	10-32 x .020-.130 RIVNUT GOLD	6
3	202117	5/16-18 NYLOCK NUT THICK BLK	2
4	263100	5/16 AN WASHER FLAT	4
5	542024	FRONT SEAT ATTACH BRACKET S626	1
6	349039	5/16 x 2.7 QUICK RELEASE PIN	1
7	263110-QU	5/16 AN WASHER FLAT THIN	2
8	226218	5/16-18 x 1 3/4 BH C/S BLK	2
9	542066	SEAT SUPPORT WELDMNT S626	1
10	561018	1" TUBE END BUSHING THICK	1
11	202117	5/16-18 NYLOCK NUT THICK BLK	1
12	263100	5/16 AN WASHER FLAT	2
13	202116	5/16-18 NYLOCK NUT THIN BLK	1
14	263110-QU	5/16 AN WASHER FLAT THIN	2
15	561006	1" SADDLE 5/16" HOLE	2
16	526065	SEAT SUPPORT FEMALE S626	1
17	561002	1" INSERT PLUG .083	1
18	226289	5/16-18 x 2 BH C/S BLK ZN	1
19	481417	1/4-28 CHANNEL NUT 1/2" SP	4
20	481419	1/4-28 CHANNEL NUT 1.75" SP	4
21	262100-QU	1/4 AN WASHER FLAT	8
22	221012	1/4-28 x .44 SHCS BLK W/PL	6
23	542013-542025	CROSS SUPPORT WELDMNT	2
24	550605	DOVE TAIL RAIL STRIP PLUG	2
25	505500, 505501	BACK BRACKET S626 (EA)	1
26	262100-QU	1/4 AN WASHER FLAT	8
27	221012	1/4-28 x .44 SHCS BLK W/PL	8
28	226218	5/16-18 x 1 3/4" BH C/S BLK	4
29	263100	5/16 AN WASHER FLAT	8

ITEM	NUMBER	DESCRIPTION	QTY
30	542030, 542031	RR SEAT MNT WELDMNT S626 (EA)	1
31	220127	5/16-18 x 1 HHCS BLK W/PL	2
32	561059	3/4 OD x .318 ID WASHER	2
33	202117	5/16-18 NYLOCK NUT THICK BLK	4
34	481023	S/A LATCH STUD NEW	2
35	551310	LATCH STUD SUPPORT BLK	2
36	201100-QU	1/4-28 NYLOCK NUT THIN	2
37	226218	5/16-18 x 1 3/4" BH C/S BLK	2
38	222104	5/16-18 x 1" SOC C/S BLK ZN	4
39	540212, 540213	REAR SEAT MNT BRCKT WLDMNT (EA)	1
40	262100-QU	1/4 AN WASHER FLAT	4
41	220125	1/4-20 x .75 HHCS BLK W/PL	4
42	505532	REAR SEAT MOUNT LINK S626	2
43	202117	5/16-18 NYLOCK NUT THICK BLK	6
44	226176	5/16-18 x 1 1/2 BH C/S BLK	1
45	221016	1/4-28 x .63 SHCS BLK W/PL	2
34-37	920244	S/A LATCH ASSM W/BLK BOLT	2
1,2	660180, 660181	FLRD SEAT RAIL ASSM STD S626 (EA)	
	660182, 660183	FLRD SEAT RAIL ASSM LNG S626 (EA)	
	660184, 660185	STRGHT SEAT RAIL ASSM S626 (EA)	
9-18	887720	FRNT VERT SEAT SPRT ASSM 14"-20"	
20-23, 45	882290-882298	CROSS SUPPORT FRNT (14"W -24"W) W/HDWR	
3-8,28-33, 38,43	888880	FIXED SEAT FRAME HDWR 14-20 S626	

FRAME (QUICKIE V-121[P120])



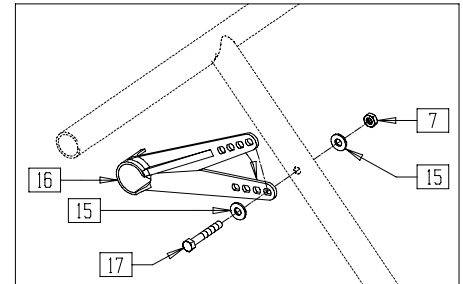
FRAME TYPE BY SEAT DEPTH



14"

16"

18"

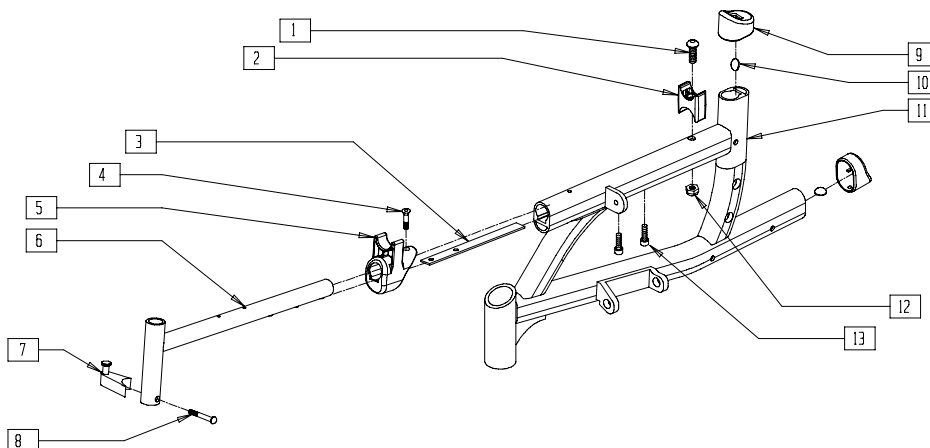


V121X01B

ITEM	NUMBER	DESCRIPTION	QTY
2	561062	1" INSERT PLUG .065 RIBS	4
4	560776	CAP STEM HOUSING	2
5	222249	5/16-24 x 3 G8 HEX C/S	1
6	263110-QU	5/16 AN WASHER FLAT THIN	2
7	201110-QU	1/4-28 NYLOCK NUT	6
8	226218	5/16-18 x 1 3/4 BH C/S SHLDR	2
9	202100-MJ	5/16-24 NYLOCK NUT THIN	1
10	221192	1/4-28 x 2 G8 HEX C/S	2
11	561175	SEAT SADDLE REAR BR/LXI	2
12	561113, 561114	ARM SADDLE FLP-BCK BR/LXI (EA)	1
13	560258	X-TUBE END CAP BUSHING	2
14	881691	S/A LATCH BLCK PRSD ASSM BLK	2
15	262100-QU	1/4 AN WASHER FLAT	4

ITEM	NUMBER	DESCRIPTION	QTY
7,16	887730- 887732	X-HINGE ASSM PLASTIC (12" - 22")	1
17	221151-QU	1/4-28 x 1 3/4 G8 HEX C/S	2
18	281128	#10 x 5/8 PAN PHIL S/TAP	4
19	561310	BR 1" TUBE END BUSHING CM	2
8,14	920244	S/A LATCH ASSM W/BOLT	
1,2,5-7	672770-	X-TUBE ASSM	
9-13,15-17	672781	(14" x 14") - (20" x 18") STEEL	
3,7,10-12 18,19	620188, 620189	SIDE FRAME PNTD 14" V121 (EA)	
	620190, 620191	SIDE FRM PNT 16" V121/P120 (EA)	
	620192, 620193	SIDE FRAME PNTD 18" V121 (EA)	

SIDE FRAME (QUICKIE V-521)

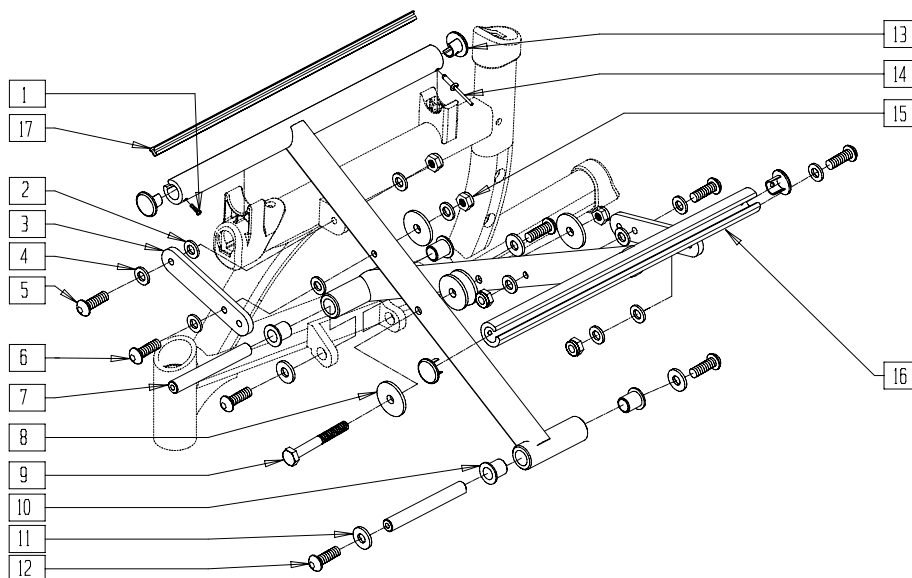


V5210X01A

ITEM	NUMBER	DESCRIPTION	QTY
1	226150	1/4-28 x 2 BH C/S	2
2	561191	SUSPENSION SADDLE LG	2
3	500882	PLATE REINFORCEMENT WSHR SHORT	2
	500883	PLATE REINFORCEMENT WASHR LONG	
4	201301	#10-32 x 5/8 OVAL HD TYPE II	2
5	561196	END CAP/SEAT SADDLE	1
6	542100	LEG SUPPORT WELDMNT V521	2
7	881691	S/A LATCH BLCK PRSD ASSM BLK	2

ITEM	NUMBER	DESCRIPTION	QTY
8	226218	5/16-18 x 1 3/4 BH C/S BLK	2
9	561195	END CAP 1.73" D-CELL EXTRUSION	2
10	560114	BUMPER URETHANE .375 x .14	2
12	201100-QU	1/4-28 NYLOCK NUT THIN	1
13	226107	1/4-28 x 7/8 SOC C/S	2
1-6,9-13	620210, 620211	SIDE FRAME PAINTED 14"/16" V-521	
1-6,9-13	620212, 620213	SIDE FRAME PAINTED 18"/20" V-521	
7,8	920244	S/A LATCH ASSEMBLY W/BOLT	

CROSS TUBE ASSEMBLY (QUICKIE V-521)

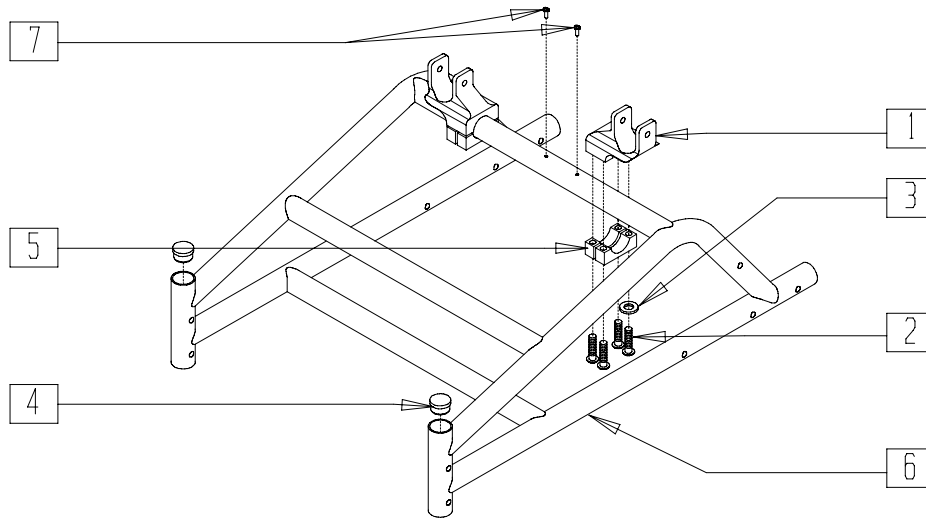


V5210X13

ITEM	NUMBER	DESCRIPTION	QTY
1	281131	#10 x 3/8 PAN PHIL S/TAP SCREW	2
2	561328	1/4" x .032 NYLON WASHER	4
3	500880	X-HINGE SHORT	2
	500881	X-HINGE LONG	
4	262100-QU	1/4 AN WASHER FLAT	2
5	226111	1/4-28 x 1 BH C/S SHLDR	2
6	226150	1/4-28 x 2 BH C/S	2
7	481518	SHAFT X-TUBE HINGE	2
8	561028	1/4" NYLON WASHER	3
9	222249	5/16-24 x 3 G8 HEX C/S	1

ITEM	NUMBER	DESCRIPTION	QTY
10	349597	BEARING IGUS 1/2 x 5/8 X 5/8	4
11	261504	1/4 x 5/8 OD WASHER SS	4
12	226071	1/4-28 x 1/2 BH C/S BLK	4
13	483552	SEAT RAIL PLUG Q2N	4
14	240111	RIVET POP AD55H BLK	2
15	201100-QU	1/4-28 NYLOCK NUT THIN	4
17	580024-580030	SEAT RAIL INSERT STRIP (14"-20")	2
1-16	672860-672871	X-TUBE ASSEMBLY 14" x 14" - 20" x 18"	

BASE FRAME (QUICKIE Z500[ZIPPPIE P500])

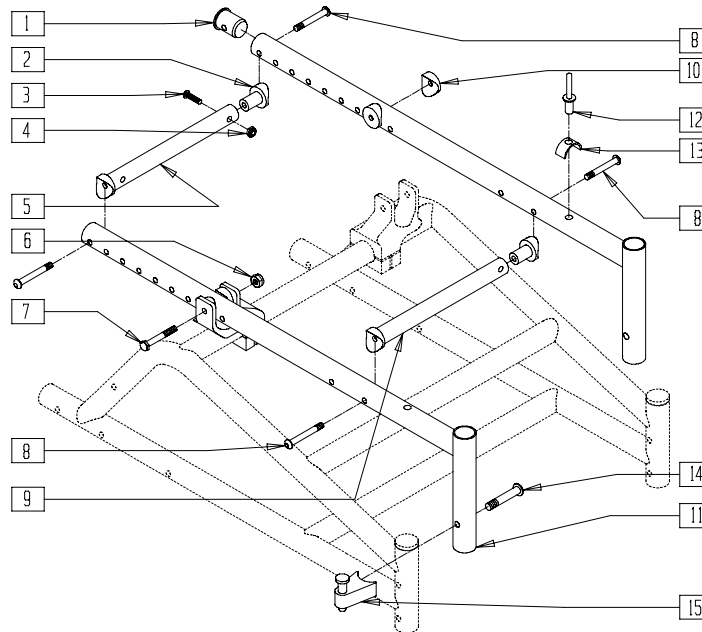


P500X01

ITEM	NUMBER	DESCRIPTION	QTY
1	501752	P5 PIVOT SEAT BRACKET	2
2	221124	1/4-28 x 1 1/4 G8 HEX C/S	8
3	262100-QU	1/4 AN WASHER FLAT	8
4	561005	1" INSERT PLUG .125	2

ITEM	NUMBER	DESCRIPTION	QTY
5	550210	LOW LOCK CLAMP BLK	4
7	341497	10-32 x .020-.130 RIVNUT GOLD	2
4,6,7	662700	FRAME PNTD P500 (SPECIFY COLOR)	

SEAT FRAME (QUICKIE Z500[ZIPPPIE P500])

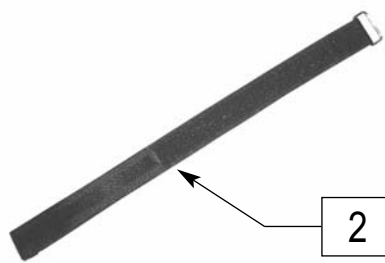


P500X02A

ITEM	NUMBER	DESCRIPTION	QTY
1	483089	SEAT TUBE PLUG S/A TS/P5	2
2	483161	STRUT SADDLE S525	4
3	226129	1/4-28 x 1 1/4 BH C/S	8
4	202300	1/4-28 NYLOCK NUT THIN BLK ZN	4
5	522804-522808	STRUT TUBE ZP/P5/KZ 12"-16"	1
6	201110-QU	1/4-28 NYLOCK NUT	2
7	226150	1/4-28 x 2 BH C/S	2
8	226267	1/4-28 x 1 5/8 BH C/S W/PATCH	12
9	522824-522826	STRUT TUBE P5 12"-14"	1
	522729, 522730	STRUT TUBE P5 15"-16"	1

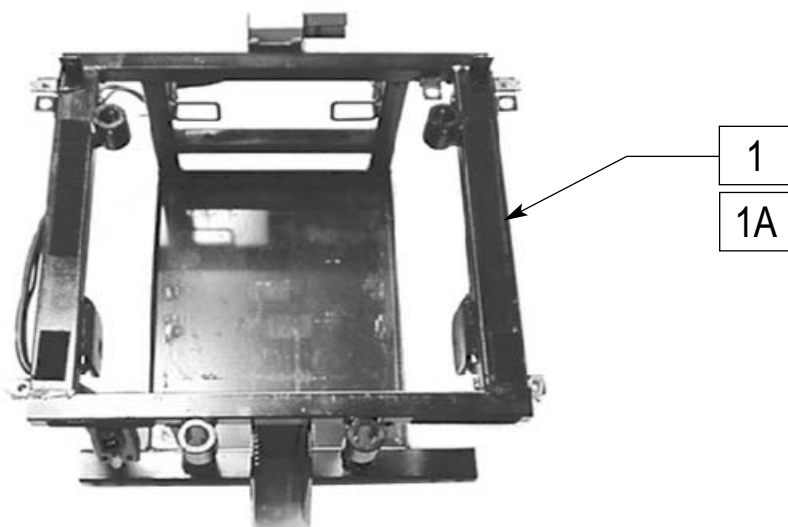
ITEM	NUMBER	DESCRIPTION	QTY
10	561004	1" SADDLE 1/4" HOLE	2
12	240108	RIVET POP SSD64SSBS	2
13	550489	SEAT STOP	2
14	226218	5/16-18 x 1 3/4" BH C/S BLK	2
15	881691	S/A LATCH BLCK PRSD ASSM BLK	2
1,11-13	660899	SEAT TUBE S/A PNTD TS/P5 10"-14" (SPECIFY COLOR)	
2-4,8	920311	TS STRUT TUBE HDWR KIT O/S	
14,15	920244	S/A LATCH ASSM W/BLK BOLT	
5,9	675052-675056	P5 GROWTH TUBE KIT 12"-16"	

BASE FRAME (QUICKIE FREESTYLE)



2

FRES0p02



1
1A

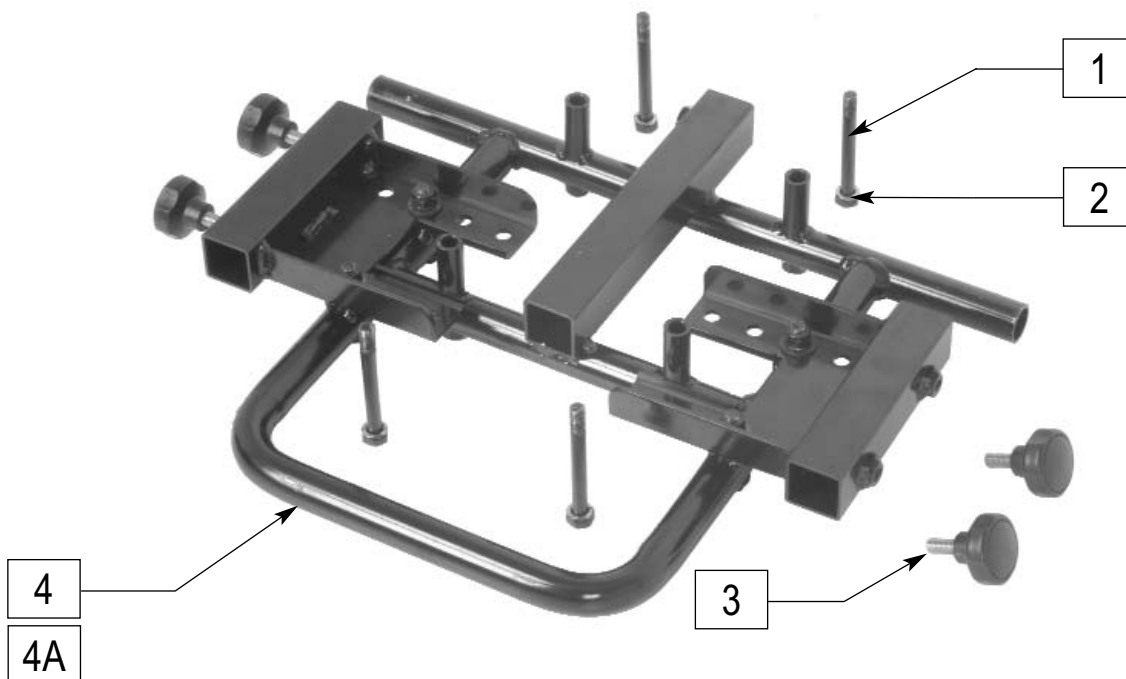
FRES0p03

ITEM	NUMBER	DESCRIPTION	QTY
1,2*	547000	BASE FRAME MINI	1
1A,2*	547001	BASE FRAME FULL	1

ITEM	NUMBER	DESCRIPTION	QTY
2	901009	CHARGER STRAP	1

* NOTE: INCLUDES CLIP ON NUTS AND CHARGER STRAPS

SEAT FRAME (QUICKIE FREESTYLE)



1

2

4

4A

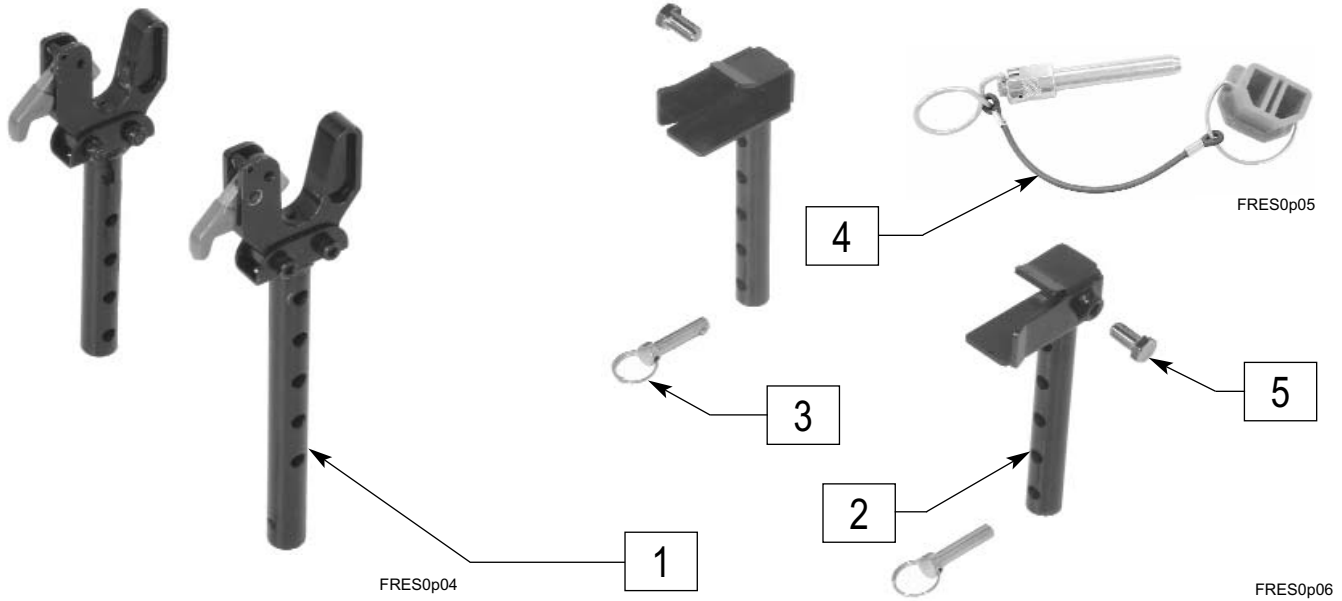
3

FRES0p14

ITEM	NUMBER	DESCRIPTION	QTY
1	210080	M8 x 1.25 x 75 HB SEAT MOUNTING	4
2	250106	M8 LOCK WASHER	4
3	349049	KNOB M8 x 1.25 x 18	4

ITEM	NUMBER	DESCRIPTION	QTY
3,4	660175	SEAT FRAME INTERFACE MINI	1
3,4A	660176	SEAT FRAME INTERFACE FULL	1

SEAT POSTS AND HARDWARE (QUICKIE FREESTYLE)

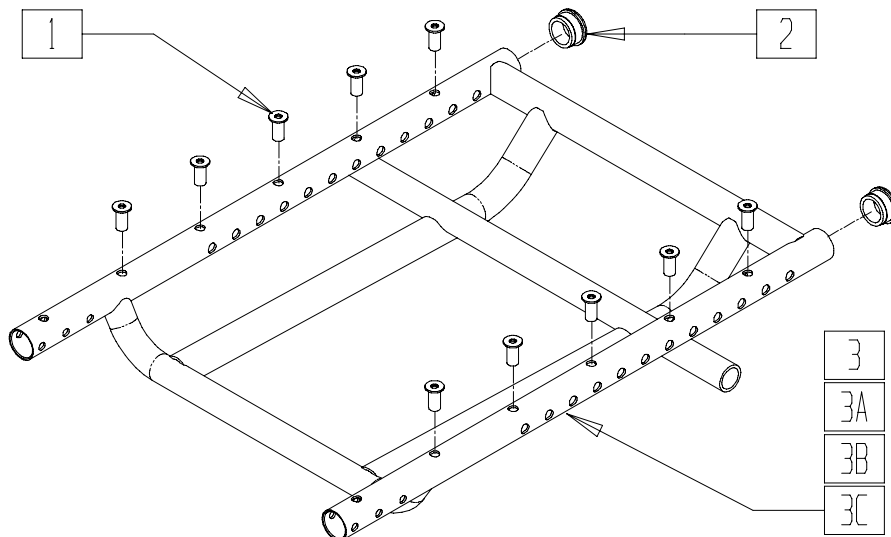


ITEM	NUMBER	DESCRIPTION	QTY
1	883176	FRONT SEAT POST LEFT & RIGHT	1
2,3	883177	REAR SEAT POST LEFT & RIGHT	1

ITEM	NUMBER	DESCRIPTION	QTY
3	330070	ADJUSTMENT PIN M8 x 32	2
4	138139	AC CHARGER PLUG CAP	1
5*	235005	M8-16 HEX C/S	2

*ITEM 5 USED WITH FREESTYLE REHAB SEATING ONLY.

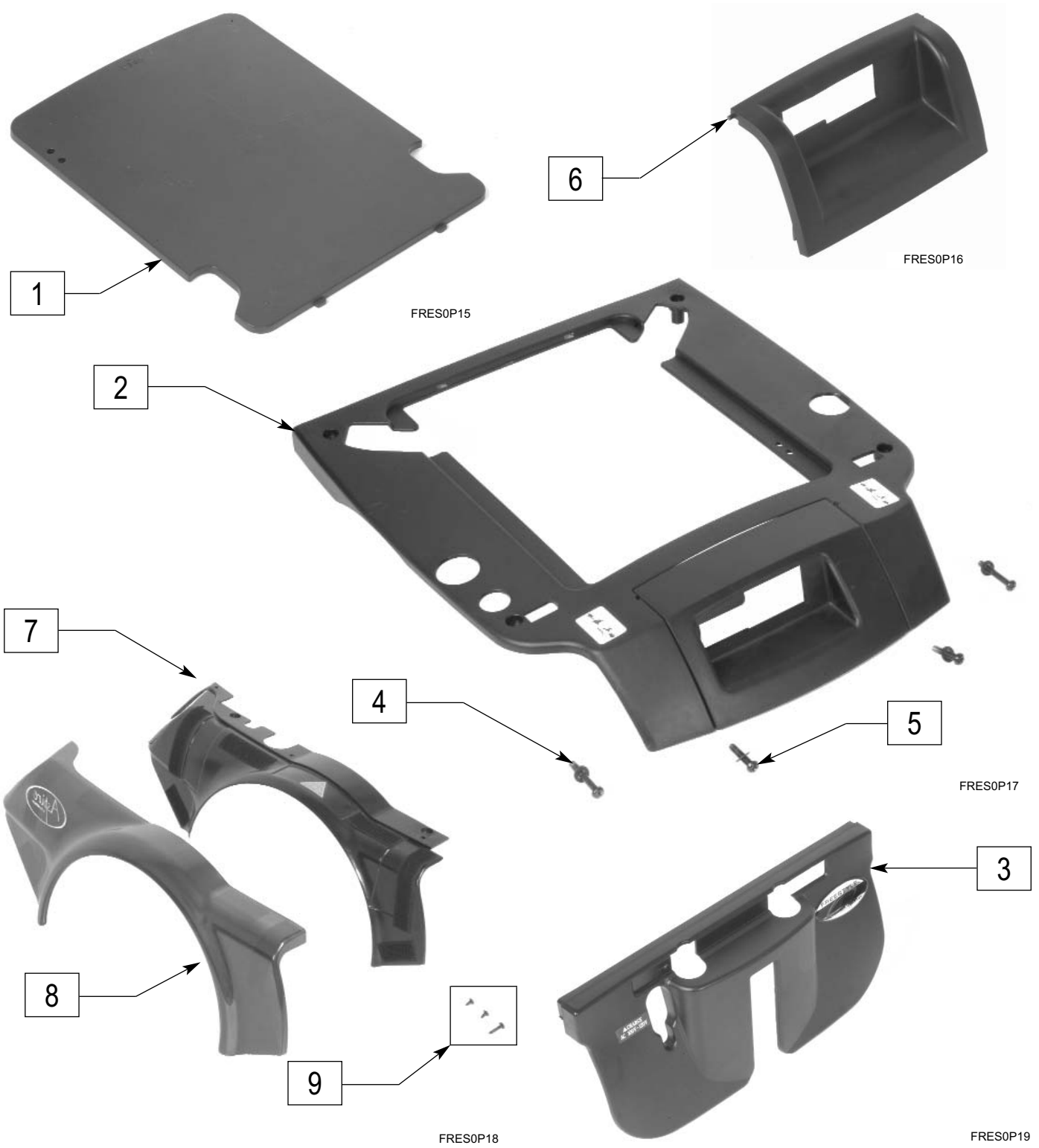
REHAB SEAT FRAME (QUICKIE FREESTYLE)



ITEM	NUMBER	DESCRIPTION	QTY
1	341523	RIVNUT, M5, 3.3 GRIP	10
2	560315	1" BUSHING .065	2
1-3	661420-661428	REHAB SEAT FRM MINI SHRT (14W- 24W)	
1,2,3A	661430-661438	REHAB SEAT FRM MINI LONG (14W- 24W)	

ITEM	NUMBER	DESCRIPTION	QTY
1,2,3B	661440-661448	REHAB SEAT FRM FULL SHRT (14W- 24W)	
1,2,3C	661450-667458	REHAB SEAT FRM FULL (LONG 14W- 24W)	

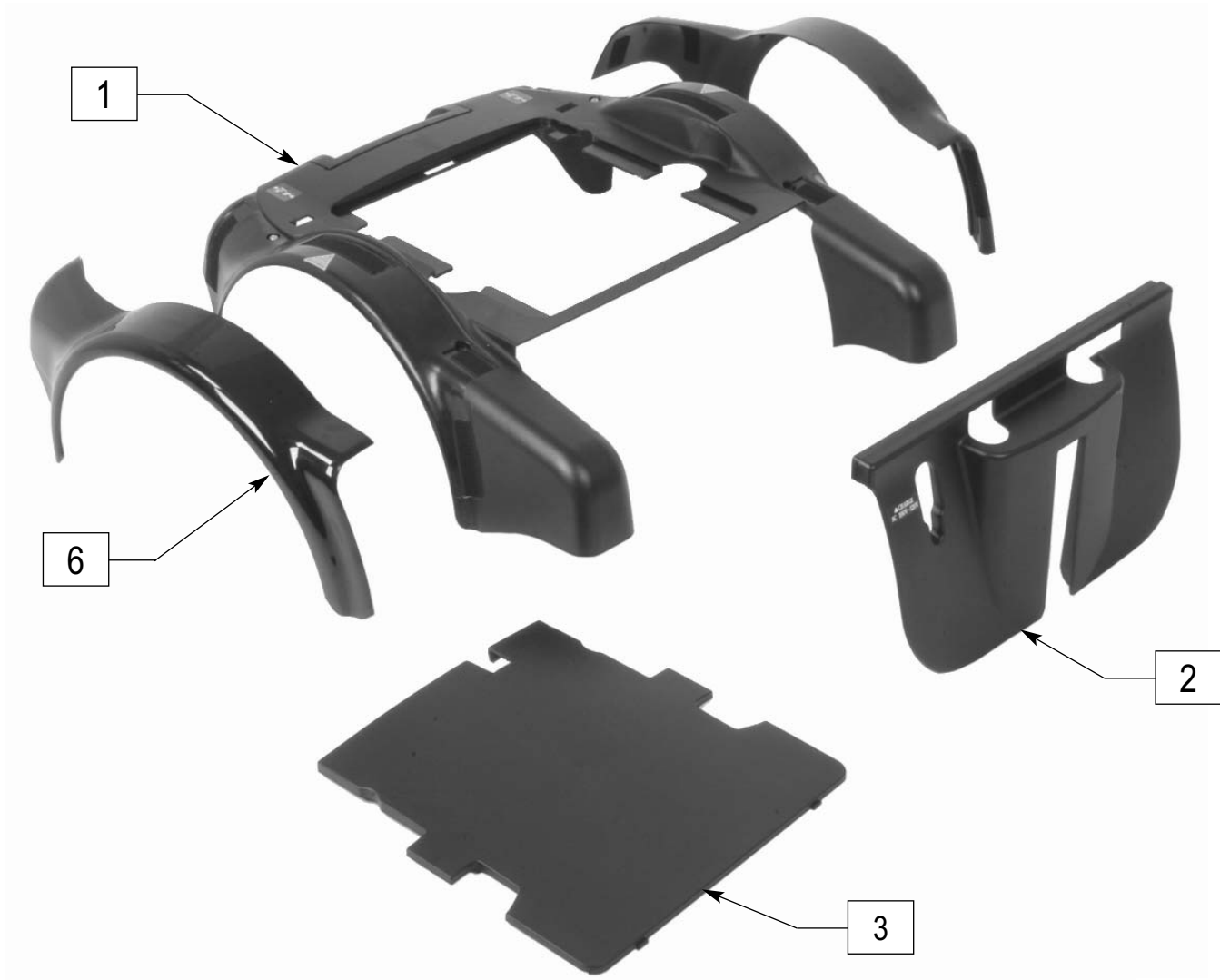
SHROUDS MINI (QUICKIE FREESTYLE)



ITEM	NUMBER	DESCRIPTION	QTY
1-3,6	883095	SHROUD MINI MIDDLE & FRONT	1
4,5	884370	SHROUD MOUNTING HARDWARE	2
6	901006	CHARGER COVER MINI	1
7	887976	SHROUD MINI FAIRING	1

ITEM	NUMBER	DESCRIPTION	QTY
7-9	883200	SHROUD CANDY RED MINI (PR)	1
	883201	SHROUD BLUE MINI (PR)	
	883202	SHROUD BLACK MINI (PR)	
	883203	SHROUD CHAMPAGNE MINI (PR)	

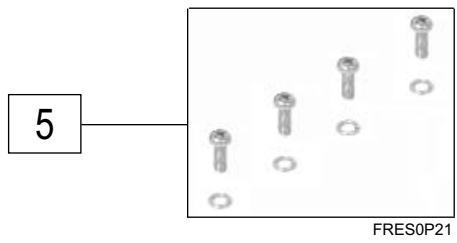
SHROUDS FULL (QUICKIE FREESTYLE)



FRES0P20



FRES0P16

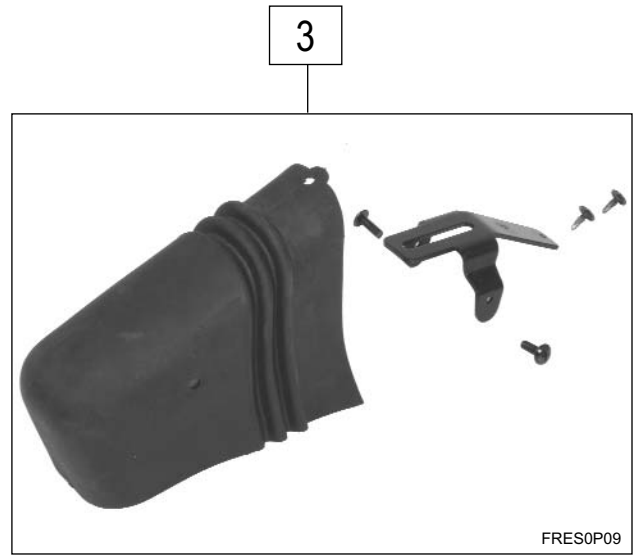
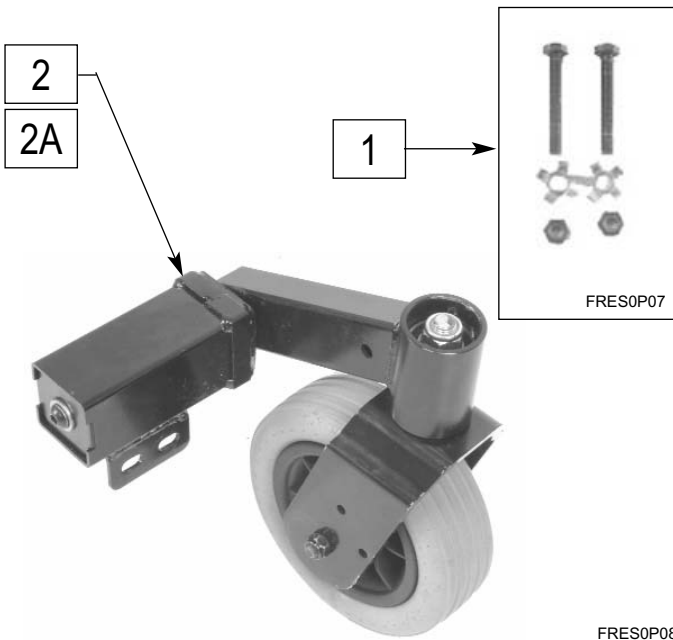


FRES0P21

ITEM	NUMBER	DESCRIPTION	QTY
1-5	883096	SHROUD FULL MIDDLE & FRONT	1
5	884370	SHROUD MOUNTING HARDWARE	1
4	901007	CHARGER COVER FULL	1

ITEM	NUMBER	DESCRIPTION	QTY
6	883204	SHROUD CANDY RED FULL	1
	883205	SHROUD BLUE FULL	
	883206	SHROUD BLACK FULL	
	883207	SHROUD CHAMPAGNE FULL	

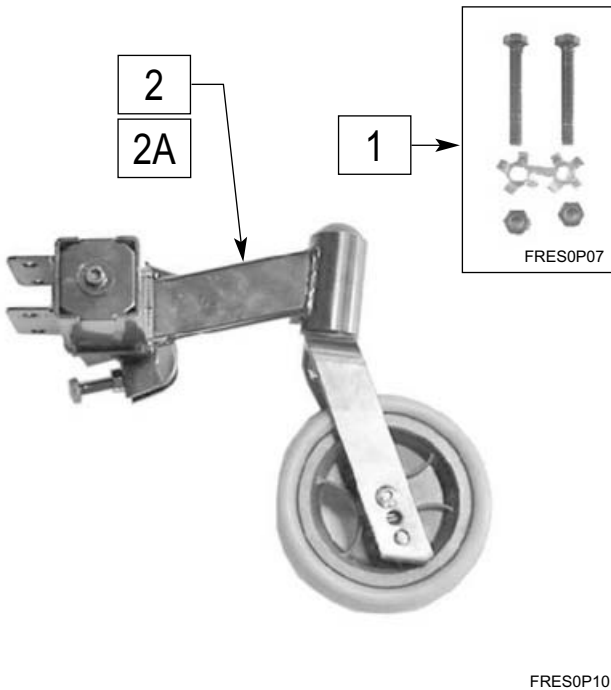
FRONT TRAILING ARM AND COVER (QUICKIE FREESTYLE)



ITEM	NUMBER	DESCRIPTION	QTY
1	884371	FRNT TRAILING ARM MOUNTING HDWR	1
1,2	787281, 787282	FRONT CASTER ASSM MINI (EA)	1

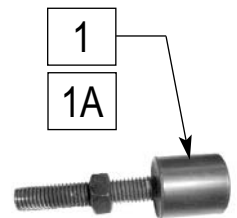
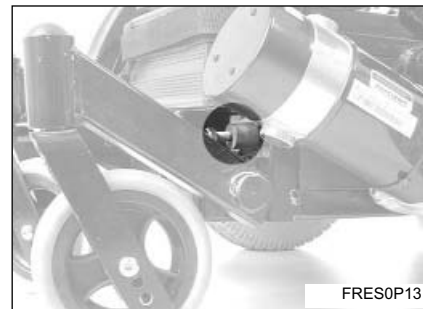
ITEM	NUMBER	DESCRIPTION	QTY
1,2A	787285, 787286	FRONT CASTER ASSM FULL (EA)	1
3	561670	FRONT COVER AND BRACKET	1

REAR TRAILING ARM (QUICKIE FREESTYLE)



ITEM	NUMBER	DESCRIPTION	QTY
1	884372	REAR CASTER ASSEM MNTG HDWR	2
2	787283, 787284	REAR CASTER ASSM MINI (EA)	1
2A	787287, 787288	REAR CASTER ASSM FULL (EA)	1

SUSPENSION STOPPER (QUICKIE FREESTYLE)



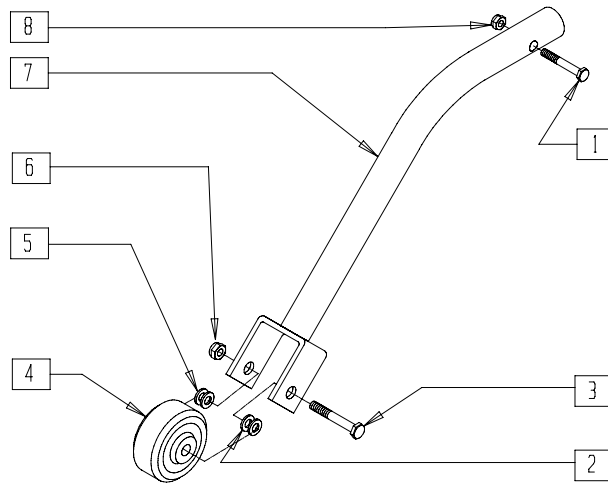
ITEM	NUMBER	DESCRIPTION	QTY
1	330187	SUSPENSION STOPPER MINI	2
1A	330188	SUSPENSION STOPPER FULL	2

Anti-tips

IN THIS SECTION

Anti-tip Tube Assembly (Quickie P110/V100[P100]/Z500[Zippie P500])	2.1	Anti-tip Tube Assembly (Quickie P300) (Disc.).....	2.5
Anti-tip Tube Assembly (Quickie P190) (Disc.).....	2.1	Anti-tip (Quickie S-525).....	2.5
Anti-tip Tube (Quickie P200/P320)	2.2	Anti-tip (Quickie S-626/S-646/S-646SE) (Disc.)	2.6
Rear Wheel Spring Assembly (Quickie P200/P210/P320)	2.2	Anti-tip (Quickie S-646/S-646SE)	2.7
Spring Anti-tip (Quickie P-220/P-222SE)	2.3	Anti-tip Caster Assembly (Quickie S-626/S-646/S-646SE).....	2.8
Rear Caster Fork Assembly (Quickie G-424)	2.3	Anti-tip (Quickie V-121[P120])	2.9
Spring Anti-tip (Quickie P-222) (Disc.).....	2.4	Anti-tip (Quickie V-521).....	2.9

ANTI-TIP TUBE ASSEMBLY (QUICKIE P110/V100[P100]/Z500[ZIPPY P500])



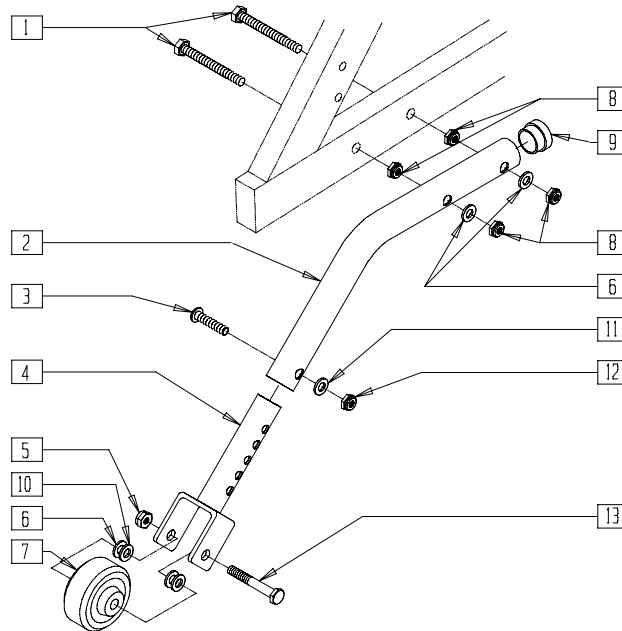
P500X05

ITEM	NUMBER	DESCRIPTION	QTY
1	221124	1/4-28 x 1 1/4 G8 HEX C/S	1
2	263100	5/16 AN WASHER FLAT	2
3	235010	M8-45 HEX C/S	1
4	400010	WHEEL ONLY 2" x 7/8" ANTI-TIP	1
5	263110-QU	5/16 AN WASHER FLAT THIN	2

ITEM	NUMBER	DESCRIPTION	QTY
6	210072	M8 NYLOCK NUT	1
7	505707	ANTI-TIP TUBE W/BRKT P1/P5	1
8	201120	1/4-28 AUTOMATION NUT	1
1-8	880508	ANTI-TIP ASSM P1/P5 (EA)	
	900720	ANTI-TIP ASSM P100/500 (PR)	

ANTI-TIP TUBE ASSEMBLY (QUICKIE P190)

(Discontinued 7/1/99 - parts only)

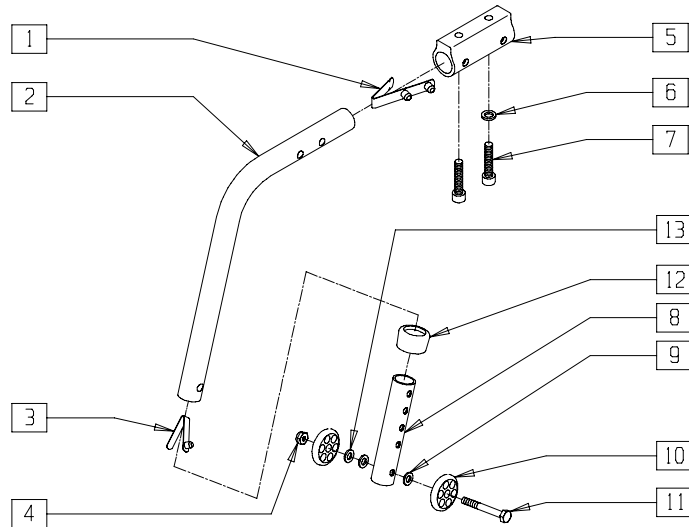


P190X04

ITEM	NUMBER	DESCRIPTION	QTY
1	222245	5/16-18 x 2 1/2 G8 HEX TAP BLT	2
2	521509	ANTI-TIP EXTENSION TUBE P190	1
3	226125	1/4-28 x 1 1/8 BH C/S	1
4	505716	ANTI-TIP EXTENSION P190	1
5	210072	M8 NYLOCK NUT	1
6	263110-QU	5/16 AN WASHER FLAT THIN	4
7	400010	WHEEL ONLY 2" x 7/8" ANTI-TIP	1
8	202102	5/16-18 NYLOCK NUT THIN	4

ITEM	NUMBER	DESCRIPTION	QTY
9	560735	7/8" ROUND TUBE PLUG	1
10	263100	5/16 AN WASHER FLAT	2
11	262100-QU	1/4 AN WASHER FLAT	1
12	201100-QU	1/4-28 NYLOCK NUT THIN	1
13	235010	M8-45 HEX C/S	1
2-4,11,12	881215	ANTI-TIP W/BRKT P190	
1-13	880485	ANTI-TIP ASSM P190 (EA)	
	900734	ANTI-TIP ASSM P190 (PR)	

ANTI-TIP TUBE (QUICKIE P200/P320) (Manual Wheelchair Conversion Only)

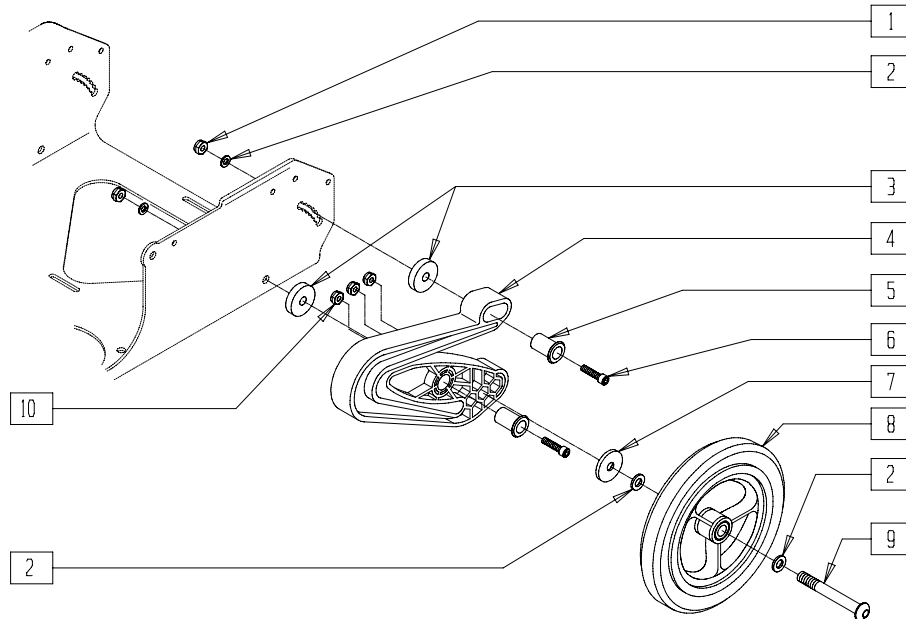


P200X32A

ITEM	NUMBER	DESCRIPTION	QTY
1	301109	SNAP BUTTON DUAL ONE SIDE	1
2	521506	ANTI-TIP MAIN TUBE CLR P2	1
3	301100	1/4" SNAP BUTTON SINGLE B-130	1
4	201100-QU	1/4-28 NYLOCK NUT THIN	1
5	500745	ANTI-TIP RECEIVER P2	1
6	262114	1/4 WASHER HI COLLAR LOCK ZN	1
7	226112	1/4-28 x 1 SOC C/S BLK	2
8	521514	ANTI-TIP SLEEVE TUBE (5H)	1

ITEM	NUMBER	DESCRIPTION	QTY
9	262110-QU	1/4 AN WASHER FLAT THIN	2
10	561032	ANTI-TIP WHEEL	2
11	221192	1/4-28 x 2 G8 HEX C/S	1
12	563065	3/4" ANTI-RATTLE	1
13	262130	6mm WASHER WAVE	1
1-4,	880511	ANTI-TIP ASSM R P2	
8-13	880512	ANTI-TIP ASSM L P2	
5-7	900715	ANTI-TIP RECEIVER W/HDWR P2	

REAR WHEEL SPRING ASSEMBLY (QUICKIE P200/P210/P320)

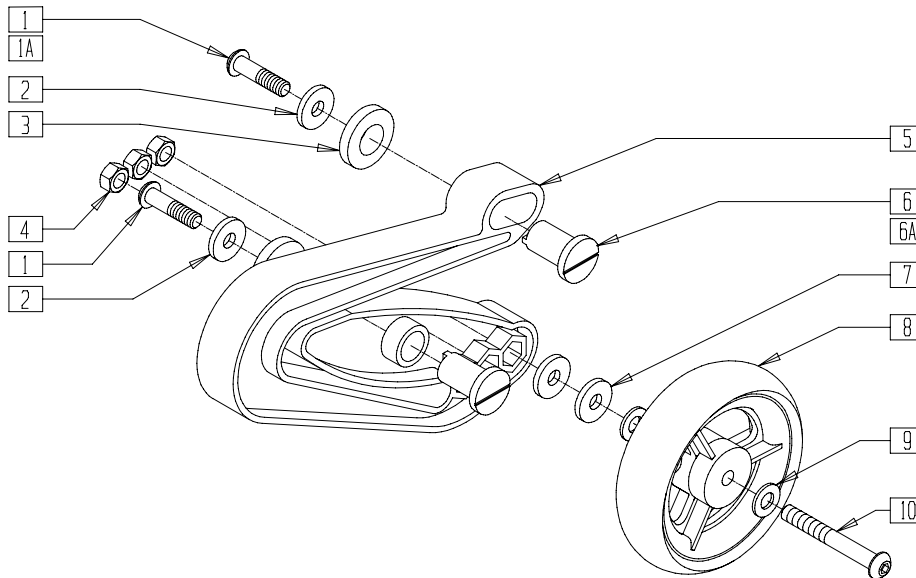


P200X39

ITEM	NUMBER	DESCRIPTION	QTY
1	202103	5/16-18 NYLOCK NUT THICK	2
2	263100	5/16 AN WASHER FLAT	4
3	550161	REAR SPRING SPACER P2	2
4	561370	REAR WHEEL SPRING P2	1
5	481716	REAR WHEEL SPRING PIVOT P2	2
6	222105	5/16-18 x 1 1/2 SOC C/S	2

ITEM	NUMBER	DESCRIPTION	QTY
7	263113	5/16 WASHER THICK	1
8	400155	5" PLST W/LOW POLY AND BRNG	1
9	226198	5/16-18 x 2 BH C/S SHT THREAD	1
10	202102	5/16-18 NYLOCK NUT THIN	3
1-10	902355	REAR WHEEL SPRING ASSM P2	

SPRING ANTI-TIP (QUICKIE P-220/P-222 SE)

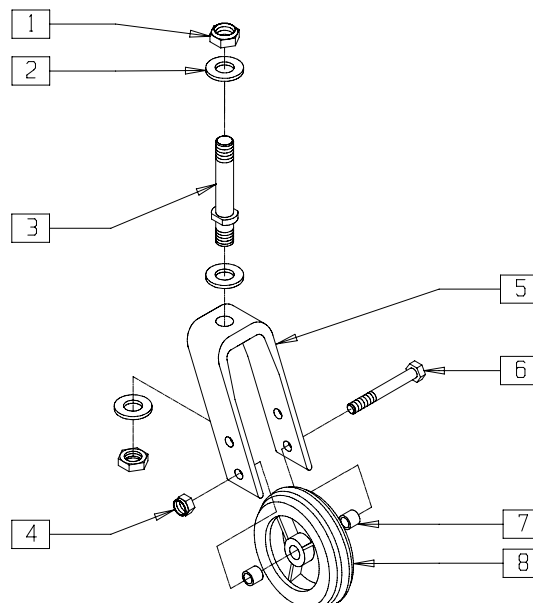


P220X05A

ITEM	NUMBER	DESCRIPTION	QTY
1	222115	5/16-18 x 1-1/4" BH C/S BLK PCH R	2
1A	222116	5/16-18 x 1-1/4" BH C/S BLK PCH L	2
2	263110-QU	5/16 AN WASHER FLAT THIN	2
3	340272	REAR SPRING SPACER	2
4	202117	5/16-18 NYLOCK NUT THICK BLK	3
5	561370	REAR WHEEL SPRING P2	1
6	481721	REARWHEEL SPRING PIVOT R THRDED	2
6A	481727	REARWHL SPRING PVT LT THREADED	2

ITEM	NUMBER	DESCRIPTION	QTY
7	263113	5/16 WASHER THICK	2
8	400094	4" POLY CASTER	1
9	263100	5/16 AN WASHER FLAT	2
10	226232	5/16-18 x 2 1/4" BH C/S BLK	1
1-10	881450	REAR WHEEL ASSM RIGHT	
1A,2-5, 6A,7-10	881451	REAR WHEEL ASSM LEFT	

REAR CASTER/FORK ASSEMBLY (QUICKIE G-424)



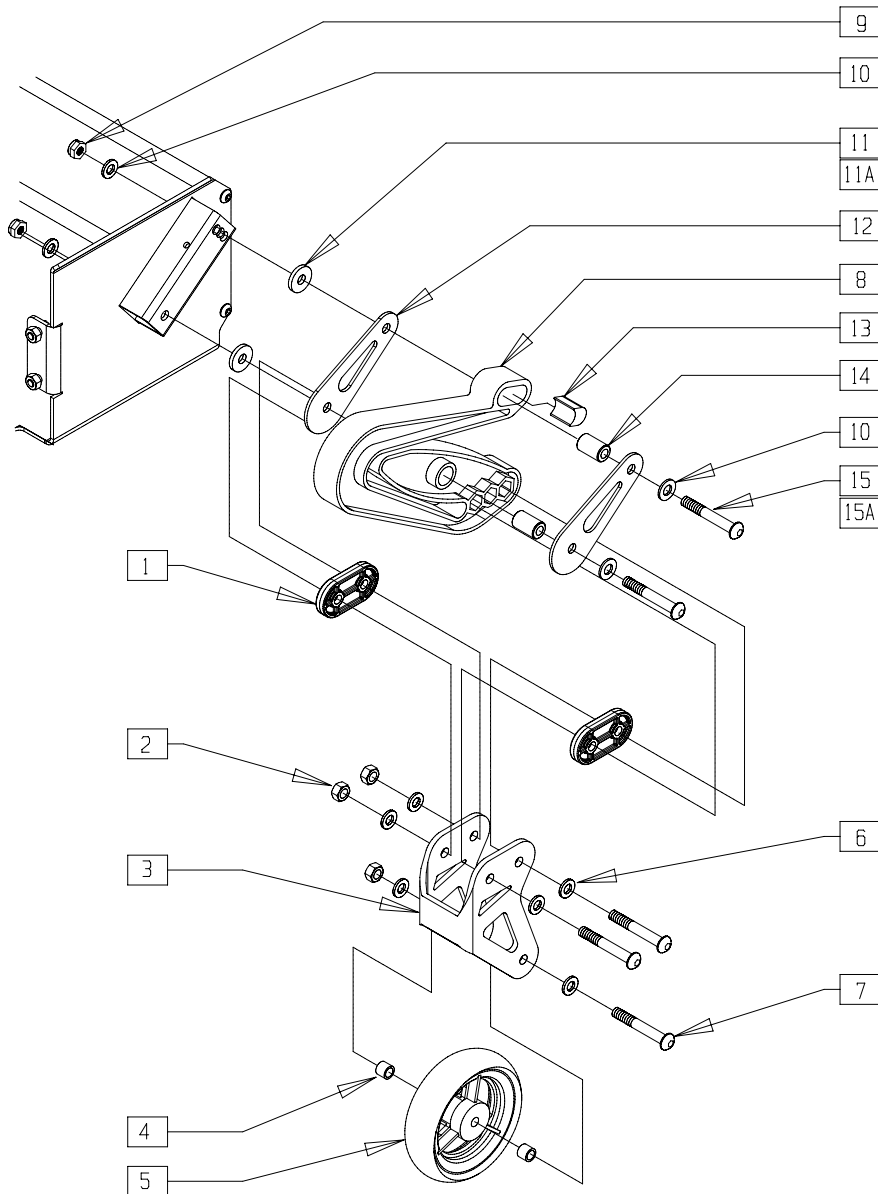
G424X05

ITEM	NUMBER	DESCRIPTION	QTY
1	203100	1/2-20 NYLOCK NUT	2
2	264100	1/2 AN WASHERFLAT	3
3	481063	CASTER STEM STD	1
4	202100-MJ	5/16-24 NYLOCK NUT THIN	1
5	550280	5 1/4" FORK ONLY BLK	1

ITEM	NUMBER	DESCRIPTION	QTY
6	222200	5/16-24 x 2 1/2 HEX C/S	1
7	481113	SPACER 5/16 x .380	2
8	400148	5" PLSTC W/WIDE POLY & BRNG	1
1-3.5	780500	5-1/4 STD STEM BLK	
1-8	780502	5-1/4 STD STEM BLK W/CSTR G424	

SPRING ANTI-TIP (QUICKIE P-222)

(Discontinued 8/15/02 - parts only)



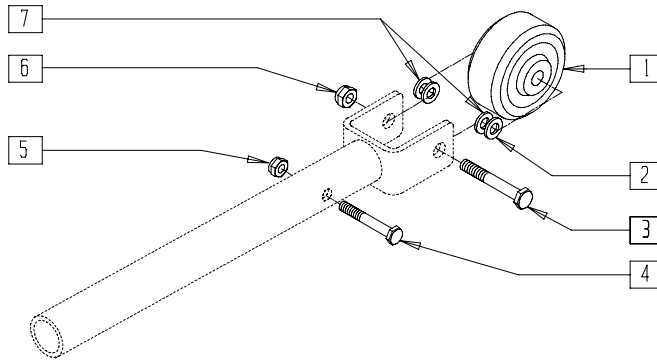
P2220X10

ITEM	NUMBER	DESCRIPTION	QTY
1	560312	CASTER BRACKET SPACER P222	2
2	202117	5/16-18 NYLOCK NUT THICK BLK	3
3	505758	ANTI TIP CASTER FORK	1
4	505562	ANTI TIP WHEEL SPACER S626	2
5	400094	4" POLY CASTER	1
6	263100	5/16 AN WASHER FLAT	6
7	226231	5/16-18 x 2 1/2 BH C/S BLK	3
8	561370	REAR WHEEL SPRING P2	1
9	202103	5/16-18 NYLOCK NUT THICK	2
10	263100	5/16 AN WASHER FLAT	4
11	261112	PLASTIC WASHERS 5/16 HOLE	2
11A	550163	MOTOR SPACER 19/20"P2 18"P210	2

ITEM	NUMBER	DESCRIPTION	QTY
12	481291	STABILIZER PLATE	2
13	560311	SPRING DELAY SADDLE P222	1
14	481290	STABILIZER PIVOT SHAFT	2
15	226232	5/16-18 x 2 1/4" BH C/S BLK	2
15A	222192	5/16-18 x 3 HEX C/S	2
1-8	880085, 880086	SPRING ANTI-TIP ASSEMBLY P222 (EA)	
1-15	921421, 921422	SPRING ANTI-TIP ASSEMBLY (EA)	
1-10,11A, 12-14,15A	921423, 921424	SPRING ANTI-TIP WIDE ASSEMBLY (EA)	

ANTI-TIP TUBE ASSEMBLY (QUICKIE P300)

(Discontinued 6/30/00 - parts only)



P300X06A

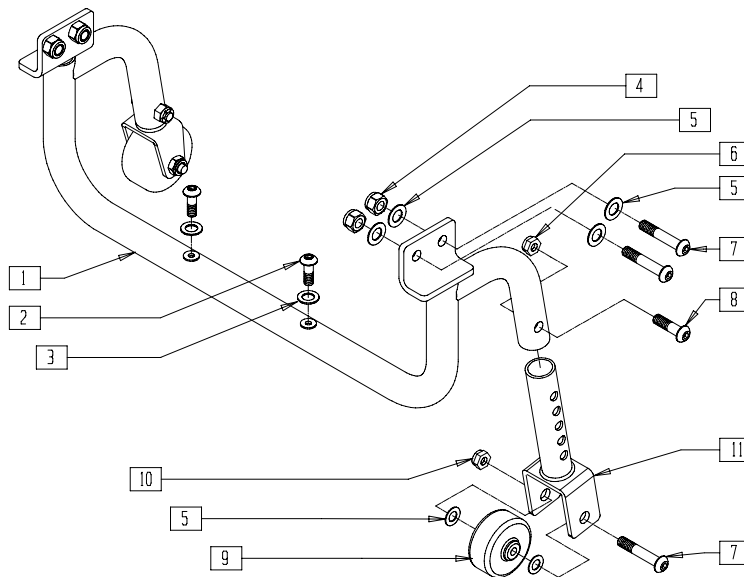
ITEM	NUMBER	DESCRIPTION	QTY
1	400010	WHEEL ONLY 2" x 7/8" ANTI-TIP	1
2	263100	5/16 AN WASHER FLAT	2
3	235010	M8-45 HEX C/S	1
4	234895	M6-35 HEX C/S	1

ITEM	NUMBER	DESCRIPTION	QTY
5	210070	M6 NYLOCK NUT THICK	1
6	210072	M8 NYLOCK NUT	1
7	263110-QU	5/16 AN WASHER FLAT THIN	2

NOTE: ANTI-TIP BRACKET DISCONTINUED 2/18/05 -- NO LONGER AVAILABLE FOR SALE.

ANTI-TIP (QUICKIE S-525)

(Effective 7/30/99, beginning s/n S52-10632)



S5250X2A

ITEM	NUMBER	DESCRIPTION	QTY
1	885030-885032	ANTI-TIP BAR ASSM S525	1
	923503-923505	ANTI TIP TRANS BAR ASSM	1
2	221091	1/4-28 x 1/2 BH C/S BLK W/PTCH	2
3	262100-QU	1/4 AN WASHER FLAT	2
4	202117	5/16-18 NYLOCK NUT THICK BLK	4
5	263110-QU	5/16 AN WASHER THIN	10
6	204110	1/4-28 NYLOCK NUT BLK ZN	2
7	226218	5/16-18 x 1 3/4 BH C/S BLK	6
8	226223	1/4-28 x 1 1/4 BH C/S BLK	2
9	400010	WHEEL ONLY 2" x 7/8" ANTI-TIP	2

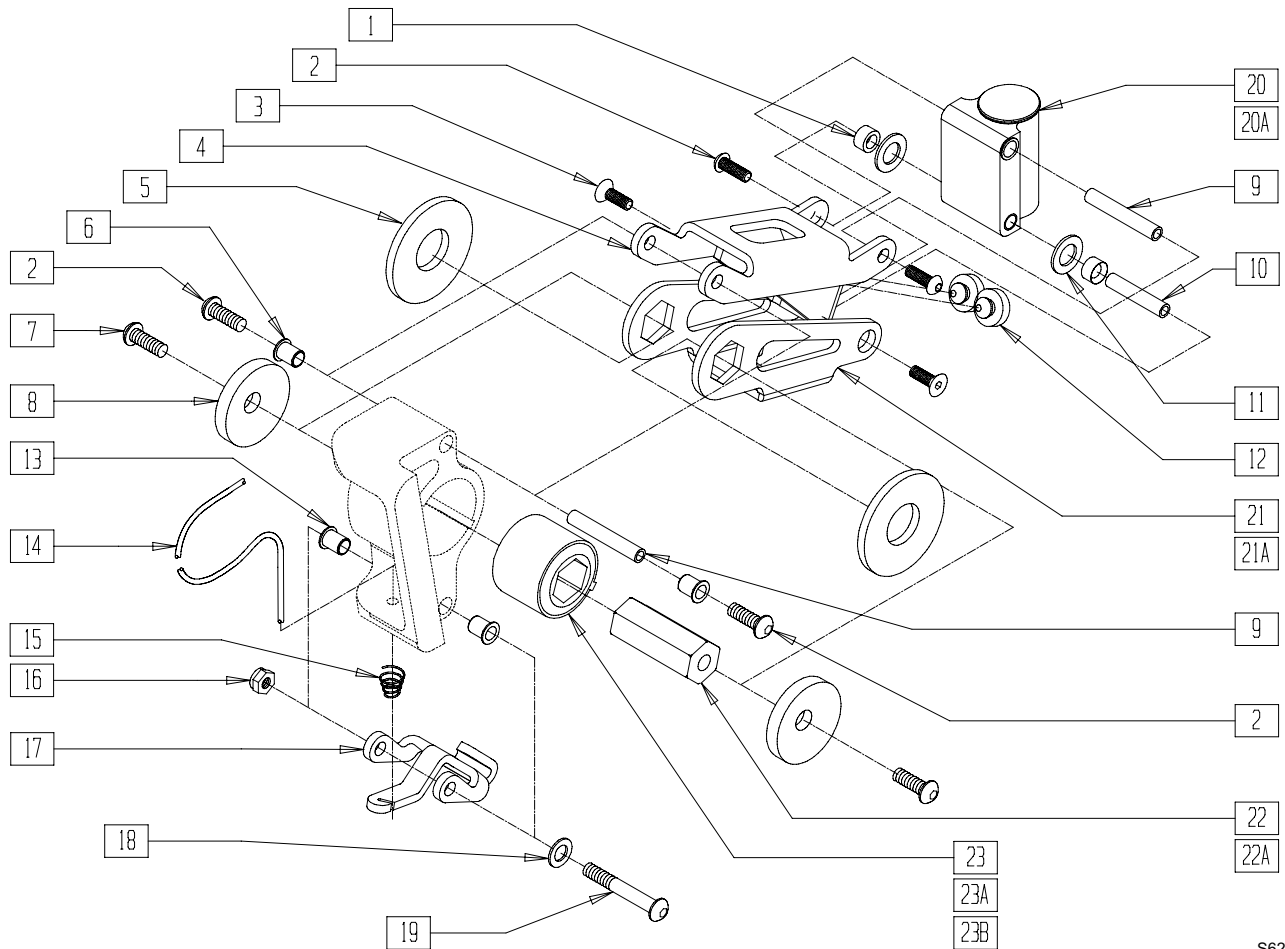
ITEM	NUMBER	DESCRIPTION	QTY
10	202116	5/16-18 NYLOCK NUT THIN BLK	2
11	505744	ANTI-TIP TUBE W/BRKT S525	2
5-11	881216	ANTI-TIP W/BRKT S525	
1,4-11	921406	ANTI-TIP ASSM 14-16" S525	
	921408	ANTI-TIP ASSM 17-18" S525	
	921410	ANTI-TIP ASSM 19-20" S525	
1,4-11*	921416	ANTI TIP RETRO KIT 14-16" S525	
	921418	ANTI TIP RETRO KIT 17-18" S525	
	921420	ANTI TIP RETRO KIT 19-20" S525	
	920940	TRANS RETRO FIT KIT 14-16W	
	920941	TRANS RETRO FIT KIT 17-18W	
	920942	TRANS RETRO FIT KIT 19-20W	

NOTE: ANTI-TIP CAN BE RETROFITTED TO CHAIRS PRIOR TO S52-10632 WITH RETROFIT KITS 921416-921420, 920940-920942.
*ANTI-TIP RETROFIT KIT INCLUDES BATTERY BOX BOTTOM ASSEMBLY AND REQUIRED HARDWARE FOR RETROFIT.

ANTI-TIP (QUICKIE S626/S-646/S-646SE)

(Quickie S-626 transitioned into the Quickie S-646 beginning 7/26/02)

(Discontinued 12/17/02 - parts only)



S6260X18A

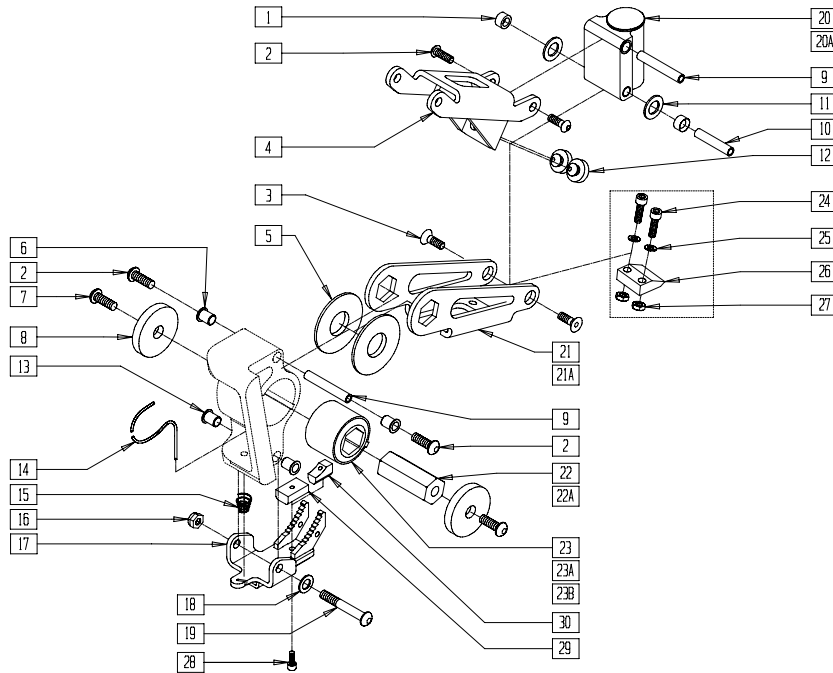
ITEM	NUMBER	DESCRIPTION	QTY
1	349525	ANTI TIP LOWER LINK BEARING	2
2	221091	1/4-28 x 1/2 BH C/S BLK W/PTCH	4
3	222295	1/4-28 x .63 FH C/S W/PATCH	2
5	261527	ANTI TIP HEX THRUST WASHER	2
	261533	ANTI TIP HEX THRUST WSHR LITE (1/2")	
6	340172	BUSHING IGUS	2
7	226078	1/4-20 x 3/4 BH C/S W/PATCH	2
8	261207	1/4 x 1 1/2 FENDER WASHER	2
9	526098	ANTI TIP PIVOT BAR LONG	2
10	526068	ANTI TIP PIVOT BAR	1
11	261529	ANTI TIP THRUST WASHER	2
12	330130	SEAT MOUNT BUMPER	2
13	340172	BUSHING IGUS	2
14	342090	ANTI TIP ACTUATION CABLE	1
15	321733	.72 OD x .28 OD x 1 CC SPRG	1

ITEM	NUMBER	DESCRIPTION	QTY
16	202116	5/16-18 NYLOCK NUT THIN BLK	1
17	505516	ANTI TIP LOCKOUT LATCH	1
18	263110-QU	5/16 AN WASHER FLAT THIN	1
19	226231	5/16-18 x 2 1/2 BH C/S BLK	1
20	920510*	ANTI TIP CASTER PLT ASSM S626	1
20A	920511*	ANTI TIP CSTR PLT LNG ASM S626	1
21	505586	ANTI TIP LOWER LINK LONG	1
21A	505599	ANTI TIP LOWER LINK 1/2" HEX	1
22	505514	ANTI TIP ELASTOMER HEX	1
22A	505663	ANTI TIP ELASTOMER HEX LIGHT (1/2")	1
23	321000	TORSILASTIC SPRING LIGHT	1
23A	321001	TORSILASTIC SPRING MEDIUM	1
23B	321003	TORSILASTIC SPRING LT SM HEX (1/2")	1
4,12	881198	ANTI TIP UPPER LINK ASSM	

* FOR CASTER PLATE ASSEMBLY COMPONENTS, PLEASE SEE ANTI-TIP CASTER ASSEMBLY (QUICKIE S-626/S-646/S-646SE) ON PAGE 2.8.

ANTI-TIP (QUICKIE S-646/S-646SE)

(Effective 12/17/02)



S646X07A

ITEM	NUMBER	DESCRIPTION	QTY
1	349525	ANTI TIP LOWER LINK BEARING	2
2	221091	1/4-28 x 1/2 BH C/S BLK W/PTCH	4
3	222295	1/4-28 x .63 FH C/S W/PATCH	2
5	261527	ANTI TIP HEX THRUST WASHER	2
	261533	ANTI TIP HEX THRUST WSHR LITE (1/2")	
6	340172	BUSHING IGUS	2
7	226078	1/4-20 x 3/4 BH C/S W/PATCH	2
8	261207	1/4 x 1 1/2 FENDER WASHER	2
9	526098	ANTI TIP PIVOT BAR LONG	2
10	526068	ANTI TIP PIVOT BAR	1
11	261529	ANTI TIP THRUST WASHER	2
12	330130	SEAT MOUNT BUMPER	2
13	340172	BUSHING IGUS	2
14	342090	ANTI TIP ACTUATION CABLE	1
15	321733	.72 OD x .28 OD x 1 CC SPRG	1
16	202116	5/16-18 NYLOCK NUT THIN BLK	1
17	542566	ANTITIP LOCKOUT WELDMNT	1
18	263110-QU	5/16 AN WASHER FLAT THIN	1
19	226231	5/16-18 x 2 1/2 BH C/S BLK	1
20	920510*	ANTI TIP CASTER PLT ASSM S626	1
20A	920511*	ANTI TIP CSTR PLT LNG ASM S626	
21	505586	ANTI TIP LOWER LINK LONG	1
21A	505599	ANTI TIP LOWER LINK 1/2" HEX	1
22	505514	ANTI TIP ELASTOMER HEX	1
22A	505663	ANTI TIP ELASTOMER HEX LIGHT (1/2")	1
23	321000	TORSILASTIC SPRING LIGHT	1
23A	321001	TORSILASTIC SPRING MEDIUM	1
23B	321003	TORSILASTIC SPRG LT SM HEX (1/2")	1
24	226107	1/4-28 x 7/8 SOC C/S	2
25	262100-QU	1/4 AN WASHER FLAT	2
26	554052	ANTI TIP KNIFE	1
27	204110	1/4-28 NYLOCK NUT BLK ZN	4
28	455060-QU	10-24 x 1/2 ALLEN SOC HD SCW	1
29	505914**	ANTI TIP BLOCK	1
30	505919**	BLOCK, ANTI TIP, .62	1

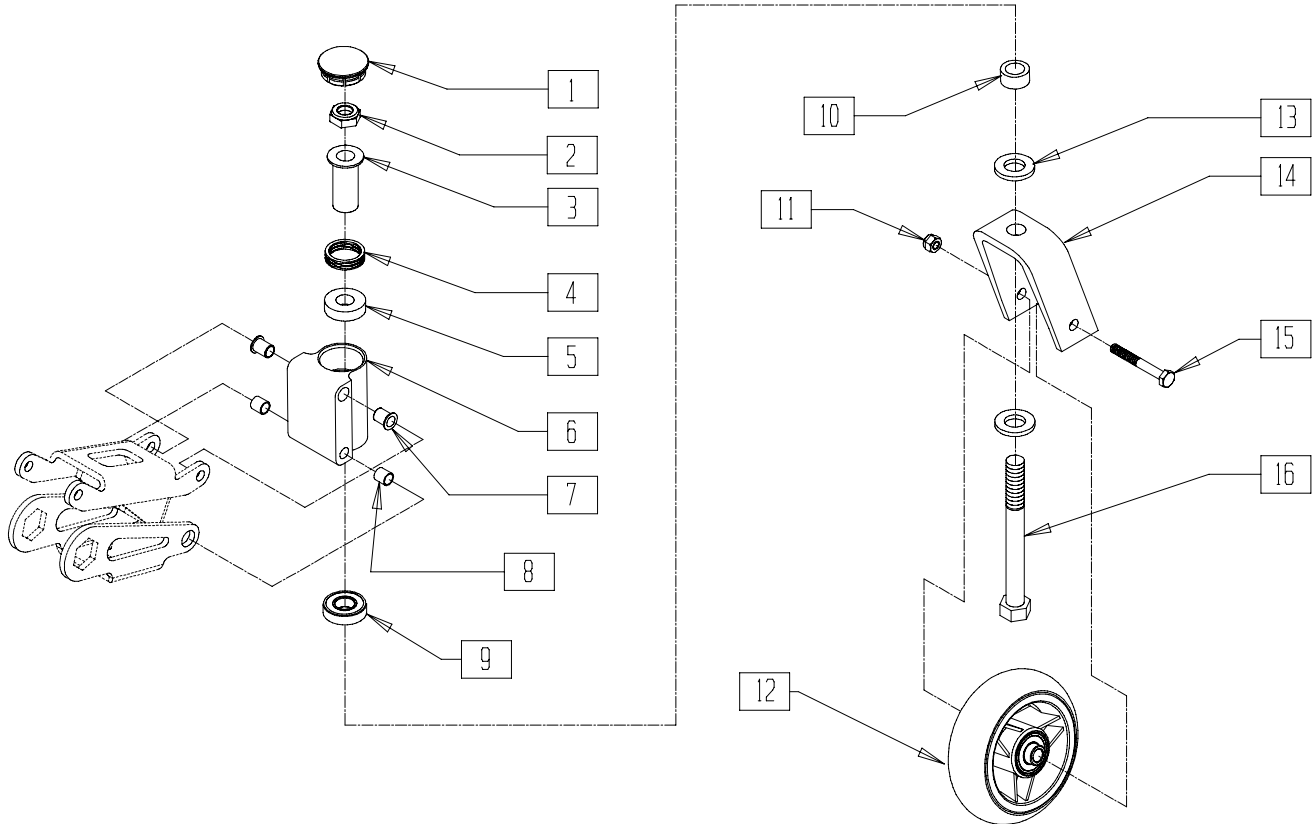
ITEM	NUMBER	DESCRIPTION	QTY
4,12	881198	ANTI TIP UPPER LINK ASSM	
13-19,21A, 24-30	881678	ANTI TIP LCKOT LTCH SMRT ST LIGHT	
13-19,21, 24-30	881679	ANTI TIP LCKOT LTCH SMRT ST HEAVY	
1-12, 20,21A, 22A,23B	882090	ANTI TIP ASSM 175LB S626	
	882091	ANTI TIP ASSM 250LB S626	
1-12,20-23	882092	ANTI TIP ASSM 400LB S626	
1-20,21A, 22A,23B,	882093	ANTI TIP ASSM TILT 250LB S626	
24-30	882094	ANTI TIP ASSM TILT 175LB S626	
1-22,23A, 24-30	882095	ANTI TIP ASSM TILT 400LB S626	
1-19,20A, 21-30	882096	ANTI TIP ASSM TLT W/VENT 175LB	
1-19,20A, 21,22,23A, 24-30	882097	ANTI TIP ASSM TLT W/VENT 250LB	
	882098	ANTI TIP ASSM TLT W/VENT 400LB	
1-12,20A, 21-23	882110	ANTI TIP ASSM STD W/VENT 175LB	
1-12,20A, 21,22,23A	882111	ANTI TIP ASSM STD W/VENT 250LB	
	882112	ANTI TIP ASSM STD W/VENT 400LB	
1-19,20A, 21A,22A, 23B,24-29	882930	ANTI TIP ASSM SMRT 175LB S646	
1-19,20A, 21A,22A, 23-30	882931	ANTI TIP ASSM SMRT 250LB S646	
1-19,20A, 21-30	882932	ANTI TIP ASSM SMRT W/VNT 175LB	
1-19,20A, 21,22, 23A,24-30	882933	ANTI TIP ASSM SMRT W/VNT 250LB	

* FOR CASTER PLATE ASSEMBLY COMPONENTS, PLEASE SEE ANTI-TIP CASTER ASSEMBLY (QUICKIE S-626/S-646/S-646SE) ON PAGE 2.8 IN THE POWER PARTS MANUAL.

** ANTI-TIP BLOCK 505914 (ITEM 29) IS USED FOR FLAT SURFACE OPERATION. ANTI-TIP BLOCK 505919 (ITEM 30) IS USED FOR VARYING SURFACE OPERATION.

ANTI-TIP CASTER ASSEMBLY (QUICKIE S-626/S-646/S-646SE)

(Quickie S-626 transitioned into the Quickie S-646 beginning 7/26/02)



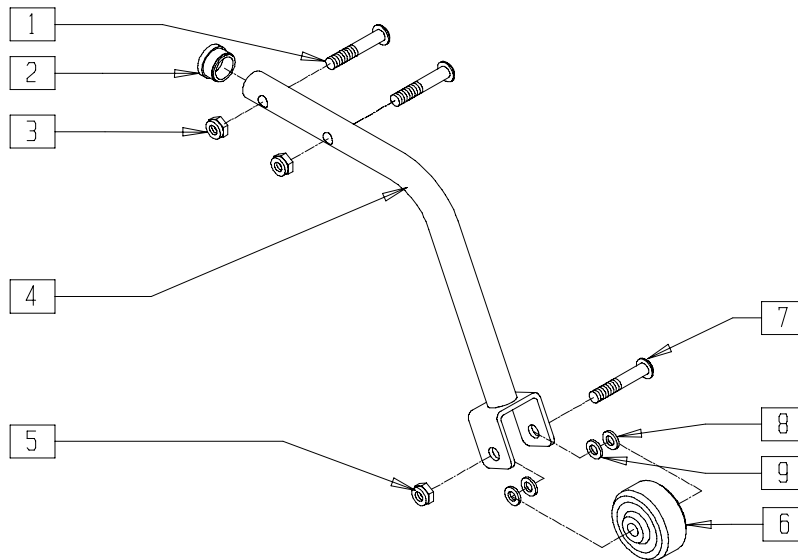
S6260X22

ITEM	NUMBER	DESCRIPTION	QTY
1	561070	CASTER CAP PLASTIC	1
2	203101	1/2-20 LIGHT HEX LOCKNUT THIN	1
3	481511	FLANGE BUSHING REG B51	1
4	321166	SPRING ANTI-FLUTTER SS B51	1
5	349643	BUSHING BRONZE B51	1
7	340172	BUSHING IGUS	2
8	340160	BUSHING 3/8 x 5/16ID x 3/8	2
9	349500	1 1/8 x 1/2 BEARING	1
10	481246	CASTER SPACER STD STEEL	1
11	202116	5/16-18 NYLOCK NUT THIN BLK	1

NOTE: FOR ANTI-TIP ASSEMBLY, INCLUDING CASTER PLATE, SEE ANTI-TIP (QUICKIE S-626/S-646/S-646SE) (DISC.) ON PAGE 2.6 AND ANTI-TIP (QUICKIE S-646/S-646SE) ON PAGE 2.7.

ITEM	NUMBER	DESCRIPTION	QTY
12	400098	4" SOFT POLY CASTER	1
	400108	4" MICRO CASTER LIGHTED	
13	264101	1/2 WASHER HARDENED FLAT	2
14	550697	ANTI-TIP CASTER FORK S626	1
15	222242	5/16-18 x 2 1/2 HEX C/S	1
16	222290	1/2-20 x 3 1/4 GR8 HEX C/S	1
	780926	ANTI-TIP CASTER FORK ASSEMBLY S626	
2,10-16	780935	ANTI TIP CSTR FRK ASSM LIGHTED	
	920510	ANTI-TIP CASTER PLT ASSEMBLY S626	
1-3,9	920511	ANTI-TIP CASTER PLT LONG ASSEMBLY S626 (VENT)	

ANTI-TIP (QUICKIE V-121[P120])

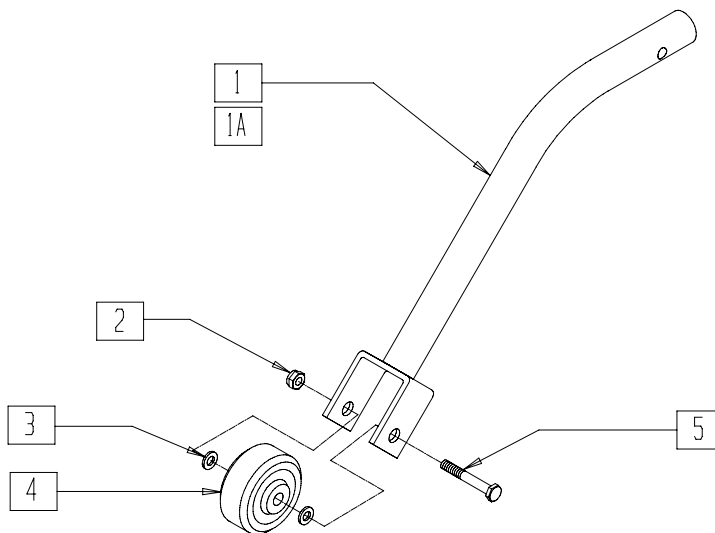


P9000X06

ITEM	NUMBER	DESCRIPTION	QTY
1	222108	5/16-18 x 1 1/4 BH C/S	2
2	560762	3/4" INSERT PLUG .065	1
3	202102	5/16-18 NYLOCK NUT THIN	2
4	505729	ANTI-TIP BRACKET P120	1
5	210072	M8 NYLOCK NUT	1

ITEM	NUMBER	DESCRIPTION	QTY
6	400010	WHEEL ONLY 2" x 7/8" ANTI TIP	1
7	235010	M8-45 HEX C/S	1
8	263110-QU	5/16 AN WASHER FLAT THIN	2
9	263100	5/16 AN WASHER FLAT	2
1-9	880929	ANTI-TIP ASSM P120 (EA)	

ANTI-TIP (QUICKIE V-521)



V5210X08

ITEM	NUMBER	DESCRIPTION	QTY
1	542106	WELDMNT ANTI-TIP TUBE TALL	1
1A	542105	WELDMNT ANTI-TIP TUBE STD	1
2	202116	5/16-18 NYLOCK NUT THIN BLK	1
3	263110-QU	5/16 AN WASHER FLAT THIN	2

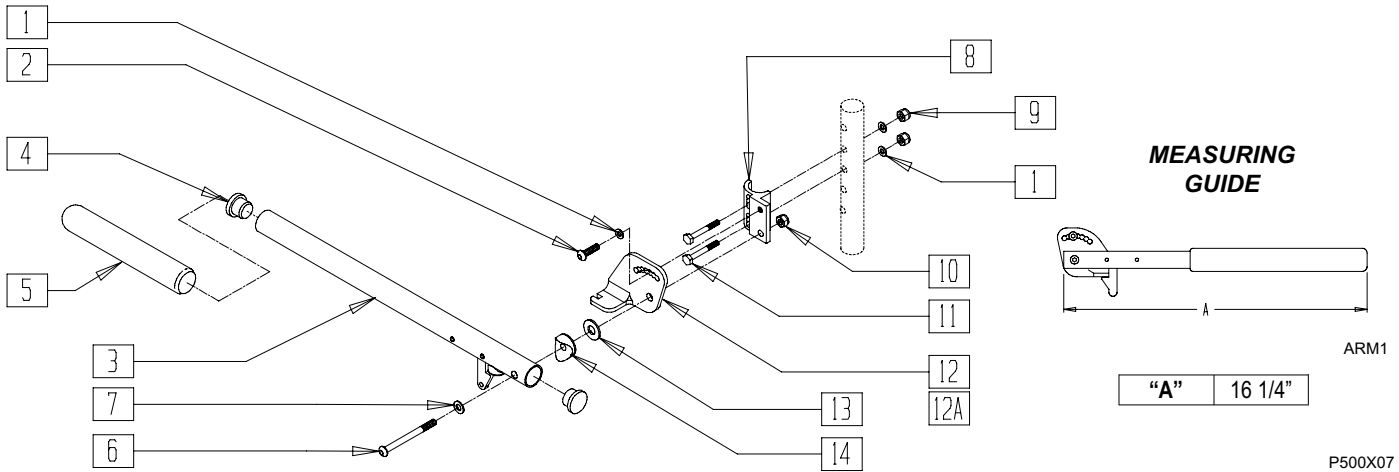
ITEM	NUMBER	DESCRIPTION	QTY
4	400010	WHEEL ONLY 2" x 7/8" ANTI-TIP	1
5	226218	5/16-18 x 1 3/4" BH C/S BLK	1
1-5	880946	ANTI-TIP ASSEMBLY V521 TALL	
1A,2-5	880945	ANTI-TIP ASSEMBLY V521 STD	

Armrests

IN THIS SECTION

Adjustable Locking Flip-up Armrest Assembly (Quickie Z500[Zippie P500]).....	3.1	Flip-back Armrest (For Contour and High-back Contour Seats) (Quickie Freestyle/G-424/S-525).....	3.9
Dual-post Height-adjustable Armrest (Quickie Freestyle/G-424/P190/P200/P-220/ P-222/P-222SE/P300/P320/S-525/S-626/S-646/ S-646SE/V-521).....	3.2	Flip-back Armrest (Quickie V-121[P120])	3.9
Dual-post Height-adjustable Armrest Receiver (Quickie G-424/P-220/P-222/P-222SE/S-525)	3.3	Flip-back Height-adjustable Armrest (Quickie P110) (Disc.).....	3.10
Dual-post Height-adjustable Armrest Receiver (Quickie P190/P200).....	3.4	Flip-back Height-adjustable Armrest (Quickie V-121[P120]).....	3.11
Dual-post Height-adjustable Armrest Receiver (Quickie P300/P320) (Disc.)	3.4	Height-adjustable Armrest (Quickie P110/P190/ P200/P300/P320/V100[P100]/Z500[Zippie P500]) .	3.12
Dual-post Height-adjustable Armrest Receiver (Quickie P300) (Disc.).....	3.5	Height-adjustable Armrest (Quickie Freestyle/G-424/P-220/P-222/P-222SE/ S-525/S-626/S-646/S-646SE/V-521)	3.13
Dual-post Height-adjustable Armrest Receiver (Quickie P300 Manual Recline) (Disc.).....	3.5	Height-adjustable Armrest Receivers (Quickie P110/P190/P200/P300/ P320/V100[P100]/Z500[Zippie P500])	3.15
Dual-post Height-adjustable Armrest Receiver (Quickie S-626/S-646/S-646SE).....	3.6	Height-adjustable Armrest Receivers (Quickie Freestyle/G-424/P-220/P-222/P-222SE/ S-525/S-626/S-646/S-646SE/V-521)	3.16
Dual-post Height-adjustable Armrest Receiver (Quickie V-521)	3.7	Reclining Armrest (Quickie P210) (Disc.)	3.17
Fixed Dual-post Armrest (Quickie Freestyle/G-424/P190/P200/P-220/ P-222/P-222SE/P300/P320/S-525/S-626/S-646/ S-646SE/V-521).....	3.8		

ADJUSTABLE LOCKING FLIP-UP ARMREST ASSEMBLY (QUICKIE Z500[ZIPPIE P500])

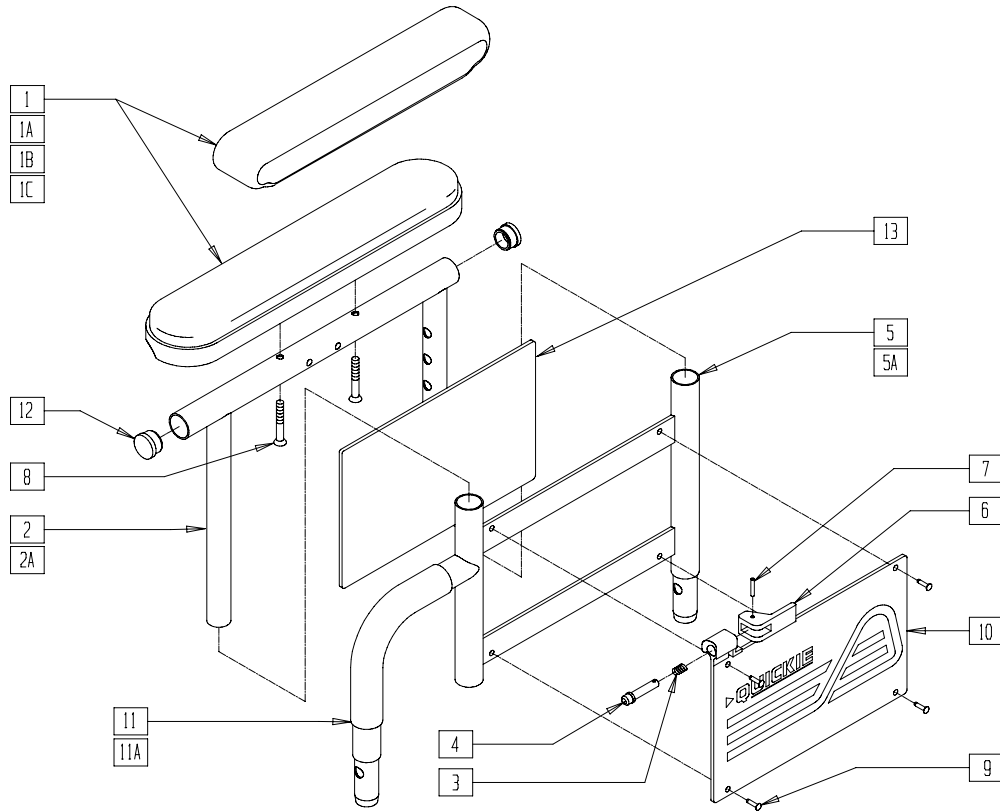


ITEM	NUMBER	DESCRIPTION	QTY
1	262100-QU	1/4 AN WASHER FLAT	3
2	221060	1/4-28 x 1/2 BH C/S	1
4	561002	1" INSERT PLUG .083	2
5	560640	9" x .93 x .155 FOAM GRIP	1
6	226198	5/16-18 x 2 BH C/S SHT THRD	1
7	263110-QU	5/16 AN WASHER FLAT THIN	1
8	550168	ADJ LOCK FLIP-UP ARM MOUNT R	1
8A	550169	ADJ LOCK FLIP-UP ARM MOUNT L	1
9	201100-QU	1/4-28 NYLOCK NUT THIN	2
10	202102	5/16-18 NYLOCK NUT THIN	1
11	221133	1/4-28 x 1 1/2 G8 HEX C/S	2

ITEM	NUMBER	DESCRIPTION	QTY
12	550474	ADJ FLIP-BACK ARM BRACKET R	1
12A	550475	ADJ FLIP-BACK ARM BRACKET L	1
13	561016	1" WASHER 5/16" HOLE	1
14	561006	1" SADDLE 5/16" HOLE	1
3-5	880274	ADJ FLIP-BACK TUBE W/LATCH	1
1,2,6,8,10*	881272	ADJ LOCK F-UP ARMREST RETRO R	
	881273	ADJ LOCK F-UP ARMREST RETRO L	
1-14	880272	ADJ LOCK FLIP-UP ARMREST R	
	880273	ADJ LOCK FLIP-UP ARMREST L	
	900449	ADJ LOCK FLIP-UP ARMREST ASSM (PR)	

* FOR ARMRESTS PRIOR TO 7/22/96, USE RETRO FIT KIT TO REPLACE ADJUSTABLE FLIP-UP ARM CLAMP.

DUAL-POST HEIGHT-ADJUSTABLE ARMREST (QUICKIE FREESTYLE/G-424/P190/P200/P-220/P-222/P-222SE/ P300/P320/S-525/S-626/S-646/S-646SE/V-521)

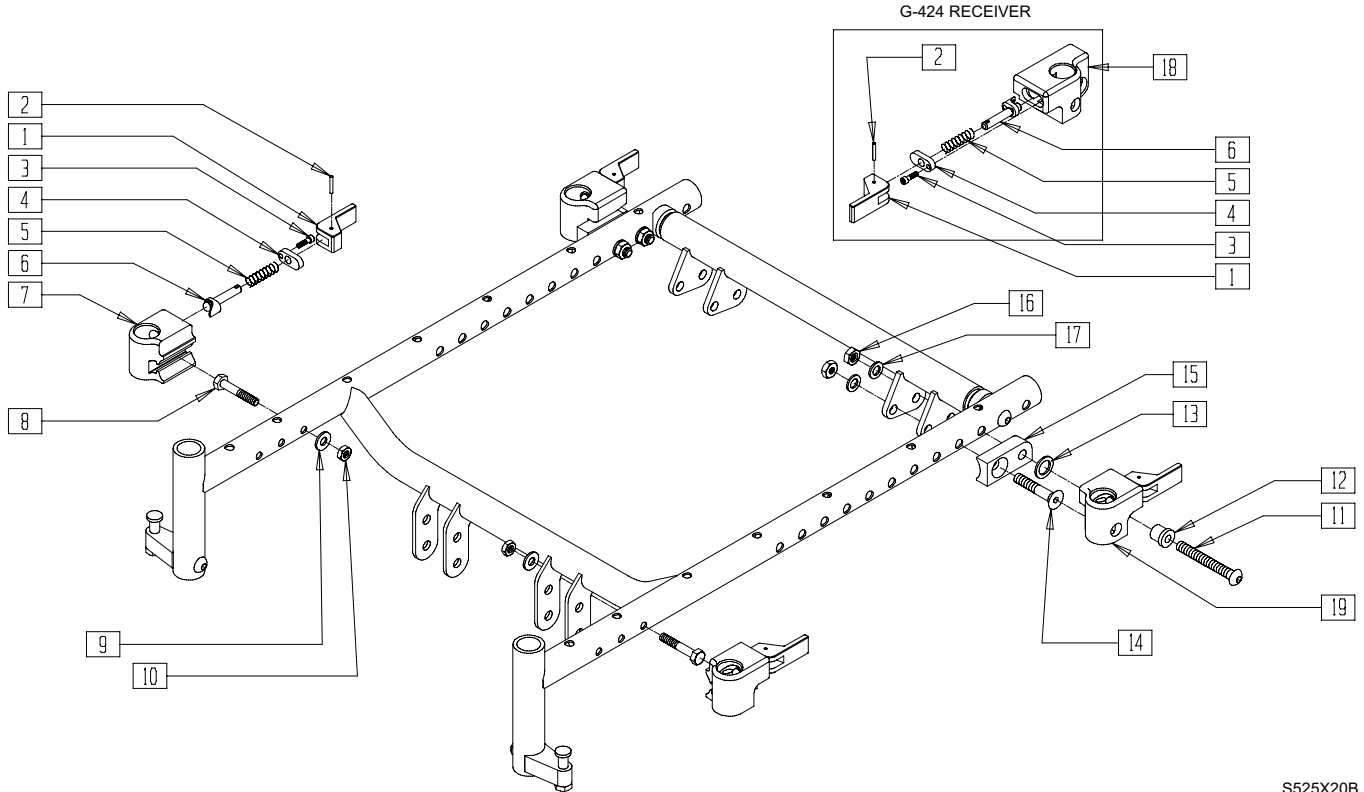


S6260X09

ITEM	NUMBER	DESCRIPTION	QTY
1	561280, 561281	ARMREST PAD 10" W/F (EA)	1
1A	561284, 561285	ARMREST PAD 14" W/F (EA)	1
1B	561024	ARMREST PAD 10" DESK	1
1C	561031	ARMREST PAD 14" FULL	1
2	521841	DUAL PST ADJ UPPR ARM PWR DESK	1
2A	521843	DUAL PST ADJ UPPR ARM PWR FULL	1
3	321141	.650L x 6 COIL SPRING	1
4	341132	ARMREST PIN W/SHOULDER	1
5	540224, 540225	ARM FRAME LOWER HT ADJ REG (EA)	1
5A	540226, 540227	ARM FRAME LOWER HT ADJ LONG (EA)	1
6	561109	ARMREST LEVER FLIP-BACK HT ADJ	1
7	341088	3/32 x 5/8 ROLL PIN	1
8	226038	10-32 x 1 3/8 BH C/S BLK	2
9	240155	RIVET 3/16 x 3/8 TUBULAR ALUM	4
10	562740, 562741	ARMREST PANEL DUAL POST (EA)	1
11	560514	FOAM 8" x .840 TUBE	1
11A	560614	11" x .840 FOAM TUBE	1
12	560735	7/8" ROUND TUBE PLUG	2
13	750009	INSIDE ARMREST PAD (P-222/S-626)	1
1B,2, 8,12	881446, 881447	DUAL POST UPR ADJ DESK PWR (EA)	
1C,2, 8,12	881448, 881449	DUAL POST UPR ADJ FULL PWR (EA)	

ITEM	NUMBER	DESCRIPTION	QTY
1,2, 8,12	881240, 881241	DUAL POST UPPER ARM ASSM DESK W/F (EA)	
1A,2A, 8,12	881242, 881243	DUAL POST UPPER ARM ASSM FULL W/F (EA)	
3-7,9-11	881556, 881557	ARM ASSM LOWER HT ADJ REG (EA)	
3,4,5A, 9,10,11A	881558, 881559	DUAL POST ADJ LOWER ARM LNG (EA)	
1-10 11,12	881308, 881309	DUAL POST SHT W/DESK W/F PAD (EA)	
1A,2A, 3-12	881310, 881311	DUAL POST SHT W/FULL W/F PAD (EA)	
1-4,5A, 6-10 11A,12	881312, 881313	DUAL POST LNG ADJ W/DESK W/F PAD (EA)	
1A,2A,3,4, 5A,6-10, 11A,12	881314, 881315	DUAL POST LNG ADJ W/FULL W/F PAD (EA)	
1B,2-12	881572, 881573	DUAL POST ADJ SHT W/DESK PWR (EA)	
1C,2A,3,4, 5A,6-10, 11A,12	881574, 881575	DUAL POST ADJ LONG W/FULL PWR (EA)	
1B,2-4,5A, 6-10, 11A,12	881576, 881577	DUAL POST ADJ LONG W/DESK PWR (EA)	
1C,2A, 3-10,11,12	881578, 881579	DUAL POST ADJ SHT W/FULL PWR (EA)	

DUAL-POST HEIGHT-ADJUSTABLE ARMREST RECEIVER (QUICKIE G-424/P-220/P-222/P222-SE/S-525)



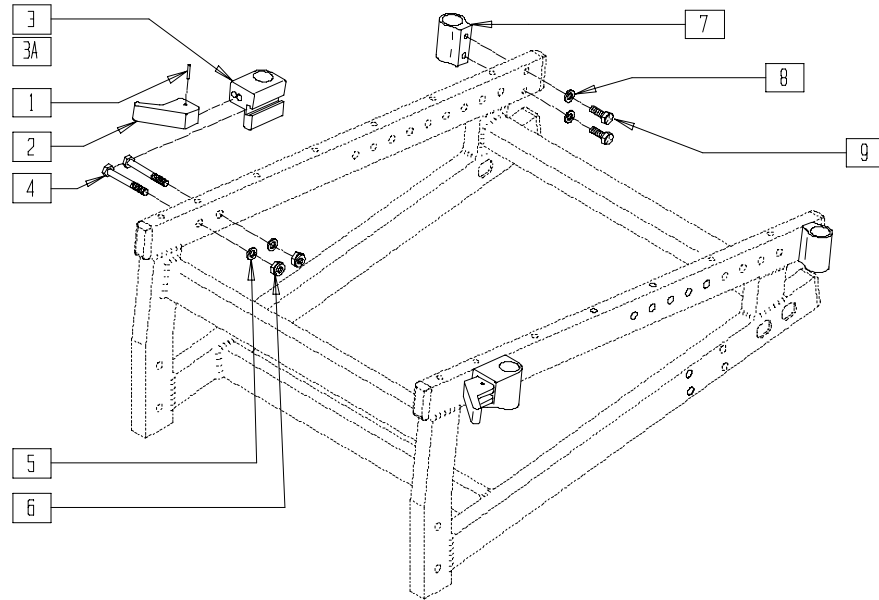
S525X20B

ITEM	NUMBER	DESCRIPTION	QTY
1	561109	ARMREST LEVER FLIP-BACK HT ADJ	4
2	341088	3/32 x 5/8 ROLL PIN	4
3	220114-QU	6-32 x 1/2 SOC C/S	4
4	505672	RECEIVER PIN RETENTION PLATE	4
5	321010	COMPRESSION SPRING	4
6	540216	RELEASE PIN ASSEMBLY	4
7	550804,	ARM REC FRNT SLOT (EA)	1
	550807	(FRONT RECEIVER)	
	550805,	D-PST ARM REC FLIP BCK (EA)	
	550806	(REAR RECEIVER)	
8	226222	1/4-28 x 1 1/2" G8 HEX C/S BLK	2
9	262100-QU	1/4 AN WASHER FLAT	2
10	204110	1/4-28 NYLOCK NUT BLK ZN	2
11	226208	5/16-18 x 2-3/4 BH C/S G8 BLK	2
12	340135	ARM REC PVT BRKT BUSHING	2
13	561273	1/2 x 3/4 x .060 NYLON WASHER	2
14	222193	5/16-18 x 2 1/4 FH SOC CS BLK	2
15	550095,	ARM REC REAR BRKT P222 (EA)	1
	550096		

ITEM	NUMBER	DESCRIPTION	QTY
16	202117	5/16-18 NYLOCK NUT THICK BLK	4
17	263100	5/16 AN WASHER FLAT	4
18	550808,	D-PST ARM REC FWD PIN (EA)	1
	550809		
1-7	882474,	D-POST FRNT REC ASSM (EA)	
	882475	(FRONT ASSEMBLY) (G424/P220/P222/P222SE/S525)	
1-6,18	882470,	D-POST FLP REC ASSM (EA)	
	882471	(REAR ASSEMBLY) (G424/P220/P222/P222SE/S525)	
1-6,18	882476,	D-POST REAR REC ASSM (EA)	
	882477	(G424/S525)	
1-10	881489,	D-PST ARM RCVR W/HDWR (EA)	
	881490	(FRONT ASSEMBLY) (G424/P220/P222/P222SE/S525)	
11-17,19*	881142,	D-PST REAR REC W/HDWR P222 (EA)	
	881143	(P220/P222/P222SE)	
1-6,	882480,	G424 REAR REC ASSM W/HDWR (EA)	
11-18	882481	(G424/S525)	

* FOR ITEM 19 REAR RECEIVER PARTS, ORDER ITEMS 1-7; FOR REAR RECEIVER ASSEMBLY, ORDER 881142, 881143.

DUAL-POST HEIGHT-ADJUSTABLE ARMREST RECEIVER (QUICKIE P190/P200)



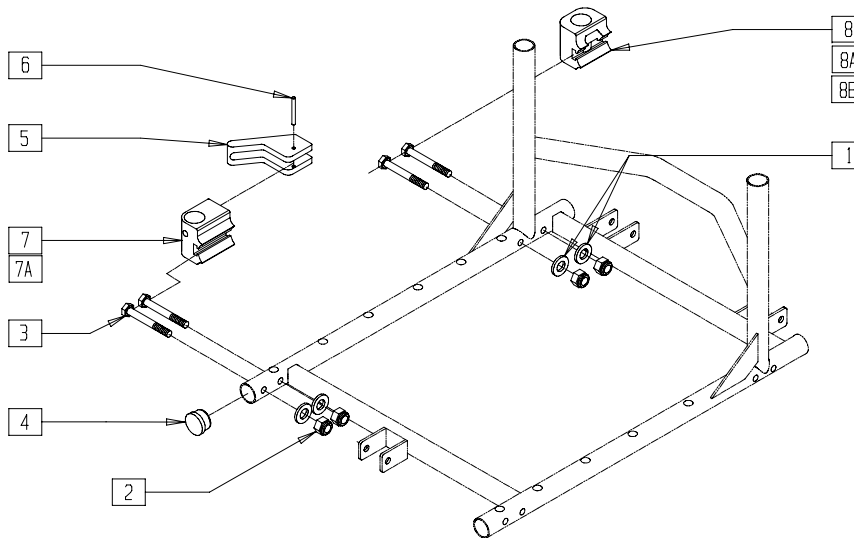
P200X29

ITEM	NUMBER	DESCRIPTION	QTY
1	341088	3/32 x 5/8 ROLL PIN	1
2	561730	RELEASE HNDL DUAL POST PLST	1
3	500741	ARMREST RECEIVER FRONT P2 R	1
3A	500740	ARMREST RECEIVER FRONT P2 L	1
4	221133	1/4-28 x 1 1/2 G8 HEX C/S	2
5	262100-QU	1/4 AN WASHER FLAT	2
6	201110-QU	1/4-28 NYLOCK NUT	2

ITEM	NUMBER	DESCRIPTION	QTY
7	500742	REAR ARMREST RECEIVER P2	2
8	262110-QU	1/4 AN WASHER FLAT THIN	2
9	226125	1/4-28 x 1 1/8 BH C/S	2
1-6	882750	ARM REC FRONT R ASSM P2 ONLY	
1,2,3A,4-6	882751	ARM REC FRONT L ASSM P2 ONLY	
7-9	880434	ARM REC REAR ASSM P2	

DUAL-POST HEIGHT-ADJUSTABLE ARMREST RECEIVER (QUICKIE P300/P320)

(Discontinued - parts only) (Fits P300 prior to P3-10500)



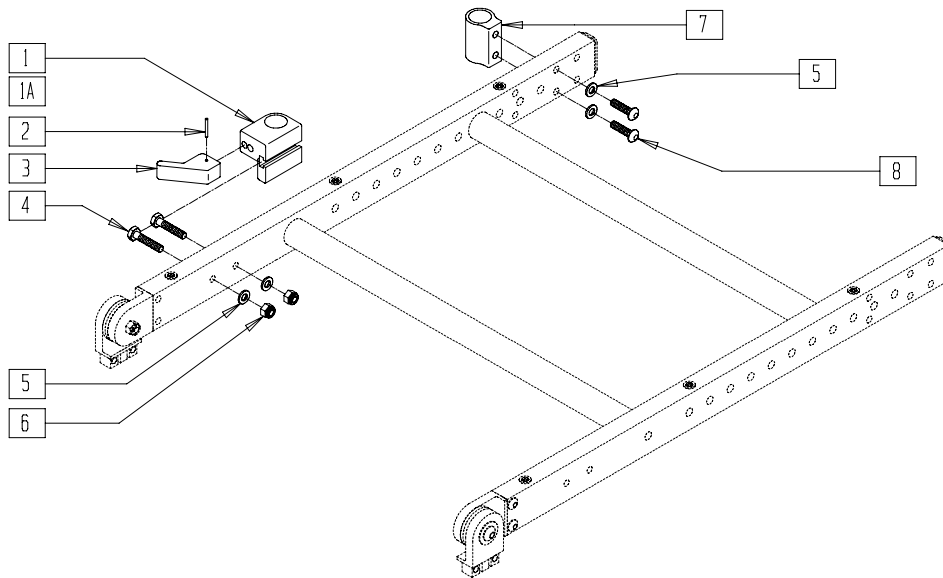
P300X07

ITEM	NUMBER	DESCRIPTION	QTY
1-3,8	880454	DUAL POST REC REAR STD	
1-3,8A	880455	DUAL POST REC REAR R 17" DEPTH P300	
1-3,8B	880456	DUAL POST REC REAR L 17" DEPTH P300	

ITEM	NUMBER	DESCRIPTION	QTY
1-7	880452	DUAL POST REC FRONT R P3/L QTS ASSM	
1-6,7A	880453	DUAL POST REC FRONT L P3/R QTS ASSM	

DUAL-POST HEIGHT-ADJUSTABLE ARMREST RECEIVER (QUICKIE P300)

(Discontinued 6/30/00 - parts only) (Fits P300 beginning 11/15/95, serial number P3-10500)



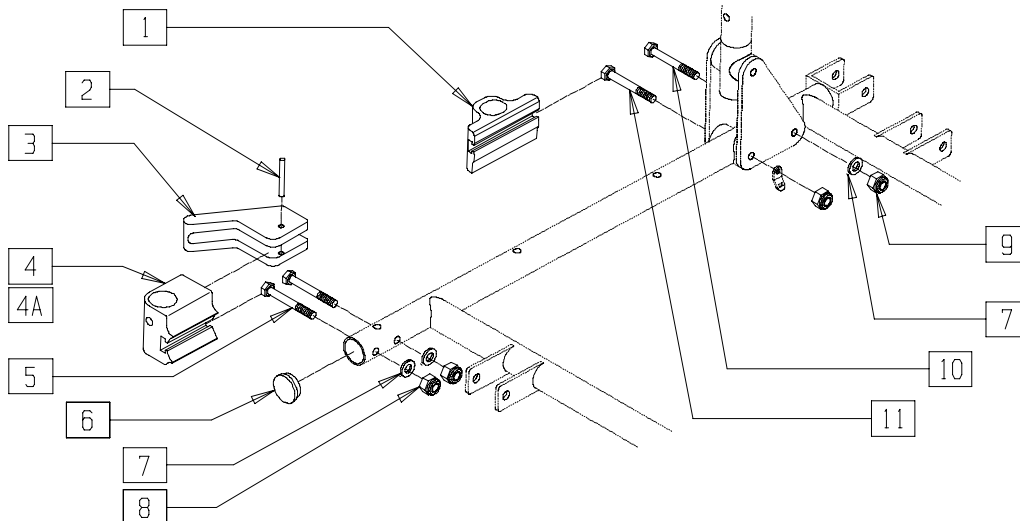
P300AX06

ITEM	NUMBER	DESCRIPTION	QTY
1	500741	ARMREST RECEIVER FRONT P2 R	1
1A	500740	ARMREST RECEIVER FRONT P2 L	1
2	341088	3/32 x 5/8 ROLL PIN	1
3	561730	RELEASE HNDL DUAL POST PLST	1
4	221133	1/4-28 x 1 1/2 G8 HEX C/S	2
5	262100-QU	1/4 AN WASHER FLAT	2

ITEM	NUMBER	DESCRIPTION	QTY
6	201110-QU	1/4-28 NYLOCK NUT	2
7	500742	REAR ARMREST RECEIVER P2	2
8	226125	1/4-28 x 1 1/8 BH C/S	2
1-6	880432	ARM REC FRONT R ASSM P2/T45	
1A,2-6	880433	ARM REC FRONT L ASSM P2/T45	
5,7,8	880434	ARM REC REAR ASSM P2	

DUAL-POST HEIGHT-ADJUSTABLE ARMREST RECEIVER (QUICKIE P300 MANUAL RECLINE)

(Discontinued 6/30/00 - parts only)



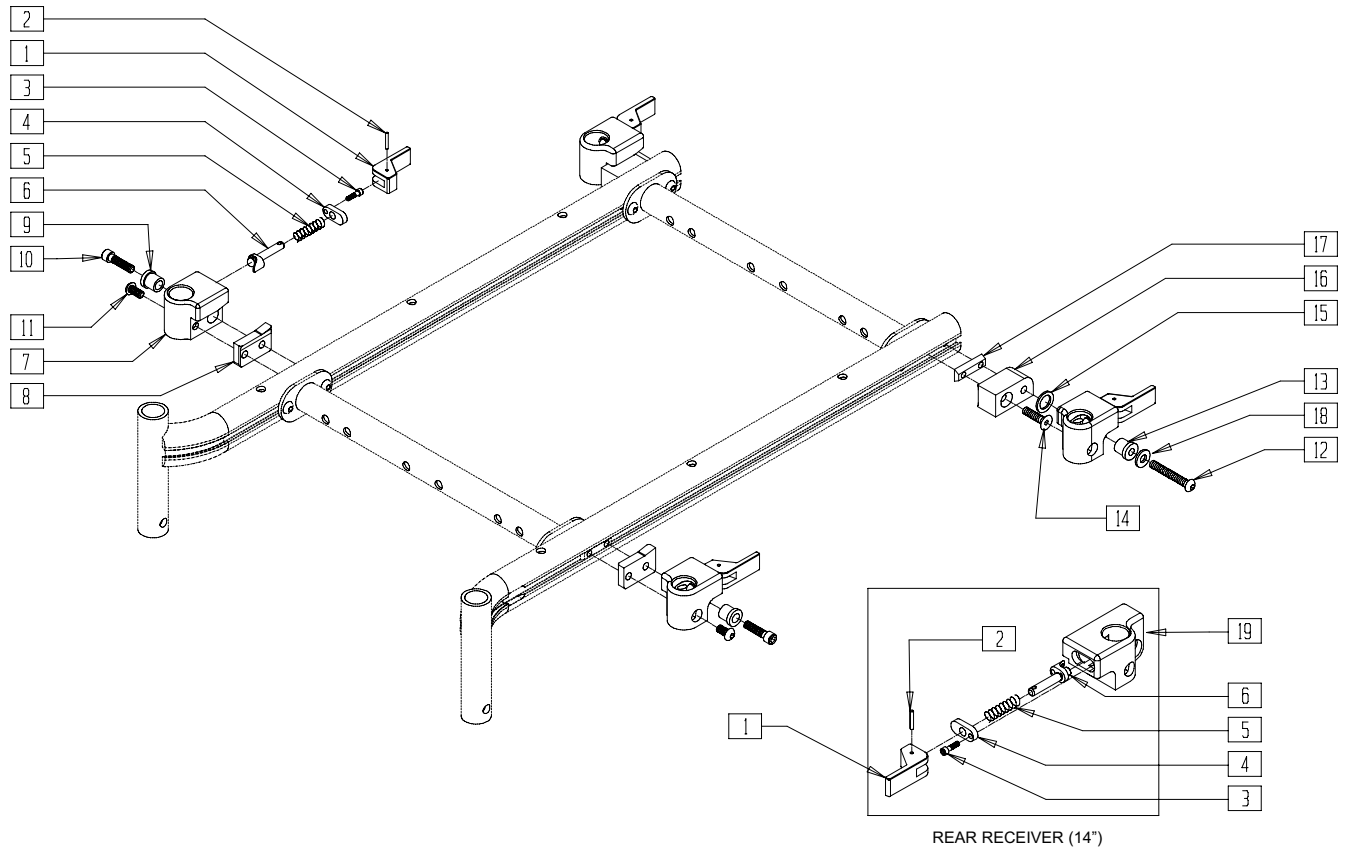
P300X54

ITEM	NUMBER	DESCRIPTION	QTY
5	221133	1/4-28 x 1 1/2 G8 HEX C/S	2
7	262100-QU	1/4 AN WASHER FLAT	2
8	201110-QU	1/4-28 NYLOCK NUT	2
9	201100-QU	1/4-28 NYLOCK NUT THIN	2
10	226152	1/4-20 x 2 BH C/S	1
11	221191	1/4-28 x 2 1/4 G8 HEX C/S	1

ITEM	NUMBER	DESCRIPTION	QTY
2-8	880452	DUAL POST REC FRONT R P3/L QTS ASSM	
2,3,4A,5-8	880453	DUAL POST REC FRONT L P3/R QTS ASSM	
1,7,9-11	880457	ARM REC REAR P3 MAN RCLNR ASSM	

DUAL-POST HEIGHT-ADJUSTABLE ARMREST RECEIVER (QUICKIE S-626/S-646/S-646SE)

(Quickie S-626 transitioned into the Quickie S-646 beginning 7/26/02)

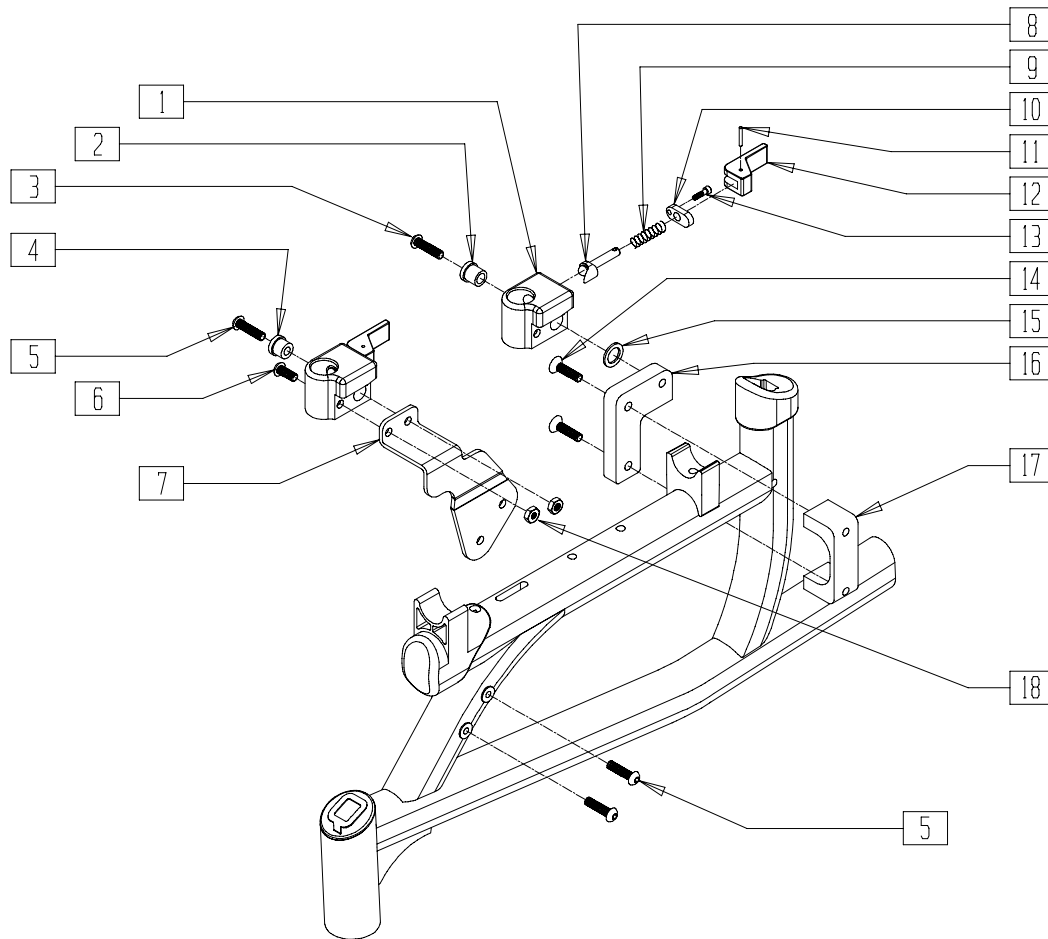


S626X29C

ITEM	NUMBER	DESCRIPTION	QTY
1	561109	ARMREST LEVER FLIP-BACK HT ADJ	4
2	341088	3/32 x 5/8 ROLL PIN	4
3	220114-QU	6-32 x 1/2 SOC C/S	4
4	505672	RECEIVER PIN RETENTION PLATE	4
5	321010	COMPRESSION SPRING	4
6	540216	RELEASE PIN ASSEMBLY	4
7	550805, 550806	D-PST ARM REC FLIP BCK (EA)	2
8	581255, 581256	REC ADAPTER PLATE OVAL (EA)	1
9	340137	REC LOCK DOWN COLLAR .257	2
10	226298	1/4-28 x 1 SOC C/S BLK W/PATCH	2
11	226313	1/4-28 x .63 BH C/S W/PATCH	2
12	221014	1/4-28 x 1.63 SHCS BLK W/PL	2
13	481159	BUSHING STEEL .257 ID	2
14	226314	1/4-28 x 1 FH C/S W/PATCH	2

ITEM	NUMBER	DESCRIPTION	QTY
15	561273	1/2 x 3/4 x .060 NYLON WASHER	2
16	550782, 550783	REC BRKT S626 (EA)	1
17	481418	1/4-28 CHANNEL NUT .80" SP	4
18	262100-QU	1/4 AN WASHER FLAT	2
19	550808, 550809	D-PST ARM REC FWD PIN (EA)	1
1-7	882470, 882471	D-POST FLP REC ASSM (EA)	
1-7, 12-18	881476, 881477	D-POST REAR REC W/HDWR S626(EA)	
1-11,17	888245, 888246	D-PST REC FRNT W/HDWR S626(EA)	
1-6,19	882476, 882477	D-POST REAR REC ASSM (14" WIDE) (EA)	

DUAL-POST HEIGHT-ADJUSTABLE ARMREST RECEIVER (QUICKIE V-521)

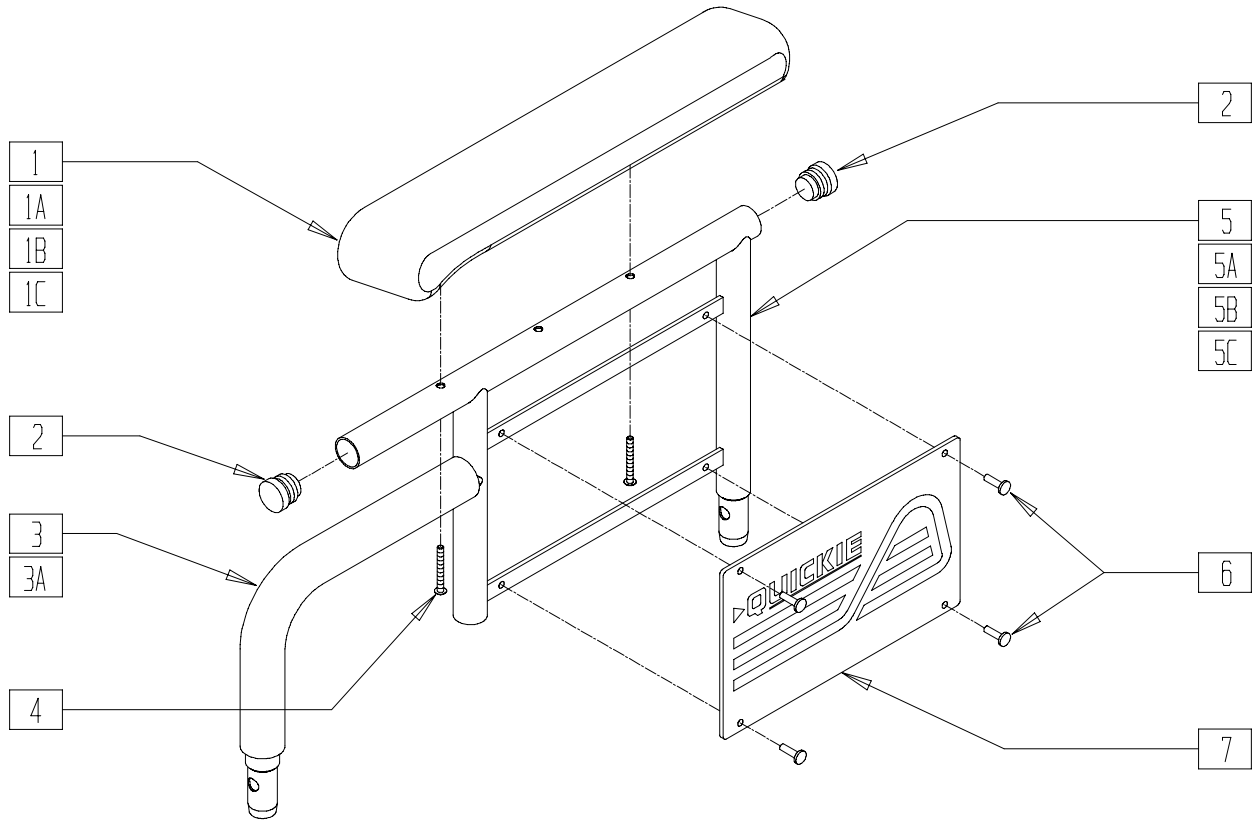


V521X07B

ITEM	NUMBER	DESCRIPTION	QTY
1	550805, 550806	D-PST ARM REC FLIP BCK (EA)	2
2	340135	ARM REC PVT BRKT BUSHING	2
3	226181	5/16-18 x 1 BH C/S BLK	2
4	340137	REC LOCK DOWN COLLAR .257	2
5	227110	1/4-28 x 1 BH C/S BLK ZN	6
6	226090	1/4-28 x 5/8 BH C/S	2
7	500890, 500891	CLMP MNT D-POST ARMREST HVY (EA)	1
8	540216	RELEASE PIN ASSEMBLY	4
9	321010	COMPRESSION SPRING	4
10	505672	RECEIVER PIN RETENTION PLATE	4
11	341088	3/32 x 5/8 ROLL PIN	4
12	561109	ARMREST LEVER FLIP-BACK HT ADJ	4
13	220114-QU	6-32 x 1/2 SOC C/S	4
14	226259	1/4-28 x 1 FLAT HD C/S BLK	4
15	561273	1/2 x 3/4 x .060 NYLON WASHER	2

ITEM	NUMBER	DESCRIPTION	QTY
16	500789, 500790	MT D-PST ARM RCVR PLT 14-16 DEEP (EA)	1
	500893, 500894	MT D-PST ARM RCVR PLT 18 DEEP (EA)	
17	550504	CLAMP DUAL-POST ARMREST REAR	2
18	204110	1/4-28 NYLOCK NUT BLK ZN	4
1,4-13,18	881348, 881349	D-PST ARM REC FRNT V521 (EA) (FRONT ASSEMBLY)	
1,8-13	882470, 882471	D-POST FLP REC ASSM (EA) (REAR ASSEMBLY)	
1-3,8-13, 15,16	881464, 881465	FLP BCK RCVR REAR V521 14-16" DEPTH (EA)	
	881468, 881469	FLP BCK RCVR REAR V521 18" DEPTH (EA)	
	1-13, 18	888249, 888250	

FIXED DUAL-POST ARMREST
**(QUICKIE FREESTYLE/G-424/P190/P200/P-220/P-222/P-222SE/
P300/P320/S-525/S-626/S-646/S-646SE/V-521)**

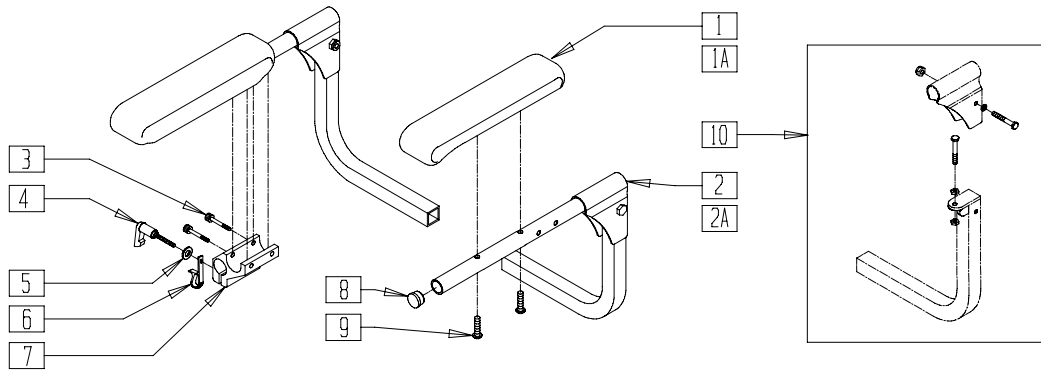


S626X08

ITEM	NUMBER	DESCRIPTION	QTY
1	561280, 561281	ARMREST PAD 10" W/F (EA)	1
1A	561284, 561285	ARMREST PAD FULL 14" W/F (EA)	1
1B	561024	ARMREST PAD 10" DESK (EA)	1
1C	561031	ARMREST PAD 14" FULL (EA)	1
2	560735	7/8" ROUND TUBE PLUG	2
3	560514	FOAM 8" x .840 TUBE	1
3A	560614	11" x .840 FOAM TUBE	1
4	226038	10-32 x 1 3/8 BH C/S BLK	2
5	540124	FIXED HT SHT ARM DESK PAD PWR	1
5A	540125	FIXED HT SHT ARM FULL PAD PWR	1
5B	540126	FIXED HT LONG ARM DESK PAD PWR	1
5C	540127	FIXED HT LONG ARM FULL PAD PWR	1
6	240155	RIVET 3/16 x 3/8 TUBULAR ALUM	4
7	562744, 562745	ARMREST FRAME PANEL FIXED (EA)	1

ITEM	NUMBER	DESCRIPTION	QTY
1-7	881730, 881731	DUAL POST ARM SHT W/DESK W/F PAD (EA)	
1A,2-4, 5A,6,7	881732, 881733	DUAL POST ARM SHT W/FULL W/F PAD (EA)	
1B,2,3A, 4,5B,6,7	881734, 881735	DUAL POST ARM LNG W/DESK W/F PAD (EA)	
1A,2-4, 5C,6,7	881736, 881737	DUAL POST ARM LNG W/FULL W/F PAD (EA)	
1B,2-7	881580, 881581	DUAL POST ARM SHT W/DSK PWR (EA)	
1C,2-4 5A,6,7	881582, 881583	DUAL POST ARM SHT W/FL PWR (EA)	
1B,2-4, 5B,6,7	881584, 881585	DUAL POST ARM LNG W/DSK PWR (EA)	
1C,2-4, 5C,6,7	881586, 881587	DUAL POST ARM LNG W/FL PWR (EA)	

FLIP-BACK ARMREST (FOR CONTOUR AND HIGH-BACK CONTOUR SEATS) (QUICKIE FREESTYLE/G-424/S-525)

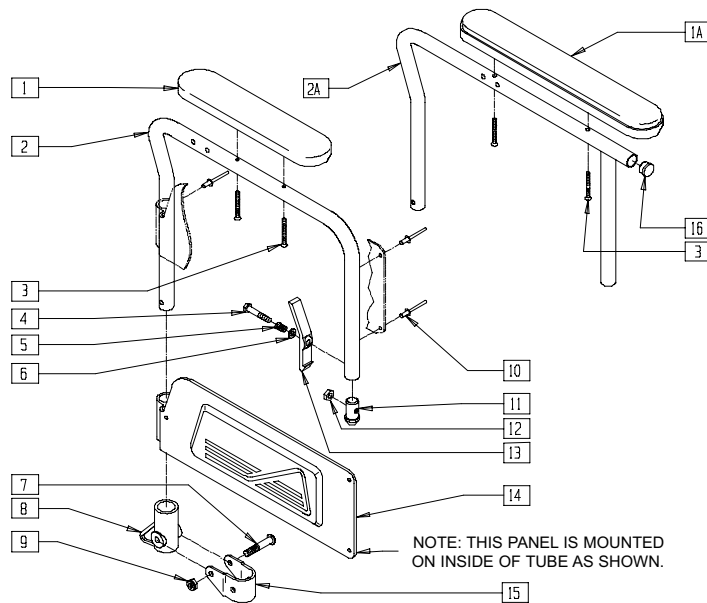


G424X17C

ITEM	NUMBER	DESCRIPTION	QTY
1	561283	ARMREST PAD 12" R P/G	1
1A	561282	ARMREST PAD 12" L P/G	1
2	882340	ARMREST ONLY G424 R	1
2A	882341	ARMREST ONLY G424 L	1
3	226037	10-32 x 1 3/8 SOC C/S BLK	2
4	349024	HNDL 10-32 x 3/4 C/A P1/P3/P5	1
5	261204	# 10 AN WASHER .063	1
6	560268	QUICK RELEASE CLIP	1

ITEM	NUMBER	DESCRIPTION	QTY
7	501750	CONTROL ARM CLAMP	1
8	560735	7/8" ROUND TUBE PLUG	1
9	226038	10-32 x 1 3/8 BH C/S BLK	2
10	920007	ARMRST HDWR KT CNTR/HGBCK SEAT	1
3-7	920713	CNTRL ARM CLAMP ASSM	
1,2,8,9	882280	ARMRST R W/PD CNTR/HIGHBACK	
1A,2A,8,9	882281	ARMRST L W/PAD CNTR/HIGHBACK	

FLIP-BACK ARMREST (QUICKIE V-121[P120])



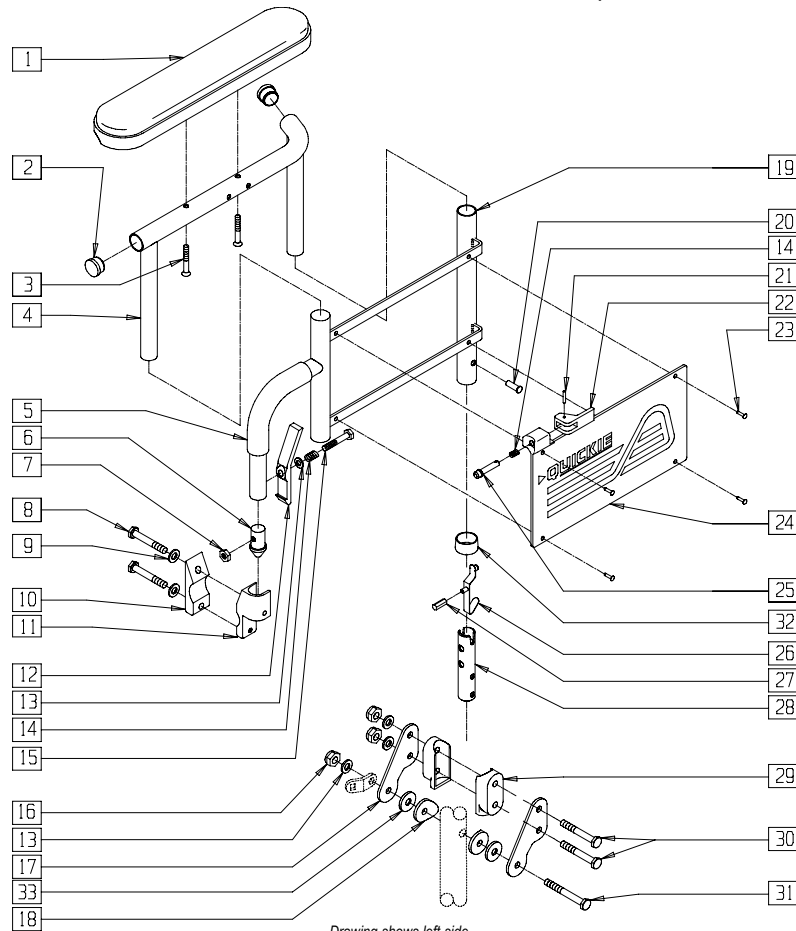
P9000X27

ITEM	NUMBER	DESCRIPTION	QTY
1	561024	ARMREST PAD 10" DESK	1
1A	561031	ARMREST PAD 14" FULL	1
2	524018, 524019	ARMREST TUBE DESK P120 (EA)	1
2A	524020, 524021	ARMREST TUBE FULL P120 (EA)	1
3	226030-QU	10-32 x 1 1/4 BH C/S BLK	2
4	221124	1/4-28 x 1 1/4 G8 HEX C/S	1
5	321141	.650L x 6 COIL SPRING	1
6	262100-QU	1/4 AN WASHER FLAT	1
7	226140	1/4-28 x 1 3/4 BH C/S	1
8	561080	ARM RECEIVER BR	1
9	201110-QU	1/4-28 NYLOCK NUT	1
10	240116	RIVET POP AD64ABS BLK	3

ITEM	NUMBER	DESCRIPTION	QTY
11	561065	ARMREST DOME PLUG BR	1
12	201100-QU	1/4-28 NYLOCK NUT THIN	1
13	561067	ARM LATCH LEVER	1
14	562736, 562737	ARMREST PANEL GENERIC (EA)	1
15	505151	ARMREST PIVOT BRACKET BR	1
16	560761	3/4" INSERT PLUG .049 (18GA)	1
7-9,15	880429	F-BCK REC W/BRKT P120	
1-6, 10-14	881120, 881121	FLP-BCK ARMREST ASSM DESK P120 (EA)	
1-15	920576	FLP-BCK ARM ASSM DESK PNTD P120	
1A,2A,3-6 10-14,16	881122, 881123	F-BCK ARMREST ASSM FULL P120 (EA)	
1A,2-16	920575	F-BCK ARM ASSM FULL PNTD P120 (PR)	

FLIP-BACK HEIGHT-ADJUSTABLE ARMREST (QUICKIE P110)

(Discontinued 6/30/00 - parts only)



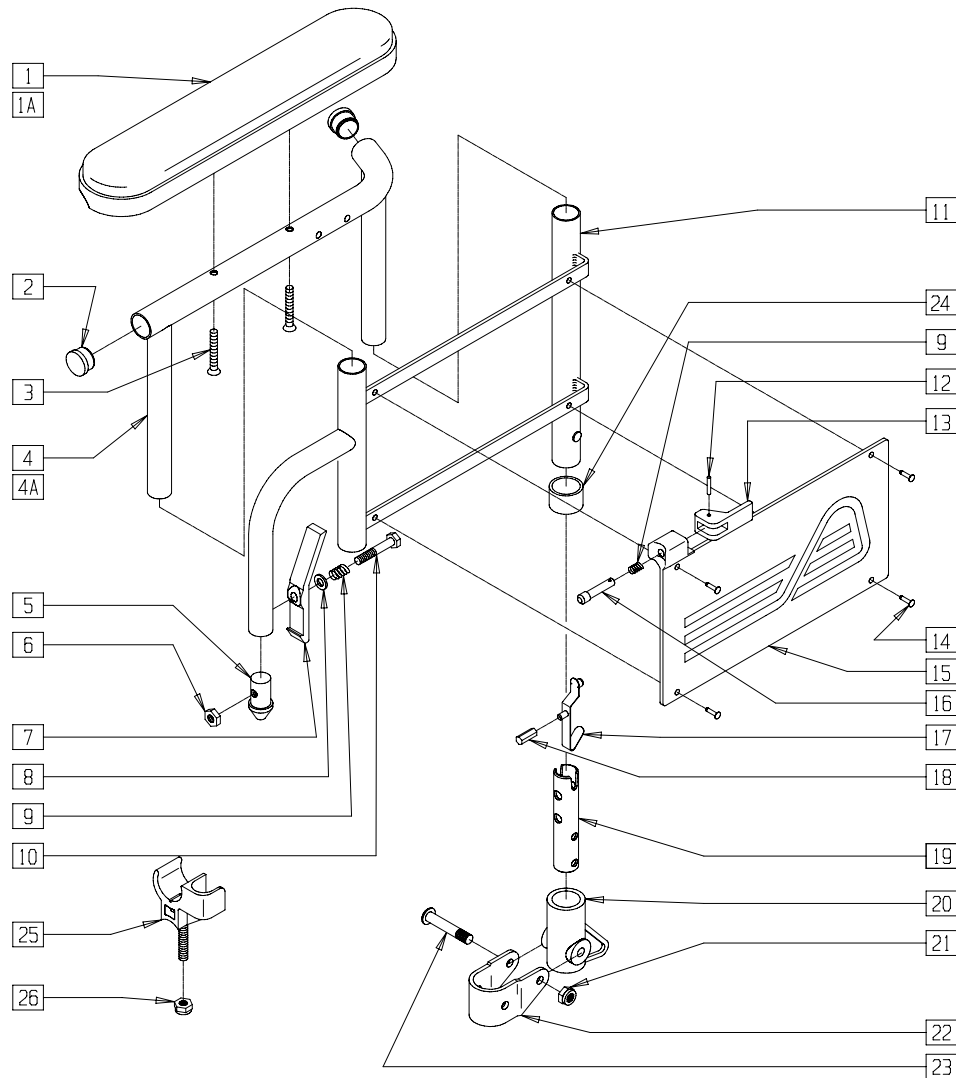
Drawing shows left side

P110X24

ITEM	NUMBER	DESCRIPTION	QTY
1	561024	ARMREST PAD 10" DESK	1
	561031	ARMREST PAD 14" FULL	
2	560735	7/8" ROUND TUBE PLUG	2
	226038	10-32 x 1 3/8 BH C/S BLK	
4	521834,	FLP-BCK HT ADJ PWR ARM DESK (EA)	1
	521835		
	521836,	FLP-BCK HT ADJ PWR ARM FULL (EA)	
	521837		
5	560610	5" x .705 x .125 FOAM TUBE	1
6	561065	ARMREST DOME PLUG BR	1
7	201100-QU	1/4-28 NYLOCK NUT THIN	1
8	221127	1/4-28 x 1 3/8 HEX C/S	2
9	262100-QU	1/4 AN WASHER FLAT	2
10	550256	CLAMP ADJ FL STD	1
11	550102, 550103	FRONT ARM RECEIVER (EA)	1
12	561067	ARM LATCH LEVER	1
13	262100-QU	1/4 AN WASHER FLAT	4
14	321141	.650L x 6 COIL SPRING	2
15	221124	1/4-28 x 1 1/4 G8 HEX C/S	1
16	201110-QU	1/4-28 NYLOCK NUT	3
17	505158	ARMREST PIVOT PLATE W/NOTCH	2
18	561086	1" HALF SADDLE 1/4" HOLE	2
21	341088	3/32 x 5/8 ROLL PIN	1
22	561109	ARMREST LEVER FLIP-BCK HT ADJ	1
24	562738, 562739	ARMRST PNL F-BACK HT ADJ Q2 (EA)	1
25	341132	ARMREST PIN W/SHOULDER	1
26	301117	SNAP BUTTON OPPOSING THREADED	1

ITEM	NUMBER	DESCRIPTION	QTY
27	560708	FLIP-BACK BUTTON PLST Q2	1
28	540255	FLIP-BACK HT ADJ ARM REC POST	1
29	562613	3/4" DOUBLE SADDLE CLOSED	2
30	221192	1/4-28 x 2 G8 HEX C/S	2
31	221191	1/4-28 x 2 1/4 G8 HEX C/S	1
32	563065	3/4" ANTI-RATTLE	1
33	561016	1" WASHER 5/16" HOLE	2
8-11	880106, 880107	FLP-BCK FRNT REC W/CLMP (EA)	
19,24	880306, 880307	FLIP-BACK HT ADJ LOWER ARM W/PANEL (EA)	
26-28	880261	REC POST W/BUTTON	
13,16-18, 25-31	880381	FLIP-BACK HT ADJ REAR REC W/POST	
1-4	880390, 880391	FLIP-BACK HT ADJ UPPER ARM DSK PWR (EA)	
	880392, 880393	F-BCK HT ADJ UPR ARM PWR FL (EA)	
5-7,12-15, 19-25,32	880288, 880289	FLIP-BACK HT ADJ LWR ARM ASSM (EA)	
1-7,12-15, 19-25,32	880404, 880405	FLIP-BCK HT ADJ ARM DSK PWR (EA)	
	880406, 880407	F-BCK HT ADJ ARM ASSM FL PWR (EA)	
1-32	923222	FLIP-BACK HT ADJ DSK ARM PWR RETRO (PR)	
	923223	FLIP-BACK HT ADJ FL ARM PWR RETRO (PR)	

FLIP-BACK HEIGHT-ADJUSTABLE ARMREST (QUICKIE V-121[P120])



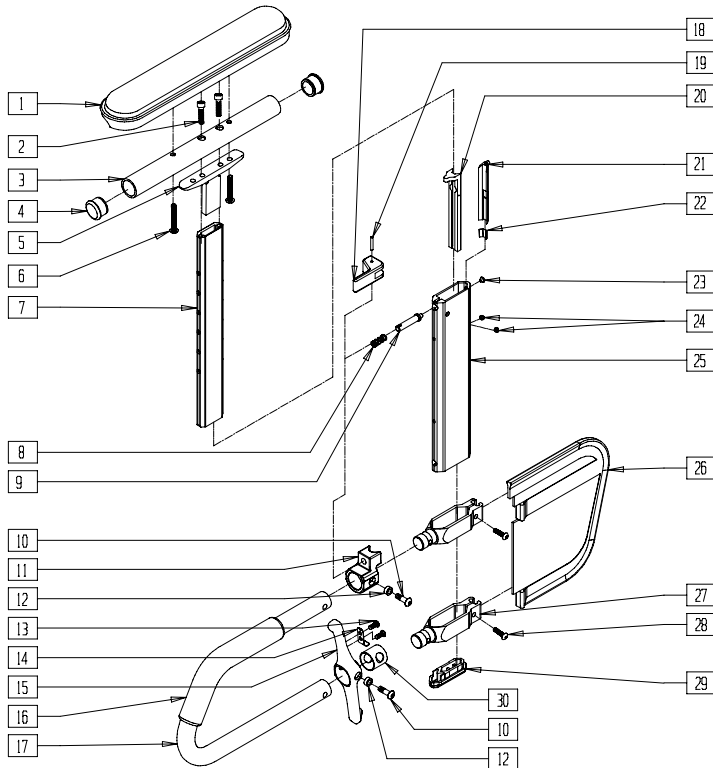
P9000X26

ITEM	NUMBER	DESCRIPTION	QTY
1	561024	ARMREST PAD 10" DESK	1
1A	561031	ARMREST PAD 14" FULL	1
2	560735	7/8" ROUND TUBE PLUG	2
3	226038	10-32 x 1 3/8 BH C/S BLK	2
4	521834, 521835	FLP-BCK HT ADJ PWR ARM DESK (EA)	1
4A	521836, 521837	FLP-BACK HT ADJ PWR ARM FULL (EA)	1
5	561065	ARMREST DOME PLUG BR	1
6	201100-QU	1/4-28 NYLOCK NUT THIN	1
7	561067	ARM LATCH LEVER	1
8	262100-QU	1/4 AN WASHER FLAT	1
9	321141	.650L x 6 COIL SPRING	2
10	221124	1/4-28 x 1 1/4 G8 HEX C/S	1
12	341088	3/32 x 5/8 ROLL PIN	1
13	561109	ARMREST LEVER FLIP-BCK HT ADJ	1
15	562746, 562747	ARMRST PNL GNRC F-BCK HT ADJ (EA)	1
16	481057	ADJ QUAD RECEIVER PIN	1
17	301117	SNAP BUTTON OPPOSING THREADED	1
18	560709	FLIP-BACK BUTTON PLST BR/LXI	1
19	540255	FLIP-BACK HT ADJ ARM REC POST	1
20	561080	ARM RECEIVER BR	1

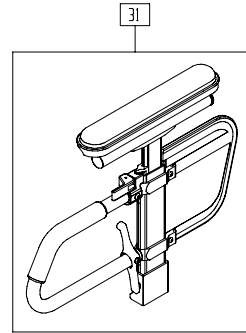
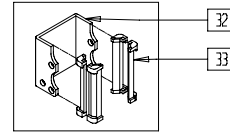
ITEM	NUMBER	DESCRIPTION	QTY
21	201110-QU	1/4-28 NYLOCK NUT	1
22	505151	ARMREST PIVOT BRACKET BR	1
23	226140	1/4-28 x 1 3/4 BH C/S	1
24	563065	3/4" ANTI-RATTLE	1
25	561113, 561114	ARM SADDLE FLP-BCK BR/LXI (EA)	1
26	201110-QU	1/4-28 NYLOCK NUT	1
17-19	880266	REC POST W/BUTTON BR/LXI	
20-23	880429	F-BCK REC W/BRKT P120	
25,26	880371	ARM SADDLES W/HDWR BR	
5-16,24	880090, 880091	F-BCK HT ADJ LWR ASSM P120 (EA)	
1-19,24	881124, 881125	F-BCK HT ADJ ARM W/DSK P120	
1A,2,3,4A, 6-19,24	881126, 881127	F-BCK HT ADJ ARM W/FL P120	
1-24	920577	FLIP-BCK HT ADJ ARM W/DSK P120	
1A,2,3, 4A,5-24	920578	FLIP-BCK HT ADJ ARM W/FL P120	
1-4	880390, 880391	F-BCK HT ADJ UPR ARM DSK PWR (EA)	
1A,2,3,4A	880392, 880393	F-BCK HT ADJ UPR ARM PWR FL (EA)	

HEIGHT-ADJUSTABLE ARMREST (QUICKIE P110/P190/P200/P300/P320/V100[P100]/Z500[ZIPPIE P500])

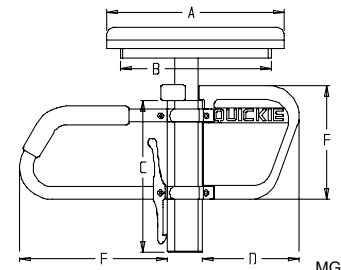
(Effective 9/99)



Drawing shows left side



MEASURING GUIDE



MGUIDE13

	ADULT		KIDZ		PED	
	STD	FULL	STD	FULL	STD	FULL
A	10"	14"	10"	14"	10"	14"
B	8 7/8"	12 3/8"	8 7/8"	12 3/8"	8 7/8"	12 3/8"
C	8 7/8"		8 7/8"		7 1/4"	
D	7 3/4"		6 1/4"		6 1/4"	
E	8 5/8"		6 3/4"		6 3/4"	
F	6 5/8"		5 1/5"		5 1/8"	

ARMX013D

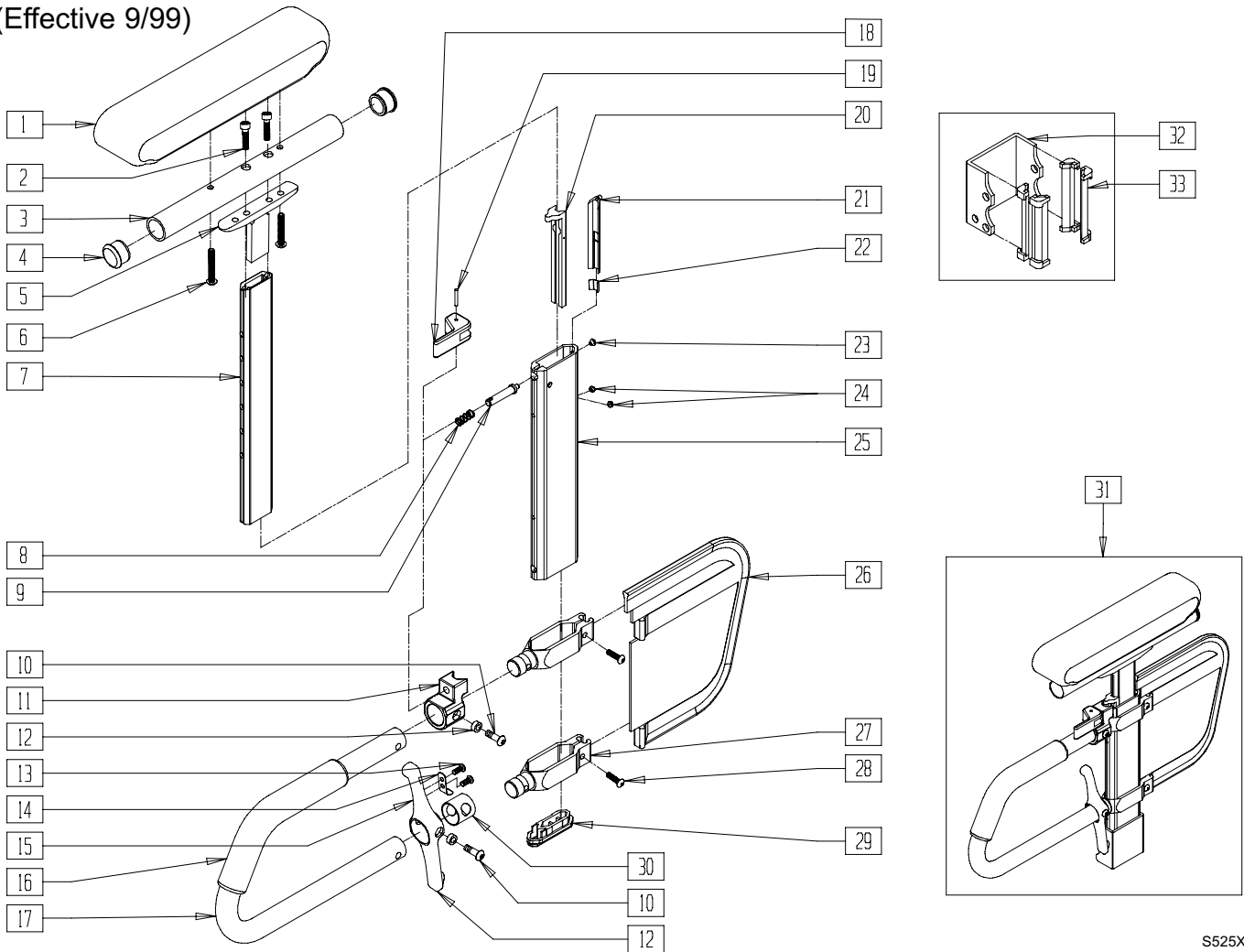
ITEM	NUMBER	DESCRIPTION	QTY
1	561024	ARMREST PAD 10" DESK	1
	561031	ARMREST PAD 14" FULL	
2	226031	10-32 x 1 1/4 SOC C/S BLK	2
3	521812	HT-ADJ PAD TUBE 10" DESK PWR	1
	521813	HT-ADJ PAD TUBE 14" FULL PWR	
4	560735	7/8" ROUND TUBE PLUG	2
5	505084	HT ADJ ARMREST GUSSET	1
6	226038	10-32 x 1 3/8 BH C/S BLK	2
	226032	10-32 x 1 1/2 BH C/S BLK	
7	550481	HT ADJ ARM INNER TUBE	1
	550478	HT ADJ ARM INNER TUBE PED	
8	321107	RELEASE PIN SPRING	1
9	481258	UPPER ARM RELEASE PIN	1
10	226056	10-32 x 1/2 BH C/S BLK W/PATCH	4
11	560266	UPPER RELEASE PIN HOUSING	1
12	481257	RECEIVER RELEASE LEVER BUSHING	4
13	281045	#6 x 1/4 PAN PHIL S/M/S	2
14	321721	LEVER RETURN SPRING	1
15	501551-501553	RECEIVER RELEASE LEVER	1
16	560610	5" x .705 x .125 FOAM TUBE	1
	560627	7-1/2" x .705 x .125 FOAM TUBE	
17	521820	HT ADJ TRANSFER TUBE STD	1
	521821	HT ADJ TRANSFER TUBE KIDS	
18	561109	ARMREST LEVER FLIP-BACK HT ADJ	1
19	341088	3/32 x 5/8 ROLL PIN	1
20	561132	HT ADJ ARM FRONT LINER	1
21	561133	HT ADJ ARM REAR LINER	1
22	321151	HT ADJ LINER SPRING	1
23	330092	#4 x 5/32 STICK SCREW	1
24	225098	10-32 x 1/8 SET SCR W/PATCH B	2

ITEM	NUMBER	DESCRIPTION	QTY
25	550480	HT ADJ ARM OUTER TUBE	1
	550479	HT ADJ ARM OUTER TUBE PED	
26	561140	HT ADJ SKIRT GUARD STD	1
	561141	HT ADJ SKIRT GUARD KIDS	
27	550482	HT ADJ SKIRT CLAMP	2
28	226020-QU	10-32 x 5/8 BH C/S BLK	2
29	561135	HT ADJ ARM BOTTOM PLUG	1
30	562825	RELEASE LEVER INNER SLEEVE	1
1-7	880174-880177	HT ADJ UPPR ARM PED PWR DESK (EA)	1
	880192, 880198	HT-ADJ UPPR ARM ASSM PWR DESK (EA)	
	880193, 880199	HT-ADJ UPPR ARM ASSM PWR FL (EA)	
		HT ADJ UPPR ARM REL ASSM (EA)	
8,9,11, 18,19	888003, 888004	HT ADJ UPPR ARM REL ASSM (EA)	1
13-15	888000-888002	HT ADJ REC REL LEVER ASSM	1
8-30	882080-882085	HT ADJ LOWER DC ARM ASSM (EA)	1
1-30	880210-880229	HT-ADJ W/DSK ARM PAD PWR (EA)	1
	900611-900624	HT ADJ ASSM PED (PR)	
		HT ADJ ASSM W/REC AND CLMP (PR)	
31	900625-900690	HT ADJ ASSM W/REC AND CLMP (PR)	1
8-15, 29,30, 32,33	888800-888805	HT ADJ ARM UPGRD KIT (EA)	1
	921900-921902	HT ADJ SNGL PST UPGRAD KIT (PR)	

HEIGHT-ADJUSTABLE ARMREST

(QUICKIE FREESTYLE/G-424/P-220/P-222/P-222SE/S-525/S-626/S-646/S-646SE/V-521)

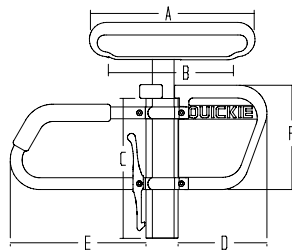
(Effective 9/99)



Drawing shows left side

S525X17A

MEASURING GUIDE



GUIDE13A

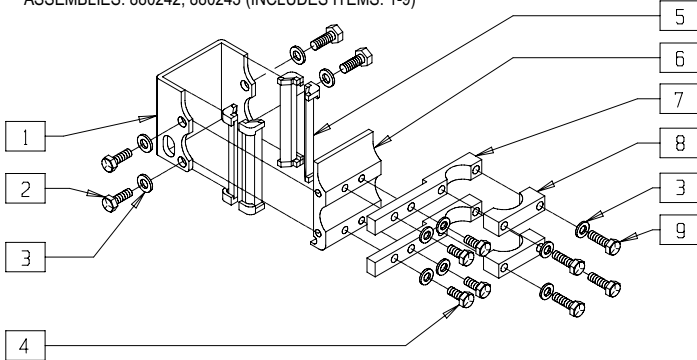
	ADULT		KIDZ		PED	
	STD	FULL	STD	FULL	STD	FULL
A	10"	14"	10"	14"	10"	14"
B	8 7/8"	12 3/8"	8 7/8"	12 3/8"	8 7/8"	12 3/8"
C	8 7/8"		8 7/8"		7 1/4"	
D	7 3/4"		6 1/4"		6 1/4"	
E	8 5/8"		6 3/4"		6 3/4"	
F	6 5/8"		5 1/5"		5 1/8"	

ITEM	NUMBER	DESCRIPTION	QTY
1	561280	ARMREST PAD 10" L W/F	1
	561281	ARMREST PAD 10" R W/F	
	561284	ARMREST PAD 14" L W/F	
	561285	ARMREST PAD 14" R W/F	
	561024	ARMREST PAD 10" DESK	
	561031	ARMREST PAD 14" FULL	
2	226031	10-32 x 1 1/4 SOC C/S BLK	2
3	521812	HT ADJ PAD TUBE 10" DESK PWR	1
	521813	HT ADJ PAD TUBE 14" FULL PWR	
4	560735	7/8" ROUND TUBE PLUG	2
5	505084	HT ADJ ARMREST GUSSET	1
6	226038	10-32 x 1 3/8 BH C/S BLK	2
7	550481	HT ADJ ARM INNER TUBE	1
8	321141	.650L x 6 COIL SPRING	1
9	481258	UPPER ARM RELEASE PIN	1
10	226056	10-32 x 1/2 BH C/S BLK W/PATCH	4
11	560266	UPPER RELEASE PIN HOUSING	1
12	481257	RECEIVER RELEASE LEVER BUSHING	4
13	281045	#6 x 1/4 PAN PHIL S/M/S	2
14	321721	LEVER RETURN SPRING	1
15	501551-501553	RECEIVER RELEASE LEVER	1
16	560610	5" x .705 x .125 FOAM TUBE	1
	560627	7-1/2" x .705 x .125 FOAM TUBE	
17	521820	HT ADJ TRANSFER TUBE STD	1
	521821	HT ADJ TRANSFER TUBE KIDS	
18	561109	ARMREST LEVER FLIP-BACK HT ADJ	1
19	341088	3/32 x 5/8 ROLL PIN	1
20	561132	HT ADJ ARM FRONT LINER	1
21	561133	HT ADJ ARM REAR LINER	1
22	321151	HT ADJ LINER SPRING	1
23	330092	#4 x 5/32 STICK SCREW	1
24	225098	10-32 x 1/8 SET SCREW W/PATCH BLK	2
25	550479	HT ADJ ARM OUTER TUBE	1
	550480	HT ADJ ARM OUTER TUBE	
26	561140	HT ADJ SKIRT GUARD STD	1
	561141	HT ADJ SKIRT GUARD KIDS	
27	550482	HT ADJ SKIRT CLAMP	2
28	226020-QU	10-32 x 5/8 BH C/S BLK	2
29	561135	HT ADJ ARM BOTTOM PLUG	1
30	562825	RELEASE LEVER INNER SLEEVE	1

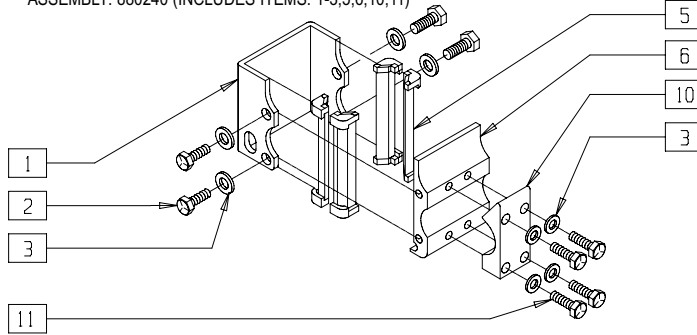
ITEM	NUMBER	DESCRIPTION	QTY
1-7	880192, 880198	HT ADJ UPPER ARM ASSEMBLY PWR DESK (EA)	
	880193, 880199	HT ADJ UPPER ARM ASSEMBLY PWR FULL (EA)	
	881230-881233	HT ADJ UPPER ARM ASSEMBLY W/F (EA)	
	880174, 880175	HT ADJ UPPR ARM PED PWR DESK (EA)	
	880176, 880177	HT ADJ UPPR ARM PED PWR FULL (EA)	
	888341, 888342	HT ADJ PED UPR ARM ASSM D WF (EA)	
	888343, 888344	HT ADJ PED UPR ARM ASSM F WF (EA)	
	8,9,11, 18,19	888003, 888004	
10, 12-15,30	888000-888002	HT ADJ REC REL LEVER ASSM	
8-30	882082-882085	HT ADJ LOWER DC ARM ASSEMBLY (EA)	
	882080, 882081	HT ADJ LOWER ARM ASSM PE D	
1-30	880210-880217, 881300-881307	HT ADJ ASSM W/PAD PWR (EA)	
	880226-880229	HT ADJ PED W/DSK ARM PAD PWR (EA)	
	888345-888348	HT ADJ PED W/DSK W/F PAD (EA)	
	900820-900823	HT ADJ ASSM W/F PAD (PR)	
31	900671-900680	HT ADJ ASSEMBLY STD P1 W/REC AND CLAMP (PR)	
	900775-900778	HT ADJ ASSM W/F PAD S626	
	923886	HT ADJ PED DSK W/F PAD FRSTYL	
	923887	HT ADJ PED FLL W/F PAD FRSTYL	
	923888	HT ADJ PED DSK PAD FRSTYL	
	923889	HT ADJ PED FLL PAD FRSTYL	
8-15, 18-20, 29,30, 32,33	888800-888805	HT ADJ ARM UPGRD KIT (EA)	
	921900-921902	HT ADJ ARM UPGRADE KIT (PR)	

HEIGHT-ADJUSTABLE ARMREST RECEIVERS (QUICKIE P110/P190/P200/P300/P320/V100[P100]/Z500[ZIPPIE P500])

QUICKIE V100 RECEIVER
ASSEMBLIES: 880242, 880243 (INCLUDES ITEMS: 1-9)

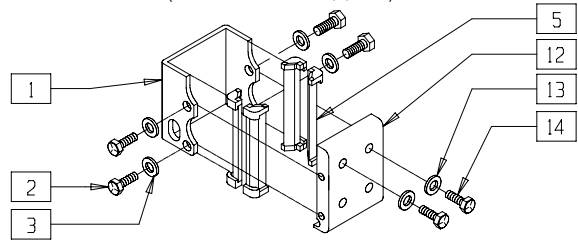


QUICKIE P110 RECEIVER
ASSEMBLY: 880240 (INCLUDES ITEMS: 1-3,5,6,10,11)

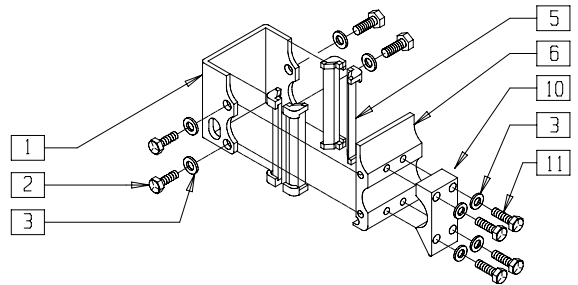


NOTE: USED WITH CONTROLLER BRACKET ON ONE SIDE OF CHAIR ONLY.

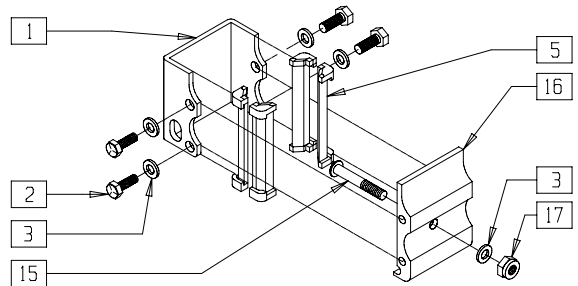
QUICKIE P190/P200/P300 RECEIVER
(fits P300 beginning serial number P3-10500)
ASSEMBLY: 880246 (INCLUDES ITEMS: 1-3,5,12-14)



QUICKIE P300/P320 RECEIVER
(fits P300 prior to serial number P3-10500)
ASSEMBLY: 880240 (INCLUDES ITEMS: 1-3,5,6,10,11)



QUICKIE Z500(ZIPPIE P500) RECEIVER
ASSEMBLY: 880244 (INCLUDES ITEMS: 1-3,5,15-17)



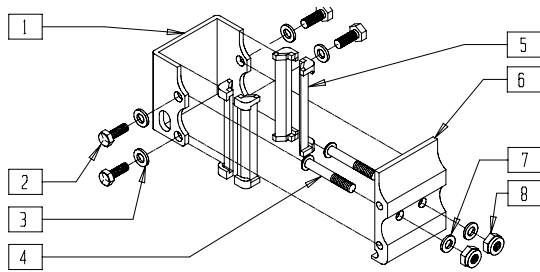
P100X19C

ITEM	NUMBER	DESCRIPTION	QTY
1	550485	HT ADJ REC CHANNEL	1
2	221096	1/4-28 x 5/8 HEX C/S	4
3	262100-QU	1/4 AN WASHER FLAT	4-12
4	221100	1/4-28 x 3/4 HEX C/S	4
5	561134	HT ADJ RECEIVER LINER	4
6	550483	HT ADJ REC STD	1
7	500755	HT ADJ REC ARM CLAMP RIGID	2
8	550210	LOW LOCK CLAMP BLK	2
9	221127	1/4-28 x 1 3/8 HEX C/S	4
10	550490	HT ADJ REC CLAMP 4 HOLE	1
11	221127	1/4-28 x 1 3/8 HEX C/S	4
12	550492	HT ADJ REC STD P2	1
13	263100	5/16 AN WASHER FLAT	2

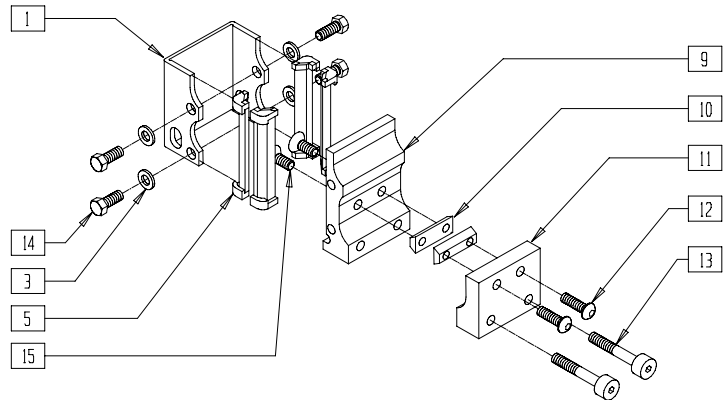
ITEM	NUMBER	DESCRIPTION	QTY
14	222098-QU	5/16-24 x 1 1/4 HEX C/S	2
15	226132	1/4-28 x 1 1/2 FH SOC SCW BLK	1
16	550487	HT ADJ REC P5	1
17	201100-QU	1/4-28 NYLOCK NUT THIN	1
1-6	880230	HT ADJ REC STD W/O CLAMP	
1-3,5,6,10,11	880240	HT ADJ REC STD W/CLAMP	
1-9	880242, 880243	HT ADJ REC NF W/CLAMP (EA)	
1-3,5,12,14	880246	HT ADJ ARM REC P2	
1-3,5,15,17	880244	HT ADJ REC P5 W/CLAMP	

HEIGHT-ADJUSTABLE ARMREST RECEIVERS (QUICKIE FREESTYLE/G-424/P-220/P-222/P-222SE/S-525/S-626/S-646/S-646SE/V-521)

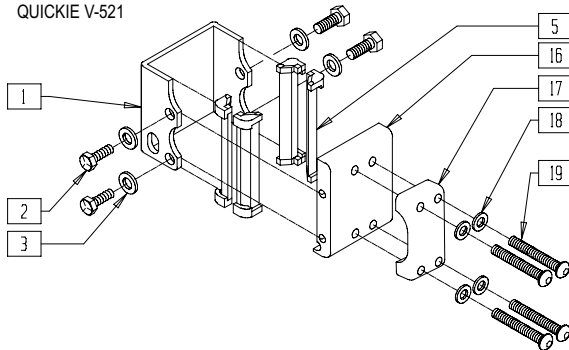
QUICKIE G-424/S-525 (REHAB SEAT ONLY),
QUICKIE P-222



QUICKIE S-626



QUICKIE V-521



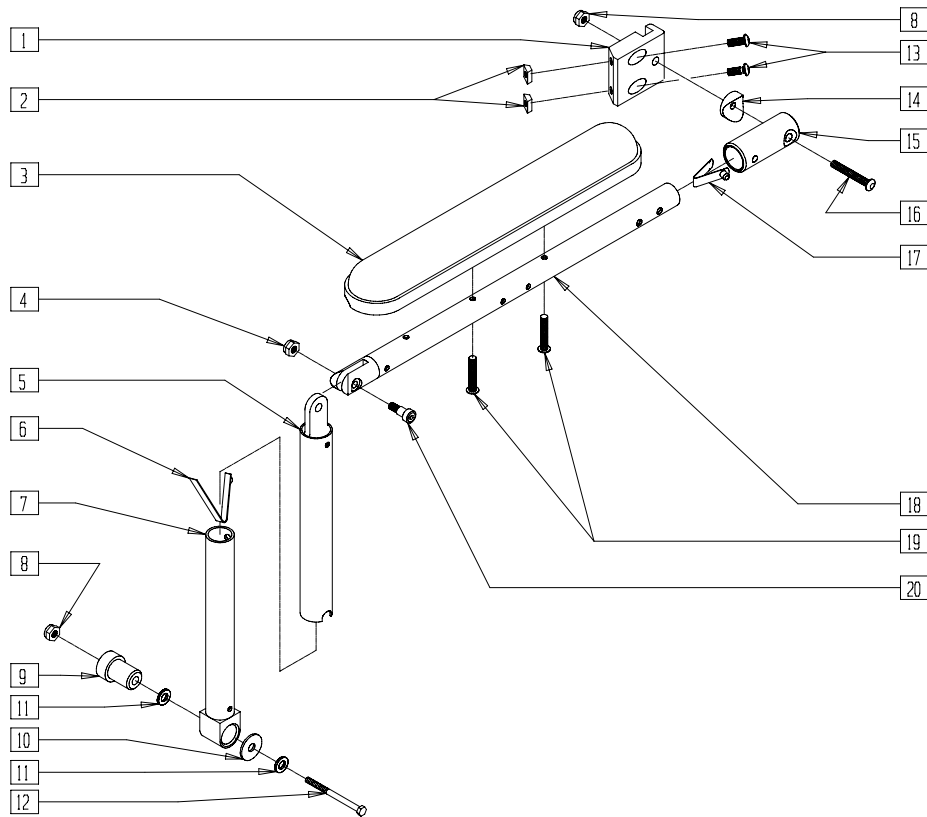
V521X06A

ITEM	NUMBER	DESCRIPTION	QTY
1	550485	HT ADJ REC CHANNEL	1
2	221096	1/4-28 x 5/8 HEX C/S	4
3	262100-QU	1/4 AN WASHER FLAT	4
4	226218	5/16-18 x 1 3/4" BH C/S BLK	2
5	561134	HT ADJ RECEIVER LINER	4
6	550497	HT ADJ REC STD S525 SEAT	1
7	263100	5/16 AN WASHER FLAT	2
8	202116	5/16-18 NYLOCK NUT THIN BLK	2
9	550507	HEIGHT ADJ REC S626	1
10	481418	1/4-28 CHANNEL NUT .80" SP	2
11	550508	HEIGHT ADJ REC CLAMP S626	1
12	226247	1/4-28 x 5/8 B/H C/S BLACK G5	2
13	226114	1/4-28 x 1 1/2 SOC C/S BLK	2

ITEM	NUMBER	DESCRIPTION	QTY
14	221097	1/4-28 x 5/8 HEX C/S BZ	4
15	227104	1/4-28 x 5/8 FH C/S BLK ZN	2
16	550572	HT ADJ ARM RCVR	1
17	550573	HT ADJ ARM RCVR CLAMP P110	1
18	262110-QU	1/4 AN WASHER FLAT THIN	4
19	227140	1/4-28 x 1 3/4 BH C/S BLK ZN	4
1-3,5, 16-19	880218	HT ADJ ARM REC ASSM V521	
1-8	880239	HT ADJ REC W/HDWR STD S525	
1,3,5, 9-15	880277	HT ADJ ARM REC ASSM S626	

RECLINING ARMREST (QUICKIE P210)

(Discontinued 11/1/02 - parts only)



P200X59

ITEM	NUMBER	DESCRIPTION	QTY
1	503025	ARM SLIDE BRKT PRS	1
2	481106-QU	1/4-28 CHANNEL NUT	2
3	561031	ARMREST PAD 14" FULL	1
4	201105	1/4-20 NYLOCK NUT THIN	1
5	880346	ARM TUBE ASSM OUTER PRS	1
6	301114	SINGLE SNAP BUTTON RCLNR B-141	1
7	880345	ARM TUBE ASSM INNER PRS	1
8	202102	5/16-18 NYLOCK NUT THIN	1
9	483138	PIVOT STUD ARMREST PRS	1
10	561016	1" WASHER 5/16" HOLE	1
11	263100	5/16 AN WASHER FLAT	1
12	222243	5/16-18 x 2 3/4 HEX C/S	1

ITEM	NUMBER	DESCRIPTION	QTY
13	226090	1/4-28 x 5/8 BH C/S	2
14	561006	1" SADDLE 5/16" HOLE	1
15	483210	ARM RECEIVER PRS	1
16	226195	5/16-18 x 1.82 BH C/S	1
17	301109	SNAP BUTTON DUAL ONE SIDE	1
18	880347	ARM TUBE ASSM UPPER PRS	1
19	226038	10-32 x 1 3/8 BH C/S BLK	2
20	226184	5/16 x 3/8 SHOULDER BOLT	1
1-20	880364,	ARMREST RCLNG STD PRS (EA)	
	880365		
	900760	ARMREST RCLNG STD PRS (PR)	

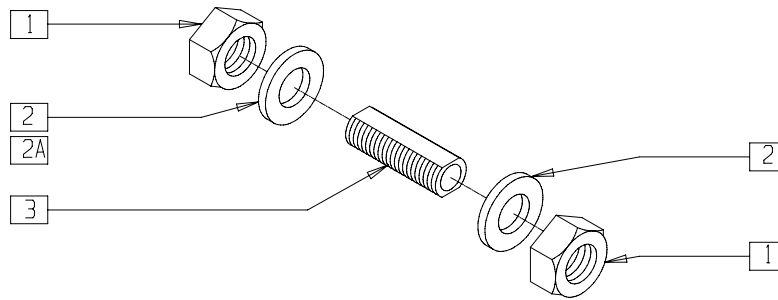
Axles

IN THIS SECTION

Axle Sleeve (Quickie P200/P-220/P-222/P222-SE/P320) (Manual Wheelchair Conversion Only).....	4.1	Push Button Axle (Spoke Wheels) (Quickie P200/P-220/P-222/P-222SE/P320) (Manual Wheelchair Conversion Only).....	4.1
Quick-release Axle (Mag Wheels) (Quickie P200/P-220/P-222/P-222SE/P320) (Manual Wheelchair Conversion Only).....	4.1		

AXLE SLEEVE (QUICKIE P200/P-220/P-222/P-222SE/P320)

(Manual Wheelchair Conversion Only)



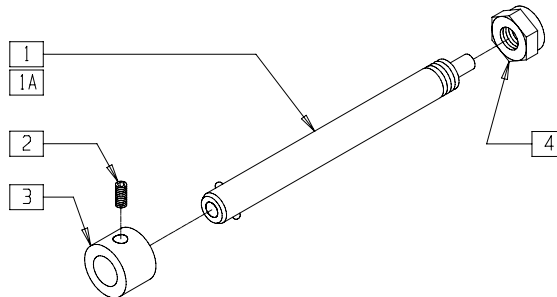
P200X24

ITEM	NUMBER	DESCRIPTION	QTY
1	204000	3/4-16 NUT	2
2	265100	3/4 x 18 WASHER NARROW	1-2
2A	483069	AXLE NUT SHIM 14/15 P2	1
3	481065	AXLE SLEEVE S.S.	1

ITEM	NUMBER	DESCRIPTION	QTY
1-3	920121	AXLE SLEEVE W/HDWR (NON-INDEX) (16"-20" WIDE) (P200/P-222/P320)	
1,2,2A,3	920113	AXLE SLEEVE W/HDWR 14/15 P2 (14"-15" WIDE) (P200/P320)	

QUICK-RELEASE AXLE (MAG WHEELS) (QUICKIE P200/P-220/P-222/P-222SE/P320)

(Manual Wheelchair Conversion Only)



P200X14

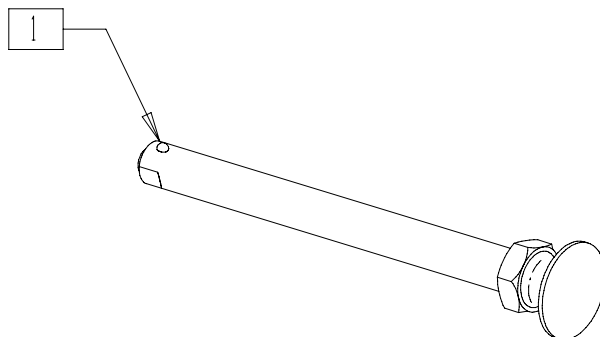
ITEM	NUMBER	DESCRIPTION	QTY
1	349004	QUICK RELEASE AXLE MAG	1
1A	349010	QUICK RELEASE AXLE	1
2	225100	1/4-20 x 1/4 SET SCR	1
3	483057	MAG AXLE SPACER W/HOLE	1

ITEM	NUMBER	DESCRIPTION	QTY
4	203100	1/2-20 NYLOCK NUT	1
1,4	920119	QR AXLE MAG W/NUT	
1A,4	920129*	QR AXLE W/NUT	
1A,2-4	920138	QR AXLE W/SPACER FOR 6S MAG	

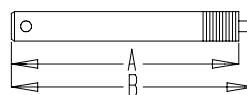
* 920129 DISCONTINUED 9/21/98 - PARTS ONLY.

PUSH BUTTON AXLE (SPOKE WHEELS) (QUICKIE P200/P-220/P-222/P-222SE/P320)

(Manual Wheelchair Conversion Only)



MEASURING GUIDE



AXGUIDE

PART NUMBER	"A"	"B"
349057	5 3/16"	5 9/16"

P200X14A

ITEM	NUMBER	DESCRIPTION	QTY
1	349057*	AXLE PIN AND NUT CLEAR LONG	1

* USED ON STANDARD SPOKE WHEELS BEGINNING 9/21/98.

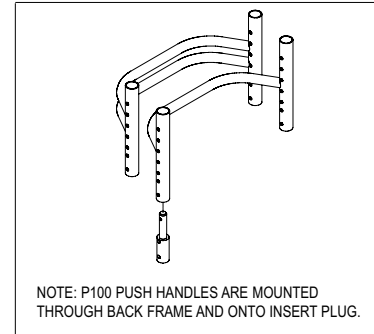
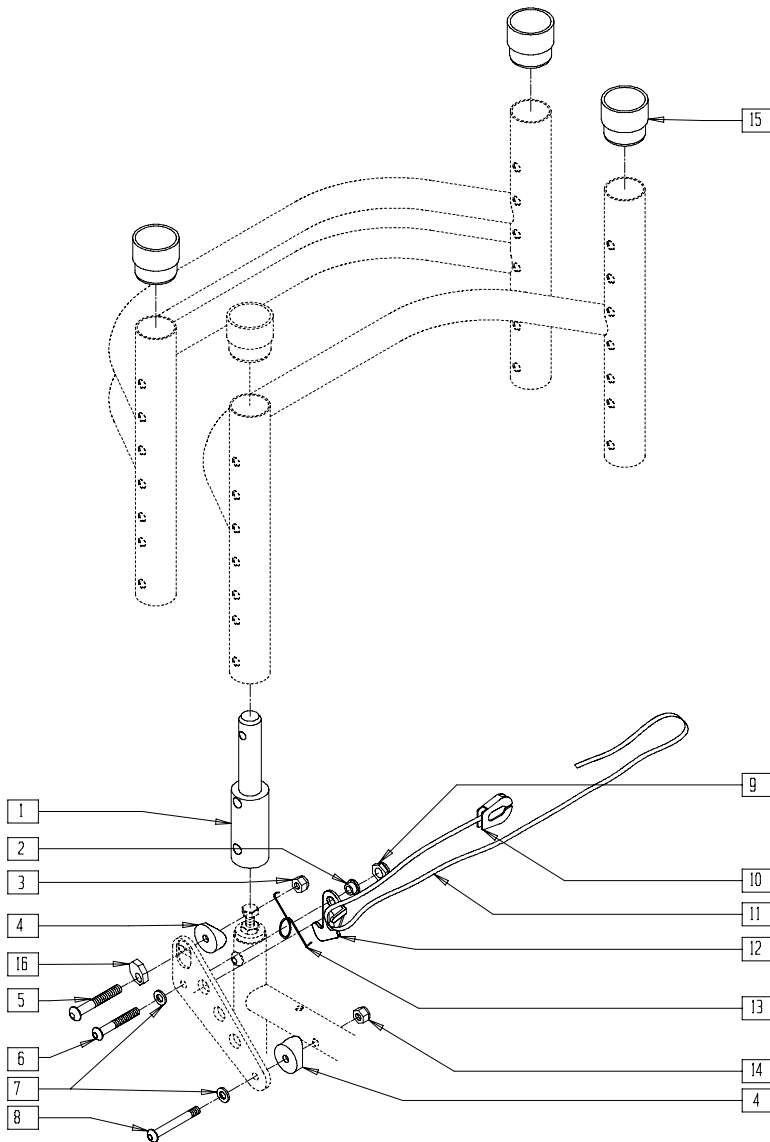
Backrests

IN THIS SECTION

Folding Backrest and Quick-release Back Lock (Quickie P100) (Disc.).....	5.1	Solid Back (Quickie Freestyle/G424/P-220/P-222SE/S525)	5.16
Folding Backrest and Quick-release Back Lock (Quickie V100[P100]).....	5.2	Solid Back Dimension and Part Number	
Push Handle Backrest (Quickie P100) (Disc.).....	5.3	Reference Guide.....	5.16
Push Handle Backrest (Quickie V100[P100])	5.3	Solid Backrest (Quickie S-626/S-646/S-646SE).....	5.17
Push Handle Backrest (Quickie P110) (Disc.).....	5.4	Lateral Swing-Away Assembly (Quickie Freestyle/G-424/P-220/P-222/ P-222SE/S-525/S-626/S-646/S-646SE)	5.17
Push Handle Backrest (Quickie V-121[P120]).....	5.4	Lateral Pad Assembly (Quickie Freestyle/G-424/P-220/P-222/ P-222SE/S-525/S-626/S-646/S-646SE)	5.18
Angle Adjustable Push Handle Backrest (8°)(V-121)	5.5	Non-folding Adjustable Backrest (Quickie S-626/S-646/S-646SE).....	5.19
Angle Adjustable Push Handle Backrest (Straight and 8°)(V-521).....	5.5	Solid Seat and Solid Back (Quickie Z500[Zippie P500])	5.20
Push Handle Backrest (Quickie V-521)	5.6	Backrest (Quickie Z500[Zippie P500]).....	5.20
Backrest (Quickie P190) (Disc.)	5.6	Locking Mechanism (Quickie Z500[Zippie P500])	5.21
Folding Backrest (Quickie G-424/S-525) (Disc.)	5.7	Stroller Handle Extension (Quickie Z500[Zippie P500])	5.21
Folding Backrest (Quickie Freestyle/ G-424/P-220/P-222/P-222SE/S-525).....	5.8	Back Assembly (Quickie Power Recline System) (Disc.).....	5.22
Non-folding Backrest (Quickie G-424/S-525) (Disc.)	5.9	Back Pan (Quickie Power Recline System) (Disc.).....	5.23
Non-folding Backrest (Quickie Freestyle/ G-424/P-220/P-222/P-222SE/S-525).....	5.10	Recliner Cover (Quickie Power Recline System) (Disc.).....	5.23
Folding Backrest (Quickie P190/P200/P300).....	5.11	Headrest Assembly (Quickie Power Recline System) (Disc.).....	5.24
Push Handle Backrest (Quickie P300/P320) (Disc.)	5.12	Headrest (Quickie Freestyle/G-424/ S-525/S-626/S-646/S-646SE).....	5.25
Back Upholstery Measuring Guide	5.12	Universal Headrest Mounting Kit.....	5.25
Backrest (Quickie P300 Manual Recline/ P320 Manual Recline) (Disc.).....	5.13	Backrest and Seat Tube Diameter	
Locking Mechanism (Quickie P300 Manual Recline/P320 Manual Recline) (Disc.).....	5.14	Measuring Guide	5.26
Backrest Upholstery (Quickie P300 Manual Recline/P320 Manual Recline) (Disc.).....	5.14	Jay Precision Back Upholstery (Quickie P200/P-220/P-222/S-525/S-646/V-121) ...	5.27
Headrest Extension (P300 Manual Recline/ P320 Manual Recline)(Disc.).....	5.15		
Sling Back (Quickie P300 Manual Recline/ P320 Manual Recline) (Disc.).....	5.15		

FOLDING BACKREST AND QUICK-RELEASE BACK LOCK (QUICKIE P100)

(Discontinued 2/99 - parts only)



NOTE: P100 PUSH HANDLES ARE MOUNTED THROUGH BACK FRAME AND ONTO INSERT PLUG.

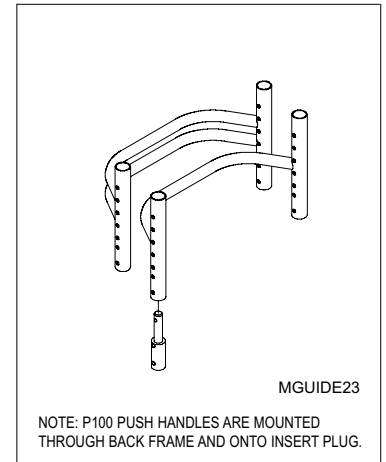
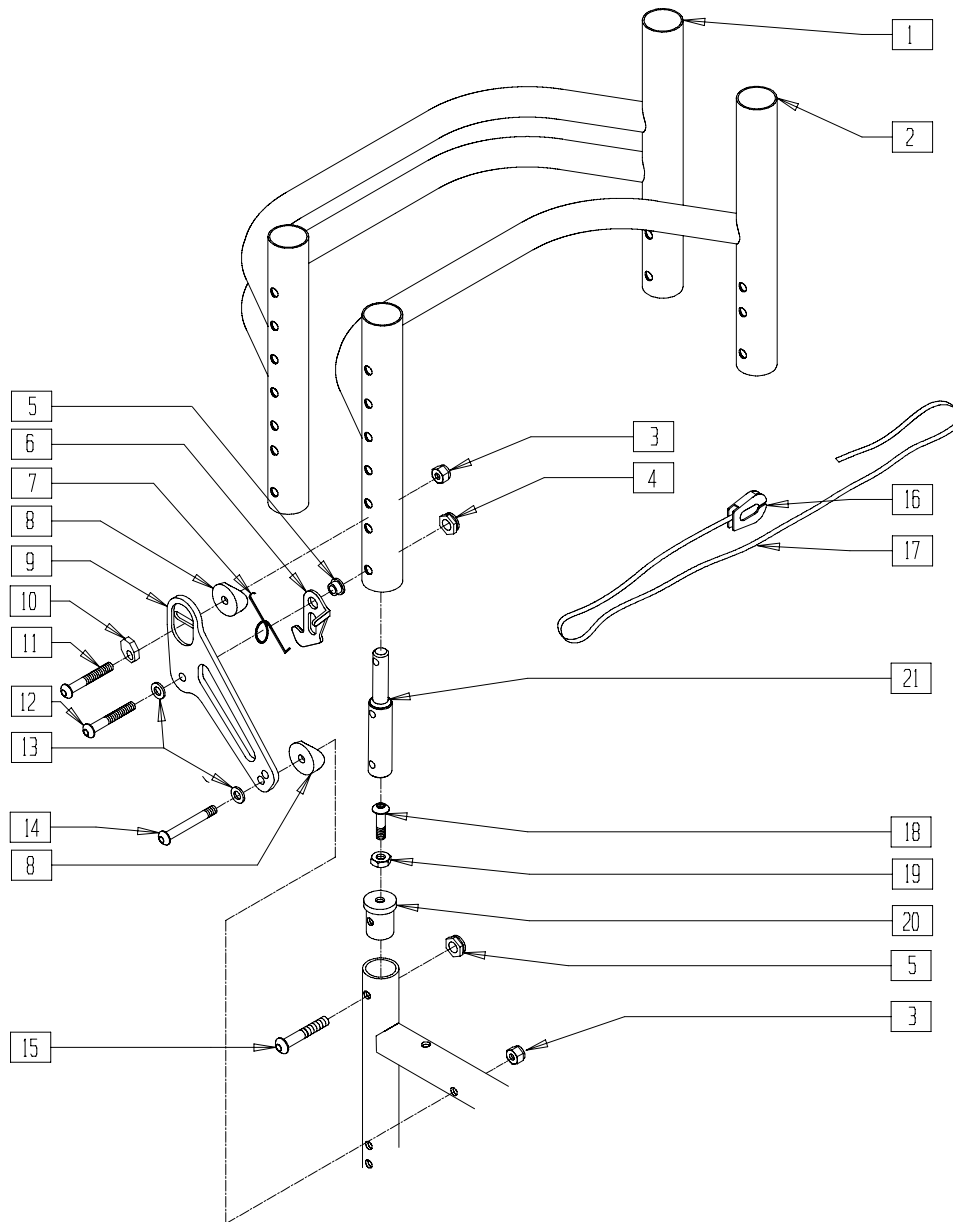
MGUIDE23

P100X21A

ITEM	NUMBER	DESCRIPTION	QTY
1	483740	INSERT PLUG BACK TUBE P100	2
2	481039	BACK REL BUSHING RIGID	2
3	201110-QU	1/4-28 NYLOCK NUT	2
4	561087	BACK REL SADDLE RIGID	4
5	226148	1/4-28 x 1.85 BH C/S	2
6	226140	1/4-28 x 1 3/4 BH C/S	2
7	262100-QU	1/4 AN WASHER FLAT	4
8	226150	1/4-28 x 2 BH C/S	2
9	201100-QU	1/4-28 NYLOCK NUT THIN	2

ITEM	NUMBER	DESCRIPTION	QTY
10	560221	BACK REL STRAP LOCK RIGID	1
11	750060	BACK REL STRAP 12"-20" RIGID	1
12	505033, 505034	Q1/P BACK REL BRACKET (EA)	1
13	321121, 321125	BACK REL SPRING RIGID (EA)	1
14	201120	1/4-28 AUTOMATION NUT	2
15	561082	1" TUBE END BUSHING THIN	2
16	341017	WASHER ECCENTRIC	2

FOLDING BACKREST AND QUICK-RELEASE BACK LOCK (QUICKIE V100[P100])



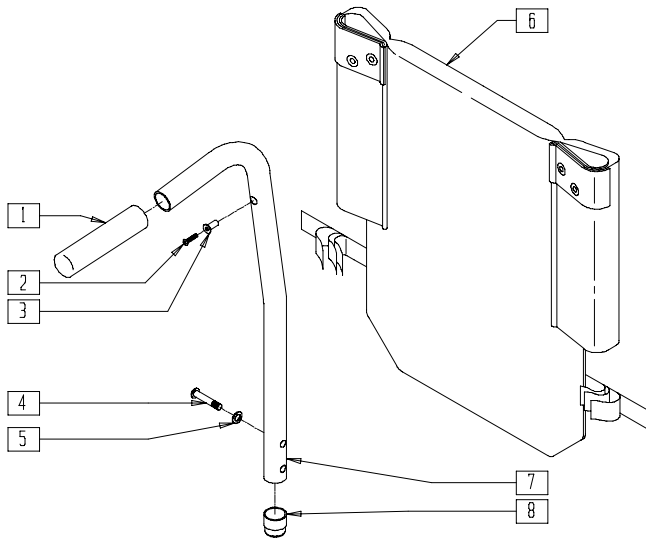
PBCKX03A

ITEM	NUMBER	DESCRIPTION	QTY
1	520450	BCK FRM 20"RG RGD DBLE BLK.115	1
2	520444	BACK FRM 16" REG RGD BLK .115	1
	520446	BACK FRM 18" REG RGD BLK .115	
3	201110-QU	1/4-28 NYLOCK NUT	4
4	201100-QU	1/4-28 NYLOCK NUT THIN	4
5	481039	BACK RELEASE BUSHING RIGID	2
6	505033, 505034	Q1/GP BACK RELEASE BRACKET (EA)	1
7	321153, 321154	BACK RELEASE SPRING RIGID (NEW) (EA)	1
8	561087	BACK RELEASE SADDLE RIGID	2
9	500170,	BACK RELEASE PIVOT PLATE	1
	500171	RIGID BLK (NEW) (EA)	
10	341018	WASHER ECCENTRIC LARGE	2

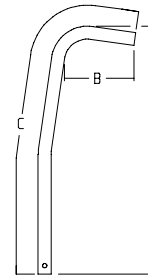
ITEM	NUMBER	DESCRIPTION	QTY
11	226147	1/4-28 x 1.85 BH C/S BLK ZN	2
12	226140	1/4-28 x 1 3/4 BH C/S	2
13	262100-QU	1/4 AN WASHER FLAT	4
14	226150	1/4-28 x 2 BH C/S	2
15	226130	1/4-28 x 1 1/2 BH C/S	2
16	560221	BACK RELEASE STRAP LOCK RIGID	1
17	750060	BACK RELEASE STRAP 12"-20" RIGID	1
18	226058	1/4-20 x 3/4 SOC C/S	2
19	201121	1/4-20 NUT THIN	2
20	483010	Q1/GP BACK RELEASE ANGLE PLUG	2
	483744	2" BACK TUBE INSERT PLUG P1	2
1-14 16,17,21	842186	BACK FRAME ASSM 16" P100 BLK	
	842188	BACK FRAME ASSM 18" P100 BLK	
	842190	BACK FRAME ASSM 20" P100 BLK	

PUSH HANDLE BACKREST (QUICKIE P100)

(Discontinued 2/99 - parts only)



MEASURING GUIDE



MGUIDE21

PART NUMBER	"A"	"B"	"C"
REGULAR	14 1/2"	4 1/2"	18 1/2"
TALL	16 1/2"	4 1/2"	20 1/2"

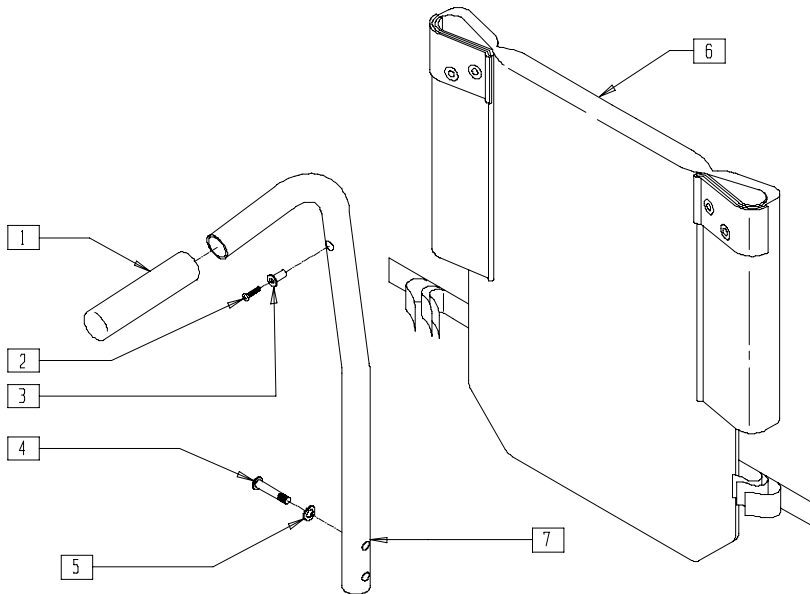
NOTE: P100 PUSH HANDLES ARE UNIQUE TO P100.
WALL THICKNESS IS .125.

P100X21B

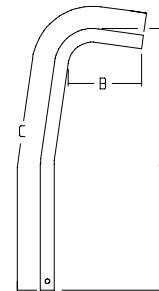
ITEM	NUMBER	DESCRIPTION	QTY
1	560662	QUICKIE GRIP 3/4"	2
2	281120	10-32 x 5/8 PAN HD PHIL	2
3	341497	10-32 x .020-.130 RIVNUT GOLD	2
4	226101	1/4-20 x 3/4 BH C/S	2
5	262130	6mm WASHER WAVE	2
6	686950-686973	BACK UPH 16"-20" P100	1

ITEM	NUMBER	DESCRIPTION	QTY
8	561082	1" TUBE END BUSHING THIN	2
1,3,7	842030, 842032	BACK TUBE 8° PH W/FOAM P100	
1-7	687350-687372	BACK ASSM 16"-18" P100	

PUSH HANDLE BACKREST (QUICKIE V100[P100])



MEASURING GUIDE



MGUIDE21

PART NUMBER	"A"	"B"	"C"
REGULAR	13 1/2"	4 1/2"	17"
TALL	15 1/2"	4 1/2"	19"

NOTE: P100 PUSH HANDLES ARE UNIQUE TO P100.
WALL THICKNESS IS .125.

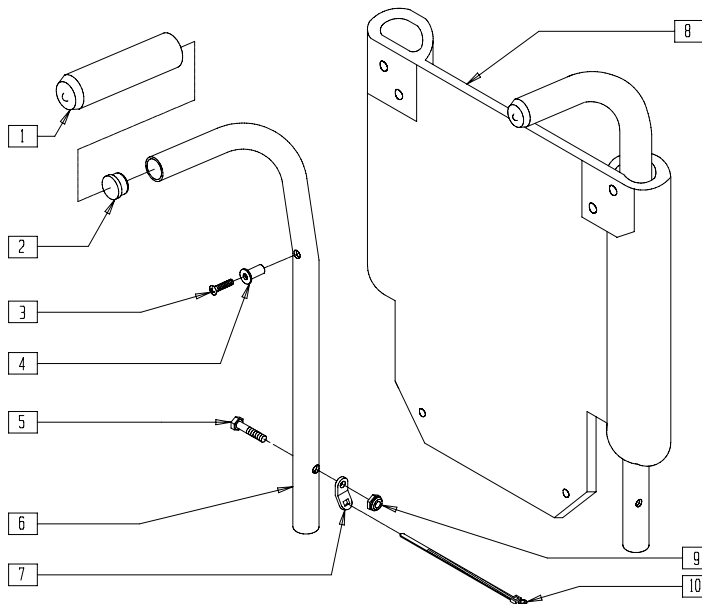
P100X21D

ITEM	NUMBER	DESCRIPTION	QTY
1	560662	QUICKIE GRIP 3/4"	2
2	281120	10-32 x 5/8 PAN HD PHIL	2
3	341497	10-32 x .020-.130 RIVNUT GOLD	2
4	226101	1/4-20 x 3/4 BH C/S	2
5	262130	6mm WASHER WAVE	2
6	686944	BACK UPH 20" MED P2	1
	686945	BACK UPH 20" TALL P2	

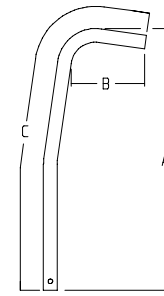
ITEM	NUMBER	DESCRIPTION	QTY
6	686962	BACK UPH 16" MED P2	1
	686963	BACK UPH 16" TALL P2	
	686982	BACK UPH 18" MED P2	
	686983	BACK UPH 18" TALL P2	
1,3,7	842101, 842103	BACK TUBE PH 8° 2" PLUG P1	
1-7	687373-687376	BACK ASSM 16"-20" 2" PLUG P100	

PUSH HANDLE BACKREST (QUICKIE P110)

(Discontinued 6/30/00 - parts only)



MEASURING GUIDE



MGUIDE21

PART NUMBER	"A"	"B"	"C"
14"	19 1/2"	4 1/2"	23 1/2"
17"	22 1/2"	4 1/2"	26 1/2"
19"	24 1/2"	4 1/2"	28 1/2"

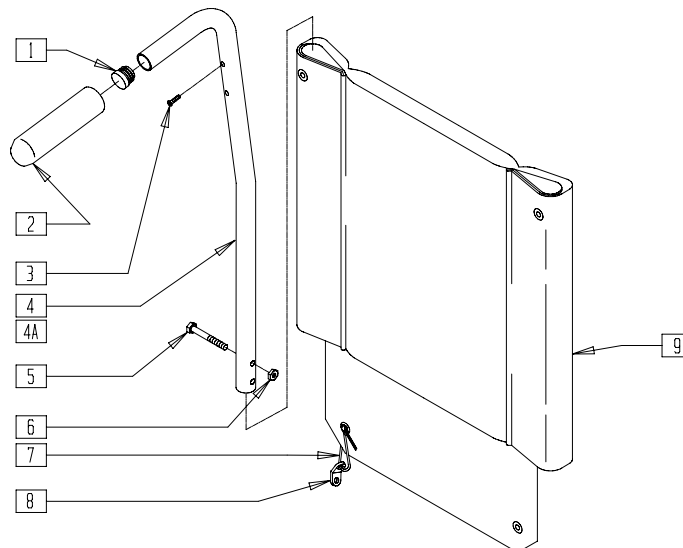
WALL THICKNESS IS .083.

P100X21

ITEM	NUMBER	DESCRIPTION	QTY
1	560661	QUICKIE GRIP 7/8"	2
2	561007	7/8" INSERT PLUG .083	2
3	281120	10-32 x 5/8 PAN HD PHIL	2
4	341497	10-32 x .020-.130 RIVNUT	2
5	221151-QU	1/4-28 x 1 3/4 G8 HEX C/S	2
7	560227	2 HOLE TOGGLE BENT PLST	2

ITEM	NUMBER	DESCRIPTION	QTY
8	684052-684074	BACK UPH P110	1
9	201110-QU	1/4-28 NYLOCK NUT	2
10	560410	ZIP TIE BLACK	2
1,2,4,6	842019-842025	BACK TUBE PH 8° W/FOAM P110	
1-10	683852-683874	BACK ASSM 16"-18" P110	

PUSH HANDLE BACKREST (QUICKIE V-121[P120])



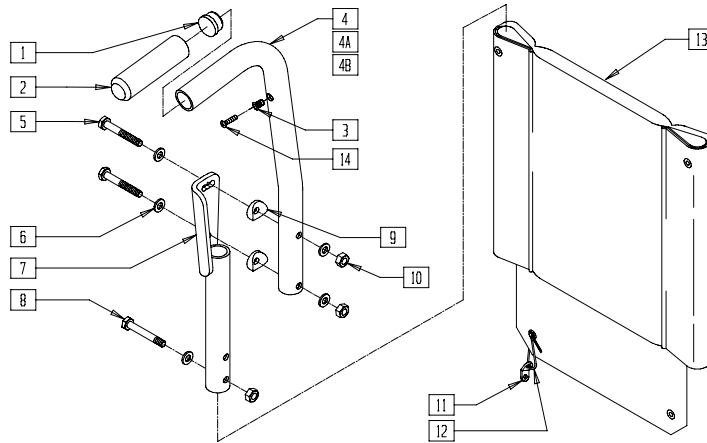
V121X02

ITEM	NUMBER	DESCRIPTION	QTY
1	560735	7/8" ROUND TUBE PLUG	2
2	560661	QUICKIE GRIP 7/8"	2
3	281127	#12 x 3/4" PAN HD PHIL S/TAP	2
5	221151-QU	1/4-28 x 1 3/4 G8 HEX C/S	2
6	201110-QU	1/4-28 NYLOCK NUT	2
7	560410	ZIP TIE BLACK	2
8	560227	2 HOLE TOGGLE BENT PLST	2

ITEM	NUMBER	DESCRIPTION	QTY
9	685858-685864	BACK UPHOLSTERY 14"-20" P120	1
1-6	842129	PUSH HANDLE 8° W/FOAM P120	
1-3,4A,5,6	843229	PUSH HANDLE 8° W/FOAM P120 (LNG)	
1-9	682150-683868	BACK ASSEMBLY 8° V121	
1-3,4A,5-9	682151-682155	BACK ASSY 8D V121 (14 x 18-20 HGT - 20 x 18-20 HGT)	

ANGLE ADJUSTABLE PUSH HANDLE BACKREST (8°) (V-121)

(Effective 7/09/03)



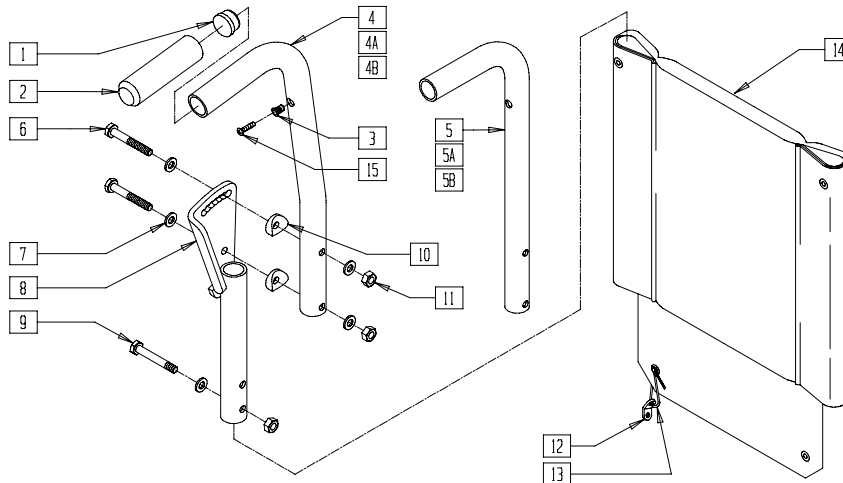
ANGBACK1

ITEM	NUMBER	DESCRIPTION	QTY
1	560735	7/8" ROUND TUBE PLUG	2
2	560661	QUICKIE GRIP 7/8"	2
5	226222	1/4-28 x 1 1/2" G8 HEX C/S BLK	4
6	262100-QU	1/4 AN WASHER FLAT	10
7	542544, 542545	ANGLE ADJ BACK LWR WLDMNT (EA)	1
8	221065	1/4-28 AN4-16A	2
9	561003	3/4" SADDLE THIN	4
10	201110-QU	1/4-28 NYLOCK NUT	6
11	560227	2 HOLE TOGGLE BENT PLST	2

ITEM	NUMBER	DESCRIPTION	QTY
12	560410	ZIP TIE BLACK	2
13	684030- 684092	BACK UPH Q2 (14"- 20") LOW, MED, HIGH	1
14	281120	10/32 x 5/8 PAN HD PHIL	2
1-3,4	843260	PUSH HN DL ADJ ANGL 8D W/FM SHT	
1-3,4A	843261	PUSH HN DL ADJ ANGL 8D W/FM MED	
1-3,4B	843262	PUSH HN DL ADJ ANGL 8D W/FM TLL	
1-14	683370- 683381	BACK ASSM 8D 14 x 15-16 10DA- BACK ASSM 8D 20 x 19-20 10DA	

ANGLE ADJUSTABLE PUSH HANDLE BACKREST (STRAIGHT AND 8°) (V-521)

(Effective 7/9/03)

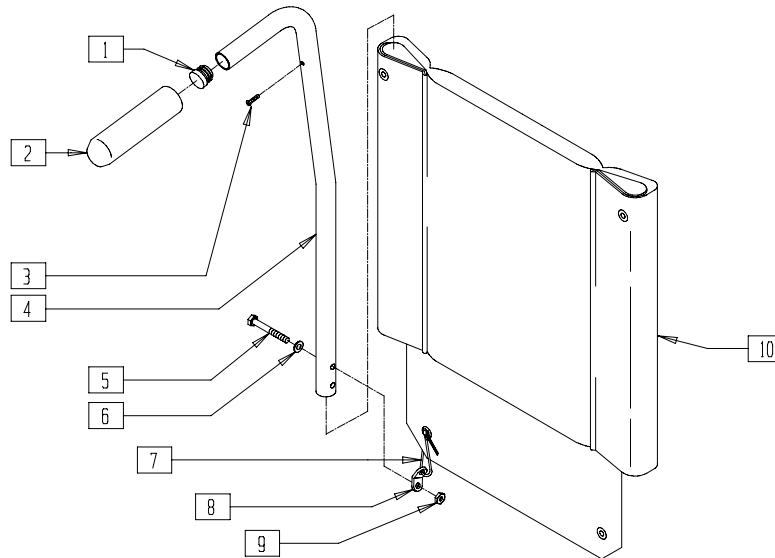


ANGBACK2

ITEM	NUMBER	DESCRIPTION	QTY
1	560735	7/8" ROUND TUBE PLUG	2
2	560661	QUICKIE GRIP 7/8"	2
6	221151-QU	1/4-28 x 1 3/4 G8 HEX C/S	4
7	262100-QU	1/4 AN WASHER FLAT	10
8	542542, 542543	ANGLE ADJ BACK LWR WLDMNT (EA)	1
9	221065	1/4-28 AN4-16A	2
10	561003	3/4" SADDLE THIN	4
11	204110	1/4-28 NYLOCK NUT BLK ZN	6
12	560227	2 HOLE TOGGLE BENT PLST	
13	560410	ZIP TIE BLACK	2
14	684030- 684092	BACK UPH Q2 (14"- 20") LOW, MED, HIGH	2

ITEM	NUMBER	DESCRIPTION	QTY
15	281120	10/32 x 5/8 PAN HD PHIL	2
1-3,4	843260	PUSH HN DL ADJ ANGL 8D W/FM SHT	
1-3,4A	843261	PUSH HN DL ADJ ANGL 8D W/FM MED	
1-3,4B	843262	PUSH HN DL ADJ ANGL 8D W/FM TLL	
1-3,5	843263	PSH HN DL ADJ ANGL STR W/FM SHT	
1-3,5A	843264	PSH HN DL ADJ ANGL STR W/FM MED	
1-3,5B	843265	PSH HN DL ADJ ANGL STR W/FM TLL	
1-4,4A,4B, 6-15	683270- 683281	BACK ASSM 8D - (14 x 15-16 AA)- (20 x 19-20 AA)	
1-3,5,5A, 5B,6-15	683170- 683181	BACK ASSM STR (14 x 15-16 AA)- (20 x 19-20 AA)	

PUSH HANDLE BACKREST (QUICKIE V-521)

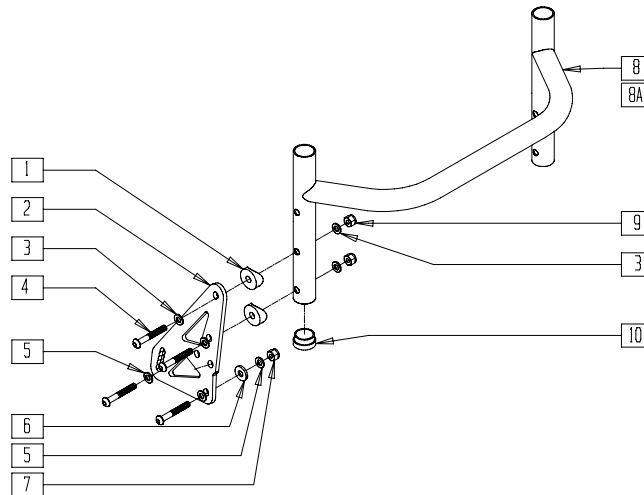


V5210X11

ITEM	NUMBER	DESCRIPTION	QTY
1	560735	7/8" ROUND TUBE PLUG	2
2	560661	QUICKIE GRIP 7/8"	2
3	281120	10/32 x 5/8 PAN HD PHIL	2
5	221151-QU	1/4-28 x 1 3/4 G8 HEX C/S	2
6	262110-QU	1/4 AN WASHER FLAT THIN	2
7	560410	ZIP TIE BLACK	2
8	560227	2 HOLE TOGGLE BENT PLST	2
9	201110-QU	1/4-28 NYLOCK NUT	2
10	684030-684054	BACK UPH 14" - 16" Q2 LOW, MED, TALL	1

ITEM	NUMBER	DESCRIPTION	QTY
10	684070-684094	BACK UPH 18" - 20" Q2 LOW, MED, TALL	1
1-4	843250-843252	PUSH HANDLE STRT W/FM V521	
	843255-843257	PUSH HANDLE 8° W/FOAM V521	
1-4,7,8,10	683150-683161	BACK ASSY STRT V521	
	683250-683261	BACK ASSY 8° V521	

BACKREST (QUICKIE P190) (Discontinued 7/1/99 - parts only)



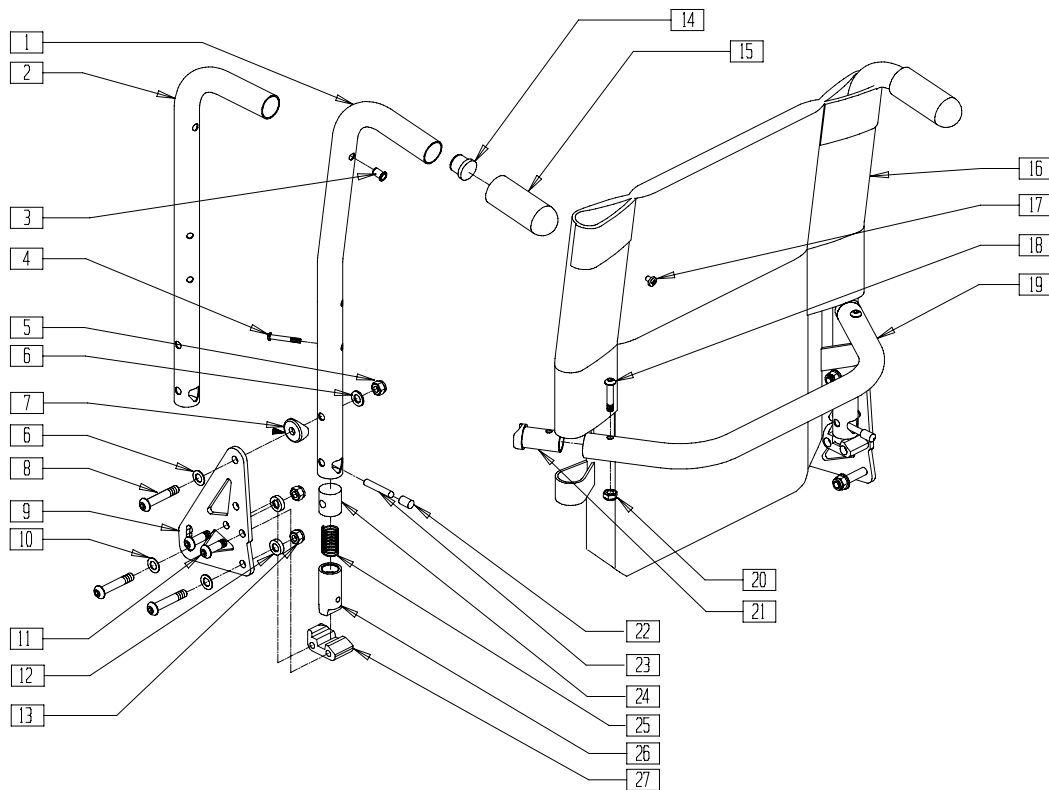
P190X07A

ITEM	NUMBER	DESCRIPTION	QTY
1	561006	1" SADDLE 5/16" HOLE	4
2	501721	BACK PLATE	2
3	263110-QU	5/16 AN WASHER FLAT THIN	8
4	226190	5/16-18 x 1 3/4 BH C/S SHLDR	8
5	263100	5/16 AN WASHER FLAT	8
6	561059	3/4 OD x .318 ID WASHER	4
7	202103	5/16-18 NYLOCK NUT THICK	4

ITEM	NUMBER	DESCRIPTION	QTY
8	520782	BACKREST FIXED 16" P190	1
8A	520784	BACKREST FIXED 18" P190	1
9	202102	5/16-18 NYLOCK NUT THIN	4
10	561019	1" INSERT PLUG .049	2
1-4,7-10	880784	BKRST FIXED 16" W/PLT P190	
1-4,8A,9,10	880786	BKRST FIXED 18" W/PLT P190	
1-7,9	920296	BACK PLATE ASSM W/HDWR P190	

FOLDING BACKREST (QUICKIE G-424/S-525)

(Discontinued 1/23/01 - parts only)

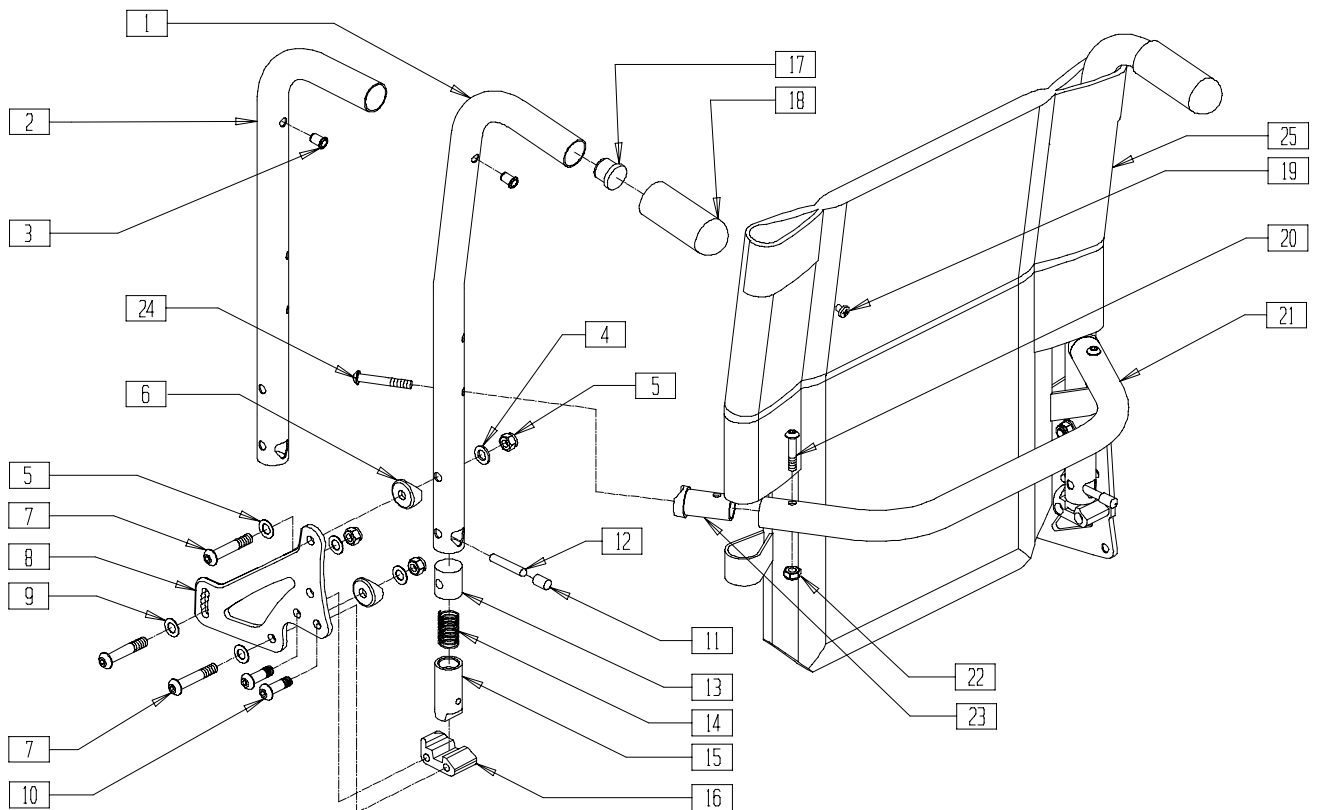


S5250X07

ITEM	NUMBER	DESCRIPTION	QTY
1,3,14,15	842221, 842222	BACK TUBE PH 8° LOW S525 (EA)	1
	842223, 842224	BACK TUBE PH 8° MED S525 (EA)	
	842225, 842226	BACK TUBE PH 8° TALL S525 (EA)	
2,3,14,15	842227, 842228	BACK TUBE PH LOW S525 (EA)	1
	842229, 842230	BACK TUBE PH MED S525 (EA)	
	842231, 842232	BACK TUBE PH TALL S525 (EA)	
3	341497	10-32 x .020-.130 RIVNUT GOLD	2
4	226267	1/4-28 x 1 5/8 BH C/S W/PATCH	2
5	202116	5/16-18 NYLOCK NUT THIN BLK	2
6	263110-QU	5/16 AN WASHER FLAT THIN	4
7	561006	1" SADDLE 5/16" HOLE	6
8	226218	5/16-18 x 1 3/4 BH C/S BLK	6
9	501721	BACK PLATE	2
10	263100	5/16 AN WASHER FLAT	4
11	226219	5/16-18 x 1" BH C/S BLK	4
12	263100	5/16 AN WASHER FLAT	4
13	202117	5/16-18 NYLOCK NUT THICK BLK	1
14	561019	1" INSERT PLUG .049	2
15	560663	QUICKIE GRIP 1"	2
16	686930- 686945	BACK UPHOLSTERY 14"-20" (SPECIFY HEIGHT)	1
17	281122	10/32 x 3/4 PAN PHIL	4
18	226223	1/4-28 x 1 1/4 BH C/S BLK	2
19	520564- 520570	TOWEL RACK 14"-20"	1
20	202300	1/4-28 NYLOCK NUT THIN BLK ZN	2
21	483161	STRUT SADDLE S525	2

ITEM	NUMBER	DESCRIPTION	QTY
22	560502	ANTI-TIP LEVER COVER	2
23	481084	BACK REL PIN Z2/QT/EX	2
24	483801	BACKREST LATCH PLUG P2	2
25	321110	S/A LATCH SPRING	2
26	483800	BACKREST LATCH SLIDER P2	2
	550341	BACKREST LATCH BLOCK L P2/KZ	1
1,3, 5-15,17 22-25,27	882152, 882153	PUSH HANDLE 8° LOW ASSEMBLY F W/PLT SEAT	
	882154, 882155	PUSH HANDLE 8° MED ASSEMBLY F W/PLT SEAT	
	882156, 882157	PUSH HANDLE 8° TALL ASSEMBLY F W/PLT SEAT	
2,3, 5-15,17 22-25,27	882158, 882159	PH LOW ASSEMBLY (F) W/PLT SEAT	
	882160, 882161	PH MED ASSEMBLY (F) W/PLT SEAT	
	882162, 882163	PH TALL ASSEMBLY (F) W/PLT SEAT	
1,3-15, 17-27	920784- 920790	BACK ASSEMBLY 8° LOW 14"-20" F W/PLT SEAT	
	920884- 920890	BACK ASSEMBLY 8° MED 14"-20" F W/PLT SEAT	
	920984- 920990	BACK ASSEMBLY 8° TALL 14"-20" F W/PLT SEAT	
2,3-15, 17-27	920774- 920780	BACK ASSEMBLY LOW 14"-20" F W/PLT SEAT	
	920874- 920880	BACK ASSEMBLY MED 14"-20" F W/PLT SEAT	
	920974- 920980	BACK ASSEMBLY TALL 14"-20" F W/PLT SEAT	
4,18 19-21	842234- 842240	TOWEL RACK ASSEMBLY 14"-20" S525	

FOLDING BACKREST (QUICKIE FREESTYLE/G-424/P-220/P-222/P-222SE/S-525)



FRE0X18

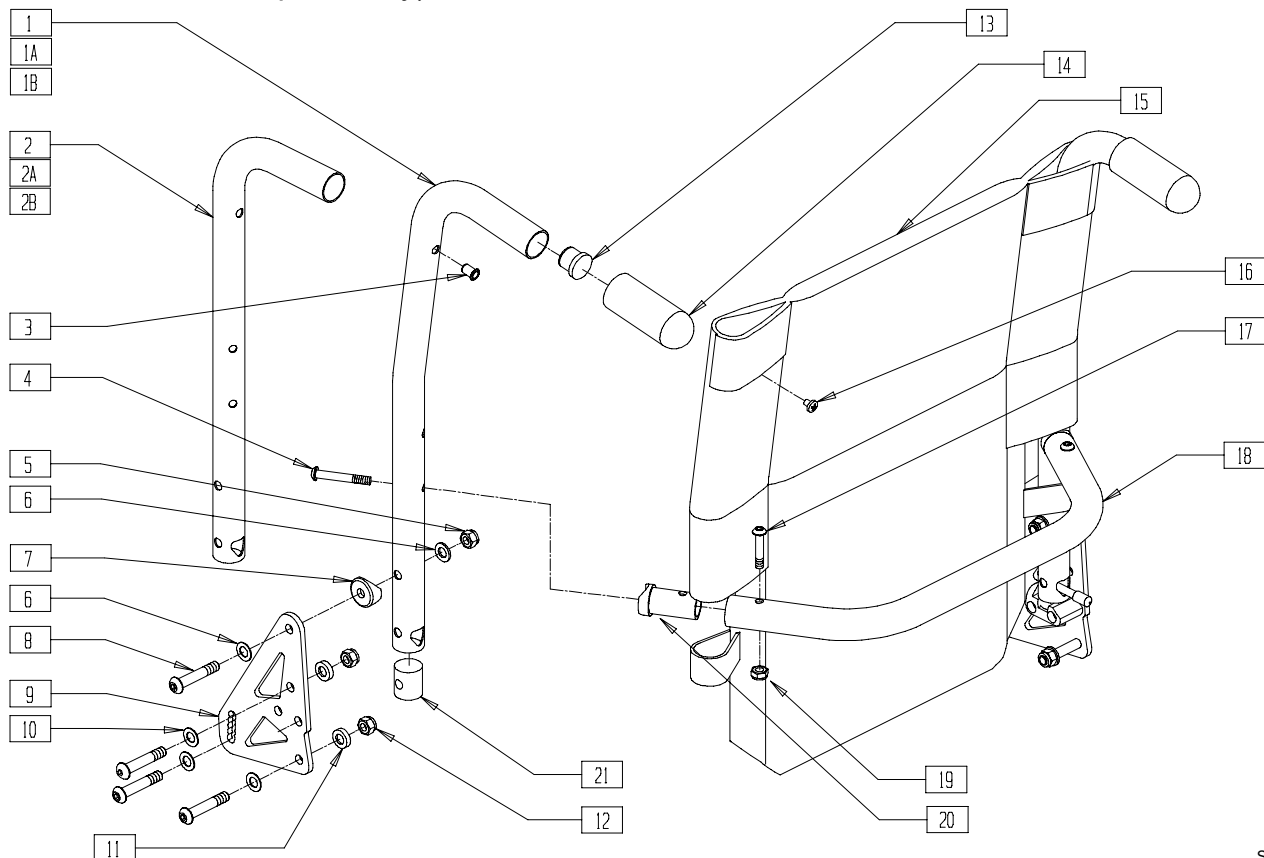
ITEM	NUMBER	DESCRIPTION	QTY
	3	10-32 x .020-.130 RIVNUT GOLD	2
	4	5/16-18 NYLOCK NUT THIN BLK	6
	5	263110-QU 5/16 AN WASHER FLAT THIN	4
	6	561006 1" SADDLE 5/16" HOLE	6
	7	226218 5/16-18 x 1 3/4" BH C/S BLK	6
	8	501723 BACKREST PLATE 86-114 DEGREE	2
	9	263100 5/16 AN WASHER FLAT	8
	10	226219 5/16-18 x 1" BH C/S BLK	4
	11	560502 ANTI-TIP LEVER COVER	2
	12	481084 BACK REL PIN Z2/QT/EX	2
	13	483801 BACKREST LATCH PLUG P2	2
	14	321110 S/A LATCH SPRING	2
	15	483800 BACKREST LATCH SLIDER P2	2
	16	550340, 550341 BACKREST LATCH BLOCK P2/KZ (EA)	1
	17	561019 1" INSERT PLUG .049	2
	18	560663 QUICKIE GRIP 1"	2
	19	281120 10-32 x 5/8 PAN HD PHIL	2
	20	226223 1/4-28 x 1 1/4" BH C/S BLK	2
	21	520564-520572 TOWEL RACK (14"-24")	1
	22	202300 1/4-28 NYLOCK NUT THIN BLK ZN	2
	23	483161 STRUT SADDLE S525	2
	24	226267 1/4-28 x 1 5/8 BH C/S W/PATCH	2
	25	686930-687921 BACK UPHOLSTERY 14"-24" LOW, MED, TALL (SPECIFY HEIGHT)	1
1,3,17,18	842221, 842222	BACK TUBE PH 8° LOW S525 (EA)	
	842223, 842224	BACK TUBE PH 8° MED S525 (EA)	
	842225, 842226	BACK TUBE PH 8° TALL S525 (EA)	

ITEM	NUMBER	DESCRIPTION	QTY
2,3,17,18	842227, 842228	BACK TUBE PH LOW S525 (EA)	
	842229, 842230	BACK TUBE PH MED S525 (EA)	
	842231, 842232	BACK TUBE PH TALL S525 (EA)	
20-24	842234-842242	TOWEL RACK ASSM (14"-24") S525	
1,3-19	882884, 882885	PH 8° LOW ASSM FLDG 86-114(EA)	
	882886, 882887	PH 8° MED ASSM FLDG 86-114 (EA)	
	882888, 882889	PH 8° TALL ASSM FLDG 86-114 (EA)	
2-19	882890, 882891	PH LOW ASSM FLDG 86-114 (EA)	
	882892, 882893	PH MED ASSM FLDG 86-114 (EA)	
	882894, 882895	PH TALL ASSM FLD 86-114 (EA)	
1,3-25	922619-922627	BACK ASSM 8° LOW (14"-24") (F) 86-114	
	922639-922647	BACK ASSM 8° MED (14"-24") (F) 86-114	
	922659-922667	BACK ASSM 8° TALL (14"-24") (F) 86-114	
2-25	922609-922617	BACK ASSM LOW (14"-24") (F) 86-114	
	922629-922637	BACK ASSM MED (14"-24") (F) 86-114	
	922649-922657	BACK ASSM TALL (14"-24") (F) 86-114	

NOTE: ITEM 8 ORIENTATION SHOWN FOR 16"-20" DEPTH SEATS. FOR 14"-15" DEPTH SEATS, THE ORIENTATION OF ITEM 8 WILL BE REVERSED FROM AS SHOWN.

NON-FOLDING BACKREST (QUICKIE G-424/S-525)

(Discontinued 1/23/01 - parts only)

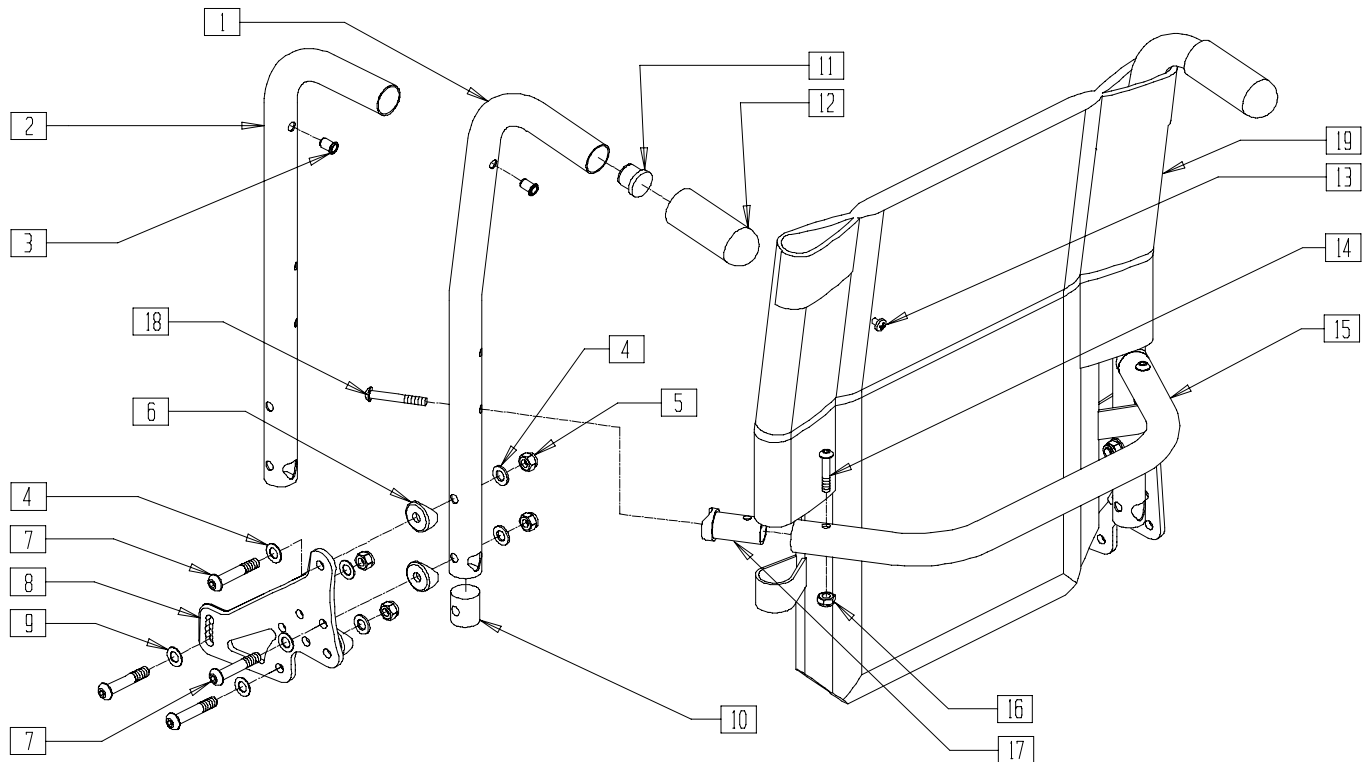


S5250X25

ITEM	NUMBER	DESCRIPTION	QTY
1	842221, 842222	BACK TUBE 8° LOW S525 (EA)	1
1A	842223, 842224	BACK TUBE 8° MED S525 (EA)	1
1B	842225, 842226	BACK TUBE 8° TALL S525 (EA)	1
2	842227, 842228	BACK TUBE PH LOW S525 (EA)	1
2A	842229, 842230	BACK TUBE PH MED S525 (EA)	1
2B	842231, 842232	BACK TUBE PH TALL S525 (EA)	1
3	341497	10-32 x .020-.130 RIVNUT GOLD	2
4	226267	1/4-28 x 1 5/8 BH C/S W/PATCH	2
5	202116	5/16-18 NYLOCK NUT THIN BLK	2
6	263110-QU	5/16 AN WASHER FLAT THIN	8
7	561006	1" SADDLE 5/16" HOLE	2
8	226218	5/16-18 x 1 3/4 BH C/S BLK	8
9	501721	BACK PLATE	1
10	263100	5/16 AN WASHER FLAT	4
11	561059	3/4 OD x .318 ID WASHER	1
12	202117	5/16-18 NYLOCK NUT THICK BLK	1
13	561019	1" INSERT PLUG .049	2
14	560663	QUICKIE GRIP 1"	2
15	686930- 686945	BACK UPHOLSTERY P2 14"-18" (SPECIFY HEIGHT)	1
16	281120	10/32 x 5/8 PAN HD PHIL	2
17	226223	1/4-28 x 1 1/4 BH C/S BLK	2
18	520564- 520570	TOWEL RACK 14"-20"	1
19	202300	1/4-28 NYLOCK NUT THIN BLK ZN	2

ITEM	NUMBER	DESCRIPTION	QTY
20	483161	STRUT SADDLE S525	2
21	550080	PUSH HNDL INSERT S525 (FOLDING BACK)	2
	483801	BACKREST LATCH PLUG P2 (FIXED BACK)	2
1,3,5-10, 12-14,16,21	882140, 882141	PUSH HANDLE 8° LOW ASSEMBLY NF W/PLT SEAT (EA)	
1A,3,5-10, 12-14,16,21	882142, 882143	PUSH HANDLE 8° MED ASSEMBLY NF W/PLT SEAT (EA)	
1B,3,5-10, 12-14,16,21	882144, 882145	PUSH HANDLE 8° TALL ASSEMBLY NF W/PLT SEAT (EA)	
2,3,5-10, 12-14,16,21	882146, 882147	PUSH HANDLE LOW ASSEMBLY NF W/PLT SEAT (EA)	
2A,3,5-10, 12-14,16,21	882148, 882149	PUSH HANDLE MED ASSEMBLY NF W/PLT SEAT (EA)	
2B,3,5-10, 12-14,16,21	882150, 882151	PUSH HANDLE TALL ASSEMBLY NF W/PLT SEAT (EA)	
1-14, 16-21	920754- 920760	BACK ASSEMBLY LOW 14"-20" NF W/PLT SEAT	
1A,3-14, 16-21	920764- 920770	BACK ASSEMBLY 8° LOW 14"-20" NF W/PLT SEAT	
1B,3-14, 16-21	920854- 920860	BACK ASSEMBLY MED 14"-20" NF W/PLT SEAT	
2-14, 16-21	920864- 920870	BACK ASSEMBLY 8° MED 14"-20" NF W/PLT SEAT	
2A,3-16, 16-21	920954- 920960	BACK ASSEMBLY TALL 14"-20" NF W/PLT SEAT	
2B,3-16, 16-21	920964- 920970	BACK ASSEMBLY 8° TALL 14"-20" NF W/PLT SEAT	
4,17-20	842234- 842240	TOWEL RACK ASSEMBLY 14"-20" S525	

NON-FOLDING BACKREST (QUICKIE FREESTYLE/G-424/P-220/P-222/P-222SE/S-525)



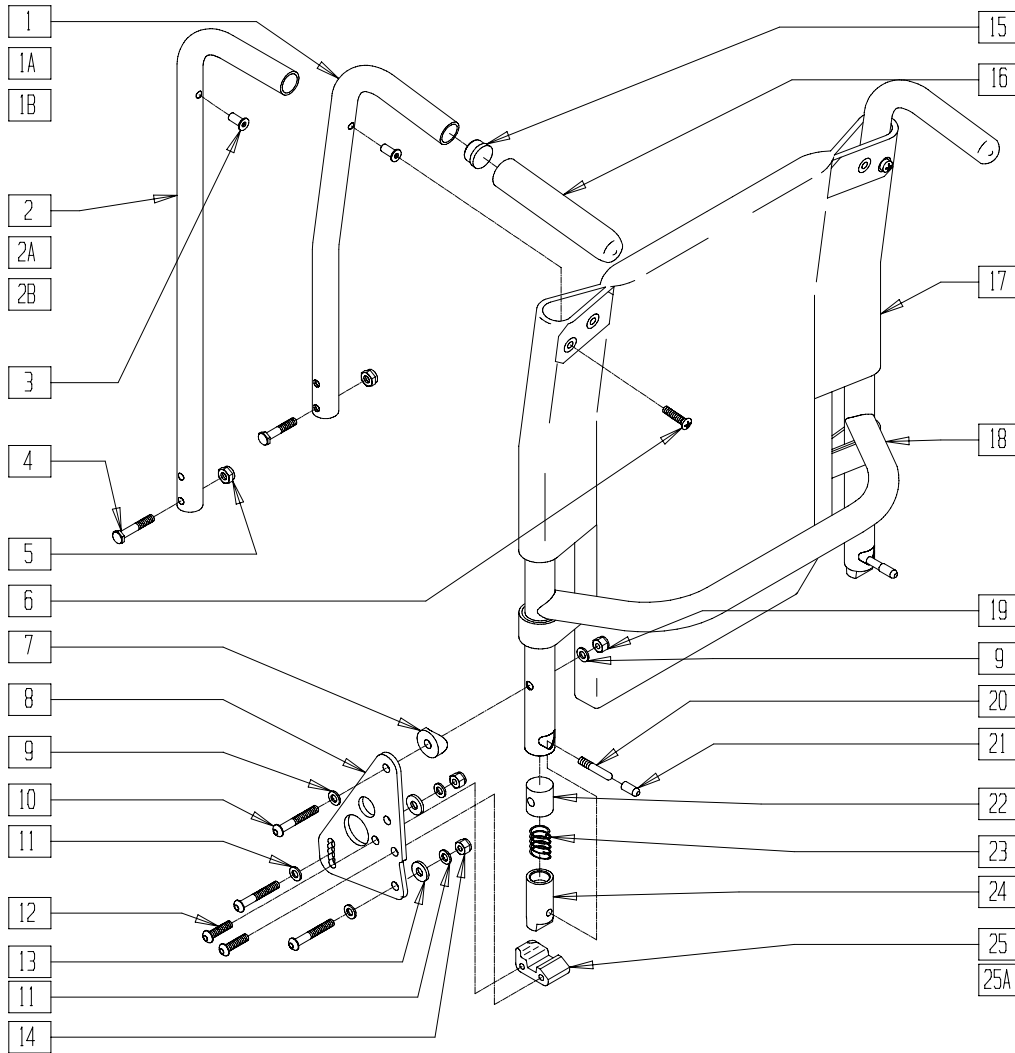
FRE0X04

ITEM	NUMBER	DESCRIPTION	QTY
3	341497	10-32 x .020-.130 RIVNUT GOLD	2
4	263110-QU	5/16 AN WASHER FLAT THIN	8
5	202116	5/16-18 NYLOCK NUT THIN BLK	8
6	561006	1" SADDLE 5/16" HOLE	8
7	226218	5/16-18 x 1 3/4" BH C/S BLK	8
8	501723	BACKREST PLATE 86-114 DEGREE	2
9	263100	5/16 AN WASHER FLAT	8
10	483801	BCKREST LATCH PLUG P2 (Both Used)	2
	550080	PUSH HNDLE INSERT S525 (Both Used)	
11	561019	1" INSERT PLUG .049	2
12	560663	QUICKIE GRIP 1"	2
13	281120	10/32 x 5/8 PAN HD PHIL	2
14	226223	1/4-28 x 1 1/4" BH C/S BLK	2
15	520564-520572	TOWEL RACK (14"-24")	1
16	202300	1/4-28 NYLOCK NUT THIN BLK ZN	2
17	483161	STRUT SADDLE S525	2
18	226267	1/4-28 x 1 5/8 BH C/S W/PATCH	2
19	686930-687921	BACK UPHOLSTERY 14"-24" LOW, MED, TALL (SPECIFY HEIGHT)	1
1,3,11,12	842221, 842222	BACK TUBE PH 8° LOW S525 (EA)	
	842223, 842224	BACK TUBE PH 8° MED S525 (EA)	
	842225, 842226	BACK TUBE PH 8° TALL S525 (EA)	
2,3,11,12	842227, 842228	BACK TUBE PH LOW S525 (EA)	
	842229, 842230	BACK TUBE PH MED S525 (EA)	
	842231, 842232	BACK TUBE PH TALL S525 (EA)	

ITEM	NUMBER	DESCRIPTION	QTY
14-18	842234-842242	TOWEL RACK ASSM 14"-24" S525	
1, 3-13	882656, 882657	PH 8° LOW ASSM NF 86-114 (EA)	
	882658, 882659	PH 8° MED ASSM NF 86-114 (EA)	
	882660, 886261	PH 8° TALL ASSM NF 86-114 (EA)	
2-13	882662, 882663	PH LOW ASSM NF 86-114 (EA)	
	882664, 882665	PH MED ASSM NF 86-114 (EA)	
	882666, 882667	PH TALL ASSM NF 86-114 (EA)	
1, 3-19	922060-922068	BACK ASSM 8° NF 86-114 LOW (14"-24")	
	922010-922018	BACK ASSM 8° NF 86-114 MED (14"-24")	
	922028-922036	BACK ASSM 8° NF 86-114 TALL (14"-24")	
2-19	922040-922048	BACK ASSM NF 86-114 LOW (14"-24")	
	922001-922009	BACK ASSM NF 86-114 MED (14"-24")	
	922019-922027	BACK ASSM NF 86-114 TALL (14"-24")	

FOLDING BACKREST (QUICKIE P190/P200/P300)

(Fits P300 beginning serial number P3-10500)



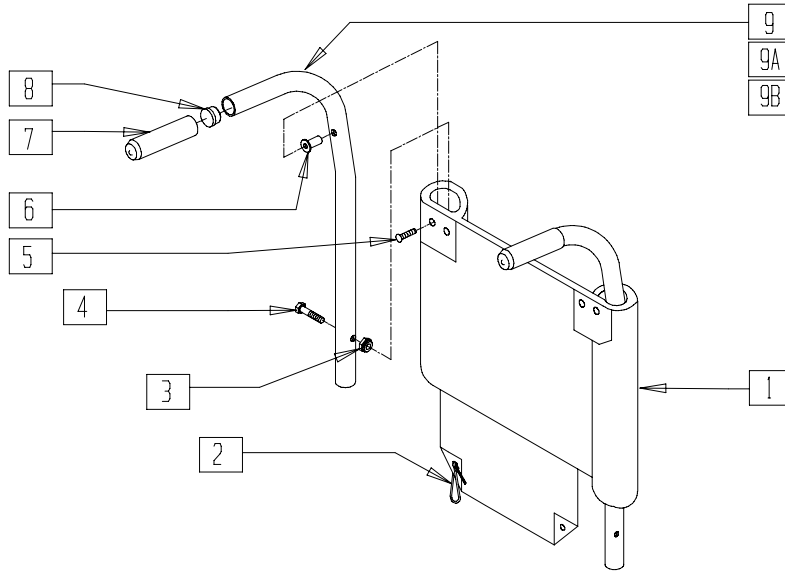
P200X33

ITEM	NUMBER	DESCRIPTION	QTY
1	520771	BACK TUBE LOW 8° P2	2
1A	520772	BACK TUBE MED 8° P2	2
1B	520773	BACK TUBE TALL 8° P2	2
2	520774	BACK TUBE STRAIGHT LOW P2	2
2A	520775	BACK TUBE STRAIGHT MED P2	2
2B	520776	BACK TUBE STRAIGHT TALL P2	2
3	341497	10-32 x .020-.130 RIVNUT GOLD	2
4	226129	1/4-28 x 1 1/4 BH C/S	2
5	201100-QU	1/4-28 NYLOCK NUT THIN	2
6	281120	10-32 x 5/8 PAN HD PHIL	2
7	561006	1" SADDLE 5/16" HOLE	2
8	501721	BACK PLATE	2
9	263110-QU	5/16 AN WASHER FLAT THIN	4
10	226190	5/16-18 x 1 3/4 BH C/S SHLDR	6
11	263100	5/16 AN WASHER FLAT	8
12	226182	5/16-18 x 1 BH C/S	4
13	561059	3/4 OD x .318 ID WASHER	4
14	202103	5/16-18 NYLOCK NUT THICK	4
15	561007	7/8" INSERT PLUG .083	2
16	560661	QUICKIE GRIP 7/8"	2
17	686930-686983	BACK UPH 14" LOW - 20" TALL P2	1

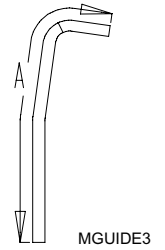
ITEM	NUMBER	DESCRIPTION	QTY
18	520760-520766	BACKREST 14"-20" P2	1
19	202102	5/16-18 NYLOCK NUT THIN	2
20	481084	BACK REL PIN Z2/QT/EX	2
21	560502	ANTI-TIP LEVER COVER	2
22	483801	BACKREST LATCH PLUG P2	2
23	321110	S/A LATCH SPRING	2
24	483800	BACKREST LATCH SLIDER P2	2
25	550341	BACKREST LATCH BLOCK L P2/KZ	1
25A	550340	BACKREST LATCH BLOCK R P2/KZ	1
1,3,15,16	842034-842036	BACK TUBE PH 8° W/FOAM P2	
1,3-6,15-18	682990-683015	BACK ASSM 8° 14" LOW - 20" TALL P2	
2,3,15,16	842037-842039	BACK TUBE PH W/FOAM P2	
2,3-6,15,18	683016-683036	BACK ASSM 14"-20" P2	
7-14,19,25A	920334	BACK PLATE ASSM W/HDWR P2 R	
7-14,19,25	920335	BACK PLATE ASSM W/HDWR P2 L	
20-24	920336	BACKREST LATCH KIT P2	

PUSH HANDLE BACKREST (QUICKIE P300/P320)

(Discontinued - parts only) (Fits Quickie P300 prior to serial number P3-10500)



MEASURING GUIDE



PART NUMBER	"A"
LOW	21 1/2"
REGULAR	23"
TALL	25"

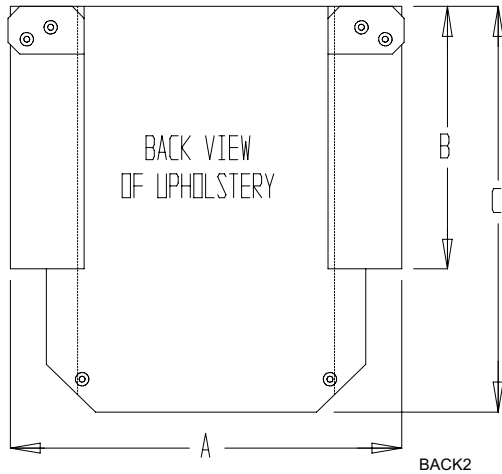
NOTE: ABOVE DIMENSIONS ARE FOR BACK TUBE ONLY AND DO NOT INCLUDE FOAM GRIP.

P300X14

ITEM	NUMBER	DESCRIPTION	QTY
1	687110-687172	BACK UPHOLSTERY P300 14" LOW - 20" TALL	1
2	560410	ZIP TIE BLACK	2
3	201100-QU	1/4-28 NYLOCK NUT THIN	2
4	226129	1/4-28 x 1 1/4 BH C/S	2
5	281120	10-32 x 5/8 PAN HD PHIL	2
6	341497	10-32 x .020-.130 RIVNUT GOLD	2

ITEM	NUMBER	DESCRIPTION	QTY
7	560661	QUICKIE GRIP 7/8"	2
8	561007	7/8" INSERT PLUG .083	2
6-9	842027	P3 BACK TUBE LOW 8° PH W/FOAM	1
6-8,9A	842028	P3 BACK TUBE REG 8° PH W/FOAM	1
6-8,9B	842029	P3 BACK TUBE TALL 8° PH W/FOAM	1
1-9	687210-687272	BACK ASSEMBLY P300 14" LOW - 20" TALL	

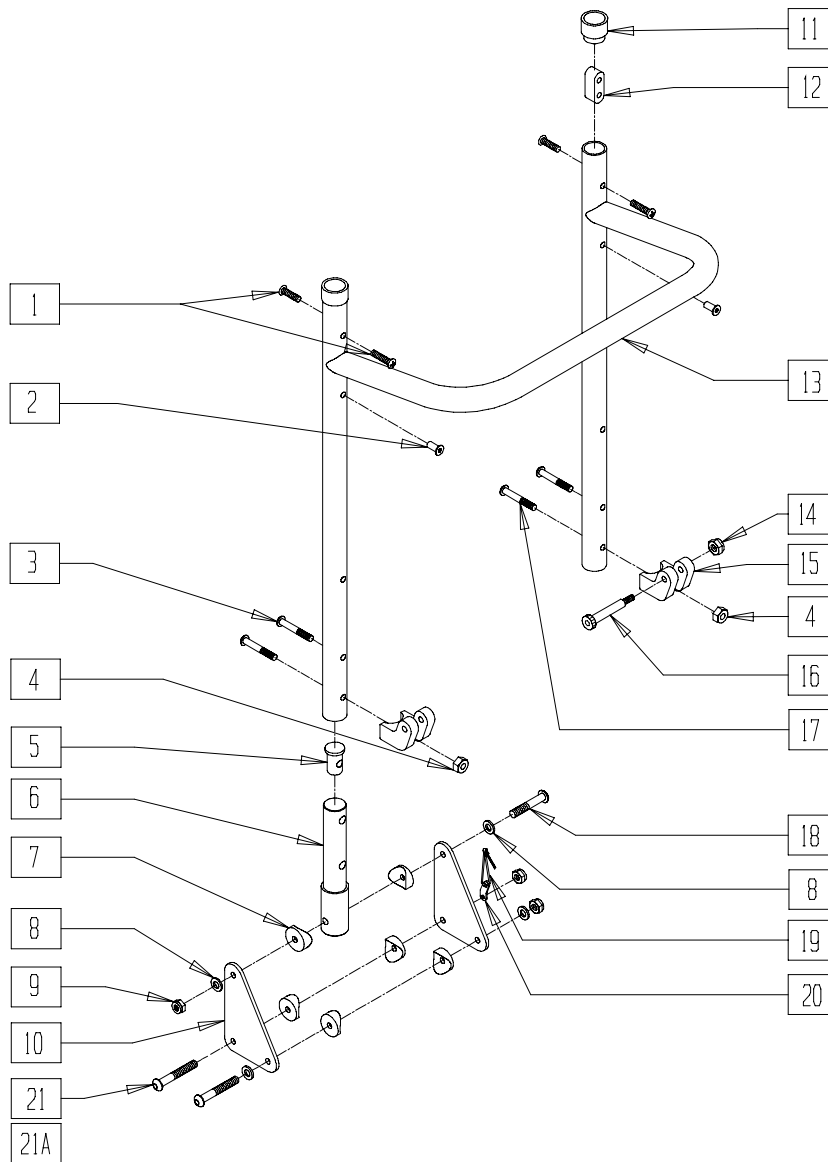
BACK UPHOLSTERY MEASURING GUIDE



DESCRIPTION	A	B	C
BACK UPH 14" LOW	14 3/4	10 1/2	17 1/4
BACK UPH 14" MED	14 3/4	11 3/4	18 1/2
BACK UPH 14" TALL	14 3/4	13 1/2	20 1/4
BACK UPH 16" LOW	16 3/4	10 1/2	17 1/4
BACK UPH 16" MED	16 3/4	11 3/4	18 1/2
BACK UPH 16" TALL	16 3/4	13 1/2	20 1/4

BACKREST (QUICKIE P300 MANUAL RECLINE/P320 MANUAL RECLINE)

(Discontinued - parts only) (Fits Quickie P300 prior to P3-10500)

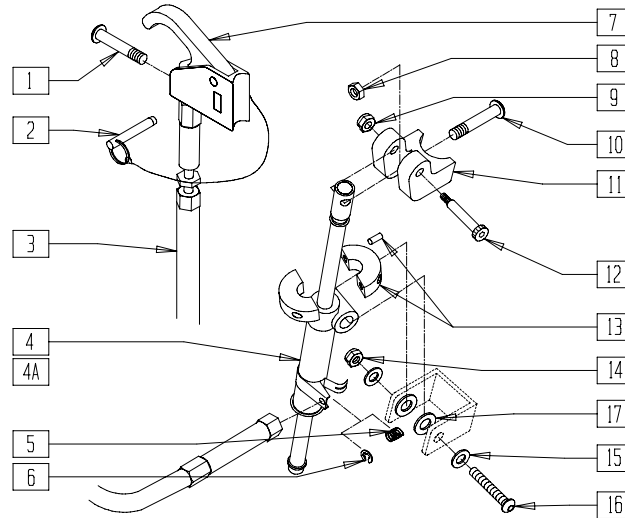


P300X47

ITEM	NUMBER	DESCRIPTION	QTY
1	281120	10/32 x 5/8 PAN HD PHIL	4
2	341497	10-32 x .020-.130 RIVNUT GOLD	2
3	226182	5/16-18 x 1 BH C/S	2
4	202102	5/16-18 NYLOCK NUT THIN	2
5	483146	PLUG BACK TUBE P3 MAN RCLNR	2
6	520988	BACK PIVOT TUBE RCLNR	2
7	561004	1" SADDLE 1/4" HOLE	12
8	262100-QU	1/4 AN WASHER FLAT	8
9	201100-QU	1/4-28 NYLOCK NUT THIN	6
10	500188	BACK PLATE MAN RCLNR P3	4
11	561082	1" TUBE END BUSHING THIN	2
12	505271	HDRST RTNG BTTN RCLNR	2
14	200105	10-24 NYLOCK NUT	2
15	550461	CYL BRKT P300 MAN RCLNR	2
16	225104	1/4 x 1-1/4 HEX SOC SHLDR SCW	2

ITEM	NUMBER	DESCRIPTION	QTY
17	222256	5/16-18 x 1 1/2 BH C/S	2
18	226150	1/4-28 x 2 BH C/S	6
19	560410	ZIP TIE BLACK	2
20	560227	2 HOLE TOGGLE BENT PLST	2
21	221191	1/4-28 x 2 1/4 G8 HEX C/S (DUAL-POST ARMREST)	1
21A	226152	1/4-20 x 2 BH C/S (HEIGHT-ADJUSTABLE ARMREST)	1
1,2,11-13	840106	BACK FRAME ASSM RCLNR P3 (SPECIFY DIMENSIONS)	
3-10, 14-20	920392	BACK FRAME BRKT ASSM RCLNR P3 (EA)	
	920393	BACK FRAME BRKT ASSM RCLNR P3 (PR)	

LOCKING MECHANISM (QUICKIE P300 MANUAL RECLINE/P320 MANUAL RECLINE) (Discontinued - parts only) (Fits Quickie P300 prior to P3-10500)

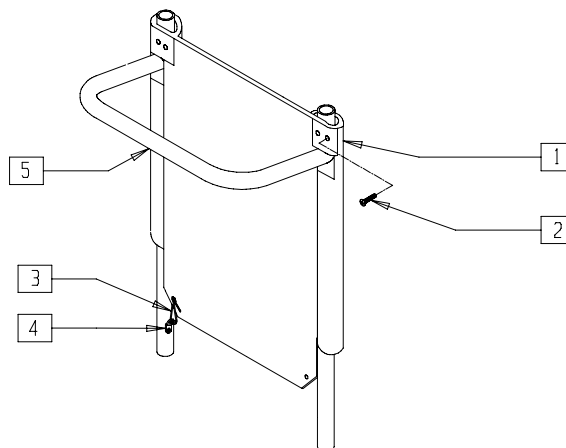


P300X50

ITEM	NUMBER	DESCRIPTION	QTY
1	281120	10/32 x 5/8 PAN HD PHIL	1
3	342059	CYL LOCK CABLE ASSM P5	1
4	342051	MECH CYLINDER LOCK R	1
4A	342052	MECH CYLINDER LOCK L	1
5	321141	.650L x 6 COIL SPRING	1
6	342000	1/4" E-CLIP	1
2,7	580111	CYL LOCK LEVER ASSM RCLNR	1
8	202102	5/16-18 NYLOCK NUT THIN	1
9	200105	10-24 NYLOCK NUT	1
10	222256	5/16-18 x 1 1/2 BH C/S	1

ITEM	NUMBER	DESCRIPTION	QTY
11	550461	CYL BRKT P300 MAN RCLNR	1
12	225104	1/4 x 1-1/4 HEX SOC SHLDR SCW	1
13	342049	10mm I.D. SPLIT COLLAR	1
14	202103	5/16-18 NYLOCK NUT THICK	1
15	263100	5/16 AN WASHER FLAT	2
16	226198	5/16-18 x 2 BH C/S SHT THREAD	1
17	561016	1" WASHER 5/16" HOLE	2
1-17	920382	MECH CYL LCK ASSM R RCLNR P300	
1-3,4A	920383	MECH CYL LCK ASSM L RCLNR P300	
5-17			

BACKREST UPHOLSTERY (QUICKIE P300 MANUAL RECLINE/P320 MANUAL RECLINE) (Discontinued - parts only) (Fits Quickie P300 prior to P3-10500)



P300X48

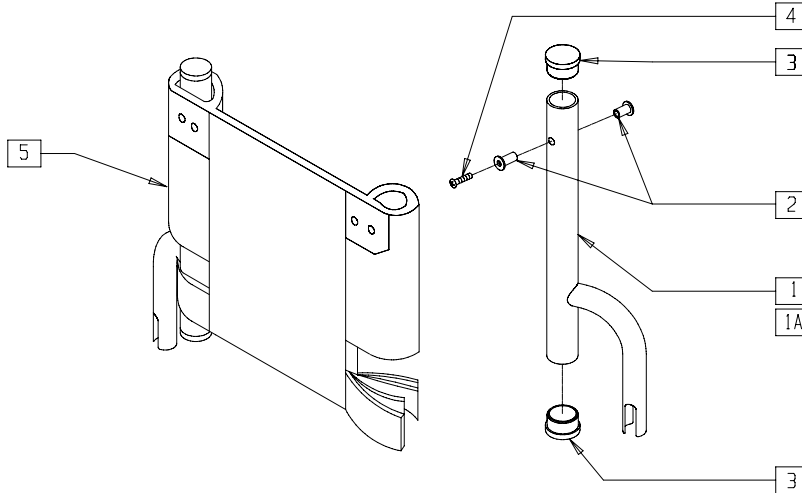
ITEM	NUMBER	DESCRIPTION	QTY
1	684254- 684284	BACK UPHOLSTERY RCLNR 14" TALL - 20" TALL	1
2	281120	10/32 x 5/8 PAN HD PHIL	4
3	560410	ZIP TIE BLACK	2
4	560227	2 HOLE TOGGLE BENT PLST	2

ITEM	NUMBER	DESCRIPTION	QTY
5	840154- 840160	BACK FRAME ASSM RCLNR P3 14"-20" (SPECIFY DIMENSIONS)	1
1-5	684101- 684107	BACK ASSM RCLNR P300 14"-20"	

HEADREST EXTENSION

(QUICKIE P300 MANUAL RECLINE/P320 MANUAL RECLINE)

(Discontinued - parts only) (Fits Quickie P300 prior to P3-10500)



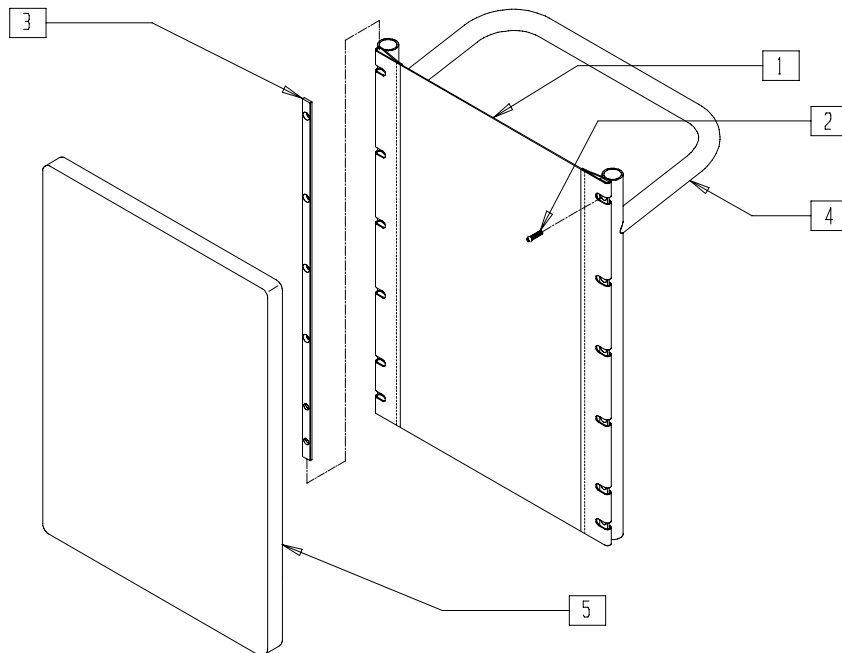
P300X53

ITEM	NUMBER	DESCRIPTION	QTY
2	341497	10-32 x .020-.130 RIVNUT GOLD	4
3	561002	1" INSERT PLUG .083	4
4	281120	10-32 x 5/8 PAN HD PHIL	2
1-3	661201	HDRST TUBE W/INSERT R	
1A,2,3	661202	HDRST TUBE W/INSERT L	

ITEM	NUMBER	DESCRIPTION	QTY
5	684136-684196	HEADREST OFFSET UPHOLSTERY RECLINER 14"-20"	1
1,1A,2-5	681236-681296	HEADREST OFFSET ASSEMBLY RECLINER 14"-20"	

SLING BACK (QUICKIE P300 MANUAL RECLINE/P320 MANUAL RECLINE)

(Discontinued - parts only) (Fits Quickie P300 prior to P3-10500)

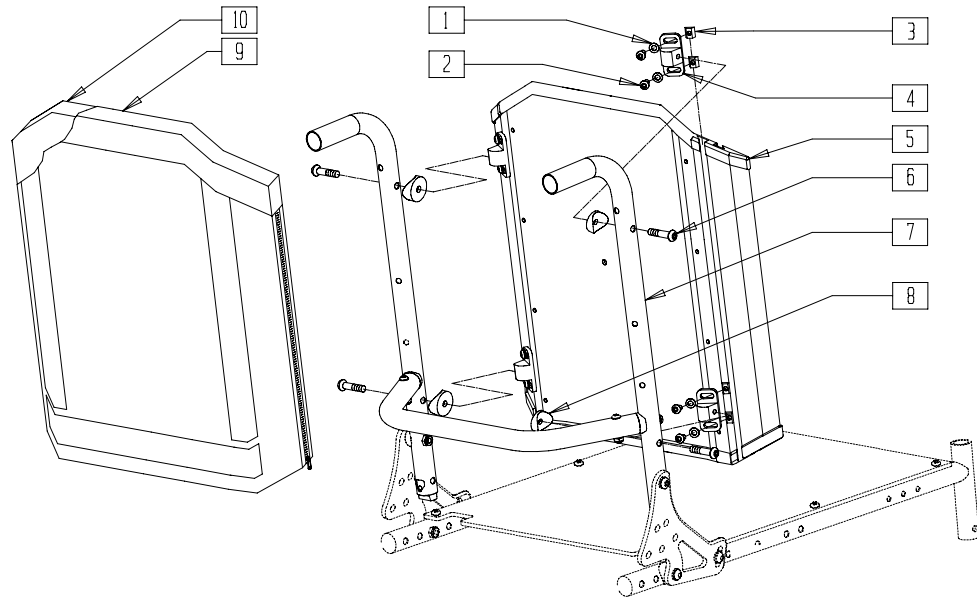


P300X51

ITEM	NUMBER	DESCRIPTION	QTY
1	684214-684220	BACK SLING RECLINER 14"-20"	1
2	281119	10-32 x 5/8 FH SOC ZN	8
3	500103	BACK UPH RAIL RECLINER	2

ITEM	NUMBER	DESCRIPTION	QTY
1-4	681314-681320	BACK ASSM W/SLING RECLINER P3 14"-20"	
5	684221-684227	BACK CUSHION RECLINER 14"-20"	1

SOLID BACK (QUICKIE FREESTYLE/G-424/P-220/P-222SE/S-525)



FRE0X16

ITEM	NUMBER	DESCRIPTION	QTY
1	267052	1/4 AN WASHER FLAT AN960C416	8
2	221094	1/4-28 x 7/16 BH C/S BLK	8
3	481106-QU	1/4-28 CHANNEL NUT	8
4	121507	SOLID BACK MOUNTING BRACKET	4
5	881850- 881894	SOLID BACKREST SHELL ASSEMBLY (14" x 16" - 24" x 24")	1
6	226291	5/16-18 x 1-1/2 BHCS BK W/PTCH	4
8	561006	1" SADDLE 5/16" HOLE	4

ITEM	NUMBER	DESCRIPTION	QTY
9	681760- 681799	FOAM INSERT COVER SLD BK (COVER ONLY)	1
9,10	681850- 681894	BACK CUSHION SOLID BACK (CUSHION WITH COVER)	1
5,9,10	687400- 687434	SOLID BACKREST ASSEMBLY (14" x 16/17" - 24" x 24")	
1-4,6,8	881900	MOUNT KIT SOLID BACK (2 PR)	
	881795	MOUNT HDWR SOLID BACK (EA)	

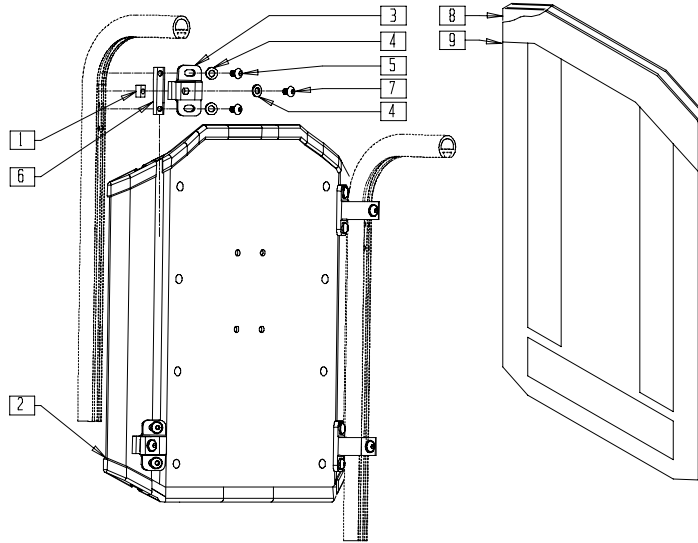
SOLID BACK DIMENSION AND PART NUMBER REFERENCE GUIDE

WIDTH	FIT HEIGHT	FOAM INSERT		SHELL ASSEMBLY	
		PART#	MEASURED HT	PART#	MEASURED HT
14"	16" - 17"	681760	16"	881850	14"
15"		681765	16"	881851	14"
16"		681770	16"	881852	14"
17"		681775	16"	881853	14"
18"		681780	16"	881854	14"
19"		681785	16"	881855	14"
20"		681790	16"	881856	14"
22"		681795	16"	881885	14"
24"	682120	16"	881890	14"	
14"	18" - 19"	681761	18"	881857	16"
15"		681766	18"	881858	16"
16"		681771	18"	881859	16"
17"		681776	18"	881860	16"
18"		681781	18"	881861	16"
19"		681786	18"	881862	16"
20"		681791	18"	881863	16"
22"		681796	18"	881886	16"
24"	682121	18"	881891	16"	
14"	20" - 21"	681762	20"	881864	18"
15"		681767	20"	881865	18"
16"		681772	20"	881866	18"
17"		681777	20"	881867	18"
18"		681782	20"	881868	18"
19"		681787	20"	881869	18"
20"		681792	20"	881870	18"
22"		681797	20"	881887	18"
24"	682122	20"	881892	18"	

WIDTH	FIT HEIGHT	FOAM INSERT		SHELL ASSEMBLY	
		PART#	MEASURED HT	PART#	MEASURED HT
14"	22" - 23"	681763	22"	881871	20"
15"		681768	22"	881872	20"
16"		681773	22"	881873	20"
17"		681778	22"	881874	20"
18"		681783	22"	881875	20"
19"		681788	22"	881876	20"
20"		681793	22"	881877	20"
22"		681798	22"	881888	20"
24"	682123	22"	881893	20"	
14"	24"	681764	24"	881878	22"
15"		681769	24"	881879	22"
16"		681774	24"	881880	22"
17"		681779	24"	881881	22"
18"		681784	24"	881882	22"
19"		681789	24"	881883	22"
20"		681794	24"	881884	22"
22"		681799	24"	881889	22"
24"	682124	24"	881894	22"	

SOLID BACKREST (QUICKIE S-626/S-646/S-646SE)

(Quickie S-626 transitioned into the Quickie S-646 beginning 7/26/02)



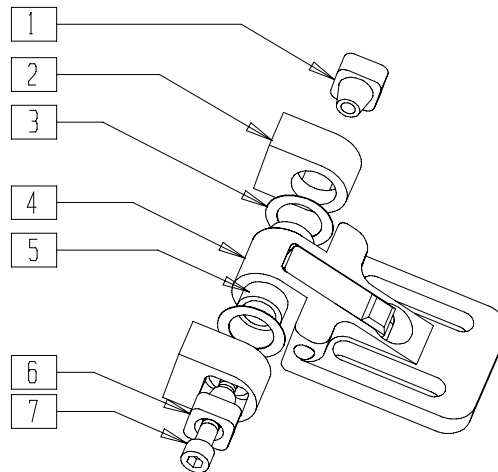
S6260X04

ITEM	NUMBER	DESCRIPTION	QTY
1	481106-QU	1/4-28 CHANNEL NUT	1
2	881850-881894	SOLID BACKREST SHELL ASSEMBLY	1
3	505553	CURVED BACK BRACKET S626	1
4	262110-QU	1/4 AN WASHER FLAT THIN	3
5	221012	1/4-28 x .44 SHCS BLK W/PL	2
6	481419	1/4-28 CHANNEL NUT 1.75" SP	1
7	221013	1/4-28 x .50 SHCS BLK W/PL	1
8	681801-681844	FOAM INSERT SOLID BACK	1

ITEM	NUMBER	DESCRIPTION	QTY
9	681761-681799, 682120-682124	FOAM INSERT COVER SOLID BACK	1
8,9	681851-681894	BACK CUSHION SOLID BACK (CUSHION AND COVER)	1
1,3-7	883160	SOLID BACK ATTACH HARDWARE S626	
2,8,9	687400-687444	SOLID BACK ASSEMBLY	

LATERAL SWING-AWAY ASSEMBLY

(QUICKIE FREESTYLE/G-424/P-220/P-222/P-222 SE/S-525/S-626/S-646/S-646 SE)

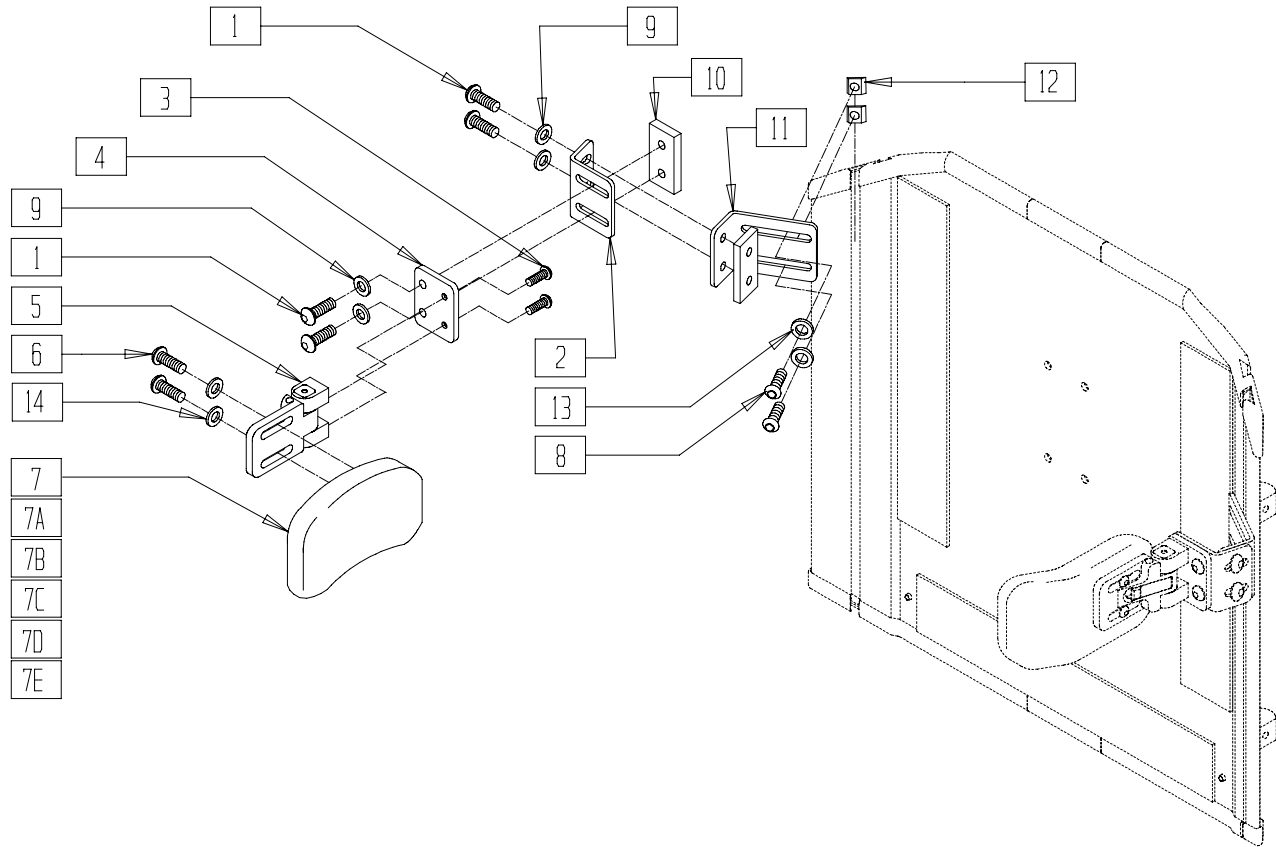


TCG00X19

ITEM	NUMBER	DESCRIPTION	QTY
1	476186	END CAP-THREADED ADJ SA	1
2	476189	BASE MOUNT ADJ SA	2
3	M-2154	WASHER NYLON 5 x .75 x .10 THICK	2
4	X476190	SLOTTED BRACKET ADJ SA	1

ITEM	NUMBER	DESCRIPTION	QTY
5	476185	AXLE ADJ SA	1
6	476187	END CAP-NON THRD ADJ SA	1
7	M-2152	10-32 x 1 1/2 SOC C/S BLK	1
1-7	476180	ADJUSTABLE LATERAL SWING AWAY	1

LATERAL PAD ASSEMBLY (QUICKIE FREESTYLE/G-424/P-220/P-222/P-222 SE/S-525/S-626/S-646/S-646 SE)



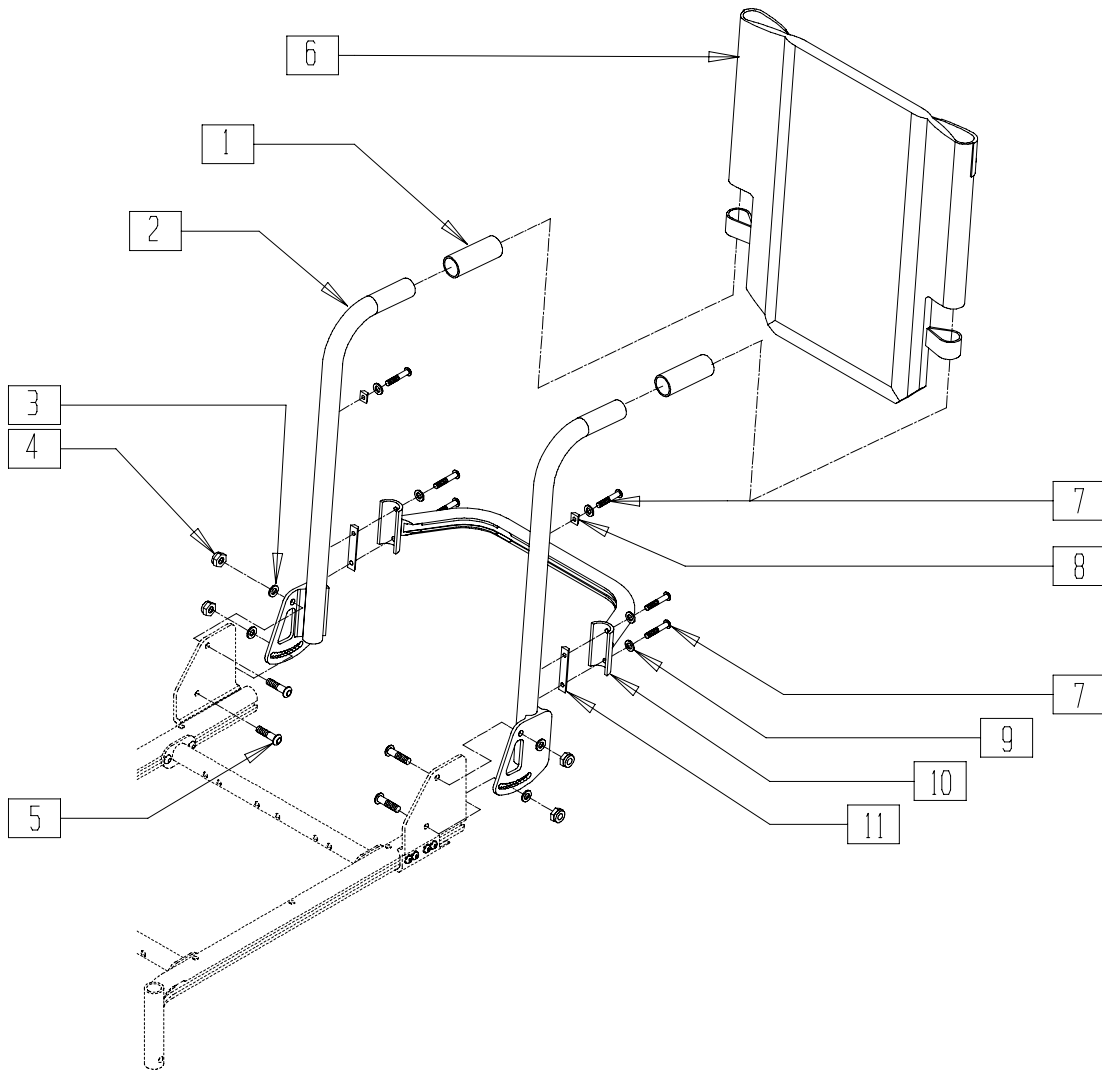
TCG00X20A

ITEM	NUMBER	DESCRIPTION	QTY
1	226247	1/4-28 x 5/8 B/H C/S BLACK G5	4
2	120093	SWING AWAY LATERAL L BRACKET	1
3	226018-QU	10-32 x 3/8 BH C/S W/PATCH BLK	2
4	120091	SWING AWAY LATERAL FLAT BRACKET	1
5	476180	ADJUSTABLE LATERAL SWING AWAY	1
6	455013-QU	10-32 x 1/2 ALLEN BH SCW	1
6,7,14	450852	TRUNK PAD CURVED 3"H x 6"L 1" CN	
6,7A,14	450854	TRUNK PAD CURVED 4"H x 5"L 1" CN	
6,7B,14	450855	TRUNK PAD CURVED 4"H x 6"L 1" CN	
6,7C,14	450822	TRUNK PAD FLAT 3"H x 6"L 1" CN	
6,7D,14	450824	TRUNK PAD FLAT 4"H x 5"L 1" CN	
6,7E,14	450825	TRUNK PAD FLAT 4"H x 6"L 1" CN	

ITEM	NUMBER	DESCRIPTION	QTY
8	221092	1/4-28 x 7/16 BH CS BLK W/PTCH	2
9	261111	9/32 x 5/8 OD FLAT WASHER BLK	4
10	330134	THREADED PLATE	2
11	120092	SWING AWAY LAT LONG L BRKT	1
12	481106-QU	1/4-28 CHANNEL NUT	2
13	262110-QU	1/4 AN WASHER FLAT THIN	2
14	455031-QU	#10 AN WASHER .032 SS	2
1,2, 8-13	881902	LATERAL BRACKET ASSM SOLID BACK	
1-5, 8-13	900475	S/A LATERAL ASSM SOLID BACK	

NON-FOLDING ADJUSTABLE BACKREST (QUICKIE S-626/S-646/S-646SE)

(Quickie S-626 transitioned into the Quickie S-646 beginning 7/26/02)



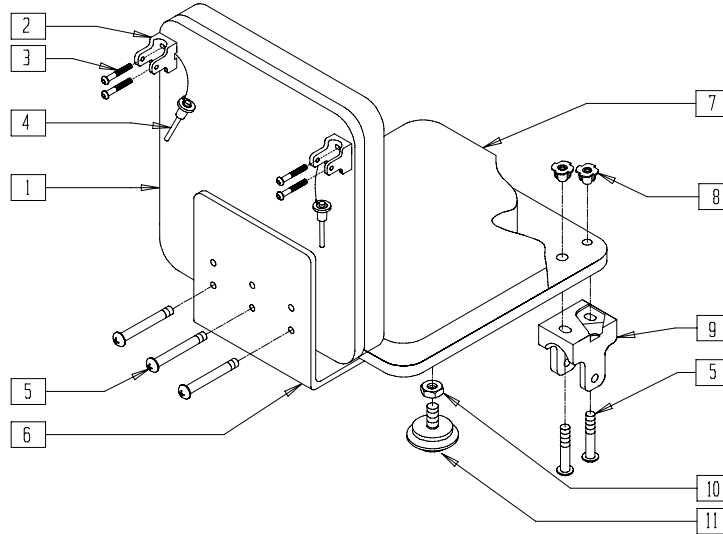
S6260X14

ITEM	NUMBER	DESCRIPTION	QTY
1	560663	QUICKIE GRIP 1"	2
3	262110-QU	1/4 AN WASHER FLAT THIN	4
4	204110	1/4-28 NYLOCK NUT BLK ZN	4
5	226064	1/4-28 x 3/4 BH C/S BLK W/PTCH	4
6	687900-687923	BACK UPH 14"- 24" (21"-22")-(23"-24") S626 (SPECIFY HEIGHT)	1
	686930-686983	BACK UPH 14"- 24" (15"-20") S626 (SPECIFY HEIGHT)	1
	221013	1/4-28 x .50 SHCS BLK W/PL	6

ITEM	NUMBER	DESCRIPTION	QTY
8	481106-QU	1/4-28 CHANNEL NUT	2
9	262100-QU	1/4 AN WASHER FLAT	6
10	542004-542012	ADJ SPREADER BAR WELD 14 -24"	1
11	481419	1/4-28 CHANNEL NUT 1.75" SP	2
1,2	843070-843079	BACK TUBE W/FOAM (15"-16")-(23"-24") S626 (EA)	
7,9-11	884160-884168*	ADJ SPREADER BAR (14"-24") ASSEMBLY S626	

*DRAWING SHOWS ONE SPREADER BAR ASSEMBLY (884160-884168). 22" AND 24" WIDE CHAIRS HAVE AN ADDITIONAL SPREADER BAR (4 EACH OF ITEMS 7 AND 9, 1 OF ITEM 10, AND 2 OF ITEM 11).

SOLID SEAT AND SOLID BACK (QUICKIE Z500[ZIPPIE P500])

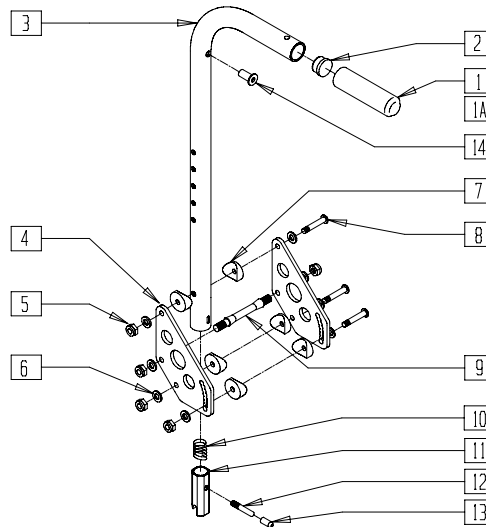


P500X9A

ITEM	NUMBER	DESCRIPTION	QTY
1,8	735056-735070	PLY BACK ZP'S (NEW) 12" LOW - 16" TALL	
2	562609	BRACKET SEAT QTS/BACK Z2	2
3	226101	1/4-20 x 3/4 BH C/S	4
4	349020	STROLLER HANDLE RELEASE PIN	2
5	226101	1/4-20 x 3/4 BH C/S	14
6	562607	PLY SEAT BRACKET	1

ITEM	NUMBER	DESCRIPTION	QTY
7,8	735012-735041	PLY SEAT ZP 12 x 10/11 x 1/2" - 16 x 15/16 x 1/2"	
8	341504	1/4-20 T NUT	11
9	562609	BRACKET SEAT QTS/BACK Z2	2
10	201121	1/4-20 NUT THIN	2
11	349560	ZP RUBBER STOP	2
2-6,9-11	920329	SEATING HDWR KIT ZP'S/P5 (6 HOLE)	

BACKREST (QUICKIE Z500[ZIPPIE P500])



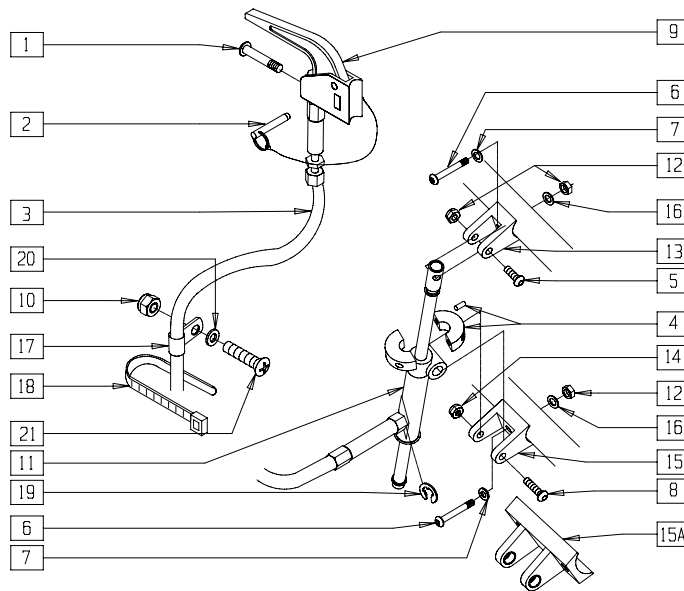
P500X55

ITEM	NUMBER	DESCRIPTION	QTY
1	560663	QUICKIE GRIP 1"	1
1A	560660	QUICKIE GRIP 1" W/HOLE	1
2	561002	1" INSERT PLUG .083	1
4	500192	BACK PLATE ZP/P5/QT/EX/Q2 DEPTH	2
5	201100-QU	1/4-28 NYLOCK NUT THIN	5
6	262100-QU	1/4 AN WASHER FLAT	8
7	561004	1" SADDLE 1/4" HOLE	6
8	226150	1/4-28 x 2 BH C/S	3
9	481042	BACK RELEASE STOP PIN QTS	1
10	321110	S/A LATCH SPRING	1

ITEM	NUMBER	DESCRIPTION	QTY
11	483019	BACK RELEASE LATCH	1
12	481084	BACK RELEASE PIN ZP2/QT/EX	1
13	560502	ANTI-TIP LEVER COVER	1
14	341497	10-32 x .020-.130 RIVNUT GOLD	1
5-9	920321	BACK PLATE HDWR KIT	
5-13	920328	BACKREST LATCH KIT	
1-3,14	842080	STRL HNDL W/FOAM STD ZPS/P5/QT	
1-3,5-14	920345	QT SEATING HDWR KIT O/S	
1A,2,3,14	842067	EXT STROLLER HANDLE STD	
1A,2-14	920348	EXT STRLR HNDL STD & PLT ASSM	

NOTE: HOLE ON TOP OF STROLLER HANDLE (FOR STROLLER HANDLE EXTENSION) EFFECTIVE 12/21/93, BEGINNING SERIAL NUMBER ZP-32105.

LOCKING MECHANISM (QUICKIE Z500[ZIPPPIE P500])

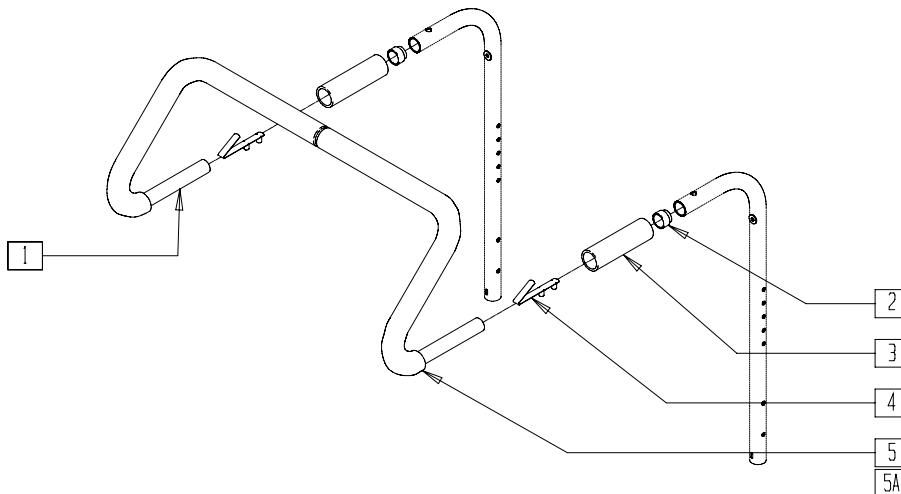


P500X11

ITEM	NUMBER	DESCRIPTION	QTY
1	281120	10-32 x 5/8 PAN HD PHIL	1
2	349021	TRIGGER REL PIN TS/QT/P5	1
3	342059	CYL LOCK CABLE ASSM P5	1
4	342049	10mm I.D. SPLIT COLLAR	1
5	226129	1/4-28 x 1 1/4 BH C/S	1
6	226130	1/4-28 x 1 1/2 BH C/S	3
7	262100-QU	1/4 AN WASHER FLAT	2
8	226190	5/16-18 x 1 3/4 BH C/S SHLDR	1
9	580110	CYL LOCK LEVER ASSM QT/QR/P5	1
10	200100-QU	10-32 NYLOCK NUT	1
11	342051	MECH CYLINDER LOCK R	1
12	201100-QU	1/4-28 NYLOCK NUT THIN	1
13	500140	CYLINDER BRACKET 1" TS/P5	1

ITEM	NUMBER	DESCRIPTION	QTY
14	202102	5/16-18 NYLOCK NUT THIN	1
15	500141	CYLINDER BRACKET TS 1-1/2"	1
15A	500144	CYLINDER BRACKET P5	1
16	262130	6mm WASHER WAVE	3
17	349508	1/4" I.D. PLASTIC CLAMP BLK	1
18	560410	ZIP TIE BLACK	1
19	342000	1/4" E-CLIP	1
20	261204	#10 AN WASHER .063	1
21	226032-QU	10-32 x 1 1/2 BH C/S BLK	1
1-14, 15A 16-21	920330	MECH LOCK ASSM 10"-14" P5 (EA)	
1-21	920332	MECH CYL LOCK ASSM 15"-16" R P5	
	920333	MECH CYL LOCK ASSM 15"-16" L P5	

STROLLER HANDLE EXTENSION (QUICKIE Z500[ZIPPPIE P500])



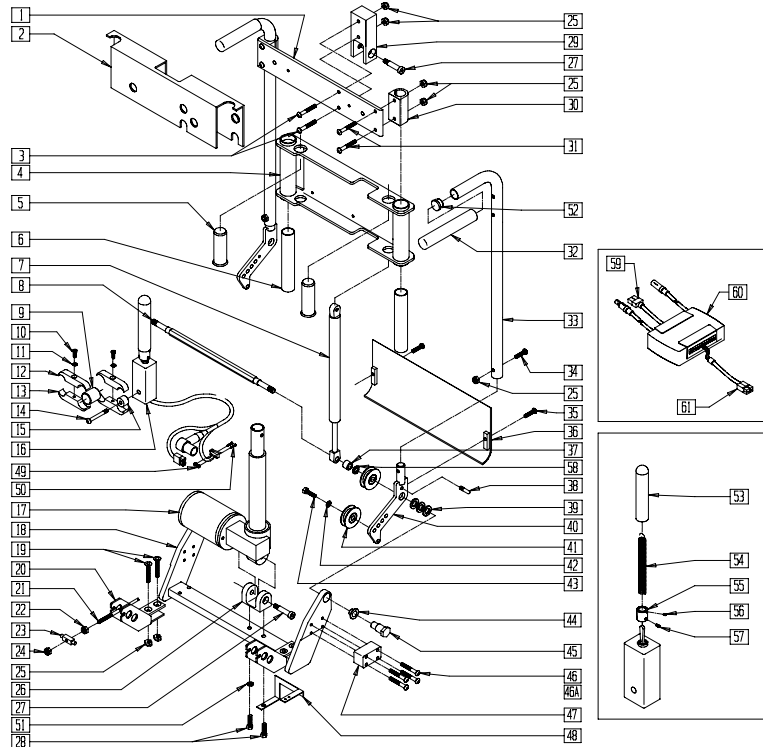
P500X53

ITEM	NUMBER	DESCRIPTION	QTY
2	561082	1" TUBE END BUSHING THIN	2
3	560660	QUICKIE GRIP 1" W/HOLE	2
4	301108	5/16 SNAP BUTTON DUAL ONE SIDE	2
5	560615	STROLLER EXT GRIP 10"-13"	2

ITEM	NUMBER	DESCRIPTION	QTY
5A	560616	STROLLER EXT GRIP 14"-17"	2
1,4,5	842052, 842053	STROLLER EXT ASSM 12"-13"	
1,4,5A	842054- 842056	STROLLER EXT ASSM 14"-16"	

BACK ASSEMBLY (QUICKIE POWER RECLINE SYSTEM)

(Discontinued 11/1/02 - parts only)



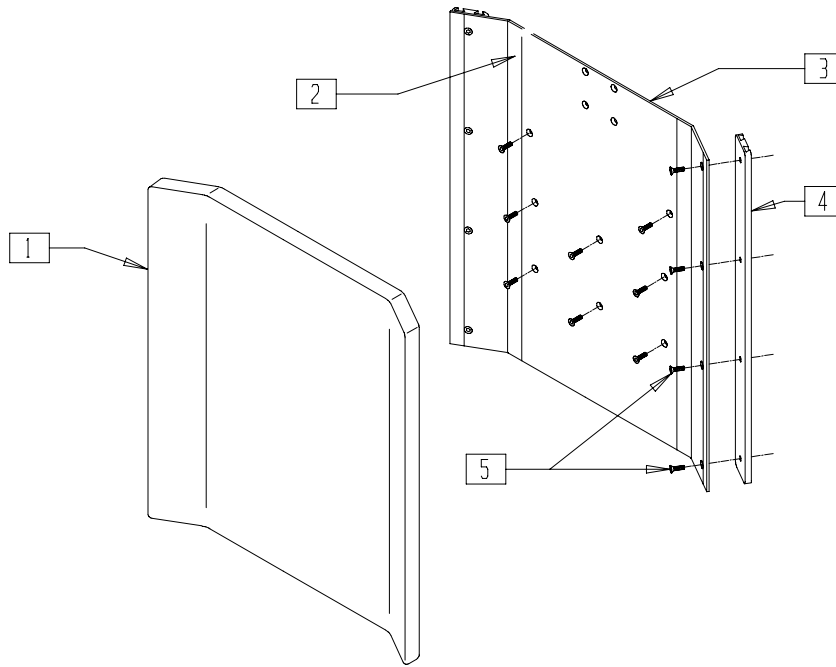
P200X46B

ITEM	NUMBER	DESCRIPTION	QTY
1	505418	STABILIZER BAR PRS	1
2	562516	BACK COVER PLATE PRS	1
3	226100	1/4-28 x 3/4 BH C/S	2
4	505406	SLIDE BRKT WELDMNT PRS	1
5	521217	GAS SPRING RETAINER TUBE	2
6	561312	SLIDE BUSHING PRS	2
7	342062	GAS SPRING PRS	2
8	481175	PIVOT BAR PRS	1
9	483109	CLAMP CONNECT PRS	1
10	226112	1/4-28 x 1 SOC C/S BLK	2
11	262114	1/4 WASHER HI COLLAR LOCK ZN	2
12	550718	SWITCH CLAMP TOP PRS	2
13	550719	SWITCH CLAMP BOTTM PRS	2
14	226110	1/4-28 x 1 BH C/S	1
15	483108	CLAMP BASE SWITCH PRS	1
16	139118	SWITCH HARNESS PRS	1
17	499350	LINEAR ACTUATOR PRS	1
18	505403	PIVOT WELDMNT PRS	1
19	221132	1/4-28 x 1 1/2 FH SOC SCW	4
20	505136	SWIVEL BRKT WELDMNT PRS	2
21	139120	CABLE ASSM PRS	2
22	200116	10-32 HEX JAM NUT	2
23	481176	CABLE SWIVEL PRS	2
24	200101-QU	10-32 NYLOCK NUT THIN	2
25	201100-QU	1/4-28 NYLOCK NUT THIN	12
26	505402	CLEVIS BRKT LOWER PRS	1
27	220080	3/8 x 1 1/4 SHOULDER BOLT	2
28	222098	5/16-24 x 1 1/4 HEX C/S	2
29	505409	CLEVIS BRKT UPPR PRS	1
30	505417	STABILIZER CLAMP PRS	2
31	226140	1/4-28 x 1 3/4 BH C/S	4
32	560662	QUICKIE GRIP 3/4"	2
33	520300	HDRST TUBE RCLNR R	1
	520301	HDRST TUBE RCLNR L	1
34	226125	1/4-28 x 1 1/8 BH C/S	2

ITEM	NUMBER	DESCRIPTION	QTY
35	226019	10-32 x 3/8" FH C/S	2
36	562517	BOTTOM PLATE PRS	1
37	520370	PULLEY SPACER	2
38	481014	1/4-20 x .88 REL PIN	1
39	262000	WASHER BELLEVILLE A1-115159	6
40	505413	PULLEY BRKT WELDMNT	2
41	342105	PULLEY 1.75 x .440 x .375	4
42	262141	3/8 LOCK WASHER	2
43	220085	3/8-24 x 1 HEX C/S	2
44	349641	BSHNG BRNZ .6275 ID x .7525 OD x 1/2	2
45	481177	PIVOT BOLT PRS	2
46	221124-QU	1/4-28 x 1 1/4 G8 BH C/S	8
46A	221191	1/4-28 x 2 1/4 G8 BH C/S	8
47	505415	SPACER FRAME PRS	1
48	505268	BRKT INTERRUPT SWITCH PRS	1
49	200026	2-56 NYLOCK NUT	2
50	281015	2-56 x 3/4 PAN PHIL M/S ZN	2
51	263100	5/16 AN WASHER FLAT	1
52	560735	7/8" ROUND TUBE PLUG	2
53	560305	4 x .375 ID x .125 FOAM GRIP	1
54	321104	SPRING .38 OD x 2.85-TILT SWITCH	1
55	341125	COUPLER - TILT SWITCH	1
56	225105	4-40 x 1/16 SET SCREW BLK	2
57	225106	4-40 x 1/8 SET SCREW BLK	3
58	262137	3/8 WASHER CURVED	2
59	139430	CABLE INHIBITOR ALM P210	1
60	881343	PILOT + ALM W/VELCRO 10 AMP	1
61	139422	WIRING HARNESS ALM P210	1
9-15	880759	SWITCH CLAMP ASSM PRS	
1-8,17-46, 48,51,52,58	887186	RCLNR BACK ASSM 16" P210 (INCLUDES SHROUD)	
1-8,17,45, 46A,48 51,52,58	887188	RCLNR BACK ASSM 18" P210 (INCLUDES SHROUD)	

BACK PAN (QUICKIE POWER RECLINE SYSTEM)

(Discontinued 11/1/02 - parts only)



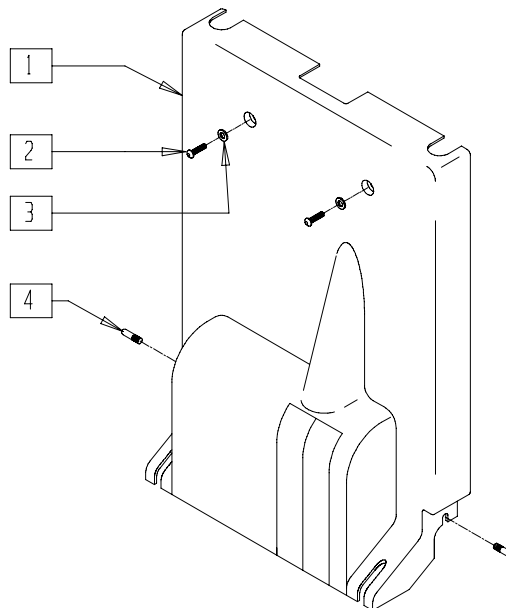
P200X54

ITEM	NUMBER	DESCRIPTION	QTY
1	684330-684338	BACK CUSHION PRS	1
2	901171	LOW SEAT VELCRO® STRIP PS P300	2
2,3	688120-688128	BACK PAN ASSEMBLY PRS	

ITEM	NUMBER	DESCRIPTION	QTY
4	550106-QU	HDWR MOUNTING CHANNEL LOW	2
	550107-QU	HDWR MOUNTING CHANNEL MED	
	550108-QU	HDWR MOUNTING CHANNEL TALL	
5	226019	10-32 x 3/8" FH C/S	16

RECLINER COVER (QUICKIE POWER RECLINE SYSTEM)

(Discontinued 11/1/02 - parts only)



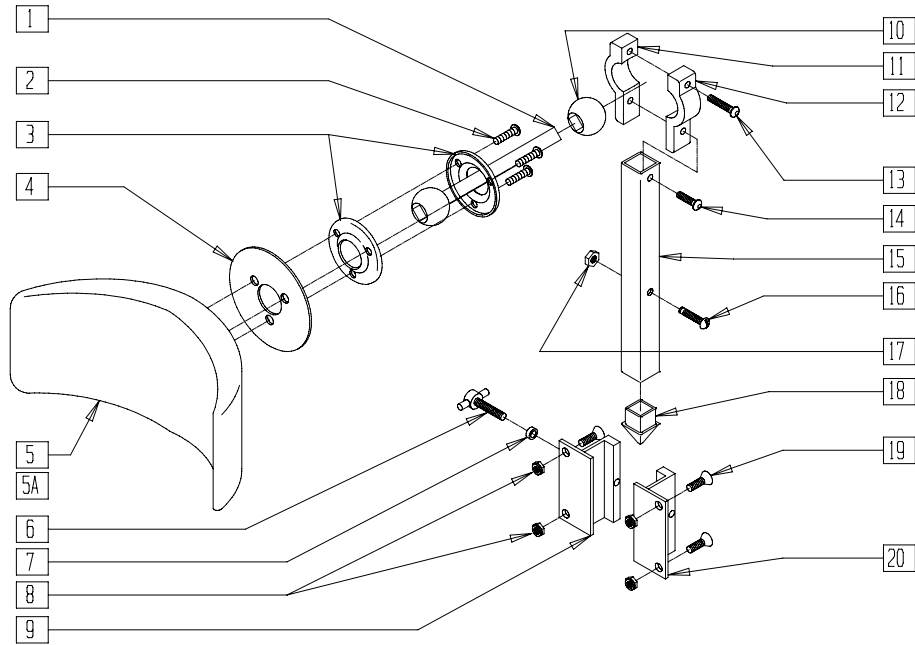
P200X56

ITEM	NUMBER	DESCRIPTION	QTY
1	562515	SHROUD PRS	1
2	226090	1/4-28 x 5/8 BH C/S	2

ITEM	NUMBER	DESCRIPTION	QTY
3	262110-QU	1/4 AN WASHER FLAT THIN	2
4	481014	1/4-20 x .88 REL PIN	2

HEADREST ASSEMBLY (QUICKIE POWER RECLINE SYSTEM)

(Discontinued 11/1/02 - parts only)



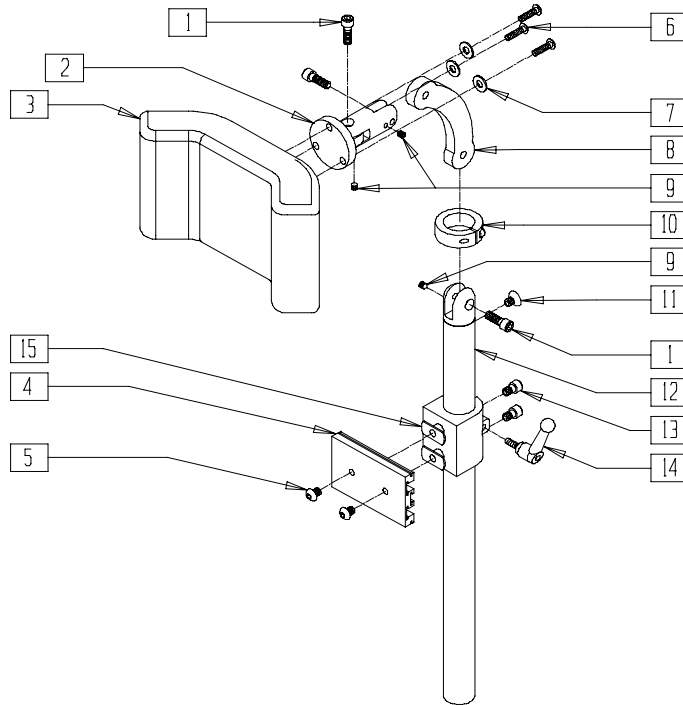
P200X64

ITEM	NUMBER	DESCRIPTION	QTY
1	450113-QU	HDRST ADJ ROD W/BALL	1
2	226028-QU	10-32 x 1 BH C/S BLK	3
3	450111-QU	HDRST LOCKING RING 1"	2
4	452110-QU	HEADREST PAD PLATE	1
5	450100-QU	POSTERIOR HDRST PAD SM	1
5A	450102-QU	POSTERIOR HDRST PAD LRG	1
6	455041-QU	10-24 x 1 THUMB SCW	1
7	455040-QU	#10 PLASTIC SPACER	1
8	200101-QU	10-32 NYLOCK NUT THIN	4
9	450125-QU	HDRST SLIDE BRKT THREADED	1
10	450128-QU	ALUM BALL 1"	1
11	450115-QU	HDRST BALL CLMP SNGL NON-THRD	1
12	450114-QU	HDRST BALL CLMP SNGL THREADED	1

ITEM	NUMBER	DESCRIPTION	QTY
13	455008-QU	10-24 x 3/4 ALLEN BH SCW	1
14	455007-QU	10-24 x 1 ALLEN BH SCW	1
15,18	450118-QU	HDRST VERT POST SHORT SLIDE	
16	455019-QU	10-32 x 7/8 PLSTC SLOT HD SCW	1
17	455020-QU	10-32 PLSTC NUT	1
18	450120-QU	HDRST VERT POST PLUG	1
19	226013	10-32 x 1/2" FH C/S	4
20	450126-QU	HDRST SLIDE BRKT NON-THREADED	1
6,7,9,20	450168-QU	HDRST SLIDE BRACKET ASSEMBLY	
1-4,5A, 6-20	450095	HDRST ASSEMBLY LG PAD PRS	
1-20	450094	HDRST ASSEMBLY SM PAD PRS	

HEADREST (QUICKIE FREESTYLE/G-424/S-525/S-626/S-646/S-646SE)

(For use with Integrated Tilt) (Effective 4/4/00)

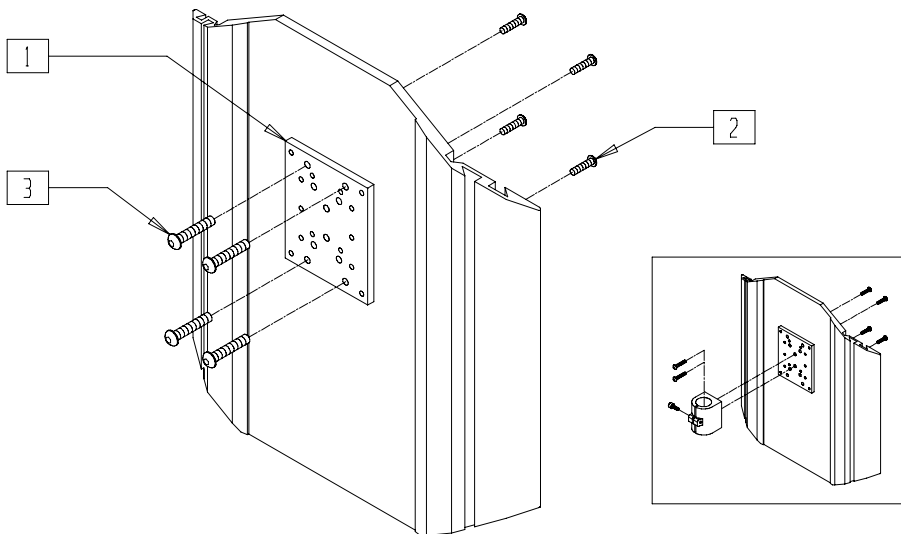


TCG00X6A

ITEM	NUMBER	DESCRIPTION	QTY
1	221115	1/4-20 x 3/4" SOC HD C/S BLK	3
3	750696	HEADREST W/ZIPPER MEDIUM CG	1
	750697	HEADREST W/ZIPPER LARGE CG	
4	505932	HEADREST MOUNTING TRACK	1
5	476304	1/4-28 x .31 BHCS W/PATCH	2
6	221010	10-32 x .75 SHCS BLK W/PL	3
7	261204	#10 AN WASHER .063	3
8	331078	HEADREST LINK	1
9	341045	#10-24 CONE POINT SET SCREW	3

ITEM	NUMBER	DESCRIPTION	QTY
10	505933	HEADREST COLLAR	1
11	226072	1/4-20 x 1/2 FH C/S BLK	1
13	226095	1/4-20 x 3/8" SOC C/S BLK ZN	2
14	341046	HEADREST CLAMPING HANDLE SCREW	1
15	340033	1/4-20 WELD NUTS SLAB BASE	2
1,2,4,6-14	881003	HEADREST MOUNTING BRACKET ASSM	
1-14	881907	HEADREST ASSEMBLY MEDIUM	
	881908	HEADREST ASSEMBLY LARGE	

UNIVERSAL HEADREST MOUNTING KIT



JUHDBRKT01

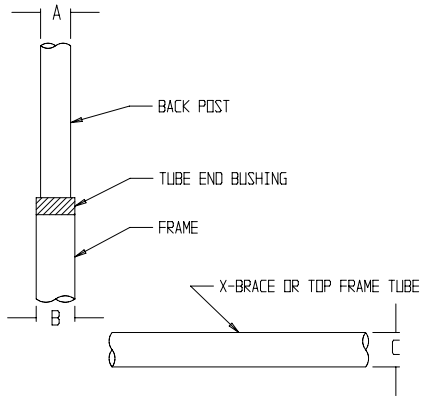
ITEM	NUMBER	DESCRIPTION	QTY
1	476303	HEADREST MOUNTING PLATE	1
2	226018	10-32 x 3/8 BH CS W/PATCH	4

ITEM	NUMBER	DESCRIPTION	QTY
3	476304	1/4-28 x .31 BHCS W/PATCH	4
1-3	476314	HEADREST NMT KIT W/HDWR POWER	

BACKREST AND SEAT TUBE DIAMETER MEASURING GUIDE

THIS GUIDE WILL DETERMINE THE BACKREST AND SEAT TUBE DIAMETER OF QUICKIE CHAIRS. KEEP THIS CHART WITH YOUR QUICKIE INSERT REFERENCE MANUAL AND USE IT WHEN ORDERING AN INSERT SEATING SYSTEM. TO USE, FOLLOW THESE FOUR EASY STEPS:

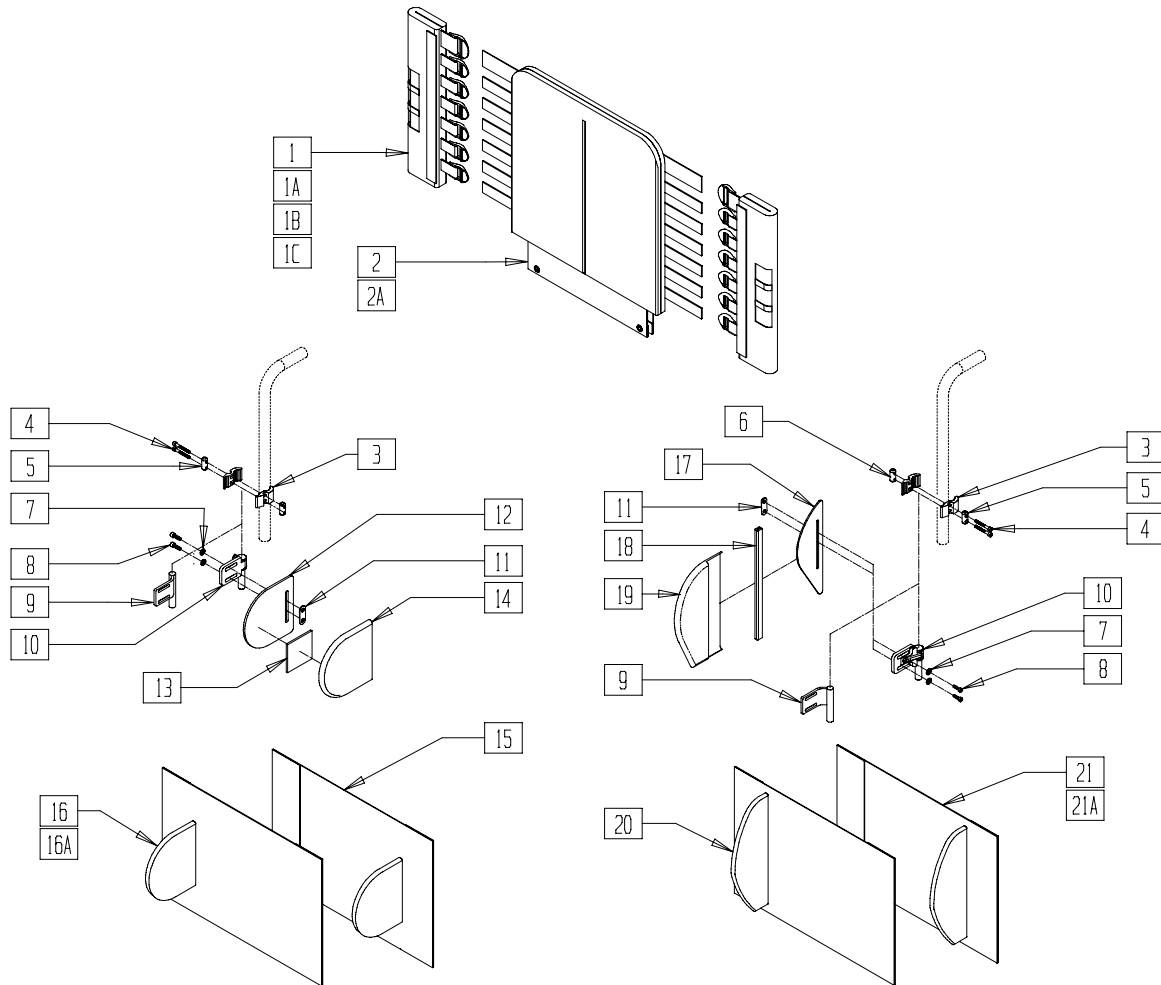
1. CHOOSE THE APPROPRIATE CHAIR.
2. USE THE "A" DIMENSION.
3. USE THE "B" DIMENSION.
4. USE THE "C" DIMENSION.



CHAIR	"A"	"B"	"C"
G-424	1"	1"	1"
P110	7/8"	1 1/8"	1"
P190	7/8"	1"	—
P200	7/8"	1"	—
P-222	1"	1"	1"
P300	7/8"	1"	1"
P320	7/8"	—	1"
S-525	1"	1"	1"
S-626*	1"	1"	1"
V100 (P100)	7/8"	1"	1"
V-121	7/8"	7/8"	—
V-521	7/8"	7/8"	—
Z500 (P500)	1"	—	1"

* OVALIZED CHANNEL TUBING

JAY PRECISION BACK UPHOLSTERY (QUICKIE P200/P-220/P-222/S-525/S-646/V-121)



PBCKX04A

ITEM	NUMBER	DESCRIPTION	QTY
1	683358, 683360	J BCK UPH BCK CANE CVR MED (EA)	1
1A	683357, 683359	J BCK UPH BCK CANE CVR TALL (EA)	1
1B	683362, 683364	J BK UPH BK CN CVR NO LAT MED (EA)	1
1C	683361, 683363	J BK UPH BK CN CVR NO LAT TALL (EA)	1
2	683305- 683317	JAY BACK UPHOLSTERY MED (14" - 20") WIDE	1
2A	683306- 683318	JAY BACK UPHOLSTERY TALL (14" - 20") WIDE	1
3	481800	UNI LAT BRKT JAY PRECISION	4
4	226353	10-32 x 1 1/2 SOC HD C/S W/PL	4
5	481810	UNI LAT BRKT SCR ROLL PIN	2
6	481811	LAT BRKT PREC THD-ROLL PIN	2
7	261204	#10 AN WASHER .063	4
8	226043	10-32 x 1/2 BH C/S BL	4
9	541144, 541145	LATERAL BRACKET WELDMNT (EA)	1
10	881738, 881739	ASSM LATERAL PIN SWING AWAY (EA)	1
11	881109	1" NUT PLATE W/THREADED INSERT	2
12	500914	SYMMETRIC LATERAL PANEL	2
13	751314	2" x 2" VELCRO LOOP	2
14	B672	BASE EXTENDED LATERAL	2

ITEM	NUMBER	DESCRIPTION	QTY
17	501140	ASYMMETRIC LATERAL PANEL	2
18	697100	ASYMMTRC LTRL PANEL EDGE TRIM	2
19	683319, 683320	J BCK UPH INT LAT CVR ASYM (EA)	1
3-6	880959	UNI LATERAL CLAMP ASSM	
20,21	923300	J BCK EXT LAT CVR ASYM 14-16	
20,21A	923301	J BCK EXT LAT CVR ASYM 17-20	
15,16	923302	J BCK EXT LAT CVR SYM 14-16	
15,16A	923303	J BCK EXT LAT CVR SYM 17-20	
1B,2	682520- 682526	J MED BCK UPH W/O LATS (14" - 20")	
1C,2A	682527- 682533	J TALL BACK UPH W/O LAT (14" - 20")	
1-8, 10-16	682534- 682540	J MD BK UPH W/ FIX SYM LAT (14" - 20")	
1-7, 9-16	682541- 682547	J MD BK UPH W/ S/A SYM LAT (14" - 20")	
1A,2A,3-8, 10-16	682562- 682568	J TL BK UPH W/ FIX SYM LAT (14" - 20")	
1A,2A,3-7, 9-16	682569- 682575	J TL BK UPH W/ S/A SYM LAT (14" - 20")	
1A,2A,3-8, 9,17-21	682576- 682582	J TL BK UPH W/ FIX ASM LAT (14" - 20")	
1A,2A,3-7, 9,17-21	682583- 682589	J TL BK UPH W/ S/A ASM LAT (14" - 20")	

Battery Chargers

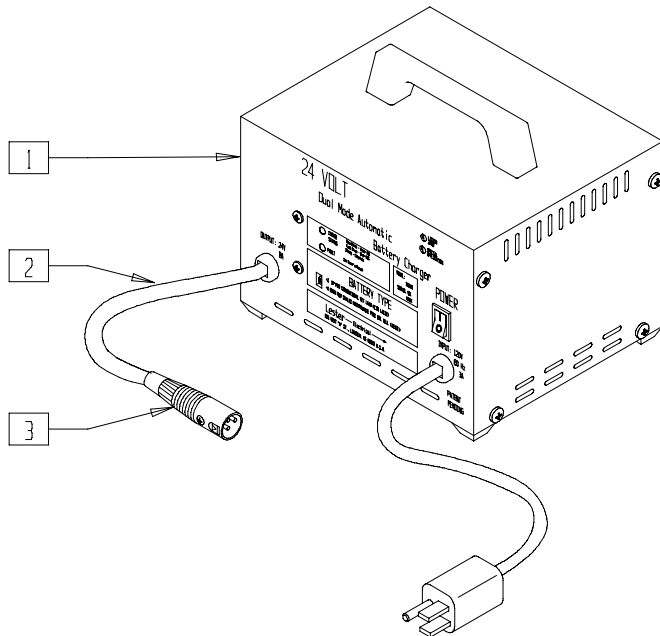
IN THIS SECTION

Lester 8A Battery Charger Dual Mode (3-pin) (Quickie G-424/P110/P190/P200/P210/ P-220/P-222/P-222SE/P300/P320/S-525/ S-626/S-646/S-646SE/V100[P100]/ V-121[P120]/V-521/Z500[Zippie P500]).....6.1	Schauer Battery Charger Dual Mode (Quickie P100/P110, Zippie P500) (Disc.)6.2 Battery Chargers (Quickie Freestyle)6.2
Lester 5A Battery Charger (3-pin) (Quickie G-424/P-220/S-525/V100[P100]/ V-121[P120]/V-521/Z500[Zippie P500]).....6.1	

LESTER 8A BATTERY CHARGER DUAL MODE (3-PIN)

(QUICKIE G-424/P110/P190/P200/P210/P-220*/P-222/P-222SE/P300/P320/S-525/
S-626/S-646/S-646SE/V100[P100]/V-121[P120]/V-521/Z500[ZIPPIE P500])

(Fits P300 beginning serial number P3-6706, effective 7/1/92)



P100X29A

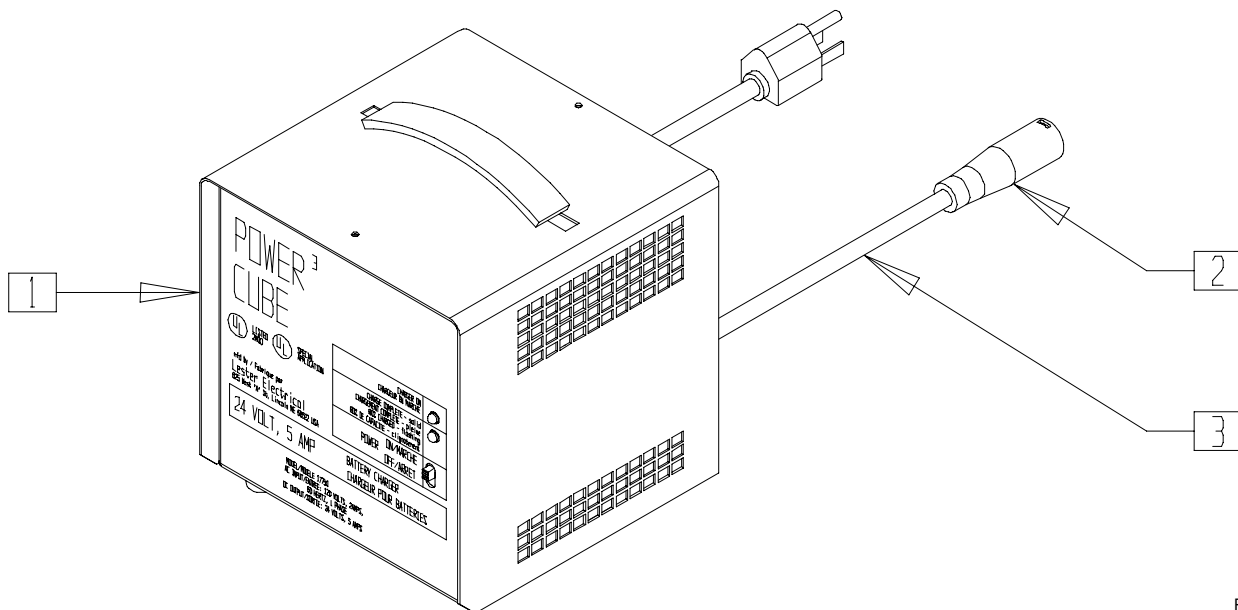
ITEM	NUMBER	DESCRIPTION	QTY
1-3	BATC8	BATTERY CHARGER 8A OFF BOARD	
3	135025	PLUG A3M (3-PIN)	1

ITEM	NUMBER	DESCRIPTION	QTY
2,3	139328	CHARGER PLUG & CABLE	1

* LESTER 8A BATTERY CHARGER IS OPTIONAL ON QUICKIE P-220. LESTER 5A BATTERY CHARGER (BELOW) IS STANDARD ON QUICKIE P-220.

LESTER 5A BATTERY CHARGER (3-PIN)

(QUICKIE G-424/P-220/S-525/V100[P100]/V-121[P120]/V-521/Z500[ZIPPIE P500])

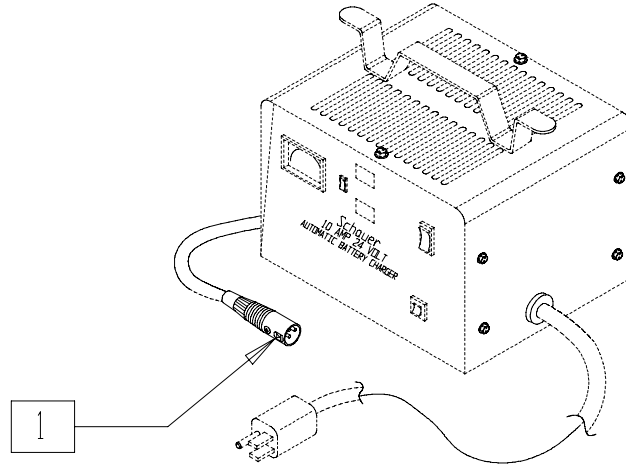


P100X29B

ITEM	NUMBER	DESCRIPTION	QTY
1-3	BATC5	BATTERY CHRGR 4A OFF-BOARD	
2	135025	PLUG A3M (3-PIN)	1

ITEM	NUMBER	DESCRIPTION	QTY
2,3	139328	CHARGER PLUG & CABLE	1

**SCHAUER BATTERY CHARGER DUAL MODE
(QUICKIE P100/P110, ZIPPIE P500)
(Discontinued 1/29/01 - parts only)**



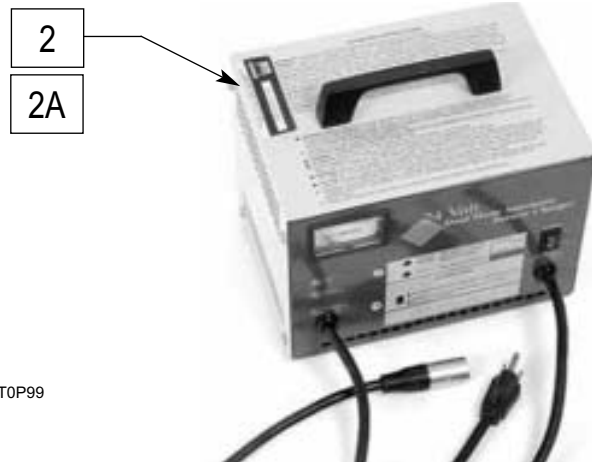
P100X30A

ITEM	NUMBER	DESCRIPTION	QTY
1	135025	PLUG A3M (3-PIN)	1

BATTERY CHARGERS (QUICKIE FREESTYLE)



HSPT0P99



FRES0P34



FRES0P37

ITEM	NUMBER	DESCRIPTION	QTY
1	136066	BTTYR CHGR ELEC 8A	1
1A	136072	ON BOARD CHARGER 4A BLACK	1

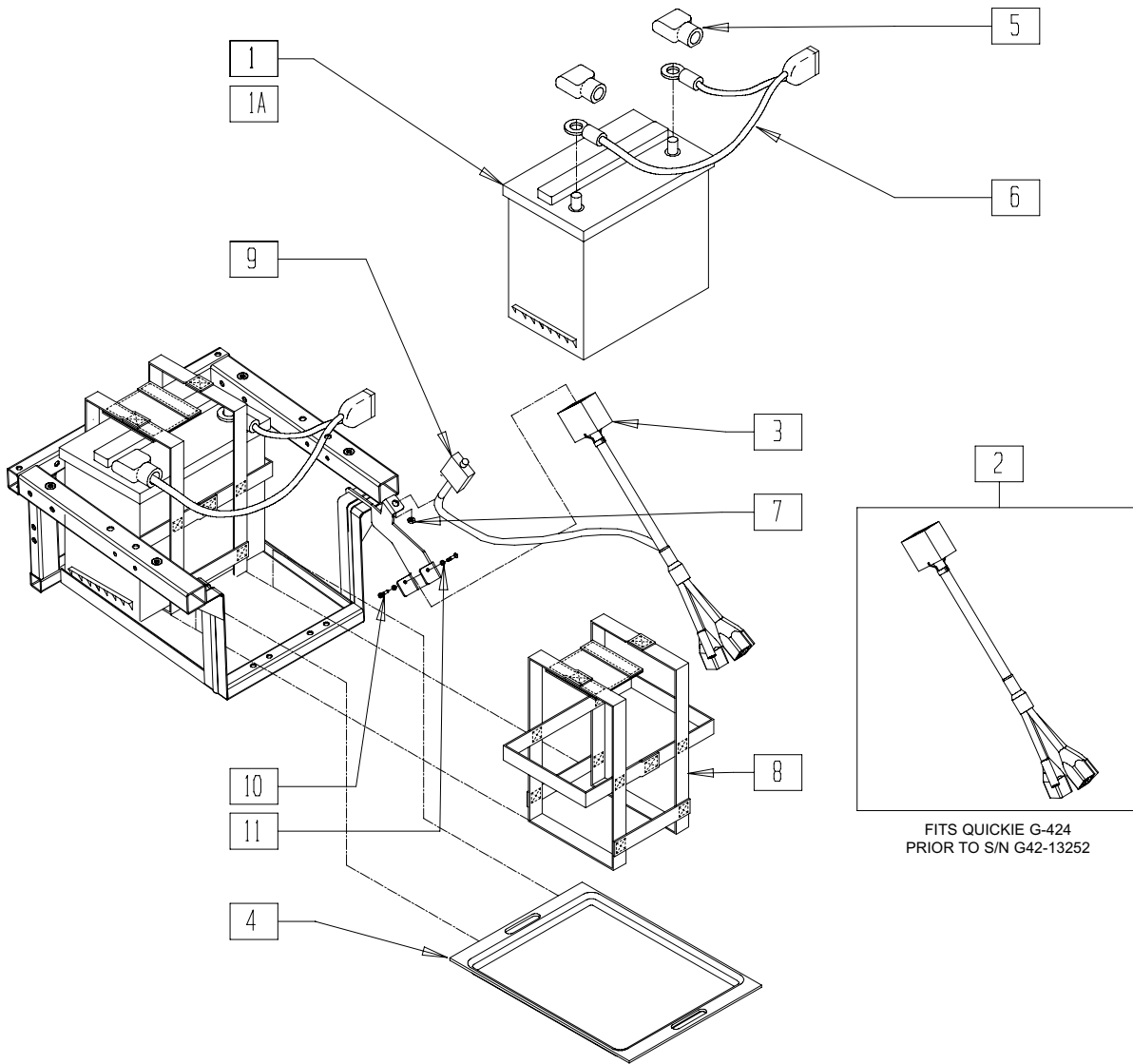
ITEM	NUMBER	DESCRIPTION	QTY
2	BATC5	BATTERY CHRGR 4A OFF-BOARD	1
2A	BATC8	BATTERY CHARGER 8A OFF BOARD	1

Battery Support Systems, Batteries, and Battery Box Assemblies

IN THIS SECTION

Battery Support Assembly (Quickie G-424).....	7.1	Battery/Battery Box Assembly (Single Battery) (Quickie V-121[P120]/V-521)	7.14
Battery Support Assembly (Quickie V100[P100])	7.2	Battery/Battery Box Assembly (Dual Battery) (Quickie V-121[P120]/V-521).....	7.14
Battery Support Assembly (Quickie P110) (Disc.)	7.3	Battery/Battery Box Assembly (14" Wide Only) (Quickie V-121[P120]/V-521)	7.15
Battery Support Assembly (Quickie P110 Pediatric) (Disc.).....	7.4	Battery/Battery Box Assembly (Quickie P200/P210/P320) (P210 Disc.)	7.15
Battery Support Assembly (Quickie P190) (Disc.).....	7.5	Battery/Battery Box (10" Drive Wheel) (Quickie P300) (Disc.).....	7.16
Battery Support Assembly and Batteries (Quickie P-220/P-222SE)	7.6	Battery Tray (18" Frame) (Quickie P300) (Disc.)....	7.17
Battery Support Assembly and Batteries (Quickie P-222) (Disc.)	7.7	Battery Tray (20" Frame) (Quickie P300) (Disc.)....	7.18
Battery Support Assembly (Quickie S-525) (Disc.)...7.8		Battery/Battery Box Assembly (Quickie P300) (Disc.)	7.18
Battery Support Assembly (Quickie S-525)	7.9	Battery/Battery Box Assembly (Quickie S-525)	7.19
Batteries and Battery Support (Quickie S-626/S-646/S-646SE).....	7.10	Battery Box Assembly (Quickie S-626).....	7.20
Battery Support Assembly (Quickie V-121[P120])..7.10		Battery Box Assembly (Quickie S-646/S-646SE) ...7.21	
Battery Support Assembly (Quickie V-521).....	7.11	Battery Support Bracket Assembly (Quickie Z500[Zippie P500])	7.22
Battery/Battery Box Assembly (Quickie P110/P190/V100[P100], Zippie P500).....	7.12	Alternate Battery Chargers (G-424/S-525/S-626/S-646/S-646SE/Z500)	7.23
Battery/Battery Box Assembly (Quickie V-100)	7.12	Battery Assemblies (Quickie Freestyle).....	7.24
Battery/Battery Box Assembly (Quickie Z500[Zippie P500])	7.13	Battery/Charger Wiring (Quickie Freestyle).....	7.25
Battery/Battery Box Assembly (Quickie P110 Pediatric) (Disc.).....	7.13		

BATTERY SUPPORT ASSEMBLY (QUICKIE G-424)



Drawing shows frame effective 1/21/02. Frames prior to 1/21/02 are slightly different.

PBTYX01C

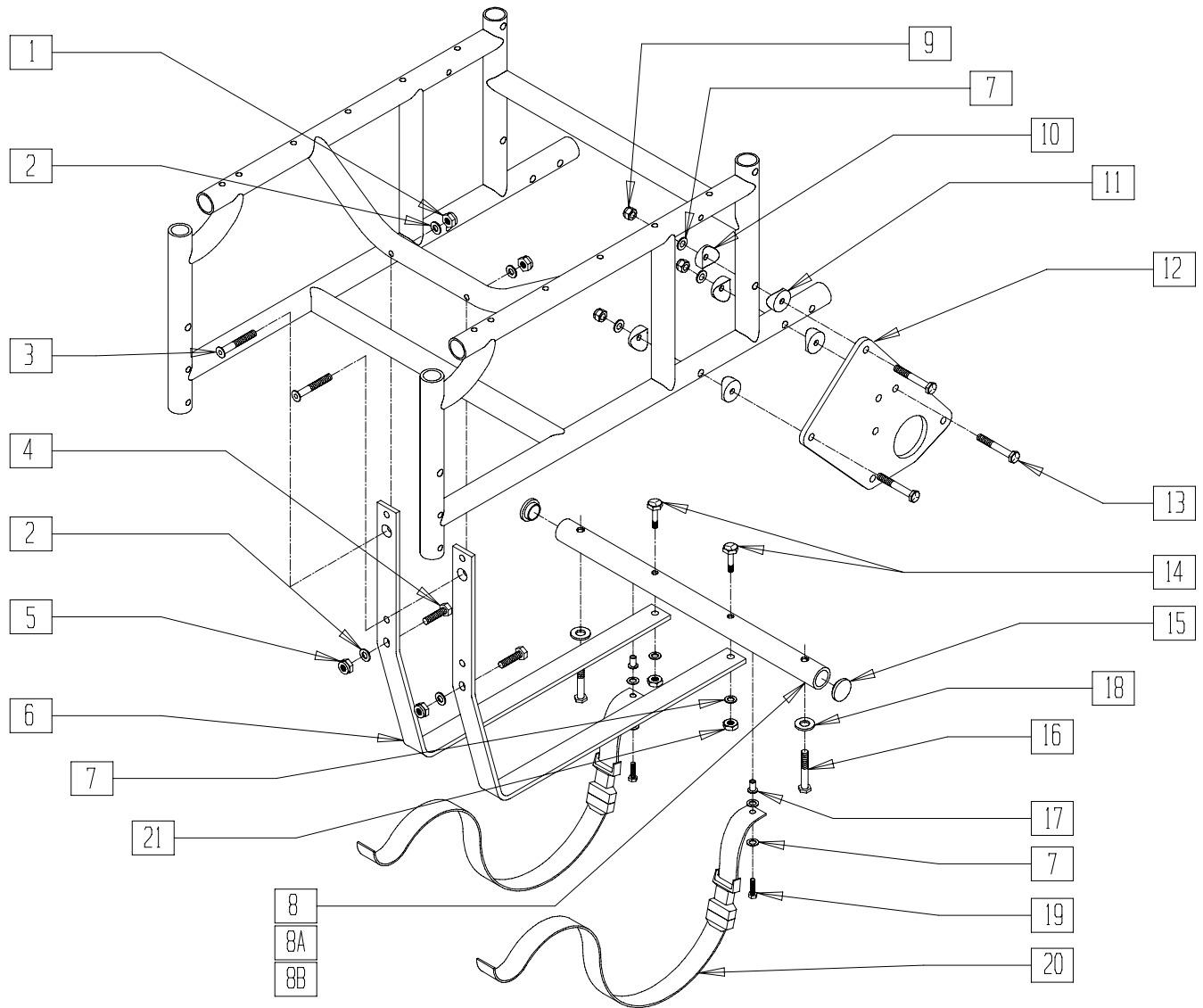
ITEM	NUMBER	DESCRIPTION	QTY
1	BAT24	GP24 EXTENDED RANGE BATTERY	2
1A	BAT22	GP 22 BATTERY	2
2*	139450	HARNESS CNTRLLR INTRFC MWG (TM40 TILT)	1
	139453	HARNESS INTERFACE INTEGRAL	
3*	139457	HARNESS PWR CONTROLLER AUX (TM40 TILT)	1
	139456	HARNESS PWR CONTROLLER	
4**	562530	BATTERY ADAPTER G-424	1

ITEM	NUMBER	DESCRIPTION	QTY
5	138070	TERMINAL CAP SET (INTL)	2
6	139033	BATTERY CNNCT HARNESS G424	2
7	210071	NUT KNURLED FOR 133010	1
8	740141	BATTERY STRAP GRP 24	2
	740140	BATTERY STRAP GRP 22	
9	133015	CIRCUIT BREAKER 70 AMP	2
10	281066	6-32 x 1/2 PAN PHIL M/S ZN	2
11	261204	#10 AN WASHER .063	2

* HARNESSES (139450, 139453, 139457, 139456) USED WITH INTEGRAL CONTROLLER. HARNESSES 139450 AND 139457 USED WITH TILT OPTION.
 ** 562530 USED WITH GROUP 22 BATTERIES.

BATTERY SUPPORT ASSEMBLY (QUICKIE V100[P100])

(Effective serial number P1-7519)



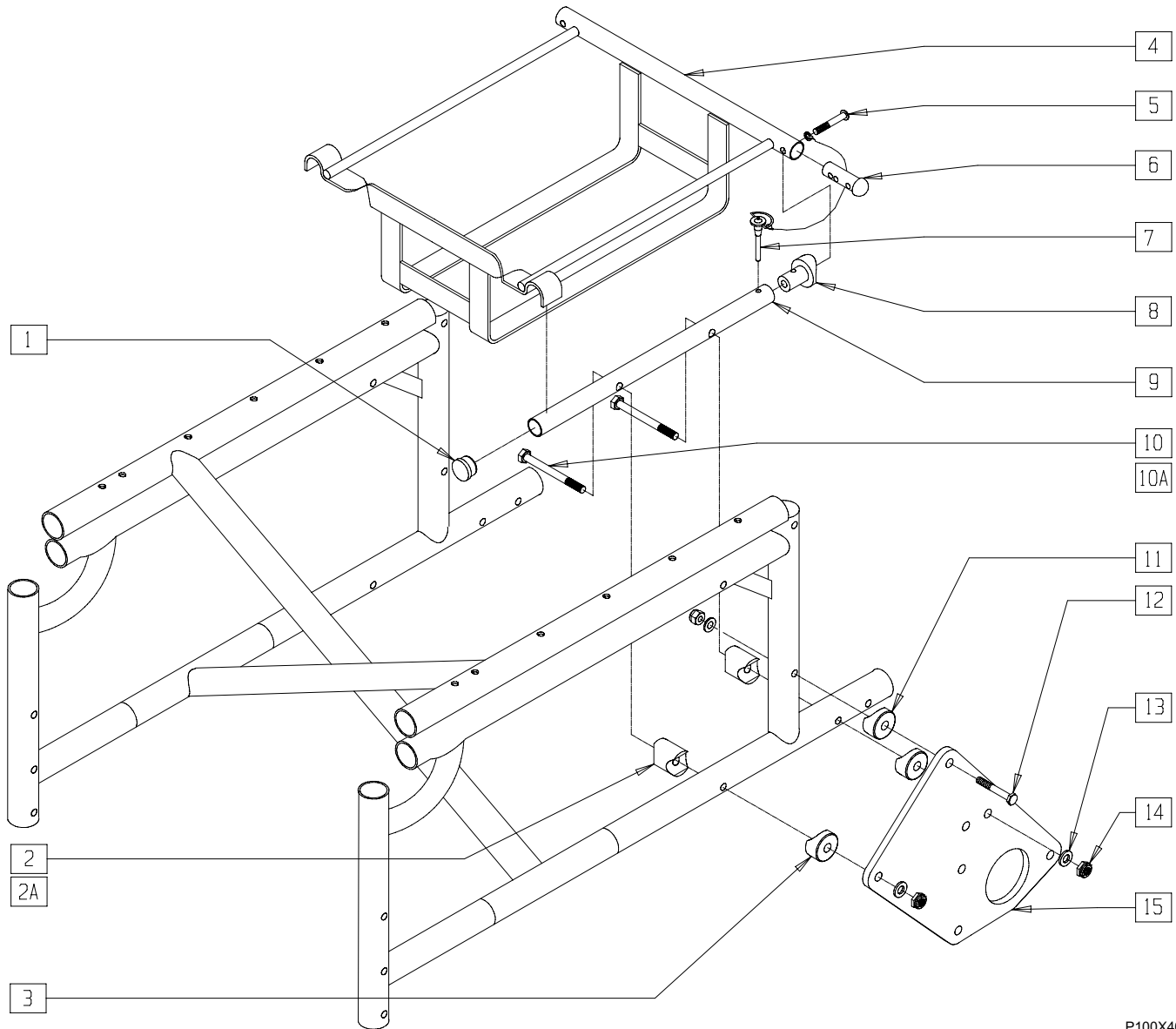
P100X27B

ITEM	NUMBER	DESCRIPTION	QTY
1	201120	1/4-28 AUTOMATION NUT	4
2	262110-QU	1/4 AN WASHER FLAT THIN	4
3	226132	1/4-28 x 1 1/2 FH SOC SCW BLK	2
4	221133	1/4-28 x 1 1/2 G8 HEX C/S	2
5	201100-QU	1/4-28 NYLOCK NUT THIN	2
6	505720	BATTERY BRACKET P1/P5	2
7	263100	5/16 AN WASHER FLAT	8
8,15,17	522741	CROSS TUBE DD 16" W/RNUT P1/P5	1
8A,15,17	522743	CROSS TUBE DD 18" W/RNUT P1	1
8B,15,17	522745	CROSS TUBE DD 20" W/RNUT P1	1
9	202100-MJ	5/16-24 NYLOCK NUT THIN	6
10	561006	1" SADDLE 5/16" HOLE	6
11	483713	SADDLE ALUM 1" THICK P1/P5	6

ITEM	NUMBER	DESCRIPTION	QTY
12	501761	MOTOR PLATE DIRECT DRIVE P1/P5	2
13	222190	5/16-24 x 2 HEX C/S	6
14	221151-QU	1/4-28 x 1 3/4 G8 HEX C/S	2
15	561005	1" INSERT PLUG .125	2
16	234960	M8-35 HEX C/S	2
17	341503	RIVNUT 1/4" x 28 RIBBED	2
18	262100-QU	1/4 AN WASHER FLAT	6
19	221100	1/4-28 x 3/4 HEX C/S	2
20	750072	BATTERY TIE DOWN STRAP P1/P5	2
21	201110-QU	1/4-28 NYLOCK NUT	2
5,7,8 14-19	880754- 880758	CROSS TUBE 16"-20" DD W/HDWR	

BATTERY SUPPORT ASSEMBLY (QUICKIE P110)

(Discontinued 6/30/00 - parts only) (Effective serial number PF-7543)



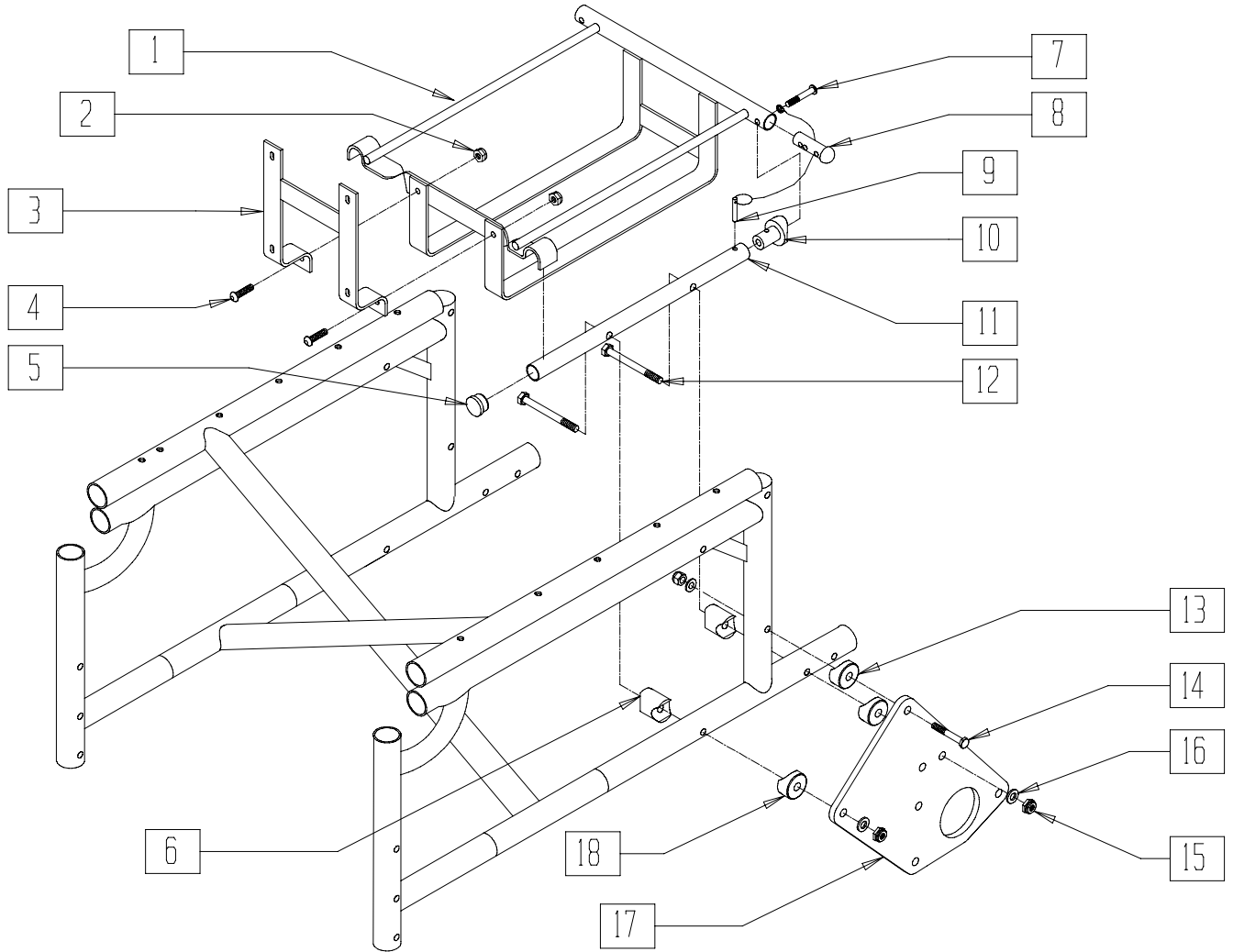
P100X40A

ITEM	NUMBER	DESCRIPTION	QTY
1	560761	3/4" INSERT PLUG .049 (18 GA)	2
2	483074	SADDLE ALUM BATTERY CAGE 18 P110	4
2A	483075	SADDLE ALUM BATTERY CAGE 16 P110	4
3	483713	SADDLE ALUM 1" THICK P1/P5	4
4	540350	BATTERY CAGE WELDMENT	1
5	226131	1/4-28 x 1 1/4 BH C/S SHLDR	2
6	561042	LONG DOME PLUG	2
7	349035	DETENT (RELEASE) PIN P110	2
8	483077	BATTERY CAGE LOCKING PLUG 16/18 P110	2

ITEM	NUMBER	DESCRIPTION	QTY
4-6,8	620170	BATTERY CAGE ASSM W/HDWR P110	
9	521772	BATTERY CAGE SUPPORT TUBE P110	2
10	222253	5/16-24 x 3 1/4 HEX C/S	4
10A	222252	5/16-24 x 4 1/4 HEX C/S	4
11	483076	SADDLE 1-1/8" ALUM 5/16" HOLE	2
12	222190	5/16-24 x 2 HEX C/S	2
13	263110-QU	5/16 AN WASHER FLAT THIN	6
14	202100-MJ	5/16-24 NYLOCK NUT THIN	6
15	501761	MOTOR PLATE DIRECT DRIVE P1/P5	2

BATTERY SUPPORT ASSEMBLY (QUICKIE P110 PEDIATRIC)

(Effective serial number PF-7543) (Discontinued 6/30/00 - parts only)



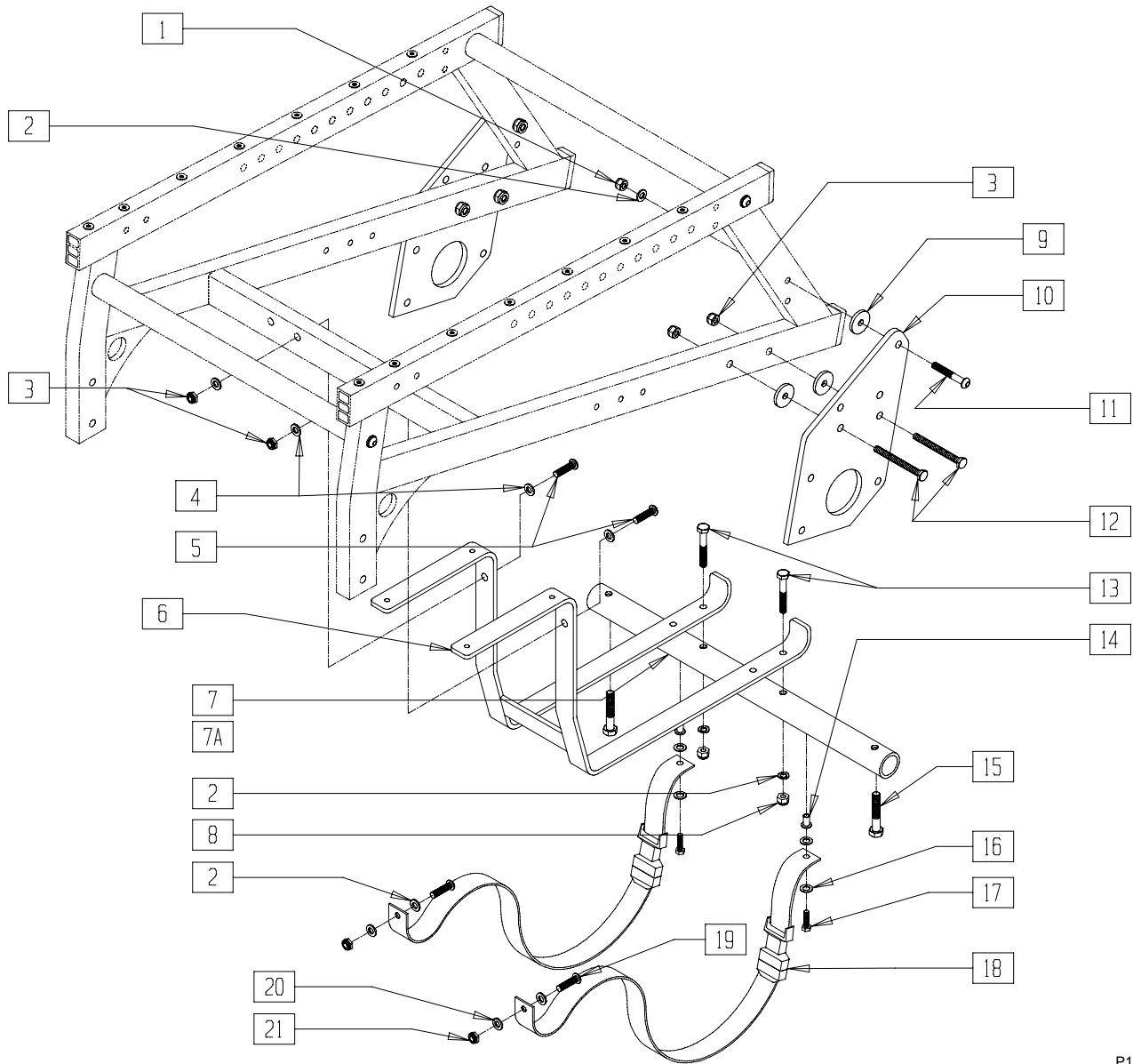
P100X45A

ITEM	NUMBER	DESCRIPTION	QTY
1	540351	BATTERY CAGE WELDMENT 14" P110	1
2	201100-QU	1/4-28 NYLOCK NUT THIN	2
3	540352	BATTERY CAGE C/WLDMNT P110 14"	1
4	226090	1/4-28 x 5/8 BH C/S	2
5	560761	3/4" INSERT PLUG .049 (18 GA)	2
6	483078	SADDLE ALUM BATTERY CAGE 14 P110	4
7	226131	1/4-28 x 1 1/4 BH C/S SHLDR	2
8	561042	LONG DOME PLUG	2
9	349035	DETENT (RELEASE) PIN P110	2

ITEM	NUMBER	DESCRIPTION	QTY
10	483077	BATTERY CAGE LK PLUG 16/18 P110	2
11	521772	BATTERY CAGE SUPPORT TUBE P110	2
12	222249	5/16-24 x 3 G8 HEX C/S	4
13	483076	SADDLE 1-1/8" ALUM 5/16" HOLE	2
14	222190	5/16-24 x 2 HEX C/S	2
15	202100-MJ	5/16-24 NYLOCK NUT THIN	6
16	263110-QU	5/16 AN WASHER FLAT THIN	6
17	501761	MOTOR PLATE DIRECT DRIVE P1/P5	2
18	483713	SADDLE ALUM 1" THICK P1/P5	4

BATTERY SUPPORT ASSEMBLY (QUICKIE P190)

(Discontinued 7/1/99 - parts only)

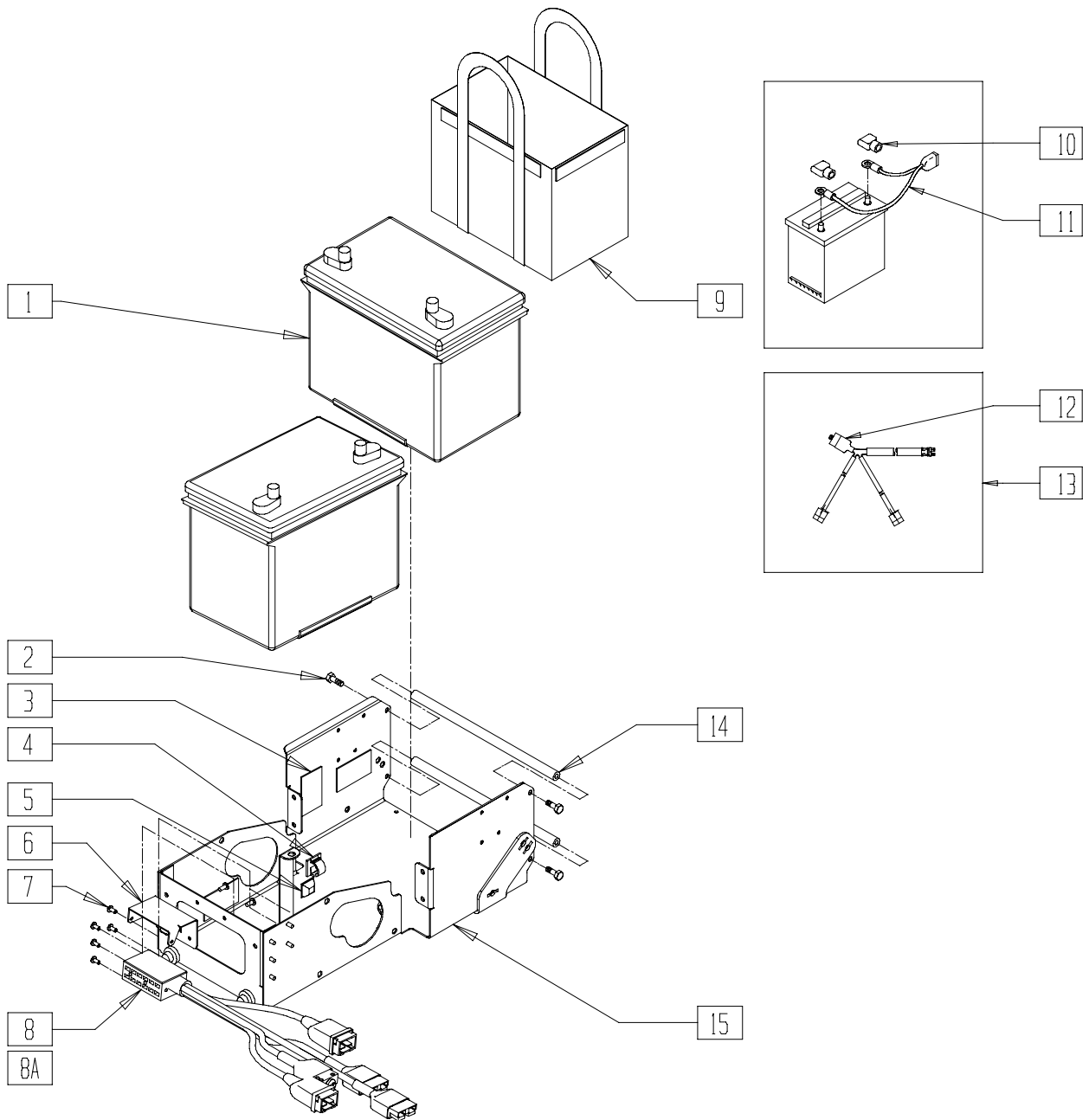


P190X03

ITEM	NUMBER	DESCRIPTION	QTY
1	201110-QU	1/4-28 NYLOCK NUT	2
2	262100-QU	1/4 AN WASHER FLAT	4
3	202102	5/16-18 NYLOCK NUT THIN	2
4	263100	5/16 AN WASHER FLAT	4
5	222256	5/16-18 x 1 1/2 BH C/S	2
6	540360	BATTERY CAGE P190	1
7	521120	CROSS TUBE 16" P190	1
7A	521122	CROSS TUBE 18" P190	1
8	201100-QU	1/4-28 NYLOCK NUT THIN	2
9	561016	1" WASHER 5/16" HOLE	6
10	501764	MOTOR PLATE P190	2
11	226130	1/4-28 x 1 1/2 BH C/S	2

ITEM	NUMBER	DESCRIPTION	QTY
12	222245	5/16-18 x 2 1/2 G8 HEX TAP BLT	2
13	226132	1/4-28 x 1 1/2 FH SOC SCW BLK	2
14	341503	RIVNUT 1/4" x 28 RIBBED	2
15	234960	M8-35 HEX C/S	2
16	262100-QU	1/4 AN WASHER FLAT	4
17	221100	1/4-28 x 3/4 HEX C/S	2
18	750079	BATTERY TIE DOWN STRAP P190	2
19	226129	1/4-28 x 1 1/4 BH C/S	2
20	262110-QU	1/4 AN WASHER FLAT THIN	2
21	201100-QU	1/4-28 NYLOCK NUT THIN	2
1-3,9, 11,12	920722	MOTOR PLATE HDWR KIT P190	

BATTERY SUPPORT ASSEMBLY AND BATTERIES (QUICKIE P-220/P-222 SE)



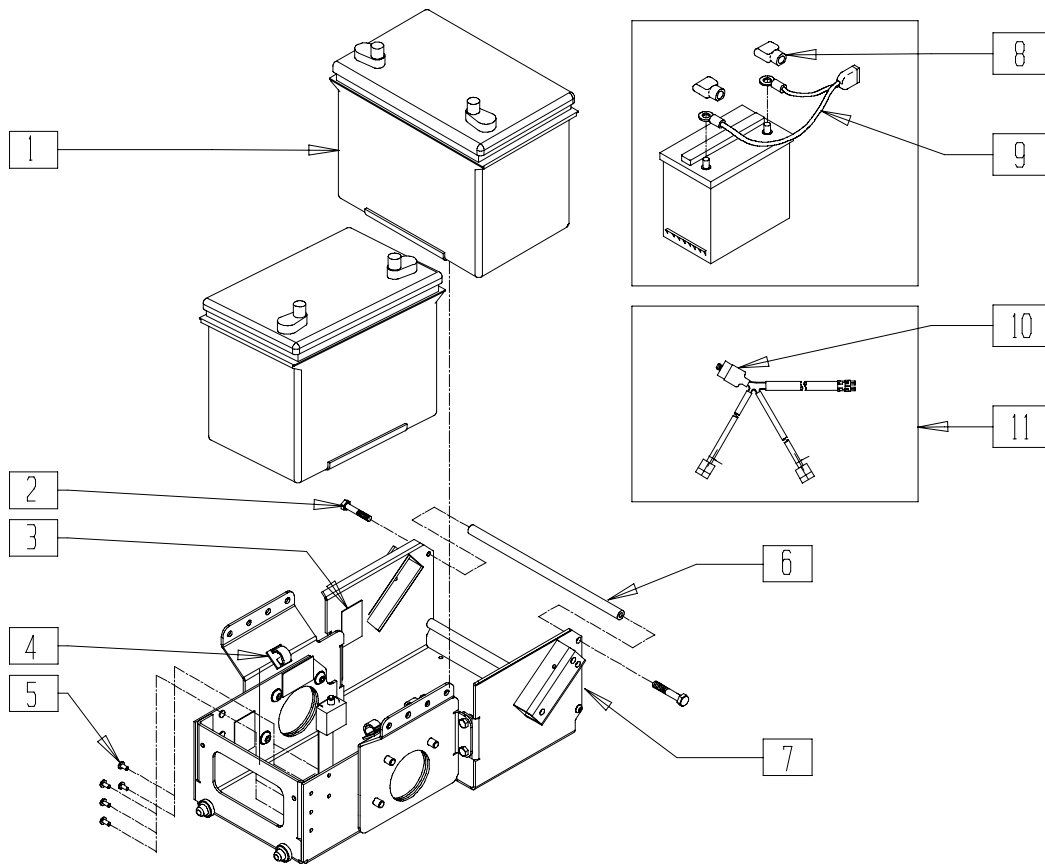
P220X09B

ITEM	NUMBER	DESCRIPTION	QTY
1	BAT24	GP24 EXTENDED RANGE BATTERY	2
	BAT22	GP 22 BATTERY (P-220)	
2	221102	1/4-28 x 3/4 HEX C/S BLK W/PAT	4
3	334000	DAMPING SHEET	6
4	341220	BATTERY CABLE CLIP	3
5	349578	RUBBER SUBBASE BUMPER	4
6	501849	HARNESS MOUNT	1
7	240162	5/32x.29 AL/ST BLIND RIVET BLK (P220)	10
8	139459	HARNESS PWR CONTROLLER VSI (P220)	1

ITEM	NUMBER	DESCRIPTION	QTY
8A	139460	HARNESS PWR CONTROLLER VSI TLT	1
9	750082	BATTERY BAG GROUP 24	2
	750067	BATTERY BAG 22 NF (P-220)	
10	138070	TERMINAL CAP SET (INTL)	2
10,11	139033	BATTERY CNNCT HARNESS G424	2
12	133015	CIRCUIT BREAKER 70 AMP	1
13	139028	PWR HRNS W/70A BRCKR S626	2
14	506168	BATTERY SUPPORT CROSS BAR P222	2
15	540011	BATTERY SUPPORT WELDMNT	1

BATTERY SUPPORT ASSEMBLY AND BATTERIES (QUICKIE P-222)

(Discontinued 8/15/02 - parts only)



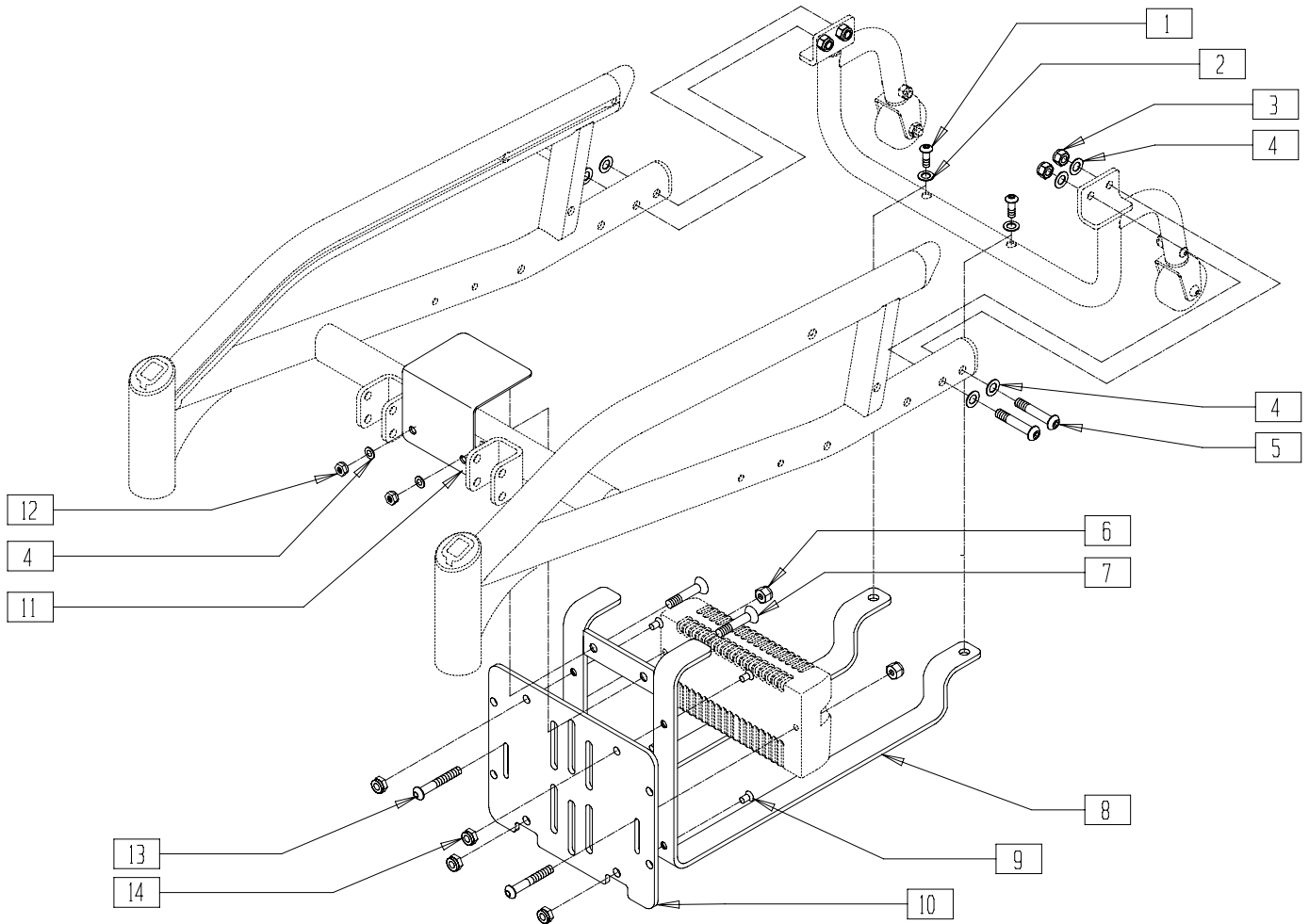
P222X13B

ITEM	NUMBER	DESCRIPTION	QTY
1	BAT24	GP24 EXTENDED RANGE BATTERY	2
2	221102	1/4-28 x 3/4 HEX C/S BLK W/PAT	4
3	334000	DAMPING SHEET	6
4	341220	BATTERY CABLE CLIP	3
5	240111	RIVET POP AD55H BLK	8
6	506168	BATTERY SUPPORT CROSS BAR P222	2

ITEM	NUMBER	DESCRIPTION	QTY
7	540002	BATTERY SUPPORT WLDMNT P222	1
8	138070	TERMINAL CAP SET (INTL)	2
8,9	139033	BATTERY CNNCT HARNESS G424	
10	133015	CIRCUIT BREAKER 70 AMP	1
11	139028	PWR HRNS W/70A BRCKR S626	1

BATTERY SUPPORT ASSEMBLY (QUICKIE S-525)

(Discontinued 1/5/01 - parts only)



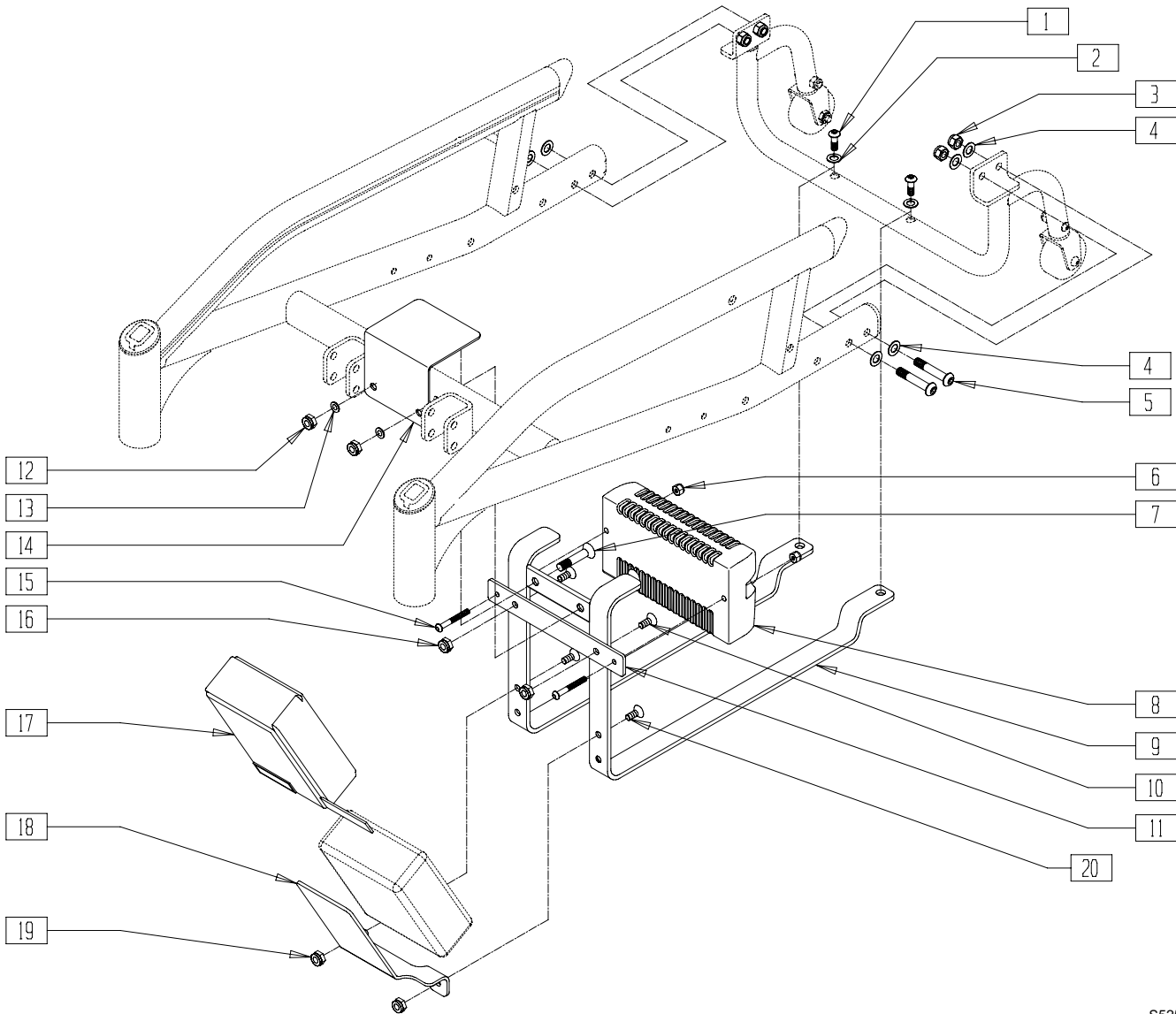
S5250X4A

ITEM	NUMBER	DESCRIPTION	QTY
1	221091	1/4-28 x 1/2 BH C/S BLK W/PTCH	2
2	262100-QU	1/4 AN WASHER FLAT	2
3	202117	5/16-18 NYLOCK NUT THICK BLK	4
4	263110-QU	5/16 AN WASHER FLAT THIN	10
5	226218	5/16-18 x 1 3/4" BH C/S BLK	4
6	200100-QU	10-32 NYLOCK NUT	2
7	226193	5/16-18 x 1 5/8 FH C/S BLK	2
8	540341	BATTERY CAGE WELDMENT (NEW) S525	1

ITEM	NUMBER	DESCRIPTION	QTY
9	227104	1/4-28 x 5/8 FH C/S BLK ZN	4
10	540310	CONTROL/CHARGER PLT MOUNT S525	1
11	880066	BATTERY BOX LID BRACKET W/VELCRO® S525	1
12	202116	5/16-18 NYLOCK NUT THIN BLK	2
13	226034	10-32 x 1 3/4 BH C/S BLK	2
14	204110	1/4-28 NYLOCK NUT BLK ZN	4

BATTERY SUPPORT ASSEMBLY (QUICKIE S-525)

(Effective 1/5/01)



S5250X42

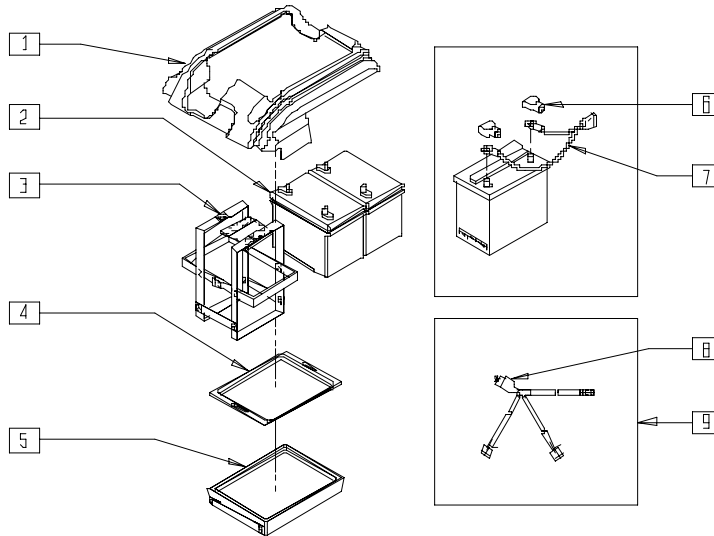
ITEM	NUMBER	DESCRIPTION	QTY
1	221091	1/4-28 x 1/2 BH C/S BLK W/PTCH	2
2	262100-QU	1/4 AN WASHER FLAT	2
3	202117	5/16-18 NYLOCK NUT THICK BLK	4
4	263110-QU	5/16 AN WASHER FLAT THIN	8
5	226218	5/16-18 x 1 3/4" BH C/S BLK	4
6	200100-QU	10-32 NYLOCK NUT	2
7	226193	5/16-18 x 1 5/8" FH C/S BLK	2
8	910050	REMOTE QTRONIX 50A RR WHL DR	1
	910051	REMOTE QTRONIX 80A RR WHL DR	
9	540341	BTTRY CAGE WLDMNT (NEW) S525	1
10	227104	1/4-28 x 5/8 FH C/S BLK ZN	2

ITEM	NUMBER	DESCRIPTION	QTY
11	481244	STRAP CONTROLLER MOUNTING	1
12	202116	5/16-18 NYLOCK NUT THIN BLK	2
13	263110-QU	5/16 AN WASHER FLAT THIN	2
14	880066	BATT BOX LID BRKT W/VELCRO S525	1
15	226034	10-32 x 1 3/4 BH C/S BLK	2
16	202300	1/4-28 NYLOCK NUT THIN BLK ZN	2
17	750155	WATER PROOF COVER ALM	1
18	506295	ALM BRACKET S525	1
19	202300	1/4-28 NYLOCK NUT THIN BLK ZN	2
20	227104	1/4-28 x 5/8 FH C/S BLK ZN	2
17-20	882500	ALM COVER ASSM S525	

NOTE: ITEMS 17-20 ARE USED WITH THE TILT OPTION ONLY.

BATTERIES AND BATTERY SUPPORT (QUICKIE S-626/S-646/S-646SE)

(Quickie S-626 transitioned into the Quickie S-646 beginning 7/26/02)

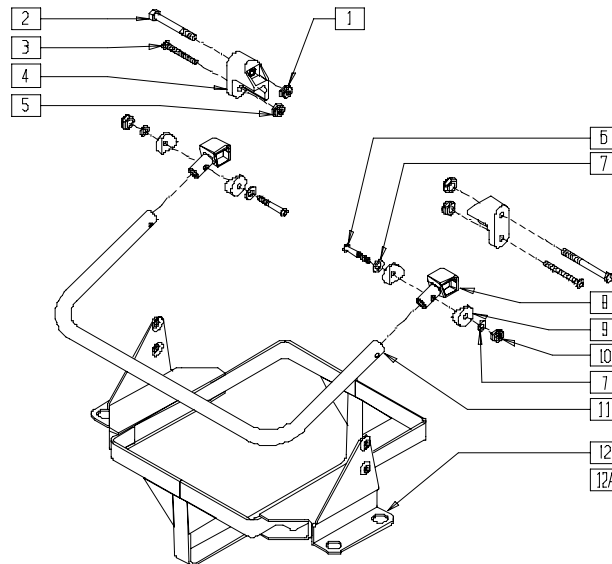


S6260X20

ITEM	NUMBER	DESCRIPTION	QTY
1	882007	TOP BATTERY COVER ASSEMBLY S626	1
2	BAT22	GP 22 BATTERY	2
	BAT24	GP24 EXTENDED RANGE BATTERY	2
3	740141	BATTERY STRAP GROUP 24	1
	740140	BATTERY STRAP GRP 22	1
4	562530	BATTERY ADAPTER G-424	1

ITEM	NUMBER	DESCRIPTION	QTY
5	562669	BATTERY TRAY S626	1
	562719	BATTERY TRAY GROUP 22 S626	1
6	138070	TERMINAL CAP SET (INTL)	2
7	139033	BATTERY CNNCT HARNESS G424	1
8	133015	CIRCUIT BREAKER 70 AMP	1
9	139028	PWR HRNS W/70A BRCKR S626	1

BATTERY SUPPORT ASSEMBLY (QUICKIE V-121[P120])



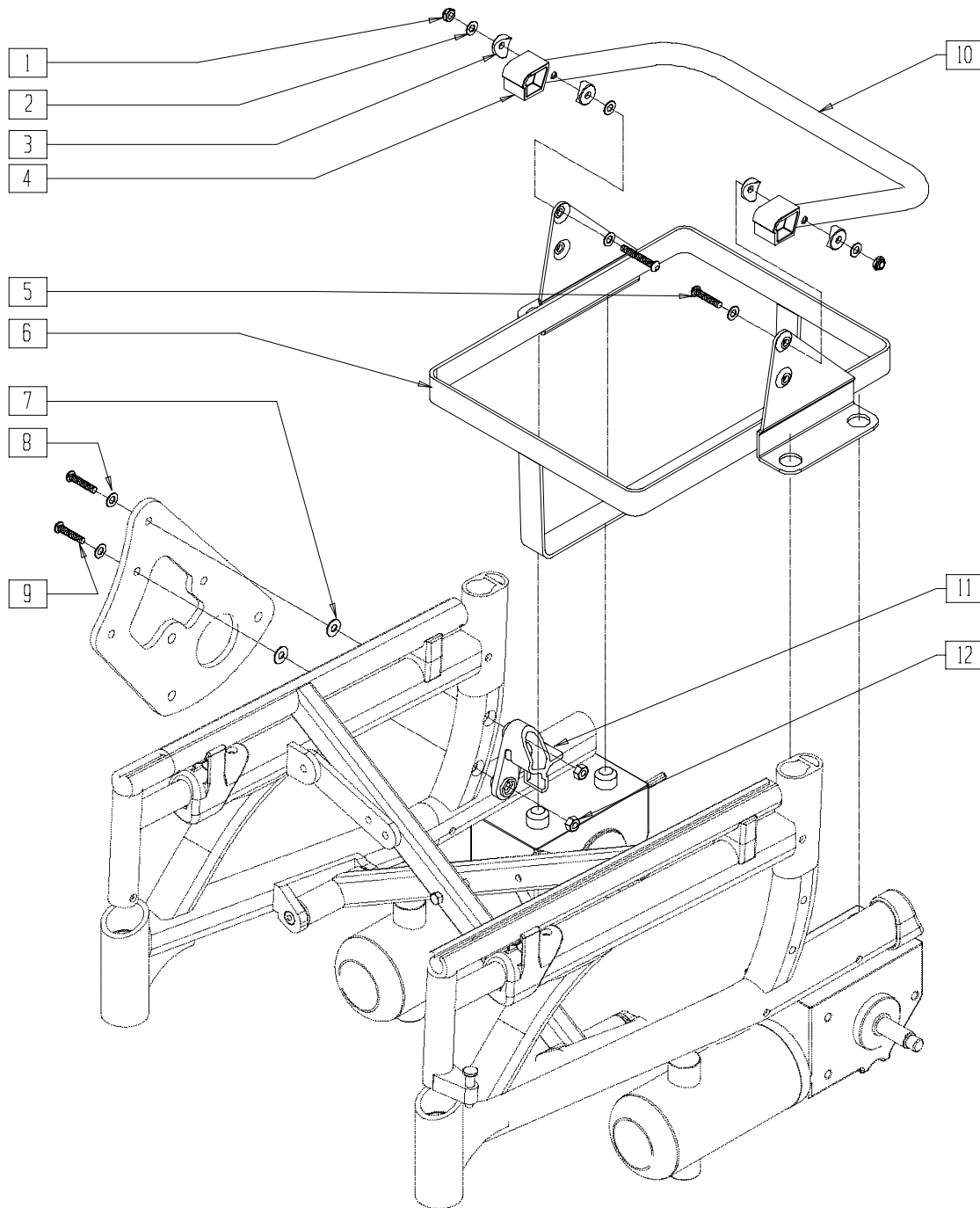
Drawing shows 20" Battery Cage. 14"-18" Cages are slightly different.

V121X03

ITEM	NUMBER	DESCRIPTION	QTY
1	201110-QU	1/4-28 NYLOCK NUT	2
2	221192	1/4-28 x 2 G8 HEX C/S	2
3	226190	5/16-18 x 1 3/4 BH C/S SHLDR	2
4	560717, 560718	BTRY LCK RECEIVER P120 (EA)	1
5	202102	5/16-18 NYLOCK NUT THIN	2
6	226130	1/4-28 x 1 1/2 BH C/S	2
7	262110-QU	1/4 AN WASHER FLAT THIN	4
8	560719	BATTERY LOCK PC P120	2
9	561003	3/4" SADDLE THIN	4
10	201100-QU	1/4-28 NYLOCK NUT THIN	2

ITEM	NUMBER	DESCRIPTION	QTY
11	525029-	BATTERY HANDLE (14" - 20" WIDE) P120	1
	525032		
12	540555- 540730	WLDMNT BTRY CAGE P120 (14" - 20" WIDE)	1
12A	540735- 540737	BTRY CAGE WLDMT (16" - 20" LONG) P120 (20" SEAT HEIGHT)	1
6-12	881910- 881915	BATTERY CAGE ASSM V121	
6-11,12A	881912- 881916	BATTERY CAGE ASSM TALL V121	

BATTERY SUPPORT ASSEMBLY (QUICKIE V-521)



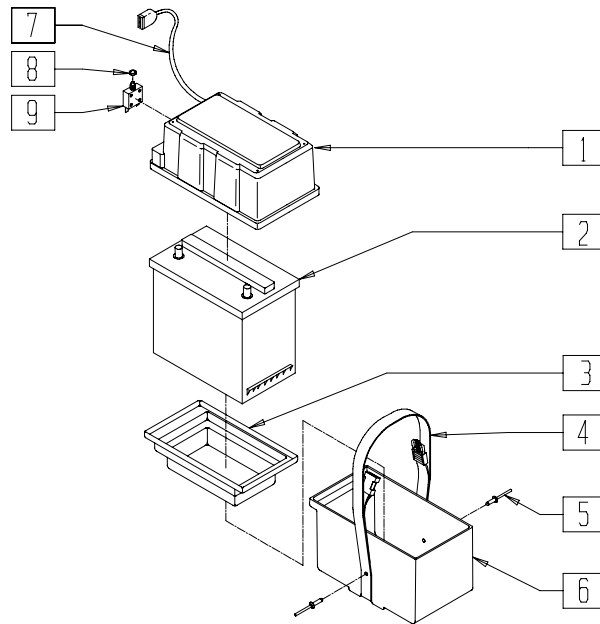
V5210X02

ITEM	NUMBER	DESCRIPTION	QTY
1	201100-QU	1/4-28 NYLOCK NUT THIN	2
2	262110-QU	1/4 AN WASHER FLAT THIN	4
3	561003	3/4" SADDLE THIN	4
4	560719	BATTERY LOCK PC P120	2
5	226130	1/4-28 x 1 1/2 BH C/S	2
6	540555-540557	WELDMNT BTRY CAGE P120 14"-18"	1
	540730	BTRY CAGE WLDMNT 20" P120	
7	561026	3/4" WASHER 1/4" HOLE	2
8	262110-QU	1/4 AN WASHER FLAT THIN	4
9	226150	1/4-28 x 2 BH C/S	4

ITEM	NUMBER	DESCRIPTION	QTY
10	525029	BATTERY HANDLE 14" P120	1
	525030	BATTERY HANDLE 16" P120	
	525031	BATTERY HANDLE 18" P120	
	525032	BATTERY HANDLE 20" P120	
11	560280, 560281	BTRY LOCK RECEIVER P110	1
1-6,10	202300	1/4-28 NYLOCK NUT THIN BLK ZN	4
	881226-	BATTERY CAGE ASSEMBLY	
	881229	TALL 14"-20" (20" SEAT HEIGHT)	
	881910-881915	BATTERY CAGE ASSEMBLY 14"-20"	

BATTERY/BATTERY BOX ASSEMBLY (QUICKIE P110/P190/V100[P100], ZIPPIE P500)

(P500 discontinued 5/5/99) (V100[P100] discontinued 12/02)



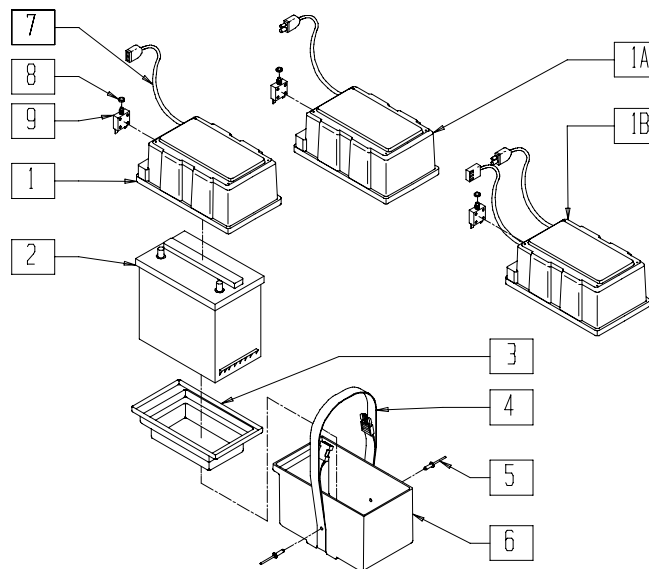
P100X28

ITEM	NUMBER	DESCRIPTION	QTY
1,7,8	920267	BATTERY BOX LID W/LOOM P1/P5	
2	136511	BATTERY GEL CEL U128 31 AMP	1
	BAT22	GP 22 BATTERY	1
3	562714	BATTERY INSERT U1 P1/P5/P120	1
4	750071	BATTERY BOX STRAP P1/P5	1
5	240104	RIVET POP SD44BSLF BLK	2

ITEM	NUMBER	DESCRIPTION	QTY
7	139200	CABLE 2 POLE P1/P5	1
8	210071	NUT KNURLED FOR 133010	1
9	133020	CIRCUIT BREAKER 50 AMP	1
4-6	880481	BATTERY BOX BOTTOM W/STRAP P1/P5	
1,3-9	920278	BATTERY BOX ASSM P1/P190/P5	

BATTERY/BATTERY BOX ASSEMBLY (QUICKIE V-100)

(Effective 12/02) (with VSI controller)



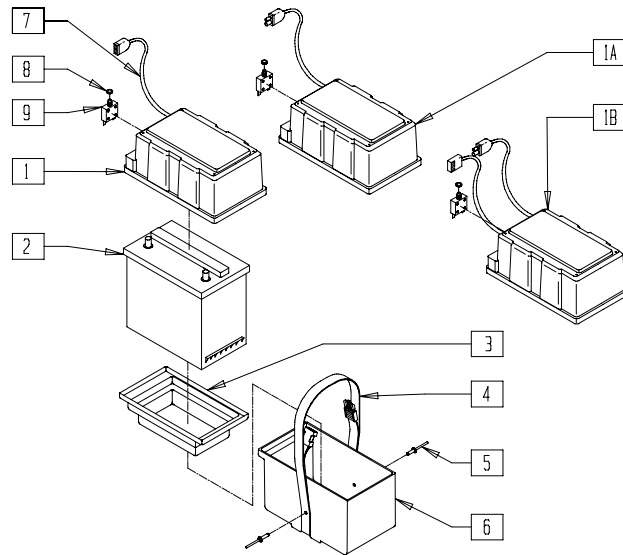
PBTYX02A

ITEM	NUMBER	DESCRIPTION	QTY
1,7,8	920267	BATTERY BOX LID W/LOOM P1/P5	
2	136511	BATTERY GEL CEL U128 31 A	1
	BAT22	GP 22 BATTERY	1
3	562714	BATTERY INSERT U1 P1/P5	1
4	750071	BATTERY BOX STRAP P1/P5	1
5	240104	RIVET POP SD44BSLF BLK	2
7	139200	CABLE 2 POLE P1/P5	1

ITEM	NUMBER	DESCRIPTION	QTY
8	210071	NUT KNURLED FOR 133010	1
9	133020	CIRCUIT BREAKER 50 AMP	1
4-6	880481	BATTERY BOX BOTTOM W/STRAP P1/P5	
1A,7,8	920466	BATTERY BOX LID W/LOOM REAR/P5-QX	
1B,7,8	920513	BATTERY BOX LID W/LOOM FRONT	
1B,3-9	920512	BATTERY BOX ASSM V-100	
1A,3-9	920468	BATTERY BOX ASSM REAR/P5-QX	

BATTERY/BATTERY BOX ASSEMBLY (QUICKIE Z500[ZIPPIE P500])

(Effective 5/5/99) (with Qtronix controller)



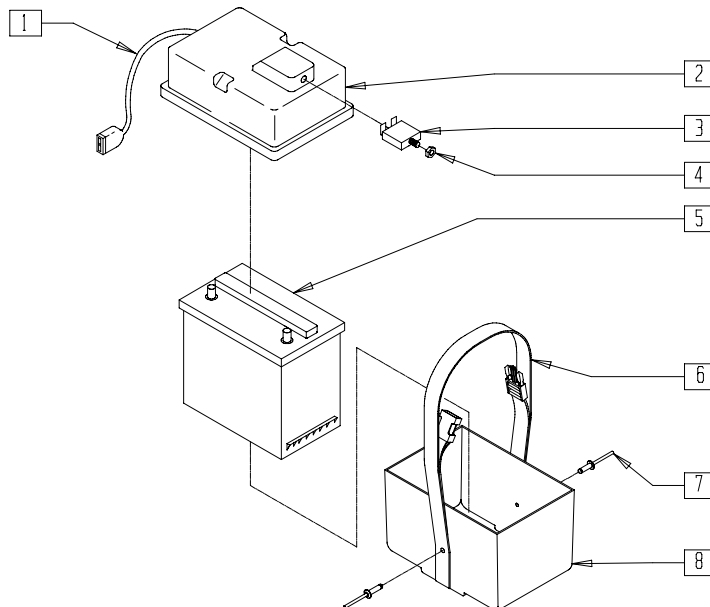
P500X54

ITEM	NUMBER	DESCRIPTION	QTY
1,7,8	920267	BATTERY BOX LID W/LOOM P1/P5	
2	136511	BATTERY GEL CEL U128 31 AMP	1
	BAT22	GP 22 BATTERY	1
3	562714	BATTERY INSERT U1 P1/P5/P120	1
4	750071	BATTERY BOX STRAP P1/P5	1
5	240104	RIVET POP SD44BSLF BLK	2
7	139200	CABLE 2 POLE P1/P5	1

ITEM	NUMBER	DESCRIPTION	QTY
8	210071	NUT KNURLED FOR 133010	1
9	133020	CIRCUIT BREAKER 50 AMP	1
4-6	880481	BATTERY BOX BOTTOM W/STRAP P1/P5	
1A,7,8	920466	BATTERY BOX LID W/LOOM REAR/P5-QX	
1B,7,8	920465	BATTERY BOX LID W/LOOM FRNT/P5-QX	
1B,3-9	920467	BATTERY BOX ASSM FRONT/P5-QX	
1A,3-9	920468	BATTERY BOX ASSM REAR/P5-QX	

BATTERY/BATTERY BOX ASSEMBLY (QUICKIE P110 PEDIATRIC)

(Discontinued 6/30/00 - parts only)

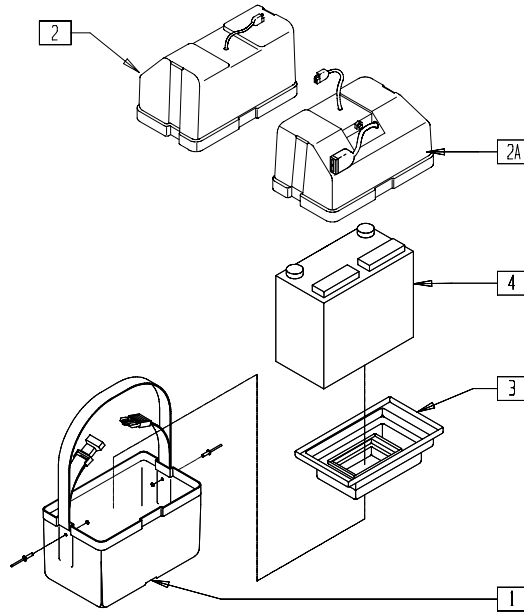


P100X44

ITEM	NUMBER	DESCRIPTION	QTY
1	139200	CABLE 2 POLE P1/P5	1
3	133020	CIRCUIT BREAKER 50 AMP	1
4	210071	NUT KNURLED FOR 133010	1
1-4	920266	BATTERY BOX LID U1 W/LOOM	
5	136511	BATTERY GEL CEL U128 31 AMP	1

ITEM	NUMBER	DESCRIPTION	QTY
6	750069	BATTERY BOX STRAP P110-U1	1
7	240104	RIVET POP SD44BSLF BLK	2
6-8	880484	BATTERY BOX BTTM W/STRAP U1	
1-4,6-8	920279	BATTERY BOX ASSM U1	

BATTERY/BATTERY BOX ASSEMBLY (SINGLE BATTERY) (QUICKIE V-121[P120]/V-521)

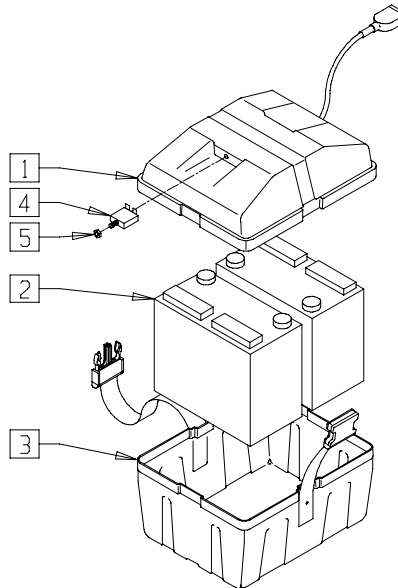


P900X23A

ITEM	NUMBER	DESCRIPTION	QTY
1	887711	BTRY BX BTM W/STRP (GP22) P120	1
2	887713	BTRY BOX LID REAR GRP22 P120	1
2A	887712	BTRY BOX LID FRNT GRP22 P120	1
3	562714	BATTERY INSERT U1 P1/P5/P120	1

ITEM	NUMBER	DESCRIPTION	QTY
4	136511	BATTERY GEL CEL U128 31 AMP	1
	BAT22	GP 22 BATTERY	1
1-3	920542	BTRY BOX ASSM REAR GRP22 P120	
1,2A,3	920540	BTRY BOX ASSM FRNT (GRP22) P120	

BATTERY/BATTERY BOX ASSEMBLY (DUAL BATTERY) (QUICKIE V-121[P120]/V-521)

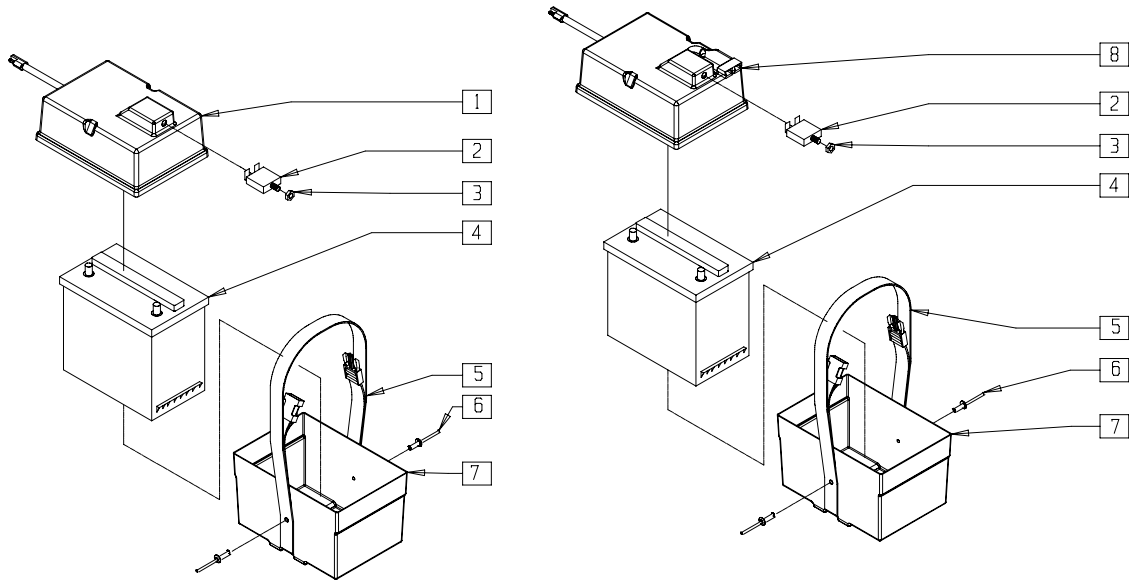


P900X04A

ITEM	NUMBER	DESCRIPTION	QTY
1,4,5	887714	BTRY BOX LID ASSM (U1) P120	1
2	136511	BATTERY GEL CEL U128 31 AMP	2
3	887710	BTRY BX BTM W/STRP (U1) P120	1

ITEM	NUMBER	DESCRIPTION	QTY
4	133020	CIRCUIT BREAKER 50 AMP	1
5	210071	NUT KNURLED FOR 133010	1
1-5	920541	BATTERY BOX ASSM (U1) P120	

BATTERY/BATTERY BOX ASSEMBLY (14" WIDE ONLY) (QUICKIE V-121[P120]/V-521)

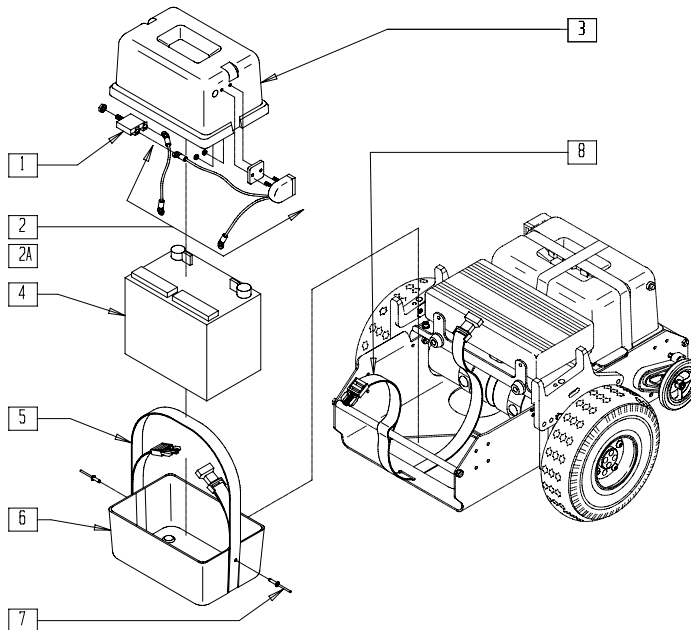


V121X11

ITEM	NUMBER	DESCRIPTION	QTY
2	133020	CIRCUIT BREAKER 50 AMP	1
3	210071	NUT KNURLED FOR 133010	1
4	136511	BATTERY GEL CEL U128 31 AMP	1
5	750069	BATTERY BOX STRAP P110-U1	1
6	240104	RIVET POP SD44BSLF BLK	2

ITEM	NUMBER	DESCRIPTION	QTY
7	562699	BATTERY BOX BOTTOM U1	1
1-3	887716	BTRY BOX LID U1 W/LOOM REAR	
2,3,8	887715	BTRY BOX LID U1 W/LOOM FRONT	
1-3,5-7	920559	BTRY BOX ASSM U1 REAR	
2,3,5-8	920558	BTRY BOX ASSM U1 FRONT	

BATTERY/BATTERY BOX ASSEMBLY (QUICKIE P200/P210/P320) (Quickie P210 discontinued 11/1/02 - parts only)



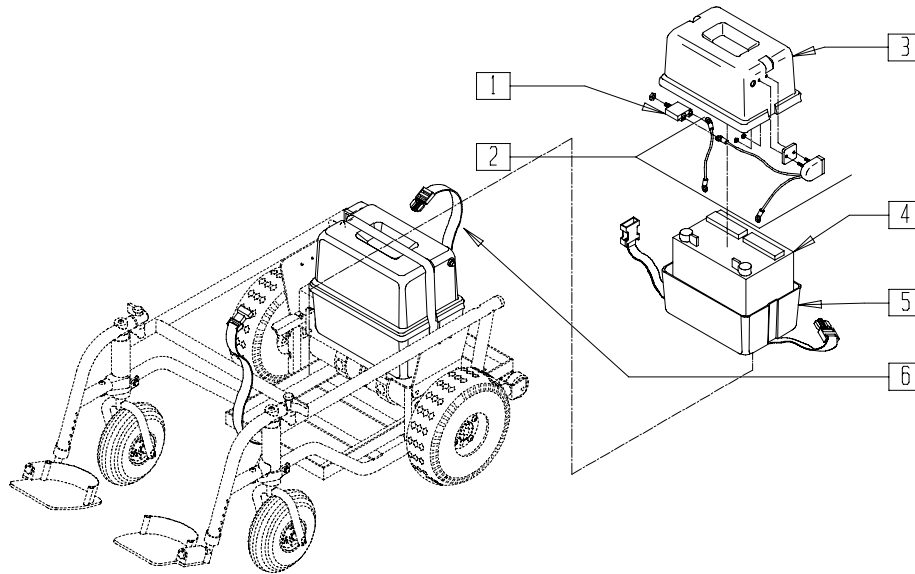
P200X31A

ITEM	NUMBER	DESCRIPTION	QTY
1	133015	CIRCUIT BREAKER 70 AMP	1
2	750075	BTRY BOX WIRING HARNESS P2/P3	1
2A	750081	BATTERY HARNESS P2-QX	1
3	562716	BATTERY BOX GROUP 24 P2/P3	1
4	BAT24	GP24 EXTENDED RANGE BATTERY	1
5	750070	BATTERY BOX STRAP P300	1

ITEM	NUMBER	DESCRIPTION	QTY
7	240104	RIVET POP SD44BSLF BLK	2
8	750077	BATTERY STRAP P2	1
5,6,7	880480	BTRY BOX BOTTOM W/STRAP P2/P3	
1-3	920281	BATTERY BOX LID ASSM P2/P3	
1-3,5-7	920280	BATTERY BOX ASSM P2/P3	

BATTERY/BATTERY BOX (10" DRIVE WHEEL) (QUICKIE P300)

(Discontinued 6/30/00 - parts only)



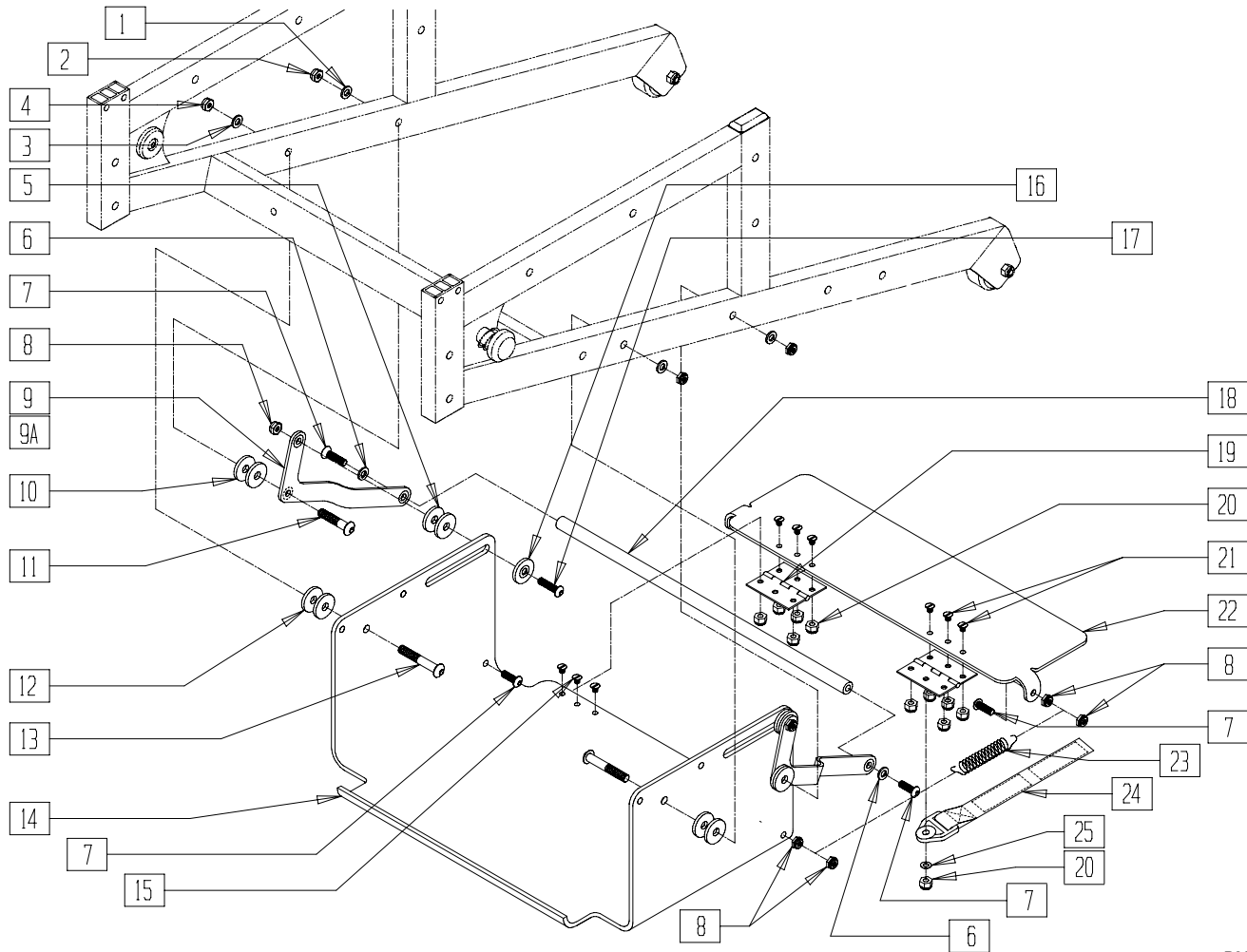
P300X39

ITEM	NUMBER	DESCRIPTION	QTY
1	133015	CIRCUIT BREAKER 70 AMP	1
2	750075	BATTERY BOX WIRING HARNESS P2/P3	1
3	562716	BATTERY BOX GROUP 24 P2/P3	1
4	BAT24	GP24 EXTENDED RANGE BATTERY	1

ITEM	NUMBER	DESCRIPTION	QTY
5	880480	BTRY BOX BOTTOM W/STRAP P2/P3	1
6	750078	BATTERY STRAP P3-10"	1
1-3,5	920280	BATTERY BOX ASSM P2/P3	
1-3	920281	BATTERY BOX LID ASSM P2/P3	

BATTERY TRAY (18" FRAME) (QUICKIE P300)

(Discontinued 6/30/00 - parts only) (Fits P300 beginning serial number P3-10500)



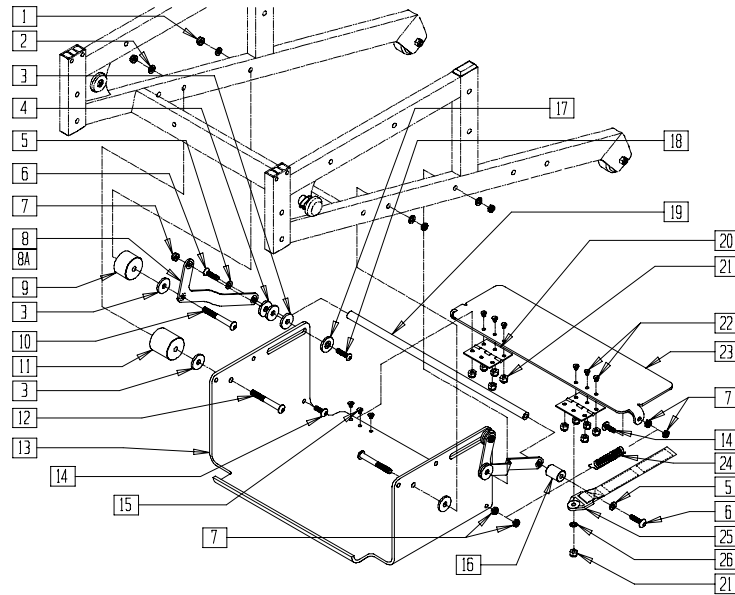
P300AX3B

ITEM	NUMBER	DESCRIPTION	QTY
1	263110-QU	5/16 AN WASHER FLAT THIN	2
2	202102	5/16-18 NYLOCK NUT THIN	2
3	263100	5/16 AN WASHER FLAT	2
4	202103	5/16-18 NYLOCK NUT THICK	2
5	561043	1" WASHER 3/8" HOLE	4
6	262100-QU	1/4 AN WASHER FLAT	2
7	226100	1/4-28 x 3/4 BH C/S	6
8	201100-QU	1/4-28 NYLOCK NUT THIN	10
9	505214	BATTERY TRAY ARM L P3	1
9A	505224	BATTERY TRAY ARM R P3	1
10	561016	1" WASHER 5/16" HOLE	4
11	222256	5/16-18 x 1 1/2 BH C/S	2
12	561184	SPACER 3/8 x .3	4

ITEM	NUMBER	DESCRIPTION	QTY
13	226196	5/16-18 x 2 BH C/S ZN	2
14	505229	BATTERY TRAY P3 RECT	1
15	226020-QU	10-32 x 5/8 BH C/S BLK	2
16	481046	SIDE GUARD BUSHING	2
17	226100	1/4-28 x 3/4 BH C/S	2
18	505385	BATTERY LIFT BAR P3	1
19	505456	HINGE PLAIN 2 1/2"	2
20	200101-QU	10-32 NYLOCK NUT THIN	12
21	226023	10-32 x 7/16 BH C/S BLK	10
22	505227	TAILGATE P3 RECT	1
23	321103	SPRING .38 OD x 2 1/2" LONG	2
24	750106	BATTERY SAFETY STRAP P3	2
25	262110-QU	1/4 AN WASHER FLAT THIN	2

BATTERY TRAY (20" FRAME) (QUICKIE P300)

(Discontinued 6/30/00 - parts only) (Fits P300 beginning serial number P3-10500)



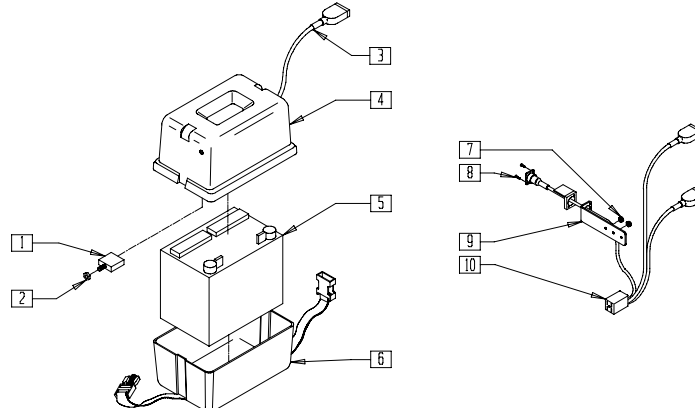
P300AX3C

ITEM	NUMBER	DESCRIPTION	QTY
1	202103	5/16-18 NYLOCK NUT THICK	4
2	263100	5/16 AN WASHER FLAT	4
3	561043	1" WASHER 3/8" HOLE	6
4	561016	1" WASHER 5/16" HOLE	4
5	262100-QU	1/4 AN WASHER FLAT	2
6	226140	1/4-28 x 1 3/4 BH C/S	2
7	201100-QU	1/4-28 NYLOCK NUT THIN	10
8	505214	BATTERY TRAY ARM L P3	1
8A	505224	BATTERY TRAY ARM R P3	1
9	550235	FRAME SPACER 1 " P3	2
10	222242	5/16-18 x 2 1/2 HEX C/S	2
11	550236	FRAME SPACER 1 1/2" P3	2
12	222192	5/16-18 x 3 HEX C/S	2
13	505229	BATTERY TRAY P3 RECT	1

ITEM	NUMBER	DESCRIPTION	QTY
14	226100	1/4-28 x 3/4 BH C/S	4
15	226020-QU	10-32 x 5/8 BH C/S BLK	2
16	330032	SUSPENSION SPACER 1" P3	2
17	481046	SIDEGUARD BUSHING	2
18	226110	1/4-28 x 1 BH C/S	2
19	505385	BATTERY LIFT BAR P3	1
20	505456	HINGE PLAIN 2 1/2"	2
21	200101-QU	10-32 NYLOCK NUT THIN	12
22	226023	10-32 x 7/16 BH C/S BLK	10
23	505227	TAILGATE P3 RECT	1
24	321103	SPRING .38 OD x 2 1/2 LONG	2
25	750106	BATTERY SAFETY STRAP P3	2
26	262110-QU	1/4 AN WASHER FLAT THIN	2

BATTERY/BATTERY BOX ASSEMBLY (QUICKIE P300)

(Discontinued 6/30/00 - parts only) (Fits P300 beginning serial number P3-10500)

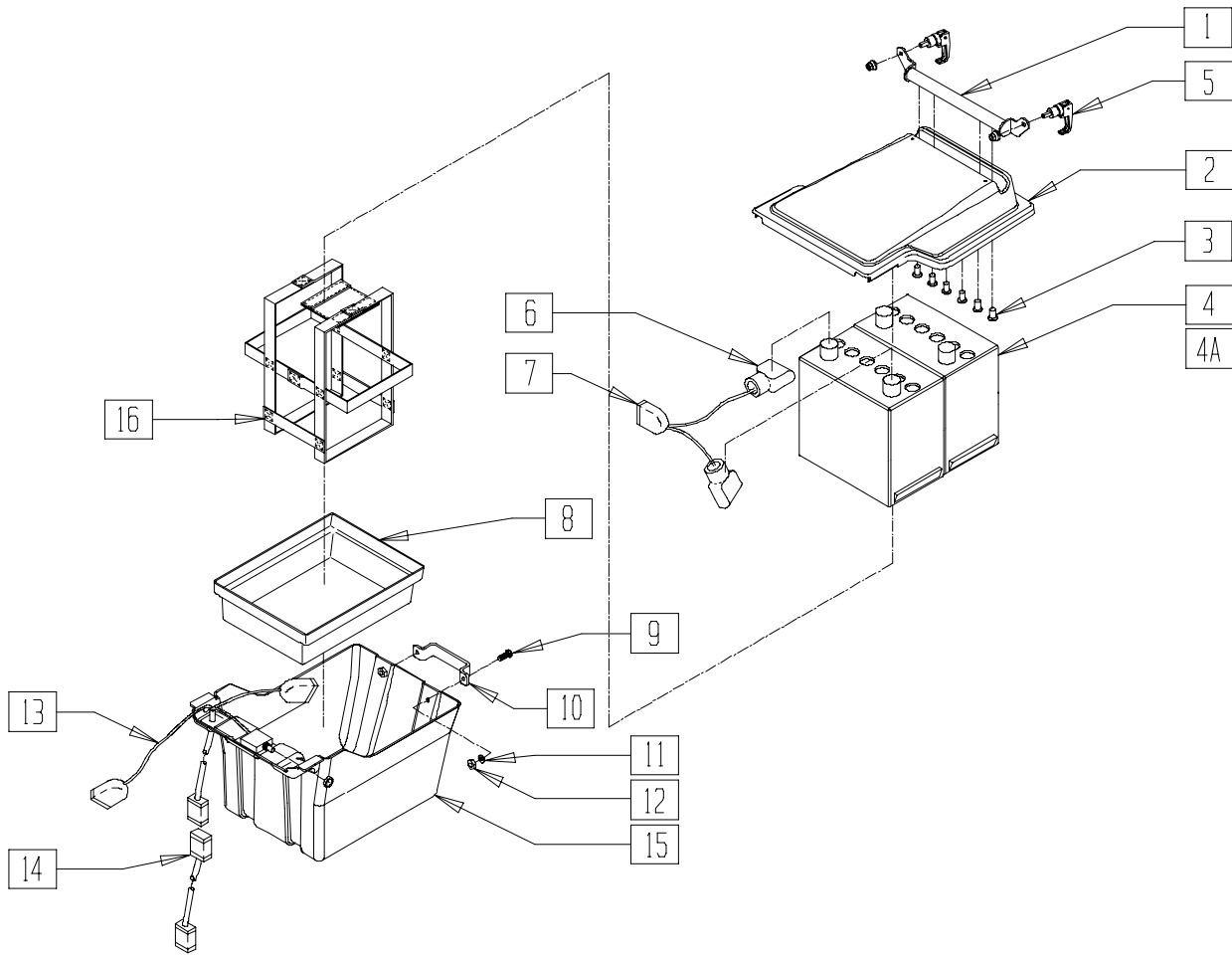


P300AX05A

ITEM	NUMBER	DESCRIPTION	QTY
1	133010	CIRCUIT BREAKER 60 AMP RESET	1
2	210071	NUT KNURLED FOR 133010	1
3	139016	BATTERY BOX HARNESS P3 NEW	1
4	562716	BATTERY BOX GROUP 24 P2/P3	1
5	BAT24	GP24 EXTENDED RANGE BATTERY	1
6	880480	BATTERY BOX BOTTOM W/STRAP P2/P3	1

ITEM	NUMBER	DESCRIPTION	QTY
7	200101-QU	10-32 NYLOCK NUT THIN	2
8	230450	4-40 x 1/2 PAN HD PHIL ZN	2
9	505226	CHARGER MNTING PLT P3 RECT	1
10	139017	BATTERY CHARGING HARNESS P3 NEW	1
1-4,6	920288	BATTERY BOX ASSM P3 NEW	1

BATTERY/BATTERY BOX ASSEMBLY (QUICKIE S-525)



S525X22B

ITEM	NUMBER	DESCRIPTION	QTY
4	BAT22	GP 22 BATTERY	2
4A	136511	BATTERY GEL CEL U128 31 AMP	2
5	340015	SWELL LATCH S525	2
6	138070	TERMINAL CAP SET (INTL)	2
6,7	139033	BATTERY CNNCT HARNESS G424	2
8	562668	BATTERY BOX U1 INSERT S525	1
9	226247	1/4-28 x 5/8 BH C/S BLACK G5	2
10	501013	BATTERY BOX HANDLE S525	1
11	262100-QU	1/4 AN WASHER FLAT	2
12	202300	1/4-28 NYLOCK NUT THIN BLK ZN	2
13	139032	POWER HARNESS W/70 AMP BRCKR S525	1

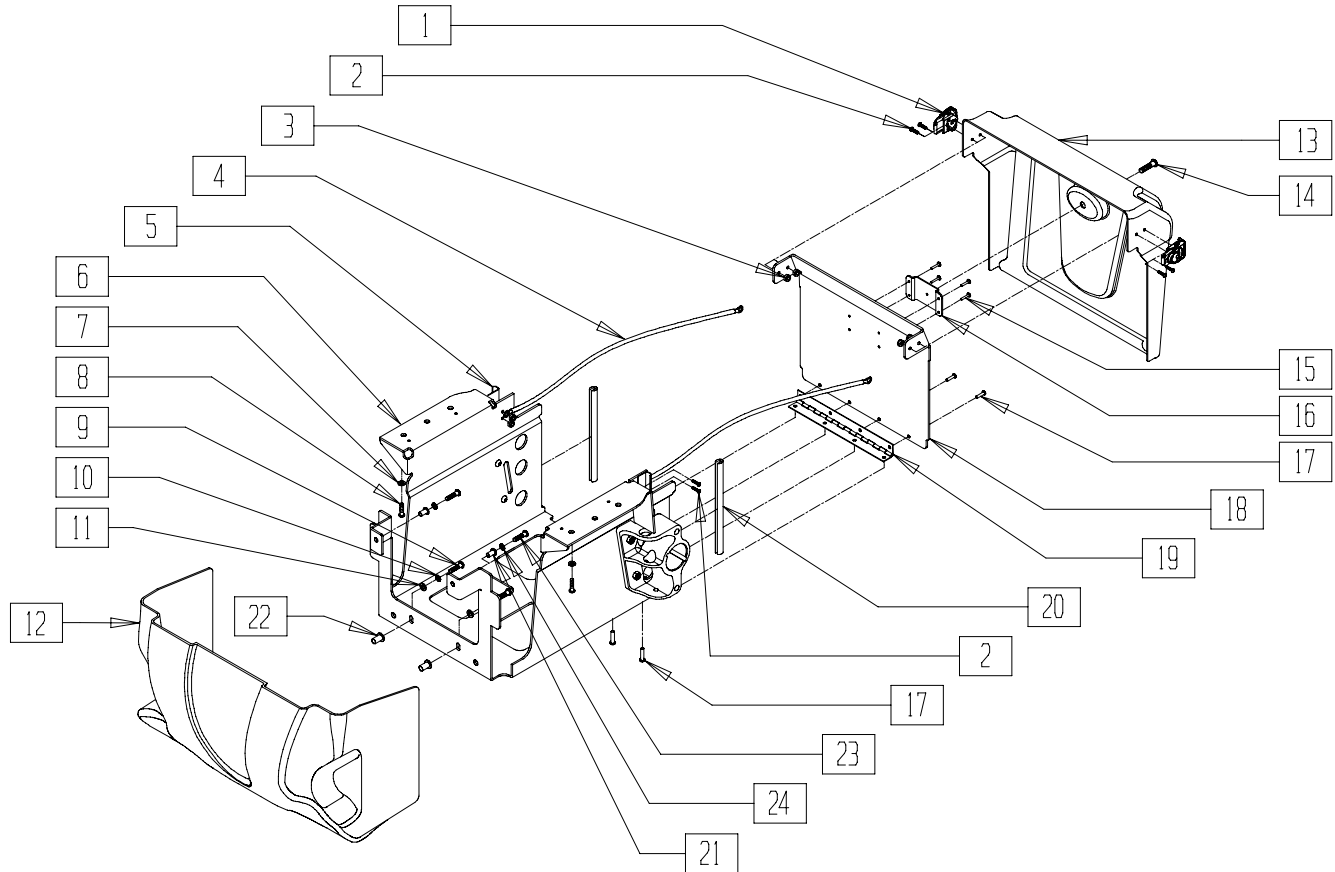
ITEM	NUMBER	DESCRIPTION	QTY
14	139027	POWER HARNESS CONNECTOR S525	1
15	562667	BATTERY BOX BOTTOM S525	1
16	740140	BATTERY STRAP GRP 22	1
1-3,5	882126	BATTERY BOX LID ASSM 16" S525	
	882128	BATTERY BOX LID ASSM 18" S525	
	882130	BATTERY BOX LID ASSM 20" S525	
1-3,	920616	BATTERY BOX ASSM 16" S525	
6,7,	920618	BATTERY BOX ASSM 18" S525	
9-16	920620	BATTERY BOX ASSM 20" S525	
9-15	882136	BATTERY BOX BOTTOM ASSM S525	

NOTE: ITEM 8 (P/N 562668) IS USED WITH ITEM 4A (P/N 136511).

NOTE: FOR ANTI-TIP RETRO KIT (INCLUDING 882136, BATTERY BOX BOTTOM ASSEMBLY), SEE PAGE 2.5.

BATTERY BOX ASSEMBLY (QUICKIE S-626)

(Quickie S-626 transitioned into the Quickie S-646 beginning 7/26/02)



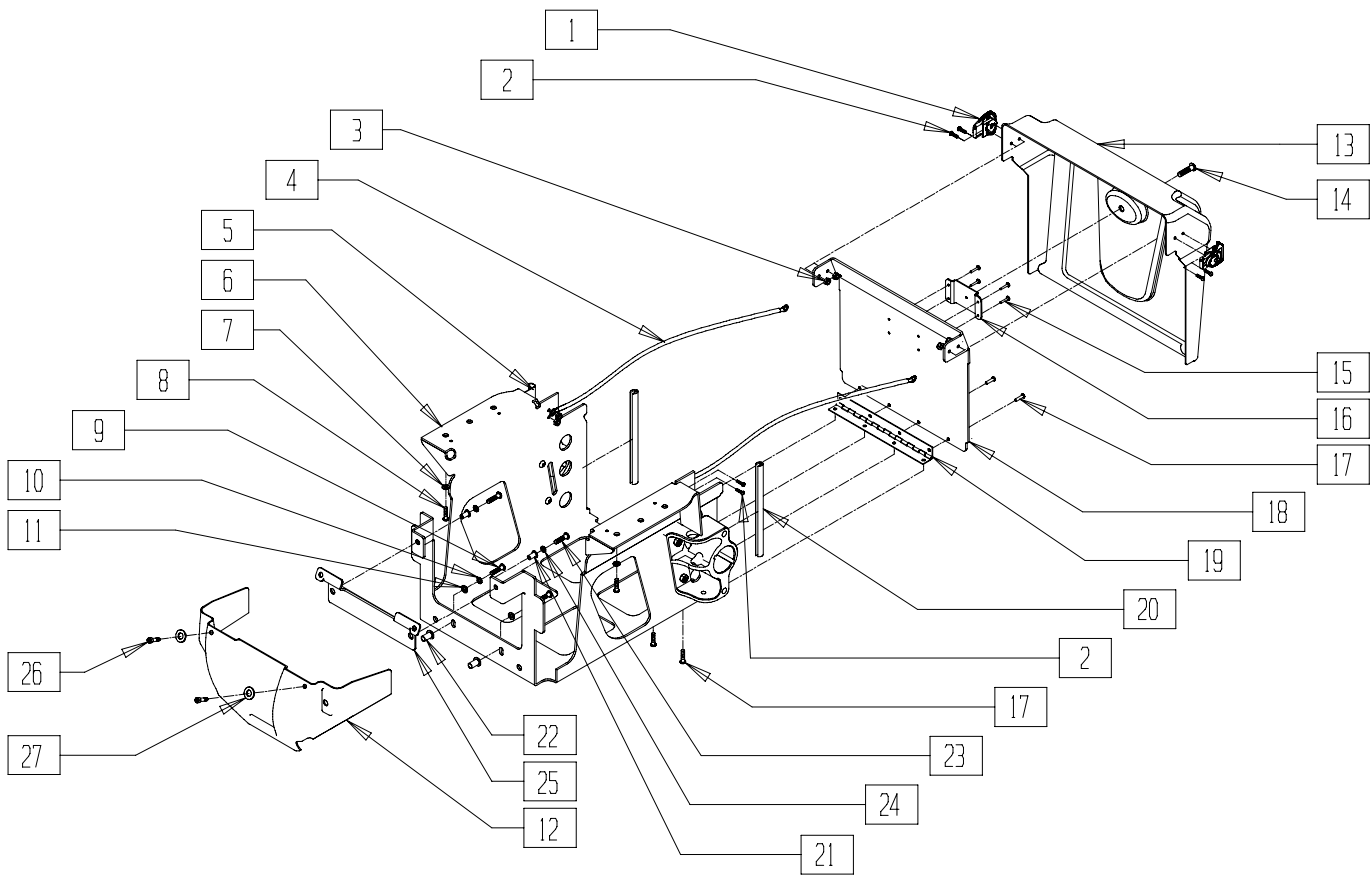
S626X20c

ITEM	NUMBER	DESCRIPTION	QTY
1	481452	ROTARY ACTION LATCH S626	2
2	226309	8-32 x 5/8 BH C/S BLK	8
3	200099	8-32 NYLOCK NUT THIN	8
4	139029	BATTERY BOX CABLE	2
5	481451	LATCH PLATE KEEPER	2
6	542044	BATTERY BOX WLDMNT 16" S626	1
	542045	BATTERY BOX WLDMNT 18" S626	
7	263110-QU	5/16 AN WASHER FLAT THIN	6
8	220128	5/16-18 x .63 HHCS BLK W/PL	6
9	226112	1/4-28 x 1 SOC C/S BLK	2
10	262114	1/4 WASHER HI COLLAR LOCK ZN	2
11	262100-QU	1/4 AN WASHER FLAT	2
12	882005	CONTROLLER COVER STD ASSM S626	1
13	560364	REAR BATTERY COVER S626	1

ITEM	NUMBER	DESCRIPTION	QTY
14	222205	1/4-14 x 1/2 PAN HEAD TP SCREW	1
15*	240104	RIVET POP SD44BSLF BLK	4,8
16*	505590	BATTERY COVER BRKT S626	1,2
17	240154	RIVET 3/16 x 5/16 TBLR ALUM BL	8
18	505547	BATTERY SUPPORT GATE S626	1
19	505548	BATTERY BOX HINGE	1
20	580000	BATTERY SUPPORT EDGE 3"	2
21	341497	10-32 x .020-.130 RIVNUT GOLD	2
22	341503	RIVNUT 1/4" x 28 RIBBED	2
23	221011	10-32 x 1.75 SHCS BLK	2
24	455031-QU	#10 AN WASHER .032 SS	2
1-22	885000	BATTERY BOX ASSM 16" S626	
	885001	BATTERY BOX ASSM 18" S626	

* STANDARD CHAIR USES 4 OF ITEM 15 AND 1 OF ITEM 16; CHAIR WITH VENT TRAY USES 8 OF ITEM 15 AND 2 OF ITEM 16.
NOTE: ITEM 22 IS SUPPLIED WITH ITEMS 9-11 IN THE ASSEMBLY TO RETRO-FIT THE CHANGED BATTERY BOX WELDMENT TO THE CHAIR.

BATTERY BOX ASSEMBLY (QUICKIE S-646/S-646SE)



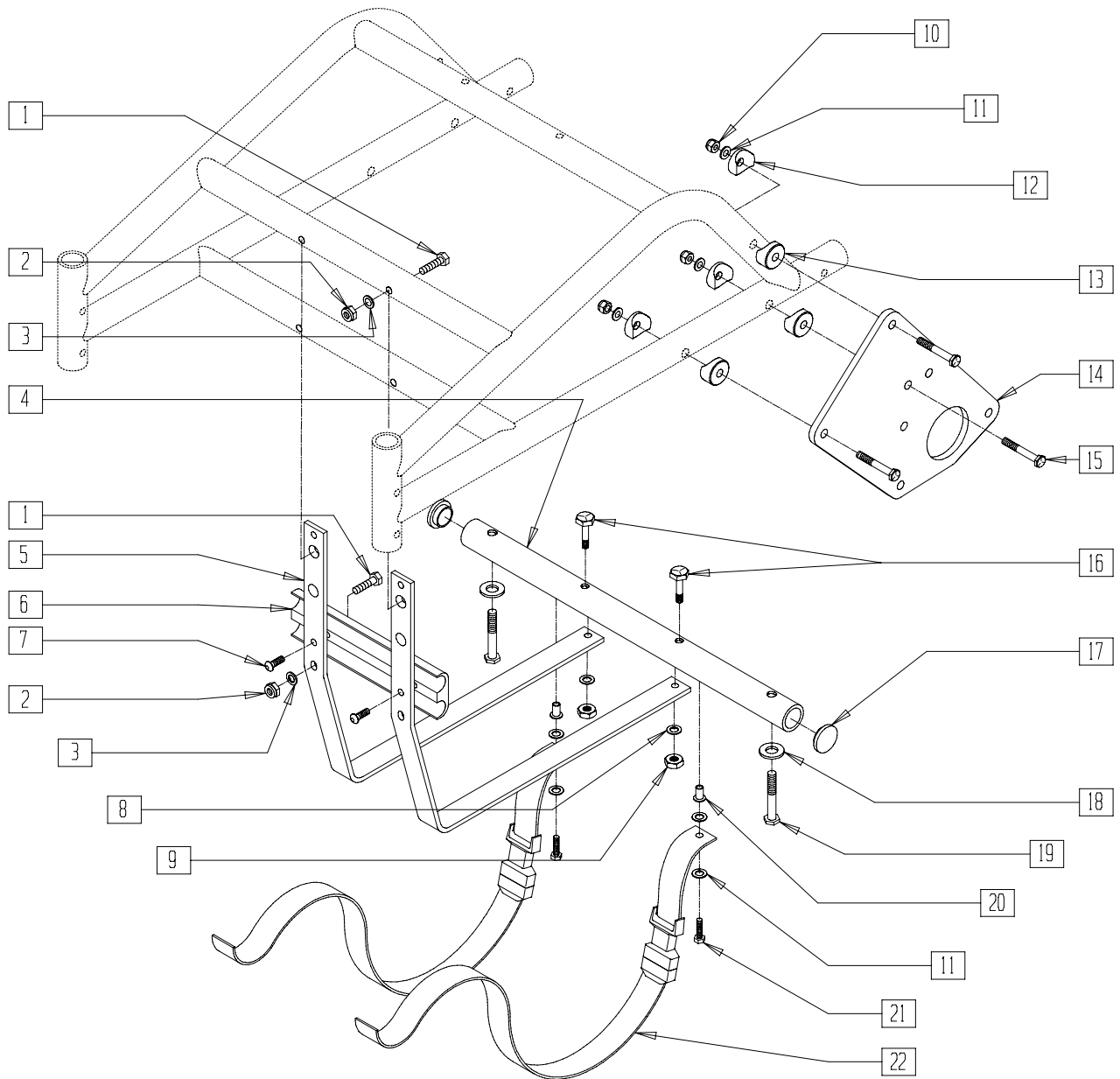
S646X05A

ITEM	NUMBER	DESCRIPTION	QTY
1	481452	ROTARY ACTION LATCH S626	2
2	226309	8-32 x 5/8 BH C/S BLK	8
3	200099	8-32 NYLOCK NUT THIN	8
4	139029	BATTERY BOX CABLE	2
5	481451	LATCH PLATE KEEPER	2
6	505517	BATTERY SUPPORT 16" S626	1
	505518	BATTERY SUPPORT 18" S626	
7	263110-QU	5/16 AN WASHER FLAT THIN	6
8	220128	5/16-18 x .63 HHCS BLK W/PL	6
9	227110	1/4-28 x 1 BH C/S BLK ZN	2
10	262114	1/4 WASHER HI COLLAR LOCK ZN	2
11	262100-QU	1/4 AN WASHER FLAT	2
12	562009	FRONT SHROUD	1
13	560364	REAR BATTERY COVER S626	1
14	222205	1/4-14 x 1/2 PAN HEAD TP SCREW	1

ITEM	NUMBER	DESCRIPTION	QTY
15	240104	RIVET POP SD44BSLF BLK	4,8
16	505590	BATTERY COVER BRKT S626	1,2
17	240154	RIVET 3/16 x 5/16 TBLR ALUM BL	8
18	505547	BATTERY SUPPORT GATE S626	1
19	505548	BATTERY BOX HINGE	1
20	580000	BATTERY SUPPORT EDGE 3"	2
21	341497	10-32 x .020-.130 RIVNUT GOLD	2
22	341503	RIVNUT 1/4" x 28 RIBBED	2
23	221011	10-32 x 1.75 SHCS BLK	2
24	455031-QU	#10 AN WASHER .032 SS	2
25	888888	SHROUD MOUNT BRACKET ASSM	1
26	226246	10-32 x 5/8 SOC HD C/S BLK	2
27	455031-QU	#10 AN WASHER .032 SS	2
1-22,	885008	BATTERY BOX ASSM 16" S646	
25-27	885009	BATTERY BOX ASSM 18" S646	

BATTERY SUPPORT BRACKET ASSEMBLY (QUICKIE Z500[ZIPPIE P500])

(Effective serial number P5-3510)



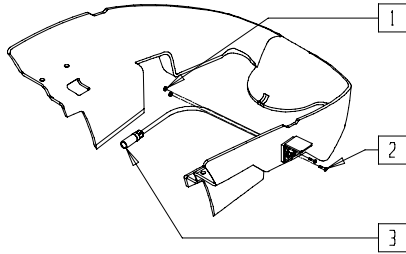
P500X17A

ITEM	NUMBER	DESCRIPTION	QTY
1	221133	1/4-28 x 1 1/2 G8 HEX C/S	4
2	201120	1/4-28 AUTOMATION NUT	4
3	262110-QU	1/4 AN WASHER FLAT THIN	4
4	522741	CROSS TUBE DD 16" W/RNUT P1/P5	1
5	505720	BATTERY BRACKET P1/P5	2
6	550720	CABLE CLAMP P5	1
7	226020-QU	10-32 x 5/8 BH C/S BLK	2
8	262100-QU	1/4 AN WASHER FLAT	2
9	201120	1/4-28 AUTOMATION NUT	2
10	202100-MJ	5/16-24 NYLOCK NUT THIN	6
11	263110-QU	5/16 AN WASHER FLAT THIN	10

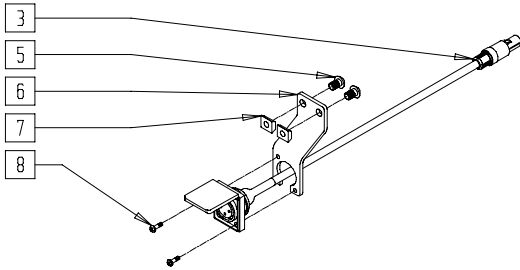
ITEM	NUMBER	DESCRIPTION	QTY
12	561006	1" SADDLE 5/16" HOLE	6
13	483713	SADDLE ALUM 1" THICK P1/P5	6
14	501761	MOTOR PLT DIRECT DRIVE P1/P5	2
15	222190	5/16-24 x 2 HEX C/S	6
16	221151-QU	1/4-28 x 1 3/4 G8 HEX C/S	2
17	561005	1" INSERT PLUG .125	2
18	263100	5/16 AN WASHER FLAT	2
19	234960	M8-35 HEX C/S	2
20	341503	RIVNUT 1/4" x 28 RIBBED	2
21	221100	1/4-28 x 3/4 HEX C/S	2
22	750072	BATTERY TIE DOWN STRAP P1/P5	2

ALTERNATE BATTERY CHARGERS (G-424/S-525/S-626/S-646/S-646SE/Z500)

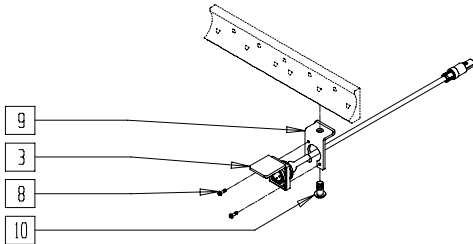
QUICKIE G-424*



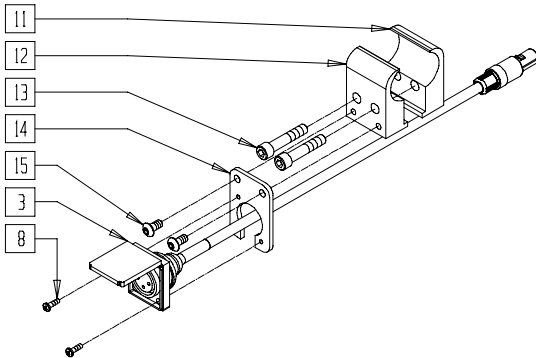
QUICKIE S-525



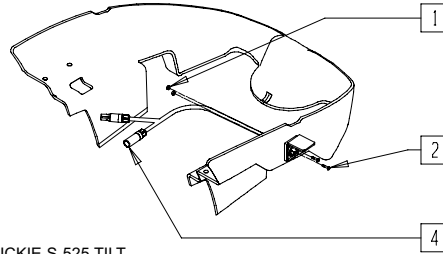
QUICKIE S-626/S-646/S-646SE



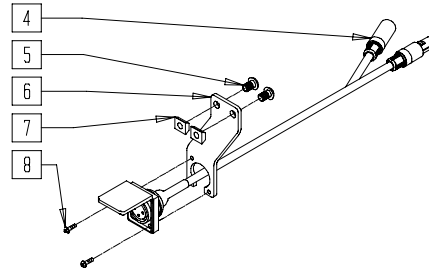
QUICKIE Z500



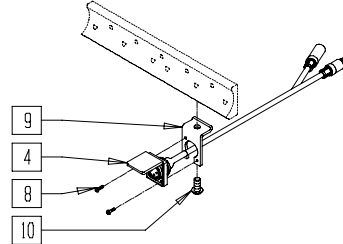
QUICKIE G-424 TILT*



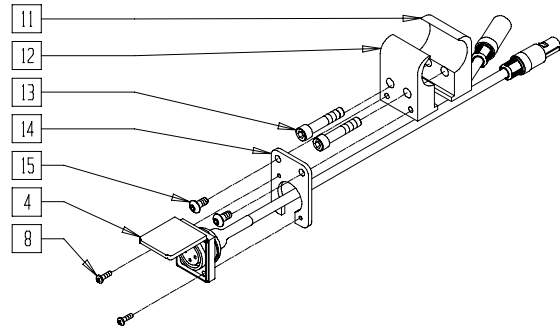
QUICKIE S-525 TILT



QUICKIE S-626 TILT/S-646 TILT/S-646SE TILT



QUICKIE Z500 TILT



PA0X25A

ITEM	NUMBER	DESCRIPTION	QTY
1	200031	4-40 HEX ESNA NUT	2
2	230450	4-40 x 1/2 PAN HD PHIL ZN	2
3	139329	CHARGER CABLE ASSY	1
4	139339	CHARGER CABLE TILT ASSY	1
5	221090	1/4-28 x 3/8 BH C/S BLK	2
6	550702	CHARGER MOUNTING PLATE S525	1
7	481106-QU	1/4-28 CHANNEL NUT	2
8	281036	4-40 x 3/8 PAN PHIL M/S BLK	2
9	550703	CHARGER MOUNTING BRKT S626	1
10	222231	5/16-18 x 5/8 BH CS BLK W/PTCH	1
11	550969	CHARGER CLAMP 1" CG	1
12	550970	CHARGER CLAMP 1" THRD CG	1

ITEM	NUMBER	DESCRIPTION	QTY
13	226108	1/4-20 x 1-1/4" SOC C/S BLK ZN	2
14	550704	CHARGER MOUNTING PLATE Z500	1
15	226017	10-32 x 3/8 BH C/S BLK	2
1-3	882210*	ALT BATT CHARGER G424	
1,2,4	883310*	ALT BATTERY CHRGR G424 TILT	
3,5-8	882211	ALT BATT CHARGER S525	
4-8	883311	ALT BATTERY CHRGR S525 TILT	
3,8-10	882212	ALT BATT CHARGER S626	
4,9-10	883312	ALT BATTERY CHRGR S626 TILT	
3,8,11-15	882209	ALT BATT CHARGER Z500	
4,8,11-15	883309	ALT BATTERY CHRGR Z500 TILT	

NOTE: FOR QUICKIE G-424 AND G-424 TILT, PARTS/ASSEMBLIES ARE FOR REPLACEMENT ONLY; THEY ARE NOT INTENDED FOR RETROFIT TO CHAIRS THAT WERE NOT ORIGINALLY ORDERED WITH THESE PARTS.

BATTERY ASSEMBLIES (QUICKIE FREESTYLE)



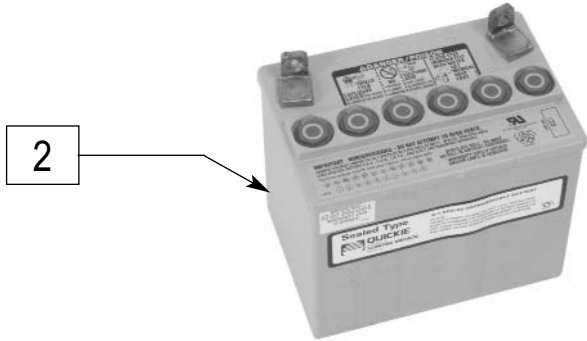
1

FRES0P27



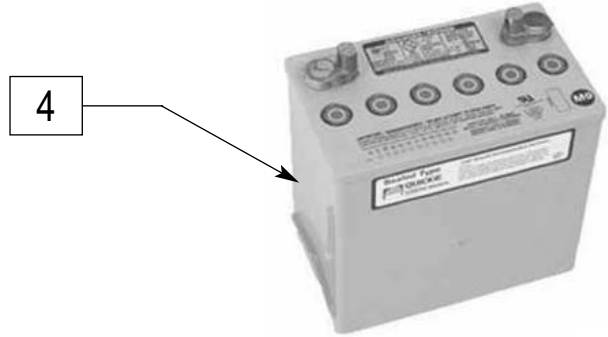
3

FRES0P28



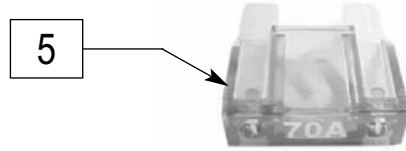
2

FRES0P29



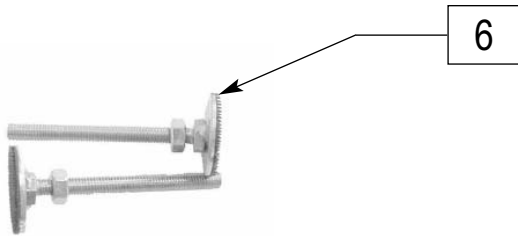
4

FRES0P73



5

FRES0P30



6

FRES0P31



7

7A

FRES0P32

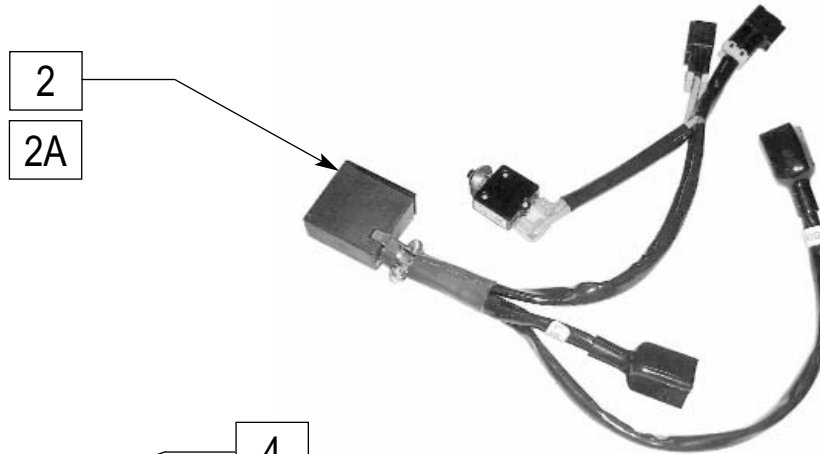
ITEM	NUMBER	DESCRIPTION	QTY
1	BAT40	GUARDIAN ASPIRE 2 40A BTRYYS	2
2	136511	BATTERY GEL CEL U128 31 AMP	2
3	BAT24	GUARDIAN ASPIRE 2 GP24 BTRYYS	2
4	BAT22	GUARDIAN ASPIRE 2 GP22 BTRYYS	2

ITEM	NUMBER	DESCRIPTION	QTY
5	131055	FUSE BATTERY 70A	2
6	349075	BATTERY JACK	2
7	139396	BATTERY HARNESS MINI	1
7A	139253	BATTERY HARNESS FULL	1

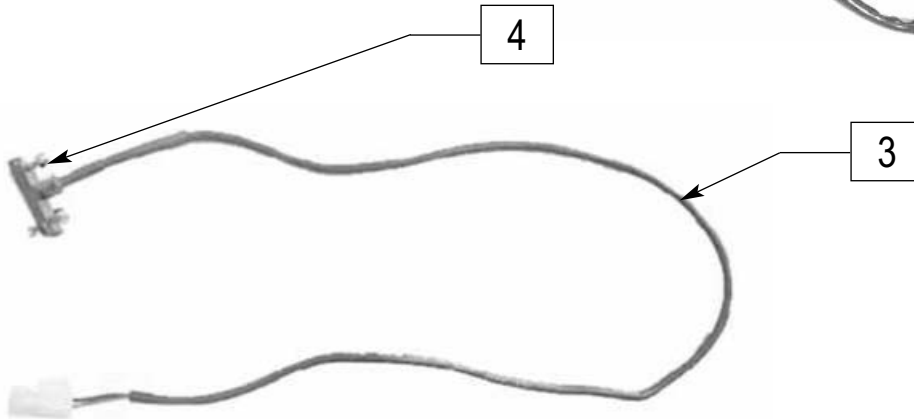
BATTERY/CHARGER WIRING (QUICKIE FREESTYLE)



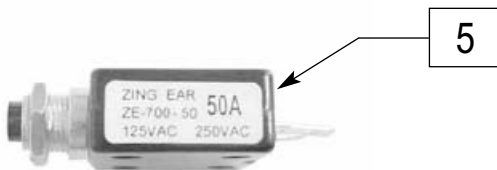
FRES0P59



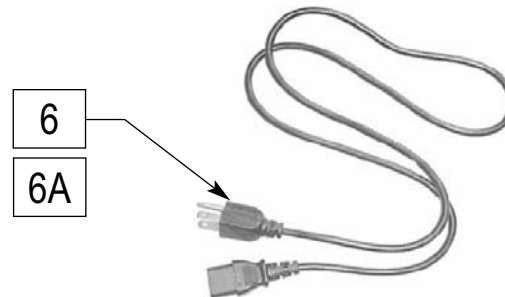
FRES0P60



FRES0P61



FRES0P63



FRES0P62

ITEM	NUMBER	DESCRIPTION	QTY
1	139398	CHARGER A/C OUTLET HARNESS	1
1A	139251	CHARGER A/C OUTLET HARNESS FLL	1
2	139397	MAIN HARNESS MINI	1
2A	139252	MAIN HARNESS FULL	1
3	139399	CHARGER LIGHT HARNESS	1

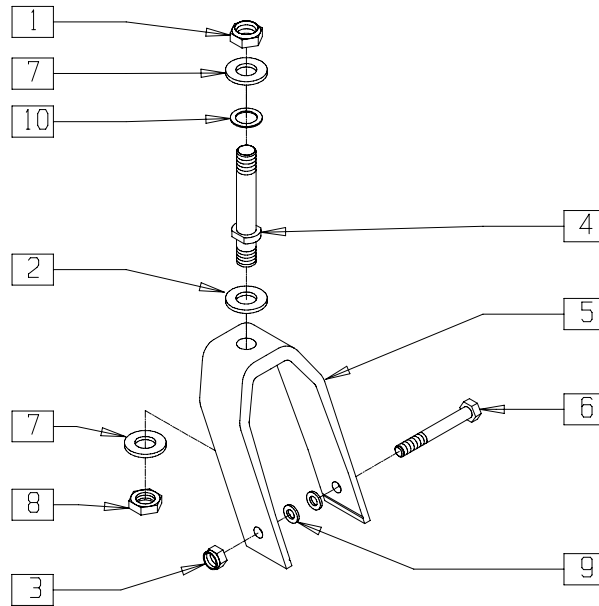
ITEM	NUMBER	DESCRIPTION	QTY
4	884373	CHARGER HARNESS HRDWR	1
5	133022	CIRCUIT BREAKER 50A	1
6	138038	POWER CORD (ONBOARD CHARGER)	1
6A	138039	POWER CORD 6FT	

Casters and Forks

IN THIS SECTION

Front Fork Assembly (Quickie G-424)	8.1	Front Fixed Fork and Caster Assembly (Quickie S-626/S-646/S-646SE).....	8.13
Rear Caster/Fork Assembly (Quickie G-424)	8.1	Front Suspension Fork and Caster Assembly (Quickie S-626) (Disc.)	8.14
Fork Assembly (8" x 2") (Quickie P110/V100[P100]/Z500[Zippie P500])	8.2	Front Suspension Fork and Caster Assembly (Quickie S-626/S-646/S-646SE)(Disc.)	8.15
Fork Assembly (Quickie P120) (Disc.).....	8.2	Front Suspension Fork and Caster Assembly (Quickie P-220/P-222SE/S-626/S-646/S-646SE) ..	8.16
Fork Assembly (8" x 2") (Quickie P190/P200/P210/P320).....	8.3	Front Fork Assembly (Quickie V-121[P120])	8.17
Front Caster and Fork (Quickie Freestyle).....	8.3	Fork Assembly (Quickie V-521)	8.17
Front Suspension Fork and Caster Assembly (Quickie P-220/P-222SE)	8.4	Caster/Tire Assembly (Tire, Tube, Caster and Bearing) (Quickie G-424/P110/P190/P200/P210/P300/ P320/S-525/S-626/S-646/S-646SE/V100[P100]/ V-121[P120]/V-521/Z500[Zippie P500]	8.18
Front Suspension Fork and Caster Assembly (Quickie P-222) (Disc.)	8.5	8" Caster Rim (Quickie P110/P190/P200/ P210/ P300/P320/S-626/S-646/S-646SE/ V100[P100]/Z500[Zippie P500])	8.18
Front Fixed Fork and Caster (Quickie P-220/P-222SE)	8.6	Rear Caster/Tire Assembly (Quickie G-424)	8.19
Fixed Fork and Caster Assembly (Quickie P-222) (Disc.)	8.7	Front Pneumatic Caster/Tire/Rim and Hardware (Quickie G-424) (Disc.).....	8.19
Rear Caster and Fork Assembly (Quickie Freestyle).....	8.8	9"/10" Caster Rim (Quickie P190/P300/P320/S-626/S-646/S-646SE) ..	8.20
Fork/8" (20" Drive Wheel) (Quickie P300 prior to P3-9700) (Disc.)	8.8	Tires and Tubes (9"/10" Caster) (Quickie P300) (Disc.).....	8.20
Fork/8" (20" Drive Wheel) (Quickie P300 prior to P3-9700)	8.9	Tires and Tubes (9" x 3" Caster) (Quickie S-626/S-646/S-646SE).....	8.21
Fork/9"/10" (10" Drive Wheel) (Quickie P300 prior to P3-9700) (Disc.)	8.9	Swing-away Caster Plate (Quickie P110/V100[P100]/Z500[Zippie P500])	8.21
Fork/10" (20" Drive Wheel) (Quickie P300 prior to P3-9700)	8.10	Swing-away Caster Plate (Quickie P190/P200/P210/P300/P320)	8.22
Fork/9"/10" (10" Drive Wheel) (P300 beginning P3-9700) (Disc.).....	8.11	Caster Reference Guide	8.23
Fork Assembly (8" x 2") (Quickie S-525).....	8.11		
Front Fixed Fork and Caster Assembly (Quickie S-626) (Disc.)	8.12		

FRONT FORK ASSEMBLY (QUICKIE G-424)



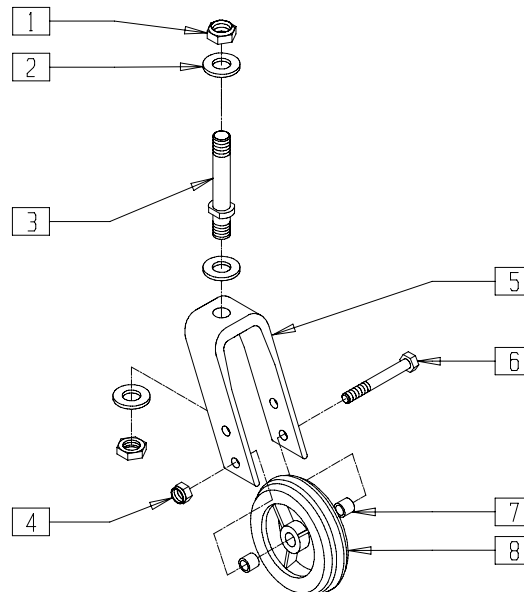
G4240X04

ITEM	NUMBER	DESCRIPTION	QTY
1	203100	1/2-20 NYLOCK NUT	1
2	264101	1/2 AN WASHER HARDENED FLAT	1
3	202100-MJ	5/16-24 NYLOCK NUT THIN	1
4	481110	CASTER STEM PWR THICK	1
5	550040*	7" FORK FRONT G424	1
	550604	FRONT TRLNG ARM FORK	
6	222253	5/16-24 x 3 1/4 HEX C/S	1

ITEM	NUMBER	DESCRIPTION	QTY
7	264100	1/2 AN WASHER FLAT	2
8	203115	1/2-20 GRD C LOCK NUT	1
9	263110-QU	5/16 AN WASHER FLAT THIN	2
10	180065	ANTI-FLUTTER WASHER P2	1
1-10	781882*	7" STD STEM BLK W/HDWR G424	
	781883	FRONT FORK ASSM W/HDWR G424	

* ORDER FOR CHAIRS PRIOR TO 9/6/01.

REAR CASTER/FORK ASSEMBLY (QUICKIE G-424)

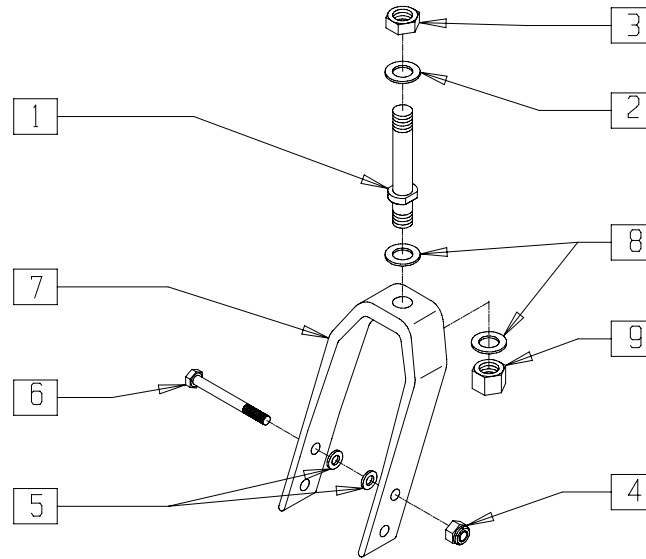


G4240X05

ITEM	NUMBER	DESCRIPTION	QTY
1	203100	1/2-20 NYLOCK NUT	2
2	264100	1/2 AN WASHERFLAT	3
3	481063	CASTER STEM STD	1
4	202100-MJ	5/16-24 NYLOCK NUT THIN	1
5	550280	5 1/4" FORK ONLY BLK	1

ITEM	NUMBER	DESCRIPTION	QTY
6	222200	5/16-24 x 2 1/2 HEX C/S	1
7	481113	SPACER 5/16 x .380	2
8	400148	5" PLSTC W/WIDE POLY & BRNG	1
1-3.5	780500	5-1/4 STD STEM BLK	
1-8	780502	5-1/4 STD STEM BLK W/CSTR G424	

FORK ASSEMBLY (8" X 2") (QUICKIE P110/V100[P100]/Z500[ZIPPIE P500])

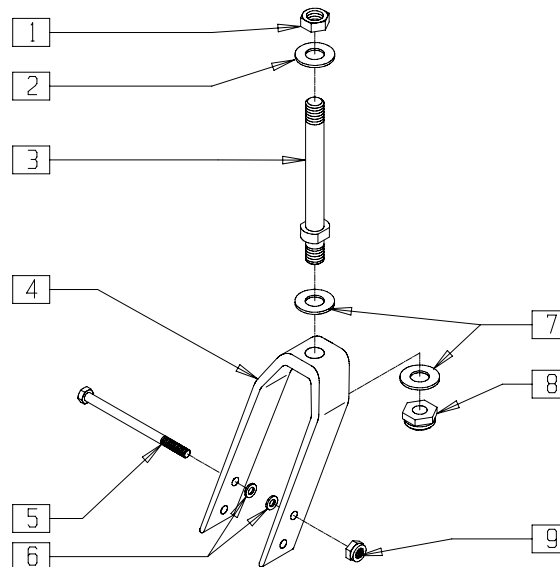


P100X22

ITEM	NUMBER	DESCRIPTION	QTY
1	481712	CASTER STEM P1/P5	1
2	264100	1/2 AN WASHER FLAT	1
3	203100	1/2-20 NYLOCK NUT	1
4	202100-MJ	5/16-24 NYLOCK NUT THIN	1
5	263100	5/16 AN WASHER FLAT	2
6	222253	5/16-24 x 3 1/4 HEX C/S	1

ITEM	NUMBER	DESCRIPTION	QTY
7	550730	8" x 2" FORK ONLY	1
8	264101	1/2 WASHER HARDENED FLAT	2
9	203115	1/2-20 GRD C LOCK NUT	1
1-3,7,9	787010	8" x 2" FORK W/STEM P1/P5	
1-9	787110	8" x 2" FORK W/HDWR P1/P5	

FORK ASSEMBLY (QUICKIE P120) (Discontinued 11/15/99 - parts only)



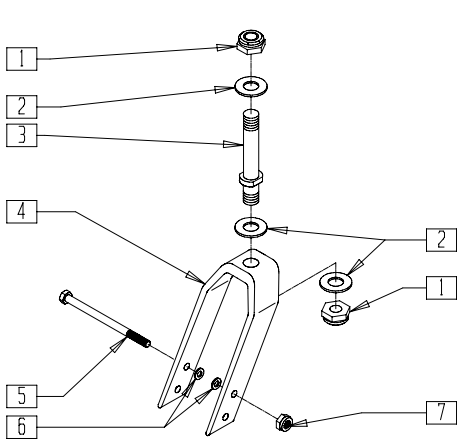
P9000X24

ITEM	NUMBER	DESCRIPTION	QTY
1	203100	1/2-20 NYLOCK NUT	1
2	264100	1/2 AN WASHER FLAT	1
3	481760	CASTER STEM P120	1
4	550729	8" x 2" FORK ONLY P190/P120	1
5	222253	5/16-24 x 3 1/4 HEX C/S	1
6	263100	5/16 AN WASHER FLAT	2

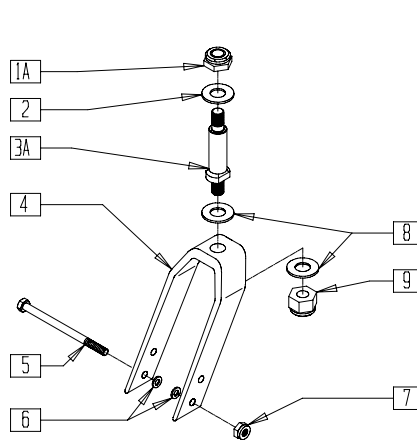
ITEM	NUMBER	DESCRIPTION	QTY
7	264101	1/2 WASHER HARDENED FLAT	2
8	203115	1/2-20 GRD C LOCK NUT	1
9	202100-MJ	5/16-24 NYLOCK NUT THIN	1
3,4,7,8	780608	8 x 2 FORK W/STEM P120	
1-9	780914	8 x 2 FORK STD STEM W/HDWR P120	

FORK ASSEMBLY (8" x 2") (QUICKIE P190/P200/P210/P320)

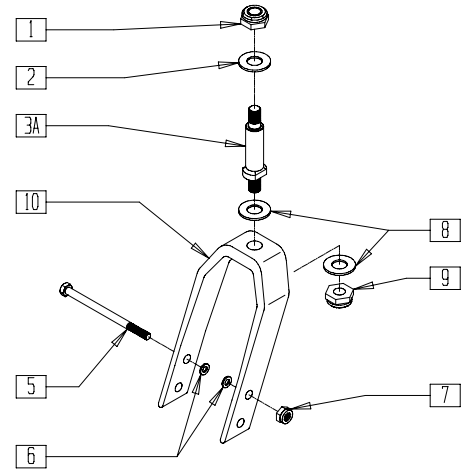
(Quickie P210 discontinued 11/1/02 - parts only)



FITS CHAIRS PRIOR TO 3/6/96



FITS CHAIRS BEGINNING 3/6/96



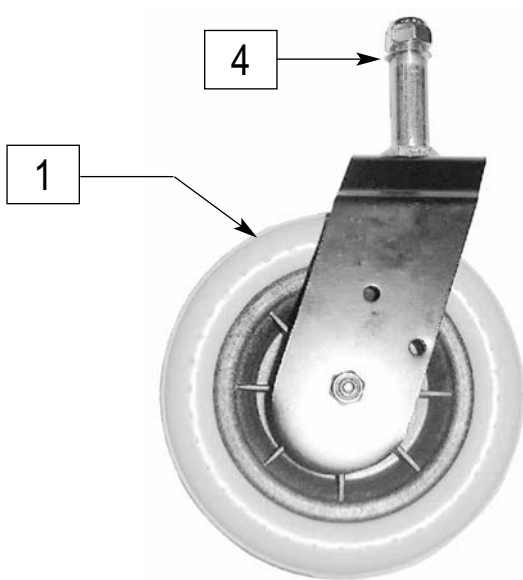
P190X10

ITEM	NUMBER	DESCRIPTION	QTY
1	203115	1/2-20 GRD C LOCK NUT	2
1A	203100	1/2-20 NYLOCK NUT	2
2	264100	1/2 AN WASHER FLAT	1-3
3	481710	CASTER STEM P2/T45	1
3A	481110*	CASTER STEM PWR THICK	1
4	550730	8" x 2" FORK ONLY	1
5	222253	5/16-24 x 3 1/4 HEX C/S	1
6	263110-QU	5/16 AN WASHER FLAT THIN	2
7	202100-MJ	5/16-24 NYLOCK NUT THIN	1
8	264101	1/2 WASHER HARDENED FLAT	2

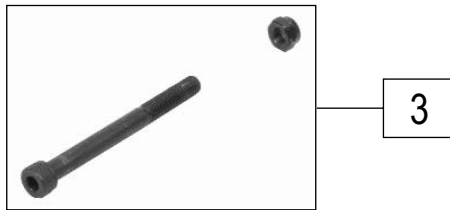
ITEM	NUMBER	DESCRIPTION	QTY
9	203115	1/2-20 GRD C LOCK NUT	1
10	550729	8" x 2" FORK ONLY P190/P120	1
1-7	787120*	CASTER FORK ASSEMBLY DBL BRNG	
1A,2,3A, 4,8,9	780607*	8 x 2 FORK W/P2 STEM	
1A,2,3A, 4-9	787125*	8" x 2" CASTER FORK THICK STEM W/HDWR	
1A,2,3A, 5-10	787122	8 x 2 CASTER FORK W/STEM P190	

*787120 FITS P190 PRIOR TO P19-1725 AND P200/P210/P320 PRIOR TO 3/6/96;
780607 AND 787125 FIT P190 BEGINNING P19-1725 AND P200/P210/P320 BEGINNING 3/6/96.

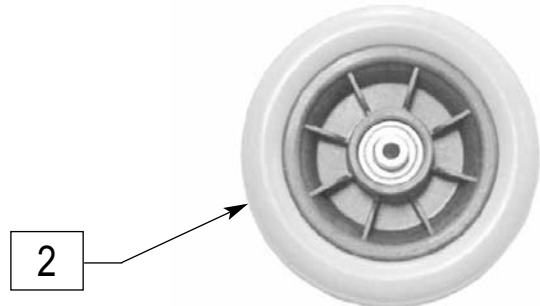
FRONT CASTER AND FORK (QUICKIE FREESTYLE)



FRES0P35



FRES0P38

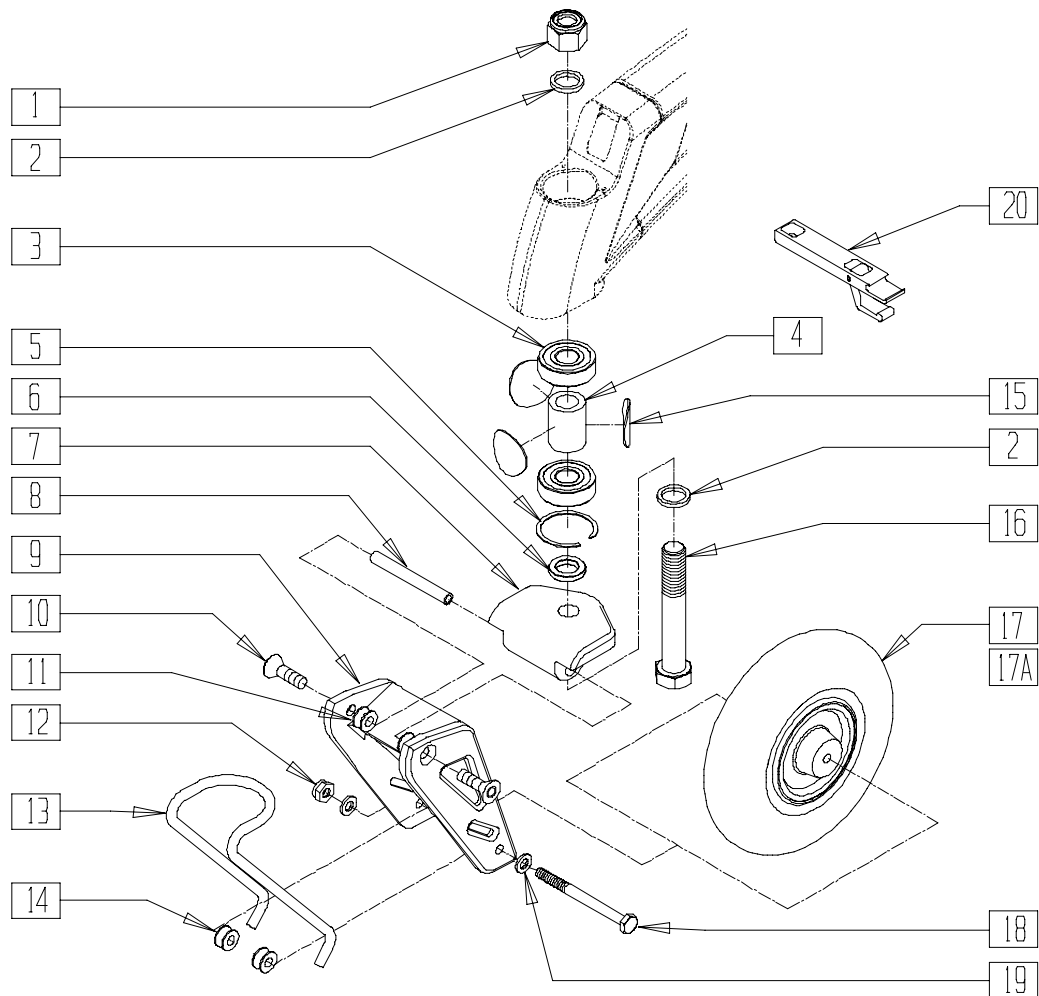


FRES0P36

ITEM	NUMBER	DESCRIPTION	QTY
1	787230	FRONT FORK & CASTER ASSEMBLY	1
2	400760	FRONT CASTER 6"	1

ITEM	NUMBER	DESCRIPTION	QTY
3	884378	FRONT CASTER HDWR	1
4	884374	FRONT CASTER STEM HDWR	1

FRONT SUSPENSION FORK AND CASTER ASSEMBLY (QUICKIE P-220/P-222SE)



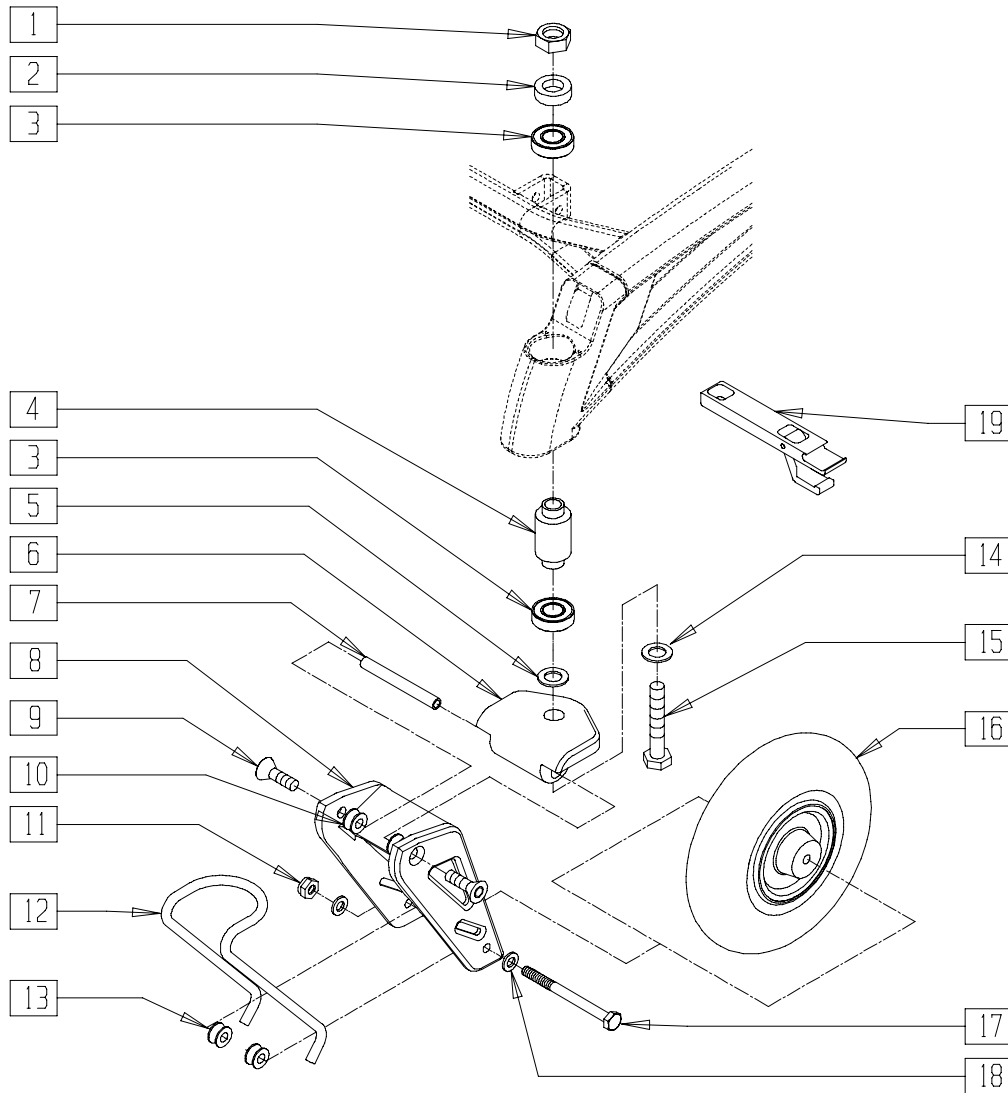
P220X18A

ITEM	NUMBER	DESCRIPTION	QTY
1	203108	5/8-18 NUT NYLOCK	1
2	265163	5/8 CASTER FORK WASHER	2
3	349609	BEARING 40 x 5/8 x 12 THK	2
4	526063	BEARING SPACER CASTER	1
5	320021	RETAINING RING CASTER BRNG	1
6	481480	CASTER FORK SPACER	1
7	505575	FRONT SUSPENSION TOP PLT ASSM	1
8	481454	PIVOT SHAFT FRONT SUSPSN S626	1
9	550788	8 x 2 FORK SUSPENSION S626	1
10	222296	5/16-18 x 1-1/4 FH C/S W/PATCH	2
11	505573	FRONT SUSPN SPRING BUSHING S626	2
12	202106	5/16-24 NYLOCK NUT THIN BLK	1
13	321731	LEAF SPRING .28 S626 (250lb)	1
	321732	LEAF SPRING .31 S626 (350lb)	
14	505574	FRNT SUS LWR SPRING BUSHING S626	2

ITEM	NUMBER	DESCRIPTION	QTY
15	561265	ANTI FLUTTER DISC .080 x 1.350	3
16	226334	5/8-18 x 4 HEX HEAD C/S	1
17	400702	8" x 2" CMPST W/PNEU INSRT & BRG	1
17A	400700	8" x 2" CMPST W/PNEU & BEARING	1
18	222261	5/16-24 x 4-1/4 HHCS GR8 BK ZN	1
19	263100	5/16 AN WASHER FLAT	2
20	950120	SUSPENSION CASTER TOOL KIT	1
	787271	SUSP FRK .33 SPRNG 8X2 INSERT (0 - 250 LB)	
1,2,6-14, 16-19	787272	SUSP FRK .36 SPRNG 8X2 INSERT (251 - 350 LB)	1
	787274	SUSP FRK .33 SPRNG 8X2 PNEU (0 - 250 LB)	
1,2,6-14, 16,17A, 18,19	787275	SUSP FRK .36 SPRNG 8X2 PNEU (251 - 350 LB)	1

FRONT SUSPENSION FORK AND CASTER ASSEMBLY (QUICKIE P-222)

(Discontinued 8/15/02 - parts only)

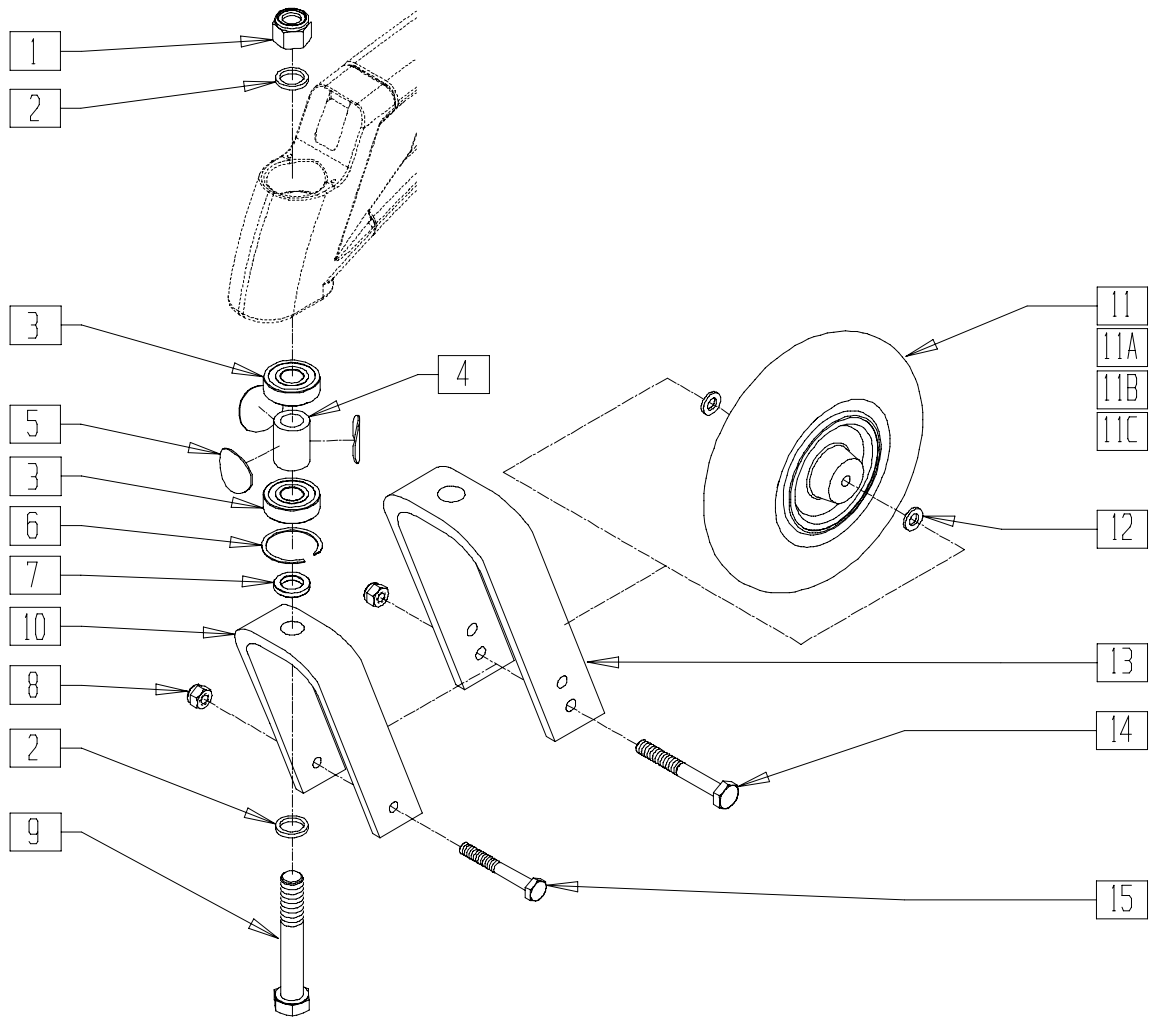


P2220X22

ITEM	NUMBER	DESCRIPTION	QTY
1	230041	M16 x 1.5 NYLOCK NUT	1
2	481453	8" x 2" FRONT FORK SPACER S626	1
3	349490	BEARING 32mm x 20mm x 7mm	2
4	526060	FRNT CSTR INNER BEARING SPACER	1
5	265163	5/8 CASTER FORK WASHER	1
6	505575	FRONT SUSPENSION TOP PLT ASSM	1
7	481454	PIVOT SHAFT FRONT SUSPSN S626	1
8	550788	8" x 2" FORK SUSPENSION S626	1
9	222296	5/16-18 x 1-1/4 FH C/S W/PATCH	2
10	505573	FRONT SUSPN SPRNG BUSHING S626	2
11	202106	5/16-24 NYLOCK NUT THIN BLK	1
12	321731	LEAF SPRING .28 S626	1
	321732	LEAF SPRING .31 S626	

ITEM	NUMBER	DESCRIPTION	QTY
13	505574	FRONT SUS LWR SPRNG BSHNG S626	2
14	265163	5/8 CASTER FORK WASHER	1
15	230039	M16 x 1.5 x 100 HH C/S GD 10.9	1
16	400702	8" x 2" CMPST W/PNEU INSERT AND BRG	1
	400700	8" x 2" CMPST W/PNEU AND BRG	
17	222261	5/16-24 x 4 1/4 HHCS GR8 BK ZN	1
18	263100	5/16 AN WASHER FLAT	2
19	950120	SUSPENSION CASTER TOOL KIT	1
1,2 5-18	787152	8" x 2" SUSPN FORK W/SLD .28 P222	1
	787153	8" x 2" SUSPN FORK W/SLD .31 P222	
	787154	8" x 2" SUSPN FORK W/PNEU .28 P222	
	787155	8" x 2" SUSPN FORK W/PNEU .31 P222	

FRONT FIXED FORK AND CASTER (QUICKIE P-220/P-222 SE)



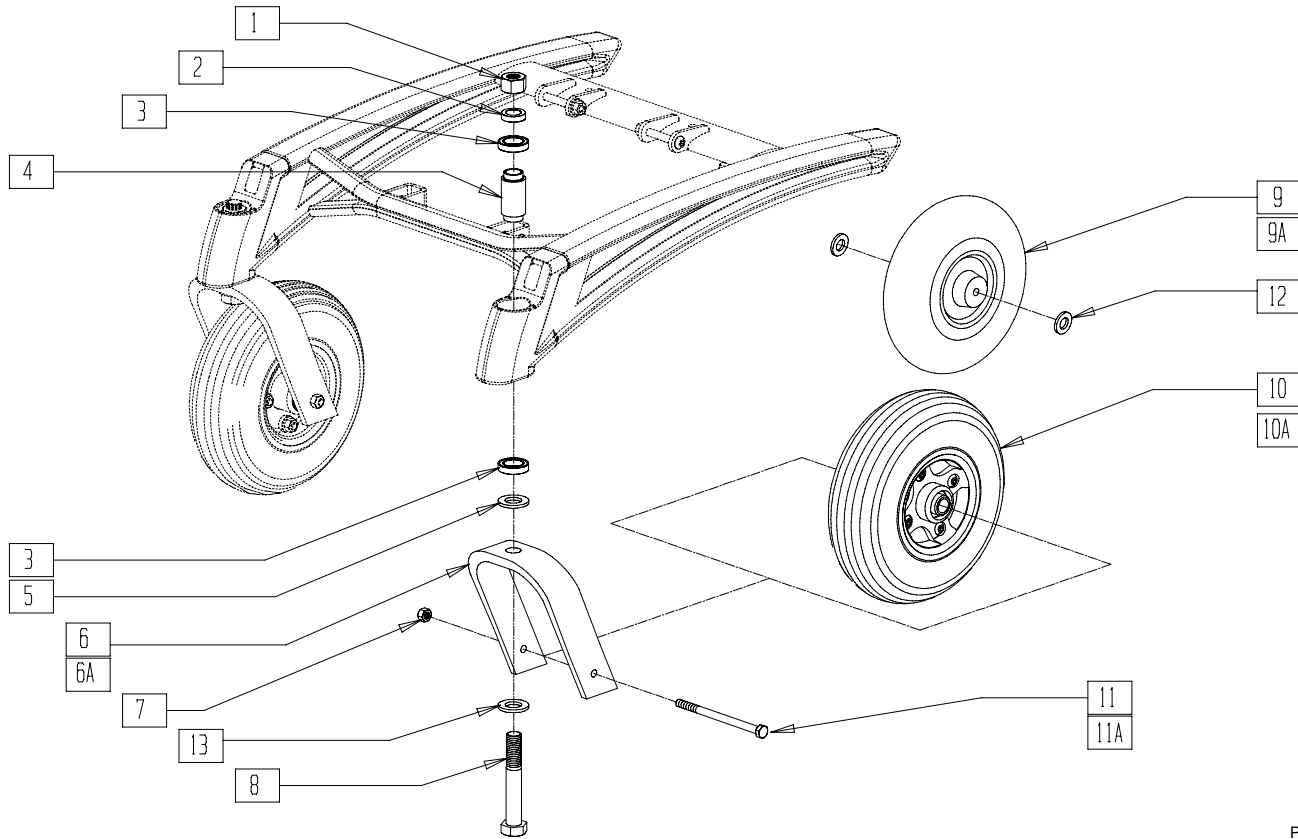
P220X17A

ITEM	NUMBER	DESCRIPTION	QTY
1	203108	5/8-18 NUT NYLOCK	1
2	265163	5/8 CASTER FORK WASHER	2
3	349609	BEARING 40 x 5/8 x 12 THK	2
4	526063	BEARING SPACER CASTER	1
5	561265	ANTI FLUTTER DISC .080 x 1.350	3
6	320021	RETAINING RING CASTER BRNG	1
7	481480	CASTER FORK SPACER	1
8	202106	5/16-24 NYLOCK NUT THIN BLK	1
9	226334	5/8-18 x 4 HEX HEAD C/S	1
10	550787	8 x 2 FORK S626	1
11	400700	8" x 2" CMPST W/PNEU & BEARING	1
11A	400750	9 x 3 CSTER WHL ASSM PNEU S626	1
11B	400702	8" x 2" CMPST W/PNEU INSRT&BRG	1
11C	400751	9 x 3 CSTR WHL ASSM SOLID S626	1
12	263100	5/16 AN WASHER FLAT	2
13	550696	10 x 3 CASTER FORK S626	1

ITEM	NUMBER	DESCRIPTION	QTY
14	222206	5/16-24 x 4-3/4 HH C/S GR8 BK ZN	1
15	222257	5/16-24 x 3 1/2" G8 HEX C/S	1
1,2,7-10, 12,15	781000	8" x 2" FORK/STEM W/HDWR S626	
1,2,7-9, 12-14	781001	9" x 3" FORK/STEM W/HDWR S626	
1,2,7,9,10	781003	8" x 2" FORK/STEM S626	
1,2,7,9,13	781004	9" x 3" FORK/STEM S626	
1,2,7-12,15	787146	FIXED FORK PNEU 8x2 ASSM S626	
1,2,7-9, 11A,12-14	787147	FIXED FORK PNEU 9x3 ASSM S626	
1,2,7-10, 11B,12,14	787148	FIXED FRK SLD IN 8x2 ASSM S626	
1,2,7-9, 11C,12-14	787149	FIXED FRK SLD IN 9x3 ASSM S626	

FIXED FORK AND CASTER ASSEMBLY (QUICKIE P-222)

(Discontinued 8/15/02 - parts only)

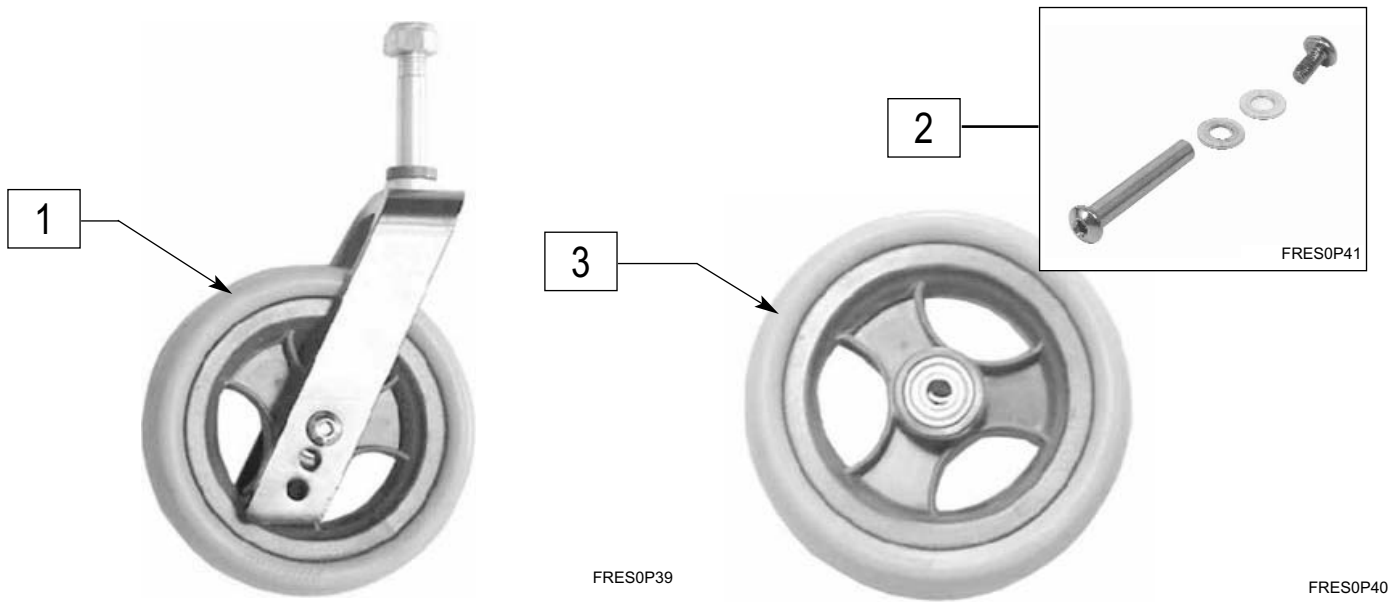


P2220X21

ITEM	NUMBER	DESCRIPTION	QTY
1	230041	M16 x 1.5 NYLOCK NUT	1
2	481453	8" x 2" FRONT FORK SPACER S626	1
3	349490	BEARING 32mm x 20mm x 7mm	2
4	526060	FRNT CSTR INNER BEARING SPACER	1
5	265163	5/8 CASTER FORK WASHER	1
6	550787	8" x 2" CASTER FORK	1
6A	550694	9" x 3" CASTER FORK	1
7	202106	5/16-24 NYLOCK NUT THIN BLK	1
8	230039	M16 x 1.5 x 100 HH C/S GD 10.9	1
9	400700	8" x 2" CMPST W/PNEU AND BEARINGS	1
9A	400702	8" x 2" CMPST W/PNEU INSERT AND BRG	1
10	400750	9" x 3" CASTER WHEEL ASSM PNEU S626	1
10A	400751	9" x 3" CASTER WHEEL ASSM SOLID S626	1
11	222257	5/16-24 x 3 1/2" G8 HEX C/S	1
11A	222206	5/16-24 x 4 3/4 HH C/S GR8 BK ZN	1
12	263100	5/16 AN WASHER FLAT	2

ITEM	NUMBER	DESCRIPTION	QTY
13	265163	5/8 CASTER FORK WASHER	1
1,2,5,6,8,13	781008	8" x 2" FORK/STEM P222	
1,2,5,6A,8,13	781006	9" x 3" FORK/STEM P222	
1,2,5-8,11-13	781009	8" x 2" FORK/STEM W/HDWR P222	
1,2,5,6A,7,8,11A,13	781007	9" x 3" FORK/STEM W/HDWR P222	
1,2,5-9,11,13	787138	FIXED FORK PNEU 8" x 2" ASSM P222	
1,2,5-8,9A,11,13	787139	FIXED FORK SOLID 8" x 2" ASSM P222	
1,2,5,6A,7,8,10,11A,13	787150	FIXED FORK PNEU 9" x 3" ASSM P222	
1,2,5,6A,7,8,10A,11A,13	787151	FIXED FORK SOLID 9" x 3" ASSM P222	

REAR CASTER AND FORK ASSEMBLY (QUICKIE FREESTYLE)

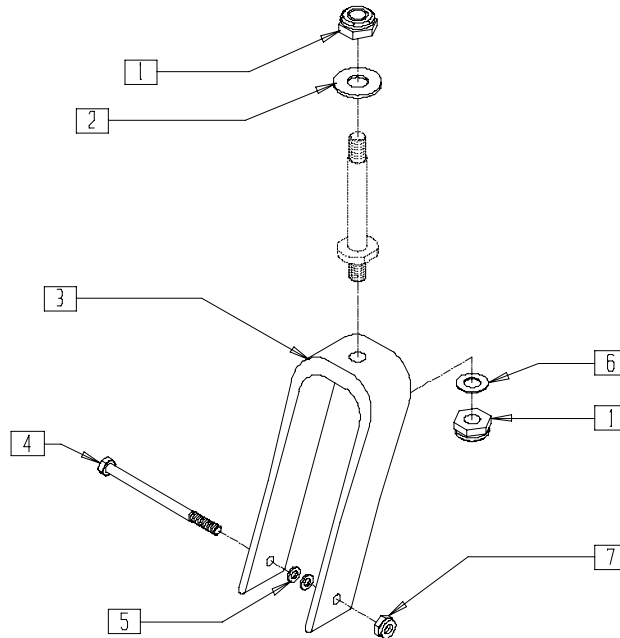


ITEM	NUMBER	DESCRIPTION	QTY
1	787231	REAR FORK & CASTER ASSEMBLY	1
2	884379	REAR CASTER HDWR	1

ITEM	NUMBER	DESCRIPTION	QTY
3	400761	REAR CASTER 5"	1

FORK/8"(20" DRIVE WHEEL) (QUICKIE P300)

(Discontinued - parts only) (Fits P300 prior to serial number P3-9700)



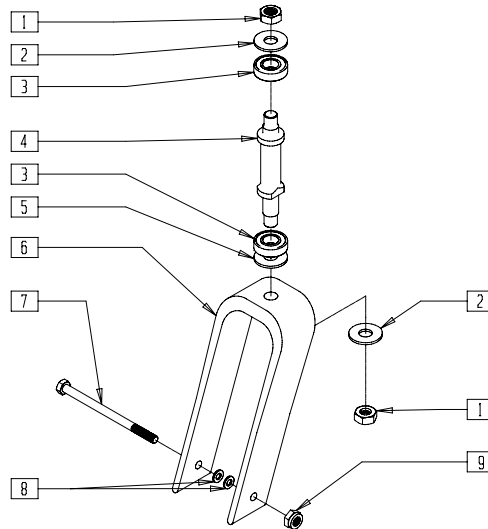
ITEM	NUMBER	DESCRIPTION	QTY
1	203100	1/2-20 NYLOCK NUT	2
2	481180	WASHER CASTER STEM P3	2-3
3	550733	CASTER FORK 8 x 2 ONE HOLE	1
4	222257	5/16-24 x 3 1/2 G8 HEX C/S	1

ITEM	NUMBER	DESCRIPTION	QTY
5	263100	5/16 AN WASHER FLAT	2
6	264100	1/2 AN WASHER FLAT	1
7	202100-MJ	5/16-24 NYLOCK NUT THIN	1

NOTE: FOR NEW CASTER STEM, SEE FORK/8" CASTER (20" DRIVE WHEEL) (QUICKIE P300) ON PAGE 8.9.

FORK/8" (20" DRIVE WHEEL) (QUICKIE P300)

(Effective 9/11/00) (Fits P300 prior to serial number P3-9700)



P300X58

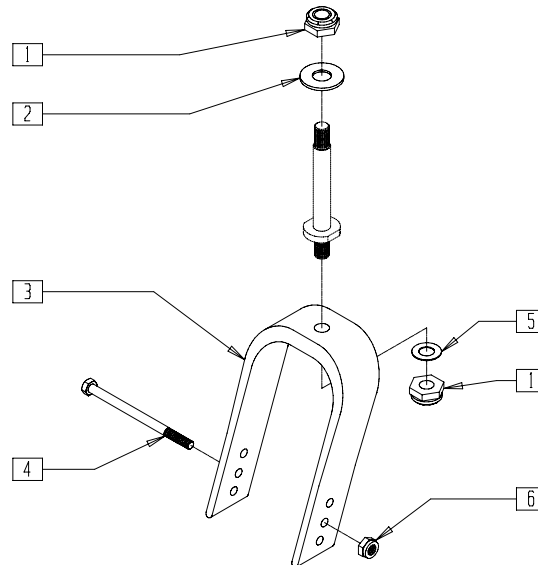
ITEM	NUMBER	DESCRIPTION	QTY
1	203115	1/2-20 GRD C LOCK NUT	2
2	264101	1/2 WASHER HARDENED FLAT	2
3	349504	BEARING 32mm x 15mm x 9mm THK	2
4	481733	CASTER STEM P3 DOUBLE SHLDR	1
5	264106	9/16" WASHER FLAT THICK	1

ITEM	NUMBER	DESCRIPTION	QTY
6	550773	CASTER FORK 8 x 2 .590 HOLE	1
7	222257	5/16-24 x 3 1/2" G8 HEX C/S	1
8	263100	5/16 AN WASHER FLAT	2
9	202100-MJ	5/16-24 NYLOCK NUT THIN	1
1-6	921903	P300 CASTER STEM UPGRD KIT 8X	

FORK/9"/10" (10" DRIVE WHEEL) (QUICKIE P300)

FORK/10" (20" DRIVE WHEEL) (QUICKIE P300)

(Discontinued - parts only) (Fits P300 prior to serial number P3-9700)



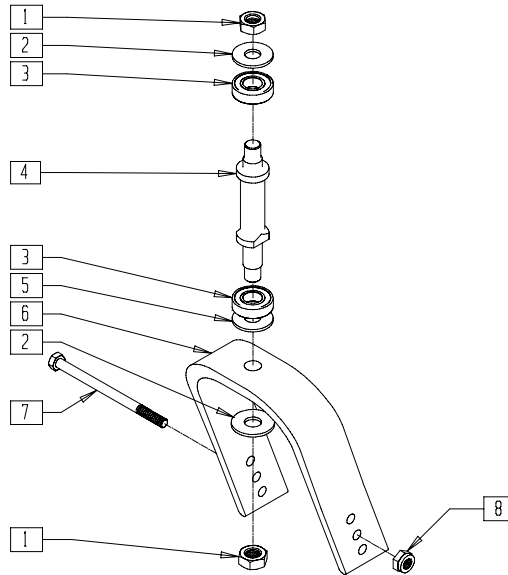
P300X56

ITEM	NUMBER	DESCRIPTION	QTY
1	203100	1/2-20 NYLOCK NUT	2
2	481180	WASHER CASTER STEM P3	1
3	550732	CASTER FORK 9"/10" x 3 P3 EXTRUD	1

ITEM	NUMBER	DESCRIPTION	QTY
4	222259	5/16-24 x 4.65" G8 HEX C/S	1
5	264100	1/2 AN WASHER FLAT	1
6	202100-MJ	5/16-24 NYLOCK NUT THIN	1

NOTE: FOR NEW CASTER STEM, SEE FORK/9"/10" CASTER (10" DRIVE WHEEL), FORK/10" CASTER (20" DRIVE WHEEL) (QUICKIE P300) ON PAGE 8.10.

FORK/9"/10" (10" DRIVE WHEEL) (QUICKIE P300)
FORK/10" (20" DRIVE WHEEL) (QUICKIE P300)
 (Effective 9/11/00) (Fits P300 prior to serial number P3-9700)



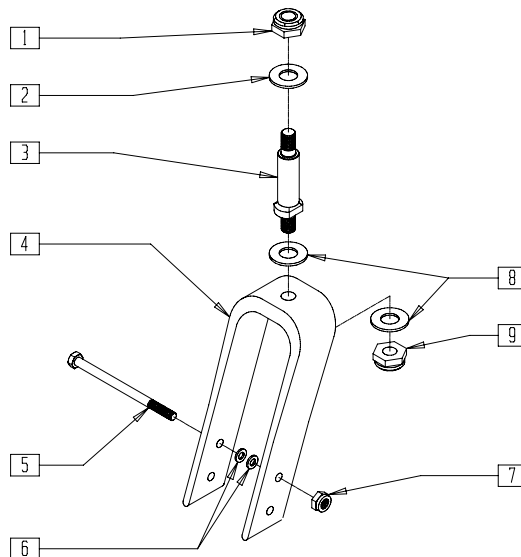
P300X59

ITEM	NUMBER	DESCRIPTION	QTY
1	203115	1/2-20 GRD C LOCK NUT	2
2	264101	1/2 WASHER HARDENED FLAT	2
3	349504	BEARING 32mm x 15mm x 9mm THK	2
4	481733	CASTER STEM P3 DOUBLE SHLDR	1
5	264106	9/16" WASHER FLAT THICK	1

ITEM	NUMBER	DESCRIPTION	QTY
6	550789	9 x 3 CASTER FORK HVY STEM	1
7	222259	5/16-24 x 4.65" G8 HEX C/S	1
8	202100-MJ	5/16-24 NYLOCK NUT THIN	1
1-6	921904	P300 CASTER STEM UPGRD KIT 9X	

FORK/8" (QUICKIE P300)

(Discontinued 6/30/00 - parts only) (Fits P300 beginning serial number P3-10500)



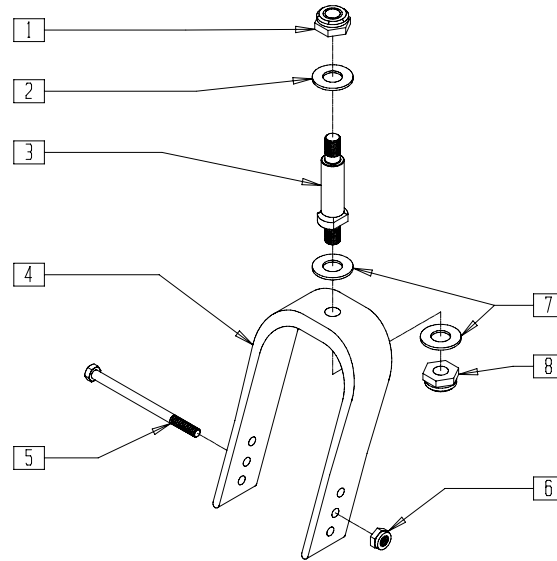
P300AX07

ITEM	NUMBER	DESCRIPTION	QTY
1	203100	1/2-20 NYLOCK NUT	2
2	264100	1/2 AN WASHER FLAT	1
3	481110	CASTER STEM PWR THICK	1
4	550731	CASTER FORK 8 x 2 TWO HOLE	1
5	222257	5/16-24 x 3 1/2 G8 HEX C/S	1
6	263100	5/16 AN WASHER FLAT	2

ITEM	NUMBER	DESCRIPTION	QTY
7	202100-MJ	5/16-24 NYLOCK NUT THIN	1
8	264101	1/2 WASHER HARDENED FLAT	2
9	203115	1/2-20 GRD C LOCK NUT	1
1-4,8,9	780912	8 x 2 FORK/STEM PWR THICK	
1-9	787130	8 x 2 FORK/STEM ASSM PWR THICK	

FORK/9" (QUICKIE P190/P300)

(Discontinued 6/30/00 - parts only) (Fits P300 beginning serial number P3-9700)

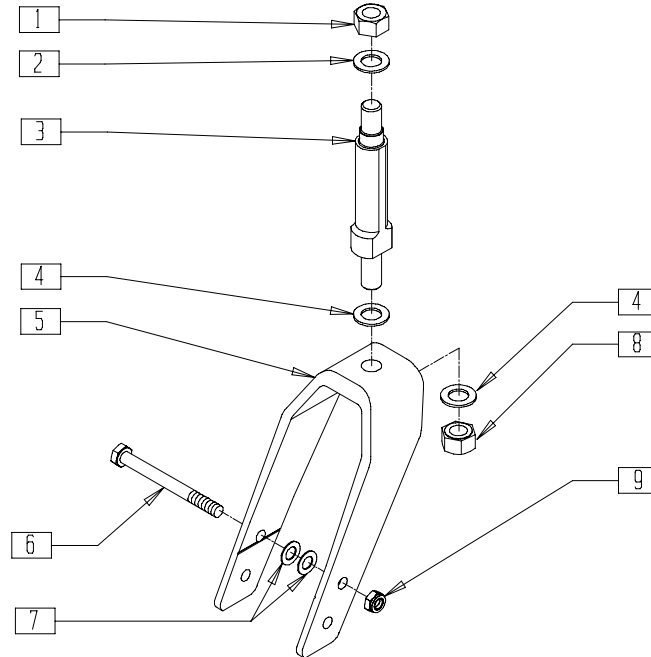


P300AX09

ITEM	NUMBER	DESCRIPTION	QTY
1	203100	1/2-20 NYLOCK NUT	1
2	264100	1/2 AN WASHER FLAT	3
3	481110	CASTER STEM PWR THICK	1
4	550732	CASTER FORK 9"/10" x 3 P3 EXTRUD	1
5	222259	5/16-24 x 4.65" G8 HEX C/S	1

ITEM	NUMBER	DESCRIPTION	QTY
6	202100-MJ	5/16-24 NYLOCK NUT THIN	1
7	264101	1/2 WASHER HARDENED FLAT	2
8	203115	1/2-20 GRD C LOCK NUT	1
1-4,7,8	780913	9"/10" x 3 FORK/STEM PWR THICK	
1-8	787132	9"/10" x 3 FORK/STEM ASSM PWR THICK	

FORK ASSEMBLY (8" x 2") (QUICKIE S-525)



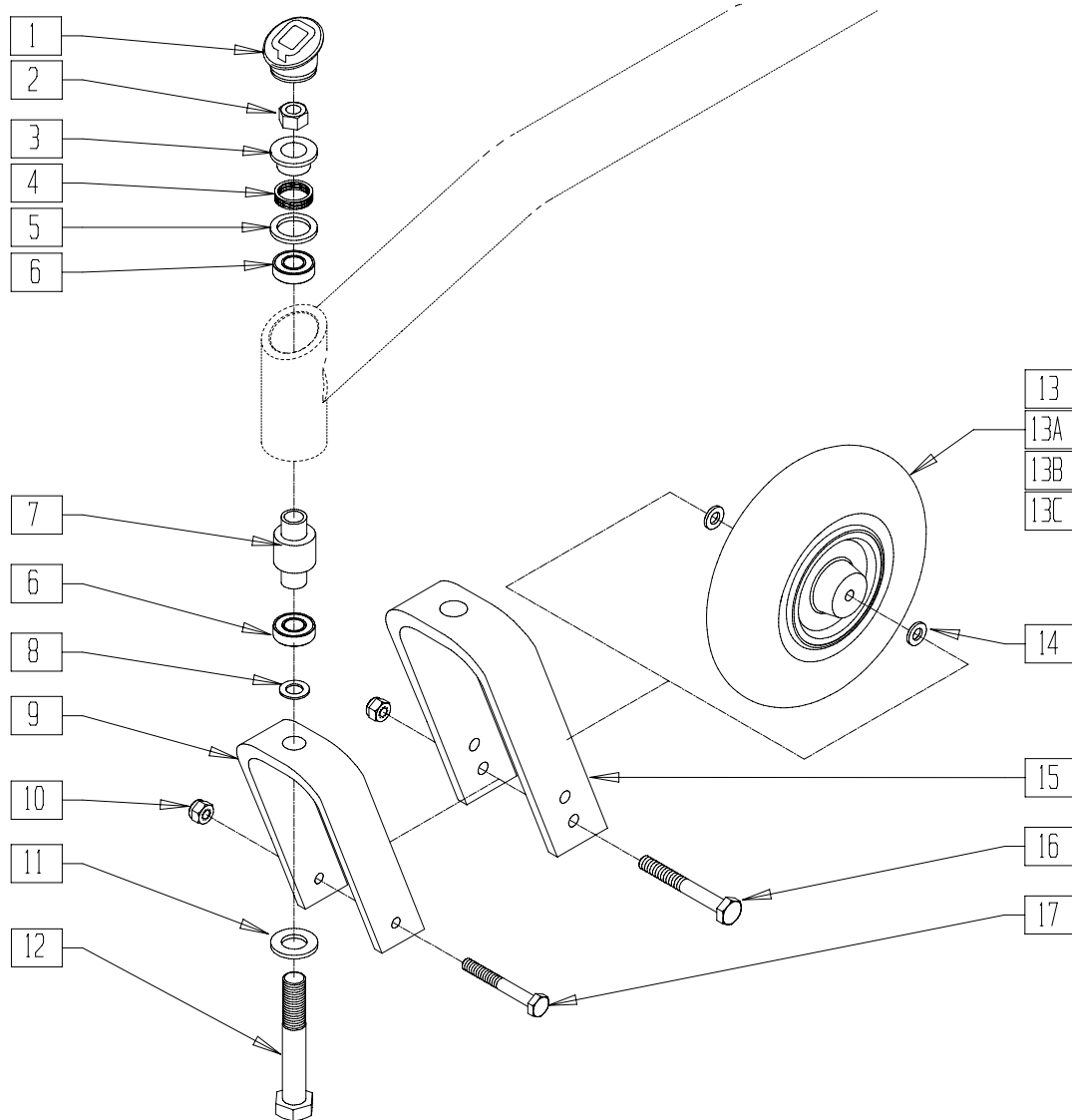
S5250X06

ITEM	NUMBER	DESCRIPTION	QTY
1	203100	1/2-20 NYLOCK NUT	1
2	264100	1/2 AN WASHER FLAT	1
3	481771	CASTER STEM S525	1
4	264101	1/2 WASHER HARDENED FLAT	2
5	550730	8" x 2" FORK ONLY	1
6	226216	5/16-24 x 3 1/4" HEX C/S BLK G8	1

ITEM	NUMBER	DESCRIPTION	QTY
7	263110-QU	5/16 AN WASHER FLAT THIN	2
8	203115	1/2-20 GRD C LOCK NUT	1
9	202106	5/16-24 NYLOCK NUT THIN BLK	1
3-5,8	780915	8" x 2" FORK/STEM S525	
1-9	780922	8" x 2" FORK/STEM W/HDWR S525	

FRONT FIXED FORK AND CASTER ASSEMBLY (QUICKIE S-626)

(Discontinued 6/12/02 - parts only; fits S-626 prior to s/n S62-13297)



S626X19a

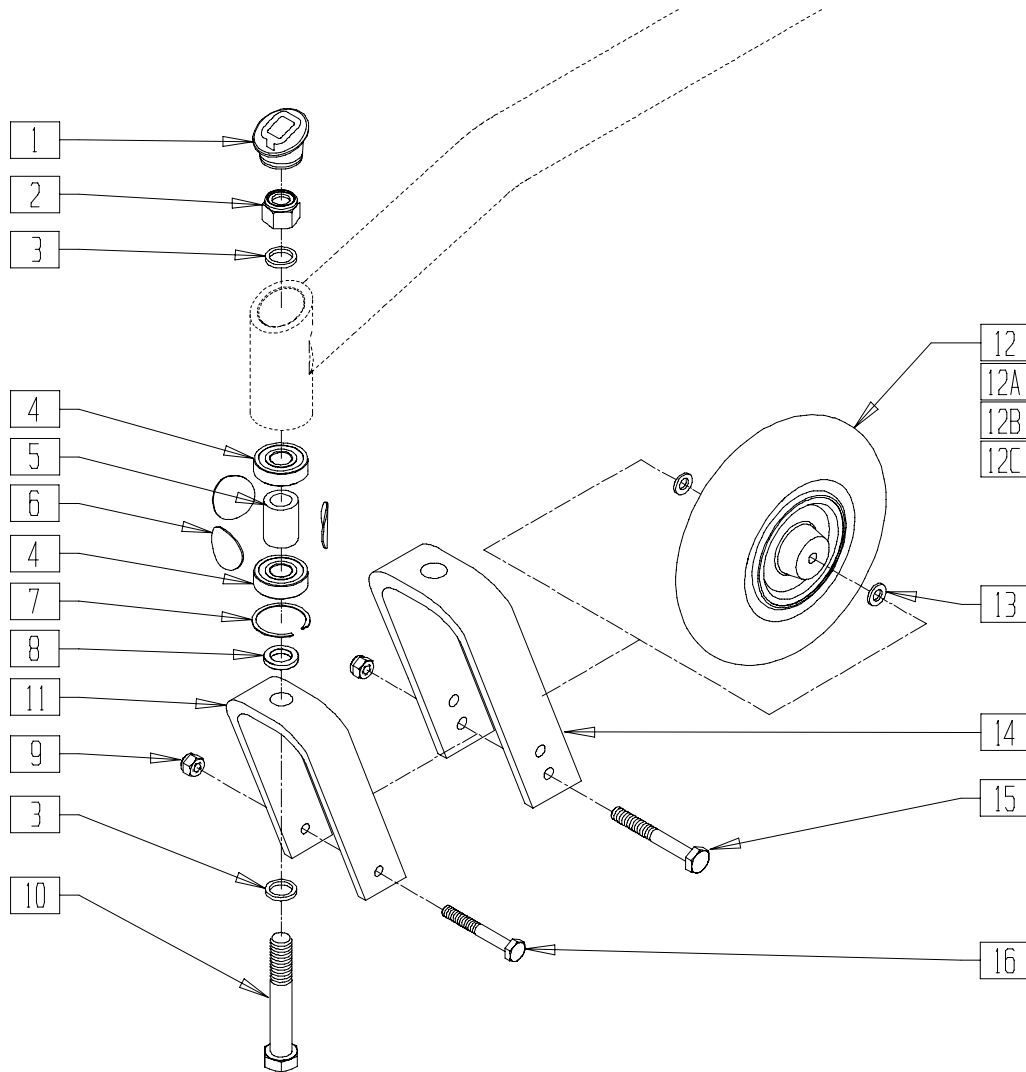
ITEM	NUMBER	DESCRIPTION	QTY
1	567001	CASTER CAP S525	1
2	230041	M16 x 1.5 NYLOCK NUT	1
3	481209	ANTI FLUTTER TOP HAT	1
4	321166	SPRING ANTI FLUTTER SS B51	1
5	481207	ANTI FLUTTER WASHER	1
6	349490	BEARING 32mm x 20mm x 7mm	2
7	526060	FRONT CASTER INNER BRNG SPACER	1
8	265163	5/8 CASTER FORK WASHER	1
9	550787	8 x 2 FORK S626	1
10	202106	5/16-24 NYLOCK NUT THIN BLK	1
11	265163	5/8 CASTER FORK WASHER	1
12	230039	M16 x 1.5 x 100 HH C/S GD 10.9	1
13	400700	8" x 2" CMPST W/PNEU & BEARING	1
13A	400750	9 x 3 CSTER WHL ASSM PNEU S626	1
13B	400702	8" x 2" CMPST W/PNEU INSRT&BRG	1
13C	400751	9 x 3 CSTR WHL ASSM SOLID S626	1
14	263100	5/16 AN WASHER FLAT	2
15	550696	10 x 3 CASTER FORK S626	1
16	222206	5/16-24 x 4-3/4 HH C/S GR8 BK ZN	1
17	222257	5/16-24 x 3 1/2" G8 HEX C/S	1

ITEM	NUMBER	DESCRIPTION	QTY
2-5,8-12	781000	8" x 2" FORK/STEM W/HDWR S626	
14,17			
2-5,8,10-12,14-16	781001	9" x 3" FORK/STEM W/HDWR S626	
2-5,8,9,11,15	781003	8" x 2" FORK/STEM S626	
2-5,8,11,12,15	781004	9" x 3" FORK/STEM S626	
2-5,8-14,17	787146	FIXED FORK PNEU 8 x 2 ASSM S626	
2-5,8,10-12,13A,14-16	787147	FIXED FORK PNEU 9 x 3 ASSM S626	
2-5,8-12,13B,14,17	787148	FIXED FRK SLD IN 8 x 2 ASSM S626	
2-5,8,10-12,13C,14-16	787149	FIXED FRK SLD IN 9 x 3 ASSM S626	

FRONT FIXED FORK AND CASTER ASSEMBLY (QUICKIE S-626/S-646/S-646 SE)

(Quickie S-626 effective 6/12/02, beginning s/n S62-13297)

(Quickie S-626 transitioned into the Quickie S-646 beginning 7/26/02)



S626X48A

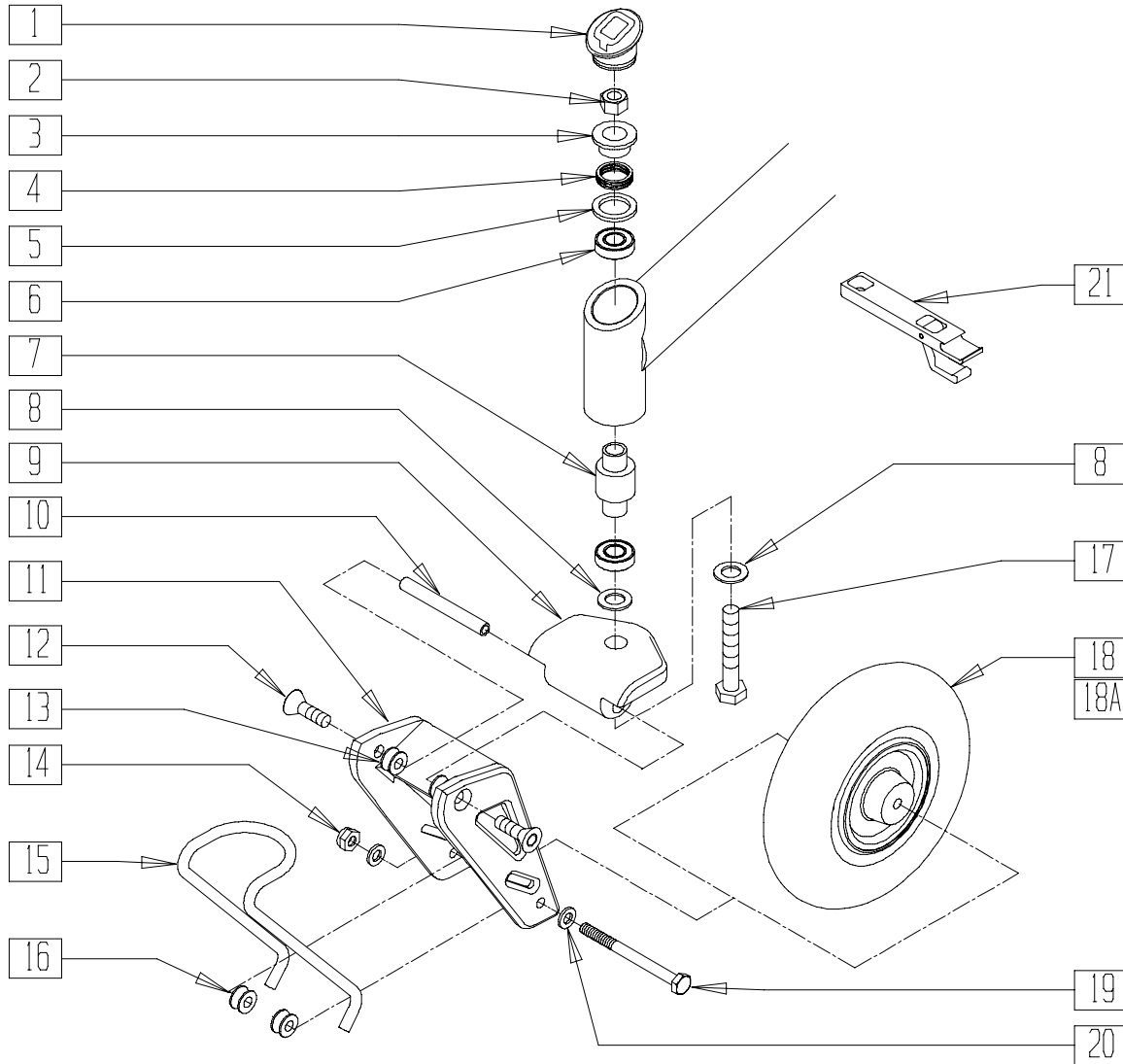
ITEM	NUMBER	DESCRIPTION	QTY
1	567001	CASTER CAP S525	1
2	203108	5/8-18 NUT NYLOCK	1
3	265163	5/8 CASTER FORK WASHER	2
4	349609	BEARING 40 x 5/8 x 12 THK	2
5	526063	BEARING SPACER CASTER	1
6	561265	ANTI FLUTTER DISC .080 x 1.350	3
7	320021	RETAINING RING CASTER BRNG	1
8	481480	CASTER FORK SPACER	1
9	202106	5/16-24 NYLOCK NUT THIN BLK	1
10	226334	5/8-18 x 4 HEX HEAD C/S	1
11	550787	8 x 2 FORK S626	1
12	400700	8" x 2" CMPST W/PNEU & BEARING	1
12A	400750	9 x 3 CSTER WHL ASSM PNEU S626	1
12B	400702	8" x 2" CMPST W/PNEU INSRT&BRG	1
12C	400751	9 x 3 CSTR WHL ASSM SOLID S626	1
13	263100	5/16 AN WASHER FLAT	2

ITEM	NUMBER	DESCRIPTION	QTY
14	550696	10 x 3 CASTER FORK S626	1
15	222206	5/16-24 x 4-3/4 HH C/S GR8 BK ZN	1
16	222257	5/16-24 x 3 1/2" G8 HEX C/S	1
2,3,8-11, 13,16	781000	8" x 2" FORK/STEM W/HDWR S626	
2,3,8-10, 13-15	781001	9" x 3" FORK/STEM W/HDWR S626	
2,3,8,10,11	781003	8" x 2" FORK/STEM S626	
2,3,8,10,14	781004	9" x 3" FORK/STEM S626	
2,3,8-13,16	787146	FIXED FORK PNEU 8x2 ASSM S626	
2,3,8-10, 12A,13-15	787147	FIXED FORK PNEU 9x3 ASSM S626	
2,3,8-11, 12B,13,16	787148	FIXED FRK SLD IN 8x2 ASSM S626	
2,3,8-10, 12C,13-15	787149	FIXED FRK SLD IN 9x3 ASSM S626	

NOTE: ITEMS 4-7 ARE INCLUDED IN S-646/S-646SE BASE FRAME ASSEMBLIES 662744 AND 662745. SEE FRAME (QUICKIE S-646/S-646SE) ON PAGE 1.28.

FRONT SUSPENSION FORK AND CASTER ASSEMBLY(QUICKIE S-626)

(Discontinued 6/12/02 - parts only; fits S-626 prior to s/n S62-13297)



S626X41A

ITEM	NUMBER	DESCRIPTION	QTY
1	567001	CASTER CAP S626	1
2	230041	M16 x 1.5 NYLOCK NUT	1
3	481209	ANTI FLUTTER TOP HAT	1
4	321166	SPRING ANTI FLUTTER SS B51	1
5	481207	ANTI FLUTTER WASHER	1
6	349490	BEARING 32mm x 20mm x 7mm	2
7	526060	FRNT CSTR INNER BEARING SPACER	1
8	265163	5/8 CASTER FORK WASHER	2
9	505575	FRONT SUSPENSION TOP PLT ASSM	1
10	481454	PIVOT SHAFT FRONT SUSPSN S626	1
11	550788	8 x 2 FORK SUSPENSION S626	1
12	222296	5/16-18 x 1-1/4 FH C/S W/PATCH	2

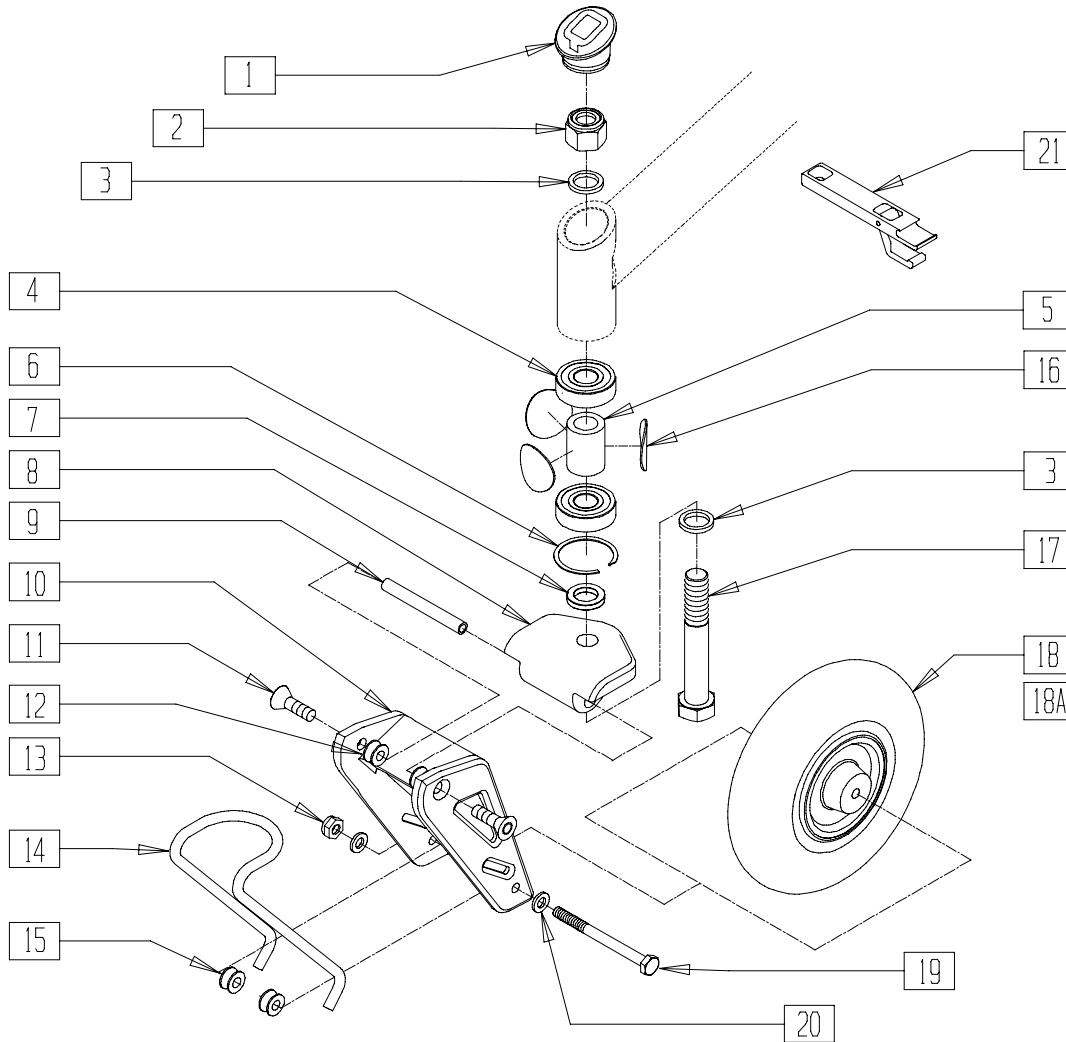
ITEM	NUMBER	DESCRIPTION	QTY
13	505573	FRONT SUSPN SPRING BUSHING S626	2
14	202106	5/16-24 NYLOCK NUT THIN BLK	1
15	321730	LEAF SPRING .25 S626 (175lb)	1
	321731	LEAF SPRING .28 S626 (250lb)	
	321732	LEAF SPRING .31 S626 (350lb)	
16	505574	FRNT SUS LWR SPRING BUSHING S626	2
17	230039	M16 x 1.5 x 100 HHC/S GD 10.9	1
18	400702	8" x 2" CMPST W/PNEU INSRT & BRG	1
18A	400700	8" x 2" CMPST W/PNEU & BEARING	1
19	222261	5/16-24 x 4-1/4 HHCS GR8 BK ZN	1
20	263100	5/16 AN WASHER FLAT	2
21	950120	SUSPENSION CASTER TOOL KIT	1

FRONT SUSPENSION FORK AND CASTER ASSEMBLY (QUICKIE S-626/S-646/S-646 SE)

(Quickie S-626 effective 6/12/02, beginning s/n S62-13297)

(Quickie S-626 transitioned into the Quickie S-646 beginning 7/26/02)

(Discontinued 1/20/03 - parts only)



S626X49A

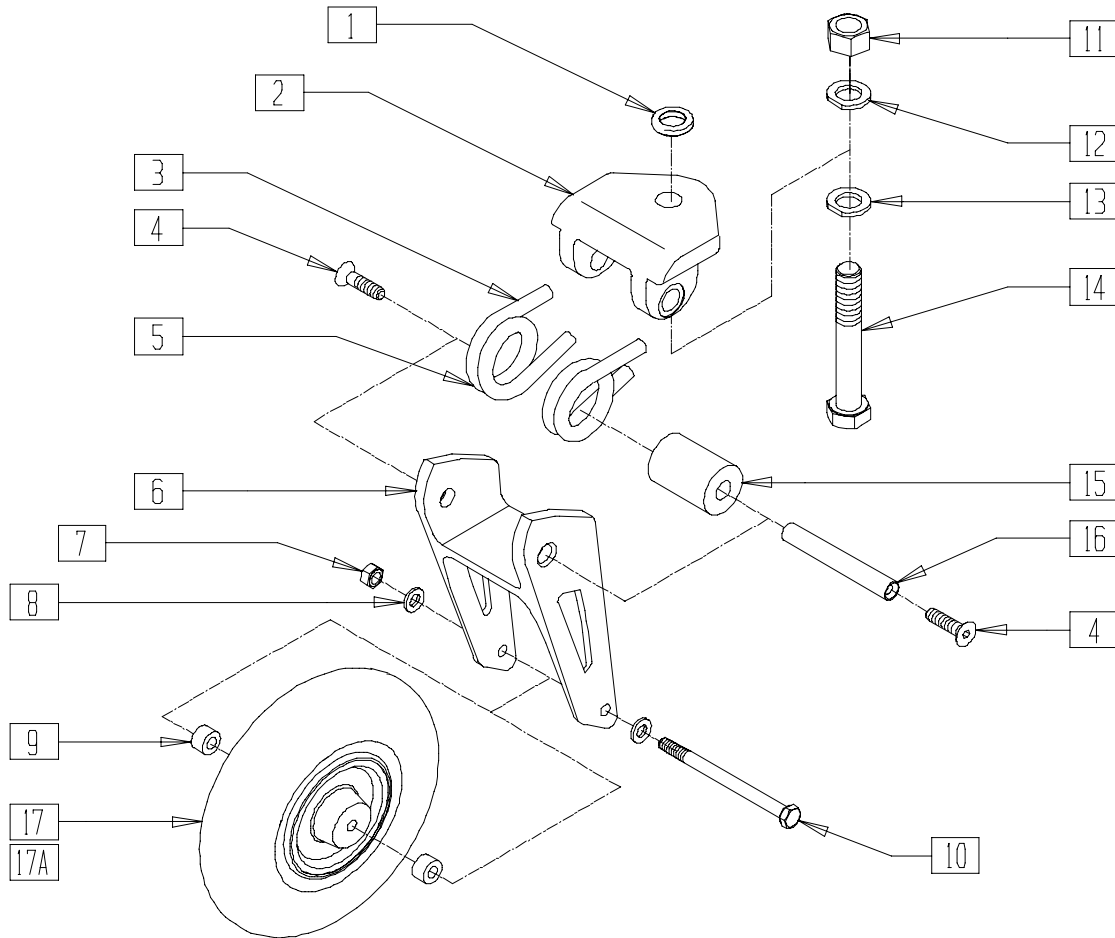
ITEM	NUMBER	DESCRIPTION	QTY
1	567001	CASTER CAP S525	1
2	203108	5/8-18 NUT NYLOCK	1
3	265163	5/8 CASTER FORK WASHER	2
4	349609	BEARING 40 x 5/8 x 12 THK	2
5	526063	BEARING SPACER CASTER	1
6	320021	RETAINING RING CASTER BRNG	1
7	481480	CASTER FORK SPACER	1
8	505575	FRONT SUSPENSION TOP PLT ASSM	1
9	481454	PIVOT SHAFT FRONT SUSPSN S626	1
10	550788	8 x 2 FORK SUSPENSION S626	1
11	222296	5/16-18 x 1-1/4 FH C/S W/PATCH	2
12	505573	FRONT SUSPN SPRING BUSHING S626	2

ITEM	NUMBER	DESCRIPTION	QTY
13	202106	5/16-24 NYLOCK NUT THIN BLK	1
14	321730	LEAF SPRING .25 S626 (175lb)	1
	321731	LEAF SPRING .28 S626 (250lb)	
	321732	LEAF SPRING .31 S626 (350lb)	
15	505574	FRNT SUS LWR SPRING BUSHING S626	2
16	561265	ANTI FLUTTER DISC .080 x 1.350	3
17	226334	5/8-18 x 4 HEX HEAD C/S	1
18	400702	8" x 2" CMPST W/PNEU INSRT & BRG	1
18A	400700	8" x 2" CMPST W/PNEU & BEARING	1
19	222261	5/16-24 x 4-1/4 HHCS GR8 BK ZN	1
20	263100	5/16 AN WASHER FLAT	2
21	950120	SUSPENSION CASTER TOOL KIT	1

NOTE: ITEMS 4-6 AND 16 ARE INCLUDED IN S-646/S-646SE BASE FRAME ASSEMBLIES 662744 AND 662745. SEE FRAME (QUICKIE S-646/S-646SE) ON PAGE 1.28.

FRONT SUSPENSION FORK AND CASTER ASSEMBLY (QUICKIE P-220/P-222SE/S-646/S-646SE)

(Effective 1/20/03)

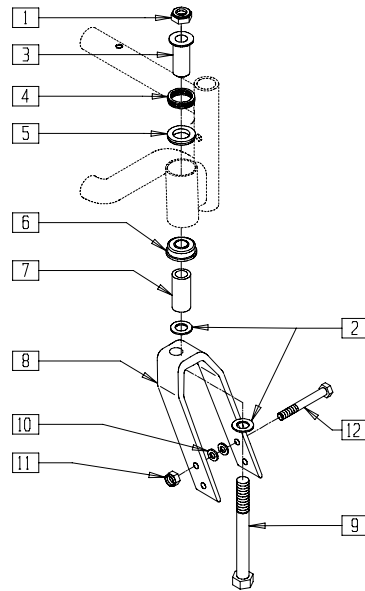


PCSTR02A

ITEM	NUMBER	DESCRIPTION	QTY
1	481480	CASTER FORK SPACER	1
2	505804	SUSP FORK TOP PLT ASSM	1
3	321736	TORSION SPRING .31 RH	1
	321738	TORSION SPRING .33 RH	
	321740	TORSION SPRING .36 RH	
4	222296	5/16-18 x 1-1/4 FH C/S W/PATCH	2
5	321735	TORSION SPRING .31 LH	1
	321737	TORSION SPRING .33 LH	
	321739	TORSION SPRING .36 LH	
6	506155	FRONT SUSP FORK ASSM	1
7	202106	5/16-24 NYLOCK NUT THIN BLK	1
8	263100	5/16 AN WASHER FLAT	2
9	505934	SPACER 8 x 2 CASTER	2
10	222261	5/16-24 x 4-1/4 HHCS GR8 BK ZN	1
11	203108	5/8-18 NUT NYLOCK	1
12	265163	5/8 CASTER FORK WASHER	1
13	265163	5/8 CASTER FORK WASHER	1

ITEM	NUMBER	DESCRIPTION	QTY
14	226334	5/8-18 x 4 HEX HEAD C/S	1
15	560484	SPRING CENTER DAMPENER	1
16	481484	FRONT SUSPENSION PIVOT SHAFT	1
17	400702	8" x 2" CMPST W/PNEU INSRT&BRG	1
17A	400700	8" x 2" CMPST W/PNEU & BEARING	1
2-6, 13-16	787250	SUSP, FORK ASSM, .31 SPRNG	
	787251	SUSP, FORK ASSM, .33 SPRNG	
	787252	SUSP, FORK ASSM, .36 SPRNG	
1-16	787260	SUSP FORK ASSM .31 SPRNG W/HDW	
	787261	SUSP FORK ASSM .33 SPRNG W/HDW	
	787262	SUSP FORK ASSM .36 SPRNG W/HDW	
1-17	787270	SUSP FRK .31 SPRNG 8x2 INSERT	
	787271	SUSP FRK .33 SPRNG 8x2 INSERT	
	787272	SUSP FRK .36 SPRNG 8x2 INSERT	
1-16,17A	787273	SUSP FRK .31 SPRNG 8x2 PNEU	
	787274	SUSP FRK .33 SPRNG 8x2 PNEU	
	787275	SUSP FRK .36 SPRNG 8x2 PNEU	

FRONT FORK ASSEMBLY (QUICKIE V-121[P120])

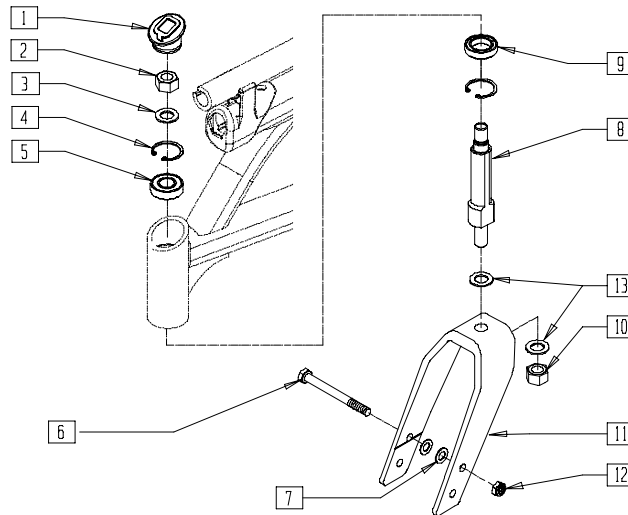


V121X09A

ITEM	NUMBER	DESCRIPTION	QTY
1	203111	1/2-20 HEX JAM NUT W/TORQ-PTCH	1
2	264101	1/2 WASHER HARDENED FLAT	2
3	481512	FLANGE BUSHING REG B50	1
4	321166	SPRING ANTI FLUTTER SS B51	1
5	349645	BUSHING BRNZ B50	1
6	349516	1/2 I.D FLANGED BEARING	1
7	481509	CASTER STEM SPACER B51 LONG	1

ITEM	NUMBER	DESCRIPTION	QTY
8	550729	8" x 2" FORK ONLY P190/P120	1
9	222293	1/2-20 x 4-1/2 HHCS GR 8	1
10	263110-QU	5/16 AN WASHER FLAT THIN	2
11	202100-MJ	5/16-24 NYLOCK NUT THIN	1
12	222253	5/16-24 x 3 1/4 HEX C/S	1
1-12	780917	8 x 2 FORK W/HDWR V-121 +1-1/2	

FORK ASSEMBLY (QUICKIE V-521)

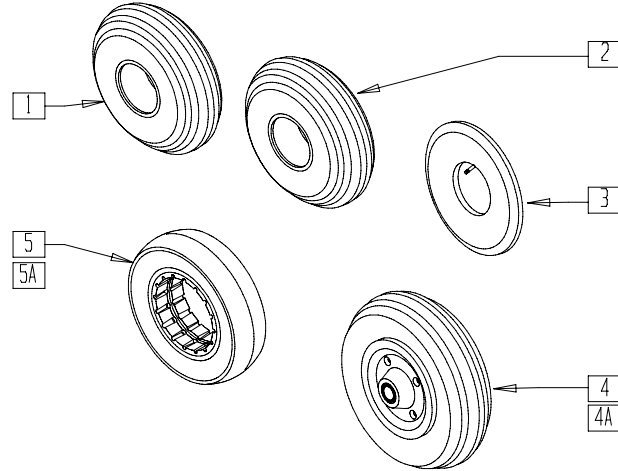


V521X04

ITEM	NUMBER	DESCRIPTION	QTY
1	567001	CASTER CAP S525	1
2	203100	1/2-20 NYLOCK NUT	1
3	264100	1/2 AN WASHER FLAT	1
4	340003	INTERNAL RETAINING RING 1.39	2
5	349504	BEARING 32mm x 15mm x 9mm THK	1
6	226216	5/16-24 x 3 1/4" HEX C/S BLK G8	1
7	263110-QU	5/16 AN WASHER FLAT THIN	2
8	481390	CASTER STEM SHORT	1
8A	481392	CASTER STEM LONG	1
9	349490	BEARING 32mm x 20mm x 7mm	1
10	203115	1/2-20 GRD C LOCK NUT	1

ITEM	NUMBER	DESCRIPTION	QTY
11	550730	8" x 2" FORK ONLY	1
12	202106	5/16-24 NYLOCK NUT THIN BLK	1
13	264101	1/2 WASHER HARDENED FLAT	2
8,10,11,13	780118	8" x 2" FORK STD STEM V521	
8A,10,11,13	780119	8" x 2" FORK 1 1/2 STEM V521	
2,3,6-8,10,13	787118	8" x 2" FORK STD W/HDWR V521	
2,3,6,7,8A,10-13	787119	8" x 2" FORK 1 1/2 W/HDWR V521	

CASTER/TIRE ASSEMBLY (TIRE, TUBE, CASTER AND BEARING)
**(QUICKIE G-424/P110/P190/P200/P210/P300/P320/S-525/S-626/
S-646/S-646SE/V100[P100]/V-121[P120]/V-521/Z500[ZIPPPIE P500])**



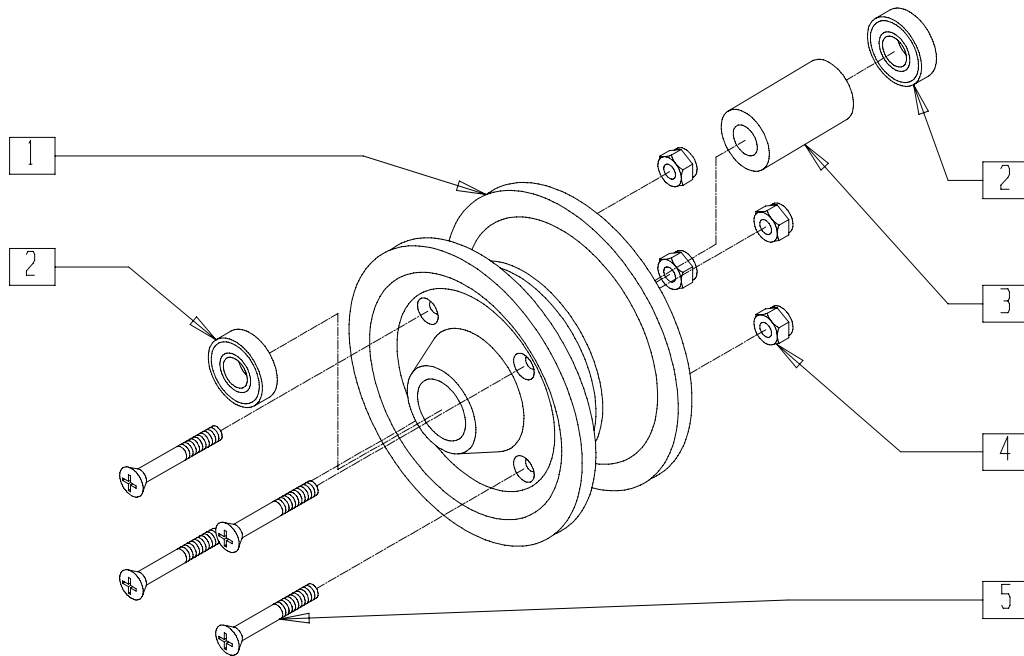
P300X17

ITEM	NUMBER	DESCRIPTION	QTY
1	384700	TIRE PNEUMATIC 8" x 2"	1
2	384701	TIRE FOAMED INSERT 8" x 2"	1
3	384730	INNER TUBE CASTER 8" x 2"	1
4	400700	8" x 2" CMPST W/PNEU & BRNG	1
	400701	8" x 2" CMPST W/SOLID & BR	

ITEM	NUMBER	DESCRIPTION	QTY
4A*	400702	8" x 2" CMPST W/PNEU INSERT & BRNG	1
5	384254	8" x 2" SOLID TIRE	1
5A	384253	7" x 1 3/4" SOLID TIRE	1

* FITS V-121 PRIOR TO V12-010623 AND V-521 PRIOR TO V52-010929.

**8" CASTER RIM (QUICKIE P110/P190/P200/P210/P300/P320/
S-626/S-646/S-646SE/V100[P100]/Z500[ZIPPPIE P500])**

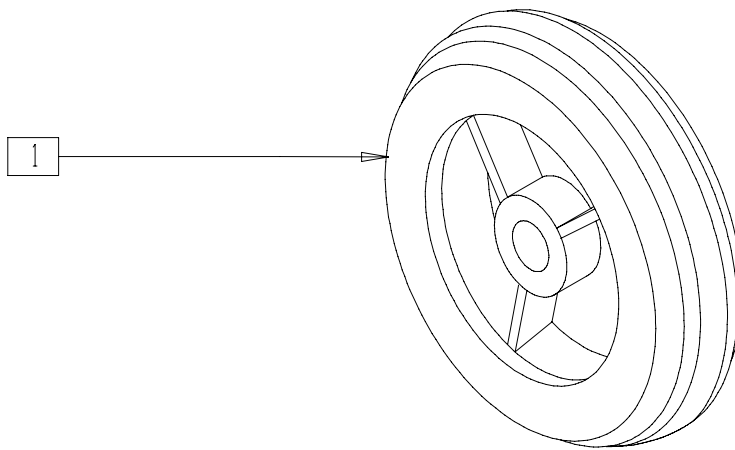


P100X23

ITEM	NUMBER	DESCRIPTION	QTY
1,4,5	400020	HUB CMPST 8" x 2" CASTER W/HDWR	
2	349502	7/8 x 5/16 BEARING	2

ITEM	NUMBER	DESCRIPTION	QTY
3	483714	V100 BEARING SPACER	1
1-5	400704	8" x 2" CMPST CASTER W/BRNGS	

REAR CASTER/TIRE ASSEMBLY (QUICKIE G-424)

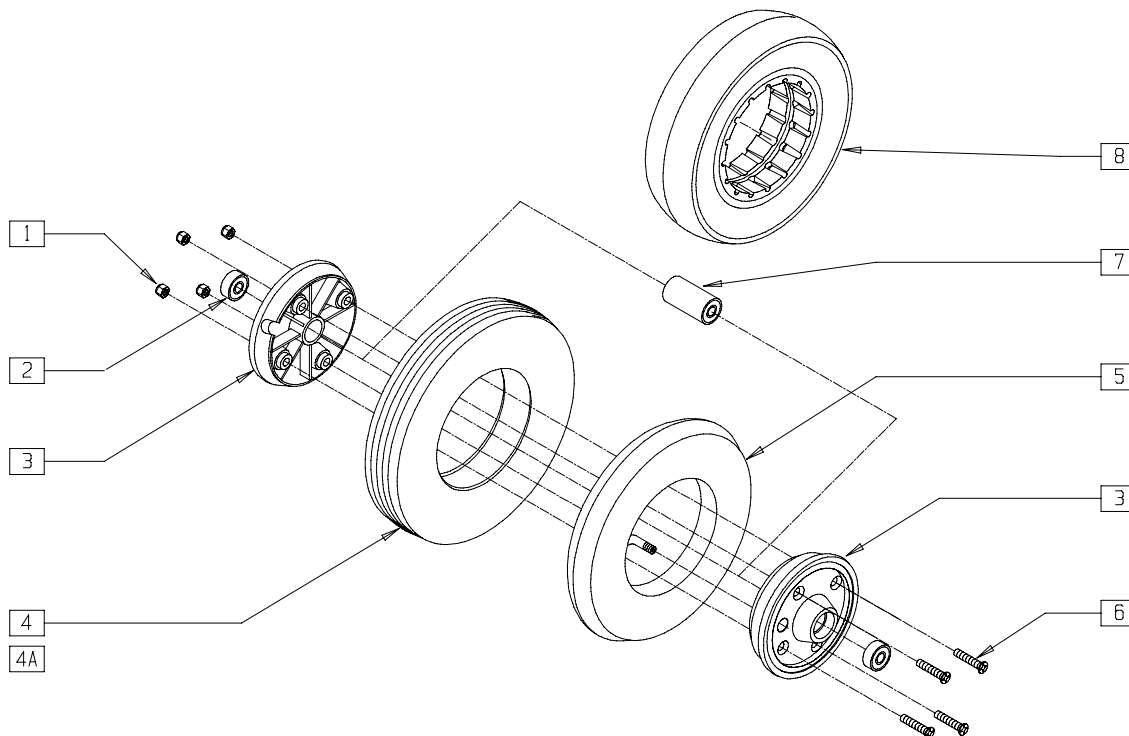


G4240X32

ITEM	NUMBER	DESCRIPTION	QTY
1	400148	5" PLSTC W/WIDE POLY AND BRNG	1

FRONT PNEUMATIC CASTER/TIRE/RIM AND HARDWARE (QUICKIE G-424)

(Discontinued 9/6/01 - parts only)

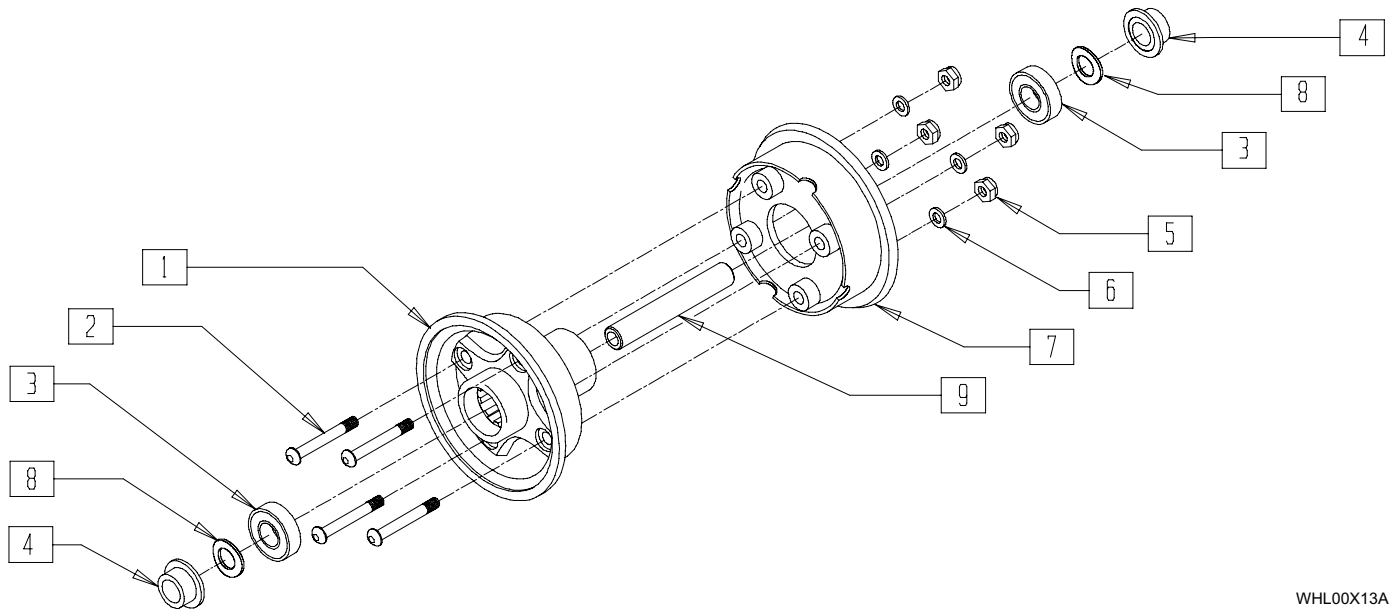


G424X08A

ITEM	NUMBER	DESCRIPTION	QTY
2	349502	7/8 x 5/16 BEARING	2
1-3,6,7	400020	HUB CMPST 8" x 2" CSTR W/HDWR	
4	384521	7" x 1 3/4" PNEUMATIC TIRE	1
4A	384256	7" x 1 3/4" SOLID INSERT	1
5	384522	INNER TUBE 90 VALVE STEM	1

ITEM	NUMBER	DESCRIPTION	QTY
7	483714	V100 BEARING SPACER	1
8	384253	7" x 1 3/4" SOLID TIRE	1
1-7	400400	7" x 1 3/4" CSTR W/PNEU AND BRNG	
1-3,4A,6,7	400401	7" x 1 3/4" CSTR PNEU INSRT W/BRG	
1-3,6-8	400402	7" x 1 3/4" CSTR SOLID TIRE W/BRG	

9"/10" CASTER RIM (QUICKIE P190/P300/P320/S-626/S-646/S-646SE)
 (Effective 11/4/94, beginning serial number P3-8121)

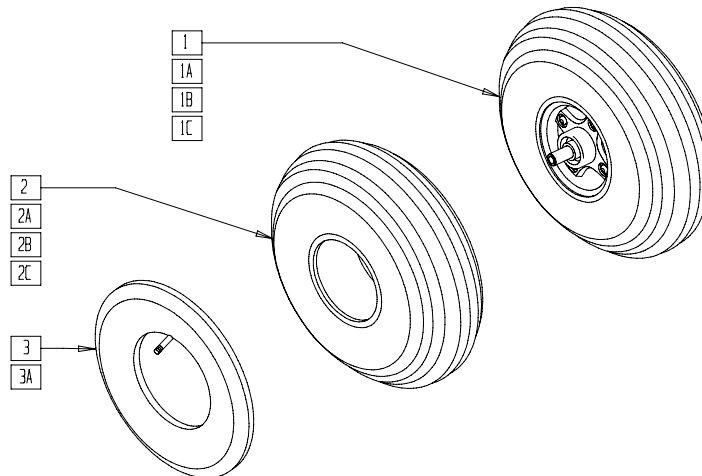


WHL00X13A

ITEM	NUMBER	DESCRIPTION	QTY
4	560790	SPACER 10" CASTER	2

ITEM	NUMBER	DESCRIPTION	QTY
1-3,5-9	400715	10" PLST CASTER STAR ASSM	

TIRES AND TUBES (9"/10" CASTER) (QUICKIE P300)
 (Discontinued 6/30/00 - parts only)
 (Items 1/1A/1B effective 11/4/94, beginning serial number P3-8121)



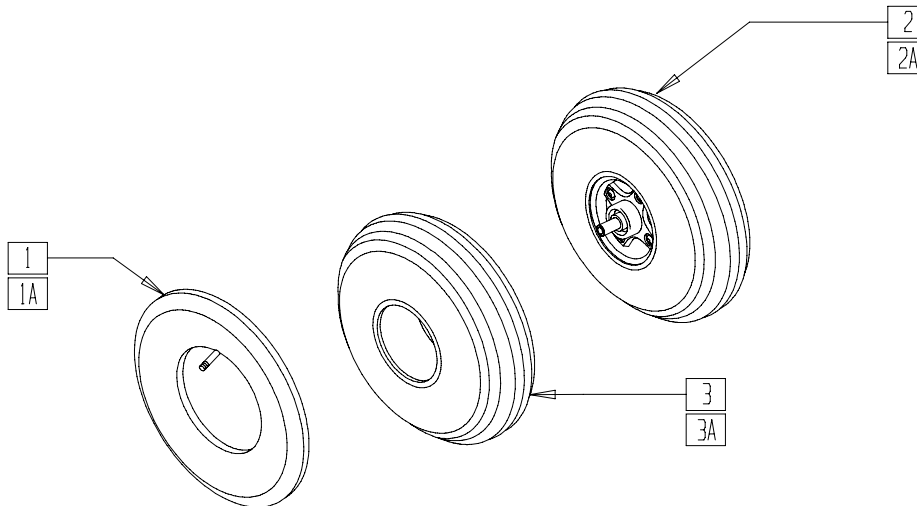
WHL00X15

ITEM	NUMBER	DESCRIPTION	QTY
1	400722	10" PLST STAR W/PNEU AND BRNG	1
1A	400724	10" PLST STAR AEROFLEX AND BRNG	1
1B	400720	9" PLST STAR W/PNEU AND BEARING	1
1C	400719	9" PLST STAR AEROFLEX AND BRNG	1
2	384699	9" x 3" PNEU TIRE 280/250	1

ITEM	NUMBER	DESCRIPTION	QTY
2A	384702	TIRE 10" x 3" PNEUMATIC	1
2B	384727	TIRE FOAM 10" x 3" AEROFLEX	1
2C	384726	TIRE FOAM 9" x 3" AEROFLEX	1
3	384732	INNER TUBE 10" x 3"	1
3A	384733	9" x 3" TUBE 280/250-4	1

TIRES AND TUBES (9" x 3" CASTER) (QUICKIE S-626/S-646/S-646SE)

(Quickie S-626 transitioned into the Quickie S-646 beginning 7/26/02)

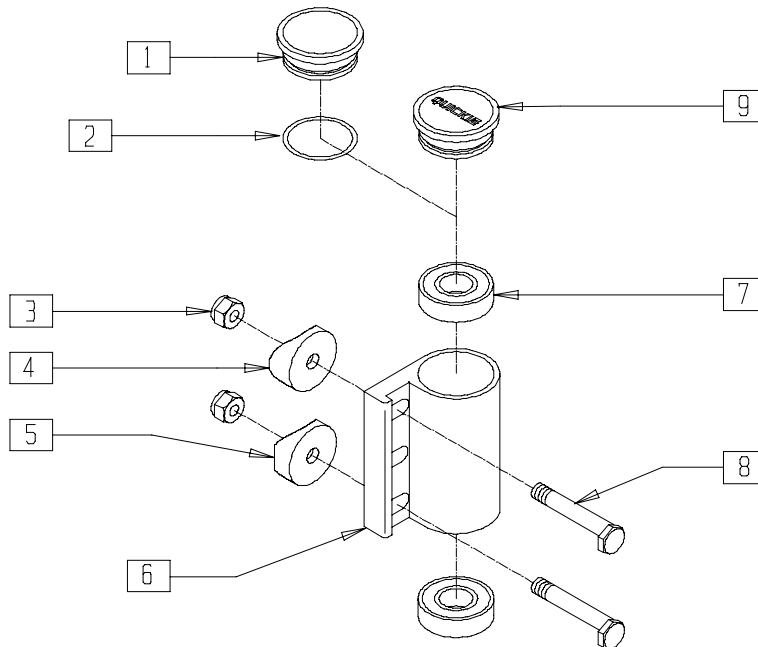


S6260X42

ITEM	NUMBER	DESCRIPTION	QTY
1	384732	INNER TUBE 10" x 3"	1
1A	384733	9" x 3" TUBE 280/250-4	1
2	400750	9" x 3" CASTER WHL ASSM PNEU S626	1

ITEM	NUMBER	DESCRIPTION	QTY
2A	400751	9" x 3" CASTER WHL ASSM SOLID S626	1
3	381716	9" x 3" RIB-GROOVE TIRE	1
3A	384742	9" x 3" RIB-GROOVE SOLID TIRE	1

SWING-AWAY CASTER PLATE (QUICKIE P110/V100[P100]/Z500[ZIPPIE P500])



P100X24

ITEM	NUMBER	DESCRIPTION	QTY
1,2*	880554	CASTER CAP W/O-RING ALUM CLR	1
2*	342006	CASTER CAP O-RING RUBBER	1
3	201120	1/4-28 AUTOMATION NUT	2
4	561004	1" SADDLE 1/4" HOLE	1
5	561086	1" HALF SADDLE 1/4" HOLE	1
7	349500	1 1/8 x 1/2 BEARING	2

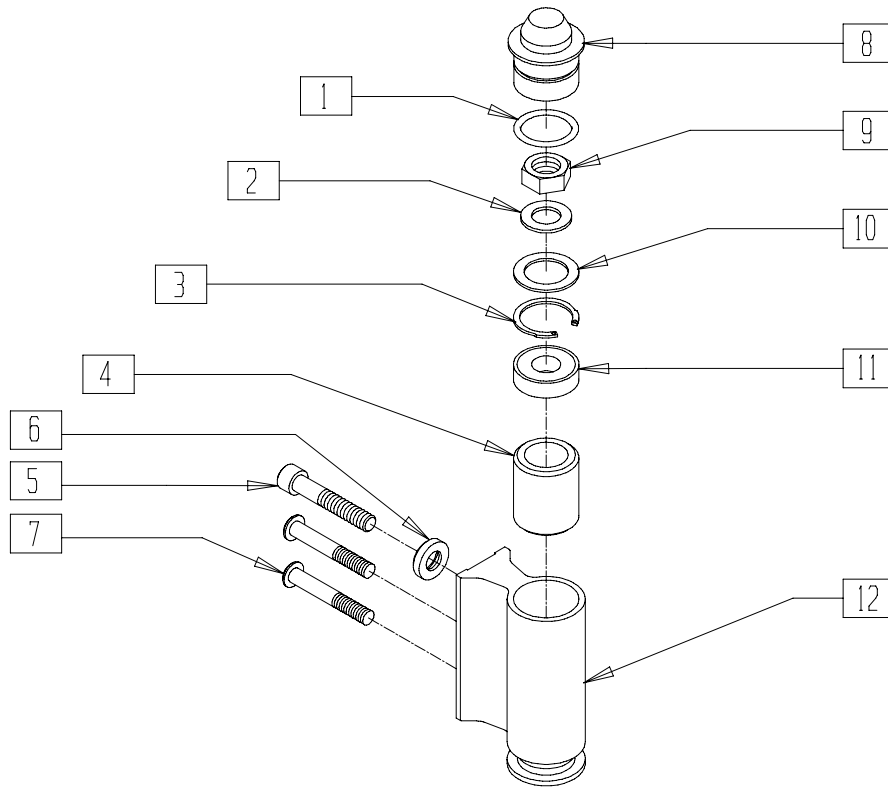
ITEM	NUMBER	DESCRIPTION	QTY
8	481017	1/4-28 x 1.688 ECCENTRIC BOLT	2
9	561070	CASTER CAP PLASTIC	1
	920028	CASTER CAP PLASTIC (PR)	
6,7	780210	CASTER PLATE R DBL BRNG BLK	
	780212	CASTER PLATE L DBL BRNG BLK	
1-5,8*	920203	CASTER PLT HDWR KIT ALUM CAP BLK	
3-5,8,9	920201	CASTER PLT HDWR KIT PLST CAP	

* USED ON CHAIRS PRIOR TO 4/99.

SWING-AWAY CASTER PLATE (QUICKIE P190/P200/P210/P300/P320)

(Fits P300 beginning P3-10500; fits P190 beginning P19-1725)

(Fits P200/P210/P320 beginning 3/6/96)



P300AX08

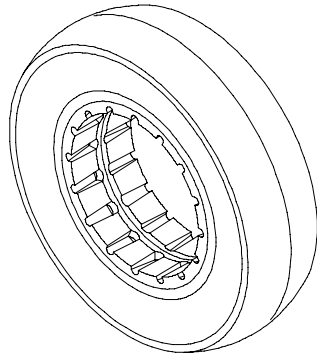
ITEM	NUMBER	DESCRIPTION	QTY
1	342006	CASTER CAP O-RING RUBBER	1
2	264100	1/2 AN WASHER FLAT	1
3	342019	1 1/8 OD SNAP RING	1
4	560128	PLASTIC BUSHING G424	1
5	222107	5/16-18 x 1 3/4 SOC C/S W/PATCH	1
6	483803	S/A RELEASE BUTTON P2	1
7	226210	5/16-18 x 1 3/4 BH C/S SHLDR W/PATCH	2

ITEM	NUMBER	DESCRIPTION	QTY
8	561371	CASTER CAP P2	1
9	203100	1/2-20 NYLOCK NUT	1
10	180065	ANTI-FLUTTER WASHER P2	1
11	349500	1 1/8 x 1/2 BEARING	1
12	501514	CASTER HOUSING P2 (3 HOLE)	1
1,8	880589	CASTER CAP W/O-RING P2	
1-12	920298	CASTER HOUSING ASSM SNGL BRNG	

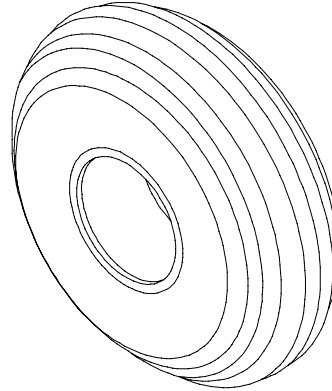
NOTE: ITEM 10 (P/N 180065) NOT USED ON P190.

CASTER REFERENCE GUIDE

7 x 1 3/4
CASTER



8 x 2, 9 x 3, 10 x 3
CASTER



PCSTR03A

CASTER	CHAIR	PRINTED ON TIRE	TIRE TYPE	PART NUMBER	ASSEMBLY TYPES	ASSEMBLY NUMBERS
7" x 1 3/4"	G424 PRIOR TO 9/6/01	7" x 1 3/4	PNEUMATIC	384521	CASTER W/PNEU & BEARING	400400
			PNEU/TUBE	384256	—	—
			SOLID INSERT	384256	CASTER W/SOLID INSERT & BEARING	400401
			SOLID TIRE	384253	CASTER W/SOLID TIRE & BEARING	400402
8" x 2"	G424 9/6/01 TO PRESENT; P100(V100), P110,P120(V121),P190, P200,P210,P220,P222, P222SE,P300,P320, P500(Z500),S525,S626, S646,S646SE,V521	200 x 50	PNEUMATIC	384700	CASTER W/PNEU & BEARING	400700
			PNEU/TUBE	384730	—	—
			SOLID INSERT	384701	CASTER W/SOLID INSERT & BEARING	400702
			SOLID TIRE	384254	CASTER W/SOLID TIRE & BEARING	400701
			—	—	RIM ASSEMBLY	400704
			—	—	—	—
9" x 3"	P220,P222,P222SE, S626,S646,S646SE	2.80/2.50 x 4	PNEUMATIC	381716	CASTER W/PNEU & BEARING	400750
			PNEU/TUBE	384733	—	—
			SOLID TIRE	384742	CASTER W/SOLID TIRE & BEARING	400751
			—	—	RIM ASSEMBLY	400715
9" x 3"	P190,P300	2.80/2.50 x 4	PNEUMATIC	384699	CASTER W/PNEU & BEARING	400720
			PNEU/TUBE	384733	—	—
			SOLID TIRE	384726	CASTER W/SOLID TIRE & BEARING	400719
			—	—	RIM ASSEMBLY	400715
10" x 3"	P300	260 x 85	PNEUMATIC	384702	CASTER W/PNEU & BEARING	400722
			PNEU/TUBE	384732	—	—
			SOLID TIRE	384727	CASTER W/SOLID TIRE & BEARING	400724
			—	—	RIM ASSEMBLY	400715

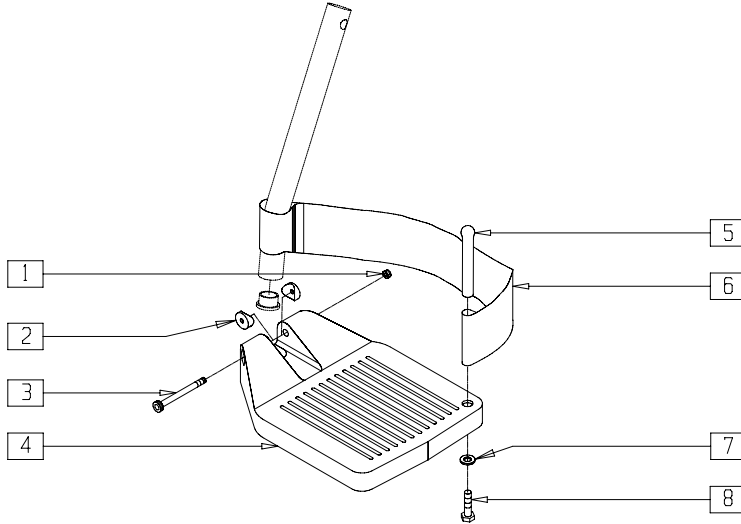
Footrests

IN THIS SECTION

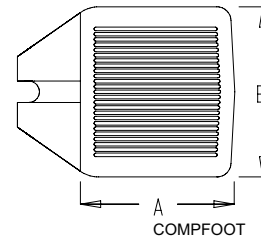
Composite Footplate (Quickie P110/P190/P200/P210/ P-220/P-222/P-222SE/P300/P320/ V100[P100]/V-521/Z500[Zippie P500]).....	9.1
Footrest Extension Tube (Composite Footplate) (Quickie P190 (Disc.)/P200/P210/P300/P320).....	9.1
Footrest Extension Tube (Quickie P110/ V100[P100]/Z500[Zippie P500]) (Disc.).....	9.2
Footrest Extension Tube (Quickie V-121[P120])	9.2
Footrest Extension Tube “V” Hangers (Composite Footplate) (Quickie P110/ V100[P100]/Z500[Zippie P500]) (Disc.).....	9.3
Double D Footrest Extension Tube (Elevating Legrest) (Quickie G-424/P110/ P-220/P-222/P-222SE/S-626/S-646/ S-646SE/V100[P100]/Z500[Zippie P500]) (Disc.).....	9.3
Double D Footrest Extension Tube (“V” Hangers) (Quickie P110/ V100[P100]/Z500[Zippie P500]) (Disc.).....	9.4
Double D Footrest Extension Tube (Standard and “V” Hangers) (Quickie Freestyle/G-424/ P110/P-220/P-222/P-222SE/S-525/S-626/S-646/ S-646SE/V100[P100]/Z500[Zippie P500])	9.5
Kids Angle-adjustable Footplate (Quickie P110/V100[P100]/Z500[Zippie P500])	9.6
Adult Angle-adjustable Footplate (Quickie Freestyle/P110/P190/P200/P210/P-220/ P-222SE/P300/P320/S-626/S-646/S-646SE/ V100[P100]/V-521/Z500[Zippie P500])	9.7
Adult Angle-adjustable Footplate — 90° (Quickie P110/V100[P100]/Z500[Zippie P500])	9.8
Kids Angle-adjustable Footplate — Extension Mount (Quickie Freestyle/G-424/P110/ P-220/P-222/P-222SE/S-525/S-626/S-646/ S-646SE/V100[P100]/V-521/Z500[Zippie P500]).....	9.9
High-mount Extension Tube (Quickie P110/V100[P100]/Z500[Zippie P500])	9.9
Extended Footplate (Composite) (Quickie P110/P190/P200/P210/P300/ P320/V100[P100]/Z500[Zippie P500]) (Disc.).....	9.10
ELR Aluminum Footplate	9.11
Platform Flip-up Footrest (Quickie P110/V100[P100]).....	9.11
Platform Flip-up Footrest (Double D) (Quickie P110/V100[P100]) (Disc.)	9.12
Platform Flip-up Footrest (Double D) (Quickie P110/V100[P100]).....	9.13
90° Solid Footboard (Quickie P110/V100[P100]/Z500[Zippie P500])	9.14
Swing-away Footplate (Quickie P300) (Disc.).....	9.15
Swing-away Footplate (Quickie Power Recline System) (Disc.).....	9.15
Solid Flip-up Footrest (Quickie G-424) (Disc.)	9.16
Solid Flip-up Footrest (Quickie G-424)	9.16
Footrest (Quickie Freestyle)	9.17
Solid One Piece Footplate (Quickie P-222)(Disc.)	9.17
Solid One Piece Footplate (Quickie Freestyle/P-220/P-222/P-222SE)	9.18
Two Piece Locking Footplate (Quickie P-222) (Disc.)	9.19
Two Piece Locking Footplate (Quickie Freestyle/P-220/ P-222/P-222SE/S-646/S-646SE).....	9.20
Multi-position Footplate (Quickie G-424/P-222/S-525/S-626/V-521)(Disc.)..	9.21
Multi-position Footplate (Quickie Freestyle/G-424/P-220/P-222/ P-222SE/S-525/S-626/S-646/S-646SE/V-521).....	9.22
Heel Loop Reference Guide	9.23

COMPOSITE FOOTPLATE (QUICKIE P110/P190/P200/P210/ P-220/P-222/P-222SE/P300/P320/V100[P100]/V521/Z500[ZIPPPIE P500])

(Fits P300 beginning serial number P3-10500)



MEASURING GUIDE



PART NUMBER	"A"	"B"
921161	4 1/2"	6"
921162	5 1/2"	6"
921163	6 1/2"	6"

Drawing shows right side

P200X17

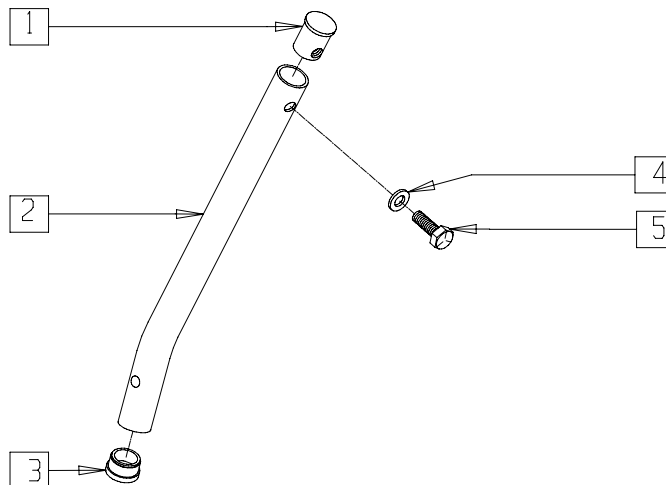
ITEM	NUMBER	DESCRIPTION	QTY
1	201100-QU	1/4-28 NYLOCK NUT THIN	1
2*	561003	3/4" SADDLE THIN	2
3	226165	1/4-28 x 2 1/2 SOC C/S	1
4	561200-561220	CMPST FOOTPLATE 14"-20"	1
5	561040	HEEL LOOP PEG	1
6	741151, 741153, 741156	HEEL LOOP 14"-20" CMPST	1
7	262110-QU	1/4 AN WASHER FLAT THIN	1

ITEM	NUMBER	DESCRIPTION	QTY
8	221110	1/4-20 x 1 HEX C/S	1
1,3-4	921180-921185	CMPST FOOTPLATE ASSM (EA)	
	921151-921153	CMPST FOOTPLATE ASSM (PR)	
1,3-8	921190-921195	CMPST FOOTPLATE ASSM W/HEEL LOOPS (EA)	
	921161-921163	CMPST FOOTPLATE ASSM W/HEEL LOOPS (PR)	

* ITEM 2 NOT INCLUDED WITH FOOTPLATE ASSEMBLY; ITEM 2 IS INCLUDED WITH EXTENSION TUBE ASSEMBLY.

FOOTREST EXTENSION TUBE (COMPOSITE FOOTPLATE) (QUICKIE P190/P200/P210/P300/P320)

(Fits P300 beginning serial number P3-10500) (P190 Discontinued 7/1/99 - parts only)



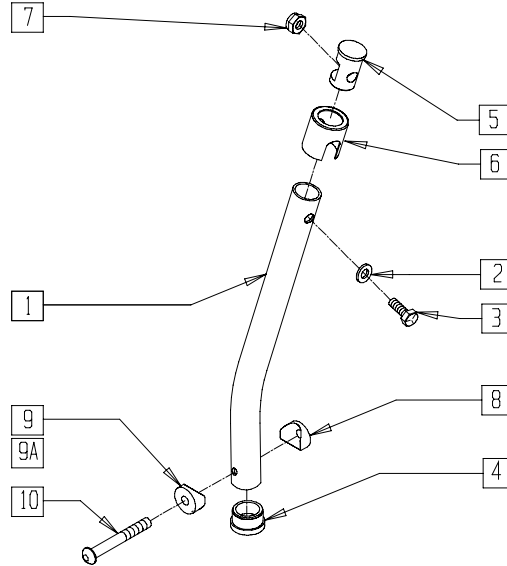
P200X18

ITEM	NUMBER	DESCRIPTION	QTY
1	483001	Q2 FRAME/FOOT RETAINING PLUG	1
2	521015	FOOTREST EXT TUBE P2	1
3	561000-QU	3/4" INSERT PLUG .083	1

ITEM	NUMBER	DESCRIPTION	QTY
4	262130	6mm WASHER WAVE	1
5	221110	1/4-20 x 1 HEX C/S	1
1-5	921220	CMPST FT PLT EXT TUBE ASSM P2	

FOOTREST EXTENSION TUBE (QUICKIE P110/V100[P100]/Z500[ZIPPIE P500])

(Discontinued 4/99 for Elevating Legrests; discontinued 10/23/99 for Swing-away Hangers)

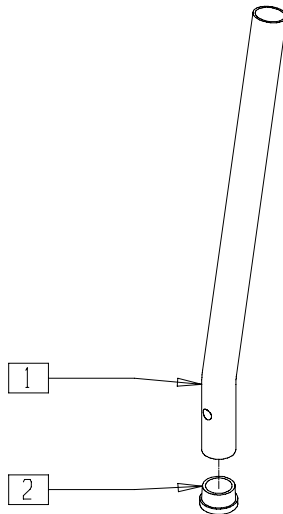


PFT0X05

ITEM	NUMBER	DESCRIPTION	QTY
1	521010	F/REST EXT TUBE ONLY SHT BLK	1
	521011	F/REST EXT TUBE ONLY MED BLK	
	521012	F/REST EXT TUBE ONLY LNG BLK	
	521013	F/REST EXT TUBE ONLY X-LNG BLK	
2	262130	6MM WASHER WAVE	1
3	221110	1/4-20 x 1 HEX C/S	1
4	561000-QU	3/4" INSERT PLUG .083	1
5	483553	FOOTREST INSERT PLUG Q2N	1
6	560750	BUSHING FOOTREST Q2N	1
7	201136	1/4-20 NYLOCK NUT HIGH	1
8	561003	3/4" SADDLE THIN	1

ITEM	NUMBER	DESCRIPTION	QTY
9	561003	3/4" SADDLE THIN	1
9A	561055	3/4" SADDLE 1" OD	1
10	226167	1/4-28 x 1.625 BH C/S BLK	1
1-9	921221	F/REST EXT TUBE SHORT ASSM BLK	1
	921222	F/REST EXT TUBE MED ASSM BLK	
	921223	F/REST EXT TUBE LONG ASSM BLK	
	921224	F/REST EXT TUBE X-LNG ASSM BLK	
1-7, 9A,10	921360	FT EXT SHT ASSM ANG ADJ ASSM	1
	921361	FT EXT MED ASSM ANG ADJ ASSM	
	921362	FT EXT LNG ASSM ANG ADJ ASSM	
	921363	FT EXT X-LNG ASSM ANG ADJ ASSM	

FOOTREST EXTENSION TUBE (QUICKIE V-121[P120])



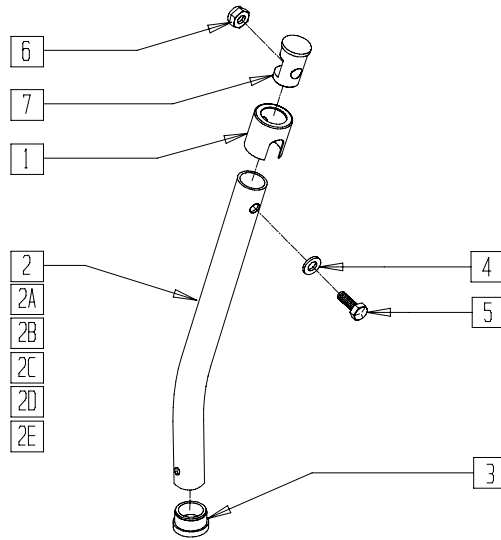
P9000X12

ITEM	NUMBER	DESCRIPTION	QTY
1	521082	F/RST EXTENSION TUBE B500/P120	1

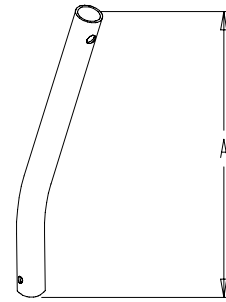
ITEM	NUMBER	DESCRIPTION	QTY
2	560761	3/4" INSERT PLUG .049 (18GA)	1

FOOTREST EXTENSION TUBE "V" HANGERS (COMPOSITE FOOTPLATE) (QUICKIE P110/V100[P100]/Z500[ZIPPIE P500])

(Discontinued 10/23/99 - parts only)



MEASURING GUIDE



EXTUBE

	"A"
SHORT	7"
MED	8 7/8"
LONG	11 3/8"

PFT0X07A

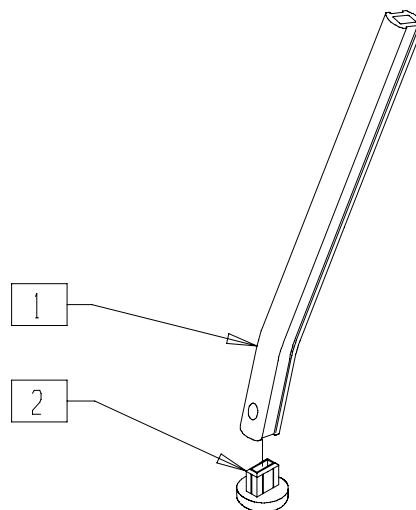
ITEM	NUMBER	DESCRIPTION	QTY
1	560750	BUSHING FOOTREST Q2N	1
2	521040	FOOTPLATE EXT TUBE ONLY "V" SHT R	1
2A	521041	FOOTPLATE EXT TUBE ONLY "V" SHT L	1
2B	521042	FOOTPLATE EXT TUBE ONLY "V" MED R	1
2C	521043	FOOTPLATE EXT TUBE ONLY "V" MED L	1
2D	521044	FOOTPLATE EXT TUBE ONLY "V" LNG R	1
2E	521045	FOOTPLATE EXT TUBE ONLY "V" LNG L	1
3	561000-QU	3/4" INSERT PLUG .083	1
4	262130	6mm WASHER WAVE	1

ITEM	NUMBER	DESCRIPTION	QTY
5	221110	1/4-20 x 1 HEX C/S	1
6	201136	1/4-20 NYLOCK NUT HIGH	1
7	483553	FOOTREST INSERT PLUG Q2N	1
1-7	921186	"V" FOOTPLATE EXT TUBE SHT R ASSM	
1,2A,3-7	921196	"V" FOOTPLATE EXT TUBE SHT L ASSM	
1,2B,3-7	921187	"V" FOOTPLATE EXT TUBE MED R ASSM	
1,2C,3-7	921197	"V" FOOTPLATE EXT TUBE MED L ASSM	
1,2D,3-7	921188	"V" FOOTPLATE EXT TUBE LNG R ASSM	
1,2E,3-7	921198	"V" FOOTPLATE EXT TUBE LNG L ASSM	

DOUBLE D FOOTREST EXTENSION TUBE (ELEVATING LEGREST)

(QUICKIE G-424/P110/P-220/P-222/P-222SE/S-626/
S-646/S-646SE/V100[P100]/Z500[ZIPPIE P500])

(Effective 10/23/99) (Discontinued 8/13/01 for Swing-away Hangers)

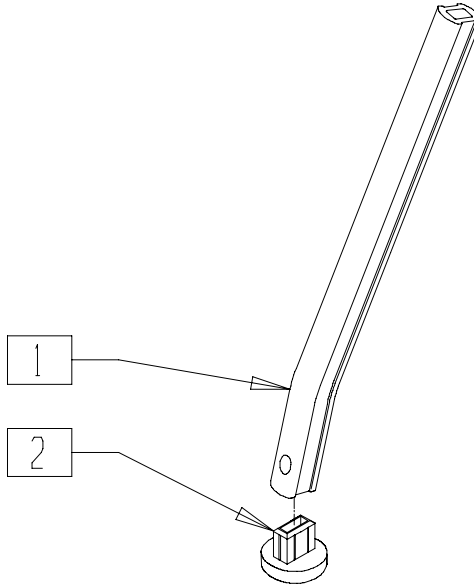


PFTEXT1A

ITEM	NUMBER	DESCRIPTION	QTY
1	550764	S/A HANGER EXT D2 SHORT BLK	1
	550765	S/A HANGER EXT D2 MED BLK	
	550766	S/A HANGER EXT D2 LONG BLK	

ITEM	NUMBER	DESCRIPTION	QTY
2	560752	PLUG FOOTREST EXT TUBE Q2 ROUND	1

**DOUBLE D FOOTREST EXTENSION TUBE (“V” HANGERS)
 (QUICKIE P110/V100[P100]/Z500[ZIPPIE P500])
 (Effective 10/23/99) (Discontinued 8/13/01 - parts only)**



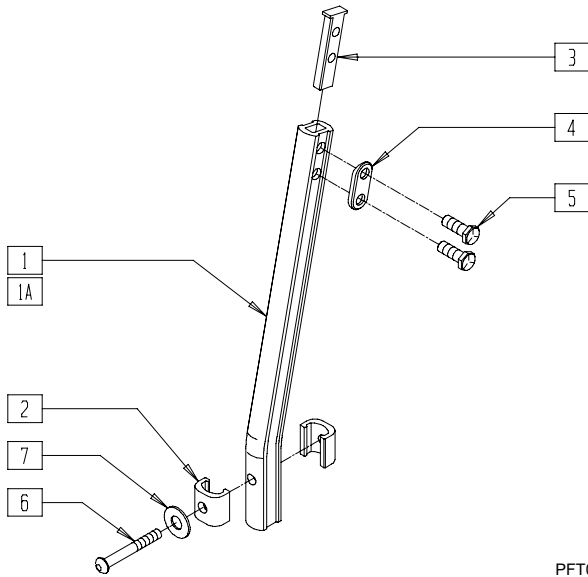
Drawing shows left side

PFTEXT2A

ITEM	NUMBER	DESCRIPTION	QTY
1	523135,	FOOTREST EXT TUBE “V” D2 MED (EA)	1
	523136		
	523137, 523138	FOOTREST EXT TUBE “V” D2 LONG (EA)	

ITEM	NUMBER	DESCRIPTION	QTY
2	560752	PLUG FTRST EXT TUBE Q2 ROUND	1

DOUBLE D FOOTREST EXTENSION TUBE (STANDARD AND "V" HANGERS)
(QUICKIE FREESTYLE/G-424/P110/P-220/P-222/P-222SE/S-525/
S-626/S-646/S-646SE/V100[P100]/Z500[QUICKIE P500])
 (Effective 8/13/01)



PFT0X04

MEASURING GUIDE



PGUIDE01

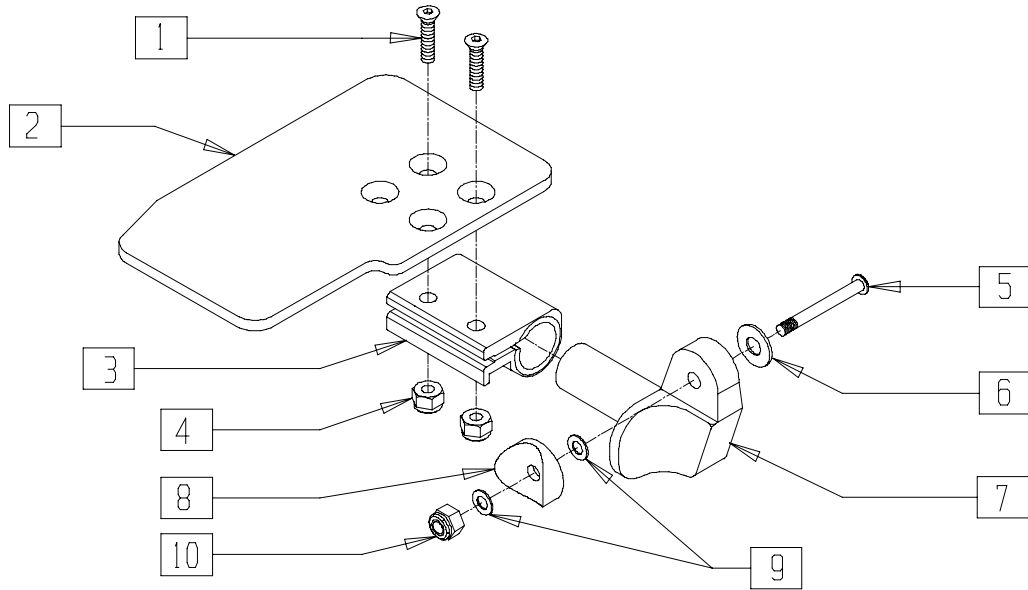
STD	"A"	"V"	"A"
SHORT	7"	SHORT	7"
MED	9 1/2"	MED	9"
LONG	12"	LONG	11"
X-LONG	14"	X-LONG	13"

ITEM	NUMBER	DESCRIPTION	QTY
1	550819	EXT TBE S/A ONLY SHT	1
	550820	EXT TBE S/A ONLY MED	
	550821	EXT TBE S/A ONLY LONG	
	550822	EXT TBE S/A ONLY X-LNG	
1A	550834, 550835	EXT TBE "V" ONLY D2 SHT (EA)	1
	550836, 550837	EXT TBE "V" ONLY D2 MED (EA)	
	550838, 550839	EXT TBE "V" ONLY D2 LNG (EA)	
	550840, 550841	EXT TBE "V" ONLY D2 X-LNG (EA)	
2	483718	HANGER EXTENSION SADDLE	2
3	500078	INSERT D2 EXT TUBE	1
4	483717	HANGER SADDLE	1
5	221102	1/4-28 x 3/4 HEX HEAD C/S BLK W/PTCH	2
6	227140	1/4-28 x 1 3/4 BH C/S BLK ZN	1
7	262120	1/4" SAE WASHER	1
1-5	921759	EXT TBE S/A SHT ASSM PCKT	
	921760	EXT TBE S/A MED ASSM PCKT	
	921761	EXT TBE S/A LNG ASSM PCKT	
	921762	EXT TBE S/A X-LNG ASSM PCKT	

ITEM	NUMBER	DESCRIPTION	QTY
1A,2-5	921751, 921752	EXT TBE "V" D2 SHT ASSM PCKT (EA)	
	921753, 921754	EXT TBE "V" D2 MED ASSM PCKT (EA)	
	921755, 921756	EXT TBE "V" D2 LNG ASSM PCKT (EA)	
	921757, 921758	EXT TBE V D2 X-LNG ASSM PCKT (EA)	
1-7	921772	EXT TBE S/A SHT ANG ADJ PCKT	
	921773	EXT TBE S/A MED ANG ADJ PCKT	
	921774	EXT TBE S/A LNG ANG ADJ PCKT	
	921775	EXT TBE S/A XLNG ANG ADJ PCKT	
1A,2-7	921764, 921765	EXT TB V D2 SHT ANG ADJ PCKT (EA)	
	921766, 921767	EXT TB V D2 MED ANG ADJ PCKT (EA)	
	921768, 921769	EXT TB V D2 LNG ANG ADJ PCKT (EA)	
	921770, 921771	EXT TB V D2 XLNG ANG AD PCKT (EA)	

KIDS ANGLE-ADJUSTABLE FOOTPLATE (QUICKIE P110/V100[P100]/Z500[ZIPPIE P500])

(Fits 90° hanger only)



Drawing shows right side

P500X45

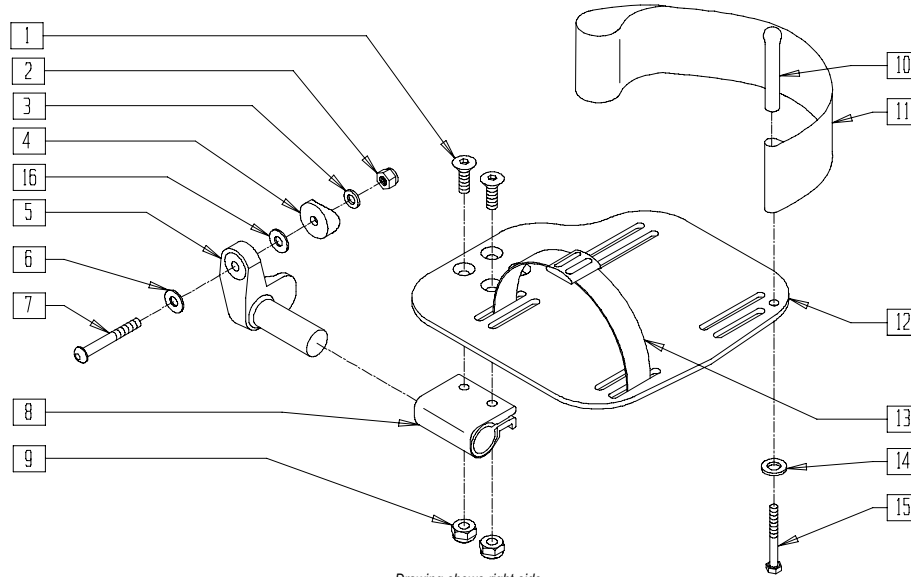
ITEM	NUMBER	DESCRIPTION	QTY
1	226099	1/4-28 x 7/8 FH C/S	2
2	500635-500648	KIDS ANGLE ADJ F/PLT (EA)	1
3	550350	3/4" CLAMP ADJ FOOTPLATE	1
4	201100-QU	1/4-28 NYLOCK NUT THIN	2
5	226150	1/4-28 x 2 BH C/S	1
6	262120	1/4 SAE WASHER	1
7	541000, 541001	FOOTREST MOUNTING BRACKET 1" RAD (EA)	1

ITEM	NUMBER	DESCRIPTION	QTY
8	561004	1" SADDLE 1/4" HOLE	1
9	262110-QU	1/4 AN WASHER FLAT THIN	2
10	201110-QU	1/4-28 NYLOCK NUT	1
1-10	828825-828834	KIDS ANG ADJ F/PLT ASSM (EA)	
	921228-921232	KIDS ANG ADJ F/PLT ASSM (PR)	

NOTE: FOR KIDS ANGLE-ADJUSTABLE FOOTPLATE — EXTENSION MOUNT, SEE PAGE 9.9.

ADULT ANGLE-ADJUSTABLE FOOTPLATE

(QUICKIE FREESTYLE/P110/P190/P200/P210/P-220/P-222SE/P300/P320/
S-626/S-646/S-646SE/V100[P100]/V521/Z500[ZIPPIE P500])



Drawing shows right side

PFT0X03A

ITEM	NUMBER	DESCRIPTION	QTY
1	226099	1/4-28 x 7/8 FH C/S	2
2	201120	1/4-28 AUTOMATION NUT	1
3	262110-QU	1/4 AN WASHER FLAT THIN	1
4*	561055	3/4" SADDLE 1" OD	1
5	541002	FTRST MOUNTING BRKT-3/8 RAD R	1
	541003	FTRST MOUNTING BRKT-3/8 RAD L	
6	262120	1/4 SAE WASHER	1,2
7*	227140	1/4-28 x 1 3/4 BH C/S BLK ZN (D2 EXTENSION TUBES)	1
	226167	1/4-28 x 1.625 BH C/S BLK (ROUND EXTENSION TUBES)	
8	550350	3/4" CLMP ADJ FT PLT	1
9	201100-QU	1/4-28 NYLOCK NUT THIN	2
10	561040	HEEL LOOP PEG	1
11	741153, 741252, 741253	HEEL LOOP ADLT ADJ F/PLT (EA)	1

ITEM	NUMBER	DESCRIPTION	QTY
12	500660- 500665	ADLT ANGL ADJ F/PLT (EA)	1
13	740260	TOE/ANKLE STRAP ADJ ADLT F/PLT	1
14	262110-QU	1/4 AN WASHER FLAT THIN	1
15	221110	1/4-20 x 1 HEX C/S	1
16*	262120	1/4" SAE WASHER	1
1-3,5,6, 8,9,12	820460- 820470	F/PLT ADULT ADJ (EA)	
1-3,5,6, 8-12,14,15	820461- 820471	F/PLT ADULT ADJ H/LP (EA)	
1-3,5,6, 8,9,12	921320- 921324	F/PLT ADULT ADJ (PR)	
1-3,5,6, 8-12,14,15	921321- 921325	F/PLT ADULT ADJ H/LP (PR)	

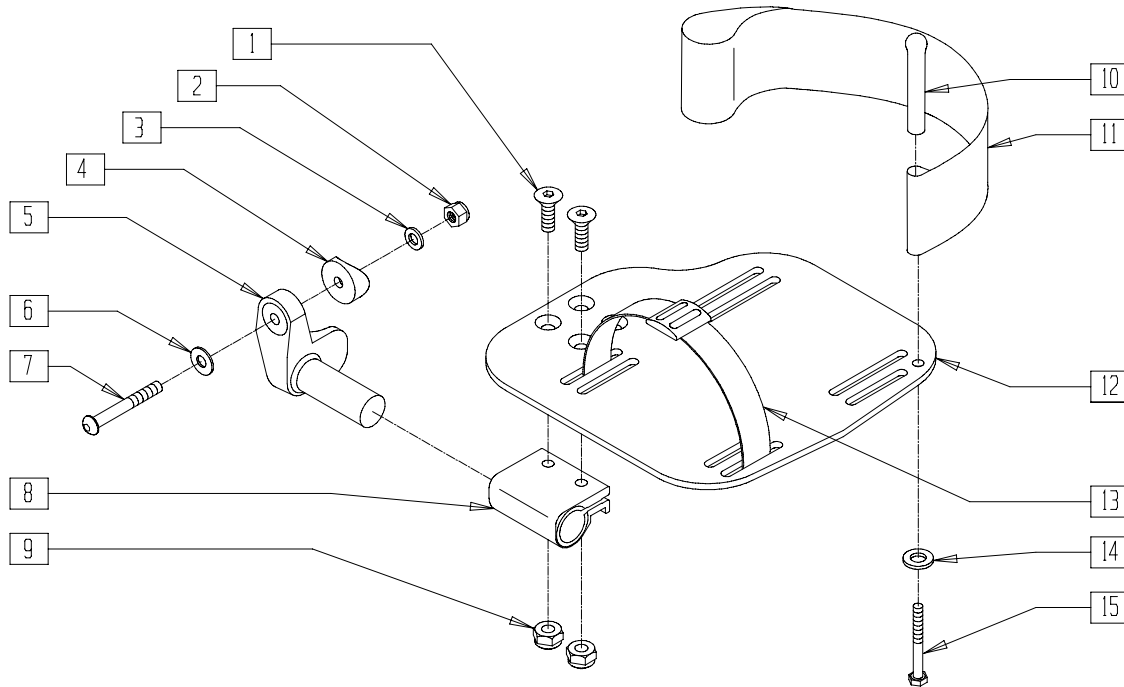
NOTE: ORDER ASSEMBLIES WITHOUT HEEL LOOPS FOR USE WITH ELEVATING LEGREST.

* ITEMS 4, 7 AND 16 NOT INCLUDED WITH FOOTPLATE ASSEMBLY; ITEMS 4, 7 AND 16 INCLUDED WITH EXTENSION TUBE ASSEMBLY.

ADULT ANGLE-ADJUSTABLE FOOTPLATE REFERENCE GUIDE

	11"-13"	14"	15"	16"	17"	18"	19"	20"
Right	N/A	820460	820460	820464	820464	820468	820468	820468
Rght /HL	N/A	820461	820461	820465	820465	820469	820469	820469
Left	N/A	820462	820462	820466	820466	820470	820470	820470
Left w/HL	N/A	820463	820463	820467	820467	820471	820471	820471
Pair	N/A	921320	921320	921322	921322	921324	921324	921324
Pair w/HL	N/A	921321	921321	921323	921323	921325	921325	921325

ADULT ANGLE-ADJUSTABLE FOOTPLATE — 90° (QUICKIE P110/V100[P100]/Z500[ZIPPIE P500])



PFT0X08A

ITEM	NUMBER	DESCRIPTION	QTY
1	226099	1/4-28 x 7/8 FH C/S	2
2	201110-QU	1/4-28 NYLOCK NUT	1
3	262110-QU	1/4 AN WASHER FLAT THIN	1
4	561004	1" SADDLE 1/4" HOLE	1
5	541000	FTRST MOUNTING BRKT - 1" RAD R	1
	541001	FTRST MOUNTING BRKT - 1" RAD L	
6	262120	1/4 SAE WASHER	1
7	226150	1/4-28 x 2 BH C/S	1
8	550350	3/4" CLMP ADJ FT PLT	1
9	201100-QU	1/4-28 NYLOCK NUT THIN	2
10	561040	HEEL LOOP PEG	1
11	741153, 741252, 741253	HEEL LOOP ADLT ADJ F/PLT (EA)	1

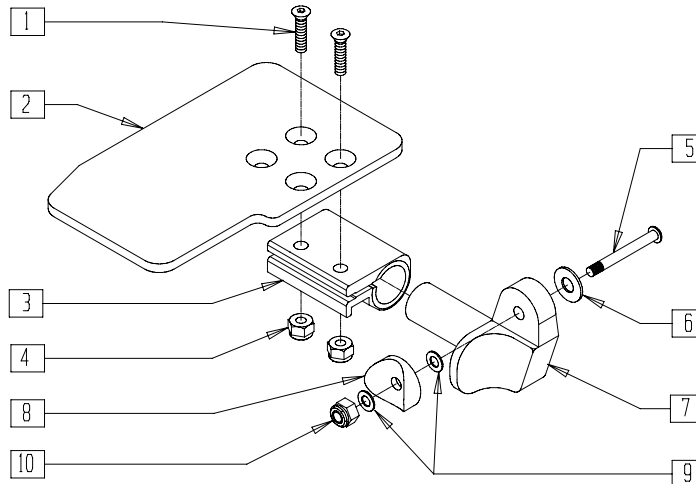
ITEM	NUMBER	DESCRIPTION	QTY
12	500660- 500665	ADLT ANGL ADJ FLIP-UP F/PLT (EA)	1
13	740260	TOE/ANKLE STRAP ADJ ADLT F/PLT	1
14	262110-QU	1/4 AN WASHER FLAT THIN	1
15	221110	1/4-20 x 1 HEX C/S	1
1-9,12	820472- 820477	F/PLT ADULT ADJ 90° (EA)	
1-12,14,15	820478- 820483	F/PLT ADULT ADJ 90° H/LP (EA)	
1-9,12	921330- 921332	F/PLT ADULT ADJ 90° (PR)	
1-12,14,15	921333- 921335	F/PLT ADULT ADJ 90° H/LP (PR)	

ADULT ANGLE-ADJUSTABLE FOOTPLATE — 90° REFERENCE GUIDE

	14"	16"	18"	20"
Right	820472	820474	820476	820476
Right w/HL	820478	820480	820482	820482
Left	820473	820475	820477	820477
Left w/HL	820479	820481	820483	820483
Pair	921330	921331	921332	921332
Pair w/HL	921333	921334	921335	921335

KIDS ANGLE-ADJUSTABLE FOOTPLATE — EXTENSION MOUNT

(QUICKIE FREESTYLE/G-424/P110/P-220/P-222/P-222SE/S-525/S-626/
S-646/S-646SE/V100[P100]/V-521/Z500[ZIPPIE P500])



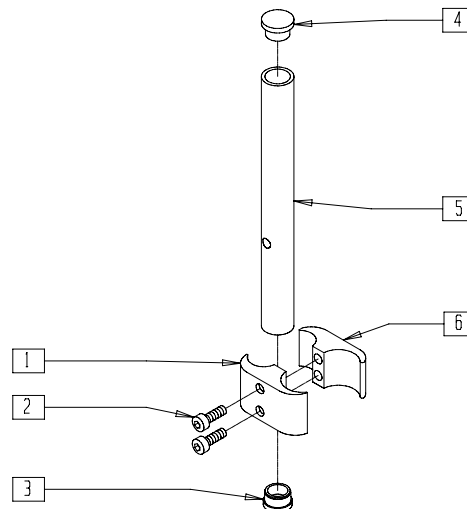
PFT0X09A

ITEM	NUMBER	DESCRIPTION	QTY
1	226099	1/4-28 x 7/8 FH C/S	2
2	500635-500648	KIDS ANGL ADJ FOOTPLATE 10"-16" (EA)	1
3	550350	3/4" CLAMP ADJ FOOTPLATE	1
4	201100-QU	1/4-28 NYLOCK NUT THIN	2
5*	227140	1/4-28 x 1 3/4 BH C/S BLK ZN (D2 EXTENSION TUBES)	1
	226167	1/4-28 x 1.625 BH C/S BLK (ROUND EXTENSION TUBES)	
6	262120	1/4 SAE WASHER	1

ITEM	NUMBER	DESCRIPTION	QTY
7	541002, 541003	FOOTREST MOUNTING BRACKET 3/8" RAD (EA)	1
8*	561055	3/4" SADDLE 1" OD	1
9	262110-QU	1/4 AN WASHER FLAT THIN	2
10	201120	1/4-28 AUTOMATION NUT	1
1-7, 9,10	828850-828863	KIDS ANG ADJ FOOTPLATE EXT MNT 10"-16" (EA)	
	921280-921286	KIDS ANG ADJ FOOTPLATE EXT MNT 10"-16" (PR)	

* ITEMS 5 AND 8 NOT INCLUDED WITH FOOTPLATE ASSEMBLY; ITEMS 5 AND 8 INCLUDED WITH EXTENSION TUBE ASSEMBLY.

HIGH-MOUNT EXTENSION TUBE (QUICKIE P110/V100[P100]/Z500[ZIPPIE P500])



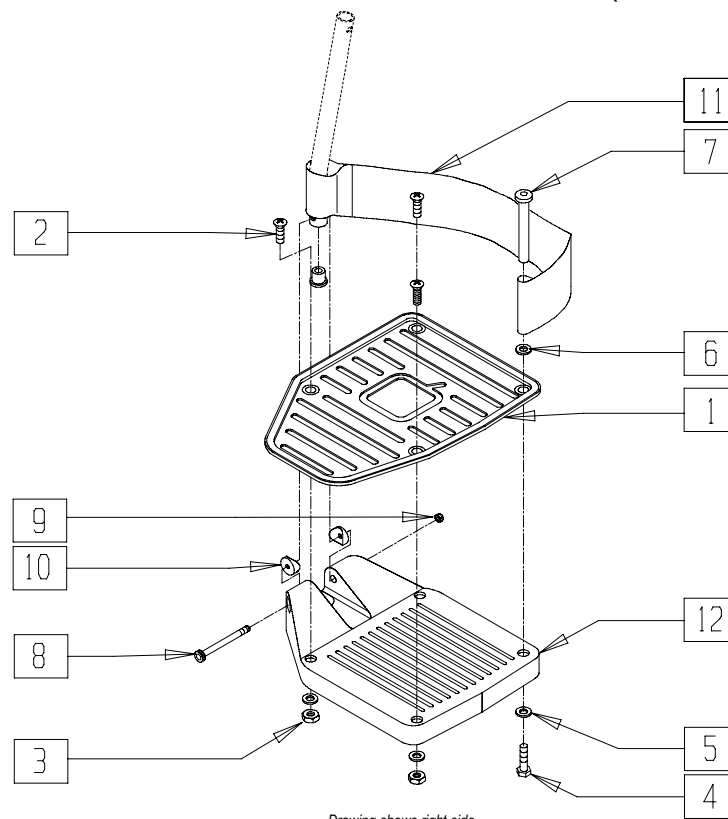
PFT0X10A

ITEM	NUMBER	DESCRIPTION	QTY
1	550657	CLAMP 1 1/4" RECESS FULL BLK	1
2	226112	1/4-28 x 1 SOC C/S BLK	2
3	561000-QU	3/4" INSERT PLUG .083	1
4	482016	HIGH-MOUNT FL FT TUBE PLUG	1

ITEM	NUMBER	DESCRIPTION	QTY
5	524100	H/M FL FT EXT TUBE BLK	1
6	550658	CLAMP 1 1/4" THREADED BLK	1
1,2,6	880538	HI-MOUNT FR CLAMP ASSEMBLY BLK	
1-6	921550	H/M FL FT CLAMPS AND TUBES (PR)	

EXTENDED FOOTPLATE (COMPOSITE) (QUICKIE P110/P190/P200/P210/P300/P320/V100[P100]/Z500[ZIPPIE P500])

(Fits P300 beginning P3-10500)
(Discontinued 8/13/01 - parts only)



Drawing shows right side

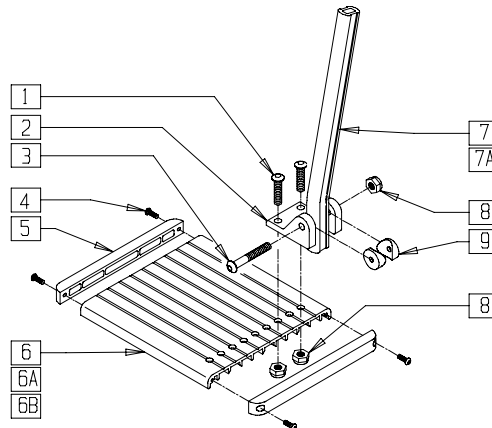
PFT0X06A

ITEM	NUMBER	DESCRIPTION	QTY
1	500760-500765	EXTENDED FOOTPLATE 14"-20" (EA)	1
2	226105	1/4-28 x 3/4 FH C/S BLK	3-4
3	201100-QU	1/4-28 NYLOCK NUT THIN	3-4
4	221110	1/4-20 x 1 HEX C/S	1
5	262110-QU	1/4 AN WASHER FLAT THIN	4
6	262110-QU	1/4 AN WASHER FLAT THIN	1
7	561040	HEEL LOOP PEG	1
8	226165	1/4-28 x 2 1/2 SOC C/S	1
9	201100-QU	1/4-28 NYLOCK NUT THIN	1
10	561003	3/4" SADDLE THIN	2
11	741151, 741153, 741156	HEEL LOOP CMPST 14"-15" - 18"-20" (EA)	1
	902270-902272	HEEL LOOP CMPST 14"-15" - 18"-20" (PR)	
12	561200-561220	CMPST FT PLATE 14"-20"	1

ITEM	NUMBER	DESCRIPTION	QTY
1-3,5, 8-10,12	828950-828955	EXTND FT PLATE ASSM 14"-20" (EA)	
	921030-921032	EXTND FT PLATE ASSM (PR)	
1-12	828960-828965	EXTND FT PLATE ASSM HL LP 14"-20" (EA)	
	921033-921035	EXTND FT PLATE ASSM HL LPS 14"-20" (PR)	
1-3,5	828900-828905	EXTND FT PLATE W/HDWR 14"-20" (EA)	
	921010-921012	EXTND FT PLATES W/HDWR 14"-20" (PR)	
1-7,11	828910-828915	EXTND FT PLATE W/HDWR HL LP 14"-20"(EA)	
	921013-921015	EXTND FT PLATES W/HDWR HL LPS 14"-20"(PR)	

ELR ALUMINUM FOOTPLATE

(Effective 3/24/97)

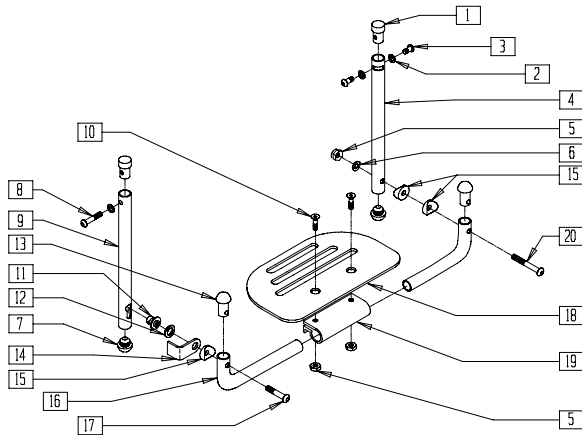


FT0X033

ITEM	NUMBER	DESCRIPTION	QTY
1	226090	1/4-28 x 5/8 BH C/S	2
2	550739	FOOTPLATE MNT BRKT	1
3	226148	1/4-28 x 1.85 BH C/S	1
4	281043	#4 x 5/8 PH PHIL S/TAP	4
5	560101	END CAPS FOOTREST	2
6	550748	FOOTPLATE ELR 14-15" ANO	1
6A	550749	FOOTPLATE ELR 16-17" ANO	1
6B	550750	FOOTPLATE ELR 18-20" ANO	1
4-6	882337	ELR FOOTPLATE 14-15"W/END CAP	

ITEM	NUMBER	DESCRIPTION	QTY
4.5,6A	882338	ELR FOOTPLATE 16-17"W/END CAP	
4.5,6B	882339	ELR FOOTPLATE 18-20"W/END CAP	
7	550744	FOOTREST EXT TUBE ELR SHT CLR	1
7A	550745	FOOTREST EXT TUBE ELR LONG CLR	1
8	201100-QU	1/4-28 NYLOCK NUT THIN	3
9	561003	3/4" SADDLE THIN	2
1-6,8,9	921400	ELR FOOTPLATE KIT 14-15" ANO (EA)	
1-5,6A,8,9	921401	ELR FOOTPLATE KIT 16-17" ANO (EA)	
1-5,6B,8,9	921402	ELR FOOTPLATE KIT 18-20" ANO (EA)	

PLATFORM FLIP-UP FOOTREST (QUICKIE P110/V100[P100])



REFERENCE GUIDE

	14"	16"	18"	20"
Quickie V100[P100]				
Platform Footplate	N/A	500652	500653	500653
Footplate Tube	N/A	522156	522158	522160
Footplate Assembly	N/A	900156	900158	900160
Quickie P110				
Platform Footplate	500651	500652	500653	N/A
Footplate Tube	522154	522156	522158	N/A
Footplate Assembly	900154	900156	900158	N/A

NOTE: FOOTREST EXTENSION TUBES ARE NOT INCLUDED IN THESE ASSEMBLIES. SEE PARTS 921242-921248 BELOW.

PFT0X11A

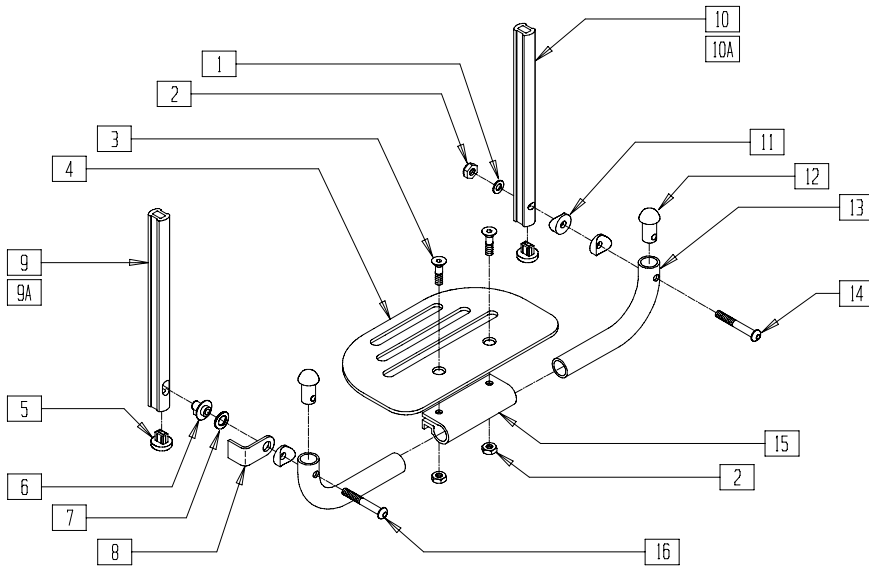
ITEM	NUMBER	DESCRIPTION	QTY
1	483065	THREADED EXT TUBE PLUG	2
2	262130	6mm WASHER WAVE	3
3	221060	1/4-28 x 1/2 BH C/S	2
4	521075-521077	FOOTPLATE EXT TUBE SLOT L 1-PC	1
5	201120	1/4-28 AUTOMATION NUT	3
6	262110-QU	1/4 AN WASHER FLAT THIN	1
7	482028	3/4" DOME PLUG .125	2
8	226110	1/4-28 x 1 BH C/S	1
9	521054-521056	FOOTPLATE EXT TUBE KEYHOLED 1-PC	1
10	226099	1/4-28 x 7/8 FH C/S	2
11	481148	KEYHOLE STUD	1
12	262137	3/8 WASHER CURVED	1
13	561034	SHORT DOME PLUG	2
14	505078	FOOTREST RETAINING BRACKET	1

ITEM	NUMBER	DESCRIPTION	QTY
15	561003	3/4" SADDLE THIN	3
16	522154-522160	PLATFORM FLIP-UP FOOTPLATE TUBE BLK 14"-20"	2
17	226131	1/4-28 x 1 1/4 BH C/S SHLDR	1
18*	500651-500653	PLATFORM FOOTPLATE	1
19	550351	PLATFORM FOOTPLATE CLAMP	1
20	226150	1/4-28 x 2 BH C/S	1
1-4,7	900105-900107	PLATFORM FLIP-UP EXT L ASSEMBLY	
1,2,7-9	900111-900113	PLATFORM FLIP-UP EXT KEYHOLED	
1-4,7-9	921242-921248	PLATFORM FLIP-UP EXT TUBES ASSEMBLY (PR)	
5,6,10-20	900154-900160	PLATFORM FLIP-UP FOOTPLATE BLK ASSEMBLY 14"-20"	

* FOR ORDERING INFORMATION, PLEASE SEE PLATFORM FLIP-UP FOOTPLATE REFERENCE GUIDE ABOVE.

PLATFORM FLIP-UP FOOTREST (DOUBLE D) (QUICKIE P110/V100[P100])

(Effective 10/23/99) (Discontinued 8/13/01 - parts only)



MEASURING GUIDE



EXTUBE3

	"A"
MED	8 1/8"
LONG	12"

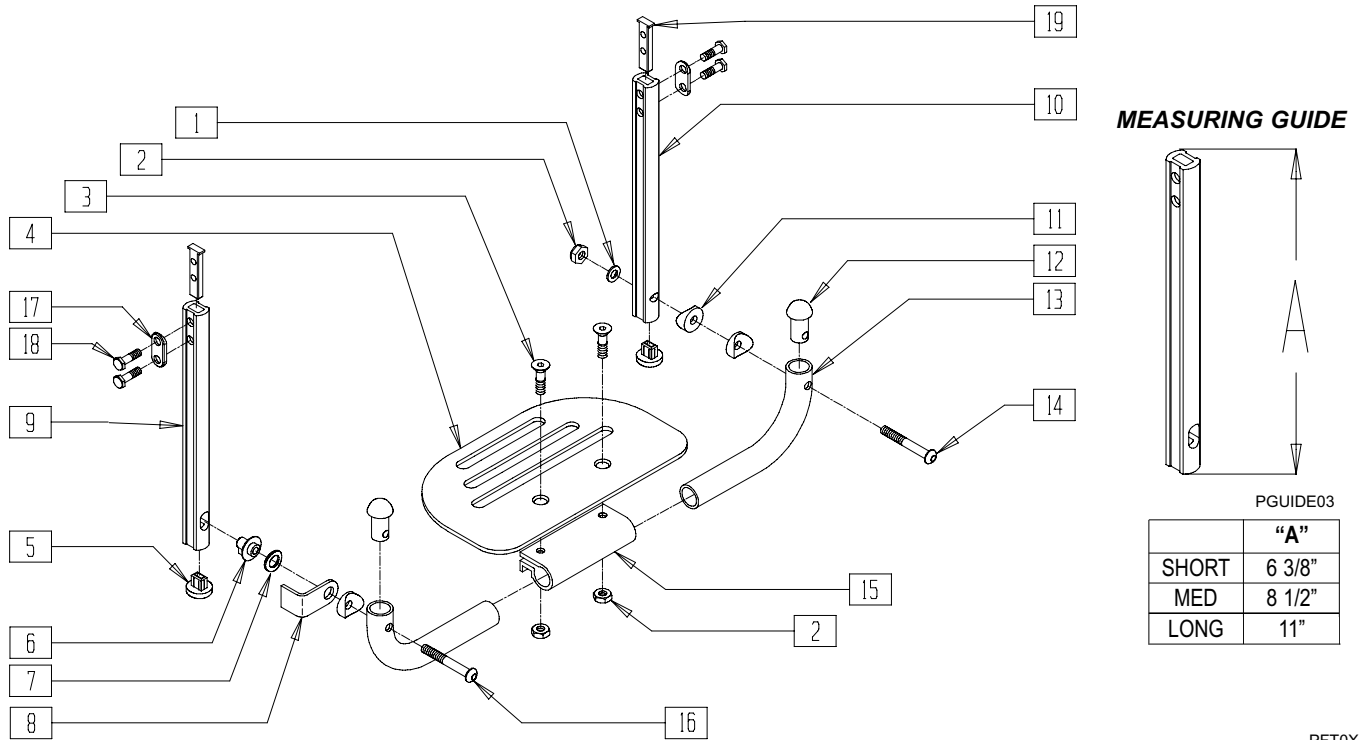
PFT0X12A

ITEM	NUMBER	DESCRIPTION	QTY
1	262110-QU	1/4 AN WASHER FLAT THIN	1
2	201120	1/4-28 AUTOMATION NUT	3
3	226099	1/4-28 x 7/8 FH C/S	2
4	500650-500654	PLATFORM FOOTPLATE	1
5	560752	PLUG FOOTREST EXT TUBE Q2 ROUND	2
6	540410	F/UP FOOTREST KEY STUD D2	1
7	262137	3/8 WASHER CURVED	1
8	505078	FOOTREST RETAINING BRACKET	1
9	550587	F/UP FOOTREST KEY EXT MEDIUM	1
9A	550588	F/UP FOOTREST KEY EXT LONG	1
10	550585	F/UP FOOTREST SLOTTED EXT MED	1
10A	550586	F/UP FOOTREST SLOTTED EXT LONG	1
11	561003	3/4" SADDLE THIN	3
12	561034	SHORT DOME PLUG	2

ITEM	NUMBER	DESCRIPTION	QTY
13	522150-522162	PLTFRM F/UP F/PLT TUBE BLK 10 -22"	2
14	226150	1/4-28 x 2 BH C/S	1
15	550351	PLATFORM FOOTPLATE CLAMP	1
16	226131	1/4-28 x 1 1/4 BH C/S SHLDR	1
5,9,10	921340, 921341	EXT TUBE D2 MED PLTFRM BLK (EA)	
5,9A,10A	921342, 921343	EXT TUBE D2 LNG PLTFRM BLK (EA)	
5,9,10	921267	S/A EXT TUBE D2 MED PLTFRM BLK (PR)	
5,9A,10A	921268	S/A EXT TUBE D2 LNG PLTFRM BLK (PR)	
1-4,6-8, 11-16	900137-900149	PLTFRM F/UP F/PLT BLK ASSM D2 (10" - 22")	

PLATFORM FLIP-UP FOOTREST (DOUBLE D) (QUICKIE P110/V100[P100])

(Effective 8/13/01)

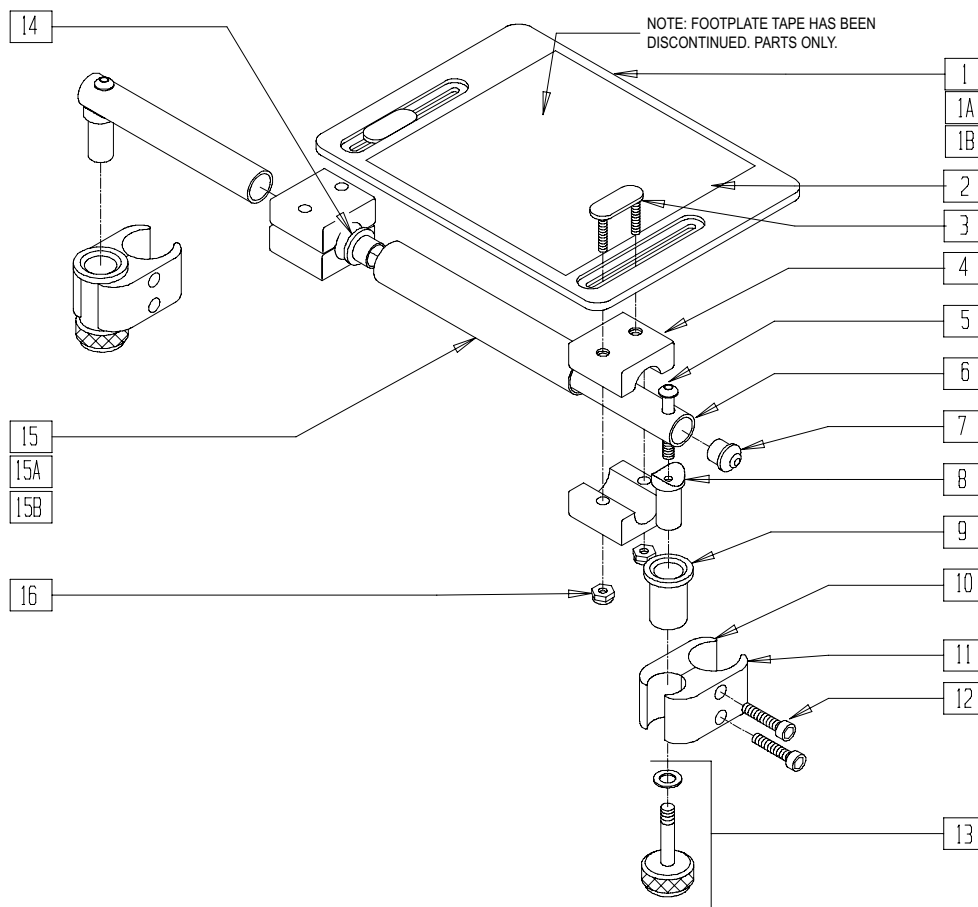


PFT0X01

ITEM	NUMBER	DESCRIPTION	QTY
1	262110-QU	1/4 AN WASHER FLAT THIN	1
2	201120	1/4-28 AUTOMATION NUT	3
3	226099	1/4-28 x 7/8 FH C/S	2
4	500650- 500654	PLTFORM FOOTPLATE 6" x 5 1/2"- 14 x 5 1/2"	1
5	560752	PLUG FTRST EXT TUBE Q2 ROUND	2
6	540410	F/UP FOOTREST KEY STUD D2	1
7	262137	3/8 WASHER CURVED	1
8	505078	FOOTREST RETAINING BRACKET	1
9	550828	EXT TBE F/UP KEY ONLY SHT	1
	550829	EXT TBE F/UP KEY ONLY MED	
	550830	EXT TBE F/UP KEY ONLY LNG	
10	550825	EXT TBE F/UP SLT ONLY SHT	1
	550826	EXT TBE F/UP SLT ONLY MED	
	550827	EXT TBE F/UP SLT ONLY LNG	
11	561003	3/4" SADDLE THIN	3
12	561034	SHORT DOME PLUG	2
13	522150- 522162	PLATFORM FLIP-UP FOOTPLATE TUBE BLACK 10"-22"	2

ITEM	NUMBER	DESCRIPTION	QTY
14	226150	1/4-28 x 2 BH C/S	1
15	550351	PLATFORM FOOTPLATE CLAMP	1
16	226131	1/4-28 x 1 1/4 BH C/S SHLDR	1
17	483717	HANGER SADDLE	2
18	221102	1/4-28 x 3/4 HEX HEAD C/S BLK W/PTCH	4
19	500078	INSERT D2 EXT TUBE	2
5,9, 17-19	921742	EXT TBE F/UP SLT SHT ASSM PCKT	
	921743	EXT TBE F/UP SLT MED ASSM PCKT	
	921744	EXT TBE F/UP SLT LNG ASSM PCKT	
5,10, 17-19	921745	EXT TBE F/UP KEY SHT ASSM PCKT	
	921746	EXT TBE F/UP KEY MED ASSM PCKT	
	921747	EXT TBE F/UP KEY LNG ASSM PCKT	
	921269	S/A EXT TUBE D2 SHT PLTFRM BLK	
10,17-19	921267	S/A EXT TUBE D2 MED PLTFRM BLK	
	921268	S/A EXT TUBE D2 LNG PLTFRM BLK	
1-4,6-8, 11-16	900137-	PLATFORM FLIP-UP FOOTPLATE BLK ASSM D2 10"-22"	
	900149		

90° SOLID FOOTBOARD (QUICKIE P110/V100[P100]/Z500[ZIPPIE P500])



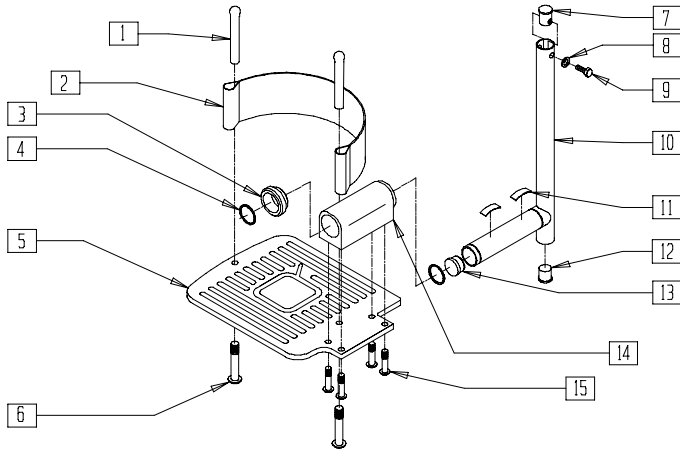
PFT0X13A

ITEM	NUMBER	DESCRIPTION	QTY
1	562610	SLD FT PLT ONLY 8" x 8" (10"-12" W)	1
1A	562612	SLD FT PLT ONLY 10" x 8" (13"-14" W)	1
1B	500709	SLD FT PLT ALUM ONLY 12" x 8" (15"-16" W)	1
2	562830	SLD FT PLT TAPE 6" x 8"	1
3	330120	SOLID FT/ANGLE ADJ DBL T BOLT	2
4	550444	SOLID FOOT/ANGLE ADJ CLAMP BLK	4
5	226130	1/4-28 x 1 1/2 BH C/S	2
6	521523	SLD FT PIVOT TUBE	2
7	561034	SHORT DOME PLUG	2
8	483036	SOLID FOOT INSERT SADDLE	2
10	550258	CLAMP 1 1/4" THREADED CLR	2
11	550257	CLAMP 1 1/4" RECESS FULL CLR	2

ITEM	NUMBER	DESCRIPTION	QTY
12	226112	1/4-28 x 1 SOC C/S BLK	4
9,13	880559	SOLID FOOT LOCK KNOB ASSM	
14	560402	3/4" I.D. NY-LINER	2
15	521521	SLD FOOT SUPPORT TUBE 10"-12"	1
15A	521522	SLD FOOT SUPPORT TUBE 13"-14"	1
15B	521524	SLD FOOT SUPPORT TUBE 15"-16"	1
16	201105	1/4-20 NYLOCK NUT THIN	4
1,3-16	921801	SLD FOOT PLATE ASSM 8" x 8" (10"-12" W)	
1A,3-14	921803	SLD FOOT PLATE ASSM 10" x 8" (13"-14" W)	
1B,3-14	921805	SLD FOOT PLATE ASSM 12" x 8" (15"-16" W)	

SWING-AWAY FOOTPLATE (QUICKIE P300)

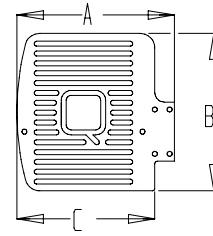
(Discontinued - parts only) (Fits P300 prior to serial number P3-10500)



Drawing shows left side

P300X05

MEASURING GUIDE



P300X60

SIZE	PART NUMBER	"A"	"B"	"C"
REGULAR	483730, 483731	8"	6"	6 3/4"
LONG	483732, 483733	8"	8"	6 3/4"
"V" REGULAR	483750, 483751	7"	6"	5 3/4"
"V" WIDE	483752, 483753	8"	6"	6 3/4"

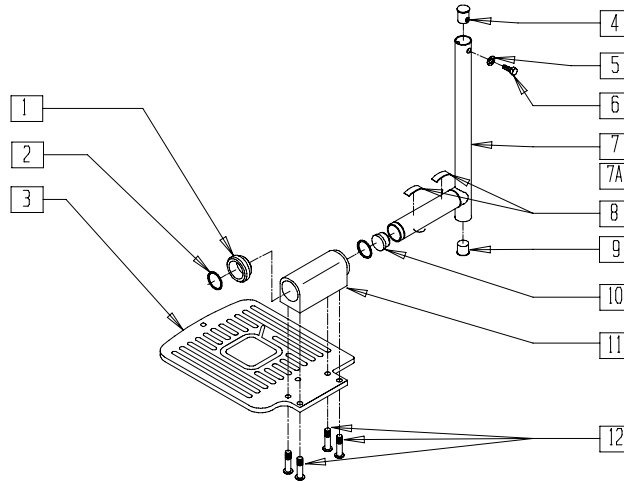
ITEM	NUMBER	DESCRIPTION	QTY
1	561040	HEEL LOOP PEG	2
2	741170	HEEL LOOP P300	1
3	482703	FL FT BUSHING P300	2
4	342042	RING RETAINING SPIROLOX RS-87	2
5	483730- 483733, 483750- 483753	FL FT PLATE P300 (EA)	1
6	226120	1/4-20 x 1 BH C/S	2
7	483791	BUSH TOP EXT TUBE P300	1
8	262130	6mm WASHER WAVE	1

ITEM	NUMBER	DESCRIPTION	QTY
9	234890	M6-25 HEX C/S	1
10	521020, 521022	FL FT EXT TUBE P300	1
11	321703	SPRING FL FT PLT P3	2
12	560762	3/4" INSERT PLUG .065	1
13	560735	7/8" ROUND TUBE PLUG	1
14	501710	FL FT BLOCK P300	1
15	226091	1/4-20 x 5/8 BH C/S	4
1-15	833011- 833044	FL FT ASSM P300	

NOTE: EXTENSION TUBES, ITEMS 10 AND 10A, ARE USED WITH REGULAR HANGERS AND "V" HANGERS.

SWING-AWAY FOOTPLATE (QUICKIE POWER RECLINE SYSTEM)

(Discontinued 11/1/02 - parts only)



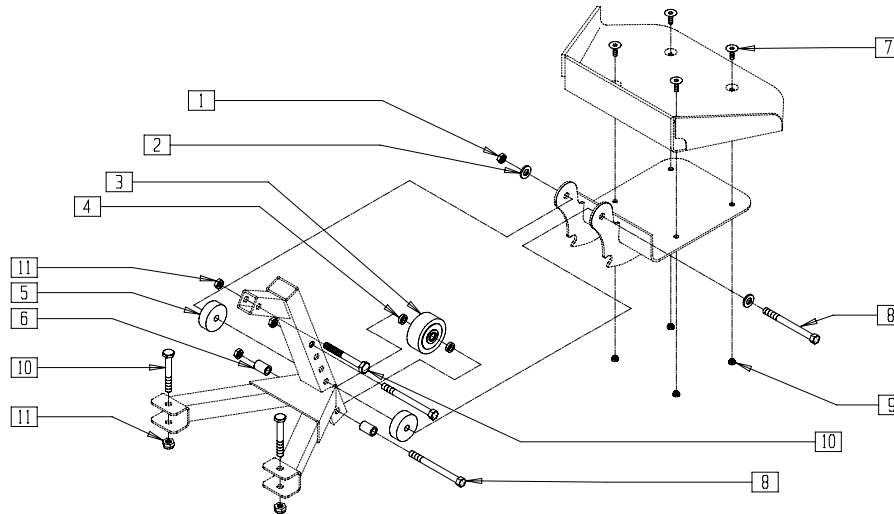
P200X69A

ITEM	NUMBER	DESCRIPTION	QTY
1	482703	FL FT BUSHING P300	2
2	342042	RING RETAINING SPIROLOX RS-87	2
3	483730	FL FT PLATE STD R P300	1
	483731	FL FT PLATE STD L P300	
	483732	FL FT PLATE LNG R P300	
	483733	FL FT PLATE LNG L P300	
4	483791	BUSH TOP EXT TUBE P300	1
5	262130	6mm WASHER WAVE	1
6	234890	M6-25 HEX C/S	1

ITEM	NUMBER	DESCRIPTION	QTY
7	521020	FL FT EXT TUBE SHT P300	1
7A	521022	FL FT EXT TUBE STD P300	1
8	321703	SPRING FL FT PLT P3	2
9	560762	3/4" INSERT PLUG .065	1
10	560735	7/8" ROUND TUBE PLUG	1
11	501710	FL FT BLOCK P300	1
12	226091	1/4-20 x 5/8 BH C/S	4
1-12	833016- 833047	F/PLT ASSM PRS (EA)	

SOLID FLIP-UP FOOTREST (QUICKIE G-424)

(Discontinued 7/7/00 - parts only)



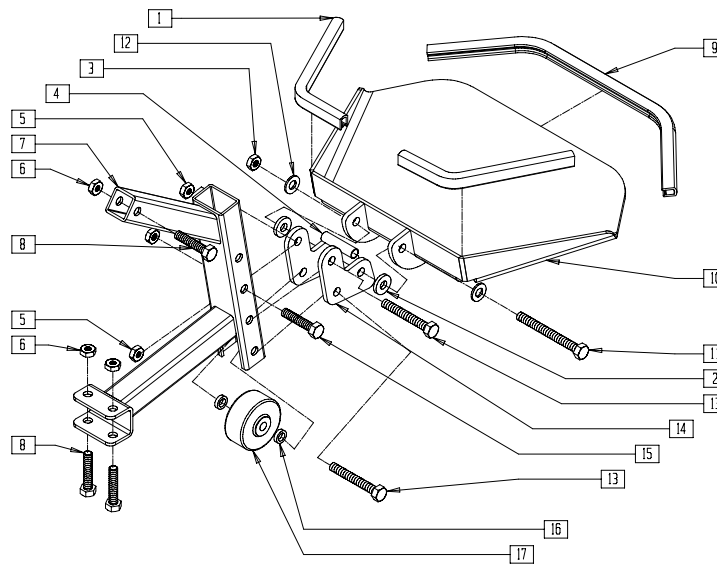
G4240X01

ITEM	NUMBER	DESCRIPTION	QTY
1	202103	5/16-18 NYLOCK NUT THICK	3
2	263100	5/16 AN WASHER FLAT	2
3	400010	WHEEL ONLY 2" x 7/8" ANTI TIP	1
4	340132	FT/RST ROLLER WHL SPACER G424	2
5	340131	FT/RST PIVOT SPACER G424	2
6	340130	FT/RST LANDING SPACER G424	4

ITEM	NUMBER	DESCRIPTION	QTY
7	226059	10-24 x 1/2 FH C/S	4
8	222255	5/16-18 x 3 1/2 HEX C/S	3
9	200109	10-24 SELF-CLINCHING NUT	4
10	222110	5/16-24 x 1 3/4 HEX C/S	3
11	202103	5/16-18 NYLOCK NUT THICK	5

SOLID FLIP-UP FOOTREST (QUICKIE G-424)

(Effective 7/7/00)



G4240X34

ITEM	NUMBER	DESCRIPTION	QTY
1	580002	PUSH-ON GRIP 7.5"	2
2	561059	3/4 OD x .318 ID WASHER	2
3	202103	5/16-18 NYLOCK NUT THICK	1
4	505806	FOOTREST SPACER G424	1
5	202104	5/16-24 NYLOCK NUT	2
6	202100-MJ	5/16-24 NYLOCK NUT THIN	3
7	540095	FOOTREST SUPPORT FRAME G424	1
8	222099	5/16-24 x 1 1/2 HEX C/S	3
9	580003	PUSH-ON GRIP 14.5"	1
10	540059	FOOTREST PLATE WELDMENT G424	1

ITEM	NUMBER	DESCRIPTION	QTY
11	222192	5/16-18 x 3 HEX C/S	1
12	263100	5/16 AN WASHER FLAT	2
13	226293	5/16-24 x 2 1/4 HEX C/S	2
14	500681	FOOTREST PIVOT BRACKET G424	2
15	222190	5/16-24 x 2 HEX C/S	1
16	340132	FT/RST ROLLER WHL SPACER G424	2
17	400010	WHEEL ONLY 2" x 7/8" ANTI TIP	1
1-17	880064	FOOTREST FLIP UP ASSM G424	
	921940*	G424 FOOTREST INSTALLATION KIT	

* 921940 SHOULD BE ORDERED WHEN REPLACING SHROUD FOR CHAIRS PRIOR TO 7/7/00.

FOOTREST (QUICKIE FREESTYLE)



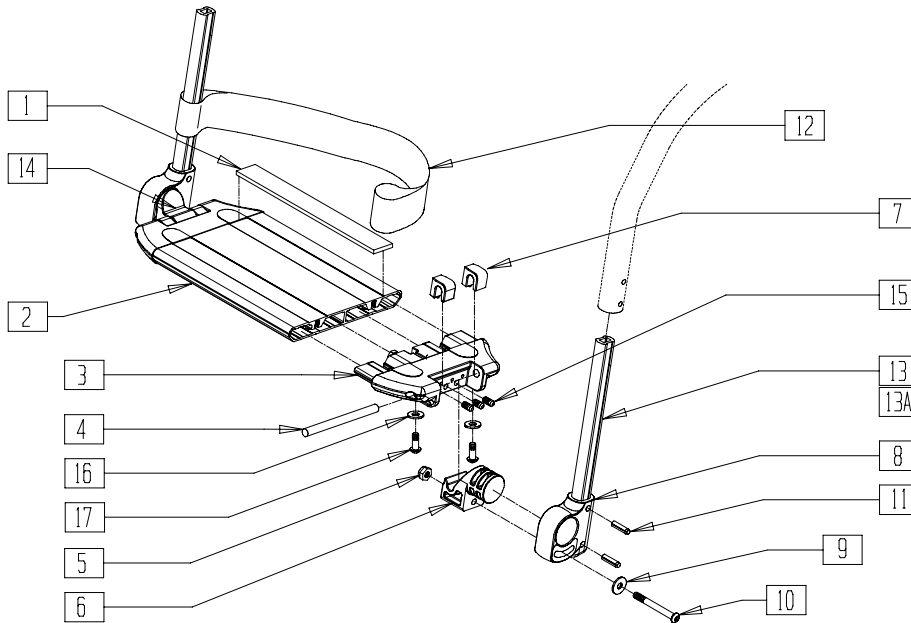
ASPIREX03

ITEM	NUMBER	DESCRIPTION	QTY
2	330070	ADJUSTMENT PIN M8 x 32	1
4	330071	ADJUSTMENT PIN M8 x 52.5	1

ITEM	NUMBER	DESCRIPTION	QTY
1-4	900232	SOLID FOOTREST 12 X 9	1
5	922070	FOOTPLATE EXTENSION 1" W/HDWR	1

SOLID ONE PIECE FOOTPLATE (QUICKIE P-222)

(Discontinued 8/13/01 - parts only)



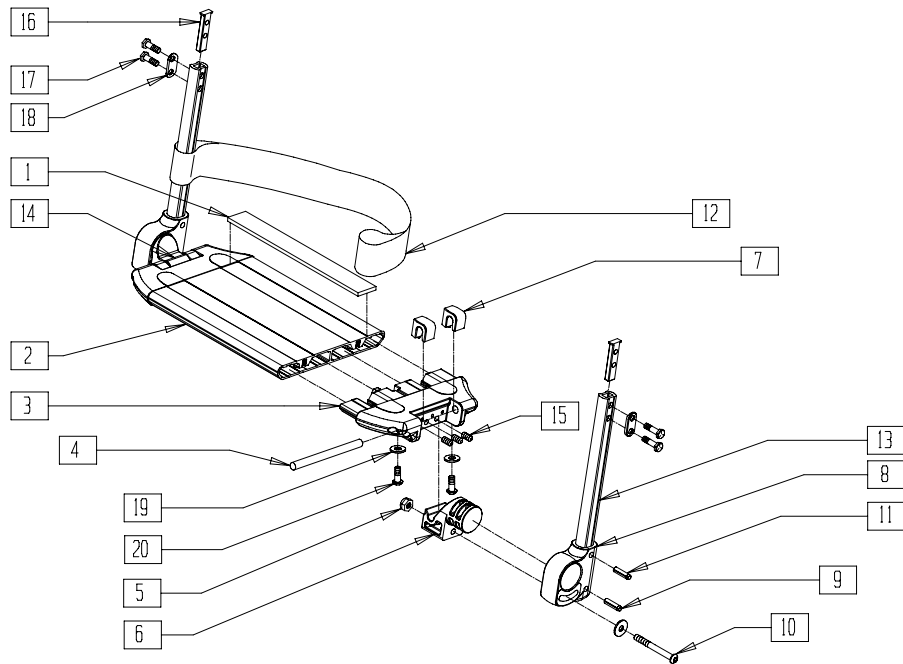
P2220X06

ITEM	NUMBER	DESCRIPTION	QTY
1	360010	FOOT BOARD SKID TAPE	2
2	506200-506208	PLATFORM FOOTREST 14"-24" WIDE	1
3	560019, 560020	FOOT BOARD HOLDER (EA)	1
4	481283	PIN 8mm x 100mm	2
5	210001	M6 NYLOCK NUT THIN	2
6	560022	FOOT BOARD SUPPORT	1
7	560021	FOOT BOARD SHIM ALIGNMENT	4
8	560024	FOOT YOKE	2
9	250070	METRIC WASHER	2
10	210000	M6 x 55 8.8 BUTTON HD CAP SCREW	2
11	349583	6 x 25mm GROOVED PIN	4

ITEM	NUMBER	DESCRIPTION	QTY
12	740130-740132	LEG STRAP 10"-20" BLK	1
13	550767	PLATFORM FOOTREST EXT TUBE	1
13A	550769	PLATFORM FOOTREST EXT TUBE MED	1
14	560023	FOOT BOARD BEARING SUPPORT	1
15	230030	M6 x 12 SET SCREW CUP POINT	6
16	262100-QU	1/4 AN WASHER FLAT	4
17	230032	M6 x 16 BH C/S	4
8,11,13	921111	FOOTREST EXT ASSM SHORT	
8,11,13A	921112	FOOTREST EXT ASSM MEDIUM	
1-7,9,10,14-17	900190-900198, 900209-900212	SLD 1-PC FOOTREST	

SOLID ONE PIECE FOOTPLATE (QUICKIE FREESTYLE/P-220/P-222/P-222SE)

(Effective 8/13/01)



P222X06A

ITEM	NUMBER	DESCRIPTION	QTY
1	360010	FOOT BOARD SKID TAPE	2
2	506200-506208	PLATFORM FOOTREST 14"W-24"W	1
3	560019	FOOT BOARD HOLDER R	1
	560020	FOOT BOARD HOLDER L	
4	481283	PIN 8mm x 100mm	2
5	210001	M6 NYLOCK NUT THIN	2
6	560022	FOOT BOARD SUPPORT	1
7	560021	FOOT BOARD SHIM ALIGNMENT	4
8	560024	FOOT YOKE	2
9	250070	METRIC WASHER	2
10	210000	M6 x 55 8.8 BUTTON HD CAP SCRW	2
11	349583	6 x 25mm GROOVED PIN	4
12	740130-740132	LEG STRAP BLK	1
13	550831	EXT TBE PLTFRM ONLY SHT	1
	550832	EXT TBE PLTFRM ONLY MED	
14	560023	FOOT BOARD BEARING SUPPORT	1
15	230030	M6 x 12 SET SCREW CUP POINT	6
16	500078	INSERT D2 EXT TUBE	1
17	221102	1/4-28 x 3/4 HEX HEAD C/S BLK W/PTCH	2

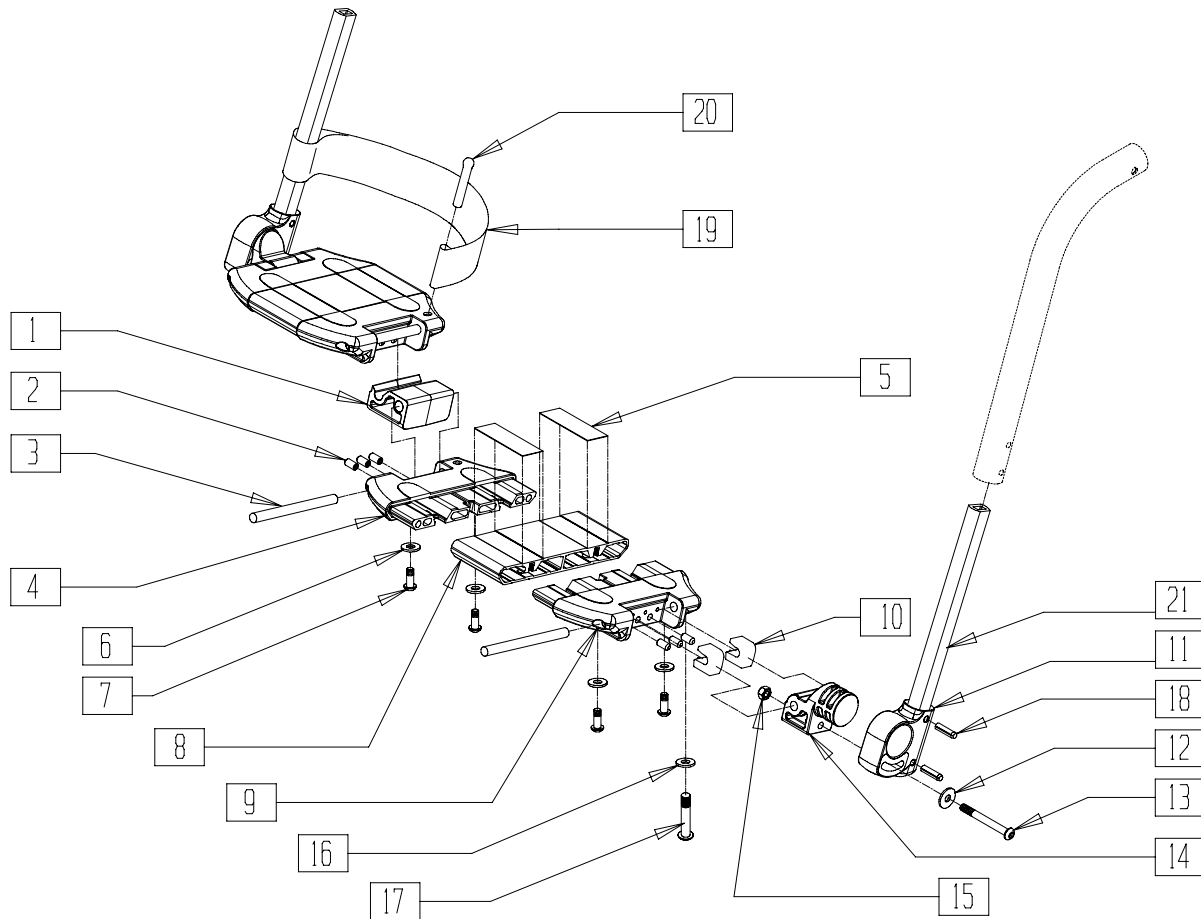
ITEM	NUMBER	DESCRIPTION	QTY
18	483717	HANGER SADDLE	1
19	262100-QU	1/4 AN WASHER FLAT	4
20	230032	M6 x 16 B/H CAP SCREW	4
8,11,13,16-18	921748	EXT TBE PLTFRM SHT ASSM PCKT	
	921749	EXT TBE PLTFRM MED ASSM PCKT	
1-7,9,10,16-18	900190-900198	SLD 1-PC FOOTREST 14"-24" WIDE (FIXED-TAPERED HANGER)	
	900194-900197, 900209-900212	SLD 1-PC FTRST 19"W-22"W STRT (FIXED-STRAIGHT HANGER/ 70° SWING-AWAY HANGER)	
	921698-921700, 921709, 921721, 921723	SLD 1PC FTRST 14"-24" W/SH EXT STRT	
1-20	921699, 921710-921719, 921722	SLD 1PC FTRST 14"-24" W/MED EXT STRT	

SOLID ONE PIECE FOOTPLATE REFERENCE GUIDE

FIXED 80° TAPERED HANGER						SWING-AWAY/FIXED 70° STRAIGHT HANGER					
P222 WIDTH	FOOTPLATE P/N	FOOTPLATE LENGTH	FOOTPLATE ASSEMBLY	FOOTPLATE W/SHT EXT ASSEMBLY	FOOTPLATE W/MED EXT ASSEMBLY	FOOT PLATE P/N	FOOTPLATE LENGTH	FOOTPLATE ASSEMBLY	FOOTPLATE W/SHT EXT ASSEMBLY	FOOTPLATE W/MED EXT ASSEMBLY	FOOTPLATE W/LONG EXT ASSEMBLY
14"	506200	3.45"	900190	921700	921710	506204	7.45"	900194	921704	921714	921730
15"	506201	4.45"	900191	921701	921711	506205	8.45"	900195	921705	921715	921731
16"	506202	5.45"	900192	921702	921712	506206	9.45"	900196	921706	921716	921732
17"	506203	6.45"	900193	921703	921713	506196	10.45"	900211	921721	921722	921733
18"	506204	7.45"	900194	921704	921714	506207	11.45"	900197	921707	921717	921734
19"	506205	8.45"	900195	921705	921715	506198	12.45"	900209	921698	921699	921735
20"	506206	9.45"	900196	921706	921716	506208	13.45"	900198	921708	921718	921736
22"	506207	11.45"	900197	921707	921717	506197	15.45"	900212	921723	921724	921737
24"	506208	13.45"	900198	921708	921718	506199	17.45"	900210	921709	921719	921738

TWO PIECE LOCKING FOOTPLATE (QUICKIE P-222)

(Discontinued 8/13/01 - parts only)



P2220X16

ITEM	NUMBER	DESCRIPTION	QTY
1*	560018	FOOT BOARD PINNED SUPPORT	1
2	230030	M6 x 12 SET SCREW CUP POINT	12
3	481283	PIN 8mm x 10mm	4
4	561575, 561576	FOOTBOARD HOLDER W/HOLE	1
5	360010	FOOT BOARD SKID TAPE	2
6	262100-QU	1/4 AN WASHER FLAT	4
7	230032	M6 x 16 B/H CAP SCREW	8
8	506230- 506237	LOCKING FOOTPLATE 15W-24W	1
9	560019, 560020	FOOT BOARD HOLDER	1
10	560021	FOOT BOARD SHIM ALIGNMENT	4
11	560024	FOOT YOKE	2
12	250070	M6 WASHER	2
13	210000	M6 x 55 8.8 BUTTON HD CAP SCREW	2
14	560023	FOOT BOARD BEARING SUPPORT	2

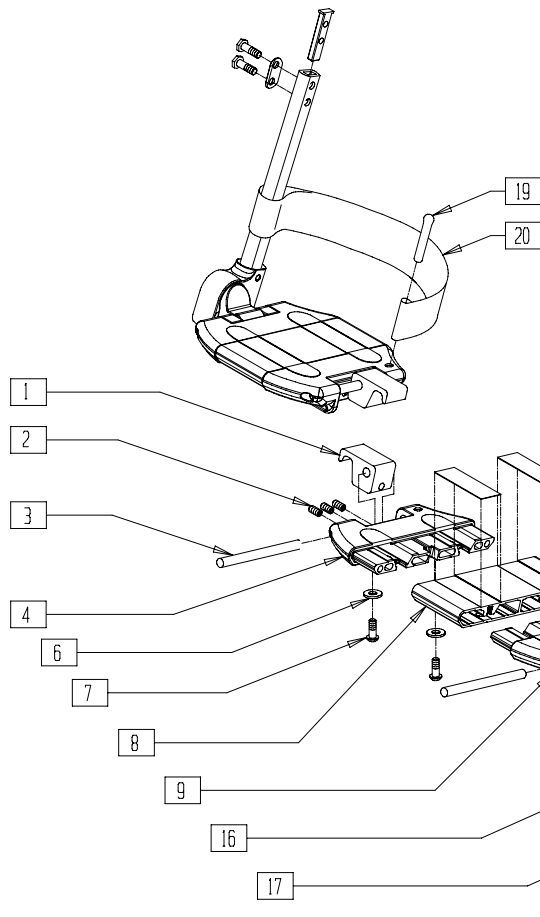
ITEM	NUMBER	DESCRIPTION	QTY
15	210001	M6 NYLOCK NUT THIN	2
16	262110-QU	1/4 AN WASHER FLAT THIN	2
17	221110	1/4-20 x 1 HEX C/S	2
18	349583	6 x 25mm GROOVED PIN	2
19	741151	HEEL LOOP 14-15 CMPST	1
	741153	H/L 18-20 CMPST/14-15 ANG ADJ	
	741156	HEEL LOOP 18-20 CMPST HEMI	
	741253	HEEL LOOP ADLT ADJ F/PLT 18-20	
20	561040	HEEL LOOP PEG	2
21	550772	PLATFORM FOOTREST EXT TUBE LONG	2
11,18,21	921113	LOCKING FOOTREST EXT ASSM LONG	
1-10, 12-16, 19,20	820620-	LOCKING FOOTPLATE 15"-24"W (EA)	
	820635		
	921350- 921357		
1-21	900172- 900179	LOCKING FOOTPLATE 15"-24"W W/EXT ASSEMBLY	

* ITEM 1 (560018) IS ONLY USED ON RIGHT SIDE ASSEMBLY.

TWO PIECE LOCKING FOOTPLATE (QUICKIE FREESTYLE/P-220/P-222/P-222SE/S-646/S-646SE)

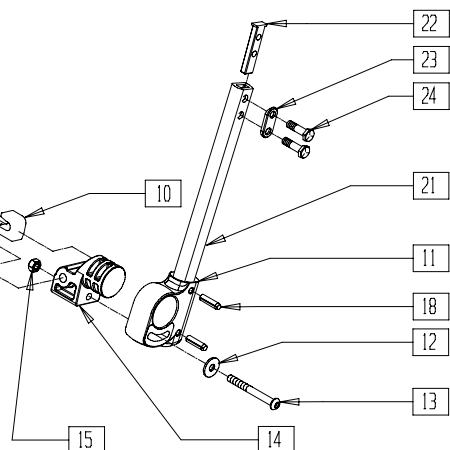
(Effective 8/13/01 - parts only)

SOLID ONE PIECE FOOTPLATE REFERENCE GUIDE



STRAIGHT FRAME								
FRAME WIDTH	FOOTPLATE	LENGTH	FOOTPLATE		ASSEMBLIES W/EXT TUBES			
			RIGHT	LEFT	ASSEM	SHORT	MED	LONG
14"	N/A	N/A	N/A	N/A	N/A	N/A	N/A	N/A
15"	506230	2.23	820621	820620	921350	900280	900290	900172
16"	506231	2.73	820623	820622	921351	900281	900291	900173
17"	506232	3.23	820625	820624	921352	900282	900292	900174
18"	506233	3.73	820627	820626	921353	900283	900293	900175
19"	506234	4.23	820629	820628	921354	900284	900294	900176
20"	506235	4.73	820631	820630	921355	900285	900295	900177
22"	506236	5.73	820633	820632	921356	900286	900296	900178
24"	506237	6.73	820635	820634	921357	900287	900297	900179

FLARED FRAME								
FRAME WIDTH	FOOTPLATE	LENGTH	FOOTPLATE		ASSEMBLIES W/EXT TUBES			
			RIGHT	LEFT	ASSEM	SHORT	MED	LONG
14"	506230	2.23	820621	820620	921350	900280	900290	900172
15"	506231	2.73	820623	820622	921351	900281	900291	900173
16"	506232	3.23	820625	820624	921352	900282	900292	900174
17"	506233	3.73	820627	820626	921353	900283	900293	900175
18"	506234	4.23	820629	820628	921354	900284	900294	900176
19"	506235	4.73	820631	820630	921355	900285	900295	900177
20"	506238	5.23	820638	820637	921358	900763	900762	900761
22"	506228	6.23	820640	820639	921348	900764	900765	900766
24"	506229	7.23	820642	820641	921349	900767	900768	900769



P222X16B

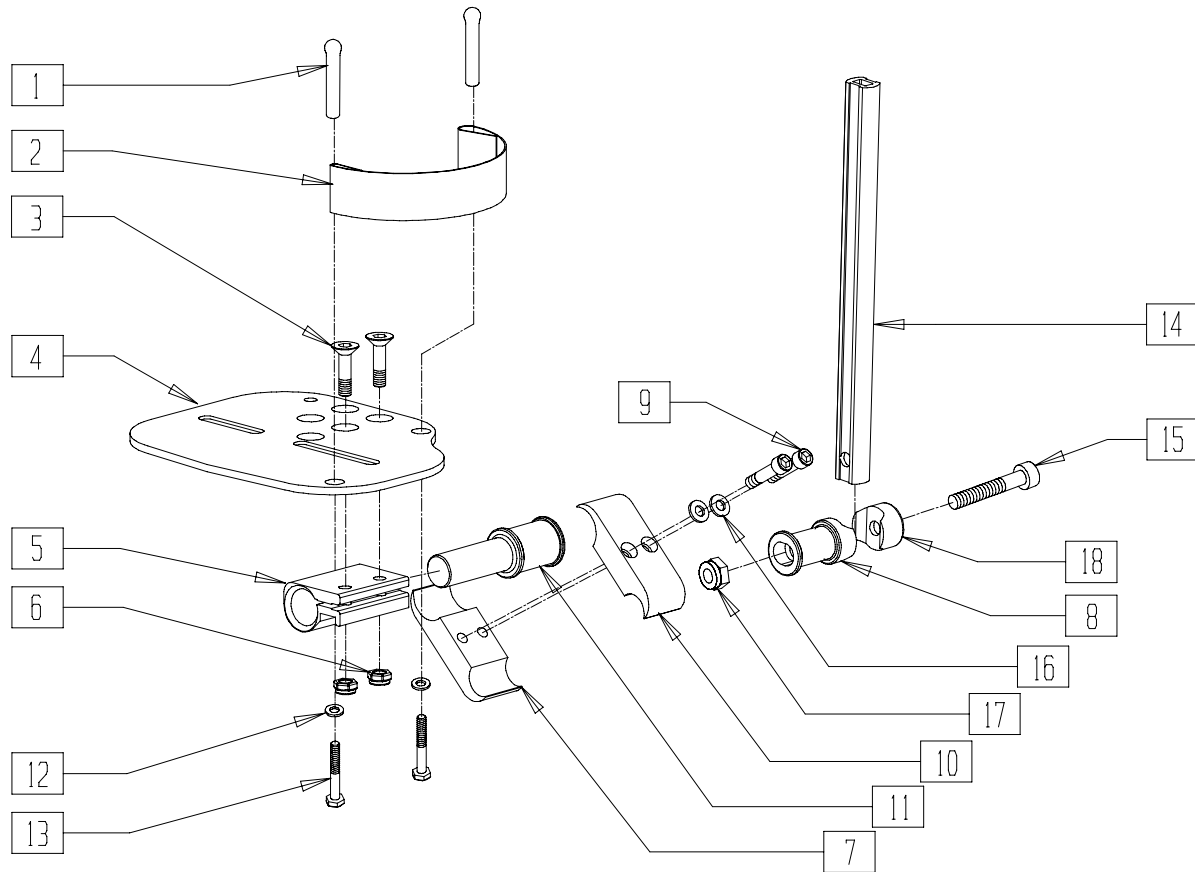
ITEM	NUMBER	DESCRIPTION	QTY
1	560034*	FOOT BOARD LOCKING SUPPORT	2
2	230030	M6 x 12 SET SCREW CUP POINT	12
3	481283	PIN 8mm x 100mm	4
4	561575	FOOTBOARD HOLDER LEFT W/HOLE	1
	561576	FOOTBOARD HOLDER RIGHT W/HOLE	1
5	360010	FOOT BOARD SKID TAPE	2
6	262100-QU	1/4 AN WASHER FLAT	4
7	230032	M6 x 16 B/H CAP SCREW	8
8	506230-506237	LOCKING FOOTPLATE 15W-24W	1
9	560019	FOOT BOARD HOLDER R	1
	560020	FOOT BOARD HOLDER L	1
10	560021	FOOT BOARD SHIM ALIGNMENT	4
11	560024	FOOT YOKE	2
12	250070	METRIC WASHER	2
13	210000	M6 x 55 8.8 BUTTON HD CAP SCRW	2
14	560023	FOOT BOARD BEARING SUPPORT	2
15	210001	M6 NYLOCK NUT THIN	2
16	262110-QU	1/4 AN WASHER FLAT THIN	2
17	221110	1/4-20 x 1 HEX C/S	2
18	349583	6 x 25mm GROOVED PIN	2

ITEM	NUMBER	DESCRIPTION	QTY
19	561040	HEEL LOOP PEG	2
20	741151	HEEL LOOP 14-15 CMPST	1
	741153	H/L 18-20 CMPST/14-15 ANG ADJ	
	741156	HEEL LOOP 18-20 CMPST HEMI	
	741253	HEEL LOOP ADLT ADJ F/PLT 18-20	
21	550831	EXT TBE PLTFRM ONLY SHT	2
	550832	EXT TBE PLTFRM ONLY MED	
	550833	EXT TBE PLTFRM ONLY LNG	
22	500078	INSERT D2 EXT TUBE	1
23	483717	HANGER SADDLE	1
24	221102	1/4-28 x 3/4 HEX HEAD C/S BLK W/PTCH	2
11,18,21-24	921748	EXT TBE PLTFRM SHT ASSM PCKT	
	921749	EXT TBE PLTFRM MED ASSM PCKT	
	921750	EXT TBE PLTFRM LNG ASSM PCKT	
1-10,12-16,19,20	820620-820635	LOCKING FOOTPLATE 15"W-24"W (EA)	
	921350-921357	LOCKING FOOTPLATE 15"W-24"W (PR)	
	900280-900287	LOCKING FOOTPLATE W/SHT EXT ASSM 15"W-24"W	
1-24	900290-900297	LOCKING FOOTPLATE W/MED EXT ASSM 15"W-24"W	
	900172-900179	LOCKING FOOTPLATE W/LNG EXT ASSM 15"W-24"W	

* 560034 EFFECTIVE 8/13/01. FOR CHAIRS PRIOR TO 8/13/01, REPLACE FOOTBOARD SUPPORT ON BOTH SIDES OF CHAIR.

MULTI-POSITION FOOTPLATE (QUICKIE G-424/P-222/S-525/S-626/V-521)

(Discontinued 8/13/01 - parts only)



S6260X06

ITEM	NUMBER	DESCRIPTION	QTY
1	561040	HEEL LOOP PEG	2
2	741130	HEEL LOOP 14-15 MULTI PSTN	1
	741131	HEEL LOOP 16-17 MULTI PSTN	
	741132	HEEL LOOP 18-20 MULTI PSTN	
	741151	HEEL LOOP 14-15 CMPST	
	741170	HEEL LOOP P300	
3	226099	1/4-28 x 7/8 FH C/S	2
4	500658-500665	ADULT ANGLE ADJ FOOTPLATE (EA)	1
5	550350	3/4" CLAMP ADJ FOOTPLATE	1
6	202300	1/4-28 NYLOCK NUT THIN BLK ZN	2
7	550576	CLAMP 2 1/4" THREADED BLK	1
8	483278	FOOTREST EXT PIVOT ADJ FOOTPLATE	1

ITEM	NUMBER	DESCRIPTION	QTY
9	226112	1/4-28 x 1 SOC C/S BLK	2
10	550477	CLAMP 2 1/4" RECESS BLK	1
11	483279	FOOTPLATE PIVOT 1" CLAMP	1
12	262110-QU	1/4 AN WASHER FLAT THIN	2
13	221110	1/4-20 x 1 HEX C/S	2
14	550758	EXTENSION TUBE MULT-ADJ FT/PLT	1
15	222207	5/16-24 x 2 1/4 SH C/S BLK ZNC	1
16	262114	1/4 WASHER HI COLLAR LOCK ZN	2
17	202111	5/16-24 NYLOCK NUT THICK BLK	1
18	550786	FOOTREST PIVOT CLAMP	1
8,14,15,17,18	881980	MULT-ADJ FTPLT REG EXT TBE ASM	

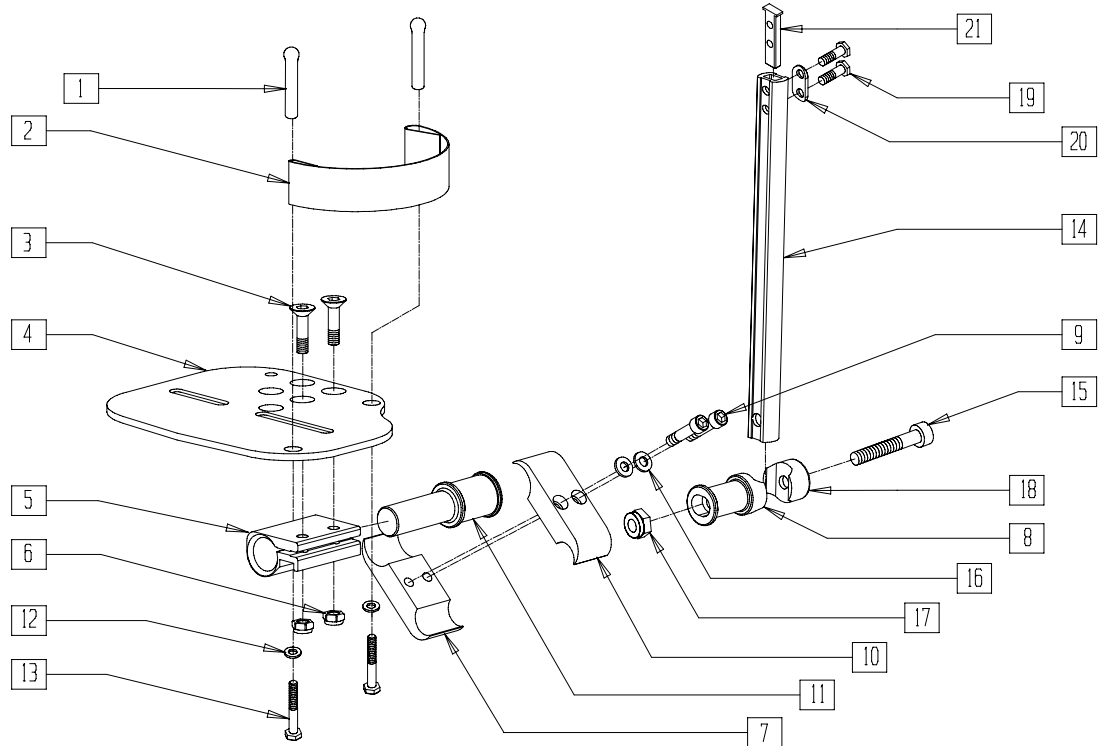
MULTI-POSITION FOOTPLATE REFERENCE GUIDE

	14"	15"	16"	17"	18"	19"	20"
Footplate	500660,	500660,	500662,	500662,	500664,	500664,	500664,
P/N	500661	500661	500663	500663	500665	500665	500665

MULTI-POSITION FOOTPLATE

(QUICKIE FREESTYLE/G-424/P-220/P-222/P-222SE/S-525/S-626/S-646/S-646SE/V-521)

(Effective 8/13/01)



PFT0X02

ITEM	NUMBER	DESCRIPTION	QTY
1	561040	HEEL LOOP PEG	2
2	741130	HEEL LOOP 14-15 MULTI PSTN	1
	741131	HEEL LOOP 16-17 MULTI PSTN	
	741132	HEEL LOOP 18-20 MULTI PSTN	
	741151	HEEL LOOP 14-15 CMPST	
	741170	HEEL LOOP P300	
3	226099	1/4-28 x 7/8 FH C/S	2
4	500658-500665	ADLT ANGL ADJ F/PLT (EA)	1
5	550350	3/4" CLMP ADJ FT PLT	1
6	201100-QU	1/4-28 NYLOCK NUT THIN	2
7	550576	CLAMP 2 1/4" THREADED BLK	1
8	483278	FOOTREST EXT PIVOT ADJ FT/PLT	1
9	226112	1/4-28 x 1 SOC C/S BLK	2
10	550477	CLAMP 2 1/4" RECESS BLK	1
11	483279	FOOTPLATE PIVOT 1" CLAMP	1
12	262110-QU	1/4 AN WASHER FLAT THIN	2
13	221110	1/4-20 x 1 HEX C/S	2
14	550823	EXT TBE MULTI-ADJ ONLY SHORT	1
	550824	EXT TBE MULTI-ADJ ONLY LONG	
15	222207	5/16-24 x 2 1/4 SH C/S BLK ZNC	1
16	262114	1/4 WASHER HI COLLAR LOCK ZN	2
17	202111	5/16-24 NYLOCK NUT THICK BLK	1

ITEM	NUMBER	DESCRIPTION	QTY
18	550786	FOOTREST PIVOT CLAMP	2
19	221102	1/4-28 x 3/4 HEX HEAD C/S BLK W/PTCH	2
20	483717	HANGER SADDLE	1
21	500078	INSERT D2 EXT TUBE	1
3-7, 9-11,16	820560-820567	MULTI ADJ FOOTPLATE STR (EA)	
1-7, 9-13,16	820568-820575	MULTI ADJ FOOTPLATE STR W/HL (EA)	
3,4,7, 9-11,16	820576-820581	MULTI ADJ FOOTPLATE FLR (EA) (S626)	
1-7, 9-13,16	820582-820587	MLT ADJ F/PLT FLR W/HL (EA) (S626)	
3-7, 9-11,16	921560-921563	MULTI ADJ FOOTPLATE ASSM STR (PR)	
1-7, 9-13,16	921564-921567	MULTI ADJ FOOTPLATE ASSM STR W/HL (PR)	
3-7, 9-11,16	921568-921570	MULTI ADJ FOOTPLATE ASSM FLR (PR) (S626)	
1-7, 9-13,16	921571-921573	MULTI ADJ FOOTPLATE ASSM FLR W/HL (PR) (S626)	
8,14,15, 17-21	921740-921741	EXT TB MULTI-ADJ SHT ASSM PCKT EXT TB MULTI-ADJ LNG ASSM PCKT	

MULTI-POSITION FOOTPLATE REFERENCE GUIDE

	14"	15"	16"	17"	18"	19"	20"
Footplate P/N	500660, 500661	500660, 500661	500662, 500663	500662, 500663	500664, 500665	500664, 500665	500664, 500665

HEEL LOOP REFERENCE GUIDE

Width	10"/11"	12"/13"	14"	15"	16"/17"	18"/19"/20"	22"/24"
ADULT ANGLE ADJUSTABLE	741154	741155	741153	741153	741153	741253	741253
ADULT ANGLE ADJUSTABLE - 90°	741154	741155	741153	741153	741153	741253	741253
ANGLE ADJ. LOCKING FOOTPLATE	n/a	n/a	n/a	741151	741156	741153	741253
TWO-PIECE LOCKING FOOTPLATE	n/a	n/a	n/a	741151	741156	741153	741253
COMPOSITE FOOTPLATE	n/a	n/a	741151	741151	741156	741153	741153
EXTENDED FOOTPLATE	n/a	n/a	741151	741151	741156	741153	741153
CONTRACTURE FOOTREST SYS.	n/a	n/a	741130	741130	741131	741132	741132
MULTI ADJ. FOOTPLATE FLR	n/a	n/a	741151	741151	741131	741132	741132
MULTI ADJ. FOOTPLATE STR	n/a	n/a	741170	741170	741130	741131	741132

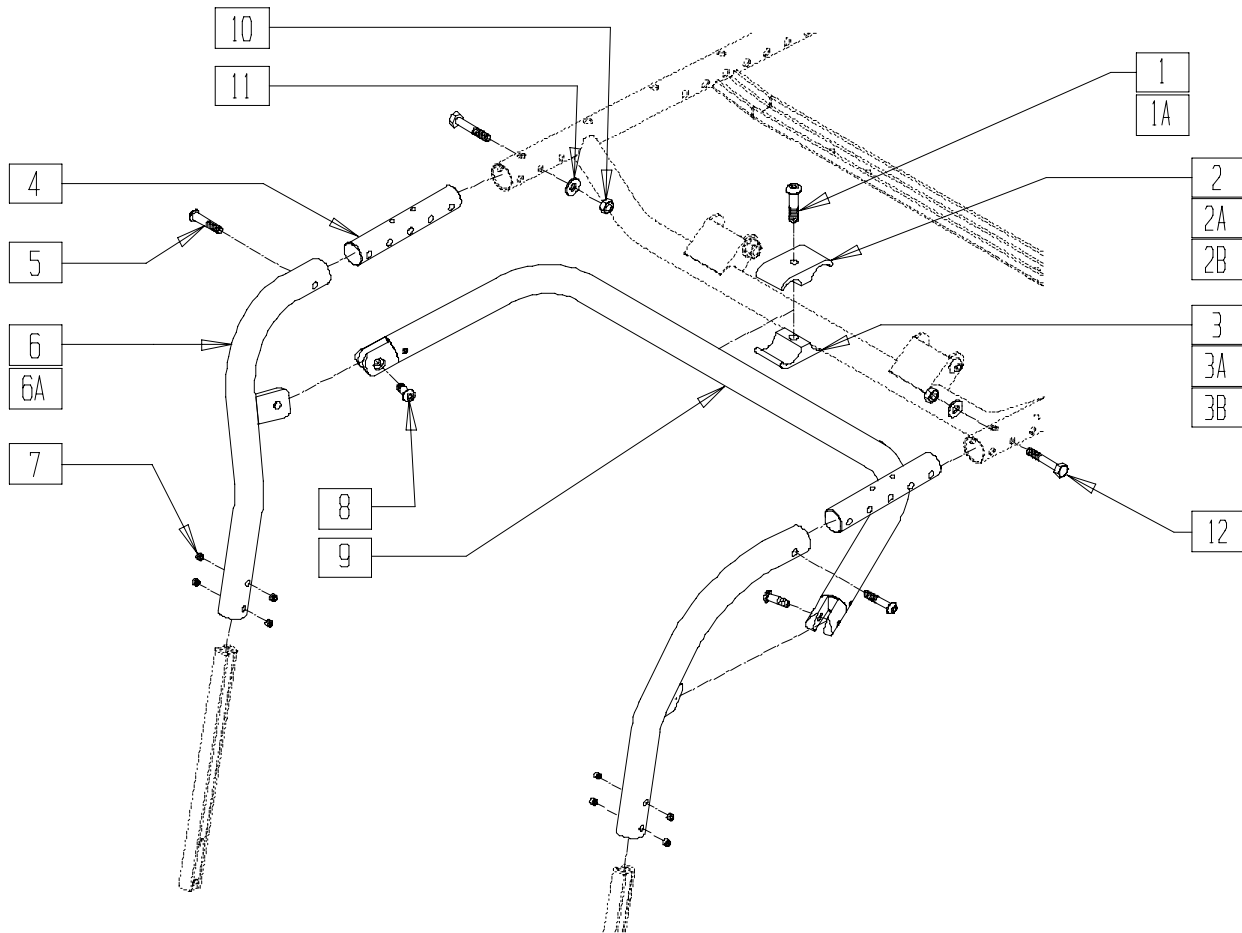
Front Frame Hangers

IN THIS SECTION

Fixed-straight Hanger (Quickie P-222) (Disc.).....	10.1	70° Front Frame Hanger (Quickie G-424/ P-222/S-525/S-626/V-521) (Disc.)	10.14
Fixed-straight Hanger (Quickie P-220/P-222/P-222SE).....	10.2	70° Front Frame Hanger (Quickie Freestyle/G-424/P-220/P-222/P-222SE/ S-525/S-626/S-646/S-646SE/V-521)	10.14
Fixed-tapered Hanger (Quickie P-222) (Disc.)	10.3	Front Frame Hangers (Quickie Freestyle).....	10.15
Fixed-tapered Hanger (Quickie P-220/P-222/P-222SE).....	10.4	Elevating Legrest (Quickie Freestyle).....	10.15
Fixed 70° Straight Hanger Assembly (Quickie Freestyle).....	10.5	Elevating Legrest (Quickie P110/V100[P100] V-121[P120]/Z500[Zippie P500])	10.16
Fixed 80° Tapered Hanger Assembly (Quickie Freestyle).....	10.5	ELR Calf Pad (14"/15") (Quickie Freestyle/G-424/P110/P-220/P-222/ P-222SE/S-525/S-626/S-646/S-646SE/V100[P100]/ V-121[P120]/V-521/Z500[Zippie P500])	10.17
60° Swing-away Hanger (Quickie P100/P110, Zippie P500) (Disc.)	10.6	ELR Calf Pad (16"-20") (Quickie Freestyle/G-424/P110/P-220/P-222/ P-222SE/S-525/S-626/S-646/S-646SE/V100[P100]/ V-121[P120]/V-521/Z500[Zippie P500])	10.17
60° Swing-away Hanger (Quickie P100/P110, Zippie P500) (Disc.)	10.6	Elevating Legrest (Quickie P190/P200/P300/P320).....	10.18
60° Swing-away Hanger (Quickie P110/V100[P100]/Z500[Zippie P500])	10.7	Elevating Legrest Reference Guide.....	10.18
60° Swing-away Hanger (Quickie V-121[P120]).....	10.7	90° Kids Elevating Legrest (Quickie Z500[Zippie P500]) (Disc.)	10.19
70° Swing-away Hanger (Quickie P100/P110/P320, Zippie P500) (Disc.).....	10.8	90° Kids Elevating Legrest (Quickie Z500[Zippie P500])	10.20
70° Swing-away Hanger (Quickie P110/ V100[P100]/Z500[Zippie P500]) (Disc.).....	10.8	Power Chair Elevating Legrest (Quickie Freestyle/G-424/P-220/P-222/P-222SE/ S-525/S-626/S-646/S-646SE/V-521)	10.21
70° Swing-away Hanger (Quickie P110/ V100[P100]/Z500[Zippie P500]).....	10.9	Power Elevating Legrest (Quickie P210) (Disc.) ..	10.22
70° "V" Swing-away Hanger (Quickie P100/P110) (Disc.)	10.9	ELR Trough Calf Pad (Quickie P190/P200/P300/P320).....	10.22
70° "V" Swing-away Hanger (Quickie P110/V100[P100]/Z500[Zippie P500]) (Disc.).....	10.10	Articulating Legrest Assembly (Quickie P110/ V100[P100]/V-121/Z500[Zippie P500])	10.23
70° "V" Swing-away Hanger (Quickie P110/ V100[P100]/Z500[Zippie P500])...10.10	10.10	Kids Articulating Legrest Assembly (Quickie Z500[Zippie P500])	10.24
90° Swing-away Hanger (Quickie Freestyle/G-424/P-222/ S-525/S-626/S-646/S-646SE/V-521)	10.11	Articulating Legrest Pad Assembly (Quickie P110/P210/P300/V100[P100]/V-121/ Z500[Zippie P500], Power Recline System).....	10.25
90° Swing-away Hanger (Quickie P110/V100[P100]/Z500[Zippie P500])	10.11	Kids Articulating Legrest Pad Assembly (Quickie Z500[Zippie P500])	10.25
90° Swing-away Hanger (Quickie V-121)	10.12		
Footrest Extension Tube (Quickie Freestyle/Z500[Zippie P500])	10.12		
Swing-away Hanger (Quickie P190/P200/P210/P300/P320)	10.13		
Swing-away Hanger Receiver (Quickie Freestyle/P-220/P-222/P-222SE)	10.13		

FIXED-STRAIGHT HANGER (QUICKIE P-222)

(Discontinued 8/13/01 - parts only)



P2220X18

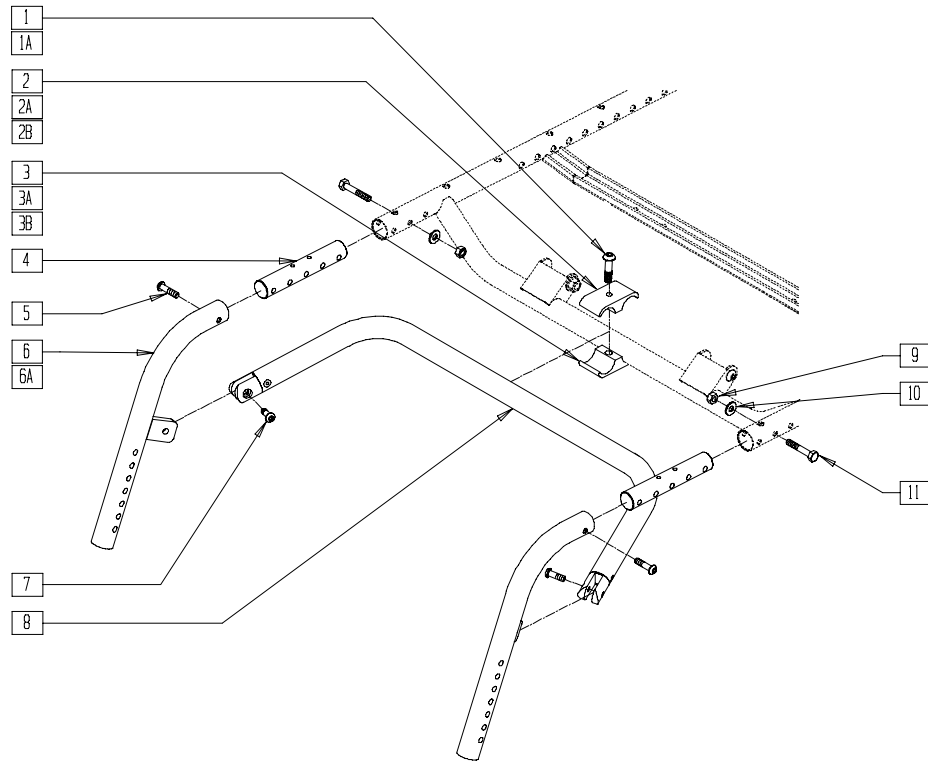
ITEM	NUMBER	DESCRIPTION	QTY
1	226286	5/16-18 x 1 1/4 SOC C/S BLK	1
1A	222109	5/16-18 x 1 1/4 BH C/S BLK ZN	1
2	550003-QU	SEAT ANGLE CLAMP SHORT C.G	1
2A	550778	HANGER SUPPORT CLAMP +1" RECESS	1
2B	550791	HANGER SUPPORT CLAMP +2" RECESS	1
3	550921	SEAT ANGLE CLAMP SHORT THRD CG	1
3A	550777	HANGER SUPPORT CLAMP +1" THRD	1
3B	550790	HANGER SUPPORT CLAMP +2" THRD	1
4	520901	FRAME HANGER INSERT P222	2
5	226061	1/4-20 x 1 BH C/S W/PATCH	2
6	540145, 540146	FRONT STRAIGHT WELDMNT (EA)	1

ITEM	NUMBER	DESCRIPTION	QTY
6A	540147, 540148	FRONT STRAIGHT WELDMNT +1" (EA)	1
7	225112	1/4-20 x 1/4 SS KNRLD CP W/PTCH	8
8	226064	1/4-28 x 3/4 BH C/S BLK W/PTCH	2
9	882375- 882382	STRAIGHT HANGER SUPPORT 15"W-24"W SUB-ASSEMBLY	1
10	204110	1/4-28 NYLOCK NUT BLK ZN	2
11	262100-QU	1/4 AN WASHER FLAT	2
12	226222	1/4-28 x 1 1/2" G8 HEX C/S BLK	2
1A,2,3	550800	HANGER SUPPORT CLAMP ASSM	
1,2A,3A	550801*	HANGER SUPPORT CLAMP +1 ASSM	
1,2B,3B	550802	HNGR SPprt CLMP +1 20 DP ASSM	

* TO BE ORDERED WHEN USING 9 x 3 CASTERS.

FIXED-STRAIGHT HANGER (QUICKIE P-220/P-222/P-222SE)

(Effective 8/13/01)



P222X18A

ITEM	NUMBER	DESCRIPTION	QTY
1	226286	5/16-18 x 1 1/4 SOC C/S BLK	1
1A	222109	5/16-18 x 1-1/4" BH C/S BLK ZN	1
2	550003-QU	SEAT ANGLE CLAMP SHORT C.G	1
2A	550778	HANGER SUPPORT CLMP +1" RECESS	1
2B	550791	HANGER SUPPORT CLMP +2" RECESS	1
3	550921	SEAT ANGLE CLMP SHORT THRD CG	1
3A	550777	HANGER SUPPORT CLAMP +1" THRD	1
3B	550790	HANGER SUPPORT CLAMP +2" THRD	1
4	520901	FRAME HANGER INSERT P222	2
5	226061	1/4-20 x 1 BH C/S W/PATCH	2
6	540416	FRONT STRAIGHT WLDMNT RIGHT BT	1
	540417	FRONT STRAIGHT WLDMNT LEFT BT	
	540418	FRNT STRT WLDMNT RIGHT +1" BT	1
6A	540418	FRNT STRT WLDMNT RIGHT +1" BT	1
	540419	FRNT STRT WLDMNT LEFT +1" BT	

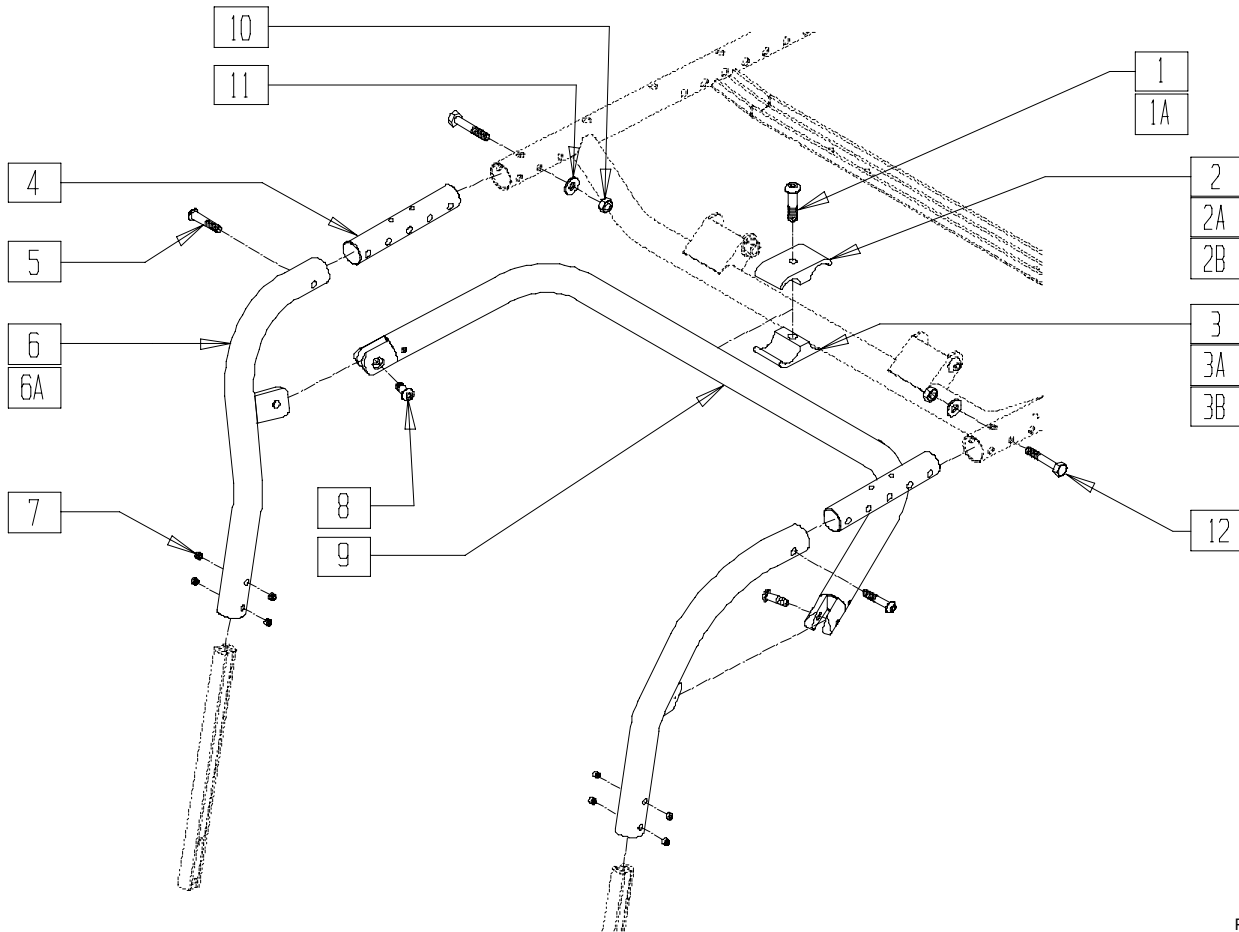
ITEM	NUMBER	DESCRIPTION	QTY
7	226064	1/4-28 x 3/4 BH C/S BLK W/PATCH	2
8	882375-882382	STRT HNGR SUPPORT SUB-ASSM 15"W-24"W	1
9	204110	1/4-28 NYLOCK NUT BLK ZN	2
10	262100-QU	1/4 AN WASHER FLAT	2
11	226222	1/4-28 x 1 1/2" G8 HEX C/S BLK	2
1A,2,3	550800	HANGER SUPPORT CLAMP ASSM	
1,2A,3A	550801	HANGER SUPPORT CLAMP +1 ASSM	
1,2B,3B	550802	HNGR SPPRT CLMP +1 20 DP ASSM	
4-12	641324-641332	FIXED-STRT HANGER STD ASSM 14"W-24"W	
	641334-641342	FIXED-STRT HANGER +1 ASSM 14"W-24"W	

REFERENCE GUIDE

	STANDARD FRAME	LONG FRAME
8" CASTER	550800	550801
70° FIXED-STRAIGHT HANGER	540416, 540417	540418, 540419
9" CASTER	550801	550802
70° FIXED-STRAIGHT HANGER	540418, 540419	540418, 540419

FIXED-TAPERED HANGER (QUICKIE P-222)

(Discontinued 8/13/01 - parts only)



P2220X19

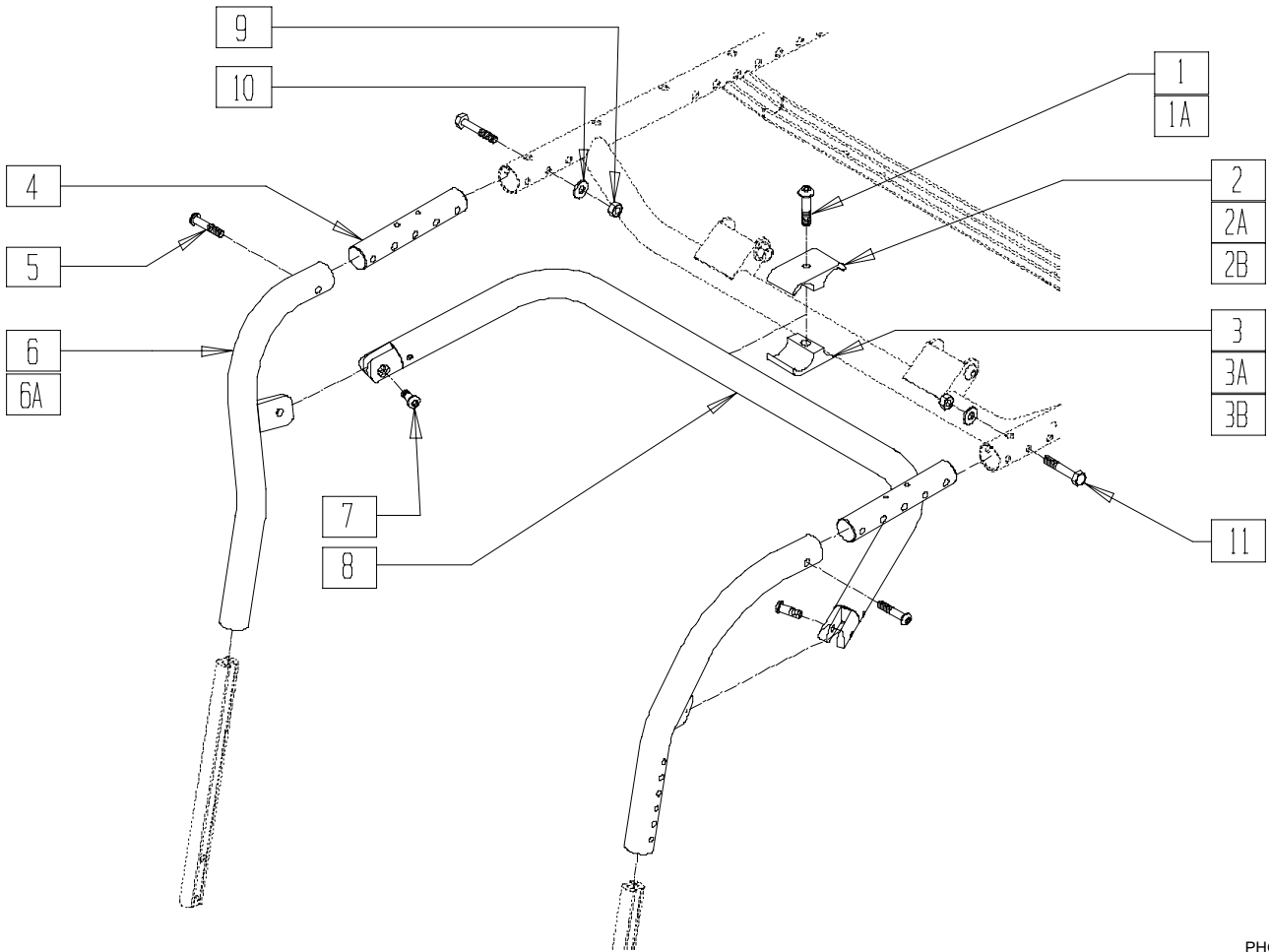
ITEM	NUMBER	DESCRIPTION	QTY
1	226286	5/16-18 x 1 1/4 SOC C/S BLK	1
1A	222109	5/16-18 x 1 1/4 BH C/S BLK ZN	1
2	550003-QU	SEAT ANGLE CLAMP SHORT C.G	1
2A	550778	HANGER SUPPORT CLAMP +1" RECESS	1
2B	550791	HANGER SUPPORT CLAMP +2" RECESS	1
3	550921	SEAT ANGLE CLAMP SHORT THRD CG	1
3A	550777	HANGER SUPPORT CLAMP +1" THRD	1
3B	550790	HANGER SUPPORT CLAMP +2" THRD	1
4	520901	FRAME HANGER INSERT P222	2
5	226061	1/4-20 x 1 BH C/S W/PATCH	2
6	540083, 540084	FRONT UPRIGHT WELDMENT (EA)	1

ITEM	NUMBER	DESCRIPTION	QTY
6A	540081, 540082	FRONT UPRIGHT WELDMENT +1" (EA)	1
7	225112	1/4-20 x 1/4 SS KNRLD CP W/PTCH	8
8	226064	1/4-28 x 3/4 BH C/S BLK W/PTCH	2
9	882384- 882392	TAPERED HANGER SUPPORT 14"W-24"W SUB-ASSEMBLY	1
10	204110	1/4-28 NYLOCK NUT BLK ZN	2
11	262100-QU	1/4 AN WASHER FLAT	2
12	226222	1/4-28 x 1 1/2" G8 HEX C/S BLK	2
1A,2,3	550800	HANGER SUPPORT CLAMP ASSM	
1,2A,3A	550801*	HANGER SUPPORT CLAMP +1 ASSM	
1,2B,3B	550802	HNGR SPPRT CLMP +1 20 DP ASSM	

* ORDER 550801 WHEN USING 9" X 3" CASTERS

FIXED-TAPERED HANGER (QUICKIE P-220/P-222/P-222SE)

(Effective 8/13/01)



PHGR0X07

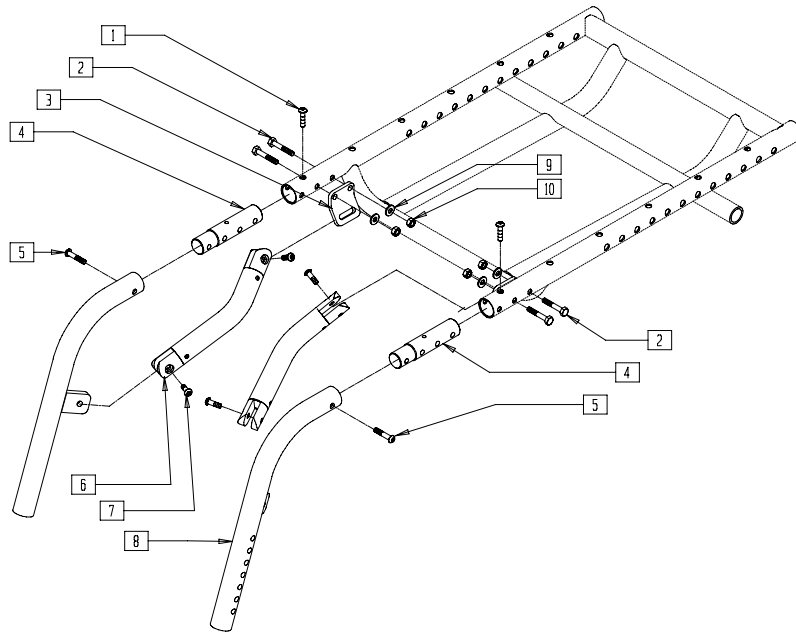
ITEM	NUMBER	DESCRIPTION	QTY
1	226286	5/16-18 x 1 1/4 SOC C/S BLK	1
1A	222109	5/16-18 x 1-1/4" BH C/S BLK ZN	1
2	550003-QU	SEAT ANGLE CLAMP SHORT C.G	1
2A	550778	HANGER SUPPORT CLMP +1" RECESS	1
2B	550791	HANGER SUPPORT CLMP +2" RECESS	1
3	550921	SEAT ANGLE CLMP SHORT THRD CG	1
3A	550777	HANGER SUPPORT CLAMP +1" THRD	1
3B	550790	HANGER SUPPORT CLAMP +2" THRD	1
4	520901	FRAME HANGER INSERT P222	2
5	226061	1/4-20 x 1 BH C/S W/PATCH	2
6	540414	FRONT UPRIGHT WLDMNT RIGHT BT	1
	540415	FRONT UPRIGHT WLDMNT LEFT BT	
6A	540412	FRONT UPRIGHT WLDMNT RT +1" BT	1
	540413	FRONT UPRIGHT WLDMNT LT +1" BT	

ITEM	NUMBER	DESCRIPTION	QTY
7	226064	1/4-28 x 3/4 BH C/S BLK W/PTCH	2
8	882384-882392	TAPERD HNGR SPPRT SUB-ASSM 14"W-24"W	1
9	204110	1/4-28 NYLOCK NUT BLK ZN	2
10	262100-QU	1/4 AN WASHER FLAT	2
11	226222	1/4-28 x 1 1/2" G8 HEX C/S BLK	2
1A,2,3	550800	HANGER SUPPORT CLAMP ASSM	
1,2A,3A	550801	HANGER SUPPORT CLAMP +1 ASSM	
1,2B,3B	550802	HNGR SPPRT CLMP +1 20 DP ASSM	
4-11	641354-641362	FIXED-TAPERED HANGER ASSM 14"W-24"W	
4,5,6A,7-11	641364-641372	FIXED-TAPERED HNGR +1 ASSM 14"W-24"W	

REFERENCE GUIDE

	STANDARD FRAME	LONG FRAME
8" CASTER	550800	550801
80° FIXED-TAPERED HANGER	540414, 540415	540414, 540415
9" CASTER	550801	550802
80° FIXED-TAPERED HANGER	540412, 540413	540412, 540413

FIXED 70° STRAIGHT HANGER ASSEMBLY (QUICKIE FREESTYLE)

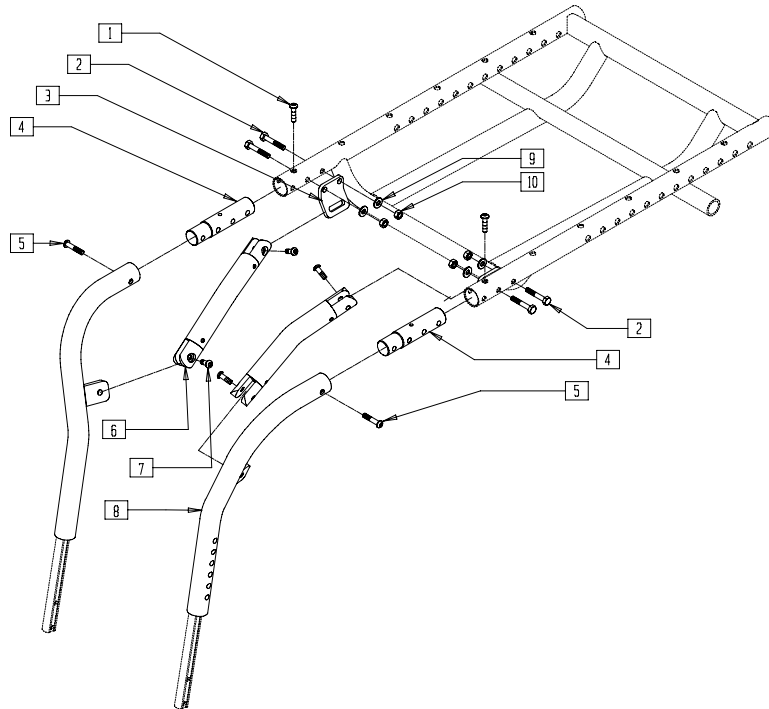


FRE0X02

ITEM	NUMBER	DESCRIPTION	QTY
1	230021	BHCS M5 x .8 x 20 mm TORX T-25	2
2	221151-QU	1/4-28 x 1 3/4 G8 HEX C/S	4
3	501034	BRACKET SUPPORT HANGER	2
4	520901	FRAME HANGER INSERT P222	2
5	226061	1/4-20 x 1 BH C/S W/PATCH	2
6	882626, 882627	FIXED STRAIGHT SUPPORT ASSM (EA)	1

ITEM	NUMBER	DESCRIPTION	QTY
7	226064	1/4-28 x 3/4 BH C/S BLK W/PTCH	4
8	540416, 540417	FRONT STRAIGHT WLDMNT BT (EA)	1
9	262100-QU	1/4 AN WASHER FLAT	4
10	204110	1/4-28 NYLOCK NUT BLK ZN	4
1-10	641333	FIXED 70° STRAIGHT HANGER ASSM	

FIXED 80° TAPERED HANGER ASSEMBLY(QUICKIE FREESTYLE)



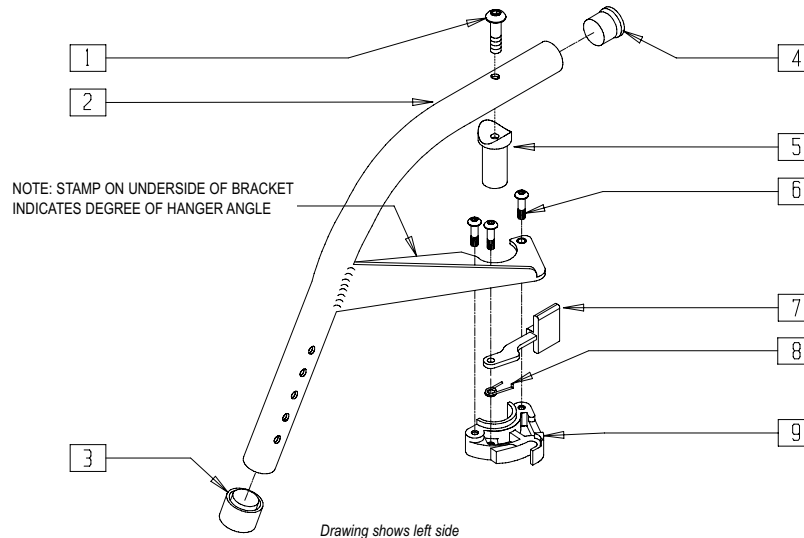
FRE0X03

ITEM	NUMBER	DESCRIPTION	QTY
1	230021	BHCS M5 x .8 x 20 mm TORX T-25	2
2	221151-QU	1/4-28 x 1 3/4 G8 HEX C/S	2
3	501034	BRACKET SUPPORT HANGER	2
4	520901	FRAME HANGER INSERT P222	2
5	226061	1/4-20 x 1 BH C/S W/PATCH	2
6	882624, 882625	FIXED TAPERED SUPPORT ASSM (EA)	1

ITEM	NUMBER	DESCRIPTION	QTY
7	226064	1/4-28 x 3/4 BH C/S BLK W/PTCH	2
8	540414, 540415	FRONT UPRIGHT WLDMNT BT (EA)	1
9	262100-QU	1/4 AN WASHER FLAT	2
10	204110	1/4-28 NYLOCK NUT BLK ZN	2
1-10	641363	FIXED 80° TAPERED HANGER ASSM	

60° SWING-AWAY HANGER (QUICKIE P100/P110, ZIPPIE P500)

(Discontinued 10/23/99 - parts only)



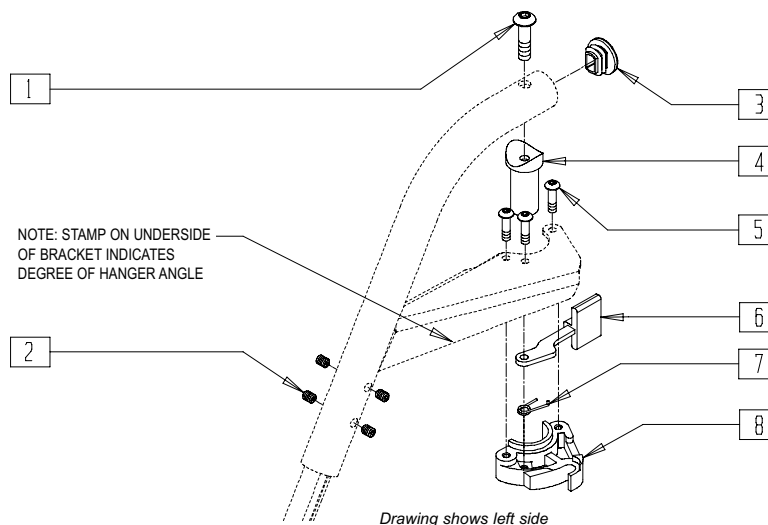
P100X02A

ITEM	NUMBER	DESCRIPTION	QTY
1	226198	5/16-18 x 2 BH C/S SHT THREAD	1
2	505050, 505052	S/A HANGER ONLY 60° (EA) (SPECIFY COLOR)	1
3	561082	1" TUBE END BUSHING THIN	1
4	561002	1" INSERT PLUG .083	1
5	561197	PLASTIC PIVOT SADDLE	1
1.5	880545	PIVOT SADDLE .125 W/SCREW	
6	226057	10-24 x .725 BTTN HD SOC BZ	3
7	561079	S/A LATCH LEVER	1

ITEM	NUMBER	DESCRIPTION	QTY
8	321136, 321137	S/A SPRING (EA)	1
9	881500, 881501	S/A LATCH BLOCK (EA)	
6-9	881521, 881522	S/A LATCH KIT (EA)	
1-9	641150, 641170	HANGER 60° PNTD S/A (EA) (SPECIFY COLOR)	

60° SWING-AWAY HANGER (QUICKIE P100/P110, ZIPPIE P500)

(Effective 10/23/99) (Discontinued 8/13/01 - parts only)



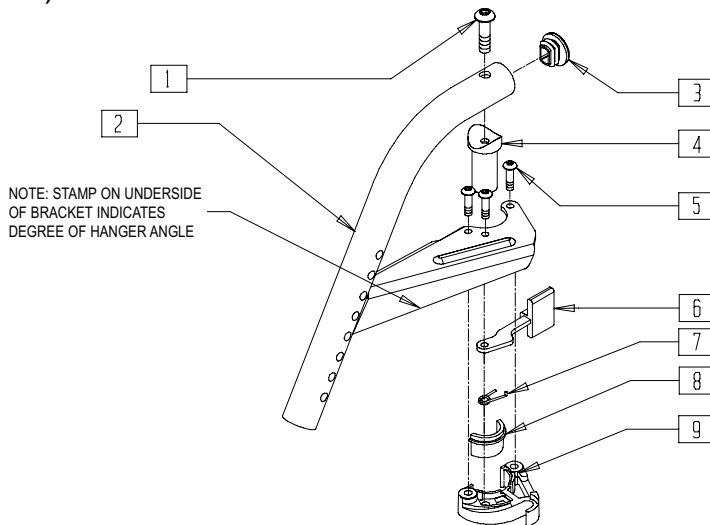
Q220X08C

ITEM	NUMBER	DESCRIPTION	QTY
1	226198	5/16-18 x 2 BH C/S SHT THREAD	1
2	225112	1/4-20 x 1/4 SS KNRLD CP W/PTCH	4
3	561378	END PLUG DBL "D" S525	1
4	561197	PLASTIC PIVOT SADDLE	1
5	226057	10/24 x .725 BTTN HD SOC BZ	3
6	561079	S/A LATCH LEVER	1

ITEM	NUMBER	DESCRIPTION	QTY
7	321136, 321137	S/A SPRING (EA)	1
8	561076, 561078	S/A LATCH BLOCK (EA)	
5-8	880730, 880731	S/A LATCH KIT (EA)	

60° SWING-AWAY HANGER (QUICKIE P110/V100[P100]/Z500[ZIPPIE P500])

(Effective 8/13/01)



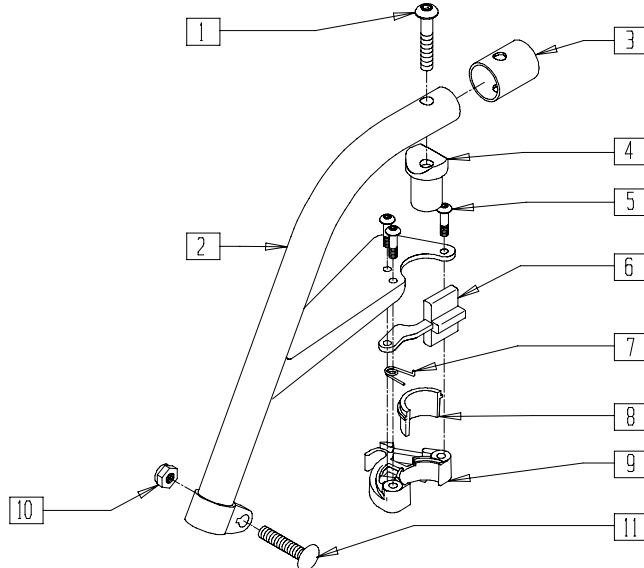
Drawing shows left side

PHGRX03B

ITEM	NUMBER	DESCRIPTION	QTY
1	226217	5/16-18 x 2" BH C/S BLK	1
2	504942	S/A HANGER ONLY R 60° D2	1
	504943	S/A HANGER ONLY L 60° D2	
3	561378	END PLUG DBL "D" S525	1
4	561197	PLASTIC PIVOT SADDLE	1
5	226057	10/24 x .725 BTTN HD SOC BZ	3
6	561079	S/A LATCH LEVER	1

ITEM	NUMBER	DESCRIPTION	QTY
7	321136	S/A SPRING L RED	1
	321137	S/A SPRING R CLEAR	
8,9	881500	LATCH BLOCK ASSM R	
	881501	LATCH BLOCK ASSM L	
1-9	641550	HANGER 60D R D2 PNT S/A BT PWR	
	641551	HANGER 60D L D2 PNT S/A BT PWR	

60° SWING-AWAY HANGER (QUICKIE V-121[P120])



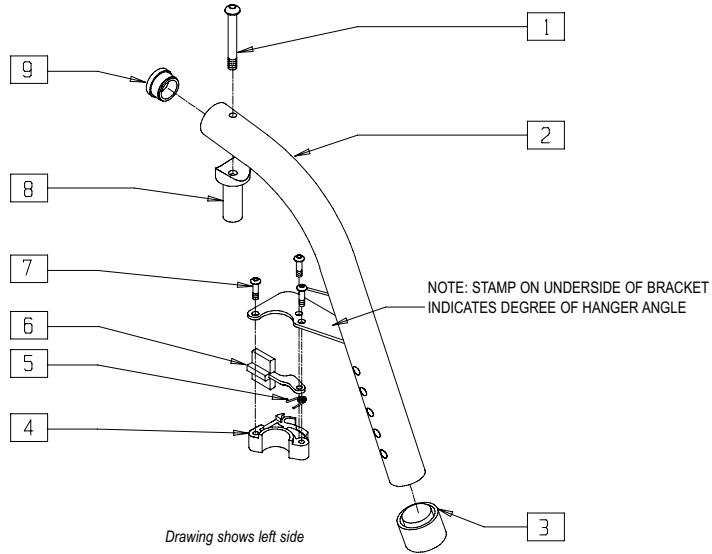
Drawing shows right side

P900X28B

ITEM	NUMBER	DESCRIPTION	QTY
1	226217	5/16-18 x 2" BH C/S BLK	1
2	505752, 505753	HANGER ONLY P120 (EA)	1
3	560769	HANGER TUBE END CAP	1
4	561197	PLASTIC PIVOT SADDLE	1
5	226011	10-24 x .665 BH C/S W/PATCH	3
6	561079	S/A LATCH LEVER	1

ITEM	NUMBER	DESCRIPTION	QTY
7	321136, 321137	S/A SPRING (EA)	1
	8,9	881500	
		881501	LATCH BLOCK ASSM L
10	202103	5/16-18 NYLOCK NUT THICK	1
11	226205	5/16-18 x 1-1/4" CARR BOLT	1
1-11	641490	HANGER 60D PNTD RIGHT S/A P120	
	641491	HANGER 60D PNTD LEFT S/A P120	

70° SWING-AWAY HANGER (QUICKIE P100/P110/P320, ZIPPIE P500) (Discontinued 10/23/99)

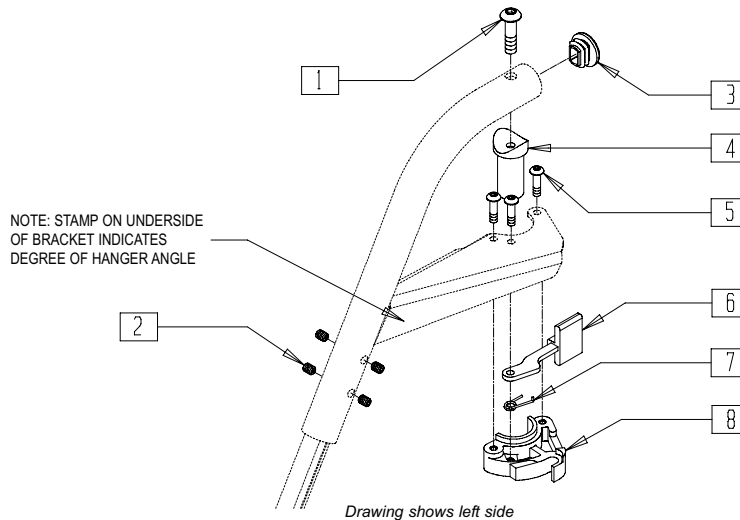


P100X03A

ITEM	NUMBER	DESCRIPTION	QTY
1	226198	5/16-18 x 2 BH C/S SHT THREAD	1
2	505041, 505042	S/A HANGER ONLY 70° (EA) (SPECIFY COLOR)	1
3	561082	1" TUBE END BUSHING THIN	1
4	881500, 881501	S/A LATCH BLOCK (EA)	
5	321136, 321137	S/A SPRING (EA)	1
6	561079	S/A LATCH LEVER	1

ITEM	NUMBER	DESCRIPTION	QTY
7	226057	10-24 x .725 BTTN HD SOC BZ	3
8	561197	PLASTIC PIVOT SADDLE	1
1,8	880545	PIVOT SADDLE .125 W/SCREW	
9	561002	1" INSERT PLUG .083	1
4-7	881521, 881522	S/A LATCH KIT (EA)	
1-9	641180, 641182	HANGER 70° PNTD S/A (EA) (SPECIFY COLOR)	

70° SWING-AWAY HANGER (P110/V100[P100]/Z500[ZIPPIE P500]) (Effective 10/23/99) (Discontinued 8/13/01 - parts only)



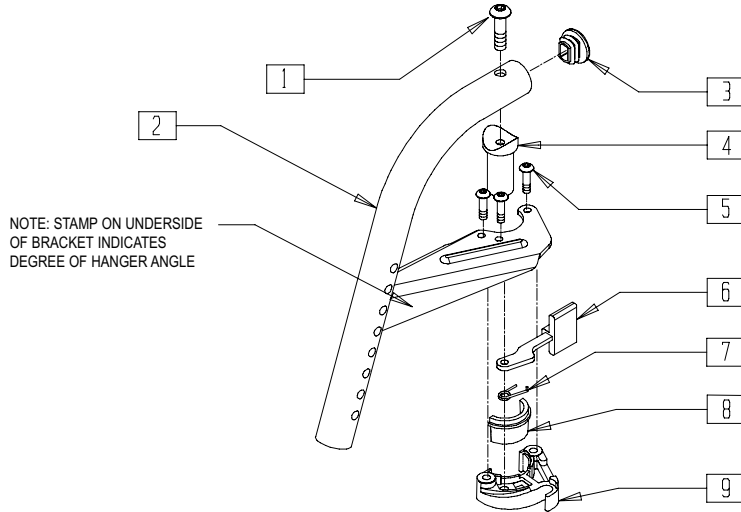
Q220X09C

ITEM	NUMBER	DESCRIPTION	QTY
1	226198	5/16-18 x 2 BH C/S SHT THREAD	1
2	225112	1/4-20 x 1/4 SS KNRLD CP W/PTCH	4
3	561378	END PLUG DBL "D" S525	1
4	561197	PLASTIC PIVOT SADDLE	1
5	226057	10/24 x .725 BTTN HD SOC BZ	3
6	561079	S/A LATCH LEVER	1

ITEM	NUMBER	DESCRIPTION	QTY
7	321136, 321137	S/A SPRING (EA)	1
8	561076, 561078	S/A LATCH BLOCK (EA)	
5-8	880730, 880731	S/A LATCH KIT (EA)	

70° SWING-AWAY HANGER (QUICKIE P110/V100[P100]/Z500[ZIPPIE P500])

(Effective 8/13/01)



Drawing shows left side

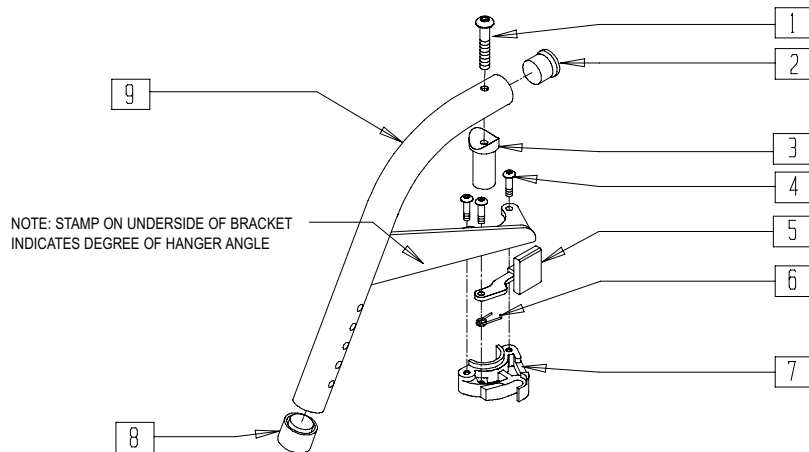
PHGRX04B

ITEM	NUMBER	DESCRIPTION	QTY
1	226217	5/16-18 x 2" BH C/S BLK	1
2	504944	S/A HANGER ONLY R 70° D2	1
	504945	S/A HANGER ONLY L 70° D2	
3	561378	END PLUG DBL "D" S525	1
4	561197	PLASTIC PIVOT SADDLE	1
5	226057	10/24 x .725 BTTN HD SOC BZ	3
6	561079	S/A LATCH LEVER	1

ITEM	NUMBER	DESCRIPTION	QTY
7	321136	S/A SPRING L RED	1
	321137	S/A SPRING R CLEAR	
8,9	881500	LATCH BLOCK ASSM R	
	881501	LATCH BLOCK ASSM L	
1-9	641552	HANGER 70D R D2 PNT S/A BT PWR	
	641553	HANGER 70D L D2 PNT S/A BT PWR	

70° "V" SWING-AWAY HANGER (QUICKIE P100/P110)

(Discontinued 10/23/99)



Drawing shows left side

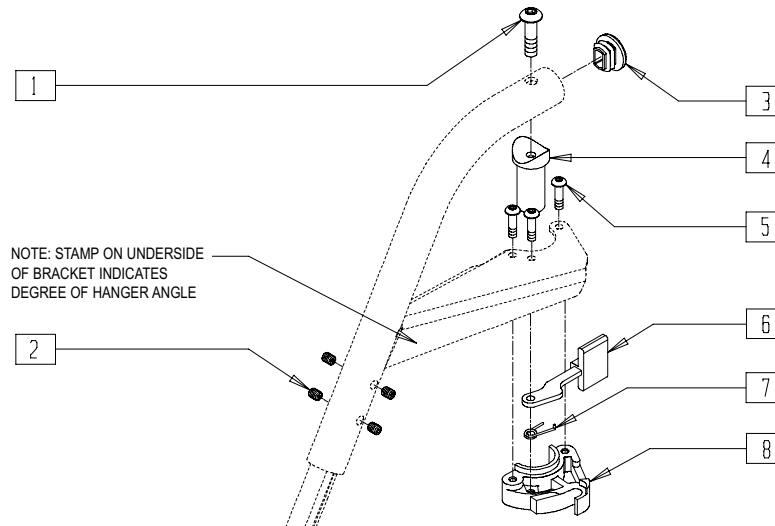
FTOX028A

ITEM	NUMBER	DESCRIPTION	QTY
1	226198	5/16-18 x 2 BH C/S SHT THREAD	1
2	561002	1" INSERT PLUG .083	1
3	561197	PLASTIC PIVOT SADDLE	1
1-3	880545	PIVOT SADDLE .125 W/SCREW	
4	226057	10-24 x .725 BTTN HD SOC BZ	3
5	561079	S/A LATCH LEVER	1
6	881500, 881501	S/A SPRING (EA)	1

ITEM	NUMBER	DESCRIPTION	QTY
7	561076, 561078	S/A LATCH BLOCK (EA)	1
8	561082	1" TUBE END BUSHING THIN	1
9	505051, 505053	S/A HANGER ONLY "V" 70° (EA) (SPECIFY COLOR)	1
4-7	881521, 881522	S/A LATCH KIT (EA)	
1-9	641183, 641184	HANGER 70° "V" PNTD S/A (EA) (SPECIFY COLOR)	

70° "V" SWING-AWAY HANGER (P110/V100[P100]/Z500[ZIPPIE P500])

(Effective 10/23/99) (Discontinued 8/13/01 - parts only)



Drawing shows left side

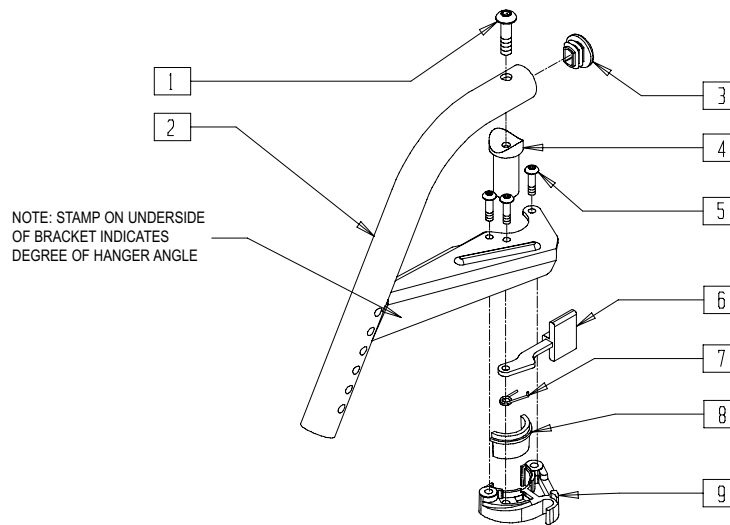
Q220X10B

ITEM	NUMBER	DESCRIPTION	QTY
1	226198	5/16-18 x 2 BH C/S SHT THREAD	1
2	225112	1/4-20 x 1/4 SS KNRLD CP W/PTCH	4
3	561378	END PLUG DBL "D" S525	1
4	561197	PLASTIC PIVOT SADDLE	1
5	226057	10/24 x .725 BTTN HD SOC BZ	3
6	561079	S/A LATCH LEVER	1

ITEM	NUMBER	DESCRIPTION	QTY
7	321136, 321137	S/A SPRING (EA)	1
8	881500, 881501	S/A LATCH BLOCK (EA)	
5-8	881521, 881522	S/A LATCH KIT (EA)	

70° "V" SWING-AWAY HANGER (QUICKIE P110/V100[P100]/Z500[ZIPPIE P500])

(Effective 8/13/01)



Drawing shows left side

PHGRX05B

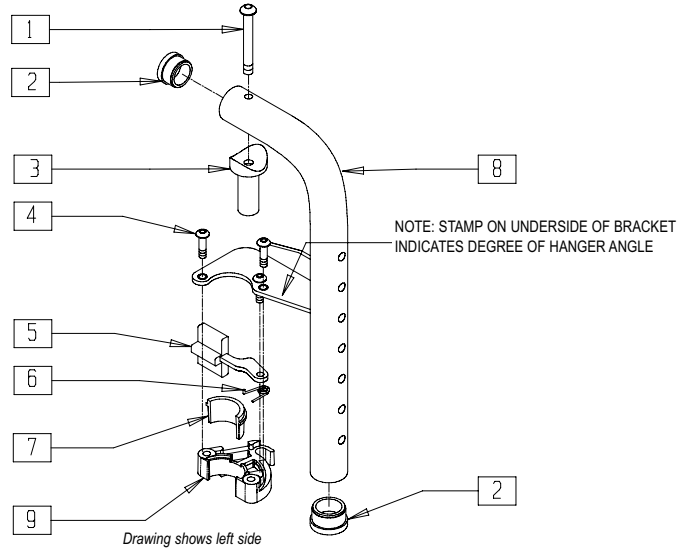
ITEM	NUMBER	DESCRIPTION	QTY
1	226217	5/16-18 x 2" BH C/S BLK	1
2	504946	S/A HANGER ONLY R 70° "V" D2	1
	504947	S/A HANGER ONLY L 70° "V" D2	
3	561378	END PLUG DBL "D" S525	1
4	561197	PLASTIC PIVOT SADDLE	1
5	226057	10/24 x .725 BTTN HD SOC BZ	3
6	561079	S/A LATCH LEVER	1

ITEM	NUMBER	DESCRIPTION	QTY
7	321136	S/A SPRING L RED	1
	321137	S/A SPRING R CLEAR	
8,9	881500	LATCH BLOCK ASSM R	
	881501	LATCH BLOCK ASSM L	
1-9	641554	HNGR 70D V R D2 PNT S/A BT PWR	
	641555	HNGR 70D V L D2 PNT S/A BT PWR	

90° SWING-AWAY HANGER

(QUICKIE FREESTYLE/G-424/P-222/S-525/S-626/S-646/S-646SE/V-521)

(Used with Kids Angle-adjustable Footplate — Extension Mount, see page 9.9)

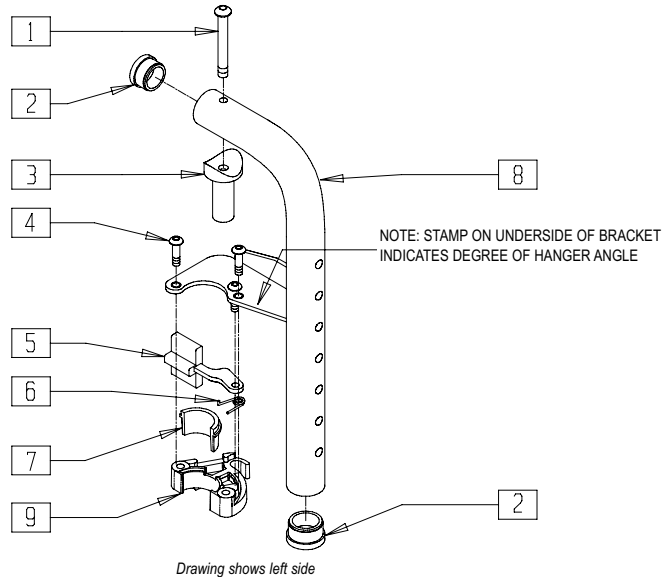


PHGRX08B

ITEM	NUMBER	DESCRIPTION	QTY
1	226291	5/16-18 x 1-1/2 BHCS BK W/PTCH	1
2	561002	1" INSERT PLUG .083	2
3	483603	PIVOT SADDLE MANUAL/POWER	1
4	226057	10/24 x .725 BTTN HD SOC BZ	3
5	561079	S/A LATCH LEVER	1
6	321136, 321137	S/A SPRING (EA)	1

ITEM	NUMBER	DESCRIPTION	QTY
7,9	881500, 881501	LATCH BLOCK ASSM (EA)	
8	505039, 505040	S/A HANGER ONLY 90D (EA) (SPECIFY COLOR)	1
1-9	641148, 641149	HANGER 90D PNTD S/A PWR (EA) (SPECIFY COLOR)	

90° SWING-AWAY HANGER (QUICKIE P110/V100[P100]/Z500[ZIPPIE P500])

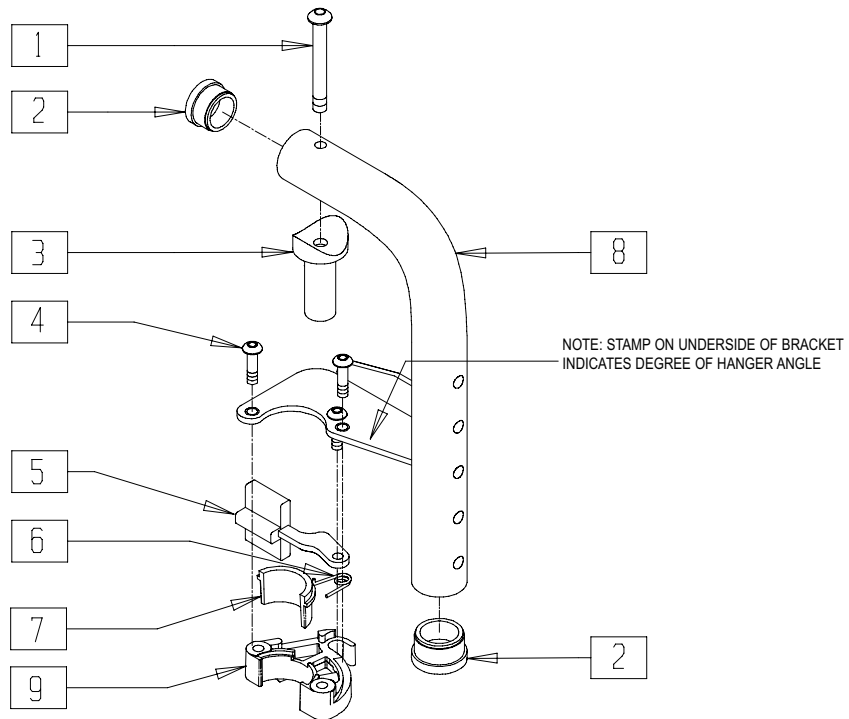


PHGRX11A

ITEM	NUMBER	DESCRIPTION	QTY
1	226217	5/16-18 x 2" BH C/S BLK	1
2	561002	1" INSERT PLUG .083	2
3	561197	PLASTIC PIVOT SADDLE	1
4	226057	10/24 x .725 BTTN HD SOC BZ	3
5	561079	S/A LATCH LEVER	1
6	321136, 321137	S/A SPRING (EA)	1

ITEM	NUMBER	DESCRIPTION	QTY
7,9	881500, 881501	LATCH BLOCK ASSM (EA)	
8	505039, 505040	S/A HANGER ONLY 90D (EA) (SPECIFY COLOR)	1
1-9	641556, 641557	HANGER 90D PNTD S/A PWR (EA) (SPECIFY COLOR)	

90° SWING-AWAY HANGER (QUICKIE V-121)



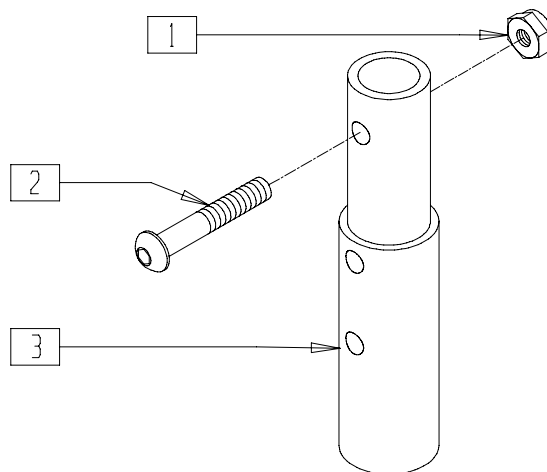
Drawing shows left side

V121X08B

ITEM	NUMBER	DESCRIPTION	QTY
1	226217	5/16-18 x 2" BH C/S BLK	1
2	561002	1" INSERT PLUG .083	2
3	561197	PLASTIC PIVOT SADDLE	1
4	226057	10/24 x .725 BTTN HD SOC BZ	3
5	561079	S/A LATCH LEVER	1
6	321136, 321137	S/A SPRING (EA)	1

ITEM	NUMBER	DESCRIPTION	QTY
7,9	881500, 881501	LATCH BLOCK ASSM (EA)	
8	505348, 505349	S/A HANGER 90° SHORT (EA) (SPECIFY COLOR)	1
1-9	641146, 641147	HANGER 90° PNTD S/A SHORT (EA) (SPECIFY COLOR)	

FOOTREST EXTENSION TUBE (QUICKIE FREESTYLE/Z500[ZIPPIE P500])



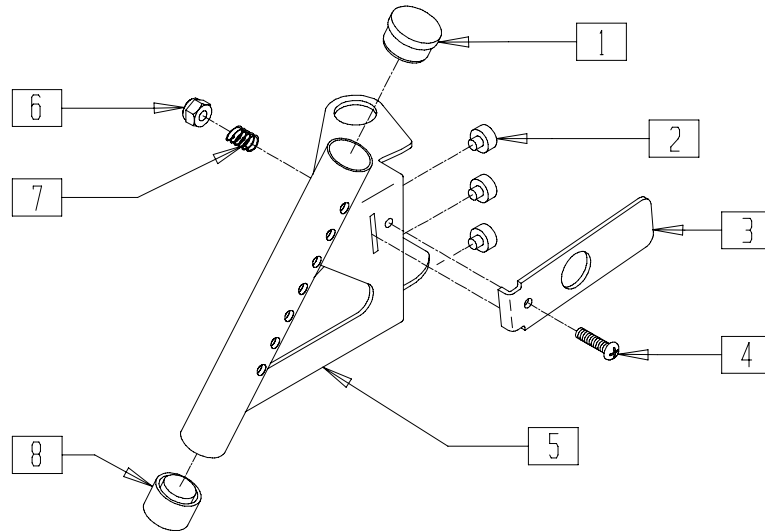
ZXTUBE

ITEM	NUMBER	DESCRIPTION	QTY
1	201100-QU	1/4-28 NYLOCK NUT THIN	1
2	226129	1/4-28 x 1 1/4 BH C/S	1

ITEM	NUMBER	DESCRIPTION	QTY
3	500150	2" FOOTREST EXT TUBE	1
1-3	881403	2" FTRST EXT TUBE W/HWDR ASSM	

SWING-AWAY HANGER (QUICKIE P190/P200/P210/P300/P320)

(Fits P300 beginning P3-10500)



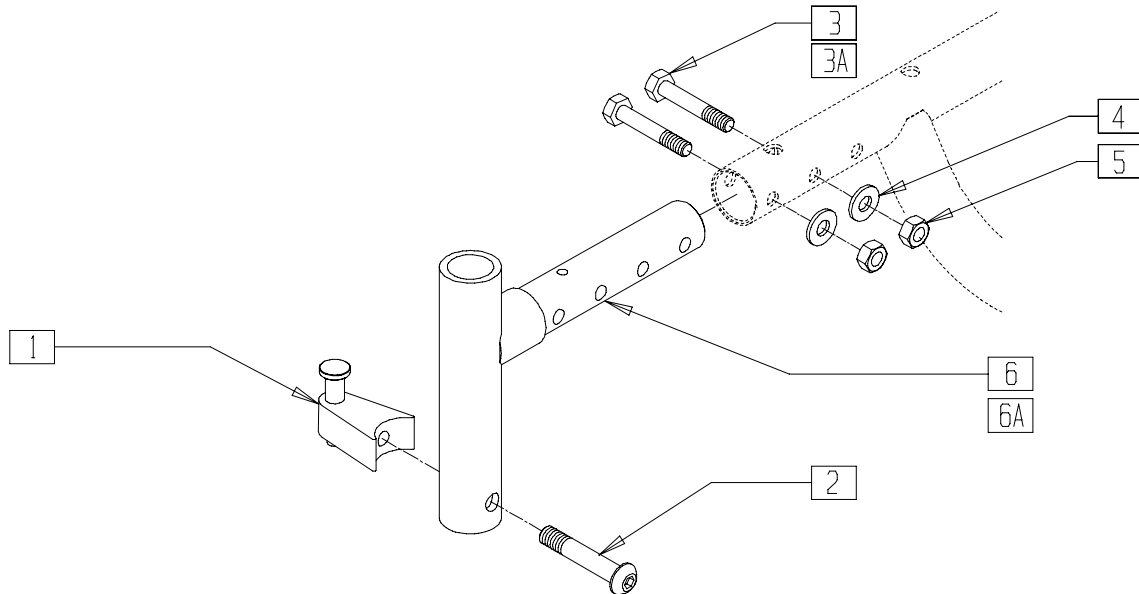
Drawing shows right side

P200X19

ITEM	NUMBER	DESCRIPTION	QTY
1	561019	1" INSERT PLUG .049	1
2	349559	RUBBER BUMPER HANGER P2	3
3	505217	S/A RELEASE LEVER P2	1
4	281125	10-32 x 7/8 PAN PHIL	1
5	881420, 881421	HANGER W/RIVET P2 (EA)	1

ITEM	NUMBER	DESCRIPTION	QTY
6	200100-QU	10-32 NYLOCK NUT	1
7	321780	SPRING HANGER LATCH P2	1
8	561018	1" TUBE END BUSHING THICK	1
1-8	641690, 641691	HANGER PAINTED P2 (EA) (SPECIFY COLOR)	

SWING-AWAY HANGER RECEIVER (QUICKIE FREESTYLE/P-220/P-222/P-222SE)



P2220X24B

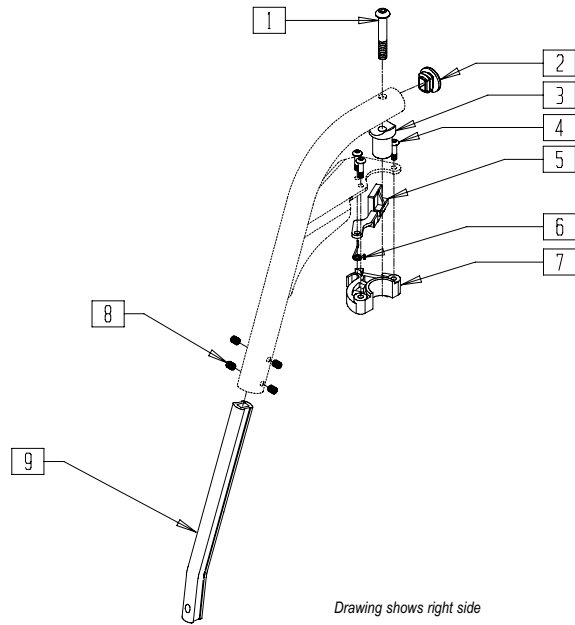
ITEM	NUMBER	DESCRIPTION	QTY
1	881691	S/A LATCH BLCK PRSD ASSM BLK	1
2	226218	5/16-18 x 1 3/4" BH C/S BLK	1
3	226222	1/4-28 x 1 1/2" G8 HEX C/S BLK (USE WITH SINGLE POST ARMREST)	2
3A	221151	1/4-28 x 1 3/4 G8 HEX C/S (USE WITH DUAL-POST ARMREST)	1
4	262100-QU	1/4 AN WASHER FLAT	1-2
5	204110	1/4-28 NYLOCK NUT BLK ZN	1-2

ITEM	NUMBER	DESCRIPTION	QTY
6	540001	S/A HANGER RECEIVER WELDMENT	1
6A*	540004	S/A HANGER RECEIVER WELDMENT +1"	1
1,2	920244	S/A LATCH ASSEMBLY W/BLK BOLT	
1-6	540325, 540326	S/A HANGER RECEIVER ASSEMBLY (EA)	
1-5,6A	540327, 540328	S/A HANGER RECEIVER ASSEMBLY +1 (EA)	

* ITEM 7A (540004) IS USED WITH 9" x 3" CASTERS.

70° FRONT FRAME HANGER (QUICKIE G-424/P-222/S-525/S-626/V-521)

(Discontinued 8/13/01 - parts only)



Drawing shows right side

MEASURING GUIDE



S5250X41

EXT. TUBE	"A"
REG	9 1/8"
LONG	11 1/8"

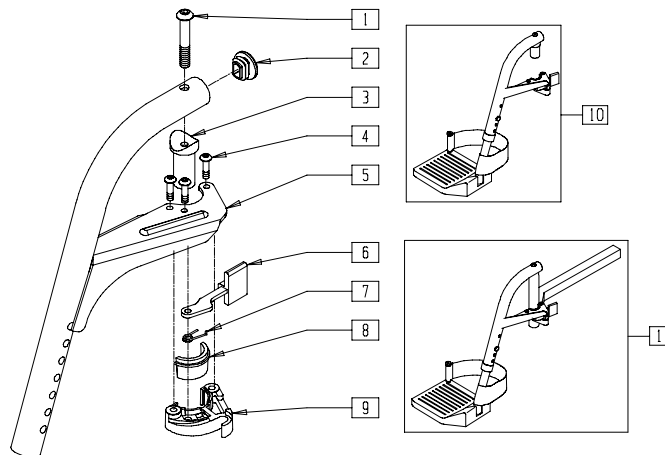
S5250X10A

ITEM	NUMBER	DESCRIPTION	QTY
1	226217	5/16-18 x 2 BH C/S BLK	1
2	561378	END PLUG DOUBLE "D" S525	1
3	561197	PLASTIC PIVOT SADDLE	1
4	226057	10/24 x .725 BTTN HD SOC BZ	3
5	561079	S/A LATCH LEVER	1
6	321136	S/A SPRING L RED	1
	321137	S/A SPRING R CLEAR	

ITEM	NUMBER	DESCRIPTION	QTY
7	561076	S/A LATCH BLOCK R	1
	561078	S/A LATCH BLOCK L	
8	225112	1/4-20 x 1/4 SS KNRLD CP W/PTCH	4
	550764	S/A HANGER EXT D2 SHORT BLACK	
	550765	S/A HANGER EXT D2 MED BLACK	
9	550766	S/A HANGER EXT D2 LONG BLACK	1

70° FRONT FRAME HANGER (QUICKIE FREESTYLE/G-424/P-220/P-222/P222-SE/S-525/S-626/S-646/S-646SE/V-521)

(Effective 8/13/01)

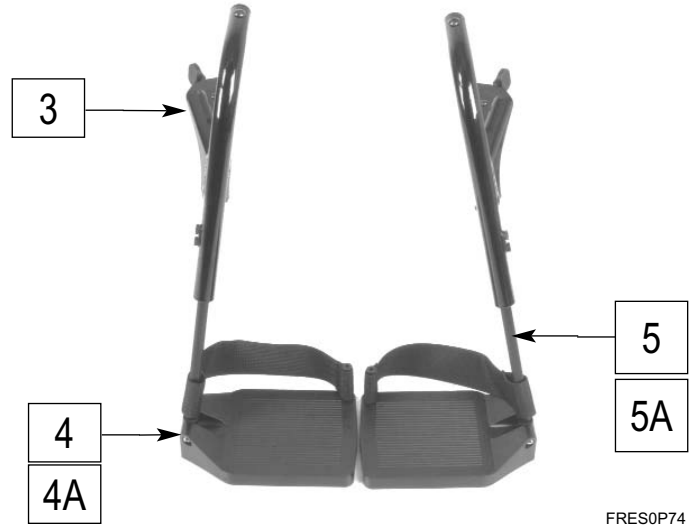
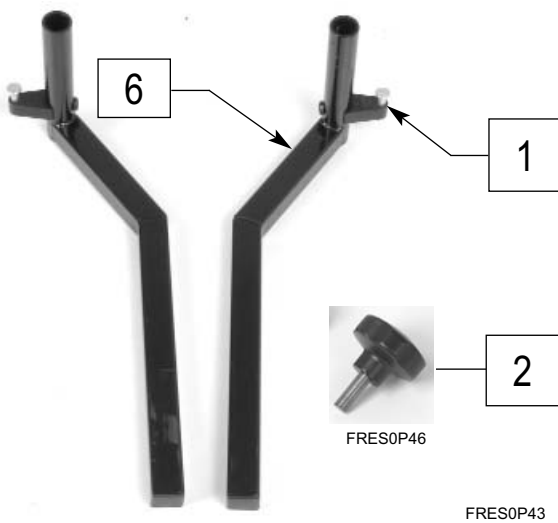


PHGRX06C

ITEM	NUMBER	DESCRIPTION	QTY
1	226217	5/16-18 x 2" BH C/S BLK	1
2	561378	END PLUG DBL "D" S525	1
3	561197	PLASTIC PIVOT SADDLE	1
4	226057	10/24 x .725 BTTN HD SOC BZ	3
5	504948	S/A HANGER ONLY R 70° D2 PWR	1
	504949	S/A HANGER ONLY L 70° D2 PWR	
6	561079	S/A LATCH LEVER	1
7	321136	S/A SPRING L RED	1
	321137	S/A SPRING R CLEAR	

ITEM	NUMBER	DESCRIPTION	QTY
8,9	881500	LATCH BLOCK ASSM R	
	881501	LATCH BLOCK ASSM L	
1-9	641508	HANGER 70° R D2 PNTD PWR	
	641509	HANGER 70° L D2 PNTD PWR	
10	923145,	70D FTREST FPLATE MED EXT (PR)	
	923146	(HANGER W/FTPLATE AND EXT TUBE)	
11	921776,	70D FTRT FTPLT MD EXT W/ADP (PR)	
	921777	(HANGER, FOOTPLATE EXT TUBE, LEGREST ADAPTER)	

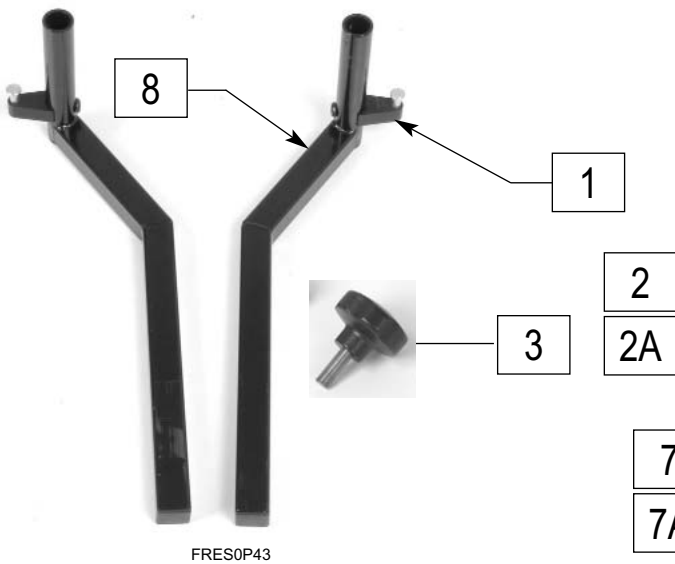
FRONT FRAME HANGERS (QUICKIE FREESTYLE)



ITEM	NUMBER	DESCRIPTION	QTY
1	920244	S/A LATCH ASSM W/ BLK BOLT	2
2	349049	KNOB M8 x 1.25 x 18	4
3	641508	HANGER 70D R D2 PNTD PWR	1
	641509	HANGER 70D L D2 PNTD PWR	1
4	921162	C F/PLT ASSM H/L 16-17/19-20V	2
4A	921163	CMPST FT PLT ASSM HL LPS 18-20	2
5	921760	EXT TBE S/A MED ASSM PCKT	2

ITEM	NUMBER	DESCRIPTION	QTY
5A	921761	EXT TBE S/A LNG ASSM PCKT	2
1-6	921776	70D FTRT 16 FTPLT MD EXT W/ADP	
1-3,4A,5-6	921777	70D FTRT 18-22 FT MD EXT W/ADP	
1,3-5	923145	70D FTREST 16" FPLATE MED EXT (PR)	
2,6	885976	LEGREST ADAPTER QUICKIE (PR)	
1,3,4A,5	923146	70D FTREST 18-22 FPLT MED EXT (PR)	

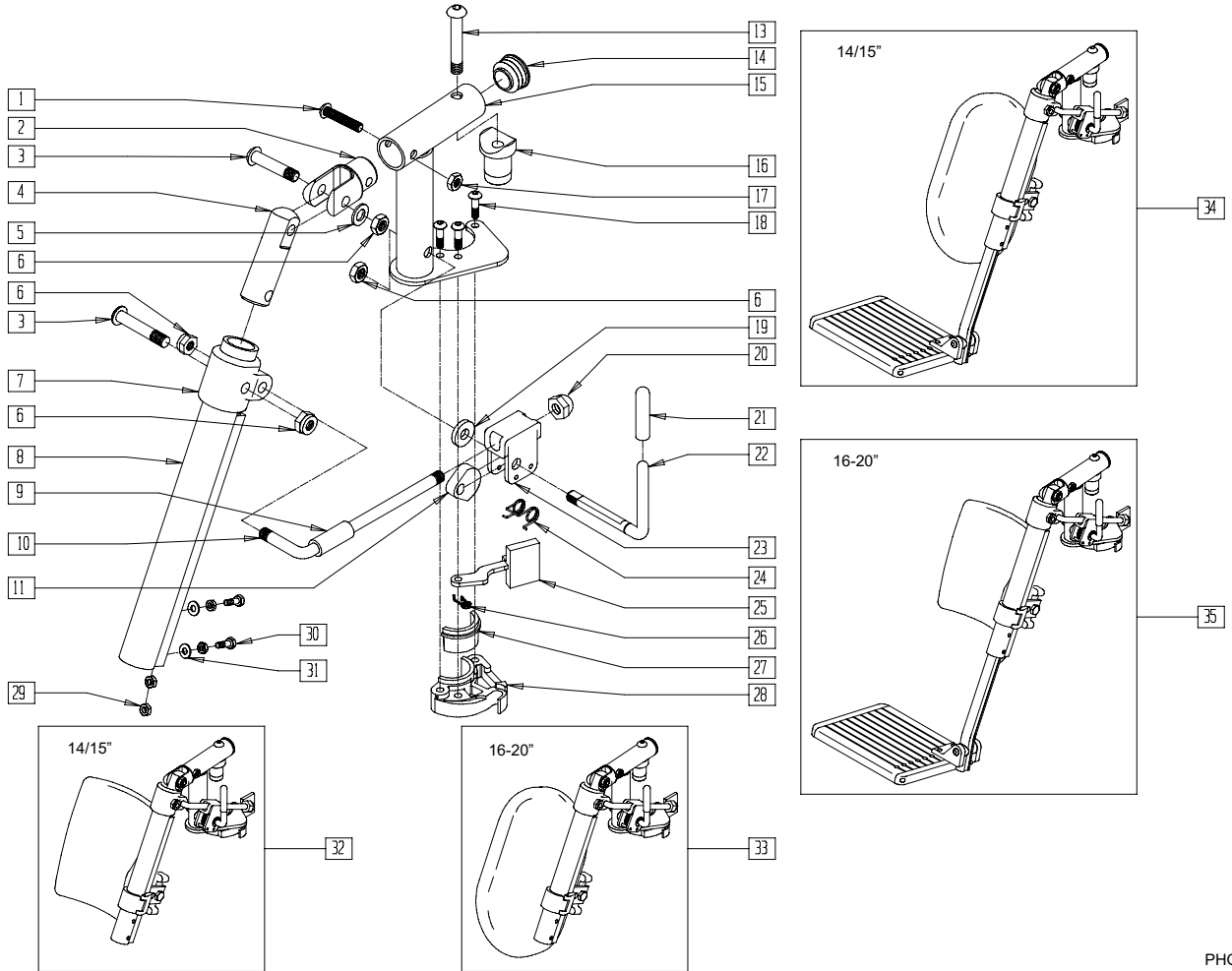
ELEVATING LEGREST (QUICKIE FREESTYLE)



ITEM	NUMBER	DESCRIPTION	QTY
1	920244	S/A LATCH ASSM W/BLK BOLT	1
2	550765	S/A HANGER EXT D2 MED BLACK	
2A	550766	S/A HANGER EXT D2 LONG BLACK	2
3	349049	KNOB M8 x 1.25 x 18	
4	881412	CALF PAD MOLDED 18-20" ASSM	2
4A	881416	CALF PAD MOLDED 16-17" ASSM	2
5	641454, 641455	ELR HNGR W/O PAD PNTD PWR (EA)	1
6	751045	CALF PAD COVER NEOPRENE	2

ITEM	NUMBER	DESCRIPTION	QTY
7	921401	ELR FTPLT KIT 16-17 ANO	2
7A	921402	ELR FTPLT KIT 18-20 ANO	2
3,8	885976	LEGREST ADAPTER QUICKIE (PR)	
1,2,4A,5-7	923147	ELR 16" MED EXT (PR)	
1,2,4-6, 7A	923148	ELR (18"-20") MED EXT (PR)	
1-3,4A,5-8	921778	ELR 16" MED EXT W/ ADAPTER (PR)	
1-6,7A,8	921779	ELR 18-20 MED EXT W/ ADAPTR (PR)	

ELEVATING LEGREST (QUICKIE P110/V100[P100]/V-121[P120]/Z500[ZIPPIE P500]) (Effective 4/99)



PHGRX09C

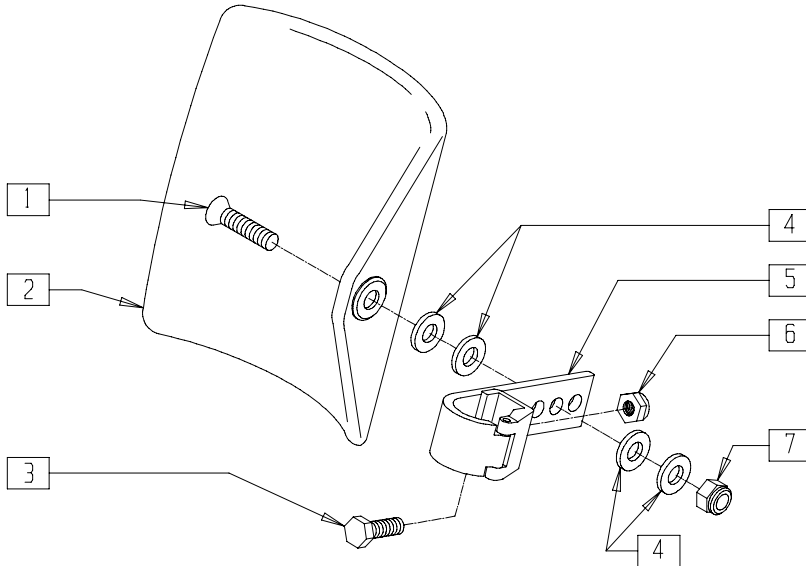
ITEM	NUMBER	DESCRIPTION	QTY
1	226129	1/4-28 x 1 1/4 BH C/S	1
2	505281	ELR CLEVIS	1
3	226138	5/16-24 x 1 1/2 BH C/S	2
4	540252	ELR PIVOT PRS	1
5	263100	5/16 AN WASHER FLAT	1
6	202100-MJ	5/16-24 NYLOCK NUT THIN	4
7	560420	ELR UPPER PIVOT PLST	1
8	550722	ELR ADJUSTMENT TUBE	1
9	560784	ELR ADJUSTMENT STOP	1
10	481117	ELR LOCK ROD	1
11	481119	ELR CAM LOCKING POWDERED METAL	1
12	225112	1/4-20 x 1/4 SS KNRLD CP W/PTCH	4
13	226217	5/16-18 x 2" BH C/S BLK	1
14	561062	1" INSERT PLUG .065 RIBS	1
15	505278	ELR HANGER BRKT R NEW	1
	505279	ELR HANGER BRKT L NEW	
16	561197	PLASTIC PIVOT SADDLE	1
17	201100	1/4-28 NYLOCK NUT THIN	1
18	226057	10/24 x .725 BTTN HD SOC BZ	3
19	561059	3/4 O.D. x .318 I.D. WASHER	1
20	202109	5/16-24 ACORN NUT HEX	1
21	561049	ELR RELEASE ROD COVER	1
22	481122	ELR ACTUATION ARM	1

ITEM	NUMBER	DESCRIPTION	QTY
23	880990	ELR LOCK HOUSING W/PIN	1
24	321106	ELR TORSION SPRING	1
25	561079	S/A LATCH LEVER	1
26	321136	S/A SPRING L RED	1
	321137	S/A SPRING R CLEAR	
27,28	881500	LATCH BLOCK ASSM R	
	881501	LATCH BLOCK ASSM L	
29	201112	1/4-28 NUT THIN	4
30	221100	1/4-28 x 3/4 HEX C/S	2
31	262110-QU	1/4 AN WASHER FLAT THIN	2
22,23	882410	ELR ACTUATION ARM ASSM	
6,9-11	881077	ELR LOCK ROD/ARM ASSM	
19-24			
1-6,13-18,	882413*	ELR PIVOT BLOCK ASSM R	
25-28	882414*	ELR PIVOT BLOCK ASSM L	
1-31	641452, 641453	ELR HNGR W/O PAD PNTD MNL (EA)	
32	923082	ELR HNGR ASSM 14-15 W/PAD (PR)	
33	923041	ELR HNGR ASSM W/PAD 16,17" (PR)	
	923061	ELR HNGR ASSM W/PAD 18-20" (PR)	
34	923088	ELR HNGR REG EXT 14,15" F/PLT (PR)	
35	923084	ELR HNGR REG EXT 16,17" F/PLT (PR)	
	923085	ELR HNGR REG EXT 18-20" F/PLT (PR)	

*882413 AND 882414 MAY BE USED TO UPGRADE DISCONTINUED ELEVATING LEGRESTS FROM 3/24/97-3/31/99.

**ELR CALF PAD (14"/15") (QUICKIE FREESTYLE/G-424/P110/P-220/P-222/P-222SE/
S-525/S-626/S-646/S-646SE/V100[P100]/V-121[P120]/V-521/Z500[ZIPPIE P500])**

(Effective 3/24/97)



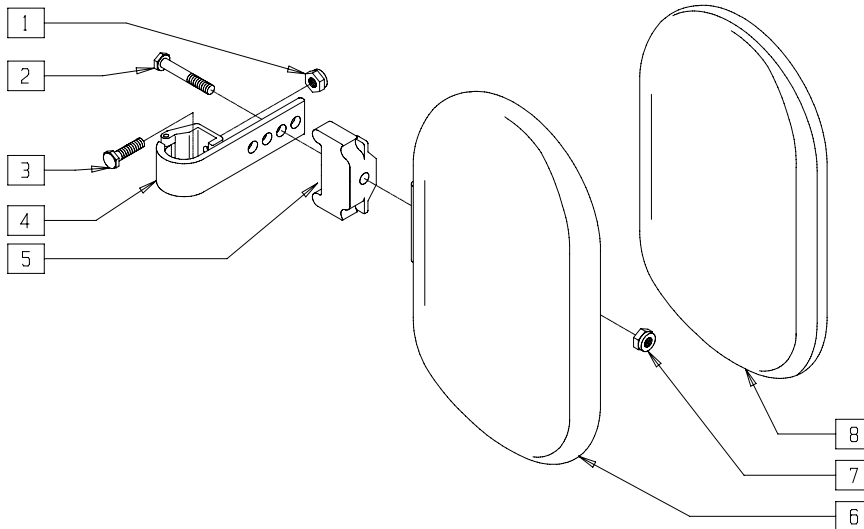
FT0X036

ITEM	NUMBER	DESCRIPTION	QTY
1	222108	5/16-18 x 1 1/4 BH C/S	1
2	755014	CALF PAD TROUGH STYLE 14,16"	1
3	221096	1/4-28 x 5/8 HEX C/S	1
4	561016	1" WASHER 5/16" HOLE	4

ITEM	NUMBER	DESCRIPTION	QTY
5	881413	CALF PAD BRACKET ASSM	1
6	201110-QU	1/4-28 NYLOCK NUT	1
7	202102	5/16-18 NYLOCK NUT THIN	1
1-7	881414	CALF PAD J-HOOK 14,15" ASSM	

**ELR CALF PAD (16"-20") (QUICKIE FREESTYLE/G-424/P110/P-220/P-222/P-222SE/
S-525/S-626/S-646/S-646SE/V100[P100]/V-121[P120]/V-521/Z500[ZIPPIE P500])**

(Effective 3/24/97)

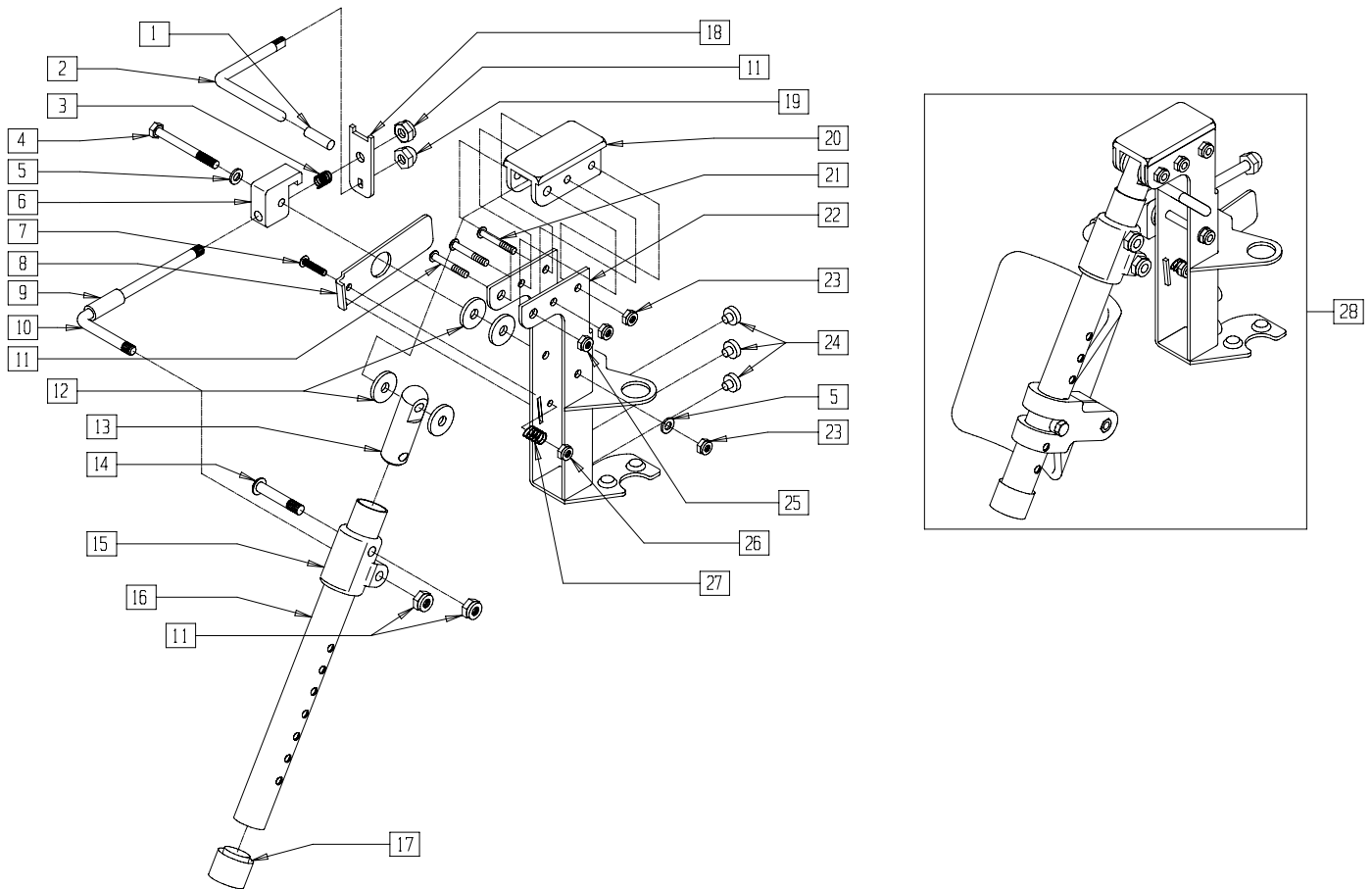


FT0X034

ITEM	NUMBER	DESCRIPTION	QTY
1	201110-QU	1/4-28 NYLOCK NUT	1
2	222242	5/16-18 x 2 1/2 HEX C/S (16-17")	1
	222255	5/16-18 x 3 1/2 HEX C/S (18-20")	
3	221096	1/4-28 x 5/8 HEX C/S	1
4	881413	CALF PAD BRACKET ASSEMBLY	1
5	560199	ELR CALF HINGE SPACER	1

ITEM	NUMBER	DESCRIPTION	QTY
6	560108	CALF PAD MOLDED 16-20"	1
7	202103	5/16-18 NYLOCK NUT THICK	1
8	751045	CALF PAD COVER NEOPRENE	1
1-4,6,7	881416	CALF MOLDED 16,17" ASSEMBLY	
1-7	881412	CALF PAD MOLDED 18-20" ASSEMBLY	

ELEVATING LEGREST (QUICKIE P190/P200/P300/P320)



ELR00X02

ITEM	NUMBER	DESCRIPTION	QTY
1	561049	ELR RELEASE ROD COVER	1
2	481503	ELR RELEASE ROD	1
3	321139	.750L x 5 COIL SPRING	1
4	221193	1/4-28 x 2 3/4 G8 HEX C/S	1
5	262100-QU	1/4 AN WASHER FLAT	2
6	550506	ELR LATCH BLOCK	1
7	281125	10-32 x 7/8 PAN PHIL	1
8	505217	S/A RELEASE LEVER P2	1
9	561788	ELR ADJUSTMENT STOP POWER	1
10	481502	ELR ROD	1
11	226195	5/16-18 x 1.82 BH C/S	1
12	561016	1" WASHER 5/16" HOLE	4
13	540252	ELR PIVOT PRS	1
14	226195	5/16-18 x 1.82 BH C/S	1
15	560430	ELR ROD UPPER PIVOT	1
16	505096	ELR TUBE ONLY	1

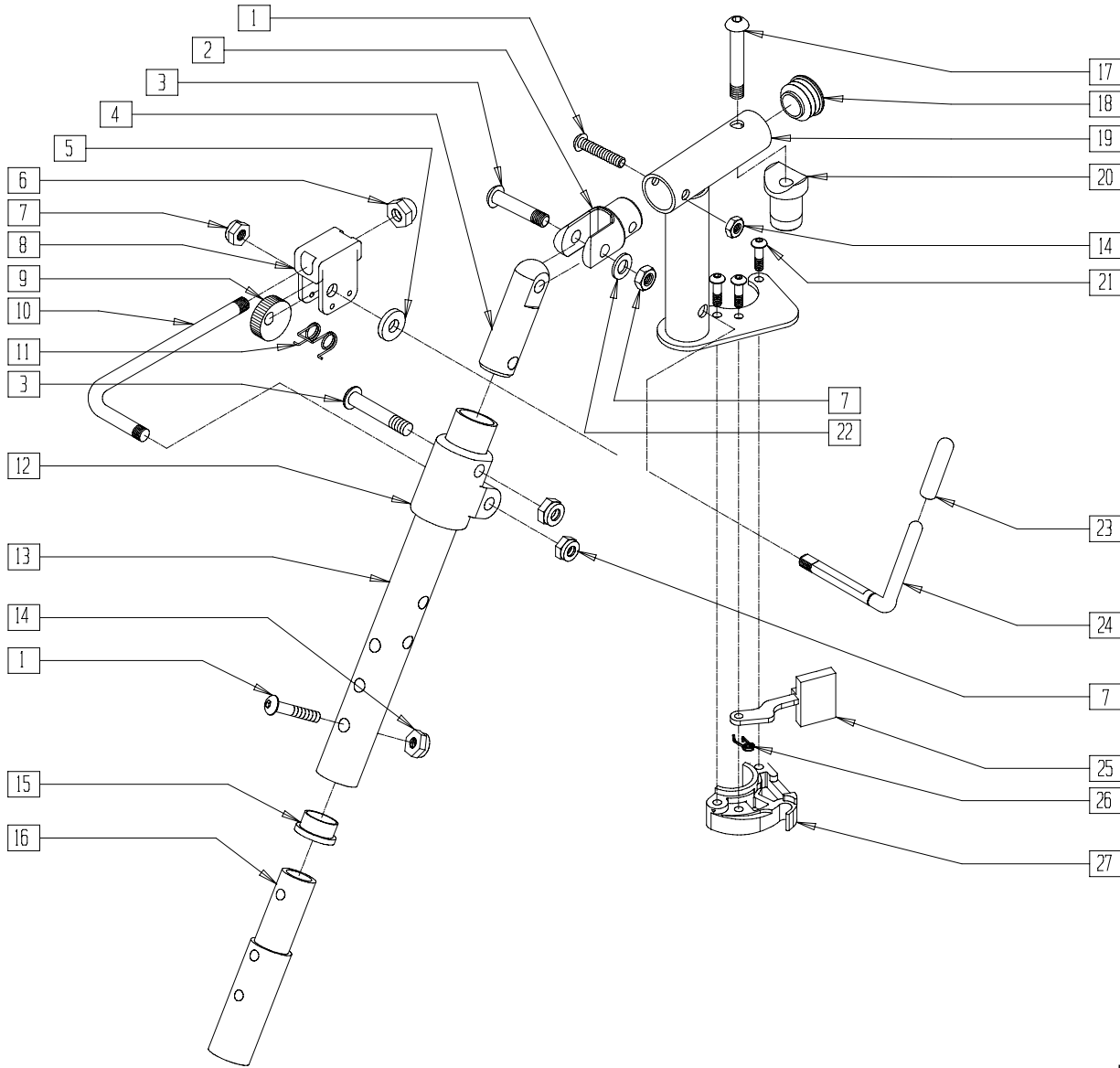
ITEM	NUMBER	DESCRIPTION	QTY
17	561018	1" TUBE END BUSHING THICK	1
18	505169	ELR RELEASE LEVER FLAT	1
19	202109	5/16-24 ACORN NUT HEX	1
20	561367	ELR PIVOT/COVER POWER	1
21	226140	1/4-28 x 1 3/4 BH C/S	2
23	201100-QU	1/4-28 NYLOCK NUT THIN	3
24	349559	RUBBER BUMPER HANGER P2	3
25	202102	5/16-18 NYLOCK NUT THIN	4
26	200100-QU	10-32 NYLOCK NUT	1
27	321780	SPRING HANGER LATCH P2	1
1-27	641720, 641721	HANGER ELR SHORT W/O PAD PWR (EA)	
1-27	641722, 641723	HANGER ELR TALL W/O PAD PWR (EA)	
28	923030- 923033	ELR HANGER ASSM W/PAD (PR)	

ELEVATING LEGREST REFERENCE GUIDE

	TALL ELR BRACKET 505438,505439	SHORT ELR BRACKET 505436, 505437
P200 TALL FRAME	•	
P200 SHORT FRAME		•
P300 TALL FRAME	•	
P300 SHORT FRAME		•
P320		•

90° KIDS ELEVATING LEGREST (QUICKIE Z500 [ZIPPIE P500])

(Discontinued - parts only; effective beginning 3/24/94 and ending 3/31/99)

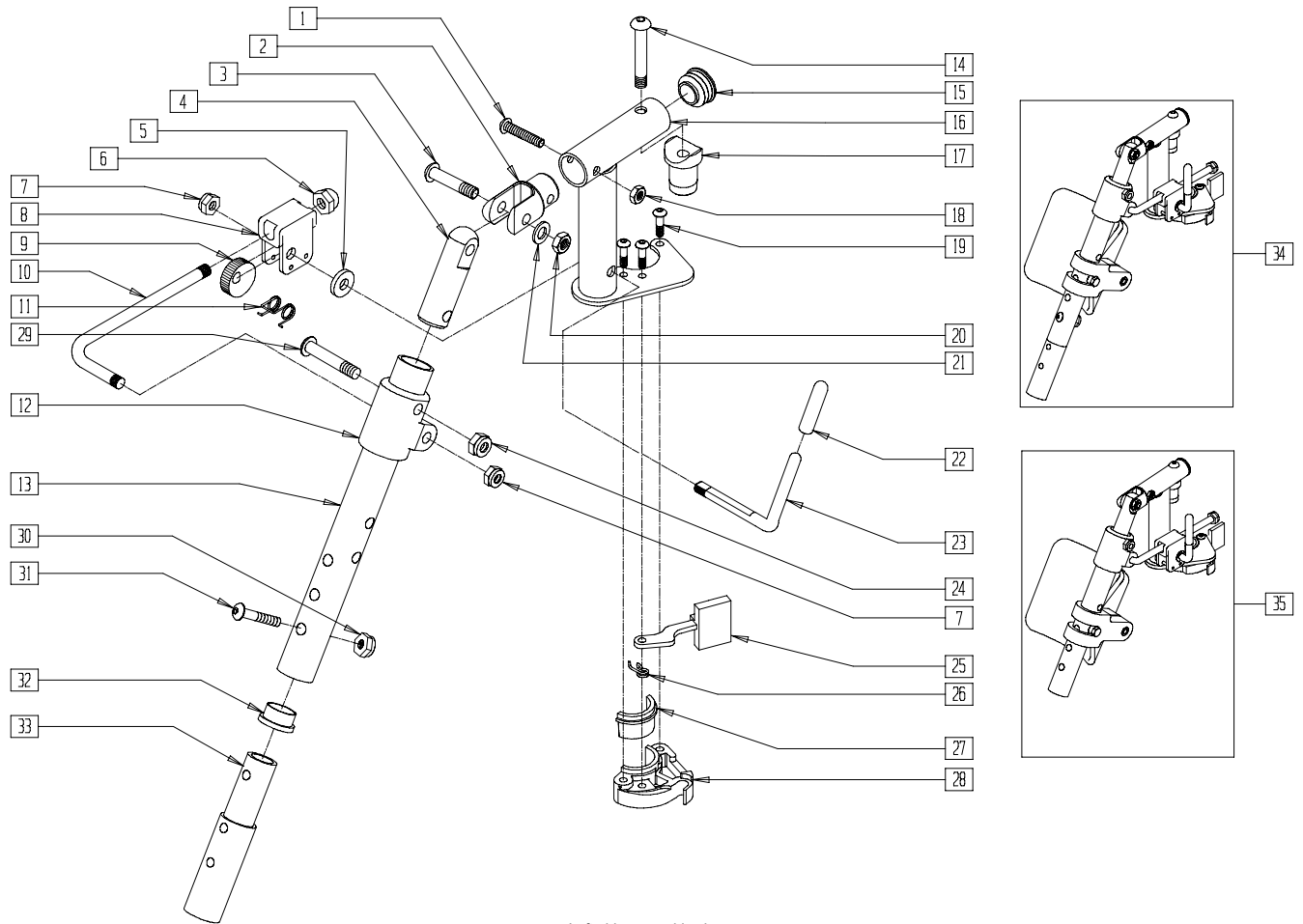


PHGRX15B

ITEM	NUMBER	DESCRIPTION	QTY
1	226129	1/4-28 x 1 1/4 BH C/S	2
2	505281	ELR CLEVIS	1
3	226138	5/16-24 x 1 1/2 BH C/S	2
4	540252	ELR PIVOT PRS	1
5	561059	3/4" OD x .318 ID WASHER	1
6	202109	5/16-24 ACORN NUT HEX	1
7	202100-MJ	5/16-24 NYLOCK NUT THIN	4
8	880990	ELR LOCK HOUSING W/PIN	1
9	481119	ELR CAM LOCKING POWDERED METAL	1
10	481505	ELR ROD 90°	1
11	321106	ELR TORSION SPRING	1
12	560430	ELR ROD UPPER PIVOT	1
13	505097	ELR KIDS TUBE	1
14	201100-QU	1/4-28 NYLOCK NUT THIN	2
15	561002	1" INSERT PLUG .083	1
16	500150	2" FOOTREST EXT TUBE	1
17	226198	5/16-18 x 2 BH C/S SHT THREAD	1
18	561062	1" INSERT PLUG .065 RIBS	1

ITEM	NUMBER	DESCRIPTION	QTY
19	505278, 505279	ELR HANGER BRACKET NEW	1
20	561197	PLASTIC PIVOT SADDLE	1
21	226057	10-24 x .725 BTTN HD SOC BZ	1
22	263100	5/16 AN WASHER FLAT	3
23	561049	ELR RELEASE ROD COVER	1
24	481123	ELR ACTUATION ARM 90° KIDS	1
25	561079	S/A LATCH LEVER	1
26	321136, 321137	S/A SPRING (EA)	1
27	881500, 881501	S/A LATCH BLOCK (EA)	
1,14,16	881403	2" FTRST EXT TUBE W/HARDWARE ASSMBLY	
1-4,7,14, 17-22, 25-28	882417, 882418	ELR PIVOT BLOCK ASSEMBLY	

90° KIDS ELEVATING LEGREST (QUICKIE Z500 [ZIPPIE P500]) (Effective 4/99)



Left side assembly shown

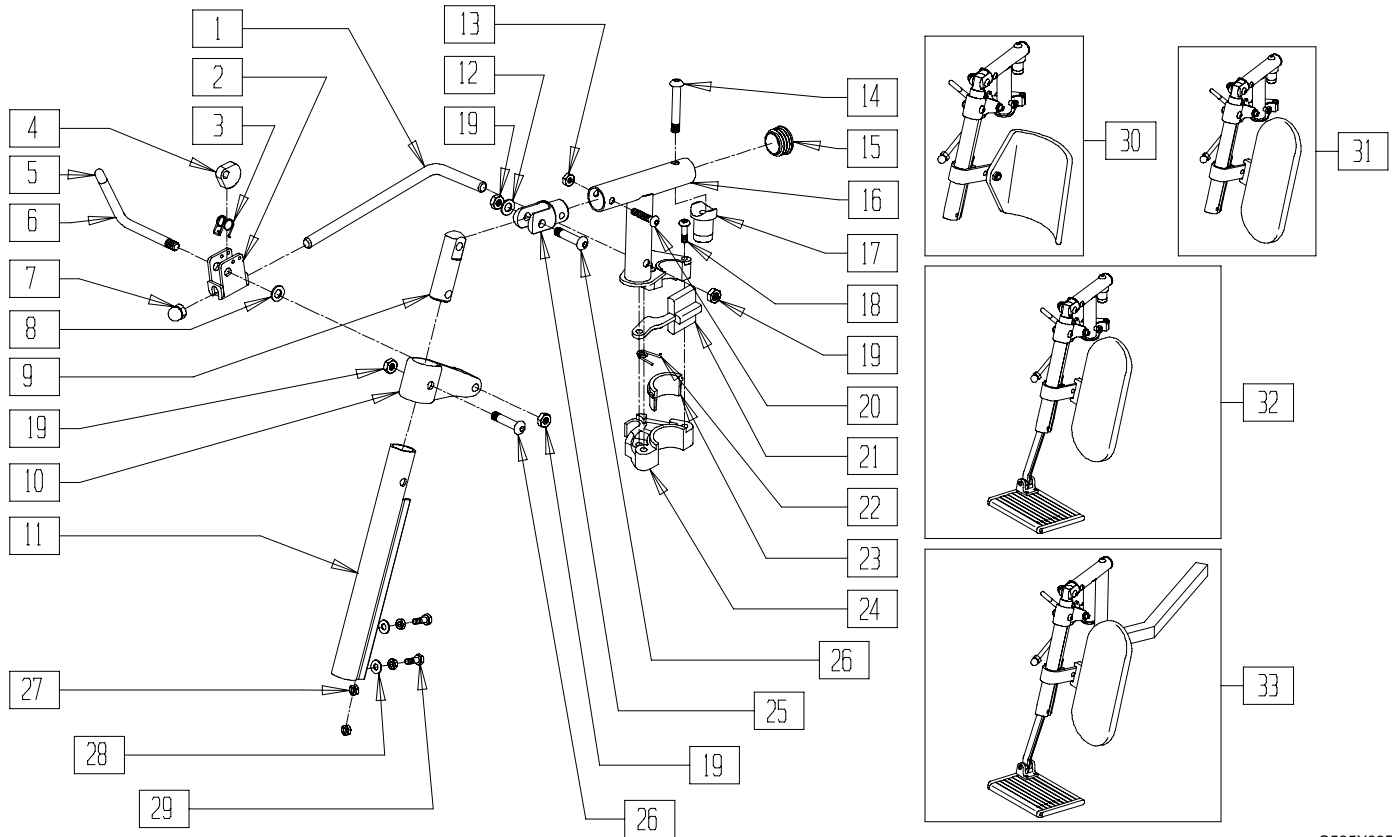
PHGRX13A

ITEM	NUMBER	DESCRIPTION	QTY
1	226129	1/4-28 x 1 1/4 BH C/S	1
2	505281	ELR CLEVIS	1
3	226138	5/16-24 x 1 1/2 BH C/S	1
4	540252	ELR PIVOT PRS	1
5	561059	3/4 OD x .318 ID WASHER	1
6	202109	5/16-24 ACORN NUT HEX	1
7	202100-MJ	5/16-24 NYLOCK NUT THIN	2
8	880990	ELR LOCK HOUSING W/PIN	1
9	481119	ELR CAM LOCKING POWDERED METAL	1
10	481505	ELR LOCK ROD 90D	1
11	321106	ELR TORSION SPRING	1
12	560430	ELR ROD UPPER PIVOT	1
13	505097	ELR KIDS TUBE	1
14	226217	5/16-18 x 2" BH C/S BLK	1
15	561062	1" INSERT PLUG .065 RIBS	1
16	505278	ELR HANGER BRKT R NEW	1
	505279	ELR HANGER BRKT L NEW	
17	561197	PLASTIC PIVOT SADDLE	1
18	201100-QU	1/4-28 NYLOCK NUT THIN	1
19	226057	10/24 x .725 BTTN HD SOC BZ	3
20	202100-MJ	5/16-24 NYLOCK NUT THIN	1
21	263100	5/16 AN WASHER FLAT	1
22	561049	ELR RELEASE ROD COVER	1

ITEM	NUMBER	DESCRIPTION	QTY
23	481123	ELR ACTUATION ARM 90 DEG KDS	1
22,23	882411	ELR 90D ACTUATION ARM ASSM	
24	202100-MJ	5/16-24 NYLOCK NUT THIN	1
25	561079	S/A LATCH LEVER	1
26	321136	S/A SPRING L RED	1
	321137	S/A SPRING R CLEAR	
27,28	881500	LATCH BLOCK ASSM R	
	881501	LATCH BLOCK ASSM L	
29	226138	5/16-24 x 1 1/2 BH C/S	1
30	201100-QU	1/4-28 NYLOCK NUT THIN	1
31	226129	1/4-28 x 1 1/4 BH C/S	1
32	561002	1" INSERT PLUG .083	1
33	500150	2" FOOTREST EXT TUBE	1
30,31,33	881403	2" FTRST EXT TUBE W/HDWR ASSM	
1-4,14-21,	882413	ELR PIVOT BLOCK ASSM R	
25-28	882414	ELR PIVOT BLOCK ASSM L	
1-28,32	641458	ELR HNGR 90D W/O PAD PNTD R	
	641459	ELR HNGR 90D W/O PAD PNTD L	
1-28,30,	641468	HANGER ELR 90 W/O PAD R 2" EXT	
31,33	641469	HANGER ELR 90 W/O PAD L 2" EXT	
34	923068	ELR HNGR ASSM 90° W/PAD 2" EXT (PR)	1
35	923067	ELR HANGER ASSEMBLY 90° W/PAD (PR)	1

POWER CHAIR ELEVATING LEGREST

(QUICKIE FREESTYLE/G-424/P-220/P-222/P-222SE/S-525/S-626/S-646/S-646SE/V-521)



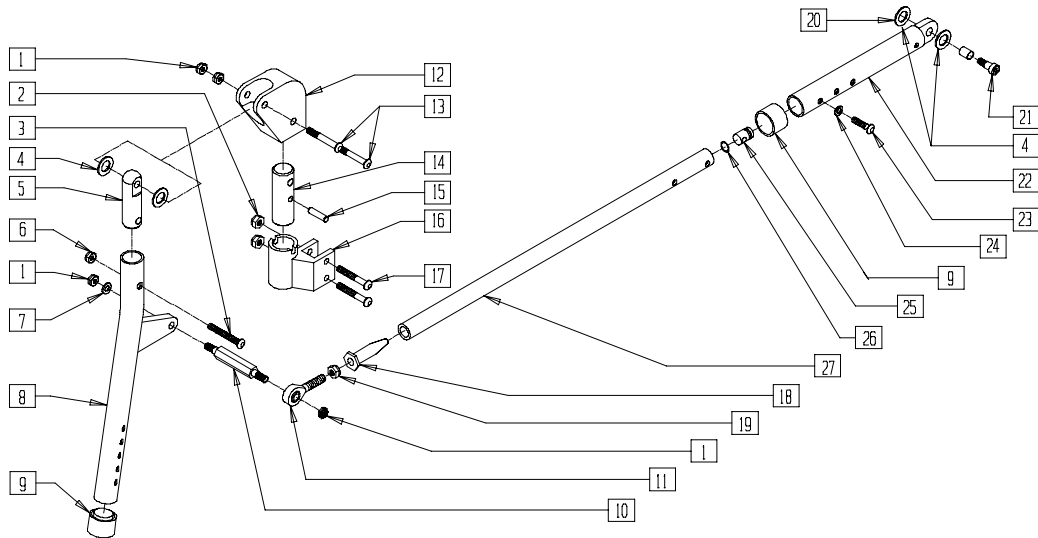
S525X39E

ITEM	NUMBER	DESCRIPTION	QTY
1	481242	ELR LOCK ROD S525	1
2	880990	ELR LOCK HOUSING W/PIN	1
3	321106	ELR TORSION SPRING	1
4	481119	ELR CAM LOCKING POWDERED METAL	1
5	561049	ELR RELEASE ROD COVER	1
6	481243	ELR ACTUATION ARM S525	1
7	202109	5/16-24 ACORN NUT HEX	1
8	561059	3/4 OD x .318 ID WASHER	1
9	540252	ELR PIVOT PRS	1
10	483195	ELR UPPER PIVOT S525	1
11	550722	ELR ADJUSTMENT TUBE	1
12	263100	5/16 AN WASHER FLAT	4
13	201100-QU	1/4-28 NYLOCK NUT THIN	1
14	226217	5/16-18 x 2" BH C/S BLK	1
15	561062	1" INSERT PLUG .065 RIBS	1
16	540108, 540109	ELR HANGER SUPPORT BRKT S525 (EA)	1
17	561197	PLASTIC PIVOT SADDLE	1
18	226057	10/24 x .725 BTTN HD SOC BZ	1
19	202100-MJ	5/16-24 NYLOCK NUT THIN	4
20	226129	1/4-28 x 1 1/4 BH C/S	1

ITEM	NUMBER	DESCRIPTION	QTY
21	561079	S/A LATCH LEVER	1
22	321136, 321137	S/A SPRING (EA)	1
23,24	881500	LATCH BLOCK ASSM R	
	881501	LATCH BLOCK ASSM L	
25	505281	ELR CLEVIS	1
26	226138	5/16-24 x 1 1/2 BH C/S	2
27	201112	1/4-28 NUT THIN	4
28	262110-QU	1/4 AN WASHER FLAT THIN	2
29	221100	1/4-28 x 3/4 HEX C/S	2
5,6	882409	ELR ACTUATION ARM ASSM S525	
1-29	641454	ELR HNGR W/O PAD PNTD R PWR	
	641455	ELR HNGR W/O PAD PNTD L PWR	
30	923096	ELR HNGR ASSM 14-15" W/PA G424	
31	923097	ELR HNGR ASSM 16-17" W/PA G424	
	923098	ELR HNGR ASSM 18-24" W/PA G424	
32	923147, 923148	ELR MED EXT (PR) (ELR WITH CALF PAD, EXTENSION TUBE AND FOOTPLATE)	
33	921778, 921779	ELR MED EXT W/ ADAPTER (PR) (ELR WITH CALF PAD, EXT TUBE, FOOTPLATE & LEGREST ADAPTER)	

POWER ELEVATING LEGREST (QUICKIE P210)

(Discontinued 11/1/02 - parts only)



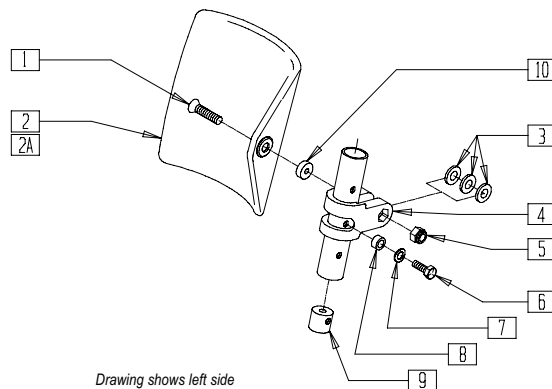
P200X57A

ITEM	NUMBER	DESCRIPTION	QTY
1	202100-MJ	5/16-24 NYLOCK NUT THIN	4
2	201100	1/4-28 NYLOCK NUT THIN	2
3	222108	5/16-18 x 1 1/4 BH C/S	1
4	561016	1" WASHER 5/16" HOLE	2
5	540252	ELR PIVOT PRS	1
6	202102	5/16-18 NYLOCK NUT THIN	1
7	263100	5/16 AN WASHER FLAT	1
8	505161	ELR TUBE PRS	1
9	561082	1" TUBE END BUSHING THIN	2
10	481181	ELR POST PRS	1
11	341717	5/16-24 x 5/16 ROD END	1
12	483122	ELR PIVOT BLOCK PRS	1
13	226138	5/16-24 x 1 1/2 BH C/S	2
14	483121	ELR HINGE POST PRS	1
15	341250	1/4 x 1 1/4 STANDARD DOWEL PIN	1
16	505134	ELR S/A HOUSING WELDMENT R	1

ITEM	NUMBER	DESCRIPTION	QTY
16A	505135	ELR S/A HOUSING WELDMENT L	1
17	226130	1/4-28 x 1 1/2 BH C/S	2
18	481182	ELR ROD END RECEIVER PRS	1
19	202108	5/16-24 HEX JAM NUT	1
20	340160	BUSHING 3/8 x 5/16 ID x 3/8	1
21	226094	5/16 x 5/8 LG SHLDR BOLT	1
22	521215	ELR ADJ PUSH TUBE PRS	1
	483158	HINGE BLOCK BOTTOM TUBE	
23	226120	1/4-20 x 1 BH C/S	1
24	262130	6mm WASHER WAVE	1
25	483022	FRAME INSERT HEMI	1
26	342013	PLUG O-RING RUBBER HEMI	1
27	521216	ELR EXT PUSH TUBE PRS	1
1-27	641410	ELR HANGER ASSM R PRS	
	641411	ELR HANGER ASSM L PRS	
1-27	923040	ELR HANGER ASSM PRS (PR)	

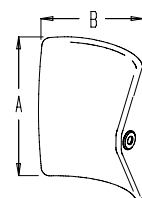
NOTE: FOR CALF PAD, SEE ARTICULATING LEGREST PAD ASSEMBLY ON PAGE 10.25.

ELR TROUGH CALF PAD (QUICKIE P190/P200/P300/P320)



Drawing shows left side

MEASURING GUIDE



CALFPAD

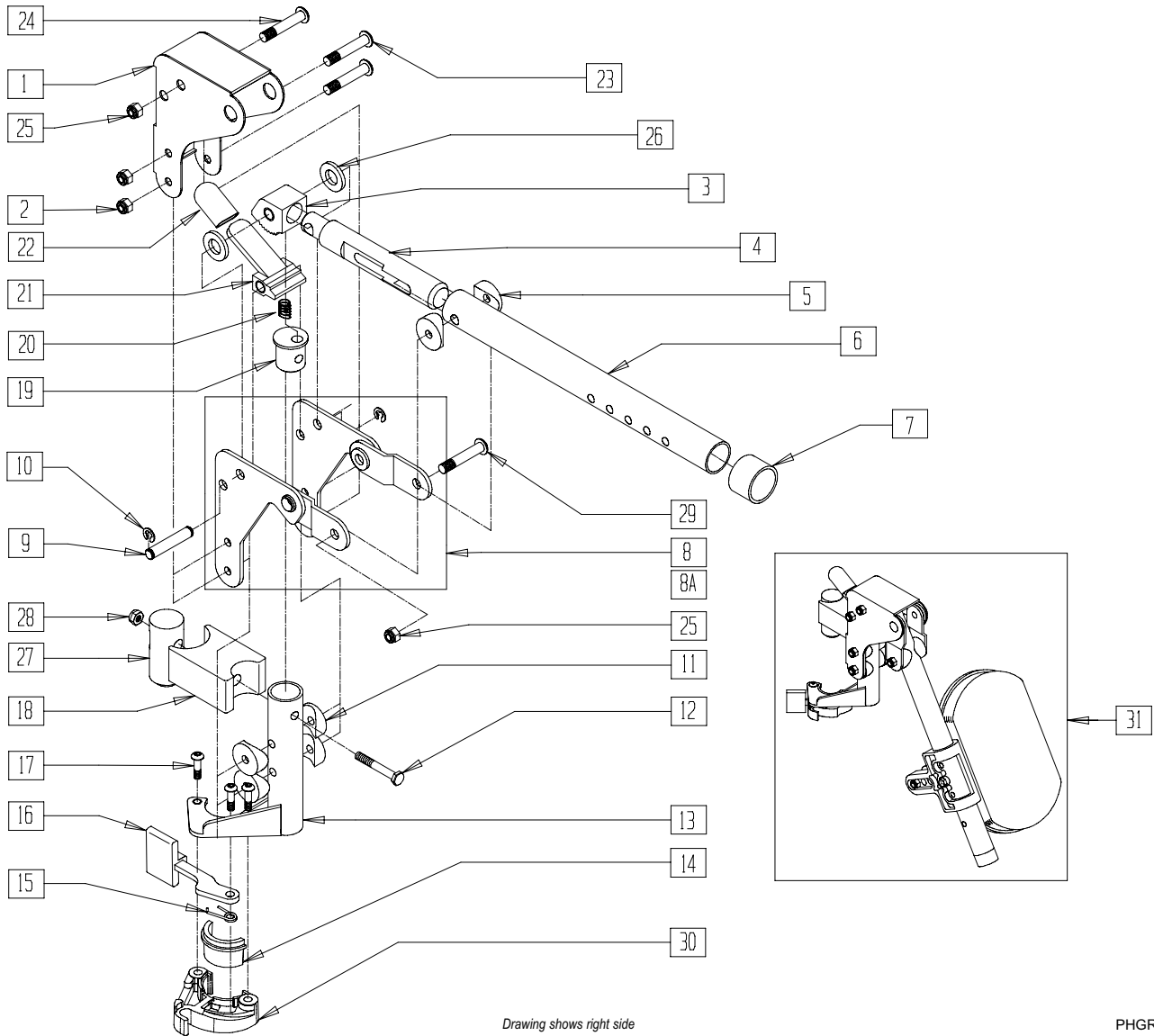
PART NUMBER	"A"	"B"
755014	5 1/4"	5 1/2"
755012	6 1/4"	6 1/2"

ELR00X03

ITEM	NUMBER	DESCRIPTION	QTY
1	226200	5/16-18 x 2 1/2 BH C/S	1
2	755012	CALF PAD TROUGH STYLE 17"-20"	1
2A	755014	CALF PAD TROUGH STYLE 14"/16"	1
3	561016	1" WASHER 5/16" HOLE	3
4	561097	ELR ELEVATING TUBE CLAMP	1
5	202102	5/16-18 NYLOCK NUT THIN	1
6	221126	1/4-20 x 1 1/4 G8 HEX C/S	1

ITEM	NUMBER	DESCRIPTION	QTY
7	262130	6mm WASHER WAVE	1
8	483027	1/4 x 1/4 ALUM SPACER BLK	1
9	500151	KIDS ALR RETAINING PLUG	1
10	550160	QUICKCONNCT SPACER 18/20" P2/P3	1
1-10	880695	ELR TROUGH PAD ASSM 17/20 PWR	
1,2A,3-10	880694	ELR TROUGH PAD ASSM 14/16 PWR	

ARTICULATING LEGREST ASSEMBLY (QUICKIE P110/V100[P100]/V-121/Z500[ZIPPIE P500])

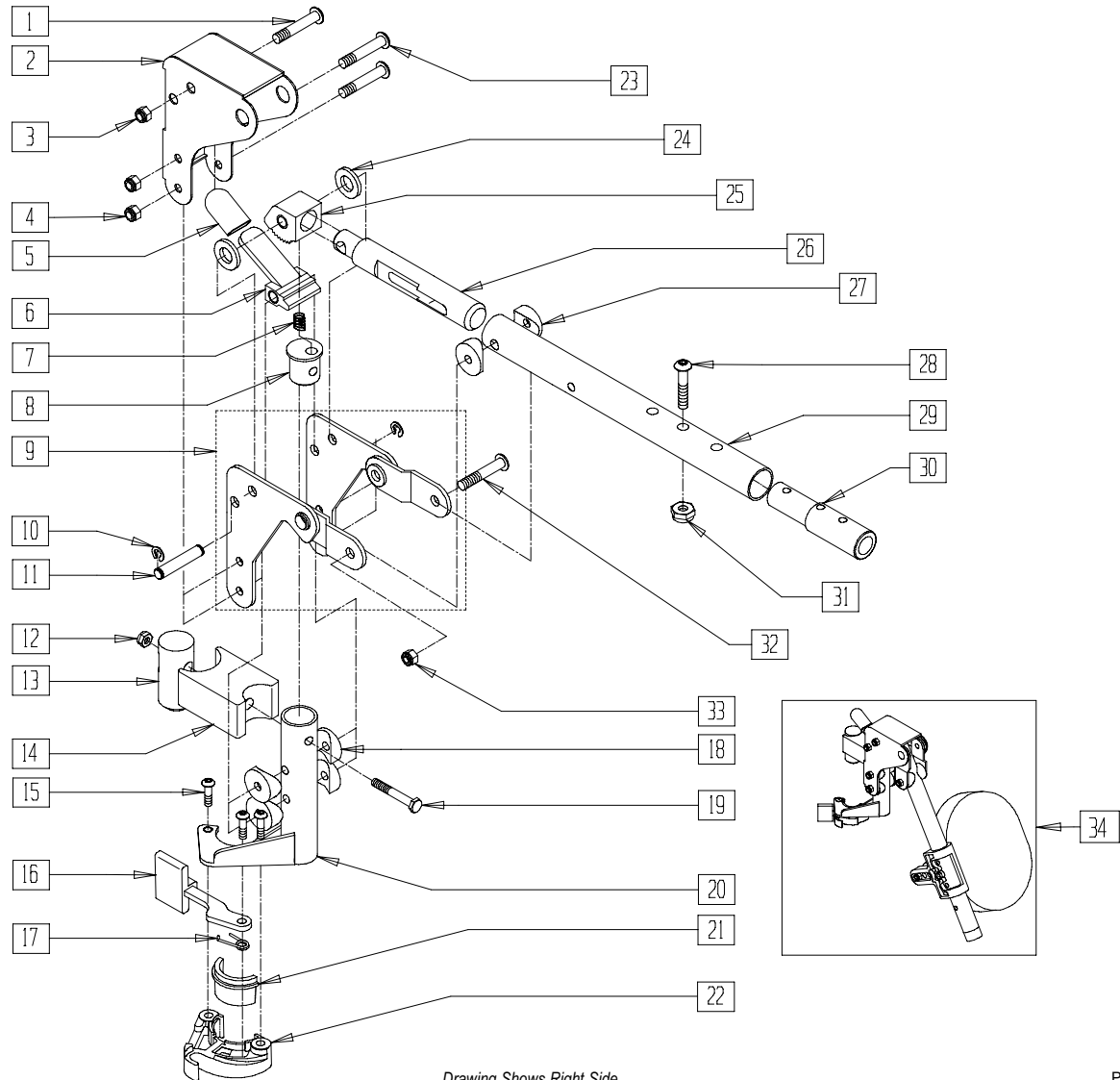


PHGRX12A

ITEM	NUMBER	DESCRIPTION	QTY
1	562720	ALR COVER STD	1
2	201100-QU	1/4-28 NYLOCK NUT THIN	2
3	505900	ALR RATCHET BLOCK	1
4	483062	ALR RATCHET ROD	1
5	561006	1" SADDLE 5/16" HOLE	2
6	505026	ALR TUBE ONLY (SPECIFY COLOR)	1
7	561082	1" TUBE END BUSHING THIN	1
8	880526	ALR BRACKET W/LINK R	1
8A	880527	ALR BRACKET W/LINK L	1
9	481052	ALR RETAINING STUD	1
10	342000	1/4" E-CLIP	2
11	561004	1" SADDLE 1/4" HOLE	4
12	221201	1/4-28 x 3 G8 HEX C/S	1
13	505027, 505028	ALR S/A TUBE ONLY BLK (EA) (SPECIFY COLOR)	1
15	321136, 321137	S/A SPRING (EA)	1
16	561079	S/A LATCH LEVER	1
17	226057	10/24 x .725 BTTN HD SOC BZ	3

ITEM	NUMBER	DESCRIPTION	QTY
18	500178	ALR PIVOT SADDLE BLOCK	1
19	483060	ALR SPRING PLUG	1
20	321141	.650L x 6 COIL SPRING	1
21	505902	ALR RELEASE LEVER	1
22	560501	ALR RELEASE LEVER COVER	1
23	226150	1/4-28 x 2 BH C/S	2
24	226198	5/16-18 x 2 BH C/S SHT THREAD	1
25	202102	5/16-18 NYLOCK NUT THIN	2
26	561016	1" WASHER 5/16" HOLE	2
27	500177	ALR PIVOT SADDLE .125	1
28	201110-QU	1/4-28 NYLOCK NUT	1
29	226195	5/16-18 x 1.82 BH C/S	1
14,30	881500, 881501	LATCH BLOCK ASSM (EA)	
1-8,8A 9-30	641464, 641465	HANGER ALR W/O PAD PNTD (EA) (SPECIFY COLOR)	
31	923052	ALR HANGER ASSM W/PAD (PR) (SPECIFY COLOR)	

KIDS ARTICULATING LEGREST ASSEMBLY (QUICKIE Z500 [ZIPPIE P500])



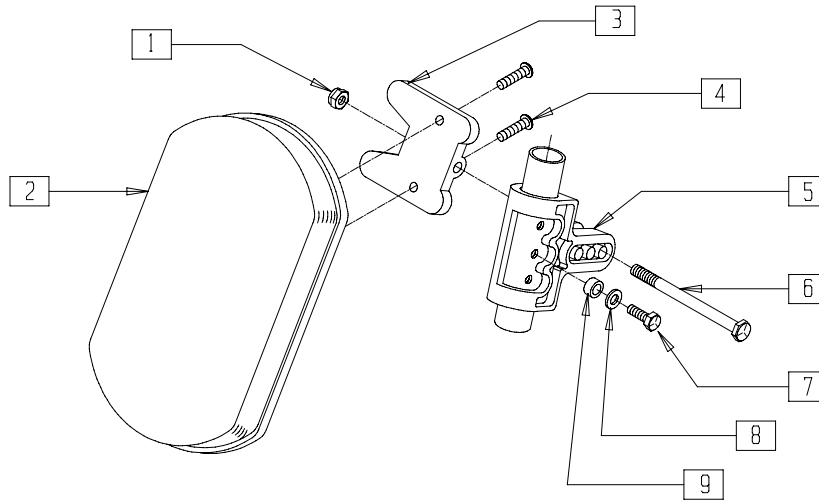
Drawing Shows Right Side

PHGRX14A

ITEM	NUMBER	DESCRIPTION	QTY
1	226198	5/16-18 x 2 BH C/S SHT THREAD	1
2	562720	ALR COVER STD	1
3	202102	5/16-18 NYLOCK NUT THIN	1
4	201100-QU	1/4-28 NYLOCK NUT THIN	2
5	560501	ALR RELEASE LEVER COVER	1
6	505902	ALR RELEASE LEVER	1
7	321141	650L x 6 COIL SPRING	1
8	483060	ALR SPRING PLUG	1
9	880526	ALR BRACKET W/LINK R	1
	880527	ALR BRACKET W/LINK L	
10	342000	1/4" E-CLIP	2
11	481052	ALR RETAINING STUD	1
12	201110-QU	1/4-28 NYLOCK NUT	1
13	500177	ALR PIVOT SADDLE .125	1
14	500178	ALR PIVOT SADDLE BLOCK	1
15	226057	10/24 x .725 BTTN HD SOC BZ	3
16	561079	S/A LATCH LEVER	1
	321136	S/A SPRING L RED	
	321137	S/A SPRING R CLEAR	
18	561004	1" SADDLE 1/4" HOLE	3
19	221201	1/4-28 x 3 G8 HEX C/S	1

ITEM	NUMBER	DESCRIPTION	QTY
20	505027	ALR S/A TUBEONLY R BLACK	1
	505028	ALR S/A TUBEONLY L BLACK	
21,22	881500	LATCH BLOCK ASSM R	
	881501	LATCH BLOCK ASSM L	
23	226150	1/4-28 x 2 BH C/S	2
24	561016	1" WASHER 5/16" HOLE	2
25	505900	ALR RATCHET BLOCK	1
26	483062	ALR RATCHET ROD	1
27	561006	1" SADDLE 5/16" HOLE	2
28	226129	1/4-28 x 1 1/4 BH C/S	1
29	505025	KIDS ALR LEGREST TUBE 11"-13"	1
30	500150	2" FOOTREST EXT TUBE	1
31	201100-QU	1/4-28 NYLOCK NUT THIN	1
32	226195	5/16-18 x 1.82 BH C/S	1
33	202102	5/16-18 NYLOCK NUT THIN	1
28,30,31	881403	2" FTRST EXT TUBE W/HDWR ASSM	
1-33	641432	KIDS ALR HNGR W/O PAD R 2" EXT	
	641433	KIDS ALR HNGR W/O PAD L 2" EXT	
34	923053	KIDS ALR HANGER ASSEMBLY W/PAD (PR) (SPECIFY COLOR)	

**ARTICULATING LEGREST PAD ASSEMBLY
(QUICKIE P110/P210/P300/V100[P100]/V-121/
Z500[ZIPPIE P500], POWER RECLINE SYSTEM)**



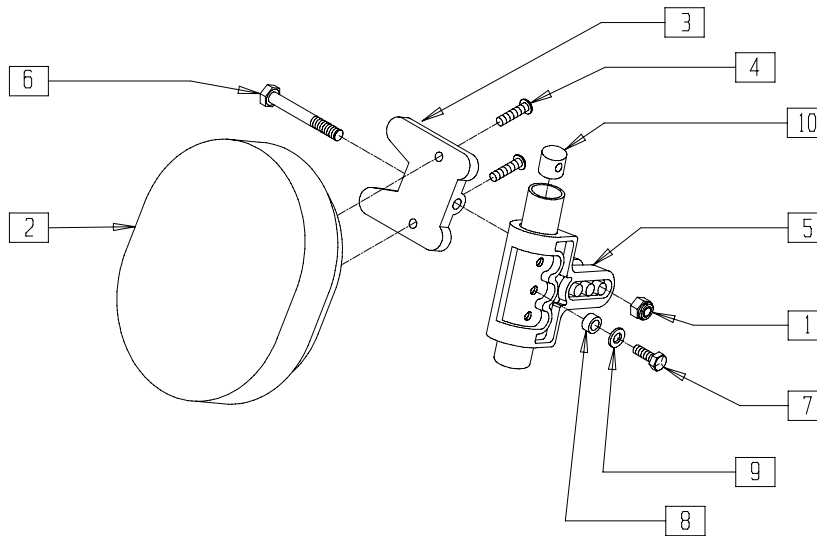
Drawing shows left side

P100X16

ITEM	NUMBER	DESCRIPTION	QTY
1	202103	5/16-18 NYLOCK NUT THICK	1
2	755010	ALR/ELR PAD	1
3	561096	ALR/ELR CALF PAD BRACKET	1
4	281182	1/4-20 x 5/8 PAN PHIL	2
5	561099	CALF CLAMP ALR	1
6	222255	5/16-18 x 3 1/2 HEX C/S	1

ITEM	NUMBER	DESCRIPTION	QTY
7	221126	1/4-20 x 1 1/4 G8 HEX C/S	1
8	262130	6mm WASHER WAVE	1
9	483027	1/4 x 1/4 ALUM SPACER BLK	1
1-6	881399	ALR CALF PAD W/BRACKET	
1-9	881400	ALR CALF PAD ASSM (15"-20") (EA)	

KIDS ARTICULATING LEGREST PAD ASSEMBLY (QUICKIE Z500[ZIPPIE P500])



Drawing shows left side

P500X50

ITEM	NUMBER	DESCRIPTION	QTY
1	202103	5/16-18 NYLOCK NUT THICK	1
2	755020	4 x 5 OVAL PAD	1
3	561096	ALR/ELR CALF PAD BRACKET	1
4	281181	1/4-20 x 3/4 PAN PHIL	2
5	561099	CALF CLAMP ALR	1
6	222255	5/16-18 x 3 1/2 HEX C/S	1

ITEM	NUMBER	DESCRIPTION	QTY
7	221126	1/4-20 x 1 1/4 G8 HEX C/S	1
8	483027	1/4 x 1/4 ALUM SPACER BLK	1
9	262130	6mm WASHER WAVE	1
10	500151	KIDS ALR RETAINING PLUG	1
1-6	881401	KIDS ALR OVAL PAD W/BRACKET	
1-10	881402	KIDS ALR OVAL PAD ASSM (EA)	

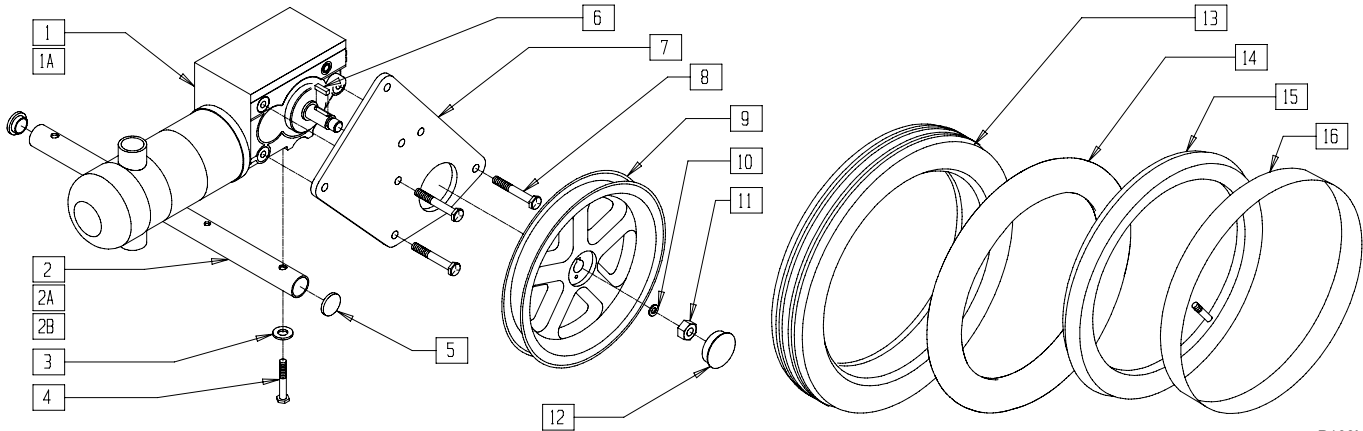
Motors

IN THIS SECTION

Motor Retro Kit (Quickie V100[P100]/Z500[Zippie P500])	11.1	Motor Assembly (Quickie P-220/P-222SE)	11.11
Motor Retro Kit (Quickie P110) (Disc.).....	11.2	Cog Release Assembly (Quickie P-220/P-222SE).....	11.12
Motor Assembly (Quickie P110/P190/ V100[P100]/Z500[Zippie P500]).....	11.2	Interconnect Assembly (Quickie P-220/P-222SE)	11.13
Brake/Motor Assembly (14"-18" width) (Quickie P200/P320)	11.3	Motor Assembly (Quickie P-222) (Disc.).....	11.14
Brake/Motor Assembly (19"/20" width) (Quickie P200/P320)	11.4	Interconnect Assembly (Quickie P-222) (Disc.)	11.15
Brake Motor Assembly (Quickie P210) (Disc.).....	11.5	Motor/Gear Box Assembly (Quickie P300) (Disc.).....	11.16
Power Base Assemblies (Quickie P200/P320)	11.6	Motor/Gear Box Assembly (Quickie S-525) (Disc.).....	11.17
Techpak (Quickie P200/P210/P320)	11.6	Motor/Gear Box Assembly (Quickie S-525)	11.17
Techpak (Quickie P-220).....	11.7	Motor and Gear Box (Quickie S-626)	11.18
Techpak (Quickie P-222) (Disc.)	11.7	Motor and Gear Box (Quickie S-646/S-646SE)....	11.19
Techpak (Quickie P-222SE).....	11.7	Motor/Gear Box Assembly (Quickie V-121[P120]) (Disc.)	11.20
Motor/Gear Box Assembly (Quickie G-424) (Disc.)	11.8	Motor/Gear Box Assembly (Quickie V-521) (Disc.).....	11.20
Motor Mounts (Quickie G-424) (Disc.)	11.8	Motor/Gear Box Assembly (Quickie V-121[P120])	11.21
Motor/Gear Box Assembly (Quickie G-424) (Disc.)	11.9	Motor/Gear Box Assembly (Quickie V-521)	11.21
Motor Mounts (Quickie G-424) (Disc.)	11.9	Motor/Gear Box/Brake (Quickie Freestyle).....	11.22
Motor/Gear Box and Motor Mounts (Quickie G-424) (Disc.)	11.10	Motor Cog Release (Quickie Freestyle).....	11.22
Motor/Gear Box and Motor Mounts (Quickie G-424).....	11.10	Motor Mounts (Quickie Freestyle).....	11.22

MOTOR RETRO KIT (QUICKIE V100[P100]/Z500[ZIPPIE P500])

(Beginning serial number P1-7519, P5-3510)



P100X50

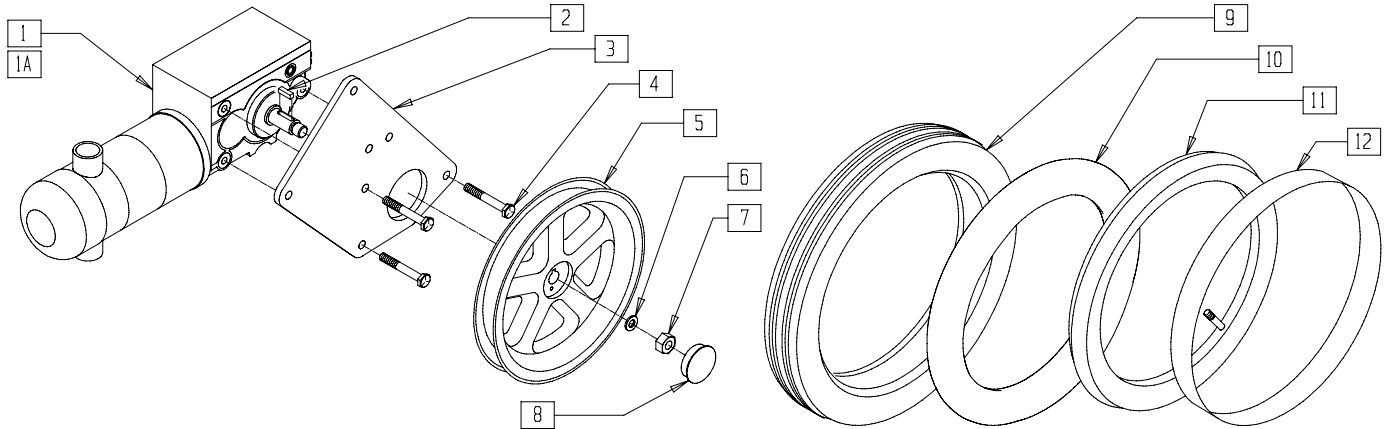
ITEM	NUMBER	DESCRIPTION	QTY
1	499420	MOTOR GEAR BOX R P1/P5	1
1A	499421	MOTOR GEAR BOX L P1/P5	1
2	522741	CROSS TUBE DD 16" W/RNUT P1/P5	1
2A	522743	CROSS TUBE DD 18" W/RNUT P1	1
2B	522745	CROSS TUBE DD 20" W/RNUT P1	1
3	263100	5/16 AN WASHER FLAT	2
4	234960	M8-35 HEX C/S	2
5	561005	1" INSERT PLUG .125	2
6*	341265	KEY STEEL 5mm x 5mm x 20mm	2
7	501761	MOTOR PLATE DIRECT DRIVE P1/P5	2
8	234951	M8-18 HEX C/S	6
9	761794	WHL 12/14" DD HEX W/INSTRC	2
10*	264100	1/2 AN WASHER FLAT	2
11*	210095	M12 x 1.75 LNUT CLASS10 W/PTCH	2
12	560990	1 1/2" DOME PLUG	2
13	384706	TIRE PNEU 12-1/2" x 2-1/4"	2

ITEM	NUMBER	DESCRIPTION	QTY
14	382402	12-1/2" x 2-1/4" AIRLESS INSERT	2
15	384736	INNER TUBE 12 1/2" x 2 1/4"	2
16	381241	RIM STRIP 12" P1/P5	2
9,13,15,16	761691	12" MAG PNEU DIR DRV W/INSTRC	
9,13,14	761692	12" MAG PNEU INSRT DD W/INSTRC	
1,1A,2A,15,16	887142	MOTORS W/PNEU RETRO 16" P1/P5	
1,1A,2-14	887143	MOTORS W/INSRT RETRO 16" P1/P5	
1,1A,2A,3-13,15,16	887144	MOTORS W/PNEU RETRO 18" P100	
1,1A,2A,3-14	887145	MOTORS W/INSRT RETRO 18" P100	
1,1A,2B,3-13,15,16	887146	MOTORS W/PNEU RETRO 20" P100	
1,1A,2B,3-14	887147	MOTORS W/INSRT RETRO 20" P100	

* IF ITEMS 6, 10 AND 11 ARE REMOVED FROM THE CHAIR, THEY MUST BE REPLACED WHEN REASSEMBLING. ORDER P/N 901012 (DRIVE MOTOR HARDWARE KIT) FOR REPLACEMENT PARTS.

MOTOR RETRO KIT (QUICKIE P110)

(Discontinued 6/30/00 - parts only)



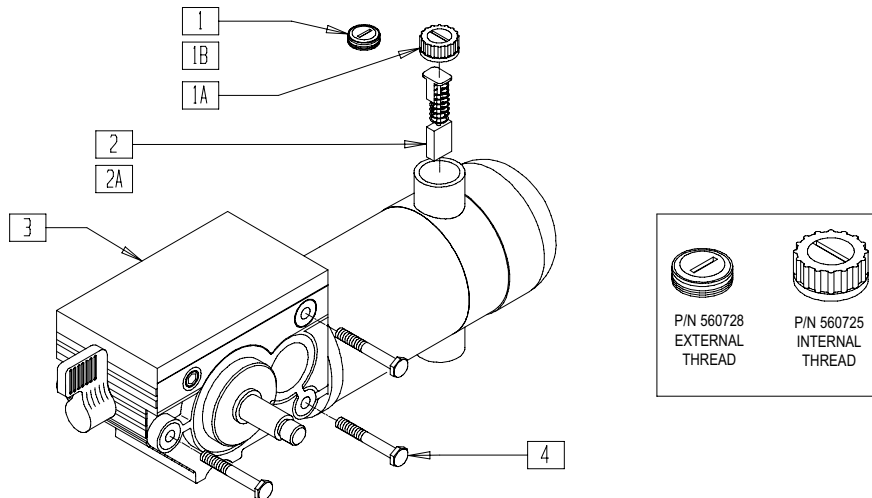
P100X51

ITEM	NUMBER	DESCRIPTION	QTY
1	499420	MOTOR GEAR BOX R P1/P5	1
1A	499421	MOTOR GEAR BOX L P1/P5	1
2*	341265	KEY STEEL 5mm x 5mm x 20mm	2
3	501761	MOTOR PLATE DIRECT DRIVE P1/P5	2
4	234951	M8-18 HEX C/S	6
5	761794	WHL 12/14" DD HEX W/INSTRC	1
6*	264100	1/2 AN WASHER FLAT	2
7*	210095	M12 x 1.75 LNUT CLASS10 W/PCH	2
8	560990	1 1/2" DOME PLUG	2

ITEM	NUMBER	DESCRIPTION	QTY
9	384706	TIRE PNEU 12-1/2" x 2-1/4"	1
10	382402	12-1/2" x 2-1/4" AIRLESS INSERT	1
11	384736	INNER TUBE 12-1/2" x 2-1/4"	1
12	381241	RIM STRIP 12" P1/P5	1
5,9,11,12	761691	12" MAG PNEU DIR DRV W/INSTRC	
5,9,10	761692	12" MAG PNEU INSRT DD W/INSTRC	
1,1A,2-9,11,12	887140	MOTORS W/PNEU RETRO P110	
1,1A,2-10	887141	MOTORS W/INSRT RETRO P110	

* IF ITEMS 2, 6 AND 7 ARE REMOVED FROM THE CHAIR, THEY MUST BE REPLACED WHEN REASSEMBLING. ORDER P/N 901012 (DRIVE MOTOR HARDWARE KIT) FOR REPLACEMENT PARTS.

MOTOR ASSEMBLY (QUICKIE P110/P190/V100[P100]/Z500[ZIPPIE P500])



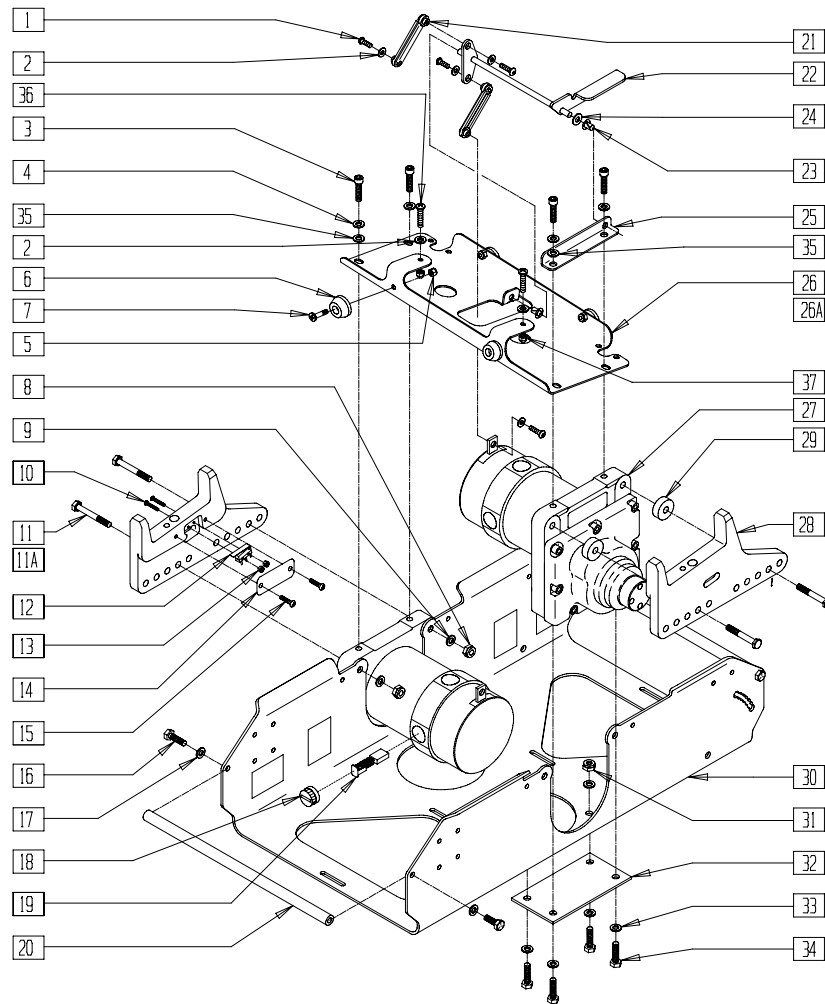
P190X05B

ITEM	NUMBER	DESCRIPTION	QTY
1	560728	BRUSH CAP P3 MOTOR H.O.	2
1A	560725	BRUSH CAP P3 MOTOR O/S	2
1B,2A	349648	BRUSH CAP SET STATURE	2
2	138194	MOTOR BRUSH P1/P5	2

ITEM	NUMBER	DESCRIPTION	QTY
3	499420, 499421	MOTOR GEAR BOX P1/P5 (EA) (P100/P110/P500) (V100/Z500 PRIOR TO 11/26/02)	1
	499424, 499425	MOTOR/GEAR ASSM P190 14" (EA) (FITS P190 WITH 14" DRIVE WHEEL)	
	499952, 499953	MOTOR GEAR BOX STATURE (EA) (V100/Z500 BEGINNING 11/26/02)	
4	234951	M8-18 HEX C/S	3

BRAKE/MOTOR ASSEMBLY (14"-18" WIDTH) (QUICKIE P200/P320)

(Qtronix setup effective 5/5/99)



P200X34A

ITEM	NUMBER	DESCRIPTION	QTY
1	281118	10-32 x 3/8 HEX C/S ZN	4
2	261204	#10 AN WASHER .063	6
3	226180	5/16-24 x 3/4 SOC C/S	4
4	263100	5/16 AN WASHER FLAT	6
5	200100-QU	10-32 NYLOCK NUT	4
6	560705	BATTERY BUMPER	4
7	281120	10-32 x 5/8 PAN HD PHIL	4
8	202103	5/16-18 NYLOCK NUT THICK	4
9	263113	5/16 WASHER THICK	4
10	281015	2-56 x 3/4 PAN PHIL M/S ZN	4
11	222240	5/16-18 x 2 HEX C/S	4
11A	222243	5/16-18 x 2 3/4 HEX C/S	4
12	133839	SWITCH MICRO P2	2
13	200026	2-56 NYLOCK NUT	4
14	561107	MICRO SWITCH COVER P2	2
15	281105	10-32 x 3/8 PAN PHIL	4
16	221100	1/4-28 x 3/4 HEX C/S	4
17	262100-QU	1/4 AN WASHER FLAT	4
18	560727	BRUSH CAP 10" DRIVE MOTOR	4
19	138195	MOTOR BRUSH 10" DRIVE (SET OF 4)	1
20	505165	BATTERY PAN CROSSBAR P2	2
21	561374	BRAKE REL PUSHROD 10" DRV	2
22	540191	BRAKE REL LEVER 14"-18" 10" DRV	1

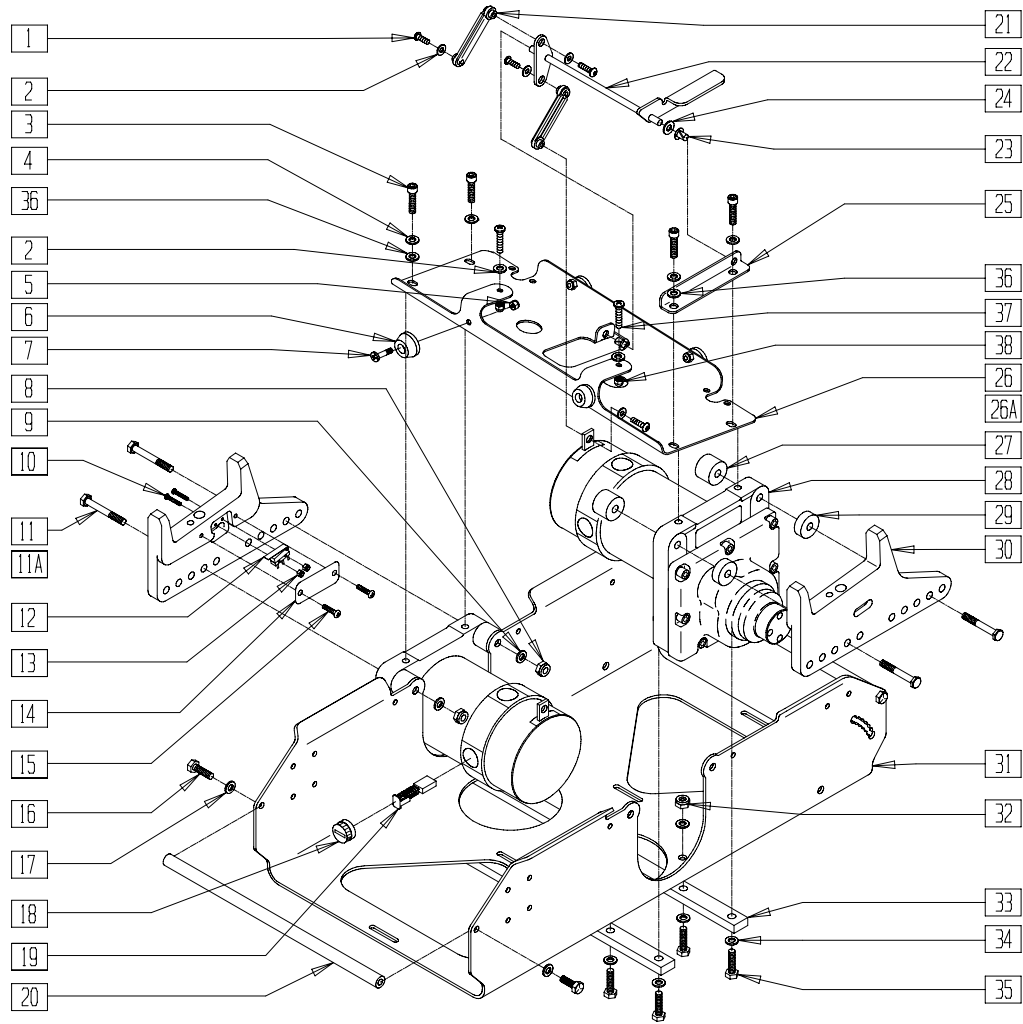
ITEM	NUMBER	DESCRIPTION	QTY
23	560405	1/4" NYLINER	2
24	561028	1/4" NYLON WASHER	1
25	505265	BRAKE RELEASE PIVOT P2/P3	1
26	505035	CONTROLLER CHANNEL 10" DRIVE	1
26A	505480*	CNTRL CHNNL 10" DRIVE P2-QX	1
12,27	499402	MOTOR W/PLUG & SWITCH 14"-18" P2	2
12,27	499452*	MOTOR W/PLUG & SWTCH REG R P2 QX	1
12,27	499453*	MOTOR W/PLUG & SWTCH REG L P2 QX	1
28	502020, 502021	QUICK CNNCT SOCKET P2 (EA)	1
29**	550162	QUICK CNNCT SPACER 15"/17"/19"	4
	550160	QUICK CNNCT SPACER 18"/20" P2/P3	4
30	505719	BATTERY PAN P2	1
31	202101	5/16-24 STOVER LOCK NUT	4
32	505023	LOWER TIE PLATE P2	2
33	263100	5/16 AN WASHER FLAT	12
34	222195	5/16-24 x 3/4 HEX C/S GRD 8	8
35	267360	5/16 WASHER INT LOCK ZN	2
36	281150	10-32 x 1 1/2 PAN PHIL	2
37	200100-QU	10-32 NYLOCK NUT	2
8-15,28	920060- 920065	QUICK CNNCT SOCKET ASSM P2 (EA)	
1,2,21-24	920199	BRAKE REL LEVER ASSM 10" DRIVE	

* PART NUMBERS 505480, 499452, AND 499453 ARE USED WITH QTRONIX CONTROLLER.

** 14" AND 16" WIDTHS DO NOT REQUIRE A QUICK CONNECT SPACER, ITEM 29.

BRAKE/MOTOR ASSEMBLY (19"/20" WIDTH) (QUICKIE P200/P320)

(Qtronix setup effective 5/5/99)



P200X44A

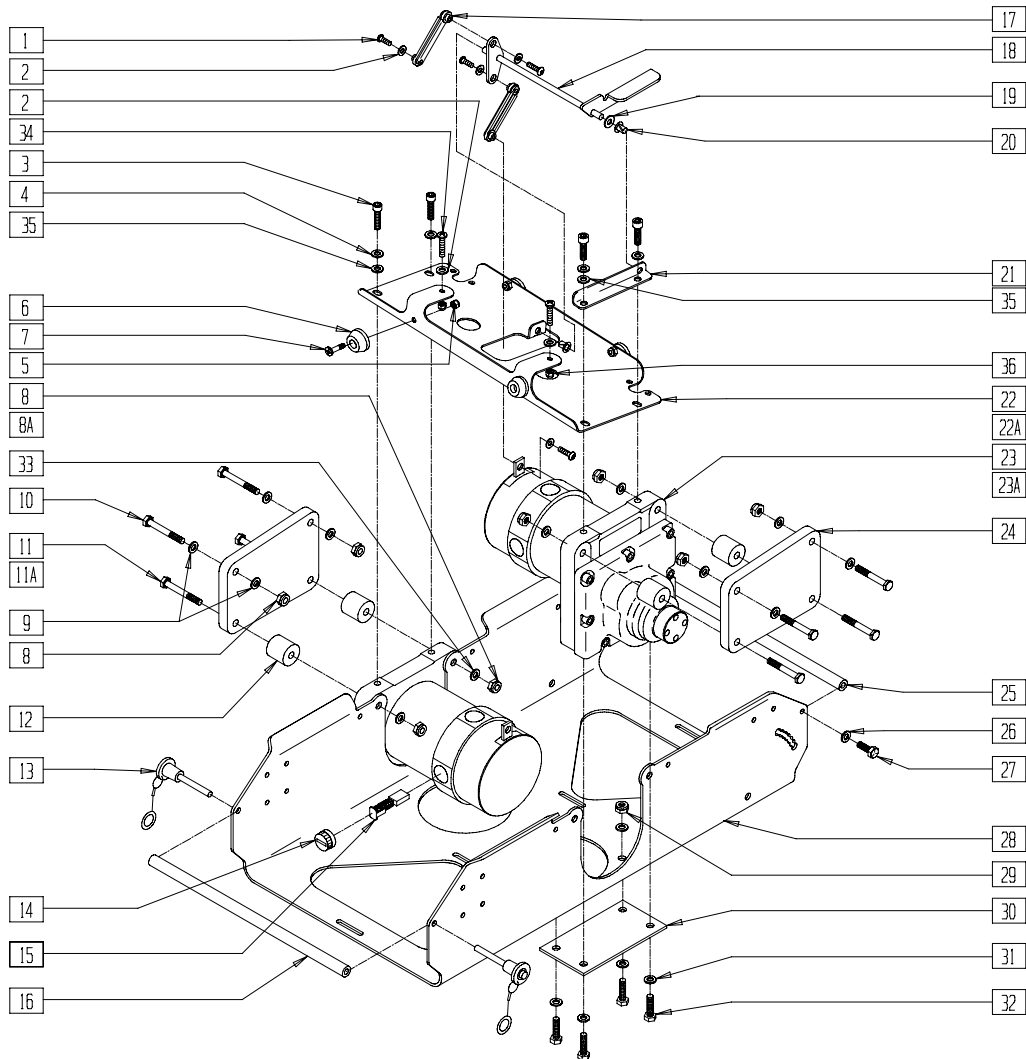
ITEM	NUMBER	DESCRIPTION	QTY
1	281118	10-32 x 3/8 HEX C/S ZN	4
2	261204	#10 AN WASHER .063	6
3	226180	5/16-24 x 3/4 SOC C/S	4
4	263100	5/16 AN WASHER FLAT	4
5	200100-QU	10-32 NYLOCK NUT	4
6	560705	BATTERY BUMPER	4
7	281120	10-32 x 5/8 PAN HD PHIL	4
8	202103	5/16-18 NYLOCK NUT THICK	4
9	263113	5/16 WASHER THICK	4
10	281015	2-56 x 3/4 PAN PHIL M/S ZN	4
11	222255	5/16-18 x 3 1/2 HEX C/S	4
11A	222251	5/16-18 x 3 3/4 HEX C/S	4
12	133839	SWITCH MICRO P2	2
13	200026	2-56 NYLOCK NUT	4
14	561107	MICRO SWITCH COVER P2	2
15	281105	10-32 x 3/8 PAN PHIL	4
16	221100	1/4-28 x 3/4 HEX C/S	4
17	262100-QU	1/4 AN WASHER FLAT	4
18	560727	BRUSH CAP 10" DRIVE MOTOR	4
19	138195	MOTOR BRUSH 10" DRV (SET OF 4)	1
20	505165	BATTERY PAN CROSSBAR P2	2
21	561374	BRAKE REL PUSHROD 10" DRV	2
22	540192	BRAKE REL LEVER 19"-20" 10" DRV	2
23	560405	1/4" NYLINER	2

ITEM	NUMBER	DESCRIPTION	QTY
24	561028	1/4" NYLON WASHER	1
25	505265	BRAKE RELEASE PIVOT P2/P3	2
26	505055	CONTROLLER CHANNEL 19"-20" P2	1
26A	505481*	CNTRL CHNNL 19"/20" P2-QX	1
27	550163	MOTOR SPACER 19"/20" P2	1
12,28	499405	MOTOR W/PLUG & SWITCH 19"/20" P2	2
12,28	499454*	MOTOR W/PLUG & SWTCH LNG R P2 QX	1
12,28	499455*	MOTOR W/PLUG & SWTCH LNG L P2 QX	1
29	550160	QUICKCNNCT SPACER 18"/20" P2/P3	4
29	550162	QUICKCNNCT SPACER 15"/17"/19"	4
30	502020, 502021	QUICKCNNCT SOCKET P2 (EA)	1
31	505719	BATTERY PAN P2	1
32	202100-MJ	5/16-24 NYLOCK NUT THIN	4
33	505245	LOWER TIE BAR 19/20" P2	2
34	263100	5/16 AN WASHER FLAT	12
35	222197	5/16-24 x 1 HEX C/S GRD 8	8
36	267360	5/16 WASHER INT LOCK ZN	2
37	281150	10-32 x 1 1/2 PAN PHIL	2
38	200100-QU	10-32 NYLOCK NUT	2
8-15, 27,29,30	920066- 920069	QUICKCNNCT SOC ASSM P2 (EA)	
1,2,21-24	920193	BRAKE REL LEVER ASSM LNG 10" DR	

* PART NUMBERS 505481, 499454, AND 499455 ARE USED WITH QTRONIX CONTROLLER.

BRAKE MOTOR ASSEMBLY (QUICKIE P210)

(Qtronix setup effective 5/5/99) (Quickie P210 discontinued 11/1/02 - parts only)



P200X55A

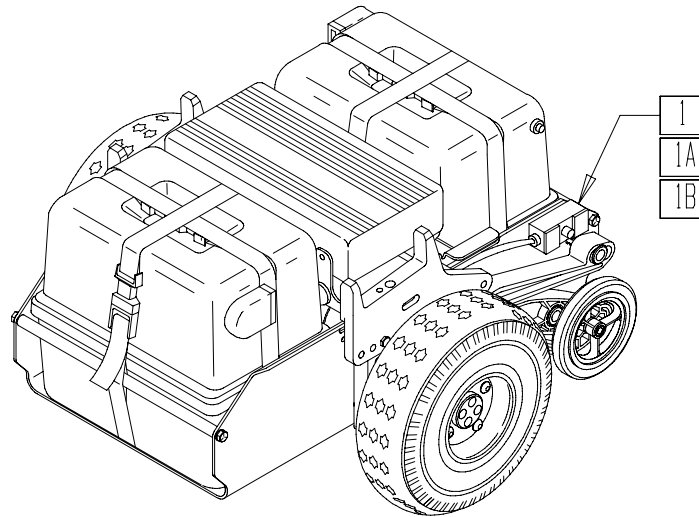
ITEM	NUMBER	DESCRIPTION	QTY
1	281118	10-32 x 3/8 HEX C/S ZN	3
2	261204	#10 AN WASHER .063	6
3	226180	5/16-24 x 3/4 SOC C/S	4
4	263100	5/16 AN WASHER FLAT	4
5	200100-QU	10-32 NYLOCK NUT	4
6	560705	BATTERY BUMPER	4
7	281120	10/32 x 5/8 PAN HD PHIL	4
8	202104	5/16-24 NYLOCK NUT	8
8A	202103	5/16-18 NYLOCK NUT THICK (18")	8
9	263110-QU	5/16 AN WASHER FLAT THIN	8
10	222110	5/16-24 x 1 3/4 HEX C/S	4
11	222190	5/16-24 x 2 HEX C/S	4
11A	222192	5/16-18 x 3 HEX C/S (18")	4
12**	550163	MOTOR SPACER 19"/20" P2 18" P210	4
13	349020	STROLLER HANDLE RELEASE PIN	2
14	560727	BRUSH CAP 10" DRIVE MOTOR	1
15	138195	MOTOR BRUSH 10" DRV (SET OF 4)	1
16	505167	BATTERY PAN CROSSBAR QR P2	1
17	561374	BRAKE REL PUSHROD 10" DRV	2
18	540191	BRAKE REL LEVER 14"-18" 10" DRV	1
19	561028	1/4" NYLON WASHER	2

ITEM	NUMBER	DESCRIPTION	QTY
20	560405	1/4" NYLINER	1
21	505265	BRAKE RELEASE PIVOT P2/P3	1
22	505035	CONTROLLER CHANNEL 10" DRIVE	1
22A	505480*	CNTRL CHNNL 10" DRIVE P2-QX	1
23	499404	MOTOR W/PLUG P3 (10")	1
23A	499450*	MOTOR W/PLUG REG R P210 QX	1
	499451*	MOTOR W/PLUG REG L P210 QX	
24	505445	MOTOR PLATE 16" PRS	2
25	505165	BATTERY PAN CROSSBAR P2	1
26	262100-QU	1/4 AN WASHER FLAT	2
27	221100	1/4-28 x 3/4 HEX C/S	2
28	505719	BATTERY PAN P2	1
29	202101	5/16-24 STOVER LOCK NUT	8
30	505023	LOWER TIE PLATE P2	2
31	263100	5/16 AN WASHER FLAT	12
32	222195	5/16-24 x 3/4 HEX C/S G8	8
33	263113	5/16 WASHER THICK	4
34	281150	10-32 x 1 1/2 PAN PHIL	2
35	267350	1/4 WASHER INT LOCK ZN	2
36	200100-QU	10-32 NYLOCK NUT	2
1,2,17-20	920199	BRAKE REL LEVER ASSM 10" DRIVE	

* PART NUMBERS 505480, 499450, AND 499451 USED WITH QTRONIX CONTROLLER.

** ITEM 12 (P/N 550163) USED ON 18" WIDE.

POWER BASE ASSEMBLIES (QUICKIE P200/P320)



P200X51

ITEM	NUMBER	DESCRIPTION	QTY
1*	887118-887124	MOTOR UNIT W/PNEU WHL 14"-20" P2	1
	887450-887456	MOTOR UNIT W/PNEU WHL 14"-20" P2-QX (QTRONIX)	
1A*	887218-887224	MOTOR UNIT W/FOAM WHL 14"-20" P2	1
	887457-887463	MOTOR UNIT W/FOAM WHL 14"-20" P2-QX (QTRONIX)	
1B*	887128-887134	POWER BASE UNIT W/PNEU WHL 14"-20" (INCLUDES BATTERY BOX AND CONTROL BOX)	1

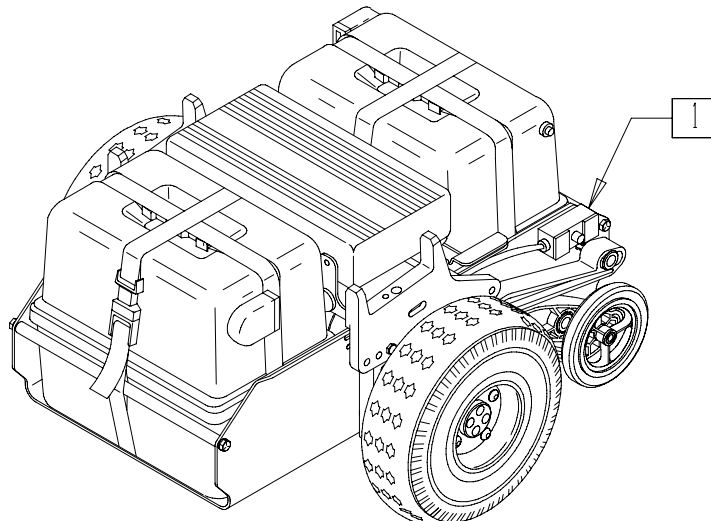
ITEM	NUMBER	DESCRIPTION	QTY
1B**	887470-887476	POWER BASE UNIT W/PNEU WHL 14"-20" QX(QTRONIX) (INCLUDES BATTERY BOX)	1
	887500-887506	POWER BASE UNIT W/PNEU WHL 14"-20" P320 QX (INCLUDES BATTERY BOX)	
	887228-887234	POWER BASE UNIT W/FOAM WHL 14"-20" (INCLUDES BATTERY BOX AND CONTROL BOX)	
	887480-887486	PWR BASE UNIT W/FOAM WHL 14"-20" P2 QX (QTRONIX) (INCLUDES BATTERY BOX)	
	887507-887513	PWR BASE UNIT W/FOAM WHL 14"-20" P320 QX (INCLUDES BATTERY BOX)	

* CONTROL BOX, BATTERY AND BATTERY BOX ARE NOT INCLUDED WITH MOTOR UNIT.

** BATTERY NOT INCLUDED WITH POWER BASE.

NOTE: QTRONIX EFFECTIVE 5/5/99.

TECHPAK (QUICKIE P200/P210/P320) (Quickie P210 discontinued 11/1/02 - parts only)



THE TECHPAK IS PAINTED RED FOR EASY IDENTIFICATION. THE KIT INCLUDES DISCONNECT SPACERS TO FIT BOTH A STANDARD BASE AND A WIDE BASE AND THE APPROPRIATE MOUNTING HARDWARE FOR THE NON-REMOVABLE P210.

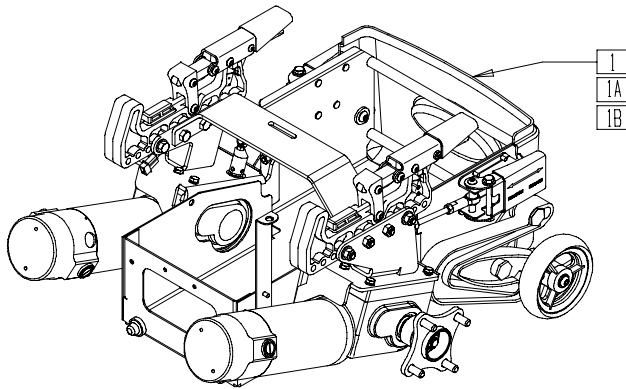
P200X51A

ITEM	NUMBER	DESCRIPTION	QTY
1	887240	TECH PAK 16" W/PNEU RED PAN	1
	887490	TECH PAK 16" W/PNEU RED PAN QTRONIX	

ITEM	NUMBER	DESCRIPTION	QTY
1	887241	TECH PAK 19" W/PNEU RED PAN	1
	887491	TECH PAK 19" W/PNEU RED PAN QTRONIX	

NOTE: QTRONIX EFFECTIVE 5/5/99.

TECHPAK (QUICKIE P-220)



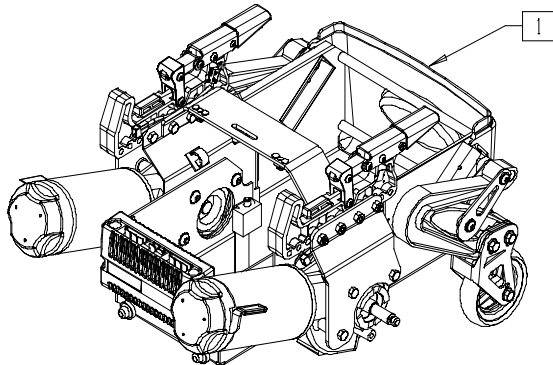
P220X06C

ITEM	NUMBER	DESCRIPTION	QTY
1	887278	TCHPK STD P220 ASSM W/12x4 HUB	1
	887279	TCHPK STD P220 ASSM W/12x3 HUB	
	887280	TCHPK WIDE P220 ASSM W/12x4 HUB	
	887281	TCHPK WIDE P220 ASSM W/12x3 HUB	

ITEM	NUMBER	DESCRIPTION	QTY
1A	887286	TCHPK STD P220 VSI W/12X4 HUB	1
	887287	TCHPK STD P220 VSI W/12x3 HUB	
	887288	TCHPK WIDE P220I VSI W/12X4 HUB	
	887289	TCHPK WIDE P220 VSI W/12x3 HUB	
1B	887290	TCHPK STD P220 VSI TILT W/12X4	
	887291	TCHPK STD P220 VSI TILT W/12X3	
	887292	TCHPK WIDE P220 VSI TILT W/12X4	
	887293	TCHPK WIDE P220 VSI TILT W/12X3	

TECHPAK (QUICKIE P-222)

(Discontinued 8/15/02 - parts only)

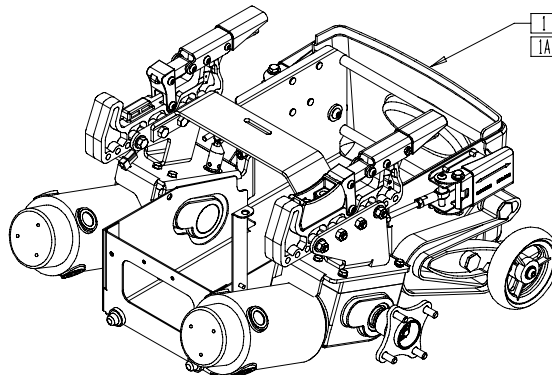


P2220X29

ITEM	NUMBER	DESCRIPTION	QTY
1	887244	TECHPAK STD ASSM W/O DRV WHL	1

ITEM	NUMBER	DESCRIPTION	QTY
1	887245	TECHPAK WIDE ASSM W/O DRV WHL	1

TECHPAK (QUICKIE P-222 SE)



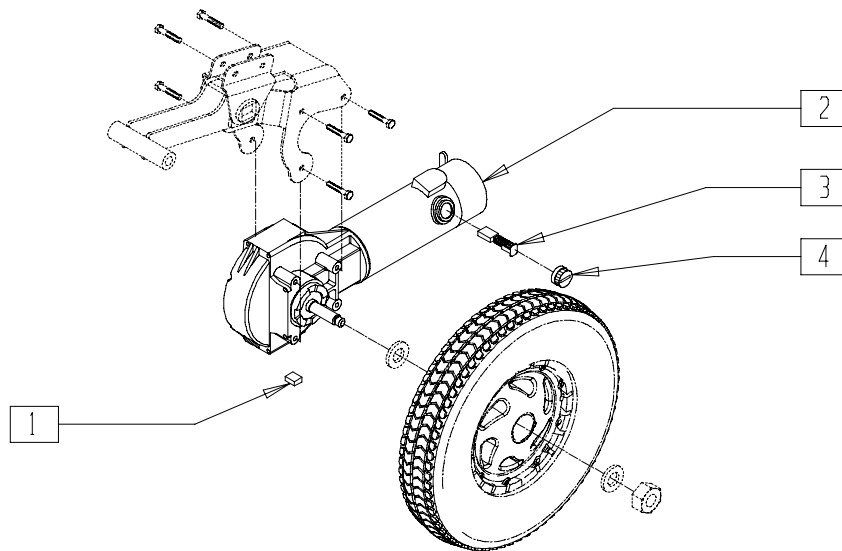
222SE01B

ITEM	NUMBER	DESCRIPTION	QTY
1	887282	TCHPK STD P222 ASSM W/12x4 HUB	1
	887283	TCHPK STD P222 ASSM W/12x3 HUB	

ITEM	NUMBER	DESCRIPTION	QTY
1A	887284	TCHPK WIDE P222 ASSM W/12x4 HUB	1
	887285	TCHPK WIDE P222 ASSM W/12x3 HUB	

MOTOR/GEAR BOX ASSEMBLY (QUICKIE G-424)

(Discontinued 3/00 - parts only)



G424X36B

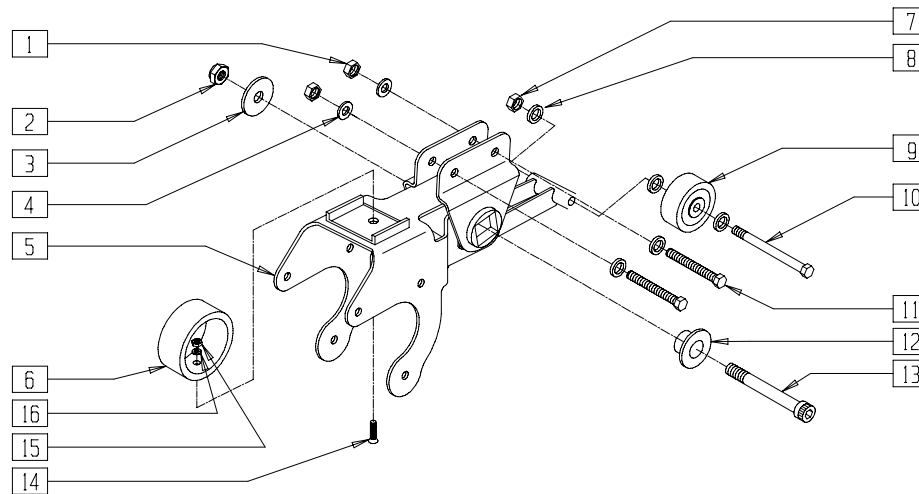
ITEM	NUMBER	DESCRIPTION	QTY
1*	341265	KEY STEEL 5mm x 5mm x 20mm	1
2	499220-499229	MOTOR G-DRIVE G424 (EA)	1

ITEM	NUMBER	DESCRIPTION	QTY
3,4	139197	BRUSH/CAP SET ASI	2

* IF ITEM 1 IS REMOVED FROM THE CHAIR, IT MUST BE REPLACED WHEN REASSEMBLING. ORDER P/N 901012 (DRIVE MOTOR HARDWARE KIT) FOR REPLACEMENT PARTS.

MOTOR MOUNTS (QUICKIE G-424)

(Discontinued 3/00 - parts only)



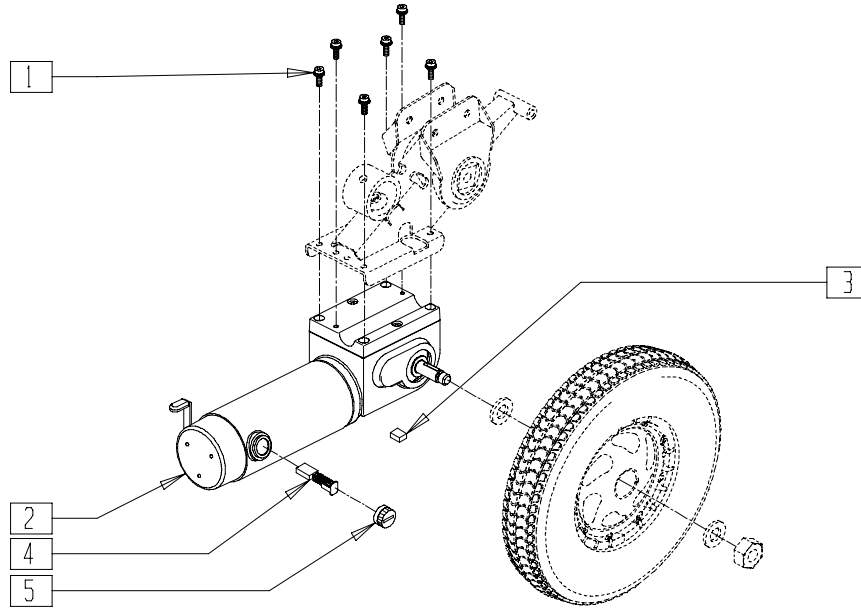
G4240X03

ITEM	NUMBER	DESCRIPTION	QTY
1	202104	5/16-24 NYLOCK NUT	2
2	202226	7/16-14 UNC NYLOCK NUT	1
3	340021	MOTOR MOUNT WASHER	1
4	263100	5/16 AN WASHER FLAT	4
6	330132	MOTOR MNT SUSPNSN BUMPER STD	1
7	202103	5/16-18 NYLOCK NUT THICK	1
8	263100	5/16 AN WASHER FLAT	3
9	400010	WHEEL ONLY 2" x 7/8" ANTI TIP	1
10	222255	5/16-18 x 3 1/2 HEX C/S	1

ITEM	NUMBER	DESCRIPTION	QTY
11	226293	5/16-24 x 2 1/4 HEX C/S	2
12	340020	MOTOR MOUNT ADAPTER	1
13	222091	7/16-14 x 3 1/2" SOC C/S	1
14	226014	10-32 x 3/4 FH C/S BLK	1
15	200101-QU	10-32 NYLOCK NUT THIN	1
16	261204	#10 AN WASHER .063	1
1-16	881720	MOTOR MOUNT ASSEMBLY R G424	
	881721	MOTOR MOUNT ASSEMBLY L G424	

MOTOR/GEAR BOX ASSEMBLY (QUICKIE G-424)

(Effective 3/00) (Discontinued 9/6/01 - parts only)



G424X16B

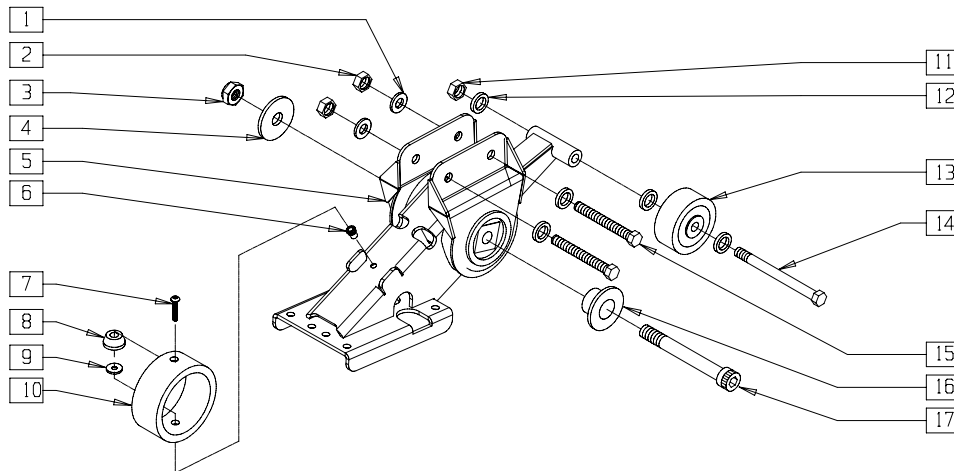
ITEM	NUMBER	DESCRIPTION	QTY
1,2,4,5	499520-499527	MOTOR ASSM G424 (EA)	
3*	341265	KEY STEEL 5mm x 5mm x 20mm	1
4	139198	BRUSH/MOTOR RELIANCE	2

ITEM	NUMBER	DESCRIPTION	QTY
5	139199	CAP/BRUSH RELIANCE (CAP ONLY)	2
1,2,4,5	882430-882435*	MOTOR ASSM G424 (NEW) (EA) (WITH MOTOR MOUNT ASSEMBLY)	

* 882430-882435 INCLUDE MOTOR ASSEMBLY AND MOTOR MOUNT ASSEMBLY (MOTOR MOUNT ASSEMBLY SHOWN ON TOP OF PAGE 11.10 [MOTOR MOUNTS (QUICKIE G-424)]).
* IF ITEM 3 IS REMOVED FROM THE CHAIR, IT MUST BE REPLACED WHEN REASSEMBLING. ORDER P/N 901012 (DRIVE MOTOR HARDWARE KIT) FOR REPLACEMENT PARTS.

MOTOR MOUNTS (QUICKIE G-424)

(Effective 3/00) (Discontinued 9/6/01 - parts only)



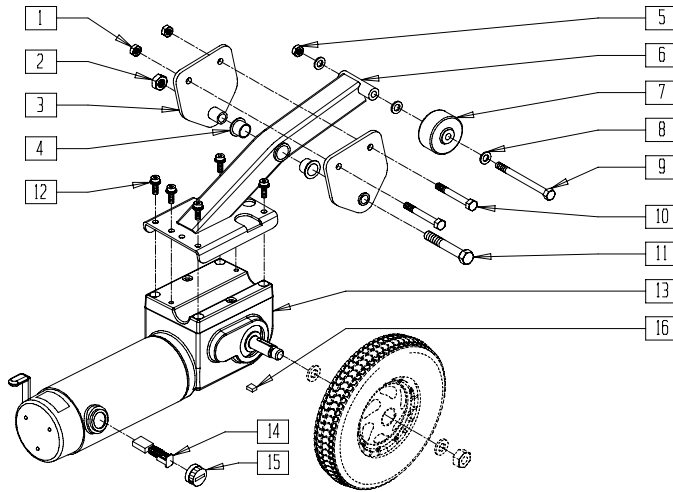
G4240X3A

ITEM	NUMBER	DESCRIPTION	QTY
1	263100	5/16 AN WASHER FLAT	4
2	202104	5/16-24 NYLOCK NUT	2
3	202226	7/16-14 UNC NYLOCK NUT	1
4	340021	MOTOR MOUNT WASHER	1
6	341491	10-32 x .130-.225 RIVNUT GOLD	1
7	226028-QU	10-32 x 1 BH C/S BLK	1
8	561315	RECESSED BUMPER G424	1
9	561016	1" WASHER 5/16" HOLE	1
10	502033	MOTOR MOUNT BUMPER G424	1

ITEM	NUMBER	DESCRIPTION	QTY
11	202102	5/16-18 NYLOCK NUT THIN	1
12	263100	5/16 AN WASHER FLAT	3
13	400010	WHEEL ONLY 2" x 7/8" ANTI TIP	1
14	222255	5/16-18 x 3 1/2 HEX C/S	1
15	226293	5/16-24 x 2 1/4 HEX C/S	2
16	340020	MOTOR MOUNT ADAPTER	1
17	222091	7/16-14 x 3 1/2" SOC C/S	1
1-17	881728	MOTOR MOUNT R ASSM G424 (NEW)	
1-7,10-17	881729	MOTOR MOUNT L ASSM G424 (NEW)	

MOTOR/GEAR BOX AND MOTOR MOUNTS (QUICKIE G-424)

(Effective 9/6/01) (Discontinued 1/21/02 - parts only)



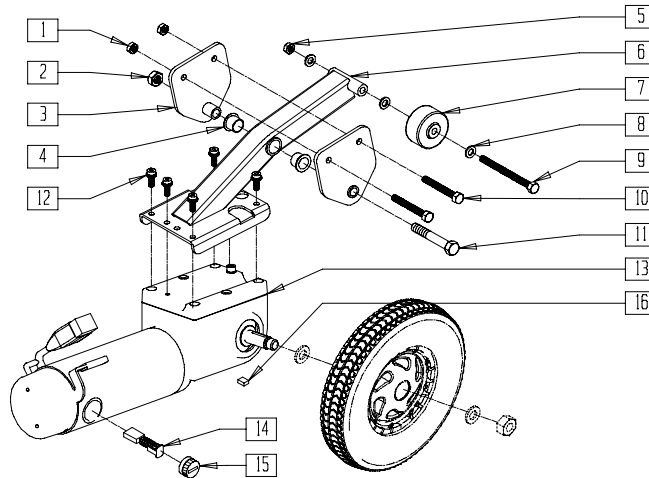
PMTRX01A

ITEM	NUMBER	DESCRIPTION	QTY
1	202104	5/16-24 NYLOCK NUT	2
2	202226	7/16-14 UNC NYLOCK NUT	1
3	545562	MOUNT BRACKET WLDMNT	2
4	349607	MOTOR PIVOT BEARING	2
5	202102	5/16-18 NYLOCK NUT THIN	1
7	400010	WHEEL ONLY 2" x 7/8" ANTI TIP	1
8	263100	5/16 AN WASHER FLAT	3
9	222251	5/16-18 x 3 3/4 HEX C/S	1
10	226293	5/16-24 x 2 1/4 HEX C/S	2
11	221098	7/16-14 x 2 1/2 HEX C/S	1

ITEM	NUMBER	DESCRIPTION	QTY
14	139198	BRUSH/MOTOR RELIANCE	2
15	139199	CAP/BRUSH RELIANCE	2
16*	341265	KEY STEEL 5mm X 5mm X 20mm	1
12-16	499520-499527	MOTOR ASSM G424 LBL (EA)	
1-11	881918	MOTOR MOUNT R ASSM MDFY G424	
	881919	MOTOR MOUNT L ASSM MDFY G424	
1-16	882440-882445	MOTOR ASSM MDFY G424 (EA)	

MOTOR/GEAR BOX AND MOTOR MOUNTS (QUICKIE G-424)

(Effective 1/21/02)



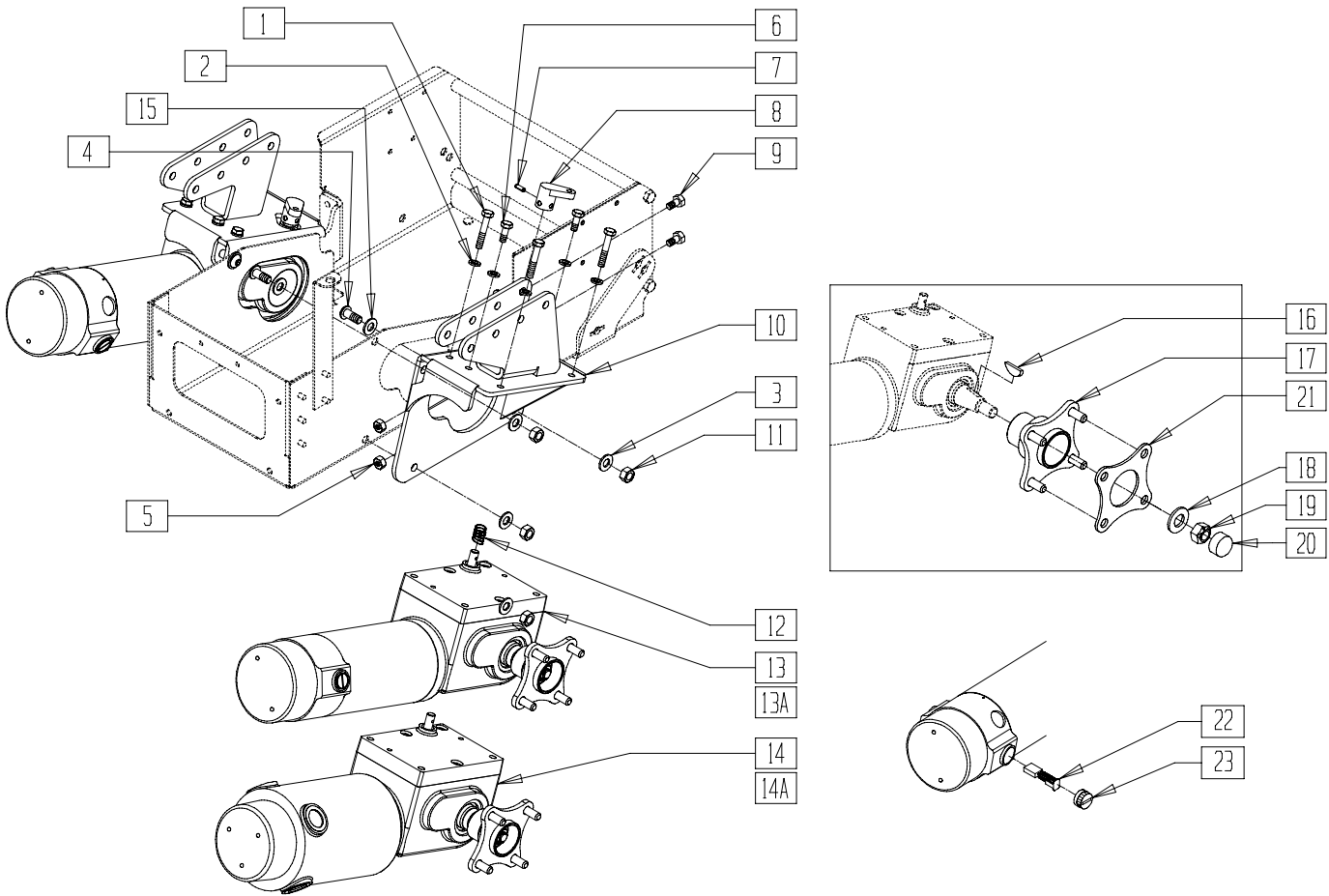
PMTRX02A

ITEM	NUMBER	DESCRIPTION	QTY
1	202104	5/16-24 NYLOCK NUT	2
2	202226	7/16-14 UNC NYLOCK NUT	1
3	545562	MOUNT BRACKET WLDMNT	2
4	349607	MOTOR PIVOT BEARING	2
5	202102	5/16-18 NYLOCK NUT THIN	1
7	400010	WHEEL ONLY 2" x 7/8" ANTI TIP	1
8	263100	5/16 AN WASHER FLAT	3
9	222251	5/16-18 x 3 3/4 HEX C/S	1
10	226293	5/16-24 x 2 1/4 HEX C/S	2
11	221098	7/16-14 x 2 1/2 HEX C/S	1

ITEM	NUMBER	DESCRIPTION	QTY
14	139198	BRUSH/MOTOR RELIANCE	2
15	139199	CAP/BRUSH RELIANCE	2
16*	341265	KEY STEEL 5mm x 5mm x 20mm	1
12-16	499650-499655	MOTOR ASSM (EA)	
1-11	881918	MOTOR MOUNT R ASSM MDFY G424	
	881919	MOTOR MOUNT L ASSM MDFY G424	
1-16	882650-882655	MOTOR ASSM G424 (EA)	

* IF ITEM 16 IS REMOVED FROM THE CHAIR, IT MUST BE REPLACED WHEN REASSEMBLING. ORDER P/N 901012 (DRIVE MOTOR HARDWARE KIT) FOR REPLACEMENT PARTS.

MOTOR ASSEMBLY (QUICKIE P-220/P-222 SE)



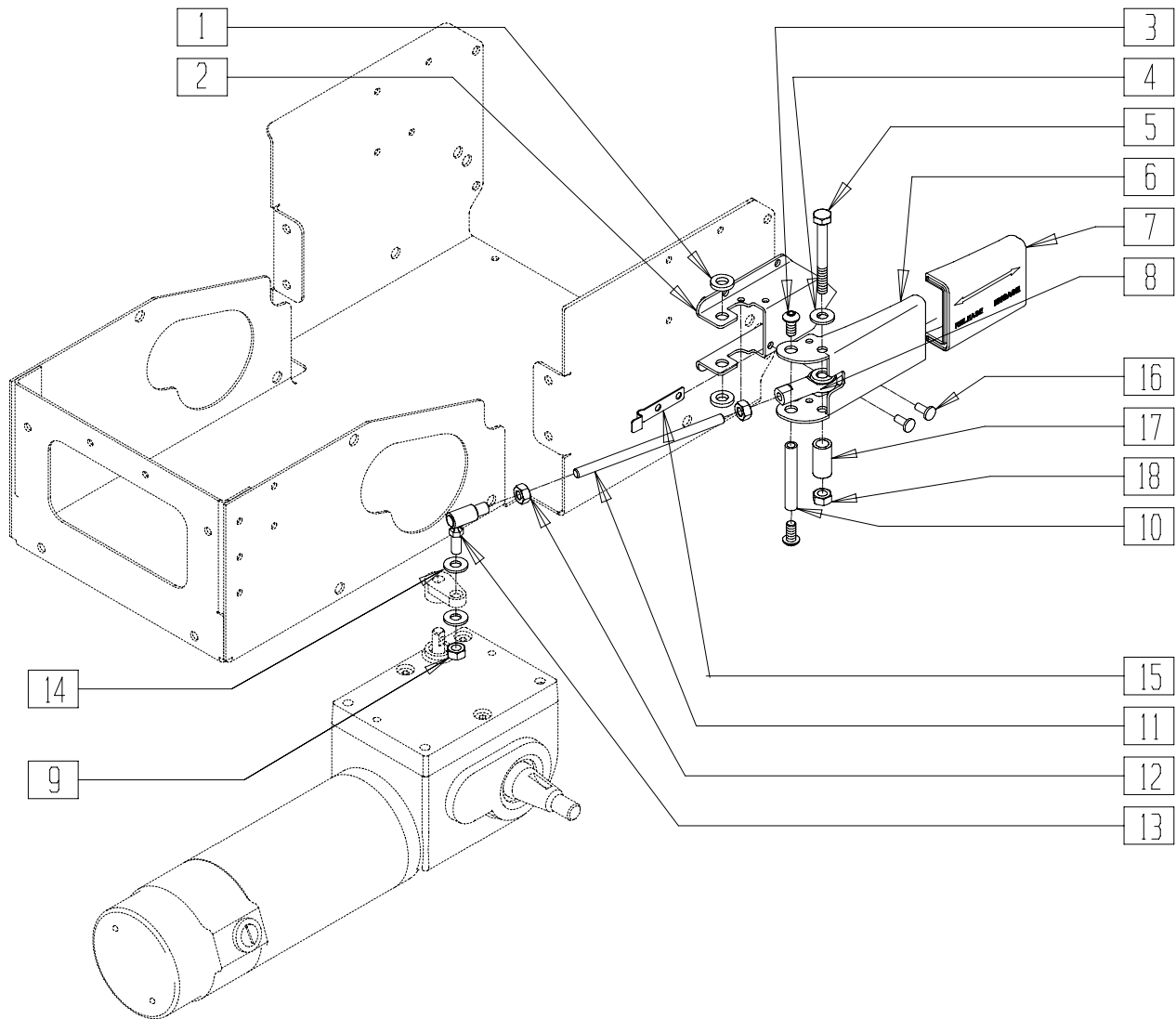
P220X07C

ITEM	NUMBER	DESCRIPTION	QTY
1	234895	M6-35 HEX C/S	3
2	262122	1/4 WASHER LOCK ZN	5
3	263100	5/16 AN WASHER FLAT	4
4	226174	5/16-18 x 3/4" BH C/S BLK ZN	2
5	202300	1/4-28 NYLOCK NUT THIN BLK ZN	2
6	230038	M6 x 16 HEX C/S	2
7	341211	1/8" x 11/16" ROLL PIN	1
8	481491, 481492	COG REL LVR 1/8 PIN D SLOT (EA)	1
9	221093	1/4-28 x 1/2 HEX C/S	2
10	542525	MTR MNT/INTRCNCT WLDMNT STD R	1
	542526	MTR MNT/INTRCNCT WLDMNT STD L	
	542527	MTR MNT/INTRCNCT WLDMNT WIDE R	
	542528	MTR MNT/INTRCNCT WLDMNT WIDE L	
11	202117	5/16-18 NYLOCK NUT THICK BLK	2
12	321712	SPRING .336 ID .420 OD	1
13,16-20	886690, 886691	MOTOR 2 POLE/12 x 4 HUB ASSM (EA)	1

ITEM	NUMBER	DESCRIPTION	QTY
13A, 16-20	886694, 886695	MOTOR 2 POLE/12 x 3 HUB ASSM (EA)	1
14, 16-21*	886692, 886693	MOTOR 4 POLE/12 x 4 HUB ASSM (EA)	1
14A, 16-20	886696, 886697	MOTOR 4 POLE/12 x 3 HUB ASSM (EA)	1
15	262143	5/16 LOCK WASHER INT/EXT TOOTH	2
16	341269	#606 WOODRUFF KEY STEEL	1
17	501548	WHEEL HUB TS RCKWLL GRBOX (12x4)	1
	362246	HUB .85" OFFSET ID B TS (12x3)	
18	264101	1/2 WASHER HARDENED FLAT	1
19	210002	M12 x 1.75 ALL MTL PREV TRQ NT	1
20	349611	VINYL PLUG 7/8 DIA	1
21*	505961	WHEEL HUB FLANGE 1/8" SPACER (P222SE 12 x 4 HUB ASSM)	1
22,23	139196	BRUSH/CAP SET 4 POLE	

* 12 X 4 HUB OPTION AVAILABLE ON P-222 SE ONLY.

COG RELEASE ASSEMBLY (QUICKIE P-220/P-222 SE)

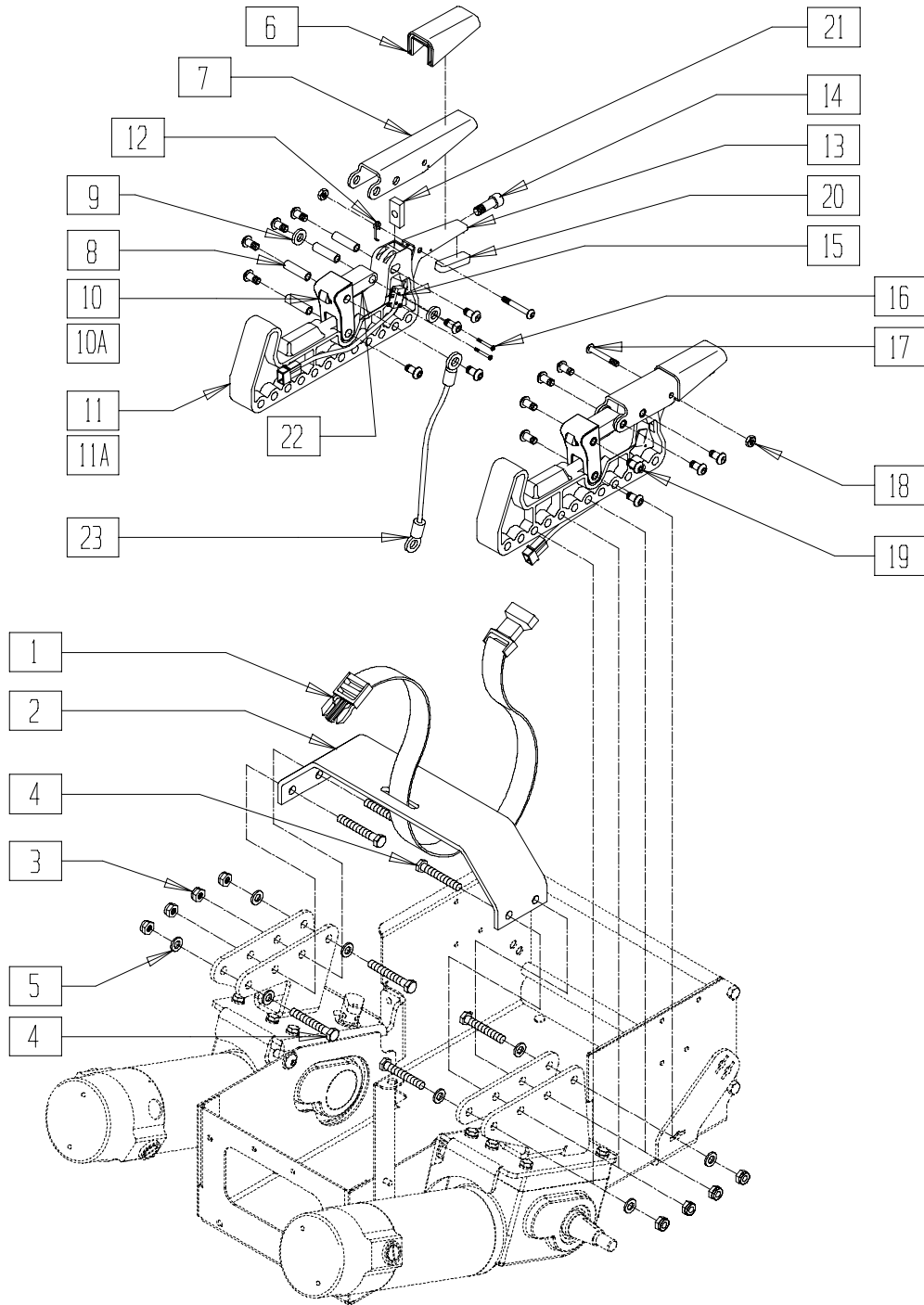


P220X08B

ITEM	NUMBER	DESCRIPTION	QTY
1	560313	INTERCONNECT BUSHING P222	2
2	505970, 505971	LEVER ACT MNT BRCKT (EA)	1
3	221091	1/4-28 x 1/2 BH C/S BLK W/PTCH	2
4	262110-QU	1/4 AN WASHER FLAT THIN	1
5	221191	1/4-28 x 2 1/4 G8 HEX C/S	1
6	550607	COG RELEASE LEVER HANDLE	1
7	560317, 560318	LEVER HANDLE COVER (EA)	1
8	330206	ROD END FEMALE 1/4-28 RH THRD	1
9	202300	1/4-28 NYLOCK NUT THIN BLK ZN	2

ITEM	NUMBER	DESCRIPTION	QTY
10	526068	ANTI TIP PIVOT BAR	1
11	226338	1/4-28 x 4 1/2 ALL THREAD	1
12	201112	1/4-28 NUT THIN	2
13	330207	BALL JOINT QUICK DSCNNT 1/4-28	1
14	262100-QU	1/4 AN WASHER FLAT	1
15	302018	COG RELEASE LEVER LOCK SPRING	1
16	240162	5/32 x .29 AL/ST BLIND RIVET BLK	2
17	486513	COG RELEASE SLEEVE	1
18	204110	1/4-28 NYLOCK NUT BLK ZN	1
1-18	887960	COG RELEASE ASSEMBLY RIGHT	
	887961	COG RELEASE ASSEMBLY LEFT	

INTERCONNECT ASSEMBLY (QUICKIE P-220/P-222 SE)



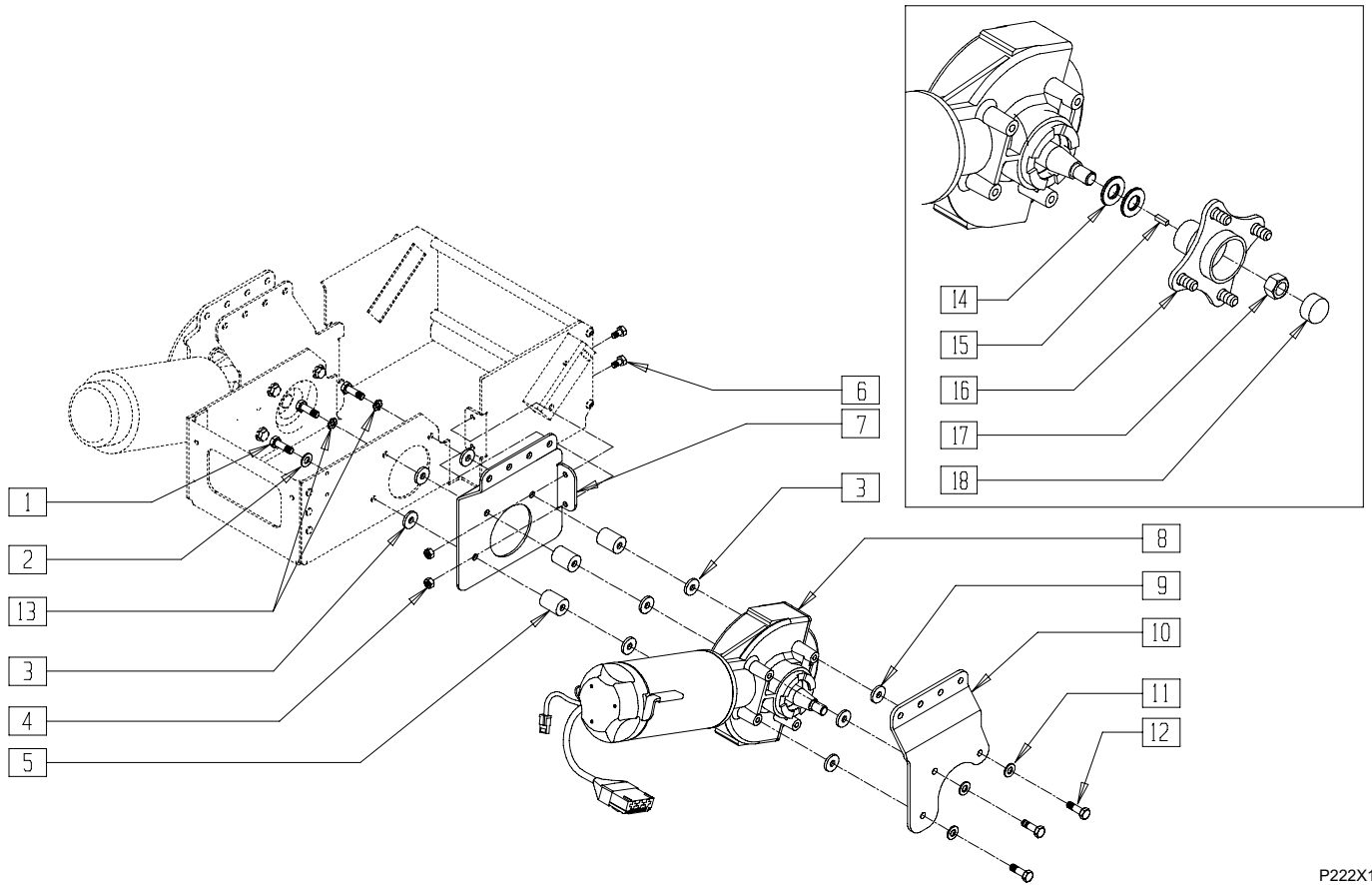
P220X04B

ITEM	NUMBER	DESCRIPTION	QTY
1	750092	BATTERY STRAP QTS TK	1
2	887239	TECHPAK SPREADER BAR ASSM	1
3	202111	5/16-24 NYLOCK NUT THICK BLK	8
4	222190	5/16-24 x 2 HEX C/S	8
5	263100	5/16 AN WASHER FLAT	8
6	560314	INTERCONNECT HANDLE COVER P222	2
7	506211	INTERCONNECT HANDLE P222	2
8	522400	INTERCONNECT PIVOT BAR	8
9	560313	INTERCONNECT BUSHING P222	4
10	502255	INTERCONNECT PRESS P222	2
11	502300	INTERCONNECT REC	2
12	320000, 320001	INTERCONNECT SPRING (EA)	2

ITEM	NUMBER	DESCRIPTION	QTY
13	506210	INTERCONNECT LOCK BRKT P222	2
14	222090	5/16-24 x 7/8 SH C/S W/PATCH	2
15	133265	LIMIT SWTCH HRNSS	2
16	281013	2-56 x 1/2 PAN PHIL M/S BLK	4
17	226038	10-32 x 1 3/8 BH C/S BLK	2
18	200100-QU	10-32 NYLOCK NUT	2
19	226071	1/4-28 x 1/2 BH C/S BLK	16
20	341219	FINGER PAD W/PSA	2
21	481203	INTERCONNECT ADJ PLATE P222	2
22	483749	INTERCONNECT LINK P222	2
23	139046	STATIC STRAP	1
6-23	502322	INTRCNCT RCVR ASSM RIGHT	
6-22	502323	INTRCNCT RCVR ASSM LEFT	

MOTOR ASSEMBLY (QUICKIE P-222)

(Discontinued 8/15/02 - parts only)



P222X11B

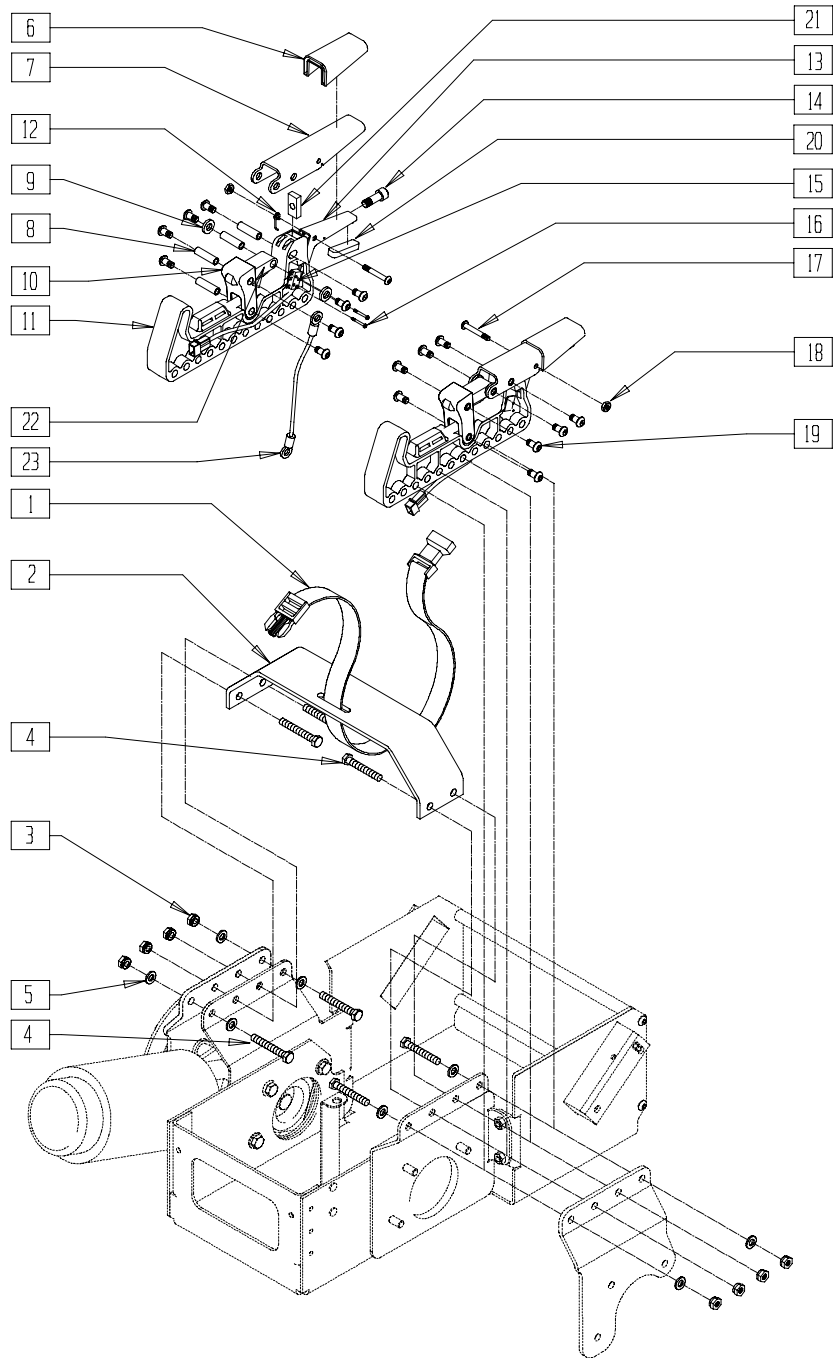
ITEM	NUMBER	DESCRIPTION	QTY
1	201253*	3/8-16 x 1 7/8 BH C/S W/PATCH BLK	6
	201255	3/8-16 x 7/8 BH C/S W/PATCH BLK	
2	263140	3/8 WASHER FLAT	2
3	261113	PLASTIC WASHERS 3/8 HOLE	12
4	202300	1/4-28 NYLOCK NUT THIN BLK ZN	4
5	505662	MOTOR MOUNT SPACER	6
6	221093	1/4-28 x 1/2 HEX C/S	4
	501741,		
7	501742	INNER MOTOR PLATE P222 (EA)	1
	501741,		
8	499357,	BRUSHLESS HELIX DR TS 3.86OD (EA)	1
	499358		
9	561059	3/4 OD x .318 ID WASHER	3

ITEM	NUMBER	DESCRIPTION	QTY
10	501743,	OUTER MOTOR PLATE P222 STD (EA)	1
	501744		
	501745,		
11	501746	OUTER MOTOR PLATE P222 WIDE (EA)	1
	263100		
11	263100	5/16 AN WASHER FLAT	3
12	222195	5/16-24 x 3/4 HEX C/S GR8	6
13	262143	5/16 LOCK WASHER INT/EXT TOOTH	4
14	264106	9/16" WASHER FLAT THICK	2
15	341265	KEY STEEL 5mm x 5mm x 20mm	1
16	362245	HUB 2" OFFSET ID A TS	1
17	210096	M12 x 1.75 PREV TORQ REV LNUT	1
18	349611	VINYL PLUG 7/8 DIA	1

* WHEN USING THE WIDE BASE, USE PART NUMBER 201253.

INTERCONNECT ASSEMBLY (QUICKIE P-222)

(Discontinued 8/15/02 - parts only)



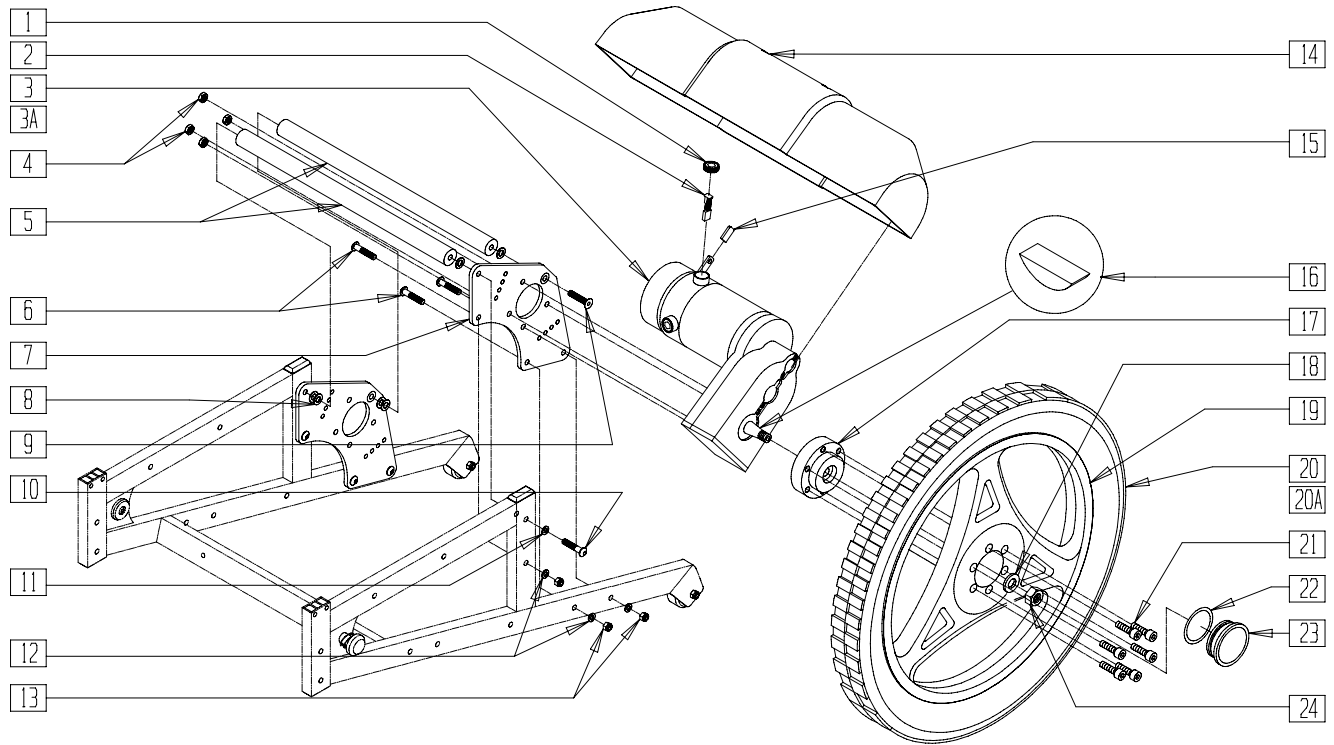
P222X12B

ITEM	NUMBER	DESCRIPTION	QTY
1	750092	BATTERY STRAP QTS TK	1
2	887239	TECHPAK SPREADER BAR ASSM	1
3	202111	5/16-24 NYLOCK NUT THICK BLK	4
4	222190	5/16-24 x 2 HEX C/S	4
5	263100	5/16 AN WASHER FLAT	4
6	560314	INTERCONNECT HANDLE COVER P222	2
7	506211	INTERCONNECT HANDLE P222	2
8	522400	INTERCONNECT PIVOT BAR	8
9	560313	INTERCONNECT BUSHING P222	4
10	502255	INTERCONNECT PRESS P222	2
11	502300	INTERCONNECT REC	2
12	320000, 320001	INTERCONNECT SPRING (EA)	2

ITEM	NUMBER	DESCRIPTION	QTY
13	506210	INTERCONNECT LOCK BRKT P222	2
14	222090	5/16-24 x 7/8 SH C/S W/PATCH	2
15	133265	LIMIT SWTCH HRNSS	2
16	281013	2-56 x 1/2 PAN PHIL M/S BLK	4
17	226038	10-32 x 1 3/8 BH C/S BLK	2
18	200100-QU	10-32 NYLOCK NUT	2
19	226071	1/4-28 x 1/2 BH C/S BLK	16
20	341219	FINGER PAD W/PSA	2
21	481203	INTERCONNECT ADJ PLATE P222	2
22	483749	INTERCONNECT LINK P222	2
23	139046	STATIC STRAP	1
6-23	502322	INTRCNCT RCVR ASSM RIGHT	
6-22	502323	INTRCNCT RCVR ASSM LEFT	

MOTOR/GEAR BOX ASSEMBLY (QUICKIE P300)

(Discontinued 6/30/00 - parts only) (Fits P300 beginning serial number P3-10500)



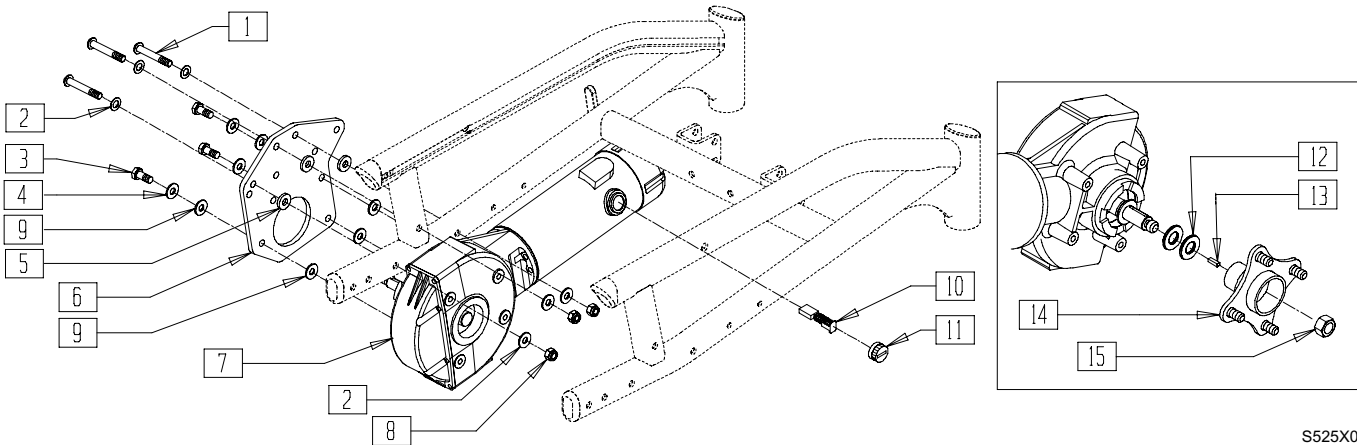
P300AX02

ITEM	NUMBER	DESCRIPTION	QTY
1	560728	BRUSH CAP P3 MOTOR H.O.	4
2	138193	MOTOR BRUSH P300 (SET OF 4)	1
4	202101	5/16-24 STOVER LOCK NUT	4
5	505392-505394	STRUT BAR P190/P3	2
6	222108	5/16-18 x 1 1/4 BH C/S	6
7	501765	MOTOR PLATE P3 RECT	1
8	263118	5/16 WASHER TYPE B R SERIES	8
9	226188	5/16-18 x 1 FH C/S	2
10	226198	5/16-18 x 2 BH C/S SHT THRD	2
11	263100	5/16 AN WASHER FLAT	2
12	263110-QU	5/16 AN WASHER FLAT THIN	6
13	202102	5/16-18 NYLOCK NUT THIN	6
14	562512, 562513	MOTOR SHROUD P3	1

ITEM	NUMBER	DESCRIPTION	QTY
15	560598	1 5/8" x .490 x .125 PLST COVER	1
16	341269	#606 WOODRUFF KEY STEEL	1
17	500575	HUB P300 NEW	1
18	264100	1/2 AN WASHER FLAT	1
19	400772	RIM 20" MAG ASSEMBLY P300 NEW	1
21	226180	5/16-24 x 3/4 SOC C/S	6
24	203115	1/2-20 GRD C LOCK NUT	1
19,20	761704	RR MAG 20" PNEU P300 NEW	
22,23			
18,20A	761706	RR MAG 20" PNEU INSERT P300 NEW	
22,23			
1-4,	887110	MOTOR/GEAR/HUB ASSEMBLY R P3	
15-18,24			
1-3A,4,	887111	MOTOR/GEAR/HUB ASSEMBLY L P3	
15-18,24			

MOTOR/GEAR BOX ASSEMBLY (QUICKIE S-525)

(Discontinued 12/02 - parts only; fits Quickie S-525 prior to s/n S52-019753)



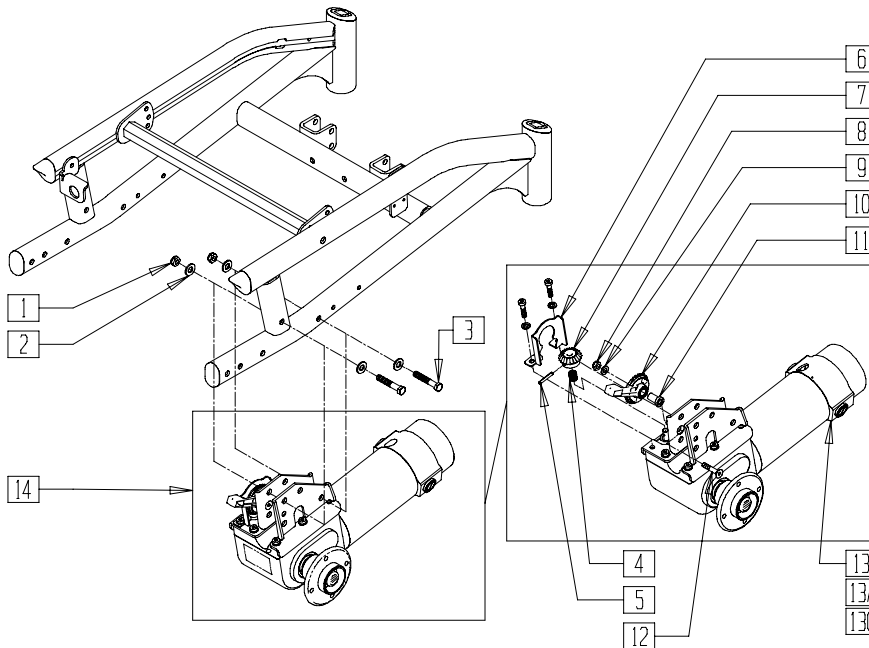
S525X08B

ITEM	NUMBER	DESCRIPTION	QTY
1	226217	5/16-18 x 2 BH C/S BLK	3
2	263110-QU	5/16 AN WASHER FLAT THIN	6
3	222197	5/16-24 x 1 HEX C/S GRD 8	3
4	263118	5/16 WASHER TYPE B R SERIES	3
5	561059	3/4 OD x .318 ID WASHER	3
6	501740	MOTOR PLATE S525	1
8	202116	5/16-18 NYLOCK NUT THIN BLK	3
9	340018	RUBBER INSULATOR S525	6

ITEM	NUMBER	DESCRIPTION	QTY
12	264106	9/16" WASHER FLAT THICK	2
13	341265	KEY STEEL 5mm x 5mm x 20mm	1
14	501544	WHEEL HUB EXTENDED	1
15	210096	M12 x 1.75 PREV TORQ REV LNUT	1
7,10	499200- 499209	MOTOR/GEAR DRIVE (EA)	
10,11	139197	BRUSH/CAP SET ASI	2

MOTOR/GEAR BOX ASSEMBLY (QUICKIE S-525)

(Effective 12/02, fits Quickie S-525 beginning s/n S52-019753)



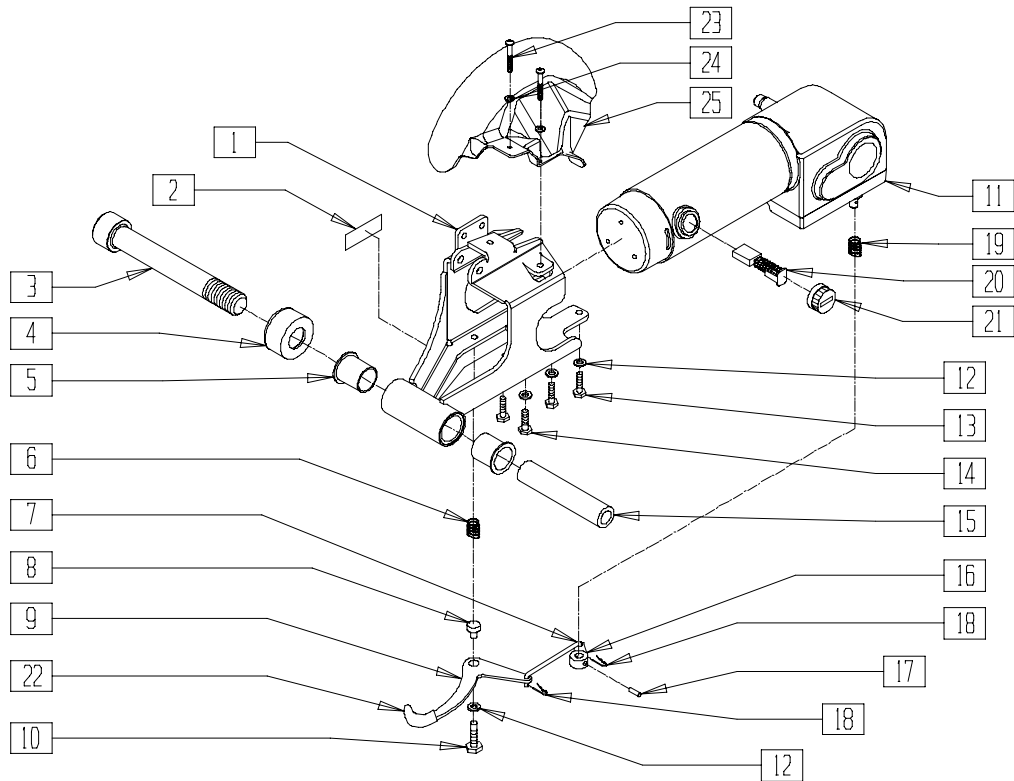
S525X44B

ITEM	NUMBER	DESCRIPTION	QTY
1	202116	5/16-18 NYLOCK NUT THIN BLK	2
2	263100	5/16 AN WASHER FLAT	4
3	222235	5/16-18 x 1 3/4" HEX C/S BLK	2
4-12	922235	KIT COG RELEASE	
13	499600, 499601	MTR/GBX W/S 2P 28:1 123RPM (EA) (4.5 MPH 250LB)	1
13A	499602, 499603	MTR/GBX W/S 2P 19:1 181RPM (EA) (6.5 MPH 250LB)	1

ITEM	NUMBER	DESCRIPTION	QTY
13B	499604, 499605	MTR/GBX W/S 2P 28:1 129 RPM (EA) (4.5 MPH 350LB)	1
14	499936, 499937	S525 DRV & HUB 4.5 MPH 250LB (EA)	1
	499938, 499939	S525 DRV & HUB 6.5 MPH 250LB (EA)	
	499940, 499941	S525 DRV & HUB 4.5 MPH 350LB (EA)	

MOTOR AND GEAR BOX (QUICKIE S-626)

(Quickie S-626 transitioned into the Quickie S-646 beginning 7/26/02)

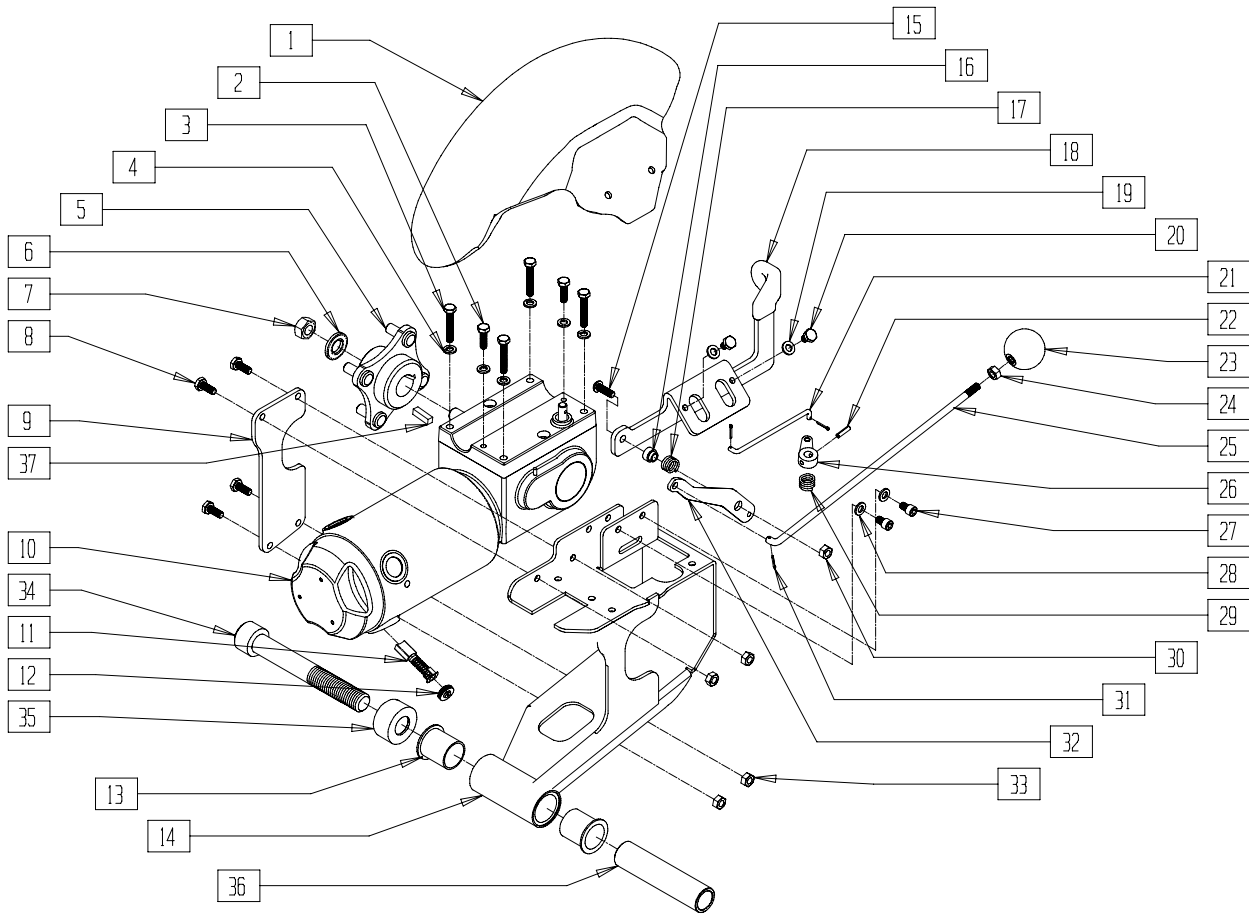


S626X23A

ITEM	NUMBER	DESCRIPTION	QTY
2	150760	BRAKE RELEASE LEVER LABEL S626	1
3	220081	3/4-10 x 5 1/2 SOC HD BLK	1
4	330004	SUSPENSION CAP S626	1
5	560008	PIVOT BUSHING S626	2
6	321160	COG RELEASE LEVER SPRING S626	1
7	481381	LINK ROD	1
8	481383	RELEASE LEVER STANDOFF	1
9	481472	COG RELEASE LEVER L	1
	481473	COG RELEASE LEVER R	
10	234892	M6 x 40 HEX C/S	1
12	262100-QU	1/4 AN WASHER FLAT	6
13	230038	M6 x 16 HEX C/S	2
14	234895	M6-35 HEX C/S	3
15	505538	SWING ARM PIVOT SLEEVE	1
16	481382	COG RELEASE LEVER	1
17	340031	5/32 x 5/8 ROLL PIN	1
18	340032	1/16 x 1/2 COTTER PIN	2
19	321161	MOTOR RELEASE LVR SPRING S626	1

ITEM	NUMBER	DESCRIPTION	QTY
20,21	139197	BRUSH/CAP SET ASI	2
22	560598	1-5/8" x .490 x .125 PLST COVER	1
23	221091	1/4-28 x 1/2 BH C/S BLK W/PTCH	2
24	262100-QU	1/4 AN WASHER FLAT	2
25	562748	DRIVE WHEEL FENDER R S626	1
	562749	DRIVE WHEEL FENDER L S626	
1,5	881981	MOTOR MOUNT R S626 THIN	
	881982	MOTOR MOUNT L S626 THIN	
1,2,5-14	887170	MOTOR MOUNT ASSM R 7mph S626	
	887171	MOTOR MOUNT ASSM L 7mph S626	
16-22	887172	MOTOR MNT ASSM R 6mph HVY S626	
	887173	MOTOR MNT ASSM L 6mph HVY S626	
1,2,5-14	887950	MTR MNT ASSM W/FNDR R 7mph S626	
	887951	MTR MNT ASSM W/FNDR L 7mph S626	
	887952	MTR MNT ASSM W/FNDR R 6mph HVY	
16-25	887953	MTR MNT ASSM W/FNDR L 6mph HVY	
	882504	GR BOX RELEASE LVR ASSM R S626	
7,9,	882505	GR BOX RELEASE LVR ASSM L S626	
18,22	882505	GR BOX RELEASE LVR ASSM L S626	

MOTOR AND GEAR BOX (QUICKIE S-646/S-646SE)



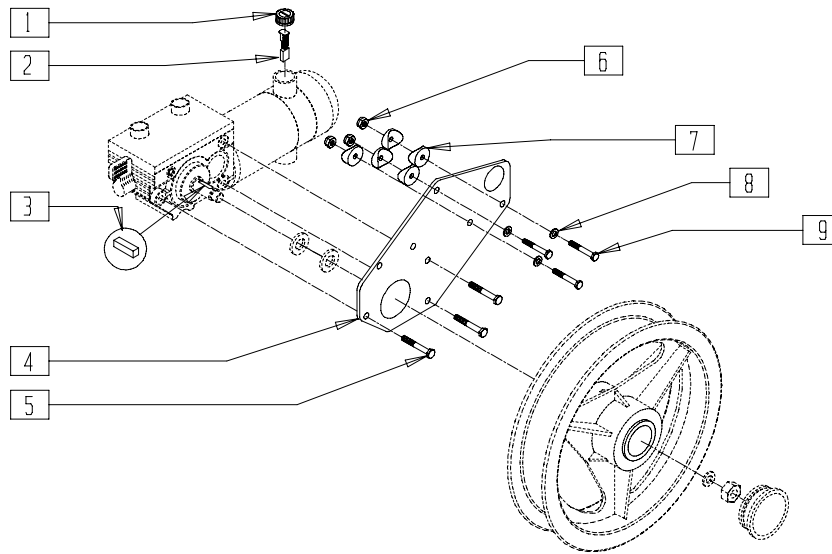
S646X01B

ITEM	NUMBER	DESCRIPTION	QTY
1	562774, 562775	DRIVE WHEEL FENDER 4-POLE (EA)	1
2	230038	M6 x 16 HEX C/S	2
3	234895	M6-35 HEX C/S	4
4	267407	1/4" SPLIT RING LOCK WASHER	6
5	362246	HUB .85" OFFSET ID B TS	1
6	264101	1/2 WASHER HARDENED FLAT	1
7	210002	M12 x 1.75 ALL MTL PREV TRQ NT	1
8	221102	1/4-28 x 3/4 HEX C/S BLK W/PAT	4
9	505673	MTR MNT BOLTED SIDE PLATE	1
11,12	139196	BRUSH/CAP SET 4 POLE	1
	139197	BRUSH/CAP SET ASI	
15	227110	1/4-28 x 1 BH C/S BLK ZN	1
16	481383	RELEASE LEVER STANDOFF	1
17	321160	COG RELEASE LEVER SPRING S626	1
18	505367, 505368	FENDER MOUNT WITH COVER (EA)	1
19	262110-QU	1/4 AN WASHER FLAT THIN	2
20	221203	1/4-28 x 3/8 HEX C/S W/PATCH	2
21	481481, 481482	COG RELEASE LANYARD (EA)	1
22	340031	5/32 x 5/8 ROLL PIN	1
23	562831	BALL PULL KNOB	1
24	201121	1/4-20 NUT THIN	1

ITEM	NUMBER	DESCRIPTION	QTY
25	542088	COG RELEASE FINAL LANYARD	1
26	481382	COG RELEASE LEVER	1
27	221204	1/4-28 x 3/8 SOC C/S W/PATCH	2
28	262110-QU	1/4 AN WASHER FLAT THIN	2
29	321721	LEVER RETURN SPRING	1
30	204110	1/4-28 NYLOCK NUT BLK ZN	1
31	340032	1/16 x 1/2 COTTER PIN	3
32	505693, 505694	COG RELEASE TRANSFER LEVER (EA)	1
33	204110	1/4-28 NYLOCK NUT BLK ZN	4
34	220081	3/4-10 x 5-1/2 SOC HD BLK	1
35	330004	SUSPENSION CAP S626	1
36	505538	SWING ARM PIVOT SLEEVE	1
37	341269	#606 WOODRUFF KEY STEEL	1
2-7, 10-12,37	499962- 499969	MOTOR (EA)	
8,9,13 14,33	882501, 882502	MOTOR MOUNT S646 (EA)	
2-18,21-26, 29-33,37	889020- 889027	MOTOR ASSM (EA)	
1-33,37	888236- 888243	MTR ASSM FNDR (EA)	
1-33,34,37	888260- 888267	MTR KIT FNDR S646 (EA)	

MOTOR/GEAR BOX ASSEMBLY (QUICKIE V-121[P120])

(Discontinued 5/31/05 -- parts only)



P900X11B

ITEM	NUMBER	DESCRIPTION	QTY
1	560728	BRUSH CAP P3 MOTOR H.O.	1
2	138196	BRUSH SET FRACMO V121	1
3*	341265	KEY STEEL 5mm x 5mm x 20mm	1
4	501762	MOTOR PLATE P120	1
	501763	MOTOR PLATE TALL P120	

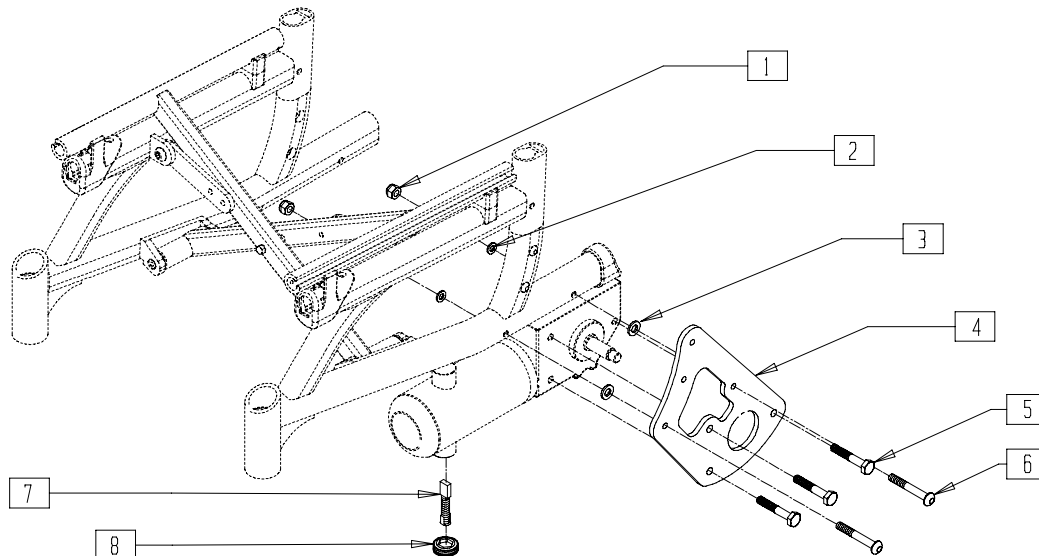
ITEM	NUMBER	DESCRIPTION	QTY
5	234951	M8-18 HEX C/S	3
6	202102	5/16-18 NYLOCK NUT THIN	3
7	561006	1" SADDLE 5/16" HOLE	5
8	263110-QU	5/16 AN WASHER FLAT THIN	3
9	226190	5/16-18 x 1 3/4 BH C/S SHLDR	3

* IF ITEM 3 IS REMOVED FROM THE CHAIR, IT MUST BE REPLACED WHEN REASSEMBLING. ORDER P/N 901012 (DRIVE MOTOR HARDWARE KIT) FOR REPLACEMENT PARTS.

NOTE: TO REPLACE MOTOR PLEASE SEE PAGE XX.XX FOR DIRECT REPLACEMENT**
 ** FOR CHAIRS PRIOR TO 11/26/02, MUST ORDER MOTOR ADAPTER 138449 AND 138450.

MOTOR/GEAR BOX ASSEMBLY (QUICKIE V-521)

(Discontinued 7/31/05 -- parts only)



V521X03B

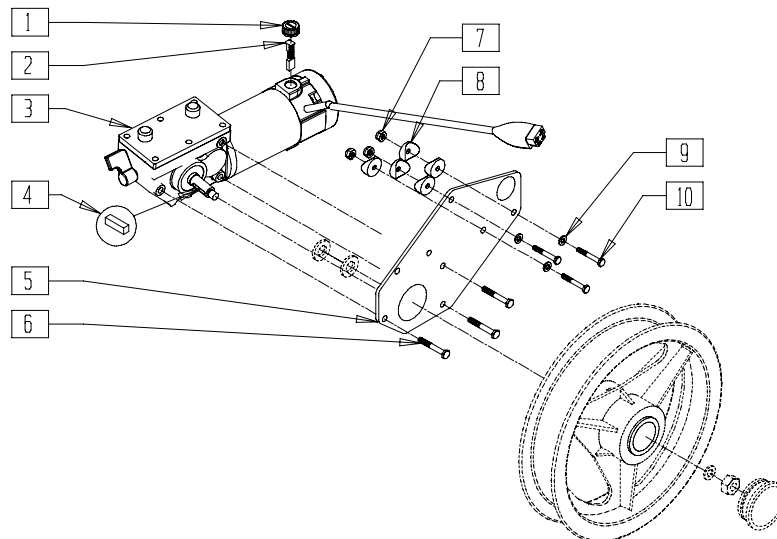
ITEM	NUMBER	DESCRIPTION	QTY
1	202300	1/4-28 NYLOCK NUT THIN BLK ZN	2
2	262110-QU	1/4 AN WASHER FLAT THIN	2
3	561026	3/4" WASHER 1/4" HOLE	2
4	500875	MOTOR PLATE SHORT V521	1
	500876	MOTOR PLATE TALL V521	

ITEM	NUMBER	DESCRIPTION	QTY
5	234951	M8-18 HEX C/S	3
6	226150	1/4-28 x 2 BH C/S	2
7	138194	MOTOR BRUSH P1/P5	2
8	560728	BRUSH CAP P3 MOTOR H.O.	2

NOTE: TO REPLACE MOTOR PLEASE SEE PAGE XX.XX FOR DIRECT REPLACEMENT.

MOTOR/GEAR BOX ASSEMBLY (QUICKIE V-121[P120])

(Effective 6/01/05)



P900X29A

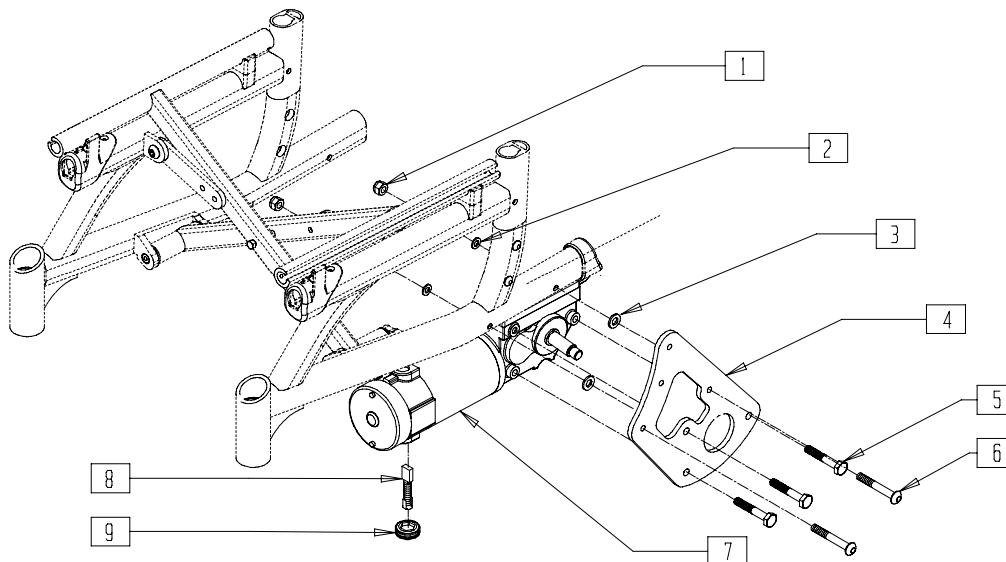
ITEM	NUMBER	DESCRIPTION	QTY
1,2	349648	BRUSH CAP SET STATURE	1
3	499952, 499953	MOTOR GEAR BOX STATURE (EA)	1
4*	341265	KEY STEEL 5mm x 5mm x 20mm	1
5	501762	MOTOR PLATE P120	1
	501763	MOTOR PLATE TALL P120	

ITEM	NUMBER	DESCRIPTION	QTY
6	234951	M8-18 HEX C/S	3
7	202102	5/16-18 NYLOCK NUT THIN	3
8	561006	1" SADDLE 5/16" HOLE	5
9	263110-QU	5/16 AN WASHER FLAT THIN	3
10	226190	5/16-18 x 1 3/4 BH C/S SHLDR	3

* IF ITEM 4 IS REMOVED FROM THE CHAIR, IT MUST BE REPLACED WHEN REASSEMBLING. ORDER P/N 901012 (DRIVE MOTOR HARDWARE KIT) FOR REPLACEMENT PARTS.

MOTOR/GEAR BOX ASSEMBLY (QUICKIE V-521)

(Effective 8/1/05)

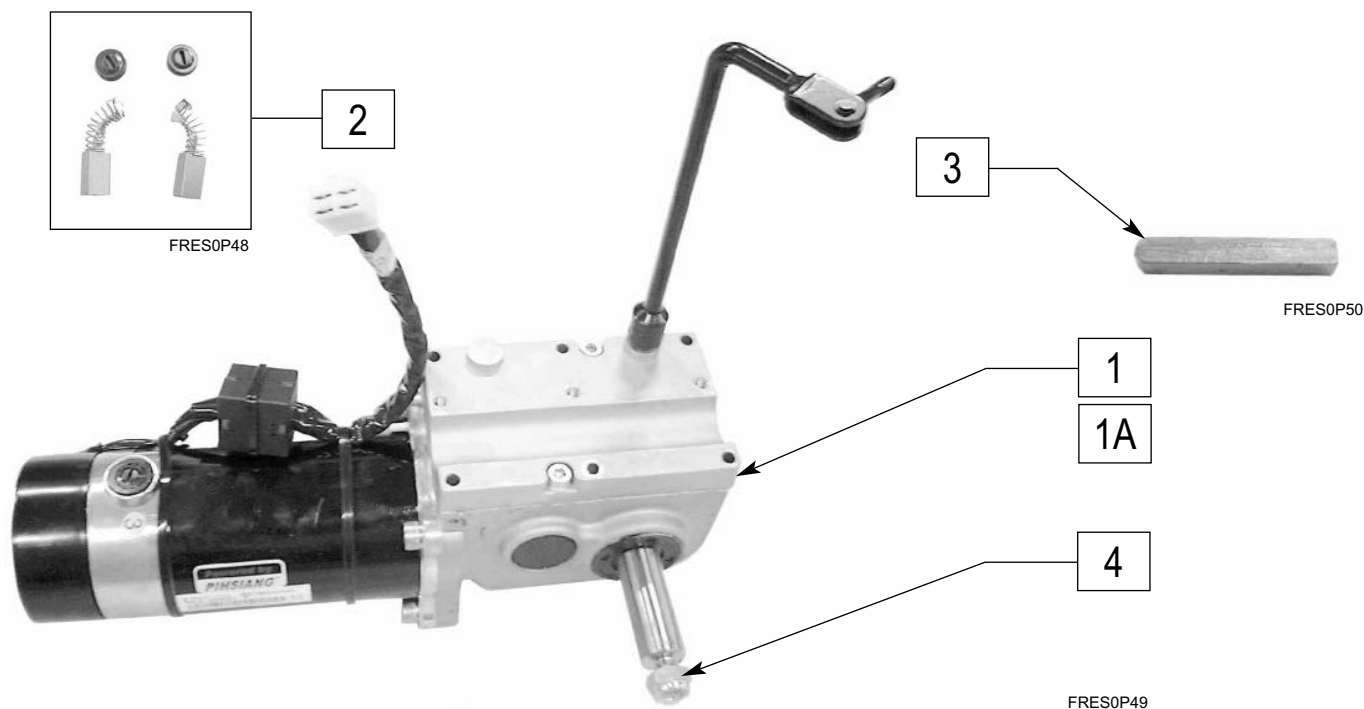


V521X16A

ITEM	NUMBER	DESCRIPTION	QTY
1	202300	1/4-28 NYLOCK NUT THIN BLK ZN	2
2	262110-QU	1/4 AN WASHER FLAT THIN	2
3	561026	3/4" WASHER 1/4" HOLE	2
4	500875	MOTOR PLATE SHORT V521	1
	500876	MOTOR PLATE TALL V521	
5	234951	M8-18 HEX C/S	3

ITEM	NUMBER	DESCRIPTION	QTY
6	226150	1/4-28 x 2 BH C/S	2
7	499952, 499953	MOTOR GEAR BOX STATURE (EA)	1
8,9	349648	BRUSH CAP SET STATURE	2
1-9	887242, 887243	MOTOR/GEARBOX ASSEMBLY V521 (EA)	

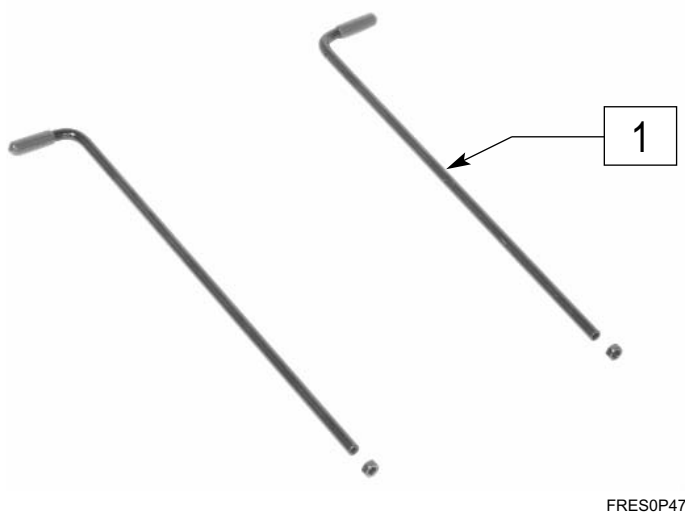
MOTOR/GEARBOX/BRAKE (QUICKIE FREESTYLE)



ITEM	NUMBER	DESCRIPTION	QTY
1-4	499700 499701	MOTOR/GEARBOX/BRAKE MINI (EA)	1
1A,2-4	499702 499703	MOTOR/GEARBOX/BRAKE FULL (EA)	1

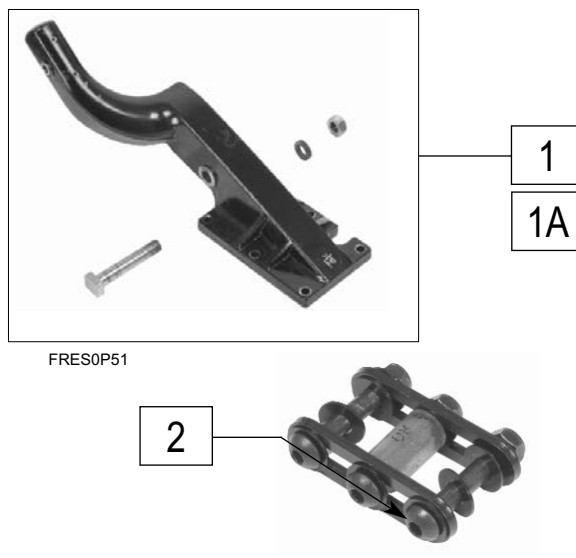
ITEM	NUMBER	DESCRIPTION	QTY
2	139190	BRUSH MOTOR	2
3	341279	SHAFT KEY MOTOR	2
4	221230	LOCK NUT MOTOR	2

MOTOR COG RELEASE (QUICKIE FREESTYLE)



ITEM	NUMBER	DESCRIPTION	QTY
1	887965	COG RELEASE LEFT & RIGHT	1

MOTOR MOUNTS (QUICKIE FREESTYLE)



ITEM	NUMBER	DESCRIPTION	QTY
1,2	882760 882761	MOTOR MOUNT RIGHT MINI MOTOR MOUNT LEFT MINI	1
1A,2	882762 882763	MOTOR MOUNT RIGHT FULL MOTOR MOUNT LEFT FULL	1
2	888980	MOTOR MOUNT LINKAGE HARDWARE	1

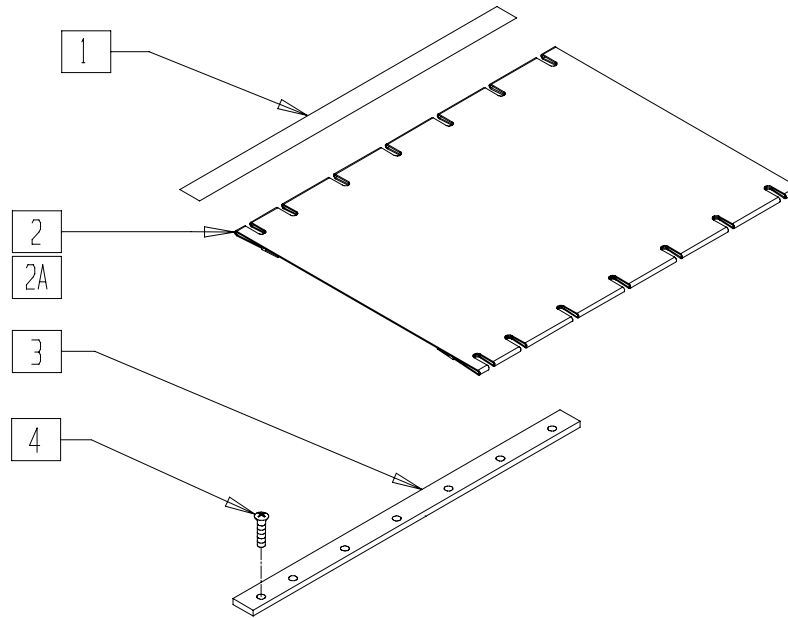
Seats and Slings

IN THIS SECTION

Seat Sling (Quickie G-424/S-525)	12.1	Suspension Seat Sling (Quickie P190) (Disc.)	12.8
Seat Pan (Quickie G-424/S-525).....	12.1	Seat Sling (Quickie P200)	12.9
Contour Seat/Back (Quickie G-424)	12.2	Seat Pan (Quickie P210) (Disc.).....	12.9
Highback Contour Seat/Back (Quickie G-424)	12.3	Seat Sling (Quickie P-220/P-222/P-222SE)	12.10
Highback Contour/Contour Front Seat Lock (Quickie G-424)	12.4	Seat Pan (Quickie P-220/P-222/P-222SE).....	12.10
Highback Contour/Contour Rear Seat Mount (Quickie G-424)	12.4	Seat Pan (Low Seat) (Quickie P300/ P300 Manual Recline/P320) (Disc.).....	12.11
Contour Seat/Back and Seat Plate (Quickie G-424/S-525).....	12.5	Seat Pan (Quickie P300) (Disc.).....	12.11
Highback Contour Seat/Back and Seat Plate (Quickie G-424/S-525).....	12.6	Seat Pan (Quickie S-626).....	12.12
Seat Cushion	12.7	Seat Pan (Quickie S-646/S-646SE/Smart Seat) ..	12.12
Seat Sling (Quickie P110/V100[P100]).....	12.7	Seat Sling (Quickie V-121[P120])	12.13
Seat Sling (Quickie P190) (Disc.).....	12.8	Padded Seat Sling (Quickie V-121[P120]).....	12.14
		Seat Sling (Quickie V-521)	12.14
		Seat Pan (Quickie Freestyle).....	12.15
		Seat Sling (Quickie Freestyle).....	12.15

NOTE: FOR QUICKIE Z500 (ZIPPIE P500) SOLID SEATS, SEE SOLID SEATS AND BACKS IN BACKRESTS, SECTION 5.

SEAT SLING (QUICKIE G-424/S-525)

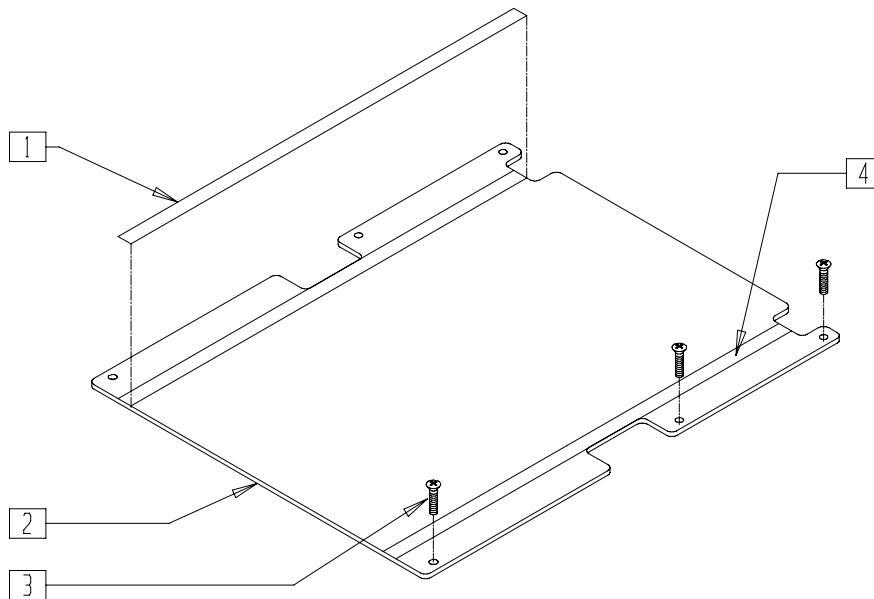


S5250X12

ITEM	NUMBER	DESCRIPTION	QTY
1	901170	SEAT SLING VELCRO® STRIP	2
2	722500-722506	SEAT SLING 14"x20" - 20"x20" W/POCKET (SPECIFY SIZE)	1
2A	722507-722509	SEAT SLING 18"x20" - 20"x20" REIN W/PCKT (SPECIFY SIZE)	1

ITEM	NUMBER	DESCRIPTION	QTY
3	505103	SEAT RAIL 20" STD S525 PWR	2
4	281132	10-32 x 3/4 PAN PHIL SS	14

SEAT PAN (QUICKIE G-424/S-525)

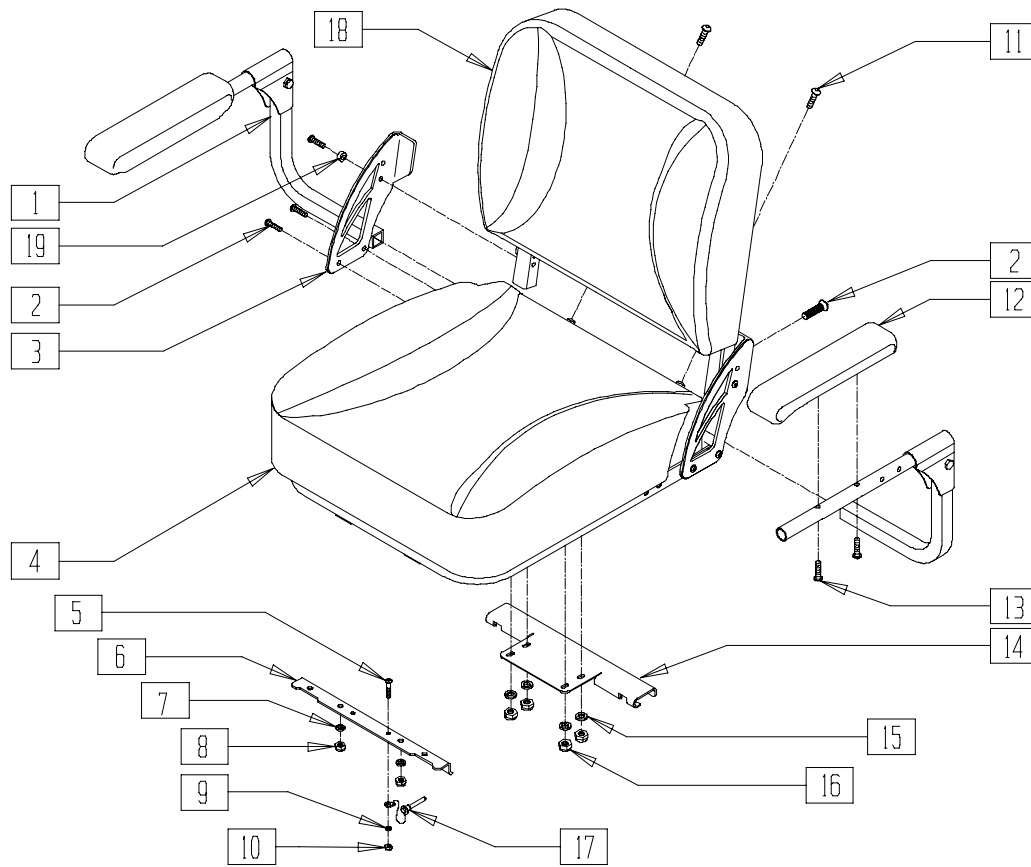


S5250X31

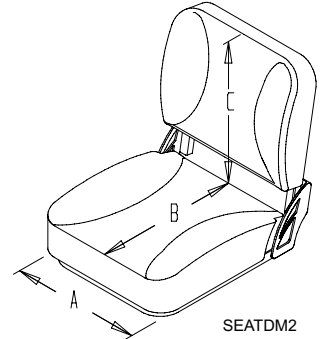
ITEM	NUMBER	DESCRIPTION	QTY
1	901172	LOW SEAT VELCRO® STRIP NON PS P300	2
2,4	688134-688140	SEAT PAN ASSEMBLY 14"-20" W/VELCRO®	

ITEM	NUMBER	DESCRIPTION	QTY
3	281132	10-32 x 3/4 PAN PHIL SS	6
4	901171	LOW SEAT VELCRO® STRIP PS P300	2

CONTOUR SEAT/BACK (QUICKIE G-424)



MEASURING GUIDE



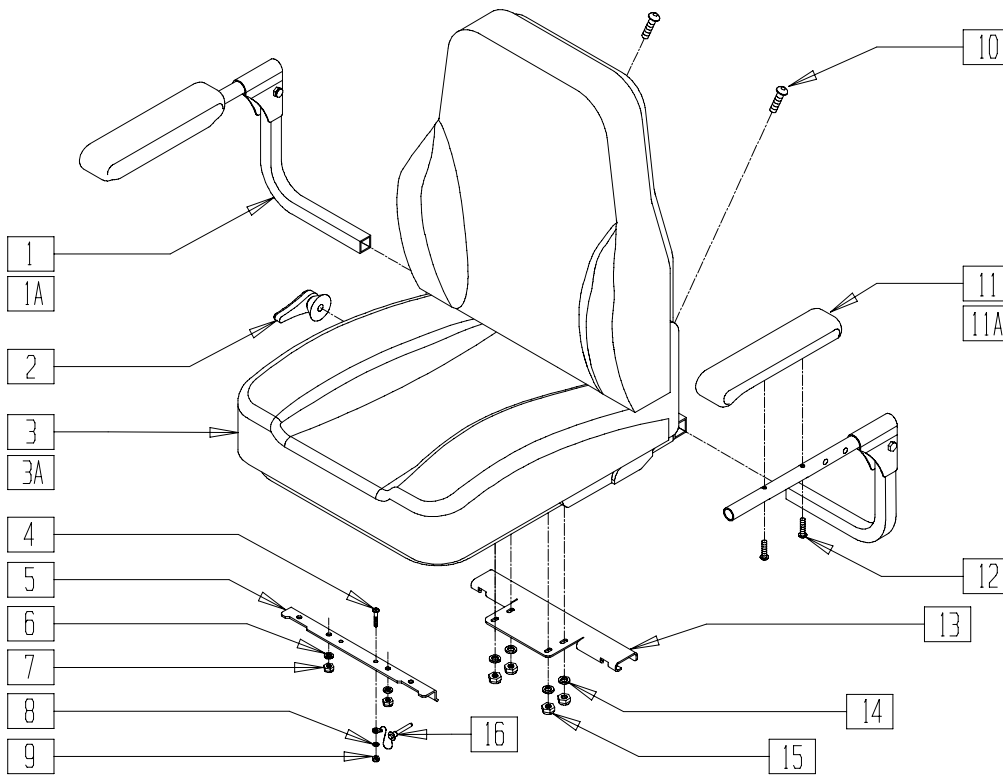
"A"	"B"	"C"
18"	16.5"	18"

G4240X11

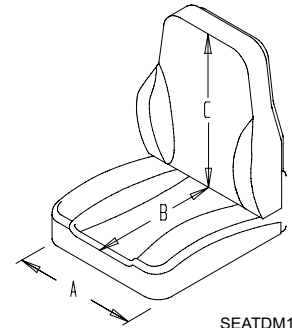
ITEM	NUMBER	DESCRIPTION	QTY
1	882340, 882341	ARMREST G424 (EA)	1
2	226270	3/8-16 x 1 1/4" BH C/S W/PATCH	8
3	500245, 500246	CONTOUR SEAT BRACKET (EA)	1
4	722182	CONTOUR SEAT/GREY VINYL	1
	722183	CONTOUR SEAT/BLACK VINYL	
5	221096	1/4-28 x 5/8 HEX C/S	1
6	500336	FRONT SEAT BRACKET G424	1
7	263100	5/16 AN WASHER FLAT	2
8	202103	5/16-18 NYLOCK NUT THICK	2
9	262100-QU	1/4 AN WASHER FLAT	1
10	201110-QU	1/4-28 NYLOCK NUT	1

ITEM	NUMBER	DESCRIPTION	QTY
11	226106	1/4-20 x 3/4 BH C/S BLK ZN	2
12	561282, 561283	ARMREST PAD 12" P/G (EA)	1
13	226038	10-32 x 1 3/8 BH C/S BLK	4
14	540299	REAR SEAT BRACKET ASSM G424	1
15	263100	5/16 AN WASHER FLAT	4
16	202103	5/16-18 NYLOCK NUT THICK	4
17	349020	STROLLER HANDLE RELEASE PIN	1
18	680089	CONTOUR BACK/GREY VINYL	1
	680090	CONTOUR BACK	
19	481164	SPACER COLLAR CONTOUR	2
2-4	700098	CONTOUR SEAT/BACK GREY VINYL	
18,19	700099	CONTOUR SEAT/BACK BLACK VINYL	

HIGHBACK CONTOUR SEAT/BACK (QUICKIE G-424)



MEASURING GUIDE



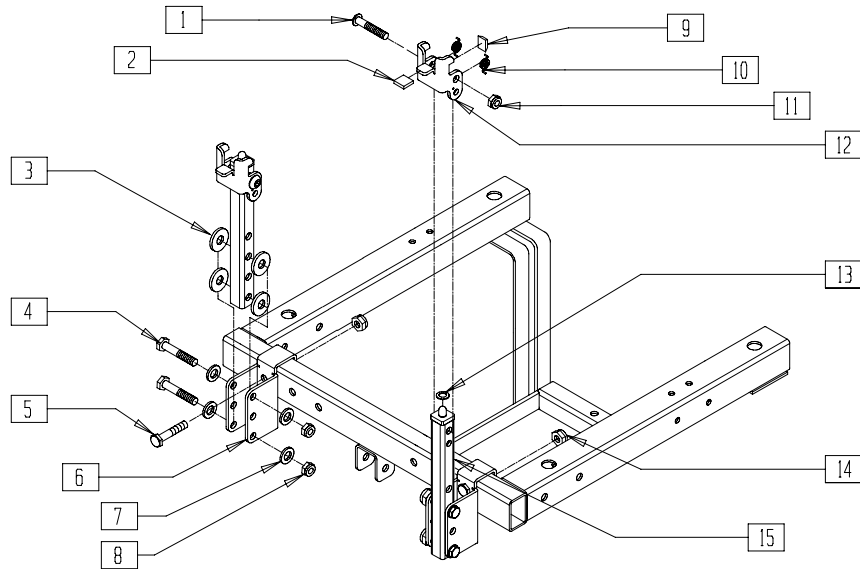
"A"	"B"	"C"
18.5"	17"	22"

G4240X21

ITEM	NUMBER	DESCRIPTION	QTY
1	882340	ARMREST ONLY G424 R	1
1A	882341	ARMREST ONLY G424 L	1
2	330125	RECLINE HANDLE KIT	1
4	221096	1/4-28 x 5/8 HEX C/S	1
5	500336	FRONT SEAT BRACKET G424	1
6	263100	5/16 AN WASHER FLAT	2
7	202116	5/16-18 NYLOCK NUT THIN BLK	2
8	262100-QU	1/4 AN WASHER FLAT	1
9	201110-QU	1/4-28 NYLOCK NUT	1
10	226106	1/4-20 x 3/4 BH C/S BLK ZN	2

ITEM	NUMBER	DESCRIPTION	QTY
11	561282	ARMREST PAD 12" L P/G	1
11A	561283	ARMREST PAD 12" R P/G	1
12	226038	10-32 x 1 3/8 BH C/S BLK	4
13	540299	REAR SEAT BRACKET G424	1
14	263100	5/16 AN WASHER FLAT	4
15	202116	5/16-18 NYLOCK NUT THIN BLK	4
16	349020	STROLLER HANDLE RELEASE PIN	1
1-3,10	700092	HIBCK CONTOUR ST/BCK GREY VNL	
1,2,3A,10	700093	HIBCK CONTOUR ST/BCK BLK VNL	

HIGHBACK CONTOUR/CONTOUR FRONT SEAT LOCK (QUICKIE G-424)

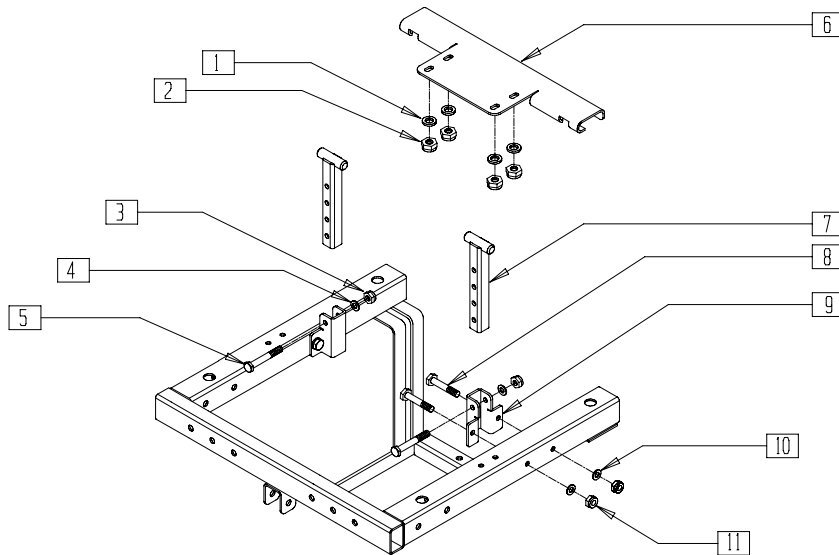


G4240X29

ITEM	NUMBER	DESCRIPTION	QTY
1	226190	5/16-18 x 1 3/4 BH C/S SHLDR	2
2	560590	.55 x .490 x .125 PLASTIC COVER	2
3	561059	3/4 OD x .318 ID WASHER	8
4	222110	5/16-24 x 1 3/4 HEX C/S	4
5	222110	5/16-24 x 1 3/4 HEX C/S	2
6	481178	FRONT SEAT MOUNT G424	2
7	263100	5/16 AN WASHER FLAT	8
8	202104	5/16-24 NYLOCK NUT	4
9	349578	RUBBER SUBBASE BUMPER	2
10	321167	TORSION SPRING L QTNT	4

ITEM	NUMBER	DESCRIPTION	QTY
11	202102	5/16-18 NYLOCK NUT THIN	2
12	500335	SEAT LOCK BRACKET G424	2
13	340016	RUBBER INSULATOR G424	2
14	202104	5/16-24 NYLOCK NUT	2
15	540107	G424 FRNT VERT ASSEM BLY	2
	540123	FRONT VERT ASSEM 18-20	
1-3, 9-13,15	660152,	FRONT SEAT VERT ASSEMBLY G424 (EA)	
	660153		
	660165,	FRONT SEAT VERT ASSEM G424 18-20 (EA)	
	660166		

HIGHBACK CONTOUR/CONTOUR REAR SEAT MOUNT (QUICKIE G-424)



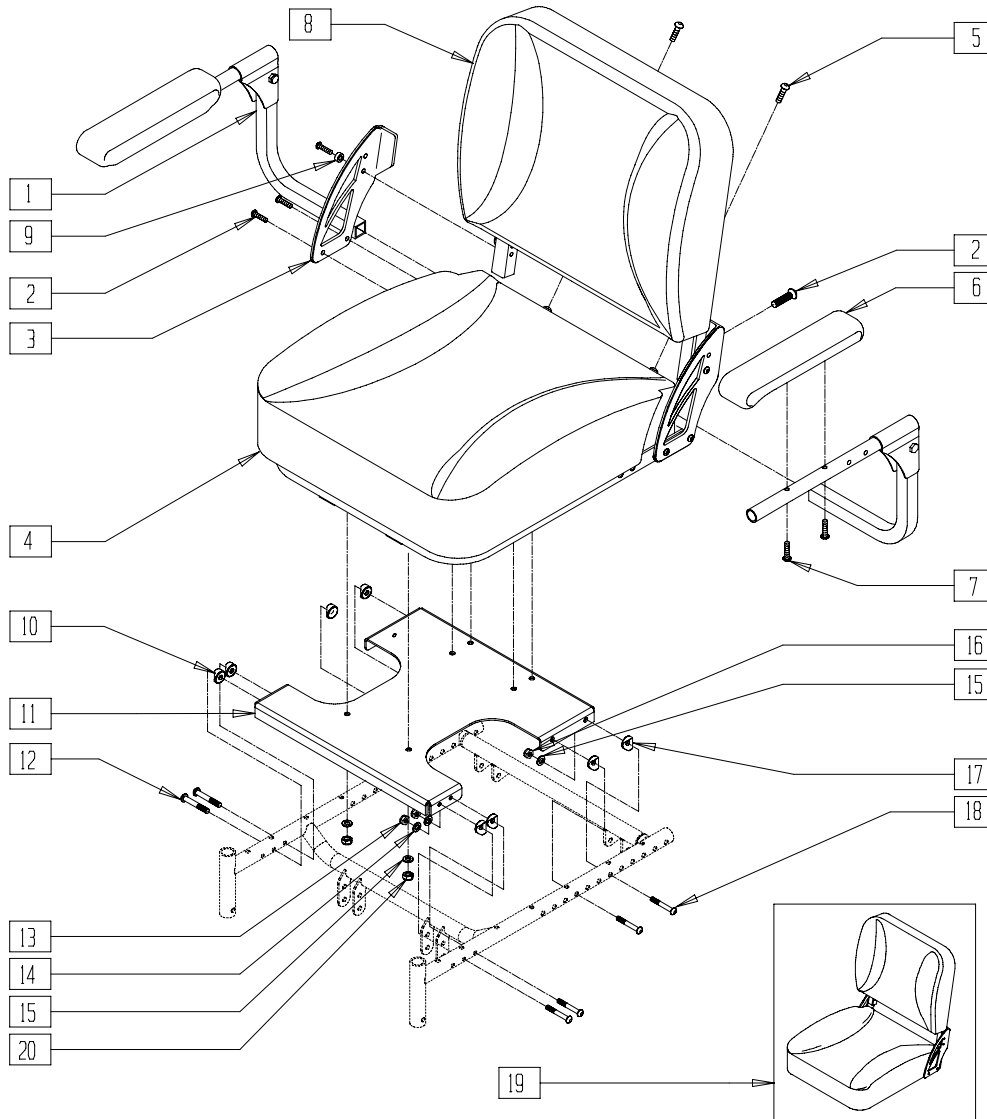
G4240X30

ITEM	NUMBER	DESCRIPTION	QTY
1	263100	5/16 AN WASHER FLAT	4
2	202116	5/16-18 NYLOCK NUT THIN BLK	4
3	201110-QU	1/4-28 NYLOCK NUT	2
4	262100-QU	1/4 AN WASHER FLAT	2
5	221127	1/4-28 x 1 3/8 HEX C/S	2
6	500337	REAR SEAT BRACKET G424	1

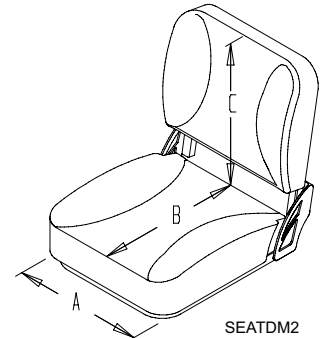
ITEM	NUMBER	DESCRIPTION	QTY
7	540106	G424 REAR VERT ASSEMBLY	2
8	221192	1/4-28 x 2 G8 HEX C/S	4
9	481170	MID WHEEL VERT BRACKET	2
10	262100-QU	1/4 AN WASHER FLAT	4
11	201110-QU	1/4-28 NYLOCK NUT	4

CONTOUR SEAT/BACK AND SEAT PLATE (QUICKIE G-424/S-525)

(Used with swing-away hanger or elevating legrest)



MEASURING GUIDE



"A"	"B"	"C"
18"	16.5"	18"

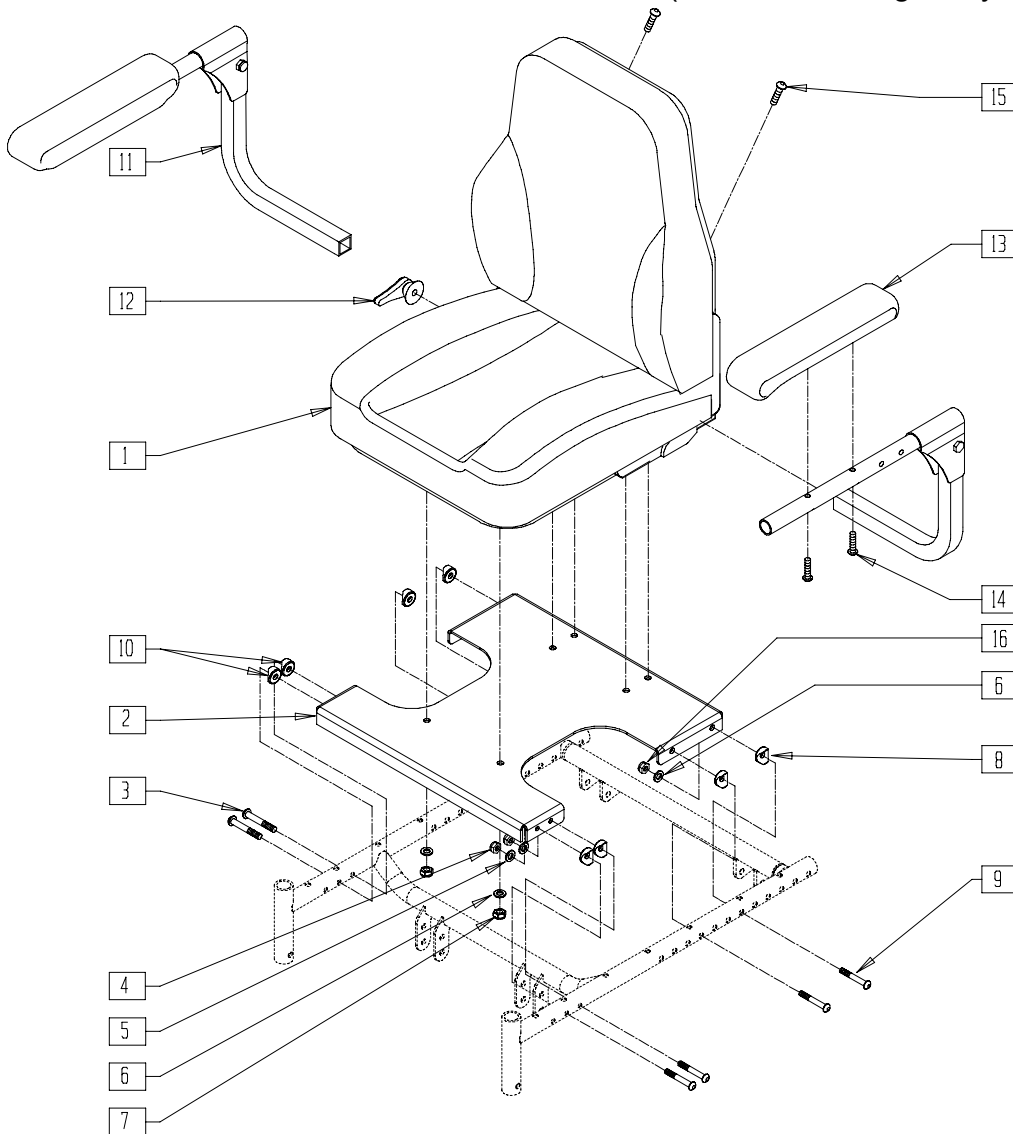
S5250X35

ITEM	NUMBER	DESCRIPTION	QTY
1	882340, 882341	ARMREST ONLY G424 (EA)	1
2	226270	3/8-16 x 1 1/4" BH C/S W/PATCH	8
3	500245, 500246	CONTOUR SEAT BRACKET (EA)	1
1-5,9	722182	CONTOUR SEAT/GREY VINYL	1
	722183	CONTOUR SEAT/BLACK VINYL	
5	227100	1/4-20 x 7/8" BH C/S BLK	2
6	561282, 561283	ARMREST PAD 12" P/G	1
7	226038	10-32 x 1 3/8 BH C/S BLK	4
8	680089	CONTOUR BACK/GREY VINYL	1
	680090	CONTOUR BACK/BLACK VINYL	
9	481164	SPACER COLLAR CONTOUR	2

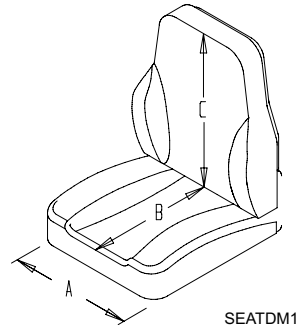
ITEM	NUMBER	DESCRIPTION	QTY
10	561004	1" SADDLE 1/4" HOLE	4
11	500026	SEAT PLATE S525	1
12	227140	1/4-28 x 1 3/4 BH C/S BLK ZN	4
13	204110	1/4-28 NYLOCK NUT BLK ZN	4
14	262100-QU	1/4 AN WASHER FLAT	4
15	263100	5/16 AN WASHER FLAT	10
16	202117	5/16-18 NYLOCK NUT THICK BLK	4
17	561006	1" SADDLE 5/16" HOLE	4
18	226218	5/16-18 x 1 3/4 BH C/S BLK	4
19	700098	CONTOUR SEAT/BACK GREY VINYL	1
	700099	CONTOUR SEAT/BACK BLACK VINYL	
20	202103	5/16-18 NYLOCK NUT THICK	6
10-18,20	660160	CONTOUR SEAT PAN ASSM S-525	

HIGHBACK CONTOUR SEAT/BACK AND SEAT PLATE (QUICKIE G-424/S-525)

(Used with swing-away hanger or elevating legrest)



MEASURING GUIDE



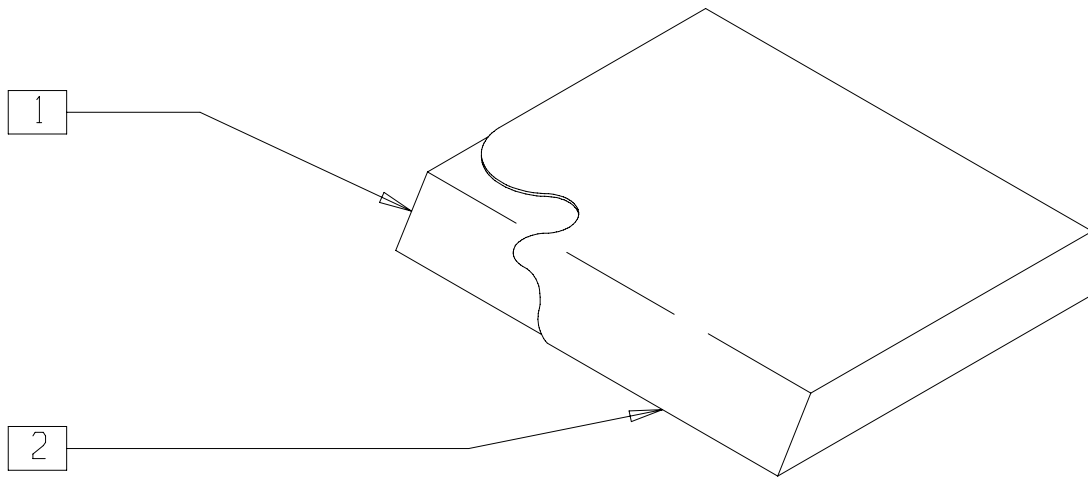
"A"	"B"	"C"
18.5"	17"	22"

S5250X33

ITEM	NUMBER	DESCRIPTION	QTY
1,11, 12,15	700092, 700093	DELUX SEAT/BACK GRY OR BLK VINYL	1
2	500026	SEAT PLATE S525	1
3	227140	1/4-28 x 1 3/4" BH C/S BLK ZN	4
4	204110	1/4-28 NYLOCK NUT BLK ZN	4
5	262100-QU	1/4 AN WASHER FLAT	4
6	263100	5/16 AN WASHER FLAT	10
7	202117	5/16-18 NYLOCK NUT THICK BLK	4
8	561006	1" SADDLE 5/16" HOLE	4
9	226218	5/16-18 x 1 3/4 BH C/S BLK	4

ITEM	NUMBER	DESCRIPTION	QTY
10	561004	1" SADDLE 1/4" HOLE	4
11	882340, 882341	ARMREST ONLY G424 (EA)	1
12	330125	RECLINE HANDLE KIT	1
13	561282, 561283	ARMREST PAD 12" P/G (EA)	1
14	226038	10-32 x 1 3/8 BH C/S BLK	4
15	227100	1/4-20 x 7/8" BH C/S BLK	2
16	202116	5/16-18 NYLOCK NUT THIN BLK	6
2-10,16	660161	HI BACK CONTOUR SEAT PAN ASSM	

SEAT CUSHION

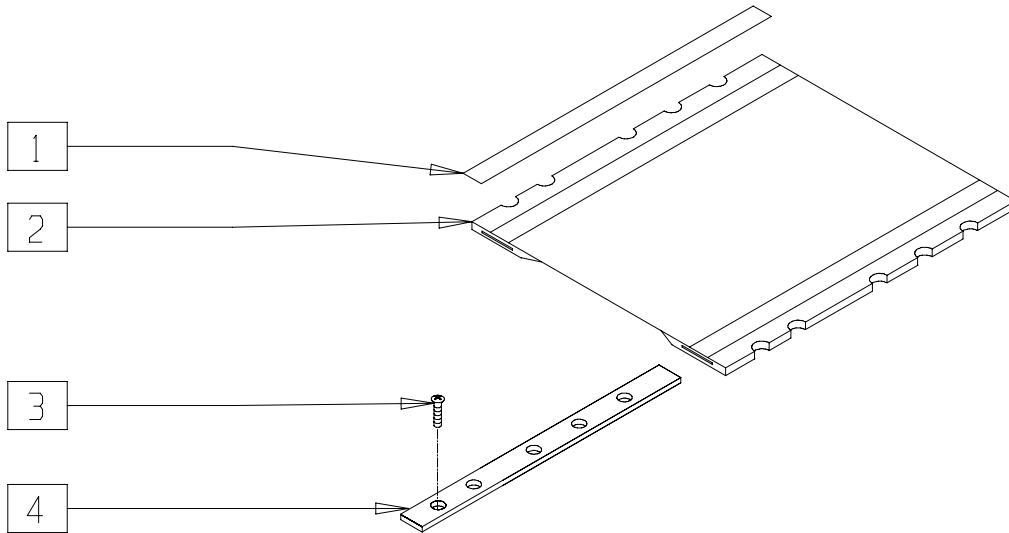


SS0X01

ITEM	NUMBER	DESCRIPTION	QTY
1	104890-106033	SEAT FOAM	1
2	701002-702652	SEAT COVER	1

ITEM	NUMBER	DESCRIPTION	QTY
1-2	700025-702106	SEAT CUSHION (W/COVER AND FOAM)	

SEAT SLING (QUICKIE P110/V100[P100])

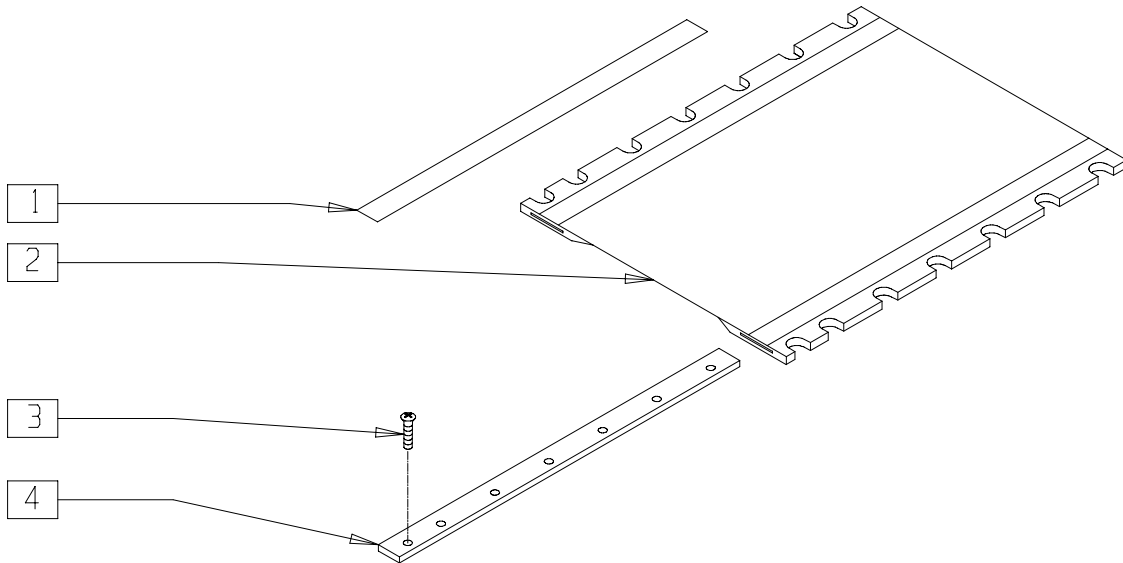


P100X20A

ITEM	NUMBER	DESCRIPTION	QTY
1	901170	SEAT SLING VELCRO® STRIP	2
2	720824-720862	SEAT SLING W/POUCH 14" x 14" - 20" x 18"	1

ITEM	NUMBER	DESCRIPTION	QTY
3	281120	10/32 x 5/8 PAN HD PHIL	12
4	505102-505110	SEAT RAIL 14"-18"	2

SEAT SLING (QUICKIE P190)
 (Discontinued 7/1/99 - parts only)

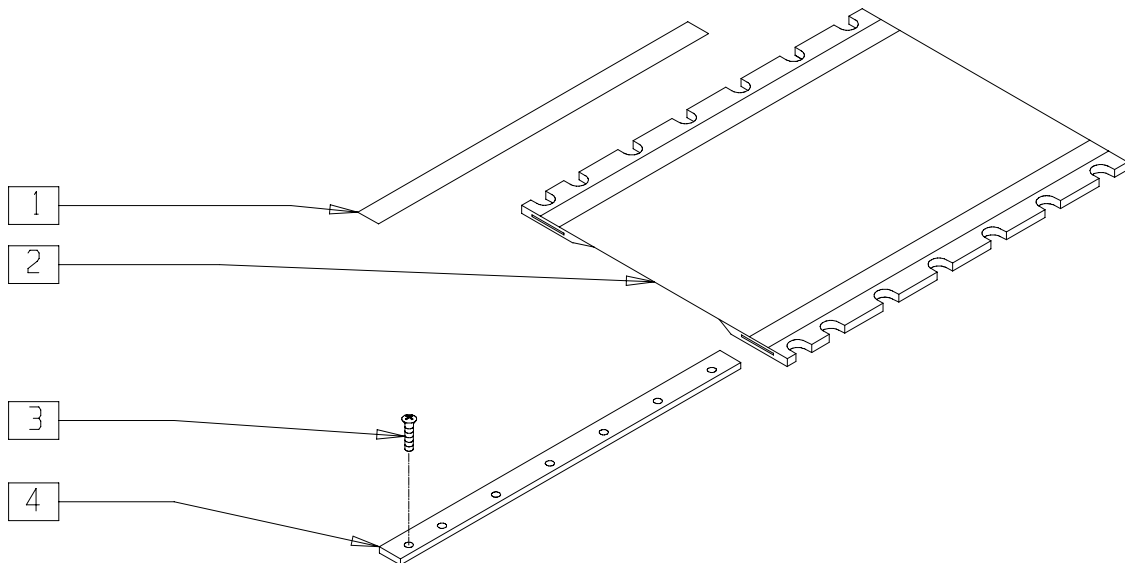


P200X30

ITEM	NUMBER	DESCRIPTION	QTY
1	901170	SEAT SLING VELCRO® STRIP	2
2	720839	SEAT SLING 16" x 20" W/POUCH	1
	720851	SEAT SLING 18" x 20" W/POUCH	
	720865	SEAT SLING 20" x 20" W/POUCH	

ITEM	NUMBER	DESCRIPTION	QTY
3	281120	10/32 x 5/8 PAN HD PHIL	14
4	505116	SEAT RAIL 20"	2

SUSPENSION SEAT SLING (QUICKIE P190)
 (Discontinued 7/1/99 - parts only)

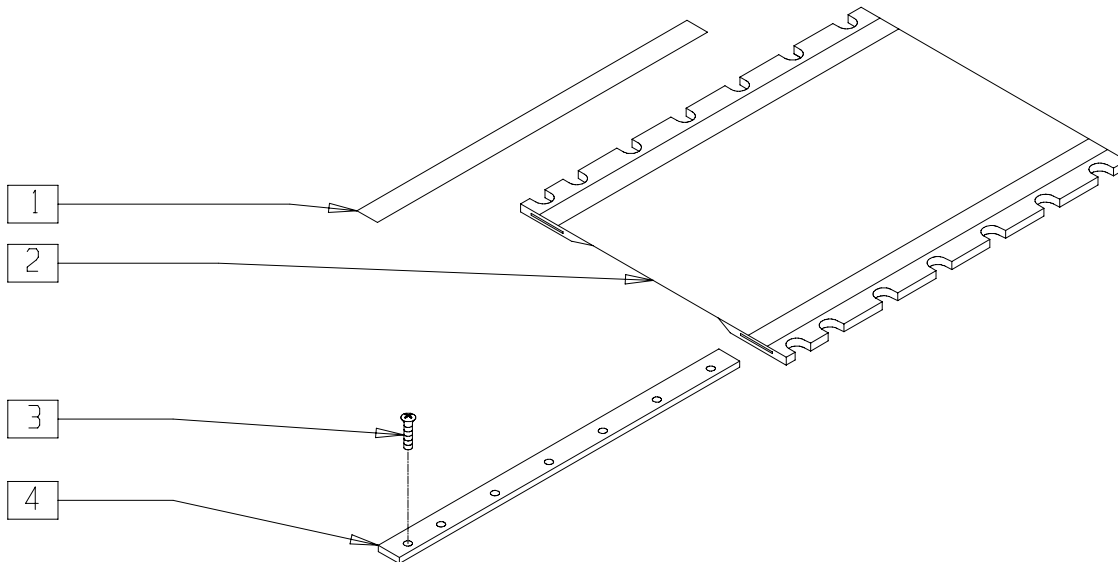


P200X30A

ITEM	NUMBER	DESCRIPTION	QTY
1	901170	SEAT SLING VELCRO® STRIP	2
2	720920	SUSPENSION SEAT SLING 16" x 20" P2	1
	720922	SUSPENSION SEAT SLING 18" x 20" P2	
	720958	SUSPENSION SEAT SLING 20" x 20" P2	

ITEM	NUMBER	DESCRIPTION	QTY
3	281122	10-32 x 3/4 PAN PHIL	14
4	505130	SEAT RAIL 20" SUSPENSION	2

SEAT SLING (QUICKIE P200)



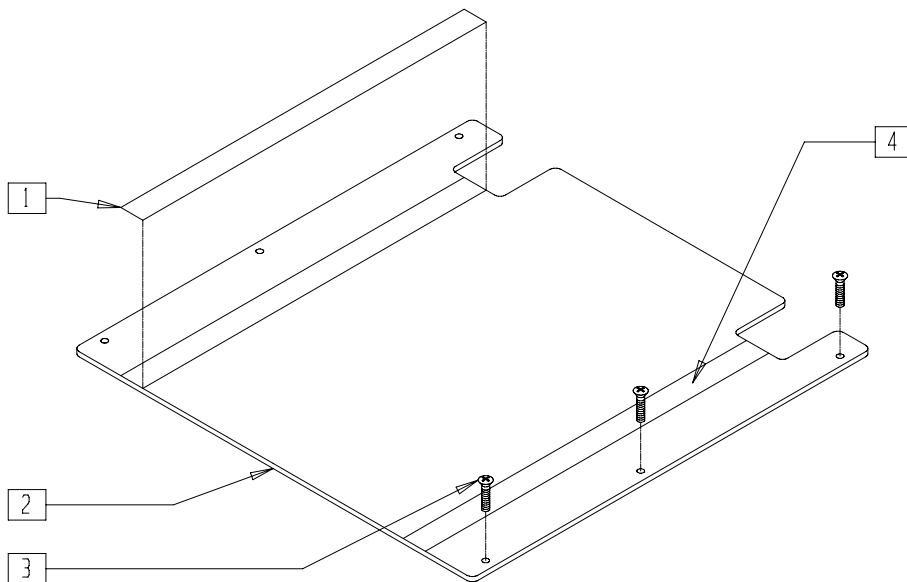
P200X30

ITEM	NUMBER	DESCRIPTION	QTY
1	901170	SEAT SLING VELCRO® STRIP	2
2	720839- 720872	SEAT SLING W/POUCH 14"-20" WIDTH, 20" AND 22" DEPTH	1

ITEM	NUMBER	DESCRIPTION	QTY
3	281132	10-32 x 3/4 PAN PHIL SS	14,16
4	505116	SEAT RAIL 20"	2
	505117	SEAT RAIL 22"	

SEAT PAN (QUICKIE P210)

(Discontinued 11/1/02 - parts only)

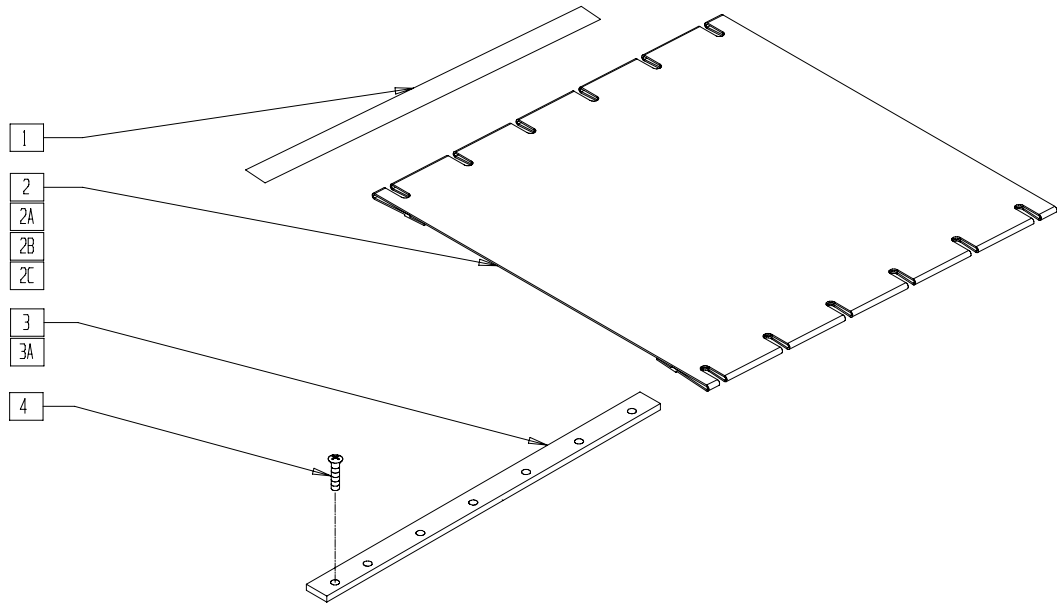


P200X48

ITEM	NUMBER	DESCRIPTION	QTY
1	901172	LOW SEAT VELCRO® STRIP NON PS P300	2
2	688004- 688007	SEAT PAN ASSM P2 RCLNR	1

ITEM	NUMBER	DESCRIPTION	QTY
3	281120	10/32 x 5/8 PAN HD PHIL	6
4	901171	LOW SEAT VELCRO® STRIP PS P300	2

SEAT SLING (QUICKIE P-220/P-222/P-222SE)

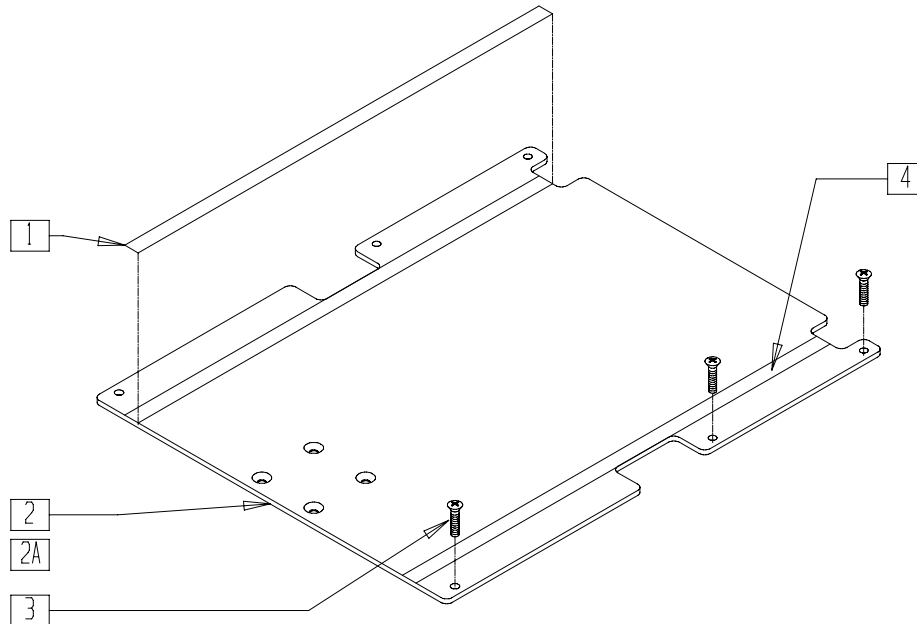


P2220X05

ITEM	NUMBER	DESCRIPTION	QTY
1	901170	SEAT SLING VELCRO® STRIP	2
2	722500-722504	SEAT SLING 14"-18" x 20" W/POCKET (SPECIFY SIZE)	1
2A	722507-722511	SEAT SLING 18"-24" x 20" REIN W/POCKET (SPECIFY SIZE)	1
2B	722520-722524	SEAT SLING 14"-18" x 18" W/POCKET (SPECIFY SIZE)	1

ITEM	NUMBER	DESCRIPTION	QTY
2C	722527-722531	SEAT SLING 18"-24" x 18" REIN W/POCKET (SPECIFY SIZE)	1
3	505110	SEAT RAIL 18"	2
3A	505116	SEAT RAIL 20"	2
4	230021	BHCS M5 x .8 x 20MM TORX T-25	12,14

SEAT PAN (QUICKIE P-220/P-222/P-222SE)



P2220X25

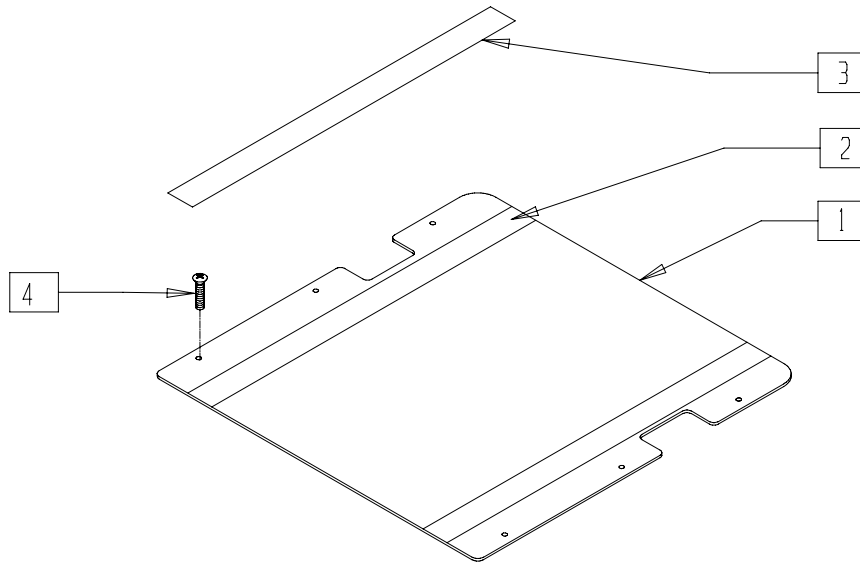
ITEM	NUMBER	DESCRIPTION	QTY
1	901172	LOW SEAT VELCRO® STRIP NON PS P300	2
2,4	688150-688158	SEAT PAN ASSM 14"-24" W/VELCRO® 18" DEEP	

ITEM	NUMBER	DESCRIPTION	QTY
2A,4	688134-688142*	SEAT PAN ASSM 14"-24" W/VELCRO® REHAB	
3	230021	BHCS M5 x .8 x 20MM TORX T-25	6
4	901171	LOW SEAT VELCRO® STRIP PS P300	2

* FOR TILT OPTION, ORDER ASSEMBLIES 688134-688140.

SEAT PAN (LOW SEAT) (QUICKIE P300/P300 MANUAL RECLINE/P320)

(Discontinued 6/30/00 - parts only)



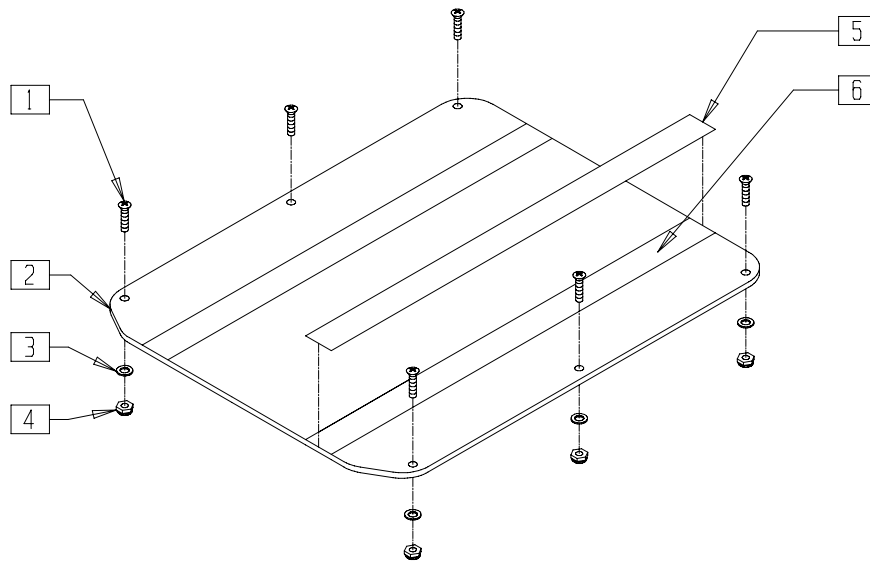
P300X12

ITEM	NUMBER	DESCRIPTION	QTY
1,2	688034-688101	LOW SEAT ASSM ALUM P300 14" x 14" - 20" x 20" (SPECIFY SIZE)	
2	901171	LOW SEAT VELCRO® STRIP PS P300	

ITEM	NUMBER	DESCRIPTION	QTY
3	901172	LOW SEAT VELCRO® STRIP NON PS P300	2
4	281120	10-32 x 5/8 PAN HD PHIL	6

SEAT PAN (QUICKIE P300)

(Discontinued 6/30/00 - parts only) (Fits P300 beginning serial number P3-10500)



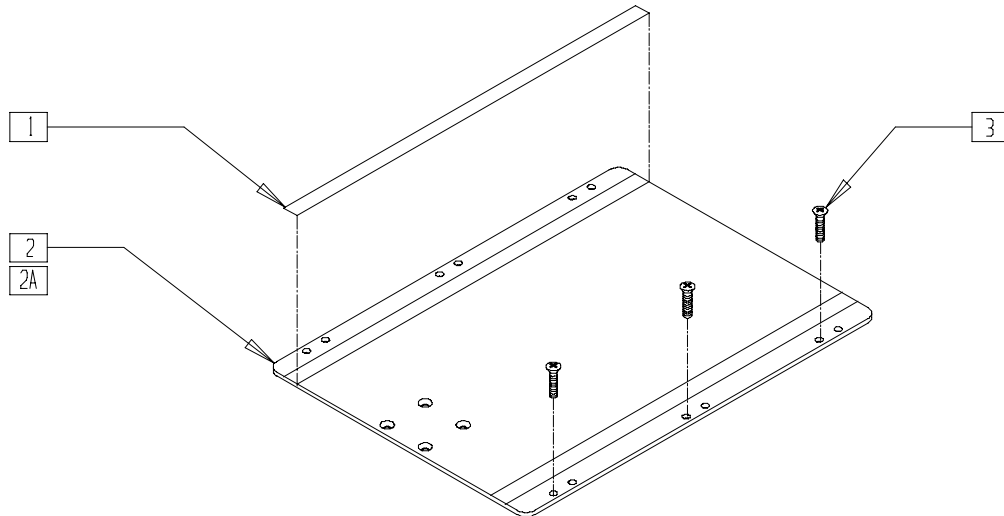
P300AX10

ITEM	NUMBER	DESCRIPTION	QTY
1	226150	1/4-28 x 2 BH C/S	6
3	262110-QU	1/4 AN WASHER FLAT THIN	6
4	201100-QU	1/4-28 NYLOCK NUT THIN	6
5	901172	LOW SEAT VELCRO® STRP NON PS P300	2

ITEM	NUMBER	DESCRIPTION	QTY
6	901171	LOW SEAT VELCRO® STRIP PS P300	2
2,6	688243-688249	SEAT PAN ASSM P3 14" x 18" - 20" x 18"	

SEAT PAN (QUICKIE S-626)

(Quickie S-626 transitioned into the Quickie S-646 beginning 7/26/02)

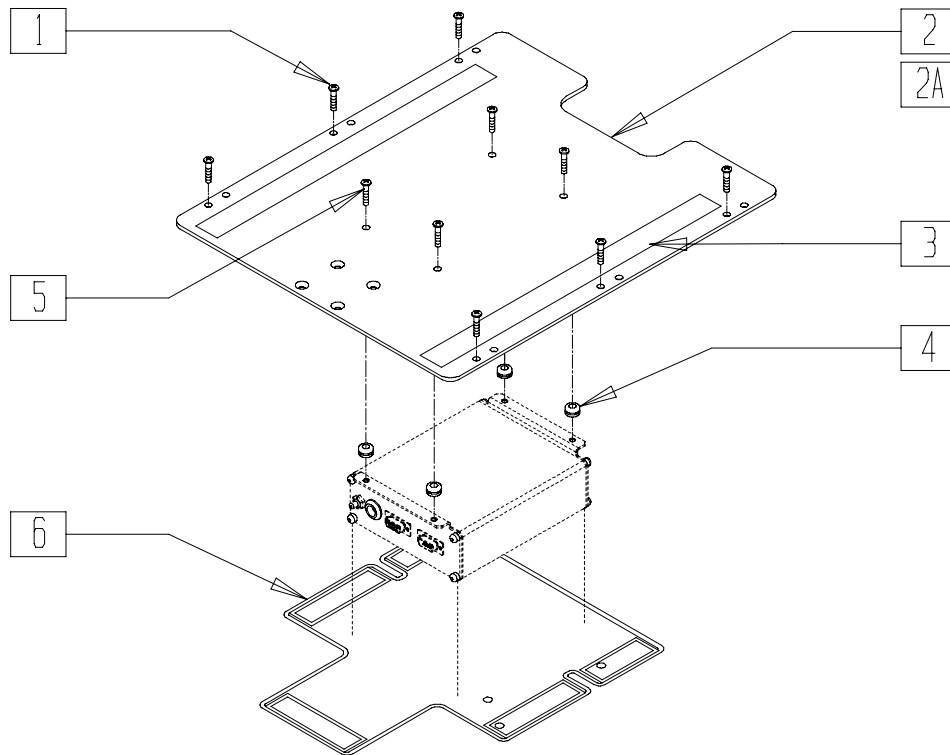


S626X21A

ITEM	NUMBER	DESCRIPTION	QTY
1	901170	SEAT SLING VELCRO® STRIP	2
3	281132	10-32 x 3/4 PAN PHIL SS	6
1,2	688260-688268	SEAT PAN ASSEMBLY 14"-24" STD S626 (14"-18" DEPTH)	

ITEM	NUMBER	DESCRIPTION	QTY
1,2A	688269-688277	SEAT PAN ASSEMBLY 14"-24" LONG S626 (19"-22" DEPTH)	

SEAT PAN (QUICKIE S-646/S-646SE/SMART SEAT)

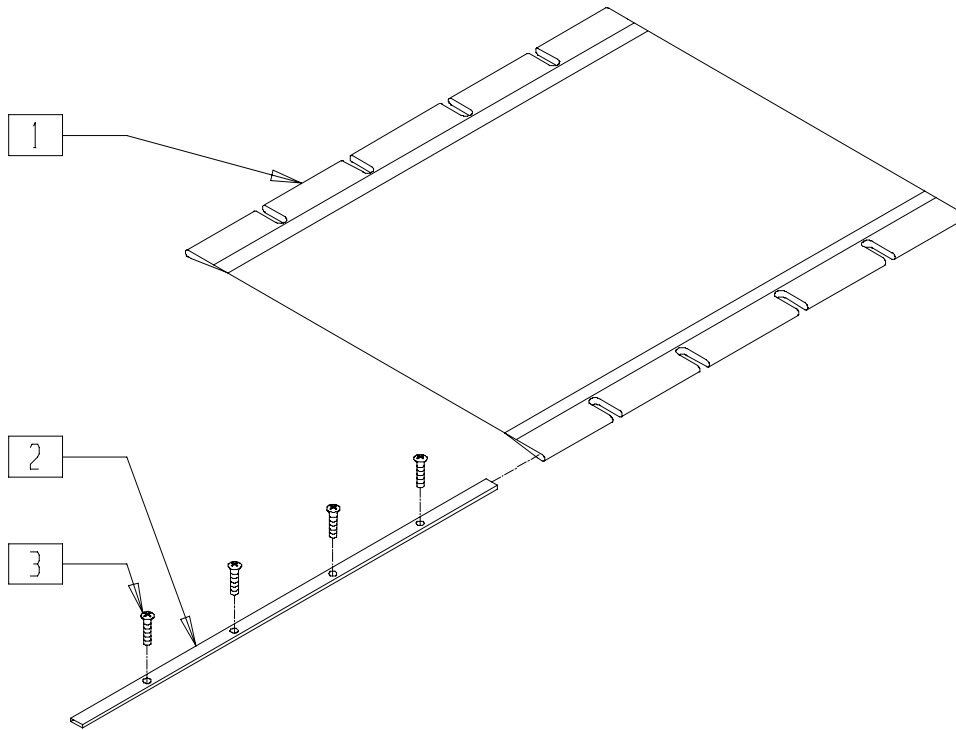


QTR0X19

ITEM	NUMBER	DESCRIPTION	QTY
1	281122	10-32 x 3/4 PAN PHIL	6
3	901170	SEAT SLING VELCRO STRIP	
2,3	688260-688268	SEAT PAN ASSM S626 (14"W- 24"W) STD	
2A,3	688269-688277	SEAT PAN ASSM S626 (14"W - 24"W) LONG	

ITEM	NUMBER	DESCRIPTION	QTY
4	349584	GROMMET RUBBER 5/16 x .25	4
5	281122	10-32 x 3/4 PAN PHIL	4
6	751220	SPLASH GUARD	1

SEAT SLING (QUICKIE V-121[P120])

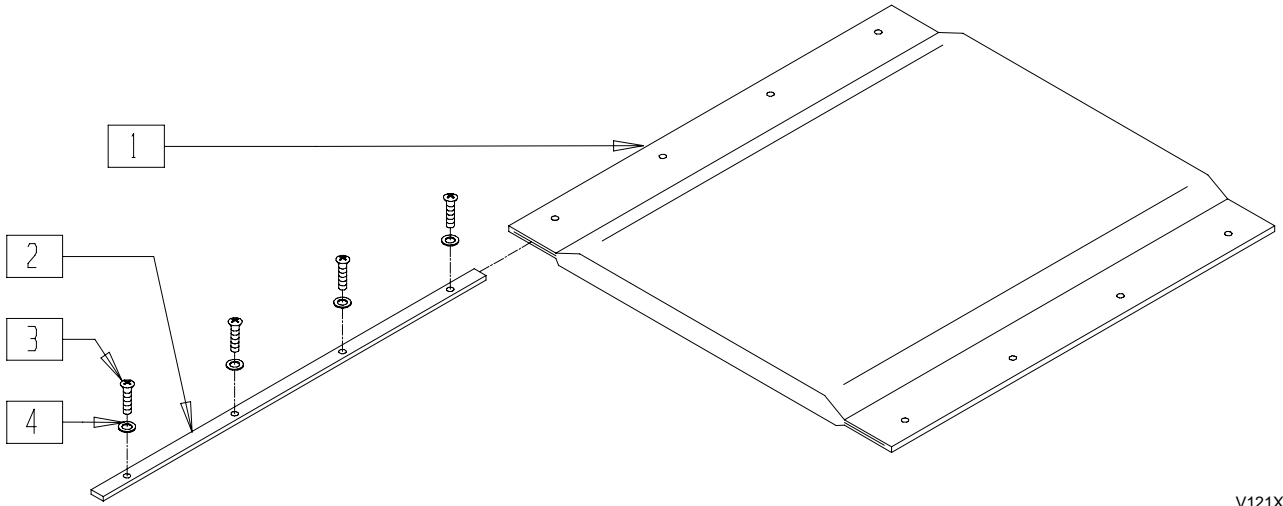


V121X06A

ITEM	NUMBER	DESCRIPTION	QTY
1	720974-720989	SEAT SLING W/POUCH P120	1

ITEM	NUMBER	DESCRIPTION	QTY
2	505105-505121	SEAT RAIL (14", 16", 18") BR/B6/V121	2
3	281127	#12 x 3/4" PAN HD PHIL S/TAP	8,10

PADDED SEAT SLING (QUICKIE V-121[P120])

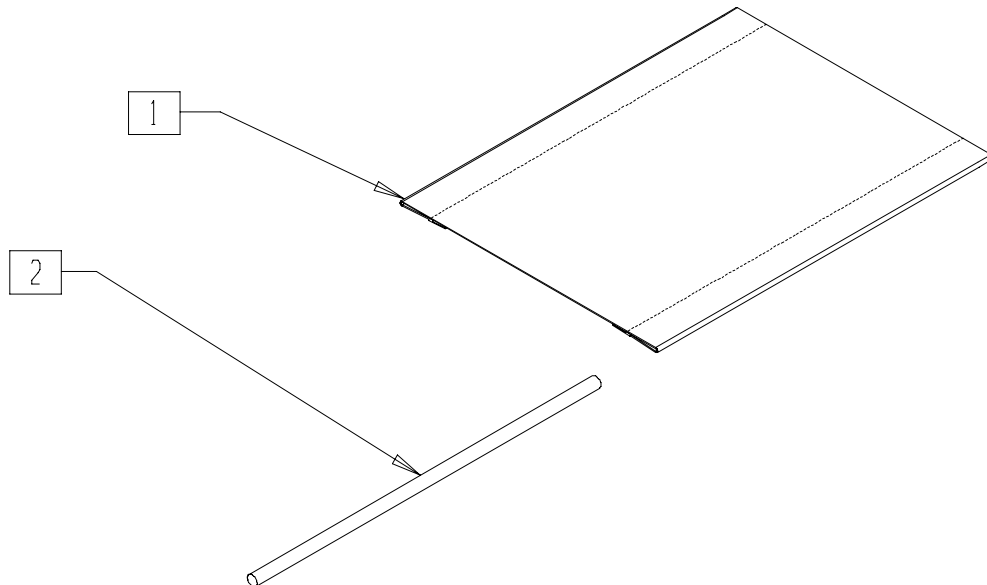


V121X07

ITEM	NUMBER	DESCRIPTION	QTY
1	720960-720972	PADDED SEAT W/PCH P120	1
2	505105-505121	SEAT RAIL (14",16",18") BR/B6/V121	2

ITEM	NUMBER	DESCRIPTION	QTY
3	281129	#12 x 1" OVAL PHIL S/TAP	8,10
4	340115	#12 WASHER BRASS FINISH	8,10

SEAT SLING (QUICKIE V-521)

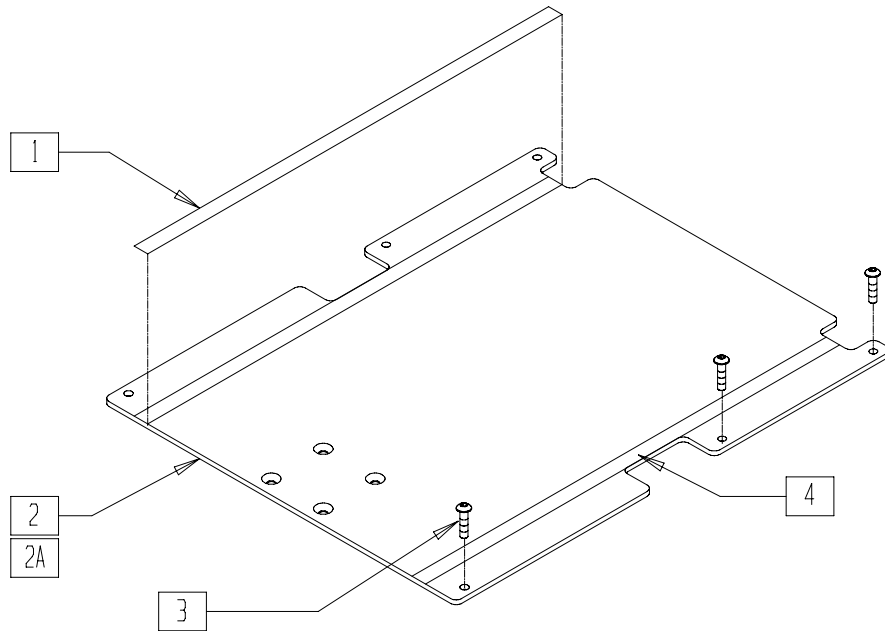


V5210X10

ITEM	NUMBER	DESCRIPTION	QTY
1	722800-722832	SEAT SLING 14"x14" - 20"x18" V521	1

ITEM	NUMBER	DESCRIPTION	QTY
2	580230, 580232, 580234	SEAT SLING RETAINING ROD 14"-16"	2

SEAT PAN (QUICKIE FREESTYLE)

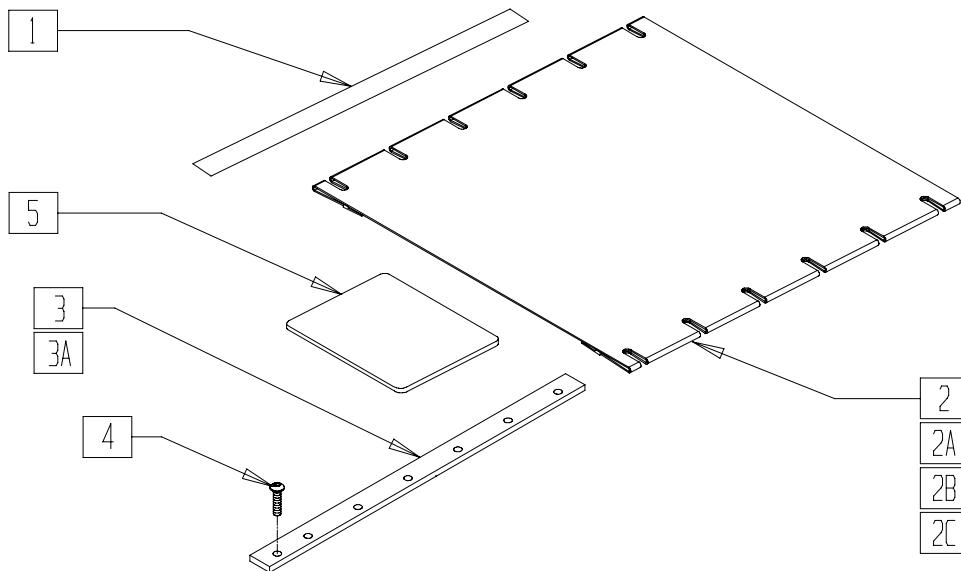


FRE0X12

ITEM	NUMBER	DESCRIPTION	QTY
1	901172	LOW SEAT VELCRO® STRIP NON PS P300	2
2,4	688150- 688158	SEAT PAN ASSM (14" - 24") W/VELCRO® 18" DEEP	

ITEM	NUMBER	DESCRIPTION	QTY
2A,4	688134- 688142	SEAT PAN ASSM (14"-24") W/VELCRO® REHAB	
3	230021	BHCS M5 x.8 x 20MM TORX T-25	6
4	901171	LOW SEAT VELCRO® STRIP PS P300	2

SEAT SLING (QUICKIE FREESTYLE)



FRE0X13

ITEM	NUMBER	DESCRIPTION	QTY
1	901170	SEAT SLING VELCRO® STRIP	2
2	722500- 722504	SEAT SLING 14"-18" x 20" W/POCKET (SPECIFY SIZE)	1
2A	722507- 722511	SEAT SLING 18"-24" x 20" REIN W/POCKET (SPECIFY SIZE)	1
2B	722520- 722524	SEAT SLING 14"-18" x 18" W/POCKET (SPECIFY SIZE)	1

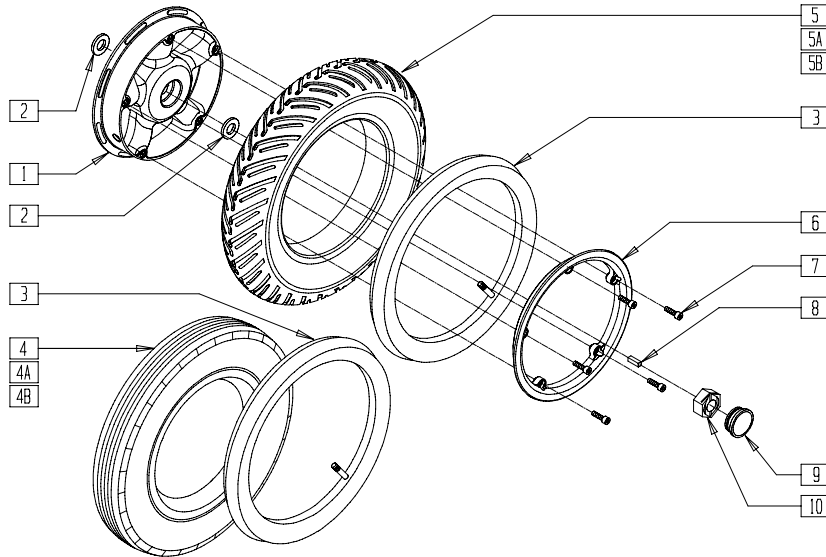
ITEM	NUMBER	DESCRIPTION	QTY
2C	722527- 722531	SEAT SLING 18"-24" x 18" REIN W/POCKET (SPECIFY SIZE)	1
3	505110	SEAT RAIL 18"	2
3A	505116	SEAT RAIL 20"	2
4	230021	BHCS M5 x.8 x 20MM TORX T-25	12,14
5	562875	PRESSURE POINT PLT DISTRIBUTOR	1

Wheels

IN THIS SECTION

Solid/Semi Pneumatic Wheel Rim/Tire/Tube (Quickie G-424/S-626).....	13.1	Wheels (Quickie Freestyle).....	13.8
Solid/Semi Pneumatic Wheel Rim/Tire/Tube (Quickie S-646/S-646SE)	13.1	Six-spoke Mag Assembly (Quickie P200/P-220/P-222/P-222SE/P320) (Manual Wheelchair Conversion Only).....	13.9
14" Pneumatic Drive Wheel Assembly (Quickie G-424) (Disc.).....	13.2	Rear Wheel Rim Assembly (Quickie P200/P320) (Disc.) (Manual Wheelchair Conversion Only).....	13.9
14" Pneumatic Drive Wheel Assembly (Quickie G-424)	13.2	Rear Wheel Rim Assembly (Quickie P200/P-220/P-222/P-222SE/P320) (Manual Wheelchair Conversion Only).....	13.10
Wheel Rim/Tire/Tube (Quickie P110/P190/S-525/V100[P100]/ V-121[P120]/V-521/Z500[Zippie P500]) (Disc.).....	13.3	Rear Wheel Assembly — Spokes (Quickie P200/P-220/P-222/P-222SE/P320) (Manual Wheelchair Conversion Only).....	13.10
Wheel Rim/Tire/Tube (Quickie P110/P190/S-525V100[P100]/ V-121[P120]/V-521/Z500[Zippie P500])	13.3	Handrim, Screw Mount (24" Mag or 24" Spoke) (Quickie P200/P-220/P-222/P-222SE/P320) (Manual Wheelchair Conversion Only)	13.11
Drive Wheel Rim (10") (Quickie P200/P210/P300/P320).....	13.4	Projection Handrim 24" (6-spoke Mag) (Quickie P200/P-220/P-222/P-222SE/P320) (Manual Wheelchair Conversion Only)	13.11
Drive Wheel (10") (Quickie P200/P210/P300/P320).....	13.4	Tires and Tubes (Quickie P200/P-220/P-222/P-222SE/P320) (Manual Wheelchair Conversion Only).....	13.12
12" x 3" Drive Wheel (Quickie P-220/P-222SE)	13.5	Spoke Guards (Quickie P200/P-220/P-222/P-222SE/P320) (Manual Wheelchair Conversion Only).....	13.12
12" x 4" Drive Wheel (Quickie P-220/P-222/P-222SE/S-525)	13.5		
20" Drive Wheel (Quickie P300) (Disc.)	13.6		
20" Drive Wheel (Quickie P300)	13.6		
Solid/Semi Pneumatic Wheel Rim/Tire/Tube (Quickie S-525/V-521/Z500[Zippie P500])	13.7		
Wheel Rim/Tire/Tube (Quickie S-525).....	13.7		

SOLID/SEMI PNEUMATIC WHEEL RIM/TIRE/TUBE (QUICKIE G-424/S-626)



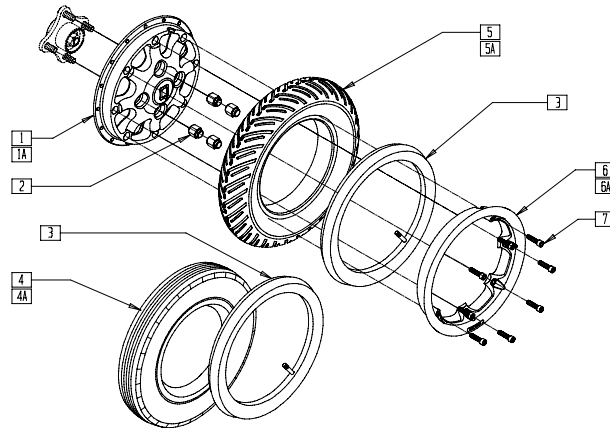
S626X15A

ITEM	NUMBER	DESCRIPTION	QTY
2*	264106	9/16" WASHER FLAT THICK	2
3	384739	INNER TUBE 14"x 3" 90D STEM	1
4	384709	TIRE PNEU 14" x 3"	1
4A	384261	3.00 x 8" KNOBBY W/INSRT 5 SPK	1
4B	384263	3.00 x 8" KNOBBY SOLID 5 SPK	1
5	384520	3.00 x 8" PNEUMATIC V TIRE	1
5A	384262	3.00 x 8" V-GRV W/INSRT 5 SPK	1
5B	384264	3.00 x 8" V-GROOVE SOLID 5 SPK	1
7	221116	1/4-20 x 1 SOC HD BLK	5
8*	341265	KEY STEEL 5mm x 5mm x 20mm	1

ITEM	NUMBER	DESCRIPTION	QTY
9	567005	PLASTIC WHEEL HUB CAP SILVER	1
	567002	WHEEL HUB CAP S525/G424	
10*	210095	M12 x 1.75 LNUT CLASS10 W/PTCH	1
1,3,5-7	761748	14"MAG PNEU V TIRE W/INSTRC S6	
1,3,4,6,7	761749	14"MAG PNEU KNOBBY W/INSTRC S6	
1,5A,6,7	761755	14" MAG SLD INST V W/INSTRC S6	
1,4A,6,7	761756	14"MAG SLD INST KB W/INSTRC S6	
1,5B,6,7	761778	14" MAG V SLD TIRE W/INSRTC S6	
1,4B,6,7	761779	14" MAG SLD KNOBBY W/INSTRC S6	
1,2,6-10	761832	WHEEL ASSM REAR S626	

* IF ITEMS 2, 8 AND 10 ARE REMOVED FROM THE CHAIR, THEY MUST BE REPLACED WHEN REASSEMBLING. ORDER P/N 901012 (DRIVE MOTOR HARDWARE KIT) FOR REPLACEMENT PARTS.

SOLID/SEMI PNEUMATIC WHEEL RIM/TIRE/TUBE (QUICKIE S-646/S-646 SE)



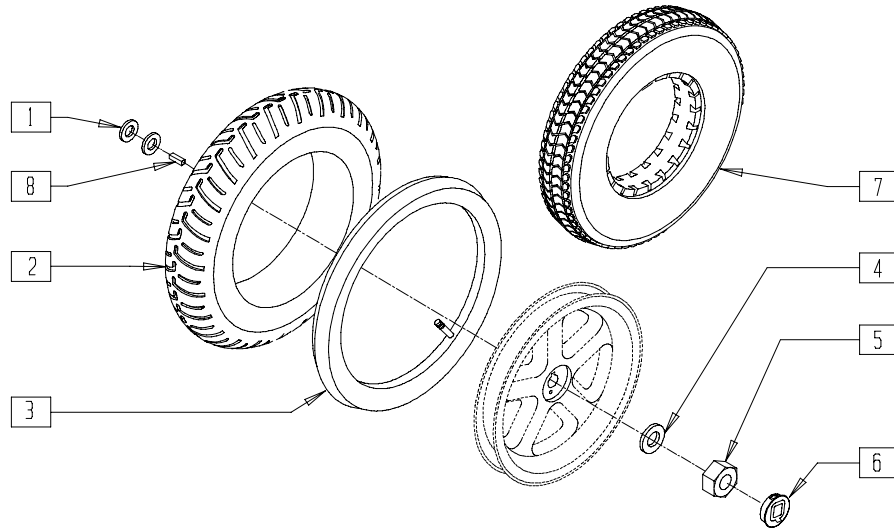
S646X02A

ITEM	NUMBER	DESCRIPTION	QTY
1	400782	INNER WHEEL 8 SPOKE	1
1A	400786	INNER WHEEL 8 SPOKE GLOSS BLK	1
2	200135	CONICAL LUG NUT	4
3	384739	INNER TUBE 14"x 3" 90D STEM	1
4	384709	TIRE PNEU 14" x 3"	1
4A	384261	3.00 x 8" KNOBBY W/INSRT 5 SPK	1
5	384520	3.00 x 8" PNEUMATIC V TIRE	1
5A	384262	3.00 x 8" V-GRV W/INSRT 5 SPK	1
6	400784	OUTER WHEEL WIDE	1
6A	400785	OUTER WHEEL CHROME	1
7	221116	1/4-20 x 1 SOC HD BLK	8
1,3,4,6,7	762078	WHL ASY-8 SPK, 3x8 KNOB, PNEU CST	

ITEM	NUMBER	DESCRIPTION	QTY
1,4A,6,7	762079	WHL ASY-8 SPK, 3x8 KNOB, FOAM CST	
1,3,5-7	762080	WHL ASY-8 SPK 3x8 V-GRV PNEU R CST	
	762082	WHL ASY-8 SPK 3x8 V-GRV PNEU L CST	
1,5A,6,7	762081	WHL ASY-8 SPK 3x8 V-GRV FOAM R CST	
	762083	WHL ASY-8 SPK 3x8 V-GRV FOAM L CST	
1A,3,4,6A,7	762098	WHL ASY-8 SPK, 3X8 KNB, PNU BLK	
1A,4A,6A,7	762099	WHL ASY-8 SPK,3X8 KNB,FOAM BLK	
1A,3,6,	762180	WHL ASY8 SPK,3X8 VGR PNU BLK R	
6A,7	762182	WHL ASY-8 SPK,3X8 VGR PN BLK L	
1A,5A,	762181	WHL ASY-8 SPK,3X8 VGR FM BLK R	
6A,7	762183	WHL ASY-8 SPK,3X8 VGR FM BLK L	

14" PNEUMATIC DRIVE WHEEL ASSEMBLY (QUICKIE G-424)

(Discontinued, replace with drive wheel listed below.)



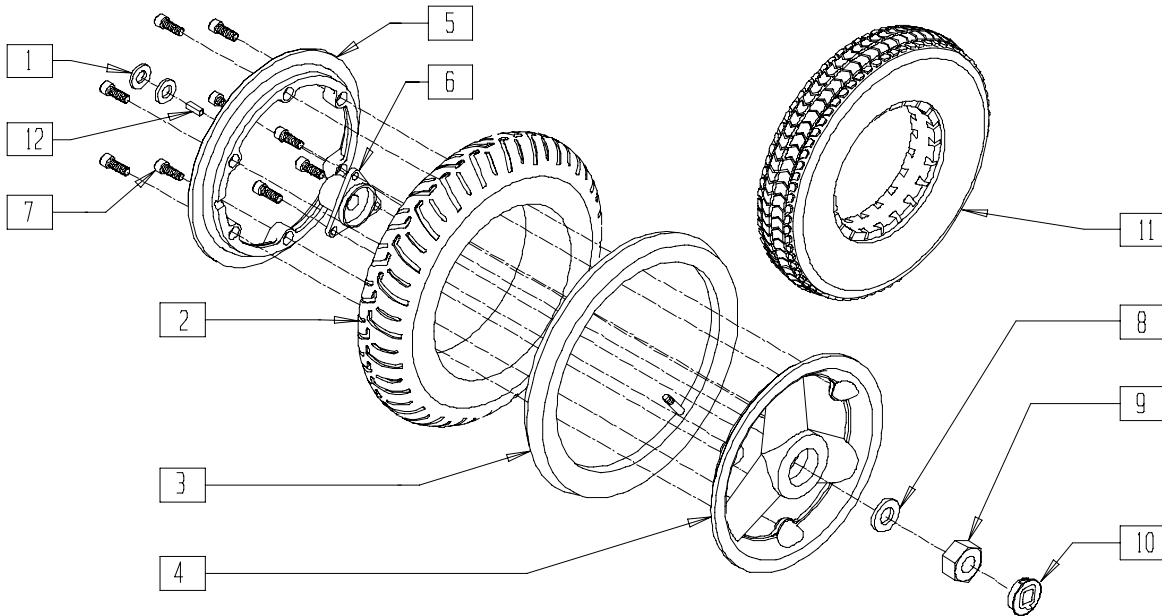
G424X25D

ITEM	NUMBER	DESCRIPTION	QTY
1*	264106	9/16" WASHER FLAT THICK	2
2	384520	3.00 x 8" PNEUMATIC V TIRE	1
3	384737	INNER TUBE 3.00-8 (14" x 3")	1
4*	264100	1/2 AN WASHER FLAT	1

ITEM	NUMBER	DESCRIPTION	QTY
5*	210095	M12 x 1.75 LNUT CLASS10 W/PTCH	1
6	567002	WHEEL HUB CAP S525/G424	1
7	384709	TIRE PNEU 14" x 3"	1
8*	341265	KEY STEEL 5MM x 5MM x 20MM	1

* IF ITEMS 1, 5, 6 AND 9 ARE REMOVED FROM THE CHAIR, THEY MUST BE REPLACED WHEN REASSEMBLING. ORDER P/N 901012 (DRIVE MOTOR HARDWARE KIT) FOR REPLACEMENT PARTS.

14" PNEUMATIC DRIVE WHEEL ASSEMBLY (QUICKIE G-424)



G424X25C

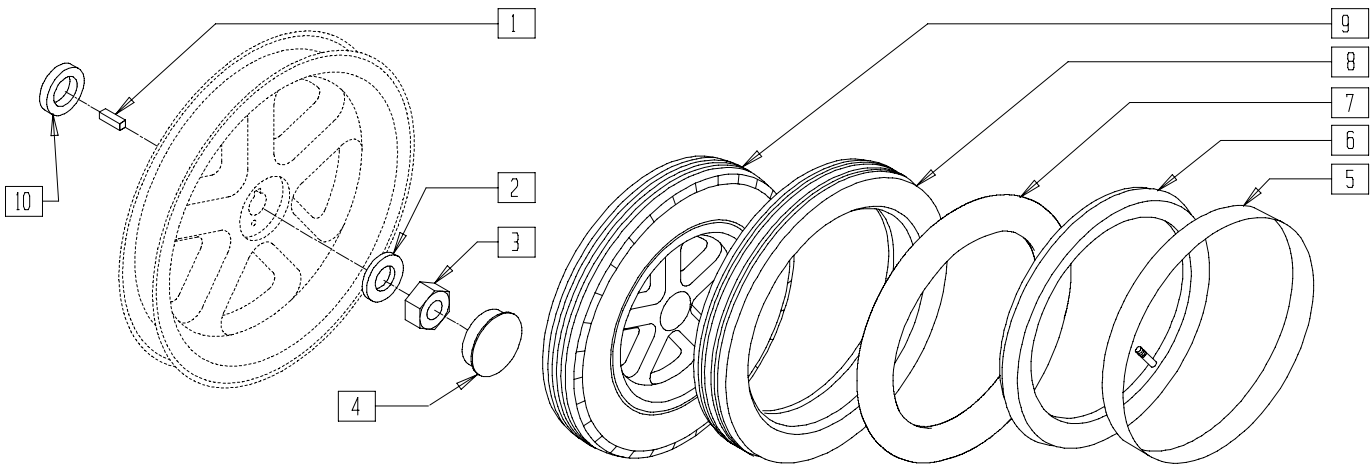
ITEM	NUMBER	DESCRIPTION	QTY
1*	264106	9/16" WASHER FLAT THICK	2
2	384520	3.00 x 8" PNEUMATIC V TIRE	1
3	384737	INNER TUBE 3.00-8 (14" x 3")	1
4-7	761739	12-14" SPLIT RIM ASSM	1
7	222092	5/16-24 X 7/8 SOC C/S	1
8*	264100	1/2 AN WASHER FLAT	1
9*	210095	M12 x 1.75 LNUT CLASS10 W/PTCH	1

ITEM	NUMBER	DESCRIPTION	QTY
10	567002	WHEEL HUB CAP S525/G424	1
11	384709	TIRE PNEU 14" x 3"	1
12*	341265	KEY STEEL 5MM x 5MM x 20MM	1
1-10	761693	14" MAG PNEU V TIRE W/INSTRC G4	
1,4-11	761696	14" MAG PNEU KNOBBY W/INSTRC G4	
4-8,9,12	761831	WHEEL ASSM REAR G424/S525	

* IF ITEMS 1, 8,9 AND 12 ARE REMOVED FROM THE CHAIR, THEY MUST BE REPLACED WHEN REASSEMBLING. ORDER P/N 901012 (DRIVE MOTOR HARDWARE KIT) FOR REPLACEMENT PARTS.

WHEEL RIM/TIRE/TUBE (QUICKIE P110/P190/S525 V100[P100]/V-121[P120]/V-521/Z500[ZIPPIE P500])

(Discontinued; fits S525 prior to S52-19753, w/o transit Z500 & S525)



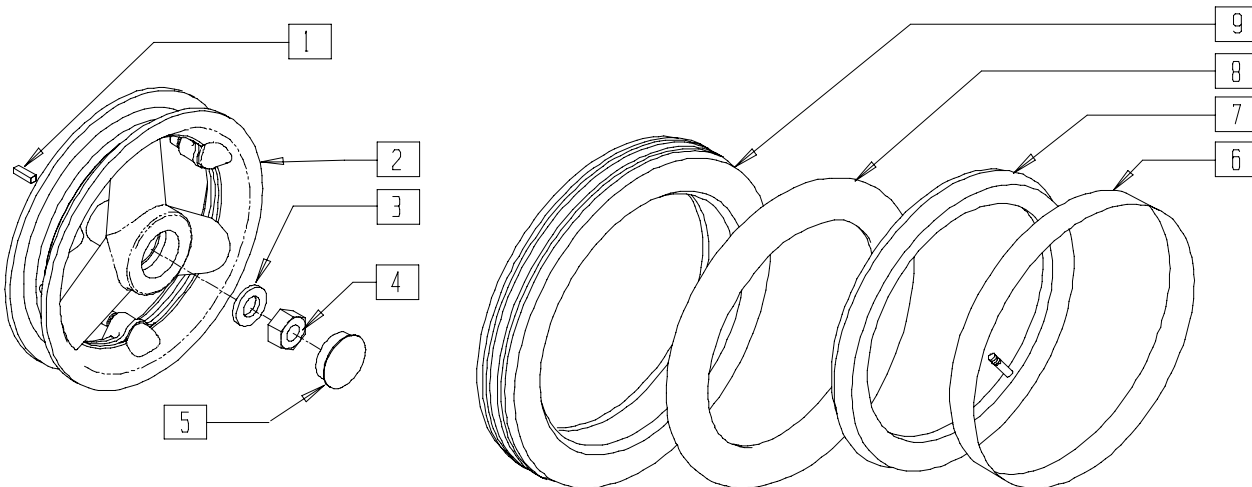
P190X08

ITEM	NUMBER	DESCRIPTION	QTY
1*	341265	KEY STEEL 5mm x 5mm x 20mm	1
2*	264100	1/2 AN WASHER FLAT	1
3*	210095	M12 x 1.75 LNUT CLASS10 W/PTCH	1
4	560990	1 1/2" DOME PLUG	1
5	381241	RIM STRIP 12" P1/P5	1

ITEM	NUMBER	DESCRIPTION	QTY
6	384736	INNER TUBE 12-1/2" x 2-1/4"	1
	384737	INNER TUBE 3.00-8 (14" x 3")	
7	382402	12-1/2" x 2-1/4" AIRLESS INSERT	1
8	384706	TIRE PNEU 12-1/2" x 2-1/4"	1
	384709	TIRE PNEU 14" x 3"	
9,10	761729	14" MAG PNEU FOAM INSERT P190	
10	265160	SPACER 14" WHEEL P190	1

WHEEL RIM/TIRE/TUBE (QUICKIE P110/P190/S525 V100[P100]/V-121[P120]/V-521/Z500[ZIPPIE P500])

(Fits S525 after S52-019753)



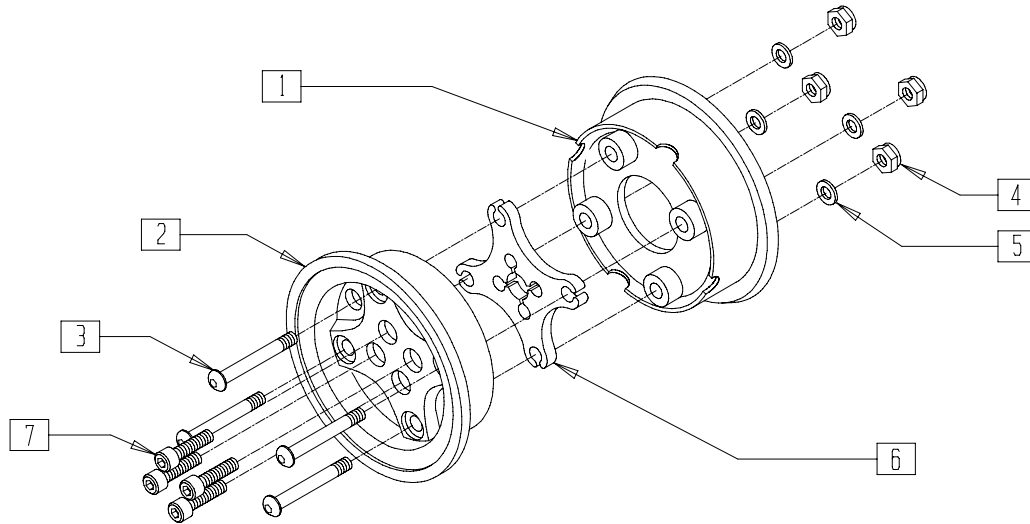
P190X08A

ITEM	NUMBER	DESCRIPTION	QTY
1*	341265	KEY STEEL 5mm x 5mm x 20mm	1
2	761739	12-14" SPLIT RIM ASSM	1
3*	264100	1/2 AN WASHER FLAT	1
4*	210095	M12 x 1.75 LNUT CLASS10 W/PTCH	1
5	560990	1 1/2" DOME PLUG	1
6	381241	RIM STRIP 12" P1/P5	1
7	384736	INNER TUBE 12-1/2" x 2-1/4"	1
	384737	INNER TUBE 3.00-8 (14" x 3")	

ITEM	NUMBER	DESCRIPTION	QTY
8	382402	12-1/2" x 2-1/4" AIRLESS INSERT	1
9	384706	TIRE PNEU 12-1/2" x 2-1/4"	1
	384709	TIRE PNEU 14" x 3"	
2,6,7,9	761691	12" MAG PNEU DIR DRV W/INSTRC	
	761696	14" MAG PNEU KNOBBY W/INSTRC G4	
2,8,9	761692	12" MAG PNEU INSRT DD W/INSTRC	

* IF ITEMS 1, 3 AND 4 ARE REMOVED FROM THE CHAIR, THEY MUST BE REPLACED WHEN REASSEMBLING. ORDER P/N 901012 (DRIVE MOTOR HARDWARE KIT) FOR REPLACEMENT PARTS.
NOTE: QUICKIE V521/Z500[ZIPPIE P500] PNEUMATIC WHEEL ONLY.

DRIVE WHEEL RIM (10") (QUICKIE P200/P210/P300/P320)
 (Effective 10/24/94; P200 beginning P2-2130; P300 beginning P3-8024)

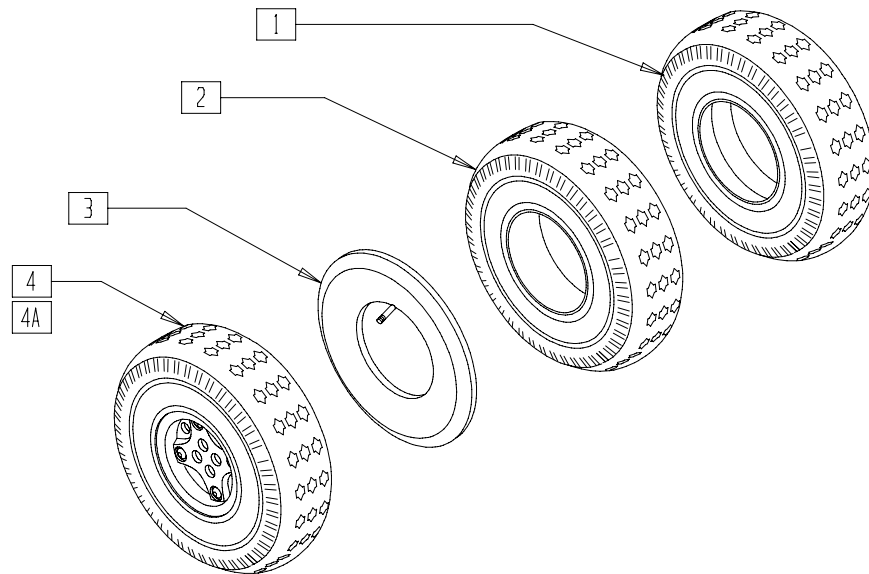


WHL00X14

ITEM	NUMBER	DESCRIPTION	QTY
1	361103	10" WHEEL INNER HALF	1
2	361101	10" WHEEL OUTER-DRIVE	1
3	226190	5/16-18 x 1 3/4 BH C/S SHLDR	4
4	202103	5/16-18 NYLOCK NUT THICK	4

ITEM	NUMBER	DESCRIPTION	QTY
5	263100	5/16 AN WASHER FLAT	4
6	361100	10" WHEEL STAR	1
7	226254	5/16-24 x 5/8 SOC C/S NICKEL	4
1-7	761716	DRIVE WHL HUB STAR ASSM 10"	

DRIVE WHEEL (10") (QUICKIE P200/P210/P300/P320)



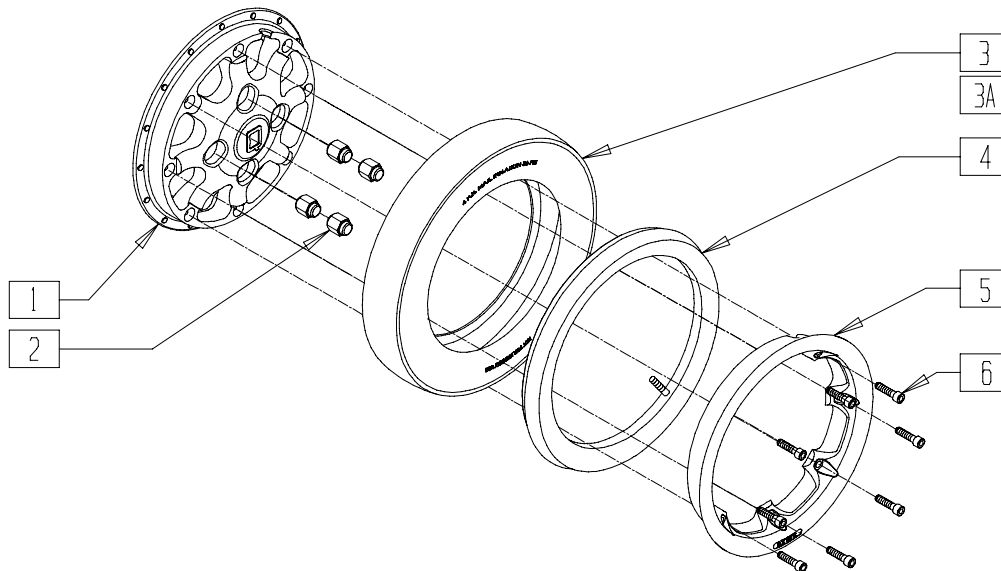
WHL00X16

ITEM	NUMBER	DESCRIPTION	QTY
1	384714	TIRE FOAMED 260 x 85	1
2	384704	TIRE 10 x 3 PNEUMATIC DRV WHL	1
3	384732	INNER TUBE 10" x 3"	1

ITEM	NUMBER	DESCRIPTION	QTY
4*	761717	DRIVE WHL STAR W/PNEU ASSM 10"	1
4A*	761718	DRV WHL STAR W/INSRT ASSM 10"	1

ITEMS 4 AND 4A EFFECTIVE 10/24/94, BEGINNING SERIAL NUMBER P2-2130.

12" X 3" DRIVE WHEEL (QUICKIE P-220/P-222 SE)



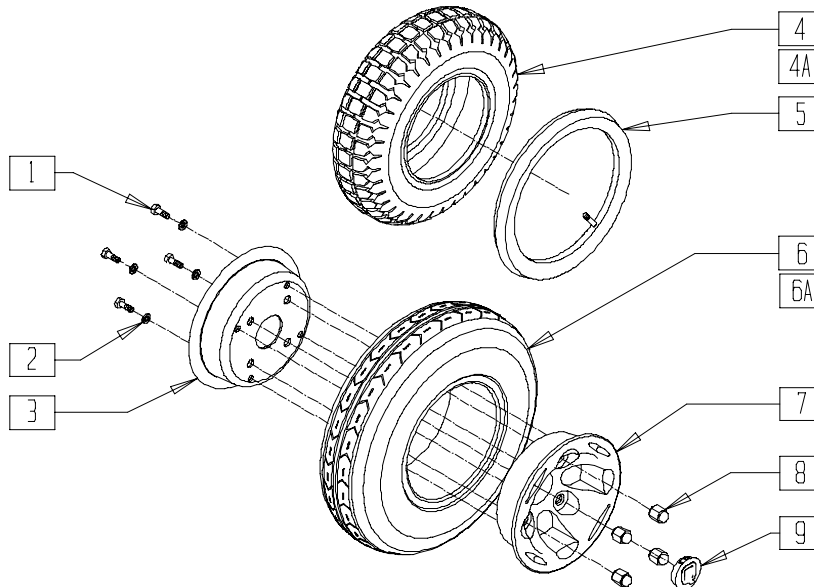
P220X13B

ITEM	NUMBER	DESCRIPTION	QTY
1	400782	INNER WHEEL 8 SPOKE	1
2	200135	CONICAL LUG NUT	4
3	382301	TIRE KNOBBY 2.50-8 (C-177) (12 x 3)	1
3A	382303	TIRE KNOBBY 2.50-8 FOAM FILL (12 x 3)	1
4	384739	INNER TUBE 14" x 3" 90D STEM	1

ITEM	NUMBER	DESCRIPTION	QTY
5	400784	OUTER WHEEL WIDE	1
6	221116	1/4-20 x 1 SOC HD BLK	8
1,3-6	761858	12 x 3 MAG PNEU KNOBBY TIRE ASSM	
1,3A,5,6	761859	12 x 3 MAG SLD KNOBBY TIRE ASSM	

12" X 4" DRIVE WHEEL (QUICKIE P-220/P-222/P-222 SE/S-525)

(Quickie P-222 discontinued 8/15/02, parts only)

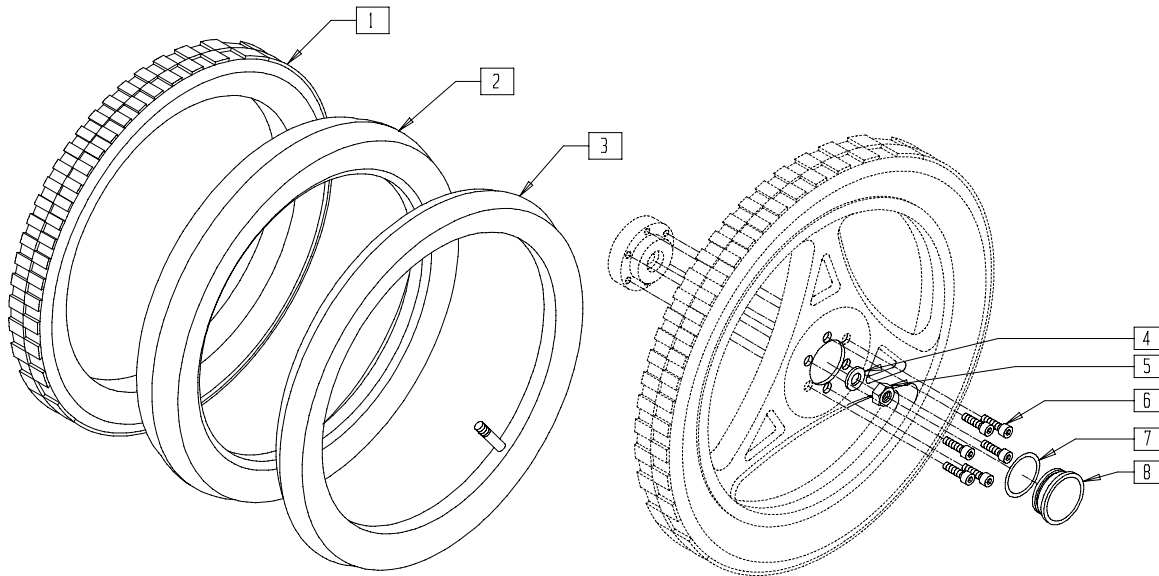


P220X14B

ITEM	NUMBER	DESCRIPTION	QTY
1	221105-QU	1/4-20 x 3/4 HEX C/S	4
2	262122	1/4 WASHER LOCK ZN	4
3	400781	12 x 4 INNER RIM BOLT-THRU	1
4	384303	3.50 x 12" KNOBBY TIRE	1
4A	384305	3.50 x 12" KNOBBY W/INSERT	1
5	384729	INNER TUBE 12" x 3.50"	1
6	384300	3.50 x 12" V-GROOVE TIRE	1
6A	384302	3.50 x 12" V-GRV W/INSRT	1

ITEM	NUMBER	DESCRIPTION	QTY
7	400780	12 x 4 OUTER RIM THREADED	1
8	200135	CONICAL LUG NUT	4
9	567002	WHEEL HUB CAP S525/G424	1
1-3,5-7	761870	12" MAG PNEU V-GRV WHEEL ONLY	
1-3,6A,7	761871	12" MAG INST V-GRV WHEEL ONLY	
1-5,7	761872	12" MAG PNEU KNOBBY WHEEL ONLY	
1-3,4A,7	761873	12" MAG INST KNOBBY WHEEL ONLY	

20" DRIVE WHEEL (QUICKIE P300) (P300 Discontinued 6/30/00 - parts only)



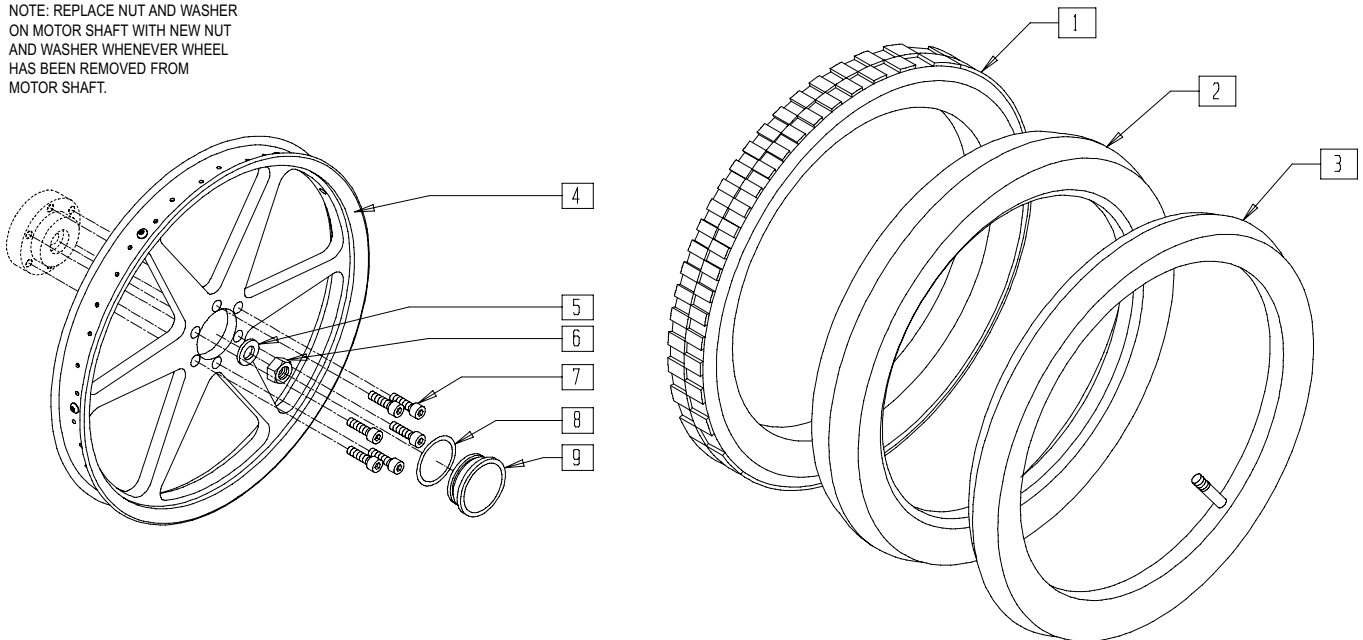
P300X57

ITEM	NUMBER	DESCRIPTION	QTY
1	384710	TIRE 20" x 2 1/8" PNEUMATIC	1
2	382400	AIRLESS INSERT 20" x 2-1/8" P3	1
3	384740	INNER TUBE 20" x 2 1/8"	1
4	264100	1/2 AN WASHER FLAT	1

ITEM	NUMBER	DESCRIPTION	QTY
5	203115	1/2-20 GRD C LOCK NUT	1
6	226180	5/16-24 x 3/4 SOC C/S	6
7	342006	CASTER CAP O-RING RUBBER	1
8	880547	DUST CAP W/O" RING P3	1

20" DRIVE WHEEL/RIM/TIRE/TUBE (QUICKIE P300) (P300 Discontinued 6/30/00 - parts only)

NOTE: REPLACE NUT AND WASHER ON MOTOR SHAFT WITH NEW NUT AND WASHER WHENEVER WHEEL HAS BEEN REMOVED FROM MOTOR SHAFT.



P300X57A

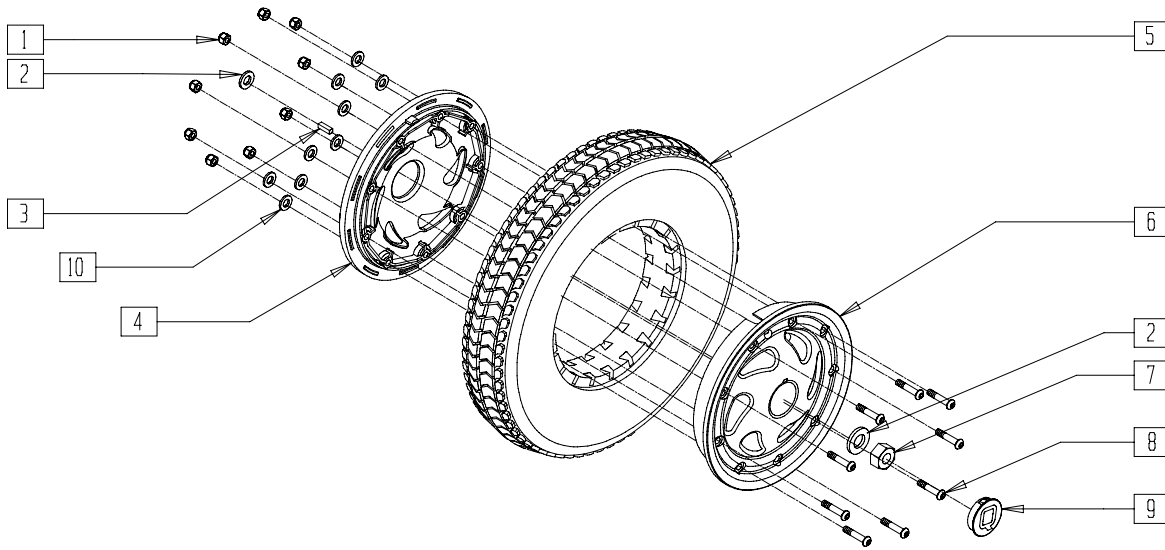
ITEM	NUMBER	DESCRIPTION	QTY
1	384710	TIRE 20" x 2 1/8" PNEUMATIC	1
2	384740	INNER TUBE 20" x 2 1/8"	1
3	382400	AIRLESS INSERT 20" x 2-1/8" P3	1
4	761759	RIM 20" MAG ASSM P300 NEW	1
5	264100	1/2 AN WASHER FLAT	1

ITEM	NUMBER	DESCRIPTION	QTY
6	203115	1/2-20 GRD C LOCK NUT	1
7	226180	5/16-24 x 3/4 SOC C/S	6
8	342006	CASTER CAP O-RING RUBBER	1
9	880547	DUST CAP W/O" RING P3	1
1,2,4,7	761797	RR MAG 20" PNEU P300 NEW	
1,3,4,7	761796	RR MAG 20" PNEU INSRT P300 NEW	

SOLID/SEMI PNEUMATIC WHEEL RIM/TIRE/TUBE

(QUICKIE S-525 with transit/V-521/Z500 with transit[ZIPPIE P500])

(Quickie S-525 discontinued 12/02 - parts only; fits chairs prior to s/n S52-019753)



S525X27

ITEM	NUMBER	DESCRIPTION	QTY
1	201100-QU	1/4-28 NYLOCK NUT THIN	9
2	265150	1" OD WASHER THRUST	2
3	341265	KEY STEEL 5mm x 5mm x 20mm	1
4	361105	12/14" WHEEL INNER HALF S525	1
5	384255	12 1/2" x 2 1/2" SOLID TIRE	1
	382403	12 1/2 x 2 1/4 TIRE W/INSERT	
6	761795	12/14 WHL OTR HF STL W/INSTRC	1
7	210095	M12 x 1.75 LNUT CLASS10 W/P TCH	1
8	226223	1/4-28 x 1 1/4" BH C/S BLK	9

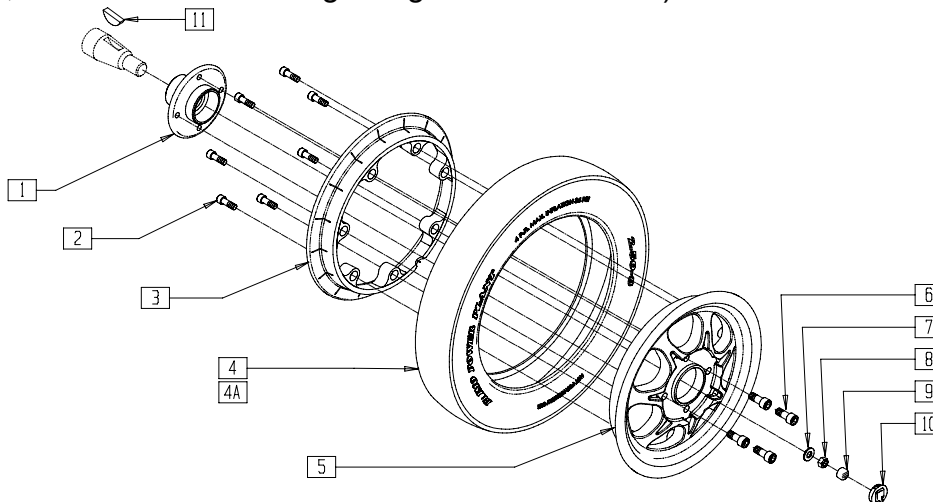
ITEM	NUMBER	DESCRIPTION	QTY
9	567002	WHEEL HUB CAP S525/G424	1
10	262100-QU	1/4 AN WASHER FLAT	9
1,4,6,8-10	761697	DRV WHL HUB ASSM 12/14"W/INSTR	
1,4-6,8-10	761733	12" MAG PNEUMATIC INSERT	
1,4,5,6,8-10	761734	12" MAG SOLID S525	

NOTE: WILL NOT INTERFACE WITH TAPERED SHAFT.

NOTE: WHEN REPLACING ASSEMBLY, SEE WHEEL RIM/TIRE/TUBE (QUICKIE S-525) ON PAGE 13.6.

WHEEL RIM/TIRE/TUBE (QUICKIE S-525)

(Effective 12/02; fits Quickie S-525 beginning s/n S52-019753)

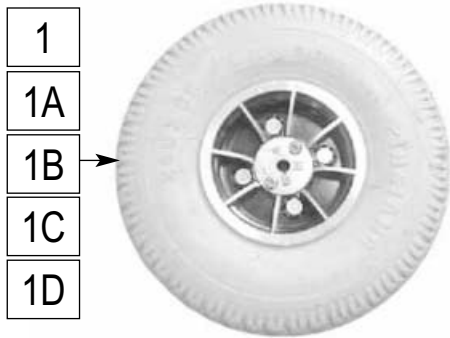


S525X43A

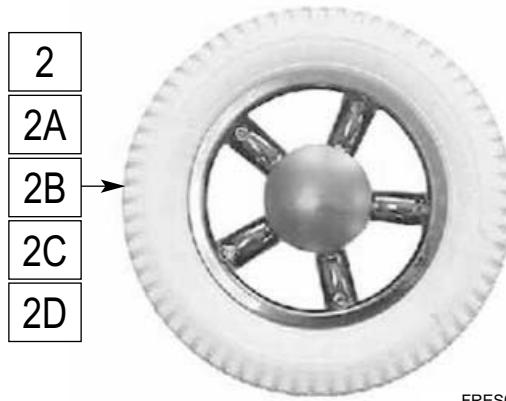
ITEM	NUMBER	DESCRIPTION	QTY
1	362249	HUB 5/16 INTERFACE ID C TS	1
2	221115	1/4-20 x 3/4" SOC HD C/S BLK	7
4	382301	TIRE, KNOBBY 12x3 (2.50-8 C-177)	1
	384739	INNER TUBE 14"x 3" 90D STEM	
4A	382303	TIRE KNOBBY 12x3 FOAM FILL	1
6	222194	5/16-24 x 3/4 SHCS W/P TCH	4
7	264101	1/2 WASHER HARDENED FLAT	1
8	210002	M12 x 1.75 ALL MTL PREV TRQ NT	1

ITEM	NUMBER	DESCRIPTION	QTY
9	349611	VINYL PLUG 7/8 DIA	1
10	567002	WHEEL HUB CAP S525/G424	1
11	341269	#606 WOODRUFF KEY STEEL	1
2-6	762084	WHEEL 7 SPOKE 2.50-8 PNEU WO/HB	
2,3,4A,5,6	762085	WHL 7 SPOKE 2.50-8 FOAM FILL WO/HB	
1-6	762076	WHEEL 7 SPOKE 2.50-8 PNEU W/HUB	
1-3,4A,5,6	762077	WHL 7 SPOKE 2.50-8 FOAM FILL W/HUB	

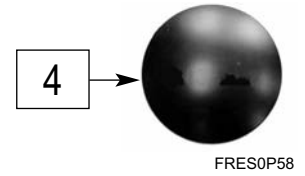
WHEELS (QUICKIE FREESTYLE)



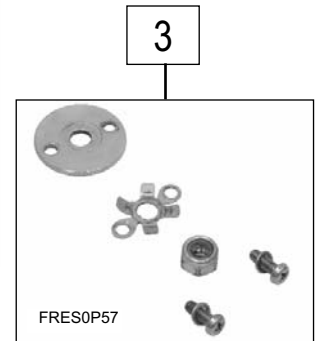
FRES0P56



FRES0P55



FRES0P58



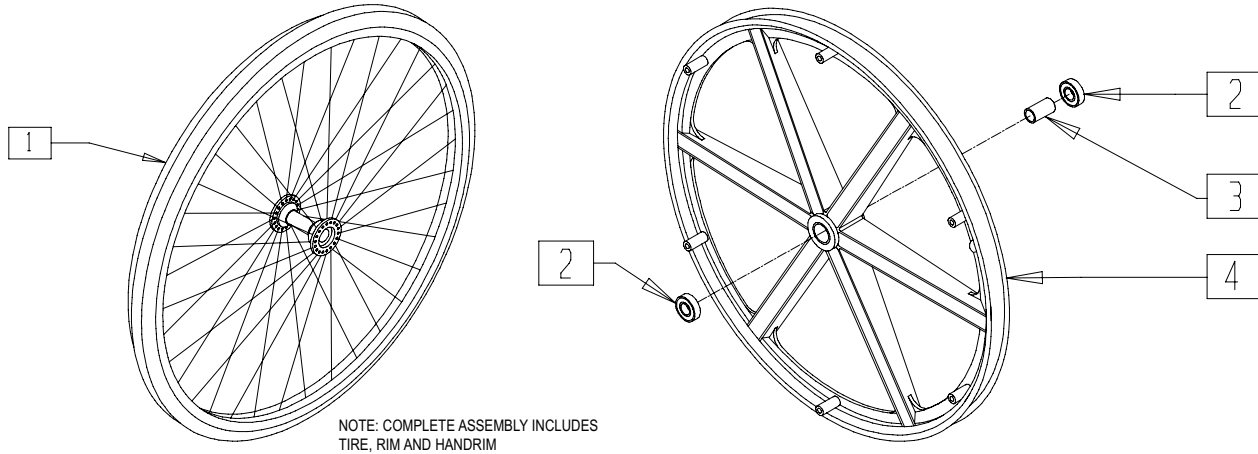
FRES0P57

ITEM	NUMBER	DESCRIPTION	QTY
1	761890	10" ALUM W/PNEUMATIC TIRE PR	2
1A	761891	10" ALUM W/SOLID INSRT TIRE PR	2
1B	384714	TIRE FOAMED 260 x 85	2
1C	384704	TIRE 10 x 3 PNEUMATIC DRV WHL	2
1D	384732	INNER TUBE 10" x 3"	2

ITEM	NUMBER	DESCRIPTION	QTY
2	761892	14" ALUM W/PNEUAMTIC TIRE PR	2
2A	761893	14" ALUM W/SOLID INSRT TIRE PR	2
2B	384261	3.00 x 8" KNOBBY W/INSRT 5 SPK	2
2C	384709	TIRE PNEU 14" x 3"	2
2D	384739	INNER TUBE 14"x 3" 90D STEM	2
3	884377	WHEEL LOCK WASHER HARDWARE	2
4	561660	WHEEL HUB 14"	2

SIX-SPOKE MAG ASSEMBLY (QUICKIE P200/P-220/P-222/P-222 SE/P320)

(Manual Wheelchair Conversion Only)



NOTE: COMPLETE ASSEMBLY INCLUDES
TIRE, RIM AND HANDRIM

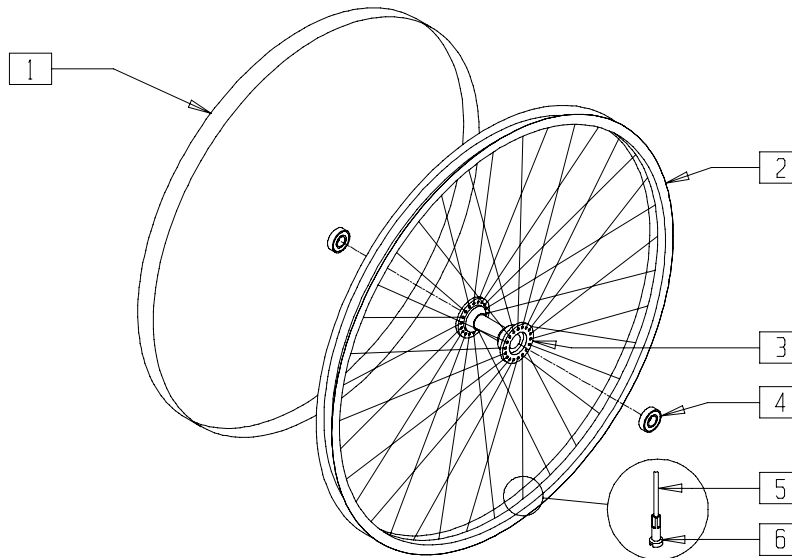
P200X07A

ITEM	NUMBER	DESCRIPTION	QTY
1	760720-760782	REAR WHEEL 24"	1
2	349500	1 1/8 x 1/2 BEARING	2

ITEM	NUMBER	DESCRIPTION	QTY
3	521564	MAG BEARING SPACER	1
4	364376	24" MAG RIM 6 SPOKE	1
2-4	401092	24" MAG W/BEARING 6 SPOKE	

REAR WHEEL RIM ASSEMBLY (QUICKIE P200/P320)

(Manual Wheelchair Conversion Only)
(Discontinued 9/21/98 - parts only)



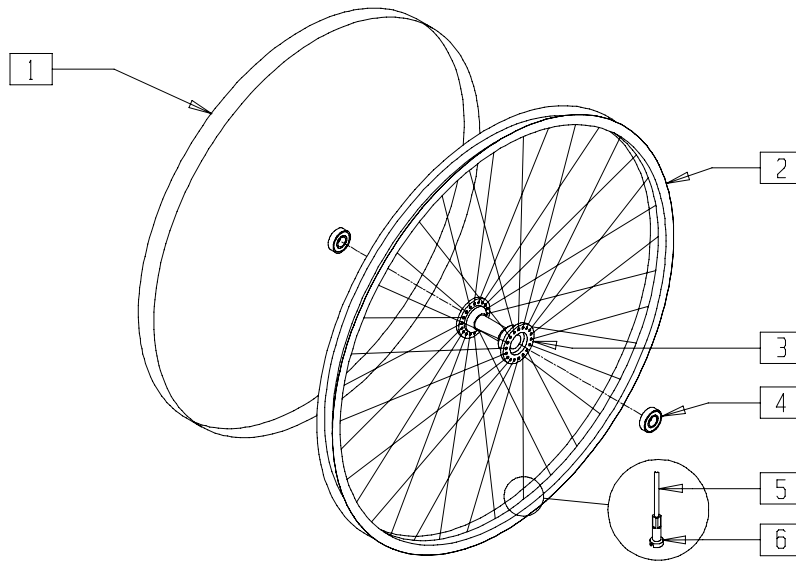
P200X08

ITEM	NUMBER	DESCRIPTION	QTY
1	381275	24" RIM STRIP	1
2	364300	24" WHEEL RIM (540mm)	1
1,3	363250	REAR WHEEL HUB W/BEARINGS	
4	349500	1 1/8 x 1/2 BEARING	2

ITEM	NUMBER	DESCRIPTION	QTY
5	362300	QP SPOKE 244mm x 2.0mm	36
6	361250	SPOKE NIPPLE 5/8" BRASS ZN	36
1-6	401020	24" RIM ASSEMBLY	

REAR WHEEL RIM ASSEMBLY (QUICKIE P200/P-220/P-222/P-222 SE/P320)

(Manual Wheelchair Conversion Only)



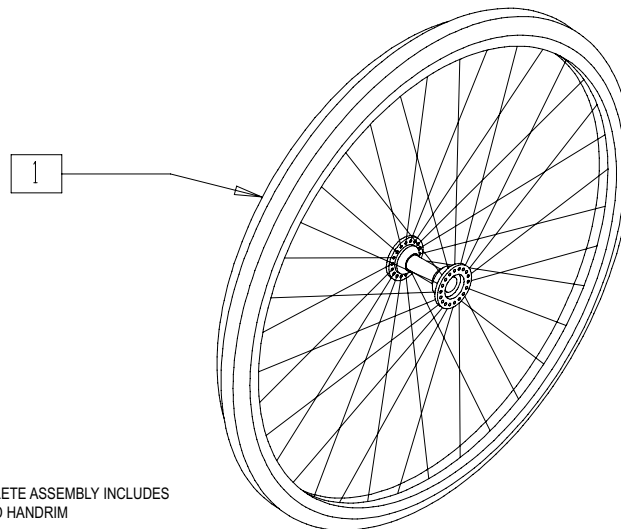
P200X08A

ITEM	NUMBER	DESCRIPTION	QTY
1	381275	24" RIM STRIP	1
2	364300	24" WHEEL RIM (540mm)	1
1,3	363255	REAR WHL HUB W/BRNGS PUSH BTTN	
4	349500	1 1/8 x 1/2 BEARING	2

ITEM	NUMBER	DESCRIPTION	QTY
5	362300	QP SPOKE 244mm x 2.0mm	36
6	361250	SPOKE NIPPLE 5/8" BRASS ZN	36
1-6	401074	24" RIM ASSM PUSH BUTTON	

REAR WHEEL ASSEMBLY - SPOKES (QUICKIE P200/P-220/P-222/P-222 SE/P320)

(Manual Wheelchair Conversion Only)



NOTE: COMPLETE ASSEMBLY INCLUDES
TIRE, RIM AND HANDRIM

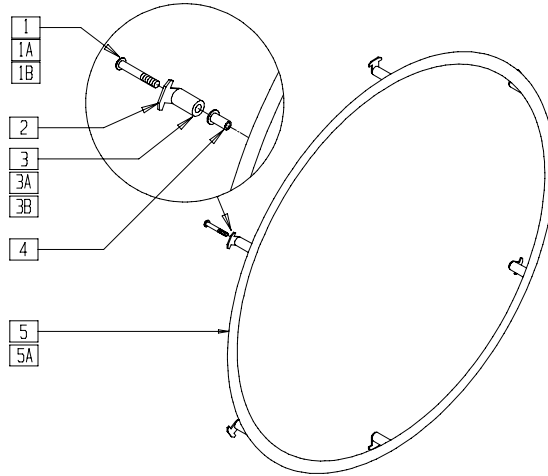
P200X07

ITEM	NUMBER	DESCRIPTION	QTY
1	760260- 760421, 760600- 760610	REAR WHEEL 24"	1

HANDRIM, SCREW MOUNT (24" MAG OR 24" SPOKE)

(QUICKIE P200/P-220/P-222/P-222 SE/P320)

(Manual Wheelchair Conversion Only)



P200X09

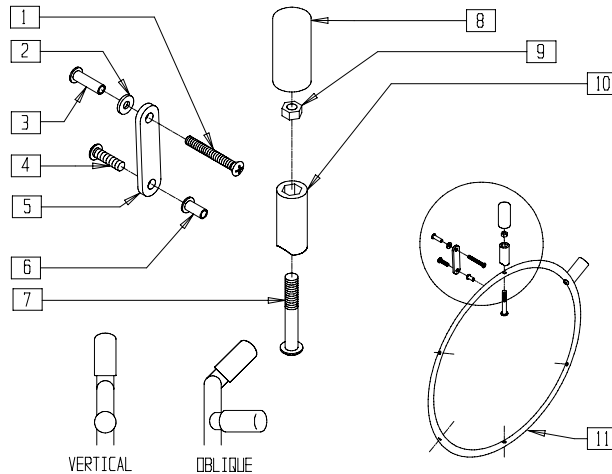
ITEM	NUMBER	DESCRIPTION	QTY
1	281170	10-32 x 1 5/8 PAN PHIL SS (REG)	6
1A	281175	10-32 x 2 1/8 PAN PHIL SS (MAG)	6
1B	281183	10-32 x 2 9/16 PAN PHIL (LNG)	6
2	505068	HR SCW MT TAB	6
3	561036	HANDRIM SPACER (REG)	6
3A	561037	HANDRIM SPACER MAG	6
3B	561038	HANDRIM SPACER (LONG)	6
4	341497	10-32 x .020-.130 RIVNUT GOLD	6
4.5	529500	24" HR (6H) W/RNUTS	
4.5A	529501	24" HR PLST (6H) W/RNUTS	

ITEM	NUMBER	DESCRIPTION	QTY
1A,3B,4,5	426002	24" HR 6SMT LT W/HDWR	
1,3,4,5A	426004	24" HR 6SMT PLST W/HDWR	
1A,3B,4,5A	426006	24" HR 6SMT LT PLST W/HDWR	
1A,3A,4,5	426008	24" HR 6SMT 12MAG W/HDWR	
1A,4,5	426009	24" HR 6SMT 6MAG W/HDWR	
1B,3A,4,5	426010	24" HR 6SMT LT 6MAG W/HDWR	
1A,3A,4,5A	426012	24" HR 6SMT 12MAG PLST W/HDWR	
1A,4,5A	426013	24" HR 6SMT 6MAG PLST W/HDWR	
1B,3A,4,5A	426014	24" HR 6SMT LT 6MAG PLST W/HDWR	

PROJECTION HANDRIM 24" (6-SPOKE MAG)

(QUICKIE P200/P-220/P-222/P-222 SE/P320)

(Manual Wheelchair Conversion Only)



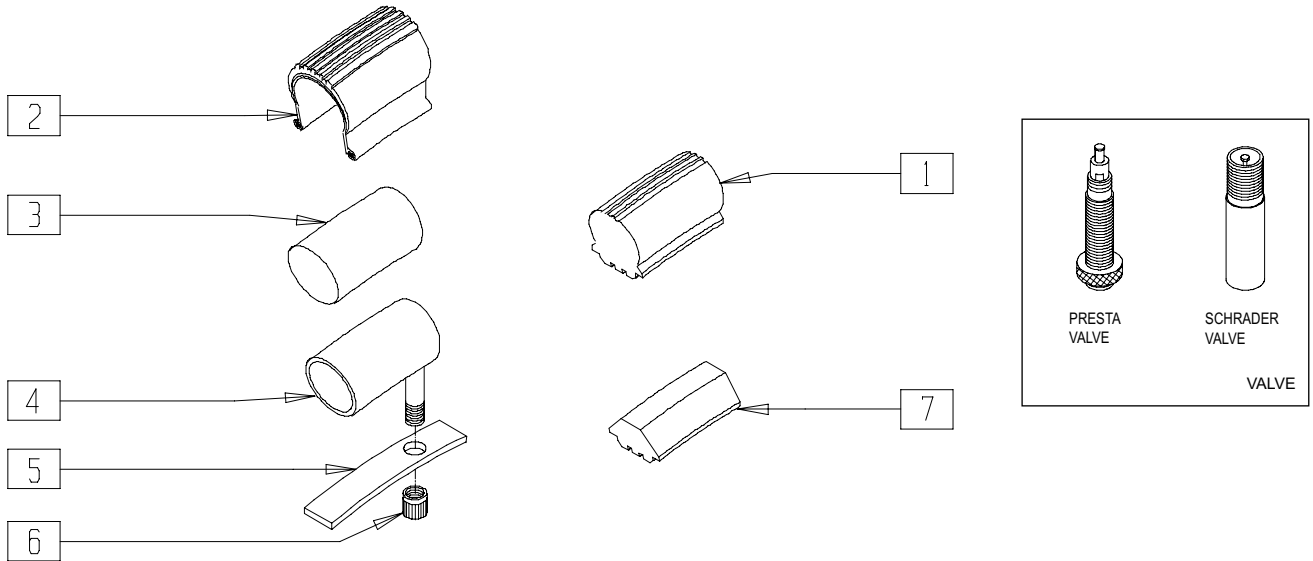
P200X11

ITEM	NUMBER	DESCRIPTION	QTY
1	281147	10-32 x 1 1/4 PAN PHIL	6
2	261300	3/16 WASHER FLAT	6
3	341509	10-32 x .900 HEX RIVNUT BLK	6
4	281120	10-32 x 5/8 PAN HD PHIL	6
5	505004	2 HOLE TOGGLE	6
6	341497	10-32 x .020-.130 RIVNUT GOLD	6
7	226155	1/4-28 x 2 1/4 BH C/S	6

ITEM	NUMBER	DESCRIPTION	QTY
8	560600	1-1/2" x .705 x .187 FOAM GRIP	6
9	201100-QU	1/4-28 NYLOCK NUT THIN	6
10	561044	PROJECTION PEG	6
11	529641-529741	PROJECTION 8,12 VERT OR OBLQ W/RIVNUTS	1
1-11	427510-427515	PROJECTION HANDRIM MAG W/HDWR	

TIRES AND TUBES (QUICKIE P200/P-220/P-222/P-222 SE/P320)

(Manual Wheelchair Conversion Only)



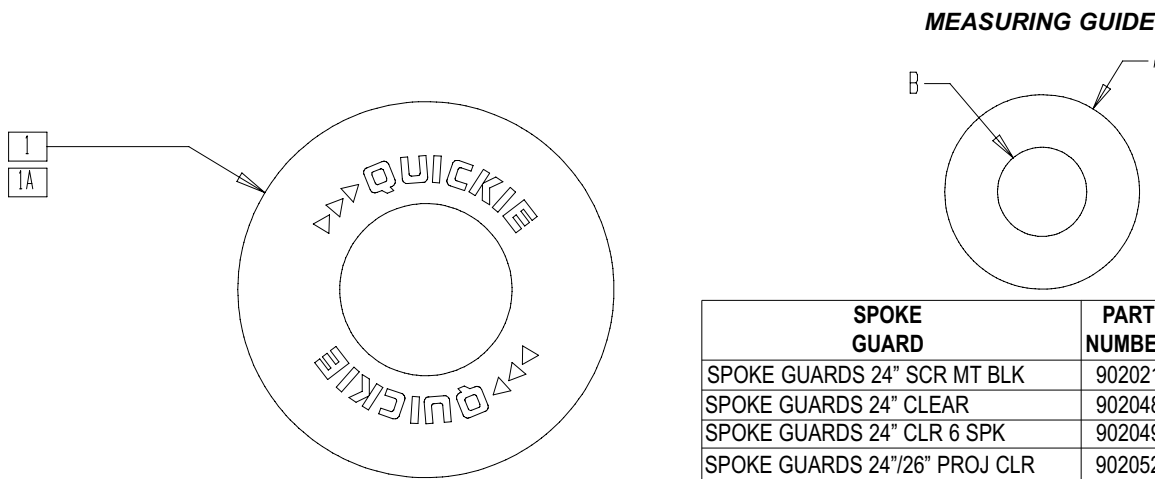
P200X13A

ITEM	NUMBER	DESCRIPTION	QTY
1	386252	24" POLY TIRE STD	
2	385300	24" PNEUMATIC TIRE	1
	385350	24" KEVLAR TIRE	
	389020	24" X 1" HI PRES CLNCHR TIRE	
3	382410	24" AIRLESS INSERT	

ITEM	NUMBER	DESCRIPTION	QTY
4	382325	24" TUBE	
5	381275	24" RIM STRIP	
6	381240	VALVE STEM CAP (Q)	
7	386254	24" POLY LOW PROFILE	

SPOKE GUARDS (QUICKIE P200/P-220/P-222/P-222 SE/P320)

(Manual Wheelchair Conversion Only)



SG1

SPOKE GUARD	PART NUMBER	DIA. "A"	DIA. "B"
SPOKE GUARDS 24" SCR MT BLK	902021	19 5/8"	10 1/4"
SPOKE GUARDS 24" CLEAR	902048	19 1/4"	10 1/4"
SPOKE GUARDS 24" CLR 6 SPK	902049	19 1/4"	10 3/8"
SPOKE GUARDS 24"/26" PROJ CLR	902052	21 1/4"	10 1/4"
SPOKE GUARDS 24" PROJ CLR 6 SPK	902053	24 1/4"	10 3/8"

WH0X1A

ITEM	NUMBER	DESCRIPTION	QTY
1	902048-902053	SPOKE GUARDS 24" CLR (PR)	1

ITEM	NUMBER	DESCRIPTION	QTY
1A	902021	SPOKE GUARDS 24" BLK (PR)	1

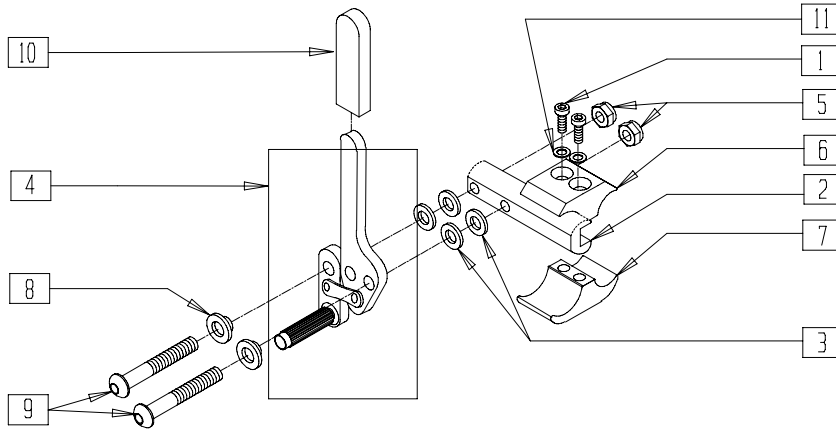
Wheel Locks

IN THIS SECTION

High Wheel Lock (Push-to-lock) (Quickie P110/P300/V100[P100]Z500[Zippie P500])	14.1	Wheel Lock (Push-to-lock) (Quickie P-222) (Disc.)	14.4
High Wheel Lock (Pull-to-lock) (Quickie P110/P300/V100[P100]/Z500[Zippie P500])	14.1	Wheel Lock (Quickie S-525)	14.5
Wheel Lock (Quickie P190/P300) (Disc.)	14.2	Wheel Lock (Quickie S-626)	14.5
High Wheel Lock (Push-to-lock) (Quickie P200/P320) (Manual Wheelchair Conversion Only)	14.2	Wheel Lock (Quickie S-646/S-646SE)	14.6
Wheel Lock (Push-to-lock) (Quickie P-220/P-222SE)	14.3	Wheel Lock (Quickie V-121[P120])	14.6
		Wheel Lock (Quickie V-521)	14.7
		High Wheel Lock Extension Handle (Quickie G-424/P110/P190/P200/P-220/P-222/P-222SE/P320/S-626/S-646/S-646SE/V100[P100]/V-121/V-521/Z500[Zippie P500])	14.7

HIGH WHEEL LOCK (PUSH-TO-LOCK) (QUICKIE P110/P300/V100[P100]/Z500[ZIPPIE P500])

(Fits P300 prior to serial number P3-10500)



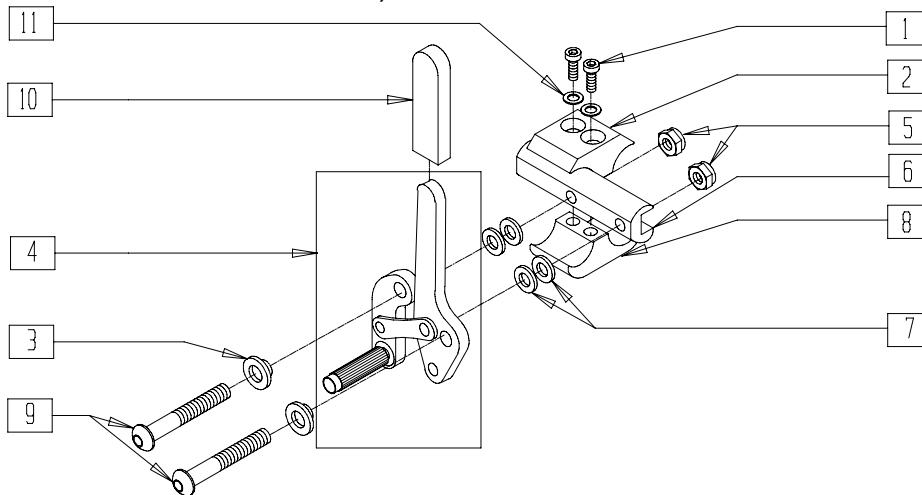
WL0X06A

ITEM	NUMBER	DESCRIPTION	QTY
1	226112	1/4-28 x 1 SOC C/S BLK	2
2	550265	WHL LOCK SLIDE BLOCK 3 1/2" CLR	1
3	561028	1/4" NYLON WASHER	4
4,10	880530, 880532	WHL LOCK ARM ASSM PUSH W/GRIP AND PLASTIC COVER (EA)	
5	201120	1/4-28 AUTOMATION NUT	2
6	550259	CLAMP 1 1/4" RECESS HALF CLR	1
7	550258	CLAMP 1 1/4" THREADED CLR	1

ITEM	NUMBER	DESCRIPTION	QTY
8	560126	.250 ID .312 OD BUSHING PLST	2
9	226125	1/4-28 x 1 1/8 BH C/S	2
10	560500-QU	HB PLASTIC COVER	1
11	262114	1/4 WASHER HI COLLAR LOCK ZN	2
1-11	880570, 880571	WHEEL LOCK PUSH W/CLAMP (EA)	
	901550	WHL LOCK PUSH W/CLAMP CLEAR (PR)	

HIGH WHEEL LOCK (PULL-TO-LOCK) (QUICKIE P110/P300/V100[P100]/Z500[ZIPPIE P500])

(Fits P300 prior to serial number P3-10500)



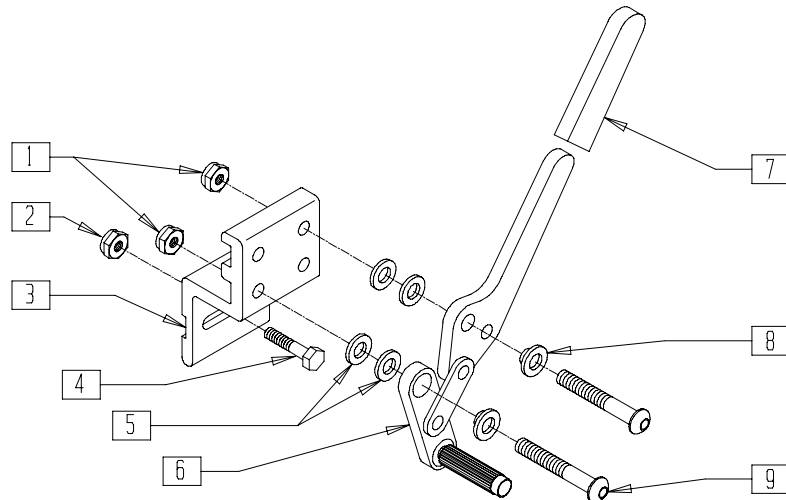
WL0X07A

ITEM	NUMBER	DESCRIPTION	QTY
1	226112	1/4-28 x 1 SOC C/S BLK	2
2	550259	CLAMP 1 1/4" RECESS HALF CLR	1
3	560126	.250 ID .312 OD BUSHING PLST	2
4,10	880534, 880536	WHEEL LOCK ARM ASSM PULL W/GRIP AND PLASTIC COVER (EA)	
5	201120	1/4-28 AUTOMATION NUT	2
6	550265	WHL LOCK SLIDE BLOCK 3 1/2" CLR	1
7	561028	1/4" NYLON WASHER	4
8	550258	CLAMP 1 1/4" THREADED CLR	1

ITEM	NUMBER	DESCRIPTION	QTY
9	226125	1/4-28 x 1 1/8 BH C/S	2
10	560500-QU	HB PLASTIC COVER	1
11	262114	1/4 WASHER HI COLLAR LOCK ZN	2
4-11	880566, 880567	WHL LOCK PULL NO CLAMP (EA)	
1-11	880576, 880577	WHEEL LOCK PULL W/CLAMP (EA)	
	901554	WHL LOCK PULL W/CLAMP (PR)	

WHEEL LOCK (QUICKIE P190/P300)

(Discontinued 6/30/00 - parts only) (Fits P300 beginning serial number P3-10500)



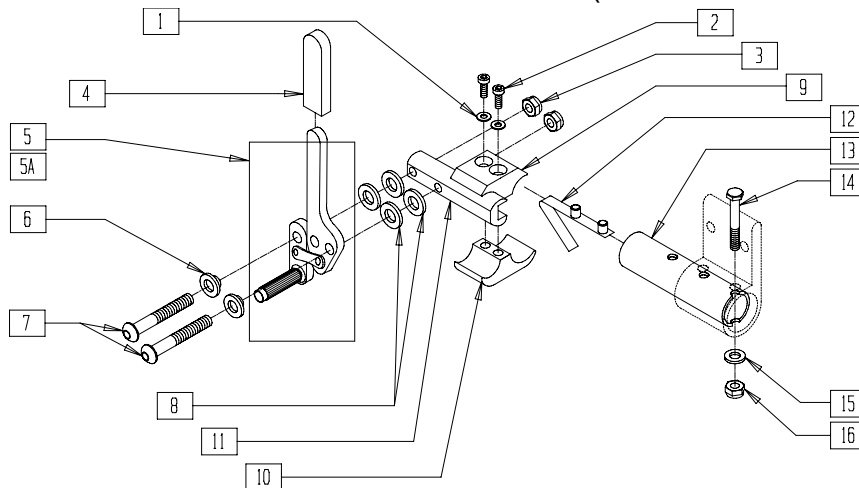
P190X09

ITEM	NUMBER	DESCRIPTION	QTY
1	201120	1/4-28 AUTOMATION NUT	2
2	201110-QU	1/4-28 NYLOCK NUT	1
3	550167	WHL LOCK MNTG BLOCK	1
4	221124-QU	1/4-28 x 1 1/4 G8 HEX C/S	1
5	561028	1/4" NYLON WASHER	4
6,7	881768, 881769	WHL LCK ARM PSH ASSM SPEC BLK (EA)	

ITEM	NUMBER	DESCRIPTION	QTY
8	560126	.250 ID .312 OD BUSHING PLST	2
9	226125	1/4-28 x 1 1/8 BH C/S	2
1-9	880850,	WHL LOCK PUSH W/BLOCK P190/P3	
	880851	(EA)	
	901569	WHL LOCK PUSH W/BLOCK P190/P3 (PR)	

HIGH WHEEL LOCK (PUSH-TO-LOCK) (QUICKIE P200/P320)

(Manual Wheelchair Conversion Only)

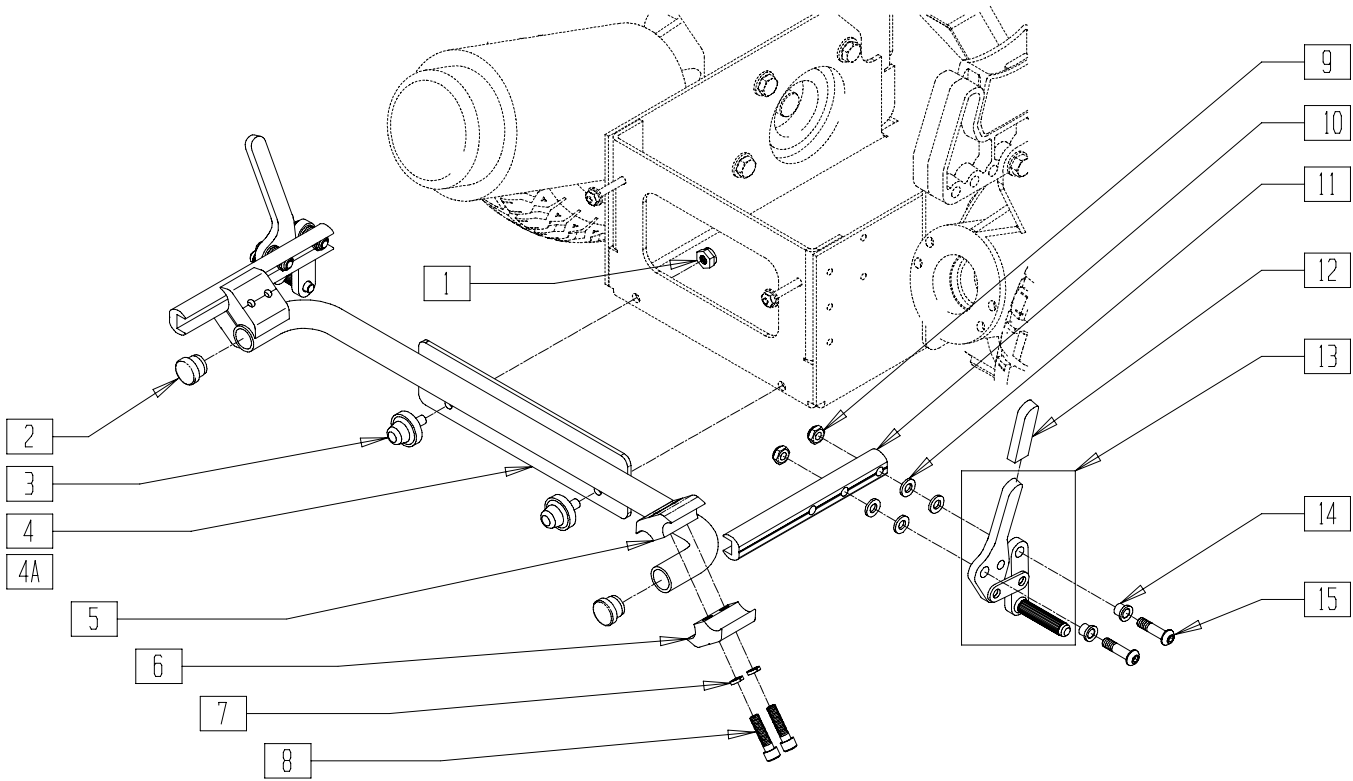


P200X35

ITEM	NUMBER	DESCRIPTION	QTY
1	262114	1/4 WASHER HI COLLAR LOCK ZN	2
2	226112	1/4-28 x 1 SOC C/S BLK	2
3	201120	1/4-28 AUTOMATION NUT	2
4	560500-QU	HB PLASTIC COVER	1
4.5	880530	WHL LCK ARM ASSM R PUSH W/GRIP	
4.5A	880532	WHL LCK ARM ASSM L PUSH W/GRIP	
6	560126	.250 ID .312 OD BUSHING PLST	2
7	226125	1/4-28 x 1 1/8 BH C/S	2
8	561028	1/4" NYLON WASHER	4
9	550259	CLAMP 1 1/4" RECESS HALF CLR	1
10	550258	CLAMP 1 1/4" THREADED CLR	1

ITEM	NUMBER	DESCRIPTION	QTY
11	550265	WHEEL LOCK SLIDE BLOCK 3 1/2" CLR	1
12	301109	SNAP BUTTON DUAL ONE SIDE	1
13	521569	BRAKE MOUNT TUBE P2	1
14	221151-QU	1/4-28 x 1 3/4 G8 HEX C/S	1
15	262110-QU	1/4 AN WASHER FLAT THIN	1
16	201110-QU	1/4-28 NYLOCK NUT	1
12-16	880544	BRAKE MOUNT TUBE W/HDWR	
1-11	880570,	WHEEL LOCK PUSH W/CLAMP (EA)	
	880571		
	901550	WHEEL LOCK PUSH W/CLAMP CLR (PR)	

WHEEL LOCK (PUSH-TO-LOCK) (QUICKIE P-220/P-222 SE)



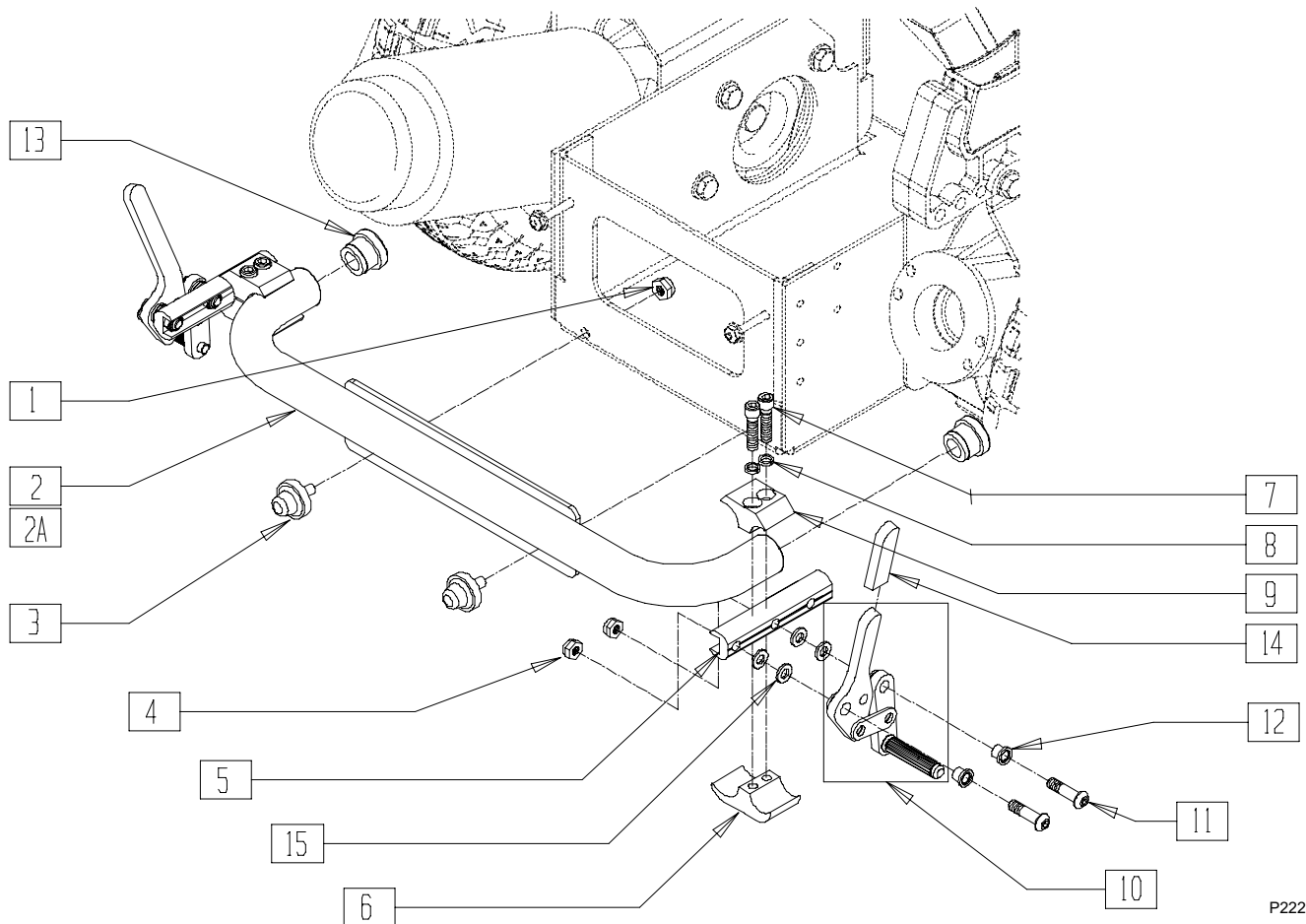
P220X19A

ITEM	NUMBER	DESCRIPTION	QTY
1	201136	1/4-20 NYLOCK NUT HIGH	2
2	561000-QU	3/4" INSERT PLUG .083	2
3	560707	TAPERED BUMPER 1/4-20 x 1/2	2
4	545557	WHLLOCK MOUNT WLDMNT STD P220	1
4A	545558	WHLLOCK MOUNT WLDMNT WIDE P220	1
5	550725	CLAMP 3/4"-3/4"THR D HALF ST/DT	2
6	550724	CLAMP 3/4"-3/4"TOP HALF ST/DT	2
7	262114	1/4 WASHER HI COLLAR LOCK ZN	4
8	226112	1/4-28 x 1 SOC C/S BLK	4
9	201120	1/4-28 AUTOMATION NUT	2
10	550623	WHL LCK SLIDE BLOCK MED BLK	1

ITEM	NUMBER	DESCRIPTION	QTY
11	561028	1/4" NYLON WASHER	4
12	560500-QU	HB PLASTIC COVER	1
12,13	880732, 880735	WHL LCK ARM ASSM W/GRIP BLK (EA)	1
14	560126	.250 ID .312 OD BUSHING PLST	2
15	226125	1/4-28 x 1 1/8 BH C/S	2
5-8	880588	WHL LCK CLAMP ASSM BLK ST/DT (EA)	
9-15	881960, 881961	WHL LCK PUSH LG RVS W/O CLMP (EA)	
2,4-15	881250	WHL LCK PSH ASSM STD W/CLMP (PR)	
2,4A,5-15	881251	WHL LCK PSH ASSM WIDE W/CLMP (PR)	

WHEEL LOCK (PUSH-TO LOCK) (QUICKIE P-222)

(Discontinued 8/15/02 - parts only)

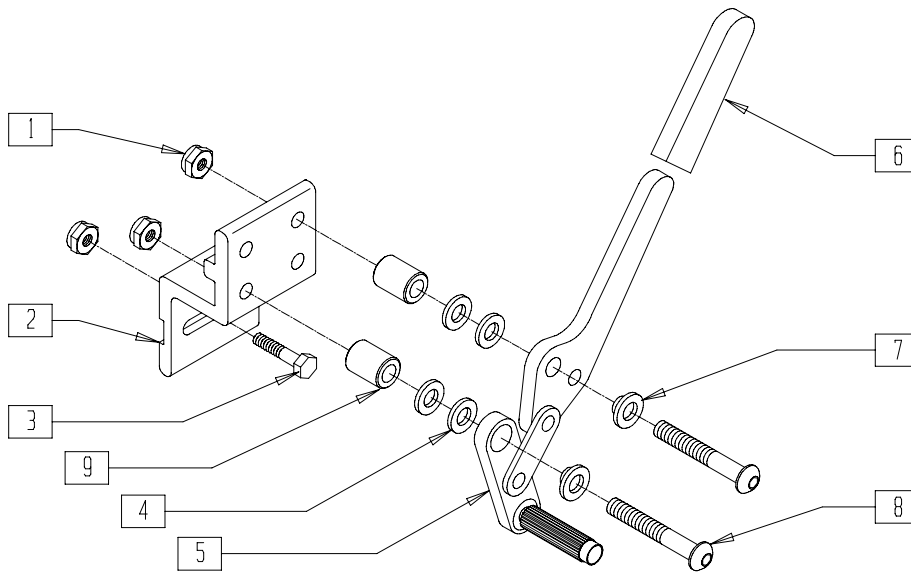


P2220X15

ITEM	NUMBER	DESCRIPTION	QTY
1	201105	1/4-20 NYLOCK NUT THIN	2
2	545555	WHEEL LOCK MOUNT WELDMENT STD	1
2A	545556	WHEEL LOCK MOUNT WELDMENT WIDE	1
3	560707	TAPERED BUMPER 1/4-20 x 1/2	2
4	201120	1/4-28 AUTOMATION NUT	4
5	550374	WHEEL LOCK SLIDE BLOCK 3 1/2 BLK	2
6	550725	CLAMP 3/4"-3/4" THRD HALF ST/DT	2
7	226112	1/4-28 x 1 SOC C/S BLK	4
8	262114	1/4 WASHER HI COLLAR LOCK ZN	4
9	550724	CLAMP 3/4"-3/4" TOP HALF ST/DT	2
10,14	880732, 880735	WHEEL LOCK ARM ASSEMBLY W/GRIP BLK (EA)	

ITEM	NUMBER	DESCRIPTION	QTY
11	226125	1/4-28 x 1 1/8 BH C/S	4
12	560126	.250 ID .312 OD BUSHING PLASTIC	4
13	561000-QU	3/4" INSERT PLUG .083	2
14	560500-QU	HB PLASTIC COVER	2
15	561028	1/4" NYLON WASHER	8
2,4-15	881138	WHEEL LOCK PUSH ASSM STD W/CLAMP	
2A,4-15	881139	WHEEL LOCK PUSH ASSM WIDE W/CLAMP	
4,5,10-12, 14,15	883010, 883011	WHEEL LOCK ASSEMBLY PUSH W/O CLAMP BLK (EA)	

WHEEL LOCK (QUICKIE S-525)



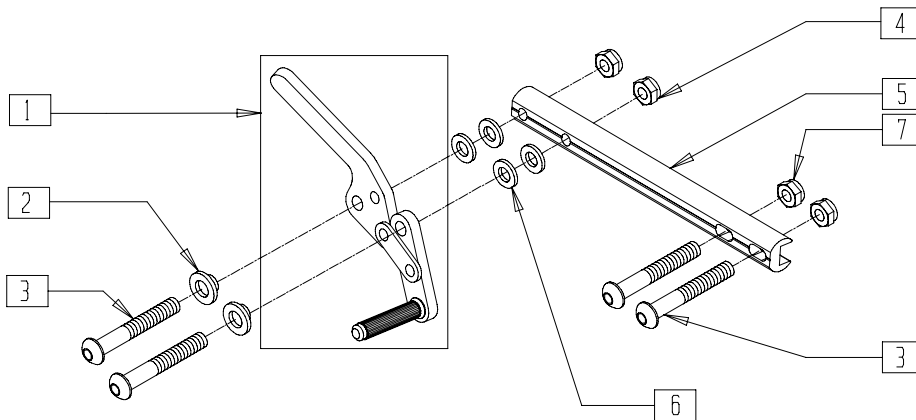
S525X11A

ITEM	NUMBER	DESCRIPTION	QTY
1	202300	1/4-28 NYLOCK NUT THIN BLK ZN	3
2	550166	WHEEL LOCK MOUNT S525	1
3	226222	1/4-28 x 1 1/2" G8 HEX C/S BLK	1
4	561028	1/4 NYLON WASHER	4
5,6	881768, 881769	WHLLCK ARM PSH ASSM SPEC BLK (EA)	1
6	560500-QU	HB PLASTIC COVER	1
7	560126	.250 ID .312 OD BUSHING PLASTIC	2

ITEM	NUMBER	DESCRIPTION	QTY
8	226224	1/4-28 x 1 BH C/S BLK	2
	227130	1/4-28 x 1 1/2 BH C/S BLK ZN (1/2" SPACER)	
9	330031	SUSPENSION SPACER 1/2" P3	2
1-8	881920, 881921	WHEEL LOCK ASSM W/MOUNT (EA)	
	921315	WHEEL LOCK ASSM W/MOUNT (PR)	
1-9	881922, 881923	WHEEL LOCK ASSM W/MNT 1/2 SP (EA)	
	921316	WHEEL LOCK ASSM W/MOUNT 1/2 SP	

WHEEL LOCK (QUICKIE S-626)

(Quickie S-626 transitioned into the Quickie S-646 beginning 7/26/02)

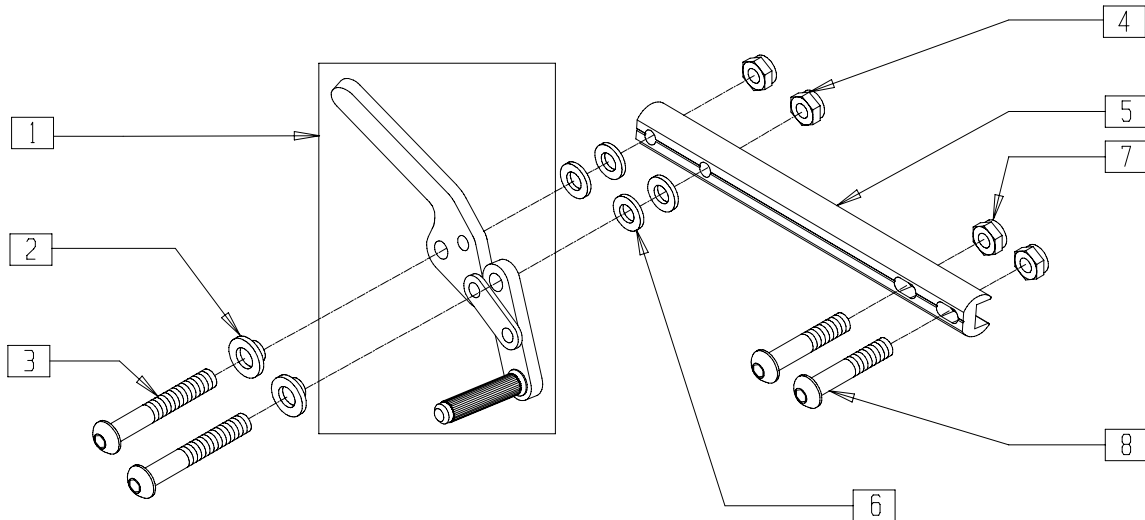


S626X27A

ITEM	NUMBER	DESCRIPTION	QTY
1	880732, 880735	WHEEL LOCK ARM ASSEMBLY W/GRIP BLK (EA)	1
2	560126	.250 ID .312 OD BUSHING PLST	2
3	226224	1/4-28 x 1" BH C/S BLK	4
4	202300	1/4-28 NYLOCK NUT THIN BLK ZN	2
5	483277	WHEEL LOCK MOUNT BAR	1

ITEM	NUMBER	DESCRIPTION	QTY
6	561028	1/4" NYLON WASHER	4
7	204110	1/4-28 NYLOCK NUT BLK ZN	2
1-7	883045, 883046	WHEEL LOCK PUSH ASSEMBLY S626 (EA)	
	901579	WHEEL LOCK PUSH ASSEMBLY S626 (PR)	

WHEEL LOCK (QUICKIE S-646/S-646 SE)

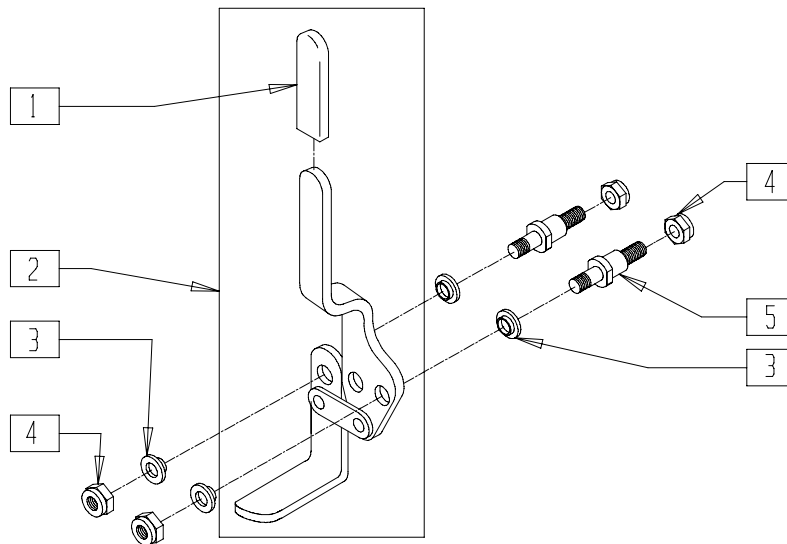


S646X03A

ITEM	NUMBER	DESCRIPTION	QTY
1	880732, 880735	WHEEL LOCK ARM ASSEMBLY W/GRIP BLK (EA)	1
2	560126	.250 ID .312 OD BUSHING PLST	2
3	226224	1/4-28 x 1" BH C/S BLK	2
4	202300	1/4-28 NYLOCK NUT THIN BLK ZN	2
5	483182	WHEEL LOCK MOUNT BAR	1

ITEM	NUMBER	DESCRIPTION	QTY
6	561028	1/4" NYLON WASHER	4
7	204110	1/4-28 NYLOCK NUT BLK ZN	2
8	226064	1/4-28 x 3/4 BH C/S BLK W/PTCH	2
1-8	885970	WHEEL LOCK S646 RH	
	885971	WHEEL LOCK S646 LH	
	901586	WHEEL LOCK PUSH ASSM (PR)	

WHEEL LOCK (QUICKIE V-121[P120])

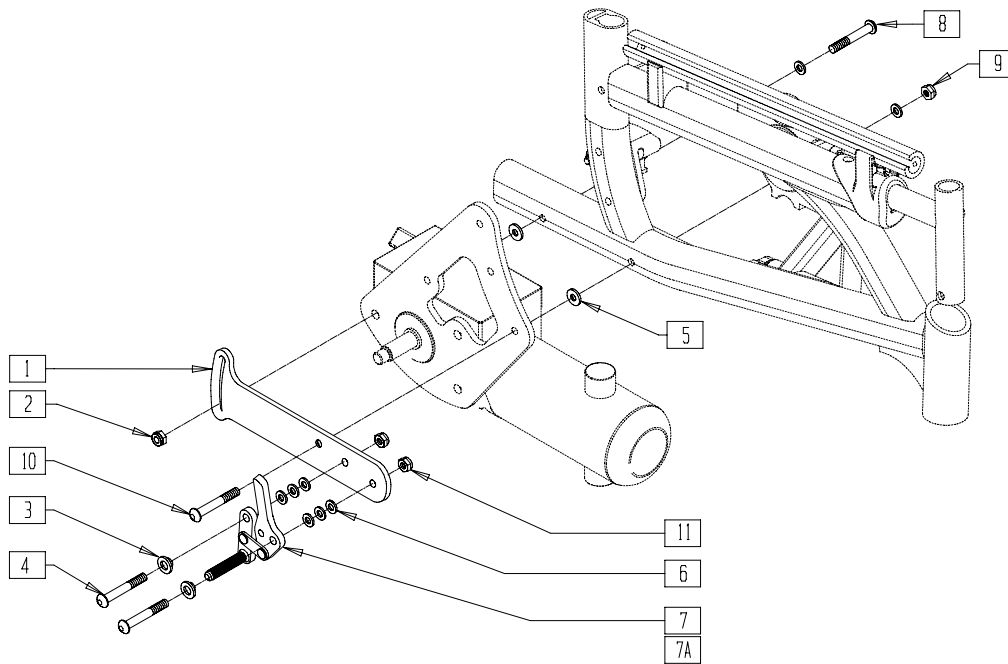


P9000X25

ITEM	NUMBER	DESCRIPTION	QTY
1	560507	WHL LCK PLST COVER BR	1
2	880736, 880737	WHL LCK ARM ASSM PUSH W/GRIP BR (EA)	1
3	262115	1/4" NYLON FLANGE BUSHING	4

ITEM	NUMBER	DESCRIPTION	QTY
4	201120	1/4-28 AUTOMATION NUT	4
5	481094	WHEEL LOCK STUD SHORT BREEZY	2
1-5	880856, 880857	WHEEL LOCK ASSM P120 (EA)	

WHEEL LOCK (QUICKIE V-521)

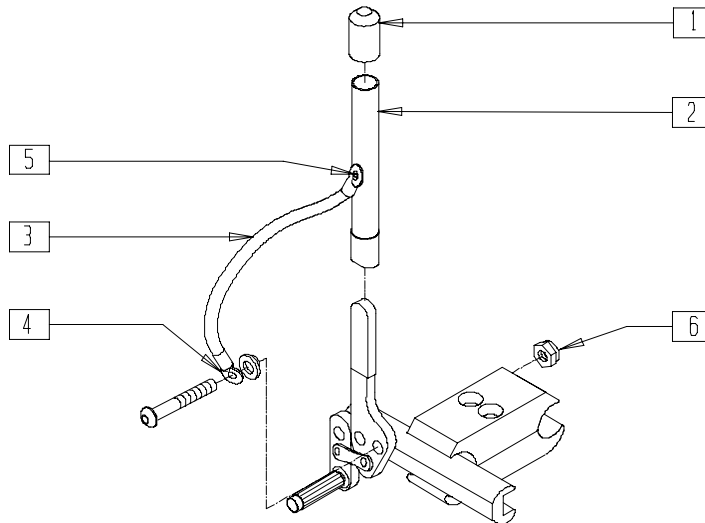


V5210X05

ITEM	NUMBER	DESCRIPTION	QTY
1	500879	BRKT WHEEL LOCK R V521	1
	500889	BRKT WHEEL LOCK L V521	
2	202300	1/4-28 NYLOCK NUT THIN BLK ZN	4
3	560126	.250 ID .312 OD BUSHING PLST	2
4	226110	1/4-28 x 1 BH C/S	2
5	561016	1" WASHER 5/16" HOLE	1
6	561028	1/4" NYLON WASHER	4
7	880732	WHL LCK ARM ASSM R W/GRIP BLK	1
	880735	WHL LCK ARM ASSM L W/GRIP BLK	

ITEM	NUMBER	DESCRIPTION	QTY
8	226150	1/4-28 x 2 BH C/S	1
9	262110-QU	1/4 AN WASHER FLAT THIN	1
10	226153	1/4-28 x 2 FH C/S BLK	1
11	202300	1/4-28 NYLOCK NUT THIN BLK ZN	2
1-11	881118	WHEEL LOCK ASSM R V521	
	881119	WHEEL LOCK ASSM L V521	
	881217	WHEEL LOCK ASSM R V521 TALL	
	881218	WHEEL LOCK ASSM L V521 TALL	

HIGH WHEEL LOCK EXTENSION HANDLE (QUICKIE G-424/P110/P190/P200/P-220/P-222/P-222 SE/P320/S-626/S-646/S-646 SE/V100[P100]/V-121/V-521/Z500[ZIPPIE P500])



PWL0X01A

ITEM	NUMBER	DESCRIPTION	QTY
1	560600	1-1/2" x .705 x .187 FOAM GRIP	1
3,4	880555	WHEEL LOCK EXT STRAP	
5	240104	RIVET POP SD44BSLF BLK	1
6	201100	1/4-28 NYLOCK NUT THIN	1

ITEM	NUMBER	DESCRIPTION	QTY
1-6	880696	WHEEL LOCK 6" EXT TUBE ASSEMBLY (EA)	
	920032	WHEEL LOCK 6" EXT TUBES (PR)	

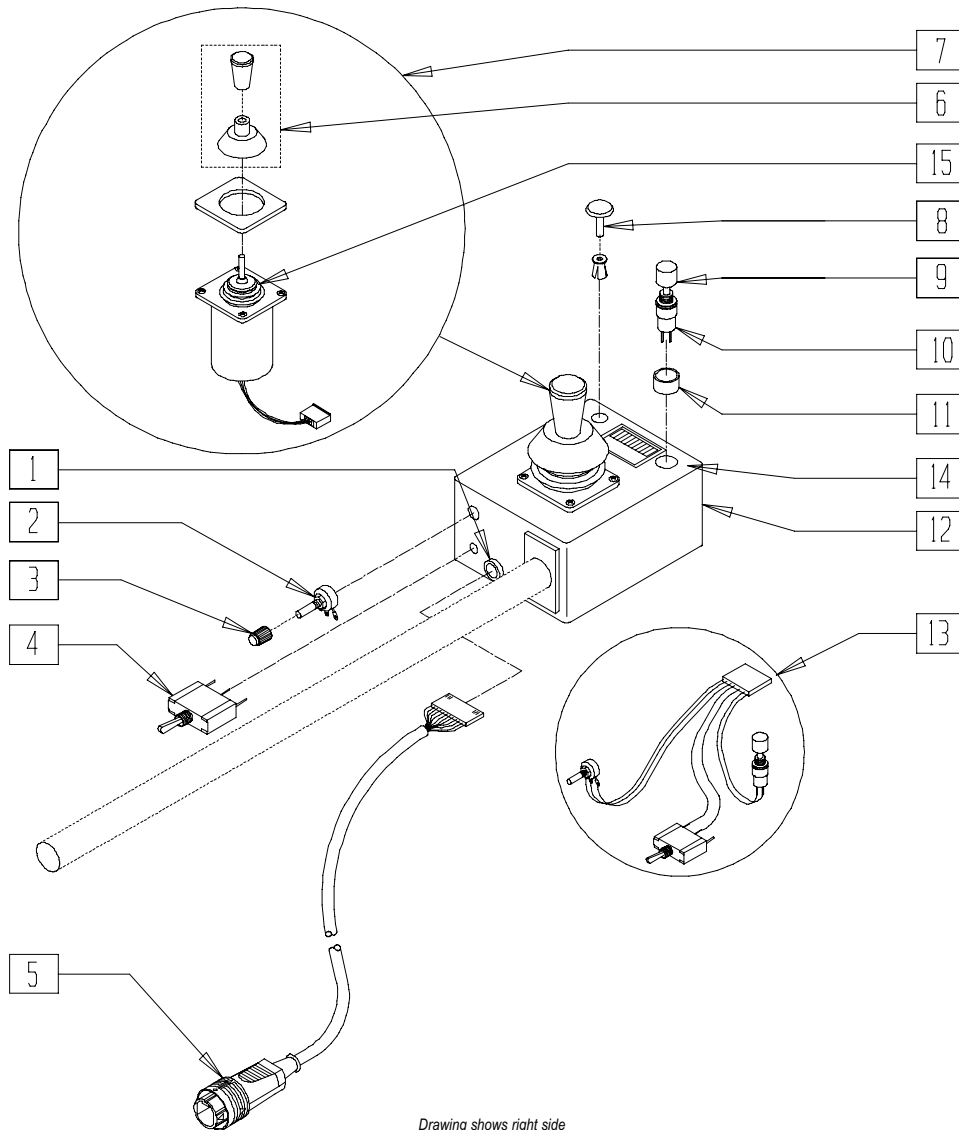
Controllers, Control Systems and Remotes

IN THIS SECTION

Remote Control Unit (Quickie P100/P110/P190/P200/P210/P300/P320) (Disc.)... 15.1	Main Control System (Quickie P210) (Disc.)..... 15.18
Remote Control Unit (Quickie P100/P110/P300) (P190/P200/P210/P320 [Disc.])..... 15.2	Main Control System (Quickie P-220/P-222SE)... 15.18
Swing-away Remote Control Unit (Quickie P100/P110/P300) (P190/P200/P210/P320, Zippie P500 [Disc.]) 15.2	Main Control System (Quickie P-222) (Disc.)..... 15.19
Heavy Duty Remote Control (Quickie P100/P110/P300) (P190/P200/P210/P320 [Disc.]) 15.3	Remote Controller System (Quickie Freestyle) 15.19
Remote Control Unit (Zippie P500) (Disc.)..... 15.4	Controller/Plate Assembly (20" Drive Wheel) (Quickie P300) (Disc.)..... 15.20
Remote Control Unit (Zippie P500) (Disc.)..... 15.5	Main Control System (10" Drive Wheel) (Quickie P300) (Disc.)..... 15.21
Swing-away Retractable Joystick Hardware (Quickie P100/P110/P190/P200/P210/P300/P320, Zippie P500) (Disc.)..... 15.6	Main Control System (Quickie P300) (Disc.)..... 15.22
Swing-away Retractable Joystick Hardware (Quickie P100/P110/P300) (P190/P200/P210/P320, Zippie P500 [Disc.]) 15.6	Main Control System (Quickie P300) (For use with LaBac Tilt System) (Disc.) 15.23
Swing-away Retractable Joystick Hardware (Qtronix Remote) 15.7	Main Control System (Quickie P300) (For use with LaBac Recline System) (Disc.)..... 15.24
Swing-away Retractable Joystick Hardware (Integral Controller)..... 15.7	Main Control System (Zippie P500) (Disc.) 15.25
Swing-away Retractable Joystick Hardware (VSI Integral) (Quickie G-424/P-220/S-525/V100/V-121/V-521) 15.8	Main Control System (Quickie Z500[Zippie P500]) (Qtronix)..... 15.25
Swing-away Retractable Joystick Hardware (VSI Integral) (Quickie Freestyle) 15.9	Integral Control System (Quickie G-424) (Disc.).. 15.26
Swing-away Retractable Joystick Hardware (Qtronix) (Quickie Freestyle)..... 15.9	Integral Control System (Quickie P100/P110) (Disc.) 15.26
Qtronix Remote Joystick Control System (Quickie G-424) 15.10	Integral Control System (Quickie P100) (Disc.).... 15.27
Qtronix Remote Joystick Control System (Quickie P200/P210/P-220/P-222/P-222SE/P320/S-525/S-626/S-646/S-646SE/Z500) 15.11	Integral Control System (Quickie V100[P100]) (Disc.) 15.28
Qtronix Remote Joystick Control System (Quickie Freestyle)..... 15.12	Interconnect Box Reference Guide 15.28
Qtronix Remote Joystick..... 15.13	Integral Control System (Quickie P110/P110 Pediatric) (Disc.)..... 15.29
Main Control System (Quickie P100/P110/P190, Zippie P500) (Disc.) 15.14	Integral Control System (Quickie P110/P110 Pediatric) (Disc.)..... 15.30
Main Control System (Quickie V100[P100])..... 15.14	Interconnect Box Reference Guide 15.30
Main Control System (Quickie P110) (Disc.) 15.15	Integral Control System (Quickie S-525) (Disc.) .. 15.31
Main Control System (Quickie P110 Pediatric) (Disc.) 15.16	Integral Control System (Quickie V-121[P120]) (Disc.) 15.32
Main Control System (Quickie P190) (Disc.)..... 15.17	Integral Control System (Quickie V-521) (Disc.)... 15.33
Main Control System (Quickie P200/P320) (Disc.) 15.17	VSI Integral Joystick Control System (Quickie G-424) 15.34
	VSI Integral Joystick Control System (Quickie P-220)..... 15.35
	VSI Integral Joystick Control System (Quickie S-525)..... 15.36
	VSI Integral Joystick Control System (Quickie V100/V-121/V-521) 15.37
	VSI Controller with Swing-Away Mount (Quickie Freestyle)..... 15.38
	VSI Controller (Quickie Freestyle) 15.38
	Controller Mounts (Quickie Freestyle) 15.39

REMOTE CONTROL UNIT (QUICKIE P100/P110/P190/P200/P210/P300/P320)

(Discontinued 12/98 - parts only)



Drawing shows right side

P100X31A

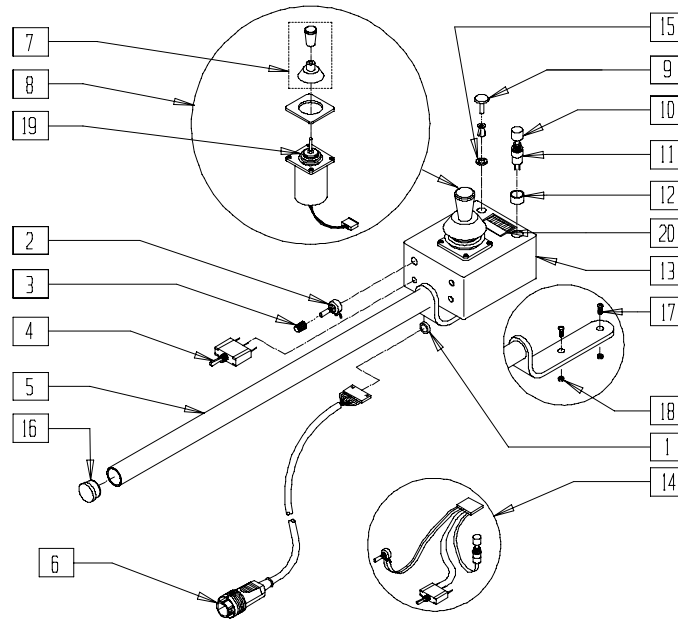
ITEM	NUMBER	DESCRIPTION	QTY
1	138015	BSHNG STRAIN RELIEF 1184 RMT	1
2	130504	POTENTIOMETER 10K 1/4W CARBON	1
3	138164	KNOB AND POINTER ROTARY	1
4	133805	SWITCH TOGGLE SPDT CK7101P3YZQ	1
5	139210	CABLE QUICKIE REMOTE	1
6	138154	KNOB & PROTECTOR D10AB JOYSTICK	1
7	139501	JOYSTICK ASSM W/PLUG P & G	1

ITEM	NUMBER	DESCRIPTION	QTY
8	138026	PLUG W/CLIP BLK SR 6060B	1
9	560202	HORN SWITCH BUTTON	1
10	133816	SWITCH REMOTE HORN SPST1A 125V	1
11	138521	SWITCH GUARD M7 x .75	1
12	138699	CASE & LID W/DECAL REMOTE	1
13	139230	SWITCH HARNESS QUICKIE REMOTE	1
14	150044	DECAL REMOTE TOP OVERLAY	1
15	560712	GAITER BLACK RUBBER (D10AB)	1

NOTE: FOR REPLACEMENT ARM AND BOX ASSEMBLY, SEE PAGE 15.2.

REMOTE CONTROL UNIT (QUICKIE P100/P110/P300) (P190/P200/P210/P320)

(Quickie P190/P200/P210/P320 discontinued 5/5/99 - parts only)



Drawing shows right side

P100X31

ITEM	NUMBER	DESCRIPTION	QTY
1	138015	BSHNG STRAIN RELIEF 1184 RMT	1
2	130504	POTENTIOMETER 10K 1/4W CARBON	1
3	138164	KNOB AND POINTER ROTARY	1
4	133805	SWITCH TOGGLE SPDT CK7101P3YZQ	1
5	540215	RIGID MOUNT REMOTE	1
6	139210	CABLE QUICKIE REMOTE	1
7	138154	KNOB AND PROTECTOR D10AB JOYSTICK	1
8	139501	JOYSTICK ASSM W/PLUG P & G	1
9	138026	PLUG W/CLIP BLK SR 6060B	5
10	560202	HORN SWITCH BUTTON	1
11	133816	SWITCH REMOTE HORN SPST1A 125V	1
12	138521	SWITCH GUARD M7 x .75	1

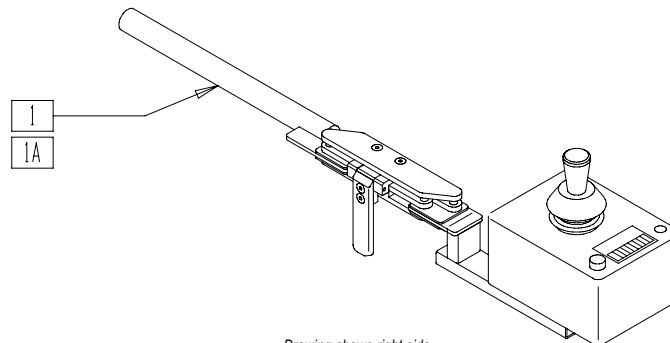
ITEM	NUMBER	DESCRIPTION	QTY
13	138699	CASE AND LID W/DECAL REMOTE	1
14	139230	SWITCH HARNESS QUICKIE REMOTE	1
15	562040	FIBER WASHER	5
16	560761	3/4" INSERT PLUG .049 (18GA)	1
17	226090	1/4-28 x 5/8 BH C/S	2
18	201110-QU	1/4-28 NYLOCK NUT	2
19	560712	GAITER BLACK RUBBER (D10AB)	1
20	150044	DECAL REMOTE TOP OVERLAY	1
5,13,16,17,18	900780*	REMOTE ARM AND BOX ASSEMBLY	
1-20	920230, 920231	REMOTE BOX W/ARM (EA)	

* FOR REPLACEMENT ARM AND BOX ASSEMBLY ORDER 900780.

SWING-AWAY REMOTE CONTROL UNIT (QUICKIE P100/P110/P300)

(P190/P200/P210/P320, ZIPPIE P500)

(Quickie P190/P200/P210/P320, Zippie P500 discontinued 5/5/99 - parts only)



Drawing shows right side

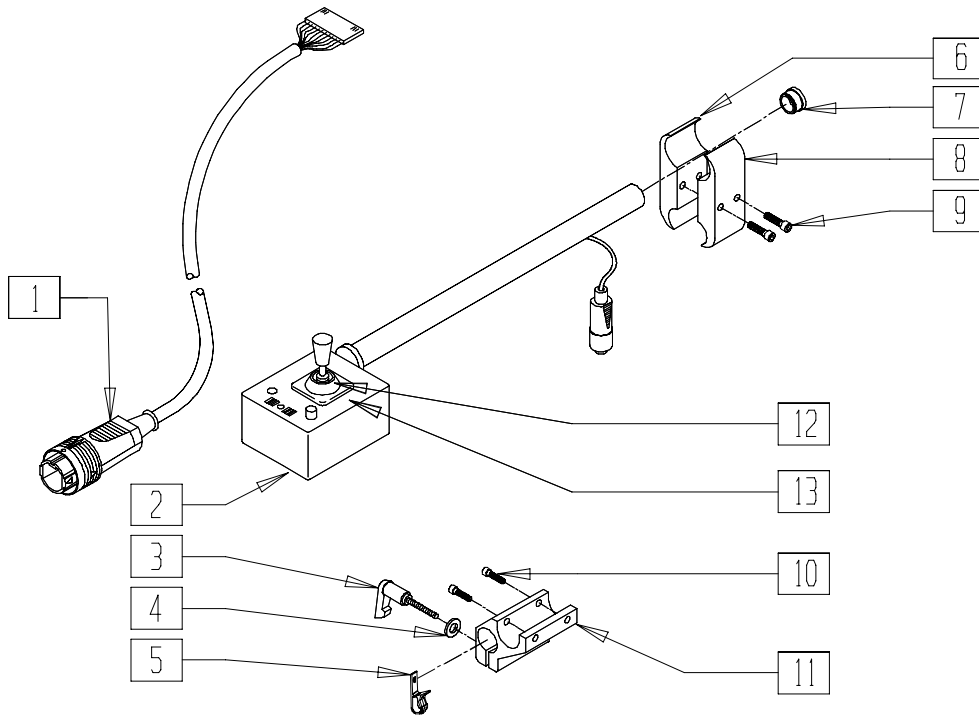
P100X49

ITEM	NUMBER	DESCRIPTION	QTY
1	920232, 920233	REMOTE BOX W/ S/A ARM (EA)	1
	920237, 920238	REMOTE BOX S (EA) (WITHOUT ARM)	

ITEM	NUMBER	DESCRIPTION	QTY
1A	920258, 920259	REMOTE BOX HD S/A ARM (EA)	1
	920240, 920241	REMOTE BOX HD (EA) (WITHOUT ARM)	

HEAVY DUTY REMOTE CONTROL (QUICKIE P100/P110/P300) (P190/P200/P210/P320)

(Quickie P190/P200/P210/P320 discontinued 5/5/99 - parts only)



Drawing shows right side

PCNTR01B

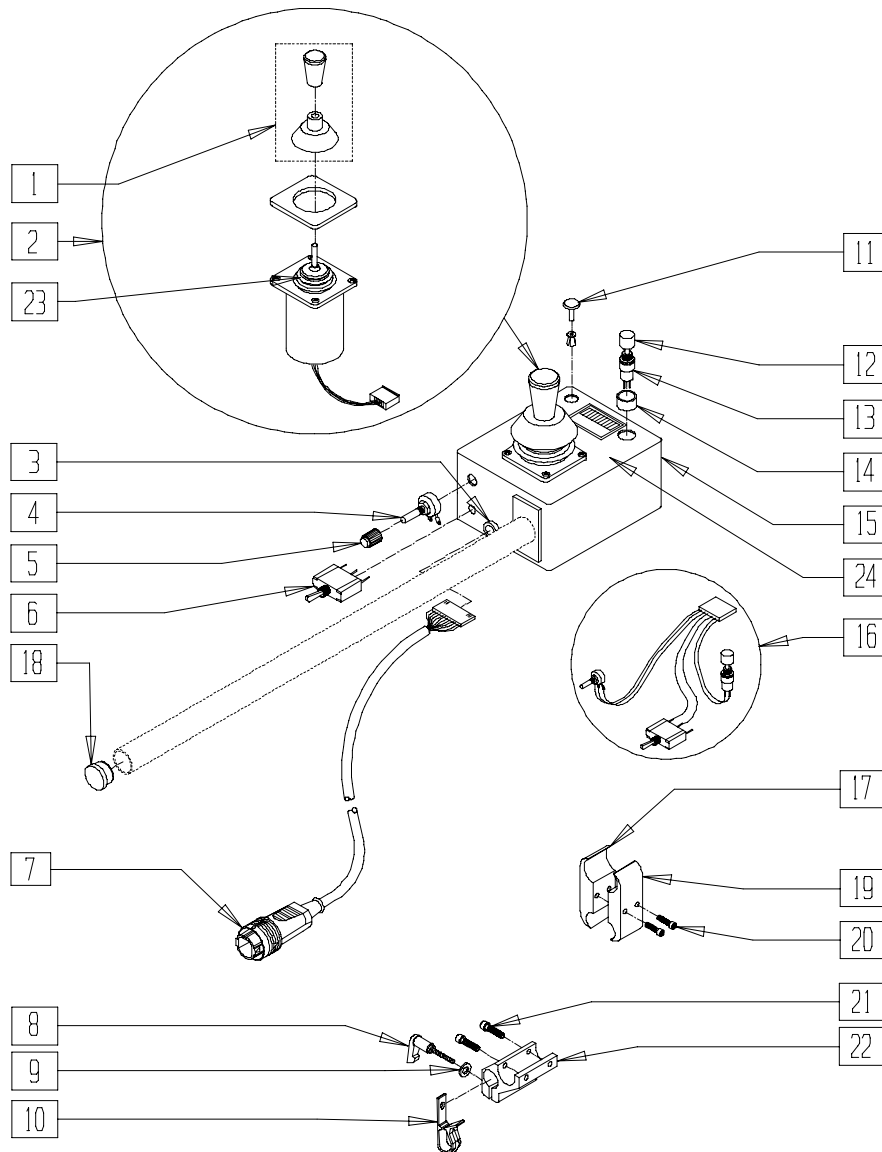
ITEM	NUMBER	DESCRIPTION	QTY
1	139210	CABLE QUICKIE REMOTE	1
2	920256, 920257	REMOTE BOX HD W/ARM (EA)	1
3	349024	HNDL 10-32 x 3/4 C/A P1/P3/P5	1
4	261204	#10 AN WASHER .063	1
5	560268	QUICK RELEASE CLIP	1
6	550276	CLAMP 2 1/4" THREADED CLR	1
7	560761	3/4" INSERT PLUG .049 (18GA)	1

ITEM	NUMBER	DESCRIPTION	QTY
8	550277	CLAMP 2 1/4" RECESS CLR	1
9	226112	1/4-28 x 1 SOC C/S BLK	2
10	226037	10-32 x 1 3/8 SOC C/S BLK	2
11	501750	CONTROL ARM CLAMP	1
12	560712	GAITER BLACK RUBBER (D10AB)	1
13	150044	DECAL REMOTE TOP OVERLAY	1
6,8,9	920331	P5 CONTROL ARM CLAMP ASSEMBLY	
3-5,10,11	920713	CONTROL ARM CLAMP ASSEMBLY	

NOTE: ITEMS 6, 8 AND 9 USED WITH ADJUSTABLE LOCKING FLIP-BACK ARM.

REMOTE CONTROL UNIT (ZIPPIE P500)

(Discontinued 12/98 - parts only)



Drawing shows right side

PCNTR02B

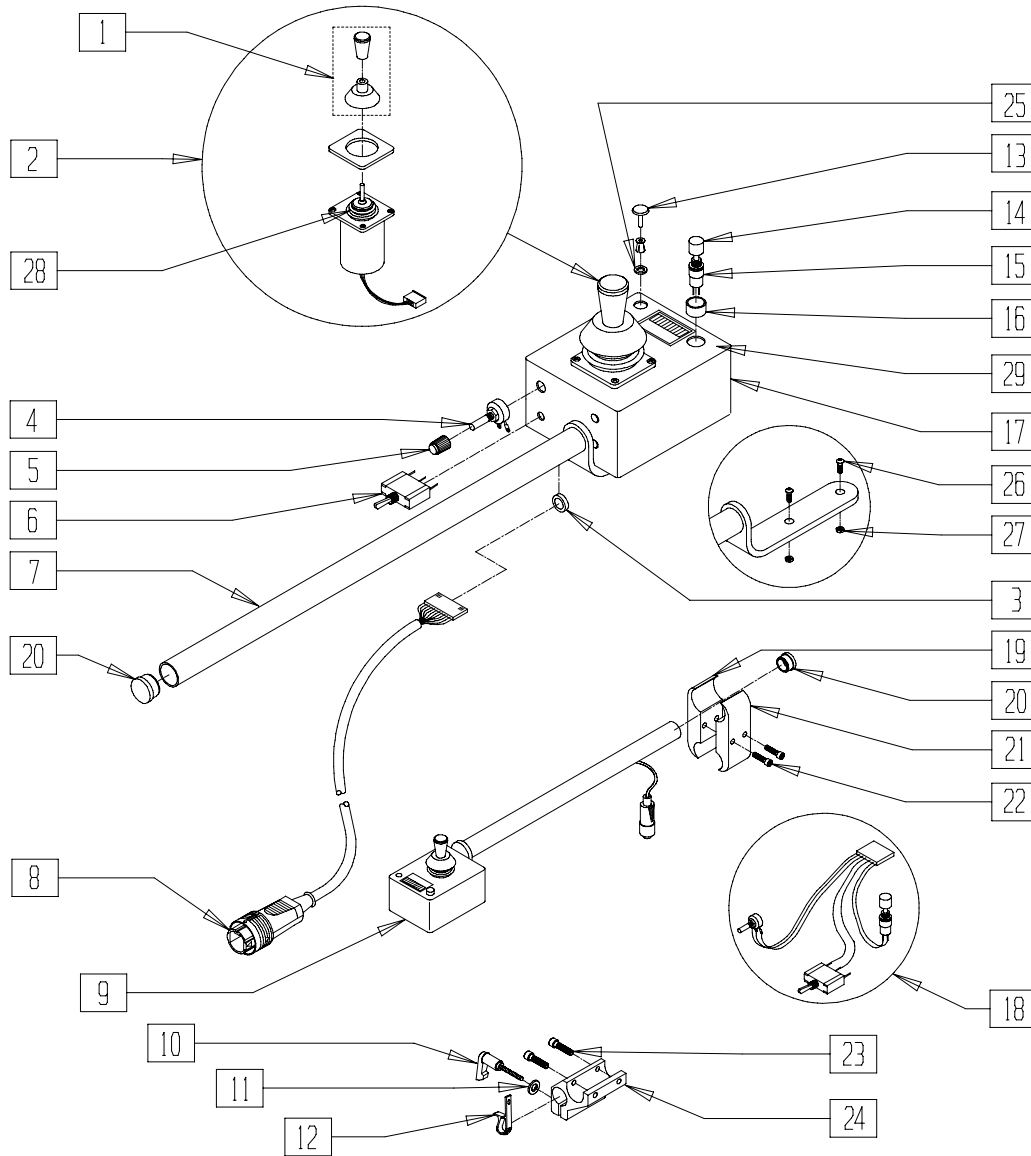
ITEM	NUMBER	DESCRIPTION	QTY
1	138154	KNOB AND PROTECTOR D10AB JOYSTICK	1
2	139501	JOYSTICK ASSEMBLY W/PLUG P & G	1
3	138015	BSHNG STRAIN RELIEF 1184 RMT	1
4	130504	POTENTIOMETER 10K 1/4W CARBON	1
5	138164	KNOB AND POINTER ROTARY	1
6	133805	SWITCH TOGGLE SPDT CK7101P3YZQ	1
7	139210	CABLE QUICKIE REMOTE	1
8	349024	HNDL 10-32 x 3/4 C/A P1/P3/P5	1
9	261204	#10 AN WASHER .063	1
10	560268	QUICK RELEASE CLIP	1
11	138026	PLUG W/CLIP BLK SR 6060B	1
12	560202	HORN SWITCH BUTTON	1
13	133816	SWITCH REMOTE HORN SPST1A 125V	1

ITEM	NUMBER	DESCRIPTION	QTY
14	138521	SWITCH GUARD M7 x .75	1
15	138699	CASE AND LID W/DECAL REMOTE	1
16	139230	SWITCH HARNESS QUICKIE REMOTE	1
17	550276	CLAMP 2 1/4" THREADED CLR	1
18	560761	3/4" INSERT PLUG .049 (18GA)	1
19	550277	CLAMP 2 1/4" RECESS CLR	1
20	226112	1/4-28 x 1 SOC C/S BLK	2
17,19,20	920331	P5 CONTROL ARM CLAMP ASSEMBLY	
21	226037	10-32 x 1 3/8 SOC C/S BLK	2
22	501750	CONTROL ARM CLAMP	1
23	560712	GAITER BLACK RUBBER (D10AB)	1
24	150044	DECAL REMOTE TOP OVERLAY	1
8-10,21,22	920713	CONTROL ARM CLAMP ASSEMBLY	

NOTE: ITEMS 17, 19 AND 20 USED WITH ADJUSTABLE LOCKING FLIP-BACK ARM.

REMOTE CONTROL UNIT (ZIPPPIE P500)

(Discontinued 5/5/99 - parts only)



Drawing shows right side

PCNTR03B

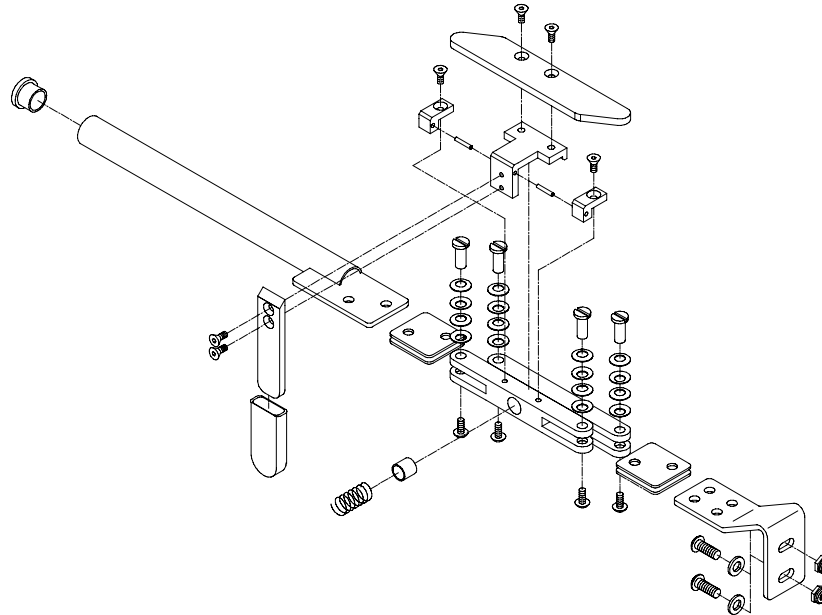
ITEM	NUMBER	DESCRIPTION	QTY
1	138154	KNOB AND PROTECTOR D10AB JOYSTICK	1
2	139501	JOYSTICK ASSEMBLY W/PLUG P & G	1
3	138015	BSHNG STRAIN RELIEF 1184 RMT	1
4	130504	POTENTIOMETER 10K 1/4W CARBON	1
5	138164	KNOB AND POINTER ROTARY	1
6	133805	SWITCH TOGGLE SPDT CK7101P3YZQ	1
7	540215	RIGID MOUNT REMOTE	1
8	139210	CABLE QUICKIE REMOTE	1
9,20	920230, 920231	REMOTE BOX W/ARM (EA)	
10	349024	HNDL 10-32 x 3/4 C/A P1/P3/P5	1
11	261204	#10 AN WASHER .063	1
12	560268	QUICK RELEASE CLIP	1
13	138026	PLUG W/CLIP BLK SR 6060B	5
14	560202	HORN SWITCH BUTTON	1
15	133816	SWITCH REMOTE HORN SPST1A 125V	1

ITEM	NUMBER	DESCRIPTION	QTY
16	138521	SWITCH GUARD M7 x .75	1
17	138699	CASE AND LID W/DECAL REMOTE	1
18	139230	SWITCH HARNESS QUICKIE REMOTE	1
19	550276	CLAMP 2 1/4" THREADED CLR	1
20	560761	3/4" INSERT PLUG .049 (18GA)	1
21	550277	CLAMP 2 1/4" RECESS CLR	1
22	226112	1/4-28 x 1 SOC C/S BLK	2
19,21,22	920331*	P5 CONTROL ARM CLAMP ASSEMBLY	
23	226037	10-32 x 1 3/8 SOC C/S BLK	2
24	501750	CONTROL ARM CLAMP	1
25	562040	FIBER WASHER	5
26	226090	1/4-28 x 5/8 BH C/S	2
27	201110-QU	1/4-28 NYLOCK NUT	2
28	560712	GAITER BLACK RUBBER (D10AB)	1
29	150044	DECAL REMOTE TOP OVERLAY	1
10-12, 23,24	920713	CONTROL ARM CLAMP ASSEMBLY	

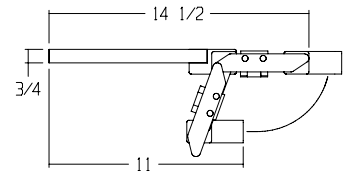
* ITEMS 19, 21 AND 22 USED WITH ADJUSTABLE LOCKING FLIP-BACK ARM.

**SWING-AWAY RETRACTABLE JOYSTICK HARDWARE
(QUICKIE P100/P110/P190/P200/P210/P300/P320, ZIPPIE P500)**

(Fits P300 beginning serial number P3-10500) (Discontinued 4/24/98 - parts not available)
(See page 15.7 for swing-away retractable arm assemblies)



MEASURING GUIDE



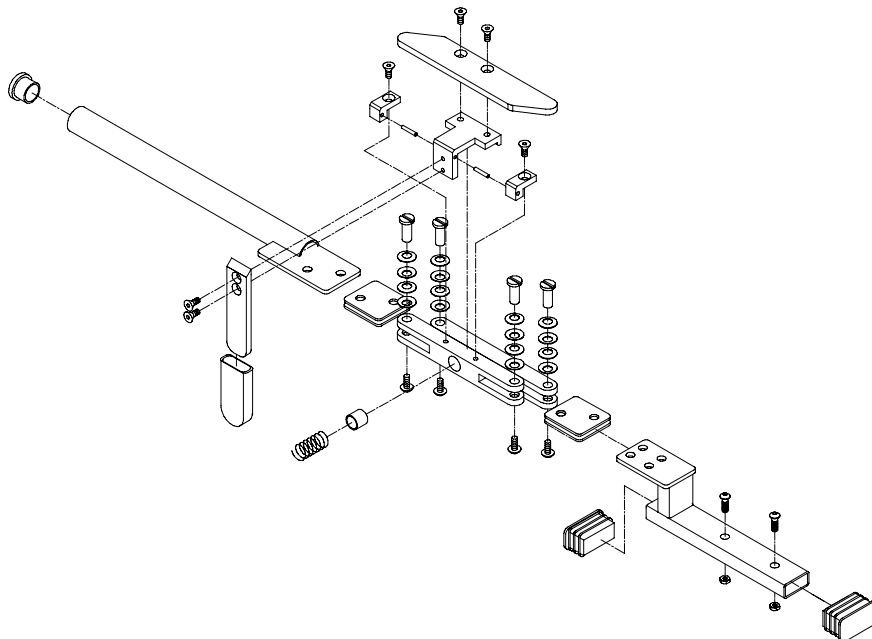
MGUIDE24

Drawing shows right side

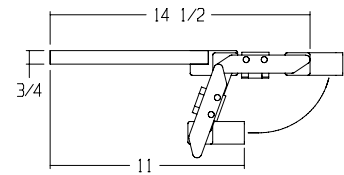
PCNTR05A

**SWING-AWAY RETRACTABLE JOYSTICK HARDWARE
(QUICKIE P100/P110/P300) (P190/P200/P210/P320, ZIPPIE P500)**

(Quickie P190/P200/P210/P320, Zippie P500 discontinued 5/5/99 - parts not available)
(See page 15.7 for swing-away retractable arm assemblies)

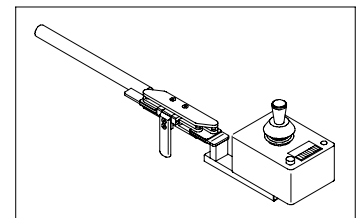


MEASURING GUIDE



MGUIDE24

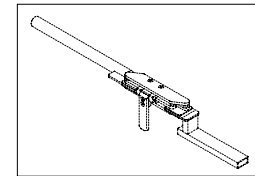
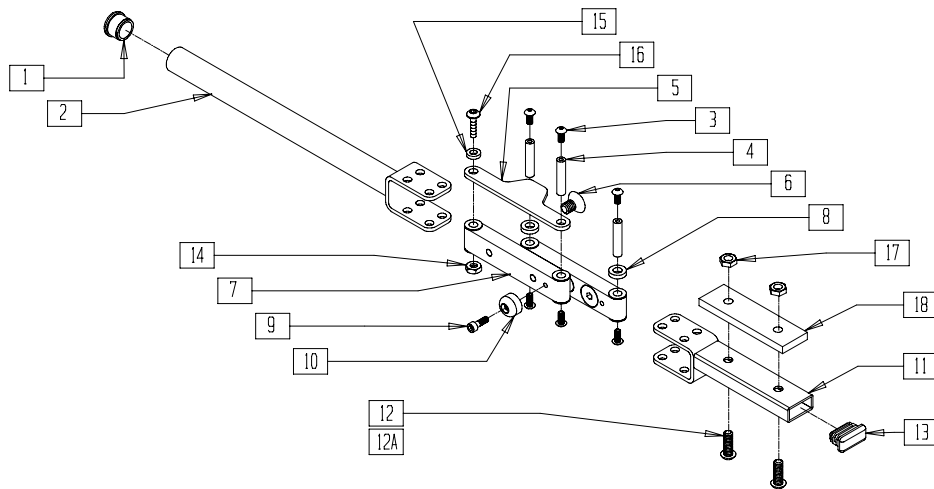
Drawing shows right side



PCNTR06A

SWING-AWAY RETRACTABLE JOYSTICK HARDWARE (QTRONIX REMOTE)

(Effective 6/13/01)



ASSEMBLIES 882264-882265
DISCONTINUED 6/15/01.
FOR REPLACEMENT, ORDER
ASSEMBLIES 882284-882285.

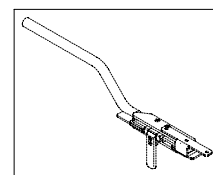
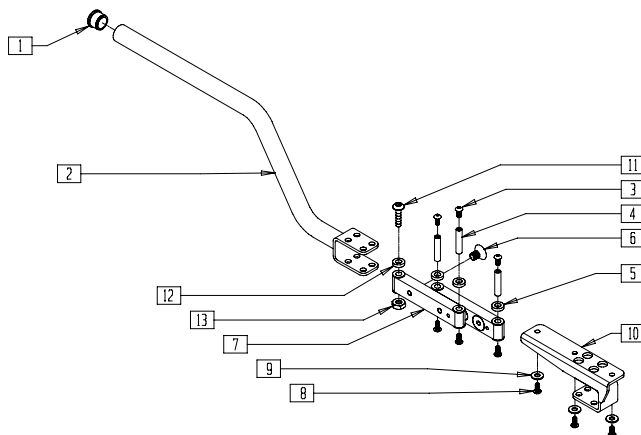
QTX00X41

ITEM	NUMBER	DESCRIPTION	QTY
1	560761	3/4" INSERT PLUG .049 (18GA)	1
2	542556	S/A REMOTE ARM WELDMNT	1
3	220113	8-32 x 1/4 BH C/S BLK W/PATCH	6
4	481605	S/A PIVOT TUBE	3
5	580506	S/A ANTI-PINCH PLATE	1
6	226312	5/16-18 x 1/2 FH CS BLK W/PTCH	4
7	885020	S/A LINK ROD ASSM	2
8	580505	S/A SPACER BUSHING	2
9	220120	8-32 x 1/2 SOC C/S P/LK BLK	1
10	340052	BUMPER S/A RUBBER	1
11	540253	S/A REMOTE BRACKET QTRONIX	1
12	226069-QU	1/4-20 x 1/2 BH C/S BLK	2

ITEM	NUMBER	DESCRIPTION	QTY
12A	226106	1/4-20 x 3/4 BH C/S BLK ZN	2
13	561377	1/2" x 1" RECT TUBING CAP	1
14	201100-QU	1/4-28 NYLOCK NUT THIN	1
15	262100-QU	1/4 AN WASHER FLAT	1
16	226130	1/4-28 x 1 1/2 BH C/S	1
17	201105	1/4-20 NYLOCK NUT THIN	2
18	505769	PT INDSTRS ADAPTER PLATE	1
1-16	882696, 882697	REMOTE S/A W/ARM MAG (EA)	
1-11,12A, 13-18	882276, 882277	REMOTE S/A W/ARM MAG PT IND (EA) (PG8 AND HEAVY DUTY REMOTES)	

SWING-AWAY RETRACTABLE JOYSTICK HARDWARE (INTEGRAL CONTROLLER)

(Effective 6/13/01)



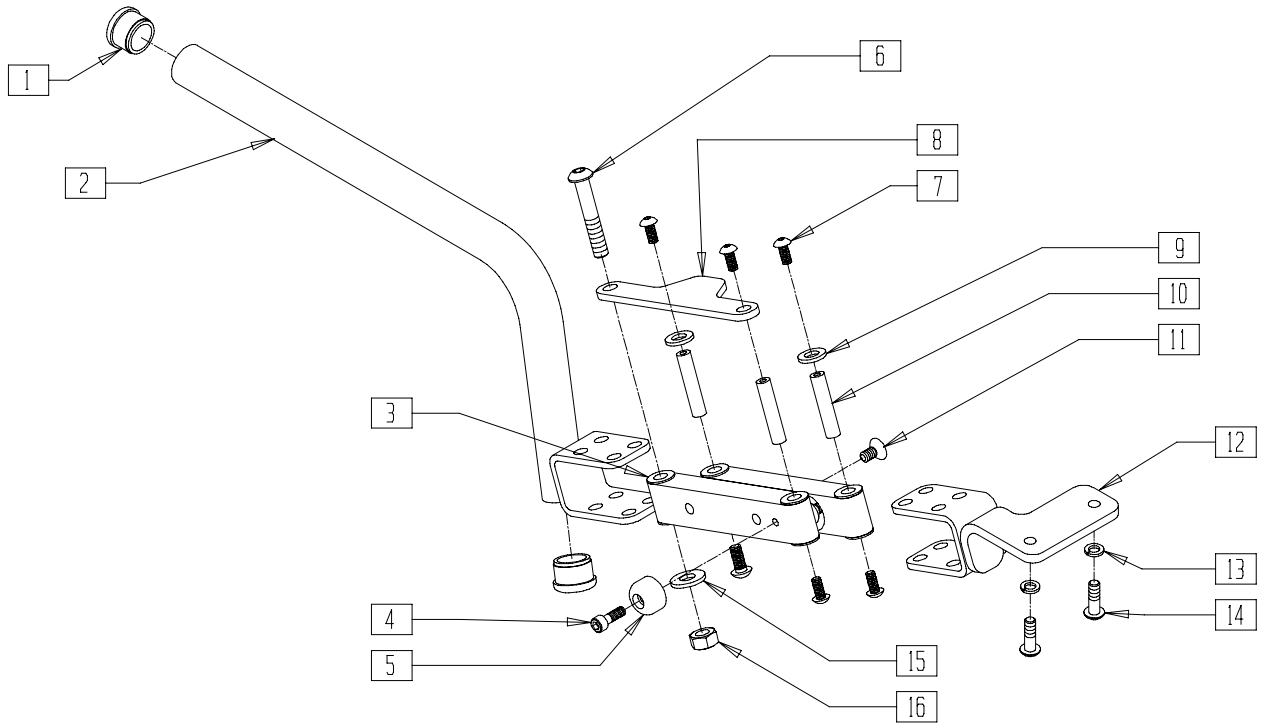
ASSEMBLIES 886982-886983
DISCONTINUED 6/15/01.
FOR REPLACEMENT, ORDER
ASSEMBLIES 882288-882289.

V121X12

ITEM	NUMBER	DESCRIPTION	QTY
1	560761	3/4" INSERT PLUG .049 (18GA)	1
2	542557, 542558	S/A REMOTE INTGRAL WLDMNT (EA)	1
3	220113	8-32 x 1/4 BH C/S BLK W/PATCH	6
4	481605	S/A PIVOT TUBE	3
5	580505	S/A SPACER BUSHING	4
6	226312	5/16-18 x 1/2 FH CS BLK W/PTCH	4
7	885020	S/A LINK ROD ASSM	2

ITEM	NUMBER	DESCRIPTION	QTY
8	230495	M5-12 BUTTON HD C/S BLACK	3
9	455066-QU	#10 AN WASHER .063 SS	3
10	542670	S/A INTEGRAL MOUNT WLDMNT	1
11	226130	1/4-28 x 1 1/2 BH C/S	1
12	262100-QU	1/4 AN WASHER FLAT	1
13	201100-QU	1/4-28 NYLOCK NUT THIN	1
1-13	882288, 882289	REMOTE S/A W/ARM INTG MAG (EA)	

SWING-AWAY RETRACTABLE JOYSTICK HARDWARE (VSI INTEGRAL)
(QUICKIE G-424/P-220/S-525/V100/V-121/V-521)
 (Effective 2/19/03)

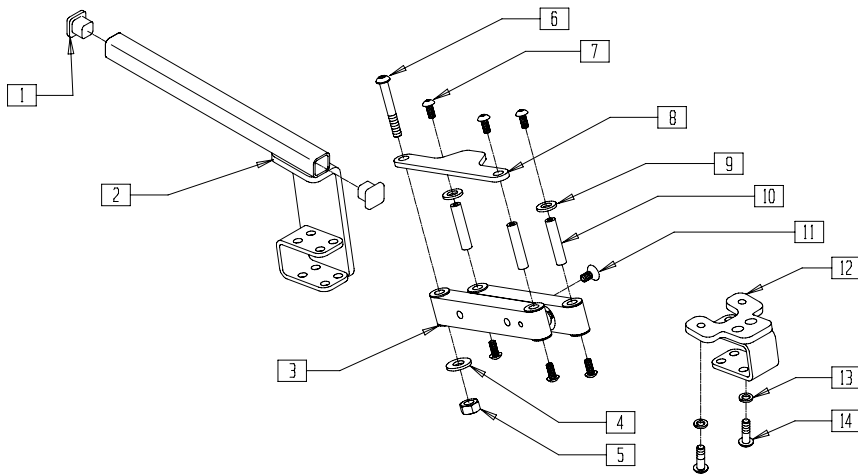


P220X11A

ITEM	NUMBER	DESCRIPTION	QTY
1	560761	3/4" INSERT PLUG .049 (18GA)	2
2	542207	VSI S/A MNTNG WELDMENT RIGHT	1
	542208	VSI S/A MNTNG WELDMENT LEFT	
3	885020	S/A LINK ROD ASSM	2
4	220120	8-32 x 1/2 SOC C/S P/LK BLK	1
5	340052	BUMPER S/A RUBBER	1
6	226130	1/4-28 x 1 1/2 BH C/S	1
7	220113	8-32 x 1/4 BH C/S BLK W/PATCH	6
8	580506	S/A ANTI-PINCH PLATE	1

ITEM	NUMBER	DESCRIPTION	QTY
9	580505	S/A SPACER BUSHING	2
10	481605	S/A PIVOT TUBE	3
11	226312	5/16-18 x 1/2 FH CS BLK W/PTCH	4
12	542539	VSI S/A MNTNG PLT WLDMNT RIGHT	1
	542540	VSI S/A MNTNG PLT WLDMNT LEFT	
13	261524	#10 WASHER LOCK SS	2
14	226024-QU	10-32 x 7/8 BH C/S BLK	2
1-12,	882496	S/A ARM VSI R ASSM	
15,16	882497	S/A ARM VSI L ASSM	

SWING-AWAY RETRACTABLE JOYSTICK HARDWARE (VSI INTEGRAL) (QUICKIE FREESTYLE)



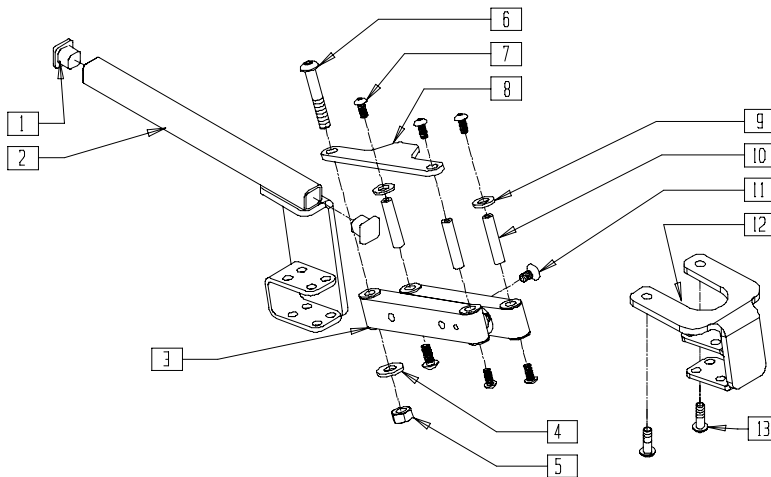
FRE0X20

ITEM	NUMBER	DESCRIPTION	QTY
1	561149	PLUG SQR TUBE 5/8 x .083	2
2	545798	VSI S/A MNTNG WELDMENT RIGHT	1
	545797	VSI S/A MNTNG WELDMENT LEFT	1
3	885020	S/A LINK ROD ASSM	2
4	262100-QU	1/4 AN WASHER	1
5	201100-QU	1/4-20 NYLOCK NUT THIN	1
6	226130	1/4-28 x 1 1/2 BH C/S	1
7	220113	8-32 x 1/4 BH C/S BLK W/PATCH	6
8	580506	S/A ANTI-PINCH PLATE	1

ITEM	NUMBER	DESCRIPTION	QTY
9	580505	S/A SPACER BUSHING	2
10	481605	S/A PIVOT TUBE	3
11	226312	5/16-18 x 1/2 FH CS BLK W/PTCH	4
12	545796	WELDMNT S/A ARM VSI FRONTAL	1
13	261524	#10 WASHER LOCK SS	2
14	226024-QU	10-32 x 7/8 BH C/S BLK	2
1-12,	882488*	S/A ARM VSI R ASSM SQ TUBE	
15,16	882489*	S/A ARM VSI L ASSM SQ TUBE	

* NOTE: ASSEMBLIES 882488, 882489 AVAILABLE FOR THE CONTOUR HIGH BACK SEAT ON FREESTYLE PRODUCT ONLY.

SWING-AWAY RETRACTABLE JOYSTICK HARDWARE (QTRONIX) (QUICKIE FREESTYLE)

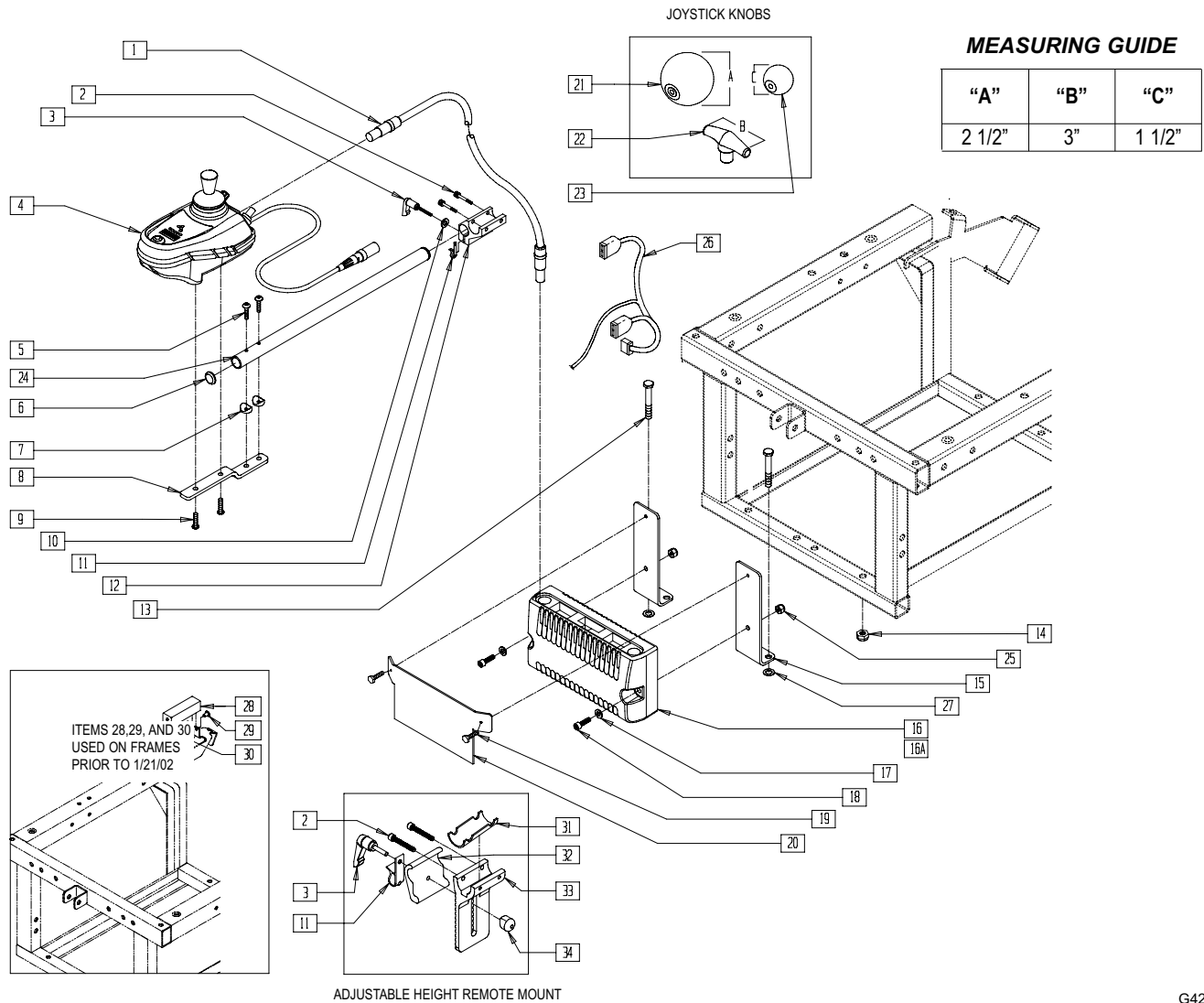


FRE0X06A

ITEM	NUMBER	DESCRIPTION	QTY
1	561149	PLUG SQR TUBE 5/8 x .083	2
2	545797	VSI S/A MNTNG WELDMENT RIGHT	1
	545798	VSI S/A MNTNG WELDMENT LEFT	1
3	885020	S/A LINK ROD ASSM	2
4	262100-QU	1/4 AN WASHER	1
5	201100-QU	1/4-20 NYLOCK NUT THIN	1
6	226130	1/4-28 x 1 1/2 BH C/S	1
7	220113	8-32 x 1/4 BH C/S BLK W/PATCH	6

ITEM	NUMBER	DESCRIPTION	QTY
8	580506	S/A ANTI-PINCH PLATE	1
9	580505	S/A SPACER BUSHING	2
10	481605	S/A PIVOT TUBE	3
11	226312	5/16-18 x 1/2 FH CS BLK W/PTCH	1
12	545795	WELDMNT S/A ARM REMOTE FRONT	1
13	226106	1/4-20 x 3/4 BH C/S BLK ZN	2
1-12	882484	S/A ARM REMOTE R ASSM SQ TUBE	
	882487	S/A ARM REMOTE L ASSM SQ TUBE	

QTRONIX REMOTE JOYSTICK CONTROL SYSTEM (QUICKIE G-424)



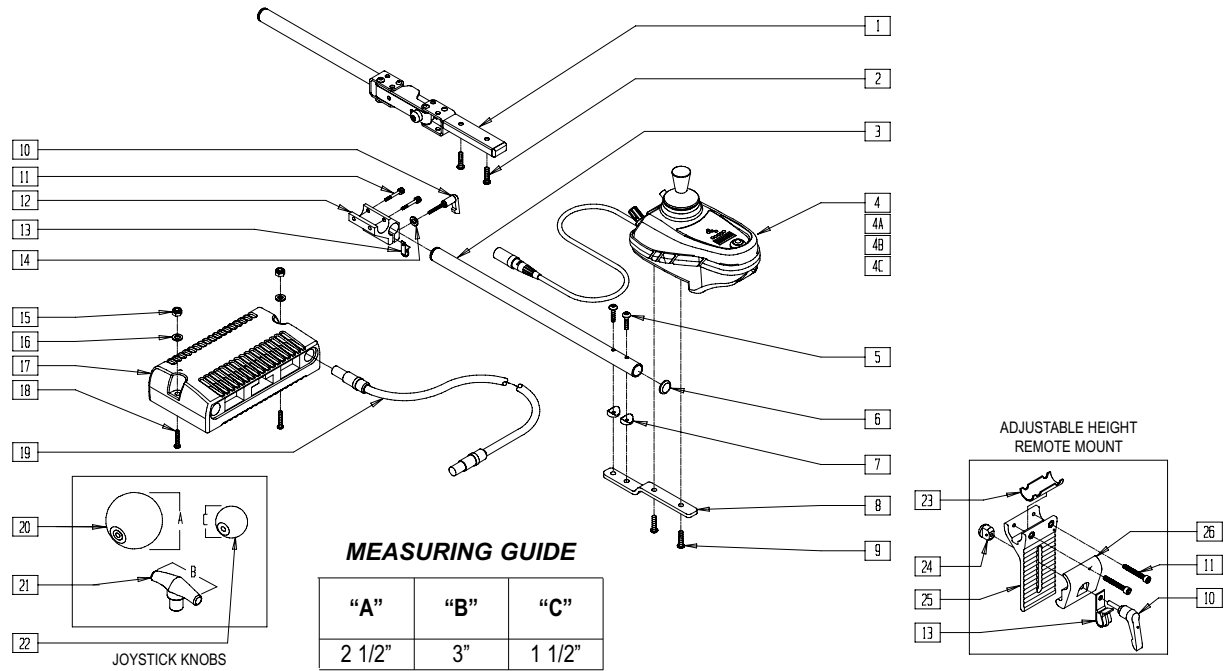
G424X12E

ITEM	NUMBER	DESCRIPTION	QTY
1	139143	CONTROL CABLE FLYING LEAD LONG	1
2	226037	10-32 x 1 3/8 SOC C/S BLK	2
3	349024	HANDLE 10-32 x 3/4 C/A P1/P3/P5	1
4	139515-139518	REMOTE BOX (EA)	1
5	226066	1/4-28 x 1.1" BH C/S BLK	2
6	560761	3/4" INSERT PLUG .049 (18GA)	2
7	561003	3/4" SADDLE THIN	2
8	481196	REMOTE BOX BENT MOUNT S525	1
9	226069-QU	1/4-20 x 1/2 BH C/S BLK	2
10	261204	#10 AN WASHER .063	1
11	560268	QUICK RELEASE CLIP	1
12	501750	CONTROL ARM CLAMP	1
13	222099	5/16-24 x 1 1/2 HEX C/S	2
14	202103	5/16-18 NYLOCK NUT THICK	2
15	481322	BRACKET CONTROLLER MOUNTING	2
16	910052	REMOTE PILOT+ 50A FRNT WHL DR	1
16A	910053	REMOTE PILOT+ 80A FRNT WHL DR	1
	910057	RMT PRG PILOT+ 80A FRNT WHL DR	
17	261524	#10 WASHER LOCK SS	2
18	455060-QU	10-24 x 1/2 ALLEN SOC HD SCW	2
19	281127	#12 x 3/4" PAN HD PHIL S/TAP	2
20	560129	CONTROLLER SHIELD G424	1

ITEM	NUMBER	DESCRIPTION	QTY
21	138165	J/S KNOB BALL HANDLE (SOFT)	1
22	138167	J/S KNOB T-BAR	1
23	138166	J/S KNOB BALL HANDLE (SOLID)	1
24	520231	REMOTE BOX MOUNT TUBE Q-TRONIX	1
25	200109	10-24 SELF-CLINCHING NUT	2
26	139030	PWR HRNS W/702 BRCKR G424	1
27	561059	3/4 O.D. x .318 I.D. WASHER	2
28	560176	PLUG CAP G424	1
29	240104	RIVET POP SD44BSLF BLK	2
30	261100	1/8 WASHER BACKUP	2
31	483114	CONTROLLER SHIM P120	1
32	505767	ADJUSTABLE REMOTE MOUNT	1
33	505766	ADJUSTABLE CLAMP OUTER	1
34	200139	SLIDING NUT	1
2,3,10-12	920713	CONTROL ARM CLAMP ASSEMBLY	
	920640-	REMOTE FIXED ARM (EA)	
2-9,24	920643	REMOTE S/A ARM (EA)	
	920644-920647		
5-9,24	882270	REMOTE CONTROL ARM ASSEMBLY QX	
2,3,11,32-34	920738	HT ADJ MOUNT ASSM STD	

QTRONIX REMOTE JOYSTICK CONTROL SYSTEM

(QUICKIE P200/P210/P-220/P-222/P-222 SE/P320/S-525/S-626/S-646/S-646 SE/Z-500)



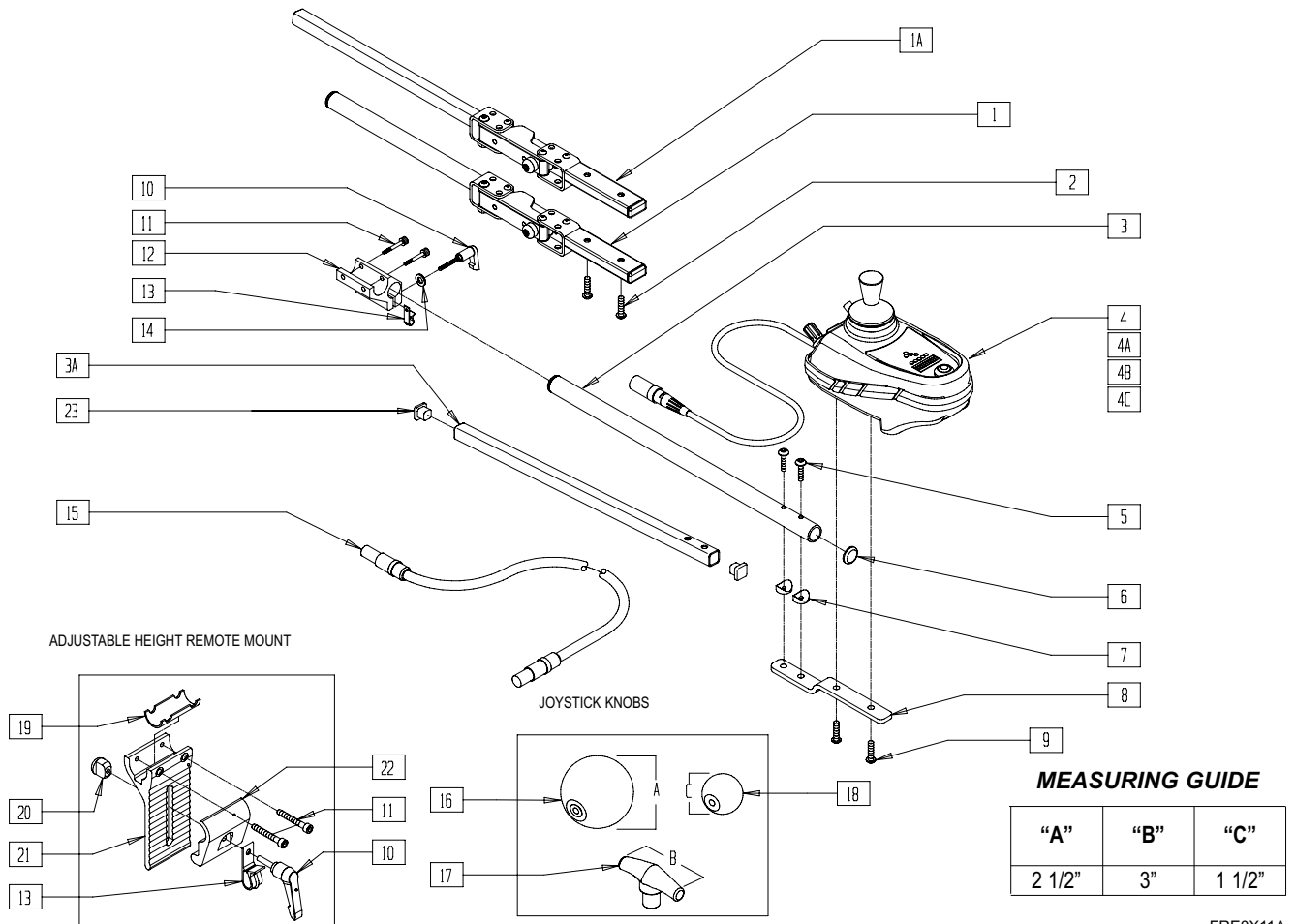
S525X28G

ITEM	NUMBER	DESCRIPTION	QTY
1,2	882284, 882285	REMOTE S/A W/ARM MAG (EA)	1
2	226069-QU	1/4-20 x 1/2 BH C/S BLK	2
3	520231	REMOTE BOX MOUNT TUBE Q-TRONIX	1
4	139515	REMOTE BOX W/O JACK R S525	1
4A	139516	REMOTE BOX W/JACK R S525	1
4B	139517	REMOTE BOX W/O JACK L S525	1
4C	139518	REMOTE BOX W/JACK L S525	1
5	226066	1/4-28 x 1.1" BH C/S BLK	2
6	560761	3/4" INSERT PLUG .049 (18GA)	2
7	561003	3/4" SADDLE THIN	2
8	481196	REMOTE BOX BENT MOUNT S525	1
9	226106	1/4-20 x 3/4 BH C/S BLK ZN	2
10	349024	HNDL 10-32 x 3/4 C/A P1/P3/P5	1
11	226037	10-32 x 1 3/8 SOC C/S BLK	2
12	501750	CONTROL ARM CLAMP	1
13	560268	QUICK RELEASE CLIP	1
14	261204	#10 AN WASHER .063	1
15*	200100-QU	10-32 NYLOCK NUT	2
16**	455031-QU	#10 AN WASHER .032 SS	2
17	910062	RMT PRG PILOT+ 80/100A S646 (S646 SE & P222 SE)	1
	910124	PILOT+CNTRLR RWD 50A 250 LB (S525 250 lbs & 350 lbs)	
	910059	RMT PRG PILOT+ 80A S626 (S626 & S646)	
	910106	7.0mph/250 lb & 6.5 mph/400 lb) CONTROLLER PILOT PLUS 80A (P200/P320 AFTER S/N P2-15099,P32-5211 P210 AFTER S/N P2-15168)	
	910107	CONTROLLER PILOT PLUS 50A P500 (P500 AFTER S/N P5-5304)	
	910116	PILOT+ BL PM 65AMP (P-222) (P222 7.0mph/250 lb OR 350lb)	

* ITEM 15 NOT USED S-626.
** ITEM 16 NOT USED ON P-222.

ITEM	NUMBER	DESCRIPTION	QTY
18	226069-QU	1/4-20 x 1/2 BH C/S BLK	2
	226038	10-32 x 1 3/8 BH C/S BLK (P-222)	
	226034	10-32 x 1 3/4 BH C/S BLK (S-626)	
19	139142	CONTROL CABLE FLYING LEAD SHT (26")	1
	139143	CONTROL CABLE FLYING LEAD LONG (39")	
	139139	CONTROL CABLE SLIM X-LONG (78.7")	
20	138165	J/S KNOB BALL HANDLE (SOFT)	1
21	138167	J/S KNOB T-BAR	1
22	138166	J/S KNOB BALL HANDLE (SOLID)	1
23	483114	CONTROLLER SHIM P120	1
24	200139	SLIDING NUT	1
25	505766	ADJUSTABLE CLAMP OUTER	1
26	505767	ADJUSTABLE REMOTE MOUNT	1
3,5-9	882270	REMOTE CONTROL ARM ASSM QX	
3,4A,5-14	920640	REMOTE W/JACK FIXED ARM R	
3,4C,5-14	920641	REMOTE W/JACK FIXED ARM L	
3-14	920642	REMOTE W/O JACK FIXED ARM R	
3,4B,5-14	920643	REMOTE W/O JACK FIXED ARM L	
1,2,4A,10-14	920644	REMOTE W/JACK S/A ARM R	
1,2,4C,10-14	920645	REMOTE W/JACK S/A ARM L	
1,2,4,10-14	920646	REMOTE W/O JACK S/A ARM R	
1,2,4B,10-14	920647	REMOTE W/O JACK S/A ARM L	
1,2,4A	922300	RMT W/JACK S/A ARM R	
1,2,4C	922301	RMT W/JACK S/A ARM L	
1,2,4	922302	RMT W/O JACK S/A ARM R	
1,2,4B	922303	RMT W/O JACK S/A ARM L	
1,2,4A,10,11,13,24-26	921930	REMOTE W/JACK S/A ARM R H/A	
1,2,4C,10,11,13,24-26	921931	REMOTE W/JACK S/A ARM L H/A	
1,2,4,10,11,13,24-26	921932	REMOTE W/O JACK S/A ARM R H/A	
1,2,4B,10,11,13,24-26	921933	REMOTE W/O JACK S/A ARM L H/A	
10-14	920713	CONTROL ARM CLAMP ASSM	
10,11,13,24-26	920738	HT ADJ MOUNT ASSM STD	

QTRONIX REMOTE JOYSTICK CONTROL SYSTEM (QUICKIE FREESTYLE)

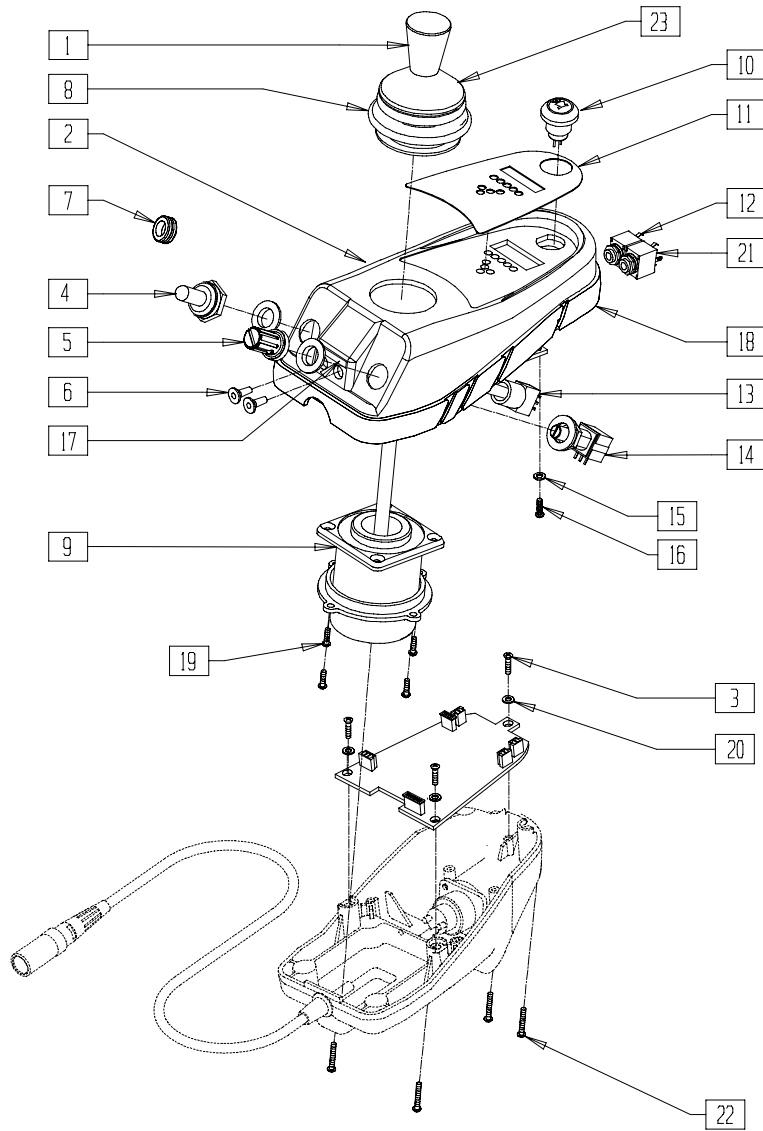


FRE0X11A

ITEM	NUMBER	DESCRIPTION	QTY
1,2	882284, 882285	REMOTE S/A W/ARM MAG (EA)	1
2	226069-QU	1/4-20 x 1/2 BH C/S BLK	2
3	520231	REMOTE BOX MOUNT TUBE QTRONIX	1
3A	522149	TUBE SQ MNT RMT	1
4	139515	REMOTE BOX W/O JACK R S525	1
4A	139516	REMOTE BOX W/JACK R S525	1
4B	139517	REMOTE BOX W/O JACK L S525	1
4C	139518	REMOTE BOX W/JACK L S525	1
5	226066	1/4-28 x 1.1" BH C/S BLK	2
6	560761	3/4" INSERT PLUG .049 (18GA)	2
7	561003	3/4" SADDLE THIN	2
8	481196	REMOTE BOX BENT MOUNT S525	1
9	226106	1/4-20 x 3/4 BH C/S BLK ZN	2
10	349024	HNDL 10-32 x 3/4 C/A P1/P3/P5	1
11	226037	10-32 x 1 3/8 SOC C/S BLK	2
12	501750	CONTROL ARM CLAMP	1
13	560268	QUICK RELEASE CLIP	1
14	261204	#10 AN WASHER .063	1
15	139142	CONTROL CABLE FLYING LEAD SHT (26")	1
	139143	CONTROL CABLE FLYING LEAD LONG (39")	
	139139	CONTROL CABLE SLIM X-LONG (78.7")	
16	138165	J/S KNOB BALL HANDLE (SOFT)	1
17	138167	J/S KNOB T-BAR	1
18	138166	J/S KNOB BALL HANDLE (SOLID)	1
19	483114	CONTROLLER SHIM P120	1

ITEM	NUMBER	DESCRIPTION	QTY
20	200139	SLIDING NUT	1
21	505766	ADJUSTABLE CLAMP OUTER	1
22	505767	ADJUSTABLE REMOTE MOUNT	1
23	561149	PLUG SQR TUBE 5/8 x .083	
3,5-9	882270	REMOTE CONTROL ARM ASSM QX	
3,4A,5-14	920640	REMOTE W/JACK FIXED ARM R	
3,4C,5-14	920641	REMOTE W/JACK FIXED ARM L	
3-14	920642	REMOTE W/O JACK FIXED ARM R	
3,4B,5-14	920643	REMOTE W/O JACK FIXED ARM L	
3A,4,5,8,9	922200	REMOTE FIXED SQ TUBE RIGHT	
3A,4B,5,8,9	922201	REMOTE FIXED SQ TUBE LEFT	
3A,4A,5,8,9	922202	REMOTE FIXED SQ TUBE RT W/JACK	
3A,4C,5,8,9	922203	REMOTE FIXED SQ TUBE LT W/JACK	
1A,4,9	922212	REMOTE S/A SQ TUBE RIGHT	
1A,4B,9	922213	REMOTE S/A SQ TUBE LEFT	
1A,4A,9	922214	REMOTE S/A SQ TUBE RGT W/JACK	
1A,4C,9	922215	REMOTE S/A SQ TUBE LFT W/JACK	
1,2,4A,10-14	920644	REMOTE W/JACK S/A ARM R	
1,2,4C,10-14	920645	REMOTE W/JACK S/A ARM L	
1,2,4,10-14	920646	REMOTE W/O JACK S/A ARM R	
1,2,4B,10-14	920647	REMOTE W/O JACK S/A ARM L	
10-14	920713	CONTROL ARM CLAMP ASSM	
1A,2	882490, 882491	S/A ARM REMOTE ASSM SQ TUBE (EA)	
10,11,13, 20-23	920738	HT ADJ MOUNT ASSM STD	

QTRONIX REMOTE JOYSTICK



XPLDJOYSTA

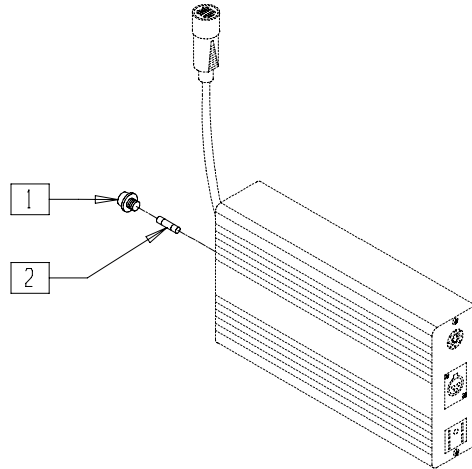
ITEM	NUMBER	DESCRIPTION	QTY
1	560224	JOYSTICK KNOB QTRONIX	1
2	561252	REMOTE BOX TOP	1
	561251	REMOTE BOX TOP W/AUX HOLES	
3	281046	#4-24 x .25 PAN HD TAPPING SCREW	3
4	138028	TOGGLE SWITCH BOOT 15/32"	1
5	560226	POTENTIOMETER KNOB QTRONIX	1
6	138045	REMOTE JACK STOPPER QTRONIX	2
7*	560109	INSERT PLUG .49 HOLE	1
8	138019	JOYSTICK BOOT P&G CONTROLLER	1
10	138179	HORN W/HARNESS QTRONIX	1
11	150081	DECAL JOYSTICK OVERLAY	1
12	139036	HARNESS REMOTE JACK (MODE)	1
13	131122	TOGGLE SWITCH W/HARNESS 15/32"	1

ITEM	NUMBER	DESCRIPTION	QTY
14	130527	POT W/HARNESS QTRONIX	1
15	250103	M2.5 FLAT WASHER NYLON	4
16	250150	M2.2 x .80 x 6.0 PAN HD SCREW	4
17	138041	LABEL REMOTE JACK	1
18	561254	REMOTE BOX GASKET S525	1
20	250102	M3.0 FLAT WASHER NYLON	3
21	139037	HARNESS REMOTE JACK (ON/OFF)	1
22	281047	#4-40 x .375 PAN HD PHLLPS M/S	4
23	560229	JOYSTICK BOOT PROTECTOR	1
6,12,17	882271	REMOTE JACK KIT (MODE) QTRONIX	
6,17,21	882272	REMOTE JACK KIT (ON/OFF) QTRNX	
1,8,9,19,23	139507	JOYSTICK JC200 P & G QTRONIX	

* ITEM 7 GOES WHERE TOGGLE AND/OR SPEED SWITCHES ARE, IF A CUSTOMER REMOVES THESE SWITCHES.
NOTE: FOR QTRONIX REMOTE JOYSTICK ASSEMBLIES, SEE PAGES 15.10 AND 15.11.

MAIN CONTROL SYSTEM (QUICKIE P100/P110/P190, ZIPPIE P500)

(Discontinued - parts only)

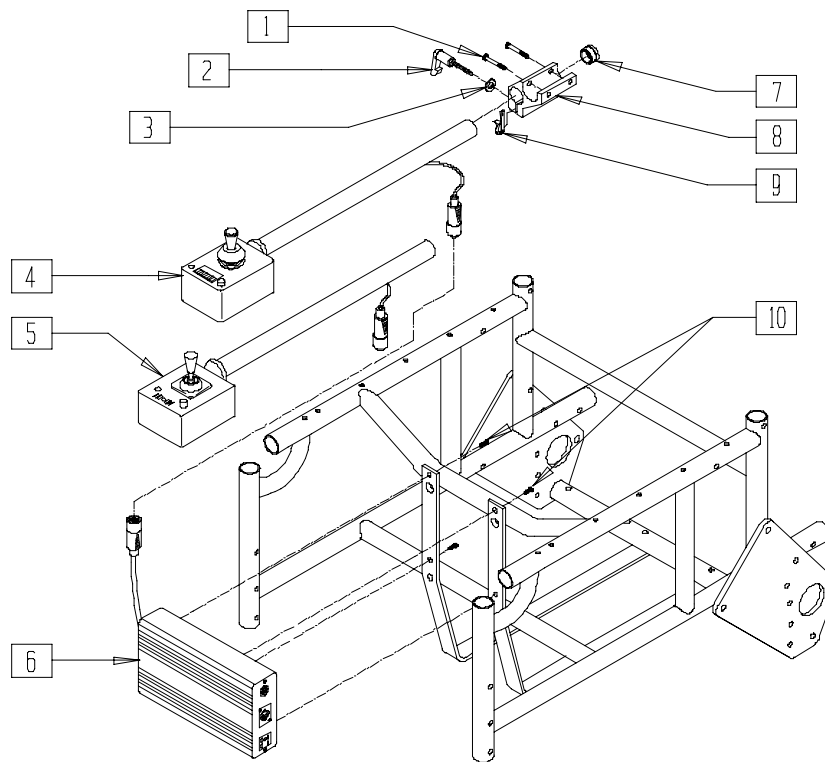


P100X52

ITEM	NUMBER	DESCRIPTION	QTY
1	138216	FUSE HOLDER 20 x 5 PHIL EDK	1

ITEM	NUMBER	DESCRIPTION	QTY
2	138202	FUSE 2A 5 x 20mm FAST BLOW	1

MAIN CONTROL SYSTEM (QUICKIE V100[P100])



Drawing shows right side

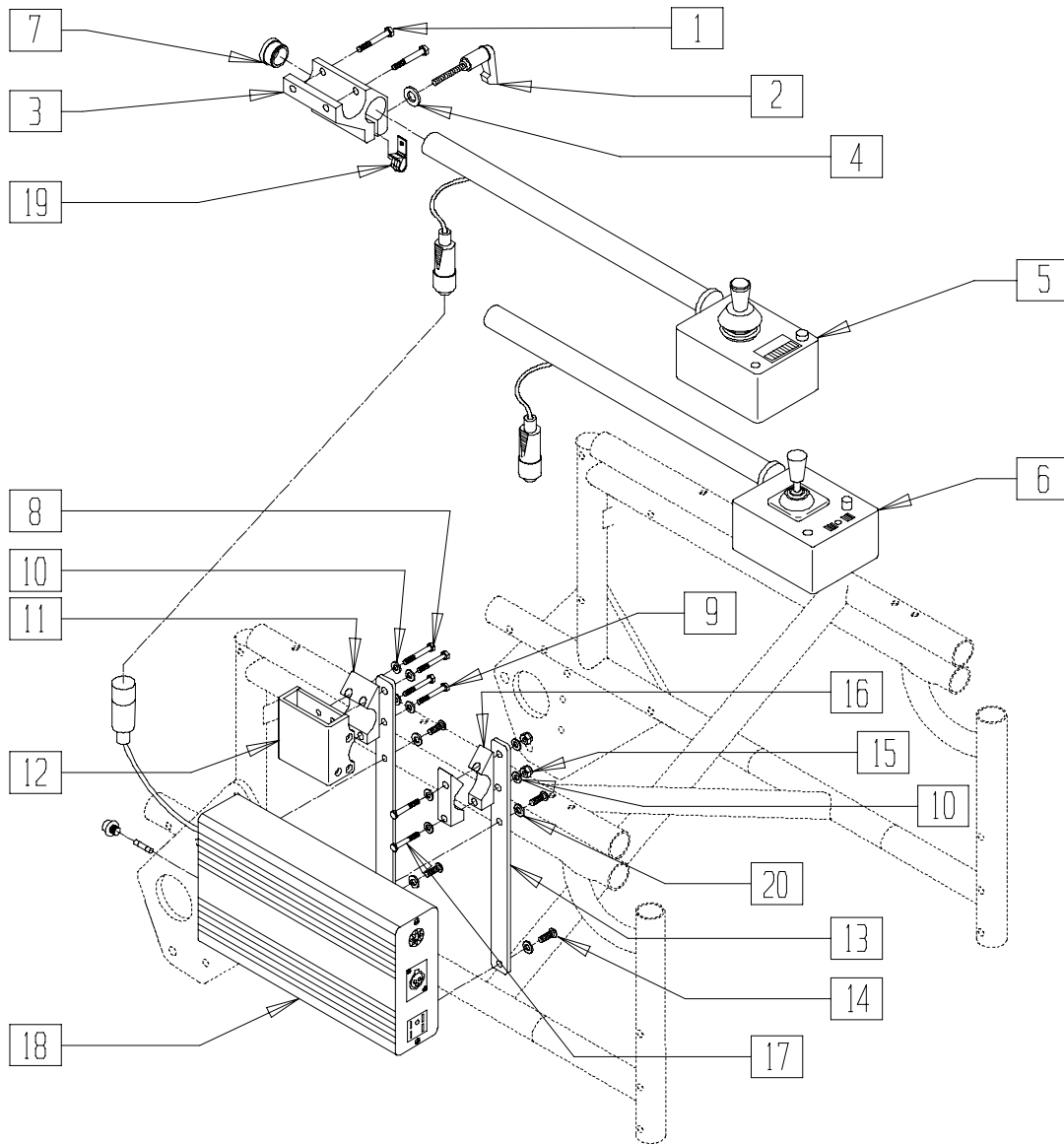
P100X32A

ITEM	NUMBER	DESCRIPTION	QTY
1	226037	10-32 x 1 3/8 SOC C/S BLK	2
2	349024	HANDLE 10-32 x 3/4 C/A P1/P3/P5	1
3	261204	#10 AN WASHER .063	1
4,7	920230, 920231	REMOTE BOX W/ARM (EA)	
5,7	920256, 920257	REMOTE BOX HD W/ARM (EA)	

ITEM	NUMBER	DESCRIPTION	QTY
6	920261X	CONTROL BOX MAIN PG8/50 P1 S/X	1
7	560761	3/4" INSERT PLUG .049 (18GA)	1
8	501750	CONTROL ARM CLAMP	1
9	560268	QUICK RELEASE CLIP	1
10	281105	10-32 x 3/8 PAN PHIL	4
1-3,8,9	920713	CONTROL ARM CLAMP ASSEMBLY	

MAIN CONTROL SYSTEM (QUICKIE P110)

(Discontinued 6/30/00 - parts only)



P100X41A

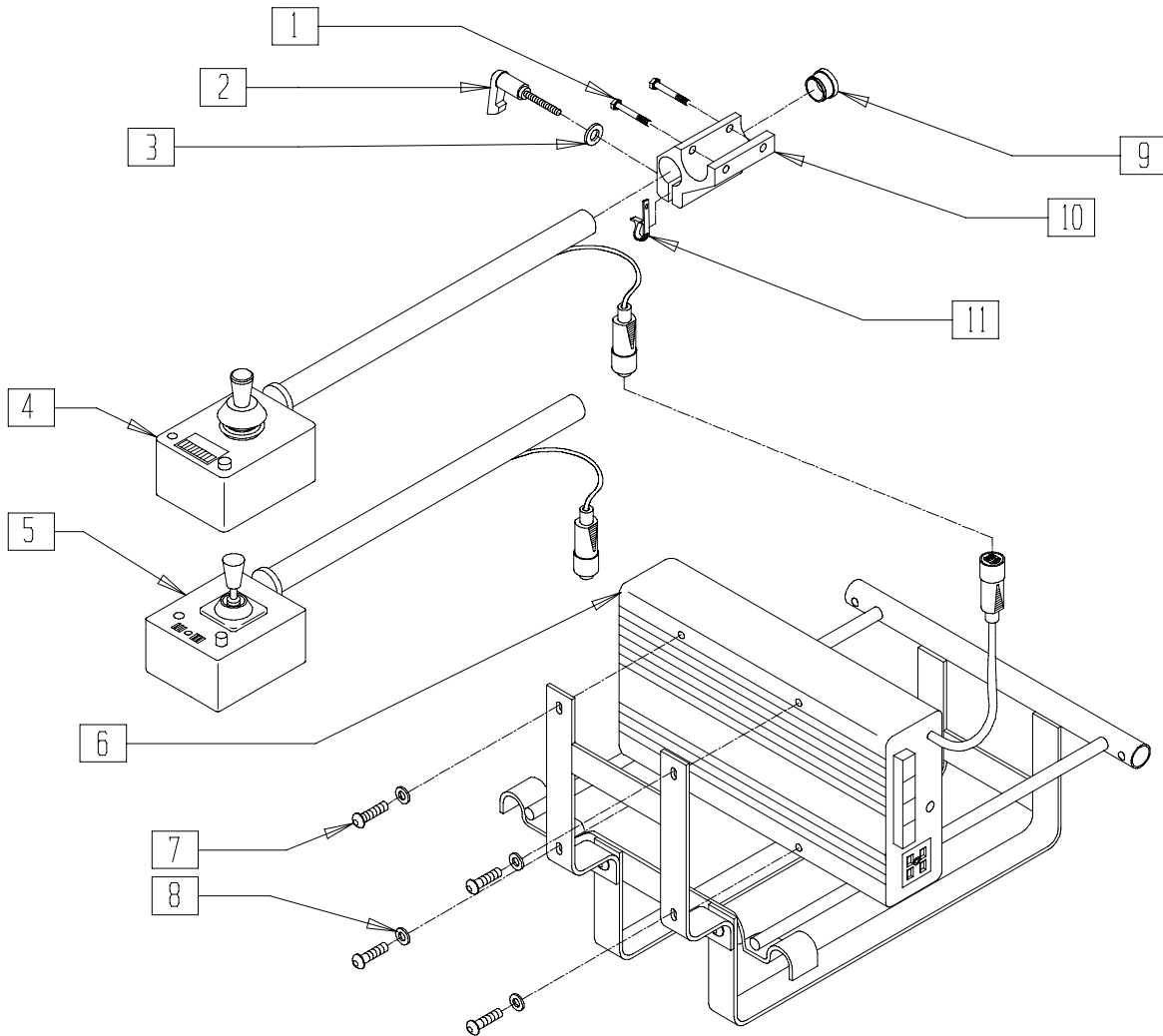
ITEM	NUMBER	DESCRIPTION	QTY
1	226037	10-32 x 1 3/8 SOC C/S BLK	2
2	349024	HANDLE 10-32 x 3/4 C/A P1/P3/P5	1
3	501750	CONTROL ARM CLAMP	1
4	261204	#10 AN WASHER .063	1
1-4,19	920713	CONTROL ARM CLAMP ASSM	
7	560761	3/4" INSERT PLUG .049 (18GA)	1
5,7	920230, 920231	REMOTE BOX W/ARM (EA)	
6,7	920256, 920257	REMOTE BOX HD W/ARM (EA)	
8	221127	1/4-28 x 1 3/8 HEX C/S	2
9	221133	1/4-28 x 1 1/2 G8 HEX C/S	2

ITEM	NUMBER	DESCRIPTION	QTY
10	262100-QU	1/4 AN WASHER FLAT	4-8
11	550490	HT ADJ REC CLAMP 4-HOLE	1
12	880230	HT ADJ REC STD W/O CLAMP	1
13	505735	CONTROLLER BRKT P110	2
14	281110	10-32 x 1/2 PAN PHIL	4
15	201110	1/4-28 NYLOCK NUT	2
16	550256	CLAMP ADJ FL STD	2
17	221192	1/4-28 x 2 G8 HEX C/S	2
10,13-17	920714	CONTROLLER BRKT W/HDWR P110	
18	920261X	CONTROL BOX MAIN PG8/50 P1 S/X	1
19	560268	QUICK RELEASE CLIP	1
20	267340	#10 WASHER INT LOCK ZN	4

NOTE: WHEN USING FLIP-BACK ARM, ITEMS 11 AND 12 ARE REPLACED BY ITEM 16 (QUANTITY OF 2).

MAIN CONTROL SYSTEM (QUICKIE P110 PEDIATRIC)

(Discontinued 6/30/00 - parts only)



Drawing shows right side

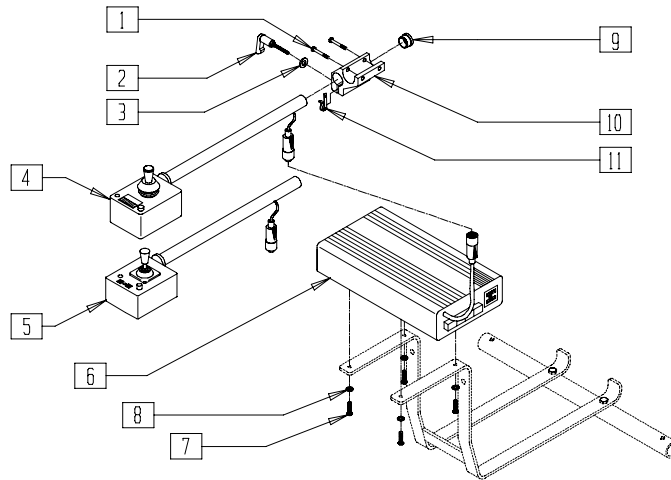
P100X46A

ITEM	NUMBER	DESCRIPTION	QTY
1	226037	10-32 x 1 3/8 SOC C/S BLK	2
2	349024	HNDL 10-32 x 3/4 C/A P1/P3/P5	1
3	261204	#10 AN WASHER .063	1
4,9	920230, 920231	REMOTE BOX W/ARM (EA)	
5,9	920256, 920257	REMOTE BOX HD W/ARM (EA)	

ITEM	NUMBER	DESCRIPTION	QTY
6	920261X	CONTROL BOX MAIN PG8/50 P1 S/X	1
7	281105	10-32 x 3/8 PAN PHIL	4
8	267340	#10 WASHER INT LOCK ZN	4
9	560761	3/4" INSERT PLUG .049 (18GA)	1
10	501750	CONTROL ARM CLAMP	1
11	560268	QUICK RELEASE CLIP	1
1-3,10,11	920713	CONTROL ARM CLAMP ASSM	

MAIN CONTROL SYSTEM (QUICKIE P190)

(Discontinued 5/5/99 - parts only)



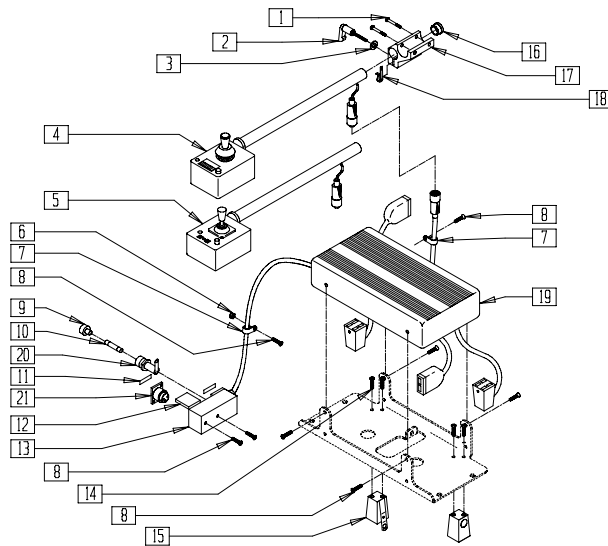
P190X51B

ITEM	NUMBER	DESCRIPTION	QTY
1	226037	10-32 x 1 3/8 SOC C/S BLK	2
2	349024	HNDL 10-32 x 3/4 C/A P1/P3/P5	1
3	261204	#10 AN WASHER .063	1
4,9	920230, 920231	REMOTE BOX W/ARM (EA)	
5,9	920256	REMOTE BOX HD W/ARM (EA)	
6	922261	CONTRL BOX MAIN PG8/50 P5/P19	1

ITEM	NUMBER	DESCRIPTION	QTY
7	281110	10-32 x 1/2 PAN PHIL	4
8	267340	#10 WASHER INT LOCK ZN	4
9	560761	3/4" INSERT PLUG .049 (18GA)	1
10	501750	CONTROL ARM CLAMP	1
11	560268	QUICK RELEASE CLIP	1
1-3,10,11	920713	CONTROL ARM CLAMP ASSEMBLY	

MAIN CONTROL SYSTEM (QUICKIE P200/P320)

(Discontinued 5/5/99 - parts only)



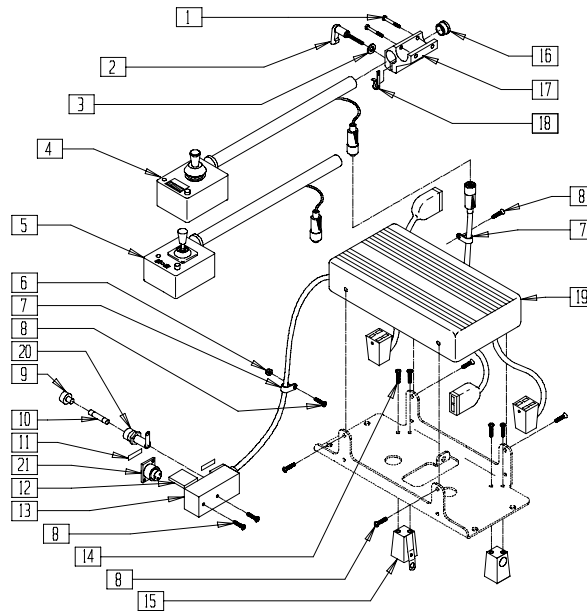
P200X36A

ITEM	NUMBER	DESCRIPTION	QTY
1	226037	10-32 x 1 3/8 SOC C/S BLK	2
2	349024	HNDL 10-32 x 3/4 C/A P1/P3/P5	1
3	261204	#10 AN WASHER .063	1
4,16	920230, 920231	REMOTE BOX W/ARM (EA)	
5,16	920256	REMOTE BOX HD W/ARM (EA)	
6	200101-QU	10-32 NYLOCK NUT THIN	1
7	349508	1/4" I.D. PLASTIC CLAMP BLK	1
8	281105	10-32 x 3/8 PAN PHIL	2
9	131050	FUSE CAP TURBO CONTROLLER	1
10	138208	FUSE 20A AGC	1
11	150120	LABEL CHARGER SOCKET COVER	1

ITEM	NUMBER	DESCRIPTION	QTY
	150121	LABEL PROGRAM SOCKET COVER	1
12	138320	SOCKET COVER RECTANGULAR	2
14	226008	8-32 x 1/2 PAN PHIL	4
15	135015	PLUG 5 PIN MOD 10" DRIVE	2
16	560761	3/4" INSERT PLUG .049 (18GA)	1
17	501750	CONTROL ARM CLAMP	1
18	560268	QUICK RELEASE CLIP	1
20	138214	FUSEHOLDER HTB-441	1
21	135007	SOCKET 3 PIN CHRGR NON LATCHING	1
9-13,19,20	920262X	CONTROL BOX MAIN PG8/70 P2 S/X	
1-3,17,18	920713	CONTROL ARM CLAMP ASSM	

MAIN CONTROL SYSTEM (QUICKIE P210)

(Discontinued 5/5/99 - parts only)

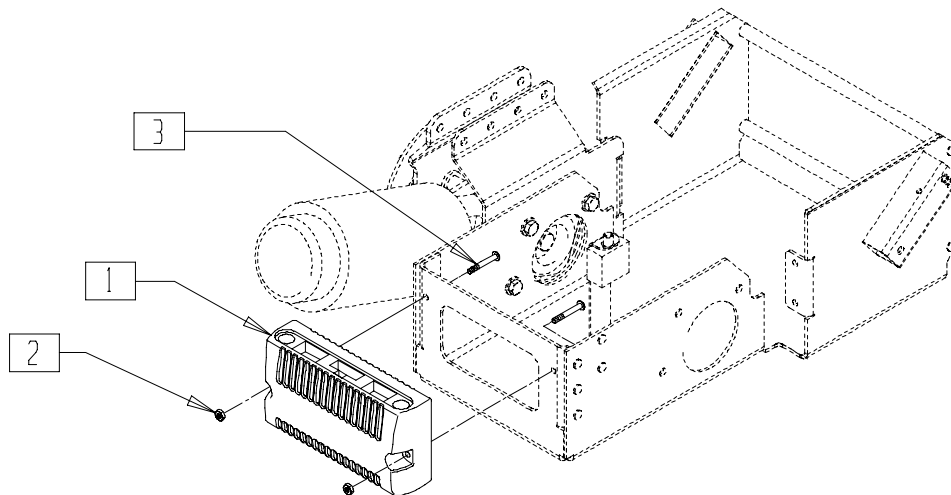


P200X61A

ITEM	NUMBER	DESCRIPTION	QTY
1	226037	10-32 x 1 3/8 SOC C/S BLK	2
2	349024	HNDL 10-32 x 3/4 C/A P1/P3/P5	1
3	261204	#10 AN WASHER .063	1
4,16	920230, 920231	REMOTE BOX W/ARM (EA)	
5,16	920256, 920257	REMOTE BOX HD W/ARM (EA)	
6	200101-QU	10-32 NYLOCK NUT THIN	1
7	349508	1/4" ID PLASTIC CLAMP BLK	1
8	281105	10-32 x 3/8 PAN PHIL	7
9	131050	FUSE CAP TURBO CONTROLLER	1
10	138208	FUSE 20A AGC	1

ITEM	NUMBER	DESCRIPTION	QTY
11	150120	LABEL CHARGER SOCKET COVER	1
	150121	LABEL PROGRAM SOCKET COVER	
12	138320	SOCKET COVER RECTANGULAR	2
14	226008	8-32 x 1/2 PAN PHIL	4
15	135015	PLUG 5 PIN MOD 10" DRIVE	1
16	560761	3/4" INSERT PLUG .049 (18GA)	1
17	501750	CONTROL ARM CLAMP	1
18	560268	QUICK RELEASE CLIP	1
20	138214	FUSEHOLDER HTB-441	1
21	135007	SOCKET 3 PIN CHRGR NON LATCHING	1
9-13,19,20	920262X	CONTROL BOX MAIN PG8/70 P2 S/X	
1-3,17,18	920713	CONTROL ARM CLAMP ASSM	

MAIN CONTROL SYSTEM (QUICKIE P-220/P-222 SE)



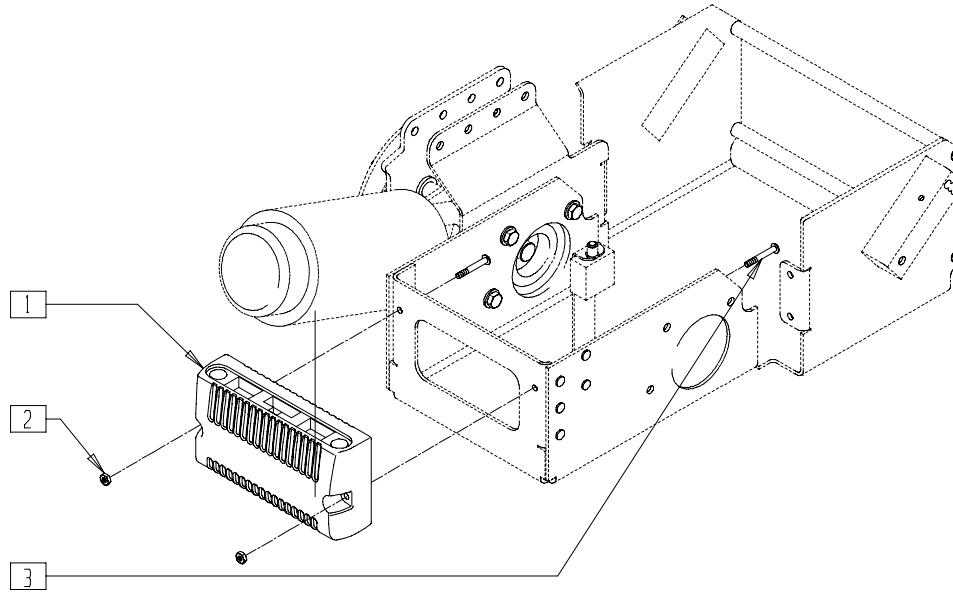
222SE02A

ITEM	NUMBER	DESCRIPTION	QTY
1	910062	RMT PRG PILOT+ 80/100A S646 (P-222 SE)	1
	910215	RMT PRG QTRONIX 80A RR P220 (P-220)	

ITEM	NUMBER	DESCRIPTION	QTY
2	200100-QU	10-32 NYLOCK NUT	2
3	226038	10-32 x 1 3/8 BH C/S BLK	2

MAIN CONTROL SYSTEM (QUICKIE P-222)

(Discontinued 8/15/02 - parts only)

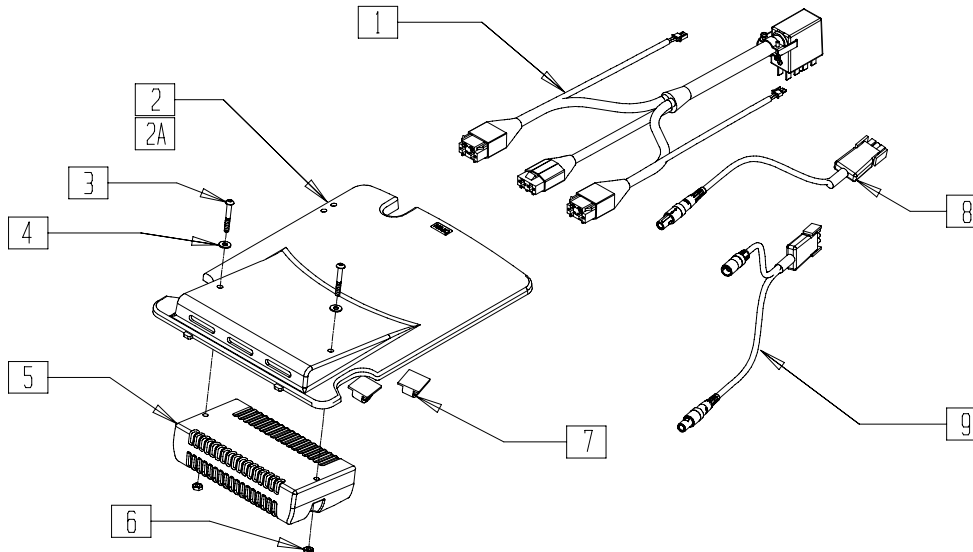


P2220X14

ITEM	NUMBER	DESCRIPTION	QTY
1	910116	PILOT+ BL PM 65A W/INSTR SHEET	1
2	200100-QU	10-32 NYLOCK NUT	2

ITEM	NUMBER	DESCRIPTION	QTY
3	226038	10-32 x 1 3/8 BH C/S BLK	2

REMOTE CONTROLLER (QUICKIE FREESTYLE)



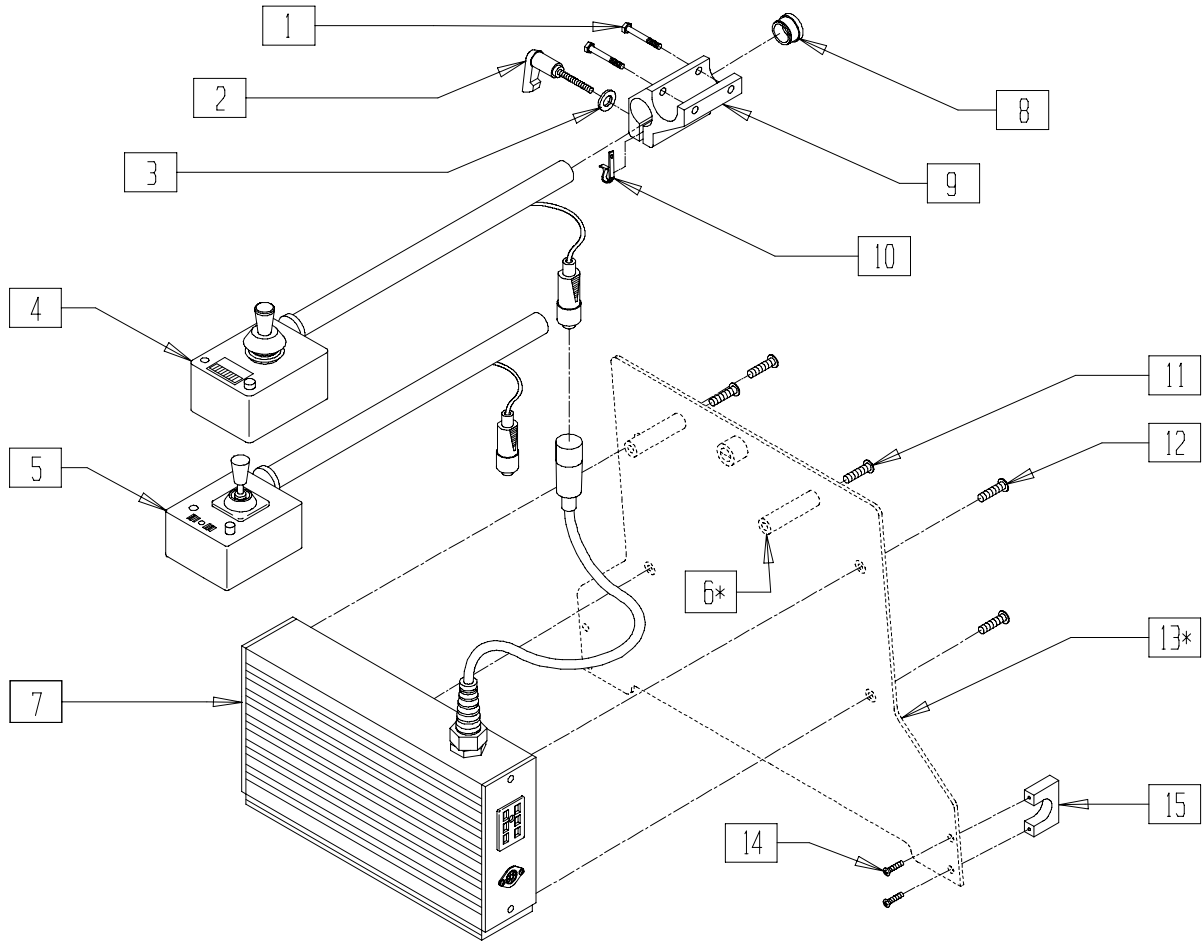
FRE0X09

ITEM	NUMBER	DESCRIPTION	QTY
1	138999	HARNESS ADAPTER QTRONIXS/VI	1
2	560380	TOP SHROUD QTRONIXS MINI	1
2A	560381	TOP SHROUD QTRONIXS STD	1
3	226038	10-32 x 1 3/8 BH C/S BLK	2
4	455031-QU	#10 AN WASHER .032 SS	2
5	910216	RMT PRG QTRONIXS 80 AMP MWD	1
5A	910217	RMT PRG 80 AMP MWD 400 LBS	1
6	200100-QU	10-32 NYLOCK NUT	2

ITEM	NUMBER	DESCRIPTION	QTY
7	341220	BATTERY CABLE CLIP	2
8	138996	HARNESS ADAPTER INHIBIT STD	1
9	138998	HARNESS ADPTER INHIBIT TILT	1
1-7	882437	PILOT + SHROUD ASSM MINI	
1,2A,7	882438	PILOT + SHROUD ASSM FULL	
1,2A,3,4 5A,6,7	882439	PILOT + SHROUD ASSM FULL 400LB	

CONTROLLER/PLATE ASSEMBLY (20" DRIVE WHEEL) (QUICKIE P300)

(Discontinued 6/30/00 - parts only)



P300X28C

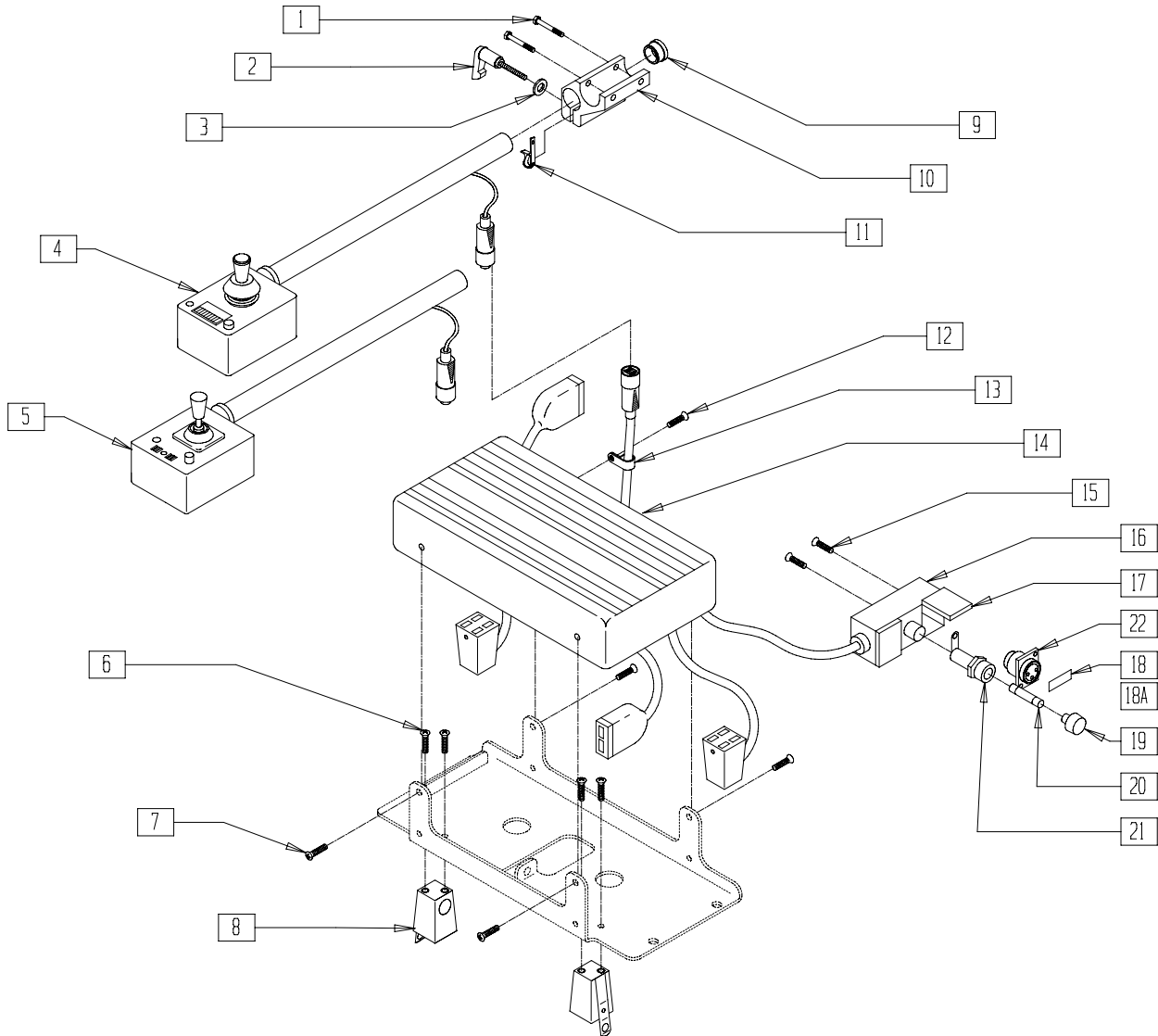
ITEM	NUMBER	DESCRIPTION	QTY
1	226037	10-32 x 1 3/8 SOC C/S BLK	2
2	349024	HANDLE 10-32 x 3/4 C/A P1/P3/P5	1
3	261204	#10 AN WASHER .063	1
4,7	920230, 920231	REMOTE BOX W/ARM (EA)	
5,7	920256	REMOTE BOX HD W/ARM (EA)	
6	920263X	CONTROL BOX MAIN PG8/70 P3 S/X	1

ITEM	NUMBER	DESCRIPTION	QTY
7	560761	3/4" INSERT PLUG .049 (18GA)	1
8	501750	CONTROL ARM CLAMP	1
9	560268	QUICK RELEASE CLIP	1
10	226012	10-32 x 1/2 FH C/S BLK	4
11	234890	M6-25 HEX C/S	4
1-3,8,9	920713	CONTROL ARM CLAMP ASSEMBLY	

NOTE: ITEMS NOT CALLED OUT IN DRAWING DISCONTINUED AS OF 1996 AND NO LONGER AVAILABLE FOR SALE.

MAIN CONTROL SYSTEM (10" DRIVE WHEEL) (QUICKIE P300)

(Discontinued 5/5/99 - parts only)



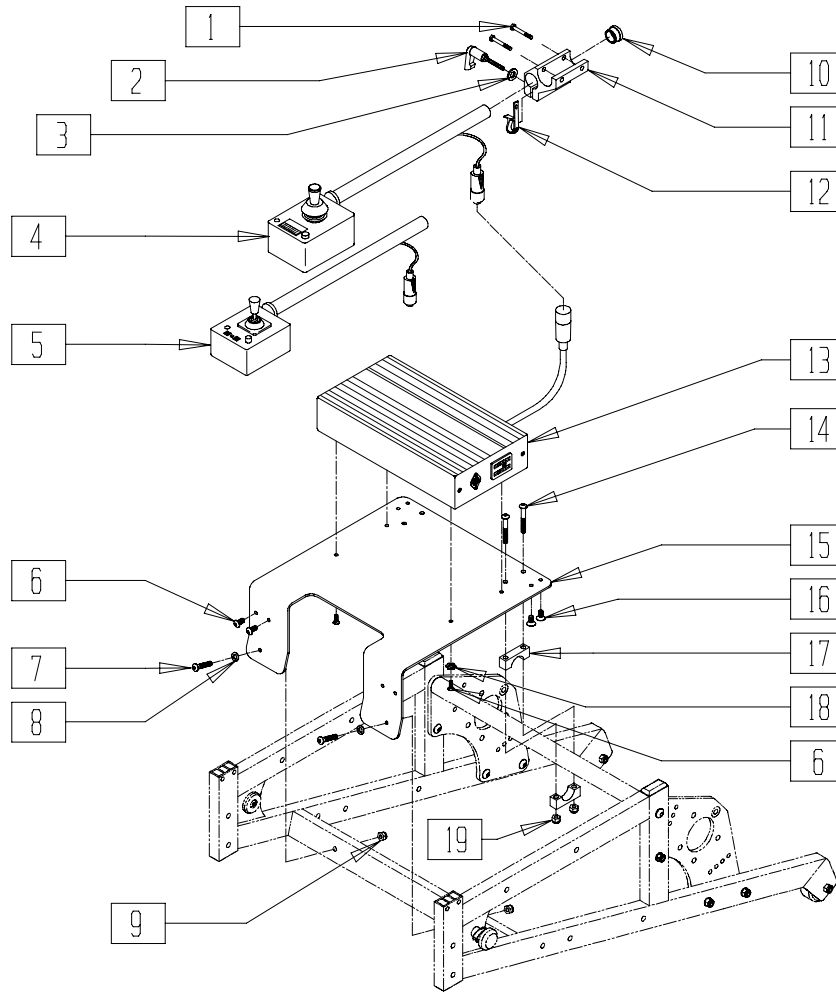
P300X40A

ITEM	NUMBER	DESCRIPTION	QTY
1	226037	10-32 x 1 3/8 SOC C/S BLK	2
2	349024	HNDL 10-32 x 3/4 C/A P1/P3/P5	1
3	261204	#10 AN WASHER .063	1
4,9	920230, 920231	REMOTE BOX W/WARM (EA)	
5,9	920256, 920257	REMOTE BOX HD W/WARM (EA)	
6	226008	8-32 x 1/2 PAN PHIL	4
7	281105	10-32 x 3/8 PAN PHIL	4
8	135015	PLUG 5-PIN MOD 10" DRIVE	2
9	560761	3/4" INSERT PLUG .049 (18GA)	1
10	501750	CONTROL ARM CLAMP	1
11	560268	QUICK RELEASE CLIP	1

ITEM	NUMBER	DESCRIPTION	QTY
12	281105	10-32 x 3/8 PAN PHIL	1
13	349508	1/4" ID PLASTIC CLAMP BLK	1
15	281105	10-32 x 3/8 PAN PHIL	2
17	138320	SOCKET COVER RECTANGULAR	2
18	150120	LABEL CHARGER SOCKET COVER	1
18A	150121	LABEL PROGRAM SOCKET COVER	1
19	131050	FUSE CAP TURBO CONTROLLER	1
20	138208	FUSE 20A AGC	1
21	138214	FUSEHOLDER HTB-441	1
22	135007	SOCKET 3 PIN CHARGE NON LATCHING	1
14-18, 18A 19-21	920262X	CONTROL BOX MAIN PG8/70 P2 S/X	
1-3, 10, 11	920713	CONTROL ARM CLAMP ASSEMBLY	

MAIN CONTROL SYSTEM (QUICKIE P300)

(Discontinued 6/30/00 - parts only) (Fits P300 beginning serial number P3-10500)



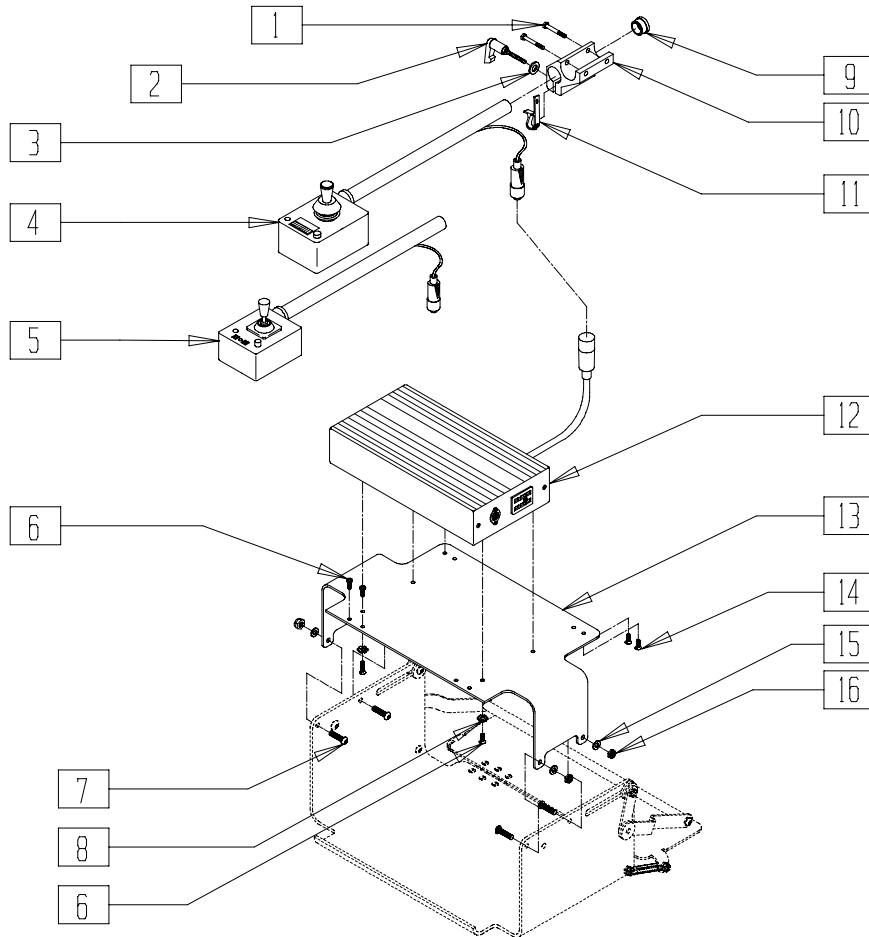
P300AX04B

ITEM	NUMBER	DESCRIPTION	QTY
1	226037	10-32 x 1 3/8 SOC C/S BLK	2
2	349024	HANDLE 10-32 x 3/4 C/A P1/P3/P5	1
3	261204	#10 AN WASHER .063	1
4,10	920230, 920231	REMOTE BOX W/ARM (EA)	
5,10	920256	REMOTE BOX HD W/ARM (EA)	
6	281110	10-32 x 1/2 PAN PHIL	6
7	226129	1/4-28 x 1 1/4 BH C/S	2
8	262100-QU	1/4 AN WASHER FLAT	2
9	201110-QU	1/4-28 NYLOCK NUT	2

ITEM	NUMBER	DESCRIPTION	QTY
10	560761	3/4" INSERT PLUG .049 (18GA)	1
11	501750	CONTROL ARM CLAMP	1
12	560268	QUICK RELEASE CLIP	1
13	920263X	CONTROL BOX MAIN PG8/70 P3 S/X	1
14	226140	1/4-28 x 1 3/4 BH C/S	4
15	505228	CONTROLLER MNT PLT P3 RECT	1
16	281128	#10 x 5/8 PAN PHIL S/TAP	4
17	550210	LOW LOCK CLAMP BLK	4
18	267340	#10 WASHER INT LOCK ZN	4
19	201100-QU	1/4-28 NYLOCK NUT THIN	4

MAIN CONTROL SYSTEM (QUICKIE P300)

(Discontinued 6/30/00 - parts only) (For use with LaBac Tilt System)



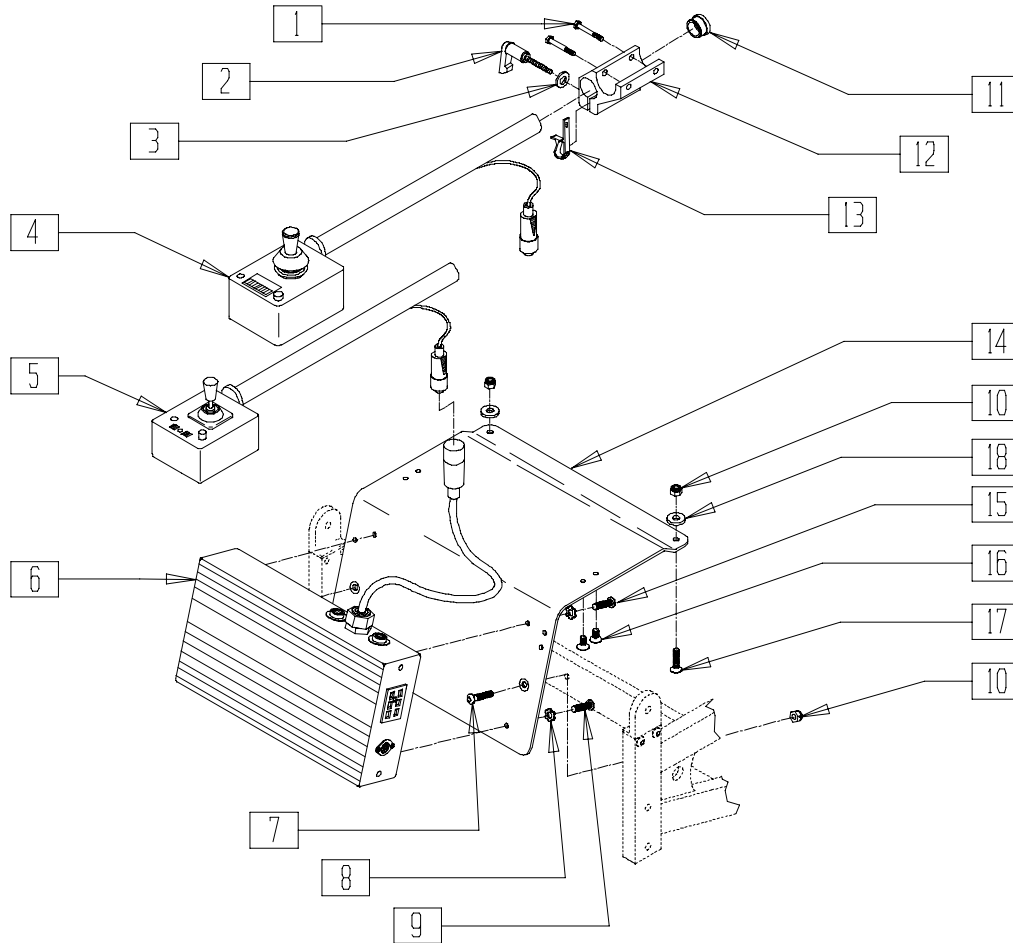
P300AX11B

ITEM	NUMBER	DESCRIPTION	QTY
1	226037	10-32 x 1 3/8 SOC C/S BLK	1
2	349024	HANDLE 10-32 x 3/4 C/A P1/P3/P5	1
3	261204	#10 AN WASHER .063	1
4,9	920230, 920231	REMOTE BOX W/ARM (EA)	
5,9	920256	REMOTE BOX HD W/ARM (EA)	
6	281110	10-32 x 1/2 PAN PHIL	6
7	226090	1/4-28 x 5/8 BH C/S	4
8	267340	#10 WASHER INT LOCK ZN	4

ITEM	NUMBER	DESCRIPTION	QTY
9	560761	3/4" INSERT PLUG .049 (18 GA)	1
10	501750	CONTROL ARM CLAMP	1
11	560268	QUICK RELEASE CLIP	1
12	920263X	CONTROL BOX MAIN PG8/70 P3 S/X	1
13	505303	CONTROLLER MOUNTING PLATE P3	1
14	281128	#10 x 5/8 PAN PHIL S/TAP	4
15	262110-QU	1/4 AN WASHER FLAT THIN	4
16	201100-QU	1/4-28 NYLOCK NUT THIN	4
1-3,9,11	920713	CONTROL ARM CLAMP ASSEMBLY	

MAIN CONTROL SYSTEM (QUICKIE P300)

(Discontinued 6/30/00 - parts only) (For use with LaBac Recline System)



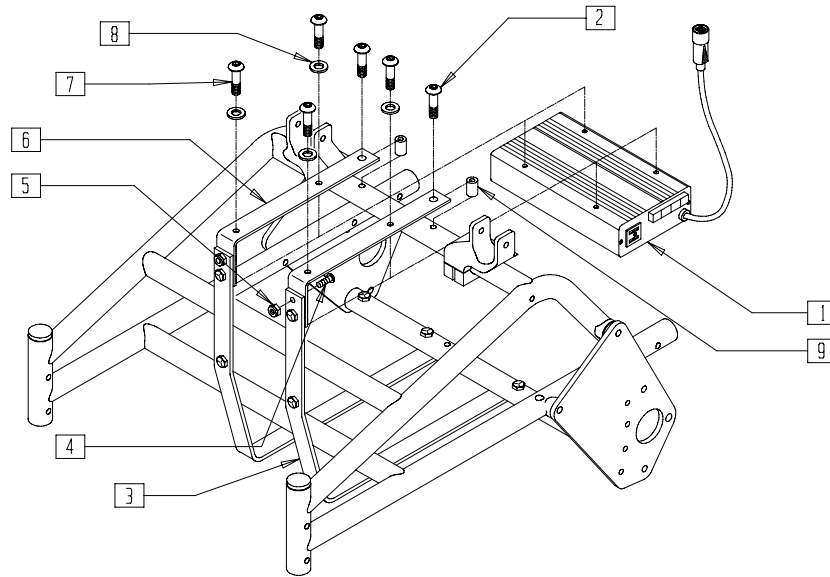
P30AX13C

ITEM	NUMBER	DESCRIPTION	QTY
1	226037	10-32 x 1 3/8 SOC C/S BLK	2
2	349024	HANDLE 10-32 x 3/4 C/A P1/P3/P5	1
3	261204	#10 AN WASHER .063	1
4,11	920230, 920231	REMOTE BOX W/ARM (EA)	
5,11	920256	REMOTE BOX HD W/ARM (EA)	
6	920263X	CONTROL BOX MAIN PG8/70 P3 S/X	1
7	226127	1/4-28 x 1 1/4 FH C/S	2
8	267340	#10 WASHER INT LOCK ZN	4
9	281110	10-32 x 1/2 PAN PHIL	1

ITEM	NUMBER	DESCRIPTION	QTY
10	201100-QU	1/4-28 NYLOCK NUT THIN	4
11	560761	3/4" INSERT PLUG .049 (18 GA)	1
12	501750	CONTROL ARM CLAMP	1
13	560268	QUICK RELEASE CLIP	1
14	505304	CONTRLLR MNTG PLT RECLINE P3	1
15	281120	10-32 x 5/8 PAN HD PHIL	1
16	281128	#10 x 5/8 PAN PHIL S/TAP	4
17	226090	1/4-28 x 5/8 BH C/S	2
18	262110-QU	1/4 AN WASHER FLAT THIN	2
1-3,12,13	920713	CONTROL ARM CLAMP ASSEMBLY	

MAIN CONTROL SYSTEM (ZIPPIE P500)

(Discontinued 5/5/99 - parts only)



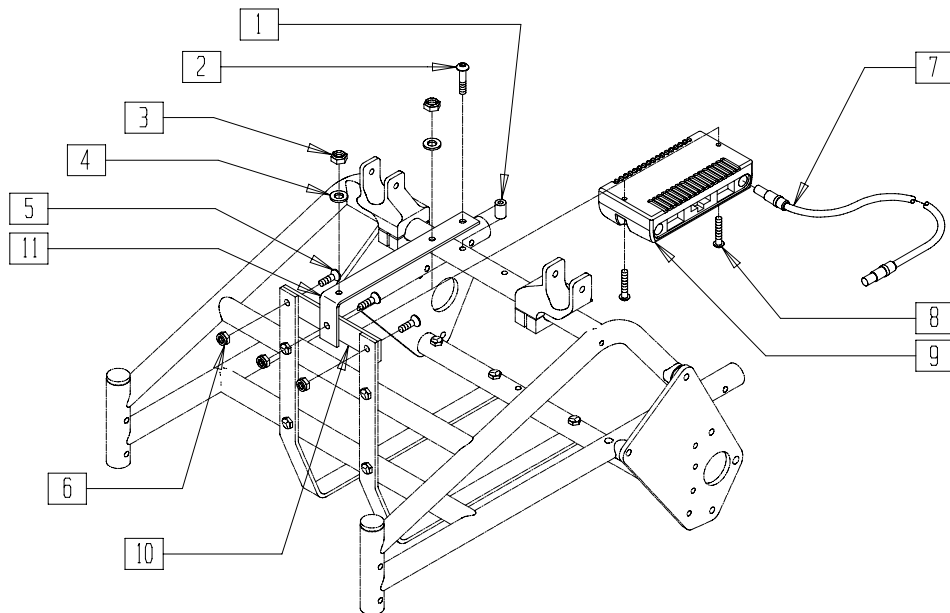
P500X23A

ITEM	NUMBER	DESCRIPTION	QTY
1	922261	CONTROL BOX MAIN PG8/50 P5/P19	1
2	226028-QU	10-32 x 1 BH C/S BLK	2
3	505720	BATTERY BRACKET P1/P5	2
4	226012	10-32 x 1/2 FH C/S BLK	2
5	200101-QU	10-32 NYLOCK NUT THIN	2

ITEM	NUMBER	DESCRIPTION	QTY
6	505734	CONTROLLER BRACKET P5	2
7	226018	10-32 x 3/8 BH C/S W/PATCH BLK	4
8	267340	#10 WASHER INT LOCK ZN	4
9	561037	HANDRIM SPACER MAG	2

MAIN CONTROL SYSTEM (QUICKIE Z500[ZIPPIE P500]) (QTRONIX)

(Effective 5/5/99)



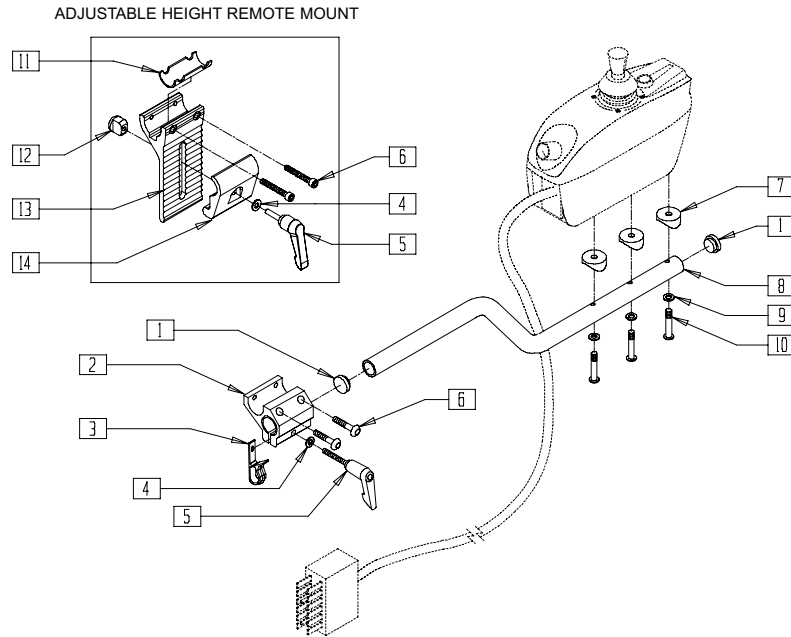
P500X23B

ITEM	NUMBER	DESCRIPTION	QTY
1	561037	HANDRIM SPACER MAG	1
2	226030-QU	10-32 x 1 1/4 BH C/S BLK	1
3	200100-QU	10-32 NYLOCK NUT	2
4	261204	#10 AN WASHER .063	2
5	226012	10-32 x 1/2 FH C/S BLK	3
6	200101-QU	10-32 NYLOCK NUT THIN	3

ITEM	NUMBER	DESCRIPTION	QTY
7	139137	CONTROL CABLE SLIM SHORT	1
8	281150	10-32 x 1 1/2 PAN PHIL	2
7,9	910107	CONTROLLER PILOT PLUS 50A P500	
10	505739	CNTRLR CROSS BRKT P500	1
11	505734	CONTROLLER BRACKET P5	1

INTEGRAL CONTROL SYSTEM (QUICKIE G-424)

(Discontinued - parts only; fits G-424 prior to G42-14502)



G424X19C

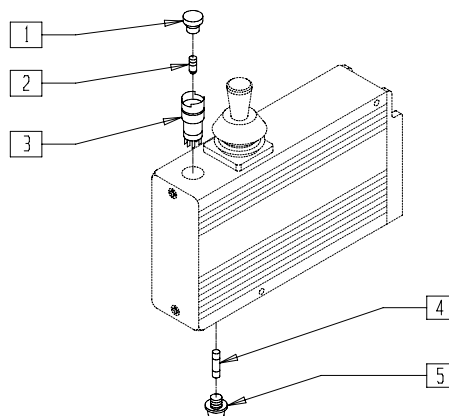
ITEM	NUMBER	DESCRIPTION	QTY
1	560762	3/4" INSERT PLUG .065	2
2	501750	CONTROL ARM CLAMP	1
3	560268	QUICK RELEASE CLIP	1
4	261204	#10 AN WASHER .063	1
5	349024	HANDLE 10-32 x 3/4 C/A P1/P3/P5	1
6	226037	10-32 x 1 3/8 SOC C/S BLK	2
7	561003	3/4" SADDLE THIN	2
8	520531	JOYSTICK MOUNT TUBE P120	1

ITEM	NUMBER	DESCRIPTION	QTY
9	455066-QU	#10 AN WASHER .063 SS	3
10	230494	M5-30 BUTTON HD SOC C/S BLK	3
11	483114	CONTROLLER SHIM P120	1
12	200139	SLIDING NUT	1
13	505766	ADJUSTABLE CLAMP OUTER	1
14	505767	ADJUSTABLE REMOTE MOUNT	1
2-6	920713	CONTROL ARM CLAMP ASSEMBLY	
4-6,12-14	920739	HT ADJ MOUNT ASSM INTEGRAL	

NOTE: FOR SWING-AWAY ARM ASSEMBLY OR PARTS, SEE SWING-AWAY RETRACTABLE JOYSTICK HARDWARE (INTEGRAL CONTROLLER) ON PAGE 15.7.
 NOTE: TO REPLACE INTEGRAL CONTROLLER, USE VSI INTEGRAL JOYSTICK CONTROL SYSTEM (QUICKIE G-424) SHOWN ON PAGE 15.34.

INTEGRAL CONTROL SYSTEM (QUICKIE P100/P110)

(Discontinued - parts only)



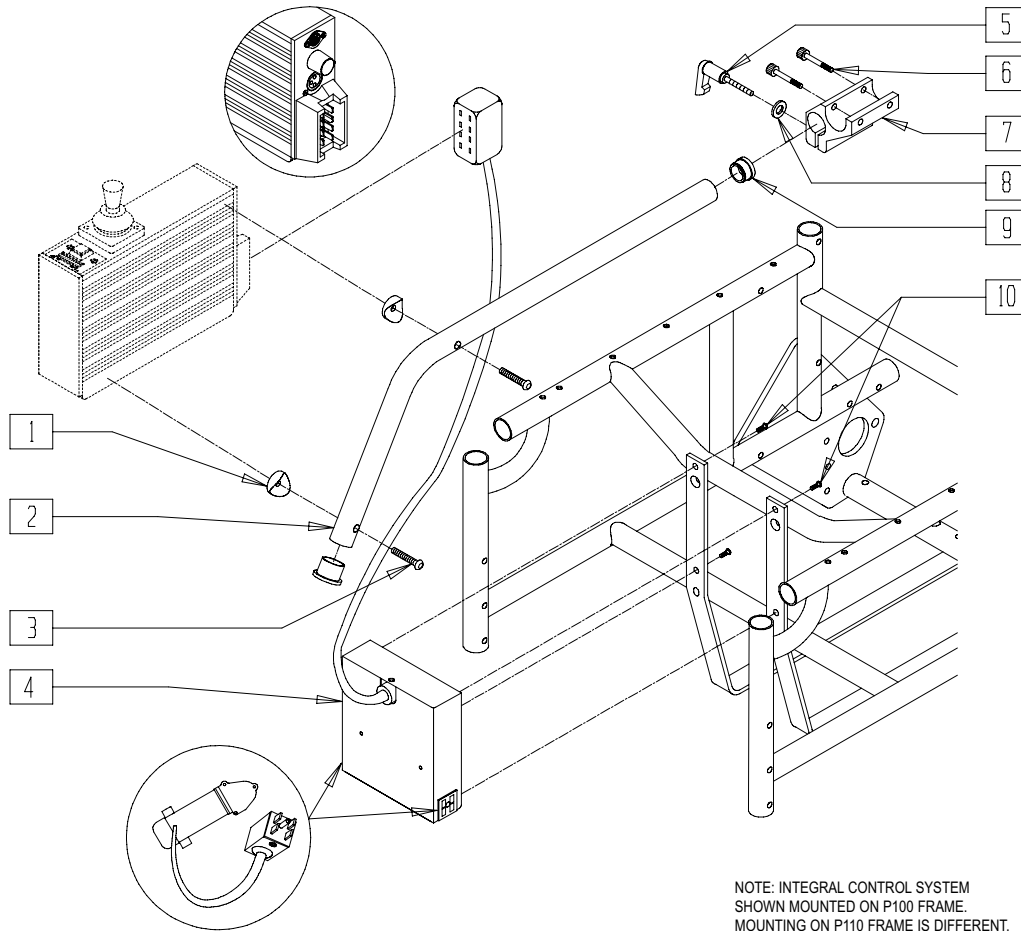
P100X33B

ITEM	NUMBER	DESCRIPTION	QTY
1	133818	SWITCH LENS ROUND RED DM40 INT	1
2	137206	BULB 24V RED ROUND DM40 INT	1
3	133820	SWITCH BODY ONLY ROUND DM40INT	1

ITEM	NUMBER	DESCRIPTION	QTY
4	138202	FUSE 2A 5 x 20mm FAST BLOW	1
5	138216	FUSE HOLDER 20 x 5 - PHIL EDK	1
1-3	133840	SWITCH ASSM DM40 INTEGRAL	

INTEGRAL CONTROL SYSTEM (QUICKIE P100)

(Discontinued 1/99 - parts only)



NOTE: INTEGRAL CONTROL SYSTEM
SHOWN MOUNTED ON P100 FRAME.
MOUNTING ON P110 FRAME IS DIFFERENT.

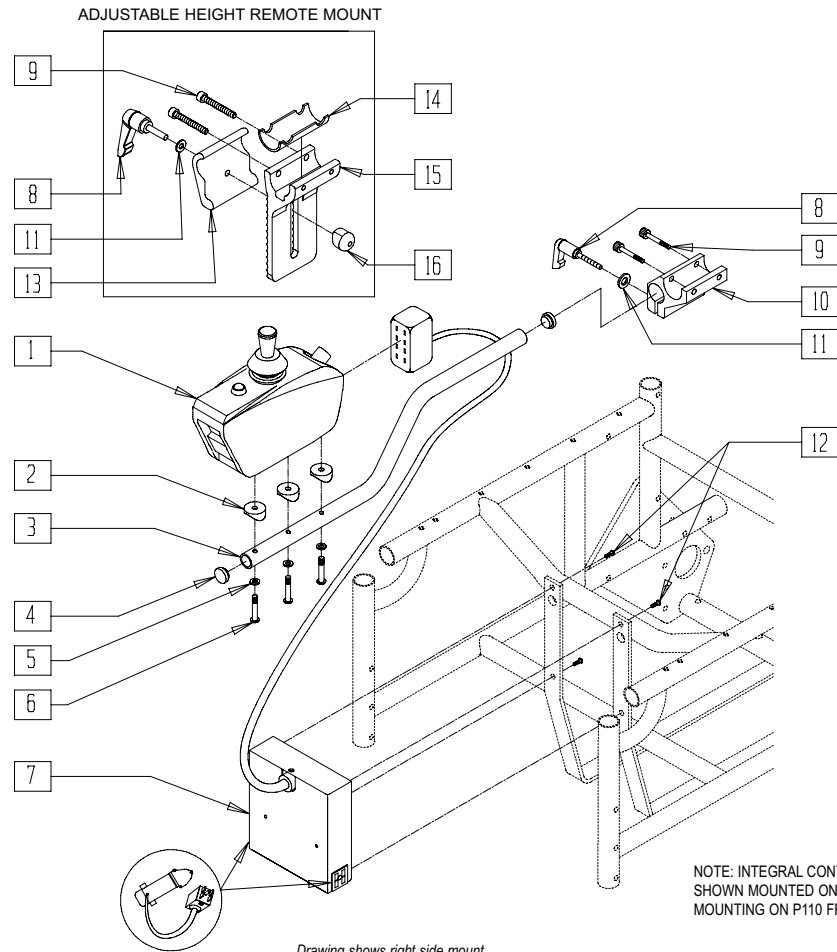
Drawing shows right side mount

P100X33

ITEM	NUMBER	DESCRIPTION	QTY
1	561003	3/4" SADDLE THIN	3
2	521770	V100 NON-REMOTE TUBE	1
3	281143	10-32 x 1 1/8 PAN PHIL	2
4	920610	INTERCONNECT BOX - SHORT CBL	1
5	349024	HANDLE 10-32 x 3/4 C/A P1/P3/P5	1
6	226037	10-32 x 1 3/8 SOC C/S BLK	2

ITEM	NUMBER	DESCRIPTION	QTY
7	501750	CONTROL ARM CLAMP	1
8	261204	#10 AN WASHER .063	1
9	561000-QU	3/4" INSERT PLUG .083	2
10	281105	10-32 x 3/8 PAN PHIL	4
5-8	920713	CONTROL ARM CLAMP ASSEMBLY	

INTEGRAL CONTROL SYSTEM (QUICKIE V100[P100]) (Discontinued 1/26/03 - parts only)



NOTE: INTEGRAL CONTROL SYSTEM
SHOWN MOUNTED ON P100 FRAME.
MOUNTING ON P110 FRAME IS DIFFERENT.

P100X33D

ITEM	NUMBER	DESCRIPTION	QTY
1	920265	INTEGRAL CONTROLLER P120	1
2	561003	3/4" SADDLE THIN	3
3	520531	JOYSTICK MOUNT TUBE P120	1
4	560762	3/4" INSERT PLUG .065	2
5	455066-QU	#10 AN WASHER .063 SS	3
6	230494	M5-30 BTTN HD SOC C/S BLK	3
7	920611	INTERCONNECT BOX MED CABLE (16")	1
	920612	INTERCONNECT BOX LONG CABLE (18"-20")	
8	349024	HANDLE 10-32 x 3/4 C/A P1/P3/P5	1
9	226037	10-32 x 1 3/8 SOC C/S BLK	2
10	501750	CONTROL ARM CLAMP	1

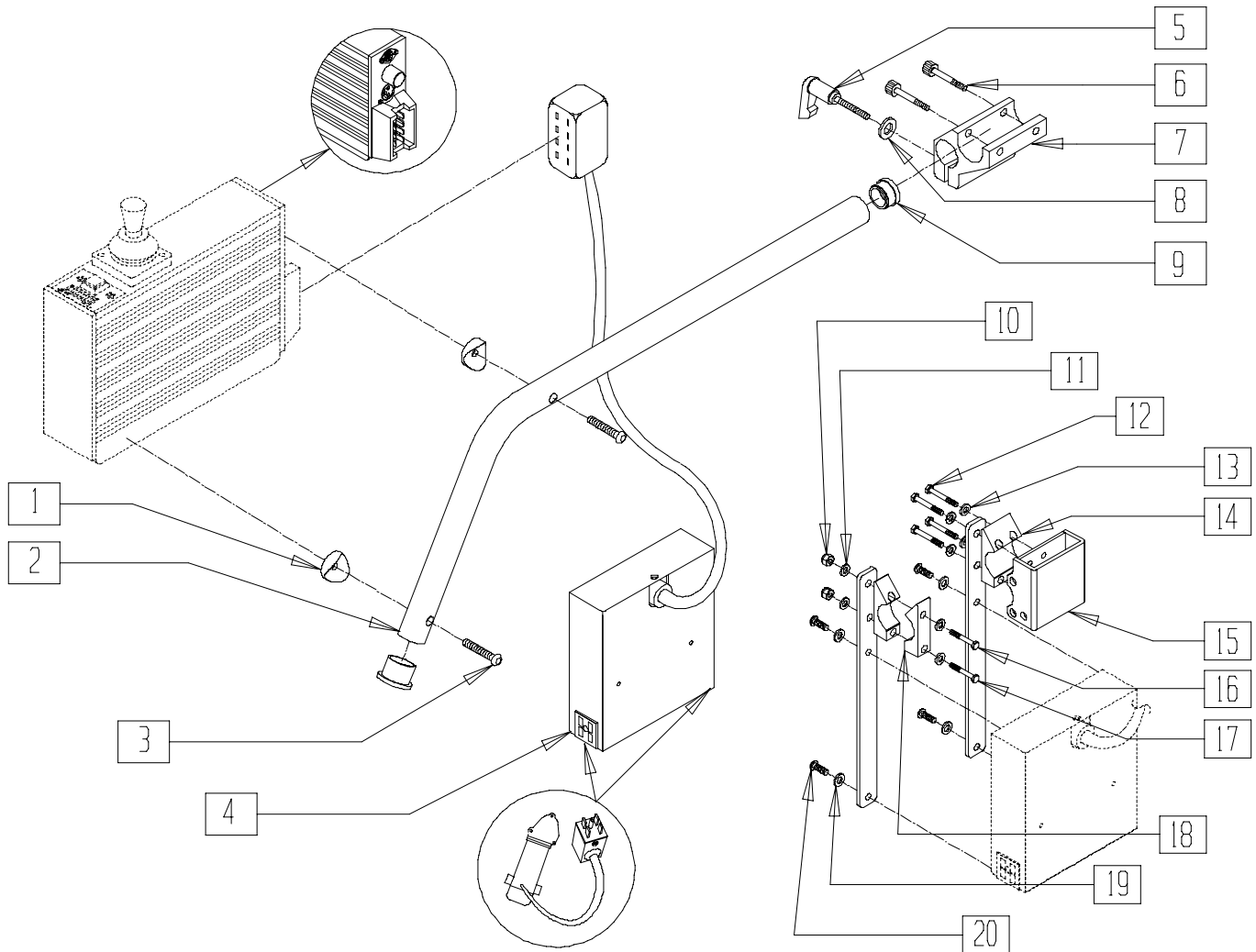
ITEM	NUMBER	DESCRIPTION	QTY
11	261204	#10 AN WASHER .063	1
12	281105	10-32 x 3/8 PAN PHIL	4
13	505767	ADJUSTABLE REMOTE MOUNT	1
14	483114	CONTROLLER SHIM P120	1
15	505766	ADJUSTABLE CLAMP OUTER	1
16	200139	SLIDING NUT	1
1-6	920416, 920417	CONTROL INTEGRAL W/ARM P120/P1'S (EA)	
8-11	920713	CONTROL ARM CLAMP ASSEMBLY	
8,9,11, 13,15,16	920739	HT ADJ MOUNT ASSM INTEGRAL	

INTERCONNECT BOX REFERENCE GUIDE

CHAIR	WIDTH	P/N	CABLE LENGTH
P100	16"	920611	MED.
P100	18"	920612	LONG
P100	19"	920612	LONG
P100	20"	920612	LONG

INTEGRAL CONTROL SYSTEM (QUICKIE P110/P110 PEDIATRIC)

(Discontinued 1/99 - parts only)



Drawing shows right side

P100X48

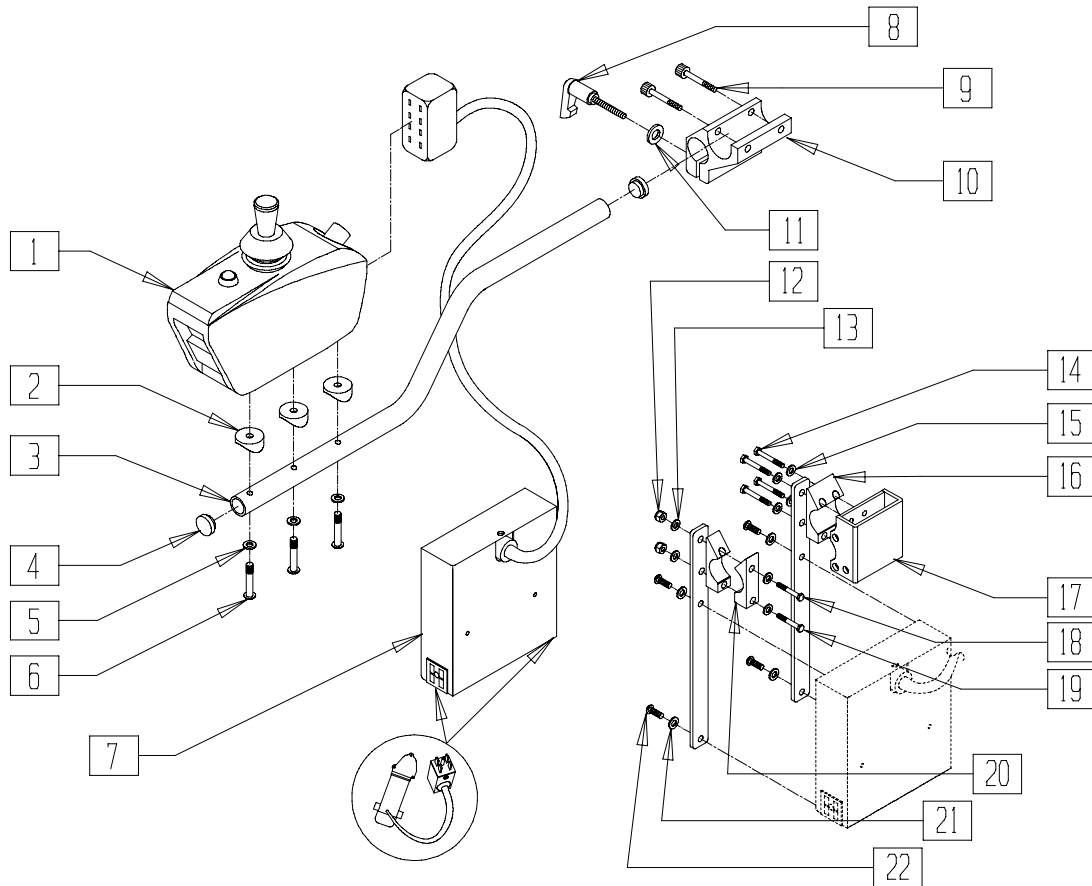
ITEM	NUMBER	DESCRIPTION	QTY
1	561003	3/4" SADDLE THIN	3
2	521770	V100 NON REMOTE TUBE	1
3	281143	10-32 x 1 1/8 PAN PHIL	2
4	920610	INTERCONNECT BOX - SHORT CBL	1
5	349024	HNDL 10-32 x 3/4 C/A P1/P3/P5	1
6	226037	10-32 x 1 3/8 SOC C/S BLK	2
7	501750	CONTROL ARM CLAMP	1
8	261204	#10 AN WASHER .063	1
9	561000-QU	3/4" INSERT PLUG .083	2
10	201110-QU	1/4-28 NYLOCK NUT	2
11	262100-QU	1/4 AN WASHER FLAT	2
12	221127	1/4-28 x 1 3/8 HEX C/S	4

ITEM	NUMBER	DESCRIPTION	QTY
13	262100-QU	1/4 AN WASHER FLAT	4
14	550490	HT ADJ REC CLAMP 4 HOLE	1
15	880230	HT ADJ REC STD W/O CLAMP	1
16	505735	CONTROLLER BRKT P110	2
17	221192	1/4-28 x 2 G8 HEX C/S	2
18	550256	CLAMP ADJ FL STD	2
19	267340	#10 WASHER INT LOCK ZN	4
20	281105	10-32 x 3/8 PAN PHIL	4
5-8	920713	CONTROL ARM CLAMP ASSEMBLY	
10,11 16-18,20	920714	CONTROL ARM CLAMP ASSEMBLY	

NOTE: WHEN USING FLIP-BACK ARM, ITEMS 14 AND 15 ARE REPLACED BY ITEM 18 (QUANTITY OF 2).

INTEGRAL CONTROL SYSTEM (QUICKIE P110/P110 PEDIATRIC)

(Discontinued 6/30/00 - parts only)



Drawing shows right side

P100X48A

ITEM	NUMBER	DESCRIPTION	QTY
1	920265	INTEGRAL CONTROLLER P120	1
2	561003	3/4" SADDLE THIN	3
3	520531	JOYSTICK MOUNT TUBE P120	1
4	560762	3/4" INSERT PLUG .065	2
5	455066-QU	#10 AN WASHER .063 SS	3
6	230494	M5-30 BTTN HD SOC C/S BLK	3
7	920610	INTERCONNECT BOX SHORT CABLE (P110)	1
	920612	INTERCONNECT BOX LONG CABLE (P110 PEDIATRIC)	1
8	349024	HNDL 10-32 x 3/4 C/A P1/P3/P5	1
9	226037	10-32 x 1 3/8 SOC C/S BLK	2
10	501750	CONTROL ARM CLAMP	1
11	261204	#10 AN WASHER .063	1
12	201110-QU	1/4-28 NYLOCK NUT	2

ITEM	NUMBER	DESCRIPTION	QTY
13	262100-QU	1/4 AN WASHER FLAT	2
14	221127	1/4-28 x 1 3/8 HEX C/S	4
15	262100-QU	1/4 AN WASHER FLAT	4
16	550490	HT ADJ REC CLAMP 4 HOLE	1
17	880230	HT ADJ REC STD W/O CLAMP	1
18	505735	CONTROLLER BRKT P110	2
19	221192	1/4-28 x 2 G8 HEX C/S	2
20	550256	CLAMP ADJ FL STD	2
21	267340	#10 WASHER INT LOCK ZN	4
22	281105	10-32 x 3/8 PAN PHIL	4
1-6	920416, 920417	CNTRL INTGRL W/ARM P120/P1'S (EA)	
8-11	920713	CONTROL ARM CLAMP ASSEMBLY	
12,13	920714	CONTROLLER BRKT W/HDWR P110	
18-20,22			

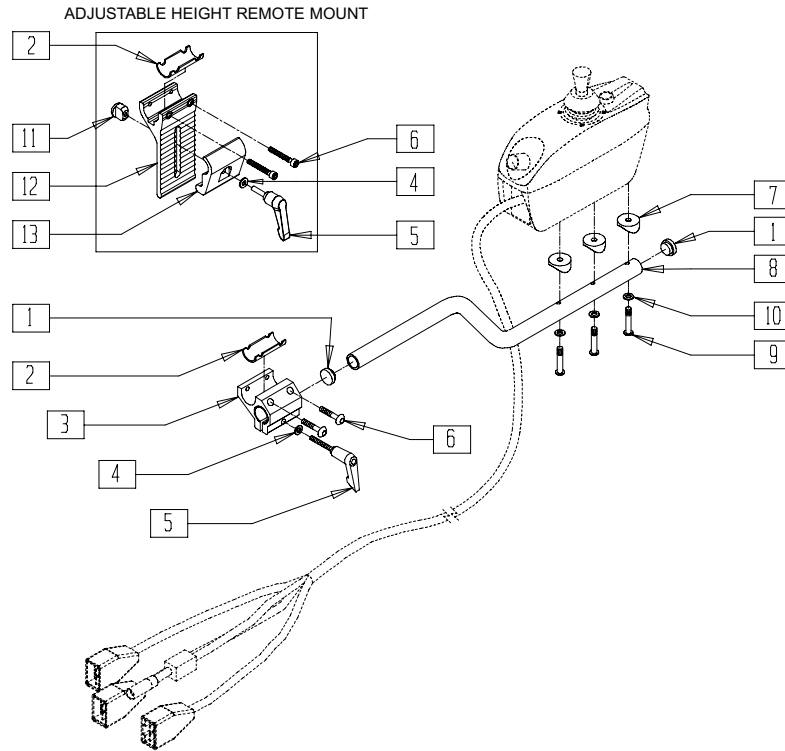
NOTE: WHEN USING FLIP-BACK ARM, ITEMS 16 AND 17 ARE REPLACED BY ITEM 20 (QUANTITY OF 2).

INTERCONNECT BOX REFERENCE GUIDE

CHAIR	WIDTH	P/N	CABLE LENGTH
P110	14"	920612	LONG
P110	16"	920610	SHORT
P110	18"	920610	SHORT

INTEGRAL CONTROL SYSTEM (QUICKIE S-525)

(Discontinued- parts only; fits Quickie S-525 prior to S52-20012)



S525X29C

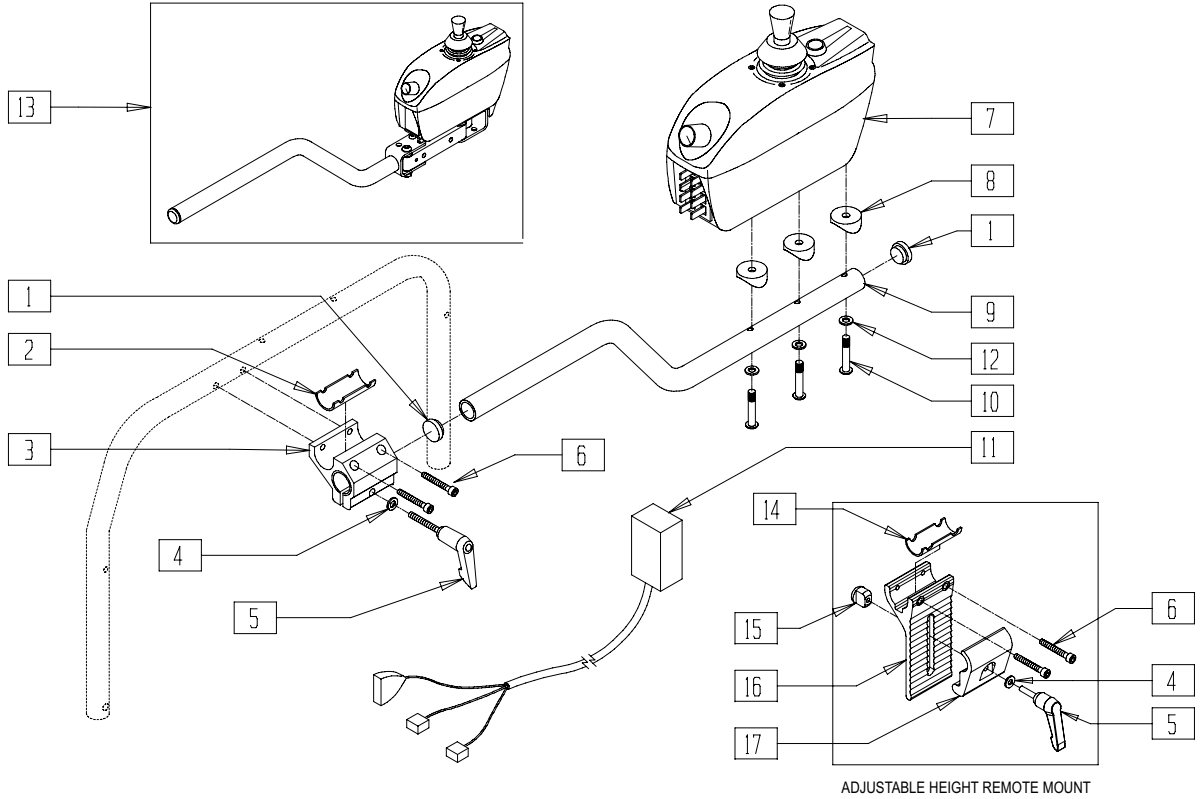
ITEM	NUMBER	DESCRIPTION	QTY
1	560762	3/4" INSERT PLUG .065	2
2	483114	CONTROLLER SHIM P120	2
3	501750	CONTROL ARM CLAMP	1
4	261204	#10 AN WASHER .063	1
5	349024	HANDLE 10-32 x 3/4 C/A P1/P3/P5	1
6	226037	10-32 x 1 3/8 SOC C/S BLK	2
7	561003	3/4" SADDLE THIN	3
8	520531	JOYSTICK MOUNT TUBE P120	1

ITEM	NUMBER	DESCRIPTION	QTY
9	230494	M5-30 BUTTON HD SOC C/S BLK	3
10	455066-QU	#10 AN WASHER .063 SS	3
11	200139	SLIDING NUT	1
12	505766	ADJUSTABLE CLAMP OUTER	1
13	505767	ADJUSTABLE REMOTE MOUNT	1
4-6,11-13	920739	HT ADJ MOUNT ASSM INTEGRAL	
3-6	920713	CONTROL ARM CLAMP ASSM	

NOTE: FOR SWING-AWAY ARM ASSEMBLY OR PARTS, SEE SWING-AWAY RETRACTABLE JOYSTICK HARDWARE (INTEGRAL CONTROLLER) ON PAGE 15.7.
 NOTE: TO REPLACE INTEGRAL CONTROLLER, USE VSI INTEGRAL JOYSTICK CONTROL SYSTEM (QUICKIE S-525) ON PAGE 15.36.

INTEGRAL CONTROL SYSTEM (QUICKIE V-121[P120])

(Discontinued- parts only; fits V-121 prior to V12-16738)



ADJUSTABLE HEIGHT REMOTE MOUNT

P900X05B

ITEM	NUMBER	DESCRIPTION	QTY
1	560762	3/4" INSERT PLUG .065	2
2	483114	CONTROLLER SHIM P120	1
3	501750	CONTROL ARM CLAMP	1
4	261204	#10 AN WASHER .063	1
5	349024	HNDL 10-32 x 3/4 C/A P1/P3/P5	1
6	226037	10-32 x 1 3/8 SOC C/S BLK	2
7	920265	INTEGRAL CONTROLLER P120	1
8	561003	3/4" SADDLE THIN	3
9	520531	JOYSTICK MOUNT TUBE P120	1
10	230494	M5-30 BTTN HD SOC C/S BLK	3
11	139010	CONTROLLER HARNESS P120	1

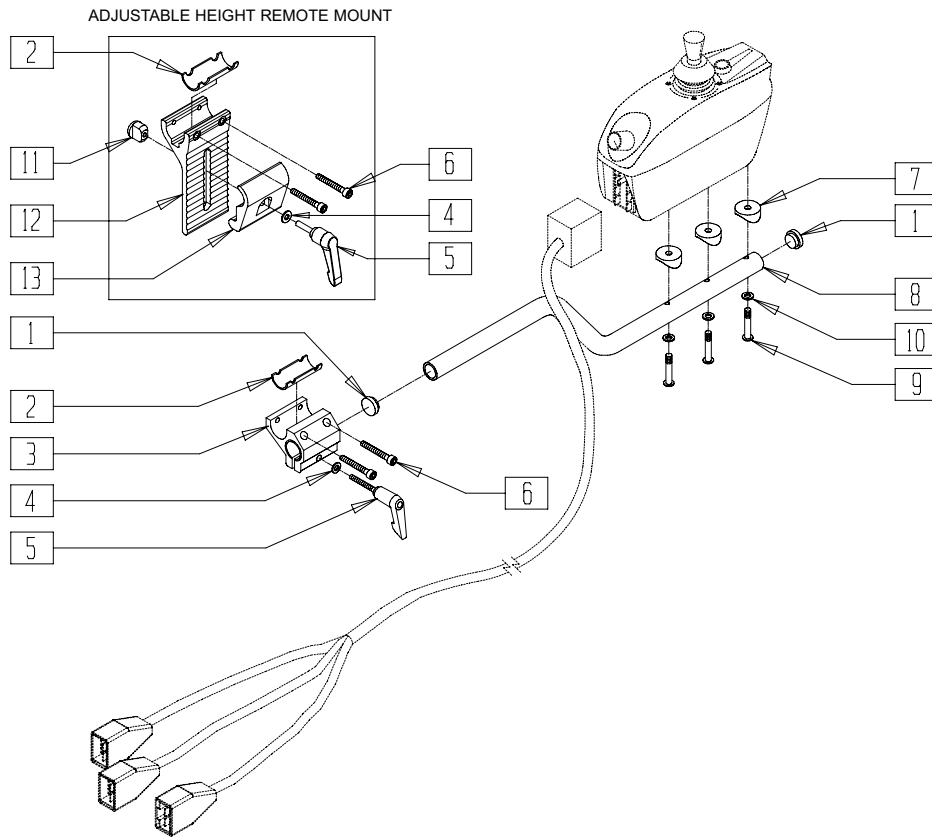
ITEM	NUMBER	DESCRIPTION	QTY
12	455066-QU	#10 AN WASHER .063 SS	3
13*	920613, 920614	S/A INT CNTRL W/ARM P1/P110 (EA)	
14	483114	CONTROLLER SHIM P120	1
15	200139	SLIDING NUT	1
16	505766	ADJUSTABLE CLAMP OUTER	1
17	505767	ADJUSTABLE REMOTE MOUNT	1
1,7,10,12	920416, 920417	CNTRL INTGRL W/ARM P120/P1'S (EA)	
4-6,15-17	920739	HT ADJ MOUNT ASSM INTEGRAL	
2-6	920713	CONTROL ARM CLAMP ASSM	

NOTE: ITEM 2 NOT USED WITH HEIGHT-ADJUSTABLE FLIP-BACK ARMREST.

* FOR SWING-AWAY ARM ASSEMBLY OR PARTS, SEE SWING-AWAY RETRACTABLE JOYSTICK HARDWARE (INTEGRAL CONTROLLER) ON PAGE 15.7.

INTEGRAL CONTROL SYSTEM (QUICKIE V-521)

(Discontinued- parts only; fits Quickie V-521 prior to V52-13458)



V521X15B

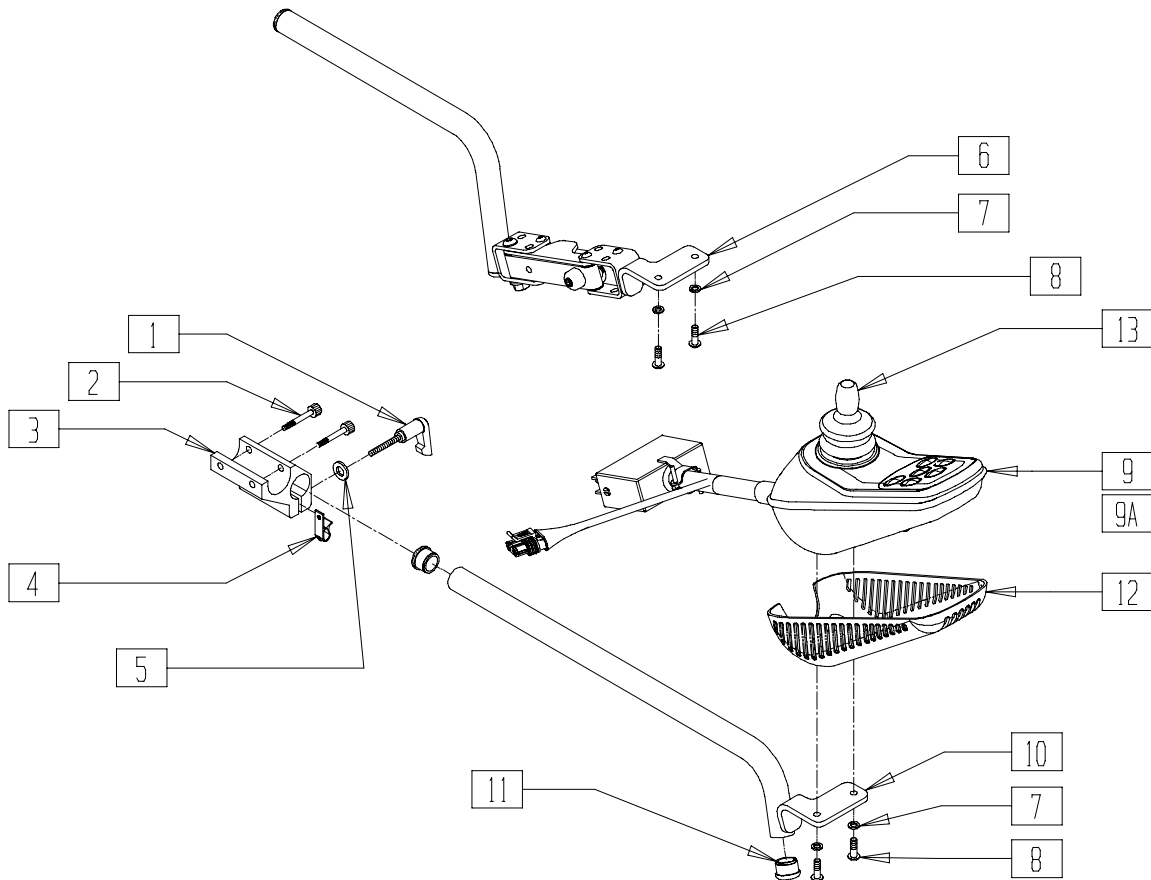
ITEM	NUMBER	DESCRIPTION	QTY
1	560762	3/4" INSERT PLUG .065	2
2	483114	CONTROLLER SHIM P120	2
3	501750	CONTROL ARM CLAMP	1
4	261204	#10 AN WASHER .063	1
5	349024	HANDLE 10-32 x 3/4 C/A P1/P3/P5	1
6	226037	10-32 x 1 3/8 SOC C/S BLK	2
7	561003	3/4" SADDLE THIN	3
8	520531	JOYSTICK MOUNT TUBE P120	1

ITEM	NUMBER	DESCRIPTION	QTY
9	230494	M5-30 BUTTON HD SOC C/S BLK	3
10	455066-QU	#10 AN WASHER .063 SS	3
11	200139	SLIDING NUT	1
12	505766	ADJUSTABLE CLAMP OUTER	1
13	505767	ADJUSTABLE REMOTE MOUNT	1
4-6,11-13	920739	HT ADJ MOUNT ASSM INTEGRAL	
2-6	920713	CONTROL ARM CLAMP ASSM	

NOTE: FOR SWING-AWAY ARM ASSEMBLY OR PARTS, SEE SWING-AWAY RETRACTABLE JOYSTICK HARDWARE (INTEGRAL CONTROLLER) ON PAGE 15.7.
 NOTE: TO REPLACE INTEGRAL CONTROLLER, USE VSI INTEGRAL JOYSTICK CONTROL SYSTEM (QUICKIE V100/V-121/V-521) SHOWN ON PAGE 15.37.

VSI INTEGRAL JOYSTICK CONTROL SYSTEM (QUICKIE G-424)

(Beginning serial number G42-14502)

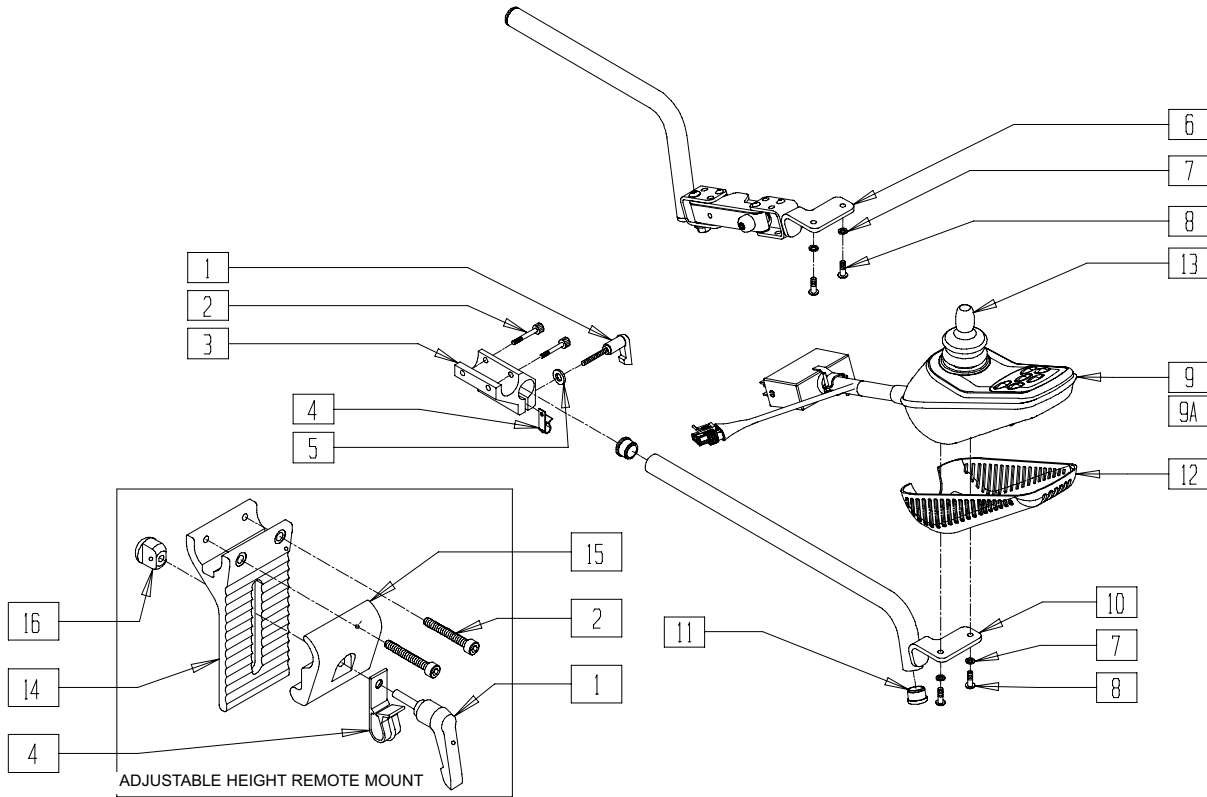


PCNTR08A

ITEM	NUMBER	DESCRIPTION	QTY
1	349024	HNDL 10-32 x 3/4 C/A P1/P3/P5	1
2	226037	10-32 x 1 3/8 SOC C/S BLK	2
3	501750	CONTROL ARM CLAMP	1
4	560268	QUICK RELEASE CLIP	1
5	261524	#10 WASHER LOCK SS	1
6	882496, 882497	S/A ARM VSI ASSM (EA)	1
7	261524	#10 WASHER LOCK SS	2
8	226024-QU	10-32 x 7/8 BH C/S BLK	2
10	542131, 542132	VSI FIX MNTNG BLK W/LDMNT (EA)	1
11	560761	3/4" INSERT PLUG .049 (18GA)	2
13	138169	VSI JOYSTICK HANDLE	1

ITEM	NUMBER	DESCRIPTION	QTY
1-5	920713	CONTROL ARM CLAMP ASSM	
7-9,12,13	910150	CNTRLR VSI 14PIN 4.5 MPH	1
7,8,9A, 12,13	910153	CNTRLR VSI 14PIN TILT 4.5 MPH	1
7-13	920664, 920665	INT CNTRL VSI 50/70A W/ARM (EA)	
7,8,9A, 10-13	920824, 920825	INT CNTR VSI W/ARM G424 TLT (EA)	
1-9, 11-13	920666, 920667	S/A INT CNTL 50/70 VSI W/ARM (EA)	
6-8,9A, 11-13	920826, 920827	S/A INT CNTR VSI W/ARM TLT (EA)	

VSI INTEGRAL JOYSTICK CONTROL SYSTEM (QUICKIE P-220)



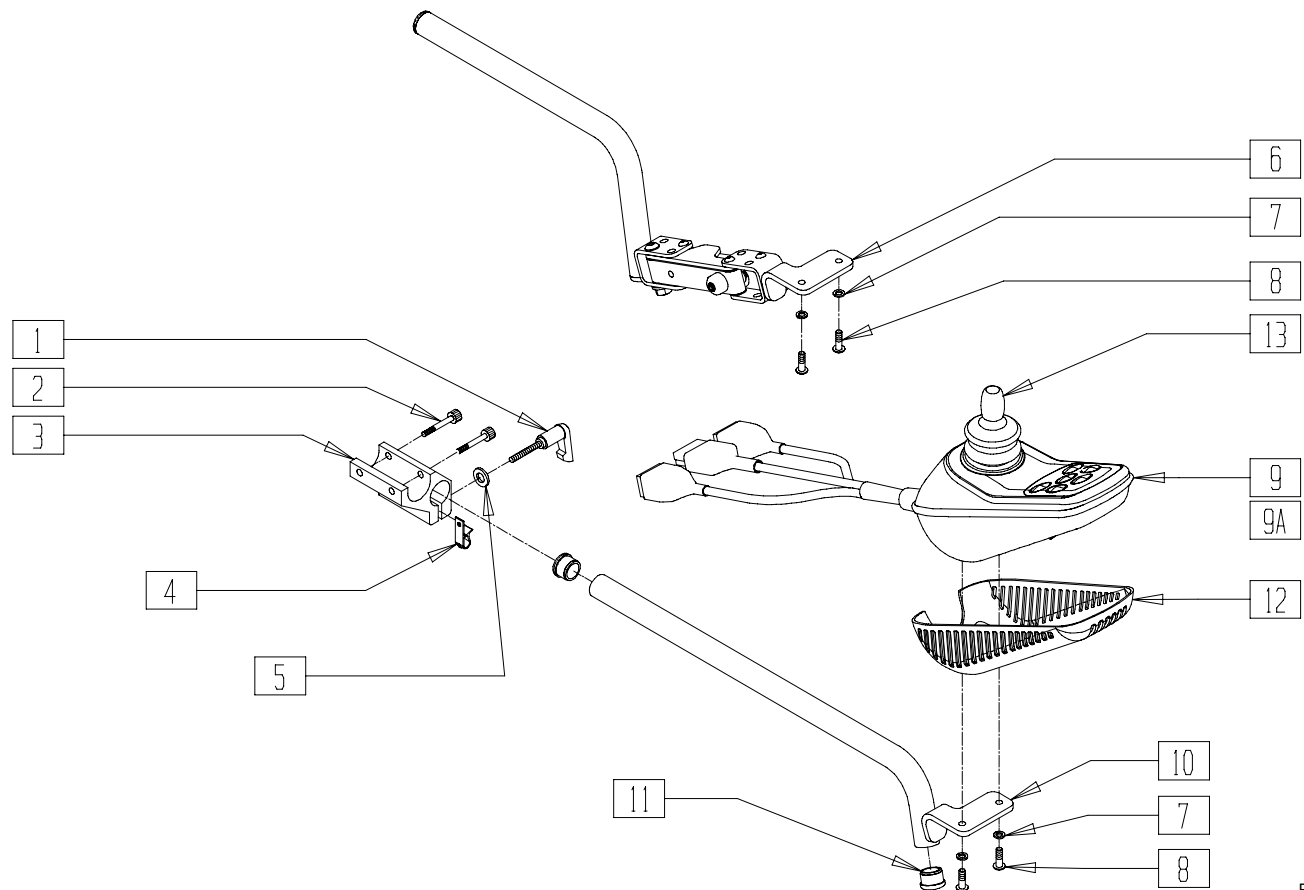
P220X10C

ITEM	NUMBER	DESCRIPTION	QTY
1	349024	HNDL 10-32 x 3/4 C/A P1/P3/P5	1
2	226037	10-32 x 1 3/8 SOC C/S BLK	2
3	501750	CONTROL ARM CLAMP	1
4	560268	QUICK RELEASE CLIP	1
5	261204	#10 AN WASHER .063	1
6	882496	S/A ARM VSI R ASSM	1
6A	882497	S/A ARM VSI L ASSM	1
7	261524	#10 WASHER LOCK SS	2
8	226024-QU	10-32 x 7/8 BH C/S BLK	2
10	542131	VSI FIX MNTNG BLK WLDMNT RIGHT	1
10A	542132	VSI FIX MNTNG BLK WLDMNT LEFT	1
11	560761	3/4" INSERT PLUG .049 (18GA)	2
13	138169	VSI JOYSTICK HANDLE	1
14	505766	ADJUSTABLE CLAMP OUTER	1
15	505767	ADJUSTABLE REMOTE MOUNT	1
16	200139	SLIDING NUT	1
1-5	920713	CONTROL ARM CLAMP ASSM	
7-9,12,13	910117	CNTRLR VSI 14PIN 7 MPH	1
7,8,9A,12	910118	CNTRLR VSI 14PIN TILT 7 MPH	1
1-9,12,13	920841	VSI REMOTE S/A ARM R	
1-8,9A,12,13	920845	VSI TILT REMOTE S/A ARM R	
1-5,6A,7-9,12,13	920843	VSI REMOTE S/A ARM L	
1-5,6A,7,8,9A,12,13	920846	VSI TILT REMOTE S/A ARM L	
1-5,7-13	920830	VSI REMOTE FIXED ARM R	
1-5,7,8,9A,10-13	920834	VSI TILT REMOTE FIXED ARM R	
1-5,7-9,10A,11-13	920832	VSI REMOTE FIXED ARM L	
1-5,7,8,9A,10A,11-13	920835	VSI TILT REMOTE FIXED ARM L	
6-9,12	922312	VSI RMT S/A ARM R	

ITEM	NUMBER	DESCRIPTION	QTY
6-9,12	922316	VSI TILT RMT S/A ARM R	
6A,7-9,12	922313	VSI RMT S/A ARM L	
6A,7,8,9A,12	922317	VSI TILT RMT S/A ARM L	
7-12	922304	VSI RMT FIXED ARM R	
7,8,9A,10-12	922308	VSI TILT RMT FXD ARM R	
7-9,10A,11,12	922305	VSI RMT FIXED ARM L	
7,8,9A,10A,11,12	922309	VSI TILT RMT FXD ARM L	
1,2,4,14-16	920738	HT ADJ MOUNT ASSM STD	
1,2,4,7-12,14-16	921934	VSI REMOTE FIXED ARM R H/A	
1,2,4,7-9,10A,11,12,14-16	921935	VSI REMOTE FIXED ARM L H/A	
1,2,4,7,8,9A,10-12,14-16	921937	VSI TILT REMOTE FIXD ARM R H/A	
1,2,4,7,8,9A,10A,11,12,14-16	921938	VSI TILT REMOTE FIXD ARM L H/A	
1,2,4,6-9,12,14-16	921941	VSI REMOTE S/A ARM R H/A	
1,2,4,6A,7-9,12,14-16	921942	VSI REMOTE S/A ARM L H/A	
1,2,4,6-9,12,14-16	921943	VSI TILT REMOTE S/A ARM R H/A	
1,2,4,6A,7,8,9A,12,14-16	921944	VSI TILT REMOTE S/A ARM L H/A	

VSI INTEGRAL JOYSTICK CONTROL SYSTEM (QUICKIE S-525)

(Beginning serial number S52-20012)



PCNTR10B

ITEM	NUMBER	DESCRIPTION	QTY
1	349024	HNDL 10-32 x 3/4 C/A P1/P3/P5	1
2	226037	10-32 x 1 3/8 SOC C/S BLK	2
3	501750	CONTROL ARM CLAMP	1
4	560268	QUICK RELEASE CLIP	1
5	261524	#10 WASHER LOCK SS	1
6	882496, 882497	S/A ARM VSI ASSM (EA	1
7	261524	#10 WASHER LOCK SS	2
8	226024-QU	10-32 x 7/8 BH C/S BLK	2
10	542131, 542132	VSI FIX MNTNG BLK W/DMNT (EA)	1
11	560761	3/4" INSERT PLUG .049 (18GA)	2
13	138169	VSI JOYSTICK HANDLE	1
1-5	920713	CONTROL ARM CLAMP ASSM	
7-9,12,13	910136	CNTRLR VSI INTEC 4.5 MPH	1
7,8,9A, 12,13	910137	CNTRLR VSI INTEC TILT 4.5 MPH	1

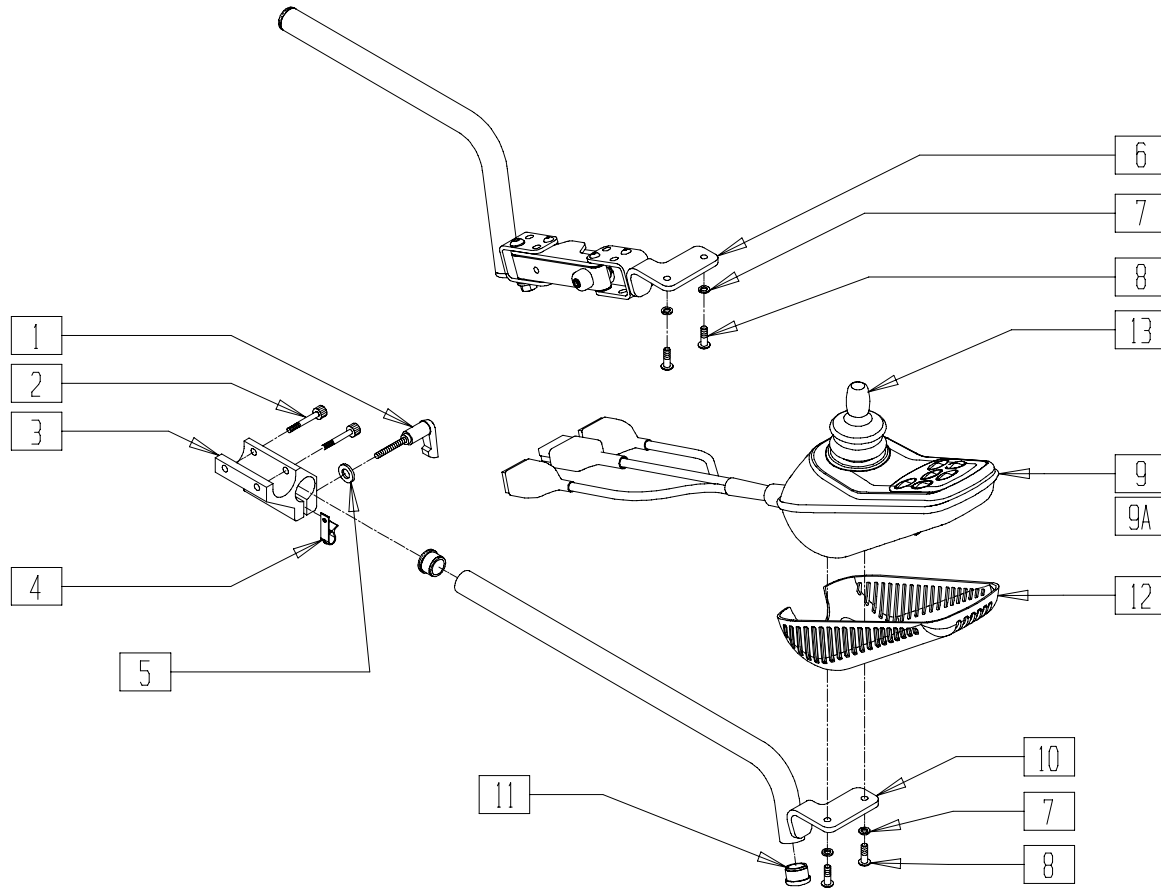
ITEM	NUMBER	DESCRIPTION	QTY
7,8,9B, 12,13	910149	CNTRLR VSI INTEC TM40 4.5 MPH	1
9-13	920748, 920749	INT CNTR VSI W/ARM S525 (EA)	
7,8,9A 10-13	920828, 920829	INT CNTR VSI W/ARM S52 TLT (EA)	
7,8,9B 10-13	920850, 920851	VSI W/ARM S52 TM40 TLT (EA)	
6-9, 11-13	920752, 920753	S/A INT CNTR VSI W/ARM S525 (EA)	
6-8,9A, 11-13	920838, 920839	S/A INT C VSI W/ARM S52 TLT (EA)	
6-8,9B, 11-13	920852, 920853	S/A VSI W/ARM S52 TM40 TLT (EA)	

VSI INTEGRAL JOYSTICK CONTROL SYSTEM (QUICKIE V100/V-121/V-521)

(Quickie V-100 beginning V1-12458)

(Quickie V-121 beginning V12-16738)

(Quickie V-521 beginning V52-13458)

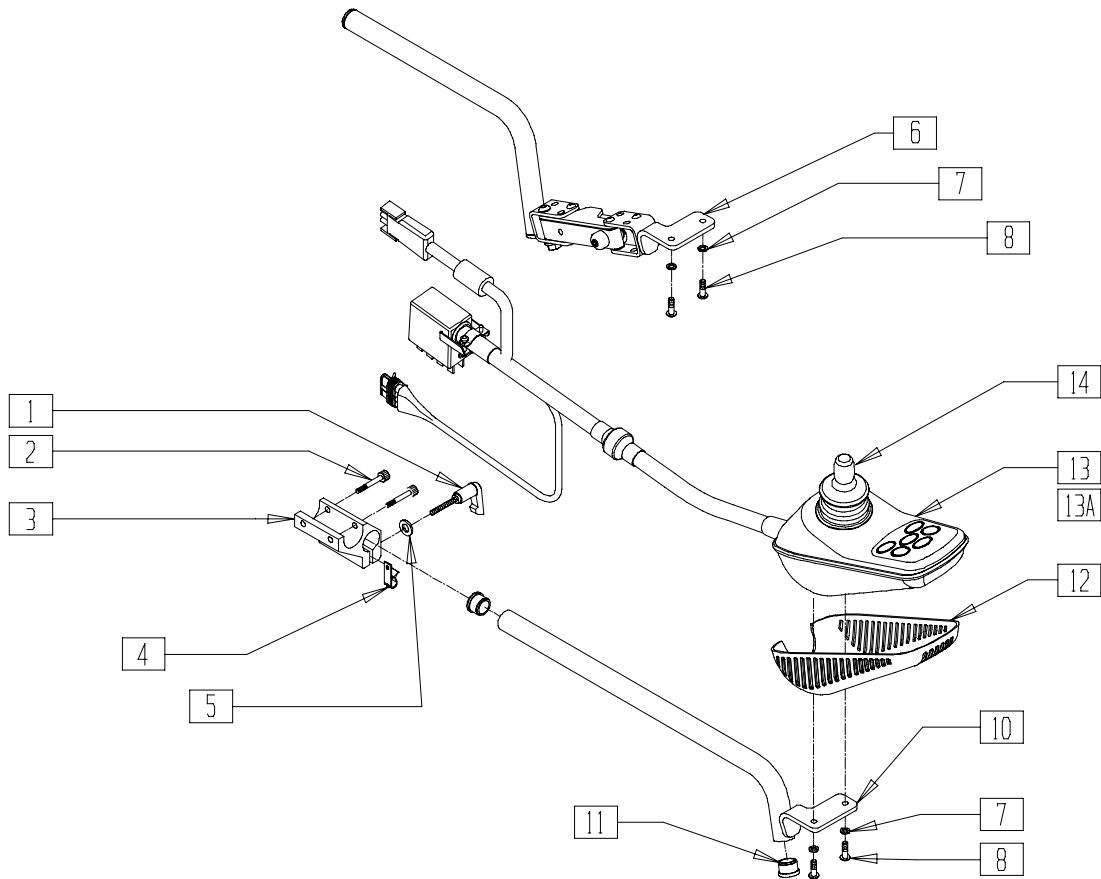


PCNTR09B

ITEM	NUMBER	DESCRIPTION	QTY
1	349024	HNDL 10-32 x 3/4 C/A P1/P3/P5	1
2	226037	10-32 x 1 3/8 SOC C/S BLK	2
3	501750	CONTROL ARM CLAMP	1
4	560268	QUICK RELEASE CLIP	1
5	261524	#10 WASHER LOCK SS	1
6	882496, 882497	S/A ARM VSI ASSM (EA)	1
7	261524	#10 WASHER LOCK SS	2
8	226024-QU	10-32 x 7/8 BH C/S BLK	2
10	542131, 542132	VSI FIX MNTNG BLK WLDMNT (EA)	1

ITEM	NUMBER	DESCRIPTION	QTY
11	560761	3/4" INSERT PLUG .049 (18GA)	2
13	138169	VSI JOYSTICK HANDLE	1
1-5	920713	CONTROL ARM CLAMP ASSM	
7-9,12,13	910147	INT CNTR VSI 50A/70A V521	1
7-13	920656, 920657	INT CNTLR VSI W/ARM V1/V521 (EA)	
6-9, 11-13	920658, 920659	S/A INT CNTR VSI W/ARM V1/V5 (EA)	

VSI CONTROLLER WITH SWING-AWAY MOUNT(QUICKIE FREESTYLE)

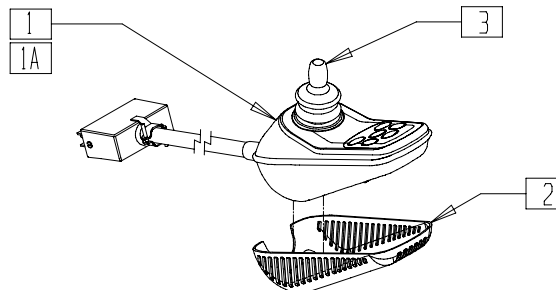


FRE0X07

ITEM	NUMBER	DESCRIPTION	QTY
1	349024	HNDL 10-32 x 3/4 C/A P1/P3/P5	1
2	226037	10-32 x 1 3/8 SOC C/S BLK	2
3	501750	CONTROL ARM CLAMP	1
4	560268	QUICK RELEASE CLIP	1
5	261524	#10 WASHER LOCK SS	1
6	882496, 882497	S/A ARM VSI ASSEMBLY (EA)	1
7	261524	#10 WASHER LOCK SS	2
8	455010-QU	10-32 x 3/4 BH C/S BLK	2
10	542131, 542132	VSI FIX MNTNG BLK WLDMNT (EA)	1
11	560761	3/4" INSERT PLUG .049 (18GA)	2

ITEM	NUMBER	DESCRIPTION	QTY
12,13	910128	VSI INT CONTROLLER FIX (K11)	
12,13A	910129	VSI INT TILT CONTROL (K11)	
14	138169	VSI JOYSTICK HANDLE	1
1-5	920713	CONTROL ARM CLAMP ASSM	
7-14	922204, 922205	INTEGRAL FXD ROUND TUBE (EA)	
7-13A,14	922206, 922207	INTEGRAL TILT FXD ASSM (EA)	
6-8,12-14	922216, 922217	INTGRL S/A RD TUBE (EA)	
6-8,12, 13A	922218, 922219	INTGRL TILT S/A (EA)	

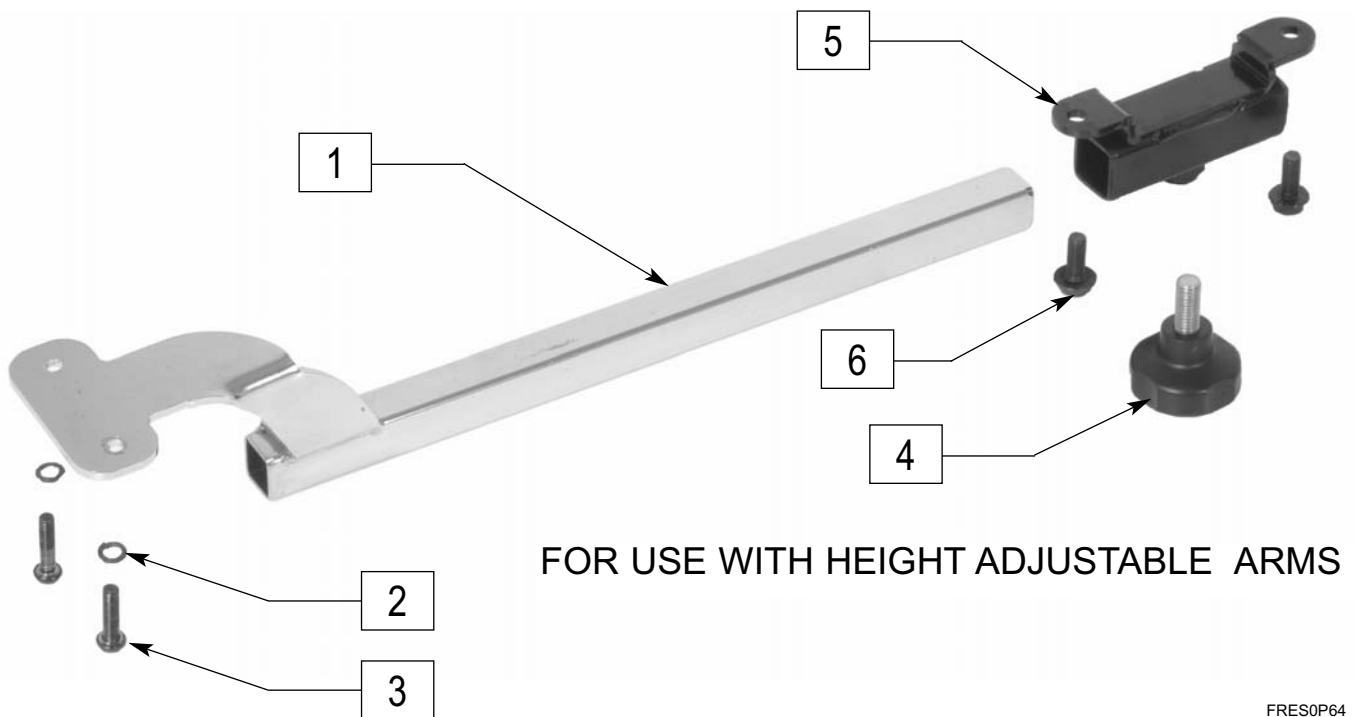
VSI CONTROLLER (QUICKIE FREESTYLE)



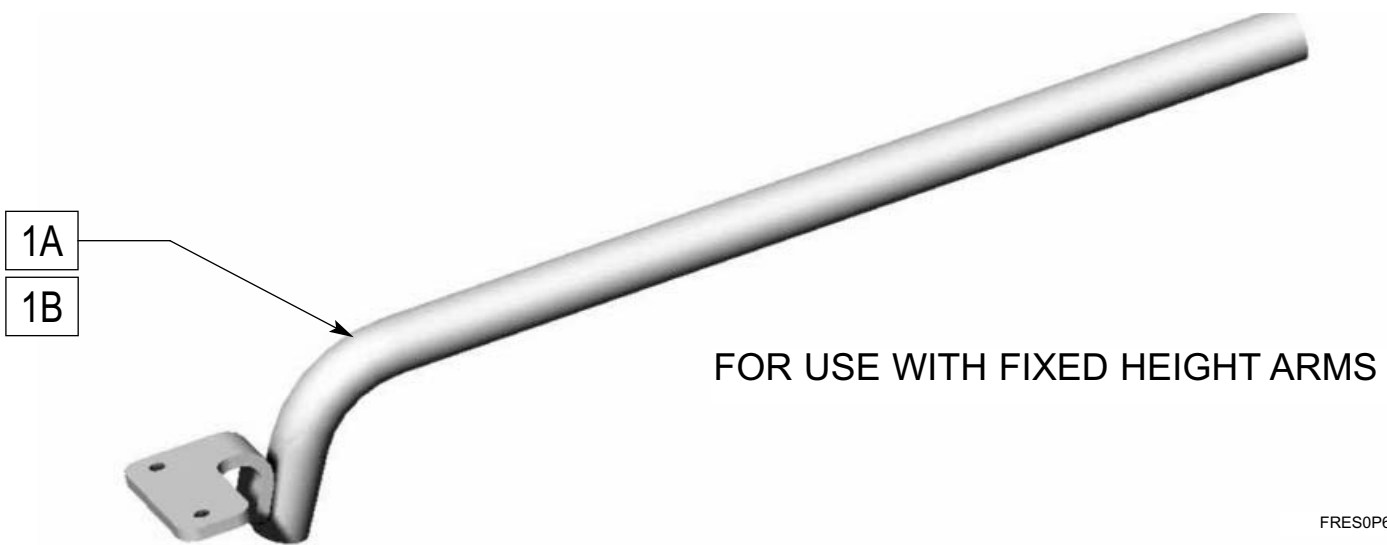
VSI 1

ITEM	NUMBER	DESCRIPTION	QTY
1,2	910128	VSI INT CONTROLLER FIX	1
1A,2	910127	VSI INT CONTROLLER (K10)	1
3	138169	VSI JOYSTICK HANDLE	1

CONTROLLER MOUNTS (QUICKIE FREESTYLE)



FRES0P64



FRES0P65

ITEM	NUMBER	DESCRIPTION	QTY
1	505399	CONTROLLER MOUNT	1
1A	542131	VSI FIX MTNG BLK WLDMNT RT	1
1B	542132	VSI FIX MNTNG BLK WLDMNT LEFT	1
2	261524	#10 WASHER LOCK SS	2

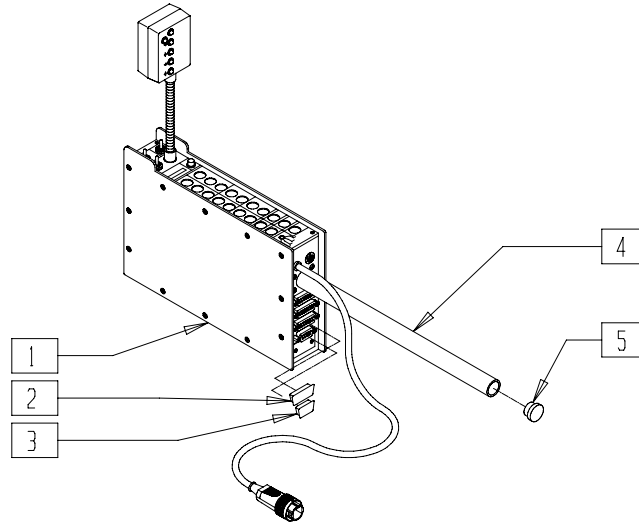
ITEM	NUMBER	DESCRIPTION	QTY
3	455010-QU	10-32 x 3/4 BH C/S BLK	2
4	349049	KNOB M8 x 1.25 x 18	1
6	281051	M6 x 12 HEX PHILLIP SCREW	2
4-6	885240	CONTROLLER MOUNT RECEIVER	

Specialty Controls (Dufco and LaBac™)

IN THIS SECTION

Dufco Multimode Interface Armrest Mount with Display.....	16.1	Dufco Non-proportional Triswitch Control/ Stand Alone.....	16.8
Dufco Multimode Interface Remote Mount without Display.....	16.1	Dufco Multimode Scanner	16.8
Dufco Varibrite™ Mode Display Frame Mount	16.2	LaBac™ Mounting Kit.....	16.9
Dufco Varibrite™ Mode Display Armrest Mount.....	16.2	Mounting Hardware	16.10
Dufco Breath Actuator.....	16.3	Mounting Hardware (Quickie Power Recline System - P210) (Disc.)...	16.10
Breath Tube Kit.....	16.3	Armrest Mounting Bracket	16.11
Breath Control (Power Recline System - P210) (Disc.).....	16.4	Dufco Power Recline Interface	16.11
Dufco Sensitouch™ Breath Tube Kit.....	16.4	Dufco Power Recline Interface (Quickie Power Recline System -P210) (Disc.)....	16.12
Dufco Sensitouch™ Breath Tube Kit (Quickie Power Recline System)	16.5	Battery Interconnect.....	16.12
Triswitch Display/Armrest Mount	16.5	Dufco Dual Recline Interface Adapter	16.12
Dufco Sensitouch™ Breath Actuator	16.6	Dufco Switch Output Cable	16.13
Dufco Four Input Adapter	16.6	Dufco Switch Output Controller	16.13
Dufco Scanner Display	16.6	Dufco X-10 Controller	16.13
Actuator Head Switch Control	16.7	Dufco Attendant Wheelchair Control	16.14
Dufco Triswitch Input Controller.....	16.7	Dufco Patient Sentinel (Disc.).....	16.14

DUFKO MULTIMODE INTERFACE ARMREST MOUNT WITH DISPLAY

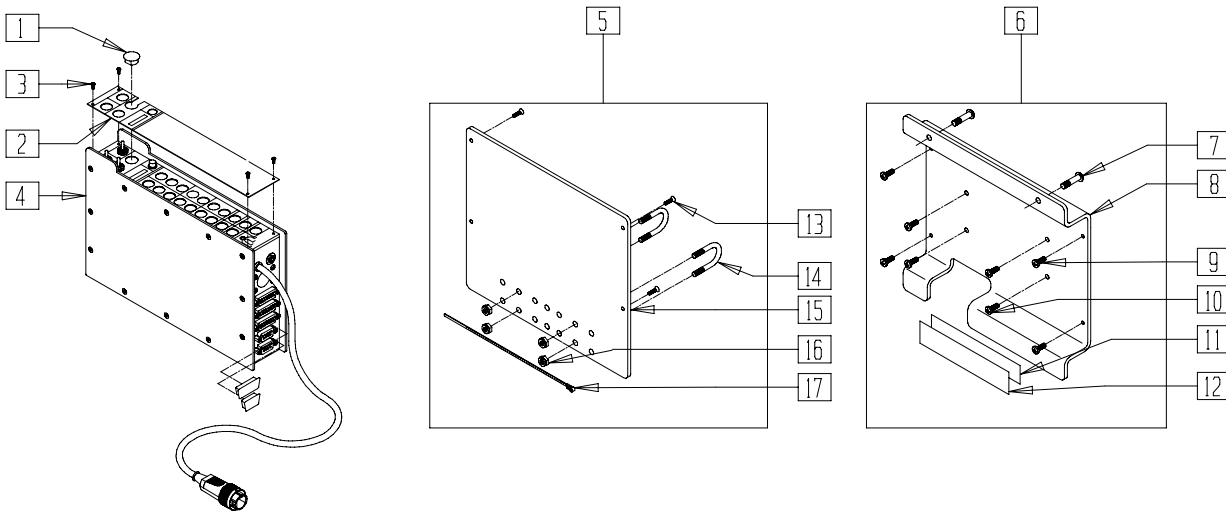


DF00X15

ITEM	NUMBER	DESCRIPTION	QTY
2	138607	STATIC PROTECTIVE CAP DCC-02	1
3	138606	STATIC PROTECTIVE CAP DCC-01	1
5	560730	HOLE PLUG 1/4 BLK	1

ITEM	NUMBER	DESCRIPTION	QTY
1-5	D3470-1	MULTIMODE ARM W/DISPLAY P2/P3/P5	
	D3470-2	MULTIMODE (DM60) (ARM W/O DISPLAY)	
	D3420-1	MULTIMODE (Z60) (ARM W/DISPLAY)	
	D3420-2	MULTIMODE (Z60) (ARM W/O DISPLAY)	

DUFKO MULTIMODE INTERFACE REMOTE MOUNT WITHOUT DISPLAY

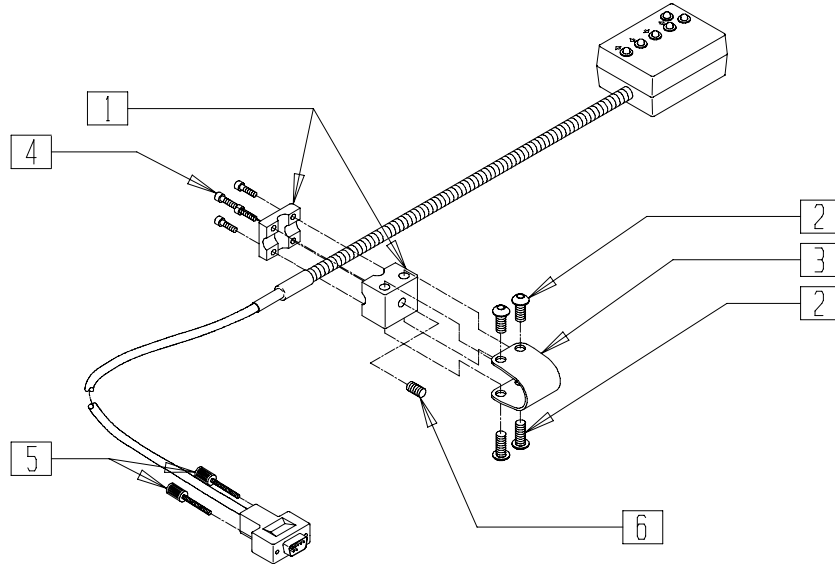


DF00X17A

ITEM	NUMBER	DESCRIPTION	QTY
1	560732	HOLE PLUG 3/8 BLK	1
2	D3458-1	TOP PANEL COVER W/SS	1
3	281011	2-56 x 1/8 PAN PHIL M/S BLK	4
2,3	D3458	TOP PANEL COVER ASSM (3458)	
1,4	D3470-3	MULTIMODE (DM60) REMOTE W/O DISPLAY	
	D3420-3	MULTIMODE (Z60) REMOTE W/O DISPLAY	
5	D3439-4	INTER MOUNT W/O RCLR QUICKIE	1
6	D3439-6	INTER MOUNT KIT PRS	1
7	226110	1/4-28 x 1 BH C/S	2

ITEM	NUMBER	DESCRIPTION	QTY
8	504022	MULTIMODE BRKT PRS	1
9	281066	6-32 x 1/2 PAN PHIL M/S ZN	4
10	281110	10-32 x 1/2 PAN PHIL	4
11	138140	ADHESIVE MOUNT 1" MALE	1
12	138141	ADHESIVE MOUNT 1" FEMALE	1
13	281068	6-32 x 1/2 FH PHIL M/S BLK	4
14	D3624	U-BOLT (3439/3622)	2
15	D3478	ADAPTER PLATE (3439)	1
16	201132	1/4-20 HEX NUT KEP ZINC	4
17	560414	WIRE TIE T-5B	1

DUFKO VARIBRITE™ MODE DISPLAY FRAME MOUNT

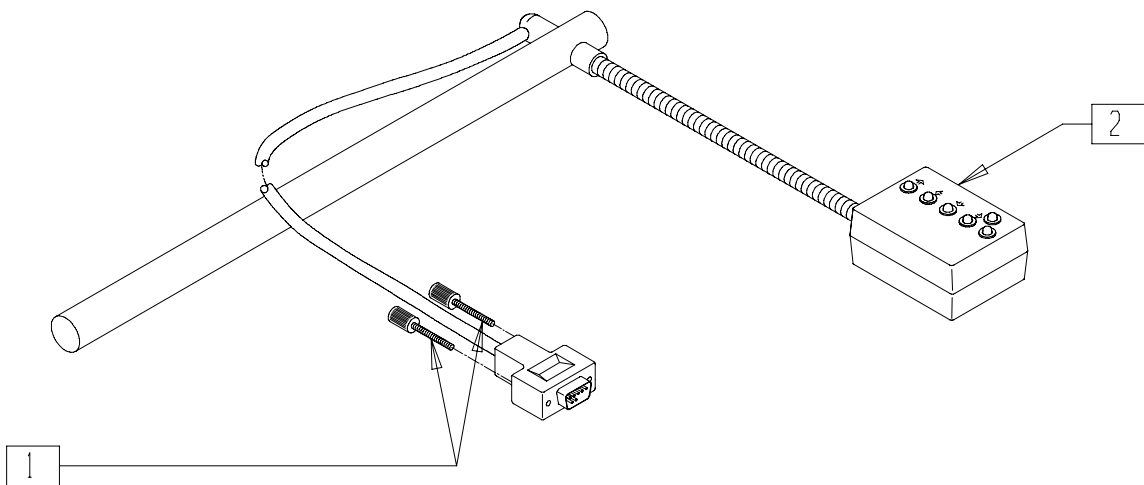


DF00X13

ITEM	NUMBER	DESCRIPTION	QTY
1	D2777	GOOSENECK BLOCK (2775) MTNG	1
2	226073-QU	1/4-20 x 1/2 BH C/S SS	4
3	D2647	SHORT STRAP (2611/2775)	1
4	226000	6-32 x 3/8 SOC C/S SST	4

ITEM	NUMBER	DESCRIPTION	QTY
5	138108	SCREW THUMB 748627-20	2
6	225103	1/4-20 x 3/8 SET SCR SS	1
1-6	D2775-3	MD DUF MODE DISPLAY FRAME MOUNT	

DUFKO VARIBRITE™ MODE DISPLAY ARMREST MOUNT

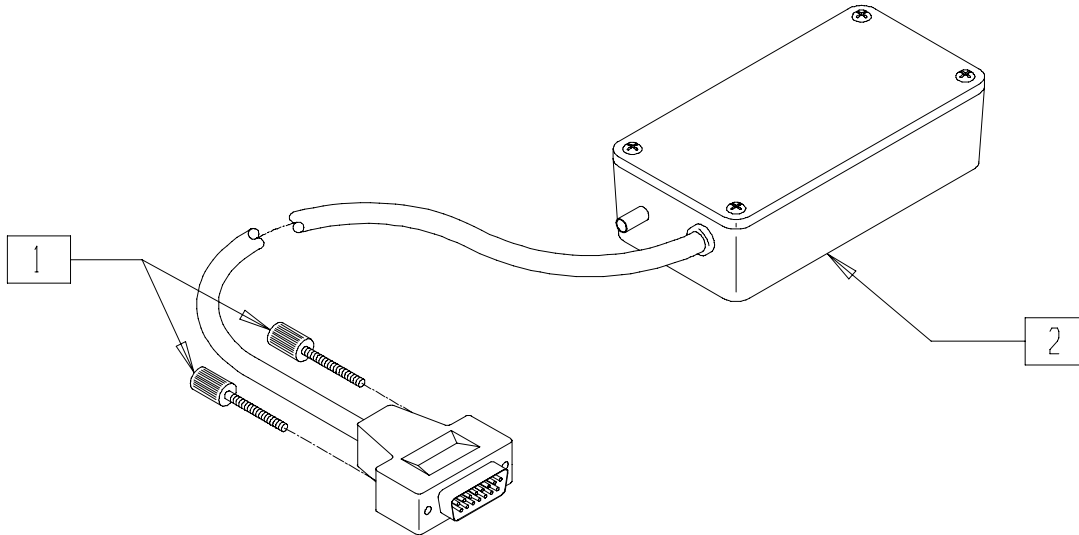


DF00X12

ITEM	NUMBER	DESCRIPTION	QTY
1	138108	SCREW THUMB 748627-20	2

ITEM	NUMBER	DESCRIPTION	QTY
1,2	D2775-4	MD DUF MODE DISPLAY ARM MOUNT	

DUFECO BREATH ACTUATOR



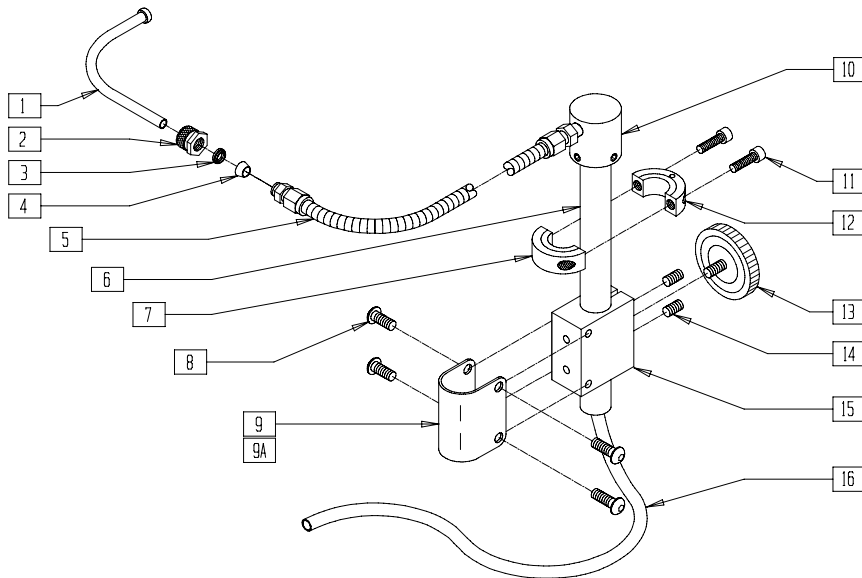
DF00X36

ITEM	NUMBER	DESCRIPTION	QTY
1	138108	SCREW THUMB 748627-20	2

ITEM	NUMBER	DESCRIPTION	QTY
1,2	D3365	AI BREATH ACTUATOR	

NOTE: FOR REPLACEMENT ADHESIVE MOUNT, ORDER PART NUMBER 138140 (MALE) OR 138141 (FEMALE).

BREATH TUBE KIT



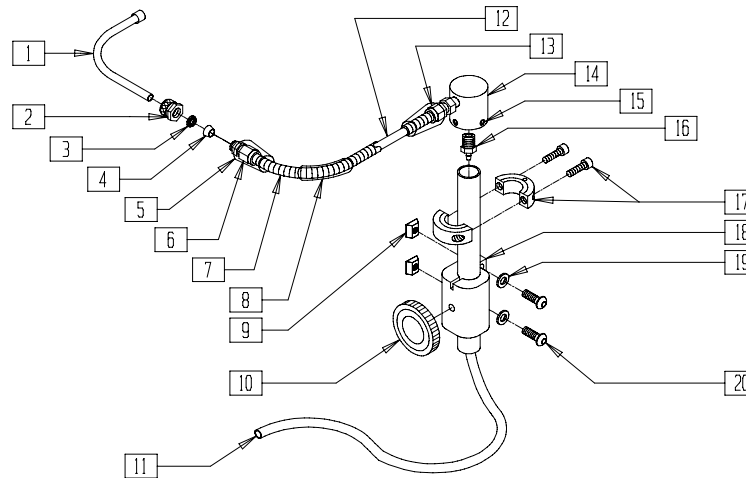
DF00X01

ITEM	NUMBER	DESCRIPTION	QTY
1	D2427	MOUTHPIECE (2422-2)	1
2	200020	NUT KNURLED NY-402-1K	1
3	270012	TUBE FITTING (BACK FERRULE)	1
4	270010	TUBE FITTING (FRONT FERRULE)	1
6	D2425	MOUNTING TUBE (2422)	1
8	226073-QU	1/4-20 x 1/2 BH C/S SS	4
9	D2641	STRAP CLAMP 7/8" TUBING	1
9A	D2638	STRAP CLAMP 1" TUBING	1
10	D2424	GOOSENECK ANGLE CNTR (2422)	1
7,11,12	D2634	CLLR CLMP (2422/3150/3205/3514)	

ITEM	NUMBER	DESCRIPTION	QTY
13	138160	KNOB,KNURLED TORQUE	1
14	225103	1/4-20 x 3/8 SET SCR SS	2
15	D2649	BLOCK (2422)	1
16	134241	TUBING PVC 3/16 x 5/16	1
1-5	D2423-2	BREATH TUBE ASSM	
1-16	D2422-2	ACT BREATH TUBE KIT (ATTACHES TO 7/8" TUBING)	
1-8 9A,10-16	D2422-3	ACT BREATH TUBE KIT 1" (ATTACHES TO 1" TUBING)	

BREATH CONTROL (POWER RECLINE SYSTEM - P210)

(Discontinued 11/1/02 - parts only)

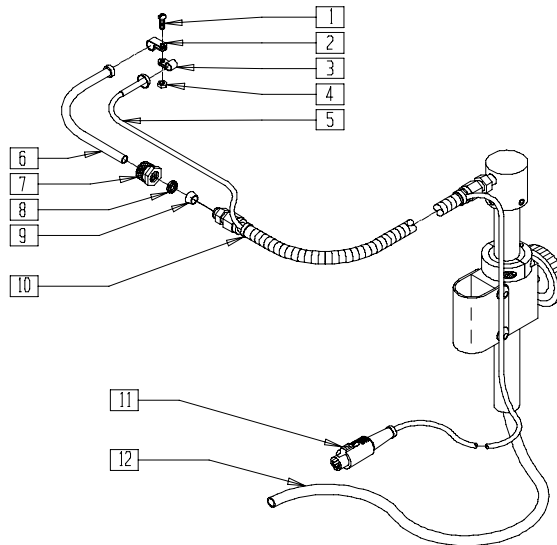


BREATH01

ITEM	NUMBER	DESCRIPTION	QTY
1	D2427	MOUTH PIECE (2422-2)	1
2	200020	NUT KNURLED NY-402-1K	1
3	270012	TUBE FITTING (BACK FERRULE)	1
4	270010	TUBE FITTING (FRONT FERRULE)	1
5	134234	HEATSHRINK 1/2 CLR	1
9	481106-QU	1/4-28 CHANNEL NUT	2
10	138160	KNOB KNURLED TORQUE	1
11	580061	PVC TUBE 1/4 x .125 x 48" CLR	1

ITEM	NUMBER	DESCRIPTION	QTY
14	483175	GOOSENECK ANGLE CONNECTOR	1
15	225111	1/4-20 x 1/4 SET SCRW KNRLD PT	4
16	562771	18-27 NPT TO 1/8 BARB FITTING	1
17	D2634	CLLR CLMP (2422/3150/3205/3514)	2
18	504020	BLOCK ATTACH DUFÇO PRS	1
19	262100-QU	1/4 AN WASHER FLAT	2
20	226100	1/4-28 x 3/4 BH C/S	2
1-5	D2423-2	BREATH TUBE ASSEMBLY	
1-20	139709	BREATH CONTROL POWER RECLINE	

DUFÇO SENSITOUCH™ BREATH TUBE KIT



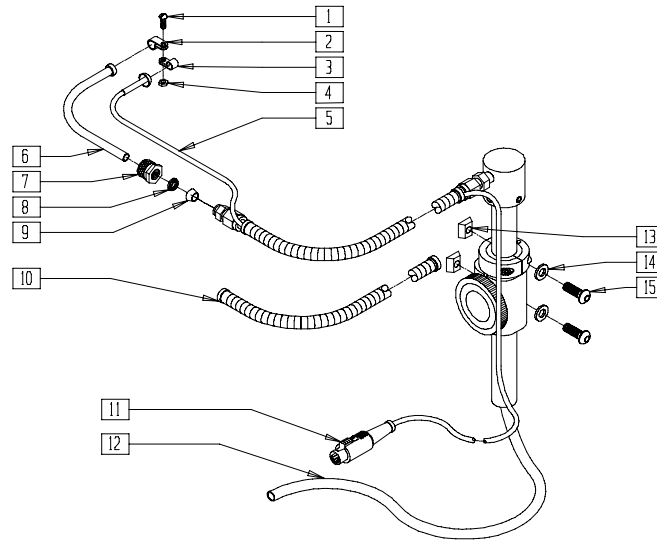
DF00X05

ITEM	NUMBER	DESCRIPTION	QTY
1	281108	10-32 x 3/8 PAN SLOT M/S NYLON	1
2	190174	CABLE CLAMP 1/4 CCN C	1
3	190173	CABLE CLAMP 1/8 CCN C	1
4	200103	10-32 NUT NYLON	1
6	D2427	MOUTHPIECE (2422-2)	1
7	200020	NUT KNURLED NY-402-1K	1
8	270012	TUBE FITTING (BACK FERRULE)	1
9	270010	TUBE FITTING (FRONT FERRULE)	1

ITEM	NUMBER	DESCRIPTION	QTY
12	134241	TUBING PVC 3/16 x 5/16	1
1-5,11	D3495	PROBE ASSM (2422-2S)	
6-10	D2423-2	BREATH TUBE ASSM	
1-12	D2422-2S	ACT SENSITOUCH BREATH TUBE KIT (3490) (ATTACHES TO 7/8" TUBING)	
	D2422-3S	ACT SENSITOUCH BREATH TUBE KIT (3490) (ATTACHES TO 1" TUBING)	

NOTE: FOR MOUNTING HARDWARE, SEE PAGES 16.10.

DUFCO SENSITOUCH™ BREATH TUBE KIT (QUICKIE POWER RECLINE SYSTEM)

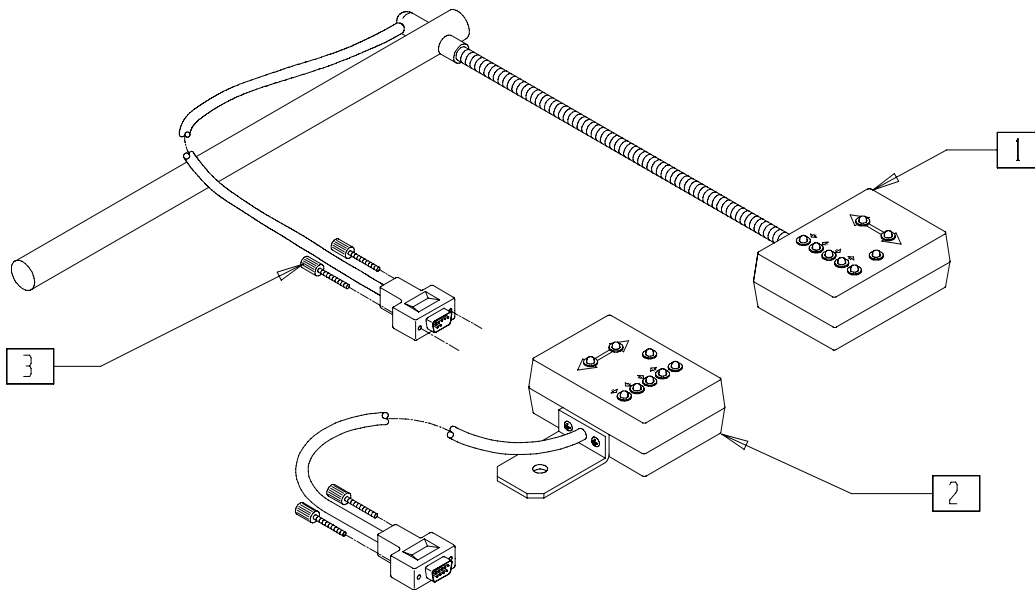


DF00X05A

ITEM	NUMBER	DESCRIPTION	QTY
1	281108	10-32 x 3/8 PAN SLOT M/S NYLON	1
2	190174	CABLE CLAMP 1/4 CCN C	1
3	190173	CABLE CLAMP 1/8 CCN C	1
4	200103	10-32 NUT NYLON	1
6	D2427	MOUTHPIECE (2422-2)	1
7	270016	TUBE FITTING (UNION)	1
8	270012	TUBE FITTING (BACK FERRULE)	1
9	270010	TUBE FITTING (FRONT FERRULE)	1
10	139225	WIRE LOOM 3/8 FLEX GUARD	1

ITEM	NUMBER	DESCRIPTION	QTY
12	134241	TUBING PVC 3/16 x 5/16	1
13	481106-QU	1/4-28 CHANNEL NUT	2
14	262100-QU	1/4 AN WASHER FLAT	2
15	226090	1/4-28 x 5/8 BH C/S	2
1-5,10,11	D3495	PROBE ASSM (2422-2S)	
6-10	D2423-2	BREATH TUBE ASSM	
1-15	D2422-4S	ACT SENSITOUCH BRTH TBE KIT PRS	

TRISWITCH DISPLAY/ARMREST MOUNT

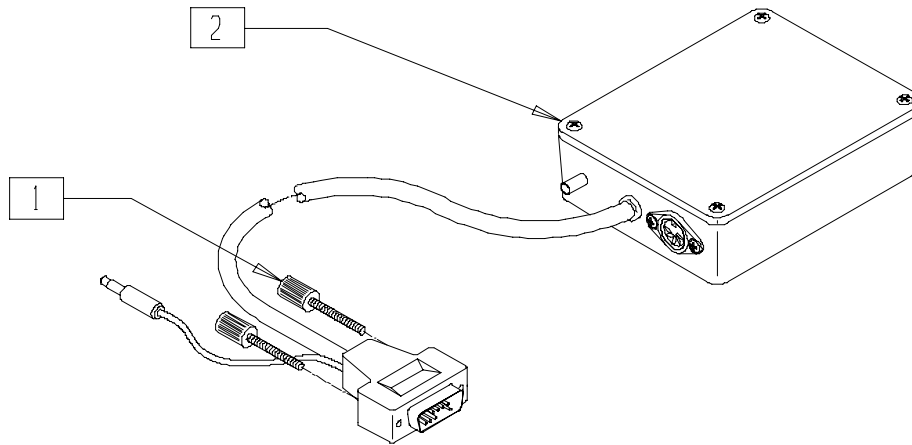


DF00X11

ITEM	NUMBER	DESCRIPTION	QTY
3	138108	SCREW THUMB 748627-20	4
1,3	D3460-1	MD TRISWITCH DISPLAY ARM MOUNT (3450)	

ITEM	NUMBER	DESCRIPTION	QTY
1,3	D3625	MD TRISWITCH DISPLAY ARM MOUNTING (FOR STAND ALONE SYSTEM)	
2,3	D3460-2	MD TRISWITCH DISPLAY (3450) W/O MOUNTING	

DUFECO SENSITOUCH™ BREATH ACTUATOR



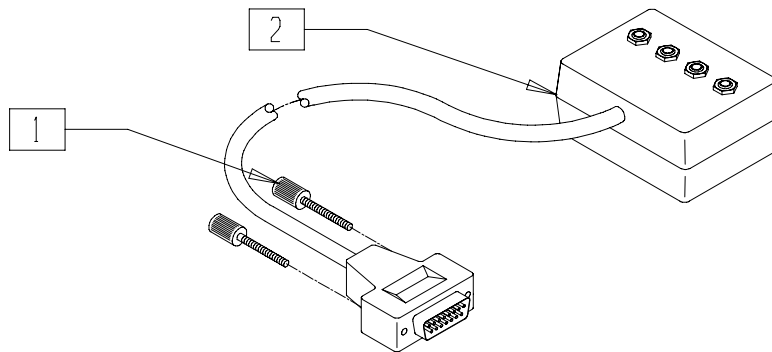
DF00X23

ITEM	NUMBER	DESCRIPTION	QTY
1	138108	SCREW THUMB 748627-20	2

ITEM	NUMBER	DESCRIPTION	QTY
1,2	D3490	AI SENSITOUCH BREATH ACTUATOR	

NOTE: FOR REPLACEMENT ADHESIVE MOUNT, ORDER PART NUMBER 138140 (MALE) OR 138141 (FEMALE).

DUFECO FOUR INPUT ADAPTER



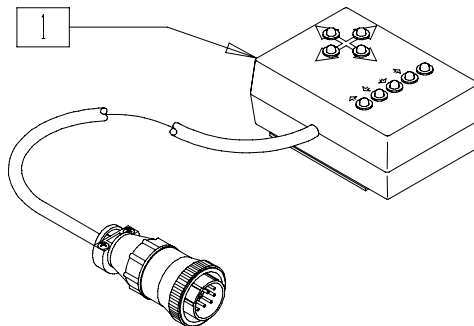
DF00X24

ITEM	NUMBER	DESCRIPTION	QTY
1	138108	SCREW THUMB 748627-20	2

ITEM	NUMBER	DESCRIPTION	QTY
1,2	D3315	AI FOUR INPUT ADAPTER	

NOTE: FOR REPLACEMENT ADHESIVE MOUNT, ORDER PART NUMBER 138140 (MALE) OR 138141 (FEMALE).

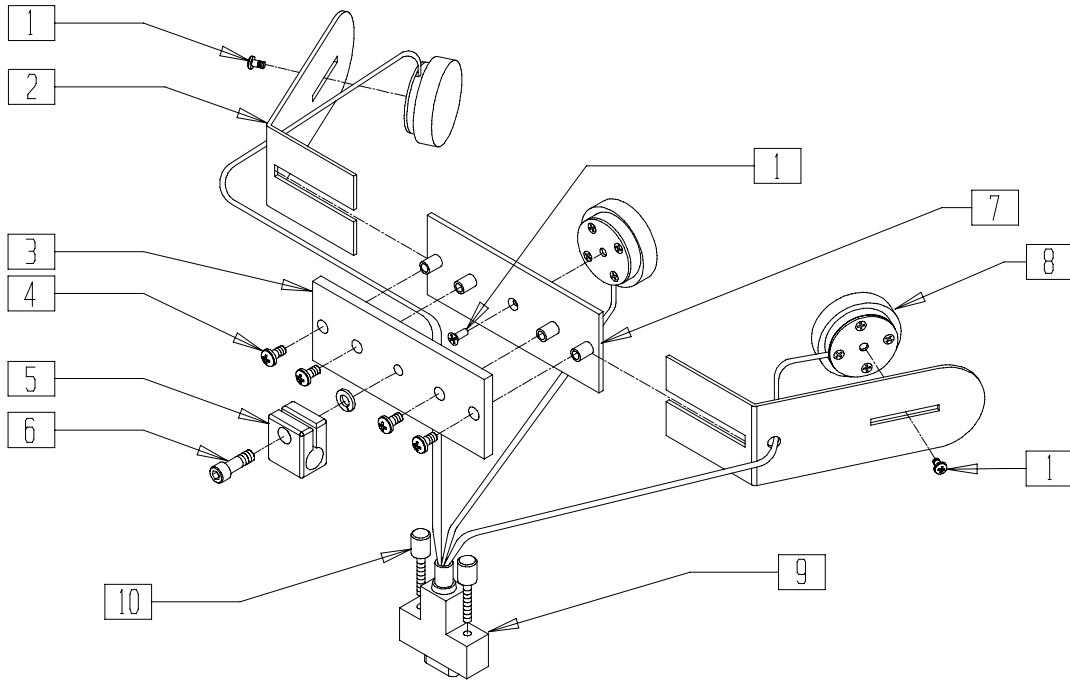
DUFECO SCANNER DISPLAY



DF00X14

ITEM	NUMBER	DESCRIPTION	QTY
1	D2995	MD SCANNER DISPLAY (2990/3370)	1

ACTUATOR HEAD SWITCH CONTROL

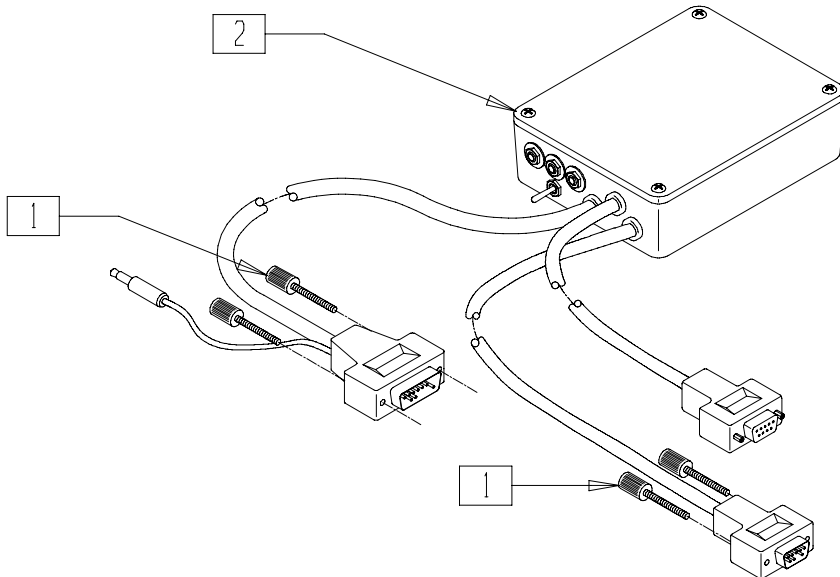


QTX00X33

ITEM	NUMBER	DESCRIPTION	QTY
1	281060	6-32 x 1/4 PAN PHIL M/S ZN	5
2	D3270	HEADREST-SIDE (3519)	2
3	D3263	HEADREST MOUNT (3519)	1
4	281106	10-32 x 3/8 PAN PHIL BLK	4
5	D3229	ROD CLAMP	1

ITEM	NUMBER	DESCRIPTION	QTY
6	226104	1/4-20 x 3/4 SOC C/S SS	1
7	D3264	HEADREST CENTER (3519)	1
10	138108	SCREW THUMB 748627-20	2
1-10	139702	TRI SWTCH HEAD ARRAY	

DUFCA TRISWITCH INPUT CONTROLLER



DF00X25

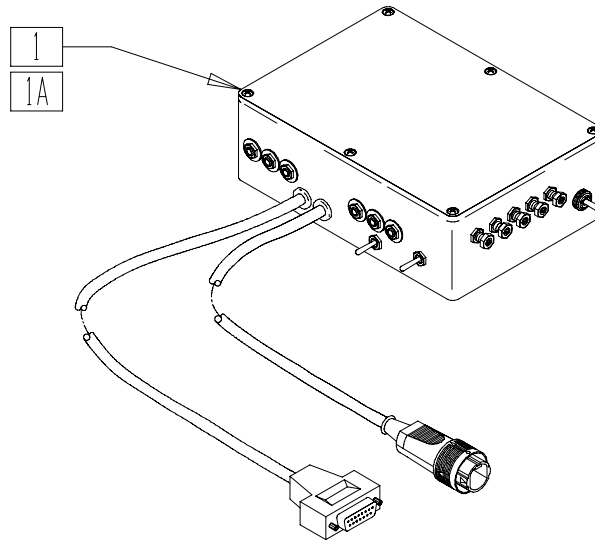
ITEM	NUMBER	DESCRIPTION	QTY
1	138108	SCREW THUMB 748627-20	4

ITEM	NUMBER	DESCRIPTION	QTY
1,2	D3450	AI TRISWITCH INPUT CONTROLLER	

NOTE: FOR REPLACEMENT ADHESIVE MOUNT, ORDER PART NUMBER 138140 (MALE) OR 138141 (FEMALE).

DUFCO NON-PROPORTIONAL TRISWITCH CONTROL/STAND ALONE

(Does not require multimode interface)

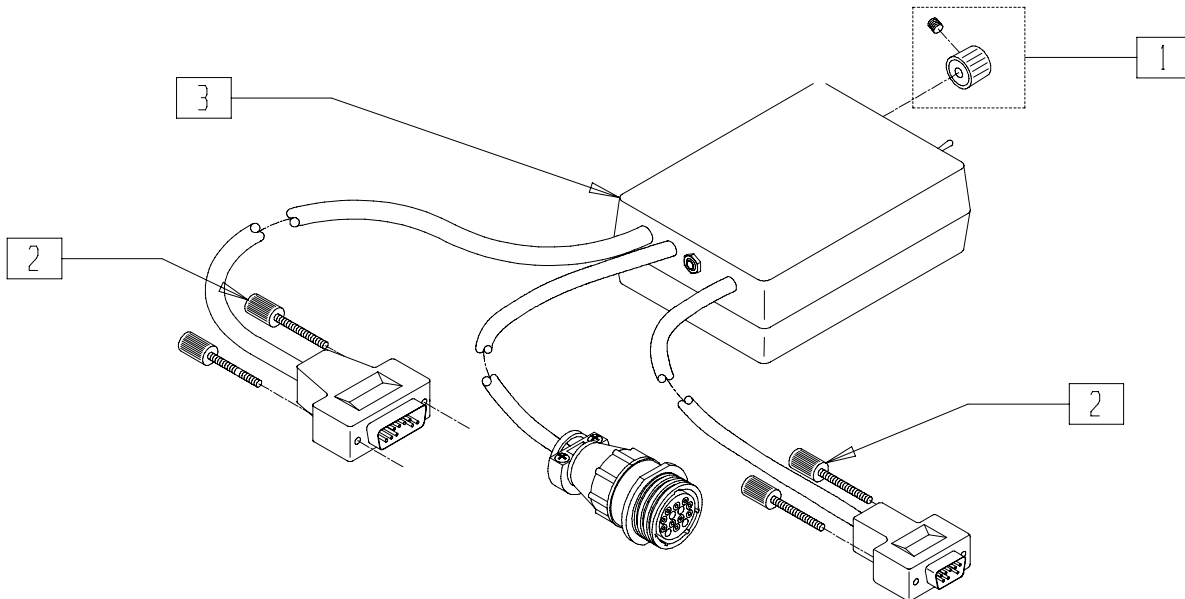


DF00X08

ITEM	NUMBER	DESCRIPTION	QTY
1	D3620	AI TRISWITCH CONTROL (DM60)	1

ITEM	NUMBER	DESCRIPTION	QTY
1A	D3610	AI TRISWITCH CONTROL (Z60)	1

DUFCO MULTIMODE SCANNER



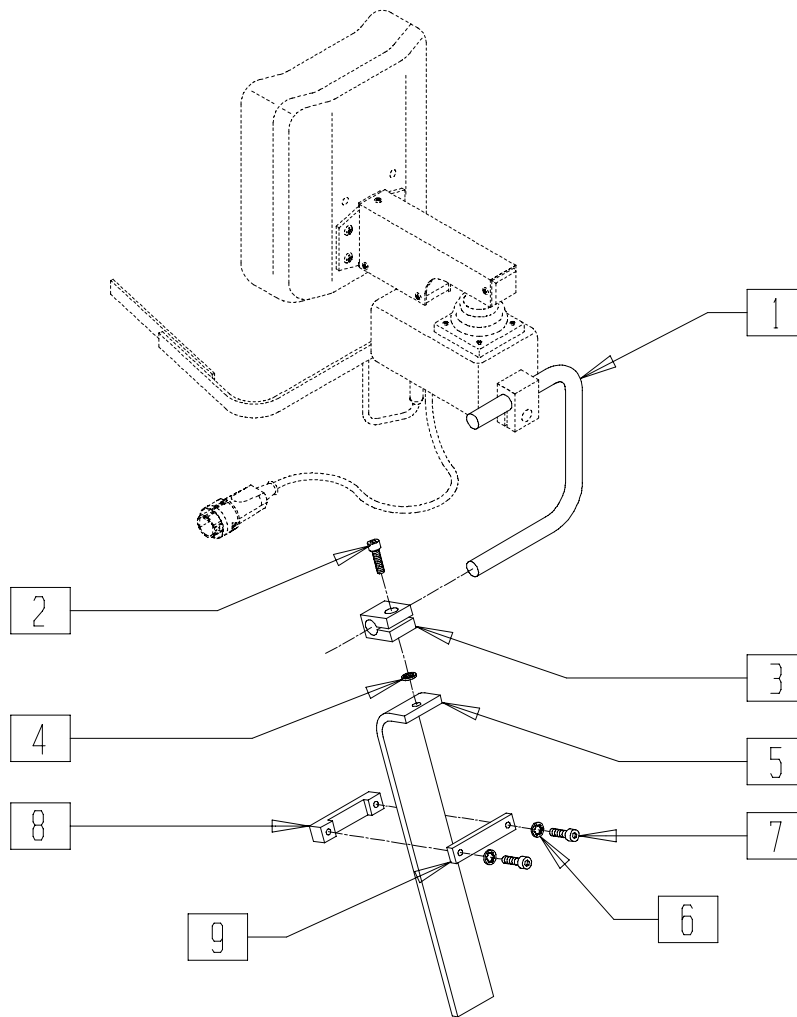
DF00X28

ITEM	NUMBER	DESCRIPTION	QTY
2	138108	SCREW THUMB 748627-20	4

ITEM	NUMBER	DESCRIPTION	QTY
1,3	D3370	AI MULTIMODE SCANNER	

NOTE: FOR REPLACEMENT ADHESIVE MOUNT, ORDER PART NUMBER 138140 (MALE) OR 138141 (FEMALE).

LABAC™ MOUNTING KIT

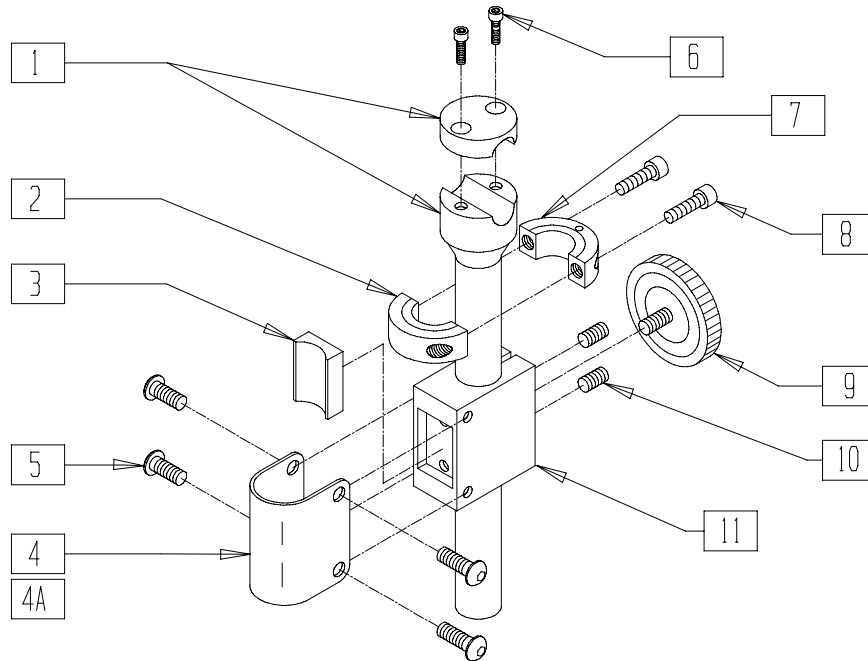


DF00X07

ITEM	NUMBER	DESCRIPTION	QTY
1	D3151-04X05 X04	MOUNTING ROD (4 x 5 x 4) (3515)	1
2	226104	1/4-20 x 3/4 SOC C/S SS	1
3	D3229	ROD CLAMP	1

ITEM	NUMBER	DESCRIPTION	QTY
4	267350	1/4 WASHER INT LOCK ZN	1
5	D3512	MOUNTING (3515) BAR LABAC™	1
6,9	191500	STOP CLAMP ASSEMBLY LABAC™	
1-9	D3515	AMH LABAC™ MOUNTING 3500/60-1/65	

MOUNTING HARDWARE

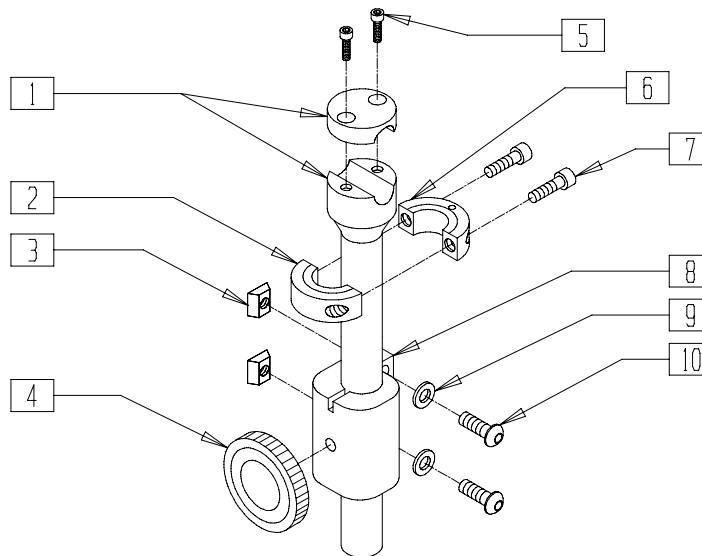


DF00X02

ITEM	NUMBER	DESCRIPTION	QTY
1	D3207	JOYSTICK EXTENSION SHAFT (3/4")	1
3	D3209	BLOCK INSERT (3150/3205/3514)	1
4	D2641	STRAP CLAMP 7/8" TUBING	1
4A	D2638	STRAP CLAMP 1" TUBING	1
5	226073-QU	1/4-20 x 1/2 BH C/S SS	4

ITEM	NUMBER	DESCRIPTION	QTY
6	226021	10-32 x 5/8 SOC C/S	2
2,7,8	D2634	CLLR CLMP (2422/3150/3205/3514)	
9	138160	KNOB KNURLED TORQUE	1
10	225103	1/4-20 x 3/8 SET SCR SS	2
11	D3208	BLOCK (3150/3205/3514)	1

MOUNTING HARDWARE (QUICKIE POWER RECLINE SYSTEM - P210) (Discontinued 11/1/02 - parts only)

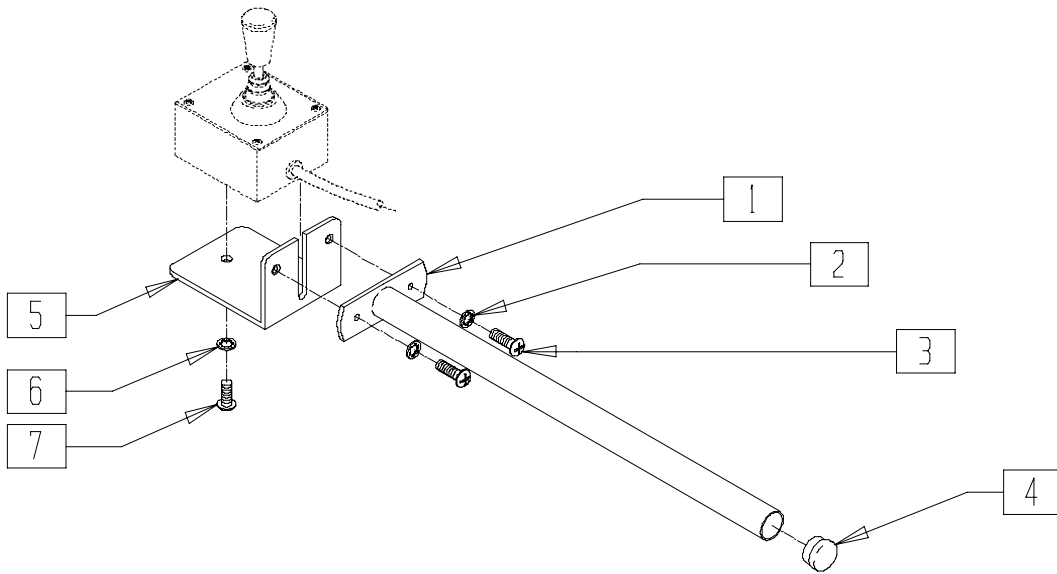


DF00X02A

ITEM	NUMBER	DESCRIPTION	QTY
1	D3207	JOYSTICK EXTENSION SHAFT (3/4")	1
3	481106-QU	1/4-28 CHANNEL NUT	1
4	138160	KNOB KNURLED TORQUE	1
5	226021	10-32 x 5/8 SOC C/S	2

ITEM	NUMBER	DESCRIPTION	QTY
2,6,7	D2634	CLLR CLMP (2422/3150/3205/3514)	
8	504020	BLOCK ATTACH DUFCO PRS	1
9	262100-QU	1/4 AN WASHER FLAT	2
10	226100	1/4-28 x 3/4 BH C/S	2

ARMREST MOUNTING BRACKET

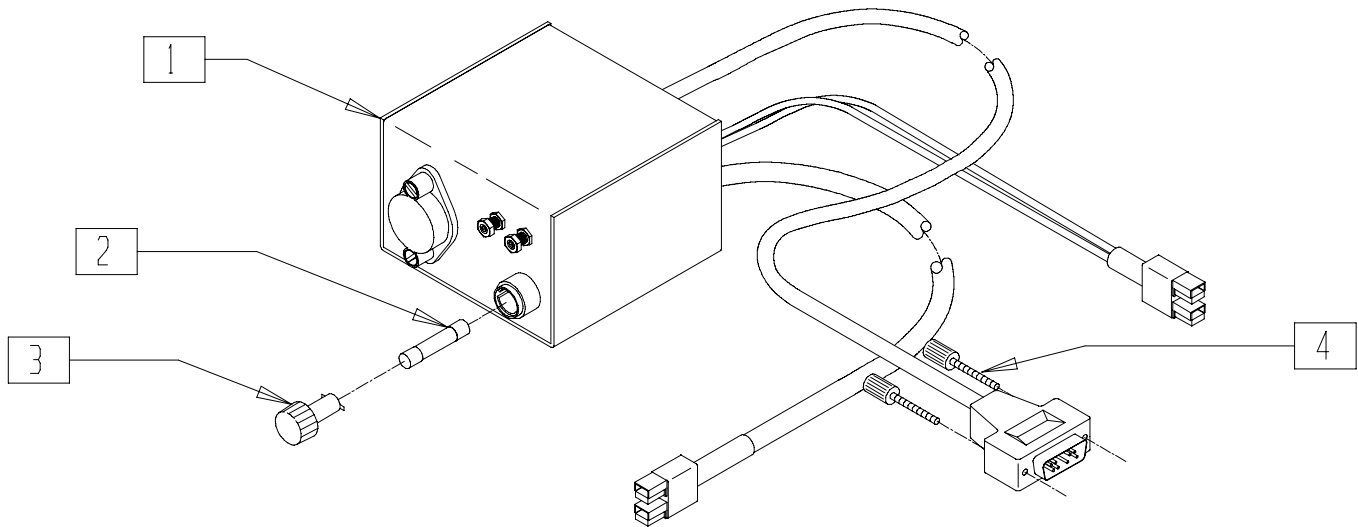


DF00X20

ITEM	NUMBER	DESCRIPTION	QTY
1	190251	EXTENSION SLIDE	1
2	267340	#10 WASHER INT LOCK ZN	2
3	281110	10-32 x 1/2 PAN PHIL	2
4	560730	HOLE PLUG 1/4 BLK	1

ITEM	NUMBER	DESCRIPTION	QTY
5	D2661	AMH ARMREST MNTG ANGLE (2660)	1
6	267350	1/4 WASHER INT LOCK ZN	1
7	226073-QU	1/4-20 x 1/2 BH C/S SS	1
1-7	D2660	AMH ARMREST MNTG BRACKET	

DUFECO POWER RECLINE INTERFACE



DF00X30

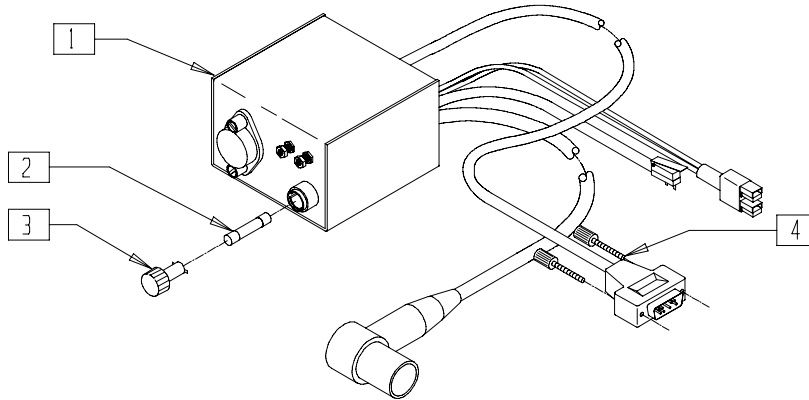
ITEM	NUMBER	DESCRIPTION	QTY
2	138208	FUSE 20A AGC	1
4	138108	SCREW THUMB 748627-20	2

NOTE: FOR REPLACEMENT ADHESIVE MOUNT, ORDER PART NUMBER 138140 (MALE) OR 138141 (FEMALE).

ITEM	NUMBER	DESCRIPTION	QTY
1-4	D3350-1	PRI INTERFACE PWR RCLR LABAC	
	D3350-2	PRI INTERFACE PWR RCLR BACK FA	
	D3350-3	PRI INTERFACE PWR RCLR TLT FALC	
	D3350-4	PRI INTERFACE PWR RCLR FOLIO	

DUFCO POWER RECLINE INTERFACE (QUICKIE POWER RECLINE SYSTEM - P210)

(Discontinued 11/1/02 - parts only)

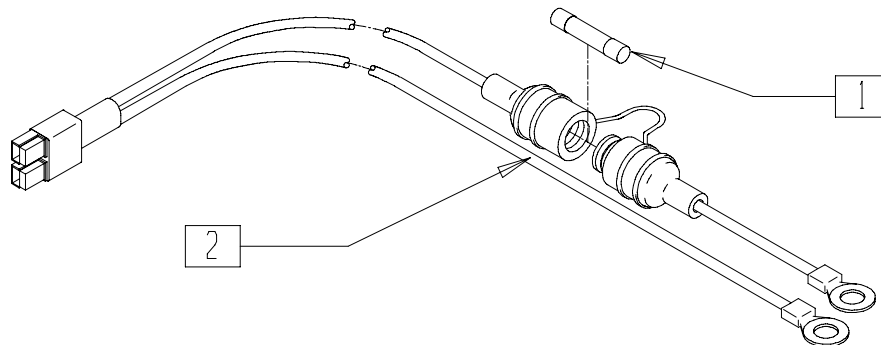


DF00X30A

ITEM	NUMBER	DESCRIPTION	QTY
2	138208	FUSE 20A AGC	1
3	138214	FUSEHOLDER HTB-441	1

ITEM	NUMBER	DESCRIPTION	QTY
4	138108	SCREW THUMB 748627-20	2
1-4	D3350-5	PRS INTER PWR RCLR QUICKIE	

BATTERY INTERCONNECT

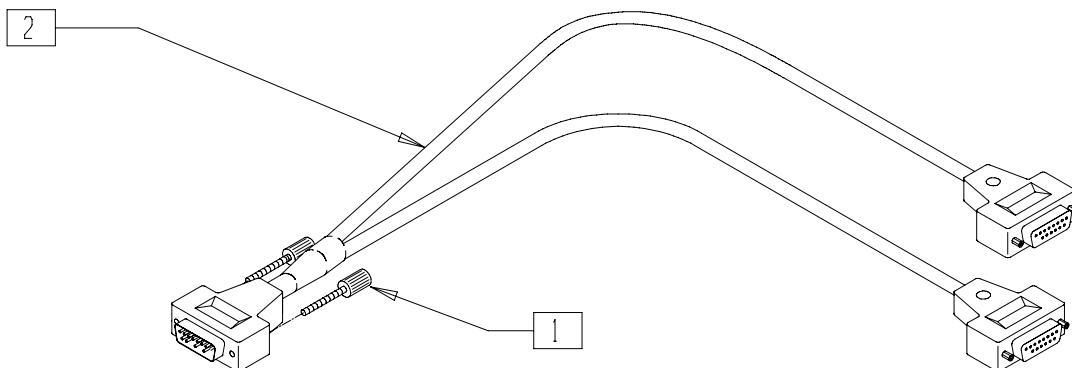


DF00X32

ITEM	NUMBER	DESCRIPTION	QTY
1	138209	FUSE 20A BUSS MDL-20	1

ITEM	NUMBER	DESCRIPTION	QTY
1,2	D3088-2	PRI BATTERY INTERCONNECT	

DUFCO DUAL RECLINE INTERFACE ADAPTER

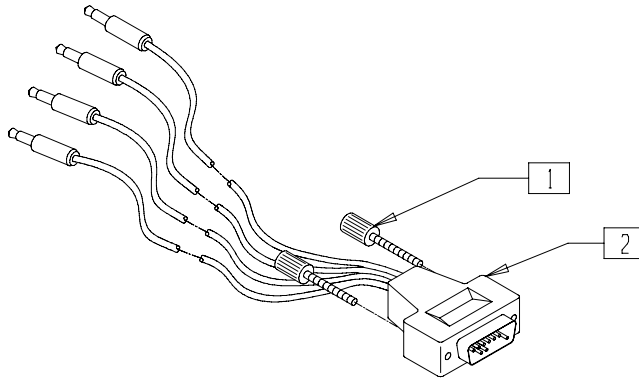


DF00X34

ITEM	NUMBER	DESCRIPTION	QTY
1	138108	SCREW THUMB 748627-20	2

ITEM	NUMBER	DESCRIPTION	QTY
1,2	D3338	PRI DUAL RECL INTERFACE ADAPTER	

DUFKO SWITCH OUTPUT CABLE

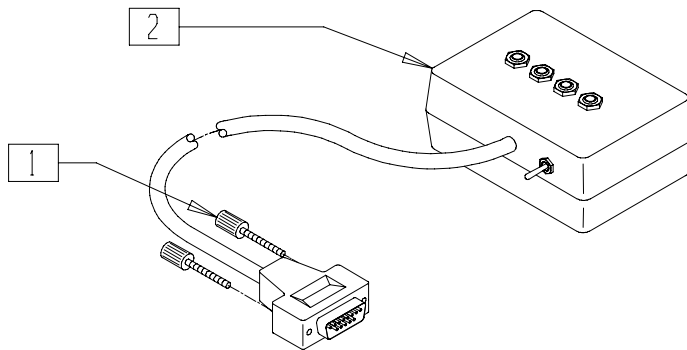


DF00X26

ITEM	NUMBER	DESCRIPTION	QTY
1	138108	SCREW THUMB 748627-20	2

ITEM	NUMBER	DESCRIPTION	QTY
1,2	D3329	ECU SWITCH OUTPUT CABLE	

DUFKO SWITCH OUTPUT CONTROLLER



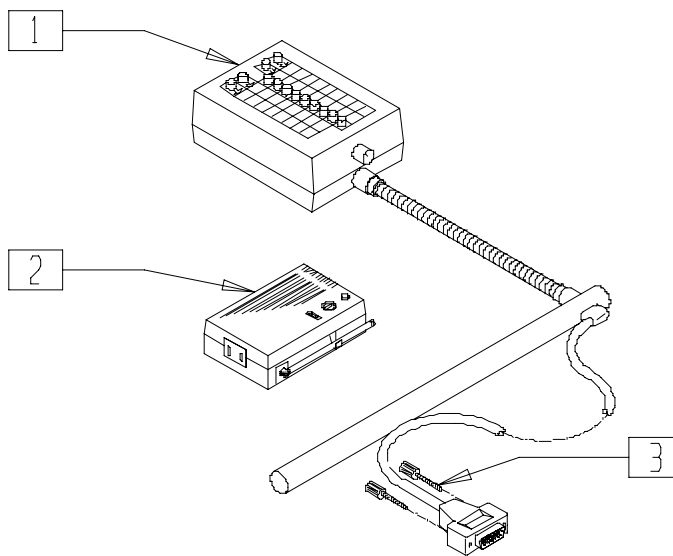
DF00X27

ITEM	NUMBER	DESCRIPTION	QTY
1	138108	SCREW THUMB 748627-20	2

ITEM	NUMBER	DESCRIPTION	QTY
1,2	D3340	ECU SWITCH OUTPUT CONTROLLER	

NOTE: FOR REPLACEMENT ADHESIVE MOUNT, ORDER PART NUMBER 183140 (MALE) OR 138141 (FEMALE).

DUFKO X-10 CONTROLLER

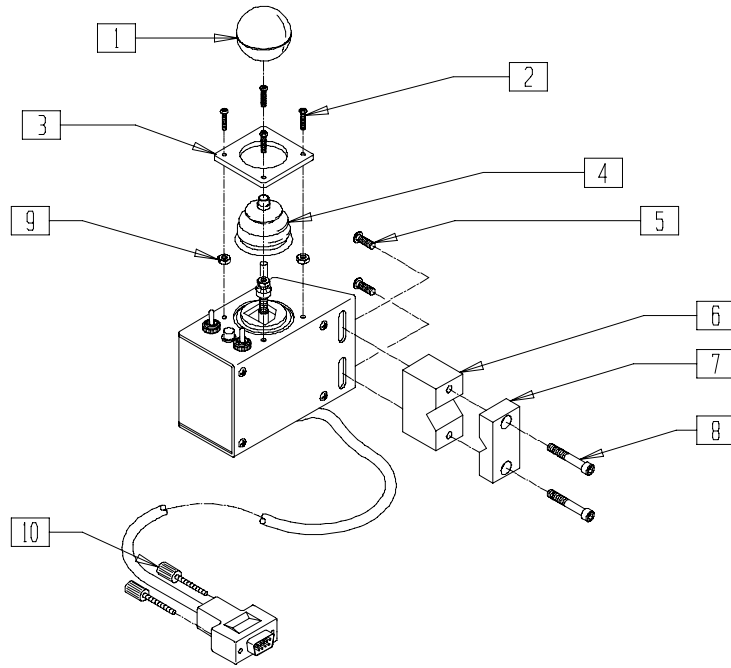


DF00X33

ITEM	NUMBER	DESCRIPTION	QTY
3	138108	SCREW THUMB 748627-20	2

ITEM	NUMBER	DESCRIPTION	QTY
1-3	D3630	ECU X-10 CONTROLLER	

DUFCO ATTENDANT WHEELCHAIR CONTROL



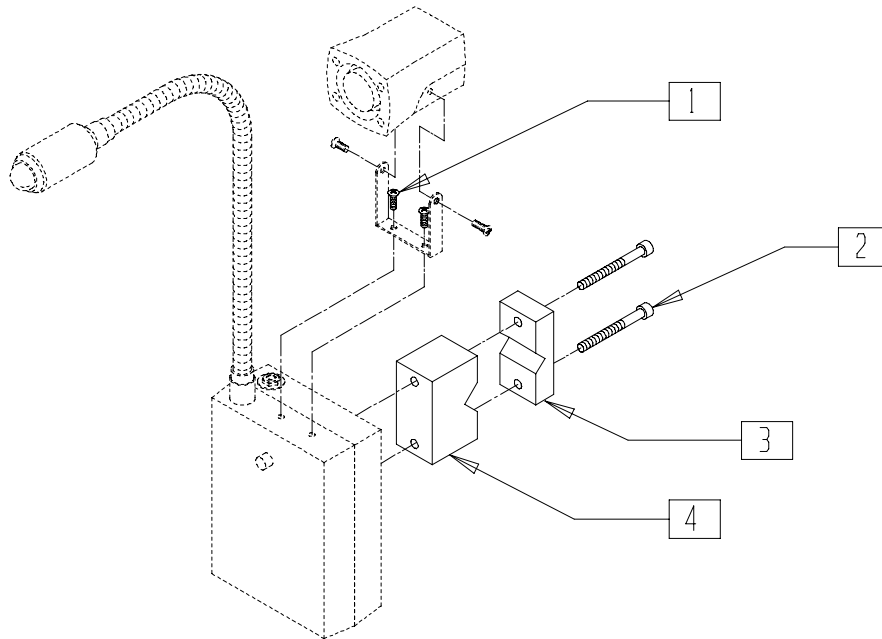
DF00X19

ITEM	NUMBER	DESCRIPTION	QTY
1	560222	JOYSTICK BALL	1
2	281038	4-40 x 5/8 PAN PHIL M/S BLK	4
5	226073-QU	1/4-20 x 1/2 BH C/S SS	2
6	D2467	BASE SPLT MNTG BLCK (2460/3320)	1
7	D2468-QU	CAP SPLT MNTG BLOCK (2460/3320)	1

ITEM	NUMBER	DESCRIPTION	QTY
8	226135	1/4-20 x 1 1/2 SOC C/S SS	2
9	200030	4-40 HEX KEP NUT	4
10	138108	SCREW THUMB 748627-20	2
1-10	D3320	AWC ATTENDANT W/C CONTROL	

DUFCO PATIENT SENTINEL

(Discontinued - parts only)



DF00X31

ITEM	NUMBER	DESCRIPTION	QTY
1	281031	4-40 x 1/4 PAN PHIL M/S BLK	2
2	226135	1/4-20 x 1 1/2 SOC C/S SS	2

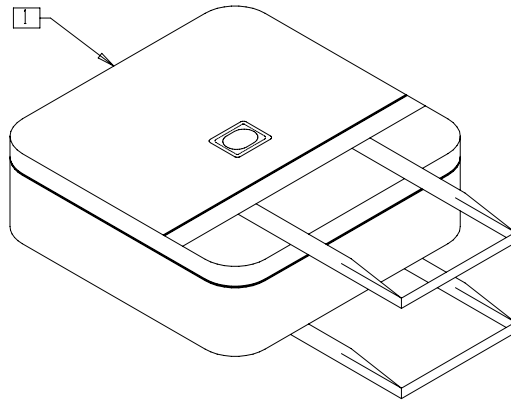
ITEM	NUMBER	DESCRIPTION	QTY
3	D2468-QU	CAP SPLT MNTG BLOCK (2460/3320)	1
4	D2467	BASE SPLT MNTG BLCK (2460/3320)	1

Specialty Controls (Qtronix)

IN THIS SECTION

Qtronix Specialty Controls Evaluation Case.....	17.1	Chin Control Bib Mount	17.7
Qtronix Breath Tube Kit	17.1	Proportional Head Control	17.8
Qtronix Universal Specialty Control Interface and Display Module (USCM) and Support Assembly....	17.2	Proportional Head Control (Integrated Tilt/Smart Seat).....	17.9
Single Switch Devices	17.3	Proximity Head Array/Mounting Assembly.....	17.10
Five Switch Devices.....	17.4	Swing-away Mounting Kit.....	17.11
Zero Touch Sensors.....	17.4	Swing-away Mounting Kit/ Armrest Mounting Bracket	17.12
Switched Joystick	17.5	Qtronix Auxiliary Control Module	17.12
Attendant Control.....	17.5		
Mini Proportional Joystick/Chin Control.....	17.6		

QTRONIX SPECIALTY CONTROLS EVALUATION CASE



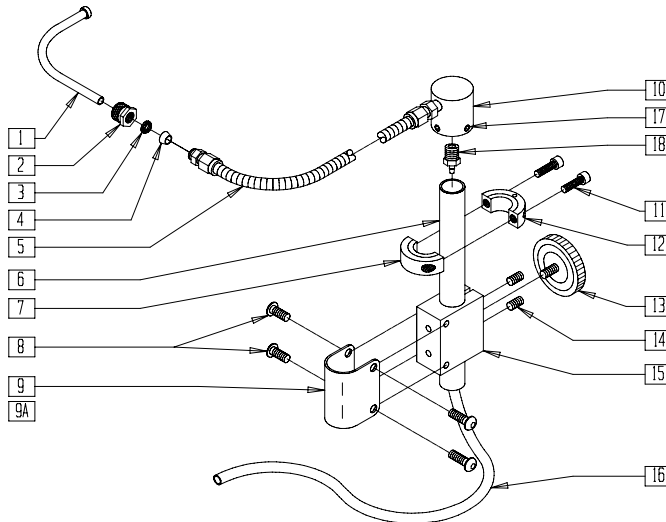
QTX00X25

ITEM	NUMBER	DESCRIPTION	QTY
1	921338	QTRONIX SAMPLE CASE ONLY	1
2	910113	USCM W/USER INSTR	1
3	886970	USCM MOUNT ASSEMBLY	1
4	139708	BREATH CONTROL 1"	1
5	881214	5 SWITCH STD HD ARRAY ASSY	1
6	139705	PROP CHIN CONTROL W/ MINI JS	1
7	D3150-3	AMH S/A MNTG KIT B/R 1" 3185	1
8	139925	SWITCH STAR	1
9	139908	ZERO TOUCH SENSOR (5)	1
10	139923	SWITCH CA-5 BOX	1
11	133721	SWITCH RIBBON	1
12	133722	SWITCH DISC	1

ITEM	NUMBER	DESCRIPTION	QTY
13	139920	SWITCH BUDDY BUTTON RED	1
14	139926	SWITCH PLATE	1
15	139921	MICRO LIGHT	1
16	139910	SWITCH WOBBLE	1
17	930396	USER INST MAN QTRONIX CONTROL	1
18	930390	USER INST MANUAL QTRONIX PAD	1
20	139043	PILOT + ACM W/USER INST	1
21	139026	ACM DB9 CABLE	1
22	139025	SWITCH OUTPUT CABLE ASSY	1
23	139924	SWITCH PENTA	1
1-23	930978	QTRONIX ASSESSMENT KIT	

NOTE: ITEMS 2-23 (NOT SHOWN) ARE INCLUDED IN 930978 (QTRONIX EVALUATION KIT).

QTRONIX BREATH TUBE KIT

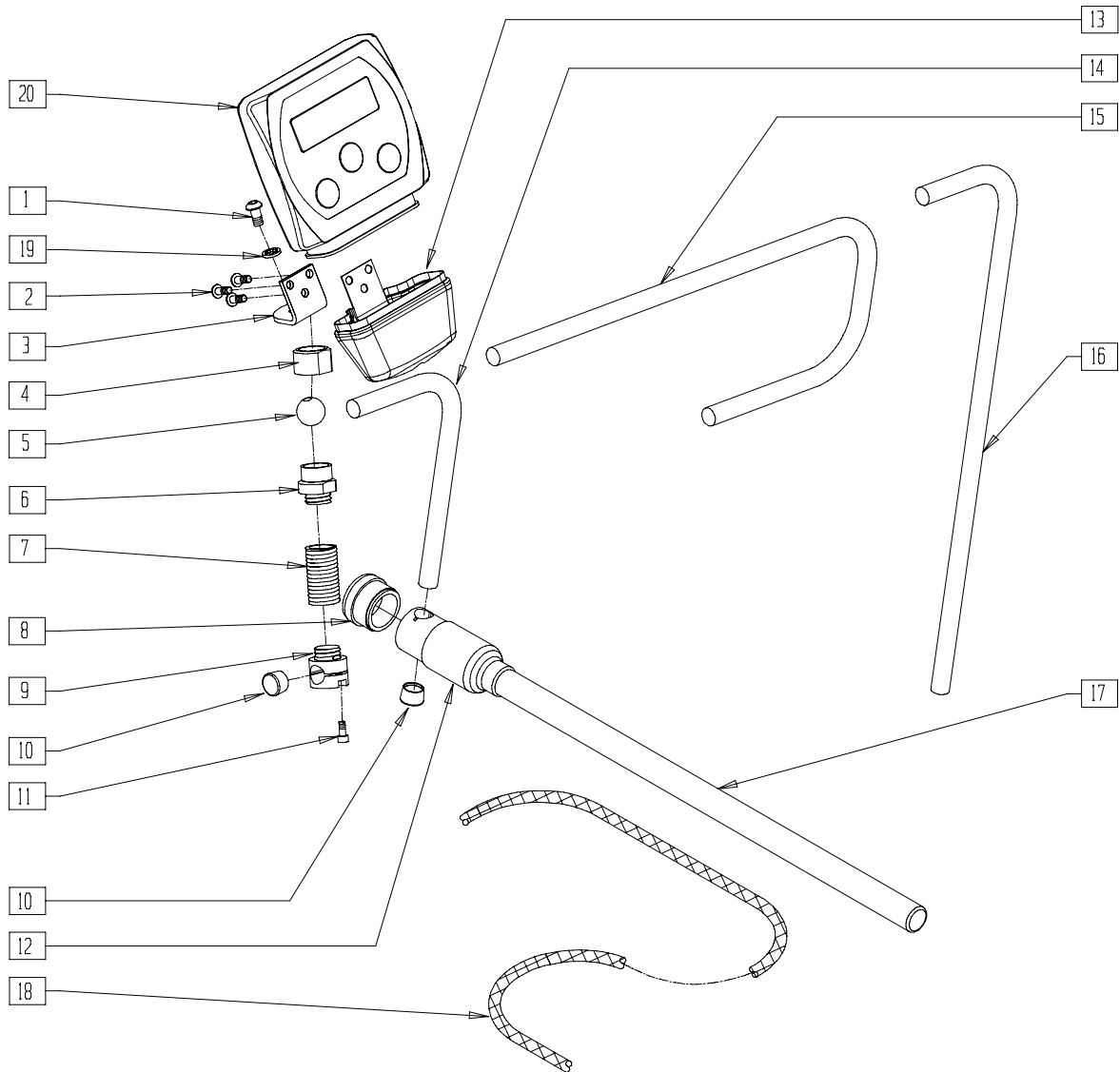


QTX00X39

ITEM	NUMBER	DESCRIPTION	QTY
1	D2427	MOUTHPIECE (2422-2)	1
2	200020	NUT KNURLED NY-402-1K	1
3	270012	TUBE FITTING (BACK FERRULE)	1
4	270010	TUBE FITTING (FRONT FERRULE)	1
6	D2425	MOUNTING TUBE (2422)	1
8	226073-QU	1/4-20 x 1/2 BH C/S SS	4
9	D2641	STRAP CLAMP 7/8" TUBING	1
9A	D2638	STRAP CLAMP 1" TUBING	1
10	483175	GOOSENECK ANGLE CONNECTOR	1
7,11,12	D2634	CLLR CLMP (2422/3150/3205/3514)	
13	138160	KNOB KNURLED TORQUE	
14	225103	1/4-20 x 3/8 SET SCR SS	2

ITEM	NUMBER	DESCRIPTION	QTY
15	D2649	BLOCK (2422)	1
16	580061	PVC TUBE 1/4 x .125 x 48" CLR	1
17	225111	1/4-20 x 1/4 SET SCRW KNRLD PT	1
18	562771	18-27 NPT TO 1/8 BARB FITTING	1
1-5,16	D2423-2	BREATH TUBE ASSM	
1-18	D2422-2	ACT BREATH TUBE KIT (ATTACHES TO 7/8" TUBING)	
1-8,9A, 10-18	D2422-3	ACT BREATH TUBE KIT 1" (ATTACHES TO 1" TUBING)	
1-8,9A 10-18	139708	QTRONIX BREATH CONTROL 1"	
1-18	139700	BREATH CONTROL 7/8"	

QTRONIX UNIVERSAL SPECIALTY CONTROL INTERFACE AND DISPLAY MODULE (USCM) AND SUPPORT ASSEMBLY

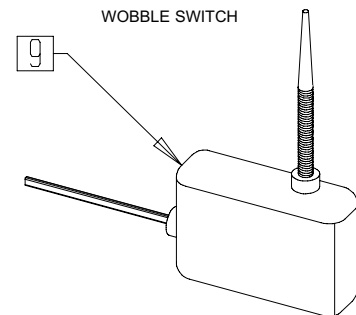
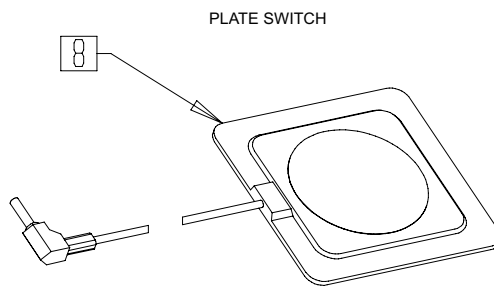
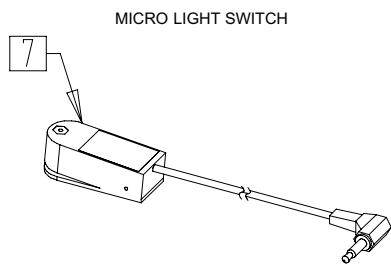
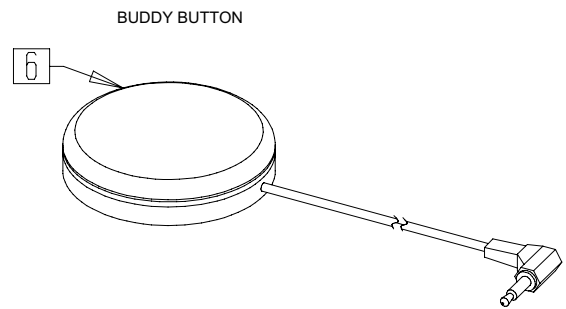
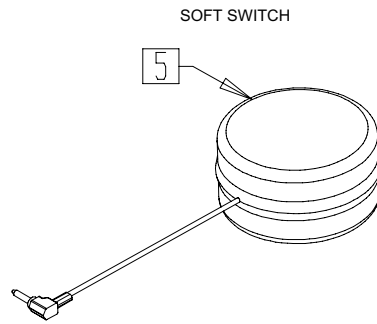
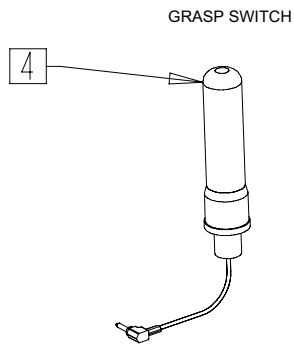
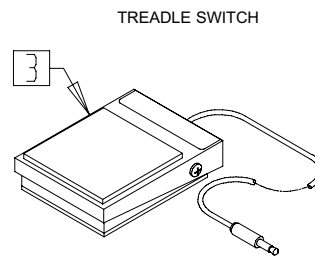
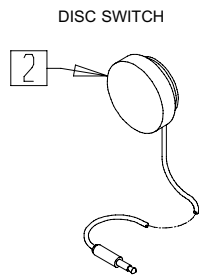
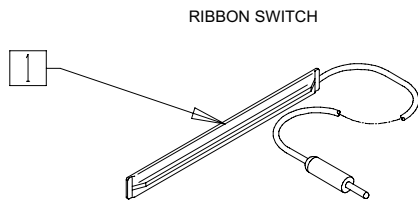


QTX0X13A

ITEM	NUMBER	DESCRIPTION	QTY
1	221091	1/4-28 x 1/2 BH C/S BLK W/PATCH	1
2	226043	10-32 x 1/2 BH C/S BLK	3
4	481741	KNURLED NUT (USCM) MOUNT	1
5	481740	PIVOT BALL (USCM) MOUNT	1
8	560308	RECEIVER PLUG (USCM)	1
10	560307	ADJ DISPLAY ARM CAP (USCM)	2
11	227000	8-32 x 3/8 SOC C/S BLK	1
12	560122	RECEIVER SLEEVE (USCM)	1
13	560118	USCM BOOT	1
14	521098	ADJ DISPLAY ARM "L" SHORT (USCM)	1
15	521096	ADJ DISPLAY ARM "J" (USCM)	1
16	521097	ADJ DISPLAY ARM "L" (USCM)	1
17	521095	SLIDING ARM TUBE (USCM)	1
18	180351	BRAIDED SLEEVING 24"	1

ITEM	NUMBER	DESCRIPTION	QTY
19	267350	1/4 WASHER INT LOCK ZN	1
20	910113	USCM W/USER INSTR	
1-14,	886970	USCM MOUNT ASSEMBLY	
1-14,	886971	USCM L/R MOUNT ASSEMBLY	
17,18			
1-13,	886972	USCM CENTER TRAY MOUNT ASSEMBLY	
15,17,18			
1-13,	886973	USCM CENTER MOUNT ASSEMBLY	
16-18			
8,12,17	886974	USCM DISPLAY ARM ASSEMBLY	
1,3-11	886976	USCM SPRING MOUNT ASSEMBLY	
8,10,12,	886980	JOYSTICK CENTER MOUNT ASSM	
15-17			

SINGLE SWITCH DEVICES

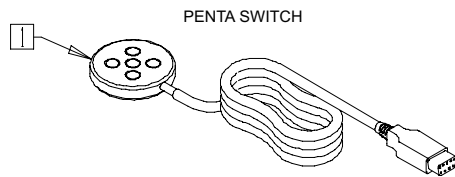


QTX00X42

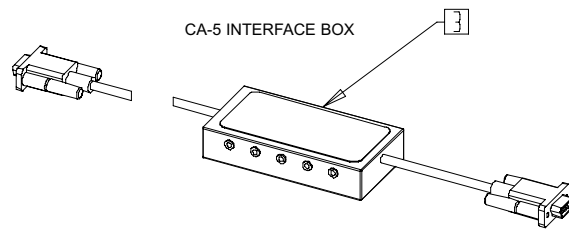
ITEM	NUMBER	DESCRIPTION	QTY
1	133721	SWITCH RIBBON	1
2	133722	SWITCH DISC	1
3	133720	SWITCH TREADLE	1
4	139927	SWITCH GRASP	1
5	139928	SWITCH SOFT	1

ITEM	NUMBER	DESCRIPTION	QTY
6	139920	SWITCH BUDDY BUTTON RED	1
7	139921	MICRO LIGHT	1
8	139926	SWITCH PLATE	1
9	139910	SWITCH WOBBLE	1

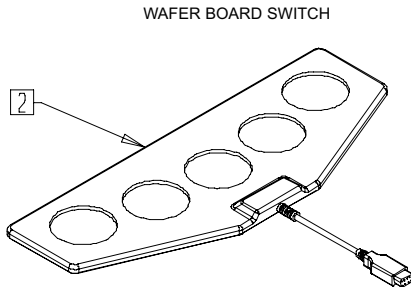
FIVE SWITCH DEVICES



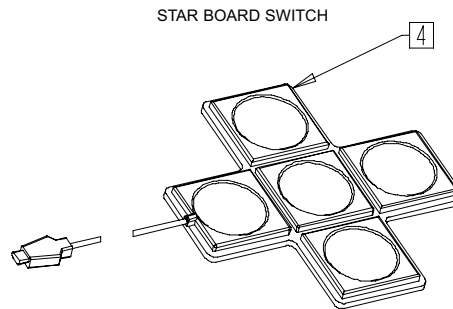
PENTA SWITCH



CA-5 INTERFACE BOX



WAFER BOARD SWITCH



STAR BOARD SWITCH

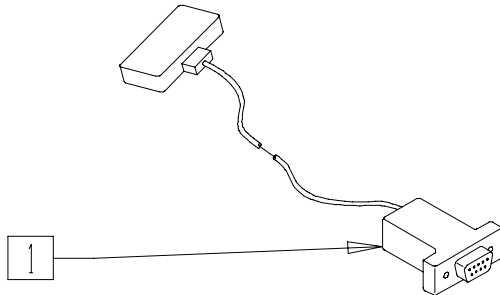
QTX00X44

ITEM	NUMBER	DESCRIPTION	QTY
1	139924	SWITCH PENTA	1
2	139922	WAFER BOARD	1

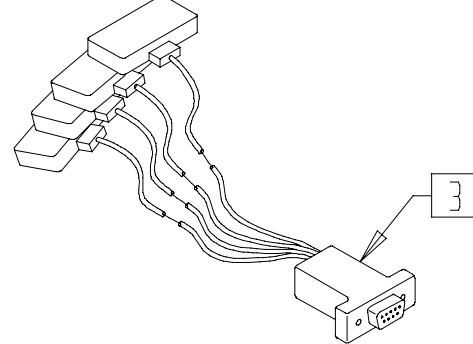
ITEM	NUMBER	DESCRIPTION	QTY
3	139923	SWITCH CA-5 BOX	1
4	139925	SWITCH STAR	1

ZERO TOUCH SENSORS

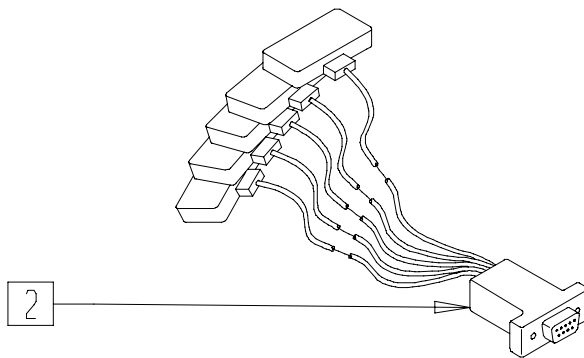
ZERO TOUCH SENSOR 1



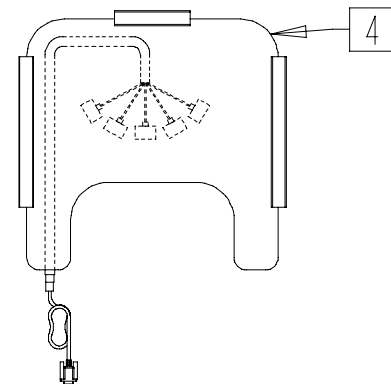
ZERO TOUCH SENSOR 4



ZERO TOUCH SENSOR 5



ZERO TOUCH SENSOR 5 WITH TRAY

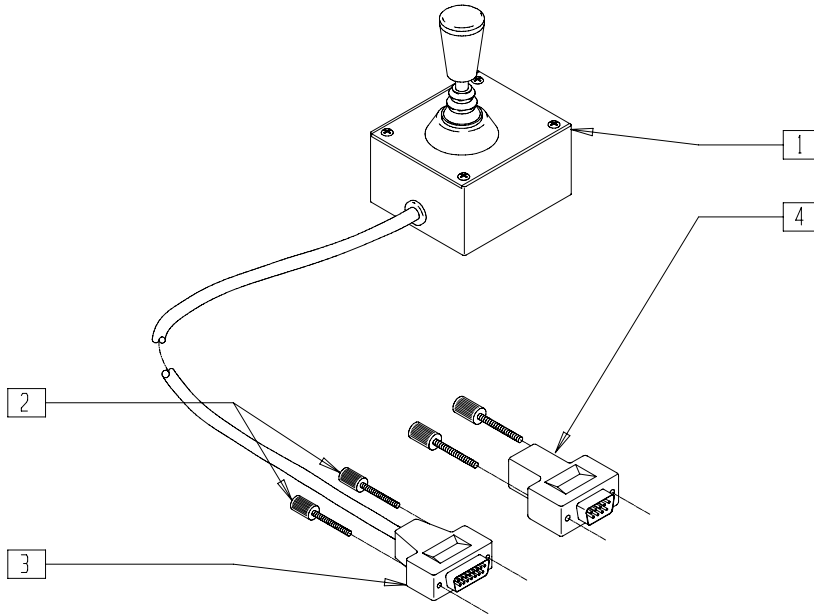


QTX00X43

ITEM	NUMBER	DESCRIPTION	QTY
1	139909	0 TOUCH SENSOR 1	1
2	139908	0 TOUCH SENSOR 5	1
3	139907	0 TOUCH SENSOR 4	1

ITEM	NUMBER	DESCRIPTION	QTY
4	139930	0 TOUCH SENSOR 5 W/TRAY 12-13"	1
	139931	0 TOUCH SENSOR 5 W/TRAY 14-16"	
	139932	0 TOUCH SENSOR 5 W/TRAY 17-18"	
	139933	0 TOUCH SENSOR 5 W/TRAY 19-20"	

SWITCHED JOYSTICK

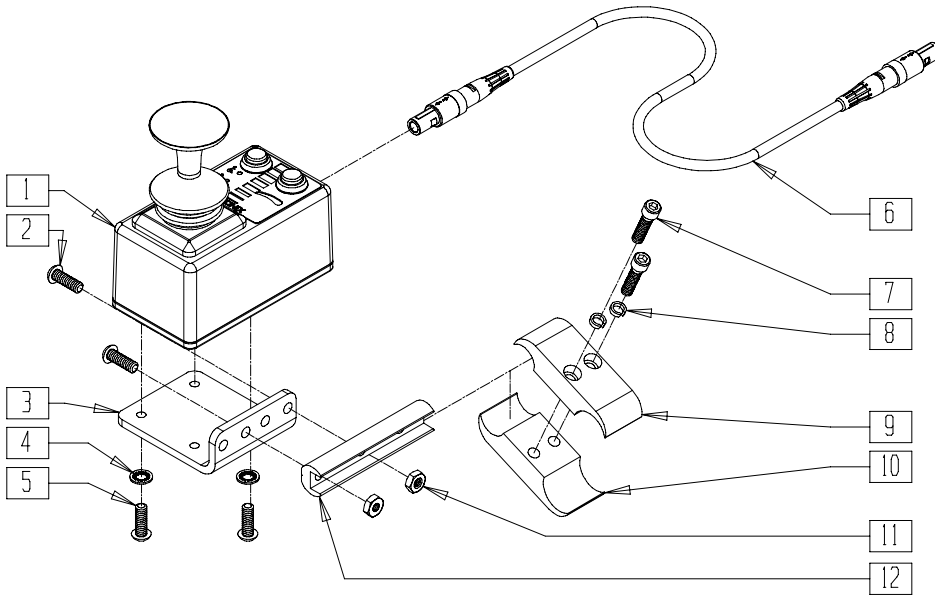


DF00X10

ITEM	NUMBER	DESCRIPTION	QTY
2	138108	SCREW THUMB 748627-20	2

ITEM	NUMBER	DESCRIPTION	QTY
1-3	D3345	ACT JOYSTICK(8 DIR-H/DTY/KNOB)	
1,2,4	139703	HD SWITCHED JOYSTICK	

ATTENDANT CONTROL

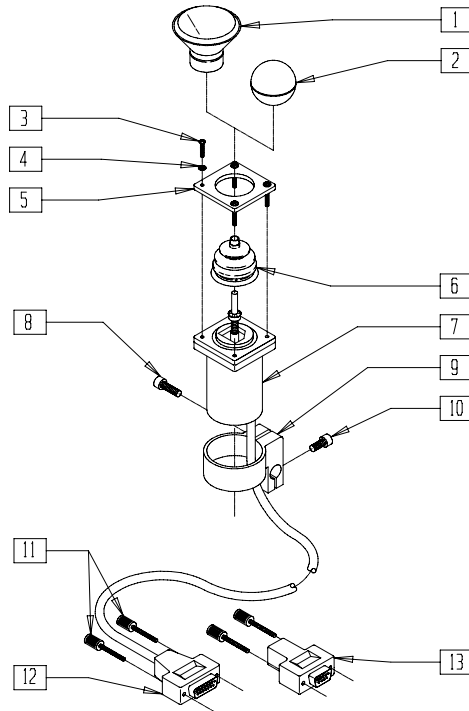


PCNTR07A

ITEM	NUMBER	DESCRIPTION	QTY
1	139050	DUAL/ATTENDANT CONTROL	1
2	226100	1/4-28 x 3/4 BH C/S	2
3	505533	ATTENDANT CTRL MOUNT BRACKET	1
4	267340	#10 WASHER INT LOCK ZN	2
5	230495	M5-12 BUTTON HD C/S BLACK	2
6	139138	CONTROL CABLE SLIM LONG	1
7	226112	1/4-28 x 1 SOC C/S BLK	2

ITEM	NUMBER	DESCRIPTION	QTY
8	262114	1/4 WASHER HI COLLAR LOCK ZN	2
9	550477	CLAMP 2 1/4" RECESS BLK	1
10	550576	CLAMP 2 1/4" THREADED BLK	1
11	202300	1/4-28 NYLOCK NUT THIN BLK ZN	2
12	550374	WHL LCK SLIDE BLOCK 3 1/2" BLK	1
1,6	885016	DUAL ATTENDANT CNTRL ASSM	
1-12	920900	ATTNDNT CNTRL MNT ASSM W/INSTR	

MINI PROPORTIONAL JOYSTICK/CHIN CONTROL

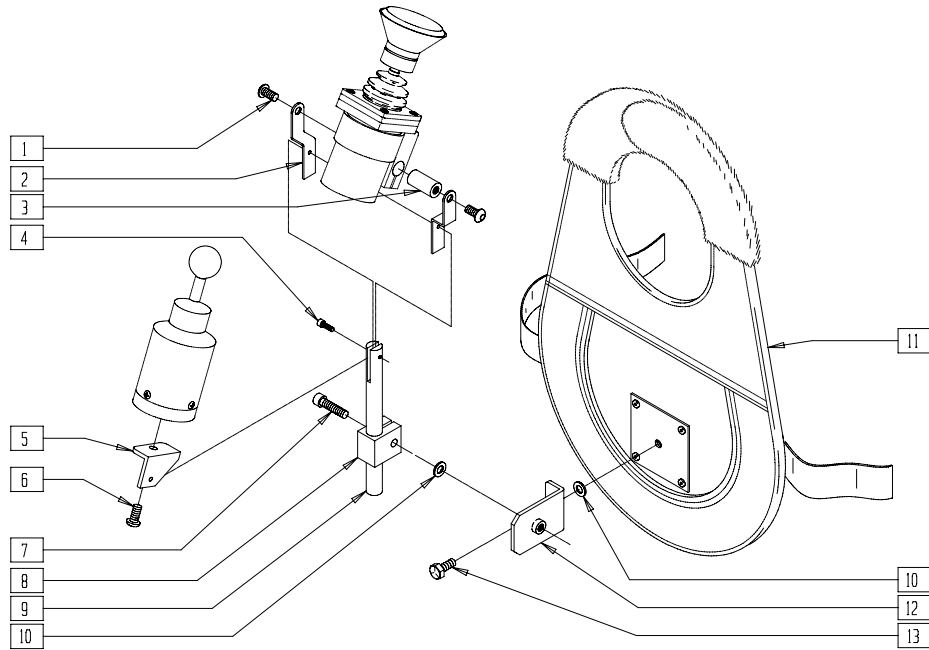


DF00X16

ITEM	NUMBER	DESCRIPTION	QTY
1	D4000	CHINCUP QTRONIX	1
2	560222	JOYSTICK BALL	1
3	281038	4-40 x 5/8 PAN PHIL M/S BLK	4
4	267312	#4 WASHER INT LOCK BLK	4
6	560712	GAITER BLACK RUBBER (D10AB)	1
8	226104	1/4-20 x 3/4 SOC C/S SS	1
9	D3183	CLAMP (3185)	1

ITEM	NUMBER	DESCRIPTION	QTY
10	226047	1/4-20 x 3/8 SOC C/S	1
11	138108	SCREW THUMB 748627-20	2
1-12	D3185	ACT JOYSTICK PROP KNOB OR CHIN (DUFCO)	
1-11,13	139705	PROP CHIN CONTROL W/ MINI JS (QTRONIX)	

CHIN CONTROL BIB MOUNT

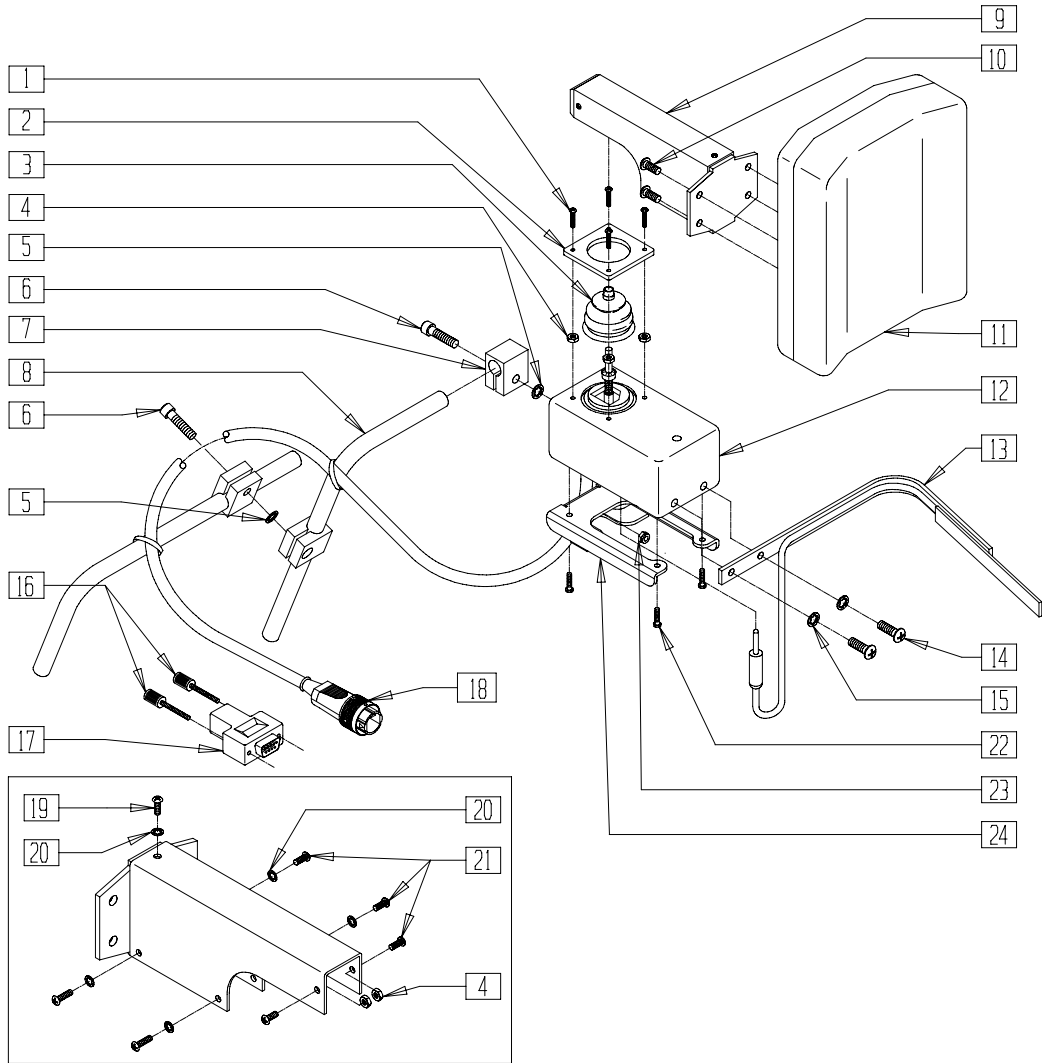


DF00X21

ITEM	NUMBER	DESCRIPTION	QTY
1	226073-QU	1/4-20 x 1/2 BH C/S SS	2
2	D3391	YOKE BRACKET (3390)	2
3	D3392	YOKE SHAFT (3390)	1
4	226000	6-32 x 3/8 SOC C/S SST	1
5	D2289	SWITCH MNTG BRACKET (2615)	1
6	226073-QU	1/4-20 x 1/2 BH C/S SS	1
7	226104	1/4-20 x 3/4 SOC C/S SS	1

ITEM	NUMBER	DESCRIPTION	QTY
8	D3229	ROD CLAMP	1
9	D3393	AMH MOUNTING ROD (3390)	1
10	267350	1/4 WASHER INT LOCK ZN	2
12	D2298	AMH MNTG BRACKET (2615/3390)	1
13	221050	1/4-20 x 3/8 HEX C/S	1
4-13	D2615	AMH BIB KIT (2651/3361)	
1-4,7-13	D3390	AMH BIB UP-MNT	

PROPORTIONAL HEAD CONTROL



DETAIL OF COVER (PART NUMBER D3511)

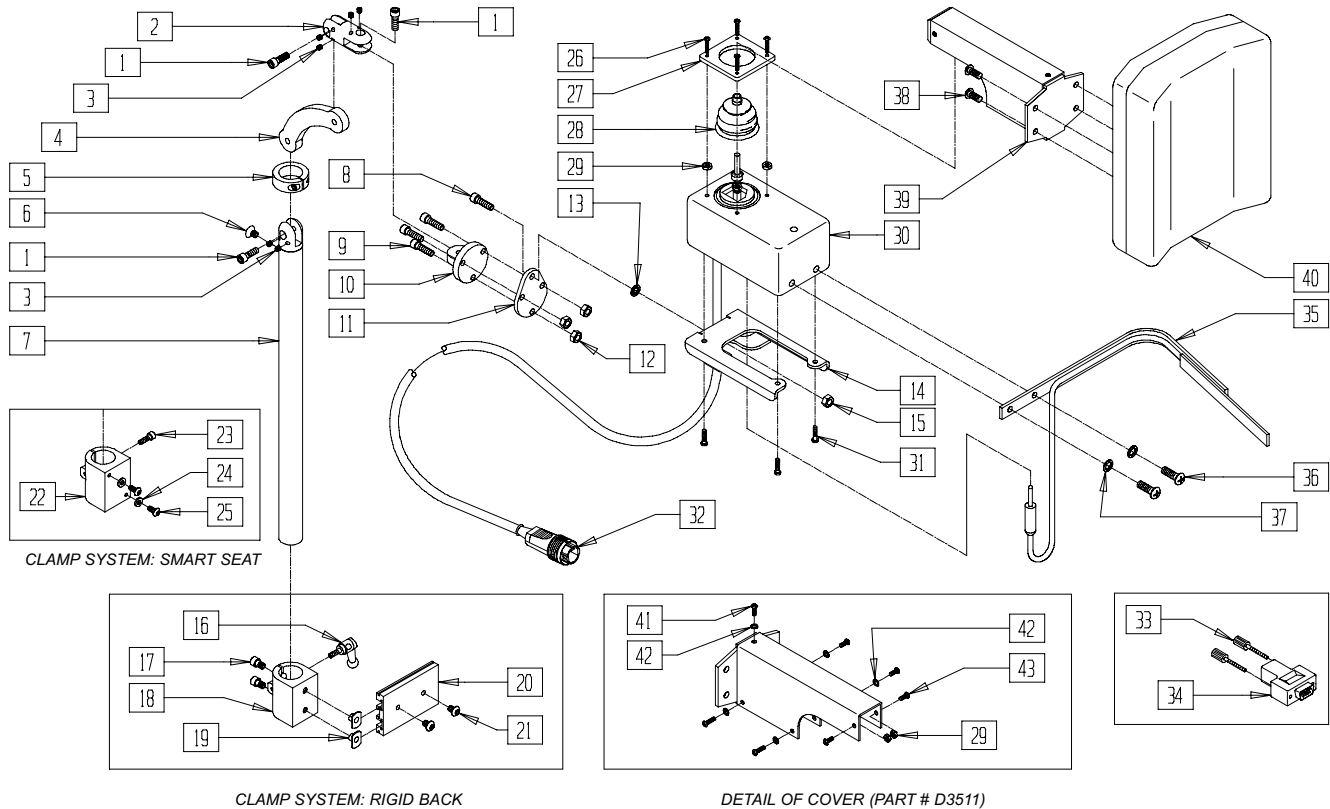
DF00X03

ITEM	NUMBER	DESCRIPTION	QTY
1	281038	4-40 x 5/8 PAN PHIL M/S BLK	4
4	200030	4-40 HEX KEP NUT	6
5	267350	1/4 WASHER INT LOCK ZN	2
6	226104	1/4-20 x 3/4 SOC C/S SS	2
7	D3229	ROD CLAMP	1
8	D3151-04X09	MOUNTING ROD (4" x 9") (3395/3514)	1
9	D3511	COVER (3500/60/65)	1
10	281111	10-32 x 1/2 PAN PHIL BLK	4
11	190272	HEADREST PAD KIT LABAC™	1
13	D1471	CONTROL SWITCH ASSEMBLY	1
14	281106	10-32 x 3/8 PAN PHIL BLK	2
15	267342	#10 WASHER INT LOCK BLK	2
16	138108	SCREW THUMB 748627-20	2

NOTE: FOR MOUNTING HARDWARE SEE PAGE 16.10.

ITEM	NUMBER	DESCRIPTION	QTY
19	281031	4-40 x 1/4 PAN PHIL M/S BLK	1
20	267312	#4 WASHER INT LOCK BLK	5
21	281036	4-40 x 3/8 PAN PHIL M/S BLK	6
22	230000	M3.5 x 16 PAN HEAD PHIL	4
23	204110	1/4-28 NYLOCK NUT BLK ZN	1
24	540558	WLDMNT PROP BOX MOUNT	1
1-4,9-17, 19-24	D3500-QU	ACT PROPORTIONAL HEAD CONTROL	
1-4,9-17 19-24	139704	ACT PROPORTIONAL HEAD CONTROL QTRONIX	
1-4,9-15, 18-24	D3565	ACT PROPORTIONAL HEAD CONTROL STAND ALONE	
1-4,9-15, 18-24	D3560-1	ACT PROPORTIONAL HEAD CNTRL (Z60)	

PROPORTIONAL HEAD CONTROL (INTEGRATED TILT/SMART SEAT) (Effective 1/15/03)

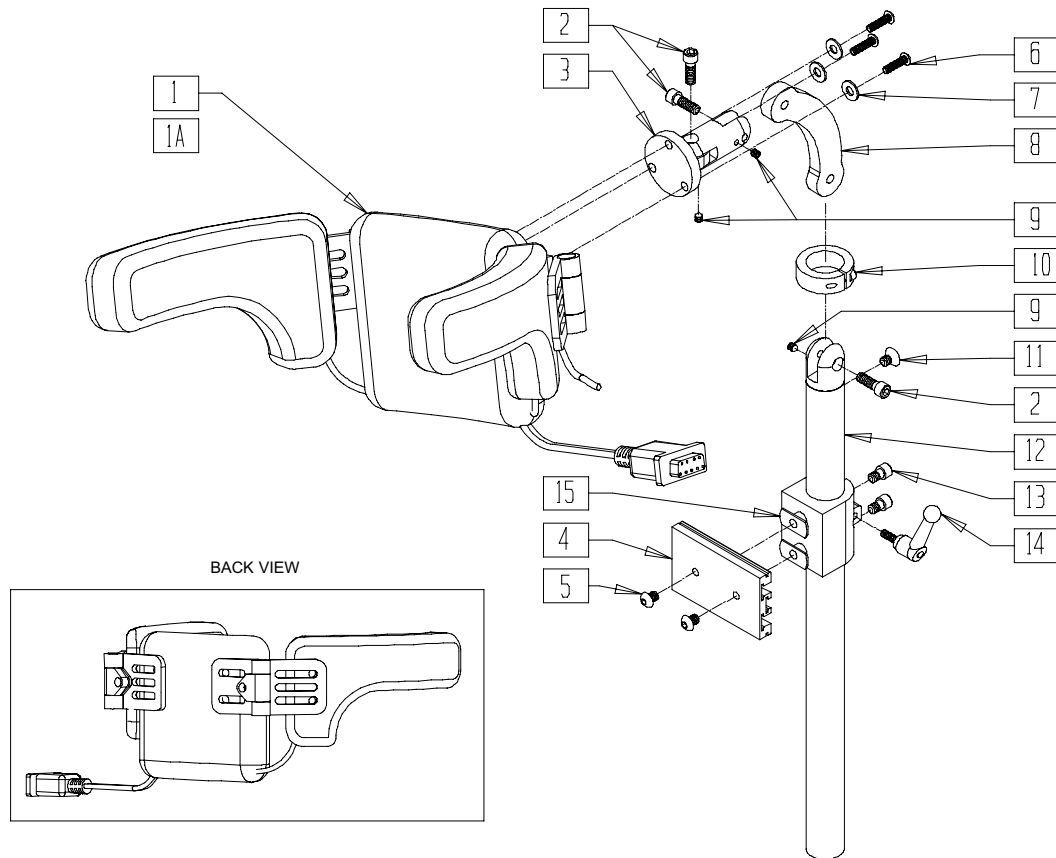


HDCNTRL01

ITEM	NUMBER	DESCRIPTION	QTY
1	221115	1/4-20 x 3/4" SOC HD C/S BLK	3
3	341045	#10-24 CONE POINT SET SCREW	6
4	331078	HEADREST LINK	1
5	505933	HEADREST COLLAR	1
6	226072	1/4-20 x 1/2 FH C/S BLK	1
8	226112	1/4-28 x 1 SOC C/S BLK	1
9	226077	1/4-20 x 7/8 SOCKET HD C/S	3
11	506212	HEADREST ADAPTER PLATE	1
12	201114	1/4-20 NYLOCK NUT BLK ZN	3
13	267350	1/4 WASHER INT LOCK ZN	1
14	540558	WLDMNT PROP BOX MOUNT	1
15	204110	1/4-28 NYLOCK NUT BLK ZN	1
16	341046	HEADREST CLAMPNG HNDL SCREW	1
17	226095	1/4-20 x 3/8" SOC C/S BLK ZN	2
19	340033	1/4-20 WELD NUTS SLAB BASE	2
20	505932	HEADREST MOUNTING TRACK	1
21	476304	1/4-28 x .31 BHCS W/PATCH	2
23	455017-QU	10-24 x 3/4 ALLEN SOC HD SCW	1
24	261204	#10 AN WASHER .063	2
25	226023	10-32 x 7/16 BH C/S BLK	2
26	281038	4-40 x 5/8 PAN PHIL M/S BLK	4
29	200030	4-40 HEX KEP NUT	6
31	230000	M3.5 x 16 PAN HEAD PHIL	4
33	138108	SCREW THUMB 748627-20	2
35	D1471	CONTROL SWITCH ASSEMBLY	1
36	281106	10-32 x 3/8 PAN PHIL BLK	2
37	267342	#10 WASHER INT LOCK BLK	2
38	281111	10-32 x 1/2 PAN PHIL BLK	2
39	D3511	COVER (3500/60/65)	1

ITEM	NUMBER	DESCRIPTION	QTY
40	190272	HEADREST PAD KIT LABAC	1
41	281031	4-40 x 1/4 PAN PHIL M/S BLK	1
42	267312	#4 WASHER INT LOCK BLK	5
43	281036	4-40 x 3/8 PAN PHIL M/S BLK	1
1-7,10	888110	MOUNT HEADREST 7" STEM	
	888111	MOUNT HEADREST 9" STEM	
	888112	MOUNT HEADREST 15" STEM	
16-21	888101	CLAMP HEADREST RIGID BACK	
22-25	888100	CLAMP HEADREST SMART SEAT	
14,15,26-31,33-43	D3500-QU	ACT PROPORTIONAL HEAD CONTROL	
	139704	PROP HEAD CONTROL	
14,15,26-32,35-43	D3565	ACT PROP HEAD CONT STND ALONE	
	D3560-1	ACT PROP HEAD CONTROL (Z60)	
1-15,22-31,33-43	888120	ACT PROP HEAD CONTROL SS 7"	
	888121	ACT PROP HEAD CONTROL SS 9"	
	888122	ACT PRP HEAD CNTRL QTRNX SS 7"	
	888123	ACT PRP HEAD CNTRL QTRNX SS 9"	
1-15,22-32,35-43	888124	ACT PRP CNTRL STND ALNE SS 7"	
	888125	ACT PRP CNTRL STND ALNE SS 9"	
	888126	ACT PRP HEAD CNTRL (Z60) SS 7"	
	888127	ACT PRP HEAD CNTRL (Z60) SS 9"	
1-21,26-31,33-43	888128	ACT PROP HEAD CNTRL RIGID BCK	
	888129	ACT PRP HEAD CNTRL QTRONIX RB	
1-21,26-32,35-43	888130	ACT PRP CNTRL STND ALONE RB	
	888131	ACT PRP HEAD CNTRL (Z60) RB	

PROXIMITY HEAD ARRAY/MOUNTING ASSEMBLY

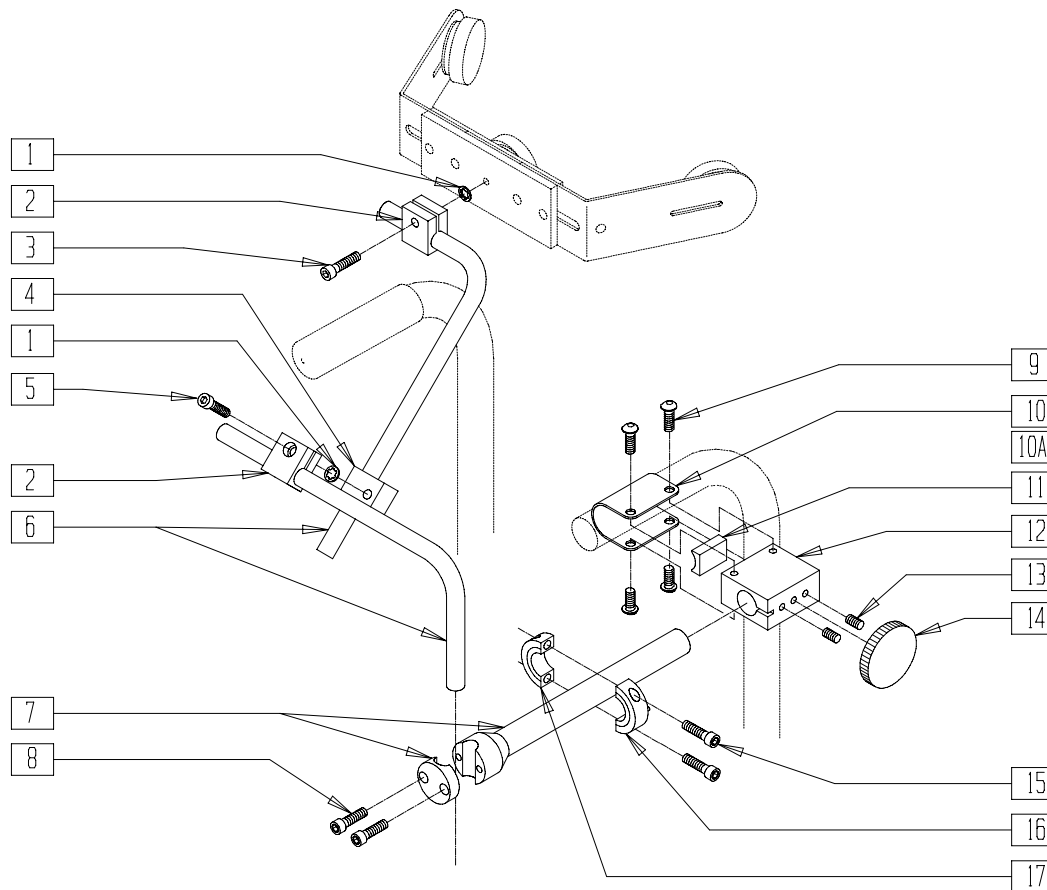
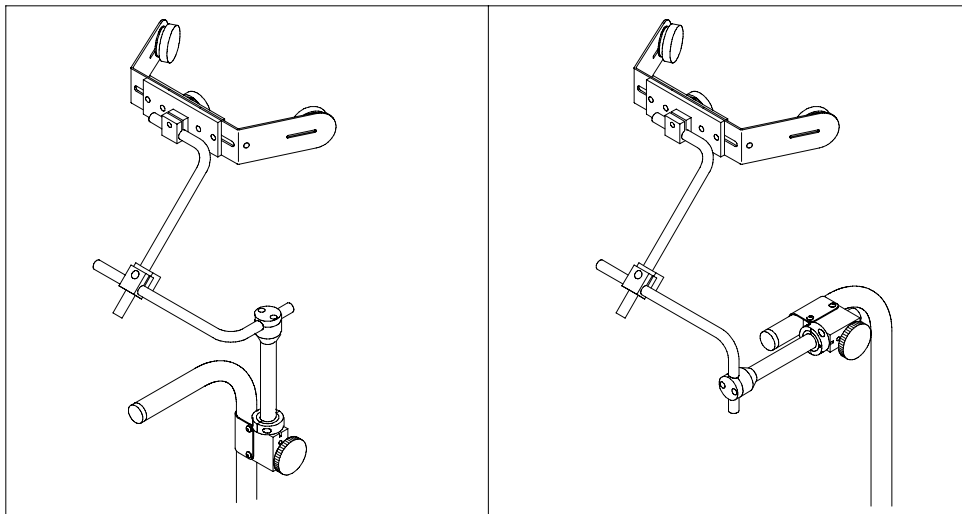


QTX0X04A

ITEM	NUMBER	DESCRIPTION	QTY
1	139897	HEAD ARRAY SWITCH IT PED	1
1A	139898	HEAD ARRAY SWITCH IT STD	1
2	221115	1/4-20 x 3/4" SOC HD C/S BLK	3
4	505932	HEADREST MOUNTING TRACK	1
5	476304	1/4-28 x .31 BHCS W/PATCH	2
6	455010-QU	10-32 x 3/4 BH C/S BLK	3
7	261204	#10 AN WASHER .063	3
8	331077	HEADREST LINK 6 INCH	1
9	341045	#10-24 CONE POINT SET SCREW	3

ITEM	NUMBER	DESCRIPTION	QTY
10	505933	HEADREST COLLAR	1
11	226072	1/4-20 x 1/2 FH C/S BLK	1
13	226095	1/4-20 x 3/8" SOC C/S BLK ZN	2
14	341046	HEADREST CLAMPING HANDLE SCREW	1
15	340033	1/4-20 WELD NUTS SLAB BASE	2
2-4,6-15	881003	HEADREST MOUNTING BRACKET ASSM	
1-15	881213	5 SWITCH PED HD ARRAY ASSY	
1A,2-15	881214	5 SWITCH STD HD ARRAY ASSY	

SWING-AWAY MOUNTING KIT

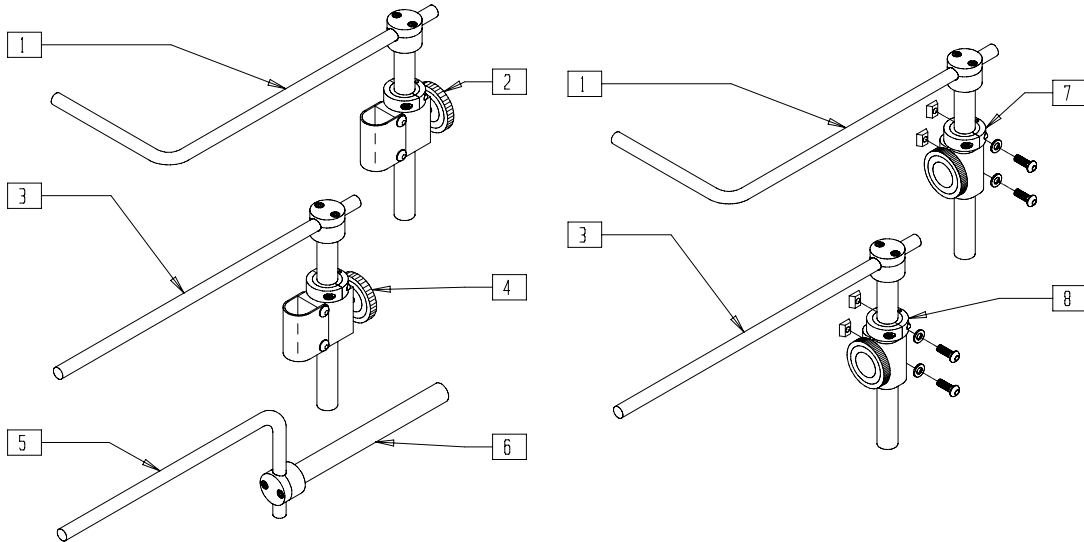


DF00X22

ITEM	NUMBER	DESCRIPTION	QTY
1	267350	1/4 WASHER INT LOCK ZN	2
2	D3229	ROD CLAMP	2
3	226104	1/4-20 x 3/4 SOC C/S SS	1
4	D3228	TAPPED SLTD ROUND CLMP (35)	1
5	226124	1/4-20 x 1 1/4 SOC C/S	1
6	D3151-04X09	MOUNTING ROD (4" x 9") (3395/3514)	2
7	D3207	JOYSTICK EXTENSION SHAFT (3/4")	1
8	226021	10-32 x 5/8 SOC C/S	2
9	226073-QU	1/4-20 x 1/2 BH C/S SS	4

ITEM	NUMBER	DESCRIPTION	QTY
10	D2641	STRAP CLAMP 7/8" TUBING	1
10A	D2638	STRAP CLAMP 1" TUBING	1
11	D3209	BLOCK INSERT (3150/3205/3514)	1
12	D3208	BLOCK (3150/3205/3514)	1
13	225103	1/4-20 x 3/8 SET SCR SS	2
15-17	D2634	CLLR CLMP (2422/3150/3205/3514)	
4-9,10A	D3514-1	AMH MTG 3500/19/60-1/65 (7/8")	
11-17	D3514-2	AMH MTG 3500/19/60-1/65 (1")	

SWING-AWAY MOUNTING KIT/ARMREST MOUNTING BRACKET



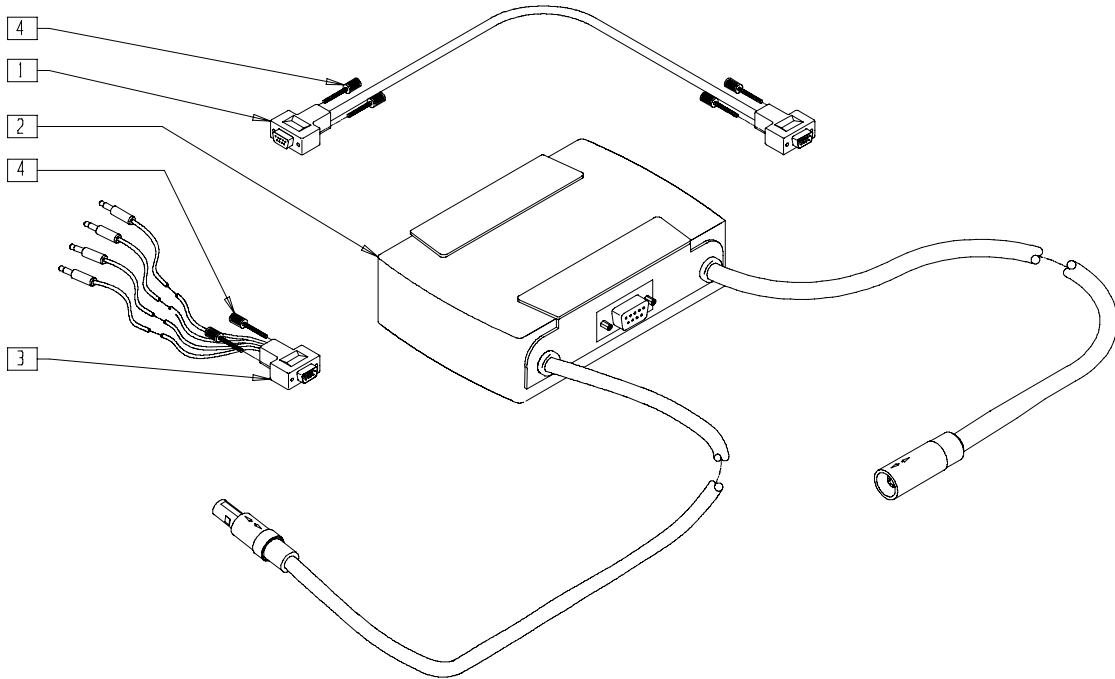
DF00X18

ITEM	NUMBER	DESCRIPTION	QTY
1	D3151-12X18	MOUNTING ROD (12 x 18) (3150)	1
1,2	D3150-1	AMH S/A MOUNTING KIT B/R 3185	
	D3150-2	AMH S/A MOUNTING KIT B/R ING KIT	
	D3150-3	AMH S/A MOUNTING KIT B/R 1" 3185	
	D3150-4	AMH S/A MOUNTING KIT B/R 1" MISC	
3	D3151-13	MOUNTING ROD (13") (3205)	1

ITEM	NUMBER	DESCRIPTION	QTY
3,4	D3205-2	S/A MNTG KIT MID LINE W/O RCLR	
5	D3151-04X09	MOUNTING ROD (4" x 9") (3395/3514)	1
5,6	D3395	AMH ARM MOUNT BRACKET PROP	
1,7	D3150-5	AMH S/A MNTG B/R 1" PRS	
3,8	D3205-3	S/A MOUNTING KIT MID LINE PRS	

NOTE: FOR MOUNTING HARDWARE PARTS, SEE "MOUNTING HARDWARE" ON PAGE 16.10.

QTRONIX AUXILIARY CONTROL MODULE



QTX0X27A

ITEM	NUMBER	DESCRIPTION	QTY
1,4	139026	ACM DB9 CABLE	1
2	139043	PILOT + ACM W/USER INST	1

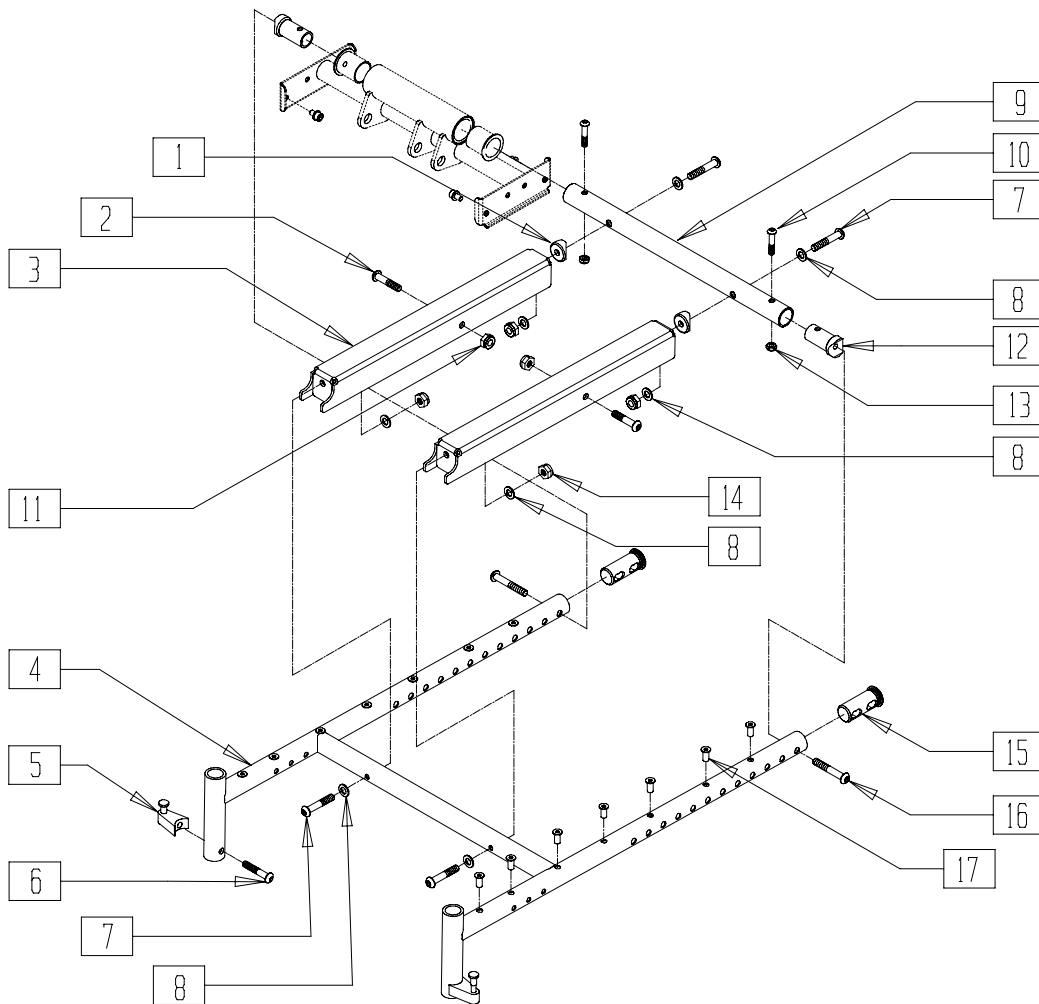
ITEM	NUMBER	DESCRIPTION	QTY
3,4	139025	SWITCH OUTPUT CABLE ASSEMBLY	1
4	138108	SCREW THUMB 748627-20	2

Power Seating Systems (Integrated)

IN THIS SECTION

Integrated Tilt Seating Assembly (Quickie Freestyle/G-424/P-220/P-222SE).....	18.1	Seat Frame/Frame Mount System (S-525 Integrated Tilt).....	18.13
Modular Tilt Assembly (Quickie G424) (Disc.).....	18.2	Actuator Assembly (Quickie S-626) (Disc.).....	18.14
Modular Tilt Assembly (Quickie G-424).....	18.3	Actuator, Linkage, and Control Assemblies (Quickie S-626/S-646/S-646SE).....	18.15
Pivot System (Quickie S-525 Integrated Tilt) (Disc.).....	18.4	Tilt Lower Actuator Mount Assembly (Quickie S-626/S-646/S-646SE).....	18.16
Integrated Tilt (Quickie S-525).....	18.5	Tilt Frame Assembly (Quickie S-626) (Disc.).....	18.16
Integrated Tilt Mounting Assembly (Quickie P-220/P-222SE) (Disc.).....	18.6	Tilt Frame Assembly (Quickie S-626/S-646/S-646SE).....	18.17
Modular Tilt Assembly (Quickie P-220/P-222SE).....	18.7	Tilt Seat Sliding Plate Assembly (Quickie S-626) (Disc.).....	18.18
Modular Tilt Assembly (Quickie Freestyle).....	18.8	Tilt Seat Sliding Plate Assembly (Quickie S-626/S-646/S-646SE).....	18.19
Tilt System Harnesses (Qtronix) (Disc.).....	18.9	Vent Tray Assembly (Quickie S-626/S-646/S-646SE).....	18.20
Tilt System Harnesses (Qtronix).....	18.10		
Tilt System Harnesses (VSI).....	18.11		
Pivot System Harnesses (Quickie Freestyle).....	18.12		

INTEGRATED TILT SEATING ASSEMBLY (QUICKIE FREESTYLE/G-424/P-220/P-222 SE)



T4240X04B

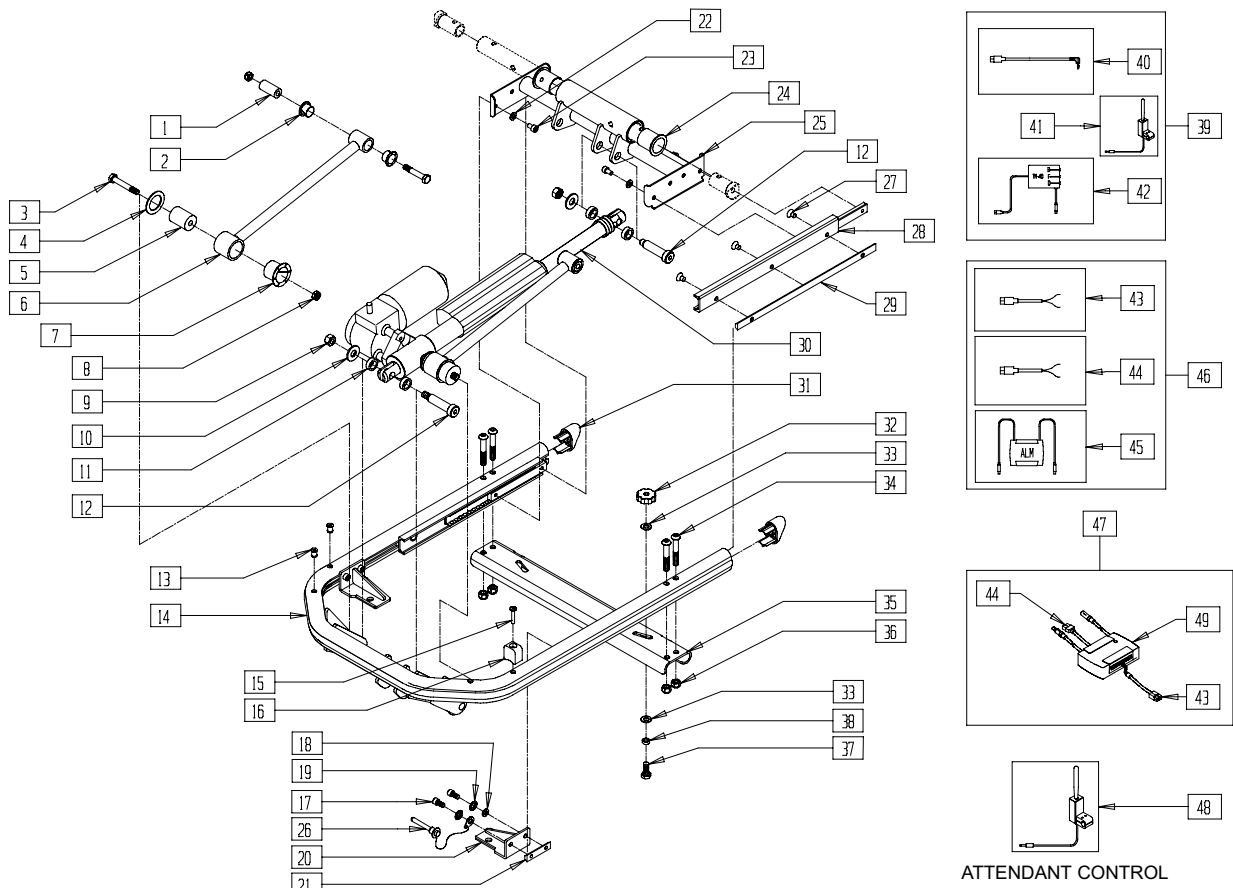
ITEM	NUMBER	DESCRIPTION	QTY
1	561004	1" SADDLE 1/4" HOLE	2
2	222101	5/16 AN5-16A HEX C/S	2
3	481386	TILT PIVOT CHANNEL	2
5	881691	S/A LATCH BLCK PRSD ASSM BLK	1
6	226218	5/16-18 x 1 3/4 BH C/S BLK	1
7	226114	1/4-28 x 1 1/2 SOC C/S BLK	4
8	262100-QU	1/4 AN WASHER FLAT	8
9	526174- 526180	SEAT FRAME SUPPORT TUBE 14"-20" G424	1
10	226223	1/4-28 x 1 1/4" BH C/S BLK	2
11	202111	5/16-24 NYLOCK NUT THICK BLK	2
12	483288	1" SADDLE 5/16-18 THREADED	2
13	202300	1/4-28 NYLOCK NUT THIN BLK ZN	2

ITEM	NUMBER	DESCRIPTION	QTY
14	202300	1/4-28 NYLOCK NUT THIN BLK ZN	4
15	483185	SEAT END PLUG	2
16*	226217	5/16-18 x 2 BH C/S BLK	2
	226231	5/16-18 x 2 1/2 BH C/S BLK	
17	341497	10-32 x .020-.130 RIVNUT GOLD	14
5,6	920244	S/A LATCH ASSM W/BLK BOLT	
4,15,17	660270- 660276	TILT SEAT FRAME ASSEMBLY	
9,10, 12,13	883100- 883106	SEAT FRAME SUPPORT TUBE ASSEMBLY 14"- 20"	
1-17	660740- 660746	TILT SEAT FRAME ASSM 14"-20" WIDE	

* NOTE: SINGLE POST ARMREST USES PART NUMBER 226217 AND DUAL POST ARMREST USES PART NUMBER 226231.

MODULAR TILT ASSEMBLY (QUICKIE G-424)

(Discontinued 04/30/03) (Ending s/n G42-14908)



ATTENDANT CONTROL

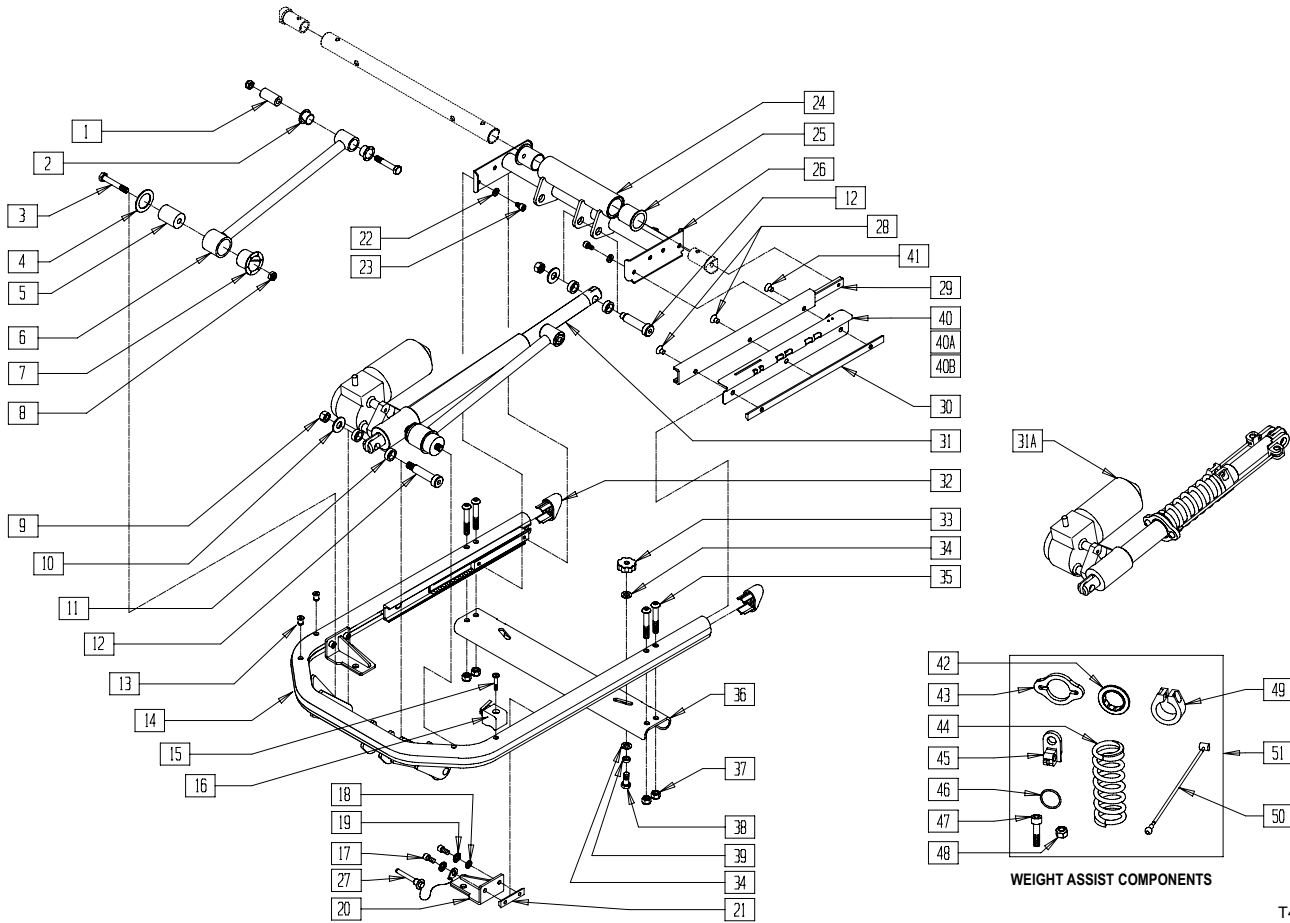
T424X05A

ITEM	NUMBER	DESCRIPTION	QTY
1	481321	UPPER SOLID LINKAGE PIVOT	1
2	560401	NYLINER BUSHING (10L7-F)	2
3	222103	5/16 AN5-20A HEX C/S	1
4	261208	WASHER NYLON	1
5	483292	PIVOT RADIUS ROD	1
6	505926	TILT LINKAGE ARM W/SOCKETS	1
7	560403	NYLINER BUSHING (16L16-F)	1
8	202106	5/16-24 NYLOCK NUT THIN BLK	2
9	201262	3/8-16 NYLOCK NUT	2
10	261509	3/8 SAE WASHER	2
11	261531	ACTUATOR THRUST WASHER	4
12	226329	1/2 x 1-3/4 SOC C/S SHOULDER BLK	2
13	341497	10-32 x .020-.130 RIVNUT GOLD	4
15	226028	10-32 x 1 BH C/S BLK	2
16	561230	SEAT STOP G424 TILT	2
17	226171	1/4-28 x 1/2" SOC HD C/S	4
18	262110-QU	1/4 AN WASHER FLAT THIN	3
19	262114	1/4 WASHER HI COLLAR LOCK ZN	4
20	542122, 542123	FRONT MOUNT WELDMNT G424	1
21	481411	1/4-28 CHANNEL NUT 1.25 SP	2
22	262100-QU	1/4 AN WASHER FLAT	4
23	230037	M6 x 1.0-10mm SOC HD C/S BLK	4
24	560008	PIVOT BUSHING S626	2
25	542115	GLIDE SUPPORT WLDMNT G424	1
26	349020	STROLLER HANDLE RELEASE PIN	1
27	226109	1/4-28 x 3/8 F/H SOCKET C/S	3
28	505937	GLIDE STEEL	1
29	481409	1/4-28 CHANNEL NUT 120mm SP	1

ITEM	NUMBER	DESCRIPTION	QTY
30	881425	ACTUATOR ASSEMBLY G424 TILT	1
31	567004	END PLUG OVAL/BEVEL	2
32	882009	TRAY KNOB ASSEMBLY G424 TILT	2
33	263100	5/16 AN WASHER FLAT	4
34	226217	5/16-18 x 2" BH C/S BLK	4
35	481393	BACK MOUNT BRKT G424	1
36	202117	5/16-18 NYLOCK NUT THICK BLK	4
37	222230	5/16-18 x 3/4 HEX C/S G8	2
38	481652	BEARING SPACER XTR	2
39	881983	TM40 CONTROL ASSEMBLY R 6 AMP	1
	881984	TM40 CONTROL ASSEMBLY L 6 AMP	
40	139425	WIRING HARNESS TM40 S626	1
41	881338	TOGGLE SWITCH ASSEMBLY TILT R	1
	881318	TOGGLE SWITCH ASSEMBLY TILT L	
42	881347	TM40 TILT CONTROL ASSEMBLY 6 AMP	1
43	139420	WIRING HARNESS ALM 424 CG (3")	1
	139427	WIRING HARNESS WP COVER ALM(13")	
44	139424	WIRING HARNESS ALM P500 TK (3")	1
45	881342	PILOT + ALM ASSEMBLY 6 AMP	1
46	881515	ALM 250LB CONTROL ASSEMBLY S626	1
47	882691	ALM 6 AMP CNTRL ASSM AUX	1
	881394	ATTN TGGL SWTH ASSM TLT VLCRO	
48	881395	ATTN TGGL SWTH ASSM TLT L	1
	881396	ATTN TGGL SWTH ASSM TLT R	
49	882690	PILOT+ ALM 6AMP W/VLRO AX INP	1
1-8	882001	TILT LINKAGE ARM W/SOCKET ASSM (PR)	
13,14,31	660280	TILT FRAME BASE ASSEMBLY G424 (EA)	
27,29	882004	TILT GUIDE RAIL ASSEMBLY G424 (PR)	

MODULAR TILT ASSEMBLY (QUICKIE G-424)

(Effective 4/30/03 - beginning G42-14909) (For related harnesses, see pages 18.9-8.10)



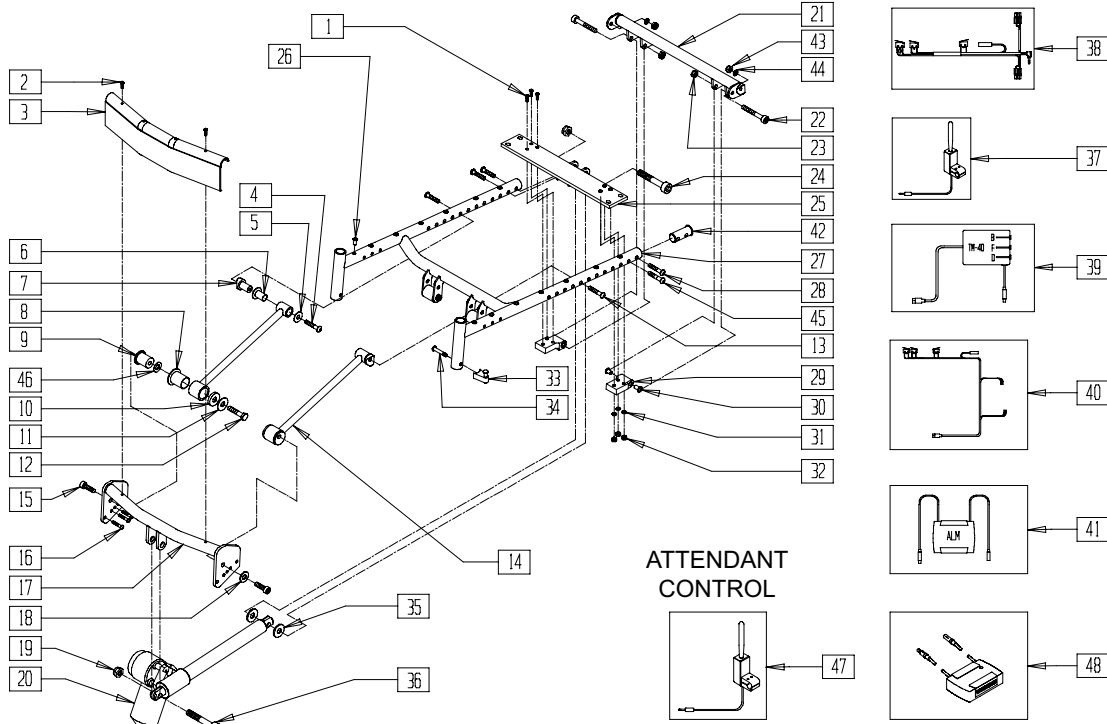
T424X05C

ITEM	NUMBER	DESCRIPTION	QTY
1	481321	UPPER SOLID LINKAGE PIVOT	1
2	560401	NYLINER BUSHING (10L7-F)	2
3	222103	5/16 AN5-20A HEX C/S	1
4	261208	WASHER NYLON	1
5	483292	PIVOT RADIUS ROD	1
6	505926	TILT LINKAGE ARM W/SOCKETS	1
7	560403	NYLINER BUSHING (16L16-F)	1
8	202106	5/16-24 NYLOCK NUT THIN BLK	2
9	201262	3/8-16 NYLOCK NUT	2
10	261509	3/8 SAE WASHER	2
11	261531	ACTUATOR THRUST WASHER	4
12	226329	1/2 x 1-3/4 SOC C/S SHOULDER BLK	2
13	341497	10-32 x .020-.130 RIVNUT GOLD	4
15	226028-QU	10-32 x 1 BH C/S BLK	2
16	561231	SEAT STOP G424 TILT	2
17	226171	1/4-28 x 1/2" SOC HD C/S	4
18	262110-QU	1/4 AN WASHER FLAT THIN	3
19	262114	1/4 WASHER HI COLLAR LOCK ZN	4
20	542122, 542123	FRONT MOUNT WELDMENT G424	1
21	481411	1/4-28 CHANNEL NUT 1.25 SP	2
22	262100-QU	1/4 AN WASHER FLAT	4
23	230037	M6 x 1.0-10mm SOC HD C/S BLK	4
24	542065	TILT GLIDE SUPPORT WELDMENT	2
25	560008	PIVOT BUSHING S626	2
26	542115	GLIDE SUPPORT WLDMNT G424	1
27	349020	STROLLER HANDLE RELEASE PIN	1
28	226109	1/4-28 x 3/8 F/H SOCKET C/S	2
29	505937	GLIDE STEEL	1

ITEM	NUMBER	DESCRIPTION	QTY
30	481409	1/4-28 CHANNEL NUT 120mm SP	1
31	138350	ACT 1350LB 150 STRK -0 DEG	1
31A	883146	ACT ASSM MODULAR TILT 176-250	1
32	567004	END PLUG OVAL/BEVEL	2
33	882009	TRAY KNOB ASSEMBLY G424 TILT	2
34	263100	5/16 AN WASHER FLAT	4
35	226217	5/16-18 x 2" BH C/S BLK	4
36	481393	BACK MOUNT BRKT G424	1
37	202117	5/16-18 NYLOCK NUT THICK BLK	4
38	222230	5/16-18 x 3/4 HEX C/S G8	2
39	481652	BEARING SPACER XTR	2
40	883161	MODULAR TILT HARNESS ASSM TM40	1
40A	883164	MODUALR TILT HARNESS ASSM ALM	1
40B	883166	MODULAR TILT HARNESS ASSM VSI	1
41	226076	1/4-28 x 1/2 FH C/S W/PATCH	1
42	505909	COLLAR GUIDE	1
43	505908	SPRING COLLAR	1
44	321176	SPRING COMP 4-5/8 x 400 LBS/IN	1
45	505907	CLEVIS	2
46	349586	O-RING .975ID 1.395OD	1
47	221116	1/4-20 x 1 SOC HD BLK	1
48	201114	1/4-20 NYLOCK NUT BLK ZN	1
49	505903	CLAMP ACTUATOR ASSIST	1
50	139250	CABLE	2
51	883154	SUPER SEAL SPRING ASSM HDWR	1
1-8	882001	TLT LINKAGE ARM W/SCKT ASSM (PR)	
13,14,32	660280	TILT FRAME BASE ASSEMBLY G424 (EA)	
28-30,41	882004	TILT GUIDE RAIL ASSEMBLY G424 (PR)	

PIVOT SYSTEM (QUICKIE S-525 INTEGRATED TILT)

(Discontinued 01/15/03) (Ending s/n S52-20011)



525TLX2F

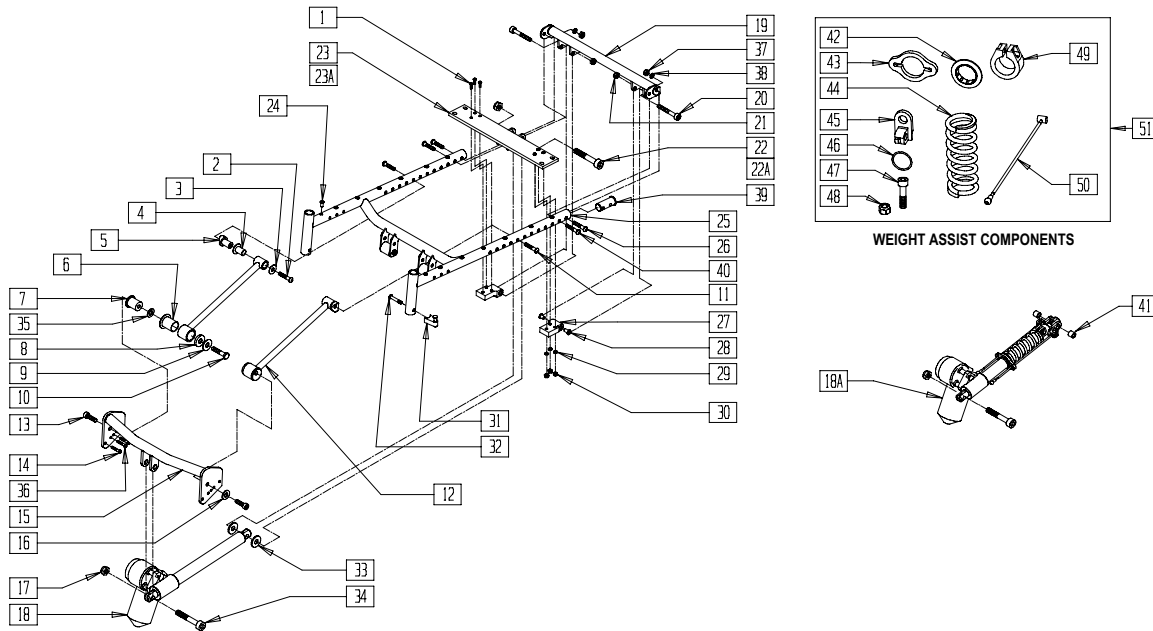
ITEM	NUMBER	DESCRIPTION	QTY
1	226223	1/4-28 x 1 1/4" BH C/S BLK	6
2	281050	#10 x 3/4" PAN HD PHLLP SHT MTL	1
3	560445-560447	TILT FRONT SHROUD (16" - 20")	1
4	226283	5/16-18 x 1/2 BH C/S BLK ZN	2
5	263109	5/16 FENDER WASHER SS 3/4" OD	2
6	560401	NYLINER BUSHING (10L7-F)	4
7	481793	TILT LINKAGE SADDLE UPPER	2
8	560403	NYLINER BUSHING (16L16-F)	2
9	481794**	TILT LINKAGE SADDLE (14")	2
	481795	TILT LINKAGE SADDLE (15"-20")	
10	481796	TILT SADDLE WASHER	2
11	263137	3/8 x 1-1/4 FENDER WASHER SS	2
12	221251	3/8-16 x 1/2 HEX HD C/S CL ZN	2
13	226289	5/16-18 x 2 BH C/S BLK ZN (16" ONLY)	2
14	505926	TILT LINKAGE ARM W/SOCKETS	2
15	226326	3/8-16 x 1-1/4 G8 SH C/S BLK	2
16	226071	1/4-28 x 1/2 BH C/S BLK	8
17	505923-505925	TILT STRUT TUBE W/TAB (16" - 20")	1
18	263139	3/8 WASHER THIN	2
19	201262	3/8-16 NYLOCK NUT	2
20	880869	ACTUATOR TILT W/CONNECTORS	1
21	540380-540386	BACK TUBE W/LDMNT STL S525 (14" - 20")	1
22	226323	5/16 x 1 3/4 SOC C/S SHLDR SS	2
23	201136	1/4-20 NYLOCK NUT HIGH	2
24	226324	1/2 x 1 3/4 SOC C/S SHLDR SS	1
25	505920-505922	TILT RR MOUNT PLATE W/TAB (16" - 20")	1
26	341497	10-32 x .020- .130 RIVNUT GOLD	14
27	520600-520606	S525 TILT SEAT FRAME (14" - 20")	1
28	226218	5/16-18 x 1 3/4" BH C/S BLK	2,4

ITEM	NUMBER	DESCRIPTION	QTY
29	550466, 550666	TILT PIVOT BLOCK (EA)	1
30	560444	IGLIDE G300 BUSHING	4
31	262110-QU	1/4 AN WASHER FLAT THIN	6
32	202300	1/4-28 NYLOCK NUT THIN BLK ZN	6
33	881691	S/A LATCH BLCK PRSD ASSM BLK	2
34	226190	5/16-18 x 1 3/4 BH C/S SHLDR	2
35	261531	ACTUATOR THRUST WASHER	2
36	226325	1/2 x 1 1/2 SOC C/S SHLDR SS	1
37	881338	TOGGLE SWITCH ASSY TILT R	1
	881318	TOGGLE SWITCH ASSY TILT L	
38	139034	HRNSS M40 TILT CNTRL LWR ST SW	1
39	881347	TM40 TILT CONTROL ASY 6 AMP	1
40	139231	TILT SWITCH HARNESS	1
41	881342	PILOT + ALM ASSY 6 AMP	1
42	483185	SEAT END PLUG	2
43	202117	5/16-18 NYLOCK NUT THICK BLK	2
44	263100	5/16 AN WASHER FLAT	2
45	226231	5/16 -18 x 2 1/2 BH C/S BLK	2
46	561270**	3/8 x 5/8 x .060 NYLON WASHER	2
47	881394	ATTN TGGLE SWTH ASSM TLT VLCRO	1
	881395	ATTN TGGLE SWTH ASSM TLT L	
	881396	ATTN TGGLE SWTH ASSM TLT R	
48	882690	PILOT + ALM W/VELCRO AUX INPUT	1
33,34	920244	S/A LATCH ASSM W/BLK BOLT	
1,29-32	881331, 881332	REAR PIVOT BLOCK ASSM (EA)	
4-12,14,47	881321	TILT LINACK ARM ASSM (EA)14"	
4-12,14	881322	TILT LINACK ARM ASSM (EA)15"- 20"	
21-23, 28,42-46	881323-881329	BACK TUBE ASSM (14" - 20")	
26,27	661070-661076	TILT SEAT FRAME PNTD (14" - 20")	

NOTE: FOR ALM MOUNT ASSEMBLY (P/N 882500), SEE BATTERY SUPPORT ASSEMBLY (QUICKIE-S525) ON PAGE 7.12.
 * IF ITEM 9 (P/N 481794) MEASURES 2" LONG, USE ONE WASHER (ITEM 50, P/N 561270) PER SIDE.

INTEGRATED TILT (QUICKIE S-525)

(Effective (01/15/03 Starting s/n S52-20012) (For related harnesses, see pages 18.9-18.10)



525TLX4A

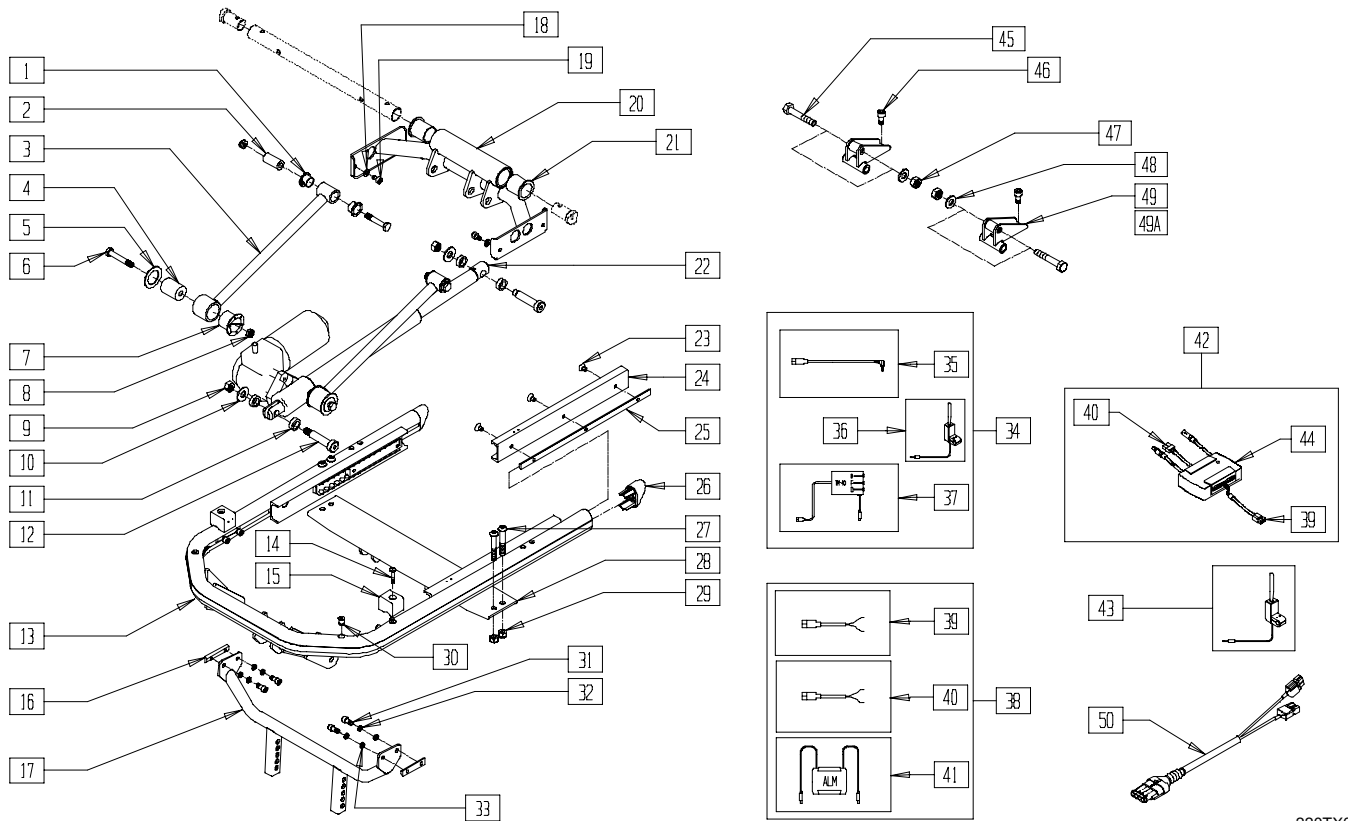
ITEM	NUMBER	DESCRIPTION	QTY
1	226223	1/4-28 x 1 1/4" BH C/S BLK	6
2	226283	5/16-18 x 1/2 BH C/S BLK ZN	2
3	263109	5/16 FENDER WASHER SS 3/4" OD	2
4	560401	NYLINER BUSHING (10L7-F)	4
5	481793	TILT LINKAGE SADDLE UPPER	2
6	560403	NYLINER BUSHING (16L16-F)	2
7	481794*	TILT LINKAGE SADDLE (14")	2
	481795	TILT LINKAGE SADDLE (15"-20")	
8	481796	TILT SADDLE WASHER	2
9	263137	3/8 x 1-1/4 FENDER WASHER SS	2
10	221251	3/8-16 x 1/2 HEX HD C/S CL ZN	2
11	226289	5/16-18 x 2 BH C/S BLK ZN (16" ONLY)	2
12	505926	TILT LINKAGE ARM W/SOCKETS	2
13	226326	3/8-16 x 1-1/4 G8 SH C/S BLK	2
14	226071	1/4-28 x 1/2 BH C/S BLK	6
15	505923- 505925	TILT STRUT TUBE W/TAB (16" - 20")	1
16	263139	3/8 WASHER THIN	2
17	201262	3/8-16 NYLOCK NUT	2
18	138351	ACT 1350LB 150 STRK -120 DEG	1
18A	883175	ACT ASSM 525 176-250	1
19	540380- 540386	BACK TUBE W/LDMNT STL S525 (14" - 20")	1
20	226323	5/16 x 1 3/4 SOC C/S SHLDR SS	2
21	201136	1/4-20 NYLOCK NUT HIGH	2
22	226324	1/2 x 1 3/4 SOC C/S SHLDR SS	1
22A	221712	1/2 x 3-1/4 SOC C/S SHLDR SS	1
23	505920- 505922	TILT RR MOUNT PLATE W/TAB (16" - 20")	1
23A	541137- 541139	MOUNT ACTUATOR REAR WIDE 16"-20" (HEAVY DUTY)	1
24	341497	10-32 x .020- .130 RIVNUT GOLD	14
25	520600- 520606	S525 TILT SEAT FRAME (14" - 20")	1
26	226218	5/16-18 x 1 3/4" BH C/S BLK	2,4

ITEM	NUMBER	DESCRIPTION	QTY
27	550466, 550666	TILT PIVOT BLOCK (EA)	1
28	560444	IGLIDE G300 BUSHING	4
29	262110-QU	1/4 AN WASHER FLAT THIN	6
30	202300	1/4-28 NYLOCK NUT THIN BLK ZN	6
31	881691	S/A LATCH BLCK PRSD ASSM BLK	
32	226190	5/16-18 x 1 3/4 BH C/S SHLDR	2
33	482010	SPACER ACTUATOR	2
34	226325	1/2 x 1 1/2 SOC C/S SHLDR SS	1
35	561270*	3/8 x 5/8 x .060 NYLON WASHER	2
36	221091	1/4-28 x 1/2 BH C/S BLK W/PTCH	2
37	202117	5/16-18 NYLOCK NUT THICK BLK	2
38	263100	5/16 AN WASHER FLAT	2
39	483185	SEAT END PLUG	2
40	226231	5/16 -18 x 2 1/2 BH C/S BLK	2
41	521560	+3/4" CASTER STEM SPACER BLK	2
42	505909	COLLAR GUIDE	1
43	505908	SPRING COLLAR	1
44	321176	SPRING COMP 4-5/8 x 400 LBS/IN	1
45	505907	CLEVIS	2
46	349586	O-RING .975ID 1.395OD	1
47	221116	1/4-20 x 1 SOC HD BLK	1
48	201114	1/4-20 NYLOCK NUT BLK ZN	1
49	505903	CLAMP ACTUATOR ASSIST	1
50	139250	CABLE	2
51	883154	SUPER SEAL SPRING ASSM HDWR	
31,32	920244	S/A LATCH ASSM W/BLK BOLT	
1,27-30	881331, 881332	REAR PIVOT BLOCK ASSM (EA)	
2-10,12,35	881321	TILT LINACK ARM ASSM (EA)14"	
2-10,12	881322	TILT LINACK ARM ASSM (EA)15"- 20"	
19-21, 26,37-40	881323- 881329	BACK TUBE ASSM (14"- 20")	
24,25	661070- 661076	TILT SEAT FRAME PNTD (14"- 20")	

* IF ITEM 7 (P/N 481794) MEASURES 2" LONG, USE ONE WASHER (ITEM 37, P/N 561270) PER SIDE.

INTEGRATED TILT MOUNTING ASSEMBLY (QUICKIE P-220/P-222 SE)

(Discontinued 04/24/03) (P-220 ending s/n P02-23467) (P-222 ending s/n P2X-16013)



220TX01A

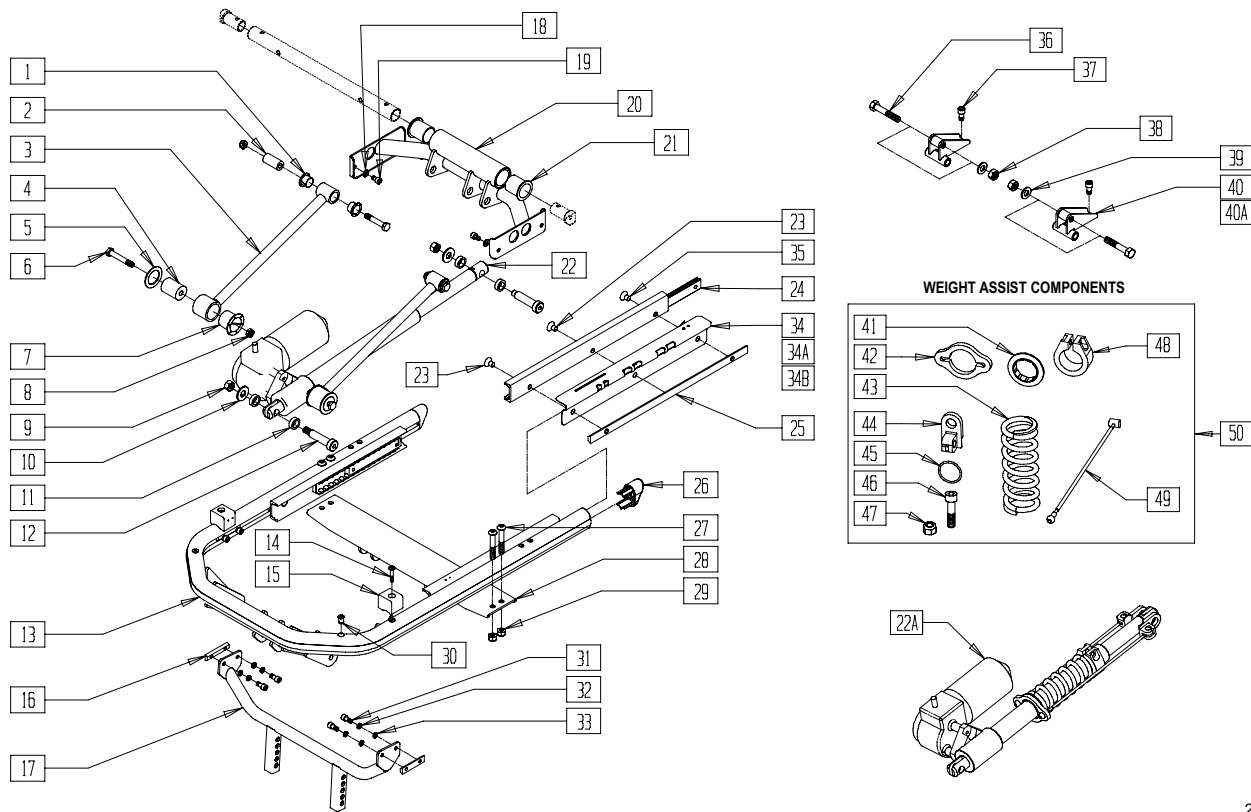
ITEM	NUMBER	DESCRIPTION	QTY
1	560401	NYLINER BUSHING (10L7-F)	2
2	481321	UPPER SOLID LINKAGE PIVOT	1
3	505926	TILT LINKAGE ARM W/SOCKETS	1
4	483292	PIVOT RADIUS ROD	1
5	261208	WASHER NYLON	1
6	222103	5/16 AN5-20A HEX C/S	2
7	560403	NYLINER BUSHING (16L16-F)	1
8	202106	5/16-24 NYLOCK NUT THIN BLK	2
9	201262	3/8-16 NYLOCK NUT	2
10	261509	3/8 SAE WASHER	2
11	261531	ACTUATOR THRUST WASHER	4
12	226329	1/2 x 1-3/4 SOC C/S SHOULDER BLK	2
14	226028	10-32 x 1 BH C/S BLK	2
15	561230	SEAT STOP G424 TILT	2
16	481411	1/4-28 CHANNEL NUT 1.25 SP	2
17	541034	FRNT SPVRT WLDMNT CG TLT 14-18	1
17	541134	FRNT SUPPT WLDMNT CG TLT 19-20	1
18	262100-QU	1/4 AN WASHER FLAT	4
19	230037	M6 x 1.0-10mm SOC HD C/S BLK	4
20	542065	TILT GLIDE SUPPORT WELDMENT	1
21	560008	PIVOT BUSHING S626	2
22	881425	ACTUATOR ASSEMBLY G424 TILT	1
23	226109	1/4-28 x 3/8 F/H SOCKET C/S	3
24	505937	GLIDE STEEL	1
25	481409	1/4-28 CHANNEL NUT 120mm SP	1
26	567004	END PLUG OVAL/BEVEL	2
27	226217	5/16-18 x 2" BH C/S BLK	4
28	542393	REAR BRCKT CG TLT WLDMNT 19-20	1
29	202117	5/16-18 NYLOCK NUT THICK BLK	4
30	341497	10-32 x .020-.130 RIVNUT GOLD	4
31	226171	1/4-28 x 1/2" SOC HD C/S	4

ITEM	NUMBER	DESCRIPTION	QTY
32	262110-QU	1/4 AN WASHER FLAT THIN	4
33	262114	1/4 WASHER HI COLLAR LOCK ZN	4
34	881983	TM40 CNTRL ASSM R 6 AMP	1
34	881984	TM40 CNTRL ASSM L 6 AMP	1
35	139425	WIRING HARNESS TM40 S626	1
36	881338	TOGGLE SWITCH ASSY TILT R	1
36	881318	TOGGLE SWITCH ASSY TILT L	1
37	881347	TM40 TILT CONTROL ASY 6 AMP	1
38	881515	ALM 250LB CNTRL ASSM S626	1
39	139420	WIRING HARNESS ALM G424 CG	1
39	139427	WIRING HARNESS WP COVER ALM	1
40	139424	WIRING HARNESS ALM P500 TK	1
41	881342	PILOT + ALM W/VLCRO 6 AMP	1
42	882691	ALM 6 AMP CNTRL ASSM AUX	1
43	881394	ATTN TGGLE SWTH ASSM TLT VLCRO	1
43	881395	ATTN TGGLE SWTH ASSM TLT L	1
43	881396	ATTN TGGLE SWTH ASSM TLT R	1
44	882690	PILOT+ ALM 6AMP W/VLRO AX INP	1
45	222234	5/16-18 x 1 3/4 HEX C/S G8	2
46	226064	1/4-28 x 3/4 BH C/S BLK W/PTCH	2
47	202106	5/16-24 NYLOCK NUT THIN BLK	2
48	263100	5/16 AN WASHER FLAT	2
49	540176	REAR VERTICAL WLDMNT 1"	2
49A	540177	REAR VERTICAL WLDMNT 2"	2
50	139433	SUPERSEAL 4P MALE 2P ANDRSN CT	1
1-8	882001	TILT LINKAGE ARM W/SCKT ASSM	
13,26,30	660280	TILT FRAME BASE ASSM G424	
23-25	882004	TILT GUIDE RAIL ASSM G424	
1-33	660730	TILT BASE ASSM 14"-18" WIDE	
1-33	660731	TILT BASE ASSM 19"-20" WIDE	
45-49,49A	900811	SEAT HGT KIT 19"-20" STF TILT	

MODULAR TILT ASSEMBLY (QUICKIE P-220/P-222 SE)

(Effective 4/24/03 - P220 beginning P02-23468, P222 beginning P2X-16014)

(For related harnesses, see pages 18.9-18.10)

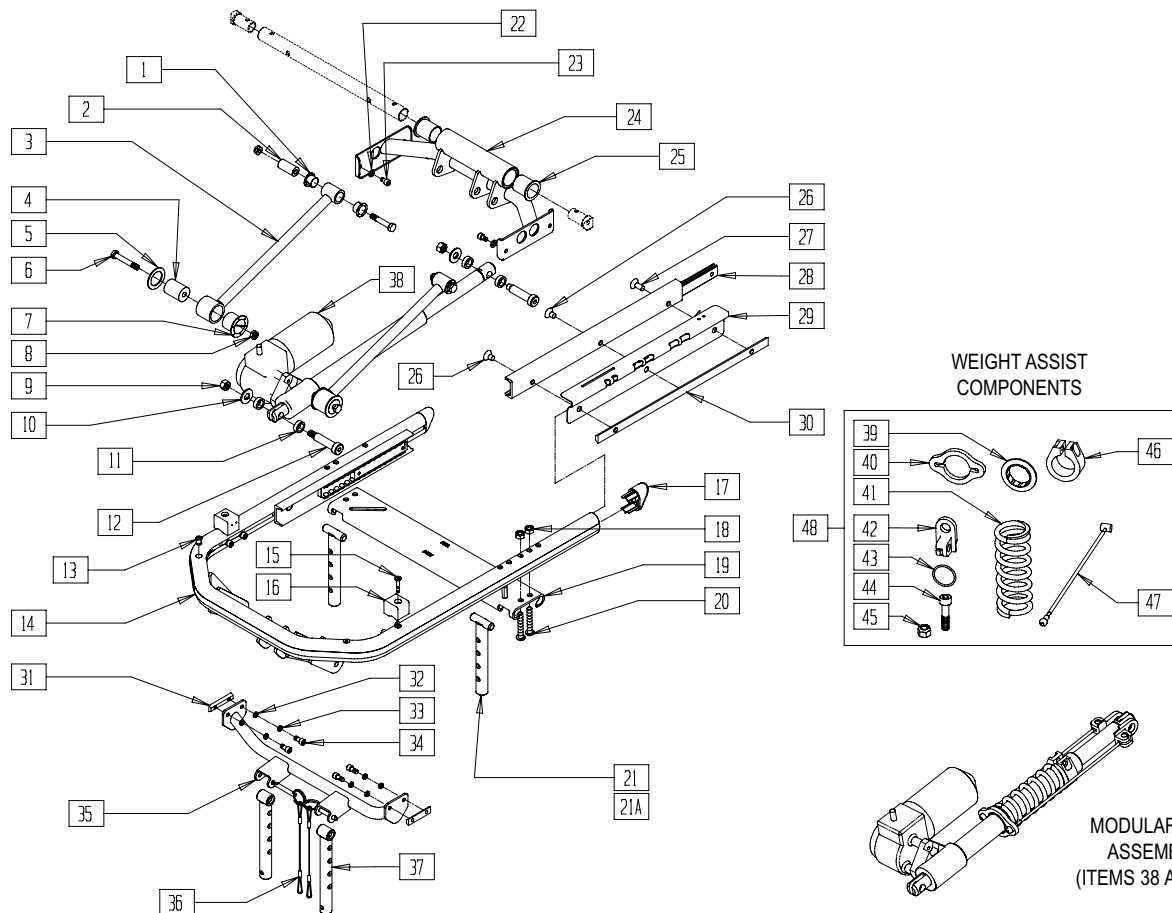


220TX01C

ITEM	NUMBER	DESCRIPTION	QTY
1	560401	NYLINER BUSHING (10L7-F)	2
2	481321	UPPER SOLID LINKAGE PIVOT	1
3	505926	TILT LINKAGE ARM W/SOCKETS	1
4	483292	PIVOT RADIUS ROD	1
5	261208	WASHER NYLON	1
6	222103	5/16 AN5-20A HEX C/S	2
7	560403	NYLINER BUSHING (16L16-F)	1
8	202106	5/16-24 NYLOCK NUT THIN BLK	2
9	201262	3/8-16 NYLOCK NUT	2
10	261509	3/8 SAE WASHER	2
11	261531	ACTUATOR THRUST WASHER	4
12	226329	1/2 x 1-3/4 SOC C/S SHOULDER BLK	2
14	226028-QU	10-32 x 1 BH C/S BLK	2
15	561231	SEAT STOP G424 TILT	2
16	481411	1/4-28 CHANNEL NUT 1.25 SP	2
17	541034	FRNT SPVRT WLDMNT CG TLT 14-18	1
	541134	FRNT SUPPT WLDMNT CG TLT 19-20	
18	262100-QU	1/4 AN WASHER FLAT	4
19	230037	M6 x 1.0-10mm SOC HD C/S BLK	4
20	542065	TILT GLIDE SUPPORT WELDMENT	1
21	560008	PIVOT BUSHING S626	2
22	138350	ACT 1350LB 150 STRK -0 DEG	1
22A	883146	ACT ASSM MODULAR TILT 176-250	1
23	226109	1/4-28 x 3/8 F/H SOCKET C/S	2
24	505937	GLIDE STEEL	1
25	481409	1/4-28 CHANNEL NUT 120mm SP	1
26	567004	END PLUG OVAL/BEVEL	2
27	226217	5/16-18 x 2" BH C/S BLK	4
28	542393	REAR BRCKT CG TLT WLDMNT 19-20	1
29	202117	5/16-18 NYLOCK NUT THICK BLK	4

ITEM	NUMBER	DESCRIPTION	QTY
30	341497	10-32 x .020-.130 RIVNUT GOLD	4
31	226171	1/4-28 x 1/2" SOC HD C/S	4
32	262110-QU	1/4 AN WASHER FLAT THIN	4
33	262114	1/4 WASHER HI COLLAR LOCK ZN	4
34	883161	MODULAR TILT HARNESS ASSM TM40	1
34A	883164	MODULAR TILT HARNESS ASSM ALM	1
34B	883166	MODULAR TILT HARNESS ASSM VSI	1
35	226076	1/4-28 x 1/2 FH C/S W/PATCH	1
36	222234	5/16-18 x 1 3/4 HEX C/S G8	2
37	226064	1/4-28 x 3/4 BH C/S BLK W/PTCH	2
38	202106	5/16-24 NYLOCK NUT THIN BLK	2
39	263100	5/16 AN WASHER FLAT	2
40	540176	REAR VERTICAL WLDMNT 1"	2
40A	540177	REAR VERTICAL WLDMNT 2"	2
41	505909	COLLAR GUIDE	1
42	505908	SPRING COLLAR	1
43	321176	SPRING COMP 4-5/8 x 400 LBS/IN	1
44	505907	CLEVIS	2
45	349586	O-RING .975ID 1.395OD	1
46	221116	1/4-20 x 1 SOC HD BLK	1
47	201114	1/4-20 NYLOCK NUT BLK ZN	1
48	505903	CLAMP ACTUATOR ASSIST	1
49	139250	CABLE	2
50	883154	SUPER SEAL SPRING ASSM HDWR	1
1-8	882001	TILT LINKAGE ARM W/SCKT ASSM	
13,26,30	660280	TILT FRAME BASE ASSM G424	
23-25,35	882004	TILT GUIDE RAIL ASSM G424	
1-33	660730	TILT BASE ASSM 14"-18" WIDE	
	660731	TILT BASE ASSM 19"-20" WIDE	
36-40,40A	900811	SEAT HGT KIT 19"-20" STF TILT	

MODULAR TILT ASSEMBLY (QUICKIE FREESTYLE)



ITEM	NUMBER	DESCRIPTION	QTY
1	560401	NYLINER BUSHING (10L7-F)	4
2	481321	UPPER SOLID LINKAGE PIVOT	2
3	505926	TILT LINKAGE ARM W/SOCKETS	2
4	483292	PIVOT RADIUS ROD	2
5	261208	WASHER NYLON	2
6	222103	5/16 AN5-20A HEX C/S	4
7	560403	NYLINER BUSHING (16L16-F)	2
8	202106	5/16-24 NYLOCK NUT THIN BLK	4
9	201262	3/8-16 NYLOCK NUT	2
10	261509	3/8 SAE WASHER	2
11	261531	ACTUATOR THRUST WASHER	4
12	226329	1/2 x 1-3/4 SOC C/S SHOULDER BLK	2
13	341497	10-32 x .020-.130 RIVNUT GOLD	4
15	226028-QU	10-32 x 1 BH C/S BLK	2
16	561231	SEAT STOP G424 TILT	2
17	567004	END PLUG OVAL/BEVEL	2
18	202117	5/16-18 NYLOCK NUT THICK BLK	4
19	481681	BRACKET MOUNT TILT REAR	1
20	226217	5/16-18 x 2" BH C/S BLK	4
21	540337	SPPRT VERTICAL REAR TILT (MINI)	2
21A	540338	SPPRT VERTICAL REAR TILT (FULL)	2
22	262100-QU	1/4 AN WASHER FLAT	4
23	230037	M6 x 1.0-10mm SOC HD C/S BLK	4
24	542065	TILT GLIDE SUPPORT WELDMENT	1
25	560008	PIVOT BUSHING S626	2
26	226109	1/4-28 x 3/8 F/H SOCKET C/S	4
27	226076	1/4-28 x 1/2 FH C/S W/PATCH	2

ITEM	NUMBER	DESCRIPTION	QTY
28	505937	GLIDE STEEL	2
29	883166	MODULAR TILT HARNESS ASSM VSI	1
30	481409	1/4-28 CHANNEL NUT 120mm SP	2
31	481411	1/4-28 CHANNEL NUT 1.25 SP	2
32	262114	1/4 WASHER HI COLLAR LOCK ZN	4
33	262110-QU	1/4 AN WASHER FLAT THIN	4
34	226171	1/4-28 x 1/2" SOC HD C/S	4
35	541300	WLDMNT SUPPORT FRONT TILT	1
36	349071	QUICK RELEASE PIN 1/4 x 1.3	2
37	540336	SPPRT VERTICAL FRONT TILT	2
38	138350	ACT 1350LB 150 STRK -0 DEG	1
38,48	883146	ACT ASSM MODULAR TILT 176-250	1
39	505909	COLLAR GUIDE	1
40	505908	SPRING COLLAR	1
41	321176	SPRING COMP 4-5/8 x 400 LBS/IN	1
42	505907	CLEVIS	1
43	349586	O-RING .975ID 1.395OD	1
44	221116	1/4-20 x 1 SOC HD BLK	1
45	201136	1/4-20 NYLOCK NUT BLK ZN	1
46	505903	CLAMP ACTUATOR ASSIST	1
47	139250	CABLE	2
48	883154	SUPER SEAL SPRING ASSM HDWR	1
1-8	882001	TILT LINKAGE ARM W/SCKT ASSM	
26-28,30	882004	TILT GUIDE RAIL ASSM G424	
13,14,17	660280	TILT FRAME BASE ASSM G424	
1-18,22-28,30-34	660750	CG SUBBASE TILT SUB-ASSM	

FRE0X05A

TILT SYSTEM HARNESES (QTRONIX)

(QUICKIE P-220/P-222 SE/G-424/S-525)

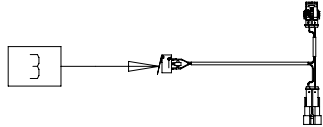
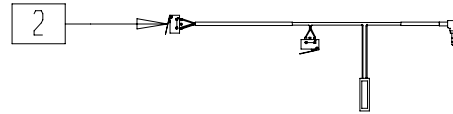
(DISCONTINUED)

(P220 prior to s/n P02-23468)

(P222 prior to s/n P2X-16014)

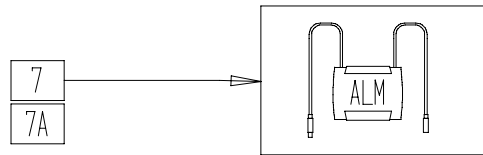
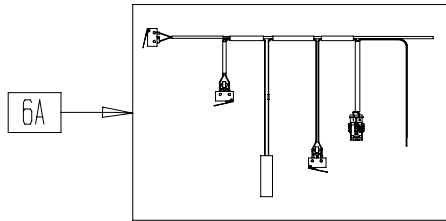
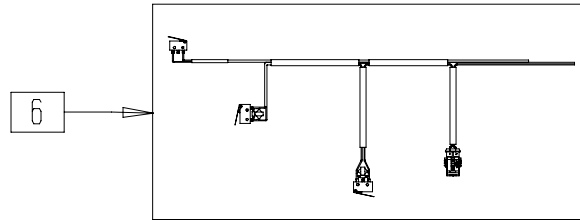
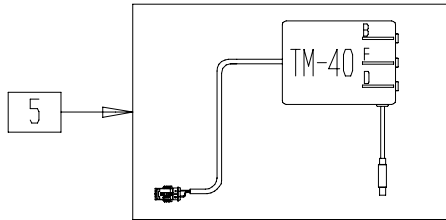
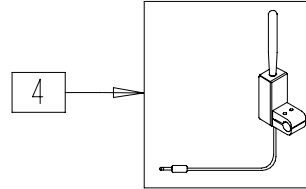
(G-424 effective 4/30/03 - prior to s/n G42-14909)

(S-525 effective 1/15/03 - prior to s/n S52-20012)



HARNESSES 1 AND 3 USED FOR
P-220, P-222SE, AND G-424.

HARNESSES 2 USED FOR S-525.



525TLX3D

ITEM	NUMBER	DESCRIPTION	QTY
1	139393	HRNSS RCLN LIMIT INHIBIT M40 (G424) (P220) AND (P220SE)	1
2	139394	HRNSS RCLN LMT ANG INH M40 (S525)	
3	139395	HRNSS UPRGHT LIMIT M40 (G424) (P220) AND (P220SE)	1
4	881338	TOGGLE SWITCH ASSY TILT R	1
	881318	TOGGLE SWITCH ASSY TILT L	
6	139472	HRNSS UPRIGHT LMT ALM RECT (G424) (P220) AND (P220SE)	1
6A	139473	HRNSS TLT LMT ANG INH ALM RECT (S525)	

ITEM	NUMBER	DESCRIPTION	QTY
7	881342	PILOT + ALM W/VELCRO 6 AMP	1
7A	882690	PILOT+ ALM 6AMP W/VLRO AX INP	1
6A,7	881340	DRIVE CONTROL ACTIVATION ASSM (S525)	1
2,4,5	881339	DUAL TOGGLE CONTROL R ASSY (S525)	
	881319	DUAL TOGGLE CONTROL L ASSY (S525)	
4,5	882692,	TM40 & TOGGLE KIT (EA)	
	882693		

TILT SYSTEM HARNESSSES (QTRONIX) (QUICKIE P-220/P-222 SE/G-424/S-525)

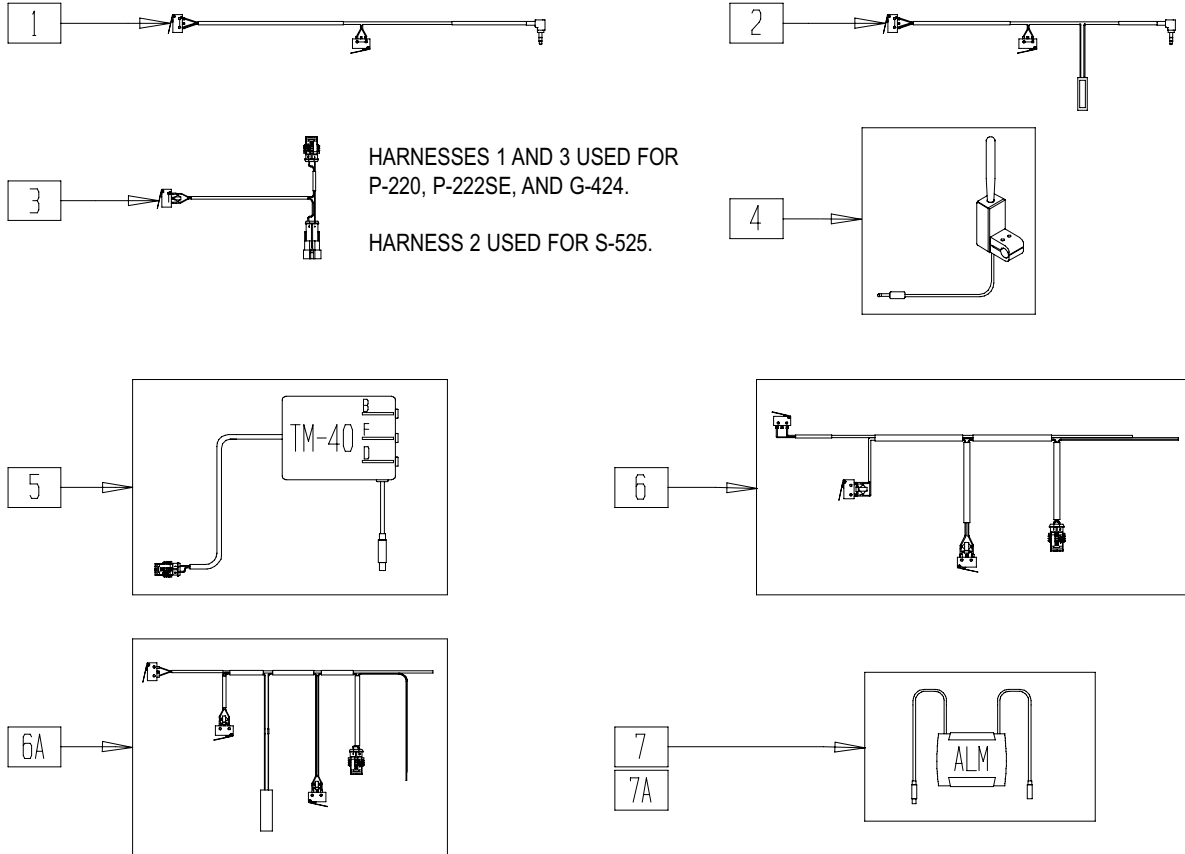
(Effective JAN27, 2005)

(P220 s/n between P02-23468 through P02-026080)

(P222 s/n between P2X-16014 through P2X-017445)

(G-424 effective 4/30/03 - s/n between G42-14909 through G42-15631)

(S-525 effective 1/15/03 - s/n between S52-20012 through S52-022426)



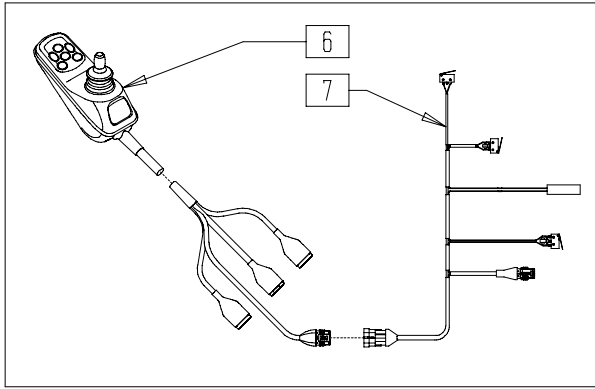
HARNESSES 1 AND 3 USED FOR
P-220, P-222SE, AND G-424.
HARNESS 2 USED FOR S-525.

525TLX3D

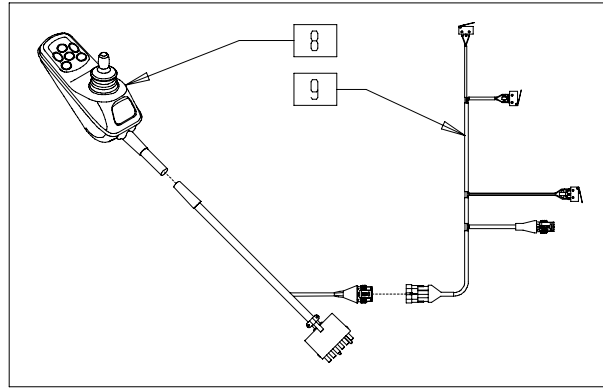
ITEM	NUMBER	DESCRIPTION	QTY
1	139393	HRNSS RCLN LIMIT INHIBIT M40 (G424) (P220) AND (P220SE)	1
2	139394	HRNSS RCLN LMT ANG INH M40 (S525)	
3	139395	HRNSS UPRGHT LIMIT M40 (G424) (P220) AND (P220SE)	1
4	881338	TOGGLE SWITCH ASSY TILT R	1
	881318	TOGGLE SWITCH ASSY TILT L	
5	881379	AUTO STP TLT DR CNTRL TM40 ASM	1
6	139472	HRNSS UPRIGHT LMT ALM RECT (G424) (P220) AND (P220SE)	1

ITEM	NUMBER	DESCRIPTION	QTY
6A	139473	HRNSS TLT LMT ANG INH ALM RECT (S525)	
7	881342	PILOT + ALM W/VELCRO 6 AMP	1
7A	882690	PILOT+ ALM 6AMP W/VLRO AX INP	1
6A,7	881340	DRIVE CONTROL ACTIVATION ASSM (S525)	1
2,4,5	881339	DUAL TOGGLE CONTROL R ASSY (S525)	
	881319	DUAL TOGGLE CONTROL L ASSY (S525)	
4,5	882692, 882693	TM40 & TOGGLE KIT (EA)	

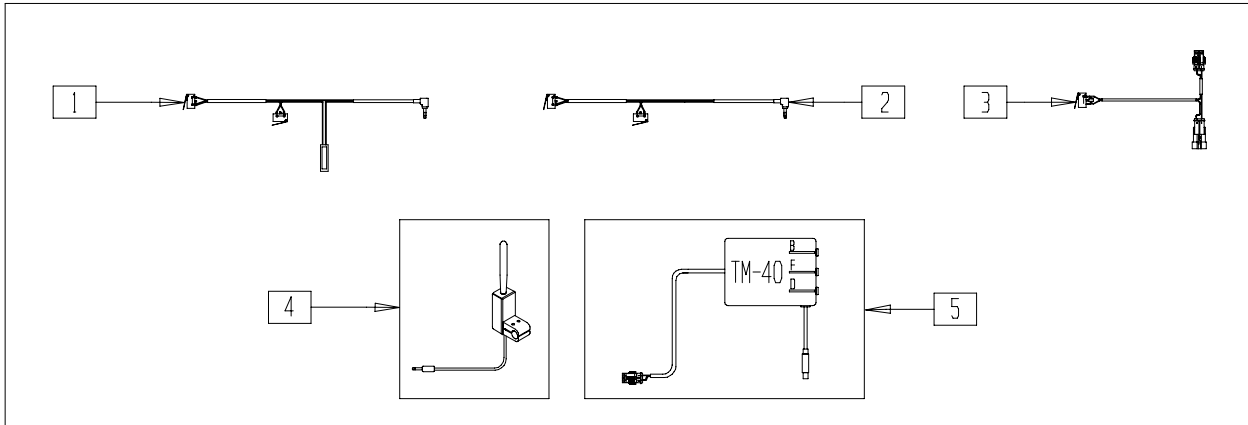
TILT SYSTEM HARNESSSES (VSI)



HARNESS WITH SUPER SEAL PLUGS: S-525



HARNESS WITH SUPER SEAL PLUGS: G-424, P-220



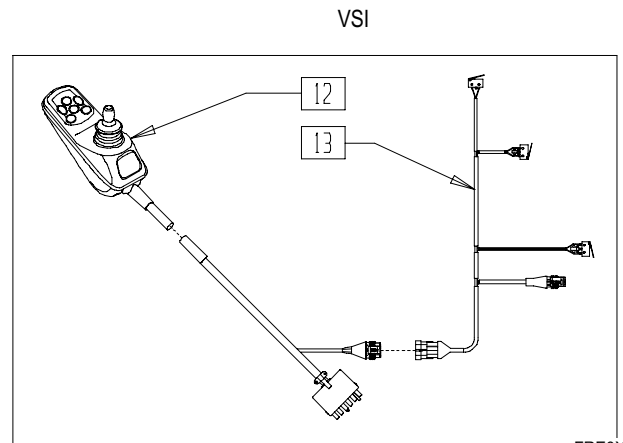
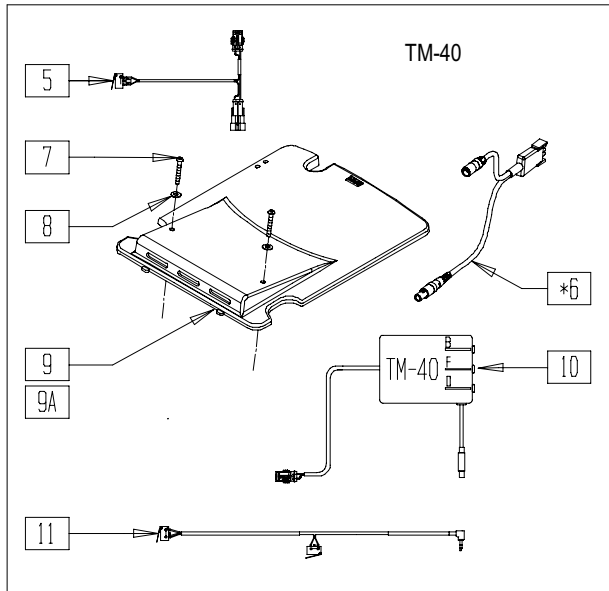
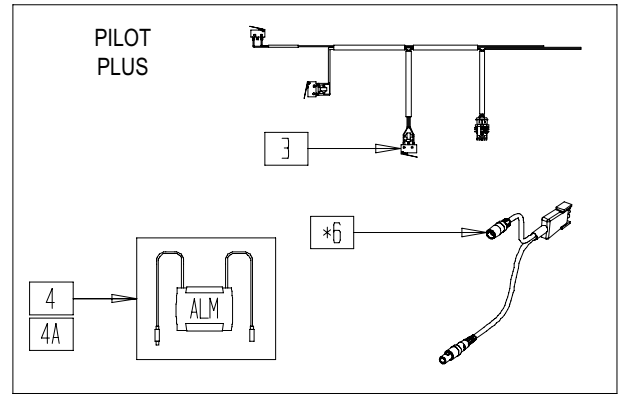
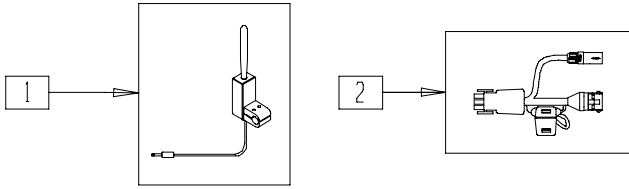
HARNESS WITH SUPER SEAL PLUGS (AFTER 4/24/03): G-424, P-220, S-525

525TLX3C

ITEM	NUMBER	DESCRIPTION	QTY
1	139394	HRNSS RCLN LMT ANG INH M40 (S525)	1
2	139393	HRNSS RCLN LIMIT INHIBIT M40 (G424) (P220)	1
3	139395	HRNSS UPRGHT LIMIT M40 (G424)(P220)	1
4	881338	TOGGLE SWITCH ASSY TILT R	1
	881318	TOGGLE SWITCH ASSY TILT L	
5	881379	AUTO STP TLT DR CNTRL TM40 ASM	1
6	910254	VSI KIT INTEC TILT 4.5 MPH (S525)	1
	910256	VSI KIT INTEC TM40 4.5 MPH (S525)	
7	139470	HRNS TILT LMT ANG INH VSI RECT (S525)	1

ITEM	NUMBER	DESCRIPTION	QTY
8	910250	VSI KIT 14 PIN 7 MPH (TM40) (P220)	1
	910251	VSI KIT 14 PIN TILT 7 MPH (THRU DRIVE CONTROL) (P220)	
	910257	VSI KIT 14 PIN 4.5 MPH (TM40) (G424)	
	910258	VSI KIT 14 PIN TILT 4.5 MPH (THRU DRIVE CONTROL) (G424)	
9	139471	HRNS TILT LMT VSI RECT (P220) (G424)	1
4,5	882692, 882693	TM40 & TOGGLE KIT (EA)	

PIVOT SYSTEM HARNESSSES (QUICKIE FREESTYLE)



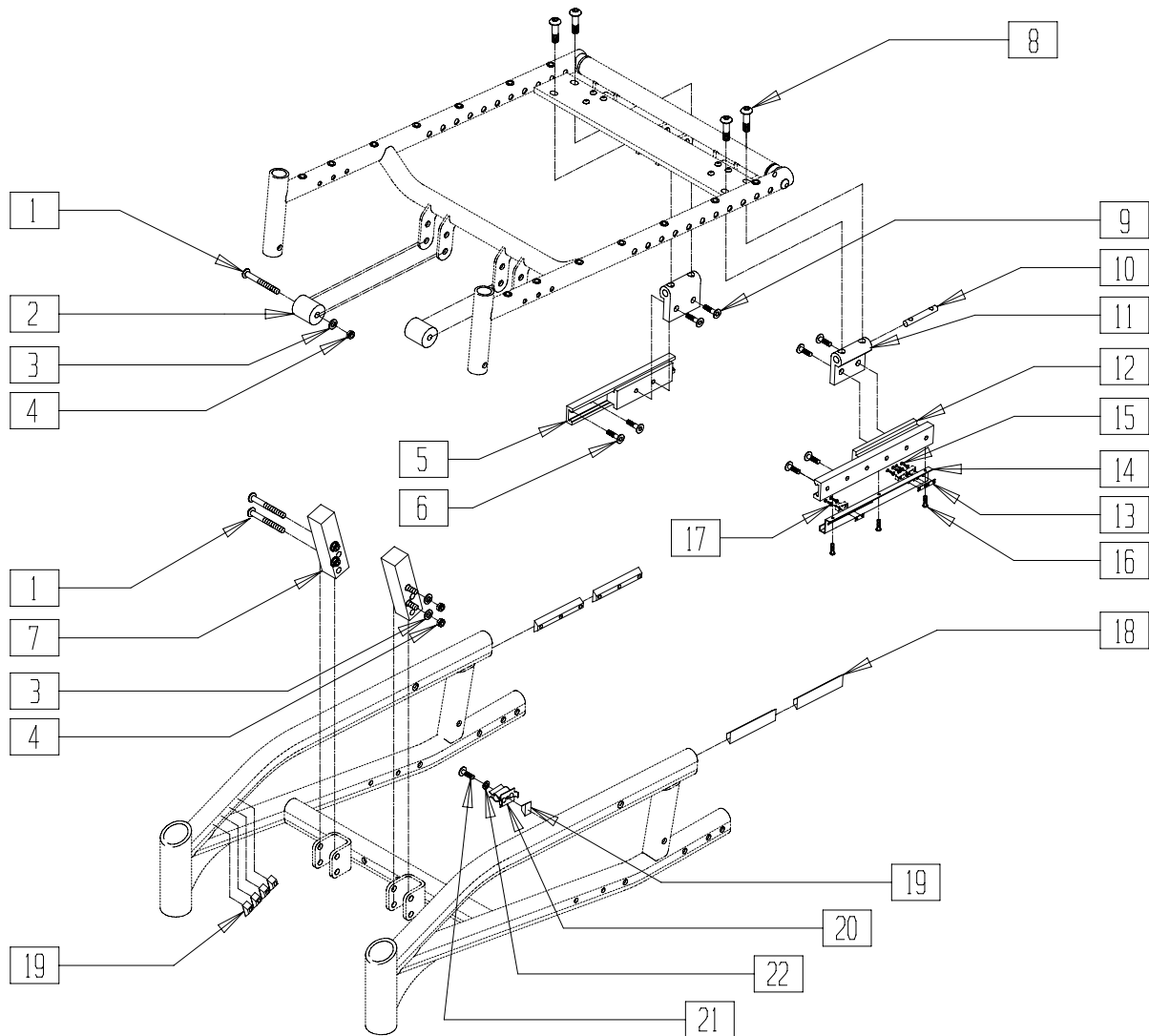
FRE0X14B

ITEM	NUMBER	DESCRIPTION	QTY
1	881338	TOGGLE SWITCH ASSY TILT R	1
	881318	TOGGLE SWITCH ASSY TILT L	1
2	138997	VSI/TM40 ADAPTER HARNESS	
3	139472	HRNSS UPRIGHT LMT ALM RECT	
4	881342	PILOT + ALM W/VELCRO 6 AMP	
4A	139051	PILOT + ALM 6 AMP W/AUX INPUT	
5	139395	HRNSS UPRGHT LIMIT M40	
6*	138998	HARNESS ADPTER INHIBIT TILT	
7	226038	10-32 x 1 3/8 BH C/S BLK	

ITEM	NUMBER	DESCRIPTION	QTY
8	455031-QU	#10 AN WASHER .032 SS	
9	560380	TOP SHROUD QTRONIX MINI	
9A	560381	TOP SHROUD QTRONIX STD	
**10	881379	AUTO STP TLT DR CNTRL TM40 ASM	
11	139393	HRNSS RCLN LIMIT INHIBIT M40	
12	910129	VSI INT TILT CONTROL (K11)	
13	139471	HRNS TILT LMT VSI RECT	
1,10	882692, 882693	TM40 & TOGGLE KIT (EA)	

* ITEM 6 (P/N 138998 - ADAPTER HARNESS) IS ONLY USED WITH STANDARD VSI CONTROLLER.
 **FOR SERIAL NUMBERS PRIOR TO FREESTYLE FULL 1GL02B9400563 MUST ORDER KIT ITEM 1,10.
 FREESTYLE MINI 1GM01BC400329

SEAT FRAME/FRAME MOUNT SYSTEM (S-525 INTEGRATED TILT)



525TLX1B

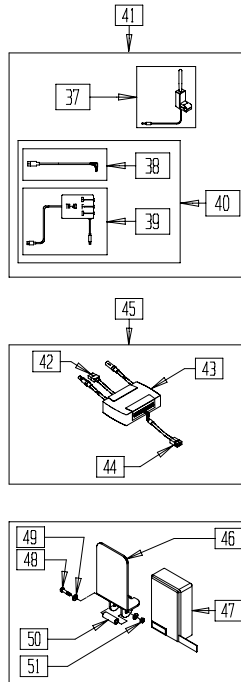
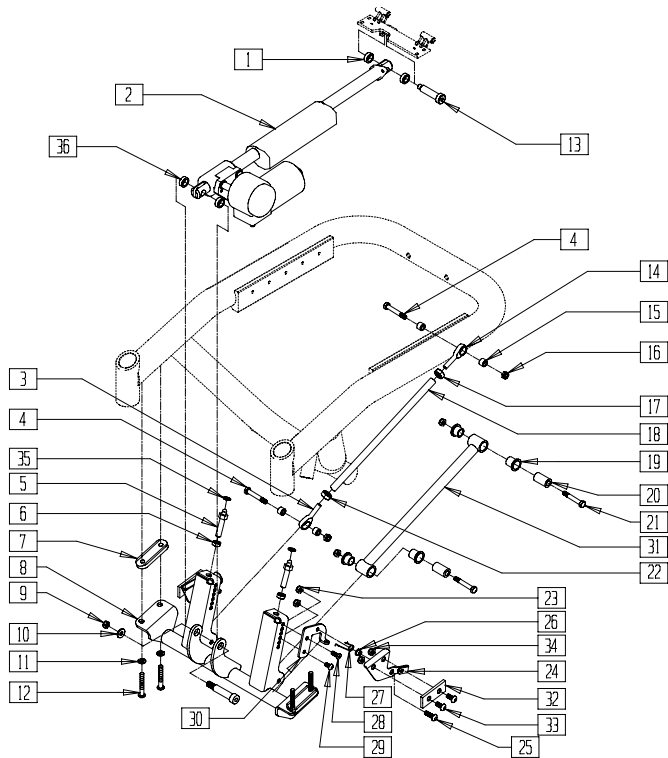
ITEM	NUMBER	DESCRIPTION	QTY
1	226218	5/16-18 x 1 3/4" BH C/S BLK	6
2	580010	TILT UPPER STOP BLOCK	2
3	263110-QU	5/16 AN WASHER FLAT THIN	6
4	202102	5/16-18 NYLOCK NUT THIN	6
6	226109	1/4-28 x 3/8 F/H SOCKET C/S	12
7	550469	TILT LOWER STOP BLOCK	2
8	227100	1/4-20 x 7/8 BH C/S BLK	4
9	226078	1/4-20 x 3/4 BH C/S W/PATCH BLK	4
10	500343	TILT PIVOT NUT	2
11	500340	TILT GLIDE BLOCK	2
13	124500	TILT LIMIT SWITCH PLATE	3
14	501767	TILT SWITCH MOUNT	1
15	281013	2-56 x 1/2 PAN PHIL M/S BLK	6

ITEM	NUMBER	DESCRIPTION	QTY
16	281042	#4 x 1/4 PH PHIL S/TAP SCREW	3
17	261536	#2 x 1/4 FLAT WASHER	6
18	505137	TILT RAIL DOVE TAIL 4.5	4
19	481106-QU	1/4-28 CHANNEL NUT	9
20	500076	TILT MERCURY SWITCH MOUNT BRKT	1
	138506	SPRING CLIP DRILLED	
21	221090	1/4-28 x 3/8 BH C/S BLK	1
22	261204	#10 AN WASHER .063	1
5,12	883070	TILT GUIDE RECEIVER SUB ASSM L	
	883071	TILT GUIDE RECEIVER SUB ASSM R	
5,6,	881336	TILT GUIDE RECEIVER ASSY LEFT	
12-17	881337	TILT GUIDE RECEIVER ASSY RIGHT	
19-22	881333	TILT SWITCH MOUNT BRKT ASSEMBLY	

NOTE: FOR ALM MOUNT ASSEMBLY (PIN 882500), SEE BATTERY SUPPORT ASSEMBLY (QUICKIE-S525) ON PAGE 7.12.

ACTUATOR ASSEMBLY (QUICKIE S-626)

(Discontinued 11/13/01 - parts only)



REFERENCE GUIDE

LOWER ACTUATOR MOUNT ASSEMBLY (ITEM 8)	18 1/2" SEAT HEIGHT	20" SEAT HEIGHT
14"-20" WIDE	542050	542051
22"-24" WIDE	542052	542053
TILT LOWER MOUNT ASSEMBLY (ITEMS: 1,3-36)		
14"-20" WIDE	884200	884202
22"-24" WIDE	884201	884203

S626X33B

ITEM	NUMBER	DESCRIPTION	QTY
1	261531	ACTUATOR THRUST WASHER	2
2	881037	ACTUATOR ASSM 400lb S626	1
	880967	ACTUATOR ASSM 250 S626	
3	340019	5/16-24 MALE LH THREAD ROD END	1
4	222103	5/16 AN5-20A HEX C/S	2
5	340026	TILT FORWARD STOP ADJ PIN	2
6	203001	3/8-24 NUT THIN	2
7	483209	ACTUATOR MOUNT SADDLE S626	2
8*	542050	LOWER ACT MOUNT ASSM 16 STD	1
	542052	LOWER ACT MOUNT ASSM 18 STD	
	542051	LOWER ACT MOUNT ASSM 16 2"	
	542053	LOWER ACT MOUNT ASSM 18 2"	
9	201263	3/8-16 NYLOCK NUT BLK ZINC	1
10	263140	3/8 WASHER FLAT	1
11	263100	5/16 AN WASHER FLAT	4
12	221018	5/16-18 x 1.5 SHCS BLK W/PL	4
13	226329	1/2 x 1 3/4 SOC C/S SHOULD BLK	2
14	341717	5/16-24 x 5/16 ROD END	1
15	481320	UPPER SPHERICAL LINKAGE SPACER	4
16	202111	5/16-24 NYLOCK NUT THICK BLK	4
17	202108	5/16-24 HEX JAM NUT	4
18	526061	LINK TUBING SPHERICAL STD	1
	526062	LINK TUBING SPHERICAL 2"	
19	560401	NYLINER BUSHING (10L7-F)	4
20	481321	UPPER SOLID LINKAGE PIVOT	2
21	222103	5/16 AN5-20A HEX C/S	2
22	202118	5/16-24 HEX THIN NUT LH THREAD	1
23	202300	1/4-28 NYLOCK NUT THIN BLK ZN	6
24	481253, 481254	ANTI TIP ACTUATION LEVER (EA)	1
25	226090	1/4-28 x 5/8 BH C/S	2
26	481039	BACK REL BUSHING RIGID	2
27	321727, 321728	ANTI TIP ACTUATION SPRING (EA)	1
28	226076	1/4-28 x 1/2 FH C/S W/PATCH	2

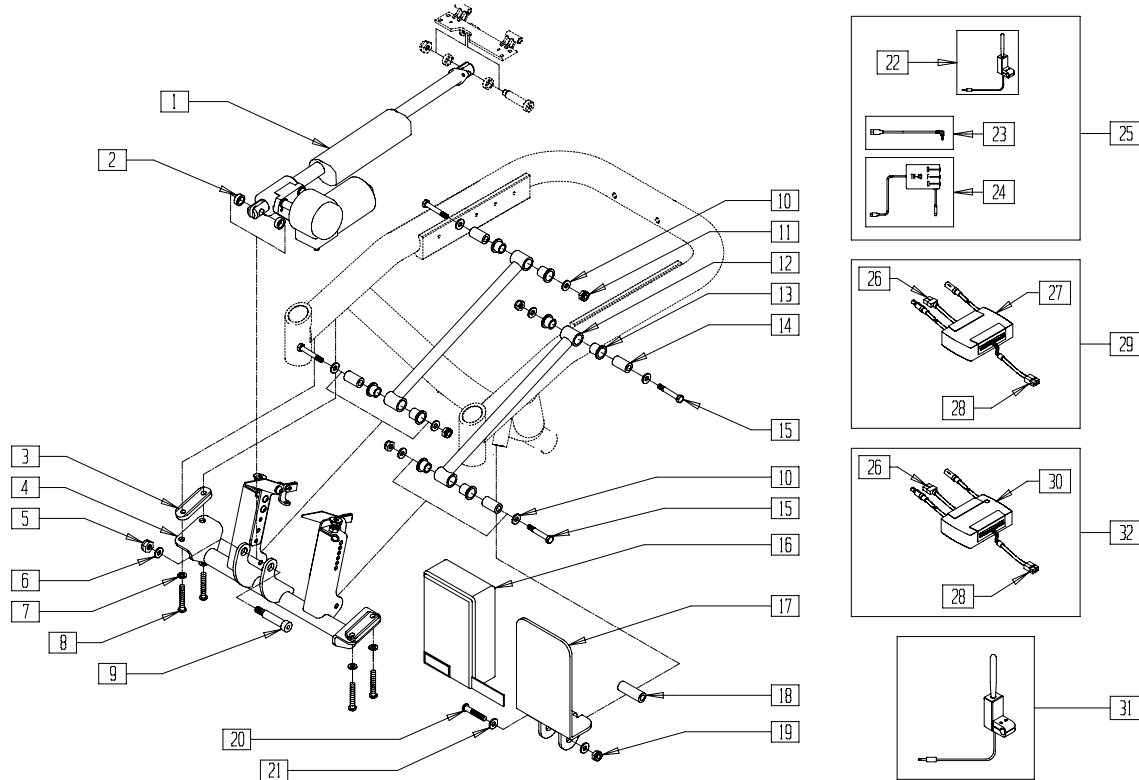
ITEM	NUMBER	DESCRIPTION	QTY
29	226071	1/4-28 x 1/2 BH C/S BLK	2
30	505567, 505568	ANTI TIP ACTUATION BRACKET (EA)	1
31	542032	TILT SEATING FIXED LINKAGE	1
	542041	TLT SEATING FXED LNKGE 2" LIFT	
32	562001	ANTI TIP ACTUATION RUB BLOCK	2
33	226018-QU	10-32 x 3/8 BH C/S W/PATCH BLK	4
34	200101-QU	10-32 NYLOCK NUT THIN	4
35	340018	RUBBER INSULATOR S625	2
36	261531	ACTUATOR THRUST WASHER	2
37	881318	TOGGLE SWITCH ASSY TILT L	1
	881338	TOGGLE SWITCH ASSY TILT R	
38	139425	WIRING HARNESS TM40 S626	1
39	881347	TM40 TILT CONTROL ASY 6 AMP	1
40	910054	AUTO STOP TILT CNTRL M40 6 AMP	1
41	881517	TM40 CNTRL ASSM R S626	1
	881518	TM40 CNTRL ASSM L S626	
42	139424	WIRING HARNESS ALM P500 TK	1
43	881342	PILOT + ALM W/VELCRO 6 AMP	1
	881343	PILOT + ALM W/VELCRO 10 AMP	
44	139427	WIRING HARNESS WP COVER ALM	1
45	881515	ALM 250lb CNTRL ASSM S626	1
	881516	ALM 400lb CNTRL ASSM S626	
46	505648	ALM TM40 MOUNT	1
47	750155	WATER PROOF COVER ALM	1
48	226166	1/4-28 x 2 1/2 BH C/S BLK	1
49	262100-QU	1/4 AN WASHER FLAT	2
50	505569	ALM MOUNT SPACER	1
51	204110	1/4-28 NYLOCK NUT BLK ZN	1
46-51	880753	ALM TM40 MOUNT ASSM	1
	884200	TLT LWR MNT ASM PIN DOCK 16 ST	
	884201	TLT LWR MNT ASM PIN DOCK 18 ST	
	884202	TLT LWR MNT ASM PIN DOCK 16 2"	
	884203	TLT LWR MNT ASM PIN DOCK 18 2"	

* SEE REFERENCE GUIDE ABOVE TO DETERMINE CORRECT PART NUMBER.

ACTUATOR, LINKAGE, AND CONTROL ASSEMBLIES

(QUICKIE S-626/S-646/S-646SE)

(Effective 11/13/01) (Quickie S-626 transitioned into the Quickie S-646 beginning 7/26/02)



ATTENDANT CONTROL

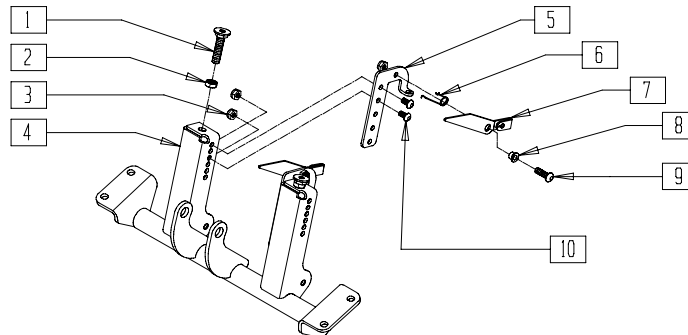
626TX04B

ITEM	NUMBER	DESCRIPTION	QTY
1	881037	ACTUATOR ASSM 400LB S626	1
	880967	ACTUATOR ASSM 250 S626	
2	261531	ACTUATOR THRUST WASHER	2
3	483209	ACTUATOR MOUNT SADDLE S626	2
4	884190	TILT LOWER MNT SUB ASSM 16 STD (14"-20" WIDE, 18 1/2" SEAT HEIGHT)	1
	884191	TILT LOWER MNT SUB ASSM 18 STD (22"-24" WIDE, 18 1/2" SEAT HEIGHT)	
	884192	TILT LOWER MNT SUB ASSM 16 2" (14"-20" WIDE, 20" SEAT HEIGHT)	
	884193	TILT LOWER MNT SUB ASSM 18 2" (22"-24" WIDE, 20" SEAT HEIGHT)	
5	201263	3/8-16 NYLOCK NUT BLK ZINC	1
6	263140	3/8 WASHER FLAT	1
7	263100	5/16 AN WASHER FLAT	4
8	221018	5/16-18 x 1.5 SHCS BLK W/PL	4
9	226329	1/2 x 1-3/4 SOC C/S SHOULD BLK	1
10	263100	5/16 AN WASHER FLAT	8
	202111	5/16-24 NYLOCK NUT THICK BLK	
12	542032	TILT SEATING FIXED LINKAGE	2
	542041	TLT SEATING FXED LNKGE 2" LIFT	
13	560401	NYLINER BUSHING (10L7-F)	8
14	481321	UPPER SOLID LINKAGE PIVOT	4
15	222103	5/16 AN5-20A HEX C/S	4
16	750155	WATER PROOF COVER ALM	1
17	505648	ALM TM40 MOUNT	1
18	505569	ALM MOUNT SPACER	1
19	204110	1/4-28 NYLOCK NUT BLK ZN	1
20	221015	1/4-28 x 2.5 SHCS BLK W/PL	1

ITEM	NUMBER	DESCRIPTION	QTY
21	262100-QU	1/4 AN WASHER FLAT	1
22	881318,	TOGGLE SWITCH ASSY TILT (EA)	1
	881338		
23	139425	WIRING HARNESS TM40 S626	1
24	881347	TM40 TILT CONTROL ASY 6 AMP	1
25	881517, 881518	TM40 CNTRL ASSM S626 (EA)	1
26	139424	WIRING HARNESS ALM P500 TK	1
27	881342	PILOT + ALM W/VELCRO 6 AMP	1
	881343		
28	139420	WIRING HARNESS ALM G424 CG (3")	1
	139427		
29	881515	ALM 250LB CNTRL ASSM S626	1
	881516		
30	882690	PILOT+ ALM 6AMP W/VLRO AX INP	1
	881346		
31	881394	ATTN TGGL SWTH ASSM TLT VLCRO	1
	881395		
	881396		
32	882691	ALM 6 AMP CNTRL ASSM AUX	1
16-21	880753	ALM TM40 MOUNT ASSM	
2-15	884170	TILT LOWER MNT ASSM 16 STD 626 (STD) (14"-20" WIDE, 18 1/2" SEAT HEIGHT)	
	884171	TILT LWR MNT ASSM 18 STD 626 (WIDE) (22"-24" WIDE, 18 1/2" SEAT HEIGHT)	
	884172	TILT LOWER MNT ASSM 16 2" S626 (STD) (14"-20" WIDE, 20" SEAT HEIGHT)	
	884173	TILT LWR MNT ASSM 18 2" S626 (WIDE) (22"-24" WIDE, 20" SEAT HEIGHT)	

TILT LOWER ACTUATOR MOUNT ASSEMBLY (QUICKIE S-626/S-646/S-646SE)

(Effective 11/13/01) (Quickie S-626 transitioned into the Quickie S-646 beginning 7/26/02)



626T0X01

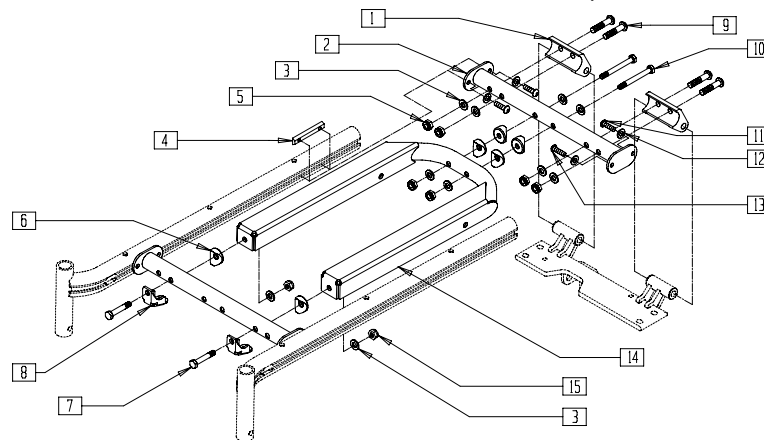
ITEM	NUMBER	DESCRIPTION	QTY
1	330006	M12 x 1.75 FRNT SPRT SEAT SCREW	2
2	210075	M12 x 1.75 HEX JAM NUT	2
3	202300	1/4-28 NYLOCK NUT THIN BLK ZN	6
4	542098	LOWER ACT MOUNT ASSM 16 T & R (14"-20" WIDE, 18 1/2" SEAT HEIGHT)	1
	542099	LOWER ACT MOUNT ASSM 18 T & R (22"-24" WIDE, 18 1/2" SEAT HEIGHT)	
	547101	LOWER ACT MOUNT ASSM 16 T & R 2" (14"-20" WIDE, 20" SEAT HEIGHT)	
	547102	LOWER ACT MOUNT ASSM 18 T & R 2" (22"-24" WIDE, 20" SEAT HEIGHT)	
5	505567, 505568	ANTI TIP ACTUATION BRACKET (EA)	1
6	321727, 321728	ANTI TIP ACTUATION SPRING (EA)	1

ITEM	NUMBER	DESCRIPTION	QTY
7	541049, 541050	ANTI TIP ACTUATOR LEVER (EA)	1
8	481039	BACK REL BUSHING RIGID	2
9	226090	1/4-28 x 5/8 BH C/S	2
10	226071	1/4-28 x 1/2 BH C/S BLK	4
1-10	884190	TILT LWR MNT SUB ASSM 16 STD (STD) (14"-20" WIDE, 18 1/2" SEAT HEIGHT)	1
	884191	TILT LWR MNT SUB ASSM 18 STD (WIDE) (22"-24" WIDE, 18 1/2" SEAT HEIGHT)	
	884192	TILT LOWER MNT SUB ASSM 16 2" (STD) (14"-20" WIDE, 20" SEAT HEIGHT)	
	884193	TILT LOWER MNT SUB ASSM 18 2" (WIDE) (22"-24" WIDE, 20" SEAT HEIGHT)	

NOTE: RIGHT SIDE BRACKET AND SPRING (ITEMS 5 AND 6) USED INSIDE THE LEFT UPRIGHT; AND LEFT SIDE BRACKET AND SPRING (ITEMS 5 AND 6) USED INSIDE THE RIGHT UPRIGHT.

TILT FRAME ASSEMBLY (QUICKIE S-626)

(Discontinued 11/13/01 - parts only)



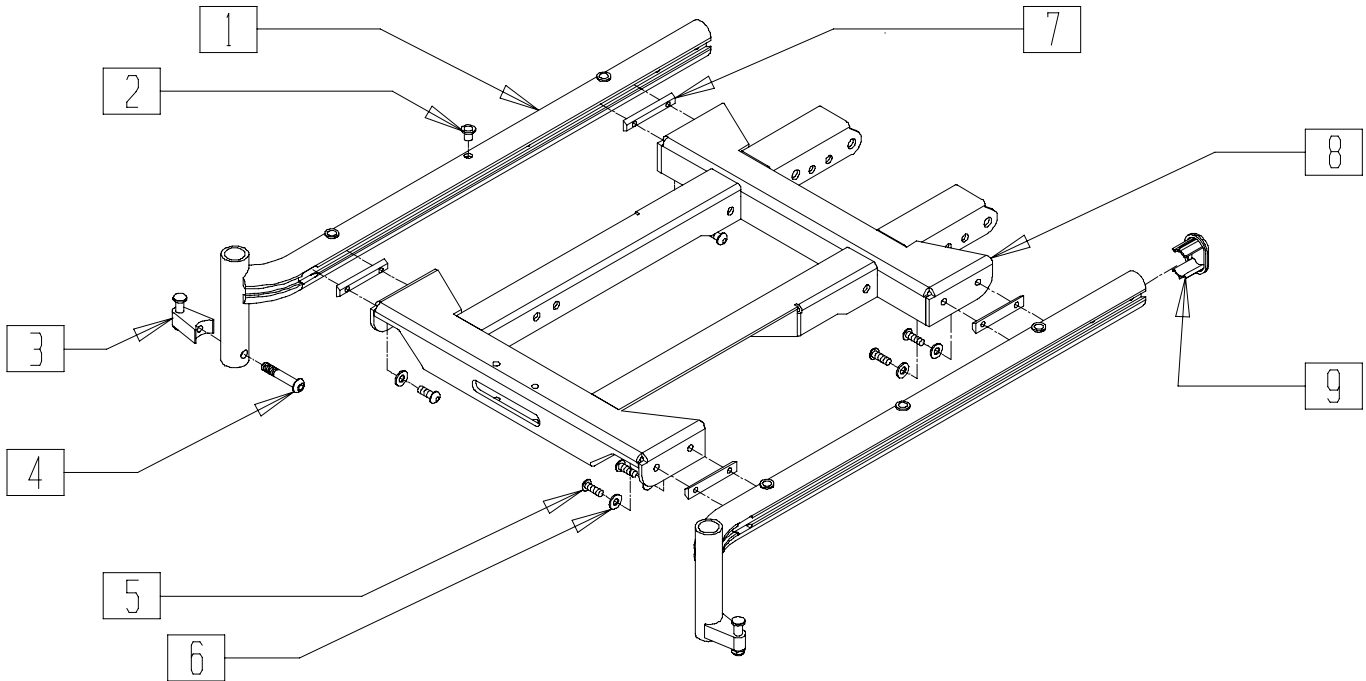
S626X24A

ITEM	NUMBER	DESCRIPTION	QTY
1	505524	REAR CROSS TUBE BOSS	2
2	542013- 542025	CROSS SUPPORT WELDMNT	1-2
	542370- 542379	REAR SUPPORT WELDMNT TILT FRM (18" FRONT SEAT HEIGHT)	1
3	263100	5/16 AN WASHER FLAT	10
4	481419	1/4-28 CHANNEL NUT 1.75" SP	4
5	202117	5/16-18 NYLOCK NUT THICK BLK	4
6	561006	1" SADDLE 5/16" HOLE	6
7	222101	5/16 AN5-16A HEX C/S	2
8	505554	TILT BOTTOM STOP PAD	2
9	226218	5/16-18 x 1 3/4" BH C/S BLK	4

ITEM	NUMBER	DESCRIPTION	QTY
10	222102	5/16 AN5-26A HEX C/S	2
11	226247	1/4-28 x 5/8 B/H C/S BLACK G5	2
12	262100-QU	1/4 AN WASHER FLAT	8
13	221092	1/4-28 x 7/16 BH CS BLK W/PTCH	6
14	542058	TILT SEAT CHANNEL WLDMNT 16"/18" (14"-20" WIDE)	1
	542059	TILT SEAT CHANNEL WLDMNT 18" (22"-24" WIDE)	
15	202111	5/16-24 NYLOCK NUT THICK BLK	4
2,4, 11-13	882290- 882298	CROSS SUPPORT (14"W-24"W) W/HDWR	1
	882309- 882317	CROSS SUPPORT RR TILT (14"W-24"W) W/HDWR	

TILT FRAME ASSEMBLY (QUICKIE S-626/S-646/S-646SE)

(Effective 11/13/01) (Quickie S-626 transitioned into the Quickie S-646 beginning 7/26/02)



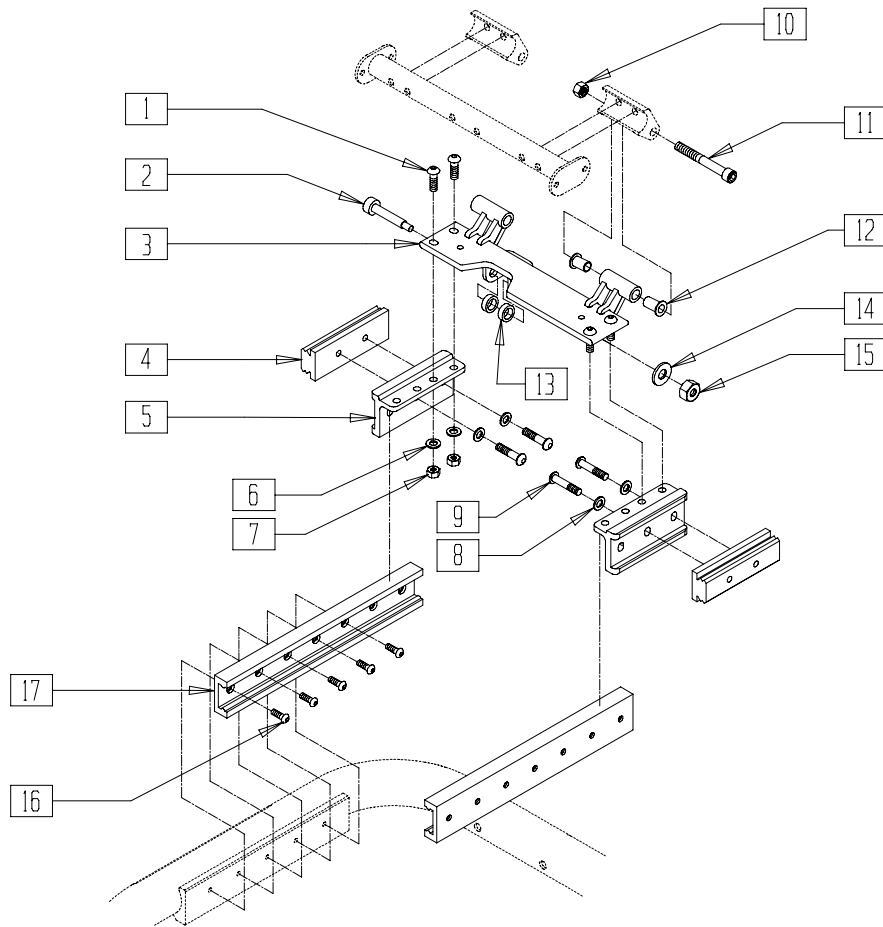
626T0X02

ITEM	NUMBER	DESCRIPTION	QTY
	2	10-32 x .020-.130 RIVNUT GOLD	3
	3	S/A LATCH BLOCK PRSD ASSM BLK	2
	4	5/16-18 x 1 3/4" BH C/S BLK	2
	5	1/4-28 x .44 SHCS BLK W/PL	8
	6	262110-QU 1/4 AN WASHER FLAT THIN	8
	7	481419 1/4-28 CHANNEL NUT 1.75" SP	4
8	542500-	TILT CHANNEL WELDMENT	1
	542508	(14"-24" WIDE, 14"-20" DEPTHS)	
	542532-	TILT CHANNEL WELDMENT	
	542538	(14"-24" WIDE, 19"-24" DEPTHS)	

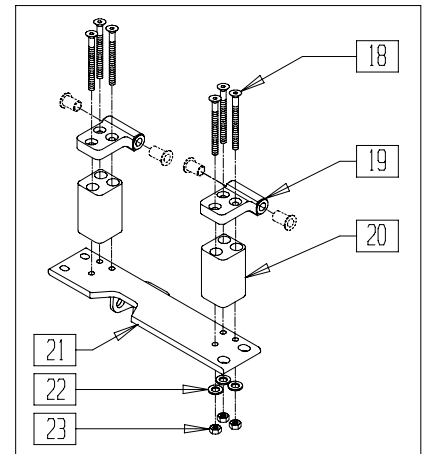
ITEM	NUMBER	DESCRIPTION	QTY
9	567003	END PLUG OVAL	1
1,2,9	660180,	FLRD SEAT RAIL ASSM STD S626 (EA)	
	660181	(14"-18" DEPTHS)	
	660182,	FLRD SEAT RAIL ASSM LNG S626 (EA)	
	660183	(19"-24" DEPTHS)	
	660184	STRGHT SEAT RAIL ASSM STD S626 (14"-18" DEPTHS)	
	660185	STRGHT SEAT RAIL ASSM LNG S626 (19"-24" DEPTHS)	

TILT SEAT SLIDING PLATE ASSEMBLY (QUICKIE S-626)

(Discontinued 11/13/01)



2" LIFT OPTION
(20" SEAT HEIGHT)



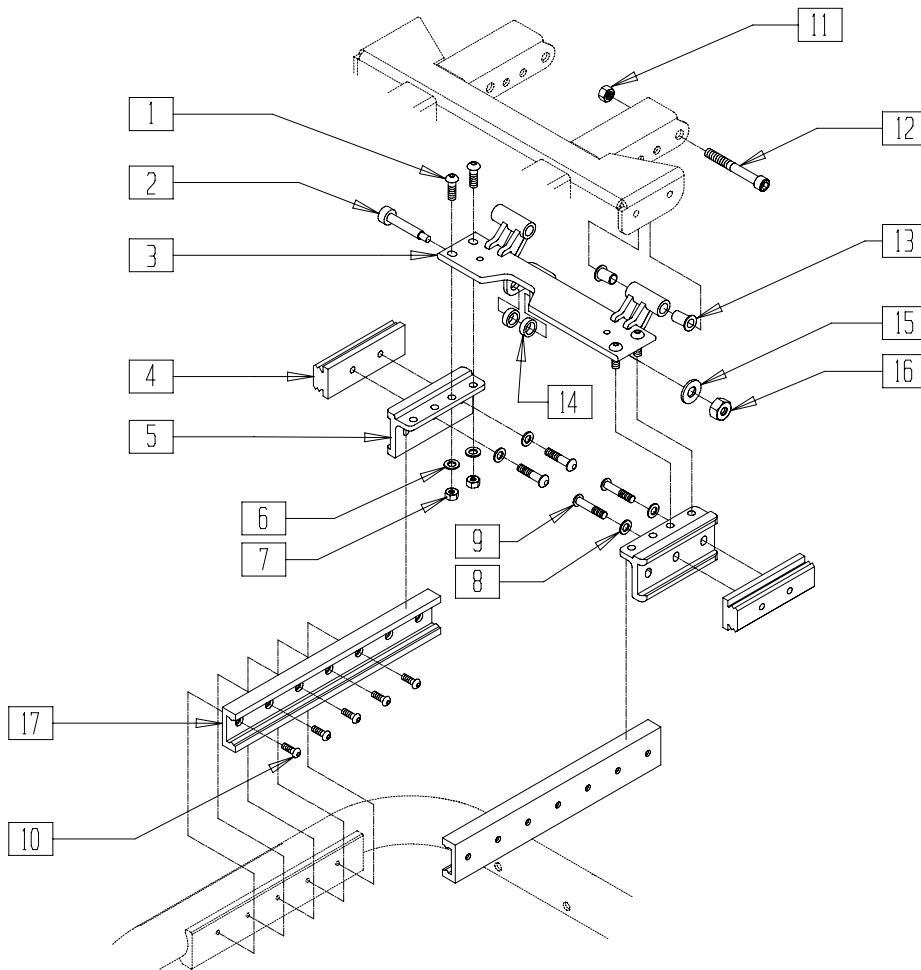
S6260X37

ITEM	NUMBER	DESCRIPTION	QTY
1	226181	5/16-18 x 1 BH C/S BLK	4
2	226329	1/2 x 1-3/4 SOC C/S SHOULD BLK	1
3	542067	TILT RR PLT WLDMNT STD 16" (14"-20" WIDE)	1
	542068	TILT RR PLT WLDMNT STD 18" (22"-24" WIDE)	
5	483248	GLIDE BLOCK METRIC S626	2
6	263110-QU	5/16 AN WASHER FLAT THIN	4
7	202117	5/16-18 NYLOCK NUT THICK BLK	4
8	250095	M8 WASHER NARROW	4
9	235007	M8 x 1.25 x 16 BH C/S	4
10	201263	3/8-16 NYLOCK NUT BLK ZINC	2
11	226310	3/8-16 x 3 SOC HD C/S BLK	2
12	349529	TILT REAR PLT PIVT BUSHNG S626	4
13	261531	ACTUATOR THRUST WASHER	2

ITEM	NUMBER	DESCRIPTION	QTY
14	263140	3/8 WASHER FLAT	1
15	201263	3/8-16 NYLOCK NUT BLK ZINC	1
16	226078	1/4-20 x 3/4 BH C/S W/PATCH BLK	10
18	221217	1/4-28 x 3 1/4" FH C/S BLK	6
19	483186	CROSS PLATE BLOCK	2
20	505515	TILT 2" LIFT BLOCK S626	2
21	542048	REAR PLT WLDMNT 16" 2" LIFT (14"-20" WIDE)	1
	542049	REAR PLT WLDMNT 18" 2" LIFT (22"-24" WIDE)	
22	262100-QU	1/4 AN WASHER FLAT	6
23	204110	1/4-28 NYLOCK NUT BLK ZN	6
4,17	883155	TILT GUIDE RAIL ASSEMBLY 250 lb (EA)	2
	883156	TILT GUIDE RAIL ASSEMBLY 400 lb (EA)	

TILT SEAT SLIDING PLATE ASSEMBLY (QUICKIE S-626/S-646/S-646SE)

(Effective 11/13/01) (Quickie S-626 transitioned into the Quickie S-646 beginning 7/26/02)



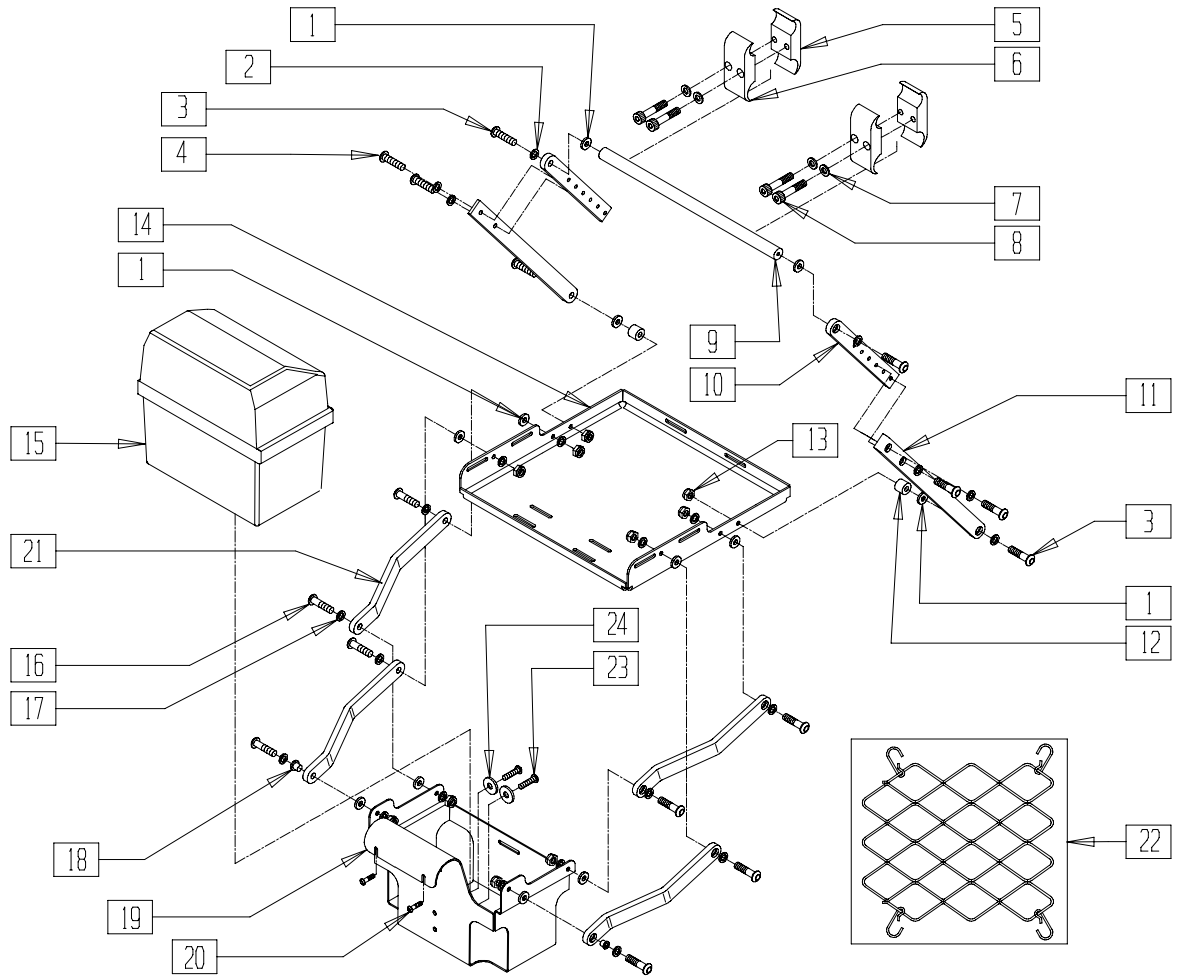
626TX03A

ITEM	NUMBER	DESCRIPTION	QTY
1	226181	5/16-18 x 1 BH C/S BLK	4
2	226329	1/2 x 1-3/4 SOC C/S SHOULD BLK	1
3	540870	REAR PLATE WLDMT 16" 626 T/R (14"-20" WIDE, 18 1/2" SEAT HEIGHT)	1
	540871	REAR PLATE WLDMT 18" 626 T/R (22"-24" WIDE, 18 1/2" SEAT HEIGHT)	
	541029	HEIGHT PLATE WLDMT 16" REAR (14"-20" WIDE, 20" SEAT HEIGHT)	
	541030	HEIGHT PLATE WLDMT 18" REAR (22"-24" WIDE, 20" SEAT HEIGHT)	
5	483248	GLIDE BLOCK METRIC S626	2
6	263110-QU	5/16 AN WASHER FLAT THIN	4
7	202117	5/16-18 NYLOCK NUT THICK BLK	4
8	250095	M8 WASHER NARROW	4
9	235007	M8 x 1.25 x 16 BH C/S	4
10	226078	1/4-20 x 3/4 BH C/S W/PATCH BLK	10

ITEM	NUMBER	DESCRIPTION	QTY
11	201263	3/8-16 NYLOCK NUT BLK ZINC	2
12	226331	3/8-16 x 2-1/4 SOC HD C/S BLK	2
13	349595	BEARING IGUS 3/8 x 15/32 x 1/2	4
14	261531	ACTUATOR THRUST WASHER	2
15	263140	3/8 WASHER FLAT	1
16	201263	3/8-16 NYLOCK NUT BLK ZINC	1
4,17	883155	TILT GUIDE RAIL ASSM 250 LB	
	883156	TILT GUIDE RAIL ASSM 400 LB	
1-3,5-9, 11-16	883060	TILT SEAT SLIDE PLT ASSM 16" (STD) (14"-20" WIDE, 18 1/2" SEAT HEIGHT)	
	883061	TILT SEAT SLIDE PLT ASSM 18" (WIDE) (22"-24" WIDE, 18 1/2" SEAT HEIGHT)	
	883062	TILT SEAT SLIDE PLT ASSM 16 2" (STD) (14"-20" WIDE, 20" SEAT HEIGHT)	
	883063	TILT SEAT SLIDE PLT ASSM 18 2" (WIDE) (22"-24" WIDE, 20" SEAT HEIGHT)	

VENT TRAY ASSEMBLY (QUICKIE S-626/S-646/S-646SE)

(Quickie S-626 transitioned into the Quickie S-646 beginning 7/26/02)



S6260X3B

ITEM	NUMBER	DESCRIPTION	QTY
1	561059	3/4 OD x .318 ID WASHER	12
2	263110-QU	5/16 AN WASHER FLAT THIN	12
3	226250	5/16 x 1 SH SHLDR BOLT 1"	6
4	221016	1/4-28 x .63 SHCS BLK W/PL	6
5	550576	CLAMP 2 1/4" THREADED BLK	2
6	550477	CLAMP 2 1/4" RECESS BLK	2
7	262114	1/4 WASHER HI COLLAR LOCK ZN	4
8	226112	1/4-28 x 1 SOC C/S BLK	4
9	526055	VENT TRAY CROSS TUBE S626	1
10	505559	VENT TOP DRIVING LINK S626	2
11	505558	VENT BOTTOM DRIVE LINK S626	2
12	483198	VENT TRAY SPACER S626	2
13	201105	1/4-20 NYLOCK NUT THIN	10
14	505557	VENT TRAY S626	1

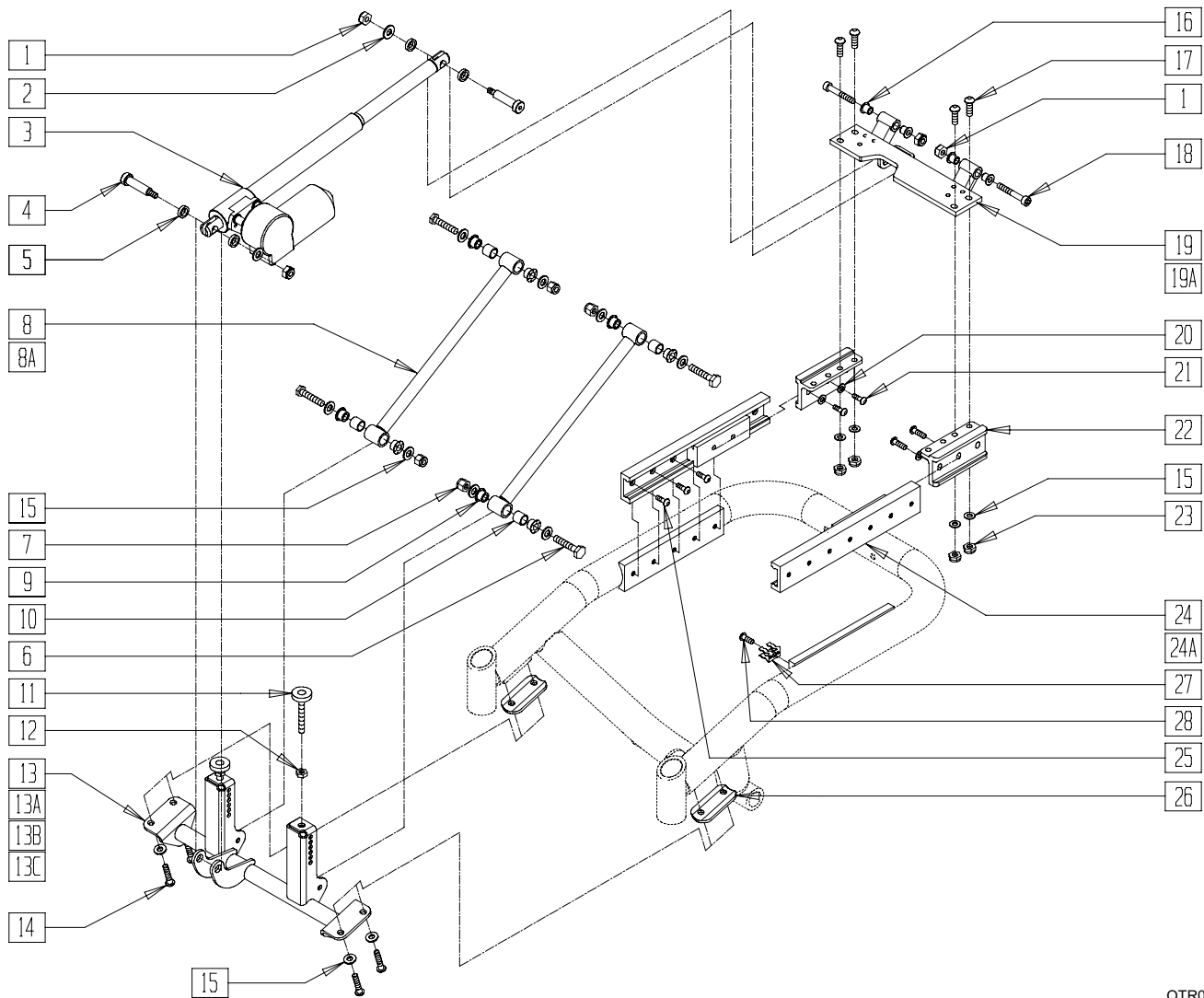
ITEM	NUMBER	DESCRIPTION	QTY
15	887711	BTRY BX BTM W/STRP (GP22) P120	1
	887712	BTRY BOX LID FRNT (GRP22) P120	
16	226249	5/16 x 3/8 SH SHLDR BOLT 3/8"	10
17	263110-QU	5/16 AN WASHER FLAT THIN	12
18	560249	5/16 ID x 1/4 IGLIDE BUSHING	12
19	540207	VENT BATTERY CAGE WELDMNT S626	1
20	221112	1/4-28 x 1 HEX C/S	2
21	483199	VENT TRAY LINK S626	4
22	360000	VENT TRAY VENT BUNGIE S626	1
23	222205	1/4-14 x 1/2 PAN HEAD TP SCREW	2
24	455037-QU	1/4 x 1 FLAT WASHER	2
5-8	884101	VENT TRAY CLAMP ASSEMBLY S626	
1-4,9-14, 16-22	884102	VENT TRAY ASSEMBLY S626	
1-24	920553	VENT TRAY/BATT BOX ASSEMBLY S626	

Quickie Smart Seat

IN THIS SECTION

Tilt/Recline Assembly (Quickie Smart Seat)	19.1	ELR/ALR Calf Pad (Quickie Smart Seat)	19.13
Seat Frame -Tilt and Recline (Quickie Smart Seat) (Disc.)	19.2	Legrest Actuator (Quickie Smart Seat)	19.13
Seat Frame - Tilt and Recline (Quickie Smart Seat)	19.3	Adult Angle-Adjustable (Flip-up) Footplate (Quickie Smart Seat)	19.14
Fixed Seat Mounting Hardware - Recline Back/Legrest (Quickie Smart Seat)	19.4	Adult Angle-Adjustable Footplate (Quickie Smart Seat)	19.15
Seat Pan (Quickie Smart Seat)	19.4	Armrest - Recline (Quickie Smart Seat)	19.16
Backrest - Recline Assembly (Quickie Smart Seat)	19.5	Dual-Post Height-Adjustable Armrest Receiver (Quickie S-626/Smart Seat)	19.17
Recline Backrest (Quickie Smart Seat)	19.6	Wiring Diagram (Quickie Smart Seat)	19.18
Deep Contour Recline Backrest Assembly (Quickie Smart Seat)	19.7	5-Switch Mount (Trough Armrest) (Quickie Smart Seat)	19.19
Headrest - Recline Back (Quickie Smart Seat)	19.8	5-Switch Mount (Standard Armrest) (Quickie Smart Seat)	19.19
Elevating Legrest (Electronically Actuated) (Quickie Smart Seat) (Disc.)	19.9	Anti-tip (Quickie Smart Seat)	19.20
Elevating Legrest (Electronically Actuated (Quickie Smart Seat)	19.10	Anti-tip Lock-out Mechanism (Quickie Smart Seat)	19.21
Articulating Legrest (Electronically Actuated) (Quickie Smart Seat) (Disc.)	19.11	Vent Tray Assembly - Recline Back (Quickie Smart Seat)	19.22
Articulating Legrest (Electronically Actuated) (Quickie Smart Seat)	19.12		

TILT/RECLINE ASSEMBLY (QUICKIE SMART SEAT)



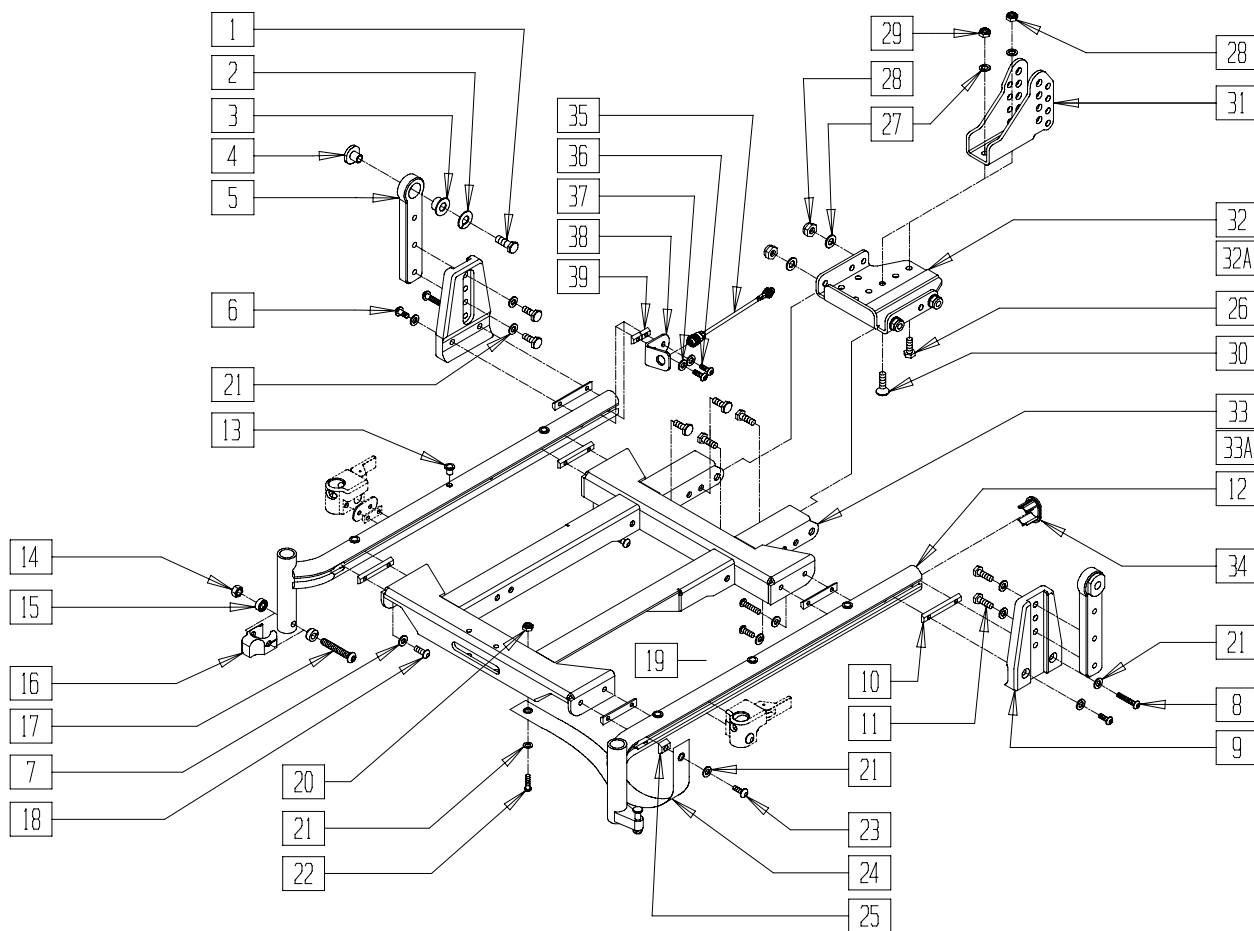
QTR0X10A

ITEM	NUMBER	DESCRIPTION	QTY
1	201263	3/8-16 NYLOCK NUT BLK ZINC	4
2	263140	3/8 WASHER FLAT	2
3	138445	ACT LINAK LA-30-175 W/REED SWC	1
4	226329	1/2 x 1-3/4 SOC C/S SHOULD BLK	2
5	261531	ACTUATOR THRUST WASHER	4
6	222103	5/16 AN5-20A HEX C/S	4
7	202111	5/16-24 NYLOCK NUT THICK BLK	4
8	542032	TILT SEATING FIXED LINKAGE	2
8A	542041	TLT SEATING FXED LNKGE 2" LIFT	2
9	560401	NYLINER BUSHING (10L7-F)	8
10	481321	UPPER SOLID LINKAGE PIVOT	4
11	330006	M12 x 1.75 FRNT SPVRT SEAT SCREW	2
12	210075	M12 x 1.75 HEX JAM NUT	2
13	547101	LOWER ACT MOUNT ASSM 16 T&R 2"	1
13A	547102	LOWER ACT MOUNT ASSM 18 T&R 2"	1
13B	542098	LOWER ACT MOUNT ASSM 16 T & R	1
13C	542099	LOWER ACT MOUNT ASSM 18 T & R	1
14	221018	5/16-18 x 1.5 SHCS BLK W/PL	4
15	263100	5/16 AN WASHER FLAT	16
16	349595	BEARING IGUS 3/8 x 15/32 x 1/2	4
17	226181	5/16-18 x 1 BH C/S BLK	4
18	226331	3/8-16 x 2-1/4 SOC HD C/S BLK	2
19	540870	REAR PLATE WLDMT 16" 626 T/R	1
	540871	REAR PLATE WLDMT 18" 626 T/R	

ITEM	NUMBER	DESCRIPTION	QTY
19A	541029, 541030	HEIGHT PLATE WLDMT (16" AND 18") REAR	1
20	250095	M8 WASHER NARROW	4
21	235007	M8 x 1.25 x 16 BH C/S	4
22	483248	GLIDE BLOCK METRIC S626	2
23	202117	5/16-18 NYLOCK NUT THICK BLK	4
24	883155	TILT GUIDE RAIL ASSM 250 LB	2
24A	883156	TILT GUIDE RAIL ASSM 400 LB	2
25	226078	1/4-20 x 3/4 BH C/S W/PATCH BLK	10
26	483209	ACTUATOR MOUNT SADDLE S626	2
27	138506	SPRING CLIP DRILLED	1
28	226060	1/4-20 x 3/8 BH C/S W/PATCH	1
6-8,10	887980	TILT SEAT FIXED LINKAGE ASSM	
6,7,8A,9,10	887981	TILT SEAT FIXED LINKG 2" ASSM	
1-5	887990	ACT LINAK LA-30-175 W/HDWR	
11-15, 26	887946	LWR ACT MNT SUB ASSM 16 TR 2"	
11,12,13A, 14,15,26	887947	LWR ACT MNT SUB ASSM 18 TR 2"	
11,12,13B, 14,15,26	887948	LWR ACT MNT SUB ASSM 16 TR	
11,12,13C, 14,15,26	887949	LWR ACT MNT SUB ASSM 18 TR	

SEAT FRAME - TILT AND RECLINE (QUICKIE SMART SEAT)

(Discontinued 4/21/03 prior to S/N S64-034729- Parts Only)



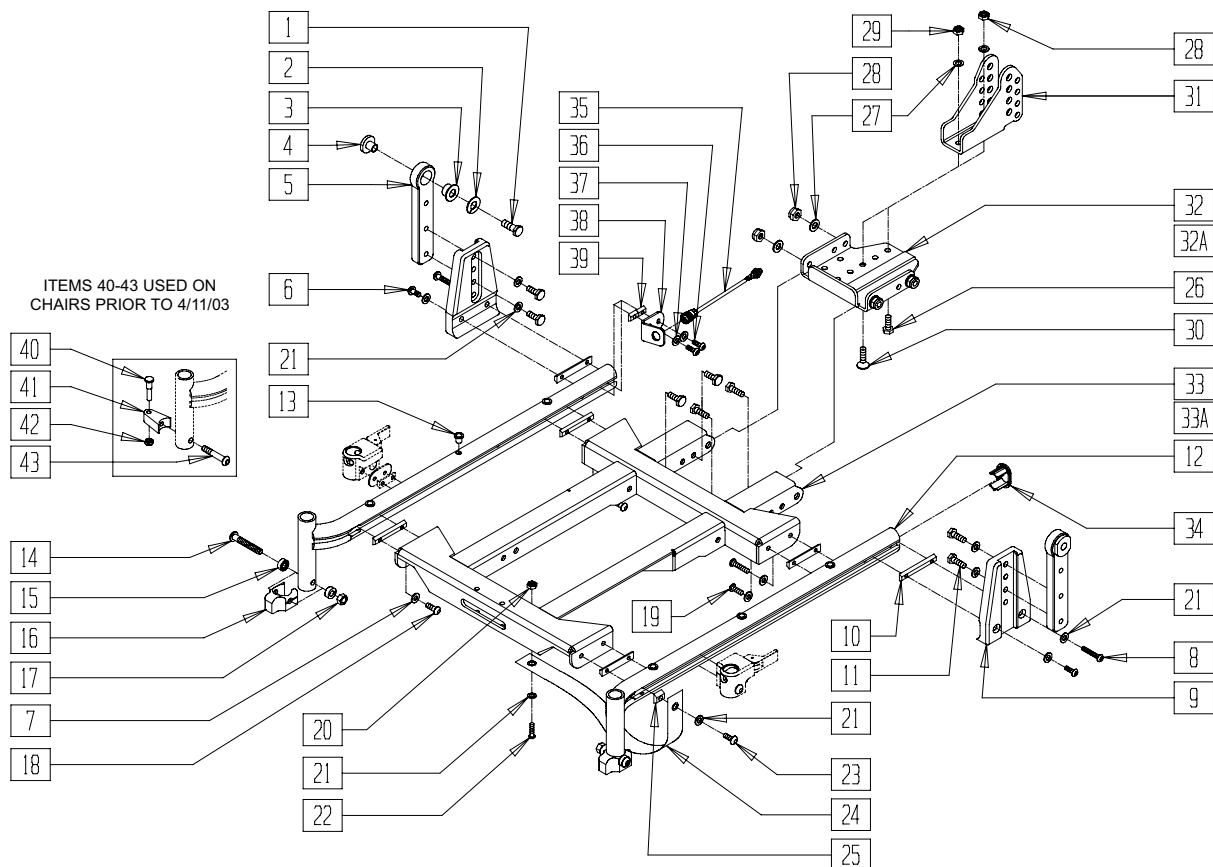
QTR0X04A

ITEM	NUMBER	DESCRIPTION	QTY
1	223121	3/8-16 x .75 HEX HD C/S W/PATCH	2
2	262141	3/8 LOCK WASHER	2
3	349598	BEARING IGUS 5/8 x 3/4 x 1/2	2
4	481466	REC PIVOT BOSS	2
5	502274	REAR PIVOT POST ADJUSTABLE	2
6	226064	1/4-28 x 3/4 BH C/S BLK W/PATCH	2
7	262110-QU	1/4 AN WASHER FLAT THIN	8
8	227110	1/4-28 x 1 BH C/S BLK ZN	2
9	542162	REAR PIVOT POST ADJ MOUNT	2
10	481419	1/4-28 CHANNEL NUT 1.75" SP	6
11	221097	1/4-28 x 5/8 HEX C/S BZ	4
13	341497	10-32 x .020-.130 RIVNUT GOLD	6
14	202116	5/16-18 NYLOCK NUT THIN BLK	2
15	505831	SPACER CAM	4
16	500526	BLOCK LOCATOR HNGER PWR	2
17	226289	5/16-18 x 2 BH C/S BLK ZN	2
18	221012	1/4-28 x .44 SHCS BLK W/PL	6
19	226064	1/4-28 x 3/4 BH C/S BLK W/PATCH	2
20	202300	1/4-28 NYLOCK NUT THIN BLK ZN	2
21	262100-QU	1/4 AN WASHER FLAT	12
22	226247	1/4-28 x 5/8 B/H C/S BLACK G5	2
23	221092	1/4-28 x 7/16 BH CS BLK W/PATCH	2
24	740142	SUPPORT STRAP T & R ACTUATOR	2
25	481106-QU	1/4-28 CHANNEL NUT	2
26	222230	5/16-18 x 3/4 HEX C/S G8	5
27	263100	5/16 AN WASHER FLAT	6
28	202116	5/16-18 NYLOCK NUT THIN BLK	5
29	202117	5/16-18 NYLOCK NUT THICK BLK	1

ITEM	NUMBER	DESCRIPTION	QTY
30	226188	5/16-18 x 1 FH C/S	1
31	502270	PIVOT BRKT ADJ REAR	1
32	505609	REAR LOWER MULTI CLEVI WLDMNT	1
32A	505623	REAR LWR MLT CLVS MNT TRAY LRG	1
33	542500- 542508	TILT CHANNEL WLDMNT (.5) TUBE (14W - 24W) STD	1
33A	542530- 542538	TILT CHANNEL WLDMNT (14W - 24W) LONG	1
34	567003	END PLUG OVAL	2
35	139449	HOME SWITCH TILT ONLY	1
36	221090	1/4-28 x 3/8 BH C/S BLK	2
37	262100-QU	1/4 AN WASHER FLAT	2
38	505929	HOME SWITCH BRACKET	1
39	481418	1/4-28 CHANNEL NUT .80" SP	2
12,13,34	660180, 660181	FLRD SEAT RAIL ASSM STD S626 (EA)	
12A,13,34	660182, 660183	FLRD SEAT RAIL ASSM LONG S626 (EA)	
1-6,8-11,21	885115	REAR PIVOT POST ADJ ASSM TR	
7,18-33	885220- 885226	TILT CHNNL WLDMNT ASSM (14W - 20W) STD	
7,18-31, 32A,33	885227, 885228	TILT CHNNL WLDMNT ASSM (22W - 24W) STD	
7,18-32, 33A	885229- 885235	TILT CHNNL WLDMNT ASSM (14W - 20W) LNG	
7,18-31, 32A,33A	885236, 885237	TILT CHNNL WLDMNT ASSM (22W - 24W) LNG	
14-17	920053	HANGER LOCATOR ASSM W/HDWR	

SEAT FRAME - TILT AND RECLINE (QUICKIE SMART SEAT)

(Effective 4/21/03 starting S/N S64-034729)

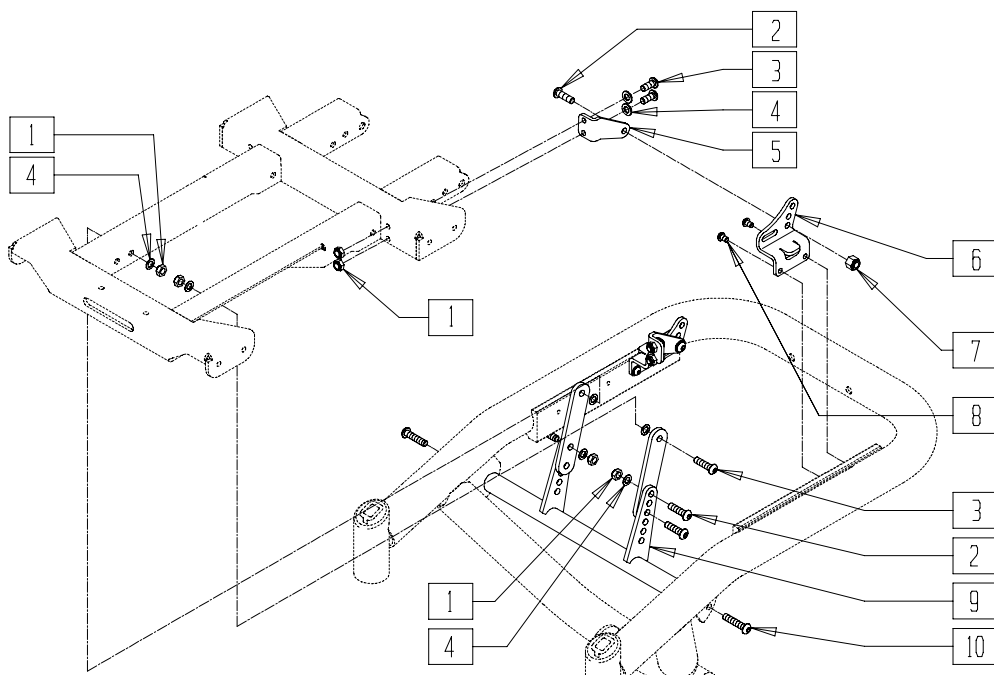


QTR0X04B

ITEM	NUMBER	DESCRIPTION	QTY
1	223121	3/8-16 x .75 HEX HD C/S W/PATCH	2
2	262141	3/8 LOCK WASHER	2
3	349598	BEARING IGUS 5/8 x 3/4 x 1/2	2
4	481466	REC PIVOT BOSS	2
5	502274	REAR PIVOT POST ADJUSTABLE	2
6	226064	1/4-28 x 3/4 BH C/S BLK W/PTCH	2
7	262110-QU	1/4 AN WASHER FLAT THIN	8
8	227110	1/4-28 x 1 BH C/S BLK ZN	2
9	542162	REAR PIVOT POST ADJ MOUNT	2
10	481419	1/4-28 CHANNEL NUT 1.75" SP	6
11	221097	1/4-28 x 5/8 HEX C/S BZ	4
13	341497	10-32 x .020-.130 RIVNUT GOLD	6
14	226289	5/16-18 x 2 BH C/S BLK ZN	2
15	505831	SPACER CAM	4
16	500526	BLOCK LOCATOR HNGER PWR	2
17	202116	5/16-18 NYLOCK NUT THIN BLK	2
18	221012	1/4-28 x .44 SHCS BLK W/PL	6
19	226064	1/4-28 x 3/4 BH C/S BLK W/PTCH	2
20	202300	1/4-28 NYLOCK NUT THIN BLK ZN	2
21	262100-QU	1/4 AN WASHER FLAT	12
22	226247	1/4-28 x 5/8 B/H C/S BLACK G5	2
23	221092	1/4-28 x 7/16 BH CS BLK W/PTCH	2
24	740142	SUPPORT STRAP T & R ACTUATOR	2
25	481106-QU	1/4-28 CHANNEL NUT	2
26	222230	5/16-18 x 3/4 HEX C/S G8	5
27	263100	5/16 AN WASHER FLAT	6
28	202116	5/16-18 NYLOCK NUT THIN BLK	5
29	202117	5/16-18 NYLOCK NUT THICK BLK	1
30	226188	5/16-18 x 1 FH C/S	1
31	502270	PIVOT BRKT ADJ REAR	1

ITEM	NUMBER	DESCRIPTION	QTY
32	505609	REAR LOWER MULTI CLEVI WLDMNT	1
32A	505623	REAR LWR MLT CLVS MNT TRAY LRG	1
33	542500- 542508	TILT CHANNEL WLDMNT (.5) TUBE (14W - 24W) STD	1
33A	542530- 542538	TILT CHANNEL WLDMNT (14W - 24W) LONG	1
34	567003	END PLUG OVAL	2
35	139449	HOME SWITCH TILT ONLY	1
36	221090	1/4-28 x 3/8 BH C/S BLK	2
37	262100-QU	1/4 AN WASHER FLAT	2
38	505929	HOME SWITCH BRACKET	1
39	481418	1/4-28 CHANNEL NUT .80" SP	2
40	481023	S/A LATCH STUD NEW	
41	551310	LATCH STUD SUPPORT BLK	
42	201100-QU	1/4-28 NYLOCK NUT THIN	
43	226218	5/16-18 x 1 3/4" BH C/S BLK	
12,13,34	660180, 660181	FLRD SEAT RAIL ASSM STD S626 (EA)	
12A,13,34	660182, 660183	FLRD SEAT RAIL ASSM LONG S626 (EA)	
1-6,8-11,21	885115	REAR PIVOT POST ADJ ASSM TR	
7,18-33	885220- 885226	TILT CHNNL WLDMNT ASSM (14W - 20W) STD	
7,18-31, 32A,33	885227, 885228	TILT CHNNL WLDMNT ASSM (22W - 24W) STD	
7,18-32, 33A	885229- 885235	TILT CHNNL WLDMNT ASSM (14W - 20W) LNG	
7,18-31, 32A,33A	885236, 885237	TILT CHNNL WLDMNT ASSM (22W - 24W) LNG	
14-17	920053	HANGER LOCATOR ASSM W/HDWR	

FIXED SEAT MOUNTING HARDWARE - RECLINE BACK/LEGREST (QUICKIE SMART SEAT)

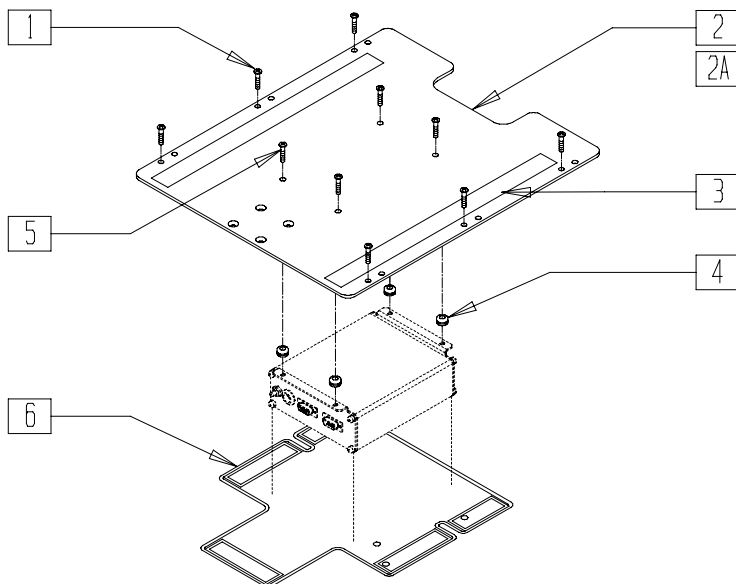


QTR0X23A

ITEM	NUMBER	DESCRIPTION	QTY
1	202116	5/16-18 NYLOCK NUT THIN BLK	8
2	226181	5/16-18 x 1 BH C/S BLK	6
3	226174	5/16-18 x 3/4" BH C/S BLK ZN	6
4	263100	5/16 AN WASHER FLAT	11
5	502267, 502268	SEAT MOUNT BRKT REAR (EA)	1

ITEM	NUMBER	DESCRIPTION	QTY
6	540212, 540213	REAR SEAT MNT BRCKT WLDMNT (EA)	1
7	202117	5/16-18 NYLOCK NUT THICK BLK	3
8	226078	1/4-20 x 3/4 BH C/S W/PATCH BLK	4
9	542395	14-20W CRSS SPVRT ST 626 RCLN	1
	542396	22-24W CRSS SPVRT ST 626 RCLN	
10	226289	5/16-18 x 2 BH C/S BLK ZN	2

SEAT PAN (QUICKIE SMART SEAT)

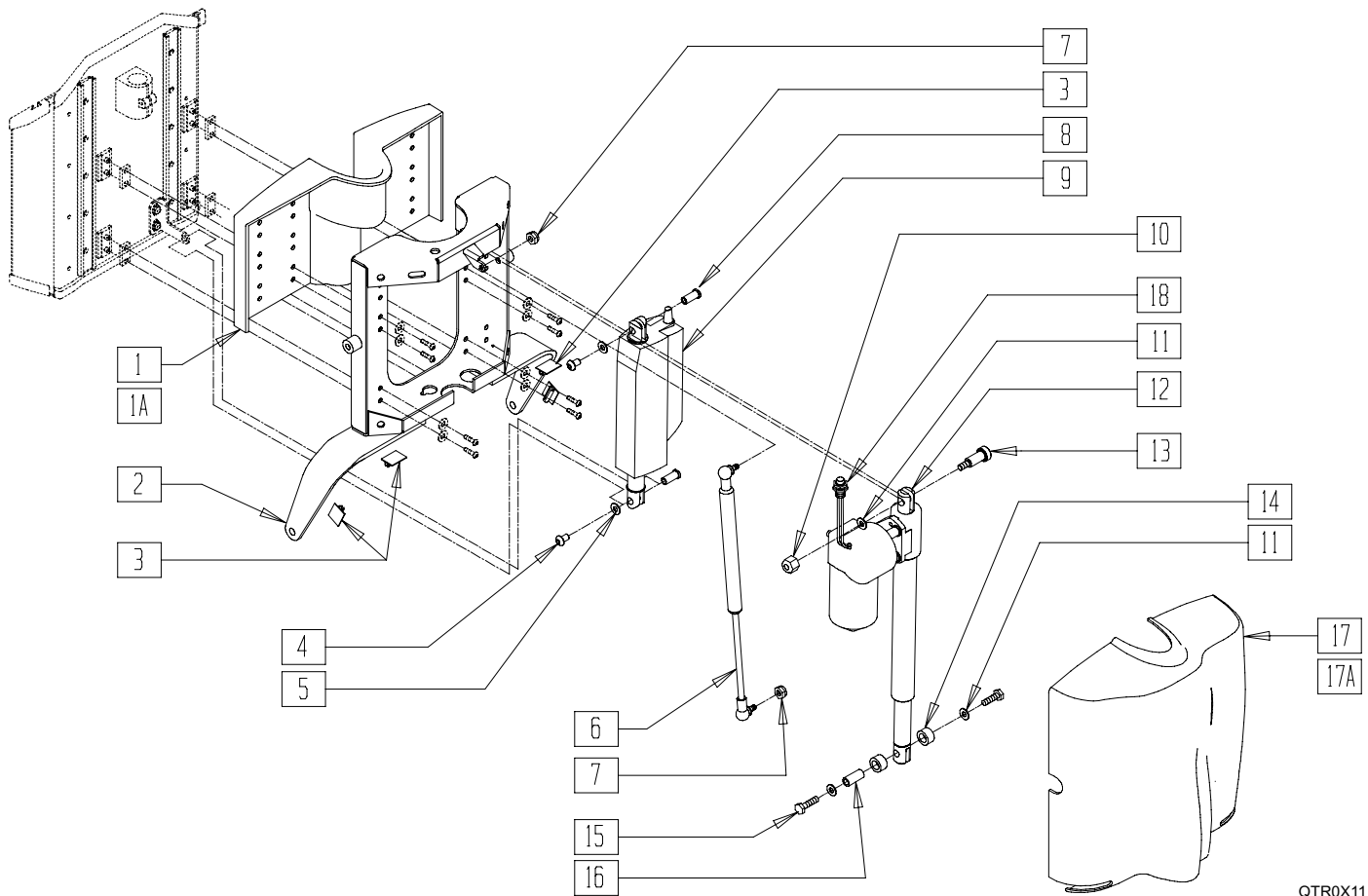


QTR0X19

ITEM	NUMBER	DESCRIPTION	QTY
1	281122	10-32 x 3/4 PAN PHIL	6
3	901170	SEAT SLING VELCRO STRIP	2
2,3	688260- 688268	SEAT PAN ASSM S626 (14W- 24W) STD	

ITEM	NUMBER	DESCRIPTION	QTY
2A,3	688269- 688277	SEAT PAN ASSM S626 (14W - 24W) LONG	
4	349584	GROMMET RUBBER 5/16 x .25	4
5	281122	10-32 x 3/4 PAN PHIL	4
6	751220	SPLASH GUARD	1

BACKREST- RECLINE ASSEMBLY (QUICKIE SMART SEAT)

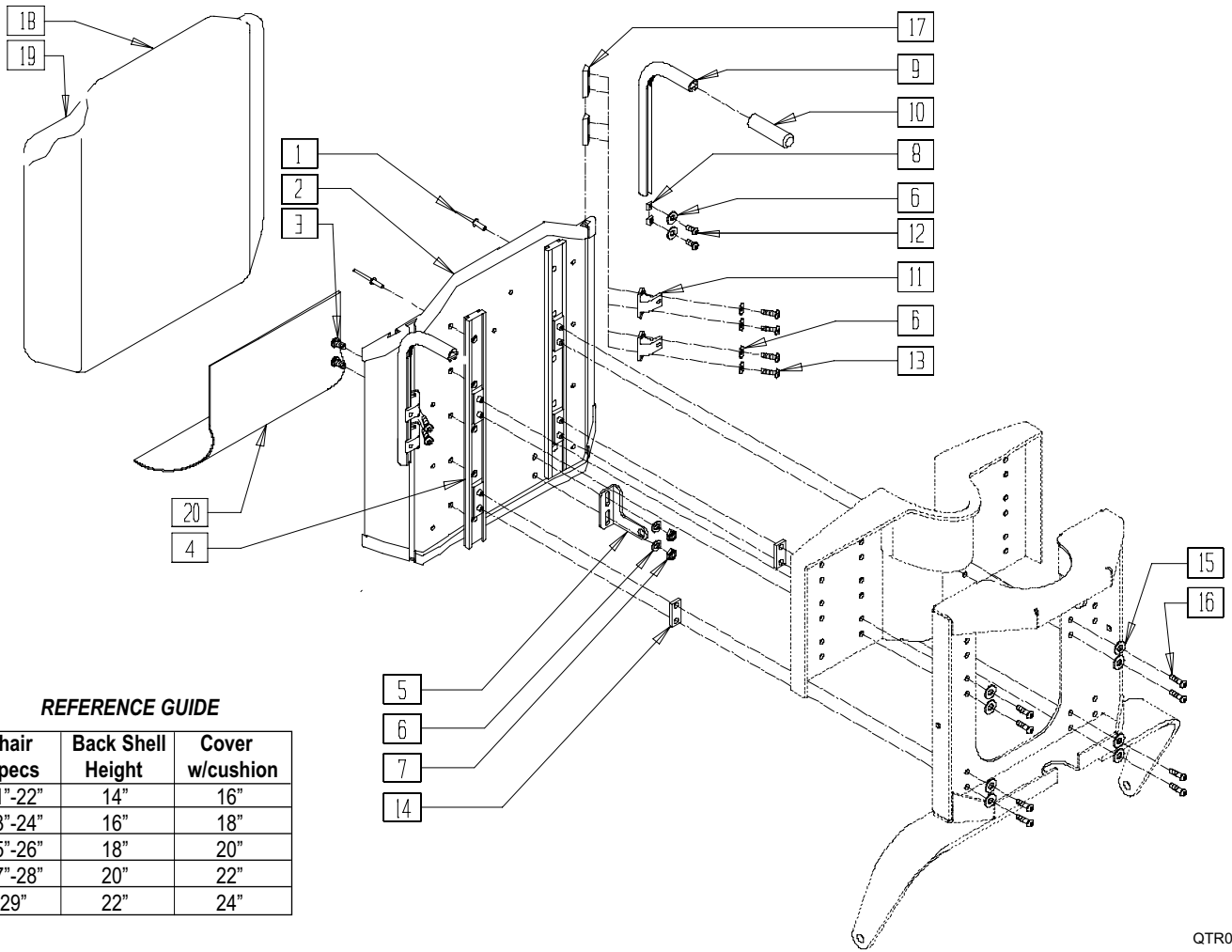


QTR0X11

ITEM	NUMBER	DESCRIPTION	QTY
1	561422	BACKREST INNER SHROUD SMALL	1
1A	561423	BACKREST INNER SHROUD LARGE	1
2	542515- 542523	CROSS BAR WLDMT 14W - 24W	1
3	560794	CABLE HOLDER BLACK W/ADHESIVE	4
4	226236	5/16-18 x 1/2 B/H C/S BLK	2
5	263100	5/16 AN WASHER FLAT	2
6	342088	GAS SPRING S626 T/R	1
7	202116	5/16-18 NYLOCK NUT THIN BLK	2
8	505615	ACT LINK PIN	2
9	138448	ACTUATOR LINAK LA-12 20" CABLE	1
10	201263	3/8-16 NYLOCK NUT BLK ZINC	2
11	263140	3/8 WASHER FLAT	2

ITEM	NUMBER	DESCRIPTION	QTY
12	138446	ACT LINAK LA-30-150 W/REED SWC	1
13	341571	1/2" SHOULDER BOLT	1
14	560030	REAR ACT THRUST WASHER	2
15	223120	3/8-16 x .625 HEX HD C/S W/PATCH	2
16	506033	LOWER RECLINE ACT PIVOT	1
17	561420	BACKREST SHROUD SMALL	1
17A	561421	BACKREST SHROUD LARGE	1
18	139222	HOME SWITCH	1
1-18	883180- 883185	BACKREST ASSM PWR TLT/RCLN (14W -19W)	
1A,2-16, 17A,18	883186- 883188	BACKREST ASSM PWR TLT/RCLN (20W -24W)	

RECLINE BACKREST (QUICKIE SMART SEAT)



REFERENCE GUIDE

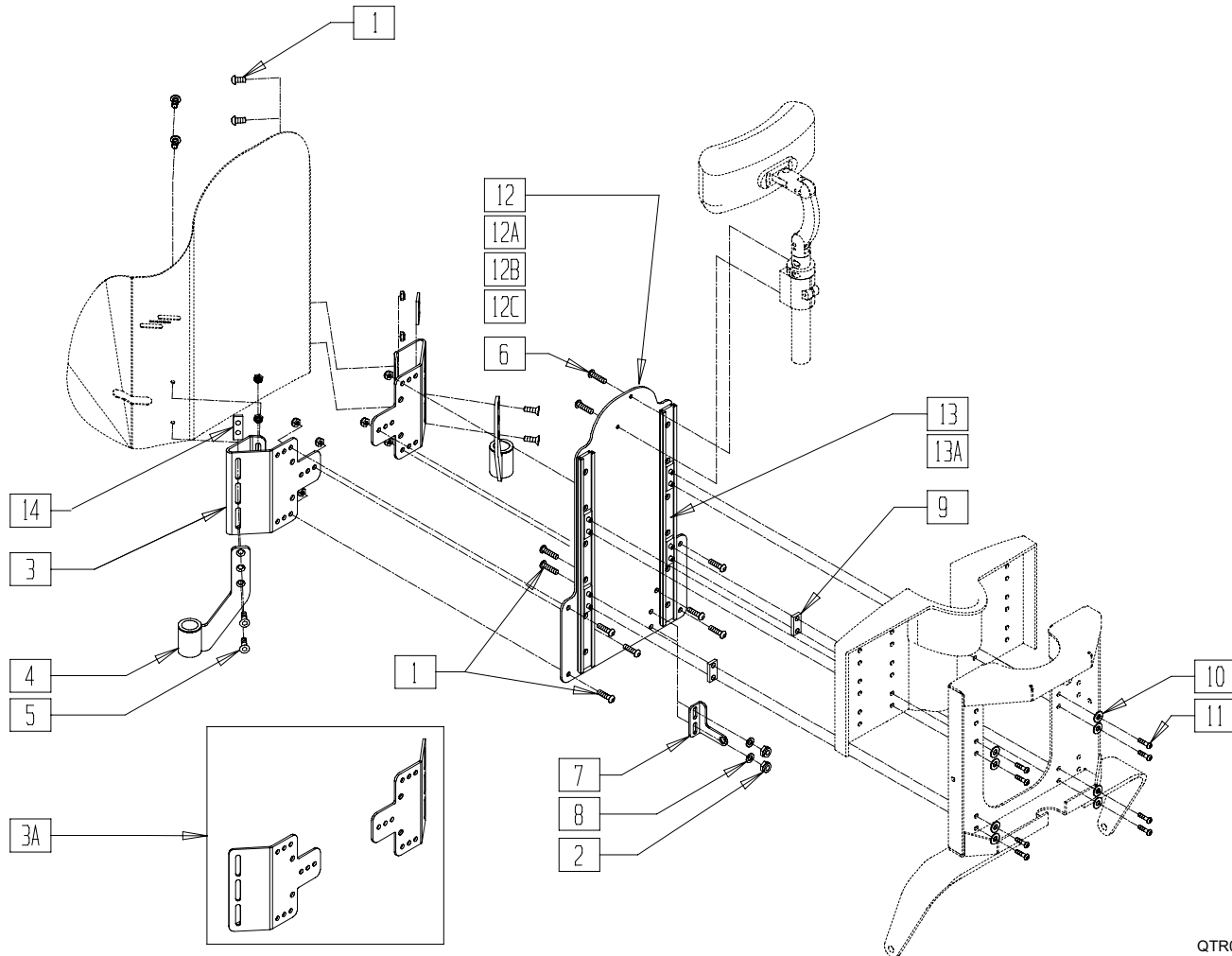
Chair Specs	Back Shell Height	Cover w/cushion
21"-22"	14"	16"
23"-24"	16"	18"
25"-26"	18"	20"
27"-28"	20"	22"
29"	22"	24"

QTR0X02

ITEM	NUMBER	DESCRIPTION	QTY
3	221091	1/4-28 x 1/2 BH C/S BLK W/PTCH	2
5	481461	UPPER ACT CLEVIS	1
6	262100-QU	1/4 AN WASHER FLAT	14
7	202300	1/4-28 NYLOCK NUT THIN BLK ZN	2
8	481106-QU	1/4-28 CHANNEL NUT	8
9	526043	PUSH HANDLE BACK TUBE S626	2
10	560663	QUICKIE GRIP 1"	2
11	505553	CURVED BACK BRACKET S626	4
12	221091	1/4-28 x 1/2 BH C/S BLK W/PTCH	4
13	221092	1/4-28 x 7/16 BH CS BLK W/PTCH	8
14	481471	GLIDE SPACER	2
15	200024	WASHER FLAT #8 ZINC	8
16	230459	M4-.7 x 8mm BH C/S	8
17	481419	1/4-28 CHANNEL NUT 1.75" SP	4

ITEM	NUMBER	DESCRIPTION	QTY
18	681760-681799	FOAM INSERT COVER SLD BK (14"x16" - 22"x 24")	1
	682120-682124	FOAM INSERT COVER SLD BK (24"x16" - 24"x24")	
	682160-682168	FOAM INSERT COVER 14X14 SLD BK (14" x 14" - 24" x 14")	
19	681800-681844	FOAM INSERT SOLID BACK (14"x16" - 24"x24")	1
	681850-681894	BACK CUSHION SOLID BK (14"x16" - 24" x 24")	
18,19	682130-682138	CONF MED SOFT SLD BK (14" x 14" - 24" x 14")	1
	20	680155	
9,10	842245	PUSH HNDL TUBE W/F RCLN BLK	1
1,2,4	887000-887044	TILT/RECLINE BACK ONLY ASSM	
1,2,4	886991-886999	SLD BCK SHELL ASSM (14Wx 12T - 24W x 12T) T/R	1

DEEP CONTOUR RECLINE BACKREST ASSEMBLY (QUICKIE SMART SEAT)

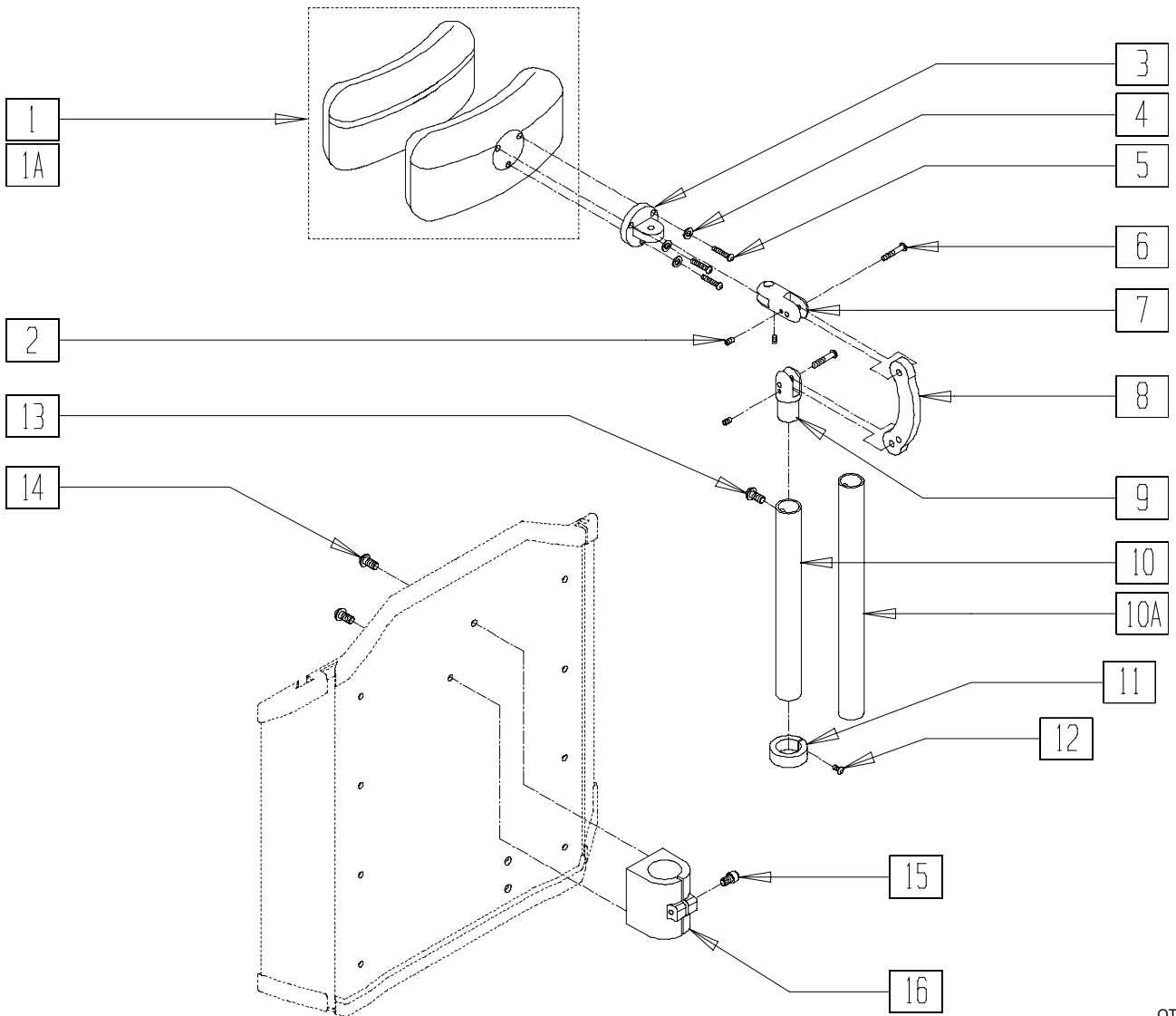


QTR0X24A

ITEM	NUMBER	DESCRIPTION	QTY
1	226075	1/4-28 x 1/2 SOC HD C/S BLK	10
2	202300	1/4-28 NYLOCK NUT THIN BLK ZN	12
3	505944	SPPRT BCK DP CNTR EAR PLATE	2
3A	505976	REAR SPPRT ARMREST MNT BRCKT	2
4	542029	REAR ARMREST MOUNT WLDMNT	2
5	226076	1/4-28 x 1/2 FH C/S W/PATCH	4
6	221091	1/4-28 x 1/2 BH C/S BLK W/PATCH	2
7	481461	UPPER ACT CLEVIS	1
8	262100-QU	1/4 AN WASHER FLAT	2
9	481471	GLIDE SPACER	2
10	200024	WASHER FLAT #8 ZINC	8
11	230459	M4-.7 x 8MM BH C/S	8
12	505940	BCKRST SPPRT SP CNTR PLT 20 x19	1

ITEM	NUMBER	DESCRIPTION	QTY
12A	505941	BCK SPRT SP CNT PLT 17-18-9 x19	1
12B	505942	BCK SPRT SP CNT PLT 15-16 x19	1
12C	505943	BCKRST SPPRT SP CNTR PLT 14 x18	1
13	885040	IGUS GLIDE RAIL ASSM 12	2
13A	885041	IGUS GLIDE RAIL ASSM 14	2
14	481108-QU	1/4-28 CHANNEL NUT-2 HOLE	2
1-14	888020	DP CNTR RCL BCK PLT ASSM 14	
1-11,12A, 13A,14	888021	DP CNTR RCL BCK PLT ASSM (15" -16")	
1-11,12B, 13A,14	888022	DP CNTR RCL BCK PLT ASSM (17"-19")	
1-11,12C, 13A,14	888023	DP CNTR RCL BCK PLT ASSM (20" -22")	

HEADREST- RECLINE BACK (QUICKIE SMART SEAT)



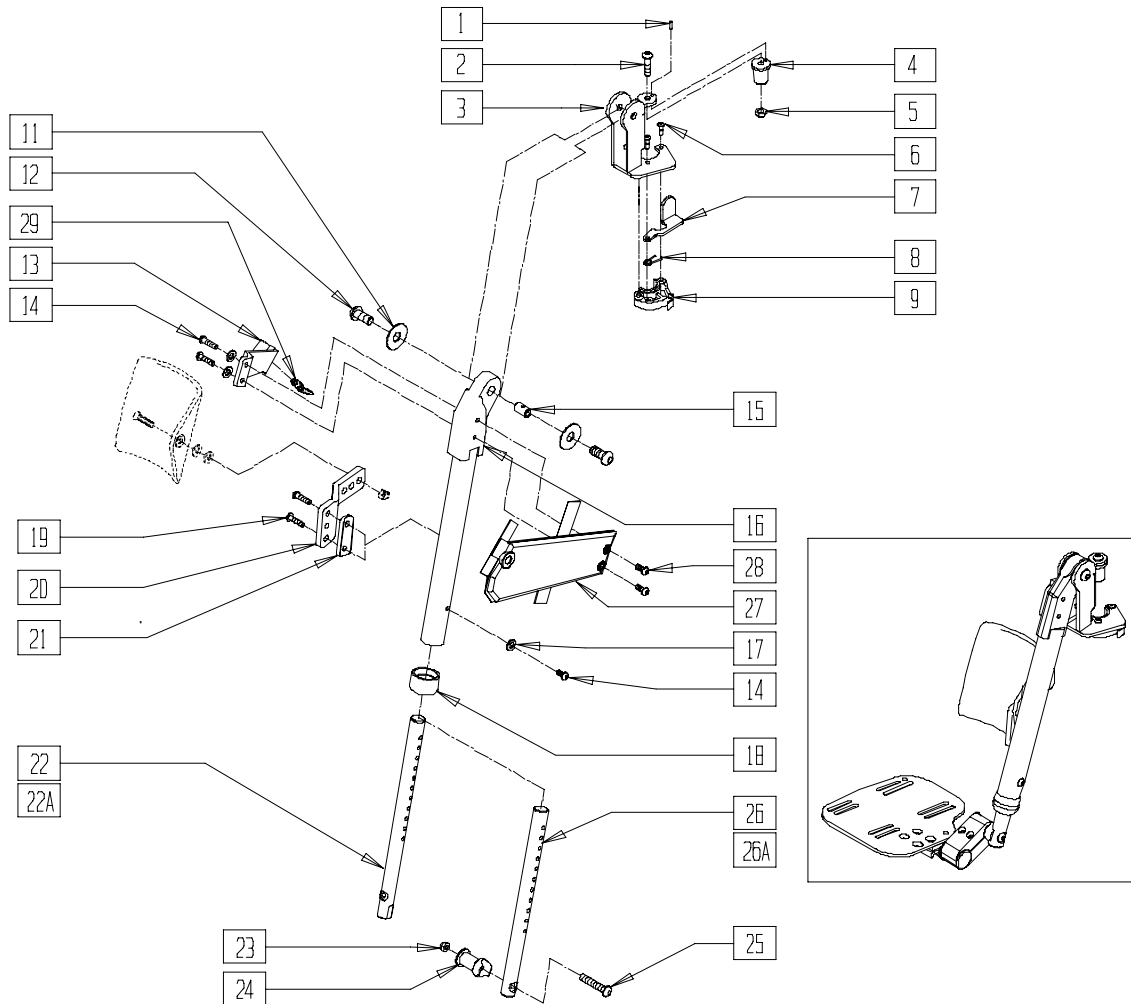
QTR0X12

ITEM	NUMBER	DESCRIPTION	QTY
1	750696	HEADREST W/ZIPPER MEDIUM CG	1
1A	750697	HEADREST W/ZIPPER LARGE CG	1
2	341045	#10-24 CONE POINT SET SCREW	3
4	261204	#10 AN WASHER .063	3
5	455010-QU	10-32 x 3/4 BH C/S BLK	3
6	221115	1/4-20 x 3/4" SOC HD C/S BLK	2
8	331077	HEADREST LINK 6 INCH	1
11,12	505933	HEADREST COLLAR	1
13	226072	1/4-20 x 1/2 FH C/S BLK	1
14	226023	10-32 x 7/16 BH C/S BLK	2

ITEM	NUMBER	DESCRIPTION	QTY
3-16	881435	HEADREST MOUNT BRKT 7"	
3-9,10A, 11-16	881436	HEADREST MOUNT BRKT 9"	
1-16	881940	HEADREST ASSM TILT/RCLN 7" MED	
1A,2-16	881941	HEADREST ASSM TILT/RCLN 7" LRG	
1-9,10A, 11-16	881942	HEADREST ASSM TILT/RCLN 9" MED	
1A,2-9, 10A,11-16	881943	HEADREST ASSM TILT/RCLN 9" LRG	

ELEVATING LEGREST- (ELECTRONICALLY ACTUATED) (QUICKIE SMART SEAT)

(Discontinued 4/21/03 - parts only; fits Smart Seat prior to S64-034729)



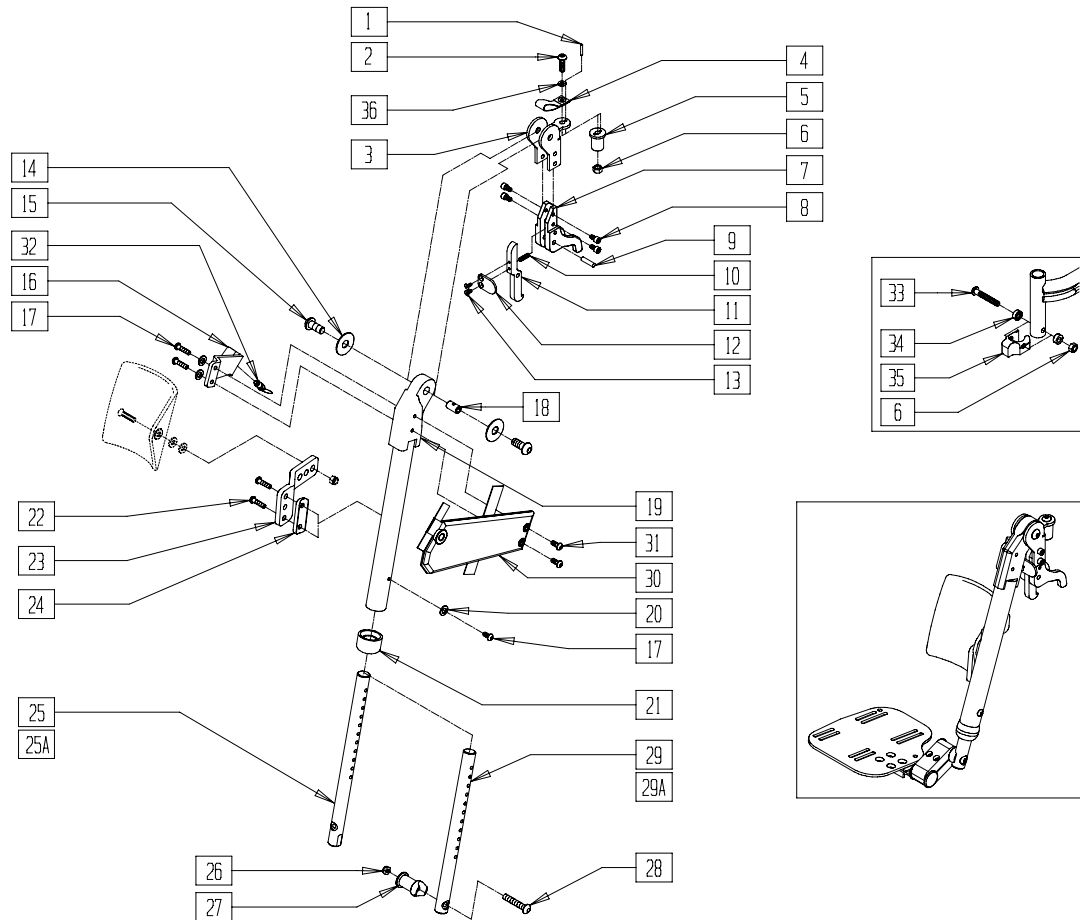
QTR0X08C

ITEM	NUMBER	DESCRIPTION	QTY
1	330152	1/8 x 3/4 ARMREST SPRING PIN	1
2	226219	5/16-18 x 1" BH C/S BLK	1
3	545563, 545564	LEGREST SUPPORT WLDMNT (EA)	1
4	481468	PIVOT PLUG	1
5	202116	5/16-18 NYLOCK NUT THIN BLK	1
6	226057	10/24 x .725 BTTN HD SOC BZ	3
7	506316, 506317	S/A LATCH LEVER T/R (EA)	1
8	321136, 321137	S/A SPRING (EA)	1
9	483283, 483284	S/A LATCH BLOCK ALUMINUM (EA)	1
11	261537	FOOTREST WASHER	2
12	226271	3/8-16 x 1/2 BH CS BLK ZN	2
13	541047, 541048	LEGREST ARM WELDMENT (EA)	1
14	226332	1/4-20 x 7/8 BH C/S BLK W/PTCH	3
15	481469	LEGREST BOSS	1
16	542118, 542119	ELR ADJUSTMENT TUBE WLDMT (EA)	1
17	262100-QU	1/4 AN WASHER FLAT	3
18	560792	END CAP FOOTREST RAIL S626	1

ITEM	NUMBER	DESCRIPTION	QTY
19	226060	1/4-20 x 3/8 BH C/S W/PATCH	2
20	550081	CALF PAD MOUNT	1
21	542116	FOOTREST SADDLE 1.25"	1
22	550876	ELR EXT ROD SHT PWR-ANG ADJ	1
22A	550877	ELR EXT ROD LNG PWR-ANG ADJ	1
23	202116	5/16-18 NYLOCK NUT THIN BLK	1
24	483113	FOOTREST MOUNT LOWER S626	1
25	226217	5/16-18 x 2" BH C/S BLK	1
26	550874	ELR EXT ROD SHT PWR-MULTI POS	1
26A	550875	ELR EXT ROD LNG PWR-MULTI POS	1
27	750192, 750193	LEGREST ARM COVER (EA)	1
28	226060	1/4-20 x 3/8 BH C/S W/PATCH	2
29	889030	LEGREST PULL PIN ASSM	1
6-9	885054, 885055	S/A LATCH KIT POWER ALR (EA)	
23-25,26	921954	ELR PWR EXT ROD SHT ASSM M/POS	
23-25,26A	921955	ELR PWR EXT ROD LNG ASSM M/POS	
22-25	921956	ELR PWR EXT ROD SHT ASSM ANGLE	
22A,23-25	921957	ELR PWR EXT ROD LNG ASSM ANGLE	
1-21	641522, 641523	HANGER POWER ELR (EA)	

ELEVATING LEGREST- (ELECTRONICALLY ACTUATED) (QUICKIE SMART SEAT)

(Effective 4/21/03 - beginning S64-034729)



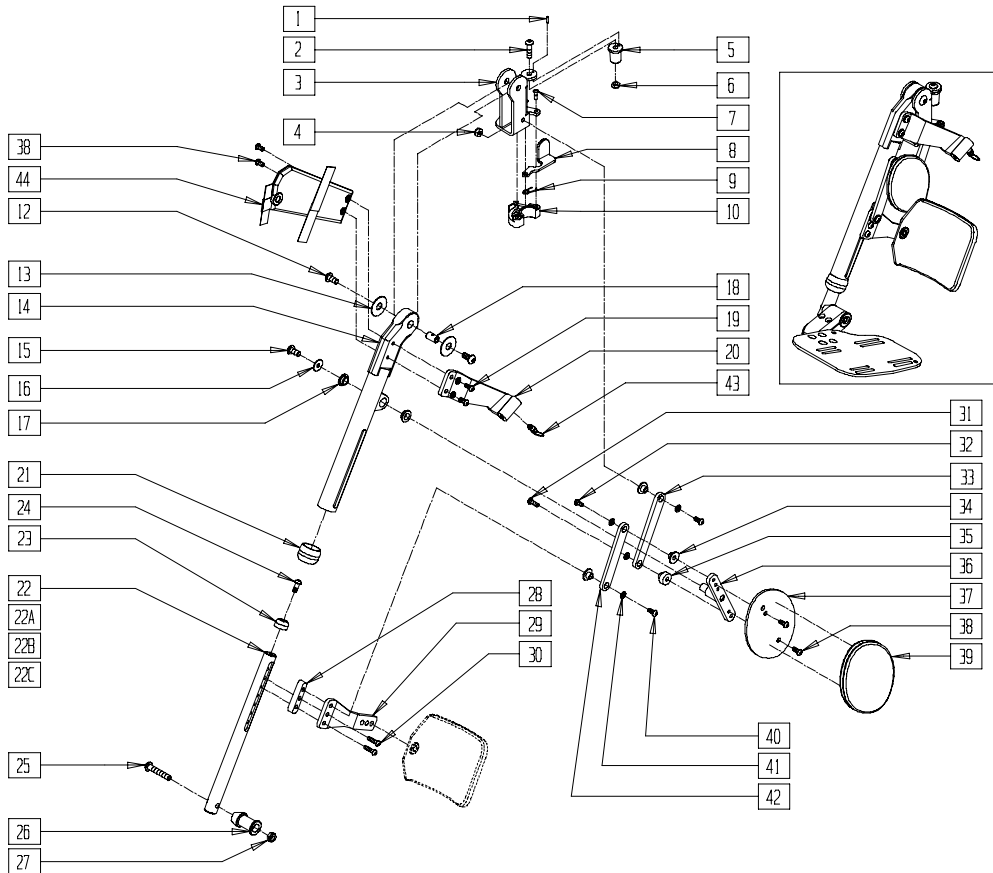
QTR0X08B

ITEM	NUMBER	DESCRIPTION	QTY
1	330152	1/8 x 3/4 ARMREST SPRING PIN	2
2	226176	5/16-18 x 1 1/2 BH C/S BLK	2
3	505983	BRKT HANGER POWER QR	2
4	695040	DS LIFT LANYARD	2
5	481468	PIVOT PLUG	2
6	202116	5/16-18 NYLOCK NUT THIN BLK	2
7	505990	BLOCK, CAPTURE, HNGR, PWR	2
8	226339	1/4-20 x 7/16 SHCS BLK W/PATCH	8
9	341200	1/4 x 1 ROLL PIN	2
10	321787	SPRING COMP RELEASE LEVER	2
11	505918	LEVER RELEASE HANGER POWER	2
12	505994	PADDLE RELEASE HANGER POWER	2
13	226006	8-32 x 3/8 FH C/S BLK	4
14	261537	FOOTREST WASHER	2
15	226271	3/8-16 x 1/2 BH CS BLK ZN	2
16	541047, 541048	LEGREST ARM WELDMNT (EA)	1
17	226332	1/4-20 x 7/8 BH C/S BLK W/PTCH	3
18	481469	LEGREST BOSS	1
19	542118, 542119	ELR ADJUSTMENT TUBE WLDMT (EA)	1
20	262100-QU	1/4 AN WASHER FLAT	3
21	560792	END CAP FOOTREST RAIL S626	1
22	226060	1/4-20 x 3/8 BH C/S W/PATCH	2
23	550081	CALF PAD MOUNT	2
24	542116	FOOTREST SADDLE 1.25"	2
25	550876	ELR EXT ROD SHT PWR-ANG ADJ	2

ITEM	NUMBER	DESCRIPTION	QTY
25A	550877	ELR EXT ROD LNG PWR-ANG ADJ	2
26	202116	5/16-18 NYLOCK NUT THIN BLK	2
27	483113	FOOTREST MOUNT LOWER S626	2
28	226217	5/16-18 x 2" BH C/S BLK	2
29	550874	ELR EXT ROD SHT PWR-MULTI POS	2
29A	550875	ELR EXT ROD LNG PWR-MULTI POS	2
30	750192, 750193	LEGREST ARM COVER (EA)	1
31	226060	1/4-20 x 3/8 BH C/S W/PATCH	2
32	889030	LEGREST PULL PIN ASSM	2
33	226289	5/16-18 x 2 BH C/S BLK	2
34	505831	SPACER CAM	2
35	500526	BLOCK LOCATOR HNGR PWR	2
36	561016	1" WASHER 5/16" HOLE	2
11-13	887970, 887971	LEVER RELEASE HANGER ASSM (EA)	
6,33-36	920053	HANGER LOCATOR ASSM W/HWDR	
1-13,18	887984, 887985	HANGER POWER ELR UPGRD (EA)	
1-24, 30-32	641532, 641533	HANGER POWER ELR SS (EA)	
1-13,18, 33-36	884104, 884105	HANGER POWER ELR UPGRADE (EA)	
26-29	921954	ELR PWR EXT ROD SHT ASSM M/POS	
26-28,29A	921955	ELR PWR EXT ROD LNG ASSM M/POS	
1-13,18, 33-36	924056	HANGER POWER ELR UPGRADE (PR)	

ARTICULATING LEGREST (ELECTRONICALLY ACTUATED) (QUICKIE SMART SEAT)

(Discontinued 4/21/03 - parts only; fits Smart Seat prior to S64-034729)



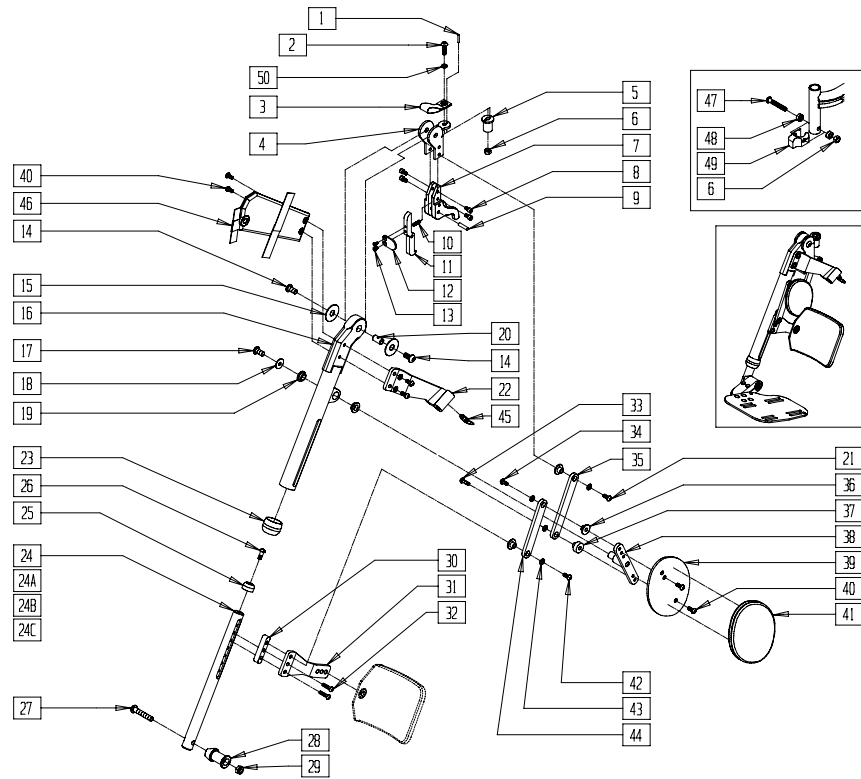
QTR0X13C

ITEM	NUMBER	DESCRIPTION	QTY
1	330152	1/8 x 3/4 ARMREST SPRING PIN	1
2	226219	5/16-18 x 1 BH C/S BLK	1
3	545563, 545564	LEGREST SUPPORT WLDMNT (EA)	1
4	201105	1/4-20 NYLOCK NUT THIN	1
5	481468	PIVOT PLUG	1
6	202116	5/16-18 NYLOCK NUT THIN BLK	1
7	226057	10/24 x .725 BTTN HD SOC BZ	3
8	506316, 506317	S/A LATCH LEVER T/R (EA)	1
9	321136, 321137	S/A SPRING (EA)	1
10	483283, 483284	S/A LATCH BLOCK ALUMINUM (EA)	1
12	226271	3/8-16 x 1/2 BH CS BLK ZN	2
13	261537	FOOTREST WASHER	2
14	542510, 542511	FTRST RAIL FRT UPPER WLDMT (EA)	1
15	226069-QU	1/4-20 x 1/2 BH C/S BLK	1
16	261209	1/4 x 7/8 OD FENDER WASHER ZNC	1
17	349596	BEARING IGUS 1/2 x 5/8 x 1/4	2
18	481469	LEGREST BOSS	1
19	226332	1/4-20 x 7/8 BH C/S BLK W/PATCH	2
20	541047, 541048	LEGREST ARM WELDMENT (EA)	1
21	560792	END CAP FOOTREST RAIL S626	1
22	550870	ALR EXT ROD SHT PWR-MULTI POS	1
22A	550871	ALR EXT ROD LNG PWR-MULTI POS	1
22B	550872	ALR EXT ROD SHT PWR-ANG ADJ	1
22C	550873	ALR EXT ROD LNG PWR-ANG ADJ	1
23	562773	END CAP INNER	1

ITEM	NUMBER	DESCRIPTION	QTY
24	226091	1/4-20 x 5/8 BH C/S	1
25	226217	5/16-18 x 2" BH C/S BLK	1
26	483113	FOOTREST MOUNT LOWER S626	1
27	202117	5/16-18 NYLOCK NUT THICK BLK	1
28	562772	FOOTREST SLIDE SPACE	1
29	550081	CALF PAD MOUNT	1
30	226062	1/4-20 x 1-1/4 BH C/S W/PATCH	2
31	226332	1/4-20 x 7/8 BH C/S BLK W/PATCH	2
32	226333	1/4-20 x 5/8 BH C/S BLK W/PATCH	1
33	505616	FOOTREST PULL LINK	1
34	481278	FOOTREST LINK BUSHING	3
35	481547	FOOTREST LINK BUSHING LONG	1
36	541017	FOOTREST MID LINK WLDMT	1
37	502272	LEGREST KNEE PAD PLATE	1
38	226060	1/4-20 x 3/8 BH C/S W/PATCH	4
39	680075	COVER LEGREST PINCH POINT	1
40	226319	1/4-20 x 1-5/8 BHCS BLK W/PATCH	1
41	262100-QU	1/4 AN WASHER FLAT	6
42	505595	FOOTREST LONG LINK	1
43	889030	LEGREST PULL PIN ASSM	1
44	750192, 750193	LEGREST ARM COVER (EA)	1
7-10	885054, 885055	S/A LATCH KIT POWER ALR (EA)	
1-21,31-43	641520, 641521	HANGER POWER ALR (EA)	
22-30	921950	ALR PWR EXT ROD SHT ASSM M/POS	
22A,23-30	921951	ALR PWR EXT ROD LNG ASSM M/POS	
22B,23-30	921952	ALR PWR EXT ROD SHT ASSM ANGLE	
22C,23-30	921953	ALR PWR EXT ROD LNG ASSM ANGLE	

ARTICULATING LEGREST (ELECTRONICALLY ACTUATED) (QUICKIE SMART SEAT)

(Effective 4/21/03 - beginning S64-034729)

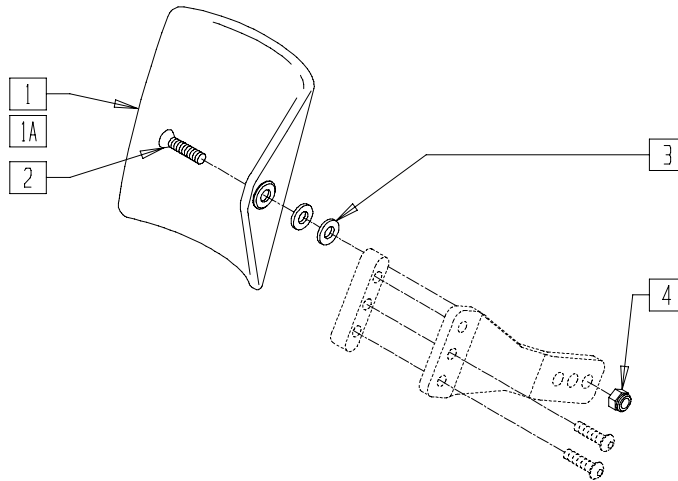


QTR0X13B

ITEM	NUMBER	DESCRIPTION	QTY
1	330152	1/8 x 3/4 ARMREST SPRING PIN	2
2	226176	5/16-18 x 1 1/2 BH C/S BLK	2
3	695040	DS LIFT LANYARD	2
4	505983	BRKT HANGER POWER QR	2
5	481468	PIVOT PLUG	2
6	202116	5/16-18 NYLOCK NUT THIN BLK	2
7	505990	BLOCK, CAPTURE, HNGR, PWR	2
8	226339	1/4-20 x 7/16 SHCS BLK W/PATCH	8
9	341200	1/4 x 1 ROLL PIN	2
10	321787	SPRING COMP RELEASE LEVER	2
11	505918	LEVER RELEASE HANGER POWER	2
12	505994	PADDLE RELEASE HANGER POWER	2
13	226006	8-32 x 3/8 FH C/S BLK	4
14	226271	3/8-16 x 1/2 BH C/S BLK ZN	2
15	261537	FOOTREST WASHER	2
16	542510, 542511	FTRST RAIL FRT UPPER WLDMT (EA)	1
17	226069-QU	1/4-20 x 1/2 BH C/S BLK	2
18	261209	1/4 x 7/8 OD FENDER WASHER ZNC	2
19	349596	BEARING IGUS 1/2 x 5/8 x 1/4	2
20	481469	LEGREST BOSS	2
21	226078	1/4-20 x 3/4 BH C/S W/PATCH BLK	2
22	541047, 541048	LEGREST ARM WELDMENT (EA)	1
23	560792	END CAP FOOTREST RAIL S626	2
24	550870	ALR EXT ROD SHT PWR-MULTI POS	2
24A	550871	ALR EXT ROD LNG PWR-MULTI POS	2
24B	550872	ALR EXT ROD SHT PWR-ANG ADJ	2
24C	550873	ALR EXT ROD LNG PWR-ANG ADJ	2
25	562773	END CAP INNER	2
26	226091	1/4-20 x 5/8 BH C/S	2
27	226217	5/16-18 x 2" BH C/S BLK	2
28	483113	FOOTREST MOUNT LOWER S626	2

ITEM	NUMBER	DESCRIPTION	QTY
29	202117	5/16-18 NYLOCK NUT THICK BLK	2
30	562772	FOOTREST SLIDE SPACE	2
31	550081	CALF PAD MOUNT	2
32	226062	1/4-20 x 1-1/4 BH C/S W/PATCH	2
33	226332	1/4-20 x 7/8 BH C/S BLK W/PATCH	2
34	226333	1/4-20 x 5/8 BH C/S BLK W/PATCH	2
35	505616	FOOTREST PULL LINK	2
36	481278	FOOTREST LINK BUSHING	3
37	481547	FOOTREST LINK BUSHING LONG	2
38	541017	FOOTREST MID LINK WLDMT	2
39	502272	LEGREST KNEE PAD PLATE	2
40	226060	1/4-20 x 3/8 BH C/S W/PATCH	4
41	680075	COVER LEGREST PINCH POINT	2
42	226319	1/4-20 x 1-5/8 BHCS BLK W/PATCH	2
43	262100-QU	1/4 AN WASHER FLAT	6
44	505595	FOOTREST LONG LINK	2
45	889030	LEGREST PULL PIN ASSM	2
46	750192, 750193	LEGREST ARM COVER (EA)	1
47	226289	5/16-18 x 2 BH C/S BLK	2
48	505831	SPACER CAM	2
49	500526	BLOCK LOCATOR HANGER PWR	2
50	561016	1" WASHER 5/16" HOLE	2
11-13	887970, 887971	LEVER RELEASE HANGER ASSM (EA)	
1-23, 33-46	641530, 641531	HANGER POWER ALR SS (EA)	
24-32	921950	ALR PWR EXT ROD SHT ASSM M/POS	
24A,25-32	921951	ALR PWR EXT ROD LNG ASSM M/POS	
24B,25-32	921952	ALR PWR EXT ROD SHT ASSM ANGLE	
24C,25-32	921953	ALR PWR EXT ROD LNG ASSM ANGLE	
1-13,20, 47-49	924057	HANGER POWER ALR UPGRADE	

ELR/ALR CALF PAD (QUICKIE SMART SEAT) (TO BE USED WITH ELECTRONICALLY ACTUATED LEGRESTS)

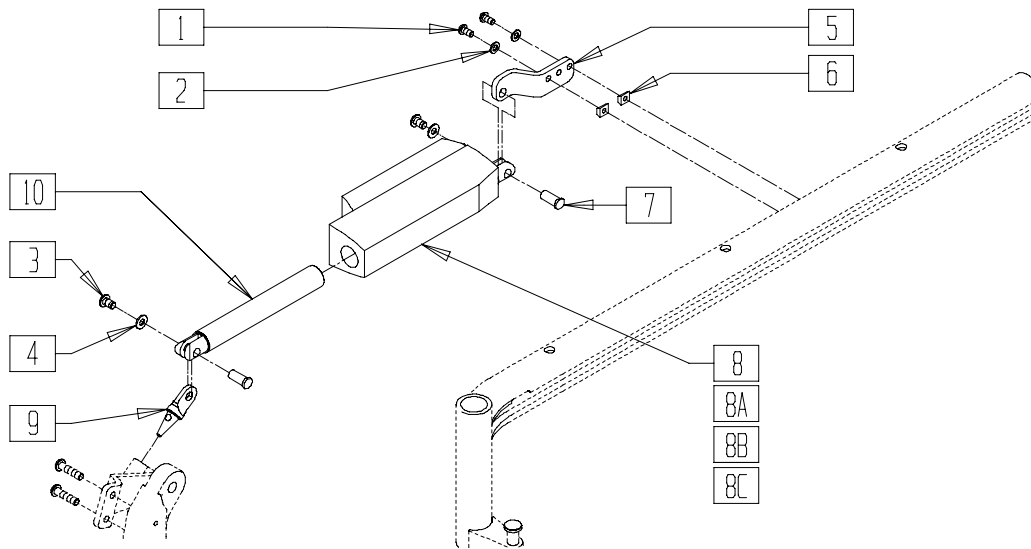


QTR0X30A

ITEM	NUMBER	DESCRIPTION	QTY
1	755014	CALF PAD TROUGH STYLE 14/16"	1
1A	755012	CALF PAD TROUGH STYLE 17-20"	1
2	226248	5/16-18 x 1 1/4" FH C/S BLK	1
3	561016	1" WASHER 5/16" HOLE	2

ITEM	NUMBER	DESCRIPTION	QTY
4	202116	5/16-18 NYLOCK NUT THIN BLK	1
1-4	882015	ALR CALF PD ASSM TLT/RCLN 16"	
1A,2-4	882016	ALR CALF PD ASSM TLT/RCLN 18"	

LEGREST ACTUATOR (QUICKIE SMART SEAT)

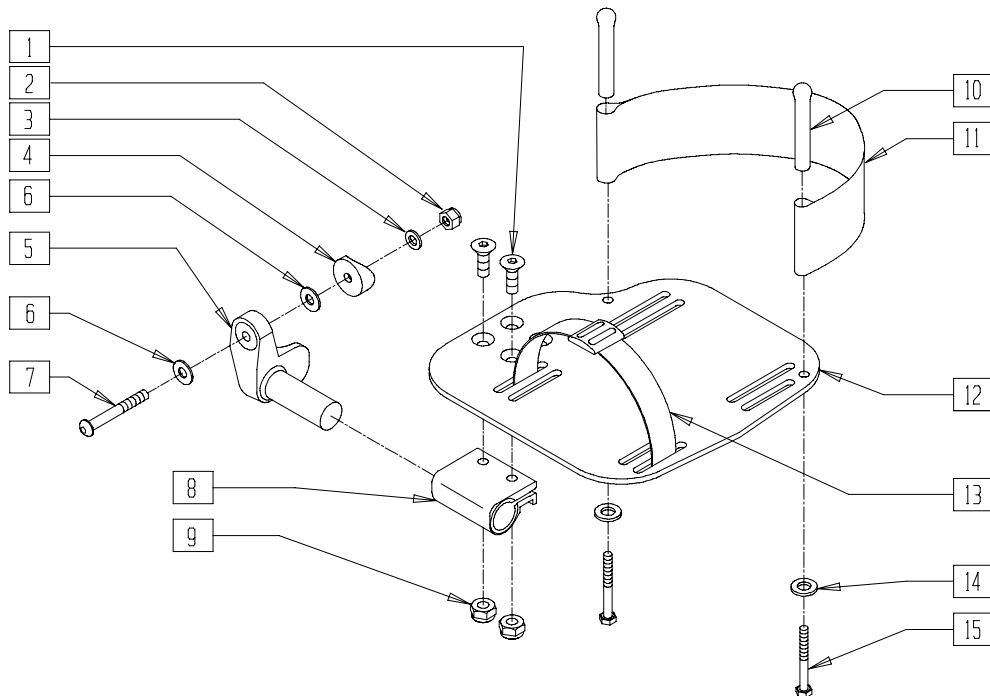


QTR0X07

ITEM	NUMBER	DESCRIPTION	QTY
1	221091	1/4-28 x 1/2 BH C/S BLK W/PTCH	2
2	262100-QU	1/4 AN WASHER FLAT	2
3	226236	5/16-18 x 1/2 B/H C/S BLK	2
4	263100	5/16 AN WASHER FLAT	2
5	542550	REAR ACT MOUNT W/LDMNT	1
6	481106-QU	1/4-28 CHANNEL NUT	2
7	505615	ACT LINK PIN	2
8	138620	ACT LINAK LA-12 0 DEG CLEVIS (16"/17" W LONG SEAT FRAME)	1
8A	138530	ACT LINAK LA-12 25 DEG CLEVIS (18" W LONG SEAT FRAME, RIGHT SIDE)	1
8B	138531	ACT LINAK LA-12 15 DEG CLEVIS (18" W LONG SEAT FRAME, LEFT SIDE)	1
8C	138447	ACT LINAK LA12 (16"-24" WIDE STANDARD SEAT FRAME, 19"-24" WIDE LONG SEAT FRAME)	1
9	505618	PUSH ARM PIN	1

ITEM	NUMBER	DESCRIPTION	QTY
10	526406	LA12 TUBE ALUMINUM	1
1-10	882610, 882611	ACT ASSM PWR ALR VERTICAL (EA) (16"/17" W LONG SEAT FRAME)	
	921891	ACT ASSM PWR ALR VERTICAL (PR) (16"/17" W LONG SEAT FRAME)	
1-7,8A 9,10	882612	ACT ASSM PWR ALR ANGLE R (18" W LONG SEAT FRAME, RIGHT SIDE)	
1-7,8B, 9,10	882613	ACT ASSM PWR ALR ANGLE L (18" W LONG SEAT FRAME, LEFT SIDE)	
1-7,8A, 8B,9,10	921892	ACT ASSM PWR ALR ANGLE (PR) (18" W LONG SEAT FRAME)	
1-7,8C, 9,10	882002, 882003	ACT ASSM POWER ALR HRZNTL (EA) (16"-24" WIDE STANDARD SEAT FRAME, 19"-24" WIDE LONG SEAT FRAME)	
	921890	ACT ASSM POWER ALR HRZNTL (PR) (16"-24" WIDE STANDARD SEAT FRAME, 19"-24" WIDE LONG SEAT FRAME)	

ADULT ANGLE ADJUSTABLE (FLIP-UP) FOOTPLATE (QUICKIE SMART SEAT)



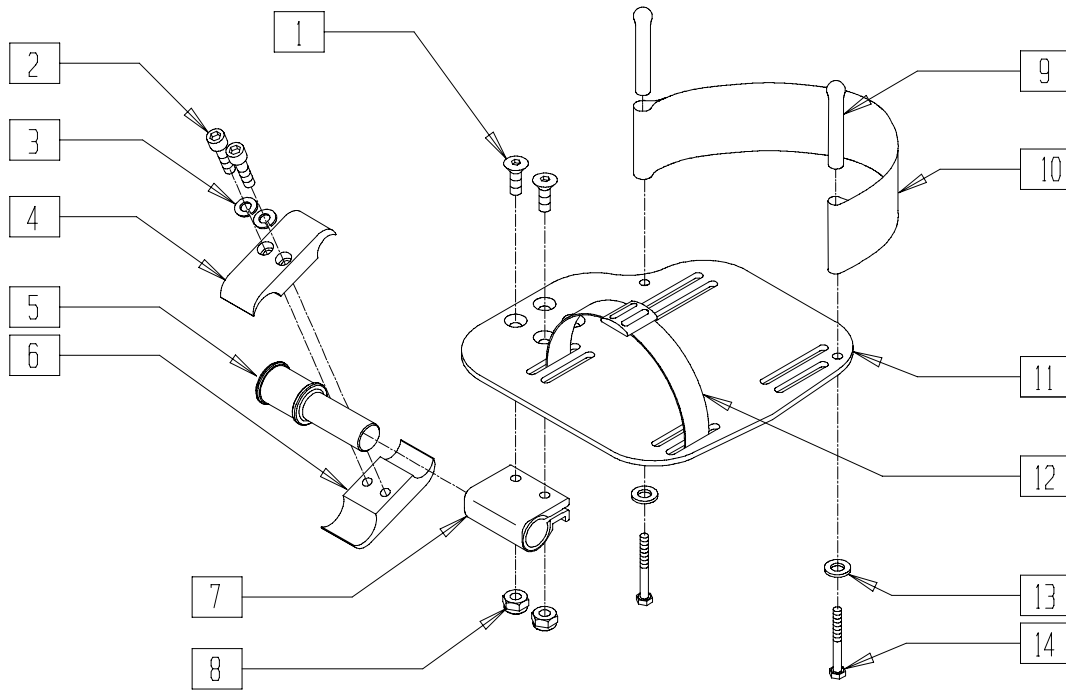
QTR0X16

ITEM	NUMBER	DESCRIPTION	QTY
1	226099	1/4-28 x 7/8 FH C/S	2
2	201120	1/4-28 AUTOMATION NUT	1
3	262110-QU	1/4 AN WASHER FLAT THIN	1
4	561055	3/4" SADDLE 1" OD	1
5	541002, 541003	FTRST MOUNTING BRKT 3/8 RAD (EA)	1
6	262120	1/4" SAE WASHER	2
7	227140	1/4-28 x 1 3/4 BH C/S BLK ZN	1
8	550350	3/4" CLMP ADJ FT PLT	1
9	201100-QU	1/4-28 NYLOCK NUT THIN	2
10	561040	HEEL LOOP PEG	2
11	741153	H/L 18-20 CMPST/14-15 ANG ADJ	1
	741252	HEEL LOOP ADLT ADJ F/PLT 16-17	
	741253	HEEL LOOP ADLT ADJ F/PLT 18-20	

NOTE- ITEMS 4,6, AND 7 ONLY INCLUDED WHEN ORDERING THE EXTENSION TUBE ASSEMBLY

ITEM	NUMBER	DESCRIPTION	QTY
12	500660- 500665	ADLT ANGL ADJ FT/PLT (14" -20") (EA)	1
13	740260	TOE/ANKLE STRAP ADJ ADLT F/PLT	1
14	262110-QU	1/4 AN WASHER FLAT THIN	2
15	221110	1/4-20 x 1 HEX C/S	2
1,8,9,12	820040- 820045	FOOTPLATE ADLT ADJ SUB-ASSM (14" -20") (EA)	
1-3,5,6, 8,9,12	820460- 820470	FOOTPLATE ADLT ADJ (14" - 20") (EA)	
1-3,5,6, 8-12,15	820461- 820471	FOOTPLATE ADLT ADJ HL (14" - 20") (EA)	
1-3,5,6, 8,9,12	921320- 921324	FOOTPLATE ADLT ADJ (14" - 20") (PR)	
1-3,5,6, 8-12,15	921321- 921325	FOOTPLATE ADLT ADJ HL (14" - 20") (PR)	

ADULT ANGLE-ADJUSTABLE FOOTPLATE (QUICKIE SMART SEAT)

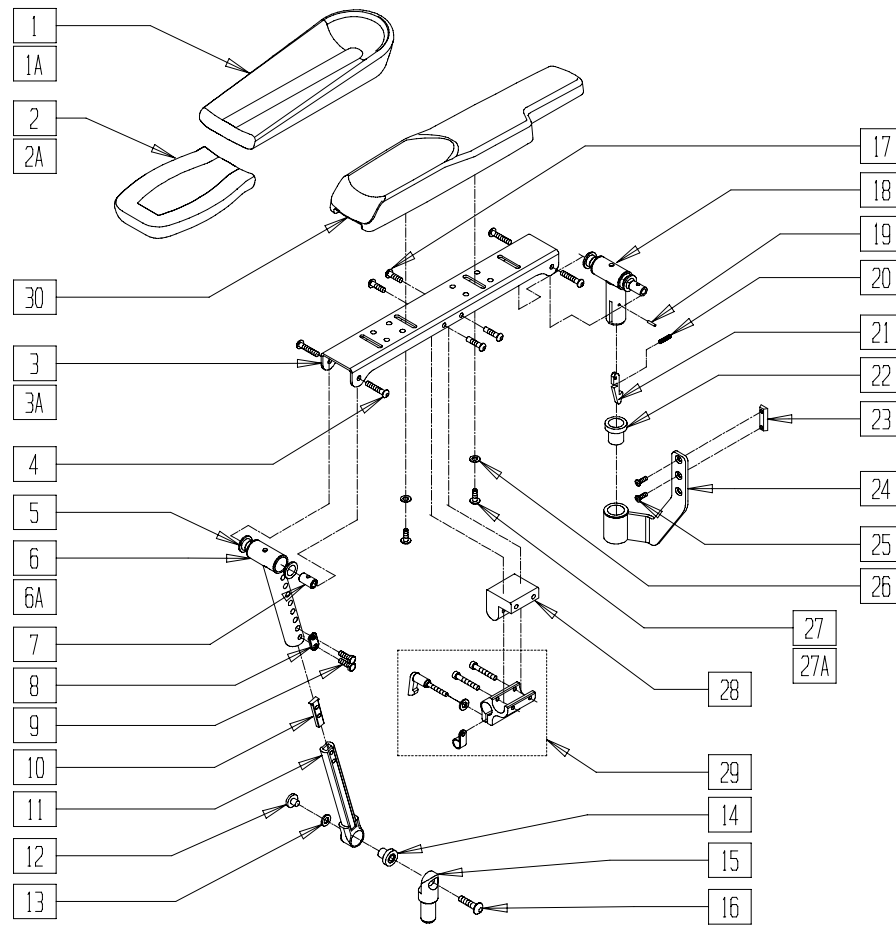


QTR0X06

ITEM	NUMBER	DESCRIPTION	QTY
1	226099	1/4-28 x 7/8 FH C/S	2
2	226112	1/4-28 x 1 SOC C/S BLK	2
3	262114	1/4 WASHER HI COLLAR LOCK ZN	2
4	550477	CLAMP 2 1/4 RECESS BLK	1
5	483279	FOOTPLATE PIVOT 1" CLAMP	1
6	550576	CLAMP 2 1/4 THREADED BLK	1
7	550350	3/4" CLAMP ADJ FOOTPLATE	1
8	201100-QU	1/4-28 NYLOCK NUT THIN	2
9	561040	HEEL LOOP PEG	2
10	741151	HEEL LOOP 14-15" CMPST	1
	741130	HEEL LOOP 14-15" MULTI PSTN	
	741131	HEEL LOOP 16-17" MULTI PSTN	
	741132	HEEL LOOP 18-20" MULTI PSTN	
	741170	HEEL LOOP P300	
11	500658,	ADLT ANGL ADJ F/PLT 12/13"	1
	500659	(EA)	
	500660,	ADLT ANGL ADJ F/PLT 14/15"	
	500661	(EA)	
	500662,	ADLT ANGL ADJ F/PLT 16/17"	
	500663,	(EA)	
500664,	ADLT ANGL ADJ F/PLT 18-20"		
500665	(EA)		

ITEM	NUMBER	DESCRIPTION	QTY
12	740260	TOE/ANKLE STRAP ADJ ADLT F/PLT	1
13	262110-QU	1/4 AN WASHER FLAT THIN	2
14	221110	1/4-20 x 1 HEX C/S	2
1,7,8,11	820067, 820068	FP ADLT ADJ SUB-ASSM 12/13" (EA)	
1,7,8,11	820040- 820045	FP ADLT ADJ SUB-ASSM (14" - 20") (EA)	
1-8,11	820560- 820567	MLT ADJ F/PLT STR (14" - 24") (EA)	
1-11, 13,14	820568- 820575	MLT ADJ F/PLT STR W/HL (14" - 24") (EA)	
1-8,11	820576- 820581	MLT ADJ F/PLT FLR (14" - 24") (EA)	
1-11, 13,14	820582- 820587	MLT ADJ F/PLT 18-24 L FLR W/HL (14" - 24") (EA)	
1-8,11	921560- 921563	MULTI ADJ F/PLT ASSM STR (14" - 24") (PR)	
1-11, 13,14	921564- 921567	MLT ADJ F/P ASM STR W/HL (14" - 24") (PR)	
1-8,11	921568- 921570	MULTI ADJ F/PLT ASSM FLR (14" - 24") (PR)	
1-11, 13,14	921571- 921573	MLT ADJ F/P ASM FLR W/HL (14" - 24") (PR)	

ARMREST- RECLINE (QUICKIE SMART SEAT)



QTR0X03

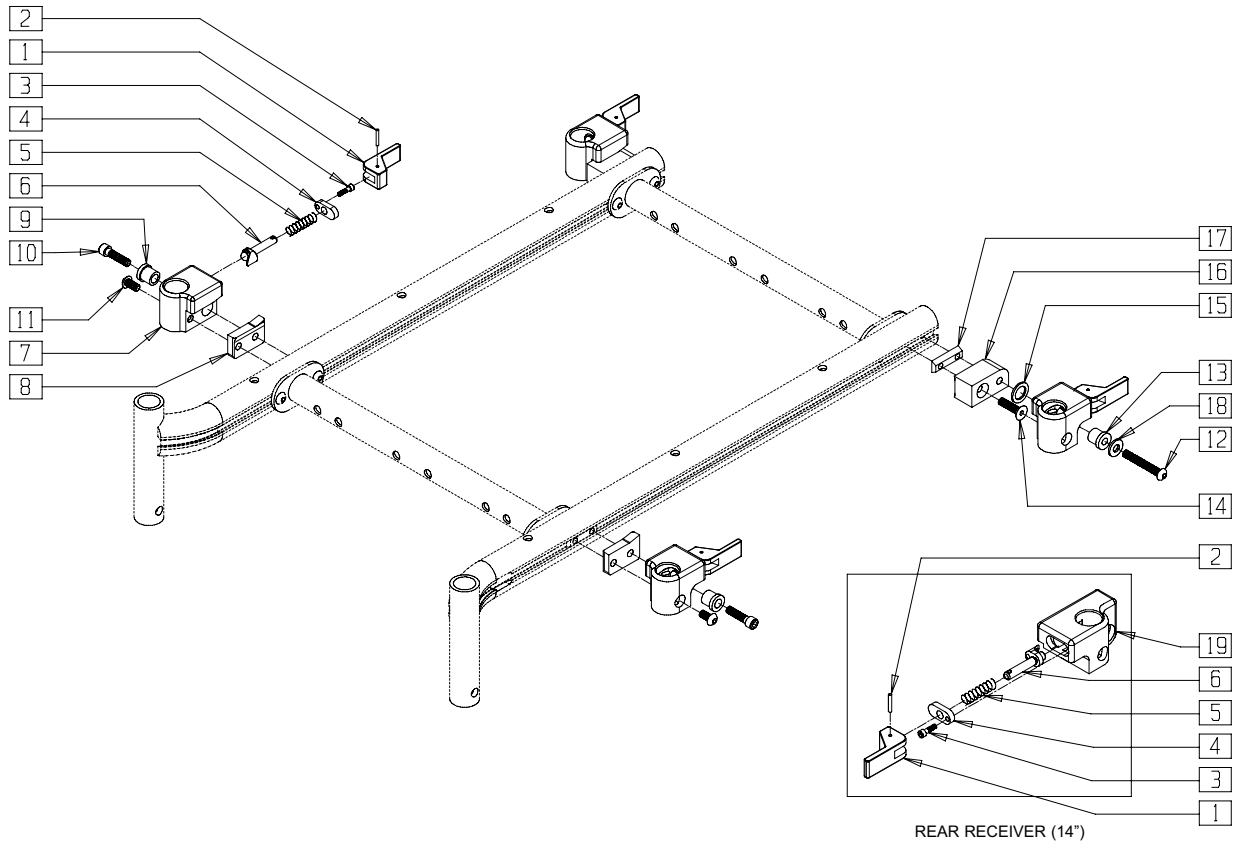
ITEM	NUMBER	DESCRIPTION	QTY
1	755024	ELBOW PAD TROUGH ARMREST 11.5"	1
1A	755027	ELBOW PAD TROUGH ARMREST 14"	1
2	755022	HAND PAD TROUGH ARMREST	1
2A	561325	FRONT ARM PAD LARGE	1
3	483249	ARMREST CHANNEL SHORT	1
3A	505624	ARMREST CHANNEL LONG	1
4	226245	1/4-20 x 3/8 BH CS BLK ZN	4
5	349598	BEARING IGUS 5/8 x 3/4 x 1/2	4
6	542096	FRNT MNT UPPER STRUT WLDMNT SHT	1
6A	542130	FRNT MNT UPPER STRT WLDMNT LNG	1
7	481457	UPPER PIVOT PIN	2
8	483717	HANGER SADDLE	1
9	221102	1/4-28 x 3/4 HEX C/S BLK W/PAT	2
10	500078	INSERT D2 EXT TUBE	1
11	542097	FRNT MNT LOWER STRUT WLDMNT	1
12	481467	LOWER ARMEST BOSS	1
13	341558	.5 x 1.0 x .043 BLLVILL WASHER	1
14	349597	BEARING IGUS 1/2 x 5/8 x 5/8	1
15	502248	FRONT ARMREST PIVOT POST	1
16	226274	3/8-16 x 3/4 BH C/S BLK W/PCH	1
17	222297	10-24 x 3/8 SOC BH C/S W/PCH	4
18	542094, 542095	REAR PIVOT POST WLDMNT (EA)	1
19	330152	1/8 x 3/4 ARMREST SPRING PIN	1
20	321175	ARMREST SPRING	1
21	505647	ARMREST LATCH	1
22	349599	BEARING IGUS 7/8 x 1.0 x 1-1/2	1

ITEM	NUMBER	DESCRIPTION	QTY
23	481108-QU	(04) 1/4-28 CHANNEL NUT-2 HOLE	1
24	542029	REAR ARMREST MOUNT WLDMNT	1
25	226109	1/4-28 x 3/8 F/H SOCKET C/S	2
26	261204	#10 AN WASHER .063	4
27	230495	M5-12 BUTTON HD C/S BLACK	2
27A*	230497	M5-.8 x 20mm BH C/S	4
28	551001	CONTROLER MOUNT BLOCK	1
29	920713	CONTROL ARM CLAMP ASSM	1
30	561186, 561187	ARM PAD PWR RCLN (EA)	
3-7,11, 13-18,20, 21,27,28	887750, 887751	TILT/RCLNE ARMST SHRT STD (EA)	
3A,4-7, 11,13-18, 20,21,27,28	887752, 887753	TILT/RCLNE ARMST LNG STD (EA)	
3-5,6A,7, 11,13-18, 20,21,27-29	887770, 887771	TILT/RCLN ARMST SHRT TALL (EA)	
3A,4,5,6A, 7,11,13-18, 20,21,27-29	887772, 887773	TILT/RCLN ARMST LNG TALL (EA)	
22-25	887238	TILT/RCLNE REAR ARM REC	
3-7,13-21, 27-29	921905 921907	TILT/RCLN ARM SHRT STD (PR) TILT/RCLN ARM SHRT TALL (PR)	
3A,4-7, 13-21,27-29	921906 921908	TILT/RCLNE ARM LNG STD (PR) TILT/RCLNE ARM LNG TALL (PR)	

* ITEM 27A USED WITH ITEM 30.

DUAL-POST HEIGHT-ADJUSTABLE ARMREST RECEIVER (QUICKIE S-626/SMART SEAT)

(Quickie S-626 transitioned into the Quickie S-646 beginning 7/26/02)



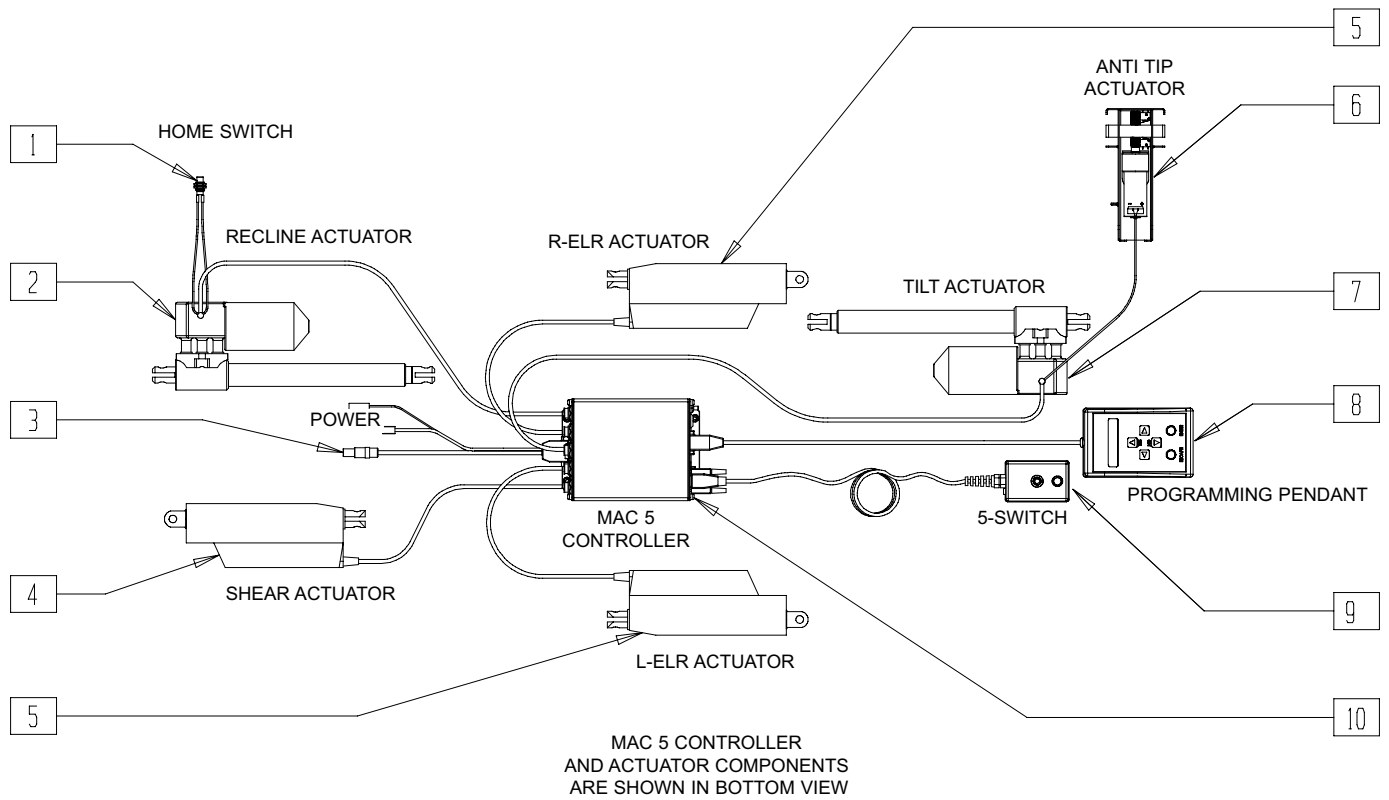
REAR RECEIVER (14")

S626X29C

ITEM	NUMBER	DESCRIPTION	QTY
1	561109	ARMREST LEVER FLIP-BACK HT ADJ	4
2	341088	3/32 x 5/8 ROLL PIN	4
3	220114-QU	6-32 x 1/2 SOC C/S	4
4	505672	RECEIVER PIN RETENTION PLATE	4
5	321010	COMPRESSION SPRING	4
6	540216	RELEASE PIN ASSEMBLY	4
7	550805, 550806	D-PST ARM REC FLIP BCK (EA)	2
8	581255, 581256	REC ADAPTER PLATE OVAL (EA)	1
9	340137	REC LOCK DOWN COLLAR .257	2
10	226298	1/4-28 x 1 SOC C/S BLK W/PATCH	2
11	226313	1/4-28 x .63 BH C/S W/PATCH	2
12	221014	1/4-28 x 1.63 SHCS BLK W/PL	2
13	481159	BUSHING STEEL .257 ID	2
14	226314	1/4-28 x 1 FH C/S W/PATCH	2

ITEM	NUMBER	DESCRIPTION	QTY
15	561273	1/2 x 3/4 x .060 NYLON WASHER	2
16	550782, 550783	REC BRKT S626 (EA)	1
17	481418	1/4-28 CHANNEL NUT .80" SP	4
18	262100-QU	1/4 AN WASHER FLAT	2
19	550808, 550809	D-PST ARM REC FWD PIN (EA)	1
1-7	882470, 882471	D-POST FLP REC ASSM (EA)	
1-7, 12-18	881476, 881477	D-POST REAR REC W/HDWR S626 (EA)	
1-11,17	888245, 888246	D-PST REC FRNT W/HDWR S626 (EA)	
1-6,19	882476, 882477	D-POST REAR REC ASSM (14" WIDE) (EA)	

WIRING DIAGRAM (QUICKIE SMART SEAT)

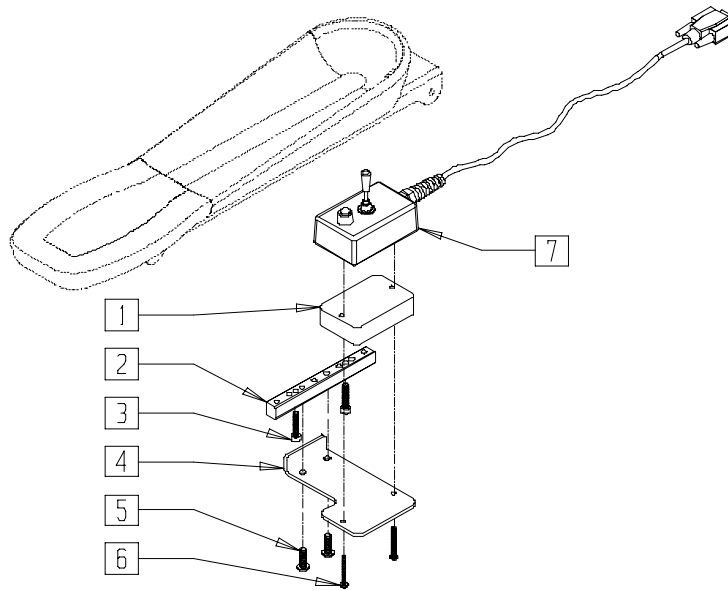


QTR0X21

ITEM	NUMBER	DESCRIPTION	QTY
1	139222	HOME SWITCH	1
2	138446	ACT LINAK LA-30-150 W/REED SWC	1
3	139454	POWER HARNESS	1
4	138448	ACTUATOR LINAK LA-12 20" CABLE	1
5	138447	ACT LINAK LA-12	2

ITEM	NUMBER	DESCRIPTION	QTY
6	882019	LOCK OUT MECH TILT/RECLINE 626	1
7	138445	ACT LINAK LA-30-175 W/REED SWC	1
8	138032	PROGRAMMING PENDANT	1
9	139221	MULTI SWITCH CONTROLLER	1
10	138017	MAC 5 CONTROLLER BOX	1

5-SWITCH MOUNT - TROUGH ARMREST (QUICKIE SMART SEAT)

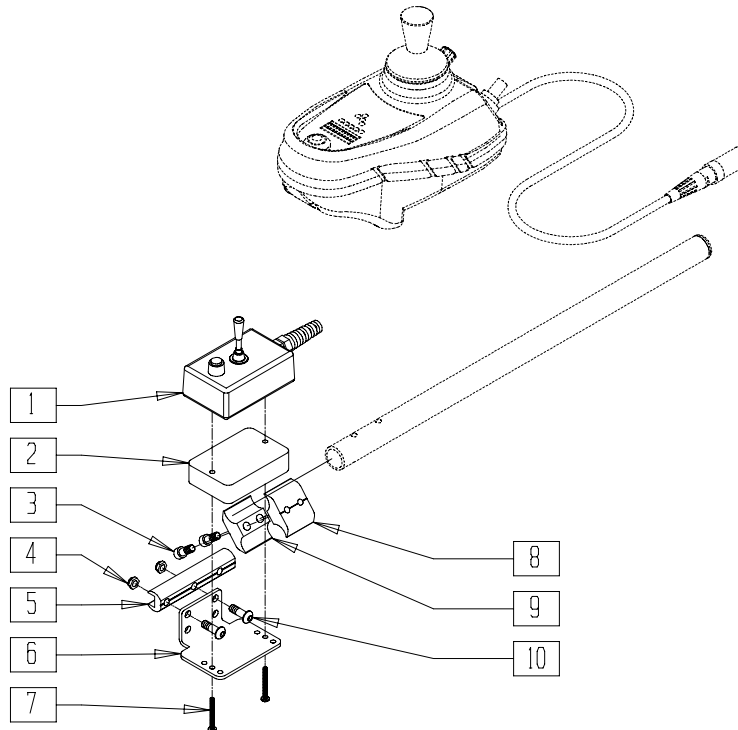


QTR0X32A

ITEM	NUMBER	DESCRIPTION	QTY
1	505789	5 SWITCH MOUNT SPACER	1
2	505989	5 SWITCH MOUNT BLOCK	1
3	234811	M5-8 SH CS	2
4	505790	5 SWITCH MOUNT BRACKET	1

ITEM	NUMBER	DESCRIPTION	QTY
5	226064	1/4-28 x 3/4 BH C/S BLK W/PTCH	2
6	281070	6-32 x 1 1/4 PAN PHIL	2
7	139221	MULTI SWITCH CONTROLLER	1
1-7	887996	5 SWTCH MOUNT ASSM RCL AMRESTS	

5-SWITCH MOUNT - STANDARD ARMREST (QUICKIE SMART SEAT)

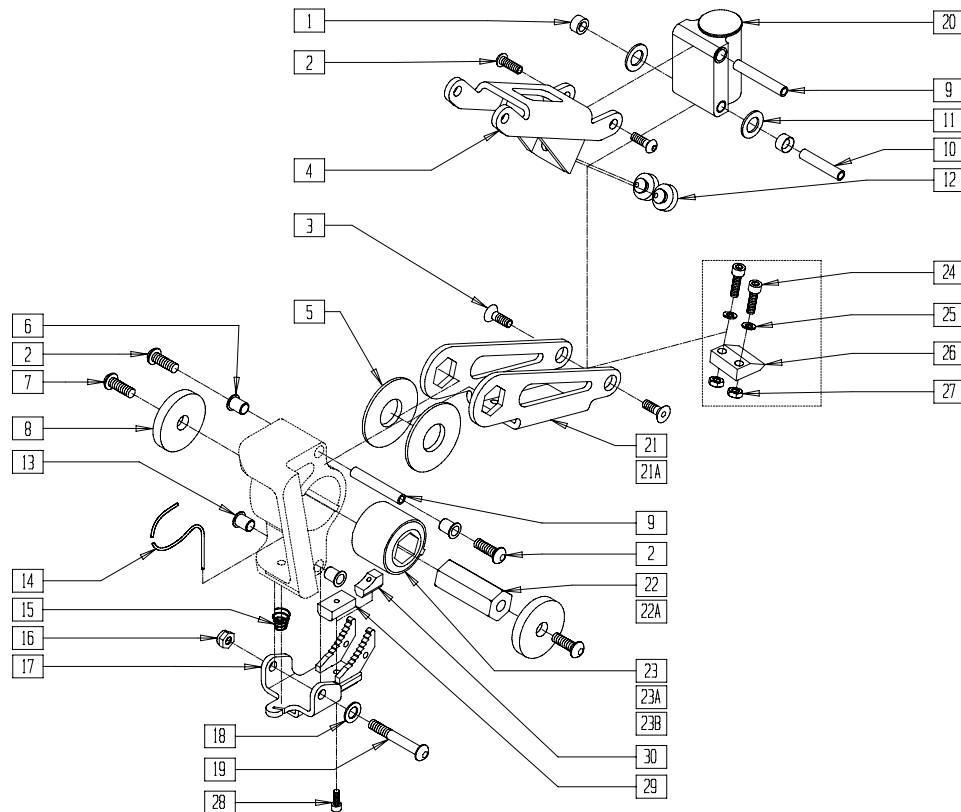


QTR0X31A

ITEM	NUMBER	DESCRIPTION	QTY
1	139221	MULTI SWITCH CONTROLLER	1
2	505789	5 SWITCH MOUNT SPACER	1
3	226112	1/4-28 x 1 SOC C/S BLK	2
4	201100-QU	1/4-28 NYLOCK NUT THIN	2
5	550374	WHL LCK SLIDE BLOCK 3 1/2" BLK	1
6	505978	5 SWITCH DUAL POST MOUNT BRCKT	1

ITEM	NUMBER	DESCRIPTION	QTY
7	281070	6-32 x 1 1/4 PAN PHIL	2
8	550725	CLAMP 3/4"-3/4"THRD HALF ST/DT	1
9	550724	CLAMP 3/4"-3/4"TOP HALF ST/DT	1
10	226064	1/4-28 x 3/4 BH C/S BLK W/PTCH	2
1-10	887995	5 SWTCH MOUNT ASSM STD AMRESTS	

ANTI-TIP (QUICKIE SMART SEAT)



QTR0X18

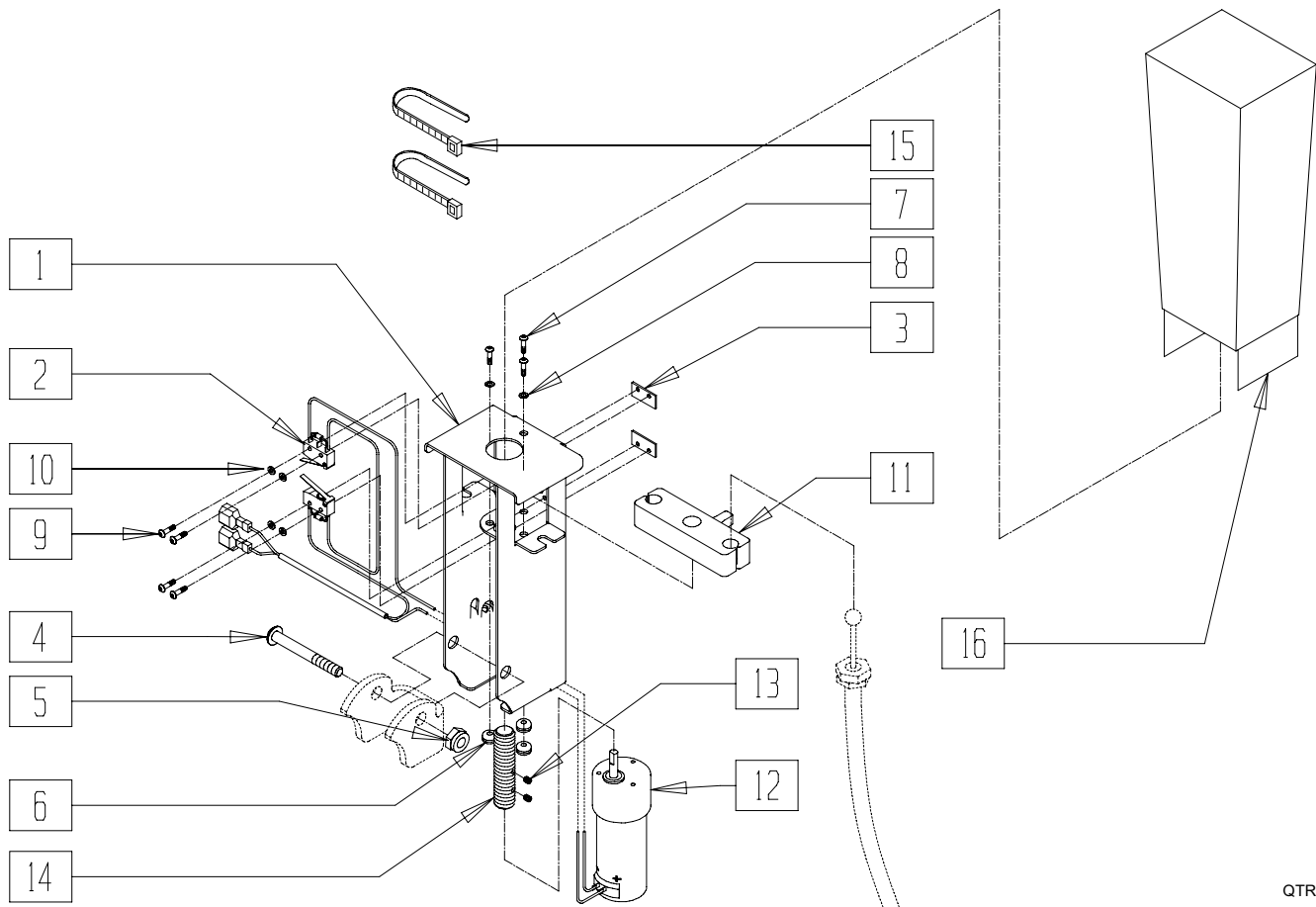
ITEM	NUMBER	DESCRIPTION	QTY
1	349525	ANTI TIP LOWER LINK BEARING	2
2	221091	1/4-28 x 1/2 BH C/S BLK W/PTCH	4
3	222295	1/4-28 x .63 FH C/S W/PATCH	2
5	261527	ANTI TIP HEX THRUST WASHER	2
	261533	ANTI TIP HEX THRUST WSHR LITE (1/2")	
6	340172	BUSHING IGUS	2
7	226078	1/4-20 x 3/4 BH C/S W/PATCH BLK	2
8	261207	1/4 x 1 1/2 FENDER WASHER	2
9	526098	ANTI TIP PIVOT BAR LONG	2
10	526068	ANTI TIP PIVOT BAR	1
11	261529	ANTI TIP THRUST WASHER	2
12	330130	SEAT MOUNT BUMPER	2
13	340172	BUSHING IGUS	2
14	342090	ANTI TIP ACTUATION CABLE	1
15	321733	.72 OD x .28 OD x 1 CC SPRG	1
16	202116	5/16-18 NYLOCK NUT THIN BLK	1
17	542566	ANTITIP LOCKOUT WELDMENT	1
18	263110-QU	5/16 AN WASHER FLAT THIN	1
19	226231	5/16-18 x 2 1/2 BH C/S BLK	1
20	920511*	ANTI TIP CSTR PLT LNG ASM S626	1
21	505586	ANTI TIP LOWER LINK LONG	1
21A	505599	ANTI TIP LOWER LINK 1/2" HEX	1
22	505514	ANTI TIP ELASTOMER HEX	1
22A	505663	ANTI TIP ELASTOMER HEX LIGHT (1/2")	1
23	321000	TORSILASTIC SPRING LIGHT	1
23A	321001	TORSILASTIC SPRING MEDIUM	1
23B	321003	TORSILASTIC SPRG LT SM HEX (1/2")	1
24	226107	1/4-28 x 7/8 SOC C/S	2
25	262100-QU	1/4 AN WASHER FLAT	2
26	554052	ANTI TIP KNIFE	1
27	201110-QU	1/4-28 NYLOCK NUT	4

ITEM	NUMBER	DESCRIPTION	QTY
28	455060-QU	10-24 x 1/2 ALLEN SOC HD SCW	1
29	505914**	ANTI TIP BLOCK	1
30	505919**	BLOCK, ANTI TIP, .62	1
4,12	881198	ANTI TIP UPPER LINK ASSM	
13-19	881677	ANTI-TIP LOCKOUT LATCH ASSM	
13-19,21A, 24-30	881678	ANTI TIP LCKOT LTCH SMRT ST LT	
13-19,21, 24-30	881679	ANTI TIP LCKOT LTCH SMRT ST HV	
1-12, 20,21A, 22A,23B	882090	ANTI TIP ASSM 175LB S626	
	882091	ANTI TIP ASSM 250LB S626	
1-12,20-23	882092	ANTI TIP ASSM 400LB S626	
1-12, 20,21A, 22A,23B	882093	ANTI TIP ASSM TILT 250LB S626	
	882094	ANTI TIP ASSM TILT 175LB S626	
1-22,23A	882095	ANTI TIP ASSM TILT 400LB S626	
1-19,20A	882096	ANTI TIP ASSM TLT W/VENT 175LB	
1-19,20A, 21,22,23A	882097	ANTI TIP ASSM TLT W/VENT 250LB	
	882098	ANTI TIP ASSM TLT W/VENT 400LB	
1-12,20A, 21-23	882110	ANTI TIP ASSM STD W/VENT 175LB	
1-12,20A, 21,22,23A	882111	ANTI TIP ASSM STD W/VENT 250LB	
	882112	ANTI TIP ASSM STD W/VENT 400LB	
1-20,21A, 22A,23B, 24-29	882930	ANTI TIP ASSM SMRT 175LB S646	
	882931	ANTI TIP ASSM SMRT 250LB S646	
1-22,23A, 24-29	882932	ANTI TIP ASSM SMRT W/VNT 175LB	
	882933	ANTI TIP ASSM SMRT W/VNT 250LB	

* FOR CASTER PLATE ASSEMBLY COMPONENTS, PLEASE SEE ANTI-TIP CASTER ASSEMBLY (QUICKIE S-626) ON PAGE 2.8.

** ANTI-TIP BLOCK 505914 (ITEM 29) IS USED FOR FLAT SURFACE OPERATION. ANTI-TIP BLOCK 505919 (ITEM 30) IS USED FOR VARYING SURFACE OPERATION.

ANTI-TIP LOCK-OUT MECHANISM (QUICKIE SMART SEAT)

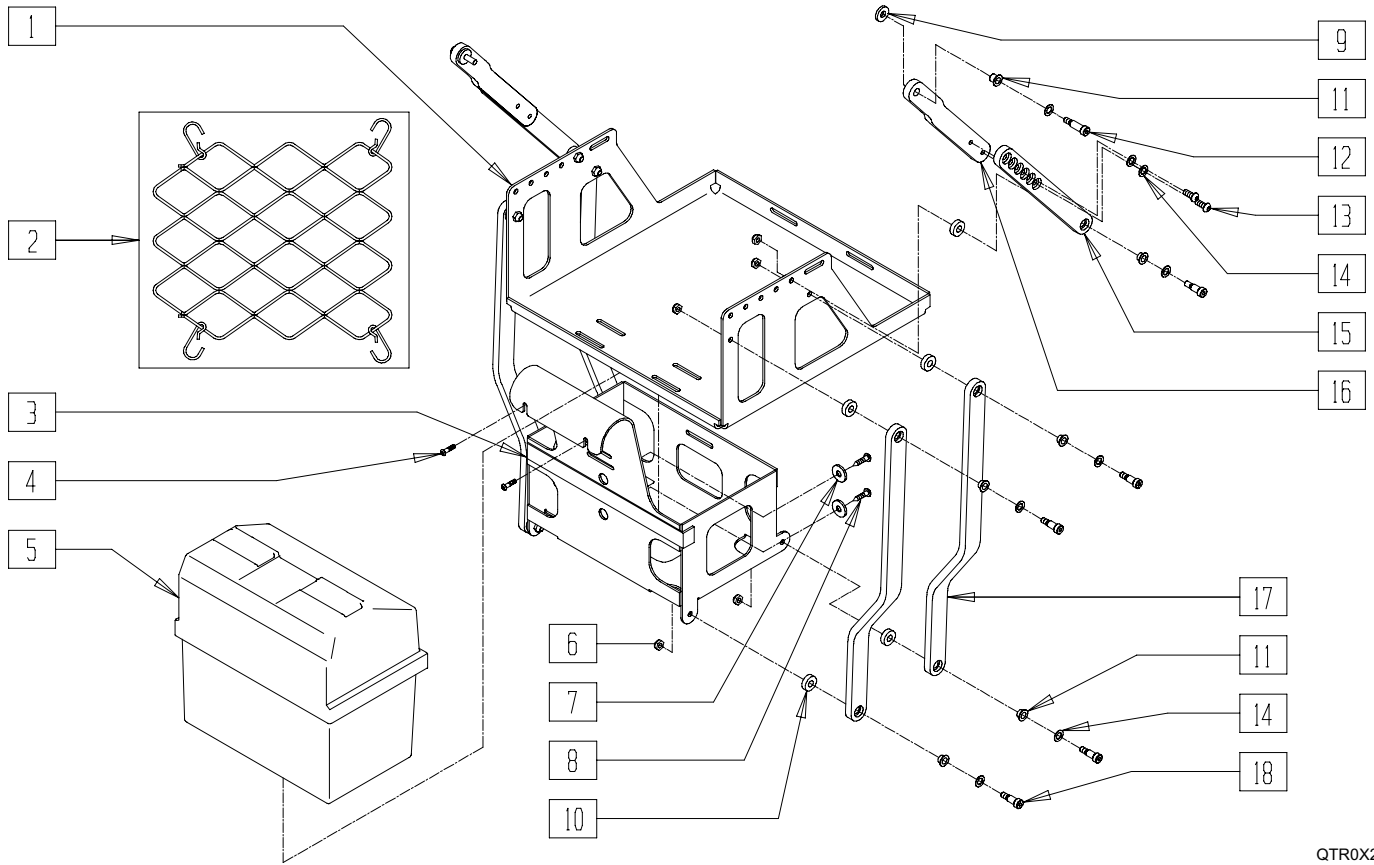


QTR0X17

ITEM	NUMBER	DESCRIPTION	QTY
1	505636	MOTOR ENCLOSURE	1
2	139455	TILT LIMIT SWITCH HARNESS S626	1
3	124500	TILT LIMIT SWITCH PLATE	2
4	226217	5/16-18 x 2" BH C/S BLK	1
5	202116	5/16-18 NYLOCK NUT THIN BLK	1
6	349585	GROMMET RUBBER 3/16 X 1/16	3
7	281036	4-40 x 3/8 PAN PHIL M/S BLK	3
8	200306	WASHER FLAT #4 .312 OD x .125 ID	3
9	281013	2-56 x 1/2 PAN PHIL M/S BLK	4

ITEM	NUMBER	DESCRIPTION	QTY
10	261536	#2 x 1/4 FLAT WASHER	4
11	342086	ACME DRIVE NUT	1
12	499514	PITTMAN MOTOR GM8724S016	1
13	225082	6-32 x 3/16 SET SCR BLK	2
14	342087	ACME DRIVE SCREW	1
15	560416	WIRE TIE T-35	2
16	755215	MOTOR ENCLOSURE COVER	1
1-16	882019	LOCK OUT MECH TILT/RECLINE 626	1

VENT TRAY ASSEMBLY - RECLINE BACK (QUICKIE SMART SEAT)



QTR0X22

ITEM	NUMBER	DESCRIPTION	QTY
1	502275	VENT TRAY S626	1
2	360000	VENT TRAY VENT BUNGIE S626	1
3	540217	VENT BATTERY CAGE W/LDMNT S626	1
4	227110	1/4-28 x 1 BH C/S BLK ZN	2
5	887711	BTRY BX BTM W/STRP(GP22)P120	1
	887712	BTRY BOX LID FRNT GRP22 P120	1
6	201105	1/4-20 NYLOCK NUT THIN	10
7	455037-QU	1/4 x 1 FLAT WASHER	2
8	222205	1/4-14 x 1/2 PAN HEAD TP SCREW	2
9	561059	3/4 O.D. x .318 I.D. WASHER	2

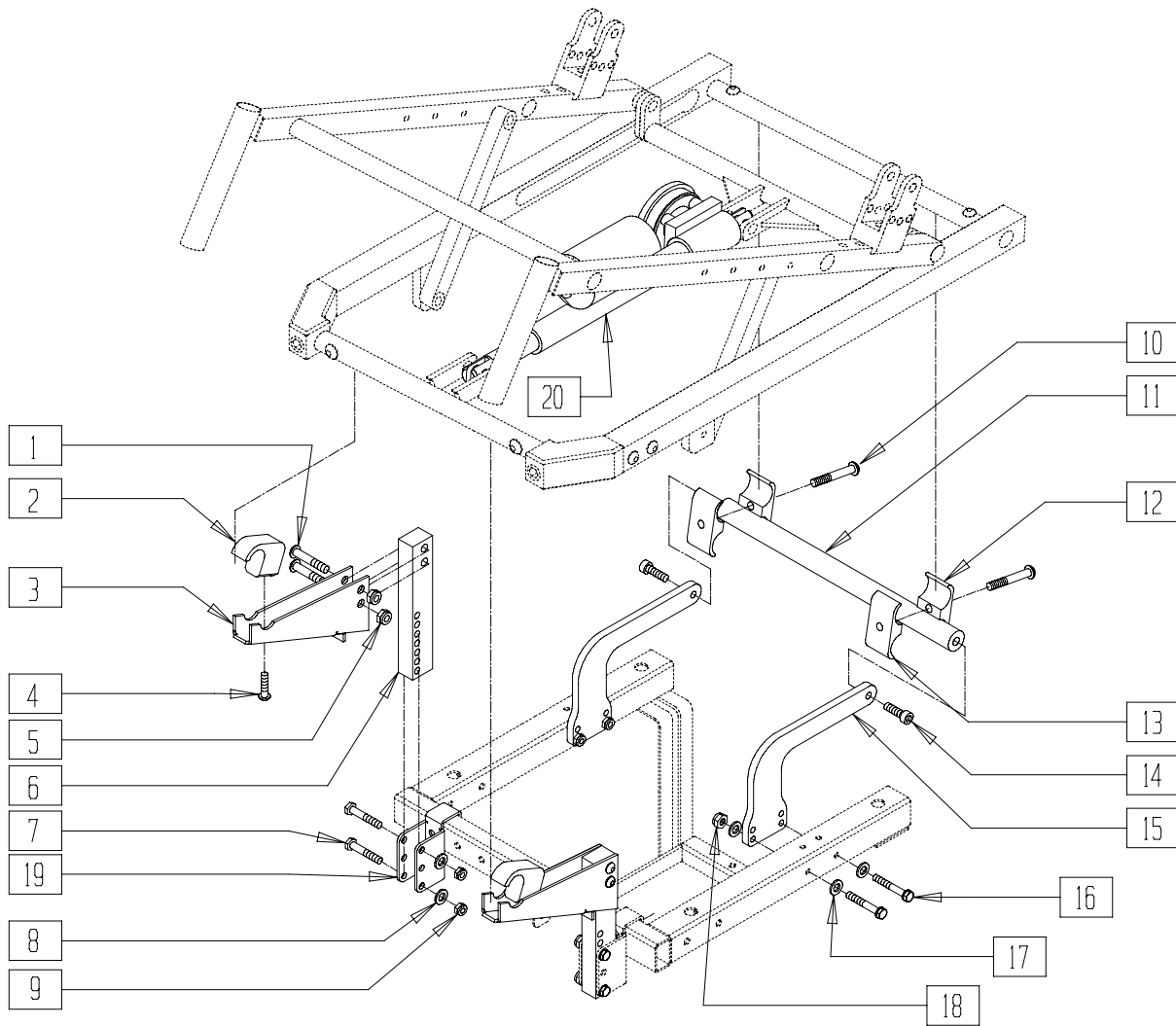
ITEM	NUMBER	DESCRIPTION	QTY
10	561112	3/4 OD x .318 ID x .25 NYLON	10
11	560249	5/16 ID x 1/4 IGLIDE BUSHING	12
12	223116	5/16 x .75 SH SHLDR BLT W/PTCH	2
13	226333	1/4-20 x 5/8 BH C/S BLK W/PTCH	4
14	263110-QU	5/16 AN WASHER FLAT THIN	16
15	500229	UPPER VENT TRAY LINK	2
16	502281	LINK VENT TRAY UPPER	2
17	502280	LINK VENT TRAY LOWER	4
18	223117	5/16 x .50 SH SHLDR BLT	10
1-18	885075	VENT TRAY ASSM TILT/RECLINE	

Power Seating Systems (Tiltmaster)

IN THIS SECTION

Mounting Hardware (Tiltmaster CG G-424 Tilt Interface)	20.1	80° Heavy Duty Footrest Hanger (Tiltmaster CG)	20.12
Mounting Hardware (Tiltmaster TK P320)	20.2	Power Chair Elevating Legrest (Tiltmaster CG) ...	20.13
Mounting Hardware (Tiltmaster TK Z500)	20.3	Plastic Side Guard (Tiltmaster CG)	20.14
Mounting Hardware (Tiltmaster TK QTS)	20.4	Seat Pan (Tiltmaster CG)	20.14
Mounting Hardware (Tiltmaster TK Storm) (Old Style)	20.5	Wiring Harness Assembly (Tiltmaster CG)	20.15
Battery, Tray, and Box (Tiltmaster TK QTS)	20.6	TM 34 Wiring Harness Assembly (Tiltmaster CG)	20.16
Frame (Tiltmaster CG)	20.7	Tiltmaster Mounting Assembly (Quickie P300)	20.17
Headrest (Tiltmaster CG) (Disc.)	20.8	Tiltmaster Mounting Assembly (Quickie P320)	20.17
Headrest (Tiltmaster CG)	20.8	Tiltmaster Mounting Assembly (Invacare Storm-Old)	20.18
Height-Adjustable Flip-back Armrest (Tiltmaster CG)	20.9	Tiltmaster Mounting Assembly (Invacare Storm-New)	20.18
Solid Back (Tiltmaster)	20.10	Tiltmaster Mounting Assembly (Pride Jazzy)	20.19
Dual-post Height-adjustable Armrest (Tiltmaster CG)	20.11	Vent Tray Assembly (Quickie Power Tilt)	20.20
Dual-post Armrest Receiver (Tiltmaster CG)	20.12		

MOUNTING HARDWARE (TILTMASTER CG G-424 TILT INTERFACE)

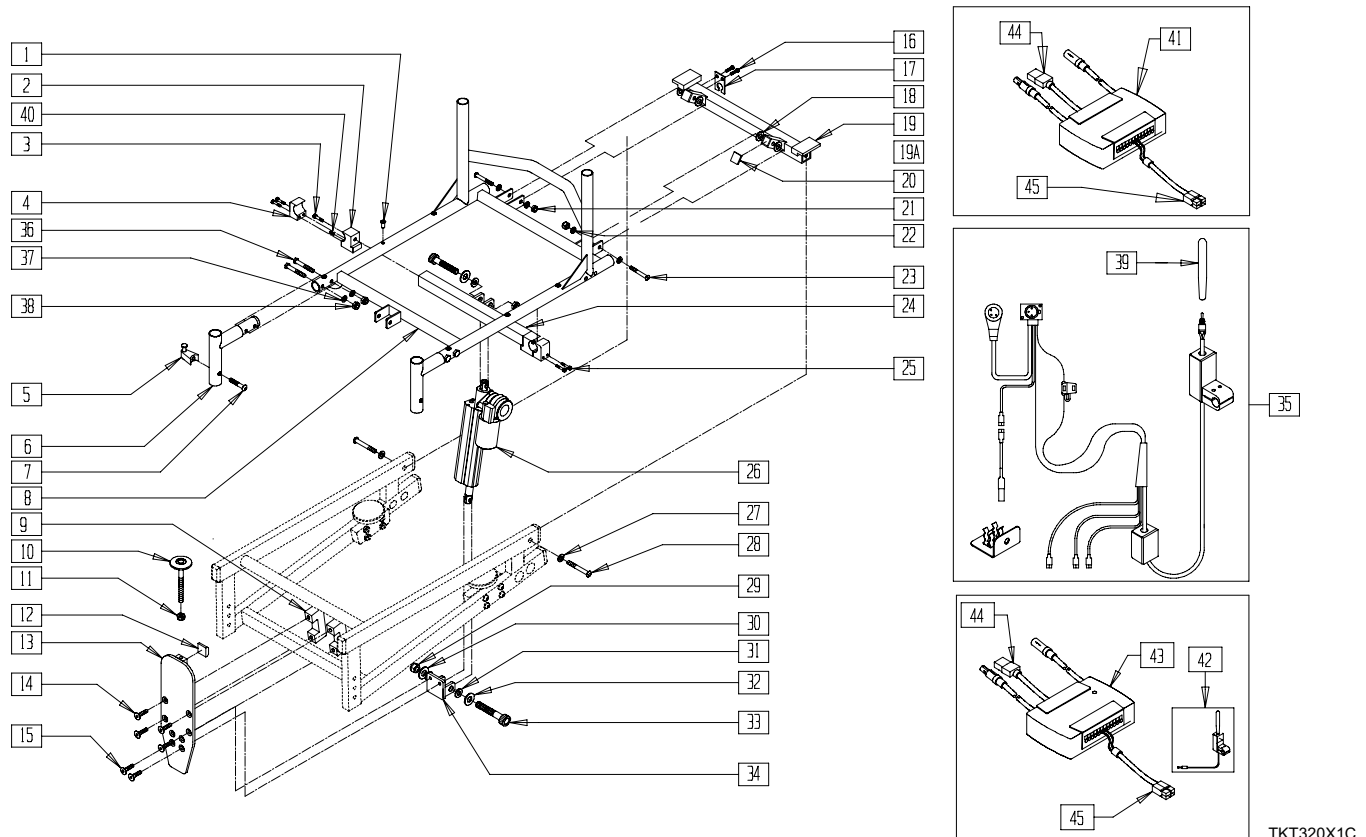


CG424X01A

ITEM	NUMBER	DESCRIPTION	QTY
1	226214	3/8-16 x 1 1/2" BH C/S BLK ZN	4
2	122088	FRONT CLAMP G424 TILT	2
3	505495	FRONT ARM G424 TILT	2
4	222230	5/16-18 x 3/4 HEX C/S G8	2
5	201234	3/8-16 NYLOCK NUT THIN	4
6	122085	FRONT POST G42 TILT	2
7	226190	5/16-18 x 1 3/4 BH C/S SHLDR	4
8	263100	5/16 AN WASHER FLAT	4
9	202103	5/16-18 NYLOCK NUT THICK	4
10	222109	5/16-18 x 1 1/4" BH C/S BLK ZN	2
12	550003-QU	SEAT ANGLE CLAMP SHORT CG	2

ITEM	NUMBER	DESCRIPTION	QTY
13	550921	SEAT ANGLE CLMP SHORT THRD CG	2
14	222104	5/16-18 x 1" SOC C/S BLK ZN	2
15	500325	STEEL ARM G424 TILT	2
16	221191	1/4-28 x 2 1/4 G8 HEX C/S	4
17	262110-QU	1/4 AN WASHER FLAT THIN	4
18	201110-QU	1/4-28 NYLOCK NUT	4
19	481178	FRONT SEAT MOUNT G424	2
20	138315	ACTUATOR CG	1
10-13	888040	G424 TILT FRONT TUBE ASSM	
1-19	882950	T/M G424 TILT MOUNT HDWR ASSM	

MOUNTING HARDWARE (TILTMMASTER TK P320)

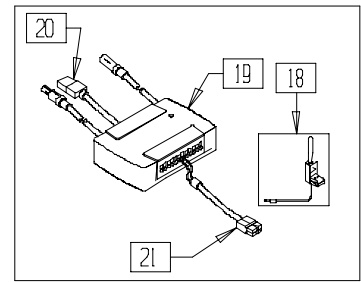
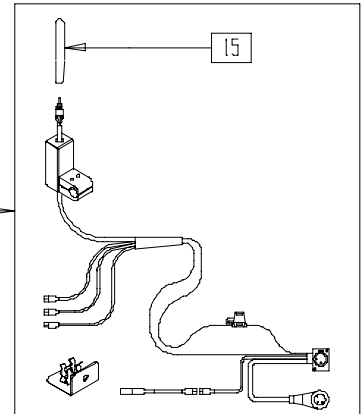
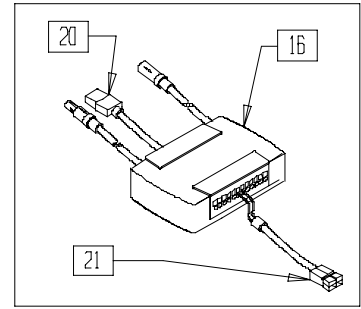
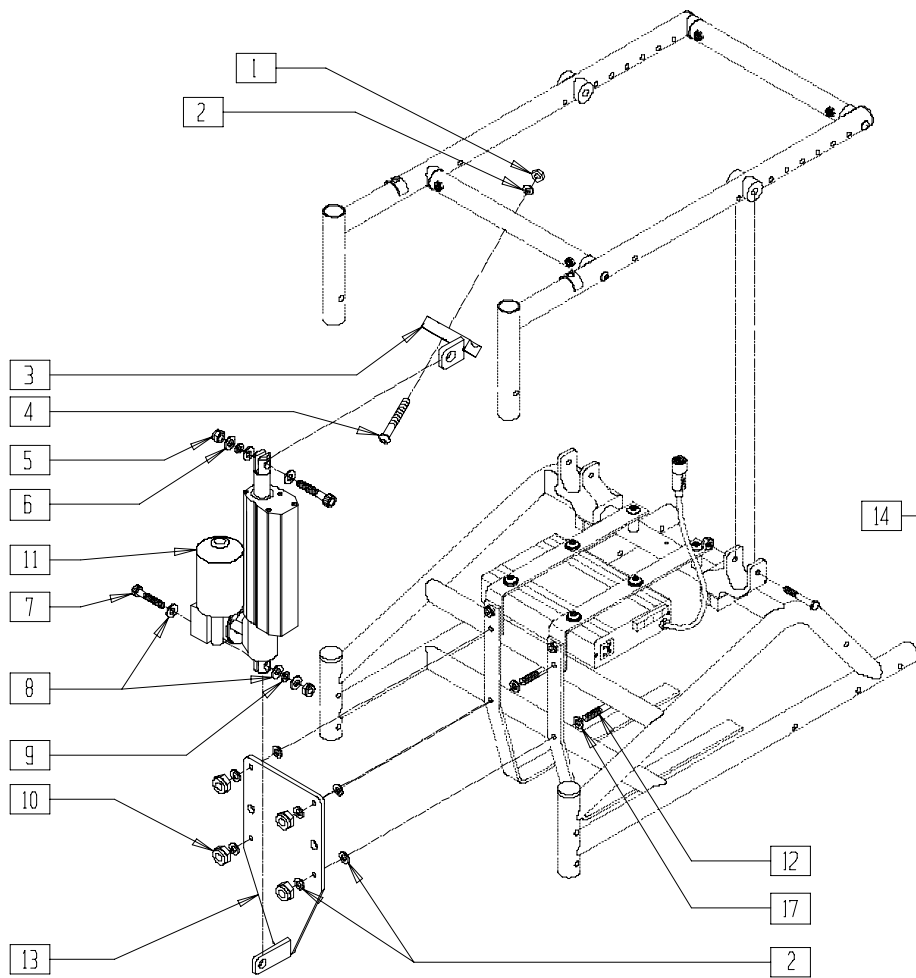


TKT320X1C

ITEM	NUMBER	DESCRIPTION	QTY
	2	SEAT CLAMP TOP BRACKET	2
	3	3/8-16 x 1" SOC C/S BLK ZN	2
	4	SEAT ANGLE CLMP 5D RECESS C.G	2
	5	S/A LATCH BLCK PRSD ASSM BLK	2
	6	541013, HANGER REC WLDMNT (EA)	2
	7	226218 5/16-18 x 1 3/4 BH C/S SHLDR	2
	9	550961 BATTERY TRAY CLAMP CG	2
	10	340017 ADJUSTABLE SWIVEL GLIDE	1
	11	201138 3/8-16 HEX NUT	1
	12	349578 RUBBER SUBBASE BUMPER	1
	13	541015 MOUNTING PLATE WELDMNT TK P320	1
	14	226281 5/16-18 x 1/2 FH CS BLK ZN	4
	15	2251 5/16-18 x 3/4" FH SOC CS	2
	16	226017 10-32 x 3/8" BH C/S BLK	2
	17	550919 CHARGER MOUNTING PLATE CG	1
	18	560005 REAR BRACKET SPACER TK 320	4
	19	541093- REAR BRACKET WIDE 18 STF P320	1
	541099	14" - 20" WIDE	
	19A	541100- REAR BRACKET STD 19 STF P320	1
	541106	14" - 20" WIDE	
	20	562422 1 x 3/4 SQUARE END CAP	2
	21	202104 5/16-24 NYLOCK NUT	2
	22	263100 5/16 AN WASHER FLAT	4
	23	226231 5/16-18 x 2 1/2 BH C/S BLK	2
	24	541020- TOP BRACKET WELDMNT	1
	541028	(12" - 20" WIDE)	
	25	221116 1/4-20 x 1 SOC HD BLK	4
	26	881008 ACTUATOR ASSM P320 TK	1
	27	263100 5/16 AN WASHER FLAT	2
	28	226231 5/16-18 x 2 1/2 BH C/S BLK	2
	29	201262 3/8-16 NYLOCK NUT	2
	30	261521 5/16 x 7/8 OD CUT WASHER	2

ITEM	NUMBER	DESCRIPTION	QTY
	31	561273 1/2 x 3/4 x .060 NYLON WASHER	4
	32	561270 3/8 x 5/8 x .060 NYLON WASHER	2
	33	226251 1/2 x 2 SOC C/S SHOULDER BLK	2
	34	541016 CLEVIS WELDMNT TK P320	1
	35	880789 WIRING HARNESS ASSM P320 TK	1
	36	227130 1/4-28 x 1 1/2 BH C/S BLK ZN	4
	37	262100-QU 1/4 AN WASHER FLAT	4
	38	201110-QU 1/4-28 NYLOCK NUT	4
	39	138153 TOGGLE SWITCH BAT CG	1
	40	225110 10-32 x 3/8" SET SCREW	2
	41	881342 PILOT + ALM W/VELCRO 6 AMP	1
		881343 PILOT + ALM W/VELCRO 10 AMP	
		881394 ATTN TGGL SWTH ASSM TLT VLCRO	
	42	881395 ATTN TGGL SWTH ASSM TLT L	1
		881396 ATTN TGGL SWTH ASSM TLT R	
	43	881346 PILOT + ALM W/VELCRO AUX INPUT	1
	44	139432 CBL INHBIT ALM P5 TK/P320 CG (14")	1
		139431 CBL INHBTR ALM P320 TK/G424 CG (26")	
	45	139421 WIRING HARNESS ALM P320 CG (9")	1
		139423 WIRING HARNESS ALM P320 TK (18")	
	5,7	920244 S/A LATCH ASSEMBLY W/BOLT	
	10-13	820050 MNT PLT SUB-ASSM P320 TK	
	10-15, 29,34	821001 FRONT MNT PLATE ASSM P320 TK	
	2-4,24,40	820051- TOP BRKT SUB-ASSM P320 TK 14"-20"	
		820057	
	2,3,24,25, 29-33,40	821002- TOP BRACKET ASSM P320 TK	
		821008 (14" - 20" WIDE)	
	16-23, 27,28	821010- RR BRKT ASSM 18 STF STD	
		821025 (14" - 20" WIDE)	
	1,8	663802- SEAT FRAME P300	
		663866 LOW 14" x 14" - 20" x 18"	

MOUNTING HARDWARE (TILTMMASTER TK Z500)

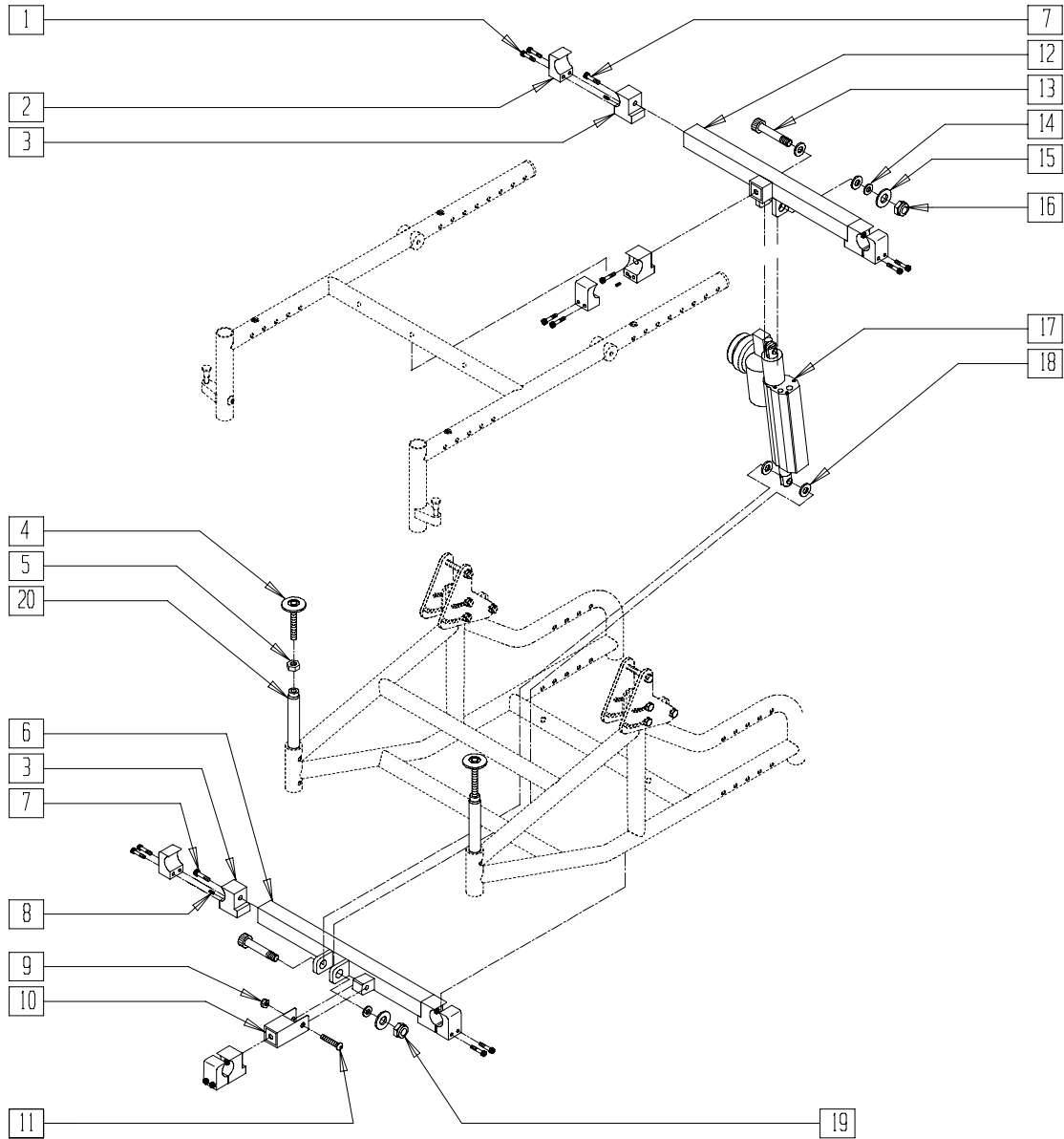


TKT5X01A

ITEM	NUMBER	DESCRIPTION	QTY
1	201136	1/4-20 NYLOCK NUT HIGH	1-2
2	262100-QU	1/4 AN WASHER FLAT	9-10
3	541068	TOP BRKT 12-14 W SINGLE LOCK P5	1
	541069	TOP BRKT 15-16W DUAL LOCK P500	
4	221140	1/4-20 x 1 3/4 HEX C/S	1-2
5	201262	3/8-16 NYLOCK NUT	2
6	261511	3/8 x 7/8 OD WASHER FLAT SS	2
7	226229	1/2" x 1" SOC C/S SHOULDER	2
8	561273	1/2 x 3/4 x .060 NYLON WASHER	4
9	561270	3/8 x 5/8 x .060 NYLON WASHER	2
10	201136	1/4-20 NYLOCK NUT HIGH	4
11	881007	ACTUATOR ASSM P500 TK	1
12	226152	1/4-20 x 2 BH C/S	4

ITEM	NUMBER	DESCRIPTION	QTY
13	541133	FRONT MOUNT ASSM P500	1
14	880859	WIRING HARNESS ASSM P500 TK	1
15	138153	TOGGLE SWITCH BAT CG	1
16	881342	PILOT + ALM W/VELCRO 6 AMP	1
17	262130	6mm WASHER WAVE	4
18	881394	ATTN TGGLE SWTH ASSM TLT VLCRO	1
	881395	ATTN TGGLE SWTH ASSM TLT L	
	881396	ATTN TGGLE SWTH ASSM TLT R	
19	881346	PILOT + ALM W/VELCRO AUX INPUT	1
20	139432	CBL INHIBIT ALM P5 TK/P320 CG (14")	1
21	139424	WIRING HARNESS ALM P500 TK (3")	1
1-10,12,	820062	MOUNTING HDWR 12-14" P500 TK	
13,17			

MOUNTING HARDWARE (TILTMMASTER TK QTS)

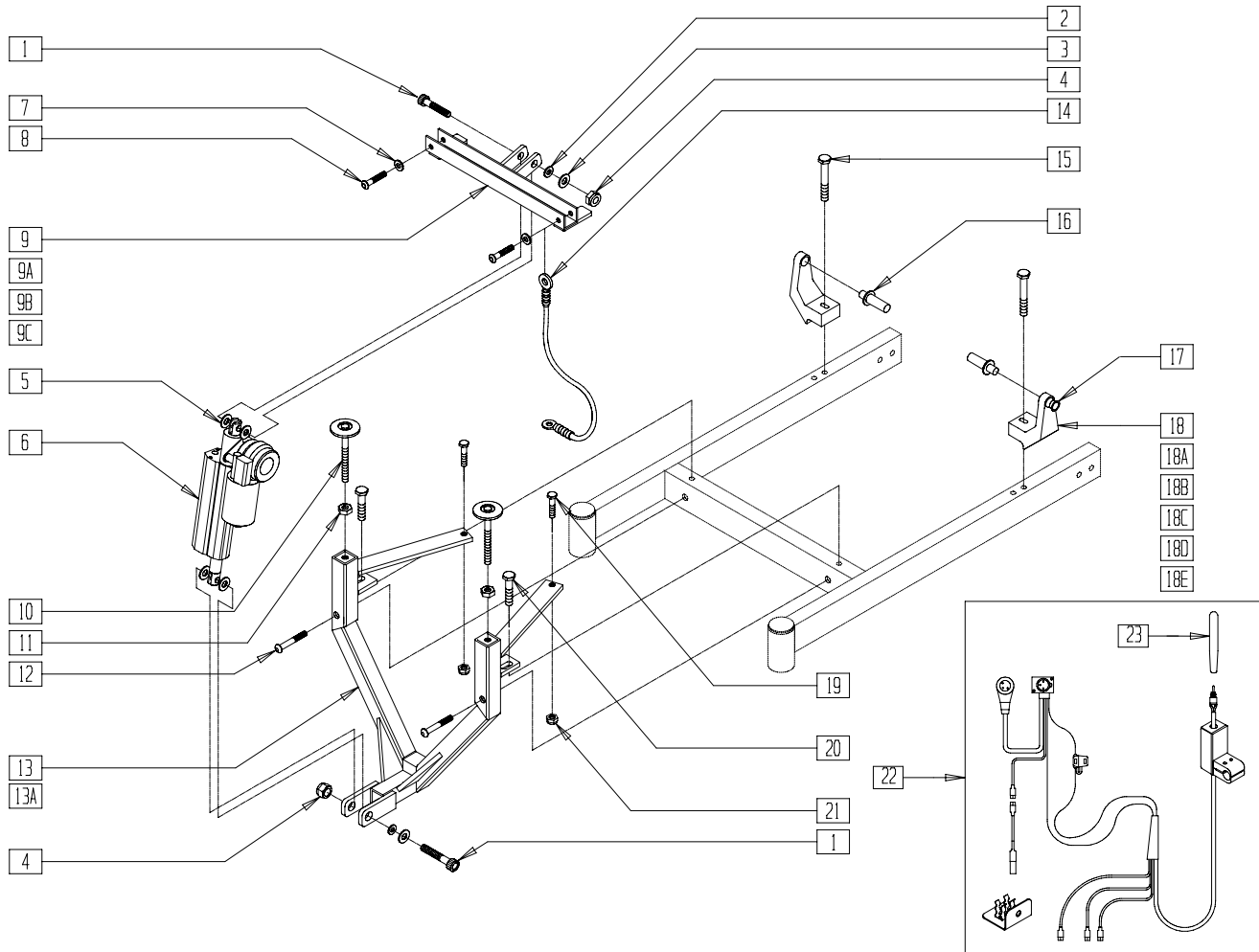


TKQTSX01

ITEM	NUMBER	DESCRIPTION	QTY
1	221116	1/4-20 x 1 SOC HD BLK	12
2	550006	SEAT ANGLE CLMP 5D RECESS C.G.	6
3	550036	BRACKET CLAMP QTS TK	6
4	340017	ADJUSTABLE SWIVEL GLIDE	2
5	201138	3/8-16 HEX NUT	2
6	541051- 541055	BASE FRAME LOWER ACT MOUNT (16" - 20")	1
7	201339	3/8-16 x 1" SOC C/S BLK ZN	6
8	225110	10-32 x 3/8 SET SCREW	6
9	201105	1/4-20 NYLOCK NUT THIN	1
10	541114	LOWER ACT SUPPORT BRACE WELD	1
11	226080	1/4-20 x 1 1/4 BH C/S SS	1

ITEM	NUMBER	DESCRIPTION	QTY
12	541070- 541074	UPPER ACT MOUNT SEAT FRAME TS (16" - 20")	1
13	226251	1/2 x 2 SOC C/S SHOULDER BLK	2
14	561270	3/8 x 5/8 x .060 NYLON WASHER	2
15	261511	3/8 x 7/8" OD WASHER FLAT SS	2
16	201262	3/8-16 NYLOCK NUT	1
17	881009	ACTUATOR ASSM QTS TK	1
18	561273	1/2 x 3/4 x .060 NYLON WASHER	4
19	201138	3/8-16 HEX NUT	2
20	481299	STOP BLOCK FRONT BASE FRAME TS	2
1-20	881192- 881196	MOUNTING HARDWARE QTS TK (16" - 20")	

MOUNTING HARDWARE (TILTMASTER TK STORM) (OLD STYLE)

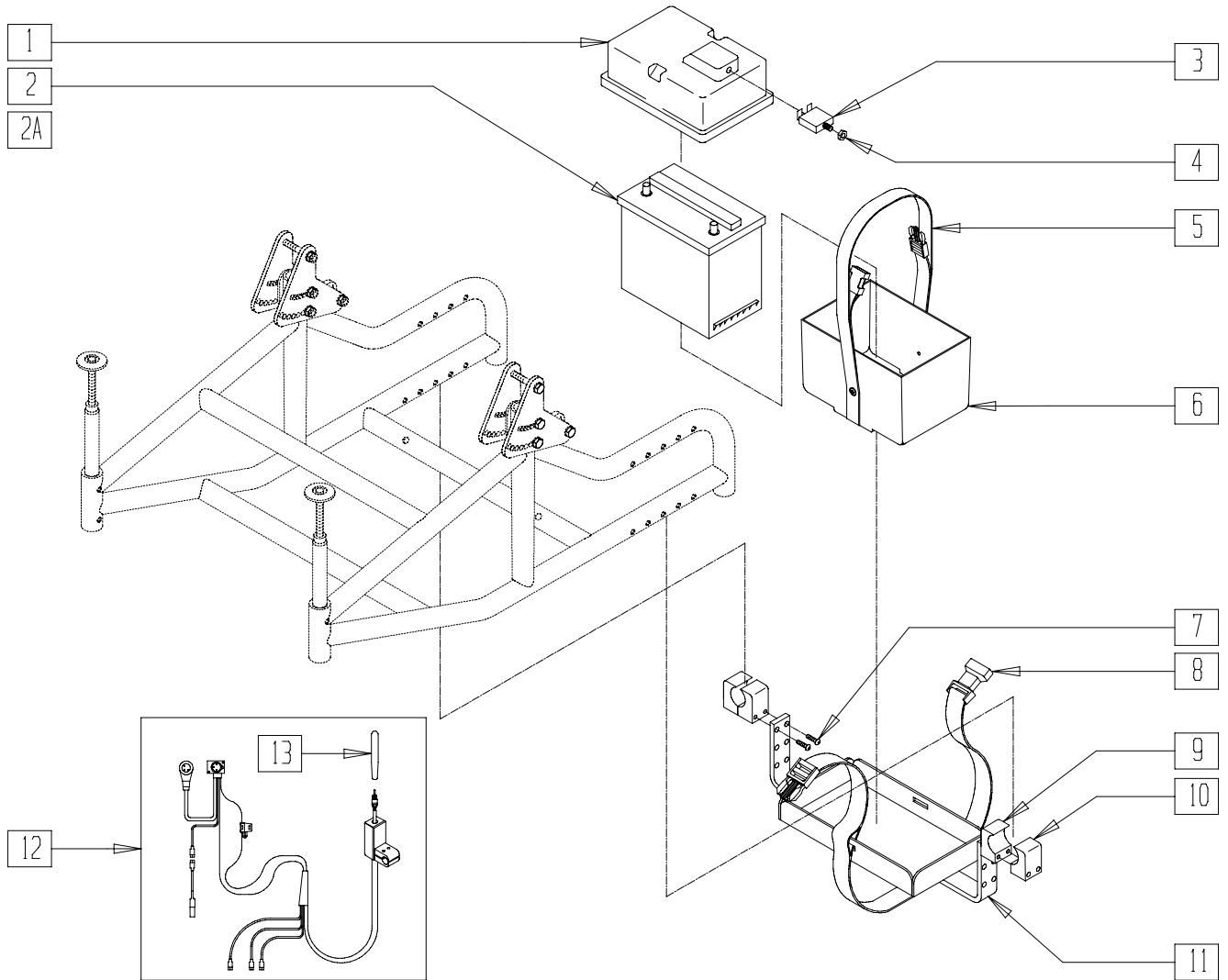


TKSTRM01

ITEM	NUMBER	DESCRIPTION	QTY
1	226251	1/2 x 2 SOC C/S SHOULDER BLK	2
2	561270	3/8 x 5/8 x .060 NYLON WASHER	2
3	261521	5/16 x 7/8 OD CUT WASHER	2
4	201262	3/8-16 NYLOCK NUT	2
5	561273	1/2 x 3/4 x .060 NYLON WASHER	4
6	881008	ACTUATOR ASSM P320 TK	1
7	261521	5/16 x 7/8 OD CUT WASHER	2
8	226136	1/4-20 x 1 1/2 BH C/S BLK	2
9	541087	TOP BRACKET 5-55D 12-17DP OS	1
9A	541088	TOP BRACKET 5-55D 18-19DP OS	1
9B	541121	TOP BRACKET 0-40D 12-17 DP OS	1
9C	541122	TOP BRACKET 18-19DP 0-40D OS	1
10	340017	ADJUSTABLE SWIVEL GLIDE	2
11	201138	3/8-16 HEX NUT	2
12	226138	5/16-24 x 1 1/2 BH C/S	2
13	541089	BOTTOM BRKT WELDMNT 18STF OS	1
13A	541091	BOTTOM BRKT WELDMNT 19STF OS	1

ITEM	NUMBER	DESCRIPTION	QTY
14	341563	SAFETY CABLE	1
15	221125	1/4-20 x 1 1/4 HEX C/S	2
16	500003-500008	REAR PIVOT BAR TK STORM	1
17	349524	BEARING BRONZE 3/4 OD 1/2 ID	2
18	483211	REAR PIVOT BLOCK 18STF 12-18W	2
18A	483212	REAR PIVOT BLOCK 18STF 19W	2
18B	483213	REAR PIVOT BLOCK 18STF 20W	2
18C	483214	REAR PIVOT BLOCK 19STF 12-18W	2
18D	483215	REAR PIVOT BLOCK 19STF 19W	2
18E	483216	REAR PIVOT BLOCK 19STF 20W	2
19	221105-QU	1/4-20 x 3/4 HEX C/S	2
20	221110	1/4-20 x 1 HEX C/S	2
21	201105	1/4-20 NYLOCK NUT THIN	2
22	880859	WIRING HARNESS ASSM P500 TK	1
23	138153	TOGGLE SWITCH BAT CG	1

BATTERY, TRAY, AND BOX (TILTMASTER TK QTS)

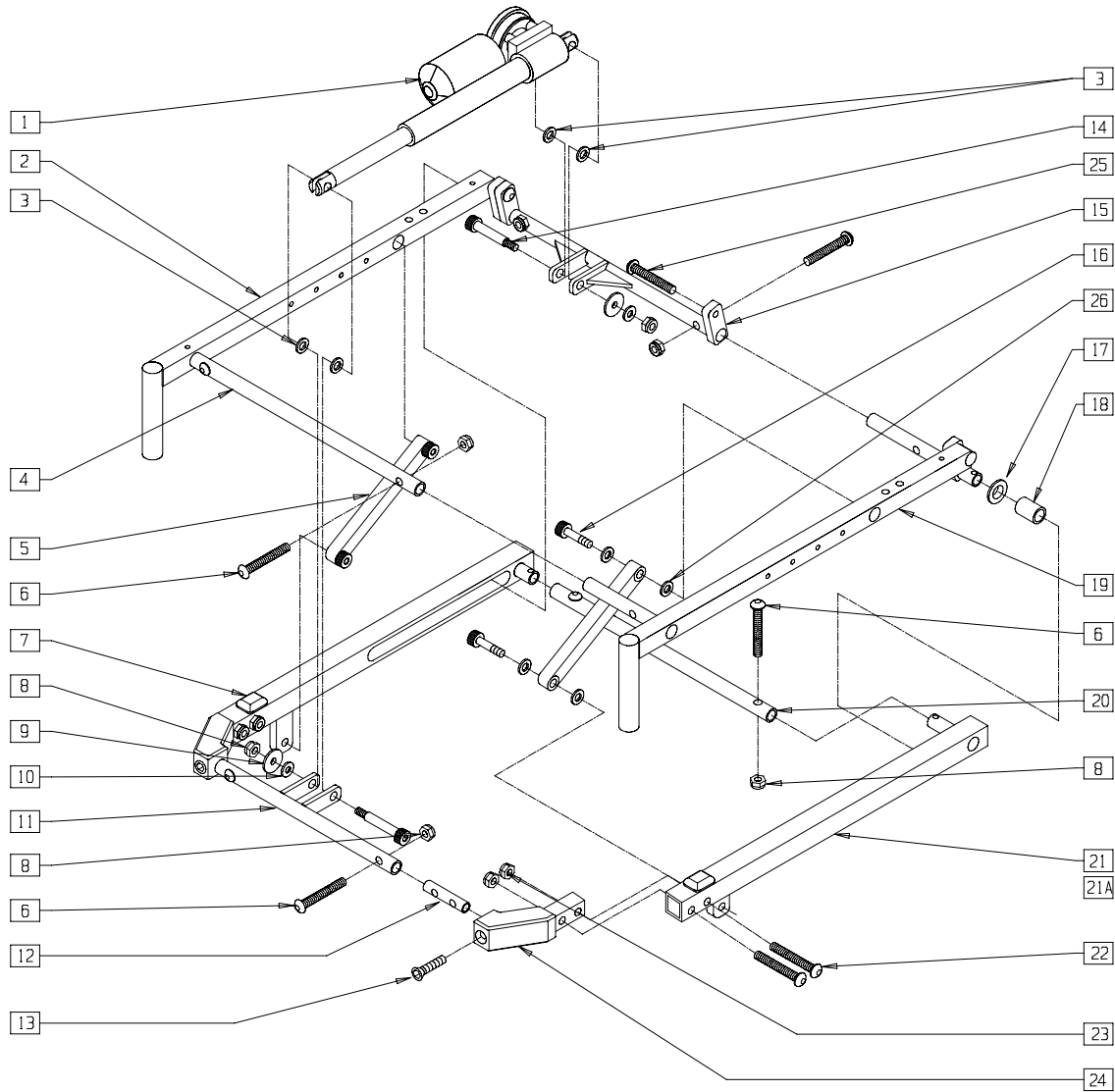


TKQTSX02

ITEM	NUMBER	DESCRIPTION	QTY
2	136510	BATTERY HEAVY DUTY LM9 35 AMP	1
2A	136511	BATTERY GEL CEL U128 31 AMP	1
3	133012	CIRCUIT BREAKER 30 AMP RESET	1
4	210071	NUT KNURLED FOR 133010	1
1,3-4	881197	BATTERY BOX TOP ASSEMBLY QTS TK	
5	750069	BATTERY BOX STRAP P110-U1	1
5,6	880484	BATTERY BOX BTM W/STRAP U1	
1,3-6	920462	BATTERY BOX ASSEMBLY QTS TK	

ITEM	NUMBER	DESCRIPTION	QTY
7	226136	1/4-20 x 1 1/2 BH C/S BLK	4
8	750092	BATTERY STRAP QTS TK	1
9	550969	CHARGER CLAMP 1" CG	2
10	550970	CHARGER CLAMP 1" THRD CG	2
11	540274-540278	BATTERY TRAY WELDMENT QTS TK (16" - 20")	1
12	139415	WIRING HARNESS 12V SYS AT/TS	1
13	138153	TOGGLE SWITCH BAT CG	1

FRAME (TILTMMASTER CG)



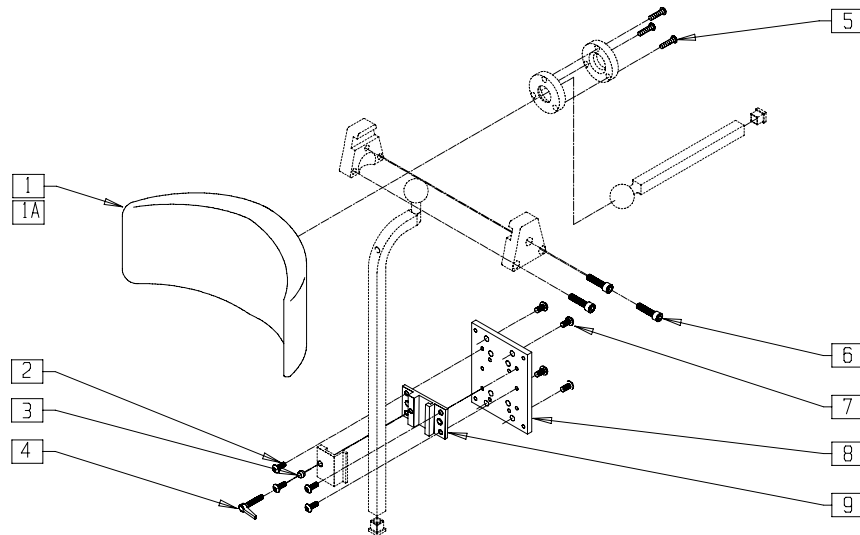
TCG00X04

ITEM	NUMBER	DESCRIPTION	QTY
1	138315	ACTUATOR CG	1
2	550917	SEAT FRAME WELDMENT R CG	1
3	561273	1/2 x 3/4 x .060 NYLON WASHER	4
4	550962-550966	SEAT FRAME FRONT CROSS TUBE 16"-20"	1
5	540112	STRUT TUBE WELDMENT CG	1
6	226214	3/8-16 x 1 1/2 BH C/S BLK ZN	8
7	349578	RUBBER SUBBASE BUMPER	2
8	201262	3/8-16 NYLOCK NUT	10
9	261521	5/16 x 7/8 OD CUT WASHER	2
10	561270	3/8 x 5/8 x .060 NYLON WASHER	2
11	540450-540454	FRONT ACTUATOR 16"-20" WELDMENT CG NEW	1
	540439-540443*	FRNT ACTUATOR WLDMNT CG 16"-20"	
12	142011	SUBBASE FRONT CROSS BAR CG	2
13	226248	5/16-18 x 1 1/4 FH C/S BLK	2
14	226227	1/2 x 1.75 SOC C/S SHOULDER SHT	2
15	540258-540262	REAR ACTUATOR CROSS TUBE ASSM 16"-20"	1
16	226229	1/2 x 1 SOC C/S SHOULDER	4
17	560443	3/4 x 1-1/4 x .120 NYLON WASHER	2

ITEM	NUMBER	DESCRIPTION	QTY
18	349522	PLANE BEARING CG	2
19	550918	SEAT FRAME WELDMENT L CG	1
20	550950-550954	CROSS TUBE 16"-20" CG	1
21	540113, 540114	SUBBASE S/F WELDMENT CG P320 (EA)	1
21A	540137, 540138	SUBBASE S/F WELDMENT P300 (EA)	1
22	226248	5/16-18 x 1 1/4 FH C/S BLK	4
23	202103	5/16-18 NYLOCK NUT THICK	4
24	550756	FRONT BRACKET CG	2
25	226213	3/8-16 x 1" BH C/S BLK ZN	2
26	561274	1/2 x 3/4 x .120 NYLON WASHER	8
1-26	665060-665065	T/M SEAT TILT 16" x 16"-21"	
	665070-665075	T/M SEAT TILT 17" x 16"-21"	
	665080-665085	T/M SEAT TILT 18" x 16"-21"	
	665090-665095	T/M SEAT TILT 19" x 16"-21"	
	665100-665105	T/M SEAT TILT 20" x 16"-21"	

* ORDER 540439-540443 FOR CHAIRS PRIOR TO 8/27/99.

HEADREST (TILTMMASTER CG) (Discontinued 4/4/00 - parts only)



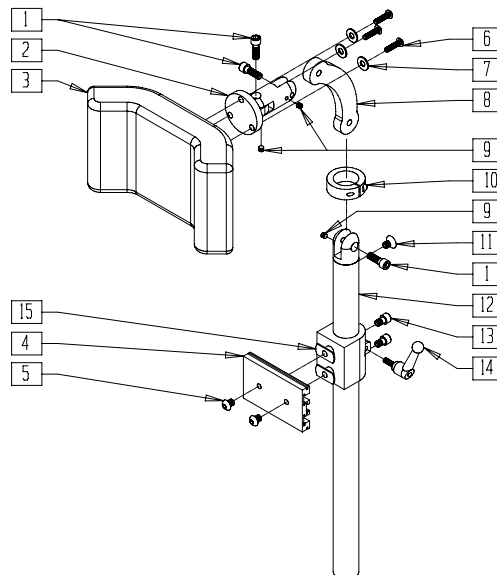
TCG0X06A

ITEM	NUMBER	DESCRIPTION	QTY
1	750696	HEADREST W/ZIPPER MED CG	1
1A	750697	HEADREST W/ZIPPER LG CG	1
2	226043	10-32 x 1/2 BH C/S BLK	4
3	483027	1/4 x 1/4 ALUM SPACER BLK	1
4	349038	1/4-20 x 1 HAND LEVER	1

ITEM	NUMBER	DESCRIPTION	QTY
5	226108	1/4-20 x 1 1/4 SOC C/S BLK ZN	3
6	221116	1/4-20 x 1 SOC HD BLK	3
7	476304	1/4-28 x .31 BH C/S W/PATCH	4
8	476303	HEADREST MOUNTING PLATE	1
9	550903	HEADREST ADJ CLAMP THREADED CG	1

NOTE: FOR HEADREST SUPPORT POST OR COMPLETE HEADREST ASSEMBLY, PLEASE SEE HEADREST (TILTMMASTER CG) (EFFECTIVE 4/4/00) ON PAGE 20.8.

HEADREST (TILTMMASTER CG) (Effective 4/4/00)

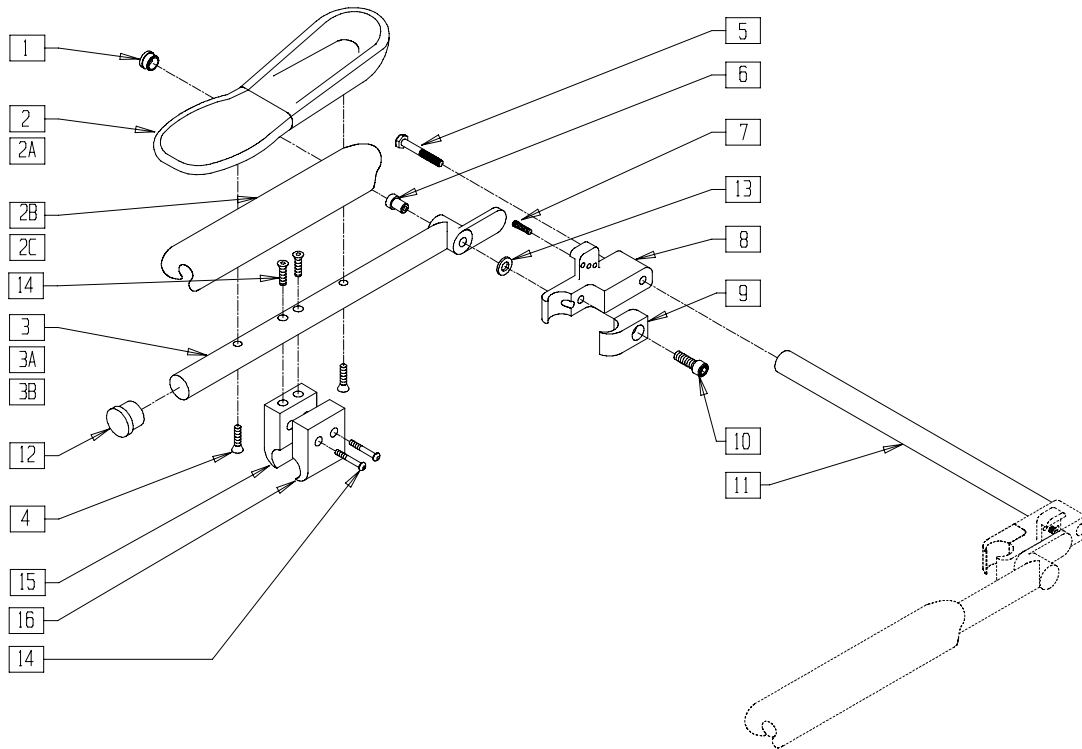


TCG00X6A

ITEM	NUMBER	DESCRIPTION	QTY
1	221115	1/4-20 x 3/4" SOC HD C/S BLK	3
3	750696	HEADREST W/ZIPPER MEDIUM CG	1
	750697	HEADREST W/ZIPPER LARGE CG	
4	505932	HEADREST MOUNTING TRACK	1
5	476304	1/4-28 x .31 BHCS W/PATCH	2
6	455010-QU	10-32 x 3/4 BH C/S BLK	3
7	261204	#10 AN WASHER .063	3
8	331077	HEADREST LINK 6 INCH	1
9	341045	#10-24 CONE POINT SET SCREW	3

ITEM	NUMBER	DESCRIPTION	QTY
10	505933	HEADREST COLLAR	1
11	226072	1/4-20 x 1/2 FH C/S BLK	1
13	226095	1/4-20 x 3/8" SOC C/S BLK ZN	2
14	341046	HEADREST CLAMPING HANDLE SCREW	1
15	340033	1/4-20 WELD NUTS SLAB BASE	2
1,2,4,6-14	881003	HEADREST MOUNTING BRACKET ASSM	
1-14	881907	HEADREST ASSEMBLY MEDIUM	
	881908	HEADREST ASSEMBLY LARGE	

HEIGHT-ADJUSTABLE FLIP-BACK ARMREST (TILTMASTER CG)

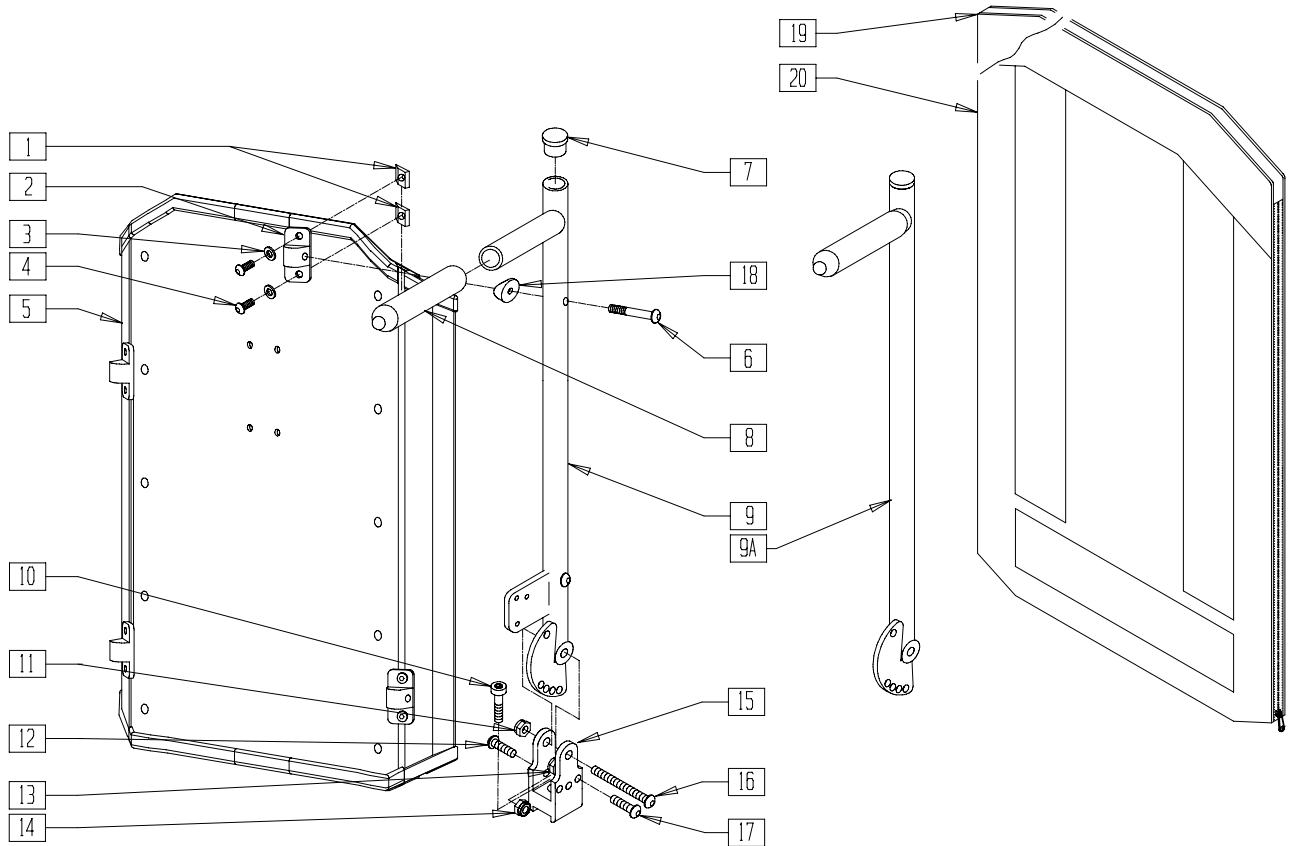


TCG00X07

ITEM	NUMBER	DESCRIPTION	QTY
1	560996	1" INSERT PLUG ARMREST CG	2
2	755025	ARMREST PAD TROUGH STD CG	2
2A	755026	ARMREST PAD TROUGH LONG CG	2
2B	561142	ARMREST PAD DESK CG	2
2C	561143	ARMREST PAD FULL CG	2
4	226055	10-32 x 1 1/4 FH C/S BLK ZN	4
5	222104	5/16-18 x 1 SOC C/S BLK ZN	2
6	226225	1/2 x 3/4 SOC C/S SHLDR SHT	2
7	226095	1/4-20 x 3/8 SOC C/S BLK ZN	2
8	540115, 540116	ARMREST BLOCK WELDMENT CG (EA)	1
9	550007	ARMREST SUPPORT CLAMP RECESS CG	2
10	201339	3/8-16 x 1 SOC C/S BLK ZN	2
11	540155- 540159	SPREADER BAR WELDMENT C.G 16"-20"	1
12	561005	1" INSERT PLUG .125	2
13	561273	1/2 x 3/4 x .060 NYLON WASHER	2

ITEM	NUMBER	DESCRIPTION	QTY
14	226164	1/4-20 x 1 1/4 BH C/S BLK ZN	4
15	550967	CONTROLLER CLAMP 3/4" THREADED CG	1
16	550968	CONTROLLER CLAMP 3/4" CG	1
1,2B,3,4, 12,13	881370, 881371	FLIP-BACK HT ADJ ARM ASSEMBLY DESK CG (EA)	
1,2C,3A,4, 12,13	881372, 881373	FLIP-BACK HT ADJ ARM ASSEMBLY FULL CG (EA)	
1,2,3B,4, 12,13	881374, 881375	FLIP-BACK HT ADJ ARM ASSEMBLY TROUGH CG (EA)	
1,2B, 3-16	900560- 900564	T/M HT ADJ FLIP BACK DESK 16"-20"	
1,2,3A, 4-16	900565- 900569	T/M HT ADJ FLIP BACK FULL 16"-20"	
1,2,3B 4-16	900570- 900574	T/M HT ADJ FLIP BACK TROUGH 16"-20"	
6-11	881361- 881365	ARMREST SPREADER BAR ASSM 16"-20"	

SOLID BACK (TILTMMASTER)



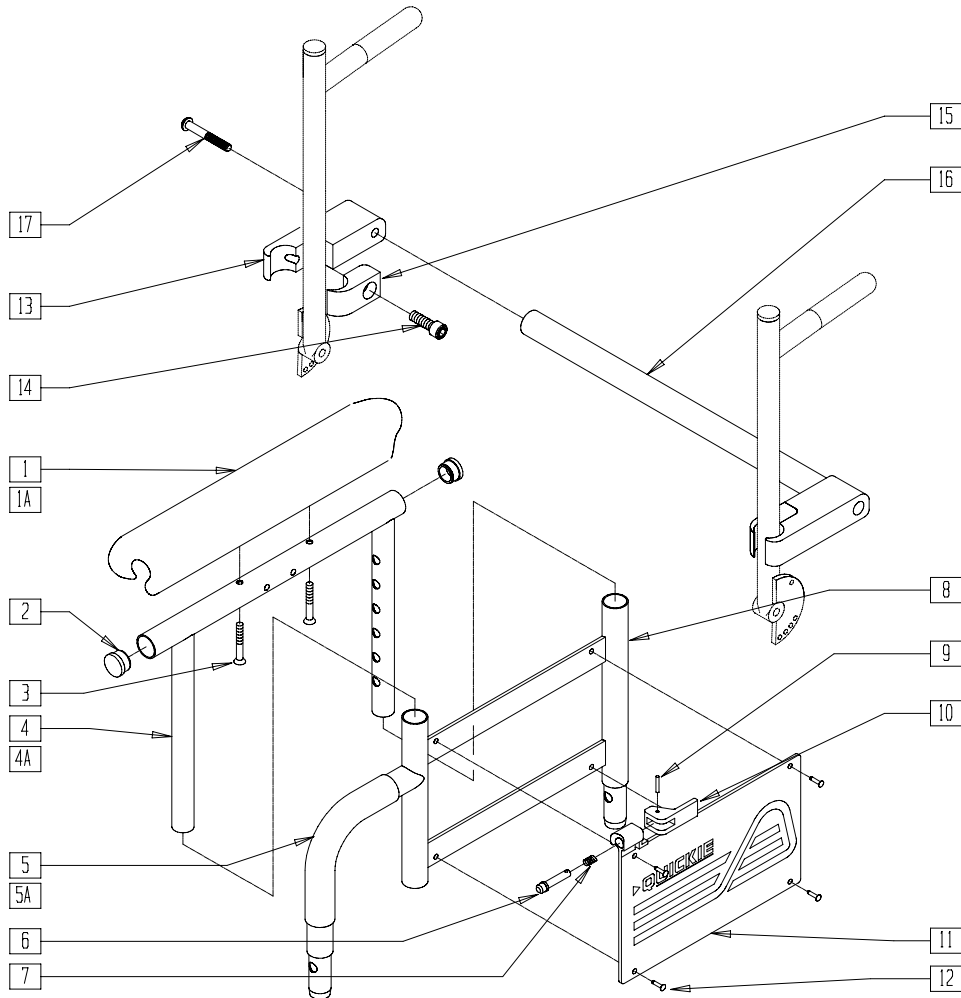
TCG00X9A

ITEM	NUMBER	DESCRIPTION	QTY
1	481106-QU	1/4-28 CHANNEL NUT	8
2	121507	SOLID BACK MNTG BRACKET	4
3	267052	1/4 WASHER FLAT AN960C416	8
4	221094	1/4-28 x 7/16 BH C/S BLK	8
5	881850-881884	SOLID BACKREST SHELL ASSEMBLY	1
6	226291	5/16-18 x 1-1/2 BHCS BK W/PTCH	4
7	561005	1" INSERT PLUG .125	1
8	560250	5 x .94 x .125 FOAM GRIP CG	1
9	550923-550929	BACKREST SUPPORT ASSEMBLY W/VENT 18"-25" CG	1
9A	550180-550189	BACKREST SUPPORT ASSEMBLY 18"-25" CG	1
10	201339	3/8-16 x 1" SOC C/S BLK ZN	1
11	201262	3/8-16 NYLOCK NUT	1
12	226106	1/4-20 x 3/4 BH C/S BLK ZN	1
13	202102	5/16-18 NYLOCK NUT THIN	1
14	201105	1/4-20 NYLOCK NUT THIN	1

ITEM	NUMBER	DESCRIPTION	QTY
15	550755	PIVOT BLOCK ALUM CG	1
16	226215	3/8-16 x 2" BH C/S BLK ZN	1
17	226174	5/16-18 x 3/4 BH C/S BLK ZN	1
18	561006	1" SADDLE 5/16" HOLE	4
5,19,20	687400-687434	SOLID BACKREST ASSEMBLY	
1-4,6	881900	MOUNT KIT SOLID BACK (2 PR)	
1-4,6,18	881795	MOUNT HARDWARE SOLID BACK (EA)	
7,8,9A,	887398-	TILTMMASTER BACK TUBE	
10-18	887416	ASSEMBLY 16"-24" (EA)	
7-18	887418-887436	TILTMMASTER BACK TUBE ASSEMBLY 16"-24" W/VENT (EA)	
19	681800-681834	FOAM INSERT SOLID BACK 14"x16" - 20"x24"	1
20	681760-681794	FOAM INSERT COVER SLD BK 14"x16" - 20"x24"	1
19,20	681850-681884	BACK CUSHION SOLID BACK 14"x16" - 20"x24"	

NOTE: IF ORDERING BACKREST FOR CHAIRS PRIOR TO JULY 15, 1999, ITEM 10 OR 10A IS REQUIRED.

DUAL-POST HEIGHT-ADJUSTABLE ARMREST (TILTMASTER CG)

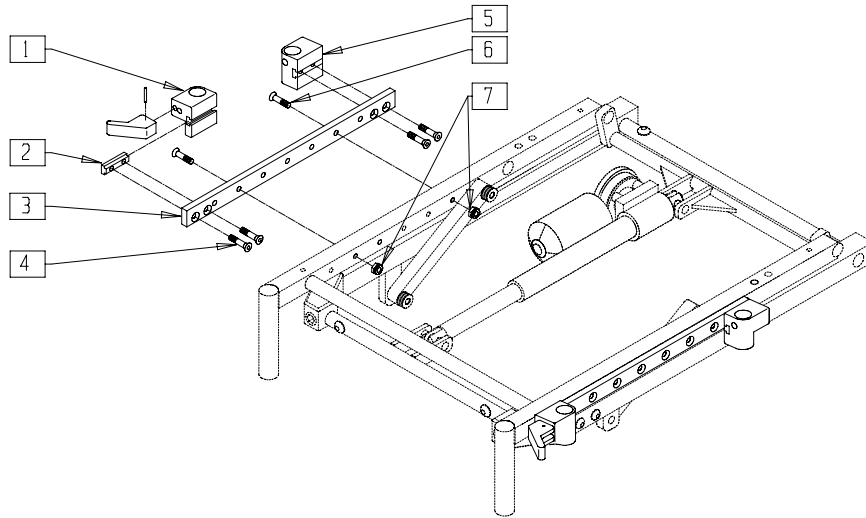


TCG00X22

ITEM	NUMBER	DESCRIPTION	QTY
1	561142	ARMREST PAD DESK CG	1
1A	561143	ARMREST PAD FULL CG	1
2	560735	7/8" ROUND TUBE PLUG	2
3	226038	10-32 x 1 3/8 BH C/S BLK	2
4	521841	DUAL-POST ADJ UPPR ARM DESK PWR CG	1
4A	521844	DUAL-POST ADJ UPPR ARM FULL PWR CG	1
5	560514	FOAM 8" x .840 TUBE	1
5A	560614	11" x .840 FOAM TUBE	1
6	341132	ARMREST PIN W/SHOULDER	1
7	321141	.650L x 6 COIL SPRING	1
8	540224-540227	ARM FRAME LOWER HT ADJ LONG (EA)	1
9	341088	3/32 x 5/8 ROLL PIN	1
10	561109	ARMREST LEVER FLIP-BACK HT ADJ	1
11	562740, 562741	ARMREST PANEL DUAL-POST (EA)	1

ITEM	NUMBER	DESCRIPTION	QTY
13	550008	ARMREST SUPPORT CLAMP CG	2
14	201339	3/8-16 x 1 SOC C/S BLK ZN	2
15	550007	ARMREST SUPPORT CLAMP RECESS CG	2
17	222104	5/16-18 x 1 SOC C/S BLK ZN	2
1-4	881460, 881461	DUAL-POST UPPER ADJ DESK CG (EA)	
1A-3,4A	881462, 881463	DUAL-POST UPPER ADJ FULL CG (EA)	
5-12	881568, 881569	DUAL-POST ADJ LOWER ARM SHT CG (EA)	
13-17	881380-881384	D-POST ARM SPREADER BAR ASSM 16"-20"	
1-12	881612, 881613	DUAL-POST ADJ W/DESK CG (EA)	
1A-3,4A, 5-12	881614, 881615	DUAL-POST ADJ W/FULL CG (EA)	

DUAL-POST ARMREST RECEIVER (TILTMMASTER CG)

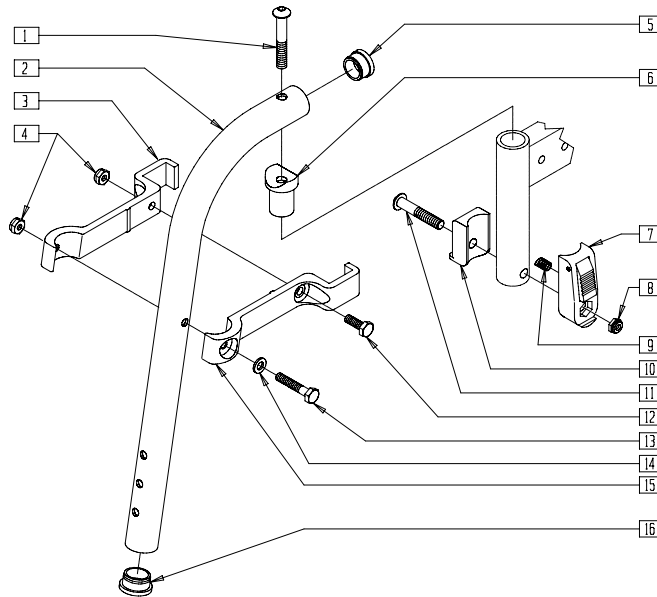


TCG00X14

ITEM	NUMBER	DESCRIPTION	QTY
2	340030	DUAL-POST ARMREST REC T-NUT CG	2
3	550135-QU, 550136-QU	DUAL-POST ARMREST PLATE CG (EA)	1
4	227104	1/4-28 x 5/8 FH C/S BLK ZN	4
5	500770, 500771	ARMREST RECEIVER REAR T/M (EA)	2
6	226146	1/4-20 x 2-1/4" FH SOC C/S BLK	2

ITEM	NUMBER	DESCRIPTION	QTY
7	201107	1/4-20 NYLOCK NUT THICK	2
3,6,7	880045, 880046	DUAL-POST MOUNTING BAR ASSM CG (EA)	
1,2,4	880003, 880004	DUAL-POST ARM REC FRONT ASSM CG (EA)	
2,4,5	880978, 880979	DUAL-POST ARM REC REAR ASSM CG (EA)	

80° HEAVY DUTY FOOTREST HANGER (TILTMMASTER CG)



TCG00X27

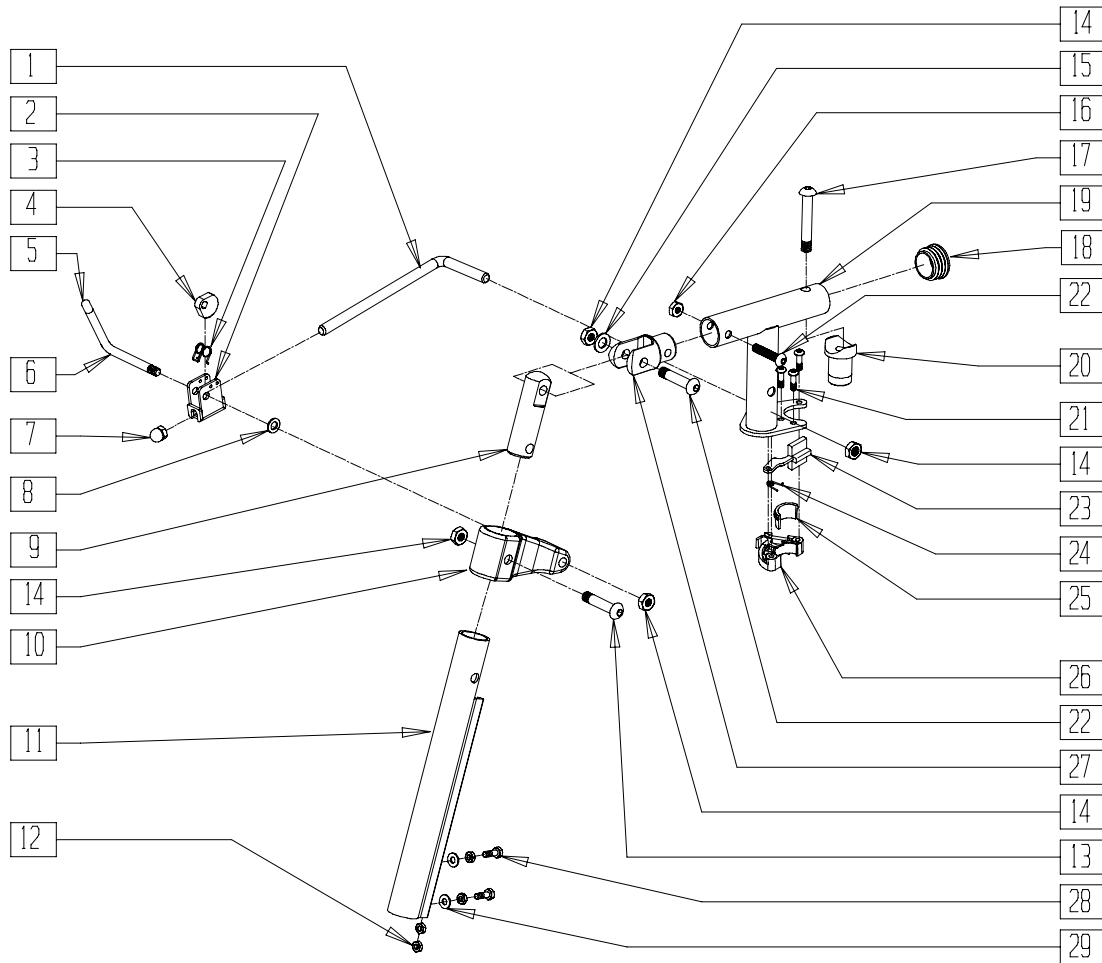
ITEM	NUMBER	DESCRIPTION	QTY
1	226198	5/16-18 x 2 BH C/S SHT THREAD	1
2	523913	HANGER TUBE 80° HD	1
3	550154	T45 HANGER BRACKET 80° R	1
4	201100-QU	1/4-28 NYLOCK NUT THIN	2
5	561002	1" INSERT PLUG .083	1
6	561197	PLASTIC PIVOT SADDLE	1
7	880053	FOOTREST BLOCK T45	1
8	202102	5/16-18 NYLOCK NUT THIN	1
9	321141	.650L x 6 COIL SPRING	1
10	560684	T45 FOOTREST BLOCK RECESSED	1

ITEM	NUMBER	DESCRIPTION	QTY
11	226194	5/16-18 x 1.63 BH C/S	1
12	221100	1/4-28 x 3/4 HEX C/S	1
13	221127	1/4-28 x 1 3/8 HEX C/S	1
14	262100-QU	1/4 AN WASHER FLAT	1
15	550155	T45 HANGER BRACKET 80° L	1
16*	561002	1" INSERT PLUG .083	1
7-11	920720	FOOTREST BLOCK ASSEMBLY W/BOLT HD	
1-6,12-15	641200	HANGER 80° PAINTED R HD	
	641201	HANGER 80° PAINTED L HD	

* ORDER ITEM 16 WHEN NOT USING FOOTREST EXTENSION.

POWER CHAIR ELEVATING LEGREST (TILTMMASTER CG)

(Effective 8/27/99)

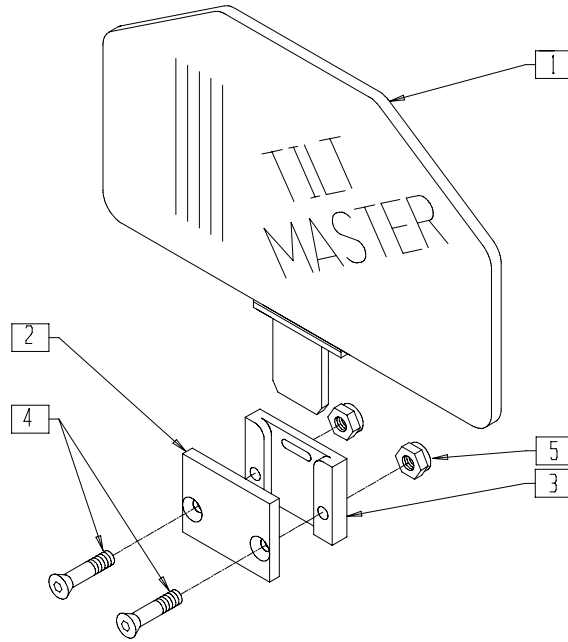


TCGELR1B

ITEM	NUMBER	DESCRIPTION	QTY
1	481242	ELR LOCK ROD S525	1
2	880990	ELR LOCK HOUSING W/PIN	1
3	321106	ELR TORSION SPRING	1
4	481119	ELR CAM LOCKING POWDERED METAL	1
5	561049	ELR RELEASE ROD COVER	1
6	481243	ELR ACTUATION ARM S525	1
7	202109	5/16-24 ACORN NUT HEX	1
8	561059	3/4 OD x .318 ID WASHER	1
9	540252	ELR PIVOT PRS	1
10	483195	ELR UPPER PIVOT S525	1
11	550722	ELR ADJUSTMENT TUBE	1
12	201112	1/4-28 NUT THIN	4
13	226138	5/16-24 x 1 1/2 BH C/S	2
14	202100-MJ	5/16-24 NYLOCK NUT THIN	4
15	263100	5/16 AN WASHER FLAT	1
16	201100-QU	1/4-28 NYLOCK NUT THIN	1
17	226217	5/16-18 x 2" BH C/S BLK	1

ITEM	NUMBER	DESCRIPTION	QTY
18	561062	1" INSERT PLUG .065 RIBS	1
19	540198, 540199	ELR HANGER POWER (EA)	1
20	561197	PLASTIC PIVOT SADDLE	1
21	226057	10/24 x .725 BTTN HD SOC BZ	3
22	226129	1/4-28 x 1 1/4 BH C/S	2
23	561079	S/A LATCH LEVER	1
24	321136, 321137	S/A SPRING (EA)	1
25,26	881500, 881501	LATCH BLOCK ASSM (EA)	
27	505281	ELR CLEVIS	1
28	221100	1/4-28 x 3/4 HEX C/S	2
29	262110-QU	1/4 AN WASHER FLAT THIN	2
4,5	882409	ELR ACTUATION ARM ASSEMBLY S525	
1-29	641470, 641471	ELR HNGR W/O PAD PNTD T/M (EA)	

PLASTIC SIDE GUARD (TILTMASER CG)

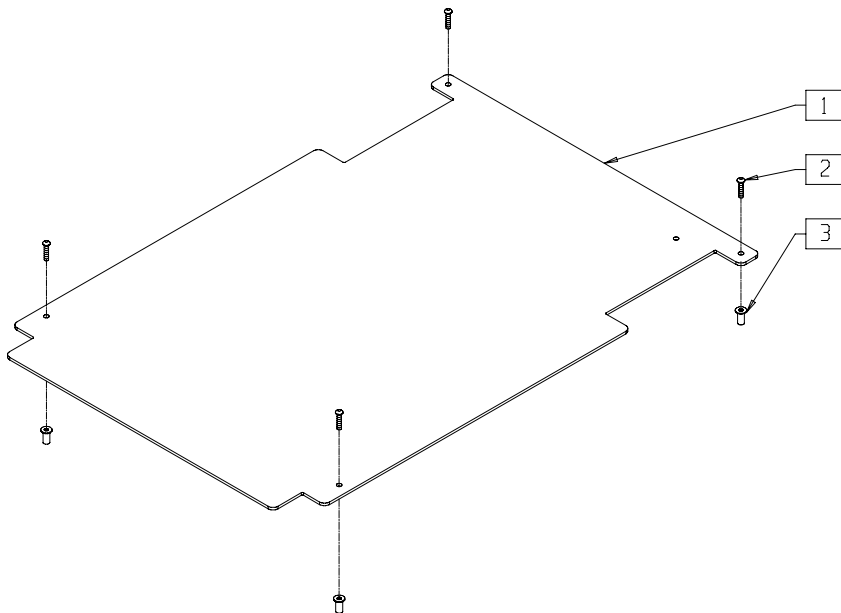


TCG00X12

ITEM	NUMBER	DESCRIPTION	QTY
1	881145	PLASTIC SIDE GUARD CG	1
2	500116	SIDE GUARD RECEIVER PLATE COVER CG	1
3	500115	SIDE GUARD RECEIVER PLATE CG	1

ITEM	NUMBER	DESCRIPTION	QTY
4	226151	1/4-20 x 2 FH C/S BLK ZN	2
5	201136	1/4-20 NYLOCK NUT HIGH	2
1-5	901142	SIDE GUARD ASSEMBLY CG (PR)	

SEAT PAN (TILTMASER CG)

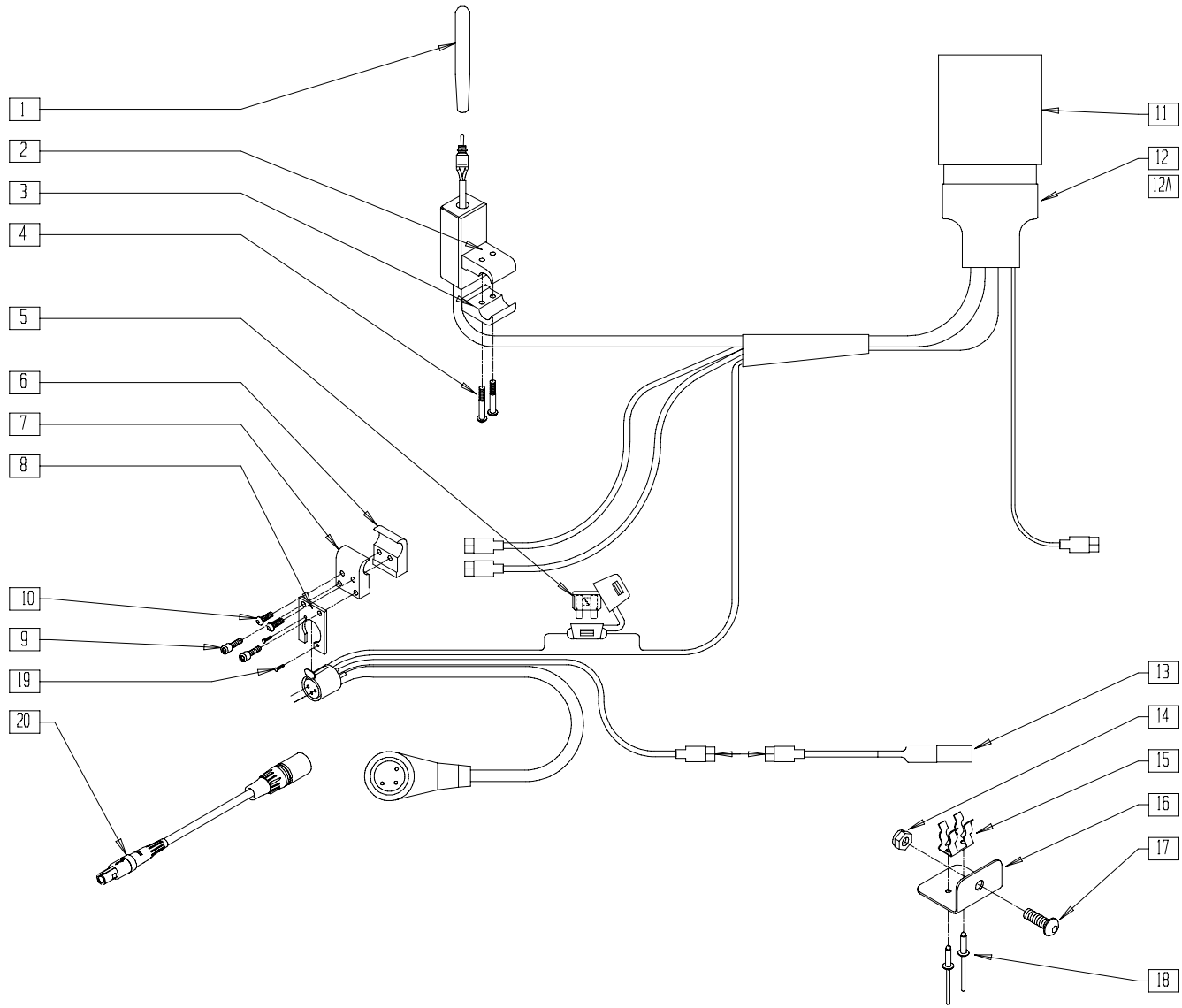


TCG00X10

ITEM	NUMBER	DESCRIPTION	QTY
1	124300-124324	SEAT PAN CG	1

ITEM	NUMBER	DESCRIPTION	QTY
2	226105	1/4-28 x 3/4 FH C/S BLK	4
3	341497	10-32 x .020-.130 RIVNUT GOLD	4

WIRING HARNESS ASSEMBLY (TILTMMASTER CG)

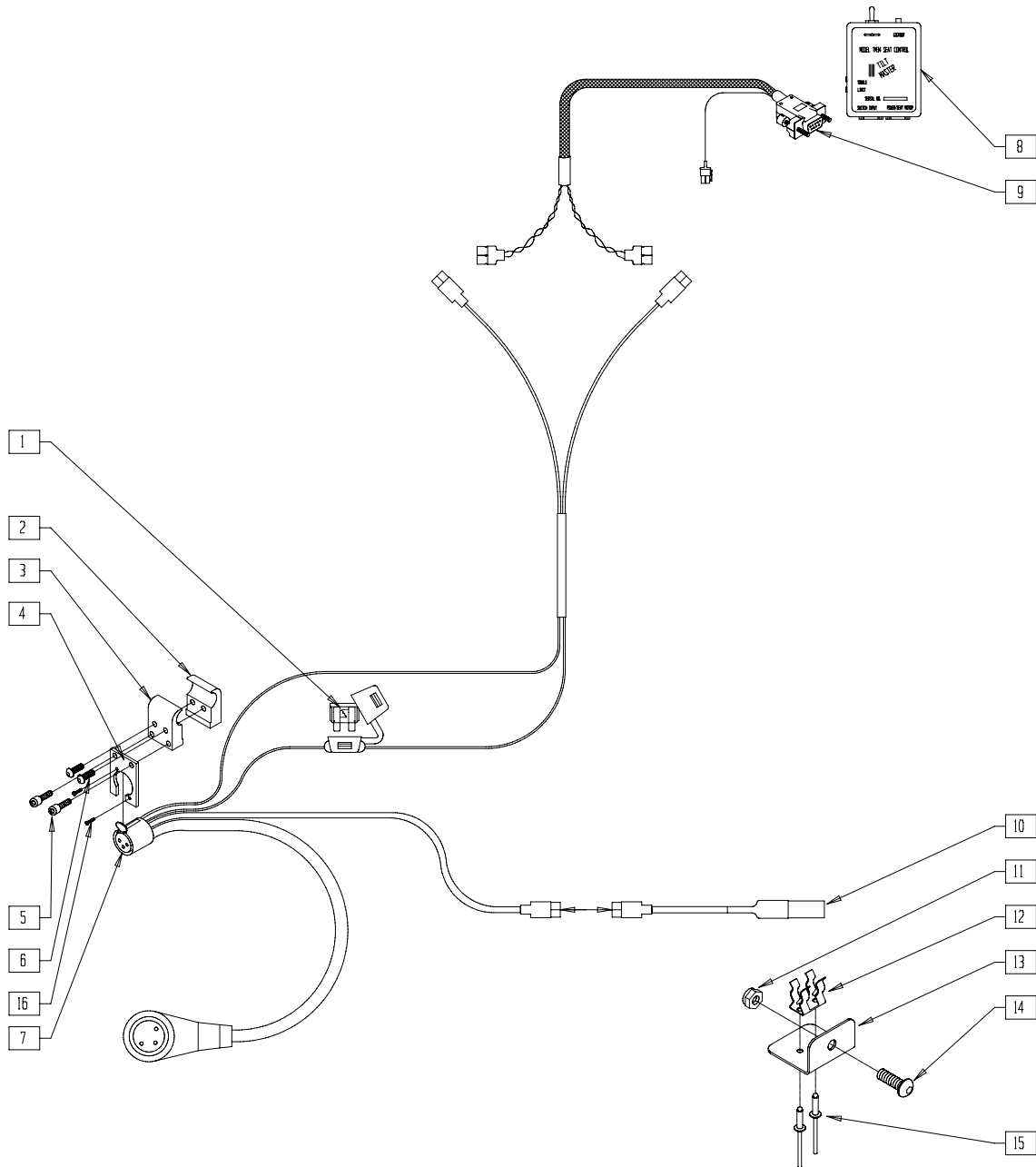


TCG0X18A

ITEM	NUMBER	DESCRIPTION	QTY
1	138153	TOGGLE SWITCH BAT CG	1
2	550968	CONTROLLER CLMP 3/4" CG	1
3	550967	CONTROLLER CLMP 3/4" THREADED CG	1
4	226123	1/4-20 x 1 BH C/S BLK ZN	1
5	131052	FUSE BLADE 10 AMP	1
6	550970	CHARGER CLAMP 1" THREADED CG	1
7	550969	CHARGER CLAMP 1" CG	1
8	550919	CHARGER MOUNTING PLATE CG	1
9	226108	1/4-20 x 1 1/4" SOC C/S BLK ZN	2
10	226017	10-32 x 3/8 BH C/S BLK	2
11,12	139410	WIRING HARNESS CG	1
11,12A	139412	WIRING HARNESS CG JAZZY	1
13	133260	SWITCH MERCURY CG	1

ITEM	NUMBER	DESCRIPTION	QTY
14	200100-QU	10-32 NYLOCK NUT	1
15	138505	MERCURY SWITCH SPRING CLIP CG	1
16	550916	MERCURY SWITCH MNTG BRKT CG	1
17	455013-QU	10-32 x 1/2 ALLEN BH SCW	1
18	240112	RIVET POP SD46BS BLK	2
19	281040	4-40 X 1/2" FLAT PHIL M/S	2
20	139042	CABLE ASSY PILOT + CHARGER	1
1-5,11-13, 15,16,18	880779	WIRING HARNESS ASSEMBLY CG	
1-5,11,12A, 13,15,16,18	881426	WIRING HARNESS ASSEMBLY JAZZY	
1-5,11-13, 15,16,18	881429	WIRING HARNESS ASSEMBLY STORM	

TM 34 WIRING HARNESS ASSEMBLY (TILTMMASTER CG)

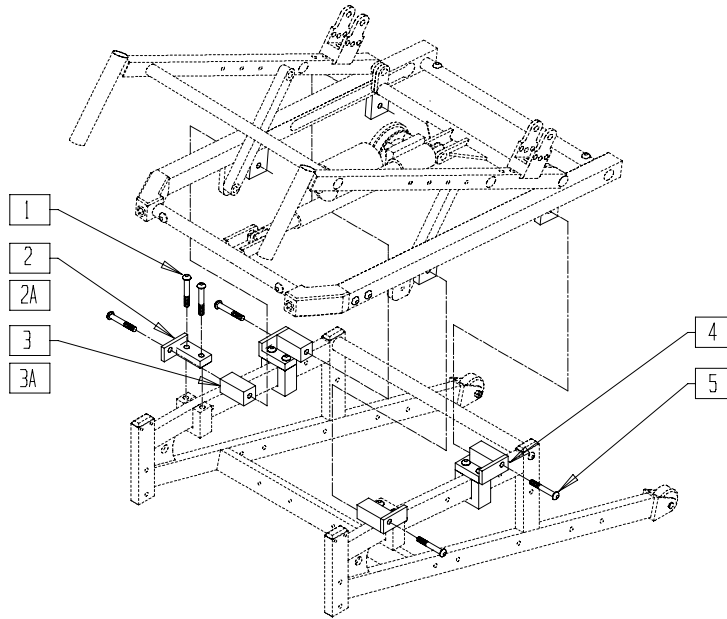


TCG00X25

ITEM	NUMBER	DESCRIPTION	QTY
1	131052	FUSE BLADE 10 AMP	1
2	550970	CHARGER CLAMP 1" THREADED CG	1
3	550969	CHARGER CLAMP 1" CG	1
4	550919	CHARGER MOUNTING PLATE CG	1
5	226108	1/4-20 x 1 1/4" SOC C/S BLK ZN	1
6	226017	10-32 x 3/8 BH C/S BLK	1
8	135060	SEAT CONTROL T/M 34	1
9	139023	WIRING HRNSS DRIVE/ACTUATOR CG	1
10	133260	SWITCH MERCURY CG	1

ITEM	NUMBER	DESCRIPTION	QTY
11	200100-QU	10-32 NYLOCK NUT	1
12	138505	MERCURY SWITCH SPRING CLIP CG	1
13	550916	MERCURY SWITCH MNTG BRKT CG	1
14	455013-QU	10-32 x 1/2 ALLEN BH SCW	1
15	240112	RIVET POP SD46BS BLK	2
16	281040	4-40 x 1/2" FLAT PHIL M/S	2
1-7	139411	WIRING HARNESS 34 TM	
	139416	WIRING HARNESS VS JAZZY	

TILTMASTER MOUNTING ASSEMBLY (QUICKIE P300)

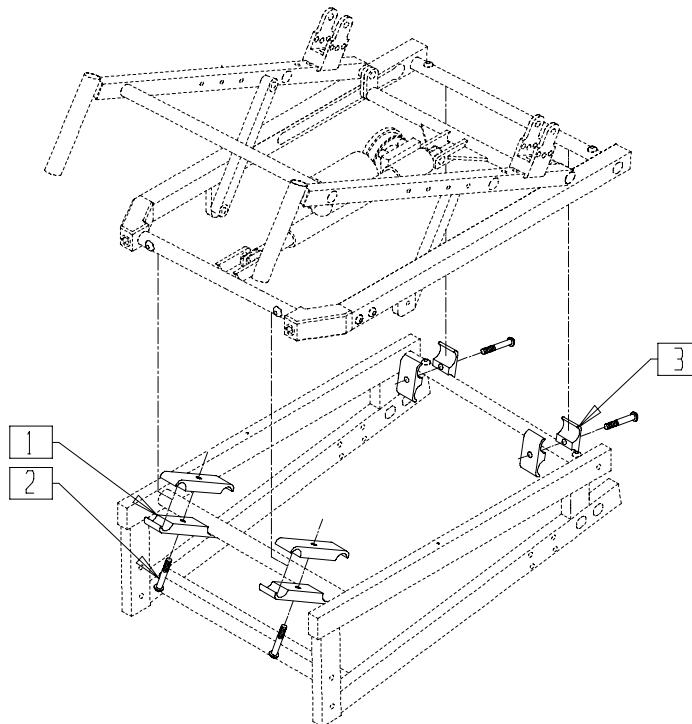


TCG00X11A

ITEM	NUMBER	DESCRIPTION	QTY
1	226181	5/16-18 x 1 BH C/S BLK	8
2	541083, 541084	FRONT MOUNT TAB WELDMENT 0°-50° P300 (EA)	2
2A	541082	FRONT MOUNT TAB WELDMENT 5°-55° P300	2
3	481285	SPACER 16" WIDE P300 CG	4
3A	481286	SPACER 18" WIDE P300 CG	4

ITEM	NUMBER	DESCRIPTION	QTY
4	541085, 541086	REAR MOUNTING BRACKET WELDMENT 0°-50° P300 (EA)	2
5	226176	5/16-18 x 1 1/2 BH C/S BLK (USE WITH P/N 481285)	4
	226174	5/16-18 x 3/4 BH C/S BLK ZN (NO SPACER)	
	226232	5/16-18 x 2 1/4 BH C/S BLK (USE WITH P/N 481286)	

TILTMASTER MOUNTING ASSEMBLY (QUICKIE P320)

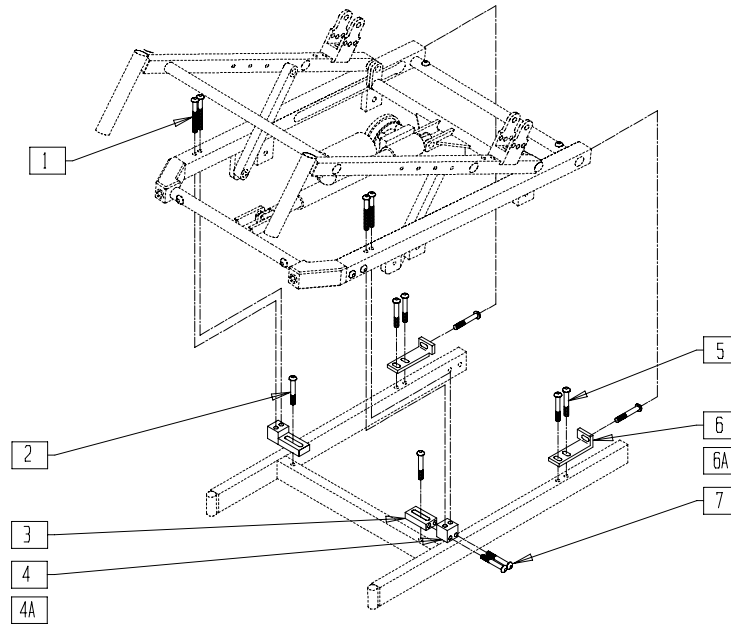


TCG00X13

ITEM	NUMBER	DESCRIPTION	QTY
1	550004	SEAT ANGLE CLAMP LONG CG	4
2	222109	5/16-18 x 1 1/4 BH C/S BLK ZN	4

ITEM	NUMBER	DESCRIPTION	QTY
3	550003-QU	SEAT ANGLE CLAMP SHORT CG	4

TILTMASTER MOUNTING ASSEMBLY (INVACARE STORM-OLD)

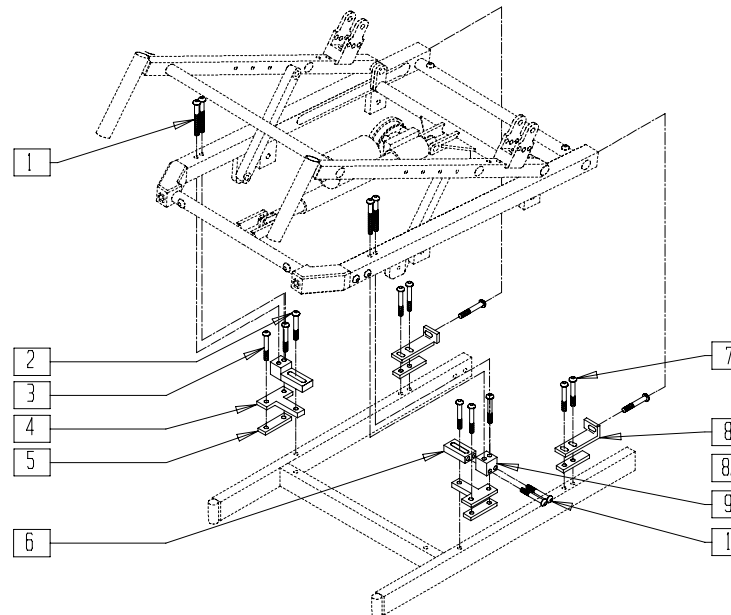


TCG00X16

ITEM	NUMBER	DESCRIPTION	QTY
1	226218	5/16-18 x 1 3/4" BH C/S BLK	4
2	226181	5/16-18 x 1" BH C/S BLK	6
3	483263	FRONT ADJ PLATE NS STORM	2
4	483260	FRONT BASE FRM 0-50° 18STF OS	2
4A	483265	FRONT BASE FRM 0-50° 19STF OS	2
5	226174	5/16-18 x 3/4 BH C/S BLK ZN	2

ITEM	NUMBER	DESCRIPTION	QTY
6	500255- 500259	RR MNT BRKT 15"-17" x 18"-20" 18STF STRM (EA)	2
6A	500290- 500294	RR MNT BRKT 15"-17" x 18"-20" 19STF STRM (EA)	2
7	226218	5/16-18 x 1 3/4 BH C/S BLK	2

TILTMASTER MOUNTING ASSEMBLY (INVACARE STORM-NEW)

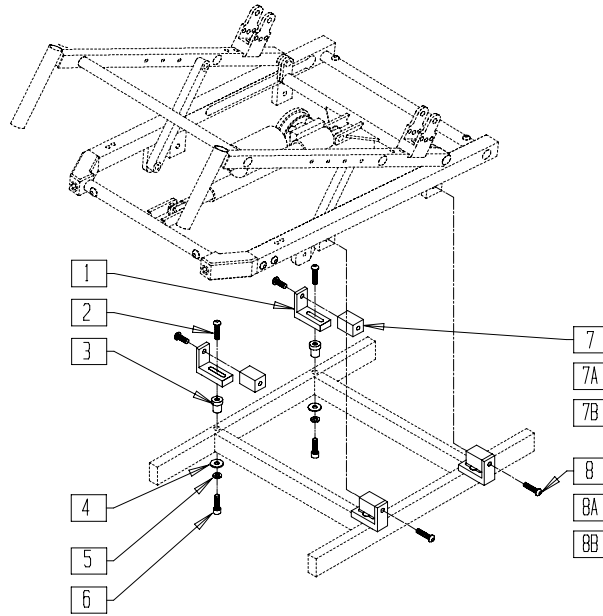


TCG00X17

ITEM	NUMBER	DESCRIPTION	QTY
1	226218	5/16-18 x 1 3/4" BH C/S BLK	4
2	226181	5/16-18 x 1" BH C/S BLK	6
3	226174	5/16-18 x 3/4 BH C/S BLK ZN	2
4	481327	FRONT BASE MNTG BRACKET	2
5	481326	FRONT BASE FRM INSERT NS STORM	2
6	483263	FRONT ADJ PLATE NS STORM	2
7	226174	5/16-18 x 3/4 BH C/S BLK ZN	2

ITEM	NUMBER	DESCRIPTION	QTY
8	500255- 500259	RR MNT BRKT 15"-17" x 18"-20" 18STF STORM (EA)	2
8A	500290- 500294	RR MNT BRKT 15"-17" x 18"-20" 19STF STORM (EA)	2
9	483261	FRONT BASE FRM 0-50° 18STF NS	2
	483264	FRONT BASE FRM 0-50° 19STF NS	
10	226218	5/16-18 x 1 3/4 BH C/S BLK	4

TILTMASTER MOUNTING ASSEMBLY (PRIDE JAZZY)

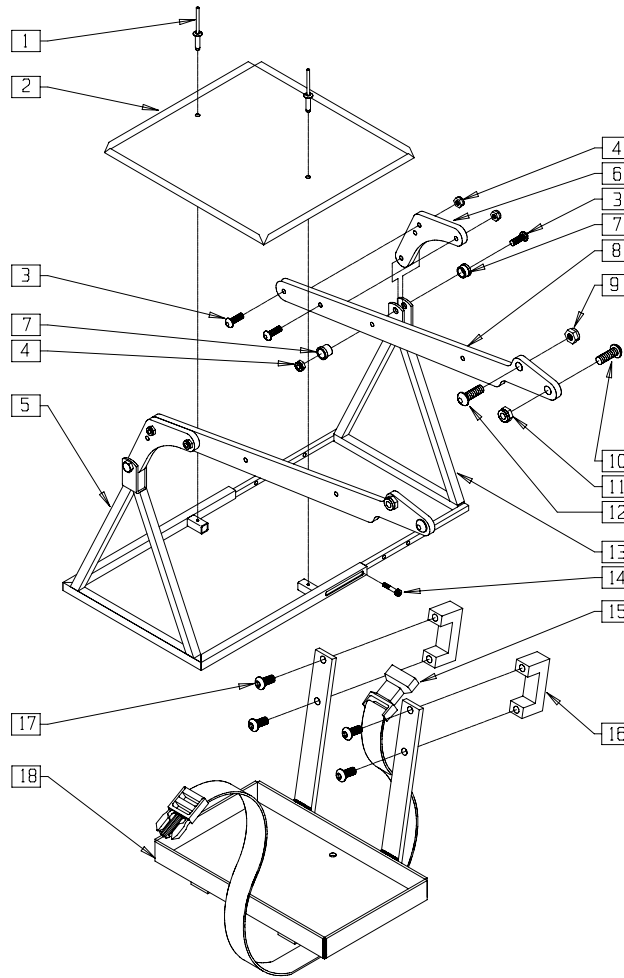


TCG00X21

ITEM	NUMBER	DESCRIPTION	QTY
1	483269	BASE FRAME MOUNT JAZZY	4
2	226213	3/8-16 x 1 BH C/S BLK ZN	4
3	483268	BASE FRAME INSERT JAZZY	4
4	264101	1/2 WASHER HARDENED FLAT	4
5	261509	3/8 SAE WASHER	4
6	226272	3/8-16 x 3/4 SOC C/S BLK	4

ITEM	NUMBER	DESCRIPTION	QTY
7	481287	SPACER 18"-20" WIDE JAZZY CG	4
7A	481288	SPACER 16" WIDE JAZZY CG	4
7B	481289	SPACER 17" WIDE JAZZY CG	4
8	226174	5/16-18 x 3/4 BH C/S BLK ZN	4
8A	226288	5/16-18 x 1 3/4 BH C/S BLK ZN	4
8B	222108	5/16-18 x 1 1/4 BH C/S	4

VENT TRAY ASSEMBLY (QUICKIE POWER TILT)



TCG00X15

ITEM	NUMBER	DESCRIPTION	QTY
1	240112	RIVET POP SD46BS BLK	2
2	540105	VENT TRAY	1
3	226181	5/16-18 x 1 BH C/S BLK	6
4	202103	5/16-18 NYLOCK NUT THICK	2
5	540161	VENT TRAY HANGER WELDMENT	1
6	500113	VENT TRAY LINK MNTG BRKT R	1
	500114	VENT TRAY LINK MNTG BRKT L	
7	560102	V/T LINK MOUNTING BRKT INSERT	2
8	500112	VENT TRAY LINK	2
9	201234	3/8-16 NYLOCK NUT THIN	2
10	226106	1/4-20 x 3/4 BH C/S BLK ZN	2

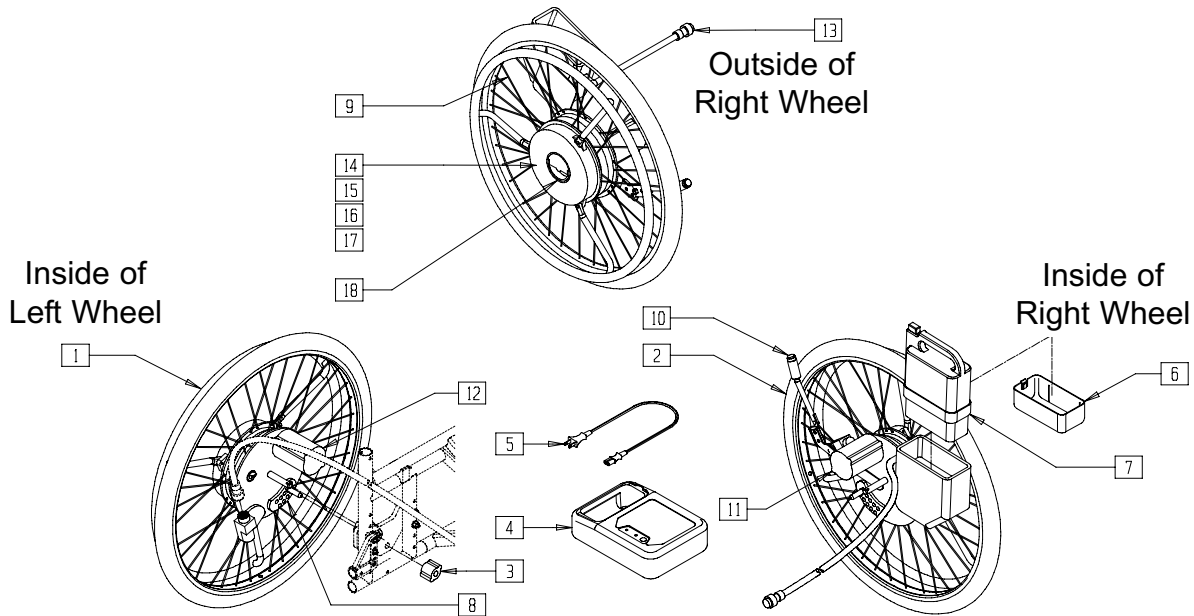
ITEM	NUMBER	DESCRIPTION	QTY
11	201105	1/4-20 NYLOCK NUT THIN	2
12	226213	3/8-16 x 1" BH C/S BLK ZN	2
13	540160	VENT TRY SPPRT INSERT WELDMENT	1
14	226095	1/4-20 x 3/8 SOC C/S BLK ZN	4
15	750076	BATTERY TRAY STRAP CG	1
16	550961	BATTERY TRAY CLAMP CG	2
17	226174	5/16-18 x 3/4 BH C/S BLK ZN	4
18	540162	BATTERY TRAY WELDMENT	1
1-15	880886	VENT TRAY SUPPORT ASSEMBLY CG	
16-18	880887	BATTERY TRAY ASSEMBLY CG	
1-18	920552	T/M VENT TRAY & BATTERY BOX TRAY	

Quickie Xtender

IN THIS SECTION

Xtender Power Drive Assembly (Quickie Xtender)	21.1	Multi-position Fork and Standard Forks (Quickie 2 with Xtender)	21.3
Xtender/Q2 Axle Plate Assembly (Quickie Xtender) (Disc.)	21.2	Xtender Wheels, Axle Plate, and Kits (Quickie 2, 2HP, Xtender)	21.4
Xtender/Q2 Axle Plate Assembly (Quickie Xtender)	21.2		

XTENDER POWER DRIVE ASSEMBLY (QUICKIE XTENDER)



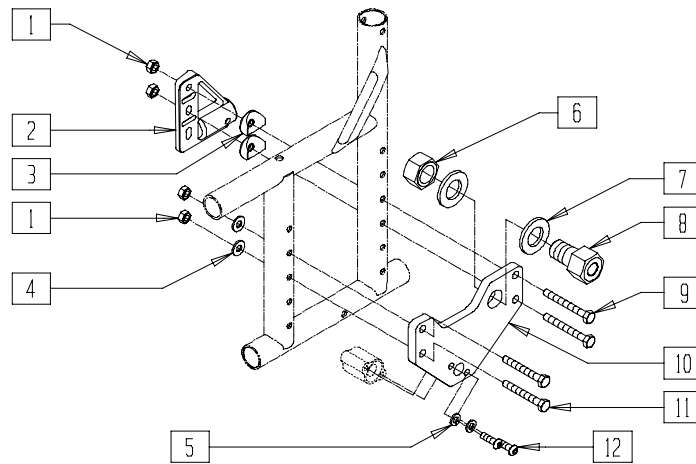
EXTNDR06A

ITEM	NUMBER	DESCRIPTION	QTY
1	425060	24" XTENDER HANDRIM SS W/HDWR	2
	425061	24"XTENDER HANDRIM PLST W/HDWR	
2	385300	24" PNEUMATIC TIRE	2
	382325	24" TUBE	
	382410	24" AIRLESS INSERT	
3	541011	BRACKET ENGINE 1	2
4,5	136026	BATTERY CHARGER YAMAHA	1
5	134121	PWR CORD BATT CHARGER YAMAHA	1
6,7	136526	BATTERY YAMAHA	1
8	133109,	PLATE+ STOPPER 1 YAMAHA (EA)	1
	133110		
9	133108	SPOKE SET 24" YAMAHA	2
10	133102	SWITCH ASSY MAIN YAMAHA	1

ITEM	NUMBER	DESCRIPTION	QTY
11	490013	MOTOR COVER YAMAHA	2
12	499372	MOTOR ASSY YAMAHA	2
13	133103	COUPLER CONTROL YAMAHA	1
14	560029	DRIVE BELT YAMAHA	2
15	133106	ROTARY TRANS ASSM 2 YAMAHA	2
16	133105	SENSOR ASSM YAMAHA	2
17	133104	RECEPTACLE COMP YAMAHA	2
18	133107	PLATE ASSM YAMAHA	2
1-18	925100	24" TYPE A-1.5X KIT W/INT TRE	
	925101	24"TYPE B-3X KT W/INT TR BK HR	
	925102	24" TYPE A-1.5X KIT W/PNEU	
	925103	24" TYPE B-3X KIT W/PN BLK HR	

XTENDER/Q2 AXLE PLATE ASSEMBLY (QUICKIE XTENDER)

(Discontinued July 1 2004)



EXTNDRX01

ITEM	NUMBER	DESCRIPTION	QTY
1	201110-QU	1/4-28 NYLOCK NUT	8
2	920407	ANTI-TIP RECEIVERS (PR)	1
3	561001	1-1/8" SADDLE 1/4" HOLE	4
4	262100-QU	1/4 AN WASHER FLAT	4
5	262114	1/4 WASHER HI COLLAR LOCK ZN	4
6	204000	3/4-16 NUT	2

ITEM	NUMBER	DESCRIPTION	QTY
7	265100	3/4 x 18 WASHER NARROW	2
8	481558	AXLE SLEEVE S.S. 1/2 x 51mm	2
9	221191	1/4-28 x 2 1/4 G8 HEX C/S	4
10	502022	AXLE PLATE PWR ASSIST	2
11	221192	1/4-28 x 2 G8 HEX C/S	4
12	230024	BHCS M6 x 1 x 20mm TORX T-25	4

NEW EXTENDER AXLE PLATE ASSEMBLY (QUICKIE 2/2HP/GP/GPV/GPTi/GP S/A)

(Effective July 1 2004)

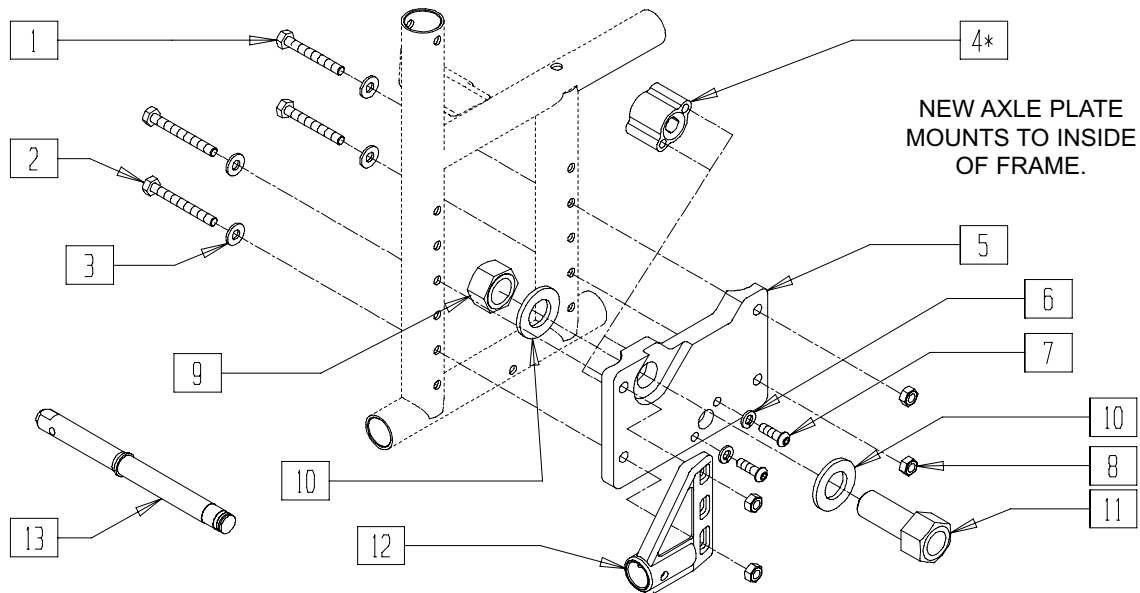


Illustration shows Left Rear of a Q2 Chair

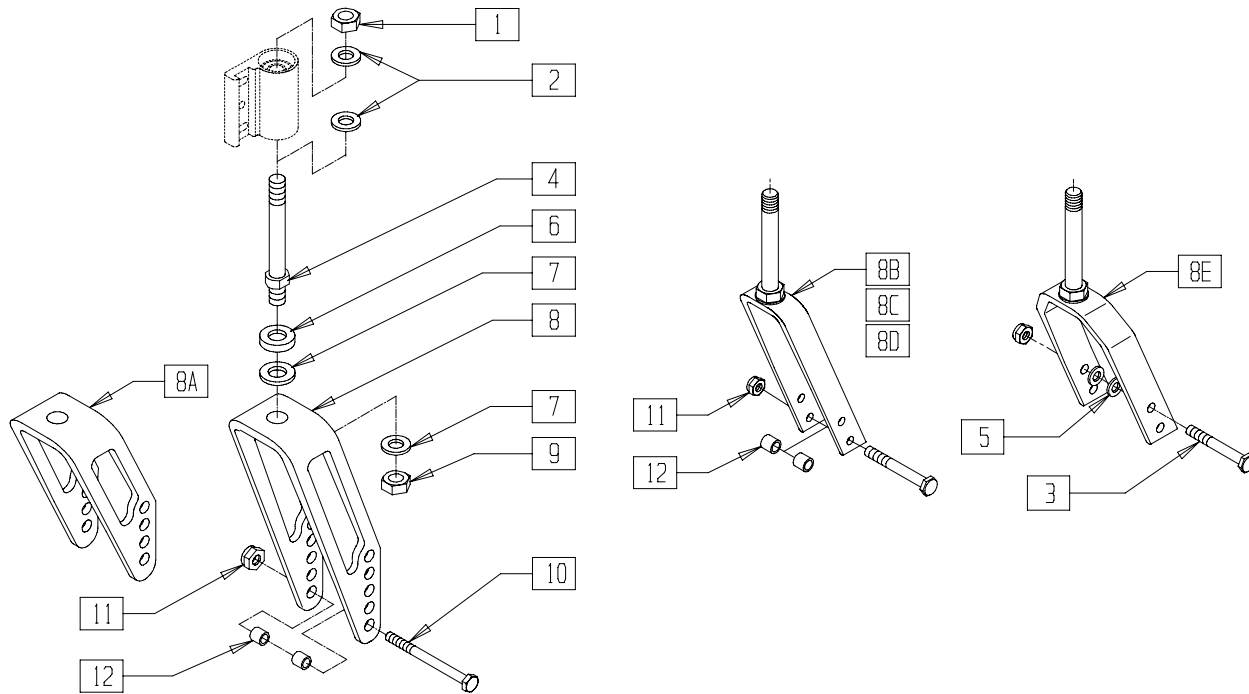
Q2GPEXTNDR

ITEM	NUMBER	DESCRIPTION	QTY
1	221192	1/4-28 x 2 G8 HEX C/S	2
2	221191	1/4-28 x 2 1/4 G8 HEX C/S	2
3	262100-QU	1/4 AN WASHER FLAT	4
*4	541011	BRACKET ENGINE 1	1
5	481691-481692	AXLE SLEEVE INNER MOUNT (EA)	
6	262114	1/4 WASHER HI COLLAR LOCK ZN	2
7	230024	BHCS M6 x 1 x 20MM TORX T-25	2

ITEM	NUMBER	DESCRIPTION	QTY
8	201110-QU	1/4-28 NYLOCK NUT	4
9	204000	3/4-16 NUT	1
10	265100	3/4 x 18 WASHER NARROW	2
11	481690	AXLE SLEEVE YAMAHA	1
12	540181, 540182	ANTI-TIP RECEIVER (EA)	
13	541155	XTENDER QUICK RELEASE AXLE	1
1-3,5-11	923860	XTENDER HARDWARE KIT	

* NOTE - 541011 BRACKET ENGINE 1 CAN BE ORDERED SEPARATELY, OR WILL COME AS PART OF THE EXTENDER ASSEMBLY.

MULTI-POSITION FORK AND STANDARD FORKS (QUICKIE 2 WITH XTENDER)

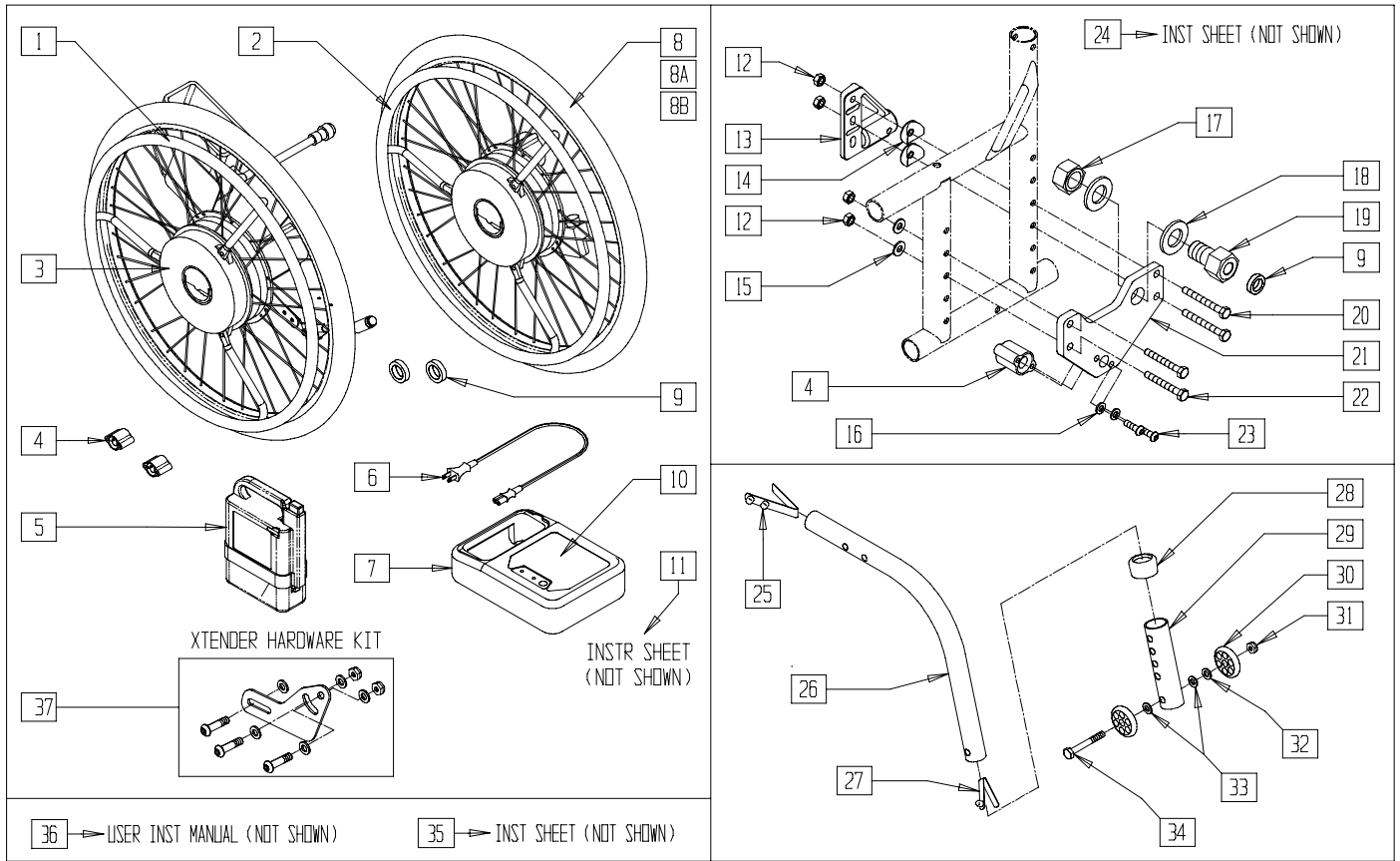


EXTNDR05

ITEM	NUMBER	DESCRIPTION	QTY
1	203100	1/2-20 NYLOCK NUT	1
2	264100	1/2 AN WASHER FLAT	2
3	222253	5/16-24 x 3 1/4 HEX C/S	1
4	481712	CASTER STEM P1/P5	1
5	263110-QU	5/16 AN WASHER FLAT THIN	2
6	483254	SPACER .5 ID x .88 OD x .125	1
7	264100	1/2 AN WASHER FLAT	2
8	550644	MULTI-POSITION FORK TALL	1
8A	550646	MULTI-POSITION FORK SHORT	1
8B	550280	5-1/4" FORK ONLY BLK	1
8C	550290	6" FORK ONLY BLK	1
8D	550300	7" FORK ONLY BLK	1
8E	550730	8" x 2" FORK ONLY	1
9	203100	1/2-20 NYLOCK NUT	1
10	222200	5/16-24 x 2 1/2 HEX C/S	1
11	202100-MJ	5/16-24 NYLOCK NUT THIN	1
12	481113	SPACER 5/16 x .380	2
4,6-9	780236	MULTI POS FORK TALL STD STEM	

ITEM	NUMBER	DESCRIPTION	QTY
4,6,7,8A,9	780239	MULTI POS FORK SHORT STD STEM	
4,6,7,8B,9	785450	5-1/4 P1/P5 STEM BLK	
4,6,7,8C,9	785451	6 P1/P5 STEM BLK	
4,6,7,8D,9	785452	7 P1/P5 STEM BLK	
4,6,7,8E,9	785453	8 x 2 P1/P5 STEM BLK	
1,2,4,6,6-12	780330	M/P FORK TALL STD STM W/HDWR	
1,2,4,6,7,8A,9-12	780333	M/P FORK SHORT STD STM W/HDWR	
1,2,4,6,7,8B,9-12	780830	5 1/4" P1/P5 STEM W/HDWR BLK	
1,2,4,6,7,8C,9-12	780658	6" P1/P5 STEM W/HDWR BLK	
1,2,4,6,7,8D,9-12	780876	7" P1/P5 STEM W/HDWR BLK	
1-7,8E,9-12	780918	8 x 2 P1/P5 STEM W/HDWR BLK	

XTENDER WHEELS, AXLE PLATE, AND KITS (QUICKIE 2 1/2HP/XTENDER)



EXTNDR07A

ITEM	NUMBER	DESCRIPTION	QTY
1	N/A	RIGHT SIDE WHEEL ASSEMBLY	1
2	N/A	LEFT SIDE WHEEL ASSEMBLY	1
3	150837	DECAL QUICKIE XTENDER	2
4*	541011	BRACKET ENGINE	2
5	136526	BATTERY YAMAHA	1
6,7,10	136026	BATTERY CHARGER YAMAHA	1
8	385300	24" PNEUMATIC TIRE	2
8A	382325	24" TUBE	2
8B	382410	24" AIRLESS INSERT	2
9	505981	AXLE SLEEVE SPACER	2
10	150839	DECAL CHARGER XTENDER	1
11	950123	INST SHT AXLE SLEEVE SPACER	1
12	201110-QU	1/4-28 NYLOCK NUT	8
13	540181	ANTI-TIP RECEIVER R	1
	540182	ANTI-TIP RECEIVER L	1
14	561001	1-1/8" SADDLE 1/4" HOLE	4
15	262100-QU	1/4 AN WASHER FLAT	4
16	262114	1/4 WASHER HI COLLAR LOCK ZN	4
17	204000	3/4-16 NUT	2
18	265100	3/4 x 18 WASHER NARROW	4
19	481558	AXLE SLEEVE S.S. 1/2 X 51 MM	2
20	221191	1/4-28 x 2 1/4 G8 HEX C/S	4
21	502022	AXLE PLATE PWR ASSIST	2
22	221192	1/4-28 x 2 G8 HEX C/S	4
23	230024	BHCS M6 x 1 x 20MM TORX T-25	4
24	930799	INSTR SHT XTNDR AXLE PLT ASSM	1

ITEM	NUMBER	DESCRIPTION	QTY
25	301100	1/4" SNAP BTTN SINGLE	2
26	521736	MED ANTI TIP TUBE RT BLK	1
	521737	MED ANTI TIP TUBE LT BLK	1
27	301109	SNAP BUTTON DUAL ONE SIDE	2
28	563065	3/4" ANTI-RATTLE	2
29	521587	ANTI TIP SLEEVE TUBE (5H) BLK	2
30	561032	ANTI-TIP WHEEL	4
31	201100-QU	1/4-28 NYLOCK NUT THIN	2
32	262130	6MM WASHER WAVE	2
33	262110-QU	1/4 AN WASHER FLAT THIN	4
34	221192	1/4-28 x 2 G8 HEX C/S	2
35	930702	INSTR SHT EXTENDER	1
36	930547	USER INST MNL QUICKIE XTENDER	1
37	921763	XTNDR ADJ BRCKT KIT (W/HDWR)	1
28-34	881513	ANTI-TIP SLV W/WHLS BLK - 5H (EA)	
25-34	881128, 881129	MED ANTI TIP ASSM BLK (EA)	
12-24	923860	XTENDER HARDWARE KIT	
1-8,8B,9-11	925100	24" TYPE A KIT W/INSERT TIRE	
1-8,8B,9-11	925101	24" TYPE B KIT W/INSERT TIRE	
1-8,8A,9-11	925102	24" TYPE A KIT W/PNEU	
1-8,8A,9-11	925103	24" TYPE B KIT W/PNEU	
1-8,8A,9-36	923410	24" XTNDR PN/PLST W/HDWR KIT	
1-8,8A,9-36	923411	24" XTNDR PN/SS W/HDWR KIT	
1-8,8B,9-36	923412	24" XTNDR ARLS/PLST W/HDWR KIT	
1-8,8B,9-36	923413	24" XTNDR ARLS/SS W/HDWR KIT	

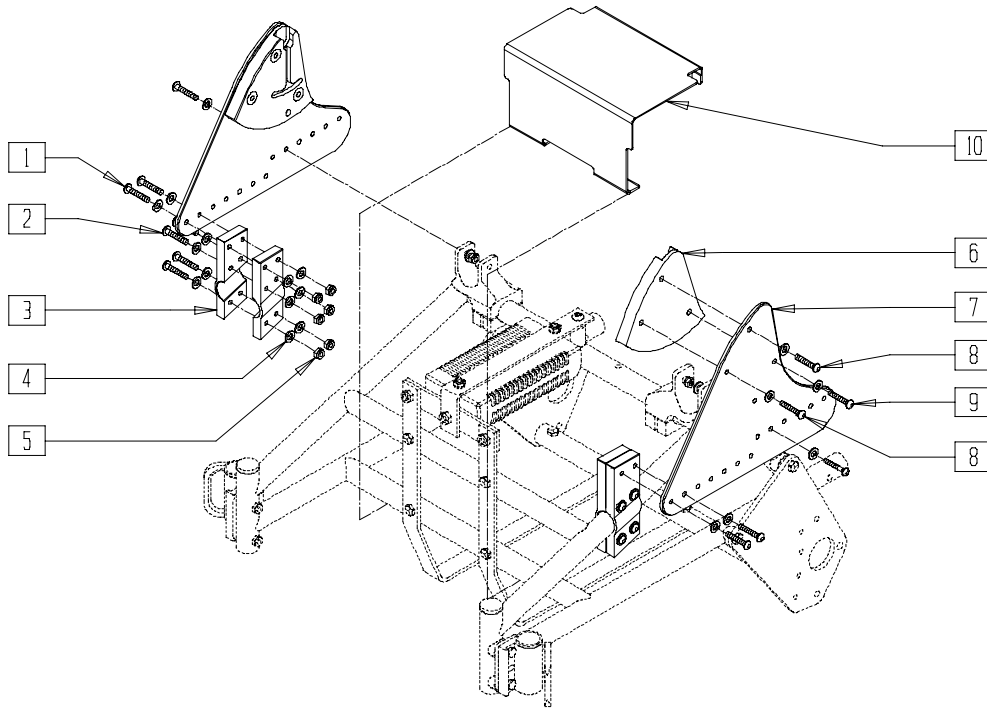
NOTE *THE BRACKET ENGINES COME WITH THE WHEEL KITS & 541011 SHOULD BE SOLD ONLY IF ORDERED AS AN INDIVIDUAL PART.

Kid Kart Xpress, Z-500 Power Pak

IN THIS SECTION

Mounting System (Z-500 Power Pak).....	22.1	Kill Switch and Hardware	
Transit System (Z-500 Power Pak)	22.2	(Z-500 Power Pak).....	22.4
Joystick and Mounting Hardware			
(Kid Kart Xpress/Z-500 Power Pak)	22.3		

MOUNTING SYSTEM (Z-500 POWER PAK)

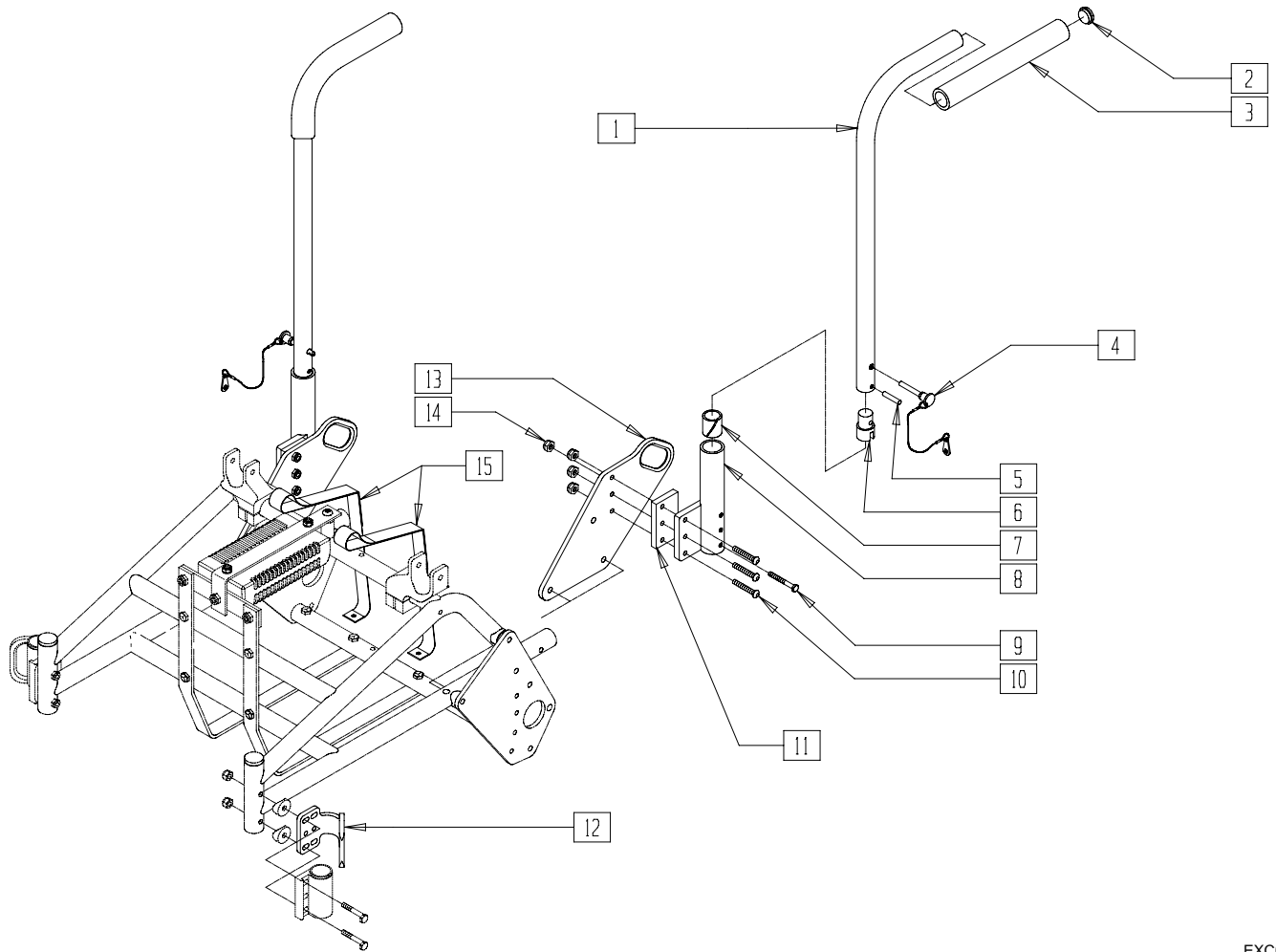


EXC0X01A

ITEM	NUMBER	DESCRIPTION	QTY
1	227191	1/4-20 x 1-5/8" BH C/S BLK	6
2	227190	1/4-20 x 1-3/8" BH C/S BLK	8
3	550057, 550058	FRONT FRAME BRACKET XC (EA)	2
4	262110-QU	1/4 AN WASHER FLAT THIN	32
5	201136	1/4-20 NYLOCK NUT HIGH	14

ITEM	NUMBER	DESCRIPTION	QTY
6	500855, 500856	TIS BLOCK XC (EA)	1
7	500854	SIDE PLATE XC	2
8	226163	1/4-28 x 2 SOC C/S BLK	4
9	226162	1/4-20 x 1 1/8 BH C/S	2
10	560027	SHROUD BASE XC	1

TRANSIT SYSTEM (Z-500 POWER PAK)

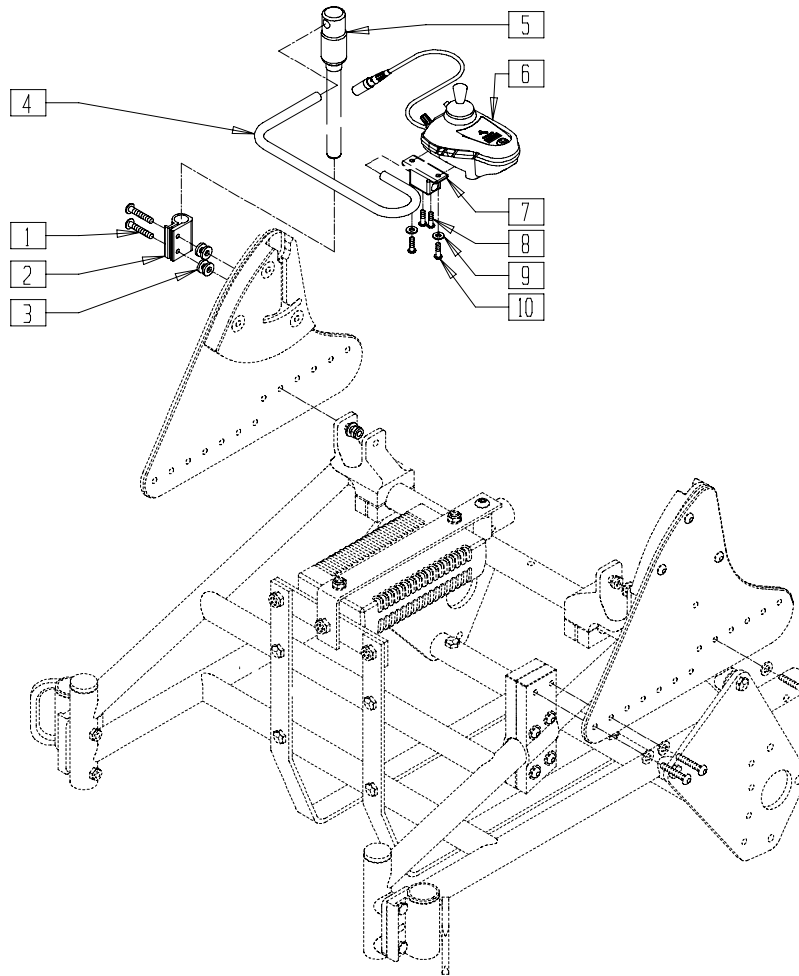


EXC0X02

ITEM	NUMBER	DESCRIPTION	QTY
1	521600	STROLLER HNDL REG STRT F	2
2	561002	1" INSERT PLUG .083	2
3	920070	9 x .940 x .200 FOAM GRIP	2
4	349020	STROLLER HANDLE RELEASE PIN	2
5	341200	1/4 x 1 ROLL PIN	2
6	483029	PUSH HANDLE PLUG	2
7	560400	1" I.D. NY-LINER	2
8	540100, 540102	PADDED ARM REC STRT F (EA)	1

ITEM	NUMBER	DESCRIPTION	QTY
9	221133	1/4-28 x 1 1/2 G8 HEX C/S	2
10	221124-QU	1/4-28 x 1 1/4 G8 HEX C/S	6
11	560015	BRACKET SPACER HANDLEBAR XC	2
12	505471	TRANSIT BRCKT REAR ZP	2
13	550622	REAR TRANSIT BRKT XC	2
14	202300	1/4-28 NYLOCK NUT THIN BLK ZN	8
15	750068	BATTERY STRAP TRANSIT Z500	2
1-3,5,6	880360	STROLLER HNDL REG STRT F	

JOYSTICK AND MOUNTING HARDWARE (KID KART XPRESS/Z-500 POWER PAK)



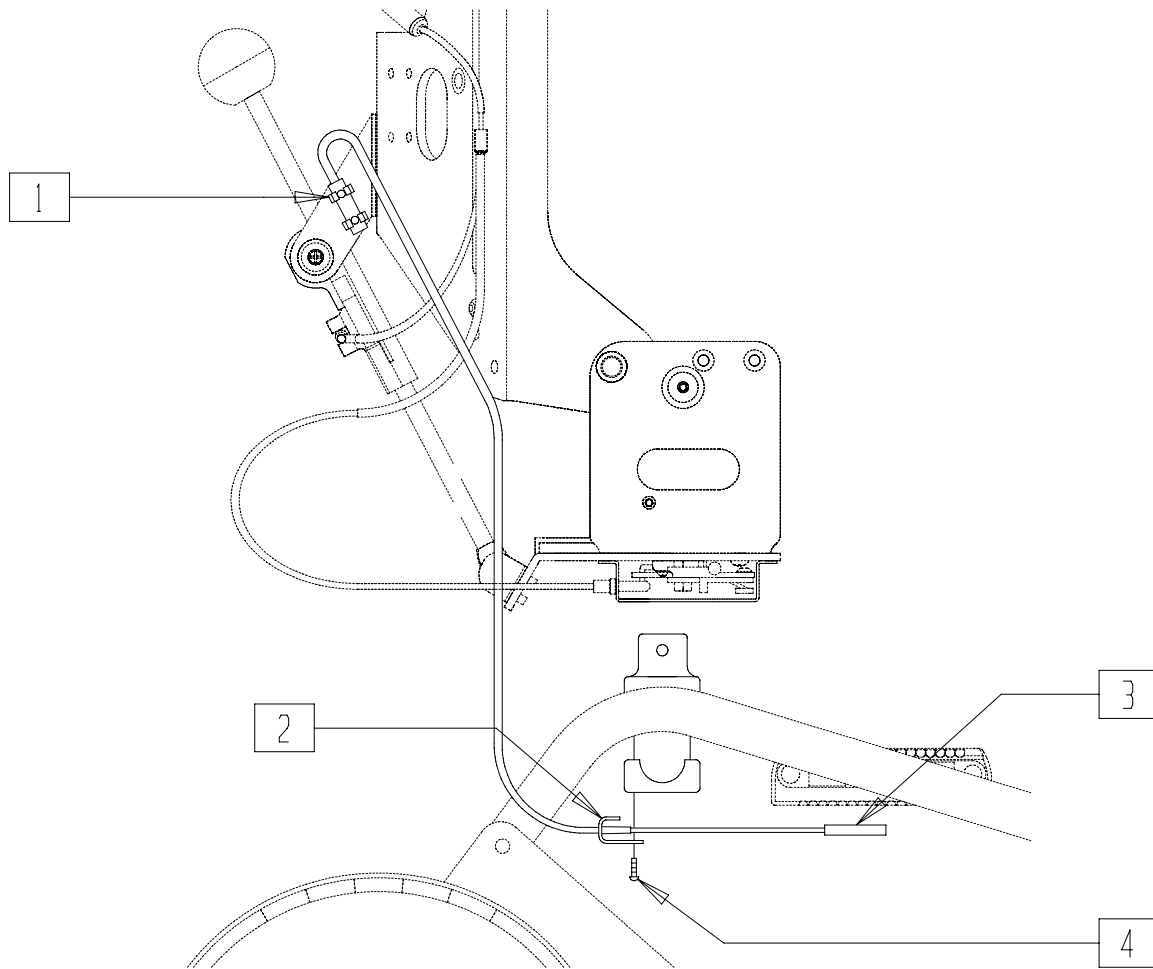
JOYSTICK CAN BE MOUNTED ON LEFT OR RIGHT SIDE OF CHAIR.

EXC0X20B

ITEM	NUMBER	DESCRIPTION	QTY
1	226123	1/4-20 x 1 BH C/S BLK ZN	2
2	550350	3/4" CLMP ADJ FT PLT	1
3	561059	3/4 O.D. x .318 I.D. WASHER	4
4	505369	S/A REMOTE BOX SUPPORT ARM	1
5	886975	USCM ARM ASSM KKART	1
6	139665	REMOTE BOX W/JS R MOUNT	1
	139669	REMOTE BOX W/JS L MOUNT	
	139666	REMOTE BOX W/JACK & JS R MNT	
	139670	REMOTE BOX W/JACK & JS L MNT	

ITEM	NUMBER	DESCRIPTION	QTY
7	500756	BASE CLAMP JOYSTICK MOUNT	1
8	220120	8-32 x 1/2 SOC C/S P/LK BLK	2
9	262110-QU	1/4 AN WASHER FLAT THIN	2
10	226106	1/4-20 x 3/4 BH C/S BLK ZN	2
6-10	882330	RMT BX JSTK W/JS R ASSM	
	882333	RMT BX JSTK W/JS L ASSM	
	882331	RMT BX JSTK W/JACK & JS R ASSM	
	882334	RMT BX JSTK W/JACK & JS L ASSM	

KILL SWITCH AND HARDWARE (Z-500 POWER PAK)



EXC0X06

ITEM	NUMBER	DESCRIPTION	QTY
1	139331	POWER PAK PLUG ASSM	1
2	560316	PHONE JACK MOUNTING BRACKET	1

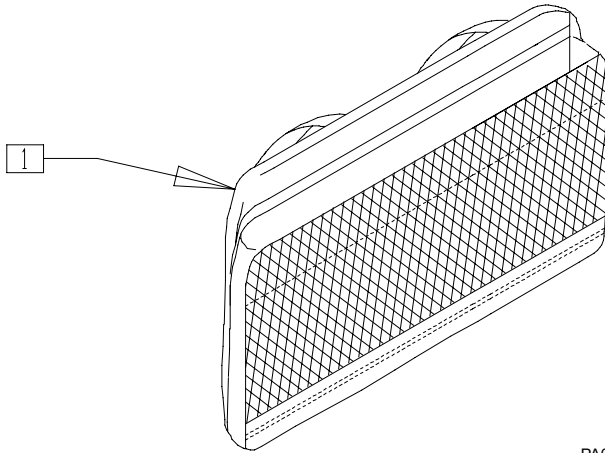
ITEM	NUMBER	DESCRIPTION	QTY
3	139330	POWER PAK JACK ASSM	1
4	221124-QU	1/4-28 x 1 1/4 G8 HEX C/S	1

Accessories

IN THIS SECTION

Armrest Pouch (Dual-post Armrest).....	23.1	O2 Holder (Quickie V-121)	23.9
Auxiliary Charger Box (Quickie Power Recline System)	23.1	O2 Holder (Quickie V-521)	23.9
Backpacks and Seat Pouches	23.1	O2 Holder (Quickie G424 w/Contour Seating)	23.10
Batteries	23.2	O2 Holder (Quickie G424 w/Rehab Seating)	23.10
Battery (Vent Tray) (Quickie P210/Power Recline System) (Disc.)	23.2	Tray Table (Quickie G-424/P110/P190/ P200/P210/P300/P320/S-525/S-626/ S-646/S-646SE/V100[P100]/V-121[P120]/ V-521/Z500[Zippie P500])	23.11
Battery Tray (Quickie P210/Power Recline System) (Disc.)	23.3	Tray Table (Adjustable Locking Flip-up Arm) (Quickie Z500[Zippie P500])	23.11
Vent Tray (Quickie Power Recline System) (Disc.).....	23.3	Quickie Plastic Side Guard	23.12
Programmer	23.4	Basket W/Mount Hardware (Quickie Freestyle) ...	23.12
Qtronix Programmer	23.4	Multi Mount Adapter Assembly	23.13
Digital Multimeter	23.4	Non-tilt Mechanism (Quickie Z500[Zippie P500])	23.13
Remote Extension Cable	23.4	Manual Wheelchair Conversion Kit (14"/15") (Quickie P200/P320).....	23.14
Impact Guards (Neoprene)	23.5	Manual Wheelchair Conversion Kit (16"-20") (Quickie P200/P320).....	23.14
Leg Straps	23.5	Manual Wheelchair Conversion Kit (Quickie P-222) (Disc.)	23.15
Positioning Belt	23.5	Manual Wheelchair Conversion Kit (Quickie P-220/P-222SE)	23.16
Seat Belt (Quickie Freestyle)	23.6	Hanger Kit (Quickie G-424/P-220/P-222/ P-222SE/S-525/S-626/S-646/S-646SE)	23.17
Quickie Caddy	23.6	Ready Align Bumper (Quickie Freestyle).....	23.17
Walker Holder Rehab Back (Quickie G-424/P-222/S-525)	23.6	Tool Kit	23.17
Accessory Holder (Quickie Freestyle)	23.7	Touch-up Paint.....	23.17
Oxygen Holder (Quickie Freestyle)	23.7	Jay Folding Stabilizer Bar (Quickie P200/P-220/S-525/V-121)	23.18
Walker Holder (Quickie Freestyle).....	23.7		
Walker Holder (Fabric).....	23.8		
Cane Holders	23.8		
Crutch Holder (Quickie Freestyle)	23.8		
Standard Crutch Holder	23.8		

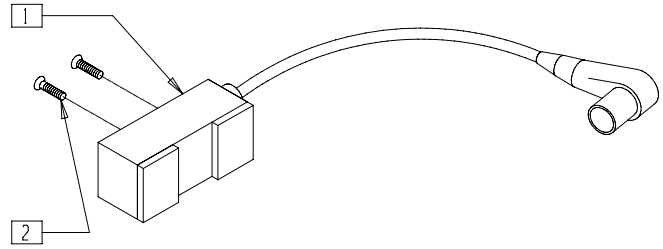
ARMREST POUCH (DUAL-POST ARMREST)



PA0X24A

ITEM	NUMBER	DESCRIPTION	QTY
1	011687	ARMREST POUCH	1

AUXILIARY CHARGER BOX (QUICKIE POWER RECLINE SYSTEM)



P200X67

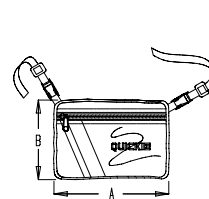
ITEM	NUMBER	DESCRIPTION	QTY
2	281105	10-32 x 3/8 PAN PHIL	2
1,2	139119	AUXILIARY CHARGER BOX	

BACKPACKS AND SEAT POUCHES



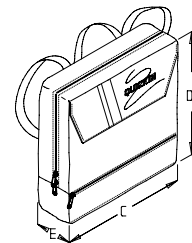
SHAC0X01A

MEASURING GUIDE



PA0X19

SEAT POUCH	
A	B
8"	6"



PA0X17

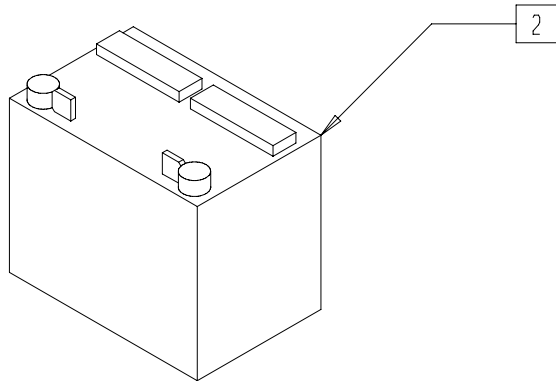
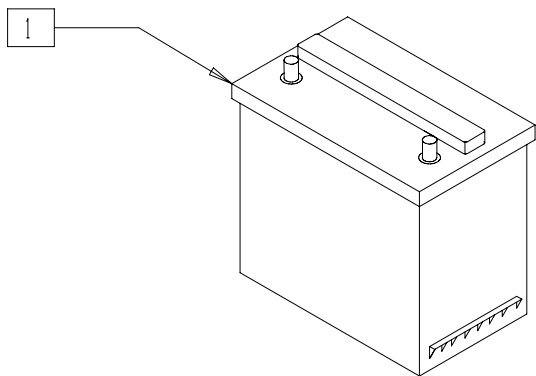
STANDARD BACKPACK			
	C	D	E
KIDS	12"	12"	4"
ADULT	13 1/2"	13 1/2"	4"

ITEM	NUMBER	DESCRIPTION	QTY
1	750115	BACKPACK QUICKIE	1
2	750304	SEAT POUCH BLACK/CHARCOAL	1
	750307	SEAT POUCH QUICKIE	1

NOTE: KIDS BACKPACKS DO NOT HAVE ADJUSTABLE STRAPS WITH BUCKLES.

ITEM	NUMBER	DESCRIPTION	QTY
3	750121	BACK PACK BLACK/CHARCOAL KIDS	

BATTERIES



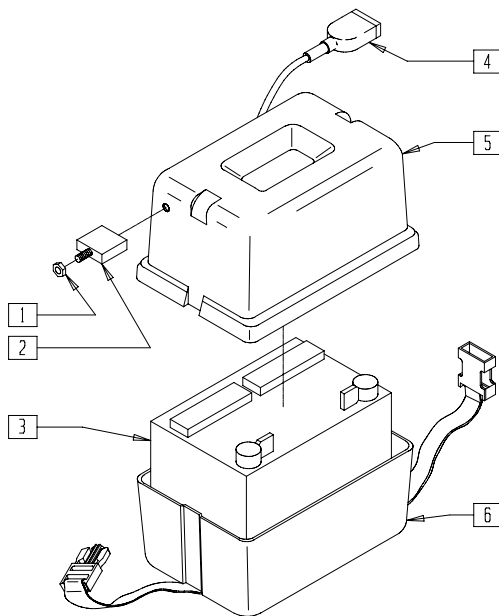
PA0X01

ITEM	NUMBER	DESCRIPTION	QTY
1	136511	BATTERY GEL CEL U128 31 AMP	1
	136530	BATTERY GEL CEL 12GEL50 (22NF)	

ITEM	NUMBER	DESCRIPTION	QTY
2	136515	BATTERY M-24 GEL	1

BATTERY (VENT TRAY) (QUICKIE P210/POWER RECLINE SYSTEM)

(Discontinued 11/1/02 - parts only)



P200X74

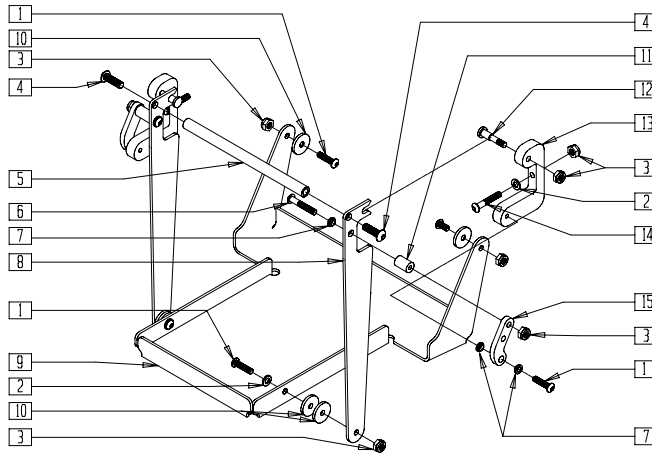
ITEM	NUMBER	DESCRIPTION	QTY
1	210071	NUT KNURLD FOR 133010	1
2	133010	CIRCUIT BREAKER 60 AMP RESET	1
3	136515	BATTERY M-24 GEL	1
4	139018	BATTERY CHARG LOOM P210 VENTILTR	1

ITEM	NUMBER	DESCRIPTION	QTY
5	562705	BATTERY BOX LID L P300	1
6	880480	BATTERY BOX BOTTOM W/STRAP P2/P3	1
1,2,5,6	920287	BATTERY BOX ASSM P210 VENT	

NOTE: SEE PAGE 23.12 FOR VENT TRAY.

BATTERY TRAY (QUICKIE P210/POWER RECLINE SYSTEM)

(Discontinued 11/1/02 - parts only)



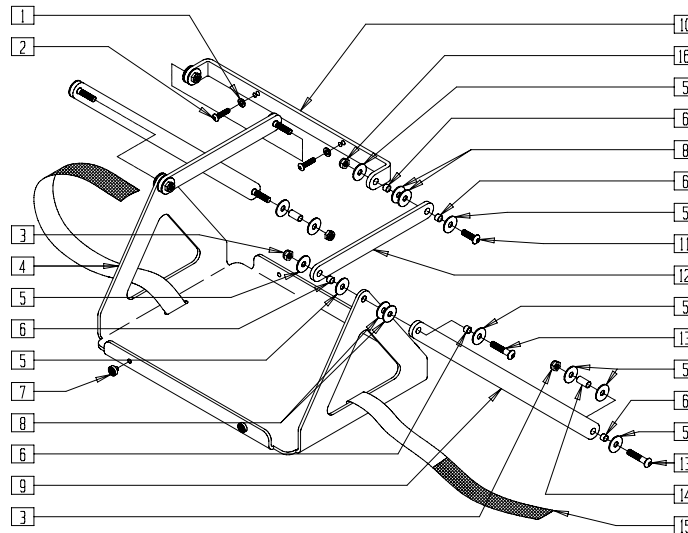
P200X73

ITEM	NUMBER	DESCRIPTION	QTY
1	226100	1/4-28 x 3/4 BH C/S	6
2	262110-QU	1/4 AN WASHER FLAT THIN	4
3	201112	1/4-28 NUT THIN	10
4	226182	5/16-18 x 1 BH C/S	2
5	505335	BATTERY TRAY HANDLE	1
6	226130	1/4-28 x 1 1/2 BH C/S	2
7	262115	1/4" NYLON FLANGE BUSHING	2
8	505330	BATTERY TRAY LINKAGE	2
9	505726	BATTERY TRAY PIVOTING	1

ITEM	NUMBER	DESCRIPTION	QTY
10	561016	1" WASHER 5/16" HOLE	6
11	561057	T45 FRAME PLUG PLASTIC	2
12	481023	S/A LATCH STUD NEW	2
13	550125	BATTERY TRAY MOUNTING BLOCK	2
14	226140	1/4-28 x 1 3/4 BH C/S	2
15	550264	3 HOLE TOGGLE PULL (SPECIFY BLACK)	2
1-15	920550	BATTERY TRAY ASSM PRS	

VENT TRAY (QUICKIE POWER RECLINE SYSTEM)

(Discontinued 11/1/02 - parts only)



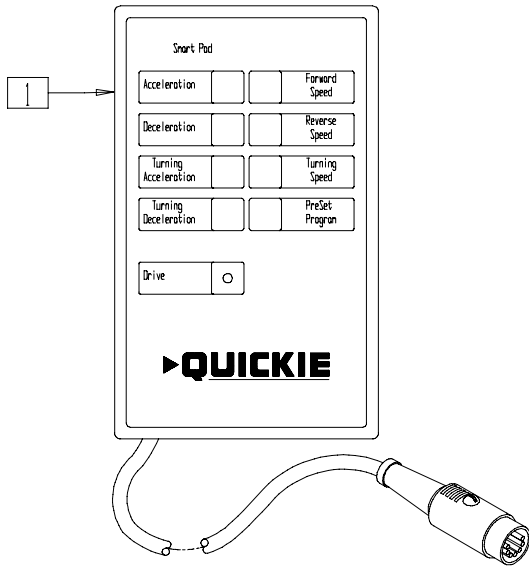
P200X72

ITEM	NUMBER	DESCRIPTION	QTY
1	262100-QU	1/4 AN WASHER FLAT	2
2	226129	1/4-28 x 1 1/4 BH C/S	2
3	202100-MJ	5/16-24 NYLOCK NUT THIN	6
4	505727	VENTILATOR TRAY P210	1
5	561043	1" WASHER 3/8" HOLE	16
6	341630	BUSHING SLEEVE 1/4"	10
7	349559	RUBBER BUMPER HANGER P2	4
8	561016	1" WASHER 5/16" HOLE	8
9	540233	VENT LINK LOWER	2

ITEM	NUMBER	DESCRIPTION	QTY
10	505728	VENT MOUNTING BRKT P210	1
11	222108	5/16-18 x 1 1/4 BH C/S	2
12	540232	VENT LINK UPPER	1
13	226138	5/16-24 x 1 1/2 BH C/S	2
14	341632	BUSHING SLEEVE 3/4"	2
15	751040	VENT TRAY STRAP PRS/T45	1
16	202110	5/16-18 NUT THIN	2
1-16	920551	VENT TRAY ASSM PRS	

NOTE: SEE PAGE 23.2 FOR BATTERY AND BATTERY TRAY.

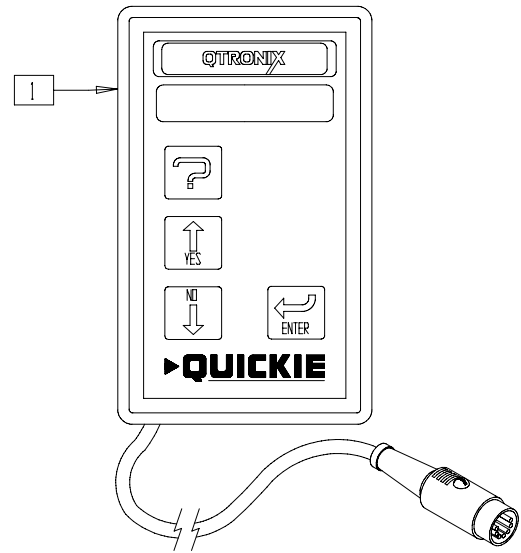
PROGRAMMER



PA0X11A

ITEM	NUMBER	DESCRIPTION	QTY
1	920249	SMART PAD (PROGRAMMER) (QUICKIE CHAIRS W/PG8 CONTROLLERS)	1

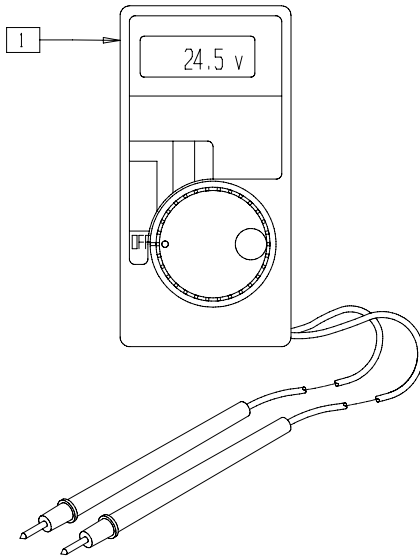
QTRONIX PROGRAMMER



P9000X10

ITEM	NUMBER	DESCRIPTION	QTY
1	920255	PROGRAMMING PAD QTRONIX	1

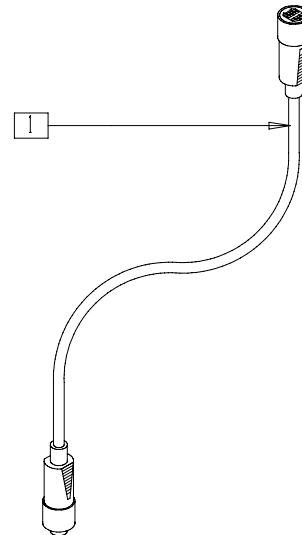
DIGITAL MULTIMETER



PA0X10

ITEM	NUMBER	DESCRIPTION	QTY
1	920285	DIGITAL MULTIMETER	1

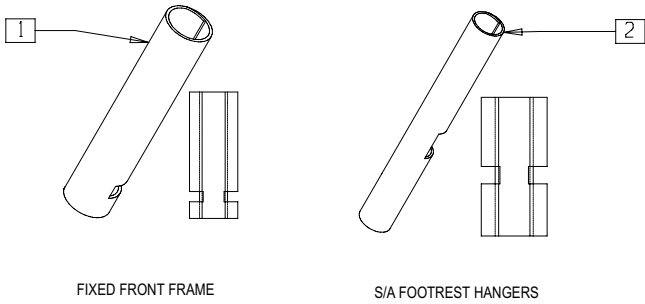
REMOTE EXTENSION CABLE



PA0X12

ITEM	NUMBER	DESCRIPTION	QTY
1	139130	CABLE CONTROLLER INTERCONNECT 18"	1

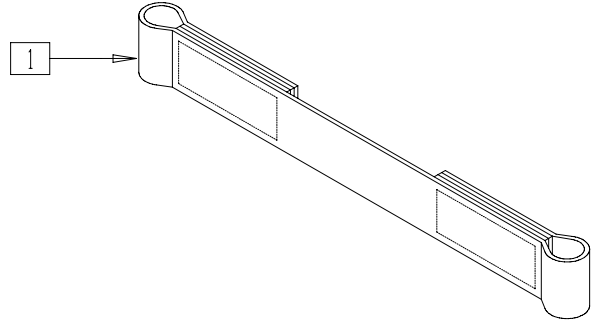
IMPACT GUARDS (NEOPRENE)



PA0X21

ITEM	NUMBER	DESCRIPTION	QTY
1	750316	IMPACT GUARDS NEOPRENE FIXED (PR)	1
2	750317	IMPACT GUARDS NEOPRENE S/A AND GPS (PR)	1

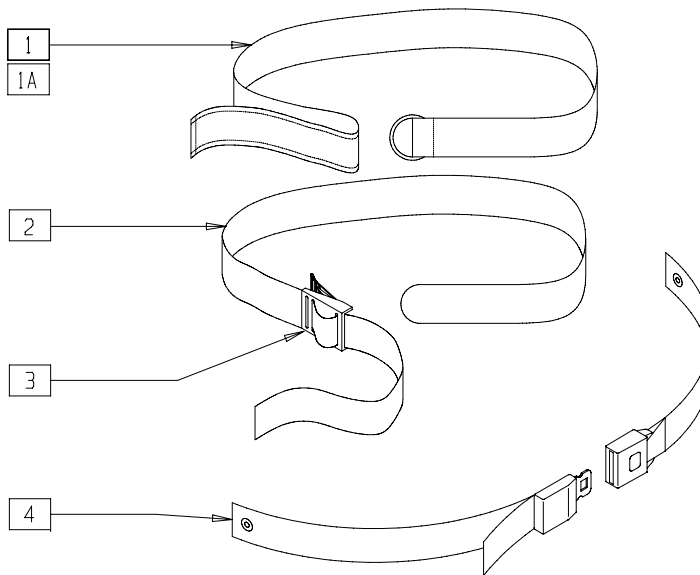
LEG STRAPS



PA0X22

ITEM	NUMBER	DESCRIPTION	QTY
1	740111- 740132	LEG STRAP 10"-20" (EA)	1

POSITIONING BELT

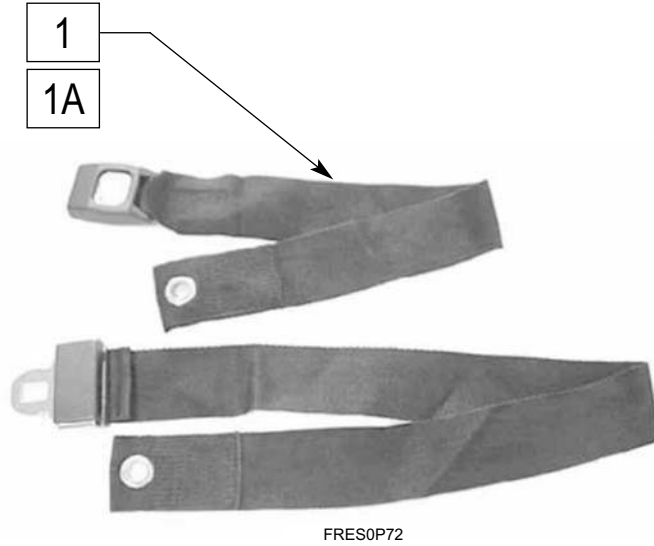


PA0X13

ITEM	NUMBER	DESCRIPTION	QTY
1	750200	POSITIONING BELT LONG VELCRO®	1
1A	750204	POSITIONING BELT SHT VELCRO®	1
2,3	750210	POSITIONING BELT LONG BUCKLE	

ITEM	NUMBER	DESCRIPTION	QTY
2,3	750214	POSITIONING BELT SHT BUCKLE	
3	560200	2" PLASTIC BUCKLE	1
4	750276	POSITIONING BELT W/MTL BCKLE STD	1

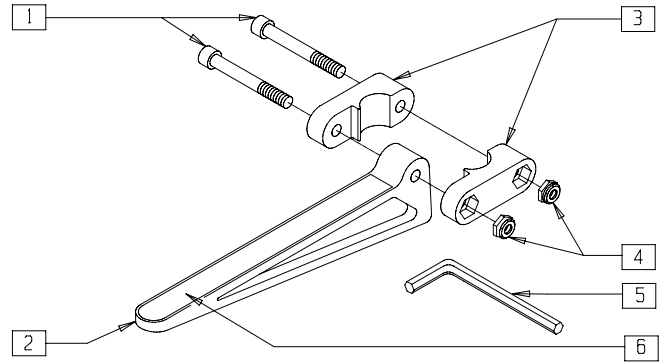
SEAT BELT (QUICKIE FREESTYLE)



FRES0P72

ITEM	NUMBER	DESCRIPTION	QTY
1	750280	SEAT BELT	1
1A	750281	SEAT BELT LONG #4	1

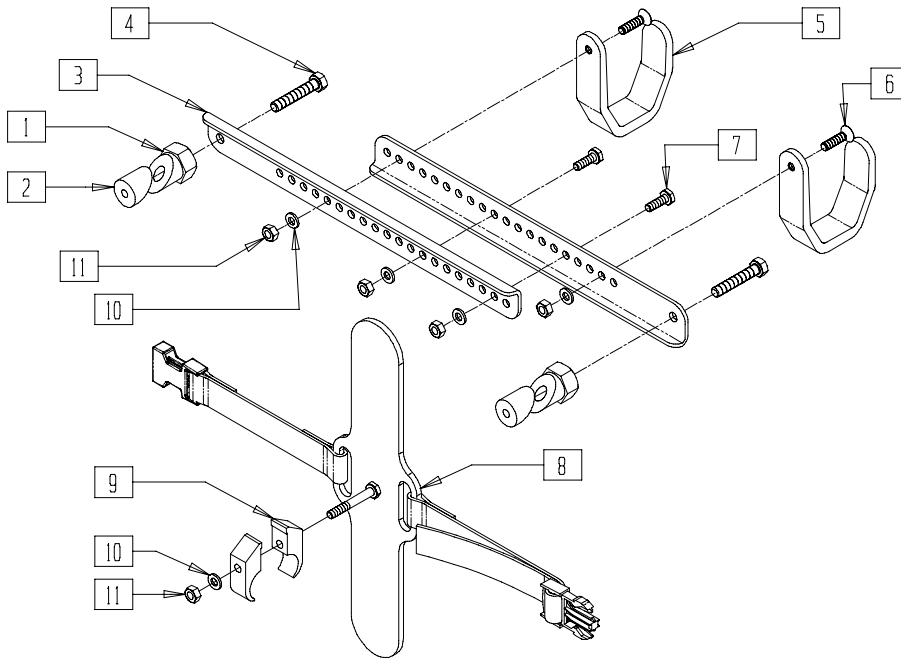
QUICKIE CADDY



PA0X15

ITEM	NUMBER	DESCRIPTION	QTY
1	226128	1/4-28 x 1 1/4 SOC C/S	2
2	561105	CADDY ARM	1
3	561104	CADDY CLAMP	2
4	201100-QU	1/4-28 NYLOCK NUT THIN	2
5	349998	3/16" ALLEN WRENCH	1
6	580050	CADDY TAPE	1
1-5	902350	QUICKIE CADDY (PR)	

WALKER HOLDER REHAB BACK (QUICKIE G-424/P-222/S-525) (Effective 09/18/03)



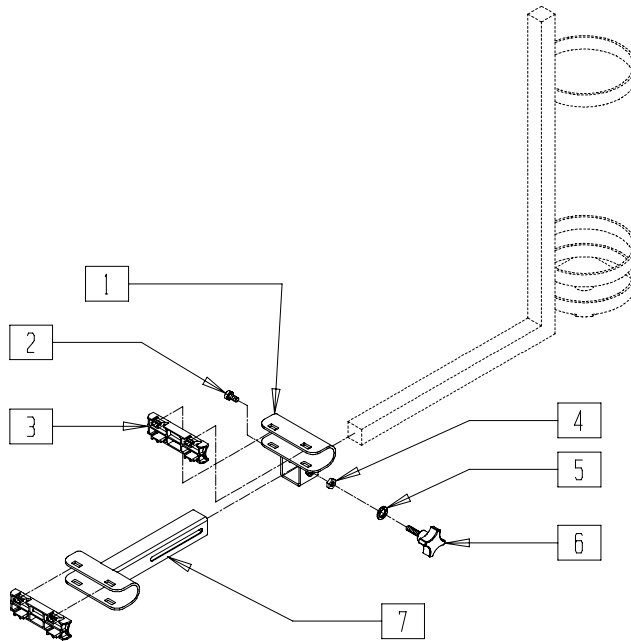
O2H0X06

ITEM	NUMBER	DESCRIPTION	QTY
1	483341	CLAMP 1 x .049 TUBE THRU HOLE	2
2	481560	CLAMP 1 x .049 TUBE THREADED	2
3	500812	BRACKET O2 BACK ADJ WIDTH	2
4	222235	5/16-18 x 1 3/4" HEX C/S BLK	2
5	506320	HOOK WALKER HANGER	2
6	226259	1/4-28 x 1 FLAT HD C/S BLK	2

ITEM	NUMBER	DESCRIPTION	QTY
7	221102	1/4-28 x 1 FLAT HD C/S BLK	2
8	887975	BUMPER ASSM WALKER	1
9	550251	CLMP P300 CHRNGG/ADJ FL KDS	2
10	262100-QU	1/4 AN WASHER FLAT	5
11	204110	1/4-28 NYLOCK NUT BLK ZN	5
1-11	882230	WALKER HOLDER REHAB BACK	

ACCESSORY HOLDER (QUICKIE FREESTYLE)

(Used on Rehab Seat only)

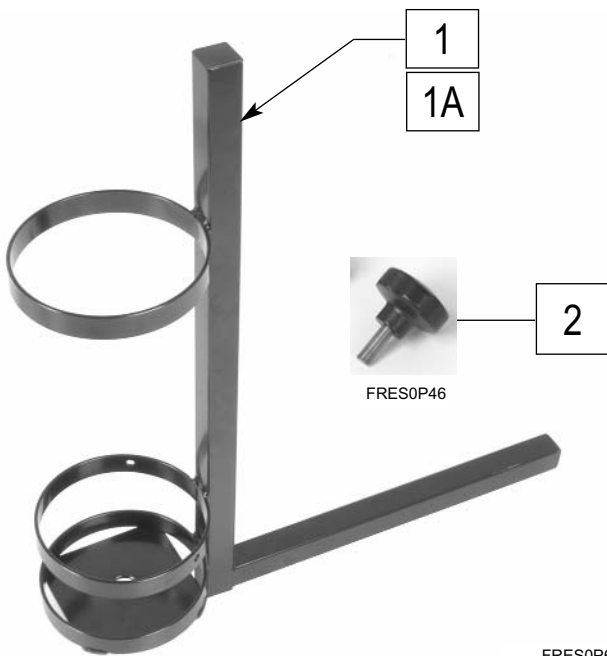


FRE0X17

ITEM	NUMBER	DESCRIPTION	QTY
1	540332	WELDMENT CLAMP STRAP ACCS	1
2	221105-QU	1/4-20 x 3/4 HEX C/S	1
3	560258	X-TUBE END CAP BUSHING	2
4	201121	1/4-20 NUT THIN	1

ITEM	NUMBER	DESCRIPTION	QTY
5	262122	1/4 WASHER LOCK ZN	
6	343080	FOUR-PRONG KNOB STUD 1/4-20	
7	540331	WELDMENT CLAMP TUBE ACCS	1
1-7	888340	ACCS O2/WALKER HOLDER (REHAB)	

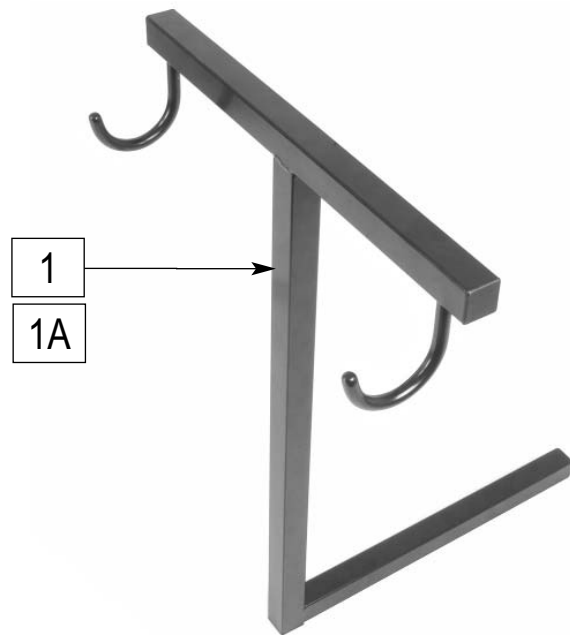
OXYGEN HOLDER (QUICKIE FREESTYLE)



FRES0P66

ITEM	NUMBER	DESCRIPTION	QTY
1,2	02H	O2 HOLDER	
1A,2	540369	O2 TANK HOLDER REHAB	
2	349049	KNOB M8 x 1.25 x 18	2

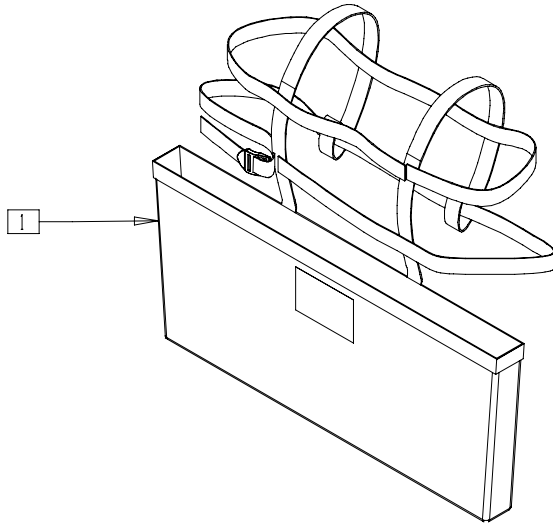
WALKER HOLDER (QUICKIE FREESTYLE)



FRES0P68

ITEM	NUMBER	DESCRIPTION	QTY
1	WH	WALKER HOLDER	1
1A	540361	WALKER HOLDER REHAB	1

WALKER HOLDER (FABRIC)

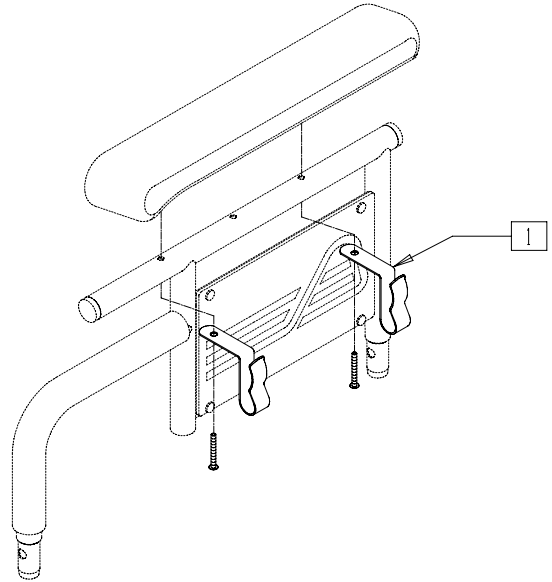


PA0X26A

ITEM	NUMBER	DESCRIPTION	QTY
1	901013	WALKER HOLDER FABRIC	1

CANE HOLDERS

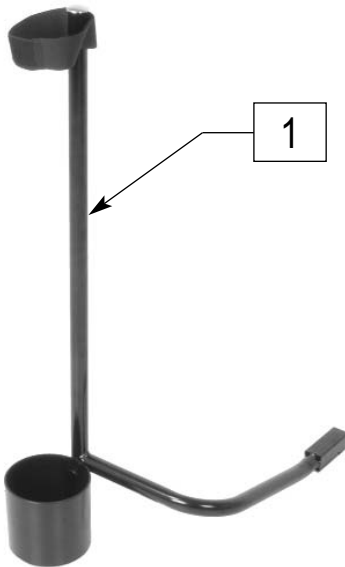
(Effective 09/18/03)



O2H0X07

ITEM	NUMBER	DESCRIPTION	QTY
1	505999	BRACKET HOLDER CANE	2

CRUTCH HOLDER (QUICKIE FREESTYLE)

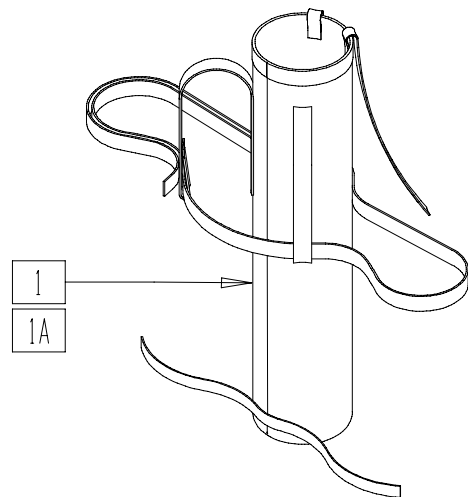


FRES0P67

ITEM	NUMBER	DESCRIPTION	QTY
1	CCH	CANE/CRUTCH HOLDER	1

STANDARD CRUTCH HOLDER

(Effective 09/18/03)

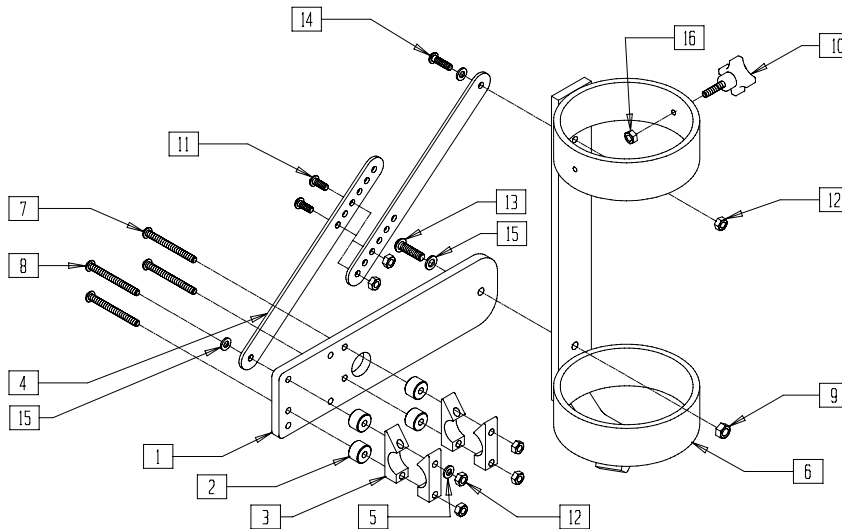


O2H0X05

ITEM	NUMBER	DESCRIPTION	QTY
1	901740	HOLDER CRUTCH CONTOUR SEAT	1
1A	901741	HOLDER CRUTCH REHAB SEAT	1

O2 HOLDER (QUICKIE V-121)

(Effective 09/18/03)



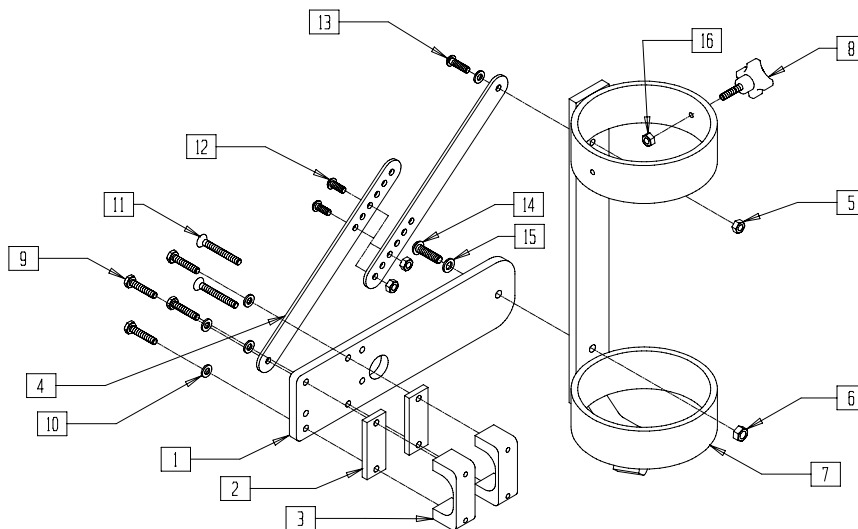
O2H0X01

ITEM	NUMBER	DESCRIPTION	QTY
1	500399	O2 BOTTLE MOUNT BAR	1
2	330031	SUSPENSION SPACER 1/2" P3	4
3	550256	CLAMP ADJ FL STD	4
4	500402	ADJ LINK O2 HOLDER	2
5	262100-QU	1/4 AN WASHER FLAT	3
6	540368	O2 TANK HOLDER	1
7	226166	1/4-28 x 2 1/2 BH C/S BLK	3
8	221199	1/4-28 x 2 3/4 BH C/S BLK ZN	1
9	202111	5/16-24 NYLOCK NUT THICK BLK	1

ITEM	NUMBER	DESCRIPTION	QTY
10	343080	FOUR-PRONG KNOB STUD 1/4-20	1
11	226247	1/4-28 x 5/8 B/H C/S BLACK G5	2
12	204110	1/4-28 NYLOCK NUT BLK ZN	7
13	226343	5/16-24 x 1 1/8 BHCS BLK	1
14	226342	1/4-28 x 7/8 BHCS BLK	1
15	263100	5/16 AN WASHER FLAT	1
16	201136	1/4-20 NYLOCK NUT HIGH	1
1-16	882042	O2 HOLDER ASSEMBLY V121	

O2 HOLDER (QUICKIE V-521)

(Effective 09/18/03)



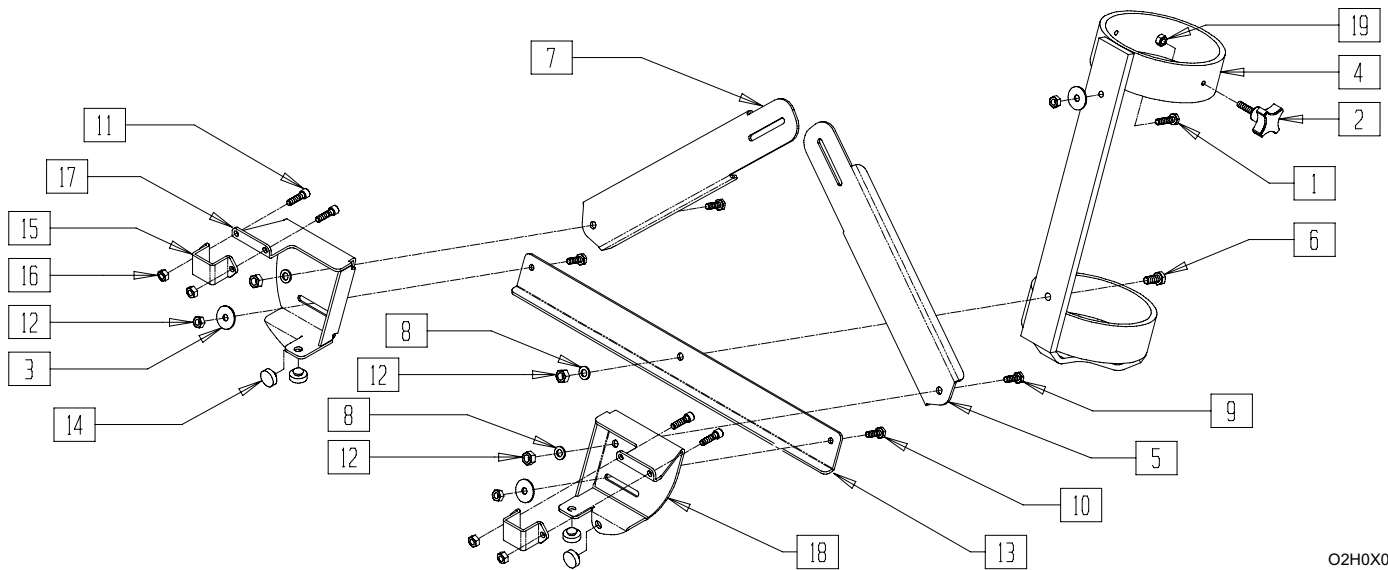
O2H0X04

ITEM	NUMBER	DESCRIPTION	QTY
1	500399	O2 BOTTLE MOUNT BAR	1
2	500403	SPACER O2 HOLDER BRACKET	1
3	550504	CLAMP DUAL-POST ARMREST REAR	2
4	500402	ADJ LINK O2 HOLDER	2
5	204110	1/4-28 NYLOCK NUT BLK ZN	3
6	202111	5/16-24 NYLOCK NUT THICK BLK	1
7	540368	O2 TANK HOLDER	1
8	343080	FOUR-PRONG KNOB STUD 1/4-20	1
9	221124	1/4-28 x 1 1/4 G8 HEX C/S	2

ITEM	NUMBER	DESCRIPTION	QTY
10	262100-QU	1/4 AN WASHER FLAT	3
11	226153	1/4-28 x 2 FH C/S BLK	2
12	226247	1/4-28 x 5/8 B/H C/S BLACK G5	2
13	226342	1/4-28 x 7/8 BHCS BLK	1
14	226343	5/16-24 x 1 1/8 BHCS BLK	1
15	263100	5/16 AN WASHER FLAT	1
16	201136	1/4-20 NYLOCK NUT HIGH	1
1-10,12-16	882228	O2 HOLDER ASSM V521 SP ARM	
1-16	882229	O2 HOLDER ASSM V521 DP ARM	

O2 HOLDER (QUICKIE G424 W/CONTOUR SEATING)

(Effective 09/18/03)



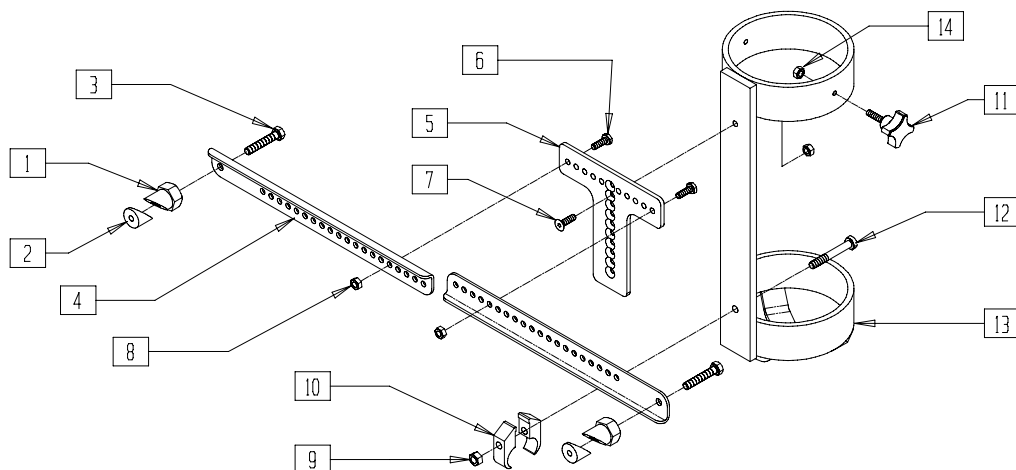
O2H0X03

ITEM	NUMBER	DESCRIPTION	QTY
1	220126	1/4-28 x 1 HHCS BLK W/PL	1
2	343080	FOUR-PRONG KNOB STUD 1/4-20	1
3	455037-QU	1/4 x 1 FLAT WASHER	3
4	540368	O2 TANK HOLDER	1
5	506053	STRUT TUBE BOTTLE LEFT	1
6	222197	5/16-24 x 1 HEX C/S GRD 8	1
7	506056	STRUT TUBE BOTTLE RIGHT	1
8	263100	5/16 AN WASHER FLAT	3
9	222195	5/16-24 x 3/4 HEX C/S GRD 8	2
10	221102	1/4-28 x 3/4 HEX C/S BLK W/PAT	2
11	226107	1/4-28 x 7/8 SOC C/S	4

ITEM	NUMBER	DESCRIPTION	QTY
12	202111	5/16-24 NYLOCK NUT THICK BLK	3
13	506054	BRACE BOTTOM CROSS PLATE	1
14	330130	SEAT MOUNT BUMPER	4
15	506052	CLAMP 1" SQUARE TUBE	2
16	204110	1/4-28 NYLOCK NUT BLK ZN	7
17	506050	BRACKET SEAT BASE O2 HOLDER R	1
18	506051	BRACKET SEAT BASE O2 HOLDER L	1
19	201136	1/4-20 NYLOCK NUT HIGH	1
14,18	882169	CONTOUR/SEAT BRKT ASSM LEFT	
14,17	882170	CONTOUR/SEAT BRKT ASSM RIGHT	
1-19	882044	O2 HOLDER ASSM G42 CONTOUR STG	

O2 HOLDER (QUICKIE G424 W/REHAB SEATING)

(Effective 09/18/03)

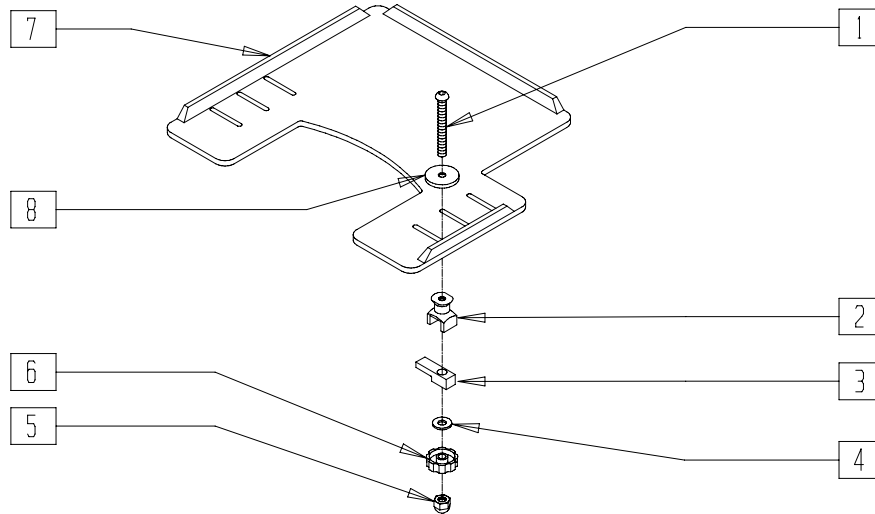


O2H0X02

ITEM	NUMBER	DESCRIPTION	QTY
1	483341	CLAMP 1 x .049 TUBE THRU HOLE	2
2	481560	CLAMP 1 x .049 TUBE THREADED	2
3	222235	5/16-18 x 1 3/4" HEX C/S BLK	2
4	500812	BRACKET O2 BACK ADJ WIDTH	2
5	500811	O2 BOTTLE CENTER SUPPORT	1
6	221102	1/4-28 x 3/4 HEX C/S BLK W/PAT	2
7	226099	1/4-28 x 7/8 FH C/S	1
8	204110	1/4-28 NYLOCK NUT BLK ZN	3

ITEM	NUMBER	DESCRIPTION	QTY
9	202111	5/16-24 NYLOCK NUT THICK BLK	1
10	550978	CLAMP 1" DIA 5/16" FASTENER	2
11	343080	FOUR-PRONG KNOB STUD 1/4-20	1
12	226299	5/16-24 x 2 1/4 G8 HEX C/S	1
13	540368	O2 TANK HOLDER	1
14	201136	1/4-20 NYLOCK NUT HIGH	1
1-14	882043	O2 HOLDER ASSM G42 REHAB STG	

**TRAY TABLE (QUICKIE G-424/P110/P190/P200/P210/P300/P320/S-525/
S-626/S-646/S-646SE/V100[P100]/V-121[P120]/V-521/Z500[ZIPPPIE P500])**



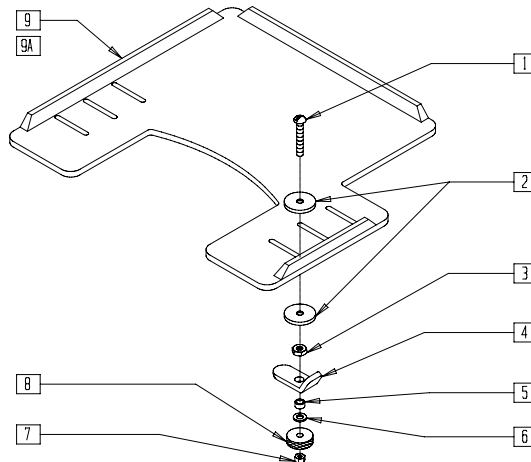
P300X31

ITEM	NUMBER	DESCRIPTION	QTY
1	2021	5/16-18 x 2 3/4 BUTTON HD C/S	2
2	14240	TRAY BUSHING	2
3	14230	TRAY LOCK BAR	2
4	2705	1/4" FLAT WASHER	2
5	202114	5/16-18 ACORN LOCK NUT	2
6	14220	TRAY KNOB	2

ITEM	NUMBER	DESCRIPTION	QTY
7	562625	TRAY TOP W/RAIL SM PWR (12"-13")	1
	562626	TRAY TOP W/RAIL MED PWR (14"-16")	
	562627	TRAY TOP W/RAIL LRG PWR (17"-20")	
8	2709	.625 x .315 x .031 NYLON WASHER	1
1-6,8	881053	TRAY HDWR ADJ ARM PWR	
1-8	902322	TRAY ASSM SM HT ADJ ARM PWR	
	902325	TRAY ASSM MED HT ADJ ARM PWR (14"-16")	
	902327	TRAY ASSM LRG PWR (17"-20")	

NOTE: TRAY NOT FOR USE ON CHAIRS WITH WATERFALL ARMPADS.

**TRAY TABLE (ADJUSTABLE LOCKING FLIP-UP ARM)
(QUICKIE Z500[ZIPPPIE P500])**

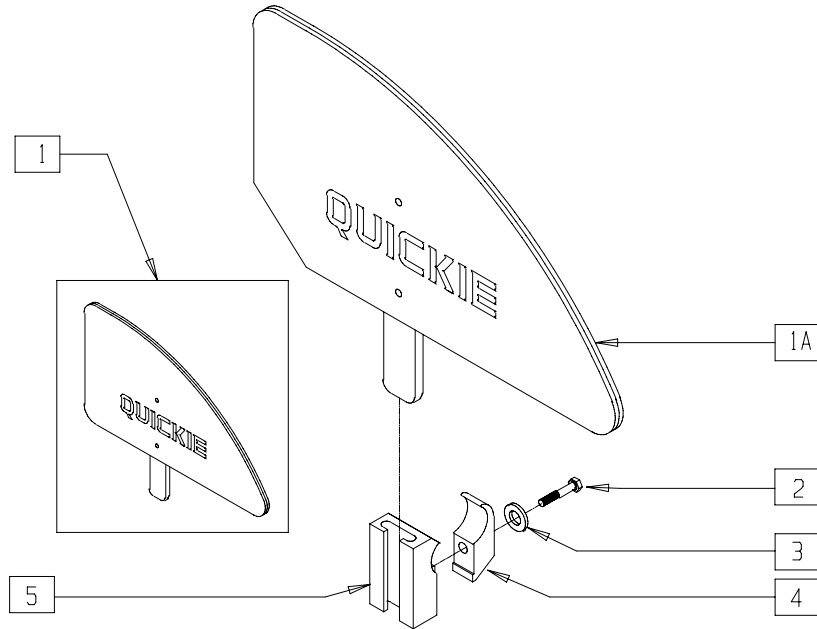


P500X42

ITEM	NUMBER	DESCRIPTION	QTY
1	2021	5/16-18 x 2 3/4 BUTTON HD C/S	2
2	2709	.625 x .315 x .031 NYLON WASHER	2
3	202110	5/16-18 NUT THIN	2
4	550400	TRAY CLAMP	2
5	481013	BEARING SPACER	2
6	263100	5/16 AN WASHER FLAT	2
7	202112	5/16-18 ACORN NUT	2
8	483026	KNURLED TRAY KNOB	2

ITEM	NUMBER	DESCRIPTION	QTY
1-8	881051	TRAY HDWR KIT TUFFAK NEW STYLE	
9	562625	TRAY TOP W/RAIL SM PWR (12"-13")	1
9A	562626	TRAY TOP W/RAIL MED PWR (14"-16")	1
1-9	902321	TRAY ASSM SM FLIP ARM PWR (12"-13")	
1-8,9A	902324	TRAY ASSM MED FLIP ARM PWR (14"-16")	

QUICKIE PLASTIC SIDE GUARD

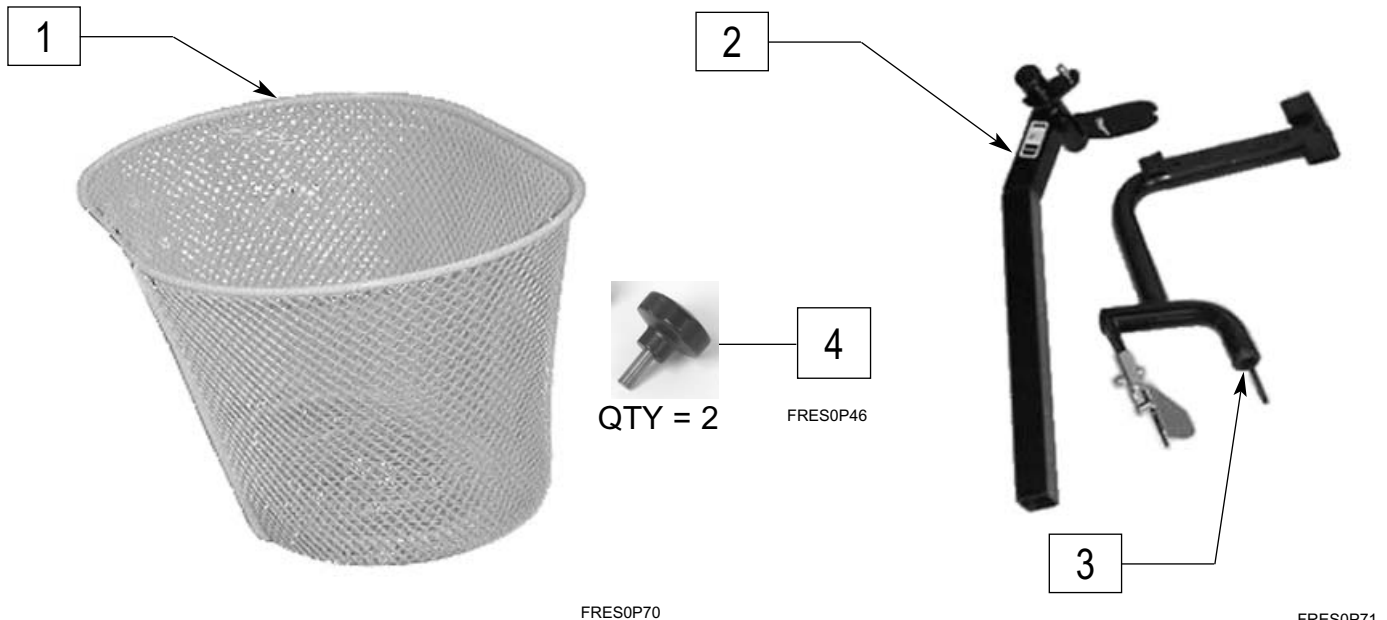


PA0X14

ITEM	NUMBER	DESCRIPTION	QTY
1	881150, 881151	PLASTIC SIDE GUARD KIDS (EA)	1
	881152, 881153	PLASTIC SIDE GUARD STD (EA)	
	221127	1/4-28 x 1 3/8 HEX C/S	
2	221127	1/4-28 x 1 3/8 HEX C/S	1
3	262110-QU	1/4 AN WASHER FLAT THIN	1
4	550251	CLMP P300 CHRNGG/ADJ FL KIDS	1

ITEM	NUMBER	DESCRIPTION	QTY
5	550325	SIDE GUARD/KIDZ ARM REC	1
2-5	881200	SIDE GUARD/KIDZ ARM REC W/CLMP	
1-5	901111	PLASTIC SIDE GUARD KIDS ASSEMBLY W/CLAMP (PR)	
	901110	PLASTIC SIDE GUARD STD ASSEMBLY W/CLAMP (PR)	

BASKET W/MOUNT HARDWARE (QUICKIE FREESTYLE)



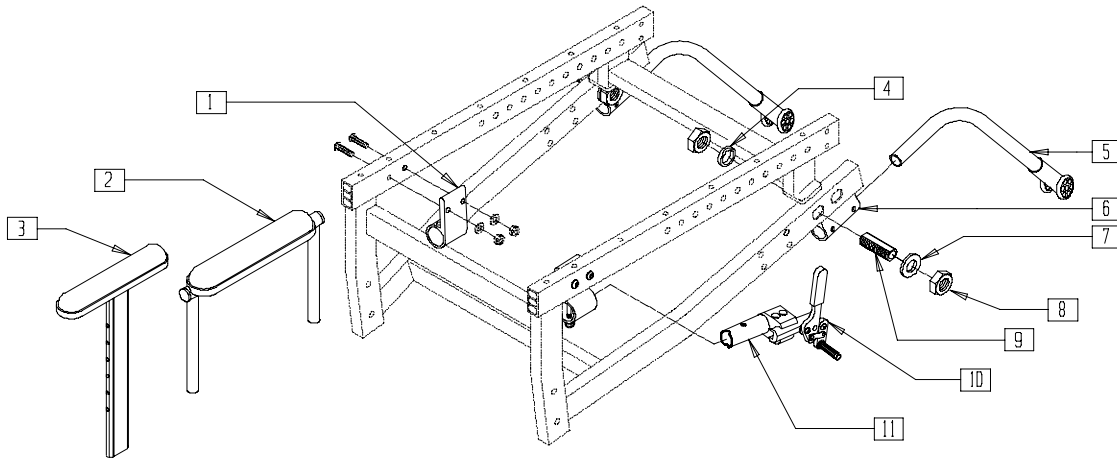
FRES0P70

FRES0P71

ITEM	NUMBER	DESCRIPTION	QTY
1-4	901034	FRONT BASKET	1

ITEM	NUMBER	DESCRIPTION	QTY
4	349049	KNOB M8 x 1.25 x18	

MANUAL WHEELCHAIR CONVERSION KIT (14"/15") (QUICKIE P200/P320)



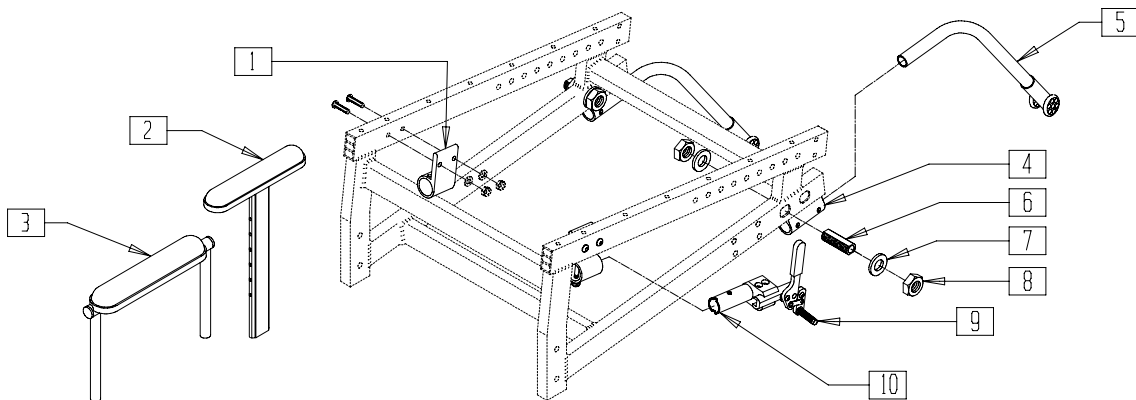
P200X41A

ITEM	NUMBER	DESCRIPTION	QTY
1	900505	BRAKE HOUSING ASSM HT ADJ P2	1
	900506	BRAKE HOUSING ASSM DUAL PST P2	
2	881446- 881449; 881550- 881553	DUAL POST UPPER ADJ	1
3	880188- 880191	HT ADJ UPPER ARM ASSM	1
4	483069	AXLE NUT SHIM 14/15 P2	1
5	880511, 880512	ANTI-TIP ASSM P2 (EA)	1
6	900715	ANTI-TIP RECEIVER W/HDWR P2	2

ITEM	NUMBER	DESCRIPTION	QTY
7	265100	3/4 x 18 WASHER NARROW	1
8	204000	3/4-16 NUT	2
9	481065	AXLE SLEEVE S.S.	1
10	880570, 880571	WHL LOCK PUSH W/CLMP (EA)	1
11	880544	BRAKE MOUNT TUBE W/HDWR	2
4,7-9	920113	AXLE SLEEVE W/HDWR 14/15 P2	
4-11	920438	CONV KIT 14/15 W/NO ARMREST P2	
1,3-11	920430- 920433	CONVERSION KIT (W/HT ADJ UPPER ARM)	
1,2,4-11	920436, 920437	CONVERSION KIT (W/QUAD UPPER ARM)	

NOTE: FOR MANUAL WHEEL ASSEMBLIES, SEE *WHEELS*, SECTION 13.

MANUAL WHEELCHAIR CONVERSION KIT (16"-20") (QUICKIE P200/P320)



P200X41

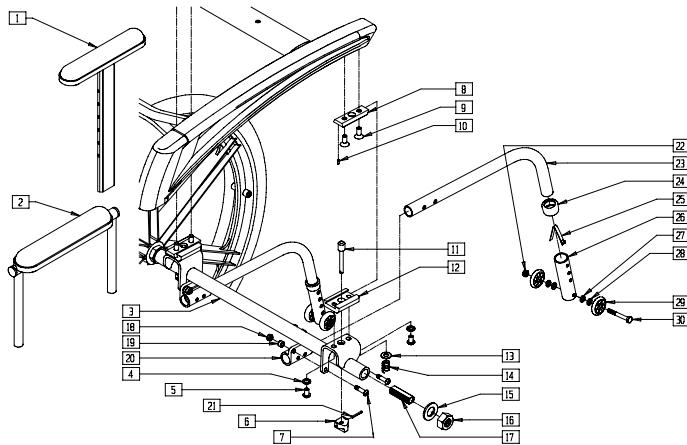
ITEM	NUMBER	DESCRIPTION	QTY
1	900505	BRAKE HOUSING HT ADJ P2	2
	900506	BRAKE HOUSING ASSM DUAL PST P2	
2	881446- 881449; 881550- 881553	DUAL POST UPPER ARM	1
3	880188- 880191	HT ADJ UPPER ARM ASSM	1
4	900715	ANTI-TIP RECEIVER W/HDWR P2	2
5	882914, 882915	ANTI-TIP ASSM P2 BLK (EA)	1
6	481065	AXLE SLEEVE S.S.	1

ITEM	NUMBER	DESCRIPTION	QTY
7	204000	3/4-16 NUT	2
8	265100	3/4 x 18 WASHER NARROW	2
6-8	920121	AXLE SLEEVE W/HDWR (NON-INDEX)	
9	881965, 881966	WHL LCK PUSH W/CLMP BLK (EA)	1
10	880544	BRAKE MOUNT TUBE W/HDWR	2
1,3-10	920360- 920363	CONVERSION KIT (W/HT ADJ UPPER ARM)	
1,2,4-10	920366, 920367, 920385, 920386	CONVERSION KIT (W/QUAD UPPER ARM)	

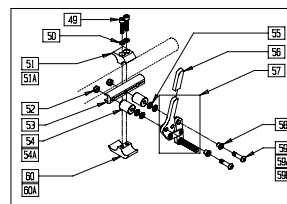
NOTE: FOR MANUAL WHEEL ASSEMBLIES, SEE *WHEELS*, SECTION 13.

MANUAL WHEELCHAIR CONVERSION KIT (QUICKIE P-222)

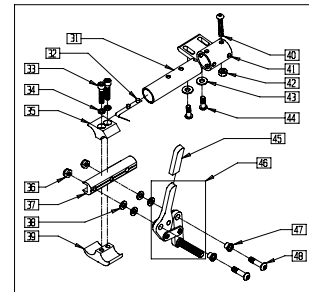
(Discontinued 8/15/02 - parts only)



FITS PRIOR TO S/N P222-8814



EFFECTIVE BEGINNING S/N P222-8814

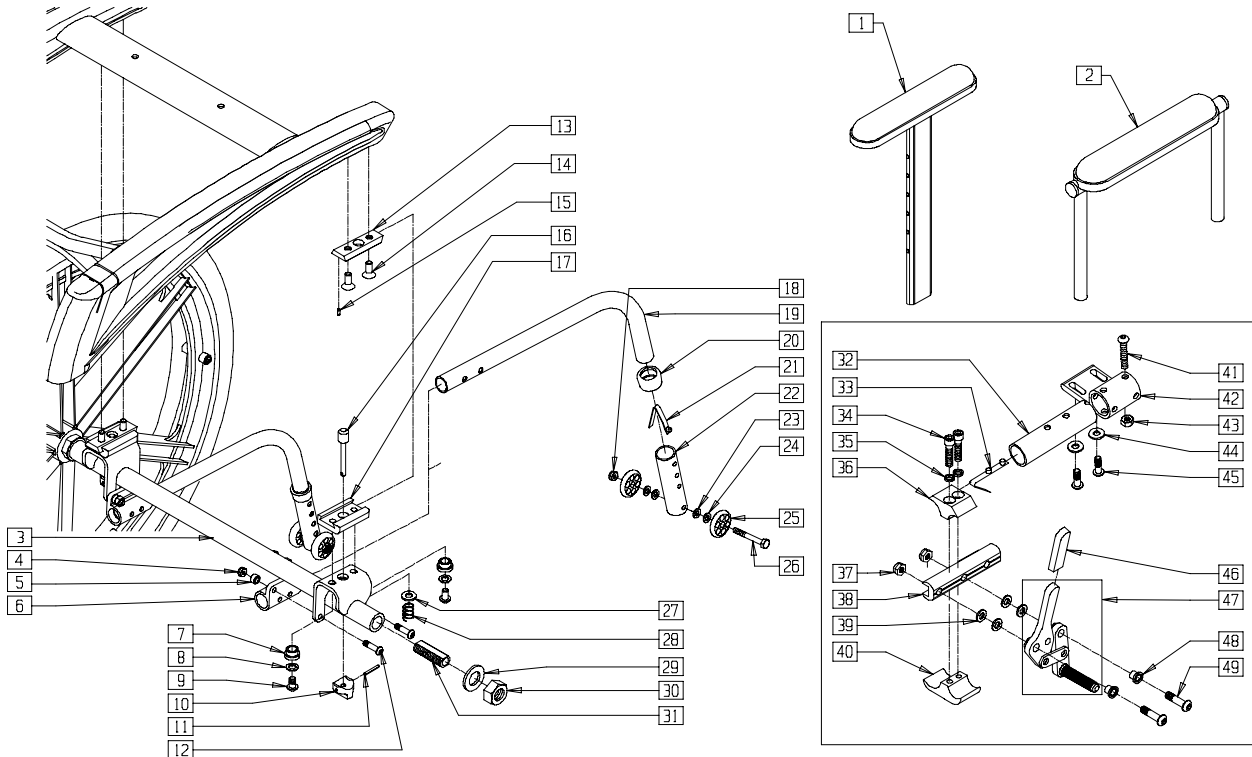


P2220X17

ITEM	NUMBER	DESCRIPTION	QTY
1	880188-880191	HT ADJ UPPER ARM ASSEMBLY	1
2	881446-881449; 881550-881553	DUAL POST UPPER ADJ	1
3	540092-540094, 540099	MANUAL CONVERSION WELDMENT 18"-24"	1
4	263100	5/16 AN WASHER FLAT	4
5	226283	5/16-18 x 1/2 BH C/S BLK ZN	4
6	483756	PLUNGER KNOB	2
7	227110	1/4-28 x 1 BH C/S BLK ZN	2
9	226311	5/16-18 x 3/4 FH C/S W/PATCH	4
8,10	887247	MANUAL CONV DOVETAIL ASSEMBLY	
11	481282	MANUAL CONVERSION PLUNGER P222	2
12	551006	MANUAL CONVERSION RECEIVER P222	2
13	262100-QU	1/4 AN WASHER FLAT	2
14	321701	S/A HANGER SPRING P300	2
15	265100	3/4 x 18 WASHER NARROW	2
16	204000	3/4-16 NUT	2
17	481065	AXLE SLEEVE SS	2
18	204110	1/4-28 NYLOCK NUT BLK ZN	4
19	481380	ANTI-TIP SPACER XTR	4
20	540187	ANTI-TIP RECEIVER XTR	2
21	341149	1/8 x 1 ROLL PIN	4
22	201100-QU	1/4-28 NYLOCK NUT THIN	2
23	521727, 521728	ANTI-TIP TUBE EXT REG BLK (EA)	2
24	563065	3/4" ANTI-RATTLE	2
25	301100	1/4" SNAP BUTTON SINGLE B-130	2
26	521587	ANTI-TIP SLEEVE TUBE (5H) BLK	2
27	262110-QU	1/4 AN WASHER FLAT THIN	4
28	262130	6mm WASHER WAVE	4
29	561032	ANTI-TIP WHEEL	4
30	221192	1/4-28 x 2 G8 HEX C/S	2
31	521569	BRAKE MOUNT TUBE P2	1
32	301109	SNAP BUTTON DUAL ONE SIDE	1
33	226112	1/4-28 x 1 SOC C/S BLK	2
34	262114	1/4 WASHER HI COLLAR LOCK ZN	2
35	550659	CLAMP 1 1/4" RECESS HALF BLK	1
36	201100-QU	1/4-28 NYLOCK NUT THIN	2
37	550374	WHL LCK SLIDE BLOCK 3 1/2" BLK	1
38	561028	1/4" NYLON WASHER	4
39	550658	CLAMP 1 1/4" THREADED BLK	4

ITEM	NUMBER	DESCRIPTION	QTY
40	227130	1/4-28 x 1 1/2 BH C/S BLK ZN	1
41	550493	BRAKE HOUSING P2	1
42	202300	1/4-28 NYLOCK NUT THIN BLK ZN	1
43	262100-QU	1/4 AN WASHER FLAT	2
44	226064	1/4-28 x 3/4 BH C/S BLK W/PATCH	2
45	560500-QU	HB PLASTIC COVER	1
45,46	880732, 880735	WHEEL LOCK ARM ASSEMBLY W/GRIP BLK (EA)	
47	560126	.250 ID .312 OD BUSHING PLST	2
48	226110	1/4-28 x 1 BH C/S	2
49	226112	1/4-28 x 1 SOC C/S BLK	2
50	262114	1/4 WASHER HI COLLAR LOCK ZN	2
51	550659	CLAMP 1 1/4" RECESS HALF BLK	1
51A	550601	MAN CONV WHL LOCK CLMP RECESS	1
52	201100-QU	1/4-28 NYLOCK NUT THIN	2
53	550374	WHL LCK SLIDE BLOCK 3 1/2" BLK	1
54	330031	SUSPENSION SPACER 1/2" P3	2
54A	330032	SUSPENSION SPACER 1" P3	2
55	561028	1/4" NYLON WASHER	4
56	560500-QU	HB PLASTIC COVER	1
56,57	880530, 880532	WHEEL LOCK ARM ASSEMBLY PUSH W/GRIP (EA)	
58	560126	.250 ID .312 OD BUSHING PLASTIC	2
59	226112	1/4-28 x 1 SOC C/S BLK	2
59A	227130	1/4-28 x 1 1/2 BH C/S BLK ZN	2
59B	226150	1/4-28 x 2 BH C/S	2
60	550658	CLAMP 1 1/4" THREADED BLK	1
60A	550576	CLAMP 2 1/4" THREADED BLK	1
1-48	887550-887693; 887800-887943	CONVERSION KIT 14"-24"	
22-30	882922, 882923	ANTI-TIP REG EXTND W/LNG SLEEVE BLK (EA)	
36-38, 45-48	881750, 881751	WHL LCK PUSH W/O CLMP BLK (EA)	
31,40,42	880544	BRAKE MOUNT TUBE W/HDWR	
41,43,44	900513	BRAKE HOUSING ASSM P222	
52,53, 55-59	880062, 880063	WHEEL LOCK PUSH ASSM W/O CLAMP (EA)	
52-58, 59A	881147, 881148	WHEEL LOCK PUSH ASSEMBLY P222 (EA)	
52,53, 54A, 55-58,59B	881211, 881212	WHEEL LOCK PUSH ASSEMBLY 1" OFFSET (EA)	

MANUAL WHEELCHAIR CONVERSION KIT (QUICKIE P-220/P-222 SE)



P220X16A

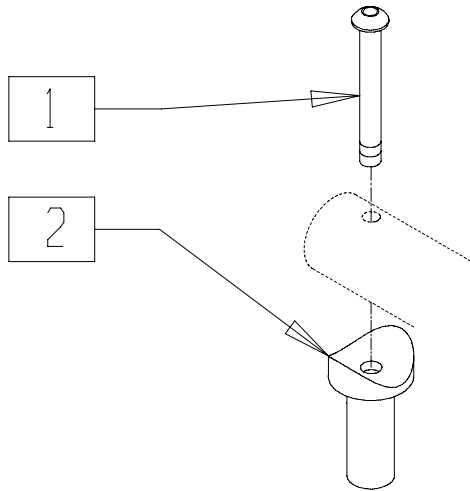
ITEM	NUMBER	DESCRIPTION	QTY
1	880188-880191	HT ADJ UPPER ARM ASSEMBLY	1
2	881446-881449; 881550-881553	DUAL POST UPPER ADJ	1
3	540092-540094, 540099	MANUAL CONVERSION WELDMENT 18"-24"	1
4	204110	1/4-28 NYLOCK NUT BLK ZN	4
5	481380	ANTI-TIP SPACER XTR	4
6	540187	ANTI-TIP RECEIVER XTR	2
7	481477	MAN CONV BRKT BUSHING	2
8	263100	5/16 AN WASHER FLAT	4
9	222231	5/16-18 x 5/8 BH CS BLK W/PTCH	4
10	483756	PLUNGER KNOB	2
11	341149	1/8 x 1 ROLL PIN	4
12	227110	1/4-28 x 1 BH C/S BLK ZN	2
14	226311	5/16-18 x 3/4 FH C/S W/PATCH	4
13,15	887247	MANUAL CONV DOVETAIL ASSEMBLY	
16	481282	MANUAL CONVERSION PLUNGER P222	2
17	551006	MANUAL CONVERSION RECEIVER P222	2
18	201100-QU	1/4-28 NYLOCK NUT THIN	2
19	521727, 521728	ANTI-TIP TUBE EXT REG BLK (EA)	2
20	563065	3/4" ANTI-RATTLE	2
21	301100	1/4" SNAP BUTTON SINGLE B-130	2
22	521587	ANTI-TIP SLEEVE TUBE (5H) BLK	2
23	262110-QU	1/4 AN WASHER FLAT THIN	4
24	262130	6mm WASHER WAVE	4
25	561032	ANTI-TIP WHEEL	4
26	221192	1/4-28 x 2 G8 HEX C/S	2
27	262100-QU	1/4 AN WASHER FLAT	2

ITEM	NUMBER	DESCRIPTION	QTY
28	321701	S/A HANGER SPRING P300	2
29	265100	3/4 x 18 WASHER NARROW	2
30	204000	3/4-16 NUT	2
31	481065	AXLE SLEEVE SS	2
32	521569	BRAKE MOUNT TUBE P2	1
33	301109	SNAP BUTTON DUAL ONE SIDE	1
34	226112	1/4-28 x 1 SOC C/S BLK	2
35	262114	1/4 WASHER HI COLLAR LOCK ZN	2
36	550659	CLAMP 1 1/4" RECESS HALF BLK	1
37	201100-QU	1/4-28 NYLOCK NUT THIN	2
38	550374	WHL LCK SLIDE BLOCK 3 1/2" BLK	1
39	561028	1/4" NYLON WASHER	4
40	550658	CLAMP 1 1/4" THREADED BLK	4
41	227130	1/4-28 x 1 1/2 BH C/S BLK ZN	1
42	550493	BRAKE HOUSING P2	1
43	202300	1/4-28 NYLOCK NUT THIN BLK ZN	1
44	262100-QU	1/4 AN WASHER FLAT	2
45	226064	1/4-28 x 3/4 BH C/S BLK W/PTCH	2
46	560500-QU	HB PLASTIC COVER	1
46,47	880732, 880735	WHEEL LOCK ARM ASSEMBLY W/GRIP BLK (EA)	
48	560126	.250 ID .312 OD BUSHING PLST	2
49	226110	1/4-28 x 1 BH C/S	2
1-49	887550-887693; 887800-887943	CONVERSION KIT 14"-24"	
18-26	882922, 882923	ANTI-TIP REG EXTND W/LNG SLEEVE BLK (EA)	
37-39, 46-49	881750, 881751	WHL LCK PUSH W/O CLMP BLK (EA)	
32,41,43	880544	BRAKE MOUNT TUBE W/HDWR	
42,44,45	900513	BRAKE HOUSING ASSM P222	

HANGER KIT

(QUICKIE G-424/P-220/P-222/P-222SE/
S-525/S-626/S-646/S-646SE)

(for use when adapting manual products
hangers to chairs listed)

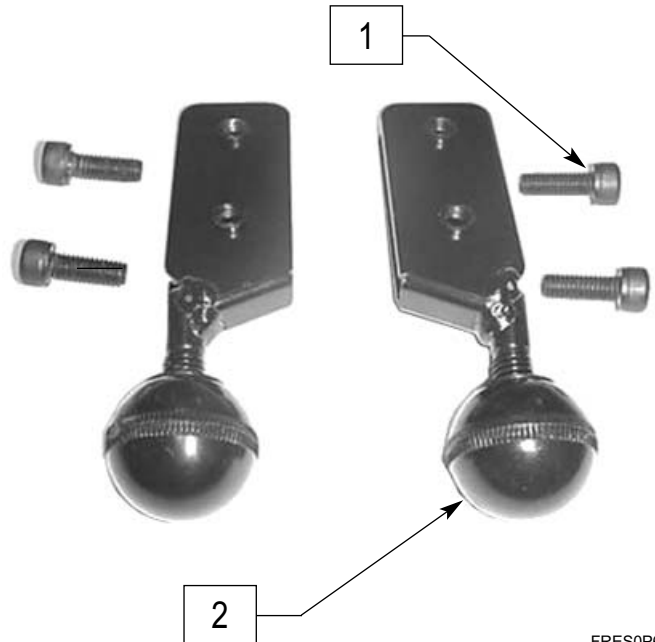


PHGRX10A

ITEM	NUMBER	DESCRIPTION	QTY
1	226291	5/16-18 x 1-1/2 BHCS BK W/PTCH	1
2	483603	PIVOT SADDLE MANUAL/POWER	1

READY ALIGN BUMPER

(QUICKIE FREESTYLE)

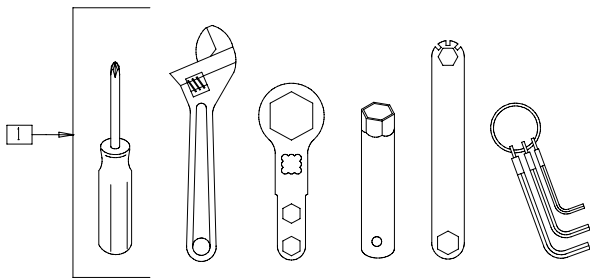


FRES0P69

ITEM	NUMBER	DESCRIPTION	QTY
1,2	*RAB	GUARDIAN ASP READY ALIGN BUMPR	4

* NOTE: PART RAB CONSISTS OF 4 BUMPERS PLUS HARDWARE QUANTITY OF 2 (AS SHOWN).

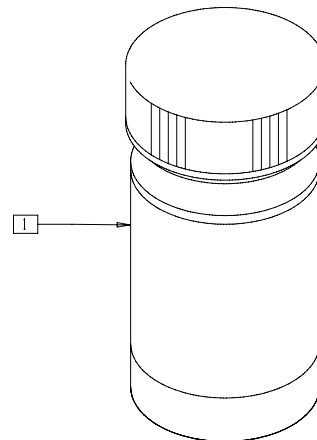
TOOL KIT



PA0X18

ITEM	NUMBER	DESCRIPTION	QTY
1	349999	TOOL KIT (INCLUDING CASE)	1

TOUCH-UP PAINT

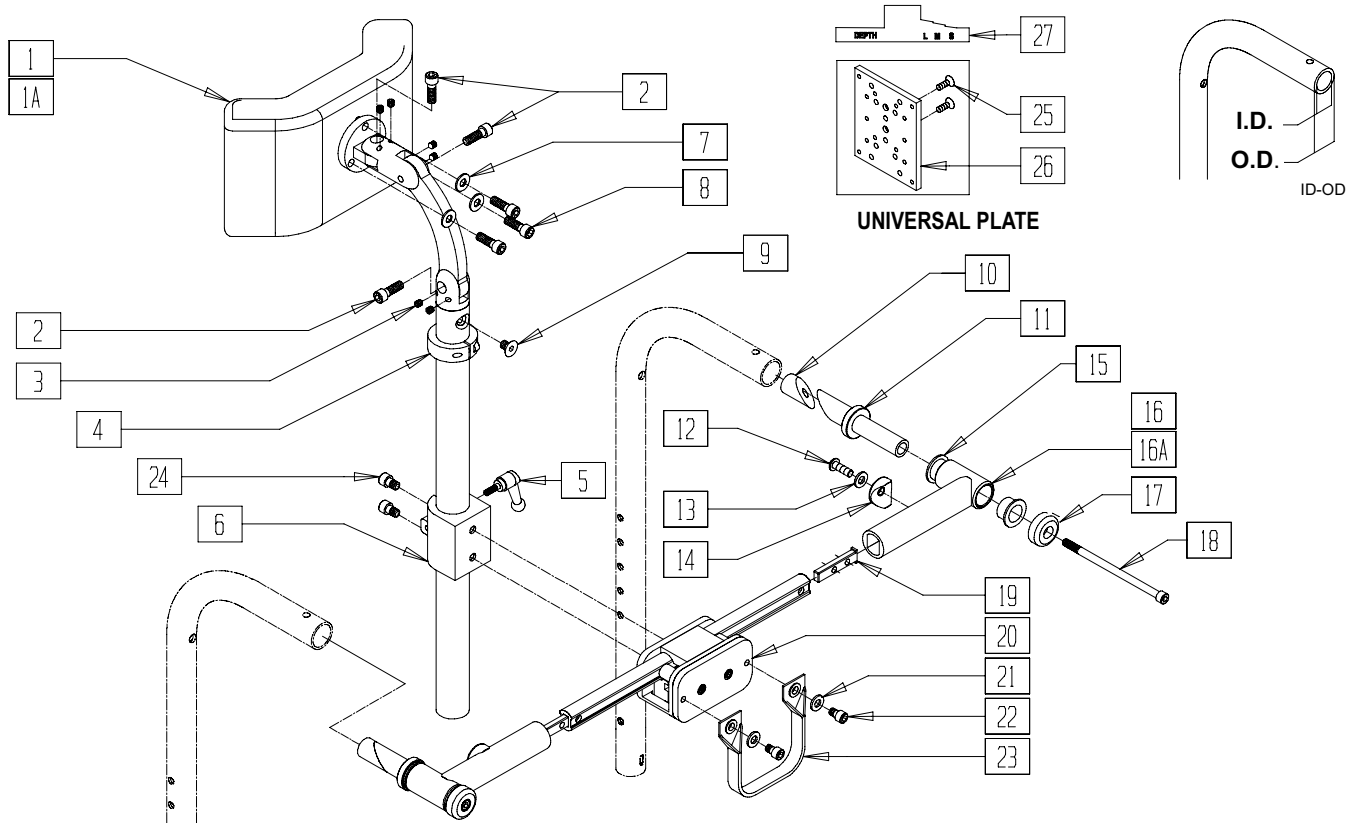


PA0X16

ITEM	NUMBER	DESCRIPTION	QTY
1	160501-160567	TOUCH-UP PAINT (1 OUNCE)	1

JAY FOLDING STABILIZER BAR (QUICKIE P200/P-220/P-222/S-525/V-121)

STUD WEDGE SIZE FOR:	SMALL	MEDIUM	LARGE
AVERAGE INSIDE DIM	0.575"-0.638"	0.700"-0.785"	0.825"-0.910"
MOST OUTSIDE DIM	3/4"	7/8"	1"



PBCKX05A

ITEM	NUMBER	DESCRIPTION	QTY
1	750696	HEADREST W/ZIPPER MEDIUM CG	1
1A	750697	HEADREST W/ZIPPER LARGE CG	1
2	221115	1/4-20 x 3/4" SOC HD C/S BLK	3
3	341045	#10-24 CONE POINT SET SCREW	6
4	505933	HEADREST COLLAR	1
5	341046	HEADREST CLAMPING HANDLE SCREW	2
6	881003	CLAMP AND TUBE	1
7	261204	#10 AN WASHER .063	3
8	221010	10-32 x .75 SHCS BLK W/PL	3
9	226072	1/4-20 x 1/2 FH C/S BLK	1
10	520855	NUT WEDGE SMALL	1
	520816	NUT WEDGE MEDIUM	
	520856	NUT WEDGE LARGE	
11	520857	STUD WEDGE SMALL	1
	520815	STUD WEDGE MEDIUM	
	520858	STUD WEDGE LARGE	
12	226064	1/4-28 x 3/4 BH C/S BLK W/PTCH	2
13	262100-QU	1/4 AN WASHER FLAT	2
14	561004	1" SADDLE 1/4" HOLE	2
15	349595	BEARING IGUS 3/8 x 15/32 x 1/2	4
16	542158	HEADREST PVT TB W/LDMNT 14-17"	1
16A	542159	HEADREST PVT TB W/LDMNT 17-20"	1
17	483342	STUD WEDGE CAP	2
18	226351	1/4-20 x 4-1/2 SOC HD BLK ZINC	2
19	500078	INSERT D2 EXT TUBE	2

ITEM	NUMBER	DESCRIPTION	QTY
21	262100-QU	1/4 AN WASHER FLAT	2
22	226095	1/4-20 x 3/8" SOC C/S BLK ZN	2
23	750550	Z2 FOLDING STRAP	1
24	226095	1/4-20 x 3/8" SOC C/S BLK ZN	2
25	226076	1/4-28 x 1/2 FH C/S W/PATCH	1
26	476303	HEADREST MOUNTING PLATE	1
27	342046	MEASURING TOOL FOLD HEADREST	1
2-9	883350	HEADREST MNTNG BRKCT ASSM EURO	1
20-24	888920	ASSM CNTR MNT FOLD HEADREST	1
21-23	750104	FOLD STBLZR BAR STRAP ASSM	1
10,11,17,18	881897-881899	STUD WEDGE ASSM (SMALL, MEDIUM, LARGE)	1
10-20	820750-820752	STBLZR BAR ASSM 14" - 17" (SMALL, MEDIUM, LARGE)	1
10-15,16A,17-20	820753-820755	STBLZR BAR ASSM 17" - 20" (SMALL, MEDIUM, LARGE)	1
1-20	820760-820762	STBLZR 14"-17" W/ MED HDRST (SMALL, MEDIUM, LARGE)	1
1-15,16A,17-20	820763-820765	STBLZR 17"-20" W/ MED HDRST (SMALL, MEDIUM, LARGE)	1
1A,2-20	820766-820768	STBLZR 14"-17" W/ LG HDRST (SMALL, MEDIUM, LARGE)	1
1A,2-15,16A,17-20	820769-820771	STBLZR 17"-20" W/ LG HDRST (SMALL, MEDIUM, LARGE)	1

