



ZM-310

PARTS MANUAL

JANUARY 2023

Product

Cover.....	1
Product.....	1
ZIPPIE ZM310.....	6
ZIPPIE ZM310 DISCONTINUED.....	6
BASE.....	8
FRAME.....	9
CASTERS & FORKS.....	10
SUSPENSION.....	11
MOTOR ASSEMBLY.....	13
SHROUDS.....	15
ZM-310 DRIVE WHEEL 5 SPOKE.....	17
ZM-310 DRIVE WHEEL 6 SPOKE.....	18
WC-19 FRONT TRANSIT PARTS.....	19
SEATING.....	19
SEAT POST.....	19
ZM310 SEAT POST & INTERFACE.....	20
ZM310 INTERFACE ADAPTORS.....	21
TILT INTERFACE ADAPTERS after S/N PLSZA-12.....	22
POWERED SEATING.....	22
LIFT.....	23
TILT MODULE.....	24
LIFT & TILT COMBO.....	25
SMART TILT after S/N PLS6C-134217, PLS5A-114861 & PLSZA-126142.....	26
MANUAL TILT.....	26
MANUAL TILT.....	27
SEAT.....	27
ASAP II 10-13 SEAT FRAME.....	28
ASAP II 12-16 SEAT FRAME.....	29
PEDIATRIC SEAT CUSHION.....	30
BACKREST AND UPHOLSTERY.....	31
MANUAL RECLINE.....	31
MANUAL RECLINE TRANSIT BACKREST ZM310.....	32
FOLDING BACKREST ZM310.....	35
NON FOLDING BACKREST ZM310.....	40
SPOT CURVED BACK WITH RAILS.....	44
JAY SPO BACKREST WITH RAILS.....	46
BACKREST W/ ADJ STROLLER HANDLE ZM310.....	48
FOLDING BACKREST W/ ADJUSTABLE BACK CANES ZM310.....	50
NON FOLDING BACKREST W/ ADJUSTABLE BACK CANES ZM310.....	53
ARMREST.....	55
SINGLE POST HEIGHT ADJUSTABLE ARMREST (POWER).....	56
SINGLE POST ARMREST RECEIVER.....	58
DUAL POST FIXED HEIGHT ARMREST.....	59
DUAL POST HEIGHT ADJUSTABLE FLIP-BACK ARMREST.....	61
DUAL POST FLIP BACK ARMREST RECEIVER.....	63
CANTILEVER ARMREST - LOW.....	64
CANTILEVER ARMREST - STANDARD.....	65
HANGERS & FOOTPLATES.....	66
SWING IN-OUT HANGERS.....	66
HANGER RECEIVER.....	66
SWING IN/OUT HANGER RECEIVER.....	67
FRONT MOUNT.....	67
HANGERS.....	67
STEEL 80 DEG FRONT MOUNT SWING IN/OUT HANGER.....	68
STEEL 90 DEG FRONT MOUNT SWING IN/OUT HANGER.....	69
EXTENSIONS.....	71
FRONT MOUNT HANGER EXT.....	71
FOOTPLATES.....	71
KIDS ANGLE ADJ FOOTPLATE FRONT MOUNT.....	72
ADULT ANGLE-ADJ FOOTPLATE FRONT MOUNT.....	75
SWING AWAY HANGERS.....	78
65 & 70 DEG SWING AWAY HANGERS.....	78
75 DEG TAPERED SWING AWAY HANGER.....	79
ROUND EXTENSION TUBE.....	80
EXTENSION TUBE FOR ONE PIECE ANGLE ADJ FOOTPLATE.....	81
SWING AWAY HANGER RECEIVER ZM310.....	82
HIGH MOUNT EXTENSION TUBE.....	83
FOOTPLATES.....	84
COMPOSITE FOOTPLATE.....	85
ADULT ANGLE ADJUSTABLE FOOTPLATE.....	87

KIDS ANGLE ADJUSTABLE FOOTPLATE	89
ELR	90
ELEVATING LEGREST.....	91
CENTER MOUNT FOOTRESTS.....	92
ANGLE ADJUSTABLE CENTER MOUNT FOOTREST.....	93
FIXED CENTER MOUNT FOOTREST (ASAP SEATING).....	95
POSITIONING.....	95
MEDIAL THIGH ABDUCTORS ZM310	96
ZM310 THIGH SUPPORT.....	97
KNEE ADDUCTOR SUPPORT PED.....	98
SWING-AWAY LATERAL.....	99
3 X 3 PED SWING-AWAY LATERAL.....	100
SHOE HOLDERS.....	101
HEADREST	101
AXYS HEADREST	102
COBRA HEADREST	103
LINX HEADREST	104
POWER CHAIR HEADREST CLAMPS	106
PLUSH PADS REPLACEMENT FOAM AND COVERS.....	107
CONTOURED CRADLE REPLACEMENT FOAM AND COVERS.....	108
ELECTRONICS.....	108
JOYSTICKS & CONTROLLERS	108
RNET ELECTRONICS	108
CJSM2 JOYSTICK ADVANCED	109
CJSM JOYSTICK After S/N QM710B/QM715B/QM720B & QM710C/QM715C/QM720C	110
LED JOYSTICK After S/N QM710B, QM715B & QM720B	112
R NET REMOTE JOYSTICKS	113
R NET CONTROLLER PULSE	115
OPTIONAL JOYSTICK HANDLES.....	116
R NET/VR2 PROGRAMMER.....	117
R NET ACCESSORY ELECTRONICS.....	118
VR2 ELECTRONICS.....	118
VR2 JOYSTICKS.....	119
VR2 CONTROLLER ZM310.....	120
R NET/VR2 PROGRAMMER.....	121
OPTIONAL JOYSTICK HANDLES.....	122
ATTENDANT CONTROL ASSEMBLY	123
ACCESSORY ELECTRONIC MOUNTING	125
RETRACTABLE JOYSTICK MOUNT.....	126
JOYSTICK MOUNT CANTILEVERED ARM ROUND.....	127
HEIGHT ADJ CLAMP FOR ROUND ARM JOYSTICK MOUNT (SPHA & DUAL POST ARMRESTS)	128
JOYSTICK ARMS SWING AWAY ROUND TUBE STYLE.....	129
JOYSTICK ARM FIXED ROUND TUBE STYLE	130
CLAMP FOR ROUND ARM JOYSTICK MOUNT.....	131
MIDLINE JOY STICK MOUNT.....	132
TOGGLE SWITCH ASSEMBLIES.....	133
ISM BRACKET	135
2/3 AXIS SWITCH BOXES.....	136
4 WAY SWITCH ACTIVATION WITH 3 AXIS CONTROL.....	137
BATTERIES	138
PULSE - BATTERY.....	139
BATTERY CHARGER.....	140
RECHARGER.....	141
WIRING	141
ZM310 WIRING.....	142
LIFT TRACK WIRING ZM310	145
SPECIALTY CONTROLS.....	145
MICROSERIES JOYSTICKS MICRO PILOT/MICRO GUIDE IN BULLET TRAY.....	146
MICROSERIES JOYSTICKS MICRO PILOT/MICRO GUIDE IN SPACE DISK	147
SWITCH-IT MICRO PILOT/MICRO GUIDE IN BIB-STYLE CHIN CONTROL MOUNT.....	149
SWITCH IT 3 SWITCH HEAD ARRAY.....	151
SWITCH-IT NAKED PROXIMITY SENSOR SYSTEM.....	153
SWITCH-IT MINI BUTTON SWITCHES.....	154
SWITCH-IT VERSA GUIDE JOYSTICK MIDLINE	155
SWITCH-IT VERSA GUIDE JOYSTICK BIB	156
SWITCH-IT VERSA GUIDE JOYSTICK CHIN	158
ASL MICRO EXTREMITY JOYSTICK MIDLINE.....	159
ASL MUSHROOM JOYSTICK	160
ASL COMPACT JOYSTICK WITH INTEGRATED BUTTON.....	161
ASL MICRO MINI JOYSTICK WITH HAND PAD PLATFORM	162

PROPORTIONAL CHIN CONTROL PACKAGE beginning S/N Prefix PLS6A & QM710A,QM715A,QM720A	163
ASL MICRO EXTREMITY JOYSTICK CHIN/LIP MOUNT	164
ASL PROXIMITY HEAD ARRAY PACKAGES beginning S/N Prefix PLS6A & QM710A,QM715A,QM720A.....	166
SIP 'N PUFF SYSTEM beginning S/N Prefix PLS6A & QM710A,QM715A,QM720A	168
SWING-AWAY BOOM MOUNT W/ EGG SWITCH.....	170
SINGLE SWITCH DEVICES	171
OMNI MOUNT	172
4-WAY TOGGLE	174
MOUNTING CLAMPS	175
HEADREST	175
AXYS HEADREST	176
COBRA HEADREST	177
LINX HEADREST	178
POWER CHAIR HEADREST CLAMPS	180
PLUSH PADS REPLACEMENT FOAM AND COVERS.....	181
CONTOURED CRADLE REPLACEMENT FOAM AND COVERS.....	182
OMNI2	182
R NET OMNI2 & COMPACT JOYSTICK	183
OMNI2 DISPLAY MOUNT.....	185
OMNI2 INTERFACE MOUNT FOR ACCESSORY ELECTRONIC MOUNTING.....	188
OMNI2 INTERFACE MOUNT FOR ASAP 2	189
OMNI2 INTERFACE MOUNT FOR MANUAL RECLINE	190
OMNI2 INTERFACE MOUNT FOR ZM310 VENT & BATT TRAY NON-FIXED	191
ACCESSORIES	191
BACKPACKS AND SEAT POUCHES.....	191
BACKPACKS AND SEAT POUCHES.....	192
VENT TRAYS.....	192
VENT TRAY LTV & TRILOGY ZM310	193
VENT TRAY FIXED REHAB	195
ASAP SEAT ACCESSORIES AND MOUNTING HARDWARE	196
CUP HOLDER.....	198
POSITIONING BELTS	199
POWER BUDDY	200
REMOTE STOP SWITCH.....	201
TABLET AND SMART PHONE MOUNTS	202
TRANSIT BELT WC19.....	203
UTILITY HOOK	204



Dear Valued Customer,

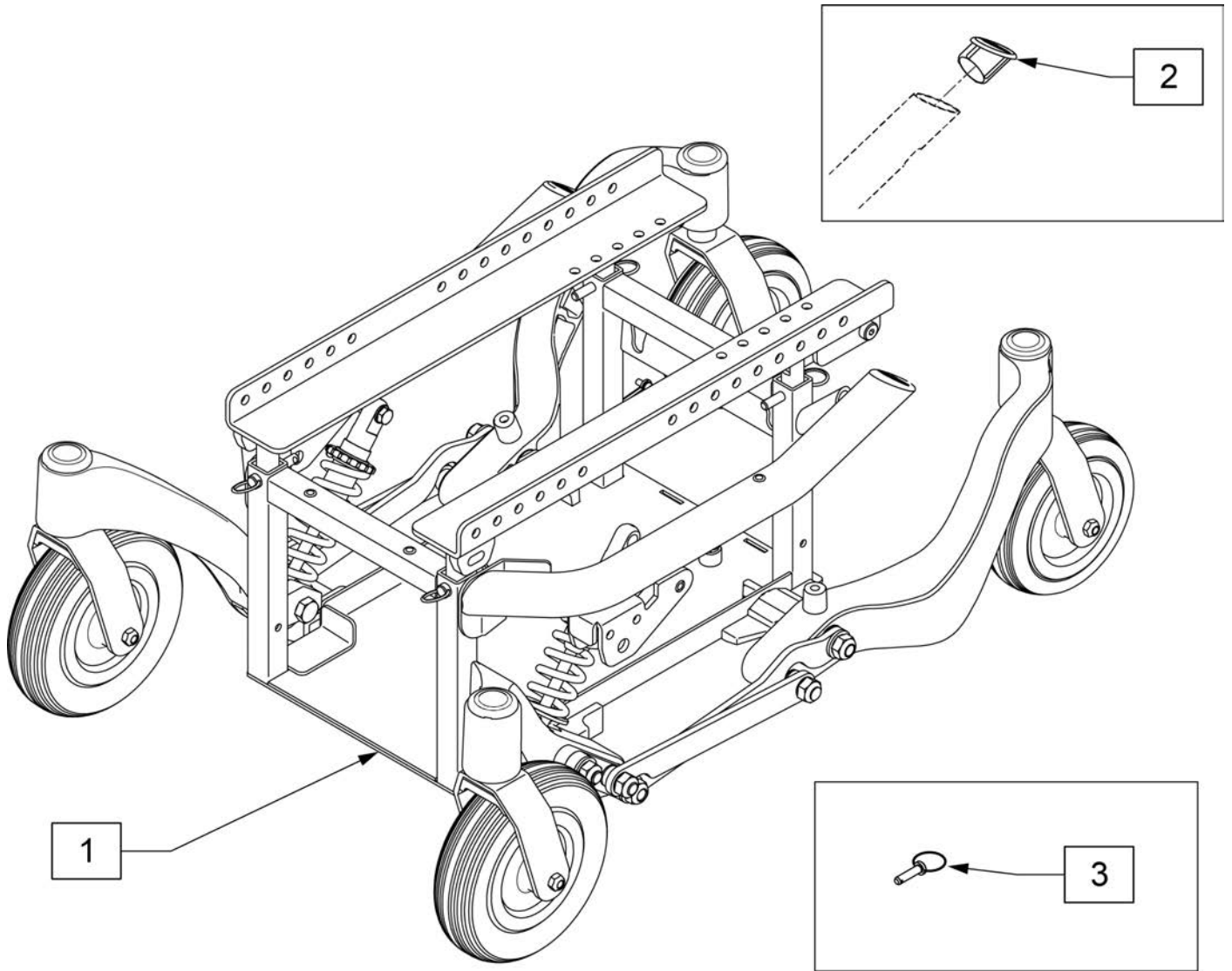
As of **6/24/2022**, the sale of **Zippie ZM310** has been discontinued. In compliance with Sunrise Medical's policy, replacement parts will continue to be available until **6/24/2027 or until supplies last**.

Effective **6/24/2027**, replacement parts for the **Zippie ZM310** will be obsolete and therefore no longer available for sale.

Sincerely,
Sunrise Medical

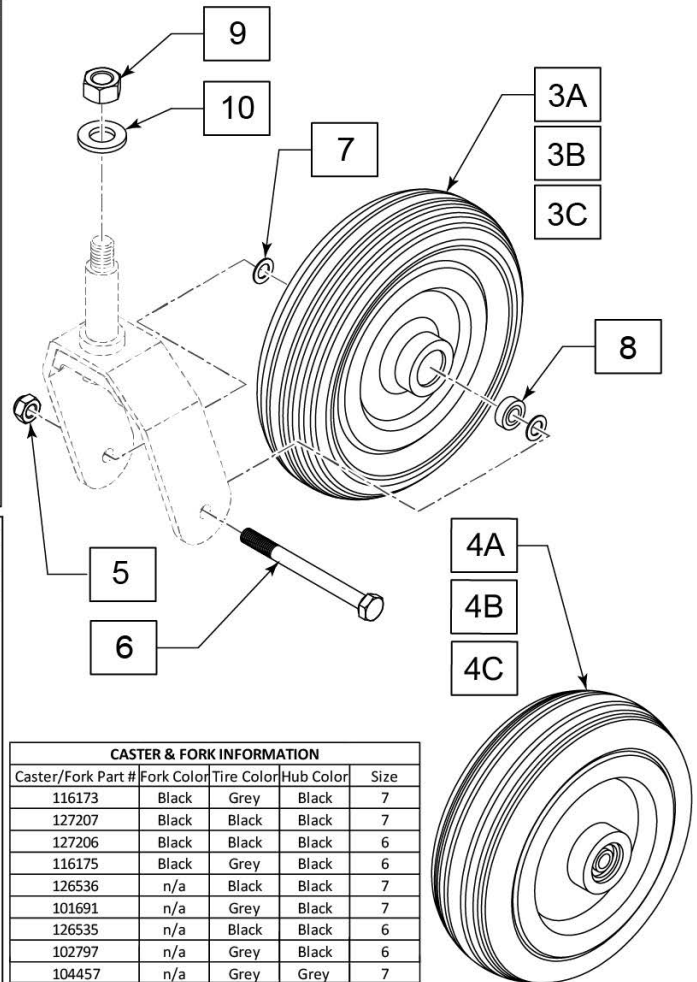
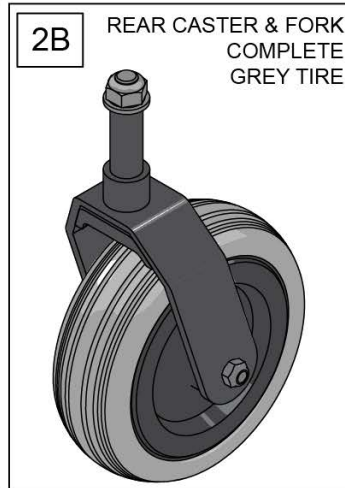
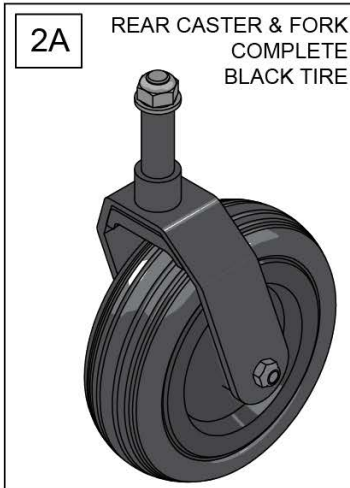
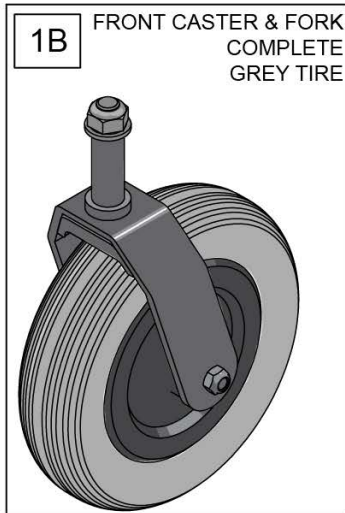
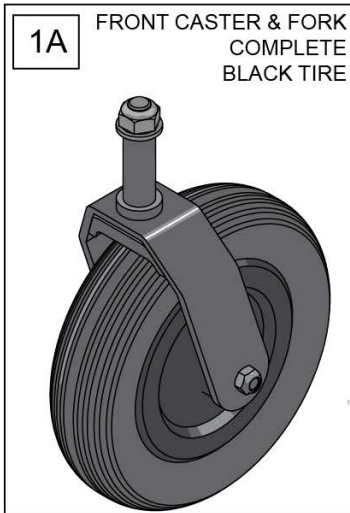
Description

DISCONTINUED PRODUCT



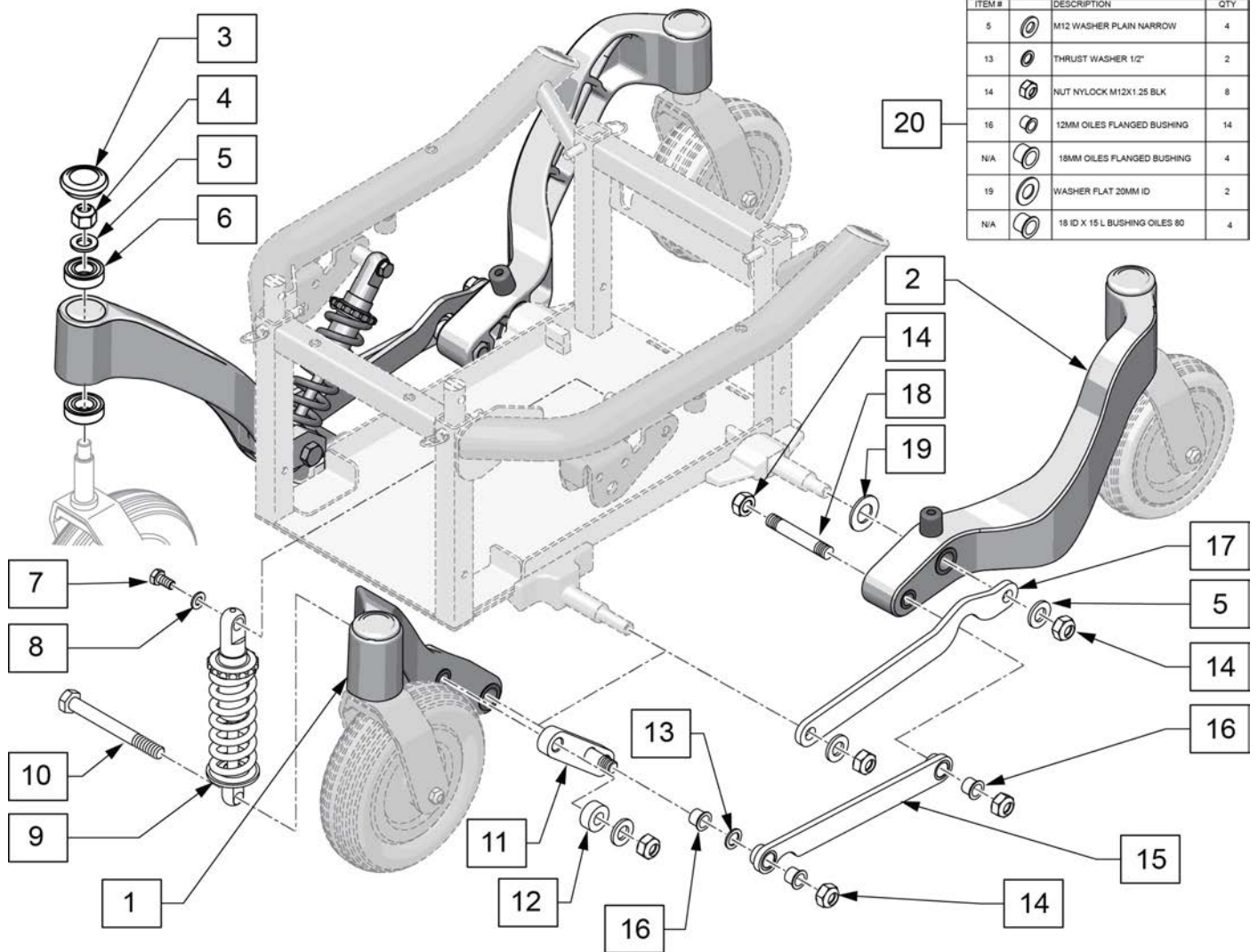
Pos.	Item Number	Description	Remarks
1	127208	BASE SUB ASY PULSE BLK CAST	Black Frame-Black Tires
1	127175	BASE SUB ASY PULSE BLK TR	Black Frame-Grey Tires
2	104386	CAP FRAME Q	Each
3	101920	LOCKING PIN SEAT POST W/PULL RING	Each

Note: Silver Fork parts are discontinued; replace with Black Fork parts.



CASTER & FORK INFORMATION				
Caster/Fork Part #	Fork Color	Tire Color	Hub Color	Size
116173	Black	Grey	Black	7
127207	Black	Black	Black	7
127206	Black	Black	Black	6
116175	Black	Grey	Black	6
126536	n/a	Black	Black	7
101691	n/a	Grey	Black	7
126535	n/a	Black	Black	6
102797	n/a	Grey	Black	6
104457	n/a	Grey	Grey	7
104458	n/a	Grey	Grey	6

Pos.	Item Number	Description	Remarks
1A	127207	CASTER FORK ASSM FRNT	Black Tires & Black Forks
1B	116173	CASTER FORK BLACK 7" GREY TIRE	Grey Tires & Black Forks
2A	127206	CASTER FORK ASSM RR	Black Tires & Black Forks
2B	116175	CASTER FORK BLACK 6" GREY TIRE	Grey Tires & Black Forks
3A,8	126536	CASTER WHEEL FRNT 7 IN BLK	Black tire w/bearings
3B,8	101691	CASTER WHEEL FRNT 7 IN GREY	Grey tire w/bearings
3C,8	104457	FRONT CASTER WHEEL	Grey Tire, Grey Hub w/ bearings
4A,8	126535	CASTER WHEEL RR 6 IN BLK	Black tire w/bearings
4B,8	102797	CASTER WHEEL RR 6 IN GREY	Grey tire w/bearings
4C,8	104458	REAR CASTER WHEEL	Grey Tire, Grey Hub w/ bearings
5	210085	NUT HEX NYLOCK M8 BLACK	
6	123432	HHCS M8X1.25X85 PART NP 10.9	
7	106946	WASHER FLAT AN 5/16 ROHS	
8	119252	7/8 X 5/16 BEARING 608-2MS	
9	121115	NUT NYLOCK M12X1.25 BLK	
10	250100	M12 WASHER PLAIN NARROW	



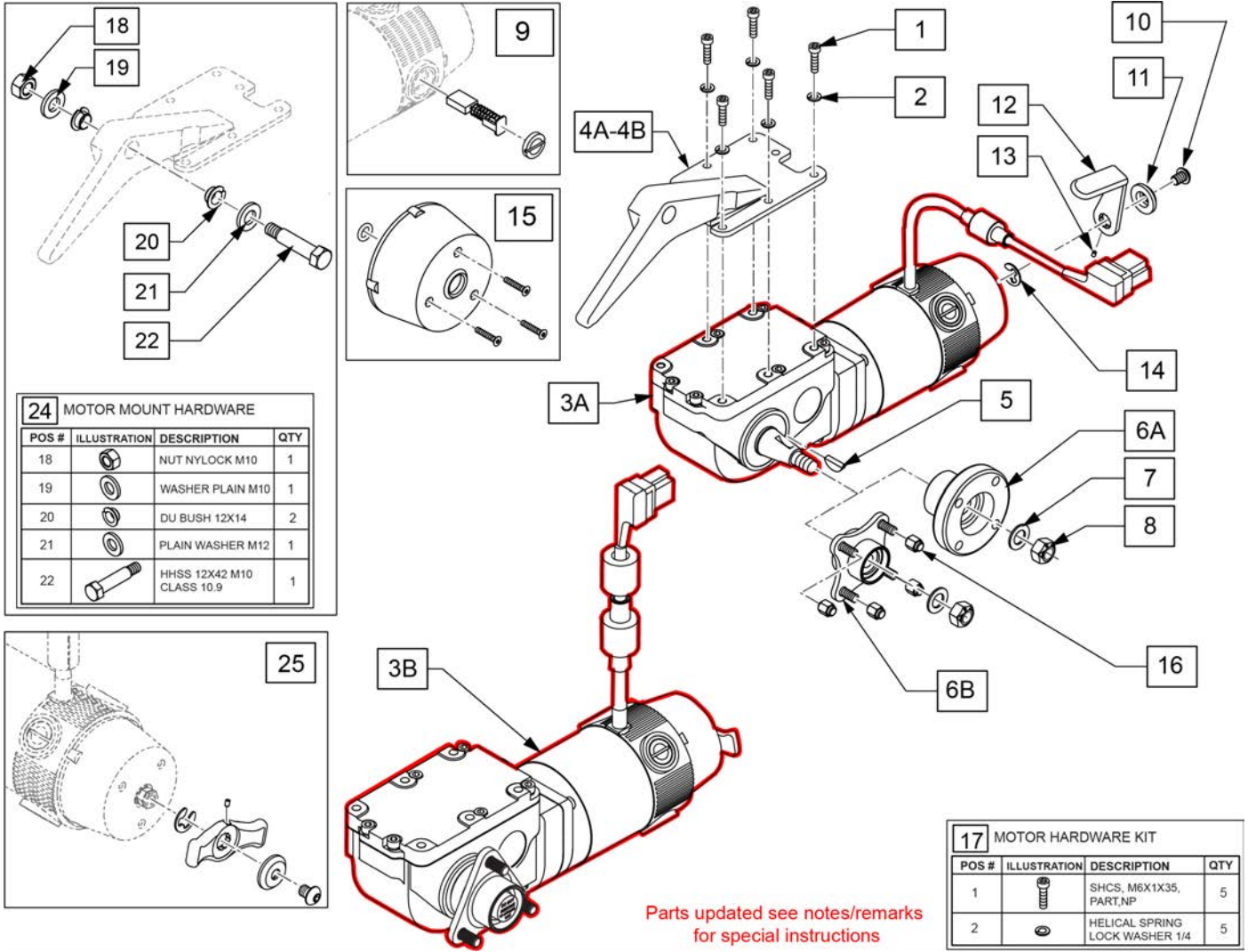
ITEM #	DESCRIPTION	QTY
5	M12 WASHER PLAIN NARROW	4
13	THRUST WASHER 1/2"	2
14	NUT NYLOCK M12X1.25 BLK	8
16	12MM OILES FLANGED BUSHING	14
N/A	18MM OILES FLANGED BUSHING	4
19	WASHER FLAT 20MM ID	2
N/A	18 ID X 15 L BUSHING OILES 80	4

Pos.	Item Number	Description	Remarks
1,3,6	116165	CASTER ASSM FRONT RH ASSM BLK	Right-Black
1,3,6	116166	CASTER ASSM FRONT LH ASSM BLK	Left-Black
2,3,6	116167	CASTER ARM REAR RIGHT TR	Right-Black
2,3,6	116168	CASTER ARM REAR LEFT TR	Left-Black
3	104152	CAP CASTER	
4	121115	NUT NYLOCK M12X1.25 BLK	
5	250100	M12 WASHER PLAIN NARROW	
6	101686	CASTER BEARING	Bearing size: 35mm x 17mm x 10mm
7	123497	M8-16 HEX C/S	
8	011648	WASHER FLAT M8	
9	104027	SUSPENSION 350LBS	
10	121113	HHCS M12X1.25X110 PART NP	
11	125281	BRACKET MIDLINK WELDMENT LEFT	
11	122757	BRACKET MIDLINK WELDMENT RIGHT	
12	103921	MIDLINK SPACER	
13	122859	THRUST WASHER 1/2"	
14	121115	NUT NYLOCK M12X1.25 BLK	
15	125282	LINKARM WELDMENT PULSE LEFT	Left
15	122754	LINKARM WELDMENT PULSE	Right

Pos.	Item Number	Description	Remarks
16	122758	BUSHING BRONZE FLANGED 12MM	
17	103909	PIVOT TO PIVOT LINK SILVER	
18	122175	PIVOT REAR PULSE	
19	128446	WASHER FLAT 20MM ID	
20	128519	BUSHING KIT PULSE	For complete chair

Note: Effective on chairs built between Oct/2021 thru Jan/2022 use motors 241114, 241115 and Drive Wheel 243578 (see 13" Drive Wheel page).

Note: Silver motor mounts are included in the kit; if black mounts are required order qty 1 each of p/n's 123430 & 123431.



24 MOTOR MOUNT HARDWARE

POS #	ILLUSTRATION	DESCRIPTION	QTY
18		NUT NYLOCK M10	1
19		WASHER PLAIN M10	1
20		DU BUSH 12X14	2
21		PLAIN WASHER M12	1
22		HHSS 12X42 M10 CLASS 10.9	1

17 MOTOR HARDWARE KIT

POS #	ILLUSTRATION	DESCRIPTION	QTY
1		SHCS, M6X1X35, PART, NP	5
2		HELICAL SPRING LOCK WASHER 1/4	5

Parts updated see notes/remarks for special instructions

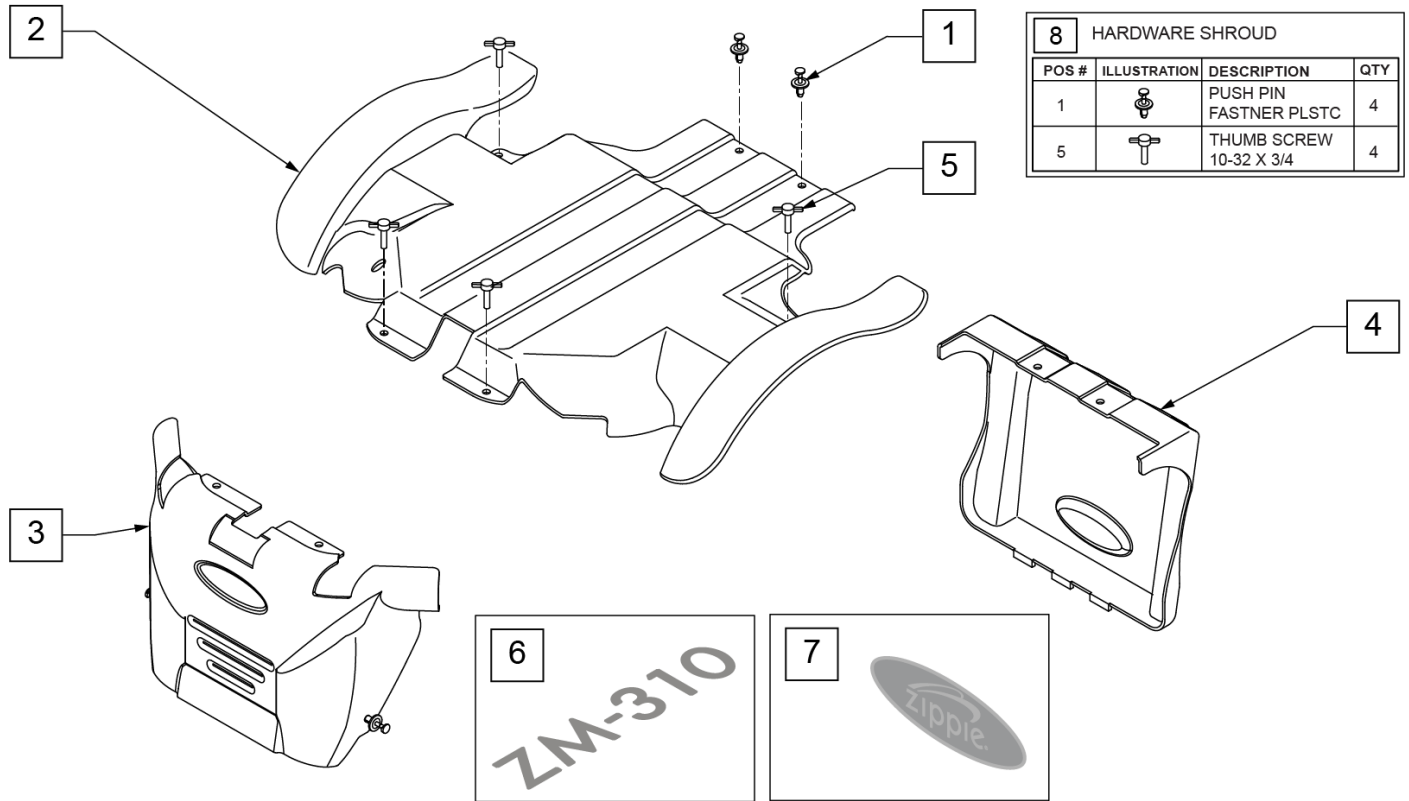
Pos.	Item Number	Description	Remarks
3	113213	MTR/GBX 10KPH 4PL RH PLS	RIGHT 6 mph
3	113212	MTR/GBX 10KPH 4PL LH PLS	LEFT 6 mph
4A	112248	MOUNT MOTOR W/BUSH RH	RIGHT-Silver
4A	112249	MOUNT MOTOR W/BUSH LH	LEFT-Silver
4B	123430	MOUNT MOTOR W/B RH BLACK	RIGHT-Black
4B	123431	MOUNT MOTOR W/B LH BLACK	LEFT-Black
5	341269	#606 WOODRUFF KEY STEEL	
6A	104066	HUB ELECTROCRAFT	Used w/ Silver Wheels or Black 5 Spoke
7	264101	1/2 WASHER HARDENED FLAT	
8	210002	M12 X 1.75 ALL MTL PREV TRQ NT	
9	112281	BRUSH KIT 4 PL	Includes 4 brushes & caps

Pos.	Item Number	Description	Remarks
5,6A-8	116068	MOTOR HUB PULSE KIT	Used w/ Silver Wheels & Black 5 Spoke
5,6B-8,16	119589	MOTOR HUB PULSE KIT BLACK	Used w/ Black & Chrome 8 Spoke wheels
10-14	116067	MTR BRAKE REL HANDLE KIT	
15	112283	COVER BRAKE	
16	200135	CONICAL LUG NUT	
17	116069	MOTOR HRDWR KIT	
24	128522	MOTOR MOUNT HARDWARE	for 1 side
1-3A,4A,5,6A-8	116072	PLS MTR/GBX W/ MNT R	RIGHT-Silver Wheels or Black 5 Spoke
1-3A,4A,5,6A-8	116073	PLS MTR/GBX W/ MNT L	LEFT-Silver Wheels or Black 5 Spoke
1-3B,4A,5,6B-8,16	119590	PULSE MTR/GBX 4 LUG W/ MNT R	Right-Used w/Black & Chrome 8 Spoke wheels
1-3B,4A,5,6B-8,16	119591	PULSE MTR/GBX 4 LUG W/ MNT L	Left-Used w/Black & Chrome 8 Spoke wheels
3C,25	241115	MTR/GBX 10KPH 4PL RH	Right, chairs built between Oct/2021 thru Jan/2022
3C,25	241114	MTR/GBX 10KPH 4PL LH	Left, chairs built between Oct/2021 thru Jan/2022

SHROUDS

[03/10/2020]

Note: replace all Shrouds of this color at the same time due to minor paint variations.

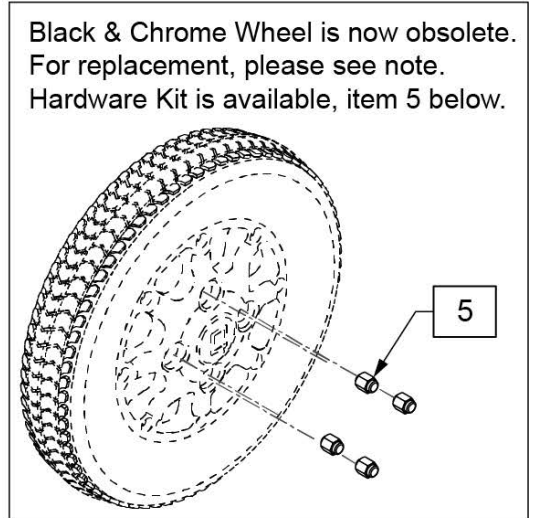
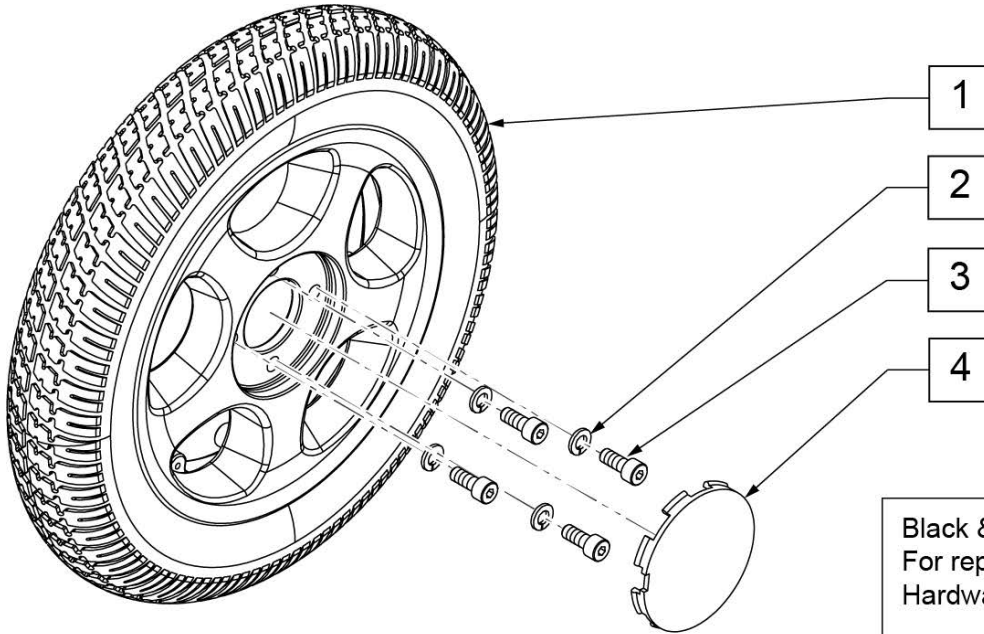


Pos.	Item Number	Description	Remarks
5	112406	THUMB SCREW 10 -32 x 3/4	
6	128088	ZIPPIE ZM-310 DECAL SILVER	Silver
7	128089	ZIPPIE METAL DECAL	
8	104439	HARDWARE SHROUD	
<< Top Shroud Kits >>			
1,2	128460	SHROUD TOP KIT PINK CAMO	
1,2	128461	SHROUD TOP KIT GRUNGE SKULLS	
1,2	128462	SHROUD TOP KIT AMERICAN FLAG	
1,2	134127	SHROUD TOP KIT CANDY APPLE RED	SEE NOTE
1,2	130423	SHROUD TOP KIT GLOSS BLACK	SEE NOTE
1,2	130424	SHROUD TOP KIT CANDY BLUE	SEE NOTE
1,2	130425	SHROUD TOP KIT PEARL WHITE	
1,2	130426	SHROUD TOP KIT GREEN APPLE	
1,2	130427	SHROUD TOP KIT YELLOW	
1,2	130428	SHROUD TOP KIT PEARL PINK	
1,2	130429	SHROUD TOP KIT CANDY PURPLE	
1,2	130430	SHROUD TOP KIT MATTE BLACK	
1,2	130431	SHROUD TOP KIT MIDNIGHT BLUE	
1,2	130432	SHROUD TOP KIT SILVER	
1,2	130433	SHROUD TOP KIT COPPER	
<< Front Shroud Kits >>			
1,3	128466	SHROUD FRONT KIT PINK CAMO	
1,3	128467	SHROUD FRONT KIT GRUNGE SKULLS	

Pos.	Item Number	Description	Remarks
1,3	128468	SHROUD FRONT KIT AMERICAN FLAG	
1,3	128621	SHROUD FRONT KIT CANDY APPLE RED ZIPPIE	SEE NOTE
1,3	128622	SHROUD FRONT KIT HIGH GLOSS BLACK ZIPPIE	SEE NOTE
1,3	128623	SHROUD FRONT KIT CANDY BLUE ZIPPIE	SEE NOTE
1,3	128624	SHROUD FRONT KIT PEARL WHITE ZIPPIE	
1,3	128625	SHROUD FRONT KIT GREEN APPLE ZIPPIE	
1,3	128626	SHROUD FRONT KIT YELLOW ZIPPIE	
1,3	128627	SHROUD FRONT KIT PEARL PINK ZIPPIE	
1,3	128628	SHROUD FRONT KIT CANDY PURPLE ZIPPIE	
1,3	128629	SHROUD FRONT KIT MATTE BLACK ZIPPIE	
1,3	128630	SHROUD FRONT KIT MIDNIGHT BLUE ZIPPIE	
1,3	128634	SHROUD FRONT KIT SILVER ZIPPIE	
1,3	128635	SHROUD FRONT KIT COPPER ZIPPIE	
		<< Rear Shroud Kits >>	
1,4	128472	SHROUD REAR KIT PINK CAMO	
1,4	128473	SHROUD REAR KIT GRUNGE SKULLS	
1,4	128474	SHROUD REAR KIT AMERICAN FLAG	
1,4	104409	SHROUD REAR KIT CANDY APPLE RED	SEE NOTE
1,4	104412	SHROUD REAR KIT HIGH GLOSS BLACK	SEE NOTE
1,4	120400	SHROUD REAR KIT CANDY BLUE	SEE NOTE
1,4	126296	SHROUD REAR KIT PEARL WHITE	
1,4	126297	SHROUD REAR KIT GREEN APPLE	
1,4	126298	SHROUD REAR KIT YELLOW	
1,4	126299	SHROUD REAR KIT PEARL PINK	
1,4	126300	SHROUD REAR KIT CANDY PURPLE	
1,4	126301	SHROUD REAR KIT MATTE BLACK	
1,4	126302	SHROUD REAR KIT MIDNIGHT BLUE	
1,4	129807	SHROUD REAR KIT COPPER	
1,4	129810	SHROUD REAR KIT SILVER	

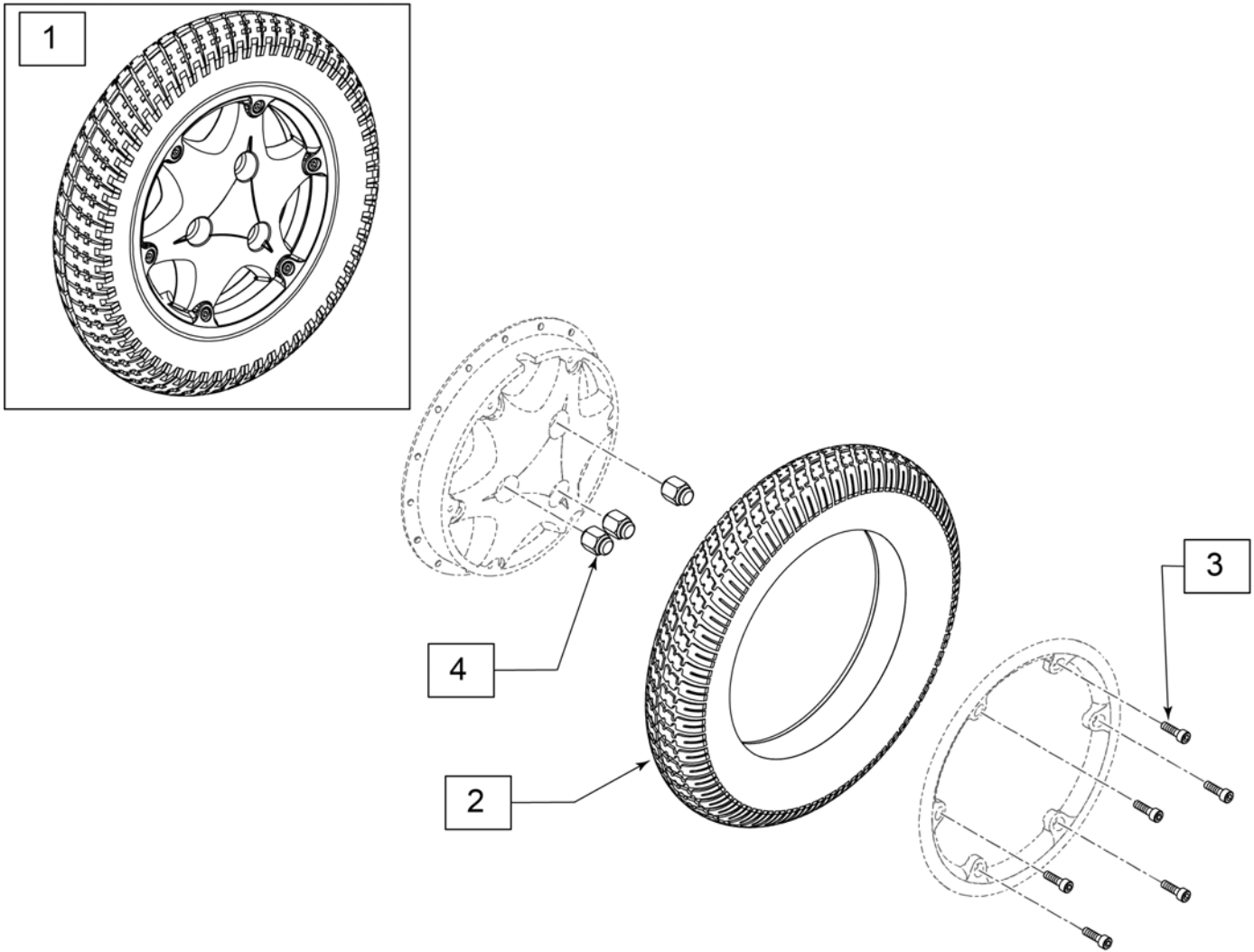
Note: Effective on chairs built between Oct/2021 thru Jan/2022 use motors 241114, 241115 (see Motor Assembly page) and Drive Wheel 243578 (see 13" Drive Wheel page).

Note: Due to inconsistent tire wear and manufacturing supply changes always replace drive wheels or tires in pairs.



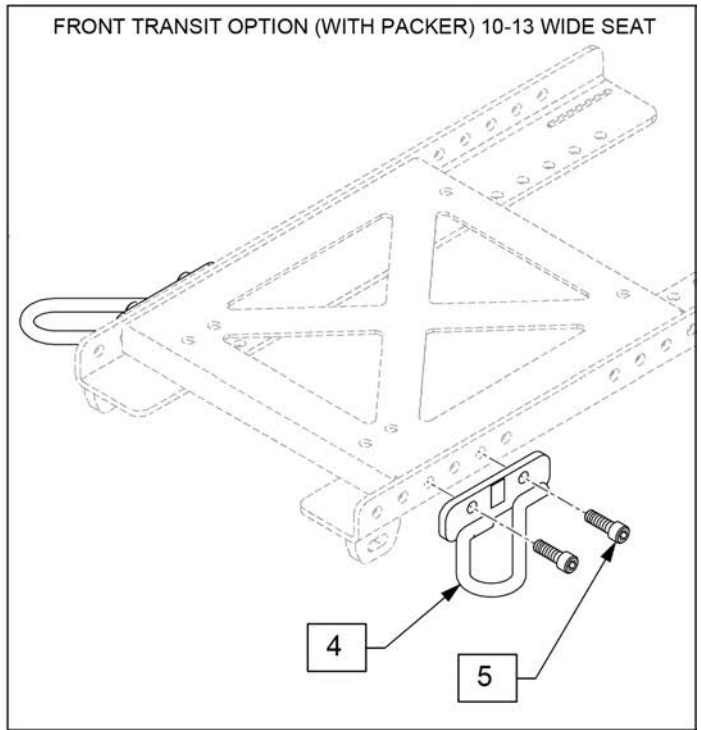
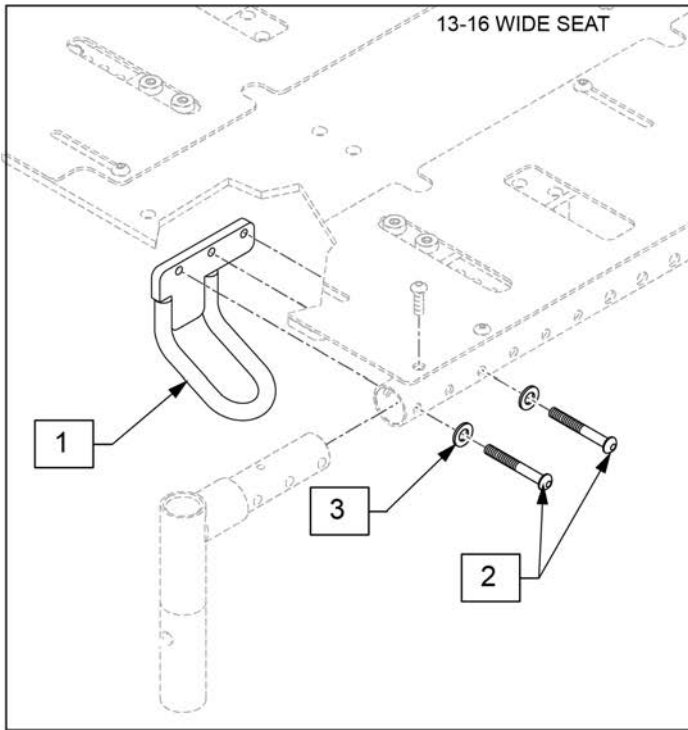
6 DRIVE WHEEL HDWR KIT			
POS #	ILLUSTRATION	DESCRIPTION	QTY
2		M8 LOCK WASHER	4
3		SHCS, M8X1.25X25, FULL, PL	4

Pos.	Item Number	Description	Remarks
2	250106	M8 LOCK WASHER	
3	055028	SHCSM8X1.25X25FULLPL	
4	118510	HUB CAP BLACK	
5	200135	CONICAL LUG NUT	For Black & Chrome Wheel; set of 4
6	110820	HARDWARE KIT	
1,4	125455	WHL DD 13 BLK 5 SPK GRY TIRE	13x2.5x8, black rim w/grey tire
1,2,4	126539	WHEEL DD 13 BLK 5 SPK BLK TIRE	13x2.5x8, black rim w/black tire

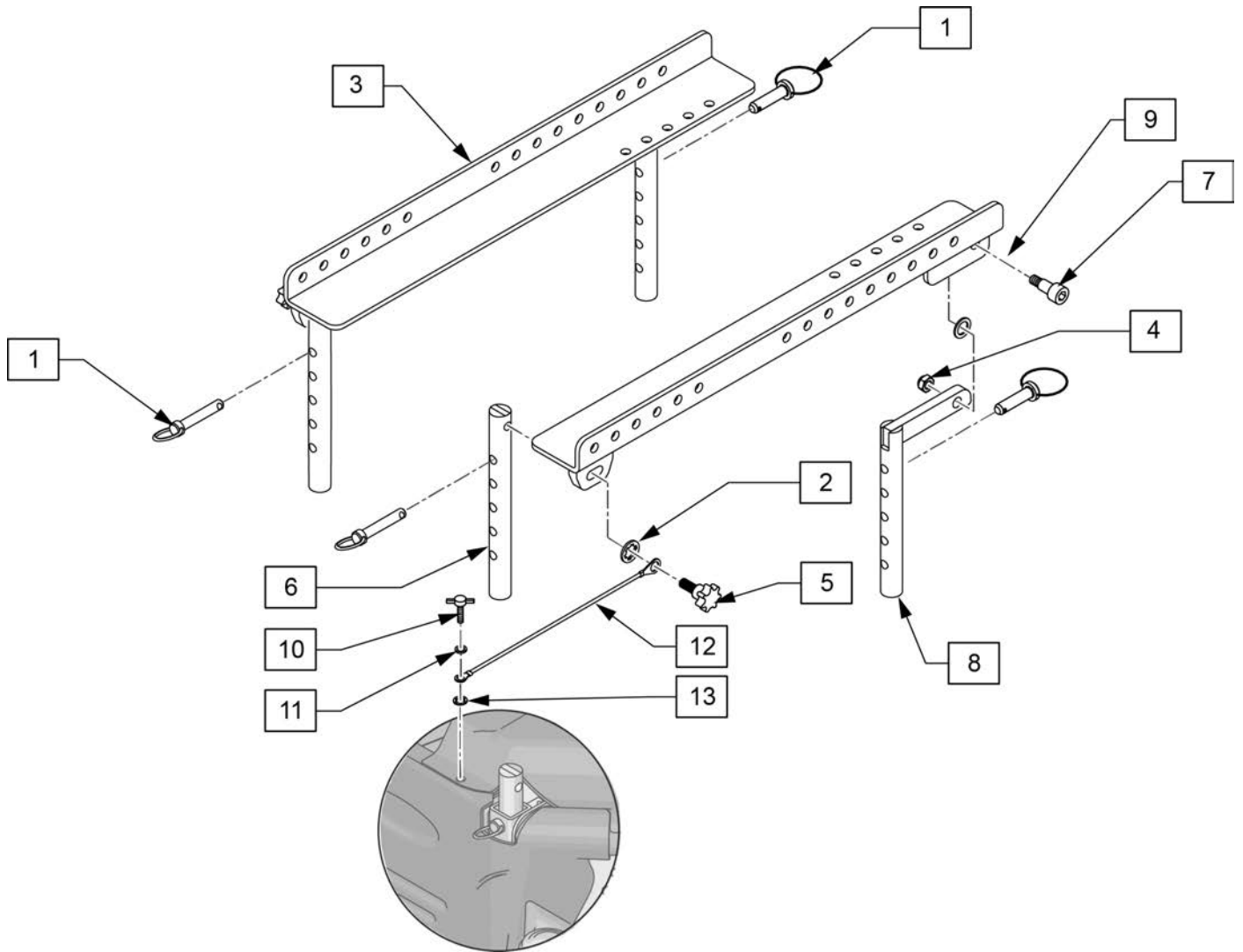


Pos.	Item Number	Description	Remarks
1	243578	6-SPOKE 13" X 2.5" KNOBBY BLK DD	Dual Density
2	126537	TIRE DD INSERT 13 X 2.5 X 8 BLK	
3	163240	DRIVE WHEEL HDWR KIT	set of 6
4	161965	LUG NUT SET	set of 3

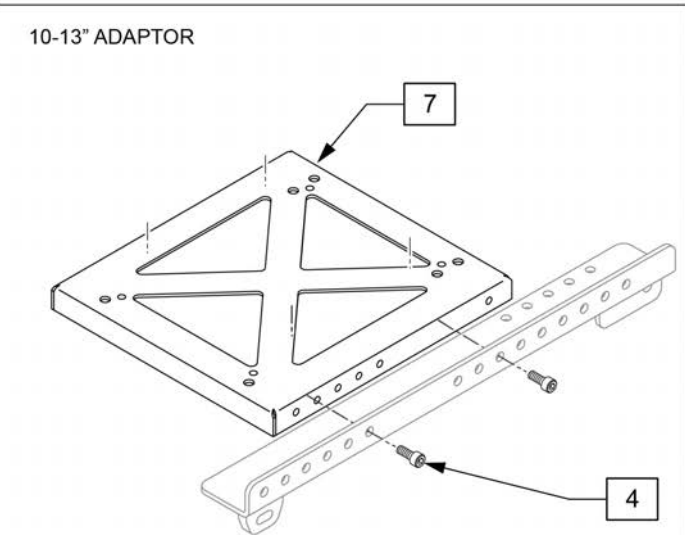
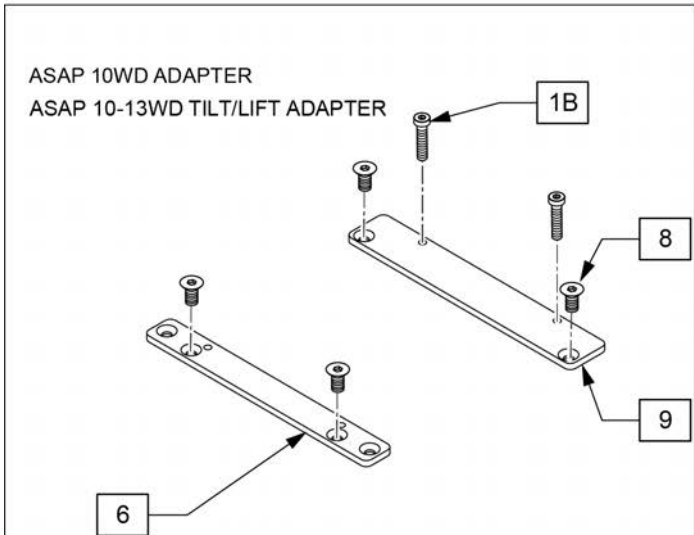
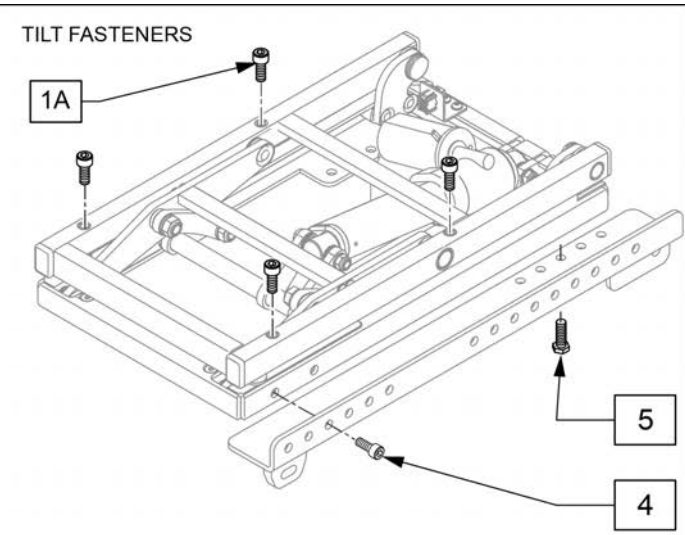
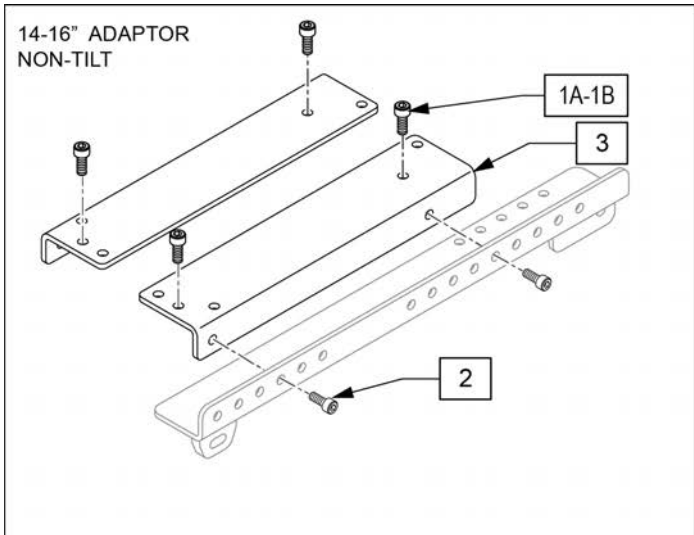
Note: for rear transit parts see the Backrest and Uphostery Section.



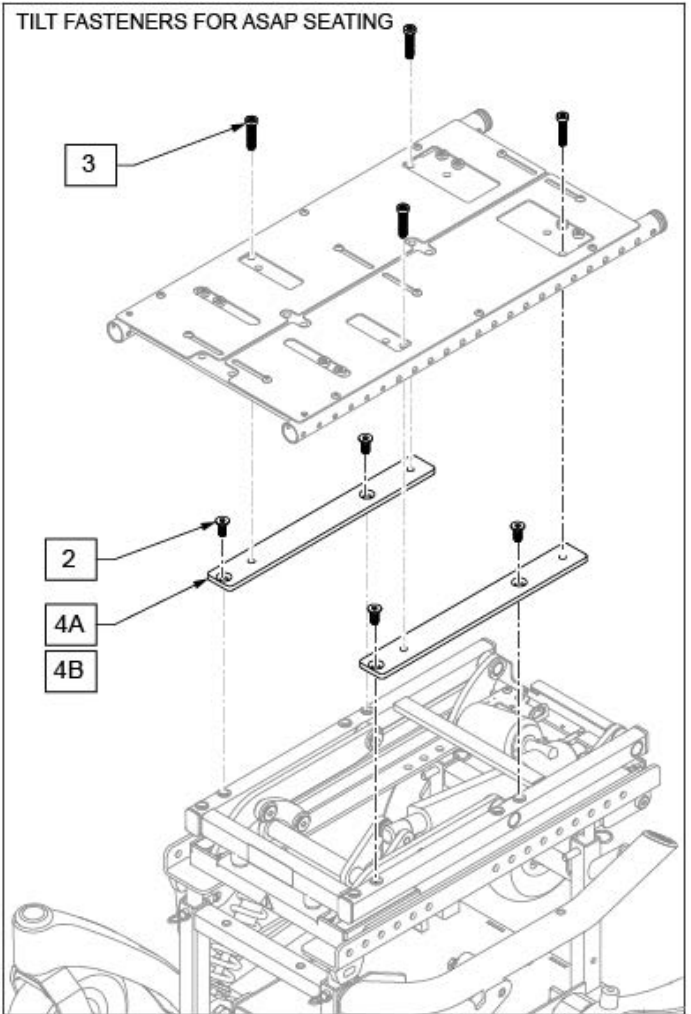
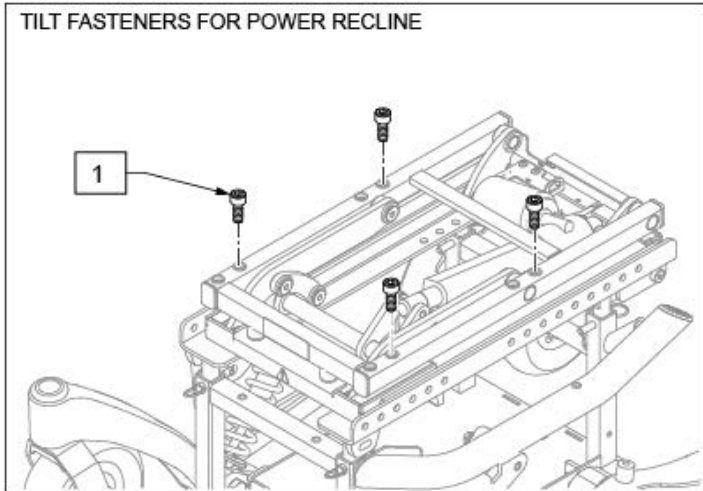
Pos.	Item Number	Description	Remarks
2	112375	M6-1.0 X 35MM BUTTON HD SOCKET	
3	250104	WASHER FLAT M6	
1-3	129037	ZM-310 TRANSIT KIT	includes left and right side parts
5	103221	SHCS,M8X1.25X16,FULL,PL	
4,5	130416	ZM-310 TRANSIT KIT 10-13	includes left and right side parts



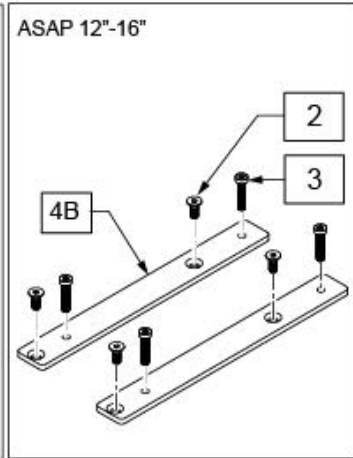
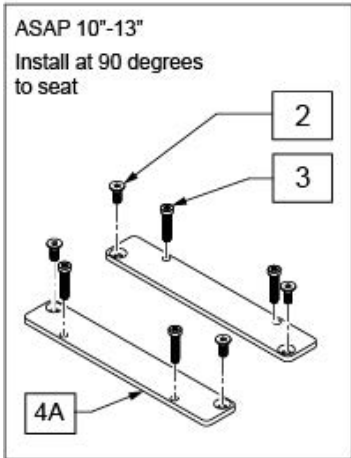
Pos.	Item Number	Description	Remarks
1	101920	LOCKING PIN SEAT POST	
4	210085	M8 NYLOCK NUT	
5	126088	KNOB M8 X 1.25 X 18 (PR)	PAIR
6	121147	SEAT POST FRONT PULSE	
7	065132	BOLT SHOULDER 10X16 M8	
8	121152	SEAT POST WLD REAR PULSE	
9	561273	1/2 X 3/4 X .060 NYLON WASHER	
1-9	129039	SEAT INTERFACE KIT ZM-310	
2,5,10-13	128523	KNOB W/LANYARD KIT	1 side



Pos.	Item Number	Description	Remarks
1A	117855	SHCS LOW HD M8X1.25X16 CLSS	Mounts 16-20 wide, 18-22 wide & Tilt
1B	119271	SHCS,M8X1.25X35,PF,NP	Mounts 12-16 wide
2	103221	SHCS M8 X 1.25 X 16W/PL INORG	Mounts ASAP II seating
3	120361	BRACKET NON TILT L	Left
3	120362	BRACKET NON TILT R	Right
4	013158	SHCSM8X1.25X20FULLPL	Mounts Captains seating
5	013354	HHCS M8 X 1.25 X 20 BLK W/PL	Mounts Tilt
7	126887	PACKER CPT SEAT/PED	
8	230129	FHCS M8 X 1.25 X 20 W/PL	
9	126937	ADAPTER PLATE ASAP 10 WD	ASAP 10 WD ADAPTER
1A,1B,2,3	128513	ASAP 2 ADAPTER KIT	
1A,4,5	128514	TILT MOUNT KIT	
6,8	129014	ASAP 10 WD INTERFACE ADAPER	
1B,6,8	128515	LIFT W/TILT INTERFACE ADAPTER	

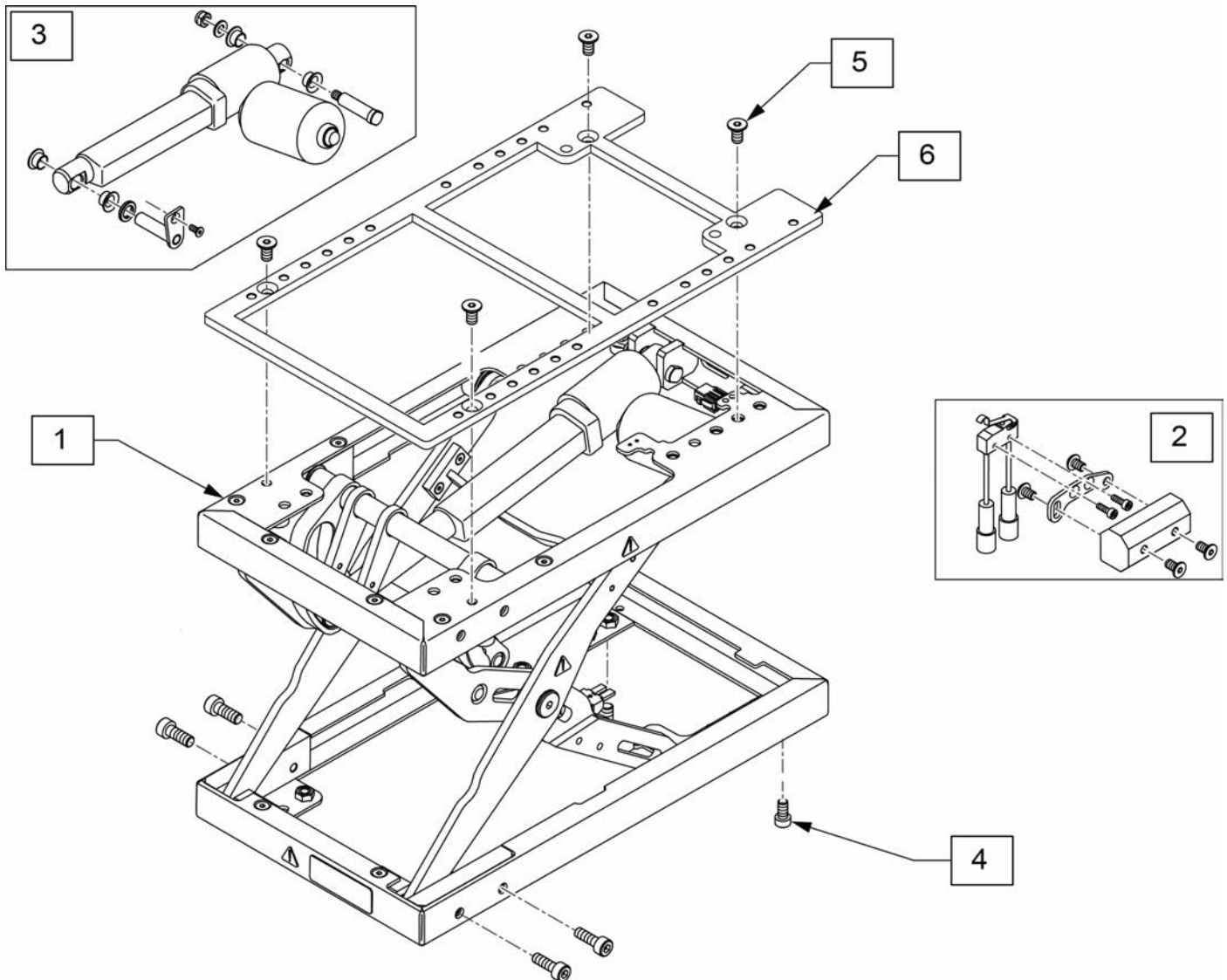


ADAPTER DETAILS



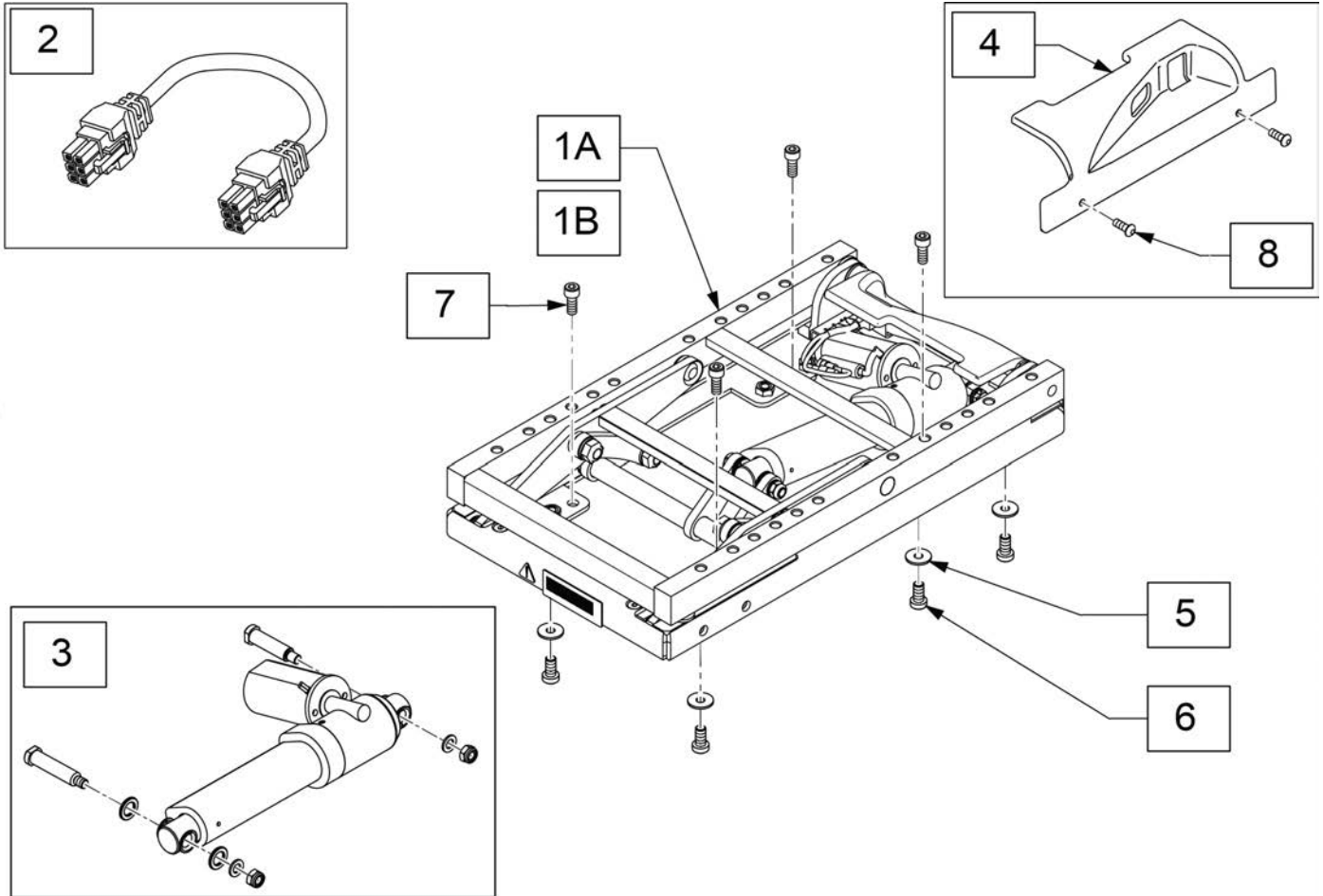
Pos.	Item Number	Description	Remarks
1	230121	BHCS M8 X 1.25 X 20	for Power Recline
2	230129	FHCS M8 X 1.25 X 20 W/PL	
3	119271	SHCS, M8 X 1.25 X 35, PF, NP	
4A	126937	ADAPTER PLATE ASAP 10 WD	Left & Right; ASAP 10-13"
4B	249273	ASAP TO TILT ADPTR	Left & Right; ASAP 12-16"

Note: the "stacking" of separate lift and tilt modules is not supported.



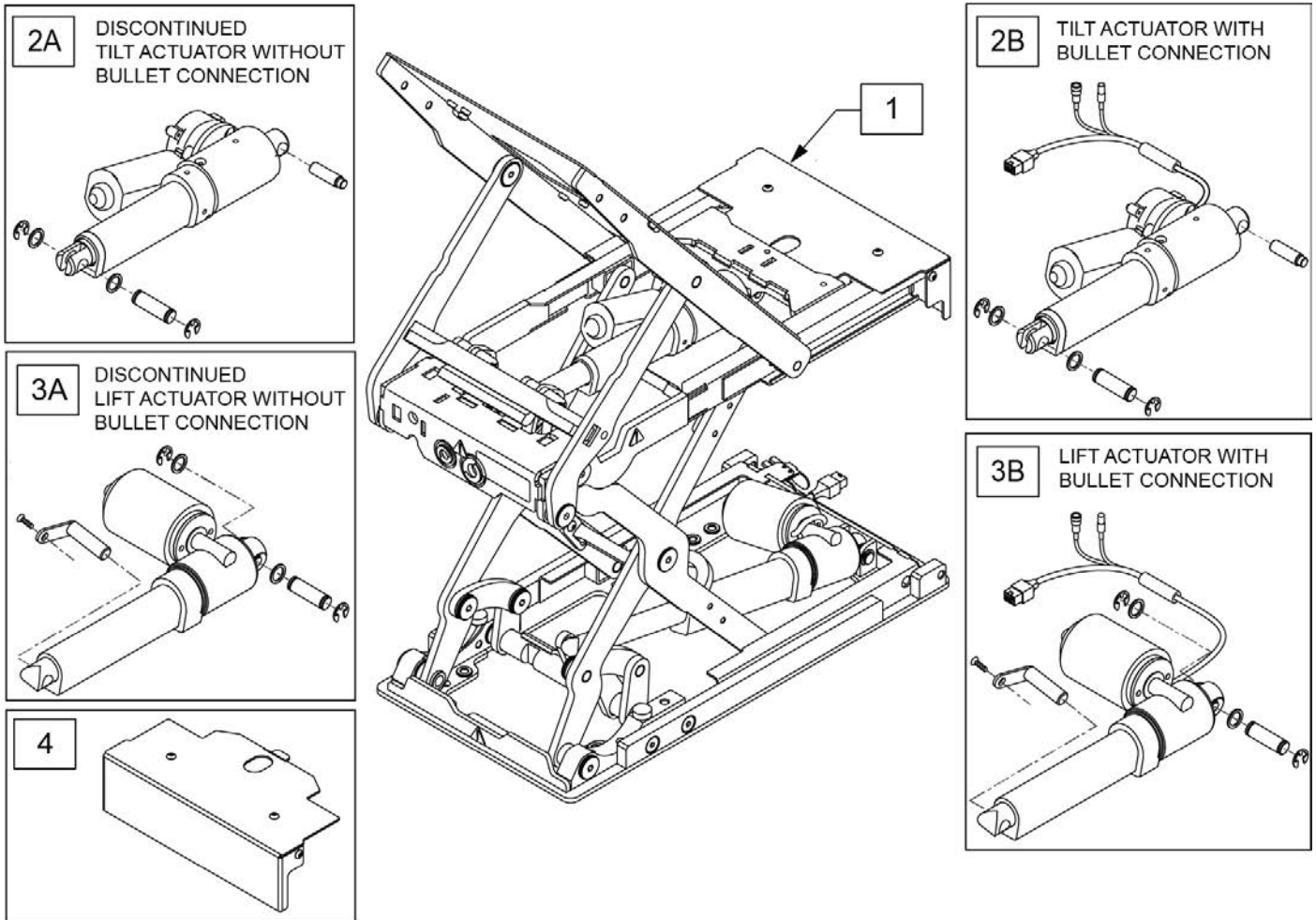
Pos.	Item Number	Description
1,4	122710	LIFT MODULE W/ HDWR
2	119917	REPLACEMENT LIMIT SWITCH LIFT
3	119915	REPLACEMENT LIFT ACCUATOR
4	055028	SHCSM8X1.25X25FULLPL
5	230129	FHCS M8 X 1.25 X 20 W/PL
6	116519	ADAPTER PLATE LIFT

Note: the "stacking" of separate lift and tilt modules is not supported.



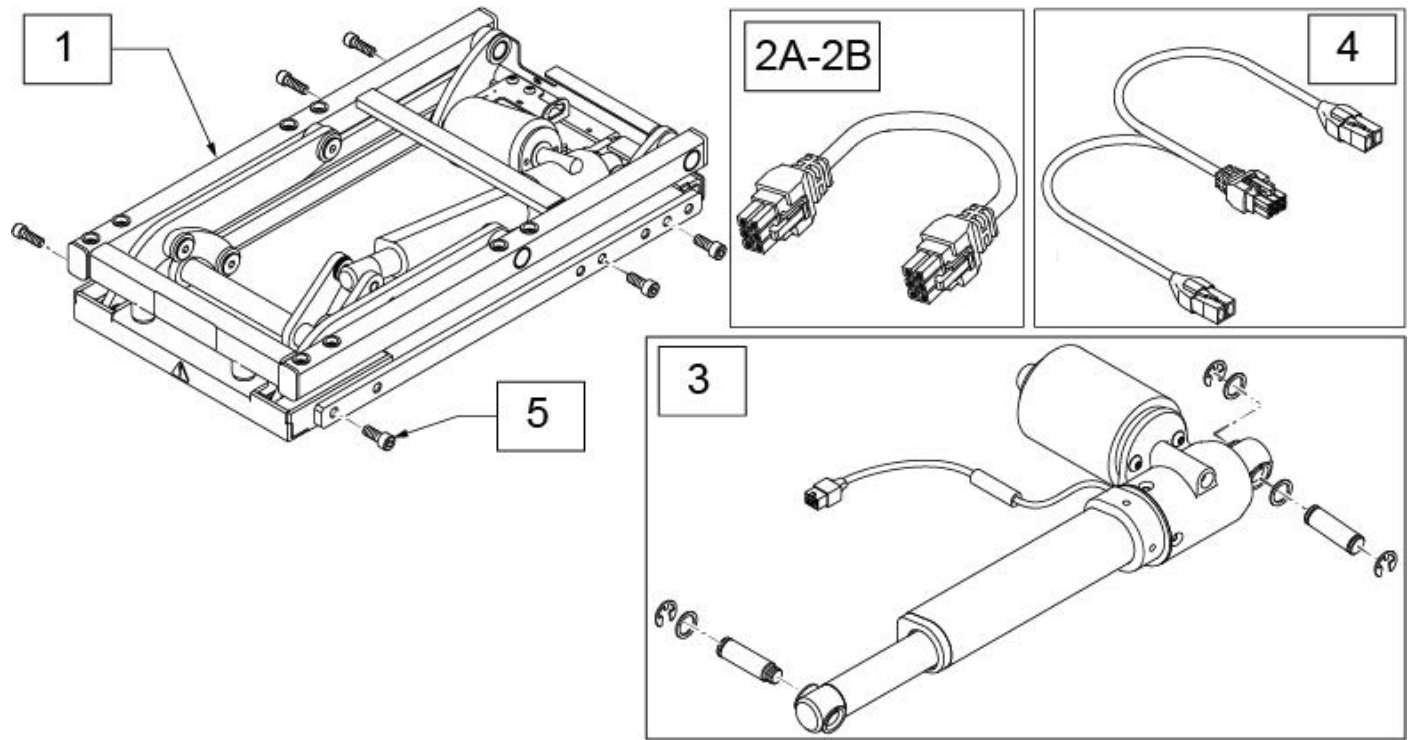
Pos.	Item Number	Description	Remarks
1A	129784	MDL PWR TILT SPOT W/F.B.	use beginning s/n PLSZA-125402
1B	131952	MDL PWR TILT SPT W/NOISE SUPP	use before s/n PLSZA-125402
2	020063-070	HARNESS DELPHI ACTUATOR 700mm	
3	129881	KIT TLT SPT ADJ LIM ACT W/ FER	use before s/n PLSZA-125402; includes Micro Switch
4	118026	TILT MODULE SHROUD, REAR	
5	117875	WASHER LARGE OD 8X24X2	without Lift
6	117855	SHCS LOW HD M8X1.25X16 CLSS	with Lift n/a on Pulse
7	103221	SHCS M8 X 1.25 X 16W/PL INORG	
8	103184-003	BHCS M5X0.8X10 FULLPL	

Note: See Lift Track Wiring Page for cable track parts.

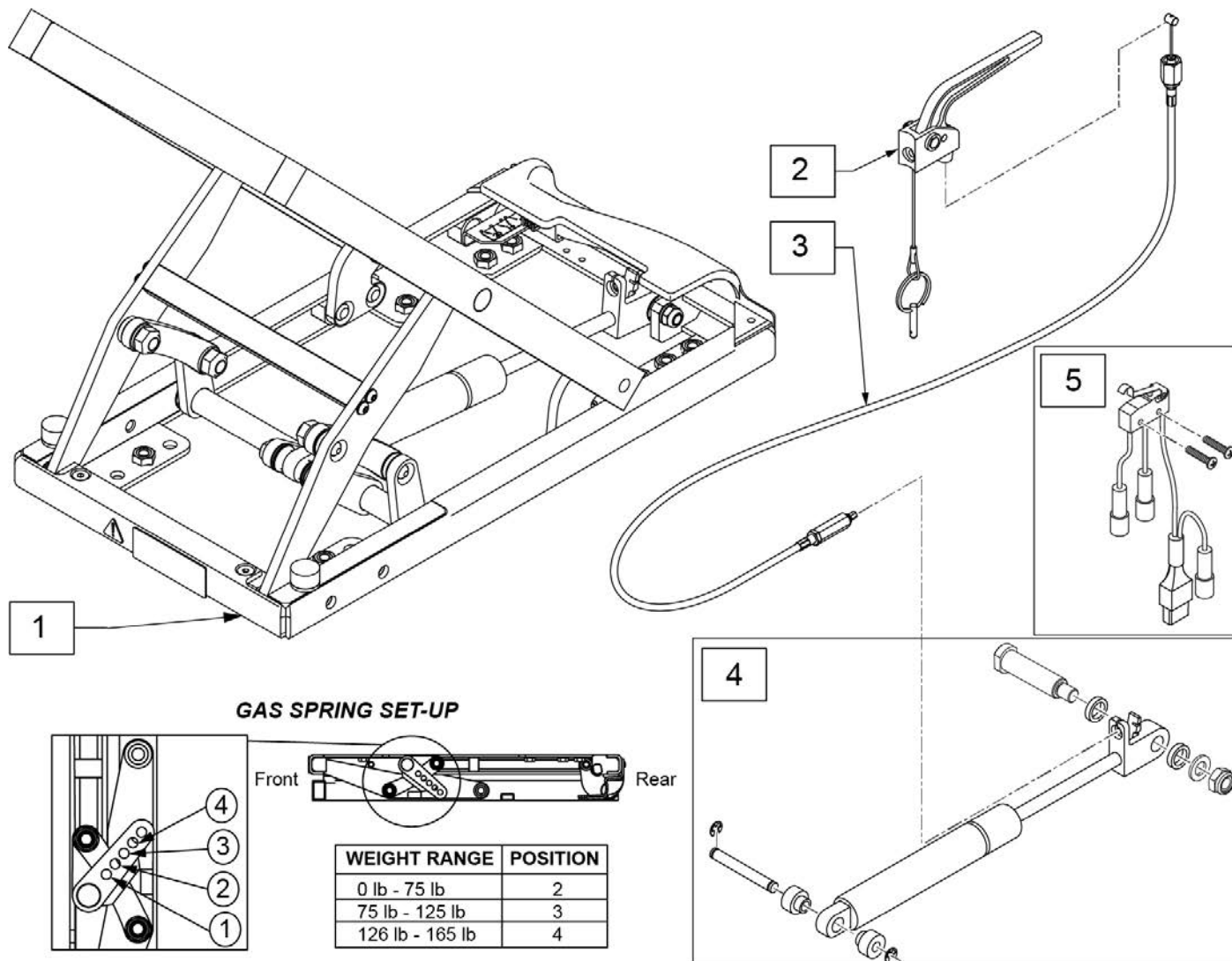


Pos.	Item Number	Description	Remarks
1	129870	LIFT TILT COMBO W/ F.B.	includes 241721 & 241722 Actuators
2A	129872	TILT ACT ASSM COMBO W/FERRITE	Prior to 8/2018 for PLSZ- S/N prefixes
2B	241721	TILT ACT ASSM COMBO W/FB	Effective 8/2018 for PLSZA- S/N prefixes
3A	129879	LIFT ACT ASSM COMBO W/FERRITE	Prior to 8/2018 for PLSZ- S/N prefixes
3B	241722	LIFT ACT ASSM COMBO W/FB	Effective 8/2018 for PLSZA- S/N prefixes
4	126056	COVER PLATE LIFT TILT COMBO	

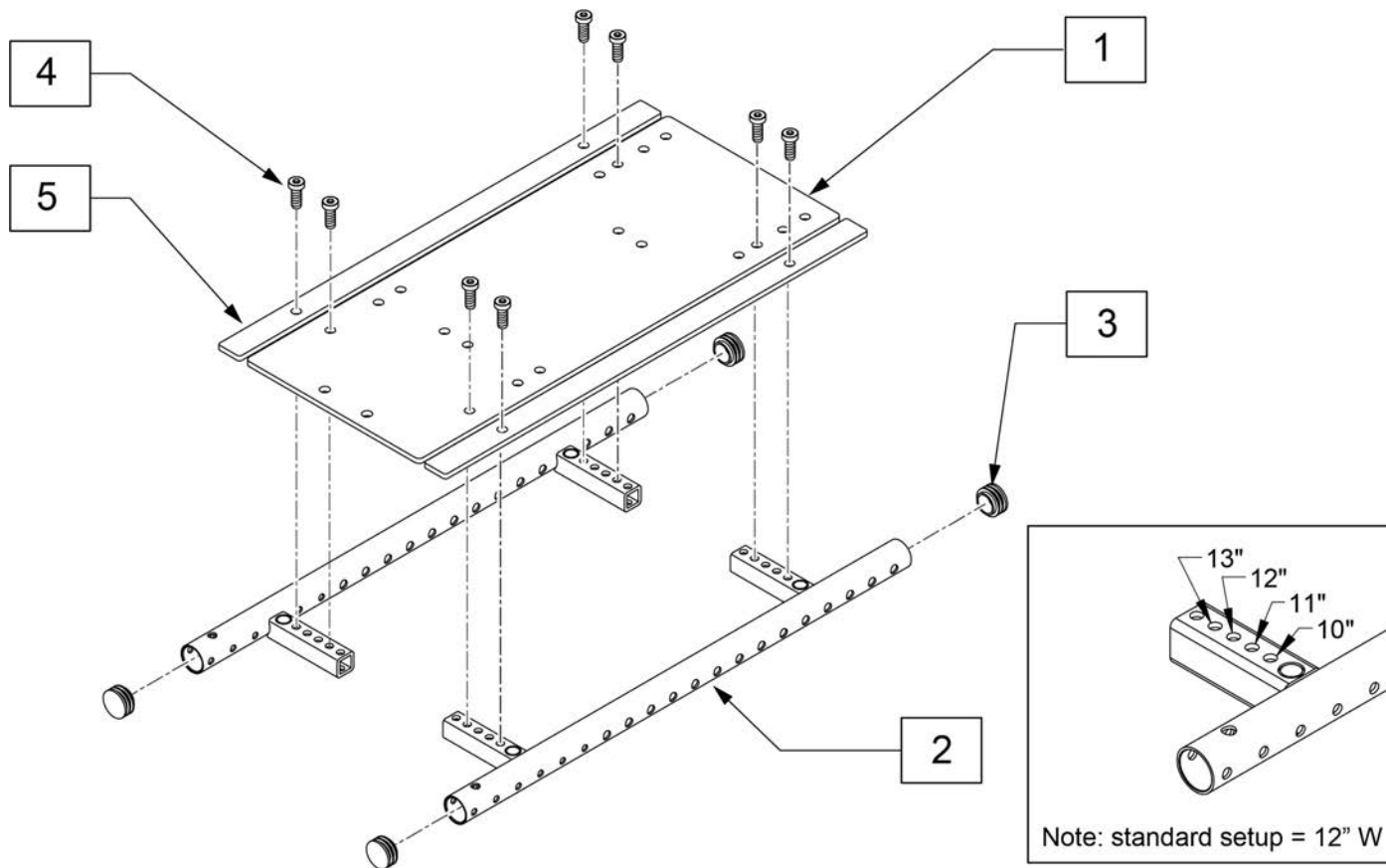
Note: Not compatible with 3 Axis Switch



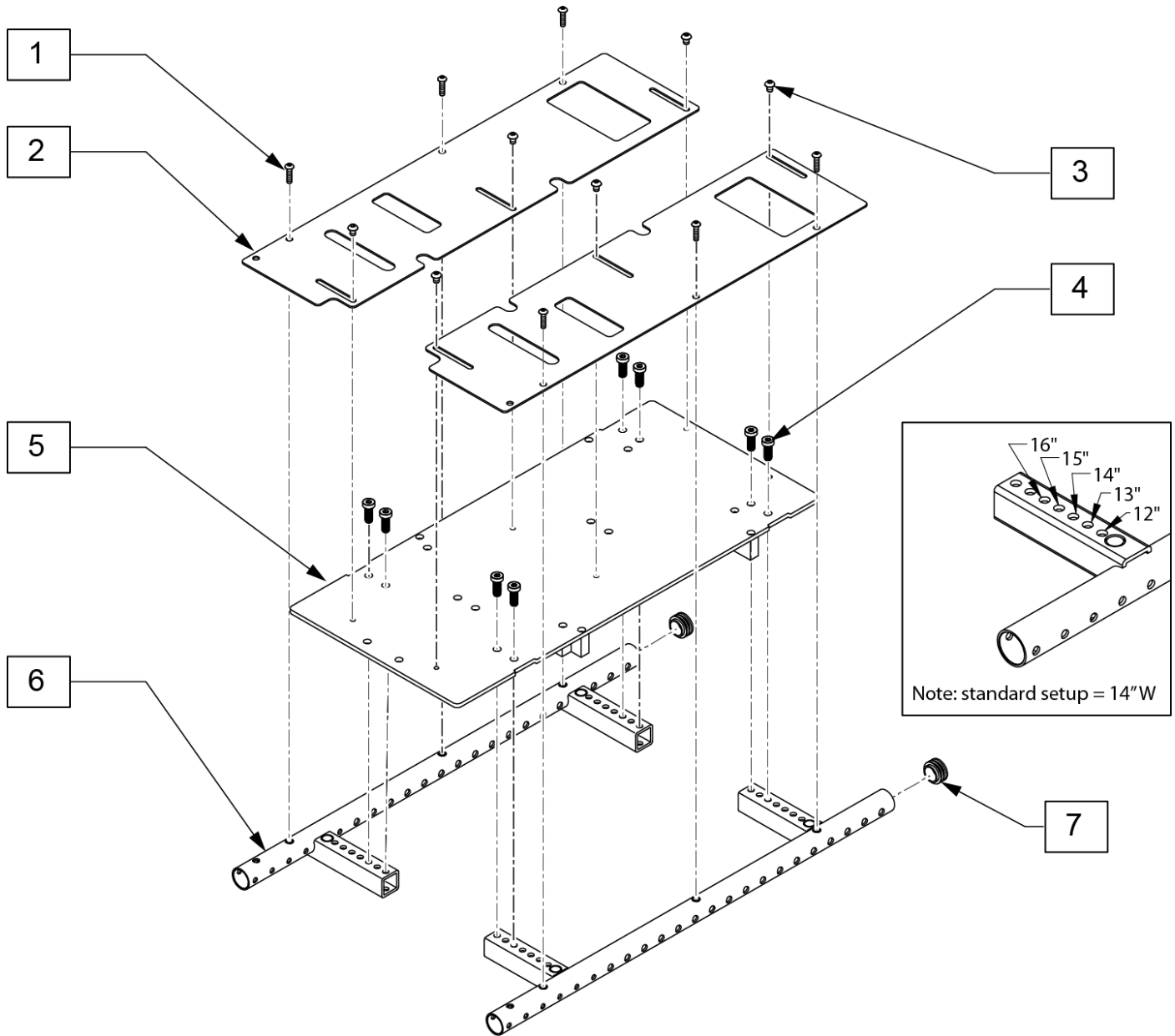
Pos.	Item Number	Description	Remarks
1	20010102	TILT MODULE 50 DEG SMART	use after s/n xxxxxx
2A	020063-070	HARNESS DELPHI ACTUATOR 700mm	Thru Drive Power Module
2B	020063-100	MOTORKABEL 1000mm	Switch Control 2/3 axis
3	163292	PM5 TILT ACT W/I.S.	
4	108309-120	HARN ACT WITH PGD INHIBIT - 1200mm - 47"	Thru Drive 2+ (ISM)
5	248502	SHCS M8 X 1.25 X 12 FULL PL	



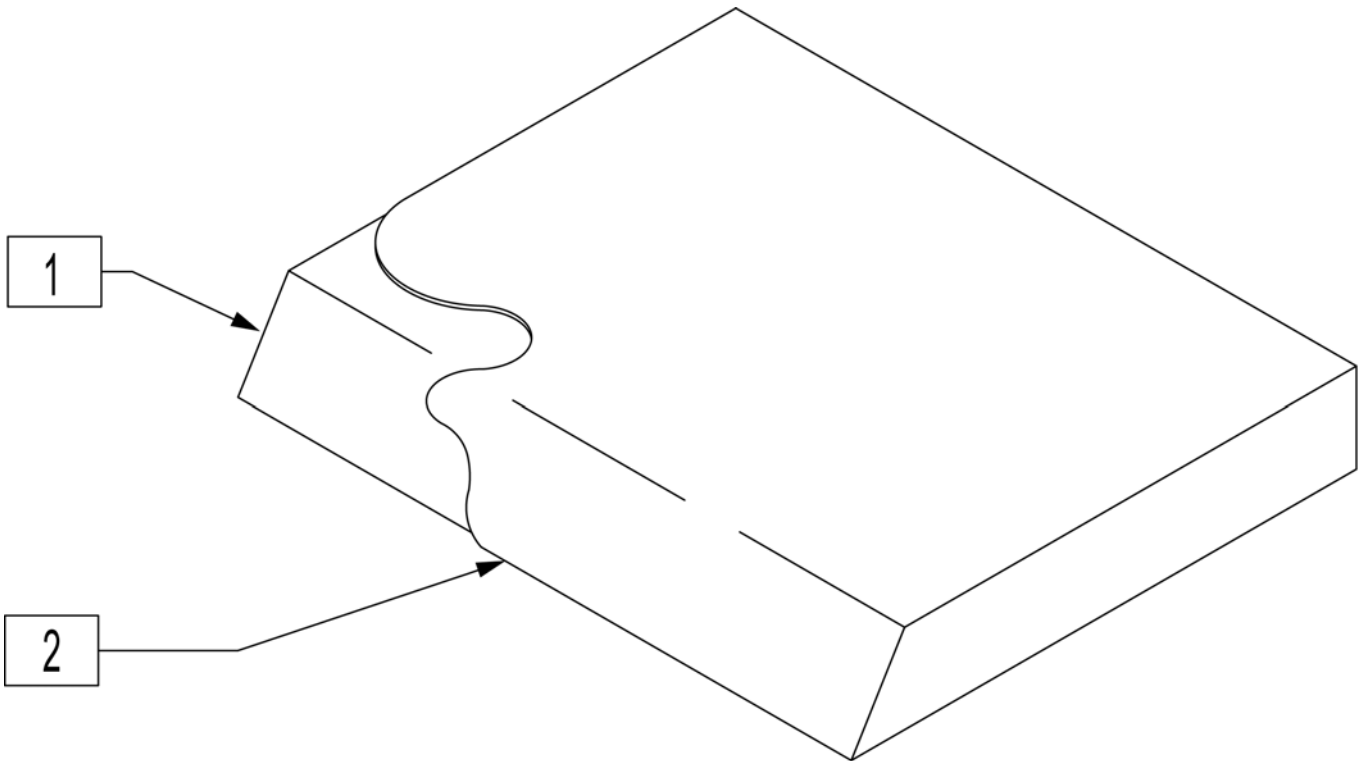
Pos.	Item Number	Description	Remarks
1	129042	MANUAL TILT ASSM	Requires Stroller Handles
2	580109	PLUNGER PIN LEVER ASSM	
3	112700-006	CABLE TILT ZTS 3XL	
4	127066	GAS SPRING ASSY	
5	136519	MANUAL TILT LIMIT SWITCH	



Pos.	Item Number	Description	Remarks
3	119372	1" END PLUG	
4	116576	SHCS,M8X1.25X20,FULL,NP	
5	126835	WIDTH FILLER ASAP 10-13	use with 13"
1-5	126836	SEAT FRAME ASAP 10WD	



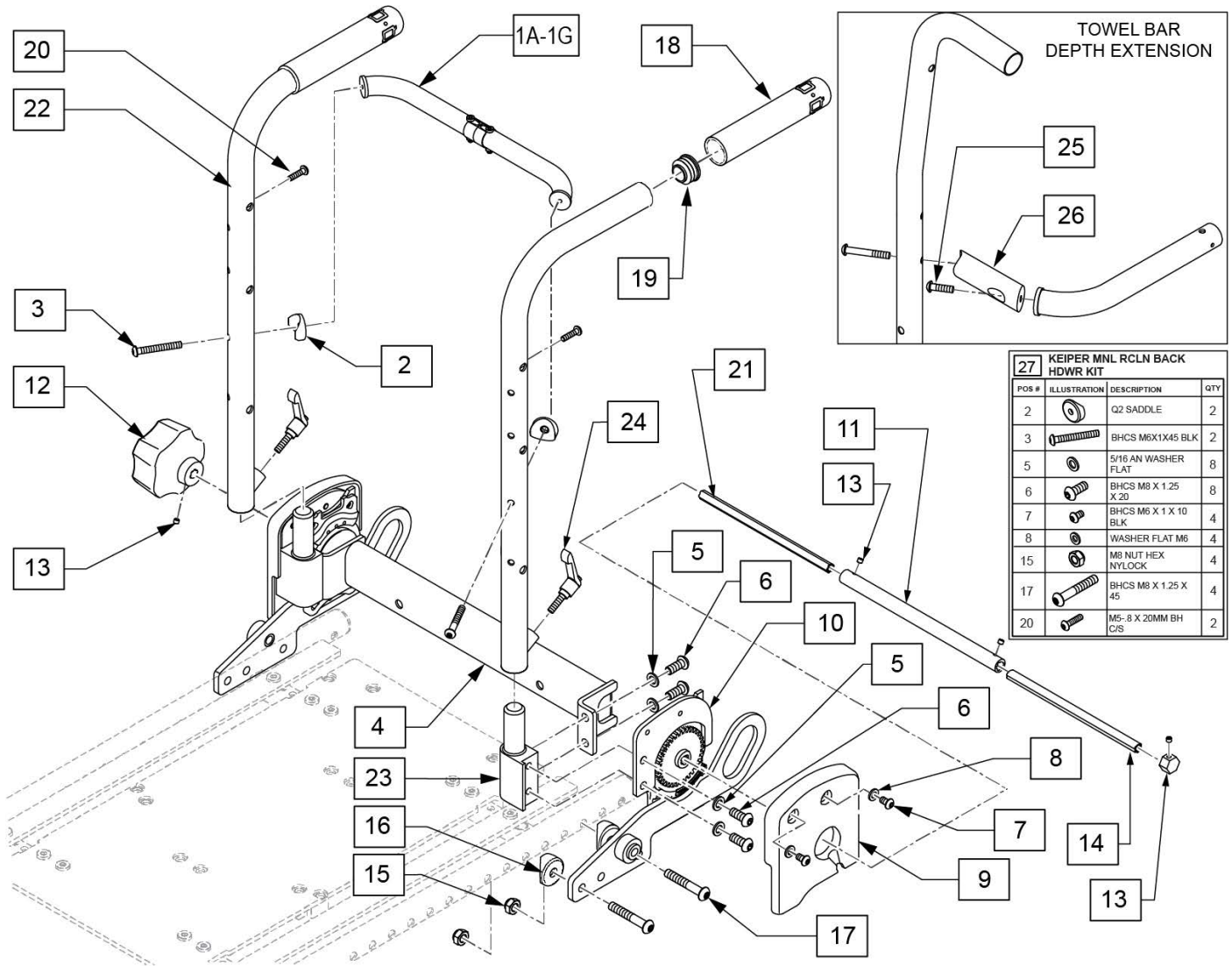
Pos.	Item Number	Description	Remarks
1	230497	M5-.8 X 20 MM BH C/S	
3	102262-001	BHCS,M6X1X8,FULL,PL	
4	116576	SHCS,M8X1.25X20,FULL,NP	
7	119372	1" END PLUG	
1-7	129012	12-16 ASAP SEAT BASE W/HDWR	w/velcro



Pos.	Item Number	Description	Pos.	Item Number	Description
1-2		10" WIDE	1-2	700232	SEAT CUSHION 13" X 13" X 2"
1-2	700027	SEAT CUSHION 10X10X2	1-2	700242	SEAT CUSHION 13" X 14" X 2"
1-2	700029	SEAT CUSHION 10X12X2	1-2	700252	SEAT CUSHION 13" X 15" X 2"
1-2	700035	SEAT CUSHION 10X13X2	1-2	700262	SEAT CUSHION 13" X 16" X 2"
1-2	700045	SEAT CUSHION 10X14X2	1-2	700272	SEAT CUSHION 13" X 17" X 2"
1-2	126931	SEAT CUSHION 10X15X2	1-2	700277	SEAT CUSHION 13" X 18" X 2"
1-2	126932	SEAT CUSHION 10X16X2	1-2	700267	SEAT CUSHION 13" X 19" X 2"
1-2		11" WIDE	1-2		14" WIDE
1-2	700002	SEAT CUSHION 11X10X2	1-2	700302	SEAT CUSHION 14" X 12" X 2"
1-2	700032	SEAT CUSHION 11X13X2	1-2	700312	SEAT CUSHION 14" X 13" X 2"
1-2	700042	SEAT CUSHION 11X14X2	1-2	700322	SEAT CUSHION 14" X 14" X 2"
1-2	700052	SEAT CUSHION 11X15X2	1-2	700332	SEAT CUSHION 14" X 15" X 2"
1-2	700062	SEAT CUSHION 11X16X2	1-2	700342	SEAT CUSHION 14" X 16" X 2"
1-2		12" WIDE	1-2	700352	SEAT CUSHION 14" X 17" X 2"
1-2	700102	SEAT CUSHION 12X10X2	1-2	700362	SEAT CUSHION 14" X 18" X 2"
1-2	700112	SEAT CUSHION 12X11X2	1-2		15" WIDE
1-2	700122	SEAT CUSHION 12" X 12" X 2"	1-2	700402	SEAT CUSHION 15" X 12" X 2"
1-2	700132	SEAT CUSHION 12" X 13" X 2"	1-2	700412	SEAT CUSHION 15" X 13" X 2"
1-2	700142	SEAT CUSHION 12" X 14" X 2"	1-2	700422	SEAT CUSHION 15" X 14" X 2"
1-2	700152	SEAT CUSHION 12" X 15" X 2"	1-2	700432	SEAT CUSHION 15" X 15" X 2"
1-2	700162	SEAT CUSHION 12" X 16" X 2"	1-2	700442	SEAT CUSHION 15" X 16" X 2"
1-2	700172	SEAT CUSHION 12" X 17" X 2"	1-2	700452	SEAT CUSHION 15" X 17" X 2"
1-2	700182	SEAT CUSHION 12" X 18" X 2"	1-2	700462	SEAT CUSHION 15" X 18" X 2"
1-2	700192	SEAT CUSHION 12" X 19" X 2"	1-2	700472	SEAT CUSHION 15" X 19" X 2"
1-2		13" WIDE	1-2		16" WIDE
1-2	700202	SEAT CUSHION 13X10X2	1-2	700502	SEAT CUSHION 16" X 12" X 2"
1-2	700212	SEAT CUSHION 13X11X2	1-2	700512	SEAT CUSHION 16" X 13" X 2"
1-2	700222	SEAT CUSHION 13" X 12" X 2"	1-2	700522	SEAT CUSHION 16" X 14" X 2"

Pos.	Item Number	Description	Pos.	Item Number	Description
1-2	700532	SEAT CUSHION 16" X 15" X 2"	1-2	700562	SEAT CUSHION 16" X 18" X 2"
1-2	700542	SEAT CUSHION 16" X 16" X 2"	1-2	700572	SEAT CUSHION 16" X 19" X 2"
1-2	700552	SEAT CUSHION 16" X 17" X 2"			

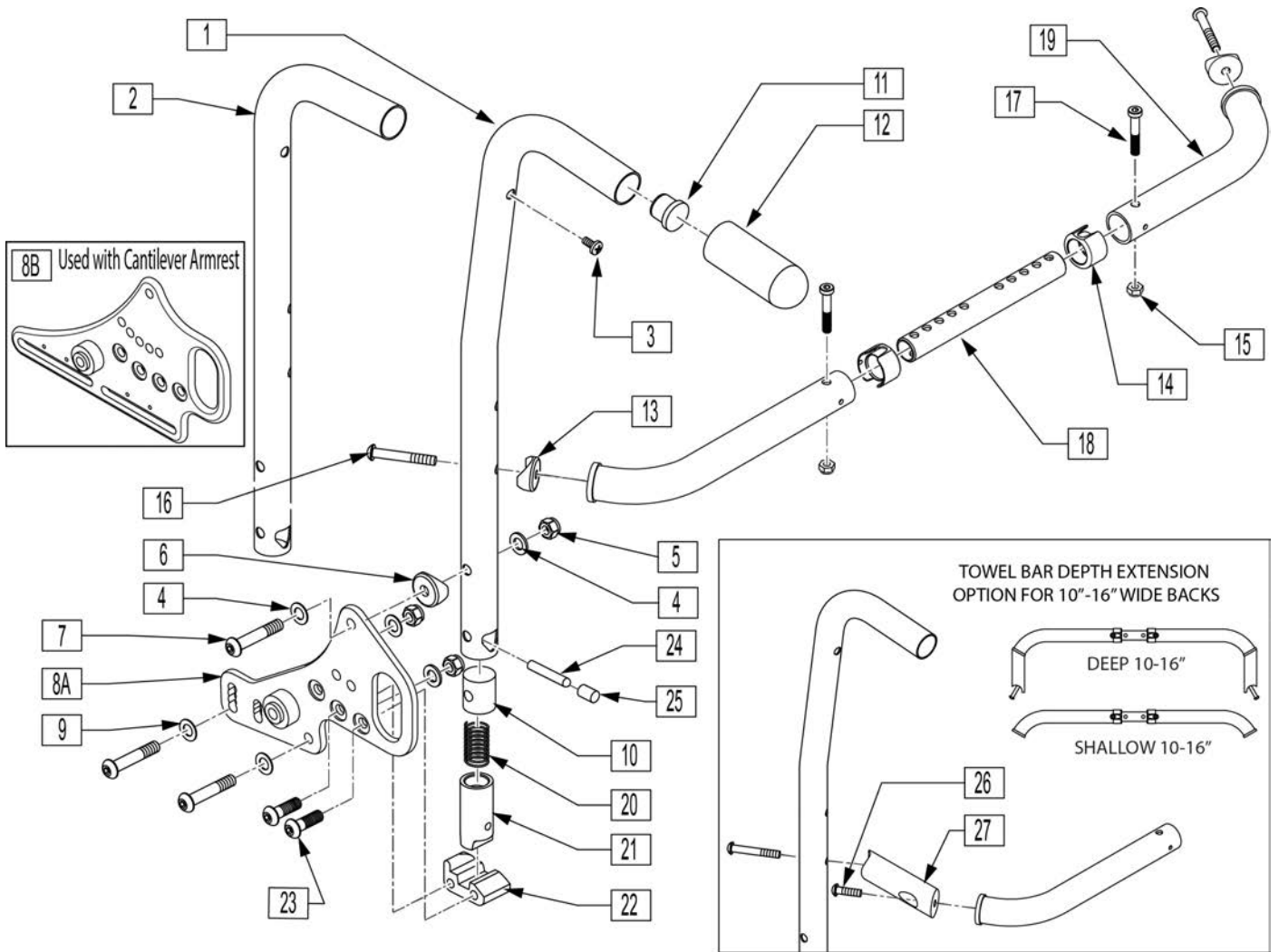
Note: If adding retro Manual Recline, requires either a Dual Post or a Height Adjustable Armrest. Cantilever Armrest is not available with Manual Recline.



Pos.	Item Number	Description	Remarks
1A-3	118646	TOWEL BAR ASSY 10-13S	
1B-3	118645	TOWEL BAR ASSY 12-16S	
2	561004	1" SADDLE 1/4" HOLE	
3	230118	BHCS M6 X 1 X 45 BLK	
4	541268	TUBE BACKREST 12"	12" Back Widths
4	541269	TUBE BACKREST 13"	13" Back Widths
4	541270	TUBE BACKREST 14"	14" Back Widths

Pos.	Item Number	Description	Remarks
4	541271	TUBE BACKREST 15"	15" Back Widths
4	541272	TUBE BACKREST 16"	16" Back Widths
4	126647	BACKREST TUBE WLDM 10	10" Back Widths
4	126646	BACKREST TUBE WLDM 11	11" Back Widths
5	263100	5/16" AN WASHER FLAT	
6	230121	BHCS M8 X 1.25 X 20MM PATCH	
7	013145	BHCS M6 X 1 X 10 BLK	
8	250104	WASHER FLAT M6	
9	561192	PANEL RECLINE MECH MANUAL	Right
9	561193	PANEL RECLINE MECH MANUAL	Left
10	128144	WELDMENT MAN REC TRANSIT RH	Right
10	128146	WELDMENT MAN REC TRANSIT LH	Left
11	010699	SHAFT KEIPER CONNCECT FEMALE	
12	000384.32100	MANUAL KNOB	
13	013154	SCREW SET M5 X .8 X 3	
14	541149	CONNECTING ROD STOP NUT	
15	210085	NUT HEX NYLOCK M8 BLACK	
16	561006	1" SADDLE 5/16" HOLE	
17	230123	BHCS M8 X 1.25 X 45	
18	920027	QUICKIE GRIP 1" W/INSTR SHEET	
19	561062	1" INSERT PLUG .065 RIBS	
20	230497	M5-.8 X 20 MM BH C/S	
21	525438-001	CON ROD MNL TILT & REC 12"	Used on 12"-16" Back Widths
23	501554	BACKPOST RECEIVER	
23	501555	BACKPOST RECEIVER	
24	011685	HANDLE ADJ MODERN M6 X 20 STUD	
25	119127	SHCS LOW HD, M6X1X45	Required to attach towel bar depth extension the Shallow Towel Bar to convert to the Deep Towel Bar
26	118769	TOWEL BAR DEPTH EXTENSION	Required on the Deep Towel Bar assembly; mounts to both sides of the Shallow Towel Bar.
27	101542	KEIPER MNL RCLN BACK HDWR KIT	
18, 19,22,24	104854	BACK POST 60D ASSM	Right
18, 19,22,24	104855	BACK POST 60D ASSM	Left
1A-25	129045	MANUAL RECLINE BK ASSM TRANSIT 10	
1A-25	129046	MANUAL RECLINE BK ASSM TRANSIT 11	

Pos.	Item Number	Description	Remarks
1B-25	129047	MANUAL RECLINE BK ASSM TRANSIT 12	
1B-25	129048	MANUAL RECLINE BK ASSM TRANSIT 13	
1B-25	129049	MANUAL RECLINE BK ASSM TRANSIT 14	
1B-25	129050	MANUAL RECLINE BK ASSM TRANSIT 15	
1B-25	129051	MANUAL RECLINE BK ASSM TRANSIT 16	



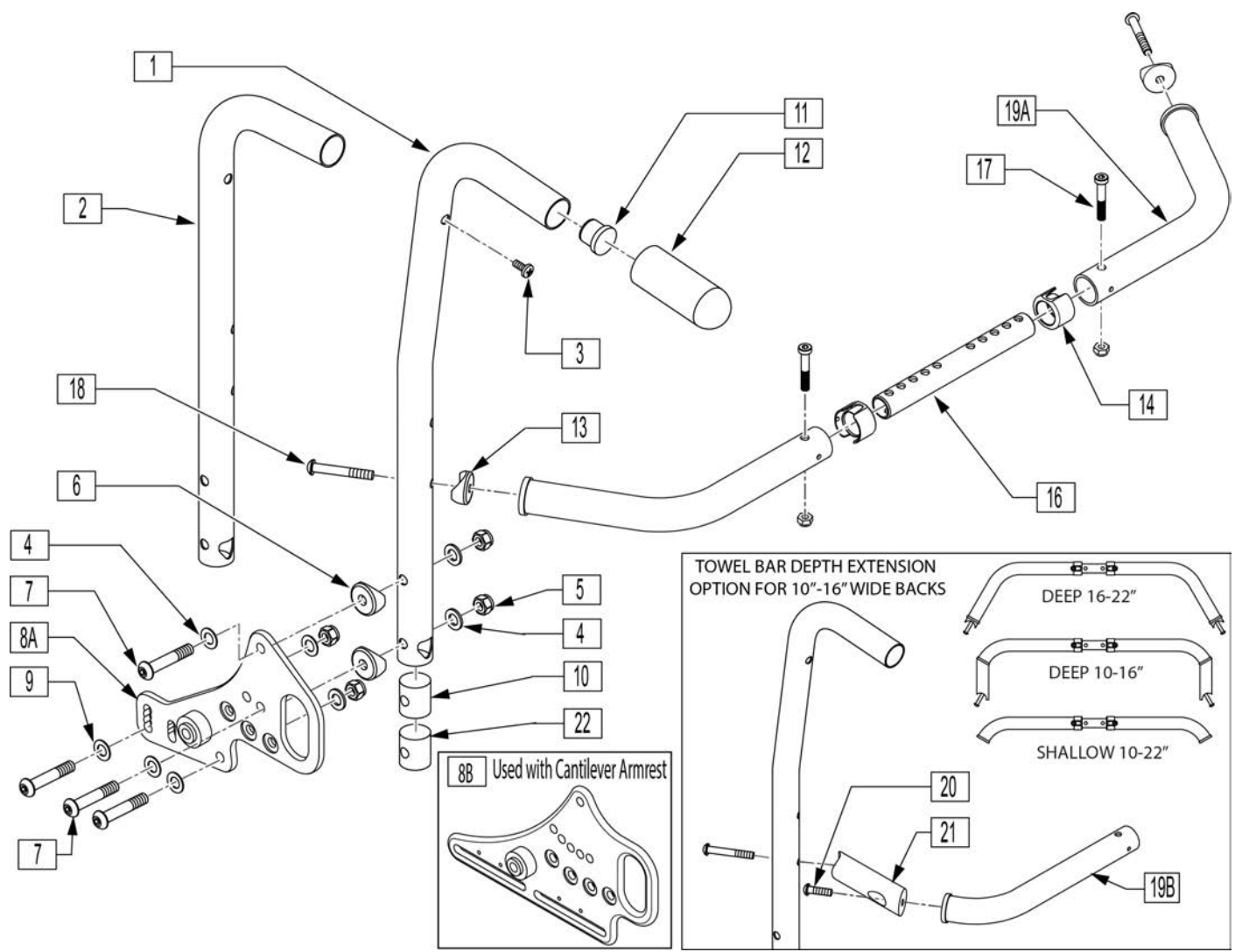
Pos.	Item Number	Description	Remarks
3	100223-002	BHCS M5X.8X16MM	
4	263110-QU	5/16 AN WASHER FLAT THIN	
5	210085	NUT HEX NYLOCK M8 BLACK	
6	561006	1" SADDLE 5/16" HOLE	
7	230123	BHCS M8 X 1.25 X 45	
8A	128140	BACKREST PLATE ZM310 RH	Right; not for use w/Cantilever Arms
8A	128142	BACKREST PLATE ZM310 LH	Left; not for use w/Cantilever Arms
8B	241233	ADJ BACKREST PLATE ZM310 RH	Right; use w/Cantilever Arms only
8B	241235	ADJ BACKREST PLATE ZM310 LH	Left; use w/Cantilever Arms only

Pos.	Item Number	Description	Remarks
9	263100	5/16 AN WASHER FLAT	
10	483801	BACKREST LATCH PLUG P2	
11	561019	1" INSERT PLUG .049	
12	920027	QUICKIE GRIP 1" W/INSTR SHEET	
13	561004	1" SADDLE 1/4" HOLE	
14	118672	1" TUBE END BUSHING SHORT	
15	200113	NUT HEX NYLOCK M6 X 1 NUT	
16	102262-007	BHCS M6 X 1 X 45	
17	119125	SHCS LOW HD M6X1X35 PART NP	
20	321110	S/A LATCH SPRING	
21	483800	BACKREST LATCH SLIDER P2	
22	118925	BCKRST LATCH BLOCK R	Right
22	118926	BCKRST LATCH BLOCK L	Left
23	230006	BHCS M8 X 1.25 X 25 BLK	
24	481084	BACK REL PIN Z2/QT/EX	
25	126238	PUSH ON ROUND CAP	
26	119127	SHCS LOW HD, M6X1X45	Required to attach towel bar depth extension the Shallow Towel Bar to convert to the Deep Towel Bar
27	118769	TOWEL BAR DEPTH EXTENSION	Required on the Deep Towel Bar assembly; mounts to both sides of the Shallow Towel Bar.
1,11,12	842221	BACK TUBE PH 8D LOW R S525	8 Deg - Low - Right
1,11,12	842222	BACK TUBE PH 8D LOW L S525	8 Deg - Low - Left
1,11,12	842223	BACK TUBE PH 8D MED R S525	8 Deg - Med - Right
1,11,12	842224	BACK TUBE PH 8D MED L S525	8 Deg - Med - Left
1,11,12	842225	BACK TUBE PH 8D TALL R S525	8 Deg - Tall - Right

Pos.	Item Number	Description	Remarks
1,11,12	842226	BACK TUBE PH 8D TALL L S525	8 Deg - Tall - Left
2,11,12	842227	BACK TUBE PH LOW R S525	Straight - Low - Right
2,11,12	842228	BACK TUBE PH LOW L S525	Straight - Low - Left
2,11,12	842229	BACK TUBE PH MED R S525	Straight - Med - Right
2,11,12	842230	BACK TUBE PH MED L S525	Straight - Med - Left
2,11,12	842231	BACK TUBE PH TALL R S525	Straight - Tall - Right
2,11,12	842232	BACK TUBE PH TALL L S525	Straight - Tall - Left
13-19	118645	TOWEL BAR ASSY 12-16S	SHALLOW
13-19	118646	TOWEL BAR ASSY 10-13S	SHALLOW
4-7,8A,9	163581	PUSH HANDLE TRANSIT BRKT KIT	Left and right w/hardware; not for use w/Cantilever Arms
4-7,8B,9	163582	PUSH HNDL TRANS BRKT W/CNT KIT	Left and right w/hardware; use w/Cantilever Arms only
2-7,8A,9-12,20-25	160656	FOLDING STRT LOW BACK WC-19 LH	Left; not for use w/Cantilever Arms
2-7,8A,9-12,20-25	160657	FOLDING STRT LOW BACK WC-19 RH	Right; not for use w/Cantilever Arms
2-7,8A,9-12,20-25	160658	FOLDING STRT MED BACK WC-19 LH	Left; not for use w/Cantilever Arms
2-7,8A,9-12,20-25	160659	FOLDING STRT MED BACK WC-19 RH	Right; not for use w/Cantilever Arms
2-7,8A,9-12,20-25	160660	FOLDING STRT TALL BACK WC-19 LH	Left; not for use w/Cantilever Arms
2-7,8A,9-12,20-25	160661	FOLDING STRT TALL BACK WC-19 RH	Right; not for use w/Cantilever Arms

Pos.	Item Number	Description	Remarks
1,3-7,8A,9-12,20-25	160662	FOLDING 8D LOW BACK WC-19 LH	Left; not for use w/Cantilever Arms
1,3-7,8A,9-12,20-25	160663	FOLDING 8D LOW BACK WC-19 RH	Right; not for use w/Cantilever Arms
1,3-7,8A,9-12,20-25	160664	FOLDING 8D MED BACK WC-19 LH	Left; not for use w/Cantilever Arms
1,3-7,8A,9-12,20-25	160665	FOLDING 8D MED BACK WC-19 RH	Right; not for use w/Cantilever Arms
1,3-7,8A,9-12,20-25	160666	FOLDING 8D TALL BACK WC-19 LH	Left; not for use w/Cantilever Arms
1,3-7,8A,9-12,20-25	160667	FOLDING 8D TALL BACK WC-19 RH	Right; not for use w/Cantilever Arms
2-7,8B,9-12,20-25	160688	CANT FOLDING STRT LOW BACK WC-19 LH	Left; use w/Cantilever Arms only
2-7,8B,9-12,20-25	160689	CANT FOLDING STRT LOW BACK WC-19 RH	Right; use w/Cantilever Arms only
2-7,8B,9-12,20-25	160690	CANT FLD STRT MED WC-19 LH	Left; use w/Cantilever Arms only
2-7,8B,9-12,20-25	160691	CANT FLD STRT MED WC-19 RH	Right; use w/Cantilever Arms only
2-7,8B,9-12,20-25	160692	CANT FLD STRT TALL WC-19 LH	Left; use w/Cantilever Arms only
2-7,8B,9-12,20-25	160693	CANT FLD STRT TALL WC-19 RH	Right; use w/Cantilever Arms only
1,3-7,8B,9-12,20-25	160694	CANT FLD 8D LOW BACK WC-19 LH	Left; use w/Cantilever Arms only
1,3-7,8B,9-12,20-25	160695	CANT FLD 8D LOW BACK WC-19 RH	Right; use w/Cantilever Arms only
1,3-7,8B,9-12,20-25	160696	CANT FLD 8D MED BACK WC-19 LH	Left; use w/Cantilever Arms only
1,3-7,8B,9-12,20-25	160697	CANT FLD 8D MED BACK WC-19 RH	Right; use w/Cantilever Arms only

Pos.	Item Number	Description	Remarks
1,3-7,8B,9-12,20-25	160698	CANT FLD 8D TALL WC-19 LH	Left; use w/Cantilever Arms only
1,3-7,8B,9-12,20-25	160699	CANT FLD 8D TALL WC-19 RH	Right; use w/Cantilever Arms only



Pos.	Item Number	Description	Remarks
3	100223-002	BHCS M5X.8X16MM	
4	263110-QU	5/16 AN WASHER FLAT THIN	
5	210085	NUT HEX NYLOCK M8 BLACK	
6	561006	1" SADDLE 5/16" HOLE	
7	230123	BHCS M8 X 1.25 X 45	
8A	128140	BACKREST PLATE ZM310 RH	Right; not for use w/Cantilever Arms
8A	128142	BACKREST PLATE ZM310 LH	Left; not for use w/Cantilever Arms
8B	241233	ADJ BACKREST PLATE ZM310 RH	Right; use w/Cantilever Arms only

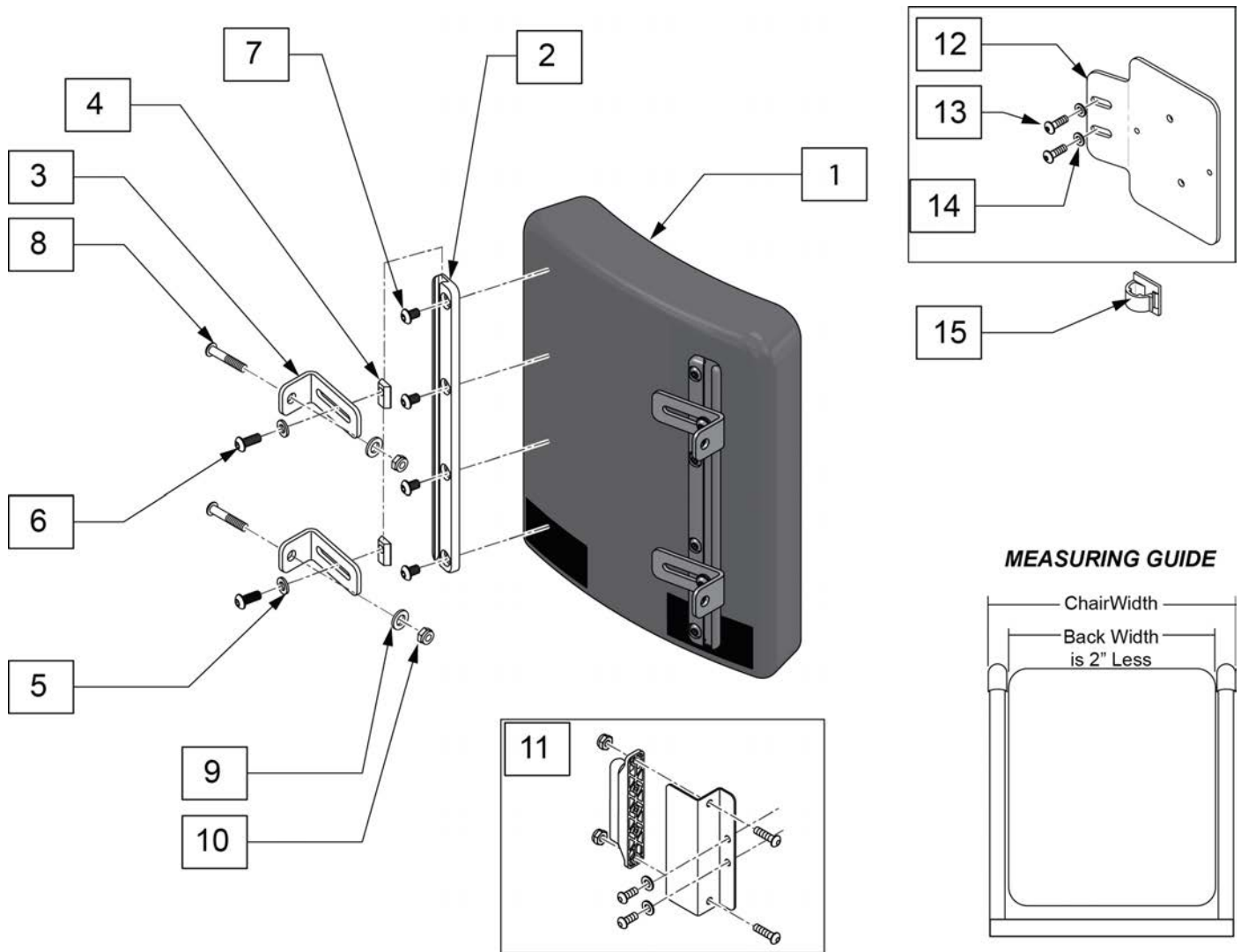
Pos.	Item Number	Description	Remarks
8B	241235	ADJ BACKREST PLATE ZM310 LH	Left; use w/Cantilever Arms only
9	263100	5/16 AN WASHER FLAT	
10	483801	BCKREST LATCH PLUG P2 (Both Used)	
11	561019	1" INSERT PLUG .049	
12	920027	QUICKIE GRIP 1" W/INSTR SHEET	
13	561004	1" SADDLE 1/4" HOLE	
14	118672	1" TUBE END BUSHING SHORT	
15	200113	NUT HEX NYLOCK M6 X 1 NUT	
17	119125	SHCS LOW HD M6X1X35 PART NP	
18	102262-007	BHCS M6 X 1 X 45	
20	119127	SHCS LOW HD, M6X1X45	Required to attach towel bar depth extension the Shallow Towel Bar to convert to the Deep Towel Bar
21	118769	TOWEL BAR DEPTH EXTENSION	Required on the Deep Towel Bar assembly; mounts to both sides of the Shallow Towel Bar.
22	550080	PUSH HNDLE INSERT S525 (Both Used)	
4-7,8A,9	163581	PUSH HANDLE TRANSIT BRKT KIT	Left and right w/hardware; not for use w/Cantilever Arms
4-7,8B,9	163582	PUSH HNDL TRANS BRKT W/CNT KIT	Left and right w/hardware; use w/Cantilever Arms only
13-19	118645	TOWEL BAR ASSY 12-16S	Shallow
13-19	118646	TOWEL BAR ASSY 10-13S	Shallow
1,3-12,22	120184	PH 8D LOW R ASSM NF 86-114	
1,3-12,22	120185	PH 8D LOW L ASSM NF 86-114	
1,3-12,22	120186	PH 8D MED R ASSM NF 86-114	
1,3-12,22	120187	PH 8D MED L ASSM NF 86-114	
1,3-12,22	120188	PH 8D TALL R ASSM NF 86-114	
1,3-12,22	120189	PH 8D TALL L ASSM NF 86-114	
2-12,22	120190	PH LOW R ASSM NF 86-114	
2-12,22	120191	PH LOW L ASSM NF 86-114	
2-12,22	120192	PH MED R ASSM NF 86-114	
2-12,22	120193	PH MED L ASSM NF 86-114	
2-12,22	120194	PH TALL R ASSM NF 86-114	
2-12,22	120195	PH TALL L ASSM NF 86-114	
1,11,12	842221	BACK TUBE PH 8D LOW R S525	Right
1,11,12	842222	BACK TUBE PH 8D LOW L S525	Left
1,11,12	842223	BACK TUBE PH 8D MED R S525	Right

Pos.	Item Number	Description	Remarks
1,11,12	842224	BACK TUBE PH 8D MED L S525	Left
1,11,12	842225	BACK TUBE PH 8D TALL R S525	Right
1,11,12	842226	BACK TUBE PH 8D TALL L S525	Left
1,11,12	842227	BACK TUBE PH LOW R S525	Right
1,11,12	842228	BACK TUBE PH LOW L S525	Left
1,11,12	842229	BACK TUBE PH MED R S525	Right
1,11,12	842230	BACK TUBE PH MED L S525	Left
1,11,12	842231	BACK TUBE PH TALL R S525	Right
1,11,12	842232	BACK TUBE PH TALL L S525	Left
1,3-7,8A,9-12,22	160640	NO-FLD STRT LOW BACK WC-19 LH	Left; not for use w/Cantilever Arms
1,3-7,8A,9-12,22	160641	NO-FLD STRT LOW BACK WC-19 RH	Right; not for use w/Cantilever Arms
1,3-7,8A,9-12,22	160642	NO-FLD STRT MED BACK WC-19 LH	Left; not for use w/Cantilever Arms
1,3-7,8A,9-12,22	160643	NO-FLD STRT MED BACK WC-19 RH	Right; not for use w/Cantilever Arms
1,3-7,8A,9-12,22	160644	NO-FLD STRT TALL BACK WC-19 LH	Left; not for use w/Cantilever Arms
1,3-7,8A,9-12,22	160645	NO-FLD STRT TALL BACK WC-19 RH	Right; not for use w/Cantilever Arms
2-7,8A,9-12,22	160646	NO-FLD 8D LOW BACK WC-19 LH	Left; not for use w/Cantilever Arms
2-7,8A,9-12,22	160647	NO-FLD 8D LOW BACK WC-19 RH	Right; not for use w/Cantilever Arms
2-7,8A,9-12,22	160648	NO-FLD 8D MED BACK WC-19 LH	Left; not for use w/Cantilever Arms
2-7,8A,9-12,22	160649	NO-FLD 8D MED BACK WC-19 RH	Right; not for use w/Cantilever Arms
2-7,8A,9-12,22	160650	NO-FLD 8D TALL BACK WC-19 LH	Left; not for use w/Cantilever Arms

Pos.	Item Number	Description	Remarks
2-7,8A,9-12,22	160651	NO-FLD 8D TALL BACK WC-19 RH	Right; not for use w/Cantilever Arms
1,3-7,8B,9-12,22	160672	CANT NO-FLD STRT LOW WC-19 LH	Left; use w/Cantilever Arms only
1,3-7,8B,9-12,22	160673	CANT NO-FLD STRT LOW WC-19 RH	Right; use w/Cantilever Arms only
1,3-7,8B,9-12,22	160674	CANT NO-FLD STRT MED WC-19 LH	Left; use w/Cantilever Arms only
1,3-7,8B,9-12,22	160675	CANT NO-FLD STRT MED WC-19 RH	Right; use w/Cantilever Arms only
1,3-7,8B,9-12,22	160676	CANT NO-FLD STRT TALL WC-19 LH	Left; use w/Cantilever Arms only
1,3-7,8B,9-12,22	160677	CANT NO-FLD STRT TALL WC-19 RH	Right; use w/Cantilever Arms only
2-7,8B,9-12,22	160678	CANT NO-FLD 8D LOW WC-19 LH	Left; use w/Cantilever Arms only
2-7,8B,9-12,22	160679	CANT NO-FLD 8D LOW WC-19 RH	Right; use w/Cantilever Arms only
2-7,8B,9-12,22	160680	CANT NO-FLD 8D MED WC-19 LH	Left; use w/Cantilever Arms only
2-7,8B,9-12,22	160681	CANT NO-FLD 8D MED WC-19 RH	Right; use w/Cantilever Arms only
2-7,8B,9-12,22	160682	CANT NO-FLD 8D TALL WC-19 LH	Left; use w/Cantilever Arms only
2-7,8B,9-12,22	160683	CANT NO-FLD 8D TALL WC-19 RH	Right; use w/Cantilever Arms only

NOTE: ACTUAL BACK WIDTH MEASUREMENT IS 2" LESS THAN STATED WIDTH.

Note: Back Assemblies do not include mounting bolts. Reference items 8,9 &10on parts page.

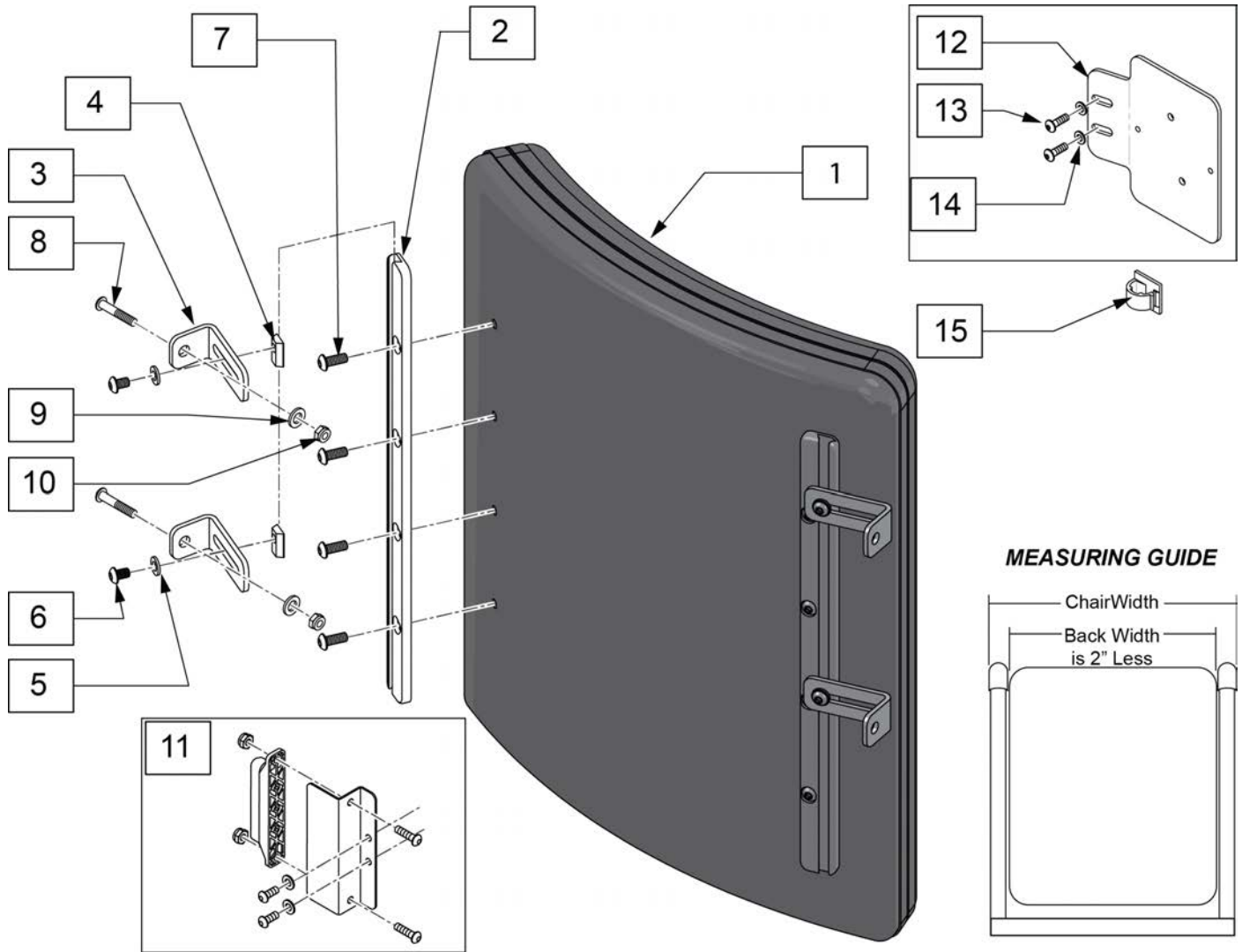


Pos.	Item Number	Description	Pos.	Item Number	Description
1-7	126941	BACK CURVD SGL SLOT RAIL 10X10	1-7	126912	BACK CURVD SGL SLOT RAIL 13X16
1-7	126905	BACK CURVD SGL SLOT RAIL 10X12	1-7	126913	BACK CURVD SGL SLOT RAIL 13X18
1-7	126942	BACK CURVD SGL SLOT RAIL 10X14	1-7	126914	BACK CURVD SGL SLOT RAIL 13X20
1-7	126943	BACK CURVD SGL SLOT RAIL 11X10	1-7	126915	BACK CURVD SGL SLOT RAIL 14X12
1-7	126906	BACK CURVD SGL SLOT RAIL 11X12	1-7	126916	BACK CURVD SGL SLOT RAIL 14X14
1-7	126944	BACK CURVD SGL SLOT RAIL 11X14	1-7	126917	BACK CURVD SGL SLOT RAIL 14X16
1-7	126907	BACK CURVD SGL SLOT RAIL 12X12	1-7	126919	BACK CURVD SGL SLOT RAIL 14X18
1-7	126908	BACK CURVD SGL SLOT RAIL 12X14	1-7	126920	BACK CURVD SGL SLOT RAIL 14X20
1-7	126909	BACK CURVD SGL SLOT RAIL 12X16	1-7	126921	BACK CURVD SGL SLOT RAIL 15X12
1-7	126910	BACK CURVD SGL SLOT RAIL 13X12	1-7	126922	BACK CURVD SGL SLOT RAIL 15X14
1-7	126911	BACK CURVD SGL SLOT RAIL 13X14	1-7	126923	BACK CURVD SGL SLOT RAIL 15X16

Pos.	Item Number	Description	Pos.	Item Number	Description
1-7	126924	BACK CURVD SGL SLOT RAIL 15X18	4	HARD339	1/4-20 OFFSET THREADED INSERT
1-7	126925	BACK CURVD SGL SLOT RAIL 15X20	5	106943	WASHER FLAT AN 1/4
1-7	126926	BACK CURVD SGL SLOT RAIL 16X12	6	PRT9245	1/4-20 X 5/8 BUTTON HEAD CAP
1-7	126927	BACK CURVD SGL SLOT RAIL 16X14	7	PRT9235	1/4-20 X 3/8 BHCS
1-7	126928	BACK CURVD SGL SLOT RAIL 16X16	8	230122	BHCSM8X1.25X40FULLNP
1-7	126929	BACK CURVD SGL SLOT RAIL 16X18	9	011691	WASHER HIGH STRENGTH
1-7	126930	BACK CURVD SGL SLOT RAIL 16X20	10	210085	NUT HEX NYLOCK M8 BLACK
2	HDW7108	SINGLE SLOT ADJ 8 TS	11	110843	DIST BLOCK BACK KIT
2	HDW7110	SINGLE SLOT ADJ 10", TS	12-15	120196	BRACKET ART BACK 3 AXIS CNTR w/HDWR
2	HDW7112	SINGLE SLOT ADJ 12", TS	13	108107	BHCS 1/4-20 X 3/4 ROHS
2	HDW7114	SINGLE SLOT ADJ 14", TS	14	106943	WASHER FLAT AN 1/4 ROHS
2	HDW7116	SINGLE SLOT ADJ 16", TS	15	341220	BATTERY CABLE CLIP
3	126838	BRACKET BACKREST SINGLE SLOT			

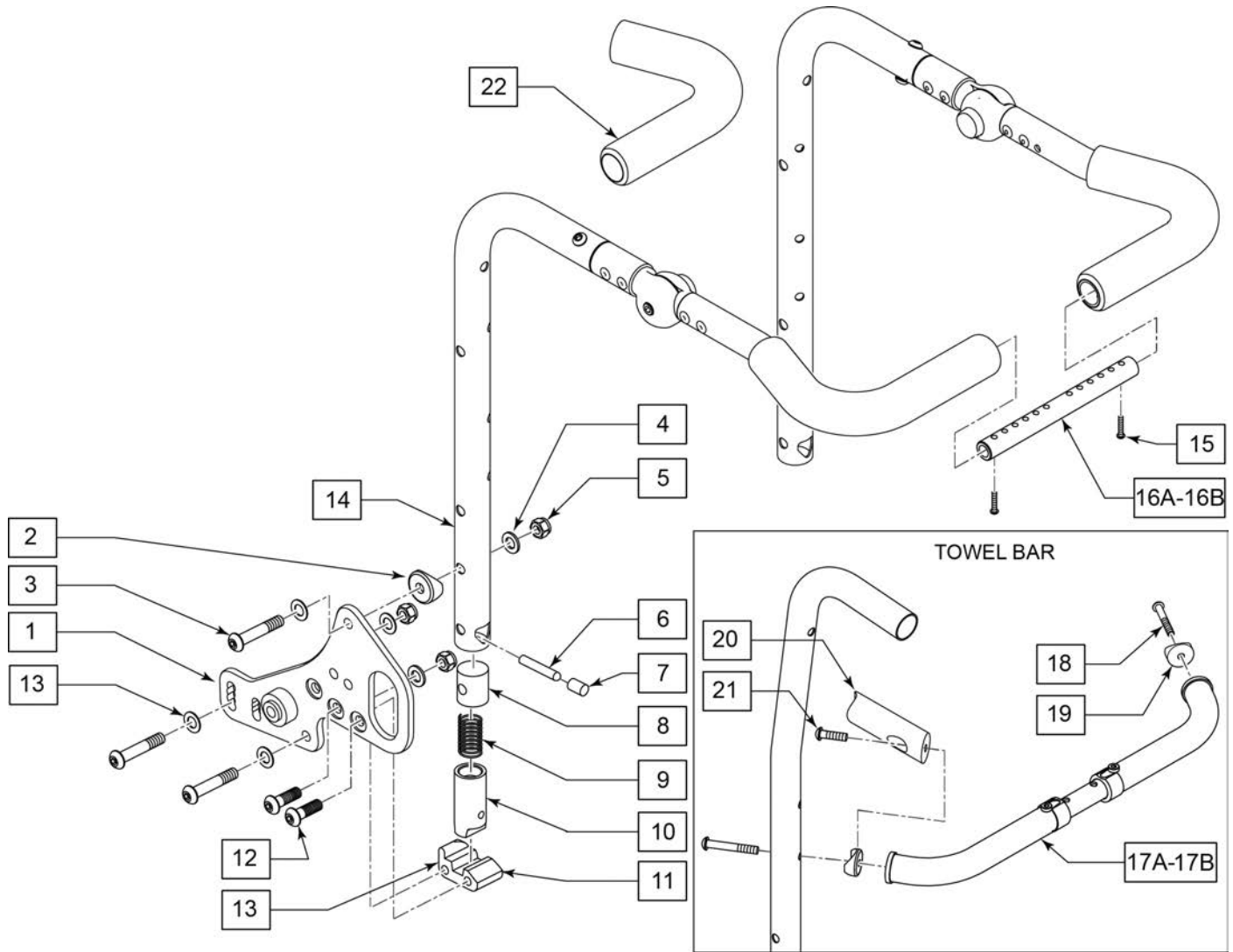
Note: Replacment Backs are listed based on actual chair width. Please note that backs are actually 2" narrower than the chair. For example, 16 x 16 back is 14 wide and used on 16" wide chair.

Note: Back Assemblies do not include mounting bolts. Reference items 8,9 &10on parts page.



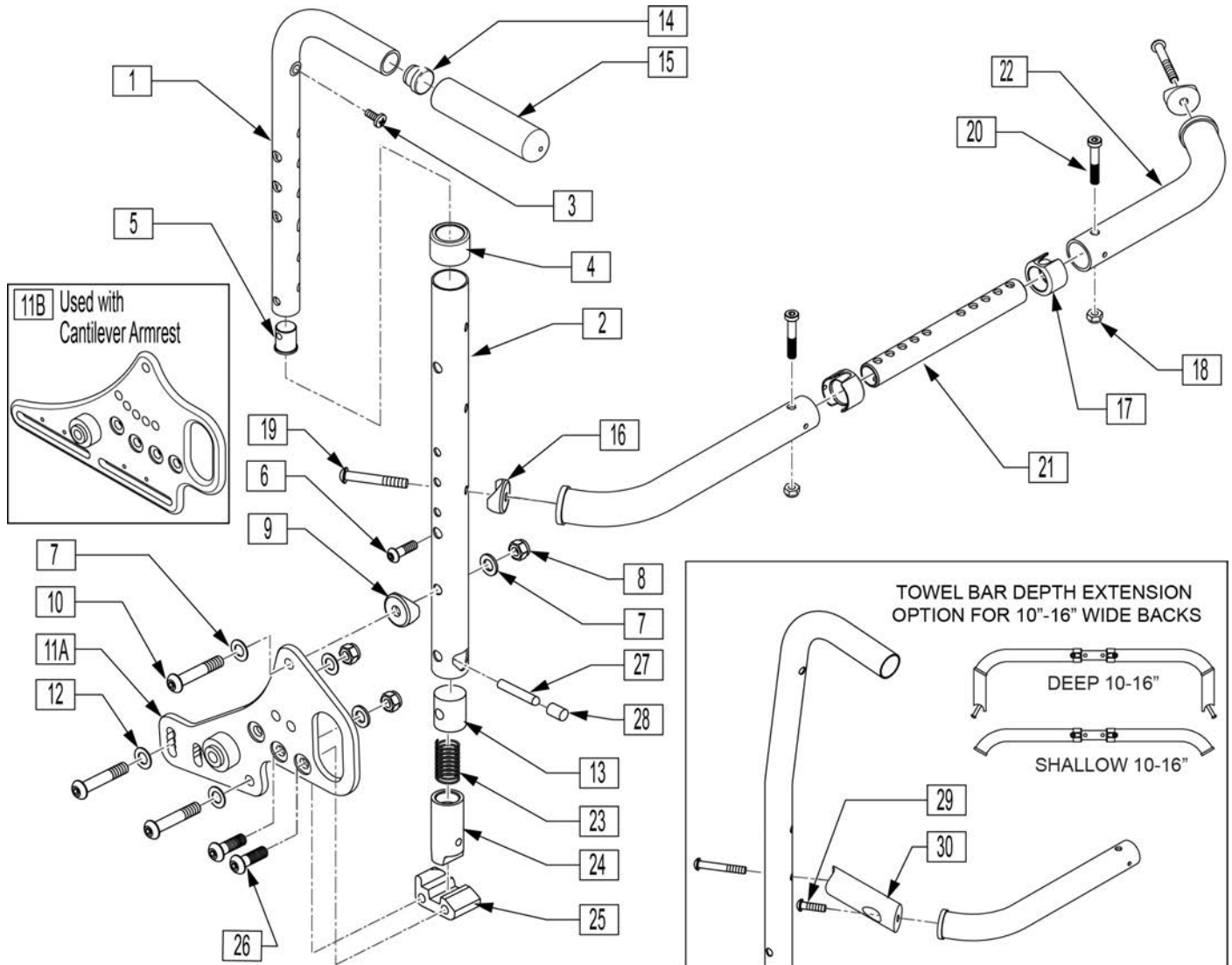
Pos.	Item Number	Description	Pos.	Item Number	Description
1-7	128527	JAY SPO POSTERIOR PED 10X10	1-7	128537	JAY SPO POSTERIOR PED 13X14
1-7	128528	JAY SPO POSTERIOR PED 10X12	1-7	128538	JAY SPO POSTERIOR PED 13X16
1-7	128529	JAY SPO POSTERIOR PED 10X14	1-7	128539	JAY SPO POSTERIOR PED 13X18
1-7	128530	JAY SPO POSTERIOR PED 11X10	1-7	128540	JAY SPO POSTERIOR PED 13X20
1-7	128531	JAY SPO POSTERIOR PED 11X12	1-7	128541	JAY SPO POSTERIOR PED 14X12
1-7	128532	JAY SPO POSTERIOR PED 11X14	1-7	128542	JAY SPO POSTERIOR PED 14X14
1-7	128533	JAY SPO POSTERIOR PED 12X12	1-7	128543	JAY SPO POSTERIOR PED 14X16
1-7	128534	JAY SPO POSTERIOR PED 12X14	1-7	128544	JAY SPO POSTERIOR PED 14X18
1-7	128535	JAY SPO POSTERIOR PED 12X16	1-7	128545	JAY SPO POSTERIOR PED 14X20
1-7	128536	JAY SPO POSTERIOR PED 13X12	1-7	128546	JAY SPO POSTERIOR PED 15X12

Pos.	Item Number	Description	Pos.	Item Number	Description
1-7	128547	JAY SPO POSTERIOR PED 15X14	3	126838	Part
1-7	128548	JAY SPO POSTERIOR PED 15X16	4	HARD339	1/4-20 OFFSET THREADED INSERT
1-7	128549	JAY SPO POSTERIOR PED 15X18	5	106943	WASHER FLAT AN 1/4
1-7	128550	JAY SPO POSTERIOR PED 15X20	6	PRT9245	1/4-20 X 5/8 BUTTON HEAD CAP
1-7	128551	JAY SPO POSTERIOR PED 16X12	7	PRT9235	1/4-20 X 3/8 BHCS
1-7	128552	JAY SPO POSTERIOR PED 16X14	8	230122	BHCSM8X1.25X40FULLNP
1-7	128553	JAY SPO POSTERIOR PED 16X16	9	011691	WASHER HIGH STRENGTH
1-7	128554	JAY SPO POSTERIOR PED 16X18	10	210085	NUT HEX NYLOCK M8 BLACK
1-7	128555	JAY SPO POSTERIOR PED 16X20	11	110843	DIST BLOCK BACK KIT
2	HDW7108	SINGLE SLOT ADJ 8 TS	12-15	120196	BRACKET ART BACK 3 AXIS CNTR w/HDWR
2	HDW7110	SINGLE SLOT ADJ 10", TS	13	108107	BHCS 1/4-20 X 3/4 ROHS
2	HDW7112	SINGLE SLOT ADJ 12", TS	14	106943	WASHER FLAT AN 1/4 ROHS
2	HDW7114	SINGLE SLOT ADJ 14", TS	15	341220	BATTERY CABLE CLIP
2	HDW7116	SINGLE SLOT ADJ 16", TS			



Pos.	Item Number	Description	Remarks	Pos.	Item Number	Description	Remarks
1-5	159992	PUSH HANDLE TRANSIT BRKT KIT	Left and right w/hardware	14	126565	ASSY PH MED RH	Right
2	561006	1" SADDLE 5/16" HOLE		14	126566	ASSY PH MED LH	Left
3	230123	BHCS M8 X 1.25 X 45		14	126567	ASSY PH TALL RH	Right
4	263110-QU	5/16 AN WASHER FLAT THIN		14	126568	ASSY PH TALL LH	Left
5	210085	NUT HEX NYLOCK M8 BLACK		15	281120	10/32 X 5/8 PAN HD PHIL	
6	481084	BACK REL PIN Z2/QT/EX		16A	129918	SHAFT GROWTH PED SHT	
7	126238	PUSH ON ROUND CAP		16B	129919	SHAFT GROWTH PED MED	
8	483801	BACKREST LATCH PLUG P2		18	102262-007	BHCS M6 X 1 X 45	
9	321110	S/A LATCH SPRING		19	561004	1" SADDLE 1/4" HOLE	
10	483800	BACKREST LATCH SLIDER P2					
11	118925	BCKRST LATCH BLOCK R	Right	20	118769	TOWEL BAR DEPTH EXTENSION	Required on the Deep Towel Bar assembly; mounts to both sides of the Shallow Towel Bar.
11	118926	BCKRST LATCH BLOCK L	Left				
12	230006	BHCS M8 X 1.25 X 25 BLK					
13	263100	5/16 AN WASHER FLAT					
14	126563	ASSY PH LOW RH	Right				
14	126564	ASSY PH LOW LH	Left				

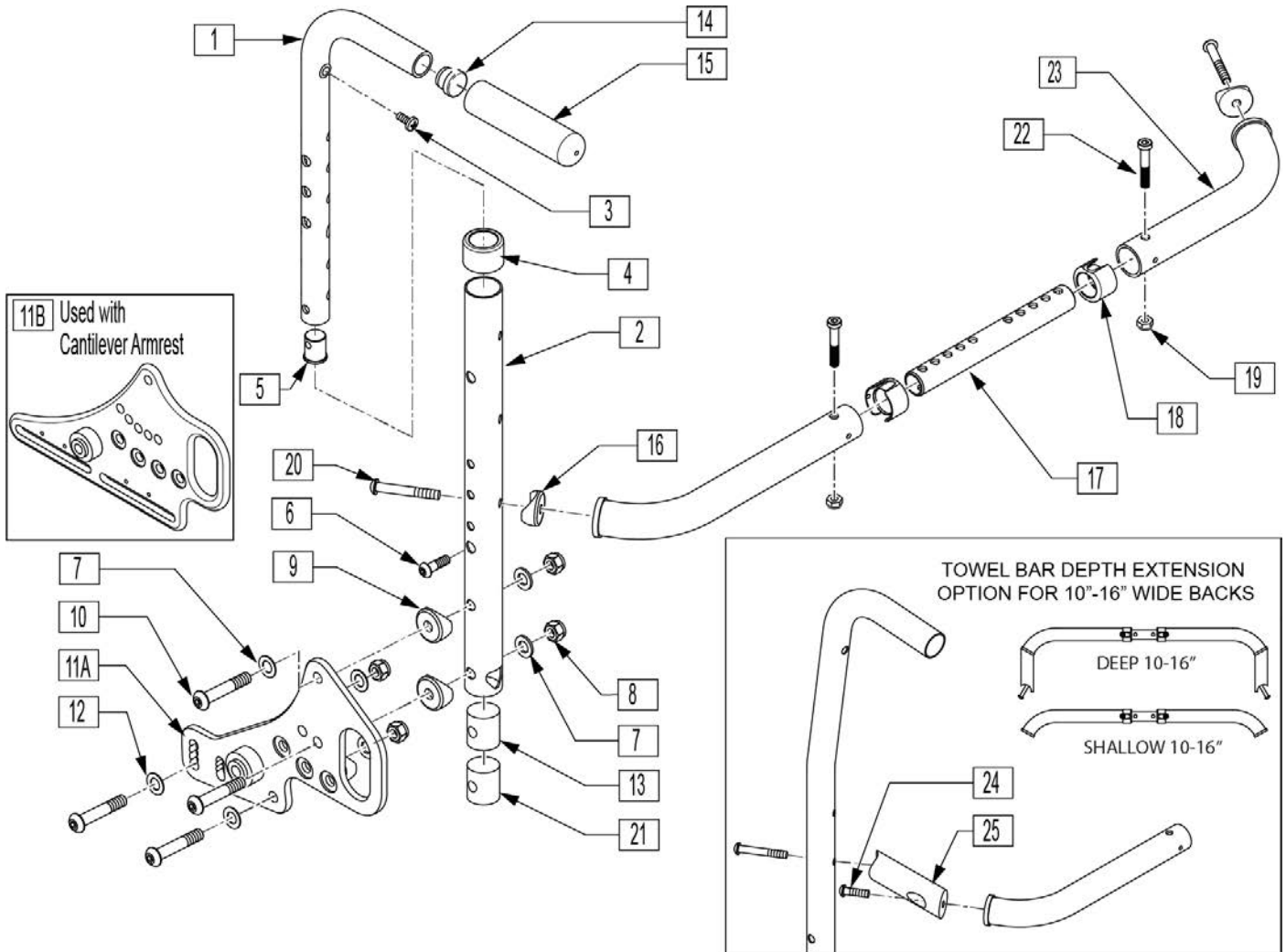
Pos.	Item Number	Description	Remarks	Pos.	Item Number	Description	Remarks
21	119127	SHCS LOW HD, M6X1X45	Required to attach towel bar depth extension the Shallow Towel Bar to convert to the Deep Towel Bar	1-16	163239	STROLLER HNDL BACK KIT TALL	
				17A-18	118645	TOWEL BAR ASSY 12-16S	
				17B-18	118646	TOWEL BAR ASSY 10-13S	
22	560638	FOAM GRIP .840 ID SHORT					
1-16	163237	STROLLER HNDL BACK KIT LOW					
1-16	163238	STROLLER HNDL BACK KIT MED					



Pos.	Item Number	Description	Remarks
1,14,15	120417	PUSH HNDL ADJ LOW ASM LH	
1,14,15	120418	PUSH HNDL ADJ LOW ASM RH	
1,14,15	120419	PUSH HNDL ADJ TALL ASM LH	
1,14,15	120420	PUSH HNDL ADJ TALL ASM RH	
2	120409	PUSH HNDL RCVR LOW LH	
2	120410	PUSH HNDL RCVR LOW RH	
2	120411	PUSH HNDL RCVR TALL LH	
2	120412	PUSH HNDL RCVR TALL RH	
3	100223-002	BHCS M5X.8X16MM	
4	561082	1" TUBE END BUSHING THIN	
5	050019	PLUG BACKREST M6	
6	102262-004	BHCS M6 X 1 X 25 W/PL INORG	
7	263110-QU	5/16 AN WASHER FLAT THIN	
8	210085	NUT HEX NYLOCK M8 BLACK	
9	561006	1" SADDLE 5/16" HOLE	
10	230123	BHCS M8 X 1.25 X 45	

Pos.	Item Number	Description	Remarks
11A	128140	BACKREST PLATE ZM310 RH	Right; not for use w/Cantilever Arms
11A	128142	BACKREST PLATE ZM310 LH	Left; not for use w/Cantilever Arms
11B	241233	ADJ BACKREST PLATE ZM310 RH	Right; use w/Cantilever Arms only
11B	241235	ADJ BACKREST PLATE ZM310 LH	Left; use w/Cantilever Arms only
12	263100	5/16 AN WASHER FLAT	
13	483801	BACKREST LATCH PLUG P2	
14	561004	1" SADDLE 1/4" HOLE	
15	118672	1" TUBE END BUSHING SHORT	
16	561004	1" SADDLE 1/4" HOLE	
17	118672	1" TUBE END BUSHING SHORT	
18	200113	NUT HEX NYLOCK M6 X 1 NUT	
19	102262-007	BHCS M6 X 1 X 45	
20	119125	SHCS LOW HD M6X1X35 PART NP	
23	321110	S/A LATCH SPRING	
24	483800	BACKREST LATCH SLIDER P2	
25	118925	BCKRST LATCH BLOCK R	Right
25	118926	BCKRST LATCH BLOCK L	Left
26	230006	BHCS M8 X 1.25 X 25 BLK	
27	481084	BACK REL PIN Z2/QT/EX	
28	126238	PUSH ON ROUND CAP	
29	119127	SHCS LOW HD, M6X1X45	Required to attach towel bar depth extension the Shallow Towel Bar to convert to the Deep Towel Bar
30	118769	TOWEL BAR DEPTH EXTENSION	Required on the Deep Towel Bar assembly; mounts to both sides of the Shallow Towel Bar.
1-6	120421	PUSH HANDLE ADJ LOW FL ASM LH	
1-6	120422	PUSH HANDLE ADJ LOW FL ASM RH	
1-6	120423	PUSH HANDLE ADJ TALL FL ASM LH	
1-6	120424	PUSH HANDLE ADJ TALL FL ASM RH	
17-22	118645	TOWEL BAR ASSY 12-16S	SHALLOW
17-22	118646	TOWEL BAR ASSY 10-13S	SHALLOW

Pos.	Item Number	Description	Remarks
7-10,11A	163581	PUSH HANDLE TRANSIT BRKT KIT	Left and right w/hardware; not for use w/Cantilever Arms
7-10,11B	163582	PUSH HNDL TRANS BRKT W/CNT KIT	Left and right w/hardware; use w/Cantilever Arms only
1-10,11A,12-15,23-28	160668	FOLDING ADJ LOW WC-19 LH	Left; not for use w/Cantilever Arms
1-10,11A,12-15,23-28	160669	FOLDING ADJ LOW WC-19 RH	Right; not for use w/Cantilever Arms
1-10,11A,12-15,23-28	160670	FOLDING ADJ TALL WC-19 LH	Left; not for use w/Cantilever Arms
1-10,11A,12-15,23-28	160671	FOLDING ADJ TALL WC-19 RH	Right; not for use w/Cantilever Arms
1-10,11B,12-15,23-28	160700	CANT FOLDING ADJ LOW WC-19 LH	Left; use w/Cantilever Arms only
1-10,11B,12-15,23-28	160701	CANT FOLDING ADJ LOW WC-19 RH	Right; use w/Cantilever Arms only
1-10,11B,12-15,23-28	160702	CANT FLD ADJ TALL WC-19 LH	Left; use w/Cantilever Arms only
1-10,11B,12-15,23-28	160703	CANT FLD ADJ TALL WC-19 RH	Right; use w/Cantilever Arms only

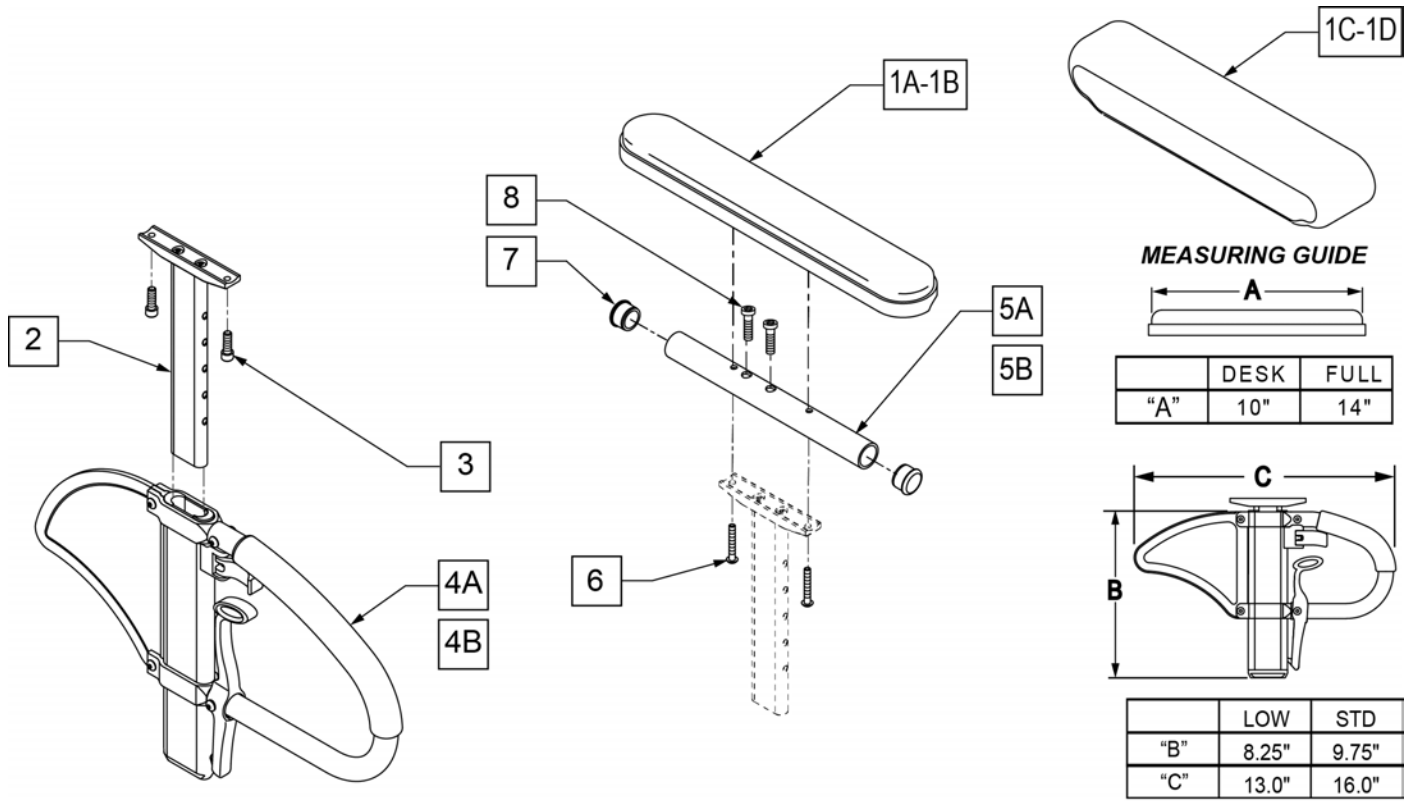


Pos.	Item Number	Description	Remarks
1,14,15	120417	PUSH HNDL ADJ LOW ASM LH	
1,14,15	120418	PUSH HNDL ADJ LOW ASM RH	
1,14,15	120419	PUSH HNDL ADJ TALL ASM LH	
1,14,15	120420	PUSH HNDL ADJ TALL ASM RH	
2	120409	PUSH HNDL RCVR LOW LH	
2	120410	PUSH HNDL RCVR LOW RH	
2	120411	PUSH HNDL RCVR TALL LH	
2	120412	PUSH HNDL RCVR TALL RH	
3	100223-002	BHCS M5X.8X16MM	
4	561082	1" TUBE END BUSHING THIN	
5	050019	PLUG BACKREST M6	
6	102262-004	BHCS M6 X 1 X 25 W/PL INORG	
7	263110-QU	5/16 AN WASHER FLAT THIN	
8	210085	NUT HEX NYLOCK M8 BLACK	
9	561006	1" SADDLE 5/16" HOLE	
10	230123	BHCS M8 X 1.25 X 45	

Pos.	Item Number	Description	Remarks
11A	128140	BACKREST PLATE ZM310 RH	Right; not for use w/Cantilever Arms
11A	128142	BACKREST PLATE ZM310 LH	Left; not for use w/Cantilever Arms
11B	241233	ADJ BACKREST PLATE ZM310 RH	Right; use w/Cantilever Arms only
11B	241235	ADJ BACKREST PLATE ZM310 LH	Left; use w/Cantilever Arms only
12	263100	5/16 AN WASHER FLAT	
13	483801	BCKREST LATCH PLUG P2 (Both Used)	
14	561000-QU	3/4" INSERT PLUG .083	
15	920026	QUICKIE GRIP 3/4" W/INSTR. SH.	
16	561004	1" SADDLE 1/4" HOLE	
18	118672	1" TUBE END BUSHING SHORT	
19	200113	NUT HEX NYLOCK M6 X 1 NUT	
20	102262-007	BHCS M6 X 1 X 45	
21	550080	PUSH HNDLE INSERT S525 (Both Used)	
22	119125	SHCS LOW HD M6X1X35 PART NP	
24	119127	SHCS LOW HD, M6X1X45	Required to attach towel bar depth extension the Shallow Towel Bar to convert to the Deep Towel Bar
25	118769	TOWEL BAR DEPTH EXTENSION	Required on the Deep Towel Bar assembly; mounts to both sides of the Shallow Towel Bar.
1-6	120421	PUSH HANDLE ADJ LOW FL ASM LH	
1-6	120422	PUSH HANDLE ADJ LOW FL ASM RH	
1-6	120423	PUSH HANDLE ADJ TALL FL ASM LH	
1-6	120424	PUSH HANDLE ADJ TALL FL ASM RH	
16-19,22,23	118645	TOWEL BAR ASSY 12-16S	SHALLOW
16-19,22,23	118646	TOWEL BAR ASSY 10-13S	SHALLOW
7-10,11A	163581	PUSH HANDLE TRANSIT BRKT KIT	Left and right w/hardware; not for use w/Cantilever Arms
7-10,11B	163582	PUSH HNDL TRANS BRKT W/CNT KIT	Left and right w/hardware; use w/Cantilever Arms only

Pos.	Item Number	Description	Remarks
1-10,11A,12-15,21	160652	NON-FOLDING ADJ LOW WC-19 LH	Left; not for use w/Cantilever Arms
1-10,11A,12-15,21	160653	NON-FOLDING ADJ LOW WC-19 RH	Right; not for use w/Cantilever Arms
1-10,11A,12-15,21	160654	NON-FOLDING ADJ TALL WC-19 LH	Left; not for use w/Cantilever Arms
1-10,11A,12-15,21	160655	NON-FOLDING ADJ TALL WC-19 RH	Right; not for use w/Cantilever Arms
1-10,11B,12-15,21	160684	CANT NO-FLD ADJ LOW WC-19 LH	Left; use w/Cantilever Arms only
1-10,11B,12-15,21	160685	CANT NO-FLD ADJ LOW WC-19 RH	Right; use w/Cantilever Arms only
1-10,11B,12-15,21	160686	CANT NO-FLD ADJ TALL WC-19 LH	Left; use w/Cantilever Arms only
1-10,11B,12-15,21	160687	CANT NO-FLD ADJ TALL WC-19 RH	Right; use w/Cantilever Arms only

SINGLE POST HEIGHT ADJUSTABLE ARMREST (POWER)



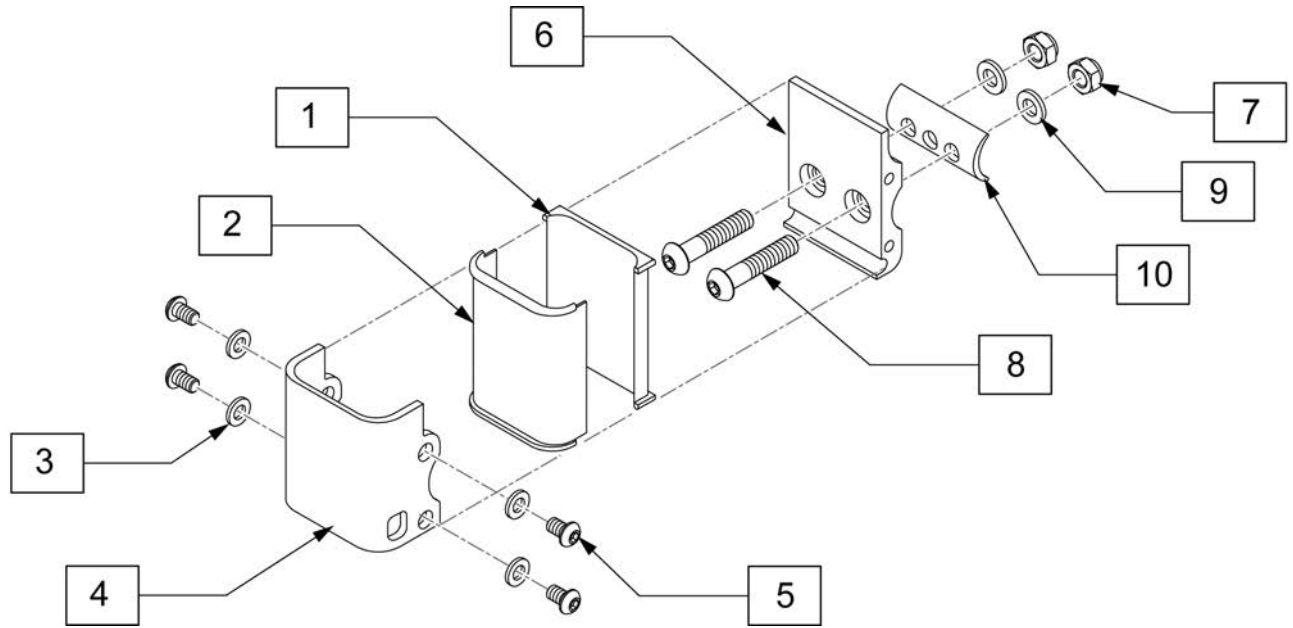
Pos.	Item Number	Description	Remarks
1A	561024	ARMREST PAD 10" DESK	CLASSIC DESK
1B	561031	ARMREST PAD 14" FULL	CLASSIC FULL
1C	561280	ARMREST PAD 10" LEFT W/F	Left-Waterfall Desk
1C	561281	ARMREST PAD 10" RIGHT W/F	Rightt-Waterfall Desk
1D	561284	ARMREST PAD 14" LEFT W/F	Leftt-Waterfall Full
1D	561285	ARMREST PAD 14" RIGHT W/F	Rightt-Waterfall Full
2	116312	SNGL POST UPPR ASSM LOW	LOW/SMALL
2	116313	SNGL POST UPPR ASSM STD	STANDARD
3	106956	SHCS 10-32 X 3/4 ROHS	
2,4A	104509-001	SPHA ARMREST ASSY STD	STANDARD
2,4B	104509-002	SPHA ARMREST ASSY LOW	LOW/SMALL
5A	521812	HT ADJ PD TUBE 10IN DESK POWE	Desk
5B	521813	HT ADJ PD TUBE 14IN FULL POWE	Full
6	107024	BHCS 10-32 X 1 1/2 ROHS	
7	560735	7/8" ROUND TUBE PLUG	
8	108534	SHCS 10-32 X 1-1/4 PL	Used with Full Length & Waterfall
1A,2,3,4A,5A,6,7	108599	SPHA STD CLASIC DESK PAD R	Right
1A,2,3,4A,5A,6,7	108603	SPHA STD CLASIC DESK PAD L	Left
1B,2,3,4A,5B,6-8	108601	SPHA STD CLASIC FULL PAD R	Right
1B,2,3,4A,5B,6-8	108605	SPHA STD CLASIC FULL PAD L	Left
1A,2,3,4B,5A,6,7	108600	SPHA LOW CLASIC DESK PAD R	Right
1A,2,3,4B,5A,6,7	108604	SPHA LOW CLASIC DESK PAD L	Left
1B,2,3,4B,5B,6-8	108602	SPHA LOW CLASIC FULL PAD R	Right
1B,2,3,4B,5B,6-8	108606	SPHA LOW CLASIC FULL PAD L	Left
1A,2,5A,6,7	159600	SPHA STD CLAS DESK UPPR R	
1A,2,5A,6,7	159601	SPHA STD CLAS DESK UPPR L	
1B,2,5B,6-8	159602	SPHA STD CLAS FULL UPPR R	

Pos.	Item Number	Description	Remarks
1B,2,5B,6-8	159603	SPHA STD CLAS FULL UPPR L	
1A,2,5A,6,7	159604	SPHA LOW CLAS DESK UPPR R	
1A,2,5A,6,7	159605	SPHA LOW CLAS DESK UPPR L	
1B,2,5B,6-8	159606	SPHA LOW CLAS FULL UPPR R	
1B,2,5B,6-8	159607	SPHA LOW CLAS FULL UPPR L	
1C,2,4B,5A,6,7	164089	SPHA LOW W/F DESK PAD R	Right
1C,2,4B,5A,6,8	164090	SPHA LOW W/F DESK PAD L	Left
1D,2,4B,5B,6,8	164091	SPHA LOW W/F FULL PAD R	Right
1D,2,4B,5B,6,8	164092	SPHA LOW W/F FULL PAD L	Left
1C,2,4A,5A,6,7	164093	SPHA STD W/F DESK PAD R	Right
1C,2,4A,5A,6,8	164094	SPHA STD W/F DESK PAD L	Left
1D,2,4A,5B,6,8	164095	SPHA STD W/F FULL PAD R	Right
1D,2,4A,5B,6,8	164096	SPHA STD W/F FULL PAD L	Left

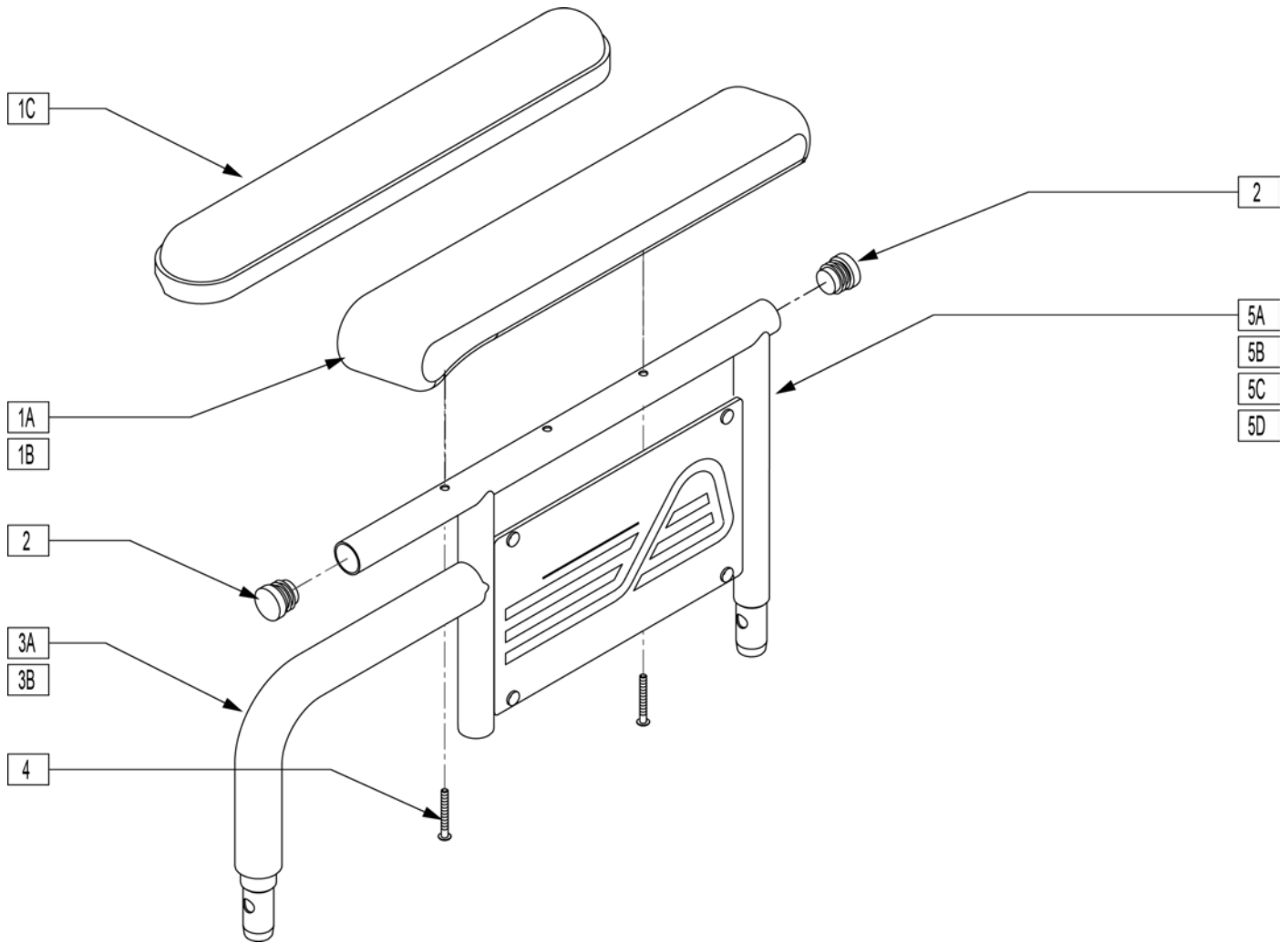
Note: not all Armrest Pads are offered on all chairs; consult product order form for compatibility.

Note: if switching from Desk to Full Length Armrest Pad OR switching from Full Length to Desk Armrest Pad, the following items are required: 1A/1B, 5A/5B, and 6-8.

SINGLE POST ARMREST RECEIVER



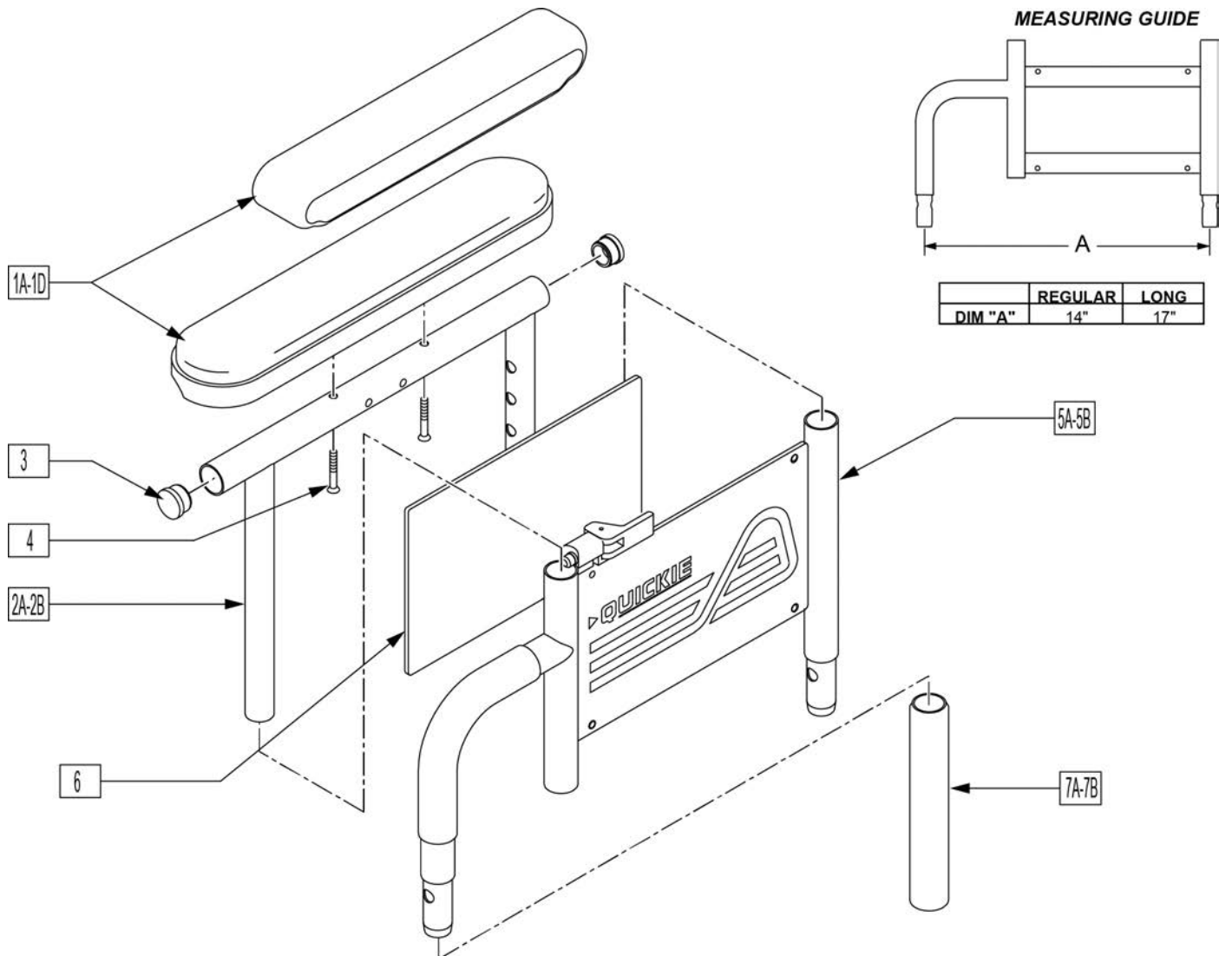
Pos.	Item Number	Description
3	250104	WASHER FLAT M6
5	230032	M6 1X10 BHCS
7	210085	NUT HEX NYLOCK M8 BLACK
8	230122	BHCS M8 X 1.25 X 40 BLK
9	263100	5/16 AN WASHER FLAT
10	550486	HT ADJ RECEIVER SPACER
1-10	118872	SINGLE ARMREST RECEIVER M8



Pos.	Item Number	Description	Remarks
1A	561280	ARMREST PAD 10" LEFT W/F	
1A	561281	ARMREST PAD 10" RIGHT W/F	
1B	561284	ARMREST PAD 14" LEFT W/F	
1B	561285	ARMREST PAD 14" RIGHT W/F	
1C	561024	ARMREST PAD 10" DESK	
1D	561031	ARMREST PAD 14" FULL	
2	560735	7/8" ROUND TUBE PLUG	
3A	560514	FOAM 8" x .840 TUBE	
3B	560614	11" x .840 FOAM TUBE	
4	226038	10-32 x 1 3/8 BH C/S BLK	
6	240155	RIVET 3/16 x 3/8 TUBULAR ALUM	Requires Rivet installation Tool
7	562744	ARMREST FRAME PANEL FIXED R	Right
7	562745	ARMREST FRAME PANEL FIXED L	Left
1A,2-4,5A,6,7	881730	D-POST ARM SHT R W/DSK W/F PAD	Right
1A,2-4,5A,6,7	881731	D-POST ARM SHT L W/DSK W/F PAD	Left
1B,2-4,5B,6,7	881732	D-POST ARM SHT R W/FL W/F PAD	Right
1B,2-4,5B,6,7	881733	D-POST ARM SHT L W/FL W/F PAD	Left
1A,2,3A,4,5C,6,7	881734	D-POST ARM LNG R W/DSK W/F PAD	Right
1A,2,3A,4,5C,6,7	881735	D-POST ARM LNG L W/DSK W/F PAD	Left
1B,2-4,5D,6,7	881736	D-POST ARM LNG R W/FL W/F PAD	Right

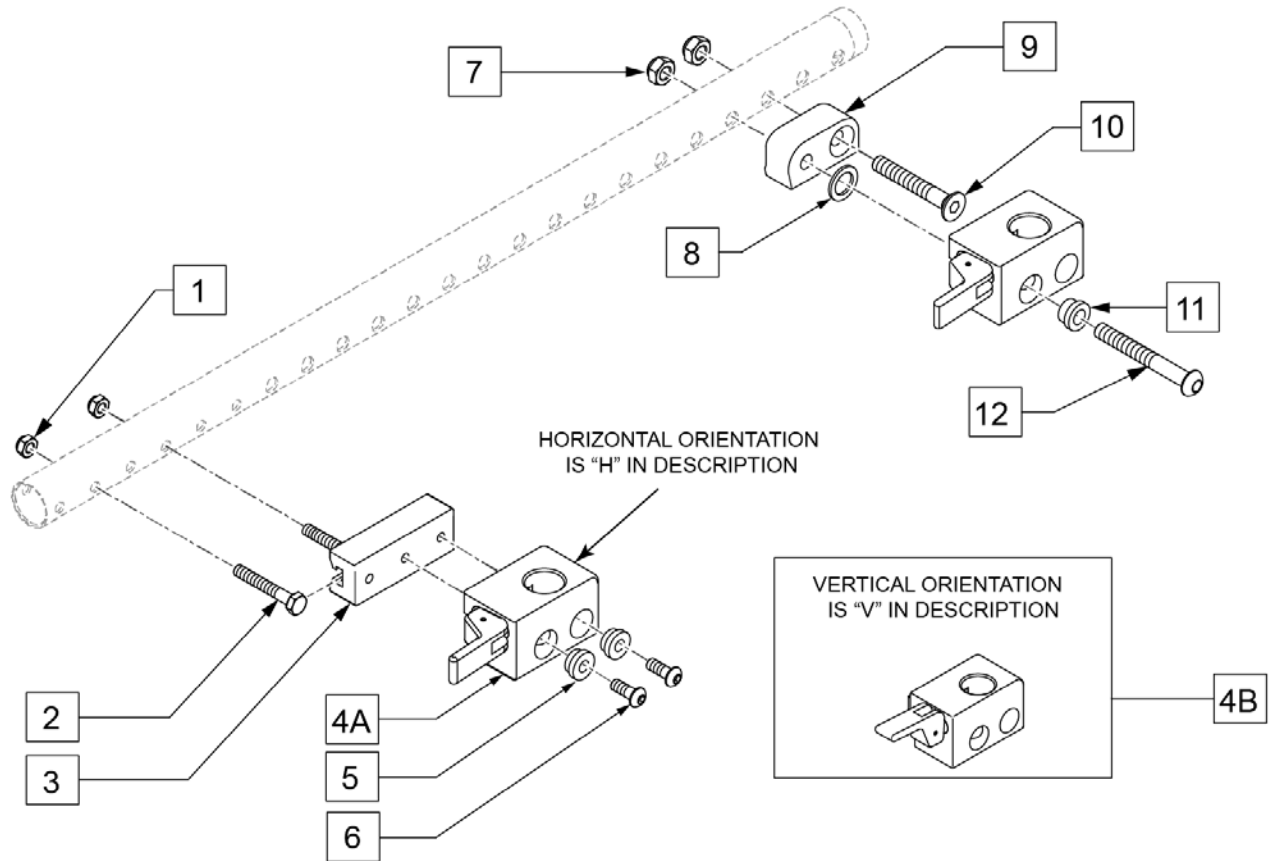
Pos.	Item Number	Description	Remarks
1B,2-4,5D,6,7	881737	D-POST ARM LNG L W/FL W/F PAD	Left
1C,2-4,5A,6,7	881580	DUAL POST ARM SHT W/DSK R PWR	Right
1C,2-4,5A,6,7	881581	DUAL POST ARM SHT W/DSK L PWR	Left
1D,2-4,5B,6,7	881582	DUAL POST ARM SHT W/FL R PWR	Right
1D,2-4,5B,6,7	881583	DUAL POST ARM SHT W/FL L PWR	Left
1C,2-4,5C,6,7	881584	DUAL POST ARM LNG W/DSK R PWR	Right
1C,2-4,5C,6,7	881585	DUAL POST ARM LNG W/DSK L PWR	Left
1D,2-4,5D,6,7	881586	DUAL POST ARM LNG W/FL R PWR	Right
1D,2-4,5D,6,7	881587	DUAL POST ARM LNG W/FL L PWR	Left

Note: for Quickie M6 if retrofitting armrests to a chair where they were originally omitted, order one each of 881256 & 881257 front receivers. The rear receivers are already on the chair.



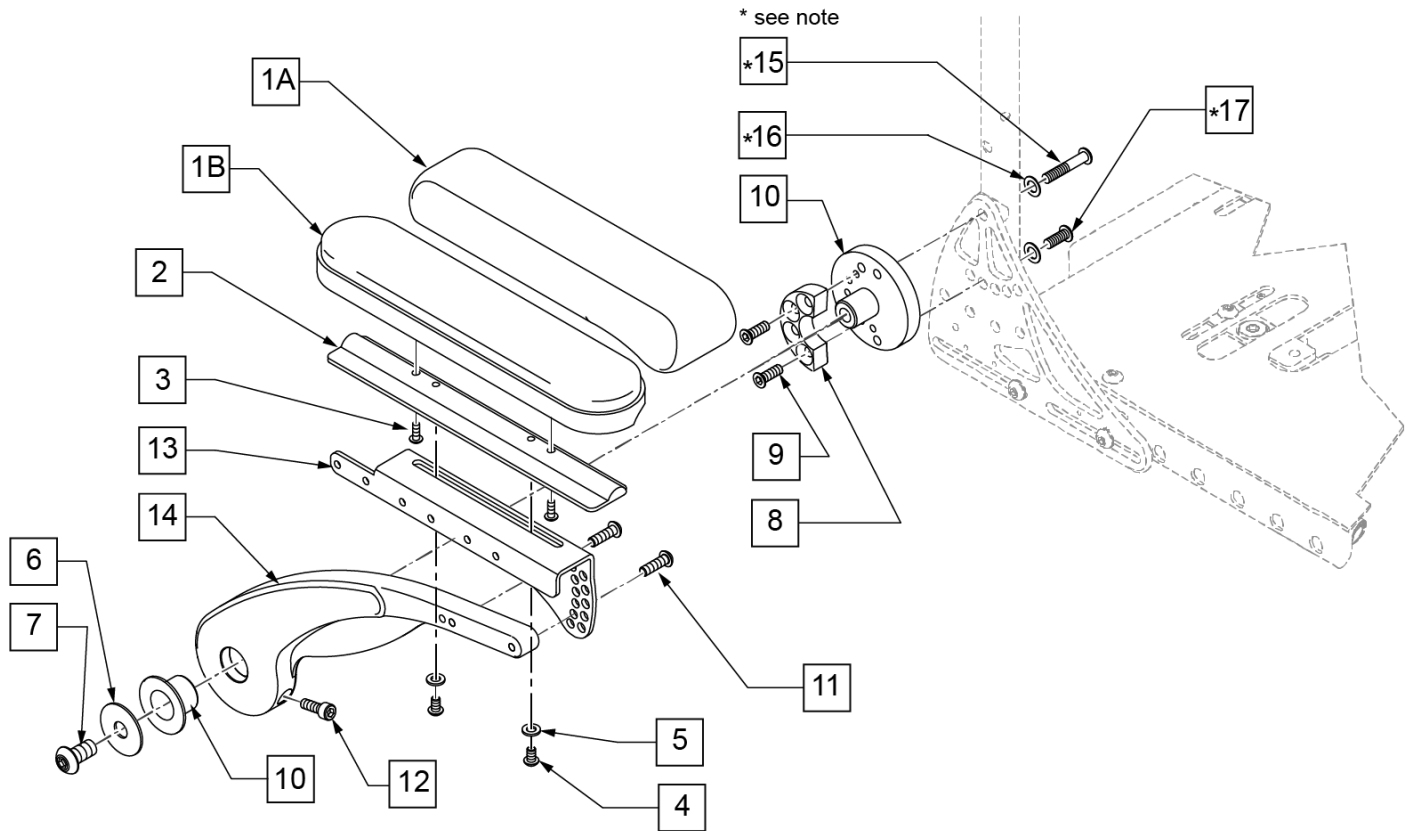
Pos.	Item Number	Description	Remarks
1A	561280	ARMREST PAD 10" LEFT W/F	Left,Desk,Waterfall
1A	561281	ARMREST PAD 10" RIGHT W/F	Right,Desk,Waterfall
1B	561284	ARMREST PAD 14" LEFT W/F	Left,Full,Waterfall
1B	561285	ARMREST PAD 14" RIGHT W/F	Right,Full,Waterfall
1C	561024	ARMREST PAD 10" DESK	Desk Pad
1D	561031	ARMREST PAD 14" FULL	Full Pad
2A	521841	DUAL PST ADJ UPPR ARM DESK PW	Desk
2B	521843	DUAL PST ADJ UPPR ARM FULL PW	Full
3	560735	7/8" ROUND TUBE PLUG	
4	226038	10-32 x 1 3/8 BH C/S BLK	
5A	881556	ARM ASSM LOWER HT ADJ REG R	Right, Regular
5A	881557	ARM ASSM LOWER HT ADJ REG L	Left, Regular
5B	881558	DUAL POST ADJ LOWER ARM LONG R	Right, Long

Pos.	Item Number	Description	Remarks
5B	881559	DUAL POST ADJ LOWER ARM LONG L	Left, Long
6	750009	INSIDE ARMREST PAD (P-222/S-626)	
7A	560514	FOAM 8" x .840 TUBE	Regular
7B	560614	11" x .840 FOAM TUBE	Long
1C,2A,3,4	881446	DUALPOST UHA AREST RH INC DESK	
1C,2A,3,4	881447	DUALPOST UHA AREST LH INC DESK	
1D,2A,3,4	881448	DUALPOST UHA AREST RH INC FULL	
1D,2A,3,4	881449	DUALPOST UHA AREST LH INC FULL	
1A,2A,3,4	881240	D-POST UPPR L ARM ASSM DSK W/F	
1A,2A,3,4	881241	D-POST UPPR R ARM ASSM DSK W/F	
1B,2B,3,4	881242	D-POST UPPR L ARM ASSM FL W/F	
1B,2B,3,4	881243	D-POST UPPR R ARM ASSM FL W/F	
1A,2A,3,4,5A,6	881308	D-POST SHT L W/DSK W/F PAD	
1A,2A,3,4,5A,6	881309	D-POST SHT R W/DSK W/F PAD	
1B,2B,3,4,5A,6	881310	D-POST SHT L W/FL W/F PAD	
1B,2B,3,4,5A,6	881311	D-POST SHT R W/FL W/F PAD	
1A,2A,3,4,5B,6	881312	D-PST LNG ADJ L W/DSK W/F PAD	
1A,2A,3,4,5B,6	881313	D-PST LNG ADJ R W/DSK W/F PAD	
1B,2B,3,4,5B,6	881314	D-POST LNG ADJ L W/FL W/F PAD	
1B,2B,3,4,5B,6	881315	D-POST LNG ADJ R W/FL W/F PAD	
1C,2A,3,4,5A,6	881572	DUAL POST ADJ SHT W/DSK R PWR	
1C,2A,3,4,5A,6	881573	DUAL POST ADJ SHT W/DSK L PWR	
1D,2B,3,4,5B,6	881574	DUAL POST ADJ LONG W/FL R PWR	
1D,2B,3,4,5B,6	881575	DUAL POST ADJ LONG W/FL L PWR	
1C,2A,3,4,5B,6	881576	DUAL POST ADJ LONG W/DSK R PWR	
1C,2A,3,4,5B,6	881577	DUAL POST ADJ LONG W/DSK L PWR	
1D,2B,3,4,5A,6	881578	DUAL POST ADJ SHT W/FL R PWR	
1D,2B,3,4,5A,6	881579	DUAL POST ADJ SHT W/FL L PWR	

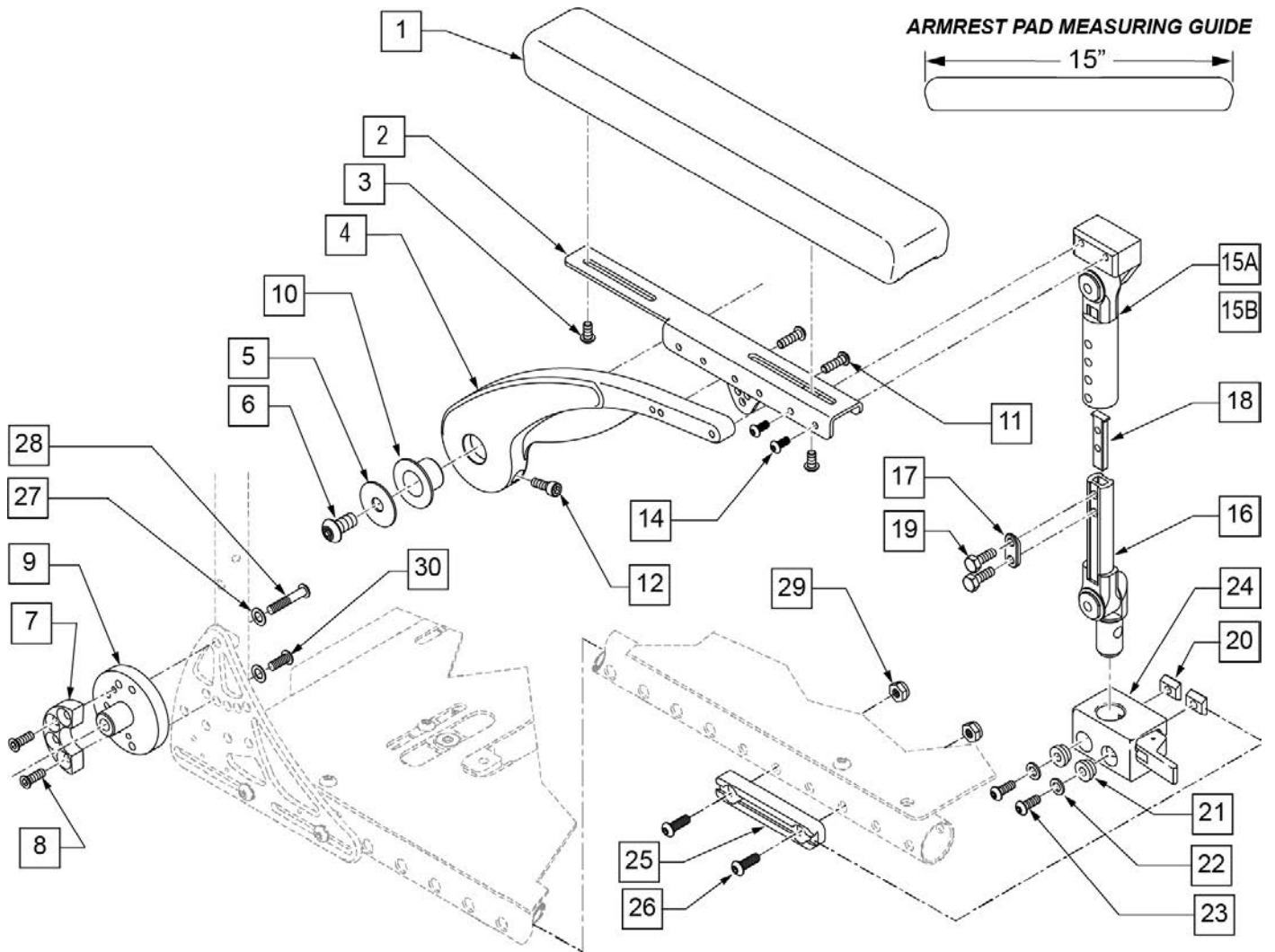


Pos.	Item Number	Description	Remarks
1	210084	NUT HEX NYLOCK M6 BLACK	
2	234813	M6 X 1.0 X 35 HHCS 10.9	
3	011501	ADPTR FRNT ARM REC 28.5MM OFST	
4A	506366	UNIVRSL ARMREST RCVR ASSM RH	
4A	506367	UNIVRSL ARMREST RCVR ASSM LH	
4B	506368	UNIV ARMREST RCVR ASSM RV	Optional release position, not offered on chair
4B	506369	UNIV ARMREST RCVR ASSM LV	Optional release position, not offered on chair
5	340143	BUSHING .257IDx.25LG SST	
6	103185-006	BHCSM6X1X16FULLNP	
7	210085	NUT HEX NYLOCK M8 BLACK	
8	561272	1/2 X 3/4 X .030 NYLON WASHER	
9	506128	ADPTR PVT R UNI ARST RCVR P222	
9	506129	ADPTR PVT L UNI ARST RCVR P222	
10	230130	FHCS M8 X 1.25 X 50 BLK	
11	340142	BUSHING .325IDx.346LG SST	
12	103186-014	BHCS M8 X 1.25 X 60 BLK W/PL	
1-6	120651	ARMREST RECEIVER ASSM FRNT R	
1-6	120652	ARMREST RECEIVER ASSM FRNT L	
4A,7-12	120653	ARMREST RECEIVER ASSM BCK R	
4A,7-12	120654	ARMREST RECEIVER ASSM BCK L	

Note: Backrest Mounting Hardware is not included in Backrest Armrest kits; if retrofitting this armrest to chair order p/n 230123 qty 1, p/n 263110-QU qty 2, and p/n 013149 qty 1.

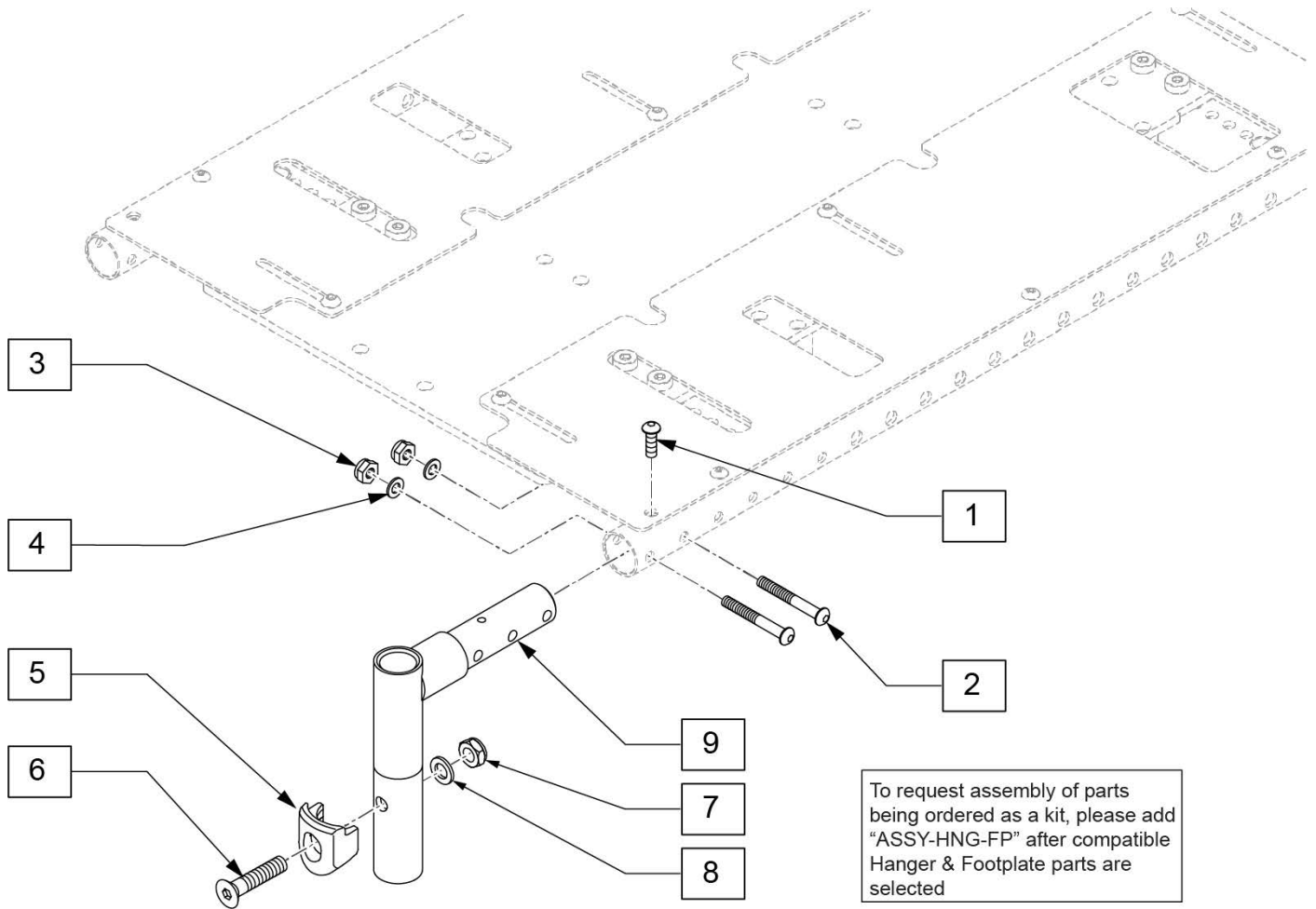


Pos.	Item Number	Description	Remarks
1A	561280	ARMREST PAD 10" LEFT W/F	Left, Desk, Waterfall
1A	561281	ARMREST PAD 10" RIGHT W/F	Right, Desk, Waterfall
1B	561024	ARMREST PAD 10" DESK	Single
2	010124-001	ARMPAD RIGIDIZER DESK LENGTH	Desk
3	226043	10-32 X 1/2 BH C/S BLK	
4	230113	BHCS M6 X 1 X 12	
5	250104	WASHER FLAT M6	
6	015056	WASHER M10 X 35 X 1.5 BLK	
7	119073	SHCS LWHD, M10X1.5X35 PL	
9	230455	M4X8 FH SOC/CS	
10	104469	MARCINAL LUB BRNG SF-1 2020	
11	102263-002	SHCS M6X1X20 FULL NP	
12	013156	SHCS M6 X 1 X 20 BLK W/PL	
15	230123	BHCS M8 X 1.25 X 45	
16	263110-QU	5/16 AN WASHER FLAT THIN	
17	013149	BHCS M8 X 1.25 X 16 BLK W/PL	
1A,2-5	012370	DESK W/F ARMPAD ASSM L	Left - 10" Desk
1A,2-5	012371	DESK W/F ARMPAD ASSM R	Right - 10" Desk
1B,2-5	012374	DESK ARMPAD ASSM	Single, Desk
6-14	118791	BACKREST ARMREST	Right, Low; Backrest mounting hdwr NOT included
6-14	118790	BACKREST ARMREST	Left, Low; Backrest mounting hdwr NOT included



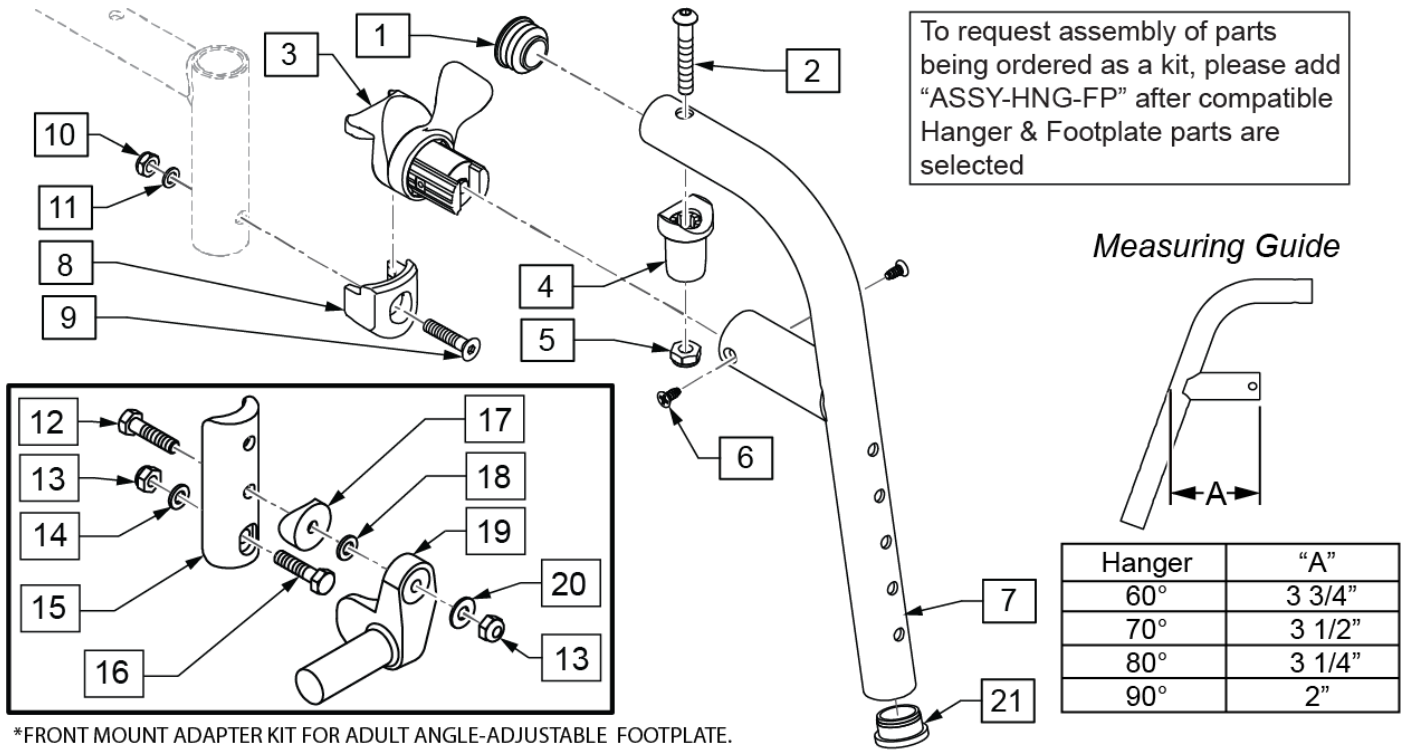
Pos.	Item Number	Description	Remarks
1,3	103114	ARMREST PAD SET	Pair
3	n/a	BHCS M6 X 16	REFERENCE ONLY
5	015056	WASHER M10 X 35 X 1.5 BLK	
6	119073	SHCS LWHD, M10X1.5X35 PL	
8	230455	M4X8 FH SOC/CS	
10	104469	MARCINAL LUB BRNG SF-1 2020	
11	102263-002	SHCS M6X1X20 FULL NP	
12	013156	SHCS M6 X 1 X 20 BLK W/PL	
14	102259-001	BHCS M5 X .8 X 12 W/PL INORG	
17	483717	HANGER SADDLE	
18	500078	INSERT D2 EXT TUBE	
19	221102	1/4-28 X 3/4 HEX C/S BLK W/PAT	
20	010065	M6 CHANNEL NUT	
21	340143	BUSHING .257IDx.25LG SST	
22	263100	5/16 AN WASHER FLAT	
23	230113	BHCS M6 X 1 X 12	
24	506366	UNIVRSL ARMREST RCVR ASSM R	Right
24	506367	UNIVRSL ARMREST RCVR ASSM LH	Left
25	118624	DOVETAIL SEAT RAIL SHORT	Use w/ Center Mount Footrest only

Pos.	Item Number	Description	Remarks
26	235008	M8 X 1.25 X 30 BH C/S	
27	263110-QU	5/16 AN WASHER FLAT THIN	
28	230123	BHCS M8 X 1.25 X 45	
29	210085	NUT HEX NYLOCK M8 BLACK	
30	013149	BHCS M8 X 1.25 X 16 BLK W/PL	
20-24	110826	ARMREST REC KIT RIGHT	Right
20-24	110827	ARMREST REC KIT LEFT	Left
14,15A-19	126403	DUAL POST ASSY SHORT	9-10 ARMREST HEIGHT
14,15B-19	126404	DUAL POST ASSY TALL	11-12 ARMREST HEIGHT
14,15A-24	110828	ASAP 2 PNT ARM 9-10 KIT	Pair (9-10" Armrest Ht) Includes Receivers
14,15B-24	110829	ASAP 2 PNT ARM 11-12 KIT	Pair (11-12" Armrest Ht) Includes Receivers
1,2,4-12	118618	FLIP BACK ARMREST ASSY R	Std
1,2,4-12	118617	FLIP BACK ARMREST ASSY L	Std

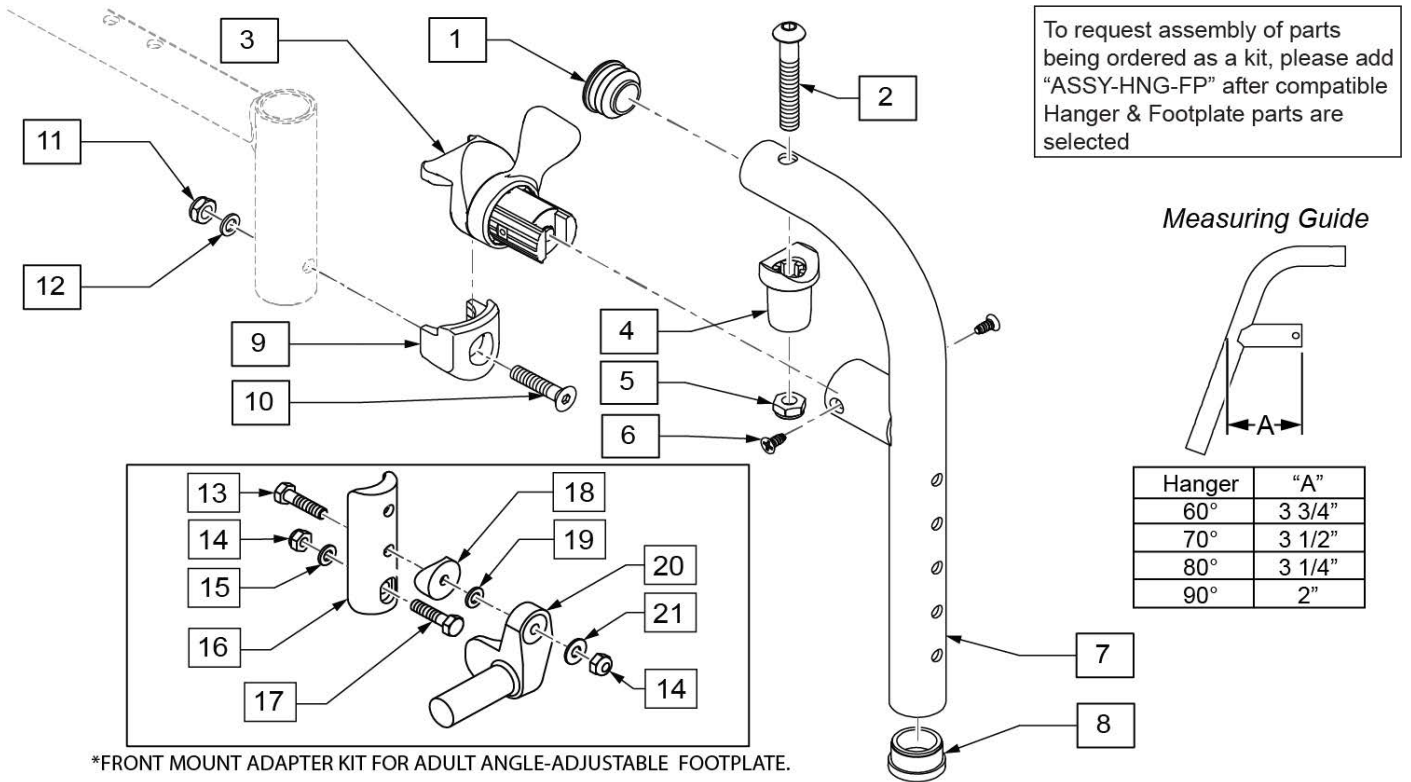


Pos.	Item Number	Description	Remarks
1	230497	BHCS M5X0.8X20	
2	013252	BHCS M6 X 1 X 35 BLK	
3	210084	NUT HEX NYLOCK M6 BLACK	
4	250104	WASHER FLAT M6	
9	120881	HANGER RECEIVER PED	
5-8	119514	LATCH RECEIVER KIT	
5-9	130310	HANGER REC SWING IN/OUT ASSY	one side
1-9	158619	SWING IN/OUT HANG REC ZM	one side
		Ship assembled part #	Use with multiple assemblies
	ASSY-HNG-FP	HANGER/FOOTPLATE ASSY REQUIRED	add with Hanger & Footplate kit

STEEL 80 DEG FRONT MOUNT SWING IN/OUT HANGER

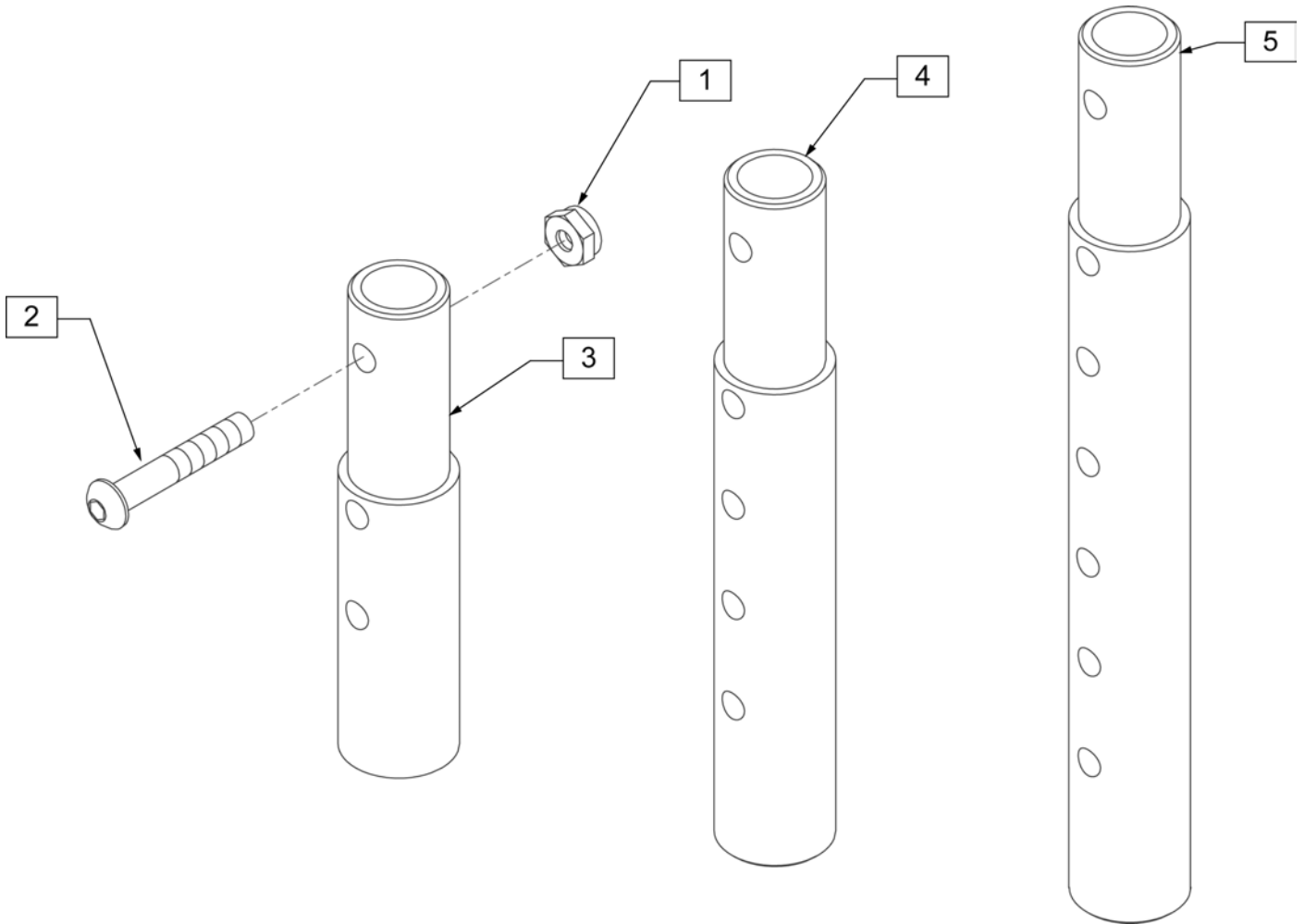


Pos.	Item Number	Description	Remarks
1	561062	1" INSERT PLUG .065 RIBS	
2	226217	5/16-18 X 2" BH C/S BLK	
4	561197	PLASTIC PIVOT SADDLE	
5	202102	5/16-18 NYLOCK NUT THIN	
6	118695	#8 LOW FLT HD TAP SCREW	
9	103500-010	FHCSM6X1X35FULLNP	
10	104381	NUT HEX NYLOCK M6X1.0	
11	104414	WAVE WASHER 6 MM	
12	102268-001	HHCS M6 X 1 X 25	
13	104381	NUT HEX NYLOCK M6 X 1	
14	107383	WASHER FLAT M6 ROHS	
15	119240	FOOTPLATE ADAPTER FM	3" tall
16	118198	HHCS M6X1X40 PART NP	
17	561004	1" SADDLE 1/4" HOLE	
18	106943	WASHER FLAT AN 1/4	
19	541000	FOOTREST MOUNTING BRKT 1/2" RAD R	Right
19	541001	FOOTREST MOUNTING BRKT 1/2" RAD L	Left
20	106945	WASHER FLAT SAE 1/4 ROHS	
21	561002	1" INSERT PLUG .083	
1,2,4,5	119518	PIVOT SADDLE KIT	
1-7,12-20	126624	HANGER SWING I/O 80D RH	Right
1-7,12-20	126625	HANGER SWING I/O 80D LH	Left
8-11	119514	LATCH RECEIVER KIT	
3,6	119509	HANGER LATCH ASSM W/HDWR L	Left
3,6	119510	HANGER LATCH ASSM W/HDWR R	Right
12-20	129764	AAA FRNT MNT ADAPTER KIT PR	Pair
		Ship assembled part #	Use with multiple assemblies
	ASSY-HNG-FP	HANGER/FOOTPLATE ASSY REQUIRED	add with Hanger & Footplate kit



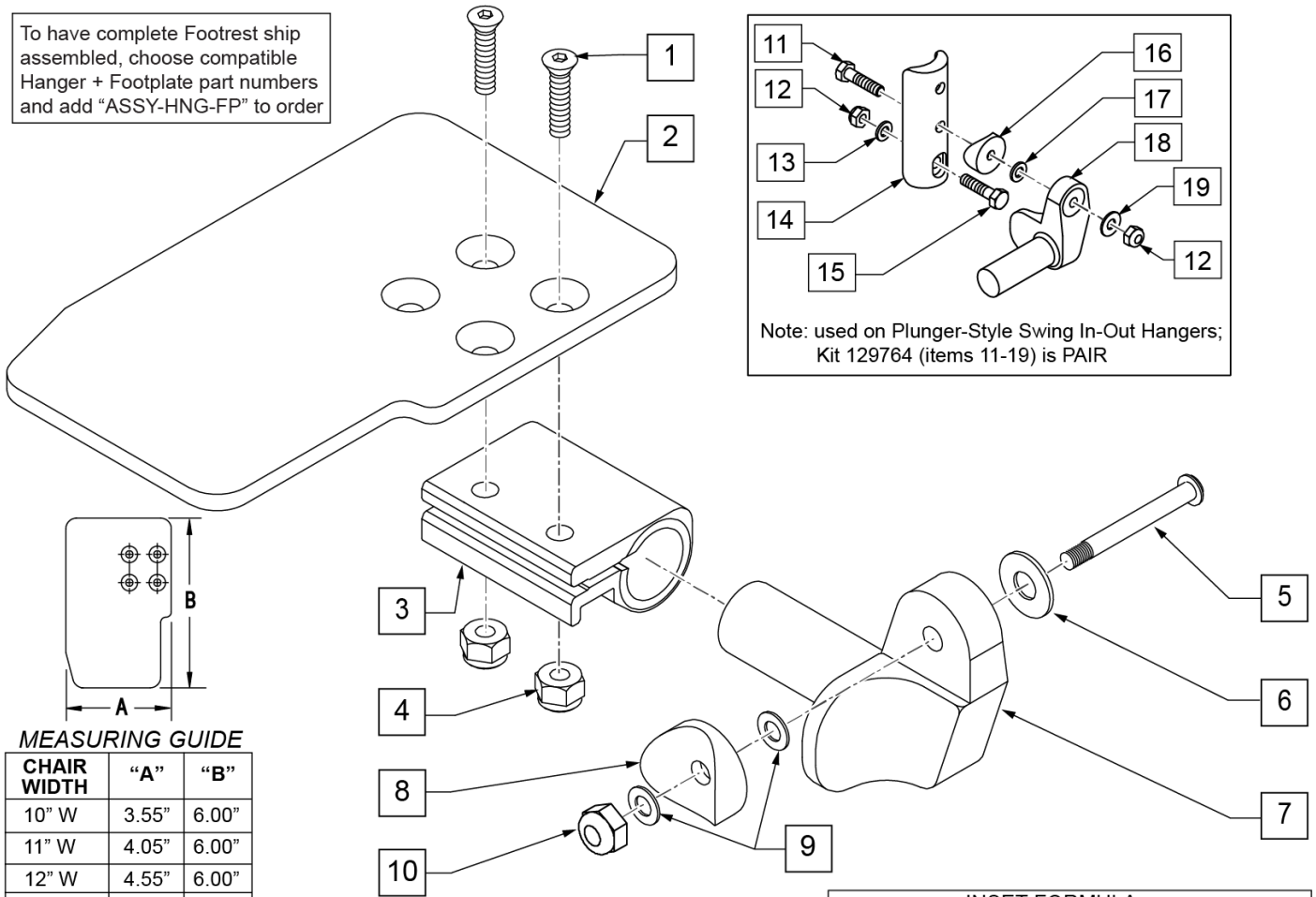
*FRONT MOUNT ADAPTER KIT FOR ADULT ANGLE-ADJUSTABLE FOOTPLATE.

Pos.	Item Number	Description	Remarks
1	561062	1" INSERT PLUG .065 RIBS	
2	226217	5/16-18 X 2" BH C/S BLK	
4	561197	PLASTIC PIVOT SADDLE	
5	202102	5/16-18 NYLOCK NUT THIN	
6	118695	#8 LOW FLT HD TAP SCREW	
8	561002	1" INSERT PLUG .083	
10	103500-010	FHCSM6X1X35FULLNP	
11	104381	NUT HEX NYLOCK M6X1.0	
12	104414	WAVE WASHER 6 MM	
13	102268-001	HHCS M6 X 1 X 25	
14	104381	NUT HEX NYLOCK M6 X 1	
15	107383	WASHER FLAT M6 ROHS	
16	119240	FOOTPLATE ADAPTER FM	3" tall
17	118198	HHCS M6X1X40 PART NP	
18	561004	1" SADDLE 1/4" HOLE	
19	106943	WASHER FLAT AN 1/4 ROHS	
20	541000	FOOTREST MOUNTING BRKT 1/2" RAD R	Right
20	541001	FOOTREST MOUNTING BRKT 1/2" RAD L	Left
21	106945	WASHER FLAT SAE 1/4 ROHS	
1,2,4,5	119518	PIVOT SADDLE KIT	
1-7,13-21	126622	HANGER SWING I/O 90D RH	Right
1-7,13-21	126623	HANGER SWING I/O 90D LH	Left
9-12	119514	LATCH RECEIVER KIT	
3,6	119509	HANGER LATCH ASSM W/HDWR L	Left
3,6	119510	HANGER LATCH ASSM W/HDWR R	Right
13-21	129764	AAA FRNT MNT ADAPTER KIT PR	Pair
		Ship assembled part #	Use with multiple assemblies
	ASSY-HNG-FP	HANGER/FOOTPLATE ASSY REQUIRED	add with Hanger & Footplate kit



Pos.	Item Number	Description	Remarks
1	106935	NUT NYLOCK THIN 1/4 -28 ROHS	
2	106961	BHCS 1/4 -28 x 1 1/4 ROHS	
1-3	111505	2" FOOTREST EXTENSION TUBE W/ HDWR ASSM	2" EXT (PAIR)
1, 2, 4	111506	4" FOOTREST EXTENSION TUBE W/ HDWR ASSM	4" EXT (PAIR)
1, 2, 5	111507	6" FOOTREST EXTENSION TUBE W/ HDWR ASSM	6" EXT (PAIR)

To have complete Footrest ship assembled, choose compatible Hanger + Footplate part numbers and add "ASSY-HNG-FP" to order



Note: used on Plunger-Style Swing In-Out Hangers; Kit 129764 (items 11-19) is PAIR

MEASURING GUIDE

CHAIR WIDTH	"A"	"B"
10" W	3.55"	6.00"
11" W	4.05"	6.00"
12" W	4.55"	6.00"
13" W	5.05"	6.00"
14" W	5.55"	6.00"
15" W	6.05"	6.00"
16" W	6.55"	6.00"

INSET FORMULA

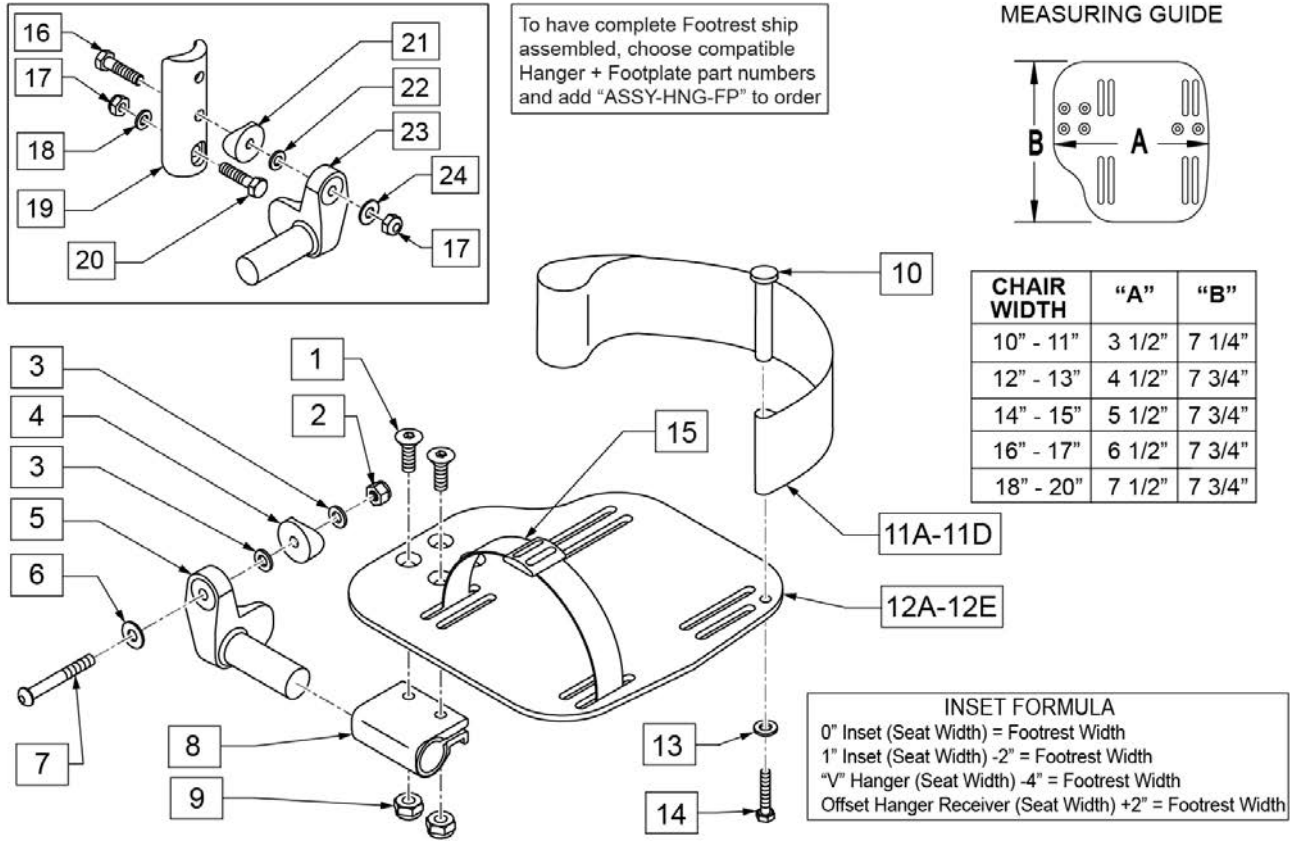
0" Inset (Seat Width) = Footrest Width
 1" Inset (Seat Width) -2" = Footrest Width
 "V" Hanger (Seat Width) -4" = Footrest Width
 Offset Hanger Receiver (Seat Width) +2" = Footrest Width

Pos.	Item Number	Description	Remarks
1	106978	FHCS 1/4-28 X 7/8 ROHS	
2	500635	KIDS ANGL ADJ F/PLT 10	RIGHT
2	500636	KIDS ANGL ADJ F/PLT 10	LEFT
2	500637	KIDS ANGL ADJ F/PLT 11	RIGHT
2	500638	KIDS ANGL ADJ F/PLT 11	LEFT
2	500639	KIDS ANGL ADJ F/PLT 12	RIGHT
2	500640	KIDS ANGL ADJ F/PLT 12	LEFT
2	500641	KIDS ANGL ADJ F/PLT 13	RIGHT
2	500642	KIDS ANGL ADJ F/PLT 13	LEFT
2	500643	KIDS ANGL ADJ F/PLT 14	RIGHT
2	500644	KIDS ANGL ADJ F/PLT 14	LEFT
2	500645	KIDS ANGL ADJ F/PLT 15	RIGHT
2	500646	KIDS ANGL ADJ F/PLT 15	LEFT
2	500647	KIDS ANGL ADJ F/PLT 16	RIGHT
2	500648	KIDS ANGL ADJ F/PLT 16	LEFT
3	550350	3/4 CLAMP ADJ FOOTPLATE	
4	106935	NUT NYLOCK THIN 1/4-28 ROHS	
5	226147	1/4-28 X 1.85 BH C/S BLK ZN	

Pos.	Item Number	Description	Remarks
6	106945	WASHER FLAT SAE 1/4 ROHS	
7	541000	FTRST MOUNTING BRKT 1/2" RAD R	RIGHT
7	541001	FTRST MOUNTING BRKT 1/2" RAD L	LEFT
8	561004	1 SADDLE 1/4 HOLE	
9	106943	WASHER FLAT THIN AN 1/4	
10	106941	NUT AUTOMATION 1/4-28 ROHS	
11	102268-001	HHCS M6 X 1 X 25	
12	132626	NUT AUTOMATION M6 X 1.0 ROHS	
13	107383	WASHER FLAT M6 ROHS	
15	118198	HHCS M6 X 1 X 40 PART NP	
16	561004	1" SADDLE 1/4" HOLE	
17	106943	WASHER FLAT AN 1/4 ROHS	
19	106945	WASHER FLAT SAE 1/4 ROHS	
1-4	158632	CAA F/PLT KIT 10 RT	RIGHT; used with Front Mount Adapter Kit on Plunger-Style Swing In/Out Hangers
1-4	158633	CAA F/PLT KIT 10 LT	LEFT; used with Front Mount Adapter Kit on Plunger-Style Swing In/Out Hangers
1-4	158634	CAA F/PLT KIT 11 RT	RIGHT; used with Front Mount Adapter Kit on Plunger-Style Swing In/Out Hangers
1-4	158635	CAA F/PLT KIT 11 LT	LEFT; used with Front Mount Adapter Kit on Plunger-Style Swing In/Out Hangers
1-4	158636	CAA F/PLT KIT 12 RT	RIGHT; used with Front Mount Adapter Kit on Plunger-Style Swing In/Out Hangers
1-4	158637	CAA F/PLT KIT 12 LT	LEFT; used with Front Mount Adapter Kit on Plunger-Style Swing In/Out Hangers
1-4	158638	CAA F/PLT KIT 13 RT	RIGHT; used with Front Mount Adapter Kit on Plunger-Style Swing In/Out Hangers
1-4	158639	CAA F/PLT KIT 13 LT	LEFT; used with Front Mount Adapter Kit on Plunger-Style Swing In/Out Hangers
1-4	158640	CAA F/PLT KIT 14 RT	RIGHT; used with Front Mount Adapter Kit on Plunger-Style Swing In/Out Hangers
1-4	158641	CAA F/PLT KIT 14 LT	LEFT; used with Front Mount Adapter Kit on Plunger-Style Swing In/Out Hangers
1-4	158642	CAA F/PLT KIT 15 RT	RIGHT; used with Front Mount Adapter Kit on Plunger-Style Swing In/Out Hangers
1-4	158643	CAA F/PLT KIT 15 LT	LEFT; used with Front Mount Adapter Kit on Plunger-Style Swing In/Out Hangers
1-4	158644	CAA F/PLT KIT 16 RT	RIGHT; used with Front Mount Adapter Kit on Plunger-Style Swing In/Out Hangers
1-4	158645	CAA F/PLT KIT 16 LT	LEFT; used with Front Mount Adapter Kit on Plunger-Style Swing In/Out Hangers
1-10	828821	KIDS ANG ADJ F/PLT ASSM 10	RIGHT; used with Old-Style Latch Block Swing In/Out & S/A Hangers
1-10	828822	KIDS ANG ADJ F/PLT ASSM 10	LEFT; used with Old-Style Latch Block Swing In/Out & S/A Hangers
1-10	828823	KIDS ANG ADJ F/PLT ASSM 11	RIGHT; used with Old-Style Latch Block Swing In/Out & S/A Hangers
1-10	828824	KIDS ANG ADJ F/PLT ASSM 11	LEFT; used with Old-Style Latch Block Swing In/Out & S/A Hangers
1-10	828825	KIDS ANG ADJ F/PLT ASSM 12	RIGHT; used with Old-Style Latch Block Swing In/Out & S/A Hangers
1-10	828826	KIDS ANG ADJ F/PLT ASSM 12	LEFT; used with Old-Style Latch Block Swing In/Out & S/A Hangers
1-10	828827	KIDS ANG ADJ F/PLT ASSM 13	RIGHT; used with Old-Style Latch Block Swing In/Out & S/A Hangers
1-10	828828	KIDS ANG ADJ F/PLT ASSM 13	LEFT; used with Old-Style Latch Block Swing In/Out & S/A Hangers
1-10	828829	KIDS ANG ADJ F/PLT ASSM 14	RIGHT; used with Old-Style Latch Block Swing In/Out & S/A Hangers
1-10	828830	KIDS ANG ADJ F/PLT ASSM 14	LEFT; used with Old-Style Latch Block Swing In/Out & S/A Hangers
1-10	828831	KIDS ANG ADJ F/PLT ASSM 15	RIGHT; used with Old-Style Latch Block Swing In/Out & S/A Hangers
1-10	828832	KIDS ANG ADJ F/PLT ASSM 15	LEFT; used with Old-Style Latch Block Swing In/Out & S/A Hangers

Pos.	Item Number	Description	Remarks
1-10	828833	KIDS ANG ADJ F/PLT ASSM 16	RIGHT; used with Old-Style Latch Block Swing In/Out & S/A Hangers
1-10	828834	KIDS ANG ADJ F/PLT ASSM 16	LEFT; used with Old-Style Latch Block Swing In/Out & S/A Hangers
1-10	921226	KIDS ANG ADJ F/PLT ASSM 10	PAIR; used with Old-Style Latch Block Swing In/Out & S/A Hangers
1-10	921227	KIDS ANG ADJ F/PLT ASSM 11	PAIR; used with Old-Style Latch Block Swing In/Out & S/A Hangers
1-10	921228	KIDS ANG ADJ F/PLT ASSM 12	PAIR; used with Old-Style Latch Block Swing In/Out & S/A Hangers
1-10	921229	KIDS ANG ADJ F/PLT ASSM 13	PAIR; used with Old-Style Latch Block Swing In/Out & S/A Hangers
1-10	921230	KIDS ANG ADJ F/PLT ASSM 14	PAIR; used with Old-Style Latch Block Swing In/Out & S/A Hangers
1-10	921231	KIDS ANG ADJ F/PLT ASSM 15	PAIR; used with Old-Style Latch Block Swing In/Out & S/A Hangers
1-10	921232	KIDS ANG ADJ F/PLT ASSM 16	PAIR; used with Old-Style Latch Block Swing In/Out & S/A Hangers
11-19	129764	AAA FRNT MNT ADAPTER KIT PR	AAA FRNT MNT fits both Kids and Adult Angle Adjustable Footplates
		Ship assembled part #	Use with multiple assemblies
	ASSY-HNG-FP	HANGER/FOOTPLATE ASSY REQUIRED	add with Hanger & Footplate kit

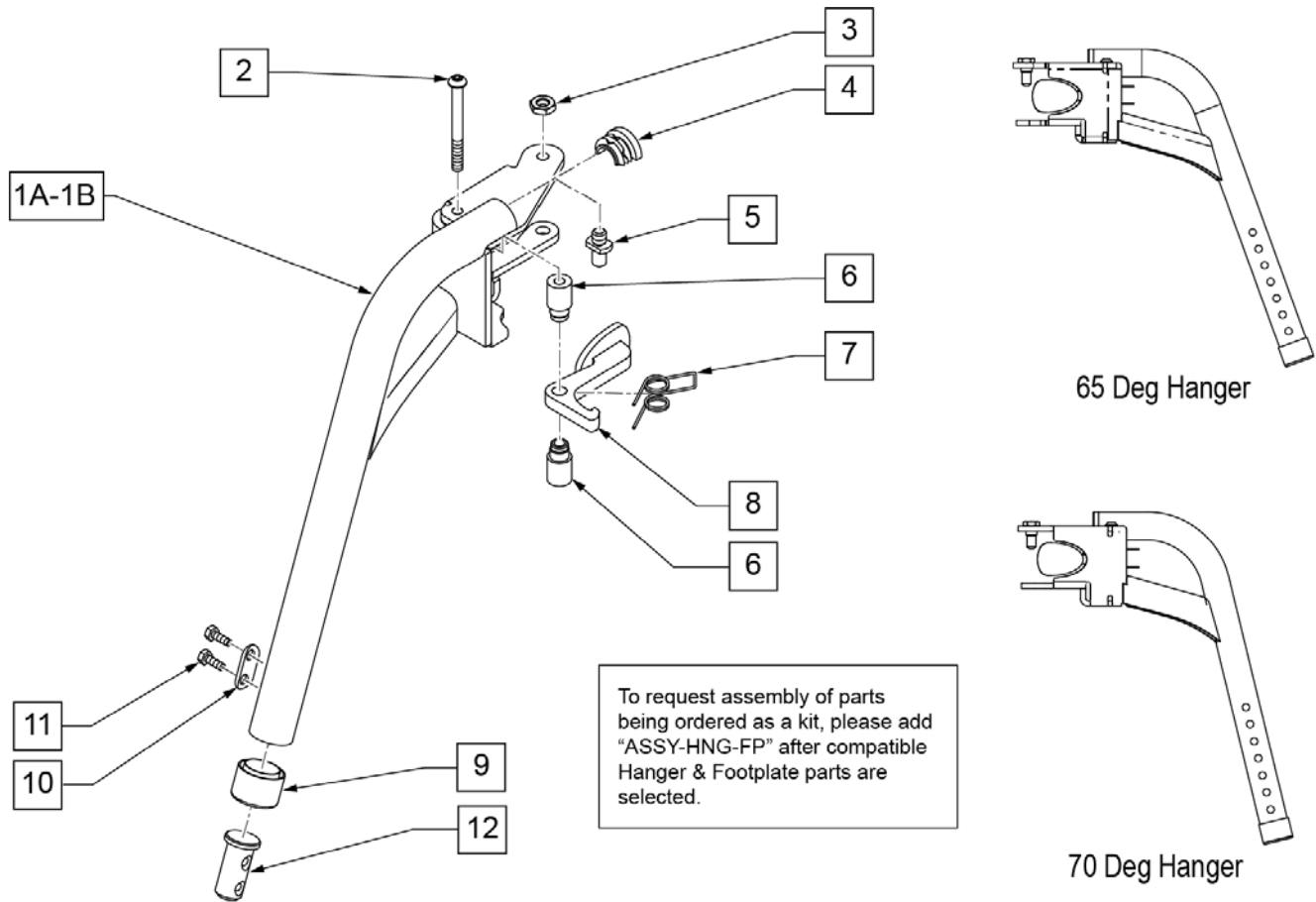
Note: for QX Series or SR45 footplate replacement parts see the ordering guide marked specifically for these two models in the informations panel.



Pos.	Item Number	Description	Remarks
1	106978	FHCS 1/4-28 X 7/8	
2	106934	NUT NYLOCK 1/4-28	
3	106944	WASHER FLAT THIN AN 1/4	
4	561004	Q2 SADDLE	
5	541000	FTRST MOUNTING BRKT 1/2" RAD R	Right
5	541001	FTRST MOUNTING BRKT 1/2" RAD L	Left
6	106945	WASHER FLAT SAE 1/4 ROHS	
7	106964	BHCS 1/4-28 X 2	
8	550350	3/4 CLMP ADJ FT PLT	
9	106935	NUT NYLOCK THIN 1/4-28 ROHS	
10	561040	HEEL LOOP PEG	
11A	104380-001	ADJ FOOTREST STRAP 14W	Used on 10"-13" wide
11B	104380-002	ADJ FOOTREST STRAP 15-16W	Used on 14"-15" wide
11C	104380-003	ADJ FOOTREST STRAP 17-18W	Used on 16"-17" wide
11D	104380-004	ADJ FOOTREST STRAP 19-20W	Used on 18"-20" wide
12A	500656	ADULT ANGL ADJ F/PLT 10/11	Right; 10"-11" wide
12A	500657	ADULT ANGL ADJ F/PLT 10/11	Left; 10"-11" wide

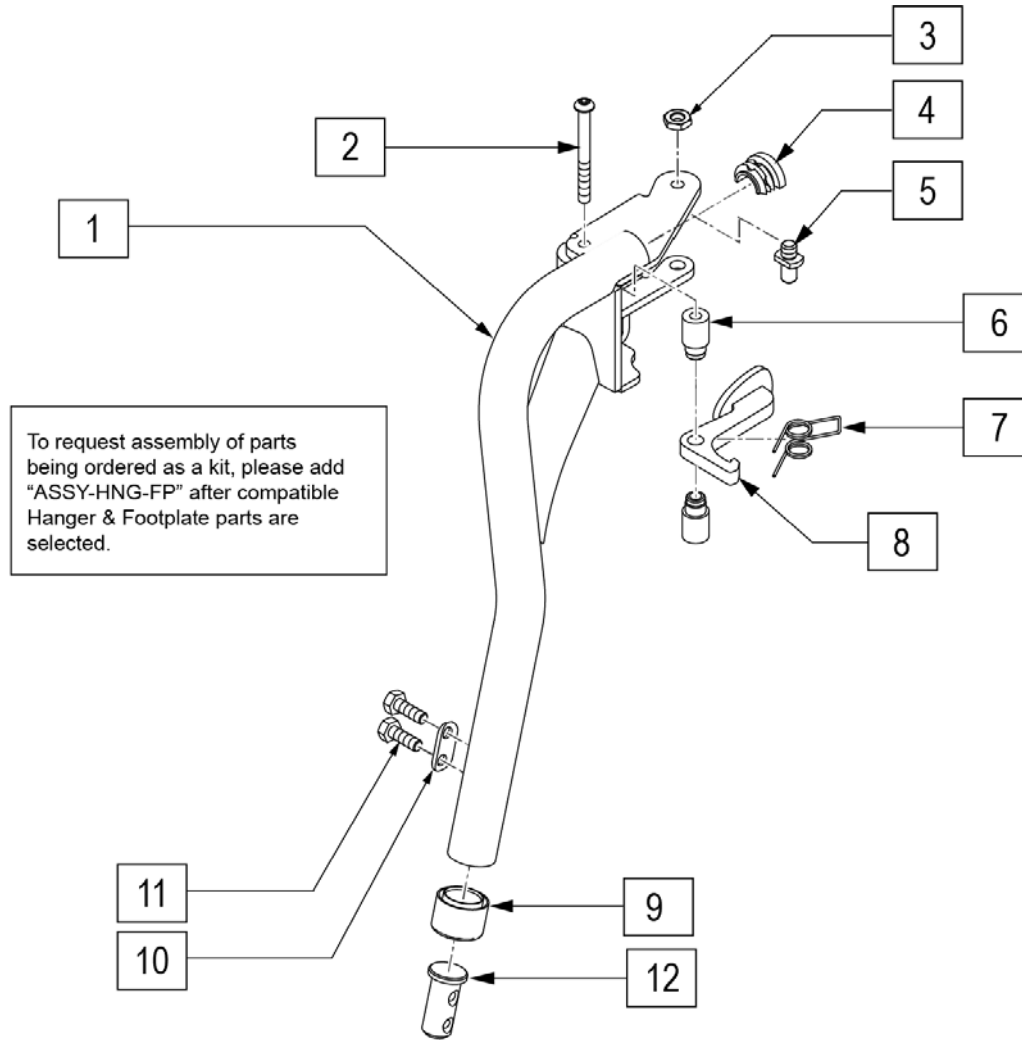
Pos.	Item Number	Description	Remarks
12B	500658	ADULT ANGL ADJ F/PLT 12/13	Right; 12"-13" wide
12B	500659	ADULT ANGL ADJ F/PLT 12/13	Left; 12"-13" wide
12C	500660	ADULT ANGL ADJ F/PLT 14/15	Right; 14"-15" wide
12C	500661	ADULT ANGL ADJ F/PLT 14/15	Left; 14"-15" wide
12D	500662	ADULT ANGL ADJ F/PLT 16/17	Right; 16"-17" wide
12D	500663	ADULT ANGL ADJ F/PLT 16/17	Left; 16"-17" wide
12E	500664	ADULT ANGL ADJ F/PLT 18-20	Right; 18"-22" wide
12E	500665	ADULT ANGL ADJ F/PLT 18-20	Left; 18"-22" wide
13	107383	WASHER FLAT M6 ROHS	
14	102268-001	HHCS M6 X 1 X 25	
15	740260	TOE-ANKLE STRAP ADJ ADULT FOOTPLATE	
16	102268-001	HHCS M6 X 1 X 25	
17	132626	NUT AUTOMATION M6 X 1	
18	107383	WASHER FLAT M6 ROHS	
20	118198	HHCS M6X1X40 PART NP	
21	561004	Q2 SADDLE	
22	106943	WASHER FLAT AN 1/4 ROHS	
24	106945	WASHER FLAT SAE 1/4 ROHS	
16-24	129764	AAA FRNT MNT ADAPTER KIT PR	Pair; fits both Kids & Adult Angle Adj Footplates
1,8-10,11A,12A,13,14	129765	AAA F/PLT KIT 10-11 RT	Right; used w/ 129764 on Plunger-Style Swing In/Out Hangers
1,8-10,11A,12A,13,14	129766	AAA F/PLT KIT 10-11 LFT	Left; used w/ 129764 on Plunger-Style Swing In/Out Hangers
1,8-10,11A,12B,13,14	129767	AAA F/PLT KIT 12-13 RT	Right; used w/ 129764 on Plunger-Style Swing In/Out Hangers
1,8-10,11A,12B,13,14	129768	AAA F/PLT KIT 12-13 LFT	Left; used w/ 129764 on Plunger-Style Swing In/Out Hangers
1,8-10,11B,12C,13,14	129769	AAA F/PLT KIT 14-15 RT	Right; used w/ 129764 on Plunger-Style Swing In/Out Hangers
1,8-10,11B,12C,13,14	129770	AAA F/PLT KIT 14-15 LFT	Left; used w/ 129764 on Plunger-Style Swing In/Out Hangers
1,8-10,11C,12D,13,14	129771	AAA F/PLT KIT 16-17 RT	Right; used w/ 129764 on Plunger-Style Swing In/Out Hangers
1,8-10,11C,12D,13,14	129772	AAA F/PLT KIT 16-17 LFT	Left; used w/ 129764 on Plunger-Style Swing In/Out Hangers
1,8-10,11D,12E,13,14	129773	AAA F/PLT KIT 18-20 RT	Right; used w/ 129764 on Plunger-Style Swing In/Out Hangers
1,8-10,11D,12E,13,14	129774	AAA F/PLT KIT 18-20 LFT	Left; used w/ 129764 on Plunger-Style Swing In/Out Hangers
1-10,11A,12B	111514	AAA FTPLT 90D 12/13" R	Right; used w/ Old-Style Latch Block Swing In/Out & S/A Hngrs
1-10,11A,12B	111515	AAA FTPLT 90D 12/13" L	Left; used w/ Old-Style Latch Block Swing IO & S/A Hngrs
1-10,11B,12C	111516	AAA FTPLT 90D 14/15" R	Right; used w/ Old-Style Latch Block Swing In/Out & S/A Hngrs
1-10,11B,12C	111517	AAA FTPLT 90D 14/15" L	Left; used w/ Old-Style Latch Block Swing IO & S/A Hngrs
1-10,11C,12D	111518	AAA FTPLT 90D 16/17" R	Right; used w/ Old-Style Latch Block Swing In/Out & S/A Hngrs
1-10,11C,12D	111519	AAA FTPLT 90D 16/17" L	Left; used w/ Old-Style Latch Block Swing IO & S/A Hngrs
1-10,11D,12E	111520	AAA FTPLT 90D 18/20" R	Right; used w/ Old-Style Latch Block Swing In/Out & S/A Hngrs
1-10,11D,12E	111521	AAA FTPLT 90D 18/20" L	Left; used w/ Old-Style Latch Block Swing IO & S/A Hngrs
		Ship assembled part #	Use with multiple assemblies
	ASSY-HNG-FP	HANGER/FOOTPLATE ASSY REQUIRED	add with Hanger & Footplate kit

Note: if switching from a Fixed Center Mount Footrest to Swing Away Hangers on a Pulse with a Captains Seat, order 2 each of 122712 (LAT HANGER WELDMNT W/HARDWARE) to mount the Hanger Receivers to the chair. Please see SWING AWAY HANGER RECEIVER page.

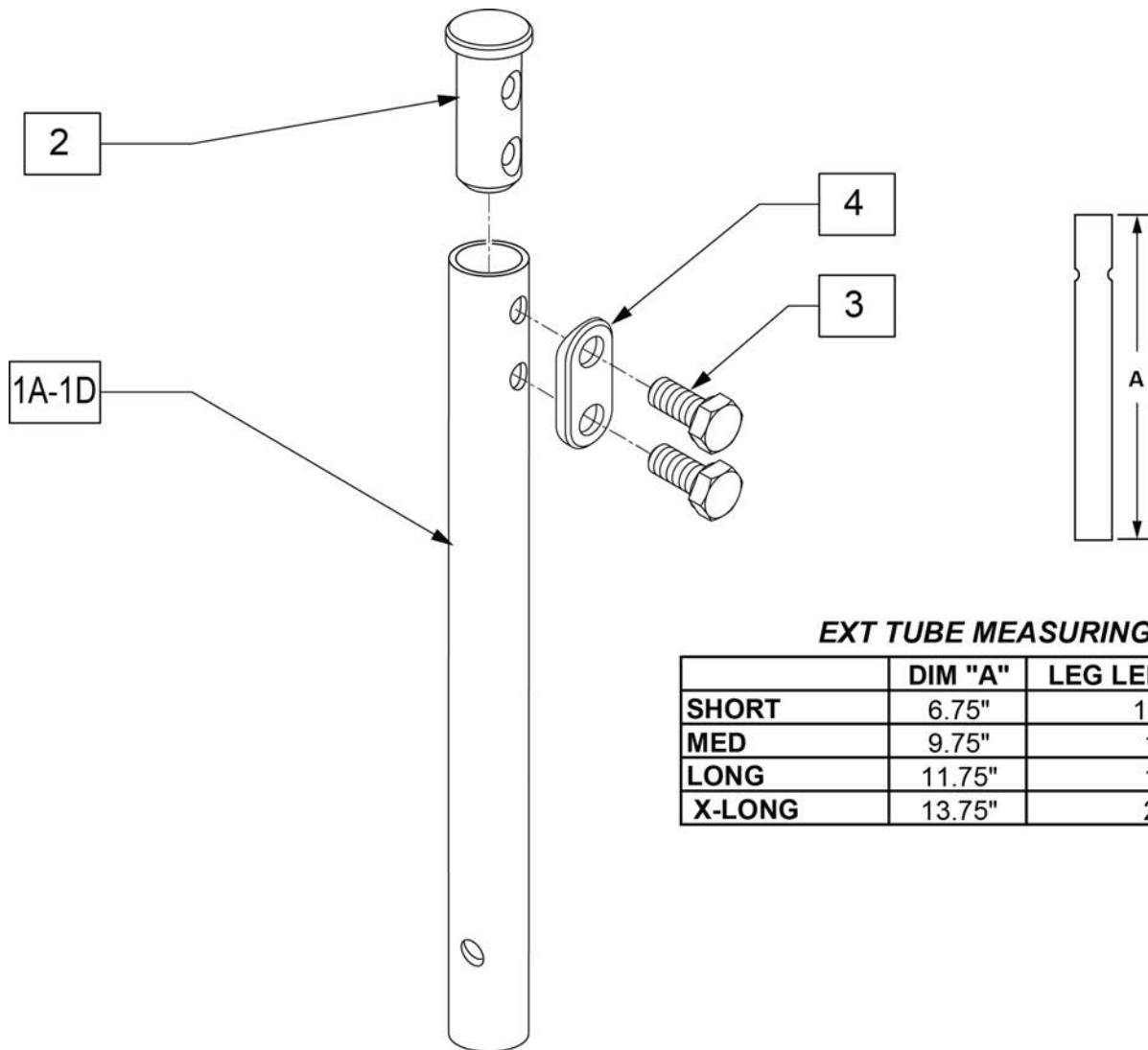


Pos.	Item Number	Description	Remarks
2	013216	SCREW M6 X 60 SKT BTN BLK	
3	013036	M8 X 1.25 JAM NUT HEX	
4	013312	HALF CAP INSERT	
5	108778	PIVOT PIN, POWER	
6	013217	SPACER S/A HANGER LATCH	
7	013163	SPRING LATCH S/A HANGER	
8	013160	LATCH ARM S/A HANGER	
9	561082	1" TUBE END BUSHING THIN	
10	483717	HANGER SADDLE	
11	234891	M6 X 20 HEX C/S	
12	013369	TUBE IN EXT TB S/A HNGR EXT	
1B-9	115167	S/A HANGER ASSM 70D R	70 degree - Right
1B-9	115168	S/A HANGER ASSM 70D L	70 degree - Left
1A-9	014450	S/A HANGER ASSM 65D R	65 degree - Right
1A-9	014451	S/A HANGER ASSM 65D L	65 degree - Left
		Ship assembled part #	Use with multiple assemblies
	ASSY-HNG-FP	HANGER/FOOTPLATE ASSY REQUIRED	add with Hanger & Footplate kit

Note: if switching from a Fixed Center Mount Footrest to Swing Away Hangers on a Pulse with a Captains Seat, order 2 each of 122712 (LAT HANGER WELDMNT W/HARDWARE) to mount the Hanger Receivers to the chair. Please see SWING AWAY HANGER RECEIVER page.



Pos.	Item Number	Description	Remarks
2	013216	SCREW M6 X 60 SKT BTN BLK	
3	013036	M8 X 1.25 JAM NUT HEX	
4	013312	HALF CAP INSERT	
5	108778	PIVOT PIN, POWER	
6	013217	SPACER S/A HANGER LATCH	
7	013163	SPRING LATCH S/A HANGER	
8	013160	LATCH ARM S/A HANGER	
9	561082	1" TUBE END BUSHING THIN	
10	483717	HANGER SADDLE	
11	234891	M6 X 20 HEX C/S	
12	013369	TUBE IN EXT TB S/A HNGR EXT	
1-9	100189	S/A HNGR ASSY TAPER 75D LH	Left
1-9	100190	S/A HNGR ASSY TAPER 75D RT	Right
		Ship assembled part #	Use with multiple assemblies
	ASSY-HNG-FP	HANGER/FOOTPLATE ASSY REQUIRED	add with Hanger & Footplate kit



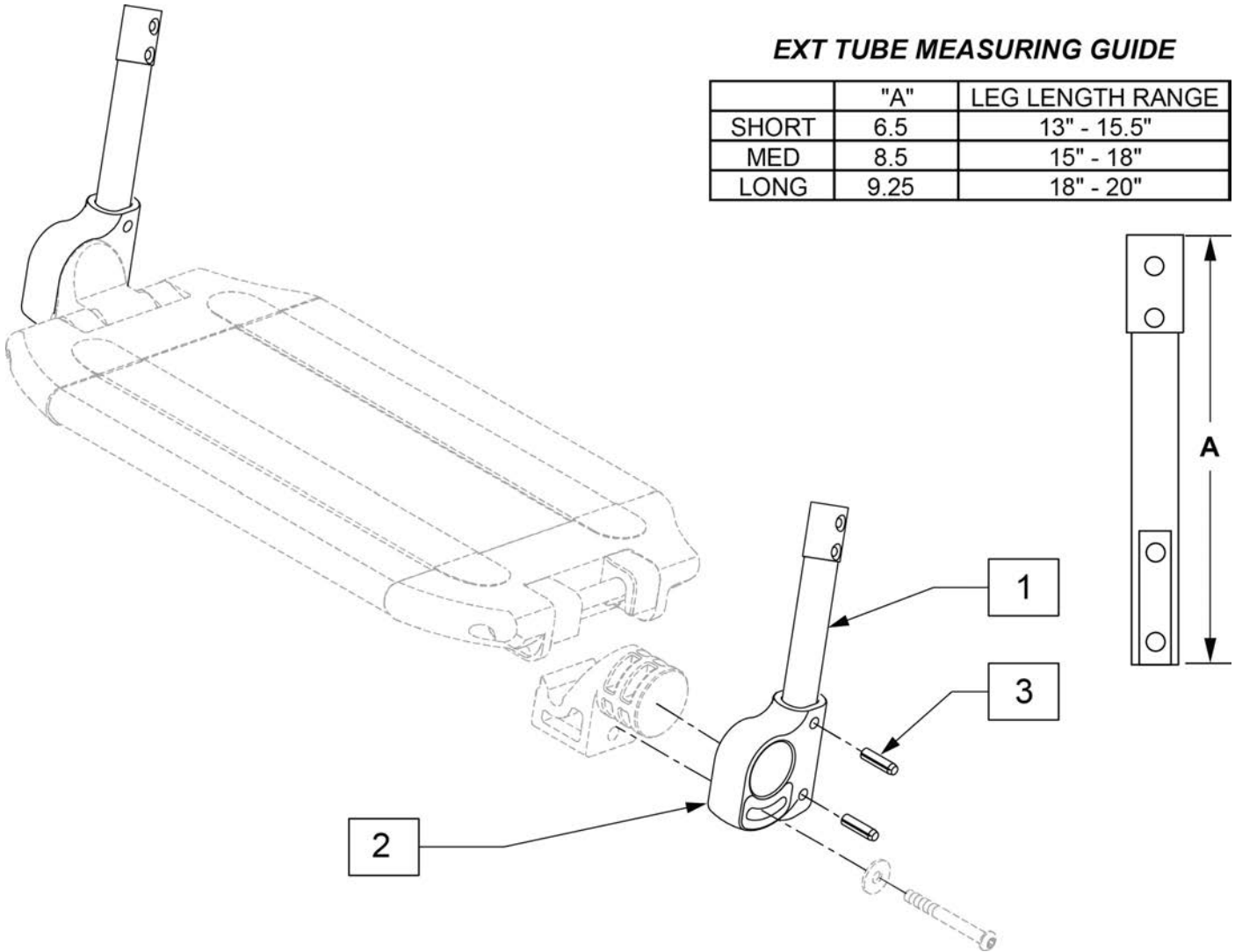
EXT TUBE MEASURING GUIDE

	DIM "A"	LEG LENGTH RANGE
SHORT	6.75"	13"-15.5"
MED	9.75"	15"-18"
LONG	11.75"	18"-20"
X-LONG	13.75"	20"-22"

Pos.	Item Number	Description
1A	013305-001	EXT TUBE SHORT S/A
1B	013305-002	EXT TUBE MED S/A
1C	013305-003	EXT TUBE LONG S/A
1D	013305-004	EXT TUBE X LONG S/A
2	013369	TUBE IN EXT TB S/A HNGR EXT
3	234891	M6 X 20 HEX C/S
4	483717	HANGER SADDLE
1A,2-4	100191	EXT TBE SHT S/A ASSM RHY/G
1B,2-4	100208	EXT TBE MED S/A ASSM RHY/G
1C,2-4	100211	EXT TBE LNG S/A ASSM RHY/G
1D,2-4	100213	EXT TBE X-LNG S/A ASSM RHY

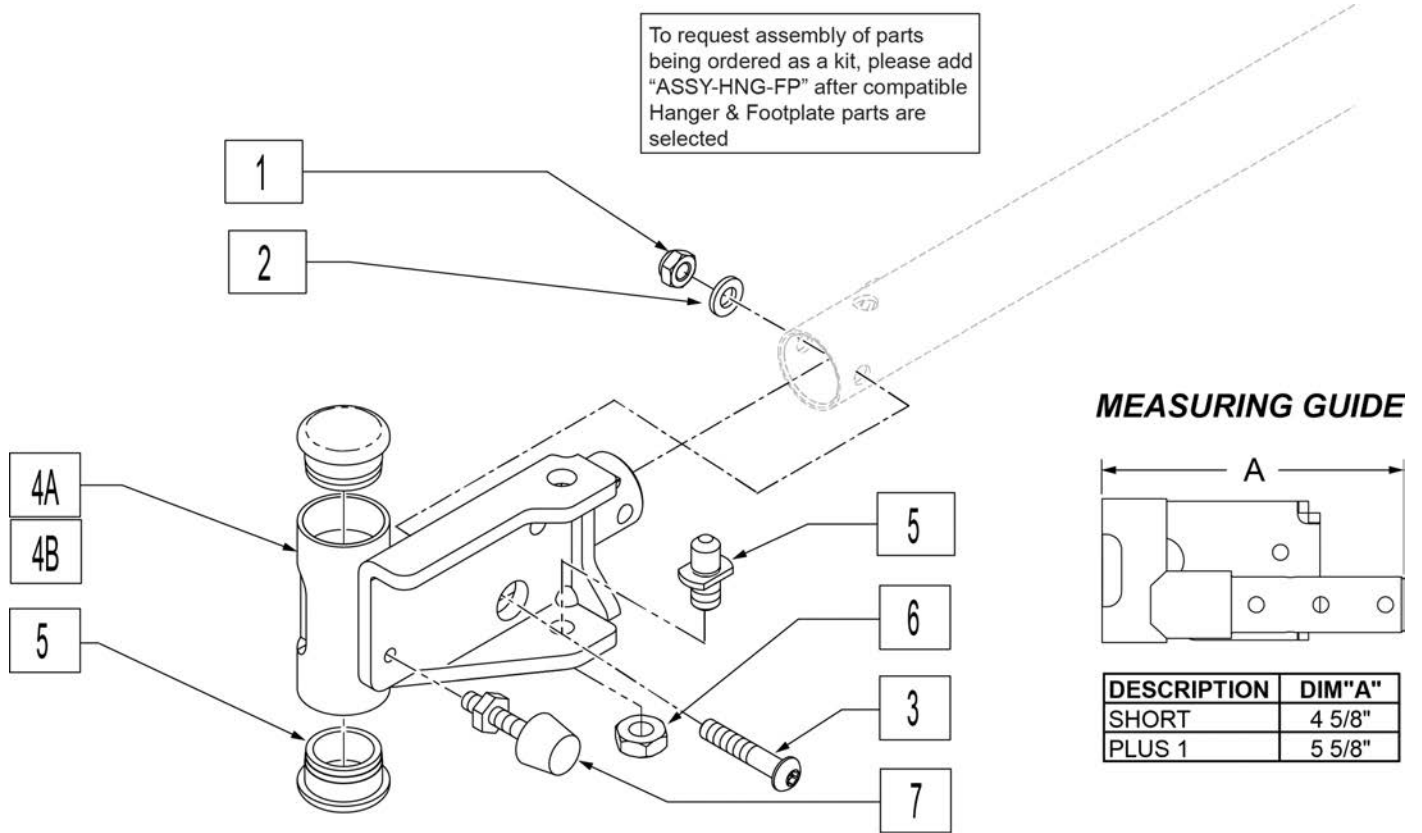
EXT TUBE MEASURING GUIDE

	"A"	LEG LENGTH RANGE
SHORT	6.5	13" - 15.5"
MED	8.5	15" - 18"
LONG	9.25	18" - 20"



Pos.	Item Number	Description	Remarks
2	560024	FOOT YOKE	
3	349583	6 x 25mm GROOVED PIN	
1-3	014054	EXT TBE 1PC LCKNG FT SHT ASSM	PAIR
1-3	014055	EXT TBE 1PC LCKNG FT MED ASSM	PAIR
1-3	014056	EXT TBE 1PC LCKNG FT LNG ASSM	PAIR

Note: Use +1 Receiver when changes to Seat Depth or Seat Width cause interference between Front Caster and Swing Away Hangers.



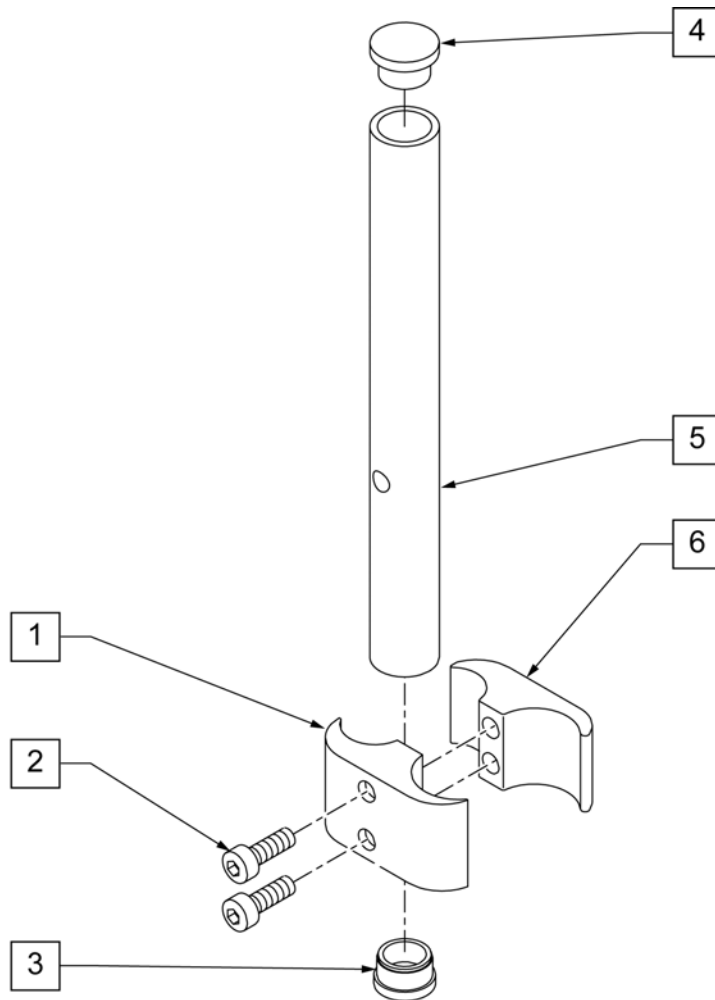
Pos.	Item Number	Description	Remarks
1	210084	NUT HEX NYLOCK M6 BLACK	
2	250104	WASHER FLAT M6	
3	013252	BHCS M6 X 1 X 35 BLK	
5	108778	PIVOT PIN, POWER	
6	013036	M8 NUT JAM THIN	
7	013763	STOP BUMPER	
8	561002	1" INSERT PLUG .083	
1-3,4A,5-8	104780	HANGER RECVR ASSM SH R	Right
1-3,4A,5-8	104781	HANGER RECVR ASSM SH L	Left
1-3,4B,5-8	104784	HANGER RECVR ASSM +1 R	Right
1-3,4B,5-8	104785	HANGER RECVR ASSM +1 L	Left
		Ship assembled part #	Use with multiple assemblies
	ASSY-HNG-FP	HANGER/FOOTPLATE ASSY REQUIRED	add with Hanger & Footplate kit

NOTE: only available with Adult Angle Adjustable (AAA) or Kids Angle Adjustable (KAA) Footplates.

NOTE: if retrofitting to an existing chair with Front Mount Hangers, new Adult Angle Adjustable (AAA) or Kids Angle Adjustable (KAA) Footplates with High Mount Extension Tubes are required. See Footplate Ordering Guide.

NOTE: if retrofitting to an existing chair with extension tube mounted hangers (D2 extension tubes) with Adult Angle Adjustable (AAA) or Kids Angle Adjustable (KAA) Footplates, order 2 each of 226167 and 561055 to mount the footplates onto the round high-mount extension tubes.

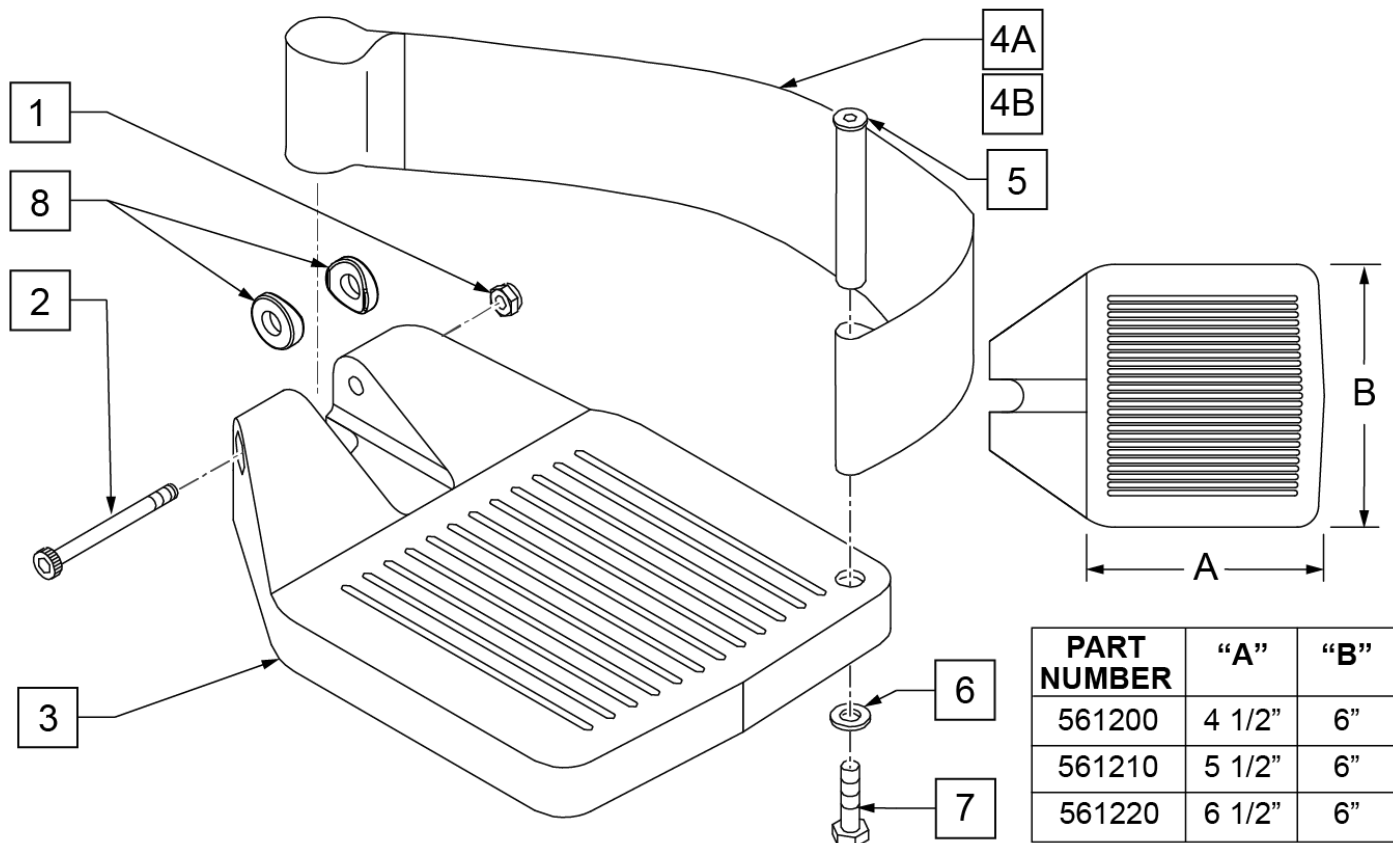
NOTE: if retrofitting on a chair with extension tube mounted hangers with Composite, Composite Angle Adjustable, Foam, Locking Angle Adjustable, Platform Flip-Up, or Platform Flip-Up Locking Footplates, then new Adult Angle Adjustable (AAA) or Kids Angle Adjustable (KAA) Footplates with High Mount Extension Tubes are required. See Footplate Ordering Guide.



Pos.	Item Number	Description	Remarks
1	550657	CLAMP 1 1/4" RECESS FULL BLK	
2	107032	SHCS 1/4-28 X 1 ROHS	
3	561000-QU	3/4" INSERT PLUG .083	
4	482016	HIGH-MOUNT FL FT TUBE PLUG	
5	524100	H/M FL FT EXT TUBE BLK	
6	550658	CLAMP 1 1/4" THREADED BLK	
1,2,6	880538	HI-MOUNT FR CLAMP ASSEMBLY BLK	
1-6	921550S	H/M FL FT CLAMPS AND TUBES (PR)	Pair

To have complete Footrest ship assembled, choose compatible Hanger + Footplate part numbers and add "ASSY-HNG-FP" to order

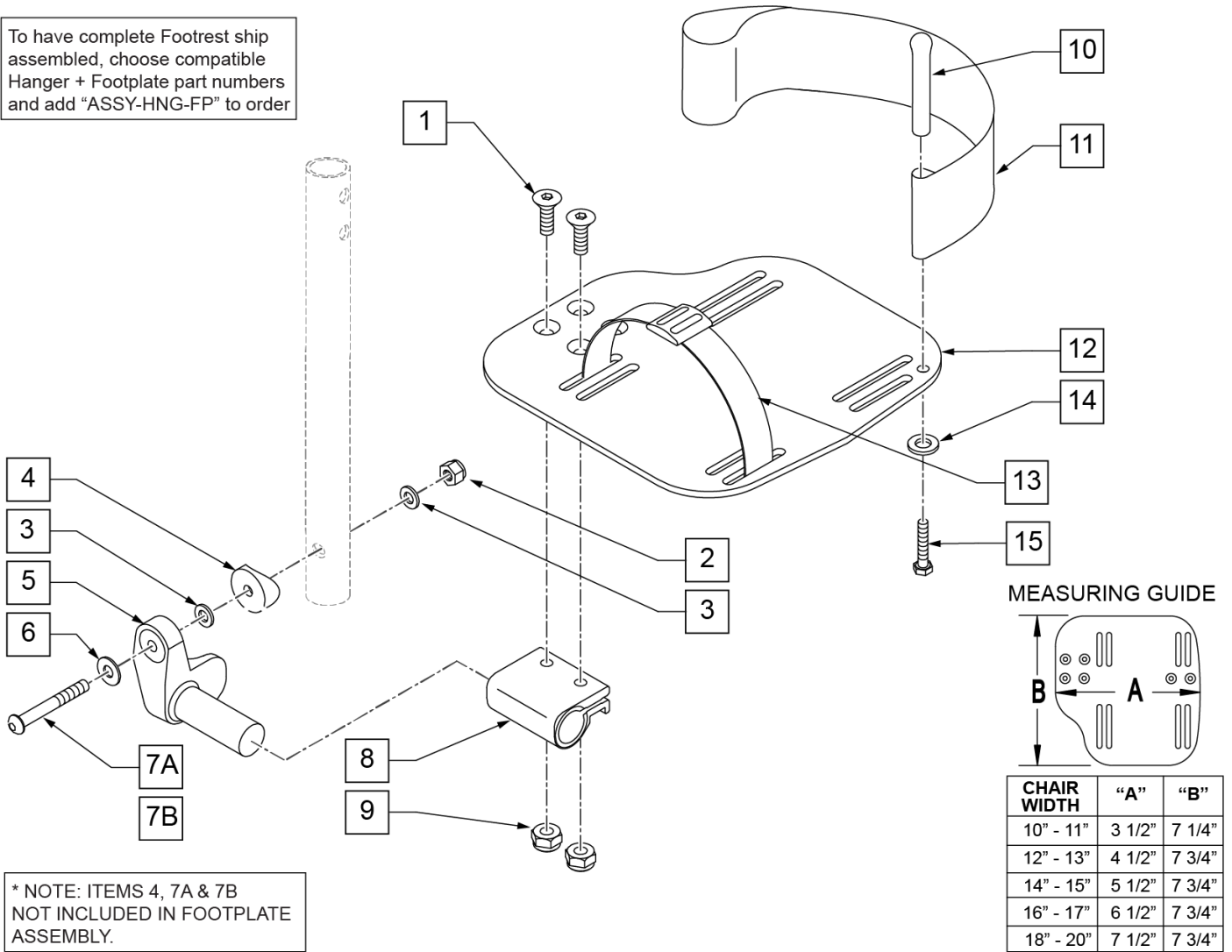
INSET FORMULA
 0" Inset (Seat Width) = Footrest Width
 1" Inset (Seat Width) -2" = Footrest Width
 "V" Hanger (Seat Width) -4" = Footrest Width
 Offset Hanger Receiver (Seat Width) +2" = Footrest Width



Pos.	Item Number	Description	Remarks
1	106935	1/4 - 28 NYLOCK NUT	
2	226165	1/4 - 28 x 2 1/2 SOC C/S	
3	561200	COMPOSITE FOOTPLATE 14 -15 (16 -18 V)	14 -15 OR 16 -18V
3	561210	COMPOSITE FOOTPLATE 16 -17 (19 -20 V)	16 -17 OR 19 -20V
3	561220	COMPOSITE FOOTPLATE 18 -20	18 -20
4A	741151	HEEL LOOP 14-15 COMPOSITE (14 -15 or 16 -18V)	14 -15 OR 16 -18V
4A	741156	HEEL LOOP 16 -17 or 19 -20V	16 -17 OR 19 -20V
4A	741153	HEEL LOOP 18 -20 COMPOSITE/14-15 ANG ADJ	18 -20
4A	902270	HEEL LOOP COMPOSITE FT 14-15	PAIR 14 -15 OR 16 -18V
4A	902271	HEEL LOOP COMPOSITE FT 16-17	PAIR 16 -17 OR 19 -20V
4A	902272	HEEL LOOP COMPOSITE FT 18-20	PAIR 18 -20
4B	741154	HEEL LOOP 14-15 COMPOSITE HEMI	14 -15 HEMI
4B	741155	HEEL LOOP 16-17 COMPOSITE HEMI	16 -17 HEMI
4B	741153	HEEL LOOP 18-20 COMPOSITE HEMI	18 -10 HEMI
4B	902260	HEEL LOOPS HEMI COMPOSITE 14-15	PAIR 14 -15 HEMI
4B	902261	HEEL LOOPS HEMI COMPOSITE 16-17	PAIR 16 -17 HEMI
4B	902262	HEEL LOOPS HEMI COMPOSITE 18-20	PAIR 18 -20 HEMI
5	561040	HEEL LOOP PEG	
6	106944	1/4 AN WASHER FLAT THIN	
7	106958	HHCS 1/4-20 X 1 ROHS	

Pos.	Item Number	Description	Remarks
8	561003	3/4" SADDLE THIN	USED W/ ROUND EXT TUBES ONLY
1-3	921180	COMPOSITE FOOTPLATE ASSM 14-15	RIGHT (14 -15 OR 16 -18V) W/O HEEL LOOP
1-3	921181	COMPOSITE FOOTPLATE ASSM 14-15	LEFT (14 -15 OR 16 -18V) W/O HEEL LOOP
1-3	921182	COMPOSITE FOOTPLATE ASSM 16-17	RIGHT (16 -17 OR 19 -20V) W/O HEEL LOOP
1-3	921183	COMPOSITE FOOTPLATE ASSM 16-17	LEFT (16 -17 OR 19 -20V) W/O HEEL LOOP
1-3	921184	COMPOSITE FOOTPLATE ASSM 18-20	RIGHT (18 -20) W/O HEEL LOOP
1-3	921185	COMPOSITE FOOTPLATE ASSM 18-20	LEFT (18 -20) W/O HEEL LOOP
1-3	921151	COMPOSITE FOOTPLATE ASSM 14-15/16-18V	PAIR (14 -15 OR 16 -18V) W/O HEEL LOOP
1-3	921152	COMPOSITE FOOTPLATE ASSM 16-17/19-20V	PAIR (16 -17 OR 19 -20V) W/O HEEL LOOP
1-3	921153	COMPOSITE FOOTPLATE ASSM 18-20	PAIR (18 -20) W/O HEEL LOOP
1,2,3A,4-7	921190	COMPOSITE FOOTPLATE ASSM HL LP 14-15	RIGHT (14 -15 OR 16 -18V) W/ HEEL LOOP
1,2,3A,4-7	921191	COMPOSITE FOOTPLATE ASSM HL LP 14-15	LEFT (14 -15 OR 16 -18V) W/ HEEL LOOP
1,2,3A,4-7	921192	COMPOSITE FOOTPLATE ASSM HL LP 16-17	RIGHT (16 -17 OR 19 -20V) W/ HEEL LOOP
1,2,3A,4-7	921193	COMPOSITE FOOTPLATE ASSM HL LP 16-17	LEFT (16 -17 OR 19 -20V) W/ HEEL LOOP
1,2,3A,4-7	921194	COMPOSITE FOOTPLATE ASSM HL LP 18-20	RIGHT (18 -20) W/ HEEL LOOP
1,2,3A,4-7	921195	COMPOSITE FOOTPLATE ASSM HL LP 18-20	LEFT (18 -20) W/ HEEL LOOP
1,2,3A,4-7	921161	COMPOSITE FOOTPLATE ASSM HL 14-15/16-18V	PAIR (14 -15 OR 16 -18V) W/ HEEL LOOP
1,2,3A,4-7	921162	COMPOSITE FOOTPLATE ASSM HL 16-17/19-20V	PAIR (16 -17 OR 19 -20V) W/ HEEL LOOP
1,2,3A,4-7	921163	COMPOSITE FOOTPLATE ASSM HL 18-20	PAIR (18 -20) W/ HEEL LOOP
1,2,3B,4-7	921140	COMPOSITE FOOTPLATE ASSM HEMI HL LP 14-15	RIGHT (14 -15) W/ HEEL LOOP
1,2,3B,4-7	921141	COMPOSITE FOOTPLATE ASSM HEMI HL LP 14-15	LEFT (14 -15) W/ HEEL LOOP
1,2,3B,4-7	921142	COMPOSITE FOOTPLATE ASSM HEMI HL LP 16-17	RIGHT (16 -17) W/ HEEL LOOP
1,2,3B,4-7	921143	COMPOSITE FOOTPLATE ASSM HEMI HL LP 16-17	LEFT (16 -17) W/ HEEL LOOP
1,2,3B,4-7	921144	COMPOSITE FOOTPLATE ASSM HEMI HL LP 18-20	RIGHT (18 -20) W/ HEEL LOOP
1,2,3B,4-7	921145	COMPOSITE FOOTPLATE ASSM HEMI HL LP 18-20	LEFT (18 -20) W/ HEEL LOOP
1,2,3B,4-7	921167	COMPOSITE FOOTPLATE ASSM HEMI HL LPS 14-15	PAIR (14 -15) W/ HEEL LOOP
1,2,3B,4-7	921168	COMPOSITE FOOTPLATE ASSM HEMI HL LPS 16-17	PAIR (16 -17) W/ HEEL LOOP
1,2,3B,4-7	921169	COMPOSITE FOOTPLATE ASSM HEMI HL LPS 18-20	PAIR (18 -20) W/ HEEL LOOP
		Ship assembled part #	Use with multiple assemblies
	ASSY-HNG-FP	HANGER/FOOTPLATE ASSY REQUIRED	add with Hanger & Footplate kit

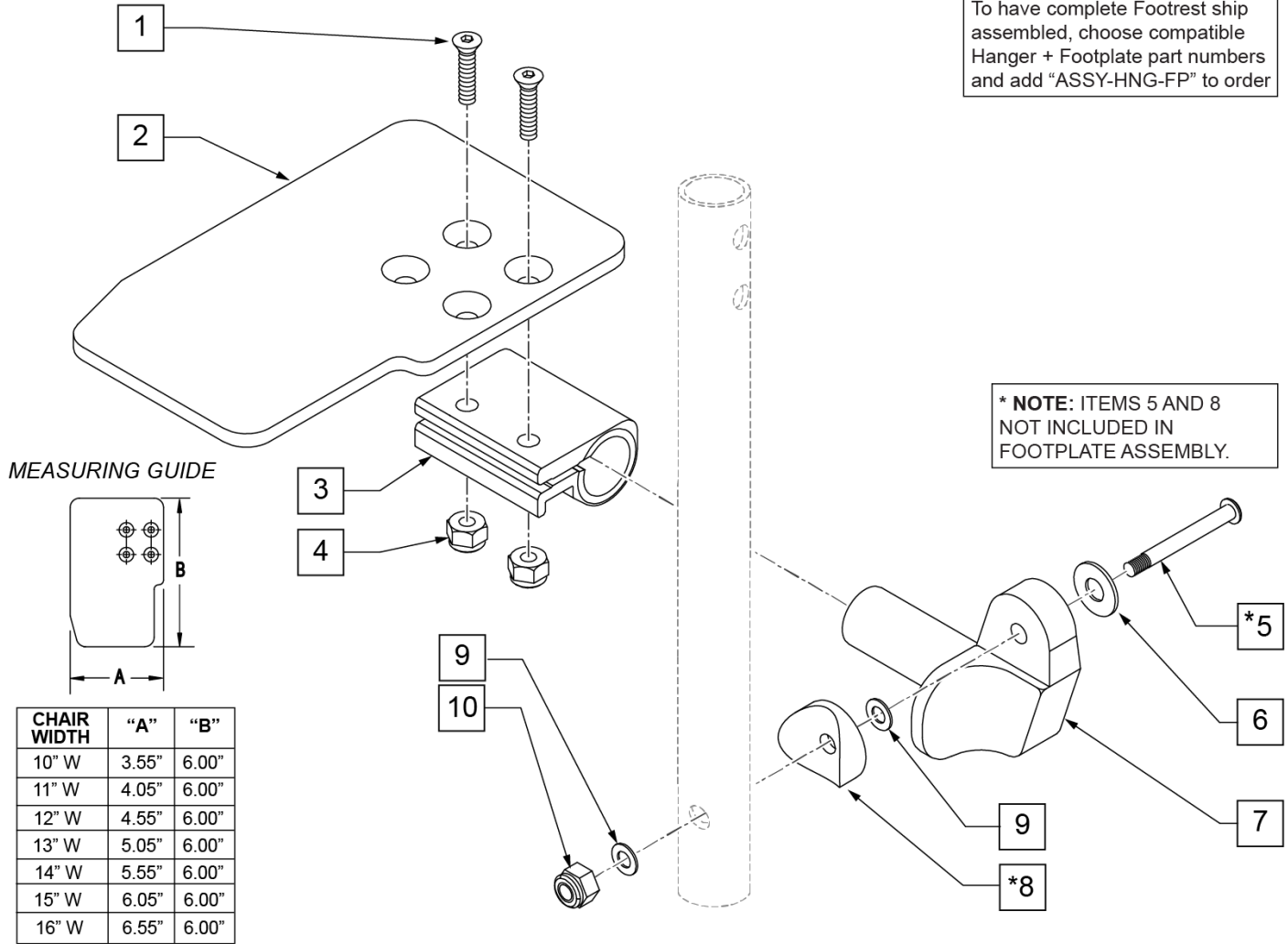
To have complete Footrest ship assembled, choose compatible Hanger + Footplate part numbers and add "ASSY-HNG-FP" to order



Pos.	Item Number	Description	Remarks
1	106978	FHCS 1/4 -28 x 7/8	
2	106941	1/4-28 AUTOMATION NUT	
3	106944	1/4 AN WASHER FLAT THIN	
4	561055	3/4" SADDLE 1" OD	
5	541002	FTRST MOUNTING BRKT-3/8 RAD R	
5	541003	FTRST MOUNTING BRKT-3/8 RAD L	
6	106945	1/4 SAE WASHER	
7A	106962	BHCS 1/4 -28 x 1 3/4 ROHS	For Manual ELRs only
7B	226167	1/4-28 x 1.625 BH C/S BLK (ROUND EXTENSION TUBES)	
8	550350	3/4" CLMP ADJ FT PLT	
9	106935	NUT NYLOCK THIN 1/4-28 ROHS	
10	561040	HEEL LOOP PEG	
11	741153	H/L 18-20 CMPST/14-15 ANG ADJ	
11	741253	HEEL LOOP ADLT ADJ F/PLT 18-20	
12	500660	ADLT ANGL ADJ F/PLT 14/15" R	
12	500661	ADLT ANGL ADJ F/PLT 14/15" L	
12	500662	ADLT ANGL ADJ F/PLT 16/17" R	
12	500663	ADLT ANGL ADJ F/PLT 16/17" L	

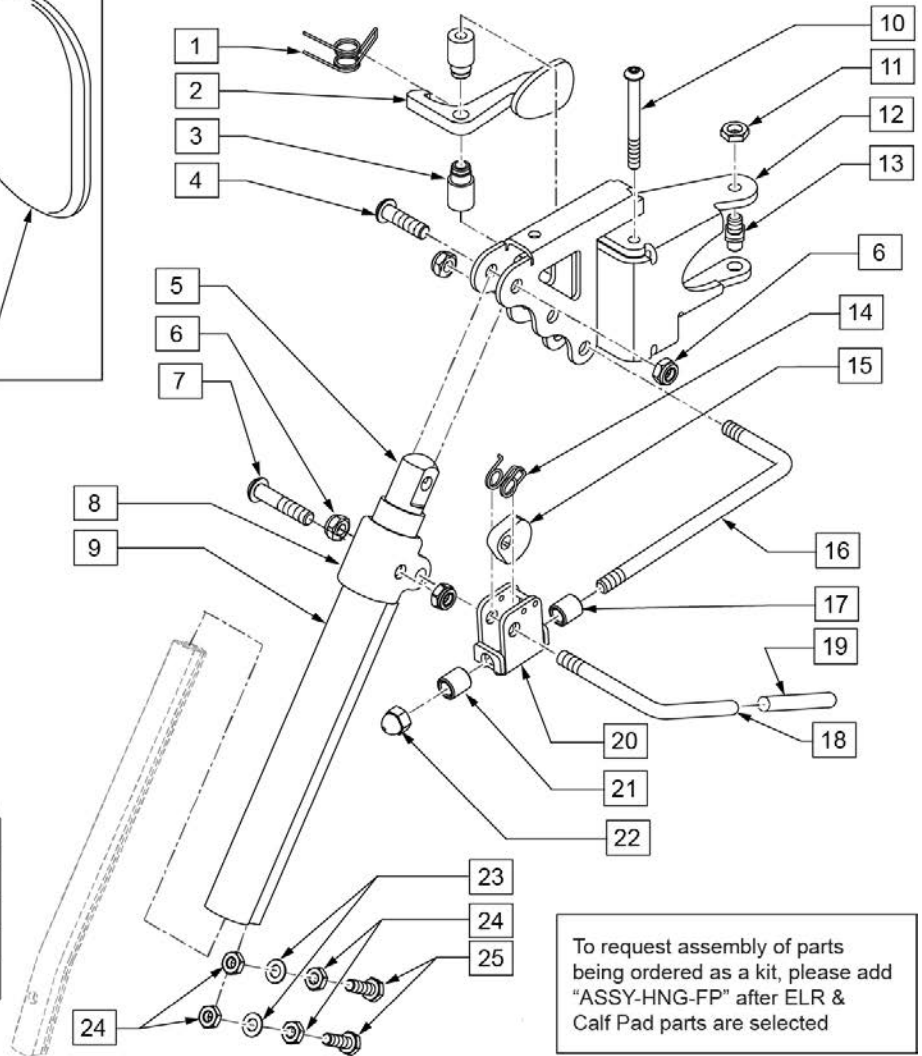
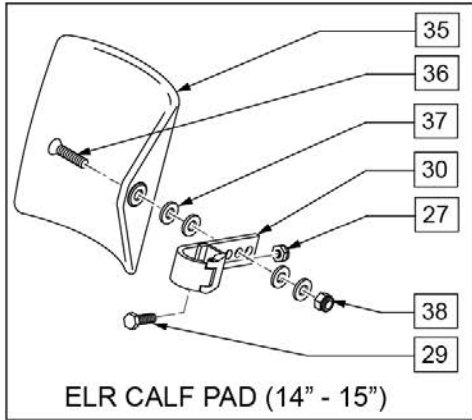
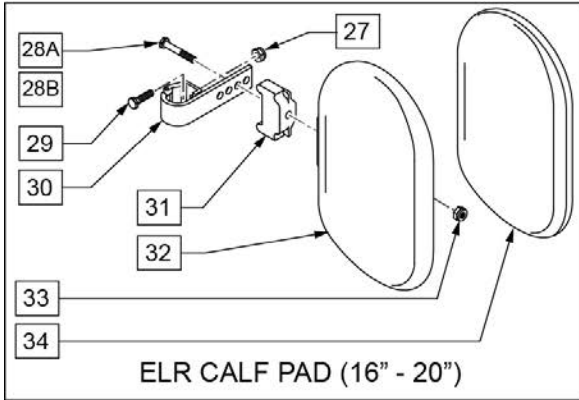
Pos.	Item Number	Description	Remarks
12	500664	ADLT ANGL ADJ F/PLT 18-20" R	
12	500665	ADLT ANGL ADJ F/PLT 18-20" L	
13	740260	TOE/ANKLE STRAP ADJ ADLT F/PLT	
14	106944	1/4 AN WASHER FLAT THIN	
15	106958	1/4-20 x 1 HEX C/S	
1-3,5,6,8,9,12	820460	FP ADLT ADJ 14/15 R	
1-3,5,6,8,9,12	820462	FP ADLT ADJ 14/15 L	
1-3,5,6,8,9,12	820464	FP ADLT ADJ 16/17 R	
1-3,5,6,8,9,12	820466	FP ADLT ADJ 16/17 L	
1-3,5,6,8,9,12	820468	FP ADLT ADJ 18-20 R	
1-3,5,6,8,9,12	820470	FP ADLT ADJ 18-20 L	
1-3,5,6,8,9,12	921320	FP ADLT ADJ 14/15	Pair
1-3,5,6,8,9,12	921322	FP ADLT ADJ 16/17	Pair
1-3,5,6,8,9,12	921324	FP ADLT ADJ 18-20	Pair
1-3,5,6,8-12,14,15	820461	FP ADLT ADJ 14/15 R HL	
1-3,5,6,8-12,14,15	820463	FP ADLT ADJ 14/15 L HL	
1-3,5,6,8-12,14,15	820465	FP ADLT ADJ 16/17 R HL	
1-3,5,6,8-12,14,15	820467	FP ADLT ADJ 16/17 L HL	
1-3,5,6,8-12,14,15	820469	FP ADLT ADJ 18-20 R HL	
1-3,5,6,8-12,14,15	820471	FP ADLT ADJ 18-20 L HL	
1-3,5,6,8-12,14,15	921321	FP ADLT ADJ 14/15 HL	Pair
1-3,5,6,8-12,14,15	921323	FP ADLT ADJ 16/17 HL	Pair
1-3,5,6,8-12,14,15	921325	FP ADLT ADJ 18-20 HL	Pair
1-3,7,9-10,14-15	101533	ADLT ANG ADJ FP D2 HDWR KIT	Kit for one side
1-4,7B,9,10,14-15	101534	ADLT ANG ADJ FP RND HDWR KIT	Kit for one side
		Ship assembled part #	Use with multiple assemblies
	ASSY-HNG-FP	HANGER/FOOTPLATE ASSY REQUIRED	add with Hanger & Footplate kit

To have complete Footrest ship assembled, choose compatible Hanger + Footplate part numbers and add "ASSY-HNG-FP" to order



Pos.	Item Number	Description	Remarks
1	106978	1/4-28 X 7/8 FH C/S	
2	500635	KIDS ANGL ADJ F/PLT 10" R	
2	500636	KIDS ANGL ADJ F/PLT 10" L	
2	500637	KIDS ANGL ADJ F/PLT 11" R	
2	500638	KIDS ANGL ADJ F/PLT 11" L	
2	500639	KIDS ANGL ADJ F/PLT 12" R	
2	500640	KIDS ANGL ADJ F/PLT 12" L	
2	500641	KIDS ANGL ADJ F/PLT 13" R	
2	500642	KIDS ANGL ADJ F/PLT 13" L	
2	500643	KIDS ANGL ADJ F/PLT 14" R	
2	500644	KIDS ANGL ADJ F/PLT 14" L	
2	500645	KIDS ANGL ADJ F/PLT 15" R	
2	500646	KIDS ANGL ADJ F/PLT 15" L	
2	500647	KIDS ANGL ADJ F/PLT 16" R	
2	500648	KIDS ANGL ADJ F/PLT 16" L	
3	550350	3/4" CLAMP ADJ FOOTPLATE	
4	106935	NUT NYLOCK THIN 1/4-28 ROHS	
5	106962	1/4-28 x 1 3/4 BH C/S BLK ZN (D2 EXTENSION TUBES)	For manual ELRs only
5	226167	1/4-28 x 1.625 BH C/S BLK (ROUND EXTENSION TUBES)	

Pos.	Item Number	Description	Remarks
6	106945	1/4 SAE WASHER	
7A	541002	FTRST MOUNTING BRKT-3/8 RAD R	
7B	541003	FTRST MOUNTING BRKT-3/8 RAD L	
8	561055	3/4" SADDLE 1" OD	
9	106944	1/4 AN WASHER FLAT THIN	
10	106941	1/4-28 AUTOMATION NUT	
1-4,6,7,9,10	828850	KIDS ANG ADJ F/PLT EXT-MNT 10"R	
1-4,6,7,9,10	828851	KIDS ANG ADJ F/PLT EXT-MNT 10"L	
1-4,6,7,9,10	828852	KIDS ANG ADJ F/PLT EXT-MNT 11"R	
1-4,6,7,9,10	828853	KIDS ANG ADJ F/PLT EXT-MNT 11"L	
1-4,6,7,9,10	828854	KIDS ANG ADJ F/PLT EXT-MNT 12"R	
1-4,6,7,9,10	828855	KIDS ANG ADJ F/PLT EXT-MNT 12"L	
1-4,6,7,9,10	828856	KIDS ANG ADJ F/PLT EXT-MNT 13"R	
1-4,6,7,9,10	828857	KIDS ANG ADJ F/PLT EXT-MNT 13"L	
1-4,6,7,9,10	828858	KIDS ANG ADJ F/PLT EXT-MNT 14"R	
1-4,6,7,9,10	828859	KIDS ANG ADJ F/PLT EXT-MNT 14"L	
1-4,6,7,9,10	828860	KIDS ANG ADJ F/PLT EXT-MNT 15"R	
1-4,6,7,9,10	828861	KIDS ANG ADJ F/PLT EXT-MNT 15"L	
1-4,6,7,9,10	828862	KIDS ANG ADJ F/PLT EXT-MNT 16"R	
1-4,6,7,9,10	828863	KIDS ANG ADJ F/PLT EXT-MNT 16"L	
1-4,6,7,9,10	921280	KIDS ANG ADJ F/PLT EXT-MNT 10"	
1-4,6,7,9,10	921281	KIDS ANG ADJ F/PLT EXT-MNT 11"	
1-4,6,7,9,10	921282	KIDS ANG ADJ F/PLT EXT-MNT 12"	
1-4,6,7,9,10	921283	KIDS ANG ADJ F/PLT EXT-MNT 13"	
1-4,6,7,9,10	921284	KIDS ANG ADJ F/PLT EXT-MNT 14"	
1-4,6,7,9,10	921285	KIDS ANG ADJ F/PLT EXT-MNT 15"	
1-4,6,7,9,10	921286	KIDS ANG ADJ F/PLT EXT-MNT 16"	
		Ship assembled part #	Use with multiple assemblies
	ASSY-HNG-FP	HANGER/FOOTPLATE ASSY REQUIRED	add with Hanger & Footplate kit



To request assembly of parts being ordered as a kit, please add "ASSY-HNG-FP" after ELR & Calf Pad parts are selected

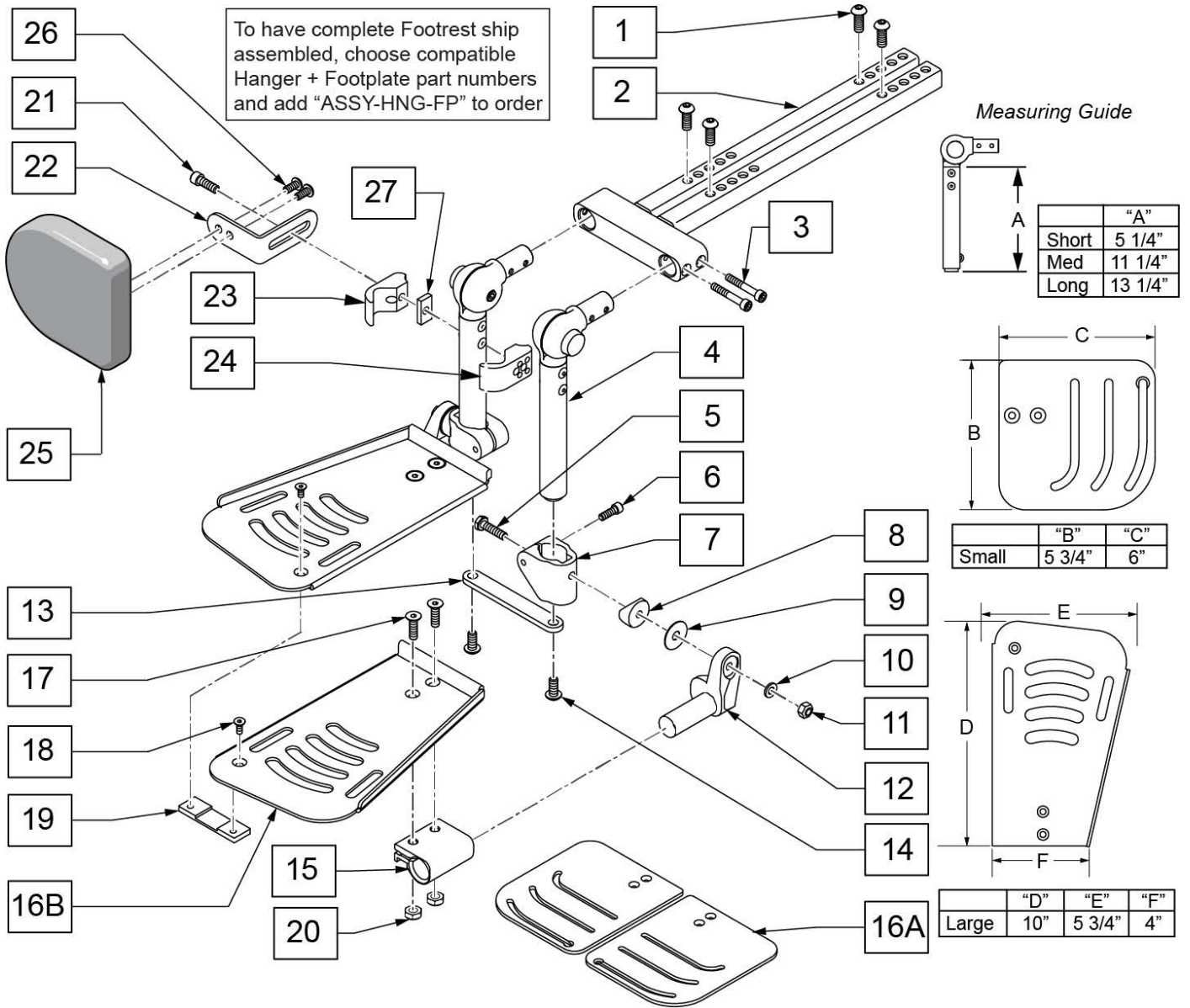
39 ELEVATING LEGREST HARDWARE KIT					
POS #	ILLUSTRATION	DESCRIPTION	QTY	POS #	DESCRIPTION
4		5/16-24 X 1 1/8 BHCS BLK	1	23	1/4 AN WASHER FLAT
6		5/16-24 NYLOCK NUT THIN	4	24	1/4-28 NUT THIN
7		5/16-24 X 1 1/2 BH C/S	1	25	1/4-28 X 5/8 HEX C/S
10		SCREW M6 X 60 SKT BTN BLK	1		

Pos.	Item Number	Description	Remarks
1	013163	SPRING LATCH S/A HANGER	
2	013160	LATCH ARM S/A HANGER	
3	013217	SPACER S/A HANGER LATCH	
4	226343	5/16-24 X 1 1/8 BHCS BLK	
5	540252	ELR PIVOT PRS	
6	106939	5/16-24 NYLOCK NUT THIN	
7	226138	5/16-24 X 1 1/2 BH C/S	
8	560420	ELR UPPER PIVOT PLST	
9	550722S	ELR ADJUSTMENT TUBE	
10	013216	SCREW M6 X 60 SKT BTN BLK	
11	013036	M8 X 1.25 JAM NUT HEX	
13	108778	PIVOT PIN TOP S/A HANGER	
14	321106	ELR TORSION SPRING	
15	481119	ELR CAM LOCKING POWDERED METAL	
16	481242	ELR LOCK ROD S525	
17	014085	ELR ADJ STOP 20D	
18	481122	ELR ACTUATION ARM	
19	561049	ELR RELEASE ROD COVER	
20	880990	ELR LOCK HOUSING W/PIN	

Pos.	Item Number	Description	Remarks
21	560815	HEMI ELR ADJ STOP BACK LG	
22	202109	5/16-24 ACORN NUT HEX	
23	106943	1/4 AN WASHER FLAT	
24	201112	1/4-28 NUT THIN	
25	221096	1/4-28 X 5/8 HEX C/S	
27	106934	1/4-28 NYLOCK NUT	
28A	222242	5/16-18 X 2 1/2 HEX C/S	
28B	107019	HHCS 5/16-18 X 3-1/2 ROHS	(USE W/ ITEM #31)
29	221096	1/4-28 X 5/8 HEX C/S	
30	881413	CALF PAD BRACKET ASSM	
31	560199	ELR CALF HINGE SPACER	used w/ 16-17 wide calf pad
32	560108	CALF PAD MOLDED 16-20"	
33	106936	5/16-18 NYLOCK NUT THICK	
34	751045	CALF PAD COVER NEOPRENE	
35	755014	CALF PAD TROUGH STYLE 14/16	
36	222108	5/16-18 X 1 1/4 BH C/S	
37	561016	1" WASHER 5/16" HOLE"	
38	106937	5/16-18 NYLOCK NUT THIN	
39	101548	ELEVATING LEGREST HDWR KIT	
27,29,30,35-38	881414	CALF PAD J-HOOK 14-15" ASSM	
27,28B,29-34	881416	CALF PAD MOLDED 16-17" ASSM	
27,28A,29,30,32-34	881412	CALF PAD MOLDED 18-20" ASSM	
1-25	101285	RHYTHM/GROOVE ELR HNGR ASSM R	Also fits Pulse & QM-7 Series chairs
1-25	101286	RHYTHM/GROOVE ELR HNGR ASSM L	Also fits Pulse & QM-7 Series chairs
1-8,10-22	101844	ELR HNGR R RHY/GRV W/O TUBE	Also fits Pulse & QM-7 Series chairs
1-8,10-22	101845	ELR HNGR L RHY/GRV W/O TUBE	Also fits Pulse & QM-7 Series chairs
		Ship assembled part #	Use with multiple assemblies
	ASSY-HNG-FP	HANGER/FOOTPLATE ASSY REQUIRED	add with Hanger & Footplate kit

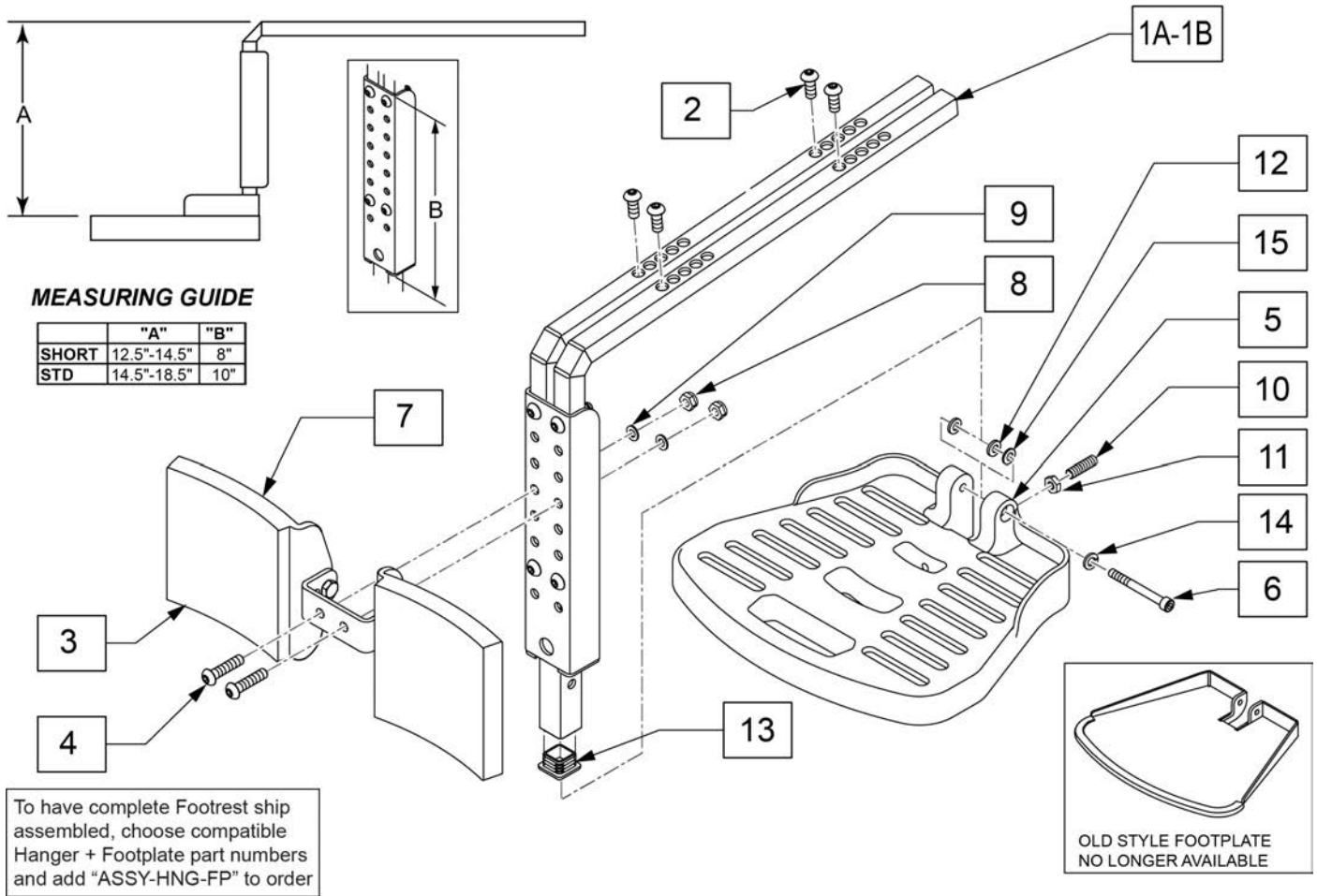
ANGLE ADJUSTABLE CENTER MOUNT FOOTREST

(09/03/2019)

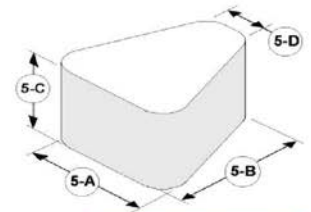
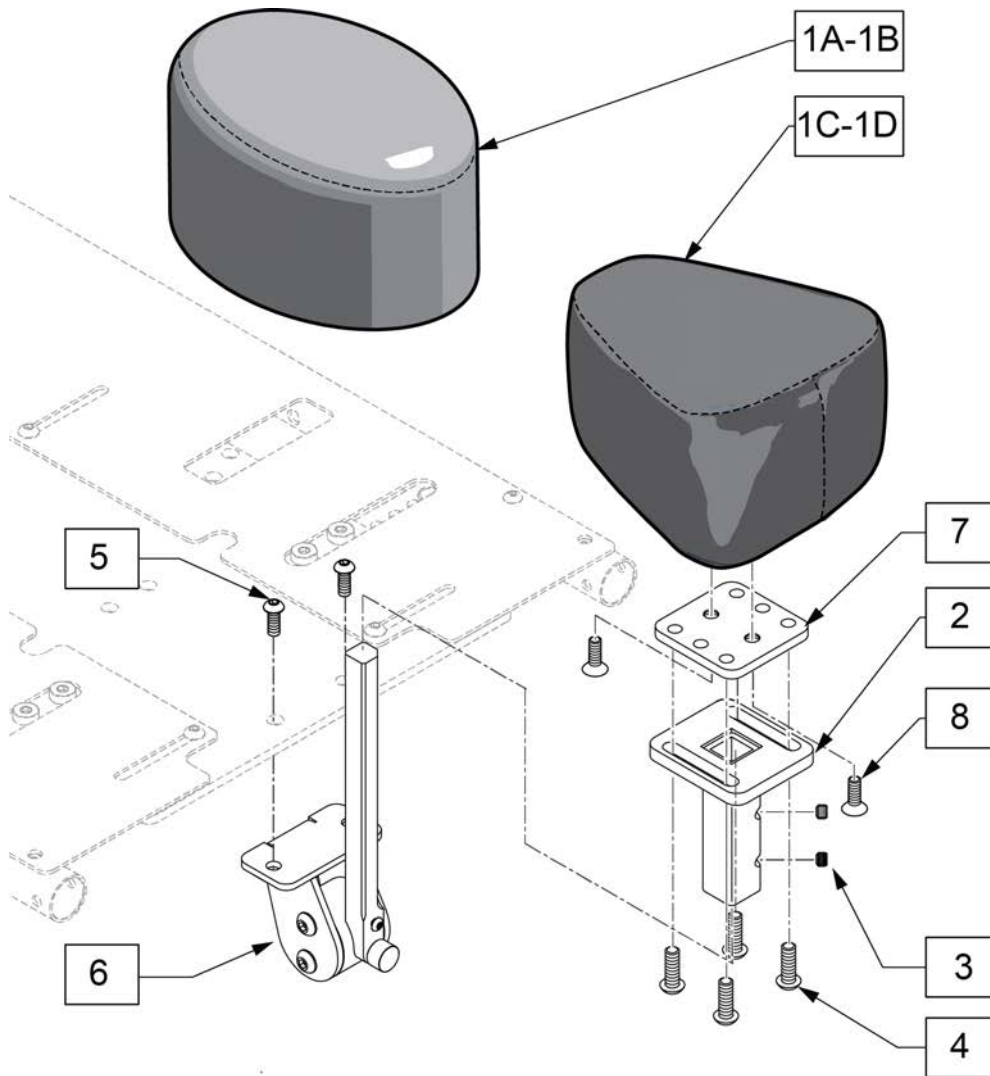


Pos.	Item Number	Description	Remarks
1	013150	BHCS M8 X 1.25 X 20 BLK	
3	113317	SHCS M5X0.8X25 FULL PL	
5	221112	HHCS 1/4-28 X 1"	
6	102263-003	SHCS M6X1X25 FULL PL	
8	561004	1" SADDLE 1/4" HOLE	
9	113268	WASHER NYLON 1IN OD X .312 ID	
10	561028	1/4" NYLON WASHER	
11	106941	NUT AUTOMATION 1/4-28 ROHS	
13	126549	BRACKET	
14	230121	BHCS M8X1.25X20	
4,13,14	129028	VERTICAL ADJ ASSM SHORT	
4,13,14	129029	VERTICAL ADJ ASSM MED	
4,13,14	162446	VERTICAL ADJ ASSM LRG	
5-12	129030	FOOTPLATE CLAMP ASSM RIGHT	
5-12	129031	FOOTPLATE CLAMP ASSM LEFT	

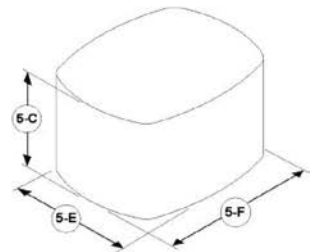
Pos.	Item Number	Description	Remarks
15,16A,17-20	129032	FOOTPLATE CM ADJ SM LFT KIT	
15,16A,17-20	129033	FOOTPLATE CM ADJ SM RT KIT	
15,16B,17-20	129034	FOOTPLATE CM ADJ LRG LFT KIT	
15,16B,17-20	129035	FOOTPLATE CM ADJ LRG RT KIT	
1-14	126691	ANGLE ADJ CM WO FP SHORT	
1-14	126692	ANGLE ADJ CM WO FP MED	
1-14	131392	ANGLE ADJ CM WO FP LONG KIT	
15	550350	3/4" CLMP ADJ FT PLT	
16A	126550	FOOTPLATE ANGLE ADJ CM SM RH	
16A	126551	FOOTPLATE ANGLE ADJ CM SM LH	
16B	245695	ANG ADJ LRG FOOTPLATE - RH	
16B	245696	ANG ADJ LRG FOOTPLATE - LH	
17	106978	FHCS 1/4-28 X 7/8	
18	013450	FHCS M6 X 1 X 10MM W/PCH	
19	125330	NUT PLATE PCM	
20	106935	NUT NYLOCK THIN 1/4-28	
21-27	129041	CALF PAD KIT	One side
		Complete Retro Kits	
1-15,16A,17-27	133073	AACM SHORT SM FP	Complete w/short vertical tube & small footplate
1-15,16A,17-27	135267	AACM MED SM FP	Complete w/med vertical tube & small footplate
1-15,16A,17-27	136496	AACM LONG SM FP	Complete w/long vertical tube & small footplate
1-15,16B,17-27	135266	AACM MED LRG FP	Complete w/med vertical tube & large footplate
1-15,16B,17-27	136495	AACM LONG LRG FP	Complete w/long vertical tube & large footplate
		Ship assembled part #	Use with multiple assemblies
	ASSY-HNG-FP	HANGER/FOOTPLATE ASSY REQUIRED	add with Hanger & Footplate kit



Pos.	Item Number	Description	Remarks
2	n/a	BHCS M8 X 1.25 X 20	AVAILABLE IN ASSM ONLY
4	n/a	BHCS M8 X 1.25 X 35	AVAILABLE IN ASSM ONLY
7	n/a	HHCS M8 X 1.25 X 25	AVAILABLE IN ASSM ONLY
6	n/a	SHCS M8 X 60	AVAILABLE IN ASSM ONLY
8	n/a	M8 NYLOCK NUT	AVAILABLE IN ASSM ONLY
9	n/a	M8 WASHER FLAT	AVAILABLE IN ASSM ONLY
10	n/a	SET SCREW M8 X 1.25 X 60	AVAILABLE IN ASSM ONLY
12	107196	SPACER M8 X 3.18	
13	010615	SQUARE END CAP CNTR LEG SPprt	
14	250106	M8 LOCK WASHER	
3,4,7,8,9	103118	CALF PAD AND HARDWARE	
5,6,10-12,14	101685	QUICKIE FOOTPLATE	
1A,2-14	103135	CENTER MOUNT HANGER ASSY	Long; used with ASAP and Captains Seat
1B,2-14	130309	FIXED CENTERMOUNT SHORT	Short; used with ASAP and Captains Seat

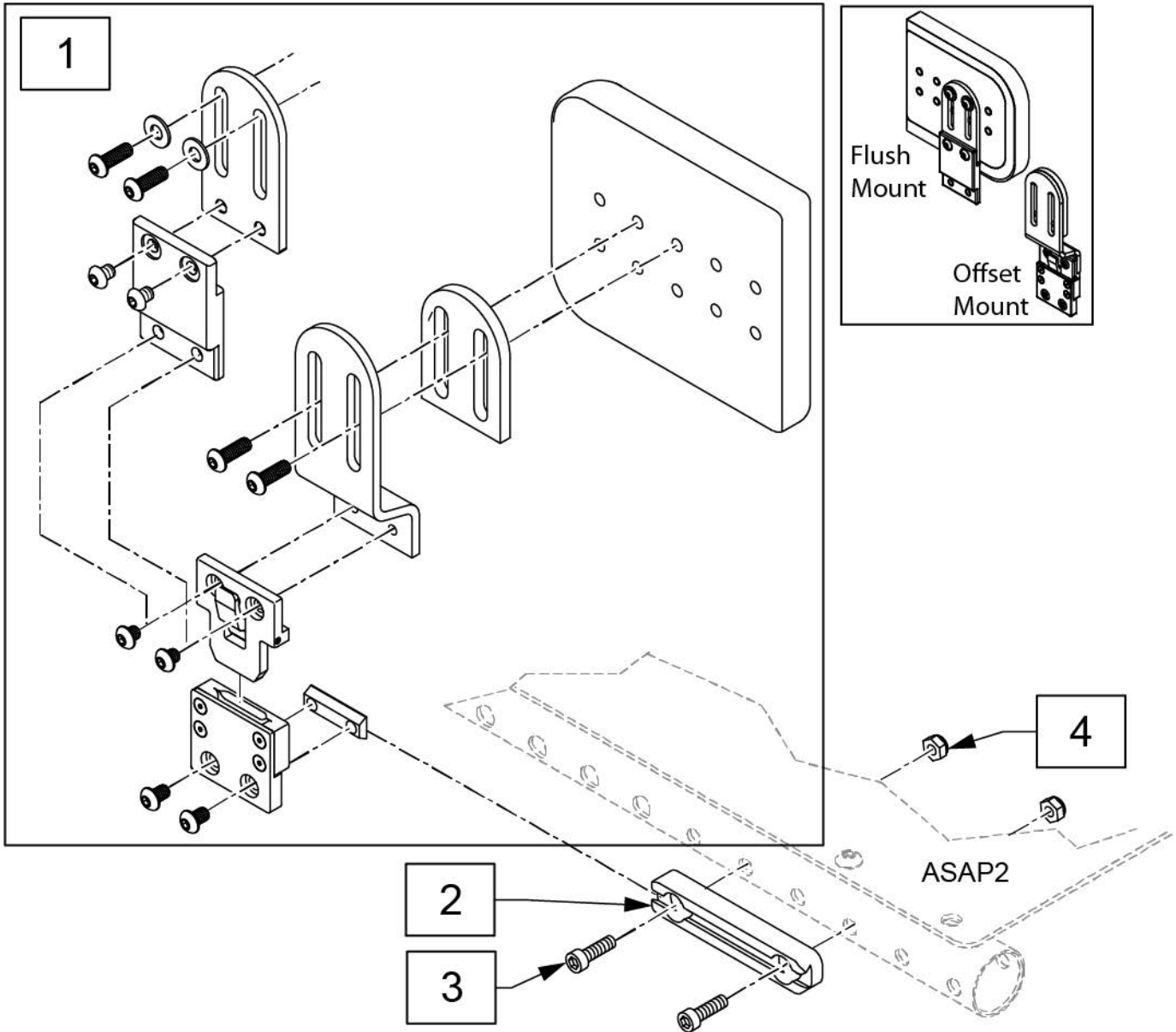


Wedge	5-A	5-B	5-C	5-D
S	3	4	3	2
M	4.5	5	3	2
L	5	5	4	3
Custom	Specify			

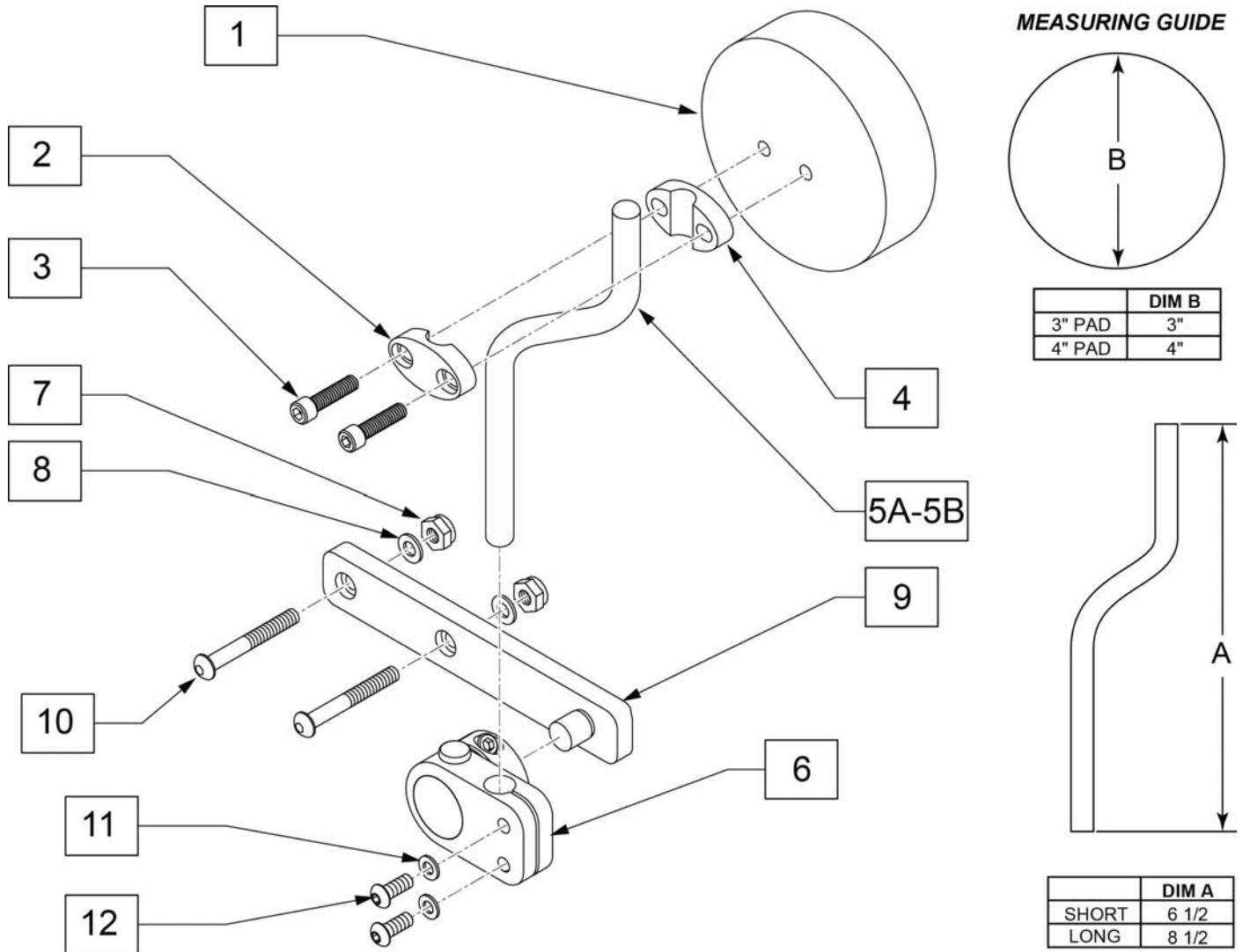


Oval	5-C	5-E	5-F
S	3	3	4
M	3	4.5	5
L	4	5	5
Custom	Specify		

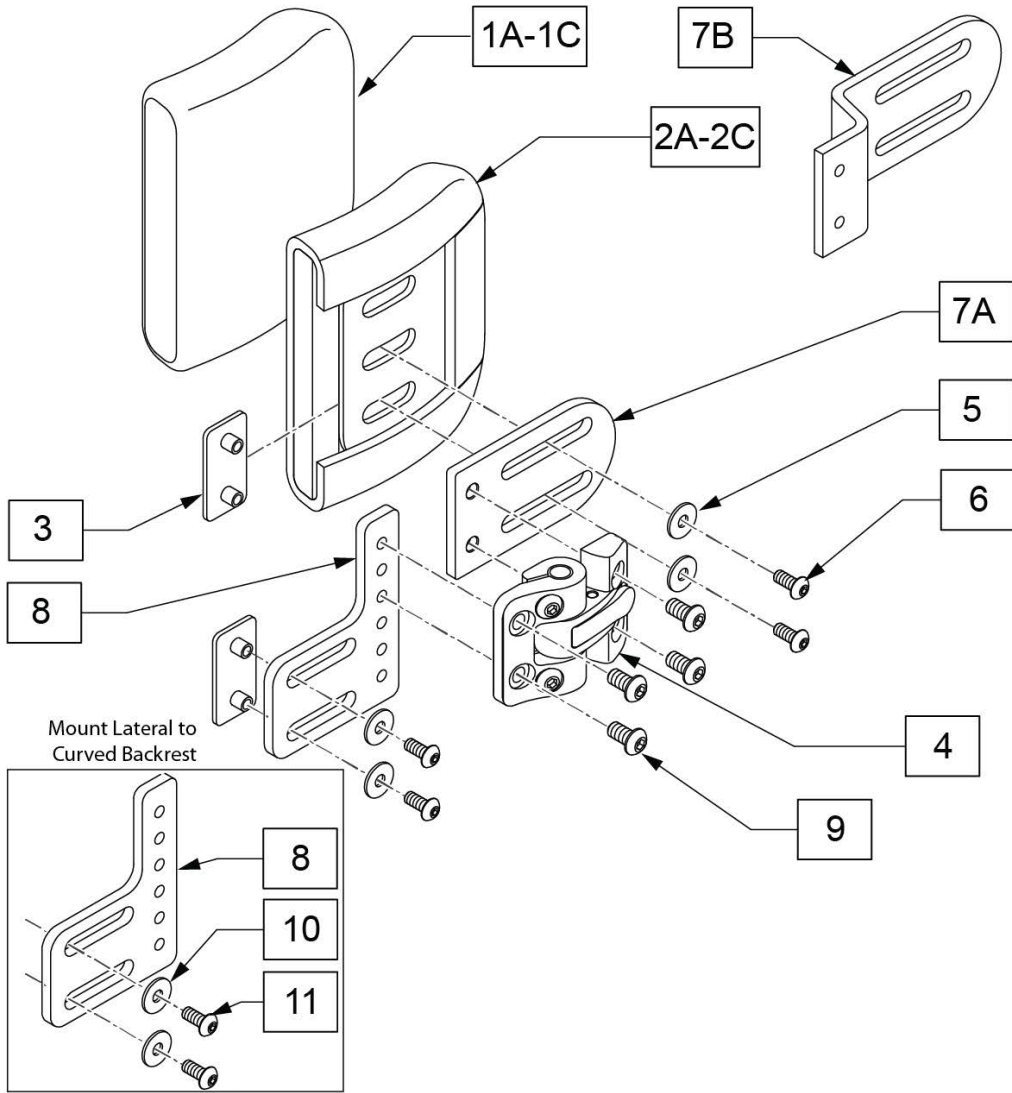
Pos.	Item Number	Description	Remarks
1A	CS-05-3050	MTS PAD OVAL SMALL	Add material/color choice
1A	CS-05-3060	MTS PAD OVAL MEDIUM	Add material/color choice
1B	CS-05-3000	MTS PAD WEDGE SMALL	Add material/color choice
1B	CS-05-3010	MTS PAD WEDGE MEDIUM	Add material/color choice
3	BOLT155	SCREW - SSS (HALF DOG POINT)	
4	PRT9240	1/4-20 X 1/2" BUTTON HEAD CAP	
5	013150	BHCS M8 X 1.25 X 20 BLK	
7	HARD213	PAD PLATE SHORT	
2-4,6-8	126649	MED ABD ASSY	
1A-8	129017	MEDIAL KNEE KIT SM OVAL	
1B-8	129018	MEDIAL KNEE KIT MED OVAL	
1C-8	129019	MEDIAL KNEE KIT SM WEDGE	
1D-8	129020	MEDIAL KNEE KIT MED WEDGE	



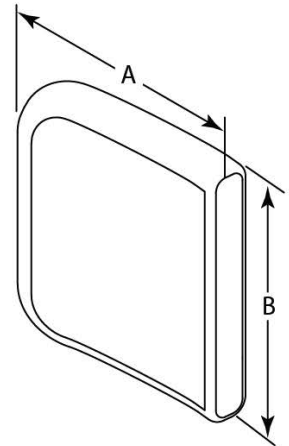
Pos.	Item Number	Description	Remarks
1	128615	CALF/HIP PAD 5x6 ASSY LH/RH	includes parts for Flush & Offset mounting
2	118624	DOVETAIL SEAT RAIL SHT	
3	119272	SHCS, M8 x 1.25 x 40, PF, NP	
4	210085	NUT HEX NYLOCK	



Pos.	Item Number	Description	Remarks
1	KAD10XX	KNEE ADDUCTOR PAD, 3IN ROUND	
2-4	112830	PAD MOUNT KIT KNEE SPPRT ASSM	
5	PRT4858	SHORT ARM SA KNEE	Short: 7"
6	112831	SWING AWAY KNEE SUPPORT R	Right
6	112832	SWING AWAY KNEE SUPPORT L	Left
7	104381	NUT HEX NYLOCK M6 X 1.0	
8	107383	WASHER FLAT M6 ROHS	
9	112867	MOUNT BRKT KNEE SUPPORT STD	
10	102262-007	BHCS M6 X 1 X 45 INORG	
1A-12	125576	KNEE SUP ASSM R SHRT 3 PAD	Right
1A-12	125577	KNEE SUP ASSM L SHRT 3 PAD SHT	Left



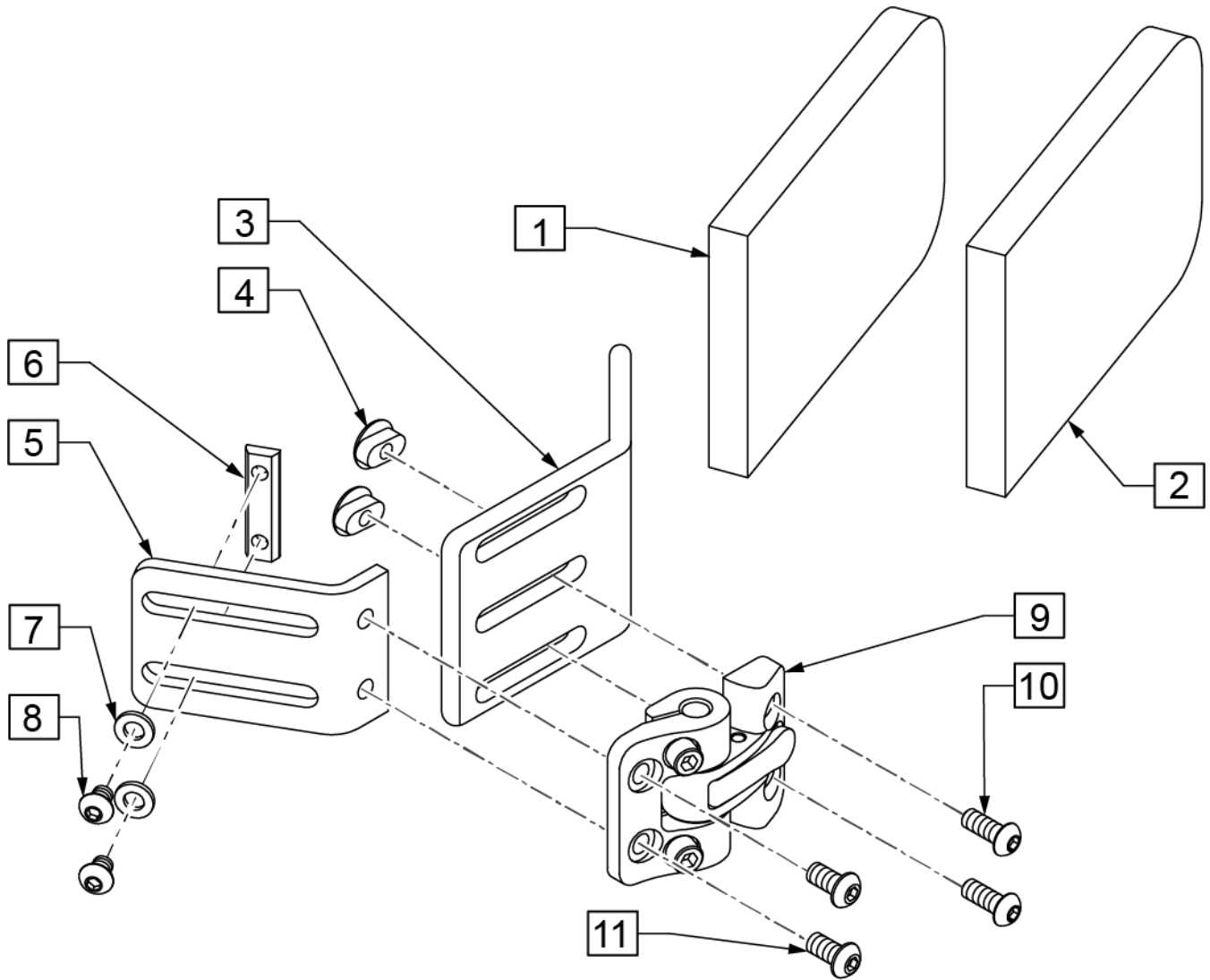
MEASURING GUIDE



DESCRIPTION	DIM A	DIM B
Lateral Cover 4x4	4"	4"
Lateral Cover 4x5	4"	5"
Lateral Cover 4x6	4"	6"
Lateral Base 4x4	4"	4"
Lateral Base 4x5	4"	5"
Lateral Base 4x6	4"	6"

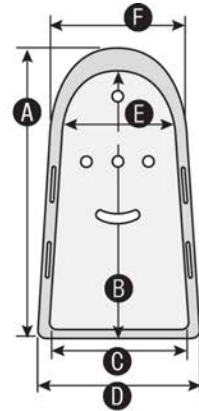
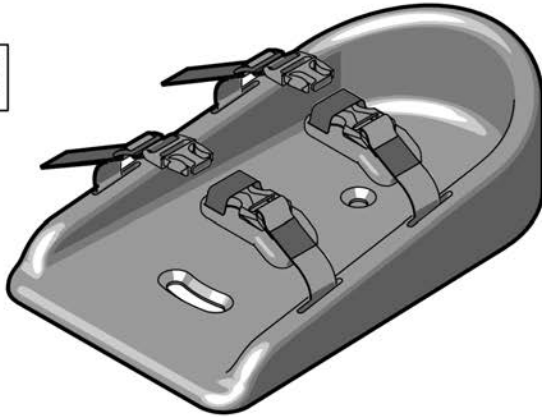
12 J3 S/A LAT HARDWARE KIT			
POS #	ILLUSTRATION	DESCRIPTION	QTY
3		NUT PLATE STEEL	2
5		M5 FLAT WASHER	4
6		BHCS, M5X0.8 X12, FULL, PL	4
9		BHCS 250-20X.50 W/PATCH BLK	4

Pos.	Item Number	Description	Remarks
1A	CJ3LAT4x4P	Lateral Cover 4x4	
1B	CJ3LAT4x5P	Lateral Cover 4x5	
1C	CJ3LAT4x6P	Lateral Cover 4x6	
1A,2A	BJ3LAT4x4P	Lateral Base 4x4	Includes cover
1B,2B	BJ3LAT4x5P	Lateral Base 4x5	Includes cover
1C,2C	BJ3LAT4x6P	Lateral Base 4x6	Includes cover
7B	PRT2630	1" OFF/ONE PC PAD MNT STD	
10	106943	WASHER FLAT AN 1/4	
11	108107	BHCS 1/4-20 X 3/4	
12	118047	J3 S/A-LAT HDW KIT	
3-7A,8,9	118045	J3 LATERAL S-A BRACKET RH	
3-7A,8,9	118046	J3 LATERAL S-A BRACKET LH	
1A,2A,3-6,7B,8	125473	LAT 4X4 S/A MNT W/1" OFFSET PR	Pair
1B,2B,3-6,7B,8	125474	LAT 4X5 S/A MNT W/1" OFFSET PR	Pair
1C,2C,3-6,7B,8	125475	LAT 4X6 S/A MNT W/1" OFFSET PR	Pair



Pos.	Item Number	Description
6	30210-RT	DOUBLE 1/4-20 TRACK SLIDER
7	PRT9310	1/4-20 WASHER SS BO
8	PRT9235	1/4-20 X 3/8 BHCS
10	112346	BHCS,M6X1X16,FULL,PL
11	226154	BHCS 1/4-20 X 1/2 BLK W/ PL
1-5,9-11	129930	SA LAT PED 3X3
6-8,10,11	135239	LAT 3X3 S/A MNT PR

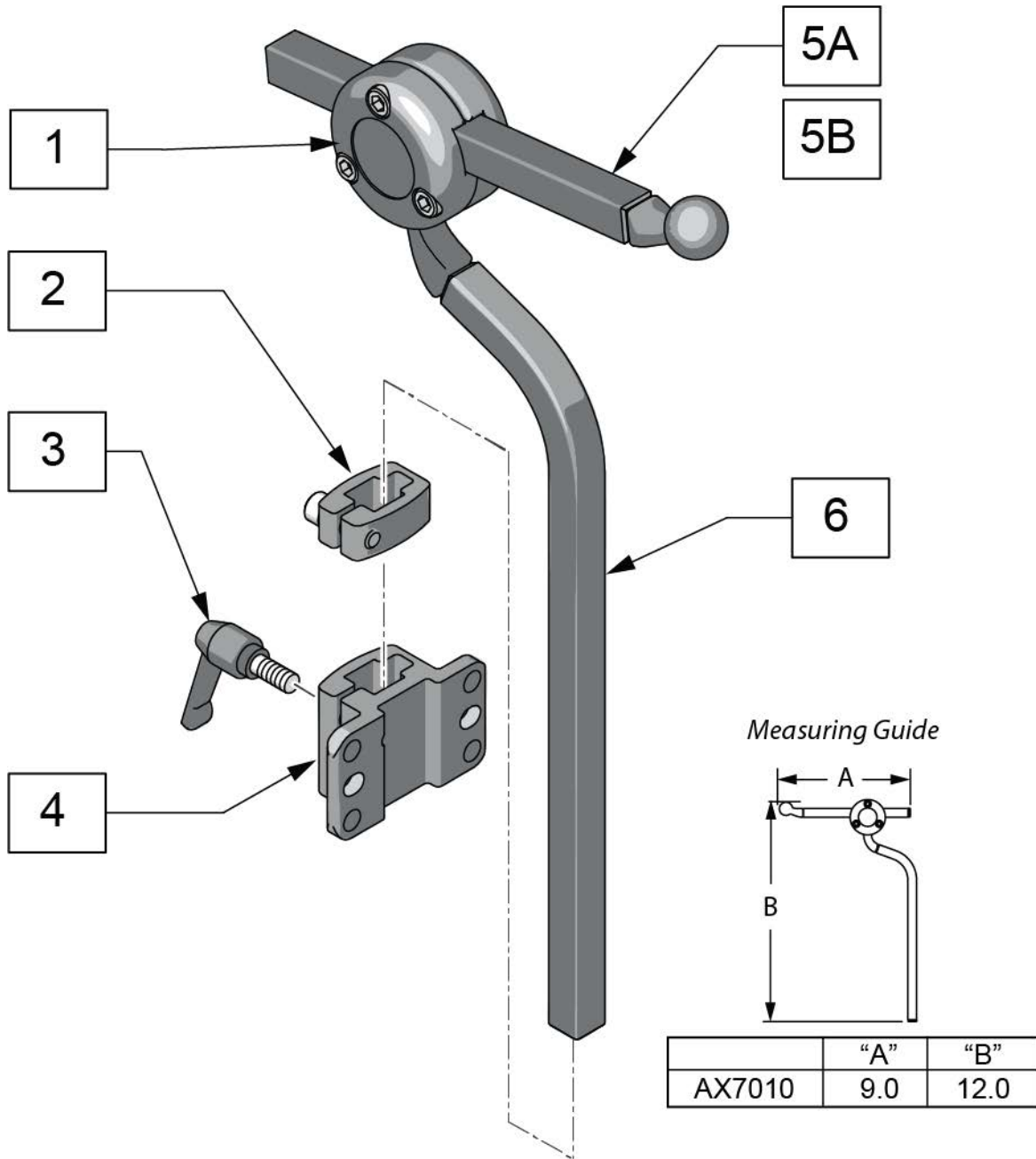
1A-1B



SIZE	DIMENSIONS					
	A	B	C	D	E	F
SMALL	5.75"	5.25"	3.25"	4.375"	3.25"	4.25"
MED	7.75"	7.25"	3.625"	4.75"	3.25"	4.25"
LARGE	9.75"	9.25"	4.5"	5.75"	4"	5.25"
X-LARGE	12.25"	11.75"	6"	7"	5.25"	6.25"

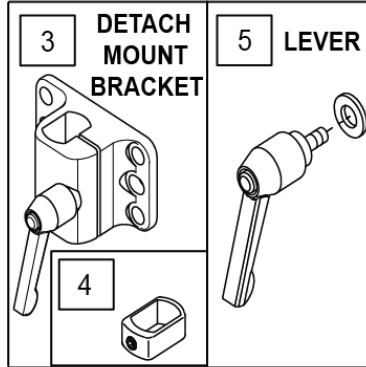
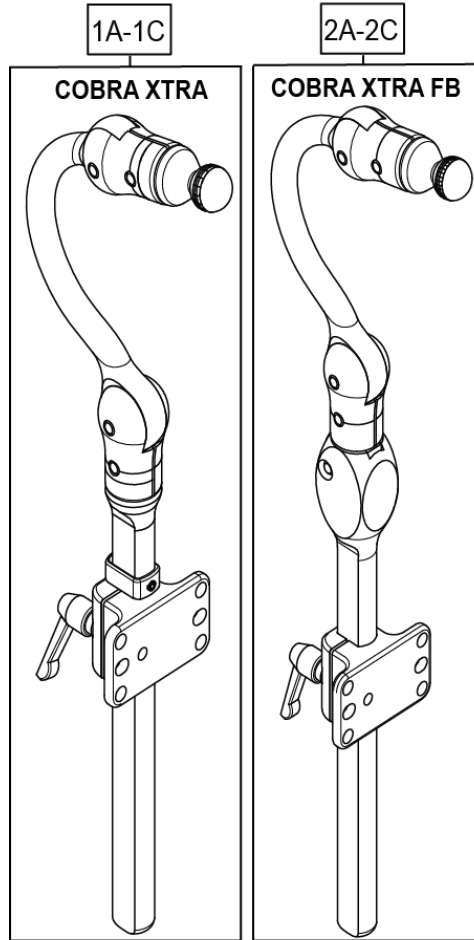
Pos.	Item Number	Description
1A	TST6001	SHOE HOLDER,SMALL,PADDED STRP
1B	TST6101	SHOE HOLDER,MED,PADDED STRAP

Note: if using the Headrest Post on a Quicke Power Chair, please refer to the HEADREST CLAMPS page located in the appropriate power chair parts manual.

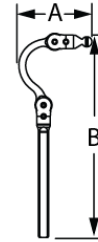


Pos.	Item Number	Description
5A	AX5080	BALLROD AXYS 6" SQUARE BLACK
5B	AX6055	AXYS 12" SQ HORIZ BAR BLK
6	MW070300	AXYS VERT ROD BLK
3,4	115215	J3 BK STD HD RST BRKT KIT
2-4	M2500	AXYS DETACH BRKT
1,5A,6	AX7010	AXYS CORE MOUNT HDWR

Note: if using the Headrest Post on a Quicke Power Chair, please refer to the HEADREST CLAMPS page located in the appropriate power chair parts manual.



Measuring Guide



SIZE	P/N	"A"	"B"
ADULT	CBRA7010	5.0	15.0
	CBRA5010	5.0	15.0
PEDIATRIC	CBRA7030	4.5	11.0
	CBRA5030	4.5	11.0
EARLY INTERVENTION	CBRA7080	4.0	10.0
	CBRA5080	4.0	10.0

6 HARDWARE MOUNT KIT

ILLUSTRATION	DESCRIPTION	QTY
	WASHER 1/4" SAE BLK	2
	BOLT 1/4-20 X 3/4" SHCS BLK NI	2
	BOLT 1/4-20 X 3/8" T-NUT THF	2
	1/4-20 NYLOK	2

7 HARDWARE MOUNT KIT (SLIDE & SWINGAWAY)

ILLUSTRATION	DESCRIPTION	QTY
	WASHER 1/4" SAE BLK	4
	BOLT 1/4-20 X 1/2" SHCS BLK	2
	BOLT 1/4-20X1-1/4" SHCS BLK NI	4
	1/4-20 NYLOK	4
	1/4-20 X 3/8" T-NUT THF	4

Pos.	Item Number	Description	Remarks
1A	CBRA7010	COBRA XTRA MOUNT HDW, ADUL	
1B	CBRA7030	COBRA XTRA MOUNT HDW, PED	
1C	CBRA7080	COBRA XTRA MOUNT HDW, EI	
2A	CBRA5030	COBRA XTRA FB MOUNT HDW, PED	
2B	CBRA5010	COBRA XTRA FB MOUNT HDW, ADUL	
2C	CBRA5080	COBRA XTRA FB MOUNT HDW, EI	
3	M2400-WB	COBRA XTRA DETACH BRKT	INCLUDES QTY 2 1/4-20 X 1/2" SHCS & WASHERS
4	MW070152	COBRA VERT STOP BLK	
5	M0030	KNOB PLAS ADJ LVR 1/4-20 X20mm	
6	M0055	FASTENER PACK DETACH	
7	M0075	FASTENER PACK SWINGAWAY MOUNT	

Note: if using the Headrest Post on a Quickie Power Chair, please refer to the HEADREST CLAMPS page located in the appropriate power chair parts manual.

3

4 COLLAR

5 VINYL COLLAR COVER

6 LEVER

7 DETACH MOUNT BRACKET

8 HARDWARE MOUNT KIT: (FIXED MOUNT)

9 HARDWARE MOUNT KIT

ILLUSTRATION	DESCRIPTION	QTY
	WASHER 1/4" SAE BLK	2
	BOLT 1/4-20 X 3/4" SHCS BLK NI	2
	1/4-20 NYLOK	2
	1/4-20 X 3/8" T-NUT THF	2

10 HARDWARE MOUNT KIT (SLIDE & SWINGAWAY)

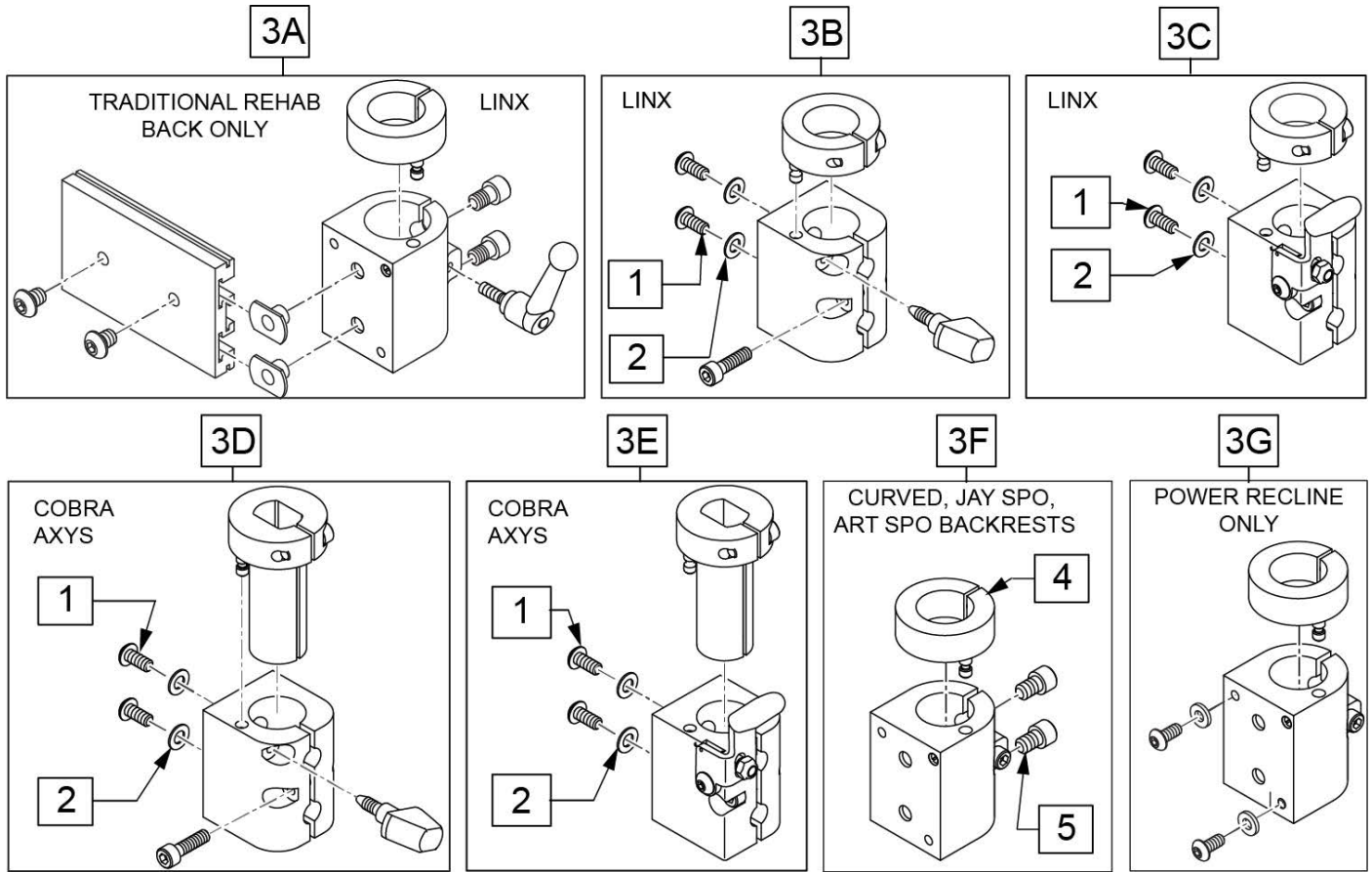
ILLUSTRATION	DESCRIPTION	QTY
	WASHER 1/4" SAE BLK	4
	BOLT 1/4-20 X 1/2" SHCS BLK	2
	BOLT 1/4-20X1-1/4" SHCS BLK NI	4
	1/4-20 NYLOK	4
	1/4-20 X 3/8" T-NUT THF	4

Measuring Guide

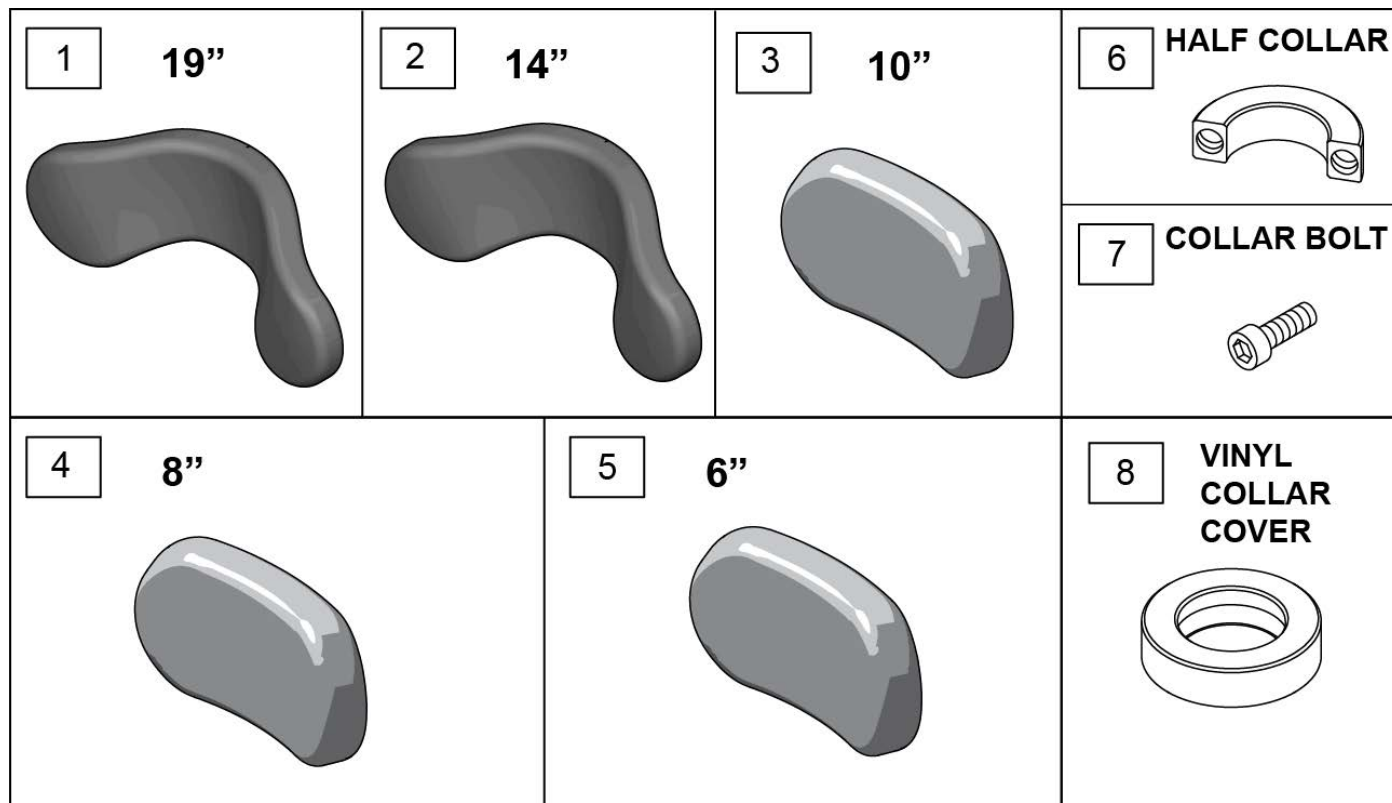
	"A"	"B"	"C"
LX7000	3.75	6.5	10.0
LX8000	3.75	6.5	8.0
LX7804	3.75	6.5	4.0
LX7815	3.75	6.5	15.0

Pos.	Item Number	Description	Remarks
1A	LX7804	LINX CORE STDHRZ/4" VRT MOUNT	4" vertical post
1B	LX8000	LINX CORE MNTG HDW 8"	8" vertical post
1C	LX7000	LINX CORE MOUNT HDW	10" vertical post
1D	LX7815	LINX CORE STDHRZ/15" VRT MOUNT	15" vertical post
1E	LX7000Q	LINX CORE MOUNT HDW QUICK ADJ	
2	MW000680	CAP RATCHET FASTENER BLACK	
3	MW070400	LYNX SYS ASSM 2"	
4	MW006030	.875 SHAFT COLLAR W/ PIN	
5	MC100-WB	COVER 3/4" COLLAR/VINYL BLACK	
6	M0030	KNOB PLAS ADJ LVR 1/4-20 X20mm	
7	M2300	LINX DETACH MOUNT BRKT	
8	M2375	MOUNT FIXED LINX 7/8" SURFACE	
9	M0055	FASTENER PACK DETACH	
10	M0075	FASTENER PACK SWINGAWAY MOUNT	
11A	LX27804	LINX2 CORE MOUNT HDW 4IN	
11B	LX28000	LINX2 CORE MOUNT HDW 8IN	

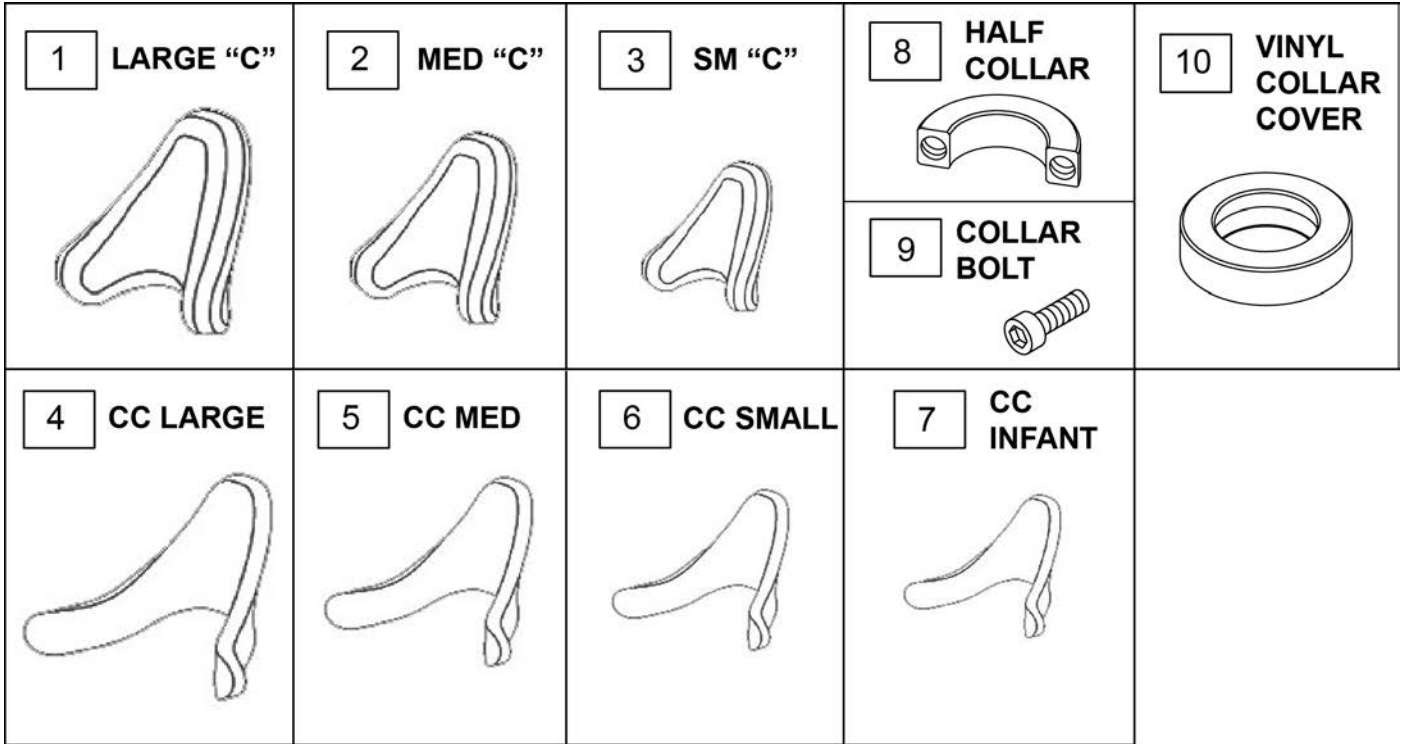
Pos.	Item Number	Description	Remarks
11C	LX27000	LINX2 CORE MOUNT HDW 10IN	
11D	LX27815	LINX2 CORE MOUNT HDW 15IN	
11E	LX27000Q	LINX2 CORE MNT HDW 10 QCK ADJ	



Pos.	Item Number	Description	Remarks
1	012931	BHCS M5 X 10 W/PL BLK CL 10.9	
2	455066-QU	#10 AN WASHER .063 SS	
3A	112716	HDRST CLAMP ASSY .875 ID W/HDW	used w/ Trad Rehab Back Only, includes hardware
3B	129525	HDRST CLAMP KNOB LINX W/HDWR	
3C	129527	HDRST CLAMP LEVR LINX W/HDWR	used w/ Power Recline beg. M710A, M715A, M720A
3D	129526	HDRST CLAMP KNOB COBRA W/HDWR	used w/ Power Recline beg. M710A, M715A, M720A
3E	129528	HDRST CLAMP LEVR COBRA W/HDWR	used w/ Power Recline beg. M710A, M715A, M720A
3F	112257	HDRST HNDLE CLAMP ASSY .875 ID	used w/ Curved, JAY SPO, and ART SPO Backrest
3G	112717	HDRST CLAMP ASSY .875 ID W/HDW	used w/ Power Recline only, not compatible w/ M710, M715, M720
4	104533	HEADREST COLLAR .875 ID	
5	226074	1/4-20 X 1/2 SOC C/S	



Pos.	Item Number	Description
1	PF1900	REFOAM KIT 19"PLUSH
1	PC1900L	COVER 19"PLUSH/LYCRA
1	PC1900V	COVER 19" PLUSH/R'VSD DARTEXX
1	PC1900F	COVER 19"PLUSH/FLEECE
2	PF1400	REFOAM KIT 14"PLUSH
2	PC1400L	COVER 14"PLUSH/LYCRA
2	PC1400V	COVER 14" PLUSH/R'VSD DARTEXX
2	PC1400F	COVER 14"PLUSH/FLEECE
3	PF1000	REFOAM KIT 10"PLUSH
3	PC1000L	COVER 10"PLUSH/LYCRA
3	PC1000V	COVER 10" PLUSH/R'VSD DARTEXX
3	PC1000F	COVER 10"PLUSH/FLEECE
4	PF800	REFOAM KIT 8"PLUSH
4	PC800L	COVER 8"PLUSH/LYCRA
4	PC800V	COVER 8" PLUSH/R'VSD DARTEXX
4	PC800F	COVER 8"PLUSH/FLEECE
4	PC800P	COVER 8"PLUSH/ALLURE NH
5	PF605	REFOAM KIT 6"PLUSH
5	PC605L	COVER 6"PLUSH/LYCRA
5	PC605V	COVER 6" PLUSH/R'VSD DARTEXX
5	PC605F	COVER 6"PLUSH/FLEECE
6	MW027100	COLLAR HALF RAD 3/4" THD. BLCK
7	MF014600	1/4-28x5/8" SHCS-COLLAR BOLT
8	MC100-WB	COVER 3/4" COLLAR /VINYL BLACK

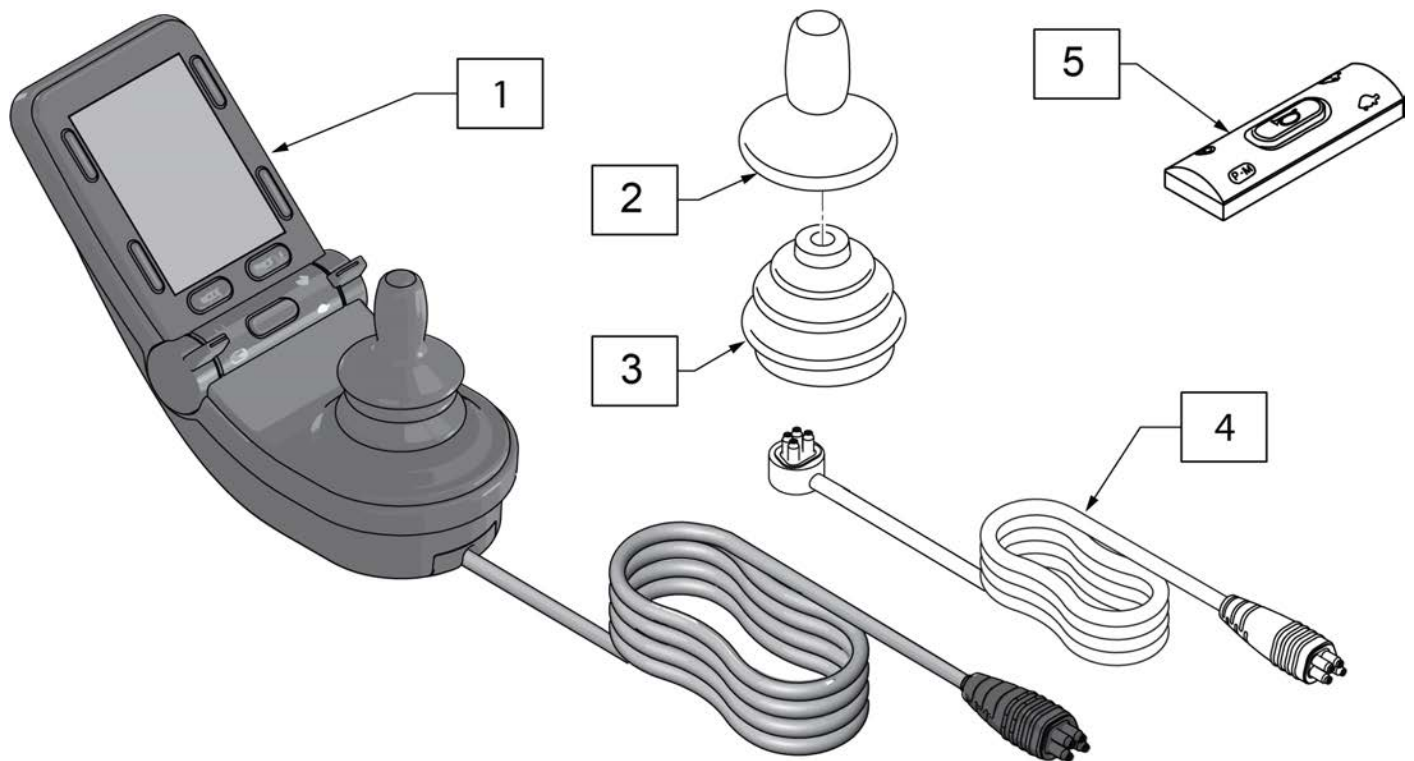


Pos.	Item Number	Description	Pos.	Item Number	Description
1	PF4010	REFOAM KIT, LARGE C-PLUSH	5	PF300	FOAM MED CONTOURED CRADLE
1	PC4010L	COVER LRG CCPLUSH/LYCRA	5	PC300L	COVER MED CONTED CRADLE/LYCRA
1	PC4010V	COVER LRG CCPLUSH/RD	5	PC300V	COVER MED CONTRD CRADLE/RD
1	PC4010F	COVER LRG CCPLUSH/FLEECE	5	PC300F	COVER MED CONTED CRADLE/FLEECE
2	PF3010	REFOAM KIT, MED C-PLUSH	6	PF200	FOAM SMALL CONTOURED CRADLE
2	PC3010L	COVER MED CCPLUSH/LYCRA	6	PC200L	COVER SML CONTED CRADLE/LYCRA
2	PC3010V	COVER MED CCPLUSH/RD	6	PC200V	COVER SML CONTRD CRADLE/RD
2	PC3010F	COVER MED CCPLUSH/FLEECE	6	PC200F	COVER SML CONTED CRADLE/FLEECE
3	PF2010	REFOAM KIT, SMALL C-PLUSH	7	INFTF200	FOAM INFANT CONTOURED CRADLE
3	PC2010L	COVER SMALL CCPLUSH/LYCRA	7	INFTC200-L	COVER INFANT CONTED CRADLE/LYCRA
3	PC2010V	COVER SMALL CCPLUSH/RD	7	INFTC200-V	COVER INFANT CONTRD CRADLE/RD
3	PC2010F	COVER SMALL CCPLUSH/FLEECE	7	INFTC200F	COVER INFANT CONTED CRADLE/FLEECE
4	PF400	FOAM LG CONTOURED CRADLE	8	MW027100	COLLAR HALF RAD 3/4" THD. BLK
4	PC400L	COVER LG CONTED CRADLE/LYCRA	9	MF014600	1/4-28x5/8" SHCS-COLLAR BOLT
4	PC400V	COVER LG CONTRD CRADLE/RD	10	MC100-WB	COVER 3/4" COLLAR /VINYL BLACK
4	PC400F	COVER LG CONTED CRADLE/FLEECE			

Note: Joystick Post accepts Joystick Knobs that have a 1/4" diameter mating hole.

Note: available on QM7 Series chairs After S/N QM710B, QM715B & QM720B.

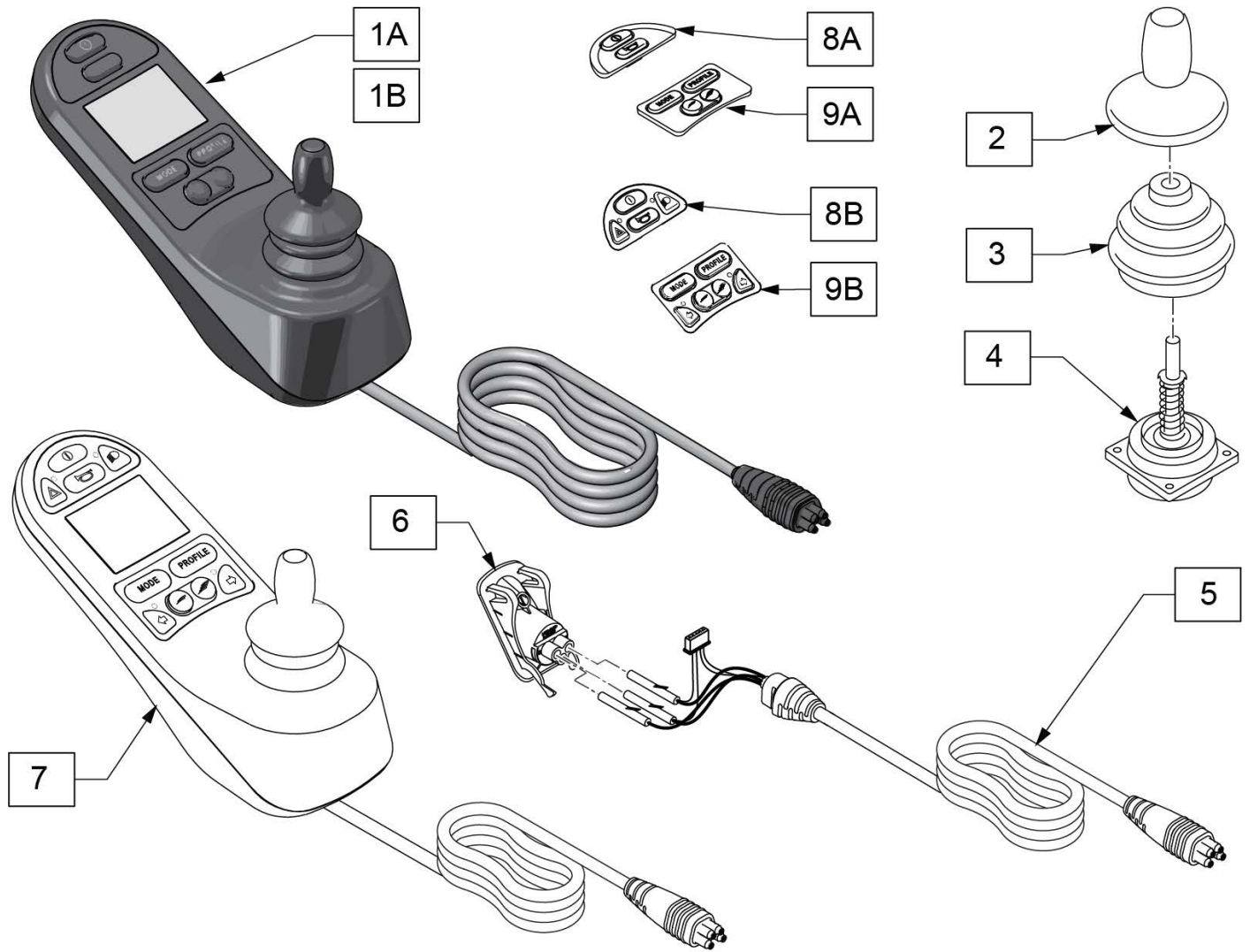
Note: please see attachment in informations panel for additional joystick component information and to determine appropriate replacement parts.



Pos.	Item Number	Description	Remarks
2	138169	JOYSTICK KNOB	
3	105930	JOYSTICK BOOT	
4	136491	CJSM2 REPLACEMENT CABLE 1200	48"
1,4	161664	JYSTCK CJSM2 W/BT W/CABLE 1200	w/ IR & BT
5	256366	CJSM2 HORN REPLACEMENT BUTTON	

NOTE: JOYSTICK POST ACCEPTS JOYSTICK KNOBS THAT HAVE A 1/4" DIAMETER MATING HOLE.

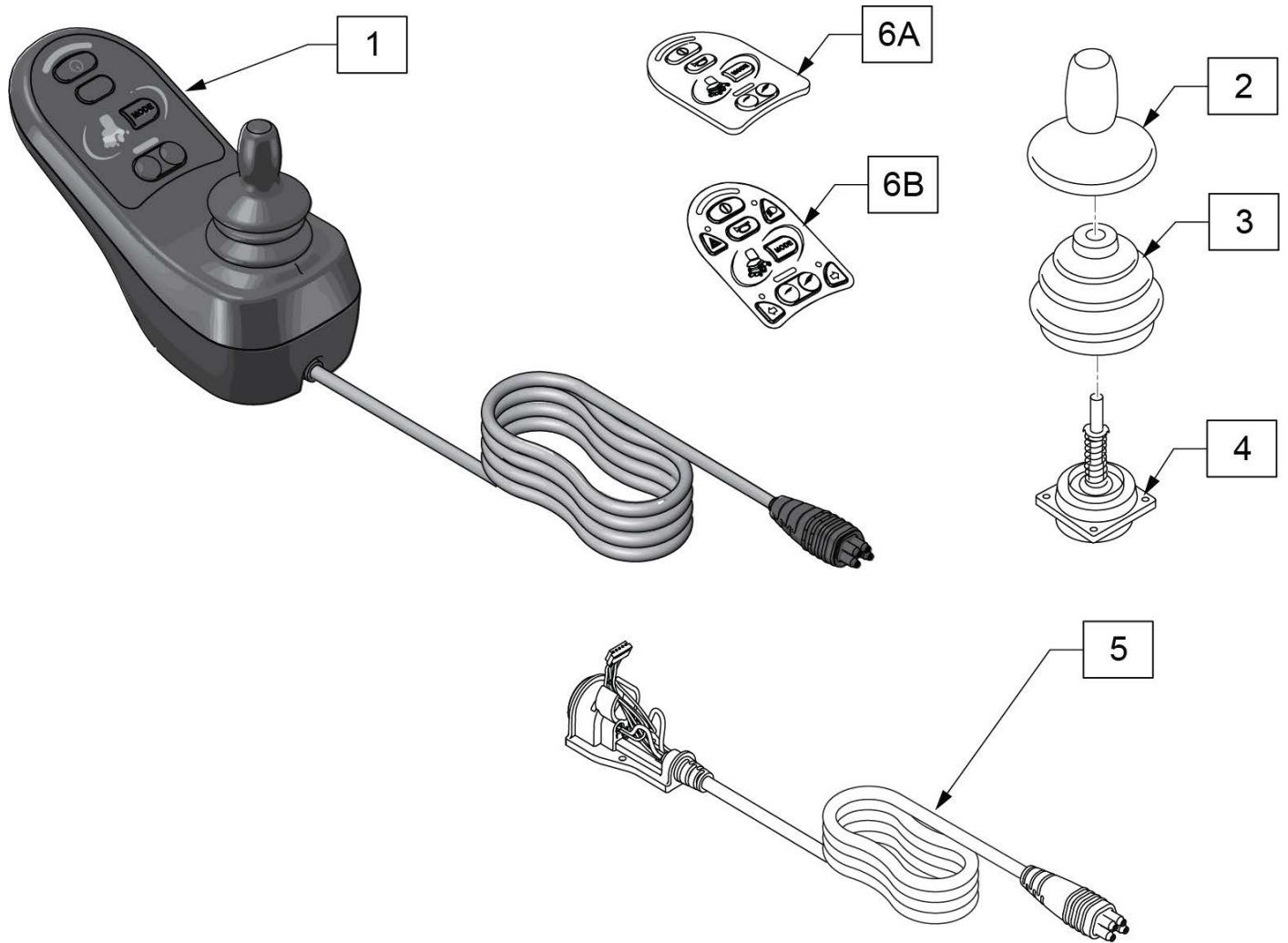
Note: please see attachment in informations panel for additional joystick component information and to determine appropriate replacement parts.



Pos.	Item Number	Description	Remarks
1A	131397	JYSTCK CJSM PT TGL 1200mm	48" Lead
1B	131263	JYSTCK CJSM LONG LEAD	48" w/o potentiometer or toggle
2	138169	JOYSTICK KNOB	
3	105930	JOYSTICK BOOT	
4	105936	VERSAGUIDE JOYSTICK	
5	136490	CJSM REPLACEMENT CABLE 1200	48" Lead; requires item 6 (109845) for Cable
6	109845	CHARGER SOCKET ASSY	
7	131406	JSTK CJSM WITH LIGHTS LONG LEAD	48" Lead; used only on QM710C/QM715C/QM720C w/out potentiometer knob & toggle switch
8A	109751	KEYPAD RNET JSM FRONT	use without lights
8B	122191	KEYPAD RNET JSM FRONT W/LIGHTS	use with lights
9A	109752	KEYPAD RNET JSM REAR	use without lights
9B	122189	KEYPAD RNET JSM RR W/LIGHTS	use with lights

NOTE: JOYSTICK POST ACCEPTS JOYSTICK KNOBS THAT HAVE A 1/4" DIAMETER MATING HOLE.

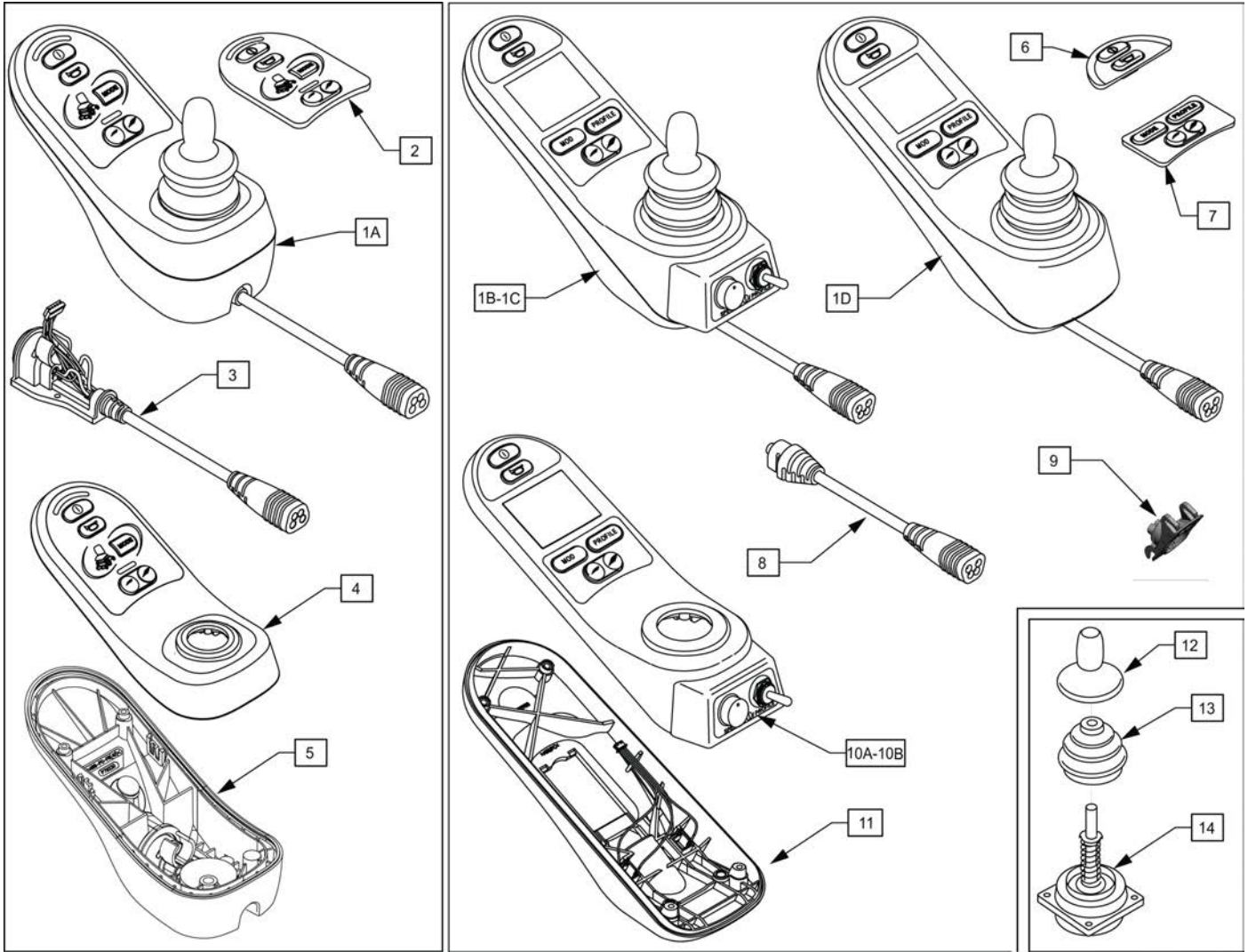
Note: please see attachment in informations panel for additional joystick component information and to determine appropriate replacement parts.



Pos.	Item Number	Description	Remarks
1	131396	JYSTCK LED JSM 1200MM	48" Lead
2	138169	JOYSTICK KNOB	
3	105930	JOYSTICK BOOT	
4	105936	VERSAGUIDE JOYSTICK	
5	187100	LED REPLACEMENT CABLE 1200	48"
6A	109749	KEYPAD RNET JSM LED	use without lights
6B	122190	KEYPAD RNET JSM LED W/LIGHTS	use with lights

NOTE: JOYSTICK POST (ITEM 15) ACCEPTS JOYSTICK KNOBS THAT HAVE A 1/4" DIAMETER MATING HOLE.

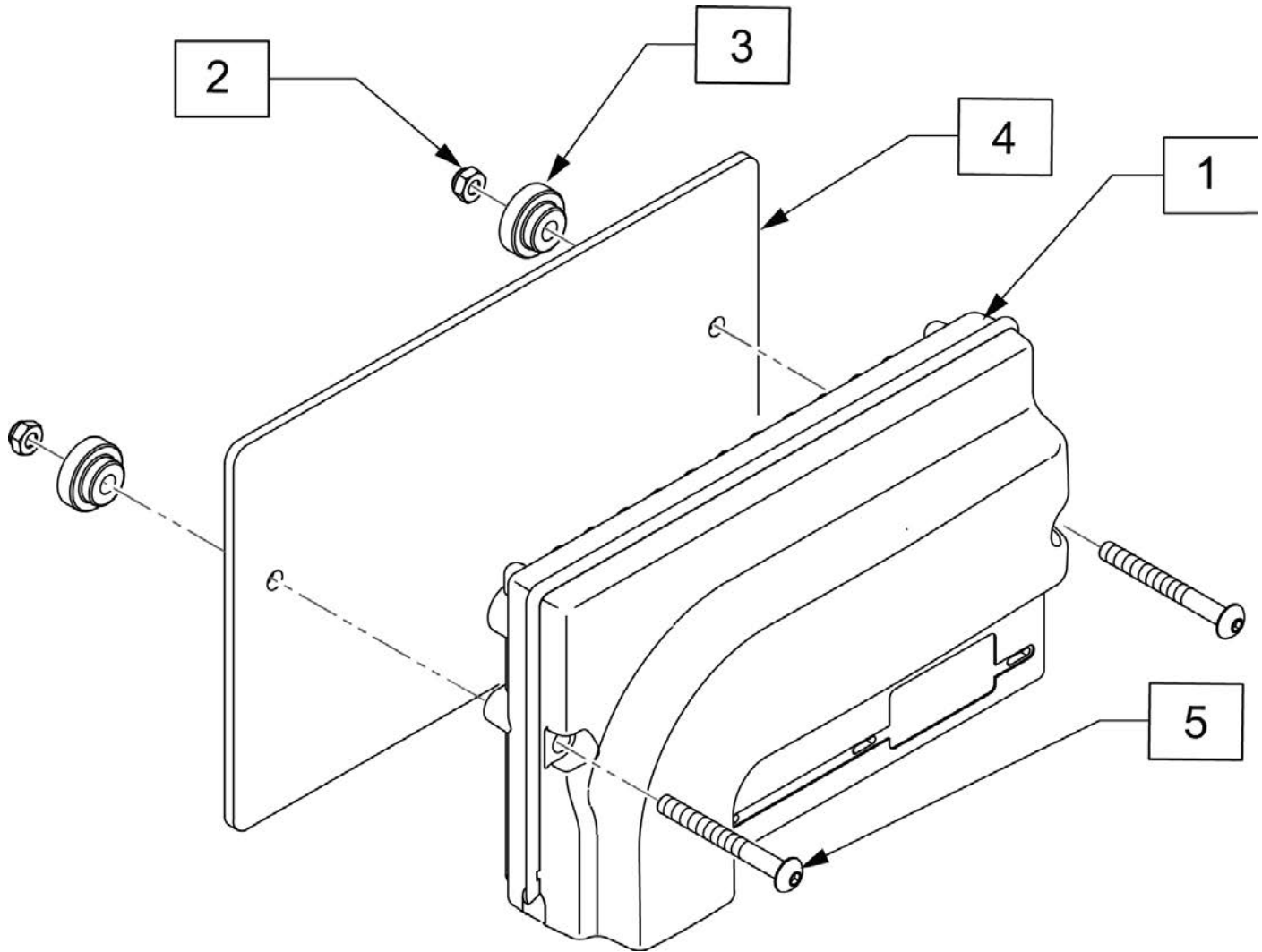
Note: please see attachment in informations panel for additional joystick component information and to determine appropriate replacement parts.



Pos.	Item Number	Description	Remarks
1A	108207	JYSTCK LED JSM	LED
1B	108210	JYSTCK CJSM PT TGL	Color Display; w/jacks, pot & toggle
1C	116525	JYSTCK MONOCHROME	no toggle or speed knob
1D	108208	JYSTCK CJSM	w/jacks
2	109749	KEYPAD RNET JSM LED	
3	109750	CABLE ASSM RNET JSM LED	
4	112414	CASE TOP LED ASSY	
5	112413	CASE BASE LED ASSY	
6	109751	KEYPAD RNET JSM FRONT	
7	109752	KEYPAD RNET JSM REAR	
8	109846	CABLE ASSY	
9	109845	CHARGER SOCKET ASSY	
10A	112357	CASE CJSM TOP ASSY	with Jacks, Pot & Toggle only
10B	117991	RNET JSM TOP ASSY MONO	without Pot & Toggle
11	112356	CASE CJSM BOTTOM ASSY	
12	138169	JOYSTICK KNOB	
13	105930	JOYSTICK BOOT	
14	105936	JOYSTICK	

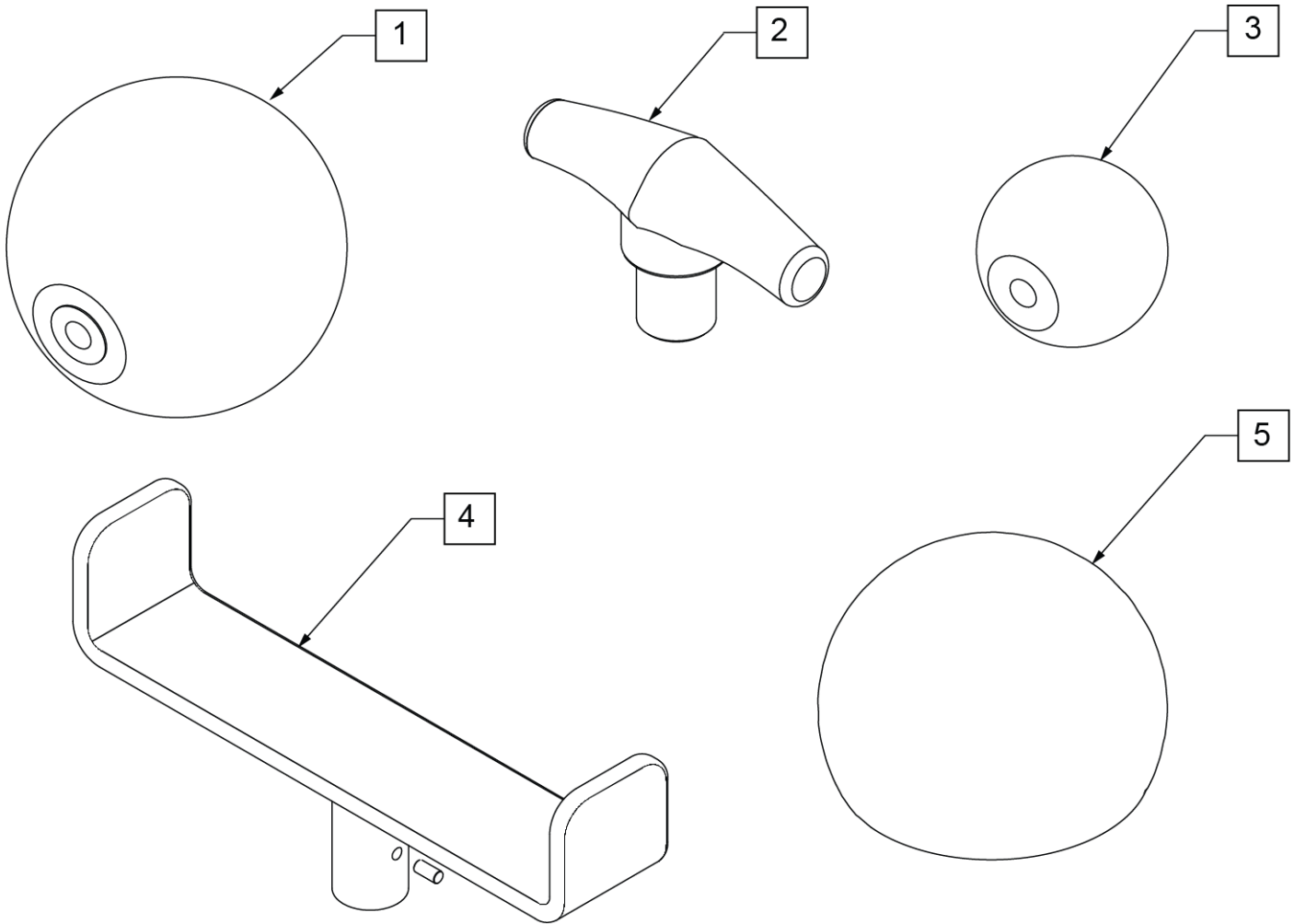
Note: Serial Number must be provided for replacement controller.

Note: Assignable buttons software update occurred on chairs after S/N PLS-102222 and all PLS6A and PLS6B. If assignable buttons is desired, a new controller is required.

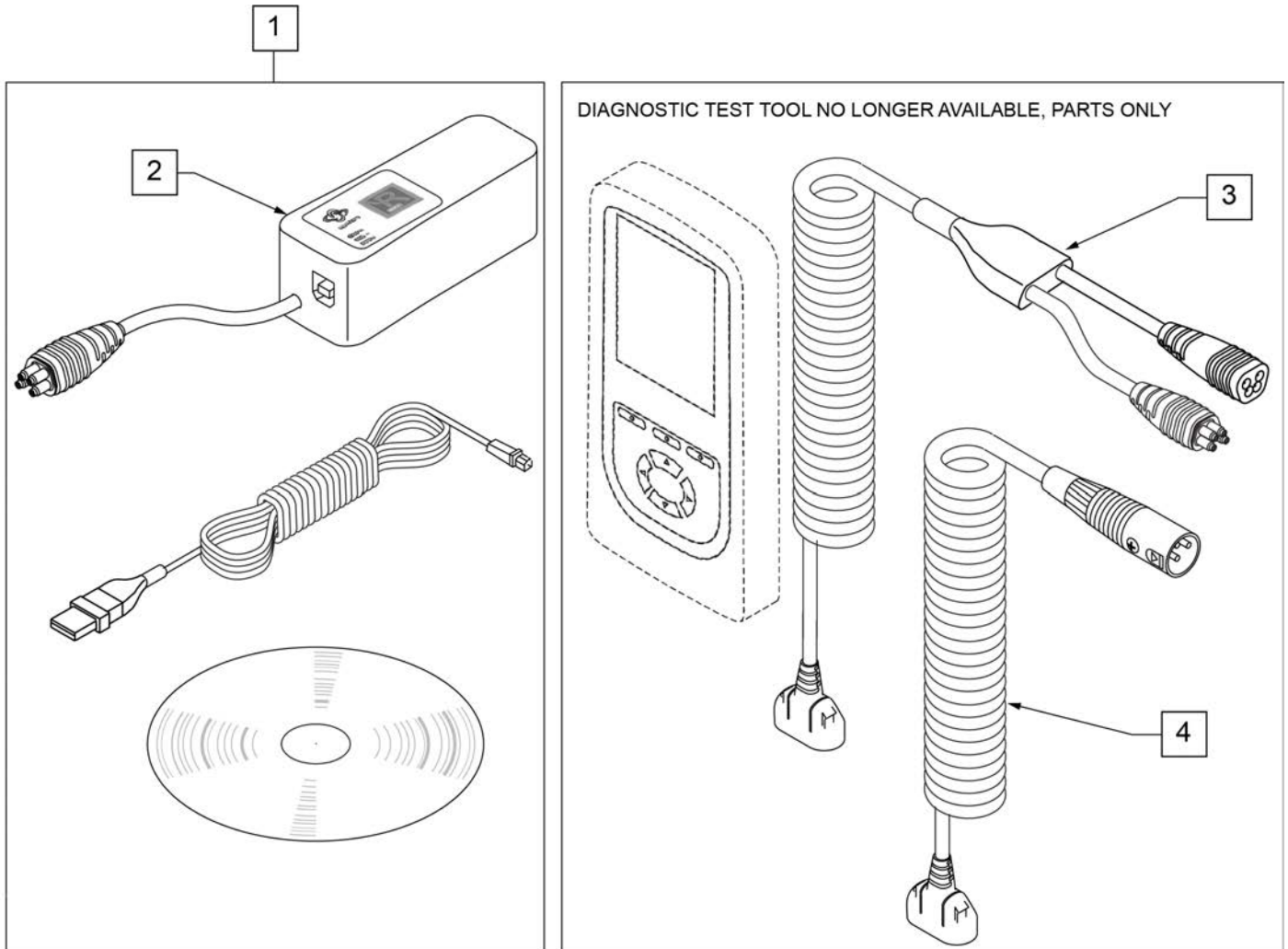


Pos.	Item Number	Description
2	220121	NUT HEX NYLOCK M5 BLACK
3	108103	BUTTON CONTROLLER MOUNT
4	108102	PLATE CONTROLLER
5	103189-010	SHCS M5X0.8X40 PARTNP
1-5	111859	CNTRLR EL PM90

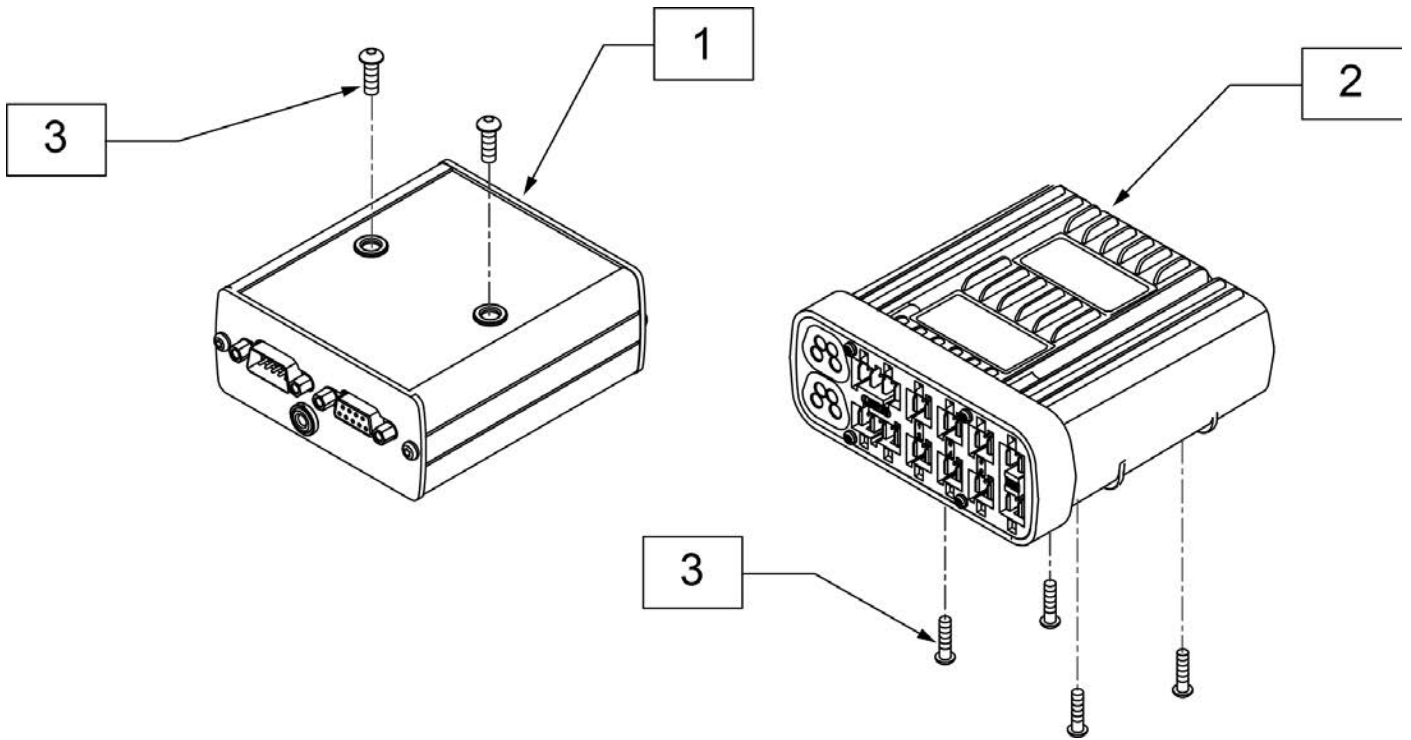
Note: Optional Joystick Handles not available on Heavy Duty Joystick.



Pos.	Item Number	Description
1	138165	J/S KNOB BALL HANDLE (SOFT)
2	138167	J/S KNOB T-BAR
3	138166	J/S KNOB BALL HANDLE (SOLID)
4	013113	GOALPOST JOYSTICK EXT
5	6003447	ALL-ROUND JYSTK BALL (CHIN)



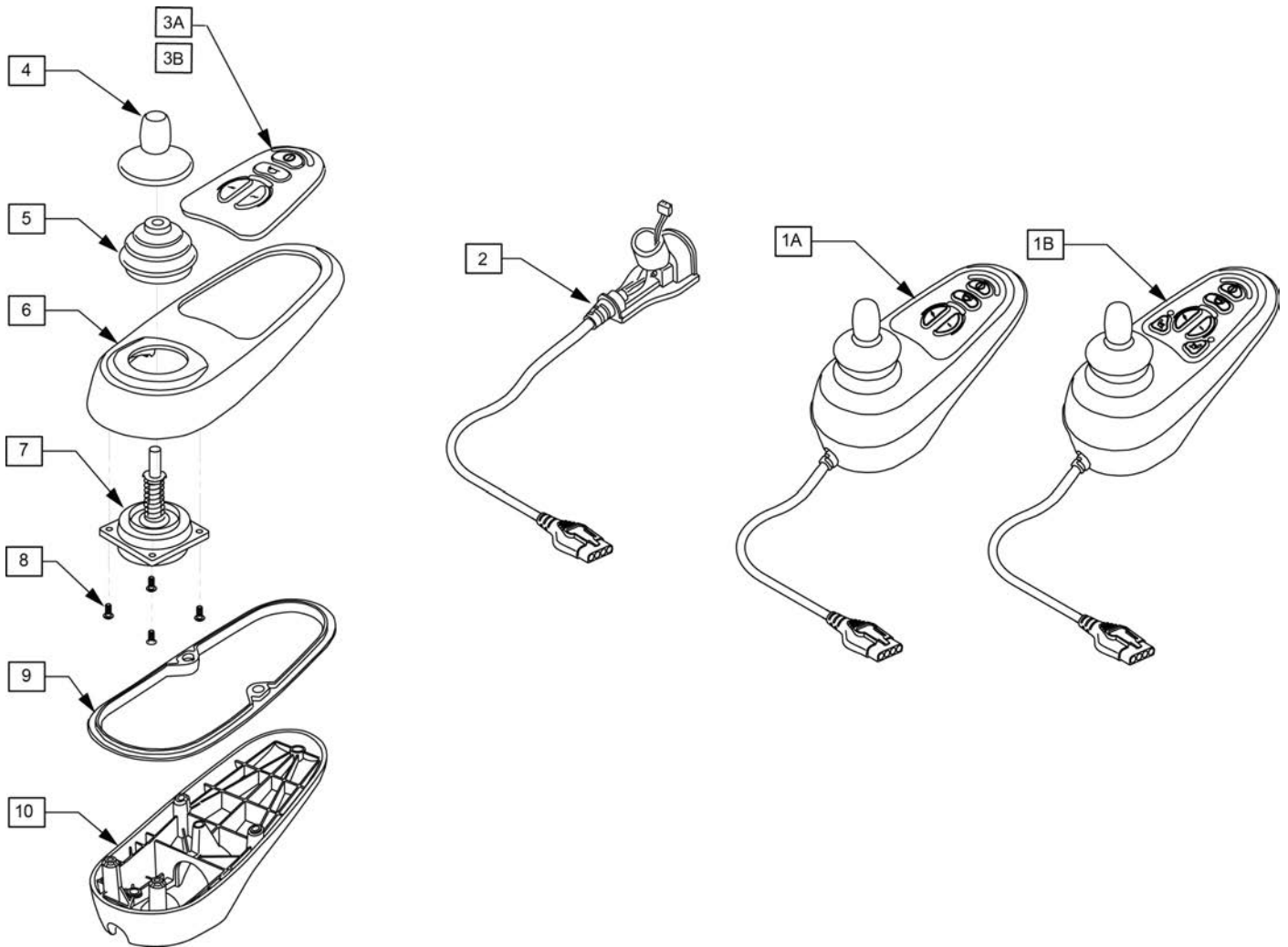
Pos.	Item Number	Description	Remarks
1	108532	PC PROGRAMMER SOFTWARE	PC not included
2	108531	DONGLE R-NET PROGRAMING DEALER	
3	111423	CABLE DTT RNET	
4	115211	HARNESS DIAG TEST TOOL NEUTRIK	



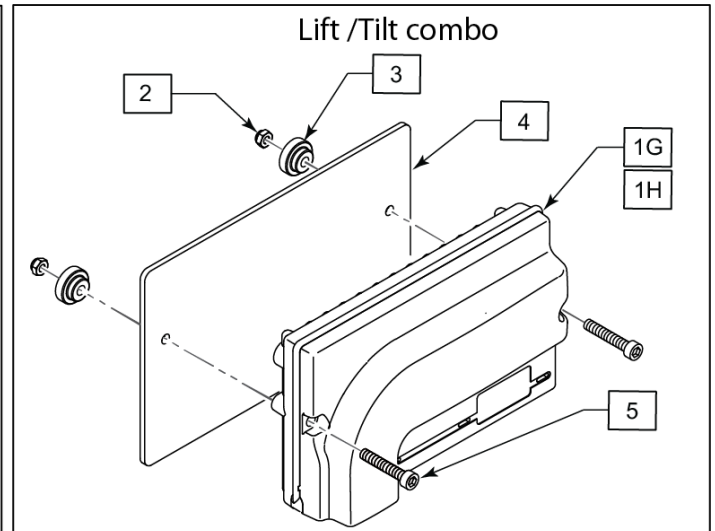
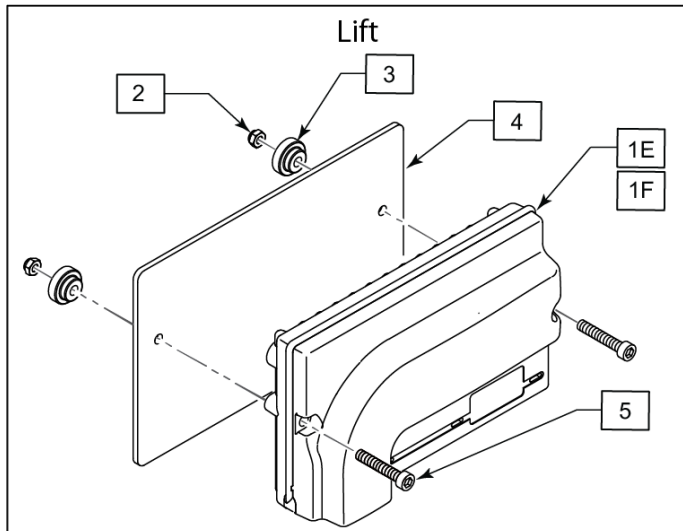
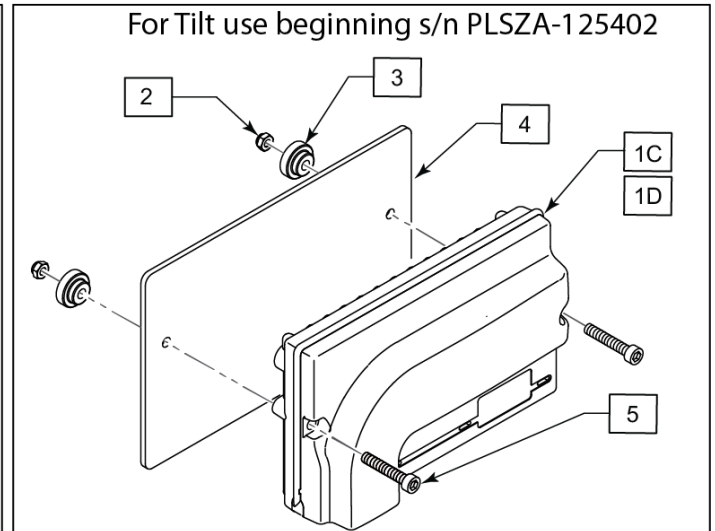
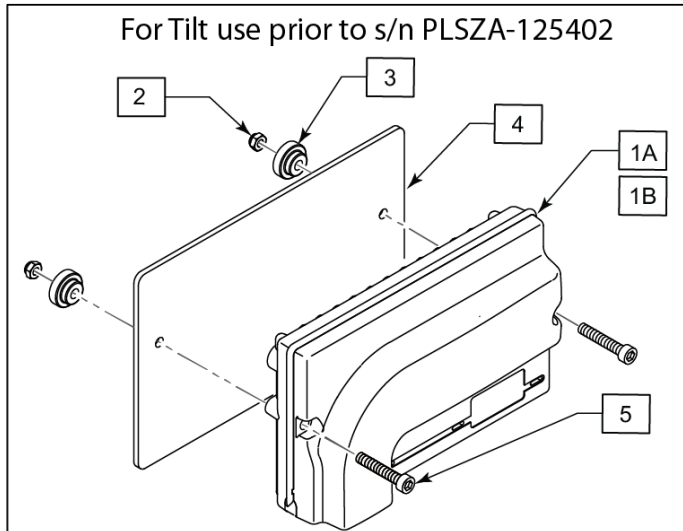
Pos.	Item Number	Description
1	108217B	MDLE OUTPUT IND BOX
2	129890	MODULE INTEL ST W/O LIGHTS
3	103184-003	BHCS M5X0.8X10 FULLPL

NOTE: JOYSTICK POST (ITEM 7) ACCEPTS JOYSTICK KNOBS THAT HAVE A 1/4" DIAMETER MATING HOLE.

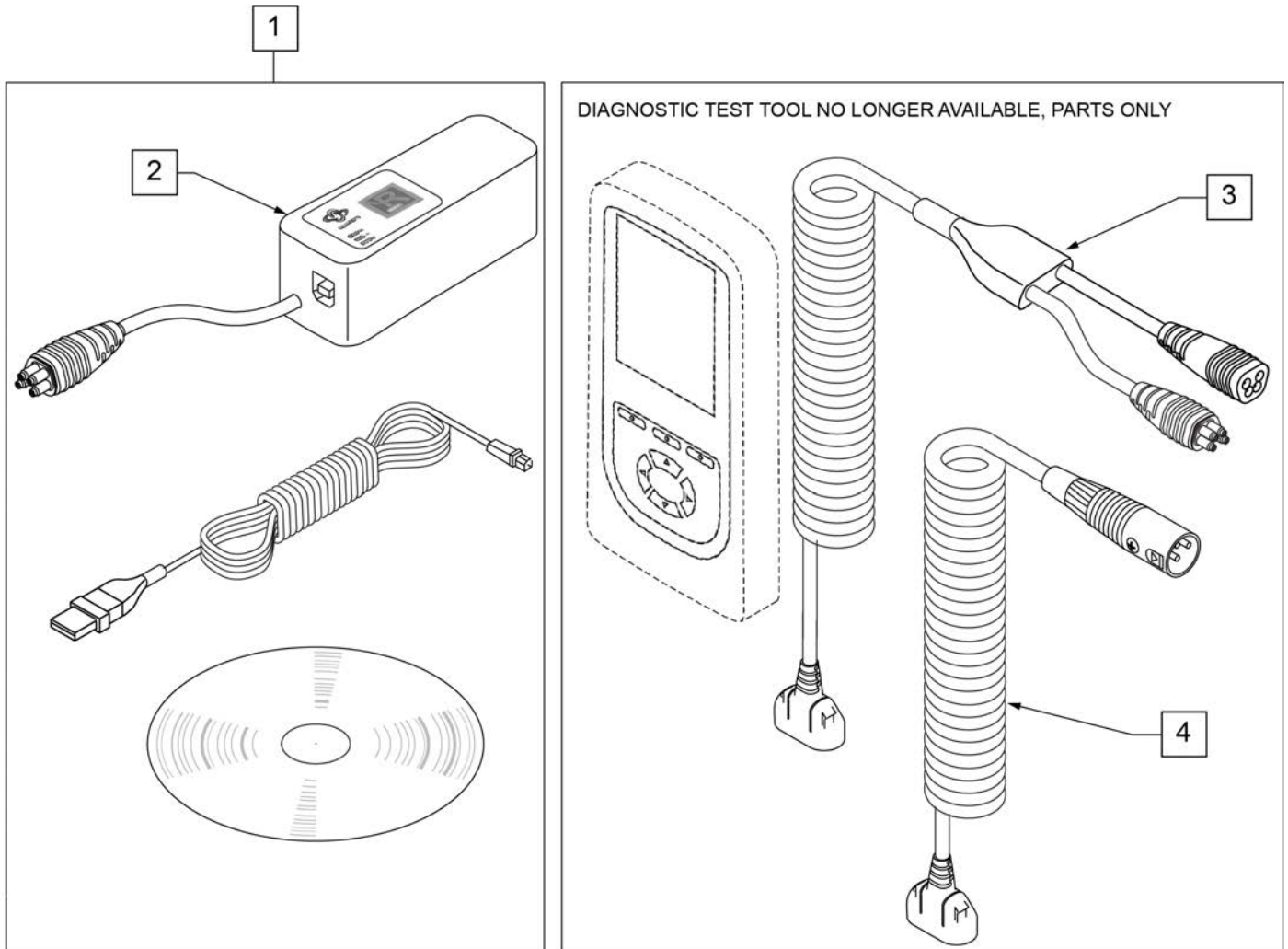
Note: please see attachment in informations panel for additional joystick component information and to determine appropriate replacement parts.



Pos.	Item Number	Description	Remarks
1A	105375	VR2 JOYSTICK 4 BUTTON	STD Joystick (Used when Dual Toggle is picked)
1B	105376	VR2 JOYSTICK 6 BUTTON	Thru Drive Joystick
2	105937	JOYSTICK CABLE	
3A	105938	KEYPAD 4 KEY	
3B	105939	KEYPAD 6 KEY	
4	138169	VSI JOYSTICK HANDLE	
5	105930	JOYSTICK GAITER	
6	105945	MOLDED TOP	
7	105936	JOYSTICK	
8	105947	SHCS M3X14 TORX	
9	105946	RUBBER SEAL JOYSTICK	
10	105940	MOLDED BOTTOM	

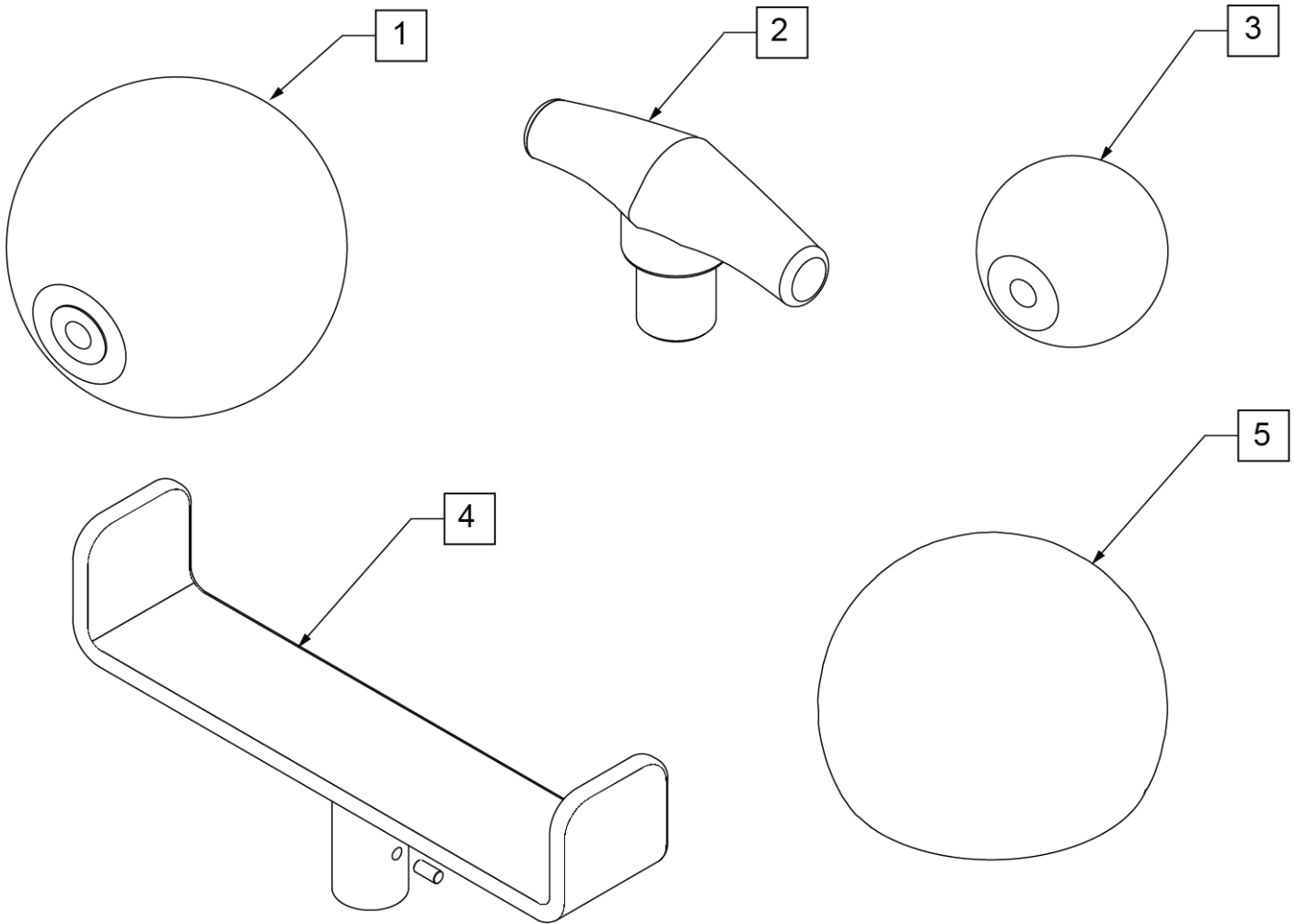


Pos.	Item Number	Description	Remarks
		For Tilt use prior to s/n PLSZA-125402	
1A,2-5	117850	PULSE VR2 CNTRL W/O ACT	STD (Used W/ Dual Toggle Tilt or Manual Tilt)
1B,2-5	117851	PULSE VR2 CNTRL W/ ACT	Used W/ Thru Drive Tilt Only
		For Tilt use beginning s/n PLSZA-125402	
1C	243303	CTRL VR2 PLS DO OR SW FB TILT	Drive Only, Switch Drive Tilt (feedback inhibit)
1D	243302	CTRL VR2 PULSE TD FB TILT	Thru Drive Tilt (feedback inhibit)
		Lift	
1E	120954	CNTRL VR2-90 PLS DRV-THRU LIFT	Thru Drive Lift
1F	122139	CTRL VR2 PULSE SWITCH-DRV LIFT	Switch Drive Lift
		Lift /Tilt combo	
1G	127793	CNTRL VR2-90 PLS STD TD TLC	VR-2 90 Thru Drive Tilt/Lift Combo
1H	128097	CNTRL VR2-90 PLS STD SW TLC	Switch Drive (2-axis control) Tilt/Lift combo
2	220121	NUT HEX NYLOCK M5 BLACK	
3	108103	BUTTON CONTROLLER MOUNT	
4	108102	PLATE CONTROLLER	
5	103189-010	SHCS M5X0.8X40 PARTNP	



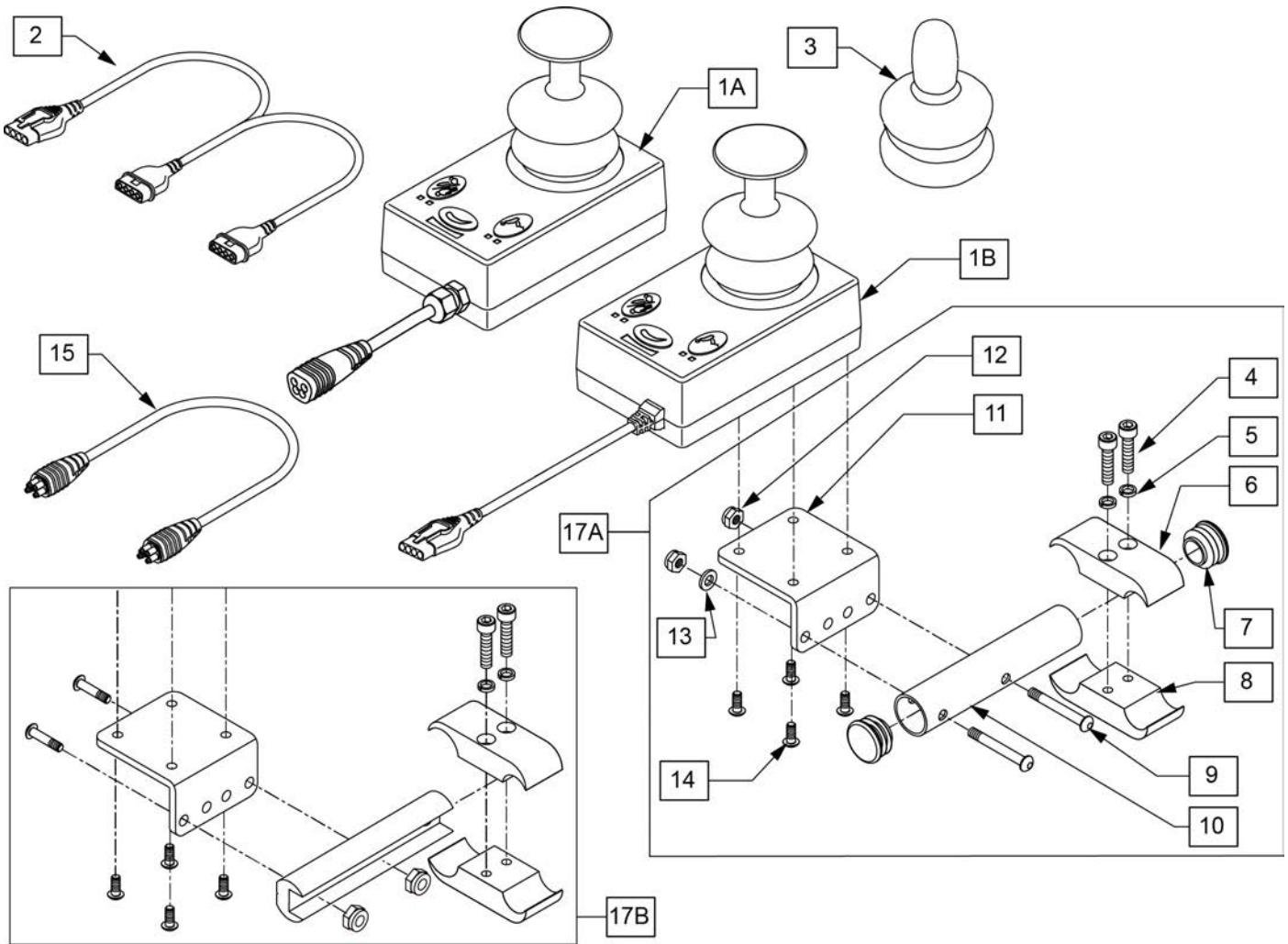
Pos.	Item Number	Description	Remarks
1	108532	PC PROGRAMMER SOFTWARE	PC not included
2	108531	DONGLE R-NET PROGRAMING DEALER	
3	111423	CABLE DTT RNET	
4	115211	HARNESS DIAG TEST TOOL NEUTRIK	

Note: Optional Joystick Handles not available on Heavy Duty Joystick.

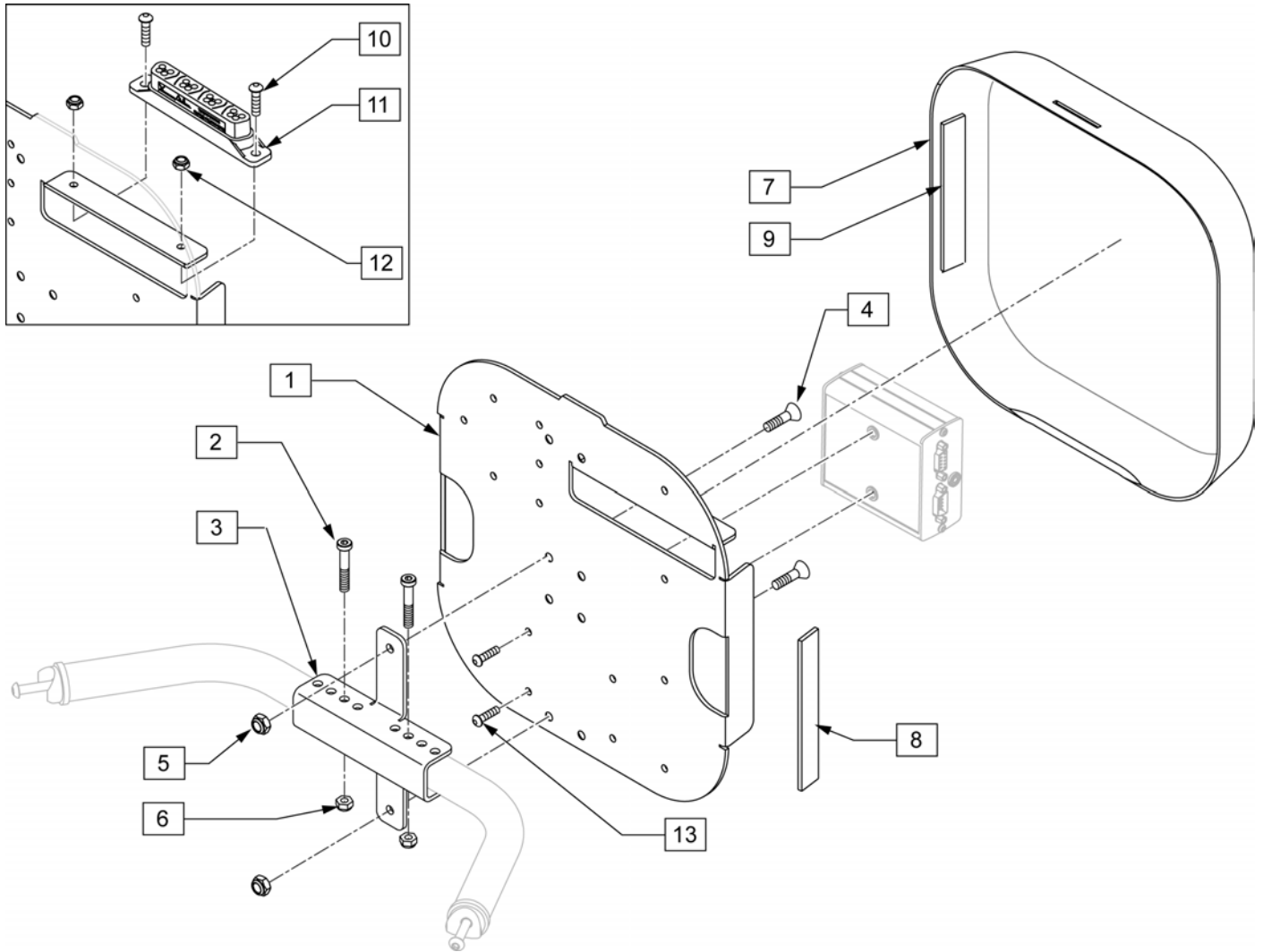


Pos.	Item Number	Description
1	138165	J/S KNOB BALL HANDLE (SOFT)
2	138167	J/S KNOB T-BAR
3	138166	J/S KNOB BALL HANDLE (SOLID)
4	013113	GOALPOST JOYSTICK EXT
5	6003447	ALL-ROUND JYSTK BALL (CHIN)

Note: Not compatible on chairs with Captains Seat.



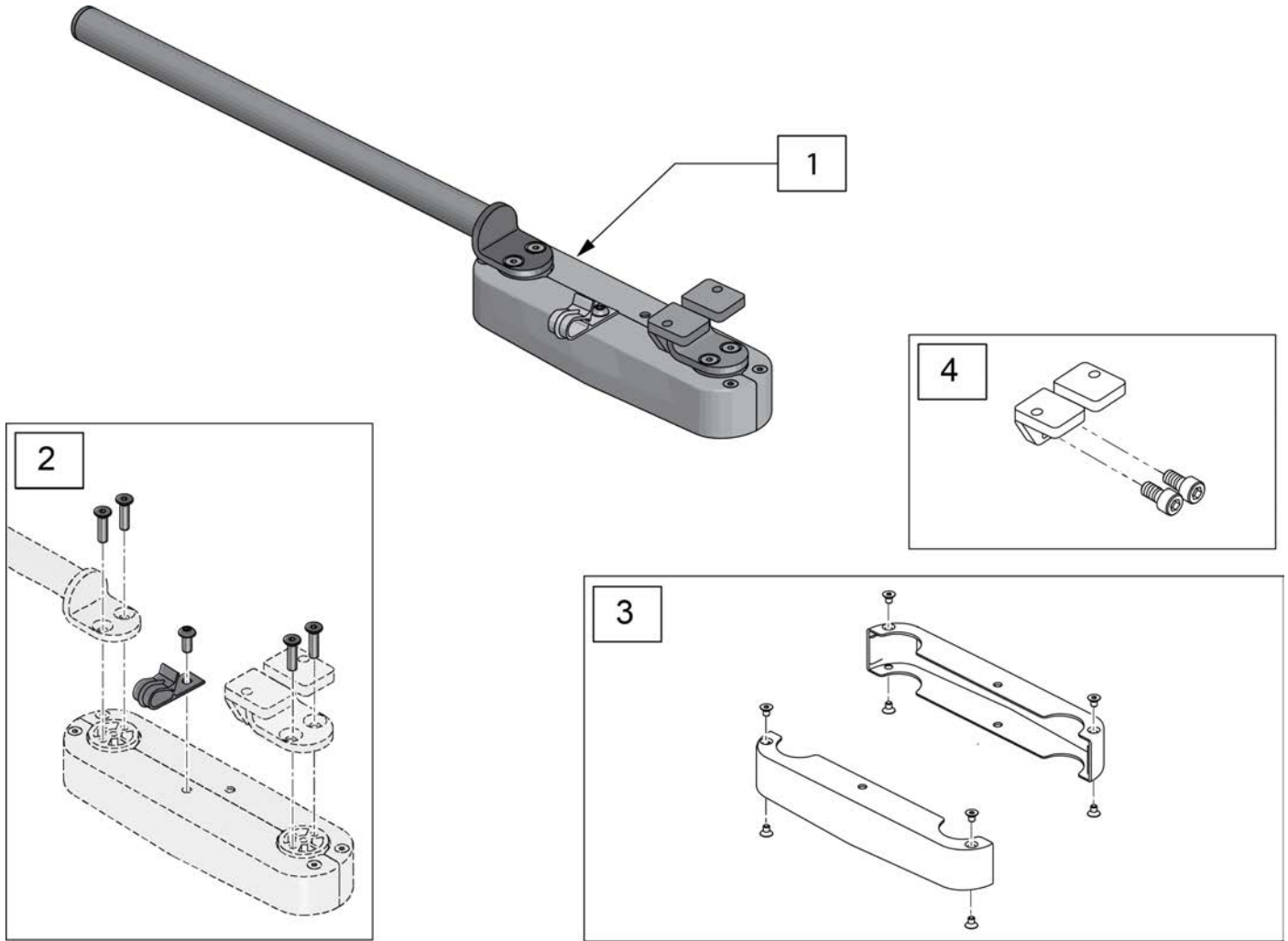
Pos.	Item Number	Description	Remarks
2	102359	HARNESS VR2 BUS SPLITTER	Used w/ VR2 Electronics Only
3	138169	VSI JOYSTICK HANDLE	
4	107032	1/4-28 X 1 SOC C/S BLK	
5	262114	1/4 WASHER HI COLLAR LOCK ZN	
6	550477	CLAMP 2 1/4" RECESS BLK	
7	561062	1" INSERT PLUG .065 RIBS	
8	550576	CLAMP 2 1/4" THREADED BLK	
9	102262-006	BHCS M6 X 1 X 40 INORGANIC	
10	102660	ATTND CNTRL MNT TB	
11	505533	ATTENDANT CTRL MOUNT BRACKET	
12	210084	NUT HEX NYLOCK M6 BLACK	
13	250104	WASHER FLAT M6	
14	013143	BHCS M5 X .8 X 14 BLK W/PL	
15	108316-050	HARNESS R-NET BUS 500MM	Used w/ Rnet Electronics Only
17A	102661	ATTND CNTRL MNT	Used w/ ASAP Seating only
17B	108281	ATTND CNTRL MNT	Used w/ ASAP2, Trad Rehab & Power Recline Seating Only
1A,3,15	110845	RNET ATTENDANT JOYSTICK	Used w/ Rnet Electronics Only
1B,2,3	102175	VR2 ATTENDANT JOYSTICK W/CABL	Used w/ VR2 Electronics Only



Pos.	Item Number	Description	Remarks
2	119127	SHCS LOW HD M6X1X45 PART NP	
3	118608	OUTPUT MODULE MOUNT	
4	102265-002	FHCS M6 X 1 X 20 INORGANIC	
5	200113	NUT HEX NYLOCK M6 X 1	
6	200113	NUT HEX NYLOCK M6 X 1 NUT	
8	012080-002	HOOK BLK VLCRO PS 1" x 5"	Qty 2 Required
9	011803-002	1 X 5 LOOP BLACK PSA117	Qty 2 Required
10	104522	SHCS M6X1X16 FULL PL	
11	108312	DISTRIBUTION BLOCK	Rnet only
12	210084	NUT HEX NYLOCK M6 BLACK	
13	103184-003	BHCS M5X0.8X10 FULLPL	Used to mount Output Module to Plate
1,8	110837	PLATE REHAB W/ VELCRO	
7,9	110836	SHROUD REHAB W/ VELCRO	
10-12	110835	DIST BLOCK MNT KIT	

Note: Retractable Joystick Mount w/45° stops only available with Cantilever Armrests.

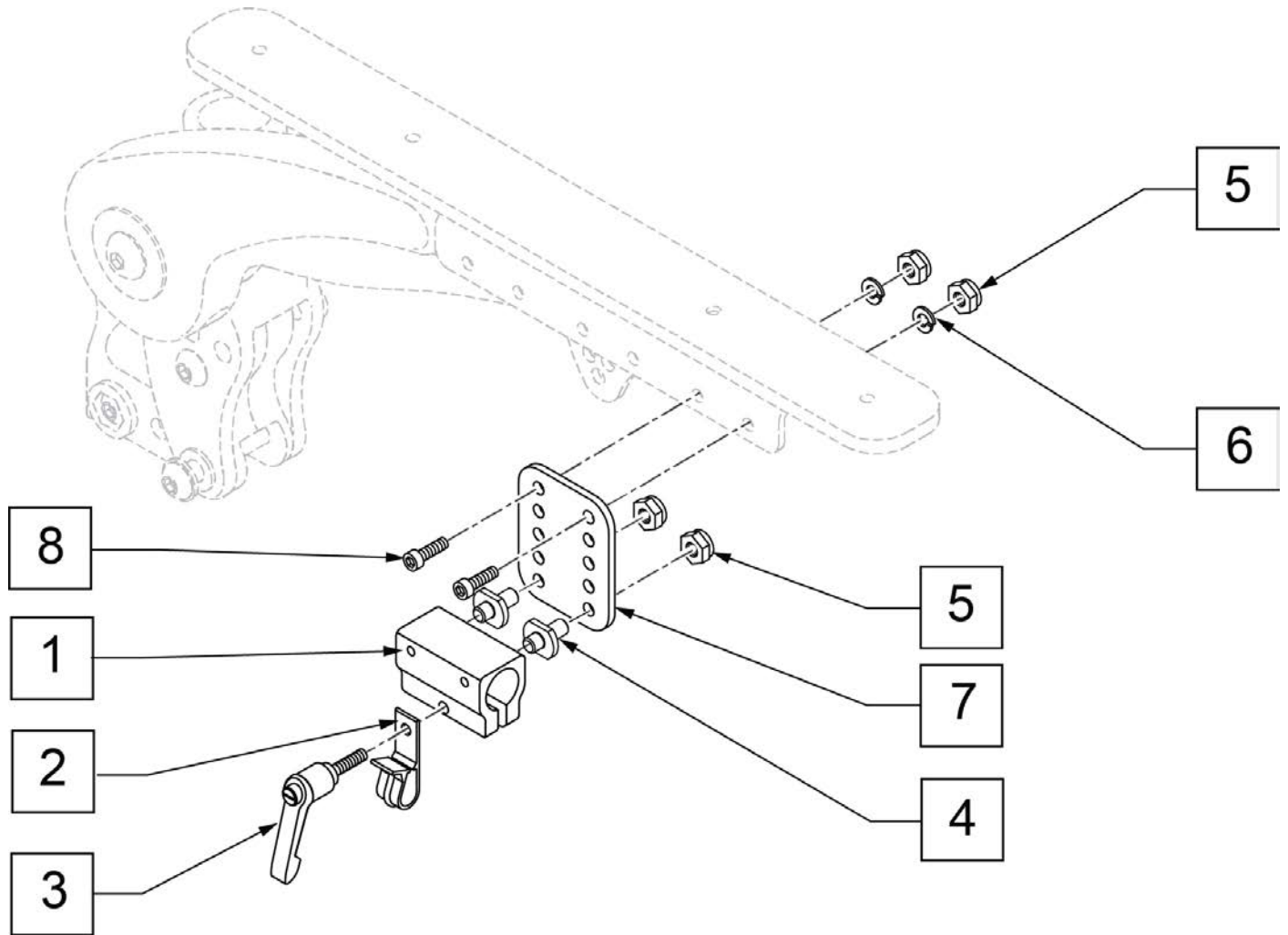
Note: IF RETROFITTING a Retractable Joystick Mount to an existing chair, please confirm that the Joystick on the chair has the 48" or 1200mm Lead. The Long Lead is REQUIRED to ensure that when the Joystick Mount is retracted the Joystick Cable does not become disconnected.



Pos.	Item Number	Description
1	158699	RETRACTABLE JSTK MNT CJSM
2	136479	RETRACT JOYSTICK HARDWARE KIT
3	135265	RETRACT JOYSTICK COVER KIT
4	158700	JS MOUNT ASSM

Note: Available on chairs after S/N PLS-101550 and all PLS6A and PLS6B.

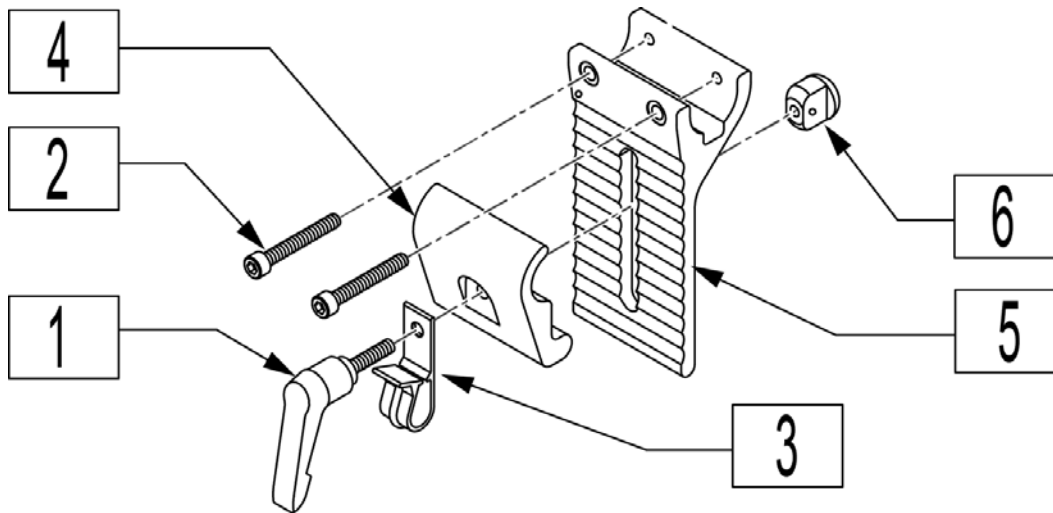
Note: Available on chairs after S/N PLS-101550 and all PLS6A and PLS6B.
 Note: Available on chairs prior to S/N RTMA-106838



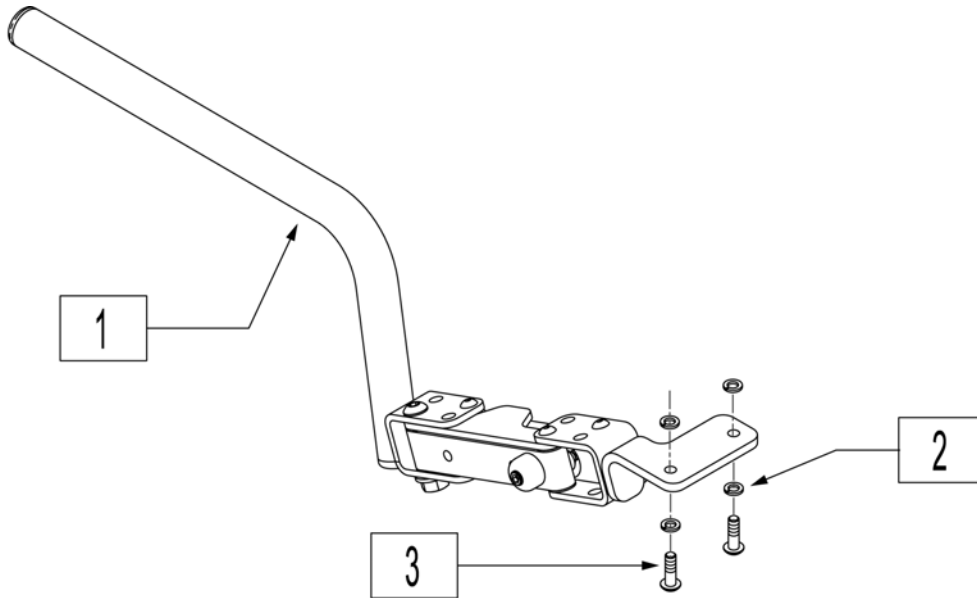
Pos.	Item Number	Description
1-5	159406	CNTRLR CLMP ARM ASSM RND
3	011049	HANDLE ADJ MODERN M5 X 20 STUD
5	220121	NUT HEX NYLOCK M5 BLACK
6	107357	WASHER SPLIT LOCK M5 ROHS
8	103189-004	SHCS M5X0.8X12 FULLNP
1-8	159405	VERTICAL ADJUSTMENT ASSM

(06/2017) HEIGHT ADJ CLAMP FOR ROUND ARM JOYSTICK MOUNT (SPHA & DUAL POST ARMRESTS)

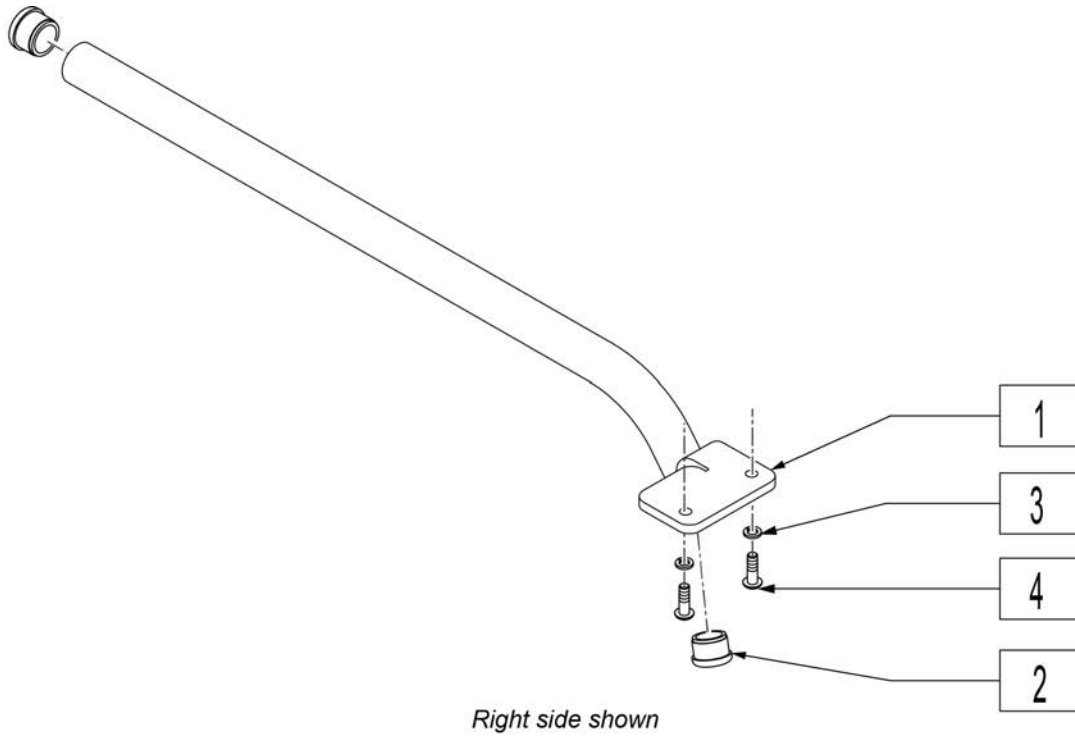
Note: for OMNI Joystick Mount order 920713 Control Arm Clamp Assembly (Fixed, not Height Adjustable).



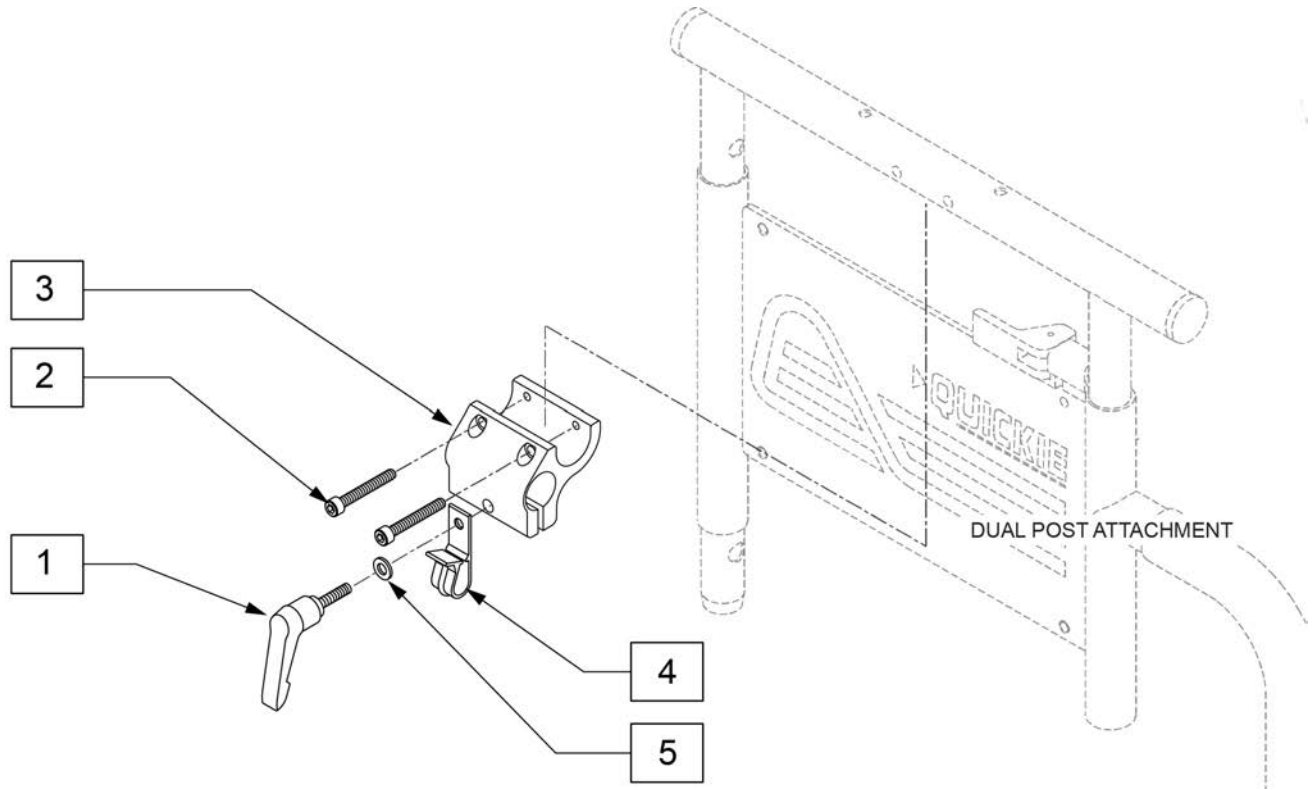
Pos.	Item Number	Description
1	349024	HNDL 10-32 x 3/4 C/A P1/P3/P5
2	226037	10-32 x 1 3/8 SOC C/S BLK
3	560268	QUICK RELEASE CLIP
4	505767	ADJUSTABLE REMOTE MOUNT
5	505766	ADJUSTABLE CLAMP OUTER
6	200139	SLIDING NUT
1-6	920738	HT ADJ MOUNT ASSM STD



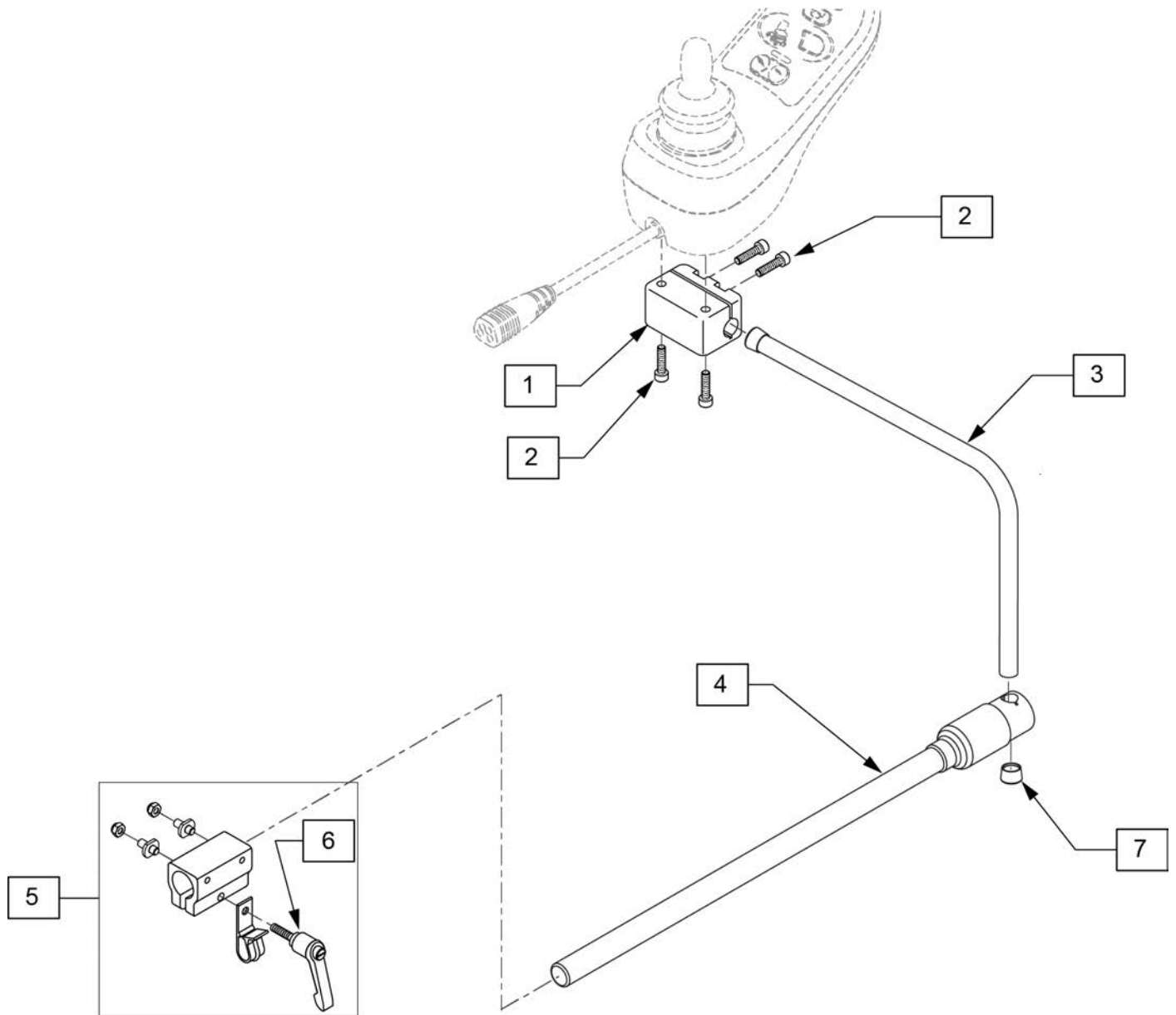
Pos.	Item Number	Description	Remarks
1	119261	S/A ARM R ASSM	Right-Swing-away
1	119262	S/A ARM L ASSM	Left-Swing-away
2	455031-QU	#10 AN WASHER .032 SS	
3	013143	BHCS M5 X .8 X 14 BLK W/PL	Used w/o toggle
3	102259-002	BHCS M5 X .8 X 20 W/PL INORG	Used w/ toggle



Pos.	Item Number	Description	Remarks
1,2	119123	FIX JSTCK MNT BLK RH	Right- Fixed
1,2	119124	FIX JYSTCK MNT BLK LH	Left-Fixed
2	560761	3/4" INSERT PLUG .049 (18GA)	
3	455031-QU	#10 AN WASHER .032 SS	
4	013143	BHCS M5 X .8 X 14 BLK W/PL	Used w/o toggle
4	102259-002	BHCS M5 X .8 X 20 W/PL INORG	Used w/ toggle

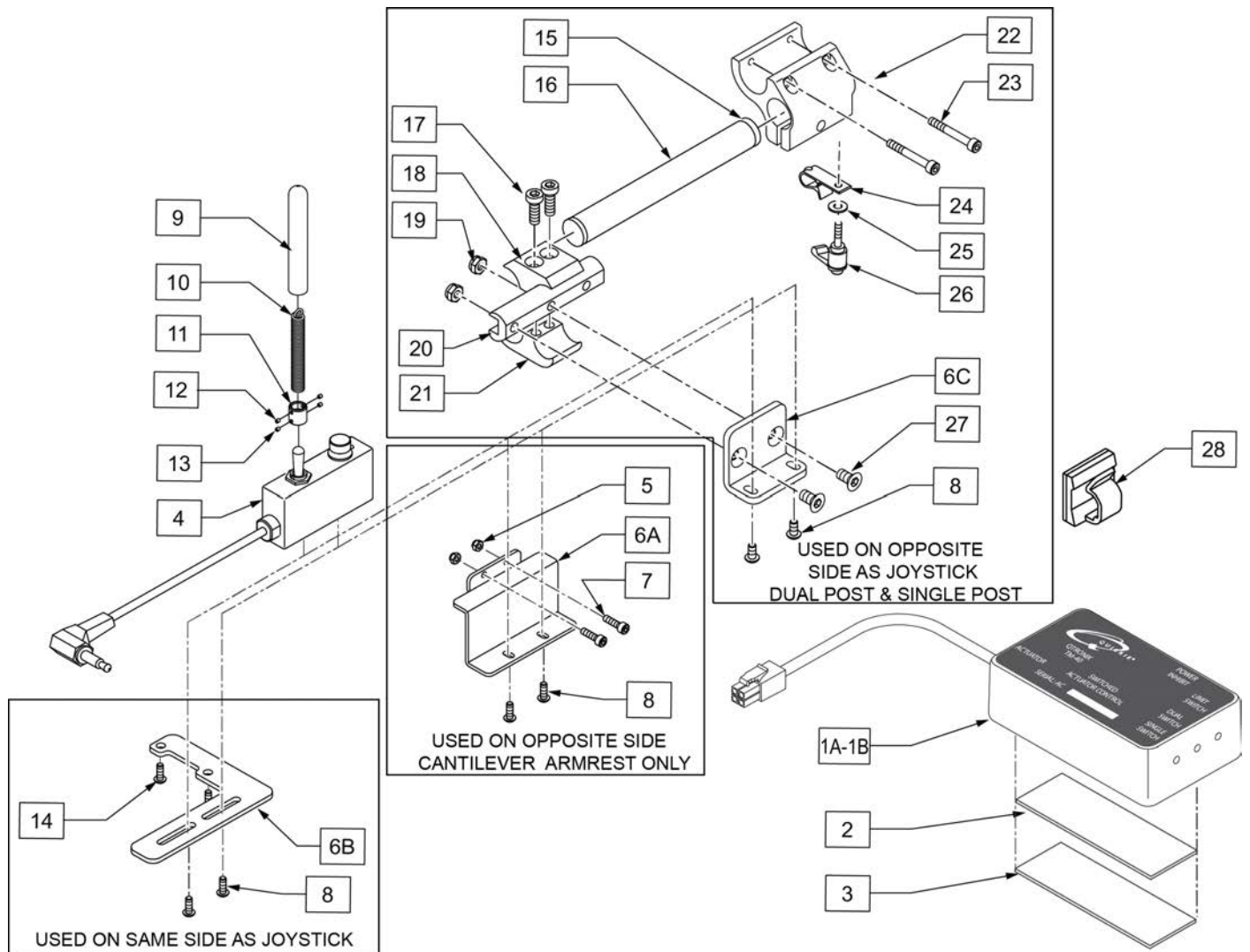


Pos.	Item Number	Description
1	349024	HNDL 10-32 x 3/4 C/A P1/P3/P5
2	226037	10-32 x 1 3/8 SOC C/S BLK
3	501750	CONTROL ARM CLAMP
4	560268	QUICK RELEASE CLIP
5	261204	#10 AN WASHER .063
1-5	920713	CONTROL ARM CLAMP ASSM



Pos.	Item Number	Description
1,2	127939	ASSM MOUNT JOYSTICK CLAMP
3	521098	ADJ DISPLAY ARM "L"SHORT(USCM)
4	111190	MOUNT ARM DISPLAY
5,6	159406	CNTRLR CLMP ARM ASSM RND
6	011049	HANDLE ADJ MODERN M5 X 20 STUD
7	560307	ADJ DISPLAY ARM CAP
1-7	130460	MIDLINE JOYSTICK MOUNT KIT

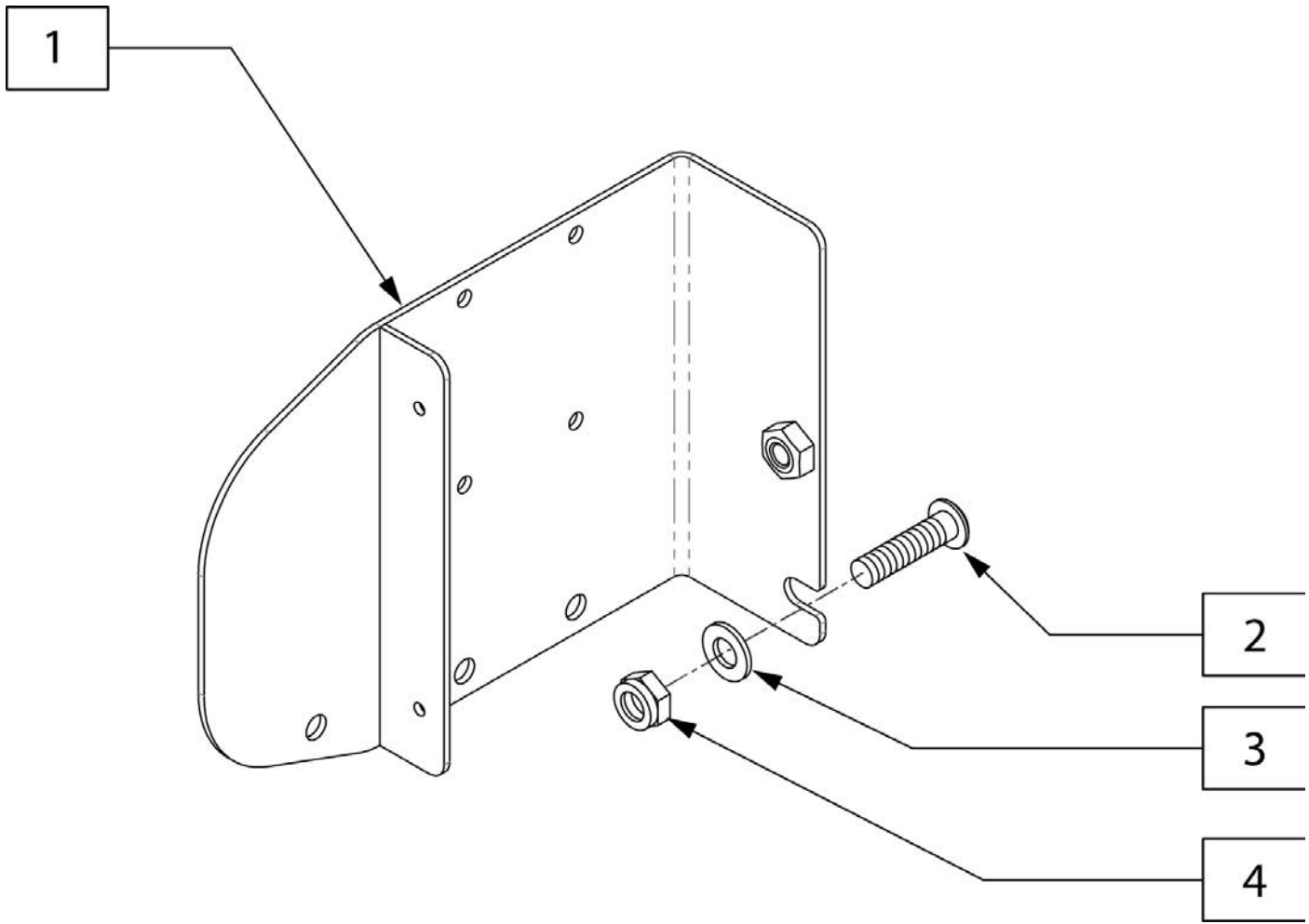
Note: please refer to 4 WAY SWITCH ACTIVATION W/3 AXIS CONTROL parts manual page for replacement 3 Axis Control.



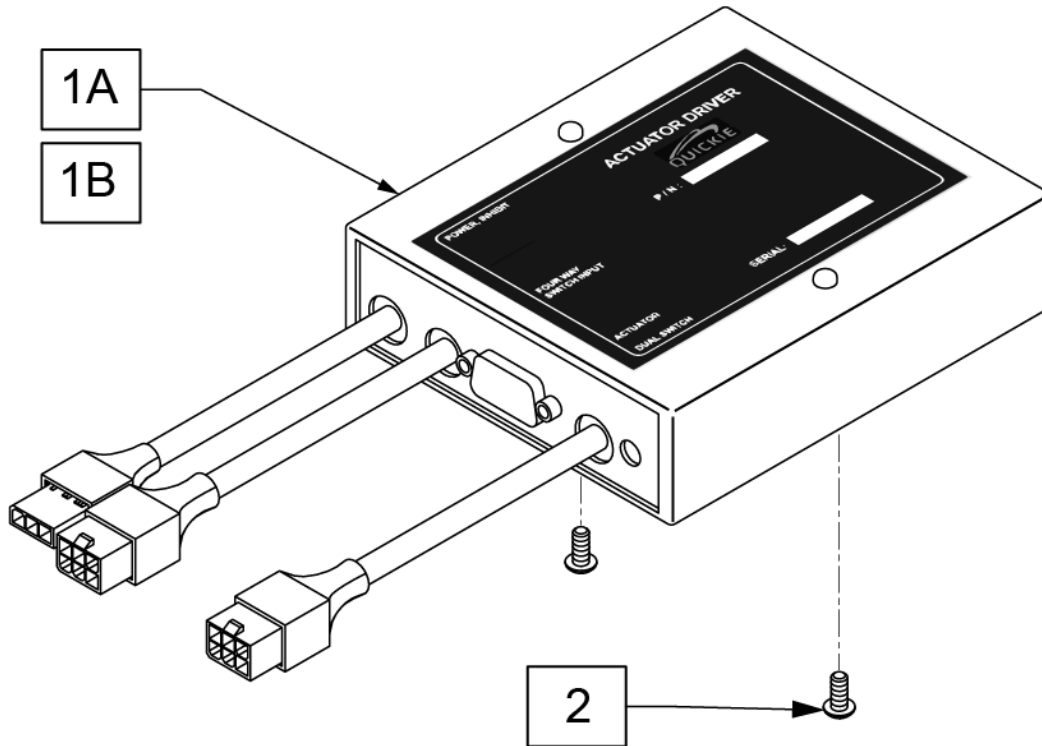
Pos.	Item Number	Description	Remarks
1A-3	110838	TM40 7AMP W/ VELCRO	Use for tilt
1B-3	120591	TM40 4.5AMP W/ VELCRO	Use for lift
2	102340	POLYLOCK FEMALE 3" X 1"	
3	102341	POLYLOCK MALE 3" X 1"	
4	102181	SWITCH DUAL TOGGLE W DISABLE	
5	220121	NUT HEX NYLOCK M5 BLACK	
6A	102811	MOUNT TOGGLE SWITCH	Mounts Toggle to non-Joystick side
6B	108556	DRCT ACT SWTCH MNT RNET	Mounts Toggle to Joystick side
6C	101468	DAS MOUNT ADAPTER	
7	102260-001	SHCS M5X0.8X18 FULL NP	
8	013143	BHCS M5 X .8 X 14 BLK W/PL	
9	560305	4 X .375 ID X .125 FOAM GRIP	
10	321104	SPRING .38 ODX2.85-TILT SWITCH	
11	341125	COUPLER -TILT SWITCH	
12	225106	4-40 X 1/8 SET SCREW BLK	

Pos.	Item Number	Description	Remarks
13	225105	4-40 X 1/16 SET SCREW BLK	
14	102259-002	BHCS M5 X .8 X 20 W/PL INORG	Used to mount to Joystick
15	560761	3/4" INSERT PLUG .049 (18GA)	
16	520231	REMOTE BOX MOUNT TUBE Q-TRONIX	
17	107032	1/4-28 X 1 SOC C/S BLK	
18	550724	CLAMP 3/4"-3/4"TOP HALF ST/DT	
19	106934	1/4-28 NYLOCK NUT	
20	550374	WHL LCK SLIDE BLOCK 3 1/2" BLK	3.5" long
21	550725	CLAMP 3/4"-3/4"THRD HALF ST/DT	
22	501750	CONTROL ARM CLAMP	
23	102260-003	SHCS M5X0.8X35 PART NP	
24	560268	QUICK RELEASE CLIP	
25	011024	M5 FLAT WASHER LARGE OD	
26	011049	HANDLE ADJ MODERN M5 X 20 STUD	
27	226105	1/4-28 X 3/4 FH C/S BLK	
28	560794	CABLE HOLDER BLACK W/ADHESIVE	
9-13	110839	TOGGLE HANDLE ASSM	
6B,8,14	110840	TOGGLE MOUNT JOYSICK SIDE	Toggle Mounts to Joystick side
5,6A,7,8	110841	TOGGLE MOUNT NON JOYSICK SIDE	Toggle Mounts to non-Joystick side for Cantilever Armrest
1A-14	110842	TOGGLE RETRO KIT	Used for Tilt. Includes parts to add a toggle. Includes both mounting kits.
1B-14	120592	TOGGLE RETRO KIT 4.5AMP	Used for Lift. Includes parts to add a toggle. Includes both mounting kits.
6C,8,15-27	120197	TOGGLE MOUNT ASSM FOR JOYSTICK	Toggle Mounts to non-Joystick side w/dual post and single post armrest

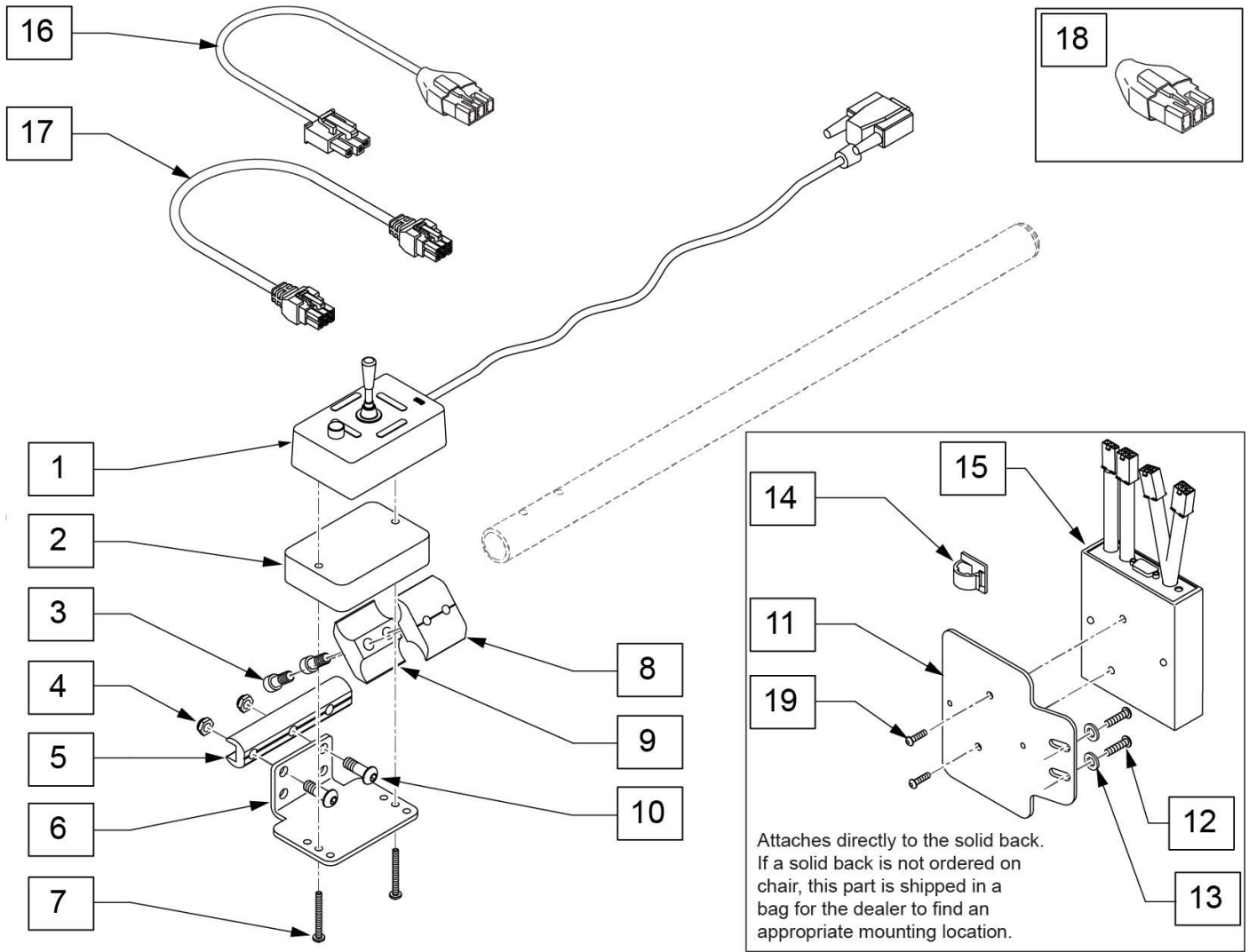
Note: for use with 10" width only.



Pos.	Item Number	Description
1-4	126940	ISM MOUNT W/HARDWARE
2	230122	BHCS M8 X 1.25 X 40 BLK
3	106946	5/16 FLAT WASHER STEEL ZINC BLACK
4	210085	NUT HEX NYLOCK M8 BLACK

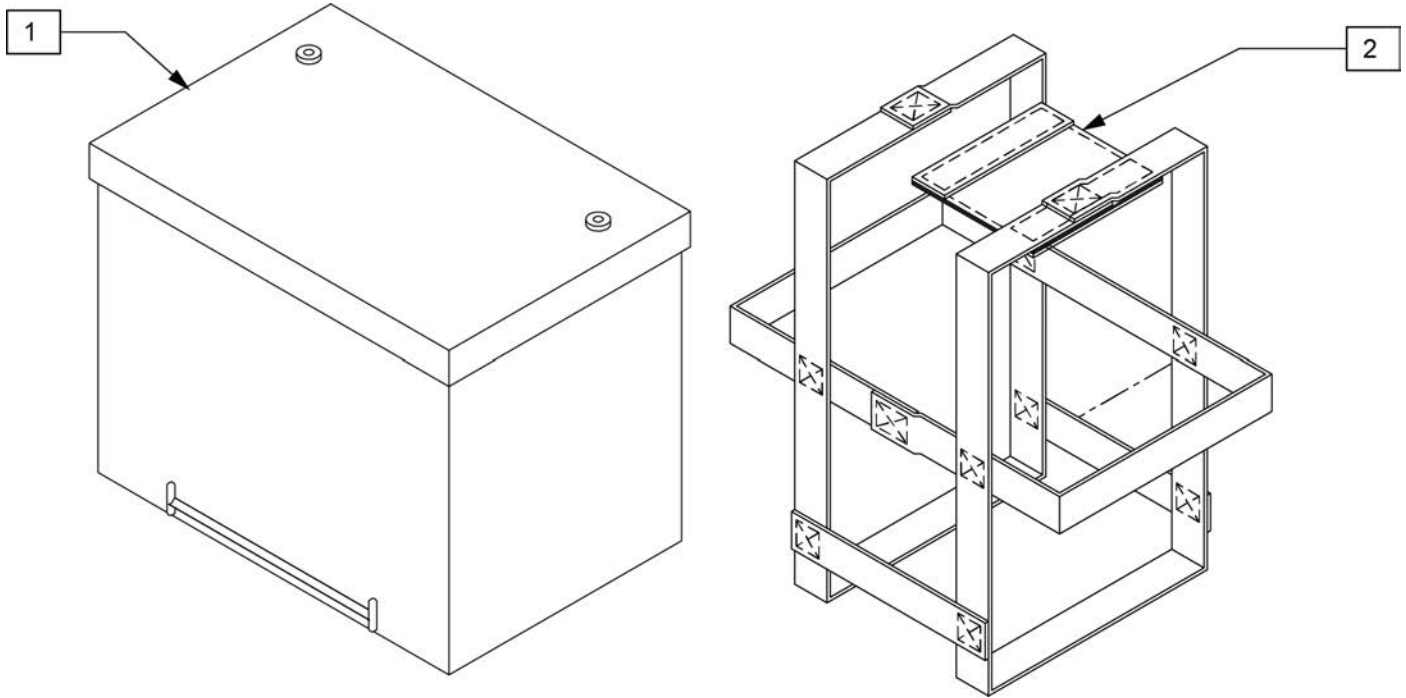


Pos.	Item Number	Description	Remarks
1A	133112	DRIVER ACT 2-AXIS PASSIVE FB	Tilt/Lift Combo; use with 123473 or 129869
1B	123522	DRIVER ACTUATOR 2 AXIS	Tilt/Lift Combo; use with 129870
2	107021	BHCS 10-32 X 1/2 PL	

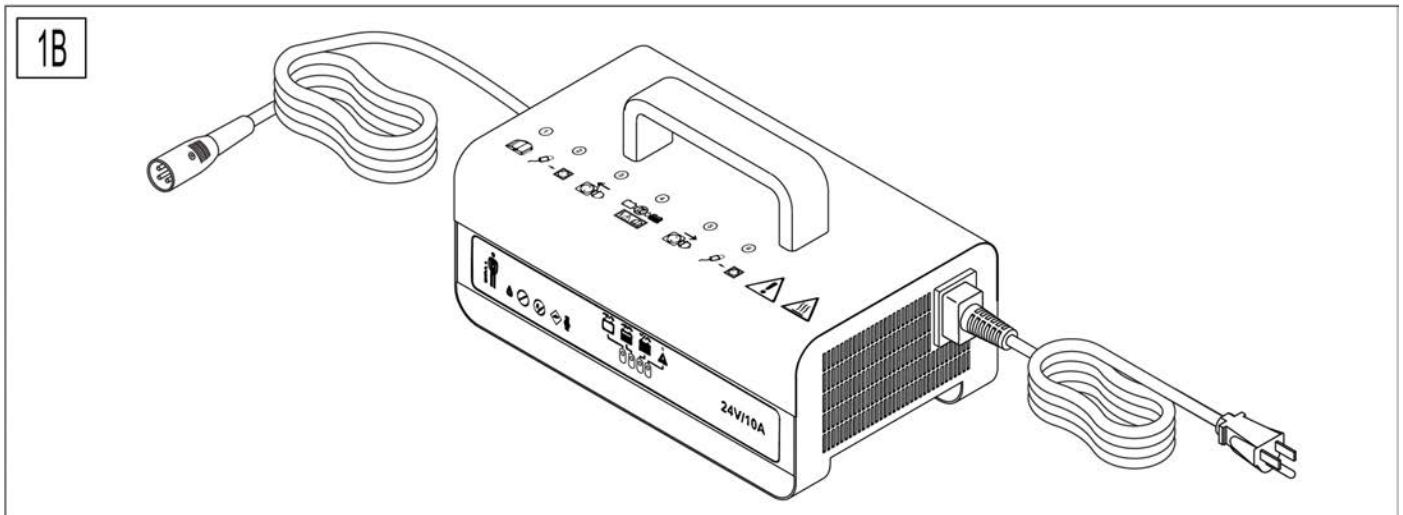
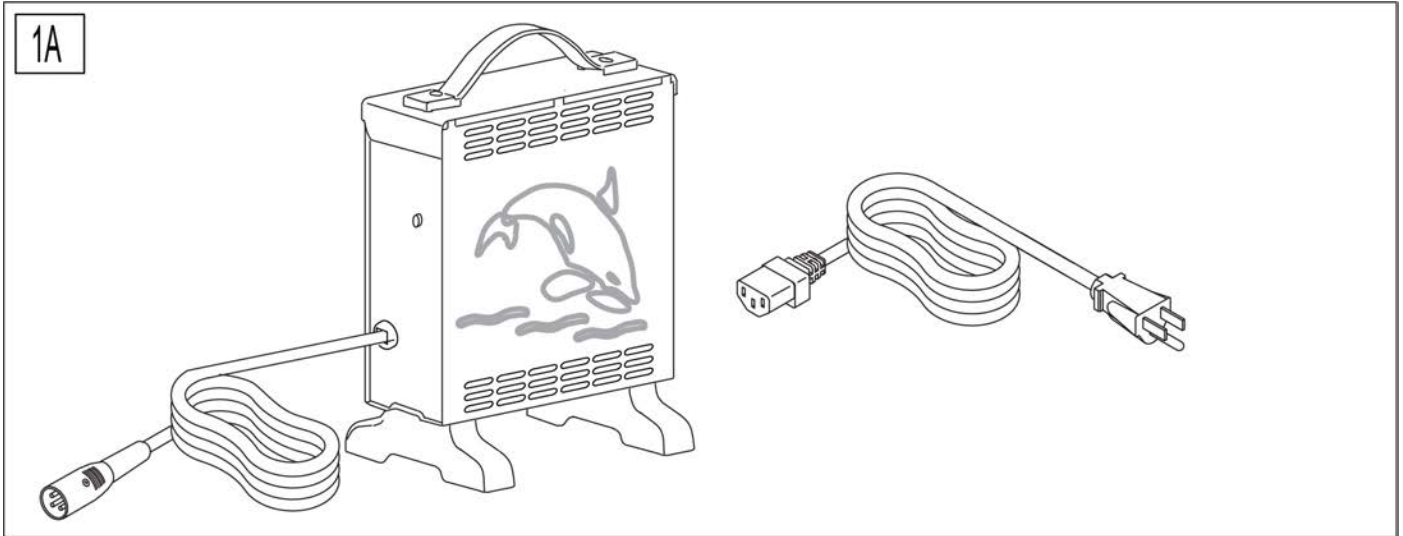


Pos.	Item Number	Description	Remarks
1	126607	4-WAY TOGGLE W/LED	
2	505789	5 SWITCH MOUNT SPACER	
3	107032	1/4-28 x 1 SOC C/S BLK	
4	106935	NUT NYLOCK THIN 1/4-28 ROHS	
5	550374	WHL LCK SLIDE BLOCK 3 1/2" BLK	
6	505978	5 SWITCH DUAL POST MOUNT BRCKT	Used with toggle switch activation of Tilt and Power Legs
7	281070	6-32 x 1 1/4 PAN PHIL	
8	550725	CLAMP 3/4"-3/4"THR D HALF ST/DT	
9	550724	CLAMP 3/4"-3/4"TOP HALF ST/DT	
10	226064	1/4-28 x 3/4 BH C/S BLK W/PTCH	
1-10	129515	4-WAY TOGGLE W/MOUNT KIT	
11	116579	BRACKET ART BACK 3 AXIS CNTR	
12	108107	BHCS 1/4-20 X 3/4 ROHS	

Pos.	Item Number	Description	Remarks
13	106943	WASHER FLAT AN 1/4 ROHS	
14	341220	BATTERY CABLE CLIP	
15A	116509	DRIVER ACTUATOR 3-AXIS W TILT	For Tilt & Tilt w/ Power Legs
15B	117105	DRIVER ACTUATOR 3-AXIS W LIFT	For Lift & Lift w/ Power Legs or Tilt HD & Tilt HD w/ Power Legs
15C	116508	DRIVER ACTUATOR 2-AXIS TLT/LFT	For Tilt with Lift no Power Legs
16	116507-150	HARN PWR/INHBT ACT DRVR 1500MM	
17	020063-100	MOTORKABEL 1000MM	used to connect to tilt actuator harness
17	020063-160	MOTORKABEL 1600MM	used to connect to the power legrest actuators (left & right actuators) or (elevating & articulating actuators) (uses 2 per assembly)
18	119131	HARN ACT INHIBIT SHORTING PLUG	used when chair only has Power Legs, no tilt or lift
19	107022	BHCS 10-32 X 5/8 ROHS	

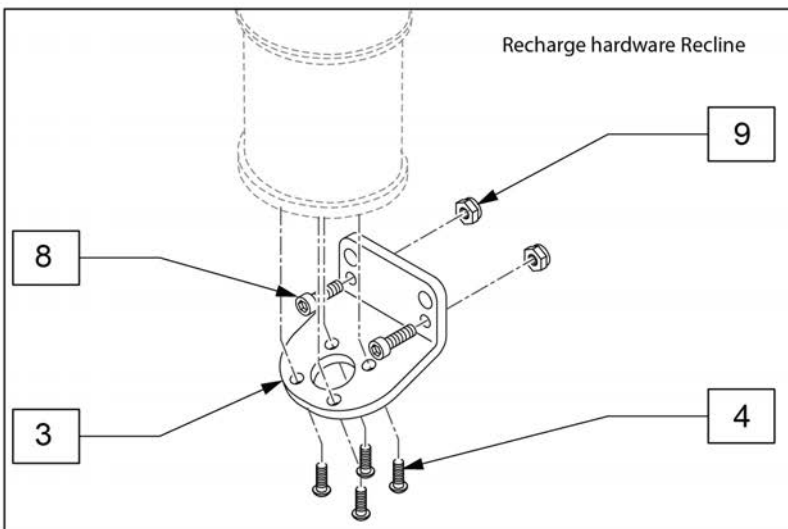
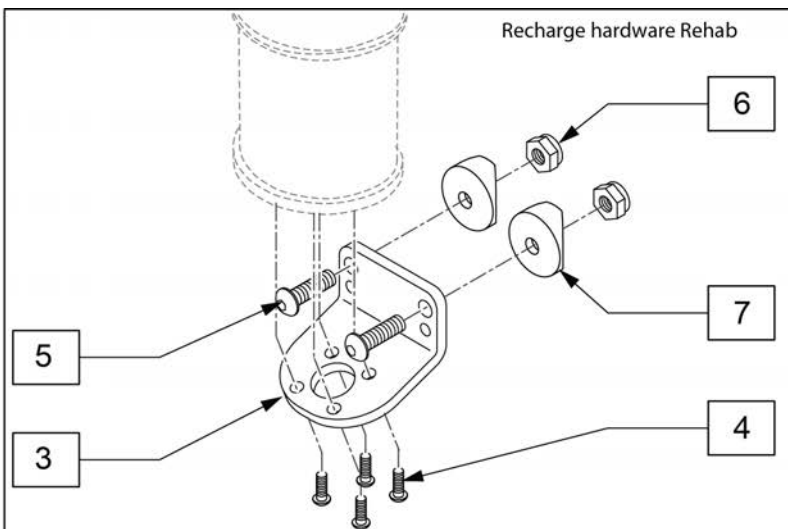
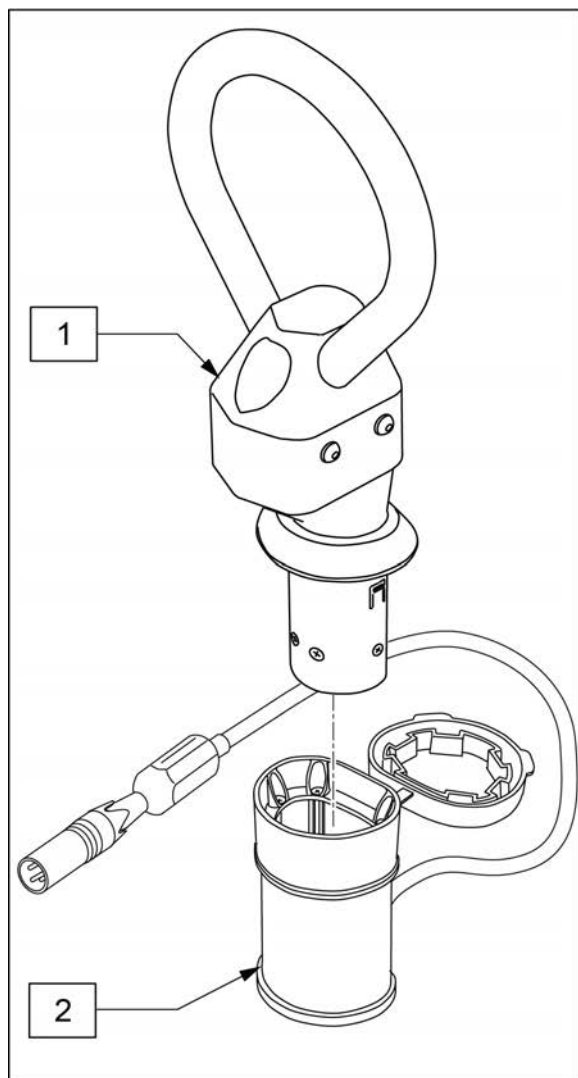


Pos.	Item Number	Description	Remarks
1	244624	BRIGHT WAY GROUP 22 BATTERY	GROUP 22
2	740140	BATTERY STRAP GROUP 22	USED W/ GROUP 22 ONLY



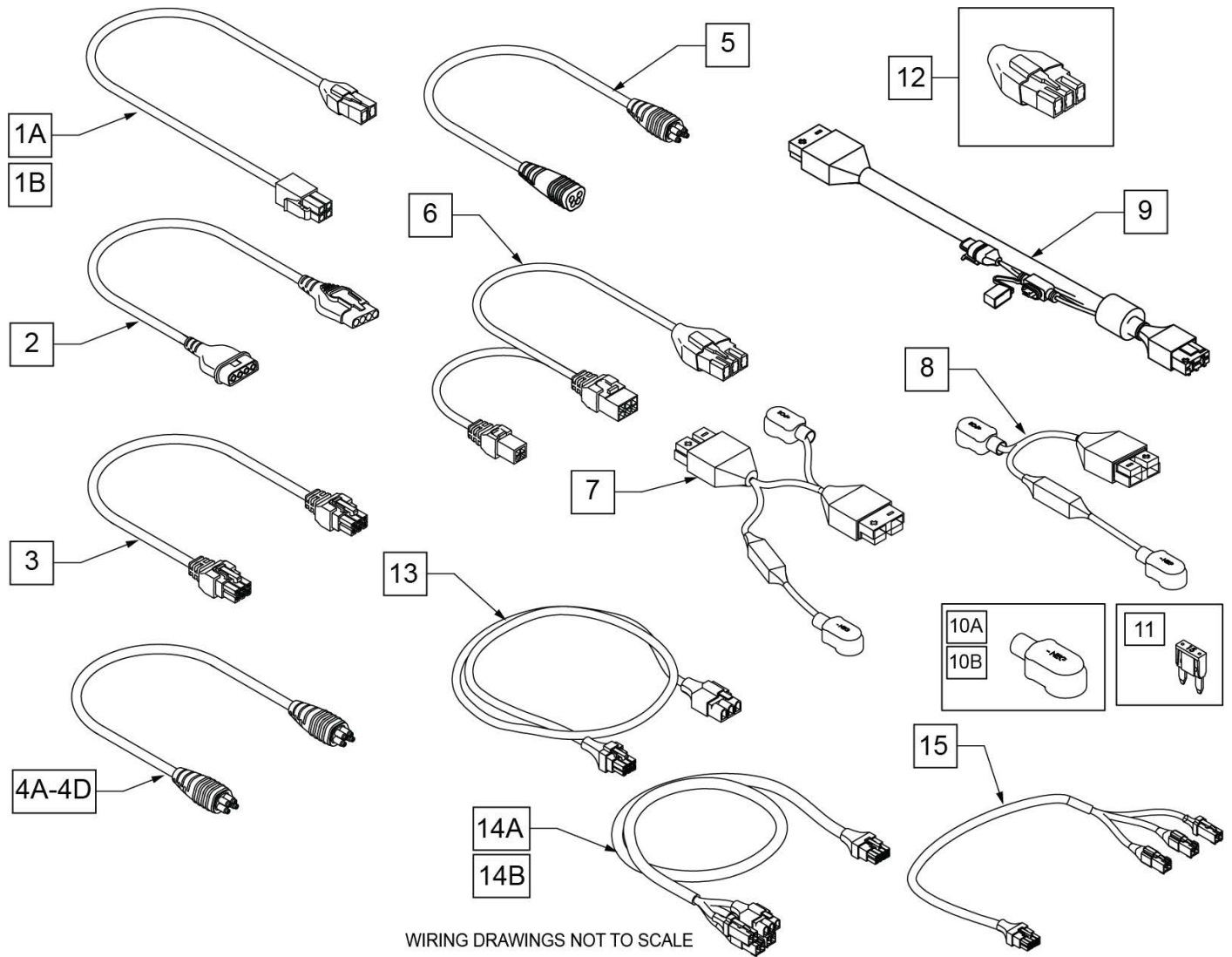
WARNING: Battery chargers are only intended to charge 24V, Group 22, Group 24, and Group 34.

Pos.	Item Number	Description	Remarks
1A	131386	CHRGR OFF BRD 8A CTE W/CHKE	E2367- Standard with most Power Chairs
1B	250647	CHRGR OFF BRD 10A IEB NA	Cutover date 4/5/21



Pos.	Item Number	Description
1	126608	ReCharge
2	126609	ReCharge Socket
3	126400	MOUNT RECHARGE
4	226074	1/4-20 X 1/2 SOC C/S
		Recharge hardware Rehab
5	230123	BHCS M8 X 1.25 X 45
6	210085	NUT HEX NYLOCK M8 BLACK
7	561006	1" SADDLE 5/16" HOLE
1-7	129523	RECHARGER KIT REHAB
		Recharge hardware Recline
8	102263-001	M6-1.0 X 16MM SOCKET CAP SCREW
9	104381	M6-1.0 NYLON INSERT LOCK NUT
1-4,8,9	129524	RECHARGER KIT PWR RECLINE

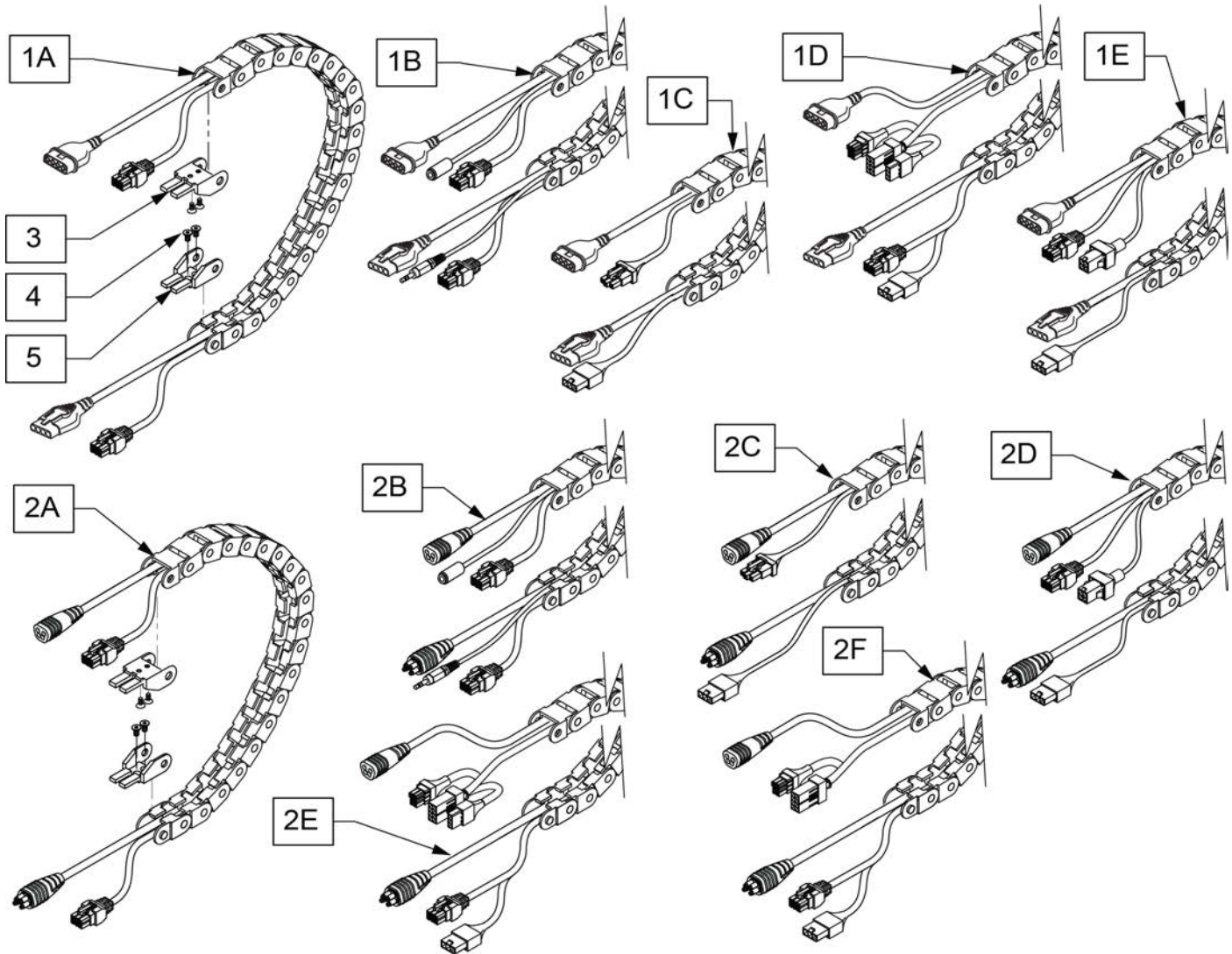
NOTE: Chairs with Switch Box refer to: 4 Way Switch with 3 Axis Control page.



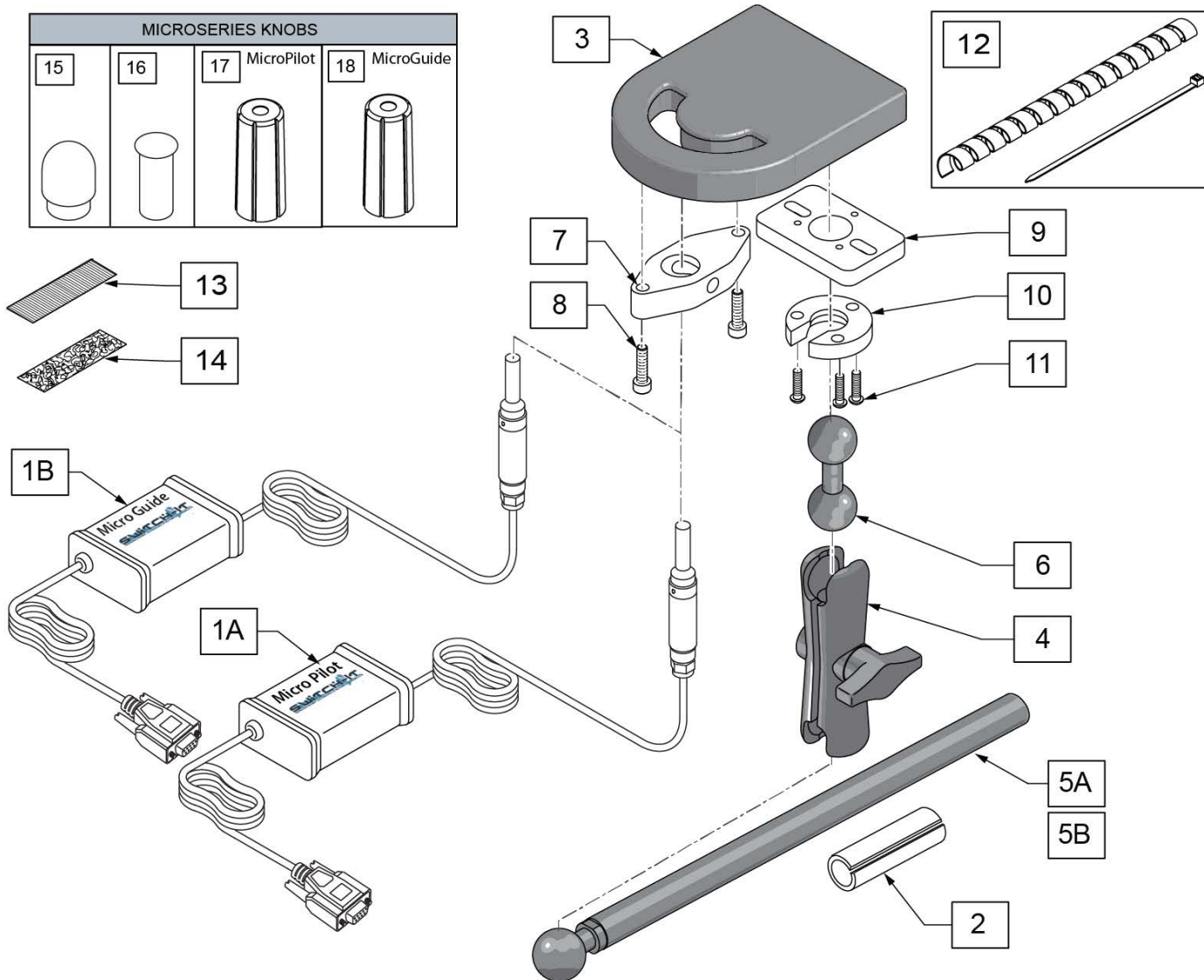
Pos.	Item Number	Description	Remarks
1A	111438-010	HARN VR2 DRIVE THRU ACT 100MM	Used w/ thru drive chairs only(Controller Actuator port to Item #6)
1B	111438-150	HARN VR2 DRIVE THRU ACT 1500MM	Used with Tilt thru ISM
2	101626	CONTROLLER HARNESS	Used w/ VR2 chairs only(Controller to Joystick)

Pos.	Item Number	Description	Remarks
3	020063-070	HARNESS DELPHI ACTUATOR 700mm	Connects Tilt to base Tilt Harness (item #6)
4A	108316-050	HARNESS R-NET BUS 500MM	Rnet Joystick EXT (Dist Block to ISM,Ext to Dist Block or Joystick or Omni for ASAP 10-13" seat)
4B	108316-120	HARNESS R-NET BUS 1200MM	Rnet Joystick EXT (Dist Block to Joystick, Omni or Attendant Control, Base to Joystick or Omni)
4C	108316-030	HARNESS R-NET BUS 300MM	Power Module to Dist Block or ISM to IOM
4D	108316-100	HARNESS R-NET BUS 1000MM	Dist or IOM to Attendant ASAP 10-13" seat Ext to Omni or Joystick ISM to IOM with Power Recline
5	108557-100	HARN RNET BUS EXTENSION 1000MM	Base to seating
6	104977-020	HARN ADPT ACT TO VR2 200MM	Used on all Tilt chairs
6	119301-060	HARN ACTUATOR ADAPTER 600MM	Used on all Lift chairs
7-9	164136	BATTERY HARN 100A KIT	
10A	247543	HARNESS BOOT POS	Red
10B	247544	HARNESS BOOT NEG	Black
11	249005	15A MINI FUSE	
12	116467	HARN INHBT 3 TLT/LFT	Used w/ all Non-Tilt & Non-Lift chairs (Plugs into Motor Controller)

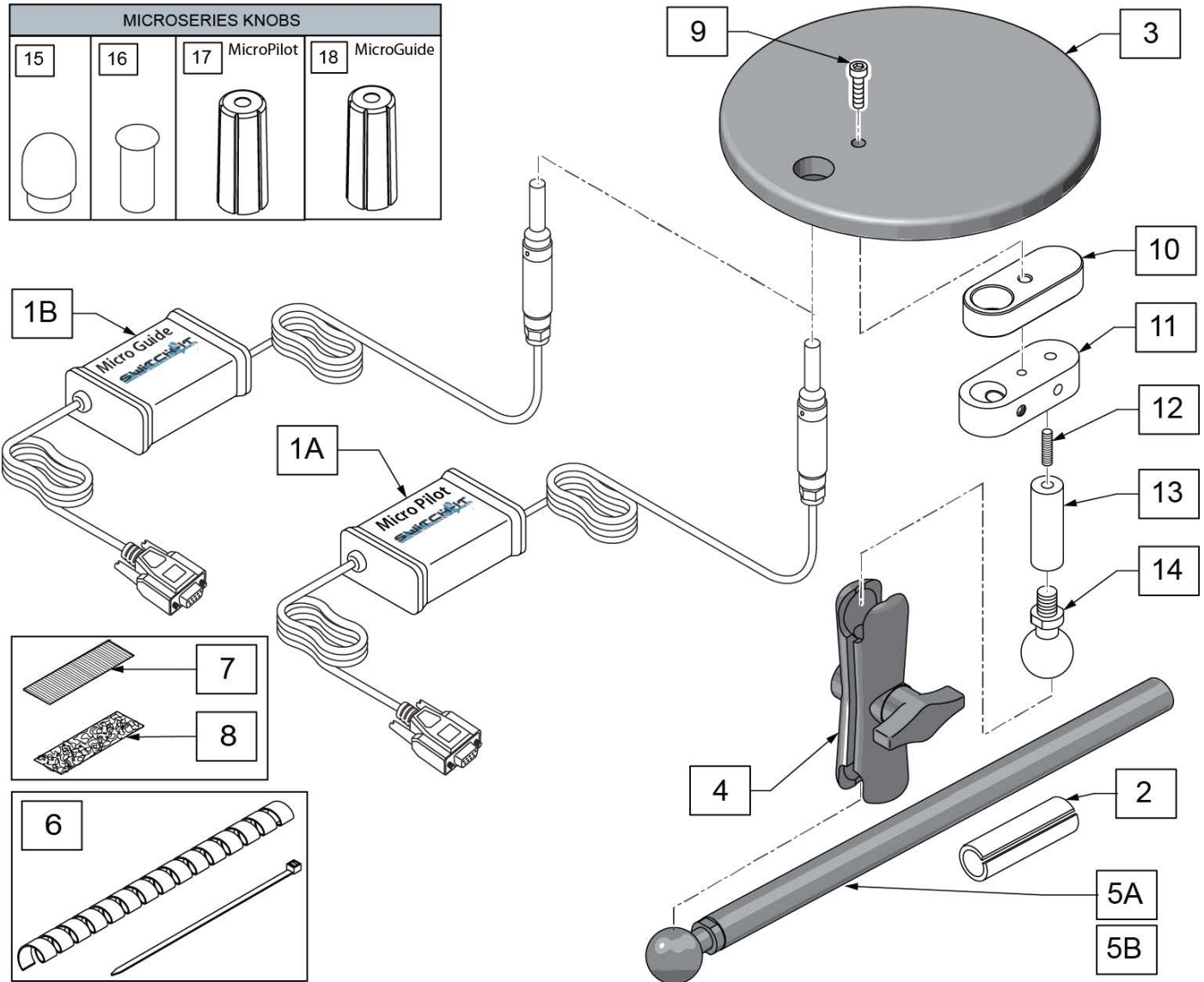
Pos.	Item Number	Description	Remarks
13	127694-085	HARN, MANUAL TILT 850 MM	Manual Tilt to Base
14A	127318	HARN, VR2_TLC_THRU_DRIVE	Thru-Drive TLC with VR2
14B	128228	HARN RNET TLC THRU DRIVE	Thru-Drive TLC with Rnet
15	123530-070	HARN ACT COMBO RNET 700MM	Thru-Drive TLC with Rnet



Pos.	Item Number	Description	Remarks
1A	118930-001	HARN/TRAK ASSY VR2 DRIVE-THRU	VR2 with Drive Thru
1B	118930-002	HARN/TRAK ASSY VR2 DUAL-TOGG	VR2 with Dual Toggle
1C	118930-003	HARN/TRAK ASSY VR2 SW CNTL	VR2 with switch control
1D	124043-001	HARN/TRAK COMBO VR2 SW CNTL	VR2 with switch control
1E	124043-004	LIFT TRAK VR2 TLC DRIVE-THRU	VR2 thru drive
2A	118930-004	HARN/TRAK ASSY RNET DRIVE-THRU	RNET with Drive Thru
2B	118930-006	HARN/TRAK ASSY RNET DUAL-TOGG	RNET with Dual Toggle
2C	118930-008	HARN/TRAK ASSY RNET SW CNTL	RNET with switch control
2D	118930-010	HARN/TRAK RNET WITH ISM	RNET with ISM
2E	124043-002	HARN/TRAK COMBO RNET SW CNTL	RNET with switch control
2F	124043-003	HARN/TRAK COMBO RNET	RNET thru drive
3-5	120476	CABLE TRACK ENDS KIT	

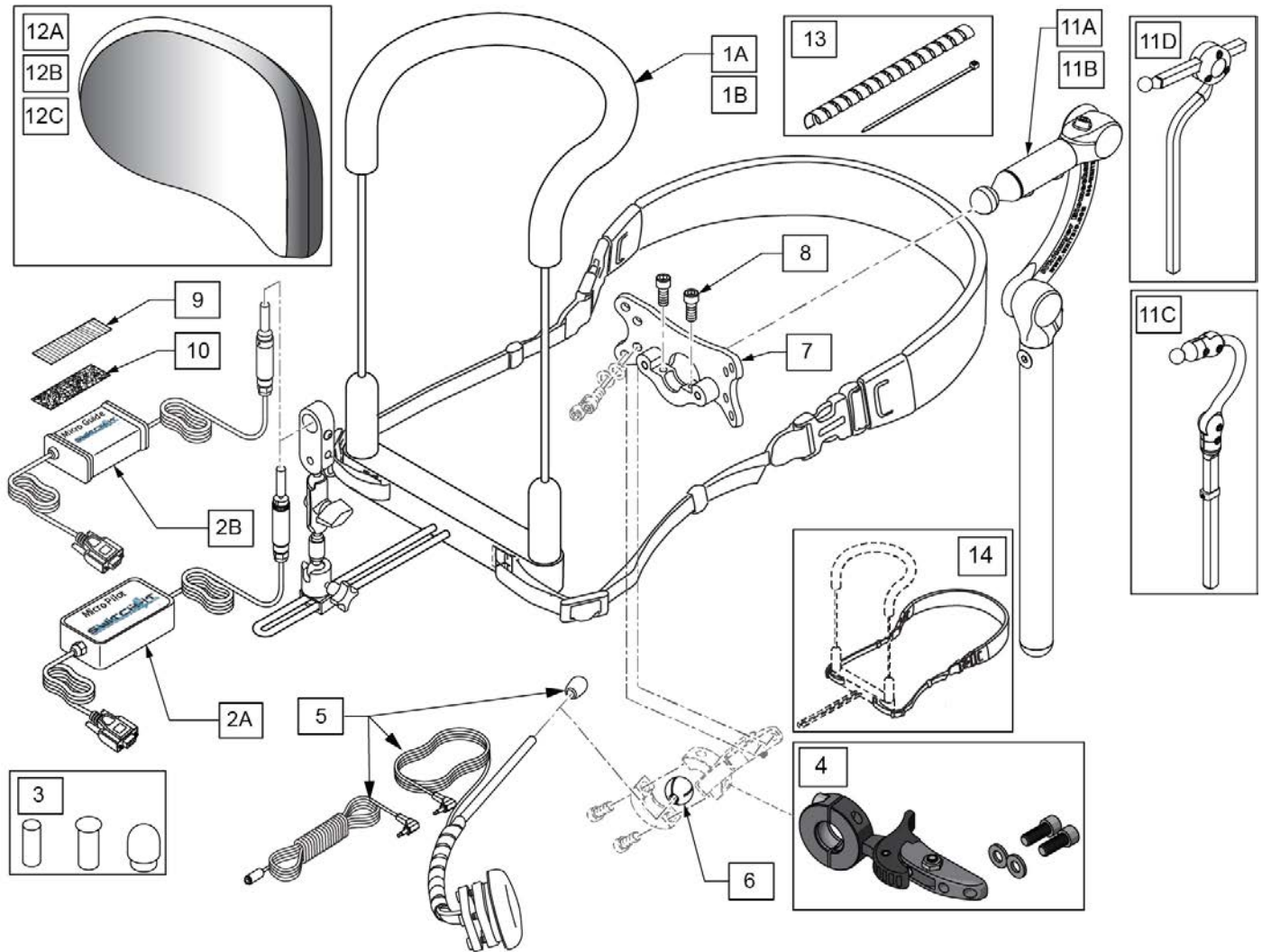


Pos.	Item Number	Description	Remarks
1A,15-18	MP	SWITCH IT MICROPILOT JOYSTICK	Includes Knob Covers
1B,15-18	MG	SWITCH IT MICROGUIDE JOYSTICK	Includes Knob Covers
2	244005	ADAPTOR, 5/8"-3/4" SPL TUBING	Used with 5A
4	126631	3IN DOUBLE SOCKET CLAMP	
2,4,5A	MA-SA	INLINE ARMREST MOUNT	
5B	129457	BAR MOUNT W/1" BALL	
6	126633	DOUBLE BALL	
12	129776	WIRE TIE DOWN KIT	1wrap, 10 ties
13	698041	ADHESIVE POLY 1" X 2.5 MALE	
14	698045	ADHESIVE POLY 1" X 2.5 FEMALE	
3,7,8	BT	BULLET TRAY HAND TRAY	
6,9-11	MC-SA-BT-TD2	CONNECTOR - TD2 & BT TO ARMRES	
2-4,5A,6-11	BT-SA	ARMREST MOUNT WITH BULLET TRAY	
15-18	129436	STANDARD KNOBS AND COVERS	



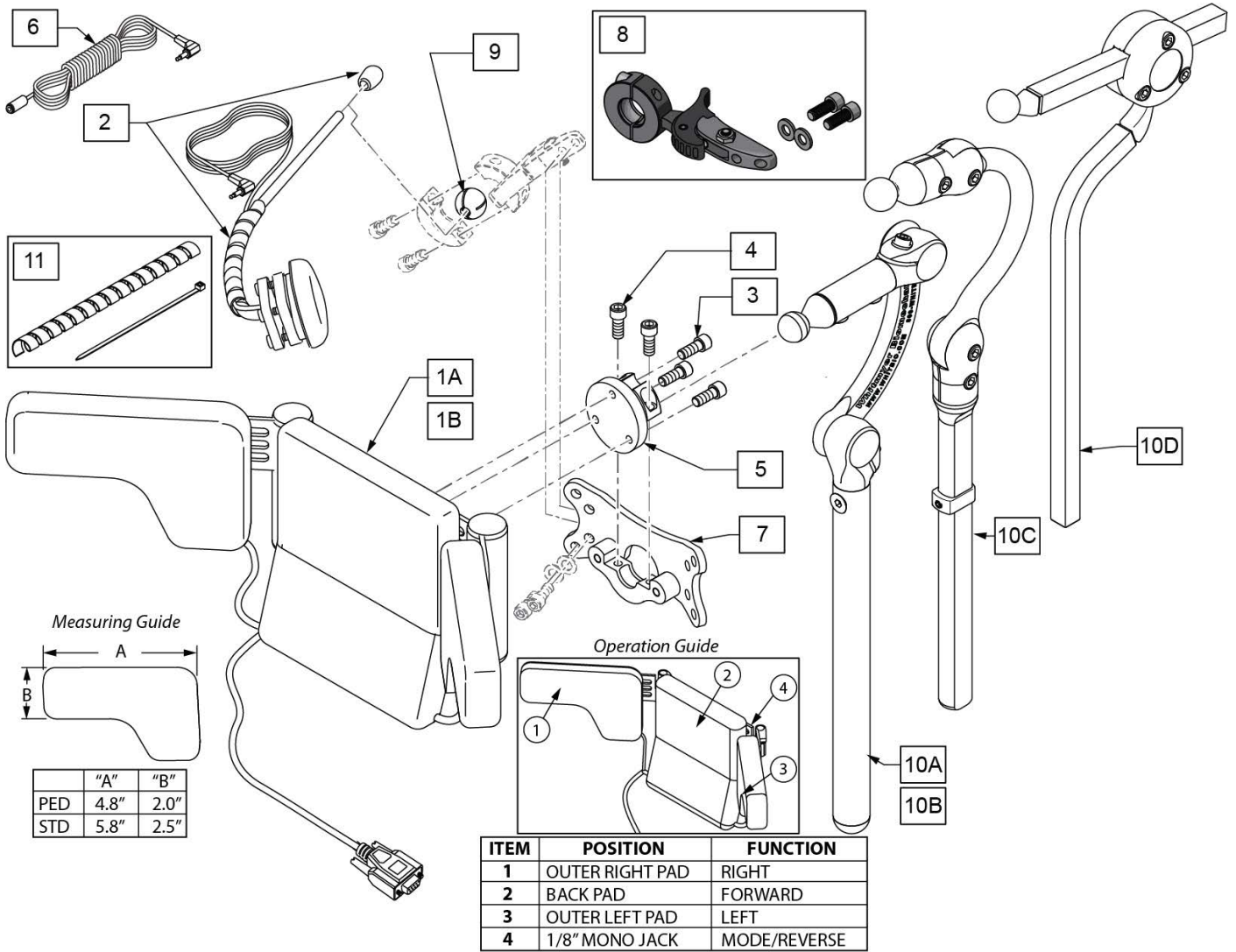
Pos.	Item Number	Description	Remarks
1A,15-18	MP	SWITCH IT MICROPILOT JOYSTICK	Includes Knob Covers
1B,15-18	MG	SWITCH IT MICROGUIDE JOYSTICK	Includes Knob Covers
2	244005	ADAPTOR, 5/8"-3/4" SPL TUBING	
3	243440	SPACE DISK	
4	126631	3IN DOUBLE SOCKET CLAMP	
2,4,5A	MA-SA	INLINE ARMREST MOUNT	
5B	129457	BAR MOUNT W/1" BALL	
6	129776	WIRE TIE DOWN KIT	1wrap, 10 ties
7	698041	ADHESIVE POLY 1" X 2.5 MALE	
8	698045	ADHESIVE POLY 1" X 2.5 FEMALE	
9	108534	SHCS 10-32 X 1-1/4 PL	
10	243444	SPACE DISK, SPACER	
11	252853	MICRO JYSTCK CLAMP ASSY	
12	244001	SET SCRW CUP PT 1/4-20 X 1"	
13	244032	STANDALONE EXTENSION	
14	244006	MNT BALL W/ 3/8-16 THRD POST	

Pos.	Item Number	Description	Remarks
3,4,5A,9-14	SD-SA	SPACEDISK W/ ARMREST MOUNTING	
3,9-11	SD	SPACE DISK HAND TRAY	
12-14	MC-SA-SD	CONNECTOR - SPACE DISK TRAY	
15-18	129436	STANDARD KNOB AND KNOB COVERS	



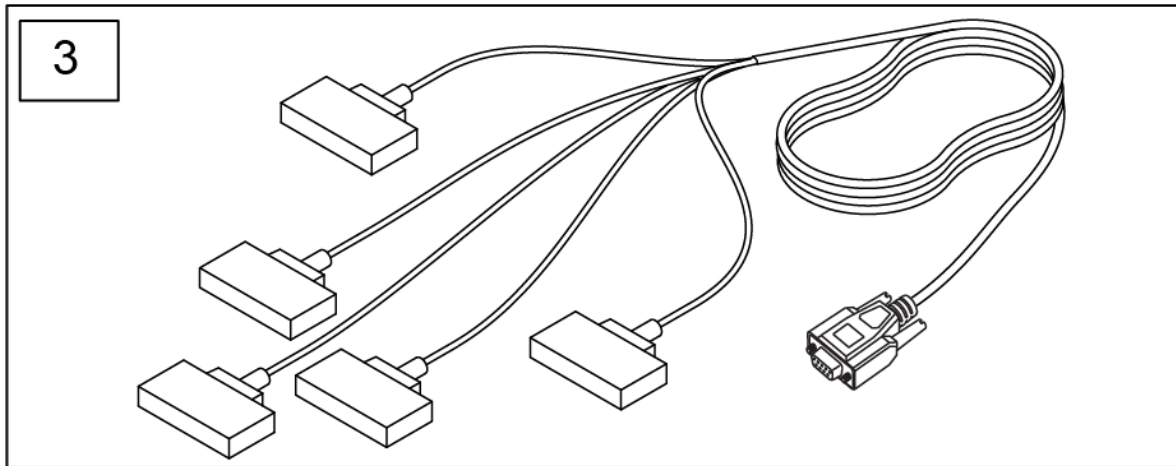
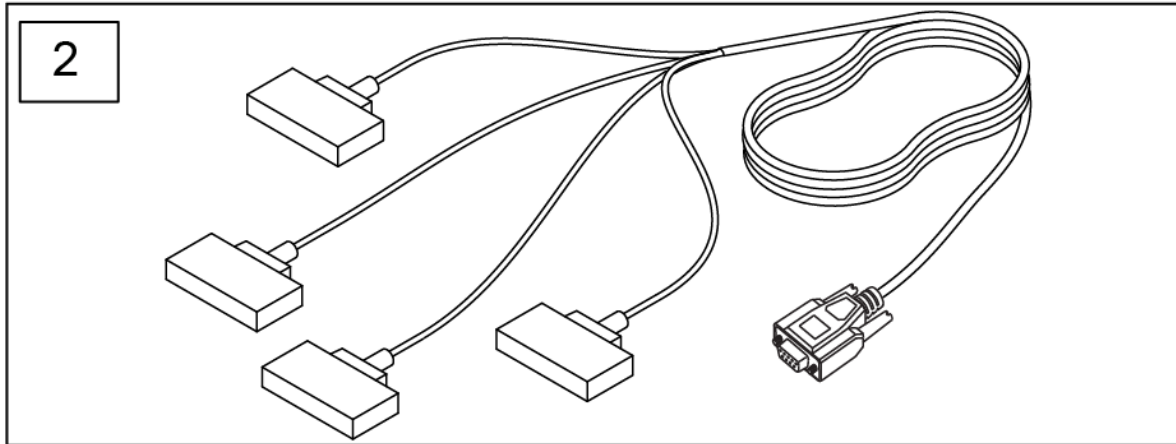
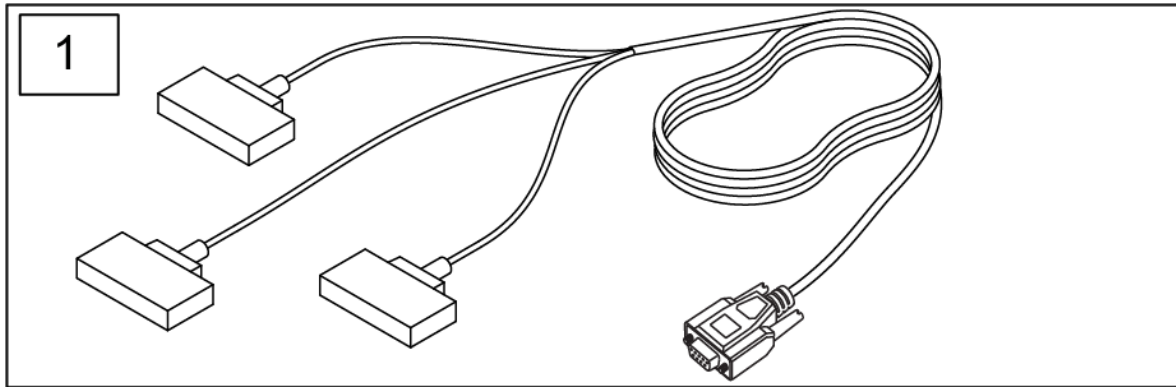
Pos.	Item Number	Description	Remarks
1A	MA-BDN3S-MS	SI BDN 3-6" WIDE MP/MG CON	Std 6" wide
1B	MA-BDN3L-MS	SI BDN 3-8" WIDE MP/MG CON	Large 8" wide
2A,3	MP	SWITCH IT MICROPILOT	includes Knob Covers
2B,3	MG	SWITCH IT MICROGUIDE JOYSTICK	includes Knob Covers
3	129436	STANDARD KNOB AND KNOB COVERS	For replacement
4	LM115	LFC MOUNT, SWINGAWAY	
5	108637	EGG SWITCH MNTG SYSTEM	
6	107411	CLAMP BALL, STEEL	
7	LM-PL	PLUSH LAT INTERFACE PLATE	
8	107348	SHCS 1/4-28 X 5/8 PL ROHS	
9	698041	ADHESIVE POLY 1" X 2.5 MALE	
10	698045	ADHESIVE POLY 1" X 2.5 FEMALE	
11A	LX8000	LINX CORE MNTG HDWR 8"	8" POST
11B	LX7000	LINX CORE MOUNT HDW	10" POST
11C	CBRA7010	COBRA XTRA MOUNT HDW, ADUL	
11D	AX7010	AXYS CORE MOUNT HDW	
12A	P800L	PLUSH PAD, 8", LYCRA	8" wide 5" tall Headrest Pad
12B	P1000L	PLUSH PAD, 10", LYCRA	10" wide 5" tall Headrest Pad
12C	P1400L	OVER 14" PLUSH/LYCRA	14" wide 5" tall Headrest Pad

Pos.	Item Number	Description	Remarks
13	129776	WIRE TIE DOWN KIT	1wrap, 10 ties
14	244516	NEOPRENE STRAP, CHIN HARNESS	
4-10	129508	EGG SWITCH MNTG KIT	
1A,2A,3-10,11A,12A	129460	PILOT BIB STD LINX 8" PLUSH 8"	
1A,2A,3-10,11B,12A	129461	PILOT BIB STD LINX 10" PLUSH 8"	
1A,2A,3-10,11C,12A	129462	PILOT BIB STD COBRA PLUSH 8"	
1A,2A,3-10,11D,12A	129463	PILOT BIB STD AXYS PLUSH 8"	
1A,2A,3-10,11A,12B	129464	PILOT BIB STD LINX 8" PLUSH 10"	
1A,2A,3-10,11B,12B	129465	PILOT BIB STD LINX 10" PLUSH 10"	
1A,2A,3-10,11C,12B	129466	PILOT BIB STD COBRA PLUSH 10"	
1A,2A,3-10,11D,12B	129467	PILOT BIB STD AXYS PLUSH 10"	
1A,2A,3-10,11A,12C	129468	PILOT BIB STD LINX 8" PLUSH 14"	
1A,2A,3-10,11B,12C	129469	PILOT BIB STD LINX 10" PLUSH 14"	
1A,2A,3-10,11C,12C	129470	PILOT BIB STD COBRA PLUSH 14"	
1A,2A,3-10,11D,12C	129471	PILOT BIB STD AXYS PLUSH 14"	
1B,2A,3-10,11A,12A	129472	PILOT BIB LRG LINX 8" PLUSH 8"	
1B,2A,3-10,11B,12A	129473	PILOT BIB LRG LINX 10" PLUSH 8"	
1B,2A,3-10,11C,12A	129474	PILOT BIB LRG COBRA PLUSH 8"	
1B,2A,3-10,11D,12A	129475	PILOT BIB LRG AXYS PLUSH 8"	
1B,2A,3-10,11A,12B	129476	PILOT BIB LRG LINX 8" PLUSH 10"	
1B,2A,3-10,11B,12B	129477	PILOT BIB LRG LINX 10" PLUSH 10"	
1B,2A,3-10,11C,12B	129478	PILOT BIB LRG COBRA PLUSH 10"	
1B,2A,3-10,11D,12B	129479	PILOT BIB LRG AXYS PLUSH 10"	
1B,2A,3-10,11A,12C	129480	PILOT BIB LRG LINX 8" PLUSH 14"	
1B,2A,3-10,11B,12C	129481	PILOT BIB LRG LINX 10" PLUSH 14"	
1B,2A,3-10,11C,12C	129482	PILOT BIB LRG COBRA PLUSH 14"	
1B,2A,3-10,11D,12C	129483	PILOT BIB LRG AXYS PLUSH 14"	
1A,2B,3-10,11A,12A	129484	GUIDE BIB STD LINX 8" PLUSH 8"	
1A,2B,3-10,11B,12A	129485	GUIDE BIB STD LINX 10" PLUSH 8"	
1A,2B,3-10,11C,12A	129486	GUIDE BIB STD COBRA PLUSH 8"	
1A,2B,3-10,11D,12A	129487	GUIDE BIB STD AXYS PLUSH 8"	
1A,2B,3-10,11A,12B	129488	GUIDE BIB STD LINX 8" PLUSH 10"	
1A,2B,3-10,11B,12B	129489	GUIDE BIB STD LINX 10" PLUSH 10"	
1A,2B,3-10,11C,12B	129490	GUIDE BIB STD COBRA PLUSH 10"	
1A,2B,3-10,11D,12B	129491	GUIDE BIB STD AXYS PLUSH 10"	
1A,2B,3-10,11A,12C	129492	GUIDE BIB STD LINX 8" PLUSH 14"	
1A,2B,3-10,11B,12C	129493	GUIDE BIB STD LINX 10" PLUSH 14"	
1A,2B,3-10,11C,12C	129494	GUIDE BIB STD COBRA PLUSH 14"	
1A,2B,3-10,11D,12C	129495	GUIDE BIB STD AXYS PLUSH 14"	
1B,2B,3-10,11A,12A	129496	GUIDE BIB LRG LINX 8" PLUSH 8"	
1B,2B,3-10,11B,12A	129497	GUIDE BIB LRG LINX 10" PLUSH 8"	
1B,2B,3-10,11C,12A	129498	GUIDE BIB LRG COBRA PLUSH 8"	
1B,2B,3-10,11D,12A	129499	GUIDE BIB LRG AXYS PLUSH 8"	
1B,2B,3-10,11A,12B	129500	GUIDE BIB LRG LINX 8" PLUSH 10"	
1B,2B,3-10,11B,12B	129501	GUIDE BIB LRG LINX 10" PLUSH 10"	
1B,2B,3-10,11C,12B	129502	GUIDE BIB LRG COBRA PLUSH 10"	
1B,2B,3-10,11D,12B	129503	GUIDE BIB LRG AXYS PLUSH 10"	
1B,2B,3-10,11A,12C	129504	GUIDE BIB LRG LINX 8" PLUSH 14"	
1B,2B,3-10,11B,12C	129505	GUIDE BIB LRG LINX 10" PLUSH 14"	
1B,2B,3-10,11C,12C	129506	GUIDE BIB LRG COBRA PLUSH 14"	
1B,2B,3-10,11D,12C	129507	GUIDE BIB LRG AXYS PLUSH 14"	

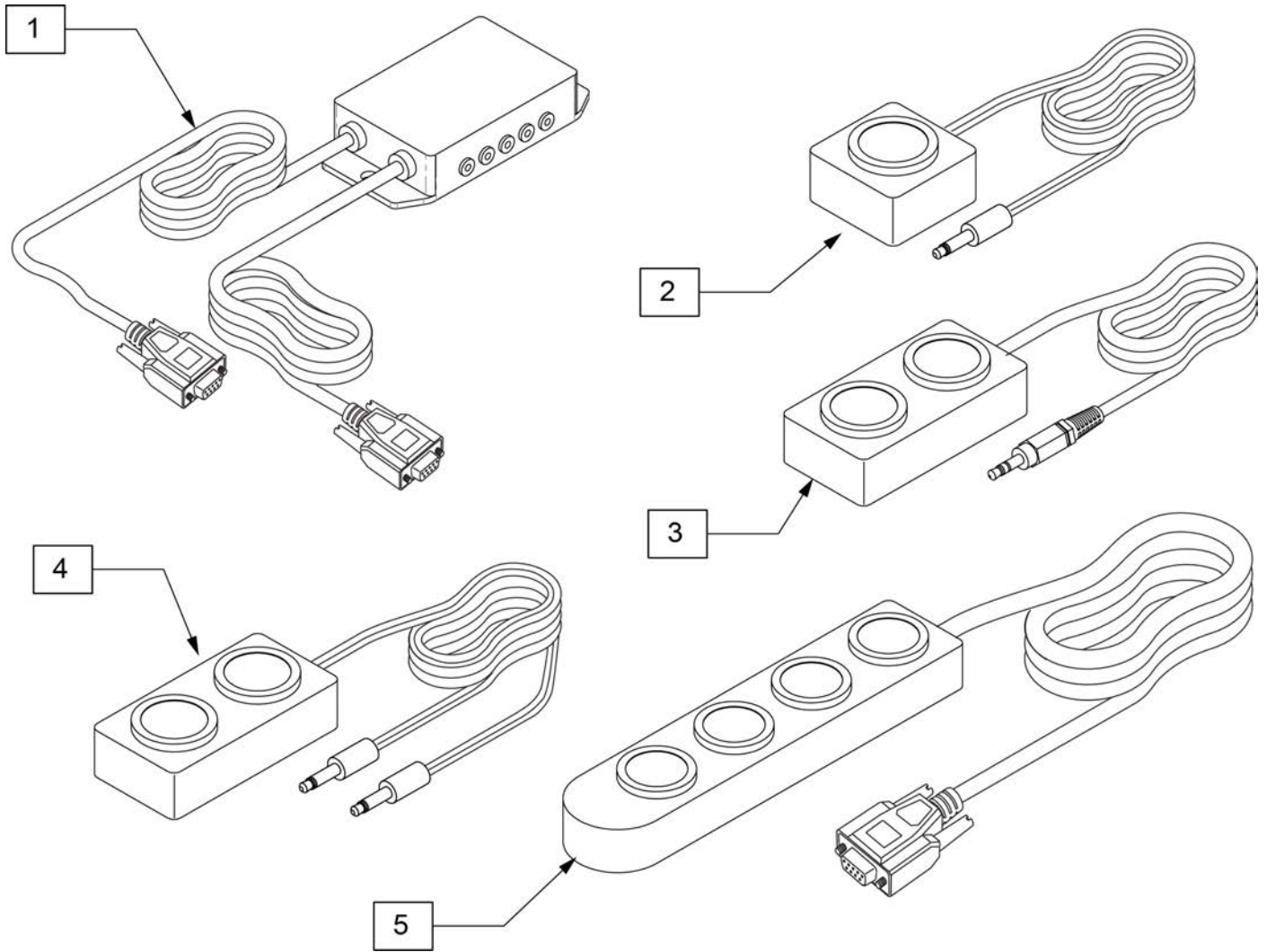


Pos.	Item Number	Description	Remarks
1A	126606	HEAD ARRAY 3SW SWITCH IT STD	Adult size/Long
1B	126605	HEAD ARRAY 3SW SWITCH IT PED	Pediatric size/Stubby
2	108637	EGG SWITCH MNTG SYSTEM	
3	221010	10-32 X .75 SHCS BLK W/PL	
4	221016	1/4-28 x .63 SHCS BLK W/PL	
5	104907	TOP COLLAR FLANGE WELDM	
6	244022	MONO CABLE, EXT M-F 72" CA68	Mech Switch Harness Extension - mono cable 3.5mm
7	LM-PL	PLUSH LAT INTERFACE PLATE	
8	LM115	LFC MOUNT, SWINGAWAY	
9	107411	CLAMP BALL, STEEL	
10A	LX7000	LINX CORE MOUNT HDW	10" POST
10B	LX8000	LINX CORE MNTG HDWR 8"	8" POST
10C	CBRA7010	COBRA XTRA MOUNT HDW, ADUL	
10D	AX7010	AXYS CORE MOUNT HDW	
1A,2-10A	129449	3 SWITCH H ARRAY STD LINX 10	
1A,2-10B	129450	3 SWITCH H ARRAY STD LINX 8	
1A,2-10C	129451	3 SWITCH H ARRAY STD COBRA	
1A,2-10D	129452	3 SWITCH H ARRAY STD AXYS	

Pos.	Item Number	Description	Remarks
1B,2-10A	129453	3 SWITCH H ARRAY PED LINX 10	
1B,2-10B	129454	3 SWITCH H ARRAY PED LINX 8	
1B,2-10C	129455	3 SWITCH H ARRAY PED COBRA	
1B,2-10A	129456	3 SWITCH H ARRAY PED AXYS	
11	129776	WIRE TIE DOWN KIT	1wrap, 10 ties

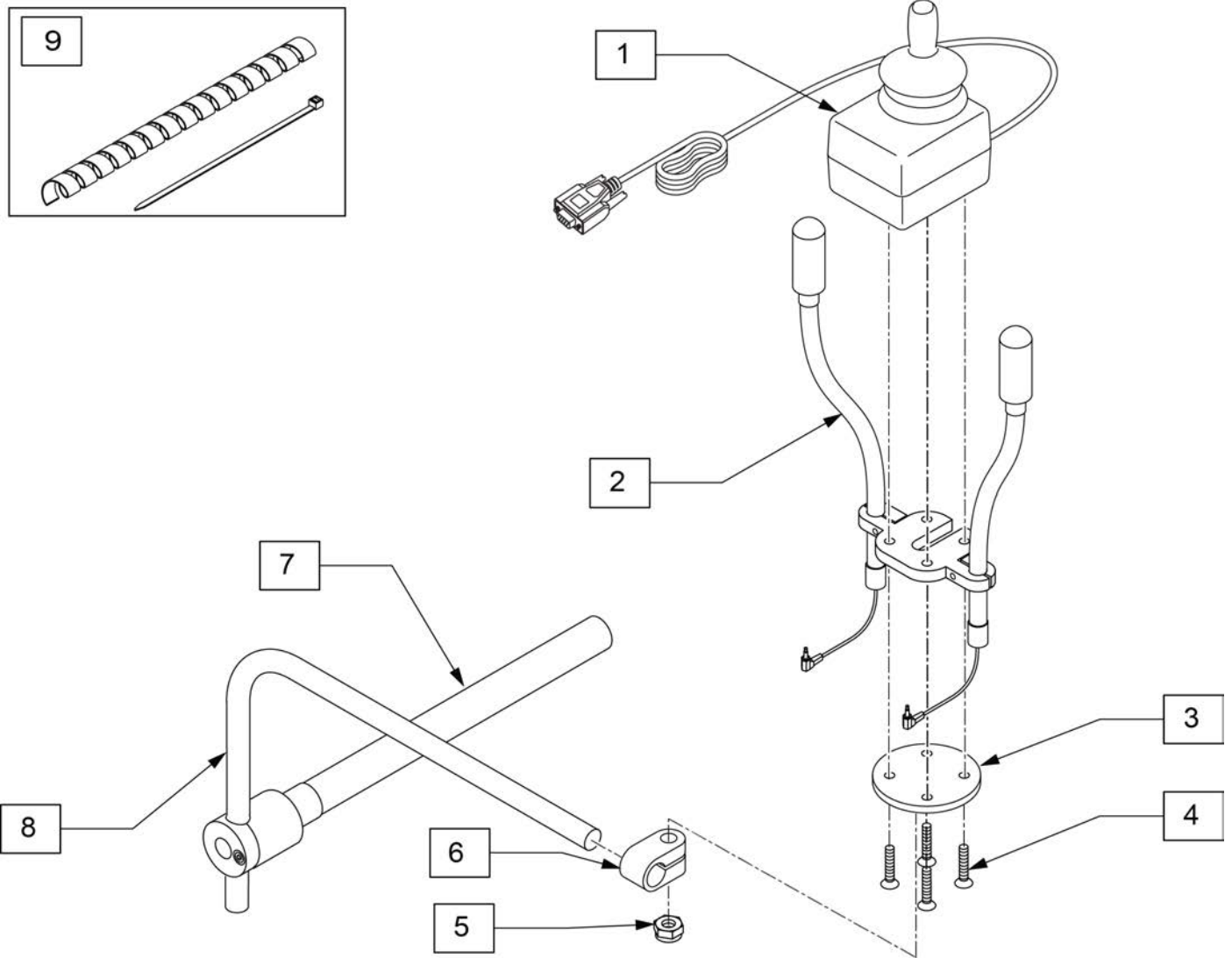


Pos.	Item Number	Description	Remarks
1	126582	3NKS 3 SWITCH ARRAY	3 Zero Touch Sensors
2	4NKS	SWITCH IT ZERO TOUCH SYSTEM	4 Zero Touch Sensors
3	5NKS	SWITCH IT ZERO TOUCH SYSTEM	5 Zero Touch Sensors

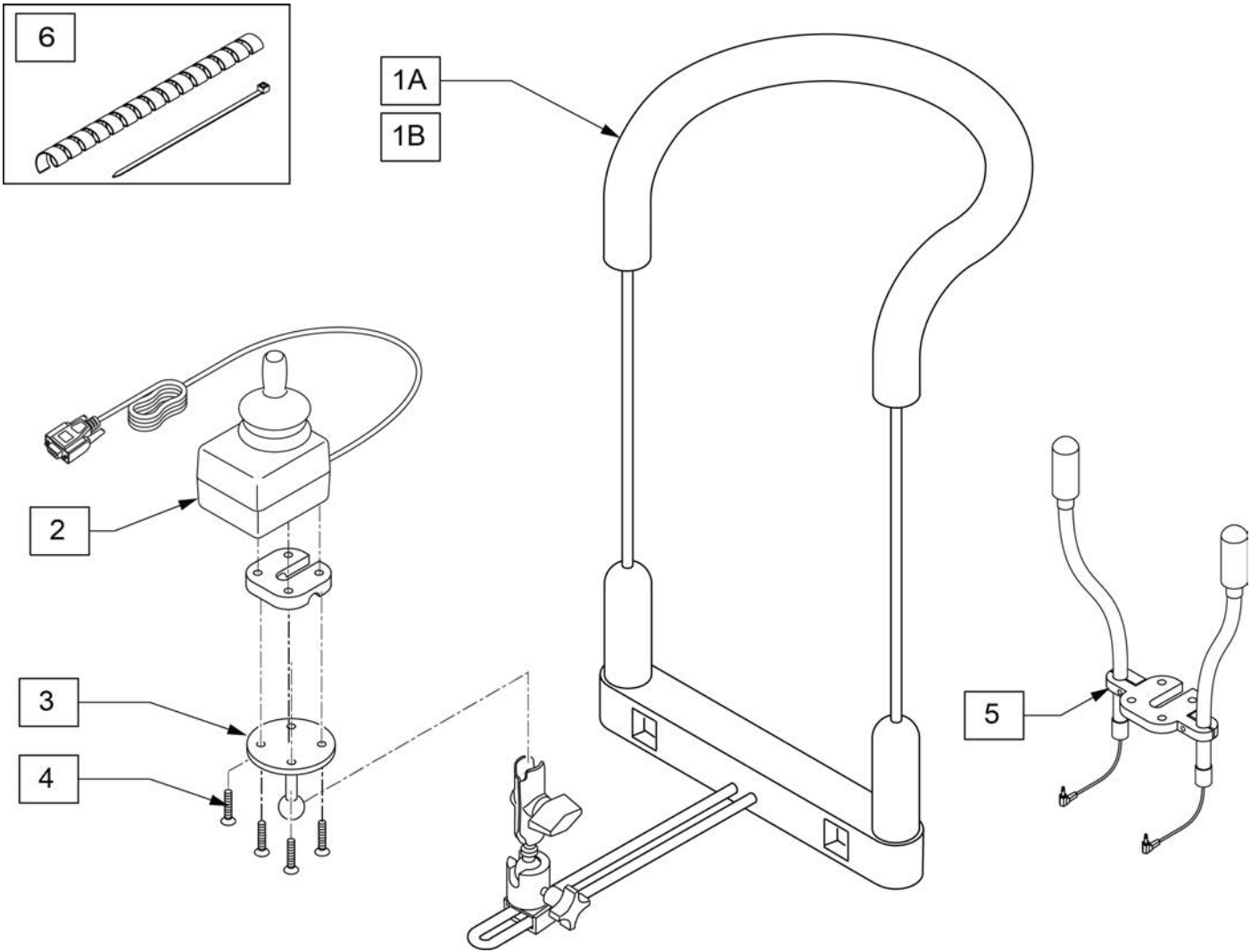


Pos.	Item Number	Description	Remarks
1	129680	ASL 5-SWITCH ADAPTER BOX KIT	
2	126583	SWITCH-IT MINI 1 BUTTON	On mono plug
3	MB-2-S	MINI 2 BUTTON 1 STEREO PLUG	On 1 stereo plug
4	126584	SWITCH-IT MINI 2 BUTTON MONO	On 2 mono plugs
5	126586	SWITCH-IT MINI 4 BUTTON IN-LINE	On DB9 connector

Note: Switch-It Versa Guide Joystick accepts Optional Joystick Handles. See Optional Joystick Handles parts page for part numbers.



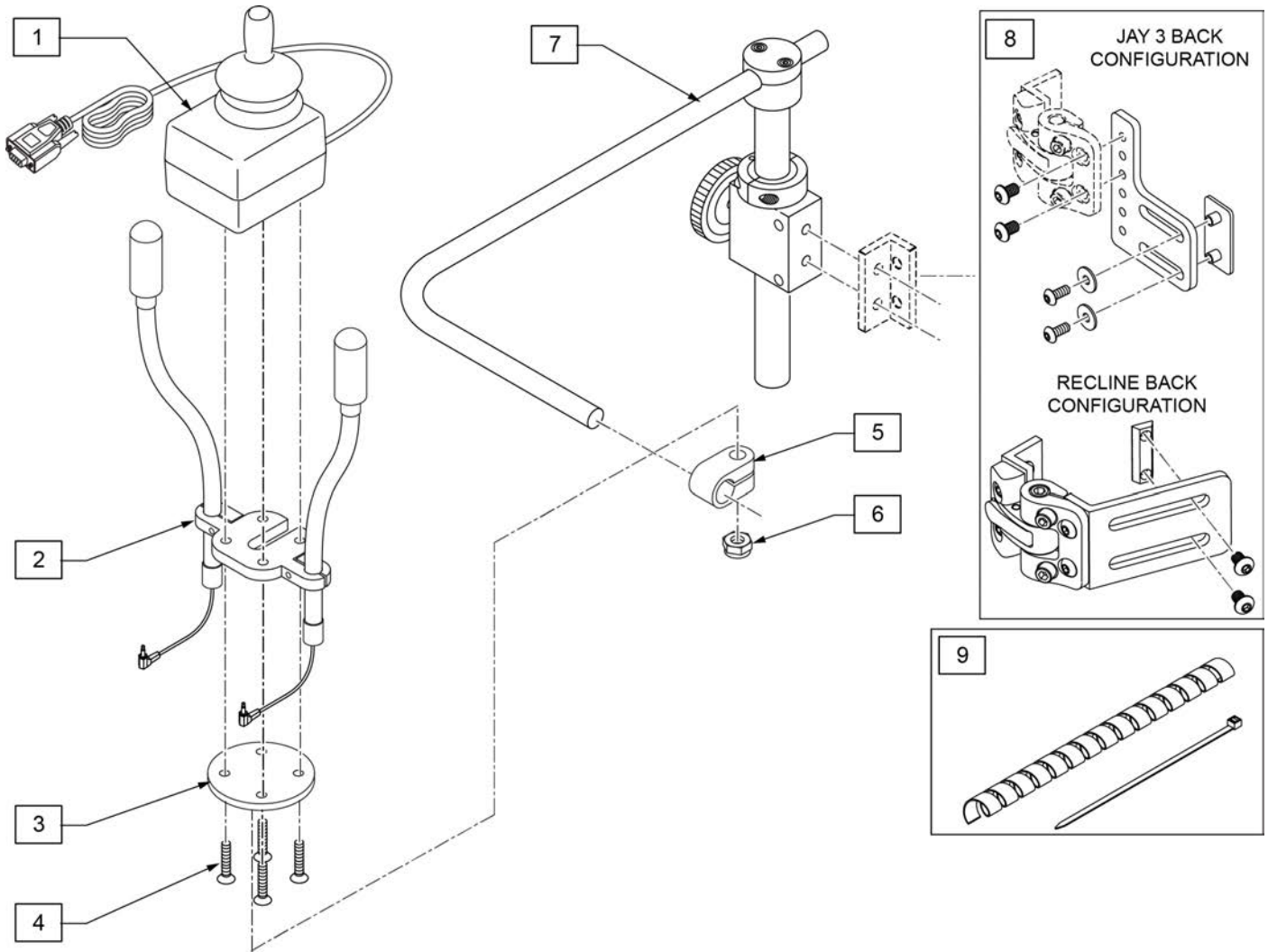
Pos.	Item Number	Description	Remarks
1	VG	SWITCH IT VERSAGUIDE JOYSTICK	
2	132176	DUAL FLEX SWITCHES	
3-6	MC-MID-VG	VERSA JS TO BP MIDLINE STEALTH	
7	111190	MOUNT ARM DISPLAY	
8	521097	ADJ DISPLAY ARM "L" (USCM)	
9	129776	WIRE TIE DOWN KIT	1wrap, 10 ties



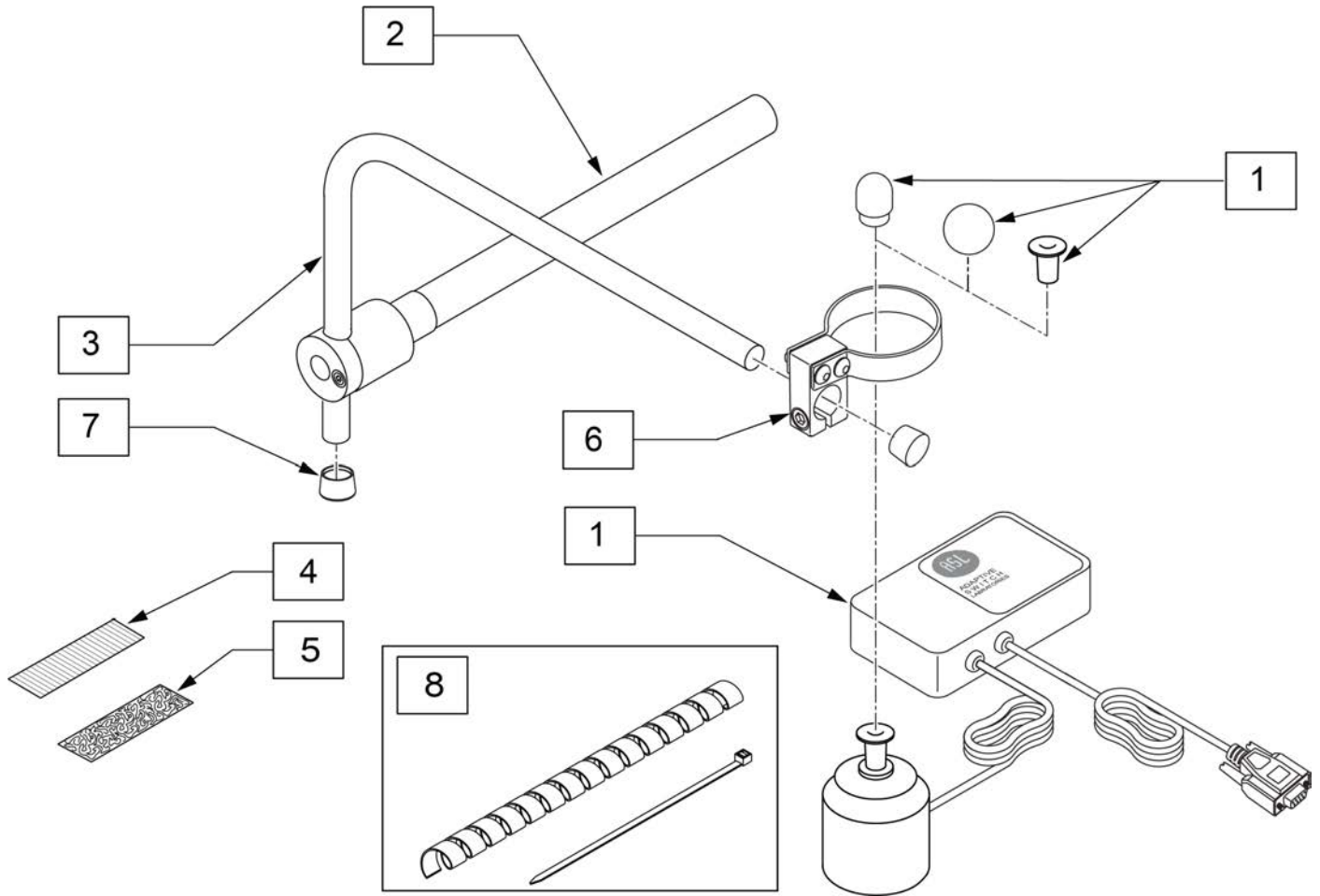
Pos.	Item Number	Description	Remarks
1A	MA-BDN3S-SR	HARNESS-CHIN/MOUTH CONTROL	Std 6" wide
1B	126579	BDN3 BIB STYLE CHIN MOUNT LRG	Large 8" wide
2	VG	SWITCH IT VERSAGUIDE JOYSTICK	
2-4	132922	VERSA GUIDE JOYSTICK BIB	
3,4	132924	VERSA GUIDE BIB MOUNT	
5	132176	DUAL FLEX SWITCHES	
6	129776	WIRE TIE DOWN KIT	1wrap, 10 ties

Note: Switch-It Versa Guide Joystick accepts Optional Joystick Handles. See Optional Joystick Handles parts page for part numbers.

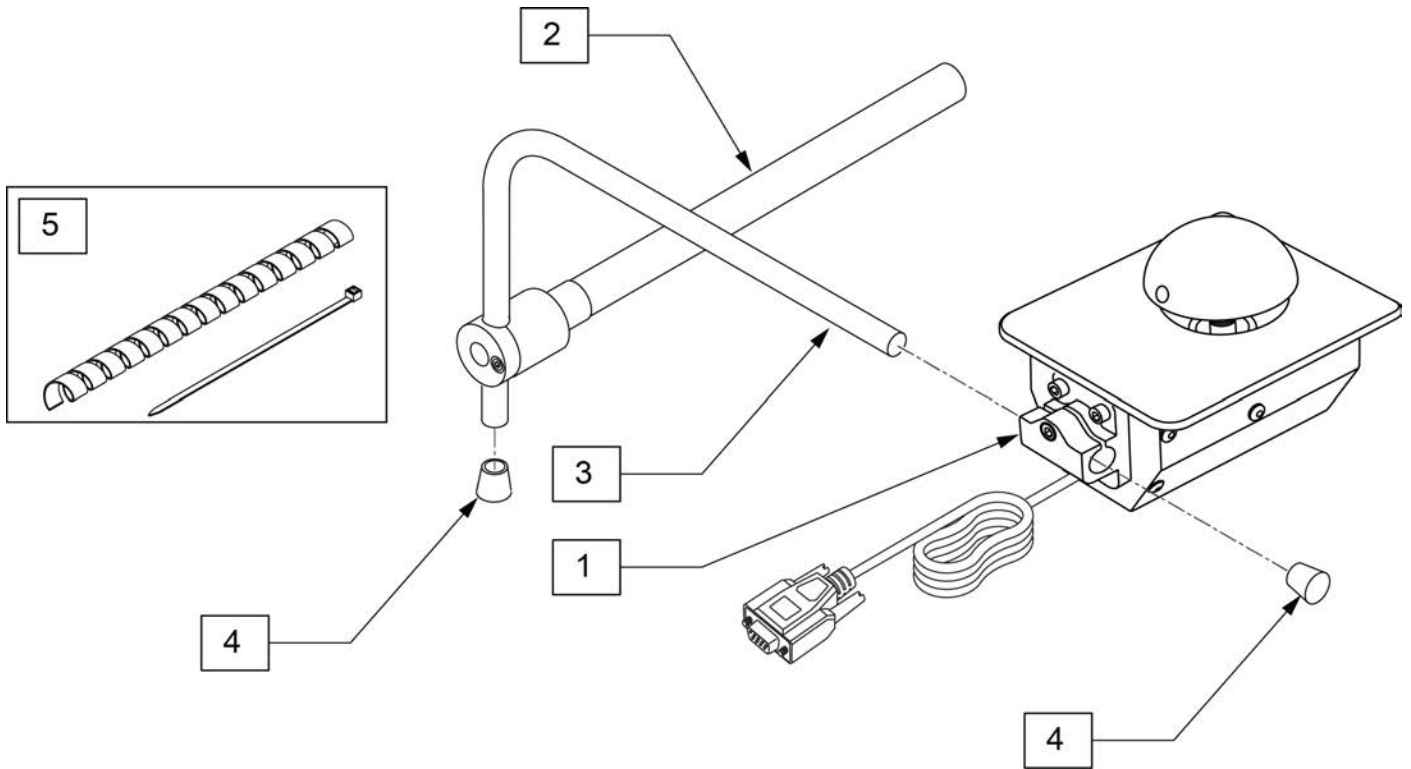
Note: Switch-It Versa Guide Joystick accepts Optional Joystick Handles. See Optional Joystick Handles parts page for part numbers.



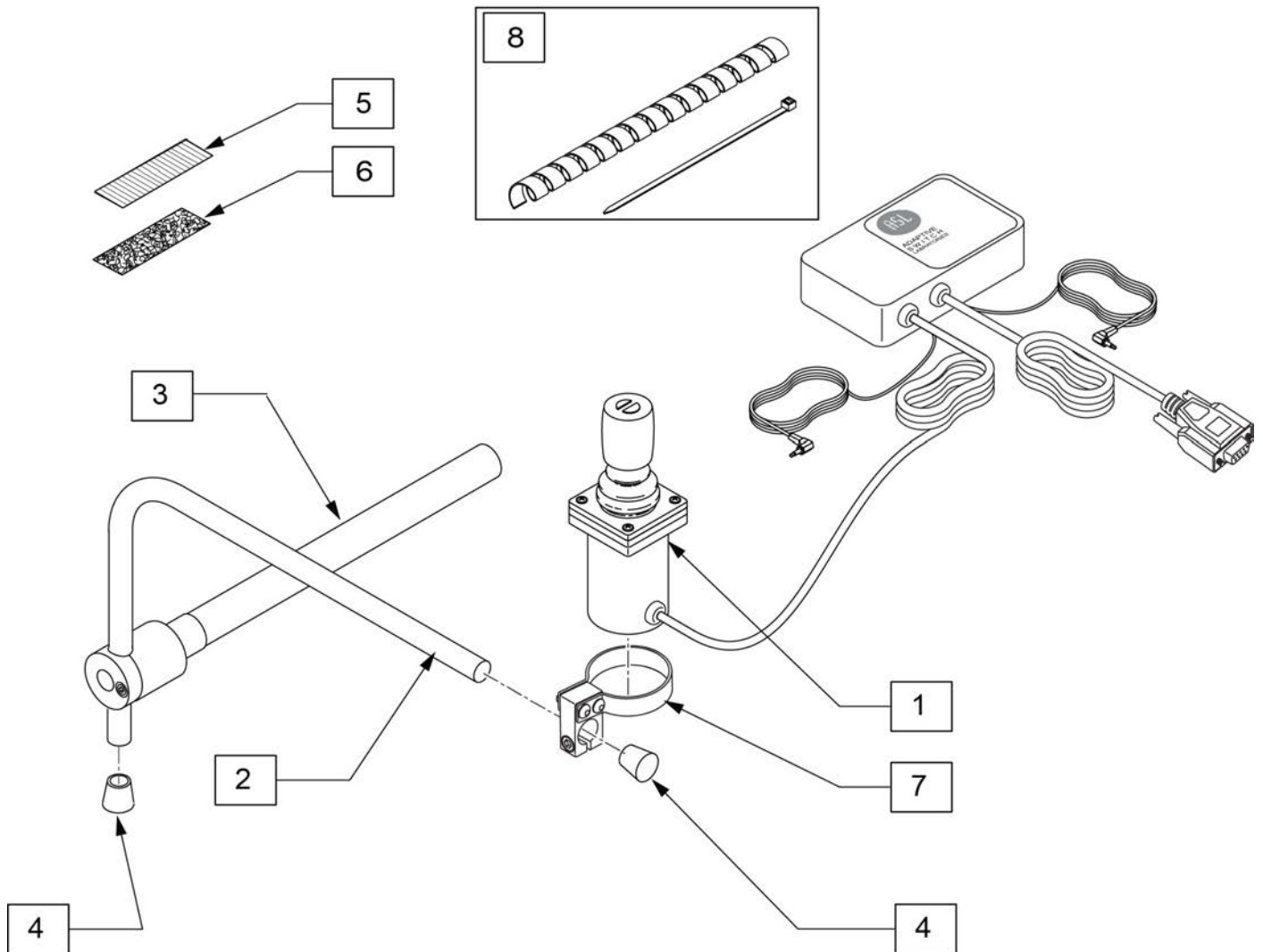
Pos.	Item Number	Description	Remarks
1	VG	SWITCH IT VERSAGUIDE JOYSTICK	
2	132176	DUAL FLEX SWITCHES	
3-6	MC-MID-VG	VERSA JS TO BP MIDLINE STEALTH	
7	D3150-3	AMH S/A MNTG KIT B/R 1" 3185	
8	108841	S/A SIDE MOUNTING KIT	
9	129776	WIRE TIE DOWN KIT	1wrap, 10 ties



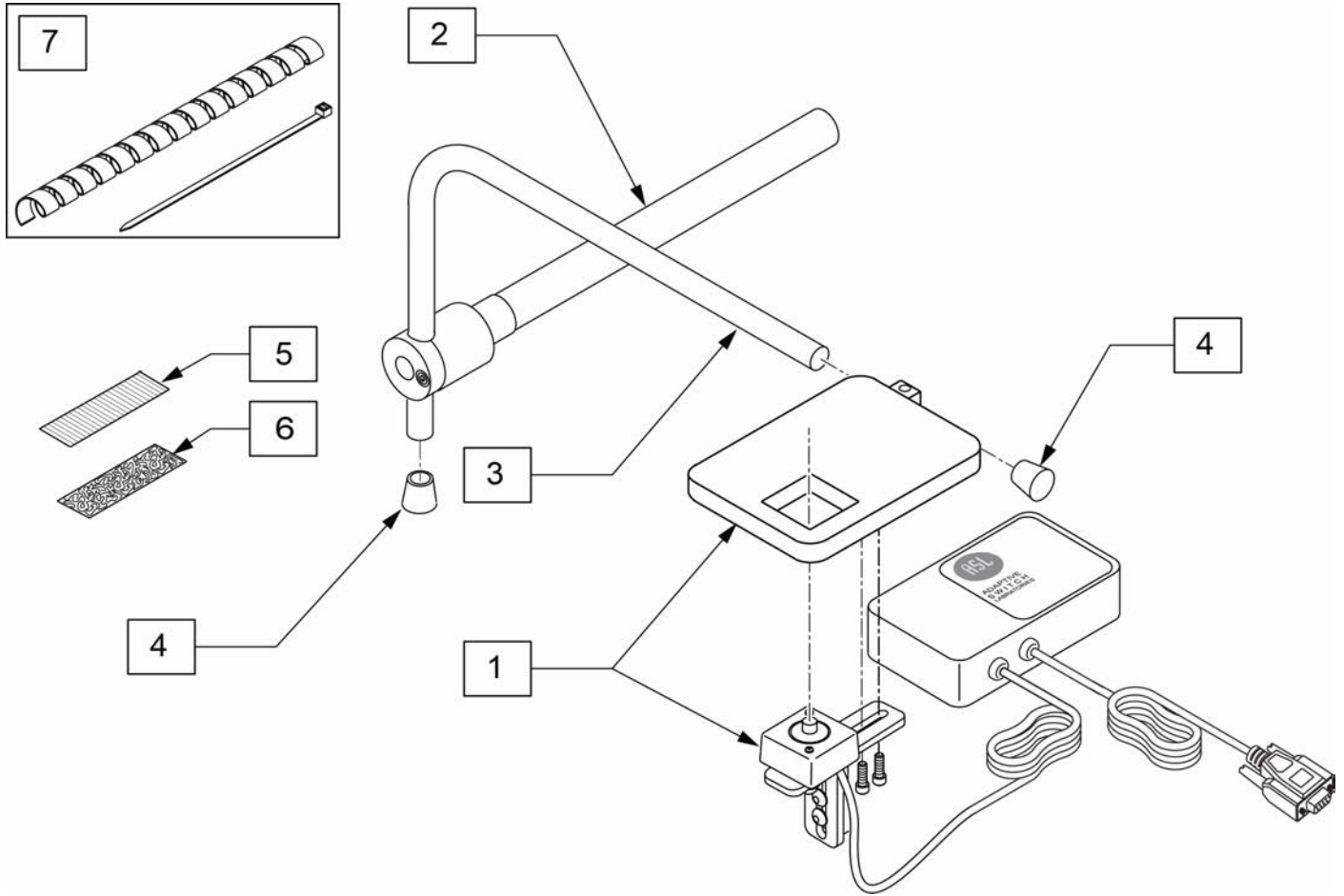
Pos.	Item Number	Description	Remarks
1,6	126575	ASL Micro Extremity Joystick	
2	111190	Mount Arm Display	
3	521097	Adj Display Arm "L" (USCM)	
4	698045	ADHESIVE POLY 1" X 2.5 FEMALE	
5	698041	ADHESIVE POLY 1" X 2.5 MALE	
6	131387	CLAMP, ASL 644	
7	560307	ADJ DISPLAY ARM CAP (USCM)	
1-7	129512	MICRO XTRMITY MDLINE W/MOUNT KIT	
8	129776	WIRE TIE DOWN KIT	1wrap, 10 ties



Pos.	Item Number	Description	Remarks
1	126576	ASL Mushroom Joystick	
2	111190	Mount Arm Display	
3	521097	Adj Display Arm "L" (USCM)	
4	560307	ADJ DISPLAY ARM CAP	
1-4	129514	MUSHROOM JSTICK W/MOUNT KIT	
5	129776	WIRE TIE DOWN KIT	1wrap, 10 ties

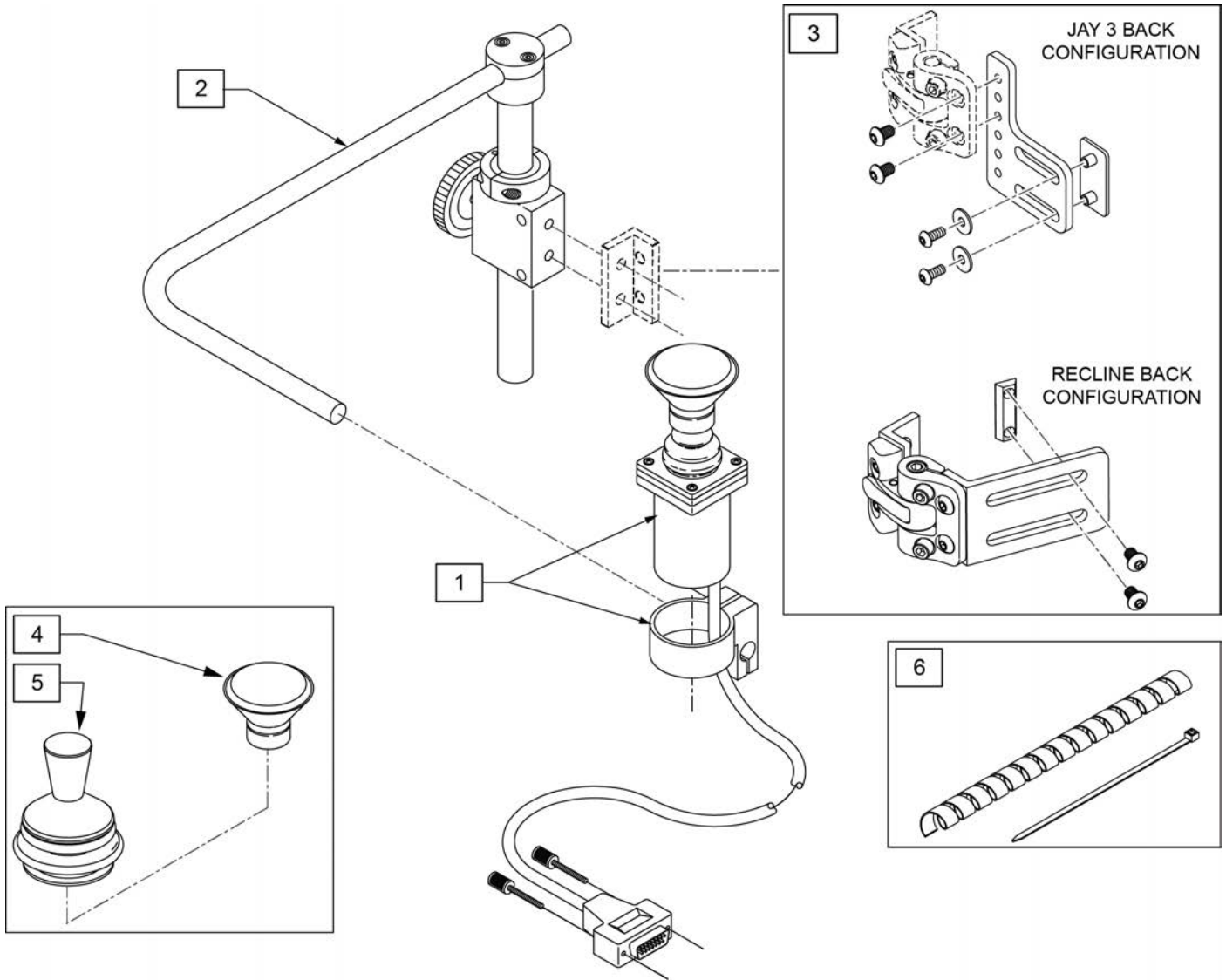


Pos.	Item Number	Description	Remarks
1	126573	ASL 134 ASL Dual Button Compact Joystick	
3	111190	Mount Arm Display	
2	521097	Adj Display Arm "L" (USCM)	
4	560307	ADJ DISPLAY ARM CAP	
5	698045	ADHESIVE POLY 1" X 2.5 FEMALE	
6	698041	ADHESIVE POLY 1" X 2.5 MALE	
1-7	129509	DUAL BTN CMPCT JSTICK KIT W/MNT	
7	131387	CLAMP, ASL 644	
8	129776	WIRE TIE DOWN KIT	1wrap, 10 ties

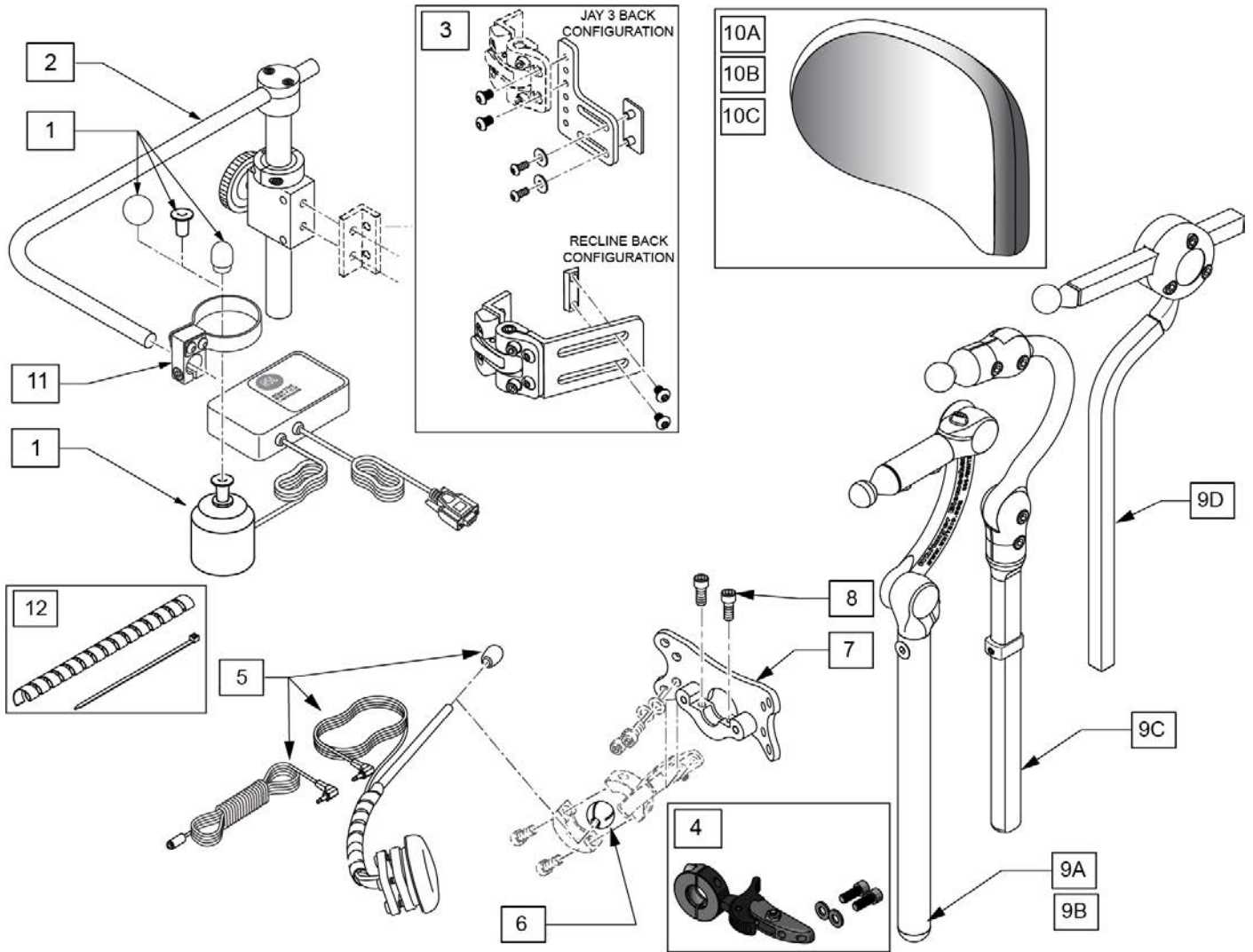


Pos.	Item Number	Description	Remarks
1	126574	ASL 136 + ASL 603HAM Micro Mini Joystick	
2	111190	Mount Arm Display	
3	521097	Adj Display Arm "L" (USCM)	
4	560307	ADJ DISPLAY ARM CAP	
5	698045	ADHESIVE POLY 1" X 2.5 FEMALE	
6	698041	ADHESIVE POLY 1" X 2.5 MALE	
1-6	129510	MICRO MINI JSTCK W/PLATFORM KIT	
7	129776	WIRE TIE DOWN KIT	1wrap, 10 ties

PROPORTIONAL CHIN CONTROL PACKAGE beginning S/N Prefix PLS6A & QM710A, QM715A, QM720A, QM721A [2019]

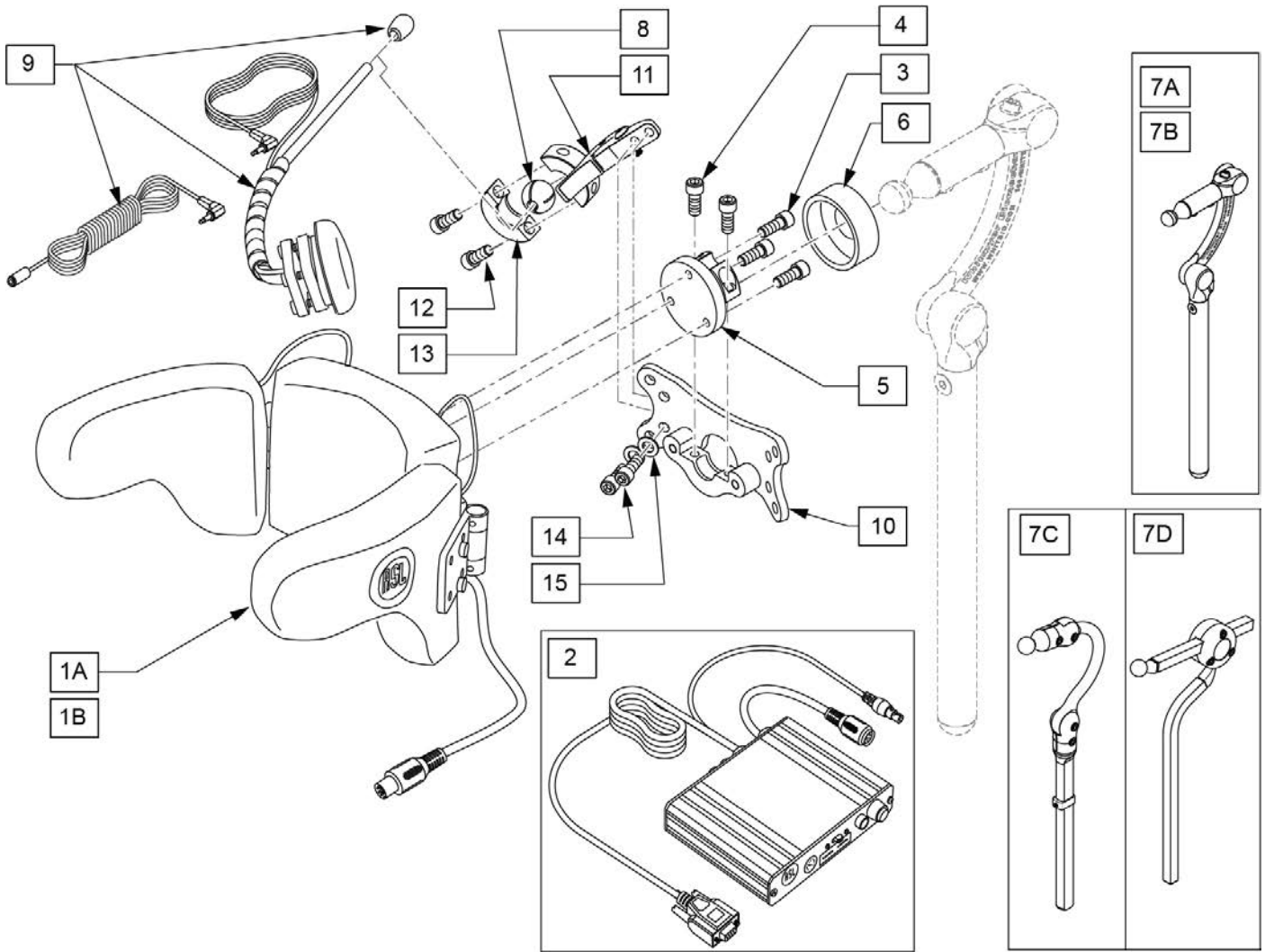


Pos.	Item Number	Description	Remarks
1	139705	ACT JOYSTICK PROP KNOB OR CHIN	
2	D3150-3	AMH S/A MNTG KIT B/R 1" 3185	
3	108841	S/A SIDE MOUNTING KIT	ASAP only
4	D4000	CHINCUP QTRONIX	
5	138154	KNOB & PROTECTOR D10AB JOYSTICK	
1-5	115076	PROP CHIN CONTROL KIT	Includes 3A &3B



Pos.	Item Number	Description	Remarks
1,11	126575	ASL Micro Extremity Joystick	
2	109256	CHIN CONTROL MNTG SYSTEM	
3	108841	S/A Side Mounting Kit	
1-3	129511	MICRO XTRMITY CHIN W/MOUNT KIT	
4	LM115	LFC MOUNT, SWINGAWAY	
5	108637	EGG SWITCH MNTG SYSTEM	
6	107411	CLAMP BALL, STEEL	
7	LM-PL	PLUSH LAT INTERFACE PLATE	
8	107348	SHCS 1/4-28 X 5/8 PL ROHS	
9A	LX8000	LINX CORE MNTG HDWR 8"	8" POST
9B	LX7000	LINX CORE MOUNT HDW	10" POST
9C	CBRA7010	COBRA XTRA MOUNT HDW, ADUL	
9D	AX7010	AXYS CORE MOUNT HDW	
10A	P800L	PLUSH PAD, 8", LYCRA	8" wide 5" tall Headrest Pad
10B	P1000L	PLUSH PAD, 10", LYCRA	10" wide 5" tall Headrest Pad
10C	P1400L	OVER 14"PLUSH/LYCRA	14" wide 5" tall Headrest Pad
1-8,9A,10A,11	236540	MICRO XTRM CHIN PLUSH 8" LINX 8"	
1-8,9B,10A,11	236541	MICRO XTRM CHIN PLUSH 8" LINX 10"	
1-8,9C,10A,11	236542	MICRO XTRM CHIN PLUSH 8" COBRA	

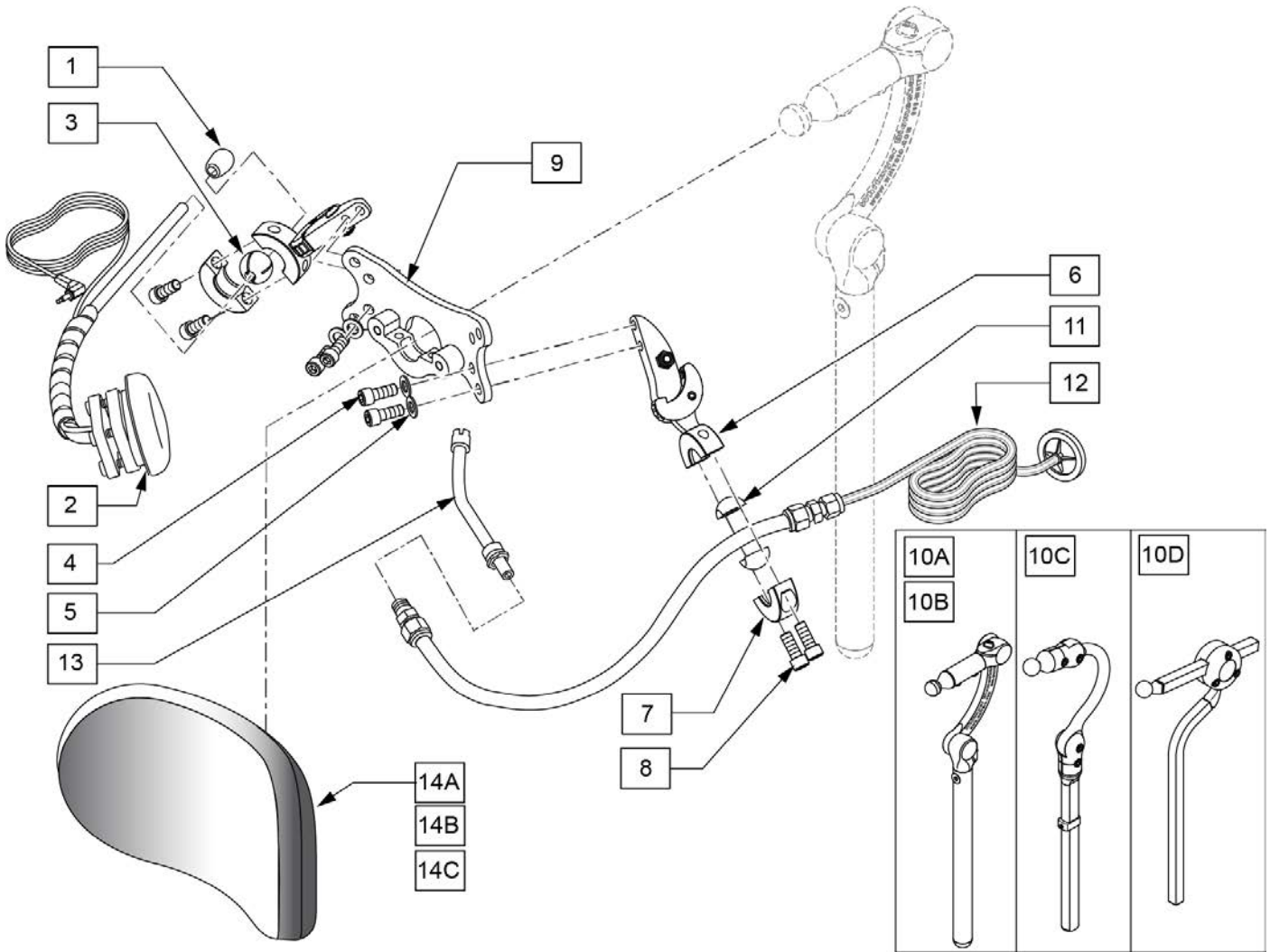
Pos.	Item Number	Description	Remarks
1-8,9D,10A,11	236543	MICRO XTRM CHIN PLUSH 8" AXYS	
1-8,9A,10B,11	236544	MICRO XTRM CHIN PLUSH 10" LINX 8"	
1-8,9B,10B,11	236545	MICRO XTRM CHIN PLUSH 10" LINX 10"	
1-8,9C,10B,11	236546	MICRO XTRM CHIN PLUSH 10" COBRA	
1-8,9D,10B,11	236547	MICRO XTRM CHIN PLUSH 10" AXYS	
1-8,9A,10C,11	236548	MICRO XTRM CHIN PLUSH 14" LINX 8"	
1-8,9B,10C,11	236549	MICRO XTRM CHIN PLUSH 14" LINX 10"	
1-8,9C,10C,11	236550	MICRO XTRM CHIN PLUSH 14" COBRA	
1-8,9D,10C,11	236551	MICRO XTRM CHIN PLUSH 14" AXYS	
11	131387	CLAMP, ASL 644	
12	129776	WIRE TIE DOWN KIT	1wrap, 10 ties



Pos.	Item Number	Description	Remarks
1A,2	139941	HEAD ARRAY MINI W INTERFACE	Pediatric size
1B,2	139940	HEAD ARRAY ADULT W INTERFACE	Adult size
3	221010	10-32 X .75 SHCS BLK W/PL	
4	107348	SHCS 1/4-28 X 5/8 PL ROHS	
5	104907	TOP COLLAR FLANGE WELDM	
6	MC100-WB	COVER 3/4"COLLAR/VINYL BLACK	
7A	LX8000	LINX CORE MNTG HDWR 8"	8" POST
7B	LX7000	LINX CORE MOUNT HDW	10" POST
7C	CBRA7010	COBRA XTRA MOUNT HDW, ADUL	
7D	AX7010	AXYS CORE MOUNT HDW	
8	107411	CLAMP BALL, STEEL	
9	108637	EGG SWITCH MNTG SYSTEM	
10	LM-PL	PLUSH LAT INTERFACE PLATE	
11-15	LM115	LFC MOUNT, SWINGAWAY	
1A-6,7A,8-10	129541	HEAD ARRAY PED LINX 8"	
1A-6,7B,8-10	129542	HEAD ARRAY PED LINX 10"	
1A-6,7C,8-10	129543	HEAD ARRAY PED COBRA	
1A-6,7D,8-10	129544	HEAD ARRAY PED AXYS	
1B-6,7A,8-10	129545	HEAD ARRAY ADULT LINX 8"	

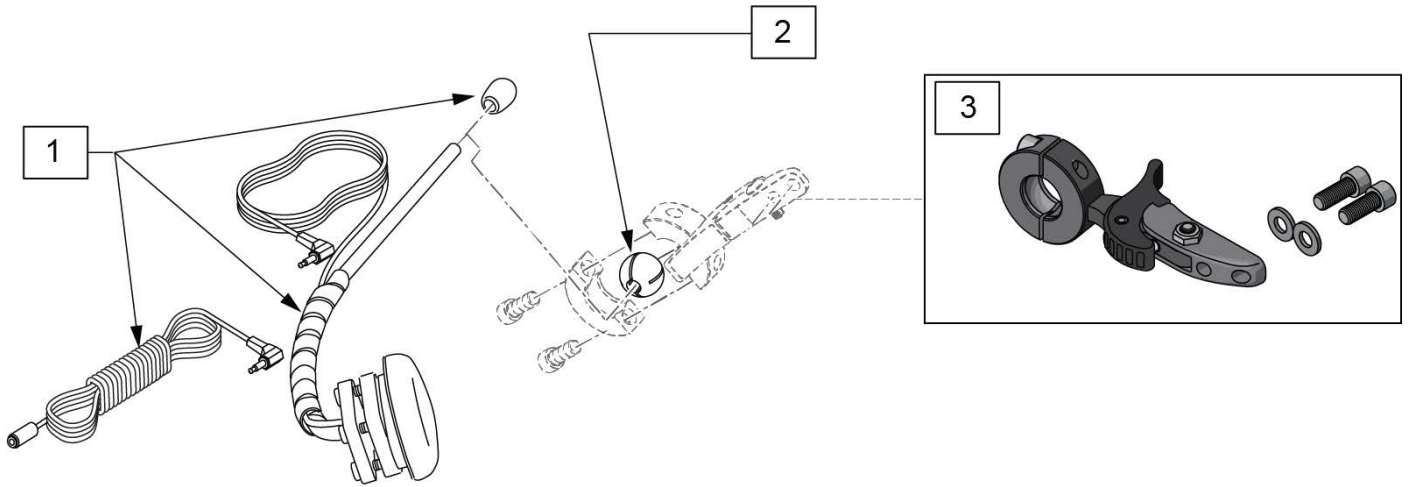
Pos.	Item Number	Description	Remarks
1B-6,7B,8-10	129546	HEAD ARRAY ADULT LINX 10"	
1B-6,7C,8-10	129547	HEAD ARRAY ADULT COBRA	
1B-6,7D,8-10	129548	HEAD ARRAY ADULT AXYS	

NOTE: IF ADDING SPECIALTY CONTROLS TO A CHAIR AN OMNI IS REQUIRED.

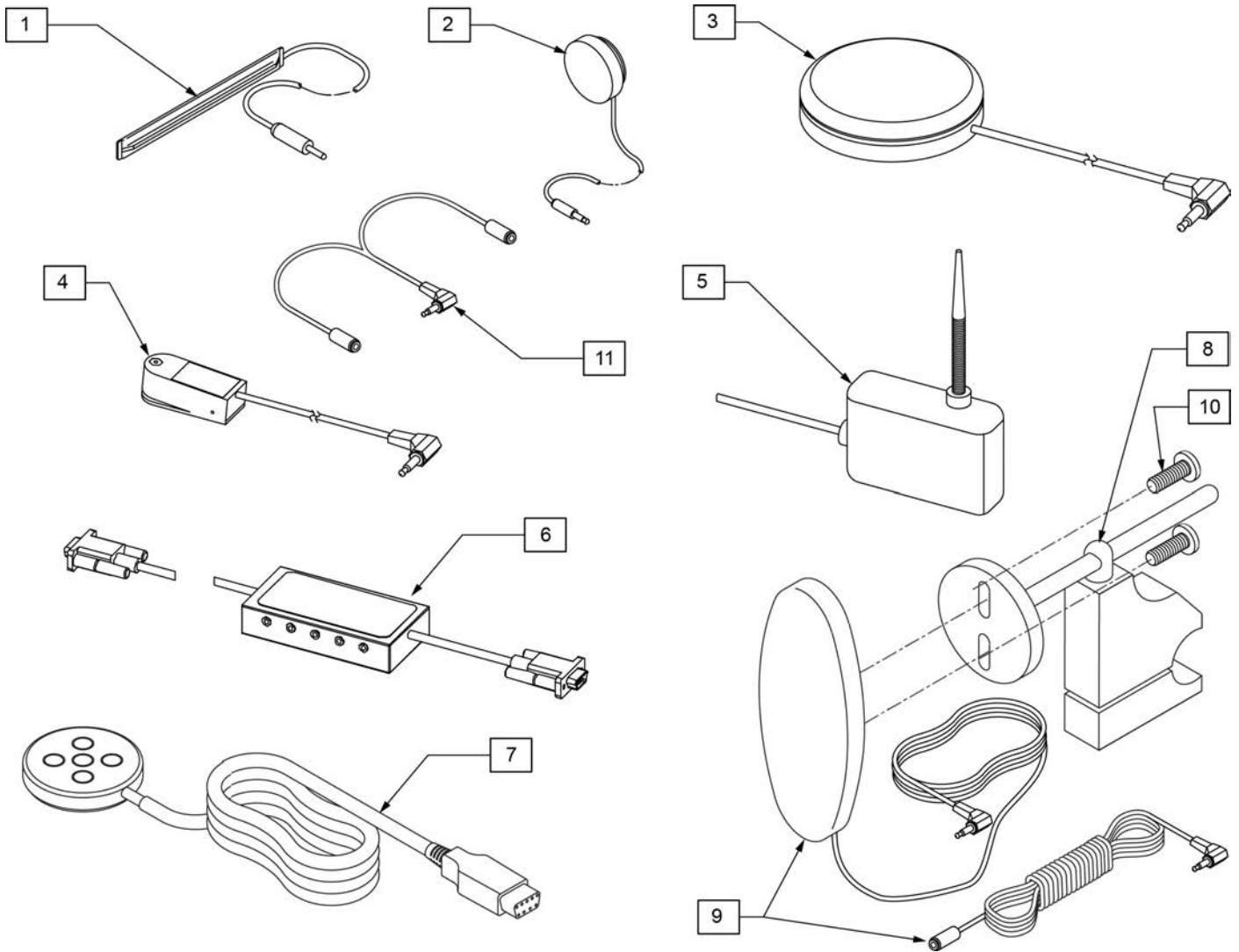


Pos.	Item Number	Description	Remarks
10A	LX7000	LINX CORE MOUNT HDW	10" POST LENGTH
10B	LX8000	LINX CORE MNTG HDW 8"	8" POST LENGTH
10C	CBRA7010	COBRA XTRA MOUNT HDW, ADUL	
10D	AX7010	AXYS CORE MOUNT HDW	
12	107425	SIP-N-PUFF INTERFACE	
13	101434	SIP N PUFF STRAW	
1-9,11-13	108638	SIP N PUFF W/ SA RESET SWITCH	
14A	P800L	PLUSH PAD, 8", LYCRA	8" PAD
14B	P1000L	PAD 10" PLUSH / LYCRA	10" PAD "LARGE"
14C	PC1400L	OVER 14"PLUSH/LYCRA	14" wide, 5" tall Headrest Pad
1-9,10A,11-13,14A	129529	SIP N PUFF LINX 8" PLUSH 8"	
1-9,10B,11-13,14A	129530	SIP N PUFF LINX 10" PLUSH 8"	
1-9,10C,11-13,14A	129531	SIP N PUFF COBRA PLUSH 8"	
1-9,10D,11-13,14A	129532	SIP N PUFF AXYS PLUSH 8"	
1-9,10A,11-13,14B	129533	SIP N PUFF LINX 8" PLUSH 10"	

Pos.	Item Number	Description	Remarks
1-9,10B,11-13,14B	129534	SIP N PUFF LINX 10" PLUSH 10"	
1-9,10C,11-13,14C	129535	SIP N PUFF COBRA PLUSH 10"	
1-9,10D,11-13,14D	129536	SIP N PUFF AXYS PLUSH 10"	
1-9,10A,11-13,14A	129537	SIP N PUFF LINX 8" PLUSH 14"	
1-9,10B,11-13,14B	129538	SIP N PUFF LINX 10" PLUSH 14"	
1-9,10C,11-13,14C	129539	SIP N PUFF COBRA PLUSH 14"	
1-9,10D,11-13,14D	129540	SIP N PUFF AXYS PLUSH 14"	



Pos.	Item Number	Description
1	108637	EGG SWITCH MNTG SYSTEM
2	107411	CLAMP BALL, STEEL
3	LM115	LFC MOUNT, SWINGAWAY
1-3	129513	SA BOOM W/EGG SWITCH

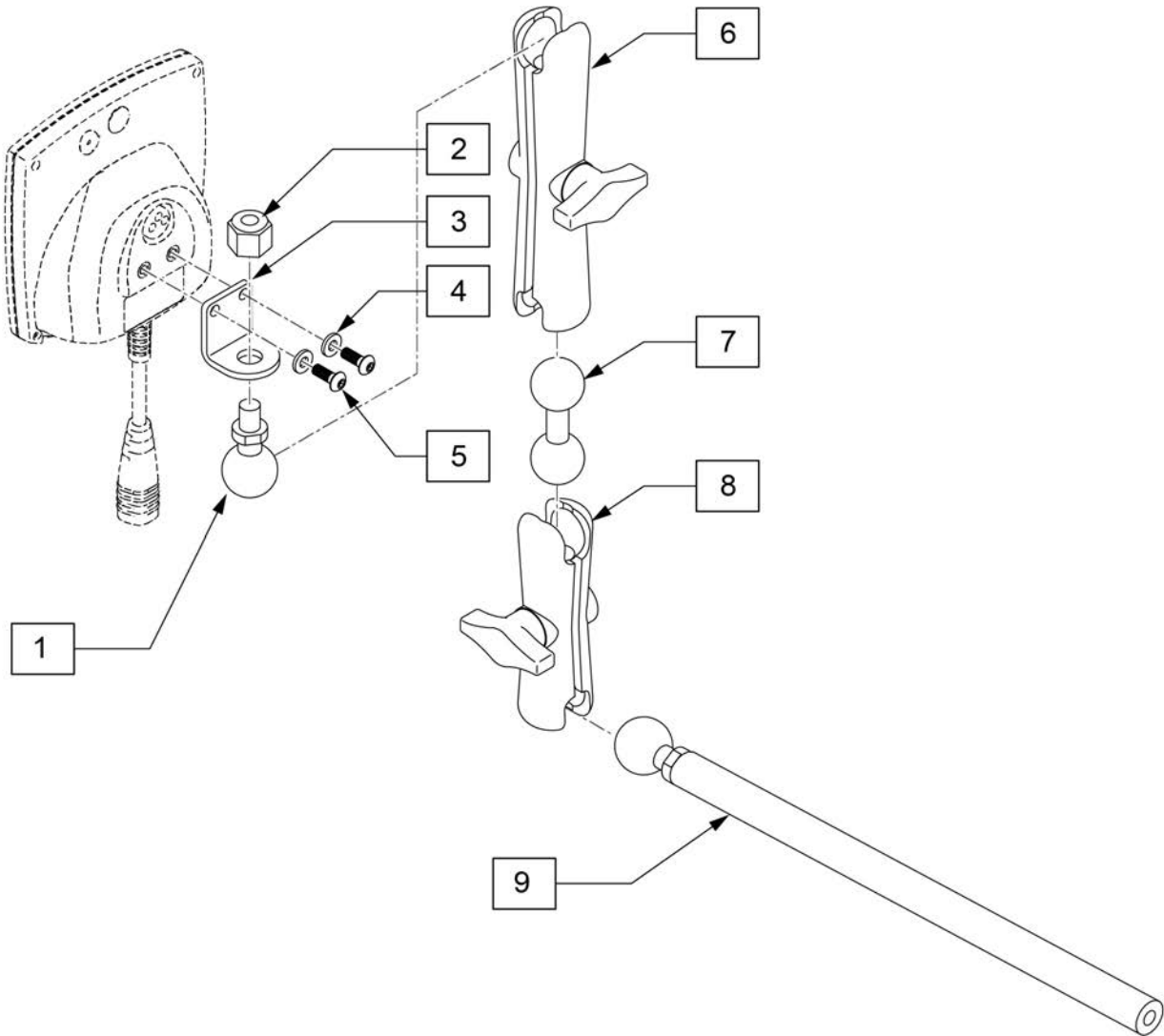


Pos.	Item Number	Description	Remarks
1	133721	SWITCH RIBBON	Cord length 63"
2	133722	SWITCH DISC	Cord length 69"
3	139920	SWITCH BUDDY BUTTON RED	Cord length 57"
4	139921	MICRO LIGHT	Cord length 58"
5	139910	SWITCH WOBBLE	Cord length 68"
6	Discontinued	SWITCH CA-5 BOX	Cord length (female cable 63")(male cable 6")
7	Discontinued	SWITCH PENTA	Cord length 63"
8	920904	MOUNT RESET SW FOR 7/8 TUBE	Clamps to 7/8" tubing
9,10	139915	RESET SWITCH EGG SHAPED	Cord length 51"(Ext 71")
10	281082	8-32 X 3/8 PAN PHIL M/S BLK	
11	105417	STEREO TO 2 MONO SPLITTER	Cord length 6"

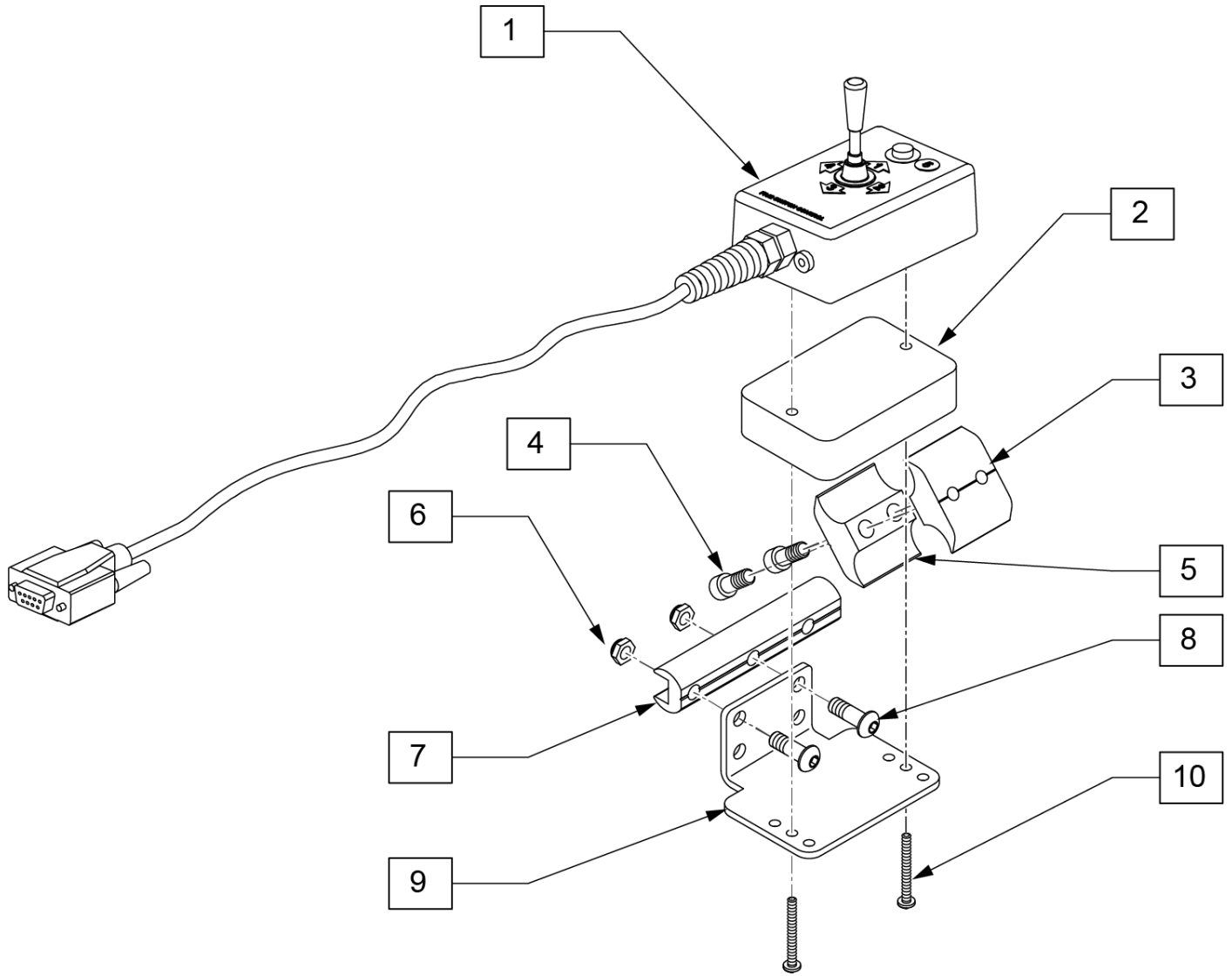
Note: See Mounting Clamp page to order appropriate clamp.

Note: OMNI Enhanced Display has been obsoleted and can be replaced by the new OMNI 2; in addition mounting hardware may be different so please review carefully what items are needed.

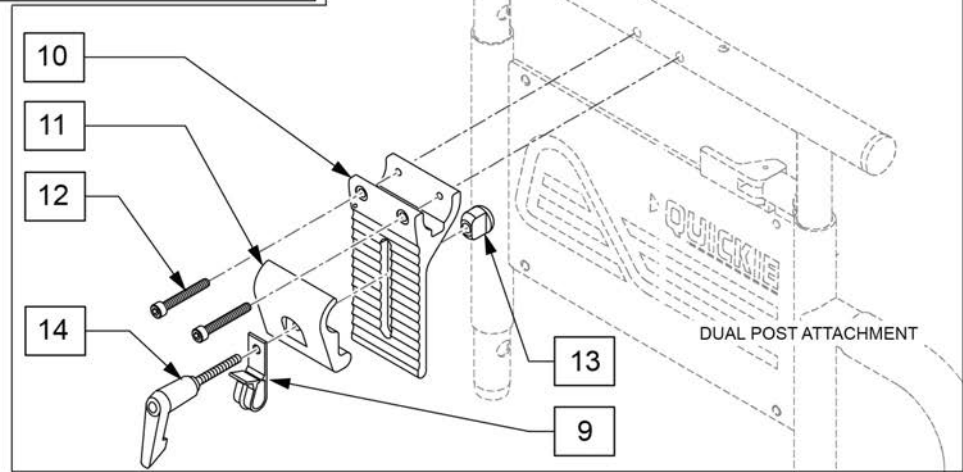
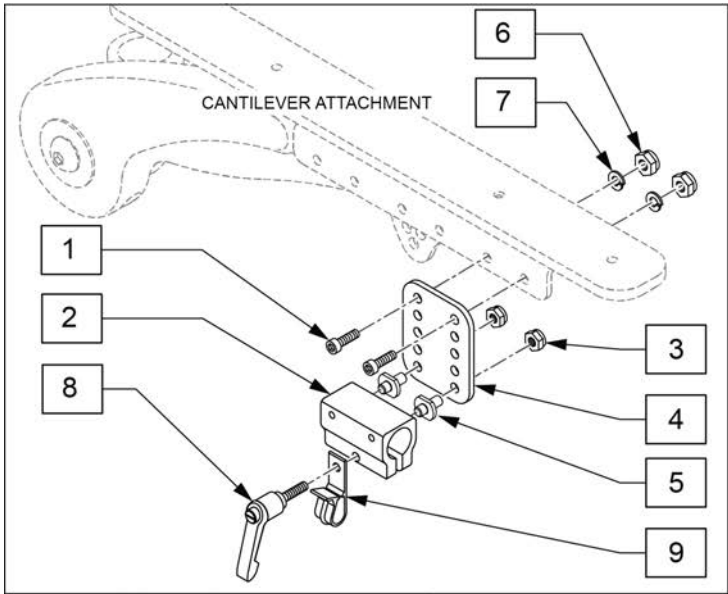
Note: if replacing a Omni with the Omni 2 and chair is equipped with a CTRL+5 and the chair was built prior to 11/15/18, the CTRL+5 will also need to be replaced; please contact Customer Service for further details.



Pos.	Item Number	Description
1	126639	1IN BALL WITH 3/8 STD
2	201263	3/8-16 NYLOCK NUT BLK ZINC
3	126640	BRACKET DISPLAY
4	261204	#10 AN WASHER .063
5	013143	BHCS M5 X .8 X 14 BLK W/PL
6	126632	LONG 5IN DOUBLE SOCKET
7	126633	DOUBLE BALL
8	126631	3IN DOUBLE SOCKET CLAMP
9	129457	BAR MOUNT W/1" BALL
6-8	126636	ASSY DOUBLE SOCKET
1-5	129521	BRACKET KIT FOR OMNI

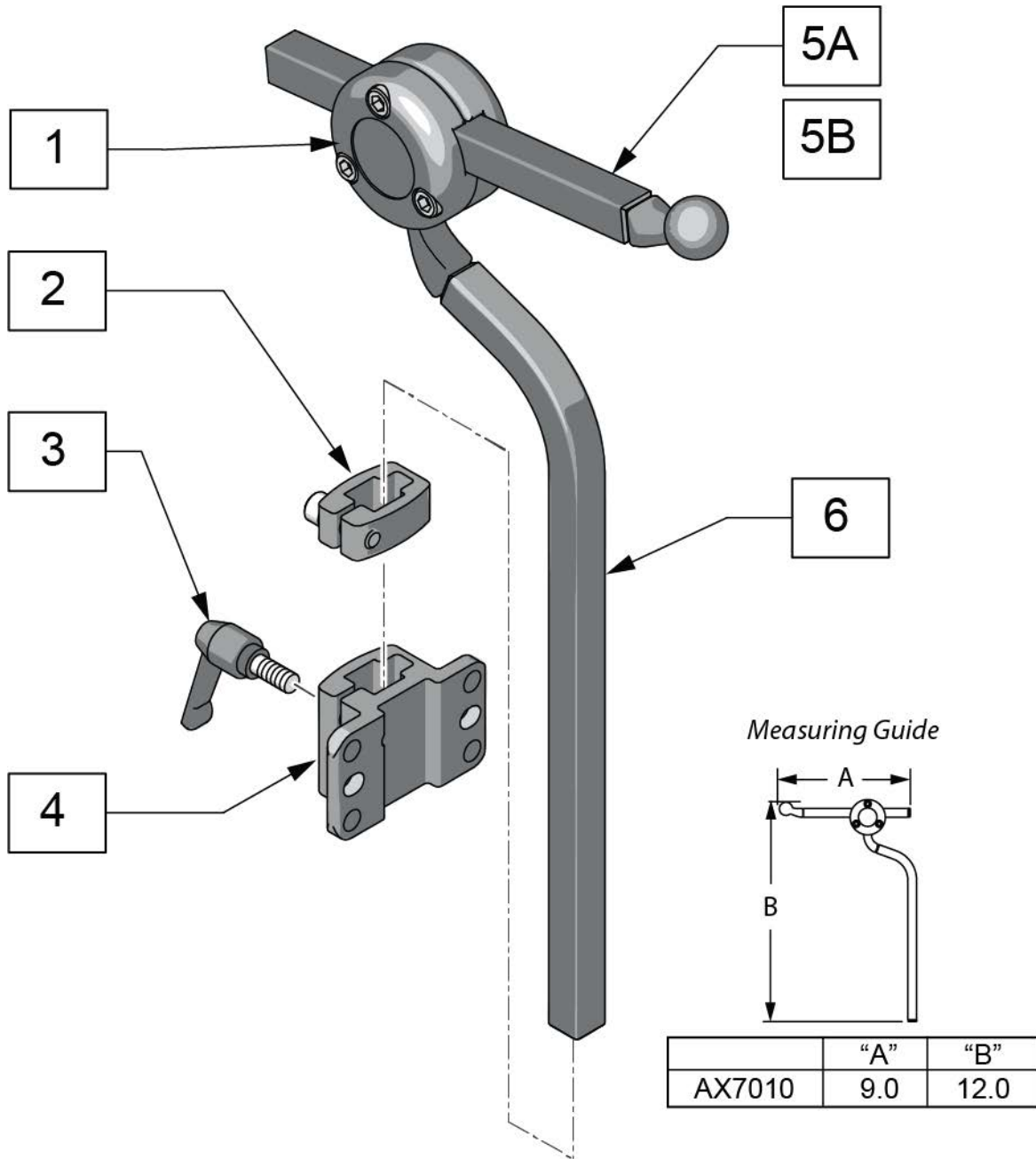


Pos.	Item Number	Description	Remarks
1	139221	5 SWITCH CONTROLLER	
2	505789	5 SWITCH MOUNT SPACER	
3	550725	CLAMP 3/4"-3/4"THR D HALF ST/DT	
4	107032	1/4-28 x 1 SOC C/S BLK	
5	550724	CLAMP 3/4"-3/4"TOP HALF ST/DT	
6	106935	NUT NYLOCK THIN 1/4-28 ROHS	
7	550374	WHL LCK SLIDE BLOCK 3 1/2" BLK	3.5" long
8	226064	1/4-28 x 3/4 BH C/S BLK W/PTCH	
9	505978	5 SWITCH DUAL POST MOUNT BRCKT	
10	281070	6-32 x 1 1/4 PAN PHIL	
1-10	887995	5 SWITCH MOUNT ASSM STD ARMRESTS	



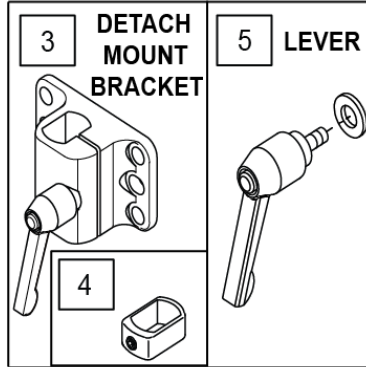
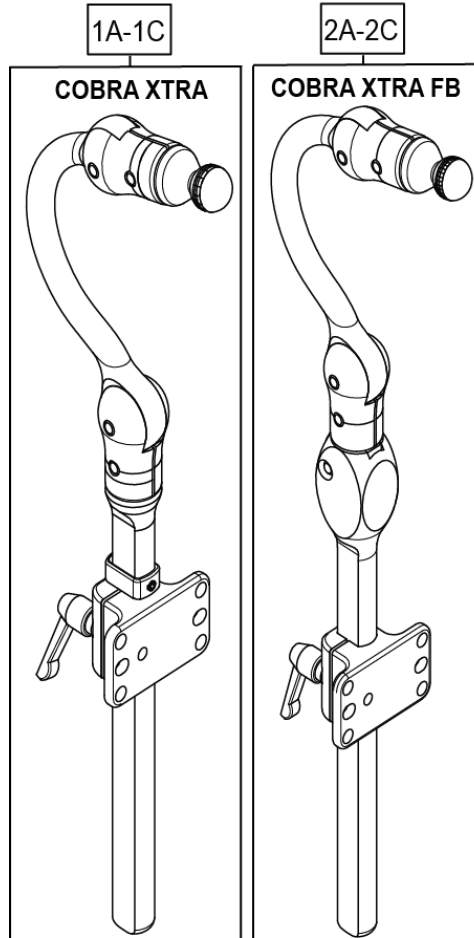
Pos.	Item Number	Description
1	103189-004	SHCS M5X0.8X12 FULLNP
3	220121	NUT HEX NYLOCK M5 BLACK
6	220121	NUT HEX NYLOCK M5 BLACK
7	107357	WASHER SPLIT LOCK M5 ROHS
8	011049	HANDLE ADJ MODERN M5 X 20 STUD
9	560268	QUICK RELEASE CLIP
10	505766	ADJUSTABLE CLAMP OUTER
11	505767	ADJUSTABLE REMOTE MOUNT
12	226037	10-32 x 1 3/8 SOC C/S BLK
13	200139	SLIDING NUT
14	349024	HNDL 10-32 X 3/4 C/A P1/P3/P5
2,3,5,8,9	159406	CNTRLR CLMP ARM ASSM RND
1-9	159405	VERTICAL ADJUSTMENT ASSM
9-14	920738	HT ADJ MOUNT ASSM STD

Note: if using the Headrest Post on a Quicke Power Chair, please refer to the HEADREST CLAMPS page located in the appropriate power chair parts manual.

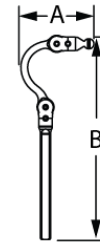


Pos.	Item Number	Description
5A	AX5080	BALLROD AXYS 6" SQUARE BLACK
5B	AX6055	AXYS 12" SQ HORIZ BAR BLK
6	MW070300	AXYS VERT ROD BLK
3,4	115215	J3 BK STD HD RST BRKT KIT
2-4	M2500	AXYS DETACH BRKT
1,5A,6	AX7010	AXYS CORE MOUNT HDWR

Note: if using the Headrest Post on a Quicke Power Chair, please refer to the HEADREST CLAMPS page located in the appropriate power chair parts manual.



Measuring Guide



SIZE	P/N	"A"	"B"
ADULT	CBRA7010	5.0	15.0
	CBRA5010	5.0	15.0
PEDIATRIC	CBRA7030	4.5	11.0
	CBRA5030	4.5	11.0
EARLY INTERVENTION	CBRA7080	4.0	10.0
	CBRA5080	4.0	10.0

6 HARDWARE MOUNT KIT

ILLUSTRATION	DESCRIPTION	QTY
	WASHER 1/4" SAE BLK	2
	BOLT 1/4-20 X 3/4" SHCS BLK NI	2
	BOLT 1/4-20 X 3/8" T-NUT THF	2
	1/4-20 NYLOK	2

7 HARDWARE MOUNT KIT (SLIDE & SWINGAWAY)

ILLUSTRATION	DESCRIPTION	QTY
	WASHER 1/4" SAE BLK	4
	BOLT 1/4-20 X 1/2" SHCS BLK	2
	BOLT 1/4-20X1-1/4" SHCS BLK NI	4
	1/4-20 NYLOK	4
	1/4-20 X 3/8" T-NUT THF	4

Pos.	Item Number	Description	Remarks
1A	CBRA7010	COBRA XTRA MOUNT HDW, ADUL	
1B	CBRA7030	COBRA XTRA MOUNT HDW, PED	
1C	CBRA7080	COBRA XTRA MOUNT HDW, EI	
2A	CBRA5030	COBRA XTRA FB MOUNT HDW, PED	
2B	CBRA5010	COBRA XTRA FB MOUNT HDW, ADUL	
2C	CBRA5080	COBRA XTRA FB MOUNT HDW, EI	
3	M2400-WB	COBRA XTRA DETACH BRKT	INCLUDES QTY 2 1/4-20 X 1/2" SHCS & WASHERS
4	MW070152	COBRA VERT STOP BLK	
5	M0030	KNOB PLAS ADJ LVR 1/4-20 X20mm	
6	M0055	FASTENER PACK DETACH	
7	M0075	FASTENER PACK SWINGAWAY MOUNT	

Note: if using the Headrest Post on a Quickie Power Chair, please refer to the HEADREST CLAMPS page located in the appropriate power chair parts manual.

3

4 COLLAR

5 VINYL COLLAR COVER

6 LEVER

7 DETACH MOUNT BRACKET

8 HARDWARE MOUNT KIT: (FIXED MOUNT)

9 HARDWARE MOUNT KIT

ILLUSTRATION	DESCRIPTION	QTY
	WASHER 1/4" SAE BLK	2
	BOLT 1/4-20 X 3/4" SHCS BLK NI	2
	1/4-20 NYLOK	2
	1/4-20 X 3/8" T-NUT THF	2

10 HARDWARE MOUNT KIT (SLIDE & SWINGAWAY)

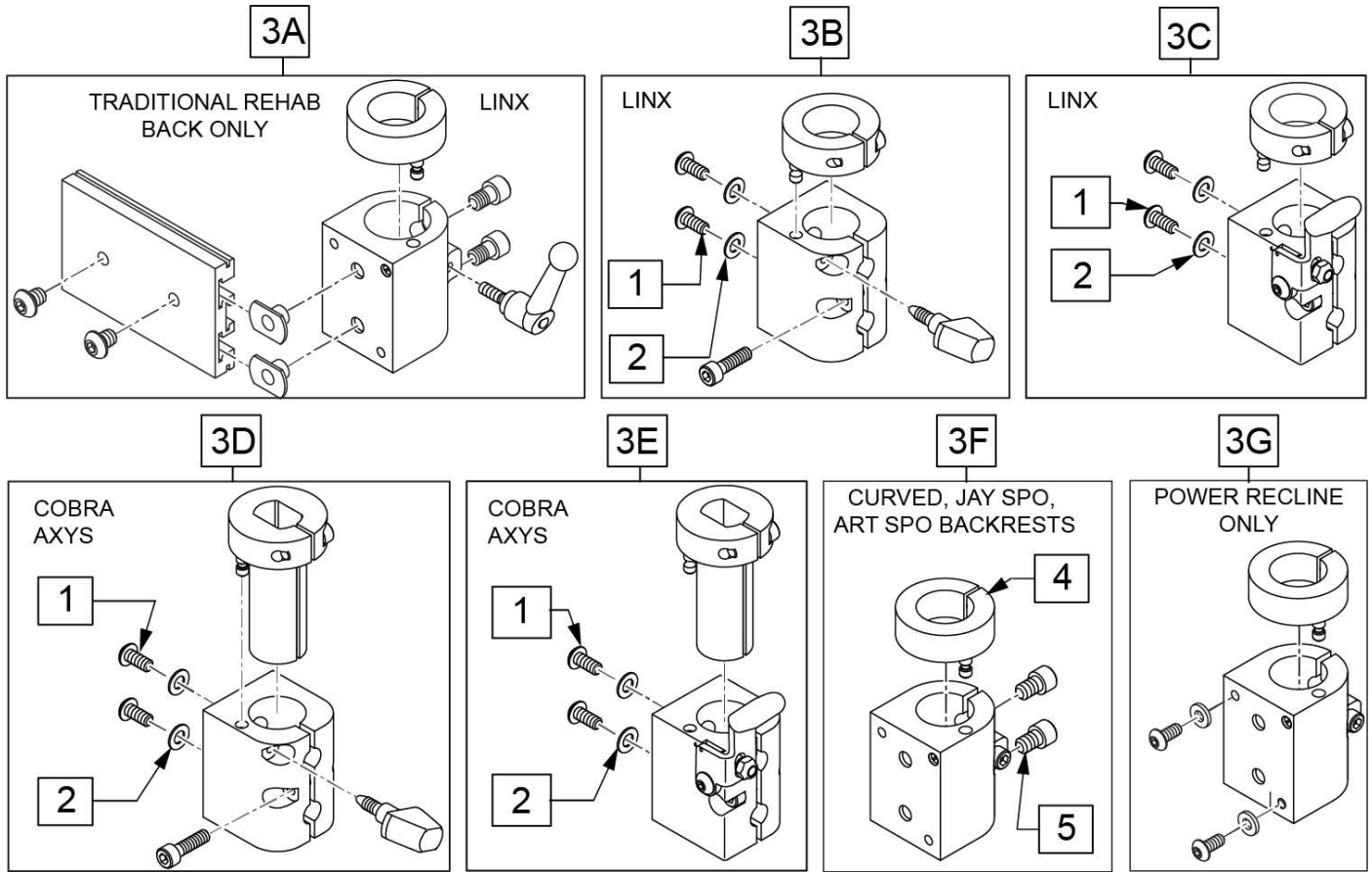
ILLUSTRATION	DESCRIPTION	QTY
	WASHER 1/4" SAE BLK	4
	BOLT 1/4-20 X 1/2" SHCS BLK	2
	BOLT 1/4-20X1-1/4" SHCS BLK NI	4
	1/4-20 NYLOK	4
	1/4-20 X 3/8" T-NUT THF	4

Measuring Guide

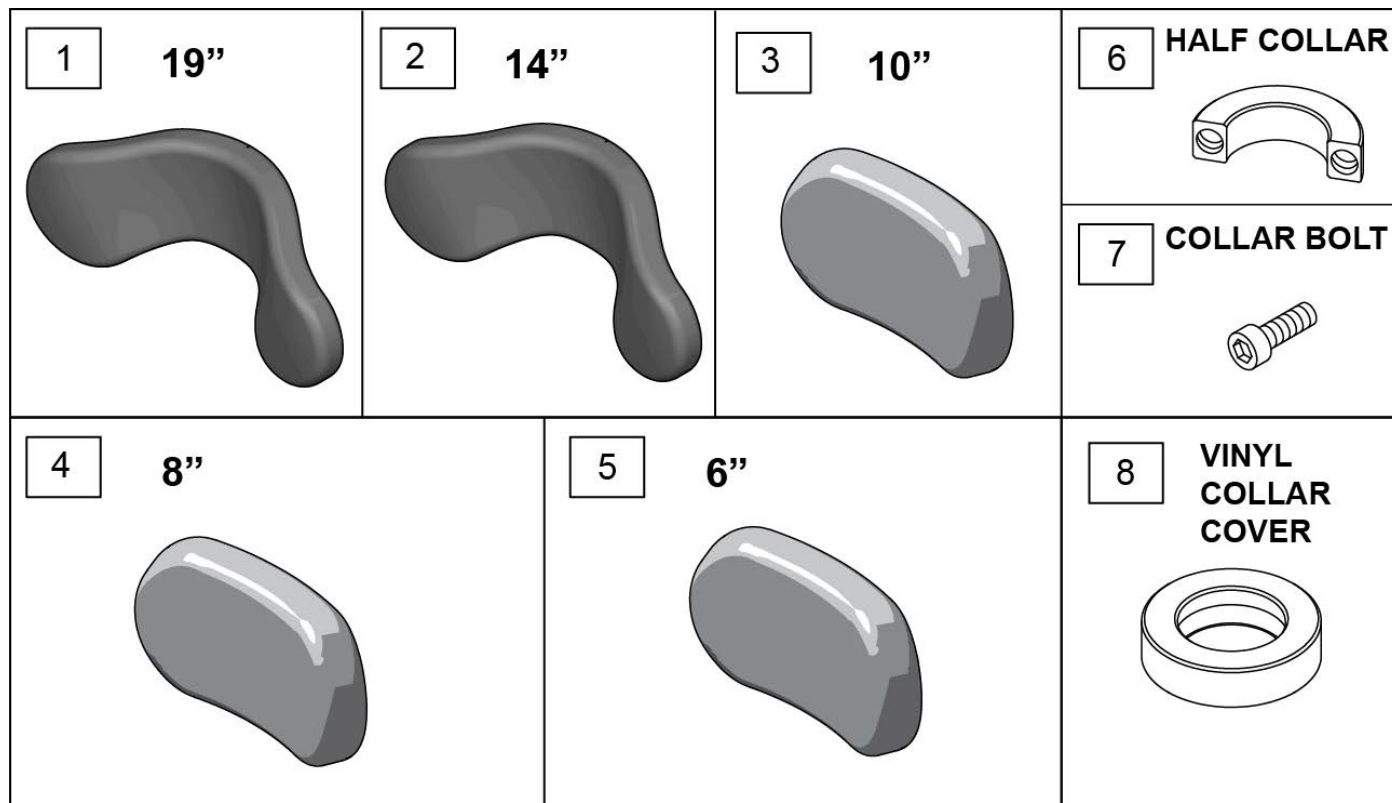
	"A"	"B"	"C"
LX7000	3.75	6.5	10.0
LX8000	3.75	6.5	8.0
LX7804	3.75	6.5	4.0
LX7815	3.75	6.5	15.0

Pos.	Item Number	Description	Remarks
1A	LX7804	LINX CORE STDHRZ/4" VRT MOUNT	4" vertical post
1B	LX8000	LINX CORE MNTG HDW 8"	8" vertical post
1C	LX7000	LINX CORE MOUNT HDW	10" vertical post
1D	LX7815	LINX CORE STDHRZ/15" VRT MOUNT	15" vertical post
1E	LX7000Q	LINX CORE MOUNT HDW QUICK ADJ	
2	MW000680	CAP RATCHET FASTENER BLACK	
3	MW070400	LYNX SYS ASSM 2"	
4	MW006030	.875 SHAFT COLLAR W/ PIN	
5	MC100-WB	COVER 3/4" COLLAR/VINYL BLACK	
6	M0030	KNOB PLAS ADJ LVR 1/4-20 X20mm	
7	M2300	LINX DETACH MOUNT BRKT	
8	M2375	MOUNT FIXED LINX 7/8" SURFACE	
9	M0055	FASTENER PACK DETACH	
10	M0075	FASTENER PACK SWINGAWAY MOUNT	
11A	LX27804	LINX2 CORE MOUNT HDW 4IN	
11B	LX28000	LINX2 CORE MOUNT HDW 8IN	

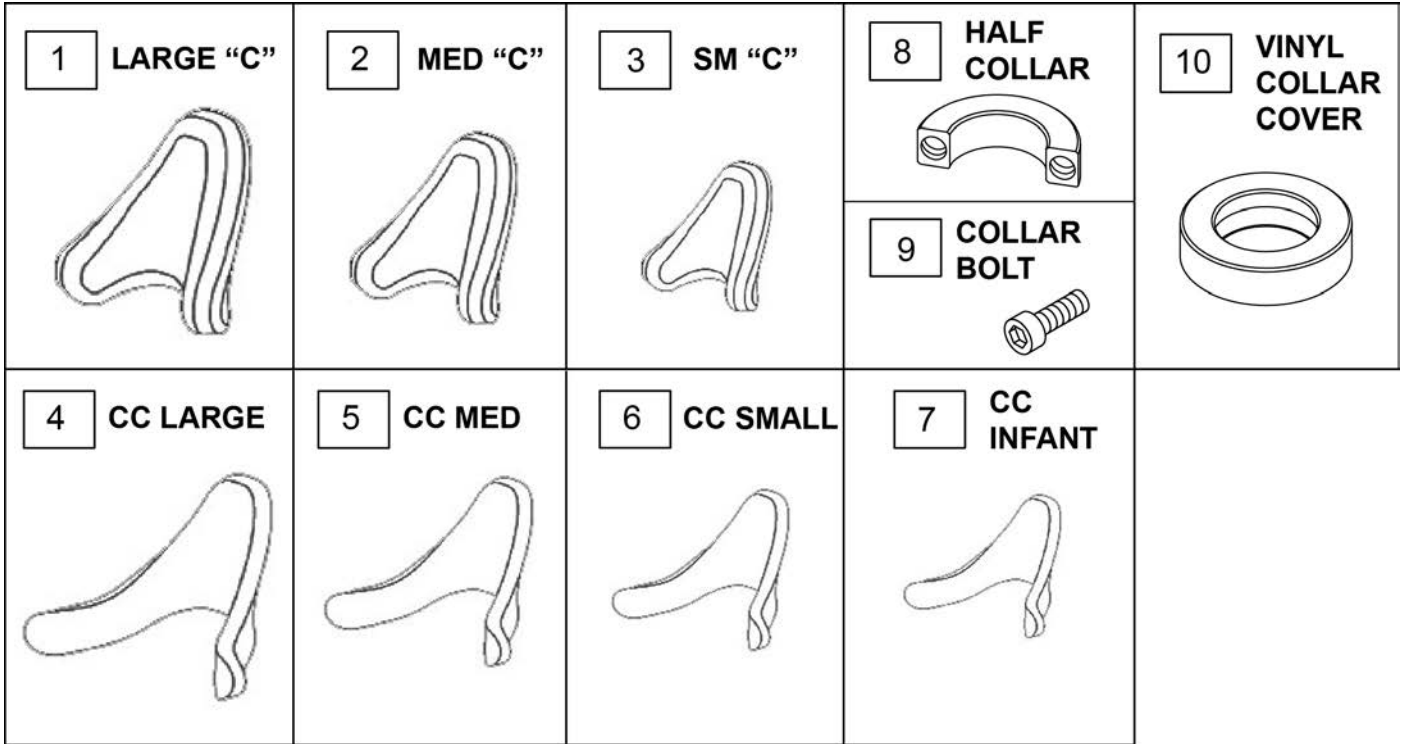
Pos.	Item Number	Description	Remarks
11C	LX27000	LINX2 CORE MOUNT HDW 10IN	
11D	LX27815	LINX2 CORE MOUNT HDW 15IN	
11E	LX27000Q	LINX2 CORE MNT HDW 10 QCK ADJ	



Pos.	Item Number	Description	Remarks
1	012931	BHCS M5 X 10 W/PL BLK CL 10.9	
2	455066-QU	#10 AN WASHER .063 SS	
3A	112716	HDRST CLAMP ASSY .875 ID W/HDW	used w/ Trad Rehab Back Only, includes hardware
3B	129525	HDRST CLAMP KNOB LINX W/HDWR	
3C	129527	HDRST CLAMP LEVR LINX W/HDWR	used w/ Power Recline beg. M710A, M715A, M720A
3D	129526	HDRST CLAMP KNOB COBRA W/HDWR	used w/ Power Recline beg. M710A, M715A, M720A
3E	129528	HDRST CLAMP LEVR COBRA W/HDWR	used w/ Power Recline beg. M710A, M715A, M720A
3F	112257	HDRST HNDLE CLAMP ASSY .875 ID	used w/ Curved, JAY SPO, and ART SPO Backrest
3G	112717	HDRST CLAMP ASSY .875 ID W/HDW	used w/ Power Recline only, not compatible w/ M710, M715, M720
4	104533	HEADREST COLLAR .875 ID	
5	226074	1/4-20 X 1/2 SOC C/S	



Pos.	Item Number	Description
1	PF1900	REFOAM KIT 19"PLUSH
1	PC1900L	COVER 19"PLUSH/LYCRA
1	PC1900V	COVER 19" PLUSH/R'VSD DARTEXX
1	PC1900F	COVER 19"PLUSH/FLEECE
2	PF1400	REFOAM KIT 14"PLUSH
2	PC1400L	COVER 14"PLUSH/LYCRA
2	PC1400V	COVER 14" PLUSH/R'VSD DARTEXX
2	PC1400F	COVER 14"PLUSH/FLEECE
3	PF1000	REFOAM KIT 10"PLUSH
3	PC1000L	COVER 10"PLUSH/LYCRA
3	PC1000V	COVER 10" PLUSH/R'VSD DARTEXX
3	PC1000F	COVER 10"PLUSH/FLEECE
4	PF800	REFOAM KIT 8"PLUSH
4	PC800L	COVER 8"PLUSH/LYCRA
4	PC800V	COVER 8" PLUSH/R'VSD DARTEXX
4	PC800F	COVER 8"PLUSH/FLEECE
4	PC800P	COVER 8"PLUSH/ALLURE NH
5	PF605	REFOAM KIT 6"PLUSH
5	PC605L	COVER 6"PLUSH/LYCRA
5	PC605V	COVER 6" PLUSH/R'VSD DARTEXX
5	PC605F	COVER 6"PLUSH/FLEECE
6	MW027100	COLLAR HALF RAD 3/4" THD. BLCK
7	MF014600	1/4-28x5/8" SHCS-COLLAR BOLT
8	MC100-WB	COVER 3/4" COLLAR /VINYL BLACK



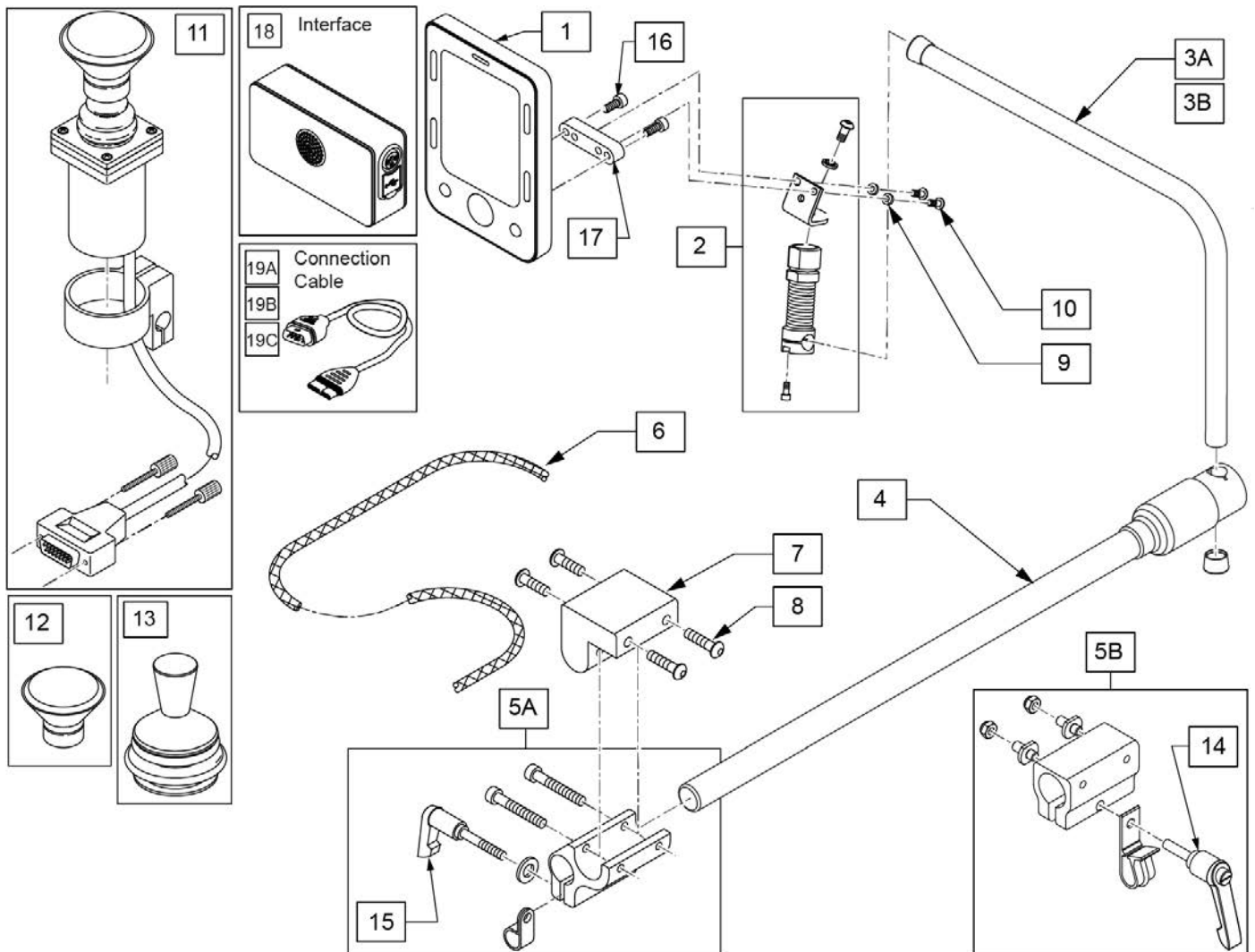
Pos.	Item Number	Description	Pos.	Item Number	Description
1	PF4010	REFOAM KIT, LARGE C-PLUSH	5	PF300	FOAM MED CONTOURED CRADLE
1	PC4010L	COVER LRG CCPLUSH/LYCRA	5	PC300L	COVER MED CONTED CRADLE/LYCRA
1	PC4010V	COVER LRG CCPLUSH/RD	5	PC300V	COVER MED CONTRD CRADLE/RD
1	PC4010F	COVER LRG CCPLUSH/FLEECE	5	PC300F	COVER MED CONTED CRADLE/FLEECE
2	PF3010	REFOAM KIT, MED C-PLUSH	6	PF200	FOAM SMALL CONTOURED CRADLE
2	PC3010L	COVER MED CCPLUSH/LYCRA	6	PC200L	COVER SML CONTED CRADLE/LYCRA
2	PC3010V	COVER MED CCPLUSH/RD	6	PC200V	COVER SML CONTRD CRADLE/RD
2	PC3010F	COVER MED CCPLUSH/FLEECE	6	PC200F	COVER SML CONTED CRADLE/FLEECE
3	PF2010	REFOAM KIT, SMALL C-PLUSH	7	INFTF200	FOAM INFANT CONTOURED CRADLE
3	PC2010L	COVER SMALL CCPLUSH/LYCRA	7	INFTC200-L	COVER INFANT CONTED CRADLE/LYCRA
3	PC2010V	COVER SMALL CCPLUSH/RD	7	INFTC200-V	COVER INFANT CONTRD CRADLE/RD
3	PC2010F	COVER SMALL CCPLUSH/FLEECE	7	INFTC200F	COVER INFANT CONTED CRADLE/FLEECE
4	PF400	FOAM LG CONTOURED CRADLE	8	MW027100	COLLAR HALF RAD 3/4" THD. BLK
4	PC400L	COVER LG CONTED CRADLE/LYCRA	9	MF014600	1/4-28x5/8" SHCS-COLLAR BOLT
4	PC400V	COVER LG CONTRD CRADLE/RD	10	MC100-WB	COVER 3/4" COLLAR /VINYL BLACK
4	PC400F	COVER LG CONTED CRADLE/FLEECE			

Note: Joystick Post (item 12) accepts Joystick Knobs that have a 3/16" diameter mating hole.

Note: if retrofitting Omni2, order Display Mounting Kit (p/n 163612), Omni2 Display & Interface (p/n 163611); see Omni2 Interface Mount parts pages for appropriate Interface mounting parts.

Note: Omni2 only compatible with CTRL+5 Push Button Rev D or newer & CTRL+5 Toggle Rev E or newer.

Note: when replacing an Omni 2 Display with Firmware version .01 or .02, BOTH Display and Interface will be required, OR when replacing an Omni2 Interface with Firmware .01/.02 or .03, BOTH Display and Interface will be required.



Pos.	Item Number	Description	Remarks
1	20011231-010	OMNI2 DISPLAY WITH BLUETOOTH	Display only; see note

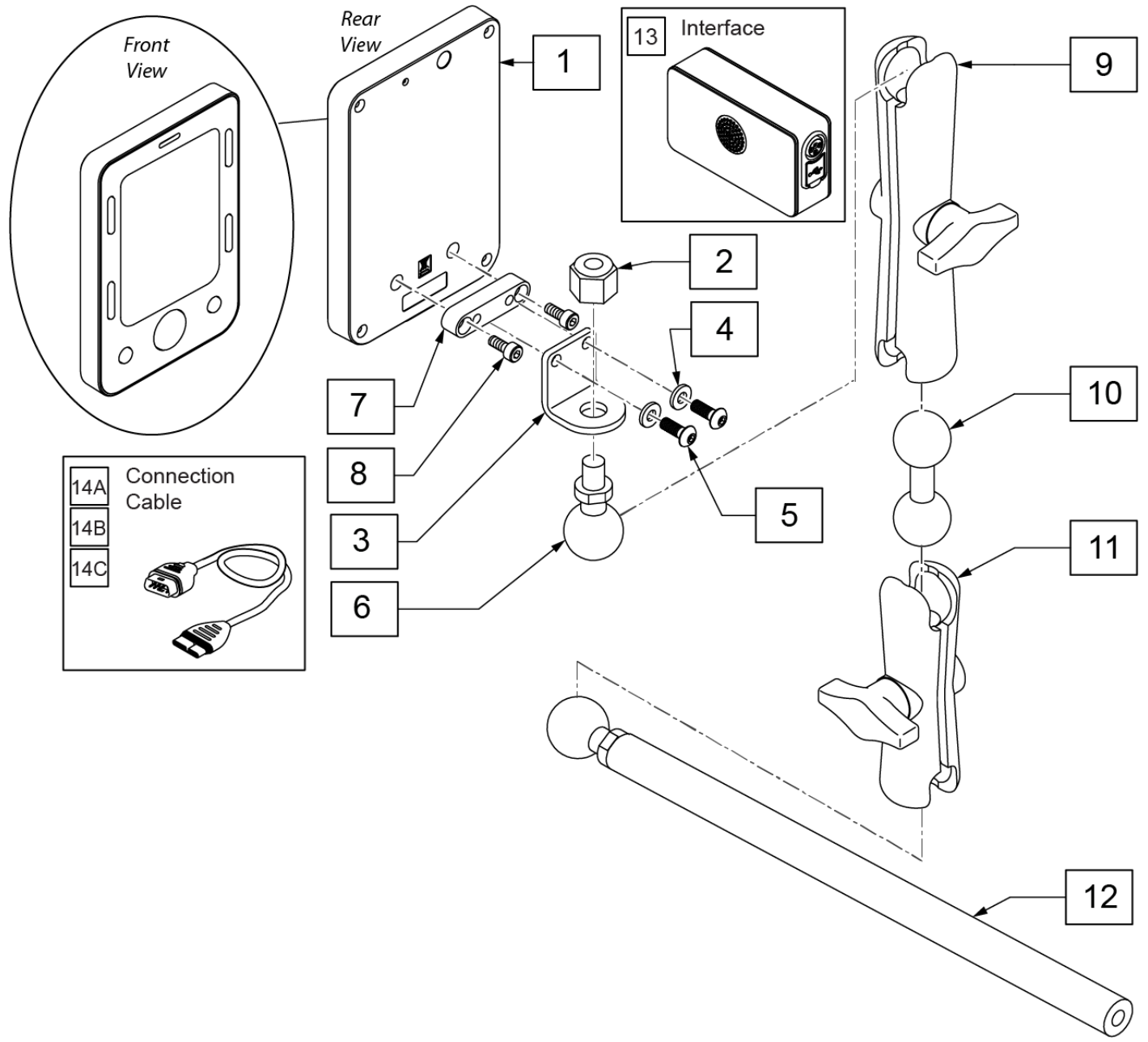
Pos.	Item Number	Description	Remarks
2	886976	USCM SPRING MOUNT AS	
3A	521098	ADJ DISPLAY ARM "L"SHORT(USCM)	Used w/ OMNI only
3B	521097	ADJ DISPLAY ARM "L" (USCM)	Used w/ OMNI & Compact Joystick
4	111190	MOUNT ARM DISPLAY	
5A	012433	CNTRL ARM CLMP UNIVERSAL ASSM	Used w/ Trad Rehab Armrest
5B	159406	CNTRLR CLMP ARM ASSM RND	Used w/ ASAP Seating Armrest
6	180351	BRAIDED SLEEVING 24"	
7	551001	CONTROLLER MOUNT BLOCK	Used w/ 5A on Power Recline
8	222297	10-24 X 3/8 SOC BH C/S W/PTCH	
9	261204	#10 AN WASHER .063	
10	102259-001	BHCS, M5 X 0.8 X 12, FULL, PL	
11	139705	PROP CHIN CONTROL W/ MINI JS	
12	D4000	CHINCUP QTRONIX	
13	138154	KNOB&PROTECTOR D10AB JOYSTICK	
14	011049	HANDLE ADJ MODERN M5 X 20 STUD	
15	349024	HNDL 10-32 X 3/4 C/A P1/P3/P5	
16	103205	SHCS M4 X .7 X 10 W/PL INORG	
17	22709119	LINK-IT OMNI SCREEN CONVERTER	
18	20011230-010	OMNI2 INTERFACE WITH USB	Interface only; see note
19A	20011236-150	OMNI 2 DISP CONN CABLE 1500 MM	59"
19B	20011236-200	OMNI 2 DISP CONN CABLE 2000 MM	79"
19C	20011236-250	OMNI 2 DISP CONN CABLE 2500 MM	98"
1,18,19B	163611	OMNI2 WITH BLUETOOTH AND USB	Includes Display, Interface & 2000mm Connection Cable
1-3A,4,9,10,16-18	163613	OMNI2 DISPL W/ COMPACT MNT KIT	
9,10,16,17	163612	OMNI2 UPGRD DISPL MNT LEGACY	

Note: See Mounting Clamp page to order appropriate clamp.

Note: if retrofitting Omni2, order Display Upgrade Mounting Kit (p/n 163612), Omni2 Display & Interface (p/n 163611); see Omni2 Mount parts pages for appropriate Interface mounting parts.

Note: Omni2 only compatible with CTRL+5 Push Button Rev D or newer & CTRL+5 Toggle Rev E or newer.

Note: when replacing an Omni 2 Display with Firmware version .01 or .02, BOTH Display and Interface will be required, OR when replacing an Omni2 Interface with Firmware .01/.02 or .03, BOTH Display and Interface will be required.

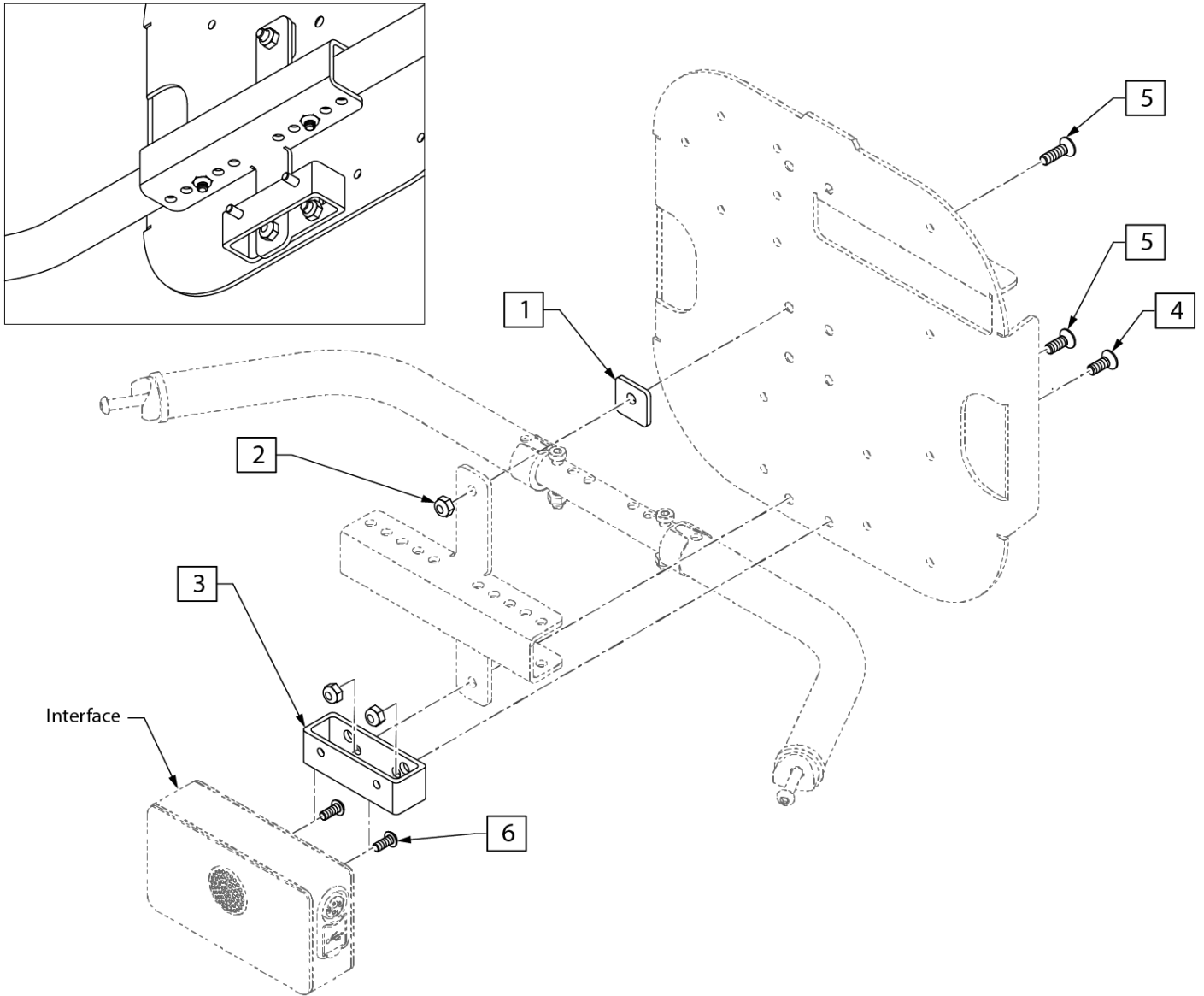


Pos.	Item Number	Description	Remarks
1	20011231-010	OMNI2 DISPLAY WITH BLUETOOTH	Display only; see note
2	201263	3/8-16 NYLOCK NUT BLK ZINC	
3	126640	BRACKET DISPLAY	
4	261204	#10 AN WASHER .063	
5	102259-001	BHCS, M5 X 0.8 X 12, FULL, PL	
6	126639	1IN BALL WITH 3/8 STD	
7	22709119	LINK-IT OMNI SCREEN CONVERTER	
8	103205	SHCS M4 X .7 X 10 W/PL INORG	
9	126632	LONG 5IN DOUBLE SOCKET	
10	126633	DOUBLE BALL	
11	126631	3IN DOUBLE SOCKET CLAMP	
12	129457	BAR MOUNT W/1" BALL	
13	20011230-010	OMNI2 INTERFACE WITH USB	Interface only; see note
14A	20011236-150	OMNI 2 DISP CONN CABLE 1500 MM	59"

Pos.	Item Number	Description	Remarks
14B	20011236-200	OMNI 2 DISP CONN CABLE 2000 MM	79"
14C	20011236-250	OMNI 2 DISP CONN CABLE 2500 MM	98"
1,13,14B	163611	OMNI2 WITH BLUETOOTH AND USB	Includes Display, Interface & 2000mm Connection Cable
9-11	126636	ASSY DOUBLE SOCKET	
4,5,7,8	163612	OMNI2 UPGRD DISPL MNT LEGACY	
1-13,14B	163614	OMNI2 W/ RAM MOUNT FULL KIT	
2-8	163615	OMNI2 UPGRD DISPL MNT RAM	

Note: see Omni2 Display parts pages for Omni2 parts.

Note: Omni2 only compatible with CTRL+5 Push Button Rev D or newer & CTRL+5 Toggle Rev E or newer.

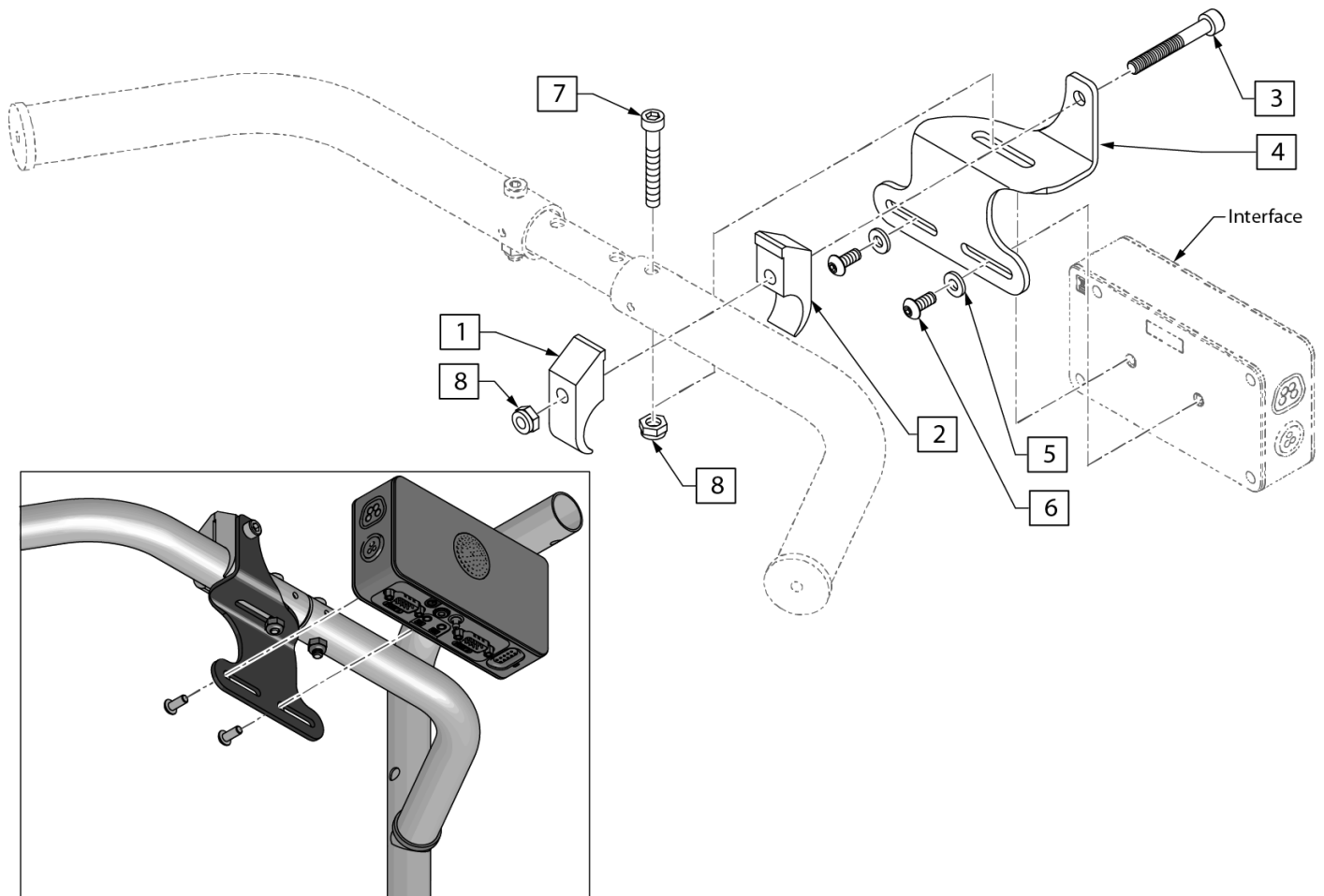


Pos.	Item Number	Description	Remarks
2	n/a	NUT HEX NYLOCK	see kit to order
4	n/a	FHCS, M6 X 1 X 16, FULL, NP	see kit to order
5	n/a	FHCS M6 X 1 X 20, FULL, NP	see kit to order
6	n/a	BHCS, M5 X 0.8 X 12, FULL, PL	see kit to order
1-6	163621	OMNI2 UPGRD INTF TURTLE NEW	

Note: see Omni2 Display parts pages for Omni2 parts.

Note: Omni2 only compatible with CTRL+5 Push Button Rev D or newer & CTRL+5 Toggle Rev E or newer.

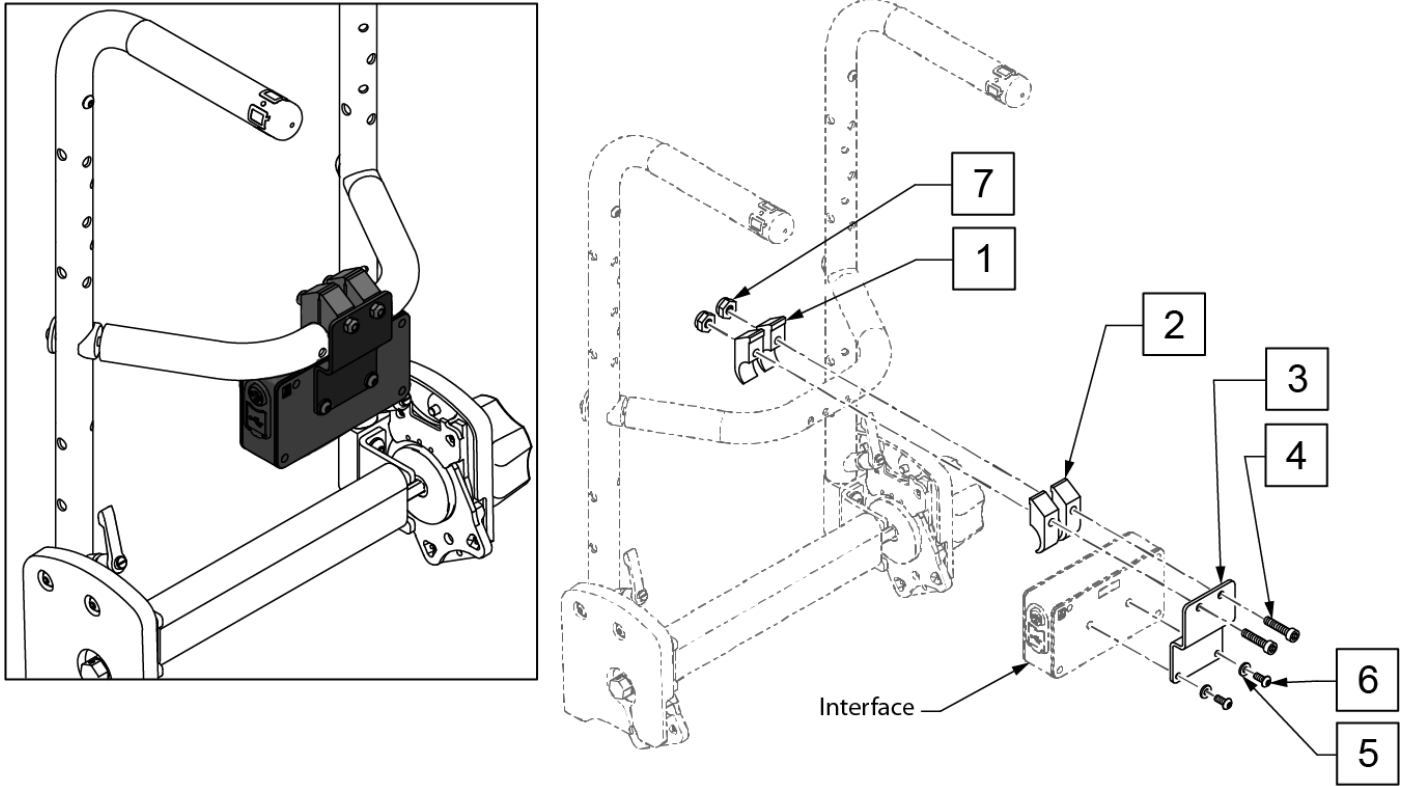
Note: 10" Wide chairs require Deep Towel Bar with Omni2.



Pos.	Item Number	Description	Remarks
3	n/a	SHCS M6 X 1 X 45 12MM PART THD	see kit to order
5	n/a	WASHER FLAT AN #10	see kit to order
6	n/a	BHCS, M5 X 0.8 X 12, FULL, PL	see kit to order
7	n/a	SHCS LOW HD M6 X 1 X 35 PART NP	see kit to order
8	n/a	NUT HEX NYLOCK M6 X 1	see kit to order
1-8	163618	OMNI2 UPGRD INTF ASAP2	

Note: see Omni2 Display parts pages for Omni2 parts.

Note: Omni2 only compatible with CTRL+5 Push Button Rev D or newer & CTRL+5 Toggle Rev E or newer.

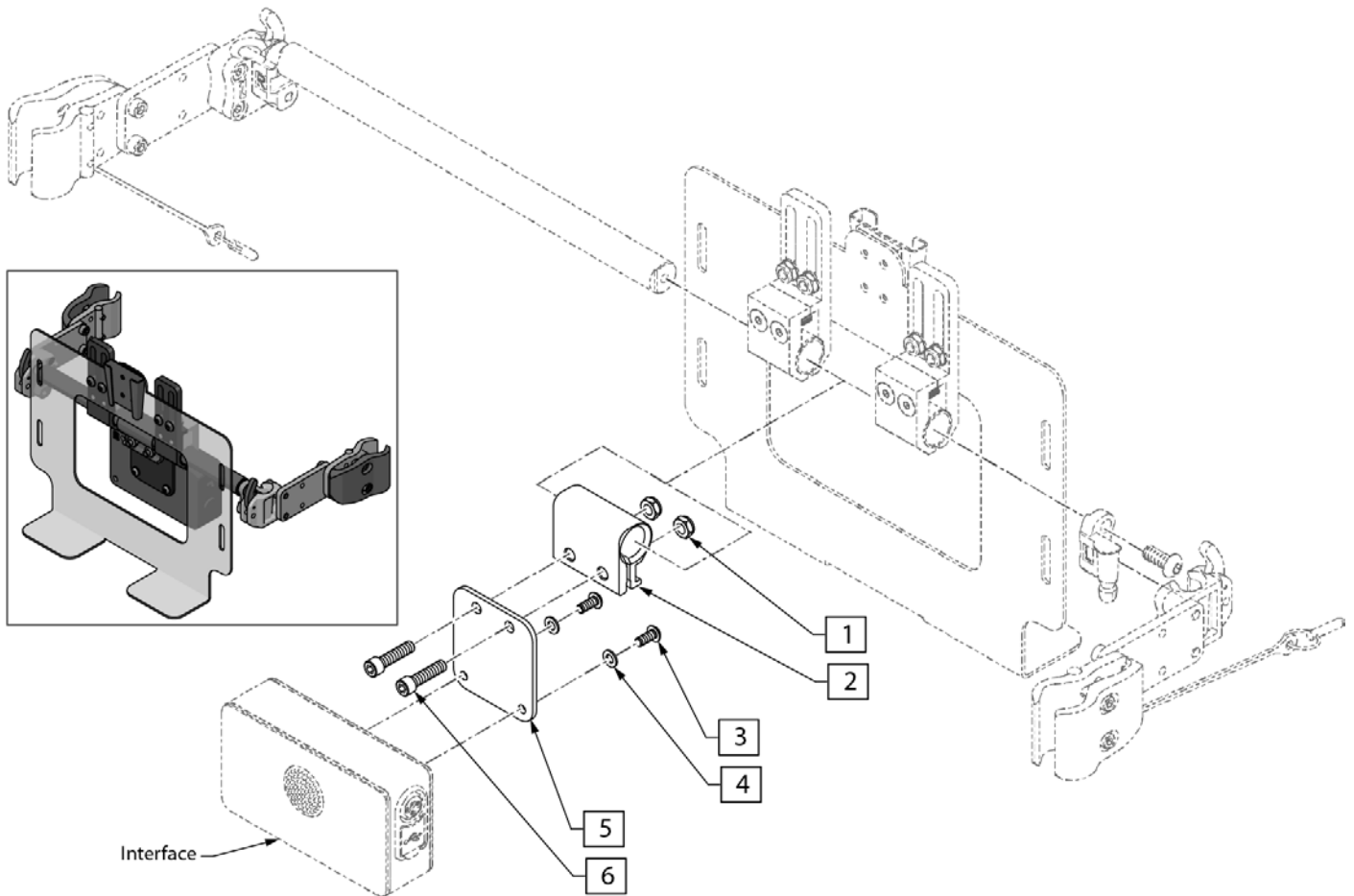


Pos.	Item Number	Description	Remarks
4	n/a	SHCS M6 X 1 X 45 12MM PART THD	see kit to order
5	n/a	WASHER FLAT AN #10	see kit to order
6	n/a	BHCS, M5 X 0.8 X 12, FULL, PL	see kit to order
7	n/a	NUT HEX NYLOCK M6 BLACK	see kit to order
1-7	163623	OMNI2 UPGRD INTF MANUAL RCLN	

Note: see Omni2 Display parts pages for Omni2 parts.

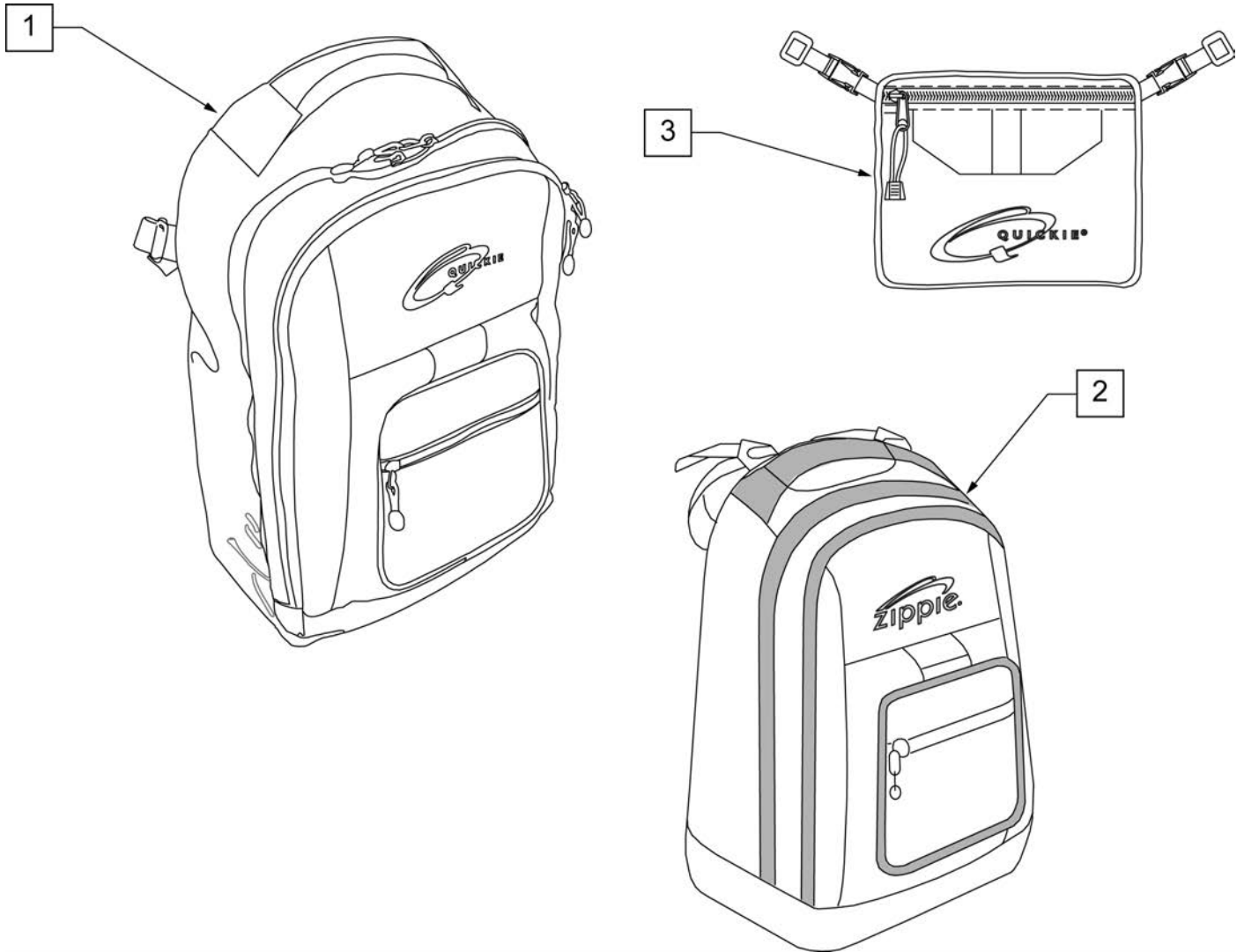
Note: see VENT TRAY LTV & TRILOGY ZM310 parts page for vent mount brackets.

Note: Omni2 only compatible with CTRL+5 Push Button Rev D or newer & CTRL+5 Toggle Rev E or newer.



Pos.	Item Number	Description	Remarks
1	n/a	NUT NYLOCK THIN 1/4-28	see kit to order
3	n/a	BHCS, M5 X 0.8 X 12, FULL PL	see kit to order
4	n/a	WASHER FLAT AN #10	see kit to order
6	n/a	SHCS 1/4-28 X 1 ROHS	see kit to order
1-6	163627	OMNI2 UPGRD INTF ZM310 W/ VNT	

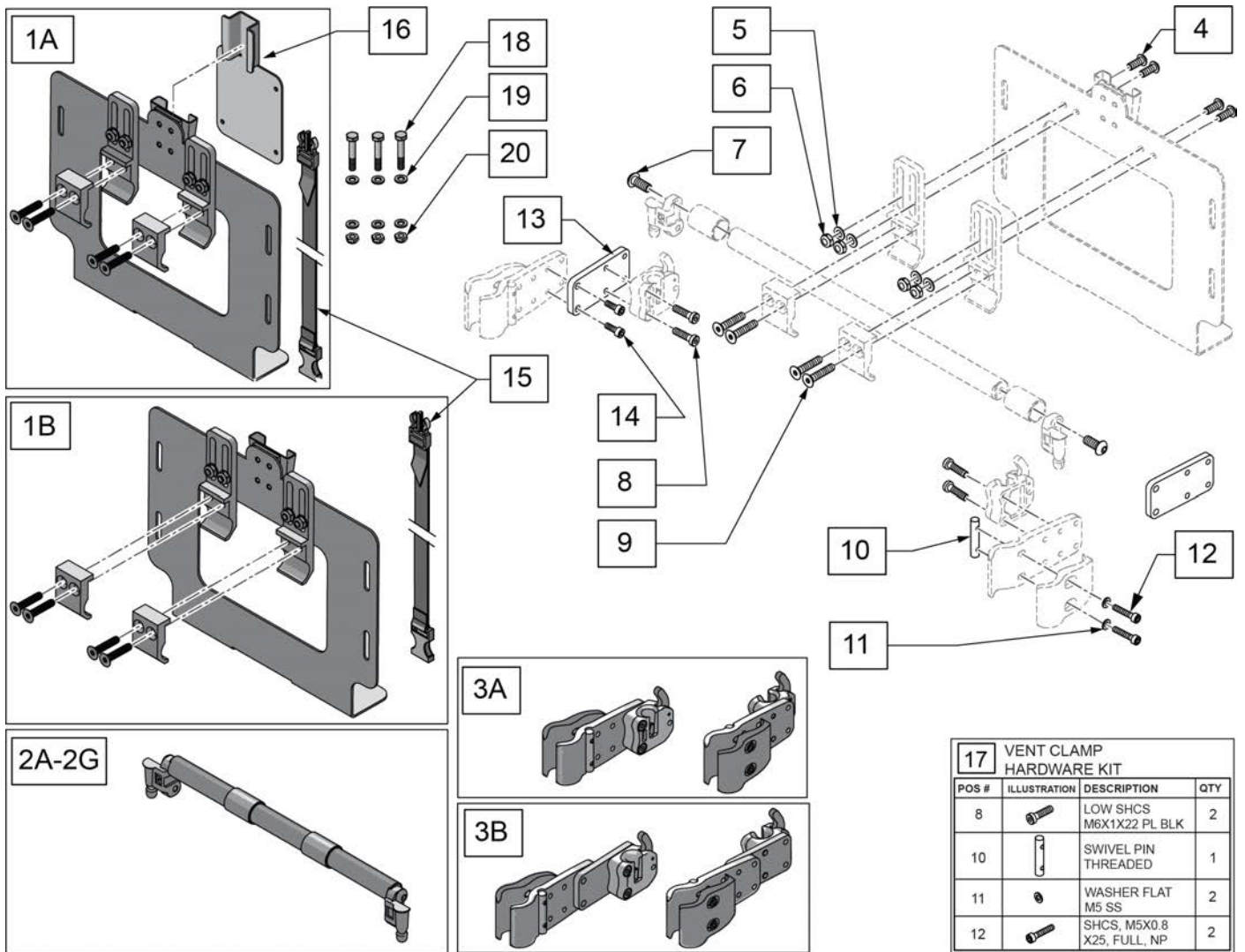
NOTE: KIDS BACKPACKS DO NOT HAVE ADJUSTABLE STRAPS W/ BUCKLES.



Pos.	Item Number	Description	Remarks
1	750115	BACK PACK QUICKIE	Overall dimensions:width 12.5", height 18.5", depth 6.5"
2	104572	BACKPACK ZIPPIE	Overall dimensions: width 12", height 16.5", depth 4.5"
3	750307	SEAT POUCH QUICKIE	Dimensions: width 8.5", height 6", depth top 2.5", depth bottom 3.5"

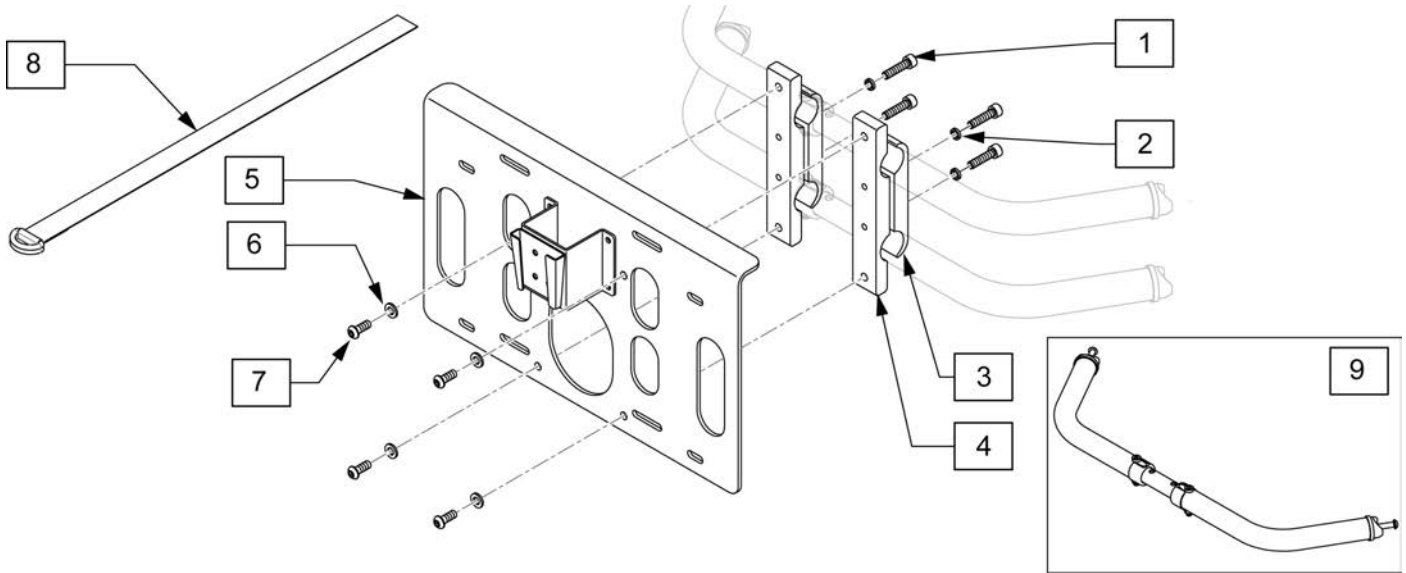
Note: order 1each of desired vent tray type, correct width vent strut kit and clamp kit.

Note: Mounting the Trilogy EVO vent requires the use of a wheelchair mounting kit (Philips Respironics P/N 1134633) which can be purchased directly from Philips Respironics.



Pos.	Item Number	Description	Remarks
1A,15,16	129609	TRILOGY MOUNT KIT	
1B,15	129611	LTV MOUNT KIT	
2A	129612	VENT STRU KIT 10	
2B	129613	VENT STRU KIT 11	
2C	163693	VENT STRU KIT 12	
2D	163694	VENT STRU KIT 13	
2E	163695	VENT STRU KIT 14	
2F	163696	VENT STRU KIT 15	
2G	163697	VENT STRU KIT 16	
3A	129625	CLAMP STANDARD	

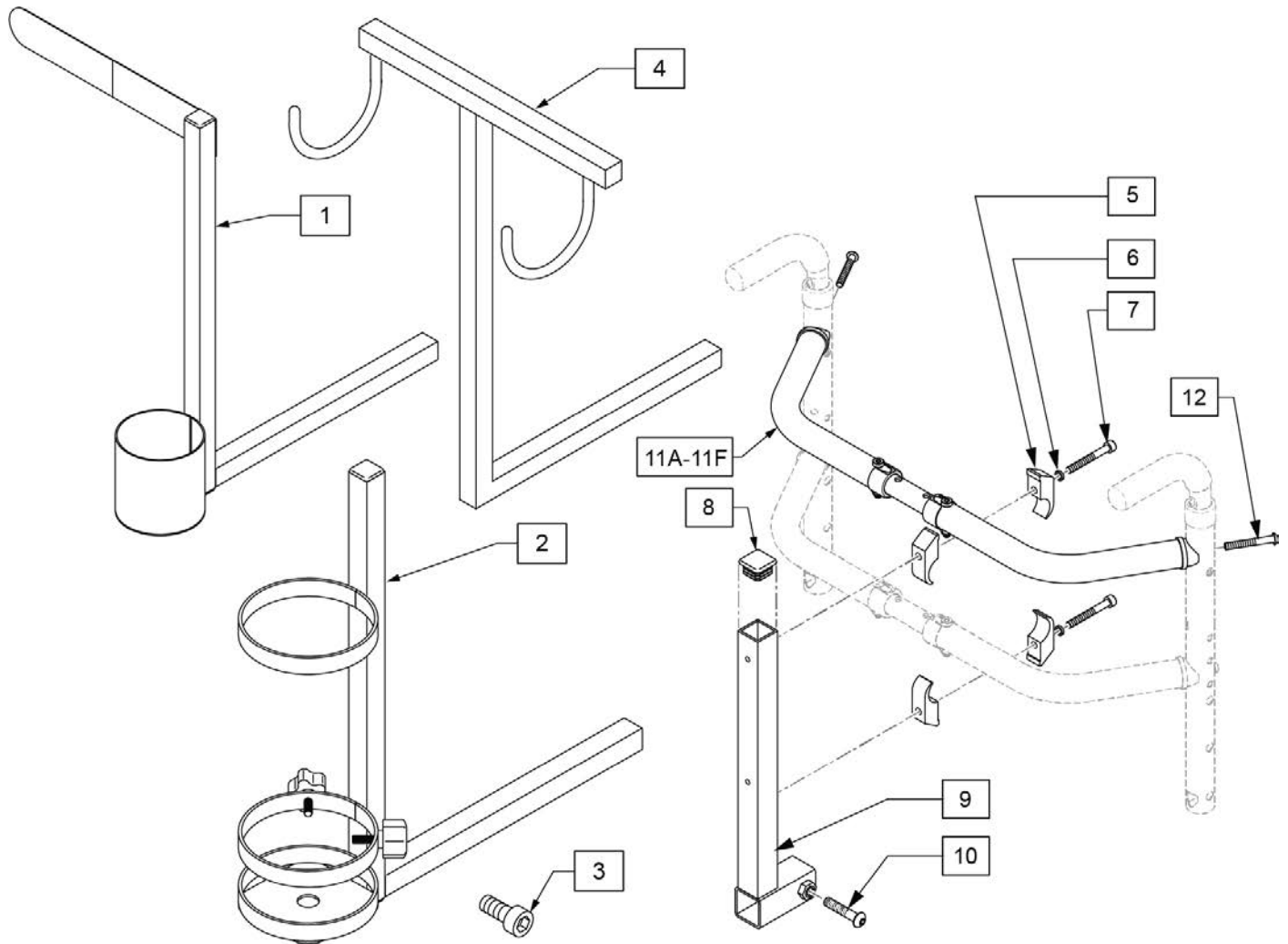
Pos.	Item Number	Description	Remarks
3B	129626	CLAMP EXTENDED	
4	106959	BHCS 1/4-28 X 5/8	
5	106944	WASHER FLAT THIN AN 1/4 ROHS	
6	106935	NUT NYLOCK THIN 1/4-28	
7	106979	BHCS 5/16-18 X 3/4	
9	BOLT010	1/4-20X1-1/4" FHSCS	
12	102260-002	SHCS M5X0.8X25 FULL NP	
13,14	129627	EXTENSION KIT	
14	114497	SHCS, M5X0.8X14, FULL PL	
15	125584	STRAP ASSEMBLY KIT	
16	127211	TRILOGY MOUNT ADAPTER	
17	129610	VENT CLAMP HARDWARE KIT	
1B-12	128602	VENT MOUNT LTV 10W	
1B-12	128603	VENT MOUNT LTV 11W	
1B-12	128604	VENT MOUNT LTV 12W	
1B-12	128605	VENT MOUNT LTV 13W	
1B-12	128606	VENT MOUNT LTV 14W	
1B-12	128607	VENT MOUNT LTV 15W	
1B-12	128608	VENT MOUNT LTV 16W	
18	013923	HHCS M8 X 1.25 X 25 W PTCH	3 Required
19	011691	WASHER HIGH STRENGTH 8MM	6 Required
20	210085	NUT HEX NYLOCK	3 Required



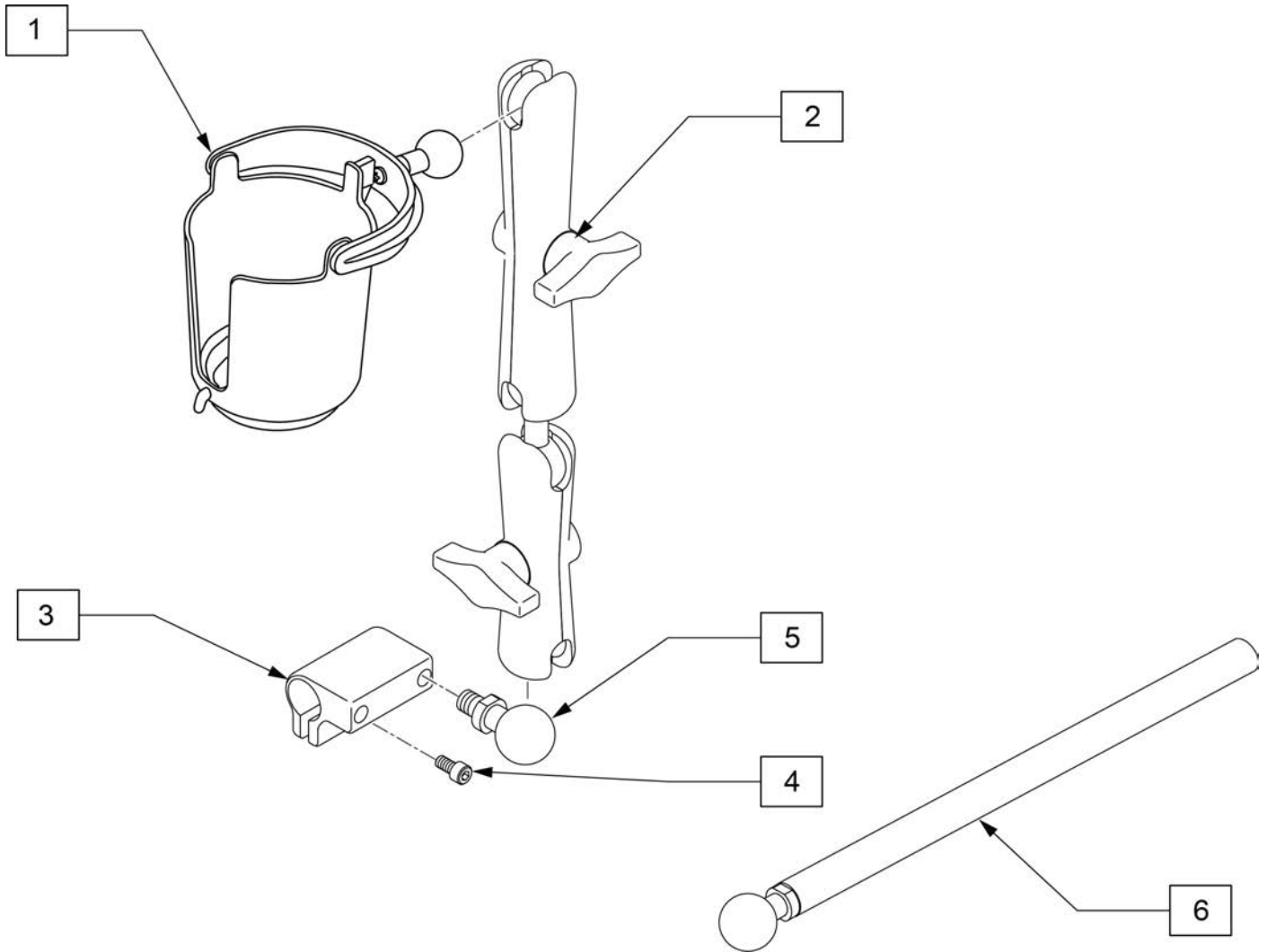
Pos.	Item Number	Description	Remarks
1	102263-003	SHCS, M6X1X25, FULL, PL INORG	
2	262114	1/4 WASHER HI COLLAR LOCK ZN	
3	502294	VENT TRAY PIVOT CLAMP RECESS	
4	502313	CLAMP PIVOT VENT TRAY SMALL	
5	101862	VENT TRAY PLATE MNT ASSM SML	
6	250104	WASHER, FLAT,M6	
7	230032	M6 X 16 BHCS	
8	011404-002	VENT STRAP, CINCH	
9	118614	TOWEL BAR ASSY 18-22D	DEEP
9	118637	TOWEL BAR ASSY 16-20D	DEEP
9	118600	TOWEL BAR ASSY 18-22S	SHALLOW
9	118633	TOWEL BAR ASSY 16-20S	SHALLOW
9	118645	TOWEL BAR ASSY 12-16S	SHALLOW
9	118646	TOWEL BAR ASSY 10-13S	SHALLOW

Note: if retro-fitting to an existing chair, the following items are REQUIRED to properly attach the accessory to the chair: a second towel bar in the width range & towel bar depth to match the chair, and qty 1 accessory mount (p/n 120379).

Note: if retrofitting, the horizontal bar on the Seat Accessory may need to be cut to reduce the length to optimize the fit on the given chair, depending on the options and configuration of the chair.

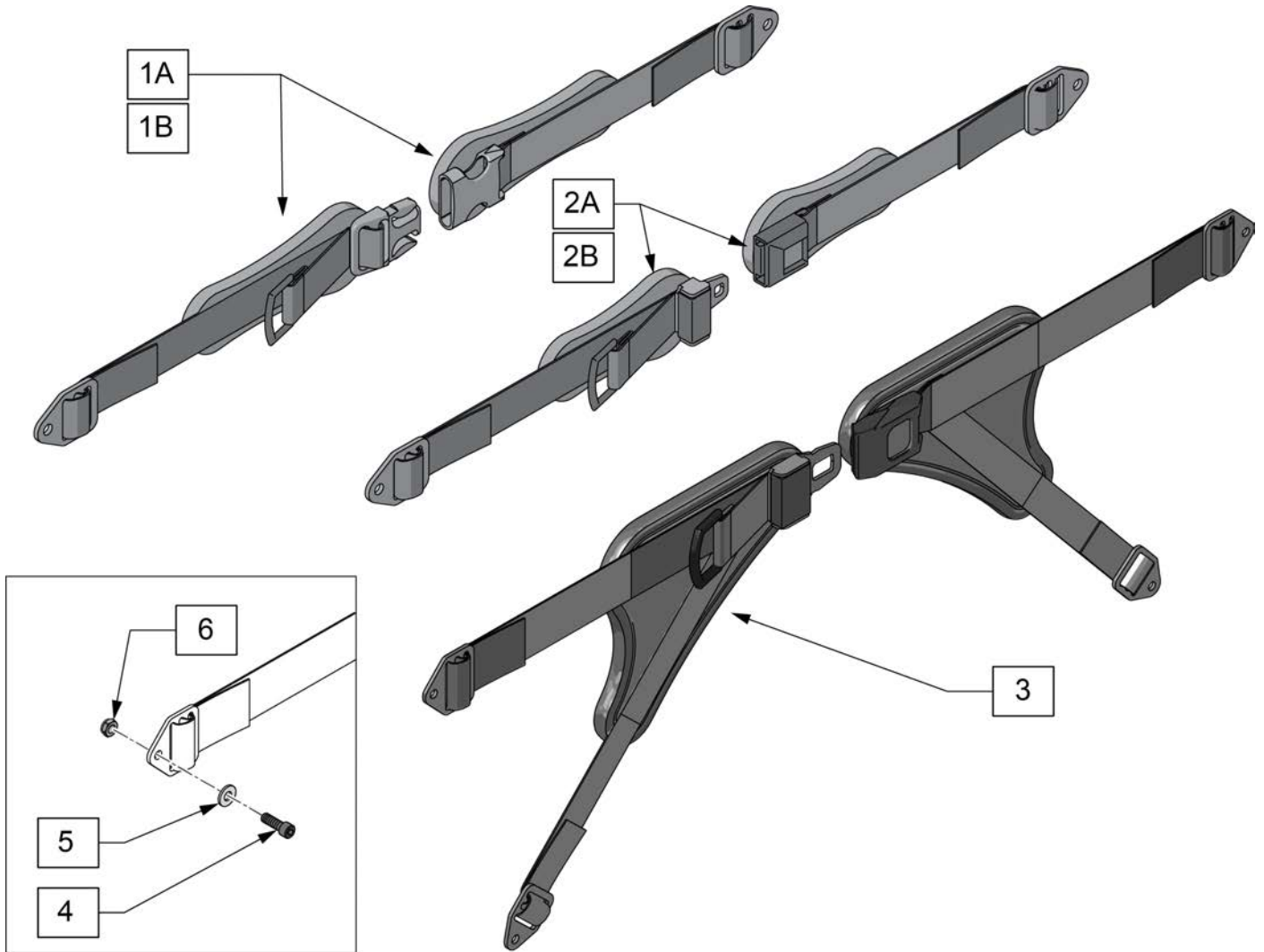


Pos.	Item Number	Description	Remarks
1	120353	CRUTCH/CANE HOLDER	See note if retro-fitting to chair
2	120496	O2 HOLDER ASSM	See note if retro-fitting to chair; accommodates size D & E Oxygen Tanks
3	116389	SHCS, M8 X 1.25 X 10, FULL, PL	
4	WH	WALKER HOLDER	See note if retro-fitting to chair
6	262114	1/4 WASHER HI COLLAR LOCK ZN	
7	103190-012	SHCSM6X1X50PARTNP	
8	010615	SQUARE END CAP CNTR LEG	
10	103186-011	BHCSM8X1.25X40FULLNP	
5-10	120379	ACCESSORY MOUNT	
11A,12	118646	TOWEL BAR ASSY 10-13S SHALLOW	
11B,12	118645	TOWEL BAR ASSY 12-16S SHALLOW	
11C,12	118633	TOWEL BAR ASSY 16-20S SHALLOW	
11D,12	118600	TOWEL BAR ASSY 18-22S SHALLOW	
11E,12	118637	TOWEL BAR ASSY 16-20D DEEP	
11F,12	118614	TOWEL BAR ASSY 18-22D DEEP	

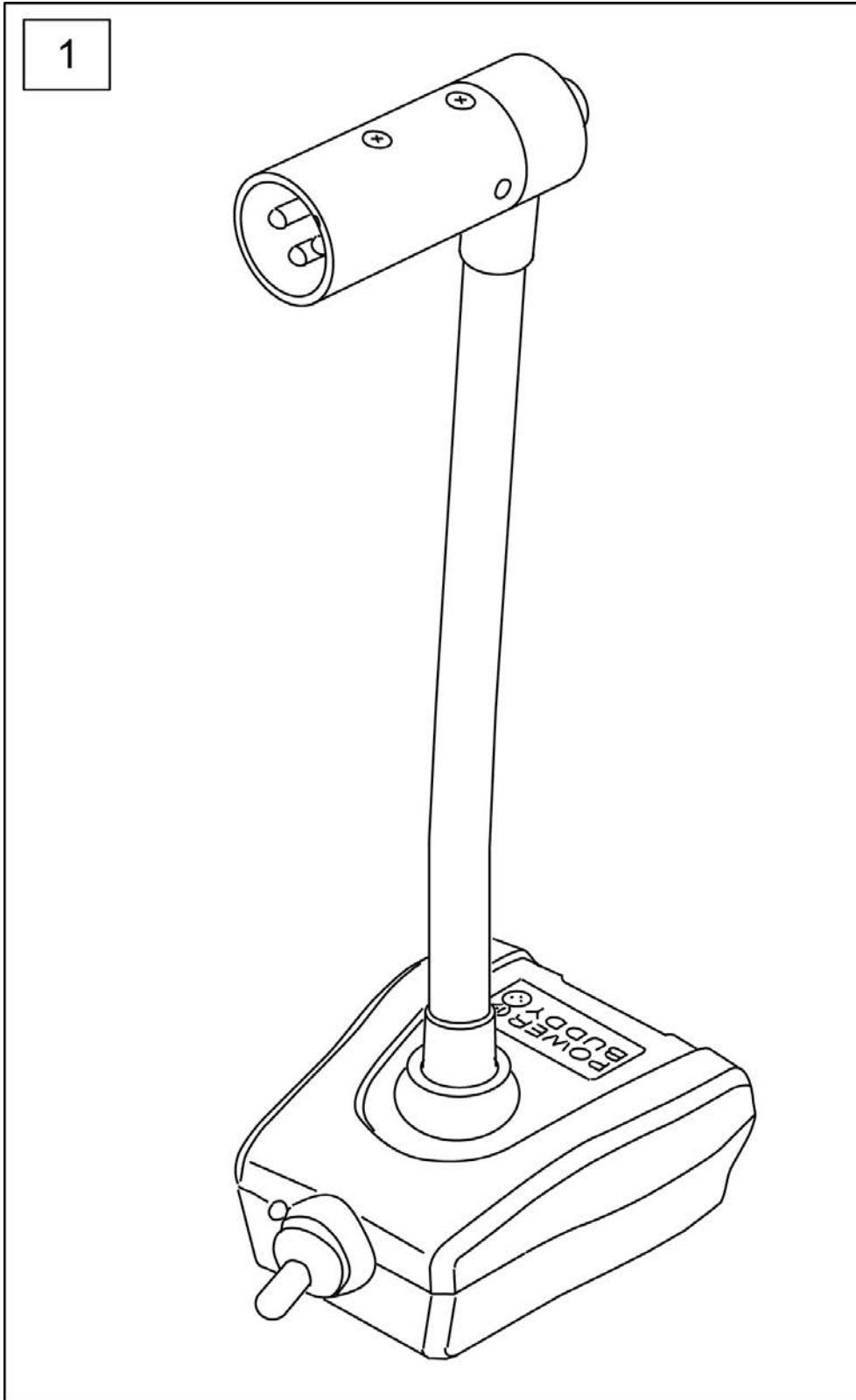


Pos.	Item Number	Description
1	126876	RAM MOUNT CUP HOLDER
2	126636	ASSY DOUBLE SOCKET
3	126660	CLAMP DISPLAY MOUNT
4	112697	M5-.8 X 20MM SOCKET CAP SCREW
5	126639	1IN BALL WITH 3/8 STD
1-5	129522	CUP HOLDER KIT W/MOUNT
6	129457	BAR MOUNT W/1" BALL

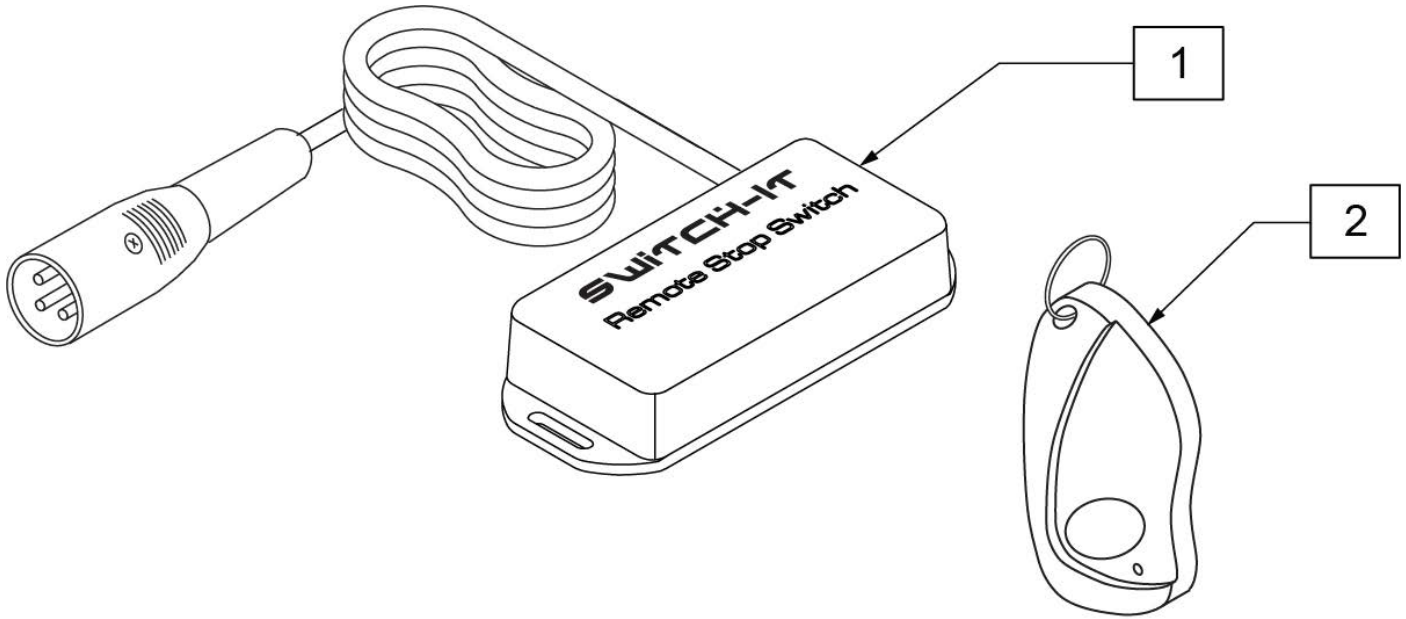
Note: See Mounting Clamp page to order appropriate clamp.



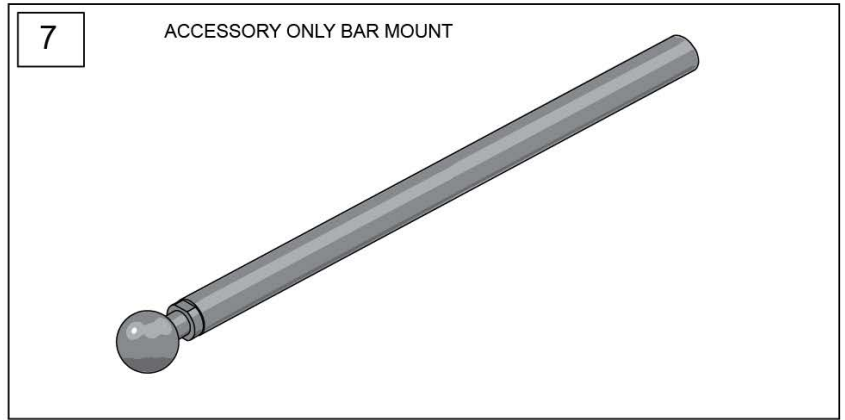
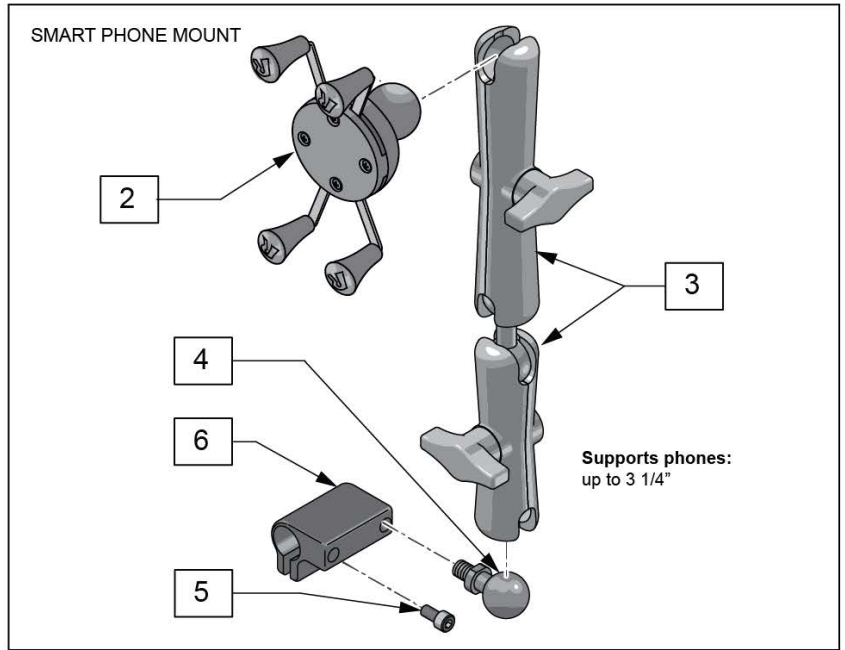
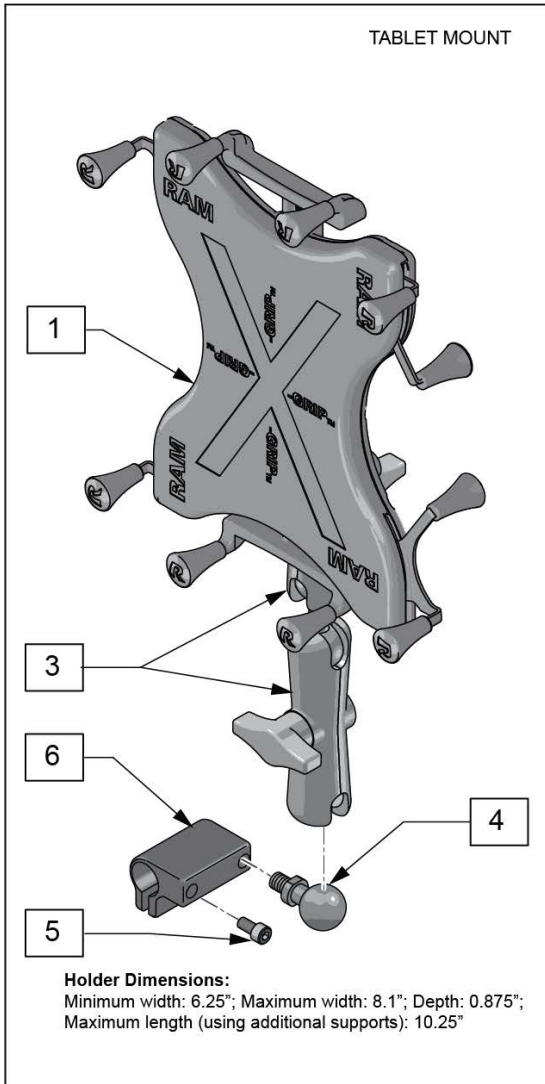
Pos.	Item Number	Description
1A	APB6111	APB, 1" SR, SINGLE, XS PADS
1B	APB6212	APB, 1.5" SR, SINGLE, SM PADS
2A	APB5116	APB, 1" PB, SINGLE, 5.5" PAD
2B	APB7212	APB, 1.5" PB, SINGLE, SM PADS
3	APB3727	V CONTOUR PPB, 1.5IN PB, MED
4	103189-010	SHCS,M5X0.8X40,PART,NP
5	113282	WASHER FLAT AN #10
6	220121	NUT HEX NYLOCK M5 BLACK



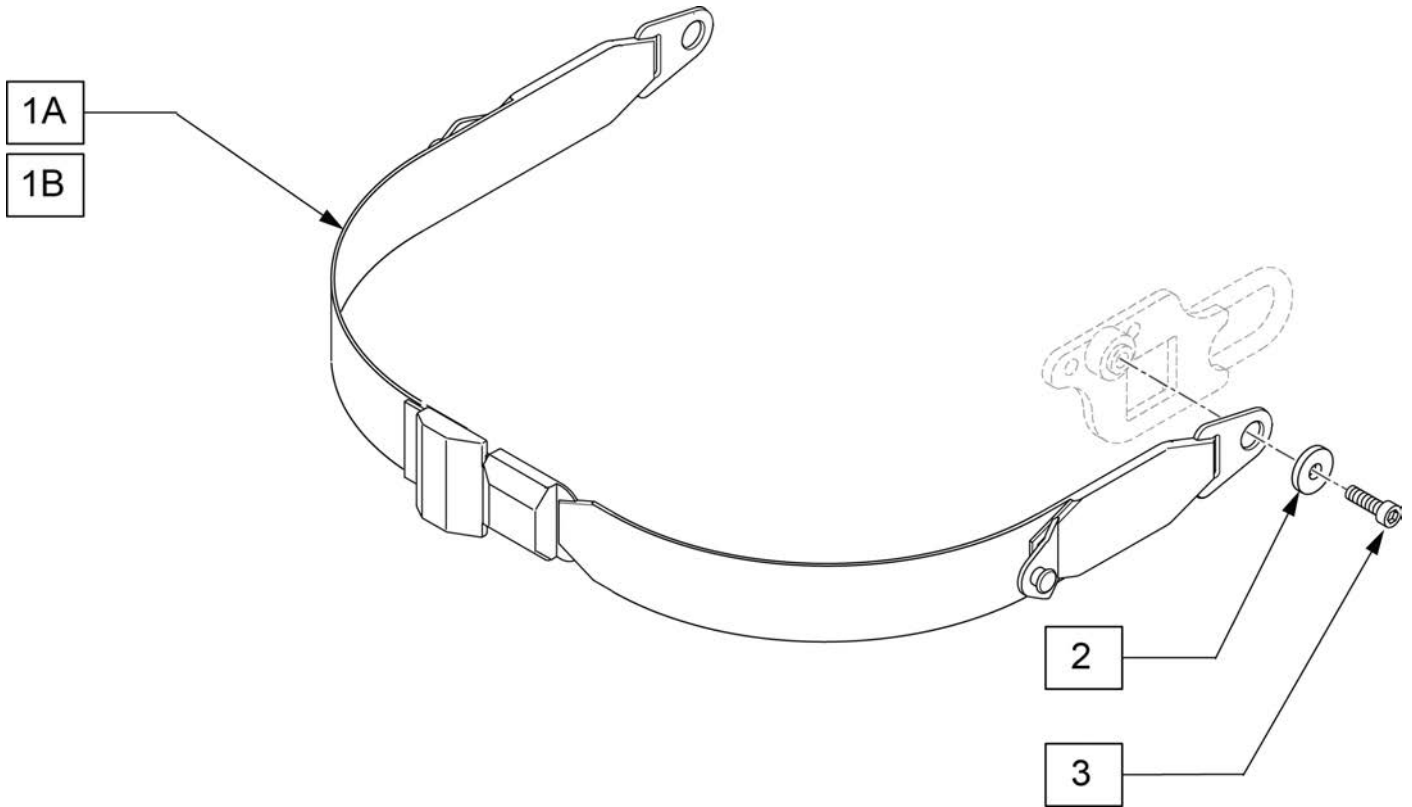
Pos.	Item Number	Description
1	126610	POWER BUDDY



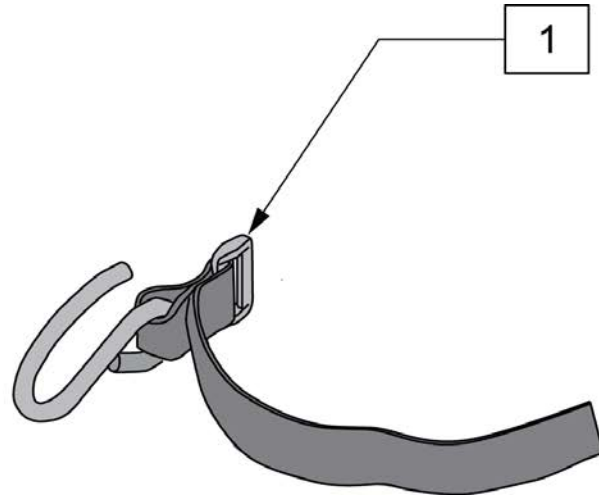
Pos.	Item Number	Description
1,2	RSS-XLR	SWITCH IT REMOTE STOP SWITCH



Pos.	Item Number	Description
1	126635	ASSY TABLET MOUNT
2	126628	UNIVERSAL PHONE MOUNT
3	126636	ASSY DOUBLE SOCKET
4	126639	1IN BALL WITH 3/8 STUD
5	112697	SHCS M5 X .8 X 20 FULL PL
6	126660	CLAMP DISPLAY MOUNT
1,3-6	129516	TABLET MOUNT W/HARDWARE
2-6	129517	PHONE MOUNT W/HARDWARE
1,3,7	129518	TABLET MOUNT W/BAR
2,3,7	129519	PHONE MOUNT W/BAR



Pos.	Item Number	Description	Remarks
1A	120682	LAP BELT TRANSIT 7.5	max length 55"
1B	131763	LAP BELT TRANSIT 7.1	max length 35"
2	106379	WASHER PLAIN M10 SILVER ROHS	
3	119598	BHCS M10X1.5X16 PL	



Pos.	Item Number	Description
1	125912	UTILITY HOOK