



PARTS MANUAL

(ZBP)
JANUARY 2012

Sunrise Medical appreciates your business. For your ordering convenience, our Customer Service Representatives can be contacted at:

**To place orders:
(800)333-4000**

Quickie Technical Assistance:

You can reach our Technical Support Team by choosing prompt 1 followed by the # sign, then prompt 2 for Technical Support. Choose option 1 for Quickie Technical Support.

**For Assistance with a Web Order,
or to sign up for sunrisemedical.com
(800) 333-4000 Option 5**

**FOR YOUR CONVENIENCE YOU MAY PLACE ORDERS THROUGH
OUR WEBSITE OR BY FAX 24 HOURS A DAY:**

www.sunrisemedical.com

Fax: (800)300-7502

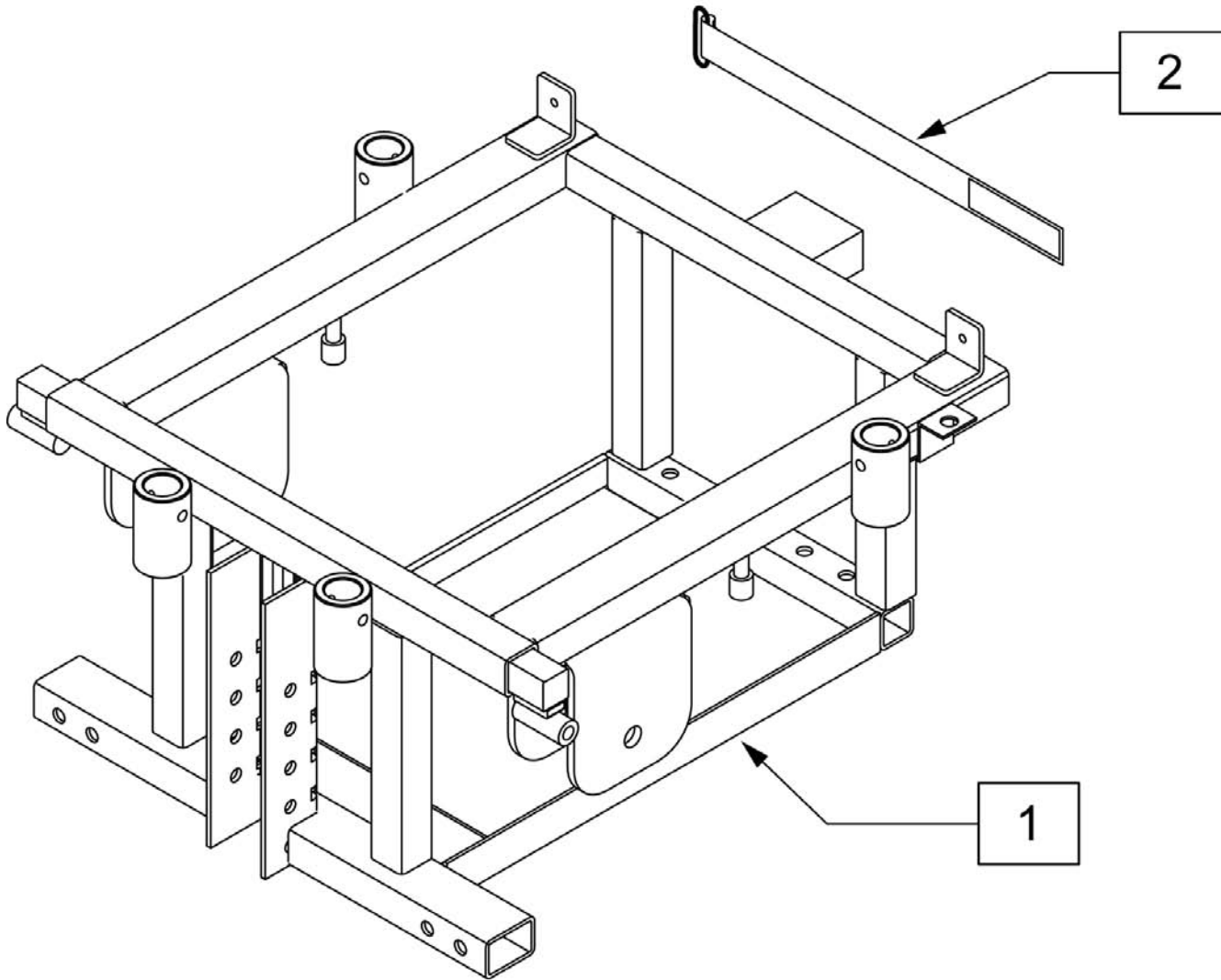
For easy reference please fill in your Customer Number and Sunrise Account Manager's name.

Customer Account Number _____
Ship to Account Number _____
Sunrise Account Manager _____

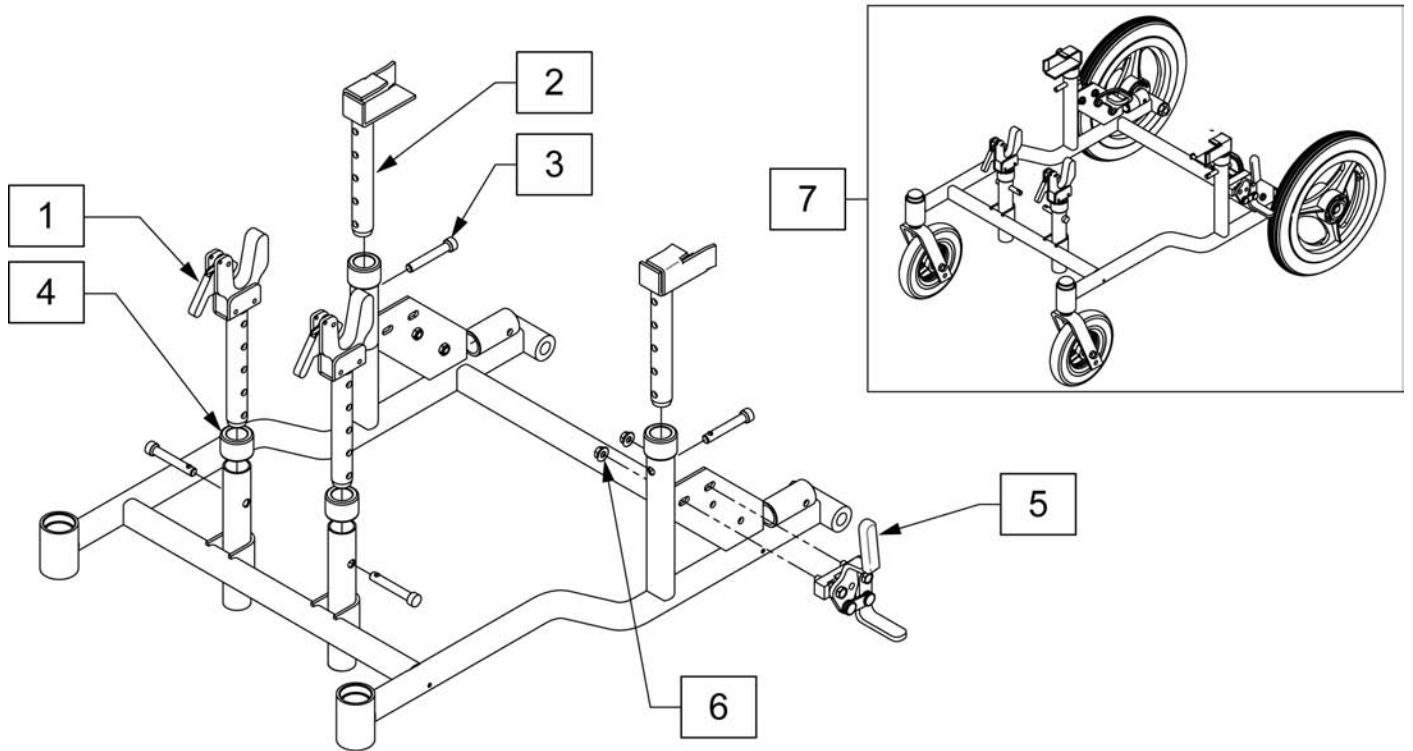
*Part prices and configurations or specifications of products included in this Parts Manual are subject to change without prior notice.

ZIPPIE Z BOP	5
BASE	5
FRAME	5
Z BOP POWER BASE FRAME	5
Z BOP MANUAL CARRIER FRAME	6
SHROUDS	6
Z BOP - SHROUD	7
MOTORS	8
Z BOP MOTOR MOUNT	9
DRIVE WHEEL	10
MINI DRIVE WHEEL	11
CASTERS & FORKS	11
Z BOP FRONT TRAILING ARM	12
Z BOP MANUAL CARRIER CASTER	13
Z BOP REAR TRAILING ARM	16
ANTI-TIPS	16
Z BOP MANUAL CARRIER ANTI TIP	17
WHEEL LOCKS	17
POWER BASE WHEEL LOCK	18
WHEELS	19
Z BOP MANUAL CARRIER WHEEL	20
SEATING & POSITIONING	20
SEAT	20
SEAT FRAME	20
Z BOP SEAT FRAME	21
Z BOP SOLID SEAT AND BACK	22
SEAT SLING/PAN	23
SEAT PAN	24
Z BOP TILT ASSEMBLY	27
Z BOP NON TILT ASSEMBLY	30
BACK	32
BACK FRAME AND UPHOLSTERY	32
Z BOP HT ADJ BACKREST W/ADJ STROLLER HANDLE	33
Z BOP FOLDING BACKREST	35
HANGERS & FOOTPLATES	37
EXTENSION MOUNT HANGERS	37
HANGERS	37
60 DEG S/A HANGER	38
70 DEG S/A HANGER	40
ELEVATING HANGERS	40
ELEVATING HANGER	41
ELEVATING HANGER CALF PAD 14 -15"	43
ELEVATING HANGER CALF PAD 16-20"	44
EXT TUBES	44
DOUBLE D FOOTREST EXTENSION TUBE "OLD STYLE"	45
HIGH MOUNT EXTENSION TUBE	47
FOOTPLATES	47
COMPOSITE FOOTPLATE	48
ELR ALUMINUM FOOTPLATE	50
ADULT ANGLE-ADJUSTABLE FOOTPLATE EXT MOUNT	51
KIDS ANGLE ADJ FOOTPLATE ASSM-EXTENSION MOUNT	53
PLATFORM FLIP-UP FOOTPLATE	55
DIRECT MOUNT HANGERS	56
HANGERS	56
70 DEG S/A FRONT MOUNT HANGER	57
80 DEG S/A FRONT MOUNT HANGER	59
90 DEG S/A FRONT MOUNT HANGER	60
70 DEG LIFT-OFF HANGER	61
80 DEG LIFT-OFF HANGER	62
90 DEG LIFT-OFF HANGER	63
90D ELEVATING HANGER	63
90 DEG ELEVATING HANGER	64
ELEVATING HANGER CALF PAD 14 -15"	66
ELEVATING HANGER CALF PAD 16-20"	67
90D ARTICULATING HANGER	67
90 DEG ARTICULATING HANGER	68
90 DEG ARTICULATING HANGER CALF PAD	70
FOOTPLATES	70
KIDS ANGLE ADJ FOOTPLATE FRONT MOUNT	71
90 DEG FOOTBOARD	73

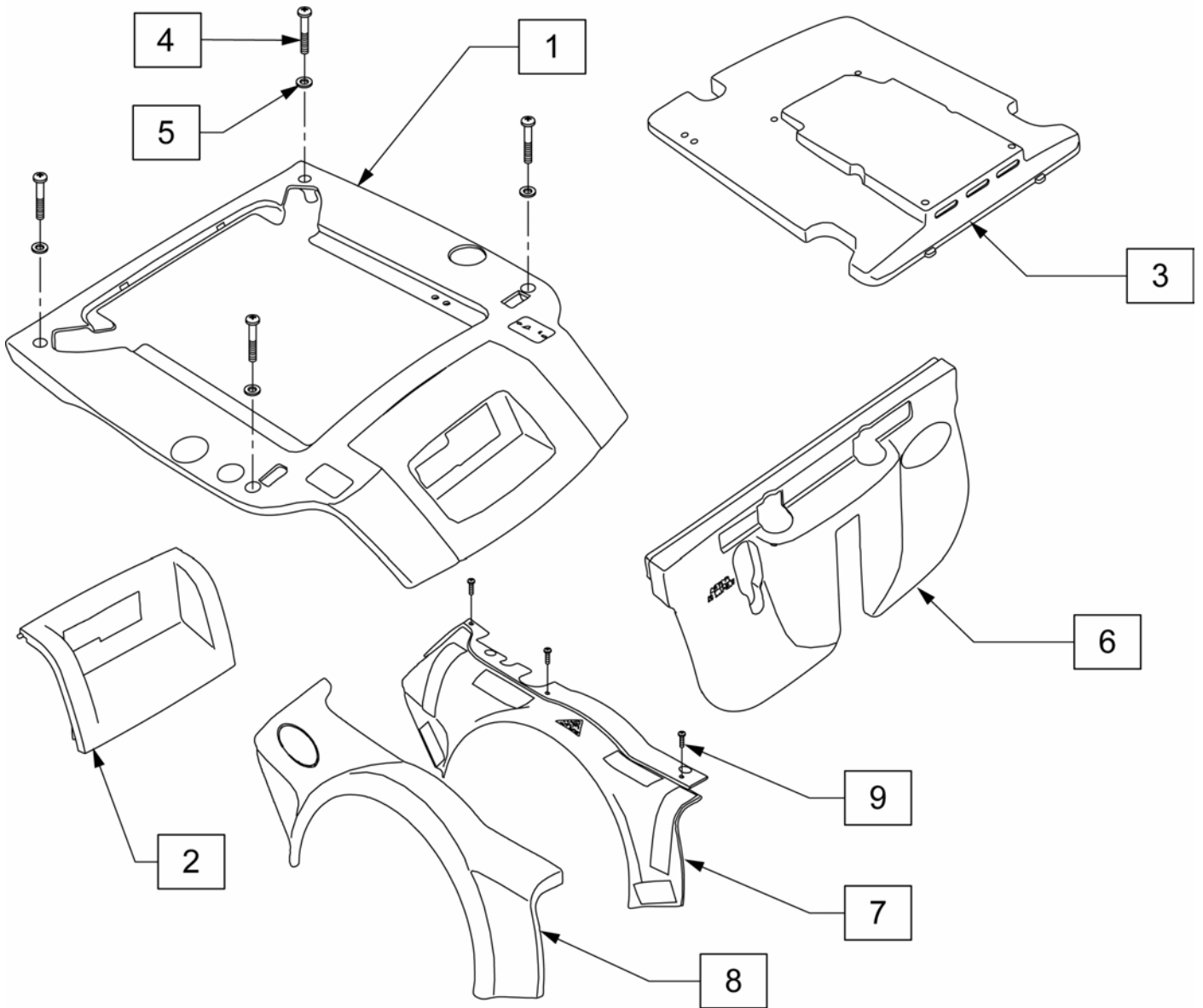
ARMRESTS & RECEIVERS	74
SINGLE POST NON-HEIGHT ADJUSTABLE ARMREST	75
ADULT SINGLE POST ARMREST RECEIVER.....	76
Z BOP ADJ LOCKING FLIP UP ARMREST.....	78
SINGLE POST HEIGHT ADJUSTABLE ARMREST	79
ELECTRONICS	80
MOTOR CONTROLLER & JOYSTICKS	80
100A DRIVE CONTROLS	81
ACCESSORY ELECTRONIC MOUNTING - TRAD REHAB.....	83
ASL MINI JOYSTICK HAND CONTROL.....	85
JOYSTICK MOUNTS	85
FIXED JOYSTICK MOUNT	86
SWING AWAY JOYSTICK MOUNT.....	87
MIDLINE JOYSTICK MOUNT	89
SWING AWAY QR-2 JOYSTICK MOUNT	90
REAR ATTENDANT MOUNT.....	92
REAR ED (electronic display) MOUNT	93
SWING AWAY ED (electronic display) MOUNT.....	94
FIXED DISPLAY MOUNT.....	95
Z BOP ECM & SCM MOUNTING ASSM.....	96
WIRING	97
Z BOP WIRING	98
SPECIALTY CONTROLS.....	99
Z BOP OPTIONAL ELECTRONICS.....	100
QUICKIE SIP N PUFF SYSTEM.....	101
ASL HEAD ARRAY PACKAGE	103
HMC MINI JOYSTICK.....	105
SWITCH-IT HEAD ARRAY PACKAGE	107
HMC MINI JOYSTICK HAND CONTROL	108
PROPORTIONAL HEAD CONTROL PACKAGE.....	110
PROPORTIONAL CHIN CONTROL PACKAGE	111
SPECIALITY CONTROL READY PACKAGE	112
SINGLE SWITCH DEVICES	113
BATTERIES	113
Z BOP BATTERIES.....	114
BATTERY CHARGER	114
OFF BOARD BATTERY CHARGERS.....	115
ACCESSORIES	115
POSITIONING BELTS	115
AIRCRAFT BUCKLE POSITIONING BELT.....	116
PADDED DOUBLE PULL HIP BELT.....	117
POSITIONING BELT	119
LEG STRAPS.....	121
TOUCH-UP PAINT.....	122
BAGS AND POUCHES	122
BACKPACKS AND SEAT POUCHES.....	123
CASE LOGIC BAGS.....	124
CELL PHONE PACK.....	125
POWER CORD POUCH	126
TIRE PUMP.....	127
.....	127



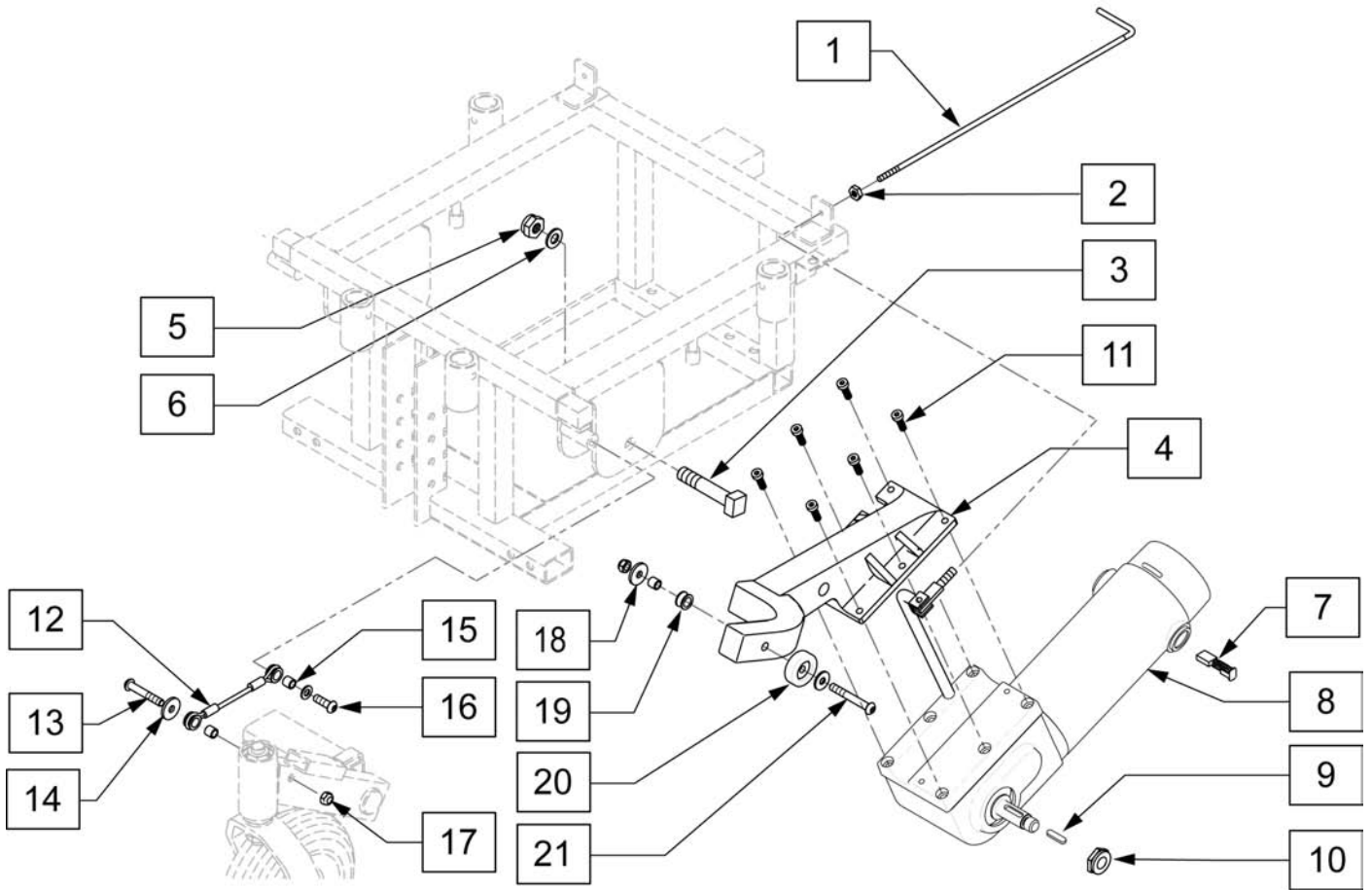
Pos.	Item Number	Description
2	901009	CHARGER STRAP
1,2	547010	BASE FRAME MINI



Pos.	Item Number	Description
1	883176	FRONT SEAT POST LEFT & RIGHT
2	883177	REAR SEAT POST LEFT & RIGHT
3	330070	ADJUSTMENT PIN M8X32
4	561018	1" TUBE END BUSHING THICK
5	882360	WHL LCK R PUSH W/MNT SUB-ASSM
5	882361	WHL LCK L PUSH W/MNT SUB-ASSM
6	204120	1/4-28 STOVER NUT BLK ZN
7	100194	MANUAL CARRIER ASSEMBLY

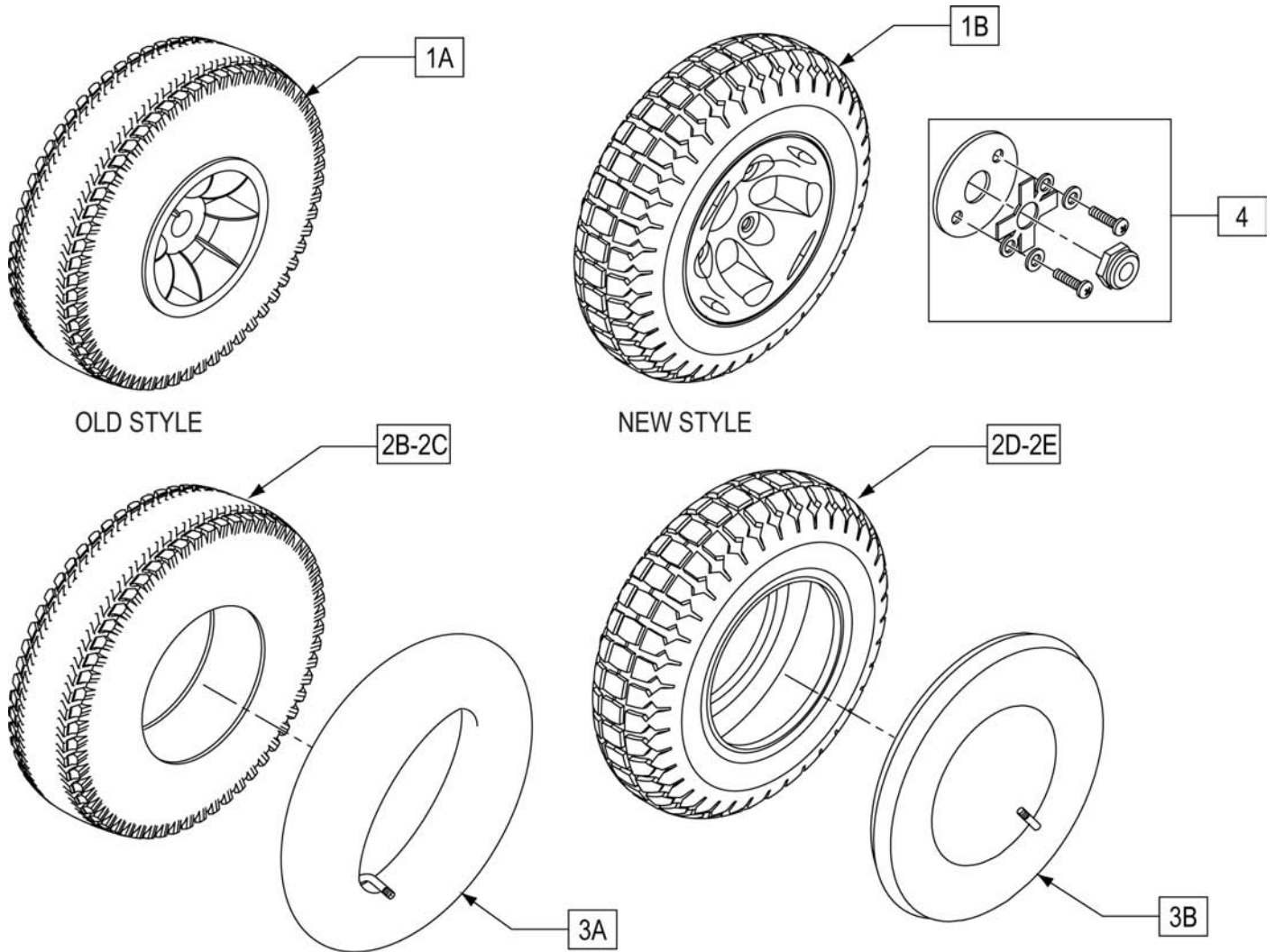


Pos.	Item Number	Description	Remarks
1,2,6	883095	SHROUD MINI MIDDLE & FRONT	
4,5	884370	SHROUD MOUNTING HARDWARE	
3	102416	SHROUD TOP DLPHI MINI W/DECAL	
6	901006	CHARGER COVER MINI	
7	887976	SHROUD MINI FAIRING	
8	883200	SHROUD CANDY RED MINI	PAIR
8	883201	SHROUD BLUE MINI	PAIR
8	883202	SHROUD BLACK MINI	PAIR
8	883203	SHROUD Champagne MINI	PAIR
8	100996	BLUE MARBLE SHROUD	PAIR
8	100997	PINK CARBON SHROUD	PAIR
8	100998	YELLOW CARBON SHROUD	PAIR

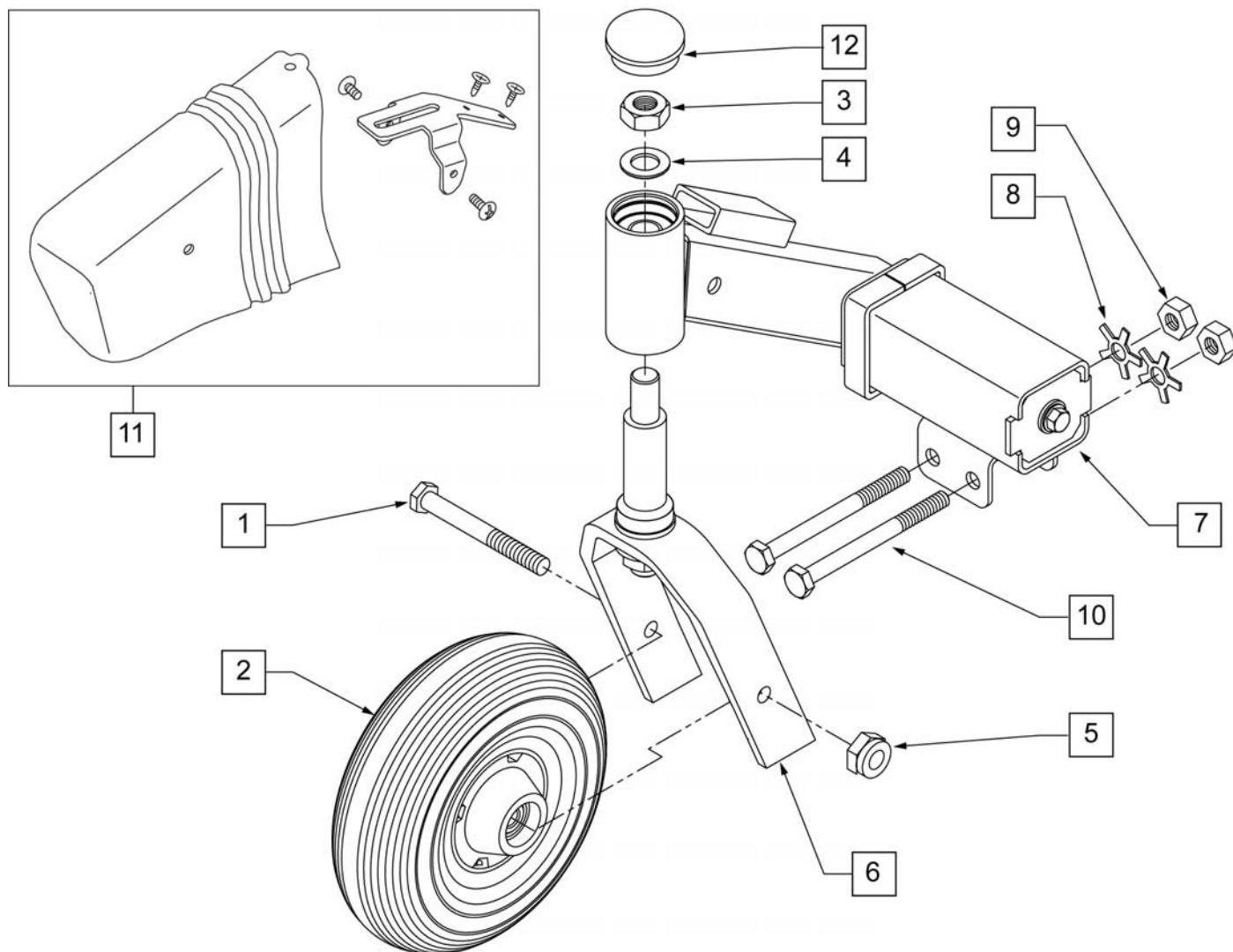


Pos.	Item Number	Description	Remarks
1,2	887965	COG RELEASE LEFT & RIGHT	
3-6	882760	MOTOR MOUNT RIGHT MINI	Right
3-6	882761	MOTOR MOUNT LEFT MINI	Left
7-11	013416	MOTOR/GEARBOX/BRK ASSM R MINI	Right
7-11	013417	MOTOR/GEARBOX/BRK ASSM L MINI	Left
7	106752	BRUSH MINI MOTOR	
9	341279	SHAFT KEY MOTOR	
10	221230	LOCK NUT MOTOR	
12	139261	FRONT SUSPENSION CABLE MINI	

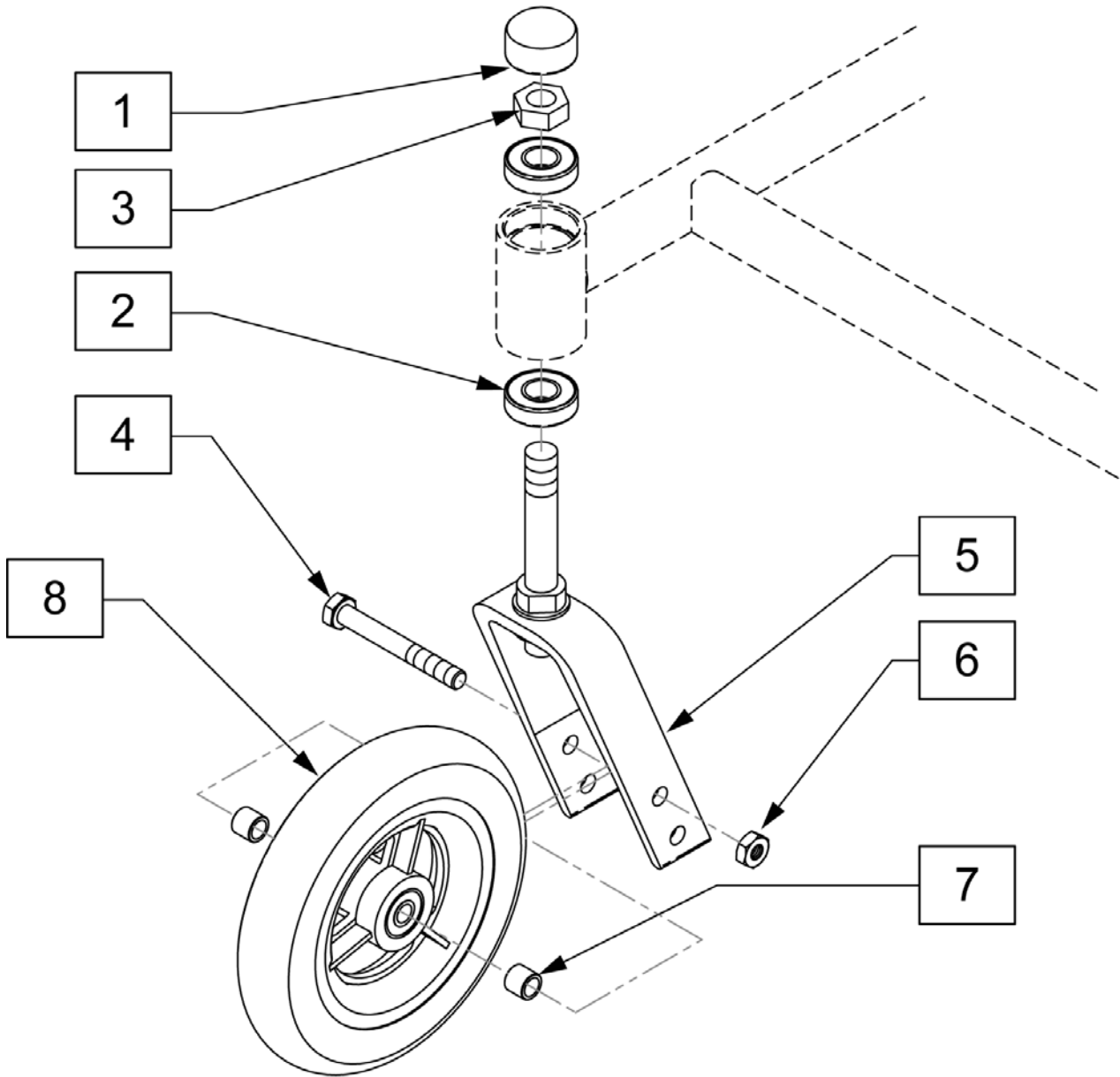
Note: "New Style" is different design but is a direct replacement.



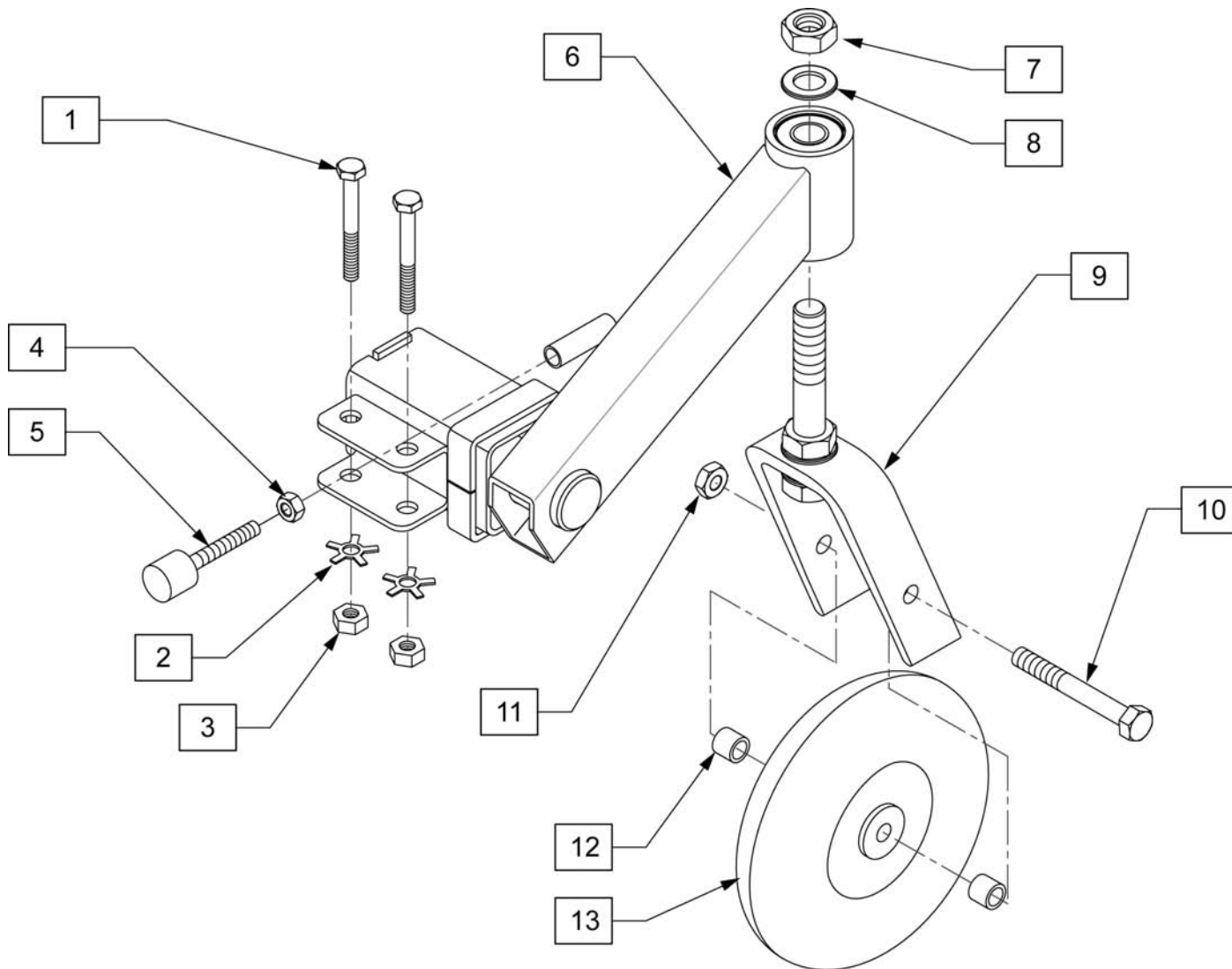
Pos.	Item Number	Description	Remarks
1A	761890	10" ALUM W/PNEUMATIC TIRE PR	"Old Style"
1B	111858	10" DRIVE WHL SOLID INSRT M11	"New Style" - Replaced 761891
2A	384714	TIRE FOAMED 260 x 85	Tire w/ insert
2B	384704	TIRE 10 x 3 PNEUMATIC DRV WHL	Tire only
2C	384303	3.50 X 12" KNOBBY TIRE	Tire only
2D	384305	3.50 X 12" KNOBBY W/INSERT	Tire w/ insert
3A	384732	INNER TUBE 10" x 3	Tube
3B	384729	INNER TUBE 12" X 3.50"	Tube
4	884377	WHEEL LOCK WASHER HARDWARE	



Pos.	Item Number	Description
2	400760	FRONT CASTER 6"
3	884374	CASTER STEM HDWR
8-10	884372	REAR CASTER ASSM MNTNG HDWR
11	561670	FRONT COVER & BRACKET
12	343081	REAR CASTER HOUSING CAP
1,5	884378	FRONT CASTER HDWR
1-6	787230	FRONT FORK & CASTER ASSEMBLY
1-10	787295	FRNT CSTR ASSM LFT MINI
1-10	787296	FRNT CSTR ASSM RIGHT MINI

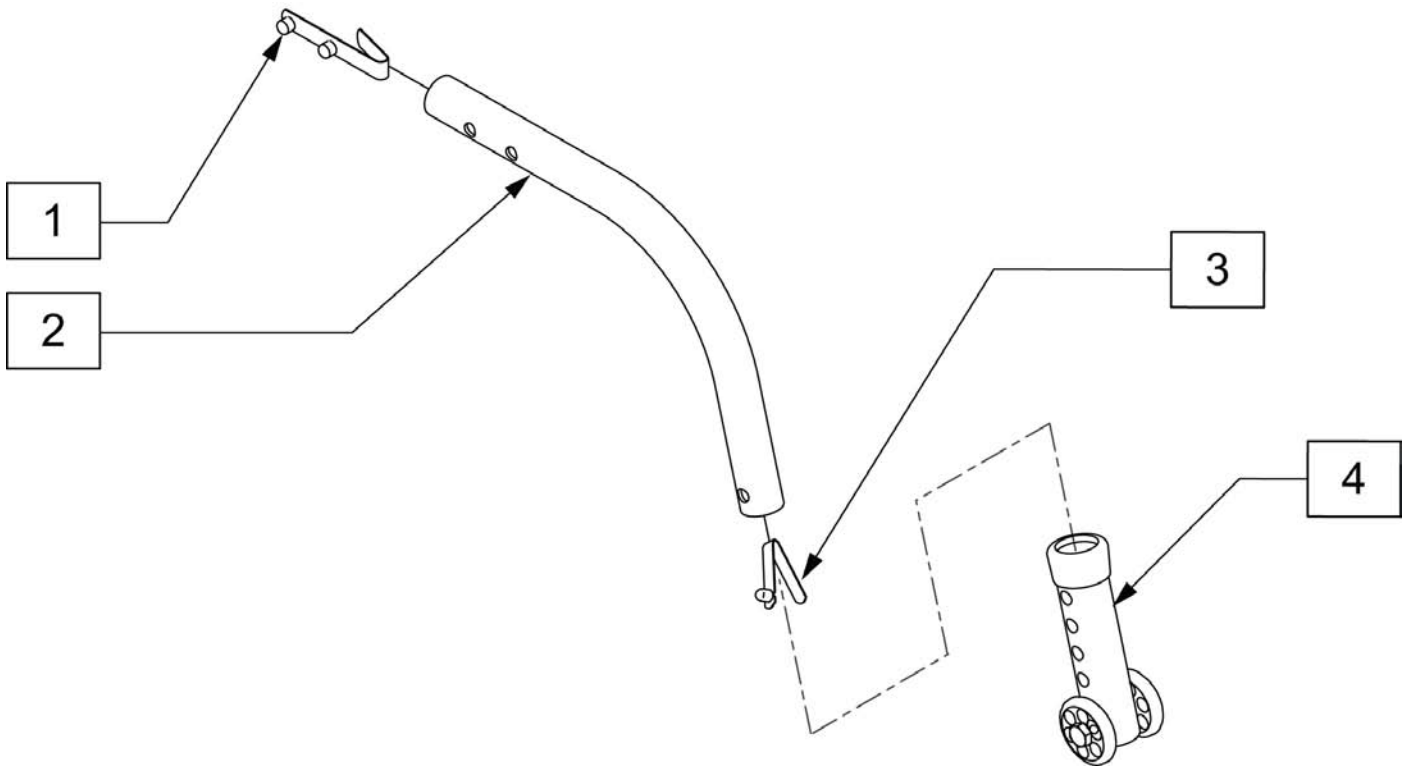


Pos.	Item Number	Description
1	C2.2509	B4 M12 NUT COVER
2	349500	1 1/8 X 1/2 BEARING
3	106940	1/2-20 NYLOCK NUT
4	106987	5/16-24 X 2 1/2 HEX C/S
5	780500	5-1/4 STD STEM BLK
6	106939	5/16-24 NYLOCK NUT THIN
7	481113	SPACER 5/16 X 0.380
8	101256	6" SEMI PNEU 3 SPOKE CASTER
3-7	780800	5 1/4" STD STEM W/HDWR BLK

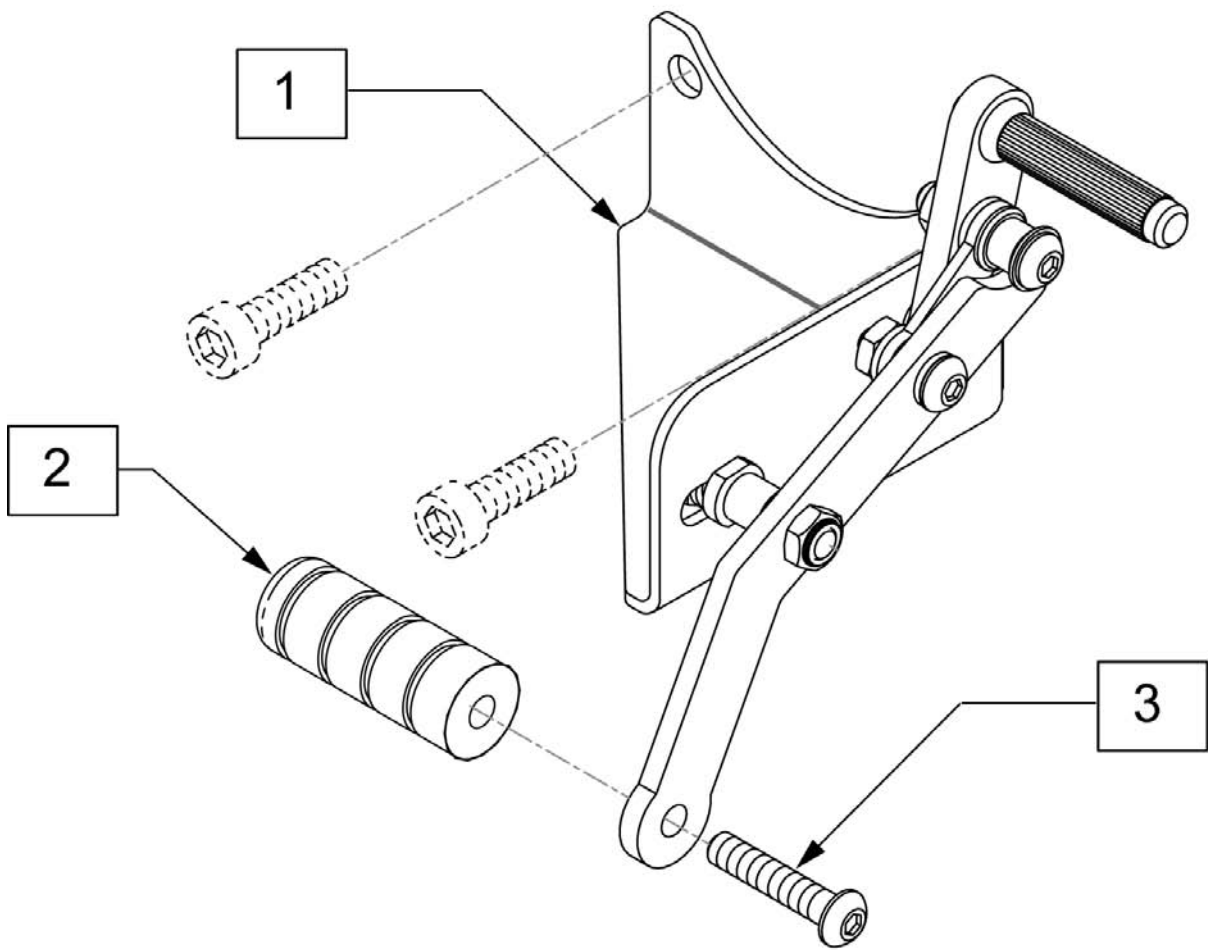


Pos.	Item Number	Description
1-3	884372	REAR CASTER ASSM MNTNG HDWR
4,5	330187	SUSPENSION STOPPER MINI
10	884379	REAR CASTER HDWR
13	400761	REAR CASTER 5"
6-13	787283	REAR CASTER ASSM LEFT MINI
6-13	787284	REAR CASTER ASSM RIGHT MINI
7-13	787231	REAR FORK & CASTER ASSM

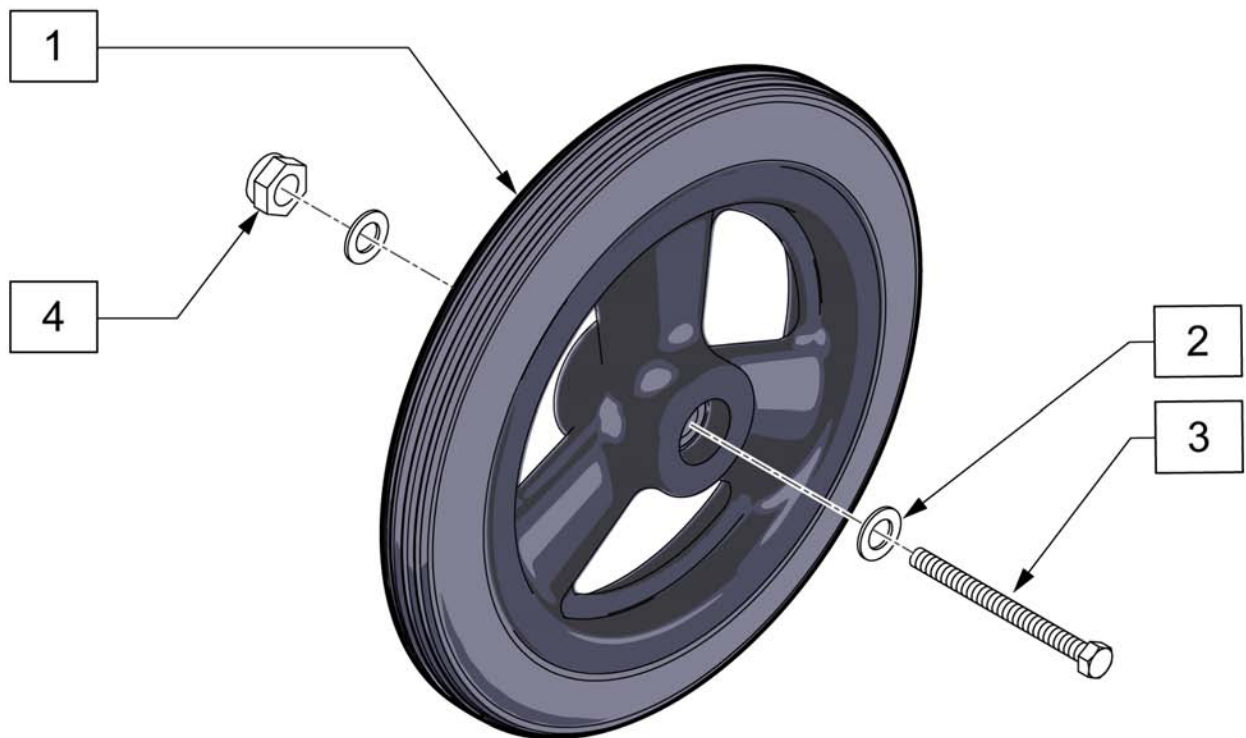
Note: Used for Manual Carrier Base only, Anti-tip reciever built into base.



Pos.	Item Number	Description
1	301109	SNAP BUTTON DUAL ONE SIDE
3	301100	SNAP BUTTON 1/4IN SINGLE
4	881512	ANTI-TIP SLV W/WHLS BLK 4H
1-3	880985	ANTI TIP TUBE TS W/SNAP BTTN



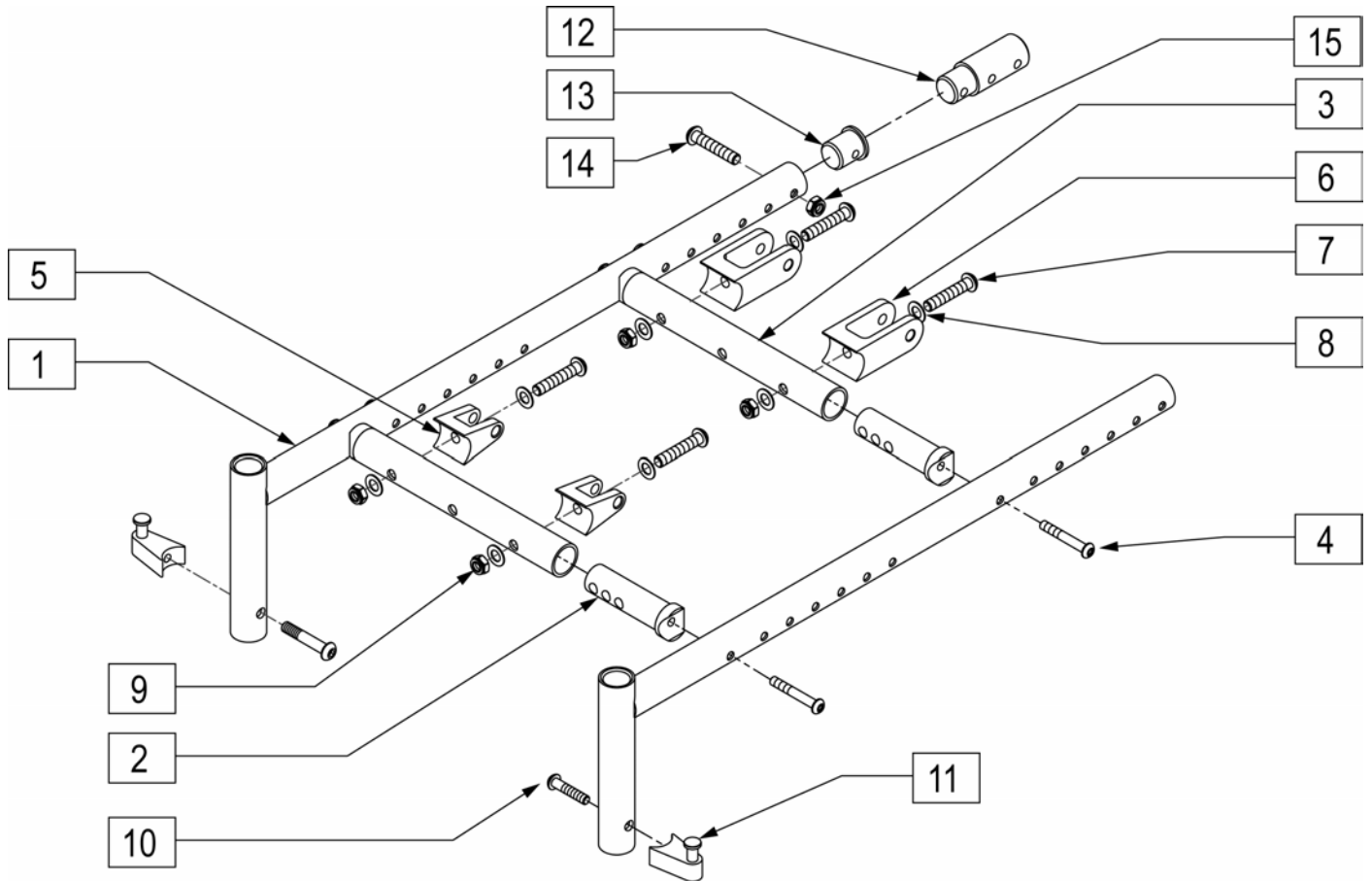
Pos.	Item Number	Description	Remarks
2	055036	HANDLE FOOTBRAKE THREADED	
3	226110	1/4-28 X 1 BH C/S	
1-3	101462	WHEEL LOCK PWR BASE M11	RIGHT
1-3	101464	WHEEL LOCK PWR BASE M11	LEFT



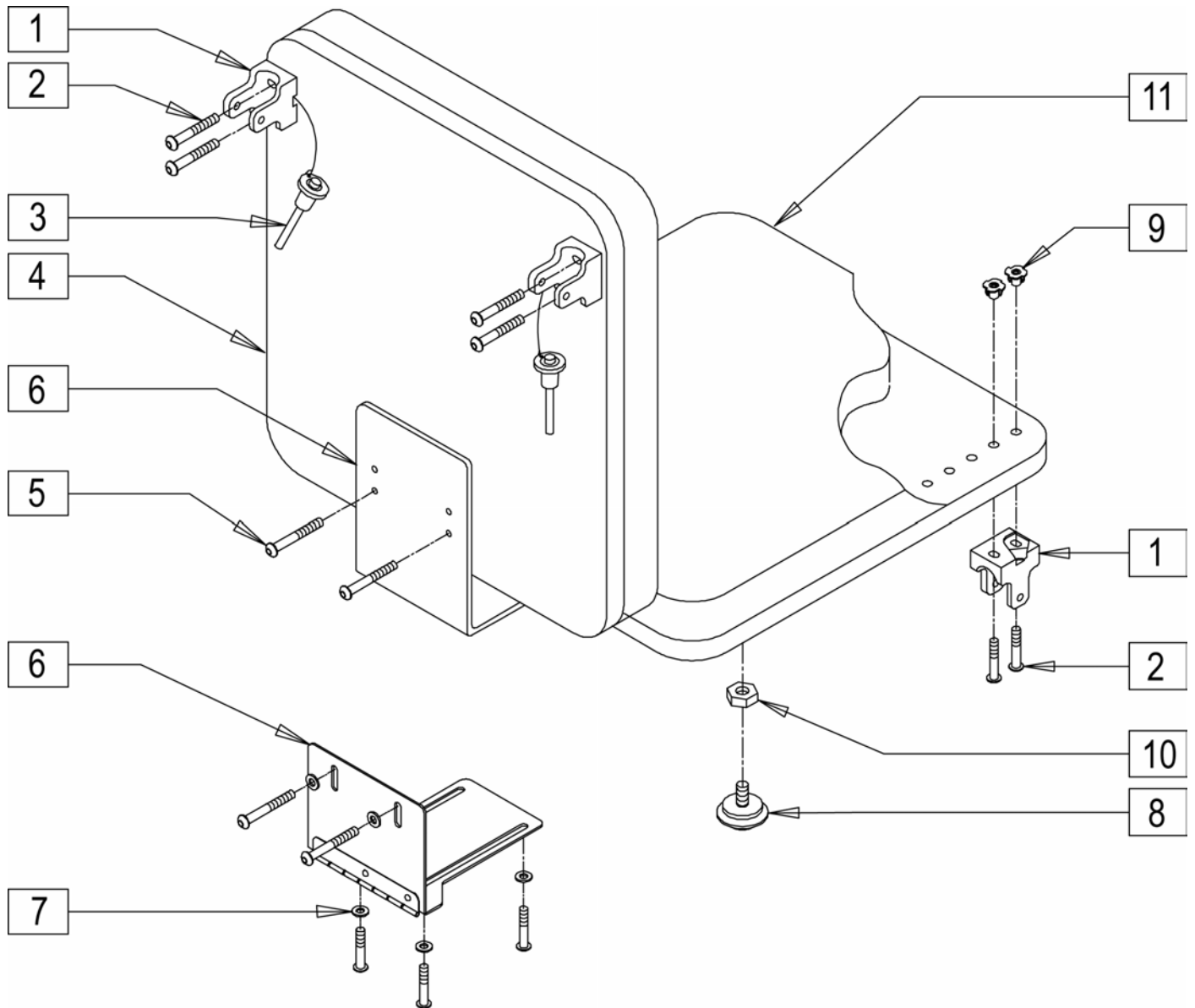
Pos.	Item Number	Description
1	101466	12 IN MAG POLY TIRE 3 SPOKE
2	106949	1/2 AN WASHER FLAT
3	222291	1/2-20 X 4-3/4" GR.8 HEX C/S
4	203106	1/2-20 ALUM JAM NUT

Z BOP SEAT FRAME

[09/2011]

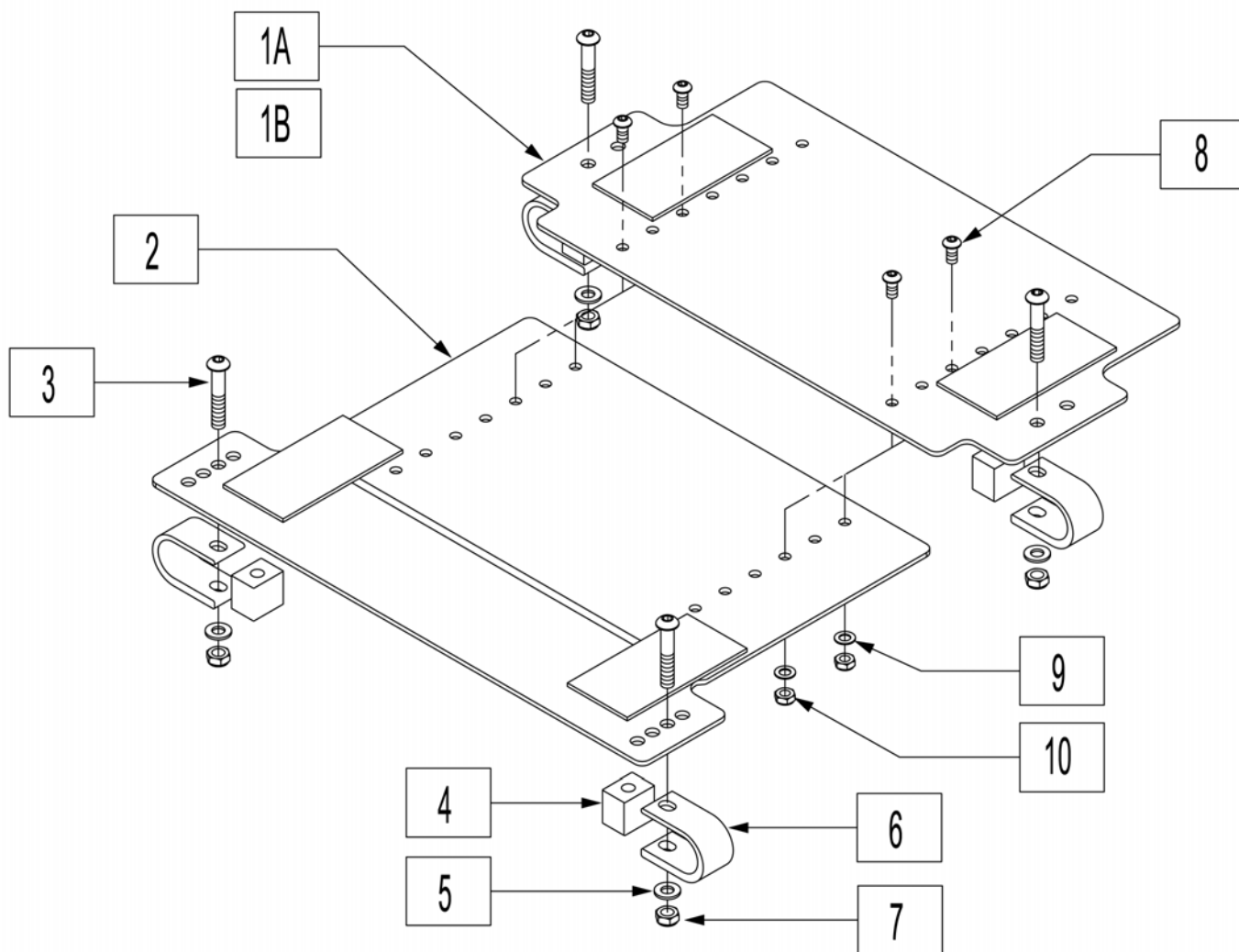


Pos.	Item Number	Description	Remarks
2	055010	STRUT SADDLE R11	
3	055011-001	STRUT TUBE 10" R11	Small seat frame 10"-12"
3	055011-002	STRUT TUBE 12" R11	Med seat frame 12"-14"
3	055011-003	STRUT TUBE 14" R11	Large seat frame 14"-16"
3	055011-004	STRUT TUBE 16" R11	X-large seat frame 16"-18"
4	226140	1/4-28 X 1 3/4 BH C/S	
5	500146	CYLINDER BRACKET LOWER QTS	
6	055014	BRACKET SEAT PIVOT TILT	
7	226194	5/16-18 X 1.63 BH C/S	
8	106947	5/16 AN WASHER FLAT THIN	
9	106937	5/16-18 NYLOCK NUT THIN	
10	106982	BHCS 5/16-18 X 1-3/4 SHLD ROHS	
11	105787	PRSD A/A LATCH BLOCK NUT ASSM	
10,11	107491	LATCH STUD KIT	
12	483088	REAR FRAME EXT .065 15-16" ZP	Used for ext seat depth
13	483089	SEAT TUBE PLUG S/A TS/P5	
14	106961	BHCS 1/4-28 X 1-1/4 ROHS	
15	106935	NUT NYLOCK THIN 1/4-28 ROHS	
1,13-15	660909S	SEAT TUBE S/A TS (NEW)	SINGLE W/PLUG - 13-18" Seat depth
1,13-15	920909S	SEAT TUBE S/A TS (NEW PR)	PAIR W/PLUG - 13-18" Seat depth
1,12,14,15	920908S	SEAT TUBE S/A TS 19-20(NEW PR)	PAIR W/PLUG - 17-20" Seat depth

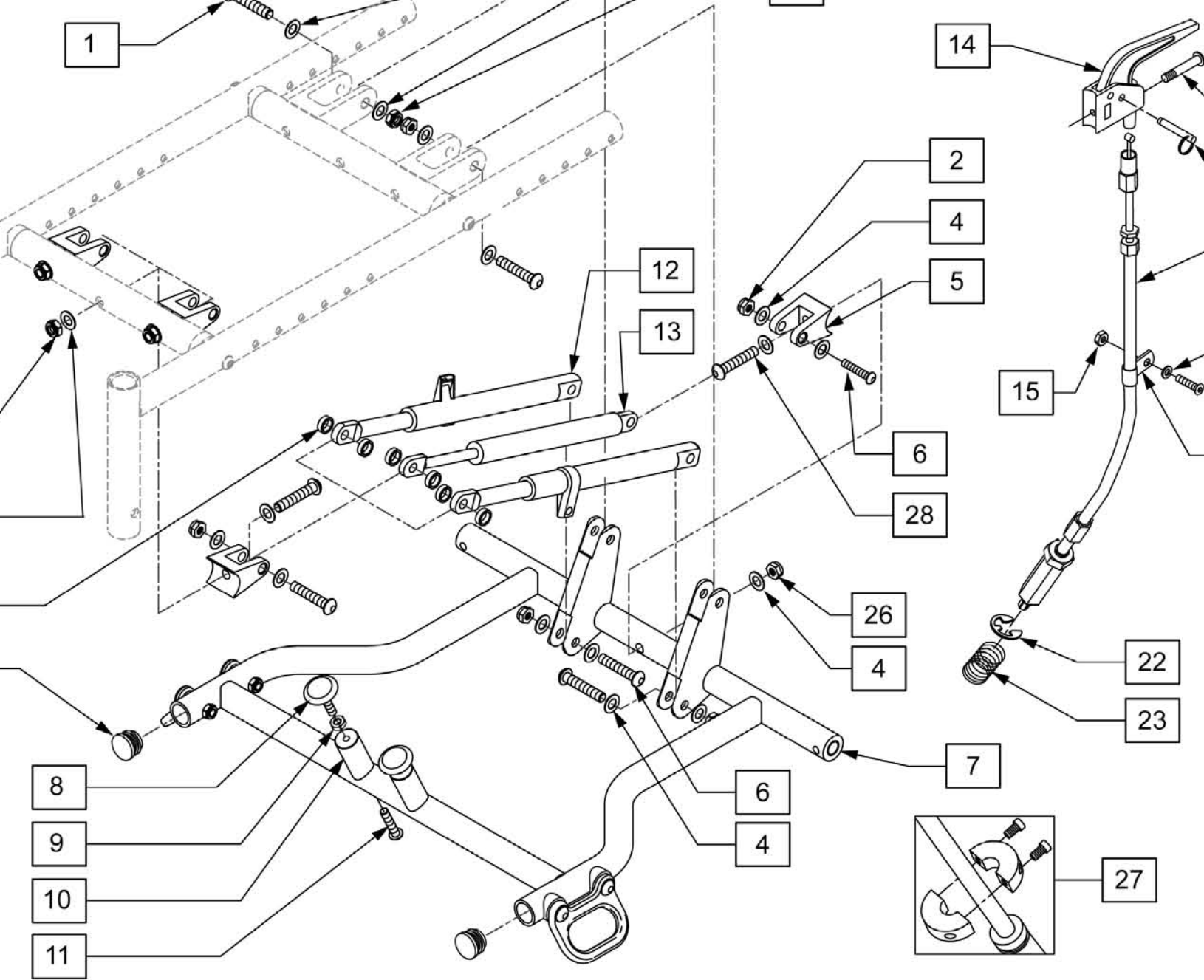


Pos.	Item Number	Description	Pos.	Item Number	Description
1	562609	BRACKET SEAT QTS/BACK Z2	7	106943	WASHER FLAT AN 1/4 ROHS
2	226101	1/4-20 x 3/4 BH C/S	8	349560	ZP RUBBER STOP
3	349020	STROLLER HANDLE RELEASE PIN	9	2400	1/4-20 X 5/16" T-NUTS 3 PRONG
4	731501S	PLY BACK 16"X18" QT	10	201121	1/4-20 NUT THIN
4	731502S	PLY BACK 16"X20" QT	9,11A	730504S	PLY SEAT 16" X 15" QT
4	731506S	PLY BACK 17"X18" QT	9,11A	730505S	PLY SEAT 16" X 16" QT
4	731507S	PLY BACK 17"X20" QT	9,11A	730506S	PLY SEAT 16" X 17" QT
4	731511S	PLY BACK 18"X18" QT	9,11A	730507S	PLY SEAT 16" X 18" QT
4	731512S	PLY BACK 18"X20" QT	9,11A	730508S	PLY SEAT 16" X 19" QT
4	731516S	PLY BACK 19"X18" QT	9,11A	730509S	PLY SEAT 16" X 20" QT
4	731517S	PLY BACK 19"X20" QT	9,11A	730514S	PLY SEAT 17" X 15" QT
4	731521S	PLY BACK 20"X18" QT	9,11A	730515S	PLY SEAT 17" X 16" QT
4	731522S	PLY BACK 20"X20" QT	9,11A	730516S	PLY SEAT 17" X 17" QT
5	505253	QT SEAT/BACK BRACKET NEW	9,11A	730517S	PLY SEAT 17" X 18" QT
6	450990	SEAT TO BACK BRKT 90D CV	9,11A	730518S	PLY SEAT 17" X 19" QT

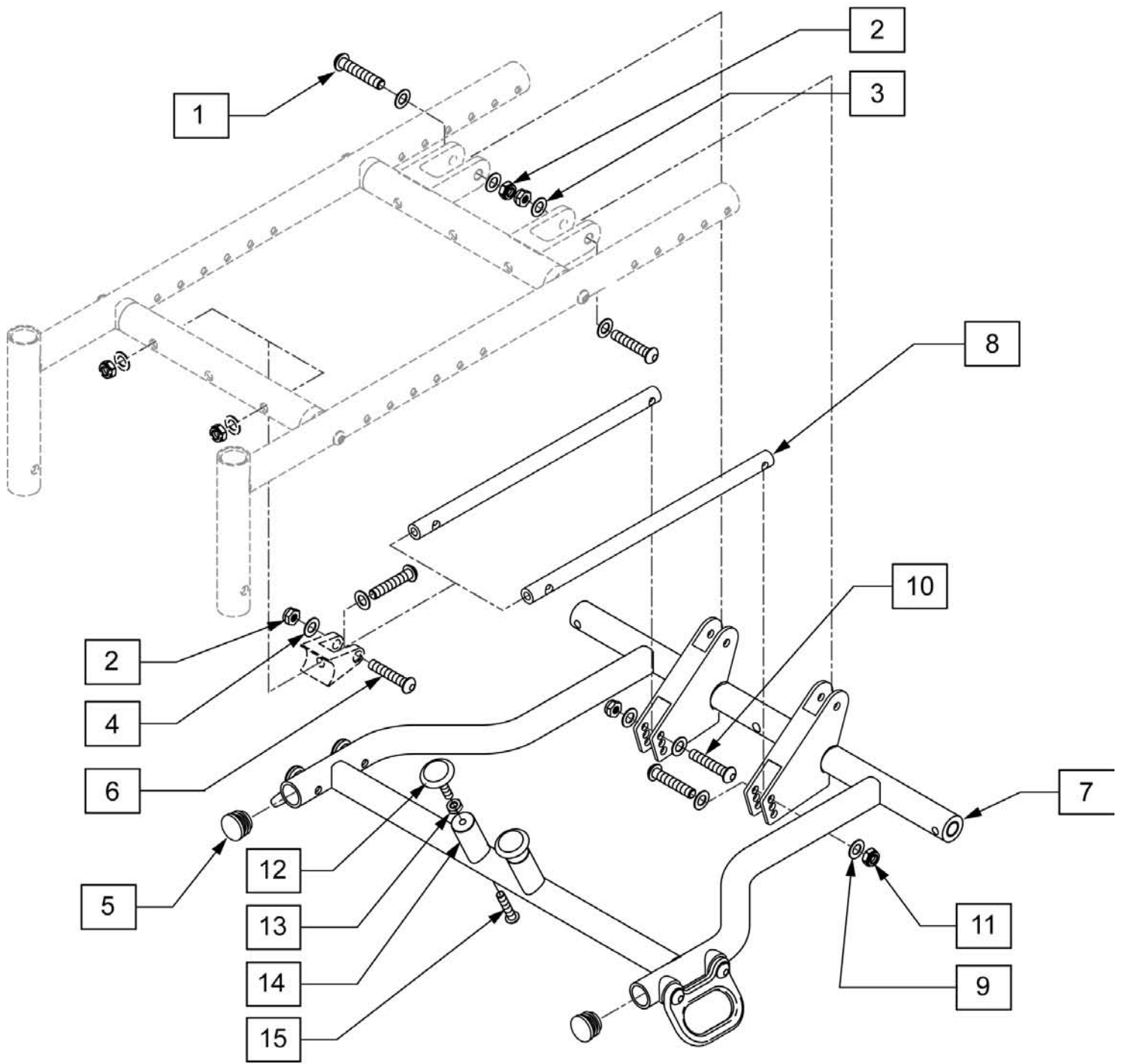
Pos.	Item Number	Description	Pos.	Item Number	Description
9,11A	730519S	PLY SEAT 17" X 20" QT	9,11A	730538S	PLY SEAT 19" X 19" QT
9,11A	730524S	PLY SEAT 18" X 15" QT	9,11A	730539S	PLY SEAT 19" X 20" QT
9,11A	730525S	PLY SEAT 18" X 16" QT	9,11A	730544S	PLY SEAT 20" X 15" QT
9,11A	730526S	PLY SEAT 18" X 17" QT	9,11A	730545S	PLY SEAT 20" X 16" QT
9,11A	730527S	PLY SEAT 18" X 18" QT	9,11A	730546S	PLY SEAT 20" X 17" QT
9,11A	730528S	PLY SEAT 18" X 19" QT	9,11A	730547S	PLY SEAT 20" X 18" QT
9,11A	730529S	PLY SEAT 18" X 20" QT	9,11A	730548S	PLY SEAT 20" X 19" QT
9,11A	730534S	PLY SEAT 19" X 15" QT	9,11A	730549S	PLY SEAT 20" X 20" QT
9,11A	730535S	PLY SEAT 19" X 16" QT	1-3,5,8	920326	QT SEATING HARDWARE KIT NEW
9,11A	730536S	PLY SEAT 19" X 17" QT	1-3,8,10	920451	ST/BCK HDWR KIT STD BRACKET ZP
9,11A	730537S	PLY SEAT 19" X 18" QT			



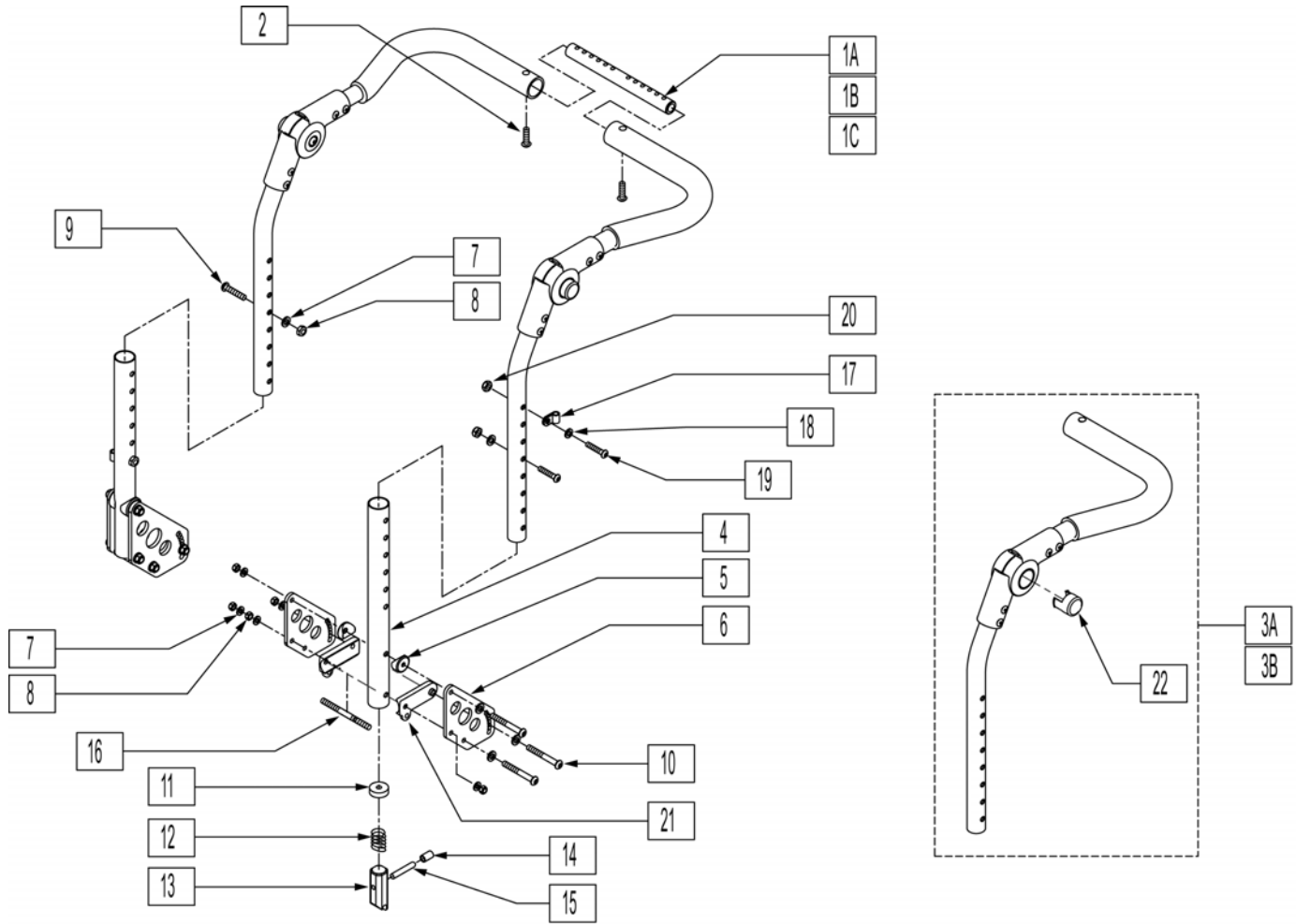
Pos.	Item Number	Description
1A	040036-002	SEAT PAN REAR VELCRO 10W 10-16
1A	040036-003	SEAT PAN REAR VELCRO 11W 10-16
1A	040036-004	SEAT PAN REAR VELCRO 12W 10-16
1A	040036-005	SEAT PAN REAR VELCRO 13W 10-16
1A	040036-006	SEAT PAN REAR VELCRO 14W 10-16
1A	040036-007	SEAT PAN REAR VELCRO 15W 10-16
1A	040036-008	SEAT PAN REAR VELCRO 16W 10-16
1A	040036-009	SEAT PAN REAR VELCRO 17W 10-16
1A	040036-010	SEAT PAN REAR VELCRO 18W 10-16
1B	040037-002	SEAT PAN REAR VELCRO 10W 14-18
1B	040037-003	SEAT PAN REAR VELCRO 11W 14-18
1B	040037-004	SEAT PAN REAR VELCRO 12W 14-18
1B	040037-005	SEAT PAN REAR VELCRO 13W 14-18
1B	040037-006	SEAT PAN REAR VELCRO 14W 14-18
1B	040037-007	SEAT PAN REAR VELCRO 15W 14-18
1B	040037-008	SEAT PAN REAR VELCRO 16W 14-18
1B	040037-009	SEAT PAN REAR VELCRO 17W 14-18
1B	040037-010	SEAT PAN REAR VELCRO 18W 14-19
2	040038-002	SEAT PAN FRNT VELCRO 10W
2	040038-003	SEAT PAN FRNT VELCRO 11W
2	040038-004	SEAT PAN FRNT VELCRO 12W
2	040038-005	SEAT PAN FRNT VELCRO 13W
2	040038-006	SEAT PAN FRNT VELCRO 14W
2	040038-007	SEAT PAN FRNT VELCRO 15W
2	040038-008	SEAT PAN FRNT VELCRO 16W
2	040038-009	SEAT PAN FRNT VELCRO 17W
2	040038-010	SEAT PAN FRNT VELCRO 18W
3	106982	BHCS 5/16-18 X 1-3/4 SHLD ROHS
4	550846	SPACER SEAT PAN
5	263100	5/16 AN WASHER FLAT
6	560771	SPACER SEAT PAN
7	106937	5/16-18 NYLOCK NUT THIN
8	226071	1/4-28 X 1/2 BH C/S BLK
9	106939	1/4 AN WASHER FLAT
10	106935	NUT NYLOCK THIN 1/4-28 ROHS
3-7	881537	SEAT PAN BRACKET W/HDWR
1-10	040039-001	SEAT PAN ASSM 10W 10-16
1-10	040039-002	SEAT PAN ASSM 11W 10-16
1-10	040039-003	SEAT PAN ASSM 12W 10-16
1-10	040039-004	SEAT PAN ASSM 13W 10-16
1-10	040039-005	SEAT PAN ASSM 14W 10-16
1-10	040039-006	SEAT PAN ASSM 15W 10-16
1-10	040039-007	SEAT PAN ASSM 16W 10-16
1-10	040039-008	SEAT PAN ASSM 17W 10-16
1-10	040039-009	SEAT PAN ASSM 18W 10-16
1-10	040039-010	SEAT PAN ASSM 10W 14-18
1-10	040039-011	SEAT PAN ASSM 11W 14-18
1-10	040039-012	SEAT PAN ASSM 12W 14-18
1-10	040039-013	SEAT PAN ASSM 13W 14-18
1-10	040039-014	SEAT PAN ASSM 14W 14-18
1-10	040039-015	SEAT PAN ASSM 15W 14-18
1-10	040039-016	SEAT PAN ASSM 16W 14-18
1-10	040039-017	SEAT PAN ASSM 17W 14-18
1-10	040039-018	SEAT PAN ASSM 18W 14-18



Pos.	Item Number	Description
1	106982	BHCS 5/16-18 X 1-3/4 SHLD ROHS
2	106937	5/16-18 NYLOCK NUT THIN
3	263100	5/16 AN WASHER FLAT
4	106947	5/16 AN WASHER FLAT THIN
5	500146	CYLINDER BRACKET LOWER QTS
6	226194	5/16-18 X 1.63 BH C/S
7	103533	INTRFC TILT Z-BOP ASSM
8	101365	RUBBER STOP Z-BOP
9	201121	1/4-20 NUT THIN
10	055040	RUBBER STOP SADDLE Z BOP
11	106961	1/4-28 X 1 1/4 BH C/S
12	055007	MECHLOK IN-LINE 2.5"STROKE
13	101658	GAS SPRING RENAISSANCE
14	580110	CYL LOCK LEVER ASSEMBLY QT/QR/P5
15	200100-QU	10-32 NYLOCK NUT
16	281120	10-32 x 5/8 PAN HD PHIL
17	349021	TRIGGER RELEASE PIN TS/QT/P5
18	342056	CYLINDER LOCK CABLE ASSEMBLY T45
19	261204	#10 AN WASHER .063
20	226032-QU	10-32 x 1 1/2 BH C/S BLK
21	349511	1/2" ID PLST CLAMP BLK
22	342000	1/4" E-CLIP
23	321141	.650L X 6 COIL SPRING
24	560735	7/8" ROUND TUBE PLUG
25	481652	BEARING SPACER XT
26	202117	1/4-28 X 1 1/2 BH C/S
27	342049	10 MM I.D. SPLIT COLLAR
28	226176	5/16-18 X 1 1/2 BH C/S BLK
1-7,12-28	102572	TILT MANUAL RETRO KIT

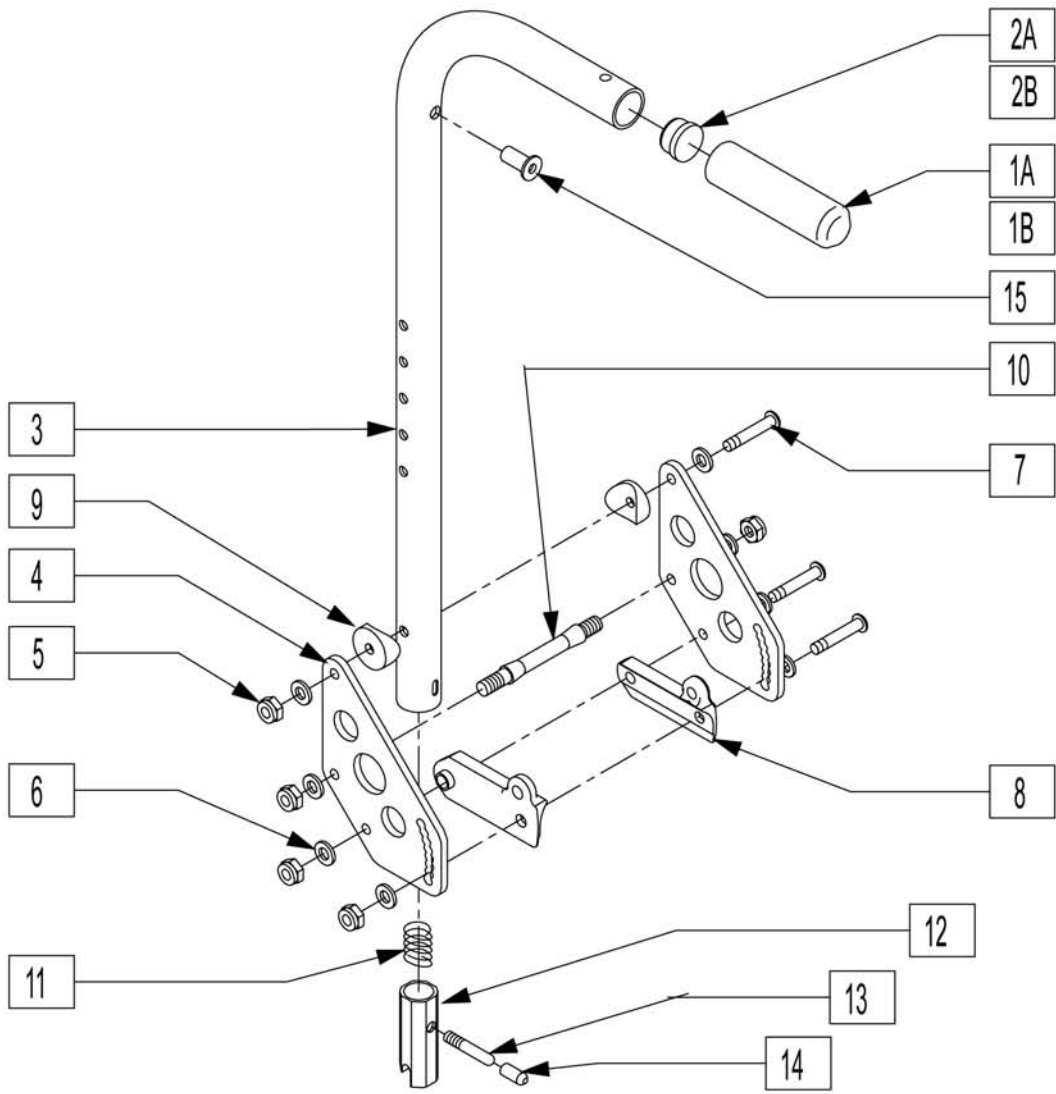


Pos.	Item Number	Description
1	106982	BHCS 5/16-18 X 1-3/4 SHLD ROHS
2	106937	5/16-18 NYLOCK NUT THIN
3	263100	5/16 AN WASHER FLAT
4	106947	5/16 AN WASHER FLAT THIN
5	560735	7/8" ROUND TUBE PLUG
6	226176	5/16-18 X 1 1/2 BH C/S BLK
7	103532	INTRFC NON TILT ZBOP ASSM
8	101335	NON TILT SPRT TUBE
9	106944	1/4 AN WASHER FLAT THIN
10	106961	1/4-28 X 1 1/4 BH C/S
11	106935	NUT NYLOCK THIN 1/4-28 ROHS
12	101365	RUBBER STOP Z-BOP
13	201121	1/4-20 NUT THIN
14	055040	RUBBER STOP SADDLE Z BOP
15	106961	1/4-28 X 1 1/4 BH C/S
2,4-15	102573	NON TILT RETRO KIT



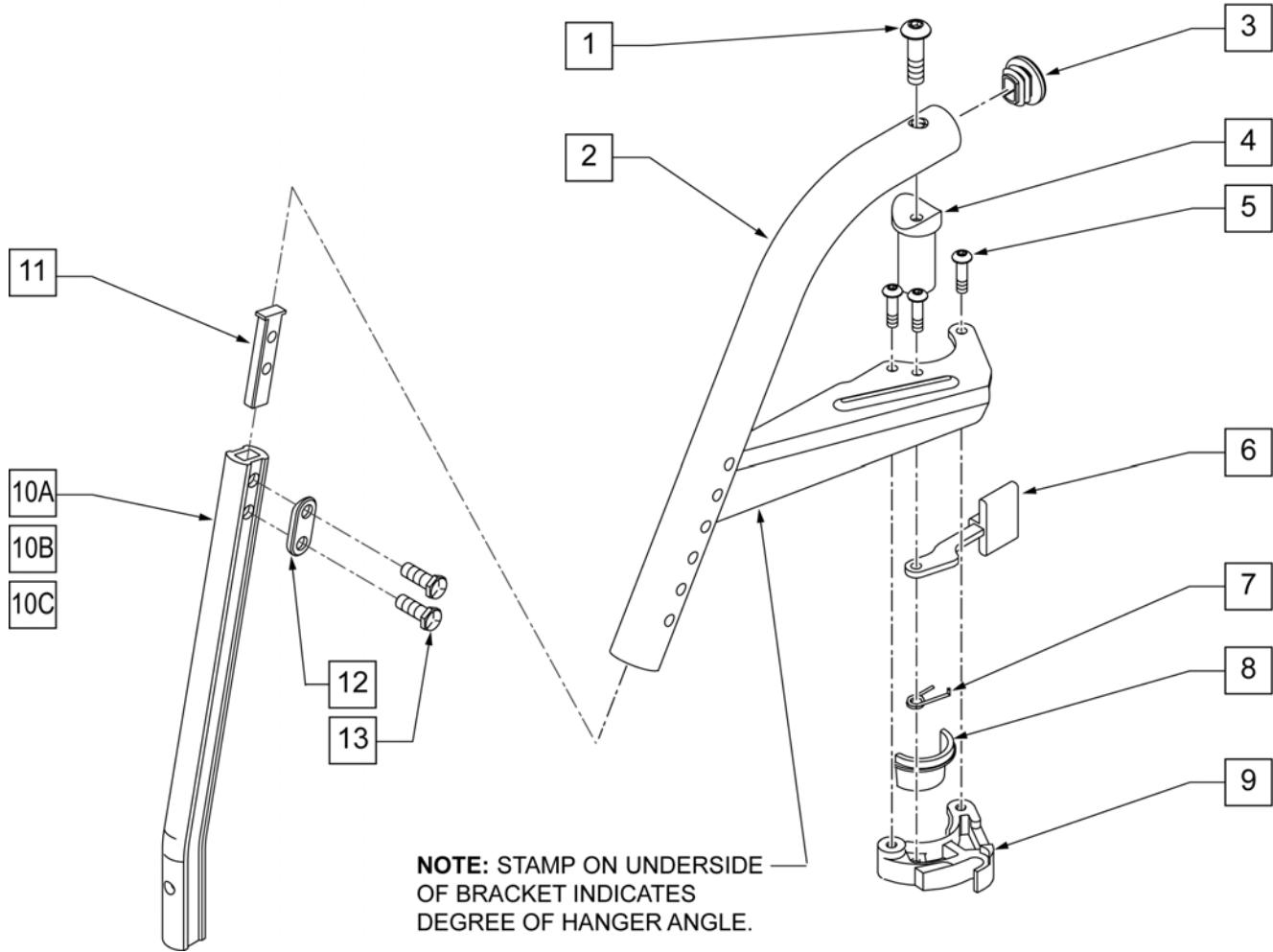
Pos.	Item Number	Description	Remarks
1B	050541-002	SHAFT GROWTH PED MED (12- 16 W)	
1C	521392	SHAFT GROWTH HANDLE LONG (14- 18 W)	
1A	050541-001	SHAFT GROWTH PED SHT (10- 14 W)	
2	226168	1/4-28 x .875 BH C/S	
3B	040023-002	HT ADJ PH PED LONG	RIGHT
3B	040024-002	HT ADJ PH PED LONG	LEFT
3A	040023-001	HT ADJ PH PED STD	RIGHT
3A	040024-001	HT ADJ PH PED STD	LEFT
4	520757	TUBE BACK FRAME LOWER	
5	561004	1" SADDLE 1/4" HOLE	
6	506136	BACKPLATE DAB	
7	106943	WASHER FLAT AN 1/4 ROHS	
8	106935	NUT NYLOCK THIN 1/4-28 ROHS	
9	226223	1/4-28 x 1 1/4" BH C/S BLK	
10	221066	1/4-28 X 2 BHCS 1.70 SHLDR	
11	483020	S/A SPRING RETAINER	
12	321110	S/A LATCH SPRING	
13	560173	S-A LATCH, .885 OD	
14	560502	ANTI-TIP LEVER COVER	
15	481084	BACK REL PIN Z2/QT/EX	
16	481042	BACK REL STOP PIN QTS	
17	349511	1/2" ID PLST CLAMP BLK	

Pos.	Item Number	Description	Remarks
18	261204	#10 AN WASHER .063	
19	226032-QU	10-32 x 1 1/2 BH C/S BLK	
20	200100-QU	10-32 NYLOCK NUT	
21	560512	SADDLE BACKREST RIGHT	
21	560513	SADDLE BACKREST LEFT	
22	483317	PUSH BUTTON MULTI POSITN HNGE	
4,12-16	681111	HT ADJ PH LWR TUBE W/LATCH	
1-3A,8-10	040025-001	STROLLER HANDLE PED STD 10-14	
1A-3A,8-10	040025-002	STROLLER HANDLE PED STD 12-16	
1B-3A,8-10	040025-003	STROLLER HANDLE PED STD 14-18	
1-3B,8-10	040025-004	STROLLER HANDLE PED LONG 10-14	
1A-3B,8-10	040025-005	STROLLER HANDLE PED LONG 12-16	
1B-3B,8-10	040025-006	STROLLER HANDLE PED LONG 14-18	
1A-3A, 4-15, 17-22	040026-001	HT ADJ BACK PED STD 10-14	
1B-3A, 4-15, 17-22	040026-002	HT ADJ BACK PED STD 12-16	
1C-3A, 4-15, 17-22	040026-003	HT ADJ BACK PED STD 14-18	
1A-3B, 4-15, 17-22	040026-004	HT ADJ BACK PED LONG 10-14	
1B-3B, 4-15, 17-22	040026-005	HT ADJ BACK PED LONG 12-16	
1C-3B, 4-15, 17-22	040026-006	HT ADJ BACK PED LONG 14-18	



Pos.	Item Number	Description
1A	920027	QUICKIE GRIP 1" W/INSTR SHEET
1B	920023	QUICKIE GRIP 1" W/HOLE W/INSTR
2A	561002	1 INSERT PLUG .083
2B	561082	1 TUBE END BUSHING THIN
4	506136	BACKPLATE DAB
5	106935	NUT NYLOCK THIN 1/4-28 ROHS
6	106943	1/4 AN WASHER FLAT
7	106964	1/4-28 x 2 BH C/S
8	560518	SADDLE BACKREST Q2 DAB RIGHT
8	560519	SADDLE BACKREST Q2 DAB LEFT
9	561004	1? SADDLE 1/4? HOLE
10	481042	BACK RELEASE STOP PIN QTS
11	321110	S/A LATCH SPRING
12	483019	BACK RELEASE LATCH
13	481084	BACK RELEASE PIN Z2/QT/EX
14	560502	ANTI-TIP LEVER COVER
15	341497	10-32 x .020-.130 RIVNUT GOLD
5-8,10	920539	BACKPLATE DAB HDWR KIT
5-9	920921	BACK PLATE HARDWARE KIT ZTS
5-8,10-14	920328	BACKREST LATCH KIT
1A,2A-3,15	842079	STRL HANDLE W/FOAM MED ZPS/QT
1A,2A-3,15	842080	STRL HNDL W/FOAM STD ZPS/P5/QT
1A,2A-3,15	842081	STRL HANDLE W/FOAM TALL ZPS/QT
1A,2A-3,11-15	920389	STRL HNDL W/LTCH MED ZPS/P5/QTS
1A,2A-3,11-15	920390	STRL HANDLE W/LATCH ZPS/P5/QT
1A,2A-3,11-15	920391	STRL HNDL W/LATCH TALL ZPS/P5/QT
1A,2A-15	881845	STRL HNDL MED&PLT ASSM DAB
1A,2A-15	881846	STRL HNDL STD&PLT ASSM DAB
1A,2A-15	881847	STRL HNDL TLL&PLT ASSM DAB
1A,2A-15	920999	STRL HNDL M AND PLTE ASSM ZTS
1A,2A-15	920945	STRL HNDL STD AND PLT ASSM ZTS
1A,2A-15	920947	STRL HNDL T AND PLT ASSM ZTS
1B,2A,3,15	842066	EXT STROLLER HANDLE MED
1B,2A,3,15	842067	EXT STROLLER HANDLE STD
1B,2A,3,15	842068	EXT STROLLER HANDLE TALL
1B,2B,3,11-15	920423	EXT STROLLER HNDL MED W/LATCH
1B,2B,3,11-15	920421	EXT STROLLER HNDL STD W/LATCH
1B,2B,3,11-15	920424	EXT STROLLER HNDL TALL W/LATCH
1B,2B,3-15	920761	EXT STRL HNDL MED&PLT ASSM DAB
1B,2B,3-15	920762	EXT STRL HNDL STD&PLT ASSM DAB
1B,2B,3-15	920763	EXT STRL HNDL TLL&PLT ASSM DAB
1B,2B,3-15	920981	EXT STRLR HNDL M PLST ASSM ZTS
1B,2B,3-15	920948	EXT STRLR HNDL STD PLT ASM ZTS
1B,2B,3-15	920949	EXT STRLR HNDL T PLT ASSM ZTS

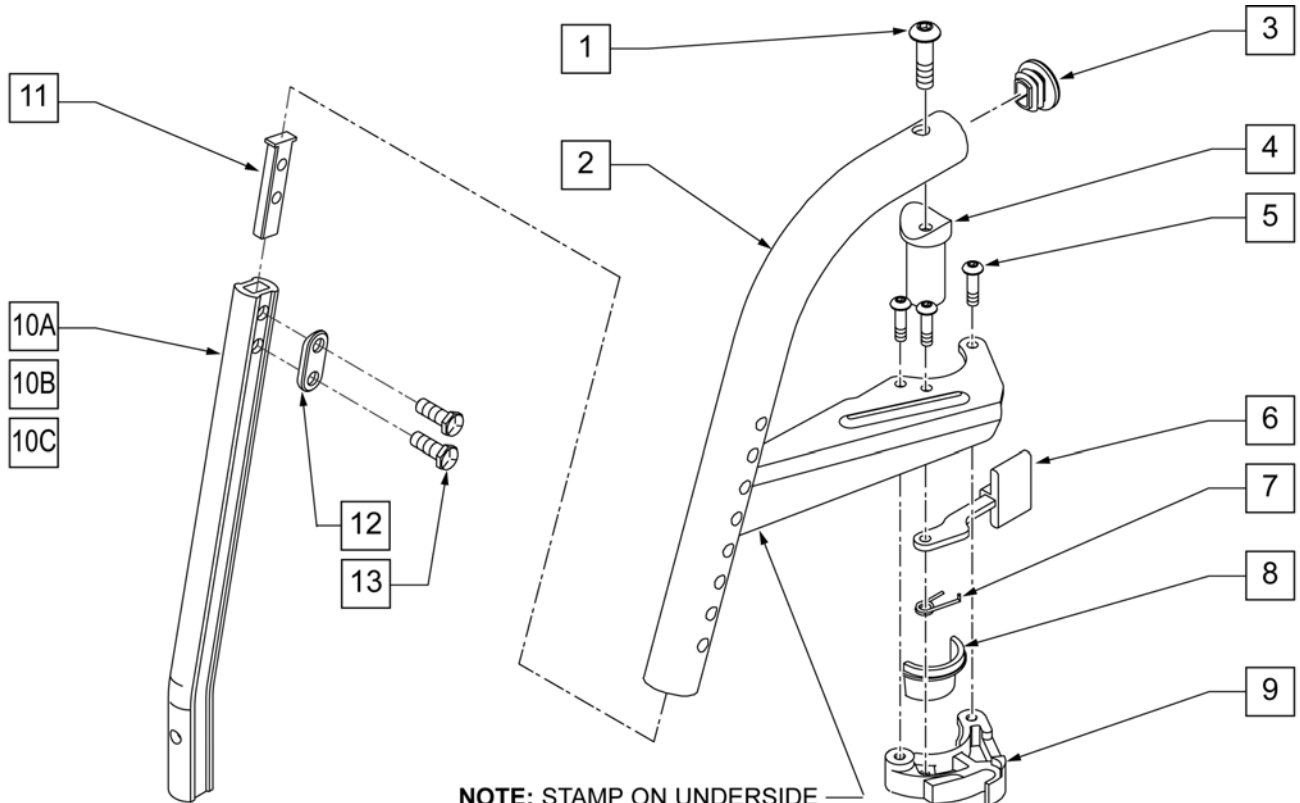
NOTE: DISCONTINUED ON LX/LXI AS OF 10/24/2008 -PARTS ONLY FOR CHAIRS BUILT PRIOR TO SERIAL NUMBER LX-034330.



Pos.	Item Number	Description	Remarks
1	226217	5/16-18 x 2" BH C/S BLK	
3	561378	END PLUG DBL "D" S525	
4	561197	PLASTIC PIVOT SADDLE	
5	226057	10-24 x .725 BH SOC BZ	
6	561079	S/A LATCH LEVER	
7	321136	S/A SPRING L RED	LEFT
7	321137	S/A SPRING R CLEAR	RIGHT
8,9	881500	LATCH BLOCK ASSM R	RIGHT
8,9	881501	LATCH BLOCK ASSM L	LEFT
10A	550819	EXT TBE S/A ONLY SHT	SHORT
10B	550820	EXT TBE S/A ONLY MED	MEDIUM
10C	550821	EXT TBE S/A ONLY LONG	LONG
11	500078	INSERT D2 EXT TUBE	
12	483717	HANGER SADDLE	
13	221102	1/4-28 x 3/4 HEX HEAD C/S BLK W/PTCH	
1-9	641550S	HANGER 60D R D2 PNT S/A BT	SPECIFY COLOR

Pos.	Item Number	Description	Remarks
1-9	641551S	HANGER 60D L D2 PNT S/A BT	SPECIFY COLOR
5-9	881521	S/A LATCH KIT CASTING	RIGHT
5-9	881522	S/A LATCH KIT CASTING	LEFT

NOTE: DISCONTINUED ON LX/LXI AS OF 10/24/2008 -PARTS ONLY FOR CHAIRS BUILT PRIOR TO SERIAL NUMBER LX-034330.

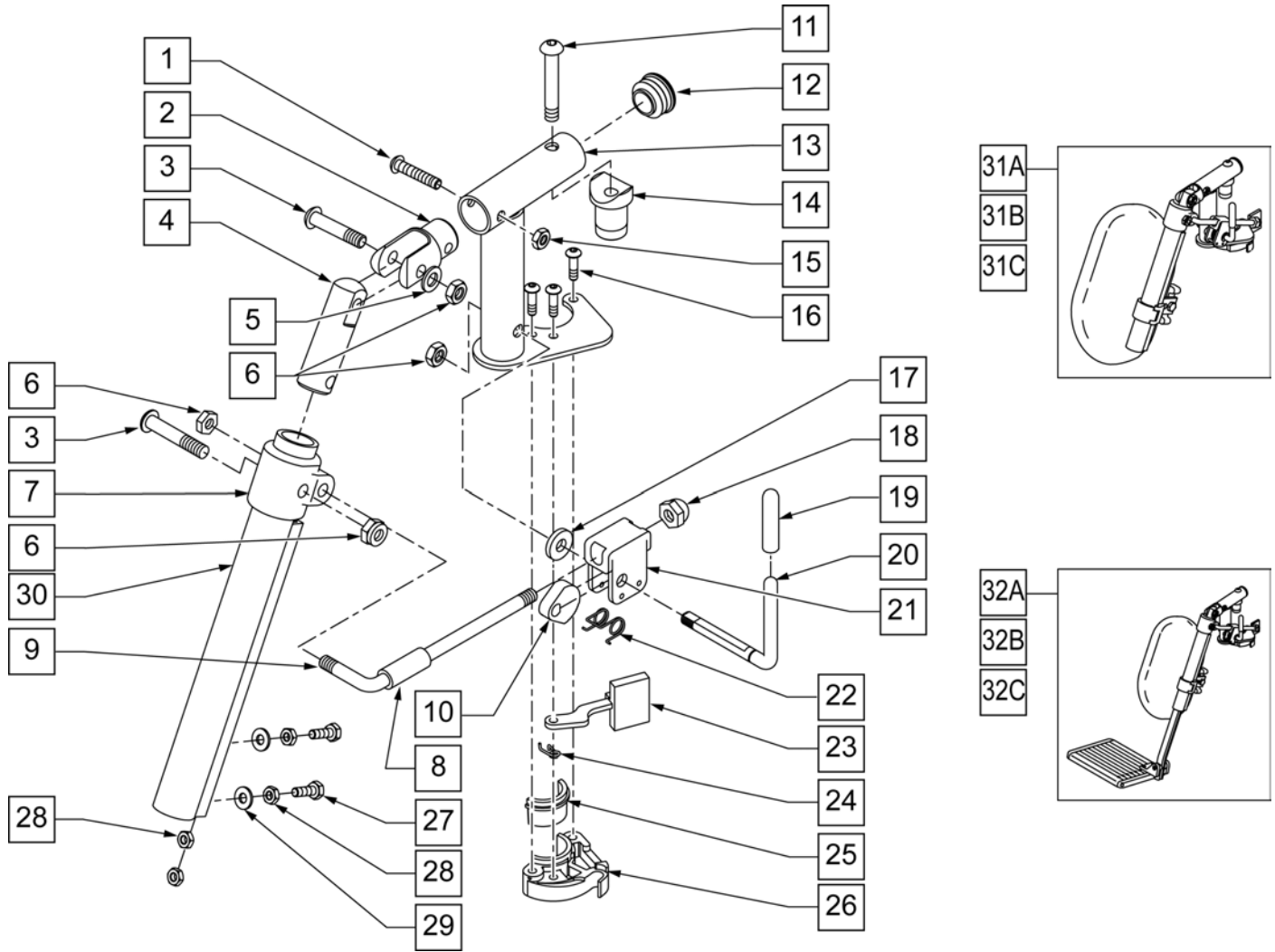


NOTE: STAMP ON UNDERSIDE OF BRACKET INDICATES DEGREE OF HANGER ANGLE.

Pos.	Item Number	Description	Remarks
1	226217	5/16-18 x 2" BH C/S BLK	
3	561378	END PLUG DBL-D S525	
4	561197	PLASTIC PIVOT SADDLE	
5	226057	10-24 x .725 BH SOC BZ	
6	561079	S/A LATCH LEVER	
7	321136	S/A SPRING L RED	LEFT
7	321137	S/A SPRING R CLEAR	RIGHT
8,9	881500	LATCH BLOCK ASSM R	RIGHT
8,9	881501	LATCH BLOCK ASSM L	LEFT
10A	550819	EXT TBE S/A ONLY SHT	
10B	550820	EXT TBE S/A ONLY MED	
10C	550821	EXT TBE S/A ONLY LONG	
11	500078	INSERT D2 EXT TUBE	
12	483717	HANGER SADDLE	
13	221102	1/4-28 x 3/4 HEX HEAD C/S BLK W/PTCH	
1-9	641552S	HANGER 70D R D2 PNT S/A BT	SPECIFY COLOR
1-9	641553S	HANGER 70D L D2 PNT S/A BT	SPECIFY COLOR
5-9	881521	S/A LATCH KIT CASTING	RIGHT
5-9	881522	S/A LATCH KIT CASTING	LEFT

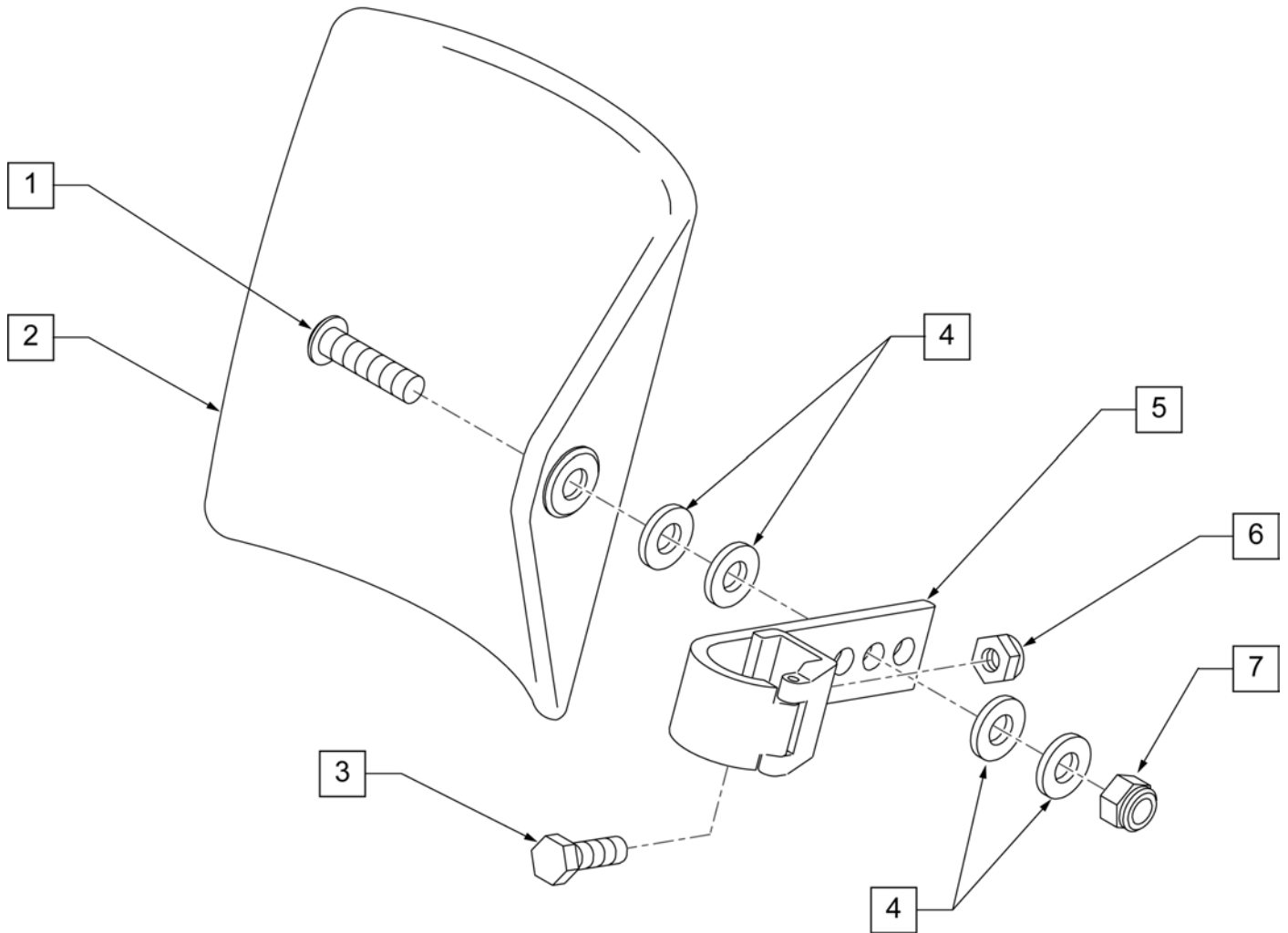
ELEVATING HANGER

(09/2011)

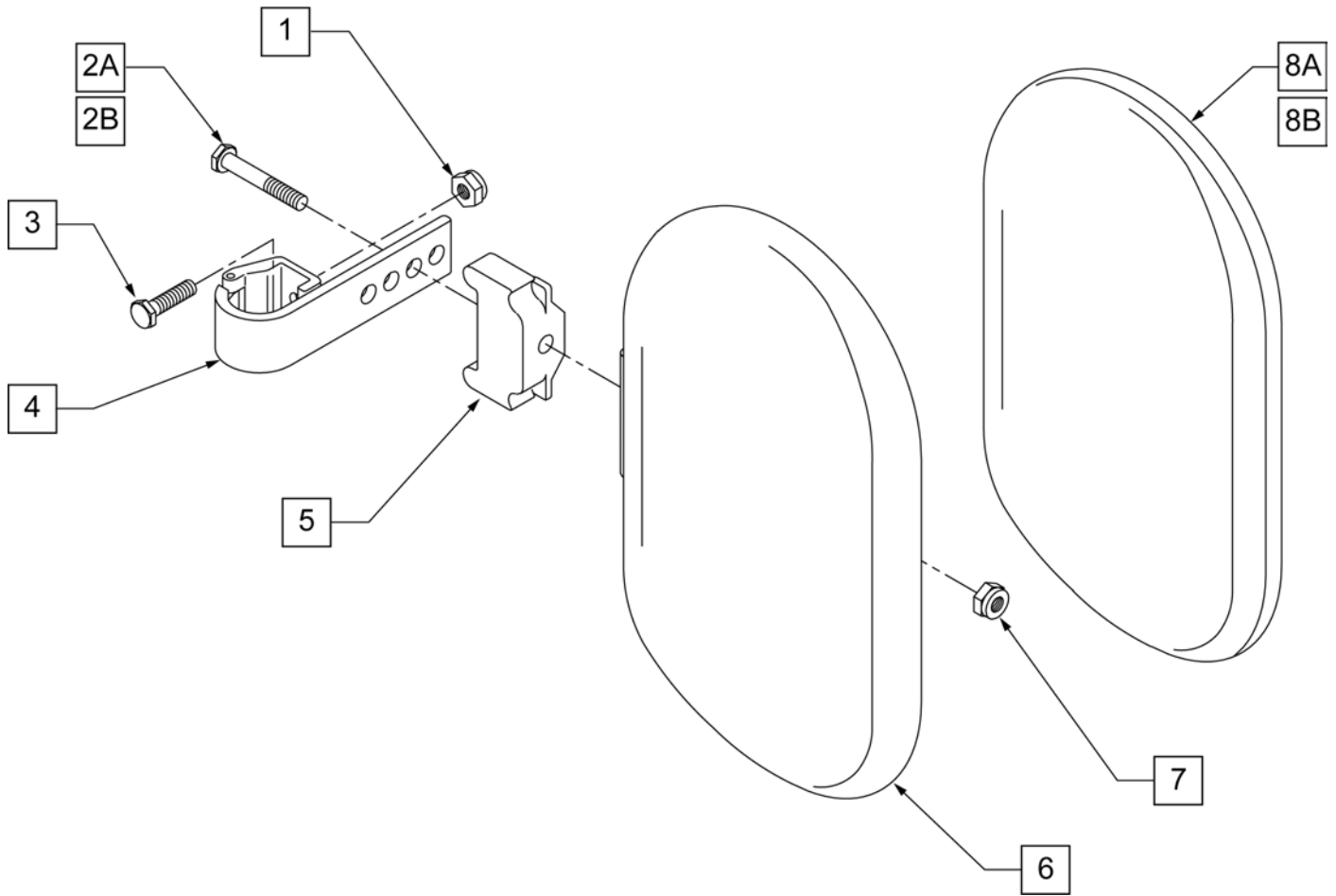


Pos.	Item Number	Description	Remarks
1	106961	1/4-28 X 1 1/4 BH C/S	
2	505281	ELR CLEVIS	
3	107037	BHCS 5/16-24 X 1-1/2 SHLD ROHS	
4	540252	ELR PIVOT PRS	
5	106946	WASHER FLAT AN 5/16 ROHS	
6	106939	NUT NYLOCK THIN 5/16-24 ROHS	
7	560420	ELR UPPER PIVOT PLST	
8	560784	ELR ADJUSTMENT STOP	
9	481117	ELR LOCK ROD	
10	481119	ELR CAM LOCKING POWDERED METAL	
11	106983	BHCS 5/16-18 X 2 SHLDR ROHS	
12	561062	1" INSERT PLUG .065 RIBS	
14	561197	PLASTIC PIVOT SADDLE	
15	106935	NUT NYLOCK THIN 1/4-28 ROHS	
16	107035	BHCS 10-24 X .725 PL ROHS	
17	561059	3/4 OD x .318 ID WASHER	
18	202109	5/16-24 ACORN NUT HEX	
19	561049	ELR RELEASE ROD COVER	
19,20	882410S	ELR ACTUATION ARM ASSEMBLY	
21	880990	ELR LOCK HOUSING W/PIN	

Pos.	Item Number	Description	Remarks
22	321106	ELR TORSION SPRING	
23	561079	S/A LATCH LEVER	
24	321136	S/A SPRING L RED	LEFT
24	321137	S/A SPRING R CLEAR	RIGHT
27	107014	1/4-28 x 3/4 HEX C/S	
28	107249	NUT HEX THIN 1/4-28 ROHS	
29	106944	WASHER FLAT THIN AN 1/4 ROHS	
30	550722S	ELR ADJUSTMENT TUBE	
6,8-10,17-22	881077S	ELR LOCK ROD/ARM ASSEMBLY	
25,26	881500	LATCH BLOCK ASSM	RIGHT
25,26	881501	LATCH BLOCK ASSM	LEFT
1-6,11-16,20-24	882413	ELR PIVOT BLOCK ASSM	RIGHT
1-6,11-16,20-24	882414	ELR PIVOT BLOCK ASSM	LEFT
1-26	881422	ELR PIVOT ASSM RIGHT	RIGHT
1-26	881423	ELR PIVOT ASSM LEFT	LEFT
1-30	641452S	ELR HNGR W/O PAD PNTD MNL	RIGHT
1-30	641453S	ELR HNGR W/O PAD PNTD MNL	LEFT
31A	923082S	ELR HNGR ASSM 14-15 W /PAD (PR)	PAIR
31B	923041S	ELR HNGR ASSM W/PAD 16-17"	PAIR
31C	923061S	ELR HNGR ASSM W/PAD 18-20"	PAIR
32A	923088S	ELR HNGR REG EXT 14 15" F/PLT	PAIR
32B	923084S	ELR HNGR REG EXT 16 17" F/PLT	PAIR
32C	923085S	ELR HNGR REG EXT 18-20" F/PLT	PAIR
16,23-26	881521	S/A LATCH KIT CASTING RIGHT	RIGHT
16,23-26	881522	S/A LATCH KIT CASTING LEFT	LEFT



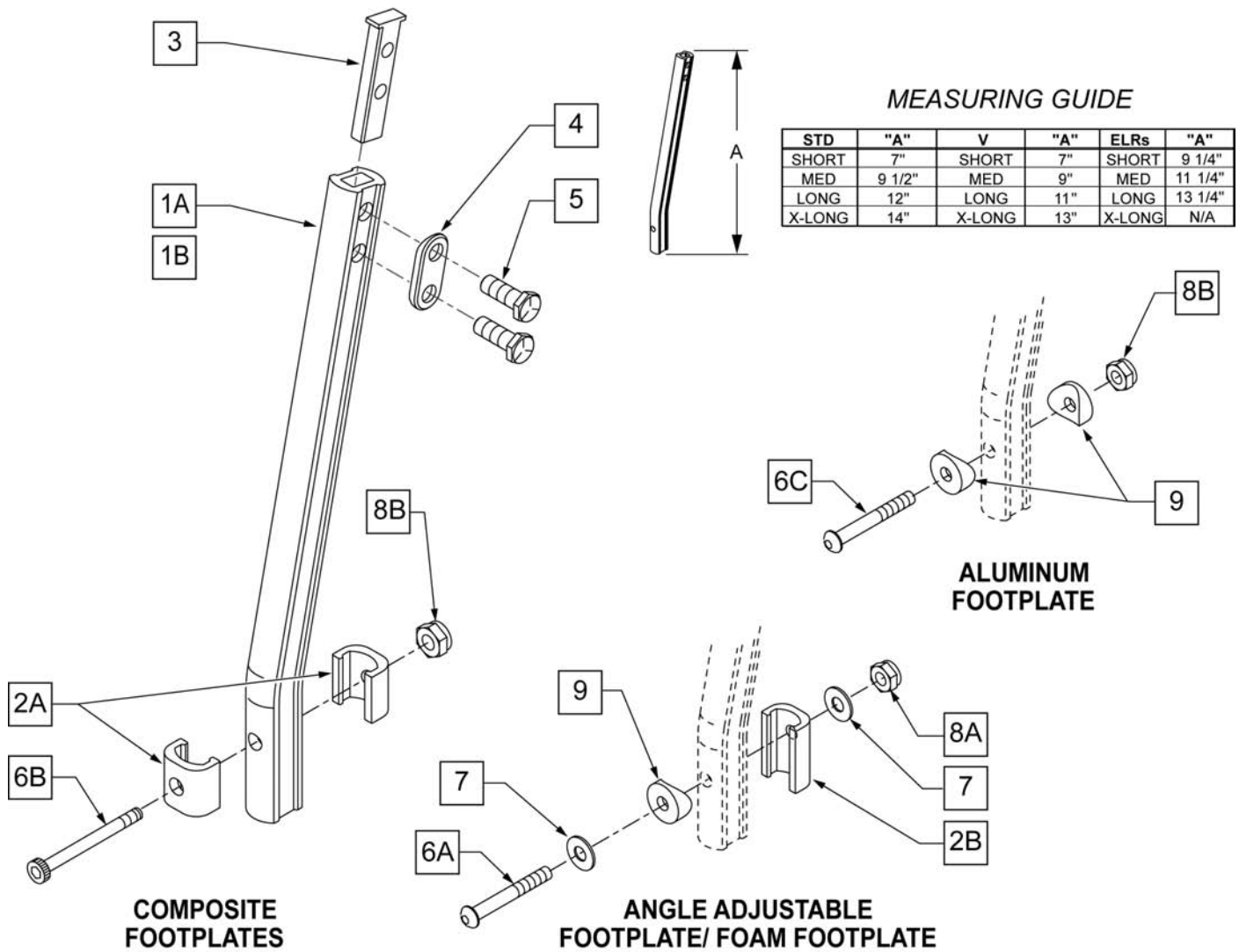
Pos.	Item Number	Description
1	106980	BHCS 5/16-18 X 1-1/4 ROHS
2	755014	CALF PAD TROUGH STYLE 14"/16"
3	107013	HHCS 1/4-28 X 5/8 ROHS
4	561016	1" WASHER 5/16" HOLE
5	881413	CALF PAD BRACKET ASSEMBLY
6	106934	NUT NYLOCK 1/4-28 ROHS
7	202117	5/16-18 NYLOCK NUT THICK BLK
1-7	881414	CALF PAD J-HOOK 14"-15" ASSEMBLY



Pos.	Item Number	Description	Remarks
1	106934	NUT NYLOCK 1/4-28 ROHS	
2A	107018	HHCS 5/16-18 X 2-1/2 ROHS	16"-17" wide only
2B	107019	HHCS 5/16-18 X 3-1/2 ROHS	18"-20" wide only
3	107013	HHCS 1/4-28 X 5/8 ROHS	
4	881413	CALF PAD BRACKET ASSEMBLY	
5	560199	ELR CALF HINGE SPACER	18"-20" wide only
6	560108	CALF PAD MOLDED 16"-20"	
7	106936	NUT NYLOCK 5/16-18 ROHS	
8A	751045	CALF PAD COVER	
8B	751046	CALF PAD COVER (BREEZY)	
1,2A,3,4,6,7	881416	CALF MOLDED 16"-17" ASSEMBLY	
1,2B,3-7	881412	CALF PAD MOLDED 18"-20" ASSEMBLY	

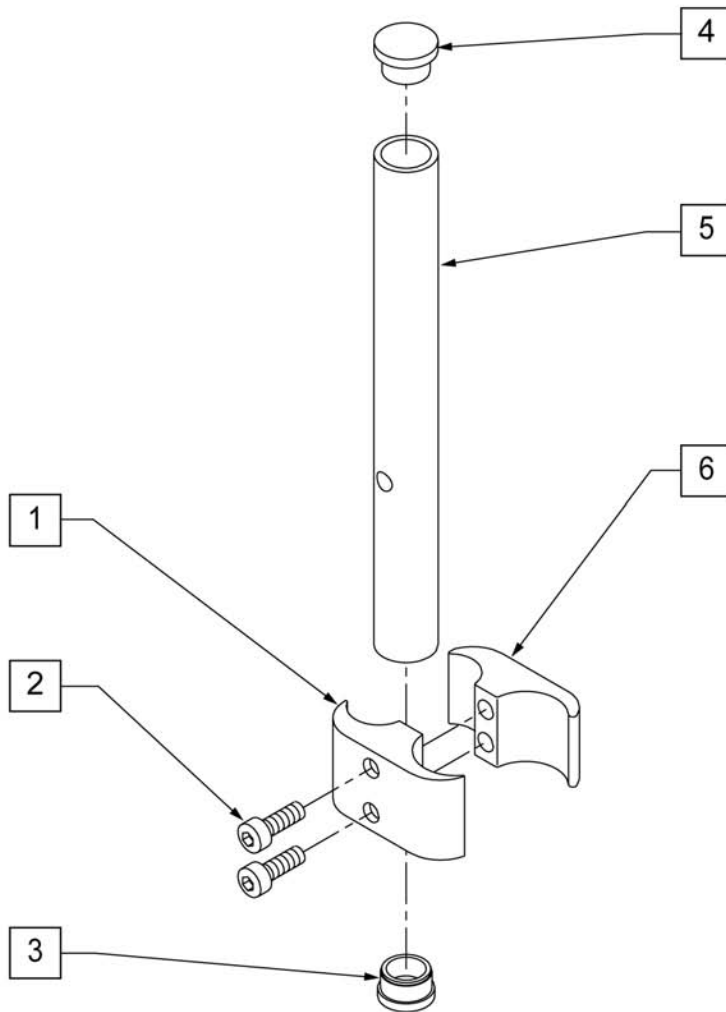
NOTE: IF REPLACING AN EXTENSION TUBE ON AN MANUAL ALR PLEASE REFER TO THE ROUND EXT TUBE PARTS MANUAL PAGE.

NOTE: WHEN ORDERING REPLACEMENT EXTENSION TUBES PLEASE VERIFY IF YOU HAVE THE OLD STYLE DOUBLE D EXTENSION TUBE OR THE NEW STYLE DOUBLE D EXTENSION TUBE. THIS CAN BE DONE BY REVIEWING THE HANGER THE EXTENSION TUBE IS USED ON. IF THE HANGER UTILIZES A SINGLE SET SCREW AT THE BOTTOM OF THE HANGER TUBE TO ATTACH THE EXTENSION TUBE TO THE HANGER, THEN THIS UTILIZES THE NEW STYLE DOUBLE D EXT TUBE ALL OTHER HANGERS REQUIRING A DOUBLE D EXTENSION TUBE UTILIZE THE OLD STYLE.



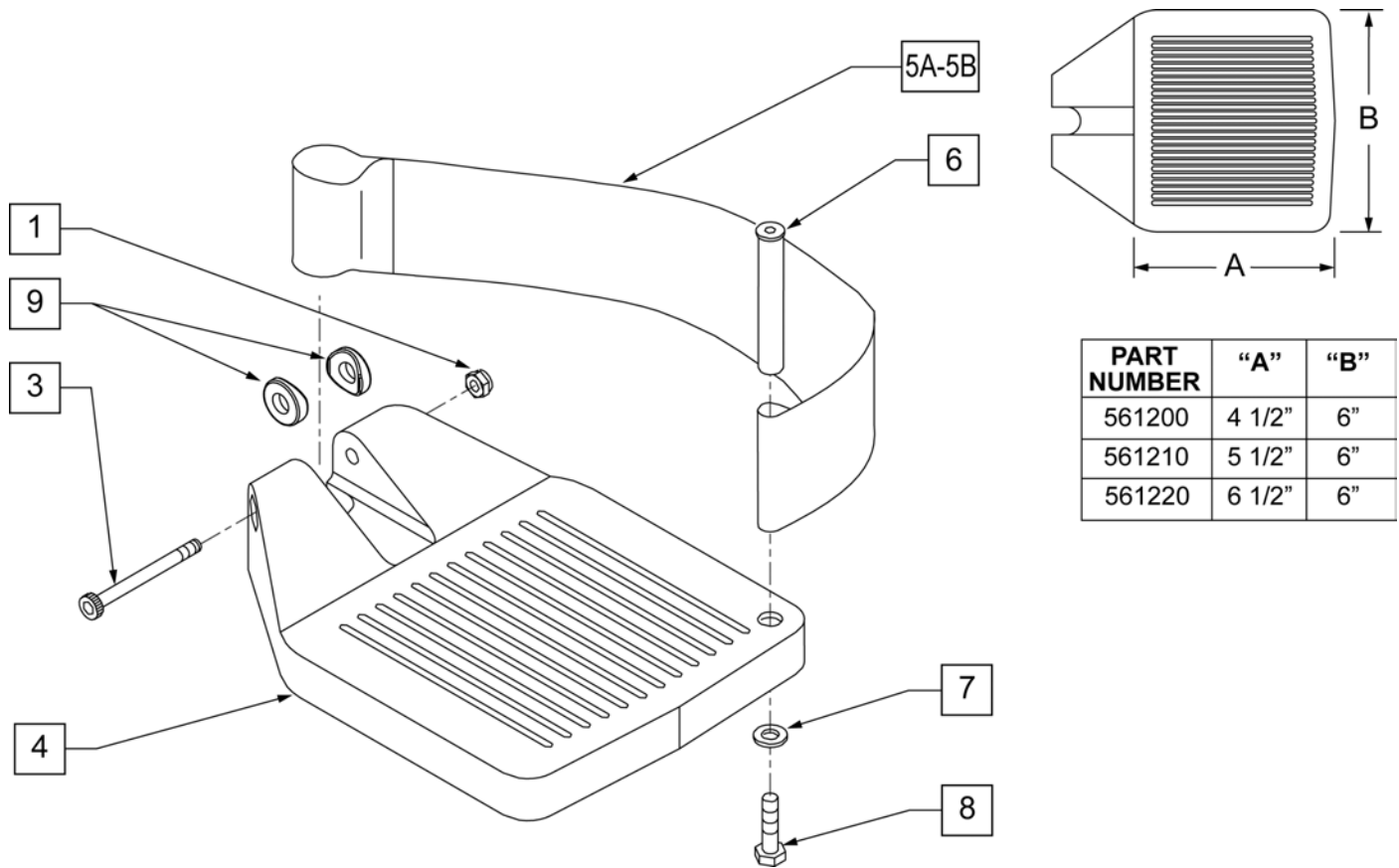
Pos.	Item Number	Description	Remarks
1A	550819	EXT TUBE S/A ONLY SHT	Short Ext-Swing Away Hanger
1A	550820	EXT TUBE S/A ONLY MED	Med Ext-Swing Away Hanger
1A	550821	EXT TUBE S/A ONLY LONG	Long Ext-Swing Away Hanger
1A	550822	EXT TUBE S/A ONLY X-LONG	X-Long Ext-Swing Away Hanger
1B	550834	EXT TUBE V IN ONLY D2 SHT R	Right Short Ext-Swing Away Hanger
1B	550835	EXT TUBE V IN ONLY D2 SHT L	Left Short Ext-Swing Away Hanger
1B	550836	EXT TUBE V IN ONLY D2 MED R	Right Med Ext-Swing Away Hanger

Pos.	Item Number	Description	Remarks
1B	550837	EXT TUBE V IN ONLY D2 MED L	Left Med Ext-Swing Away Hanger
1B	550838	EXT TUBE V IN ONLY D2 LONG R	Right Long Ext-Swing Away Hanger
1B	550839	EXT TUBE V IN ONLY D2 LONG L	Left Long Ext-Swing Away Hanger
1B	550840	EXT TUBE V IN ONLY D2 X-LONG R	Right X-Long Ext-Swing Away Hanger
1B	550841	EXT TUBE V IN ONLY D2 X-LONG L	Left X-Long Ext-Swing Away Hanger
2A	483718	HANGER EXTENSION SADDLE	USE W/ COMPOSITE FTPLT
2B	483720	HANGER EXTENSION SADDLE LONG	USE W/ ANGLE ADJ FTPLT
1C	550764	S/A HANGER EXT D2 SHORT BLACK	Short Ext ELR Hangers
1C	550765	S/A HANGER EXT D2 MED BLACK	Medium Ext ELR Hangers
1C	550766	S/A HANGER EXT D2 LONG BLACK	Long Ext ELR Hangers
3	500078	INSERT D2 EXT TUBE	
4	483717	HANGER SADDLE	
5	221102	1/4-28 x 3/4 HEX HEAD C/S BLK W/PTCH	
6A	106962	1/4-28 x 1 3/4 BH C/S BLK ZN	USE W/ ANGLE ADJ FTPLT
6B	226165	1/4 -28 x 2 1/2 SOC C/S	USE W/ COMPOSITE FTPLT
6C	226147	1/4 -28 X 1.85 BH C/S	
7	106945	1/4" SAE WASHER	
8A	106941	1/4 -28 AUTOMATION NUT	USE W/ ANGLE ADJ FTPLT
8B	106935	1/4 -28 NYLOCK NUT THIN	USE W/ COMPOSITE FTPLT
9	561055	3/4 SADDLE 1" OD	USE W/ ANGLE ADJ FTPLT
1A,2A-5	921759	EXT TUBE S/A SHT ASSM PCKT	USE W/ COMPOSITE FTPLT
1A,2A-5	921760	EXT TUBE S/A MED ASSM PCKT	USE W/ COMPOSITE FTPLT
1A,2A-5	921761	EXT TUBE S/A LONG ASSM PCKT	USE W/ COMPOSITE FTPLT
1A,2A-5	921762	EXT TUBE S/A X-LONG ASSM PCKT	USE W/ COMPOSITE FTPLT
1B,2A-5	921751	EXT TUBE "V" D2 SHT R ASSM PCKT	RIGHT - USE W/ COMPOSITE FTPLT V HANGER
1B,2A-5	921752	EXT TUBE "V" D2 SHT L ASSM PCKT	LEFT - USE W/ COMPOSITE FTPLT V HANGER
1B,2A-5	921753	EXT TUBE "V" D2 MED R ASSM PCKT	RIGHT - USE W/ COMPOSITE FTPLT V HANGER
1B,2A-5	921754	EXT TUBE "V" D2 MED L ASSM PCKT	LEFT - USE W/ COMPOSITE FTPLT V HANGER
1B,2A-5	921755	EXT TUBE "V" D2 LONG R ASSM PCKT	RIGHT - USE W/ COMPOSITE FTPLT V HANGER
1B,2A-5	921756	EXT TUBE "V" D2 LONG L ASSM PCKT	LEFT - USE W/ COMPOSITE FTPLT V HANGER
1B,2A-5	921757	EXT TUBE "V" D2 X-LONG R ASSM PCKT	RIGHT - USE W/ COMPOSITE FTPLT V HANGER
1B,2A-5	921758	EXT TUBE "V" D2 X-LONG L ASSM PCKT	LEFT - USE W/ COMPOSITE FTPLT V HANGER
1A,2A-7,9	921772	EXT TUBE S/A SHT ANG ADJ PCKT	USE W/ ANGLE ADJ FTPLT
1A,2A-7,9	921773	EXT TUBE S/A MED ANG ADJ PCKT	USE W/ ANGLE ADJ FTPLT
1A,2A-7,9	921774	EXT TUBE S/A LONG ANG ADJ PCKT	USE W/ ANGLE ADJ FTPLT
1A,2A-7,9	921775	EXT TUBE S/A X-LONG ANG ADJ PCKT	USE W/ ANGLE ADJ FTPLT
1B,2A-7,9	921764	EXT TUBE "V" D2 SHT R ANG ADJ PCKT	RIGHT - USE W/ ANGLE ADJ FTPLT V HANGER
1B,2A-7,9	921765	EXT TUBE "V" D2 SHT L ANG ADJ PCKT	LEFT - USE W/ ANGLE ADJ FTPLT V HANGER
1B,2A-7,9	921766	EXT TUBE "V" D2 MED R ANG ADJ PCKT	RIGHT - USE W/ ANGLE ADJ FTPLT V HANGER
1B,2A-7,9	921767	EXT TUBE "V" D2 MED L ANG ADJ PCKT	LEFT - USE W/ ANGLE ADJ FTPLT V HANGER
1B,2A-7,9	921768	EXT TUBE "V" D2 LONG R ANG ADJ PCKT	RIGHT - USE W/ ANGLE ADJ FTPLT V HANGER
1B,2A-7,9	921769	EXT TUBE "V" D2 LONG L ANG ADJ PCKT	LEFT - USE W/ ANGLE ADJ FTPLT V HANGER
1B,2A-7,9	921770	EXT TUBE "V" D2 X-LONG R ANG AD PCKT	RIGHT - USE W/ ANGLE ADJ FTPLT V HANGER
1B,2A-7,9	921771	EXT TUBE "V" D2 X-LONG L ANG AD PCKT	LEFT - USE W/ ANGLE ADJ FTPLT V HANGER



Pos.	Item Number	Description	Remarks
1	550657	CLAMP 1 1/4" RECESS FULL BLK	
2	107032	1/4-28 x 1 SOC C/S BLK	
3	561000-QU	3/4" INSERT PLUG .083	
4	482016	H/M FL FOOT TUBE PLUG	
5	521100	H/M FL FOOT EXTENSION TUBE	
6	550658	CLAMP 1 1/4" THREADED BLK	
1,2,6	880538	HIGH MOUNT FR CLAMP ASSEMBLY CLEAR	
1-6	921550S	HIGH MOUNT FL FOOT CLAMPS & TUBES	PAIR

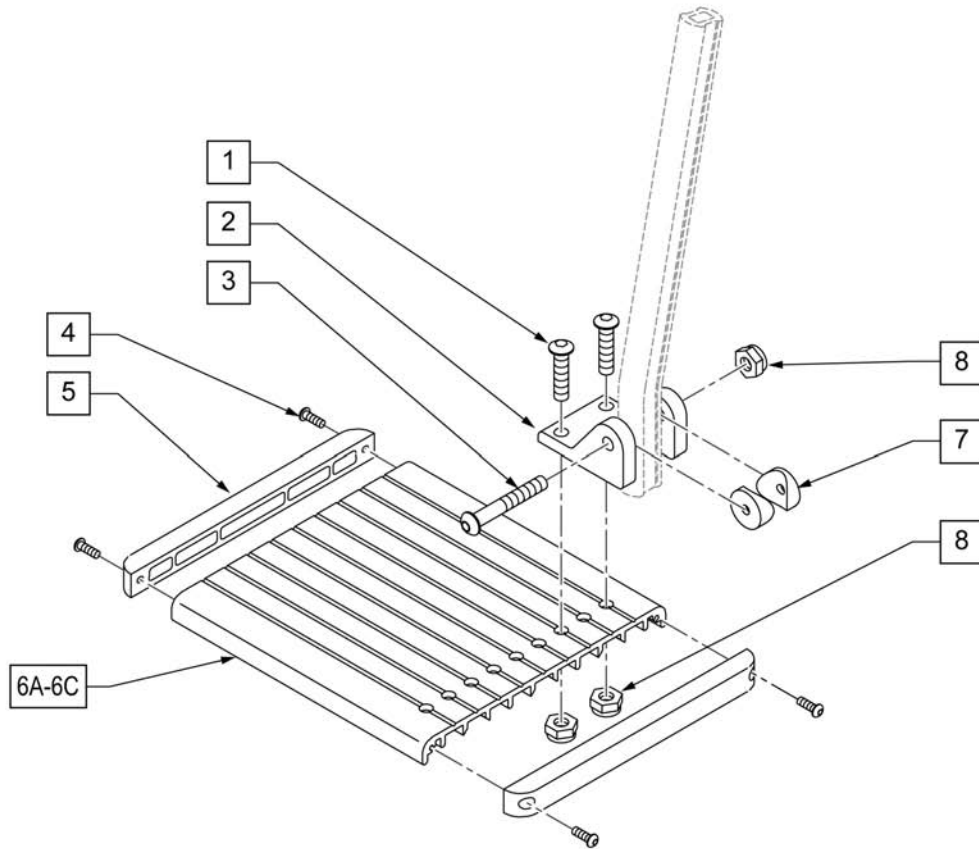
COMPOSITE FOOTPLATE



Pos.	Item Number	Description	Remarks
1	106935	1/4 - 28 NYLOCK NUT	
3	226165	1/4 - 28 x 2 1/2 SOC C/S	
4	561200	COMPOSITE FOOTPLATE 14 -15 (16 -18 V)	14 -15 OR 16 -18V
4	561210	COMPOSITE FOOTPLATE 16 -17 (19 -20 V)	16 -17 OR 19 -20V
4	561220	COMPOSITE FOOTPLATE 18 -20	18 -20
5A	741151	HEEL LOOP 14-15 COMPOSITE (14 -15 or 16 -18V)	14 -15 OR 16 -18V
5A	741156	HEEL LOOP 16 -17 or 19 -20V	16 -17 OR 19 -20V
5A	741153	HEEL LOOP 18-20 COMPOSITE/14-15 ANG ADJ	18 -20
5A	902270	HEEL LOOP COMPOSITE FT 14-15	PAIR 14 -15 OR 16 -18V
5A	902271	HEEL LOOP COMPOSITE FT 16-17	PAIR 16 -17 OR 19 -20V
5A	902272	HEEL LOOP COMPOSITE FT 18-20	PAIR 18 -20
5B	741154	HEEL LOOP 14-15 COMPOSITE HEMI	14 -15 HEMI
5B	741155	HEEL LOOP 16-17 COMPOSITE HEMI	16 -17 HEMI
5B	741153	HEEL LOOP 18-20 COMPOSITE HEMI	18 -10 HEMI
5B	902260	HEEL LOOPS HEMI COMPOSITE 14-15	PAIR 14 -15 HEMI
5B	902261	HEEL LOOPS HEMI COMPOSITE 16-17	PAIR 16 -17 HEMI
5B	902262	HEEL LOOPS HEMI COMPOSITE 18-20	PAIR 18 -20 HEMI
6	561040	HEEL LOOP PEG	
7	106944	1/4 AN WASHER FLAT THIN	
8	106958	HHCS 1/4-20 X 1 ROHS	
9	561003	3/4" SADDLE THIN	USED W/ ROUND EXT TUBES ONLY
1,3,4	921180	COMPOSITE FOOTPLATE ASSM 14-15	RIGHT (14 -15 OR 16 -18V) W/O HEEL LOOP
1,3,4	921181	COMPOSITE FOOTPLATE ASSM 14-15	LEFT (14 -15 OR 16 -18V) W/O HEEL LOOP
1,3,4	921182	COMPOSITE FOOTPLATE ASSM 16-17	RIGHT (16 -17 OR 19 -20V) W/O HEEL LOOP
1,3,4	921183	COMPOSITE FOOTPLATE ASSM 16-17	LEFT (16 -17 OR 19 -20V) W/O HEEL LOOP

Pos.	Item Number	Description	Remarks
1,3,4	921184	COMPOSITE FOOTPLATE ASSM 18-20	RIGHT (18 -20) W/O HEEL LOOP
1,3,4	921185	COMPOSITE FOOTPLATE ASSM 18-20	LEFT (18 -20) W/O HEEL LOOP
1,3,4	921151	COMPOSITE FOOTPLATE ASSM 14-15/16-18V	PAIR (14 -15 OR 16 -18V) W/O HEEL LOOP
1,3,4	921152	COMPOSITE FOOTPLATE ASSM 16-17/19-20V	PAIR (16 -17 OR 19 -20V) W/O HEEL LOOP
1,3,4	921153	COMPOSITE FOOTPLATE ASSM 18-20	PAIR (18 -20) W/O HEEL LOOP
1,3,4A-8	921190	COMPOSITE FOOTPLATE ASSM HL LP 14-15	RIGHT (14 -15 OR 16 -18V) W/ HEEL LOOP
1,3,4A-8	921191	COMPOSITE FOOTPLATE ASSM HL LP 14-15	LEFT (14 -15 OR 16 -18V) W/ HEEL LOOP
1,3,4A-8	921192	COMPOSITE FOOTPLATE ASSM HL LP 16-17	RIGHT (16 -17 OR 19 -20V) W/ HEEL LOOP
1,3,4A-8	921193	COMPOSITE FOOTPLATE ASSM HL LP 16-17	LEFT (16 -17 OR 19 -20V) W/ HEEL LOOP
1,3,4A-8	921194	COMPOSITE FOOTPLATE ASSM HL LP 18-20	RIGHT (18 -20) W/ HEEL LOOP
1,3,4A-8	921195	COMPOSITE FOOTPLATE ASSM HL LP 18-20	LEFT (18 -20) W/ HEEL LOOP
1,3,4A-8	921161	COMPOSITE FOOTPLATE ASSM HL 14-15/16-18V	PAIR (14 -15 OR 16 -18V) W/ HEEL LOOP
1,3,4A-8	921162	COMPOSITE FOOTPLATE ASSM HL 16-17/19-20V	PAIR (16 -17 OR 19 -20V) W/ HEEL LOOP
1,3,4A-8	921163	COMPOSITE FOOTPLATE ASSM HL 18-20	PAIR (18 -20) W/ HEEL LOOP
1,3,4B-8	921140	COMPOSITE FOOTPLATE ASSM HEMI HL LP 14-15	RIGHT (14 -15) W/ HEEL LOOP
1,3,4B-8	921141	COMPOSITE FOOTPLATE ASSM HEMI HL LP 14-15	LEFT (14 -15) W/ HEEL LOOP
1,3,4B-8	921142	COMPOSITE FOOTPLATE ASSM HEMI HL LP 16-17	RIGHT (16 -17) W/ HEEL LOOP
1,3,4B-8	921143	COMPOSITE FOOTPLATE ASSM HEMI HL LP 16-17	LEFT (16 -17) W/ HEEL LOOP
1,3,4B-8	921144	COMPOSITE FOOTPLATE ASSM HEMI HL LP 18-20	RIGHT (18 -20) W/ HEEL LOOP
1,3,4B-8	921145	COMPOSITE FOOTPLATE ASSM HEMI HL LP 18-20	LEFT (18 -20) W/ HEEL LOOP
1,3,4B-8	921167	COMPOSITE FOOTPLATE ASSM HEMI HL LPS 14-15	PAIR (14 -15) W/ HEEL LOOP
1,3,4B-8	921168	COMPOSITE FOOTPLATE ASSM HEMI HL LPS 16-17	PAIR (16 -17) W/ HEEL LOOP
1,3,4B-8	921169	COMPOSITE FOOTPLATE ASSM HEMI HL LPS 18-20	PAIR (18 -20) W/ HEEL LOOP

NOTE: Left Side Shown



Pos.	Item Number	Description	Remarks
1	106959	1/4-28 x 5/8 BH C/S	
2	550739	FOOTPLATE MOUNTING BRACKET	
3	226147	1/4-28 x 1.85 BH C/S	
4	281043	#4 x 5/8 PAN PHIL S/TAP	
5	560101	END CAPS FOOTREST	
7	561003	3/4" SADDLE THIN	
8	106935	1/4-28 NYLOCK NUT THIN	
4,5,6A	882337	ELR FOOTPLATE ASSEMBLY 14 -15"	
4,5,6B	882338	ELR FOOTPLATE ASSEMBLY 16 -17"	
4,5,6C	882339	ELR FOOTPLATE ASSEMBLY 18 -20"	
1-5,6A-8	921400S	ELR FOOTPLATE KIT 14 -15"	Does not include Extension
1-5,6B-8	921401S	ELR FOOTPLATE KIT 16 -17"	Does not include Extension
1-5,6C-8	921402S	ELR FOOTPLATE KIT 18 -20"	Does not include Extension

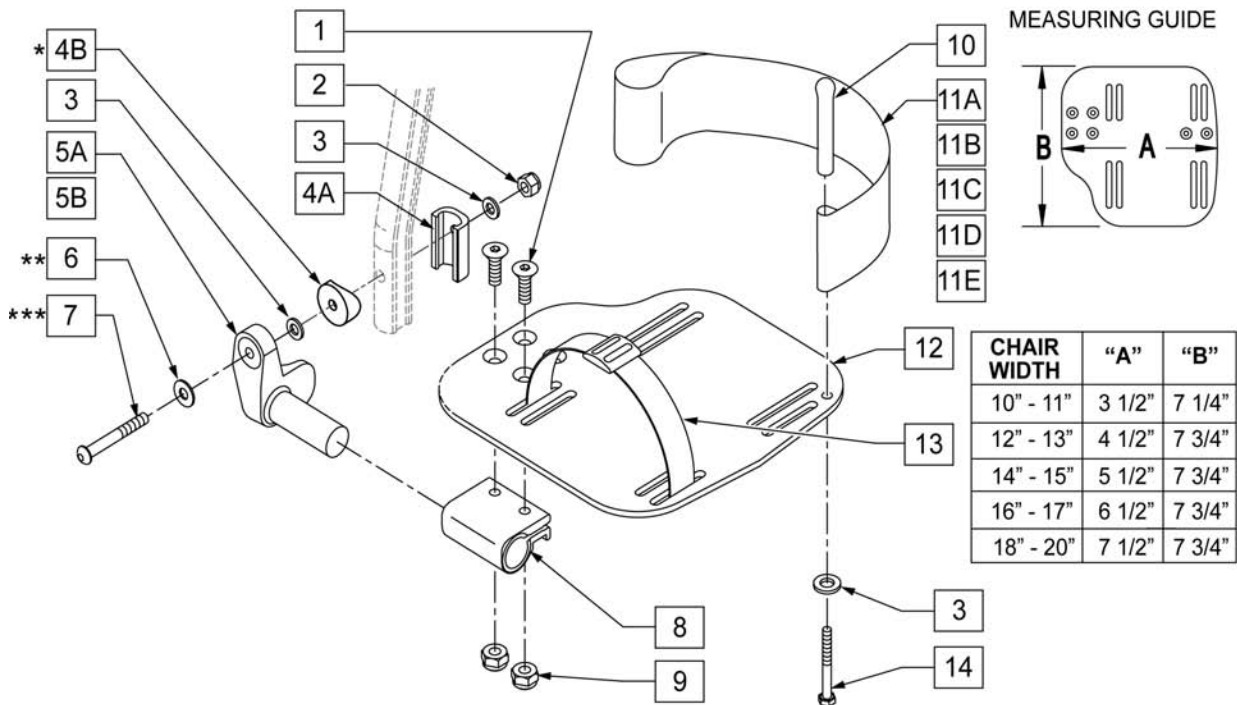
NOTE: FOR HIGH-MOUNT ADULT ANGLE-ADJUSTABLE FOOTPLATE, SEE "HIGH-MOUNT EXTENSION TUBE" PAGE.

* ORDER ITEM 4B FOR CHAIRS PRIOR TO 8/13/01.

** ONLY 1 WASHER PRIOR TO 8/13/01.

*** ORDER PART 226167 PRIOR TO 8/13/01.

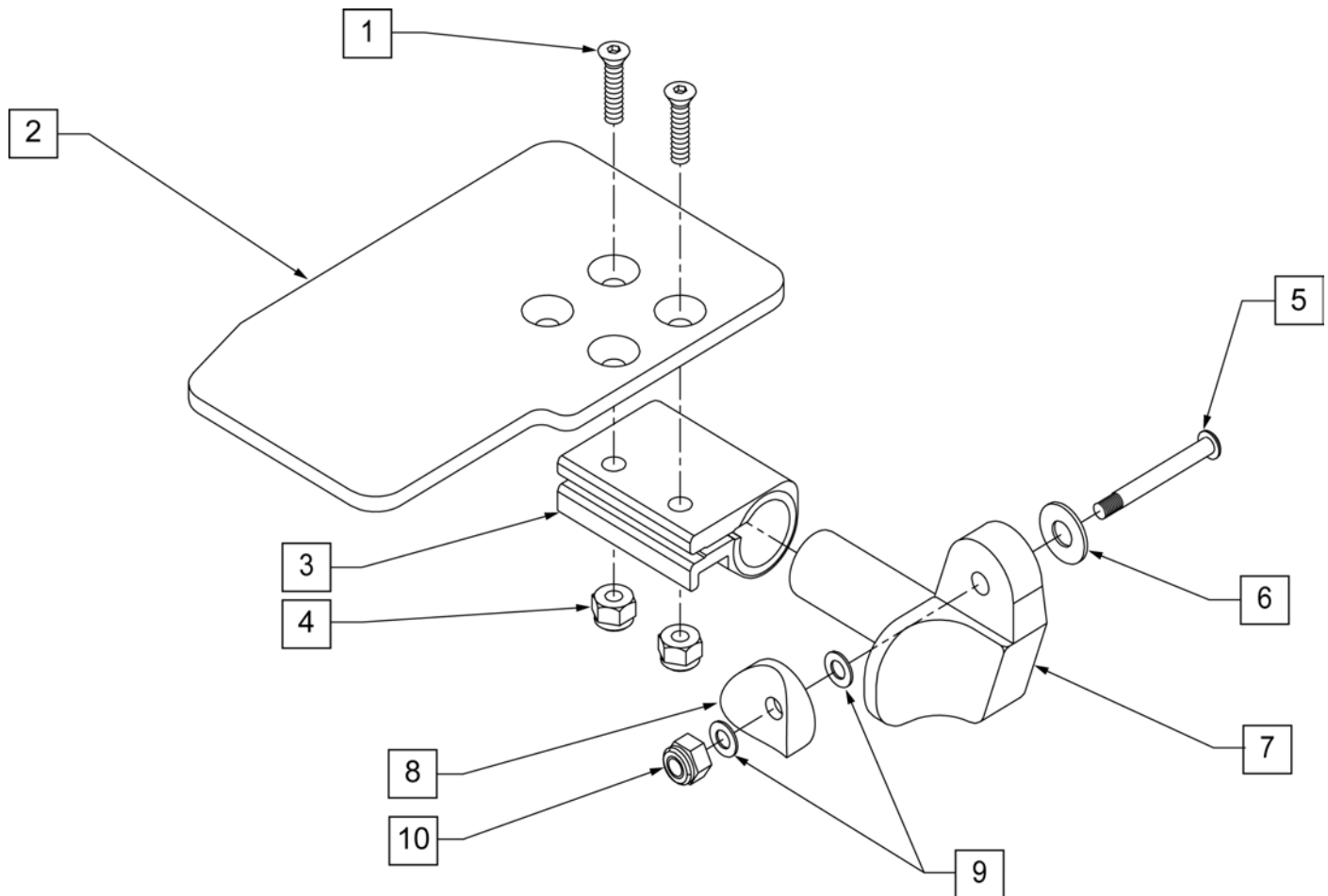
NOTE: See attached REFERENCE GUIDE.



Pos.	Item Number	Description	Remarks
1	106978	1/4-28 x 7/8 FH C/S	
2	106941	1/4-28 AUTOMATION NUT	
3	106943	WASHER FLAT AN 1/4 ROHS	

Pos.	Item Number	Description	Remarks
4A	483720	HANGER EXTENSION SADDLE LONG	USE W/ DOUBLE D EXT TUBE
4B	561055	3/4" SADDLE 1" OD	USE W/ ROUND EXT TUBE
5	541002	FTRST MOUNTING BRKT-3/8 RAD R	RIGHT
5	541003	FTRST MOUNTING BRKT-3/8 RAD L	LEFT
6	106945	WASHER FLAT SAE 1/4 ROHS	
7A	106962	BHCS 1/4-28 X 1-3/4 ROHS	USE W/ DOUBLE D EXT TUBE
7B	226167	1/4-28 x 1.625 BH C/S BLK	USE W/ ROUND EXT TUBE
8	550350	3/4" CLMP ADJ FT PLT	
9	106935	NUT NYLOCK THIN 1/4-28 ROHS	
10	561040	HEEL LOOP PEG	
11A	741154	HEEL LOOP 14-15 CMPST HEMI	USED W/ 10-11" ADULT ANG ADJ FTPLTS
11B	741155	HEEL LOOP 16-17 CMPST HEMI	USED W/ 12 -13" ADULT ANG ADJ FTPLTS
11C	741153	H/L 18-20 CMPST/14-15 ANG ADJ	USED W/ 14-15"/16-17" ADULT ANG ADJ FTPLTS
11D	741253	HEEL LOOP ADLT ADJ F/PLT 18-20	USED W/ 18 -20" ADULT ANG ADJ FTPLTS
12	500656	ADLT ANGL ADJ F/PLT 10/11" R	RIGHT
12	500657	ADLT ANGL ADJ F/PLT 10/11" L	LEFT
12	500658	ADLT ANGL ADJ F/PLT 12/13" R	RIGHT
12	500659	ADLT ANGL ADJ F/PLT 12/13" L	LEFT
12	500660	ADLT ANGL ADJ F/PLT 14/15	RIGHT
12	500661	ADLT ANGL ADJ F/PLT 14/15	LEFT
12	500662	ADLT ANGL ADJ F/PLT 16/17	RIGHT
12	500663	ADLT ANGL ADJ F/PLT 16/17	LEFT
12	500664	ADLT ANGL ADJ F/PLT 18-20	RIGHT
12	500665	ADLT ANGL ADJ F/PLT 18-20	LEFT
13	740260	TOE/ANKLE STRAP ADJ ADLT F/PLT	
14	106958	1/4-20 x 1 HEX C/S	
1-3,5,6,8,9,12	820526	AD ANG ADJ F/PLT R 12"/13" OMIT HL	RIGHT
1-3,5,6,8,9,12	820536	AD ANG ADJ F/PLT L 12"/13" OMT HL	LEFT
1-3,5,6,8,9,12	820460	FP ADLT ADJ 14/15 OMIT HL	RIGHT
1-3,5,6,8,9,12	820462	FP ADLT ADJ 14/15 OMIT HL	LEFT
1-3,5,6,8,9,12	820464	FP ADLT ADJ 16/17 OMIT HL	RIGHT
1-3,5,6,8,9,12	820466	FP ADLT ADJ 16/17 OMIT HL	LEFT
1-3,5,6,8,9,12	820468	FP ADLT ADJ 18-20 OMIT HL	RIGHT
1-3,5,6,8,9,12	820470	FP ADLT ADJ 18-20 OMIT HL	LEFT
1-3,5,6,8,9,12	921466	ADLT ANGL ADJ F/PLT 12"/13" OMIT HL	PAIR
1-3,5,6,8,9,12	921320	FP ADLT ADJ 14/15 OMIT HL	PAIR
1-3,5,6,8,9,12	921322	FP ADLT ADJ 16/17 OMIT HL	PAIR
1-3,5,6,8,9,12	921324	FP ADLT ADJ 18-20 OMIT HL	PAIR
1-3,5,6,8,9,12	820522	AD ANGL ADJ F/PLT R 12/13" H/L	RIGHT
1-3,5,6,8,9,12	820532	AD ANGL ADJ F/PLT L 12/13" H/L	LEFT
1-3,5,6,8-10,11C, 12,14	820461	FP ADLT ADJ 14/15 HL	RIGHT
1-3,5,6,8-10,11C, 12,14	820463	FP ADLT ADJ 14/15 HL	LEFT
1-3,5,6,8-10,11C, 12,14	820465	FP ADLT ADJ 16/17 HL	RIGHT
1-3,5,6,8-10,11C, 12,14	820467	FP ADLT ADJ 16/17 HL	LEFT
1-3,5,6,8-10,11D, 12,14	820469	FP ADLT ADJ 18-20 HL	RIGHT
1-3,5,6,8-10,11D, 12,14	820471	FP ADLT ADJ 18-20 HL	LEFT
1-3,5,6,8-10,11B, 12,14	921462	ADLT ANGL ADJ F/PLATE 12"/13" HL	PAIR
1-3,5,6,8-10,11C, 12,14	921321	FP ADLT ADJ 14/15 HL	PAIR
1-3,5,6,8-10,11C, 12,14	921323	FP ADLT ADJ 16/17 HL	PAIR
1-3,5,6,8-10,11D, 12,14	921325	FP ADLT ADJ 18-20 HL	PAIR
1-3,6,7A,9-10,14	101533	ADLT ANG ADJ FP D2 HDWR KIT	FOR DOUBLE D EXT TUBES
1-3B,4B,6,7B,9,10,14	101534	ADLT ANG ADJ FP RND HDWR KIT	FOR ROUND EXT TUBES (Q2 HP ONLY)

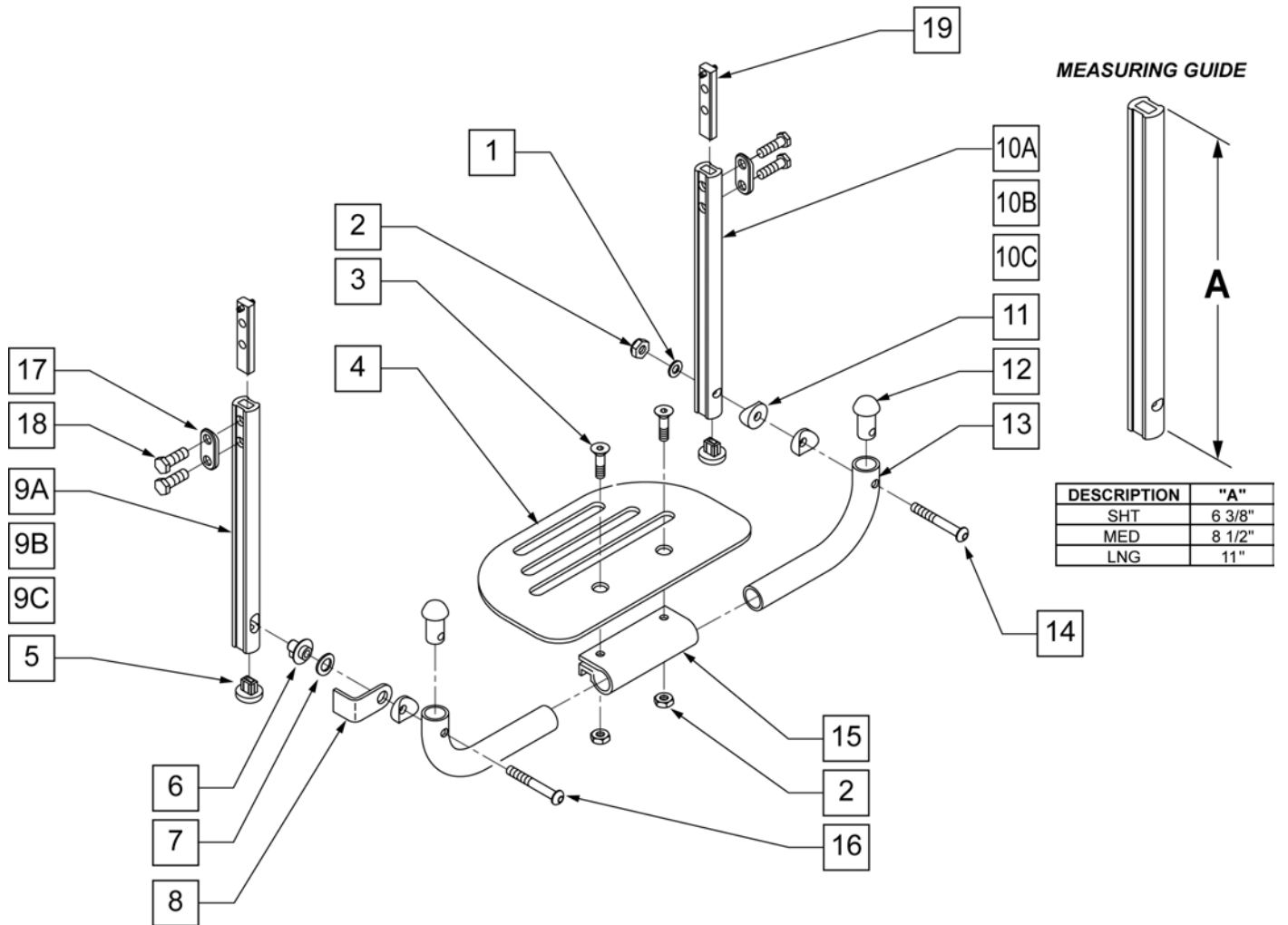
NOTE: * ORDER ITEM 8 PRIOR TO 8/13/01.
 ** ORDER ITEM 5 PART 226167 PRIOR TO 8/13/01.



Pos.	Item Number	Description	Remarks
1	106978	1/4-28 X 7/8 FH C/S	
2	500635	KIDS ANGLE ADJ FOOTPLATE 10" R	
2	500636	KIDS ANGLE ADJ FOOTPLATE 10" L	
2	500637	KIDS ANGLE ADJ FOOTPLATE 11" R	
2	500638	KIDS ANGLE ADJ FOOTPLATE 11" L	
2	500639	KIDS ANGLE ADJ FOOTPLATE 12" R	
2	500640	KIDS ANGLE ADJ FOOTPLATE 12" L	
2	500641	KIDS ANGLE ADJ FOOTPLATE 13" R	
2	500642	KIDS ANGLE ADJ FOOTPLATE 13" L	
2	500643	KIDS ANGLE ADJ FOOTPLATE 14" R	
2	500644	KIDS ANGLE ADJ FOOTPLATE 14" L	
2	500645	KIDS ANGLE ADJ FOOTPLATE 15" R	
2	500646	KIDS ANGLE ADJ FOOTPLATE 15" L	
2	500647	KIDS ANGLE ADJ FOOTPLATE 16" R	
2	500648	KIDS ANGLE ADJ FOOTPLATE 16" L	
3	550350	3/4" CLAMP ADJ FOOTPLATE	
4	106935	NUT NYLOCK THIN 1/4-28 ROHS	
5**	106962	1/4-28 X 1.85 BH C/S BLK ZN	

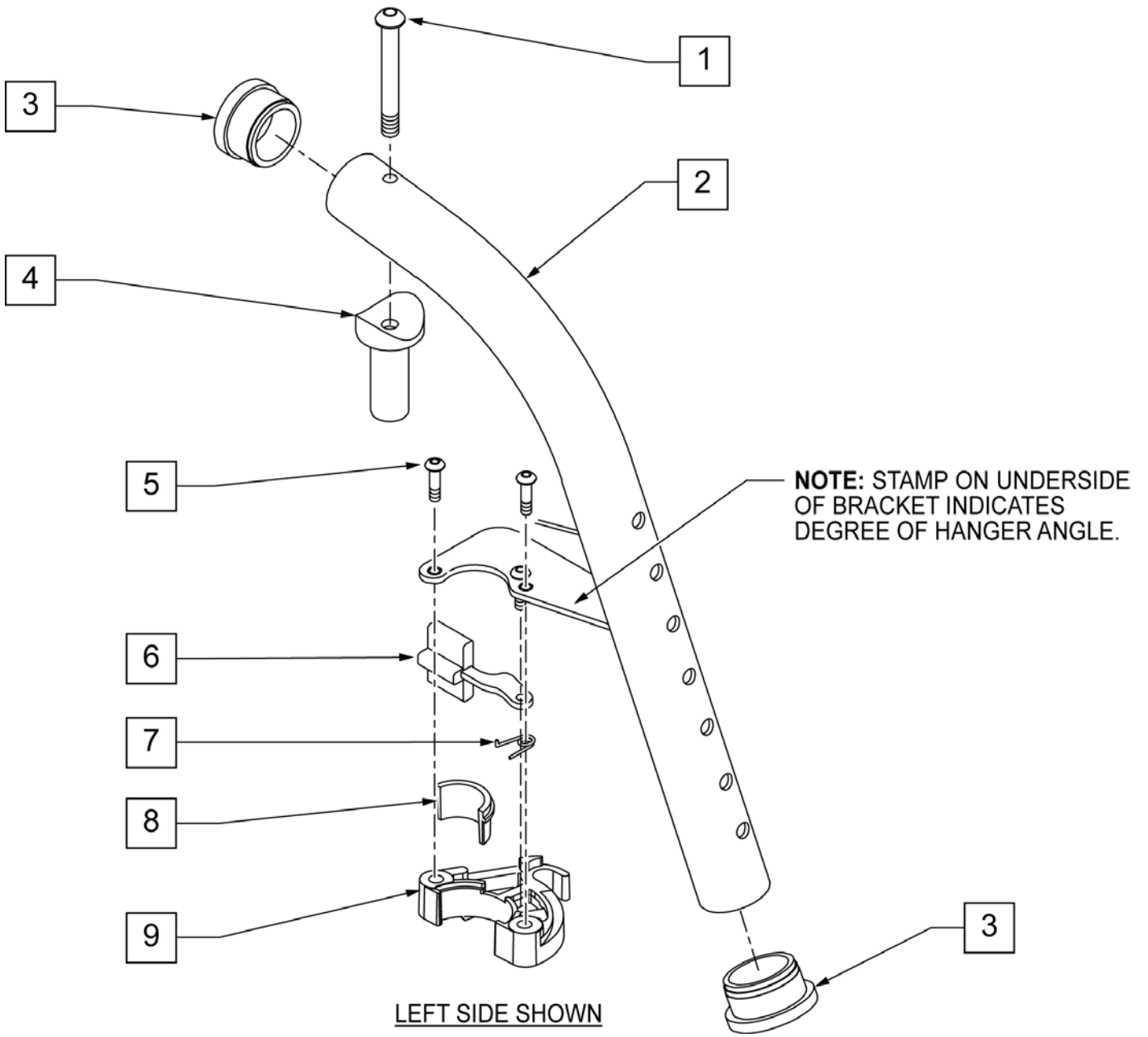
Pos.	Item Number	Description	Remarks
6	106945	1/4 SAE WASHER	
7	541002	FOOTREST MOUNTING BRACKET - 3/8" RADIUS	RIGHT
7	541003	FOOTREST MOUNTING BRACKET - 3/8" RADIUS	LEFT
8*	561055	3/4" SADDLE 1" OD	
9	106944	1/4 AN WASHER FLAT THIN	
10	106941	1/4-28 AUTOMATION NUT	
1-7,9,10	828850	KIDS ANGLE ADJ FOOTPLATE EXT MNT 10" R	RIGHT
1-7,9,10	828851	KIDS ANGLE ADJ FOOTPLATE EXT MNT 10" L	LEFT
1-7,9,10	828852	KIDS ANGLE ADJ FOOTPLATE EXT MNT 11" R	RIGHT
1-7,9,10	828853	KIDS ANGLE ADJ FOOTPLATE EXT MNT 11" L	LEFT
1-7,9,10	828854	KIDS ANGLE ADJ FOOTPLATE EXT MNT 12" R	RIGHT
1-7,9,10	828855	KIDS ANGLE ADJ FOOTPLATE EXT MNT 12" L	LEFT
1-7,9,10	828856	KIDS ANGLE ADJ FOOTPLATE EXT MNT 13" R	RIGHT
1-7,9,10	828857	KIDS ANGLE ADJ FOOTPLATE EXT MNT 13" L	LEFT
1-7,9,10	828858	KIDS ANGLE ADJ FOOTPLATE EXT MNT 14" R	RIGHT
1-7,9,10	828859	KIDS ANGLE ADJ FOOTPLATE EXT MNT 14" L	LEFT
1-7,9,10	828860	KIDS ANGLE ADJ FOOTPLATE EXT MNT 15" R	RIGHT
1-7,9,10	828861	KIDS ANGLE ADJ FOOTPLATE EXT MNT 15" L	LEFT
1-7,9,10	828862	KIDS ANGLE ADJ FOOTPLATE EXT MNT 16" R	RIGHT
1-7,9,10	828863	KIDS ANGLE ADJ FOOTPLATE EXT MNT 16" L	LEFT
1-7,9,10	921280	KIDS ANGLE ADJ FOOTPLATE EXT MNT 10"	PAIR
1-7,9,10	921281	KIDS ANGLE ADJ FOOTPLATE EXT MNT 11"	PAIR
1-7,9,10	921282	KIDS ANGLE ADJ FOOTPLATE EXT MNT 12"	PAIR
1-7,9,10	921283	KIDS ANGLE ADJ FOOTPLATE EXT MNT 13"	PAIR
1-7,9,10	921284	KIDS ANGLE ADJ FOOTPLATE EXT MNT 14"	PAIR
1-7,9,10	921285	KIDS ANGLE ADJ FOOTPLATE EXT MNT 15"	PAIR
1-7,9,10	921286	KIDS ANGLE ADJ FOOTPLATE EXT MNT 16"	PAIR

NOTE: * FOR ORDERING INFORMATION, PLEASE SEE "PLATFORM FLIP-UP FOOTREST REFERENCE GUIDE" ATTACHED.

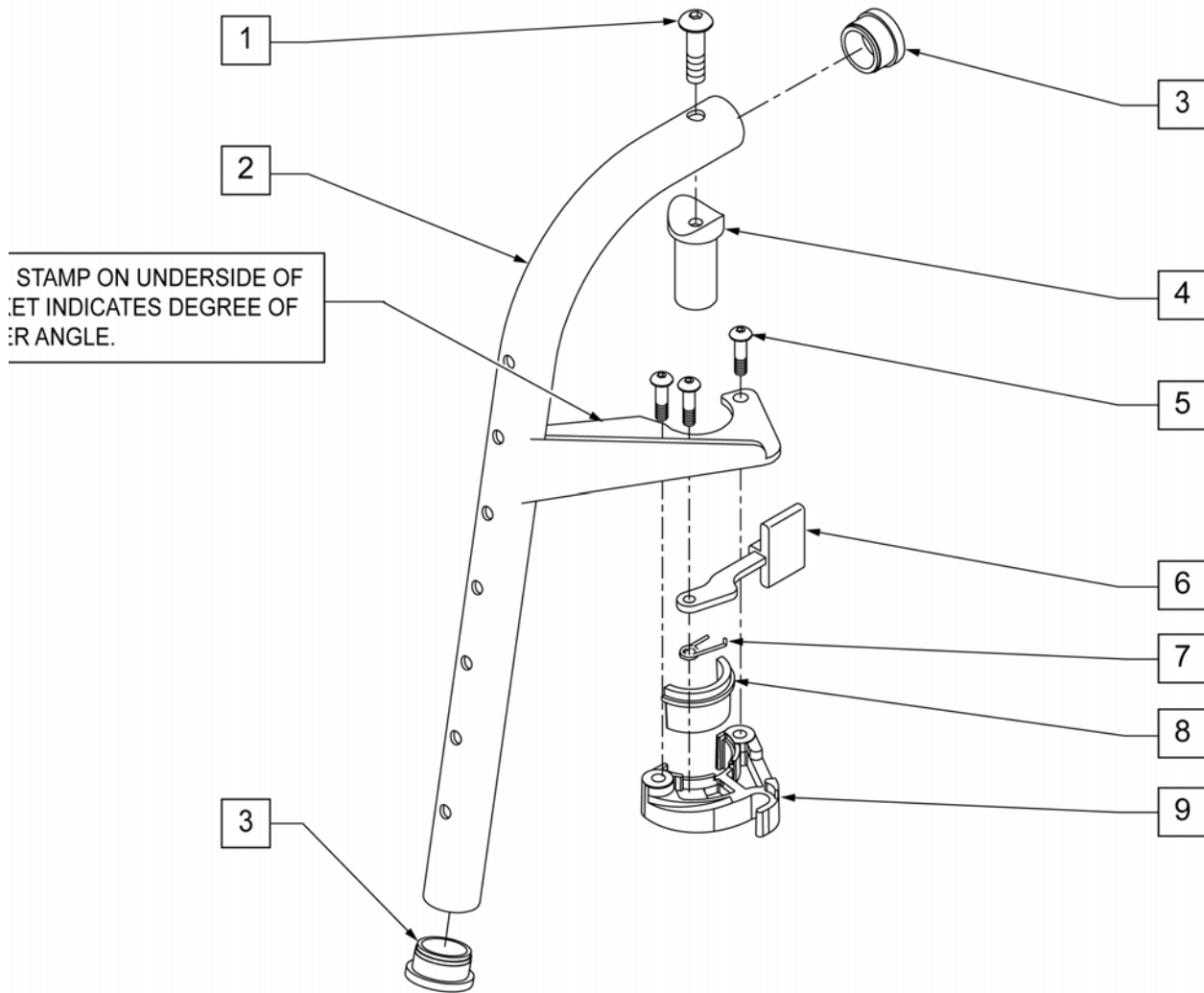


Pos.	Item Number	Description	Pos.	Item Number	Description
1	106944	1/4 AN WASHER FLAT THIN	9B	550829	EXT TUBE F/UP KEY ONLY MED
2	106941	1/4-28 AUTOMATION NUT	10C	550827	EXT TUBE F/UP SLT ONLY LONG
3	106978	FHCS 1/4-28 X 7/8 ROHS	10A	550825	EXT TUBE F/UP SLT ONLY SHORT
4	500650	PLATFORM F/PLT 6" x 5 1/2"	10B	550826	EXT TUBE F/UP SLT ONLY MED
4	500651	PLATFORM F/PLT 8" x 5 1/2"	11	561003	3/4" SADDLE THIN
4	500652	PLATFORM F/PLT 10" x 5 1/2"	12	561034	SHORT DOME PLUG
4	500653	PLATFORM F/PLT 12" x 5 1/2"	14	106964	1/4-28 x 2 BH C/S
4	500654	PLATFORM F/PLT 14" x 5 1/2"	15	550351	PLATFORM FOOTPLATE CLAMP
5	113221	PLUD DOUBLE D EXT TUBE	16	226131	1/4-28 x 1 1/4 BH C/S SHLDR
6	540410	F/UP FOOTREST KEY STUD D2	17	483717	HANGER SADDLE
7	262137	3/8 WASHER CURVED	18	221102	1/4-28 x 3/4 HEX C/S
8	505078	FOOTREST RETAINING BRACKET	19	500078	INSERT D2 EXT TUBE
9C	550830	EXT TUBE F/UP KEY ONLY LONG	5,10A, 17-19	921742	EXT TBE F/UP SLT SHT ASSM PCKT
9A	550828	EXT TUBE F/UP KEY ONLY SHORT	5,10B, 17-19	921743	EXT TBE F/UP SLT MED ASSM PCKT

Pos.	Item Number	Description	Pos.	Item Number	Description
5,10C, 17-19	921744	EXT TBE F/UP SLT LNG ASSM PCKT	1-4,6-8, 11-16	900307	PLATFM F/P F/PLT BLK 13" ASSM D2
5,9A, 17-19	921745	EXT TBE F/UP KEY SHT ASSM PCKT	1-4,6-8, 11-16	900308	PLATFM F/P F/PLT BLK 14" ASSM D2
5,9B, 17-19	921746	EXT TBE F/UP KEY MED ASSM PCKT	1-4,6-8, 11-16	900309	PLATFM F/P F/PLT BLK 15" ASSM D2
5,9C, 17-19	921747	EXT TBE F/UP KEY LNG ASSM PCKT	1-4,6-8, 11-16	900310	PLATFM F/P F/PLT BLK 16" ASSM D2
5,9A,10A, 17-19	921269	S/A EXT TUBE D2 SHT PLTFRM BLK	1-4,6-8, 11-16	900311	PLATFM F/P F/PLT BLK 17" ASSM D2
5,9B,10B, 17-19	921267	S/A EXT TUBE D2 MED PLTFRM BLK	1-4,6-8, 11-16	900312	PLATFM F/P F/PLT BLK 18" ASSM D2
5,9C,10C, 17-19	921268	S/A EXT TUBE D2 LNG PLTFRM BLK	1-4,6-8, 11-16	900313	PLATFM F/P F/PLT BLK 19" ASSM D2
1-4,6-8, 11-16	900304	PLATFM F/P F/PLT BLK 10" ASSM D2	1-4,6-8, 11-16	900314	PLATFM F/P F/PLT BLK 20" ASSM D2
1-4,6-8, 11-16	900305	PLATFM F/P F/PLT BLK 11" ASSM D2	1-4,6-8, 11-16	900315	PLATFM F/P F/PLT BLK 21" ASSM D2
1-4,6-8, 11-16	900306	PLATFM F/P F/PLT BLK 12" ASSM D2	1-4,6-8, 11-16	900316	PLATFM F/P F/PLT BLK 22" ASSM D2

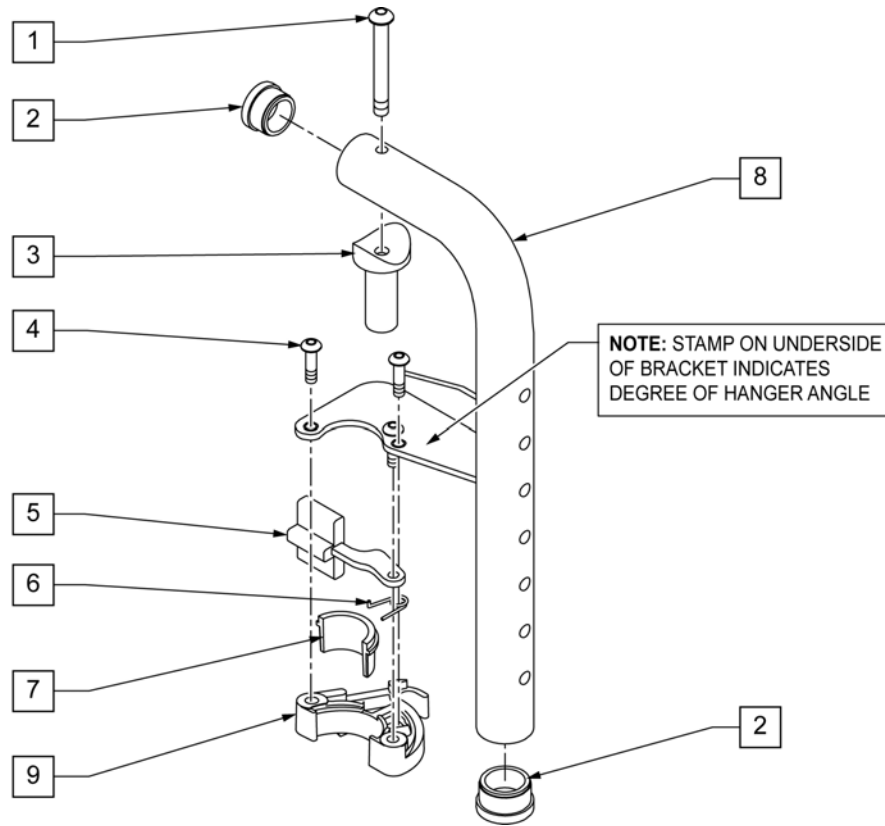


Pos.	Item Number	Description	Remarks
1	226217	5/16-18 x 2 BH C/S BLK	
3	561002	1" INSERT PLUG .083	
4	561197	PLASTIC PIVOT SADDLE	
5	226057	10/24 x .725 BTTN HD SOC BZ	
6	561079	S/A LATCH LEVER	
7	321136	S/A SPRING L RED	LEFT
7	321137	S/A SPRING R CLEAR	RIGHT
8,9	881500	LATCH BLOCK ASSM R	RIGHT
8,9	881501	LATCH BLOCK ASSM L	LEFT
1-9	641142S	HANGER 70D R PNTD S/A F/MT	RIGHT
1-9	641143S	HANGER 70D L PNTD S/A F/MT	LEFT
5-9	881521	S/A LATCH KIT CASTING	RIGHT
5-9	881522	S/A LATCH KIT CASTING	LEFT



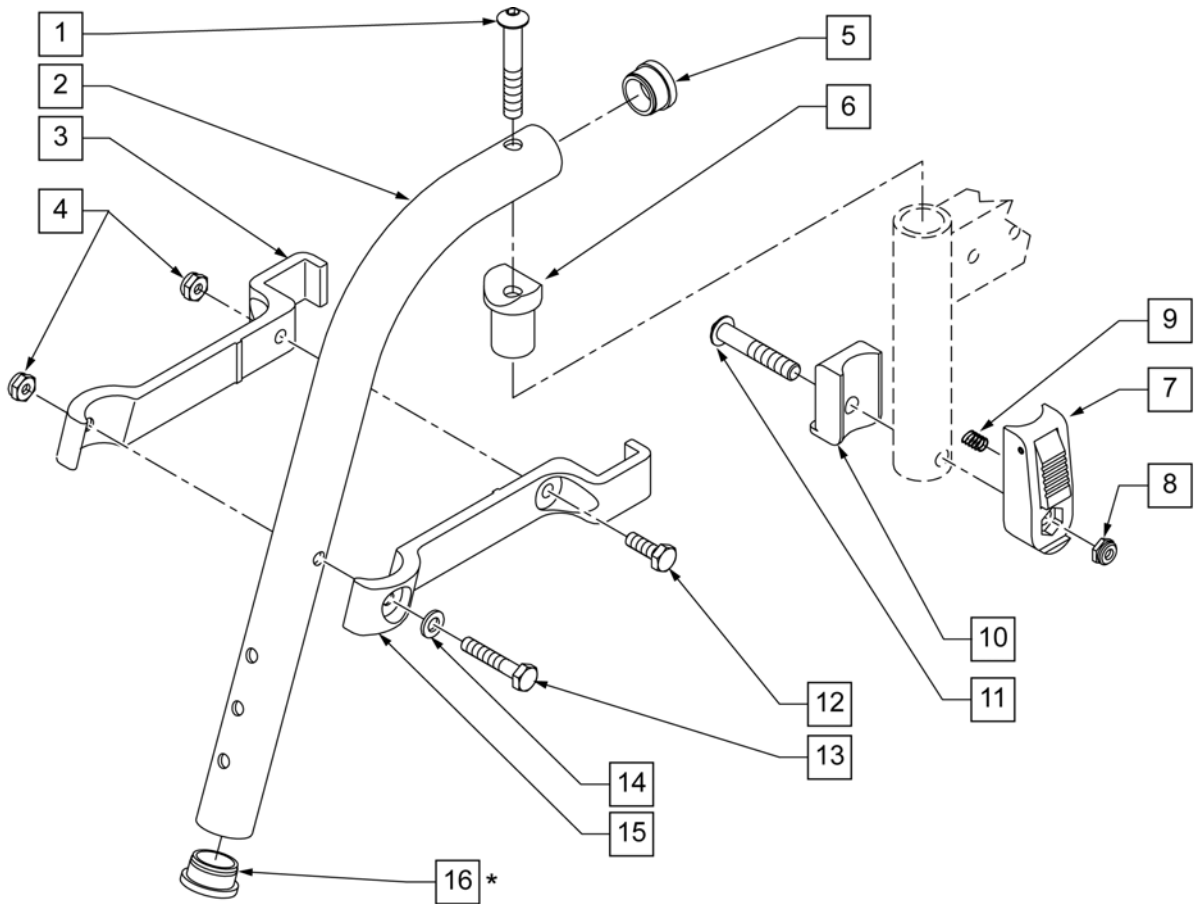
Pos.	Item Number	Description	Remarks
1	226217	5/16-18 x 2 BH C/S BLK	
3	561002	1" INSERT PLUG .083	
4	561197	PLASTIC PIVOT SADDLE	
5	226057	10/24 x .725 BTTN HD SOC BZ	
6	561079	S/A LATCH LEVER	
7	321136	S/A SPRING L RED	LEFT
7	321137	S/A SPRING R CLEAR	RIGHT
8,9	881500	LATCH BLOCK ASSM R	RIGHT
8,9	881501	LATCH BLOCK ASSM L	LEFT
1-9	641144S	HANGER 80D R PNTD S/A F/MT	RIGHT
1-9	641145S	HANGER 80D L PNTD S/A F/MT	LEFT
5-9	881521	S/A LATCH KIT CASTING	RIGHT
5-9	881522	S/A LATCH KIT CASTING	LEFT

NOTE: DISCONTINUED ON LX/LXI 10/24/2008 -PARTS ONLY FOR CHAIRS BUILT PRIOR TO SERIAL NUMBER LX-034330.



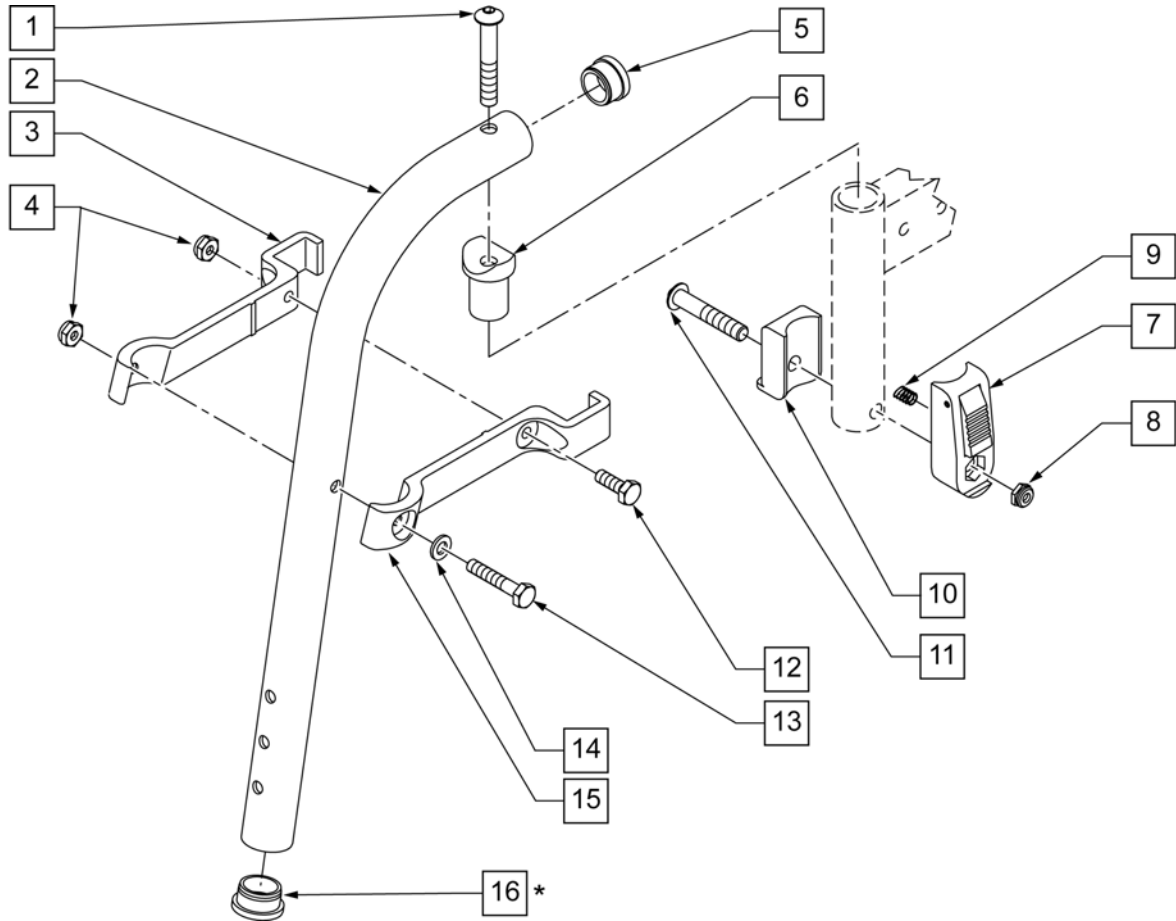
Pos.	Item Number	Description	Remarks
1	226217	5/16-18 x 2 BH C/S BLK	
2	561002	1" INSERT PLUG .083	
3	561197	PLASTIC PIVOT SADDLE	
4	226057	10/24 x .725 BTTN HD SOC BZ	
5	561079	S/A LATCH LEVER	
6	321136	S/A SPRING L RED	LEFT
6	321137	S/A SPRING R CLEAR	RIGHT
1,3	880545	PIVOT SADDLE .125 W/SCREW	
7,9	881500	LATCH BLOCK ASSM R	RIGHT
7,9	881501	LATCH BLOCK ASSM L	LEFT
1-9	641556S	HANGER 90D R PNTD S/A	RIGHT
1-9	641557S	HANGER 90D L PNTD S/A	LEFT
5-9	881521	S/A LATCH KIT CASTING	RIGHT
5-9	881522	S/A LATCH KIT CASTING	LEFT

NOTE: * ORDER ITEM 16 WHEN NOT USING FOOTREST EXTENSION.



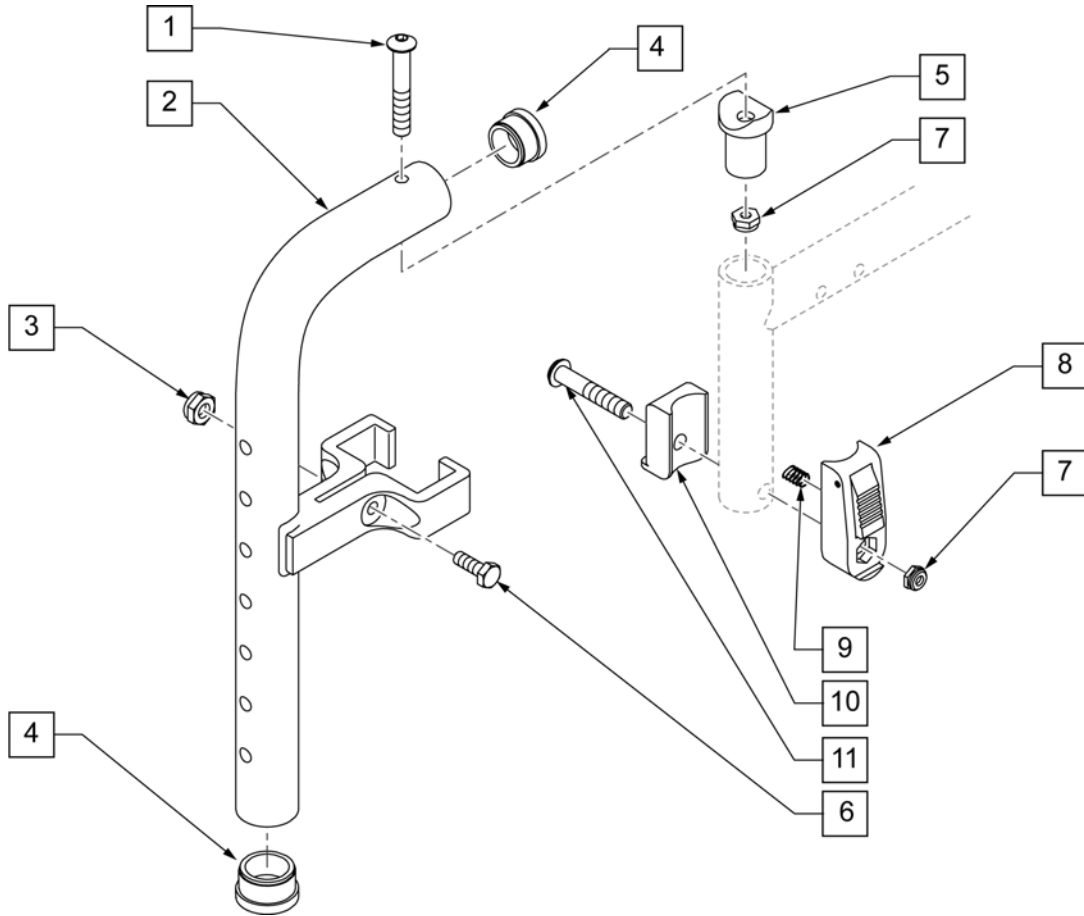
Pos.	Item Number	Description	Remarks
1	106983	BHCS 5/16 -18 x 2 SHLDR ROHS	
3	550152	T45 HANGER BRACKET 70ø R	
4	106935	NUT NYLOCK THIN 1/4 -28 ROHS	
5	561002	1" INSERT PLUG .083	
6	561197	PLASTIC PIVOT SADDLE	
7	880053	FOOTREST BLOCK T45	
8	202117	5/16-18 NYLOCK NUT THICK BLK	
9	321141	.650 x 6 COIL SPRING	
10	560684	T45 FOOTREST BLOCK RECESSED	
11	107029	BHCS 5/16 -18 x 1 5/8 SHLD ROHS	
12	107014	HHCS 1/4 -28 x 3/4 ROHS	
13	106971	HHCS 1/4 -28 x 1 3/8 ROHS	
14	106943	WASHER FLAT AN 1/4 ROHS	
15	550153	T45 HANGER BRACKET 70ø L	
16	561002	1" INSERT PLUG .083	ORDER WHEN NOT USING FOOTREST EXTENSION
7-11	920720	FOOTREST BLOCK ASSEMBLY W/BOLT HD	
1-6,12-15	641210S	HANGER 70D PNTD R HD	
1-6,12-15	641211S	HANGER 70D PNTD L HD	

NOTE: * ORDER ITEM 16 WHEN NOT USING FOOTREST EXTENSION.



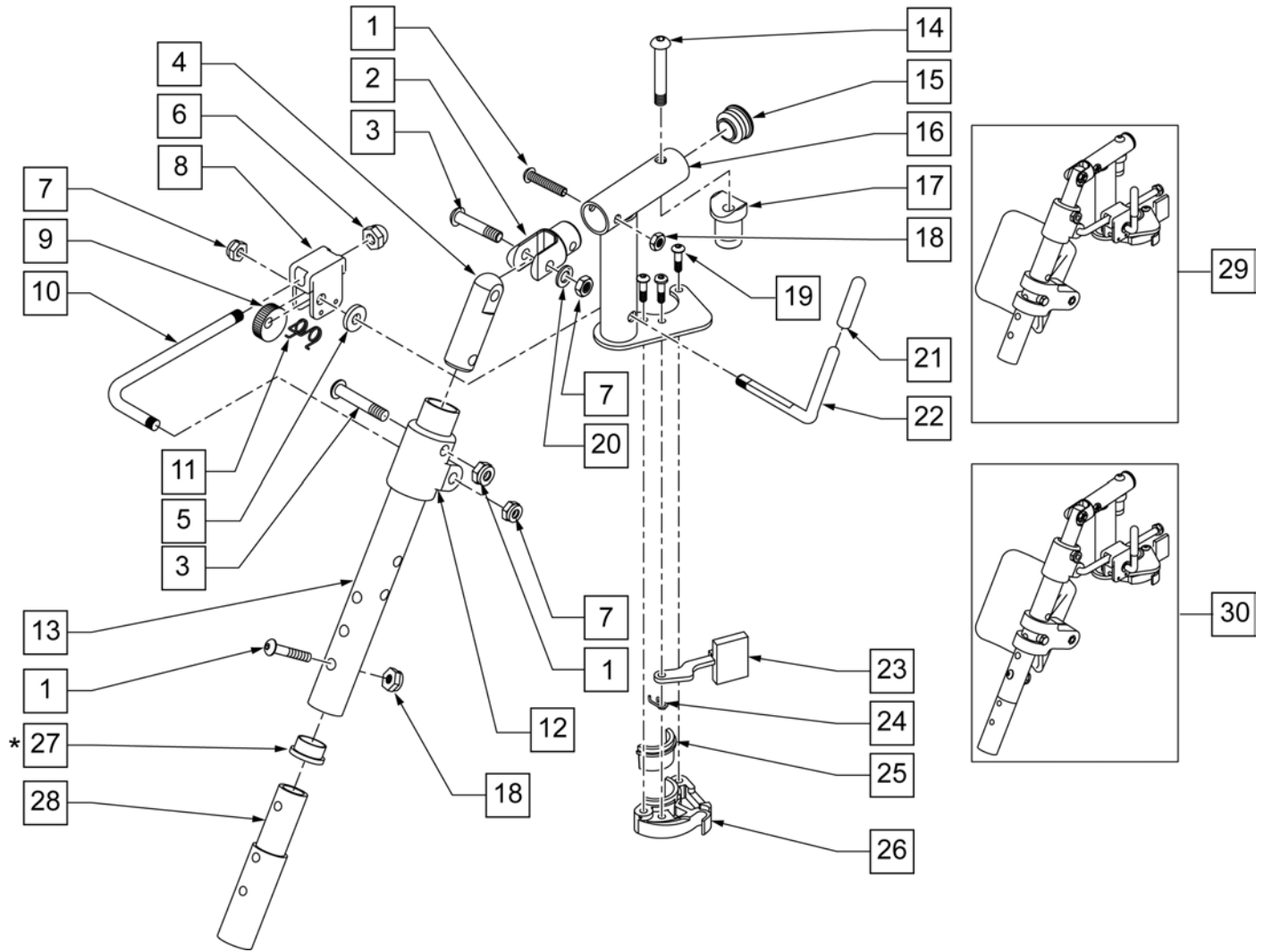
Pos.	Item Number	Description	Remarks
1	106983	BHCS 5/16 -18 x 2 SHLDR ROHS	
3	550154	T45 HANGER BRACKET 80° R	
4	106935	NUT NYLOCK THIN 1/4 -28 ROHS	
5	561002	1" INSERT PLUG .083	
6	561197	PLASTIC PIVOT SADDLE	
7	880053	FOOTREST BLOCK T45	
8	202117	5/16-18 NYLOCK NUT THICK BLK	
9	321141	.650L x 6 COIL SPRING	
10	560684	T45 FOOTREST BLOCK RECESSED	
11	107029	BHCS 5/16 -18 x 1 5/8 SHLD ROHS	
12	107014	HHCS 1/4 -28 x 3/4 ROHS	
13	106971	HHCS 1/4 -28 x 1 3/8 ROHS	
14	106943	WASHER FLAT AN 1/4 ROHS	
15	550155	T45 HANGER BRACKET 80° L	
16	561002	1" INSERT PLUG .083	ORDER WHEN NOT USING FOOTREST EXTENSION
7-11	920720	FOOTREST BLOCK ASSEMBLY W/BOLT HD	
1-6,12-15	641200S	HANGER 80D PNTD R HD	
1-6,12-15	641201S	HANGER 80D PNTD L HD	

NOTE: THIS HANGER HAS BEEN TESTED AND APPROVED FOR OCCUPANTS THAT WEIGH LESS THAN 150 POUNDS.



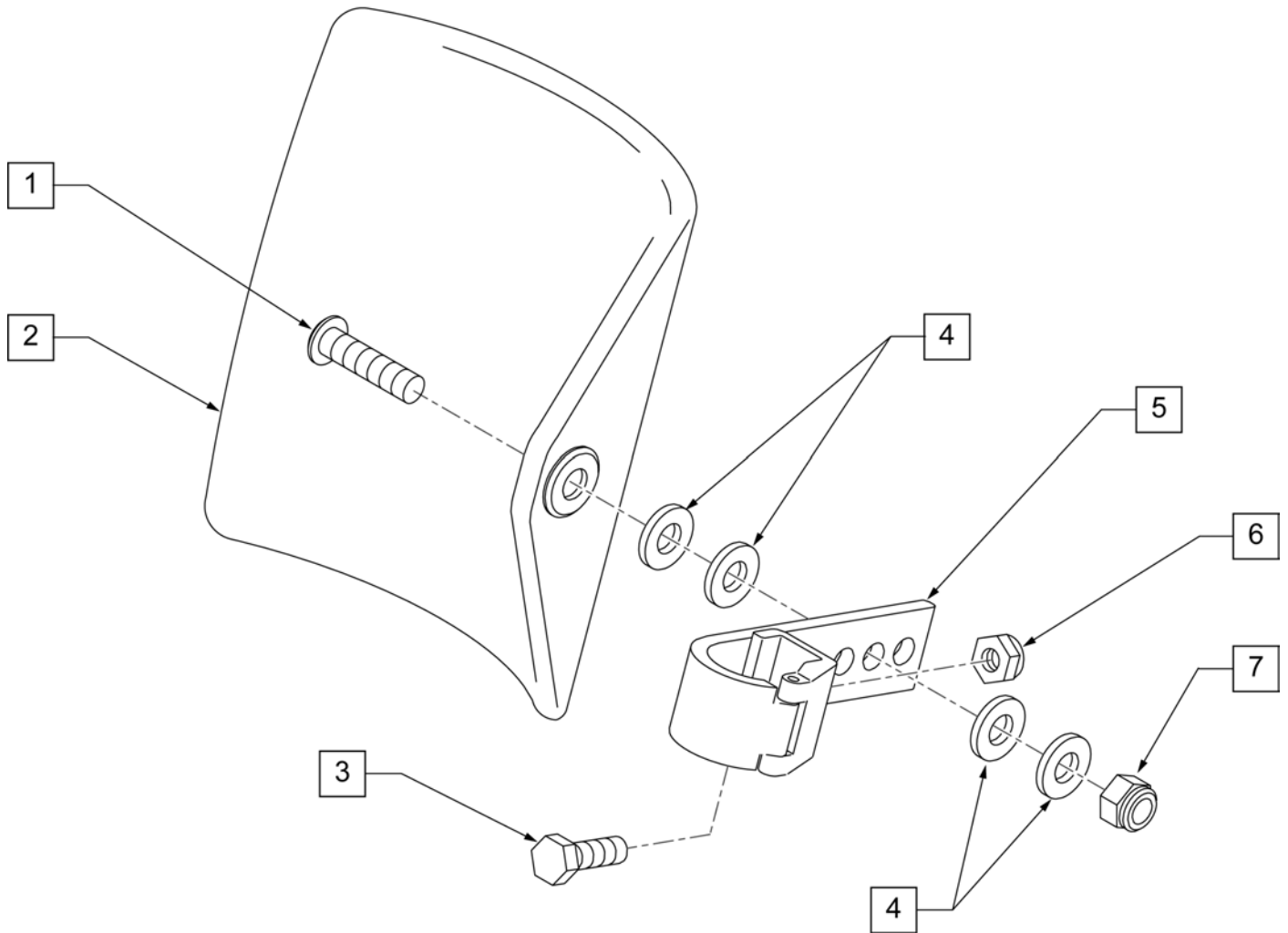
Pos.	Item Number	Description
1	106983	BHCS 5/16 -18 x 2 SHLDR ROHS
3	106935	NUT NYLOCK THIN 1/4 -28 ROHS
4	561002	1" INSERT PLUG .083
5	561197	PLASTIC PIVOT SADDLE
6	107013	HHCS 1/4 -28 x 5/8 ROHS
7	880053	FOOTREST BLOCK T45
8	202117	5/16-18 NYLOCK NUT THICK BLK
9	321141	.650L x 6 COIL SPRING
10	560684	T45 FOOTREST BLOCK RECESSED
11	107029	BHCS 5/16 -18 x 1 5/8 SHLD ROHS
7-11	920720	FOOTREST BLOCK ASSM W/BOLT HD
1-7	885005S	90 DEG F/D H/D L/O HNGR ASSM PNTD

* NOTE: Order Item 27 (561002) when NOT using Footrest Extension.

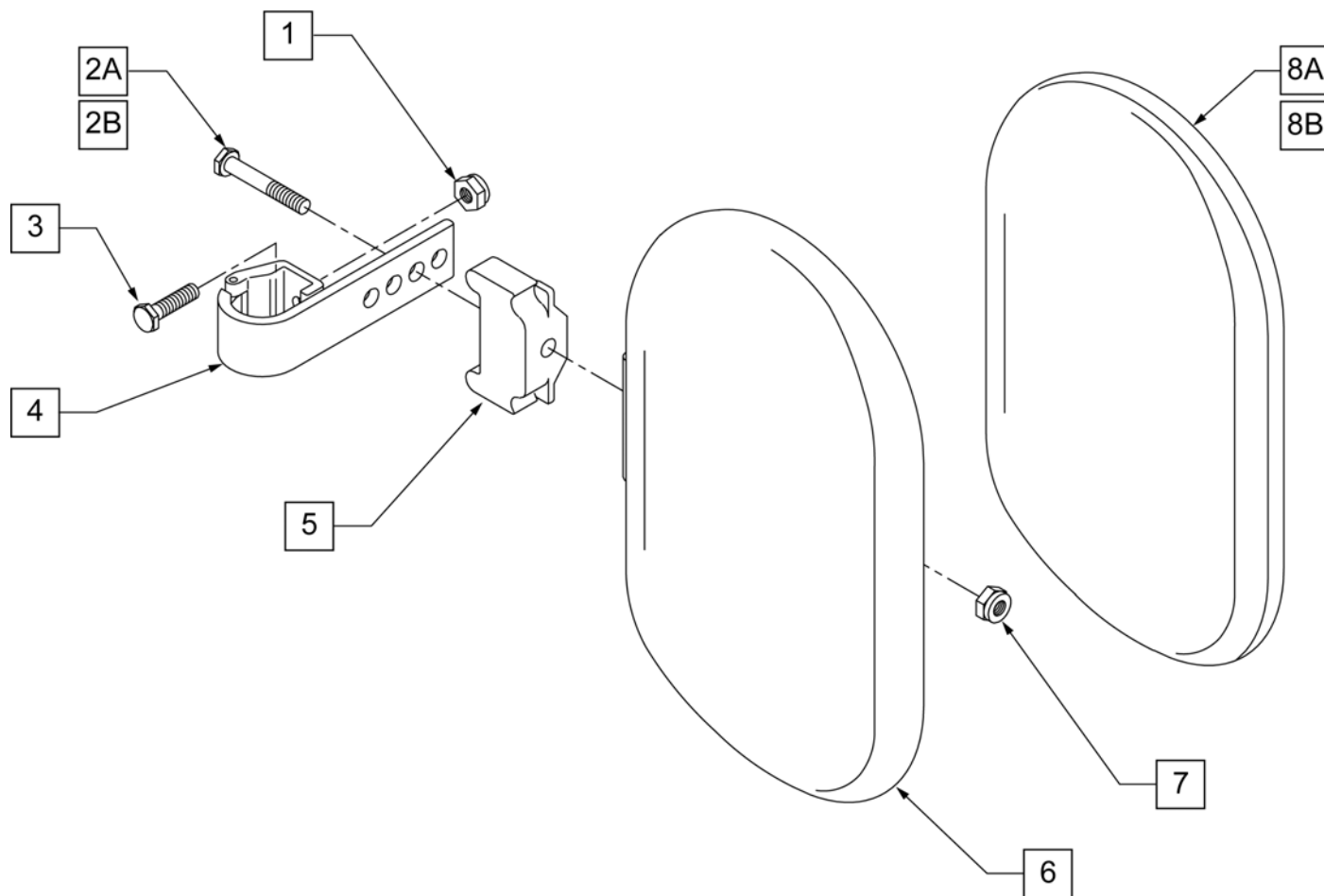


Pos.	Item Number	Description	Remarks
1	107027	BHCS 1/4-28 X 1-1/4 SHLDR ROHS	
2	505281	ELR CLEVIS	
3	107037	BHCS 5/16-24 X 1-1/2 SHLD ROHS	
4	540252	ELR PIVOT PRS	
5	561059	3/4 OD x .318 ID WASHER	
6	202109	5/16-24 ACORN NUT HEX	
7	106939	NUT NYLOCK THIN 5/16-24 ROHS	
8	880990	ELR LOCK HOUSING W/PIN	
9	481119	ELR CAM LOCKING POWDERED METAL	
10	481505	ELR LOCK ROD 90D	
11	321106	ELR TORSION SPRING	
12	560430	ELR ROD UPPER PIVOT	
13	505097S	ELR KIDS TUBE	SPECIFY COLOR
14	106983	BHCS 5/16-18 X 2 SHLDR ROHS	

Pos.	Item Number	Description	Remarks
15	561062	1" INSERT PLUG .065 RIBS	
17	561197	PLASTIC PIVOT SADDLE	
18	106935	NUT NYLOCK THIN 1/4-28 ROHS	
19	107035	BHCS 10-24 X .725 PL ROHS	
20	263100	5/16 AN WASHER FLAT	
21	561049	ELR RELEASE ROD COVER	
23	561079	S/A LATCH LEVER	
24	321136	S/A SPRING L RED	
24	321137	S/A SPRING R CLEAR	
27	561002	1" INSERT PLUG .083	
29	923067S	ELR HNGR ASSM 90D W/PAD	PAIR
30	923068S	ELR HNGR ASSM 90D W/PAD 2" EXT	PAIR
1,18,28	881403	2" FTRST EXT TUBE W/HDWR ASSM	
25,26	881500	LATCH BLOCK ASSM R	RIGHT
25,26	881501	LATCH BLOCK ASSM L	LEFT
21,22	882411	ELR 90D ACTUATION ARM ASSM	
1-4,7,14-20,23-28	882413	ELR PIVOT BLOCK ASSM R	RIGHT
1-4,7,14-20,23-28	882414	ELR PIVOT BLOCK ASSM L	LEFT
1-26	641458S	ELR HNGR 90D W/O PAD PNTD R	RIGHT
1-26	641459S	ELR HNGR 90D W/O PAD PNTD L	LEFT
1-26,28	641468S	HANGER ELR 90 W/O PAD R 2" EXT	RIGHT
1-26,28	641469S	HANGER ELR 90 W/O PAD L 2" EXT	LEFT
19,23-26	881521	S/A LATCH KIT CASTING RIGHT	RIGHT
19,23-26	881522	S/A LATCH KIT CASTING LEFT	LEFT

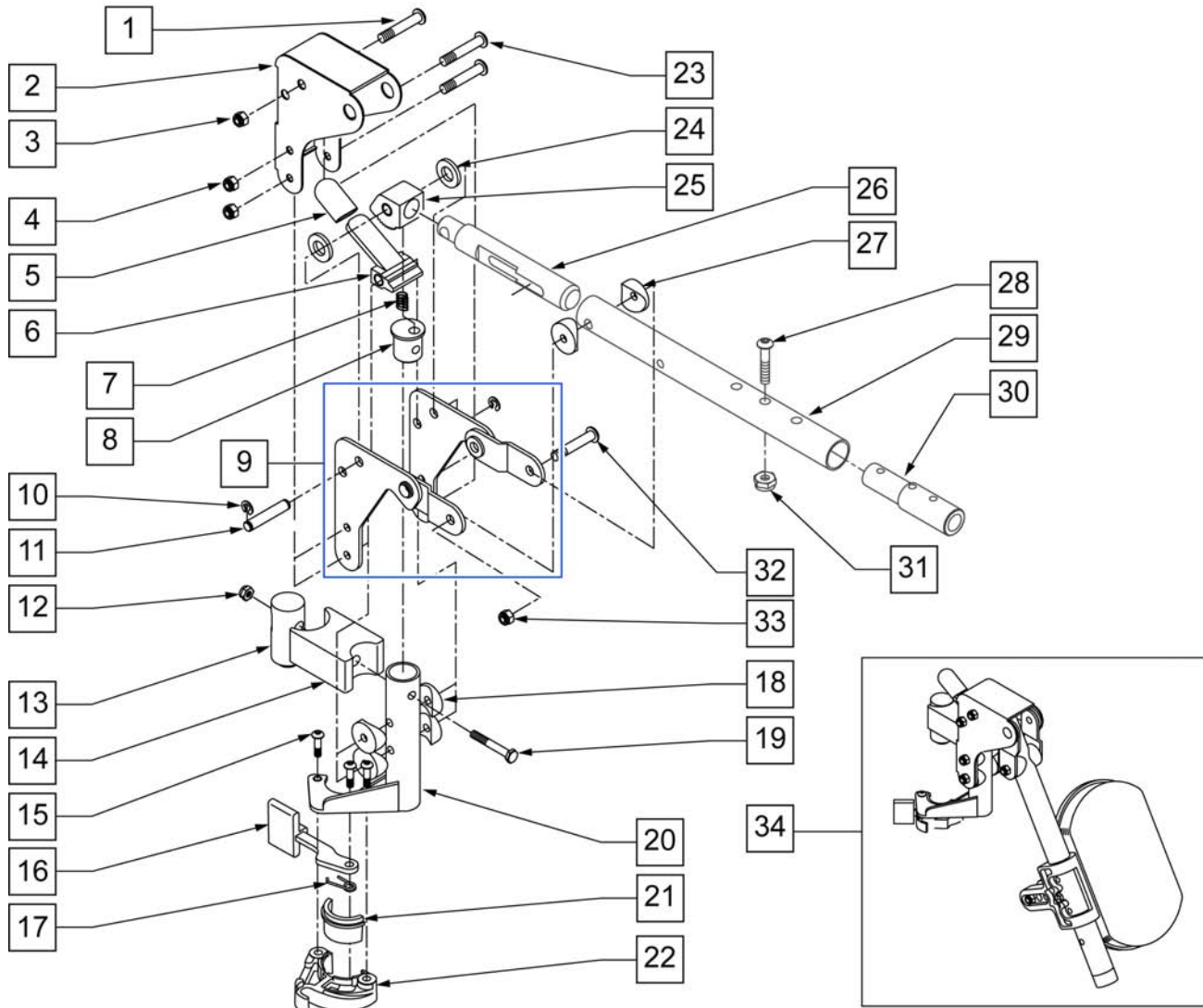


Pos.	Item Number	Description
1	106980	BHCS 5/16-18 X 1-1/4 ROHS
2	755014	CALF PAD TROUGH STYLE 14"/16"
3	107013	HHCS 1/4-28 X 5/8 ROHS
4	561016	1" WASHER 5/16" HOLE
5	881413	CALF PAD BRACKET ASSEMBLY
6	106934	NUT NYLOCK 1/4-28 ROHS
7	202117	5/16-18 NYLOCK NUT THICK BLK
1-7	881414	CALF PAD J-HOOK 14"-15" ASSEMBLY



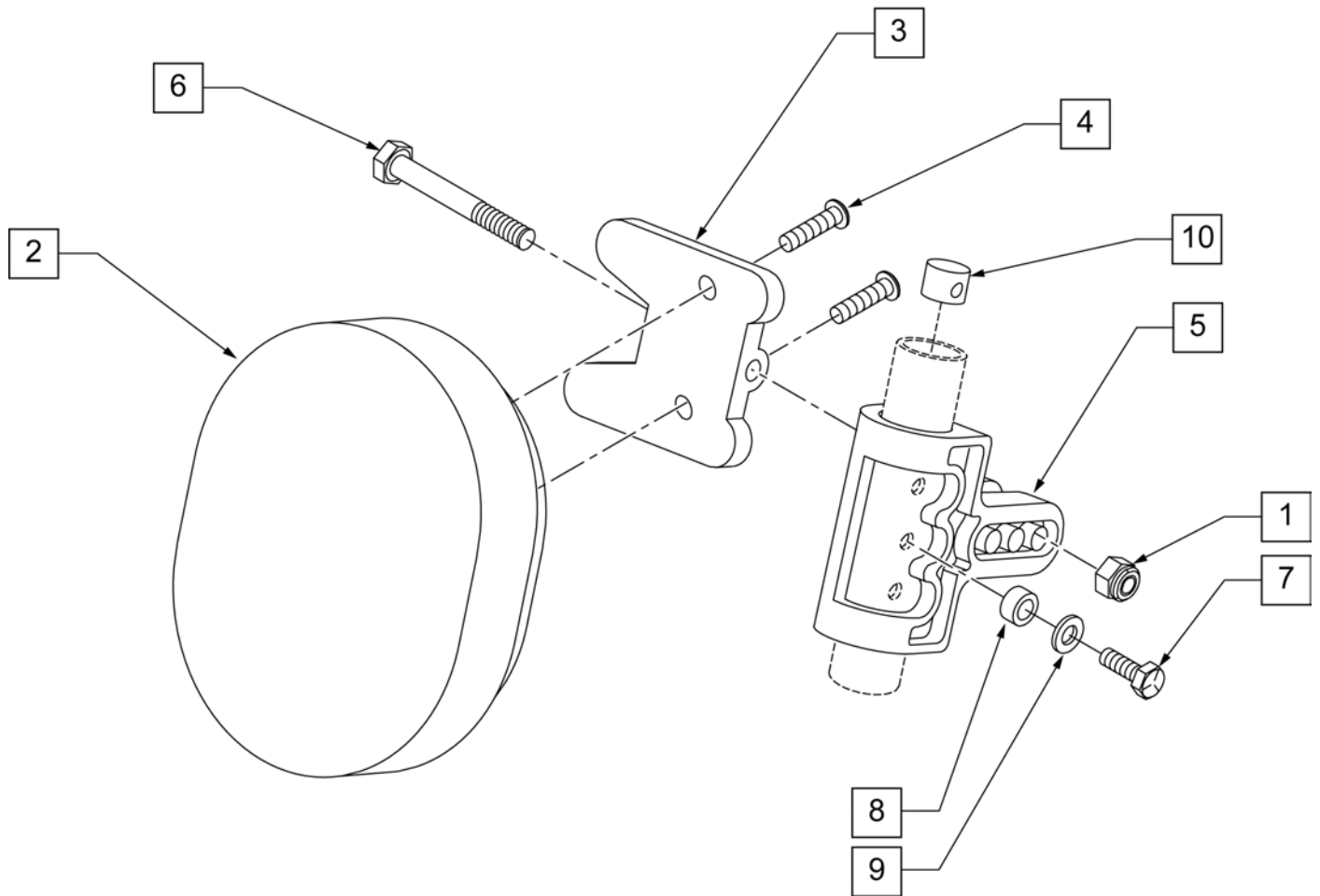
Pos.	Item Number	Description	Remarks
1	106934	NUT NYLOCK 1/4-28 ROHS	
2A	107018	HHCS 5/16-18 X 2-1/2 ROHS	16"-17" wide only
2B	107019	HHCS 5/16-18 X 3-1/2 ROHS	18"-20" wide only
3	107013	HHCS 1/4-28 X 5/8 ROHS	
4	881413	CALF PAD BRACKET ASSEMBLY	
5	560199	ELR CALF HINGE SPACER	18"-20" wide only
6	560108	CALF PAD MOLDED 16"-20"	
7	106936	NUT NYLOCK 5/16-18 ROHS	
8A	751045	CALF PAD COVER	
8B	751046	CALF PAD COVER (BREEZY)	
1,2A,3,4,6,7	881416	CALF MOLDED 16"-17" ASSEMBLY	
1,2B,3-7	881412	CALF PAD MOLDED 18"-20" ASSEMBLY	

NOTE: WHEN USING AN ARTICULATING LEGREST ASSEMBLY, THE PULL-TO-LOCK WHEEL LOCK MUST BE USED.

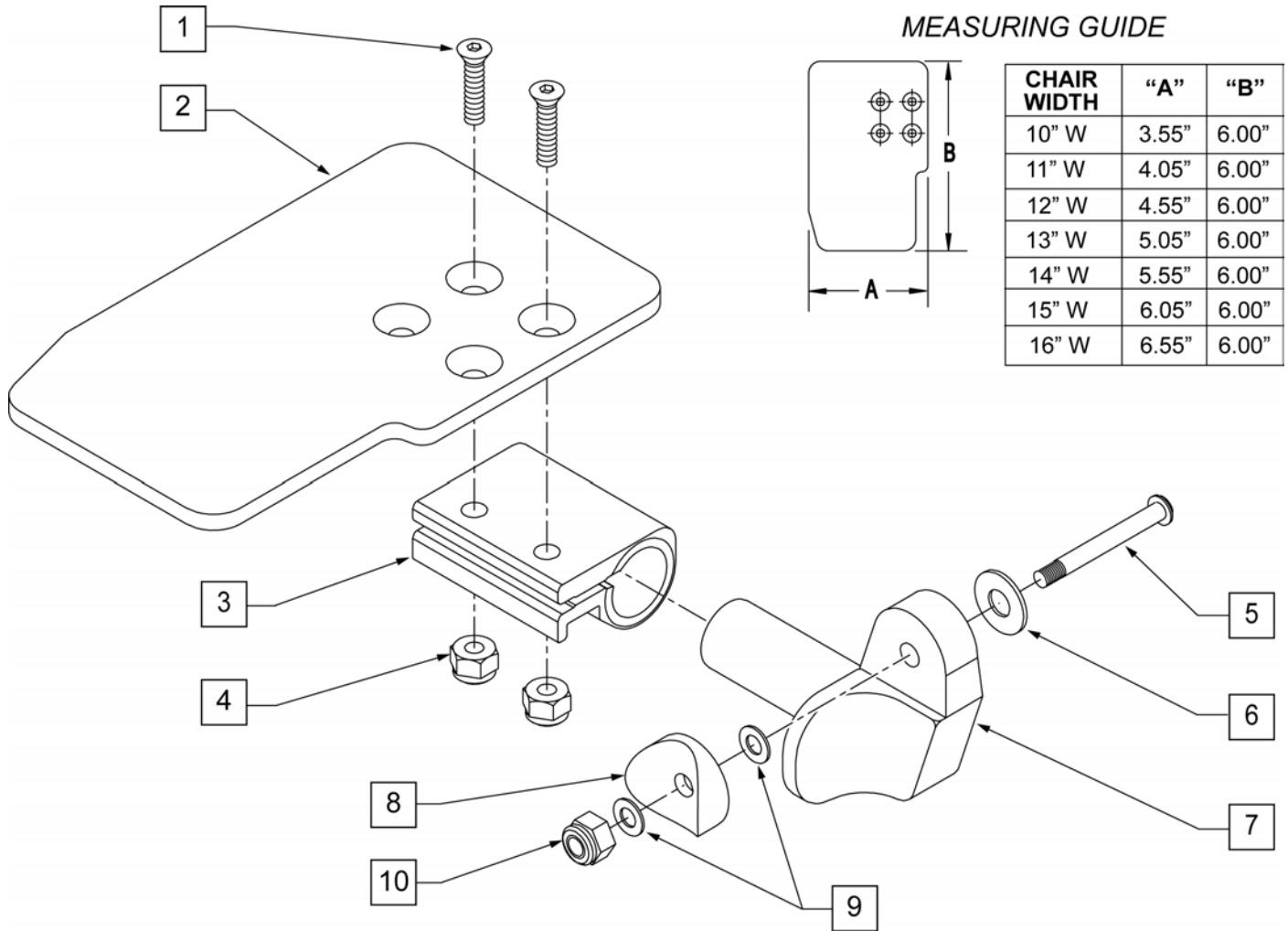


Pos.	Item Number	Description	Remarks
1	106983	5/16-18 x 2 BH C/S SHT THREAD	
2	560720	ALR COVER STD	
3	106937	5/16-18 NYLOCK NUT THIN	
4	106935	NUT NYLOCK THIN 1/4-28 ROHS	
5	560501	ALR RELEASE LEVER COVER	
6	505902	ALR RELEASE LEVER	
7	321141	650L x 6 COIL SPRING	
8	483060	ALR SPRING PLUG	
9	880526	ALR BRACKET W/LINK R	
9	880527	ALR BRACKET W/LINK L	
10	342000	1/4" E-CLIP	
11	481052	ALR RETAINING STUD	
12	106934	1/4-28 NYLOCK NUT	
13	500177	ALR PIVOT SADDLE .125	

Pos.	Item Number	Description	Remarks
14	500178	ALR PIVOT SADDLE BLOCK	
15	226057	10/24 x .725 BTTN HD SOC BZ	
16	561079	S/A LATCH LEVER	
17	321136	S/A SPRING R CLEAR	
17	321137	S/A SPRING R	
18	561004	1" SADDLE 1/4 HOLE	
19	107016	1/4-28 x 3 G8 HEX C/S	
20	882466	ALR S/A TUBE ASSM L	
20	882467	ALR S/A TUBE ASSM R	
23	106964	1/4-28 x 2 BH C/S	
24	561016	1" WASHER 5/16 HOLE	
25	505900	ALR RATCHET BLOCK	
26	483062	ALR RATCHET ROD	
27	561006	1" SADDLE 5/16" HOLE	
28	106961	1/4-28 x 1 1/4 BH C/S	
29	505025S	KIDS ALR LEGREST TUBE 11-13"	
30	500150	2" FOOTREST EXT TUBE	
31	106935	NUT NYLOCK THIN 1/4-28 ROHS	
32	226195	5/16-18 x 1.82 BH C/S	
33	106937	5/16-18 NYLOCK NUT THIN	
34	923053S	KIDS ALR HANGER ASSEM W/PAD	(PR) (SPECIFY COLOR)
28,30,31	881403	2" FTRST EXT TUBE W/HDWR ASSM	
21,22	881500	LATCH BLOCK ASSM R	
21,22	881501	LATCH BLOCK ASSM L	
1-31	641432S	KIDS ALR HNGR W/O PAD R 2" EXT	
1-31	641433S	KIDS ALR HNGR W/O PAD L 2" EXT	

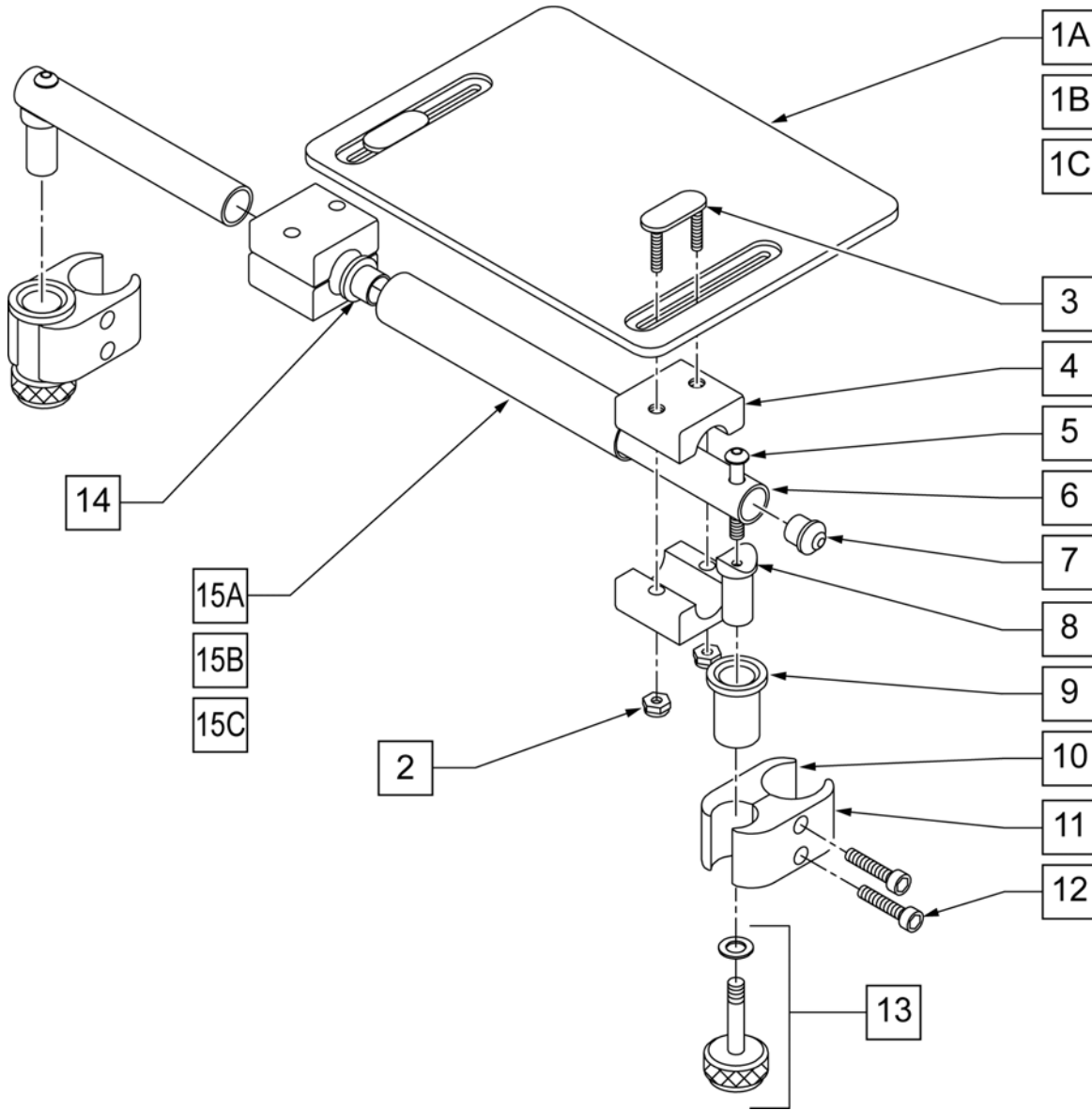


Pos.	Item Number	Description
1	106936	5/16-18 NYLOCK NUT THICK
2	755020	4 x 5 OVAL PAD
3	561096	ALR/ELR CALF PAD BRACKET
4	281181	1/4-20 x 3/4 PAN PHIL
5	561099	CALF CLAMP ALR
6	107019	HHCS 5/16-18 X 3-1/2 ROHS
7	107017	1/4-20 x 1 1/4 G8 HEX C/S
8	483027	1/4 x 1/4 ALUMINUM SPACER
9	262130	6mm WASHER WAVE
10	500151	KIDS ALR RETAINING PLUG
1-6	881401	KIDS ALR OVAL PAD W/BRACKET
1-10	881402	KIDS ALR OVAL PAD ASSEMBLY (EA)



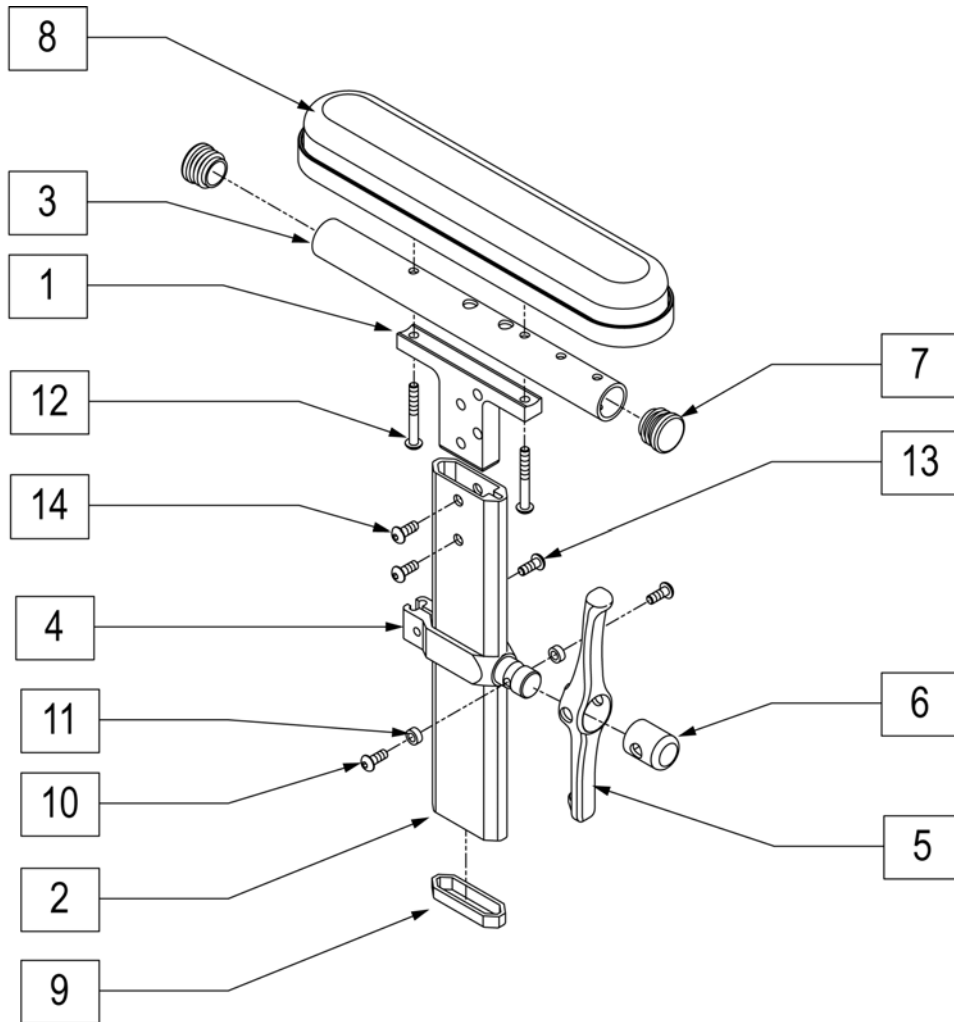
Pos.	Item Number	Description	Remarks	Pos.	Item Number	Description	Remarks
1	106978	FHCS 1/4-28 X 7/8 ROHS		8	561004	1 SADDLE 1/4 HOLE	
2	500635	KIDS ANGL ADJ F/PLT 10	RIGHT	9	106943	WASHER FLAT THIN AN 1/4	
2	500636	KIDS ANGL ADJ F/PLT 10	LEFT	10	106941	NUT AUTOMATION 1/4-28 ROHS	
2	500637	KIDS ANGL ADJ F/PLT 11	RIGHT	1-10	828821	KIDS ANG ADJ F/PLT ASSM 10	RIGHT
2	500638	KIDS ANGL ADJ F/PLT 11	LEFT	1-10	828822	KIDS ANG ADJ F/PLT ASSM 10	LEFT
2	500639	KIDS ANGL ADJ F/PLT 12	RIGHT	1-10	828823	KIDS ANG ADJ F/PLT ASSM 11	RIGHT
2	500640	KIDS ANGL ADJ F/PLT 12	LEFT	1-10	828824	KIDS ANG ADJ F/PLT ASSM 11	LEFT
2	500641	KIDS ANGL ADJ F/PLT 13	RIGHT	1-10	828825	KIDS ANG ADJ F/PLT ASSM 12	RIGHT
2	500642	KIDS ANGL ADJ F/PLT 13	LEFT	1-10	828826	KIDS ANG ADJ F/PLT ASSM 12	LEFT
2	500643	KIDS ANGL ADJ F/PLT 14	RIGHT	1-10	828827	KIDS ANG ADJ F/PLT ASSM 13	RIGHT
2	500644	KIDS ANGL ADJ F/PLT 14	LEFT	1-10	828828	KIDS ANG ADJ F/PLT ASSM 13	LEFT
2	500645	KIDS ANGL ADJ F/PLT 15	RIGHT	1-10	828829	KIDS ANG ADJ F/PLT ASSM 14	RIGHT
2	500646	KIDS ANGL ADJ F/PLT 15	LEFT	1-10	828830	KIDS ANG ADJ F/PLT ASSM 14	LEFT
2	500647	KIDS ANGL ADJ F/PLT 16	RIGHT	1-10	828831	KIDS ANG ADJ F/PLT ASSM 15	RIGHT
2	500648	KIDS ANGL ADJ F/PLT 16	LEFT	1-10	828832	KIDS ANG ADJ F/PLT ASSM 15	LEFT
3	550350	3/4 CLAMP ADJ FOOTPLATE		1-10	828833	KIDS ANG ADJ F/PLT ASSM 16	RIGHT
4	106935	NUT NYLOCK THIN 1/4-28 ROHS		1-10	828834	KIDS ANG ADJ F/PLT ASSM 16	LEFT
5	226147	1/4-28 X 1.85 BH C/S BLK ZN		1-10	921226	KIDS ANG ADJ F/PLT ASSM 10	PAIR
6	106945	WASHER FLAT SAE 1/4 ROHS		1-10	921227	KIDS ANG ADJ F/PLT ASSM 11	PAIR
7	541000	FTRST MOUNTING BRKT 1 RAD	RIGHT	1-10	921228	KIDS ANG ADJ F/PLT ASSM 12	PAIR
7	541001	FTRST MOUNTING BRKT 1 RAD	LEFT	1-10	921229	KIDS ANG ADJ F/PLT ASSM 13	PAIR

Pos.	Item Number	Description	Remarks	Pos.	Item Number	Description	Remarks
1-10	921230	KIDS ANG ADJ F/PLT ASSM 14	PAIR	1-10	921232	KIDS ANG ADJ F/PLT ASSM 16	PAIR
1-10	921231	KIDS ANG ADJ F/PLT ASSM 15	PAIR				



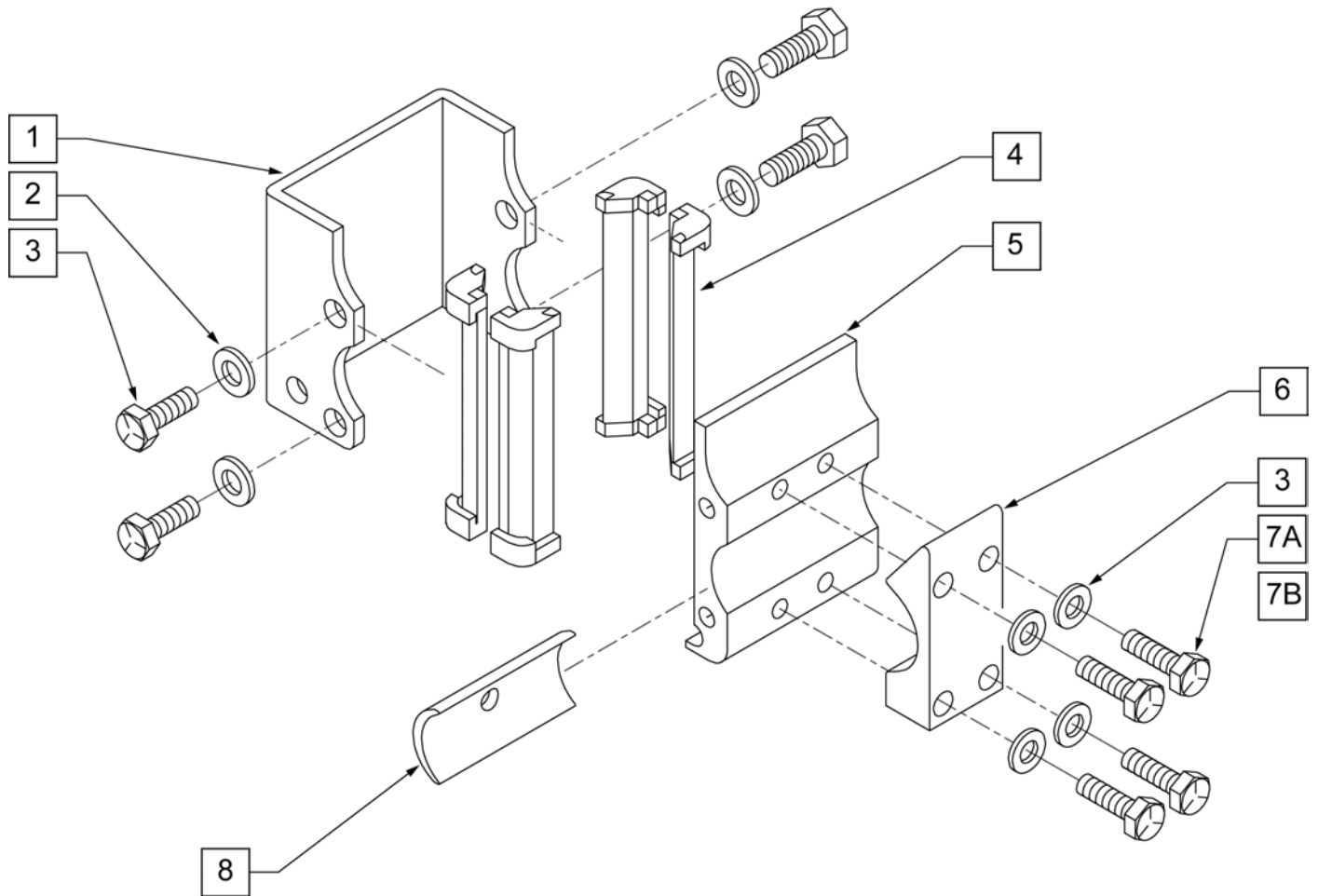
Pos.	Item Number	Description	Remarks
1A	562610	SLD FOOTPLATE ONLY 8" x 8" (10"-12" W)	10 -12" WIDE
1B	562612	SLD FOOTPLATE ONLY 10" x 8" (13"-14" W)	13 -14" WIDE
1C	500709	SLD FT PLT ALUM ONLY 12" x 8" (15"-16" W)	15 -16" WIDE
2	106933	NUT NYLOCK THIN 1/4-20 ROHS	
3	330120	SLD FT/ANGLE ADJ DOUBLE T BOLT	
4	550444	SOLID FOOT/ANG ADJ CLAMP BLK	
5	107028	BHCS 1/4-28 X 1-1/2 ROHS	
7	561034	SHORT DOME PLUG	
8	483236	SOLID FOOT INSERT SADDLE BLK	
10	550658	CLAMP 1 1/4" THREADED BLK	
11	550657	CLAMP 1 1/4" RECESS FULL BLK	
12	107032	SHCS 1/4-28 X 1 ROHS	
9,13	880559	SOLID FOOT LOCK KNOB ASSEMBLY	
14	560402	3/4" ID NY-LINER	

Pos.	Item Number	Description	Remarks
15A	521621	SLD FOOT SUPPORT TUBE BLK 10"-12"	10 -12" WIDE
15B	521622	SLD FOOT SUPPORT TUBE BLK 13"-14"	13 -14" WIDE
15C	521624	SLD FOOT SUPPORT TUBE BLK 15"-16"	15 -16" WIDE
5-8	880183	SLD FT PLT PIVOT TUBE SUB-ASSM	
1A,2-14, 15A	921801	SLD FT PLT ASSEMBLY 8" x 8" (10"-12" W)	10 -12" WIDE
1B,2-14, 15B	921803	SOLID FOOTPLATE ASSEMBLY 10" x 8" (13"-14" W)	13 -14" WIDE
1C,2-14, 15C	921805	SOLID FOOTPLATE ASSEMBLY 12" x 8" (15"-16" W)	15 -16" WIDE

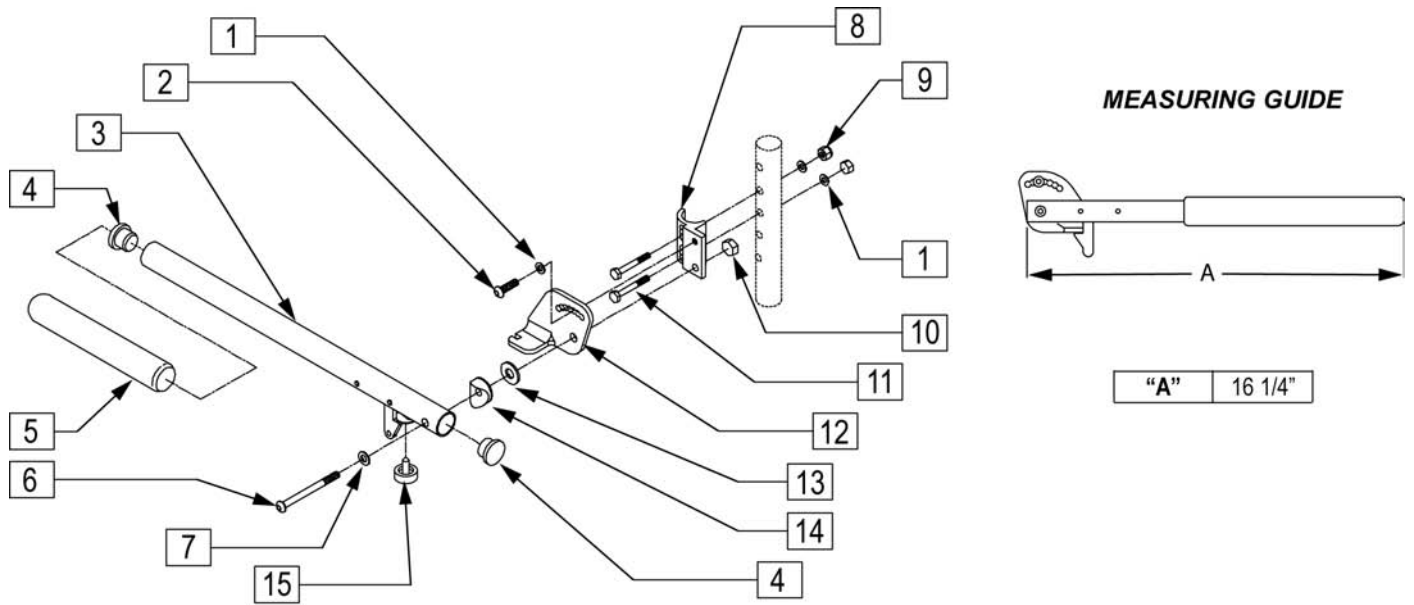


Pos.	Item Number	Description
8	561024	ARMREST PAD 10" DESK
12	226032-QU	10-32 X 1 1/2 BH C/S BLK
1-13	101445	FIXED HEIGHT ARMREST RT
1-13	101456	FIXED HGT ARMREST LFT Z-BOP

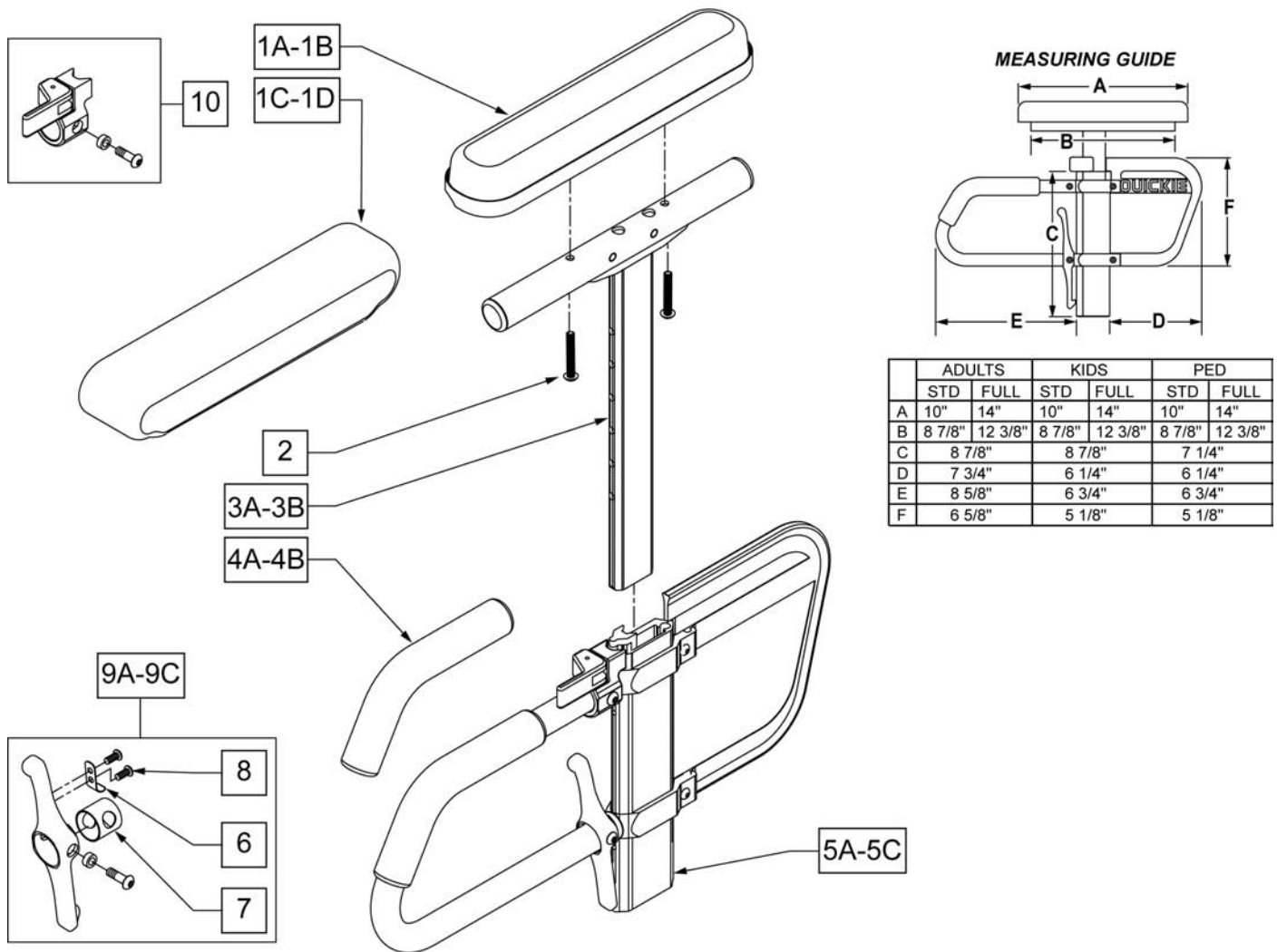
- NOTE: USED ON QUICKIE 2 CHAIRS W/ S/N PREFIX Q2..
- NOTE: USED ON ZIPPIE GS CHAIRS W/ S/N PREFIX ZGS & ZGE.
- NOTE: USED ON QUICKIE IRIS CHAIRS.
- NOTE: USED ON QUICKIE LX/LXI CHAIRS.
- NOTE: USED ON ZIPPIE Z-BOP CHAIRS.
- NOTE: USED ON ZIPPIE TS CHAIRS
- NOTE: USED ON BREEZY 600 CHAIRS.



Pos.	Item Number	Description	Remarks
1	550485	HEIGHT ADJUSTABLE RECEIVER CHANNEL	
2	221096	1/4-28 x 5/8 HEX C/S	
3	106943	1/4 AN WASHER FLAT	
4	561134	HEIGHT ADJUSTABLE RECEIVER LINER	
5	550483	HEIGHT ADJUSTABLE RECEIVER STD	
6	550490	HEIGHT ADJUSTABLE RECEIVER CLAMP 4 HOLE	
7A	106971	1/4-28 x 1 3/8 HEX C/S	
7B	106972	1/4-28 X 1 1/2 G8 HEX C/S	USE WITH RECIEVER SPACER
8	550486	HEIGHT ADJUSTABLE RECEIVER SPACER	Used to space Armrest 1/8" from frame on each side
1-5	880230	HEIGHT ADJUSTABLE RECIEVER STD W/O CLAMP	
1-7A	880240	HEIGHT ADJUSTABLE RECIEVER STD W/ CLAMP	
1-7B,8	880245	HEIGHT ADJUSTABLE RECIEVER STD W/ CLAMP AND SPACER	

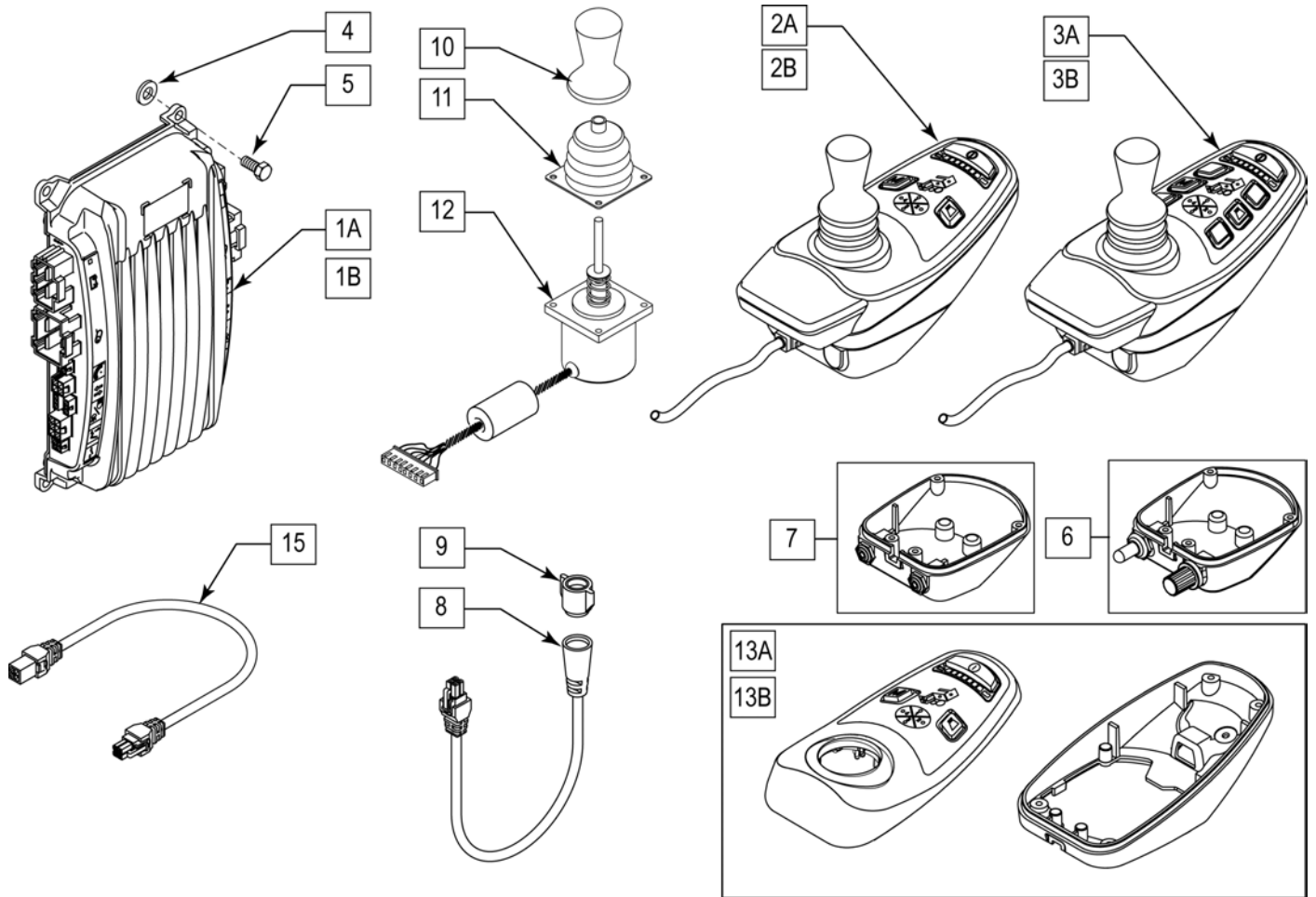


Pos.	Item Number	Description	Remarks
1	106943	1/4 AN WASHER FLAT	
2	221060	1/4-28 x 1/2 BH C/S	
4	561002	1" INSERT PLUG .083	
5	560640	9 x .93 x .155 FOAM GRIP	
6	106983	5/16-18 x 2 BH C/S SHT THREAD	
7	106947	5/16 WASHER FLAT THIN	
8	550168	ADJ LOCK FLIP-UP ARM MOUNT	RIGHT
8	550169	ADJ LOCK FLIP-UP ARM MOUNT	LEFT
9	106935	NUT NYLOCK THIN 1/4-28 ROHS	
10	106937	5/16-18 NYLOCK NUT THIN	
11	106972	1/4-28 x 1 1/2 G8 HEX C/S	
12	550474	ADJ FLIP-BACK ARM BRACKET	LEFT
12	550475	ADJ FLIP-BACK ARM BRACKET	RIGHT
13	561016	1" WASHER 5/16" HOLE	
14	561006	1" SADDLE 5/16" HOLE	
15	560252	1" COVED STEM BUMPER	
3-5	880274	ADJ FLIP-BACK TUBE W/LATCH	
1,2,6,8-10	881272	ADJ LOCK FLIP-UP ARMREST RETRO	RIGHT
1,2,6,8-10	881273	ADJ LOCK FLIP-UP ARMREST RETRO	LEFT
1-15	880272	ADJ LOCK FLIP-UP ARMREST	RIGHT
1-15	880273	ADJ LOCK FLIP-UP ARMREST	LEFT
1-15	900449	ADJ LOCK FLIP-UP ARMREST ASSM	PAIR



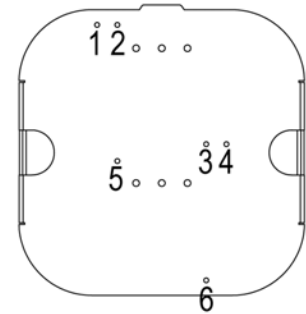
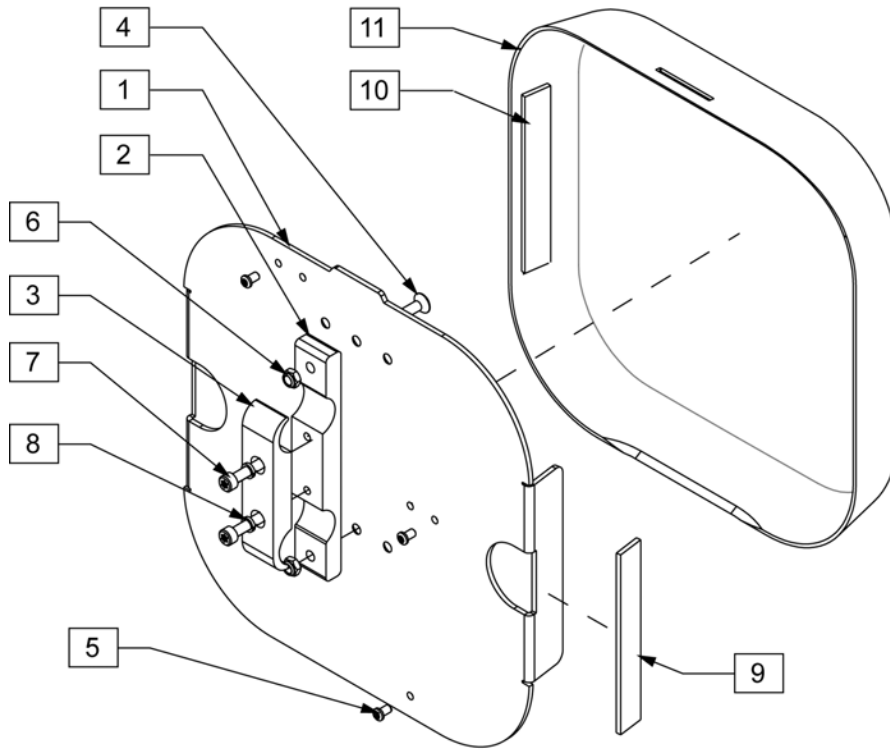
Pos.	Item Number	Description	Remarks
1A	561024	ARMREST PAD 10" DESK	DESK PAD
1B	561031	ARMREST PAD 14" FULL	FULL PAD
1C	561280	ARMREST PAD 10" L W/F	LEFT - DESK WATERFALL PAD
1C	561281	ARMREST PAD 10" R W/F	RIGHT - DESK WATERFALL PAD
1D	561284	ARMREST PAD 14" L W/F	LEFT - FULL WATERFALL PAD
1D	561285	ARMREST PAD 14" R W/F	RIGHT - FULL WATERFALL PAD
2	226038	10-32 x 1 3/8 BH C/S BLK	
4A	560610	5" x .705 x .125 FOAM TUBE	ADULT
4B	560627	7-1/2" x .705 x .125 FOAM TUBE	PEDS/KIDS
5A	882084	HT ADJ LOWER DC ARM ASSM STD R	RIGHT - STANDARD/ADULT
5A	882085	HT ADJ LOWER DC ARM ASSM STD L	LEFT - STANDARD/ADULT
5B	882082	HT ADJ LOWER DC ARM ASM KIDS R	RIGHT - KIDS
5B	882083	HT ADJ LOWER DC ARM ASM KIDS L	LEFT - KIDS
5C	882080	HT ADJ LOWER ARM ASSM PE D R	RIGHT - PEDIATRIC
5C	882081	HT ADJ LOWER ARM ASSM PE D L	LEFT - PEDIATRIC
6	321721	LEVER RETURN SPRING	
7	562825	RELEASE LEVER INNER SLEEVE	
8	281045	#6 x 1/4 PAN PHIL S/M/S	
9A	888000	HT ADJ REC REL LEVER ASSM STD	ADULT

Pos.	Item Number	Description	Remarks
9B	888001	HT ADJ REC REL LEVER ASSM KIDS	KIDS
9C	888002	HT ADJ REC REL LEVER ASSM PEDS	PEDS
10	888003	HT ADJ UPPER ARM REL ASSM R	RIGHT
10	888004	HT ADJ UPPER ARM REL ASSM L	LEFT
>>>>		ADULT UPPER ASSEMBLIES	
1A-3A	880192	HT ADJ UPPER ARM ASSM DESK R	RIGHT - ADULT DESK PAD
1A-3A	880198	HT ADJ UPPER ARM ASSM DESK L	LEFT - ADULT DESK PAD
1B-3A	880193	HT ADJ UPPER ARM ASSM FL R	RIGHT - ADULT FULL PAD
1B-3A	880199	HT ADJ UPPER ARM ASSM FL L	LEFT - ADULT FULL PAD
>>>>		ADULT UPPER ASSEMBLIES	
1C-3A	881230	HT ADJ UPPER L ARM ASSM DESK W/F	RIGHT - ADULT DESK WATER FALL PAD
1C-3A	881231	HT ADJ UPPER R ARM ASSM DESK W/F	LEFT - ADULT DESK WATER FALL PAD
1D-3A	881232	HT ADJ UPPER L ARM ASSM FL W/F	RIGHT - ADULT FULL WATER FALL PAD
1D-3A	881233	HT ADJ UPPER R ARM ASSM FL W/F	LEFT - ADULT FULL WATER FALL PAD
>>>>		PEDIATRIC AND KIDS UPPER ASSEMBLIES	
1A-3B	880174	HT ADJ UPPER ARM PED PWR DESK R	RIGHT - PED/KIDS DESK PAD
1A-3B	880175	HT ADJ UPPER ARM PED PWR DESK L	LEFT - PED/KIDS DESK PAD
1B-3B	880176	HT ADJ UPPER ARM PED PWR FULL R	RIGHT - PED/KIDS FULL PAD
1B-3B	880177	HT ADJ UPPER ARM PED PWR FULL L	LEFT - PED/KIDS FULL PAD
>>>>		PEDIATRIC AND KIDS UPPER ASSEMBLIES	
1C-3B	888341	HT ADJ PED UPPER R ARM ASSM D WF	RIGHT - PED/KIDS DESK WATER FALL PAD
1C-3B	888342	HT ADJ PED UPPER L ARM ASSM D WF	LEFT - PED/KIDS DESK WATER FALL PAD
1D-3B	888343	HT ADJ PED UPPER R ARM ASSM F WF	RIGHT - PED/KIDS FULL WATER FALL PAD
1D-3B	888344	HT ADJ PED UPPER L ARM ASSM F WF	LEFT - PED/KIDS FULL WATER FALL PAD
>>>>		COMPLETE ADULT ARMREST ASSEMBLY	
1A-3A-5A	880210	HT ADJ STD R W/DESK ARM PAD	RIGHT - ADULT - DESK PAD
1A-3A-5A	880211	HT ADJ STD L W/DESK ARM PAD	LEFT - ADULT - DESK PAD
1B-3A-5A	880212	HT ADJ STD R W/FULL ARM PAD	RIGHT - ADULT - FULL PAD
1B-3A-5A	880213	HT ADJ STD L W/FULL ARM PAD	LEFT - ADULT - FULL PAD
1C-3A-5A	881301	HT ADJ STD R W/DESK W/F PAD	RIGHT - ADULT - WATERFALL DESK PAD
1C-3A-5A	881300	HT ADJ STD L W/DESK W/F PAD	LEFT - ADULT - WATERFALL DESK PAD
1D-3A-5A	881305	HT ADJ STD R W/FULL W/F PAD	RIGHT - ADULT - WATERFALL FULL PAD
1D-3A-5A	881304	HT ADJ STD L W/FULL W/F PAD	LEFT - ADULT - WATERFALL FULL PAD
>>>>		COMPLETE KIDS ARMREST ASSEMBLY	
1A-3B-5B	880214	HT ADJ KIDS R W/DESK ARM PAD	RIGHT - KIDS - DESK PAD
1A-3B-5B	880215	HT ADJ KIDS L W/DESK ARM PAD	LEFT - KIDS - DESK PAD
1B-3B-5B	880216	HT ADJ KIDS R W/FULL ARM PAD	RIGHT - KIDS - FULL PAD
1B-3B-5B	880217	HT ADJ KIDS L W/FULL ARM PAD	LEFT - KIDS - FULL PAD
1C-3B-5B	881303	HT ADJ KIDS R W/DESK W/F PAD	RIGHT - KIDS - WATERFALL DESK PAD
1C-3B-5B	881302	HT ADJ KIDS L W/DESK W/F PAD	LEFT - KIDS - WATERFALL DESK PAD
1D-3B-5B	881307	HT ADJ KIDS R W/FULL W/F PAD	RIGHT - KIDS - WATERFALL FULL PAD
1D-3B-5B	881306	HT ADJ KIDS L W/FULL W/F PAD	LEFT - KIDS - WATERFALL FULL PAD
>>>>		COMPLETE PEDIATRIC ARMREST ASSEMBLY	
1A-3B-5C	880226	HT ADJ PED R W/DESK ARM PAD	RIGHT - PEDS - DESK PAD
1A-3B-5C	880227	HT ADJ PED L W/DESK ARM PAD	LEFT - PEDS - DESK PAD
1B-3B-5C	880228	HT ADJ PED R W/FULL ARM PAD	RIGHT - PEDS - FULL PAD
1B-3B-5C	880229	HT ADJ PED L W/FULL ARM PAD	LEFT - PEDS - FULL PAD
1C-3B-5C	888345	HT ADJ PED R W/DESK W/F PAD	RIGHT - PEDS - WATERFALL DESK PAD
1C-3B-5C	888346	HT ADJ PED L W/DESK W/F PAD	LEFT - PEDS - WATERFALL DESK PAD
1D-3B-5C	888347	HT ADJ PED R W/FULL W/F PAD	RIGHT - PEDS - WATERFALL FULL PAD
1D-3B-5C	888348	HT ADJ PED L W/FULL W/F PAD	LEFT - PEDS - WATERFALL FULL PAD



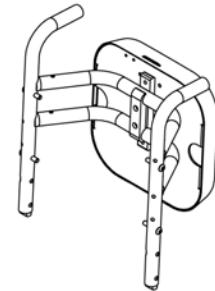
Pos.	Item Number	Description	Remarks
1A	020000S	CONTROLLER-REHAB BASIC	
1B	020001S	CONTROLLER-REHAB FULL	
2A	020012S	HANDCONTROL REHAB3 BTN	On chair replacment part only
2B	104959	QR3 SERVICE PART KIT	Off chair part
2A,11	020022S	HANDCONTROL REHAB3 SW+POT	On chair replacment part only
2B,11	104964	QR3 SW POT SRVC PART KIT	Off chair part
2A,12	020021S	HANDCONTROL REHAB3 + PHONO JACKS	On chair replacment part only
2B,12	104960	QR3 W JACKS SRVC PART KIT	Off chair part
3A	020010S	HANDCONTROL REHAB7	On chair replacment part only
3B	104965	QR7 SERVICE PART KIT	Off chair part
3A,11	020018S	HANDCONTROL REHAB7 SW+POT	On chair replacment part only
3B,11	104968	QR7 SW N POT SRVC PART KIT	Off chair part
3A,12	020017S	HANDCONTROL REHAB7 + PHONO JACKS	On chair replacment part only
3B,12	104966	QR7 W JACKS SRVC PART KIT	Off chair part
4	561028	1/4 NYLON WASHER	
5	014020	M5 X .8 X 12 POLYMER HEX	
6	020041	HANDCONTROL HEEL PAD SW + POT	
7	020042	HANDCONTROL HEEL PAD PHONO JACKS	
9	101722	RING LOCKING HCM BUS	
10	103744	KNOB HAND CONTROL BLACK	
12	014585	JOYSTICK ONLY DELPHI HCM	
13A	105908	3 BUTTON HOUSING ASSY	

Pos.	Item Number	Description	Remarks
13B	105909	7 BUTTON HOUSING ASSY	
8,9	020026-100	HARNESS DELPHI HCM BUS 1000 MM	40" LONG, Label w/Part# is affixed to cable
8,9	020026-200	HARNESS DELPHI HCM BUS 2000 MM	80" LONG, Label w/Part# is affixed to cable
15	020056-100	HARNESS DELPHI BUS EXTENSION 100MM	Cable ext - req'd on Z-Bop

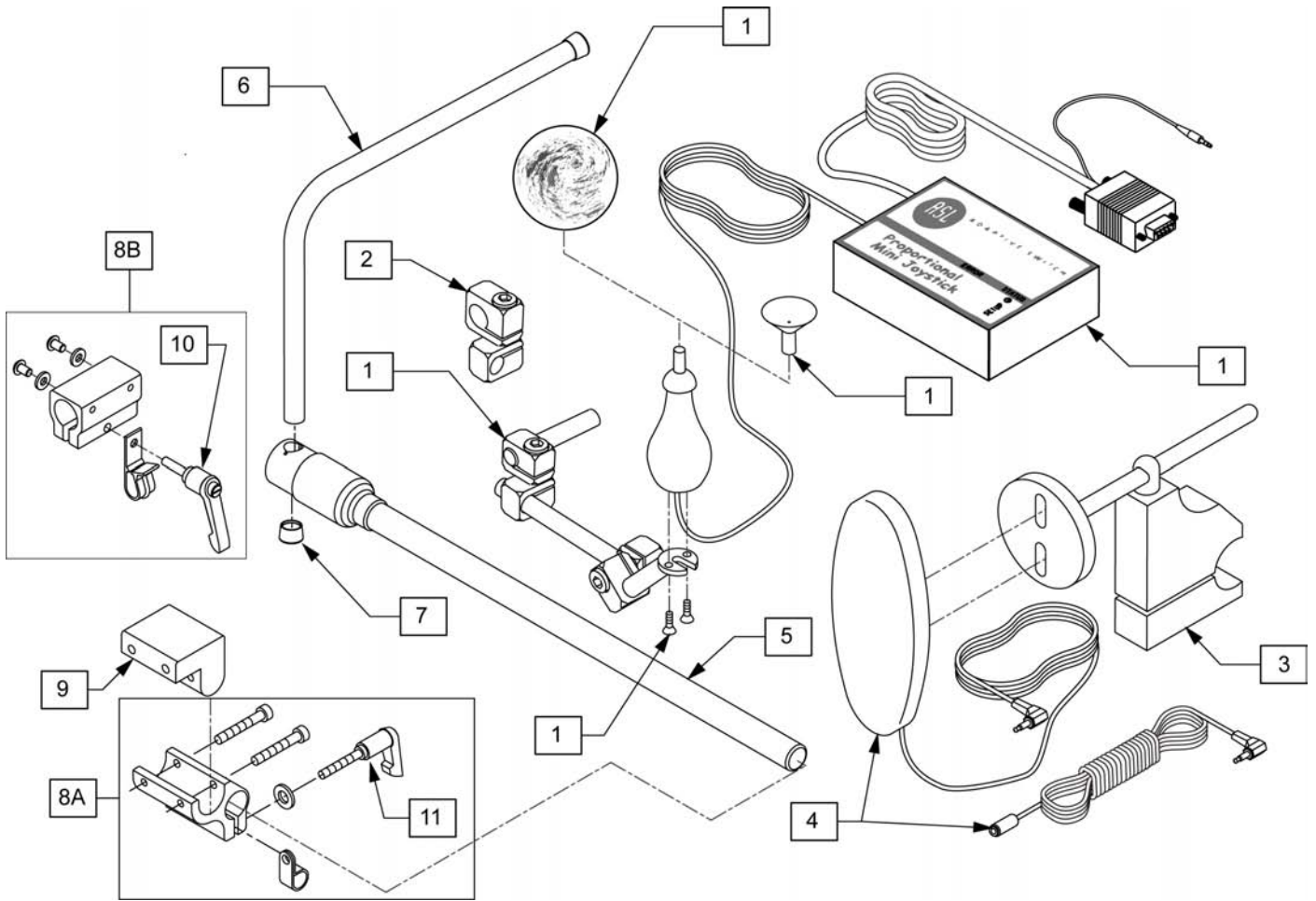


SETUP	HOLE CONFIG	
QMAC & SCIM	QMAC	Holes 1 & 4
	SCIM	Holes 5 & 6
2 SCIM Modules	SCIM (1)	Holes 2 & 3
	SCIM (2)	Holes 5 & 6

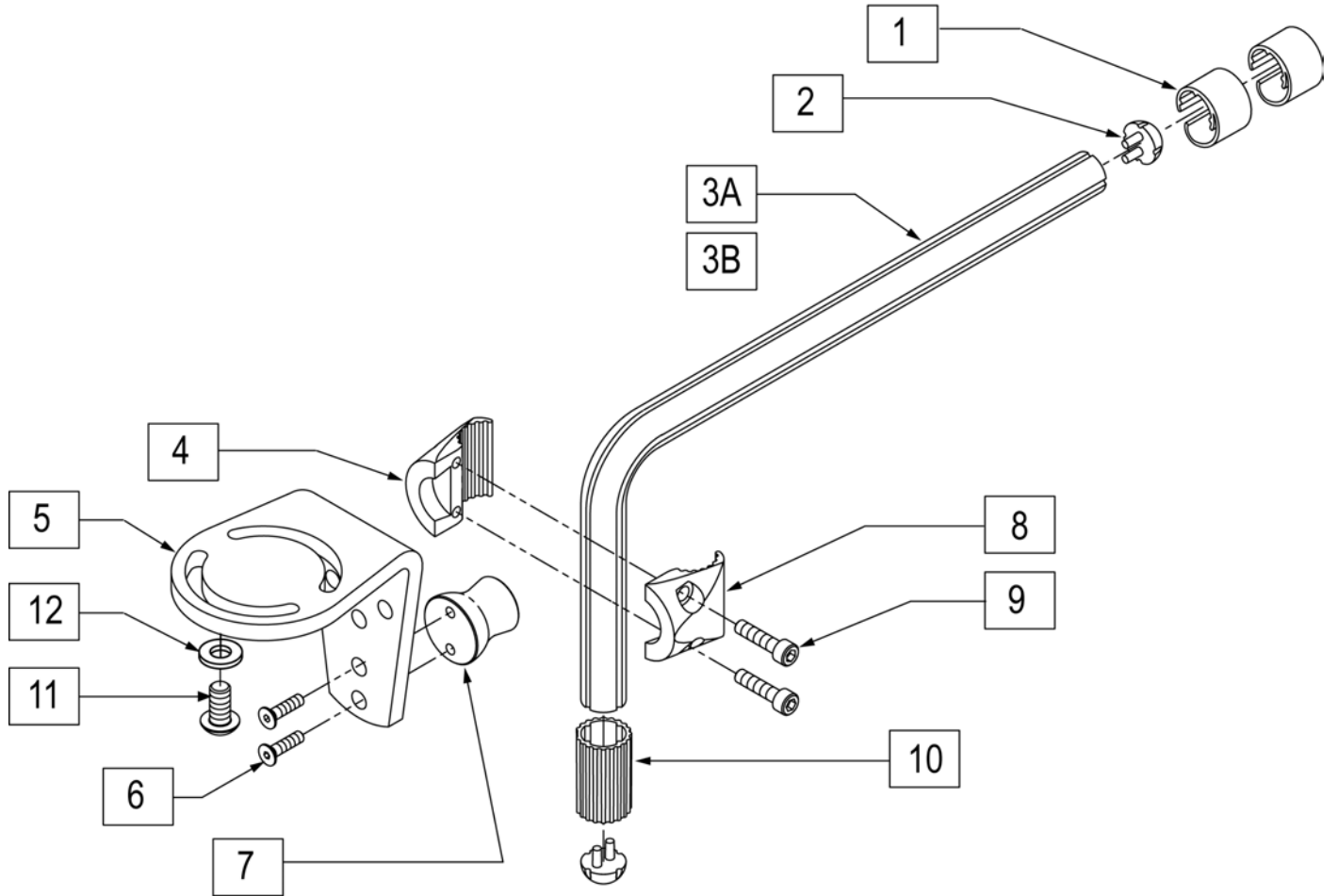
TO ATTACH THE SCIM AND/OR QMAC USE BOLT
P/N 230459 M4-.7X8MM BH C/S



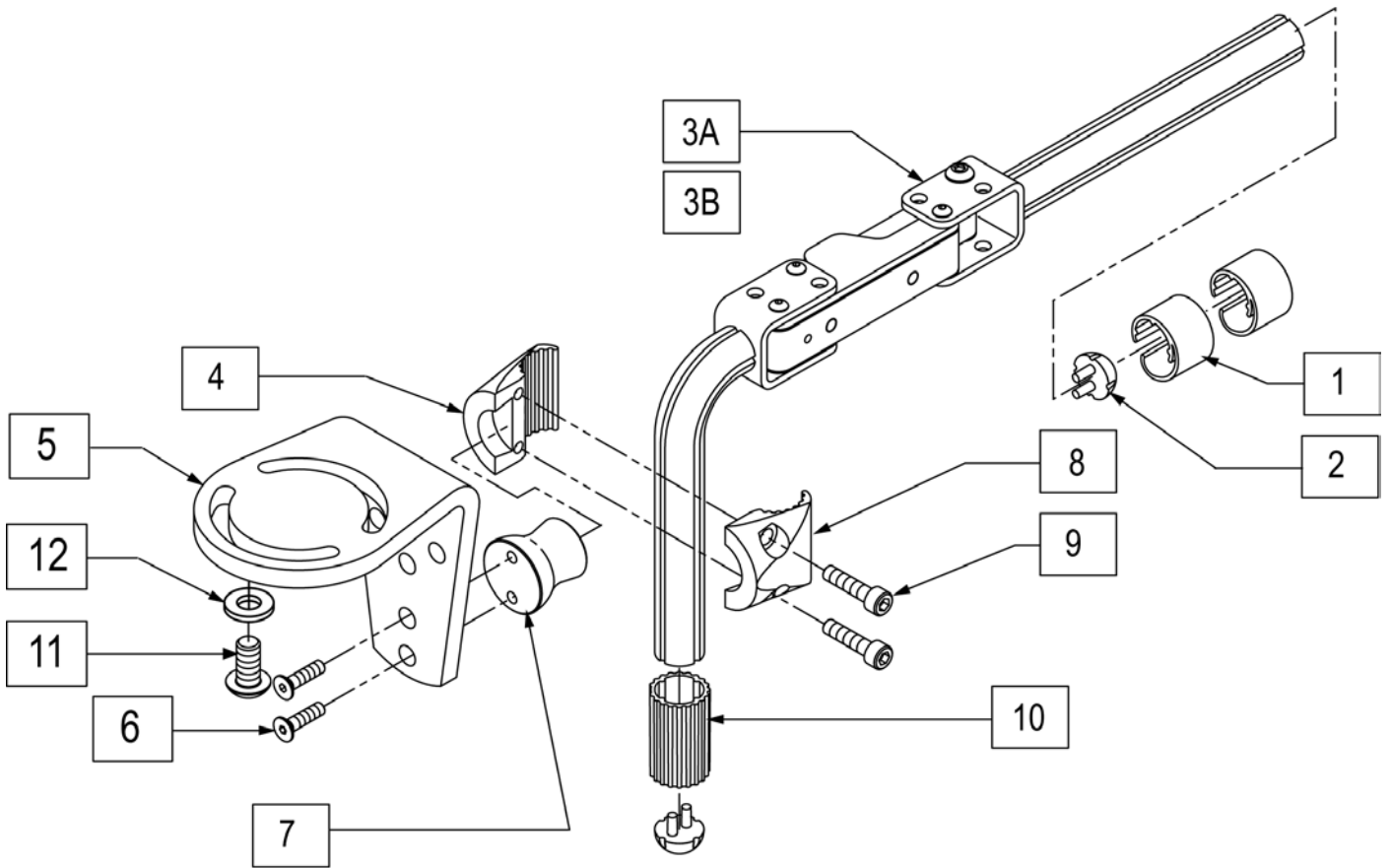
Pos.	Item Number	Description
1	020072	DELPHI MNT PLT REHAB BCK
2	502313	CLAMP PIVOT VENT TRAY SMAL
3	502294	VENT TRAY PIVOT CLAMP RECESS
4	102265-003	FHCS M6X1X25 FULL NP
5	102257	BHCS M4 X .7 X 8 INORGANIC
6	200113	NUT HEX NYLOCK M6 X 1
7	102263-003	SHCS M6 X 1 X 25 W/PL INORG
8	262114	1/4 WASHER HI COLLAR LOCK ZN
9	012080-002	HOOK BLK VLCRO PS 1" x 5"
10	011803-004	1 X 5 LOOP BLACK PSA117
11	020062	DELPHI STD REHAB SHROUD
1-11	101785	STD REHAB DELPHI MNTING BACK



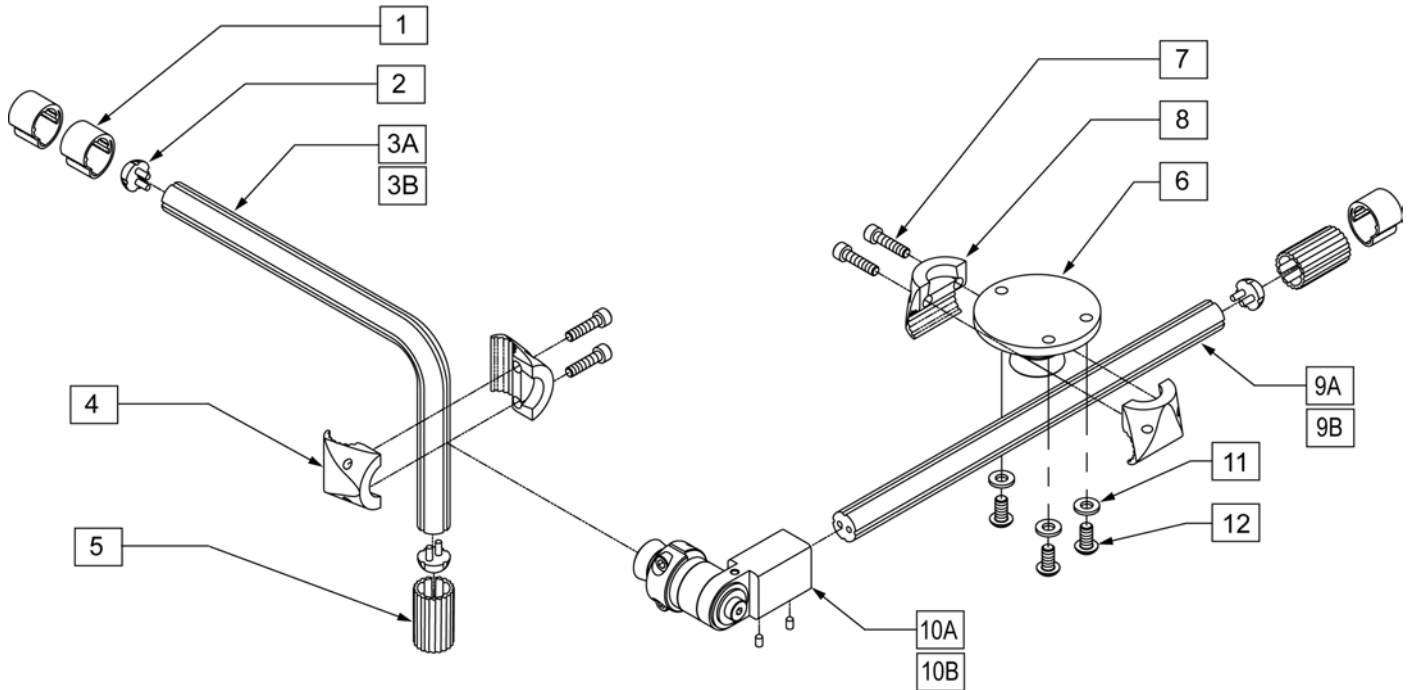
Pos.	Item Number	Description	Remarks
1	139510	JOYSTICK MINI W INTERFACE	
2	521617	MOUNT MINI JOYSTK TO 1/2" TUBE	
3	920904	MOUNT RESET SW FOR 7/8 TUBE	
3,4	521619	RESET SWITCH W BRACKET UNIV	
4	139915	RESET SWITCH EGG SHAPED	
5	111190	MOUNT ARM DISPLAY	
6	521097	ADJ DISPLAY ARM "L" (USCM/OMNI)	
7	560307	ADJ DISPLAY ARM CAP (USCM/OMNI)	
8A	012433	CNTRL ARM CLMP UNIVERSAL ASSM	Trad Rehab Seating Armrest
8B	108866	CNTRLR CLMP ARM KIT RND	ASAP Seating Armrest
9	551001	CONTROLLER MOUNT BLOCK	USED w/ 8A on Power Recline Armrest
10	011049	HANDLE ADJ MODERN M5 X 20 STUD	
11	349024	HNDL 10-32 X 3/4 C/A P1/P3/P5	



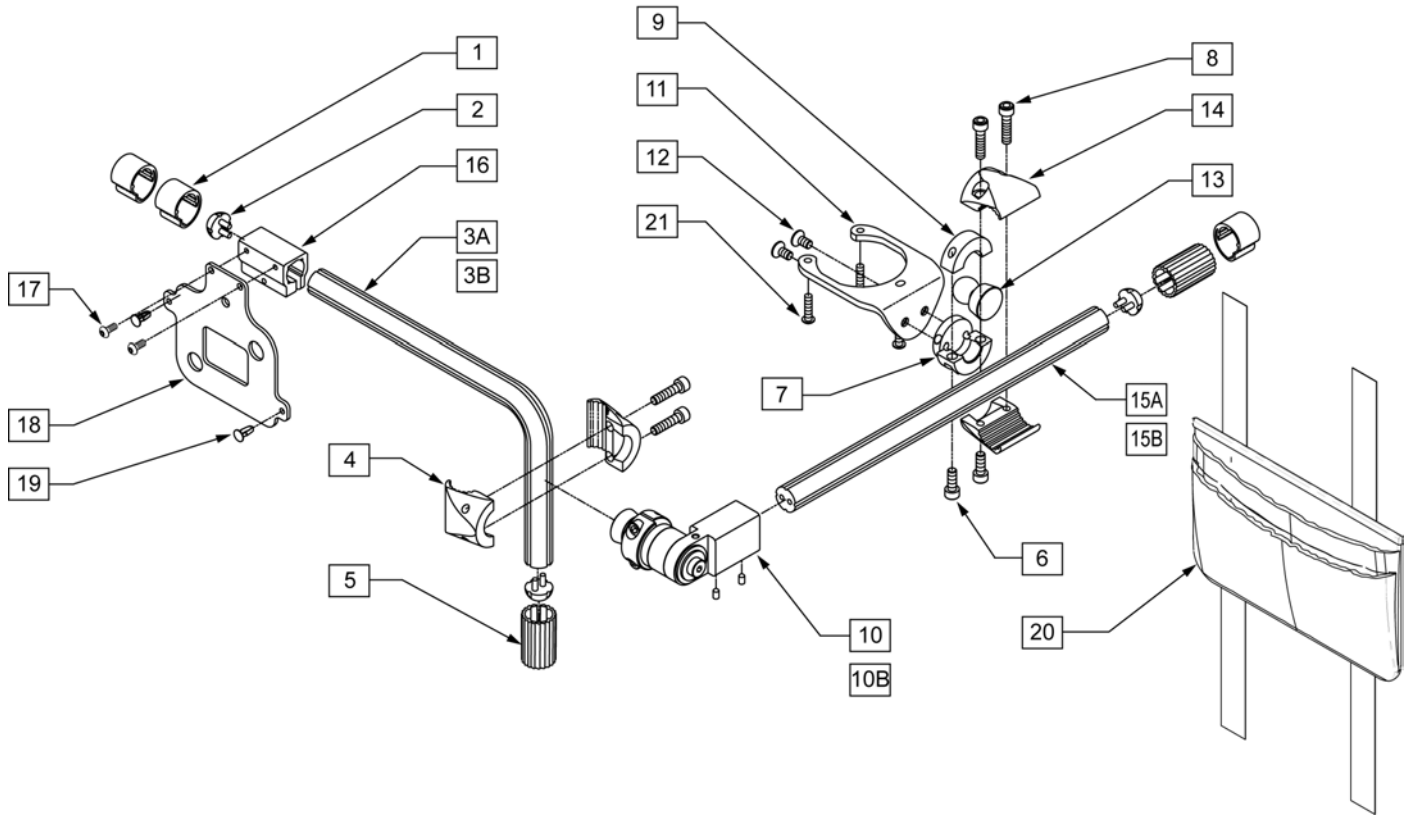
Pos.	Item Number	Description	Remarks
1	011958	CLAMP PLASTIC CABLE GUIDE	
2	011956	CAP TUBE 3/4"	
3A	013256	3/4" 2 HOLE TUBE STANDARD MOUNT	SHORT
3B	013257	3/4" 2 HOLE TUBE STANDARD MOUNT	LONG
4	011946	CLAMP NUT TAPER 3/4" TUBE	
5	013421	ANGLE CONTROL MOUNT STANDARD	
6	102263-001	SHCS M6X1X16 FULL NP	
7	012305	MOUNT LOW COST TAPER	
8	011947	CLAMP THROUGH TAPER 3/4" TUBE	
9	102263-003	SHCS M6 X 1 X 25 W/PL INORG	
10	011959	INSERT PLASTIC DELPHI CLAMP	
11	013143	BHCS M5 X .8 X 14 BLK W/ PL	
12	261204	#10 AN WASHER .063	
1-3A,4-12	013346	DELPHI JOYSTICK MOUNT STD 90D	SHORT
1-3B,4-12	101780	DELPHI JOYSTICK STD 90D	LONG
4,8,9	102289	3/4 TUBE CLAMP TAPER ASSM	
4, 8, 9	102289	3/4 TUBE CLAMP TAPER ASSM	



Pos.	Item Number	Description
1	011958	CLAMP PLASTIC CABLE GUIDE
2	011956	CAP TUBE 3/4"
3A	013260	S/A 2 HOLE TUBE ASSM 90D RH
3B	013261	S/A 2 HOLE TUBE ASSM 90D LH
4	011946	CLAMP NUT TAPER 3/4" TUBE
5	013421	ANGLE CONTROL MOUNT STD
6	102263-001	SHCS M6X1X16 FULL NP
7	012305	MOUNT LOW COST TAPER
8	011947	CLAMP THROUGH TAPER 3/4" TUBE
9	102263-003	SHCS M6 X 1 X 25 W/PL INORG
10	011959	INSERT PLASTIC DELPHI CLAMP
11	013143	BHCS M5 X .8 X 14 BLK W/PL
12	261204	#10 AN WASHER .063
1-3A,4-11	013262	CONTROL MNT S/A ASSM 90D RH
1-3B,4-11	013263	CONTROL MNT S/A ASSM 90D LH
4, 8-9	102289	3/4 TUBE CLAMP TAPER ASSM



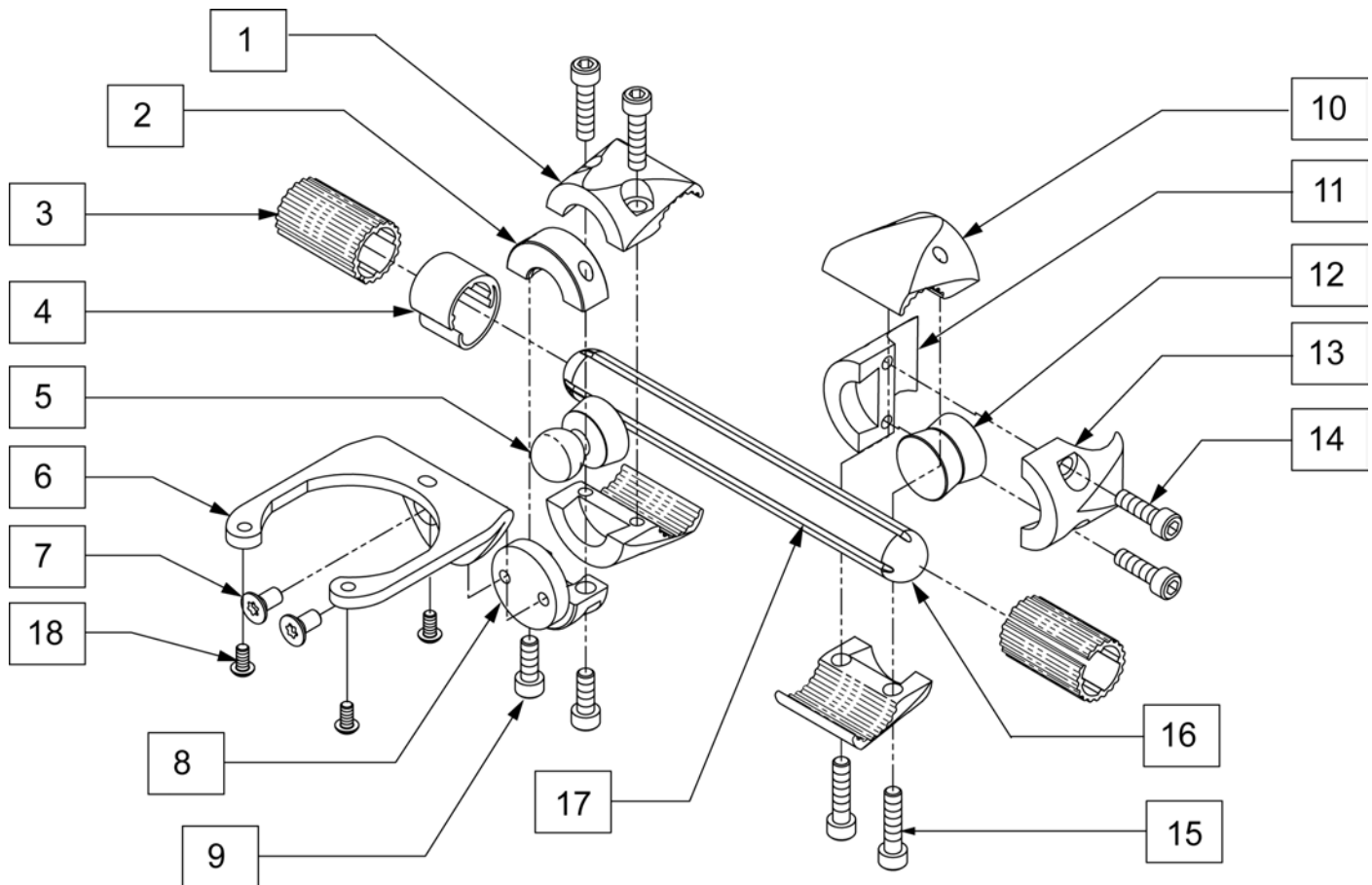
Pos.	Item Number	Description
1	011958	CLAMP PLASTIC CABLE GUIDE
2	011956	CAP TUBE 3/4"
3A	013256	3/4" 2 HOLE TUBE STD MNT SHORT
3B	013257	3/4" 2 HOLE TUBE STD MNT LONG
4	011946	CLAMP NUT TAPER 3/4" TUBE
5	011959	INSERT PLASTIC DELPHI CLAMP
6	013415	MOUNT TAPER MIDLINE CONTROL
7	101699	SHCS M6 X 1 X 25 BLK W/PL
8	011947	CLAMP THROUGH TAPER 3/4" TUBE
9A	011957-006	3/4" 2 HOLE TUBE 12
9B	011957-009	3/4" 2 HOLE TUBE 15
10A	013411-001	SWING AWAY ASSM VERTICAL RH
10B	013411-002	SWING AWAY ASSM VERTICAL LH
11	261204	#10 AN WASHER .063
12	013143	BHCS M5 X .8 X 14 BLK W/PL
4,7,8	102289	3/4 IN TUBE CLAMP TAPER ASSM
1-3B, 1-9A,10A	013675	DELPHI MNT ASM MDLN LH 12-18W
1-3B, 1-9A,10B	013674	DELPHI MNT ASM MDLN RH 12-18W
1-3B, 1-9B,10A	013676	DELPHI MNT ASM MDLN RH 16-24W
1-3B, 1-9B,10B	013677	DELPHI MNT ASM MDLN LH 16-24W



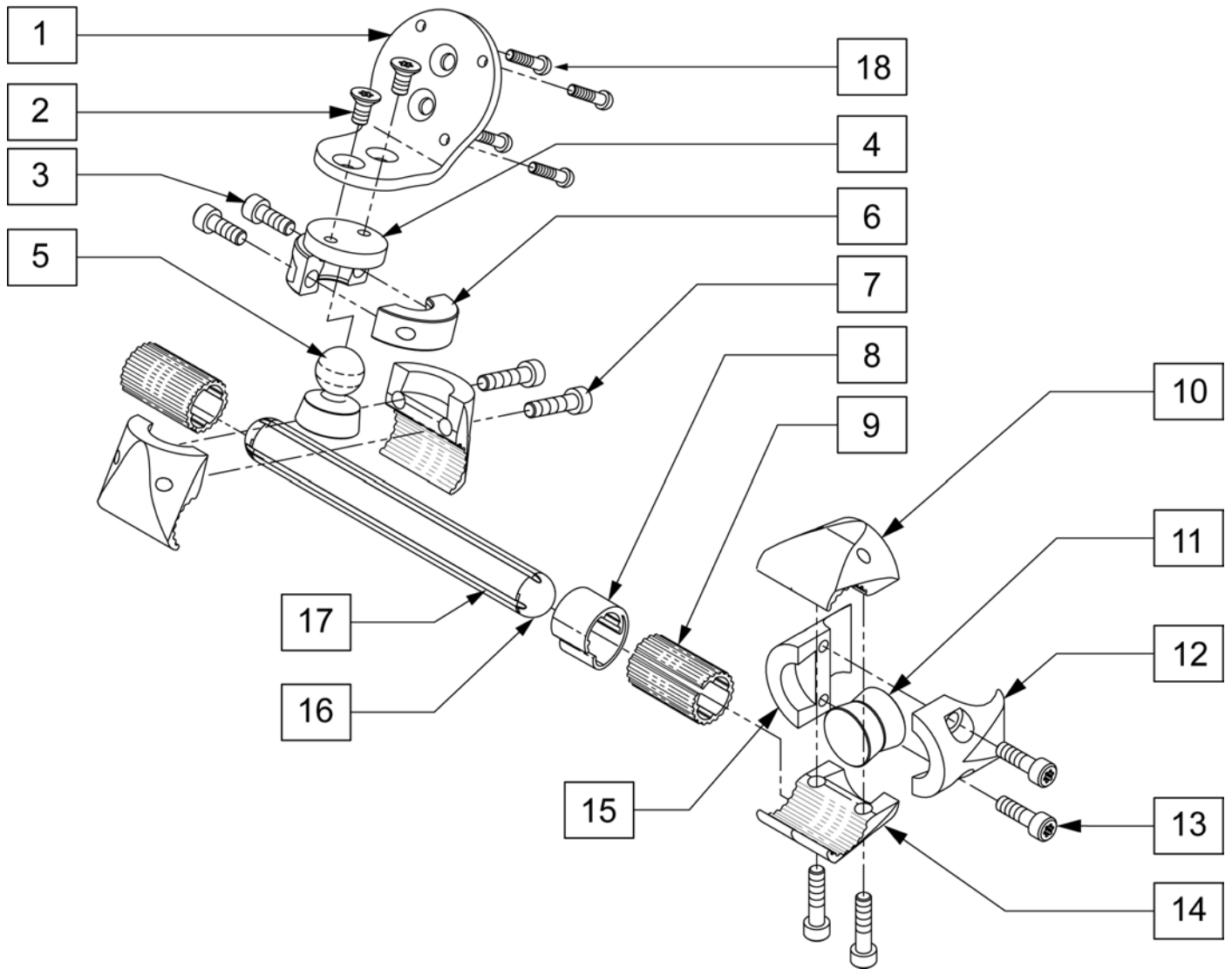
Pos.	Item Number	Description
1	011958	CLAMP PLASTIC CABLE GUIDE
2	011956	CAP TUBE 3/4"
3A	013256	3/4" 2 HOLE TUBE STD MNT SHORT
3B	013257	3/4" 2 HOLE TUBE STD MNT LONG
4	011946	CLAMP NUT TAPER 3/4" TUBE
5	011959	INSERT PLASTIC DELPHI CLAMP
6	101699	SHCS M6 x 1 x 25 BLK W/PL
7	011943	CLAMP MOUNT 3/4" BALL
8	101699	SHCS M6 x 1 x 25 BLK W/PL
9	011941	CLAMP NUT 3/4" BALL
10A	013411-001	SWING AWAY ASSM VERTICAL RH
10B	013411-002	SWING AWAY ASSM VERTICAL LH
11	101884	MNT PLATE DELPHI ATDNT JOYSTCK
12	230128	FHCS M6 x 1 x 12
13	011942	BALL MOUNT 3/4
14	011947	CLAMP THROUGH TAPER 3/4" TUBE
15A	011957-006	3/4" 2 HOLE TUBE 12"
15B	011957-009	3/4" 2 HOLE TUBE 15"
16	010765	CONTROL ARM CLMP SQ/RD INTGRTD
17	102259-001	BHCS M5 X .8 X 12 W/PL INORG
18	013548	MOUNT BOX MINI HAND CNTRL
19	560111	PLASTIC SNAP RIVET

Pos.	Item Number	Description
20	011687	POWER CORD POUCH (Rehab)
21	013141	BHCS M4 x .7 x 10 BLK W/PL
16-19	101779	MOUNT BOX ASSM PERFECT FIT
1-3A,4-10A,11-15A	013678	MINI HCM MIDLNE MNT RH 12-18W
1-3A,4-10B,11-15A	013679	MINI HCM MIDLNE MNT LH 12-18W
1-3B,4-10A,11-15A	101775	MIDLINE MINI MNT LN 12" R S/A
1-3B,4-10B,11-15A	101776	MIDLINE MINI MNT LN 12" L S/A
1-3B,4-10A,11-15B	101777	MIDLINE MINI MNT LG 15" R S/A
1-3B,4-10B,11-15B	101778	MIDLINE MINI MNT LG 15" L S/A
1-3A,4-10A,11-15B	013680	MINI HCM MIDLNE MNT RH 16-24W
1-3A,4-10B,11-15B	013681	MINI HCM MIDLNE MNT LH 16-24W
4, 8, 14	102289	3/4" TUBE CLAMP TAPER ASSM

REAR ATTENDANT MOUNT

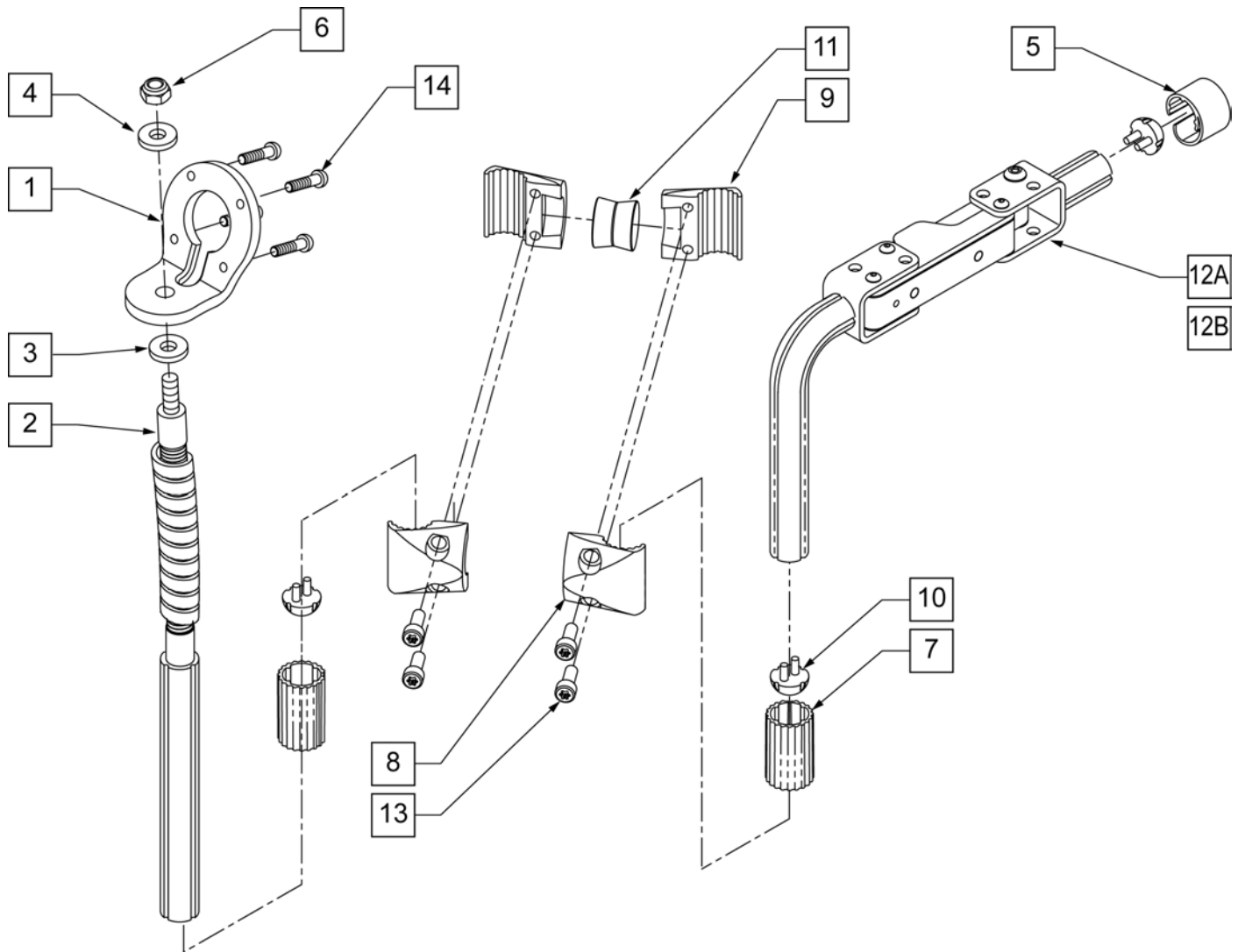


Pos.	Item Number	Description
1	011947	CLAMP THROUGH TAPER 3/4 TUBE
2	011941	CLAMP NUT 3/4 BALL
3	011959	INSERT PLASTIC DELPHI CLAMP
4	011958	CLAMP PLASTIC CABLE GUIDE
5	011942	BALL MOUNT 3/4
6	101884	MNT PLATE DELPHI ATDNT JOYSTCK
7	230128	FHCS M6 x 1 x 12
8	011943	CLAMP MOUNT 3/4 BALL
9	102263-001	SHCS M6X1X16 FULL NP
10	011946	CLAMP NUT TAPER 3/4 TUBE
11	011974	CLAMP NUT TAPER 1 TUBE
12	011945	ADAPTER TAPER TAPER
13	011973	CLAMP THROUGH TAPER 1 TUBE
14	102263-002	SHCS M6X1X20 FULL NP
15	102263-003	SHCS M6 X 1 X 25 W/PL INORG
16	011956	CAP TUBE 3/4
17	011957-002	3/4 2 HOLE TUBE 6
18	013141	BHCS M4 x .7 x 10 BLK W/PL
1-18	012304	DELPHI RR MNT ATDNT CTRL ASSM
1, 10, 15	012289	3/4 TUBE CLAMP TAPER ASSM
11, 13, 14	102290	1" TUBE CLAMP TAPER ASSM



Pos.	Item Number	Description	Pos.	Item Number	Description
1	011954	MNT PLATE DELPHI DISPLAY	12	011973	CLAMP THROUGH TAPER 1" TUBE
2	230128	FHCS M6 X 1 X 12	13	102263-002	SHCS M6X1X20 FULL NP
3	102263-001	SHCS M6X1X16 FULL NP	15	011974	CLAMP NUT TAPER 1" TUBE
4	011943	CLAMP MOUNT 3/4" BALL	16	011956	CAP TUBE 3/4"
5	011942	BALL MOUNT 3/4"	17	011957-002	3/4" 2 HOLE TUBE 6"
6	011941	CLAMP NUT 3/4" BALL	18	230111	BHCS M4 X .7 X 8
7	102263-003	SHCS M6 X 1 X 25 W/PL INORG	1-18	012303	DELPHI REAR MNT DISPLAY ASSM
8	011958	CLAMP PLASTIC CABLE GUIDE	1, 10, 14	102289	3/4" TUBE CLAMP TAPER ASSM
9	011959	INSERT PLASTIC DELPHI CLAMP	12, 13, 15	102290	1" TUBE CLAMP TAPER ASSM
11	011945	ADAPTER TAPER TAPER			

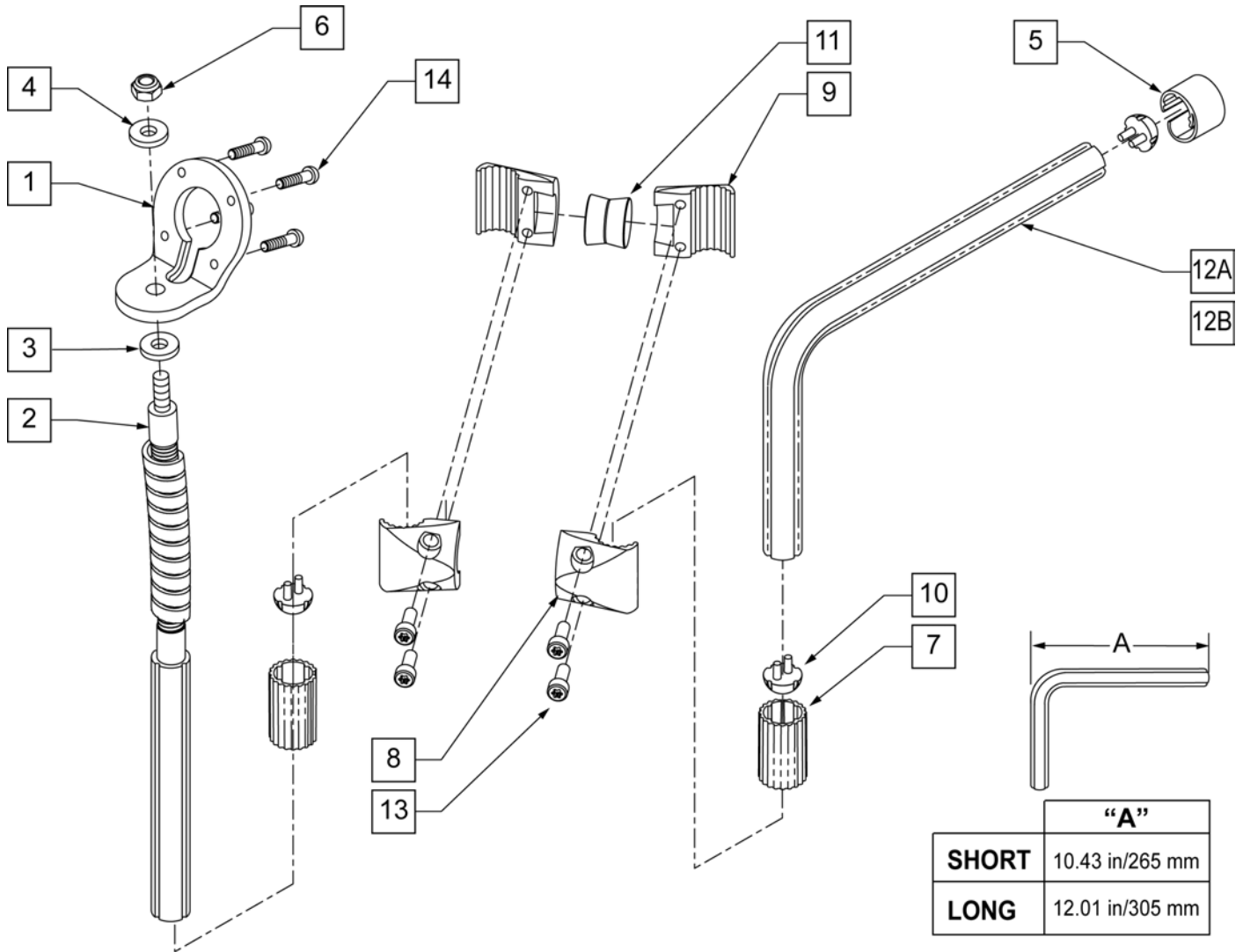
SWING AWAY ED (electronic display) MOUNT



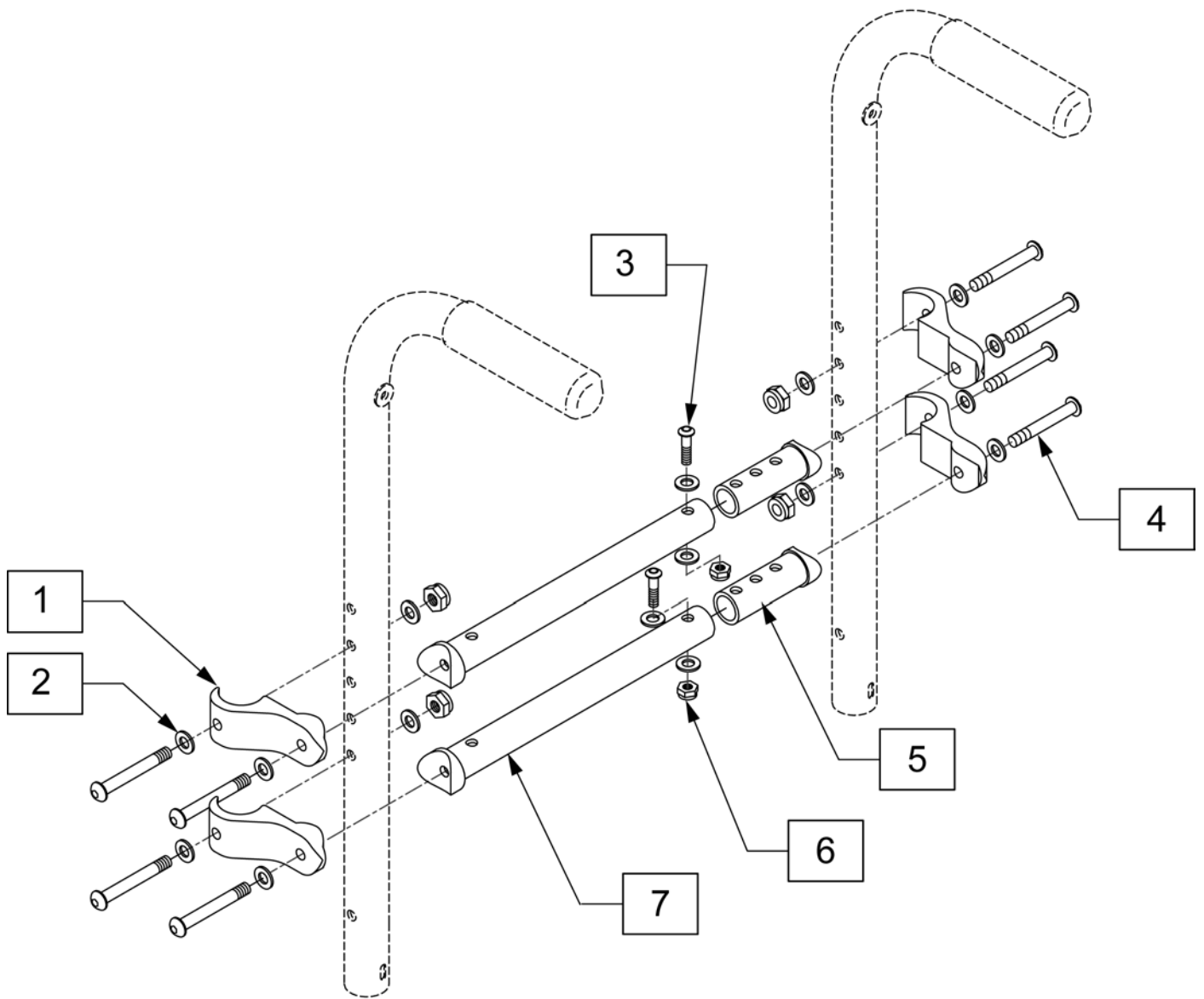
Pos.	Item Number	Description	Remarks
1	103724	PLATE MNT ADJ DELPHI DISPLAY	
3	262143	5/16 LOCK WASHER INT/EXT TOOTH	
4	011648	WASHER FLAT M8	
5	011958	CLAMP PLASTIC CABLE GUIDE	
6	210085	NUT HEX NYLOCK M8 BLACK	
7	011959	INSERT PLASTIC DELPHI CLAMP	
10	011956	CAP TUBE 3/4"	
11	011945	ADAPTER TAPER TAPER	
12	013260	S/A 2 HOLE TUBE ASSM 90D RH	RIGHT
12	013261	S/A 2 HOLE TUBE ASSM 90D LH	LEFT
13	102262-003	BHCS M6 X 1 X 20 INORGANIC	
14	230111	BHCS M4 x .7 x 8	
1 -14	101772	S/A UED MOUNT RH	RIGHT
1 -14	101773	S/A UED MOUNT LH	LEFT
8, 9, 13	102289	3/4 TUBE CLAMP TAPER ASSM	
1-11,13,14	103213	ENHANCED DISPLAY MOUNT ASSM	

FIXED DISPLAY MOUNT

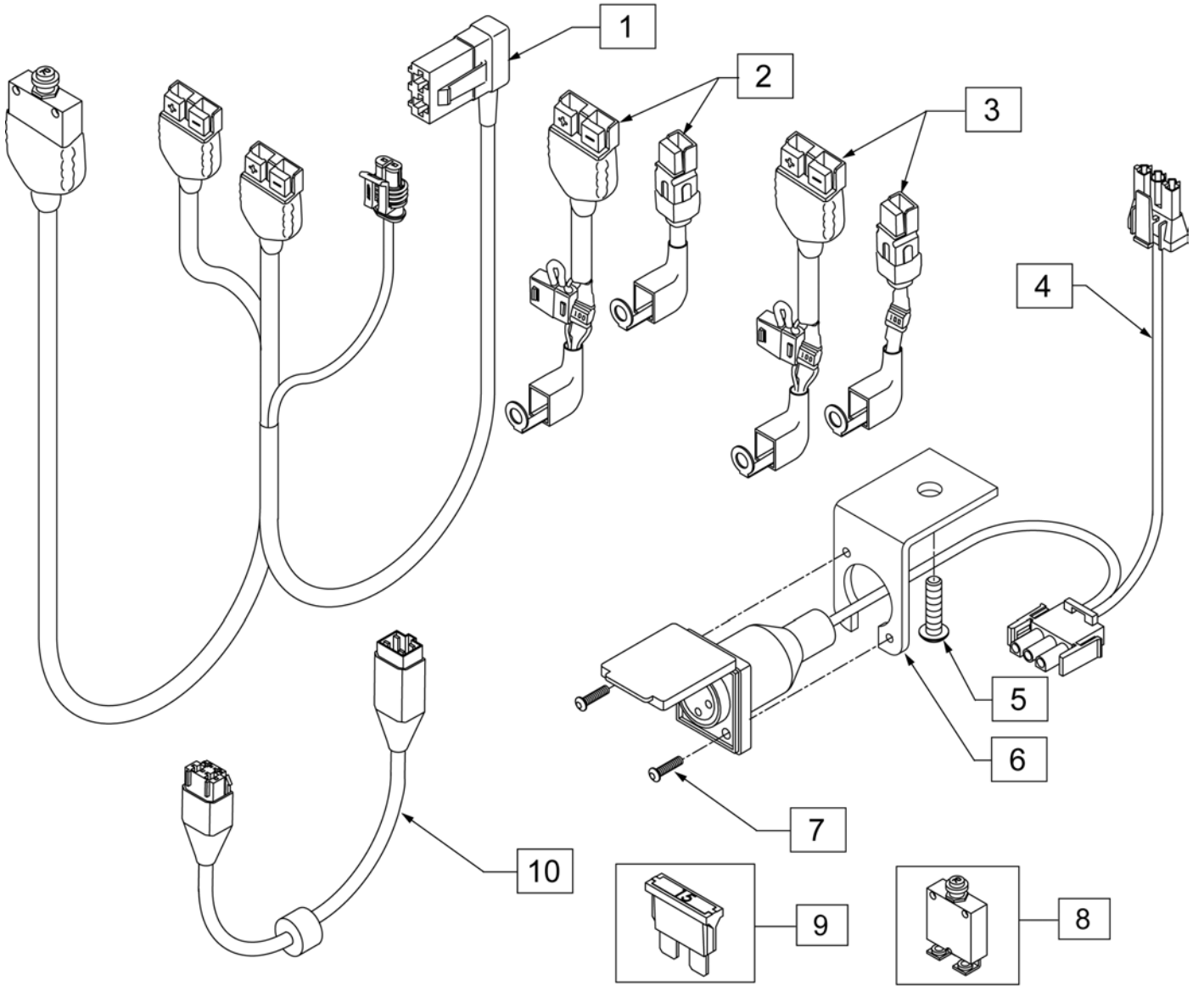
[03/2010]



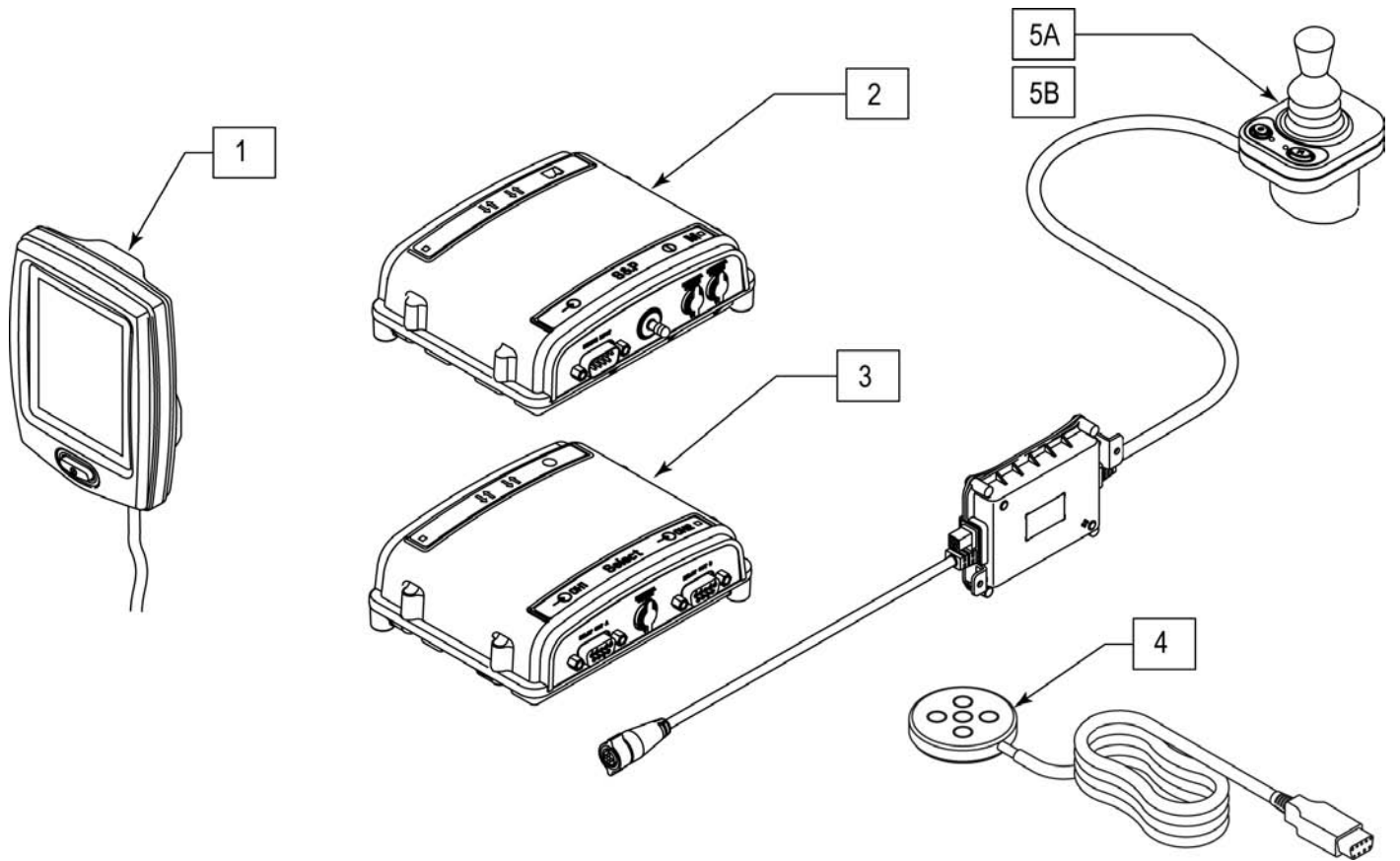
Pos.	Item Number	Description	Remarks
1	103724	PLATE MNT ADJ DELPHI DISPLAY	
3	262143	5/16" LOCK WASHER INT/EXT TOOTH	
4	011648	WASHER FLAT M8	
5	011958	CLAMP PLASTIC CABLE GUIDE	
6	210085	NUT HEX NYLOCK M8 BLACK	
7	011959	INSERT PLASTIC DELPHI CLAMP	
10	011956	CAP TUBE 3/4"	
11	011945	ADAPTER TAPER TAPER	
12A	013256	3/4" 2 HOLE TUBE STD MNT SHORT	SHORT
12B	013257	3/4" 2 HOLE TUBE STD MNT LONG	LONG
13	102262-003	BHCS M6 X 1 X 20 INORGANIC	
14	230111	BHCS M4 x .7 x 8	
8, 9, 13	102289	3/4" TUBE CLAMP TAPER ASSM	
1-11,13, 14	103213	ENHANCED DISPLAY MOUNT ASSM	
1-12A,14	101783	FLEXIBLE ARM 12 W/ SHRT TUBE	SHORT
1-12B,14	101784	FLEXIBLE ARM 12 W/ LONG TUBE	LONG



Pos.	Item Number	Description	Remarks
1	550119	STRUT TUBE MOUNT BRACKET	
2	106943	1/4 AN WASHER FLAT	
3	106961	1/4-28 X 1 1/4 BH C/S	
4	106971	1/4-28 X 1 3/8 HEX C/S	
5	483184	STRUT SADDLE ZGS	
6	106935	NUT NYLOCK THIN 1/4-28 ROHS	
7	522829	STRUT TUBE 10" ZPTS GRW	10" - 12" WIDE
7	522830	STRUT TUBE 12" ZPTS GRW	12" - 14" WIDE
7	522831	STRUT TUBE 14" ZPTS GRW	14" - 16" WIDE

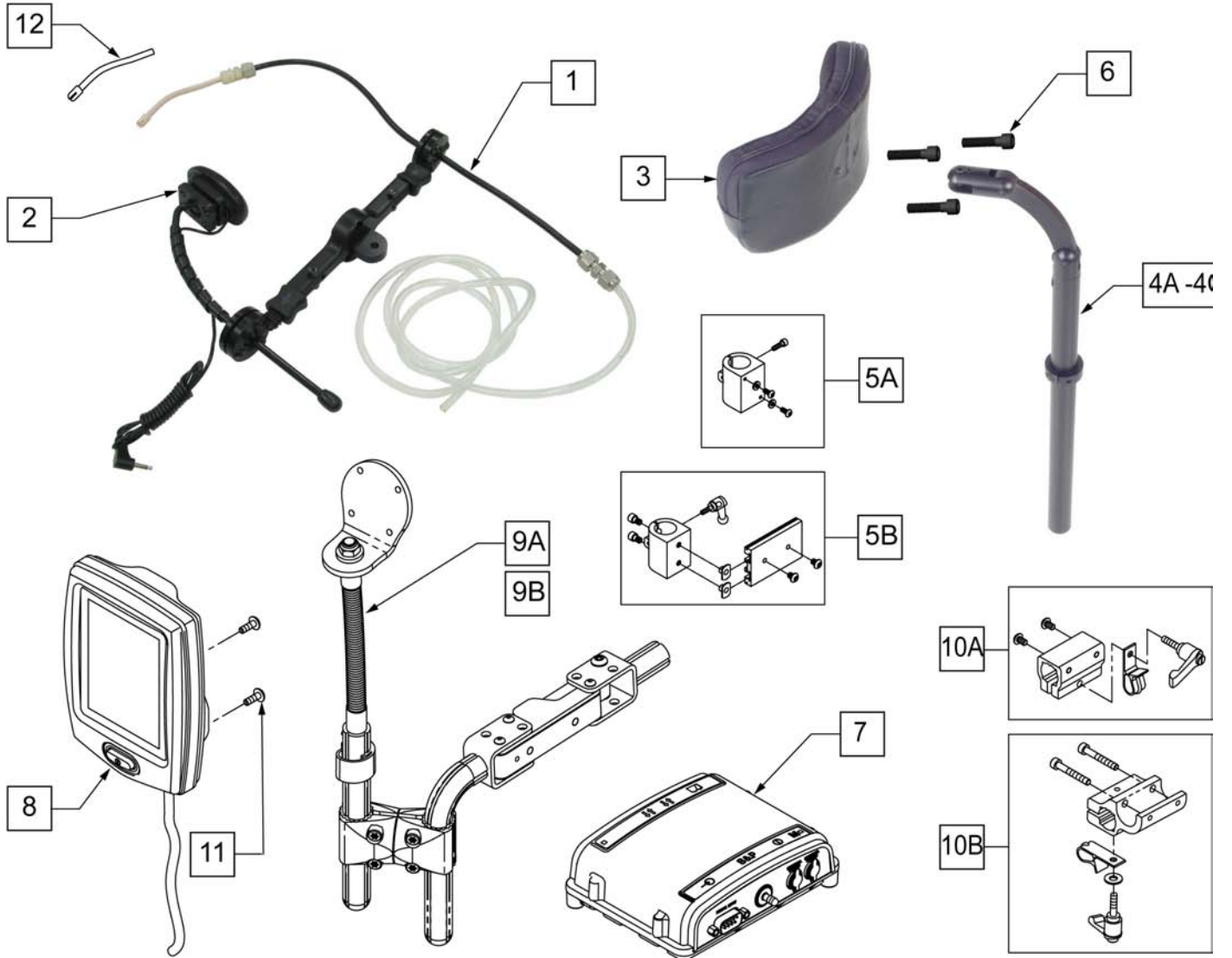


Pos.	Item Number	Description
1	013180	HARNES MAIN/AUX POWER B
4	012392-090	HARN OFFBOARD CHARGER 900 MM
5	230032	M6 X 16 B/H CAP SCREW
6	014356	CHARGER MOUNTING BRKT
7	281036	4-40 X 3/8 PAN PHIL M/S BLK
10	101366	HARN LT MTR ADAPTR ZBOP/DELPH
10	101367	HARN RT MTR ADAPTR ZBOP/DELPH
2	101762	HARNES BATTERY HIGH DEUNION
3	101761	HARNES BATTERY LOW DEUNION
8	133015	CIRCUIT BREAKER 70 AMP
9	131058	FUSE ATO BLADE 15 AMP



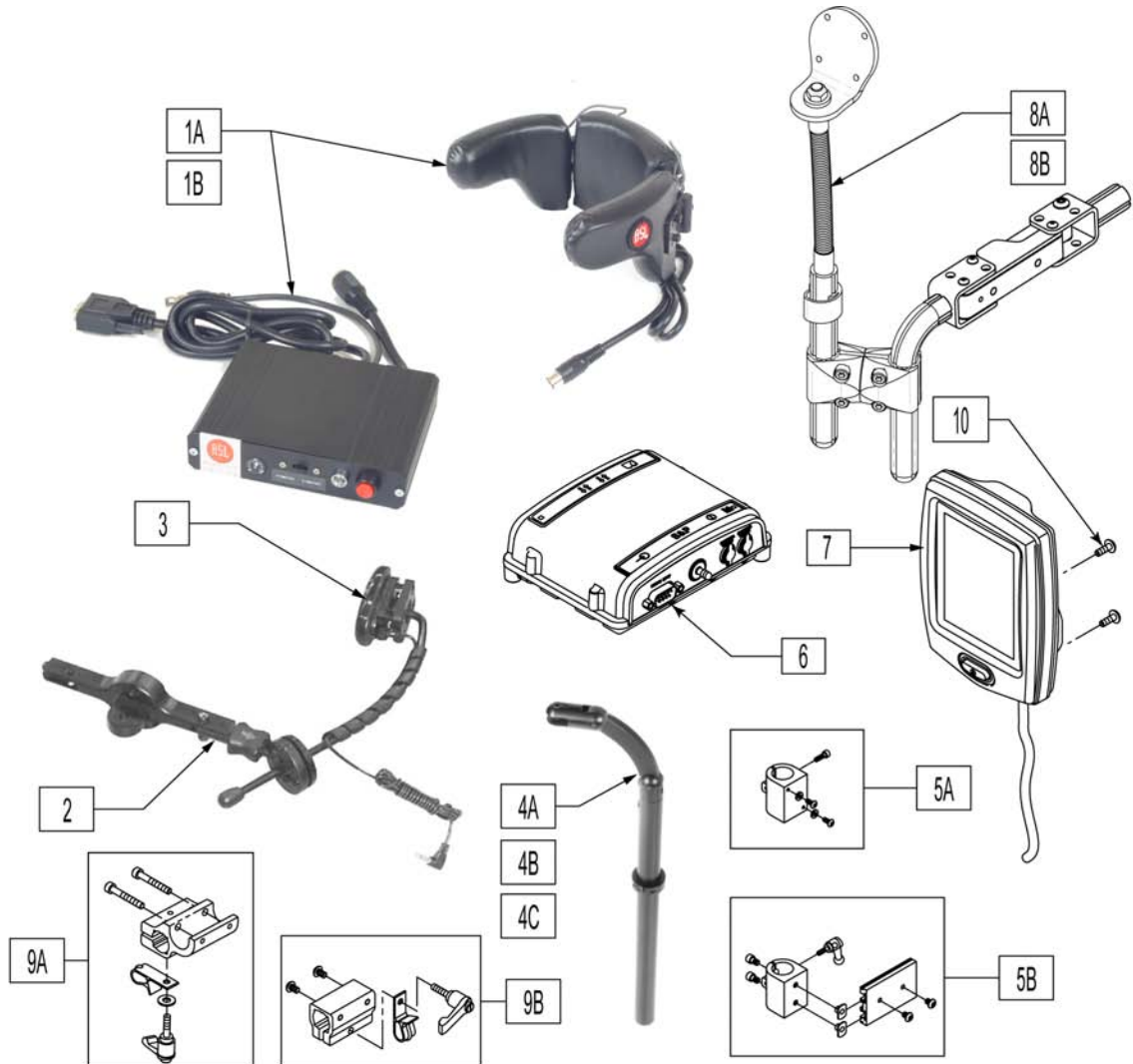
Pos.	Item Number	Description
1	020024S	ENHANCED DISPLAY MOD
2	020006S	SPEC CONTROLS INPUT MOD
3	020008S	ENVIRON CONTROLS MOD
4	139924	SWITCH PENTA
5A	020009S	MINI HANDCONTROL
5B	101659	ATTENDANT HANDCONTROL DELPHI

NOTE: PLEASE REFER TO THE "70A OR 100A DRIVE CONTROL" PARTS MANUAL PAGES FOR HAND CONTROL/DISPLAY TO BUS HARNESS (020026-XXX), AND REFER TO THE "ACTUATOR & SCM/ECK WIRING" PARTS MANUAL PAGE FOR BUS HARNESS INFORMATION (020029-XXX).



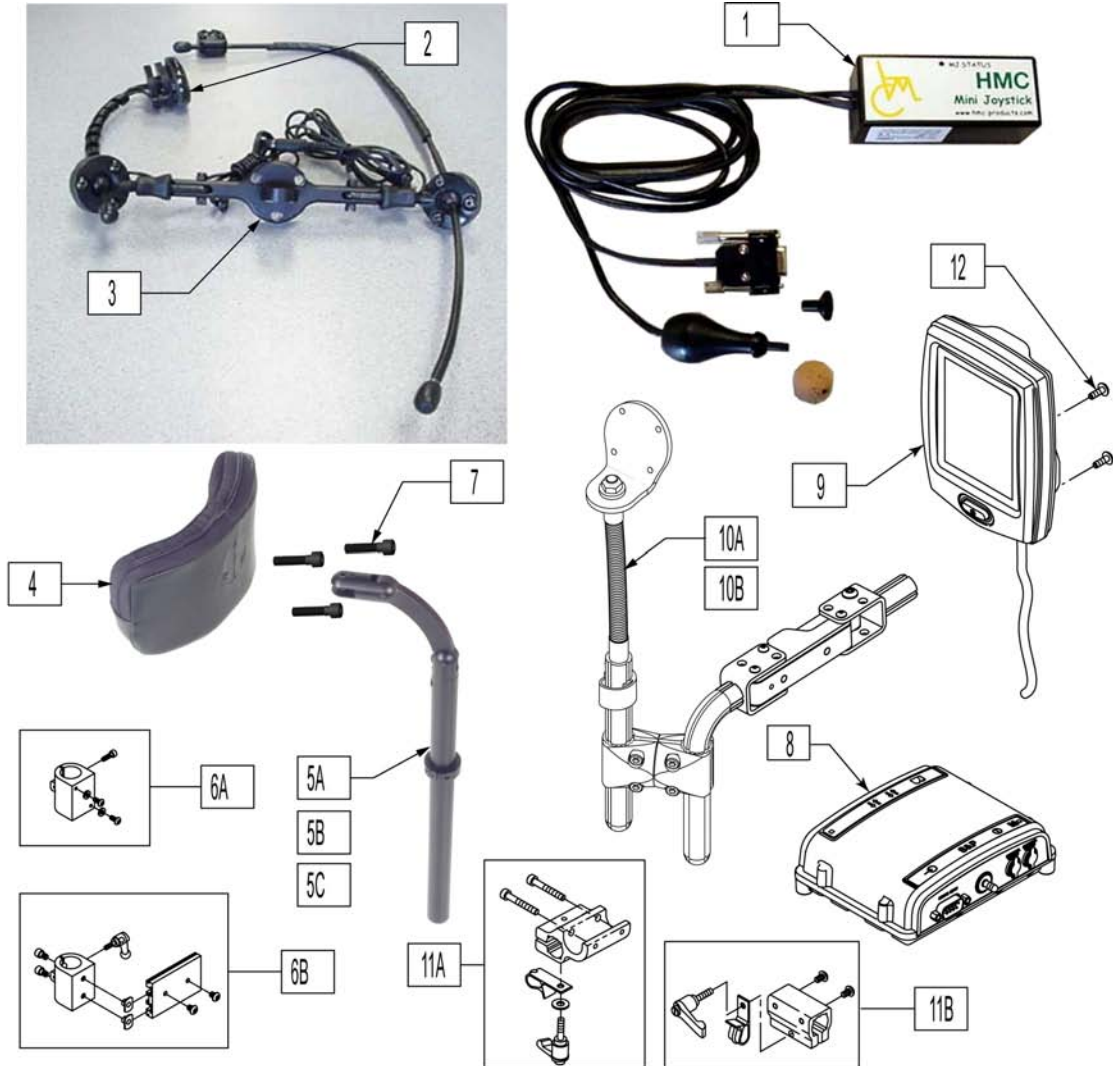
Pos.	Item Number	Description
1,2	882873	HEADREST SIPNPUFF W SW AWAY SW
2	139915	RESET SWITCH EGG SHAPED
3	750697	HEADREST W/ZIPPER LARGE CG
4A	888113	MOUNT HEADREST WO FLANGE 7?
4B	888114	MOUNT HEADREST WO FLANGE 9?
4C	888115	MOUNT HEADREST WO FLANGE 15?
5A	888100	CLAMP HEADREST SMART SEAT
5B	888101	CLAMP HEADREST RIGID BACK
6	226116	10-32 X 1" SOC C/S BLK
7	020006S	SPEC CONTROLS INPUT MOD
8	020024S	ENHANCED DISPLAY MOD
9A	101772	S/A 2HOLE TUBE 90D R FLEXL 12
9B	101773	S/A 2HOLE TUBE 90D L FLEXL 12
10A	012433	CNTRL ARM CLMP UNIVERSAL ASSM
10B	101774	CNTRL CLMP ARM KIT
11	101324	BHCS M4 X .7 X 16
12	101434	SIP N PUFF STRAW

NOTE: PLEASE REFER TO THE "70A OR 100A DRIVE CONTROL" PARTS MANUAL PAGES FOR HAND CONTROL/DISPLAY TO BUS HARNESS (020026-XXX), AND REFER TO THE "ACTUATOR & SCM/ECK WIRING" PARTS MANUAL PAGE FOR BUS HARNESS INFORMATION (020029-XXX).



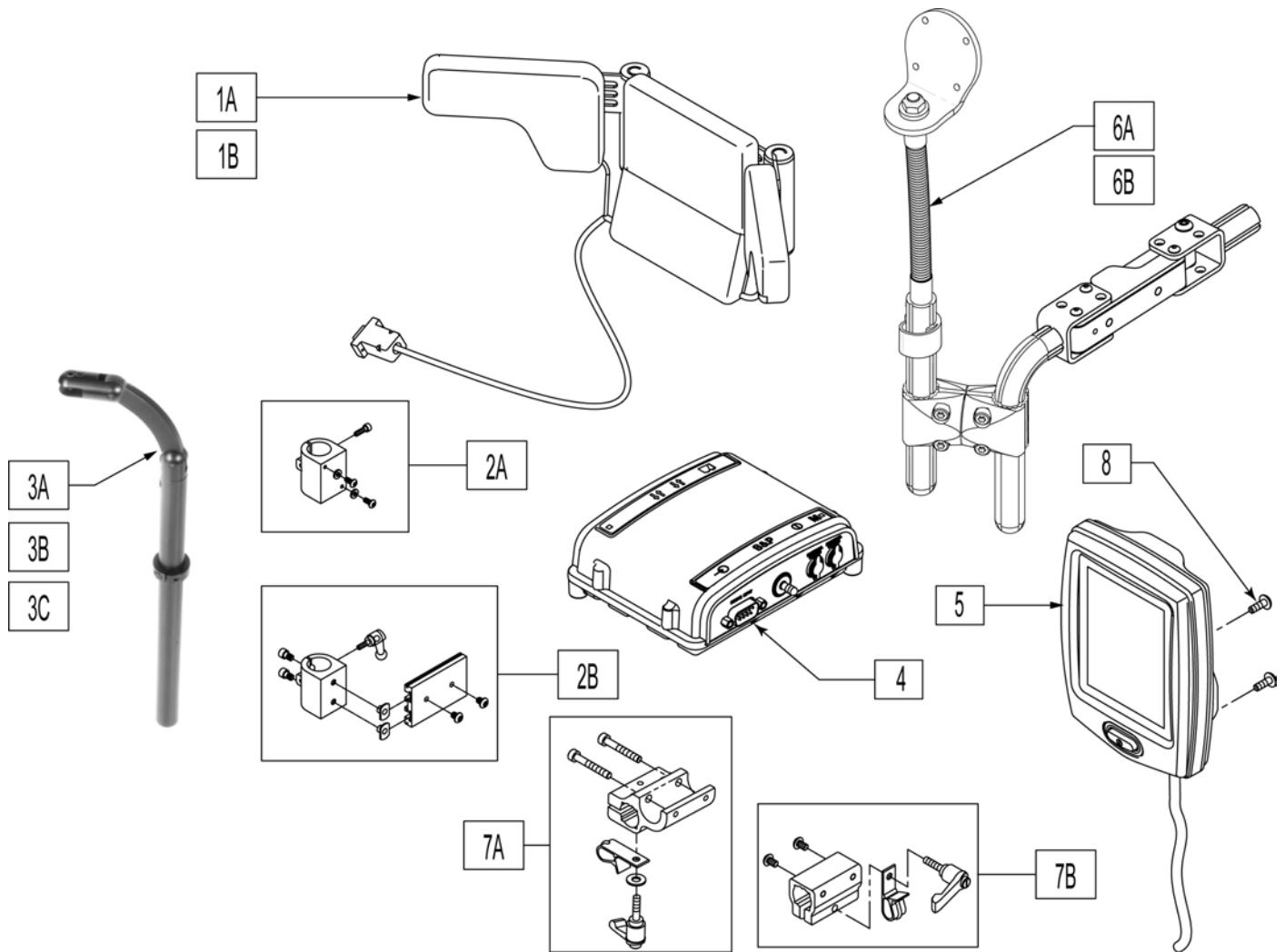
Pos.	Item Number	Description
1A	139940	HEAD ARRAY ADULT W INTERFACE
1B	139941	HEAD ARRAY PED W INTERFACE
2,3	882870	HEADREST MT W SWNG AWAY SWITCH
3	139915	RESET SWITCH EGG SHAPED
4A	888113	MOUNT HEADREST WO FLANGE 7 IN
4B	888114	MOUNT HEADREST WO FLANGE 9 IN
4C	888115	MOUNT HEADREST WO FLANGE 15 IN
5A	888100	CLAMP HEADREST SMART SEAT
5B	888101	CLAMP HEADREST RIGID BACK
6	020006S	SPEC CONTROLS INPUT MOD
7	020024S	ENHANCED DISPLAY MOD
8A	101772	S/A 2HOLE TUBE 90D R FLEXL 12
8B	101773	S/A 2HOLE TUBE 90D L FLEXL 12
9A	012433	CNTRL ARM CLMP UNIVERSAL ASSM
9B	101774	CNTRL CLMP ARM KIT
10	101324	BHCS M4 X .7 X 16

NOTE: PLEASE REFER TO THE "70A OR 100A DRIVE CONTROL" PARTS MANUAL PAGES FOR HAND CONTROL/DISPLAY TO BUS HARNESS (020026-XXX), AND REFER TO THE "ACTUATOR & SCM/ECK WIRING" PARTS MANUAL PAGE FOR BUS HARNESS INFORMATION (020029-XXX).



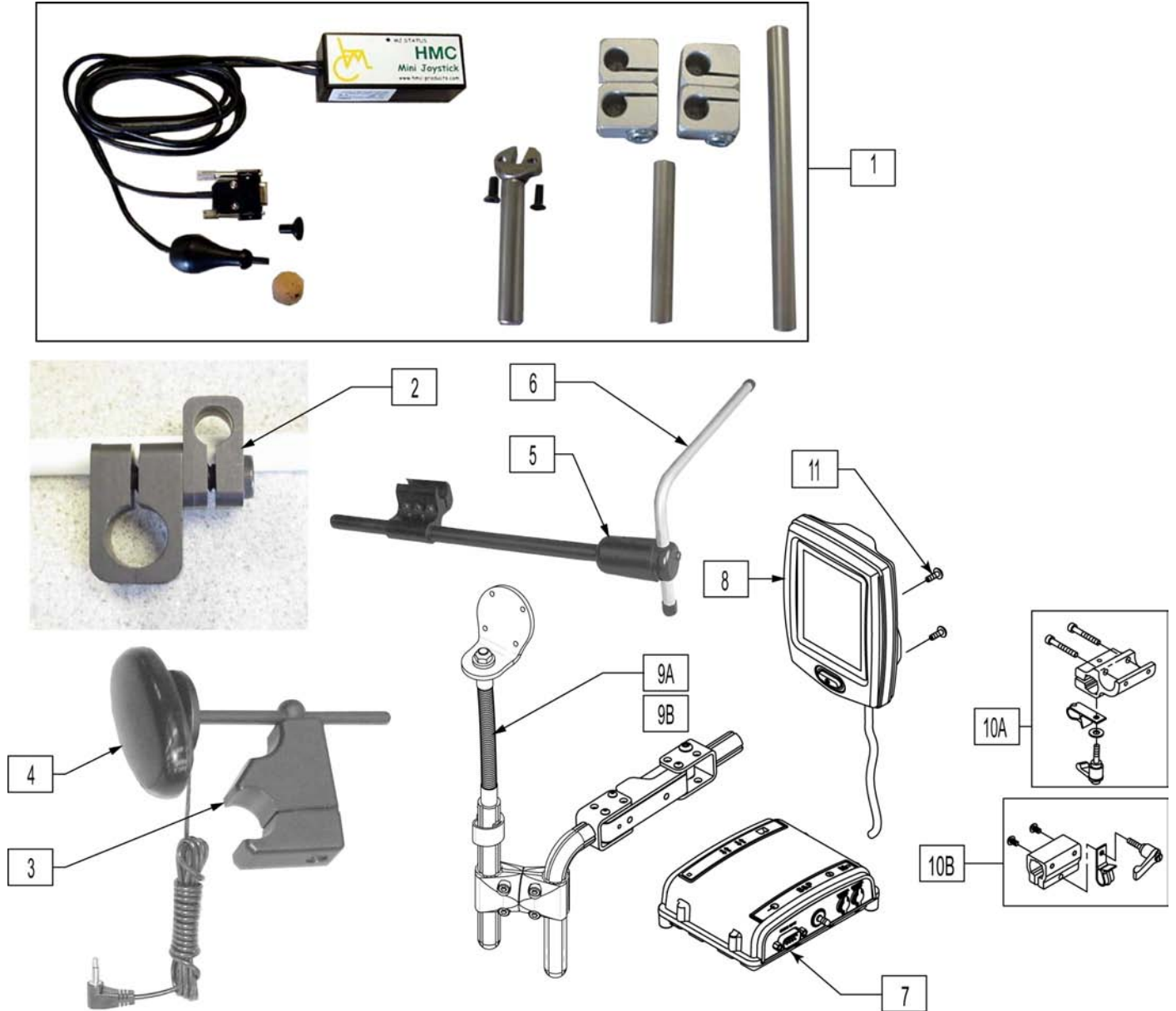
Pos.	Item Number	Description
1	139510	JOYSTICK MINI W INTERFACE
2	139915	RESET SWITCH EGG SHAPED
3	882872	HEADREST MT W SWNG AWAY SWITCH
4	750697	HEADREST W/ZIPPER LARGE CG
5A	888113	MOUNT HEADREST WO FLANGE 7?
5B	888114	MOUNT HEADREST WO FLANGE 9?
5C	888115	MOUNT HEADREST WO FLANGE 15?
6A	888100	CLAMP HEADREST SMART SEAT
6B	888101	CLAMP HEADREST RIGID BACK
7	226116	"10-32 X 1"" SOC C/S BLK"
8	020006S	SPEC CONTROLS INPUT MOD
9	020024S	ENHANCED DISPLAY MOD
10A	101772	S/A 2HOLE TUBE 90D R FLEXL 12
10B	101773	S/A 2HOLE TUBE 90D L FLEXL 12
11A	012433	CNTRL ARM CLMP UNIVERSAL ASSM
11B	101774	CNTRL CLMP ARM KIT
12	101324	BHCS M4 X .7 X 16

NOTE: PLEASE REFER TO THE "70A OR 100A DRIVE CONTROL" PARTS MANUAL PAGES FOR HAND CONTROL/DISPLAY TO BUS HARNESS (020026-XXX), AND REFER TO THE "ACTUATOR & SCM/ECK WIRING" PARTS MANUAL PAGE FOR BUS HARNESS INFORMATION (020029-XXX).



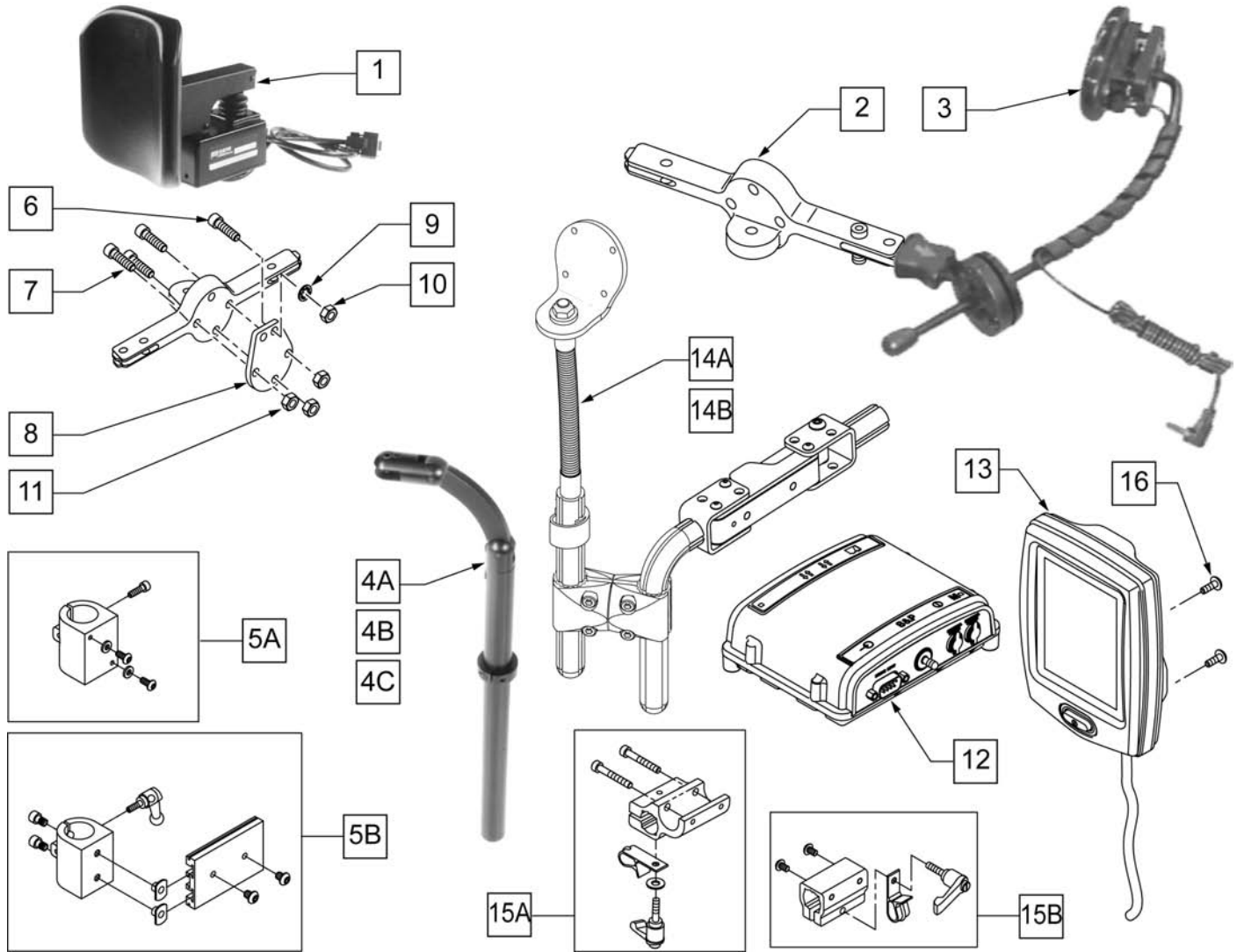
Pos.	Item Number	Description
1A	139897	HEAD ARRAY ADULT W INTERFACE
1B	139898	HEAD ARRAY PED W INTERFACE
2A	888100	CLAMP HEADREST SMART SEAT
2B	888101	CLAMP HEADREST RIGID BACK
3A	888113	MOUNT HEADREST WO FLANGE 7 IN
3B	888114	MOUNT HEADREST WO FLANGE 9 IN
3C	888115	MOUNT HEADREST WO FLANGE 15 IN
4	020006S	SPEC CONTROLS INPUT MOD
5	020024S	ENHANCED DISPLAY MOD
6A	101772	S/A 2HOLE TUBE 90D R FLEXL 12
6B	101773	S/A 2HOLE TUBE 90D L FLEXL 12
7A	012433	CNTRL ARM CLMP UNIVERSAL ASSM
7B	101774	CNTRL CLMP ARM KIT
8	101324	BHCS M4 X .7 X 16

NOTE: PLEASE REFER TO THE "70A OR 100A DRIVE CONTROL" PARTS MANUAL PAGES FOR HAND CONTROL/DISPLAY TO BUS HARNESS (020026-XXX), AND REFER TO THE "ACTUATOR & SCM/ECK WIRING" PARTS MANUAL PAGE FOR BUS HARNESS INFORMATION (020029-XXX).



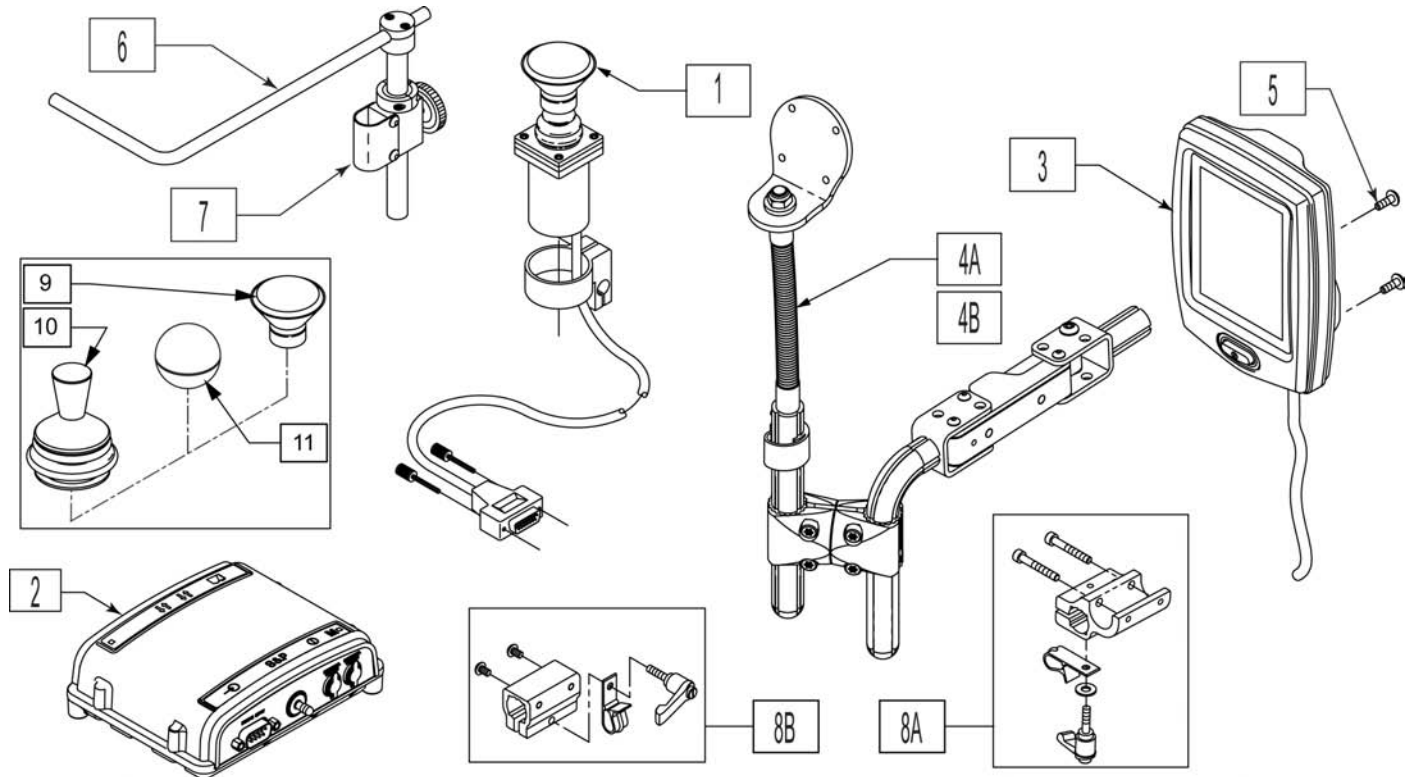
Pos.	Item Number	Description
1	139510	JOYSTICK MINI W INTERFACE
2	521617	MOUNT MINI JOYSTK TO 1/2" TUBE
3	920904	MOUNT RESET SW FOR 7/8 TUBE
3,4	521619	RESET SWITCH W BRACKET UNIV
4	139915	RESET SWITCH EGG SHAPED
5	886974	USCM DISPLAY ARM ASSY
6	521097	ADJ DISPLAY ARM "L" (USCM)
7	020006S	SPEC CONTROLS INPUT MOD
8	020024S	ENHANCED DISPLAY MOD
9A	101772	S/A 2HOLE TUBE 90D R FLEXL 12
9B	101773	S/A 2HOLE TUBE 90D L FLEXL 12
10B	012433	CNTRL ARM CLMP UNIVERSAL ASSM
10A	101774	CNTRL CLMP ARM KIT
11	101324	BHCS M4 X .7 X 16

NOTE: PLEASE REFER TO THE "70A OR 100A DRIVE CONTROL" PARTS MANUAL PAGES FOR HAND CONTROL/DISPLAY TO BUS HARNESS (020026-XXX), AND REFER TO THE "ACTUATOR & SCM/ECK WIRING" PARTS MANUAL PAGE FOR BUS HARNESS INFORMATION (020029-XXX).



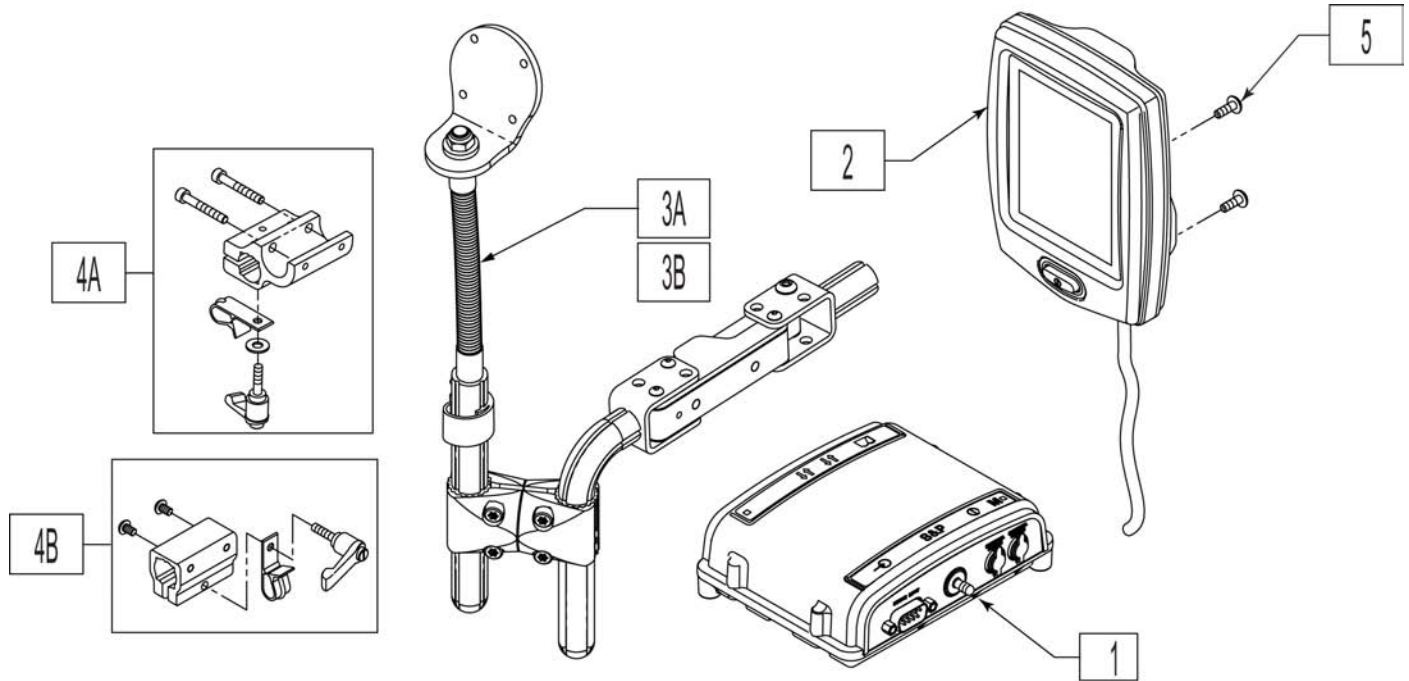
Pos.	Item Number	Description	Pos.	Item Number	Description
1	888140	PROP HD CTRL QTRNX NO RESET SW	10	204110	1/4-28 NYLOCK NUT BLK ZN
3	139915	RESET SWITCH EGG SHAPED	11	200100-QU	10-32 NYLOCK NUT
4A	888113	MOUNT HEADREST WO FLANGE 7"	12	020006S	SPEC CONTROLS INPUT MOD
4B	888114	MOUNT HEADREST WO FLANGE 9"	13	020024S	ENHANCED DISPLAY MOD
4C	888115	MOUNT HEADREST WO FLANGE 15"	14A	101772	S/A 2HOLE TUBE 90D R FLEXL 12
5A	888100	CLAMP HEADREST SMART SEAT	14B	101773	S/A 2HOLE TUBE 90D L FLEXL 12
5B	888101	CLAMP HEADREST RIGID BACK	15A	012433	CNTRL ARM CLMP UNIVERSAL ASSM
6	226112	1/4-28 X 1 SOC C/S BLK	15B	101774	CNTRL CLMP ARM KIT
7	226116	10-32 X 1" SOC C/S BLK	16	101324	BHCS M4 X .7 X 16
8	506212	HEADREST ADAPTER PLATE	2,3	882868	HDREST MOUNT W LONG SW AWAY SW
9	267350	1/4 WASHER INT LOCK ZN			

NOTE: PLEASE REFER TO THE "70A OR 100A DRIVE CONTROL" PARTS MANUAL PAGES FOR HAND CONTROL/DISPLAY TO BUS HARNESS (020026-XXX), AND REFER TO THE "ACTUATOR & SCM/ECK WIRING" PARTS MANUAL PAGE FOR BUS HARNESS INFORMATION (020029-XXX).

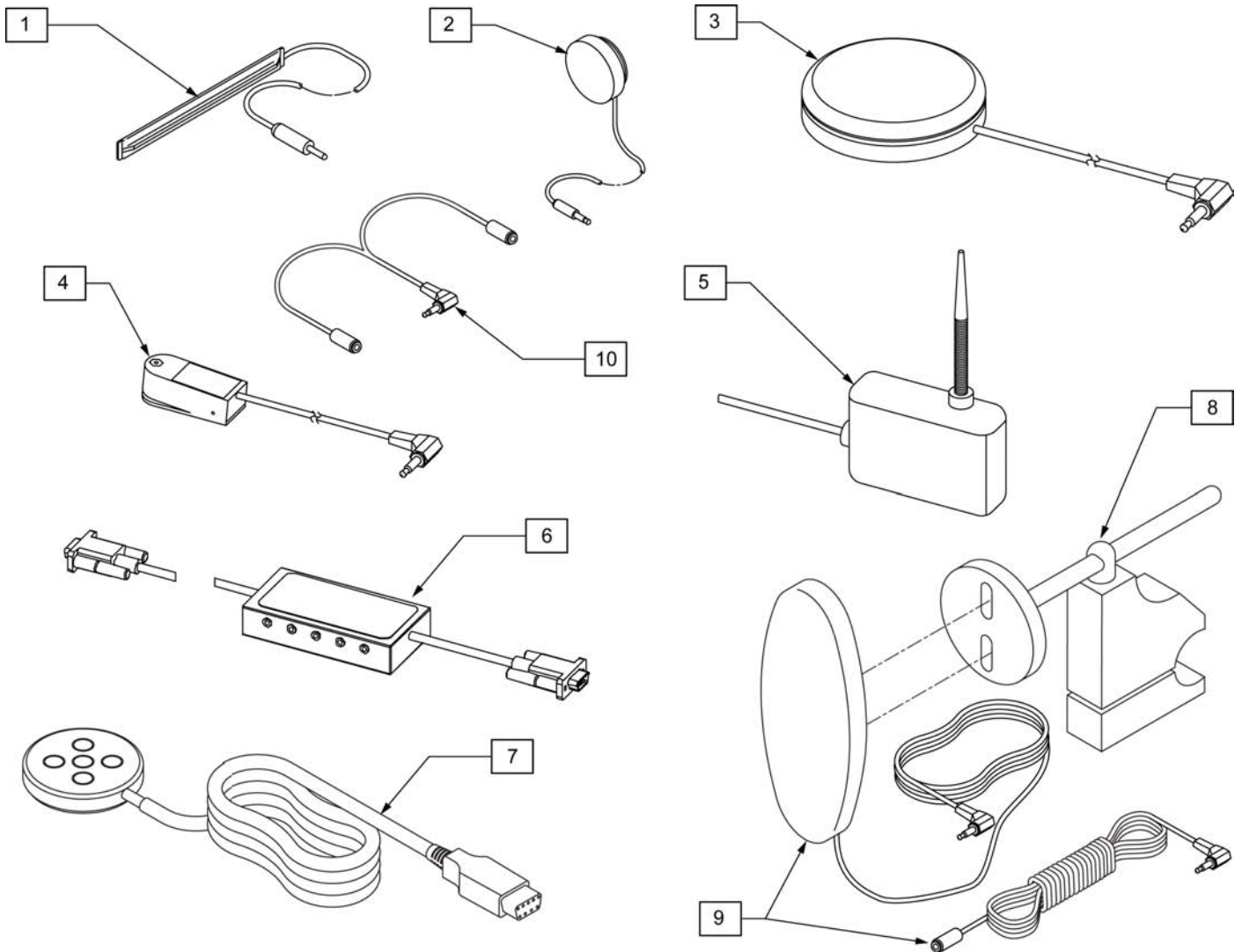


Pos.	Item Number	Description	Remarks
1	139705	PROP CHIN CONTROL W/ MINI JS	
2	020006S	SPEC CONTROLS INPUT MOD	
3	020024S	ENHANCED DISPLAY MOD	
4A	101772	S/A 2HOLE TUBE 90D R FLEXL 12	RIGHT
4B	101773	S/A 2HOLE TUBE 90D L FLEXL 12	LEFT
8A	101774	CNTRL CLMP ARM KIT	
8B	012433	CNTRL ARM CLMP UNIVERSAL ASSM	
5	101324	BHCS M4 X .7 X 16	
6,7	D3150-3	AMH S/A MNTG KIT B/R 1" 3185	

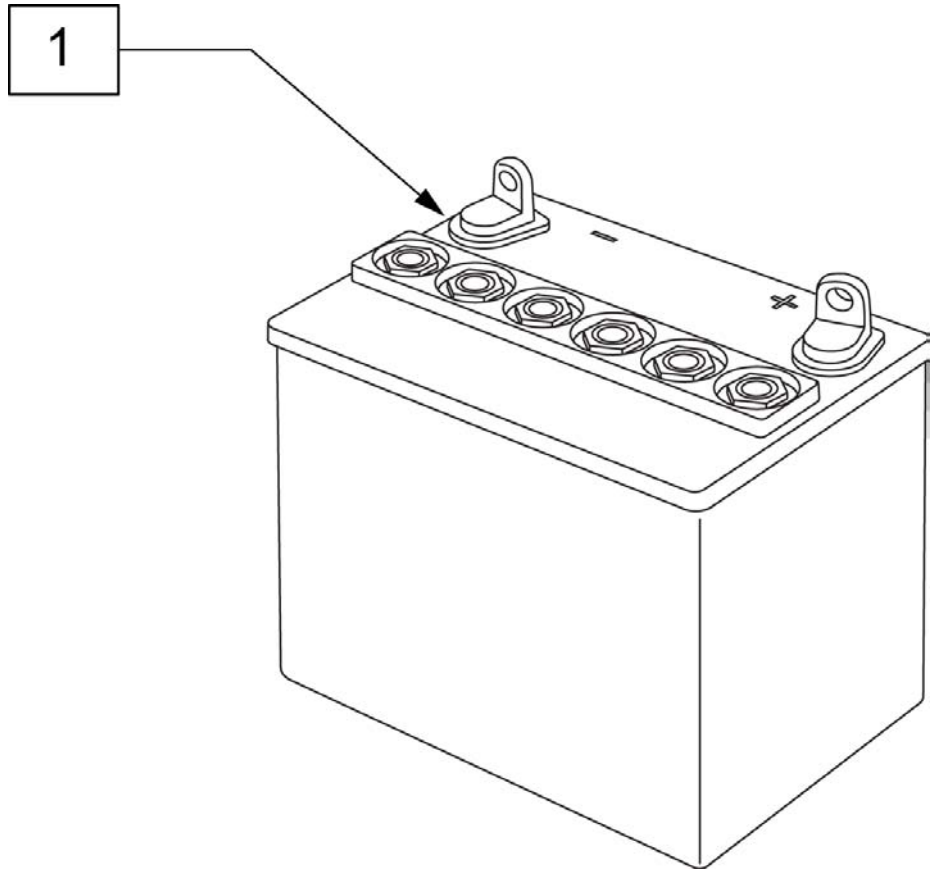
NOTE: PLEASE REFER TO THE "70A OR 100A DRIVE CONTROL" PARTS MANUAL PAGES FOR HAND CONTROL/DISPLAY TO BUS HARNESS (020026-XXX), AND REFER TO THE "ACTUATOR & SCM/ECK WIRING" PARTS MANUAL PAGE FOR BUS HARNESS INFORMATION (020029-XXX).



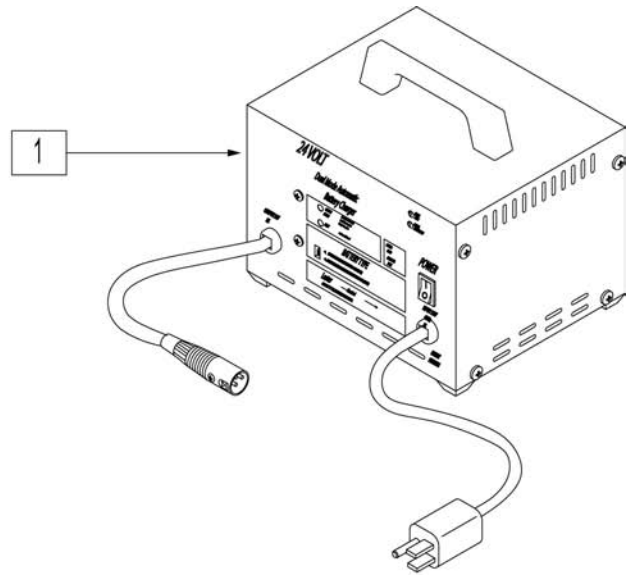
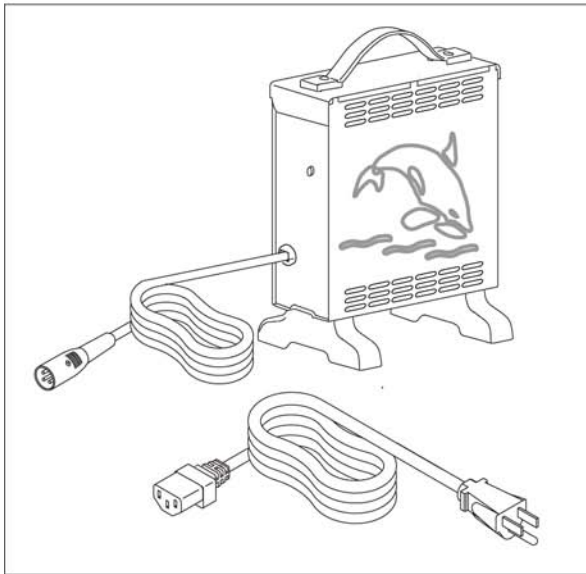
Pos.	Item Number	Description
1	020006S	SPEC CONTROLS INPUT MOD
2	020024S	ENHANCED DISPLAY MOD
3A	101772	S/A 2HOLE TUBE 90D R FLEXL 12
3B	101773	S/A 2HOLE TUBE 90D L FLEXL 12
4A	012433	CNTRL ARM CLMP UNIVERSAL ASSM
4B	101774	CNTRL CLMP ARM KIT
5	101324	BHCS M4 X .7 X 16



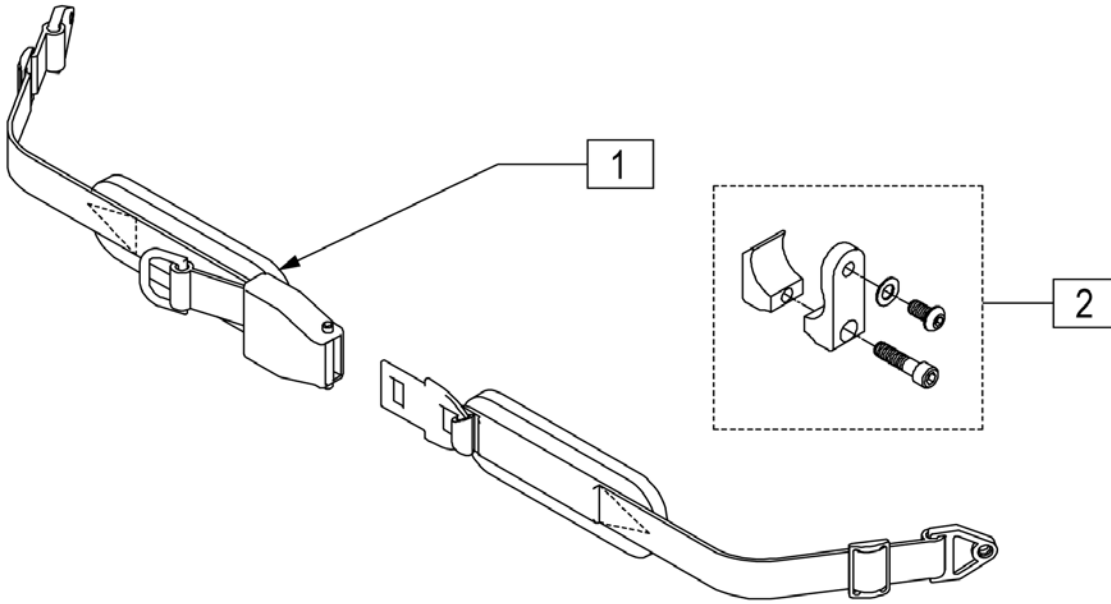
Pos.	Item Number	Description	Remarks
1	133721	SWITCH RIBBON	Cord length 63"
2	133722	SWITCH DISC	Cord length 69"
3	139920	SWITCH BUDDY BUTTON RED	Cord length 57"
4	139921	MICRO LIGHT	Cord length 58"
5	139910	SWITCH WOBBLE	Cord length 68"
6	139923	SWITCH CA-5 BOX	Cord length (female cable 63")(male cable 6")
7	139924	SWITCH PENTA	Cord length 63"
8	920904	MOUNT RESET SW FOR 7/8 TUBE	Clamps to 7/8" tubing
9	139915	RESET SWITCH EGG SHAPED	Cord length 51"(Ext 71")
10	105417	STEREO TO 2 MONO SPLITTER	Cord length 6"



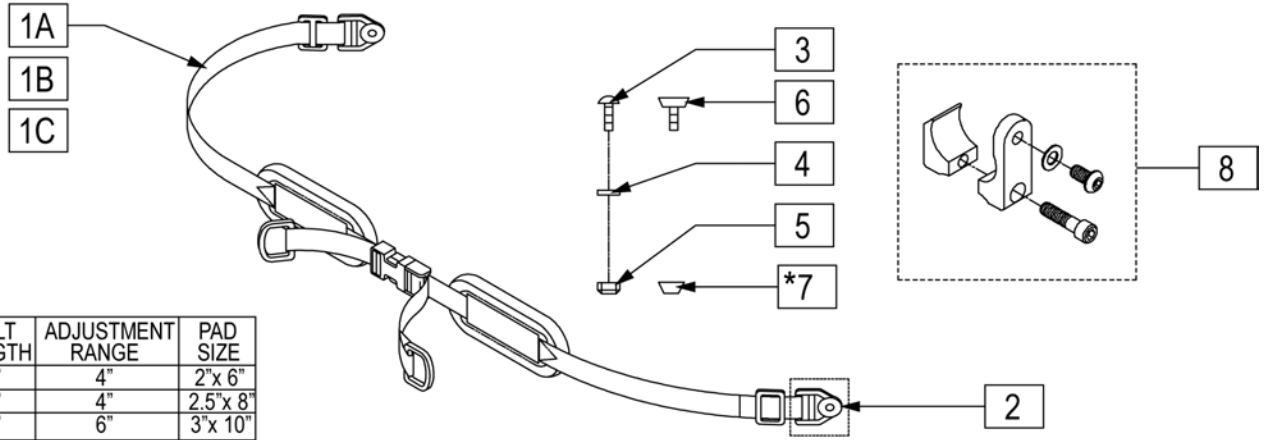
Pos.	Item Number	Description
1	BATU1	MU1 SLD G



Pos.	Item Number	Description	HCPC	Remarks
1	BATC8LS	CHARGER OFF BOARD 8A LESTER	E2367	Desktop
2	BATC8CT	CHARGER OFF BOARD 8A CTE	E2367	



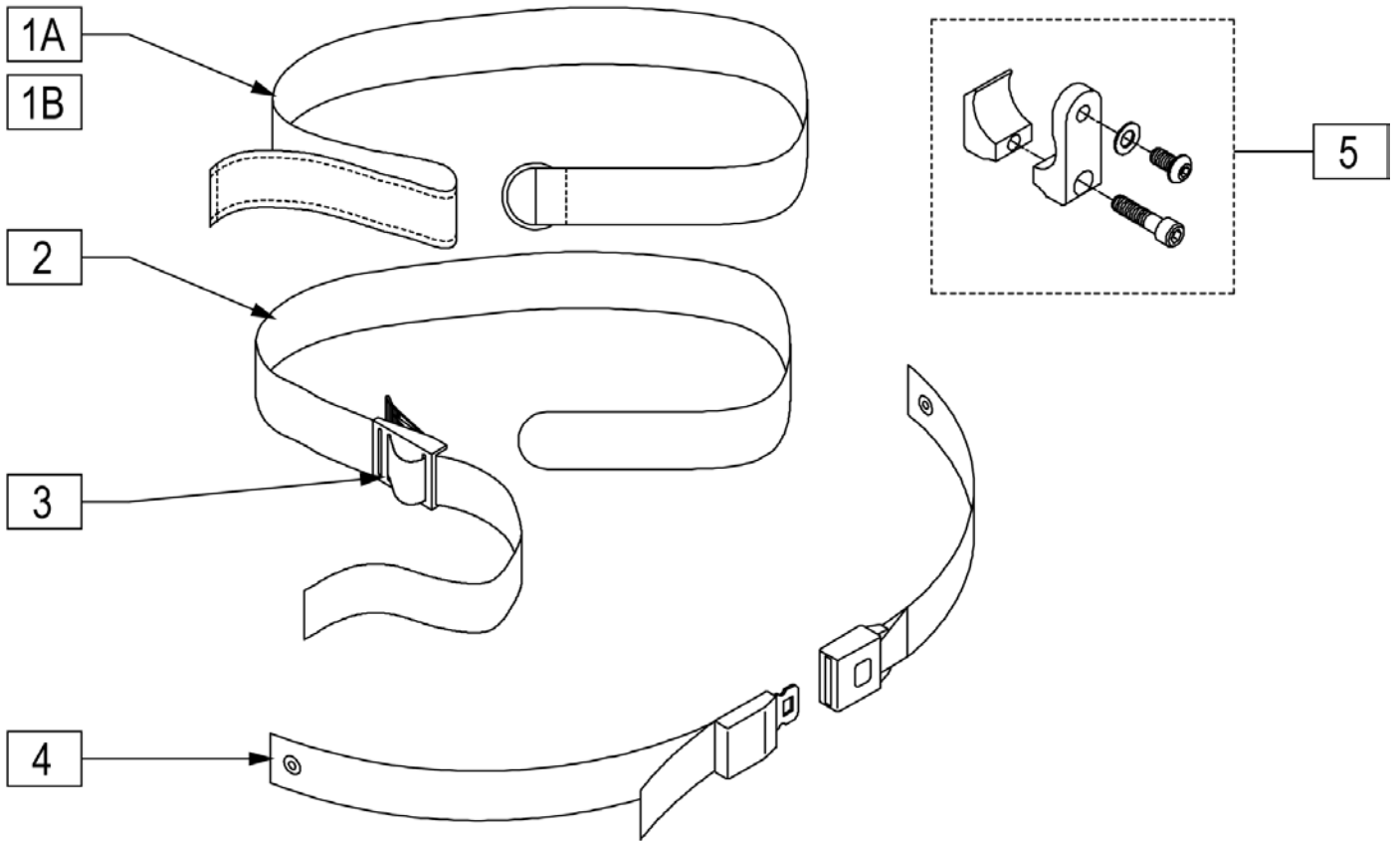
Pos.	Item Number	Description
1	450418-QU	BELT 2" AIRCRAFT BUCKLE
1	450423-QU	BELT 2" AIRCRAFT BUCKLE W/PAD
1	450424	BELT 2" AIRCRAFT BKL LONG W/PAD
1	450425	BELT 2" AIRCRAFT BKL LONG
1	450419-QU	BELT 2" AIRCRAFT BKL W/QUAD LP
1	468419	BELT 2" AIRCRT BKL W/QD LPCZ
2	900116	POSITION BELT ATTACHMENT KIT
1,2	920918	POS BELT ATT KIT W/2" AIR BKL
1,2	920919	POS BELT ATT KIT W/2" AIR BKL PD



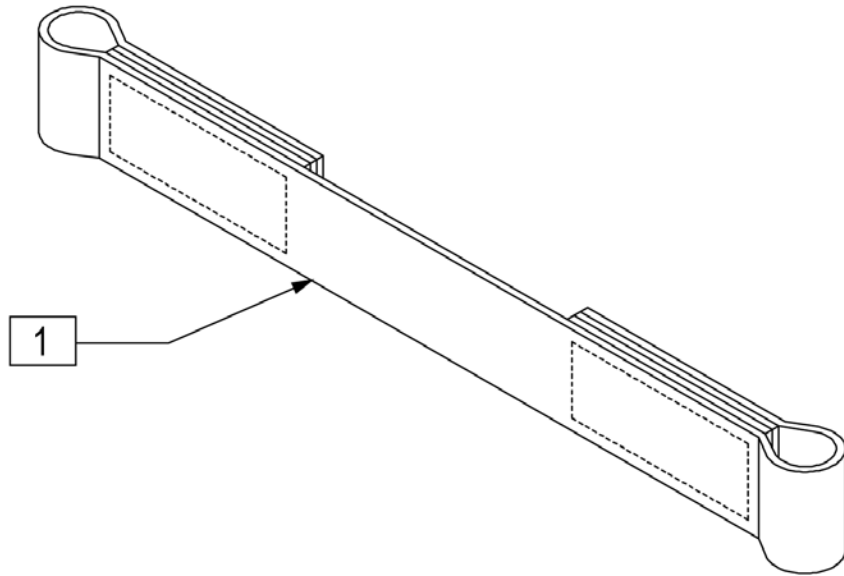
BELT WIDTH	BELT LENGTH	ADJUSTMENT RANGE	PAD SIZE
1"	52"	4"	2"x 6"
1.5"	54"	4"	2.5"x 8"
2"	56"	6"	3"x 10"

NOTE : ITEM 7 CHANNEL NUT IS USED WHEN ORDERING IN CONJUNCTION WITH CUSTOM CONVENTIONAL SEATING

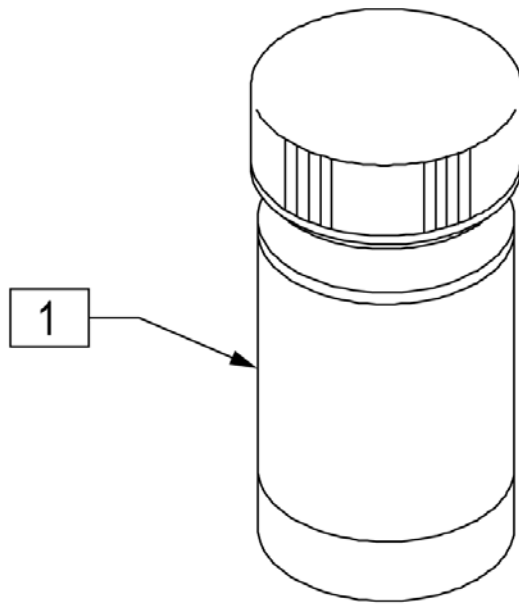
Pos.	Item Number	Description
1A	450420-QU	BELT 1" DUAL ADJ. SQZ BKL PAD
1B	450421-QU	BELT 1.5" DUAL ADJ. SQZ BKL PAD
1C	450422-QU	BELT 2" DUAL ADJ. SQZ BKL PAD
2	451116-QU	PLASTIC WEBBING GROMMET
3	455036-QU	1/4-28 x 9/16 SPEC ROUND HD
4	106943	WASHER FLAT AN 1/4 ROHS
5	479020	CHAN.UNF NUT 1/4-28 W/SETSCRW
6	106935	NUT NYLOCK THIN 1/4-28 ROHS
7	481106-QU	1/4-28 CHANNELNUT
1A,2,4-6	476520	BELT 1" DUAL ADJ SQZ BKLPAD AC
1B,2,4-6	476521	BELT 1.5" DUAL ADJ SQZ BKLPAD AC
1C,2,4-6	476522	BELT 2" DUAL ADJ SQZ BKLPAD AC
1A-5	468420	BELT 1" DUAL ADJ.SQZ BKLPAD CZ
1B-5	468421	BELT 1.5" DUAL ADJ.SQZ BKLPAD CZ
1C-5	468422	BELT 2" DUAL ADJ.SQZ BKLPAD CZ
8	900116	POSITION BELT ATTACHMENT KIT



Pos.	Item Number	Description
1A	750200	POSITIONING BELT LONG VELCRO
1B	750204	POSITIONING BELT SHORT VELCRO
2,3	750210	POSITIONING BELT LONG BUCKLE
2,3	750214	POSITIONING BELT SHORT BUCKLE
3	560200	2" PLASTIC BUCKLE
4	750276	1 1/2" POSITION BELT
5	900116	POSITION BELT ATTACHMENT KIT

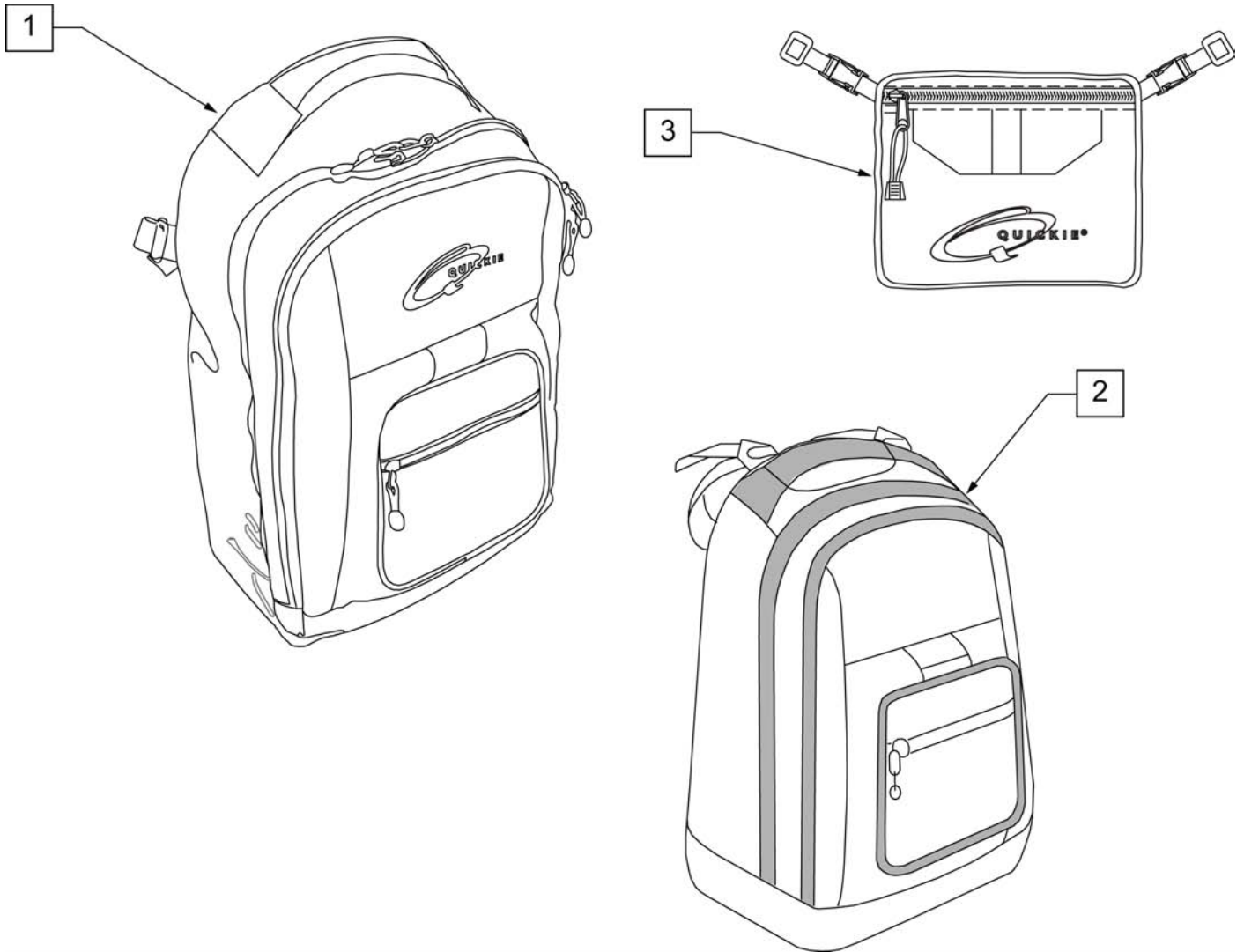


Pos.	Item Number	Description
1	740130	LEG STRAP 10"-14" BLK
1	740131	LEG STRAP 15"-17" BLK
1	740132	LEG STRAP 18"-20" BLK

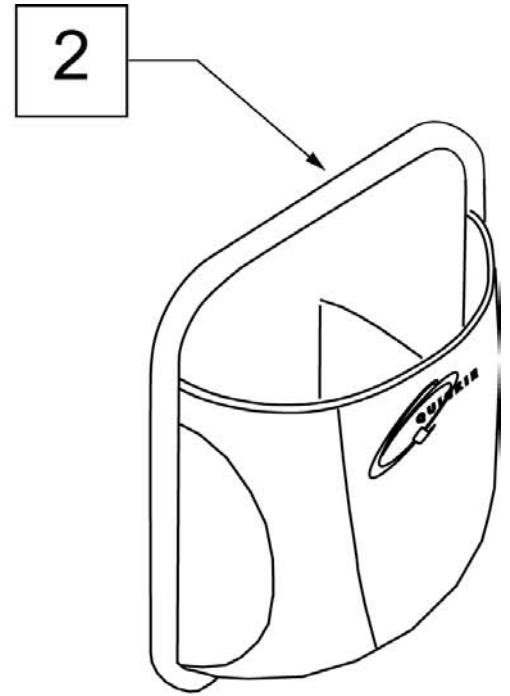
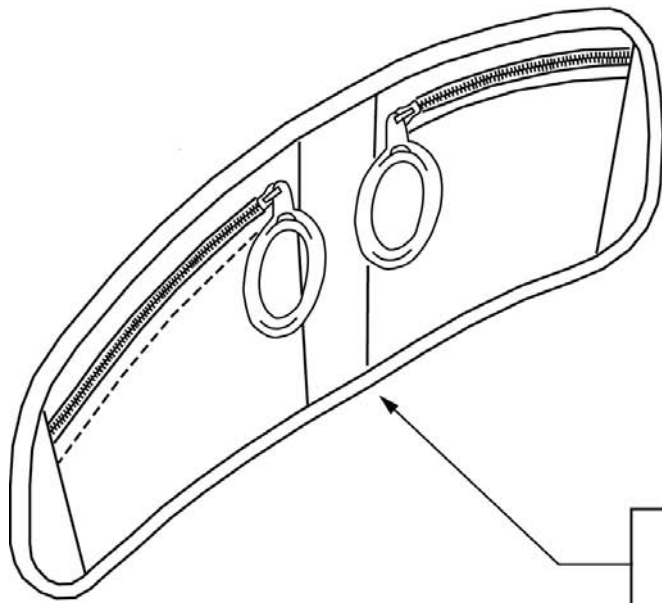


Pos.	Item Number	Description
1	160504	TOUCH UP GLOSS BLACK (1OZ)
1	160456	TOUCH UP GLOSS Ti (1OZ)

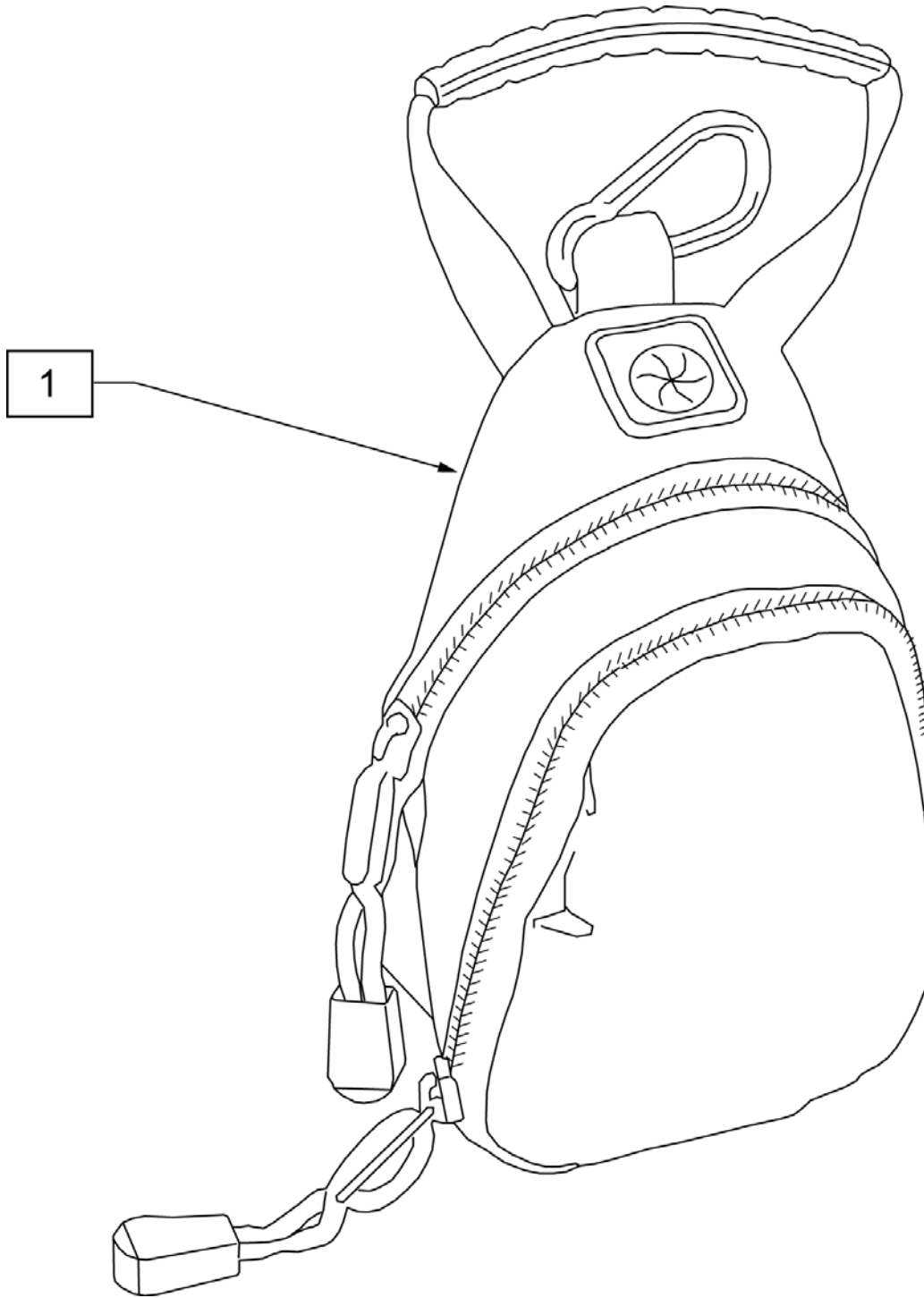
NOTE: KIDS BACKPACKS DO NOT HAVE ADJUSTABLE STRAPS W/ BUCKLES.



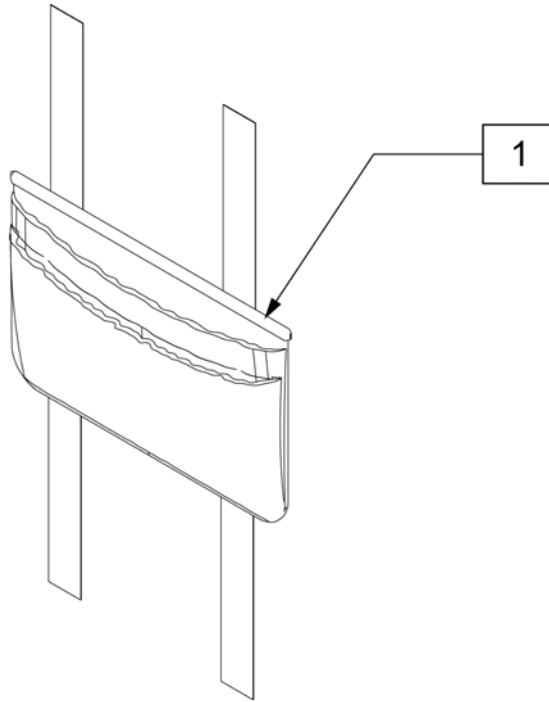
Pos.	Item Number	Description
1	750115	BACK PACK QUICKIE
2	104572	BACKPACK ZIPPIE
3	750307	SEAT POUCH QUICKIE



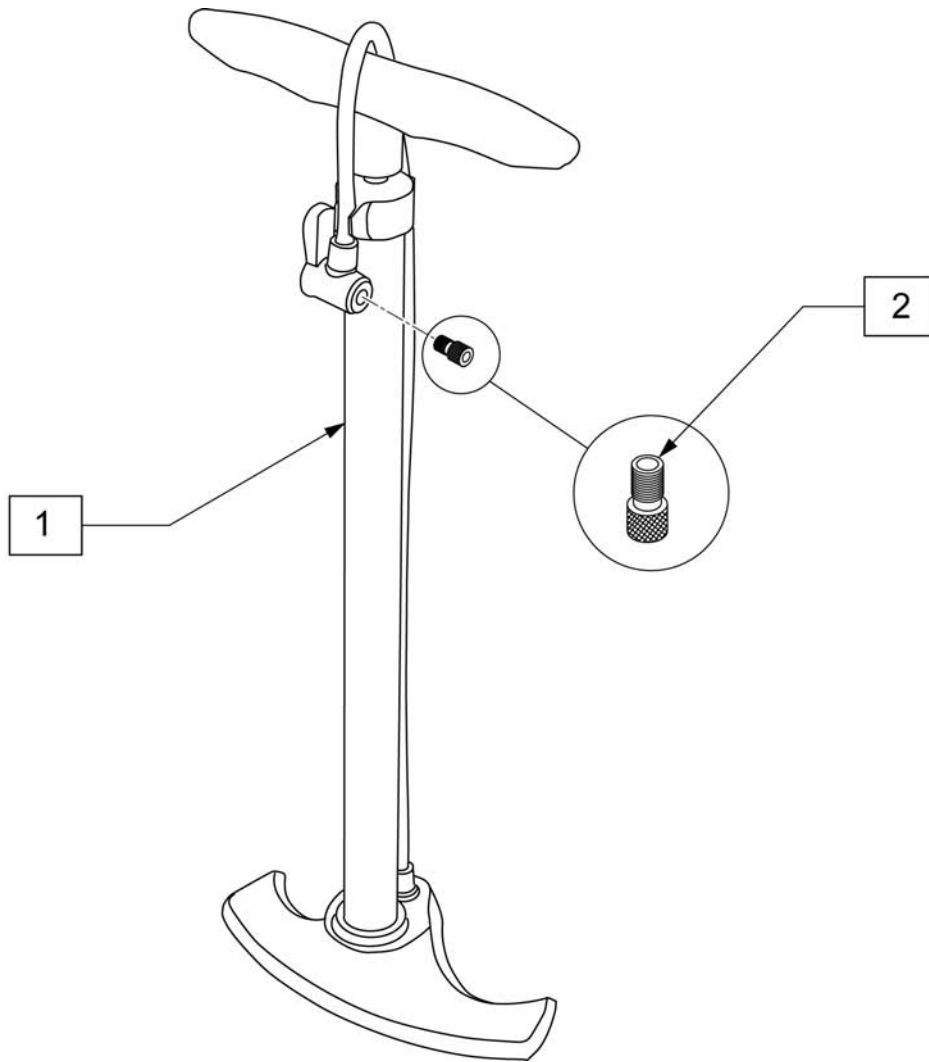
Pos.	Item Number	Description	Remarks
1	013477	LAP ORGANIZER	Size: 18.25"x 7.75"x .75"
2	013475	QUICKIE SIDE POCKET	Size: 6.5"x 6.5"x 2"



Pos.	Item Number	Description
1	109229	CELL PHONE PACK (ORANGE)



Pos.	Item Number	Description
1	011687	POWER CORD POUCH



Pos.	Item Number	Description
1	389050	TIRE PUMP
2	381230	VALVE ADAPTER PRESTA

