

RehabiliTech

Parts Manual



JANUARY 2017



COVER PAGE.....	1
Product.....	1
REHABILITECH	5
DISCONTINUED LETTER	5
REHABILITECH DISCONTINUED	5
INSERTS: SEAT & BACK COMBINATIONS.....	5
INSERT KITS: SEATS & BACKS W/HARDWARE.....	6
INSERT KITS: SEATS & BACKS.....	7
INSERT KITS: BASIC SEATS & BACKS.....	9
INSERT KITS: BACKS W/HARDWARE.....	10
INSERT KITS: SEATS W/HARDWARE.....	11
SEATS & SEAT MODIFICATIONS	11
SOLID SEAT	12
SOLID SEAT MODIFICATIONS.....	13
BACKS & BACK MODIFICATIONS.....	15
SOLID BACK.....	16
SOLID BACK MODIFICATIONS	17
LUMBAR PADS.....	20
LUMBAR SUPPORT.....	21
LATERAL HIP & THIGH SUPPORTS	21
LATERAL HIP SUPPORTS.....	22
LATERAL HIP SUPPORTS FIXED BRACKETS.....	23
LATERAL HIP SUPPORTS ADJUSTABLE BRACKETS.....	24
LATERAL HIP SUPPORT PADS & MODIFICATIONS	25
LATERAL HIP SUPPORT BRACKETS.....	26
LATERAL THORACIC SUPPORTS	26
LATERAL THORACIC SUPPORTS - CODE VERIFIED.....	27
ALUMINUM LATERAL THORACIC SUPPORTS.....	29
WOOD BASED LATERAL THORACIC SUPPORTS	30
ALUMINUM CURVED LATERAL THORACIC SUPPORTS.....	31
SWING-AWAY ALUMINUM LATERAL THORACIC SUPPORTS.....	32
SWING-AWAY WOOD BASED LATERAL THORACIC SUPPORTS	33
SWING-AWAY ALUMINUM CURVED LATERAL THORACIC SUPPORTS.....	34
DEPTH ADJUSTABLE LATERAL THORACIC SUPPORTS.....	35
DEPTH ADJUSTABLE SWING-AWAY LATERAL THORACIC SUPPORTS.....	36
SWING-AWAY ANTERIOR/POSTERIOR LATERAL THORACIC SUPPORTS	37
SWING-AWAY ANTERIOR/POSTERIOR REMOVABLE LATERAL THORACIC SUPPORTS.....	38
LATERAL THORACIC PADS.....	39
LATERAL THORACIC MODIFICATIONS	40
LATERAL THORACIC FIXED BRACKETS.....	41
LATERAL THORACIC BRACKETS FOR SWING-AWAY.....	42
HEADRESTS AND HEAD CONTROL	42
HEADREST.....	43
HEADREST HARDWARE & MODIFICATIONS.....	45
ABDUCTOR BRACKETS & PADS.....	46
ABDUCTORS CODED.....	47
ABDUCTOR BRACKETS.....	48
ABDUCTOR COMPONENTS.....	49
ABDUCTOR MODIFICATIONS.....	50
PELVIC & THORACIC POSITIONING STRAPS.....	50
COMFORFIT ANTERIOR TRUNK SUPPORTS	51
COMFORFIT ANTERIOR TRUNK SUPPORTS cont.....	53
COMFORFIT PELVIC POSITIONING BELTS	55
POSITIONING STRAPS.....	58
SOFT SUPPORTS.....	59
SOFT SUPPORTS SHOULDER STRAPS.....	61
HARDWARE	61
KNOB RELEASE HARDWARE.....	62
FORKS & HOOKS.....	64
HOOKS & L BRACKETS.....	66
STOPS & TABS	68
SEAT TO BACK BRACKETS.....	69
OTHER HARDWARE	70
TRACKS.....	71
TRACKS.....	72
EXTREMITY SUPPORTS	72
FOOT BOXES	73
SHOE HOLDERS.....	74
ARM SUPPORTS.....	75
LAP TRAYS & HARDWARE	75

CUSTOM TRAYS.....	76
STANDARD TRAYS.....	77
TRAY MOUNTING HARDWARE	78
MISC. ITEMS	78
MISCELLANEOUS.....	79
REHABILITECH TO JAY CONFIGURE FIT CROSS REFERENCE.....	79
REHABILITECH PART NUMBER CROSS REFERENCE (10XXX).....	80
REHABILITECH PART NUMBER CROSS REFERENCE (12XXX).....	89
REHABILITECH PART NUMBER CROSS REFERENCE (14XXX).....	93
REHABILITECH PART NUMBER CROSS REFERENCE (16XXX).....	97
REHABILITECH PART NUMBER CROSS REFERENCE (18XXX).....	98
REHABILITECH PART NUMBER CROSS REFERENCE (20XXX).....	102
REHABILITECH PART NUMBER CROSS REFERENCE (22XXX).....	117
REHABILITECH PART NUMBER CROSS REFERENCE (24XXX).....	119
REHABILITECH PART NUMBER CROSS REFERENCE (26XXX).....	123
REHABILITECH PART NUMBER CROSS REFERENCE (28XXX).....	125
REHABILITECH PART NUMBER CROSS REFERENCE (30XXX).....	131
REHABILITECH PART NUMBER CROSS REFERENCE (32XXX).....	132
REHABILITECH PART NUMBER CROSS REFERENCE (34XXX).....	134
REHABILITECH PART NUMBER CROSS REFERENCE (99XXX).....	136
REHABILITECH PART NUMBER CROSS REFERENCE (APBXXXX).....	137
REHABILITECH PART NUMBER CROSS REFERENCE (ATSXXXX).....	139
REHABILITECH PART NUMBER CROSS REFERENCE (CXXX).....	144
REHABILITECH PART NUMBER CROSS REFERENCE (DXXX).....	145
REHABILITECH PART NUMBER CROSS REFERENCE (HXXX).....	146
REHABILITECH PART NUMBER CROSS REFERENCE (HARDXXXX).....	147
REHABILITECH PART NUMBER CROSS REFERENCE (KAXXXX).....	148
REHABILITECH PART NUMBER CROSS REFERENCE (LXXX).....	149
REHABILITECH PART NUMBER CROSS REFERENCE (PXXX).....	150
REHABILITECH PART NUMBER CROSS REFERENCE (RXXX).....	151
REHABILITECH PART NUMBER CROSS REFERENCE (VXXX).....	152

improving people's lives



Dear Valued Customer,

As of **7/1/2010**, the sale of **Rehabilitech** has been discontinued. In compliance with Sunrise Medical's policy, replacement parts will continue to be available until **6/29/2016**. Effective **6/29/2016**, replacement parts for the **Rehabilitech** will be obsolete and therefore no longer available for sale.

Sincerely,

Sunrise Medical

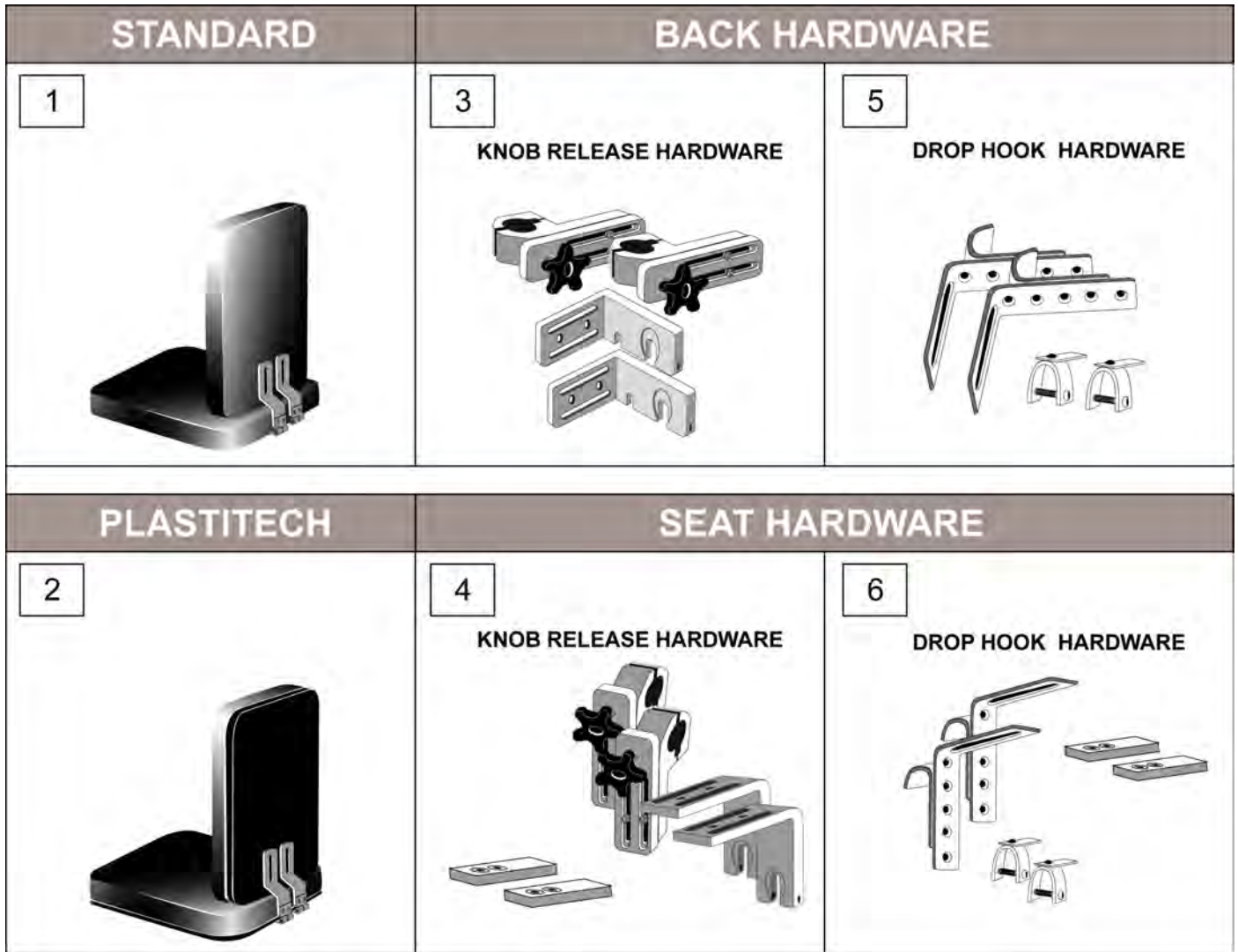
6899 Winchester Circle, Suite 200 • Boulder, CO 80301 • USA

800.333.4000 www.SunriseMedical.com

Description

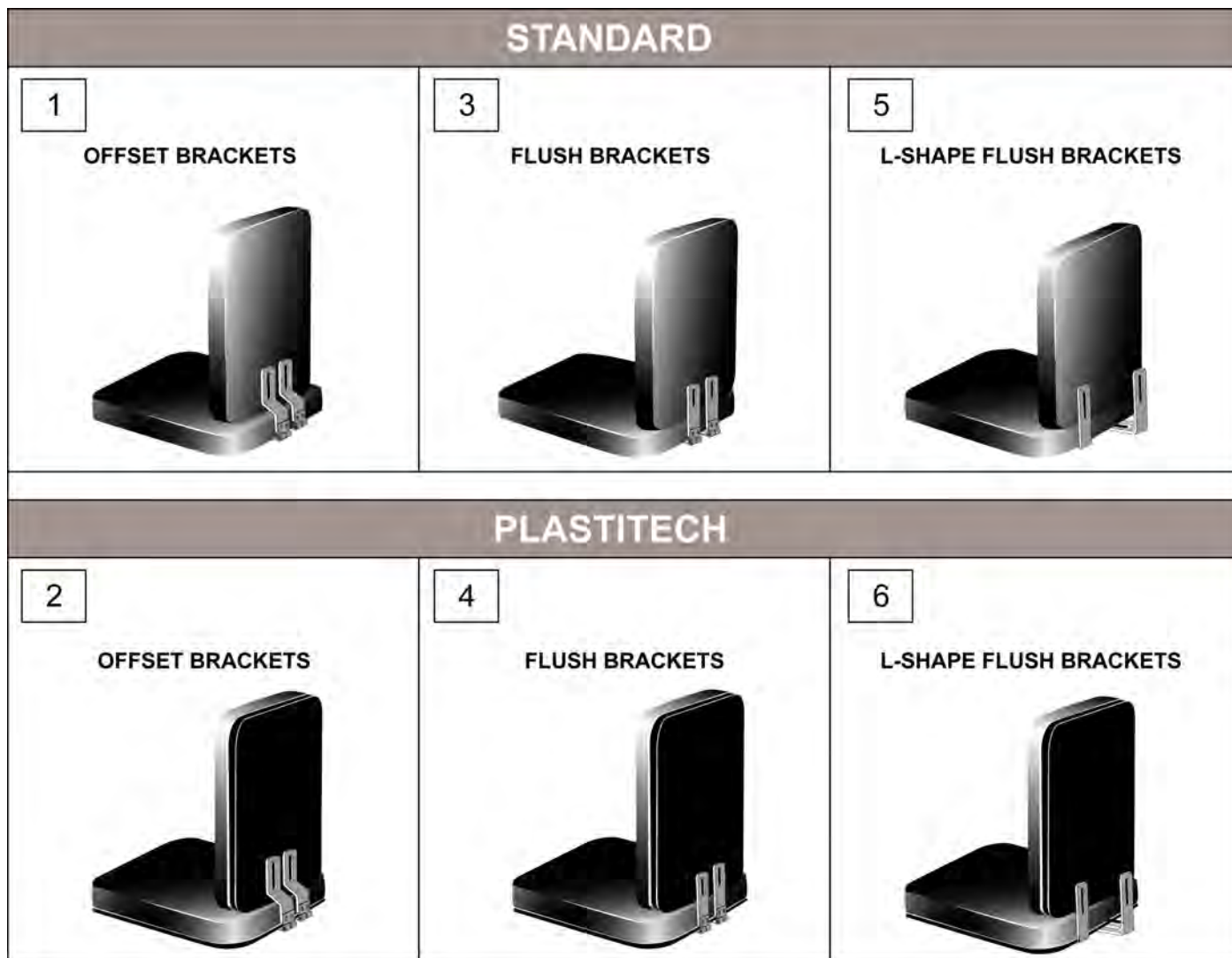
DISCONTINUED PRODUCT

NOTE: Use Jay CF Order form for replacement Seat or Back select item #CS-01-4240 AND CS-07-4240 for special replacement part t-nut pattern



Pos.	Item Number	Description	Remarks
1,3,4	10100	Basic Insert With Hardware less than 15" wide	See note above
1,3,4	10200	Basic Insert With Hardware 15" wide or greater	See note above
1,5,6	10300-RT	Basic Insert With Drop Hook Hardware less than 15" wide	See note above
1,5,6	10310-RT	Basic Insert With Drop Hook Hardware 15" wide or greater	See note above
1,4,5	10400-RT	Basic Insert With Drop Hook Seat and Knob Release Back Hardware less than 15" wide	See note above
1,4,5	10410-RT	Basic Insert With Drop Hook Seat and Knob Release Back Hardware 15" wide or greater	See note above
2,3,4	10100P	Basic Plastitech Insert With Hardware less than 15" wide	See note above
2,3,4	10200P	Basic Plastitech Insert With Hardware 15" wide or greater	See note above
2,5,6	10300P-RT	Basic Plastitech Insert With Drop Hook Hardware less than 15" wide	See note above
2,5,6	10310P-RT	Basic Plastitech Insert With Drop Hook Hardware 15" wide or greater	See note above
2,4,5	10400P-RT	Basic Plastitech Insert With Drop Hook Seat and Knob Release Back Hardware less than 15" wide	See note above
2,4,5	10410P-RT	Basic Plastitech Insert With Drop Hook Seat and Knob Release Back Hardware 15" wide or greater	See note above

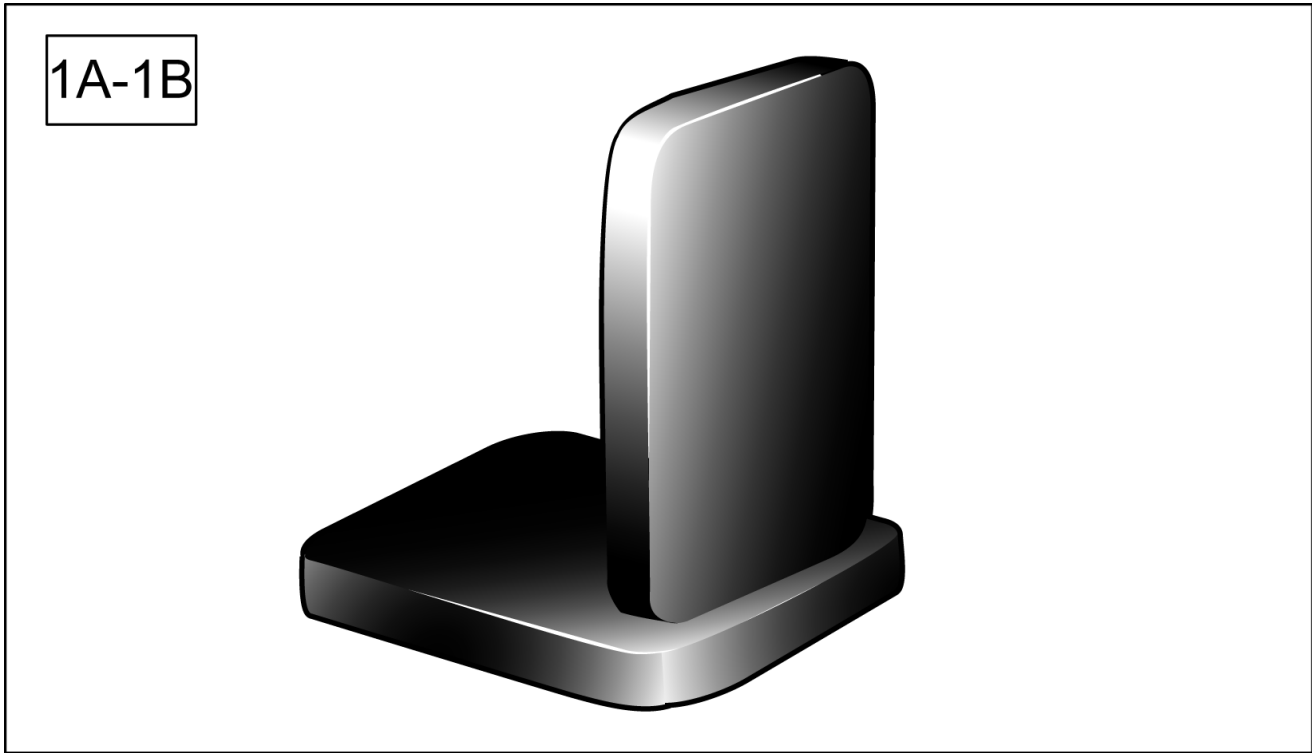
NOTE: Use Jay CF Order form for replacement Seat or Back select item #CS-01-4240 AND CS-07-4240 for special replacement part t-nut pattern



Pos.	Item Number	Description	Remarks
1	10010-28380	Less than 15" wide Insert with Standard Offset Seat to Back Bracket	See note above
1	10010-28382	Less than 15" wide Insert with Offset Seat to Back Bracket with Short Slot	See note above
1	10010-28385	Less than 15" wide Insert with Offset Seat to Back Bracket for Thick Seat	See note above
1	10020-28380	15" Wide or Greater Insert with Offset Seat to Back Bracket with Short Slot	See note above
1	10020-28382	15" Wide or Greater Insert with Standard Offset Seat to Back Bracket	See note above
1	10020-28385	15" Wide or Greater Insert with Offset Seat to Back Bracket for Thick Seat	See note above
2	10010P-28380	Less than 15" wide Plastitech Insert with Standard Offset Seat to Back Bracket	See note above
2	10010P-28382	Less than 15" wide Plastitech Insert with Offset Seat to Back Bracket with Short Slot	See note above
2	10010P-28385	Less than 15" wide Plastitech Insert with Offset Seat to Back Bracket for Thick Seat	See note above
2	10020P-28380	15" Wide or Greater Plastitech Insert with Offset Seat to Back Bracket with Short Slot	See note above
2	10020P-28382	15" Wide or Greater Plastitech Insert with Standard Offset Seat to Back Bracket	See note above
2	10020P-28385	15" Wide or Greater Plastitech Insert with Offset Seat to Back Bracket for Thick Seat	See note above
3	10010-28370	Less than 15" wide Insert with Short Flush Seat to Back Bracket	See note above
3	10010-28375	Less than 15" wide Insert with Regular Flush Seat to Back Bracket	See note above

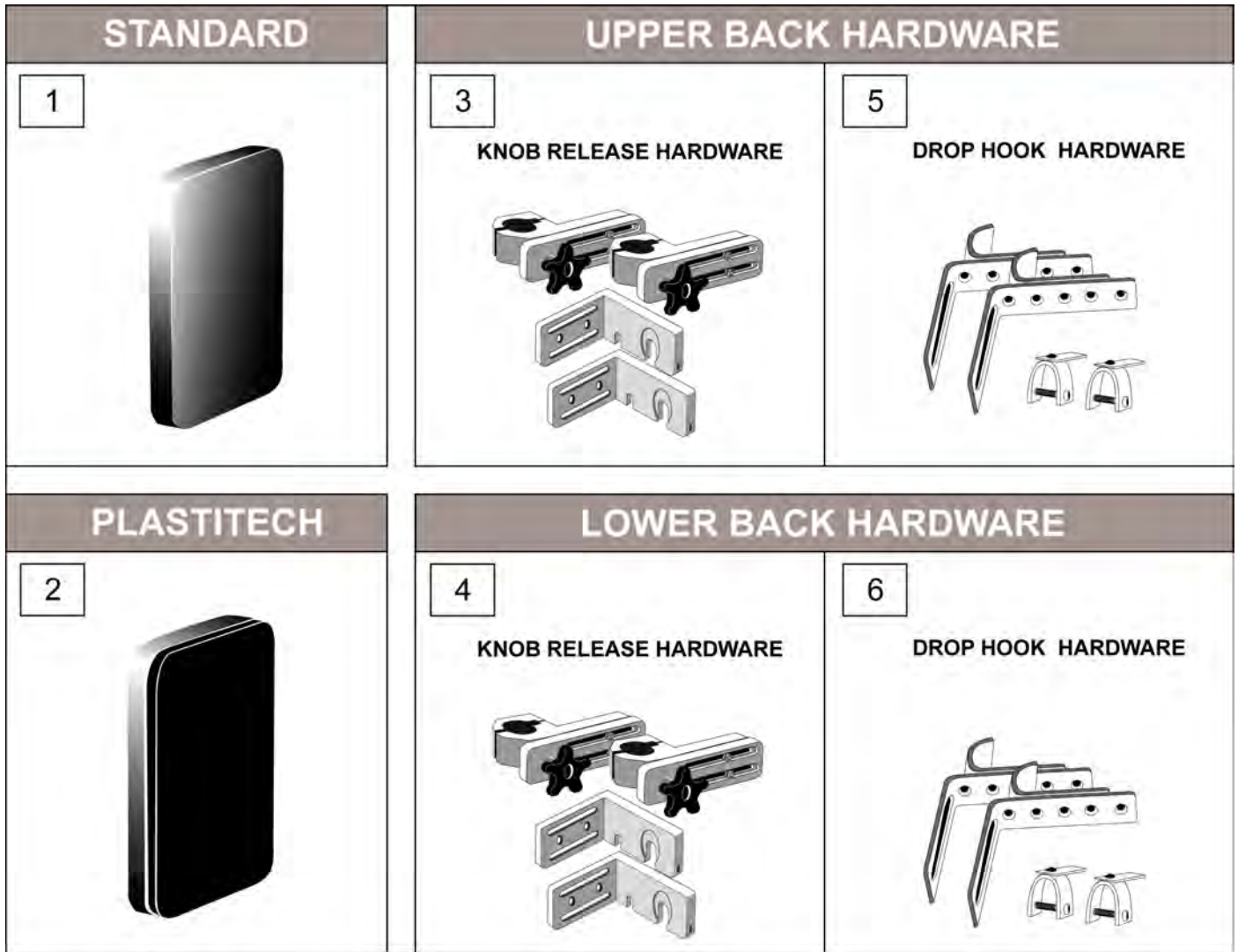
Pos.	Item Number	Description	Remarks
3	10020-28370	15" Wide or Greater Insert with Short Flush Seat to Back Bracket	See note above
3	10020-28375	15" Wide or Greater Insert with Regular Flush Seat to Back Bracket	See note above
4	10010P-28370	Less than 15" wide Plastitech Insert with Short Flush Seat to Back Bracket	See note above
4	10010P-28375	Less than 15" wide Plastitech Insert with Regular Flush Seat to Back Bracket	See note above
4	10020P-28370	15" Wide or Greater Plastitech Insert with Short Flush Seat to Back Bracket	See note above
5	10010-28400	Less than 15" wide Insert with L Shaped Seat to Back Bracket	See note above
5	10020-28400	15" Wide or Greater Insert with L Shaped Seat to Back Bracket	See note above
5	10020P-28375	15" Wide or Greater Plastitech Insert with Regular Flush Seat to Back Bracket	See note above
6	10010P-28400	Less than 15" wide Plastitech Insert with L Shaped Seat to Back Bracket	See note above
6	10020P-28400	15" Wide or Greater Plastitech Insert with L Shaped Seat to Back Bracket	See note above

NOTE: Use Jay CF Order form for replacement Seat or Back select item #CS-01-XXXX AND CS-07-XXXX for special replacement part t-nut pattern



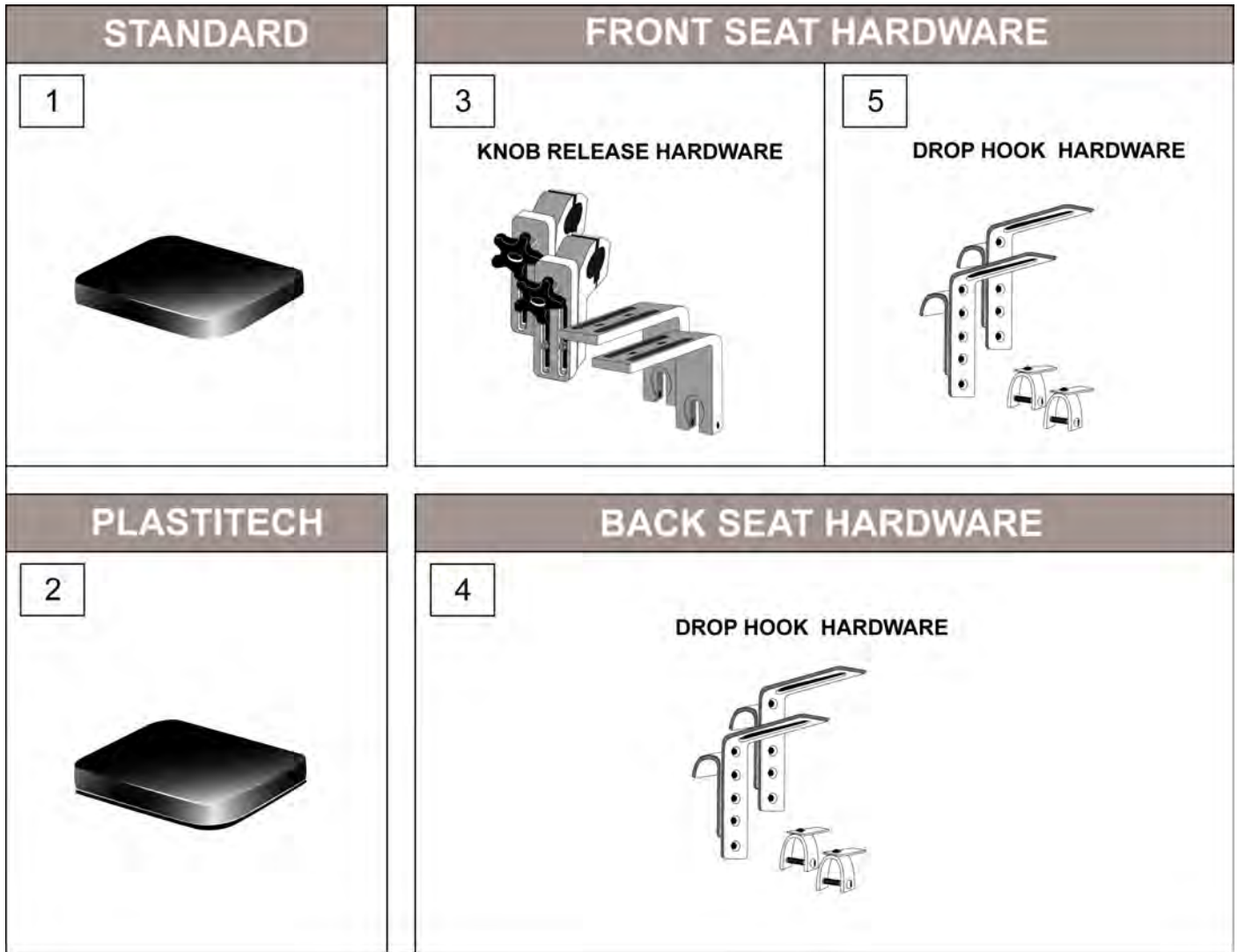
Pos.	Item Number	Description	Remarks
1A	10030-28370	Basic Seat and Back Kit	See note above
1A	10030-28375	Basic Seat and Back Kit	See note above
1A	10030-28380	Basic Seat and Back Kit	See note above
1A	10030-28382	Basic Seat and Back Kit	See note above
1A	10030-28385	Basic Seat and Back Kit	See note above
1A	10030-28400	Basic Seat and Back Kit	See note above
1B	10040-28370	Contoured Seat and Back Kit	See note above
1B	10040-28375	Contoured Seat and Back Kit	See note above
1B	10040-28380	Contoured Seat and Back Kit	See note above
1B	10040-28382	Contoured Seat and Back Kit	See note above
1B	10040-28385	Contoured Seat and Back Kit	See note above
1B	10040-28400	Contoured Seat and Back Kit	See note above

NOTE: Use Jay CF Order form for replacement Back select item CS-07-4240 for special replacement part t-nut pattern



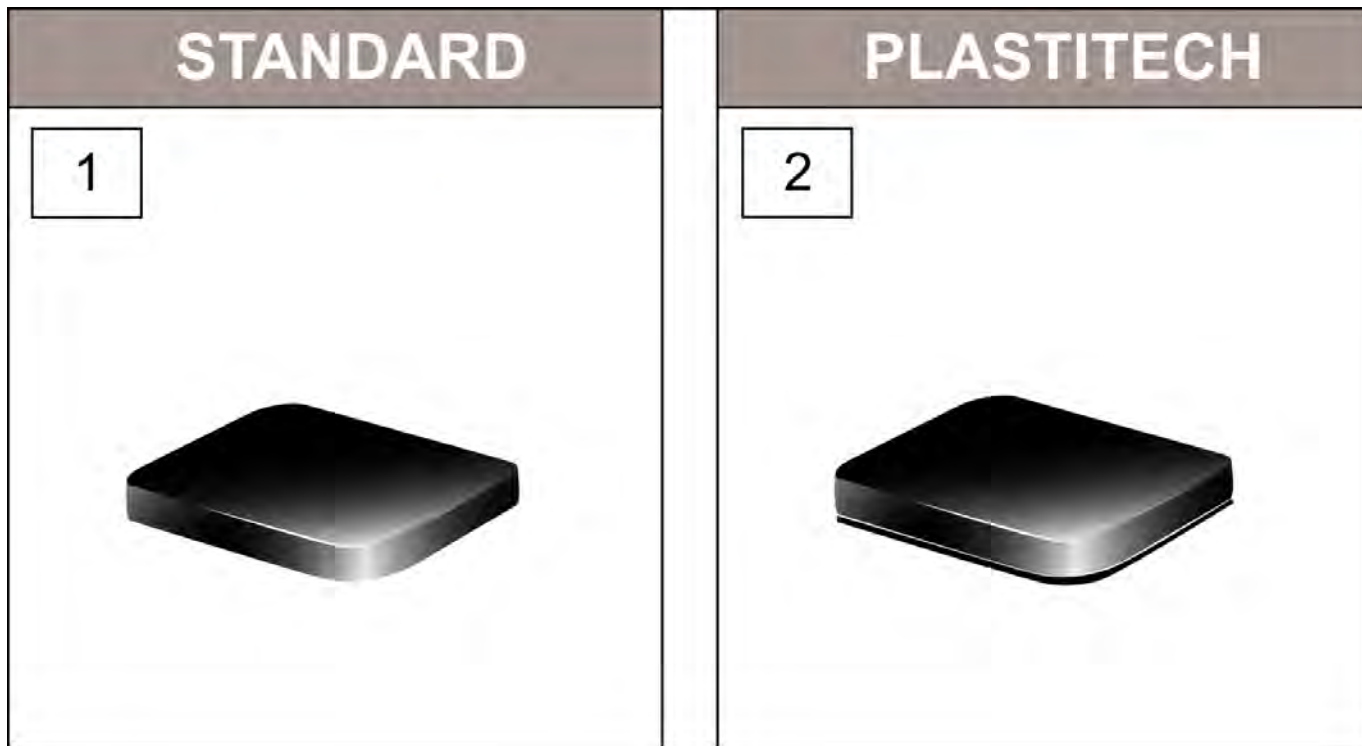
Pos.	Item Number	Description	Remarks
1,5,6	10500-RT	Back Only Insert with Drop Hooks less than 15" wide	See note above
1,5,6	10510-RT	Back Only Insert with Drop Hooks 15" wide or greater	See note above
1,3,6	10600-RT	Back Only Insert with Knob Release Top and Drop Hooks Bottom less than 15" wide	See note above
1,3,6	10610-RT	Back Only Insert with Knob Release Top and Drop Hooks Bottom 15" wide or greater	See note above
1,3,4	10700-RT	Back Only Insert with Knob Release Hardware Top and Bottom less than 15" wide	See note above
1,3,4	10710-RT	Back Only Insert with Knob Release Hardware Top and Bottom 15" wide or greater	See note above
2,5,6	10500P-RT	Back Only Plastitech Insert with Drop Hooks less than 15" wide	See note above
2,5,6	10510P-RT	Back Only Plastitech Insert with Drop Hooks 15" wide or greater	See note above
2,3,6	10600P-RT	Back Only Plastitech Insert with Knob Release Top and Drop Hooks Bottom less than 15" wide	See note above
2,3,6	10610P-RT	Back Only Plastitech Insert with Knob Release Top and Drop Hooks Bottom 15" wide or greater	See note above
2,3,4	10700P-RT	Back Only Plastitech Insert with Knob Release Hardware Top and Bottom less than 15" wide	See note above
2,3,4	10710P-RT	Back Only Plastitech Insert with Knob Release Hardware Top and Bottom 15" wide or greater	See note above

NOTE: Use Jay CF Order form for replacement Seat select item #CS-01-4240 for special replacement part t-nut pattern

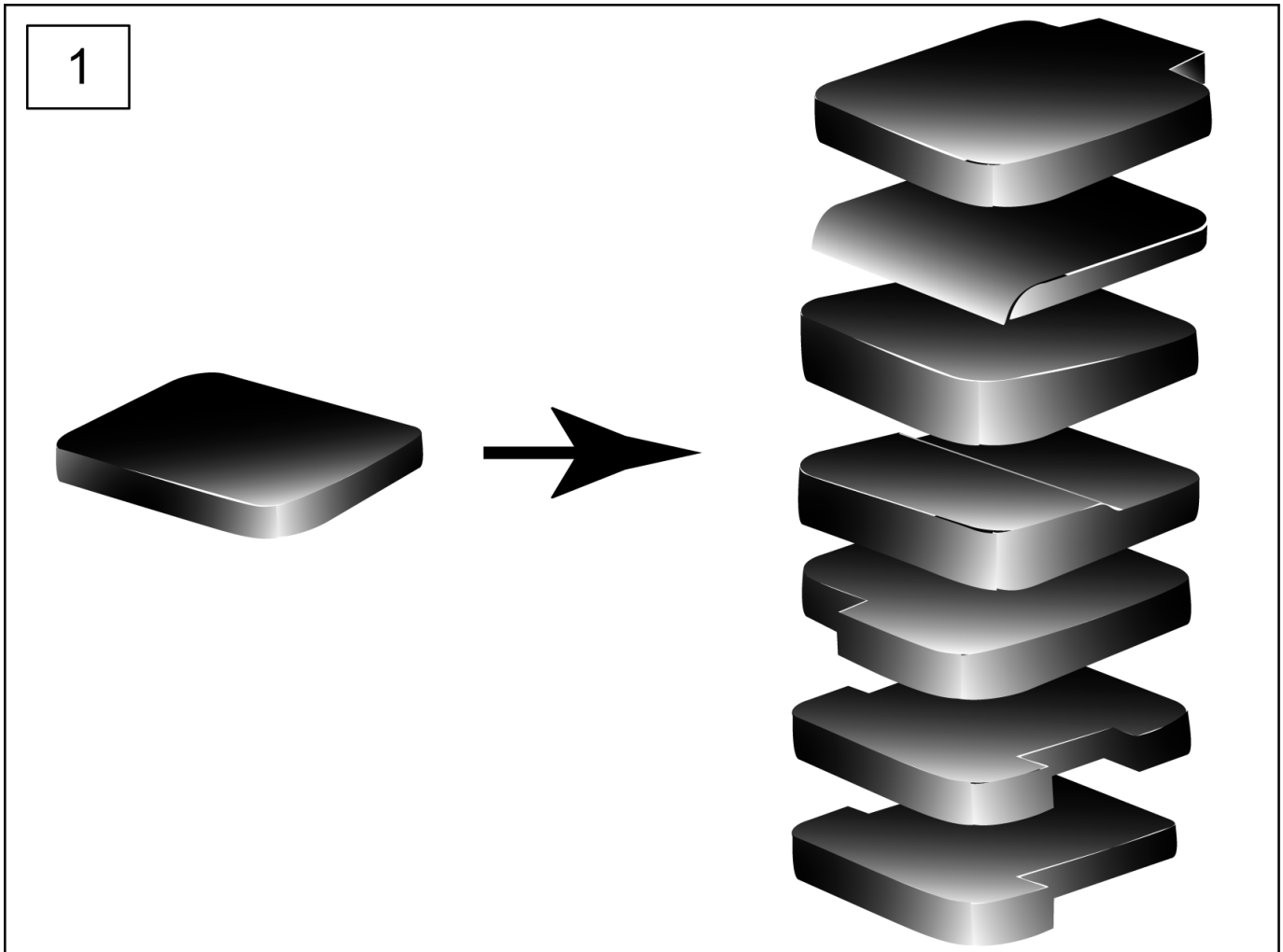


Pos.	Item Number	Description	Remarks
1,4,5	10800-RT	Seat Only Insert with Drop Hooks less than 15" wide	See note above
1,4,5	10810-RT	Seat Only Insert with Drop Hooks 15" wide or greater	See note above
1,3,4	10900-RT	Seat Only Insert with Knob Release Front and Drop Hooks Rear less than 15" wide	See note above
1,3,4	10910-RT	Seat Only Insert with Knob Release Front and Drop Hooks Rear 15" wide or greater	See note above
2,4,5	10800P-RT	Seat Only Plastitech Insert with Drop Hooks less than 15" wide	See note above
2,4,5	10810P-RT	Seat Only Plastitech Insert with Drop Hooks 15" wide or greater	See note above
2,3,4	10900P-RT	Seat Only Plastitech Insert with Knob Release Front and Drop Hooks Rear less than 15" wide	See note above
2,3,4	10910P-RT	Seat Only Plastitech Insert with Knob Release Front and Drop Hooks Rear 15" wide or greater	See note above

NOTE: Use Jay CF Order form for replacement Seat select item #CS-01-4240 for special replacement part t-nut pattern



Pos.	Item Number	Description	Remarks
1A	12010-RT	Less than 15" Wide Solid Seat	See note above
1A	12020-RT	15" Wide or Greater Solid Seat	See note above
1B	12010P-RT	Less than 15" Wide Plastitech Solid Seat	See note above
1B	12020P-RT	15" Wide or Greater Plastitech Solid Seat	See note above

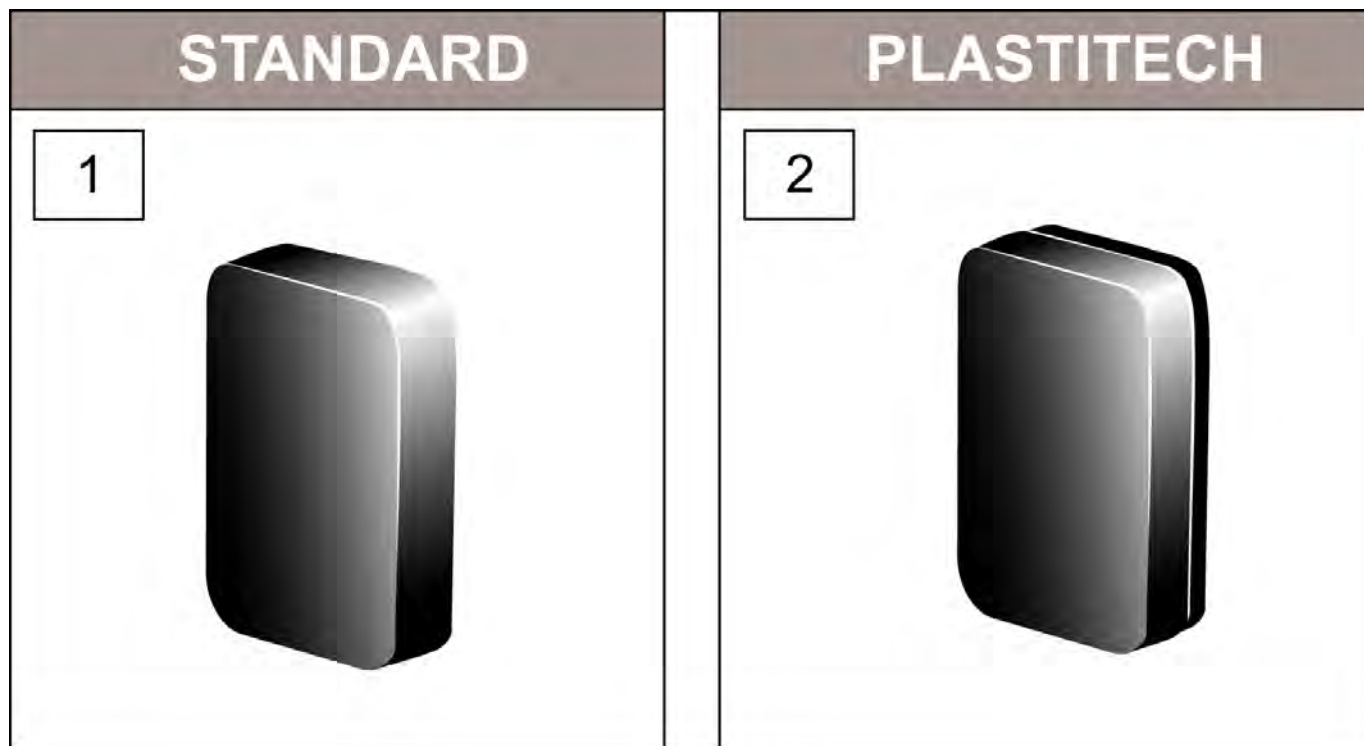


Pos.	Item Number	Description	Remarks
1	12025-RT	ABS Insert	CS-01-3040
1	12030-RT	Drop Seat Modification	CS-01-4430
1	12035-RT	T-Seat Modification	CS-01-4440
1	12040-RT	I-Seat Modification	CS-01-4450
1	12050-RT	Back Post Notch Modification	CS-01-4400
1	12060-RT	Anti-Thrust Seat Modification	CS-01-1020
1	12070-RT	Assymetrical Seat Modification	CS-01-4000
1	12075-RT	Pelvic Obliquity Buildup	CS-01-4020

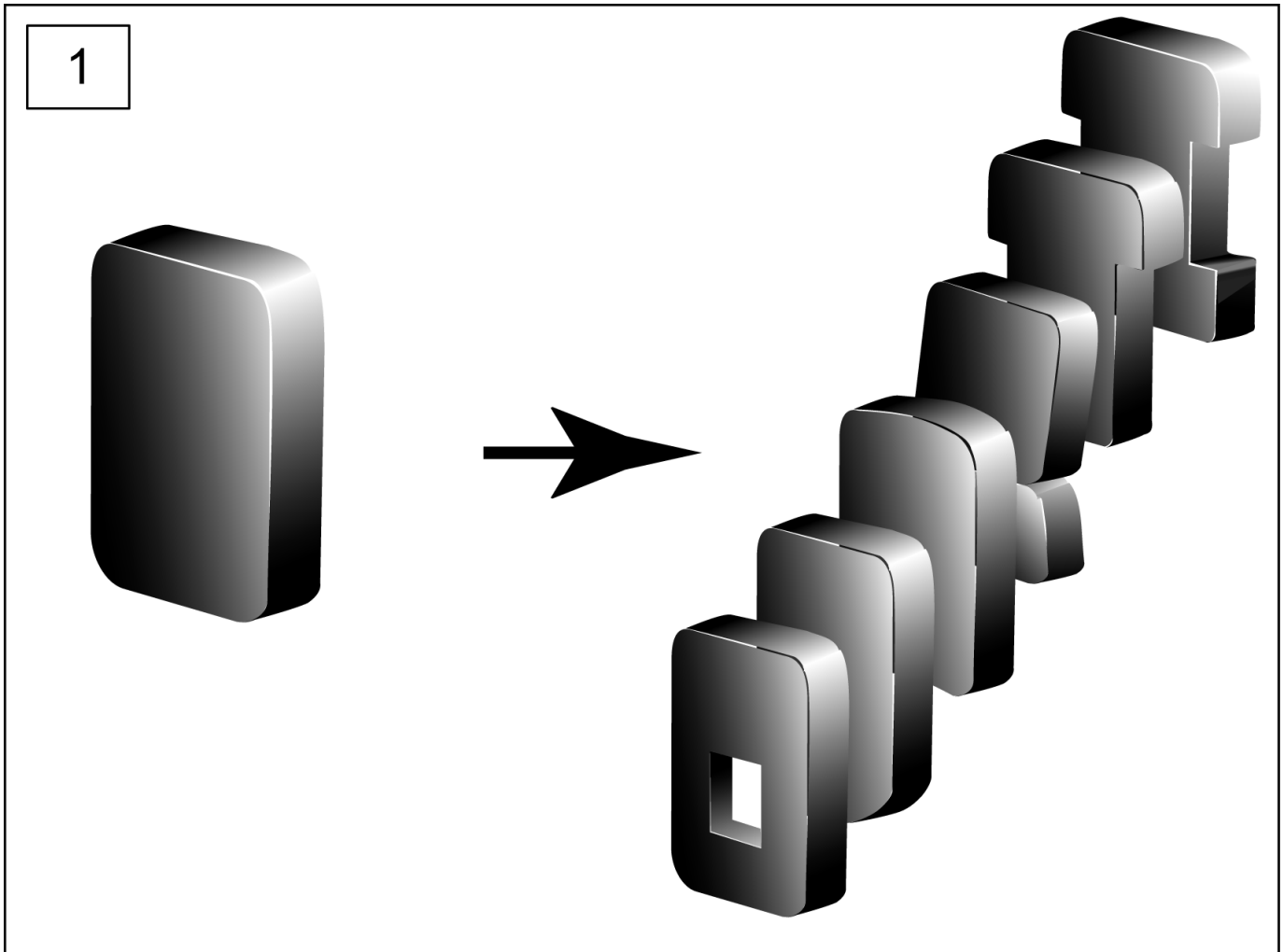
Pos.	Item Number	Description	Remarks
1	12080-RT	Wedge Seat Modification	CS-01-1010
1	12085-RT	Hamstring Relief	CS-01-4040
1	12087-RT	Waterfall Front Seat Modification	Included in A-Style
1	12090-RT	Sunmate Foam Modification	Use Matrix on Order form for custom foam selections
1	12100-RT	T-Foam Modification	Use Matrix on Order form for custom foam selections
1	12110-RT	Pudgee Foam Modification	Use Matrix on Order form for custom foam selections
1	12112-RT	Pudgee Modification for Contoured Seat	Use Matrix on Order form for custom foam selections
1	12120-RT	Additional High Resiliancy Foam Modification	Use Matrix on Order form for custom foam selections
1	12122-RT	Omit Solid Base	CS-01-3010
1	12124-RT	Omit Foam	CS-01-2020
1	12130-RT	Custom T-Nuts	CS-01-4470
1	12132-RT	T-Nuts for Seat Tabs	Seat tabs now attached with Bolts (t-nuts) as standard
1	12140-RT	Full Row T-Nuts	Full Row T-Nuts standard
1	12150-RT	Velcro Strips	CS-01-4610
1	12151-RT	Velcro Strips on Top of Seat Base	CS-01-4620
1	12160-RT	ABS Seat Base	CS-01-4490
1	12170-RT	T-Nuts for Zippie Hardware	Zippie Hardware ordered with CS-01-9986 no longer requires special T-Nut Pattern
1	12190-RT	Snap Loops	CS-01-4630
1	12195-RT	Loops to Attach Seat to Back Canes - velcro closure	CS-01-4640
1	12200-RT	Custom Foam Lip	CS-01-4650
1	12210-RT	Add 1/2" Akton to IT Region	CS-01-4080
1	12220-RT	Add 7/8" Akton to IT Region	CS-01-4090
1	12225-RT	Add Akton Cubes to IT Region	CS-01-4100
1	12230-RT	Add 1/2" Akton to Entire Seat	CS-01-4110
1	12240-RT	Add 7/8" Akton to Entire Seat	CS-01-4120
1	12245-RT	Add Akton Cubes to Entire Seat	CS-01-4130
1	12250-RT	Zippered Cover	CS-01-4720

Pos.	Item Number	Description	Remarks
1	12255-RT	Split Cover (velcro)	CS-01-4730
1	12260-RT	Two Piece Cushion and Base	CS-01-4600
1	12270-RT	Reupholster Solid Seat	
1	12280-RT	Reupholster Drop/Contoured Cushion	
1	12285-RT	Custom Cushion Cover	CS-01-4810
1	12290-RT	Removable Washable Polortech Cover	CS-01-4740
1	12292-RT	Removable Washable Sheepskin Cover	CS-01-4760
1	12293-RT	Removable Washable Terrycloth Cover	Discontinued Use CS-01-4810
1	12300-RT	Contoured Seat Modification	Use Jay ConfigureFit Order form and select Contour in Step 1
1	12310-RT	Contoured Seat Modification with Pelvic Well	Use Jay ConfigureFit Order form and select Contour in Step 2
1	12320-RT	Pelvic Well Seat Modification	Use Jay ConfigureFit Order form and select Contour in Step 3
1	12322-RT	Grid Seat Modification	CS-01-4140
1	12350-RT	3/4" Plywood Modification to Seat	CS-01-3020
1	12370-RT	Non Skid Cover for Seat	CS-01-4780

NOTE: Use Jay CF Order form for replacement Back select item #CS-07-4240 for special replacement part t-nut pattern



Pos.	Item Number	Description	Remarks
1	14010-RT	Less Than 15" Wide Solid Back	See note above
1	14020-RT	15" Wide or Greater Solid Back	See note above
2	14010P-RT	Less Than 15" Wide Plastitech Solid Back	See note above
2	14020P-RT	15" Wide or Greater Plastitech Solid Back	See note above



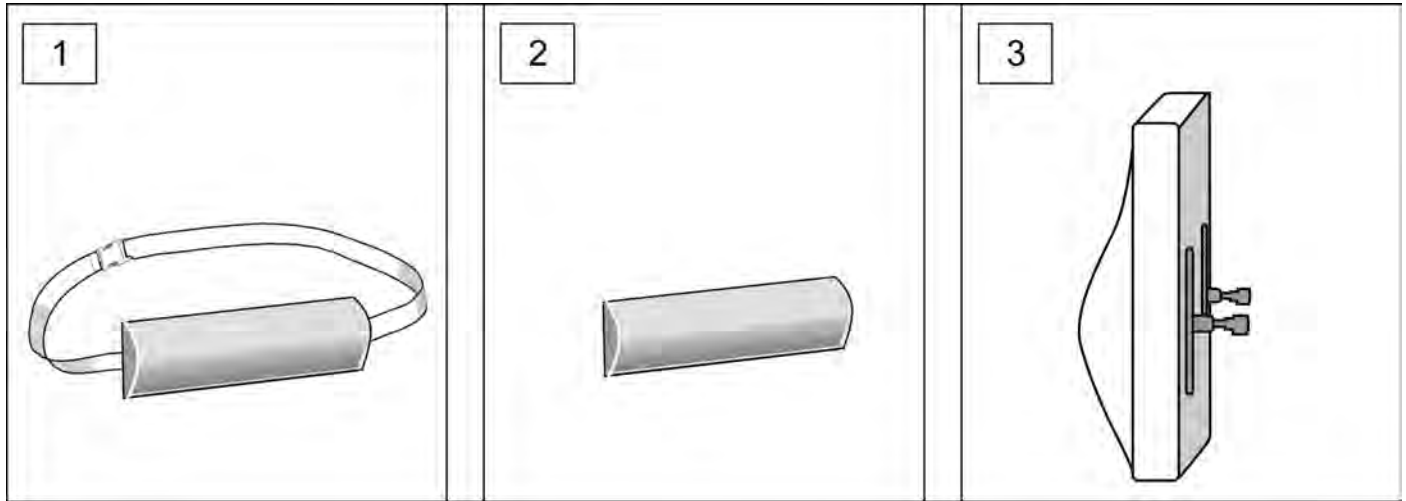
Pos.	Item Number	Description	Remarks
1	14030-RT	I -Back Modification	CS-07-4400
1	14040-RT	T-Back Modification	CS-07-4410
1	14050-RT	Bi-Angular Back Modification	CS-07-1030
1	14056-RT	Single Cover for Bi-Angular Back	CS-07-4660
1	14057-RT	Adjustable Angle Bi-Angular Back Modification	Use Jay CF Order form for replacement Back select item #CS-07-4240 for special replacement part t-nut pattern

Pos.	Item Number	Description	Remarks
1	14058-RT	Adjustable Angle Bi-Angular Back Modification with Large Bracket	Use Jay CF Order form for replacement Back select item #CS-07-4240 for special replacement part t-nut pattern
1	14060-RT	Sumate Foam Modification	Use Matrix on Order form for custom foam selections
1	14070-RT	T-Foam Modification	Use Matrix on Order form for custom foam selections
1	14072-RT	Omit Solid Base	CS-07-3010
1	14074-RT	Omit Foam	CS-07-2020
1	14080-RT	Pudgee Foam Modification	Use Matrix on Order form for custom foam selections
1	14085-RT	Pudgee Foam Spinal Back Modification	Use Matrix on Order form for custom foam selections
1	14090-RT	Additional High Resiliancy Foam Modification	Use Matrix on Order form for custom foam selections
1	14110-RT	Full Row T-Nuts	Full Row T-Nuts standard
1	14120-RT	Velcro Strips	CS-07-4750
1	14130-RT	Add Zipper to Cover	CS-07-4670

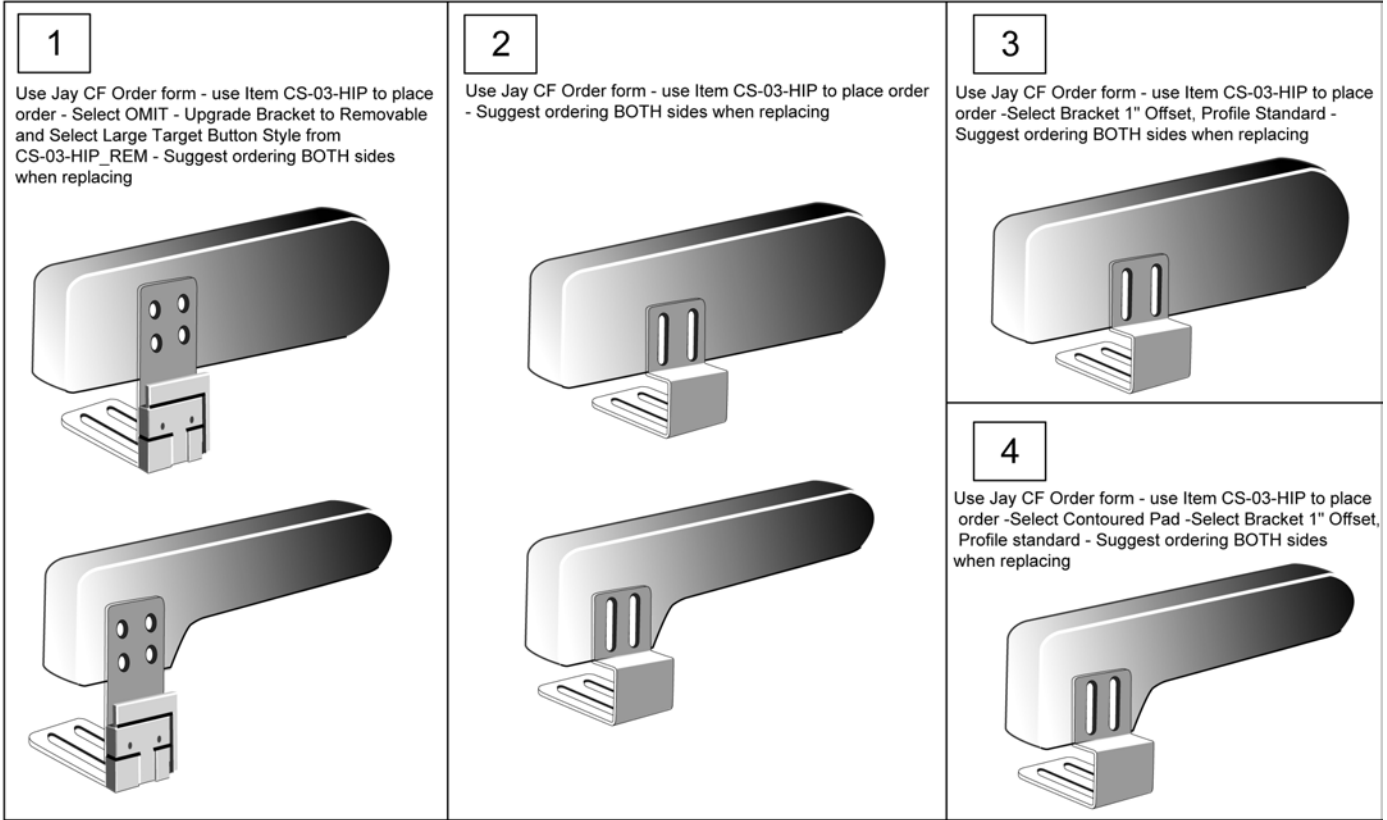
Pos.	Item Number	Description	Remarks
1	14140-RT	Split Cover (zipper)	CS-07-4820
1	14145-RT	Split Cover (velcro)	CS-07-4840
1	14147-RT	Two Piece Cushion and Base Modification	CS-07-4640
1	14150-RT	Back Channel Cutout	CS-07-4030
1	14155-RT	Waterfall Back Modification	CS-07-4040
1	14180-RT	Curved Back Modification	CS-07-1010
1	14185-RT	Radius Bottom of Back	CS-07-4410
1	14190-RT	Through Spinal Cutout	CS-07-4050
1	14195-RT	Scapular Cutout Modification	CS-07-4000
1	14200-RT	Curved Back by Foam Modification	CS-07-1020
1	14205-RT	Custom Foam Lip Modification	CS-07-4650
1	14215-RT	Velcro Loop Modification	CS-07-4690
1	14210-RT	Snap Loop Modification	CS-07-4680
1	14220-RT	Removable Washable Polortech Cover	CS-07-4700
1	14222-RT	Removable Washable Sheepskin Cover	CS-07-4650
1	14225-RT	Removable Washable Terrycloth Cover	Discontinued Use CS-07-4700
1	14260-RT	ABS Back Base	CS-07-3040
1	14270-RT	Reupholster Solid Back	CS-07-4770
1	14300-RT	Curved Back Blank	CS-07-3060
1	14310-RT	3/4" Plywood Modification to Back	CS-07-3020
1	14320-RT	Grid Back	CS-07-4010
1	14322-RT	Partial Cut/Foam Relief Modification	CS-07-4200
1	14360-RT	Sunmate Grid Foam Kit	CS-07-4210
1	14370-RT	Pudgee Grid Foam Kit	CS-07-4220

Pos.	Item Number	Description	Remarks
1	14500-RT	Foam in Place Kit	CS-07-1130
1	14510-RT	Add 1/2" Akton Polymer to Entire Back	CS-07-4100
1	14520-RT	Add 7/8" Akton Polymer to Entire Back	CS-07-4110
1	14530-RT	Add Akton Polymer Cubes to Entire Back	CS-07-4120
1	14660-RT	Cover Back with Velcro Material	CS-07-4860

NOTE: Use Jay CF Order form for replacement Lumbar - order from Back section (Zone 7).



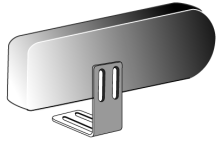
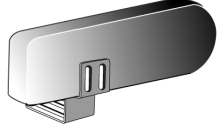
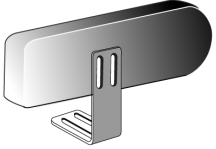
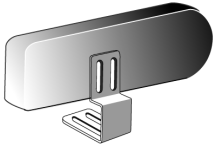
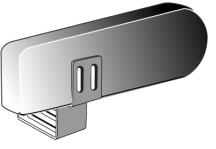
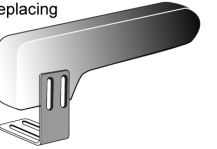
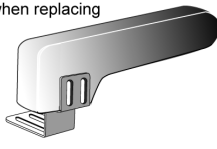
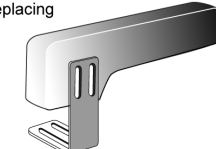
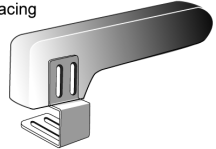
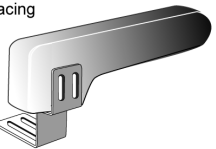
Pos.	Item Number	Description	Remarks
1	16020-RT	Lumbar Pad	See note above
2	16030-RT	Under Foam Lumbar Pad	See note above
3	16040-RT	Adjustable Lumbar Support	See note above
3	16050-RT	Lumbar Pad Zippered Closure	See note above








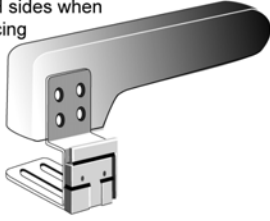
Pos.	Item Number	Description	Remarks
1	18E0956	Lateral Hip Support Pad w/Fixed Hardware	See note above
2	18E1028	Upcharge for Removable Bracket	See note above
3	18000-20080H	Lateral Hip Supports with 1" Offset Brackets	See note above
4	18005-20080H	Contoured Lateral Hip Supports with 1" Offset Brackets	See note above

LATERAL HIP SUPPORTS FIXED BRACKETS


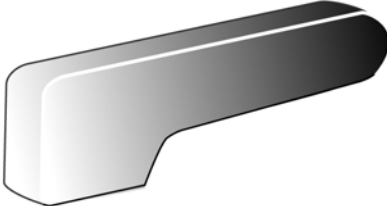
(08/2010)

<div style="border: 1px solid black; padding: 5px; width: 40px; margin: 0 auto;">1</div> <p style="font-size: small; margin-top: 5px;">Use Jay CF Order form - use Item CS-03-HIP to place order -Select Bracket Flush, Profile Standard - Suggest ordering BOTH sides when replacing</p> 	<div style="border: 1px solid black; padding: 5px; width: 40px; margin: 0 auto;">2</div> <p style="font-size: small; margin-top: 5px;">Use Jay CF Order form - use Item CS-03-HIP to place order -Select Bracket Reverse Offset, Profile Standard - Suggest ordering BOTH sides when replacing</p> 	<div style="border: 1px solid black; padding: 5px; width: 40px; margin: 0 auto;">3</div> <p style="font-size: small; margin-top: 5px;">Use Jay CF Order form - use Item CS-03-HIP to place order -Select Bracket Flush, Profile Medium - Suggest ordering BOTH sides when replacing</p> 	<div style="border: 1px solid black; padding: 5px; width: 40px; margin: 0 auto;">4</div> <p style="font-size: small; margin-top: 5px;">Use Jay CF Order form - use Item CS-03-HIP to place order -Select Bracket 1" Offset, Profile Medium - Suggest ordering BOTH sides when replacing</p> 	<div style="border: 1px solid black; padding: 5px; width: 40px; margin: 0 auto;">5</div> <p style="font-size: small; margin-top: 5px;">Use Jay CF Order form - use Item CS-03-HIP to place order -Select Bracket Reverse Offset, Profile Medium - Suggest ordering BOTH sides when replacing</p> 
<div style="border: 1px solid black; padding: 5px; width: 40px; margin: 0 auto;">6</div> <p style="font-size: small; margin-top: 5px;">Use Jay CF Order form - use Item CS-03-HIP to place order -Select Contoured Pad -Select Bracket Flush, Profile Standard - Suggest ordering BOTH sides when replacing</p> 	<div style="border: 1px solid black; padding: 5px; width: 40px; margin: 0 auto;">7</div> <p style="font-size: small; margin-top: 5px;">Use Jay CF Order form - use Item CS-03-HIP to place order -Select Contoured Pad -Select Bracket Reverse Offset, Profile standard - Suggest ordering BOTH sides when replacing</p> 	<div style="border: 1px solid black; padding: 5px; width: 40px; margin: 0 auto;">8</div> <p style="font-size: small; margin-top: 5px;">Use Jay CF Order form - use Item CS-03-HIP to place order -Select Contoured Pad -Select Bracket Flush, Profile Medium - Suggest ordering BOTH sides when replacing</p> 	<div style="border: 1px solid black; padding: 5px; width: 40px; margin: 0 auto;">9</div> <p style="font-size: small; margin-top: 5px;">Use Jay CF Order form - use Item CS-03-HIP to place order -Select Contoured Pad -Select Bracket 1" Offset, Profile medium - Suggest ordering BOTH sides when replacing</p> 	<div style="border: 1px solid black; padding: 5px; width: 40px; margin: 0 auto;">10</div> <p style="font-size: small; margin-top: 5px;">Use Jay CF Order form - use Item CS-03-HIP to place order -Select Contoured Pad -Select Bracket Reverse Offset, Profile medium - Suggest ordering BOTH sides when replacing</p> 

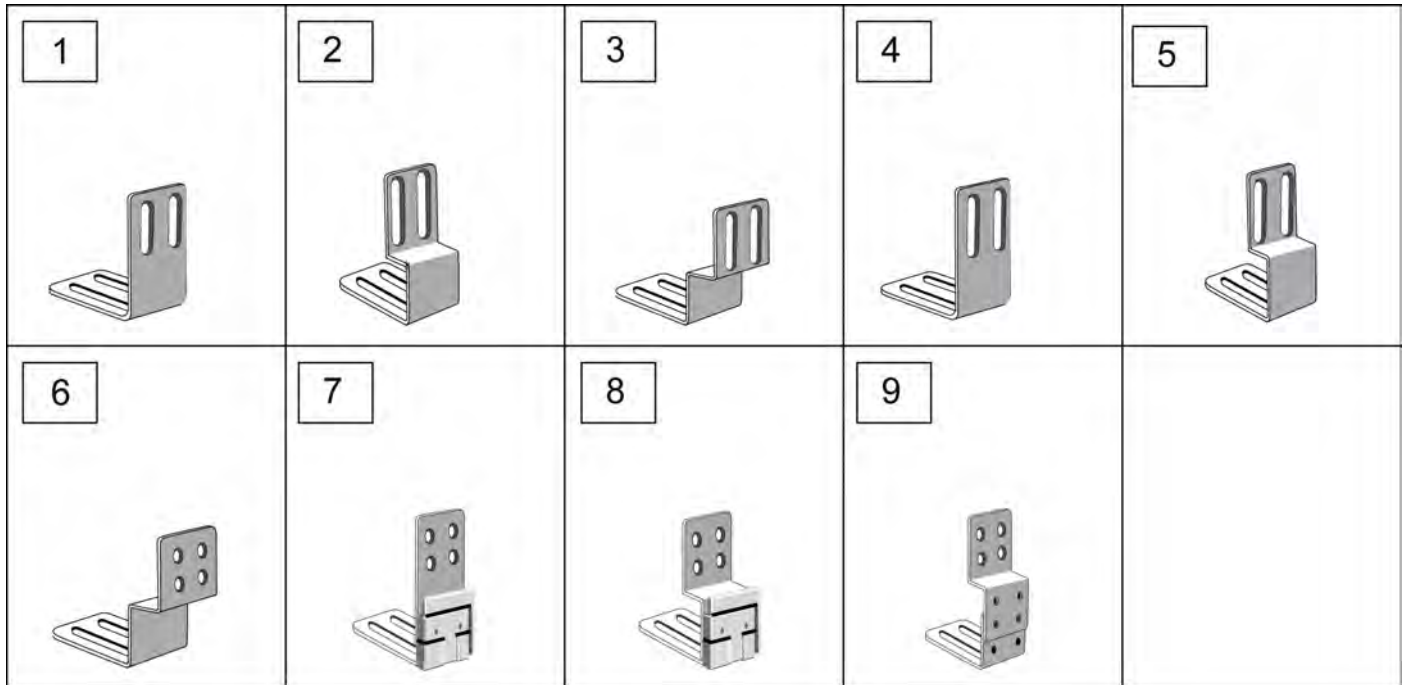
Pos.	Item Number	Description	Remarks
1	18000-20070H	Lateral Hip Supports with L Brackets	See note above
2	18000-20090H	Lateral Hip Supports with 1" Reverse Offset Brackets	See note above
3	18000-20075H	Lateral Hip Supports with Thick Seat L Brackets	See note above
4	18005-20085H	Contoured Lateral Hip Supports with Thick Seat 1" Offset Brackets	See note above
5	18005-20095H	Contoured Lateral Hip Supports with Thick Seat 1" Reverse Offset Brackets	See note above
6	18005-20070H	Contoured Lateral Hip Supports with L Brackets	See note above
7	18005-20090H	Contoured Lateral Hip Supports with 1" Reverse Offset Brackets	See note above
8	18005-20075H	Contoured Lateral Hip Supports with Thick Seat L Brackets	See note above
9	18005-20085H	Contoured Lateral Hip Supports with Thick Seat 1" Offset Brackets	See note above
10	18005-20095H	Contoured Lateral Hip Supports with Thick Seat 1" Reverse Offset Brackets	See note above

<p>1</p> <p>Use Jay CF Order form - use Item CS-03-HIP to place order - Select Adjustable Profile Bracket 1" Offset Suggest ordering BOTH sides when replacing</p> 	<p>2</p> <p>Use Jay CF Order form - use Item CS-03-HIP to place order - Select Contoured Pad - Select Adjustable Profile Bracket 1" Offset- Suggest ordering BOTH sides when replacing</p> 	<p>3</p> <p>Use Jay CF Order form - use Item CS-03-HIP to place order - Select OMIT - Upgrade Bracket to Removable and Select Flush Large Target Button Style from CS-03-HIP_REM - Suggest ordering BOTH sides when replacing</p> 
<p>4</p> <p>Use Jay CF Order form - use Item CS-03-HIP to place order - Select OMIT - Upgrade Bracket to Removable and Select 1" Offset Large Target Button Style from CS-03-HIP_REM - Suggest ordering BOTH sides when replacing</p> 	<p>5</p> <p>Use Jay CF Order form - use Item CS-03-HIP to place order -Select Contoured Pad - Select OMIT - Upgrade Bracket to Flush Removable and Select Large Target Button Style from CS-03-HIP_REM - Suggest ordering BOTH sides when replacing</p> 	<p>6</p> <p>Use Jay CF Order form - use Item CS-03-HIP to place order -Select Contoured Pad - Select OMIT - Upgrade Bracket to 1" Offset Removable and Select Large Target Button Style from CS-03-HIP_REM - Suggest ordering BOTH sides when replacing</p> 

Pos.	Item Number	Description	Remarks
1	18100-20087H	Lateral Hip Supports with Adjustable 1" Offset Brackets	See note above
2	18105-20087H	Contoured Lateral Hip Supports with Adjustable 1" Offset Brackets	See note above
3	18400-20270H	Lateral Hip Supports with Removable L-Shaped Brackets	See note above
4	18400-20280H	Lateral Hip Supports with Removable 1" Offset Brackets	See note above
5	18405-20270H	Contoured Lateral Hip Supports with Removable L-Shaped Brackets	See note above
6	18405-20280H	Contoured Lateral Hip Supports with Removable 1" Offset Brackets	See note above

<div style="border: 1px solid black; width: 40px; height: 40px; display: flex; align-items: center; justify-content: center; margin: 0 auto; font-size: 24px; font-weight: bold;">1</div> <p>Use Jay CF Order form - use Item CS-03-HIP to place order - OMIT Bracket Suggest ordering BOTH sides when replacing</p> 	<div style="border: 1px solid black; width: 40px; height: 40px; display: flex; align-items: center; justify-content: center; margin: 0 auto; font-size: 24px; font-weight: bold;">2</div> <p>Use Jay CF Order form - use Item CS-03-HIP to place order - OMIT Bracket Suggest ordering BOTH sides when replacing</p> 	<div style="border: 1px solid black; width: 40px; height: 40px; display: flex; align-items: center; justify-content: center; margin: 0 auto; font-size: 24px; font-weight: bold;">3</div> <p>Order Hip Support CS-03-HIP from Jay CF and select appropriate Modification</p> <p style="text-align: center; font-weight: bold; margin-top: 20px;">LATERAL HIP SUPPORT MODIFICATIONS</p>
--	--	--

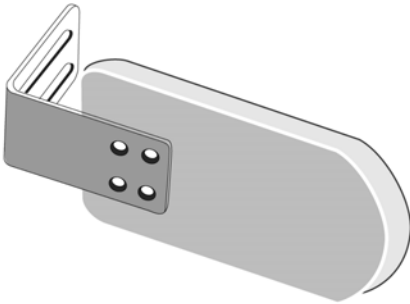
Pos.	Item Number	Description	Remarks
1	18010-RT	Standard Lateral Hip Support Pads	See note above
2	18020-RT	Contoured Lateral Hip Support Pads	See note above
3	18140-RT	Reupholster Hip Support Pads	See note above
3	18150-RT	Extra T-Nuts	See note above
3	18160-RT	Extra Foam on Hip Support Pads	See note above
3	18170-RT	Aluminum Based Lateral Hip Support Modification	See note above
3	18180-RT	Velcro on Lateral Hip Support Pads	See note above
3	18190-RT	Sub-ASIS Cutout Modification	See note above
3	18200-RT	Pudgee Foam on Lateral Hip Pads per 1/2"	See note above
3	18205-RT	Sunmate Foam on Lateral Hip Pads per 1/2"	See note above
3	18210-RT	Add Zipper to Lateral Hip Pads	See note above
3	18220-RT	Set Hip Support for a 1" Overhang	See note above
3	18230-RT	Set Hip Support for a 2" Overhang	See note above
3	18240-RT	Set Hip Support Back 1/2" from front edge of seat	See note above



Pos.	Item Number	Description	Remarks
1	20070H-RT	L Brackets - Hip Supports	Order CP-03-1700 below
2	20080H-RT	1" Offset Brackets - Hip Supports	Order CP-03-1704 below
3	20090H-RT	1" Reverse Offset Brackets - Hip Supports	Order CP-03-1710 below
4	20075H-RT	Thick Seat L Brackets - Hip Supports	Order CP-03-1701 below
5	20085H-RT	Thick Seat 1" Offset Brackets - Hip Supports	Order CP-03-1707 below
6	20095H-RT	Thick Seat 1" Reverse Offset Brackets - Hip Supports	Use existing part number
7	20270H-RT	Removable Lateral Hip Brackets - No Offset	Order CP-03-1821 OR CP-03-1823
8	20280H-RT	Removable Lateral Hip Brackets - 1" Offset	Order CP-03-1822 OR CP-03-1824
9	20087H-RT	Adjustable Lateral Hip Brackets - 1" Offset	Order CP-03-1735 below

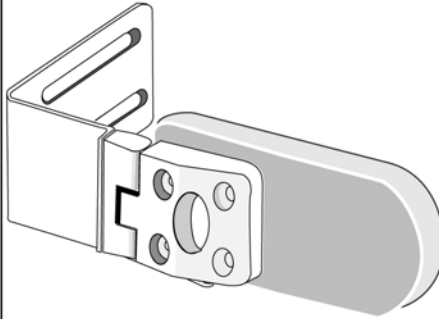
1

Use Jay CF Order form - use Item CS-08-LAT to place order- Generally should order pad with 1/4" closed cell foam - Suggest ordering BOTH sides when replacing



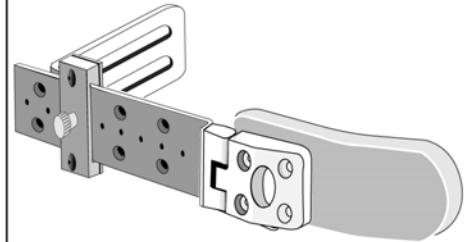
2

Use Jay CF Order form - use Item CS-08-LAT to place order - Generally should order pad with 1/4" closed cell foam- Omit Bracket (Upgrade) and complete CS-08-LAT_SA and pick proximal Bracket (this is the nearest replacement for the bracket) - Suggest ordering BOTH sides when replacing

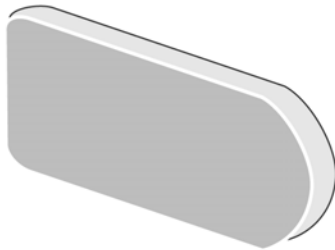


3

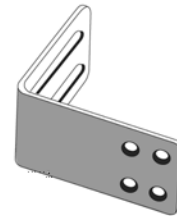
Use Jay CF Order form - use Item CS-08-LAT to place order - Omit Bracket (Upgrade) and complete CS-08-LAT_REM (this is the nearest replacement for the bracket) Generally should order pad with 1/4" closed cell foam - Suggest ordering BOTH sides when replacing



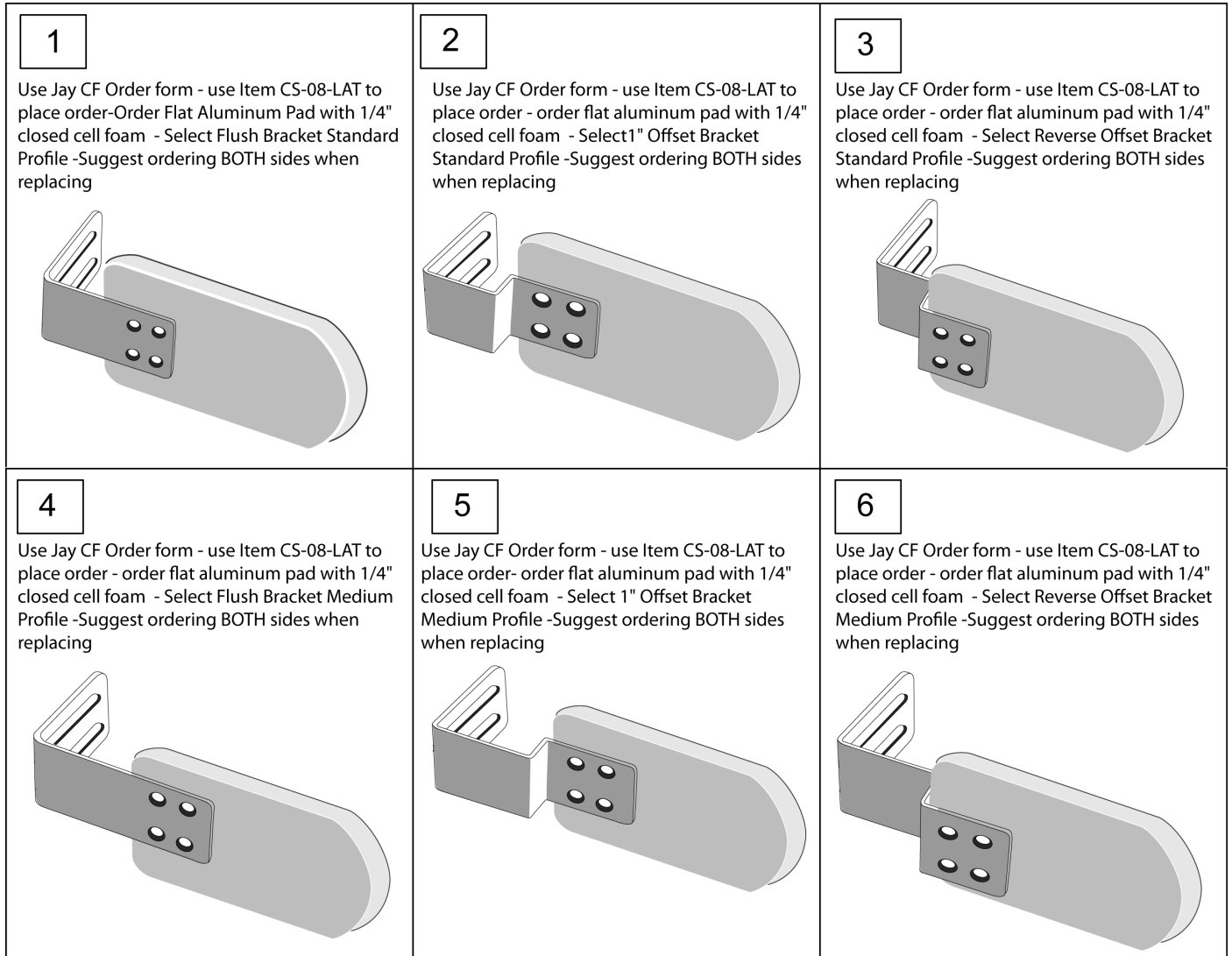
4




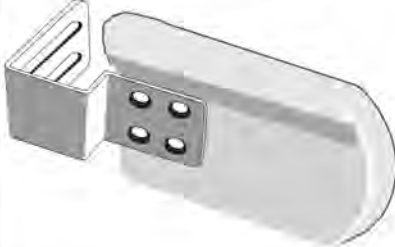


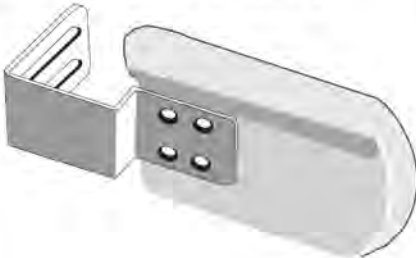

5



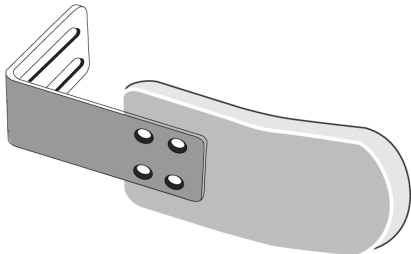
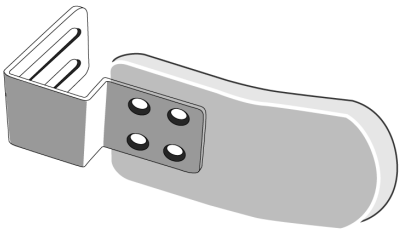
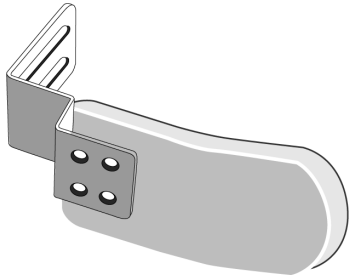
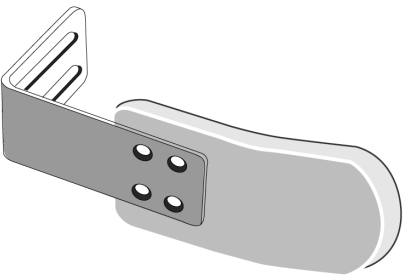
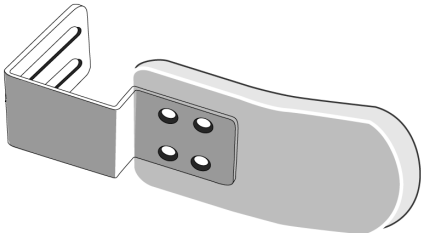
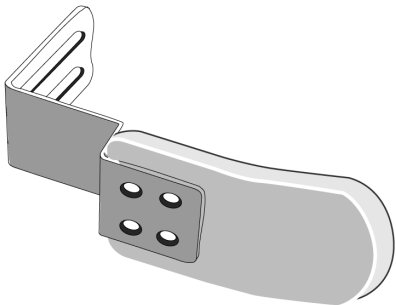
Pos.	Item Number	Description	Remarks
1	20E0956	Lateral Trunk Support w/Fixed Hardware	
2	20E1028S	Upcharge for Swing Away Bracket	
3	20E1028R	Upcharge for Swing Away and Removable Bracket	
4	20010-RT	Small Aluminum Pads	Use Jay CF Parts Manual - select CP-08-2354 CLOSEST SIZE IS 4" X 5" - WILL BE 1/2" TALLER - Suggest ordering BOTH sides when replacing
4	20020-RT	Medium Aluminum Pads	Use Jay CF Parts Manual - select CP-08-2356 CLOSEST SIZE IS 4.5" X 5.5" - WILL BE 1/2" TALLER - Suggest ordering BOTH sides when replacing
4	20030-RT	Large Aluminum Pads	Use Jay CF Parts Manual - select CP-08-2358 CLOSEST SIZE IS 5" X 6" - WILL BE 1/2" TALLER - Suggest ordering BOTH sides when replacing
4	20040-RT	Small Aluminum Curved Pads	Use Jay CF Parts Manual- select CP-08-2306 CLOSEST SIZE IS 4" X 5" - WILL BE 1/2" TALLER - Suggest ordering BOTH sides when replacing
4	20050-RT	Medium Aluminum Curved Pads	Use Jay CF Parts Manual - select CP-08-2308 CLOSEST SIZE IS 4.5" X 5.5" - WILL BE 1/2" TALLER - Suggest ordering BOTH sides when replacing
4	20060-RT	Large Aluminum Curved Pads	Use Jay CF Parts Manual - select CP-08-2310 CLOSEST SIZE IS 5" X 6" - WILL BE 1/2" TALLER - Suggest ordering BOTH sides when replacing
4	20150-RT	Small Wood Based Pads	Use Jay CF Product Selection Guide - select CS-08-2339 CLOSEST SIZE IS 4" X 5" - WILL BE 1/2" TALLER - Suggest ordering BOTH sides when replacing
4	20160-RT	Medium Wood Based Pads	Use Jay CF Product Selection Guide - select CS-08-2341 CLOSEST SIZE IS 4.5" X 5.5" - WILL BE 1/2" TALLER - Suggest ordering BOTH sides when replacing
4	20170-RT	Large Wood Based Pads	Use Jay CF Product Selection Guide - select CS-08-2343 CLOSEST SIZE IS 5" X 6" - WILL BE 1/2" TALLER - Suggest ordering BOTH sides when replacing
5	20070L-RT	L Brackets - Thoracic Supports	Order CP-08-1700
5	20075L-RT	Thick Seat L Brackets - Thoracic Supports	Order CP-08-1701
5	20080L-RT	1" Offset Brackets - Thoracic Supports	Order CP-08-1704
5	20085L-RT	Thick Seat 1" Offset Brackets - Thoracic Supports	Order CP-08-1706
5	20090L-RT	1" Reverse Offset Brackets - Thoracic Supports	Order CP-08-1710
5	20095L-RT	Thick Seat 1" Reverse Offset Brackets - Thoracic Supports	



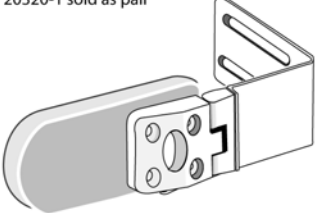
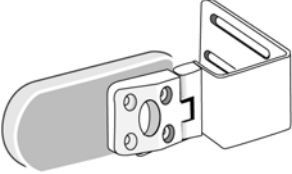
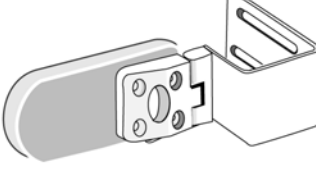
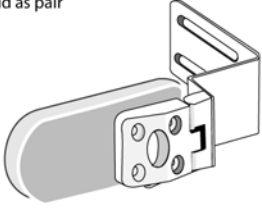
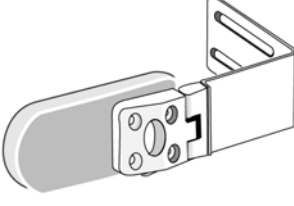
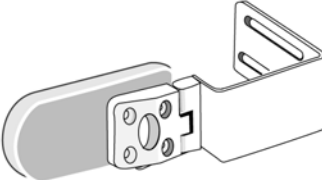
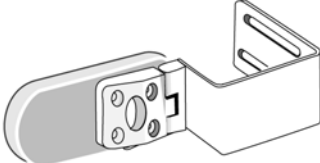
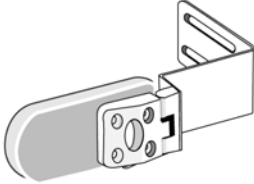
Pos.	Item Number	Description	Remarks
1	20000-20070L	Aluminum Lateral Thoracic Support Pads with L Brackets	
2	20000-20080L	Aluminum Lateral Thoracic Support Pads with 1" Offset Brackets	
3	20000-20090L	Aluminum Lateral Thoracic Support Pads with 1" Reverse Offset Brackets	
4	20000-20075L	Aluminum Lateral Thoracic Support Pads with Thick Seat L Brackets	
5	20000-20085L	Aluminum Lateral Thoracic Support Pads with Thick Seat 1" Offset Brackets	
6	20000-20095L	Aluminum Lateral Thoracic Support Pads with Thick Seat 1" Reverse Offset Brackets	
	20200-RT	All Custom Aluminum Lateral Pads	CP-08-2362 OR CP-08-2314 -Item number selected depends upon curved vs. flat

<p>1</p> <p>Use Jay CF Order form - use Item CS-08-LAT to place order - order wood Pad with 1/2" sunmate foam MODIFY with waterfall edge CS-08-1530 - Select Flush Bracket Standard Profile -Suggest ordering BOTH sides when replacing</p> 	<p>2</p> <p>Use Jay CF Order form - use Item CS-08-LAT to place order - order wood Pad with 1/2" sunmate foam MODIFY with waterfall edge CS-08-1530 - Select 1" Offset Bracket Standard Profile -Suggest ordering BOTH sides when replacing</p> 	<p>3</p> <p>Use Jay CF Order form - use Item CS-08-LAT to place order - order wood Pad with 1/2" sunmate foam MODIFY with waterfall edge CS-08-1530 - Select Reverse Offset Bracket Standard Profile -Suggest ordering BOTH sides when replacing</p> 
<p>4</p> <p>Use Jay CF Order form - use Item CS-08-LAT to place order - order wood Pad with 1/2" sunmate foam MODIFY with waterfall edge CS-08-1530 - Select Flush Bracket Medium Profile -Suggest ordering BOTH sides when replacing</p> 	<p>5</p> <p>Use Jay CF Order form - use Item CS-08-LAT to place order - order wood Pad with 1/2" sunmate foam MODIFY with waterfall edge CS-08-1530 - Select 1" Offset Bracket Medium Profile -Suggest ordering BOTH sides when replacing</p> 	<p>6</p> <p>Use Jay CF Order form - use Item CS-08-LAT to place order - order wood Pad with 1/2" sunmate foam MODIFY with waterfall edge CS-08-1530 - Select Reverse Offset Bracket Medium Profile - Suggest ordering BOTH sides when replacing</p> 


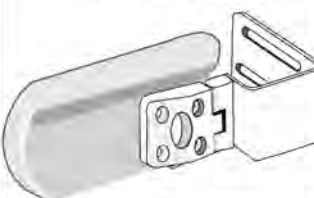
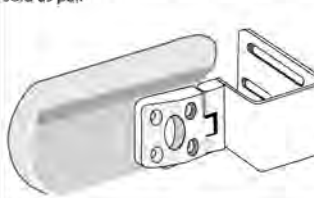

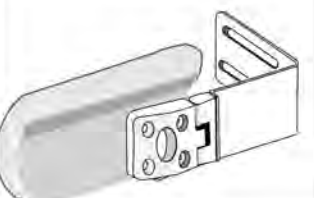
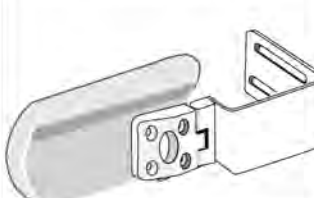
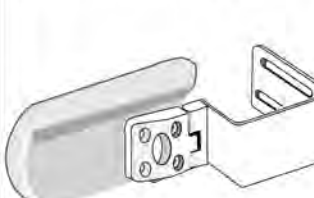
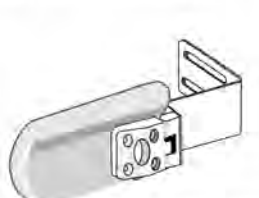
Pos.	Item Number	Description
1	20001-20070L	Wood Based Lateral Thoracic Support Pads with L Brackets
2	20001-20080L	Wood Based Lateral Thoracic Support Pads with 1" Offset Brackets
3	20001-20090L	Wood Based Lateral Thoracic Support Pads with 1" Reverse Offset Brackets
4	20001-20075L	Wood Based Lateral Thoracic Support Pads with Thick Seat L Brackets
5	20001-20085L	Wood Based Lateral Thoracic Support Pads with Thick Seat 1" Offset Brackets
6	20001-20095L	Wood Based Lateral Thoracic Support Pads with Thick Seat 1" Reverse Offset Brackets

<p>1</p> <p>Use Jay CF Order form - use Item CS-08-LAT to place order - order Aluminum Curved Pad with 1/4" closed cell foam - Select Flush Bracket Standard Profile -Suggest ordering BOTH sides when replacing</p> 	<p>2</p> <p>Use Jay CF Order form - use Item CS-08-LAT to place order - order Aluminum Curved Pad with 1/4" closed cell foam - Select 1" Offset Bracket Standard Profile -Suggest ordering BOTH sides when replacing</p> 	<p>3</p> <p>Use Jay CF Order form - use Item CS-08-LAT to place order - order Aluminum Curved Pad with 1/4" closed cell foam - Select Reverse Offset Bracket Standard Profile -Suggest ordering BOTH sides when replacing</p> 
<p>4</p> <p>Use Jay CF Order form - use Item CS-08-LAT to place order - order Aluminum Curved Pad with 1/4" closed cell foam - Select Flush Bracket Medium Profile -Suggest ordering BOTH sides when replacing</p> 	<p>5</p> <p>Use Jay CF Order form - use Item CS-08-LAT to place order - order Aluminum Curved Pad with 1/4" closed cell foam - Select 1" Bracket Medium Profile -Suggest ordering BOTH sides when replacing</p> 	<p>6</p> <p>Use Jay CF Order form - use Item CS-08-LAT to place order - order Aluminum Curved Pad with 1/4" closed cell foam - Select Reverse Bracket Medium Profile -Suggest ordering BOTH sides when replacing</p> 


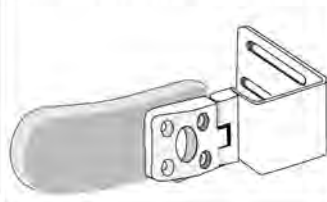
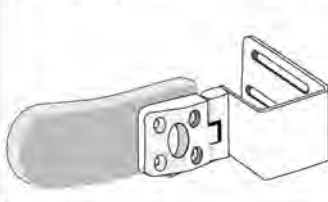

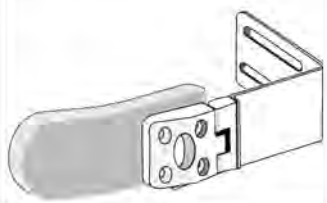
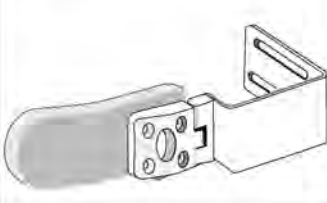
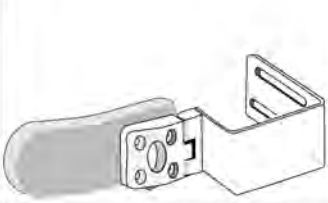
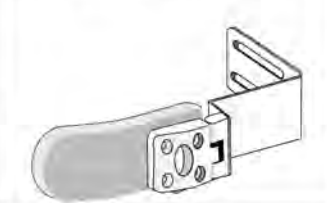
Pos.	Item Number	Description
1	20005-20070L	Aluminum Curved Lateral Thoracic Support Pads with L Brackets
2	20005-20080L	Aluminum Curved Lateral Thoracic Support Pads with 1" Offset Brackets
3	20005-20090L	Aluminum Curved Lateral Thoracic Support Pads with 1" Reverse Offset Brackets
4	20005-20075L	Aluminum Curved Lateral Thoracic Support Pads with Thick Seat L Brackets
5	20005-20085L	Aluminum Curved Lateral Thoracic Support Pads with Thick Seat 1" Offset Brackets
6	20005-20095L	Aluminum Curved Lateral Thoracic Support Pads with Thick Seat 1" Reverse Offset Brackets

<p>1</p> <p>To replace entire assembly order from Jay CF - use item CS-08-LAT - select Aluminum base Straight Pad with closed cell foam - upgrade to Swing Away Lateral and then complete CS-08-LAT-SA - pick Adjustable Angle Proximal Swing Away Style with Flush Medium Profile Bracket. Suggest replacing both sides since swing away bracket is different. Sub assembly replacement parts for the bracket can still be ordered (under existing item numbers) separately - see 20320-1 sold as pair</p> 	<p>2</p> <p>To replace entire assembly order from Jay CF - use item CS-08-LAT - select Aluminum base Straight Pad with closed cell foam - upgrade to Swing Away Lateral and then complete CS-08-LAT-SA - pick Adjustable Angle Proximal Swing Away Style with 1" Offset Standard Profile Bracket. Suggest replacing both sides since swing away bracket is different. Sub assembly replacement parts for the bracket can still be ordered (under existing item numbers) separately - see 20320-1 sold as pair</p> 	<p>3</p> <p>To replace entire assembly order from Jay CF - use item CS-08-LAT - select Aluminum base Straight Pad with closed cell foam - upgrade to Swing Away Lateral and then complete CS-08-LAT-SA - pick Adjustable Angle Proximal Swing Away Style with 2" Offset Standard Profile Bracket. Suggest replacing both sides since swing away bracket is different. Sub assembly replacement parts for the bracket can still be ordered (under existing item numbers) separately - see 20320-1 sold as pair</p> 	<p>4</p> <p>To replace entire assembly order from Jay CF - use item CS-08-LAT - select Aluminum base Straight Pad with closed cell foam - upgrade to Swing Away Lateral and then complete CS-08-LAT-SA - pick Adjustable Angle Proximal Swing Away Style with Reverse Offset Standard Profile Bracket. Suggest replacing both sides since swing away bracket is different. Sub assembly replacement parts for the bracket can still be ordered (under existing item numbers) separately - see 20320-1 sold as pair</p> 
<p>5</p> <p>To replace entire assembly order from Jay CF - use item CS-08-LAT - select Aluminum base Straight Pad with closed cell foam - upgrade to Swing Away Lateral and then complete CS-08-LAT-SA - pick Adjustable Angle Proximal Swing Away Style with Flush Medium Profile Bracket. Suggest replacing both sides since swing away bracket is different. Sub assembly replacement parts for the bracket can still be ordered (under existing item numbers) separately - see 20320-1 sold as pair</p> 	<p>6</p> <p>To replace entire assembly order from Jay CF - use item CS-08-LAT - select Aluminum base Straight Pad with closed cell foam - upgrade to Swing Away Lateral and then complete CS-08-LAT-SA - pick Adjustable Angle Proximal Swing Away Style with 2" Offset Standard Profile Bracket. Suggest replacing both sides since swing away bracket is different. Sub assembly replacement parts for the bracket can still be ordered (under existing item numbers) separately - see 20320-1 sold as pair</p> 	<p>7</p> <p>To replace entire assembly order from Jay CF - use item CS-08-LAT - select Aluminum base Straight Pad with closed cell foam - upgrade to Swing Away Lateral and then complete CS-08-LAT-SA - pick Adjustable Angle Proximal Swing Away Style with 2" Offset Medium Profile Bracket. Suggest replacing both sides since swing away bracket is different. Sub assembly replacement parts for the bracket can still be ordered (under existing item numbers) separately - see 20320-1 sold as pair</p> 	<p>8</p> <p>To replace entire assembly order from Jay CF - use item CS-08-LAT - select Aluminum base Straight Pad with closed cell foam - upgrade to Swing Away Lateral and then complete CS-08-LAT-SA - pick Adjustable Angle Proximal Swing Away Style with Reverse Offset Medium Profile Bracket. Suggest replacing both sides since swing away bracket is different. Sub assembly replacement parts for the bracket can still be ordered (under existing item numbers) separately - see 20320-1 sold as pair</p> 

Pos.	Item Number	Description
1	20300-20370L	Aluminum Lateral Thoracic Support Pads with Flush Swing Away Brackets
2	20300-20380L	Aluminum Lateral Thoracic Support Pads with 1" Offset Swing Away Brackets
3	20300-20381L	Aluminum Lateral Thoracic Support Pads with 2" Offset Swing Away Brackets
4	20300-20390L	Aluminum Lateral Thoracic Support Pads with 1" Reverse Offset Swing Away Brackets
5	20300-20375L	Aluminum Lateral Thoracic Support Pads with Flush Swing Away Thick Back Brackets
6	20300-20385L	Aluminum Lateral Thoracic Support Pads with 1" Offset Swing Away Thick Back Brackets
7	20300-20386L	Aluminum Lateral Thoracic Support Pads with 2" Offset Swing Away Thick Back Brackets
8	20300-20395L	Aluminum Lateral Thoracic Support Pads with 1" Reverse Offset Swing Away Thick Back Brackets

<p>1</p> <p>To replace entire assembly order from Jay CF - use item CS-08-LAT - select wood base Straight Pad with 1/2" sunmate foam - upgrade to Swing Away Lateral and then complete CS-08-LAT-SA - pick Adjustable Angle Proximal Swing Away Style with Flush Standard Profile Bracket. Suggest replacing both sides since swing away bracket is different. Sub assembly replacement parts for the bracket can still be ordered (under existing item numbers) separately - see 20320-1 sold as pair</p> 	<p>2</p> <p>To replace entire assembly order from Jay CF - use item CS-08-LAT - select wood base Straight Pad with 1/2" sunmate foam - upgrade to Swing Away Lateral and then complete CS-08-LAT-SA - pick Adjustable Angle Proximal Swing Away Style with 1" Offset Standard Profile Bracket. Suggest replacing both sides since swing away bracket is different. Sub assembly replacement parts for the bracket can still be ordered (under existing item numbers) separately - see 20320-1 sold as pair</p> 	<p>3</p> <p>To replace entire assembly order from Jay CF - use item CS-08-LAT - select wood base Straight Pad with 1/2" sunmate foam - upgrade to Swing Away Lateral and then complete CS-08-LAT-SA - pick Adjustable Angle Proximal Swing Away Style with 2" Offset Standard Profile Bracket. Suggest replacing both sides since swing away bracket is different. Sub assembly replacement parts for the bracket can still be ordered (under existing item numbers) separately - see 20320-1 sold as pair</p> 	<p>4</p> <p>To replace entire assembly order from Jay CF - use item CS-08-LAT - select wood base Straight Pad with 1/2" sunmate foam - upgrade to Swing Away Lateral and then complete CS-08-LAT-SA - pick Adjustable Angle Proximal Swing Away Style with Reverse Offset Standard Profile Bracket. Suggest replacing both sides since swing away bracket is different. Sub assembly replacement parts for the bracket can still be ordered (under existing item numbers) separately - see 20320-1 sold as pair</p> 
<p>5</p> <p>To replace entire assembly order from Jay CF - use item CS-08-LAT - select wood base Straight Pad with 1/2" sunmate foam - upgrade to Swing Away Lateral and then complete CS-08-LAT-SA - pick Adjustable Angle Proximal Swing Away Style with Flush Medium Profile Bracket. Suggest replacing both sides since swing away bracket is different. Sub assembly replacement parts for the bracket can still be ordered (under existing item numbers) separately - see 20320-1 sold as pair</p> 	<p>6</p> <p>To replace entire assembly order from Jay CF - use item CS-08-LAT - select wood base Straight Pad with 1/2" sunmate foam - upgrade to Swing Away Lateral and then complete CS-08-LAT-SA - pick Adjustable Angle Proximal Swing Away Style with 1" Offset Medium Profile Bracket. Suggest replacing both sides since swing away bracket is different. Sub assembly replacement parts for the bracket can still be ordered (under existing item numbers) separately - see 20320-1 sold as pair</p> 	<p>7</p> <p>To replace entire assembly order from Jay CF - use item CS-08-LAT - select wood base Straight Pad with 1/2" sunmate foam - upgrade to Swing Away Lateral and then complete CS-08-LAT-SA - pick Adjustable Angle Proximal Swing Away Style with 2" Offset Medium Profile Bracket. Suggest replacing both sides since swing away bracket is different. Sub assembly replacement parts for the bracket can still be ordered (under existing item numbers) separately - see 20320-1 sold as pair</p> 	<p>8</p> <p>To replace entire assembly order from Jay CF - use item CS-08-LAT - select wood base Straight Pad with 1/2" sunmate foam - upgrade to Swing Away Lateral and then complete CS-08-LAT-SA - pick Adjustable Angle Proximal Swing Away Style with Reverse Offset Medium Profile Bracket. Suggest replacing both sides since swing away bracket is different. Sub assembly replacement parts for the bracket can still be ordered (under existing item numbers) separately - see 20320-1 sold as pair</p> 

Pos.	Item Number	Description
1	20301-20370L	Wood Based Lateral Thoracic Support Pads with Flush Swing Away Brackets
2	20301-20380L	Wood Based Lateral Thoracic Support Pads with 1" Offset Swing Away Brackets
3	20301-20381L	Wood Based Lateral Thoracic Support Pads with 2" Offset Swing Away Brackets
4	20301-20390L	Wood Based Lateral Thoracic Support Pads with 1" Reverse Offset Swing Away Brackets
5	20301-20375L	Wood Based Lateral Thoracic Support Pads with Flush Swing Away Thick Back Brackets
6	20301-20385L	Wood Based Lateral Thoracic Support Pads with 1" Offset Swing Away Thick Back Brackets
7	20301-20386L	Wood Based Lateral Thoracic Support Pads with 2" Offset Swing Away Thick Back Brackets
8	20301-20395L	Wood Based Lateral Thoracic Support Pads with 1" Reverse Offset Swing Away Thick Back Brackets

<p>1</p> <p>To replace entire assembly order from Jay CF - use item CS-08-LAT - select Aluminum base Curved Pad with closed cell foam - upgrade to Swing Away Lateral and then complete CS-08-LAT-SA - pick Adjustable Angle Proximal Swing Away Style with Flush Standard Profile Bracket. Suggest replacing both sides since swing away bracket is different. Sub assembly replacement parts for the bracket can still be ordered (under existing item numbers) separately - see 20320-1 sold as pair</p> 	<p>2</p> <p>To replace entire assembly order from Jay CF - use item CS-08-LAT - select Aluminum base Curved Pad with closed cell foam - upgrade to Swing Away Lateral and then complete CS-08-LAT-SA - pick Adjustable Angle Proximal Swing Away Style with 1" Offset Standard Profile Bracket. Suggest replacing both sides since swing away bracket is different. Sub assembly replacement parts for the bracket can still be ordered (under existing item numbers) separately - see 20320-1 sold as pair</p> 	<p>3</p> <p>To replace entire assembly order from Jay CF - use item CS-08-LAT - select Aluminum base Curved Pad with closed cell foam - upgrade to Swing Away Lateral and then complete CS-08-LAT-SA - pick Adjustable Angle Proximal Swing Away Style with 2" Offset Standard Profile Bracket. Suggest replacing both sides since swing away bracket is different. Sub assembly replacement parts for the bracket can still be ordered (under existing item numbers) separately - see 20320-1 sold as pair</p> 	<p>4</p> <p>To replace entire assembly order from Jay CF - use item CS-08-LAT - select Aluminum base Curved Pad with closed cell foam - upgrade to Swing Away Lateral and then complete CS-08-LAT-SA - pick Adjustable Angle Proximal Swing Away Style with Reverse Offset Standard Profile Bracket. Suggest replacing both sides since swing away bracket is different. Sub assembly replacement parts for the bracket can still be ordered (under existing item numbers) separately - see 20320-1 sold as pair</p> 
<p>5</p> <p>To replace entire assembly order from Jay CF - use item CS-08-LAT - select Aluminum base Curved Pad with closed cell foam - upgrade to Swing Away Lateral and then complete CS-08-LAT-SA - pick Adjustable Angle Proximal Swing Away Style with Flush Medium Profile Bracket. Suggest replacing both sides since swing away bracket is different. Sub assembly replacement parts for the bracket can still be ordered (under existing item numbers) separately - see 20320-1 sold as pair</p> 	<p>6</p> <p>To replace entire assembly order from Jay CF - use item CS-08-LAT - select Aluminum base Curved Pad with closed cell foam - upgrade to Swing Away Lateral and then complete CS-08-LAT-SA - pick Adjustable Angle Proximal Swing Away Style with 1" Offset Medium Profile Bracket. Suggest replacing both sides since swing away bracket is different. Sub assembly replacement parts for the bracket can still be ordered (under existing item numbers) separately - see 20320-1 sold as pair</p> 	<p>7</p> <p>To replace entire assembly order from Jay CF - use item CS-08-LAT - select Aluminum base Curved Pad with closed cell foam - upgrade to Swing Away Lateral and then complete CS-08-LAT-SA - pick Adjustable Angle Proximal Swing Away Style with 2" Offset Medium Profile Bracket. Suggest replacing both sides since swing away bracket is different. Sub assembly replacement parts for the bracket can still be ordered (under existing item numbers) separately - see 20320-1 sold as pair</p> 	<p>8</p> <p>To replace entire assembly order from Jay CF - use item CS-08-LAT - select Aluminum base Curved Pad with closed cell foam - upgrade to Swing Away Lateral and then complete CS-08-LAT-SA - pick Adjustable Angle Proximal Swing Away Style with Reverse Offset Medium Profile Bracket. Suggest replacing both sides since swing away bracket is different. Sub assembly replacement parts for the bracket can still be ordered (under existing item numbers) separately - see 20320-1 sold as pair</p> 

Pos.	Item Number	Description
1	20305-20370L	Aluminum Curved Lateral Thoracic Support Pads with Flush Swing Away Brackets
2	20305-20380L	Aluminum Curved Lateral Thoracic Support Pads with 1" Offset Swing Away Brackets
3	20305-20381L	Aluminum Curved Lateral Thoracic Support Pads with 2" Offset Swing Away Brackets
4	20305-20390L	Aluminum Curved Lateral Thoracic Support Pads with 1" Reverse Offset Swing Away Brackets
5	20305-20375L	Aluminum Curved Lateral Thoracic Support Pads with Flush Swing Away Thick Back Brackets
6	20305-20385L	Aluminum Curved Lateral Thoracic Support Pads with 1" Offset Swing Away Thick Back Brackets
7	20305-20386L	Aluminum Curved Lateral Thoracic Support Pads with 2" Offset Swing Away Thick Back Brackets
	20305-20395L	Aluminum Curved Lateral Thoracic Support Pads with 1" Reverse Offset Swing Away Thick Back Brkts
8	20300-20395L	Aluminum Lateral Thoracic Support Pads with 1" Reverse Offset Swing Away Thick Back Brackets

1

Use Jay CF Order form - use Item CS-08-LAT to place order - order flat wood pad with 1/2" Sunmate foam and MODIFY with waterfall edge CS-08-1530- Select Adjustable Profile Flush Bracket -Suggest ordering BOTH sides when replacing



2

Use Jay CF Order form - use Item CS-08-LAT to place order - order flat aluminum pad with 1/4" closed cell foam - Select Adjustable Profile 1" Offset Bracket -Suggest ordering BOTH sides when replacing



4

Use Jay CF Order form - use Item CS-08-LAT to place order - order flat wood pad with 1/2" Sunmate foam and MODIFY with waterfall edge CS-08-1530- Select Adjustable Profile 1" Offset Bracket -Suggest ordering BOTH sides when replacing

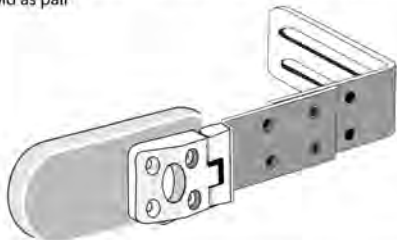
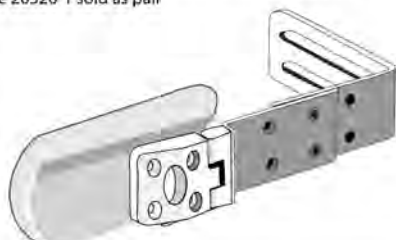
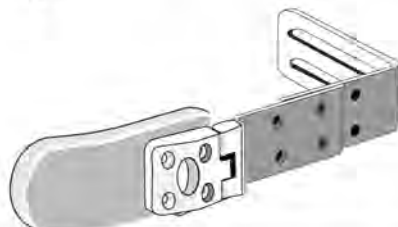
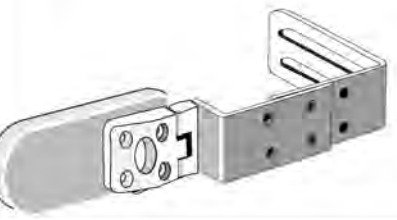
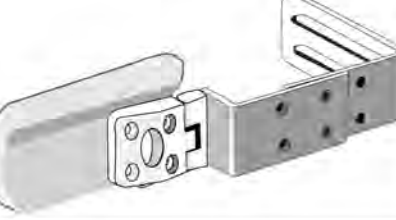
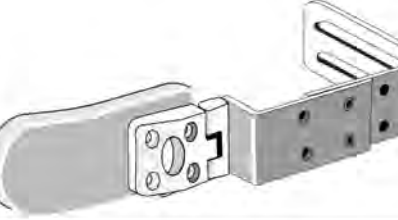


5

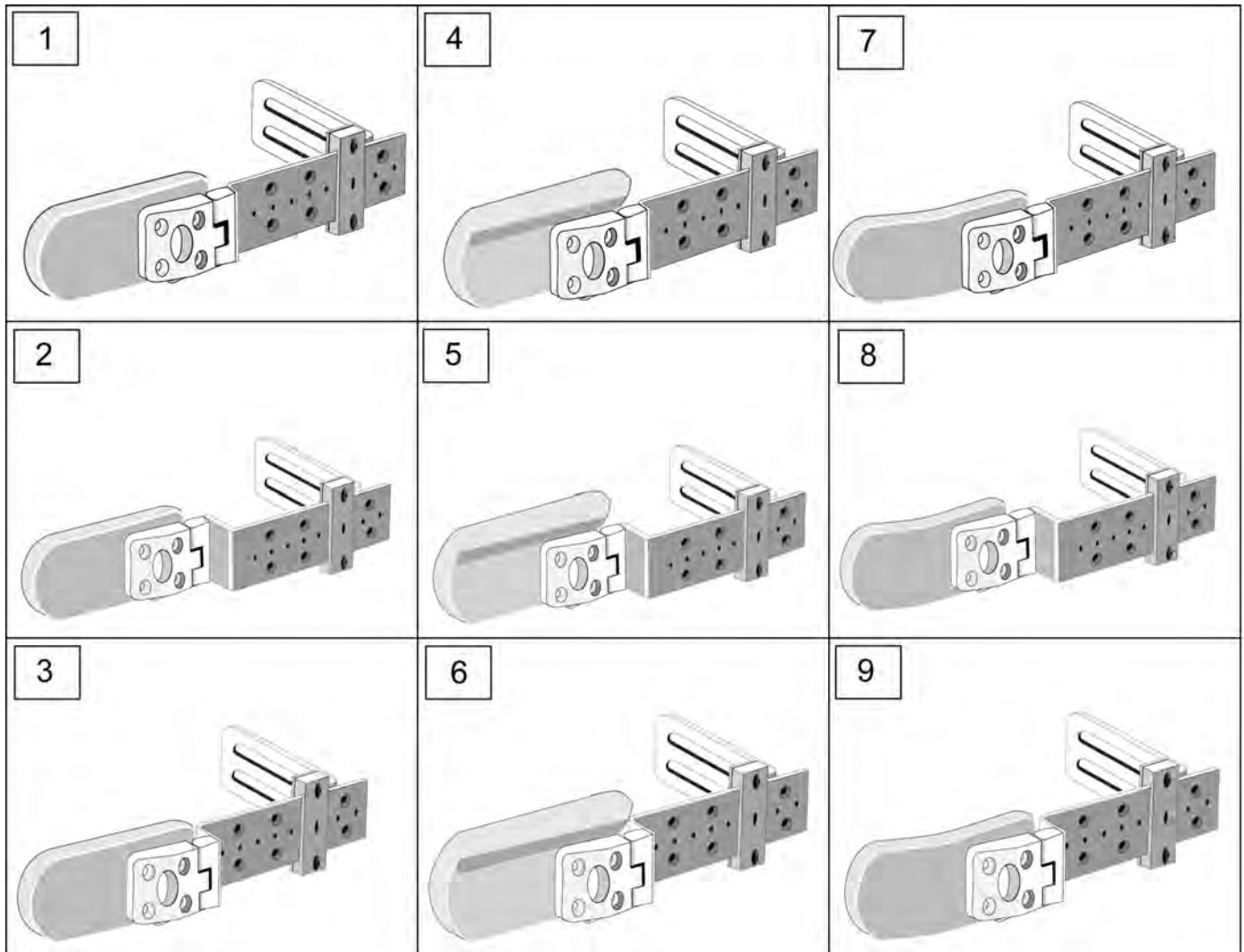
Use Jay CF Order form - use Item CS-08-LAT to place order - order curved aluminum pad with 1/4" closed cell foam - Select Adjustable Profile 1" Offset Bracket -Suggest ordering BOTH sides when replacing




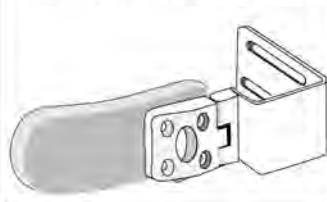
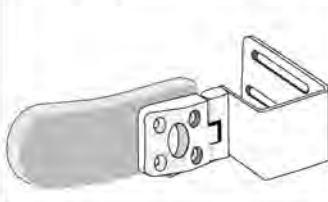

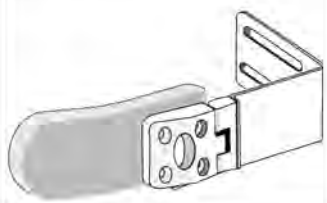
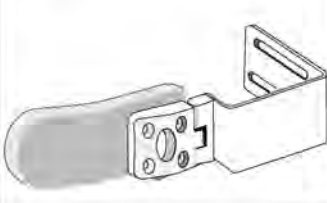
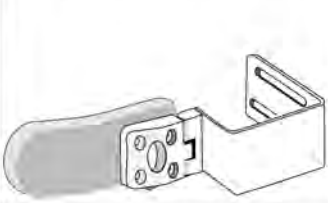
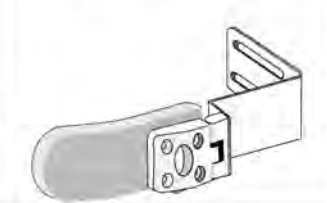
Pos.	Item Number	Description
1	20101-20077L	Wood Based Lateral Thoracic Support Pads with Adjustable L Brackets
2	20100-20087L	Aluminum Lateral Thoracic Support Pads withy Adjustable 1" Offset Brackets
3	20101-20087L	Wood Based Lateral Thoracic Support Pads with Adjustable 1" Offset Brackets
4	20105-20087L	Aluminum Curved Lateral Thoracic Support Pads with Adjustable 1" Offset Brackets

<p>1</p> <p>To replace entire assembly order from Jay CF - use item CS-08-LAT - select Aluminum base Straight Pad with closed cell foam - upgrade to Swing Away Lateral and then complete CS-08-LAT-SA - pick Adjustable Profile Proximal Swing Away Style with Flush Bracket. Suggest replacing both sides since swing away bracket is different. Sub assembly replacement parts for the bracket can still be ordered (under existing item numbers) separately - see 20320-1 sold as pair</p> 	<p>2</p> <p>To replace entire assembly order from Jay CF - use item CS-08-LAT - select Wood Base Straight Pad with 1/2" Sun-mate foam - upgrade to Swing Away Lateral and then complete CS-08-LAT-SA - pick Adjustable Profile Proximal Swing Away Style with Flush Bracket. Suggest replacing both sides since swing away bracket is different. Sub assembly replacement parts for the bracket can still be ordered (under existing item numbers) separately - see 20320-1 sold as pair</p> 	<p>3</p> <p>To replace entire assembly order from Jay CF - use item CS-08-LAT - select Aluminum Base Curved Pad with closed cell foam - upgrade to Swing Away Lateral and then complete CS-08-LAT-SA - pick Adjustable Profile Proximal Swing Away Style with Flush Bracket. Suggest replacing both sides since swing away bracket is different. Sub assembly replacement parts for the bracket can still be ordered (under existing item numbers) separately - see 20320-1 sold as pair</p> 
<p>4</p> <p>To replace entire assembly order from Jay CF - use item CS-08-LAT - select Aluminum base Straight Pad with closed cell foam - upgrade to Swing Away Lateral and then complete CS-08-LAT-SA - pick Adjustable Profile Proximal Swing Away Style with 1" Offset Bracket. Suggest replacing both sides since swing away bracket is different. Sub assembly replacement parts for the bracket can still be ordered (under existing item numbers) separately - see 20320-1 sold as pair</p> 	<p>5</p> <p>To replace entire assembly order from Jay CF - use item CS-08-LAT - select Wood Base Straight Pad with 1/2" Sun-mate foam - upgrade to Swing Away Lateral and then complete CS-08-LAT-SA - pick Adjustable Profile Proximal Swing Away Style with 1" Offset Bracket. Suggest replacing both sides since swing away bracket is different. Sub assembly replacement parts for the bracket can still be ordered (under existing item numbers) separately - see 20320-1 sold as pair</p> 	<p>6</p> <p>To replace entire assembly order from Jay CF - use item CS-08-LAT - select Aluminum Base Curved Pad with closed cell foam - upgrade to Swing Away Lateral and then complete CS-08-LAT-SA - pick Adjustable Profile Proximal Swing Away Style with 1" Offset Bracket. Suggest replacing both sides since swing away bracket is different. Sub assembly replacement parts for the bracket can still be ordered (under existing item numbers) separately - see 20320-1 sold as pair</p> 

Pos.	Item Number	Description
1	20400-20377L	Aluminum Based Lateral Thoracic Support Pads with Adjustable Flush Swing Away Brackets
2	20401-20377L	Wood Based Lateral Thoracic Support Pads with Adjustable Flush Swing Away Brackets
3	20405-20377L	Curved Aluminum Based Lateral Thoracic Support Pads with Adjustable Flush Swing Away Brackets
4	20400-20387L	Aluminum Based Lateral Thoracic Support Pads with Adjustable 1" Offset Swing Away Brackets
5	20401-20387L	Wood Based Lateral Thoracic Support Pads with Adjustable 1" Offset Swing Away Brackets
6	20405-20387L	Curved Aluminum Based Lateral Thoracic Support Pads with Adjustable 1" Offset Swing Away Brackets



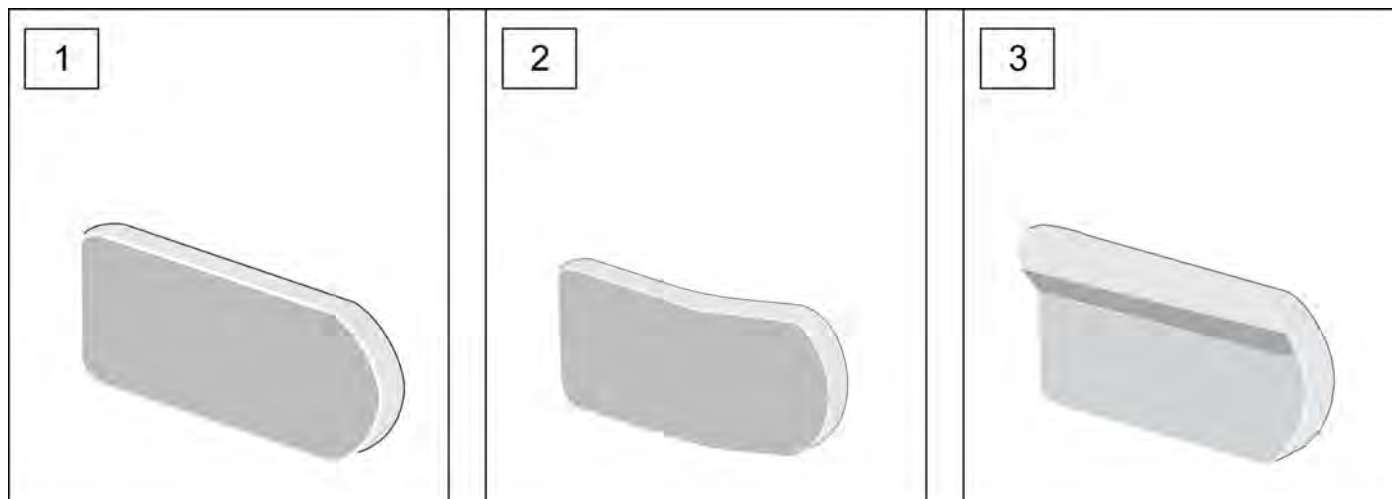
Pos.	Item Number	Description
1	HARD346	SLIDE ADJ. MOUNTING BRACKET
2	HARD347	SLIDE ADJUST CLAMP
3	HARD348	SLIDE ADJ. SW/AWY FLUSH MOUNT
4	HARD333	CURVED BACK HOOK ADAPTER
5		Part
6		Part
7		Part
8		Part
9		Part
		Part

<p>1</p> <p>To replace entire assembly order from Jay CF - use item CS-08-LAT - select Aluminum base Curved Pad with closed cell foam - upgrade to Swing Away Lateral and then complete CS-08-LAT-SA - pick Adjustable Angle Proximal Swing Away Style with Flush Standard Profile Bracket. Suggest replacing both sides since swing away bracket is different. Sub assembly replacement parts for the bracket can still be ordered (under existing item numbers) separately - see 20320-1 sold as pair</p> 	<p>2</p> <p>To replace entire assembly order from Jay CF - use item CS-08-LAT - select Aluminum base Curved Pad with closed cell foam - upgrade to Swing Away Lateral and then complete CS-08-LAT-SA - pick Adjustable Angle Proximal Swing Away Style with 1" Offset Standard Profile Bracket. Suggest replacing both sides since swing away bracket is different. Sub assembly replacement parts for the bracket can still be ordered (under existing item numbers) separately - see 20320-1 sold as pair</p> 	<p>3</p> <p>To replace entire assembly order from Jay CF - use item CS-08-LAT - select Aluminum base Curved Pad with closed cell foam - upgrade to Swing Away Lateral and then complete CS-08-LAT-SA - pick Adjustable Angle Proximal Swing Away Style with 2" Offset Standard Profile Bracket. Suggest replacing both sides since swing away bracket is different. Sub assembly replacement parts for the bracket can still be ordered (under existing item numbers) separately - see 20320-1 sold as pair</p> 	<p>4</p> <p>To replace entire assembly order from Jay CF - use item CS-08-LAT - select Aluminum base Curved Pad with closed cell foam - upgrade to Swing Away Lateral and then complete CS-08-LAT-SA - pick Adjustable Angle Proximal Swing Away Style with Reverse Offset Standard Profile Bracket. Suggest replacing both sides since swing away bracket is different. Sub assembly replacement parts for the bracket can still be ordered (under existing item numbers) separately - see 20320-1 sold as pair</p> 
<p>5</p> <p>To replace entire assembly order from Jay CF - use item CS-08-LAT - select Aluminum base Curved Pad with closed cell foam - upgrade to Swing Away Lateral and then complete CS-08-LAT-SA - pick Adjustable Angle Proximal Swing Away Style with Flush Medium Profile Bracket. Suggest replacing both sides since swing away bracket is different. Sub assembly replacement parts for the bracket can still be ordered (under existing item numbers) separately - see 20320-1 sold as pair</p> 	<p>6</p> <p>To replace entire assembly order from Jay CF - use item CS-08-LAT - select Aluminum base Curved Pad with closed cell foam - upgrade to Swing Away Lateral and then complete CS-08-LAT-SA - pick Adjustable Angle Proximal Swing Away Style with 1" Offset Medium Profile Bracket. Suggest replacing both sides since swing away bracket is different. Sub assembly replacement parts for the bracket can still be ordered (under existing item numbers) separately - see 20320-1 sold as pair</p> 	<p>7</p> <p>To replace entire assembly order from Jay CF - use item CS-08-LAT - select Aluminum base Curved Pad with closed cell foam - upgrade to Swing Away Lateral and then complete CS-08-LAT-SA - pick Adjustable Angle Proximal Swing Away Style with 2" Offset Medium Profile Bracket. Suggest replacing both sides since swing away bracket is different. Sub assembly replacement parts for the bracket can still be ordered (under existing item numbers) separately - see 20320-1 sold as pair</p> 	<p>8</p> <p>To replace entire assembly order from Jay CF - use item CS-08-LAT - select Aluminum base Curved Pad with closed cell foam - upgrade to Swing Away Lateral and then complete CS-08-LAT-SA - pick Adjustable Angle Proximal Swing Away Style with Reverse Offset Medium Profile Bracket. Suggest replacing both sides since swing away bracket is different. Sub assembly replacement parts for the bracket can still be ordered (under existing item numbers) separately - see 20320-1 sold as pair</p> 

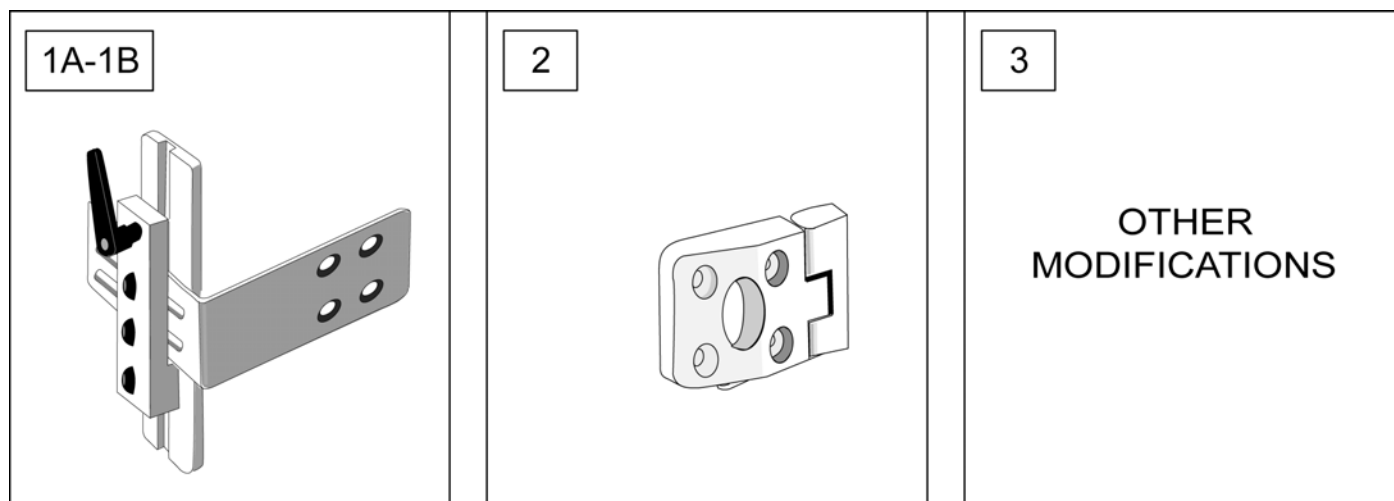
Pos.	Description
1	Part
2	Part
3	Part
4	Part
5	Part
6	Part
7	Part
	Part
8	Part

LATERAL THORACIC PADS

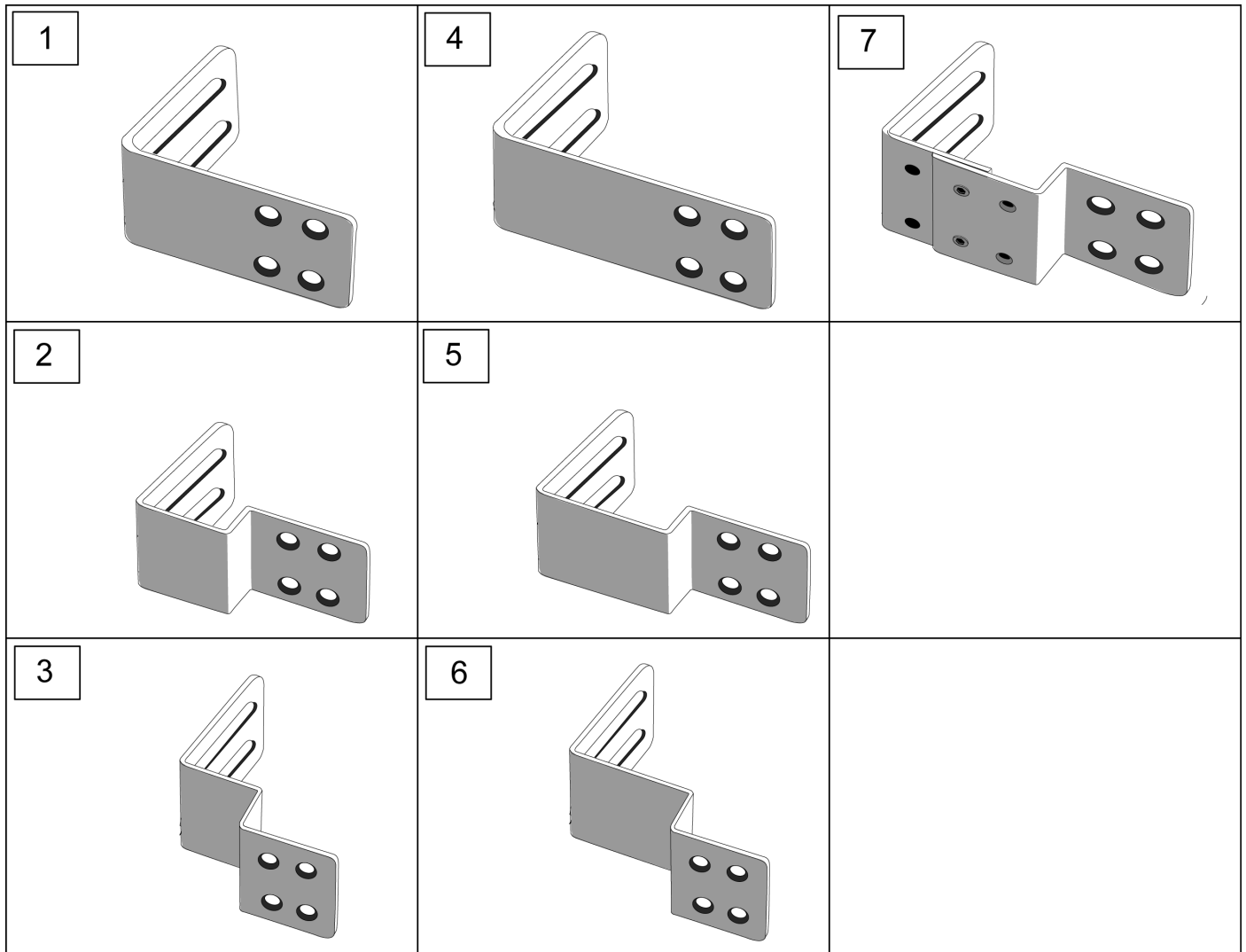
(08/2010)



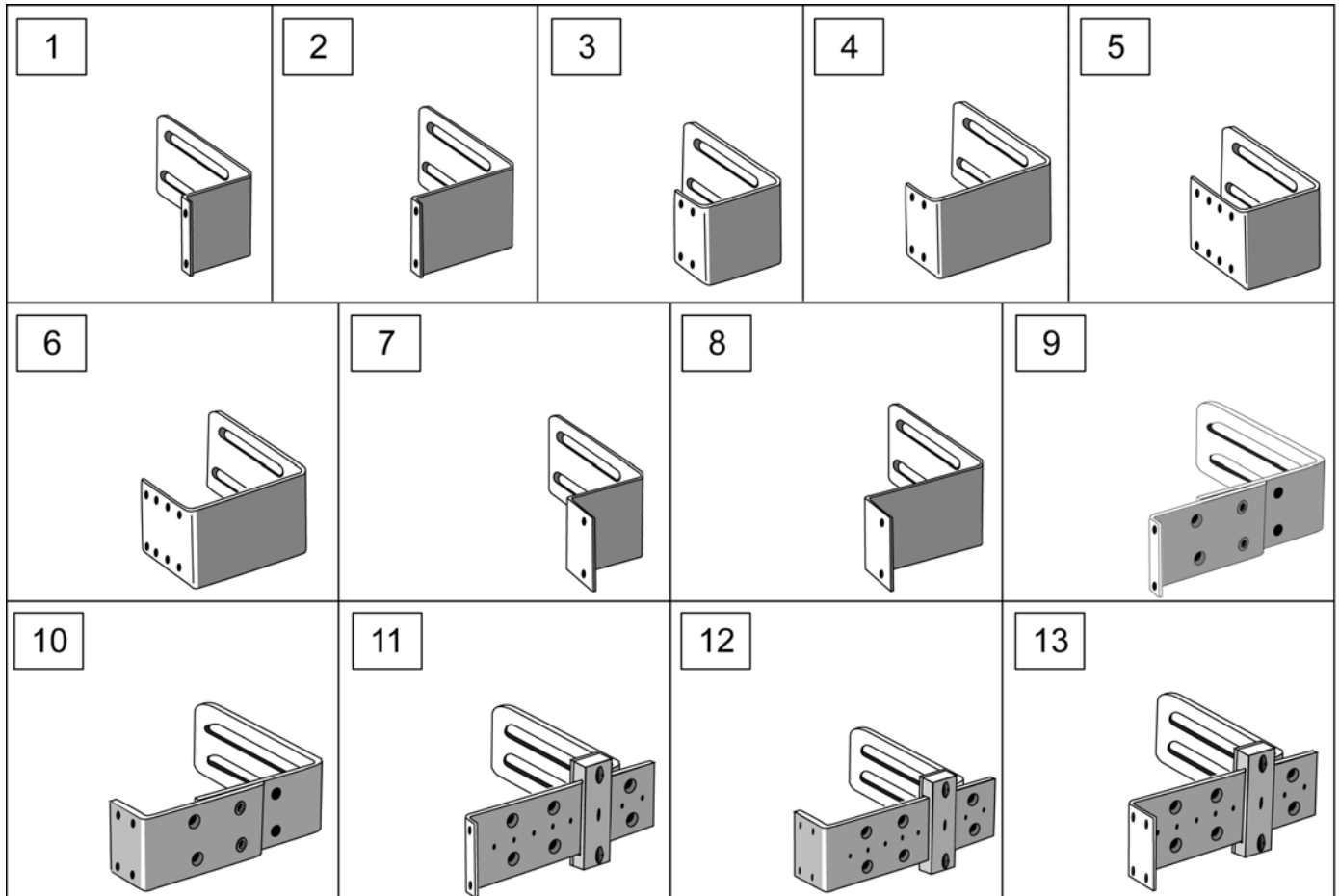
Pos.	Item Number	Description	Remarks
1	20010-RT	Small Aluminum Pads	Use Jay CF Parts Manual - select CP-08-2354 CLOSEST SIZE IS 4" X 5" - WILL BE 1/2" TALLER - Suggest ordering BOTH sides when replacing
1	20020-RT	Medium Aluminum Pads	Use Jay CF Parts Manual - select CP-08-2356 CLOSEST SIZE IS 4.5" X 5.5" - WILL BE 1/2" TALLER - Suggest ordering BOTH sides when replacing
1	20030-RT	Large Aluminum Pads	Use Jay CF Parts Manual - select CP-08-2358 CLOSEST SIZE IS 5" X 6" - WILL BE 1/2" TALLER - Suggest ordering BOTH sides when replacing
2	20040-RT	Small Aluminum Curved Pads	Use Jay CF Parts Manual- select CP-08-2306 CLOSEST SIZE IS 4" X 5" - WILL BE 1/2" TALLER - Suggest ordering BOTH sides when replacing
2	20050-RT	Medium Aluminum Curved Pads	Use Jay CF Parts Manual - select CP-08-2308 CLOSEST SIZE IS 4.5" X 5.5" - WILL BE 1/2" TALLER - Suggest ordering BOTH sides when replacing
2	20060-RT	Large Aluminum Curved Pads	Use Jay CF Parts Manual - select CP-08-2310 CLOSEST SIZE IS 5" X 6" - WILL BE 1/2" TALLER - Suggest ordering BOTH sides when replacing
3	20150-RT	Small Wood Based Pads	Use Jay CF Product Selection Guide - select CS-08-2339 CLOSEST SIZE IS 4" X 5" - WILL BE 1/2" TALLER - Suggest ordering BOTH sides when replacing
3	20160-RT	Medium Wood Based Pads	Use Jay CF Product Selection Guide - select CS-08-2341 CLOSEST SIZE IS 4.5" X 5.5" - WILL BE 1/2" TALLER - Suggest ordering BOTH sides when replacing
3	20170-RT	Large Wood Based Pads	Use Jay CF Product Selection Guide - select CS-08-2343 CLOSEST SIZE IS 5" X 6" - WILL BE 1/2" TALLER - Suggest ordering BOTH sides when replacing



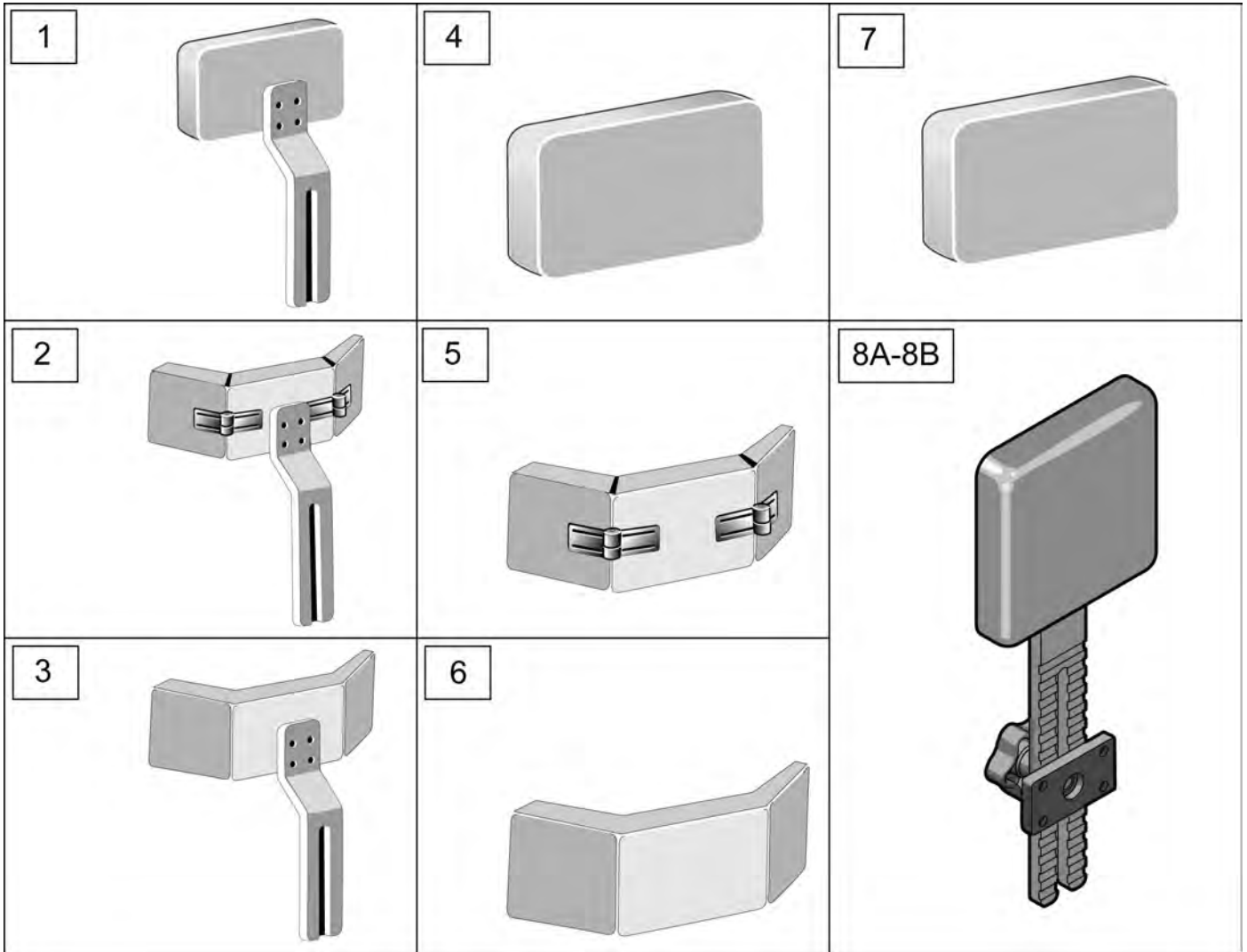
Pos.	Item Number	Description	Remarks
1A	20500-RT	Lever Adjust for Easy Bracket Adjustment	CP-07-5043 OR CP-07-5044 OR CP-07-5045 WITH CP-08-1170L/R
1B	20505-RT	Lever Adjust for Easy Bracket Adjustment without Tracks	CP-08-1170L/R
2	20320-1-RT	Swing Away Body Only	Use existing item number
3	20520-RT	1/2" Akton Polymer added to Laterals	CP-08-1220L/R
3	20530-RT	7/8" Akton Polymer added to Laterals	CP-02-1230L/R
3	20399-RT	Bracket Modification for Curved Back	Use existing item number
3	20510-RT	Lateral Thoracic Bracket Covers	CP-08-1280L/R OR CP-08-1320L/R OR CP-08-1300L/R OR CP-08-1340L/R
3	20515-RT	Full Length Lateral and Bracket Covers	CP-08-1280L/R OR CP-08-1320L/R OR CP-08-1300L/R OR CP-08-1340L/R
3	20590-RT	Rolled Edge Pad Mod	CS-08-1530L/R
3	20540-RT	Akton Polymer Cubes added to Laterals	CP-08-1240L/R
3	20580-RT	1/4" Lateral Spacers - Swing-Away Brackets Only	Use existing part number



Pos.	Item Number	Description	Remarks
1	20070L-RT	L Brackets - Thoracic Supports	Order CP-08-1700
2	20080L-RT	1" Offset Brackets - Thoracic Supports	Order CP-08-1704
3	20090L-RT	1" Reverse Offset Brackets - Thoracic Supports	Order CP-08-1710
4	20075L-RT	Thick Seat L Brackets - Thoracic Supports	Order CP-08-1701
5	20085L-RT	Thick Seat 1" Offset Brackets - Thoracic Supports	Order CP-08-1706
6	20095L-RT	Thick Seat 1" Reverse Offset Brackets - Thoracic Supports	
7	20087L-RT	Adjustable Lateral Thoracic Brackets - 1" Offset	Order CP-08-1735



Pos.	Item Number	Description
1	20370L-RT	Swing Away Flush Attaching Bracket
2	20375L-RT	Swing Away Flush Thick Back Attaching Bracket
3	20380L-RT	Swing Away 1" Offset Attaching Bracket
4	20385L-RT	Swing Away 1" Offset Thick Back Attaching Bracket
5	20381L-RT	Swing Away 2" Offset Attaching Bracket
6	20386L-RT	Swing Away 2" Offset Thick Back Attaching Bracket
7	20390L-RT	Swing Away 1" Reverse Offset Attaching Bracket
8	20395L-RT	Swing Away 1" Reverse Offset Thick Back Attaching Bracket
9	20377L-RT	Swing Away Flush Adjustable Attaching Bracket
10	20387L-RT	Swing Away 1" Offset Adjustable Attaching Bracket
11	20379L-RT	Swing Away, Flush, A/P Range Adjustable Attaching Bracket
12	20389L-RT	Swing Away, 1" Offset, A/P Range Adjustable Attaching Bracket
13	20399L-RT	Swing Away, Reverse Offset, A/P Range Adjustable Attaching Bracket

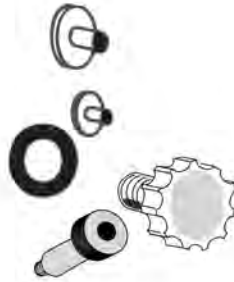


Pos.	Item Number	Description	Remarks
1	22005-RT	Flat Headrest Pad with Offset Vertically Adjustable Bracket	
2	22350-RT	Adjustable Angle 3 Panel Headrest with Offset Vertically Adjustable Bracket	
3	22025-RT	Fixed Three Panel Headrest with Offset Vertically Adjustable Bracket	
4	22110-RT	Flat Headrest Pad	Order CP-14-8190,CP-14-7030,CP-14-7035,CP-14-7040,CP-14-7045,CP-14-7050
5	22205-RT	Adjustable Angle 3 Panel Headrest Pad	
6	22200-RT	Fixed 3 Panel Headrest Pad	
7	22E0955	Headrest Cushioned with Anterior/Posterior Fixed Hardware	Use Jay CF Order Form - Order CS-14-HEAD-OS and Select Pad
8A	22E1028	Upcharge for Removable Bracket	Use Jay CF Order Form - Order CS-14-REM-OS and Select Desired Hardware
8B	22000-RT	Flat Headrest Pad with Straight Vertically Adjustable Bracket	Order CS-14-HEAD-OS and select Flat Headrest Extension - Step 2 select OMIT bracket and complete CS-14-REM-OS and select Adjustable Posterior Head Support

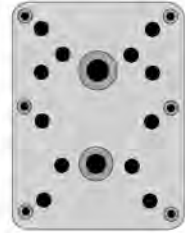
1



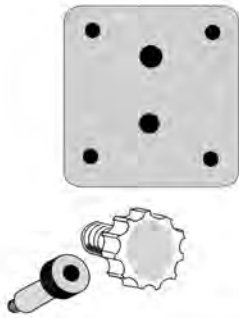
2



3



4



5



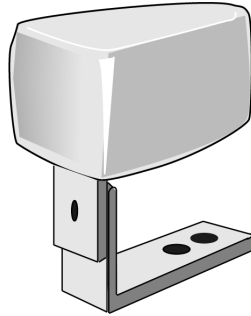
6



Pos.	Item Number	Description	Remarks
1	22140-RT	Offset Vertically Adjustable Headrest Bracket	CP-14-7260
2	22160-RT	Knob Kit for Headrest Bracket	
3	22450-RT	Headrest Adapter Plate	
4	22460-RT	RehabiliTech Headrest Adapter	
5	22130-RT	Straight Vertically Adjustable Headrest Bracket	CP-14-7250
6A	22240-RT	Anterior/Posterior Adjustable Headrest Bracket	CP-14-7210
6B	22300-RT	Flat Headrest Pad with Anterior/Posterior Adjustable Bracket	Order CS-14-HEAD-OS and select Flat Headrest Extension - Step 2 select OMIT bracket and complete CS-14-REM-OS and select L Bracket Depth Adjustable
	22510-RT	Add 1/2" Akton Polymer to Headrest	CP-14-8440
	22520-RT	Add 7/8" Akton Polymer to Headrest	CP-14-8440

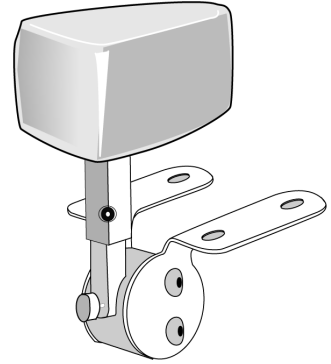
1

Order CS-05-ABD from Jay ConfigureFit as the replacement item. Requires selecting Pad Shape, and Size. When used as a replacement part, color and fabric is needed also.



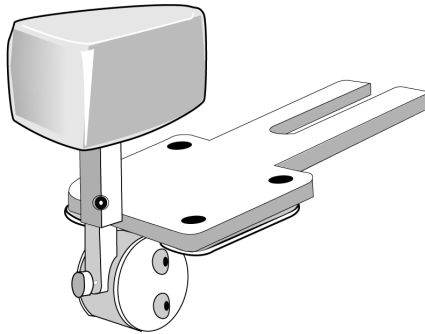
2

Order CS-05-ABD_REM from Jay ConfigureFit as the replacement item. Requires selecting the bracket type. The brackets that serve as replacements are: Push Button Flip Down, Narrow Profile Push Button Flip Down, , Swing Away, or Adjustable Hide Away



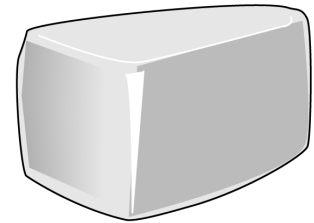
3

Order CS-05-ABD_REM from Jay ConfigureFit as the replacement item. Requires selecting the bracket type. The brackets that serve as replacements are: Push Button Flip Down, Push Button Removable Slide-out, Narrow Profile Push Button Flip Down, Narrow Profile Push Button Removable Slide-out, Swing Away, or Adjustable Hide Away

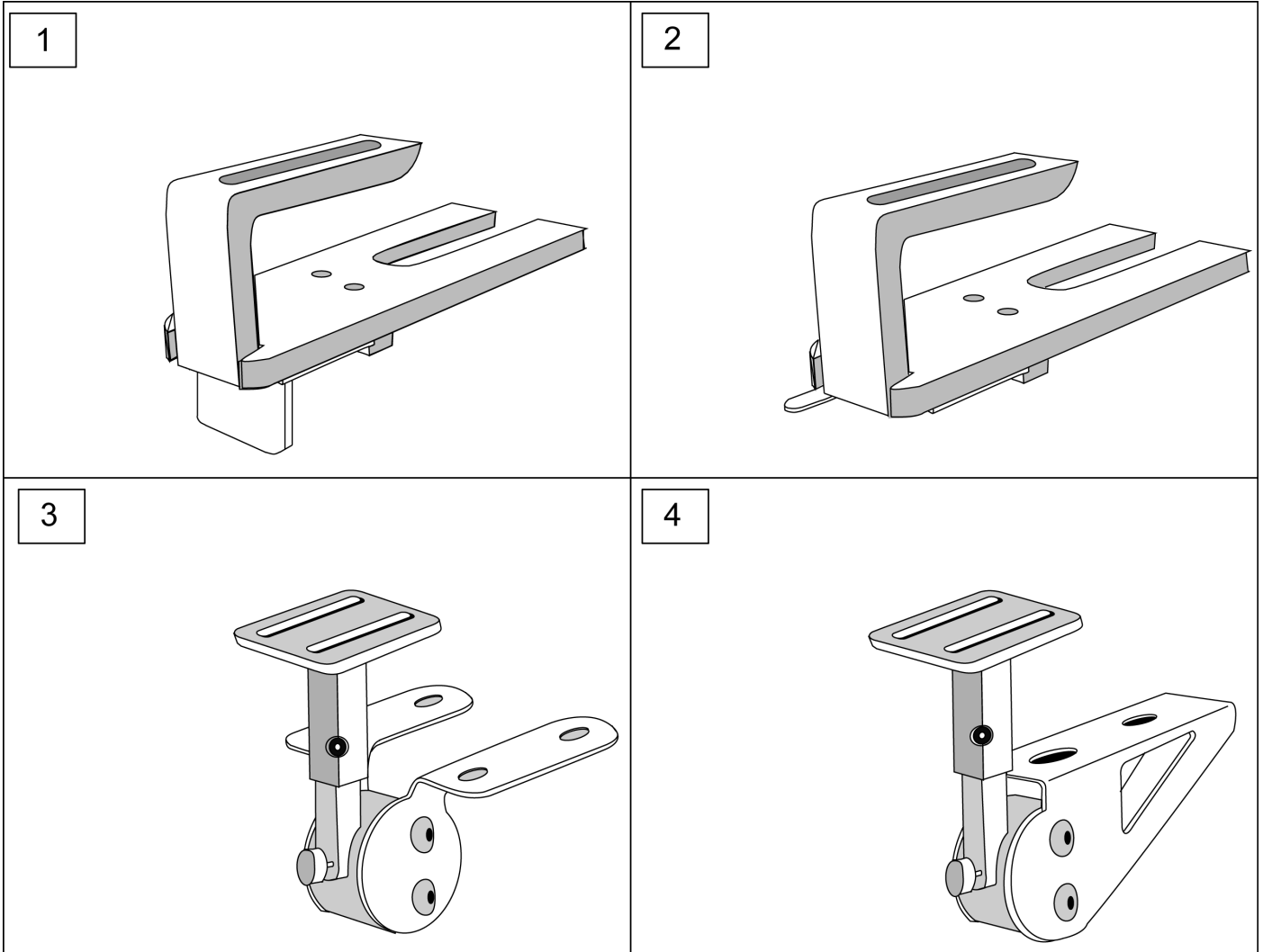


4

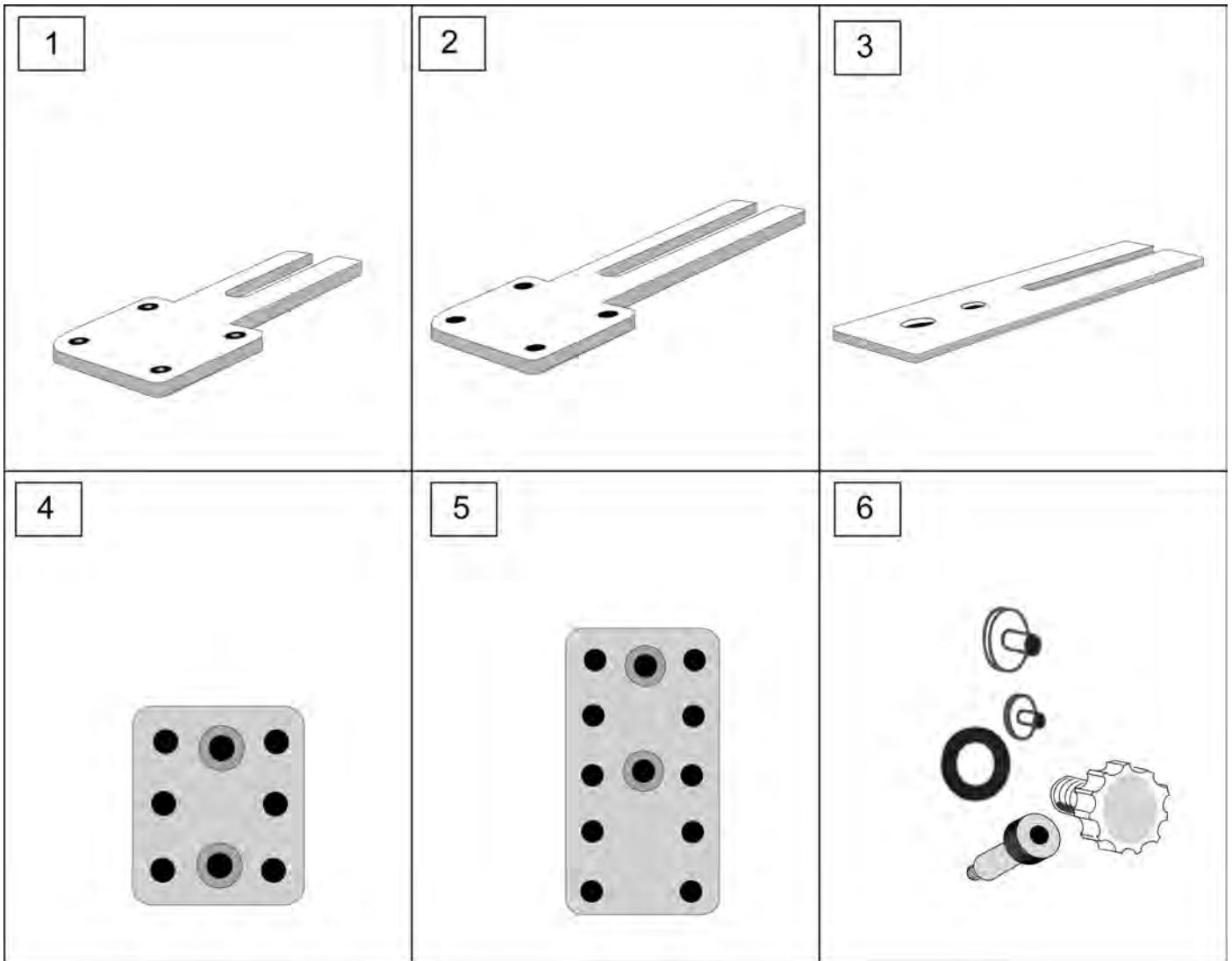
CS-05-3000 MTS PAD WEDGE SMALL, CS-05-3010 MTS PAD WEDGE MEDIUM, CS-05-3020 MTS PAD WEDGE LARGE, CS-05-3030 MTS PAD WEDGE CUSTOM, CS-05-3080 MTS PAD OVAL X-SMALL, CS-05-3050 MTS PAD OVAL SMALL, CS-05-3060 MTS PAD OVAL MEDIUM, CS-05-3070 MTS PAD OVAL LARGE, CS-05-3090 MTS PAD OVAL CUSTOM



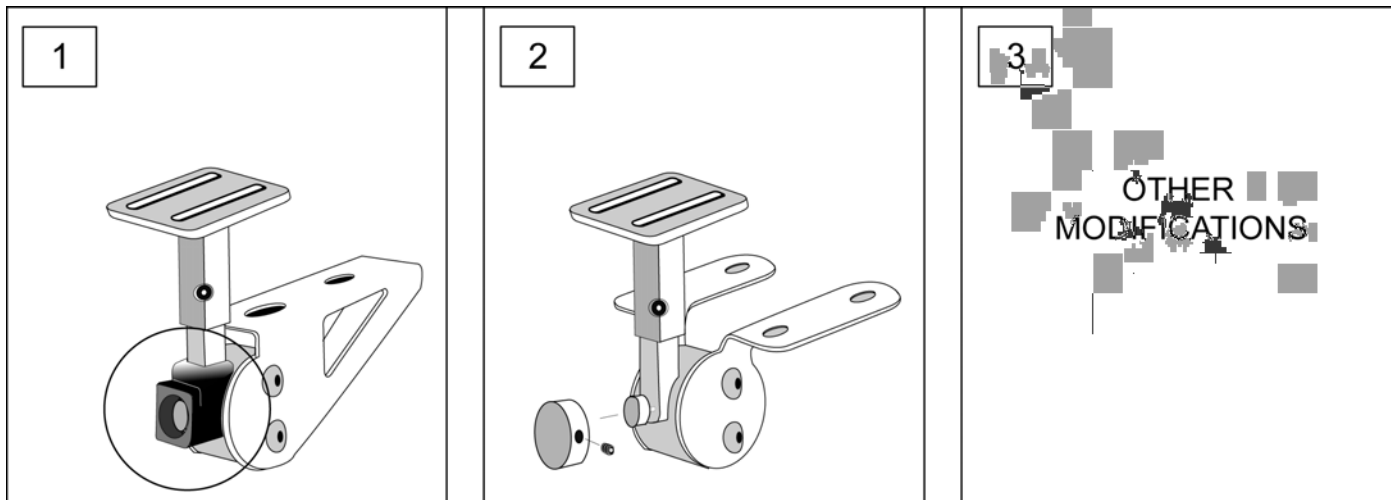
Pos.	Item Number	Description
1	24E0957	Medial Thigh Support with Fixed Mounting Hardware
2	24E1028	Upcharge for Retractable Bracket
3	24E1028R	Upcharge for Retractable Removable Bracket
4	24010-RT	Abductor Pad



Pos.	Item Number	Description	Remarks
1	24050-RT	Flip Down Bracket	CP-05-3341, CP-05-3342, CP-05-3343, CP-05-3344
2	24060-RT	Flip Down Bracket with Independant Release	CP-05-3341, CP-05-3342, CP-05-3343, CP-05-3344
3	24100-RT	Push Button Flip Down Bracket 1.5" Thick Seat	CP-05-3301
3	24110-RT	Push Button Flip Down Bracket 2" Thick Seat	CP-05-3302
3	24120-RT	Push Button Flip Down Bracket 2.5" Thick Seat	CP-05-3303
3	24130-RT	Push Button Flip Down Bracket 2.75" Thick Seat	CP-05-3303
3	24140-RT	Push Button Flip Down Bracket 3" Thick Seat	CP-05-3304
3	24150-RT	Push Button Flip Down Bracket 3.5" Thick Seat	CP-05-3305
3	24152-RT	Push Button Flip Down Bracket 4" Thick Seat	CP-05-3306
3	24154-RT	Push Button Flip Down Bracket 4.5" Thick Seat	CP-05-3307
4	24300-RT	Low Profile Push Button Flip Down Bracket 1.5"	CP-05-3317
4	24310-RT	Low Profile Push Button Flip Down Bracket 2"	CP-05-3318
4	24320-RT	Low Profile Push Button Flip Down Bracket 2.5"	CP-05-3319
4	24330-RT	Low Profile Push Button Flip Down Bracket 2.75"	CP-05-3319
4	24340-RT	Low Profile Push Button Flip Down Bracket 3"	CP-05-3320
4	24350-RT	Low Profile Push Button Flip Down Bracket 3.5"	CP-05-3321
4	24360-RT	Low Profile Push Button Flip Down Bracket 4"	CP-05-3322
4	24370-RT	Low Profile Push Button Flip Down Bracket 4.5"	CP-05-3323

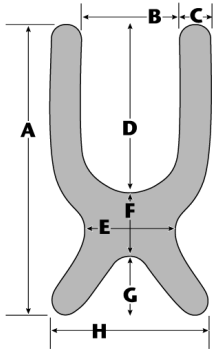


Pos.	Item Number	Description
1	24040-RT	Slide Out Adapter Plate for Push Button Flip Down Bracket
2	24045-RT	Long Slide Out Adapter Plate
3	24047-RT	Slide Out Adapter Plate for Low Profile Push Button Flip Down Bracket
4	24190-RT	Short Pad Plate
5	24200-RT	Long Pad Plate
6	24160-RT	Knob Kit for Abductor Bracket



Pos.	Item Number	Description	Remarks
1	24220-RT	Large Flip Down Abductor Button	CS-02-3410
2	24240-RT	Abductor Button Release Protector	CS-05-3420
3	24510-RT	Add 1/2" Akton Polymer to Abductor	CP-05-3100
3	24520-RT	Add 7/8" Akton Polymer to Abductor	CP-05-3220
3	24530-RT	Add Akton Polymer Cubes to Abductor	CP-05-3210
3	24090-RT	Abductor Spacer	Use existing part number

1

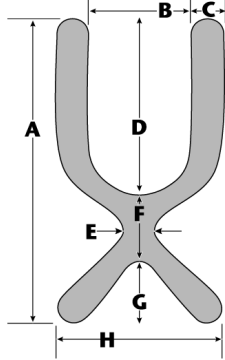


Classic ComforFit

	DYNAMIC	STRUCTURED
EI	ATS8107	—
XS	ATS810	ATS8300
S	ATS810	ATS8301
M	ATS810	ATS8302
L	ATS810	ATS8303
XL	ATS810	ATS8304
C	ATS810	ATS8309

	A	B	C	D	E	F	G	H
9.75	3	1.75	5.25	3	3	1	6.5	
12.5	3.5	2	7.5	3.5	3	2	7.5	
15	4.5	2	9	4	4	2	8.5	
19	5.5	2	11	5	5	3	9.5	
22.5	6.5	2	13	6	6	3.5	10.5	
25.5	6.5	2.5	14	7	7	4.5	11.5	
—	—	—	—	—	—	—	—	

2

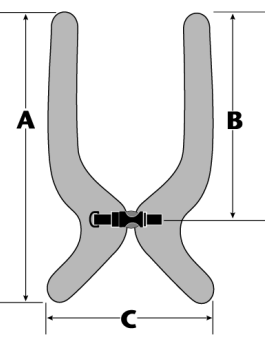


Contour ComforFit

	DYNAMIC	STRUCTURED
EI	ATS9107	—
XS	ATS910	ATS9300
S	ATS910	ATS9301
M	ATS910	ATS9302
L	ATS910	ATS9303
XL	ATS910	ATS9304
C	ATS910	ATS9309

	A	B	C	D	E	F	G	H
9.75	3	1.75	5.25	1	3.5	1.5	6.5	
12.5	3.5	2	7.5	1	3.5	1.5	7.5	
15	4.5	2	9	1	4	2	8.5	
18.5	5.5	2	11	1	5	2.5	9.5	
22.5	6.5	2	13	1.5	6	3.5	10.5	
25.5	6.5	2.5	14	1.5	7	4.5	11.5	
—	—	—	—	—	—	—	—	

3



Center-Opening ComforFit with Buckle

	DYNAMIC	STRUCTURED
EI	NOT AVAILABLE	ATS9407
XS		ATS9400
S		ATS9401
M		ATS9402
L		ATS9403
XL		ATS9404
C		ATS9409

	A	B	C
9.75	7	5	
11	8	5.75	
12.25	9	6.5	
14.25	11	9.75	
15.5	11.5	9.75	
17.5	12.75	10	
—	—	—	

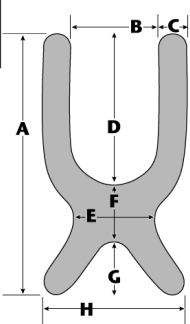
Pos.	Item Number	Description	Remarks
1	ATS8100	Anterior Trunk Support, ComforFit Classic Style, Dynamic Pull-Down, X-Small	CP-09-ATS8100
1	ATS8101	Anterior Trunk Support, ComforFit Classic Style, Dynamic Pull-Down, Small	CP-09-ATS8101
1	ATS8102	Anterior Trunk Support, ComforFit Classic Style, Dynamic Pull-Down, Medium	CP-09-ATS8102
1	ATS8103	Anterior Trunk Support, ComforFit Classic Style, Dynamic Pull-Down, Large	CP-09-ATS8103
1	ATS8104	Anterior Trunk Support, ComforFit Classic Style, Dynamic Pull-Down, X-Large	CP-09-ATS8104
1	ATS8107	Anterior Trunk Support, ComforFit Classic Style, Dynamic Pull-Down, Early Intervention	CP-09-ATS8107
2	ATS8109	Anterior Trunk Support, ComforFit Classic Style, Dynamic Pull-Down, Custom	CP-09-ATS8109
2	ATS8300	Anterior Trunk Support, ComforFit Classic Style, Structured Pull-Down, X-Small	CP-09-ATS8300
2	ATS8301	Anterior Trunk Support, ComforFit Classic Style, Structured Pull-Down, Small	CP-09-ATS8301
2	ATS8302	Anterior Trunk Support, ComforFit Classic Style, Structured Pull-Down, Medium	CP-09-ATS8302
2	ATS8303	Anterior Trunk Support, ComforFit Classic Style, Structured Pull-Down, Large	CP-09-ATS8303
2	ATS8304	Anterior Trunk Support, ComforFit Classic Style, Structured Pull-Down, X-Large	CP-09-ATS8304
2	ATS8309	Anterior Trunk Support, ComforFit Classic Style, Structured Pull-Down, Custom	CP-09-ATS8309
2	ATS9100	Anterior Trunk Support, ComforFit Contour Style, Dynamic Pull-Down, X-Small	CP-09-ATS9100
2	ATS9101	Anterior Trunk Support, ComforFit Contour Style, Dynamic Pull-Down, Small	CP-09-ATS9101

REHABILITECH

PAGE 51

Pos.	Item Number	Description	Remarks
2	ATS9102	Anterior Trunk Support, ComforFit Contour Style, Dynamic Pull-Down, Medium	CP-09-ATS9102
2	ATS9103	Anterior Trunk Support, ComforFit Contour Style, Dynamic Pull-Down, Large	CP-09-ATS9103
2	ATS9104	Anterior Trunk Support, ComforFit Contour Style, Dynamic Pull-Down, X-Large	CP-09-ATS9104
2	ATS9107	Anterior Trunk Support, ComforFit Contour Style, Dynamic Pull-Down, Early Intervention	CP-09-ATS9107
2	ATS9109	Anterior Trunk Support, ComforFit Contour Style, Dynamic Pull-Down, Custom	CP-09-ATS9109
2	ATS9161	Anterior Trunk Support, ComforFit Y Style, Dynamic, Small	CP-09-ATS9161
2	ATS9162	Anterior Trunk Support, ComforFit Y Style, Dynamic, Medium	CP-09-ATS9162
2	ATS9163	Anterior Trunk Support, ComforFit Y Style, Dynamic, Large	CP-09-ATS9163
2	ATS9167	Anterior Trunk Support, ComforFit Y Style, Dynamic, Early Intervention	CP-09-ATS9167
2	ATS9169	Anterior Trunk Support, ComforFit Y Style, Dynamic, Custom	CP-09-ATS9169
3	ATS9300	Anterior Trunk Support, ComforFit Contour Style, Structured Pull-Down, X-Small	CP-09-ATS9300
3	ATS9301	Anterior Trunk Support, ComforFit Contour Style, Structured Pull-Down, Small	CP-09-ATS9301
3	ATS9302	Anterior Trunk Support, ComforFit Contour Style, Structured Pull-Down, Medium	CP-09-ATS9302
3	ATS9303	Anterior Trunk Support, ComforFit Contour Style, Structured Pull-Down, Large	CP-09-ATS9303
3	ATS9304	Anterior Trunk Support, ComforFit Contour Style, Structured Pull-Down, X-Large	CP-09-ATS9304
3	ATS9309	Anterior Trunk Support, ComforFit Contour Style, Structured Pull-Down, Custom	CP-09-ATS9309
3	ATS9361	Anterior Trunk Support, ComforFit Y Style, Structured, Small	CP-09-ATS9361
3	ATS9362	Anterior Trunk Support, ComforFit Y Style, Structured, Medium	CP-09-ATS9362
3	ATS9363	Anterior Trunk Support, ComforFit Y Style, Structured, Large	CP-09-ATS9363
3	ATS9367	Anterior Trunk Support, ComforFit Y Style, Structured, Early Intervention	CP-09-ATS9367
3	ATS9369	Anterior Trunk Support, ComforFit Y Style, Structured, Custom	CP-09-ATS9369
3	ATS9400	Anterior Trunk Support, ComforFit Center Opening Style, X-S	CP-09-ATS9400
3	ATS9401	Anterior Trunk Support, ComforFit Center Opening Style, Small	CP-09-ATS9401
3	ATS9402	Anterior Trunk Support, ComforFit Center Opening Style, Medium	CP-09-ATS9402
3	ATS9403	Anterior Trunk Support, ComforFit Center Opening Style, Large	CP-09-ATS9403
3	ATS9404	Anterior Trunk Support, ComforFit Center Opening Style, X-Large	CP-09-ATS9404
3	ATS9407	Anterior Trunk Support, ComforFit Center Opening Style, Early Intervention	CP-09-ATS9407
3	ATS9409	Anterior Trunk Support, ComforFit Center Opening Style, Custom	CP-09-ATS9409

1

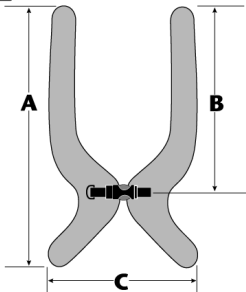


Zipper Open ComforFit

	DYNAMIC	STRUCTURED
S	ATS8701	NOT AVAILABLE
M	ATS8702	
L	ATS8703	
XL	ATS8704	

DIMENSIONS	A	B	C	D	E	F	G	H
	15	4.5	2	9	4	4	2	8.5
	19	5.5	2	11	5	5	3	9.5
	22.5	6.5	2	13	6	6	3.5	10.5
	25.5	6.5	2.5	14	7	7	4.5	11.5

2

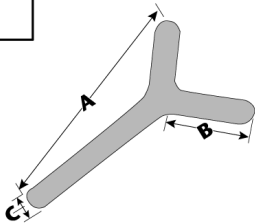


Adjustable Stretch ComforFit

	DYNAMIC	STRUCTURED
EI	ATS8807	NOT AVAILABLE
XS	ATS8800	
S	ATS8801	
M	ATS8802	
L	ATS8803	
XL	ATS8804	

DIMENSIONS	A	B	C
	9.75	7	5
	11	8	5.75
	12.5	9	6.5
	14.5	11	9.75
	15.5	11.5	9.75
	17.5	12.5	10

3



Y-style ComforFit

	DYNAMIC	STRUCTURED
EI	ATS917	ATS9367
S	ATS918	ATS9361
M	ATS919	ATS9362
L	ATS916	ATS9363
C	ATS915	ATS9369

DIMENSIONS	A	B	C
	15	7	1.75
	19	8	2
	22	9	2.25
	25	11	2.5
	—	—	—

Pos.	Item Number	Description	Remarks
1	ATS8301	Anterior Trunk Support, ComforFit Classic Style, Structured Pull-Down, Small	CP-09-ATS8301
1	ATS8302	Anterior Trunk Support, ComforFit Classic Style, Structured Pull-Down, Medium	CP-09-ATS8302
1	ATS8303	Anterior Trunk Support, ComforFit Classic Style, Structured Pull-Down, Large	CP-09-ATS8303
1	ATS8304	Anterior Trunk Support, ComforFit Classic Style, Structured Pull-Down, X-Large	CP-09-ATS8304
2	ATS8800	Adjustable Stretch Harness, X-Small	CP-09-ATS8800
2	ATS8801	Adjustable Stretch Harness, Small	CP-09-ATS8801
2	ATS8802	Adjustable Stretch Harness, Medium	CP-09-ATS8802
2	ATS8803	Adjustable Stretch Harness, Large	CP-09-ATS8803
2	ATS8804	Adjustable Stretch Harness, X-Large	CP-09-ATS8804
3	ATS9161	Anterior Trunk Support, ComforFit Y Style, Dynamic, Small	CP-09-ATS9161
3	ATS9162	Anterior Trunk Support, ComforFit Y Style, Dynamic, Medium	CP-09-ATS9162
3	ATS9163	Anterior Trunk Support, ComforFit Y Style, Dynamic, Large	CP-09-ATS9163
3	ATS9167	Anterior Trunk Support, ComforFit Y Style, Dynamic, Early Intervention	CP-09-ATS9167
3	ATS9169	Anterior Trunk Support, ComforFit Y Style, Dynamic, Custom	CP-09-ATS9169
3	ATS9361	Anterior Trunk Support, ComforFit Y Style, Structured, Small	CP-09-ATS9361
3	ATS9362	Anterior Trunk Support, ComforFit Y Style, Structured, Medium	CP-09-ATS9362

Pos.	Item Number	Description	Remarks
3	ATS9363	Anterior Trunk Support, ComforFit Y Style, Structured, Large	CP-09-ATS9363
3	ATS9367	Anterior Trunk Support, ComforFit Y Style, Structured, Early Intervention	CP-09-ATS9367
3	ATS9369	Anterior Trunk Support, ComforFit Y Style, Structured, Custom	CP-09-ATS9369
	ATS8904	Replacement Strap Kit for Pull-Down Style ComforFit, E I, 4 Straps W/Attached Buckles and Belt Anchor	CP-09-ATS8904
	ATS8905	Replacement Strap Kit for Pull-Down Style ComforFit, 4 Straps W/Attached Buckles and Belt Anchor	CP-09-ATS8905
	ATS8906	Replacement Strap Kit for Pull-Down Style ComforFit, 4 Straps W/Attached Buckles and Cam Buckle	CP-09-ATS8906
	ATS8907	Replacement Strap Kit for Y-Style ComforFit, Early Intervention	CP-09-ATS8907
	ATS8908	Replacement Strap Kit for Y-Style ComforFit	CP-09-ATS8908
	ATS8915	Replacement Strap Kit for Pull-Up Style ComforFit, 4 Straps W/Attached Buckles and Belt Anchor	CP-09-ATS8915
	ATS8920	Reverse Pull Strap Kit	CP-09-ATS8920

1A-1C

Standard 2-point w/ Side Release Buckle (plastic)



1" SIDE RELEASE

	NON-PADDB	5.5" PAD	7.5" PAD
Single Pull	APB610	APB611	APB6112
Dual Pull	—	APB612	APB6122



1.5" SIDE RELEASE

	NON-PADDB	7.5" PAD	9.5" PAD
Single Pull	APB620	APB622	APB6213
Dual Pull	—	APB622	APB6223



2" SIDE RELEASE

	NON-PADDB	9.5" PAD	11.5" PAD
Single Pull	APB630	APB632	APB6314

2A-2C

Standard 2-point w/ Push Button Buckle (metal)



L/L KIDDOS
1" PUSH BUTTON

	NON-PADDB	4.5" PAD	5.5" PAD	7.5" PAD
Single Pull	APB510	APB515	APB516	APB5117
Dual Pull	—	APB512	APB512	APB5127



1.5" PUSH BUTTON

	NON-PADDB	7.5" PAD	9.5" PAD
Single Pull	APB720	APB722	APB7213
Dual Pull	—	APB722	APB7223



2" PUSH BUTTON

	NON-PADDB	9.5" PAD	11.5" PAD
Single Pull	APB730	APB732	APB7314

3

V-Contour Pelvic Positioning Belt



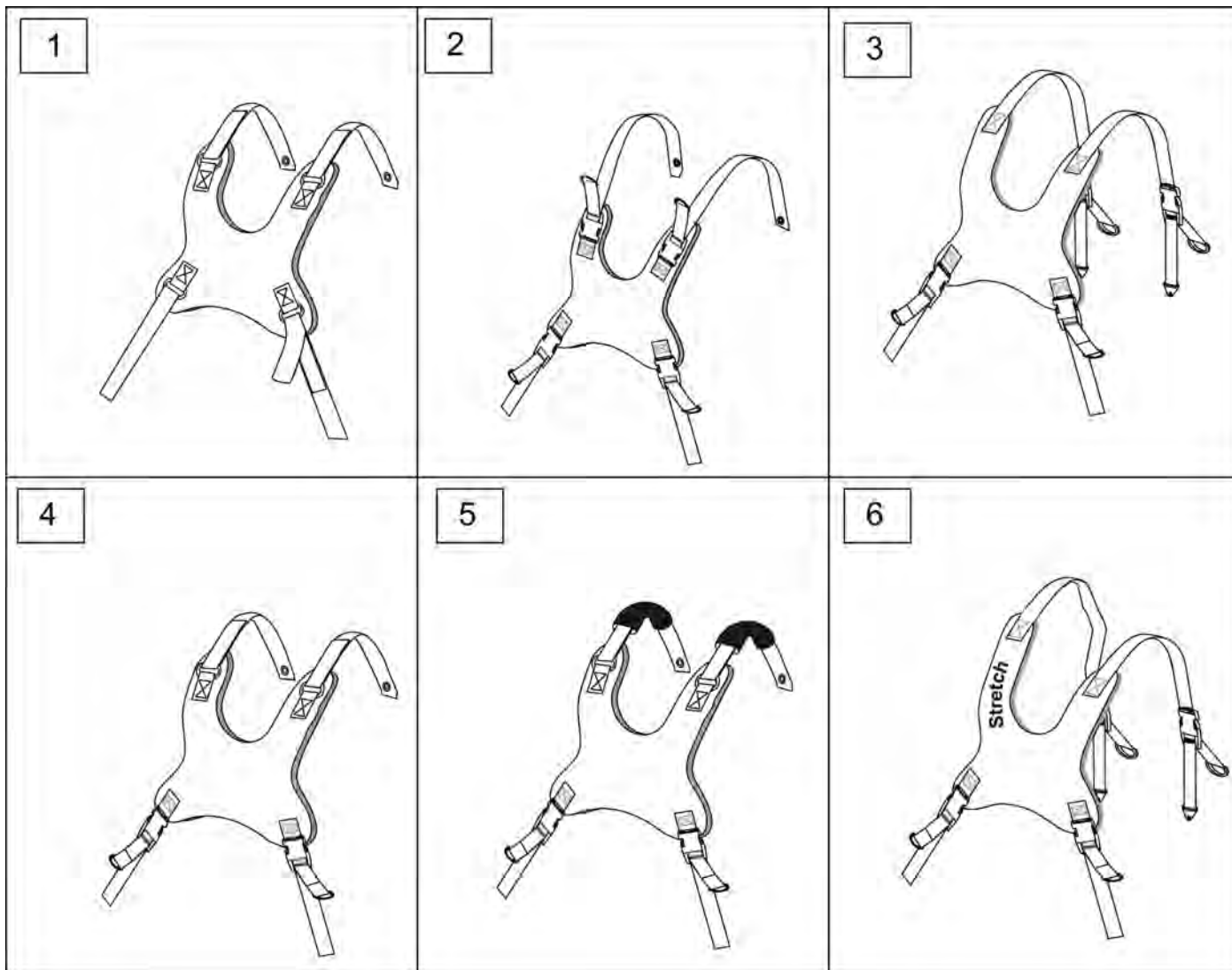
SMALL PAD
MEDIUM PAD
LARGE PAD

	1.0" Side Release Buckle	1.5" Side Release Buckle	2.0" Side Release Buckle	1.0" Push Button Buckle	1.5" Push Button Buckle	2.0" Push Button Buckle
SMALL PAD	APB366	—	—	APB376	—	—
MEDIUM PAD	—	APB362	—	—	APB372	—
LARGE PAD	—	—	APB362	—	—	APB372

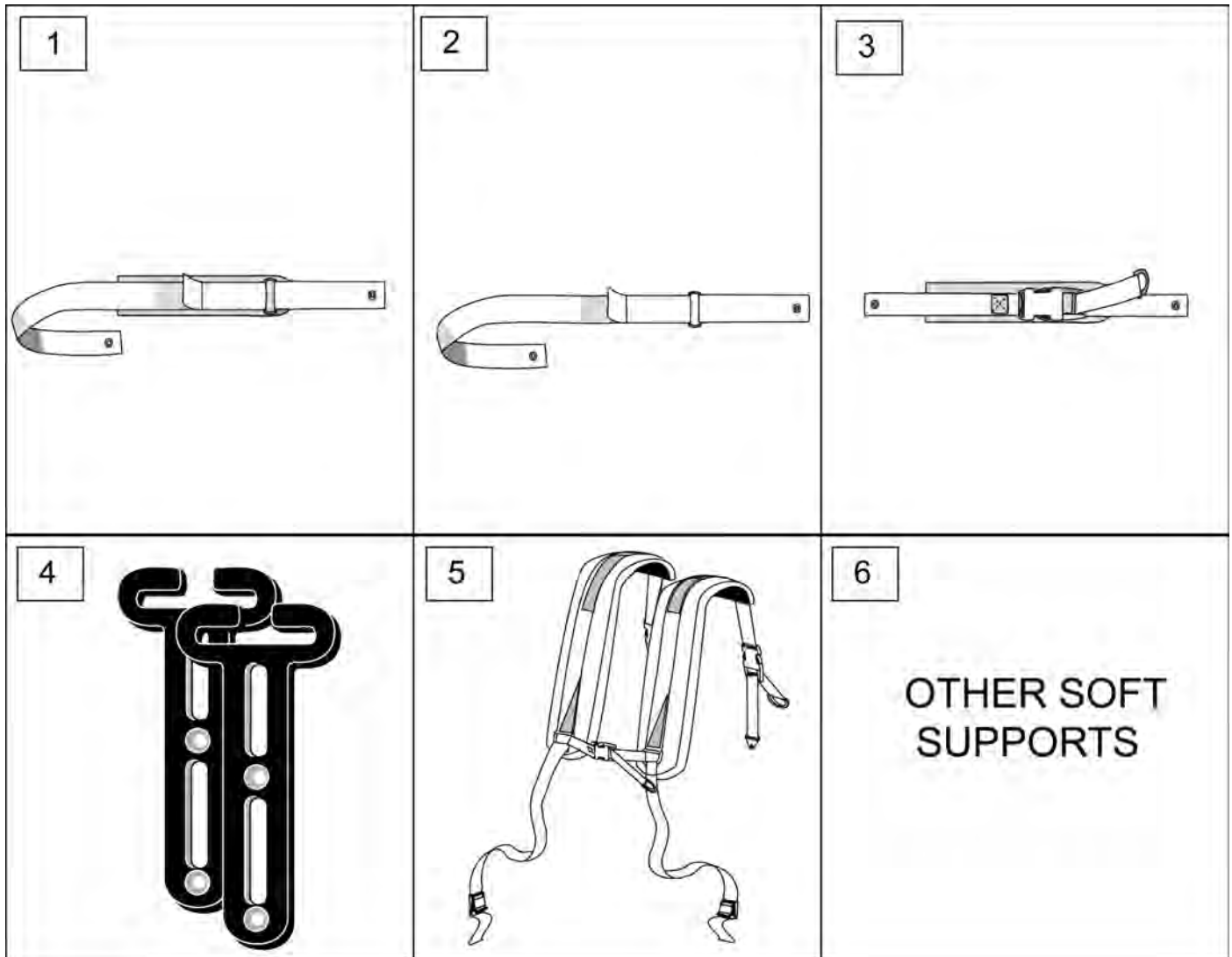
Pos.	Item Number	Description	Remarks
1A	APB6110	Anterior Pelvic Belt, ComforFit, 1" Single Pull, Non-Padded, Side Release	CP-02-APB6110
1A	APB6111	Anterior Pelvic Belt, ComforFit, 1" Single Pull, Padded (5.5"Pad), Side Release	CP-02-APB6111
1A	APB6112	Anterior Pelvic Belt, ComforFit, 1" Single Pull, Padded (7.5"Pad), Side Release	CP-02-APB6112
1A	APB6121	Anterior Pelvic Belt, ComforFit, 1" Dual Pull, Padded (5.5"Pad), Side Release	CP-02-APB6121
1A	APB6122	Anterior Pelvic Belt, ComforFit, 1" Dual Pull, Padded (7.5"Pad), Side Release	CP-02-APB6122

Pos.	Item Number	Description	Remarks
1B	APB6210	Anterior Pelvic Belt, ComforFit, 1.5" Single Pull, Non-Padded, Side Release	CP-02-APB6210
1B	APB6212	Anterior Pelvic Belt, ComforFit, 1.5" Single Pull, Padded (7.5"Pad), Side Release	CP-02-APB6212
1B	APB6213	Anterior Pelvic Belt, ComforFit, 1.5" Single Pull, Padded (9.5"Pad), Side Release	CP-02-APB6213
1B	APB6222	Anterior Pelvic Belt, ComforFit, 1.5" Dual Pull, Padded (7.5"Pad), Side Release	CP-02-APB6222
1B	APB6223	Anterior Pelvic Belt, ComforFit, 1.5" Dual Pull, Padded (9.5"Pad), Side Release	CP-02-APB6223
1C	APB6310	Anterior Pelvic Belt, ComforFit, 2" Single Pull, Non-Padded, Side Release	CP-02-APB6310
1C	APB6313	Anterior Pelvic Belt, ComforFit, 2" Single Pull, Padded (9.5"Pad), Side Release	CP-02-APB6313
1C	APB6314	Anterior Pelvic Belt, ComforFit, 2" Single Pull, Padded (11.5"Pad), Side Release	CP-02-APB6314
2A	26E0978	Hip Belt Unpadded with Auto Style Buckle	Order CS-02-PELVICSPP and select buckle style, size and pad
2A	APB5110	Anterior Pelvic Belt, Li'l Kiddos, 1" Single Pull, Non-Padded, Push Button	CP-02-APB5110
2A	APB5115	Anterior Pelvic Belt, Li'l Kiddos, 1" Single Pull, Padded (4.5" Pad), Push Button	CP-02-APB5115
2A	APB5116	Anterior Pelvic Belt, Li'l Kiddos, 1" Single Pull, Padded (5.5" Pad), Push Button	CP-02-APB5116
2A	APB5117	Anterior Pelvic Belt, Li'l Kiddos, 1" Single Pull, Padded (7.5" Pad), Push Button	CP-02-APB5117
2A	APB5125	Anterior Pelvic Belt, Li'l Kiddos, 1" Dual Pull, Padded (4.5" Pad), Push Button	CP-02-APB5125
2A	APB5126	Anterior Pelvic Belt, Li'l Kiddos, 1" Dual Pull, Padded (5.5" Pad), Push Button	CP-02-APB5126
2A	APB5127	Anterior Pelvic Belt, Li'l Kiddos, 1" Dual Pull, Padded (7.5" Pad), Push Button	CP-02-APB5127
2B	APB7210	Anterior Pelvic Belt, ComforFit, 1.5" Single Pull, Non-Padded, Push Button	CP-02-APB7210
2B	APB7212	Anterior Pelvic Belt, ComforFit, 1.5" Single Pull, Padded (7.5"Pad), Push Button	CP-02-APB7212
2B	26020-RT	Hip Belt 1 1/2" with Padded Auto Style Buckle	CP-02-APB7212
2B	APB7213	Anterior Pelvic Belt, ComforFit, 1.5" Single Pull, Padded (9.5"Pad), Push Button	CP-02-APB7213
2B	APB7222	Anterior Pelvic Belt, ComforFit, 1.5" Dual Pull, Padded (7.5" Pad), Push Button	CP-02-APB7222
2B	APB7223	Anterior Pelvic Belt, ComforFit, 1.5" Dual Pull, Padded (9.5"Pad), Push Button	CP-02-APB7223

Pos.	Item Number	Description	Remarks
2B	26160-RT	Auto Style Safety Belt 1 1/2"	Use existing part number
2C	APB7310	Anterior Pelvic Belt, ComforFit, 2" Single Pull, Non-Padded, Push Button	CP-02-APB7310
2C	APB7313	Anterior Pelvic Belt, ComforFit, 2" Single Pull, Padded (9.5"Pad), Push Button	CP-02-APB7313
2C	APB7314	Anterior Pelvic Belt, ComforFit, 2" Single Pull, Padded (11.5" Pad), Push Button	CP-02-APB7314
2C	26170-RT	Auto Style Safety Belt 2"	Use existing part number
3	APB5145	Anterior Pelvic Belt, Li'l Kiddos, Medial 4-Point, 1" Push Button, X-Small Pads (3.5")	CP-02-APB5145
3	APB5146	Anterior Pelvic Belt, Li'l Kiddos, Medial 4-Point, 1" Push Button, Small Pads (4.5")	CP-02-APB5146
3	APB7242	Anterior Pelvic Belt, ComforFit, Medial 4-Point, 1.5" Push Button, Small Pads (4.5")	CP-02-APB7242
3	APB7243	Anterior Pelvic Belt, ComforFit, Medial 4-Point, 1.5" Push Button, Medium Pads (5.5")	CP-02-APB7243
3	APB7244	Anterior Pelvic Belt, ComforFit, Medial 4-Point, 1.5" Push Button, Large Pads (6.5")	CP-02-APB7244
3	APB5145	Anterior Pelvic Belt, Li'l Kiddos, Medial 4-Point, 1" Push Button, X-Small Pads (3.5")	CP-02-APB5145
3	APB5146	Anterior Pelvic Belt, Li'l Kiddos, Medial 4-Point, 1" Push Button, Small Pads (4.5")	CP-02-APB5146
3	APB7242	Anterior Pelvic Belt, ComforFit, Medial 4-Point, 1.5" Push Button, Small Pads (4.5")	CP-02-APB7242
3	APB7243	Anterior Pelvic Belt, ComforFit, Medial 4-Point, 1.5" Push Button, Medium Pads (5.5")	CP-02-APB7243
3	APB7244	Anterior Pelvic Belt, ComforFit, Medial 4-Point, 1.5" Push Button, Large Pads (6.5")	CP-02-APB7244
	26022-RT	4 Point Mounting for Seatbelts	Use existing part number
	APB6099	Anterior Pelvic Belt, ComforFit, Side Release, Custom	CP-02-APB6099
	APB7099	Anterior Pelvic Belt, ComforFit, Push Button, Custom	CP-02-APB7099

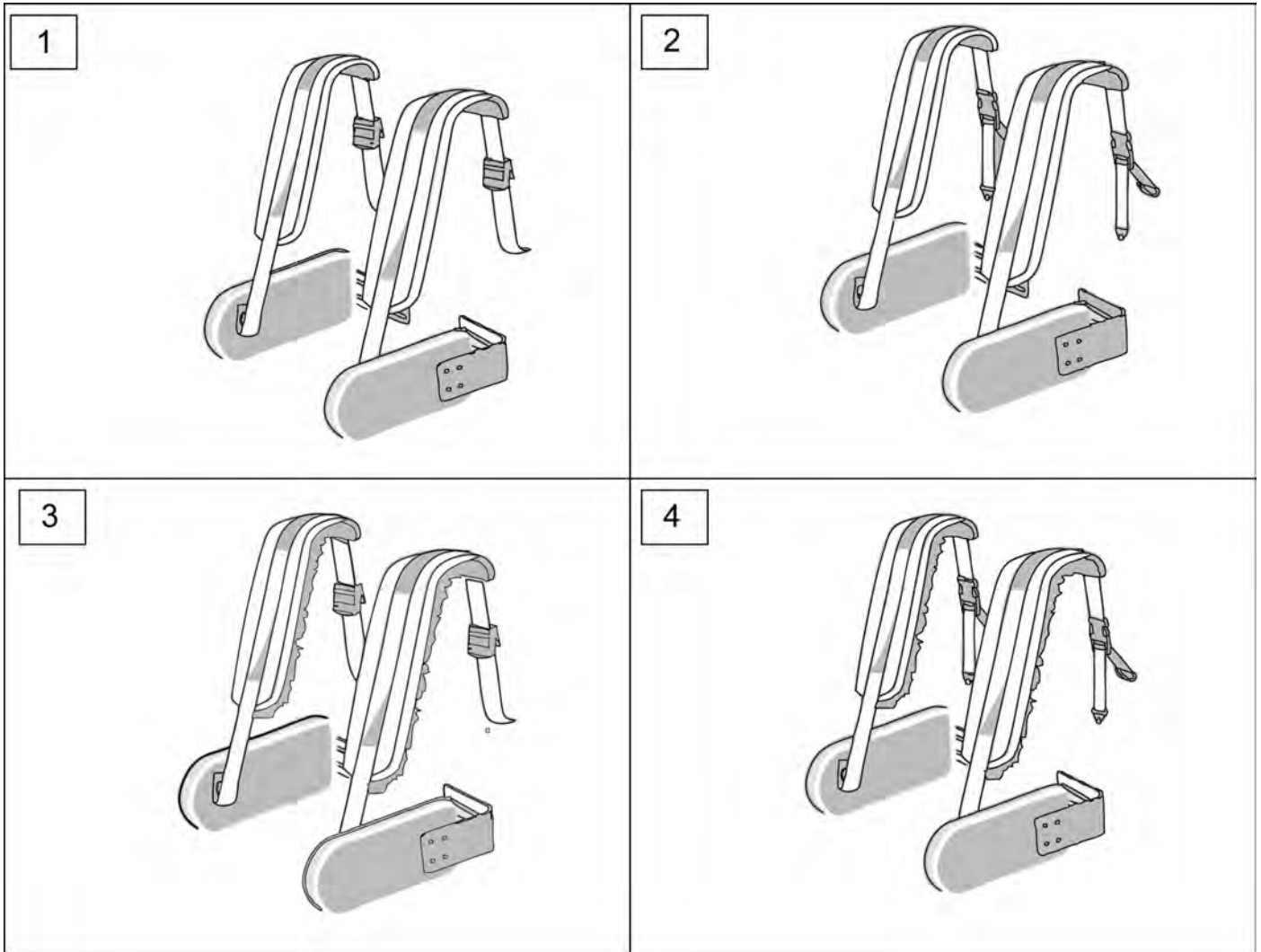


Pos.	Item Number	Description	Remarks
1	26210-RT	Butterfly Vest with Velcro Straps	CP-09-1240
2	26220-RT	Butterfly Vest with Plastic Side Release all Four Corners	CP-09-1250
3	26230-RT	Butterfly Vest with Plastic Side Release Pull Down to Adjust	CP-09-1260
4	26240-RT	Butterfly Vest with Plastic Side Release Pull Up to Adjust	CP-09-1270
5	26350-RT	Butterfly Strap Shoulder Pads	use existing part number
6	26310-RT	Stretch Butterfly Strap Modification	CP-09-1290
	26500-RT	Custom Butterfly	use existing part number
	26510-RT	Reinforce Butterfly	CP-09-1300

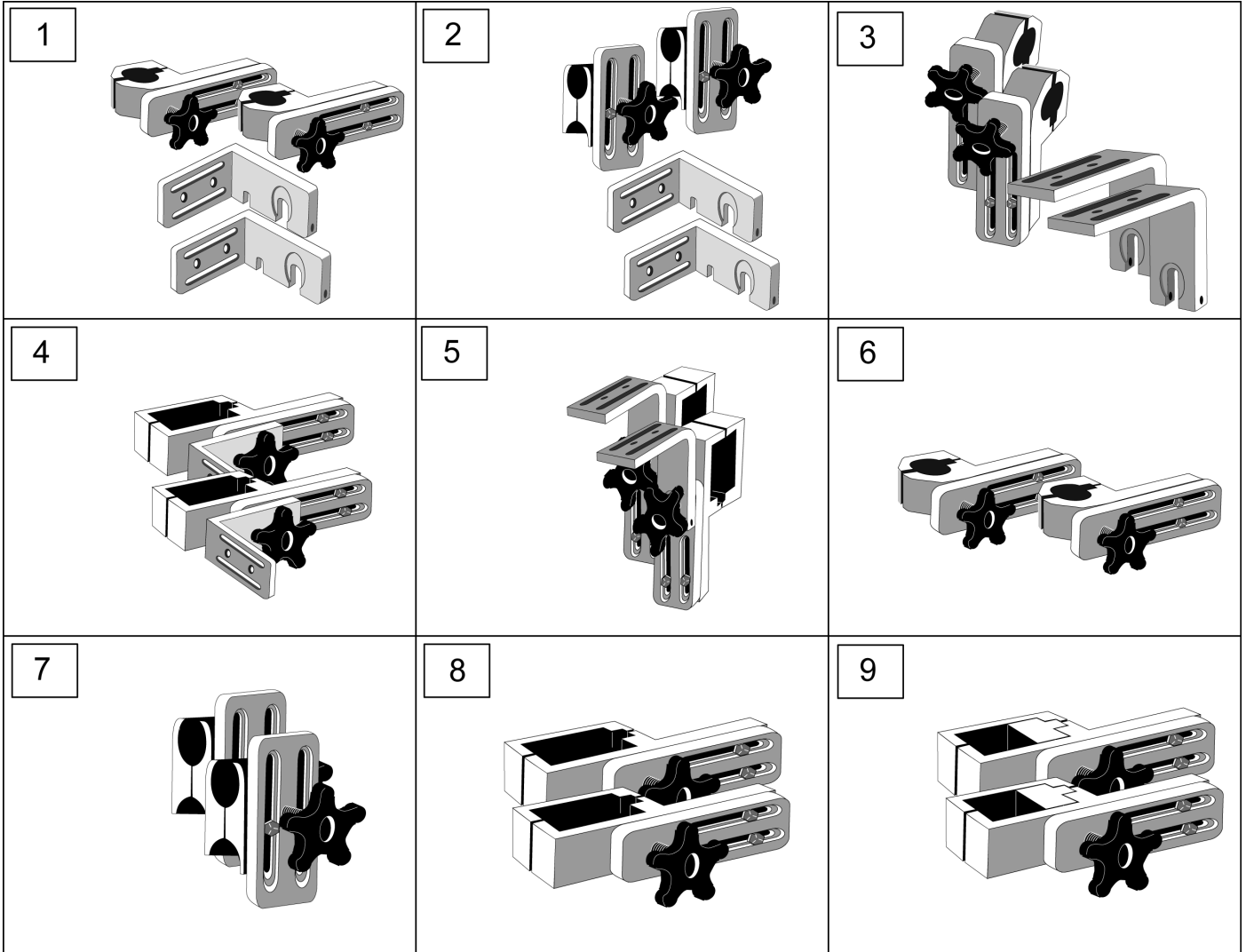


Pos.	Item Number	Description	Remarks
1	26180-RT	Padded Chest Strap with Velcro Closure	CP-09-1200
2	26182-RT	Unpadded Chest Strap with Velcro Closure	CP-09-1210
3	26184-RT	Padded Chest Strap with Plastic Side Release Buckle	CP-09-1220
4	26322-RT	Goal Post Shoulder Strap Guides	CS-09-1385
5	26190-RT	Padded Shoulder Harness with Rear Pull Down Adjustment	CP-09-1230
6	26300-RT	Foot Straps	CP-06-2860
6	26330-RT	Velcro and Buckle Chest Strap	Use existing part number
6	26340-RT	Chest Strap for Hospital Bed	Use existing part number
6	26290-RT	H Strap	Use existing part number
	26360-RT	End Fasteners	Use existing part number
	26380-RT	All Custom 'Y' Belt	Use existing part number
	26390-RT	All Custom Padded 'Y' Belt	Use existing part number
	26520-RT	Custom H Harness	Use existing part number
	26600-RT	Cover Straps with Sheepskin	Use existing part number
	26610-RT	Custom Padded Chest Strap	Use existing part number
	26620-RT	Midline Thigh Strap	Use existing part number
	26630-RT	Medial Thigh Strap	Use existing part number
	26640-RT	Seat Belt Guides	Use existing part number

Pos.	Item Number	Description	Remarks
	26650-RT	74" Basci Seat Belt	Use existing part number
	26670-RT	Att. Seat Belt	Use existing part number
	26675-RT	1.5" Fastex Buckle	Use existing part number
	26680-RT	Wide Trunk Strap	Use existing part number
	26685-RT	Custom Harness System	Use existing part number
	26690-RT	Modify Chest Strap	Use existing part number
	26695-RT	Sternum Strap	Use existing part number

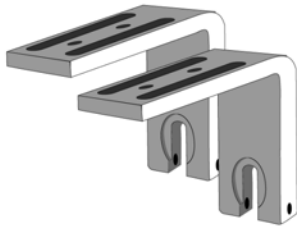


Pos.	Item Number	Description	Remarks
1	26200-RT	Padded Shoulder Straps with Cam Lock Buckle	use existing part number
2	26202-RT	Padded Shoulder Straps with Plastic Side Release Buckle	use existing part number
3	26204-RT	Sheepskin Shoulder Straps with Cam Lock Buckle	use existing part number
4	26206-RT	Sheepskin Shoulder Straps with Plastic Side Release Buckle	use existing part number
	26660-RT	Sheepskin Covers for Shoulder Strap Pads	use existing part number

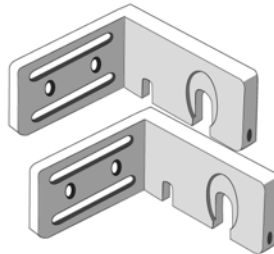


Pos.	Item Number	Description	Remarks
1	28450-RT	3/4" Knob Release Hardware for Backs	For Flat Backs choose CP-07-9943 or CP-9946 depending on transit or not,OR for Curved Backs choose CP-07-9944 or CP-07-9945 depending on transit or not.
1	28240-RT	7/8" Knob Release Hardware for Backs	Choose any of: CP-07-9943, CP-07-9944, CP-07-9945, CP-07-9946 depending upon Curved Back or not with Transit or not
1	28250-RT	1" Knob Release Hardware for Backs	Choose any of: CP-07-9943, CP-07-9944, CP-07-9945, CP-07-9946 depending upon Curved Back or not with Transit or not
2	28260-RT	7/8" Knob Release Saddle Hardware for Seats	Choose either CP-01-9940 or CP-01-9941 depending on transit or not
2	28270-RT	1" Knob Release Saddle Hardware for Seats	Choose either CP-01-9940 or CP-01-9941 depending on transit or not
3	28452-RT	3/4" Knob Release Hardware for Seats	For Seats choose either CP-01-9942 or CP-01-9943 depending on transit or not.
3	28262-RT	7/8" Knob Release Hardware for Seats	Choose either CP-01-9940 or CP-01-9941 depending on transit or not
3	28272-RT	1" Knob Release Hardware for Seats	Choose either CP-01-9940 or CP-01-9941 depending on transit or not
4	28470-RT	Rectangular Knob Release Hardware for Backs	Choose either CP-07-9954 for a flat back OR CS-07-9955 for a back with curved base
5	28472-RT	Rectangular Knob Release Hardware for Seats	CP-01-9953
6	28278-RT	3/4" Knob Release Clamp without Forks	Use HDW6820C - This is a universal clamp MUST ORDER QTY 2
6	28280-RT	7/8" Knob Release Clamp without Forks	Use HDW6820C - This is a universal clamp MUST ORDER QTY 2
6	28290-RT	1" Knob Release Clamp without Forks	Use HDW6820C - This is a universal clamp MUST ORDER QTY 2
7	28300-RT	7/8" Knob Release Saddle Clamp without Hooks	Use HDW6810C - This is a universal clamp MUST ORDER QTY 2
7	28310-RT	1" Knob Release Saddle Clamp without Hooks	Use HDW6810C - This is a universal clamp MUST ORDER QTY 2
8	28315-RT	Rectangular Knob Release Clamp without Forks	
9	28317-RT	Square Knob Release Clamp without Forks	

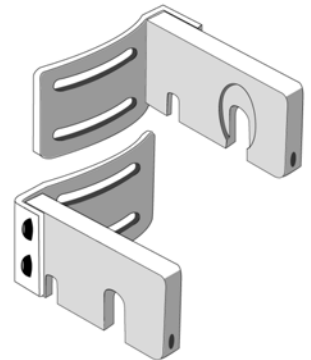
1



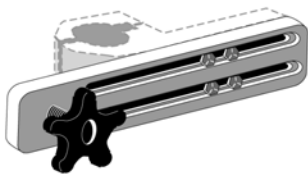
2



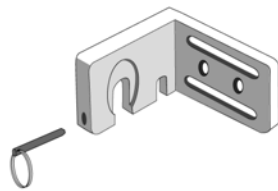
3



4



5



6



Pos.	Item Number	Description	Remarks
1	28320-RT	Forks for Seat	Order Qty 2 of ART000144
2	28330-RT	Hooks for Back	Order Qty 1 of ART000146 and Qty 1 of ART000148
3	28332-RT	Hooks for Curved Back	Order Qty 1 of 113772 and Qty1 of 113776
4	28244-RT	Extra Long Slide Plate with Knob	CP-07-10000
5	28345-RT	Hook or Fork Lock Pins	Order Qty 2 of ART000253 and QTY2 of ART000256
6	28000-RT	Drop Hook 7/8" with No Drop	
6	28005-RT	1" Zero Drop Pin Lock	replacement part CP-01-9988 is different but similar in function and a set of two will be received
6	28007-RT	7/8" Zero Drop Pin Lock	replacement part CP-01-9984 is different but similar in function and a set of two will be received
6	28008-RT	1" Dia 1" Drop Pin Lock	
6	28009-RT	7/8" Dia 1" Drop Pin Lock	
6	28010-RT	Drop Hook 7/8" with 1" Drop	replacement part CP-01-9891 is different but similar in function and a set of two will be received
6	28015-RT	Drop Hook 7/8" with 1.5" Drop	replacement part 113563-006 is different but similar in function and a set of two will be received
6	28020-RT	Drop Hook 7/8" with 2" Drop	replacement part 113563-007 is different but similar in function and a set of two will be received
6	28030-RT	Drop Hook 1" with No Drop	
6	28040-RT	Drop Hook 1" with 1" Drop	replacement part CP-01-9862 is different but similar in function and a set of two will be received
6	28045-RT	Drop Hook 1" with 1.5" Drop	replacement part 113563-010 is different but similar in function and a set of two will be received
6	28050-RT	Drop Hook 1" with 2" Drop	replacement part 113563-011 is different but similar in function and a set of two will be received

1

This replacement part is a 6 hole versus 4 hole. This must be ordered with Lock tab (113565) AND choice of L Bracket (113559-001, 113559-002, 113559-003, 113559-004, OR 113559-005). MUST ORDER two of replacement part AND two of Lock Tab and L Bracket



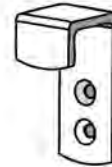
2

This must be ordered with Lock Tab (113565) AND choice of L Bracket (113559-001, 113559-002, 113559-003, 113559-004, OR 113559-005). MUST ORDER two of replacement part AND two of Lock Tab and L Bracket



3

This must be ordered with Lock Tab (113565) AND choice of L Bracket (113559-001, 113559-002, 113559-003, 113559-004, OR 113559-005). MUST ORDER two of replacement part AND Two of Lock Tab and L Bracket



4

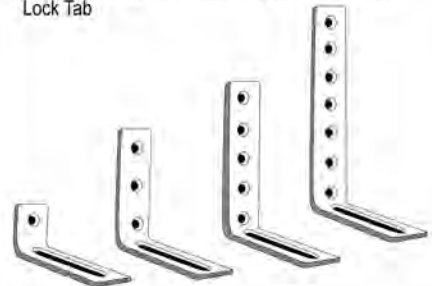


5

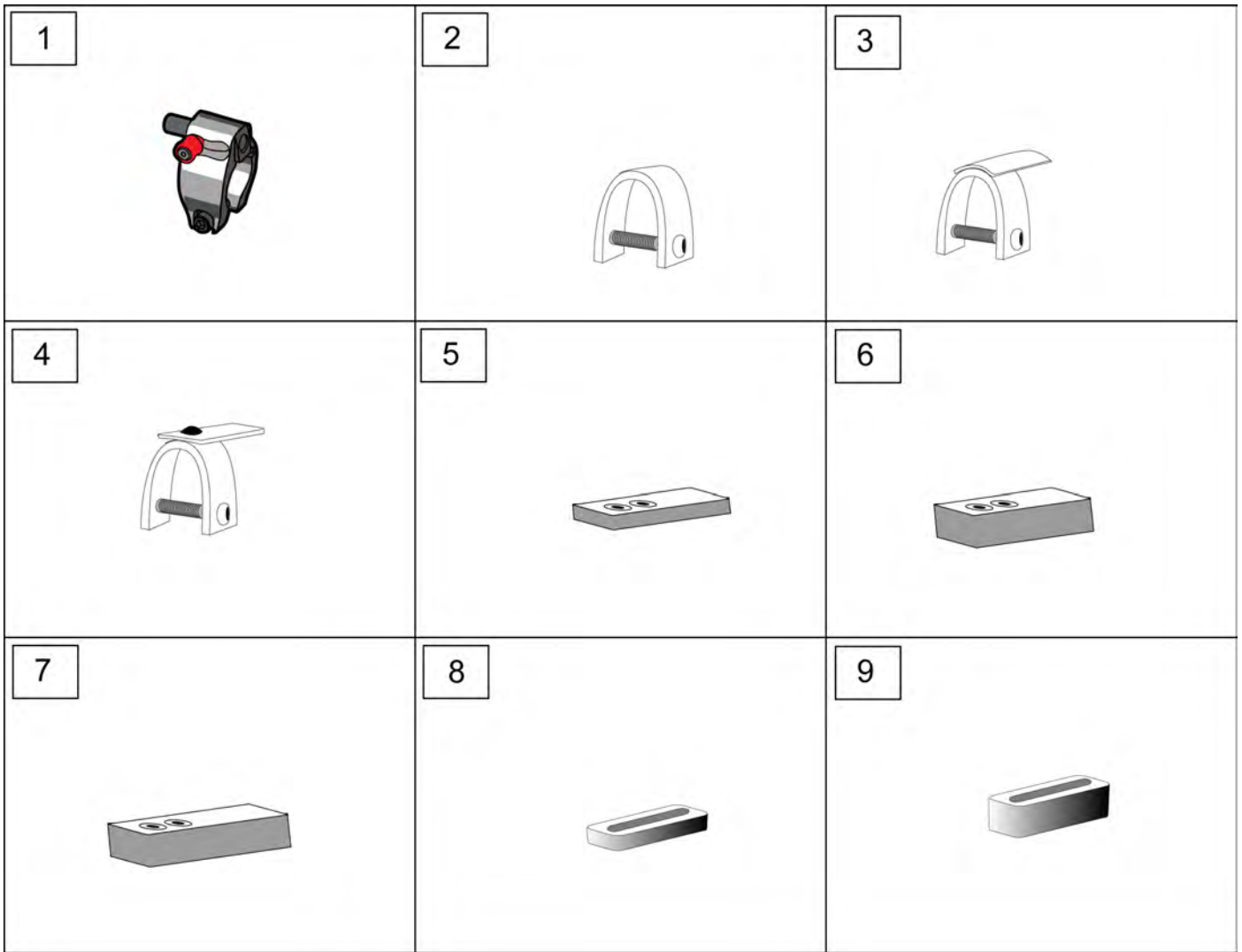


6

MUST order matching J hook select from 113567-001, 113567-002, 113567-003, 113567-004, 113567-005 OR 113567-006. MUST ALSO order Lock Tab 113565. MUST order two of replacement part, J hook and Lock Tab



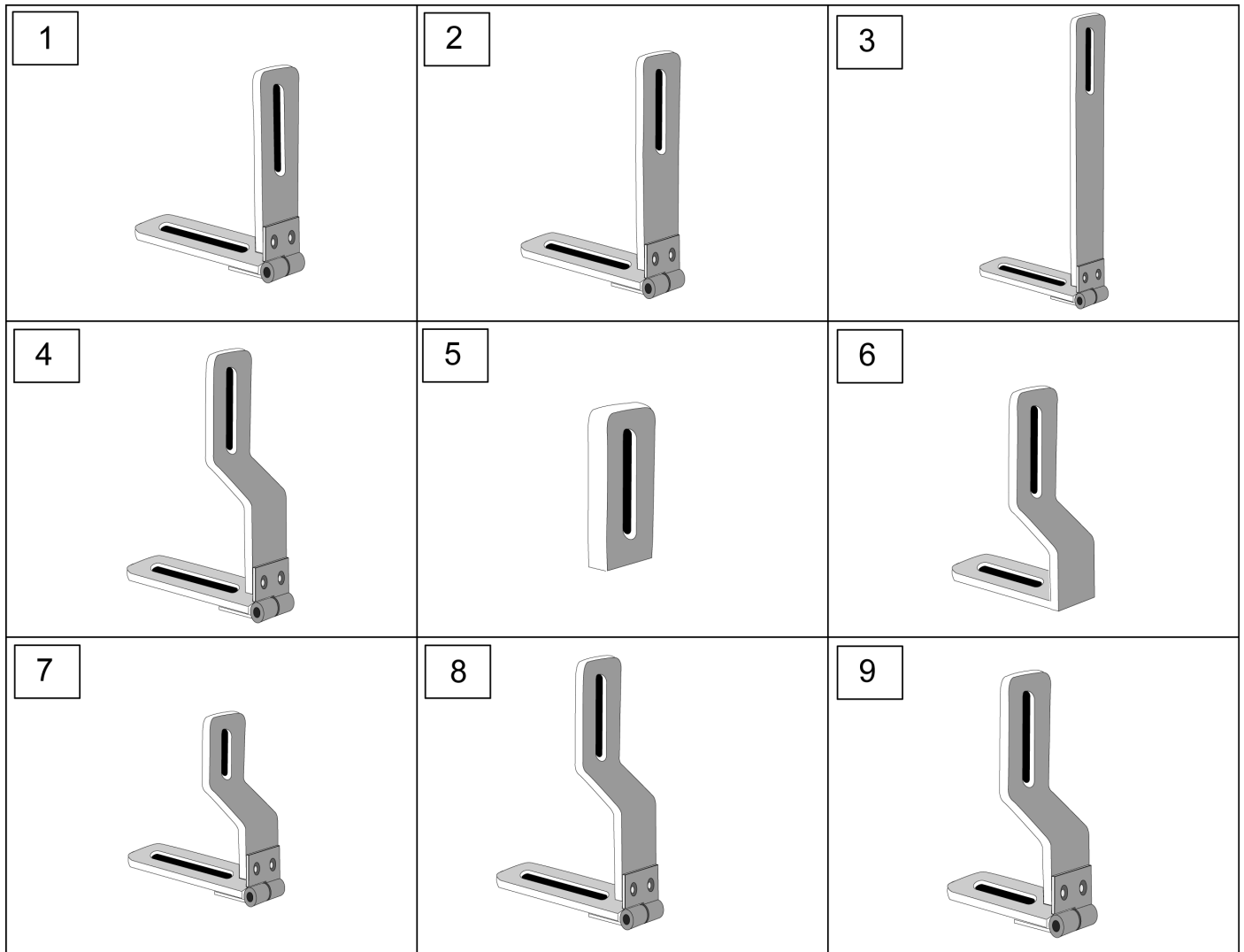
Pos.	Item Number	Description	Remarks
1	28060-RT	4 Hole Drop Hook 1"	113567-006
1	28070-RT	4 Hole Drop Hook 7/8"	113567-004
2	28080-RT	2 Hole Drop Hook 1"	113567-005
2	28090-RT	2 Hole Drop Hook 7/8"	113567-003
3	28095-RT	Square 2 Hole Drop Hook	113566-001
4	28005-RT	1" Zero Drop Pin Lock	replacement part CP-01-9988 is different but similar in function and a set of two will be received
4	28007-RT	7/8" Zero Drop Pin Lock	replacement part CP-01-9984 is different but similar in function and a set of two will be received
4	28008-RT	1" Dia 1" Drop Pin Lock	
4	28009-RT	7/8" Dia 1" Drop Pin Lock	
5	28112-RT	Tab Under Lock 0" Drop Hook for 1" Tubing	Use 28114-RT - Replacement is a 1" diameter bracket but will function
5	28114-RT	Tab Under Lock 1" Drop Hook for 1" Tubing	
6	28120-RT	L Bracket 3 1/2" x 1" Single Hole	113559-001
6	28130-RT	L Bracket 3 1/2" x 2" Three Hole	113559-002
6	28140-RT	L Bracket 3 1/2" x 3" Five Hole	113559-003
6	28145-RT	L Bracket 3 1/2" x 4" Seven Hole	113559-004



Pos.	Item Number	Description	Remarks
1	28236-RT	ShurLock Seat Drop Hook Locks	
2	28220-RT	7/8" Clamp On Hook Stop	HDW6420
2	28230-RT	1" Clamp On Hook Stop	HDW6430
3	28221-RT	7/8" Clamp On Hook Stop with Tongue	HDW6450
3	28231-RT	1" Clamp On Hook Stop with Tongue	HDW6460
4	28222-RT	7/8" Clamp On Hook Stop with Swivel Tongue	HDW6455
4	28232-RT	1" Clamp On Hook Stop with Swivel Tongue	HDW6465
5	28210-RT	Seat Tabs	CP-01-9998-SUGGEST ordering qty two of these for thickness.
6	28216-RT	Seat Tabs Thick	
7	28217-RT	Seat Tabs Thick Long	CP-01-9997
8	28210S-RT	Seat Tabs Slotted	CP-01-9998-SUGGEST ordering qty two of these for thickness.
9	28216S-RT	Seat Tabs 3/4" Thick Slotted	CP-01-9997

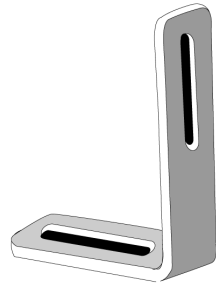
SEAT TO BACK BRACKETS

(08/2010)

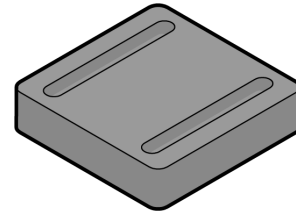


Pos.	Item Number	Description	Remarks
1	28370-RT	Seat to Back Bracket Flush Short	Order CP-07-5061
2	28375-RT	Seat to Back Bracket Flush- Regular	Order CP-07-5054
3	28377-RT	Seat to Back Bracket Flush -X- Long	Order CP-07-5051
4	28380-RT	Seat to Back Bracket Offset - Long	Order CP-07-5055
5	28420-RT	Seat to Back Bracket Spacers	
6	28390-RT	Seat to Back Bracket Offset Long No Hinge	Order CP-07-5055
7	28382-RT	Seat to Back Bracket Offset - Short	Order CP-07-5054
8	28385-RT	Seat to Back Bracket Offset - Thick Seat	Order CP-07-5055

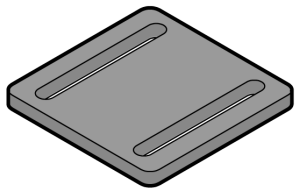
1



2

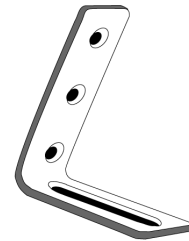


3

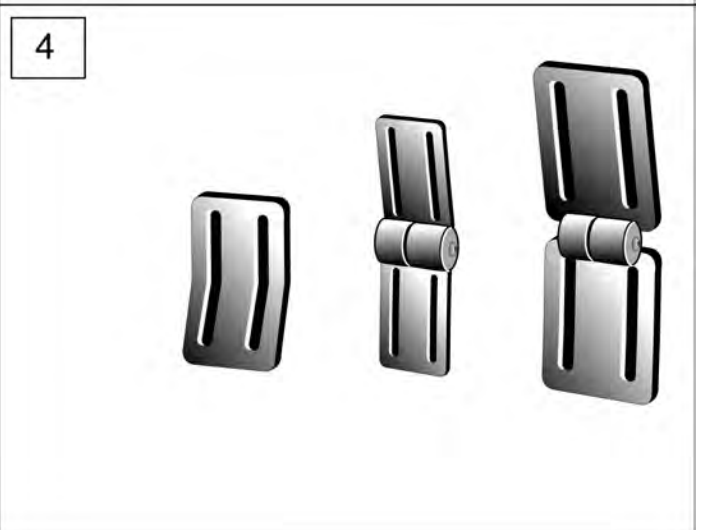
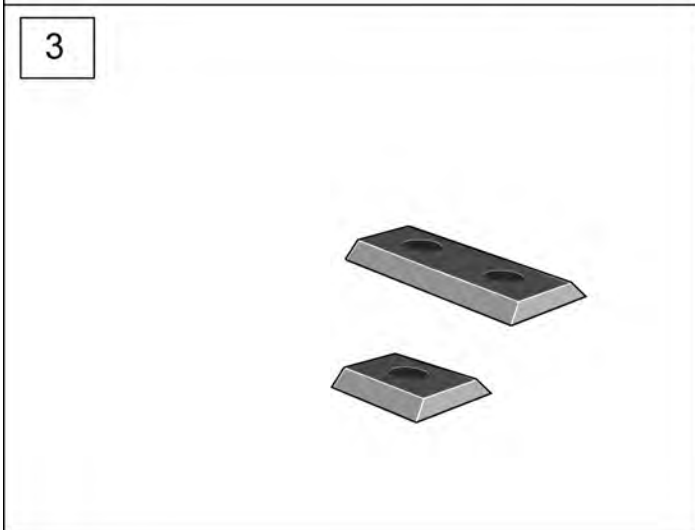
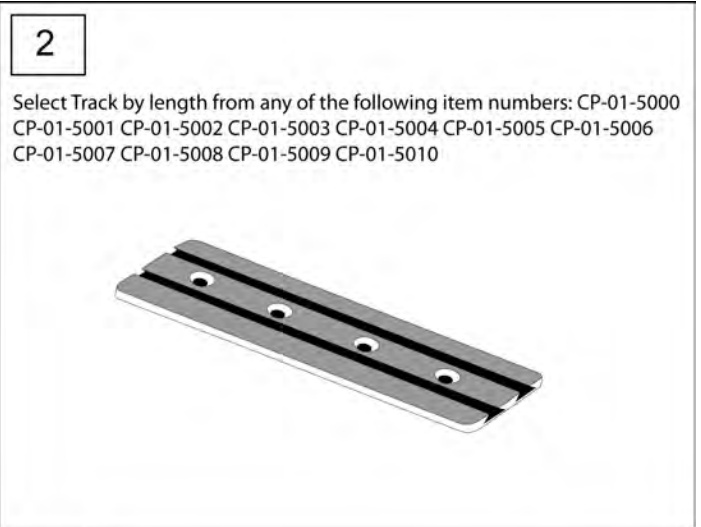


4

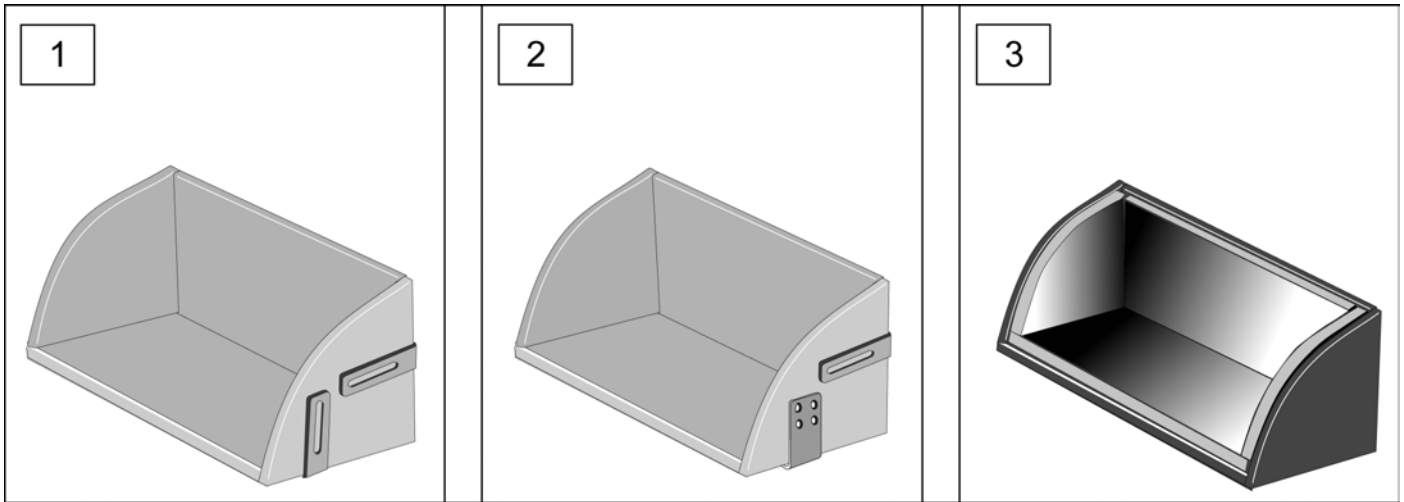
MUST order matching J hook select from 113567-001, 113567-002, 113567-003, 113657-004, 113567-005 OR 113567-006. MUST ALSO order Lock Tab 113565. MUST order two of replacement part, J hook and Lock Tab



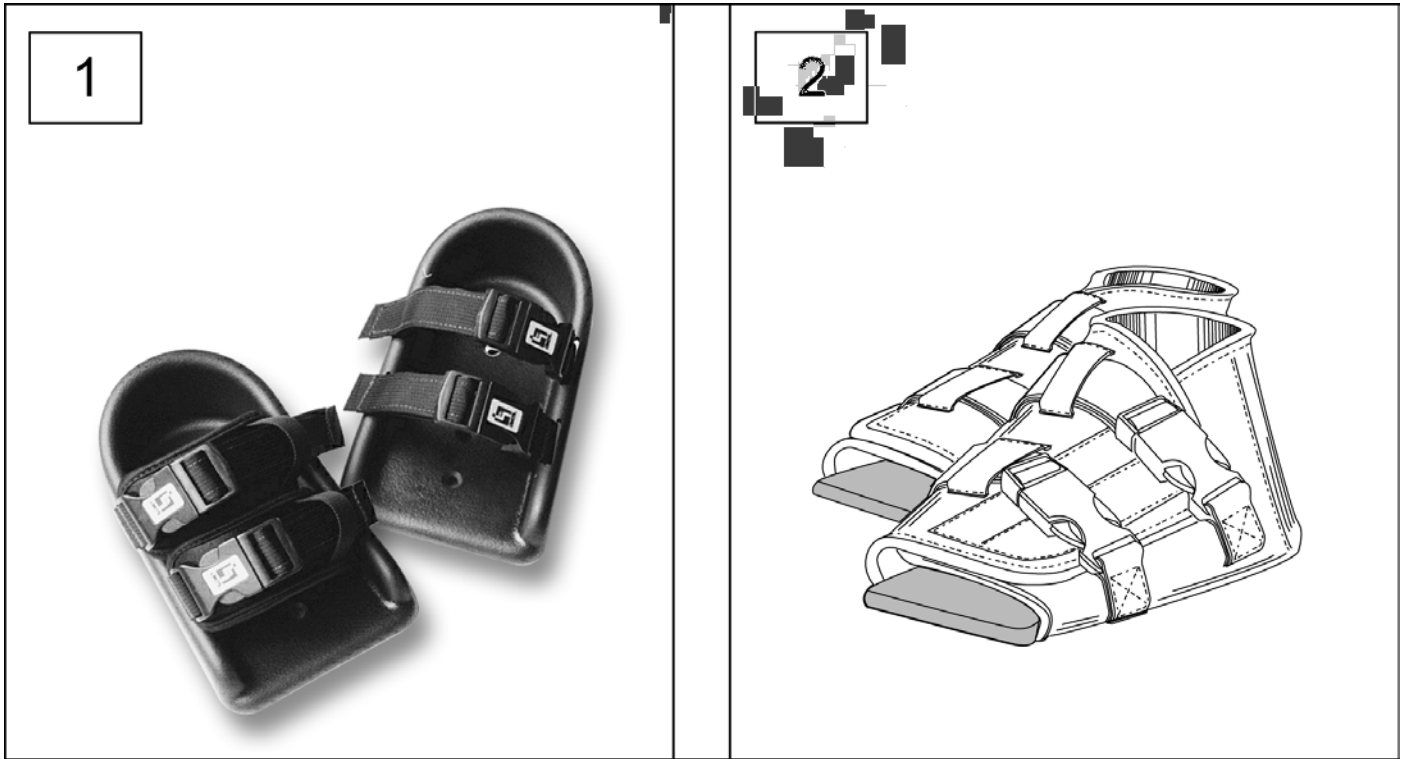
Pos.	Item Number	Description	Remarks
1	28400-RT	Seat to Back Bracket No Hinge - L Shape	
2	28350-RT	Spacer 1/2" Thick	Order CS-03-3050L and CS-03-3050R (Instruct Customer to use them with flat end toward the top of the bracket)
3	28360-RT	Spacer 1/4" Thick	Order CS-03-3025L and CS-03-3025R (Instruct Customer to use them with flat end toward the top of the bracket)
4	28132-RT	110 degree L Bracket 3 1/2" x 3" Three Hole	113558-002
	28430-RT	Seat Back Bracket Hinge Only	use existing part number



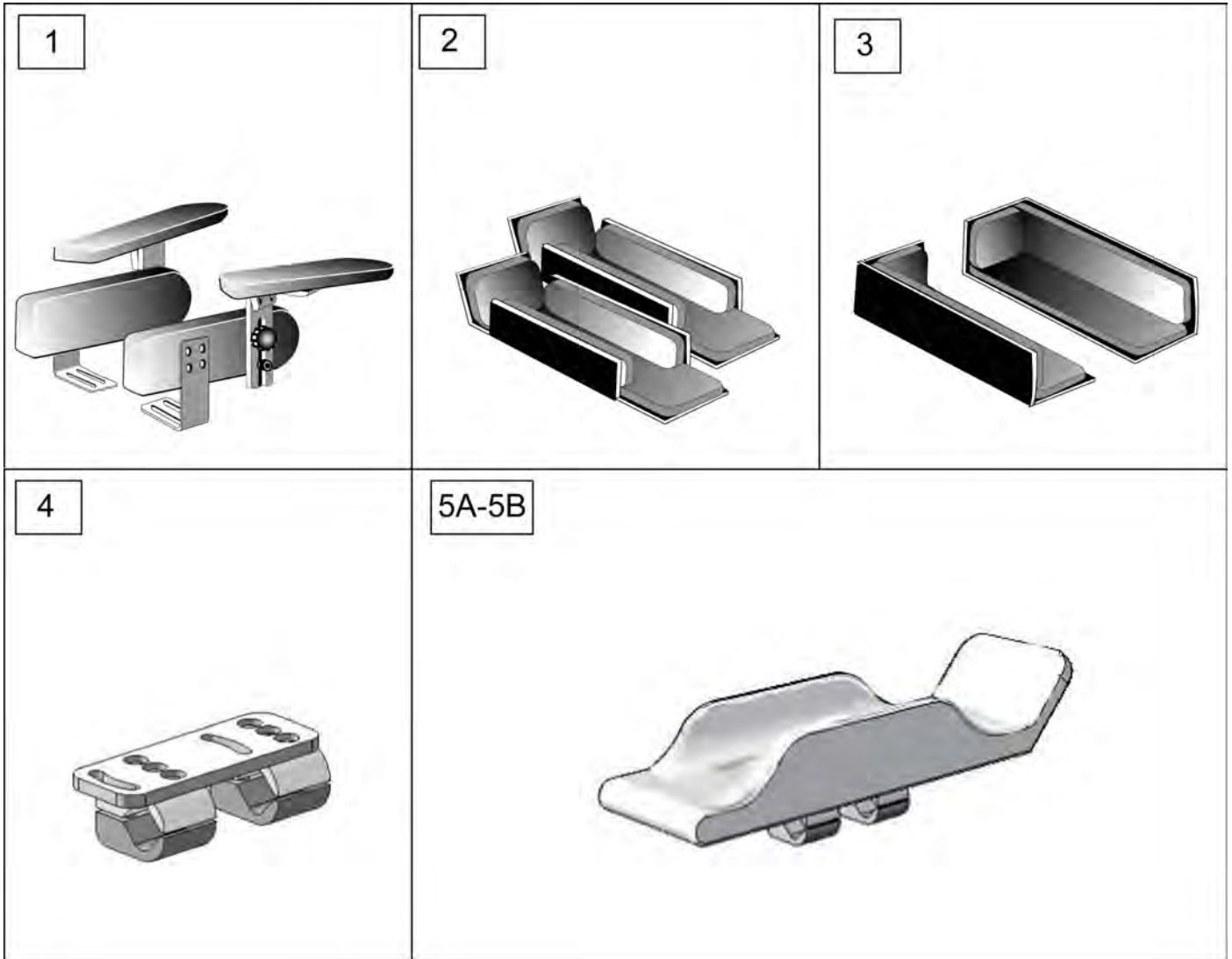
Pos.	Item Number	Description	Remarks
1	30000-RT	Tracks - Mini	Order CP-01-5009 (will receive set of 2)
1	30010-RT	Tracks - Short	CP-01-5008 (will receive set of 2)
1	30020-RT	Tracks - Long	CP-01-5006 (will receive set of 2)
2	30060-RT	Double Tracks	See Notes
3	30200-RT	Single 1/4-20 Track Slider	
3	30210-RT	Double 1/4-20 Track Slider	
3	30220-RT	Single 10-32 Track Slider	
4	30030-RT	Bi-Angular Back Bracket	
4	30080-RT	Adjustable Angle Bi-Angular Back Bracket	
4	30085-RT	Adjustable Angle Hinge - Large Plate	



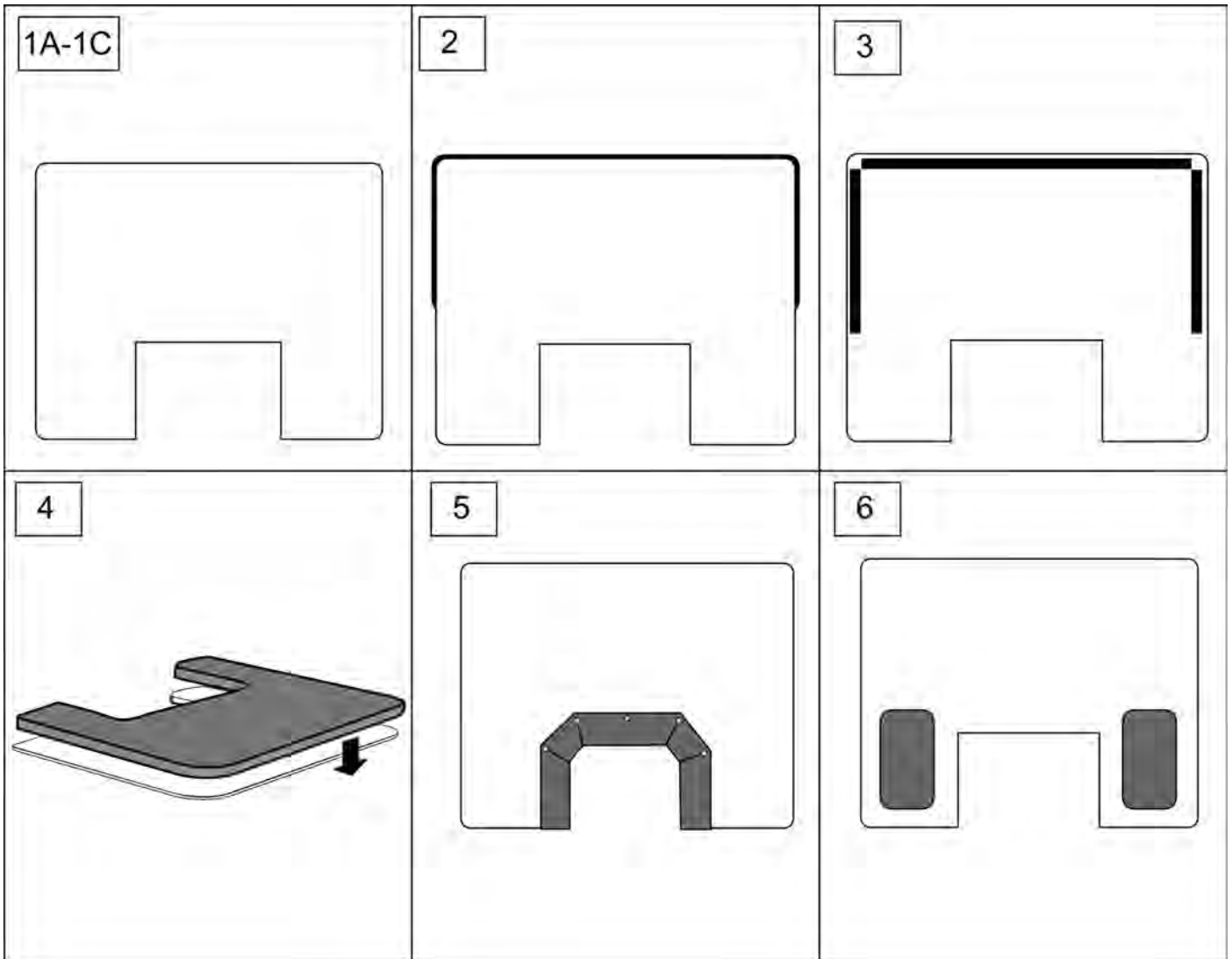
Pos.	Item Number	Description	Remarks
1	32000-RT	Standard Foot Box	CS-06-2740
2	32020-RT	ABS Foot Box	CS-06-3310
3	32040-RT	Heavy Duty Foot Box	CS-06-2880
	32060-RT	Foot Box Mounting Hardware	CS-06-2890
	32080-RT	Foot Plate Pads	CS-06-2190
	32305-RT	Reupholster Foot Box	CS-06-3000
	32320-RT	Custom Legrest Panel	CS-06-1690
	32330-RT	Sheepskin Cover for Legrest	CS-06-3010
	32335-RT	ABS Footboard	CS-06-3020
	32340-RT	Extra Large Footboard	CS-06-3030
	32355-RT	One Piece Footboard	CS-06-3040
	32365-RT	Footrest Buildup	CS-06-3050
	32370-RT	Foot Blocks	CS-06-3060
	32375-RT	Footrest Tubing Pads	CS-06-3070
	32390-RT	Padded FootBoard	CS-06-3080
	32791-RT	Lower Leg Support Straps w/ Sheepskin	CS-06-3240
	32100-RT	Instep Pads	CS-06-2960



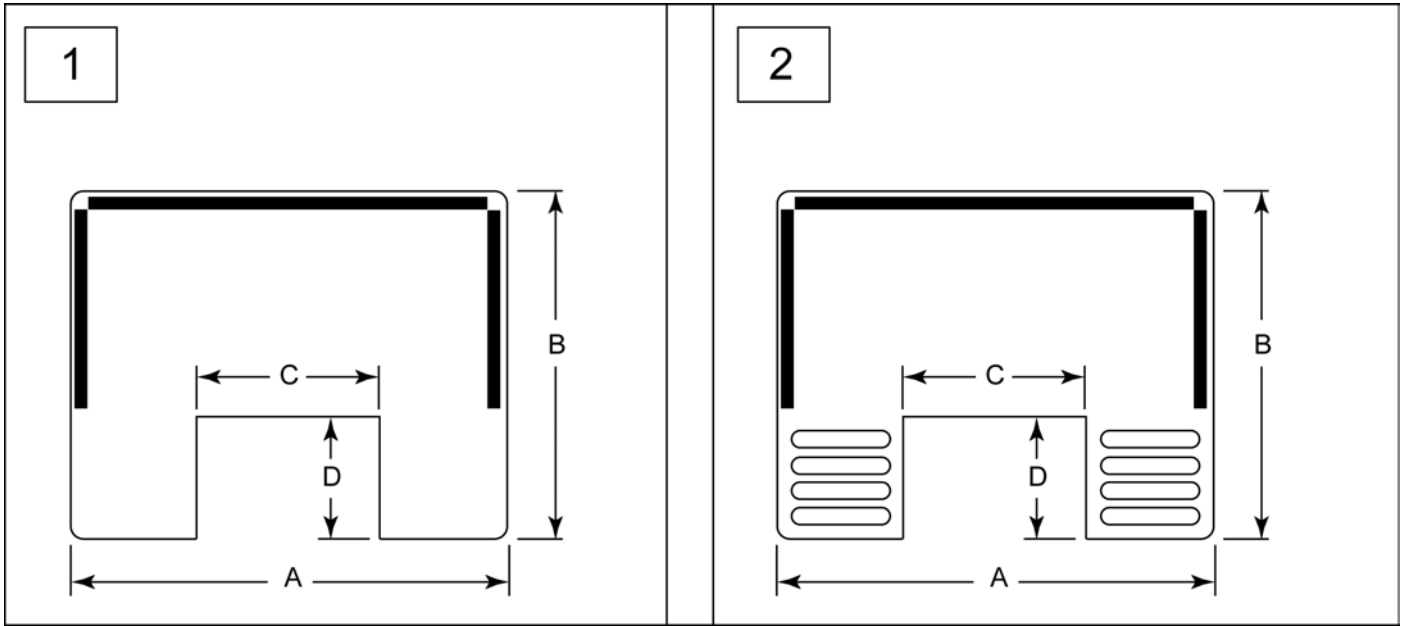
Pos.	Item Number	Description	Remarks
1	32200S-RT	Shoe Holders Small	CS-06-2280
1	32200M-RT	Shoe Holders Medium	CS-06-2360
1	32200L-RT	Shoe Holders Large	CS-06-2300
1	32200XL-RT	Shoe Holders Extra Large	CS-06-2460
1	32240-RT	Shoe Holder Replacement Straps	CS-06-1800
2	32600XS-RT	Flexi-Feet Extra Small	CS-06-3120
2	32600S-RT	Flexi-Feet Small	CS-06-3110
2	32600M-RT	Flexi-Feet Medium	CS-06-3100
2	32600L-RT	Flexi-Feet Large	CS-06-3090
2	32610S-RT	Flexi-Feet Plate Pad Small	CS-06-3150
2	32610M-RT	Flexi-Feet Plate Pad Medium	CS-06-3140
2	32610L-RT	Flexi-Feet Plate Pad Large	CS-06-3130
	32705-RT	Reinforced Footboard	CS-06-3180
	32710-RT	Heel Stop	CS-06-2130
	32725-RT	Custom Ankle Straps	CS-06-3190
	32765-RT	Footrest Overlay	CS-06-3210
	32787-RT	Footrest Stabilizing Clamp	CS-06-3220
	32788-RT	Footrest Clamp Assembly	CS-06-3230



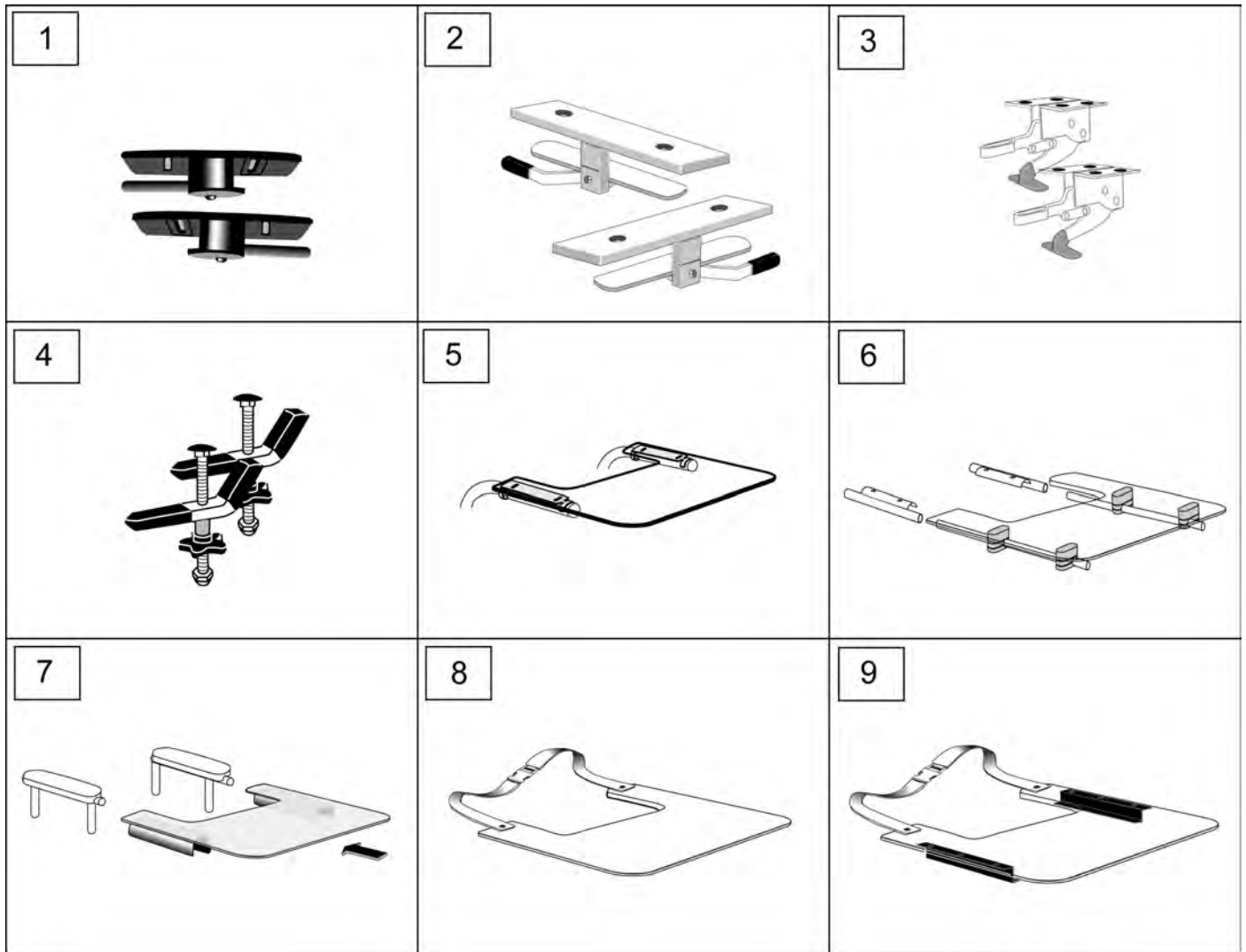
Pos.	Item Number	Description	Remarks
1	32400-RT	Armrests Mounted to Hip Guides	CS-12-1088
2	32410-RT	Arm Troughs	CS-12-1000
3	32420-RT	Half Arm Troughs	CS-12-1010
4	32430-RT	Arm Trough Attaching Hardware	CS-12-1089
5	32440-RT	Arm Trough & Hdw Package	CS-12-1020
6	32450-RT	Arm Trough & Hardware Package, Custom	CS-12-1040
	32395-RT	Custom Arm Trough	CS-12-1087
	32755-RT	Arm Restraint	CS-12-1094
	32760-RT	Sheepskin Armrest Covers	CS-12-1095
	32770-RT	Armrest Strap Custom	CS-12-1096
	32786-RT	Armrest Cuffs w/o Sheepskin	CS-12-1097
	32790-RT	Sheepskin Covers for Arm Trough	CS-12-1098
	32800-RT	Wrist Cuff with Polar Fleece	CS-12-1101
	32310-RT	Custom Arm Modification	CS-12-1086



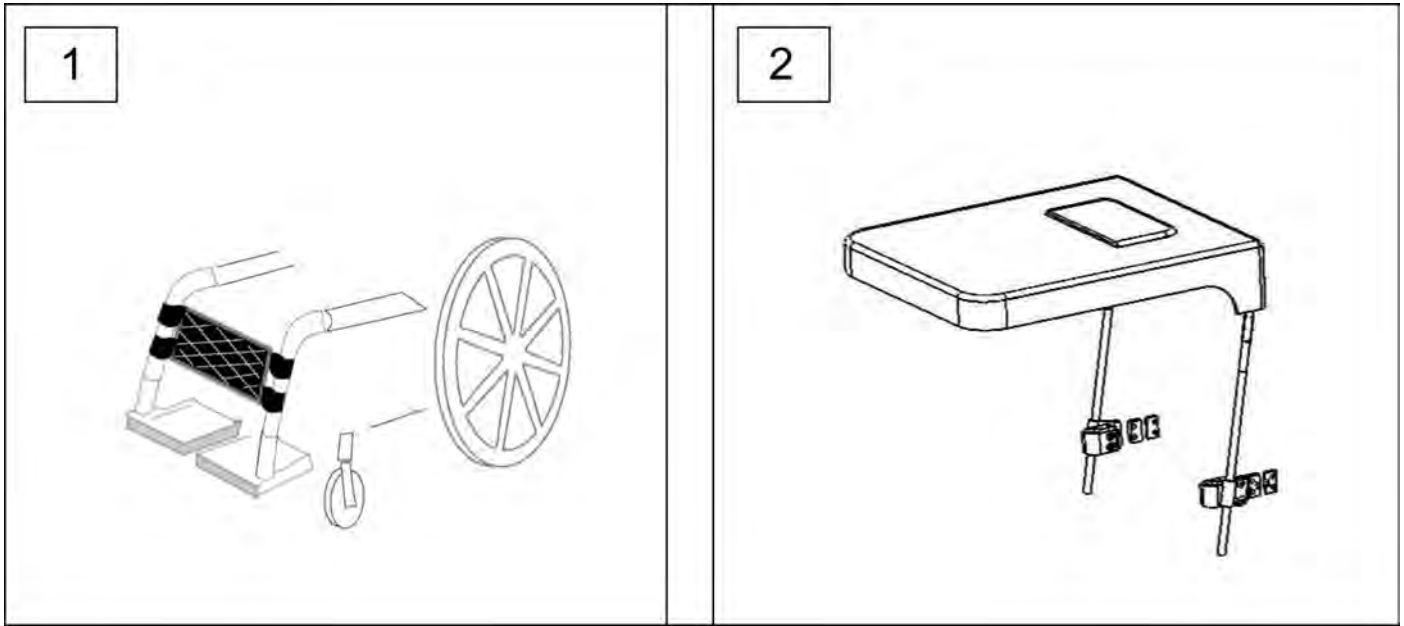
Pos.	Item Number	Description	Remarks
1A	34000-RT	1/4" All Custom Lap Tray	CS-13-1990
1B	34010-RT	3/8" All Custom Lap Tray	CS-13-1940
1C	34015-RT	1/2" Plywood All Custom Lap Tray	CS-13-1930
2	34020-RT	Padded Aluminum Tray Border	CS-13-4000
3	34030-RT	Wood Tray Border	CS-13-4010
4	34280-RT	Removable Tray Pad	CS-13-4200
5	34250-RT	Body Cutout Pad	CS-13-4070
6	34080-RT	Add Slots to Custom Tray	CS-13-4030
6	34200-RT	Armrest Pad for Tray	CS-13-4340
6	34202-RT	Thin Armrest Pad for Tray	CS-13-4360
6	34204-RT	Foam Only Armrest Pad for Tray attach with Velcro	CS-13-4160
6	34210-RT	Custom Armrest Pads for Tray	CS-13-4180
6	34212-RT	Small Armrest Pads for Tray	CS-13-4040
	34070-RT	Padded Tray	CS-13-2020
	34215-RT	Elbow Blocks w/ Brackets	CS-13-4380
	34797-RT	Armrest Cuffs Mounted on Tray	CS-13-4150



Pos.	Item Number	Description	Remarks
1	34100-RT	Standard Lexan Tray with Wood Border	CS-13-1670
1	34110-RT	Standard Lexan Tray with Wood Border	CS-13-1630
1	34120-RT	Standard Lexan Tray with Wood Border	CS-13-1750
1	34130-RT	Standard Lexan Tray with Wood Border	CS-13-1810
1	34140-RT	Standard Lexan Tray with Wood Border	CS-13-1900
2	34100S-RT	Standard Lexan Tray with Wood Border and Slots	CS-13-1690
2	34110S-RT	Standard Lexan Tray with Wood Border and Slots	CS-13-1650
2	34120S-RT	Standard Lexan Tray with Wood Border and Slots	CS-13-1770
2	34130S-RT	Standard Lexan Tray with Wood Border and Slots	CS-13-1830
2	34140S-RT	Standard Lexan Tray with Wood Border and Slots	CS-13-1920



Pos.	Item Number	Description	Remarks
1	34055-RT	Therafin Top Drop Hardware	CS-13-1120
2	34050-1-RT	Lever Style Tray Clamps	CS-13-1110
3	34060-RT	Hide-a-way Tray Clamps	CS-13-1160
4	34056-RT	Spin Lock Tray Clamps	CS-13-1130
5	34065-RT	Therafin Tubular Arm Tray Hardware - Small	CS-13-1140
5	34066-RT	Therafin Tubular Arm Tray Hardware - Large	CS-13-1141
6	34085-RT	Cam and Tube Tray Hardware	CS-13-1150
7	34069-RT	Plastic Tray Channel	CS-13-1100
8	34090-RT	Securing Strap for Tray with Plastic Side Release Buckle	CS-13-1230
9	34095-RT	Z Channel Tray Hardware w/ Securing Strap	CS-13-1180
	34086-RT	Tube Cam Clamp	Must Order Whole Assembly CS-13-1150
	34087-RT	Receiver (Tube Cam)	Must Order Whole Assembly CS-13-1151
	34088-RT	SS Tube	Must Order Whole Assembly CS-13-1152



Pos.	Item Number	Description	Remarks
1	99050-RT	Leg Panel	Use any of CS-06-1620, CS-06-1640, CS-06-1660
2	99130-RT	Wheelchair Canopy	Use existing part number



Pos.	Item Number	Description	Remarks
N/A	10100	Use Jay CF Order form for replacement Seat or Back select item #CS-01-4240 AND CS-07-4240 for special replacement	Basic Insert With Hardware less than 15" wide t-nut pattern
N/A	10200	Use Jay CF Order form for replacement Seat or Back select item #CS-01-4240 AND CS-07-4240 for special replacement	Basic Insert With Hardware 15" wide or greater t-nut pattern
N/A	10010-28370	Use Jay CF Order form for replacement Seat or Back select item #CS-01-4240 AND CS-07-4240 for special replacement	Less than 15" wide Insert with Standard Flush Seat to Back Bracket t-nut pattern
N/A	10010-28375	Use Jay CF Order form for replacement Seat or Back select item #CS-01-4240 AND CS-07-4240 for special replacement	Less than 15" wide Insert with Regular Flush Seat to Back Bracket t-nut pattern
N/A	10010-28380	Use Jay CF Order form for replacement Seat or Back select item #CS-01-4240 AND CS-07-4240 for special replacement	Less than 15" wide Insert with Standard Offset Seat to Back Bracket t-nut pattern

Pos.	Item Number	Description	Remarks
N/A	10010-28382	Use Jay CF Order form for replacement Seat or Back select item #CS-01-4240 AND CS-07-4240 for special replacement	Less than 15" wide Insert with Offset Seat to Back Bracket with Short Slot Standard t-nut pattern
N/A	10010-28385	Use Jay CF Order form for replacement Seat or Back select item #CS-01-4240 AND CS-07-4240 for special replacement	Less than 15" wide Insert with Offset Seat to Back Bracket for Thick Seat Standard t-nut pattern
N/A	10010-28400	Use Jay CF Order form for replacement Seat or Back select item #CS-01-4240 AND CS-07-4240 for special replacement	Less than 15" wide Insert with Offset Seat to Back Bracket Standard t-nut pattern
N/A	10010P-2837	Use Jay CF Order form for replacement Seat or Back select item #CS-01-4240 AND CS-07-4240 for special replacement	Less than 15" wide Plastitech Insert with Short Flush Seat to Back Bracket Standard t-nut pattern
N/A	10010P-28375	Use Jay CF Order form for replacement Seat or Back select item #CS-01-4240 AND CS-07-4240 for special replacement	Less than 15" wide Plastitech Insert with Regular Flush Seat to Back Bracket Standard t-nut pattern
N/A	10010P-2838	Use Jay CF Order form for replacement Seat or Back select item #CS-01-4240 AND CS-07-4240 for special replacement	Less than 15" wide Plastitech Insert with Offset Seat to Back Bracket Standard t-nut pattern
N/A	10010P-28382	Use Jay CF Order form for replacement Seat or Back select item #CS-01-4240 AND CS-07-4240 for special replacement	Less than 15" wide Plastitech Insert with Offset Seat to Back Bracket with Short Slot Standard t-nut pattern

Pos.	Item Number	Description	Remarks
N/A	10010P-28385	Use Jay CF Order form for replacement Seat or Back select item #CS-01-4240 AND CS-07-4240 for special replacement	Less than 15" wide Plastitech Insert with Offset Seat to Back Bracket for Thick Seat t-nut pattern
N/A	10010P-2840	Use Jay CF Order form for replacement Seat or Back select item #CS-01-4240 AND CS-07-4240 for special replacement	Less than 15" wide Plastitech Insert with L Shaped Seat to Back Bracket t-nut pattern
N/A	10020-28370	Use Jay CF Order form for replacement Seat or Back select item #CS-01-4240 AND CS-07-4240 for special replacement	15" Wide or Greater Insert with Short Flush Seat to Back Bracket t-nut pattern
N/A	10020-28375	Use Jay CF Order form for replacement Seat or Back select item #CS-01-4240 AND CS-07-4240 for special replacement	15" Wide or Greater Insert with Regular Flush Seat to Back Bracket t-nut pattern
N/A	10020-28380	Use Jay CF Order form for replacement Seat or Back select item #CS-01-4240 AND CS-07-4240 for special replacement	15" Wide or Greater Insert with Offset Seat to Back Bracket with Short Slot t-nut pattern
N/A	10020-28382	Use Jay CF Order form for replacement Seat or Back select item #CS-01-4240 AND CS-07-4240 for special replacement	15" Wide or Greater Insert with Standard Offset Seat to Back Bracket t-nut pattern
N/A	10020-28385	Use Jay CF Order form for replacement Seat or Back select item #CS-01-4240 AND CS-07-4240 for special replacement	15" Wide or Greater Insert with Offset Seat to Back Bracket for Thick Seat t-nut pattern

Pos.	Item Number	Description	Remarks
N/A	10020-28400	Use Jay CF Order form for replacement Seat or Back select item #CS-01-4240 AND CS-07-4240 for special replacement	15" Wide or Greater Insert with T-nut pattern L Shaped Seat to Back Bracket
N/A	10020P-2837	Use Jay CF Order form for replacement Seat or Back select item #CS-01-4240 AND CS-07-4240 for special replacement	15" Wide or Greater Plastitech Insert with pattern Short Flush Seat to Back Bracket
N/A	10020P-2837	Use Jay CF Order form for replacement Seat or Back select item #CS-01-4240 AND CS-07-4240 for special replacement	15" Wide or Greater Plastitech Insert with pattern Regular Flush Seat to Back Bracket
N/A	10020P-2838	Use Jay CF Order form for replacement Seat or Back select item #CS-01-4240 AND CS-07-4240 for special replacement	15" Wide or Greater Plastitech Insert with pattern Offset Seat to Back Bracket with Short Slot
N/A	10020P-2838	Use Jay CF Order form for replacement Seat or Back select item #CS-01-4240 AND CS-07-4240 for special replacement	15" Wide or Greater Plastitech Insert with pattern Standard Offset Seat to Back Bracket
N/A	10020P-2838	Use Jay CF Order form for replacement Seat or Back select item #CS-01-4240 AND CS-07-4240 for special replacement	15" Wide or Greater Plastitech Insert with pattern Offset Seat to Back Bracket for Thick Seat
N/A	10020P-28400	Use Jay CF Order form for replacement Seat or Back select item #CS-01-4240 AND CS-07-4240 for special replacement	15" Wide or Greater Plastitech Insert with pattern L Shaped Seat to Back Bracket
N/A	10030-28370	Use Jay CF Order form for replacement Seat or Back select item #CS-01-4240 AND CS-07-4240 for special replacement	Basic Seat and Back Kit

Pos.	Item Number	Description	Remarks
N/A	10030-28375	Use Jay CF Order form for replacement Seat or Back select item #CS-01-4240 AND CS-07-4240 for special replacement	Basic Seat and Back Kit Cut pattern
N/A	10030-28380	Use Jay CF Order form for replacement Seat or Back select item #CS-01-4240 AND CS-07-4240 for special replacement	Basic Seat and Back Kit Cut pattern
N/A	10030-28382	Use Jay CF Order form for replacement Seat or Back select item #CS-01-4240 AND CS-07-4240 for special replacement	Basic Seat and Back Kit Cut pattern
N/A	10030-28385	Use Jay CF Order form for replacement Seat or Back select item #CS-01-4240 AND CS-07-4240 for special replacement	Basic Seat and Back Kit Cut pattern
N/A	10030-28400	Use Jay CF Order form for replacement Seat or Back select item #CS-01-4240 AND CS-07-4240 for special replacement	Basic Seat and Back Kit Cut pattern
N/A	10040-28370	Use Jay CF Order form for replacement Seat or Back select item #CS-01-4240 AND CS-07-4240 for special replacement	Contoured Seat and Back Kit Cut pattern
N/A	10040-28375	Use Jay CF Order form for replacement Seat or Back select item #CS-01-4240 AND CS-07-4240 for special replacement	Contoured Seat and Back Kit Cut pattern
N/A	10040-28380	Use Jay CF Order form for replacement Seat or Back select item #CS-01-4240 AND CS-07-4240 for special replacement	Contoured Seat and Back Kit Cut pattern
N/A	10040-28382	Use Jay CF Order form for replacement Seat or Back select item #CS-01-4240 AND CS-07-4240 for special replacement	Contoured Seat and Back Kit Cut pattern
N/A	10040-28385	Use Jay CF Order form for replacement Seat or Back select item #CS-01-4240 AND CS-07-4240 for special replacement	Contoured Seat and Back Kit Cut pattern
N/A	10040-28400	Use Jay CF Order form for replacement Seat or Back select item #CS-01-4240 AND CS-07-4240 for special replacement	Contoured Seat and Back Kit Cut pattern
N/A	10100P	Use Jay CF Order form for replacement Seat or Back select item #CS-01-4240 AND CS-07-4240 for special replacement	Basic Plastitech Insert With Hardware less than 15" wide Cut pattern
N/A	10200P	Use Jay CF Order form for replacement Seat or Back select item #CS-01-4240 AND CS-07-4240 for special replacement	Basic Plastitech Insert With Hardware 15" wide or greater Cut pattern
N/A	10300P-RT	Use Jay CF Order form for replacement Seat or Back select item #CS-01-4240 AND CS-07-4240 for special replacement	Basic Plastitech Insert With Drop Hook Hardware less than 15" wide Cut pattern
N/A	10300-RT	Use Jay CF Order form for replacement Seat or Back select item #CS-01-4240 AND CS-07-4240 for special replacement	Basic Insert With Drop Hook Hardware less than 15" wide Cut pattern

Pos.	Item Number	Description	Remarks
N/A	10310P-RT	Use Jay CF Order form for replacement Seat or Back select item #CS-01-4240 AND CS-07-4240 for special replacement part t-nut pattern	Basic Plastitech Insert With Drop Hook Hardware 15" wide or greater
N/A	10310-RT	Use Jay CF Order form for replacement Seat or Back select item #CS-01-4240 AND CS-07-4240 for special replacement part t-nut pattern	Basic Insert With Drop Hook Hardware 15" wide or greater
N/A	10400P-RT	Use Jay CF Order form for replacement Seat or Back select item #CS-01-4240 AND CS-07-4240 for special replacement part t-nut pattern	Basic Plastitech Insert With Drop Hook Seat and Knob Release Back Hardware less than 15" wide
N/A	10400-RT	Use Jay CF Order form for replacement Seat or Back select item #CS-01-4240 AND CS-07-4240 for special replacement part t-nut pattern	Basic Insert With Drop Hook Seat and Knob Release Back Hardware less than 15" wide
N/A	10410P-RT	Use Jay CF Order form for replacement Seat or Back select item #CS-01-4240 AND CS-07-4240 for special replacement part t-nut pattern	Basic Plastitech Insert With Drop Hook Seat and Knob Release Back Hardware 15" wide or greater
N/A	10410-RT	Use Jay CF Order form for replacement Seat or Back select item #CS-01-4240 AND CS-07-4240 for special replacement part t-nut pattern	Basic Insert With Drop Hook Seat and Knob Release Back Hardware 15" wide or greater
N/A	10500P-RT	Use Jay CF Order form for replacement Back select item CS-07-4240 for special replacement part t-nut pattern	Back Only Plastitech Insert with Drop Hooks less than 15" wide

Pos.	Item Number	Description	Remarks
N/A	10500-RT	Use Jay CF Order form for replacement Back select item CS-07-4240 for special replacement part t-nut pattern	Back Only Insert with Drop Hooks less than 15" wide
N/A	10510P-RT	Use Jay CF Order form for replacement Back select item CS-07-4240 for special replacement part t-nut pattern	Back Only Plastitech Insert with Drop Hooks 15" wide or greater
N/A	10510-RT	Use Jay CF Order form for replacement Back select item CS-07-4240 for special replacement part t-nut pattern	Back Only Insert with Drop Hooks 15" wide or greater
N/A	10600P-RT	Use Jay CF Order form for replacement Back select item CS-07-4240 for special replacement part t-nut pattern	Back Only Plastitech Insert with Knob Release Top and Drop Hooks Bottom less than 15" wide
N/A	10600-RT	Use Jay CF Order form for replacement Back select item CS-07-4240 for special replacement part t-nut pattern	Back Only Insert with Knob Release Top and Drop Hooks Bottom less than 15" wide
N/A	10610P-RT	Use Jay CF Order form for replacement Back select item CS-07-4240 for special replacement part t-nut pattern	Back Only Plastitech Insert with Knob Release Top and Drop Hooks Bottom 15" wide or greater
N/A	10610-RT	Use Jay CF Order form for replacement Back select item CS-07-4240 for special replacement part t-nut pattern	Back Only Insert with Knob Release Top and Drop Hooks Bottom 15" wide or greater

Pos.	Item Number	Description	Remarks
N/A	10700P-RT	Use Jay CF Order form for replacement Back select item CS-07-4240 for special replacement part t-nut pattern	Back Only Plastitech Insert with Knob Release Hardware Top and Bottom less than 15" wide
N/A	10700-RT	Use Jay CF Order form for replacement Back select item CS-07-4240 for special replacement part t-nut pattern	Back Only Insert with Knob Release Hardware Top and Bottom less than 15" wide
N/A	10710P-RT	Use Jay CF Order form for replacement Back select item CS-07-4240 for special replacement part t-nut pattern	Back Only Plastitech Insert with Knob Release Hardware Top and Bottom 15" wide or greater
N/A	10710-RT	Use Jay CF Order form for replacement Back select item CS-07-4240 for special replacement part t-nut pattern	Back Only Insert with Knob Release Hardware Top and Bottom 15" wide or greater
N/A	10800P-RT	Use Jay CF Order form for replacement Seat select item #CS-01-4240 for special replacement part t-nut pattern	Seat Only Plastitech Insert with Drop Hooks less than 15" wide
N/A	10800-RT	Use Jay CF Order form for replacement Seat select item #CS-01-4240 for special replacement part t-nut pattern	Seat Only Insert with Drop Hooks less than 15" wide
N/A	10810P-RT	Use Jay CF Order form for replacement Seat select item #CS-01-4240 for special replacement part t-nut pattern	Seat Only Plastitech Insert with Drop Hooks 15" wide or greater
N/A	10810-RT	Use Jay CF Order form for replacement Seat select item #CS-01-4240 for special replacement part t-nut pattern	Seat Only Insert with Drop Hooks 15" wide or greater

Pos.	Item Number	Description	Remarks
N/A	10900P-RT	Use Jay CF Order form for replacement Seat select item #CS-01-4240 for special replacement part t-nut pattern	Seat Only Plastitech Insert with Knob Release Front and Drop Hooks Rear less than 15" wide
N/A	10900-RT	Use Jay CF Order form for replacement Seat select item #CS-01-4240 for special replacement part t-nut pattern	Seat Only Insert with Knob Release Front and Drop Hooks Rear less than 15" wide
N/A	10910P-RT	Use Jay CF Order form for replacement Seat select item #CS-01-4240 for special replacement part t-nut pattern	Seat Only Plastitech Insert with Knob Release Front and Drop Hooks Rear 15" wide or greater
N/A	10910-RT	Use Jay CF Order form for replacement Seat select item #CS-01-4240 for special replacement part t-nut pattern	Seat Only Insert with Knob Release Front and Drop Hooks Rear 15" wide or greater



Pos.	Item Number	Description	Remarks
N/A	12010P-RT	Use Jay CF Order form for replacement Seat select item #CS-01-4240 for special replacement part t-nut pattern	Less than 15" Wide Plastitech Solid Seat
N/A	12010-RT	Use Jay CF Order form for replacement Seat select item #CS-01-4240 for special replacement part t-nut pattern	Less than 15" Wide Solid Seat
N/A	12020P-RT	Use Jay CF Order form for replacement Seat select item #CS-01-4240 for special replacement part t-nut pattern	15" Wide or Greater Plastitech Solid Seat
N/A	12020-RT	Use Jay CF Order form for replacement Seat select item #CS-01-4240 for special replacement part t-nut pattern	15" Wide or Greater Solid Seat
N/A	12025-RT	Replaced by CS-01-3040	ABS Insert
N/A	12030-RT	Replaced by CS-01-4430	Drop Seat Modification
N/A	12035-RT	Replaced by CS-01-4440	T-Seat Modification
N/A	12040-RT	Replaced by CS-01-4450	I-Seat Modification
N/A	12050-RT	Replaced by CS-01-4400	Back Post Notch Modification
N/A	12060-RT	Replaced by CS-01-1020	Anti-Thrust Seat Modification

Pos.	Item Number	Description	Remarks
N/A	12070-RT	Replaced by CS-01-4000	Assymetrical Seat Modification
N/A	12075-RT	Replaced by CS-01-4020	Pelvic Obliquity Buildup
N/A	12080-RT	Replaced by CS-01-1010	Wedge Seat Modification
N/A	12085-RT	Replaced by CS-01-4040	Hamstring Relief
N/A	12087-RT	Included in A-Style	Waterfall Front Seat Modification
N/A	12090-RT	Use Matrix on Order form for custom foam selections	Sunmate Foam Modification
N/A	12100-RT	Use Matrix on Order form for custom foam selections	T-Foam Modification
N/A	12110-RT	Use Matrix on Order form for custom foam selections	Pudgee Foam Modification
N/A	12112-RT	Use Matrix on Order form for custom foam selections	Pudgee Modification for Contoured Seat
N/A	12120-RT	Use Matrix on Order form for custom foam selections	Additional High Resiliancy Foam Modification
N/A	12122-RT	REPLACED BY CS-01-3010	Omit Solid Base
N/A	12124-RT	REPLACED BY CS-01-2020	Omit Foam
N/A	12130-RT	REPLACED BY CS-01-4470	Custom T-Nuts
N/A	12132-RT	Seat tabs now attached with Bolts (t-nuts) as standard	T-Nuts for Seat Tabs
N/A	12140-RT	Full Row T-Nuts standard	Full Row T-Nuts
N/A	12150-RT	REPLACED BY CS-01-4610	Velcro Strips
N/A	12151-RT	REPLACED BY CS-01-4620	Velcro Strips on Top of Seat Base
N/A	12160-RT	REPLACED BY CS-01-4490	ABS Seat Base
N/A	12170-RT	Zippie Hardware ordered with CS-01-9986 no longer requires special T-Nut Pattern	T-Nuts for Zippie Hardware
N/A	12190-RT	REPLACED BY CS-01-4630	Snap Loops

Pos.	Item Number	Description	Remarks
N/A	12195-RT	REPLACED BY CS-01-4640	Loops to Attach Seat to Back Canes - velcro closure
N/A	12200-RT	REPLACED BY CS-01-4650	Custom Foam Lip
N/A	12210-RT	REPLACED BY CS-01-4080	Add 1/2" Akton to IT Region
N/A	12220-RT	REPLACED BY CS-01-4090	Add 7/8" Akton to IT Region
N/A	12225-RT	REPLACED BY CS-01-4100	Add Akton Cubes to IT Region
N/A	12230-RT	REPLACED BY CS-01-4110	Add 1/2" Akton to Entire Seat
N/A	12240-RT	REPLACED BY CS-01-4120	Add 7/8" Akton to Entire Seat
N/A	12245-RT	REPLACED BY CS-01-4130	Add Akton Cubes to Entire Seat
N/A	12250-RT	REPLACED BY CS-01-4720	Zippered Cover
N/A	12255-RT	REPLACED BY CS-01-4730	Split Cover (velcro)
N/A	12260-RT	REPLACED BY CS-01-4600	Two Piece Cushion and Base
N/A	12270-RT	Still a valid part number	Reupholster Solid Seat
N/A	12280-RT	Still a valid part number	Reupholster Drop/Contoured Cushion
N/A	12285-RT	REPLACED BY CS-01-4810	Custom Cushion Cover
N/A	12290-RT	REPLACED BY CS-01-4740	Removable Washable Polortech Cover
N/A	12292-RT	REPLACED BY CS-01-4760	Removable Washable Sheepskin Cover

Pos.	Item Number	Description	Remarks
N/A	12293-RT	Discontinued Use CS-01-4810	Removable Washable Terrycloth Cover
N/A	12300-RT	Use Jay ConfigureFit Order form and select Contour in Step 1	Contoured Seat Modification
N/A	12310-RT	Use Jay ConfigureFit Order form and select Contour in Step 2	Contoured Seat Modification with Pelvic Well
N/A	12320-RT	Use Jay ConfigureFit Order form and select Contour in Step 3	Pelvic Well Seat Modification
N/A	12322-RT	REPLACED BY CS-01-4140	Grid Seat Modification
N/A	12350-RT	REPLACED BY CS-01-3020	3/4" Plywood Modification to Seat
N/A	12370-RT	REPLACED BY CS-01-4780	Non Skid Cover for Seat



Pos.	Item Number	Description	Remarks
N/A	14010P-RT	Use Jay CF Order form for replacement Back select item #CS-07-4240 for special replacement part t-nut pattern	Less Than 15" Wide Plastitech Solid Back
N/A	14010-RT	Use Jay CF Order form for replacement Back select item #CS-07-4240 for special replacement part t-nut pattern	Less Than 15" Wide Solid Back
N/A	14020P-RT	Use Jay CF Order form for replacement Back select item #CS-07-4240 for special replacement part t-nut pattern	15" Wide or Greater Plastitech Solid Back
N/A	14020-RT	Use Jay CF Order form for replacement Back select item #CS-07-4240 for special replacement part t-nut pattern	15" Wide or Greater Solid Back
N/A	14030-RT	REPLACED BY CS-07-4400	I -Back Modification
N/A	14040-RT	REPLACED BY CS-07-4410	T-Back Modification
N/A	14050-RT	REPLACED BY CS-07-1030	Bi-Angular Back Modification
N/A	14056-RT	REPLACED BY CS-07-4660	Single Cover for Bi-Angular Back

Pos.	Item Number	Description	Remarks
N/A	14057-RT	Use Jay CF Order form for replacement Back select item #CS-07-4240 for special replacement part t-nut pattern	Adjustable Angle Bi-Angular Back Modification
N/A	14058-RT	Use Jay CF Order form for replacement Back select item #CS-07-4240 for special replacement part t-nut pattern	Adjustable Angle Bi-Angular Back Modification with Large Bracket
N/A	14060-RT	Use Matrix on Order form for custom foam selections	Sumate Foam Modification
N/A	14070-RT	Use Matrix on Order form for custom foam selections	T-Foam Modification
N/A	14072-RT	REPLACED BY CS-07-3010	Omit Solid Base
N/A	14074-RT	REPLACED BY CS-07-2020	Omit Foam
N/A	14080-RT	Use Matrix on Order form for custom foam selections	Pudgee Foam Modification
N/A	14085-RT	Use Matrix on Order form for custom foam selections	Pudgee Foam Spinal Back Modification
N/A	14090-RT	Use Matrix on Order form for custom foam selections	Additional High Resiliancy Foam Modification
N/A	14110-RT	Full Row T-Nuts standard	Full Row T-Nuts
N/A	14120-RT	REPLACED BY CS-07-4750	Velcro Strips
N/A	14130-RT	REPLACED BY CS-07-4670	Add Zipper to Cover
N/A	14140-RT	REPLACED BY CS-07-4820	Split Cover (zipper)
N/A	14145-RT	REPLACED BY CS-07-4840	Split Cover (velcro)
N/A	14147-RT	REPLACED BY CS-07-4640	Two Piece Cushion and Base Modification
N/A	14150-RT	REPLACED BY CS-07-4030	Back Channel Cutout
N/A	14155-RT	REPLACED BY CS-07-4040	Waterfall Back Modification
N/A	14180-RT	REPLACED BY CS-07-1010	Curved Back Modification
N/A	14185-RT	REPLACED BY CS-07-4410	Radius Bottom of Back
N/A	14190-RT	REPLACED BY CS-07-4050	Through Spinal Cutout

Pos.	Item Number	Description	Remarks
N/A	14195-RT	REPLACED BY CS-07-4000	Scapular Cutout Modification
N/A	14200-RT	REPLACED BY CS-07-1020	Curved Back by Foam Modification
N/A	14205-RT	REPLACED BY CS-07-4650	Custom Foam Lip Modification
N/A	14210-RT	REPLACED BY CS-07-4680	Snap Loop Modification
N/A	14215-RT	REPLACED BY CS-07-4690	Velcro Loop Modification
N/A	14220-RT	REPLACED BY CS-07-4700	Removable Washable Polortech Cover
N/A	14222-RT	REPLACED BY CS-07-4720	Removable Washable Sheepskin Cover
N/A	14225-RT	Discontinued Use CS-07-4700	Removable Washable Terrycloth Cover
N/A	14260-RT	REPLACED BY CS-07-3040	ABS Back Base
N/A	14270-RT	REPLACED BY CS-07-4770	Reupholster Solid Back
N/A	14300-RT	REPLACED BY CS-07-3060	Curved Back Blank
N/A	14310-RT	REPLACED BY CS-07-3020	3/4" Plywood Modification to Back
N/A	14320-RT	REPLACED BY CS-07-4010	Grid Back
N/A	14322-RT	REPLACED BY CS-07-4200	Partial Cut/Foam Relief Modification
N/A	14360-RT	REPLACED BY CS-07-4210	Sunmate Grid Foam Kit
N/A	14370-RT	REPLACED BY CS-07-4220	Pudgee Grid Foam Kit
N/A	14500-RT	REPLACED BY CS-07-1130	Foam in Place Kit
N/A	14510-RT	REPLACED BY CS-07-4100	Add 1/2" Akton Polymer to Entire Back
N/A	14520-RT	REPLACED BY CS-07-4110	Add 7/8" Akton Polymer to Entire Back

Pos.	Item Number	Description	Remarks
N/A	14530-RT	REPLACED BY CS-07-4120	Add Akton Polymer Cubes to Entire Back
N/A	14660-RT	REPLACED BY CS-07-4860	Cover Back with Velcro Material



Pos.	Item Number	Description	Remarks
N/A	16020-RT	Use Jay CF Order form for replacement Lumbar - order from Back section (Zone 7)	Lumbar Pad
N/A	16030-RT	Use Jay CF Order form for replacement Lumbar - order from Back section (Zone 7)	Under Foam Lumbar Pad
N/A	16040-RT	Use Jay CF Order form for replacement Lumbar - order from Back section (Zone 7)	Adjustable Lumbar Support
N/A	16050-RT	Use Jay CF Order form for replacement Lumbar - order from Back section (Zone 7)	Lumbar Pad Zippered Closure



Part Number	Description	Remarks
N/A 18000-20301A	Use Jay CF Order form - use Item CS-03-HIP to place order -Select Bracket Flush, Profile Standard - Suggest ordering BOTH sides	Lateral Hip Supports replacing with L Brackets
N/ 18000-2	Use Jay CF Order form - use Item CS-03-HIP to place order -Select Bracket Flush, Profile Medium - Suggest ordering BOTH sides	Lateral Hip Supports replacing with Thick Seat L Brackets
N/A 18000-20301A	Use Jay CF Order form - use Item CS-03-HIP to place order -Select Bracket 1" Offset, Profile Standard - Suggest ordering BOTH sides	Lateral Hip Supports when replacing with 1" Offset Brackets
N/ 18000-2	Use Jay CF Order form - use Item CS-03-HIP to place order -Select Bracket 1" Offset, Profile Medium - Suggest ordering BOTH sides	Lateral Hip Supports when replacing with Thick Seat 1" Offset Brackets
N/A 18000-20301A	Use Jay CF Order form - use Item CS-03-HIP to place order -Select Bracket Reverse Offset, Profile Standard - Suggest ordering BOTH sides	Lateral Hip Supports when replacing with Reverse Offset Brackets
N/ 18000-2	Use Jay CF Order form - use Item CS-03-HIP to place order -Select Bracket Reverse Offset, Profile Medium - Suggest ordering BOTH sides	Lateral Hip Supports when replacing with Thick Seat 1" Reverse Offset Brackets

Item Number	Description	Remarks
N/A18005-20570-1a	Use Jay CF Order form - use Item CS-03-HIP to place order -Select Contoured Pad -Select Bracket Flush, Profile Standard - Suggest ordering BOTH sides when replacing	Contoured Lateral Hip Supports with L Brackets
N/18005-20570-2a	Use Jay CF Order form - use Item CS-03-HIP to place order -Select Contoured Pad -Select Bracket Flush, Profile Medium - Suggest ordering BOTH sides when replacing	Contoured Lateral Hip Supports with Thick Seat L Brackets
N/A18005-20570-1a	Use Jay CF Order form - use Item CS-03-HIP to place order -Select Contoured Pad -Select Bracket 1" Offset, Profile standard - Suggest ordering BOTH sides when replacing	Contoured Lateral Hip Supports with 1" Offset Brackets
N/18005-20570-2a	Use Jay CF Order form - use Item CS-03-HIP to place order -Select Contoured Pad -Select Bracket 1" Offset, Profile medium - Suggest ordering BOTH sides when replacing	Contoured Lateral Hip Supports with Thick Seat 1" Offset Brackets
N/A18005-20570-1a	Use Jay CF Order form - use Item CS-03-HIP to place order -Select Contoured Pad -Select Bracket Reverse Offset, Profile standard - Suggest ordering BOTH sides when replacing	Contoured Lateral Hip Supports Reverse Offset Brackets
N/18005-20570-2a	Use Jay CF Order form - use Item CS-03-HIP to place order -Select Contoured Pad -Select Bracket Reverse Offset, Profile medium - Suggest ordering BOTH sides when replacing	Contoured Lateral Hip Supports with Thick Seat 1" Reverse Offset Brackets
N/A18010-R0000-1a	Use Jay CF Order form - use Item CS-03-HIP to place order - OMIT Bracket Suggest ordering BOTH sides when replacing	Standard Lateral Hip Support Pads
N/18020-F0000-1a	Use Jay CF Order form - use Item CS-03-HIP to place order - OMIT Bracket Suggest ordering BOTH sides when replacing	Contoured Lateral Hip Support Pads
N/A18100-20571-1a	Use Jay CF Order form - use Item CS-03-HIP to place order - Select Adjustable Profile Bracket Flush Suggest ordering BOTH sides when replacing	Lateral Hip Supports Adjustable L-Shaped Brackets
N/18100-20571-2a	Use Jay CF Order form - use Item CS-03-HIP to place order - Select Adjustable Profile Bracket 1" Offset Suggest ordering BOTH sides when replacing	Lateral Hip Supports Adjustable 1" Offset Brackets
N/A18105-20571-1a	Use Jay CF Order form - use Item CS-03-HIP to place order - Select Contoured Pad - Select Adjustable Profile Bracket Flush Suggest ordering BOTH sides when replacing	Contoured Lateral Hip Supports Adjustable L-Shaped Brackets
N/18105-20571-2a	Use Jay CF Order form - use Item CS-03-HIP to place order - Select Contoured Pad - Select Adjustable Profile Bracket 1" Offset- Suggest ordering BOTH sides when replacing	Contoured Lateral Hip Supports Adjustable 1" Offset Brackets

Item Number	Description	Remarks
N/A18140-R	Order Hip Support CS-03-HIP from Jay CF and select appropriate Modification	Reupholster Hip Support Pads
N/18150-F	Order Hip Support CS-03-HIP from Jay CF and select appropriate Modification	Extra T-Nuts
N/A18160-R	Order Hip Support CS-03-HIP from Jay CF and select appropriate Modification	Extra Foam on Hip Support Pads
N/18170-F	Order Hip Support CS-03-HIP from Jay CF and select appropriate Modification	Aluminum Based Lateral Hip Support Modification
N/A18180-R	Order Hip Support CS-03-HIP from Jay CF and select appropriate Modification	Velcro on Lateral Hip Support Pads
N/18190-F	Order Hip Support CS-03-HIP from Jay CF and select appropriate Modification	Sub-ASIS Cutout Modification
N/A18200-R	Order Hip Support CS-03-HIP from Jay CF and select appropriate Modification	Pudgee Foam on Lateral Hip Pads per 1/2"
N/18205-F	Order Hip Support CS-03-HIP from Jay CF and select appropriate Modification	Sunmate Foam on Lateral Hip Pads per 1/2"
N/A18210-R	Order Hip Support CS-03-HIP from Jay CF and select appropriate Modification	Add Zipper to Lateral Hip Pads
N/18220-F	Order Hip Support CS-03-HIP from Jay CF and select appropriate Modification	Set Hip Support for a 1' Overhang
N/A18230-R	Order Hip Support CS-03-HIP from Jay CF and select appropriate Modification	Set Hip Support for a 2' Overhang
N/18240-F	Order Hip Support CS-03-HIP from Jay CF and select appropriate Modification	Set Hip Support Back 1/2" from front edge of seat
N/A18400-202301	Jay CF Order form - use Item CS-03-HIP to place order - Select OMIT - Upgrade Bracket to Removable and Select Flush Large Target Button St	Lateral Hip Supports with Removable L-Shaped Brackets

Pc	Item Number	Description	Remarks
N/A	18400-20801	Use Jay CF Order form - use Item CS-03-HIP to place order - Select OMIT - Upgrade Bracket to Removable and Select 1" Offset	Lateral Hip Supports Large Target Button Removable 1" Offset Brackets
N/	18405-20801	Use Jay CF Order form - use Item CS-03-HIP to place order -Select Contoured Pad - Select OMIT - Upgrade Bracket to Flush Re	Contoured Lateral Hip Supports Removable L-Shaped Brackets
N/A	18405-20801	Use Jay CF Order form - use Item CS-03-HIP to place order -Select Contoured Pad - Select OMIT - Upgrade Bracket to 1" Offset	Contoured Lateral Hip Supports Removable and Se Removable 1" Offset Brackets
N/	18E095	Use Jay CF Order form - use Item CS-03-HIP to place order - Suggest ordering BOTH sides when replacing	Lateral Hip Support Pad w/Fixed Hardware
N/A	18E1028	Use Jay CF Order form - use Item CS-03-HIP to place order - Select OMIT - Upgrade Bracket to Removable and Select Large Target Button Style fro	Upcharge for Removable Bracket



Part Number	Description	Remarks
N/20000-20670	Use Jay CF Order form - use Item CS-08-LAT to place order-Order Flat Aluminum Pad with 1/4" closed cell foam - Select Flush Bracket	Aluminum Lateral Thoracic Support Pads with L Brackets
N/20000-20680	Use Jay CF Order form - use Item CS-08-LAT to place order - order flat aluminum pad with 1/4" closed cell foam - Select Flush Bracket	Aluminum Lateral Thoracic Support Pads with Thick Seat L Brackets
N/20000-20690	Use Jay CF Order form - use Item CS-08-LAT to place order - order flat aluminum pad with 1/4" closed cell foam - Select 1" Offset Bracket	Aluminum Lateral Thoracic Support Pads with 1" Offset Brackets
N/20000-20700	Use Jay CF Order form - use Item CS-08-LAT to place order- order flat aluminum pad with 1/4" closed cell foam - Select 1" Offset Bracket	Aluminum Lateral Thoracic Support Pads with Thick Seat 1" Offset Brackets
N/20000-20900	Use Jay CF Order form - use Item CS-08-LAT to place order - order flat aluminum pad with 1/4" closed cell foam - Select Reverse Offset Bracket	Aluminum Lateral Thoracic Support Pads with 1" Reverse Offset Brackets

Pc	Item Numbe	Description	Remarks
	N/20000-20951	Use Jay CF Order form - use Item CS-08-LAT to place order - order flat aluminum pad with 1/4" closed cell foam - Select Reverse Offset Brackets	Aluminum Lateral Thoracic Support Pads with Thick Seat 1" Reverse Offset Brackets
	N/20001-20951	Use Jay CF Order form - use Item CS-08-LAT to place order - order wood Pad with 1/2" sunmate foam MODIFY with waterfall edge	Wood Based Lateral Thoracic Support Pads with L Brackets
	N/20001-20951	Use Jay CF Order form - use Item CS-08-LAT to place order - order wood Pad with 1/2" sunmate foam MODIFY with waterfall edge	Wood Based Lateral Thoracic Support Pads with L Brackets
	N/20001-20951	Use Jay CF Order form - use Item CS-08-LAT to place order - order wood Pad with 1/2" sunmate foam MODIFY with waterfall edge	Wood Based Lateral Thoracic Support Pads with 1" Offset Brackets
	N/20001-20951	Use Jay CF Order form - use Item CS-08-LAT to place order - order wood Pad with 1/2" sunmate foam MODIFY with waterfall edge	Wood Based Lateral Thoracic Support Pads with Thick Seat 1" Offset Brackets
	N/20001-20951	Use Jay CF Order form - use Item CS-08-LAT to place order - order wood Pad with 1/2" sunmate foam MODIFY with waterfall edge	Wood Based Lateral Thoracic Support Pads with 1" Reverse Offset Brackets
	N/20001-20951	Use Jay CF Order form - use Item CS-08-LAT to place order - order wood Pad with 1/2" sunmate foam MODIFY with waterfall edge	Wood Based Lateral Thoracic Support Pads with Thick Seat 1" Reverse Offset Brackets
	N/20005-20951	Use Jay CF Order form - use Item CS-08-LAT to place order - order Aluminum Curved Pad with 1/4" closed cell foam - Select Flush Bracket Standard	Aluminum Curved Lateral Thoracic Support Pads with L Brackets

Part Number	Item Number	Description	Remarks
N/20005-20675	20675	Use Jay CF Order form - use Item CS-08-LAT to place order - order Aluminum Curved Pad with 1/4" closed cell foam - Select Flus	Aluminum Curved Lateral Thoracic Support Pads with Thick Seat L Brackets
N/20005-20675	20675	Use Jay CF Order form - use Item CS-08-LAT to place order - order Aluminum Curved Pad with 1/4" closed cell foam - Select 1" C	Aluminum Curved Lateral Thoracic Support Pads with 1" Offset Brackets
N/20005-20675	20675	Use Jay CF Order form - use Item CS-08-LAT to place order - order Aluminum Curved Pad with 1/4" closed cell foam - Select 1" B	Aluminum Curved Lateral Thoracic Support Pads with Thick Seat 1" Offset Brackets
N/20005-20675	20675	Use Jay CF Order form - use Item CS-08-LAT to place order - order Aluminum Curved Pad with 1/4" closed cell foam - Select Rev	Aluminum Curved Lateral Thoracic Support Pads with 1" Reverse Offset Brackets
N/20005-20675	20675	Use Jay CF Order form - use Item CS-08-LAT to place order - order Aluminum Curved Pad with 1/4" closed cell foam - Select Rev	Aluminum Curved Lateral Thoracic Support Pads with Thick Seat 1" Reverse Offset Brackets
N/20010-1		Use Jay CF Parts Manual - select CP-08-2354 CLOSEST SIZE IS 4" X 5" - WILL BE 1/2" TALLER - Suggest ordering BOTH sides	Small Aluminum replacing Pads
N/20020-1		Use Jay CF Parts Manual - select CP-08-2356 CLOSEST SIZE IS 4.5" X 5.5" - WILL BE 1/2" TALLER - Suggest ordering BOTH sides	Medium Aluminum replacing Pads
N/20030-1		Use Jay CF Parts Manual - select CP-08-2358 CLOSEST SIZE IS 5" X 6" - WILL BE 1/2" TALLER - Suggest ordering BOTH sides	Large Aluminum replacing Pads
N/20040-1		Use Jay CF Parts Manual- select CP-08-2306 CLOSEST SIZE IS 4" X 5" - WILL BE 1/2" TALLER - Suggest ordering BOTH sides w	Small Aluminum Curved Pads
N/20050-1		Use Jay CF Parts Manual - select CP-08-2308 CLOSEST SIZE IS 4.5" X 5.5" - WILL BE 1/2" TALLER - Suggest ordering BOTH sides	Medium Aluminum Curved Pads
N/20060-1		Use Jay CF Parts Manual - select CP-08-2310 CLOSEST SIZE IS 5" X 6" - WILL BE 1/2" TALLER - Suggest ordering BOTH sides	Large Aluminum Curved Pads
N/20070-		REPLACED BY CP-03-1700	L Brackets - Hip Supports
N/20070L-		REPLACED BY CP-08-1700	L Brackets - Thoracic Supports

Part Item Number	Description	Remarks
N/20075H	REPLACED BY CP-03-1701	Thick Seat L Brackets - Hip Supports
N/20075L	REPLACED BY CP-08-1701	Thick Seat L Brackets - Thoracic Supports
N/20077H	REPLACED BY CP-03-1735	Adjustable Lateral Hip Brackets - No Offset
N/20077L	REPLACED BY CP-08-1735	Adjustable Lateral Thoracic Brackets - No Offset
N/20080H	REPLACED BY CP-03-1704	1" Offset Brackets - Hip Supports
N/20080L	REPLACED BY CP-08-1704	1" Offset Brackets - Thoracic Supports
N/20085H	REPLACED BY CP-03-1707	Thick Seat 1" Offset Brackets - Hip Supports
N/20085L	REPLACED BY CP-08-1706	Thick Seat 1" Offset Brackets - Thoracic Supports
N/20087H	REPLACED BY CP-03-1736	Adjustable Lateral Hip Brackets - 1" Offset
N/20087L	REPLACED BY CP-08-1736	Adjustable Lateral Thoracic Brackets - 1" Offset
N/20090H	REPLACED BY CP-03-1710	1" Reverse Offset Brackets - Hip Supports
N/20090L	REPLACED BY CP-08-1710	1" Reverse Offset Brackets - Thoracic Supports
N/20095H	ISNT a valid part number	Thick Seat 1" Reverse Offset Brackets - Hip Supports

Pc	Item Numbe	Description	Remarks
			Thick Seat 1"
N/20095L	20095L	Still a valid part number	Reverse Offset Brackets - Thoracic Supports
N/20100-	20100-	Use Jay CF Order form - use Item CS-08-LAT to place order - order flat aluminum pad with 1/4" closed cell foam - Select Adjustable L Brackets	Aluminum Lateral Thoracic Support Pads with Adjustable L Brackets
N/20100-2097	2097	Use Jay CF Order form - use Item CS-08-LAT to place order - order flat aluminum pad with 1/4" closed cell foam - Select Adjustable L Brackets	Aluminum Lateral Thoracic Support Pads with Adjustable L Brackets
N/20101-	20101-	Use Jay CF Order form - use Item CS-08-LAT to place order - order flat wood pad with 1/2" Sunmate foam and MODIFY with water	Wood Based Lateral Thoracic Support Pads with Adjustable L Brackets
N/20101-2097	2097	Use Jay CF Order form - use Item CS-08-LAT to place order - order flat wood pad with 1/2" Sunmate foam and MODIFY with water	Wood Based Lateral Thoracic Support Pads with Adjustable L Brackets
N/20105-	20105-	Use Jay CF Order form - use Item CS-08-LAT to place order - order curved aluminum pad with 1/4" closed cell foam - Select Adjustable L Brackets	Aluminum Curved Lateral Thoracic Support Pads with Adjustable L Brackets
N/20105-2097	2097	Use Jay CF Order form - use Item CS-08-LAT to place order - order curved aluminum pad with 1/4" closed cell foam - Select Adjustable L Brackets	Aluminum Curved Lateral Thoracic Support Pads with Adjustable L Brackets
N/20150-	20150-	Use Jay CF Product Selection Guide - select CS-08-2339 CLOSEST SIZE IS 4" X 5" - WILL BE 1/2" TALLER - Suggest ordering B	Small Wood Based Pads
N/20160-	20160-	Use Jay CF Product Selection Guide - select CS-08-2341 CLOSEST SIZE IS 4.5" X 5.5" - WILL BE 1/2" TALLER - Suggest ordering B	Medium Wood Based Pads
N/20170-	20170-	Use Jay CF Product Selection Guide - select CS-08-2343 CLOSEST SIZE IS 5" X 6" - WILL BE 1/2" TALLER - Suggest ordering B	Large Wood Based Pads
N/20200-	20200-	REPLACED BY CP-08-2362 OR CP-08-2314	All Custom Aluminum Lateral Pads

Item Number	Description	Remarks
N/20270H	REPLACED BY CP-03-1821 OR CP-03-1823	Removable Lateral Hip Brackets - No Offset
N/20280F	REPLACED BY CP-03-1822 OR CP-03-1824	Removable Lateral Hip Brackets - 1" Offset
N/20300-2070P	To replace entire assembly order from Jay CF - use item CS-08-LAT - select Aluminum base Straight Pad with closed cell foam - up	Aluminum Lateral Thoracic Support Pads with Flush Swing Away Brackets
N/20300-	To replace entire assembly order from Jay CF - use item CS-08-LAT - select Aluminum base Straight Pad with closed cell foam - up	Aluminum Lateral Thoracic Support Pads with Flush Swing Away Thick Back Brackets
N/20300-2080P	To replace entire assembly order from Jay CF - use item CS-08-LAT - select Aluminum base Straight Pad with closed cell foam - up	Aluminum Lateral Thoracic Support Pads with 1" Offset Swing Away Brackets
N/20300-	To replace entire assembly order from Jay CF - use item CS-08-LAT - select Aluminum base Straight Pad with closed cell foam - up	Aluminum Lateral Thoracic Support Pads with 2" Offset Swing Away Brackets
N/20300-2085P	To replace entire assembly order from Jay CF - use item CS-08-LAT - select Aluminum base Straight Pad with closed cell foam - up	Aluminum Lateral Thoracic Support Pads with Offset Swing Away Thick Back Brackets
N/20300-	To replace entire assembly order from Jay CF - use item CS-08-LAT - select Aluminum base Straight Pad with closed cell foam - up	Aluminum Lateral Thoracic Support Pads with 2" Offset Swing Away Thick Back Brackets
N/20300-2090P	To replace entire assembly order from Jay CF - use item CS-08-LAT - select Aluminum base Straight Pad with closed cell foam - up	Aluminum Lateral Thoracic Support Pads with Reverse Offset Swing Away Brackets

Pc	Item Number	Description	Remarks
			Aluminum Lateral Thoracic Support Pads with 1" Thick Back Brackets
N/20300-	20395	To replace entire assembly order from Jay CF - use item CS-08-LAT - select Aluminum base Straight Pad with closed cell foam - upg	to Swing Away
			Wood Based Lateral Thoracic Support Pads with Flush Swing Away Thick Back Brackets
N/20301-	20395	To replace entire assembly order from Jay CF - use item CS-08-LAT - select wood base Straight Pad with 1/2" sunmate foam - upg	to Swing Away
			Wood Based Lateral Thoracic Support Pads with Flush Swing Away Thick Back Brackets
N/20301-	20395	To replace entire assembly order from Jay CF - use item CS-08-LAT - select wood base Straight Pad with 1/2" sunmate foam - upg	to Swing Away
			Wood Based Lateral Thoracic Support Pads with 1" Offset Swing Away Thick Back Brackets
N/20301-	20395	To replace entire assembly order from Jay CF - use item CS-08-LAT - select wood base Straight Pad with 1/2" sunmate foam - upg	to Swing Away
			Wood Based Lateral Thoracic Support Pads with 2" Offset Swing Away Thick Back Brackets
N/20301-	20395	To replace entire assembly order from Jay CF - use item CS-08-LAT - select wood base Straight Pad with 1/2" sunmate foam - upg	to Swing Away
			Wood Based Lateral Thoracic Support Pads with 1" Offset Swing Away Thick Back Brackets

Pc	Item Numbe	Description	Remarks
N/20301-	20301-	To replace entire assembly order from Jay CF - use item CS-08-LAT - select wood base Straight Pad with 1/2" sunmate foam - upgrade to	Wood Based Lateral Thoracic Support Pads with 1" Offset Swing Away Thick Back Brackets
N/20301-	20301-	To replace entire assembly order from Jay CF - use item CS-08-LAT - select wood base Straight Pad with 1/2" sunmate foam - upgrade to	Wood Based Lateral Thoracic Support Pads with 1" Reverse Offset Swing Away Brackets
N/20301-	20301-	To replace entire assembly order from Jay CF - use item CS-08-LAT - select wood base Straight Pad with 1/2" sunmate foam - upgrade to	Wood Based Lateral Thoracic Support Pads with 1" Reverse Offset Swing Away Thick Back Brackets
N/20305-	20305-	To replace entire assembly order from Jay CF - use item CS-08-LAT - select Aluminum base Curved Pad with closed cell foam - upgrade to	Aluminum Curved Lateral Thoracic Support Pads with Flush Swing Away Brackets
N/20305-	20305-	To replace entire assembly order from Jay CF - use item CS-08-LAT - select Aluminum base Curved Pad with closed cell foam - upgrade to	Aluminum Curved Lateral Thoracic Support Pads with Flush Swing Away Thick Back Brackets
N/20305-	20305-	To replace entire assembly order from Jay CF - use item CS-08-LAT - select Aluminum base Curved Pad with closed cell foam - upgrade to	Aluminum Curved Lateral Thoracic Support Pads with 1" Offset Swing Away Brackets
N/20305-	20305-	To replace entire assembly order from Jay CF - use item CS-08-LAT - select Aluminum base Curved Pad with closed cell foam - upgrade to	Aluminum Curved Lateral Thoracic Support Pads with 2" Offset Swing Away Brackets

Part Number	Description	Remarks
N/20305-20385	To replace entire assembly order from Jay CF - use item CS-08-LAT - select Aluminum base Curved Pad with closed cell foam - upgrade to	Aluminum Curved Lateral Thoracic Support Pads with 1" Offset Swing Away Thick Back Brackets
N/20305-	To replace entire assembly order from Jay CF - use item CS-08-LAT - select Aluminum base Curved Pad with closed cell foam - upgrade to	Aluminum Curved Lateral Thoracic Support Pads with 2" Offset Swing Away Thick Back Brackets
N/20305-20390	To replace entire assembly order from Jay CF - use item CS-08-LAT - select Aluminum base Curved Pad with closed cell foam - upgrade to	Aluminum Curved Lateral Thoracic Support Pads with 1" Reverse Offset Swing Away Brackets
N/20305-	To replace entire assembly order from Jay CF - use item CS-08-LAT - select Aluminum base Curved Pad with closed cell foam - upgrade to	Aluminum Curved Lateral Thoracic Support Pads with 1" Reverse Offset Swing Away Thick Back Brkts
N/20320-1SRIT	Still a valid part number	Swing Away Body Only
N/20370L	Still a valid part number	Swing Away Flush Attaching Bracket
N/20375L-SRIT	Still a valid part number	Swing Away Flush Thick Back Attaching Bracket
N/20377L	Still a valid part number	Swing Away Flush Adjustable Attaching Bracket
N/20379L-SRIT	Still a valid part number	Swing Away, Flush, A/P Range Adjustable Attaching Bracket

Part Number	Description	Remarks
N/20380L	Still a valid part number	Swing Away 1" Offset Attaching Bracket
N/20381L	Still a valid part number	Swing Away 2" Offset Attaching Bracket
N/20385L	Still a valid part number	Swing Away 1" Offset Thick Back Attaching Bracket
N/20386L	Still a valid part number	Swing Away 2" Offset Thick Back Attaching Bracket
N/20387L	Still a valid part number	Swing Away 1" Offset Adjustable Attaching Bracket
N/20389L	Still a valid part number	Swing Away, 1" Offset, A/P Range Adjustable Attaching Bracket
N/20390L	Still a valid part number	Swing Away 1" Reverse Offset Attaching Bracket
N/20395L	Still a valid part number	Swing Away 1" Reverse Offset Thick Back Attaching Bracket
N/20399L	Still a valid part number	Swing Away, Reverse Offset, A/P Range Adjustable Attaching Bracket
N/20399-I	Still a valid part number	Bracket Modification for Curved Back

Pc	Item Number	Description	Remarks
			Aluminum Based Lateral Thoracic Support Pads with Adjustable Flush Swing Away Brackets
N/20400-	20371	To replace entire assembly order from Jay CF - use item CS-08-LAT - select Aluminum base Straight Pad with closed cell foam - up	to Swing Aw
N/20400-		To replace entire assembly order from Jay CF - use item CS-08-LAT - select Aluminum base Straight Pad with closed cell foam - up	Aluminum Based Lateral Thoracic Support Pads with Adjustable 1" Offset Swing Away Brackets
N/20401-	20371	To replace entire assembly order from Jay CF - use item CS-08-LAT - select Wood Base Straight Pad with 1/2" Sunmate foam - up	Wood Based Lateral Thoracic Support Pads with Adjustable Flush Swing Away Brackets
N/20401-		To replace entire assembly order from Jay CF - use item CS-08-LAT - select Wood Base Straight Pad with 1/2" Sunmate foam - up	Wood Based Lateral Thoracic Support Pads with Adjustable 1" Offset Swing Away Brackets
N/20405-	20371	To replace entire assembly order from Jay CF - use item CS-08-LAT - select Aluminum Base Curved Pad with closed cell foam - up	Curved Aluminum Based Lateral Thoracic Support Pads with Adjustable Flush Swing Away Brackets
N/20405-		To replace entire assembly order from Jay CF - use item CS-08-LAT - select Aluminum Base Curved Pad with closed cell foam - up	Curved Aluminum Based Lateral Thoracic Support Pads with Adjustable 1" Offset Swing Away Brackets
N/20500-		REPLACED BY CP-07-5043 OR CP-07-5044 OR CP-07-5045 WITH CP-08-1170L/R	Lever Adjust for Easy Bracket Adjustment

Part Item Number	Description	Remarks
N/20505-	REPLACED BY CP-08-1170L/R	Lever Adjust for Easy Bracket Adjustment without Tracks
N/20510-	REPLACED BY CP-08-1280L/R OR CP-08-1320L/R OR CP-08-1300L/R OR CP-08-1340L/R	Lateral Thoracic Bracket Covers
N/20515-	REPLACED BY CP-08-1280L/R OR CP-08-1320L/R OR CP-08-1300L/R OR CP-08-1340L/R	Full Length Lateral and Bracket Covers
N/20520-	REPLACED BY CP-08-1220L/R	1/2" Akton Polymer added to Laterals
N/20530-	REPLACED BY CP-02-1230L/R	7/8" Akton Polymer added to Laterals
N/20540-	REPLACED BY CP-08-1240L/R	Akton Polymer Cubes added to Laterals
N/20580-	Still a valid part number	1/4" Lateral Spacers - Swing- Away Brackets Only
N/20590-	REPLACED BY CS-08-1530L/R	Rolled Edge Pad Mod
N/20600-20370-	Hardware Parts available only - must order Pad from Jay CF	Aluminum Lateral Thoracic Pads w/ A/P Range Adjustable Swing- Away Brackets No Offset
N/20600-	Hardware Parts available only - must order Pad from Jay CF	Aluminum Lateral Thoracic Pads w/ A/P Range Adjustable Swing- Away Brackets 1" Offset
N/20600-20380-	Hardware Parts available only - must order Pad from Jay CF	Aluminum Lateral Thoracic Pads w/ A/P Range Adjustable Swing- Away Brackets 1" Reverse Offset

Part	Item Number	Description		Remarks
	N/20601-20370	Hardware Parts available only - must order Pad from Jay CF		Wood Lateral Thoracic Pads w/ A/P Range Adjustable Swing- Away Brackets No Offset
	N/20601-20380	Hardware Parts available only - must order Pad from Jay CF		Wood Lateral Thoracic Pads w/ A/P Range Adjustable Swing- Away Brackets 1" Offset
	N/20601-20390	Hardware Parts available only - must order Pad from Jay CF		Wood Lateral Thoracic Pads w/ A/P Range Adjustable Swing- Away Brackets 1" Reverse Offset
	N/20605-20360	Hardware Parts available only - must order Pad from Jay CF		Curved Aluminum Lateral Thoracic Pads w/ A/P Range Adjustable Swing- Away Brackets No Offset
	N/20605-20370	Hardware Parts available only - must order Pad from Jay CF		Curved Aluminum Lateral Thoracic Pads w/ A/P Range Adjustable Swing- Away Brackets 1" Offset
	N/20605-20380	Hardware Parts available only - must order Pad from Jay CF		Curved Aluminum Lateral Thoracic Pads w/ A/P Range Adjustable Swing- Away Brackets 1" Reverse Offset

Pc	Item Numbe	Description	Remarks
			Aluminum Lateral Thoracic Pads w/ A/P Adjustable and Removable Swing- Away Brackets No Offset
N/	20700-20391	Hardware Parts available only - must order Pad from Jay CF	
			Aluminum Lateral Thoracic Pads w/ A/P Adjustable and Removable Swing- Away Brackets 1" Offset
N/	20700-	Hardware Parts available only - must order Pad from Jay CF	
			Aluminum Lateral Thoracic Pads w/ A/P Adjustable and Removable Swing- Away Brackets 1" Reverse Offset
N/	20700-20391	Hardware Parts available only - must order Pad from Jay CF	
			Wood Lateral Thoracic Pads w/ A/P Adjustable and Removable Swing- Away Brackets No Offset
N/	20701-	Hardware Parts available only - must order Pad from Jay CF	
			Wood Lateral Thoracic Pads w/ A/P Adjustable and Removable Swing- Away Brackets 1" Offset
N/	20701-20391	Hardware Parts available only - must order Pad from Jay CF	
			Wood Lateral Thoracic Pads w/ A/P Adjustable and Removable Swing- Away Brackets 1" Reverse Offset
N/	20701-	Hardware Parts available only - must order Pad from Jay CF	

Part Number	Description	Remarks
N/20705-20379	Hardware Parts available only - must order Pad from Jay CF	Curved Aluminum Lateral Thoracic Pads w/ A/P Adjustable and Removable Swing-Away Brackets No Offset
N/20705-20380	Hardware Parts available only - must order Pad from Jay CF	Curved Aluminum Lateral Thoracic Pads w/ A/P Adjustable and Removable Swing-Away Brackets 1" Offset
N/20705-20381	Hardware Parts available only - must order Pad from Jay CF	Curved Aluminum Lateral Thoracic Pads w/ A/P Adjustable and Removable Swing-Away Brackets 1" Reverse Offset
N/20E095	Use Jay CF Order form - use Item CS-08-LAT to place order- Generally should order pad with 1/4" closed cell foam - Suggest order	Lateral Trunk Support WITH sides w/Fixed Hardware
N/20E102B	Use Jay CF Order form - use Item CS-08-LAT to place order - Omit Bracket (Upgrade) and complete CS-08-LAT_REM (this is the	Upcharge for Swing Away Removable Bracket
N/20E102	Use Jay CF Order form - use Item CS-08-LAT to place order - Generally should order pad with 1/4" closed cell foam- Omit Bracket	Upcharge for Swing Away Bracket



Part Num	Description	Remarks
N/2200	Order CS-14-HEAD-OS and select Flat Headrest Extension - Step 2 select OMIT bracket and complete CS-14-REM-OS and select	Flat Headrest Pad with Vertically Adjustable Bracket Adjustable Posterior
N/2200	Order CS-14-HEAD-OS and select Flat Headrest Extension - Step 2 select OMIT bracket and complete CS-14-REM-OS and select	Flat Headrest Pad with Offset Vertically Adjustable Bracket Adjustable Po
N/2205	Order CS-14-HEAD-OS and select Flat Head Support Panel - Step 2 select OMIT bracket and complete CS-14-REM-OS and select	Fixed Three Panel Headrest with Offset Vertically Adjustable Bracket Bracket Depth Adj
N/2211	REPLACED BY CP-14-8190,CP-14-7030,CP-14-7035,CP-14-7040,CP-14-7045,CP-14-7050	Flat Headrest Pad
N/2213	REPLACED BY CP-14-7250	Straight Vertically Adjustable Headrest Bracket
N/2214	REPLACED BY CP-14-7260	Offset Vertically Adjustable Headrest Bracket
N/2216	Still a valid part number	Knob Kit for Headrest Bracket
N/2220	Order CS-14-HEAD-OS and select Flat Head Support Panel - Step 2 select OMIT bracket Then complete CS-14-3P-OS and comp	Fixed 3 Panel Headrest Pad l pad sizes
N/2220	Order CS-14-HEAD-OS and select Flat Head Support Panel - Step 2 select OMIT bracket Then complete CS-14-3P-OS and comp	Adjustable Angle 3 Panel Headrest Pad lateral pad sizes
N/2224	REPLACED BY CP-14-7210	Anterior/Posterior Adjustable Headrest Bracket
N/2230	Order CS-14-HEAD-OS and select Flat Headrest Extension - Step 2 select OMIT bracket and complete CS-14-REM-OS and select	Flat Headrest Pad with Anterior/Posterior Adjustable Bracket Bracket Depth Adj
N/2235	Order CS-14-HEAD-OS and select Flat Head Support Panel - Step 2 select OMIT bracket and complete CS-14-REM-OS and select	Adjustable Angle 3 Panel Headrest with Offset Vertically Adjustable Bracket Adjustable Po
N/2245	Still a valid part number	Headrest Adapter Plate
N/2246	Still a valid part number	RehabiliTech Headrest Adapter
N/2251	REPLACED BY CP-14-8440	Add 1/2" Akton Polymer to Headrest
N/2252	REPLACED BY CP-14-8440	Add 7/8" Akton Polymer to



Part Number	Description	Remarks
N/24010	CS-05-3000 MTS PAD WEDGE SMALL, CS-05-3010 MTS PAD WEDGE MEDIUM, CS-05-3020 MTS PAD WEDGE LARGE, CS-05-3030 MTS PAD WEDGE	Abductor Pad
N/2404	Still a valid part number	Slide Out Adapter Plate for Push Button Flip Down Bracket
N/2404	Still a valid part number	Long Slide Out Adapter Plate
N/2404	Still a valid part number	Slide Out Adapter Plate for Low Profile Push Button Flip Down Bracket
N/2405	REPLACED BY CP-05-3341, CP-05-3342, CP-05-3343, CP-05-3344	Flip Down Bracket
N/2406	REPLACED BY CP-05-3341, CP-05-3342, CP-05-3343, CP-05-3344	Flip Down Bracket with Independant Release
N/2409	Still a valid part number	Abductor Spacer

Part Num	Description	Remarks
N/2410	REPLACED BY CP-05-3301	Push Button Flip Down Bracket 1.5" Thick Seat
N/2411	REPLACED BY CP-05-3302	Push Button Flip Down Bracket 2" Thick Seat
N/2412	REPLACED BY CP-05-3303	Push Button Flip Down Bracket 2.5" Thick Seat
N/2413	REPLACED BY CP-05-3303	Push Button Flip Down Bracket 2.75" Thick Seat
N/2414	REPLACED BY CP-05-3304	Push Button Flip Down Bracket 3" Thick Seat
N/2415	REPLACED BY CP-05-3305	Push Button Flip Down Bracket 3.5" Thick Seat
N/2415	REPLACED BY CP-05-3306	Push Button Flip Down Bracket 4" Thick Seat
N/2415	REPLACED BY CP-05-3307	Push Button Flip Down Bracket 4.5" Thick Seat
N/2416	Not a valid part number	Knob Kit for Abductor Bracket
N/2419	Still a valid part number	Short Pad Plate
N/2420	Not a valid part number	Long Pad Plate
N/2422	Still a valid part number	Large Flip Down Abductor Button

Part Item Num	Description		Remarks
N/2424	Not a valid part number		Abductor Button Release Protector
N/2430	REPLACED BY CP-05-3317		Low Profile Push Button Flip Down Bracket 1.5"
N/2431	REPLACED BY CP-05-3318		Low Profile Push Button Flip Down Bracket 2"
N/2432	REPLACED BY CP-05-3319		Low Profile Push Button Flip Down Bracket 2.5"
N/2433	REPLACED BY CP-05-3319		Low Profile Push Button Flip Down Bracket 2.75"
N/2434	REPLACED BY CP-05-3320		Low Profile Push Button Flip Down Bracket 3"
N/2435	REPLACED BY CP-05-3321		Low Profile Push Button Flip Down Bracket 3.5"
N/2436	REPLACED BY CP-05-3322		Low Profile Push Button Flip Down Bracket 4"
N/2437	REPLACED BY CP-05-3323		Low Profile Push Button Flip Down Bracket 4.5"
N/2451	REPLACED BY CP-05-3100		Add 1/2" Akton Polymer to Abductor

Part Item Num	Description	Remarks
N/2452	REPLACED BY CP-05-3220	Add 7/8" Akton Polymer to Abductor
N/2453	REPLACED BY CP-05-3210	Add Akton Polymer Cubes to Abductor
N/24E057	Order CS-05-ABD from Jay ConfigureFit as the replacement item. Requires selecting Pad Shape, and Size. When used as a replacement	Medial Thigh Support with Fixed Mounting Hardware
N/24E1028	Order CS-05-ABD_REM from Jay ConfigureFit as the replacement item. Requires selecting the bracket type. The brackets that serve	Upcharge for Retractable Bracket
N/24E1028	Order CS-05-ABD_REM from Jay ConfigureFit as the replacement item. Requires selecting the bracket type. The brackets that serve	Upcharge for Retractable Removable Bracket



Pos.	Item Number	Description	Remarks
N/A	26020-RT	Replaced with CP-02APB7212	Hip Belt 1 1/2" with Padded Auto Style Buckle
N/A	26022-RT	Still a valid part number	4 Point Mounting for Seatbelts
N/A	26160-RT	Still a valid part number	Auto Style Safety Belt 1 1/2"
N/A	26170-RT	Still a valid part number	Auto Style Safety Belt 2"
N/A	26180-RT	Replaced with CP-09-1200	Padded Chest Strap with Velcro Closure
N/A	26182-RT	Replaced with CP-09-1210	Unpadded Chest Strap with Velcro Closure
N/A	26184-RT	Replaced with CP-09-1220	Padded Chest Strap with Plastic Side Release Buckle
N/A	26190-RT	Replaced with CP-09-1230	Padded Shoulder Harness with Rear Pull Down Adjustment
N/A	26195-RT	Still a valid part number	Bandolier Stretch Harness
N/A	26200-RT	Still a valid part number	Padded Shoulder Straps with Cam Lock Buckle
N/A	26202-RT	Still a valid part number	Padded Shoulder Straps with Plastic Side Release Buckle
N/A	26204-RT	Still a valid part number	Sheepskin Shoulder Straps with Cam Lock Buckle
N/A	26206-RT	Still a valid part number	Sheepskin Shoulder Straps with Plastic Side Release Buckle
N/A	26210-RT	Replaced with CP-09-1240	Butterfly Vest with Velcro Straps
N/A	26220-RT	Replaced with CP-09-1250	Butterfly Vest with Plastic Side Release all Four Corners
N/A	26230-RT	Replaced with CP-09-1260	Butterfly Vest with Plastic Side Release Pull Down to Adjust
N/A	26240-RT	Replaced with CP-09-1270	Butterfly Vest with Plastic Side Release Pull Up to Adjust
N/A	26290-RT	Still a valid part number	H Strap
N/A	26300-RT	Replaced with CP-06-2860	Foot Straps
N/A	26310-RT	Replaced with CP-09-1290	Stretch Butterfly Strap Modification
N/A	26322-RT	Still a valid part number	Goal Post Shoulder Strap Guides
N/A	26330-RT	Still a valid part number	Velcro and Buckle Chest Strap
N/A	26340-RT	Still a valid part number	Chest Strap for Hospital Bed
N/A	26350-RT	Still a valid part number	Butterfly Strap Shoulder Pads
N/A	26360-RT	Still a valid part number	End Fasteners
N/A	26380-RT	Still a valid part number	All Custom 'Y' Belt
N/A	26390-RT	Still a valid part number	All Custom Padded 'Y' Belt
N/A	26500-RT	Still a valid part number	Custom Butterfly
N/A	26510-RT	Replaced with CP-09-1300	Reinforce Butterfly
N/A	26520-RT	Still a valid part number	Custom H Harness
N/A	26600-RT	Still a valid part number	Cover Straps with Sheepskin
N/A	26610-RT	Still a valid part number	Custom Padded Chest Strap
N/A	26620-RT	Still a valid part number	Midline Thigh Strap

Pos.	Item Number	Description	Remarks
N/A	26630-RT	Still a valid part number	Medial Thigh Strap
N/A	26640-RT	Still a valid part number	Seat Belt Guides
N/A	26650-RT	Still a valid part number	74" Basic Seat Belt
N/A	26660-RT	Still a valid part number	Sheepskin Covers for Shoulder Strap Pads
N/A	26670-RT	Still a valid part number	Att. Seat Belt
N/A	26675-RT	Still a valid part number	1.5" Fastex Buckle
N/A	26680-RT	Still a valid part number	Wide Trunk Strap
N/A	26685-RT	Still a valid part number	Custom Harness System
N/A	26690-RT	Still a valid part number	Modify Chest Strap
N/A	26695-RT	Still a valid part number	Sternum Strap
N/A	26E0978	Order CS-02-PELVICSP and select buckle style, size and pad	Hip Belt Unpadded with Auto Style Buckle



Part Number	Description	Remarks
N/28000	Still a valid part number	Drop Hook 7/8" with No Drop
N/28005	REPLACED BY CP-01-9988	1" Zero Drop Pin Lock
N/28007	REPLACED BY CP-01-9984	7/8" Zero Drop Pin Lock
N/28008	Still a valid part number	1" Dia 1" Drop Pin Lock
N/28009	Still a valid part number	7/8" Dia 1" Drop Pin Lock
N/28010	REPLACED BY CP-01-9891 If Customer Orders MUST indicate that CF replacement part is different but similar in function and a se	Drop Hook 7/8" with 1" Drop
N/28015	REPLACED BY 113563-006 If Customer Orders MUST indicate that CF replacement part is different but similar in function and SHOULD order a quantity	Drop Hook 7/8" with 1.5" Drop

Part Num	Item Description	Remarks
N/28020	REPLACED BY 113563-007 If Customer Orders MUST indicate that CF replacement part is different but similar in function and SHOULD order a quantity of 2	Drop Hook 7/8" with 2" Drop
N/28030	Still a valid part number	Drop Hook 1" with No Drop
N/28040	REPLACED BY CP-01-9862 If Customer Orders MUST indicate that CF replacement part is different but similar in function and a set of two will be received	Drop Hook 1" with 1" Drop
N/28045	REPLACED BY 113563-010 If Customer Orders MUST indicate that CF replacement part is different but similar in function and SHOULD order a quantity of 2	Drop Hook 1" with 1.5" Drop
N/28050	REPLACED BY 113563-011 If Customer Orders MUST indicate that CF replacement part is different but similar in function and SHOULD order a quantity of 2	Drop Hook 1" with 2" Drop
N/28060	REPLACED BY 113567-006 This replacement part is a 6 hole versus 4 hole. This must be ordered with Lock tab (113565) AND choice of L Bracket (113559-001, 113559-002, 113559-003, 113559-004)	4 Hole Drop Hook 1"
N/28070	REPLACED BY 113567-004 This replacement part is a 6 hole versus 4 hole. This must be ordered with Lock tab (113565) AND choice of L Bracket (113559-001, 113559-002, 113559-003, 113559-004)	4 Hole Drop Hook 7/8"
N/28080	REPLACED BY 113567-005 This must be ordered with Lock Tab (113565) AND choice of L Bracket (113559-001, 113559-002, 113559-003, 113559-004)	2 Hole Drop Hook 1"
N/28090	REPLACED BY 113567-003 This must be ordered with Lock Tab (113565) AND choice of L Bracket (113559-001, 113559-002, 113559-003, 113559-004)	2 Hole Drop Hook 7/8"
N/28095	REPLACED BY 113566-001 This must be ordered with Lock Tab (113565) AND choice of L Bracket (113559-001, 113559-002, 113559-003, 113559-004)	Square 2 Hole Drop Hook
N/28112	USE 28114-RT - Replacement is a 1" diameter bracket but will function	Tab Under Lock 0" Drop Hook for 1" Tubing
N/28114	Still a valid part number	Tab Under Lock 1" Drop Hook for 1" Tubing
N/28120	REPLACED BY 113559-001 MUST order matching J hook select from 113567-001, 113567-002, 113567-003, 113657-004, 113567-005 OR 113567-006	L Bracket 3 1/2" x 1" Single Hole

Part Num	Description	Remarks
N/28130	REPLACED BY 113559-002 MUST order matching J hook select from 113567-001, 113567-002, 113567-003, 113657-004, 113567-005 OR	L Bracket 3 1/2" x 3" Three Hole
N/28132	REPLACED BY 113558-002 MUST order matching J hook select from 113567-001, 113567-002, 113567-003, 113657-004, 113567-	110 degree L Bracket 3 1/2" x 3" Three Hole
N/28140	REPLACED BY 113559-003 MUST order matching J hook select from 113567-001, 113567-002, 113567-003, 113657-004, 113567-	L Bracket 3 1/2" x 3" Five Hole
N/28145	REPLACED BY 113559-004 MUST order matching J hook select from 113567-001, 113567-002, 113567-003, 113657-004, 113567-	L Bracket 3 1/2" x 4" Seven Hole
N/28210	REPALCED BY CP-01-9998 SUGGEST ordering qty two of these for thickness.	Seat Tabs
N/28210	REPALCED BY CP-01-9998 SUGGEST ordering qty two of these for thickness.	Seat Tabs Slotted
N/28216	ISNT a valid part number	Seat Tabs Thick
N/28216	REPLACED BY CP-01-9997	Seat Tabs 3/4" Thick Slotted
N/28217	REPLACED BY CP-01-9997	Seat Tabs Thick Long
N/28220	REPLACED BY HDW6420	7/8" Clamp On Hook Stop
N/28221	REPLACED BY HDW6450	7/8" Clamp On Hook Stop with Tongue
N/28222	REPLACED BY HDW6455	7/8" Clamp On Hook Stop with Swivel Tongue
N/28230	REPLACED BY HDW6430	1" Clamp On Hook Stop
N/28231	REPLACED BY HDW6460	1" Clamp On Hook Stop with Tongue

Part Item Num	Description	Remarks
N/28232	REPLACED BY HDW6465	1" Clamp On Hook Stop with Swivel Tongue
N/28236	Still a valid part number	ShurLock Seat Drop Hook Locks
N/28240	Choose any of: CP-07-9943, CP-07-9944, CP-07-9945, CP-07-9946 depending upon Curved Back or not with Transit or not	7/8" Knob Release Hardware for Backs
N/28244	REPLACED BY CP-07-10000	Extra Long Slide Plate with Knob
N/28250	Choose any of: CP-07-9943, CP-07-9944, CP-07-9945, CP-07-9946 depending upon Curved Back or not with Transit or not	1" Knob Release Hardware for Backs
N/28260	Choose either CP-01-9940 or CP-01-9941 depending on transit or not	7/8" Knob Release Saddle Hardware for Seats
N/28262	Choose either CP-01-9940 or CP-01-9941 depending on transit or not	7/8" Knob Release Hardware for Seats
N/28270	Choose either CP-01-9940 or CP-01-9941 depending on transit or not	1" Knob Release Saddle Hardware for Seats
N/28272	Choose either CP-01-9940 or CP-01-9941 depending on transit or not	1" Knob Release Hardware for Seats
N/28278	Use HDW6820C - This is a universal clamp MUST ORDER QTY 2	3/4" Knob Release Clamp without Forks
N/28280	Use HDW6820C - This is a universal clamp MUST ORDER QTY 2	7/8" Knob Release Clamp without Forks
N/28290	Use HDW6820C - This is a universal clamp MUST ORDER QTY 2	1" Knob Release Clamp without Forks
N/28300	Use HDW6810C - This is a universal clamp MUST ORDER QTY 2	7/8" Knob Release Saddle Clamp without Hooks

Part Item Numt	Description	Remarks
N/28310	USE HDW6810C - This is a universal clamp MUST ORDER QTY 2	1" Knob Release Saddle Clamp without Hooks
N/28315	Still a valid part number	Rectangular Knob Release Clamp without Forks
N/28317	Still a valid part number	Square Knob Release Clamp without Forks
N/28320	Order Qty 2 of ART000144	Forks for Seat
N/28330	Order Qty 1 of ART000146 and Qty 1 of ART000148	Hooks for Back
N/28332	Order Qty 1 of 113772 and Qty1 of 113776	Hooks for Curved Back
N/28345	Order Qty 2 of ART000253 and QTY2 of ART000256	Hook or Fork Lock Pins
N/28350	Order CS-03-3050L and CS-03-3050R (Instruct Customer to use them with flat end toward the top of the bracket)	Spacer 1/2" Thick
N/28360	Order CS-03-3025L and CS-03-3025R (Instruct Customer to use them with flat end toward the top of the bracket)	Spacer 1/4" Thick
N/28370	Order CP-07-5061 NOTE: If replacing this part - Must ask customer if original configuration of seat and back was set-up with "Side-by-Side"	Seat to Back Bracket Flush Short
N/28375	Order CP-07-5054 NOTE: If replacing this part - Must ask customer if original configuration of seat and back was set-up with "Side-by-Side"	Seat to Back Bracket Flush- Regular
N/28377	Order CP-07-5051 NOTE: If replacing this part - Must ask customer if original configuration of seat and back was set-up with "Side-by-Side"	Seat to Back Bracket Flush - X- Long
N/28380	Order CP-07-5055 NOTE: If replacing this part - Must ask customer if original configuration of seat and back was set-up with "Side-by-Side"	Seat to Back Bracket Offset - Long
N/28382	Order CP-07-5054 NOTE: If replacing this part - Must ask customer if original configuration of seat and back was set-up with "Side-by-Side"	Seat to Back Bracket Offset - Short
N/28385	Order CP-07-5055 NOTE: If replacing this part - Must ask customer if original configuration of seat and back was set-up with "Side-by-Side"	Seat to Back Bracket Offset - Thick Seat

Part Num	Description	Remarks
N/28390	For CP-07-5055 NOTE:Substitute Replacement Part is Hinged. Also NOTE: If replacing this part - Must ask customer if original configuration of seat	Seat to Back Bracket Offset
N/2840C	Still a valid part number	Long No Hinge
N/28420	Still a valid part number	Seat to Back Bracket No Hinge - L Shape
N/2843C	Still a valid part number	Seat to Back Bracket Spacers
N/28450	For Flat Backs choose CP-07-9943 or CP-9946 depending on transit or not,OR for Curved Backs choose CP-07-9944 or CP-07-9945 depending on tran	Seat Back Bracket Hinge Only
N/28452	For Seats choose either CP-01-9942 or CP-01-9943 depending on transit or not.	3/4" Knob Release Hardware for Backs
N/28470	Choose either CP-07-9954 for a flat back OR CS-07-9955 for a back with curved base	3/4" Knob Release Hardware for Seats
N/28472	REPLACED BY CP-01-9953	Rectangular Knob Release Harware for Backs
N/28472	REPLACED BY CP-01-9953	Rectangular Knob Release Hardware for Seats



Po. Numbr	Item Description	Remarks
N/A30000	Order CP-01-5009 (will receive set of 2)	Tracks - Mini
N/A30010	CP-01-5008 (will receive set of 2)	Tracks - Short
N/A30020	CP-01-5006 (will receive set of 2)	Tracks - Long
N/A30030	Still a valid part number	Bi-Angular Back Bracket
N/A30060	Select Track by length from any of the following item numbers: CP-01-5000 CP-01-5001 CP-01-5002 CP-01-5003 CP-01-5004 CP-01-5005 CP-01-5006	Double Tracks
N/A30080	Still a valid part number	Adjustable Angle Bi-Angular Back Bracket
N/A30085	Still a valid part number	Adjustable Angle Hinge - Large Plate
N/A30200	Still a valid part number	Single 1/4-20 Track Slider
N/A30210	Still a valid part number	Double 1/4-20 Track Slider
N/A30220	Still a valid part number	Single 10-32 Track Slider
N/A30230	Still a valid part number	Double 10-32 Track Slider



Pos.	Item Number	Description	Remarks
N/A	32000-RT	REPLACED BY CS-06-2740	Standard Foot Box
N/A	32020-RT	REPLACED BY CS-06-3310	ABS Foot Box
N/A	32040-RT	REPLACED BY CS-06-2880	Heavy Duty Foot Box
N/A	32060-RT	REPLACED BY CS-06-2890	Foot Box Mounting Hardware
N/A	32080-RT	REPLACED BY CS-06-2190	Foot Plate Pads
N/A	32100-RT	REPLACED BY CS-06-2960	Instep Pads
N/A	32200L-RT	REPLACED BY CS-06-2300	Shoe Holders Large
N/A	32200M-RT	REPLACED BY CS-06-2360	Shoe Holders Medium
N/A	32200S-RT	REPLACED BY CS-06-2280	Shoe Holders Small
N/A	32200XL-RT	REPLACED BY CS-06-2460	Shoe Holders Extra Large
N/A	32240-RT	REPLACED BY CS-06-1800	Shoe Holder Replacement Straps
N/A	32305-RT	REPLACED BY CS-06-3000	Reupholster Foot Box
N/A	32310-RT	REPLACED BY CS-12-1086	Custom Arm Modification
N/A	32320-RT	REPLACED BY CS-06-1690	Custom Legrest Panel
N/A	32330-RT	REPLACED BY CS-06-3010	Sheepskin Cover for Legrest
N/A	32335-RT	REPLACED BY CS-06-3020	ABS Footboard
N/A	32340-RT	REPLACED BY CS-06-3030	Extra Large Footboard
N/A	32355-RT	REPLACED BY CS-06-3040	One Piece Footboard
N/A	32365-RT	REPLACED BY CS-06-3050	Footrest Buildup
N/A	32370-RT	REPLACED BY CS-06-3060	Foot Blocks
N/A	32375-RT	REPLACED BY CS-06-3070	Footrest Tubing Pads
N/A	32390-RT	REPLACED BY CS-06-3080	Padded FootBoard
N/A	32395-RT	REPLACED BY CS-12-1087	Custom Arm Trough
N/A	32400-RT	REPLACED BY CS-12-1088	Armrests Mounted to Hip Guides
N/A	32410-RT	REPLACED BY CS-12-1000	Arm Troughs
N/A	32420-RT	REPLACED BY CS-12-1010	Half Arm Troughs
N/A	32430-RT	REPLACED BY CS-12-1089	Arm Trough Attaching Hardware
N/A	32440-RT	REPLACED BY CS-12-1020	Arm Trough & Hdw Package
N/A	32450-RT	REPLACED BY CS-12-1040	Arm Trough & Hardware Package, Custom
N/A	32600L-RT	REPLACED BY CS-06-3090	Flexi-Feet Large
N/A	32600M-RT	REPLACED BY CS-06-3100	Flexi-Feet Medium
N/A	32600S-RT	REPLACED BY CS-06-3110	Flexi-Feet Small
N/A	32600XS-RT	REPLACED BY CS-06-3120	Flexi-Feet Extra Small

Pos.	Item Number	Description	Remarks
N/A	32610L-RT	REPLACED BY CS-06-3130	Flexi-Feet Plate Pad Large
N/A	32610M-RT	REPLACED BY CS-06-3140	Flexi-Feet Plate Pad Medium
N/A	32610S-RT	REPLACED BY CS-06-3150	Flexi-Feet Plate Pad Small
N/A	32705-RT	REPLACED BY CS-06-3180	Reinforced Footboard
N/A	32710-RT	REPLACED BY CS-06-2130	Heel Stop
N/A	32725-RT	REPLACED BY CS-06-3190	Custom Ankle Straps
N/A	32755-RT	REPLACED BY CS-12-1094	Arm Restraint
N/A	32760-RT	REPLACED BY CS-12-1095	Sheepskin Armrest Covers
N/A	32765-RT	REPLACED BY CS-06-3210	Footrest Overlay
N/A	32770-RT	REPLACED BY CS-12-1096	Armrest Strap Custom
N/A	32786-RT	REPLACED BY CS-12-1097	Armrest Cuffs w/o Sheepskin
N/A	32787-RT	REPLACED BY CS-06-3220	Footrest Stabilizing Clamp
N/A	32788-RT	REPLACED BY CS-06-3230	Footrest Clamp Assembly
N/A	32790-RT	REPLACED BY CS-12-1098	Sheepskin Covers for Arm Trough
N/A	32791-RT	REPLACED BY CS-06-3240	Lower Leg Support Straps w/ Sheepskin
N/A	32800-RT	REPLACED BY CS-12-1101	Wrist Cuff with Polar Fleece



Pos.	Item Number	Description	Remarks
N/A	34000-RT	REPLACED BY CS-13-1990	1/4" All Custom Lap Tray
N/A	34010-RT	REPLACED BY CS-13-1940	3/8" All Custom Lap Tray
N/A	34015-RT	REPLACED BY CS-13-1930	1/2" Plywood All Custom Lap Tray
N/A	34020-RT	REPLACED BY CS-13-4000	Padded Aluminum Tray Border
N/A	34030-RT	REPLACED BY CS-13-4010	Wood Tray Border
N/A	34050-1-RT	REPLACED BY CS-13-1110	Lever Style Tray Clamps
N/A	34055-RT	REPLACED BY CS-13-1120	Therafin Top Drop Hardware
N/A	34056-RT	REPLACED BY CS-13-1130	Spin Lock Tray Clamps
N/A	34060-RT	REPLACED BY CS-13-1160	Hide-a-way Tray Clamps
N/A	34065-RT	REPLACED BY CS-13-1140	Therafin Tubular Arm Tray Hardware - Small
N/A	34066-RT	REPLACED BY CS-13-1141	Therafin Tubular Arm Tray Hardware - Large
N/A	34069-RT	REPLACED BY CS-13-1100	Plastic Tray Channel
N/A	34070-RT	REPLACED BY CS-13-2020	Padded Tray
N/A	34080-RT	REPLACED BY CS-13-4030	Add Slots to Custom Tray
N/A	34085-RT	REPLACED BY CS-13-1150	Cam and Tube Tray Hardware
N/A	34086-RT	Must Order Whole Assembly CS-13-1150	Tube Cam Clamp
N/A	34087-RT	Must Order Whole Assembly CS-13-1151	Receiver (Tube Cam)
N/A	34088-RT	Must Order Whole Assembly CS-13-1152	SS Tube
N/A	34090-RT	REPLACED BY CS-13-1230	Securing Strap for Tray with Plastic Side Release Buckle
N/A	34091-RT	REPLACED BY CS-13-4020	Polycarbonate Tray Top
N/A	34095-RT	REPLACED BY CS-13-1180	Z Channel Tray Hardware w/ Securing Strap
N/A	34100-RT	REPLACED BY CS-13-1670	Standard Lexan Tray with Wood Border
N/A	34100S-RT	REPLACED BY CS-13-1690	Standard Lexan Tray with Wood Border and Slots
N/A	34110-RT	REPLACED BY CS-13-1630	Standard Lexan Tray with Wood Border
N/A	34110S-RT	REPLACED BY CS-13-1650	Standard Lexan Tray with Wood Border and Slots
N/A	34120-RT	REPLACED BY CS-13-1750	Standard Lexan Tray with Wood Border
N/A	34120S-RT	REPLACED BY CS-13-1770	Standard Lexan Tray with Wood Border and Slots
N/A	34130-RT	REPLACED BY CS-13-1810	Standard Lexan Tray with Wood Border
N/A	34130S-RT	REPLACED BY CS-13-1830	Standard Lexan Tray with Wood Border and Slots
N/A	34140-RT	REPLACED BY CS-13-1900	Standard Lexan Tray with Wood Border
N/A	34140S-RT	REPLACED BY CS-13-1920	Standard Lexan Tray with Wood Border and Slots
N/A	34200-RT	REPLACED BY CS-13-4340	Armrest Pad for Tray
N/A	34202-RT	REPLACED BY CS-13-4360	Thin Armrest Pad for Tray

Pos.	Item Number	Description	Remarks
N/A	34204-RT	REPLACED BY CS-13-4160	Foam Only Armrest Pad for Tray attach with Velcro
N/A	34210-RT	REPLACED BY CS-13-4180	Custom Armrest Pads for Tray
N/A	34212-RT	REPLACED BY CS-13-4040	Small Armrest Pads for Tray
N/A	34215-RT	REPLACED BY CS-13-4380	Elbow Blocks w/ Brackets
N/A	34250-RT	REPLACED BY CS-13-4070	Body Cutout Pad
N/A	34280-RT	REPLACED BY CS-13-4200	Removable Tray Pad
N/A	34797-RT	REPLACED BY CS-13-4150	Armrest Cuffs Mounted on Tray



Pos.	Item Number	Description	Remarks
N/A	99050-RT	Use any of CS-06-1620, CS-06-1640, CS-06-1660	Leg Panel
N/A	99130-RT	Still a valid part number	Wheelchair Canopy



Pos.	Item Number	Description	Remarks
N/A	APB1801	REPLACED BY CP-02-APB1801	BELT PADDING, SHORT,1" WEBBING
N/A	APB1802	REPLACED BY CP-02-APB1802	BELT PADDING, LONG,1" WEBBING
N/A	APB1803	REPLACED BY CP-02-APB1803	BELT PADDING,SHORT,1.5" WEB
N/A	APB1804	REPLACED BY CP-02-APB1804	BELT PADDING,LONG,1.5" WEBBING
N/A	APB1805	REPLACED BY CP-02-APB1805	BELT PADDING, SHORT,2" WEBBING
N/A	APB1806	REPLACED BY CP-02-APB1806	BELT PADDING, LONG, 2" WEBBING
N/A	APB5110	REPLACED BY CP-02-APB5110	Anterior Pelvic Belt, Li'l Kiddos, 1" Single Pull, Non-Padded, Push Button
N/A	APB5110	REPLACED BY CP-02-APB5110	APB, 1" PB, SINGLE, NON-PADDED
N/A	APB5115	REPLACED BY CP-02-APB5115	Anterior Pelvic Belt, Li'l Kiddos, 1" Single Pull, Padded (4.5" Pad), Push Button
N/A	APB5115	REPLACED BY CP-02-APB5115	APB, 1" PB, SINGLE, 4.5" PAD
N/A	APB5116	REPLACED BY CP-02-APB5116	Anterior Pelvic Belt, Li'l Kiddos, 1" Single Pull, Padded (5.5" Pad), Push Button
N/A	APB5116	REPLACED BY CP-02-APB5116	APB, 1" PB, SINGLE, 5.5" PAD
N/A	APB5117	REPLACED BY CP-02-APB5117	Anterior Pelvic Belt, Li'l Kiddos, 1" Single Pull, Padded (7.5" Pad), Push Button
N/A	APB5117	REPLACED BY CP-02-APB5117	APB, 1" PB, SINGLE, 7.5" PAD
N/A	APB5125	REPLACED BY CP-02-APB5125	Anterior Pelvic Belt, Li'l Kiddos, 1" Dual Pull, Padded (4.5" Pad), Push Button
N/A	APB5126	REPLACED BY CP-02-APB5126	Anterior Pelvic Belt, Li'l Kiddos, 1" Dual Pull, Padded (5.5" Pad), Push Button
N/A	APB5127	REPLACED BY CP-02-APB5127	Anterior Pelvic Belt, Li'l Kiddos, 1" Dual Pull, Padded (7.5" Pad), Push Button
N/A	APB5127	REPLACED BY CP-02-APB5127	APB, 1" PB, DUAL PULL,7.5" PAD
N/A	APB5145	REPLACED BY CP-02-APB5145	Anterior Pelvic Belt, Li'l Kiddos, Medial 4-Point, 1" Push Button, X-Small Pads (3.5")
N/A	APB5145	REPLACED BY CP-02-APB5145	APB, 1" PB, 4 POINT, X-S PADS
N/A	APB5146	REPLACED BY CP-02-APB5146	Anterior Pelvic Belt, Li'l Kiddos, Medial 4-Point, 1" Push Button, Small Pads (4.5")
N/A	APB5146	REPLACED BY CP-02-APB5146	APB, 1" PB, 4 POINT, SM PADS
N/A	APB6099	REPLACED BY CP-02-APB6099	Anterior Pelvic Belt, ComforFit, Side Release, Custom
N/A	APB6110	REPLACED BY CP-02-APB6110	Anterior Pelvic Belt, ComforFit, 1" Single Pull, Non-Padded, Side Release
N/A	APB6111	REPLACED BY CP-02-APB6111	Anterior Pelvic Belt, ComforFit, 1" Single Pull, Padded (5.5"Pad), Side Release
N/A	APB6111	REPLACED BY CP-02-APB6111	APB, 1" SR, SINGLE, XS PADS
N/A	APB6112	REPLACED BY CP-02-APB6112	Anterior Pelvic Belt, ComforFit, 1" Single Pull, Padded (7.5"Pad), Side Release
N/A	APB6112	REPLACED BY CP-02-APB6112	APB, 1" SR, SINGLE, SM PADS
N/A	APB6121	REPLACED BY CP-02-APB6121	Anterior Pelvic Belt, ComforFit, 1" Dual Pull, Padded (5.5"Pad), Side Release
N/A	APB6121	REPLACED BY CP-02-APB6121	APB, 1" SR, DUAL, XS PADS
N/A	APB6122	REPLACED BY CP-02-APB6122	Anterior Pelvic Belt, ComforFit, 1" Dual Pull, Padded (7.5"Pad), Side Release
N/A	APB6122	REPLACED BY CP-02-APB6122	APB, 1" SR, DUAL, SM PADS
N/A	APB6210	REPLACED BY CP-02-APB6210	Anterior Pelvic Belt, ComforFit, 1.5" Single Pull, Non-Padded, Side Release

Pos.	Item Number	Description	Remarks
N/A	APB6210	REPLACED BY CP-02-APB6210	APB, 1.5" SR,SINGLE, NONPADDED
N/A	APB6212	REPLACED BY CP-02-APB6212	Anterior Pelvic Belt, ComforFit, 1.5" Single Pull, Padded (7.5"Pad), Side Release
N/A	APB6212	REPLACED BY CP-02-APB6212	APB, 1.5" SR, SINGLE, SM PADS
N/A	APB6213	REPLACED BY CP-02-APB6213	Anterior Pelvic Belt, ComforFit, 1.5" Single Pull, Padded (9.5"Pad), Side Release
N/A	APB6213	REPLACED BY CP-02-APB6213	APB, 1.5" SR, SINGLE, MED PADS
N/A	APB6222	REPLACED BY CP-02-APB6222	Anterior Pelvic Belt, ComforFit, 1.5" Dual Pull, Padded (7.5"Pad), Side Release
N/A	APB6222	REPLACED BY CP-02-APB6222	APB, 1.5" SR, DUAL, SM PADS
N/A	APB6223	REPLACED BY CP-02-APB6223	Anterior Pelvic Belt, ComforFit, 1.5" Dual Pull, Padded (9.5"Pad), Side Release
N/A	APB6223	REPLACED BY CP-02-APB6223	APB, 1.5" SR, DUAL, MED PADS
N/A	APB6310	REPLACED BY CP-02-APB6310	Anterior Pelvic Belt, ComforFit, 2" Single Pull, Non-Padded, Side Release
N/A	APB6310	REPLACED BY CP-02-APB6310	APB, 2" SR, SINGLE, NONPADDED
N/A	APB6313	REPLACED BY CP-02-APB6313	Anterior Pelvic Belt, ComforFit, 2" Single Pull, Padded (9.5"Pad), Side Release
N/A	APB6313	REPLACED BY CP-02-APB6313	APB, 2" SR, SINGLE, MED PADS
N/A	APB6314	REPLACED BY CP-02-APB6314	Anterior Pelvic Belt, ComforFit, 2" Single Pull, Padded (11.5"Pad), Side Release
N/A	APB6314	REPLACED BY CP-02-APB6314	APB, 2" SR, SINGLE, LG PADS
N/A	APB7099	REPLACED BY CP-02-APB7099	Anterior Pelvic Belt, ComforFit, Push Button, Custom
N/A	APB7210	REPLACED BY CP-02-APB7210	Anterior Pelvic Belt, ComforFit, 1.5" Single Pull, Non-Padded, Push Button
N/A	APB7210	REPLACED BY CP-02-APB7210	APB, 1.5" PB, SINGLE, NON-PAD
N/A	APB7212	REPLACED BY CP-02-APB7212	Anterior Pelvic Belt, ComforFit, 1.5" Single Pull, Padded (7.5"Pad), Push Button
N/A	APB7212	REPLACED BY CP-02-APB7212	APB, 1.5" PB, SINGLE, SM PADS
N/A	APB7213	REPLACED BY CP-02-APB7213	Anterior Pelvic Belt, ComforFit, 1.5" Single Pull, Padded (9.5"Pad), Push Button
N/A	APB7213	REPLACED BY CP-02-APB7213	APB, 1.5" PB, SINGLE, MED PADS
N/A	APB7222	REPLACED BY CP-02-APB7222	Anterior Pelvic Belt, ComforFit, 1.5" Dual Pull, Padded (7.5" Pad), Push Button
N/A	APB7222	REPLACED BY CP-02-APB7222	APB, 1.5" PB, DUAL, SM PADS
N/A	APB7223	REPLACED BY CP-02-APB7223	Anterior Pelvic Belt, ComforFit, 1.5" Dual Pull, Padded (9.5"Pad), Push Button
N/A	APB7223	REPLACED BY CP-02-APB7223	APB, 1.5" PB, DUAL, MED PADS
N/A	APB7242	REPLACED BY CP-02-APB7242	Anterior Pelvic Belt, ComforFit, Medial 4-Point, 1.5" Push Button, Small Pads (4.5")
N/A	APB7242	REPLACED BY CP-02-APB7242	APB, 1.5" PB, 4 POINT, SM PADS
N/A	APB7243	REPLACED BY CP-02-APB7243	Anterior Pelvic Belt, ComforFit, Medial 4-Point, 1.5" Push Button, Medium Pads (5.5")
N/A	APB7243	REPLACED BY CP-02-APB7243	APB, 1.5" PB, 4 POINT,MED PAD
N/A	APB7244	REPLACED BY CP-02-APB7244	Anterior Pelvic Belt, ComforFit, Medial 4-Point, 1.5" Push Button, Large Pads (6.5")
N/A	APB7244	REPLACED BY CP-02-APB7244	APB, 1.5" PB, 4 POINT, LG PADS
N/A	APB7245	REPLACED BY CP-02-APB7245	APB, 1.5" PB, 4PT, 7.5" PADS
N/A	APB7246	REPLACED BY CP-02-APB7246	APB, 1.5" PB, 4PT, 9.5" PADS
N/A	APB7310	REPLACED BY CP-02-APB7310	Anterior Pelvic Belt, ComforFit, 2" Single Pull, Non-Padded, Push Button
N/A	APB7310	REPLACED BY CP-02-APB7310	APB, 2" PB, SINGLE, NON-PADDED
N/A	APB7313	REPLACED BY CP-02-APB7313	Anterior Pelvic Belt, ComforFit, 2" Single Pull, Padded (9.5"Pad), Push Button
N/A	APB7313	REPLACED BY CP-02-APB7313	APB, 2" PB, SINGLE, MED PADS
N/A	APB7314	REPLACED BY CP-02-APB7314	Anterior Pelvic Belt, ComforFit, 2" Single Pull, Padded (11.5" Pad), Push Button
N/A	APB7314	REPLACED BY CP-02-APB7314	APB, 2" PB, SINGLE, LG PADS



Pos.	Item Number	Description	Remarks
N/A	ATS4000	REPLACED BY CP-09-ATS4000	PADDED ANTERIOR TRUNK STRAP,SM
N/A	ATS4000-1	REPLACED BY CP-09-ATS4000-1	PAD ONLY, TRUNK SUPP, SM
N/A	ATS4000T	REPLACED BY CP-09-ATS4000T	PADDED ATS, SM, THOR MOUNT
N/A	ATS4050	REPLACED BY CP-09-ATS4050	PADDED ANTERIOR TRUNK STRAP,XS
N/A	ATS4050-1	REPLACED BY CP-09-ATS4050-1	PAD ONLY, TRUNK SUPP, X-SM
N/A	ATS4050T	REPLACED BY CP-09-ATS4050T	PADDED ATS, XS, THOR MOUNT
N/A	ATS4100	REPLACED BY CP-09-ATS4100	PADDED ANTERIOR TRUNK STRAP,MD
N/A	ATS4100-1	REPLACED BY CP-09-ATS4100-1	PAD ONLY, TRUNK SUPP, MED
N/A	ATS4100T	REPLACED BY CP-09-ATS4100T	PADDED ATS, MED, THOR MOUNT
N/A	ATS4200	REPLACED BY CP-09-ATS4200	PADDED ANTERIOR TRUNK STRAP,LG
N/A	ATS4200-1	REPLACED BY CP-09-ATS4200-1	PAD ONLY, TRUNK SUPP, LG
N/A	ATS4200T	REPLACED BY CP-09-ATS4200T	PADDED ATS, LG, THOR MOUNT
N/A	ATS4300	REPLACED BY CP-09-ATS4300	PADDED ANTERIOR TRUNK STRAP,XL
N/A	ATS4300-1	REPLACED BY CP-09-ATS4300-1	PAD ONLY, TRUNK SUPP, XL
N/A	ATS4300T	REPLACED BY CP-09-ATS4300T	PADDED ATS, XL, THOR MOUNT
N/A	ATS7510	REPLACED BY CP-09-ATS7510	PADDED WRIST STRAP, SMALL
N/A	ATS7510-1	REPLACED BY CP-09-ATS7510-1	PAD ONLY, WRIST STRAP, SM
N/A	ATS7520	REPLACED BY CP-09-ATS7520	PADDED WRIST STRAP, MEDIUM
N/A	ATS7520-1	REPLACED BY CP-09-ATS7520-1	PAD ONLY, WRIST STRAP, MED
N/A	ATS7530	REPLACED BY CP-09-ATS7530	PADDED WRIST STRAP, LARGE
N/A	ATS7530-1	REPLACED BY CP-09-ATS7530-1	PAD ONLY, WRIST STRAP, LG
N/A	ATS8100	REPLACED BY CP-09-ATS8100	Anterior Trunk Support, ComforFit Classic Style, Dynamic Pull-Down, X-Small
N/A	ATS8100	REPLACED BY CP-09-ATS8100	COMFORFIT PULL-DOWN CLASSIC/XS
N/A	ATS8101	REPLACED BY CP-09-ATS8101	Anterior Trunk Support, ComforFit Classic Style, Dynamic Pull-Down, Small
N/A	ATS8101	REPLACED BY CP-09-ATS8101	COMFORFIT PULL-DOWN CLASSIC/SM
N/A	ATS8102	REPLACED BY CP-09-ATS8102	Anterior Trunk Support, ComforFit Classic Style, Dynamic Pull-Down, Medium
N/A	ATS8102	REPLACED BY CP-09-ATS8102	COMFORFIT PULL-DOWN CLASSIC/MD
N/A	ATS8103	REPLACED BY CP-09-ATS8103	Anterior Trunk Support, ComforFit Classic Style, Dynamic Pull-Down, Large

Pos.	Item Number	Description	Remarks
N/A	ATS8103	REPLACED BY CP-09-ATS8103	COMFORFIT PULL-DOWN CLASSIC/LG
N/A	ATS8104	REPLACED BY CP-09-ATS8104	Anterior Trunk Support, ComforFit Classic Style, Dynamic Pull-Down, X-Large
N/A	ATS8104	REPLACED BY CP-09-ATS8104	COMFORFIT PULL-DOWN CLASSIC/XL
N/A	ATS8107	REPLACED BY CP-09-ATS8107	Anterior Trunk Support, ComforFit Classic Style, Dynamic Pull-Down, Early Intervention
N/A	ATS8107	REPLACED BY CP-09-ATS8107	COMFORFIT PULL-DOWN,CLASSIC/EI
N/A	ATS8109	REPLACED BY CP-09-ATS8109	Anterior Trunk Support, ComforFit Classic Style, Dynamic Pull-Down, Custom
N/A	ATS8300	REPLACED BY CP-09-ATS8300	Anterior Trunk Support, ComforFit Classic Style, Structured Pull-Down, X-Small
N/A	ATS8300	REPLACED BY CP-09-ATS8300	COMFORFIT, STRUCT, CLS, PD-XS
N/A	ATS8301	REPLACED BY CP-09-ATS8301	Anterior Trunk Support, ComforFit Classic Style, Structured Pull-Down, Small
N/A	ATS8301	REPLACED BY CP-09-ATS8301	COMFORFIT, STRUCT, CLS, PD-SM
N/A	ATS8302	REPLACED BY CP-09-ATS8302	Anterior Trunk Support, ComforFit Classic Style, Structured Pull-Down, Medium
N/A	ATS8302	REPLACED BY CP-09-ATS8302	COMFORFIT, STRUCT, CLS, PD-MED
N/A	ATS8303	REPLACED BY CP-09-ATS8303	Anterior Trunk Support, ComforFit Classic Style, Structured Pull-Down, Large
N/A	ATS8303	REPLACED BY CP-09-ATS8303	COMFORFIT, STRUCT, CLS, PD-LG
N/A	ATS8304	REPLACED BY CP-09-ATS8304	Anterior Trunk Support, ComforFit Classic Style, Structured Pull-Down, X-Large
N/A	ATS8304	REPLACED BY CP-09-ATS8304	COMFORFIT, STRUCT, CLS, PD-XL
N/A	ATS8309	REPLACED BY CP-09-ATS8309	Anterior Trunk Support, ComforFit Classic Style, Structured Pull-Down, Custom
N/A	ATS8500	REPLACED BY CP-09-ATS8500	COMFORFIT, P-D, VINYL, CLAS/XS
N/A	ATS8502	REPLACED BY CP-09-ATS8502	COMFORFIT, P-D, VINYL, CLAS/MD
N/A	ATS8503	REPLACED BY CP-09-ATS8503	COMFORFIT, P-D, VINYL, CLAS/LG
N/A	ATS8504	REPLACED BY CP-09-ATS8504	COMFORFIT, P-D, VINYL, CLAS/XL
N/A	ATS8600	REPLACED BY CP-09-ATS8600	COMFORFIT, P-D, DBVF, CLAS/XS
N/A	ATS8601	REPLACED BY CP-09-ATS8601	COMFORFIT, P-D, DBVF, CLAS/SM
N/A	ATS8602	REPLACED BY CP-09-ATS8602	COMFORFIT, P-D, DBVF, CLAS/MD
N/A	ATS8603	REPLACED BY CP-09-ATS8603	COMFORFIT, P-D, DBVF, CLAS/LG
N/A	ATS8604	REPLACED BY CP-09-ATS8604	COMFORFIT, P-D, DBVF, CLAS/XL
N/A	ATS8701	REPLACED BY CP-09-ATS8701	Zipper Opening Anterior Support, Small
N/A	ATS8701	REPLACED BY CP-09-ATS8701	COMFORFIT, ZIPPER OPENING, SM
N/A	ATS8702	REPLACED BY CP-09-ATS8702	Zipper Opening Anterior Support, Medium
N/A	ATS8702	REPLACED BY CP-09-ATS8702	COMFORFIT, ZIPPER OPENING, MED
N/A	ATS8703	REPLACED BY CP-09-ATS8703	Zipper Opening Anterior Support, Large
N/A	ATS8703	REPLACED BY CP-09-ATS8703	COMFORFIT, ZIPPER OPENING, LG
N/A	ATS8704	REPLACED BY CP-09-ATS8704	Zipper Opening Anterior Support,XL
N/A	ATS8704	REPLACED BY CP-09-ATS8704	COMFORFIT, ZIPPER OPENING, XL
N/A	ATS8800	REPLACED BY CP-09-ATS8800	Adjustable Stretch Harness, X-Small
N/A	ATS8800	REPLACED BY CP-09-ATS8800	COMFORFIT, ADJUST. STRETCH, XS
N/A	ATS8801	REPLACED BY CP-09-ATS8801	Adjustable Stretch Harness, Small
N/A	ATS8801	REPLACED BY CP-09-ATS8801	COMFORFIT, ADJUST. STRETCH, SM
N/A	ATS8802	REPLACED BY CP-09-ATS8802	Adjustable Stretch Harness, Medium

Pos.	Item Number	Description	Remarks
N/A	ATS8802	REPLACED BY CP-09-ATS8802	COMFORFIT, ADJUST.STRETCH, MED
N/A	ATS8803	REPLACED BY CP-09-ATS8803	Adjustable Stretch Harness, Large
N/A	ATS8803	REPLACED BY CP-09-ATS8803	COMFORFIT, ADJUST. STRETCH, LG
N/A	ATS8804	REPLACED BY CP-09-ATS8804	Adjustable Stretch Harness, X-Large
N/A	ATS8804	REPLACED BY CP-09-ATS8804	COMFORFIT, ADJUST. STRETCH, XL
N/A	ATS8807	REPLACED BY CP-09-ATS8807	Adjustable Stretch Harness, Early Intervention
N/A	ATS8807	REPLACED BY CP-09-ATS8807	COMFORFIT, ADJUST. STRETCH, EI
N/A	ATS8904	REPLACED BY CP-09-ATS8904	Replacement Strap Kit for Pull-Down Style ComforFit, E I, 4 Straps W/Attached Buckles and Belt Anchor
N/A	ATS8904	REPLACED BY CP-09-ATS8904	STRAP KIT, PD, COMFORFIT, EI
N/A	ATS8904-1	REPLACED BY CP-09-ATS8904-1	STRAP, PD, COMFORFIT, EI
N/A	ATS8905	REPLACED BY CP-09-ATS8905	Replacement Strap Kit for Pull-Down Style ComforFit, 4 Straps W/Attached Buckles and Belt Anchor
N/A	ATS8905	REPLACED BY CP-09-ATS8905	STRAP KIT, PULL-DOWN COMFORFIT
N/A	ATS8905-1	REPLACED BY CP-09-ATS8905-1	STRAP, PD, COMFORFIT, TOP
N/A	ATS8905-2	REPLACED BY CP-09-ATS8905-2	STRAP, PD, COMFORFIT, BOTTOM
N/A	ATS8906	REPLACED BY CP-09-ATS8906	Replacement Strap Kit for Pull-Down Style ComforFit, 4 Straps W/Attached Buckles and Cam Buckle
N/A	ATS8906	REPLACED BY CP-09-ATS8906	STRAP KIT, PD W/CAMS,COMFORFIT
N/A	ATS8906-1	REPLACED BY CP-09-ATS8906-1	STRAP, PD W/ CAM, COMFORFIT
N/A	ATS8907	REPLACED BY CP-09-ATS8907	Replacement Strap Kit for Y-Style ComforFit, Early Intervention
N/A	ATS8907	REPLACED BY CP-09-ATS8907	STRAP KIT, Y-STYLE, EI
N/A	ATS8907-1	REPLACED BY CP-09-ATS8907-1	STRAP, Y-STYLE, EI ONLY
N/A	ATS8908	REPLACED BY CP-09-ATS8908	Replacement Strap Kit for Y-Style ComforFit
N/A	ATS8908	REPLACED BY CP-09-ATS8908	STRAP KIT, Y-STYLE
N/A	ATS8915	REPLACED BY CP-09-ATS8915	Replacement Strap Kit for Pull-Up Style ComforFit, 4 Straps W/Attached Buckles and Belt Anchor
N/A	ATS8920	REPLACED BY CP-09-ATS8920	Reverse Pull Strap Kit
N/A	ATS8920	REPLACED BY CP-09-ATS8920	REVERSE PULL STRAP KIT
N/A	ATS9100	REPLACED BY CP-09-ATS9100	Anterior Trunk Support, ComforFit Contour Style, Dynamic Pull-Down, X-Small
N/A	ATS9100	REPLACED BY CP-09-ATS9100	COMFORFIT PULL-DOWN CONTOUR/XS
N/A	ATS9101	REPLACED BY CP-09-ATS9101	Anterior Trunk Support, ComforFit Contour Style, Dynamic Pull-Down, Small
N/A	ATS9101	REPLACED BY CP-09-ATS9101	COMFORFIT PULL-DOWN CONTOUR/SM
N/A	ATS9102	REPLACED BY CP-09-ATS9102	Anterior Trunk Support, ComforFit Contour Style, Dynamic Pull-Down, Medium
N/A	ATS9102	REPLACED BY CP-09-ATS9102	COMFORFIT PULL-DOWN CONTOUR/MD
N/A	ATS9103	REPLACED BY CP-09-ATS9103	Anterior Trunk Support, ComforFit Contour Style, Dynamic Pull-Down, Large
N/A	ATS9103	REPLACED BY CP-09-ATS9103	COMFORFIT PULL-DOWN CONTOUR/LG
N/A	ATS9104	REPLACED BY CP-09-ATS9104	Anterior Trunk Support, ComforFit Contour Style, Dynamic Pull-Down, X-Large
N/A	ATS9104	REPLACED BY CP-09-ATS9104	COMFORFIT PULL-DOWN CONTOUR/XL
N/A	ATS9107	REPLACED BY CP-09-ATS9107	Anterior Trunk Support, ComforFit Contour Style, Dynamic Pull-Down, Early Intervention
N/A	ATS9107	REPLACED BY CP-09-ATS9107	COMFORFIT PULL-DOWN,CONTOUR/EI
N/A	ATS9109	REPLACED BY CP-09-ATS9109	Anterior Trunk Support, ComforFit Contour Style, Dynamic Pull-Down, Custom
N/A	ATS9161	REPLACED BY CP-09-ATS9161	Anterior Trunk Support, ComforFit Y Style, Dynamic, Small
N/A	ATS9161	REPLACED BY CP-09-ATS9161	COMFORFIT, DYN, Y STYLE, SM
N/A	ATS9162	REPLACED BY CP-09-ATS9162	Anterior Trunk Support, ComforFit Y Style, Dynamic, Medium

Pos.	Item Number	Description	Remarks
N/A	ATS9162	REPLACED BY CP-09-ATS9162	COMFORFIT, DYN, Y STYLE, MED
N/A	ATS9163	REPLACED BY CP-09-ATS9163	Anterior Trunk Support, ComforFit Y Style, Dynamic, Large
N/A	ATS9163	REPLACED BY CP-09-ATS9163	COMFORFIT, DYN, Y STYLE, LG
N/A	ATS9167	REPLACED BY CP-09-ATS9167	Anterior Trunk Support, ComforFit Y Style, Dynamic, Early Intervention
N/A	ATS9167	REPLACED BY CP-09-ATS9167	COMFORFIT, DYN, Y STYLE, EI
N/A	ATS9169	REPLACED BY CP-09-ATS9169	Anterior Trunk Support, ComforFit Y Style, Dynamic, Custom
N/A	ATS9300	REPLACED BY CP-09-ATS9300	Anterior Trunk Support, ComforFit Contour Style, Structured Pull-Down, X-Small
N/A	ATS9300	REPLACED BY CP-09-ATS9300	COMFORFIT, STRUCT, CTR, PD-XS
N/A	ATS9301	REPLACED BY CP-09-ATS9301	Anterior Trunk Support, ComforFit Contour Style, Structured Pull-Down, Small
N/A	ATS9301	REPLACED BY CP-09-ATS9301	COMFORFIT, STRUCT, CTR, PD-SM
N/A	ATS9302	REPLACED BY CP-09-ATS9302	Anterior Trunk Support, ComforFit Contour Style, Structured Pull-Down, Medium
N/A	ATS9302	REPLACED BY CP-09-ATS9302	COMFORFIT, STRUCT, CTR, PD-MED
N/A	ATS9303	REPLACED BY CP-09-ATS9303	Anterior Trunk Support, ComforFit Contour Style, Structured Pull-Down, Large
N/A	ATS9303	REPLACED BY CP-09-ATS9303	COMFORFIT, STRUCT, CTR, PD-LG
N/A	ATS9304	REPLACED BY CP-09-ATS9304	Anterior Trunk Support, ComforFit Contour Style, Structured Pull-Down, X-Large
N/A	ATS9304	REPLACED BY CP-09-ATS9304	COMFORFIT, STRUCT, CTR, PD-XL
N/A	ATS9309	REPLACED BY CP-09-ATS9309	Anterior Trunk Support, ComforFit Contour Style, Structured Pull-Down, Custom
N/A	ATS9361	REPLACED BY CP-09-ATS9361	Anterior Trunk Support, ComforFit Y Style, Structured, Small
N/A	ATS9361	REPLACED BY CP-09-ATS9361	COMFORFIT, STRU, Y STYLE, SM
N/A	ATS9362	REPLACED BY CP-09-ATS9362	Anterior Trunk Support, ComforFit Y Style, Structured, Medium
N/A	ATS9362	REPLACED BY CP-09-ATS9362	COMFORFIT, STRU, Y STYLE, MED
N/A	ATS9363	REPLACED BY CP-09-ATS9363	Anterior Trunk Support, ComforFit Y Style, Structured, Large
N/A	ATS9363	REPLACED BY CP-09-ATS9363	COMFORFIT, STRU, Y STYLE, LG
N/A	ATS9367	REPLACED BY CP-09-ATS9367	Anterior Trunk Support, ComforFit Y Style, Structured, Early Intervention
N/A	ATS9367	REPLACED BY CP-09-ATS9367	COMFORFIT, STRU, Y STYLE, EI
N/A	ATS9369	REPLACED BY CP-09-ATS9369	Anterior Trunk Support, ComforFit Y Style, Structured, Custom
N/A	ATS9400	REPLACED BY CP-09-ATS9400	Anterior Trunk Support, ComforFit Center Opening Style, X-S
N/A	ATS9400	REPLACED BY CP-09-ATS9400	COMFORFIT, CENTER OPENING, XS
N/A	ATS9401	REPLACED BY CP-09-ATS9401	Anterior Trunk Support, ComforFit Center Opening Style, Small
N/A	ATS9401	REPLACED BY CP-09-ATS9401	COMFORFIT, CENTER OPENING, SM
N/A	ATS9402	REPLACED BY CP-09-ATS9402	Anterior Trunk Support, ComforFit Center Opening Style, Medium
N/A	ATS9402	REPLACED BY CP-09-ATS9402	COMFORFIT, CENTER OPENING, MED
N/A	ATS9403	REPLACED BY CP-09-ATS9403	Anterior Trunk Support, ComforFit Center Opening Style, Large
N/A	ATS9403	REPLACED BY CP-09-ATS9403	COMFORFIT, CENTER OPENING, LG
N/A	ATS9404	REPLACED BY CP-09-ATS9404	Anterior Trunk Support, ComforFit Center Opening Style, X-Large
N/A	ATS9404	REPLACED BY CP-09-ATS9404	COMFORFIT, CENTER OPENING, XL
N/A	ATS9407	REPLACED BY CP-09-ATS9407	Anterior Trunk Support, ComforFit Center Opening Style, Early Intervention
N/A	ATS9407	REPLACED BY CP-09-ATS9407	COMFORFIT, CENTER OPENING, EI
N/A	ATS9409	REPLACED BY CP-09-ATS9409	Anterior Trunk Support, ComforFit Center Opening Style, Custom
N/A	ATS9500	REPLACED BY CP-09-ATS9500	COMFORFIT, P-D, VINYL, CONT/XS
N/A	ATS9501	REPLACED BY CP-09-ATS9501	COMFORFIT, P-D, VINYL, CONT/SM
N/A	ATS9502	REPLACED BY CP-09-ATS9502	COMFORFIT, P-D, VINYL, CONT/MD
N/A	ATS9503	REPLACED BY CP-09-ATS9503	COMFORFIT, P-D, VINYL, CONT/LG
N/A	ATS9504	REPLACED BY CP-09-ATS9504	COMFORFIT, P-D, VINYL, CONT/XL
N/A	ATS9601	REPLACED BY CP-09-ATS9601	COMFORFIT, BP, DYN, 12"

Pos.	Item Number	Description	Remarks
N/A	ATS9603	REPLACED BY CP-09-ATS9603	COMFORFIT, BP, DYN, 18"
N/A	ATS9701	REPLACED BY CP-09-ATS9701	COMFORFIT, BP, STRUC, 12"
N/A	ATS9703	REPLACED BY CP-09-ATS9703	COMFORFIT, BP, STRUC, 18"



Pos.	Item Number	Description	Remarks
N/A	C001	Still a valid part number	Black Cordura 1000 Denier
N/A	C002	Still a valid part number	Royal Blue Cordura 1000 Denier
N/A	C003	Still a valid part number	Red Cordura 1000 Denier
N/A	C004	Still a valid part number	Purple Cordura 1000 Denier
N/A	C005	Still a valid part number	Navy Blue Cordura 1000 Denier



Pos.	Item Number	Description	Remarks
N/A	D001	Still a valid part number	Darlex
N/A	D002	Still a valid part number	Dartex
N/A	D002	Still a valid part number	DARTEX BLACK
N/A	D003	Still a valid part number	Dartex Back Side



Pos.	Item Number	Description	Remarks
N/A	H001	Still a valid part number	Red
N/A	H001	Still a valid part number	HERCULITE 80 RED
N/A	H002	Still a valid part number	Black
N/A	H002	Still a valid part number	HERCULITE 80 BLACK
N/A	H003	Still a valid part number	Blue
N/A	H003	Still a valid part number	HERCULITE 80 NAVY BLUE



Pos.	Item Number	Description	Remarks
N/A	HARD005	Still a valid part number	SLIDE PLATE FOR CLAMP
N/A	HARD206	Still a valid part number	LFT PB ABDUCTOR MTG BRK
N/A	HARD207	Still a valid part number	RIGHT PB ABDUCTOR MTG BRK
N/A	HARD262	Still a valid part number	LEVER HNDLE ADJ LAT
N/A	HARD326	Still a valid part number	ABD BUTTON RELEASE PROTECTOR
N/A	HARD330	Still a valid part number	10-32 DOUBLE TRACK SLIDER
N/A	HARD331	Still a valid part number	1/4-20 DOUBLE TRACK SLIDER
N/A	HARD332	Still a valid part number	SWING AWAY SPACER 1/4 UHMW
N/A	HARD338	Still a valid part number	10-32 OFFSET THREADED INSERT
N/A	HARD339	Still a valid part number	1/4-20 OFFSET THREADED INSERT
N/A	HARD346	Part of 20600 Series and 20700 Series Sub Assemblies	SLIDE ADJ. MOUNTING BRACKET
N/A	HARD347	Part of 20600 Series and 20700 Series Sub Assemblies	SLIDE ADJUST CLAMP
N/A	HARD348	Part of 20600 Series and 20700 Series Sub Assemblies	SLIDE ADJ. SW/AWY FLUSH MOUNT
N/A	HARD349	Part of 20600 Series and 20700 Series Sub Assemblies	SLIDE ADJ SW/AWY OFF SET & REV
N/A	HARD375	Still a valid part number	MALE HINGE/WING ASSEMBLY
N/A	HARD376P	Still a valid part number	FEMALE HINGE/WING ASMB FINISH
N/A	HARD395	Still a valid part number	HD ABDUCTOR WNG MT LFT
N/A	HARD396	Still a valid part number	HD ABDUCTOR WING MT RGT



Pos.	Item Number	Description	Remarks
N/A	KAD10XX	Use Jay CF Order Form and select CS-04-ADD_FM	KNEE ADDUCTOR PAD, 3" ROUND
N/A	KAD11XX	Use Jay CF Order Form and select CS-04-ADD_FM	KNEE ADD PAD, 4" ROUND
N/A	KAK21XXL	Use Jay CF Order Form and select CS-04-ADD_FM	KNEE ADD PKG, SA, SHORT, L
N/A	KAK21XXR	Use Jay CF Order Form and select CS-04-ADD_FM	KNEE ADD PKG, SA, SHORT, R
N/A	KAK31XXL	Use Jay CF Order Form and select CS-04-ADD_FM	KNEE ADD PKG, SA, LONG, L
N/A	KAK31XXR	Use Jay CF Order Form and select CS-04-ADD_FM	KNEE ADD PKG, SA, LONG, R



Pos.	Item Number	Description	Remarks
N/A	L001	Still a valid part number	Black
N/A	L002	Still a valid part number	Blue
N/A	L003	Still a valid part number	Red



Pos.	Item Number	Description	Remarks
N/A	P001	Still a valid part number	Red
N/A	P002	Still a valid part number	Navy Blue
N/A	P003	Still a valid part number	Purple
N/A	P004	Still a valid part number	Black
N/A	P005	Still a valid part number	Magenta
N/A	P007	Still a valid part number	Royal Blue
N/A	P008	Still a valid part number	Orange
N/A	P009	Still a valid part number	Teal



Pos.	Item Number	Description	Remarks
N/A	R001	Still a valid part number	Scarlet
N/A	R002	Still a valid part number	Royal Blue
N/A	R003	Still a valid part number	Black
N/A	R004	Still a valid part number	1/4" Thick Black
N/A	R005	Still a valid part number	Purple



Pos.	Item Number	Description	Remarks	Pos.	Item Number	Description	Remarks
N/A	V001	Still a valid part number	Magenta	N/A	V034	Still a valid part number	Clear
N/A	V002	Still a valid part number	Dove	N/A	V035	Still a valid part number	Pink Ice
N/A	V003	Still a valid part number	Tearose	N/A	V036	Still a valid part number	Vinyl Dusk
N/A	V004	Still a valid part number	Lipstick	N/A	V037	Still a valid part number	Arbor Peacock
N/A	V005	Still a valid part number	Turquoise	N/A	V038	Still a valid part number	Arbor Fern
N/A	V006	Still a valid part number	Royal	N/A	V039	Still a valid part number	Trellis Dusk
N/A	V007	Still a valid part number	Forest	N/A	V040	Still a valid part number	Terralustra Purple
N/A	V008	Still a valid part number	Black	N/A	V041	Still a valid part number	Terralustra Blue
N/A	V009	Still a valid part number	Phoenician	N/A	V042	Still a valid part number	Terralustra Green
N/A	V010	Still a valid part number	Sun Yellow	N/A	V043	Still a valid part number	Terralustra Charcoal
N/A	V011	Still a valid part number	Raspberry	N/A	V044	Still a valid part number	Biscayne Charcoal
N/A	V012	Still a valid part number	Tiger Lilly	N/A	V045	Still a valid part number	Harmony Navy
N/A	V013	Still a valid part number	Crocus	N/A	V046	Still a valid part number	Harmony Royal Purple
N/A	V014	Still a valid part number	Black	N/A	V047	Still a valid part number	Harmony Slate Gray
N/A	V015	Still a valid part number	Ninja	N/A	V048	Still a valid part number	Harmony Baltic Blue
N/A	V016	Still a valid part number	Persimmon	N/A	V049	Still a valid part number	Tusk Midnight Blue
N/A	V017	Still a valid part number	Midnight Blue	N/A	V050	Still a valid part number	Dolphin Blue
N/A	V018	Still a valid part number	Crocus	N/A	V051	Still a valid part number	Dolphin Blackwatch
N/A	V019	Still a valid part number	Teal	N/A	V052	Still a valid part number	Elation River Blue
N/A	V020	Still a valid part number	Burgundy	N/A	V053	Still a valid part number	Elation Portwine
N/A	V021	Still a valid part number	Greymist	N/A	V054	Still a valid part number	Marblestone Port
N/A	V022	Still a valid part number	Peach	N/A	V055	Still a valid part number	Marblestone Ebony
N/A	V023	Still a valid part number	Wine	N/A	V056	Still a valid part number	Emu Cordovan
N/A	V024	Still a valid part number	Tan	N/A	V057	Still a valid part number	Grand Sierra Almond
N/A	V025	Still a valid part number	Seafoam	N/A	V058	Still a valid part number	Laria Blk Leather (sim)
N/A	V026	Still a valid part number	Surf Blue	N/A	V059	Still a valid part number	Cumulus Dusk
N/A	V027	Still a valid part number	Blue	N/A	V060	Still a valid part number	Cumulus Daybreak
N/A	V028	Still a valid part number	Red	N/A	V061	Still a valid part number	Natalia Baltic
N/A	V029	Still a valid part number	Charcoal	N/A	V062	Still a valid part number	Natalia Hunter
N/A	V030	Still a valid part number	Cranberry Blush	N/A	V063	Still a valid part number	Bellingham Festival
N/A	V031	Still a valid part number	Haze	N/A	V065	Still a valid part number	Jigsaw Sand Grape
N/A	V032	Still a valid part number	Desert Sky	N/A	V066	Still a valid part number	Jigsaw Canyon Bronze
N/A	V033	Still a valid part number	Macaw	N/A	V067	Still a valid part number	Midas Sapphire

Pos.	Item Number	Description	Remarks	Pos.	Item Number	Description	Remarks
N/A	V068	Still a valid part number	Midas Emerald	N/A	V069	Still a valid part number	Midas Cobalt