

# PARTS MANUAL

OCTOBER 2012

Sunrise Medical appreciates your business. For your ordering convenience, our Customer Service Representatives can be contacted at:

**To place orders:  
(800)333-4000**

**Quickie Technical Assistance:**

You can reach our Technical Support Team by choosing prompt 1 followed by the # sign, then prompt 2 for Technical Support. Choose option 1 for Quickie Technical Support.

**For Assistance with a Web Order,  
or to sign up for [sunrisemedical.com](http://sunrisemedical.com)  
(800) 333-4000 Option 5**

**FOR YOUR CONVENIENCE YOU MAY PLACE ORDERS THROUGH  
OUR WEBSITE OR BY FAX 24 HOURS A DAY:**

**[www.sunrisemedical.com](http://www.sunrisemedical.com)**

**Fax: (800)300-7502**

For easy reference please fill in your Customer Number and Sunrise Account Manager's name.

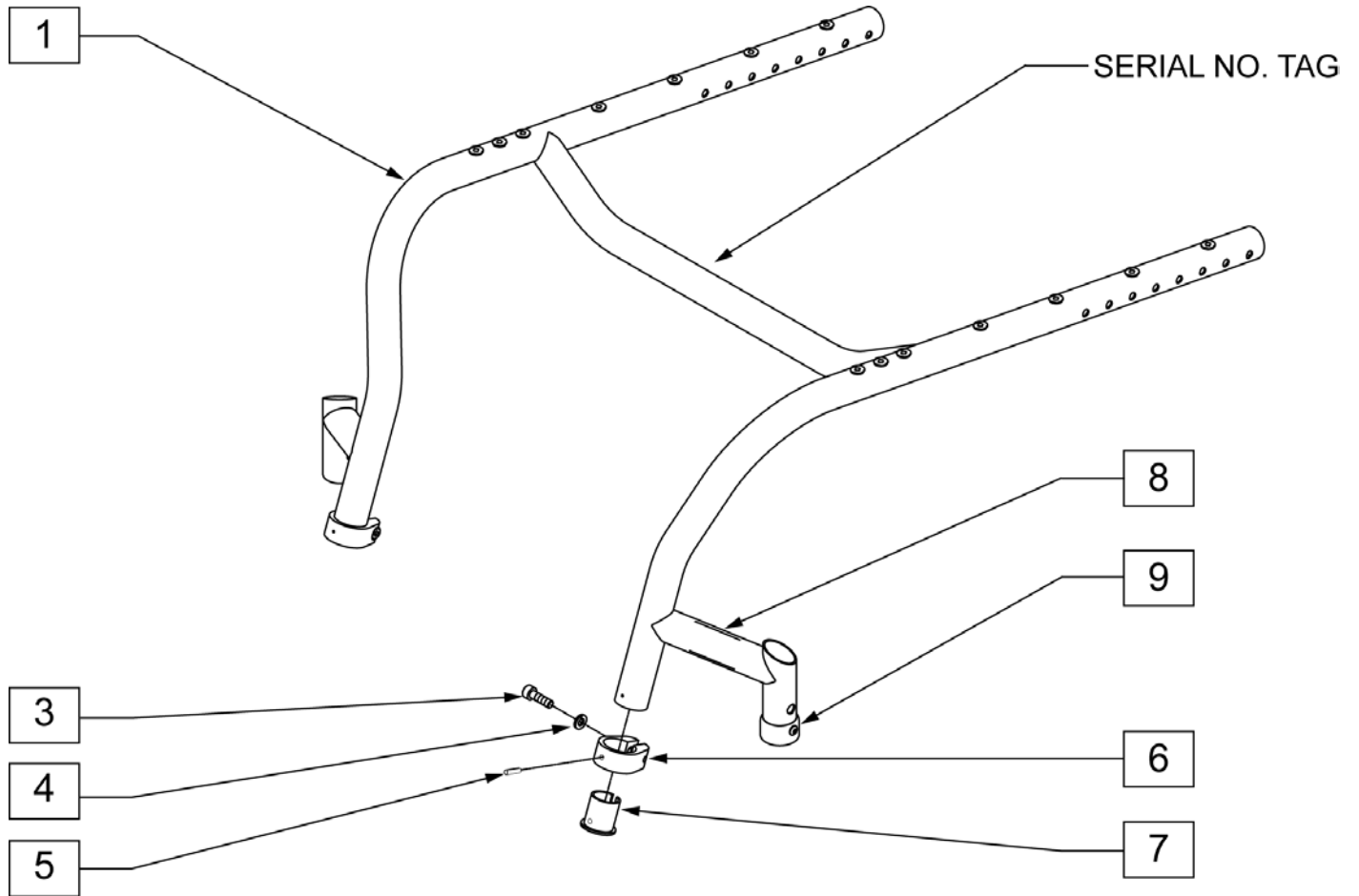
Customer Account Number \_\_\_\_\_  
Ship to Account Number \_\_\_\_\_  
Sunrise Account Manager \_\_\_\_\_

\*Part prices and configurations or specifications of products included in this Parts Manual are subject to change without prior notice.

Multimedia .....	1
QUICKIE-Ti TITANIUM .....	5
BASE FRAME .....	5
FRAME .....	5
FRAME .....	5
OPTIONAL REAR CROSS TUBE .....	8
AXLE PLATES & AXLES .....	8
AXLE ASSEMBLY .....	9
Ti TITANIUM QUICK RELEASE AXLES .....	11
CAMBER TUBES .....	12
CAMBER TUBE REF GUIDE .....	13
THREADED CAMBER TUBE ASSM.....	14
CASTERS & FORKS.....	15
FORK STEM & CASTER ASSM .....	16
CASTER/TIRE ASSEMBLIES.....	18
MICRO CASTERS.....	19
3 SPOKE CASTERS .....	20
ANTI-TIPS .....	20
ANTI-TIP .....	21
WHEEL LOCKS .....	21
WHEEL LOCK PUSH-TO-LOCK.....	22
WHEEL LOCK PULL-TO-LOCK.....	24
HIGH MOUNT SCISSOR WHEEL LOCK.....	26
ERGO WHEEL LOCK 1 IN CLAMP .....	27
COMPACT WHEEL LOCK .....	28
WHEELS & TIRES .....	28
WHEELS .....	28
QUICKIE SPOKE .....	29
NEW ULTRA LITE SPOKE .....	30
QUICKIE PERFORMANCE TENNIS.....	31
QUICKIE PERFORMANCE BASKETBALL.....	32
QUICKIE PERFORMANCE HEAT TREATED TENNIS .....	33
QUICKIE PERFORMANCE HEAT TREATED BASKETBALL .....	34
SPINERGY SPORT (24 SPOKE).....	35
TIRES .....	35
PNEUMATIC & PNEU. AIRLESS TIRE.....	36
TURBO TIRE .....	37
HIGH PRESSURE CLINCHER TIRE .....	38
LATEX TUBULAR TIRE .....	39
KEVLAR TIRE .....	40
SCHWALBE MARATHON PLUS TIRE .....	41
KIK MAKO TIRE .....	42
SEATING & POSITIONING .....	42
SEAT .....	42
SEAT SLING/PAN.....	42
SEAT SLING AND CUSHION .....	43
SEAT SLING-CUSHION-RAIL GUIDE .....	45
BACK.....	45
BACK FRAME .....	45
TITANIUM FIXED HGT FOLDING BACKREST .....	46
TITANIUM FIXED HGT NON-FOLDING BACKREST .....	49
ALUMINUM FOLDING HGT ADJ BACKREST.....	52
INTEGRAL PUSH HANDLE BACKREST.....	54
FOLDING PUSH HANDLES-NON HGT ADJ.....	56
FOLDING PUSH HANDLES-HGT ADJ.....	57
BOLT-ON PUSH HANDLE ASSEMBLY.....	59
BACK UPHOLSTERY .....	59
STD BACK UPH USED W/ OMIT HANDLES.....	60
STD BACK UPH USED W/ INTEGRAL PUSH HANDLES.....	62
ADJ BACK UPH USED W/ OMIT & INTEGRAL PUSH HANDLES.....	64
ADJ BACK UPH USED W/ FOLDING PUSH HANDLES.....	66
FOOTPLATES.....	67
TUBULAR FOOTREST .....	68
TUBULAR FOOTREST W/ COVER .....	70
TUBULAR FOOTREST W/ FLARED COVER.....	72
PLATFORM FOOTREST .....	75
ARMRESTS & RECEIVERS .....	76
ARMRESTS.....	76
PADDED SWING-AWAY ARMREST .....	77
ACCESSORIES .....	78

SIDE GUARDS.....	78
DISCONTINUED ALUMINUM SIDE GUARD.....	79
ALUMINUM SIDE GUARD.....	80
CARBON SIDE GUARD.....	82
PLASTIC SIDE GUARD.....	83
FABRIC SIDE GUARDS.....	84
IMPACT GUARD.....	85
AUTO BUCKLE POSITIONING BELTS.....	86
SPOKE GUARDS.....	87
BAGS AND POUCHES.....	88
BACKPACKS AND SEAT POUCHES.....	89
CASE LOGIC BAGS.....	90
CELL PHONE PACK.....	91
TIRE PUMP.....	92
multimedia.....	93

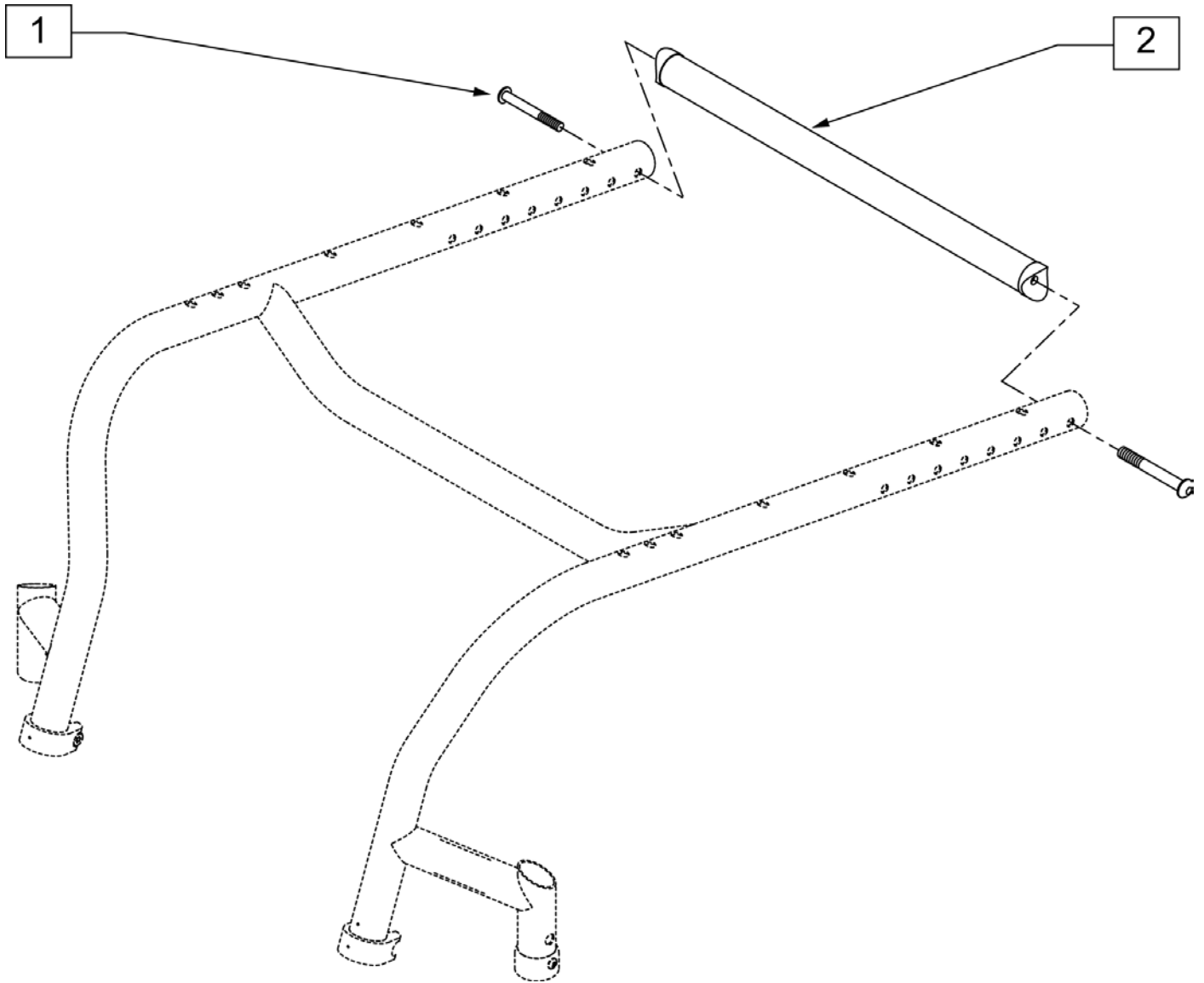
**NOTE:** When ordering replacement frames Frame Angle, Frame Inset, Front Seat Height, Serial Number and Squeeze must be known.



Pos.	Item Number	Description	Remarks
3	102263-001	SHCS M6X1X16 FULL NP	
4	262114	1/4 WASHER HI-COLLAR LOCK ZN	
5	553147	PIN SPRING .063 x .25	
6	483257	CLAMP FOOTBED 1 INCH	
7	560155	BUSHING SPLIT 1.00 OD .051 WALL	
1, 2, 8, 9	604300S	13 x 14 TI FRAME ASSM STANDARD	*REPLACEMENT FRAMES
1, 2, 8, 9	604301S	13 x 15 TI FRAME ASSM STANDARD	
1, 2, 8, 9	604302S	13 x 16 TI FRAME ASSM STANDARD	
1, 2, 8, 9	604303S	13 x 17 TI FRAME ASSM STANDARD	
1, 2, 8, 9	604304S	13 x 18 TI FRAME ASSM STANDARD	
1, 2, 8, 9	604305S	13 x 19 TI FRAME ASSM STANDARD	
1, 2, 8, 9	604306S	13 x 14 TI FRAME ASSM TALL	
1, 2, 8, 9	604307S	13 x 15 TI FRAME ASSM TALL	
1, 2, 8, 9	604308S	13 x 16 TI FRAME ASSM TALL	
1, 2, 8, 9	604309S	13 x 17 TI FRAME ASSM TALL	
1, 2, 8, 9	604310S	13 x 18 TI FRAME ASSM TALL	
1, 2, 8, 9	604311S	13 x 19 TI FRAME ASSM TALL	
1, 2, 8, 9	604312S	14 x 14 TI FRAME ASSM STANDARD	
1, 2, 8, 9	604313S	14 x 15 TI FRAME ASSM STANDARD	

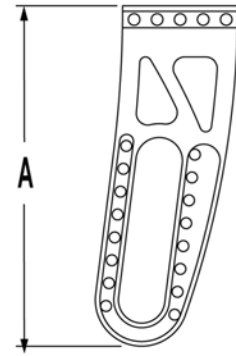
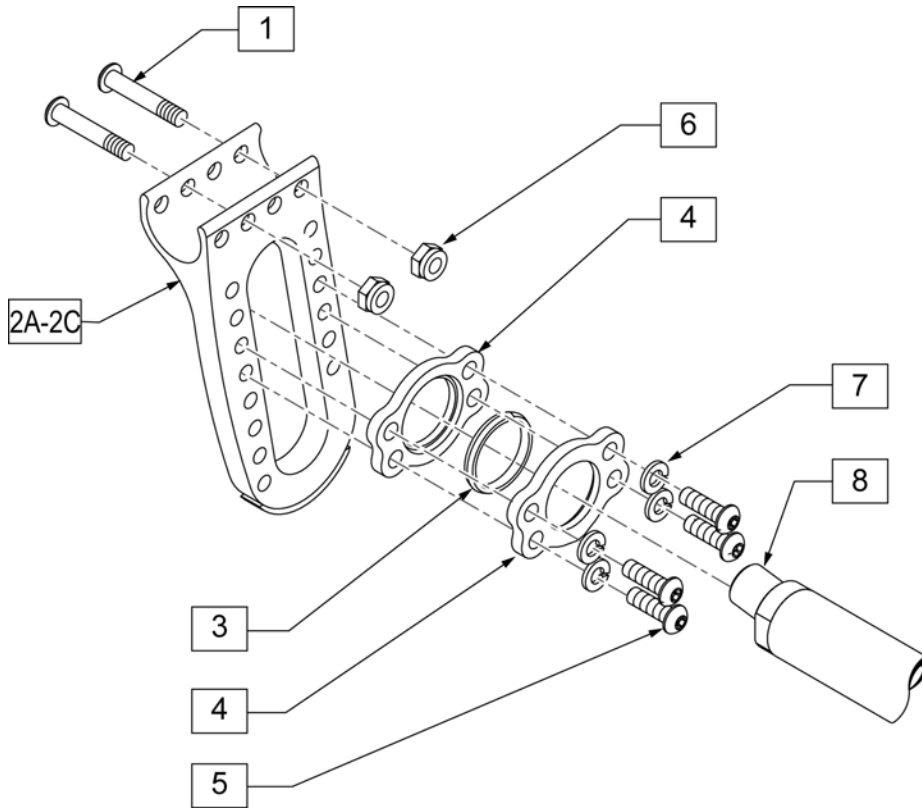
Pos.	Item Number	Description	Remarks
1, 2, 8, 9	604314S	14 x 16 TI FRAME ASSM STANDARD	
1, 2, 8, 9	604315S	14 x 17 TI FRAME ASSM STANDARD	
1, 2, 8, 9	604316S	14 x 18 TI FRAME ASSM STANDARD	
1, 2, 8, 9	604317S	14 x 19 TI FRAME ASSM STANDARD	
1, 2, 8, 9	604318S	14 x 14 TI FRAME ASSM TALL	
1, 2, 8, 9	604319S	14 x 15 TI FRAME ASSM TALL	
1, 2, 8, 9	604320S	14 x 16 TI FRAME ASSM TALL	
1, 2, 8, 9	604321S	14 x 17 TI FRAME ASSM TALL	
1, 2, 8, 9	604322S	14 x 18 TI FRAME ASSM TALL	
1, 2, 8, 9	604323S	14 x 19 TI FRAME ASSM TALL	
1, 2, 8, 9	604324S	15 x 14 TI FRAME ASSM STANDARD	
1, 2, 8, 9	604325S	15 x 15 TI FRAME ASSM STANDARD	
1, 2, 8, 9	604326S	15 x 16 TI FRAME ASSM STANDARD	
1, 2, 8, 9	604327S	15 x 17 TI FRAME ASSM STANDARD	
1, 2, 8, 9	604328S	15 x 18 TI FRAME ASSM STANDARD	
1, 2, 8, 9	604329S	15 x 19 TI FRAME ASSM STANDARD	
1, 2, 8, 9	604330S	15 x 14 TI FRAME ASSM TALL	
1, 2, 8, 9	604331S	15 x 15 TI FRAME ASSM TALL	
1, 2, 8, 9	604332S	15 x 16 TI FRAME ASSM TALL	
1, 2, 8, 9	604333S	15 x 17 TI FRAME ASSM TALL	
1, 2, 8, 9	604334S	15 x 18 TI FRAME ASSM TALL	
1, 2, 8, 9	604335S	15 x 19 TI FRAME ASSM TALL	
1, 2, 8, 9	604336S	16 x 14 TI FRAME ASSM STANDARD	
1, 2, 8, 9	604337S	16 x 15 TI FRAME ASSM STANDARD	
1, 2, 8, 9	604338S	16 x 16 TI FRAME ASSM STANDARD	
1, 2, 8, 9	604339S	16 x 17 TI FRAME ASSM STANDARD	
1, 2, 8, 9	604340S	16 x 18 TI FRAME ASSM STANDARD	
1, 2, 8, 9	604341S	16 x 19 TI FRAME ASSM STANDARD	
1, 2, 8, 9	604342S	16 x 14 TI FRAME ASSM TALL	
1, 2, 8, 9	604343S	16 x 15 TI FRAME ASSM TALL	
1, 2, 8, 9	604344S	16 x 16 TI FRAME ASSM TALL	
1, 2, 8, 9	604345S	16 x 17 TI FRAME ASSM TALL	
1, 2, 8, 9	604346S	16 x 18 TI FRAME ASSM TALL	
1, 2, 8, 9	604347S	16 x 19 TI FRAME ASSM TALL	
1, 2, 8, 9	604348S	17 x 14 TI FRAME ASSM STANDARD	
1, 2, 8, 9	604349S	17 x 15 TI FRAME ASSM STANDARD	
1, 2, 8, 9	604350S	17 x 16 TI FRAME ASSM STANDARD	
1, 2, 8, 9	604351S	17 x 17 TI FRAME ASSM STANDARD	
1, 2, 8, 9	604352S	17 x 18 TI FRAME ASSM STANDARD	
1, 2, 8, 9	604353S	17 x 19 TI FRAME ASSM STANDARD	
1, 2, 8, 9	604354S	17 x 14 TI FRAME ASSM TALL	
1, 2, 8, 9	604355S	17 x 15 TI FRAME ASSM TALL	
1, 2, 8, 9	604356S	17 x 16 TI FRAME ASSM TALL	
1, 2, 8, 9	604357S	17 x 17 TI FRAME ASSM TALL	
1, 2, 8, 9	604358S	17 x 18 TI FRAME ASSM TALL	
1, 2, 8, 9	604359S	17 x 19 TI FRAME ASSM TALL	
1, 2, 8, 9	604360S	18 x 14 TI FRAME ASSM STANDARD	
1, 2, 8, 9	604361S	18 x 15 TI FRAME ASSM STANDARD	
1, 2, 8, 9	604362S	18 x 16 TI FRAME ASSM STANDARD	
1, 2, 8, 9	604363S	18 x 17 TI FRAME ASSM STANDARD	
1, 2, 8, 9	604364S	18 x 18 TI FRAME ASSM STANDARD	
1, 2, 8, 9	604365S	18 x 19 TI FRAME ASSM STANDARD	
1, 2, 8, 9	604366S	18 x 14 TI FRAME ASSM TALL	
1, 2, 8, 9	604367S	18 x 15 TI FRAME ASSM TALL	
1, 2, 8, 9	604368S	18 x 16 TI FRAME ASSM TALL	
1, 2, 8, 9	604369S	18 x 17 TI FRAME ASSM TALL	
1, 2, 8, 9	604370S	18 x 18 TI FRAME ASSM TALL	

Pos.	Item Number	Description	Remarks
1, 2, 8, 9	604371S	18 x 19 TI FRAME ASSM TALL	



Pos.	Item Number	Description
1	226147	1/4 -28 X 1.85 BH C/S BLK ZN
2	881149	OPTIONAL REAR CROSS TUBE 13"
2	881159	OPTIONAL REAR CROSS TUBE 14"
2	881199	OPTIONAL REAR CROSS TUBE 15"
2	881209	OPTIONAL REAR CROSS TUBE 16"
2	881219	OPTIONAL REAR CROSS TUBE 17"
2	881221	OPTIONAL REAR CROSS TUBE 18"
1, 2	882183	OPTIONAL REAR CROSS TUBE W/ HDWR 13W
1, 2	882184	OPTIONAL REAR CROSS TUBE W/ HDWR 14W
1, 2	882185	OPTIONAL REAR CROSS TUBE W/ HDWR 15W
1, 2	882186	OPTIONAL REAR CROSS TUBE W/ HDWR 16W
1, 2	882187	OPTIONAL REAR CROSS TUBE W/ HDWR 17W
1, 2	882188	OPTIONAL REAR CROSS TUBE W/ HDWR 18W



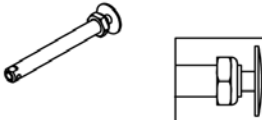
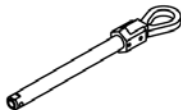
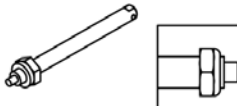
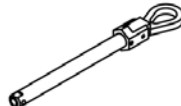
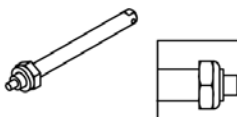
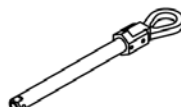
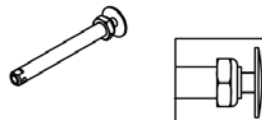



AXLE PLATE MEASURING GUIDE

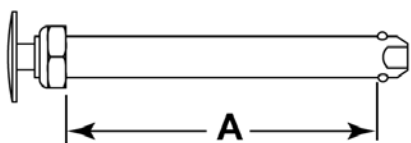
AXLE PLATE	DIM "A"	PART #
SMALL RH	5 7/16"	889052
SMALL LH	5 7/16"	889053
MED RH	7 3/8"	889050
MED LH	7 3/8"	889051
LARGE RH	9 3/8"	889054
LARGE LH	9 3/8"	889055

Pos.	Item Number	Description	Remarks
1	102262-006	BHCS M6 X 1 X 40 INORGANIC	
2A	889052	AXLE PLATE 14-15	RIGHT W/ WEAR PAD
2A	889053	AXLE PLATE 14-15	LEFT W/ WEAR PAD
2B	889050	AXLE PLATE 16-17	RIGHT W/ WEAR PAD
2B	889051	AXLE PLATE 16-17	LEFT W/ WEAR PAD
2C	889054	AXLE PLATE 18-19	RIGHT W/ WEAR PAD
2C	889055	AXLE PLATE 18-19	LEFT W/ WEAR PAD
3	481274	SLEEVE COMPRESSION	
4	502047	CLAMP COMPRESSION SLEEVE	
5	102262-003	BHCS M6 X 1 X 20 INORGANIC	
6	200113	NUT HEX NYLOCK M6 x 1	
7	262133	WASHER LOCK M6	
8	882800	ADJ CAMBER TUBE ASSM 11.50W 0D	
8	882801	ADJ CAMBER TUBE ASSM 11.50W 2D	
8	882802	ADJ CAMBER TUBE ASSM 11.75W 0D	
8	882803	ADJ CAMBER TUBE ASSM 11.75W 4D	
8	882804	ADJ CAMBER TUBE ASSM 12.00W 2D	
8	882805	ADJ CAMBER TUBE ASSM 12.00W 4D	
8	882806	ADJ CAMBER TUBE ASSM 12.50W 0D	
8	882807	ADJ CAMBER TUBE ASSM 12.50W 2D	
8	882808	ADJ CAMBER TUBE ASSM 12.50W 4D	
8	882809	ADJ CAMBER TUBE ASSM 12.75W 0D	
8	882810	ADJ CAMBER TUBE ASSM 12.75W 4D	
8	882811	ADJ CAMBER TUBE ASSM 13.00W 2D	
8	882812	ADJ CAMBER TUBE ASSM 13.00W 4D	
8	882813	ADJ CAMBER TUBE ASSM 13.25W 8D	
8	882814	ADJ CAMBER TUBE ASSM 13.50W 0D	

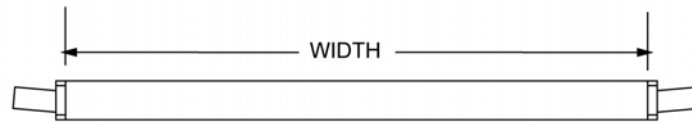
Pos.	Item Number	Description	Remarks
8	882815	ADJ CAMBER TUBE ASSM 13.50W 2D	
8	882817	ADJ CAMBER TUBE ASSM 13.75W 0D	
8	882818	ADJ CAMBER TUBE ASSM 13.75W 4D	
8	882819	ADJ CAMBER TUBE ASSM 13.75W 8D	
8	882820	ADJ CAMBER TUBE ASSM 14.00W 2D	
8	882821	ADJ CAMBER TUBE ASSM 14.00W 4D	
8	882822	ADJ CAMBER TUBE ASSM 14.25W 0D	
8	882823	ADJ CAMBER TUBE ASSM 14.50W 0D	
8	882824	ADJ CAMBER TUBE ASSM 14.50W 2D	
8	882825	ADJ CAMBER TUBE ASSM 14.50W 4D	
8	882826	ADJ CAMBER TUBE ASSM 14.75W 0D	
8	882827	ADJ CAMBER TUBE ASSM 14.75W 4D	
8	882828	ADJ CAMBER TUBE ASSM 14.75W 8D	
8	882829	ADJ CAMBER TUBE ASSM 15.00W 2D	
8	882830	ADJ CAMBER TUBE ASSM 15.00W 4D	
8	882831	ADJ CAMBER TUBE ASSM 15.25W 8D	
8	882832	ADJ CAMBER TUBE ASSM 15.50W 0D	
8	882833	ADJ CAMBER TUBE ASSM 15.50W 2D	
8	882834	ADJ CAMBER TUBE ASSM 15.50W 4D	
8	882835	ADJ CAMBER TUBE ASSM 15.75W 0D	
8	882836	ADJ CAMBER TUBE ASSM 15.75W 4D	
8	882837	ADJ CAMBER TUBE ASSM 15.75W 8D	
8	882838	ADJ CAMBER TUBE ASSM 16.00W 8D	
8	882839	ADJ CAMBER TUBE ASSM 16.00W 4D	
8	882840	ADJ CAMBER TUBE ASSM 16.25W 8D	
8	882841	ADJ CAMBER TUBE ASSM 16.50W 0D	
8	882842	ADJ CAMBER TUBE ASSM 16.50W 2D	
8	882843	ADJ CAMBER TUBE ASSM 16.50W 4D	
8	882844	ADJ CAMBER TUBE ASSM 16.75W 0D	
8	882845	ADJ CAMBER TUBE ASSM 16.75W 4D	
8	882846	ADJ CAMBER TUBE ASSM 16.75W 8D	
8	882847	ADJ CAMBER TUBE ASSM 17.00W 2D	
8	882848	ADJ CAMBER TUBE ASSM 17.00W 4D	
8	882849	ADJ CAMBER TUBE ASSM 17.25W 8D	
8	882850	ADJ CAMBER TUBE ASSM 17.50W 2D	
8	882851	ADJ CAMBER TUBE ASSM 17.50W 4D	
8	882852	ADJ CAMBER TUBE ASSM 17.75W 4D	
8	882853	ADJ CAMBER TUBE ASSM 17.75W 8D	
8	882854	ADJ CAMBER TUBE ASSM 18.00W 4D	
8	882855	ADJ CAMBER TUBE ASSM 18.25W 8D	
8	882856	ADJ CAMBER TUBE ASSM 18.75W 8D	
8	882857	ADJ CAMBER TUBE ASSM 19.25W 8D	
8	882858	ADJ CAMBER TUBE ASSM 19.75W 8D	

Wheel Type	Axle Type		Axle P/N	Spacer P/N
Standard Spoke & Spinerger Wheels	Quick Release	1A 	102064 "A"= 4 1/2	N/A
	Quad Quick Release (N/A with Spinerger)	1B 	922170 "A"= 4 1/2	N/A
Quickie Performance Wheels	Quick Release (Steel)	1C 	920130 "A"= 5 1/4	N/A
	Quad Quick Release (Steel)	1D 	920174 "A"= 5 1/4	N/A
	Quick Release (Ti)	1E 	920137 "A"= 5 1/4	N/A
	Quad Quick Release (Ti)	1F 	920173 "A"= 5 1/4	N/A
Ultra Light Wheels (N/A with Quad Quick Release)	Quick Release	1G 	102064 "A"= 4 1/2	2B 103093  2A 10076 8-003

*Quick Release Measuring Guide*



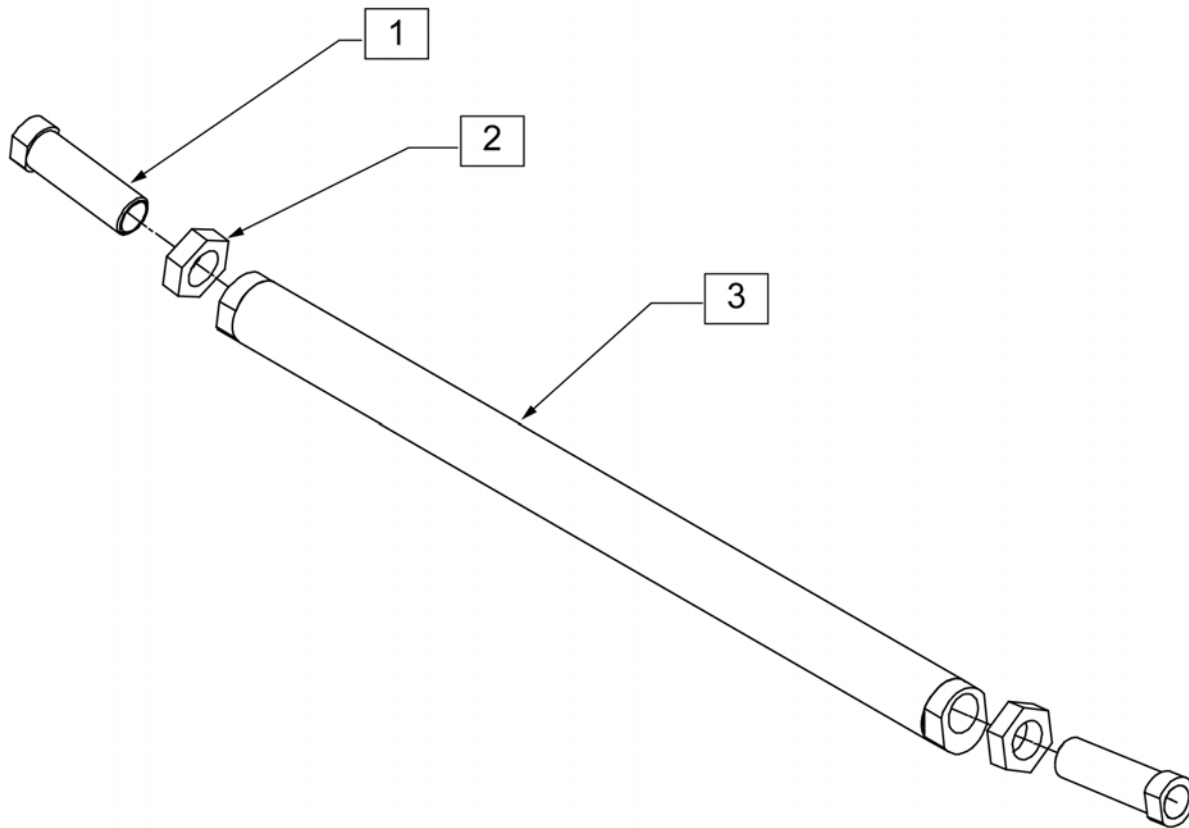
Pos.	Item Number	Description	Remarks
1A	102064	QR AXLE M12 NUT CLR BIG BTTN	
1B	922170	QR AXLE W/QUAD NUT PUSH BUTTON	Not available with Spinergy
1C	920130	QR AXLE NON-RECESS HUB W/NUT	
1D	920174	QR AXLE NON RECESS W/QUAD NUT	
1E	920137	QR AXLE W/NUT TI	
1F	920173	QR AXLE TI W/QUAD NUT	
1G	102064	QR AXLE M12 NUT CLR BIG BTTN	
2A	100768-003	SPACER AXLE 220DX12.71X12MM	
2B	103093	O-RING 1/2"IDX11/16"OD BUNA-N	



CAMBER TUBE REFERENCE GUIDE

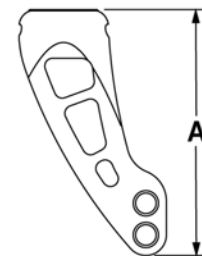
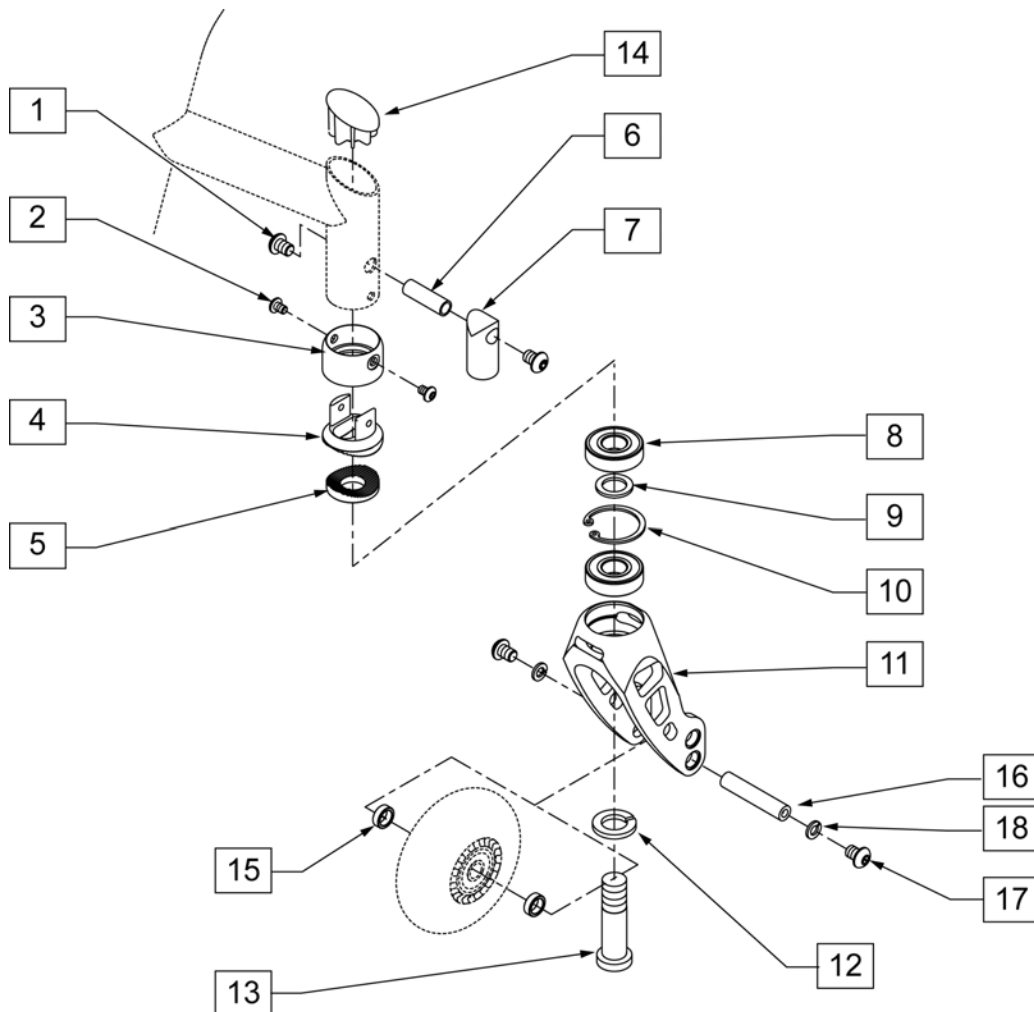
CAMBER ANGLE	WHEEL CLEARANCE GAP	CHAIR WIDTH											
		13" WIDE		14" WIDE		15" WIDE		16" WIDE		17" WIDE		18" WIDE	
		DIM "A"	PART #	DIM "A"	PART #	DIM "A"	PART #	DIM "A"	PART #	DIM "A"	PART #	DIM "A"	PART #
0 DEG	1.00"	11.50	882800	12.50	882806	13.50	882814	14.50	882823	15.50	882832	16.50	882841
	1.25"	12.75	882800	12.50	882806	13.50	882814	14.50	882823	15.50	882832	16.50	882841
	1.50"	12.75	882802	12.75	882809	13.75	882817	14.75	882826	15.75	882835	16.75	882844
2 DEG	1.00"	11.50	882801	12.50	882807	13.50	882815	14.50	882824	15.50	882833	16.50	882842
	1.25"	12.00	882804	13.00	882811	14.00	882820	15.00	882829	16.00	882838	17.00	882847
	1.50"	12.50	882807	13.50	882815	14.50	882824	15.50	882833	16.50	882842	17.50	882850
4 DEG	0.75"	11.75	882803	12.75	882810	13.75	882818	14.75	882827	15.75	882836	16.75	882845
	1.00"	12.00	882805	13.00	882812	14.00	882821	15.00	882830	16.00	882839	17.00	882848
	1.25"	12.50	882808	13.50	882816	14.50	882825	15.50	882834	16.50	882843	17.50	882851
8 DEG	1.50"	13.00	882812	14.00	882821	15.00	882830	16.00	882839	17.00	882848	18.00	882854
	0.75"	13.25	882813	14.25	882822	15.25	882831	16.25	882840	17.25	882849	18.25	882855
	1.00"	13.75	882819	14.75	882828	15.75	882837	16.75	882846	17.75	882853	18.75	882856
8 DEG	1.25"	14.25	882822	15.25	882831	16.25	882840	17.25	882849	18.25	882855	19.25	882857
	1.50"	14.75	882828	15.75	882837	16.75	882846	17.75	882853	18.75	882856	19.75	882858

Pos.	Item Number
1	N/A



Pos.	Item Number	Description	Pos.	Item Number	Description
1	542514	THREADED SLEEVE ,AXLE, 2.200 IN	3	882737	ASSM THRD CMBR TUBE 13.75W 0D
2	203107	HEX NUT, M 16 x 1.0	3	882738	ASSM THRD CMBR TUBE 13.75W 4D
3	882720	ASSM THRD CMBR TUBE 11.50W 0D	3	882739	ASSM THRD CMBR TUBE 13.75W 8D
3	882721	ASSM THRD CMBR TUBE 11.50W 2D	3	882740	ASSM THRD CMBR TUBE 14.00W 2D
3	882722	ASSM THRD CMBR TUBE 11.75W 0D	3	882741	ASSM THRD CMBR TUBE 14.00W 4D
3	882723	ASSM THRD CMBR TUBE 11.75W 4D	3	882742	ASSM THRD CMBR TUBE 14.25W 8D
3	882724	ASSM THRD CMBR TUBE 12.00W 2D	3	882743	ASSM THRD CMBR TUBE 14.50W 0D
3	882725	ASSM THRD CMBR TUBE 12.00W 4D	3	882770	ASSM THRD CMBR TUBE 14.50W 2D
3	882726	ASSM THRD CMBR TUBE 12.50W 0D	3	882771	ASSM THRD CMBR TUBE 14.50W 4D
3	882727	ASSM THRD CMBR TUBE 12.50W 2D	3	882772	ASSM THRD CMBR TUBE 14.75W 0D
3	882728	ASSM THRD CMBR TUBE 12.50W 4D	3	882773	ASSM THRD CMBR TUBE 14.75W 4D
3	882729	ASSM THRD CMBR TUBE 12.75W 0D	3	882774	ASSM THRD CMBR TUBE 14.75W 8D
3	882730	ASSM THRD CMBR TUBE 12.75W 4D	3	882775	ASSM THRD CMBR TUBE 15.00W 2D
3	882731	ASSM THRD CMBR TUBE 13.00W 2D	3	882776	ASSM THRD CMBR TUBE 15.00W 4D
3	882732	ASSM THRD CMBR TUBE 13.00W 4D	3	882777	ASSM THRD CMBR TUBE 15.25W 8D
3	882733	ASSM THRD CMBR TUBE 13.25W 8D	3	882778	ASSM THRD CMBR TUBE 15.50W 0D
3	882734	ASSM THRD CMBR TUBE 13.50W 0D	3	882779	ASSM THRD CMBR TUBE 15.50W 2D
3	882735	ASSM THRD CMBR TUBE 13.50W 2D	3	882780	ASSM THRD CMBR TUBE 15.50W 4D
3	882736	ASSM THRD CMBR TUBE 13.50W 4D	3	882781	ASSM THRD CMBR TUBE 15.75W 0D

Pos.	Item Number	Description	Pos.	Item Number	Description
3	882782	ASSM THRD CMBR TUBE 15.75W 4D	1-3	882818	ASSM ADJ CMBR TB 13.75W 4D
3	882783	ASSM THRD CMBR TUBE 15.75W 8D	1-3	882819	ASSM ADJ CMBR TB 13.75W 8D
3	882784	ASSM THRD CMBR TUBE 16.00W 2D	1-3	882820	ASSM ADJ CMBR TB 14.00W 2D
3	882785	ASSM THRD CMBR TUBE 16.00W 4D	1-3	882821	ASSM ADJ CMBR TB 14.00W 4D
3	882786	ASSM THRD CMBR TUBE 16.25W 8D	1-3	882822	ASSM ADJ CMBR TB 14.25W 8D
3	882787	ASSM THRD CMBR TUBE 16.50W 0D	1-3	882823	ASSM ADJ CMBR TB 14.50W 0D
3	882788	ASSM THRD CMBR TUBE 16.50W 2D	1-3	882824	ASSM ADJ CMBR TB 14.50W 2D
3	882789	ASSM THRD CMBR TUBE 16.50W 4D	1-3	882825	ASSM ADJ CMBR TB 14.50W 4D
3	882790	ASSM THRD CMBR TUBE 16.75W 0D	1-3	882826	ASSM ADJ CMBR TB 14.75W 0D
3	882791	ASSM THRD CMBR TUBE 16.75W 4D	1-3	882827	ASSM ADJ CMBR TB 14.75W 4D
3	882792	ASSM THRD CMBR TUBE 16.75W 8D	1-3	882828	ASSM ADJ CMBR TB 14.75W 8D
3	882793	ASSM THRD CMBR TUBE 17.00W 2D	1-3	882829	ASSM ADJ CMBR TB 15.00W 2D
3	882935	ASSM THRD CMBR TUBE 17.00W 4D	1-3	882830	ASSM ADJ CMBR TB 15.00W 4D
3	882936	ASSM THRD CMBR TUBE 17.25W 8D	1-3	882831	ASSM ADJ CMBR TB 15.25W 8D
3	882937	ASSM THRD CMBR TUBE 17.50W 2D	1-3	882832	ASSM ADJ CMBR TB 15.50W 0D
3	882938	ASSM THRD CMBR TUBE 17.50W 4D	1-3	882833	ASSM ADJ CMBR TB 15.50W 2D
3	882939	ASSM THRD CMBR TUBE 17.75W 4D	1-3	882834	ASSM ADJ CMBR TB 15.50W 4D
3	882940	ASSM THRD CMBR TUBE 17.75W 8D	1-3	882835	ASSM ADJ CMBR TB 15.75W 0D
3	882941	ASSM THRD CMBR TUBE 18.00W 4D	1-3	882836	ASSM ADJ CMBR TB 15.75W 4D
3	882942	ASSM THRD CMBR TUBE 18.25W 8D	1-3	882837	ASSM ADJ CMBR TB 15.75W 8D
3	882943	ASSM THRD CMBR TUBE 18.75W 8D	1-3	882838	ASSM ADJ CMBR TB 16.00W 2D
3	882944	ASSM THRD CMBR TUBE 19.25W 8D	1-3	882839	ASSM ADJ CMBR TB 16.00W 4D
3	882945	ASSM THRD CMBR TUBE 19.75W 8D	1-3	882840	ASSM ADJ CMBR TB 16.25W 8D
1-3	882800	ASSM ADJ CMBR TB 11.50W 0D	1-3	882841	ASSM ADJ CMBR TB 16.50W 0D
1-3	882801	ASSM ADJ CMBR TB 11.50W 2D	1-3	882842	ASSM ADJ CMBR TB 16.50W 2D
1-3	882802	ASSM ADJ CMBR TB 11.75W 0D	1-3	882843	ASSM ADJ CMBR TB 16.50W 4D
1-3	882803	ASSM ADJ CMBR TB 11.75W 4D	1-3	882844	ASSM ADJ CMBR TB 16.75W 0D
1-3	882804	ASSM ADJ CMBR TB 12.00W 2D	1-3	882845	ASSM ADJ CMBR TB 16.75W 4D
1-3	882805	ASSM ADJ CMBR TB 12.00W 4D	1-3	882846	ASSM ADJ CMBR TB 16.75W 8D
1-3	882806	ASSM ADJ CMBR TB 12.50W 0D	1-3	882847	ASSM ADJ CMBR TB 17.00W 2D
1-3	882807	ASSM ADJ CMBR TB 12.50W 2D	1-3	882848	ASSM ADJ CMBR TB 17.00W 4D
1-3	882808	ASSM ADJ CMBR TB 12.50W 4D	1-3	882849	ASSM ADJ CMBR TB 17.25W 8D
1-3	882809	ASSM ADJ CMBR TB 12.75W 0D	1-3	882850	ASSM ADJ CMBR TB 17.50W 2D
1-3	882810	ASSM ADJ CMBR TB 12.75W 4D	1-3	882851	ASSM ADJ CMBR TB 17.50W 4D
1-3	882811	ASSM ADJ CMBR TB 13.00W 2D	1-3	882852	ASSM ADJ CMBR TB 17.75W 4D
1-3	882812	ASSM ADJ CMBR TB 13.00W 4D	1-3	882853	ASSM ADJ CMBR TB 17.75W 8D
1-3	882813	ASSM ADJ CMBR TB 13.25W 8D	1-3	882854	ASSM ADJ CMBR TB 18.00W 4D
1-3	882814	ASSM ADJ CMBR TB 13.50W 0D	1-3	882855	ASSM ADJ CMBR TB 18.25W 8D
1-3	882815	ASSM ADJ CMBR TB 13.50W 2D	1-3	882856	ASSM ADJ CMBR TB 18.75W 8D
1-3	882816	ASSM ADJ CMBR TB 13.50W 4D	1-3	882857	ASSM ADJ CMBR TB 19.25W 8D
1-3	882817	ASSM ADJ CMBR TB 13.75W 0D	1-3	882858	ASSM ADJ CMBR TB 19.75W 8D



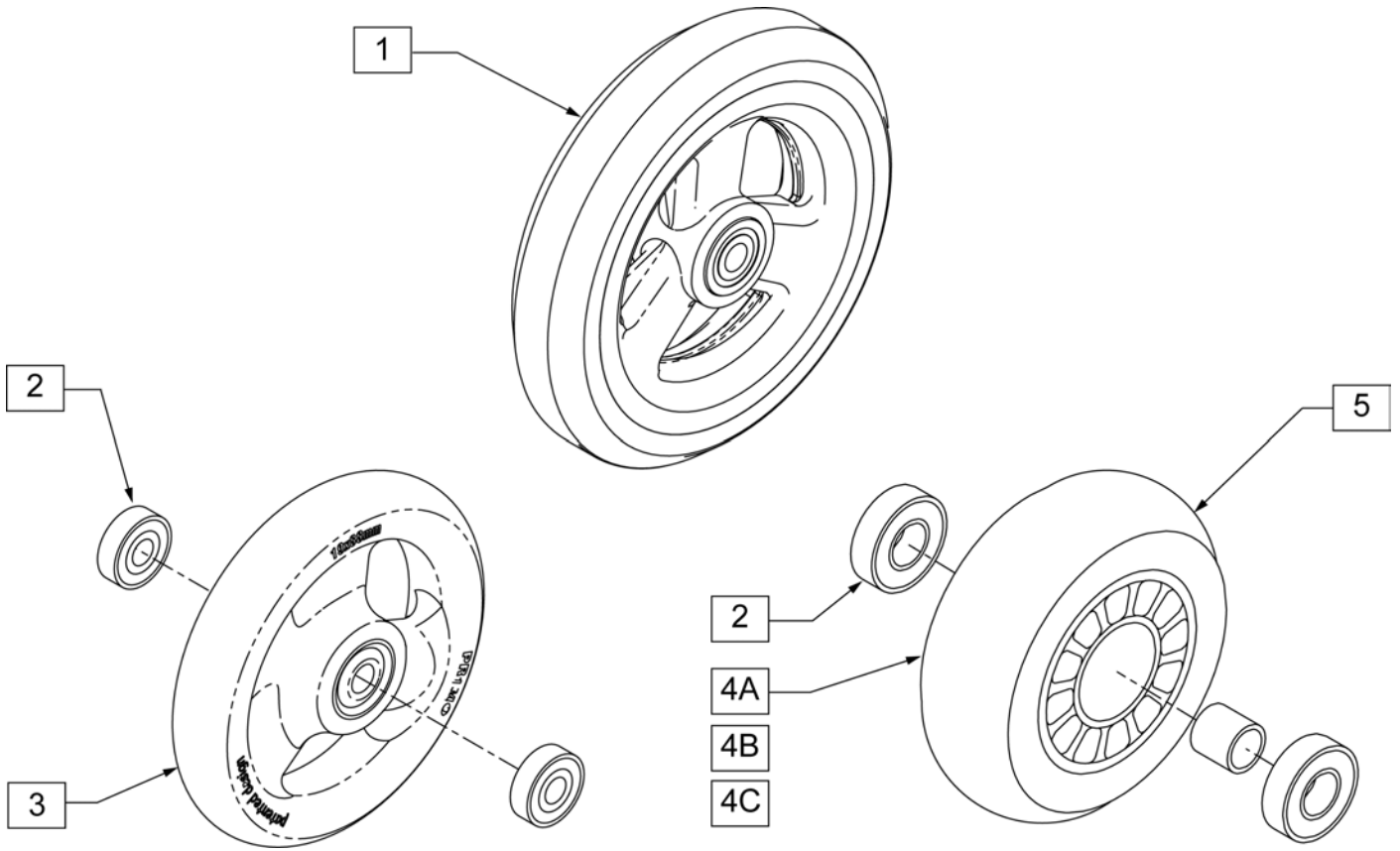
FORK MEASURING GUIDE

FORK	DIM "A"	PART #
SHORT	3 7/8"	922109
TALL	4 3/8"	922110

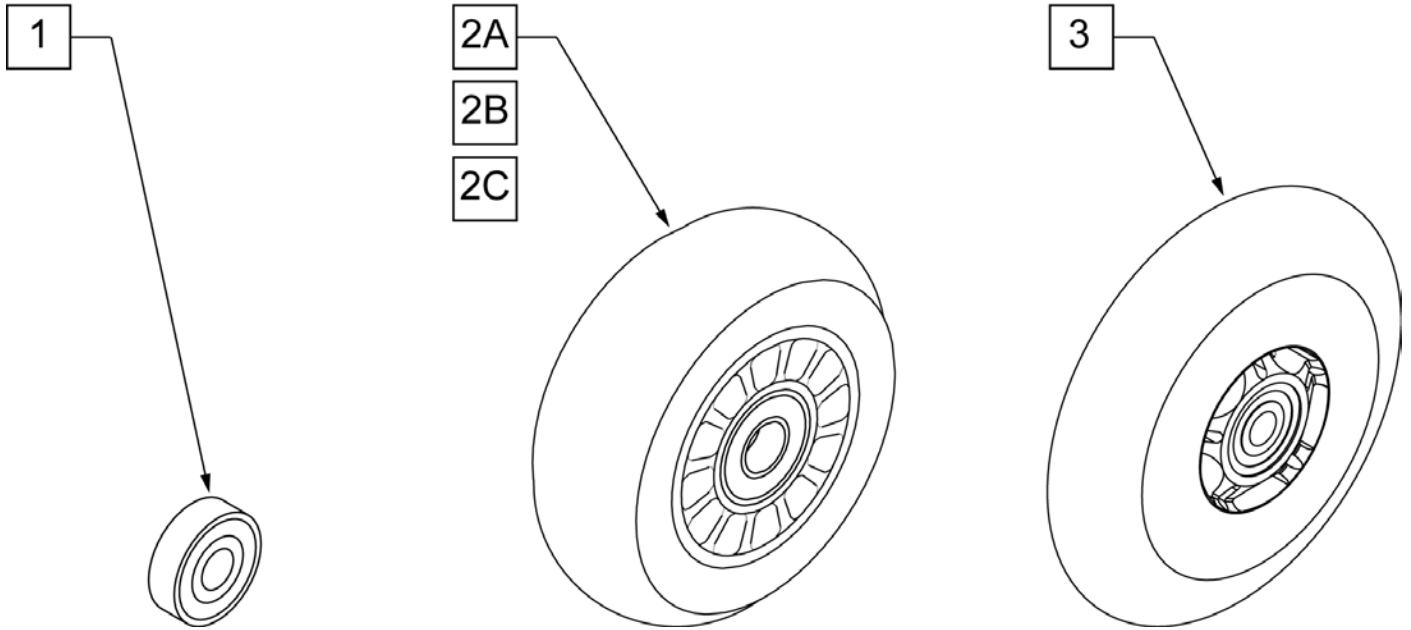
Pos.	Item Number	Description	Remarks
1	102262-001	BHCS M6 x 1 x 8mm BLK W/ PL	
2	230110	BHCS M4 x 7 x 6mm BLK W/ PL	
3	483515	CUP SPLINE ANGLE ADJ	
4	502050	SPLINE CASTER ANGLE ADJ UPPER	
5	502051	SPLINE CASTER ANGLE ADJ LOWER	
6	481338	SLEEVE PIVOT ANGLE ADJ	
7	502049	PIVOT CASTER ANGLE ADJ	
8	349104	BEARING 28mm OD 12mm ID 8mm THICK	
9	265162	WSHR FLT 18MM OD 12MM ID 1.5MM	
10	342093	RING SNAP INTERNAL 28MM	
12	265161	LOCK WASHER M12	
13	481398	SHCS M12 x 1.75 ANGLE ADJ	
14	340045	CAP Q 1.00 30 DEG	
15	481353	SPACER BEARING	
16	481483	AXLE CASTER 1.58LG	
17	102259-001	BHCS M5 x .8 x 14mm BLK W/ PL	
18	262132	LOCK WASHER M5	
8-11A	922109	INTEGRAL BEARINGS FORK ASSM -SHORT	Grey
8-11A	922111	ASSM INTGRL BRNG FORK SHRT BLK	Black
8-11B	922110	INTEGRAL BEARINGS FORK ASSM -TALL	Grey
8-11A-15-18	102126-001	INTGRL FORK W/AXLE GRY SHT	



NOTE: PLEASE CONTACT *BUILT 4 ME* FOR ORANGE LIMITED EDITION PARTS.

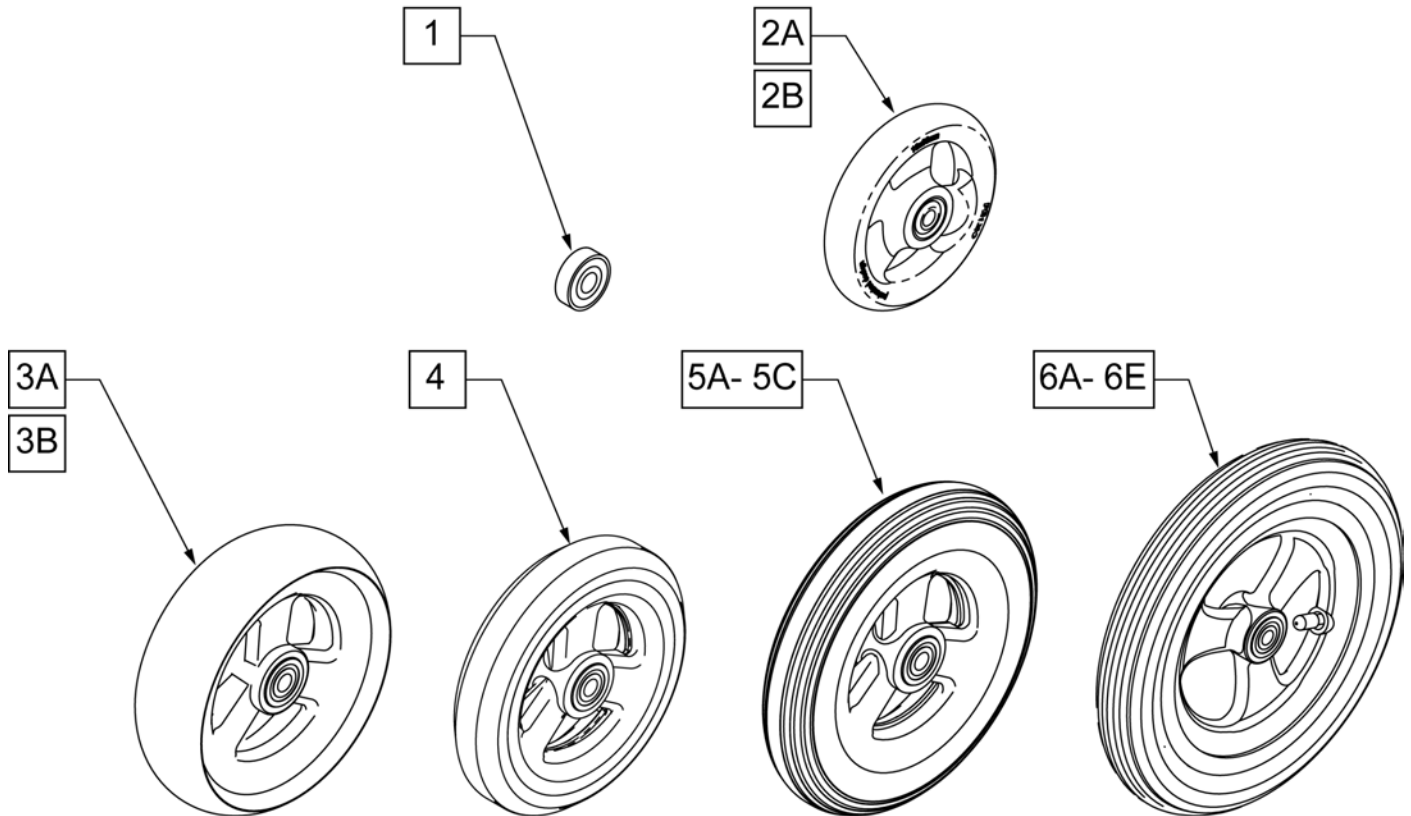


Pos.	Item Number	Description	HCPC	Remarks
2	349502	7/8 x 5/16 BEARINGS		
5	502049	BEARING SPACER		
1,2	101254	5 PLASTIC W/ LOW POLY AND BEARINGS	K0077	
2,3	101098	4 PLASTIC W/ POLY AND BEARINGS	K0077	
2,4C	400108	4 MICRO CASTER LIGHTED	K0077	
2, 4A, 5	400107	3 MICRO CASTER LIGHTED	K0077	
2, 4B, 5	920025	3 MICRO CASTER	K0077	PAIR

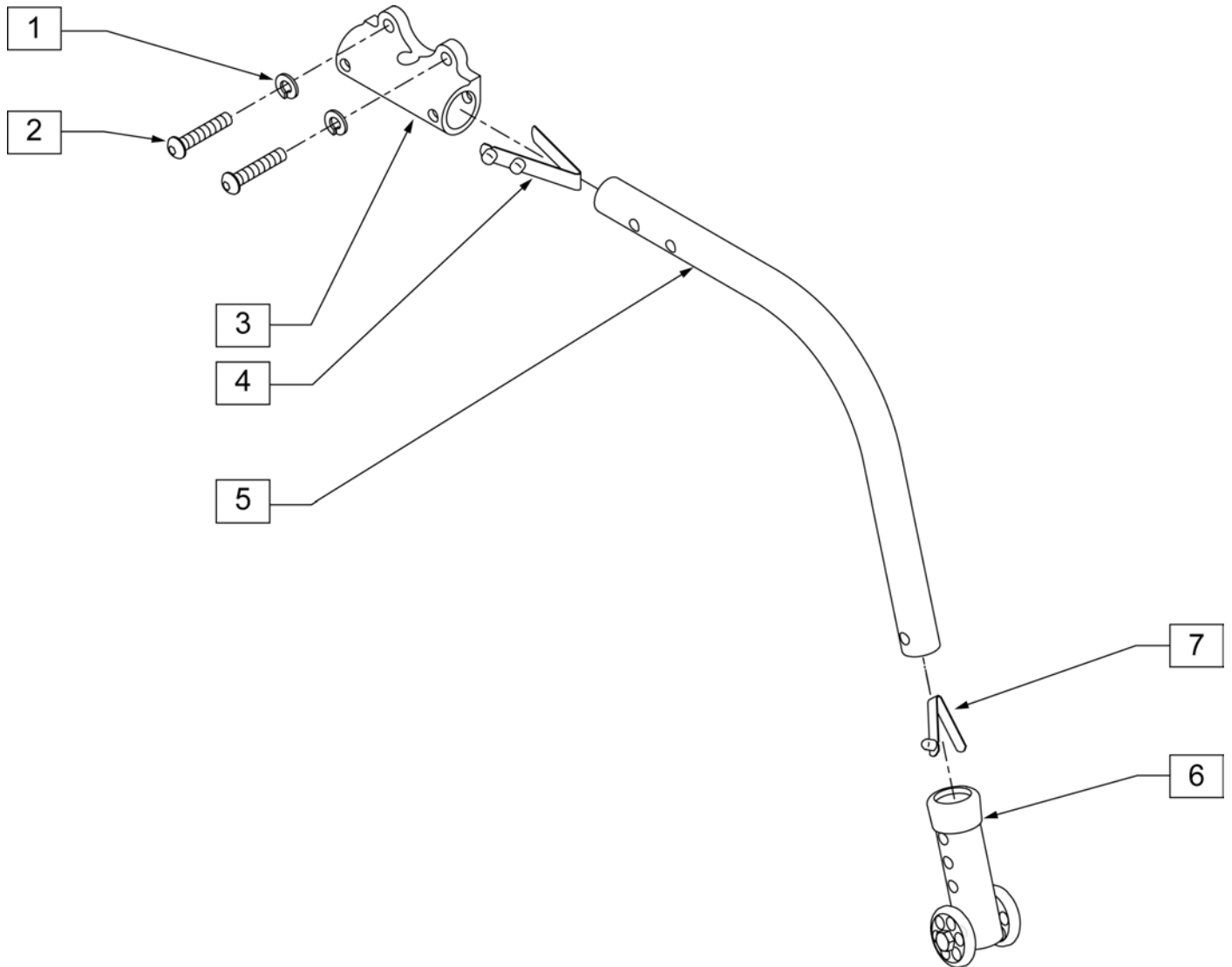


Pos.	Item Number	Description	HPCP	Remarks
1	349502	7/8"x 5/16" BEARING		
2A	400108	4" MICRO CASTER LIGHTED	K0077	4" MICRO LIGHTED
2B	920025	3" MICRO CASTER W/ BEARING -PAIR	K0077	PAIR 3" MICRO
2C	400107	3" MICRO CASTER LIGHTED	K0077	3" MICRO LIGHTED
3	052129	5" MICRO CASTER LIGHTED	K0077	5" MICRO LIGHTED

NOTE: 7" AND 8" CASTERS ARE NOT AVAILABLE ON THE Q2 LITE.



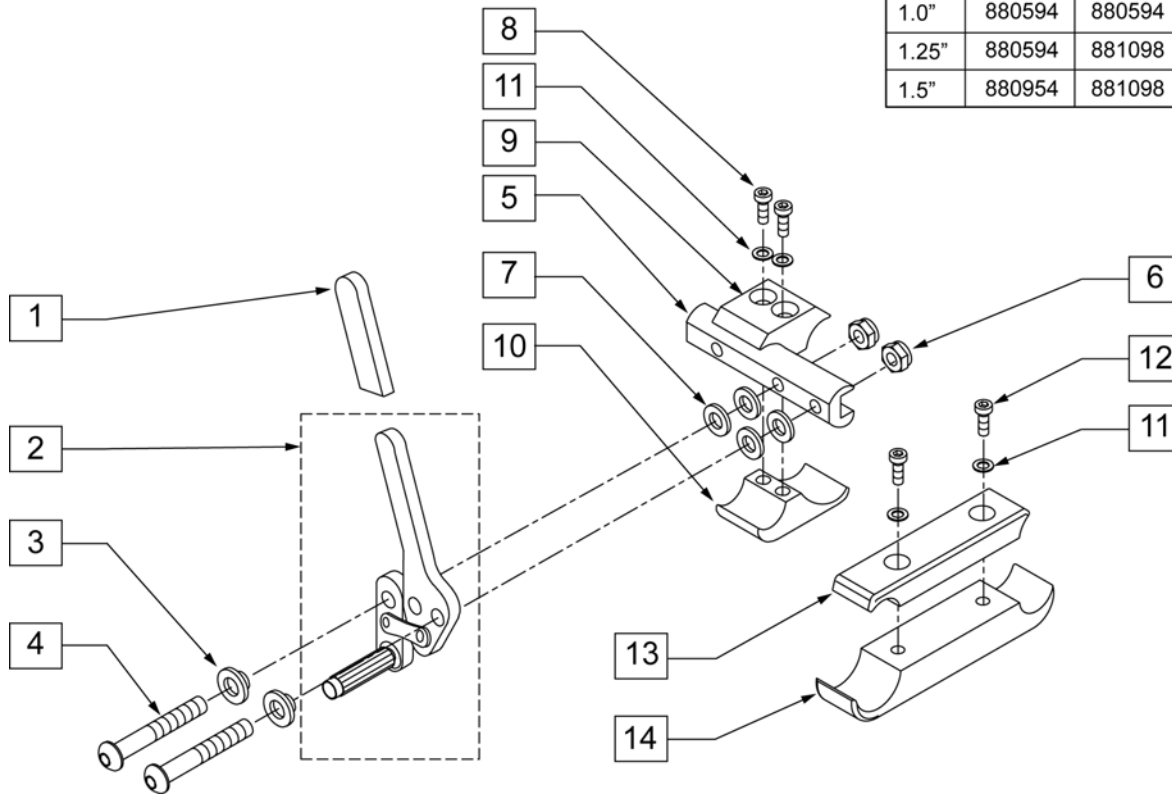
Pos.	Item Number	Description	Remarks
1	349502	7/8"x 5/16" BEARING	
2A	101957	4"X1-1/4 POLY 3 SPOKE CSTR	4" X 1.25 SEMI-PNEUMATIC
2B	101098	CASTER 4" PLASTIC/POLY W/BRG	4" LOW PROFILE POLY
3A	101259	5"X1-1/2" POLY 3 SPOKE CSTR	5" x 1.5" SEMI-PNEUMATIC
3B	101255	6"X1-1/2" POLY 3 SPOKE CSTR	6" x 1.5" SEMI-PNEUMATIC
4	101254	5" LOW POLY 3 SPOKE CASTER	5" LOW PROFILE POLY
5A	101256	6" SEMI PNEU 3 SPOKE CASTER	6" POLY
5B	101257	6" PNEUMATIC 3 SPOKE CASTER	6" PNEUMATIC
5C	383245	6" PNEUMATIC TIRE & TUBE	
6A	400212	CASTER 8" PNEU 3 SPK ASSM	8" PNEUMATIC
6B	400213	CASTER 8" POLY 3 SPK ASSM	8" POLY
6C	400214	CASTER 8" LOW POLY 3 SPK ASSM	7" x LOW PROFILE POLY
6D	383255	8" PNEUMATIC TIRE & TUBE	
6E	400215	CASTER 8" WIDE POLY 3 SPK ASSM	8" x 1.5" LOW POLY



Pos.	Item Number	Description	Remarks
1	262133	WASHER LOCK M6	
2	102262-004	BHCS M6 x 1 x 25mm W/ PL	
3	550079	ANTI-TIP HOUSING, FIXED, AXLE MOUNT	
4	301109	SNAP BUTTON DUAL ONE SIDE	
4,5,7	882974	ANTI-TIP TUBE EXT REG BLACK	RIGHT
4,5,7	882975	ANTI-TIP TUBE EXT REG BLACK	LEFT
6	881513	ANTI-TIP SLEEVE W/ WHEELS BLACK (4H)	
7	301100	1/4 SNAP BUTTON SINGLE	
4-7	882922	A/T REG EXTENDED W/ LONG SLEEVE BLACK	RIGHT
4-7	882923	A/T REG EXTENDED W/ LONG SLEEVE BLACK	LEFT
1-7	882924	ANTI-TIP ASSM	RIGHT
1-7	882925	ANTI-TIP ASSM	LEFT

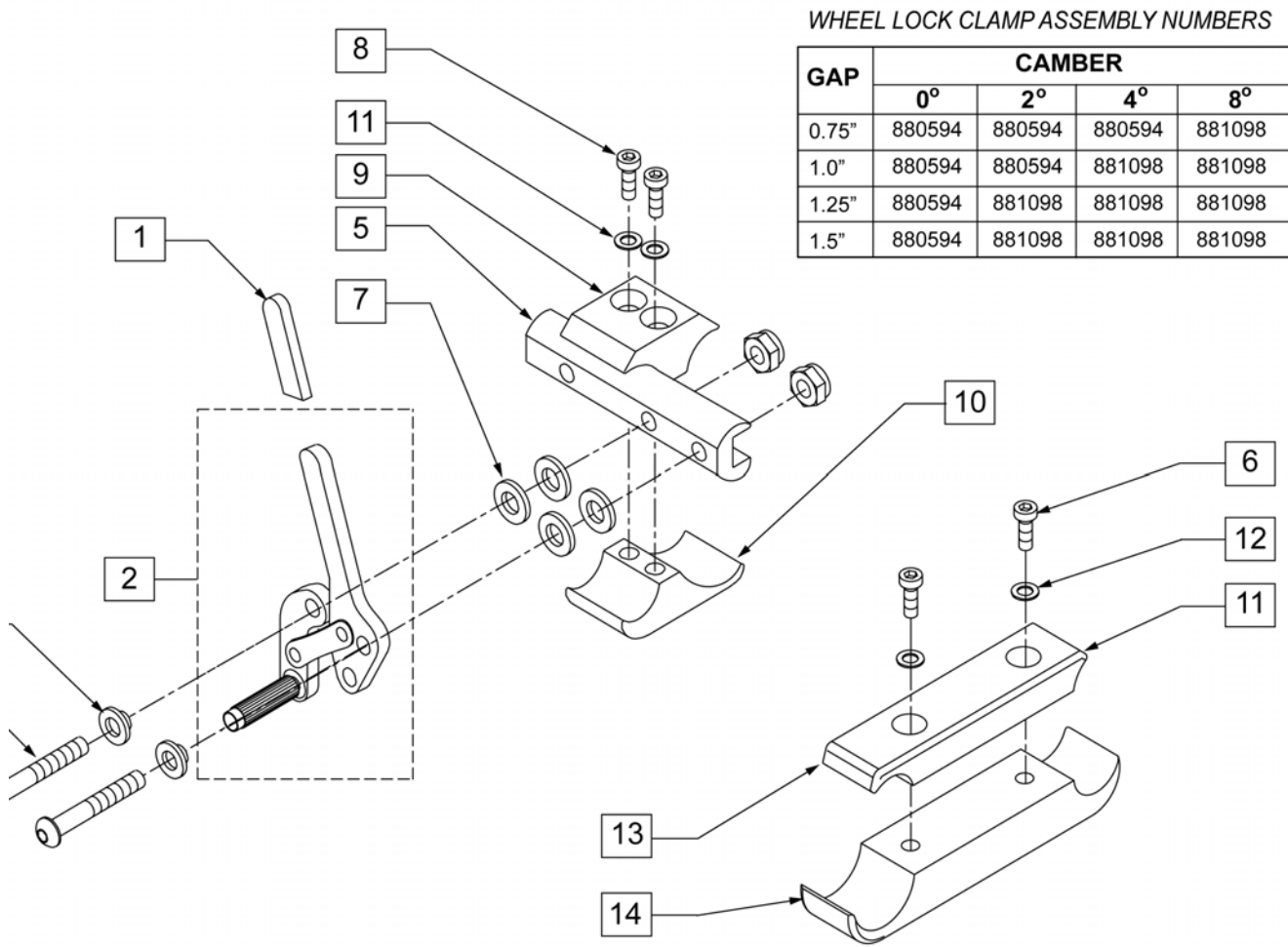
WHEEL LOCK CLAMP ASSEMBLY NUMBERS

GAP	CAMBER			
	0°	2°	4°	8°
0.75"	880594	880594	880594	881098
1.0"	880594	880594	881098	881098
1.25"	880594	881098	881098	881098
1.5"	880954	881098	881098	881098



Pos.	Item Number	Description	Remarks
1	560500-QU	HB PLASTIC COVER	
1,2	881748	WHEEL LOCK ARM ASSM W/ GRIP BLK	RIGHT
1,2	881749	WHEEL LOCK ARM ASSM W/ GRIP BLK	LEFT
3	560126	.250 ID .312 OD BUSHING PLASTIC	
4	226110	1/4 -28 x 1 BH C/S	
5	550374	WHEEL LOCK SLIDE BLOCK 1 1/2 BLK	
6	106935	NUT NYLOCK THIN 1/4-28 ROHS	
7	561028	1/4 NYLON WASHER	
8	226112	1/4 -28 x 1 SOC C/S BLK	
9	550659	CLAMP 1 1/4 RECESS HALF BLK	
10	550658	CLAMP 1 1/4 THREADED BLK	
11	262114	1/4 WASHER HI COLLAR LOCK ZN	
12	226107	1/4 -28 x 7/8 SOC C/S	
13	550093	WHEEL LOCK CLAMP THRU 3.5	
14	550092	WHEEL LOCK CLAMP THRD 3.5	
8-11	107639	WHL LCK CLMP ASM	
11-14	881098	WHEEL LOCK CLAMP ASSM LONG	
1-7	883010	WHEEL LOCK PUSH ASSM W/O CLAMP BLK	RIGHT
1-7	883011	WHEEL LOCK PUSH ASSM W/O CLAMP BLK	LEFT
1-11	881965	WHEEL LOCK PUSH W/ CLAMP BLK	RIGHT
1-11	881966	WHEEL LOCK PUSH W/ CLAMP BLK	LEFT
1-11	901551	WHEEL LOCK PUSH W/ CLAMP BLK	PAIR
1-7,11-14	881978	WHEEL LOCK PUSH ASSM W/ LONG CLAMP	RIGHT

<b>Pos.</b>	<b>Item Number</b>	<b>Description</b>	<b>Remarks</b>
1-7,11-14	881979	WHEEL LOCK PUSH ASSM W/ LONG CLAMP	LEFT
1-7,11-14	901574	WHEEL LOCK PUSH W/ LONG CLAMP	PAIR



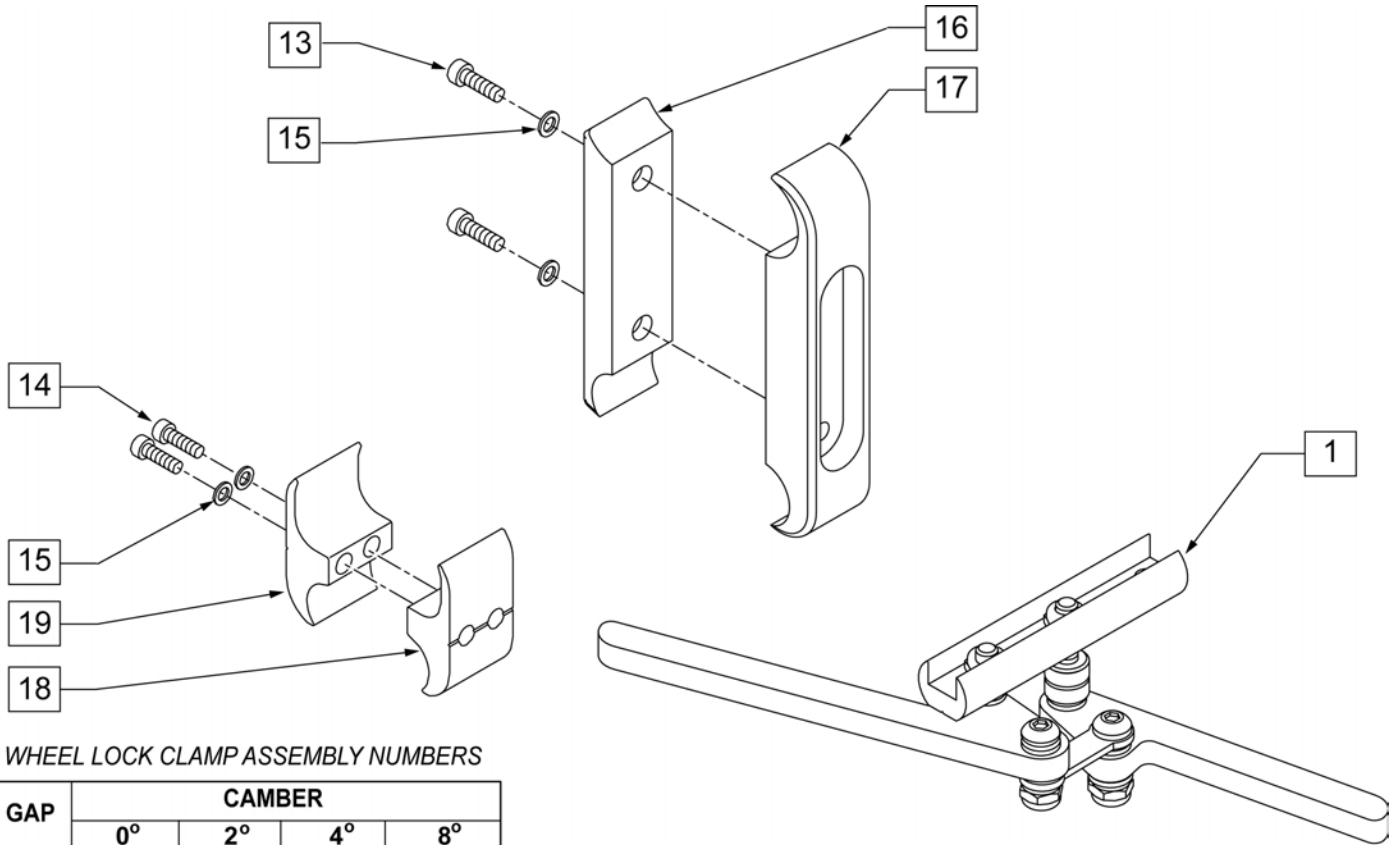
WHEEL LOCK CLAMP ASSEMBLY NUMBERS

GAP	CAMBER			
	0°	2°	4°	8°
0.75"	880594	880594	880594	881098
1.0"	880594	880594	881098	881098
1.25"	880594	881098	881098	881098
1.5"	880594	881098	881098	881098

Pos.	Item Number	Description	Remarks
1	560500-QU	HB PLASTIC COVER	
1,2	881798	WHEEL LOCK ARM ASSM W/ GRIP BLK	RIGHT
1,2	881799	WHEEL LOCK ARM ASSM W/ GRIP BLK	LEFT
3	560126	.250 ID .312 OD BUSHING PLASTIC	
4	226110	1/4 -28 x 1 BH C/S	
5	550374	WHEEL LOCK SLIDE BLOCK 1 1/2 BLK	
6	106935	NUT NYLOCK THIN 1/4-28 ROHS	
7	561028	1/4 NYLON WASHER	
8	107032	1/4 -28 x 1 SOC C/S BLK	
9	550659	CLAMP 1 1/4 RECESS HALF BLK	
10	550658	CLAMP 1 1/4 THREADED BLK	
11	262114	1/4 WASHER HI COLLAR LOCK ZN	
12	226107	1/4 -28 x 7/8 SOC C/S	
13	550093	WHEEL LOCK CLAMP THRU 3.5	
14	550092	WHEEL LOCK CLAMP THRD 3.5	
8-11	107639	WHL LCK CLMP ASM	
11-14	881098	WHEEL LOCK CLAMP ASSM LONG	
1-7	883012	WHEEL LOCK PULL ASSM W/O CLAMP BLK	RIGHT
1-7	883013	WHEEL LOCK PULL ASSM W/O CLAMP BLK	LEFT
1-11	881967	WHEEL LOCK PULL W/ CLAMP BLK	RIGHT



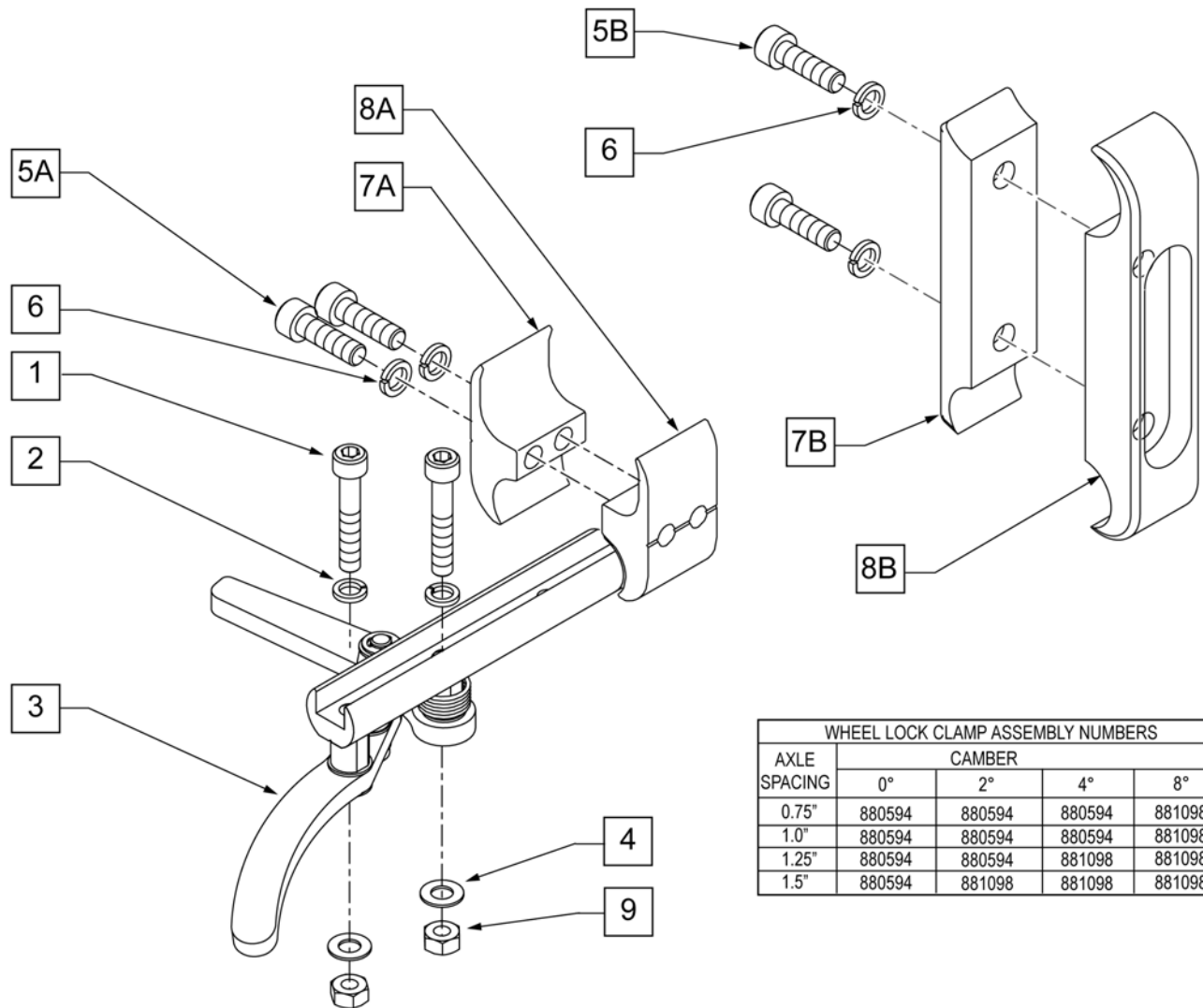
<b>Pos.</b>	<b>Item Number</b>	<b>Description</b>	<b>Remarks</b>
1-11	881968	WHEEL LOCK PULL W/ CLAMP BLK	LEFT
1-11	901555	WHEEL LOCK PULL W/ CLAMP BLK	PAIR
1-7,11-14	882017	WHEEL LOCK PULL ASSM W/ LONG CLAMP	RIGHT
1-7,11-14	882018	WHEEL LOCK PULL ASSM W/ LONG CLAMP	LEFT
1-7,11-14	901581	WHEEL LOCK PULL W/ LONG CLAMP	PAIR



WHEEL LOCK CLAMP ASSEMBLY NUMBERS

GAP	CAMBER			
	0°	2°	4°	8°
0.75"	880594	880594	880594	881098
1.0"	880594	880594	881098	881098
1.25"	880594	881098	881098	881098
1.5"	880594	881098	881098	881098

Pos.	Item Number	Description	Remarks
1	881438	WHEEL LOCK ASSM SCISSOR HI-MOUNT T3	RIGHT
1	881439	WHEEL LOCK ASSM SCISSOR HI-MOUNT T3	LEFT
13	226107	14 -28 x 7/8 SOC C/S	
14	107032	1/4 -28 x 1 SOC C/S BLK	
15	262114	1/4 WASHER HI COLLAR LOCK ZN	
16	550093	WHEEL LOCK CLAMP THRU 3.5	
17	550092	WHEEL LOCK CLAMP THREADED 3/5	
18	550658	CLAMP 1 1/4 THREADED BLK	
19	550659	CLAMP 1 1/4 RECESS HALF BLK	
14,15,18,19	107639	WHL LCK CLMP ASM	
13,15-17	881098	WHEEL LOCK CLAMP ASSM LONG	

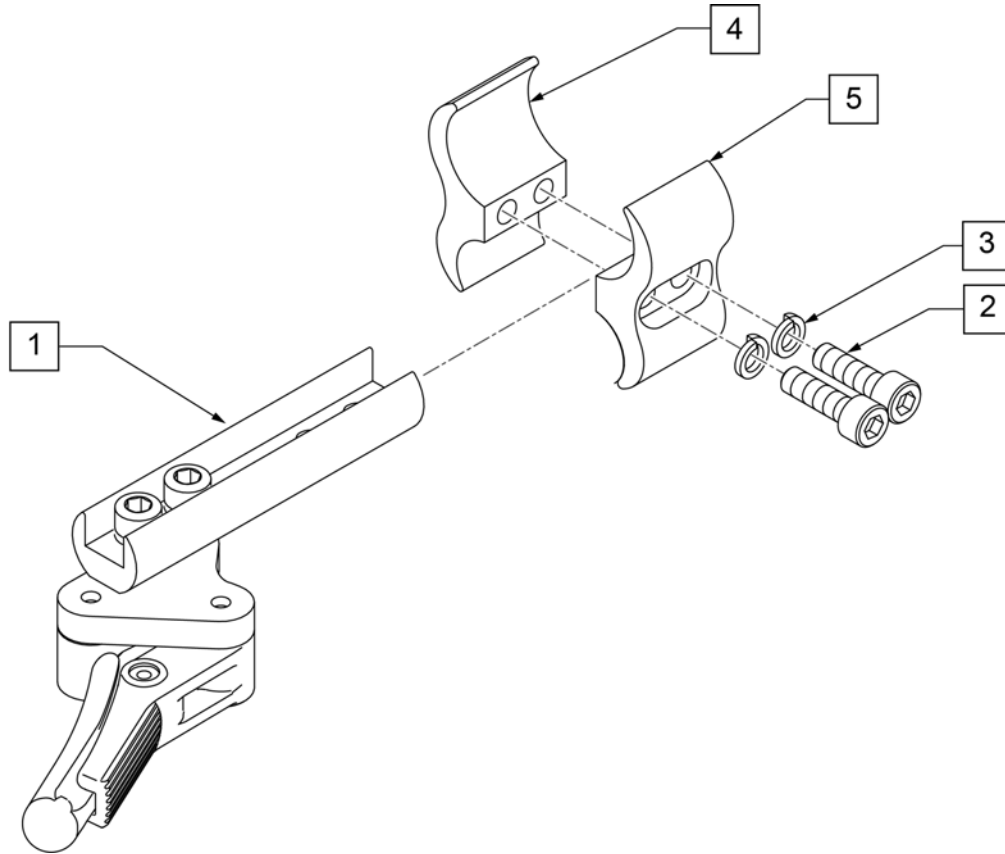


WHEEL LOCK CLAMP ASSEMBLY NUMBERS				
AXLE SPACING	CAMBER			
	0°	2°	4°	8°
0.75"	880594	880594	880594	881098
1.0"	880594	880594	880594	881098
1.25"	880594	880594	881098	881098
1.5"	880594	881098	881098	881098

Pos.	Item Number	Description
5A	107032	1/4 -28 x 7/8 SOC C/S
5B	226107	1/4 -28 X 1 SOC C/S BLK
6	050129-001	LOCKWASHER HIGH COLLAR M6
5A-7A,8A	107639	WHL LCK CLMP ASM
5B-7B,8B	881098	WHEEL LOCK CLAMP ASSM LONG
1-4,9	050152-001	ASSM WHL LCK SCSSR STD R
1-4,9	050153-001	ASSM WHL LCK SCSSR STD L
1-4,9	050152-002	ASSM WHL LCK SCSSR OFFSET R
1-4,9	050153-002	ASSM WHL LCL SCSSR OFFSET L

NOTE: Refer to "WHEEL LOCK AVAILABILITY" Page for possible mount locations.

NOTE: ATTACHMENT CLAMP mounts to 1" diameter tubing.



Pos.	Item Number	Description
1	066608-001	CMPCT WHLLCK STD ASSY LEFT
1	066608-002	CMPCT WHLLCK STD ASSY RIGHT
2	107032	SHCS 1/4-28 X 1 ROHS
3	107367	1/4 WASHER HI COLLAR LOCK BLK
2-5	107639	WHL LCK CLMP ASM

**NOTE:** THIS WHEEL UTILIZES SCREW MOUNT HANDRIMS - THE HANDRIM HAS A THREADED HOLE THAT MOUNTS THE HANDRIM TO THE WHEEL THROUGH A SPACER AND FASTNER.



Pos.	Item Number	Description	Remarks
1A	401001	WHEEL ASSM PUSH BUTTON 18"	18"
1B	401070	20" RIM ASSM PUSH BUTTON	20"
1C	401072	22" RIM ASSM PUSH BUTTON	22"(501mm)
1D	401074	24" RIM ASSM PUSH BUTTON	24"(540mm)
1E	401077	26IN RIM ASSM PUSH BUTTON	26"(590mm)
2	349500	1 1/8 X 1/2 BEARING	
3A	362247	SPOKE 154MM X 2.0MM	
3B	362250	QP SPOKE 201MM X 2.0MM	
3C	362275	QP SPOKE 226MM X 2.0MM	
3D	362300	QP SPOKE 244MM X 2.0MM	
3E	362325	QP SPOKE 270MM X 2.0MM	

**NOTE:** THIS WHEEL UTILIZES TAB MOUNT HANDRIMS - THE HANDRIM HAS A STRAIGHT TAB THAT MOUNTS TO THE WHEEL THROUGH THE RIM.



Pos.	Item Number	Description	Remarks
1A	112857	ULTRA LIGHTWEIGHT WHEEL 20"	20"
1B	112858	ULTRA LIGHT WHEEL 22"	22"(501mm)
1C	112859	ULTRA LIGHTWEIGHT WHEEL 24"	24"(540mm)
1D	112860	ULTRA LIGHTWEIGHT WHEEL 25"	25"(559mm)
2	349500	1 1/8 X 1/2 BEARING	
3A	118105	ULTRA LT 20IN SPOKE RPLMNT KIT	Kit contains 12 spokes
3B	118106	ULTRA LT 22IN SPOKE RPLMNT KIT	Kit contains 12 spokes
3C	118107	ULTRA LT 24IN SPOKE RPLMNT KIT	Kit contains 12 spokes
3D	118108	ULTRA LT 25IN SPOKE RPLMNT KIT	Kit contains 12 spokes

**NOTE:** THIS WHEEL UTILIZES TAB MOUNT HANDRIMS - THE HANDRIM HAS A STRAIGHT TAB THAT MOUNTS TO THE WHEEL THROUGH THE RIM.



Pos.	Item Number	Description	Remarks
1	761109	QP 24" TNNS RIM ASSM	25" (559mm)
1	761157	QP 26" TNNS RIM ASSM	26" (590mm)
2	349500	1 1/8 X 1/2 BEARING	

**NOTE:** THIS WHEEL UTILIZES TAB MOUNT HANDRIMS - THE HANDRIM HAS A STRAIGHT TAB THAT MOUNTS TO THE WHEEL THROUGH THE RIM.



Pos.	Item Number	Description	Remarks
1	761119	QP 24" BB RIM ASSM	24" (540mm)
1	761167	QP 26" BB RIM ASSM	26" (590mm)
2	349500	1 1/8 X 1/2 BEARING	

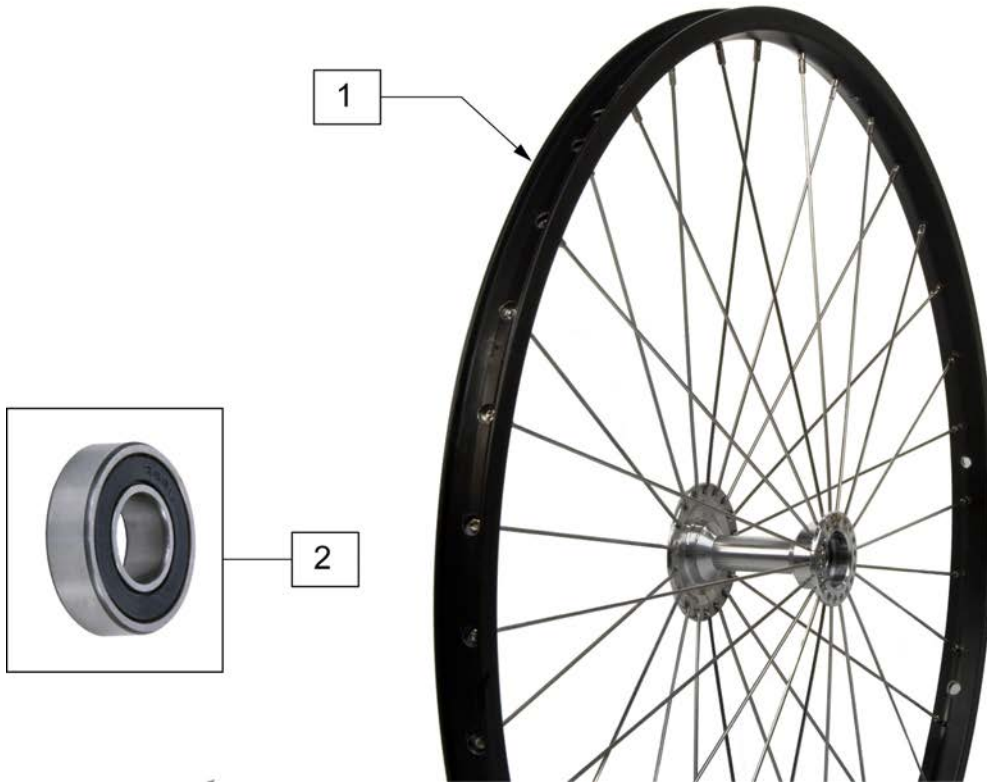


**NOTE:** THIS WHEEL UTILIZES TAB MOUNT HANDRIMS - THE HANDRIM HAS A STRAIGHT TAB THAT MOUNTS TO THE WHEEL THROUGH THE RIM.



Pos.	Item Number	Description	Remarks
1	761128	QP 24" HT TNNS RIM ASSM 32H	559-32 spokes-25" (559mm)
1	761139	QP 24" HT TNNS RIM ASSM	36 spokes-25" (559mm)
1	761178	QP 26" HT TNNS RIM ASSM	36 hole spokes -26" (590mm)
2	349500	1 1/8 X 1/2 BEARING	

**NOTE:** THIS WHEEL UTILIZES TAB MOUNT HANDRIMS - THE HANDRIM HAS A STRAIGHT TAB THAT MOUNTS TO THE WHEEL THROUGH THE RIM.



Pos.	Item Number	Description	Remarks
1	761149	QP 24" HT BB RIM ASSM	25" (559mm)
1	761188	QP 26" HT BB RIM ASSM	26" (590mm)
2	349500	1 1/8 X 1/2 BEARING	

**NOTE:** THIS WHEEL UTILIZES TAB MOUNT HANDRIMS - THE HANDRIM HAS A STRAIGHT TAB THAT MOUNTS TO THE WHEEL THROUGH THE RIM.



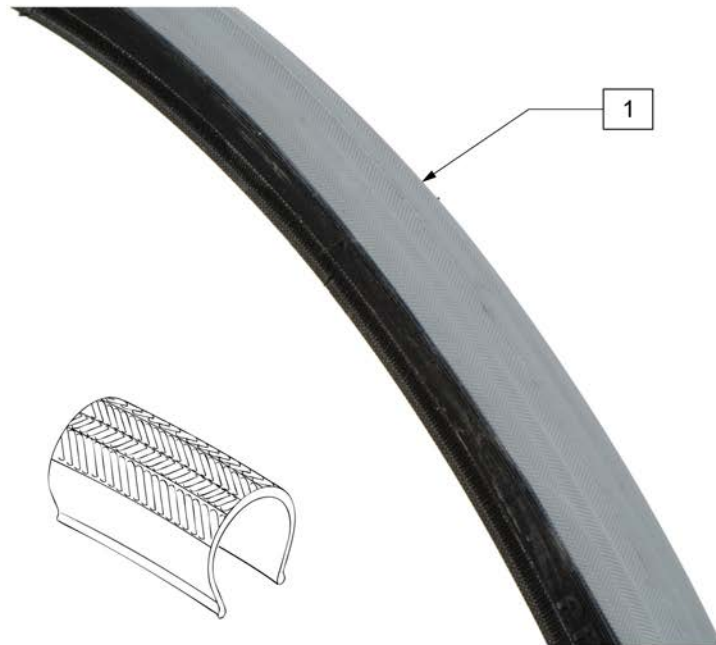
Pos.	Item Number	Description	Remarks
1	762434	SPINERGY SPORT WHEEL 540 BLK	24"(540mm)
1	762436	SPINERGY SPORT WHEEL 559 BLK	25"(559mm)
1	762435	SPINERGY SPORT WHEEL 590 BLK	26"(590mm)
1	762453	SPINERGY SPORT WHEEL 540 BLU	24"(540mm)
1	762457	SPINERGY SPORT WHEEL 559 BLU	25"(559mm)
1	762464	SPINERGY SPORT WHEEL 590 BLU	26"(590mm)
1	762454	SPINERGY SPORT WHEEL 540 RED	24"(540mm)
1	762458	SPINERGY SPORT WHEEL 559 RED	25"(559mm)
1	762465	SPINERGY SPORT WHEEL 590 RED	26"(590mm)
1	762429	SPINERGY SPORT WHEEL 540 WHT	24"(540mm)
1	762432	SPINERGY SPORT WHEEL 559 WHT	25"(559mm)
1	762430	SPINERGY SPORT WHEEL 590 WHT	26"(590mm)
1	762455	SPINERGY SPORT WHEEL 540 YLW	24"(540mm)
1	762459	SPINERGY SPORT WHEEL 559 YLW	25"(559mm)
1	762466	SPINERGY SPORT WHEEL 590 YLW	26"(590mm)
2	349500	1 1/8 X 1/2 BEARING	



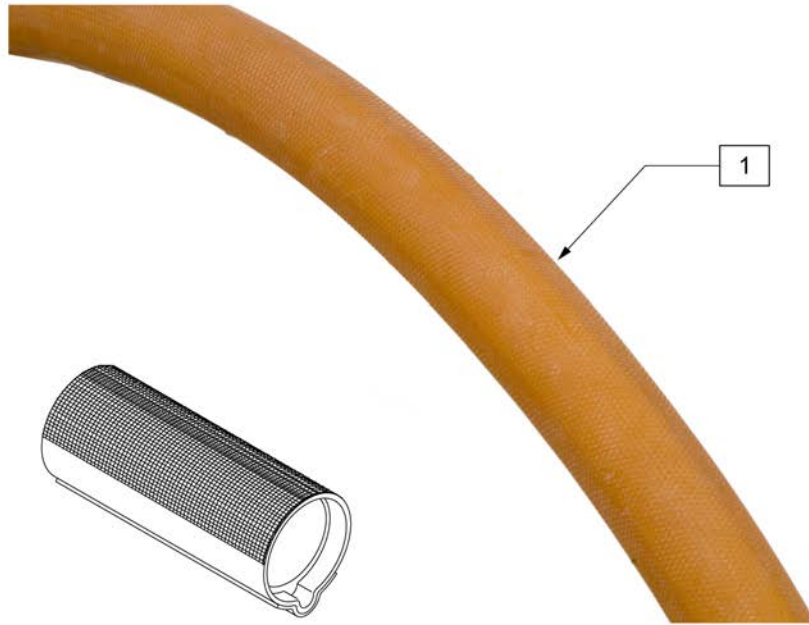
Pos.	Item Number	Description	Remarks
1	384706	TIRE PNEU 12-1/2" X 2-1/4"	12-1/2" X 2-1/4"
1	385225	TIRE PNEUMATIC 18"	18" x 1 3/8
1	385250	20" PNEUMATIC TIRE	20" x 1 3/8
1	385275	22" PNEUMATIC TIRE	22" x 1 3/8 (501mm)
1	385300	24" PNEUMATIC TIRE	24" x 1 3/8 (540mm)
1	385325	26" PNEUMATIC TIRE	26" x 1 3/8 (590mm)
1	384614	24" x 2.125 PNEUMATIC TIRE	24"x2 1/8 (540mm) used w/ M6



Pos.	Item Number	Description	Remarks
1	389012	QP 24"X1"HT TURB BLK WR/BD 559	25"(559mm)
1	388999	26"X1" HT TIRE TURBO GY(700X23	27"(700mm)



Pos.	Item Number	Description	Remarks
1	385280	22" x 1" HI PRES CLINCHER	22" (501mm)
1	389020	24" x 1" HI PRES CLNCHR TIRE	24" (540mm)
1	389012	QP 24" x 1" HT TURB BLK WR/BD 559	25" (559mm)
1	389030	26" x 1" HI PRES CLNCHR TIRE	26" (590mm)
1	105919	22" x 1" HI PRESS CLNCHR ULTRALIGHT	22" (489mm)



Pos.	Item Number	Description	Remarks
1	389004	QP 24" X 1" TUBULAR TIRE	24"(540mm)
1	389006	QP 26" X 1" TUBULAR TIRE	26"(590mm)

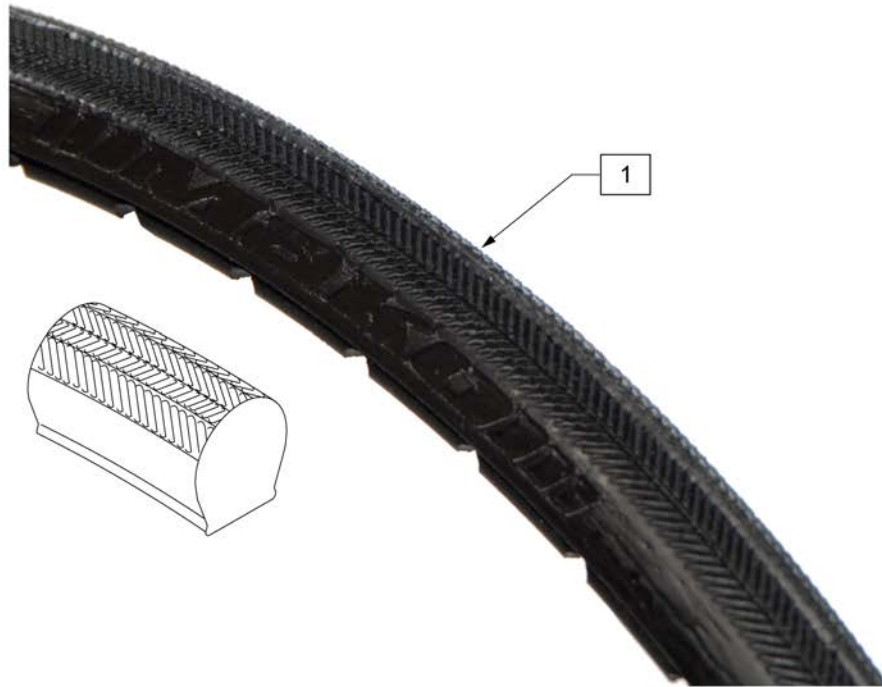


Pos.	Item Number	Description
1	385350	24" KEVLAR TIRE

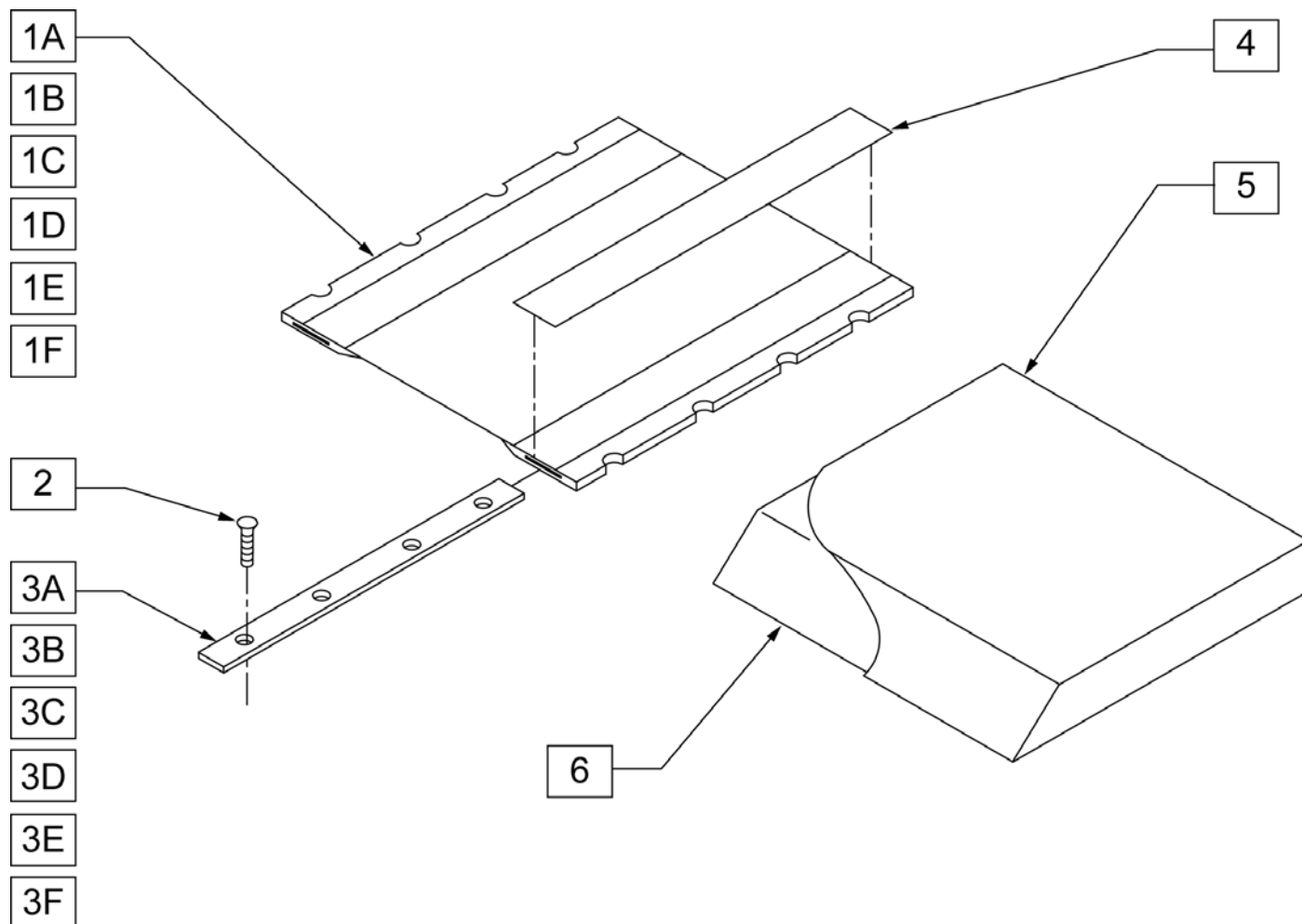




Pos.	Item Number	Description	Remarks
1	102066-004	TIRE SCHWALBE MP 489 BLK	22" (489mm)
1	102066-001	TIRE SCHWBL MPE 540 BLK	24" (540mm)
1	102066-002	TIRE SCHWBL MPE 559 BLK	25" (559mm)
1	102066-003	TIRE SCHWBL MPE 590 BLK	26" (590mm)



Pos.	Item Number	Description	Remarks
1	102060-001	TIRE KIK MAKO MAG SUN 540 BLK	24"(540mm) Black
1	102060-002	TIRE KIK MAKO MAG SUN 540 YLW	24"(540mm) Yellow
1	102060-003	TIRE KIK MAKO MAG SUN 540 RED	24"(540mm) Red
1	102060-004	TIRE KIK MAKO MAG SUN 540 BLU	24"(540mm) Blue
1	102060-005	TIRE KIK MAKO MAG SUN 540 DKG	24"(540mm) Dark Grey
1	102061-001	TIRE KIK MAKO SPIN 559 BLK	25"(559mm) Black
1	102061-002	TIRE KIK MAKO SPIN 559 YLW	25"(559mm) Yellow
1	102061-003	TIRE KIK MAKO SPIN 559 RED	25"(559mm) Red
1	102061-004	TIRE KIK MAKO SPIN 559 BLU	25"(559mm) Blue
1	102061-005	TIRE KIK MAKO SPIN 559 DKGRPH	25"(559mm) Dark Grey



Pos.	Item Number	Description	Pos.	Item Number	Description
1A	109477	SEAT SLING 13"W X 14"D	1D	109506	SEAT SLING 16"W X 17"D
1A	109478	SEAT SLING 13"W X 15"D	1D	109507	SEAT SLING 16"W X 18"D
1A	109479	SEAT SLING 13"W X 16"D	1D	109508	SEAT SLING 16"W X 19"D
1A	109480	SEAT SLING 13"W X 17"D	1E	109512	SEAT SLING 17"W X 14"D
1A	109481	SEAT SLING 13"W X 18"D	1E	109513	SEAT SLING 17"W X 15"D
1A	720209	SEAT SLING 13 x 19	1E	109514	SEAT SLING 17"W X 16"D
1B	109485	SEAT SLING 14"W X 14"D	1E	109515	SEAT SLING 17"W X 17"D
1B	109486	SEAT SLING 14"W X 15"D	1E	109516	SEAT SLING 17"W X 18"D
1B	109487	SEAT SLING 14"W X 16"D	1E	109517	SEAT SLING 17"W X 19"D
1B	109488	SEAT SLING 14"W X 17"D	1F	109521	SEAT SLING 18"W X 14"D
1B	109489	SEAT SLING 14"W X 18"D	1F	109522	SEAT SLING 18"W X 15"D
1B	109490	SEAT SLING 14"W X 19"D	1F	109523	SEAT SLING 18"W X 16"D
1C	109494	SEAT SLING 15"W X 14"D	1F	109524	SEAT SLING 18"W X 17"D
1C	109495	SEAT SLING 15"W X 15"D	1F	109525	SEAT SLING 18"W X 18"D
1C	109496	SEAT SLING 15"W X 16"D	1F	109526	SEAT SLING 18"W X 19"D
1C	109497	SEAT SLING 15"W X 17"D	2	102259-001	BHCS, M5 x .8 x 12mm BLK W/ PL
1C	109498	SEAT SLING 15"W X 18"D	3A	505102	SEAT RAIL 14"
1C	109499	SEAT SLING 15"W X 19"D	3B	505104	SEAT RAIL 15"
1D	109503	SEAT SLING 16"W X 14"D	3C	505106	SEAT RAIL 16"
1D	109504	SEAT SLING 16"W X 15"D	3D	505108	SEAT RAIL 17"
1D	109505	SEAT SLING 16"W X 16"D	3E	505110	SEAT RAIL 18"

Pos.	Item Number	Description	Pos.	Item Number	Description
3F	505115	SEAT RAIL 19"	5,6	700582	SEAT CUSHION 16 x 20 x 2
4	901169	SEAT SLING VELCRO STRIP 2	5,6	700592	SEAT CUSHION 16 x 21 x 2
5,6	700242	SEAT CUSHION 13 x 14 x 2	5,6	700606	SEAT CUSHION 17 x 12 x 2
5,6	700252	SEAT CUSHION 13 x 15 x 2	5,6	700597	SEAT CUSHION 17 x 13 x 2
5,6	700262	SEAT CUSHION 13 x 16 x 2	5,6	700602	SEAT CUSHION 17 x 14 x 2
5,6	700272	SEAT CUSHION 13 x 17 x 2	5,6	700612	SEAT CUSHION 17 x 15 x 2
5,6	700277	SEAT CUSHION 13 x 18 x 2	5,6	700622	SEAT CUSHION 17 x 16 x 2
5,6	700267	SEAT CUSHION 13 x 19 x 2	5,6	700632	SEAT CUSHION 17 x 17 x 2
5,6	700287	SEAT CUSHION 14 x 8 x 2	5,6	700642	SEAT CUSHION 17 x 18 x 2
5,6	700288	SEAT CUSHION 14 x 9 x 2	5,6	700652	SEAT CUSHION 17 x 19 x 2
5,6	700282	SEAT CUSHION 14 x 10 x 2	5,6	700662	SEAT CUSHION 17 x 20 x 2
5,6	700292	SEAT CUSHION 14 x 11 x 2	5,6	700672	SEAT CUSHION 17 x 21 x 2
5,6	700302	SEAT CUSHION 14 x 12 x 2	5,6	700682	SEAT CUSHION 18 x 12 x 2
5,6	700312	SEAT CUSHION 14 x 13 x 2	5,6	700692	SEAT CUSHION 18 x 13 x 2
5,6	700322	SEAT CUSHION 14 x 14 x 2	5,6	700702	SEAT CUSHION 18 x 14 x 2
5,6	700332	SEAT CUSHION 14 x 15 x 2	5,6	700712	SEAT CUSHION 18 x 15 x 2
5,6	700342	SEAT CUSHION 14 x 16 x 2	5,6	700722	SEAT CUSHION 18 x 16 x 2
5,6	700352	SEAT CUSHION 14 x 17 x 2	5,6	700732	SEAT CUSHION 18 x 17 x 2
5,6	700362	SEAT CUSHION 14 x 18 x 2	5,6	700742	SEAT CUSHION 18 x 18 x 2
5,6	700372	SEAT CUSHION 14 x 19 x 2	5,6	700752	SEAT CUSHION 18 x 19 x 2
5,6	700382	SEAT CUSHION 14 x 20 x 2	5,6	700762	SEAT CUSHION 18 x 20 x 2
5,6	700392	SEAT CUSHION 14 x 21 x 2	5,6	700772	SEAT CUSHION 18 x 21 x 2
5,6	700398	SEAT CUSHION 15 x 11 x 2	5,6	700782	SEAT CUSHION 19 x 12 x 2
5,6	700402	SEAT CUSHION 15 x 12 x 2	5,6	700792	SEAT CUSHION 19 x 13 x 2
5,6	700412	SEAT CUSHION 15 x 13 x 2	5,6	700802	SEAT CUSHION 19 x 14 x 2
5,6	700422	SEAT CUSHION 15 x 14 x 2	5,6	700812	SEAT CUSHION 19 x 15 x 2
5,6	700432	SEAT CUSHION 15 x 15 x 2	5,6	700822	SEAT CUSHION 19 x 16 x 2
5,6	700442	SEAT CUSHION 15 x 16 x 2	5,6	700832	SEAT CUSHION 19 x 17 x 2
5,6	700452	SEAT CUSHION 15 x 17 x 2	5,6	700842	SEAT CUSHION 19 x 18 x 2
5,6	700462	SEAT CUSHION 15 x 18 x 2	5,6	700852	SEAT CUSHION 19 x 19 x 2
5,6	700472	SEAT CUSHION 15 x 19 x 2	5,6	700862	SEAT CUSHION 19 x 20 x 2
5,6	700482	SEAT CUSHION 15 x 20 x 2	5,6	700872	SEAT CUSHION 19 x 21 x 2
5,6	700492	SEAT CUSHION 15 x 21 x 2	5,6	700882	SEAT CUSHION 20 x 12 x 2
5,6	700498	SEAT CUSHION 16 x 11 x 2	5,6	700892	SEAT CUSHION 20 x 13 x 2
5,6	700502	SEAT CUSHION 16 x 12 x 2	5,6	700902	SEAT CUSHION 20 x 14 x 2
5,6	700512	SEAT CUSHION 16 x 13 x 2	5,6	700912	SEAT CUSHION 20 x 15 x 2
5,6	700522	SEAT CUSHION 16 x 14 x 2	5,6	700922	SEAT CUSHION 20 x 16 x 2
5,6	700532	SEAT CUSHION 16 x 15 x 2	5,6	700932	SEAT CUSHION 20 x 17 x 2
5,6	700542	SEAT CUSHION 16 x 16 x 2	5,6	700942	SEAT CUSHION 20 x 18 x 2
5,6	700552	SEAT CUSHION 16 x 17 x 2	5,6	700952	SEAT CUSHION 20 x 19 x 2
5,6	700562	SEAT CUSHION 16 x 18 x 2	5,6	700962	SEAT CUSHION 20 x 20 x 2
5,6	700572	SEAT CUSHION 16 x 19 x 2	5,6	700972	SEAT CUSHION 20 x 21 x 2

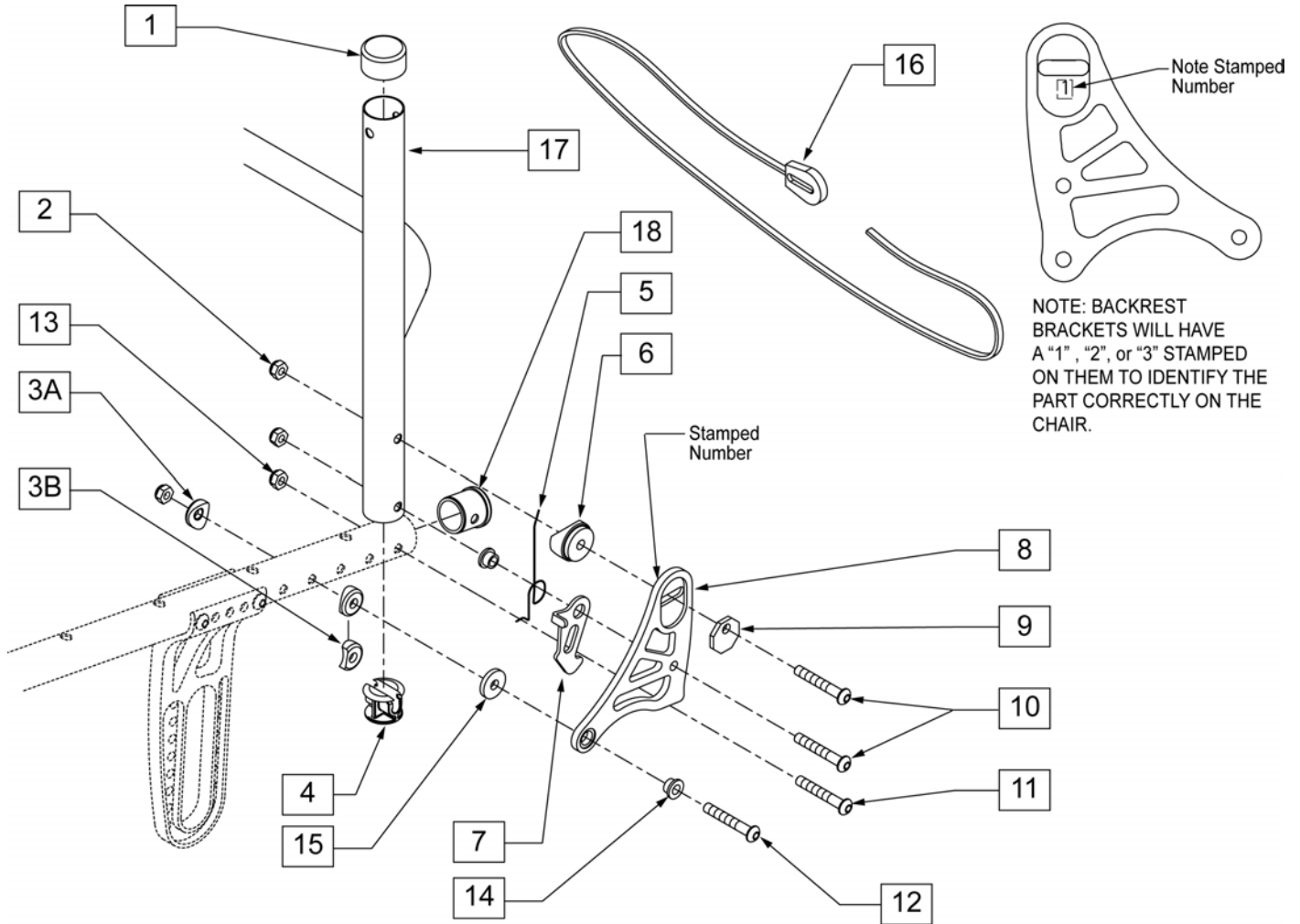
## SEAT SLING-CUSHION-RAIL GUIDE

DIMENSIONS	SLING P/N	CUSHION P/N	RAIL P/N
13"W x 14D	720204	700242	505102
13"W x 15D	720205	700252	505104
13"W x 16D	720206	700262	505106
13"W x 17D	720207	700272	505108
13"W x 18D	720208	700277	505110
13"W x 19D	720209	700267	505115
14"W x 14D	720302	700322	505102
14"W x 15D	720303	700332	505104
14"W x 16D	720304	700342	505106
14"W x 17D	720305	700352	505108
14"W x 18D	720306	700362	505110
14"W x 19D	720307	700372	505115
15"W x 14D	720402	700422	505102
15"W x 15D	720403	700432	505104
15"W x 16D	720404	700442	505106
15"W x 17D	720405	700452	505108
15"W x 18D	720406	700462	505110
15"W x 19D	720407	700742	505115
16"W x 14D	720502	700522	505102
16"W x 15D	720503	700532	505104
16"W x 16D	720504	700542	505106
16"W x 17D	720505	700552	505108
16"W x 18D	720506	700562	505110
16"W x 19D	720507	700572	505115
17"W x 14D	720601	700602	505102
17"W x 15D	720602	700612	505104
17"W x 16D	720603	700622	505106
17"W x 17D	720604	700632	505108
17"W x 18D	720605	700642	505110
17"W x 19D	720606	700652	505115
18"W x 14D	720700	700702	505102
18"W x 15D	720701	700712	505104
18"W x 16D	720702	700722	505106
18"W x 17D	720703	700732	505108
18"W x 18D	720704	700742	505110
18"W x 19D	720705	700752	505115

## Description

Part

**NOTE:** PRIOR TO S/N QTI-008422 BACKREST BRACKETS MUST BE REPLACED IN PAIRS.  
**NOTE:** PLEASE CONTACT *BUILT 4 ME* FOR ORANGE LIMITED EDITION PARTS.



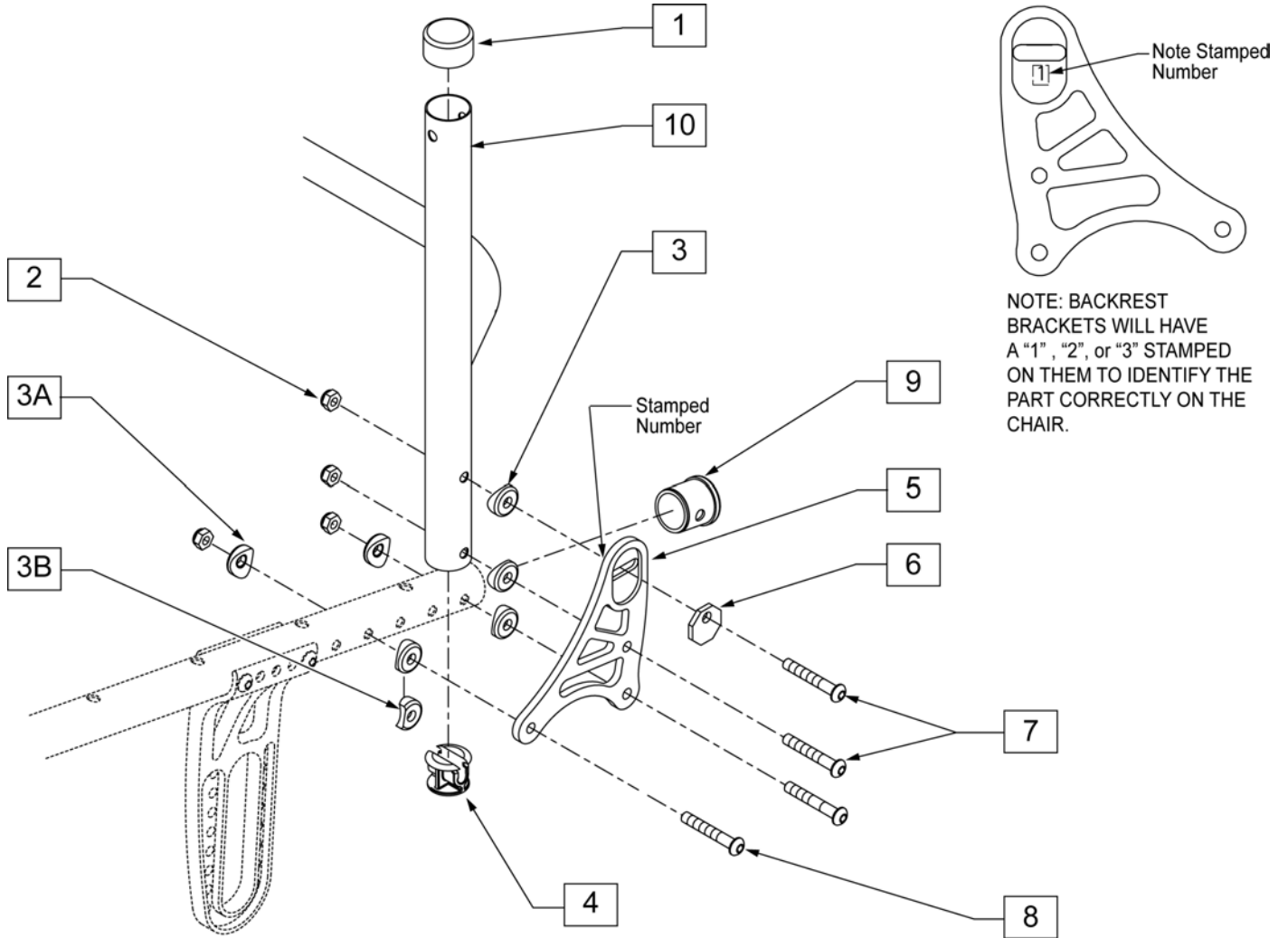
Pos.	Item Number	Description	Remarks
1	561014	1 MED CAP	
2	200113	NUT NYLOCK M6 x 1	
3A	482000	SADDLE SMALL 1.00 TUBE .25 HOLE	
3B	482001	SADDLE SMALL 1.00 TUBE .25 HOLE PRTL	
4	340038	PLUG TUBE 1.00 OD x .035 THK	
5	321153	BACK REL SPRING L RIGID (NEW)	LEFT
5	321154	BACK REL SPRING R RIGID (NEW)	RIGHT
6	561087	BACK REL SADDLE RIGID	
7	505033	Q1/GP BACK REL BRACKET R	RIGHT
7	505034	Q1/GP BACK REL BRACKET L	LEFT
8	500544	BRACKET FOLDING POS BACK 1S RH	RIGHT -BRACKET SQUEEZE 1
8	500545	BRACKET FOLDING POS BACK 1S LH	LEFT -BRACKET SQUEEZE 1
8	500546	BRACKET FOLDING POS BACK 2S RH	RIGHT -BRACKET SQUEEZE 2
8	500547	BRACKET FOLDING POS BACK 2S LH	LEFT -BRACKET SQUEEZE 2
8	500548	BRACKET FOLDING POS BACK 3S RH	RIGHT -BRACKET SQUEEZE 3
8	500549	BRACKET FOLDING POS BACK 3S LH	LEFT -BRACKET SQUEEZE 3

Pos.	Item Number	Description	Remarks
9	341018	WASHER ECCENTRIC-LARGE	
10	230118	BHCS M6 x 1 x 45mm BLK	
11	227140	1/4 -28 x 1 34 BH C/S BLK ZN	
12	102262-008	BHCS M6 x 1 x 50mm	
13	106935	1/4 -28 NYLOCK NUT THIN	
14	481039	BACK RELEASE BUSHING RIGID	
15	561026	3/4 WASHER 1/4 HOLE	
16	560221	BACK RELEASE STRAP LOCK RIGID	
16	750060	BACK RELEASE STRAP 12-20 RIGID	
17	545601	WELDMOUNT BACKREST FIXED 13W 6T	
17	545602	WELDMOUNT BACKREST FIXED 13W 6T	
17	545603	WELDMOUNT BACKREST FIXED 13W 6T	
17	545604	WELDMOUNT BACKREST FIXED 13W 6T	
17	545605	WELDMOUNT BACKREST FIXED 13W 6T	
17	545606	WELDMOUNT BACKREST FIXED 13W 6T	
17	545611	WELDMOUNT BACKREST FIXED 13W 7T	
17	545612	WELDMOUNT BACKREST FIXED 13W 8T	
17	545613	WELDMOUNT BACKREST FIXED 13W 9T	
17	545614	WELDMOUNT BACKREST FIXED 14W 7T	
17	545615	WELDMOUNT BACKREST FIXED 14W 8T	
17	545616	WELDMOUNT BACKREST FIXED 14W 9T	
17	545617	WELDMOUNT BACKREST FIXED 15W 7T	
17	545618	WELDMOUNT BACKREST FIXED 15W 8T	
17	545619	WELDMOUNT BACKREST FIXED 15W 9T	
17	545620	WELDMOUNT BACKREST FIXED 16W 7T	
17	545621	WELDMOUNT BACKREST FIXED 16W 8T	
17	545622	WELDMOUNT BACKREST FIXED 16W 9T	
17	545623	WELDMOUNT BACKREST FIXED 17W 7T	
17	545624	WELDMOUNT BACKREST FIXED 17W 8T	
17	545625	WELDMOUNT BACKREST FIXED 17W 9T	
17	545626	WELDMOUNT BACKREST FIXED 18W 7T	
17	545627	WELDMOUNT BACKREST FIXED 18W 8T	
17	545628	WELDMOUNT BACKREST FIXED 18W 9T	
17	545630	WELDMOUNT BACKREST FIXED 13W 10T	
17	545631S	WELDMOUNT BACKREST FIXED 13W 11T	
17	545632	WELDMOUNT BACKREST FIXED 13W 12T	
17	545633	WELDMOUNT BACKREST FIXED 13W 13T	
17	545634	WELDMOUNT BACKREST FIXED 13W 14T	
17	545635	WELDMOUNT BACKREST FIXED 13W 15T	
17	545636	WELDMOUNT BACKREST FIXED 14W 10T	
17	545637	WELDMOUNT BACKREST FIXED 14W 11T	
17	545638	WELDMOUNT BACKREST FIXED 14W 12T	
17	545639	WELDMOUNT BACKREST FIXED 14W 13T	
17	545640	WELDMOUNT BACKREST FIXED 14W 14T	
17	545641	WELDMOUNT BACKREST FIXED 14W 15T	
17	545642	WELDMOUNT BACKREST FIXED 15W 10T	
17	545643	WELDMOUNT BACKREST FIXED 15W 11T	
17	545644	WELDMOUNT BACKREST FIXED 15W 12T	
17	545645	WELDMOUNT BACKREST FIXED 15W 13T	
17	545646	WELDMOUNT BACKREST FIXED 15W 14T	
17	545647	WELDMOUNT BACKREST FIXED 15W 15T	
17	545648	WELDMOUNT BACKREST FIXED 16W 10T	
17	545649	WELDMOUNT BACKREST FIXED 16W 11T	
17	545650	WELDMOUNT BACKREST FIXED 16W 12T	
17	545651	WELDMOUNT BACKREST FIXED 16W 13T	
17	545652	WELDMOUNT BACKREST FIXED 16W 14T	

Pos.	Item Number	Description	Remarks
17	545653	WELDMOUNT BACKREST FIXED 16W 15T	
17	545654	WELDMOUNT BACKREST FIXED 17W 10T	
17	545655	WELDMOUNT BACKREST FIXED 17W 11T	
17	545656	WELDMOUNT BACKREST FIXED 17W 12T	
17	545657	WELDMOUNT BACKREST FIXED 17W 13T	
17	545658	WELDMOUNT BACKREST FIXED 17W 14T	
17	545659	WELDMOUNT BACKREST FIXED 17W 15T	
17	545660	WELDMOUNT BACKREST FIXED 18W 10T	
17	545661	WELDMOUNT BACKREST FIXED 18W 11T	
17	545662	WELDMOUNT BACKREST FIXED 18W 12T	
17	545663	WELDMOUNT BACKREST FIXED 18W 13T	
17	545664	WELDMOUNT BACKREST FIXED 18W 14T	
17	545665	WELDMOUNT BACKREST FIXED 18W 15T	
18	105727	CAP 1.00 .51	
2-10, 12, 14-16	881534	BACK BRACKET ASSM -FOLDING 1S	INCLUDES COMPONENTS FOR BOTH SIDES
2-10, 12, 14-16	881535	BACK BRACKET ASSM -FOLDING 2S	INCLUDES COMPONENTS FOR BOTH SIDES
2-10, 12, 14-16	881536	BACK BRACKET ASSM -FOLDING 3S	INCLUDES COMPONENTS FOR BOTH SIDES



**NOTE:** PRIOR TO S/N QTI-008422 BACKREST BRACKETS MUST BE REPLACED IN PAIRS.  
**NOTE:** USE 482001 WHEN BRACKET BUTTS UP AGAINST AXLEPLATE.  
**NOTE:** PLEASE CONTACT *BUILT 4 ME* FOR ORANGE LIMITED EDITION PARTS.

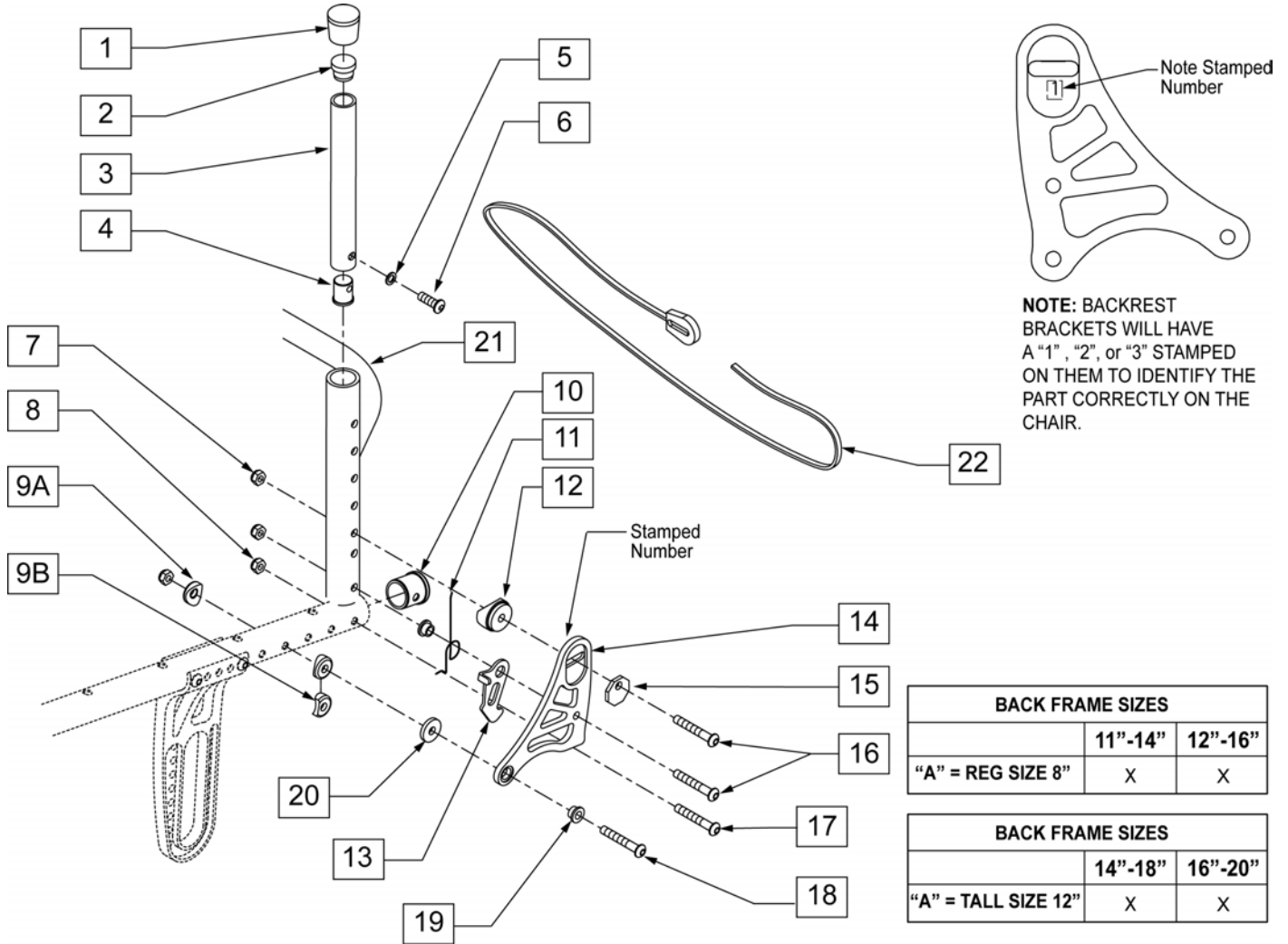


Pos.	Item Number	Description	Remarks
1	561014	1" MED CAP	
2	200113	NUT NYLOCK M6 x 1	
3A	482000	SADDLE SMALL 1.00 TUBE .25 HOLE	
3B	482001	SADDLE SMALL 1.00 TUBE .25 HOLE PRTL	
4	340038	PLUG TUBE 1.00 OD x .035 THK	
5	500420	BRACKET FIXED BACK 1S	RIGHT -BRACKET SQUEEZE 1
5	500421	BRACKET FIXED BACK 1S	LEFT -BRACKET SQUEEZE 1
5	500422	BRACKET FIXED BACK 2S	RIGHT -BRACKET SQUEEZE 2
5	500423	BRACKET FIXED BACK 2S	LEFT -BRACKET SQUEEZE 2
5	500424	BRACKET FIXED BACK 3S	RIGHT -BRACKET SQUEEZE 3
5	500425	BRACKET FIXED BACK 3S	LEFT -BRACKET SQUEEZE 3
6	341018	WASHER EXCCENTRIC-LARGE	
7	102262-006	BHCS M6 x 1 x 40mm	
8	230118	BHCS M6 x 1 x 45mm BLK	

Pos.	Item Number	Description	Remarks
9	105727	CAP 1.00 .51	
10	545601	WELDMOUNT BACKREST FIXED 13W 6T	
10	545602	WELDMOUNT BACKREST FIXED 13W 6T	
10	545603	WELDMOUNT BACKREST FIXED 13W 6T	
10	545604	WELDMOUNT BACKREST FIXED 13W 6T	
10	545605	WELDMOUNT BACKREST FIXED 13W 6T	
10	545606	WELDMOUNT BACKREST FIXED 13W 6T	
10	545611	WELDMOUNT BACKREST FIXED 13W 7T	
10	545612	WELDMOUNT BACKREST FIXED 13W 8T	
10	545613	WELDMOUNT BACKREST FIXED 13W 9T	
10	545614	WELDMOUNT BACKREST FIXED 14W 7T	
10	545615	WELDMOUNT BACKREST FIXED 14W 8T	
10	545616	WELDMOUNT BACKREST FIXED 14W 9T	
10	545617	WELDMOUNT BACKREST FIXED 15W 7T	
10	545618	WELDMOUNT BACKREST FIXED 15W 8T	
10	545619	WELDMOUNT BACKREST FIXED 15W 9T	
10	545620	WELDMOUNT BACKREST FIXED 16W 7T	
10	545621	WELDMOUNT BACKREST FIXED 16W 8T	
10	545622	WELDMOUNT BACKREST FIXED 16W 9T	
10	545623	WELDMOUNT BACKREST FIXED 17W 7T	
10	545624	WELDMOUNT BACKREST FIXED 17W 8T	
10	545625	WELDMOUNT BACKREST FIXED 17W 9T	
10	545626	WELDMOUNT BACKREST FIXED 18W 7T	
10	545627	WELDMOUNT BACKREST FIXED 18W 8T	
10	545628	WELDMOUNT BACKREST FIXED 18W 9T	
10	545630	WELDMOUNT BACKREST FIXED 13W 10T	
10	545631S	WELDMOUNT BACKREST FIXED 13W 11T	
10	545632	WELDMOUNT BACKREST FIXED 13W 12T	
10	545633	WELDMOUNT BACKREST FIXED 13W 13T	
10	545634	WELDMOUNT BACKREST FIXED 13W 14T	
10	545635	WELDMOUNT BACKREST FIXED 13W 15T	
10	545636	WELDMOUNT BACKREST FIXED 14W 10T	
10	545637	WELDMOUNT BACKREST FIXED 14W 11T	
10	545638	WELDMOUNT BACKREST FIXED 14W 12T	
10	545639	WELDMOUNT BACKREST FIXED 14W 13T	
10	545640	WELDMOUNT BACKREST FIXED 14W 14T	
10	545641	WELDMOUNT BACKREST FIXED 14W 15T	
10	545642	WELDMOUNT BACKREST FIXED 15W 10T	
10	545643	WELDMOUNT BACKREST FIXED 15W 11T	
10	545644	WELDMOUNT BACKREST FIXED 15W 12T	
10	545645	WELDMOUNT BACKREST FIXED 15W 13T	
10	545646	WELDMOUNT BACKREST FIXED 15W 14T	
10	545647	WELDMOUNT BACKREST FIXED 15W 15T	
10	545648	WELDMOUNT BACKREST FIXED 16W 10T	
10	545649	WELDMOUNT BACKREST FIXED 16W 11T	
10	545650	WELDMOUNT BACKREST FIXED 16W 12T	
10	545651	WELDMOUNT BACKREST FIXED 16W 13T	
10	545652	WELDMOUNT BACKREST FIXED 16W 14T	
10	545653	WELDMOUNT BACKREST FIXED 16W 15T	
10	545654	WELDMOUNT BACKREST FIXED 17W 10T	
10	545655	WELDMOUNT BACKREST FIXED 17W 11T	
10	545656	WELDMOUNT BACKREST FIXED 17W 12T	
10	545657	WELDMOUNT BACKREST FIXED 17W 13T	
10	545658	WELDMOUNT BACKREST FIXED 17W 14T	
10	545659	WELDMOUNT BACKREST FIXED 17W 15T	
10	545660	WELDMOUNT BACKREST FIXED 18W 10T	

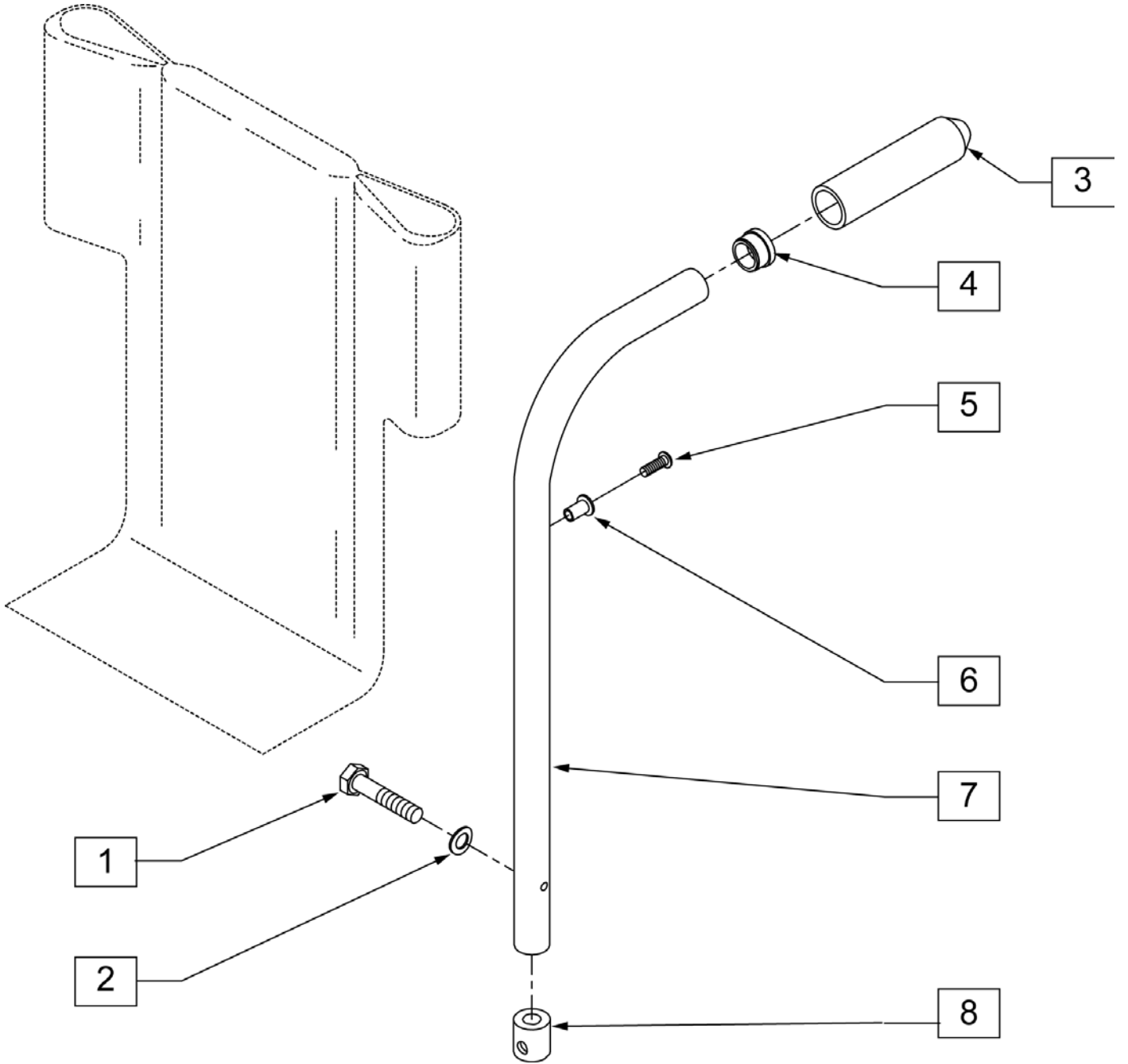
Pos.	Item Number	Description	Remarks
10	545661	WELDMOUNT BACKREST FIXED 18W 11T	
10	545662	WELDMOUNT BACKREST FIXED 18W 12T	
10	545663	WELDMOUNT BACKREST FIXED 18W 13T	
10	545664	WELDMOUNT BACKREST FIXED 18W 14T	
10	545665	WELDMOUNT BACKREST FIXED 18W 15T	
2-8	881531	BACK BRACKET ASSM FIXED 1S	INCLUDES COMPONENTS FOR BOTH SIDES
2-8	881532	BACK BRACKET ASSM FIXED 2S	INCLUDES COMPONENTS FOR BOTH SIDES
2-8	881533	BACK BRACKET ASSM FIXED 3S	INCLUDES COMPONENTS FOR BOTH SIDES

**NOTE:** PRIOR TO S/N QTI-008422 BACKREST BRACKETS MUST BE REPLACED IN PAIRS.  
**NOTE:** USE 482001 WHEN BRACKET BUTTS AGAINST AXLEPLATE.  
**NOTE:** PLEASE CONTACT *BUILT 4 ME* FOR ORANGE LIMITED EDITION PARTS.



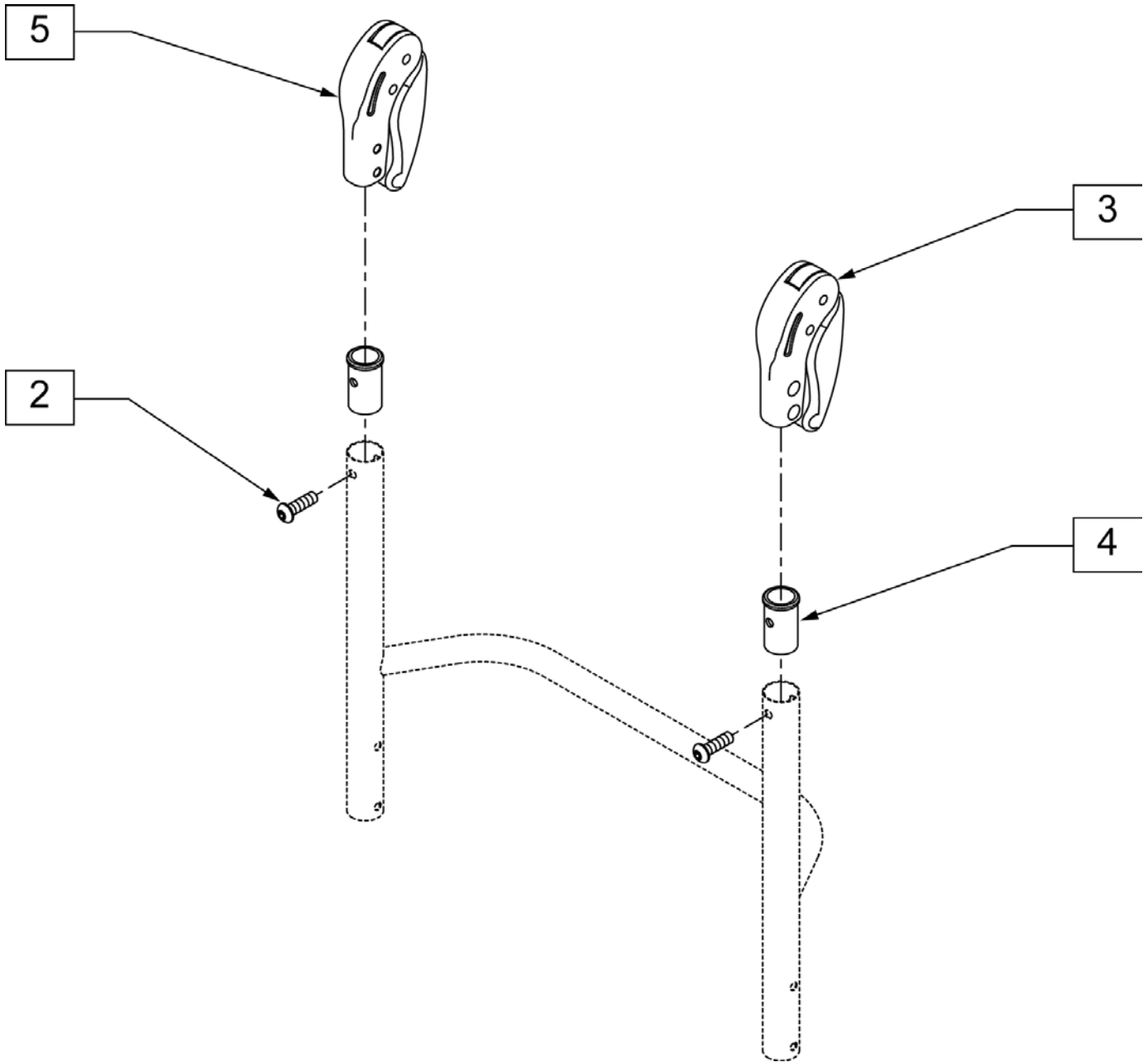
Pos.	Item Number	Description	Remarks
1	561010	3/4 CAP	
2	561000	3/4 INSERT PLUG .083	
3	520810	BACK ADJUSTABLE TUBE ONLY 11-14 GP	USE W/ 11-14 BACK HGT
3	520820	BACK ADJUSTABLE TUBE ONLY 12-16 GP	USE W/ 12-16 BACK HGT
3	520830	BACK ADJUSTABLE TUBE ONLY 14-18 GP	USE W/ 14-18 BACK HGT
3	520840	BACK ADJUSTABLE TUBE ONLY 16-20 GP	USE W/ 16-20 BACK HGT
4	483001	Q2 FRAME/FOOT RETAINING PLUG	
5	262130	6mm WASHER WAVE	
6	226101	1.4 -20 x 3/4 BHCS	
7	200113	NYLOCK NUT M6 x 1	
8	106935	1/4 -28 NYLOCK NUT THIN	
9A	482000	SADDLE SMALL 1.00 TUBE .25 HOLE	
9B	482001	SADDLE SMALL 1.00 TUBE .25 HL PRTL	
10	105727	CAP 1.00 .51	

Pos.	Item Number	Description	Remarks
11	321153	BACK RELEASE SPRING RIGID	LEFT
11	321154	BACK RELEASE SPRING RIGID	RIGHT
12	561087	BACK RELEASE SADDLE RIGID	
13	505033	Q1/GP BACK RELEASE BRACKET	RIGHT
13	505034	Q1/GP BACK RELEASE BRACKET	LEFT
14	500544	BRACKET FOLDING POS BACK 1S RH	RIGHT -BRACKET SQUEEZE 1
14	500545	BRACKET FOLDING POS BACK 1S LH	LEFT -BRACKET SQUEEZE 1
14	500546	BRACKET FOLDING POS BACK 2S RH	RIGHT -BRACKET SQUEEZE 2
14	500547	BRACKET FOLDING POS BACK 2S LH	LEFT -BRACKET SQUEEZE 2
14	500548	BRACKET FOLDING POS BACK 3S RH	RIGHT -BRACKET SQUEEZE 3
14	500549	BRACKET FOLDING POS BACK 3S LH	LEFT -BRACKET SQUEEZE 3
15	341018	WASHER ECCENTRIC -LARGE	
16	230118	BHCS M6 x 1 x 45mm BLK	
17	227140	1/4 -28 x 1 3/4 BH C/S BLK ZN	
18	102262-008	BHCS M6 x 50mm	
19	481039	BACK RELEASE BUSHING RIGID	
20	561026	3/4 WASHER 1/4 HOLE	
21	520441	BACK FRAME 13 REGULAR RIGID BLK 115	USE W/ 11-14 & 12-16 BACK HGTS
21	520442	BACK FRAME 14 REGULAR RIGID BLK 115	USE W/ 11-14 & 12-16 BACK HGTS
21	520443	BACK FRAME 15 REGULAR RIGID BLK 115	USE W/ 11-14 & 12-16 BACK HGTS
21	520444	BACK FRAME 16 REGULAR RIGID BLK 115	USE W/ 11-14 & 12-16 BACK HGTS
21	520445	BACK FRAME 17 REGULAR RIGID BLK 115	USE W/ 11-14 & 12-16 BACK HGTS
21	520446	BACK FRAME 18 REGULAR RIGID BLK 115	USE W/ 11-14 & 12-16 BACK HGTS
21	520541	BACK FRAME 13 TALL RIGID BLK 115	USE W/ 14-18 & 16-20 BACK HGTS
21	520542	BACK FRAME 14 TALL RIGID BLK 115	USE W/ 14-18 & 16-20 BACK HGTS
21	520543	BACK FRAME 15 TALL RIGID BLK 115	USE W/ 14-18 & 16-20 BACK HGTS
21	520544	BACK FRAME 16 TALL RIGID BLK 115	USE W/ 14-18 & 16-20 BACK HGTS
21	520545	BACK FRAME 17 TALL RIGID BLK 115	USE W/ 14-18 & 16-20 BACK HGTS
21	520546	BACK FRAME 18 TALL RIGID BLK 115	USE W/ 14-18 & 16-20 BACK HGTS
22	560221	BACK RELEASE STRAP LOCK RIGID	
22	750060	BACK RELEASE STRAP 12-20 RIGID	
1-6	840100	BACK ADJUSTABLE TUBE RIGID 8-12	
1-6	840101	BACK ADJUSTABLE TUBE RIGID 11-14	
1-6	840102	BACK ADJUSTABLE TUBE RIGID 12-16	
1-6	840103	BACK ADJUSTABLE TUBE RIGID 14-18	
1-6	840104	BACK ADJUSTABLE TUBE RIGID 16-20	
7, 9, 11-16, 18-20, 22	881534	BACK BRACKET ASSEMBLY -FOLDING 1S	INCLUDES COMPONENTS FOR BOTH SIDES
7, 9, 11-16, 18-20, 22	881535	BACK BRACKET ASSEMBLY -FOLDING 2S	INCLUDES COMPONENTS FOR BOTH SIDES
7, 9, 11-16, 18-20, 22	881536	BACK BRACKET ASSEMBLY -FOLDING 3S	INCLUDES COMPONENTS FOR BOTH SIDES



Pos.	Item Number	Description	Remarks
1	226101	1/4 -20 x 3/4 BH C/S	
2	262130	6mm WASHER WAVE	
3	920026	QUICKIE GRIP 3/4	
4	561000-QU	3/4 INSERT PLUG .083	
5	281120	10/32 x 5/8 PAN HD PHIL	
8	483001	Q2 FRAME/FOOT RETAINING PLUG	
3, 4, 6, 7	880096	HEIGHT ADJ STROLLER HANDLE W/ GRIP-X TALL	USE W/ 16-20 BACK HGT
3, 4, 6, 7	880097	HEIGHT ADJ STROLLER HANDLE W/ GRIP-X TALL	USE W/ 11-14 BACK HGT
3, 4, 6, 7	880098	HEIGHT ADJ STROLLER HANDLE W/ GRIP-X TALL	USE W/ 12-16 BACK HGT
3, 4, 6, 7	880099	HEIGHT ADJ STROLLER HANDLE W/ GRIP-X TALL	USE W/ 14-18 BACK HGT
1-4, 6-8	882196	BACK ADJ PUSH HANDLE 11-14	
1-4, 6-8	882197	BACK ADJ PUSH HANDLE 12-16	
1-4, 6-8	882198	BACK ADJ PUSH HANDLE 14-18	
1-4, 6-8	882199	BACK ADJ PUSH HANDLE 16-20	

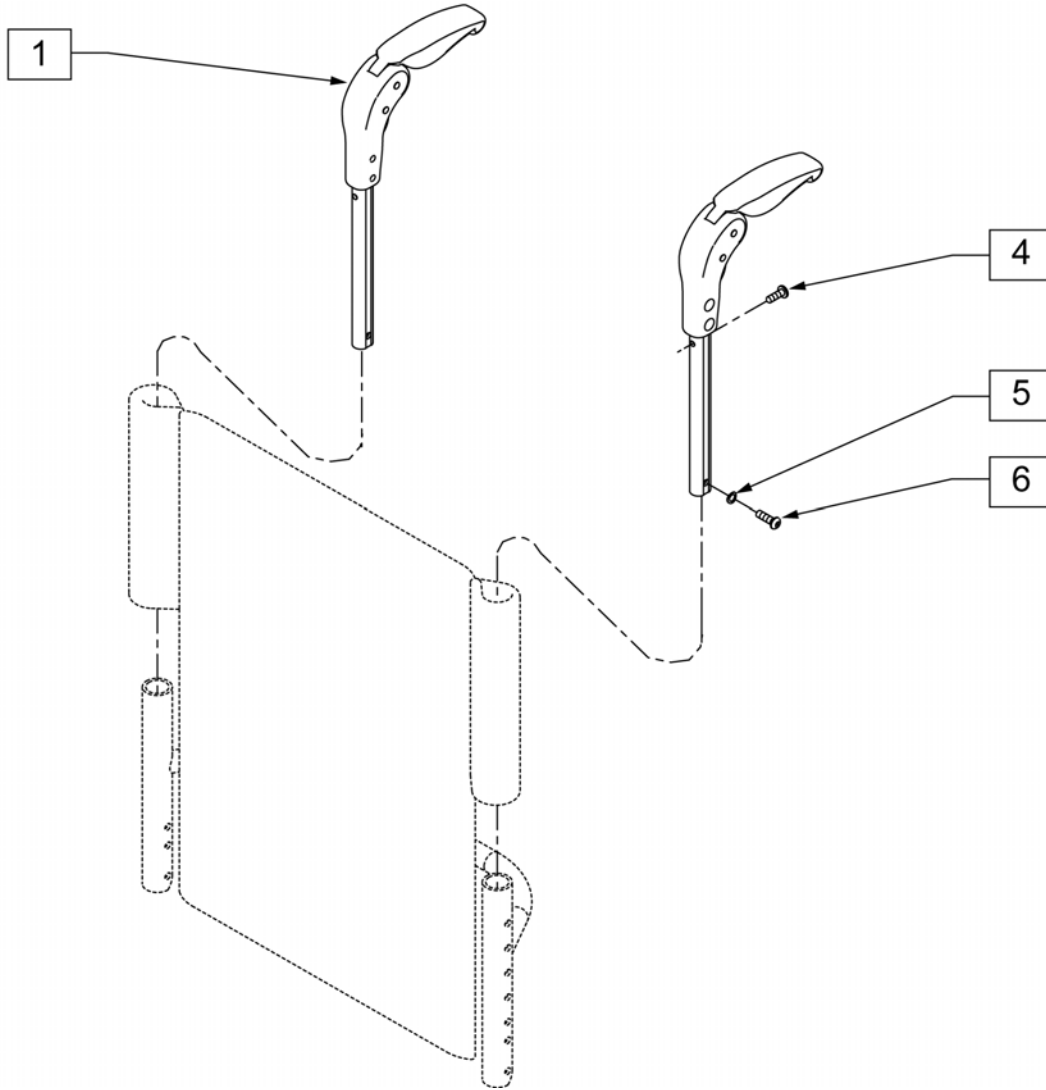
NOTE: FOR CHAIRS BUILT PRIOR TO JANUARY 2005 BOTH PUSH HANDLES NEED TO BE REPLACED DUE TO DESIGN CHANGE.



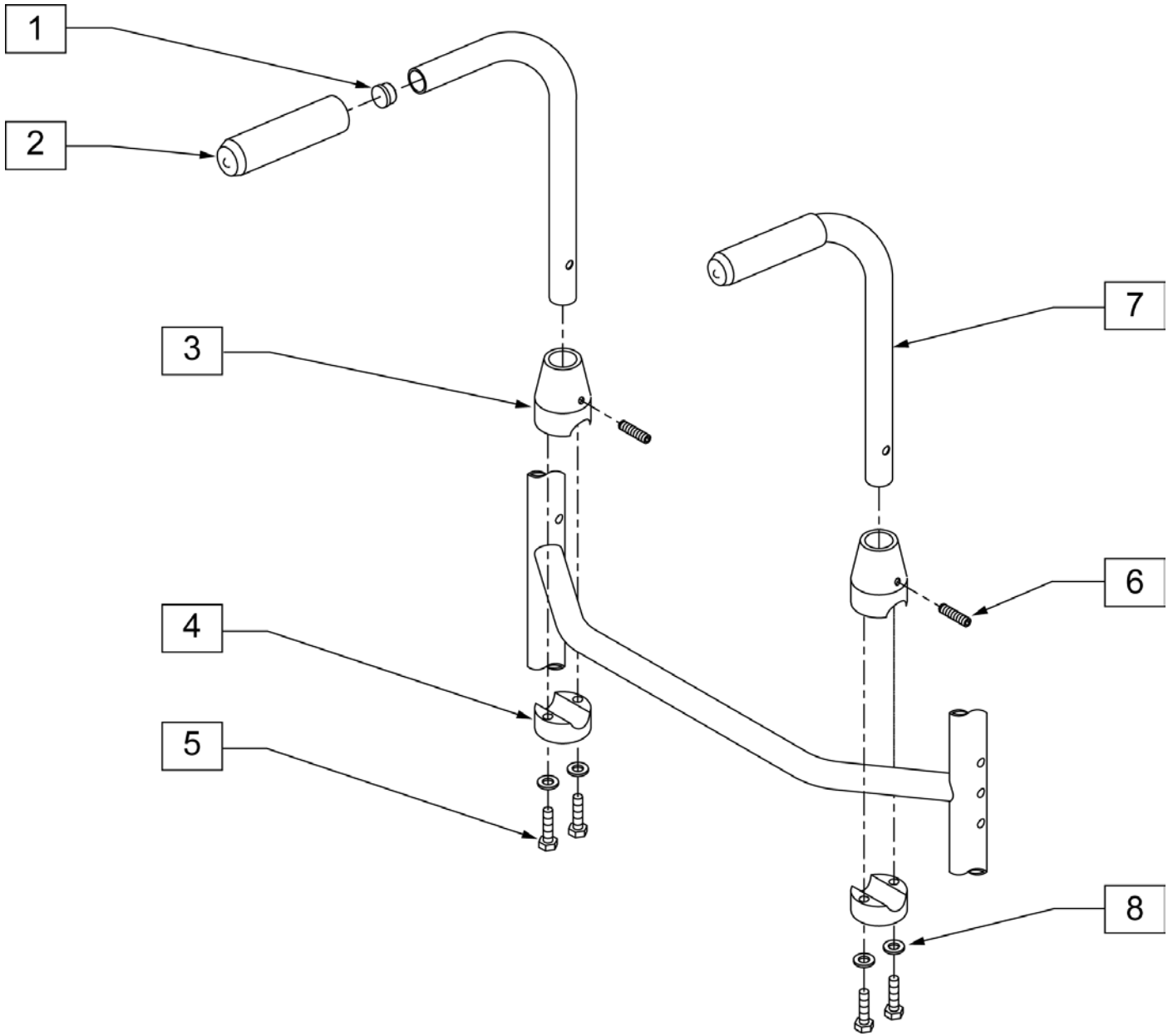
Pos.	Item Number	Description	Remarks
2	230116	BHCS M6 x 1 x 30mm W/ PL	
3	882604	FOLDING PUSH HANDLE W/ INSERT FIXED HEIGHT	RIGHT
4	520148	ADAPTER FOLDING PUSH HANDLE	
2-5	900164	FOLDING PUSH HANDLE W/ INSERT FIXED HEIGHT	LEFT



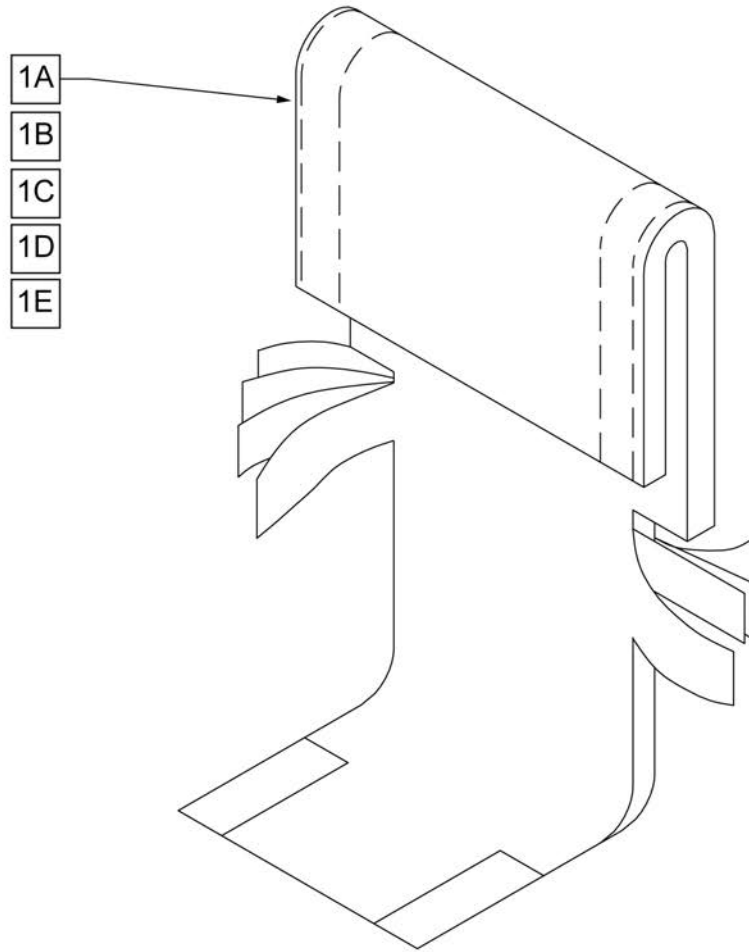
NOTE: FOR CHAIRS BUILT PRIOR TO JANUARY 2005 BOTH PUSH HANDLES NEED TO BE REPLACED DUE TO DESIGN CHANGE.



<b>Pos.</b>	<b>Item Number</b>	<b>Description</b>
1	882605	FOLDING PUSH HANDLE W/ INSERT 11-14
1	882606	FOLDING PUSH HANDLE W/ INSERT 12-16
1	882607	FOLDING PUSH HANDLE W/ INSERT 14-18
1	882608	FOLDING PUSH HANDLE W/ INSERT 16-20
4	281127	#12 x .75 PAN HEAD PHIL
5	262130	6mm WASHER WAVE
6	102262-003	BHCS M6 x 20mm BLK
1-6	900165	FOLDING PUSH HANDLE W/ INSERT 11-14
1-6	900166S	FOLDING PUSH HANDLE W/ INSERT 12-16
1-6	900167	FOLDING PUSH HANDLE W/ INSERT 14-18
1-6	900168	FOLDING PUSH HANDLE W/ INSERT 16-20

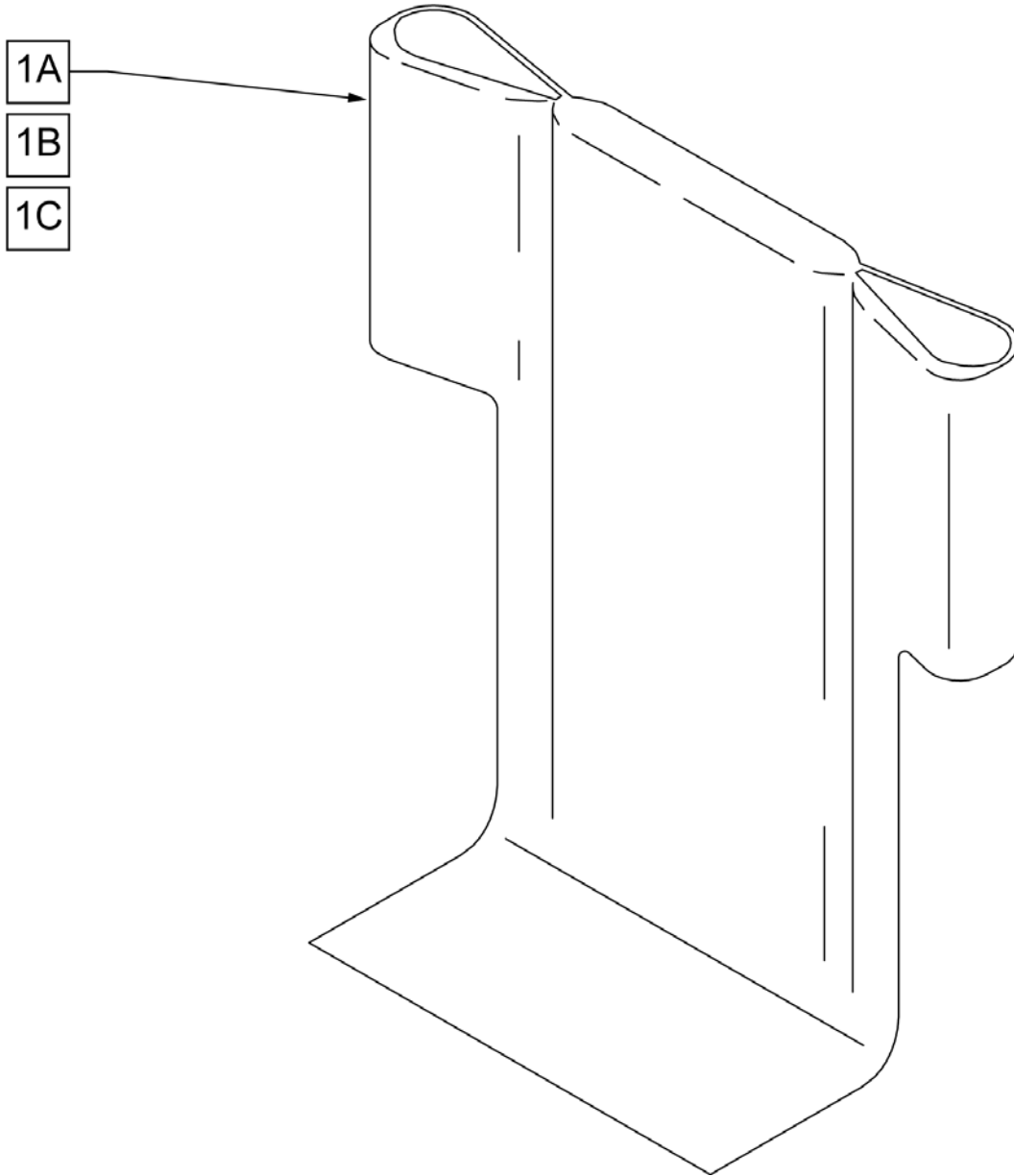


Pos.	Item Number	Description	Remarks
1	561000-QU	3/4" INSERT PLUG .083	
2	920026	QUICKIE GRIP 3/4	
3	483015	PUSH BACK RECEIVER TOP RIGID BLK	
4	483016	PUSH BACK RECEIVER BOTTOM RIGID BLK	
5	107017	1/4 -20 x 1 1/4 G8 HEX C/S	
6	225200	1/4 -20 x 1 SET SCREW	
8	106943	1/4" AN WASHER FLAT	
1, 2, 7	842061	PUSH HANDLE TUBE W/ FRAME RIGID BLK	RIGHT
1, 2, 7	842062	PUSH HANDLE TUBE W/ FRAME RIGID BLK	LEFT
1-8	900300	PUSH HANDLE ASSM RIGID BLK	PAIR



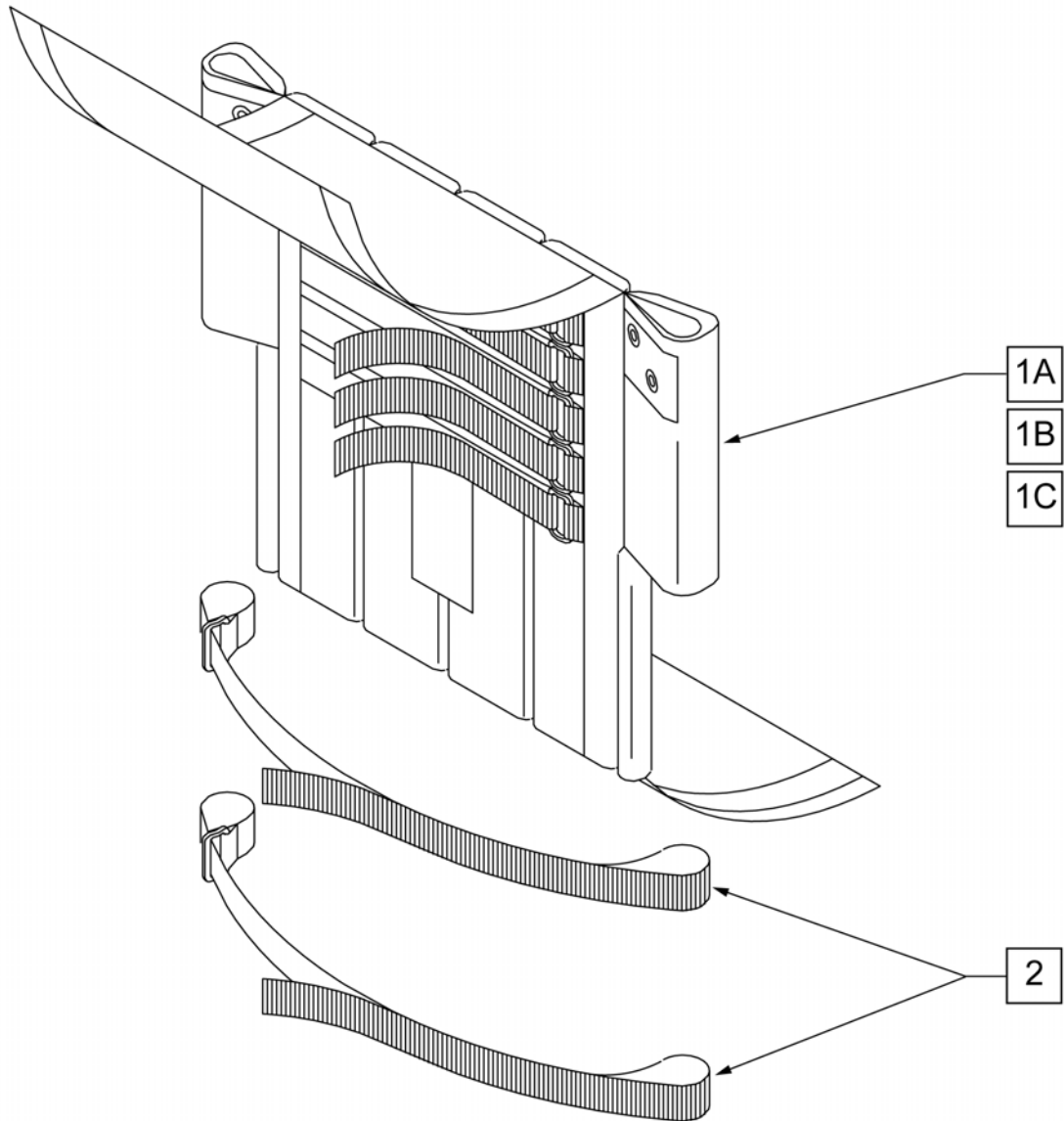
Pos.	Item Number	Description	Remarks
1A	680212	BACK UPH 12" 8-12" W/TAIL	(12" WIDE) 8-12" for Ht Adj Back & 8,9,10" for Fixed Back Hts
1A	680213	BACK UPH 13" 8-12" W/TAIL	(13" WIDE) 8-12" for Ht Adj Back & 8,9,10" for Fixed Back Hts
1A	680308	BACK UPH 14" 8-12" W/TAIL	(14" WIDE) 8-12" for Ht Adj Back & 8,9,10" for Fixed Back Hts
1A	680408	BACK UPH 15" 8-12" W/TAIL	(15" WIDE) 8-12" for Ht Adj Back & 8,9,10" for Fixed Back Hts
1A	680508	BACK UPH 16" 8-12" W/TAIL	(16" WIDE) 8-12" for Ht Adj Back & 8,9,10" for Fixed Back Hts
1A	680608	BACK UPH 17" 8-12" W/TAIL	(17" WIDE) 8-12" for Ht Adj Back & 8,9,10" for Fixed Back Hts
1A	680708	BACK UPH 18" 8-12" W/TAIL	(18" WIDE) 8-12" for Ht Adj Back & 8,9,10" for Fixed Back Hts
1A	680808	BACK UPH 19" 8-12" W/TAIL	(19" WIDE) 8-12" for Ht Adj Back & 8,9,10" for Fixed Back Hts
1B	680208	BACK UPH 12" 11-15" W/ TAIL	(12" WIDE) 10-14" for Ht Adj Back & 11" for Fixed Back Hts
1B	680201	BACK UPH 13" 11-15" W/ TAIL	(13" WIDE) 10-14" for Ht Adj Back & 11" for Fixed Back Hts
1B	680301	BACK UPH 14" 11-15" W/ TAIL	(14" WIDE) 10-14" for Ht Adj Back & 11" for Fixed Back Hts
1B	680401	BACK UPH 15" 11-15" W/ TAIL	(15" WIDE) 10-14" for Ht Adj Back & 11" for Fixed Back Hts
1B	680501	BACK UPH 16" 11-15" W/ TAIL	(16" WIDE) 10-14" for Ht Adj Back & 11" for Fixed Back Hts
1B	680601	BACK UPH 17" 11-15" W/ TAIL	(17" WIDE) 10-14" for Ht Adj Back & 11" for Fixed Back Hts
1B	680701	BACK UPH 18" 11-15" W/ TAIL	(18" WIDE) 10-14" for Ht Adj Back & 11" for Fixed Back Hts
1B	680801	BACK UPH 19" 11-15" W/ TAIL	(19" WIDE) 10-14" for Ht Adj Back & 11" for Fixed Back Hts
1B	680901	BACK UPH 20" 11-15" W/ TAIL	(20" WIDE) 10-14" for Ht Adj Back & 11" for Fixed Back Hts
1C	680209	BACK UPH 12" 12-16" W/ TAIL	(12" WIDE) 12 -16" for Ht Adj Back & 12"&13" for Fixed Back Hts

Pos.	Item Number	Description	Remarks
1C	680203	BACK UPH 13" 12-16" W/ TAIL	(13" WIDE) 12 -16" for Ht Adj Back & 12"&13" for Fixed Back Hts
1C	680303	BACK UPH 14" 12-16" W/ TAIL	(14" WIDE) 12 -16" for Ht Adj Back & 12"&13" for Fixed Back Hts
1C	680403	BACK UPH 15" 12-16" W/ TAIL	(15" WIDE) 12 -16" for Ht Adj Back & 12"&13" for Fixed Back Hts
1C	680503	BACK UPH 16" 12-16" W/ TAIL	(16" WIDE) 12 -16" for Ht Adj Back & 12"&13" for Fixed Back Hts
1C	680603	BACK UPH 17" 12-16" W/ TAIL	(17" WIDE) 12 -16" for Ht Adj Back & 12"&13" for Fixed Back Hts
1C	680703	BACK UPH 18" 12-16" W/ TAIL	(18" WIDE) 12 -16" for Ht Adj Back & 12"&13" for Fixed Back Hts
1C	680803	BACK UPH 19" 12-16" W/ TAIL	(19" WIDE) 12 -16" for Ht Adj Back & 12"&13" for Fixed Back Hts
1C	680903	BACK UPH 20" 12-16" W/ TAIL	(20" WIDE) 12 -16" for Ht Adj Back & 12"&13" for Fixed Back Hts
1D	680210	BACK UPH 12" 14-18" W/ TAIL	(12" WIDE) 14 -18" for Ht Adj Back & 14,15,16" for Fixed Back Hts
1D	680205	BACK UPH 13" 14-18" W/ TAIL	(13" WIDE) 14 -18" for Ht Adj Back & 14,15,16" for Fixed Back Hts
1D	680305	BACK UPH 14" 14-18" W/ TAIL	(14" WIDE) 14 -18" for Ht Adj Back & 14,15,16" for Fixed Back Hts
1D	680405	BACK UPH 15" 14-18" W/ TAIL	(15" WIDE) 14 -18" for Ht Adj Back & 14,15,16" for Fixed Back Hts
1D	680505	BACK UPH 16" 14-18" W/ TAIL	(16" WIDE) 14 -18" for Ht Adj Back & 14,15,16" for Fixed Back Hts
1D	680605	BACK UPH 17" 14-18" W/ TAIL	(17" WIDE) 14 -18" for Ht Adj Back & 14,15,16" for Fixed Back Hts
1D	680705	BACK UPH 18" 14-18" W/ TAIL	(18" WIDE) 14 -18" for Ht Adj Back & 14,15,16" for Fixed Back Hts
1D	680805	BACK UPH 19" 14-18" W/ TAIL	(19" WIDE) 14 -18" for Ht Adj Back & 14,15,16" for Fixed Back Hts
1D	680905	BACK UPH 20" 14-18" W/ TAIL	(20" WIDE) 14 -18" for Ht Adj Back & 14,15,16" for Fixed Back Hts
1E	680211	BACK UPH 12" 16-20" W/ TAIL	(12" WIDE) 16 -20" for Ht Adj Back & 17,18,19" for Fixed Back Hts
1E	680207	BACK UPH 13" 16-20" W/ TAIL	(13" WIDE) 16 -20" for Ht Adj Back & 17,18,19" for Fixed Back Hts
1E	680307	BACK UPH 14" 16-20" W/ TAIL	(14" WIDE) 16 -20" for Ht Adj Back & 17,18,19" for Fixed Back Hts
1E	680407	BACK UPH 15" 16-20" W/ TAIL	(15" WIDE) 16 -20" for Ht Adj Back & 17,18,19" for Fixed Back Hts
1E	680507	BACK UPH 16" 16-20" W/ TAIL	(16" WIDE) 16 -20" for Ht Adj Back & 17,18,19" for Fixed Back Hts
1E	680607	BACK UPH 17" 16-20" W/ TAIL	(17" WIDE) 16 -20" for Ht Adj Back & 17,18,19" for Fixed Back Hts
1E	680707	BACK UPH 18" 16-20" W/ TAIL	(18" WIDE) 16 -20" for Ht Adj Back & 17,18,19" for Fixed Back Hts
1E	680807	BACK UPH 19" 16-20" W/ TAIL	(19" WIDE) 16 -20" for Ht Adj Back & 17,18,19" for Fixed Back Hts
1E	680907S	BACK UPH CUSTOM Q1/GP F BCK	(20" WIDE) 16 -20" for Ht Adj Back & 17,18,19" for Fixed Back Hts



Pos.	Item Number	Description	Remarks
1A	680442	BACK UPH 12" 11-14/12-16 RDG	10 -14" & 12 -16" BACK HEIGHT
1A	680443	BACK UPH 13" 11-14/12-16 RDG	10 -14" & 12 -16" BACK HEIGHT
1A	680454	BACK UPH 14" 11-14/12-16 RDG	10 -14" & 12 -16" BACK HEIGHT
1A	680455	BACK UPH 15" 11-14/12-16 RDG	10 -14" & 12 -16" BACK HEIGHT
1A	680456	BACK UPH 16" 11-14/12-16 RDG	10 -14" & 12 -16" BACK HEIGHT
1A	680457	BACK UPH 17" 11-14/12-16 RDG	10 -14" & 12 -16" BACK HEIGHT
1A	680458	BACK UPH 18" 11-14/12-16 RDG	10 -14" & 12 -16" BACK HEIGHT
1A	680459	BACK UPH 19" 11-14/12-16 RDG	10 -14" & 12 -16" BACK HEIGHT
1A	680460	BACK UPH 20" 11-14/12-16 RDG	10 -14" & 12 -16" BACK HEIGHT

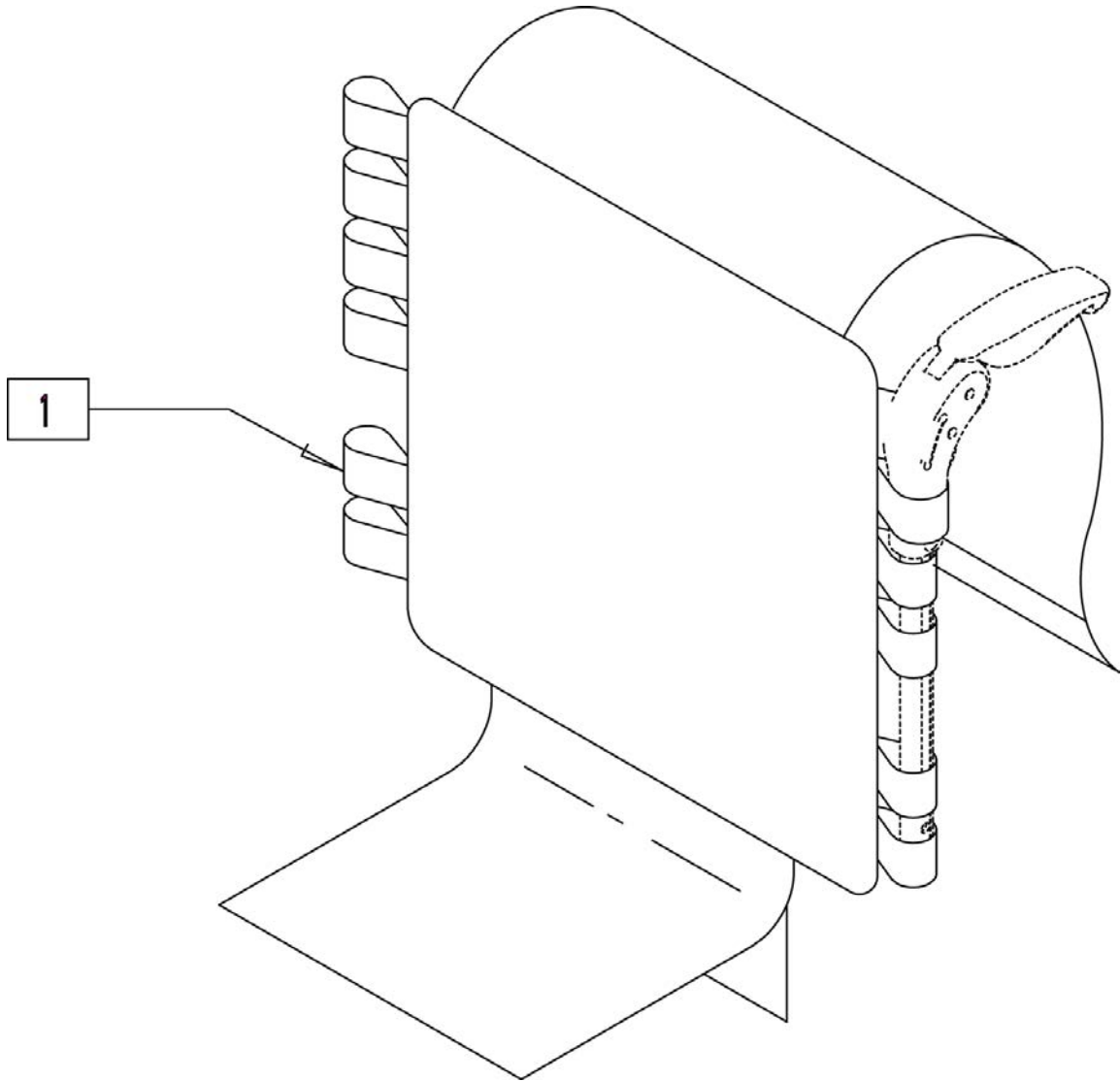
Pos.	Item Number	Description	Remarks
1B	680462	BACK UPH 12" 14-18 RDG	14 -18" BACK HEIGHT
1B	680463	BACK UPH 13" 14-18 RDG	14 -18" BACK HEIGHT
1B	680464	BACK UPH 14" 14-18 RDG	14 -18" BACK HEIGHT
1B	680465	BACK UPH 15" 14-18 RDG	14 -18" BACK HEIGHT
1B	680466	BACK UPH 16" 14-18 RDG	14 -18" BACK HEIGHT
1B	680467	BACK UPH 17" 14-18 RDG	14 -18" BACK HEIGHT
1B	680468	BACK UPH 18" 14-18 RDG	14 -18" BACK HEIGHT
1B	680469	BACK UPH 19" 14-18 RDG	14 -18" BACK HEIGHT
1B	680470	BACK UPH 20" 14-18 RDG	14 -18" BACK HEIGHT
1C	680472	BACK UPH 12" 16-20 RDG	16 -20" BACK HEIGHT
1C	680473	BACK UPH 13" 16-20 RDG	16 -20" BACK HEIGHT
1C	680474	BACK UPH 14" 16-20 RDG	16 -20" BACK HEIGHT
1C	680475	BACK UPH 15" 16-20 RDG	16 -20" BACK HEIGHT
1C	680476	BACK UPH 16" 16-20 RDG	16 -20" BACK HEIGHT
1C	680477	BACK UPH 17" 16-20 RDG	16 -20" BACK HEIGHT
1C	680478	BACK UPH 18" 16-20 RDG	16 -20" BACK HEIGHT
1C	680479	BACK UPH 19" 16-20 RDG	16 -20" BACK HEIGHT
1C	680480	BACK UPH 20" 16-20 RDG	16 -20" BACK HEIGHT



Pos.	Item Number	Description	Remarks
1A,2	684017	ADJ BACK UPH 12" LOW	10 -14" BACK HEIGHT
1A,2	684027	ADJ BACK UPH 13" LOW	10 -14" BACK HEIGHT
1A,2	684037	ADJ BACK UPH 14" LOW	10 -14" BACK HEIGHT
1A,2	684047	ADJ BACK UPH 15" LOW	10 -14" BACK HEIGHT
1A,2	684057	ADJ BACK UPH 16" LOW	10 -14" BACK HEIGHT
1A,2	684067	ADJ BACK UPH 17" LOW	10 -14" BACK HEIGHT
1A,2	684077	ADJ BACK UPH 18" LOW	10 -14" BACK HEIGHT
1A,2	684087	ADJ BACK UPH 19" LOW	10 -14" BACK HEIGHT
1A,2	684097	ADJ BACK UPH 20" LOW	10 -14" BACK HEIGHT
1B,2	684018	ADJ BACK UPH 12" MED	12 -16" & 14 -18" BACK HEIGHT
1B,2	684028	ADJ BACK UPH 13" MED	12 -16" & 14 -18" BACK HEIGHT
1B,2	684038	ADJ BACK UPH 14" MED	12 -16" & 14 -18" BACK HEIGHT
1B,2	684048	ADJ BACK UPH 15" MED	12 -16" & 14 -18" BACK HEIGHT
1B,2	684058	ADJ BACK UPH 16" MED	12 -16" & 14 -18" BACK HEIGHT
1B,2	684068	ADJ BACK UPH 17" MED	12 -16" & 14 -18" BACK HEIGHT



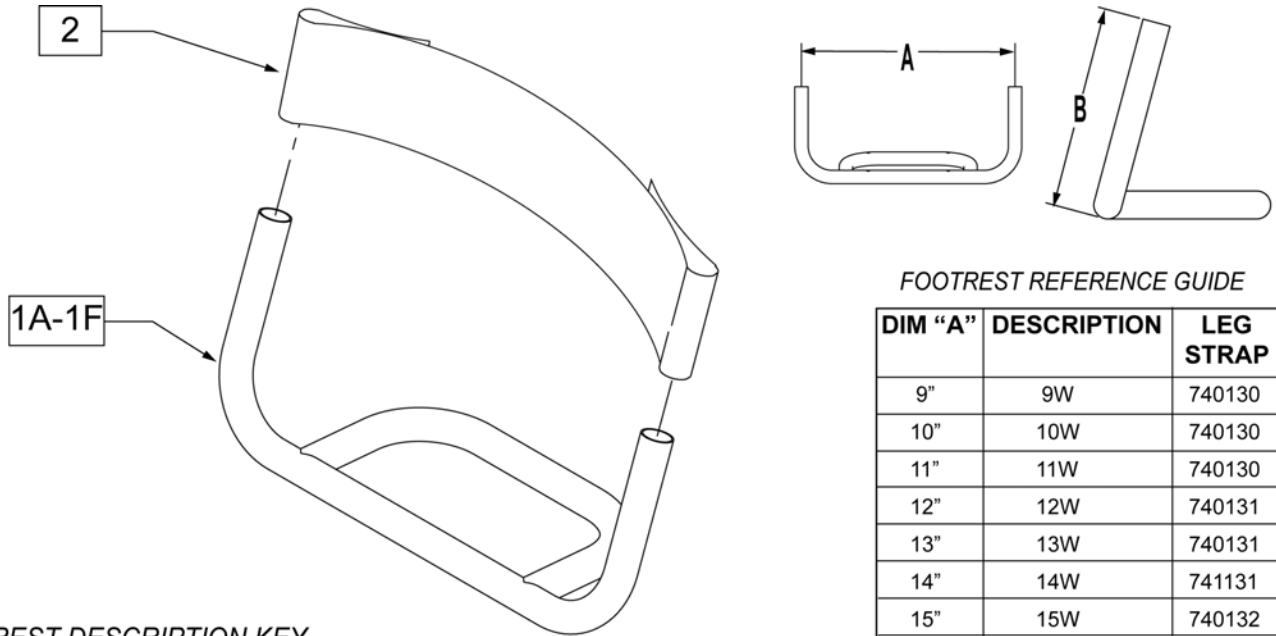
<b>Pos.</b>	<b>Item Number</b>	<b>Description</b>	<b>Remarks</b>
1B,2	684078	ADJ BACK UPH 18" MED	12 -16" & 14 -18" BACK HEIGHT
1B,2	684088	ADJ BACK UPH 19" MED	12 -16" & 14 -18" BACK HEIGHT
1B,2	684098	ADJ BACK UPH 20" MED	12 -16" & 14 -18" BACK HEIGHT
1C,2	684019	ADJ BACK UPH 12" TALL	16 -20" BACK HEIGHT
1C,2	684029	ADJ BACK UPH 13" TALL	16 -20" BACK HEIGHT
1C,2	684039	ADJ BACK UPH 14" TALL	16 -20" BACK HEIGHT
1C,2	684049	ADJ BACK UPH 15" TALL	16 -20" BACK HEIGHT
1C,2	684059	ADJ BACK UPH 16" TALL	16 -20" BACK HEIGHT
1C,2	684069	ADJ BACK UPH 17" TALL	16 -20" BACK HEIGHT
1C,2	684079	ADJ BACK UPH 18" TALL	16 -20" BACK HEIGHT
1C,2	684089	ADJ BACK UPH 19" TALL	16 -20" BACK HEIGHT
1C,2	684099	ADJ BACK UPH 20" TALL	16 -20" BACK HEIGHT



Pos.	Item Number	Description	Remarks
1	687460	UPH FOLDING PUSH HANDLE ADJ 13W x 10H	USED W/ 10" & 11" BACK HGTS (4 STRAPS)
1	687462	UPH FOLDING PUSH HANDLE ADJ 13W x 12H	USED W/ 12" & 13" FIXED/ 12 -16" ADJ (5 STRAPS)
1	687464	UPH FOLDING PUSH HANDLE ADJ 13W x 14H	USED W/ 14" & 15" FIXED/ 14 -18" ADJ (6 STRAPS)
1	687465	UPH FOLDING PUSH HANDLE ADJ 13W x 16H	USED W/ 16 - 20" ADJ BACK HGTS (7 STRAPS)
1	687466	UPH FOLDING PUSH HANDLE ADJ 14W x 10H	USED W/ 10" & 11" FIXED BACK HGTS (4 STRAPS)
1	687468	UPH FOLDING PUSH HANDLE ADJ 14W x 12H	USED W/ 12" & 13" FIXED/ 12 -16" ADJ (5 STRAPS)
1	687470	UPH FOLDING PUSH HANDLE ADJ 14W x 14H	USED W/ 14" & 15" FIXED/ 14 -18" ADJ (6 STRAPS)
1	687471	UPH FOLDING PUSH HANDLE ADJ 14W x 16H	USED W/ 16 -20" ADJ BACK HGTS (7 STRAPS)
1	687472	UPH FOLDING PUSH HANDLE ADJ 15W x 10H	USED W/ 10" & 11" BACK HGTS (4 STRAPS)
1	687474	UPH FOLDING PUSH HANDLE ADJ 15W x 12H	USED W/ 12" & 13" FIXED/ 12 -16" ADJ (5 STRAPS)
1	687476	UPH FOLDING PUSH HANDLE ADJ 15W x 14H	USED W/ 14" & 15" FIXED/ 14 -18" ADJ (6 STRAPS)
1	687477	UPH FOLDING PUSH HANDLE ADJ 15W x 16H	USED W/ 16 -20" ADJ BACK HGTS (7 STRAPS)
1	687478	UPH FOLDING PUSH HANDLE ADJ 16W x 10H	USED W/ 10" & 11" BACK HGTS (4 STRAPS)
1	687480	UPH FOLDING PUSH HANDLE ADJ 16W x 12H	USED W/ 12" & 13" FIXED/ 12 -16" ADJ (5 STRAPS)
1	687482	UPH FOLDING PUSH HANDLE ADJ 16W x 14H	USED W/ 14" & 15" FIXED/ 14 -18" ADJ (6 STRAPS)
1	687483	UPH FOLDING PUSH HANDLE ADJ 16W x 16H	USED W/ 16 -20" ADJ BACK HGTS (7 STRAPS)
1	687484	UPH FOLDING PUSH HANDLE ADJ 17W x 10H	USED W/ 10" & 11" BACK HGTS (4 STRAPS)
1	687486	UPH FOLDING PUSH HANDLE ADJ 17W x 12H	USED W/ 12" & 13" FIXED/ 12 -16" ADJ (5 STRAPS)

Pos.	Item Number	Description	Remarks
1	687488	UPH FOLDING PUSH HANDLE ADJ 17W x 14H	USED W/ 14" & 15" FIXED/ 14 -18" ADJ (6 STRAPS)
1	687489	UPH FOLDING PUSH HANDLE ADJ 17W x 16H	USED W/ 16 -20" ADJ BACK HGTS (7 STRAPS)
1	687490	UPH FOLDING PUSH HANDLE ADJ 18W x 10H	USED W/ 10" & 11" BACK HGTS (4 STRAPS)
1	687492	UPH FOLDING PUSH HANDLE ADJ 18W x 12H	USED W/ 12" & 13" FIXED/ 12 -16" ADJ (5 STRAPS)
1	687494	UPH FOLDING PUSH HANDLE ADJ 18W x 14H	USED W/ 14" & 15" FIXED/ 14 -18" ADJ (6 STRAPS)
1	687495	UPH FOLDING PUSH HANDLE ADJ 18W x 16H	USED W/ 16 -20" ADJ BACK HGTS (7 STRAPS)
1	687540	UPHOLSTRY FPH ADJ CE 19W X 10H	USED W/ 10" & 11" BACK HGTS (4 STRAPS)
1	687541	UPHOLSTRY FPH ADJ CE 19W X 12H	USED W/ 12" & 13" FIXED/ 12 -16" ADJ (5 STRAPS)
1	687542	UPHOLSTRY FPH ADJ CE 19W X 14H	USED W/ 14" & 15" FIXED/ 14 -18" ADJ (6 STRAPS)
1	687543	UPHOLSTRY FPH ADJ CE 19W X 16H	USED W/ 16 -20" ADJ BACK HGTS (7 STRAPS)
1	687544	UPHOLSTRY FPH ADJ CE 20W X 10H	USED W/ 10" & 11" BACK HGTS (4 STRAPS)
1	687545	UPHOLSTRY FPH ADJ CE 20W X 12H	USED W/ 12" & 13" FIXED/ 12 -16" ADJ (5 STRAPS)
1	687546	UPHOLSTRY FPH ADJ CE 20W X 14H	USED W/ 14" & 15" FIXED/ 14 -18" ADJ (6 STRAPS)
1	687547	UPHOLSTRY FPH ADJ CE 20W X 16H	USED W/ 16 -20" ADJ BACK HGTS (7 STRAPS)

**NOTE:** THE SERIAL NUMBER PROVIDES THE FOOTREST WIDTH, IF THE SERIAL NUMBER IS NOT AVAILABLE, USE THE INSET FORMULA (BELOW) TO CALCULATE.



FOOTREST REFERENCE GUIDE

DIM "A"	DESCRIPTION	LEG STRAP
9"	9W	740130
10"	10W	740130
11"	11W	740130
12"	12W	740131
13"	13W	740131
14"	14W	741131
15"	15W	740132
16"	16W	740132
17"	17W	740132

DIM "B"	DESCRIPTION
5 7/16"	SHORT
6 7/16"	TALL

FOOTREST DESCRIPTION KEY

THE FOOTREST MEASUREMENT DIFFERS FROM SEAT WIDTH MEASUREMENT, SEE INSET FORMULA AT RIGHT.

**ASSM, PLT, FTRST 12W 70 FA T**

FRAME ANGLE

"T" OR "S" DENOTES SHORT OR TALL. IF THE FRONT SEAT HEIGHT IS 17" OR GREATER THE FOOTREST HEIGHT IS "T" (TALL). IF THE FRONT SEAT HEIGHT IS 16.5" OR LESS THE FOOTREST HEIGHT IS "S" (SHORT).

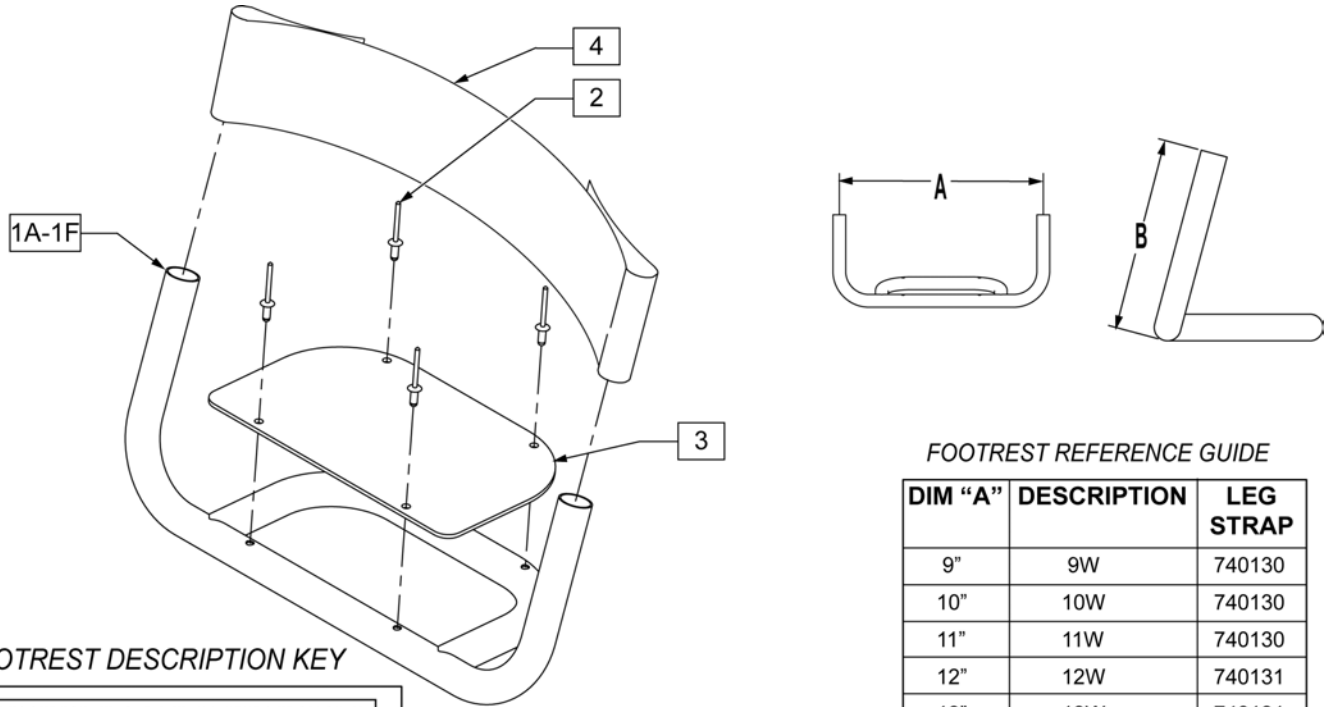
**INSET FORMULA**

0" INSET: (SEAT WIDTH) - 1"=(FOOTREST WIDTH)  
 1" INSET: (SEAT WIDTH) - 3"=(FOOTREST WIDTH)  
 2" INSET: (SEAT WIDTH) - 5"=(FOOTREST WIDTH)

Pos.	Item Number	Description
1A	545674	WELDMOUNT FRONT HANGER -FIXED 9W 70 FA SHORT
1A	545675	WELDMOUNT FRONT HANGER -FIXED 9W 80 FA SHORT
1A	545676	WELDMOUNT FRONT HANGER -FIXED 9W 85 FA SHORT
1A	545677	WELDMOUNT FRONT HANGER -FIXED 9W 70 FA TALL
1A	545678	WELDMOUNT FRONT HANGER -FIXED 9W 80 FA TALL
1A	545679	WELDMOUNT FRONT HANGER -FIXED 9W 85 FA TALL
1B	545680	WELDMOUNT FRONT HANGER -FIXED 10W 70 FA SHORT
1B	545681	WELDMOUNT FRONT HANGER -FIXED 11W 70 FA SHORT
1B	545682	WELDMOUNT FRONT HANGER -FIXED 12W 70 FA SHORT
1B	545683	WELDMOUNT FRONT HANGER -FIXED 13W 70 FA SHORT
1B	545684	WELDMOUNT FRONT HANGER -FIXED 14W 70 FA SHORT
1B	545685	WELDMOUNT FRONT HANGER -FIXED 15W 70 FA SHORT
1B	545686	WELDMOUNT FRONT HANGER -FIXED 16W 70 FA SHORT
1B	545687	WELDMOUNT FRONT HANGER -FIXED 17W 70 FA SHORT

Pos.	Item Number	Description
1C	545688	WELDMOUNT FRONT HANGER -FIXED 10W 80 FA SHORT
1C	545689	WELDMOUNT FRONT HANGER -FIXED 11W 80 FA SHORT
1C	545690	WELDMOUNT FRONT HANGER -FIXED 12W 80 FA SHORT
1C	545691	WELDMOUNT FRONT HANGER -FIXED 13W 80 FA SHORT
1C	545692	WELDMOUNT FRONT HANGER -FIXED 14W 80 FA SHORT
1C	545693	WELDMOUNT FRONT HANGER -FIXED 15W 80 FA SHORT
1C	545694	WELDMOUNT FRONT HANGER -FIXED 16W 80 FA SHORT
1C	545695	WELDMOUNT FRONT HANGER -FIXED 17W 80 FA SHORT
1D	545696	WELDMOUNT FRONT HANGER -FIXED 10W 85 FA SHORT
1D	545697	WELDMOUNT FRONT HANGER -FIXED 11W 85 FA SHORT
1D	545698	WELDMOUNT FRONT HANGER -FIXED 12W 85 FA SHORT
1D	545699	WELDMOUNT FRONT HANGER -FIXED 13W 85 FA SHORT
1D	545700	WELDMOUNT FRONT HANGER -FIXED 14W 85 FA SHORT
1D	545701	WELDMOUNT FRONT HANGER -FIXED 15W 85 FA SHORT
1D	545702	WELDMOUNT FRONT HANGER -FIXED 16W 85 FA SHORT
1D	545703	WELDMOUNT FRONT HANGER -FIXED 17W 85 FA SHORT
1E	545704	WELDMOUNT FRONT HANGER -FIXED 10W 70 FA TALL
1E	545705	WELDMOUNT FRONT HANGER -FIXED 11W 70 FA TALL
1E	545706	WELDMOUNT FRONT HANGER -FIXED 12W 70 FA TALL
1E	545707	WELDMOUNT FRONT HANGER -FIXED 13W 70 FA TALL
1E	545708	WELDMOUNT FRONT HANGER -FIXED 14W 70 FA TALL
1E	545709	WELDMOUNT FRONT HANGER -FIXED 15W 70 FA TALL
1E	545710	WELDMOUNT FRONT HANGER -FIXED 16W 70 FA TALL
1E	545711	WELDMOUNT FRONT HANGER -FIXED 17W 70 FA TALL
1F	545712	WELDMOUNT FRONT HANGER -FIXED 10W 80 FA TALL
1F	545713	WELDMOUNT FRONT HANGER -FIXED 11W 80 FA TALL
1F	545714	WELDMOUNT FRONT HANGER -FIXED 12W 80 FA TALL
1F	545715	WELDMOUNT FRONT HANGER -FIXED 13W 80 FA TALL
1F	545716	WELDMOUNT FRONT HANGER -FIXED 14W 80 FA TALL
1F	545717	WELDMOUNT FRONT HANGER -FIXED 15W 80 FA TALL
1F	545718	WELDMOUNT FRONT HANGER -FIXED 16W 80 FA TALL
1F	545719	WELDMOUNT FRONT HANGER -FIXED 17W 80 FA TALL
1G	545720	WELDMOUNT FRONT HANGER -FIXED 10W 85 FA TALL
1G	545721	WELDMOUNT FRONT HANGER -FIXED 11W 85 FA TALL
1G	545722	WELDMOUNT FRONT HANGER -FIXED 12W 85 FA TALL
1G	545723	WELDMOUNT FRONT HANGER -FIXED 13W 85 FA TALL
1G	545724	WELDMOUNT FRONT HANGER -FIXED 14W 85 FA TALL
1G	545725	WELDMOUNT FRONT HANGER -FIXED 15W 85 FA TALL
1G	545726	WELDMOUNT FRONT HANGER -FIXED 16W 85 FA TALL
1G	545727	WELDMOUNT FRONT HANGER -FIXED 17W 85 FA TALL
2	740130	LEG STRAP 10-14 BLK
2	740131	LEG STRAP 15-17 BLK
2	740132	LEG STRAP 18-20 BLK

**NOTE:** THE SERIAL NUMBER PROVIDES THE FOOTREST WIDTH, IF THE SERIAL NUMBER IS NOT AVAILABLE, USE THE INSET FORMULA (BELOW) TO CALCULATE.



**FOOTREST DESCRIPTION KEY**

THE FOOTREST MEASUREMENT DIFFERS FROM SEAT WIDTH MEASUREMENT, SEE INSET FORMULA AT RIGHT.

**ASSM, PLT, FTRST 12W 70 FA T**

FRAME ANGLE

"T" OR "S" DENOTES SHORT OR TALL. IF THE FRONT SEAT HEIGHT IS 17" OR GREATER THE FOOTREST HEIGHT IS "T" (TALL). IF THE FRONT SEAT HEIGHT IS 16.5" OR LESS THE FOOTREST HEIGHT IS "S" (SHORT).

**INSET FORMULA**

0" INSET: (SEAT WIDTH) - 1"=(FOOTREST WIDTH)  
 1" INSET: (SEAT WIDTH) -3"=(FOOTREST WIDTH)  
 2" INSET: (SEAT WIDTH) -5"=(FOOTREST WIDTH)

**FOOTREST REFERENCE GUIDE**

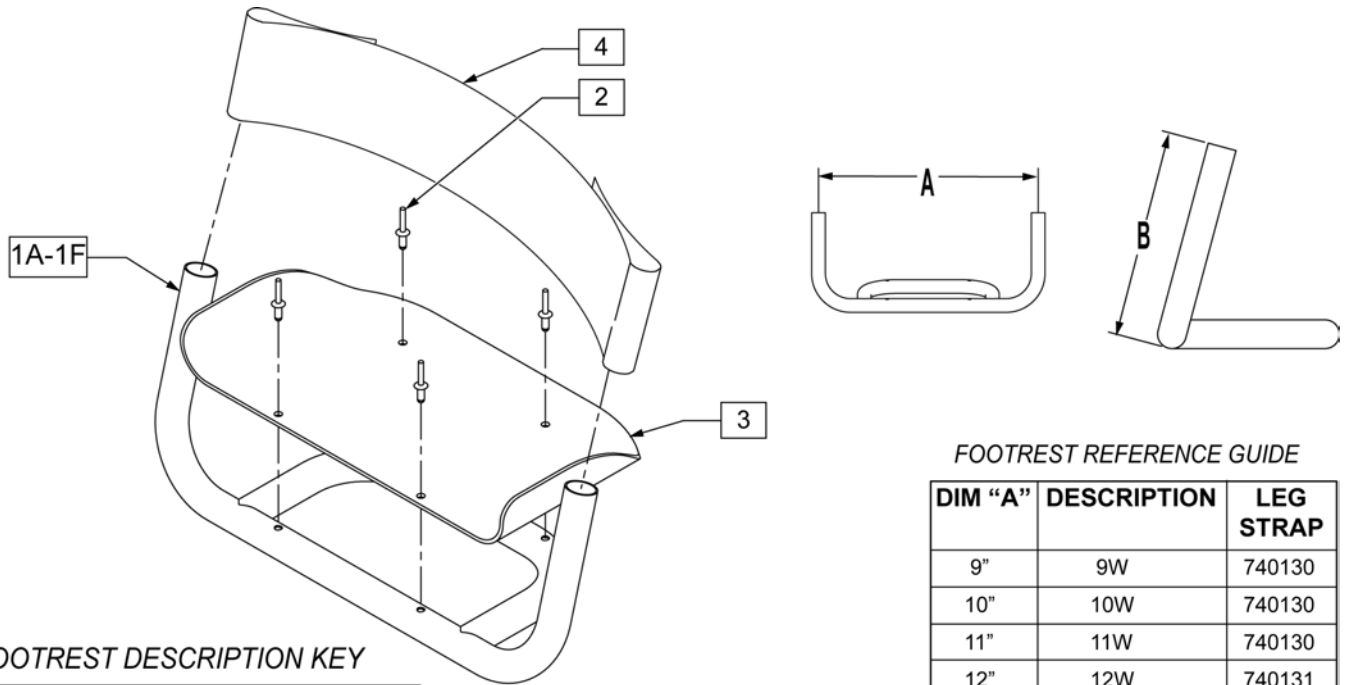
DIM "A"	DESCRIPTION	LEG STRAP
9"	9W	740130
10"	10W	740130
11"	11W	740130
12"	12W	740131
13"	13W	740131
14"	14W	741131
15"	15W	740132
16"	16W	740132
17"	17W	740132

DIM "B"	DESCRIPTION
5 7/16"	SHORT
6 7/16"	TALL

Pos.	Item Number	Description	Remarks
2	240107	POP RIVET SSD53SSBS	
3	560039	FOOTHANGER PLATE 9W	RIGHT
3	560040	FOOTHANGER PLATE 10W	RIGHT
3	560041	FOOTHANGER PLATE 11W	RIGHT
3	560042	FOOTHANGER PLATE 12W	RIGHT
3	560043	FOOTHANGER PLATE 13W	RIGHT
3	560044	FOOTHANGER PLATE 14W	RIGHT
3	560045	FOOTHANGER PLATE 15W	RIGHT
3	560046	FOOTHANGER PLATE 16W	RIGHT
3	560047	FOOTHANGER PLATE 17W	RIGHT
4	740130	LEG STRAP 10-14 BLK	
4	740131	LEG STRAP 15-17 BLK	
4	740132	LEG STRAP 18-20 BLK	
1-3	800330	FOOTREST PLATE ASSM 9W 70 FA SHORT	

Pos.	Item Number	Description	Remarks
1-3	800331	FOOTREST PLATE ASSM 10W 70 FA SHORT	
1-3	800332	FOOTREST PLATE ASSM 11W 70 FA SHORT	
1-3	800333	FOOTREST PLATE ASSM 12W 70 FA SHORT	
1-3	800334	FOOTREST PLATE ASSM 13W 70 FA SHORT	
1-3	800335	FOOTREST PLATE ASSM 14W 70 FA SHORT	
1-3	800336	FOOTREST PLATE ASSM 15W 70 FA SHORT	
1-3	800337	FOOTREST PLATE ASSM 16W 70 FA SHORT	
1-3	800338	FOOTREST PLATE ASSM 17W 70 FA SHORT	
1B, 2-3	800339	FOOTREST PLATE ASSM 9W 80 FA SHORT	
1B, 2-3	800340	FOOTREST PLATE ASSM 10W 80 FA SHORT	
1B, 2-3	800341	FOOTREST PLATE ASSM 11W 80 FA SHORT	
1B, 2-3	800342	FOOTREST PLATE ASSM 12W 80 FA SHORT	
1B, 2-3	800343	FOOTREST PLATE ASSM 13W 80 FA SHORT	
1B, 2-3	800344	FOOTREST PLATE ASSM 14W 80 FA SHORT	
1B, 2-3	800345	FOOTREST PLATE ASSM 15W 80 FA SHORT	
1B, 2-3	800346	FOOTREST PLATE ASSM 16W 80 FA SHORT	
1B, 2-3	800347	FOOTREST PLATE ASSM 17W 80 FA SHORT	
1C, 2-3	800348	FOOTREST PLATE ASSM 9W 85 FA SHORT	
1C, 2-3	800349	FOOTREST PLATE ASSM 10W 85 FA SHORT	
1C, 2-3	800350	FOOTREST PLATE ASSM 11W 85 FA SHORT	
1C, 2-3	800351	FOOTREST PLATE ASSM 12W 85 FA SHORT	
1C, 2-3	800352	FOOTREST PLATE ASSM 13W 85 FA SHORT	
1C, 2-3	800353	FOOTREST PLATE ASSM 14W 85 FA SHORT	
1C, 2-3	800354	FOOTREST PLATE ASSM 15W 85 FA SHORT	
1C, 2-3	800355	FOOTREST PLATE ASSM 16W 85 FA SHORT	
1C, 2-3	800356	FOOTREST PLATE ASSM 17W 85 FA SHORT	
1D, 2-3	800357	FOOTREST PLATE ASSM 9W 70 FA TALL	
1D, 2-3	800358	FOOTREST PLATE ASSM 10W 70 FA TALL	
1D, 2-3	800359	FOOTREST PLATE ASSM 11W 70 FA TALL	
1D, 2-3	800360	FOOTREST PLATE ASSM 12W 70 FA TALL	
1D, 2-3	800361	FOOTREST PLATE ASSM 13W 70 FA TALL	
1D, 2-3	800362	FOOTREST PLATE ASSM 14W 70 FA TALL	
1D, 2-3	800363	FOOTREST PLATE ASSM 15W 70 FA TALL	
1D, 2-3	800364	FOOTREST PLATE ASSM 16W 70 FA TALL	
1D, 2-3	800365	FOOTREST PLATE ASSM 17W 70 FA TALL	
1E, 2-3	800366	FOOTREST PLATE ASSM 9W 80 FA TALL	
1E, 2-3	800367	FOOTREST PLATE ASSM 10W 80 FA TALL	
1E, 2-3	800368	FOOTREST PLATE ASSM 11W 80 FA TALL	
1E, 2-3	800369	FOOTREST PLATE ASSM 12W 80 FA TALL	
1E, 2-3	800370	FOOTREST PLATE ASSM 13W 80 FA TALL	
1E, 2-3	800371	FOOTREST PLATE ASSM 14W 80 FA TALL	
1E, 2-3	800372	FOOTREST PLATE ASSM 15W 80 FA TALL	
1E, 2-3	800373	FOOTREST PLATE ASSM 16W 80 FA TALL	
1E, 2-3	800374	FOOTREST PLATE ASSM 17W 80 FA TALL	
1F, 2-3	800375	FOOTREST PLATE ASSM 9W 85 FA TALL	
1F, 2-3	800376	FOOTREST PLATE ASSM 10W 85 FA TALL	
1F, 2-3	800377	FOOTREST PLATE ASSM 11W 85 FA TALL	
1F, 2-3	800378	FOOTREST PLATE ASSM 12W 85 FA TALL	
1F, 2-3	800379	FOOTREST PLATE ASSM 13W 85 FA TALL	
1F, 2-3	800380	FOOTREST PLATE ASSM 14W 85 FA TALL	
1F, 2-3	800381	FOOTREST PLATE ASSM 15W 85 FA TALL	
1F, 2-3	800382	FOOTREST PLATE ASSM 16W 85 FA TALL	
1F, 2-3	800383	FOOTREST PLATE ASSM 17W 85 FA TALL	

**NOTE:** THE SERIAL NUMBER PROVIDES THE FOOTREST WIDTH, IF THE SERIAL NUMBER IS NOT AVAILABLE, USE THE INSET FORMULA (BELOW) TO CALCULATE.



**FOOTREST DESCRIPTION KEY**

THE FOOTREST MEASUREMENT DIFFERS FROM SEAT WIDTH MEASUREMENT, SEE INSET FORMULA AT RIGHT.

**ASSM, PLT, FTRST 12W 70 FA T**

FRAME ANGLE

\*"T" OR "S" DENOTES SHORT OR TALL. IF THE FRONT SEAT HEIGHT IS 17" OR GREATER THE FOOTREST HEIGHT IS "T" (TALL). IF THE FRONT SEAT HEIGHT IS 16.5" OR LESS THE FOOTREST HEIGHT IS "S" (SHORT).

**INSET FORMULA**

0" INSET: (SEAT WIDTH) - 1"=(FOOTREST WIDTH)  
 1" INSET: (SEAT WIDTH) -3"=(FOOTREST WIDTH)  
 2" INSET: (SEAT WIDTH) -5"=(FOOTREST WIDTH)

**FOOTREST REFERENCE GUIDE**

DIM "A"	DESCRIPTION	LEG STRAP
9"	9W	740130
10"	10W	740130
11"	11W	740130
12"	12W	740131
13"	13W	740131
14"	14W	741131
15"	15W	740132
16"	16W	740132
17"	17W	740132

DIM "B"	DESCRIPTION
5 7/16"	SHORT
6 7/16"	TALL

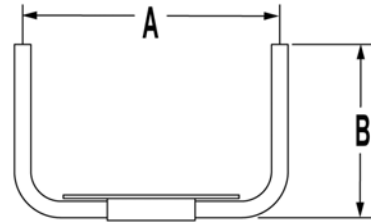
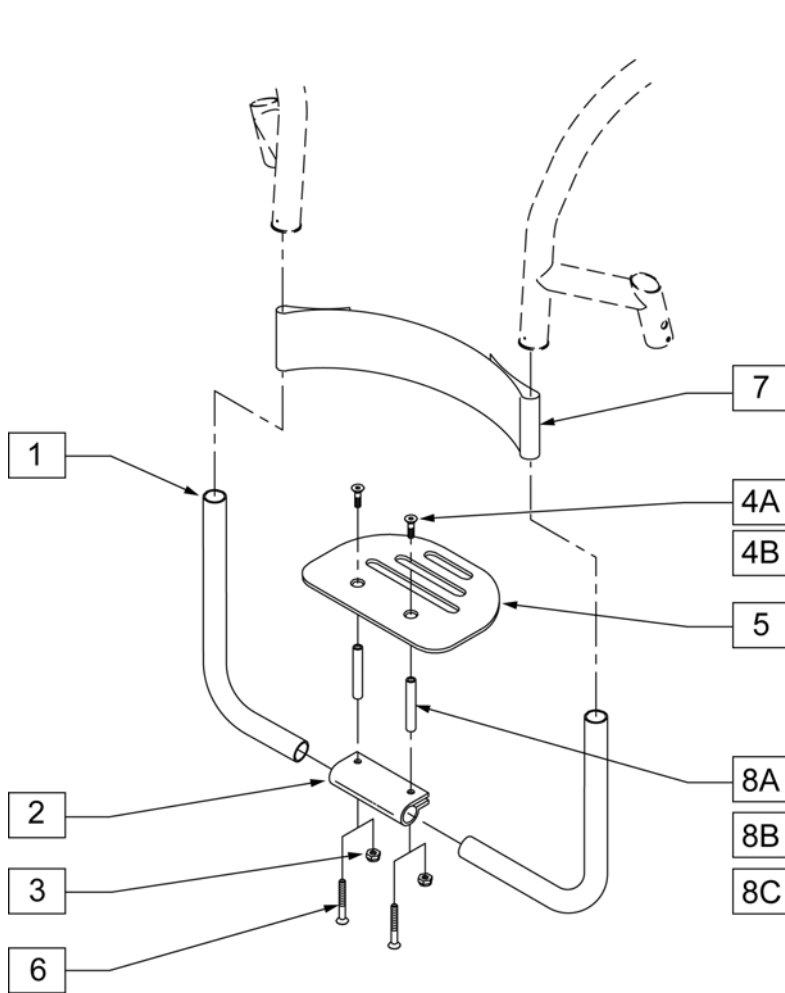
Pos.	Item Number	Description
2	240107	POP RIVET SSD53SSBS
3	560271	FOOTHANGER PLATE -FLARED 9W
3	560272	FOOTHANGER PLATE -FLARED 10W
3	560273	FOOTHANGER PLATE -FLARED 11W
3	560274	FOOTHANGER PLATE -FLARED 12W
3	560275	FOOTHANGER PLATE -FLARED 13W
3	560276	FOOTHANGER PLATE -FLARED 14W
3	560277	FOOTHANGER PLATE -FLARED 15W
3	560278	FOOTHANGER PLATE -FLARED 16W
3	560279	FOOTHANGER PLATE -FLARED 17W
4	740130	LEG STRAP 10-14 BLK
4	740131	LEG STRAP 15-17 BLK
4	740132	LEG STRAP 18-20 BLK
		70 DEGREE-SHORT



Pos.	Item Number	Description
1-3	800430	FOOTREST PLATE ASSM-FLARED 9W 70 FA SHORT
1-3	800431	FOOTREST PLATE ASSM-FLARED 10W 70 FA SHORT
1-3	800432	FOOTREST PLATE ASSM-FLARED 11W 70 FA SHORT
1-3	800433	FOOTREST PLATE ASSM-FLARED 12W 70 FA SHORT
1-3	800434	FOOTREST PLATE ASSM-FLARED 13W 70 FA SHORT
1-3	800435	FOOTREST PLATE ASSM-FLARED 14W 70 FA SHORT
1-3	800436	FOOTREST PLATE ASSM -FLARED15W 70 FA SHORT
1-3	800437	FOOTREST PLATE ASSM -FLARED16W 70 FA SHORT
1-3	800438	FOOTREST PLATE ASSM -FLARED17W 70 FA SHORT
		80 DEGREE-SHORT
1B, 2-3	800439	FOOTREST PLATE ASSM -FLARED 9W 80 FA SHORT
1B, 2-3	800440	FOOTREST PLATE ASSM -FLARED 10W 80 FA SHORT
1B, 2-3	800441	FOOTREST PLATE ASSM -FLARED 11W 80 FA SHORT
1B, 2-3	800442	FOOTREST PLATE ASSM -FLARED 12W 80 FA SHORT
1B, 2-3	800443	FOOTREST PLATE ASSM -FLARED 13W 80 FA SHORT
1B, 2-3	800444	FOOTREST PLATE ASSM -FLARED 14W 80 FA SHORT
1B, 2-3	800445	FOOTREST PLATE ASSM -FLARED15W 80 FA SHORT
1B, 2-3	800446	FOOTREST PLATE ASSM -FLARED 16W 80 FA SHORT
1B, 2-3	800447	FOOTREST PLATE ASSM -FLARED 17W 80 FA SHORT
		85 DEGREE-SHORT
1C, 2-3	800448	FOOTREST PLATE ASSM -FLARED 9W 85 FA SHORT
1C, 2-3	800449	FOOTREST PLATE ASSM -FLARED 10W 85 FA SHORT
1C, 2-3	800450	FOOTREST PLATE ASSM -FLARED 11W 85 FA SHORT
1C, 2-3	800451	FOOTREST PLATE ASSM -FLARED 12W 85 FA SHORT
1C, 2-3	800452	FOOTREST PLATE ASSM -FLARED 13W 85 FA SHORT
1C, 2-3	800453	FOOTREST PLATE ASSM -FLARED 14W 85 FA SHORT
1C, 2-3	800454	FOOTREST PLATE ASSM -FLARED 15W 85 FA SHORT
1C, 2-3	800455	FOOTREST PLATE ASSM -FLARED 16W 85 FA SHORT
1C, 2-3	800456	FOOTREST PLATE ASSM -FLARED 17W 85 FA SHORT
		70 DEGREE-TALL
1D, 2-3	800457	FOOTREST PLATE ASSM-FLARED 9W 70 FA TALL
1D, 2-3	800458	FOOTREST PLATE ASSM -FLARED 10W 70 FA TALL
1D, 2-3	800459	FOOTREST PLATE ASSM -FLARED 11W 70 FA TALL
1D, 2-3	800460	FOOTREST PLATE ASSM -FLARED 12W 70 FA TALL
1D, 2-3	800461	FOOTREST PLATE ASSM -FLARED 13W 70 FA TALL
1D, 2-3	800462	FOOTREST PLATE ASSM -FLARED 14W 70 FA TALL
1D, 2-3	800463	FOOTREST PLATE ASSM -FLARED 15W 70 FA TALL
1D, 2-3	800464	FOOTREST PLATE ASSM -FLARED 16W 70 FA TALL
1D, 2-3	800465	FOOTREST PLATE ASSM -FLARED 17W 70 FA TALL
		80 DEGREE-TALL
1E, 2-3	800466	FOOTREST PLATE ASSM -FLARED 9W 80 FA TALL
1E, 2-3	800467	FOOTREST PLATE ASSM -FLARED 10W 80 FA TALL
1E, 2-3	800468	FOOTREST PLATE ASSM -FLARED 11W 80 FA TALL
1E, 2-3	800469	FOOTREST PLATE ASSM -FLARED 12W 80 FA TALL
1E, 2-3	800470	FOOTREST PLATE ASSM -FLARED 13W 80 FA TALL
1E, 2-3	800471	FOOTREST PLATE ASSM -FLARED 14W 80 FA TALL
1E, 2-3	800472	FOOTREST PLATE ASSM -FLARED 15W 80 FA TALL
1E, 2-3	800373	FOOTREST PLATE ASSM -FLARED 16W 80 FA TALL
1E, 2-3	800474	FOOTREST PLATE ASSM -FLARED 17W 80 FA TALL
		85 DEGREE-TALL
1F, 2-3	800475	FOOTREST PLATE ASSM -FLARED 9W 85 FA TALL
1F, 2-3	800476	FOOTREST PLATE ASSM -FLARED 10W 85 FA TALL
1F, 2-3	800477	FOOTREST PLATE ASSM -FLARED 11W 85 FA TALL
1F, 2-3	800478	FOOTREST PLATE ASSM -FLARED 12W 85 FA TALL
1F, 2-3	800479	FOOTREST PLATE ASSM -FLARED 13W 85 FA TALL
1F, 2-3	800480	FOOTREST PLATE ASSM -FLARED 14W 85 FA TALL

<b>Pos.</b>	<b>Item Number</b>	<b>Description</b>
1F, 2-3	800481	FOOTREST PLATE ASSM -FLARED 15W 85 FA TALL
1F, 2-3	800482	FOOTREST PLATE ASSM -FLARED 16W 85 FA TALL
1F, 2-3	800483	FOOTREST PLATE ASSM -FLARED 17W 85 FA TALL

NOTE: THE SERIAL NUMBER PROVIDES THE FOOTREST WIDTH, IF THE SERIAL NUMBER IS NOT AVAILABLE, USE THE INSET FORMULA (BELOW) TO CALCULATE.



PLATFORM FOOTREST REFERENCE GUIDE

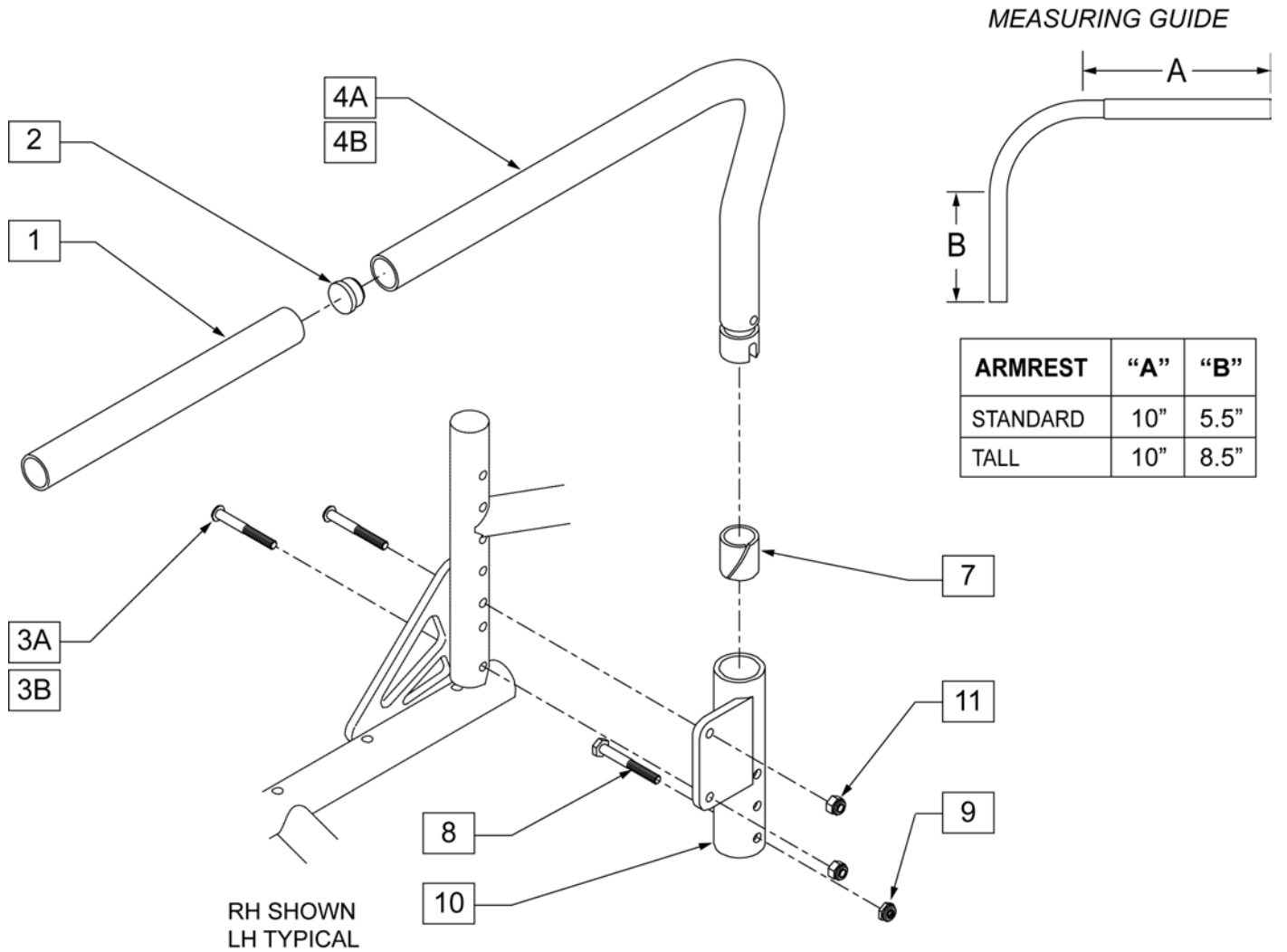
DIM "A"	DIM "A"	ITEM 5	ITEM 1	LEG STRAP
9"	5.44"	500650	522270	740130
9"	6.44"	500650	522271	740130
10"	5.44"	500650	522270	740130
10"	6.44"	500650	522271	740130
11"	5.44"	500651	522270	740130
11"	6.44"	500651	522271	741130
12"	5.44"	500651	522272	740130
12"	6.44"	500651	522273	740130
13"	5.44"	500652	522272	740131
13"	6.44"	500652	522273	740131
14"	5.44"	500652	522272	740131
14"	6.44"	500652	522273	740131
15"	5.44"	500653	522274	740132
15"	6.44"	500653	522275	740132
16"	5.44"	500653	522274	741132
16"	6.44"	500653	522275	740132
17"	5.44"	500654	522274	740132
17"	6.44"	500654	522275	740132

Pos.	Item Number	Description	Pos.	Item Number	Description
1	522270	FOOTREST TUBE W/ INSERT 9-11W SHORT	6	107014	1/4 -20 x 1 HEX C/S
1	522271	FOOTREST TUBE W/ INSERT 9-11W TALL	7	740130	LEG STRAP 10-14
1	522272	FOOTREST TUBE W/ INSERT 12-14W SHORT	7	740131	LEG STRAP 12-16
1	522273	FOOTREST TUBE W/ INSERT 12-14W TALL	7	740132	LEG STRAP 16-18
1	522274	FOOTREST TUBE W/ INSERT 15-17W SHORT	8A	481306	ADAPTIVE FOOTREST SPACER 2
1	522275	FOOTREST TUBE W/ INSERT 15-17W TALL	8B	481307	ADAPTIVE FOOTREST SPACER 4
2	550351	PLATFORM FOOTPLATE CLAMP	8C	481308	ADAPTIVE FOOTREST SPACER 6
3	106941	1/4 -28 AUTOMATION NUT	1-5	882630	PLATFORM FOOTREST ASSM 9W SHORT
4A	106978	1/4 -28 x 7/8 FH C/S	1-5	882631	PLATFORM FOOTREST ASSM 9W TALL
4B	226121	1/4 -20 x 1 FH C/S BLK	1-5	882632	PLATFORM FOOTREST ASSM 10W SHORT
5	500650	PLATFORM FOOTPLATE 6 x 5 1/2	1-5	882633	PLATFORM FOOTREST ASSM 10W TALL
5	500651	PLATFORM FOOTPLATE 8 x 5 1/2	1-5	882634	PLATFORM FOOTREST ASSM 11W SHORT
5	500652	PLATFORM FOOTPLATE 10 x 5 1/2	1-5	882635	PLATFORM FOOTREST ASSM 11W TALL
5	500653	PLATFORM FOOTPLATE 12 x 5 1/2	1-5	882636	PLATFORM FOOTREST ASSM 12W SHORT
5	500654	PLATFORM FOOTPLATE 14 x 5 1/2	1-5	882637	PLATFORM FOOTREST ASSM 12W TALL

Pos.	Item Number	Description	Pos.	Item Number	Description
1-5	882638	PLATFORM FOOTREST ASSM 13W SHORT	1-5	882643	PLATFORM FOOTREST ASSM 15W TALL
1-5	882639	PLATFORM FOOTREST ASSM 13W TALL	1-5	882644	PLATFORM FOOTREST ASSM 16W SHORT
1-5	882640	PLATFORM FOOTREST ASSM 14W SHORT	1-5	882645	PLATFORM FOOTREST ASSM 16W TALL
1-5	882641	PLATFORM FOOTREST ASSM 14W TALL	1-5	882646	PLATFORM FOOTREST ASSM 17W SHORT
1-5	882642	PLATFORM FOOTREST ASSM 15W SHORT	1-5	882647	PLATFORM FOOTREST ASSM 17W TALL

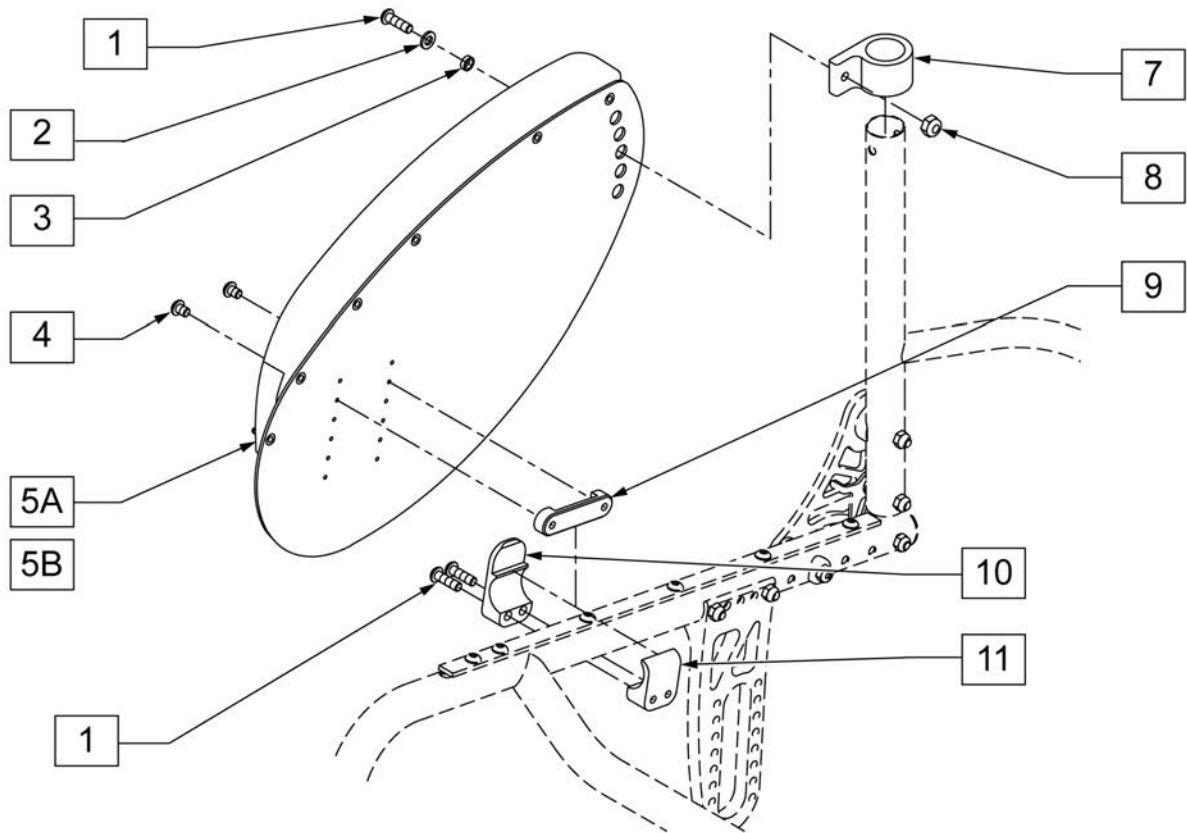
NOTE: USE ITEM 3A FOR FIXED BACK MODELS.

NOTE: USE ITEM 3B FOR FOLDING BACK MODELS.

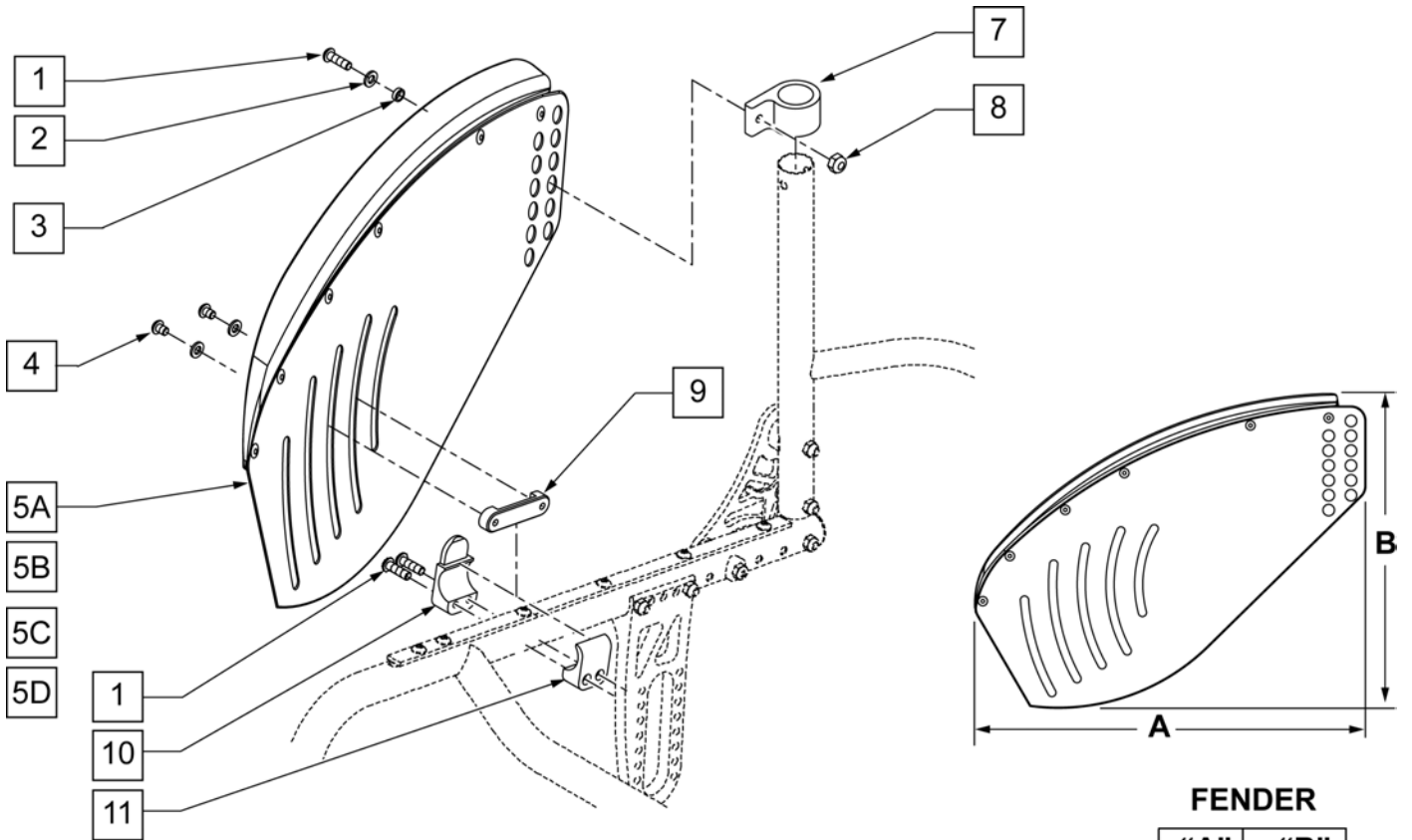


Pos.	Item Number	Description	Remarks
1	920070	9 x .940 x 200 FOAM	
2	483006	1 INSERT PLUG	
3A	230118	BHCS M6 x 1 x 45mm BLK	
3B	102262-008	BHCS M6 x 50mm	
7	560400	1 ID NY-LINER	
8	106972	1/4 -28 x 1 1/2 G8 HEX C/S	
9	106935	NUT NYLOCK THIN 1/4-28 ROHS	
10	540103	PADDED ARM RECEIVER	RIGHT-STD
10	540104	PADDED ARM RECEIVER	LEFT-STD
11	200113	NUT HEX NYLOCK M6 x 1	
1, 2, 4A	881254	PADDED ARMREST QTNT	RIGHT-ADULT

<b>Pos.</b>	<b>Item Number</b>	<b>Description</b>	<b>Remarks</b>
1, 2, 4A	881255	PADDED ARMREST QTNT	LEFT-ADULT
1,2,4B	103169-001	PADDED S/A ARMREST ASSM R TALL	RIGHT-TALL
1,2,4B	103169-002	PADDED S/A ARMREST ASSM L TALL	LEFT-TALL
3A, 7-11	881722	PADDED ARM RECEIVER TI FIXED BACK	RIGHT
3A, 7-11	881723	PADDED ARM RECEIVER TI FIXED BACK	LEFT
3A, 7-11	900412	PADDED ARMS RECEIVER TI FIXED BACK	PAIR
3B, 7-11	881724	PADDED ARMREST RECEIVER TI FOLDING BACK	RIGHT
3B, 7-11	881725	PADDED ARMREST RECEIVER TI FOLDING BACK	LEFT
3B, 7-11	900413	PADDED ARMREST RECEIVER TI FOLDING BACK	PAIR



Pos.	Item Number	Description	Remarks
1	230032	BHCS M6 x 16mm B/H CAP SCREW	
2	250104	WASHER FLAT M6	
3	481490	SPACER SIDEGUARD	
4	102262-001	BHCS M6 x 1 x 8mm BLK W/ PL	
5A	500189	SIDEGUARD W/ FENDER ASSM	RIGHT
5A	500190	SIDEGUARD W/ FENDER ASSM	LEFT
5B	500299	SIDEGUARD PLATE NO FENDER	
7	483313	PIVOT SIDEGUARD	
8	200113	NUT HEX NYLOCK M6 x 1	
9	483311	CLAMP C-CLIP SIDEGUARD	
10	483310	CLAMP OUTBOARD SIDEGUARD	
11	483312	CLAMP INBOARD SIDEGUARD	
1,10,11	883162	SIDEGUARD CLAMP ASSM	
1-5,6-11	901022	SIDEGUARD ASSM W/ FENDER TI	RIGHT
1-5,6-11	901023	SIDEGUARD ASSM W/ FENDER TI	LEFT
1-5,6-11	920544	SIDEGUARD ASSM W/ FENDER TI	PAIR
1-4,5B,6-11	901024	SIDEGUARD ASSM NO FENDER TI	
1-4,5B,6-11	920545	SIDEGUARD ASSM NO FENDER TI	PAIR



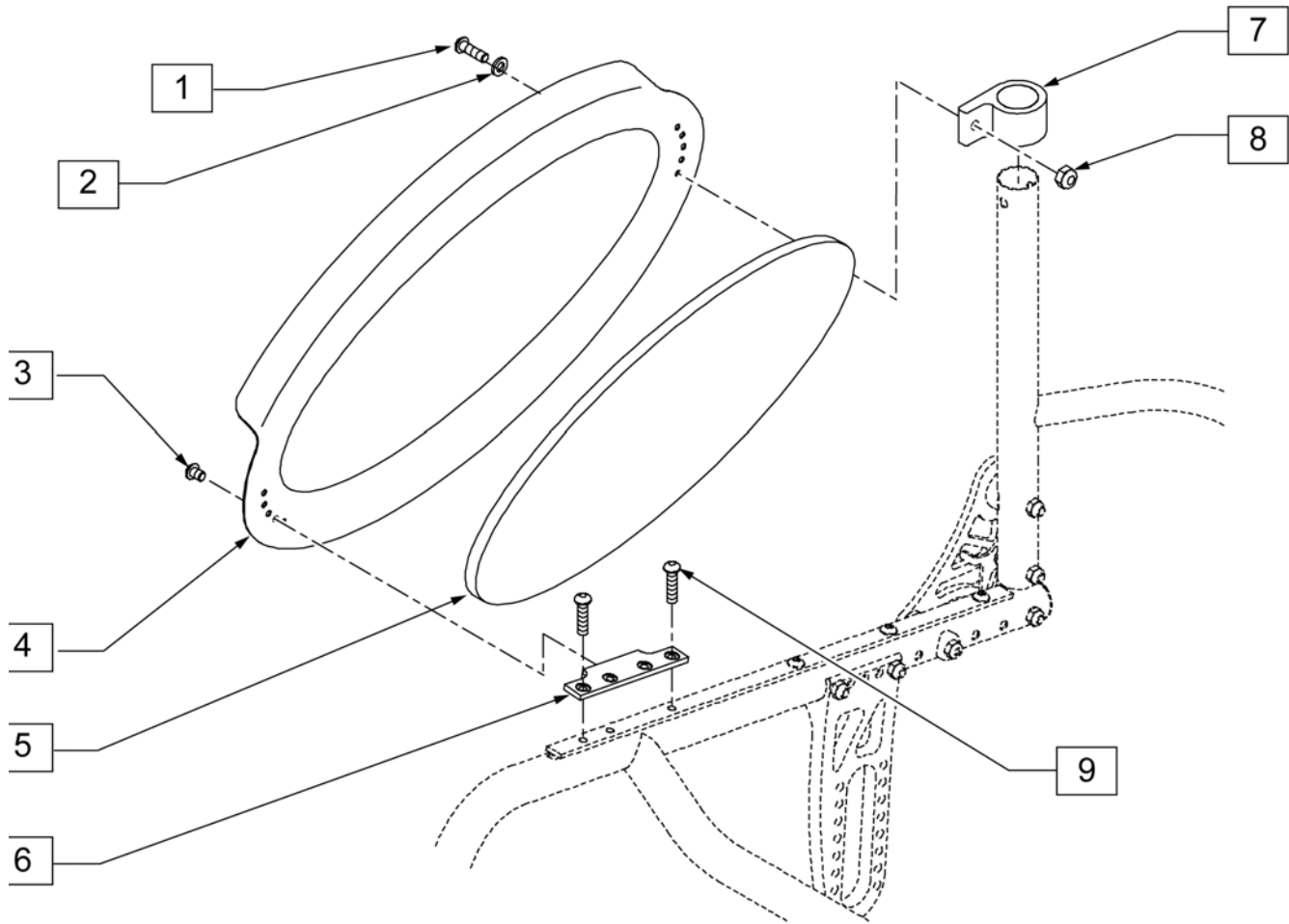
FENDER

	"A"	"B"
SMALL	13"	10"
LARGE	13"	13 7/8"

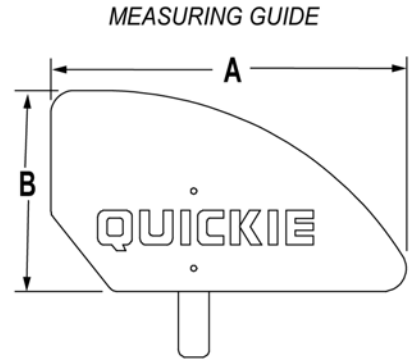
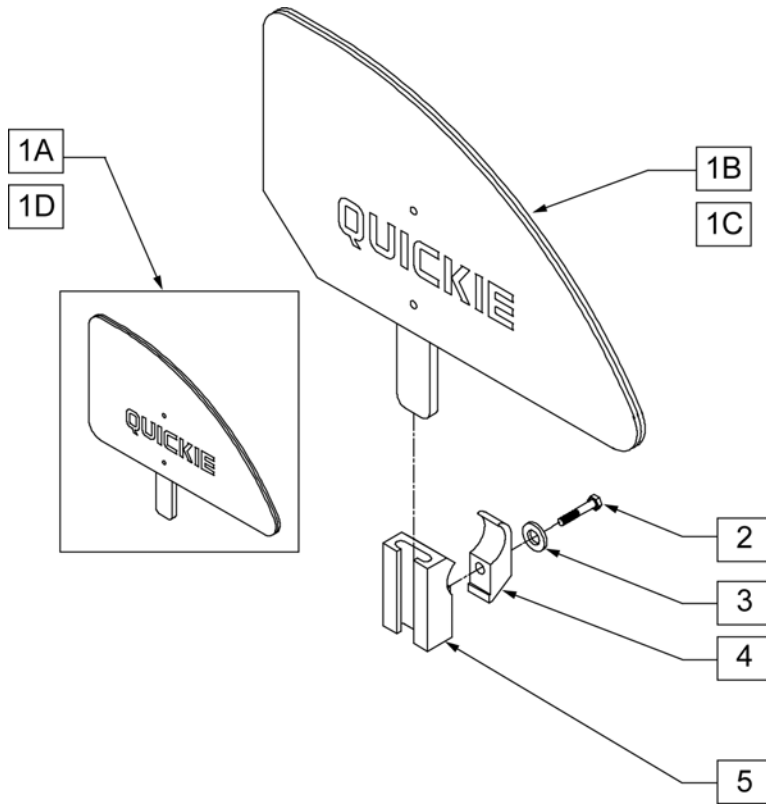
Pos.	Item Number	Description	Remarks
1	230032	BHCS M6 x 16mm B/H CAP SCREW	
2	250104	WASHER FLAT M6	
3	481490	SPACER SIDEGUARD	
4	102262-001	BHCS M6 x 1 x 8mm	
5A	901025	SIDEGUARD SMALL W/ FENDER ASSM	RIGHT
5A	901026	SIDEGUARD SMALL W/ FENDER ASSM	LEFT
5B	901027	SIDEGUARD LARGE W/ FENDER ASSM	RIGHT
5B	901028	SIDEGUARD LARGE W/ FENDER ASSM	LEFT
5C	500368	SIDEGUARD PLATE SMALL NO FENDER	
5D	500369	SIDEGUARD PLATE LARGE NO FENDER	
7	483313	PIVOT SIDEGUARD	
8	200113	NUT HEX NYLOCK M6 x 1	
9	483311	CLAMP C-CLIP SIDEGUARD	
10	483310	CLAMP OUTBOARD SIDEGUARD	
11	483312	CLAMP INBOARD SIDEGUARD	
1,10,11	883162	SIDEGUARD CLAMP ASSM	
1-5A,7-11	901040	SIDEGUARD SMALL W/ FENDER HDWR	RIGHT
1-5A,7-11	901041	SIDEGUARD SMALL W/ FENDER HDWR	LEFT
1-5A,7-11	901050	SIDEGUARD SMALL W/ FENDER HDWR	PAIR
1-4,5B,7-11	901042	SIDEGUARD LARGE W/ FENDER HDWR	RIGHT
1-4,5B,7-11	901043	SIDEGUARD LARGE W/ FENDER HDWR	LEFT
1-4,5B,7-11	901051	SIDEGUARD LARGE W/ FENDER HDWR	PAIR



<b>Pos.</b>	<b>Item Number</b>	<b>Description</b>	<b>Remarks</b>
1-4,5C,7-11	901044	SIDEGUARD SMALL NO FENDER HDWR	
1-4,5C,7-11	901052	SIDEGUARD SMALL NO FENDER HDWR	PAIR
1-4, 5D,7-11	901045	SIDEGUARD LARGE NO FENDER HDWR	
1-4, 5D,7-11	901053	SIDEGUARD LARGE NO FENDER HDWR	PAIR



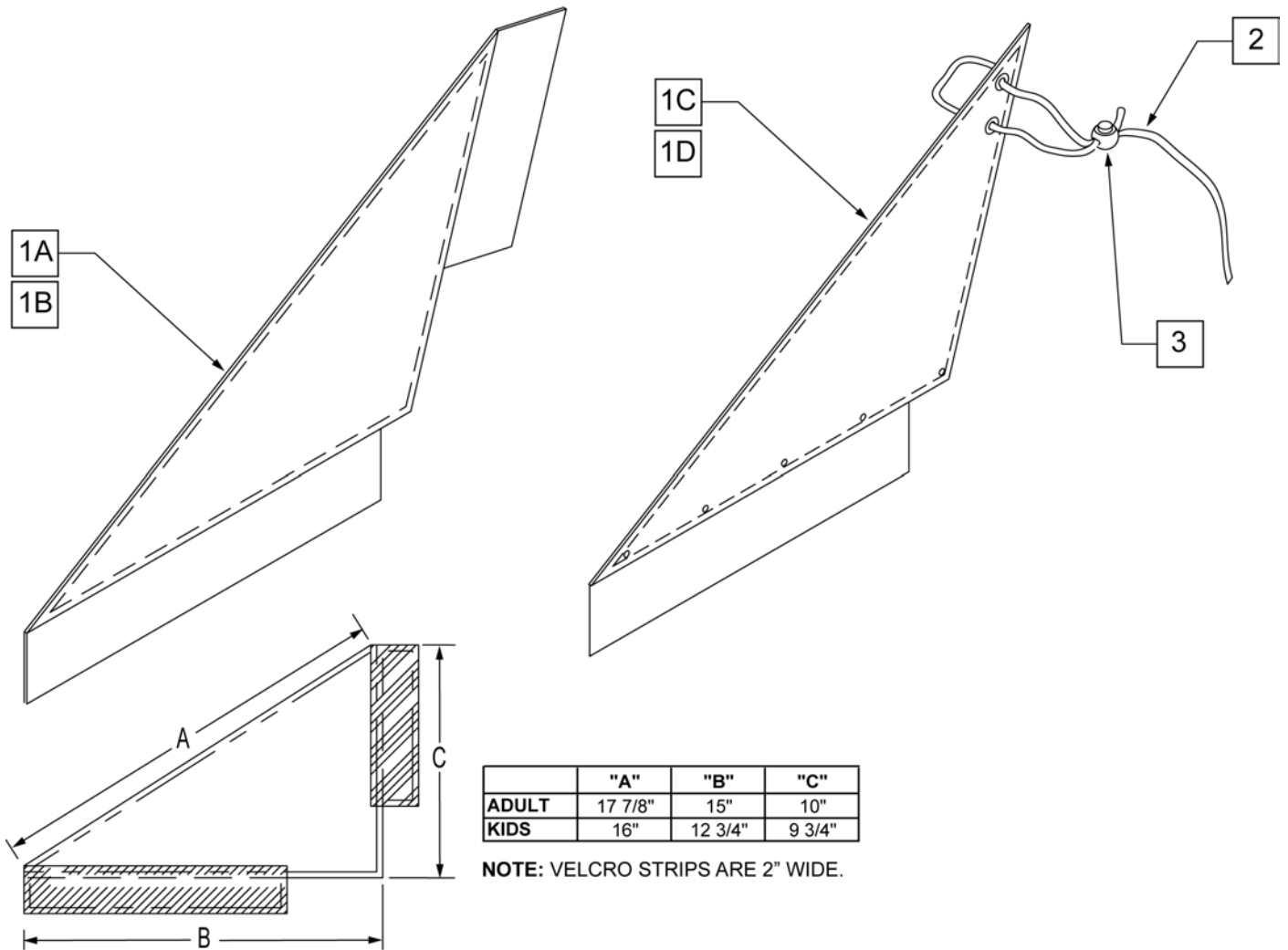
Pos.	Item Number	Description	Remarks
1	230032	BHCS M6 x 16mm B/H CAP SCREW	
2	250104	WASHER FLAT M6	
3	102262-001	BHCS M6 x 1 x 8mm W/ PL	
4	765 842 002.02	CARBON SIDEGUARD	
5	765 842 003	FOAM CARBON FIBER SIDEGUARD	
6	483201	BRACKET LOWER CARBON SIDEGUARD	
7	483313	PIVOT SIDEGUARD	
8	200113	NUT HEX NYLOCK M6 x 1	
9	230497	BHCS M5 x 8 x 20mm B/H C/S	
1-9	901046	CARBON SIDEGUARD W/ HDWR	
1-9	901054	CARBON SIDEGUARD W/ HDWR	PAIR



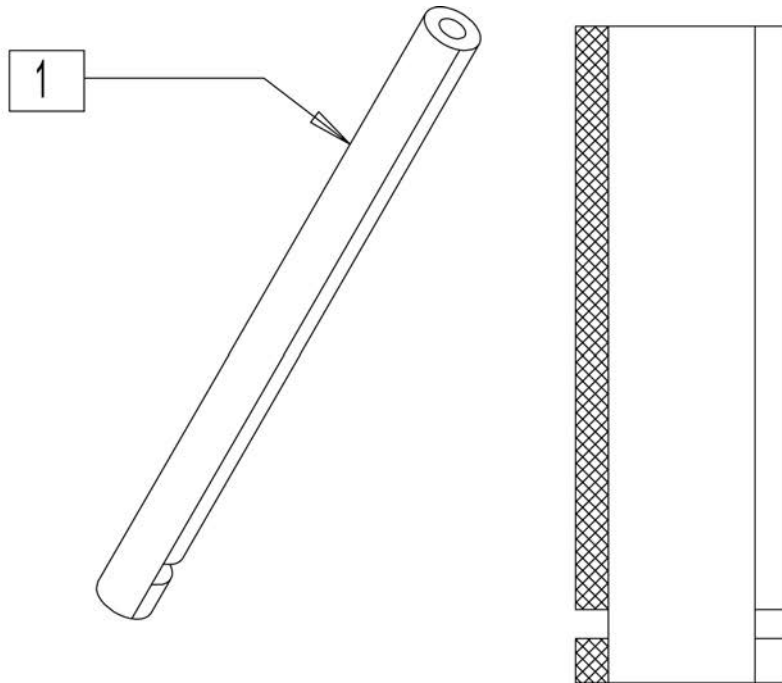
	"A"	"B"
ADULT	12 3/4"	8 5/8"
KIDS	11 1/2"	6 1/2"

NOTE: STANDARD (ADULT)  
SIDE GUARD FITS 14-20" DEPTHS,  
KIDS SIDE GUARD FITS 10-13" DEPTHS.

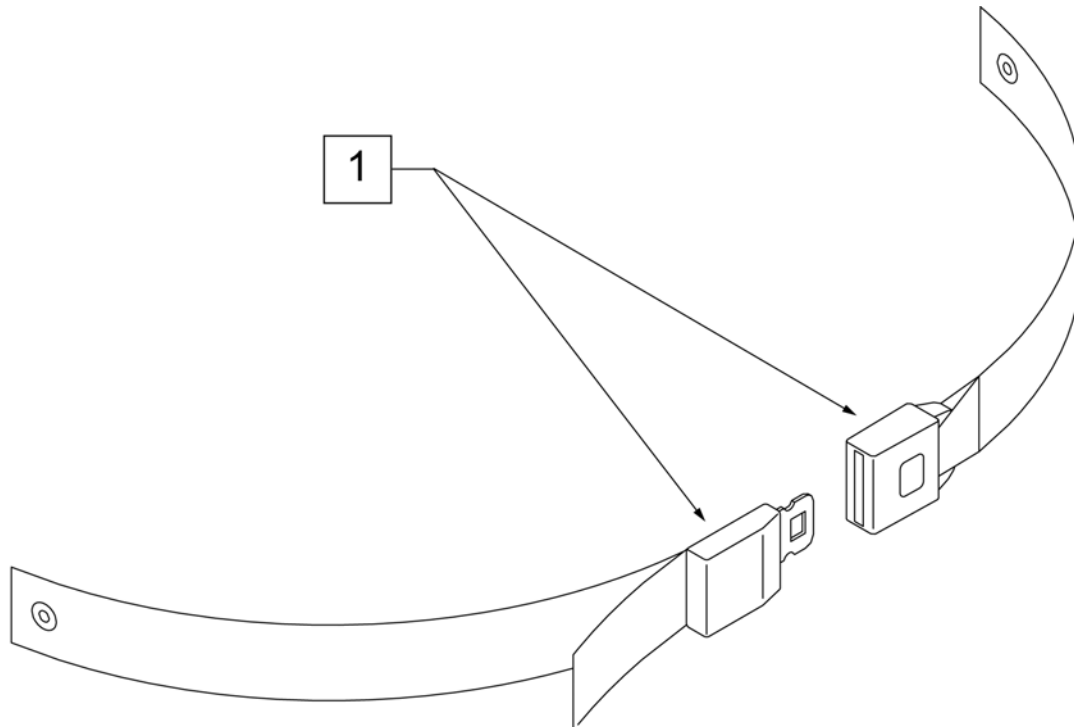
Pos.	Item Number	Description	Remarks
1A	881150	PLASTIC SIDE GUARD KIDS	RIGHT-KIDS
1A	881151	PLASTIC SIDE GUARD KIDS	LEFT-KIDS
1B	881152	PLASTIC SIDE GUARD STANDARD	RIGHT-ADULT
1B	881153	PLASTIC SIDE GUARD STANDARD	LEFT-ADULT
1C	102796-001	FOLDING SIDE GUARD ASSM ADULT RH	RIGHT-ADULT-FOLDING
1C	102796-002	FOLDING SIDE GUARD ASSM ADULT LH	LEFT-ADULT-FOLDING
1D	102796-003	FOLDING SIDE GUARD ASSM KIDS RH	RIGHT-KIDS-FOLDING
1D	102796-004	FOLDING SIDE GUARD ASSM KIDS LH	LEFT-KIDS-FOLDING
2	106971	1/4 -28 x 1 3/8 HEX C/S	
3	106944	1/4 AN WASHER FLAT THIN	
4	550251	CLAMP P300 CHARGING/ADJ FL KIDS	
5	550325	PLASTIC SIDE GUARD RECEIVER	
2-5	881200	SIDE GUARD/KIDZ ARM REC W/ CLAMP	
1A-5	901111	PLASTIC SIDE GUARD KIDS ASSM	PAIR KIDS
1B-5	901110	PLASTIC SIDE GUARD STD ASSM	PAIR ADULT



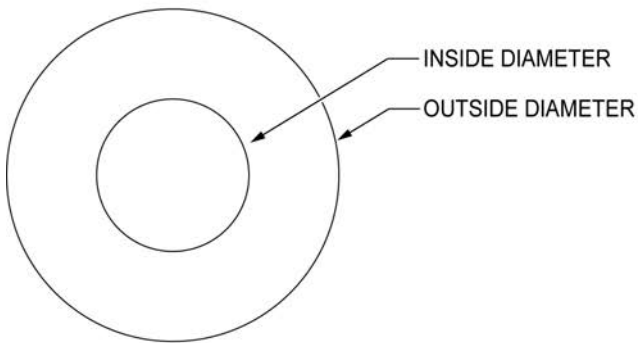
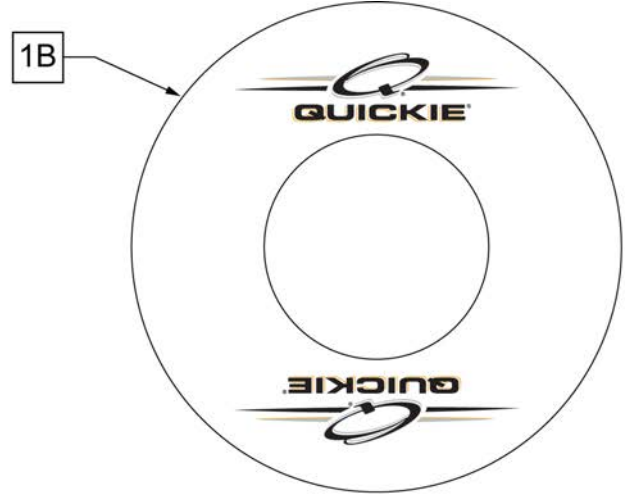
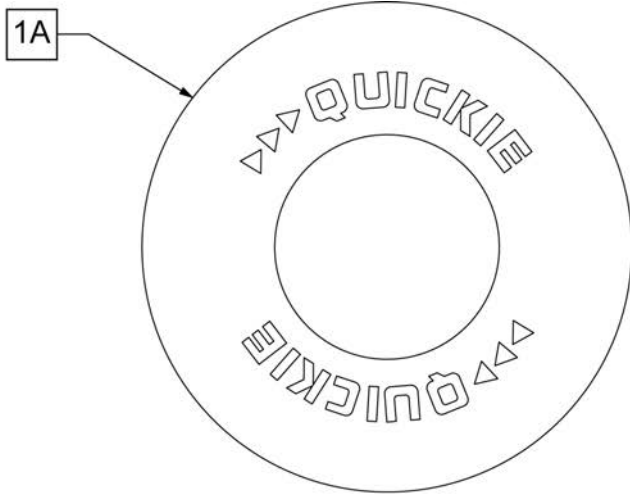
Pos.	Item Number	Description	Remarks
1A	750400	SIDE GUARD REG Q1 R	RIGHT-ADULT-Used w/ Straight Back
1A	750401	SIDE GUARD REG Q1 L	LEFT-ADULT-Used w/ Straight Back
1A	901102	SIDE GUARDS REG NF	PAIR-ADULT-Used w/ Straight Back
1B	901100	SIDE GUARDS KIDS NF	PAIR-KIDS-Used w/ Straight Back
1C	750240	SIDE GUARD FABRIC SHORT Q2 R	RIGHT-KIDS-Used w/ Integral Push Handle
1C	750241	SIDE GUARD FABRIC SHORT Q2 L	LEFT-KIDS-Used w/ Integral Push Handle
1D	750434	SIDE GUARD REG W/VELCRO R	RIGHT-ADULT-Used w/ Integral Push Handle
1D	750435	SIDE GUARD REG W/VELCRO L	LEFT-ADULT-Used w/ Integral Push Handle
2	750050	SIDE GUARD LACE Q2	
3	560220	B-LOCK	
1D-2,3	901109	SIDE GUARDS REG EX/RV	PAIR-ADULT-Used w/ Integral Push Handle
1C,2,3	901121	SIDE GUARDS KIDS FABRIC Q2 NEW	PAIR-KIDS-Used w/ Integral Push Handle



Pos.	Item Number	Description
1	750333	IMPACT GUARD NEOPRENE 1 INCH



Pos.	Item Number	Description	Remarks
1	750276	1 1/2" POSITION BELT	AUTOSTYLE-64" Max length of belt.



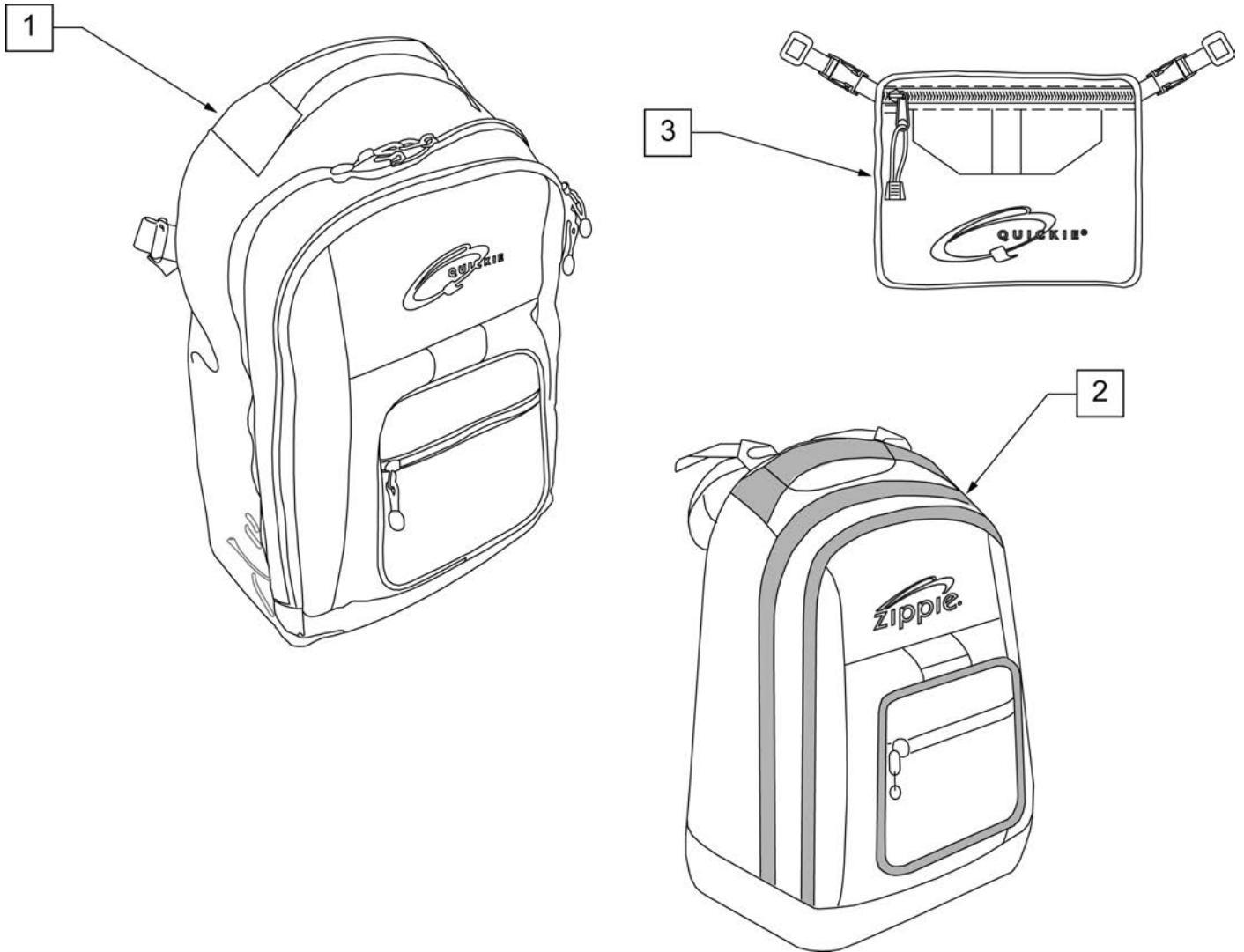
**SPOKE GUARD MEASURING GUIDE**

PART NUMBER	INSIDE DIAMETER	OUTSIDE DIAMETER
902001	8 1/4	15 7/8
902011	8 1/4	18 1/8
902021	10 1/4	19 5/8
902025	10 1/4	20 3/8
902037	10 1/4	21 7/8
902038	10 1/4	23 3/8
103660-001	8 1/4	16
103660-002	8 1/4	18
103663-001	10 1/4	20 1/2
103663-002	10 1/4	23 1/2
103734-001	10 1/4	19 1/4
103734-002	10 1/4	22
119336	10 1/4	19 1/4

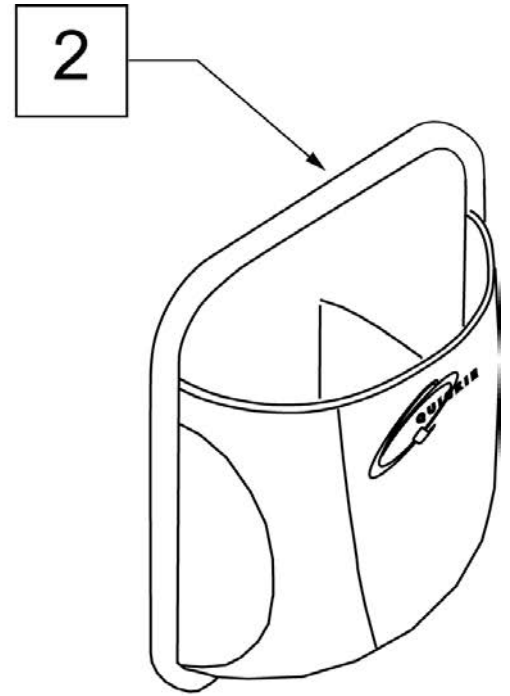
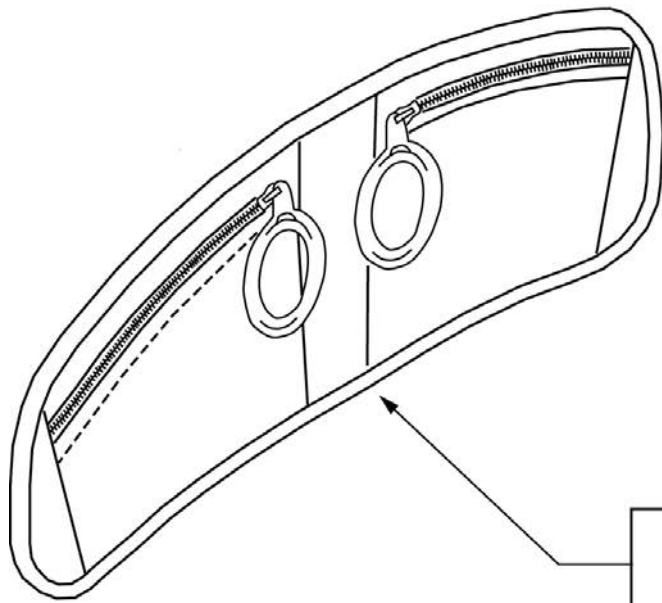
Pos.	Item Number	Description	Remarks
>>>>		BLACK SPOKE GUARDS	
1A	902001	SPK GRDS 20" QUICKIE BLK	Pair-BLACK-FITS 20" WHEELS
1A	902011	SPK GRDS 22" QUICKIE BLK	Pair-BLACK-FITS 22" WHEELS or 24" (540) WHEELS W/ PROJECTION HANDRIMS
1A	902021	SPK GRD 24" QUICKIE SCR MT BLK	Pair-BLACK-FITS 24" (540) MAG & SPOKE WHEELS
1A	902025	SPK GRD 24" QUICKIE TAB MT BLK	Pair-BLACK-FITS 25" (559) SPOKE WHEELS
1A	902037	SPK GRD 26" QUICKIE TAB MT BLK	Pair-BLACK-FITS 26" (590) WHEELS
1A	902038	SPK GRD 26" QUICKIE HT BLK	Pair-BLACK-FITS 27" (700) WHEELS
>>>>		CLEAR SPOKE GUARDS	
1B	103660-001	CLEAR SPOKE GUARD 20"	Pair-CLEAR-FITS 20" WHEELS
1B	103660-002	CLEAR SPOKE GUARD 22"	Pair-CLEAR-FITS 22" WHEELS or 24" (540) WHEELS W/ PROJECTION HANDRIMS
1B	103734-001	SPOKE GUARD 24" CLR	Pair-CLEAR-FITS 24" (540) SPOKE WHEELS
1B	119336	SPOKE GUARD 24" CLR	Pair-CLEAR-FITS 24" (540) MAG WHEELS
1B	103663-001	SPOKE GUARD 24" QP CLR	Pair-CLEAR-FITS 25" (559) WHEELS
1B	103734-002	SPOKE GUARD 26" CLR	Pair-CLEAR-FITS 26" (590) WHEELS
1B	103663-002	SPOKE GUARD 26" QP CLR	Pair-CLEAR-FITS 27"(700) WHEELS



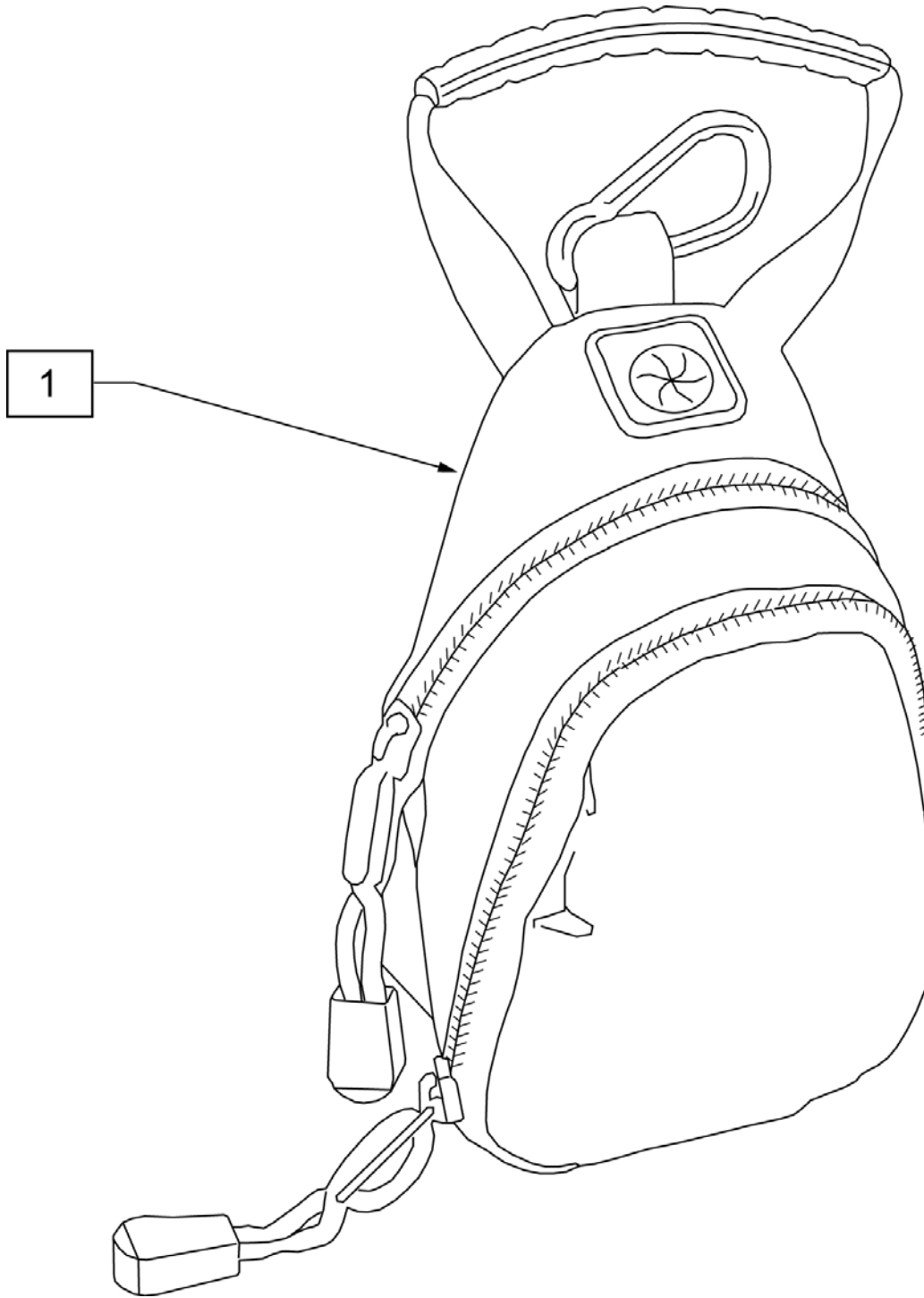
NOTE: KIDS BACKPACKS DO NOT HAVE ADJUSTABLE STRAPS W/ BUCKLES.



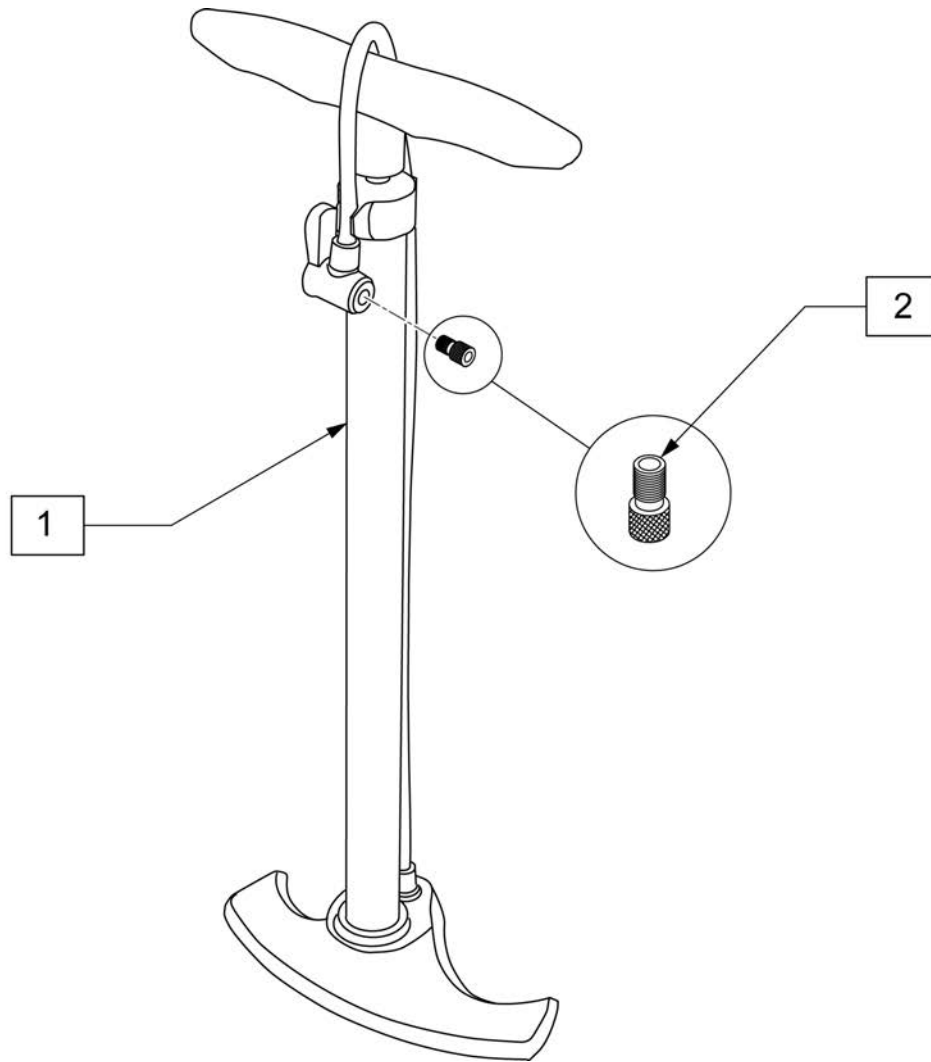
Pos.	Item Number	Description
1	750115	BACK PACK QUICKIE
2	104572	BACKPACK ZIPPIE
3	750307	SEAT POUCH QUICKIE



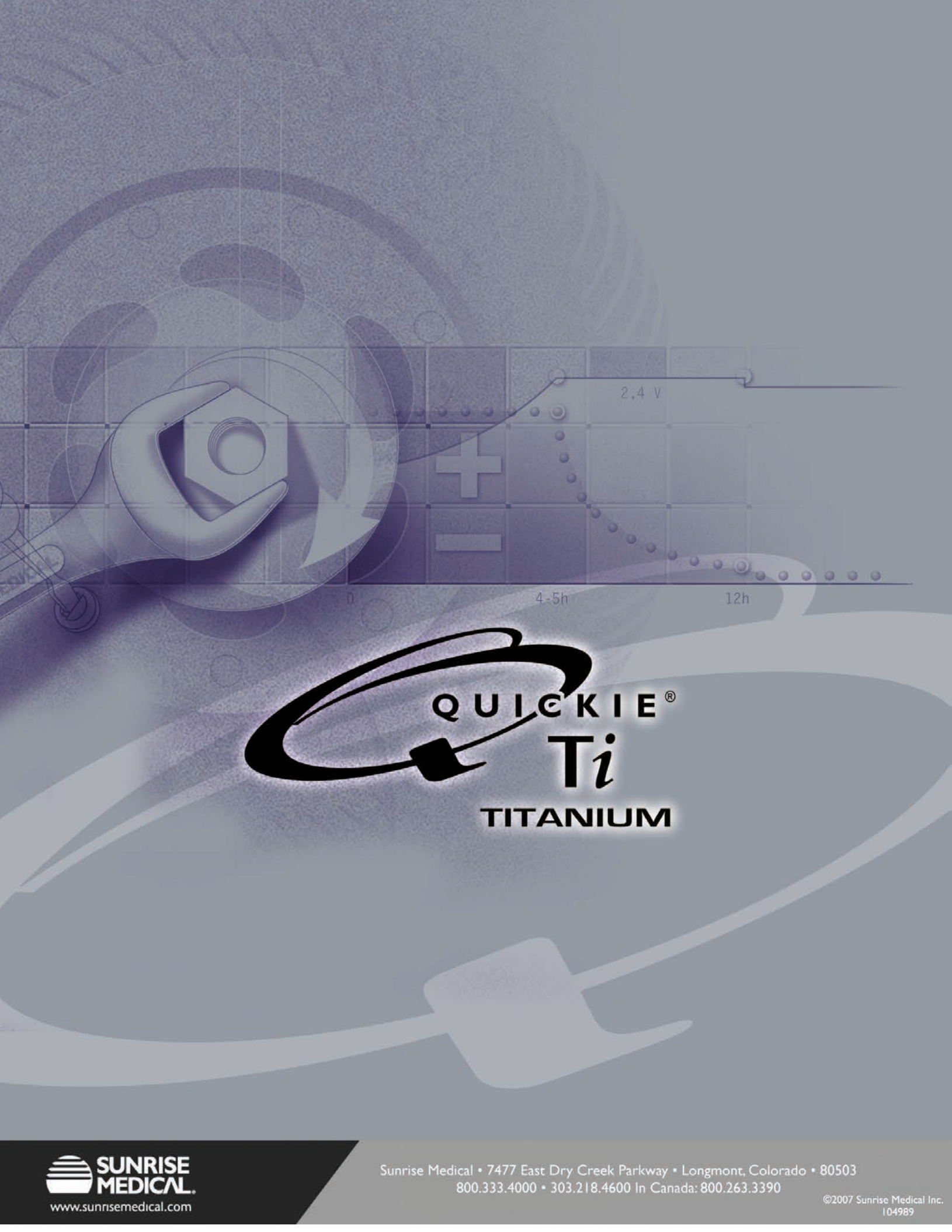
Pos.	Item Number	Description	Remarks
1	013477	LAP ORGANIZER	Size: 18.25"x 7.75"x .75"
2	013475	QUICKIE SIDE POCKET	Size: 6.5"x 6.5"x 2"



Pos.	Item Number	Description
1	109229	CELL PHONE PACK (ORANGE)



Pos.	Item Number	Description
1	389050	TIRE PUMP
2	381230	VALVE ADAPTER PRESTA



**QUICKIE<sup>®</sup>**  
**Ti**  
**TITANIUM**