



PARTS MANUAL

OCTOBER 2020

QUICKIE S646/ S646SE/ S636/ S626	5
GLOSSARY OF ABBREVIATIONS.....	5
BASE.....	5
FRAME.....	5
FRAME S636/S646/S646SE.....	6
S626 - FRAME.....	8
MOTORS.....	8
S636/S646/S646SE MOTOR.....	9
S626 - MOTOR (DISCONTINUED).....	11
WHEELS.....	12
S636/S646/S646SE DRIVE WHEELS.....	12
DRIVE WHEEL.....	13
S626 DRIVE WHEELS.....	13
14" DRIVE WHEEL.....	14
WHEEL LOCKS.....	15
S636/S646/S646SE WHEEL LOCK.....	16
S626 WHEEL LOCK.....	17
ANTI-TIP.....	17
ANTI-TIP LOCK-OUT MECHANISM.....	18
ANTI-TIP COMPONENTS.....	19
ANTI-TIP CASTER ASSEMBLY.....	21
ANTI-TIP DISCONTINUED.....	23
CASTERS AND FORKS.....	25
CASTER & FORK S636/S646/S646SE.....	25
SUSPENSION CASTER & FORK.....	27
S626 - DISCONTINUED CASTER & FORK.....	29
S626 - DISCONTINUED SUSPENSION CASTER & FORK.....	31
S626/646 - DISCONTINUED SUSPENSION CASTER & FORK.....	32
CASTERS & CASTER TIRES.....	33
9-10 INCH CASTER RIM.....	34
9 INCH CASTER TIRES.....	35
SEATING AND POSITIONING.....	35
SEAT.....	35
SEAT PAN S636/S646/S646SE.....	36
S626 SEAT PAN.....	37
S636/S646 - SEAT FRAME.....	38
22" & 24" SEAT SUPPORT S636/S646/S646SE.....	41
FIXED SEAT MOUNTING HARDWARE FOR RECLINE ONLY.....	42
POWERED SEATING.....	42
TILT LOWER ACTUATOR MOUNT ASSEMBLY S636/S646/S646SE.....	43
TILT FRAME ASSEMBLY S636/S646/S646SE.....	45
S626 TILT FRAME ASSEMBLY DISCONTINUED.....	47
TILT SEAT SLIDING PLATE ASSEMBLY S636/S646/S646SE.....	49
S626 TILT SEAT SLIDING PLATE ASSEMBLY DISCONTINUED.....	51
S626/S636/S646 ACTUATOR ASSEMBLY.....	53
S626 ACTUATOR ASSEMBLY DISCONTINUED.....	55
BACKREST AND UPHOLSTERY.....	56
ADJUSTABLE BACKREST.....	57
JAY PRECISION BACKREST.....	62
HEADRESTS.....	64
HEADREST FOR CG TILT.....	64
HEADREST.....	65
UNIVERSAL HEADREST MOUNTING KIT.....	66
FOLDING STABILIZER BAR.....	67
HEADREST - RECLINE BACK ASSEMBLY.....	69
LATERALS.....	69
LATERAL PAD ASSEMBLY.....	70
JAY PRECISION BACKREST.....	71
POWERED RECLINE.....	73
TILT/RECLINE ASSEMBLY.....	74
SEAT FRAME - TILT & RECLINE DISCONTINUED.....	76
SEAT FRAME - TILT & RECLINE.....	79
BACKREST RECLINE ASSEMBLY.....	81
RECLINE BACKREST S636/S646/S646SE.....	83
DEEP CONTOUR RECLINE BACKREST ASSEMBLY.....	86
HANGERS & FOOTPLATES.....	87
S/A EXT MOUNT HANGERS.....	87
HANGERS.....	87
70 DEGREE SWING-AWAY HANGER.....	88
EXTENSIONS.....	89

DOUBLE D FOOTREST EXTENSION TUBE "OLD STYLE"	90
FOOTPLATES.....	91
ADULT ANGLE-ADJ FOOTPLATE EXT MOUNT (POWER REAR WHEEL DRIVE)	92
KIDS ANGLE ADJUSTABLE FOOTPLATE EXT MOUNT	94
TWO PIECE LOCKING FOOTPLATE.....	96
MULTI-POSITION FOOTPLATE	98
S/A DIRECT MOUNT HANGERS	100
HANGERS.....	100
90 DEGREE SWING-AWAY HANGER	101
90 DEGREE SWING-AWAY HANGER (DISC.4-21-15).....	103
FOOTPLATES.....	103
ADULT ANGLE-ADJ FOOTPLATE FRONT MOUNT.....	104
KIDS ANGLE ADJ FOOTPLATE FRONT MOUNT	106
POWER LIFT OFF ELR/ALR	108
ELR ELECTRONICALLY ACTUATED	109
ELR ELECTRONICALLY ACTUATED DISCONTINUED.....	111
ALR ELECTRONICALLY ACTUATED QTRONIX.....	113
ALR ELECTRONICALLY ACTUATED RNET	116
ALR ELECTRONICALLY ACTUATED DISCONTINUED.....	119
LEGREST ACTUATOR.....	121
MULTI-POSITION POWER LIFT OFF ELR/ALR FOOTPLATE.....	122
MANUAL ELRS	123
MANUAL ELR HANGER	123
POWER CHAIR ELR.....	124
ELR & ALR CALF PAD 16-20"	126
ELR & ALR CALF PAD 14 -15"	127
ELR ALUMINUM FOOTPLATE	128
ARMRESTS & RECEIVERS	129
SINGLE POST ARMREST	129
SINGLE POST HEIGHT ADJUSTABLE ARMREST (POWER PRODUCTS).....	130
SINGLE POST HEIGHT ADJUSTABLE ARMREST RECEIVERS S636/S646/S646SE	132
DUAL POST ARMREST.....	132
DUAL POST HEIGHT ADJUSTABLE FLIP-BACK ARMREST	133
DUAL-POST HEIGHT ADJUSTABLE ARMREST RECEIVERS.....	135
DUAL POST FIXED HEIGHT ARMREST	137
RECLINING ARMREST	138
RECLINE ARMREST S636/S646/S646SE	139
RECLINING ARMREST RECEIVERS.....	141
ELECTRONICS.....	141
JOYSTICKS & CONTROLLERS	141
QTRONIX	141
QTRONIX REMOTE JOYSTICK	142
SWING AWAY ROUND ARM JOYSTICK MOUNT QTRONIX	143
ROUND ARM JOYSTICK MOUNT QTRONIX	144
QTRONIX REMOTE JOYSTICK PARTS	145
S646/S646SE QTRONIX & PILOT + CONTROLLER	147
QTRONIX, VSI, VR2, & PILOT + PROGRAMMER.....	148
ATTENDANT CONTROL	149
PILOT PLUS.....	149
PILOT + JOYSTICK	150
FIXED ROUND ARM JOYSTICK MOUNT PILOT +	152
SWING AWAY ROUND ARM JOYSTICK MOUNT PILOT +	153
S646/S646SE QTRONIX & PILOT + CONTROLLER	154
QTRONIX, VSI, VR2, & PILOT + PROGRAMMER.....	155
ATTENDANT CONTROL	156
JOYSTICK CENTER MOUNT.....	157
CLAMP FOR ROUND ARM JOYSTICK MOUNT (FIXED).....	159
HEIGHT ADJ CLAMP FOR ROUND ARM JOYSTICK MOUNT (SPHA & DUAL POST ARMRESTS)	160
WIRING	160
SMART SEAT WIRING	161
SPECIALTY CONTROLS.....	161
ASL HEAD ARRAY WITH STEALTH MOUNT.....	162
HMC MINI JOYSTICK WITH STEALTH MOUNT.....	164
HMC MINI JOYSTICK WITH STEALTH MOUNT (HAND CONTROL)	165
QUICKIE PROPORTIONAL HEAD CONTROL WITH STEALTH MOUNT	166
QUICKIE SIP N PUFF WITH STEALTH MOUNT	167
PENTA SWITCH PACKAGE.....	168
SWITCH IT HEAD ARRAY PACKAGE	169
MINI PROPORTIONAL CHIN CONTROL.....	170
QTRONIX USCM.....	171

MULTI-INPUT SWITCH BOX.....	173
SINGLE SWITCH DEVICES	174
BATTERIES	174
S626 & S646/S646SE BATTERIES	175
S626 - BATTERY BOX.....	176
BATTERY BOX S636/S646/S646SE	177
BATTERY CHARGER.....	177
OFF BOARD BATTERY CHARGERS.....	178
ALTERNATE BATTERY CHARGER.....	179
5-SWITCH MOUNT - TROUGH ARMREST.....	180
5-SWITCH MOUNT - STANDARD ARMREST	181
DUAL TOGGLE.....	182
ACCESSORIES	182
BACKPACKS AND POUCHES	182
BACKPACKS AND SEAT POUCHES.....	183
POWER CORD POUCH	184
QUICKIE SIDE POCKET.....	185
CELL PHONE PACK.....	186
POSITIONING BELTS	186
AUTO BUCKLE POSITIONING BELTS	187
AIRCRAFT BUCKLE POSITIONING BELT.....	188
TRAYS	188
TUFFAK TRAY(POWER CHAIRS)	189
VENT TRAYS.....	189
VENT TRAY ASSEMBLY S636/S646/S646SE	190
VENT TRAY ASSEMBLY - RECLINE	192
QUICKIE CADDY	193
TIRE PUMP	194

GLOSSARY OF ABBREVIATIONS

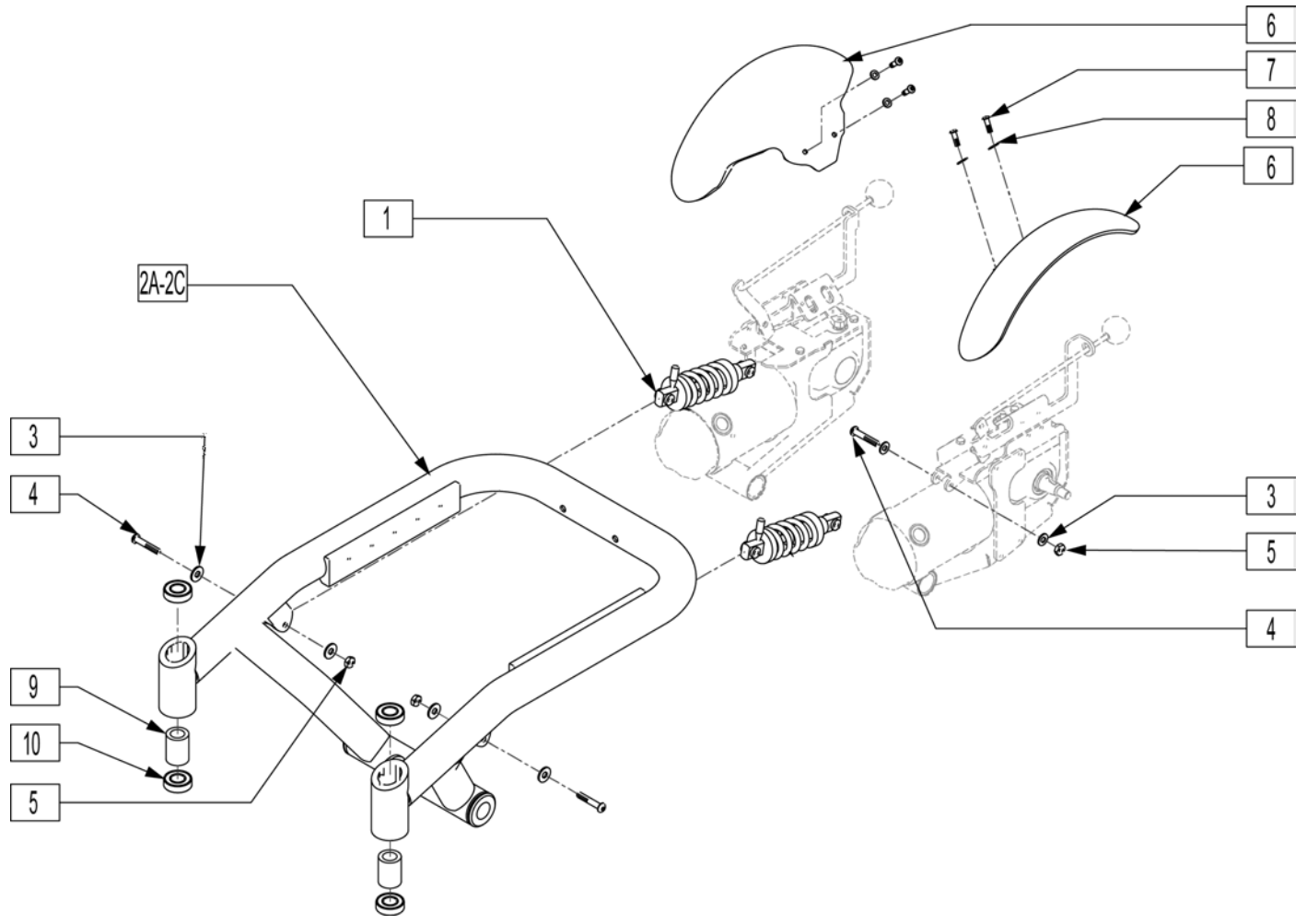
[12/10/2019]

Note: see Informations Panel for file.

1AD One Arm Drive	CZ Cozy	INH Inhibit	PCB Pediatric Center of Gravity (AKA: Zippie Iris)	S/A Swing Away
3DCR 3DX Microclimatic cover for Cryo style inserts	DAB Depth-adjustable Back	INORG Inorganic coating	PCM Power Center Mount	S/F Side Frame
AAA Adult Angle Adjustable	DB Dynamic Back	INSRT Insert	PED Pediatric	SCW Screw
AACM Angle Adjustable Center Mount	DBL Double	I/O Swing In Out	PEL Pelvic	SDLE Saddle
ABD Abductor	DC Deep Contour	IRIS Intelligent Rotation in Space	PH Push Handle	SG Side Guard
AC All Court	DL Desk Length	ISM Intelligent Seating Module	PHIL Phillips	SGTG Super Grip Thumb Guard
AD Arm Drive	DP Dual Post Armrest	JA Jay Active	P/L Pin Lock	SHCS Socket Head Cap Screw
ADJ Adjustable	D-Post Dual Post Armrest	JNR Junior	PL Plated	SHLDR Shoulder
ADPT Adapter	D-PST Dual Post Armrest	KAA Kids Angle Adjustable	PLL Pull	SHT Short
AE Air Exchange	DRV Drive	KDS Kids	PLT Plate	SLD Solid
AHAB ASAP II	DTT Diagnostic Test Tool	KT Kit (usually consists of all mounting hardware for one side)	PLST Plastic	SLNG Slung
ANG Angle	DY Dynamic Back	KVLR Kevlar	PLY Plywood	SLTD Slotted
ALR Articulating Legrest	EA Each	KZ Quickie Kidz/Zippie Kidz	PNEU Pneumatic	SLV Steeve
ALUM Aluminum	ELR Elevating Legrest	L Left	PNK Pink	SM Small
AMH Adjustable Mounting Hardware	EXT Extension	LAT Lateral	PNT Paint	SNGL Single
ANO Anodized	EXTND Extended	LCK Lock	PNTD Painted	SOC Socket
ASAP Adjustable Seating and Positioning	F Folding Frame	LFH Left Front Horizontal	POLY Polyurethane	SPCR Spacer
ASL Adaptive Switch Laboratories	FHCS Flat Head Cap Screw	LFT Left	POST Posterior	SPEC CLR Specify Color
ASM Assembly (includes other parts)	FL Full Length	LFV Left Front Vertical	PR Pressure Relieving	SFHA Single Post Height Adjustable
ASSM Assembly	FLD Folding	LH Left Hand	PR Power Recline	SPK Spoke
ASSMLY Assembly	FL FT Flip-up Footrest	LH Left Horizontal	PR Pair	SPR Super Grip Handrim
ASSY Assembly	FLP Flip	LK Lock	(PR) Pair	SQZ Squeeze
AT Anti-tip	FLRD Flared	LNG Long	PRCR Premium Leatherette cover for Cryo style inserts	SS Stainless Steel
ATT Attachment	FM Foam	LO Lift Off	PRE-ISC Pre-Ischial	ST Seat
BB Basketball	FM Front Mount	L/O Lift Off	PREM Premium Leatherette cover material	S/TAP Self Tapping
BC Breezy Chrome	FNDR Fender	L Loop	PROJ Projection	STCR Stretch Cover for Cryo Style inserts
BCK Back	FPH Folding Push Handle	LPS Loops	PRPL Purple	STD Standard
BCKBRD Backboard	FT Foot	LRG Large	PTL Partial	STL Style
BH Button Head	F/REST Footrest	LRH Left Rear Horizontal	PSH Push	STR Stretch cover material
BHCS Button Head Cap Screw	FRNT Front	LRV Left Rear Vertical	PT Point	STRLR Stroller
BKL Buckle	FT PLT Footplate	LS Low Sheer	PTRN Pattern	STRT Straight
BKRST Backrest	FTRST Footrest	LT Long Tab	PWR Power	SUP Support
B-LOCK Back Lock	F/UP Flip-up	LT Natural Fit Lite Handrims	Q1 Quickie 1	SYS System
BLD Build Up	FWD Front Wheel Drive	LTRL Lateral	Q2 Quickie 2	T Tab
BLK Black	FXT Fixed	LUMB Lumbar	Q2HP Quickie 2 High Performance	TG Thumb Guard (std)
BLU Blue	G8 Grade 8 higher grade = stronger	LV Left Vertical	QC Quickie Carbon	THRD Threaded
BR Breezy	GP Quickie GP	LW Low	QR Quick Release	Ti Titanium
BRD Board	GPS Quickie GPS	LX Quickie LX	QRx Quickie RX	TL Tall
BRNG Bearing	GPV Quickie GPV	LXI Quickie LXi	QTI Quickie Titanium	TLC Tilt Lift Comb
BRKT Bracket	GNRC Generic	MACH Machine	QT/QTs Quickie Tilt & Space	TLT Tilt
BSHNG Bushing	H Hole	MECH Mechanism	QUAD Quadrant Pad	TNNS Tennis
BTTN Button	HB High Brake	MED Medium	R Right	TTS Tilt-in-Space
BTRY Battery	HD Head or Heavy Duty	mm Millimeter	RCLNR Recliner	TTV Tilt-in-Space
BZ Breezy	H/D Heavy Duty	MNT Mount	REC Receiver	UNIV Universal
CAA Composite Angle Adjustable	HDRST Headrest	MNTG Mounting	REG Regular	UNTHRD Unthreaded
CG Center of Gravity	HDWR Hardware	MOD Modify or Modification	REL Release	UPH Upholstery
CGT Center of Gravity Tilt (AKA: IRIS)	HEX Hexagon	M/S Machine Screw	REV Reverse	VERT Vertical
CHRGR Charger	HH Hemi-Height or Hex Head	MWD Mid Wheel Drive	RH Right Hand	W With
CJSM Color Joystick Module	HK Hook	Nat.Fit Natural Fit Handrim	RH Right Horizontal	W/ With
CLMP Clamp	HL Heel Loops	NAUG Naugahyde	RFH Right Front Horizontal	W/F Water Fall
CLNCHR Clincher	HM High Mount	NF Non-folding	RFV Right Front Vertical	W/O Without
CLR Clear	HNDL Handle	NF Natural Fit Handrim	RNUT(S) Rivnut(s)	WHL Wheel
COMP Complete	HNGR Hanger	NFLT Natural Fit Lite Handrim	RoHS Restriction of Hazardous Substances	WLDMNT Weldment
CMPST Composite	HP High Pressure	NR Non-recessed	RR Rear	XS Cross Spoke
CRM Chrome	HR Handrim	OBLIQ Obliquity	RRH Right Rear Horizontal	YLW Yellow
C/S Cap Screw	HRDWR Hardware	OBLQ Oblique	RRV Right Rear Vertical	Z2 Zippie 2
C-S Countersunk	HRNSS Harness	OD Outer/Outside Dimension	RT Right	ZN Zinc
CSTR Caster	HS High Speed	O/S Old Style	RV Right Vertical	ZP Zippie
CUSH Cushion	HT Height or Heat Treated	OUTBRD Outboard	RV Quickie Revolution	ZP2 Zippie 2
CV Conventional	ID Inner/Inside Dimension Diameter	P1 Quickie P100	RWD Rear Wheel Drive	
CVR Cover	IN In/Out (for swing in/out hangers)	P2 Quickie P200	SA Swing Away	
CVRS Covers	INBRD Inboard	P3 Quickie P300		
CYL Cylinder	INC Incontinent	P5 Quickie/Zippie P500		

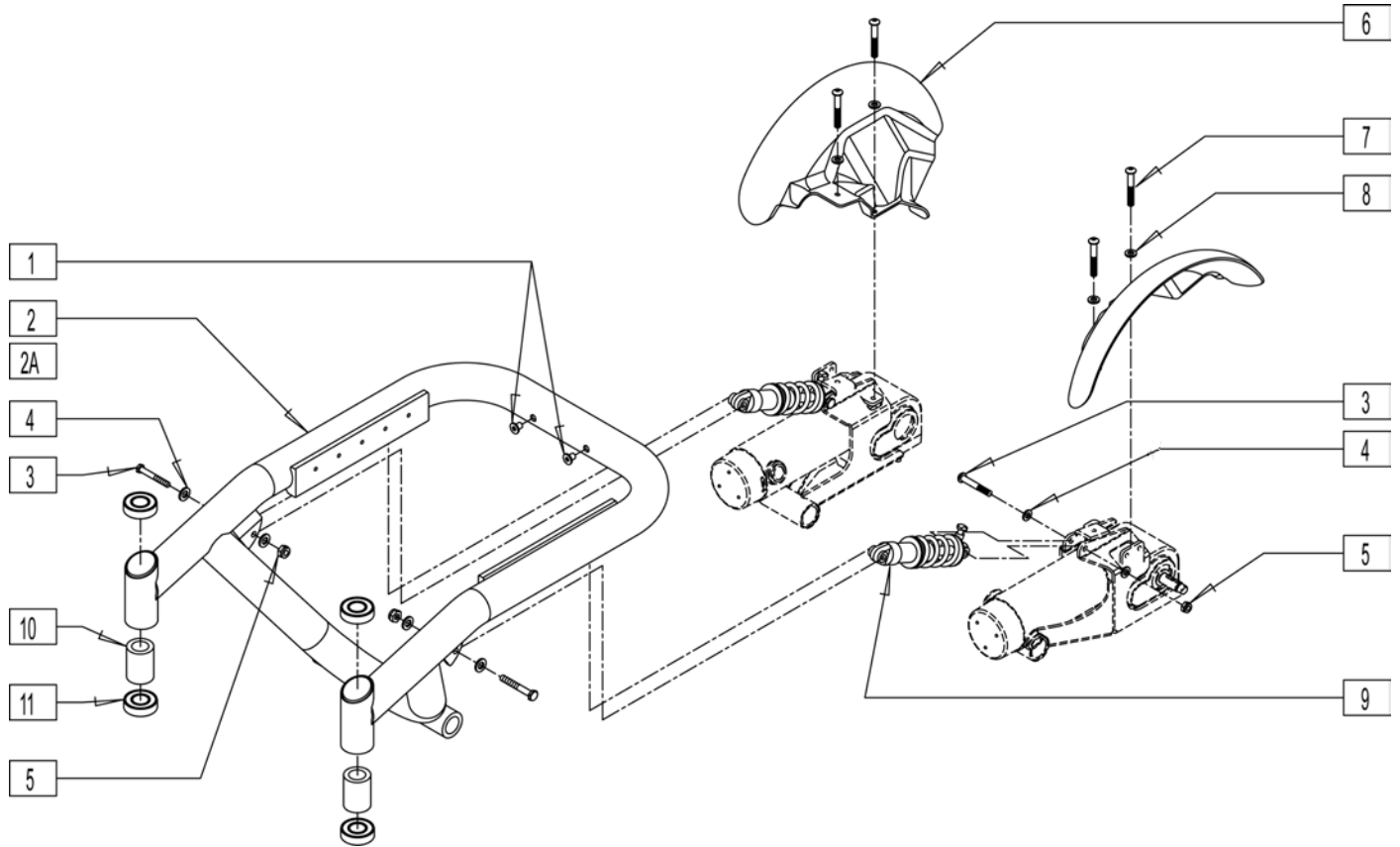
Pos.	Item Number	Description	Remarks
		GLOSSARY OF ABBREVIATIONS	see attachment in Informations Panel

NOTE: BASE FRAME ASSEMBLIES (115084-115089) INCLUDE CASTER BEARINGS AND SPACERS (ITEMS 9 AND 10), ANTI-FLUTTER DISCS AND BEARING SNAP RINGS (NOT SHOWN). FOR ITEMS 9&10 PLEASE SEE S636/S646/S646SE FRONT FIXED FORK AND CASTER ASSEMBLY PAGE.

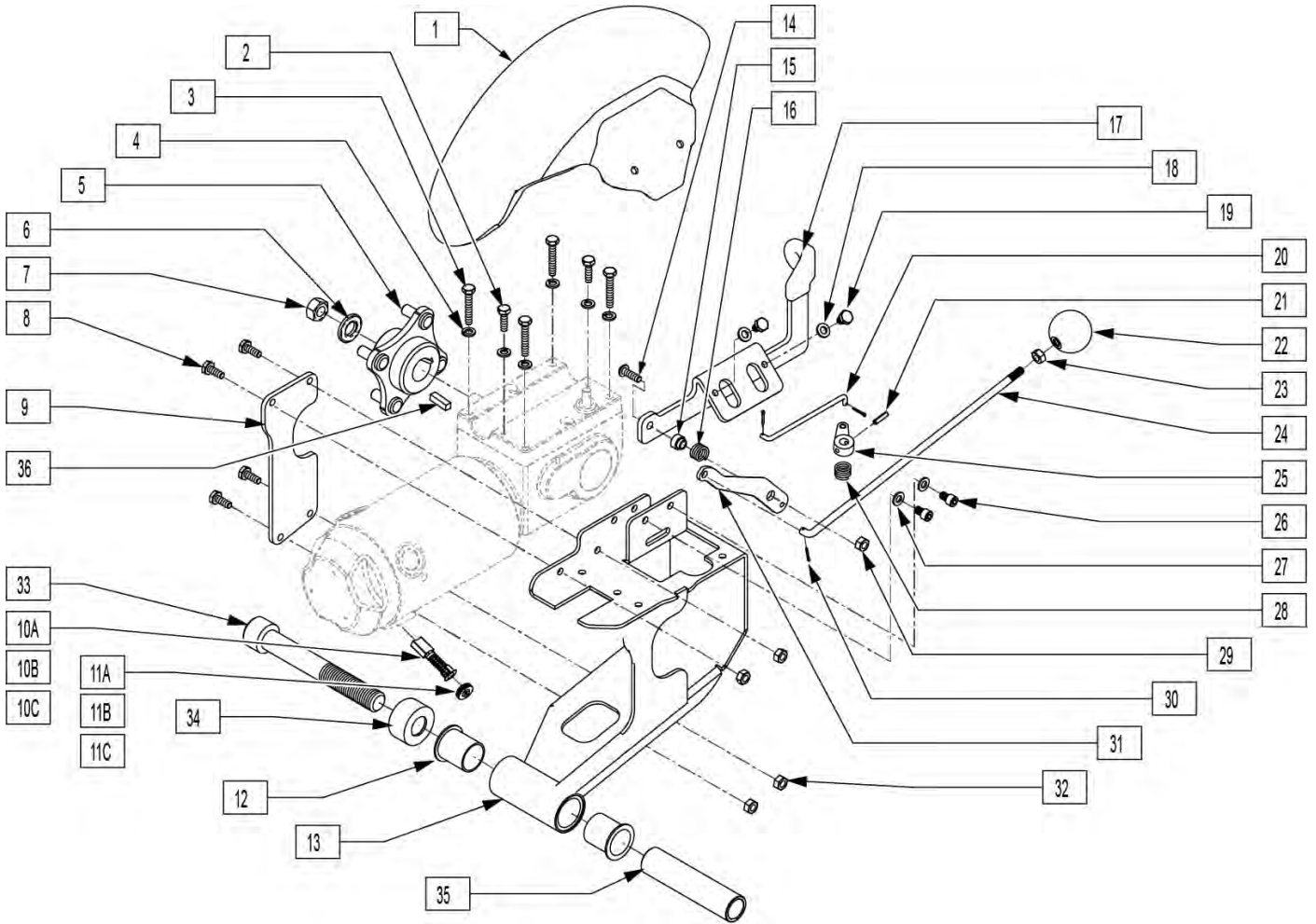


Pos.	Item Number	Description	Remarks
1	883040	SHOCK ASSEMBLY 250lb	For under 250lb user weight
1	883041	SHOCK ASSEMBLY 400lb	For 250lb - 400lb user weight
1	883042	SHOCK ASSEMBLY 250lb TILT	For under 250lb user w/ power seating
1	883043	SHOCK ASSEMBLY 400lb TILT	For 250lb - 400lb user w/ power seating
3	106947	WASHER FLAT THIN AN 5/16 ROHS	
4	222235	5/16-18 x 1 3/4" HEX C/S BLK	
5	202117	5/16-18 NYLOCK NUT THICK BLK	
6	562774	DRIVE WHEEL FENDER 4-POLE R	Right
6	562775	DRIVE WHEEL FENDER 4-POLE L	Left
7	221203	1/4-28 x 3/8 HEX C/S W/PATCH	
8	106943	WASHER FLAT AN 1/4 ROHS	
2A,9,10	115084S	BASE FRAME S646 16" W/BRNG	S646-14-20" WIDE SEAT
2A,9,10	115085S	BASE FRAME S646 18" W/BRNG	S646-22-24" WIDE SEAT
2B,9,10	115086S	BASE FRAME S646SE 16" W/BRNG	S646SE-14-20" WIDE SEAT
2B,9,10	115087S	BASE FRAME S646SE 18" W/BRNG	S646SE-22-24" WIDE SEAT
2C,9,10	115088S	BASE FRAME S636 16" W/BRNG	S636-14-20" WIDE SEAT
2C,9,10	115089S	BASE FRAME S636 18" W/BRNG	S636-22-24" WIDE SEAT

NOTE: BASE FRAME ASSEMBLIES (662740, 662741) INCLUDE CASTER BEARINGS AND SPACERS (ITEMS 10 AND 11), ANTI-FLUTTER DISCS AND BEARING SNAP RINGS (NOT SHOWN). PLEASE SEE FRONT FIXED FORK AND CASTER ASSEMBLY (QUICKIE S-626/S-646/S-646SE) FOR THESE PARTS.

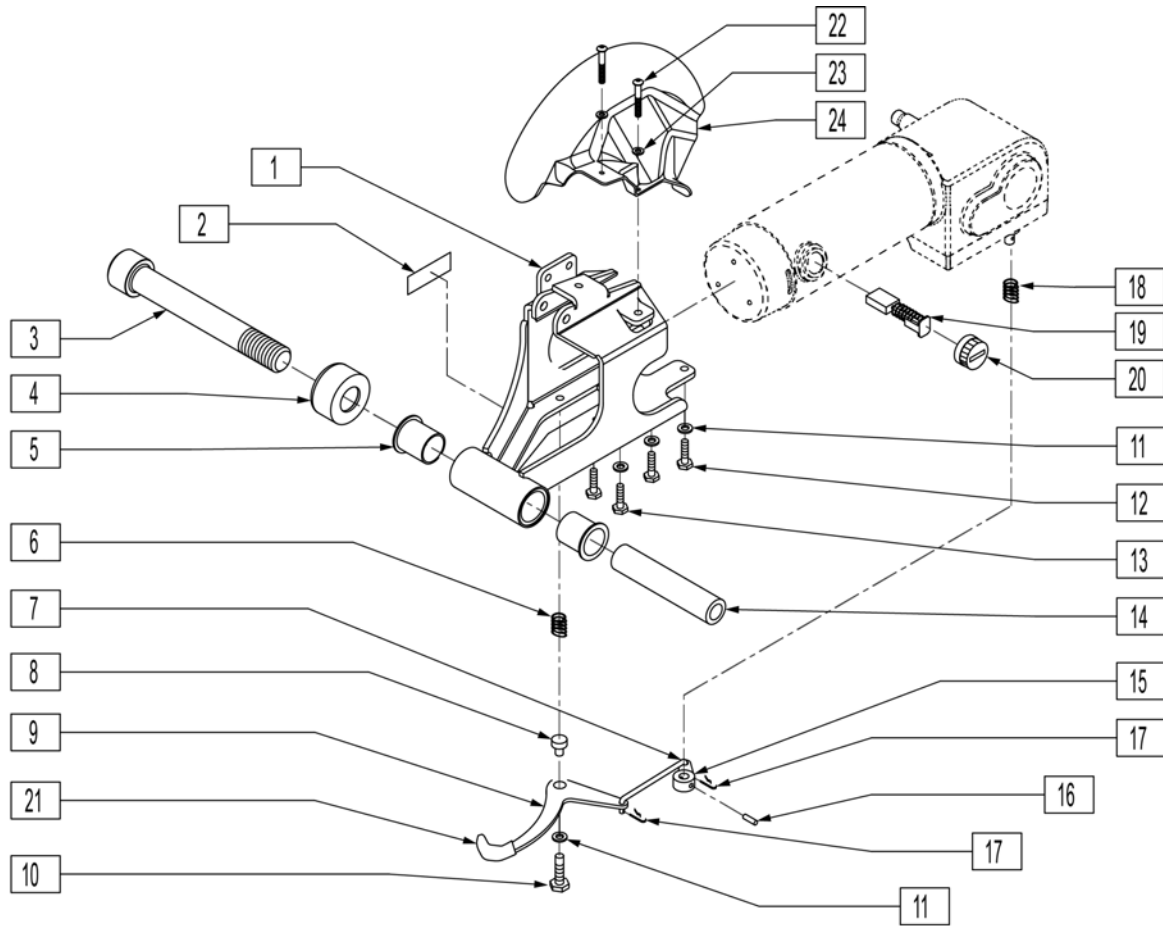


Pos.	Item Number	Description	Remarks
1	341503	RIVNUT 1/4" x 28 RIBBED	
3	222235	5/16-18 x 1 3/4" HEX C/S BLK	
4	106947	WASHER FLAT THIN AN 5/16 ROHS	
5	202117	5/16-18 NYLOCK NUT THICK BLK	
6	900320	DRIVE WHEEL FENDER S626 (PR)	
7	226064	1/4-28 x 3/4 BH C/S BLK W/PTCH	
8	106943	WASHER FLAT AN 1/4 ROHS	
9	883040	SHOCK ASSEMBLY 250lb	
9	883041	SHOCK ASSEMBLY 400lb	
9	883042	SHOCK ASSEMBLY 250lb TILT	
9	883043	SHOCK ASSEMBLY 400lb TILT	
1,2,10,11	662740	BASE FRM S62 16" W/LRG BRNG STM	(14-20" WIDE CHAIR)
1,2A,10,11	662741	BASE FRM S62 18" W/LRG BRNG STM	(22-24" WIDE CHAIR)



Pos.	Item Number	Description	Remarks
1	562774	DRIVE WHEEL FENDER 4-POLE R	Right
1	562775	DRIVE WHEEL FENDER 4-POLE L	Left
2	230038	M6 x 16 HEX C/S	
3	234895	M6-35 HEX C/S	
4	262122	1/4" SPLIT RING LOCK WASHER	
5	362246	HUB .85" OFFSET ID B TS	
6	264101	1/2 WASHER HARDENED FLAT	
7	210002	M12 x 1.75 ALL MTL PREV TRQ NT	
8	221102	1/4-28 x 3/4 HEX C/S BLK W/PAT	
9	505673	MTR MNT BOLTED SIDE PLATE	
10A,11A	101425	BRUSH/CAP SET 4 POLE	4 Brushes, 4 Caps S646 SE after S/N S64-037764 & HD Chairs after S/N S64-037858 & S636
10B,11B	139197	BRUSH/CAP SET ASI (2 POLE)	2 Brushes, 2 Caps S646
10C,11C	103768	BRUSH-CAP SET 4 POLE S646	2 Brushes, 2 Caps (S646SE) Must order Qty 2. For chairs prior to S/N S64-037764 & HD chairs prior to S/N S64-037858
14	227110	1/4-28 x 1 BH C/S BLK ZN	
15	481383	RELEASE LEVER STANDOFF	
16	321160	COG RELEASE LEVER SPRING S626	
17	505368	FENDER MOUNT WITH COVER RH	Right
17	505367	FENDER MOUNT WITH COVER LH	Left
18	106943	WASHER FLAT AN 1/4 ROHS	

Pos.	Item Number	Description	Remarks
19	221203	1/4-28 x 3/8 HEX C/S W/PATCH	
20	481482	COG RELEASE LANYARD RH	Right
20	481481	COG RELEASE LANYARD LH	Left
21	340031	5/32 x 5/8 ROLL PIN	
22	562831	BALL PULL KNOB	
23	201121	1/4-20 NUT THIN	
24	542088	COG RELEASE FINAL LANYARD	
25	481382	COG RELEASE LEVER	
26	221204	1/4-28 x 3/8 SOC C/S W/PATCH	
27	106943	WASHER FLAT AN 1/4 ROHS	
28	321721	LEVER RETURN SPRING	
29	204110	1/4-28 NYLOCK NUT BLK ZN	
30	340032	1/16 x 1/2 COTTER PIN	
31	505694	COG RELEASE TRANSFER LEVER R	Right
31	505693	COG RELEASE TRANSFER LEVER L	Left
32	204110	1/4-28 NYLOCK NUT BLK ZN	
33	220081	3/4-10 x 5-1/2 SOC HD BLK	
34	330004	SUSPENSION CAP S626	
35	505538	SWING ARM PIVOT SLEEVE	
36	341269	#606 WOODRUFF KEY STEEL	
8,9,12,13,32	882502	MOTOR MOUNT RH	Right
8,9,12,13,32	882501	MOTOR MOUNT LH	Left

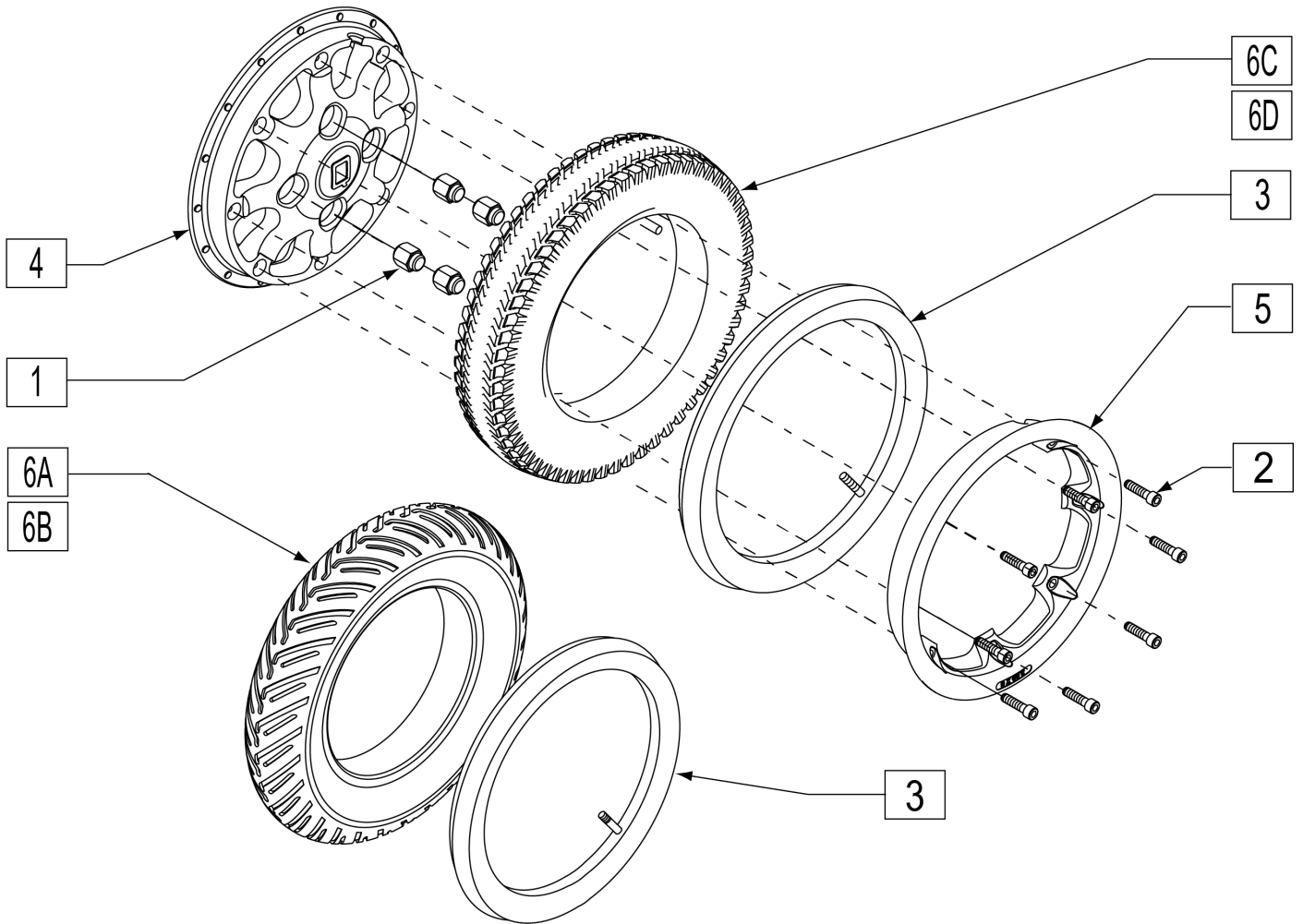


Pos.	Item Number	Description	Remarks
2	150760	BRAKE RELEASE LEVER LABEL S626	
3	220081	3/4-10 x 5 1/2 SOC HD BLK	
4	330004	SUSPENSION CAP S626	
5	560008	PIVOT BUSHING S626	
6	321160	COG RELEASE LEVER SPRING S626	
7	481381	LINK ROD	
8	481383	RELEASE LEVER STANDOFF	
9	481472	COG RELEASE LEVER L	
9	481473	COG RELEASE LEVER R	
10	234892	M6 x 40 HEX C/S	
11	106943	WASHER FLAT AN 1/4 ROHS	
12	230038	M6 x 16 HEX C/S	
13	234895	M6-35 HEX C/S	
14	505538	SWING ARM PIVOT SLEEVE	
15	481382	COG RELEASE LEVER	
16	340031	5/32 x 5/8 ROLL PIN	
17	340032	1/16 x 1/2 COTTER PIN	
18	321161	MOTOR RELEASE LVR SPRING S626	
19,20	139197	BRUSH/CAP SET ASI	2 Brushes, 2 Caps s626
21	560598	1-5/8" x .490 x .125 PLST COVER	
22	221091	1/4-28 x 1/2 BH C/S BLK W/PTCH	
23	106943	WASHER FLAT AN 1/4 ROHS	

Pos.	Item Number	Description	Remarks
24	900320	DRIVE WHEEL FENDER S626 (PR)	Pair
1,5	881981	MOTOR MOUNT R S626 THIN	
1,5	881982	MOTOR MOUNT L S626 THIN	
7,9,17,21	882504	GR BOX RELEASE LVR ASSM R S626	
7,9,17,21	882505	GR BOX RELEASE LVR ASSM L S626	

DRIVE WHEEL

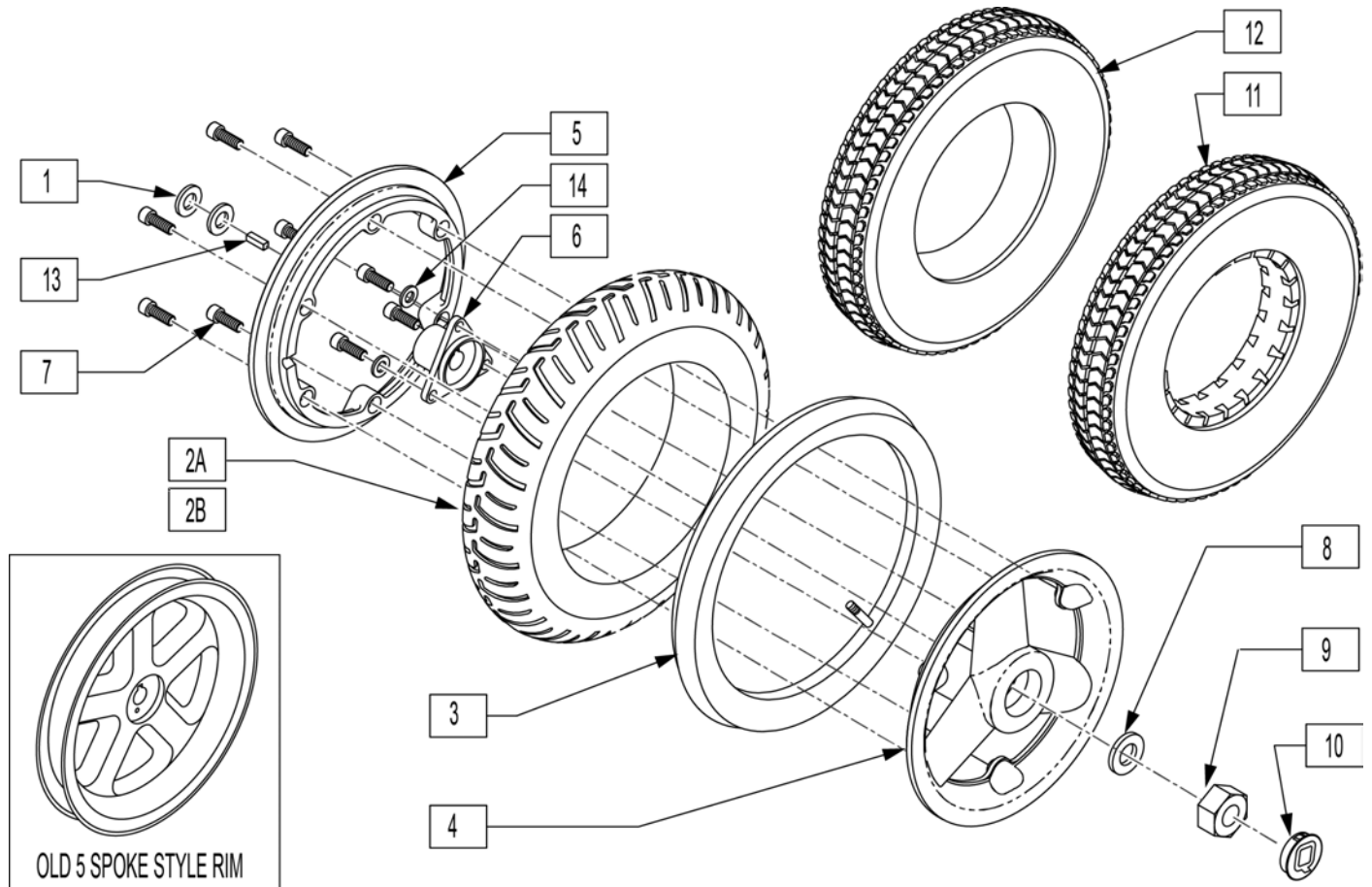
[07/27/2020]



Pos.	Item Number	Description	Remarks
1	200135	CONICAL LUG NUT	
2	221116	1/4-20 X 1 SOC HD BLK	
3	384739	INNER TUBE 14"X 3" 90D STEM	
4	400782	INNER WHEEL 8 SPOKE CAST	
4	400784	OUTER WHEEL WIDE CAST	
6A	384520	3.00 X 8" PNEUMATIC V GROOVE TIRE	
6B	384262	3.00 X 8" V-GROOVE W/INSRT 5 SPK	
6C	384709	TIRE PNEU 14" X 3" (KNOBBY)	
6D	384261	3.00 X 8" KNOBBY W/INSRT 5 SPK	
1,2	101531	DRIVE WHEEL HDWR KIT	INCLUDES QTY 4 OF ITEM 1 AND QTY 8 OF ITEM 2
2,4A,5A,6D	124579	WHL 8 SPK 3x8 KNOB DD CAST	CAST WHEEL, GREY TIRE, SOLID INSERT
2-3,4A,5A,6C	762086	WHL 8 SPK 3x8 KNOB PNEU CAST	CAST WHEEL, PNEUMATIC GREY TIRE

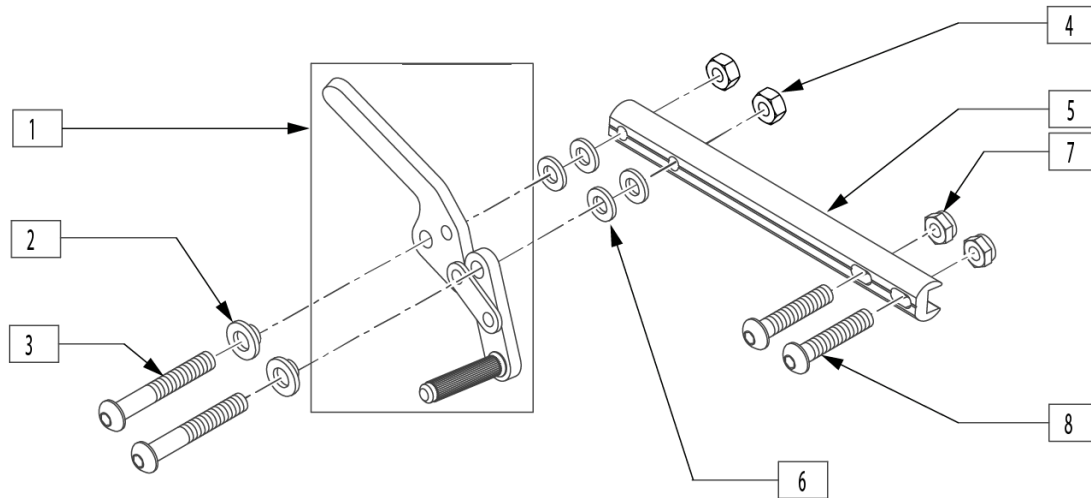
Note: Wheel Assembly must be replaced in pairs if chair is equipped with old 5 Spoke design.

Note: Order 761739 & 384257 for V Groove with Solid Insert wheel assembly.



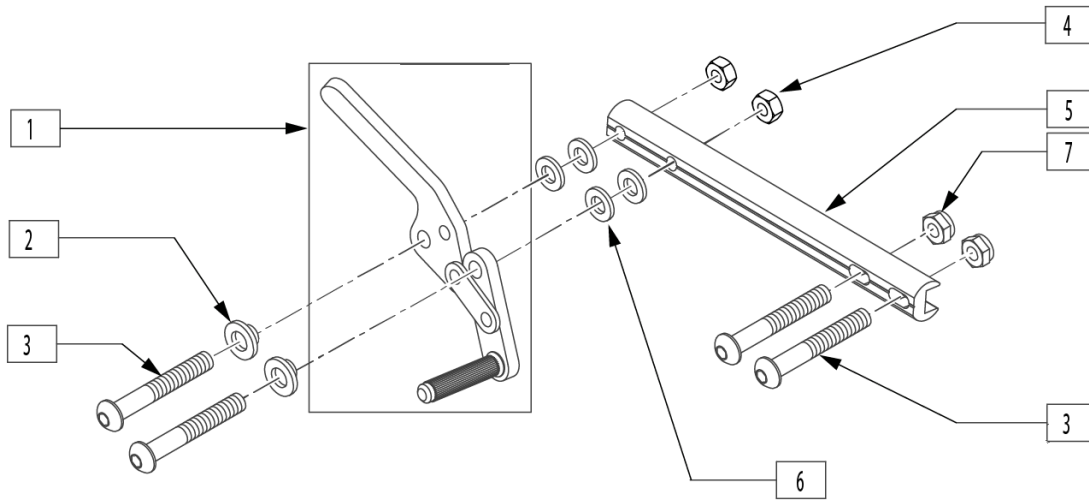
Pos.	Item Number	Description	Remarks
1	264106	9/16" WASHER FLAT THICK	If removed order 901012
2A	384520	3.00 x 8" PNEUMATIC V TIRE	
2B	384257	3.00 X 8" V TIRE W/INSERT	
3	384737	INNER TUBE 3.00-8 (14" x 3")	
4-7	761739S	12-14" SPLIT RIM ASSM	
7	222092	5/16-24 X 7/8 SOC C/S	
8	106949	1/2 AN WASHER FLAT	If removed order 901012
9	210095	M12 x 1.75 LNUT CLASS10 W/PTCH	If removed order 901012
10	567002	WHEEL HUB CAP S525/G424	
11	384258	3.00 X 8" KNOBBY TIRE W/INSERT	
12	384709	TIRE PNEU 14" x 3"	
13	341265	KEY STEEL 5MM x 5MM x 20MM	If removed order 901012
1,2A,3-10	761693	14"MAG PNEU V TIRE W/INSTRC G4	
4-8,9,13	761831	WHEEL ASSM REAR G424/S525	
1,8,9,13	901012	DRIVE MOTOR HARDWARE KIT	order if items 1,8,9or 12 are removed
1,4-11	761903	14" KNOBBY SPLIT RIM SLD ASSM	
4-7,14	761739	12-14" SPLIT RIM ASSM	

Note: the Wheel Locks for Chair or Replacement Part orders shipped on or after 6/27/17 have upgraded mounting hardware; please replace in pairs for chairs ordered prior to 6/27/17.



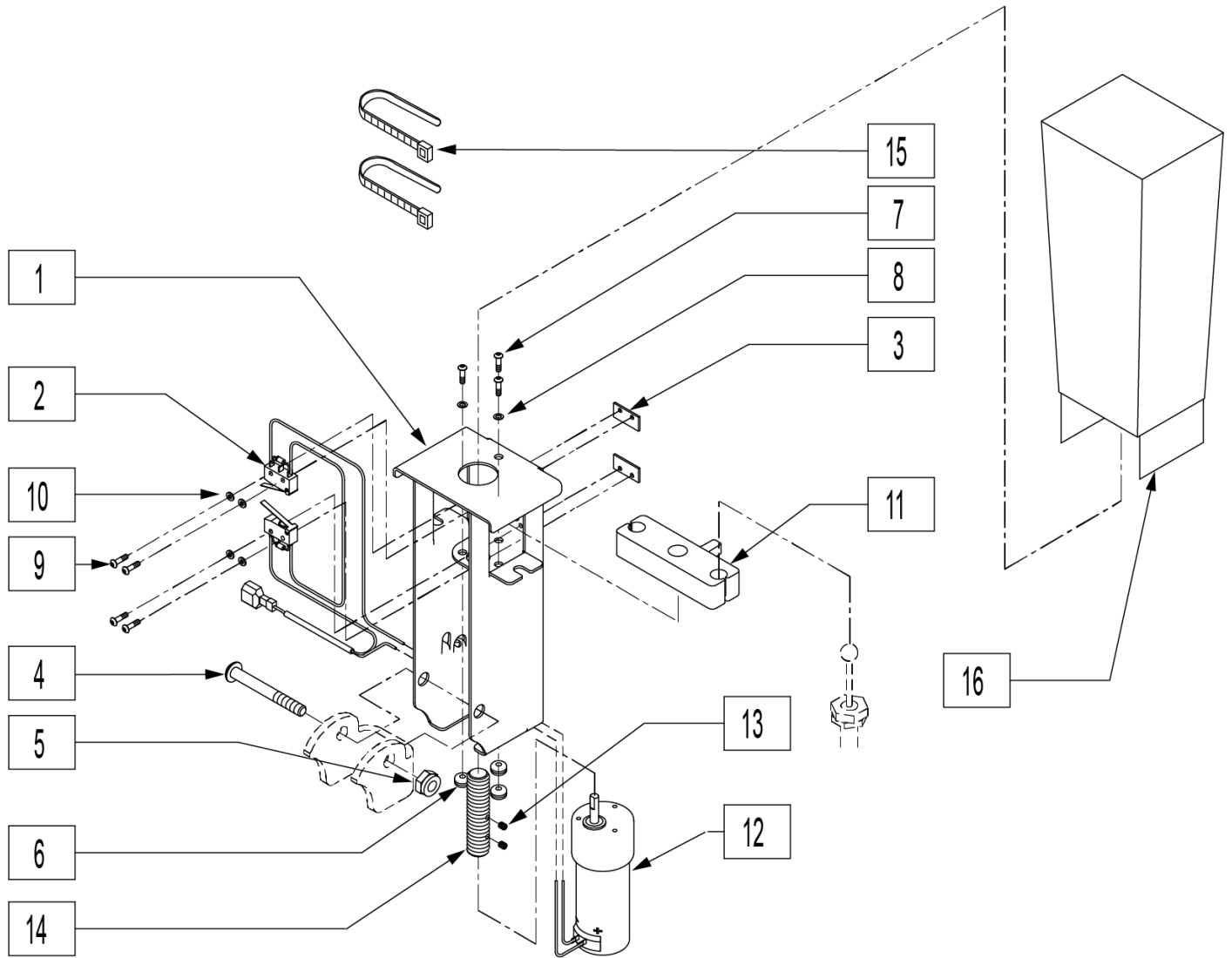
Pos.	Item Number	Description	Remarks
1	881748	WHEEL LOCK ASSM R PUSH	RIGHT
1	881749	WHEEL LOCK ASSM L PUSH	LEFT
2	560126	.250 ID .312 OD BUSHING PLST	
3	226107	1/4-28 x 1" BH C/S BLK	
4	106941	NUT AUTOMATION 1/4-28	
6	561028	1/4" NYLON WASHER	
7	204110	1/4-28 NYLOCK NUT BLK ZN	
8	226064	1/4-28 x 3/4 BH C/S BLK W/PTCH	
1-8	885970	WHEEL LOCK S646 RH	RIGHT
1-8	885971	WHEEL LOCK S646 LH	LEFT
1-8	901586	WHEEL LOCK PUSH ASSM	PAIR

Note: the Wheel Locks for Chair or Replacement Part orders shipped on or after 6/27/17 have upgraded mounting hardware; please replace in pairs for chairs ordered prior to 6/27/17.



Pos.	Item Number	Description	Remarks
1	881748	WHEEL LOCK ASSM R PUSH	
1	881749	WHEEL LOCK ASSM L PUSH	
2	226107	.250 ID .312 OD BUSHING PLST	
3	226224	1/4-28 x 1" BH C/S BLK	
4	106941	NUT AUTOMATION 1/4-28	
5	483277	WHEEL LOCK MOUNT BAR	
6	561028	1/4" NYLON WASHER	
7	204110	1/4-28 NYLOCK NUT BLK ZN	
1-7	885970	WHEELLOCK PUSH ASSEMBLY R S626	RIGHT
1-7	885971	WHEELLOCK PUSH ASSEMBLY L S626	LEFT
1-7	901579	WHEEL LOCK PUSH ASSEMBLY	PAIR

Note: lock-out mechanism used with power recline only.

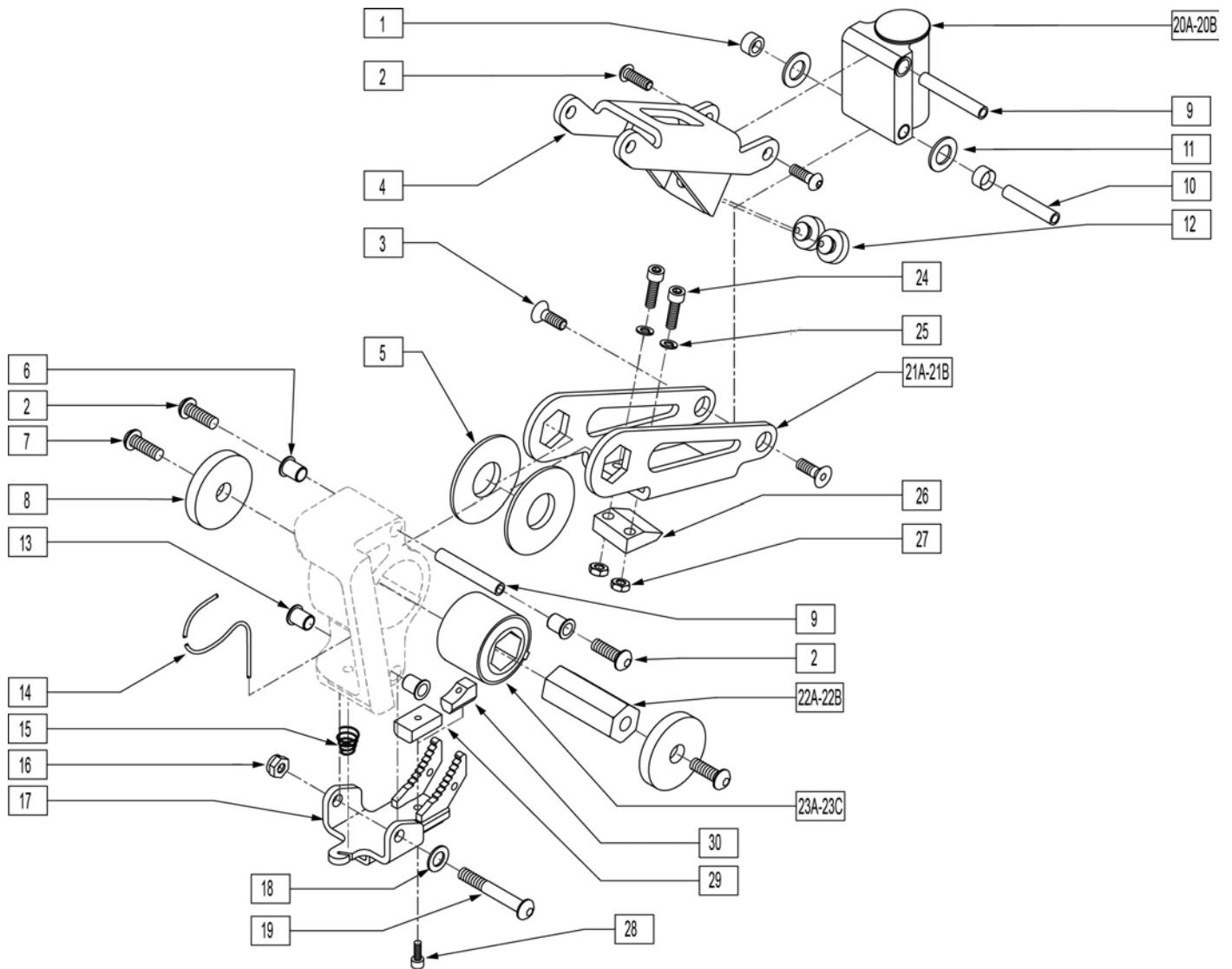


Pos.	Item Number	Description
1	505636	MOTOR ENCLOSURE
2	139455	TILT LIMIT SWITCH HARNESS S626
3	124500	TILT LIMIT SWITCH PLATE
4	226217	5/16-18 x 2" BH C/S BLK
5	202116	5/16-18 NYLOCK NUT THIN BLK
6	349585	GROMMET RUBBER 3/16 X 1/16
7	281036	4-40 x 3/8 PAN PHIL M/S BLK
8	200306	WASHER FLAT #4 .312 OD x .125 ID
9	281013	2-56 x 1/2 PAN PHIL M/S BLK
10	261536	#2 x 1/4 FLAT WASHER
11	342086	ACME DRIVE NUT
16	755215	MOTOR ENCLOSURE COVER
1-16	882019	LOCK OUT MECH TILT/RECLINE 626

ANTI-TIP COMPONENTS

[09/2011]

NOTE: FOR CASTER PLATE ASSEMBLY COMPONENTS, PLEASE SEE ANTI-TIP CASTER ASSEMBLY

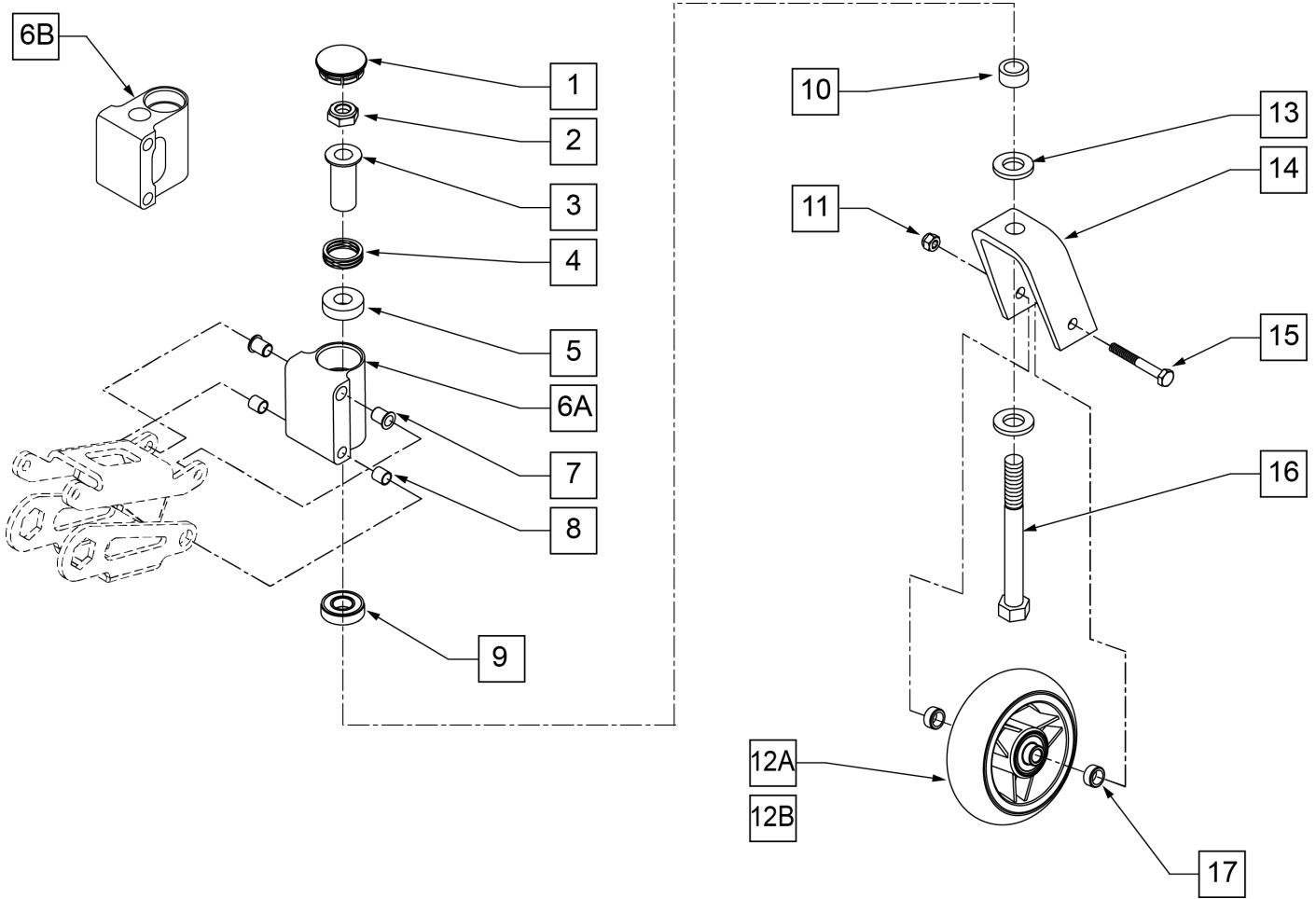


Pos.	Item Number	Description	Remarks
1	349525	ANTI TIP LOWER LINK BEARING	
2	221091	1/4-28 x 1/2 BH C/S BLK W/PTCH	
3	222295	1/4-28 x .63 FH C/S W/PATCH	
5	261527	ANTI TIP HEX THRUST WASHER	
5	261533	ANTI TIP HEX THRUST WSHR LITE (1/2")	
6	340172	BUSHING IGUS	
7	220125	1/4-20 x 3/4 BH C/S W/PATCH BLK	
8	261207	1/4 x 1 1/2 FENDER WASHER	
9	526098	ANTI TIP PIVOT BAR LONG	
10	526068	ANTI TIP PIVOT BAR	
11	261529	ANTI TIP THRUST WASHER	
12	330130	SEAT MOUNT BUMPER	
13	340172	BUSHING IGUS	

Pos.	Item Number	Description	Remarks
14	342090	ANTI TIP ACTUATION CABLE	
15	321733	.72 OD x .28 OD x 1 CC SPRG	
16	202116	5/16-18 NYLOCK NUT THIN BLK	
17	542566	ANTITIP LOCKOUT WELDMENT	
18	106947	5/16 AN WASHER FLAT THIN	
19	226231	5/16-18 x 2 1/2 BH C/S BLK	
20A	920510	ANTI TIP CASTER PLT ASSM S626	
20B	920511	ANTI TIP CSTR PLT LNG ASM S626	used w/ vent-batt tray
21A	505586	ANTI TIP LOWER LINK LONG	
21B	505599	ANTI TIP LOWER LINK 1/2" HEX	
22	505514	ANTI TIP ELASTOMER HEX	
22A	505663	ANTI TIP ELASTOMER HEX LIGHT (1/2")	
23A	321000	TORSILASTIC SPRING LIGHT	
23B	321001	TORSILASTIC SPRING MEDIUM	
23C	321003	TORSILASTIC SPRG LT SM HEX (1/2")	
24	226107	1/4-28 x 7/8 SOC C/S	
25	106943	1/4 AN WASHER FLAT	
26	554052	ANTI TIP KNIFE	
27	106934	1/4-28 NYLOCK NUT	
28	455060-QU	10-24 x 1/2 ALLEN SOC HD SCW	
29	505914	ANTI TIP BLOCK	USED WITH ITEM 30
30	505919	BLOCK, ANTI TIP, .62	
4,12	881198	ANTI TIP UPPER LINK ASSM	
13-19	881677	ANTI-TIP LOCKOUT LATCH ASSM	
13-19,21B,24-30	881678	ANTI TIP LCKOT LTCH SMRT ST LT	
13-19,21A,24-30	881679	ANTI TIP LCKOT LTCH SMRT ST HV	
1-12,20A,21A,22B,23C	882090	ANTI TIP ASSM 175LB S626	
1-12,20A,21B,22B,23C	882091	ANTI TIP ASSM 250LB S626	
1-12,20A,21A,22A,23A	882092	ANTI TIP ASSM 400LB S626	
1-12,20A,21B,22B,23C	882093	ANTI TIP ASSM TILT 250LB S626	
1-12,20A,21B,22B,23C	882094	ANTI TIP ASSM TILT 175LB S626	
1-20A,21A,22A,23B	882095	ANTI TIP ASSM TILT 400LB S626	
1-20B,21B,22A,23B	882096	ANTI TIP ASSM TLT W/VENT 175LB	
1-20B,21B,22A,23B	882097	ANTI TIP ASSM TLT W/VENT 250LB	
1-20B,21B,22A,23B	882098	ANTI TIP ASSM TLT W/VENT 400LB	
1-12,20B,21A,22A,23A	882110	ANTI TIP ASSM STD W/VENT 175LB	
1-12,20B,21A,22A,23B	882111	ANTI TIP ASSM STD W/VENT 250LB	
1-12,20B,21A,22A,23B	882112	ANTI TIP ASSM STD W/VENT 400LB	
1-20A,21B,22B,23C,24-29	882930	ANTI TIP ASSM SMRT 175LB S646	
1-20A,21B,22B,23C,24-29	882931	ANTI TIP ASSM SMRT 250LB S646	
1-20B,21A,22A,23B,24-29	882932	ANTI TIP ASSM SMRT W/VNT 175LB	
1-20B,21A,22A,23B,24-29	882933	ANTI TIP ASSM SMRT W/VNT 250LB	

ANTI-TIP CASTER ASSEMBLY

[03/2011]



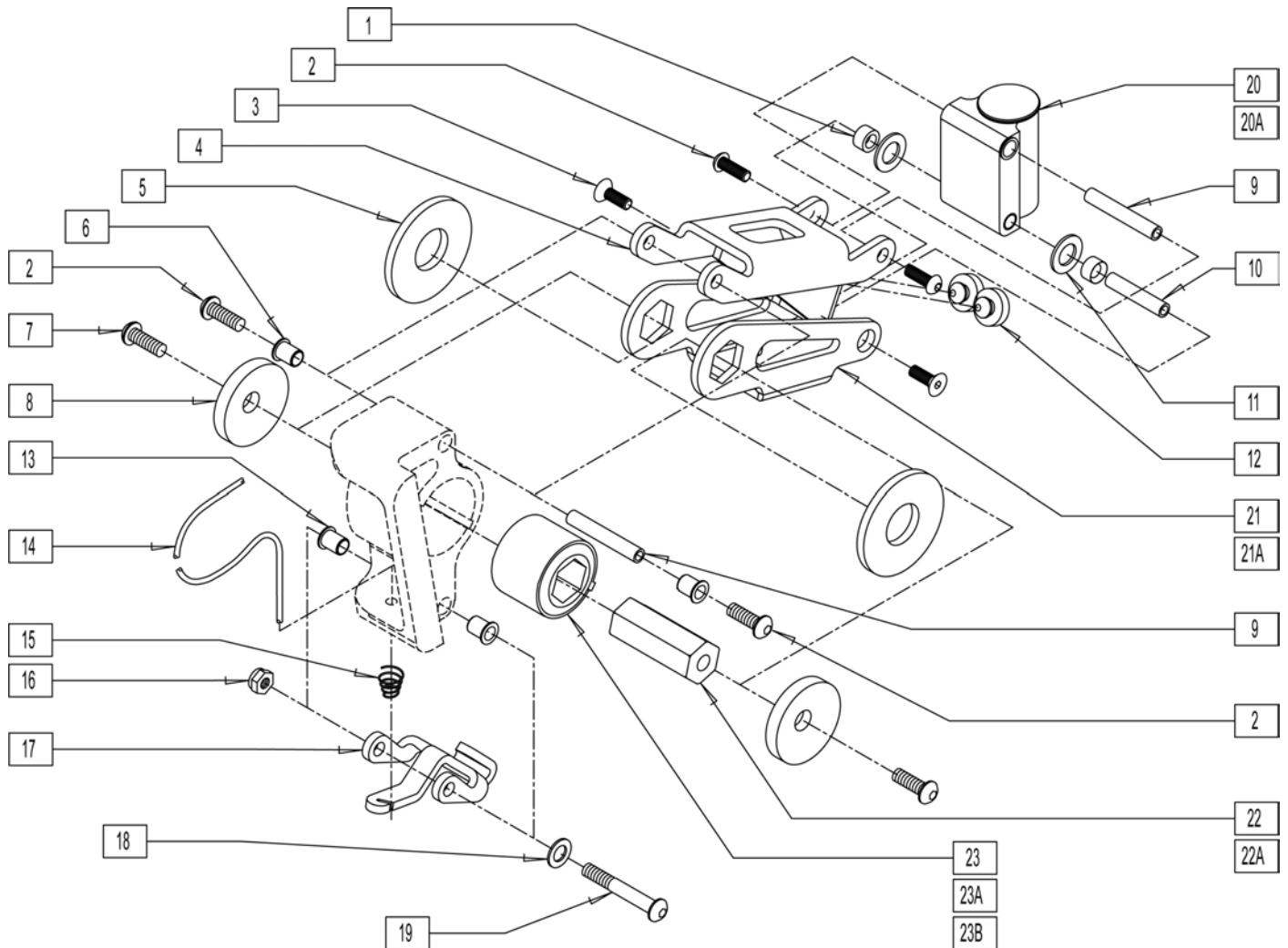
Pos.	Item Number	Description	Remarks
1	561070	CASTER CAP PLASTIC	
2	203101	1/2-20 LIGHT HEX LOCKNUT THIN	
3	481511	FLANGE BUSHING REG B51	
4	321166	SPRING ANTI-FLUTTER SS B51	
5	349643	BUSHING BRONZE B51	
6A	505513	ANTI TIP CASTER HOUSING	
6B	505519	ANTI TIP CASTER HOUSING EXTND	
7	340172	BUSHING IGUS	
8	340160	BUSHING 3/8 x 5/16ID x 3/8	
9	349500	1 1/8 x 1/2 BEARING	
10	481246	CASTER SPACER STD STEEL	
11	202116	5/16-18 NYLOCK NUT THIN BLK	
12A	400098	4" SOFT POLY CASTER	
12B	400108	4" MICRO CASTER LIGHTED	
13	264101	1/2 WASHER HARDENED FLAT	
15	222242	5/16-18 x 2 1/2 HEX C/S	
16	222290	1/2-20 x 3 1/4 GR8 HEX C/S	
17	505562	ANTI-TIP WHEEL SPACER S646	Used w/ Lighted Casters only
2,10,11,12A,13-17	780926	ANTI-TIP CASTER FORK ASSEMBLY S626	
2,10,11,12B,13-17	780935	ANTI TIP CSTR FRK ASSM LIGHTED	
1,3 -6A,7-9	920510	ANTI-TIP CASTER PLT ASSEMBLY S626	
1,3 -6B,7-9	920511	ANTI-TIP CASTER PLT LONG ASSEMBLY S626	Used w/ Vent Tray only

Pos.	Item Number	Description	Remarks
1-6A,7-10,13,14,16	118442	ANTI-TIP CSTR PLT FORK ASSM	
1-6B,7-10,13,14,16	118443	ANTI-TIP CSTR PLT FRK ASM LNG	Used w/ Vent Tray only

ANTI-TIP DISCONTINUED

[11/2011]

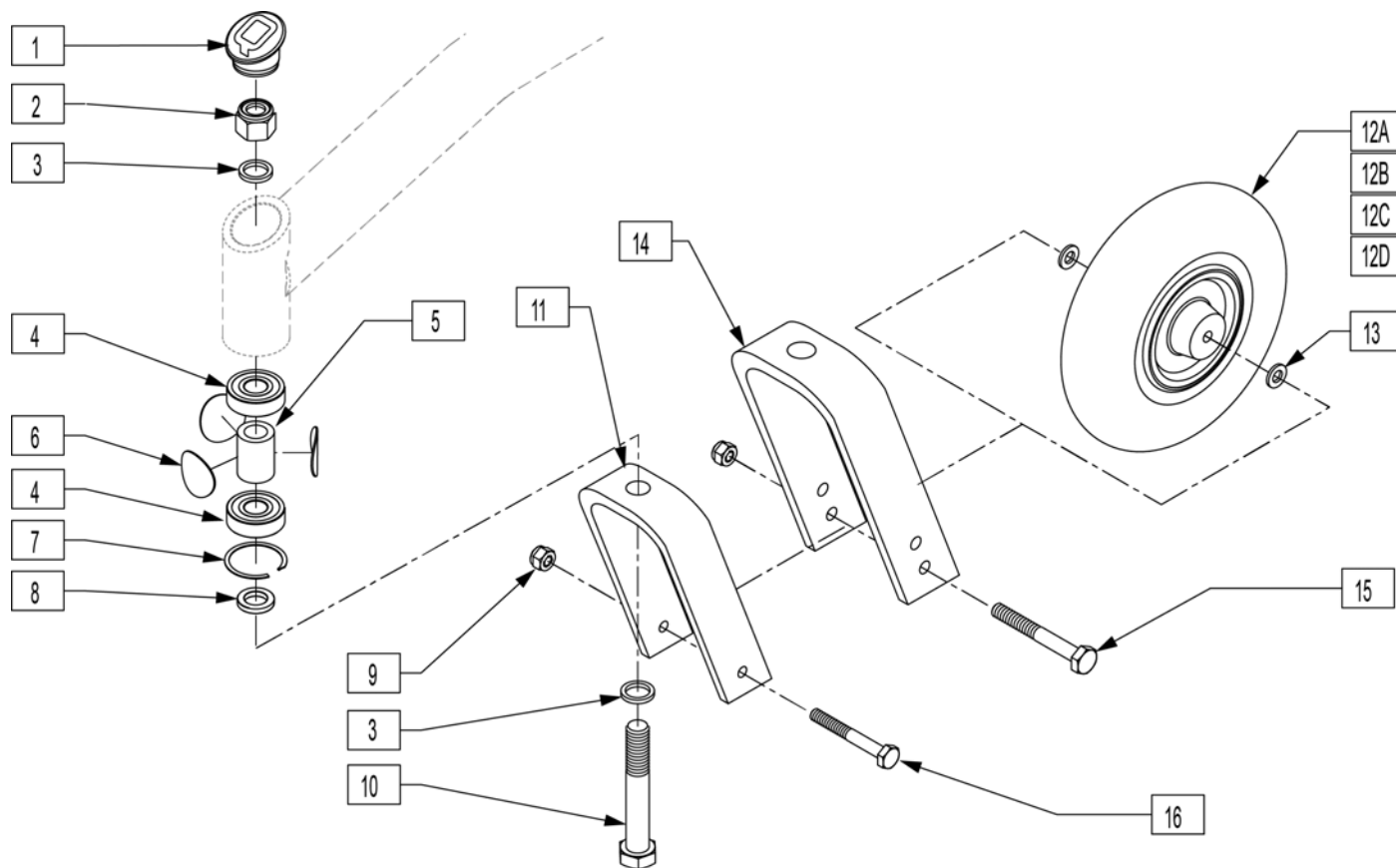
NOTE: (Discontinued 12/17/02 - parts only) FOR CASTER PLATE ASSEMBLY COMPONENTS, PLEASE SEE ANTI-TIP CASTER ASSEMBLY



Pos.	Item Number	Description	Pos.	Item Number	Description
1	349525	ANTI TIP LOWER LINK BEARING	16	202116	5/16-18 NYLOCK NUT THIN BLK
2	221091	1/4-28 x 1/2 BH C/S BLK W/PATCH	17	505516	ANTI TIP LOCKOUT LATCH
3	222295	1/4-28 x .63 FH C/S W/PATCH	18	106947	WASHER FLAT THIN AN 5/16 ROHS
5	261527	ANTI TIP HEX THRUST WASHER	19	226231	5/16-18 x 2 1/2 BH C/S BLK
5	261533	ANTI TIP HEX THRUST WSHR LITE (1/2")	20	920510	ANTI TIP CASTER PLT ASSM S626
6	340172	BUSHING IGUS	20A	920511	ANTI TIP CSTR PLT LNG ASM S626
7	226078	1/4-20 x 3/4 BH C/S W/PATCH	21	505586	ANTI TIP LOWER LINK LONG
8	261207	1/4 x 1 1/2 FENDER WASHER	21A	505599	ANTI TIP LOWER LINK 1/2" HEX
9	526098	ANTI TIP PIVOT BAR LONG	22	505514	ANTI TIP ELASTOMER HEX
10	526068	ANTI TIP PIVOT BAR	22A	505663	ANTI TIP ELASTOMER HEX LIGHT (1/2")
11	261529	ANTI TIP THRUST WASHER	23	321000	TORSILASTIC SPRING LIGHT
12	330130	SEAT MOUNT BUMPER	23A	321001	TORSILASTIC SPRING MEDIUM
13	340172	BUSHING IGUS	23B	321003	TORSILASTIC SPRING LT SM HEX (1/2")
14	342090	ANTI TIP ACTUATION CABLE	4,12	881198	ANTI TIP UPPER LINK ASSM
15	321733	.72 OD x .28 OD x 1 CC SPRG			

Note: Quickie S-626 effective 6/12/02, beginning s/n S62-13297; Quickie S-626 transitioned into the Quickie S-646 beginning 7/26/02.

NOTE: items 4-7 are included in S-636/S-646/S-646SE Base Frame assemblies; see Frame page.



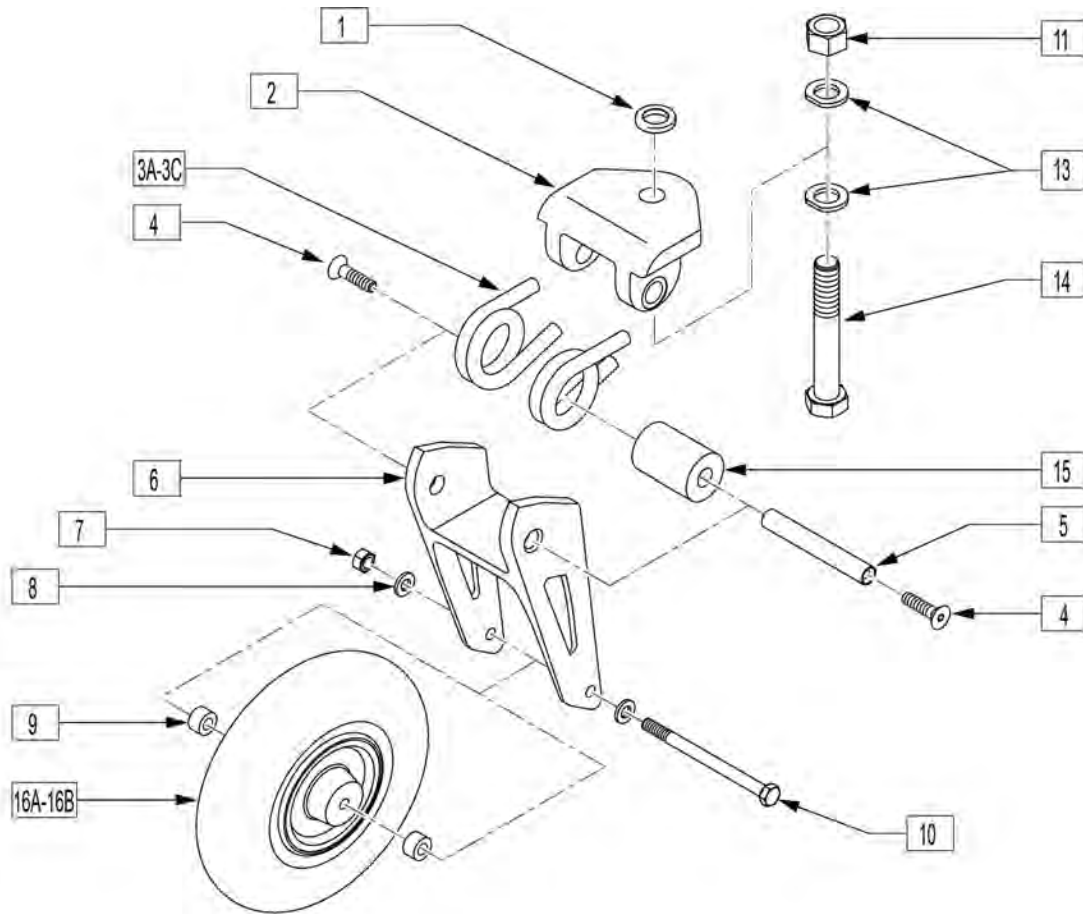
Pos.	Item Number	Description	HCPC	Remarks
1	567001	CASTER CAP S525		
2	203108	5/8-18 NUT NYLOCK		
3	250098	5/8 CASTER FORK WASHER		
4	349609	BEARING 40 x 5/8 x 12 THK		
5	526063	BEARING SPACER CASTER		
6	561265	ANTI FLUTTER DISC .080 x 1.350		
7	320021	RETAINING RING CASTER BRNG		
8	481480	CASTER FORK SPACER		
9	202106	5/16-24 NYLOCK NUT THIN BLK		
10	226334	5/8-18 x 4 HEX HEAD C/S		
11	550787	8 x 2 FORK S626		Used w/ 8x2 Caster
12A	400700	8" x 2" CMPST W/PNEU & BEARING	K0071	TIRE IS LIGHT GREY IN COLOR
12B	400750	9 x 3 CSTER WHL ASSM PNEU S626	K0071	TIRE IS LIGHT GREY IN COLOR
12C	400702	8" x 2" CMPST WHL SOLID BRG	K0077	TIRE IS DARK GREY IN COLOR
12D	400751	9 x 3 CSTR WHL ASSM SOLID S626	K0077	TIRE IS DARK GREY IN COLOR
13	263100	5/16 AN WASHER FLAT		
14	550696	10 x 3 CASTER FORK S626		Used w/ 9x3 Caster

Pos.	Item Number	Description	HCPC	Remarks
15	222206	5/16-24 x 4-3/4 HH C/S GR8 BK ZN		Used w/ 9x3 Caster
16	222257	5/16-24 x 3 1/2" G8 HEX C/S		Used w/ 8x2 Caster
3,9-11,13,16	781000	8" x 2" FORK/STEM W/HDWR S626		Used w/ 8x2 Caster
3,9-10,13-15	781001	9" x 3" FORK/STEM W/HDWR S626		Used w/ 9x3 Caster
3,9-11,12A,13,16	787146	FIXED FORK PNEU 8x2 ASSM S626		
3,9-10,12B,13-15	787147	FIXED FORK PNEU 9x3 ASSM S626		
3,9-11,12C,13,16	787148	FIXED FRK SLD IN 8x2 ASSM S626		
3,9-10,12D,13-15	787149	FIXED FRK SLD IN 9x3 ASSM S626		

SUSPENSION CASTER & FORK

[10/2011]

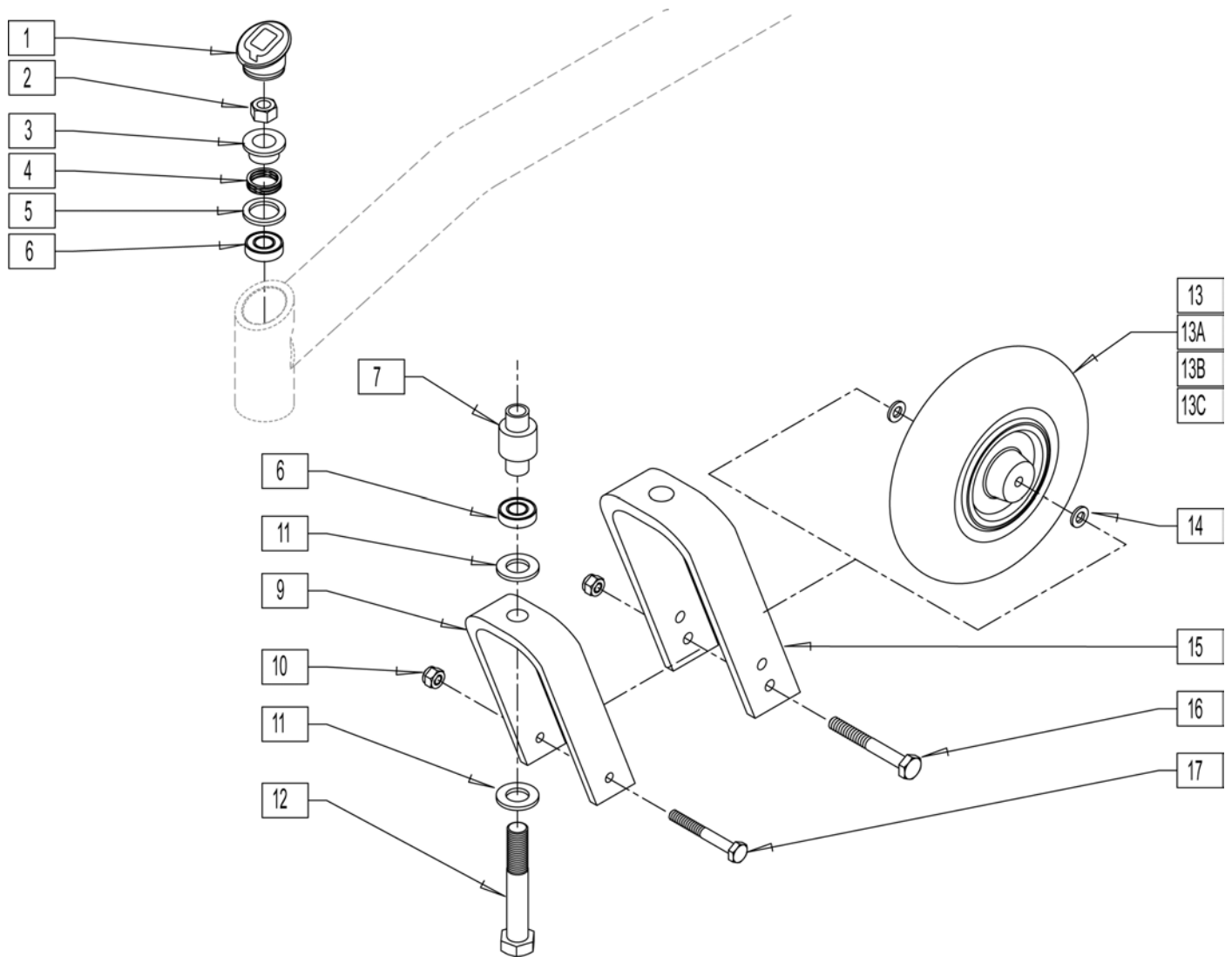
NOTE: (Effective 1/20/03)



Pos.	Item Number	Description	HCP	Remarks
1	481480	CASTER FORK SPACER		
2	505804	SUSP FORK TOP PLT ASSM		
3A	321736	TORSION SPRING .31 RH		RIGHT - 0-150lbs
3A	321735	TORSION SPRING .31 LH		LEFT - 0-150lbs
3B	321738	TORSION SPRING .33 RH		RIGHT - 151-250lbs
3B	321737	TORSION SPRING .33 LH		LEFT - 151-250lbs
3C	321740	TORSION SPRING .36 RH		RIGHT - 251-400lbs
3C	321739	TORSION SPRING .36 LH		LEFT - 251-400lbs
4	222296	5/16-18 x 1-1/4 FH C/S W/PATCH		
5	481484	FRONT SUSPENSION PIVOT SHAFT		
6	506155	FRONT SUSP FORK		
7	202106	5/16-24 NYLOCK NUT THIN BLK		
8	263100	5/16 AN WASHER FLAT		
9	505934	SPACER 8 x 2 CASTER		
10	222261	5/16-24 x 4-1/4 HHCS GR8 BK ZN		
11	203108	5/8-18 NUT NYLOCK		
13	250098	5/8 CASTER FORK WASHER		
14	226334	5/8-18 x 4 HEX HEAD C/S		
15	560484	SPRING CENTER DAMPENER		

Pos.	Item Number	Description	HPCP	Remarks
16A	400702	8" x 2" CMPST W/PNEU INSRT&BRG	K0072	
16B	400700	8" x 2" CMPST W/PNEU & BEARING	K0071	
2,3A-6,13-15	787250	SUSP, FORK ASSM, .31 SPRNG		0-150lbs
2,3B-6,13-15	787251	SUSP, FORK ASSM, .33 SPRNG		151-250lbs
2,3B-6,13-15	787252	SUSP, FORK ASSM, .36 SPRNG		251-400lbs
1,-3A,4-15	787260	SUSP FORK ASSM .31 SPRNG W/HDW		0-150lbs
1,-3B,4-15	787261	SUSP FORK ASSM .33 SPRNG W/HDW		151-250lbs
1,-3C,4-15	787262	SUSP FORK ASSM .36 SPRNG W/HDW		251-400lbs
1,-3A,4-16A	787270	SUSP FRK .31 SPRNG 8x2 INSERT		0-150lbs
1,-3B,4-16A	787271	SUSP FRK .33 SPRNG 8x2 INSERT		151-250lbs
1,-3C,4-16A	787272	SUSP FRK .36 SPRNG 8x2 INSERT		251-400lbs
1,-3A,4-16B	787273	SUSP FRK .31 SPRNG 8x2 PNEU		0-150lbs
1,-3B,4-16B	787274	SUSP FRK .33 SPRNG 8x2 PNEU		151-250lbs
1,-3C,4-16B	787275	SUSP FRK .36 SPRNG 8x2 PNEU		251-400lbs

Note: discontinued 6/12/02 - parts only; fits S-626 prior to s/n S62-13297.



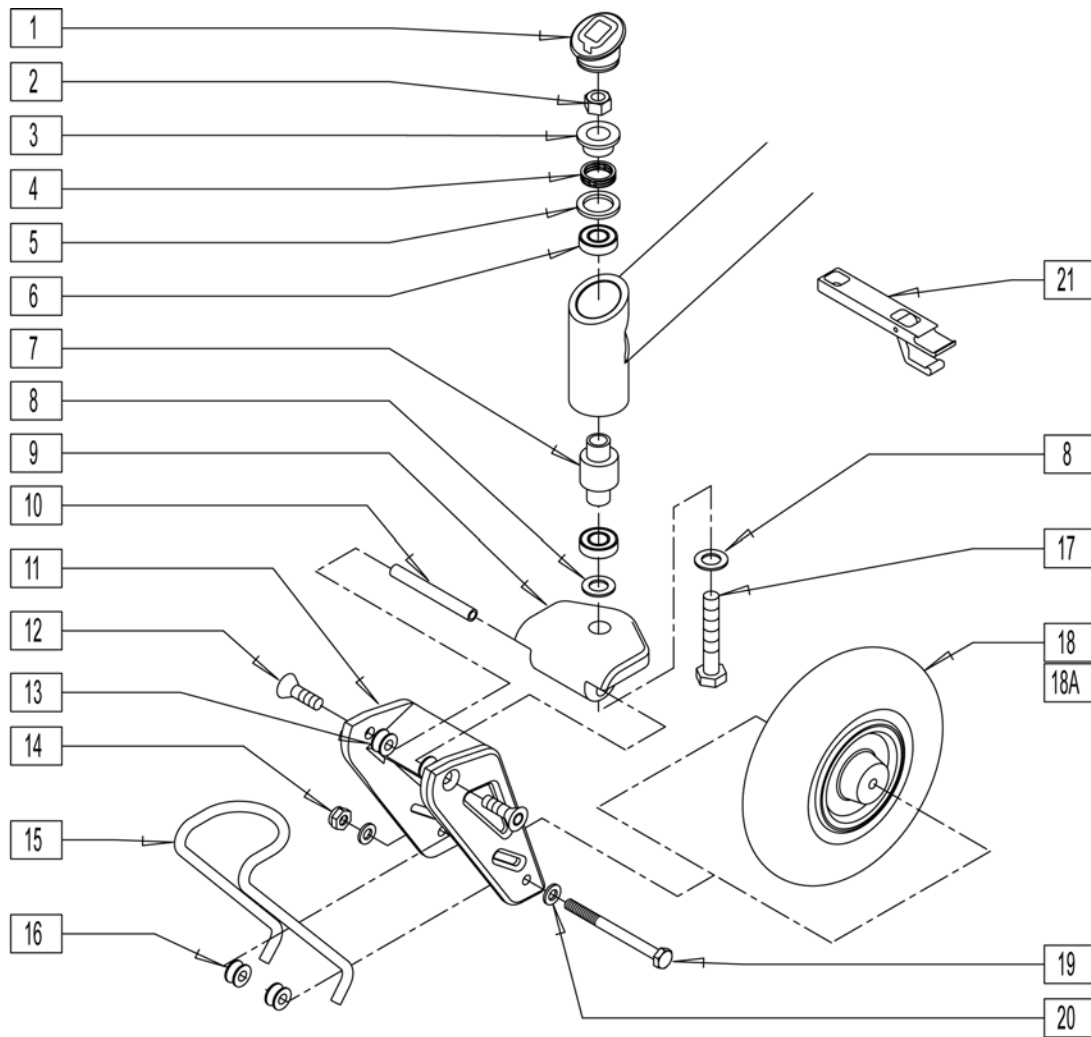
Pos.	Item Number	Description	HCPC	Remarks
1	567001	CASTER CAP S525		
2	230041	M16 x 1.5 NYLOCK NUT		
3	481209	ANTI FLUTTER TOP HAT		
4	321166	SPRING ANTI FLUTTER SS B51		
5	481207	ANTI FLUTTER WASHER		
6	349490	BEARING 32mm x 20mm x 7mm		
7	526060	FRONT CASTER INNER BRNG SPACER		
9	550787	8 x 2 FORK S626		Used w/ 8x2 Caster
10	202106	5/16-24 NYLOCK NUT THIN BLK		
11	250098	5/8 CASTER FORK WASHER		
12	230039	M16 x 1.5 x 100 HH C/S GD 10.9		
13	400700	8" x 2" CMPST W/PNEU & BEARING	K0071	
13A	400750	9 x 3 CSTER WHL ASSM PNEU S626	K0071	
13B	400702	8" x 2" CMPST W/PNEU INSRT&BRG	K0072	

Pos.	Item Number	Description	HPCP	Remarks
13C	400751	9 x 3 CSTR WHL ASSM SOLID S626	K0077	
14	263100	5/16 AN WASHER FLAT		
15	550696	10 x 3 CASTER FORK S626		Used w/ 8x3 Caster
16	222206	5/16-24 x 4-3/4 HH C/S GR8 BK ZN		
17	222257	5/16-24 x 3 1/2" G8 HEX C/S		
2-5,8,9,11	781003	8" x 2" FORK/STEM S626		
2-5,11,15	781004	9" x 3" FORK/STEM S626		

S626 - DISCONTINUED SUSPENSION CASTER & FORK

[08/2008]

NOTE: (Discontinued 6/12/02 - parts only; fits S-626 prior to s/n S62-13297)



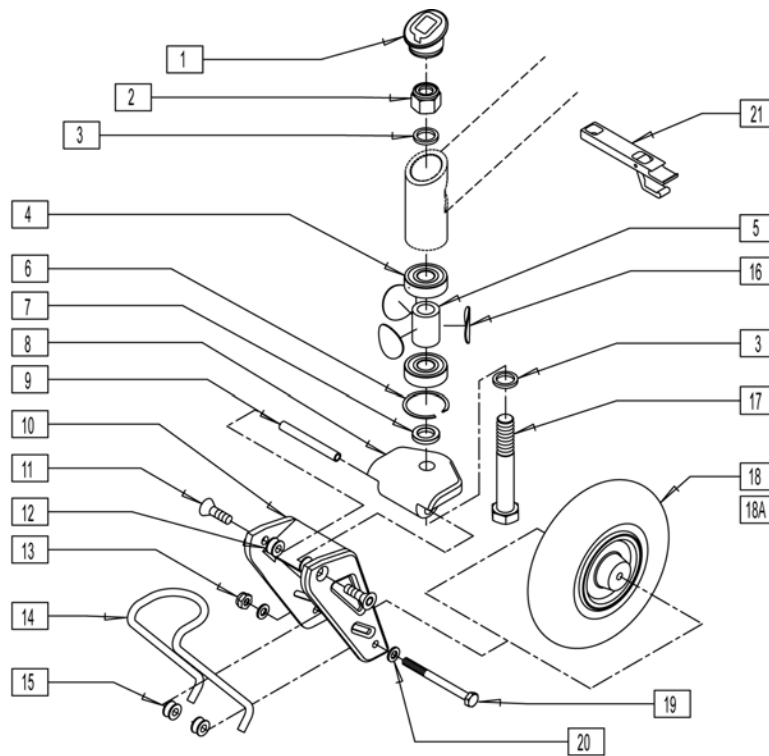
Pos.	Item Number	Description	HCPC	Pos.	Item Number	Description	HCPC
1	567001	CASTER CAP S525		14	202106	5/16-24 NYLOCK NUT THIN BLK	
2	230041	M16 x 1.5 NYLOCK NUT		15	321730	LEAF SPRING .25 S626 (175lb)	
3	481209	ANTI FLUTTER TOP HAT		15	321731	LEAF SPRING .28 S626 (250lb)	
4	321166	SPRING ANTI FLUTTER SS B51		15	321732	LEAF SPRING .31 S626 (350lb)	
5	481207	ANTI FLUTTER WASHER		16	505574	FRNT SUS LWR SPRING BUSHING S626	
6	349490	BEARING 32mm x 20mm x 7mm		17	230039	M16 x 1.5 x 100 HHC/S GD 10.9	
7	526060	FRNT CSTR INNER BEARING SPACER		18	400702	8" x 2" CMPST W/PNEU INSR & BRG	K0072
8	250098	M16 HARDENED NRRW FLAT WASHER		18A	400700	8" x 2" CMPST W/PNEU & BEARING	K0071
10	481454	PIVOT SHAFT FRONT SUSPSN S626		19	222261	5/16-24 x 4-1/4 HHCS GR8 BK ZN	
11	550788	8 x 2 FORK SUSPENSION S626		20	263100	5/16 AN WASHER FLAT	
12	222296	5/16-18 x 1-1/4 FH C/S W/PATCH		21	950120	SUSPENSION CASTER TOOL KIT	
13	505573	FRONT SUSPN SPRING BUSHING S626					

NOTE: (Quickie S-626 effective 6/12/02, beginning s/n S62-13297)

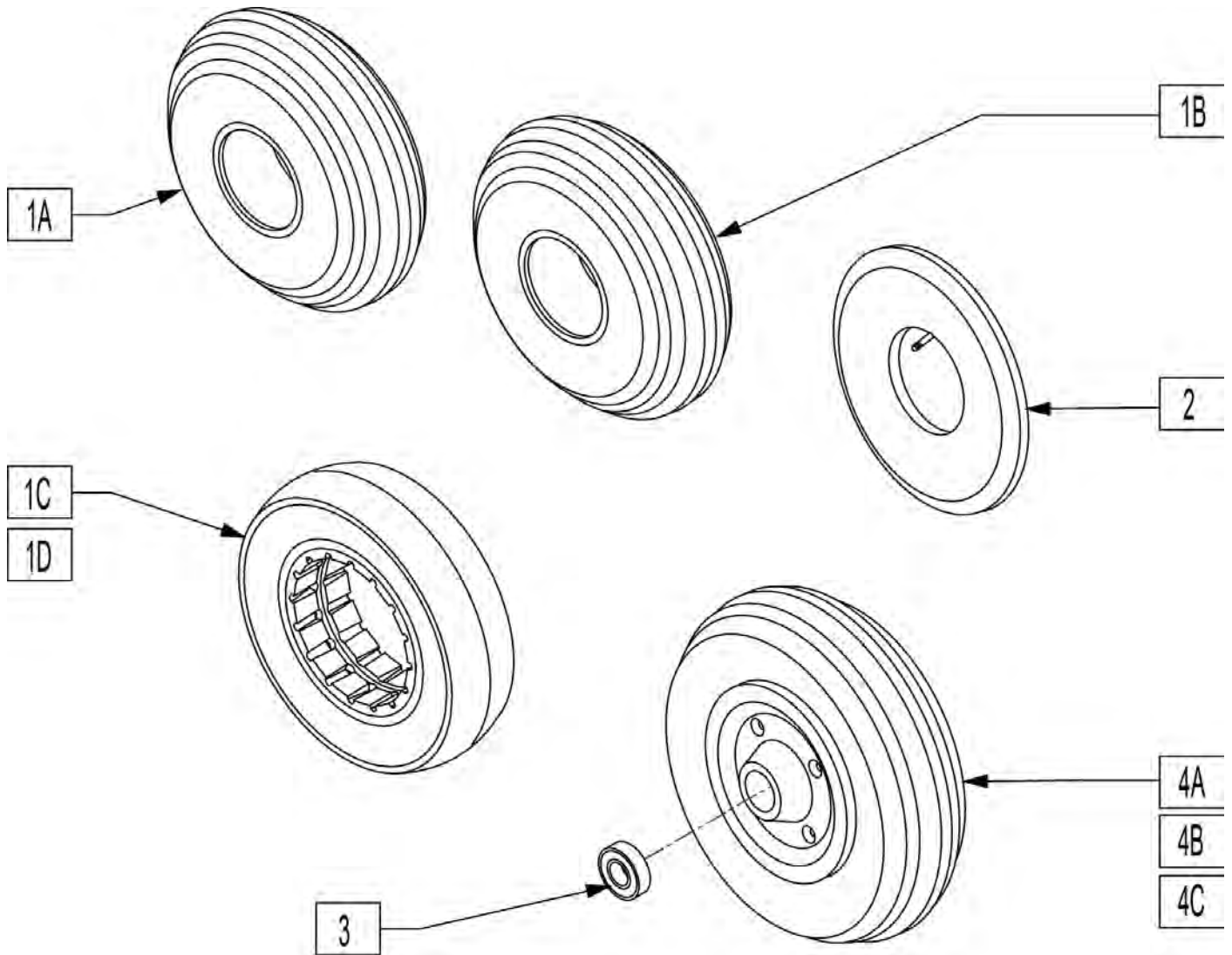
NOTE: (Quickie S-626 transitioned into the Quickie S-646 beginning 7/26/02)

NOTE: (Discontinued 1/20/03 - parts only)

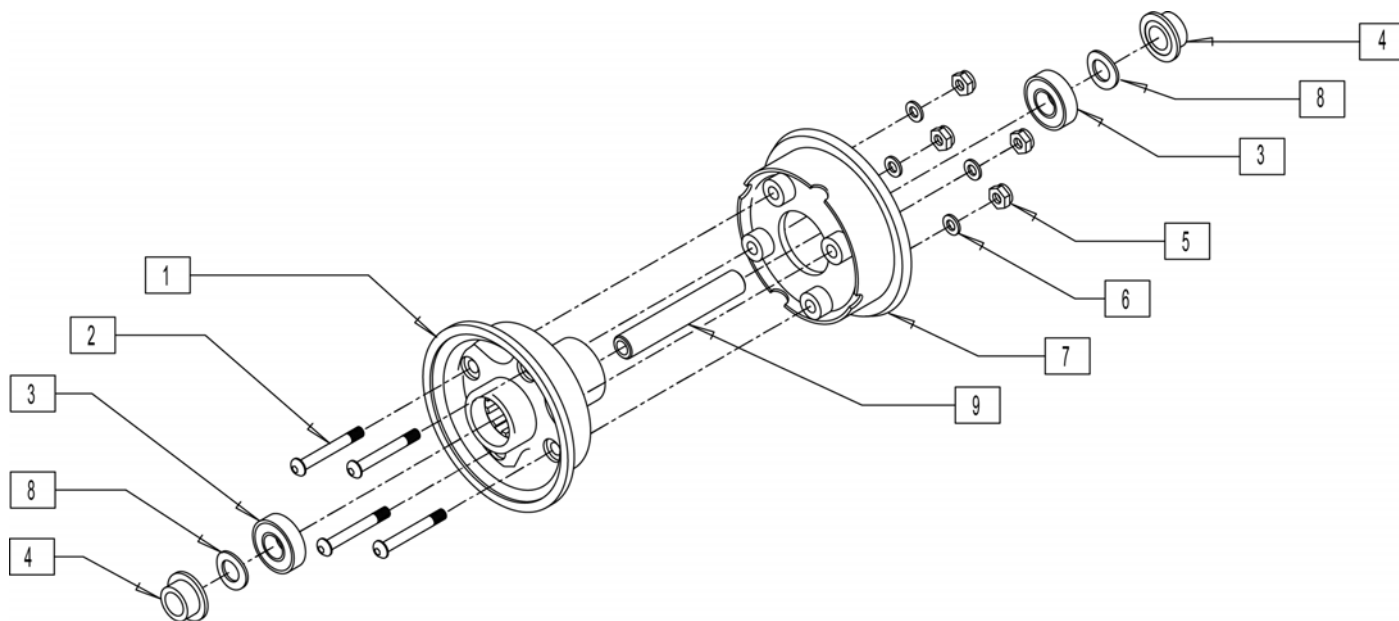
NOTE: ITEMS 4-6 AND 16 ARE INCLUDED IN S-646/S-646SE BASE FRAME ASSEMBLIES 662744 AND 662745. SEE FRAME PAGE.



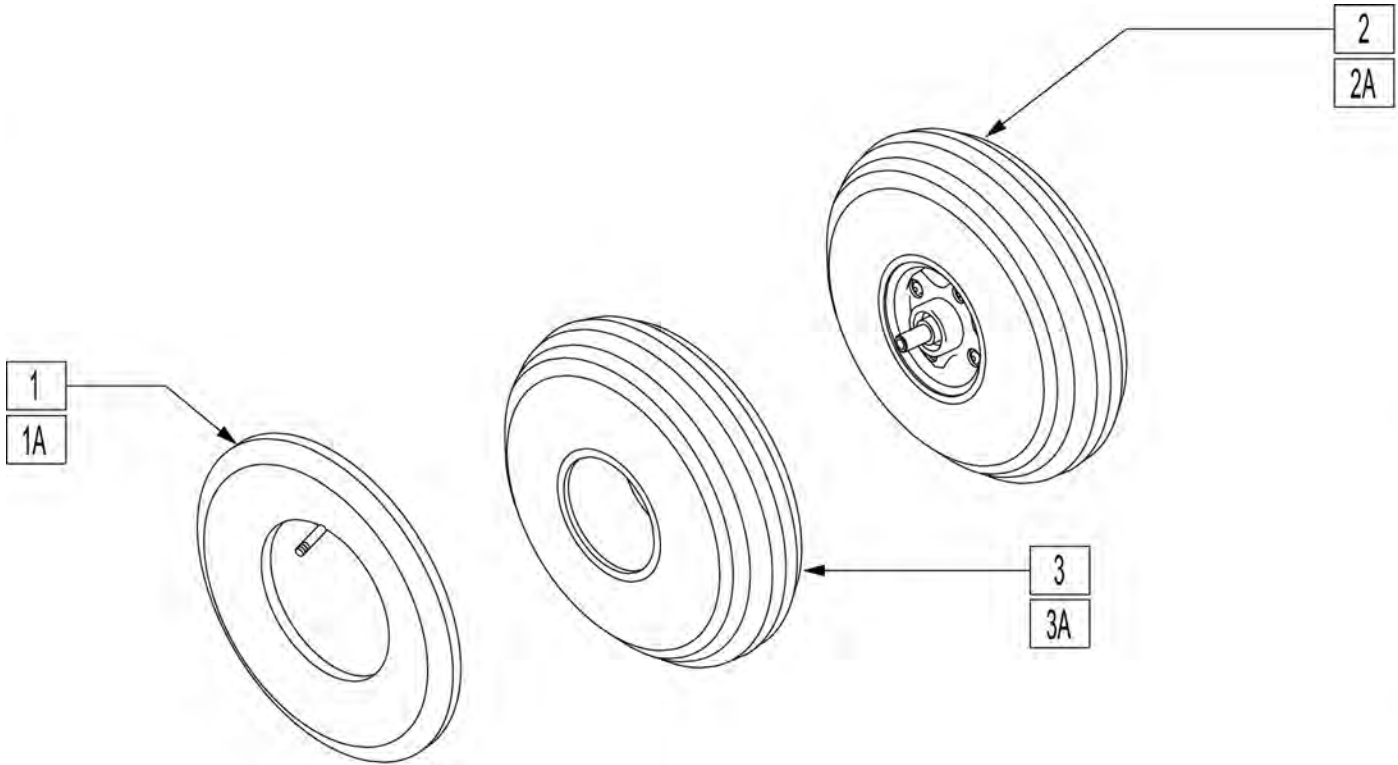
Pos.	Item Number	Description	HCPC	Pos.	Item Number	Description	HCPC
1	567001	CASTER CAP S525		14	321730	LEAF SPRING .25 S626 (175lb)	
2	203108	5/8-18 NUT NYLOCK		14	321731	LEAF SPRING .28 S626 (250lb)	
3	250098	M16 HARDENED NRRW FLAT WASHER		14	321732	LEAF SPRING .31 S626 (350lb)	
4	349609	BEARING 40 x 5/8 x 12 THK		15	505574	FRNT SUS LWR SPRING BUSHING S626	
5	526063	BEARING SPACER CASTER		16	561265	ANTI FLUTTER DISC .080 x 1.350	
6	320021	RETAINING RING CASTER BRNG		17	226334	5/8-18 x 4 HEX HEAD C/S	
7	481480	CASTER FORK SPACER		18	400702	8" x 2" CMPST W/PNEU INSRT & BRG	K0072
9	481454	PIVOT SHAFT FRONT SUSPSN S626		18A	400700	8" x 2" CMPST W/PNEU & BEARING	K0071
10	550788	8 x 2 FORK SUSPENSION S626		19	222261	5/16-24 x 4-1/4 HHCS GR8 BK ZN	
11	222296	5/16-18 x 1-1/4 FH C/S W/PATCH		20	263100	5/16 AN WASHER FLAT	
12	505573	FRONT SUSPN SPRING BUSHING S626		21	950120	SUSPENSION CASTER TOOL KIT	
13	202106	5/16-24 NYLOCK NUT THIN BLK					



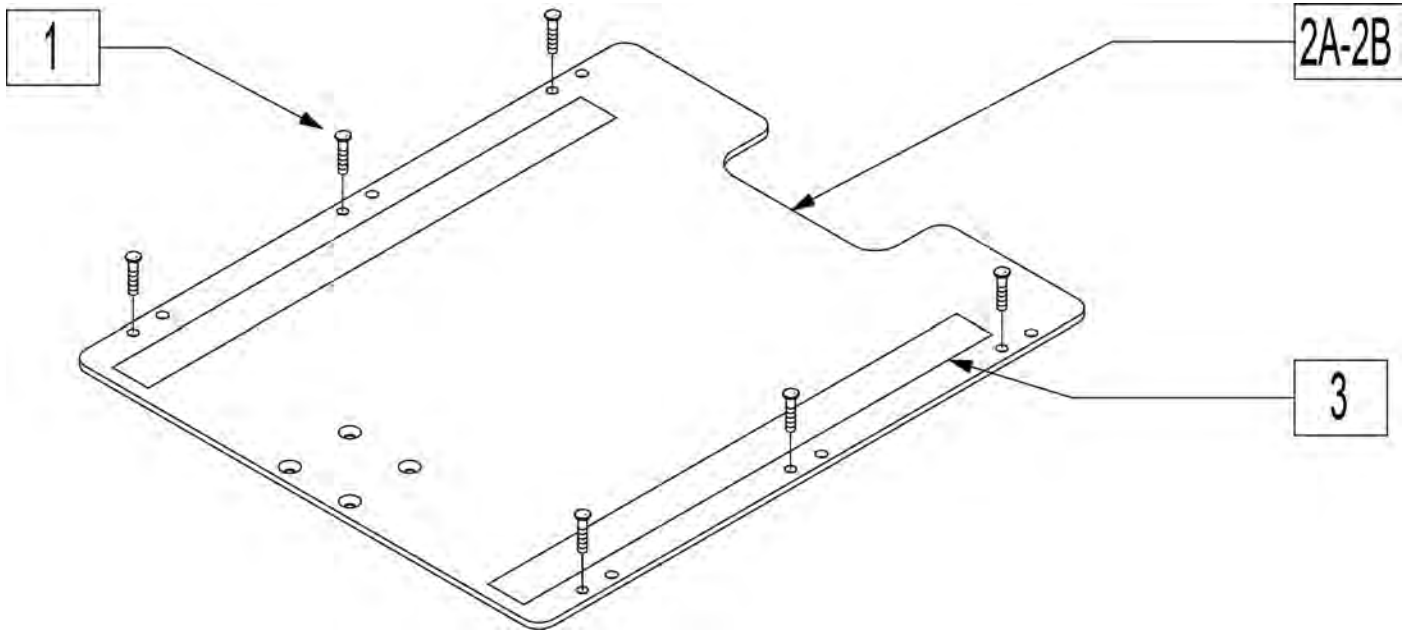
Pos.	Item Number	Description	HCPC
1A	384700	TIRE PNEUMATIC 8" x 2"	E2214
1B	384701	TIRE FOAMED INSERT 8" x 2"	E2219
1C	384254	8" x 2" SOLID TIRE	E2215
1D	384253	7" x 1 3/4" SOLID TIRE	K0071
2	384730	INNER TUBE CASTER 8" x 2"	K0077
3	349502	7/8 X 5/16 BEARING	K0072
4	400700	8" x 2" CMPST W/PNEU & BRNG	E2221
4	400701	8" x 2" CMPST W/SOLID & BR	E2221
4A	400702	8" x 2" CMPST W/PNEU INSERT & BRNG	



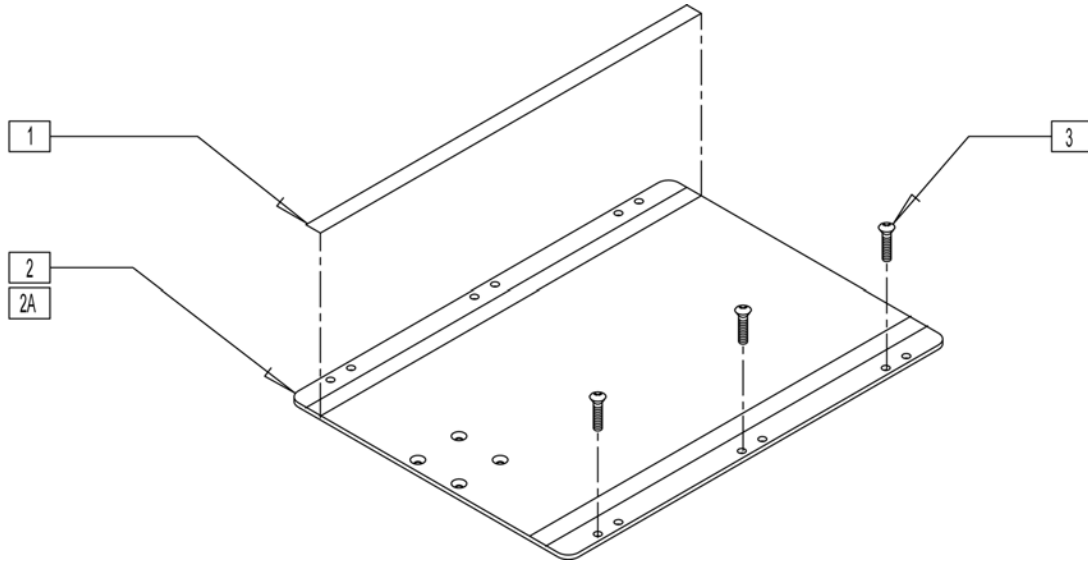
Pos.	Item Number	Description	HPCP
4	560790	SPACER 10" CASTER	
1-3,5-9	400715	10" PLST CASTER STAR ASSM	E2225



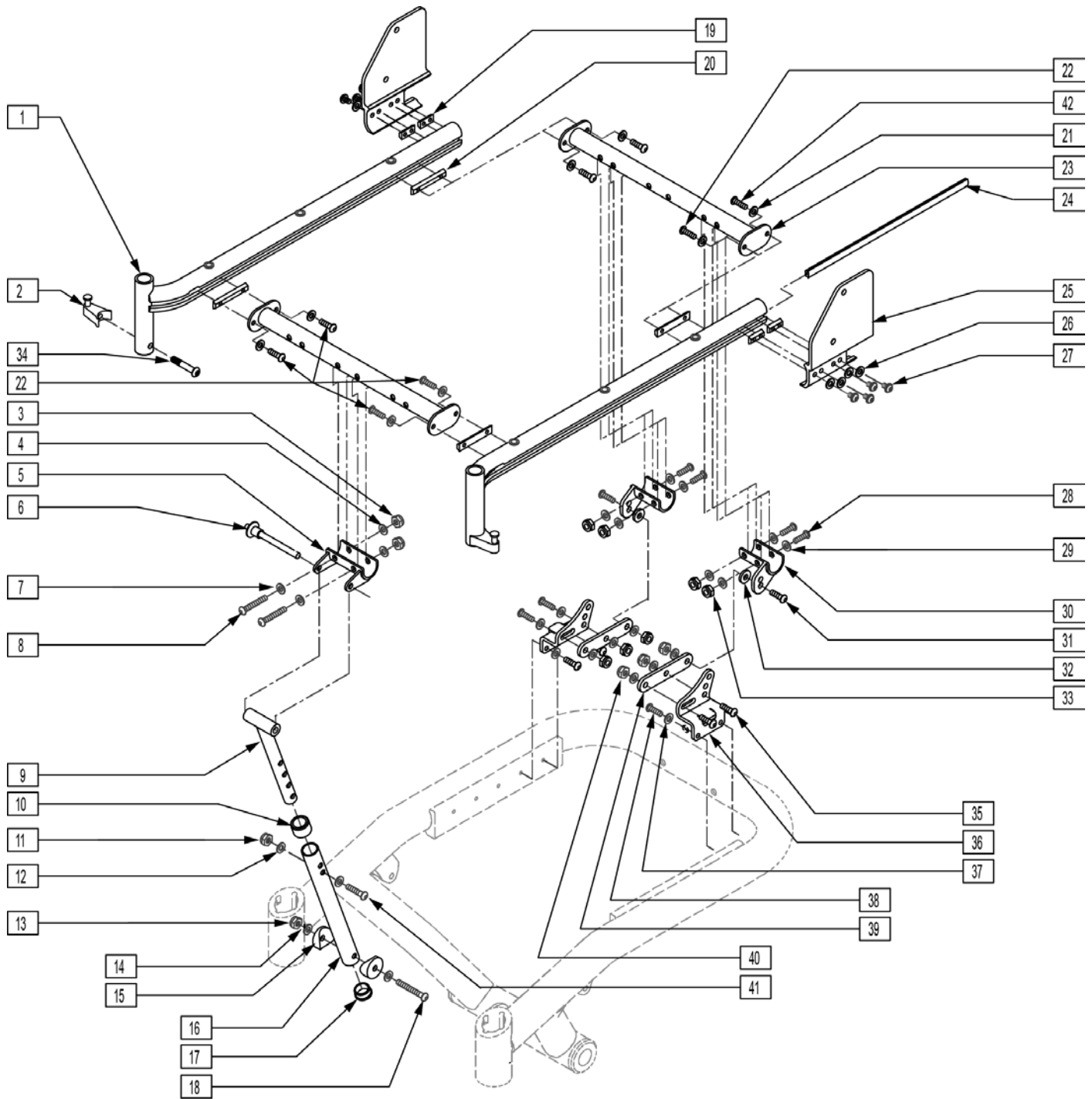
Pos.	Item Number	Description	HPCP
1	384732	INNER TUBE 10" x 3"	E2115
1A	384733	9" x 3" TUBE 280/250-4	E2115
2	400750	9" x 3" CASTER WHL ASSM PNEU S626	K0071
2A	400751	9" x 3" CASTER WHL ASSM SOLID S626	K0077
3	381716	9" x 3" RIB-GROOVE TIRE	E2114
3A	384742	9" x 3" RIB-GROOVE SOLID TIRE	E2221



Pos.	Item Number	Description	Remarks
1	281122	10-32 x 3/4 PAN PHIL	
3	901170	SEAT SLING VELCRO® STRIP	
2A,3	688260	SEAT PAN ASSM 14W STD S626	14"-18" Seat Depth
2A,3	688261	SEAT PAN ASSM 15W STD S626	14"-18" Seat Depth
2A,3	688262	SEAT PAN ASSM 16W STD S626	14"-18" Seat Depth
2A,3	688263	SEAT PAN ASSM 17W STD S626	14"-18" Seat Depth
2A,3	688264	SEAT PAN ASSM 18W STD S626	14"-18" Seat Depth
2A,3	688265	SEAT PAN ASSM 19W STD S626	14"-18" Seat Depth
2A,3	688266	SEAT PAN ASSM 20W STD S626	14"-18" Seat Depth
2A,3	688267	SEAT PAN ASSM 22W STD S626	14"-18" Seat Depth
2A,3	688268	SEAT PAN ASSM 24W STD S626	14"-18" Seat Depth
2B,3	688269	SEAT PAN ASSM 14W LONG S626	19"-21" Seat Depth
2A,3	688270	SEAT PAN ASSM 15W LONG S626	19"-21" Seat Depth
2B,3	688271	SEAT PAN ASSM 16W LONG S626	19"-21" Seat Depth
2B,3	688272	SEAT PAN ASSM 17W LONG S626	19"-21" Seat Depth
2B,3	688273	SEAT PAN ASSM 18W LONG S626	19"-21" Seat Depth
2B,3	688274	SEAT PAN ASSM 19W LONG S626	19"-21" Seat Depth
2B,3	688275	SEAT PAN ASSM 20W LONG S626	19"-21" Seat Depth
2B,3	688276	SEAT PAN ASSM 22W LONG S626	19"-21" Seat Depth
2B,3	688277	SEAT PAN ASSM 24W LONG S626	19"-21" Seat Depth



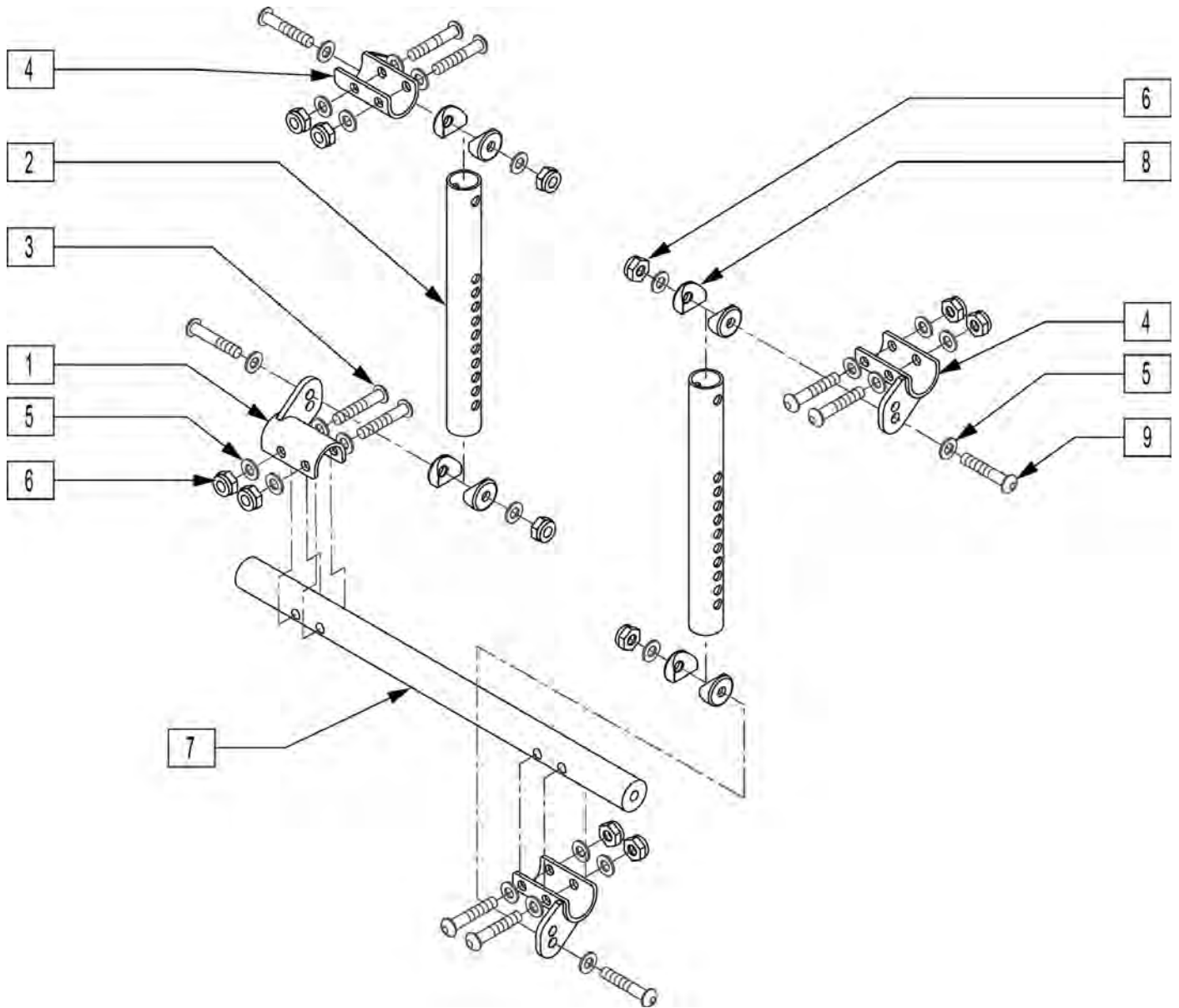
Pos.	Item Number	Description	Remarks
1	901170	SEAT SLING VELCRO® STRIP	
3	281122	10-32 X 3/4 PAN PHIL	
1,2	688260	SEAT PAN ASSM 14W STD S626	14"-18" Seat Depth
1,2	688261	SEAT PAN ASSM 15W STD S626	14"-18" Seat Depth
1,2	688262	SEAT PAN ASSM 16W STD S626	14"-18" Seat Depth
1,2	688263	SEAT PAN ASSM 17W STD S626	14"-18" Seat Depth
1,2	688264	SEAT PAN ASSM 18W STD S626	14"-18" Seat Depth
1,2	688265	SEAT PAN ASSM 19W STD S626	14"-18" Seat Depth
1,2	688266	SEAT PAN ASSM 20W STD S626	14"-18" Seat Depth
1,2	688267	SEAT PAN ASSM 22W STD S626	14"-18" Seat Depth
1,2	688268	SEAT PAN ASSM 24W STD S626	14"-18" Seat Depth
1,2A	688269	SEAT PAN ASSM 14W LONG S626	19"-21" Seat Depth
1,2A	688270	SEAT PAN ASSM 15W LONG S626	19"-21" Seat Depth
1,2A	688271	SEAT PAN ASSM 16W LONG S626	19"-21" Seat Depth
1,2A	688272	SEAT PAN ASSM 17W LONG S626	19"-21" Seat Depth
1,2A	688273	SEAT PAN ASSM 18W LONG S626	19"-21" Seat Depth
1,2A	688274	SEAT PAN ASSM 19W LONG S626	19"-21" Seat Depth
1,2A	688275	SEAT PAN ASSM 20W LONG S626	19"-21" Seat Depth
1,2A	688276	SEAT PAN ASSM 22W LONG S626	19"-21" Seat Depth
1,2A	688277	SEAT PAN ASSM 24W LONG S626	19"-21" Seat Depth



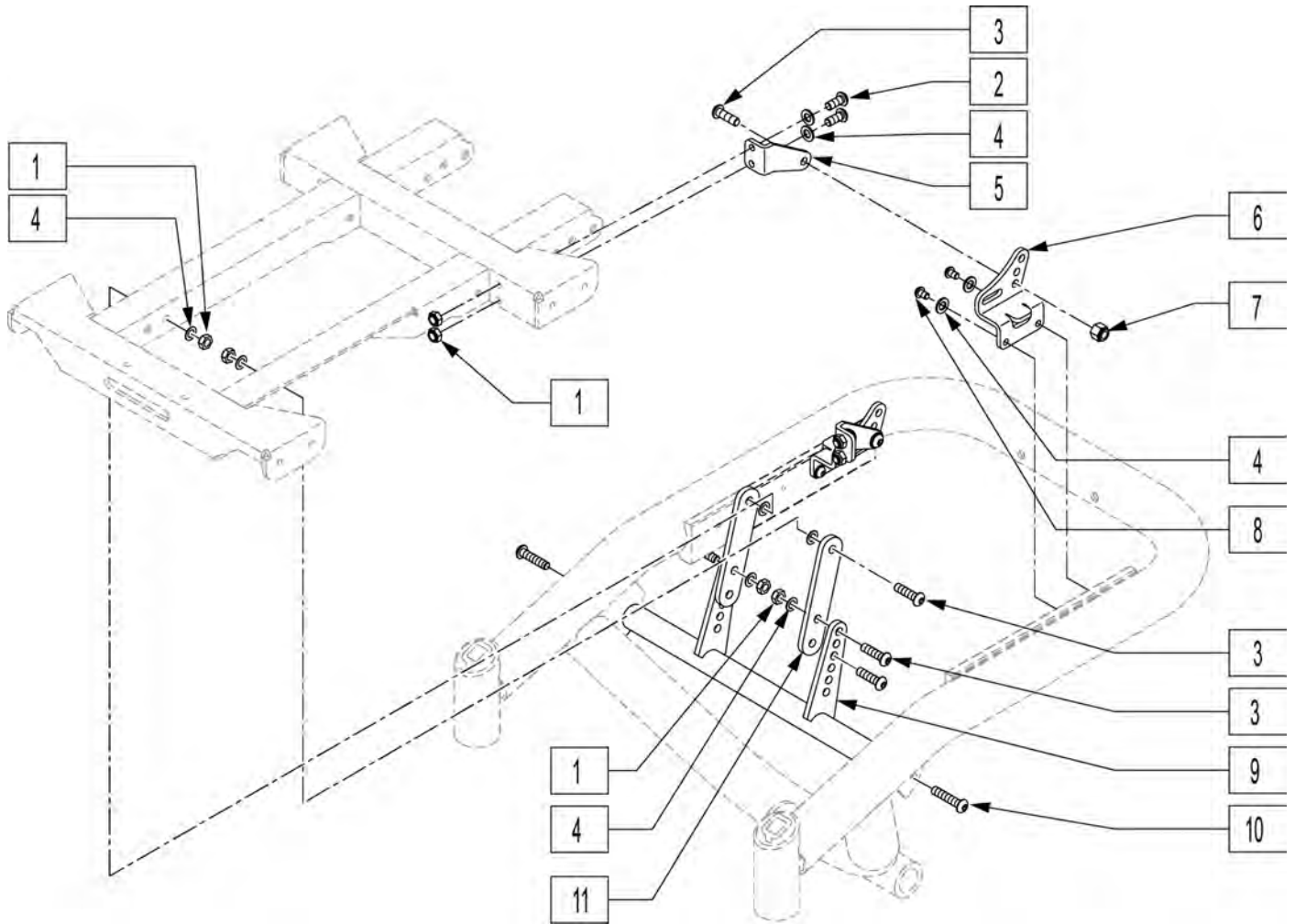
Pos.	Item Number	Description	Remarks
1	660180S	FLRD SEAT RAIL ASSM STD L S626	14-18" Seat Depth
1	660181S	FLRD SEAT RAIL ASSM STD R S626	14-18" Seat Depth
1	660182S	FLRD SEAT RAIL ASSM LNG L S626	19-20" Seat Depth
1	660183S	FLRD SEAT RAIL ASSM LNG R S626	19-20" Seat Depth
1	660184S	STRGHT SEAT RAIL ASSM STD S626	14-18" Seat Depth
1	660185S	STRGHT SEAT RAIL ASSM LNG S626	19-20" Seat Depth
3	202117	5/16-18 NYLOCK NUT THICK BLK	

Pos.	Item Number	Description	Remarks
4	263100	5/16 AN WASHER FLAT	
5	542024	FRONT SEAT ATTACH BRACKET S626	
6	349039	5/16 x 2.7 QUICK RELEASE PIN	
7	106947	WASHER FLAT THIN AN 5/16 ROHS	
8	226218	5/16-18 x 1 3/4 BH C/S BLK	
9	542066	SEAT SUPPORT WELDMNT S626	
10	561018	1" TUBE END BUSHING THICK	
11	202117	5/16-18 NYLOCK NUT THICK BLK	
12	263100	5/16 AN WASHER FLAT	
13	202116	5/16-18 NYLOCK NUT THIN BLK	
14	106947	WASHER FLAT THIN AN 5/16 ROHS	
15	561006	1" SADDLE 5/16" HOLE	
16	526065	SEAT SUPPORT FEMALE S626	
17	561002	1" INSERT PLUG .083	
18	226217	5/16-18 X 2" BH C/S BLK	
19	481417	1/4-28 CHANNEL NUT 1/2" SP	
20	481419	1/4-28 CHANNEL NUT 1.75" SP	
21	106943	WASHER FLAT AN 1/4 ROHS	
22	221012	1/4-28 x .44 SHCS BLK W/PL	
23	542013	CROSS SUPRT WLDMNT 14W 16 FRM	
23	542014	CROSS SUPRT WLDMNT 15W 16 FRM	
23	542015	CROSS SUPRT WLDMNT 16W 16 FRM	
23	542016	CROSS SUPRT WLDMNT 17W 16 FRM	
23	542017	CROSS SUPRT WLDMNT 18W 16 FRM	
23	542018	CROSS SUPRT WLDMNT 19W 16 FRM	
23	542019	CROSS SUPRT WLDMNT 20W 16 FRM	
23	542021	CROSS SUPRT WLDMNT 22W 18 FRM	
23	542025	CROSS SUPRT WLDMNT 24W 18 FRM	
24	550605	DOVE TAIL RAIL STRIP PLUG	
25	505500	BACK BRACKET L S626	
25	505501	BACK BRACKET R S626	
26	106943	WASHER FLAT AN 1/4 ROHS	
27	221012	1/4-28 x .44 SHCS BLK W/PL	
28	226218	5/16-18 x 1 3/4" BH C/S BLK	
29	263100	5/16 AN WASHER FLAT	
30	542030	RR SEAT MNT WELDMNT L S626	
30	542031	RR SEAT MNT WELDMNT R S626	
31	220127	5/16-18 x 1 HHCS BLK W/PL	
32	561059	3/4 OD x .318 ID WASHER	
33	202117	5/16-18 NYLOCK NUT THICK BLK	
34	226218	5/16-18 x 1 3/4" BH C/S BLK	
35	222104	5/16-18 x 1" SOC C/S BLK ZN	
36	540212	REAR SEAT MNT BRCKT WLDMNT RT	
36	540213	REAR SEAT MNT BRCKT WLDMNT LFT	
37	106943	WASHER FLAT AN 1/4 ROHS	
38	220125	1/4-20 x .75 HHCS BLK W/PL	
39	505532	REAR SEAT MOUNT LINK S626	
40	202117	5/16-18 NYLOCK NUT THICK BLK	
41	226176	5/16-18 x 1 1/2 BH C/S BLK	
42	221016	1/4-28 x .63 SHCS BLK W/PL	
2,34	107491	LATCH STUD KIT	
9-18	887720	FRNT VERT SEAT SPRT ASSM 14"-20"	
20-23,42	882290	CROSS SUPPORT FRNT 14W W/HDWR	
20-23,42	882291	CROSS SUPPORT FRNT 15W W/HDWR	
20-23,42	882292	CROSS SUPPORT FRNT 16W W/HDWR	
20-23,42	882293	CROSS SUPPORT FRNT 17W W/HDWR	

Pos.	Item Number	Description	Remarks
20-23,42	882294	CROSS SUPPORT FRNT 18W W/HDWR	
20-23,42	882295	CROSS SUPPORT FRNT 19W W/HDWR	
20-23,42	882296	CROSS SUPPORT FRNT 20W W/HDWR	
20-23,42	882297	CROSS SUPPORT FRNT 22W W/HDWR	
20-23,42	882298	CROSS SUPPORT FRNT 24W W/HDWR	
3-8,28-33,35,40	888880	FIXED SEAT FRAME HDWR 14-20 S626	

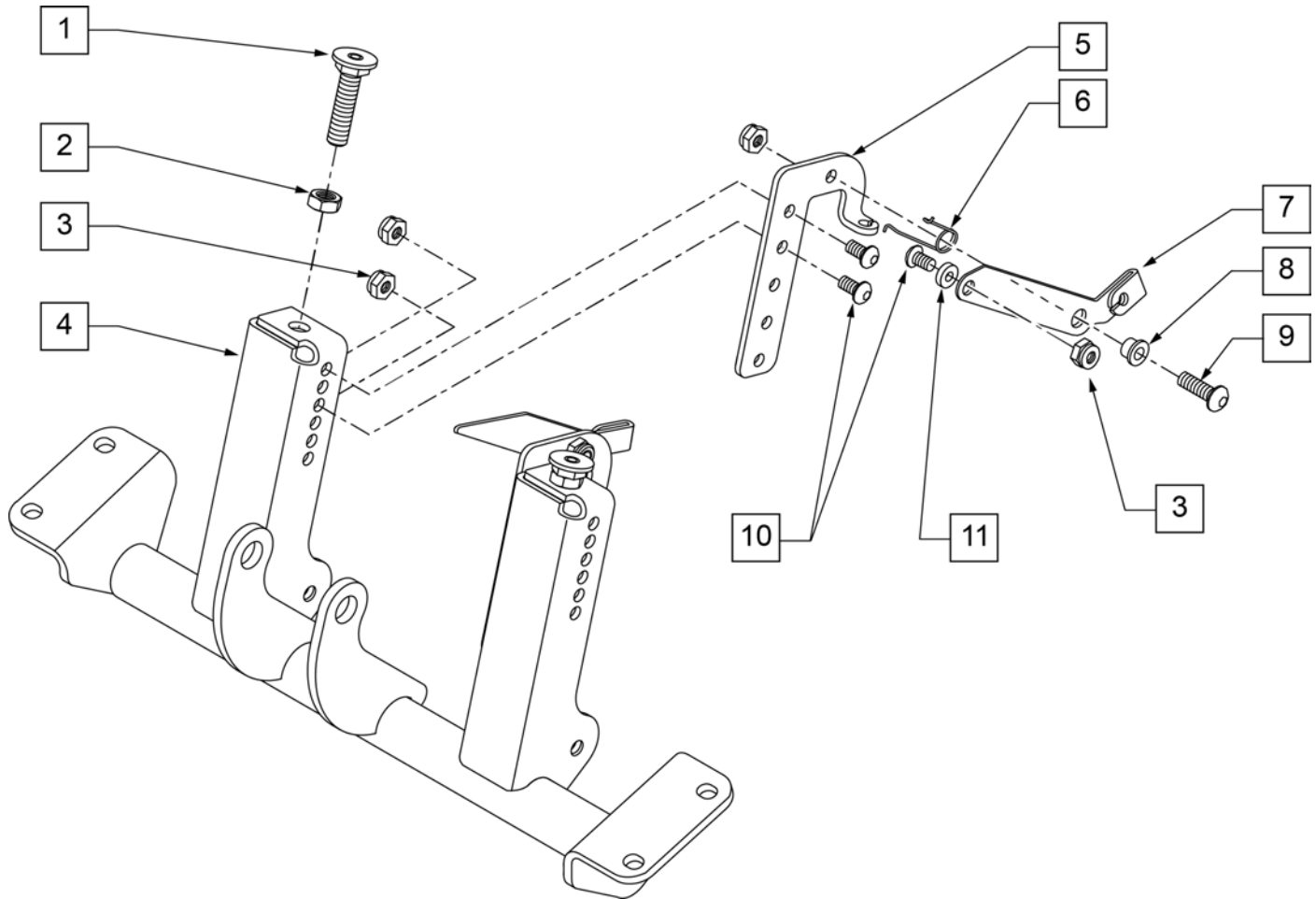


Pos.	Item Number	Description
1	542031	RR SEAT MNT WELDMENT R S626
2	527451	VERT SUPPORT SEAT TUBE 22"-24" OPT
3	226218	5/16-18 x 1 3/4" BH C/S BLK
4	542030	RR SEAT MNT WELDMENT L S626
5	263100	5/16 AN WASHER FLAT
6	202117	5/16-18 NYLOCK NUT THICK BLK
7	505397	CROSS SUPPORT TUBE 22"-24"W OPT
8	561006	1" SADDLE 5/16" HOLE
9	226217	5/16-18 X 2" BH C/S BLK
1-9	887721	FRONT VERT SEAT SUPPORT ASSM 22"-24"



Pos.	Item Number	Description
1	202300	5/16-18 NYLOCK NUT THIN BLK
2	226247	5/16-18 x 1 BH C/S BLK
3	222104	5/16-18 x 3/4" BH C/S BLK ZN
4	106943	WASHER FLAT AN 1/4 ROHS
5	502267	SEAT MOUNT BRKT REAR R
5	502268	SEAT MOUNT BRKT REAR L
6	540212	REAR SEAT MNT BRCKT WLDMNT RT
6	540213	REAR SEAT MNT BRCKT WLDMNT LFT
7	202117	5/16-18 NYLOCK NUT THICK BLK
8	220125	1/4-20 x 3/4 BH C/S W/PATCH BLK
9	542395	14-20W CRSS SPPRT ST 626 RCLN
9	542396	22-24W CRSS SPPRT ST 626 RCLN
10	226217	5/16-18 x 2 BH C/S BLK ZN
11	505975	FRNT SPPRT SEAT MNT 626 RCLN

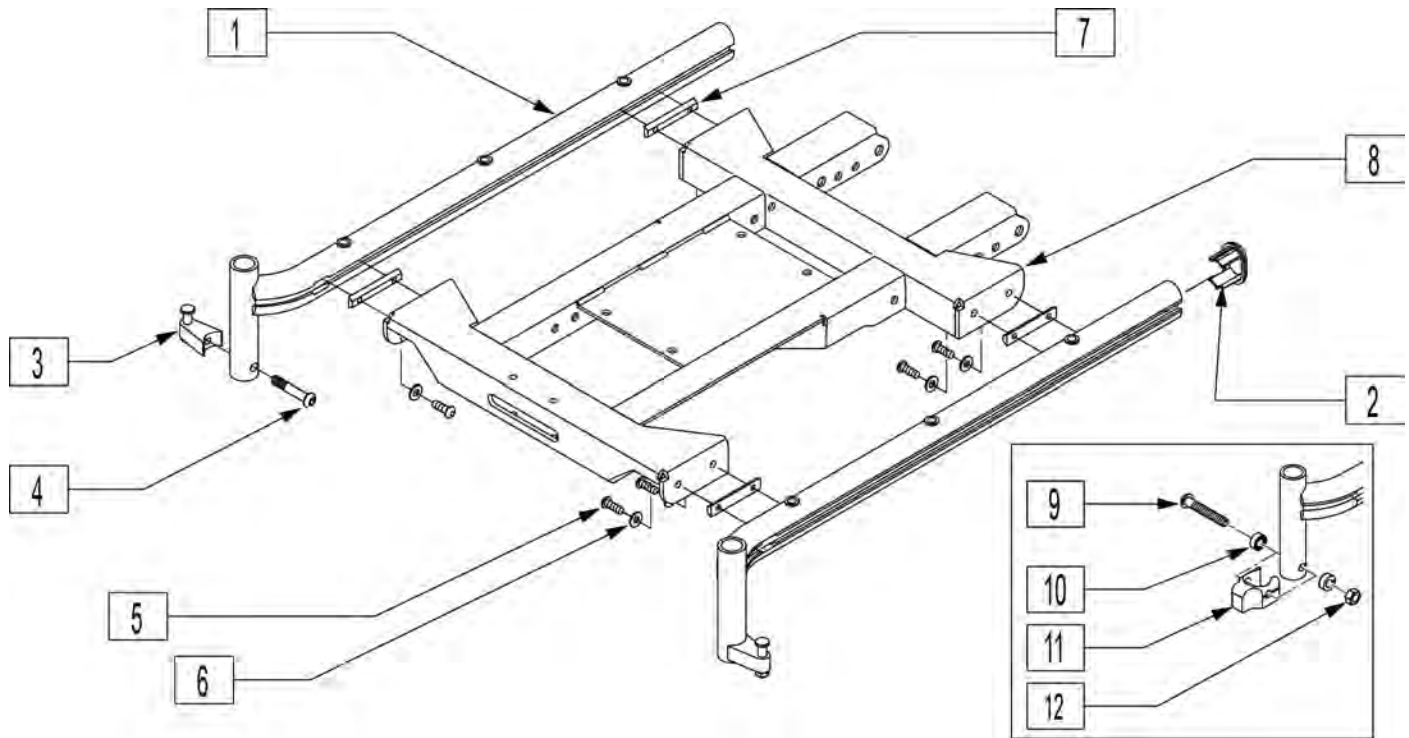
NOTE: EFFECTIVE 11/13/01; QUICKIE S626 TRANSITIONED TO QUICKIE S646 7/26/02.



Pos.	Item Number	Description	Remarks
1	330006	M12 x 1.75 FRNT SPPRT SEAT SCREW	
2	210075	M12 x 1.75 HEX JAM NUT	
3	202300	1/4-28 NYLOCK NUT THIN BLK ZN	
4	542098	LOWER ACT MOUNT ASSM 16 T & R	(14"-20" WIDE, 18 1/2" SEAT HEIGHT)
4	542099	LOWER ACT MOUNT ASSM 18 T & R	(22"-24" WIDE, 18 1/2" SEAT HEIGHT)
4	547101	LOWER ACT MOUNT ASSM 16 T & R 2"	(14"-20" WIDE, 20" SEAT HEIGHT)
4	547102	LOWER ACT MOUNT ASSM 18 T & R 2"	(22"-24" WIDE, 20" SEAT HEIGHT)
5	505567	ANTI TIP ACTUATION BRACKET L	
5	505568	ANTI TIP ACTUATION BRACKET R	
6	321727	ANTI TIP ACTUATION SPRING L	
6	321728	ANTI TIP ACTUATION SPRING R	
7	541049	ANTI TIP ACTUATOR LEVER R	
7	541050	ANTI TIP ACTUATOR LEVER L	
8	481039	BACK REL BUSHING RIGID	
9	106959	1/4-28 x 5/8 BH C/S	
10	226071	1/4-28 x 1/2 BH C/S BLK	
11	2743	.750 x .265 x .250 SPACER	
1-11	884190	TILT LWR MNT SUB ASSM 16 STD (STD)	(14"-20" WIDE, 18 1/2" SEAT HEIGHT)

Pos.	Item Number	Description	Remarks
1-11	884191	TILT LWR MNT SUB ASSM 18 STD (WIDE)	(22"-24" WIDE, 18 1/2" SEAT HEIGHT)
1-11	884192	TILT LOWER MNT SUB ASSM 16 2" (STD)	(14"-20" WIDE, 20" SEAT HEIGHT)
1-11	884193	TILT LOWER MNT SUB ASSM 18 2" (WIDE)	(22"-24" WIDE, 20" SEAT HEIGHT)

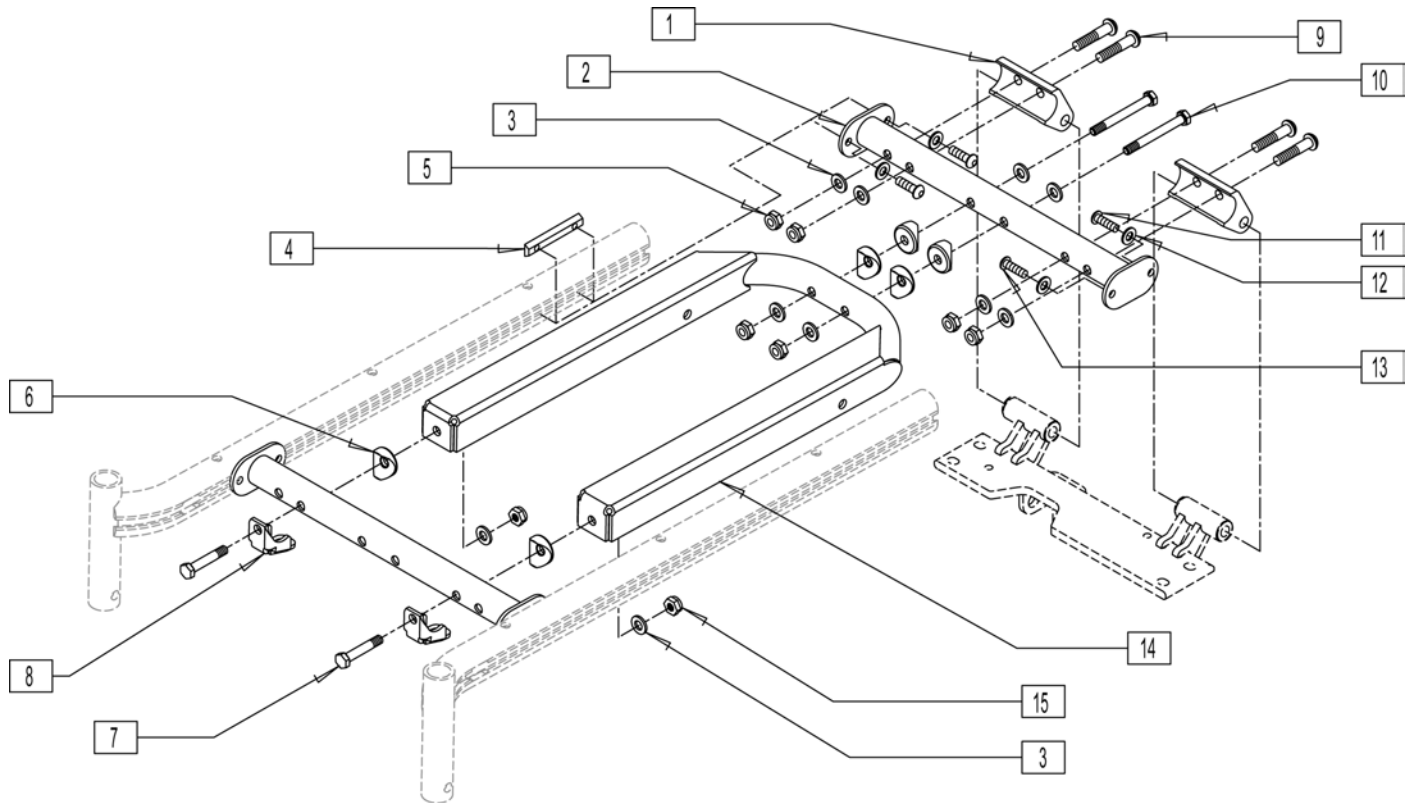
NOTE: EFFECTIVE 11/13/01 QUICKIE S626 TRANSITIONED TO QUICKIE S646 7/26/02



Pos.	Item Number	Description	Remarks
2	567003	END PLUG OVAL	
4	226218	5/16-18 x 1 3/4" BH C/S BLK	
5	221016	1/4-28 x .44 SHCS BLK W/PL	
6	106943	WASHER FLAT AN 1/4 ROHS	
7	481419	1/4-28 CHANNEL NUT 1.75" SP	
8	542500	14W TILT CHNNL WLDMT (.5) TUBE	14"-18" Seat Depth
8	542501	15W TILT CHNNL WLDMT (.5) TUBE	14"-18" Seat Depth
8	542502	16W TILT CHNNL WLDMT (.5) TUBE	14"-18" Seat Depth
8	542503	17W TILT CHNNL WLDMT (.5) TUBE	14"-18" Seat Depth
8	542504	18W TILT CHNNL WLDMT (.5) TUBE	14"-18" Seat Depth
8	542505	19W TILT CHNNL WLDMT (.5) TUBE	14"-18" Seat Depth
8	542506	20W TILT CHNNL WLDMT (.5) TUBE	14"-18" Seat Depth
8	542507	22W TILT CHNNL WLDMT (.5) TUBE	14"-18" Seat Depth
8	542508	24W TILT CHNNL WLDMT (.5) TUBE	14"-18" Seat Depth
8	542530	TILT CHANNEL WLDMNT 14W LONG	19"-21" Seat Depth
8	542531	TILT CHANNEL WLDMNT 15W LONG	19"-21" Seat Depth
8	542532	TILT CHANNEL WLDMNT 16W LONG	19"-21" Seat Depth
8	542533	TILT CHANNEL WLDMNT 17W LONG	19"-21" Seat Depth
8	542534	TILT CHANNEL WLDMNT 18W LONG	19"-21" Seat Depth
8	542535	TILT CHANNEL WLDMNT 19W LONG	19"-21" Seat Depth
8	542536	TILT CHANNEL WLDMNT 20W LONG	19"-21" Seat Depth
8	542537	TILT CHANNEL WLDMNT 22W LONG	19"-21" Seat Depth
8	542538	TILT CHANNEL WLDMNT 24W LONG	19"-21" Seat Depth
9	226217	5/16-18 X 2" BH C/S BLK	
10	505831	SPACER CAM	

Pos.	Item Number	Description	Remarks
11	500526	BLOCK LOCATOR HNGER PWR	
12	202116	5/16-18 NYLOCK NUT THIN BLK	
1,2	660180S	FLRD SEAT RAIL ASSM STD L S626	(14"-18" DEPTHS)
1,2	660181S	FLRD SEAT RAIL ASSM STD R S626	(14"-18" DEPTHS)
1,2	660182S	FLRD SEAT RAIL ASSM LNG L S626	(19"-24" DEPTHS)
1,2	660183S	FLRD SEAT RAIL ASSM LNG R S626	(19"-24" DEPTHS)
1,2	660184S	STRGHT SEAT RAIL ASSM STD S626	(14"-18" DEPTHS)
1,2	660185S	STRGHT SEAT RAIL ASSM LNG S626	(19"-24" DEPTHS)
3,4	107491	LATCH STUD KIT	
9-12	920053	HANGER LOCATOR ASSM W/HDWR	for Power Activated ELR & ALR Legrests ONLY

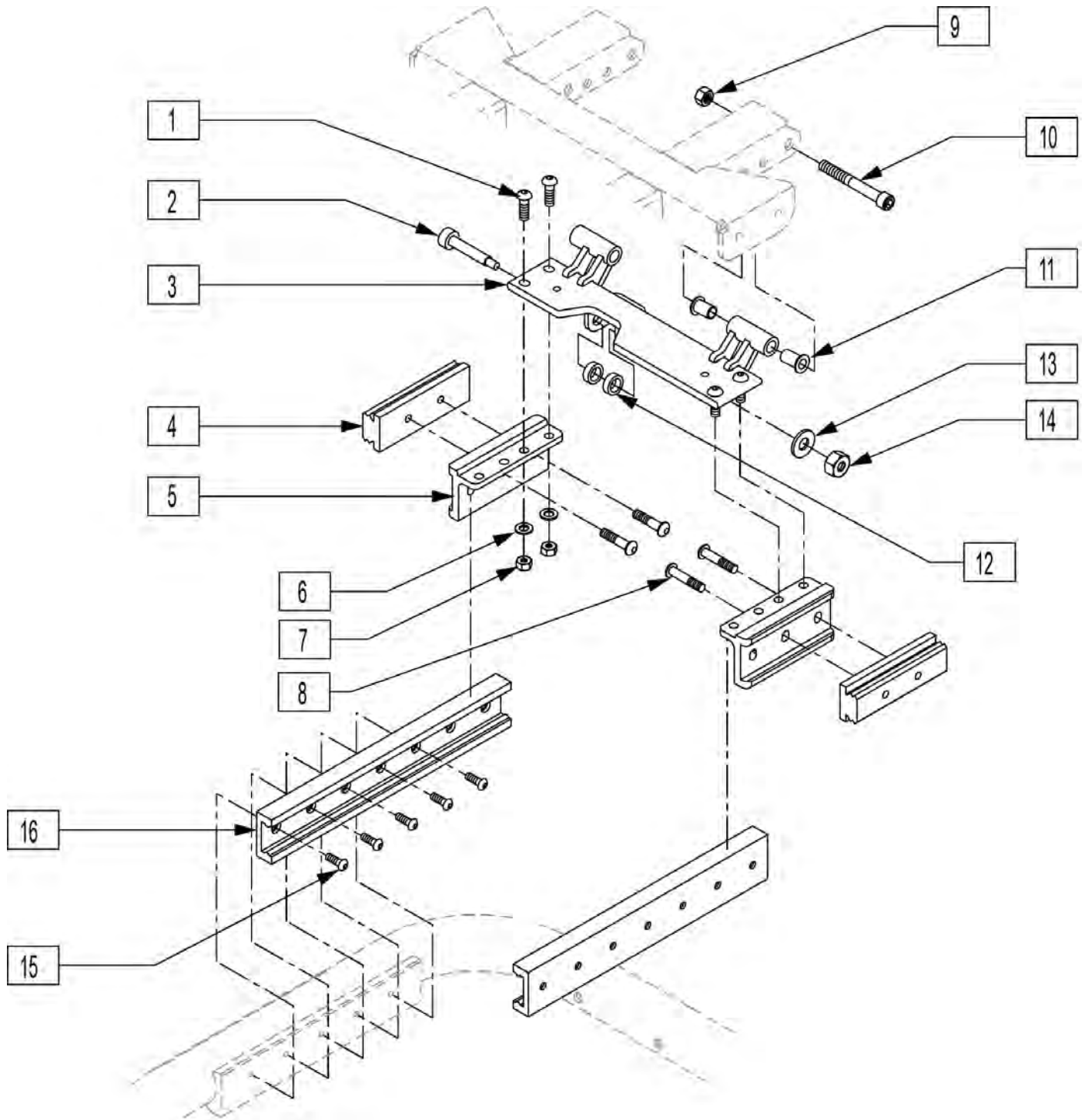
NOTE: DISCONTINUED 11/13/01.



Pos.	Item Number	Description	Remarks
1	505524	REAR CROSS TUBE BOSS	
2	542013	CROSS SUPRT WLDMNT 14W 16 FRM	
2	542014	CROSS SUPRT WLDMNT 15W 16 FRM	
2	542015	CROSS SUPRT WLDMNT 16W 16 FRM	
2	542016	CROSS SUPRT WLDMNT 17W 16 FRM	
2	542017	CROSS SUPRT WLDMNT 18W 16 FRM	
2	542018	CROSS SUPRT WLDMNT 19W 16 FRM	
2	542019	CROSS SUPRT WLDMNT 20W 16 FRM	
2	542021	CROSS SUPRT WLDMNT 22W 18 FRM	
2	542025	CROSS SUPRT WLDMNT 24W 18 FRM	
2	542370	REAR SPRT WLDMT 14W 16W TLT FR	(18" FRONT SEAT HEIGHT)
2	542371	REAR SPRT WLDMT 15W 16W TLT FR	(18" FRONT SEAT HEIGHT)
2	542372	REAR SPRT WLDMT 16W 16W TLT FR	(18" FRONT SEAT HEIGHT)
2	542373	REAR SPRT WLDMT 17W 16W TLT FR	(18" FRONT SEAT HEIGHT)
2	542374	REAR SPRT WLDMT 18W 16W TLT FR	(18" FRONT SEAT HEIGHT)
2	542375	REAR SPRT WLDMT 19W 16W TLT FR	(18" FRONT SEAT HEIGHT)
2	542376	REAR SPRT WLDMT 20W 16W TLT FR	(18" FRONT SEAT HEIGHT)
2	542378	REAR SPRT WLDMT 22W 18W TLT FR	(18" FRONT SEAT HEIGHT)
2	542379	REAR SPRT WLDMT 24W 18W TLT FR	(18" FRONT SEAT HEIGHT)
3	263100	5/16 AN WASHER FLAT	
4	481419	1/4-28 CHANNEL NUT 1.75" SP	
5	202117	5/16-18 NYLOCK NUT THICK BLK	
6	561006	1" SADDLE 5/16" HOLE	

Pos.	Item Number	Description	Remarks
7	222101	5/16 AN5-16A HEX C/S	
8	505554	TILT BOTTOM STOP PAD	
9	226218	5/16-18 x 1 3/4" BH C/S BLK	
10	222102	5/16 AN5-26A HEX C/S	
11	226247	1/4-28 x 5/8 B/H C/S BLACK G5	
12	106943	WASHER FLAT AN 1/4 ROHS	
13	221092	1/4-28 x 7/16 BH CS BLK W/PTCH	
14	542058	TILT SEAT CHANNEL WLDMNT 16"/18"	(14"-20" WIDE)
14	542059	TILT SEAT CHANNEL WLDMNT 18"	(22"-24" WIDE)
15	202111	5/16-24 NYLOCK NUT THICK BLK	
2,4,11-13	882290	CROSS SUPPORT FRNT 14W W/HDWR	
2,4,11-13	882291	CROSS SUPPORT FRNT 15W W/HDWR	
2,4,11-13	882292	CROSS SUPPORT FRNT 16W W/HDWR	
2,4,11-13	882293	CROSS SUPPORT FRNT 17W W/HDWR	
2,4,11-13	882294	CROSS SUPPORT FRNT 18W W/HDWR	
2,4,11-13	882295	CROSS SUPPORT FRNT 19W W/HDWR	
2,4,11-13	882296	CROSS SUPPORT FRNT 20W W/HDWR	
2,4,11-13	882297	CROSS SUPPORT FRNT 22W W/HDWR	
2,4,11-13	882298	CROSS SUPPORT FRNT 24W W/HDWR	
2,4,11-13	882309	CROSS SPPRT RR TILT 14W W/HDWR	
2,4,11-13	882310	CROSS SPPRT RR TILT 15W W/HDWR	
2,4,11-13	882311	CROSS SPPRT RR TILT 16W W/HDWR	
2,4,11-13	882312	CROSS SPPRT RR TILT 17W W/HDWR	
2,4,11-13	882313	CROSS SPPRT RR TILT 18W W/HDWR	
2,4,11-13	882314	CROSS SPPRT RR TILT 19W W/HDWR	
2,4,11-13	882315	CROSS SPPRT RR TILT 20W W/HDWR	
2,4,11-13	882316	CROSS SPPRT RR TILT 22W W/HDWR	
2,4,11-13	882317	CROSS SPPRT RR TILT 24W W/HDWR	

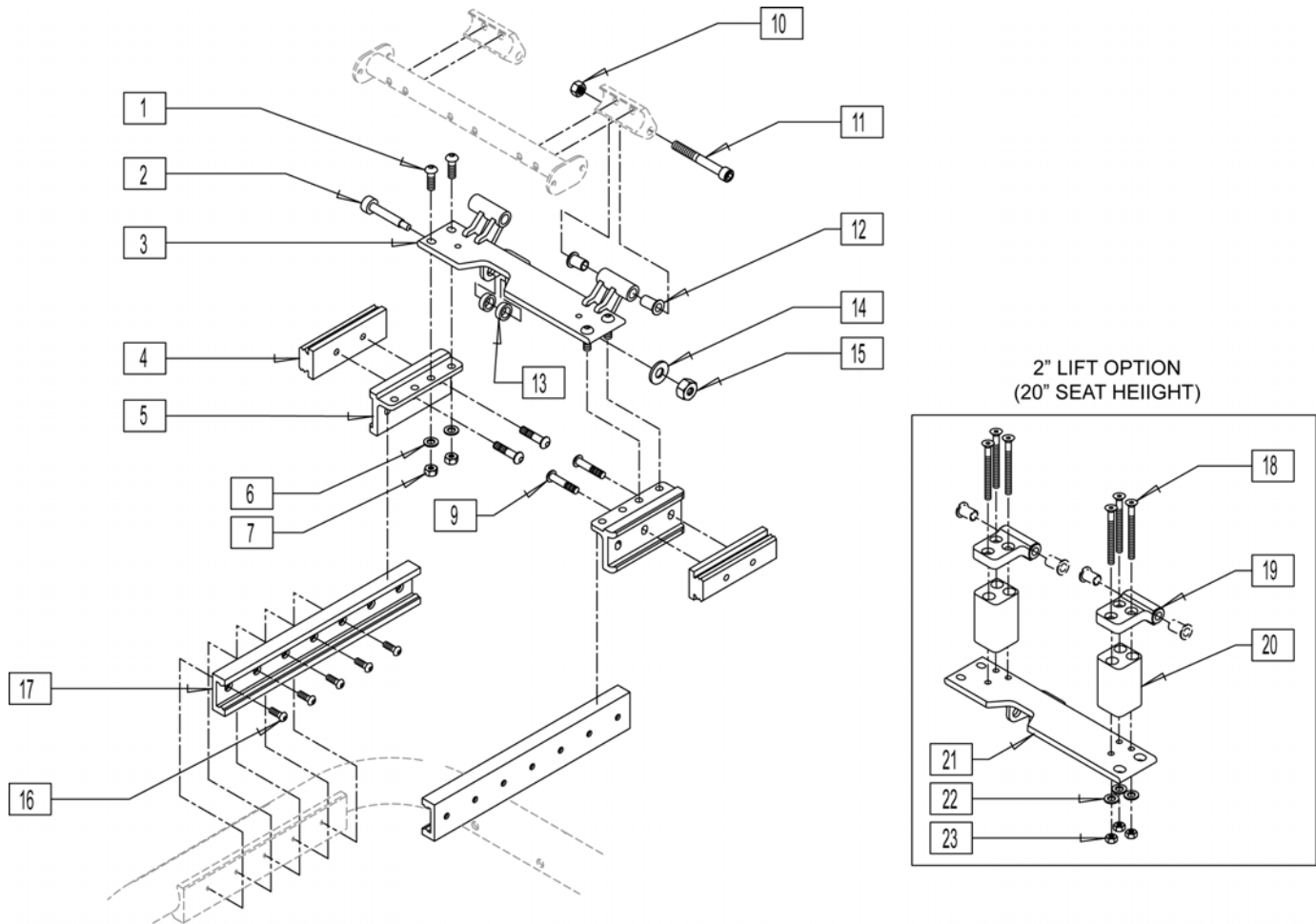
NOTE: EFFECTIVE 11/13/01 QUICKIE S626 TRANSITIONED TO QUICKIE S646 7/26/02



Pos.	Item Number	Description	Remarks
1	222104	5/16-18 x 1 BH C/S BLK	
2	226329	1/2 x 1-3/4 SOC C/S SHOULD BLK	

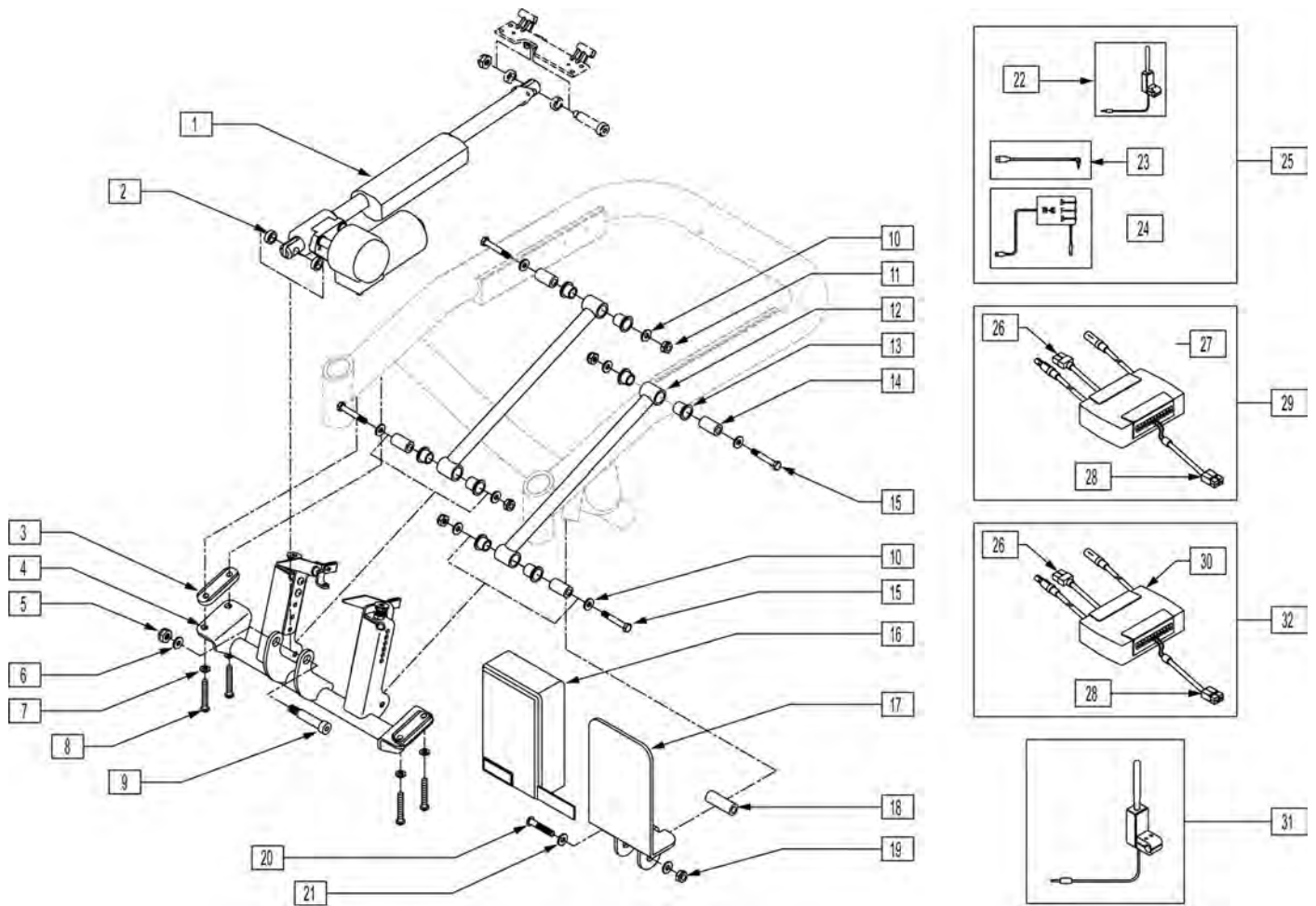
Pos.	Item Number	Description	Remarks
3	540870	REAR PLATE WLDMT 16" 626 T/R	(14"-20" WIDE, 18 1/2" SEAT HEIGHT)
3	540871	REAR PLATE WLDMT 18" 626 T/R	(22"-24" WIDE, 18 1/2" SEAT HEIGHT)
3	541029	HEIGHT PLATE WLDMT 16" REAR	(14"-20" WIDE, 20" SEAT HEIGHT)
3	541030	HEIGHT PLATE WLDMT 18" REAR	(22"-24" WIDE, 20" SEAT HEIGHT)
5	483248	GLIDE BLOCK METRIC S626	
6	106947	WASHER FLAT THIN AN 5/16 ROHS	
7	202117	5/16-18 NYLOCK NUT THICK BLK	
8	235007	M8 x 1.25 x 16 BH C/S	
15	226078	1/4-20 x 3/4 BH C/S W/PATCH BLK	
9	201263	3/8-16 NYLOCK NUT BLK ZINC	
10	226331	3/8-16 x 2-1/4 SOC HD C/S BLK	
11	349595	BEARING IGUS 3/8 x 15/32 x 1/2	
12	261531	ACTUATOR THRUST WASHER	
13	263140	3/8 WASHER FLAT	
14	201263	3/8-16 NYLOCK NUT BLK ZINC	
4,16	883155	TILT GUIDE RAIL ASSM 250 LB	
4,16	883156	TILT GUIDE RAIL ASSM 400 LB	
1-3,5-14	883060	TILT SEAT SLIDE PLT ASSM 16" (STD)	(14"-20" WIDE, 18 1/2" SEAT HEIGHT)
1-3,5-14	883061	TILT SEAT SLIDE PLT ASSM 18" (WIDE)	(22"-24" WIDE, 18 1/2" SEAT HEIGHT)
1-3,5-14	883062	TILT SEAT SLIDE PLT ASSM 16 2" (STD)	(14"-20" WIDE, 20" SEAT HEIGHT)
1-3,5-14	883063	TILT SEAT SLIDE PLT ASSM 18 2" (WIDE)	(22"-24" WIDE, 20" SEAT HEIGHT)

NOTE: DISCONTINUED 11/13/01.



Pos.	Item Number	Description	Remarks
1	226181	5/16-18 x 1 BH C/S BLK	
2	226329	1/2 x 1-3/4 SOC C/S SHOULD BLK	
3	542067	TILT RR PLT WLDMNT STD 16"	(14"-20" WIDE)
3	542068	TILT RR PLT WLDMNT STD 18"	(22"-24" WIDE)
5	483248	GLIDE BLOCK METRIC S626	
6	106947	WASHER FLAT THIN AN 5/16 ROHS	
7	202117	5/16-18 NYLOCK NUT THICK BLK	
9	235007	M8 x 1.25 x 16 BH C/S	
10	201263	3/8-16 NYLOCK NUT BLK ZINC	
11	226310	3/8-16 x 3 SOC HD C/S BLK	
12	349529	TILT REAR PLT PIVT BUSHNG S626	
13	261531	ACTUATOR THRUST WASHER	
14	263140	3/8 WASHER FLAT	
15	201263	3/8-16 NYLOCK NUT BLK ZINC	
16	226078	1/4-20 x 3/4 BH C/S W/PATCH BLK	
18	221217	1/4-28 x 3 1/4" FH C/S BLK	
19	483186	CROSS PLATE BLOCK	

Pos.	Item Number	Description	Remarks
20	505515	TILT 2" LIFT BLOCK S626	
21	542048	REAR PLT WDMNT 16" 2" LIFT	(14"-20" WIDE)
21	542049	REAR PLT WDMNT 18" 2" LIFT	(22"-24" WIDE)
22	106943	WASHER FLAT AN 1/4 ROHS	
23	204110	1/4-28 NYLOCK NUT BLK ZN	
4,17	883155	TILT GUIDE RAIL ASSEMBLY 250 lb (EA)	
4,17	883156	TILT GUIDE RAIL ASSEMBLY 400 lb (EA)	



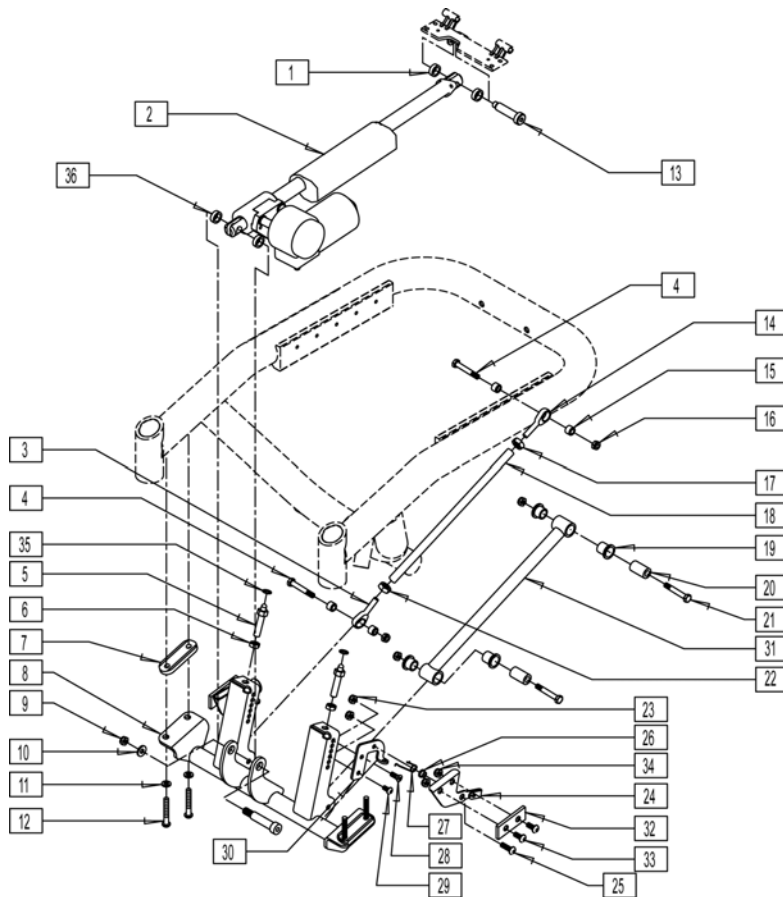
Pos.	Item Number	Description	Remarks
1	881037	ACTUATOR ASSM 400LB S626	PRIOR TO s/n prefix S63A/S64A and S63B/S64B
1	880967	ACTUATOR ASSM 250 S626	PRIOR TO s/n prefix S63A/S64A and S63B/S64B
2	261531	ACTUATOR THRUST WASHER	
3	483209	ACTUATOR MOUNT SADDLE S626	
3	884190	TILT LOWER MNT SUB ASSM 16 STD	(14"-20" WIDE, 18 1/2" SEAT HEIGHT)
3	884191	TILT LOWER MNT SUB ASSM 18 STD	(22"-24" WIDE, 18 1/2" SEAT HEIGHT)
3	884192	TILT LOWER MNT SUB ASSM 16 2"	(14"-20" WIDE, 20" SEAT HEIGHT)
3	884193	TILT LOWER MNT SUB ASSM 18 2"	(22"-24" WIDE, 20" SEAT HEIGHT)
5	201263	3/8-16 NYLOCK NUT BLK ZINC	
6	263140	3/8 WASHER FLAT	
7	263100	5/16 AN WASHER FLAT	
8	221018	5/16-18 x 1.5 SHCS BLK W/PL	
9	226329	1/2 x 1-3/4 SOC C/S SHOULD BLK	
10	263100	5/16 AN WASHER FLAT	
11	202111	5/16-24 NYLOCK NUT THICK BLK	
12	542032	TILT SEATING FIXED LINKAGE	
12	542041	TLT SEATING FXED LNKGE 2" LIFT	
13	560401	NYLINER BUSHING (10L7-F)	
14	481321	UPPER SOLID LINKAGE PIVOT	
15	222103	5/16 AN5-20A HEX C/S	
16	750155	WATER PROOF COVER ALM	

Pos.	Item Number	Description	Remarks
17	505648	ALM TM40 MOUNT	
18	505569	ALM MOUNT SPACER	
19	204110	1/4-28 NYLOCK NUT BLK ZN	
20	221015	1/4-28 x 2.5 SHCS BLK W/PL	
21	106943	WASHER FLAT AN 1/4 ROHS	
22	881318	TOGGLE SWITCH ASSY TILT L	
22	881338	TOGGLE SWITCH ASSY TILT R	
23	139425	WIRING HARNESS TM40 S626	
24	881347	TM40 TILT CONTROL ASY 6 AMP	
25	881517	TM40 CNTRL ASSM R S626	
25	881518	TM40 CNTRL ASSM L S626	
26	139424	WIRING HARNESS ALM P500 TK	
27	881342	PILOT + ALM W/VELCRO 6 AMP	
27	881343	PILOT + ALM W/VELCRO 10 AMP	
28	139420	WIRING HARNESS ALM G424 CG (3")	3" long wire
28	139427	WIRING HARNESS WP COVER ALM (13")	13 inch long wire
29	881515	ALM 250LB CNTRL ASSM S626	
29	881516	ALM 400LB CNTRL ASSM S626	
30	882690	PILOT+ ALM 6AMP W/VLRO AX INP	
30	881346	PILOT + ALM W/VELCRO AUX INPUT	
31	881394	ATTN TGGLE SWTH ASSM TLT VLCRO	
31	881395	ATTN TGGLE SWTH ASSM TLT L	
31	881396	ATTN TGGLE SWTH ASSM TLT R	
32	882691	ALM 6 AMP CNTRL ASSM AUX	
16-21	880753	ALM TM40 MOUNT ASSM	
2-15	884170	TILT LOWER MNT ASSM 16 STD 626 (STD)	(14"-20" WIDE, 18 1/2" SEAT HEIGHT)
2-15	884171	TILT LWR MNT ASSM 18 STD 626 (WIDE)	(22"-24" WIDE, 18 1/2" SEAT HEIGHT)
2-15	884172	TILT LOWER MNT ASSM 16 2" S626 (STD)	(14"-20" WIDE, 20" SEAT HEIGHT)
2-15	884173	TILT LWR MNT ASSM 18 2" S626 (WIDE)	(22"-24" WIDE, 20" SEAT HEIGHT)

NOTE: EFFECTIVE 11/13/01 QUICKIE S626 TRANSITIONED TO QUICKIE S646 7/26/02

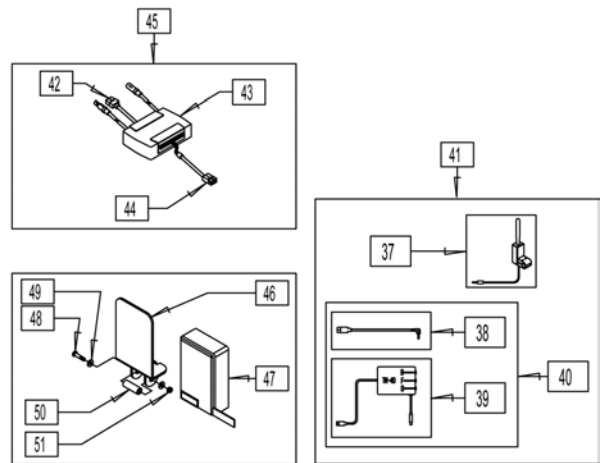
NOTE: IF RETROFITTING A TILT ONTO AN EXISTING CHAIR PLEASE CONTACT SUNRISE MEDICAL TECHNICAL SUPPORT TO ENSURE ALL REQUIRED PARTS ARE PURCHASED.

NOTE: DISCONTINUED 11/13/01.



REFERENCE GUIDE

LOWER ACTUATOR MOUNT ASSEMBLY (ITEM 8)	18 1/2" SEAT HEIGHT	20" SEAT HEIGHT
14"-20" WIDE	542050	542051
22"-24" WIDE	542052	542053
TILT LOWER MOUNT ASSEMBLY (ITEMS: 1,3-36)		
14"-20" WIDE	884200	884202
22"-24" WIDE	884201	884203



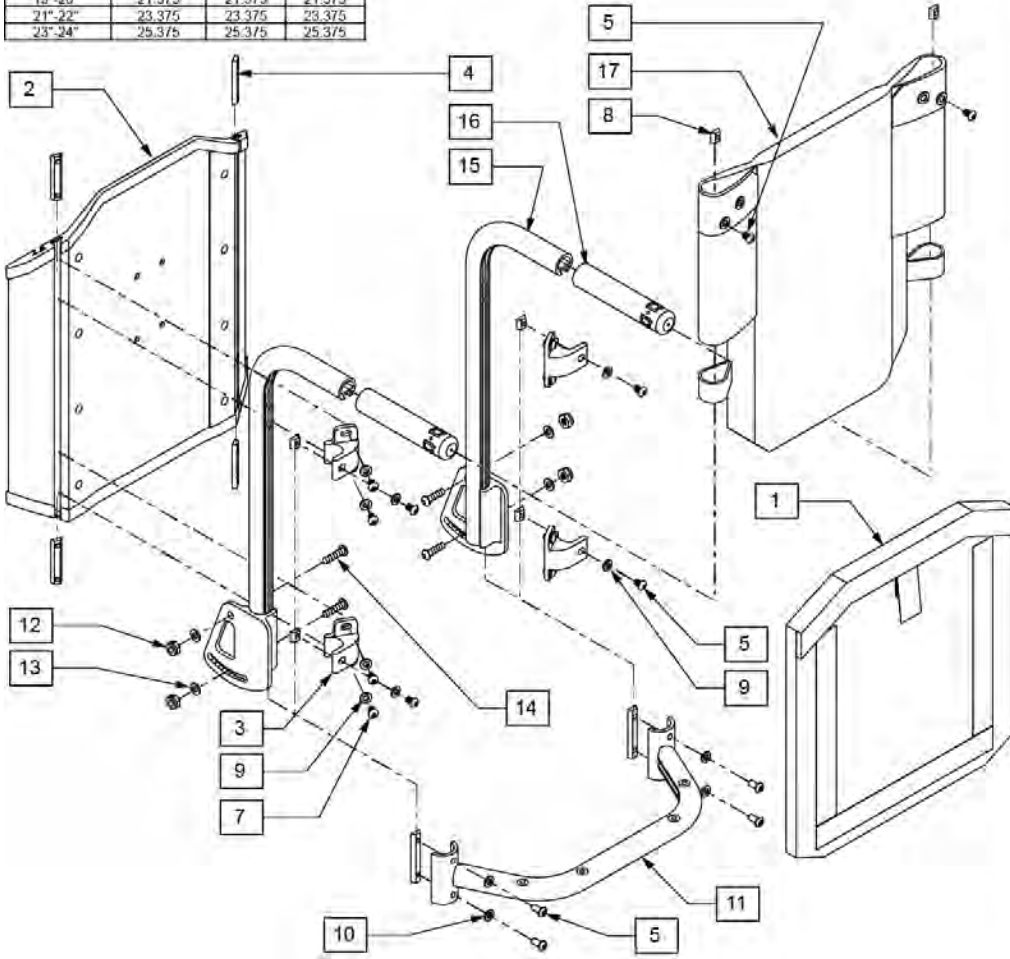
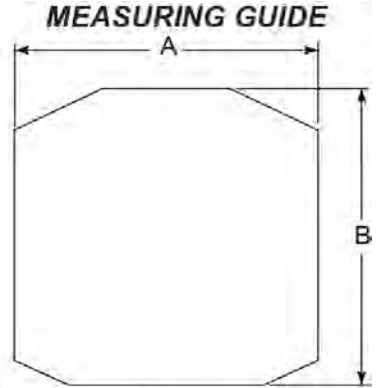
Pos.	Item Number	Description	Remarks
1	261531	ACTUATOR THRUST WASHER	
2	881037	ACTUATOR ASSM 400lb S626	
2	880967	ACTUATOR ASSM 250 S626	
3	340019	5/16-24 MALE LH THREAD ROD END	
4	222103	5/16 AN5-20A HEX C/S	
5	340026	TILT FORWARD STOP ADJ PIN	
6	203001	3/8-24 NUT THIN	
7	483209	ACTUATOR MOUNT SADDLE S626	
8	542050	LOWER ACT MOUNT ASSM 16 STD	SEE REFERENCE GUIDE
8	542052	LOWER ACT MOUNT ASSM 18 STD	SEE REFERENCE GUIDE
8	542053	LOWER ACT MOUNT ASSM 18 2"	SEE REFERENCE GUIDE
9	201263	3/8-16 NYLOCK NUT BLK ZINC	
10	263140	3/8 WASHER FLAT	
11	263100	5/16 AN WASHER FLAT	
12	221018	5/16-18 x 1.5 SHCS BLK W/PL	
13	226329	1/2 x 1 3/4 SOC C/S SHOULD BLK	
14	341717	5/16-24 x 5/16 ROD END	
15	481320	UPPER SPHERICAL LINKAGE SPACER	
16	202111	5/16-24 NYLOCK NUT THICK BLK	
17	202108	5/16-24 HEX JAM NUT	

Pos.	Item Number	Description	Remarks
18	526061	LINK TUBING SPHERICAL STD	
18	526062	LINK TUBING SPHERICAL 2"	
19	560401	NYLINER BUSHING (10L7-F)	
20	481321	UPPER SOLID LINKAGE PIVOT	
21	222103	5/16 AN5-20A HEX C/S	
22	202118	5/16-24 HEX THIN NUT LH THREAD	
23	202300	1/4-28 NYLOCK NUT THIN BLK ZN	
24	481253	ANTI TIP ACTUATION LEVER L	
24	481254	ANTI TIP ACTUATION LEVER R	
25	106959	1/4-28 x 5/8 BH C/S	
26	481039	BACK REL BUSHING RIGID	
27	321727	ANTI TIP ACTUATION SPRING L	
27	321728	ANTI TIP ACTUATION SPRING R	
28	226076	1/4-28 x 1/2 FH C/S W/PATCH	
29	226071	1/4-28 x 1/2 BH C/S BLK	
30	505567	ANTI TIP ACTUATION BRACKET L	
30	505568	ANTI TIP ACTUATION BRACKET R	
31	542032	TILT SEATING FIXED LINKAGE	
31	542041	TLT SEATING FXED LNKGE 2" LIFT	
32	562001	ANTI TIP ACTUATION RUB BLOCK	
33	226018-QU	10-32 x 3/8 BH C/S W/PATCH BLK	
34	200101-QU	10-32 NYLOCK NUT THIN	
35	340018	RUBBER INSULATOR S525	
36	261531	ACTUATOR THRUST WASHER	
37	881318	TOGGLE SWITCH ASSY TILT L	
37	881338	TOGGLE SWITCH ASSY TILT R	
38	139425	WIRING HARNESS TM40 S626	
39	881347	TM40 TILT CONTROL ASY 6 AMP	
41	881517	TM40 CNTRL ASSM R S626	
41	881518	TM40 CNTRL ASSM L S626	
42	139424	WIRING HARNESS ALM P500 TK	
43	881342	PILOT + ALM W/VELCRO 6 AMP	
43	881343	PILOT + ALM W/VELCRO 10 AMP	
44	139427	WIRING HARNESS WP COVER ALM	
45	881515	ALM 250lb CNTRL ASSM S626	
45	881516	ALM 400lb CNTRL ASSM S626	
46	505648	ALM TM40 MOUNT	
47	750155	WATER PROOF COVER ALM	
48	226166	1/4-28 x 2 1/2 BH C/S BLK	
49	106943	1/4 AN WASHER FLAT	
50	505569	ALM MOUNT SPACER	
51	204110	1/4-28 NYLOCK NUT BLK ZN	
46-51	880753	ALM TM40 MOUNT ASSM	
1,3-36	884200	TLT LWR MNT ASM PIN DOCK 16 ST	SEE REFERENCE GUIDE
1,3-36	884201	TLT LWR MNT ASM PIN DOCK 18 ST	SEE REFERENCE GUIDE
1,3-36	884202	TLT LWR MNT ASM PIN DOCK 16 2"	SEE REFERENCE GUIDE
1,3-36	884203	TLT LWR MNT ASM PIN DOCK 18 2"	SEE REFERENCE GUIDE

ADJUSTABLE BACKREST

[04/16/2019]

Order Form Back Height	Height (in inches) (top of seat pan to bottom of push handle)		
	Upholstered Back	Jay Solid Backrest	Omit Back Uphostery
15"-16"	17.375	17.375	17.375
17"-18"	19.375	19.375	19.375
19"-20"	21.375	21.375	21.375
21"-22"	23.375	23.375	23.375
23"-24"	25.375	25.375	25.375



PART#	DESCRIPTION	DIM "A"	DIM "B"
681850	BACK CUSHION 14X16 SOLID BK	14.3/4	14
681851	BACK CUSHION 14X18 SOLID BK	14.3/4	16
681852	BACK CUSHION 14X20 SOLID BK	14.3/4	18
681853	BACK CUSHION 14X22 SOLID BK	14.3/4	20
681854	BACK CUSHION 14X24 SOLID BK	14.3/4	22
681855	BACK CUSHION 15X16 SOLID BK	15.3/4	14
681856	BACK CUSHION 15X18 SOLID BK	15.3/4	16
681857	BACK CUSHION 15X20 SOLID BK	15.3/4	18
681858	BACK CUSHION 15X22 SOLID BK	15.3/4	20
681859	BACK CUSHION 15X24 SOLID BK	15.3/4	22
681860	BACK CUSHION 16X16 SOLID BK	16.3/4	14
681861	BACK CUSHION 16X18 SOLID BK	16.3/4	16
681862	BACK CUSHION 16X20 SOLID BK	16.3/4	18
681863	BACK CUSHION 16X22 SOLID BK	16.3/4	20
681864	BACK CUSHION 16X24 SOLID BK	16.3/4	22
681865	BACK CUSHION 17X16 SOLID BK	17.3/4	14
681866	BACK CUSHION 17X18 SOLID BK	17.3/4	16
681867	BACK CUSHION 17X20 SOLID BK	17.3/4	18
681868	BACK CUSHION 17X22 SOLID BK	17.3/4	20
681869	BACK CUSHION 17X24 SOLID BK	17.3/4	22
681870	BACK CUSHION 18X16 SOLID BK	18.3/4	14
681871	BACK CUSHION 18X18 SOLID BK	18.3/4	16
681872	BACK CUSHION 18X20 SOLID BK	18.3/4	18
681873	BACK CUSHION 18X22 SOLID BK	18.3/4	20
681874	BACK CUSHION 18X24 SOLID BK	18.3/4	22
681875	BACK CUSHION 19X16 SOLID BK	19.3/4	14
681876	BACK CUSHION 19X18 SOLID BK	19.3/4	16
681877	BACK CUSHION 19X20 SOLID BK	19.3/4	18
681878	BACK CUSHION 19X22 SOLID BK	19.3/4	20
681879	BACK CUSHION 19X24 SOLID BK	19.3/4	22
681880	BACK CUSHION 20X16 SOLID BK	20.3/4	14
681881	BACK CUSHION 20X18 SOLID BK	20.3/4	16
681882	BACK CUSHION 20X20 SOLID BK	20.3/4	18
681883	BACK CUSHION 20X22 SOLID BK	20.3/4	20
681884	BACK CUSHION 20X24 SOLID BK	20.3/4	22
681885	BACK CUSHION 22X16 SOLID BK	22.3/4	14
681886	BACK CUSHION 22X18 SOLID BK	22.3/4	16
681887	BACK CUSHION 22X20 SOLID BK	22.3/4	18
681888	BACK CUSHION 22X22 SOLID BK	22.3/4	20
681889	BACK CUSHION 22X24 SOLID BK	22.3/4	22
681890	BACK CUSHION 24X16 SOLID BK	24.3/4	14
681891	BACK CUSHION 24X18 SOLID BK	24.3/4	16
681892	BACK CUSHION 24X20 SOLID BK	24.3/4	18
681893	BACK CUSHION 24X22 SOLID BK	24.3/4	20
681894	BACK CUSHION 24X24 SOLID BK	24.3/4	22

Pos.	Item Number	Description	Remarks
1	681850	BACK CUSHION 14"X16" SOLID BK	used for 15"-16" & 17"-18" Back Hts
1	681851	BACK CUSHION 14"X18" SOLID BK	used for 19"-20" Back Heights
1	681852	BACK CUSHION 14"X20" SOLID BK	used for 21"-22" Back Heights
1	681853	BACK CUSHION 14"X22" SOLID BK	used for 23"-24" Back Heights
1	681855	BACK CUSHION 15"X16" SOLID BK	used for 15"-16" & 17"-18" Back Hts
1	681856	BACK CUSHION 15"X18" SOLID BK	used for 19"-20" Back Heights
1	681857	BACK CUSHION 15"X20" SOLID BK	used for 21"-22" Back Heights
1	681858	BACK CUSHION 15"X22" SOLID BK	used for 23"-24" Back Heights
1	681860	BACK CUSHION 16"X16" SOLID BK	used for 15"-16" & 17"-18" Back Hts
1	681861	BACK CUSHION 16"X18" SOLID BK	used for 19"-20" Back Heights
1	681862	BACK CUSHION 16"X20" SOLID BK	used for 21"-22" Back Heights
1	681863	BACK CUSHION 16"X22" SOLID BK	used for 23"-24" Back Heights
1	681865	BACK CUSHION 17"X16" SOLID BK	used for 15"-16" & 17"-18" Back Hts
1	681866	BACK CUSHION 17"X18" SOLID BK	used for 19"-20" Back Heights
1	681867	BACK CUSHION 17"X20" SOLID BK	used for 21"-22" Back Heights
1	681868	BACK CUSHION 17"X22" SOLID BK	used for 23"-24" Back Heights
1	681870	BACK CUSHION 18"X16" SOLID BK	used for 15"-16" & 17"-18" Back Hts
1	681871	BACK CUSHION 18"X18" SOLID BK	used for 19"-20" Back Heights

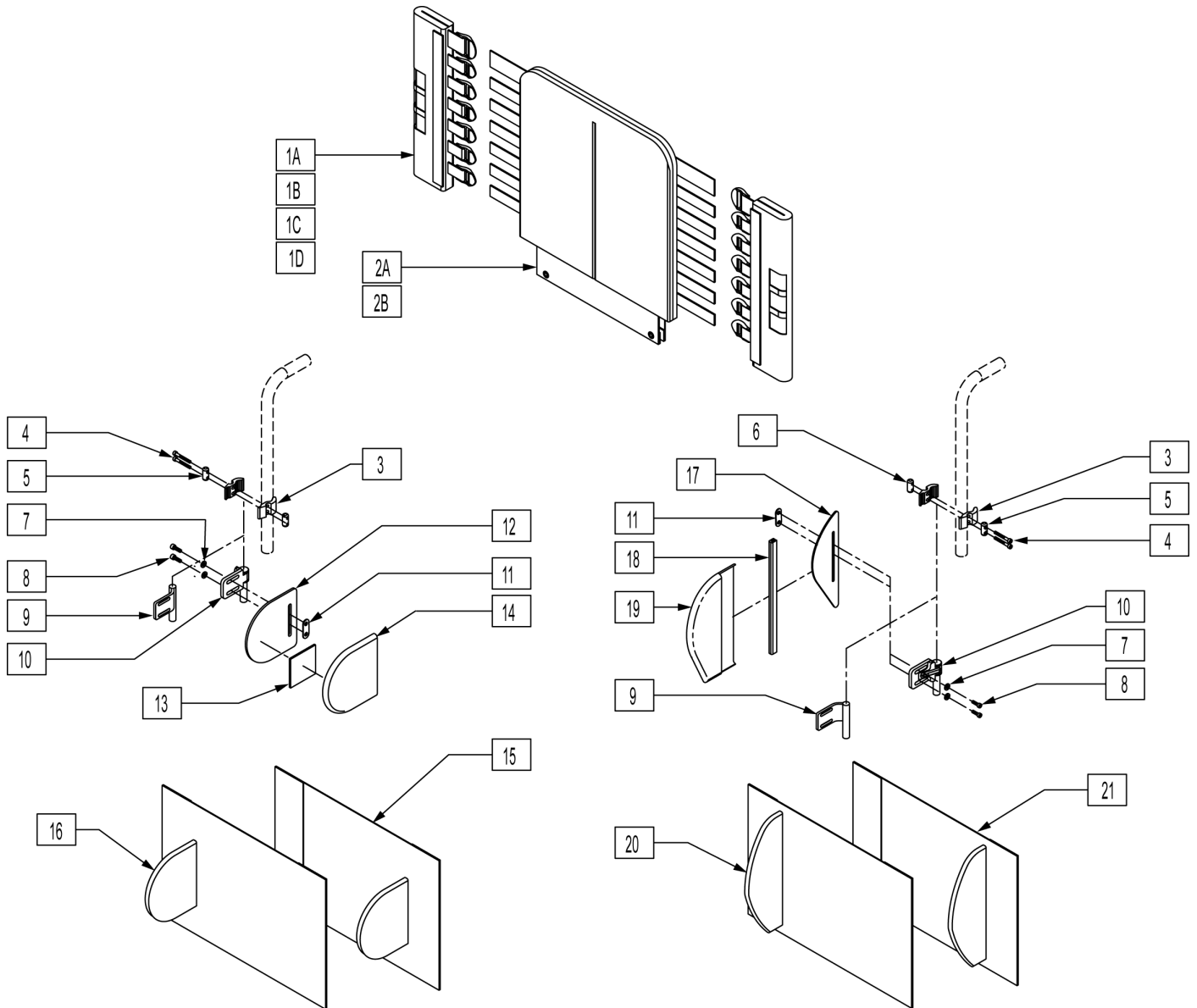
Pos.	Item Number	Description	Remarks
1	681872	BACK CUSHION 18"X20" SOLID BK	used for 21"-22" Back Heights
1	681873	BACK CUSHION 18"X22" SOLID BK	used for 23"-24" Back Heights
1	681875	BACK CUSHION 19"X16" SOLID BK	used for 15"-16" & 17"-18" Back Hts
1	681876	BACK CUSHION 19"X18" SOLID BK	used for 19"-20" Back Heights
1	681877	BACK CUSHION 19"X20" SOLID BK	used for 21"-22" Back Heights
1	681878	BACK CUSHION 19"X22" SOLID BK	used for 23"-24" Back Heights
1	681880	BACK CUSHION 20"X16" SOLID BK	used for 15"-16" & 17"-18" Back Hts
1	681881	BACK CUSHION 20"X18" SOLID BK	used for 19"-20" Back Heights
1	681882	BACK CUSHION 20"X20" SOLID BK	used for 21"-22" Back Heights
1	681883	BACK CUSHION 20"X22" SOLID BK	used for 23"-24" Back Heights
1	681885	BACK CUSHION 22"X16" SOLID BK	used for 15"-16" & 17"-18" Back Hts
1	681886	BACK CUSHION 22"X18" SOLID BK	used for 19"-20" Back Heights
1	681887	BACK CUSHION 22"X20" SOLID BK	used for 21"-22" Back Heights
1	681888	BACK CUSHION 22"X22" SOLID BK	used for 23"-24" Back Heights
1	681890	BACK CUSHION 24"X16" SOLID BK	used for 15"-16" & 17"-18" Back Hts
1	681891	BACK CUSHION 24"X18" SOLID BK	used for 19"-20" Back Heights
1	681892	BACK CUSHION 24"X20" SOLID BK	used for 21"-22" Back Heights
1	681893	BACK CUSHION 24"X22" SOLID BK	used for 23"-24" Back Heights
2	881850	SLD BCKRST SHELL ASSMBLY 14 x 16	used for 15"-16" & 17"-18" Back Hts
2	881851	SLD BCKRST SHELL ASSMBLY 15 x 16	used for 15"-16" & 17"-18" Back Hts
2	881852	SLD BCKRST SHELL ASSMBLY 16 x 16	used for 15"-16" & 17"-18" Back Hts
2	881853	SLD BCKRST SHELL ASSMBLY 17 x 16	used for 15"-16" & 17"-18" Back Hts
2	881854	SLD BCKRST SHELL ASSMBLY 18 x 16	used for 15"-16" & 17"-18" Back Hts
2	881855	SLD BCKRST SHELL ASSMBLY 19 x 16	used for 15"-16" & 17"-18" Back Hts
2	881856	SLD BCKRST SHELL ASSMBLY 20 x 16	used for 15"-16" & 17"-18" Back Hts
2	881885	B/RST SHELL ASSM 22 x 16	used for 15"-16" & 17"-18" Back Hts
2	881890	B/RST SHELL ASSM 24 x 16	used for 15"-16" & 17"-18" Back Hts
2	881857	SLD BCKRST SHELL ASSMBLY 14 x 18	used for 19"-20" Back Heights
2	881858	SLD BCKRST SHELL ASSMBLY 15 x 18	used for 19"-20" Back Heights
2	881859	SLD BCKRST SHELL ASSMBLY 16 x 18	used for 19"-20" Back Heights
2	881860	SLD BCKRST SHELL ASSMBLY 17 x 18	used for 19"-20" Back Heights
2	881861	SLD BCKRST SHELL ASSMBLY 18 x 18	used for 19"-20" Back Heights
2	881862	SLD BCKRST SHELL ASSMBLY 19 x 18	used for 19"-20" Back Heights
2	881863	SLD BCKRST SHELL ASSMBLY 20 x 18	used for 19"-20" Back Heights
2	881886	SLD BCKRST SHELL ASSMBL 22 x 18	used for 19"-20" Back Heights
2	881891	SOLID BCRST SHELL ASSM 24" x 18"	used for 19"-20" Back Heights
2	881864	SLD BCKRST SHELL ASSMBLY 14X20	used for 21"-22" Back Heights
2	881865	SLD BCKRST SHELL ASSMBLY 15X20	used for 21"-22" Back Heights
2	881866	SLD BCKRST SHELL ASSMBLY 16X20	used for 21"-22" Back Heights
2	881867	SLD BCKRST SHELL ASSMBLY 17X20	used for 21"-22" Back Heights
2	881868	SLD BCKRST SHELL ASSMBLY 18X20	used for 21"-22" Back Heights
2	881869	SLD BCKRST SHELL ASSMBLY 19X20	used for 21"-22" Back Heights
2	881870	SLD BCKRST SHELL ASSMBLY 20X20	used for 21"-22" Back Heights
2	881887	SOLID BCRST SHELL ASSM 22"X20"	used for 21"-22" Back Heights
2	881892	SOLID BCRST SHELL ASSM 24" x 20"	used for 21"-22" Back Heights
2	881871	SLD BCKRST SHELL ASSMBLY 14X22	used for 23"-24" Back Heights
2	881872	SLD BCKRST SHELL ASSMBLY 15X22	used for 23"-24" Back Heights
2	881873	SLD BCKRST SHELL ASSMBLY 16X22	used for 23"-24" Back Heights
2	881874	SLD BCKRST SHELL ASSMBLY 17X22	used for 23"-24" Back Heights
2	881875	SLD BCKRST SHELL ASSMBLY 18X22	used for 23"-24" Back Heights
2	881876	SLD BCKRST SHELL ASSMBLY 19X22	used for 23"-24" Back Heights
2	881877	SLD BCKRST SHELL ASSMBLY 20X22	used for 23"-24" Back Heights
2	881888	SOLID BCRST SHELL ASSM 22"X22"	used for 23"-24" Back Heights
2	881893	SOLID BCRST SHELL ASSM 24" x 22"	used for 23"-24" Back Heights
1,2	687400	SOLID BACKREST ASSY 14"X16/17"	used for 15"-16" & 17"-18" Back Hts
1,2	687401	SOLID BACKREST ASSY 14"X18/19"	used for 19"-20" Back Heights

Pos.	Item Number	Description	Remarks
1,2	687402	SOLID BACKREST ASSY 14"X20/21"	used for 21"-22" Back Heights
1,2	687403	SOLID BACKREST ASSY 14"X22/23"	used for 23"-24" Back Heights
1,2	687405	SOLID BACKREST ASSY 15"X16/17"	used for 15"-16" & 17"-18" Back Hts
1,2	687406	SOLID BACKREST ASSY 15"X18/19"	used for 19"-20" Back Heights
1,2	687407	SOLID BACKREST ASSY 15"X20/21"	used for 21"-22" Back Heights
1,2	687408	SOLID BACKREST ASSY 15"X22/23"	used for 23"-24" Back Heights
1,2	687410	SOLID BACKREST ASSY 16"X16/17"	used for 15"-16" & 17"-18" Back Hts
1,2	687411	SOLID BACKREST ASSY 16"X18/19"	used for 19"-20" Back Heights
1,2	687412	SOLID BACKREST ASSY 16"X20/21"	used for 21"-22" Back Heights
1,2	687413	SOLID BACKREST ASSY 16"X22/23"	used for 23"-24" Back Heights
1,2	687415	SOLID BACKREST ASSY 17"X16/17"	used for 15"-16" & 17"-18" Back Hts
1,2	687416	SOLID BACKREST ASSY 17"X18/19"	used for 19"-20" Back Heights
1,2	687417	SOLID BACKREST ASSY 17"X20/21"	used for 21"-22" Back Heights
1,2	687418	SOLID BACKREST ASSY 17"X22/23"	used for 23"-24" Back Heights
1,2	687420	SOLID BACKREST ASSY 18"X16/17"	used for 15"-16" & 17"-18" Back Hts
1,2	687421	SOLID BACKREST ASSY 18"X18/19"	used for 19"-20" Back Heights
1,2	687422	SOLID BACKREST ASSY 18"X20/21"	used for 21"-22" Back Heights
1,2	687423	SOLID BACKREST ASSY 18"X22/23"	used for 23"-24" Back Heights
1,2	687425	SOLID BACKREST ASSY 19"X16/17"	used for 15"-16" & 17"-18" Back Hts
1,2	687426	SOLID BACKREST ASSY 19"X18/19"	used for 19"-20" Back Heights
1,2	687427	SOLID BACKREST ASSY 19"X20/21"	used for 21"-22" Back Heights
1,2	687428	SOLID BACKREST ASSY 19"X22/23"	used for 23"-24" Back Heights
1,2	687430	SOLID BACKREST ASSY 20"X16/17"	used for 15"-16" & 17"-18" Back Hts
1,2	687431	SOLID BACKREST ASSY 20"X18/19"	used for 19"-20" Back Heights
1,2	687432	SOLID BACKREST ASSY 20"X20/21"	used for 21"-22" Back Heights
1,2	687433	SOLID BACKREST ASSY 20"X22/23"	used for 23"-24" Back Heights
1,2	687435	SOLID BACKREST ASSY 22"X16/17"	used for 15"-16" & 17"-18" Back Hts
1,2	687436	SOLID BACKREST ASSY 22"X18/19"	used for 19"-20" Back Heights
1,2	687437	SOLID BACKREST ASSY 22"X20/21"	used for 21"-22" Back Heights
1,2	687438	SOLID BACKREST ASSY 22"X22/23"	used for 23"-24" Back Heights
1,2	687440	SOLID BACKREST ASSY 24"X16/17"	used for 15"-16" & 17"-18" Back Hts
1,2	687441	SOLID BACKREST ASSY 24"X18/19"	used for 19"-20" Back Heights
1,2	687442	SOLID BACKREST ASSY 24"X20/21"	used for 21"-22" Back Heights
1,2	687443	SOLID BACKREST ASSY 24"X22/23"	used for 23"-24" Back Heights
3	505553	CURVED BACK BRACKET S626	
4	481419	1/4-28 CHANNEL NUT 1.75" SP	
5	221013	1/4-28 x .50 SHCS BLK W/PL	
7	221012	1/4-28 x .44 SHCS BLK W/PL	
8	481106-QU	1/4-28 CHANNEL NUT	
10	106943	WASHER FLAT AN 1/4 ROHS	
11	888270	ADJ SPRDR BAR WLD 14 ASSM EURO	
11	888271	ADJ SPRDR BAR WLD 15 ASSM EURO	
11	888272	ADJ SPRDR BAR WLD 16 ASSM EURO	
11	888273	ADJ SPRDR BAR WLD 17 ASSM EURO	
11	888274	ADJ SPRDR BAR WLD 18 ASSM EURO	
11	888275	ADJ SPRDR BAR WLD 19 ASSM EURO	
11	888276	ADJ SPRDR BAR WLD 20 ASSM EURO	
11	888277	ADJ SPRDR BAR WLD 22 ASSM EURO	
11	888278	ADJ SPRDR BAR WLD 24 ASSM EURO	
12	106944	WASHER FLAT THIN AN 1/4 ROHS	
13	204110	1/4-28 NYLOCK NUT BLK ZN	
14	226064	1/4-28 x 3/4 BH C/S BLK W/PTCH	
16	920027	QUICKIE GRIP 1" W/INSTR	
17	687900	BACK UPH 14" (21-22) S626	
17	687901	BACK UPH 14" (23-24) S626	
17	687902	BACK UPH 15" (21-22) S626	

Pos.	Item Number	Description	Remarks
17	687903	BACK UPH 15" (23-24) S626	
17	687904	BACK UPH 16" (21-22) S626	
17	687905	BACK UPH 16" (23-24) S626	
17	687906	BACK UPH 17" (21-22) S626	
17	687907	BACK UPH 17" (23-24) S626	
17	687908	BACK UPH 18" (21-22) S626	
17	687909	BACK UPH 18" (23-24) S626	
17	687910	BACK UPH 19" (21-22) S626	
17	687911	BACK UPH 19" (23-24) S626	
17	687912	BACK UPH 20" (21-22) S626	
17	687913	BACK UPH 20" (23-24) S626	
17	687914	BACK UPH 22" LOW S626	
17	687915	BACK UPH 22" MED S626	
17	687916	BACK UPH 22" TALL S626	
17	687917	BACK UPH 22" (21-22) S626	
17	687918	BACK UPH 22" (23-24) S626	
17	687919	BACK UPH 24" LOW S626	
17	687920	BACK UPH 24" MED S626	
17	687921	BACK UPH 24" TALL S626	
17	687922	BACK UPH 24" (21-22) S626	
17	687923	BACK UPH 24" (23-24) S626	
17	687923	S626 (SPECIFY HEIGHT)	
17	686930	BACK UPH 14" LOW P2	Fits all S646 & 36 chairs
17	686931	BACK UPH 14" MED P2	Fits all S646 & 36 chairs
17	686932	BACK UPH 14" TALL P2	Fits all S646 & 36 chairs
17	686933	BACK UPH 15" LOW P2	Fits all S646 & 36 chairs
17	686934	BACK UPH 15" MED P2	Fits all S646 & 36 chairs
17	686935	BACK UPH 15" TALL P2	Fits all S646 & 36 chairs
17	686936	BACK UPH 17" LOW P2	Fits all S646 & 36 chairs
17	686937	BACK UPH 17" MED P2	Fits all S646 & 36 chairs
17	686938	BACK UPH 17" TALL P2	Fits all S646 & 36 chairs
17	686940	BACK UPH 19" LOW P2	Fits all S646 & 36 chairs
17	686941	BACK UPH 19" MED P2	Fits all S646 & 36 chairs
17	686942	BACK UPH 19" TALL P2	Fits all S646 & 36 chairs
17	686943	BACK UPH 20" LOW P2	Fits all S646 & 36 chairs
17	686944	BACK UPH 20" MED P2	Fits all S646 & 36 chairs
17	686945	BACK UPH 20" TALL P2	Fits all S646 & 36 chairs
17	686961	BACK UPH 16" LOW P2	Fits all S646 & 36 chairs
17	686962	BACK UPH 16" MED P2	Fits all S646 & 36 chairs
17	686963	BACK UPH 16" TALL P2	Fits all S646 & 36 chairs
17	686975S	BACK UPH CUSTOM P110	Fits all S646 & 36 chairs
17	686981	BACK UPH 18" LOW P2	Fits all S646 & 36 chairs
17	686982	BACK UPH 18" MED P2	Fits all S646 & 36 chairs
17	686983	BACK UPH 18" TALL P2	Fits all S646 & 36 chairs
17	687916	BACK UPH 22" TALL S626	
17	687917	BACK UPH 22" (21-22) S626	
17	687918	BACK UPH 22" (23-24) S626	
17	687919	BACK UPH 24" LOW S626	
17	687920	BACK UPH 24" MED S626	
17	687921	BACK UPH 24" TALL S626	
17	687922	BACK UPH 24" (21-22) S626	
17	687923	BACK UPH 24" (23-24) S626	
17	687923	S626 (SPECIFY HEIGHT)	
17	686930	BACK UPH 14" LOW P2	Fits all S646 & 36 chairs
17	686931	BACK UPH 14" MED P2	Fits all S646 & 36 chairs
17	686932	BACK UPH 14" TALL P2	Fits all S646 & 36 chairs

Pos.	Item Number	Description	Remarks
17	686933	BACK UPH 15" LOW P2	Fits all S646 & 36 chairs
17	686934	BACK UPH 15" MED P2	Fits all S646 & 36 chairs
17	686935	BACK UPH 15" TALL P2	Fits all S646 & 36 chairs
17	686936	BACK UPH 17" LOW P2	Fits all S646 & 36 chairs
17	686937	BACK UPH 17" MED P2	Fits all S646 & 36 chairs
17	686938	BACK UPH 17" TALL P2	Fits all S646 & 36 chairs
17	686940	BACK UPH 19" LOW P2	Fits all S646 & 36 chairs
17	686941	BACK UPH 19" MED P2	Fits all S646 & 36 chairs
17	686942	BACK UPH 19" TALL P2	Fits all S646 & 36 chairs
17	686943	BACK UPH 20" LOW P2	Fits all S646 & 36 chairs
17	686944	BACK UPH 20" MED P2	Fits all S646 & 36 chairs
17	686945	BACK UPH 20" TALL P2	Fits all S646 & 36 chairs
17	686961	BACK UPH 16" LOW P2	Fits all S646 & 36 chairs
17	686962	BACK UPH 16" MED P2	Fits all S646 & 36 chairs
17	686963	BACK UPH 16" TALL P2	Fits all S646 & 36 chairs
17	686975S	BACK UPH CUSTOM P110	Fits all S646 & 36 chairs
17	686981	BACK UPH 18" LOW P2	Fits all S646 & 36 chairs
17	686982	BACK UPH 18" MED P2	Fits all S646 & 36 chairs
17	686983	BACK UPH 18" TALL P2	Fits all S646 & 36 chairs
3-9	883160	SOLID BACK ATTACH HARDWARE S626	
15,16	843070	BACK TUBE W/FOAM 15-16" L S626	
15,16	843071	BACK TUBE W/FOAM 15-16" R S626	
15,16	843072	BACK TUBE W/FOAM 17-18" L S626	
15,16	843073	BACK TUBE W/FOAM 17-18" R S626	
15,16	843074	BACK TUBE W/FOAM 19-20" L S626	
15,16	843075	BACK TUBE W/FOAM 19-20" R S626	
15,16	843076	BACK TUBE W/FOAM 21-22" L S626	
15,16	843077	BACK TUBE W/FOAM 21-22" R S626	
15,16	843078	BACK TUBE W/FOAM 23-24" L S626	
15,16	843079	BACK TUBE W/FOAM 23-24" R S626	
4,5,10,11	884160	ADJ SPREADER BAR 14" ASSM S626	
4,5,10,11	884161	ADJ SPREADER BAR 15" ASSM S626	
4,5,10,11	884162	ADJ SPREADER BAR 16" ASSM S626	
4,5,10,11	884163	ADJ SPREADER BAR 17" ASSM S626	
4,5,10,11	884164	ADJ SPREADER BAR 18" ASSM S626	
4,5,10,11	884165	ADJ SPREADER BAR 19" ASSM S626	
4,5,10,11	884166	ADJ SPREADER BAR 20" ASSM S626	
4,5,10,11	884167	ADJ SPREADER BAR 22" ASSM S626	Requires 2 Assemblies
4,5,10,11	884168	ADJ SPREADER BAR 24" ASSM S626	Requires 2 Assemblies

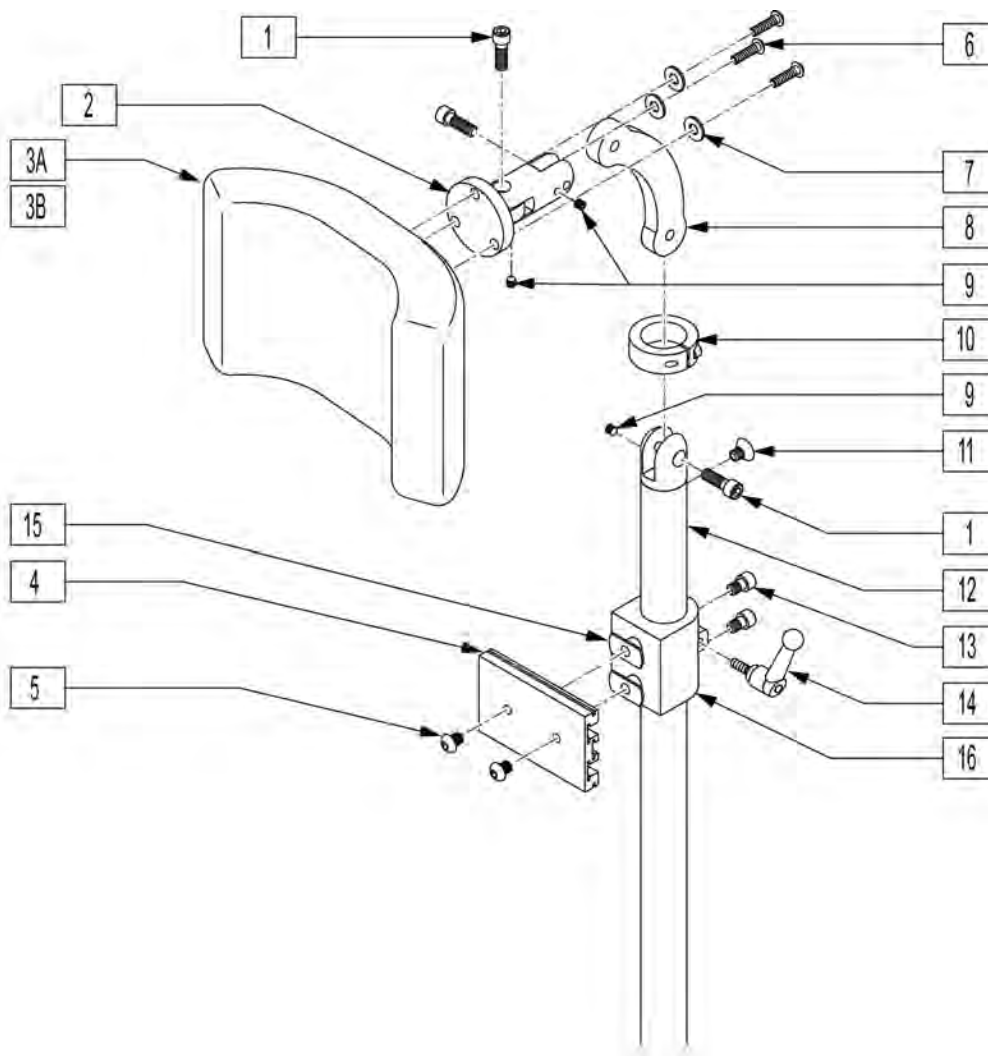
NOTE: IF MOUNTING LATERALS ONTO A SOLID BACK PLEASE REFER TO THE "LATERAL PAD ASSEMBLY" PARTS PAGE FOR MOUNTING HARDWARE.



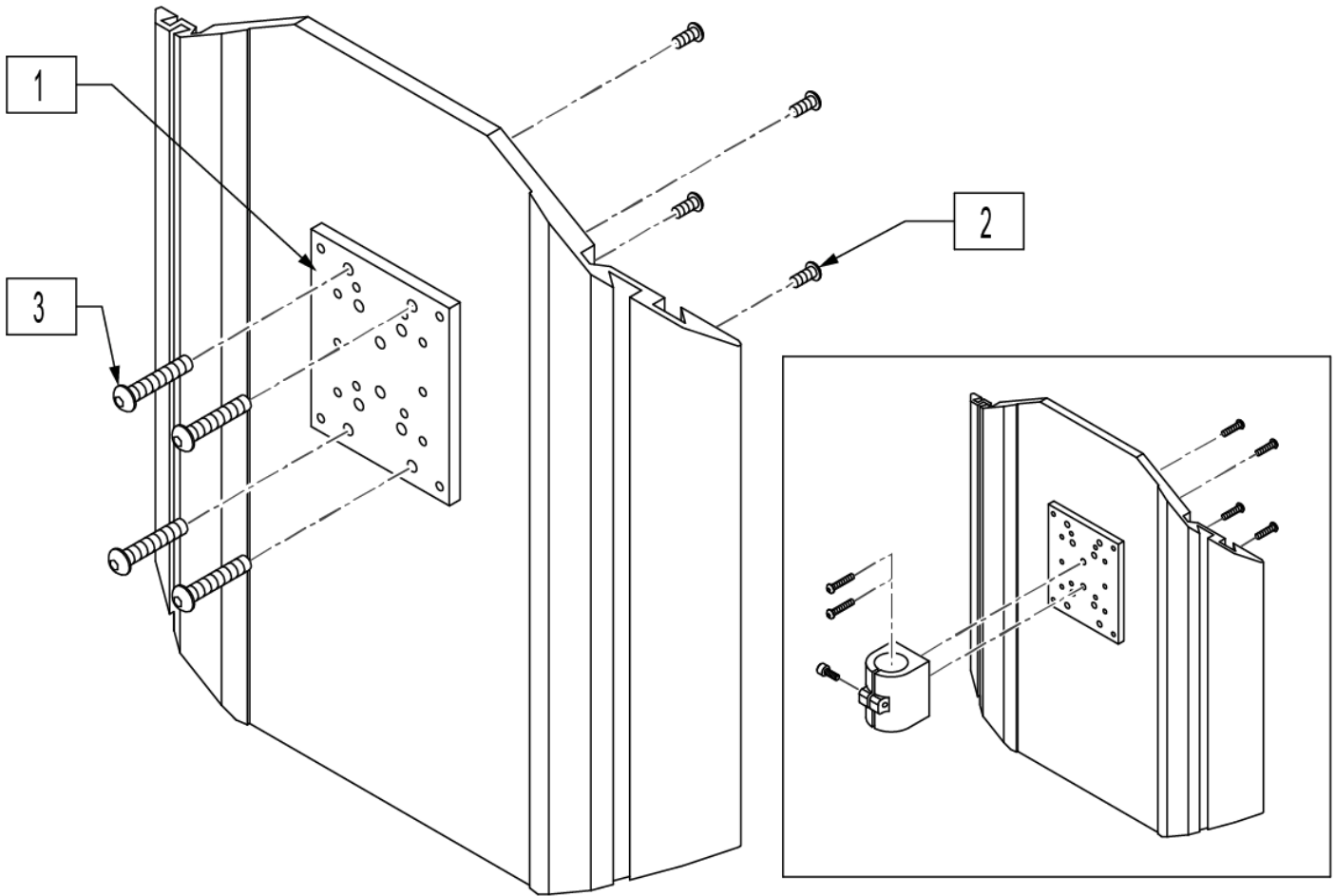
Pos.	Item Number	Description	Remarks
1A	683358	JAY BACK UPH BACK CANE COVER MEDIUM	LEFT 10"-14" & 12"-16"
1A	683360	JAY BACK UPH BACK CANE COVER MEDIUM	RIGHT 10"-14" & 12"-16"
1B	683357	JAY BACK UPH BACK CANE COVER TALL	LEFT 14"-18" & 16"-20"
1B	683359	JAY BACK UPH BACK CANE COVER TALL	RIGHT 14"-18" & 16"-20"
1C	683362	JAY BACK UPH BACK CANE COVER NO LATERAL MEDIUM	LEFT 10"-14" & 12"-16"
1C	683364	JAY BACK UPH BACK CANE COVER NO LATERAL MEDIUM	RIGHT 10"-14" & 12"-16"
1D	683361	JAY BACK UPH BACK CANE COVER NO LATERAL TALL	LEFT 14"-18" & 16"-20"
1D	683363	JAY BACK UPH BACK CANE COVER NO LATERAL TALL	RIGHT 14"-18" & 16"-20"
2A	683305	JAY BACK UPH 14W MEDIUM	10"-14" & 12"-16"
2A	683307	JAY BACK UPH 15W MEDIUM	10"-14" & 12"-16"

Pos.	Item Number	Description	Remarks
2A	683309	JAY BACK UPH 16W MEDIUM	10"-14" & 12"-16"
2A	683311	JAY BACK UPH 17W MEDIUM	10"-14" & 12"-16"
2A	683313	JAY BACK UPH 18W MEDIUM	10"-14" & 12"-16"
2A	683315	JAY BACK UPH 19W MEDIUM	10"-14" & 12"-16"
2A	683317	JAY BACK UPH 20W MEDIUM	10"-14" & 12"-16"
2B	683306	JAY BACK UPH 14W TALL	14"-18" & 16"-20"
2B	683308	JAY BACK UPH 15W TALL	14"-18" & 16"-20"
2B	683310	JAY BACK UPH 16W TALL	14"-18" & 16"-20"
2B	683312	JAY BACK UPH 17W TALL	14"-18" & 16"-20"
2B	683314	JAY BACK UPH 18W TALL	14"-18" & 16"-20"
2B	683316	JAY BACK UPH 19W TALL	14"-18" & 16"-20"
2B	683318	JAY BACK UPH 20W TALL	14"-18" & 16"-20"
3	481800	UNI LATERAL BRKT JAY PRECISION	
4	226353	10-32 X 1 1/2 SOC HD C/S W/PL	
5	481810	UNI LATERAL BRKT SCR ROLL PIN	
6	481811	LATERAL BRKT PREC THD-ROLL PIN	
7	261204	#10 AN WASHER .063	
8	226043	10-32 x 1/2 BH C/S BL	
9	541144	LATERAL BRKT 1.5 W WLDMNT	RIGHT
9	541145	LATERAL BRKT 1.5 W WLDMNT	LEFT
10	881738	S/A ASSM JAY PRECISION	RIGHT
10	881739	S/A ASSM JAY PRECISION	LEFT
11	881109	1 NUT PLATE W/THREADED INSERT	
12	500914	SYMMETRIC LATERAL PANEL	Size 5"X5"
13	751314	2 x 2 VELCRO LOOP	
14	B672	BASE EXTENDED LATERAL	
17	501140	ASYMMETRIC LATERAL PANEL	Size 10"X3.25"
18	697100	ASYMMETRIC LATERAL PANEL EDGE TRIM	
19	683319	JAY BACK UPH INT LATERAL COVER ASYMMETRIC	LEFT
19	683320	JAY BACK UPH INT LATERAL COVER ASYMMETRIC	RIGHT
3-6	880959	UNI LATERAL CLAMP ASSM	
20,21	923300	JAY BACK EXTENSION LATERAL COVER ASYMMETRIC 14-16	
20,21	923301	JAY BACK EXTENSION LATERAL COVER ASYMMETRIC 17-20	
15,16	923302	JAY BACK EXTENSION LATERAL COVER SYMMETRIC 14-16	
15,16	923303	JAY BACK EXTENSION LATERAL COVER SYMMETRIC 17-20	
1C,2	682520	JAY MEDIUM BACK UPH 14 W/O LATERAL	
1C,2	682521	JAY MEDIUM BACK UPH 15 W/O LATERAL	
1C,2	682522	JAY MEDIUM BACK UPH 16 W/O LATERAL	
1C,2	682523	JAY MEDIUM BACK UPH 17 W/O LATERAL	
1C,2	682524	JAY MEDIUM BACK UPH 18 W/O LATERAL	
1C,2	682525	JAY MEDIUM BACK UPH 19 W/O LATERAL	
1C,2	682526	JAY MEDIUM BACK UPH 20 W/O LATERAL	
1D,2B	682527	JAY TALL BACK UPH 14 W/O LATERAL	
1D,2B	682528	JAY TALL BACK UPH 15 W/O LATERAL	
1D,2B	682529	JAY TALL BACK UPH 16 W/O LATERAL	
1D,2B	682530	JAY TALL BACK UPH 17 W/O LATERAL	
1D,2B	682531	JAY TALL BACK UPH 18 W/O LATERAL	
1D,2B	682532	JAY TALL BACK UPH 19 W/O LATERAL	
1D,2B	682533	JAY TALL BACK UPH 20 W/O LATERAL	
1A,2A,3-8,9-16	682534	JAY MEDIUM BACK UPH 14 W/ FIX SYMMETRIC LATERAL	
1A,2A,3-8,9-16	682535	JAY MEDIUM BACK UPH 15 W/ FIX SYMMETRIC LATERAL	
1A,2A,3-8,9-16	682536	JAY MEDIUM BACK UPH 16 W/ FIX SYMMETRIC LATERAL	
1A,2A,3-8,9-16	682537	JAY MEDIUM BACK UPH 17 W/ FIX SYMMETRIC LATERAL	
1A,2A,3-8,9-16	682538	JAY MEDIUM BACK UPH 18 W/ FIX SYMMETRIC LATERAL	
1A,2A,3-8,9-16	682539	JAY MEDIUM BACK UPH 19 W/ FIX SYMMETRIC LATERAL	
1A,2A,3-8,9-16	682540	JAY MEDIUM BAC KUPH 20 W/ FIX SYMMETRIC LATERAL	

Pos.	Item Number	Description	Remarks
1A,2A,3-8,10-16	682541	JAY MEDIUM BACK UPH 14 W/ S/A SYMMETRIC LATERAL	
1A,2A,3-8,10-16	682542	JAY MEDIUM BACK UPH 15 W/ S/A SYMMETRIC LATERAL	
1A,2A,3-8,10-16	682543	JAY MEDIUM BACK UPH 16 W/ S/A SYMMETRIC LATERAL	
1A,2A,3-8,10-16	682544	JAY MEDIUM BACK UPH 17 W/ S/A SYMMETRIC LATERAL	
1A,2A,3-8,10-16	682545	JAY MEDIUM BACK UPH 18 W/ S/A SYMMETRIC LATERAL	
1A,2A,3-8,10-16	682546	JAY MEDIUM BACK UPH 19 W/ S/A SYMMETRIC LATERAL	
1A,2A,3-8,10-16	682547	JAY MEDIUM BACK UPH 20 W/ S/A SYMMETRIC LATERAL	
1B,2B,3-9,11-16	682562	JAY TALL BACK UPH 14 W/ FIX SYMMETRIC LATERAL	
1B,2B,3-9,11-16	682563	JAY TALL BACK UPH 15 W/ FIX SYMMETRIC LATERAL	
1B,2B,3-9,11-16	682564	JAY TALL BACK UPH 16 W/ FIX SYMMETRIC LATERAL	
1B,2B,3-9,11-16	682565	JAY TALL BACK UPH 17 W/ FIX SYMMETRIC LATERAL	
1B,2B,3-9,11-16	682566	JAY TALL BACK UPH 18 W/ FIX SYMMETRIC LATERAL	
1B,2B,3-9,11-16	682567	JAY TALL BACK UPH 19 W/ FIX SYMMETRIC LATERAL	
1B,2B,3-9,11-16	682568	JAY TALL BACK UPH 20 W/ FIX SYMMETRIC LATERAL	
1B,2B,3-8,10-16	682569	JAY TALL BACK UPH 14 W/ S/A SYMMETRIC LATERAL	
1B,2B,3-8,10-16	682570	JAY TALL BACK UPH 15 W/ S/A SYMMETRIC LATERAL	
1B,2B,3-8,10-16	682571	JAY TALL BACK UPH 16 W/ S/A SYMMETRIC LATERAL	
1B,2B,3-8,10-16	682572	JAY TALL BACK UPH 17 W/ S/A SYMMETRIC LATERAL	
1B,2B,3-8,10-16	682573	JAY TALL BACK UPH 18 W/ S/A SYMMETRIC LATERAL	
1B,2B,3-8,10-16	682574	JAY TALL BACK UPH 19 W/ S/A SYMMETRIC LATERAL	
1B,2B,3-8,10-16	682575	JAY TALL BACK UPH 20 W/ S/A SYMMETRIC LATERAL	
1A,2A,3-9,11,17-21	682576	JAY TALL BACK UPH 14 W/ FIX ASYMMETRIC LATERAL	
1A,2A,3-9,11,17-21	682577	JAY TALL BACK UPH 15 W/ FIX ASYMMETRIC LATERAL	
1A,2A,3-9,11,17-21	682578	JAY TALL BACK UPH 16 W/ FIX ASYMMETRIC LATERAL	
1A,2A,3-9,11,17-21	682579	JAY TALL BACK UPH 17 W/ FIX ASYMMETRIC LATERAL	
1A,2A,3-9,11,17-21	682580	JAY TALL BACK UPH 18 W/ FIX ASYMMETRIC LATERAL	
1A,2A,3-9,11,17-21	682581	JAY TALL BACK UPH 19 W/ FIX ASYMMETRIC LATERAL	
1A,2A,3-9,11,17-21	682582	JAY TALL BACK UPH 20 W/ FIX ASYMMETRIC LATERAL	
1A,2A,3-8,10,11,17-21	682583	JAY TALL BACK UPH 14 W/ S/A ASYMMETRIC LATERAL	
1A,2A,3-8,10,11,17-21	682584	JAY TALL BACK UPH 15 W/ S/A ASYMMETRIC LATERAL	
1A,2A,3-8,10,11,17-21	682585	JAY TALL BACK UPH 16 W/ S/A ASYMMETRIC LATERAL	
1A,2A,3-8,10,11,17-21	682586	JAY TALL BACK UPH 17 W/ S/A ASYMMETRIC LATERAL	
1A,2A,3-8,10,11,17-21	682587	JAY TALL BACK UPH 18 W/ S/A ASYMMETRIC LATERAL	
1A,2A,3-8,10,11,17-21	682588	JAY TALL BACK UPH 19 W/ S/A ASYMMETRIC LATERAL	
1A,2A,3-8,10,11,17-21	682589	JAY TALL BACK UPH 20 W/ S/A ASYMMETRIC LATERAL	



Pos.	Item Number	Description	Remarks
1	221115	1/4-20 x 3/4" SOC HD C/S BLK	
3A	750696	HEADREST W/ZIPPER MEDIUM CG	8x4.5 pad
3B	750697	HEADREST W/ZIPPER LARGE CG	9x4.5 pad
4	505932	HEADREST MOUNTING TRACK	
5	476304	1/4-28 x .31 BHCS W/PATCH	
6	221010	10-32 x .75 SHCS BLK W/PL	
7	261204	#10 AN WASHER .063	
8	331077	HEADREST LINK 6 INCH	
9	341045	#10-24 CONE POINT SET SCREW	
10	505933	HEADREST COLLAR	
11	226072	1/4-20 x 1/2 FH C/S BLK	
13	226095	1/4-20 x 3/8" SOC C/S BLK ZN	
14	341046	HEADREST CLAMPING HANDLE SCREW	
15	340033	1/4-20 WELD NUTS SLAB BASE	
4,5,13-16	888101	CLAMP HEADREST RIGID BACK	
1,2,4,6-16	881003	HEADREST MOUNTING BRACKET ASSM	
1-3A,4-16	881907	HEADREST ASSEMBLY MEDIUM	8x4.5 pad
1-3B,4-16	881908	HEADREST ASSEMBLY LARGE	9x4.5 pad

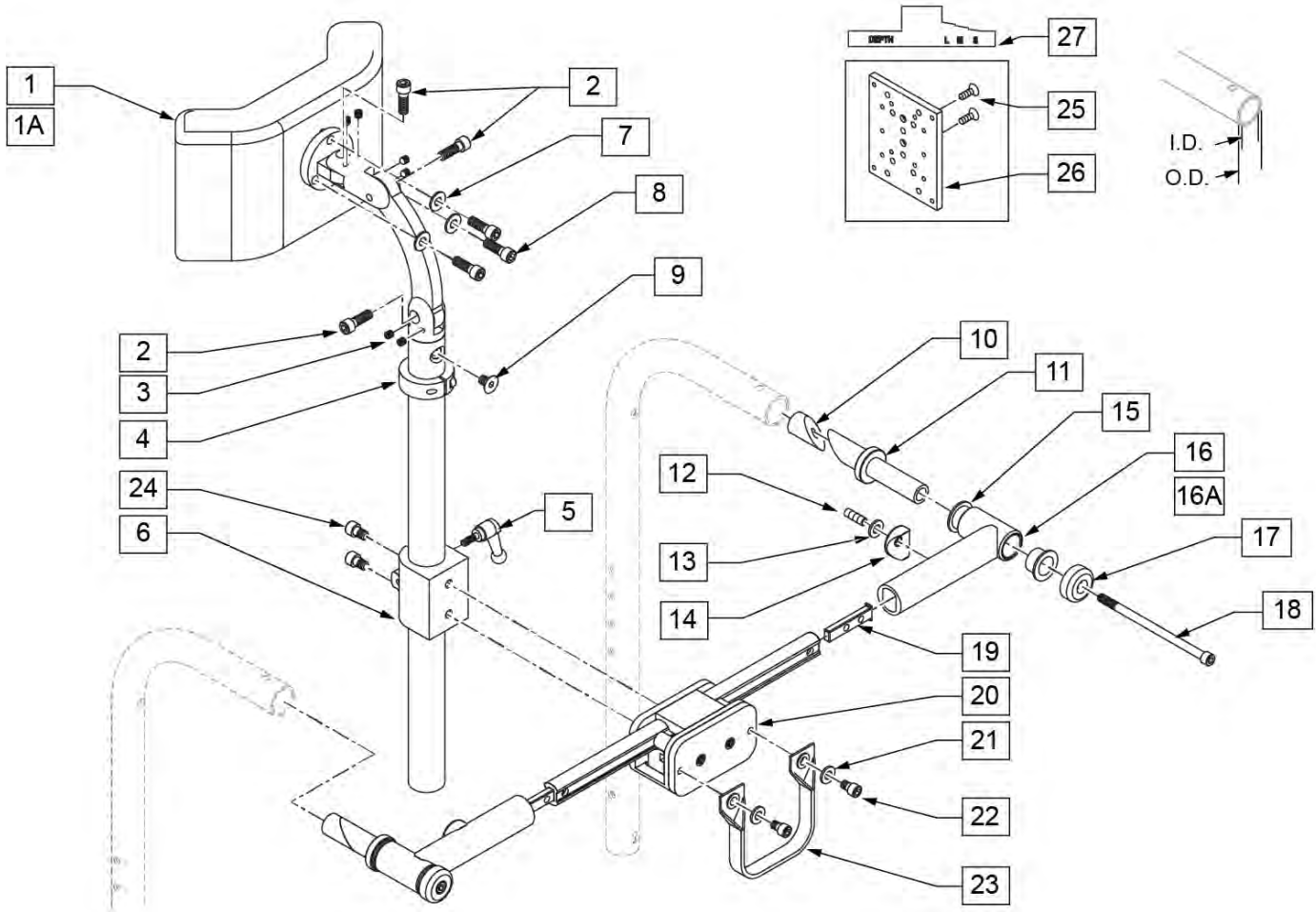


Pos.	Item Number	Description
1	XM2025	HDRST MTG PLT JAY FIT SYSTEM
2	476304	1/4-28 x .31 BHCS W/PATCH
3	226018-QU	10-32 X 3/8 BH C/S W/PATCH BLK
1-3	476314	HEADREST NMT KIT W/HDWR POWER

FOLDING STABILIZER BAR

[08/23/2019]

STUD WEDGE SIZE FOR:	SMALL	MEDIUM	LARGE
<u>MOST</u> OUTSIDE DIM	3/4"	7/8"	1"
AVERAGE INSIDE DIM	0.575 - 0.638	0.700 - 0.785	0.825 - 0.910

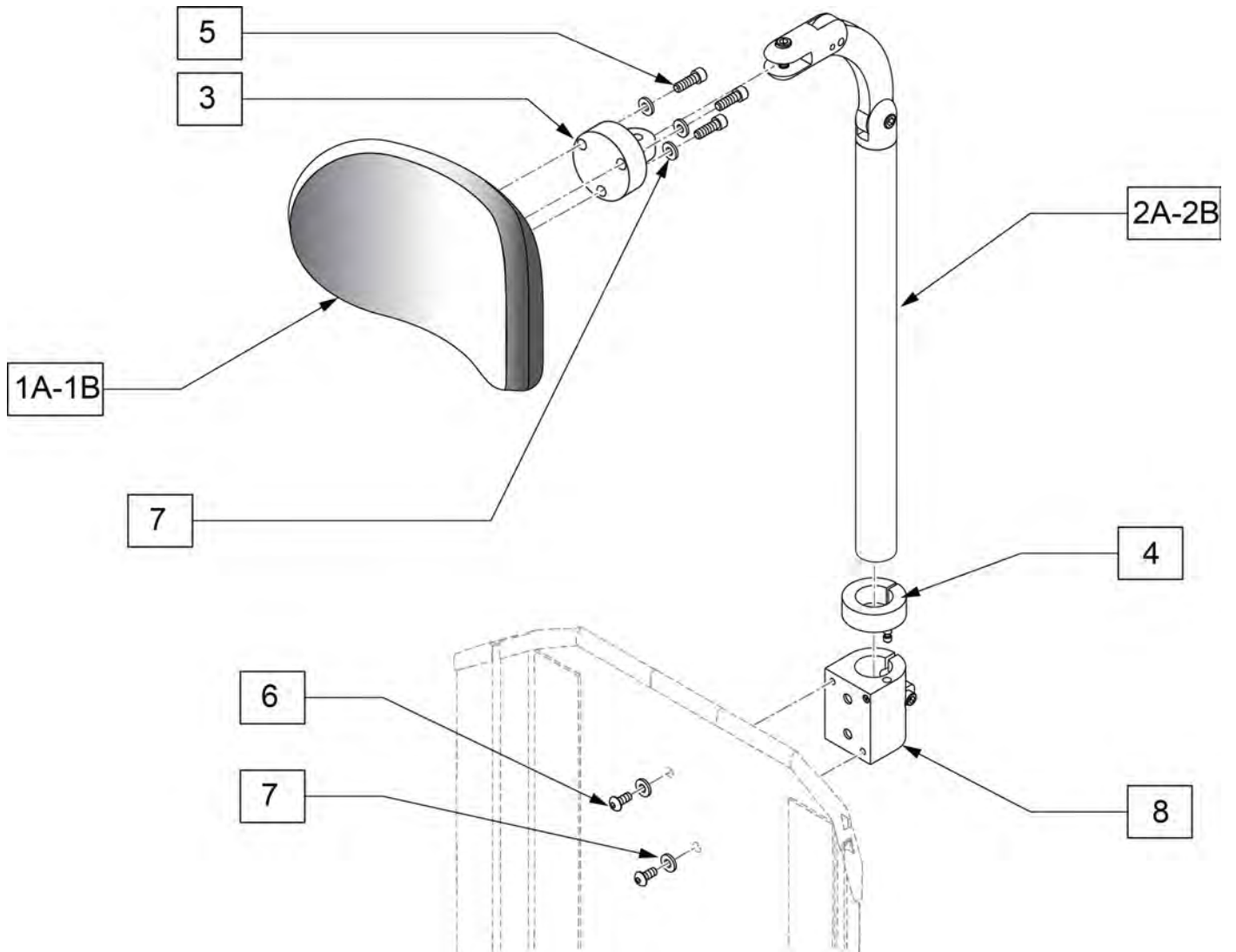


Pos.	Item Number	Description	Remarks
1A	750696	HEADREST W/ ZIPPER MEDIUM CG	8" X 4" Pad
1B	750697	HEADREST W/ ZIPPER LARGE CG	9" X 4.5" Pad
2	221115	1/4 - 20 X 3/4 SOC HD C/S BLK	
3	341045	#10 - 24 CONE POINT SET SCREW	
4	505933	HEADREST COLLAR	
5	341046	HEADREST CLAMPING HANDLE SCREW	
6	881003	CLAMP AND TUBE	
7	261204	#10 AN WASHER .063	
8	221010	10 - 32 X .75 SHCS BLK W/ PL	
9	226072	1/4 - 20 X 1/2 FH C/S BLK	
10A	520855	NUT WEDGE SMALL	
10B	520816	NUT WEDGE MEDIUM	
10C	520856	NUT WEDGE LARGE	
11A	520857	STUD WEDGE SMALL	
11B	520815	STUD WEDGE MEDIUM	
11C	520858	STUD WEDGE LARGE	
12	226064	1/4 - 28 X 3/4 BH C/S BLK W/PATCH	

Pos.	Item Number	Description	Remarks
13	106943	WASHER FLAT AN 1/4 ROHS	
14	561004	1 SADDLE 1/4 HOLE	
15	349595	BEARING IGUS 3/8 X 15/32 X 1/2	
16A	542158	HEADREST PVT TB WELDMOUNT 14 - 17	
16B	542159	HEADREST PVT TB WELDMOUNT 17 - 20	
17	483342	STUD WEDGE CAP	
18	226351	1/4 - 20 X 4 - 1/2 SOC HD BLK ZINC	
19	500078	INSERT D2 EXT TUBE	
21	106943	WASHER FLAT AN 1/4 ROHS	
22	226095	1/4 - 20 X 4 - 3/8 SOC HD BLK ZINC	
23	750552	ZGS FOLDING STRAP	
24	226095	1/4 - 20 X 4 - 3/8 SOC HD BLK ZINC	
25	226076	1/4 - 28 X 1/2 FH C/S W/ PATCH	
26	XM2025	MNTNG PLATE/PEDIAT.HEAD REST	
27	342046	MEASURING TOOL FOLD HEADREST	
2-9	883350	HEADREST MOUNTING BRACKET ASSM EURO	
20-24	888920	CENTER MOUNT FOLD HEADREST ASSM	
21-23	750104	FOLD STABALIZER BAR STRAP ASSM	
10, 11, 17, 18	881897	STUD WEDGE ASSM SMALL	
10, 11, 17, 18	881898	STUD WEDGE ASSM MEDIUM	
10, 11, 17, 18	881899	STUD WEDGE ASSM LARGE	
10-15, 16A, 17-20	820750	STABALIZER BAR ASSM 14 - 17 SMALL	
10-15, 16A, 17-20	820751	STABALIZER BAR ASSM 14 - 17 MEDIUM	
10-15, 16A, 17-20	820752	STABALIZER BAR ASSM 14 - 17 LARGE	
10-15, 16B, 17-20	820753	STABALIZER BAR ASSM 17 - 20 SMALL	
10-15, 16B, 17-20	820754	STABALIZER BAR ASSM 17 - 20 MEDIUM	
10-15, 16B, 17-20	820755	STABALIZER BAR ASSM 17 - 20 LARGE	
1-15, 16A, 17-20	820760	STABALIZER W/ MEDIUM HEADREST 14 - 17 SMALL	
1-15, 16A, 17-20	820761	STABALIZER W/ MEDIUM HEADREST 14 - 17 MEDIUM	
1-15, 16A, 17-20	820762	STABALIZER W/ MEDIUM HEADREST 14 - 17 LARGE	
1-15, 16B, 17-20	820763	STABALIZER W/ MEDIUM HEADREST 17 - 20 SMALL	
1-15, 16B, 17-20	820764	STABALIZER W/ MEDIUM HEADREST 17 - 20 MEDIUM	
1-15, 16B, 17-20	820765	STABALIZER W/ MEDIUM HEADREST 17 - 20 LARGE	
1A, 2-15, 16A, 17-20	820766	STABALIZER W/ LARGE HEADREST 14 - 17 SMALL	
1A, 2-15, 16A, 17-20	820767	STABALIZER W/ LARGE HEADREST 14 - 17 MEDIUM	
1A, 2-15, 16A, 17-20	820768	STABALIZER W/ LARGE HEADREST 14 - 17 LARGE	
1A, 2-15, 16B, 17-20	820769	STABALIZER W/ LARGE HEADREST 17 - 20 SMALL	
1A, 2-15, 16B, 17-20	820770	STABALIZER W/ LARGE HEADREST 17 - 20 MEDIUM	
1A, 2-15, 16B, 17-20	820771	STABALIZER W/ LARGE HEADREST 17 - 20 LARGE	

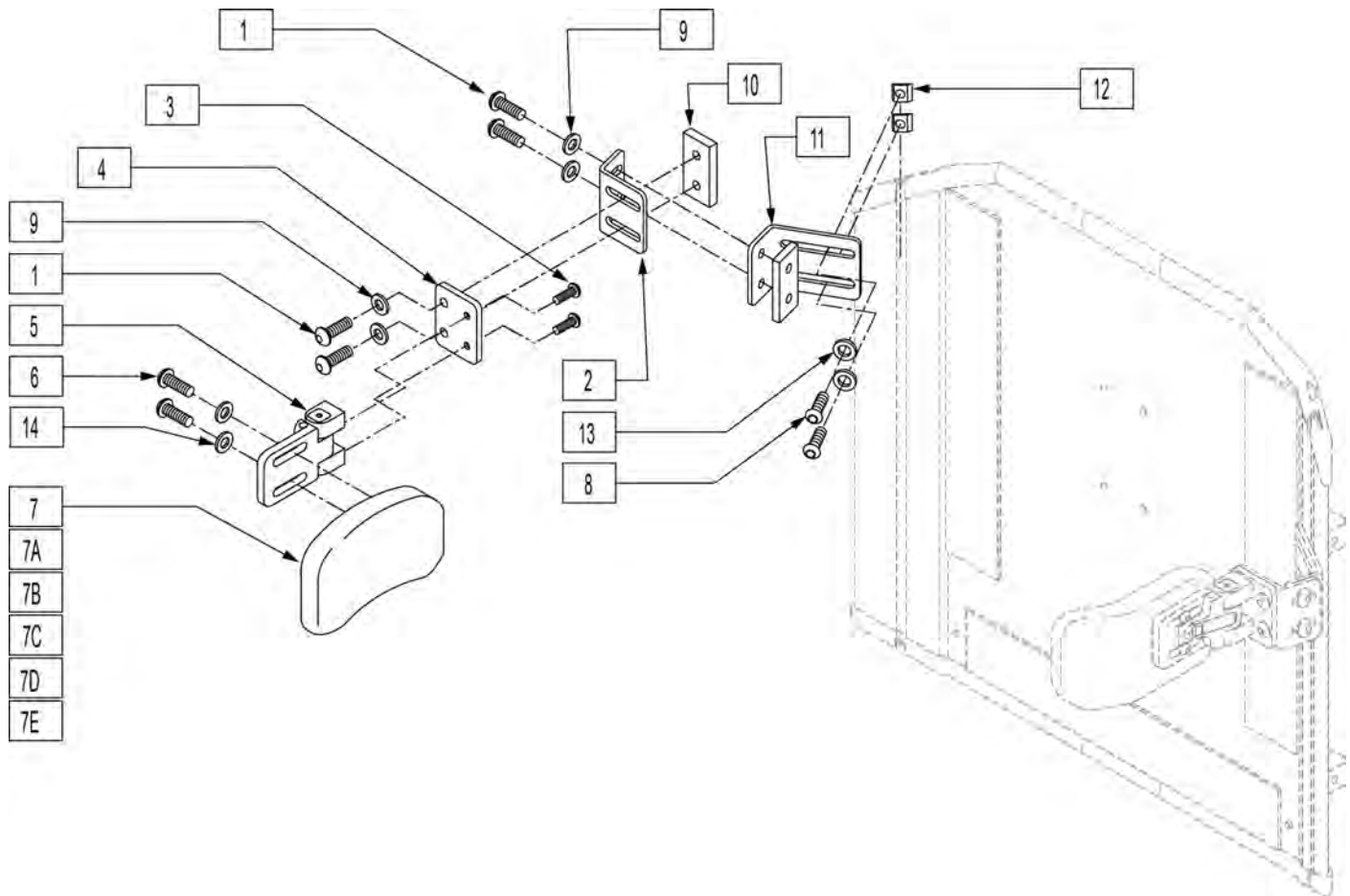
HEADREST - RECLINE BACK ASSEMBLY

[03/2010]



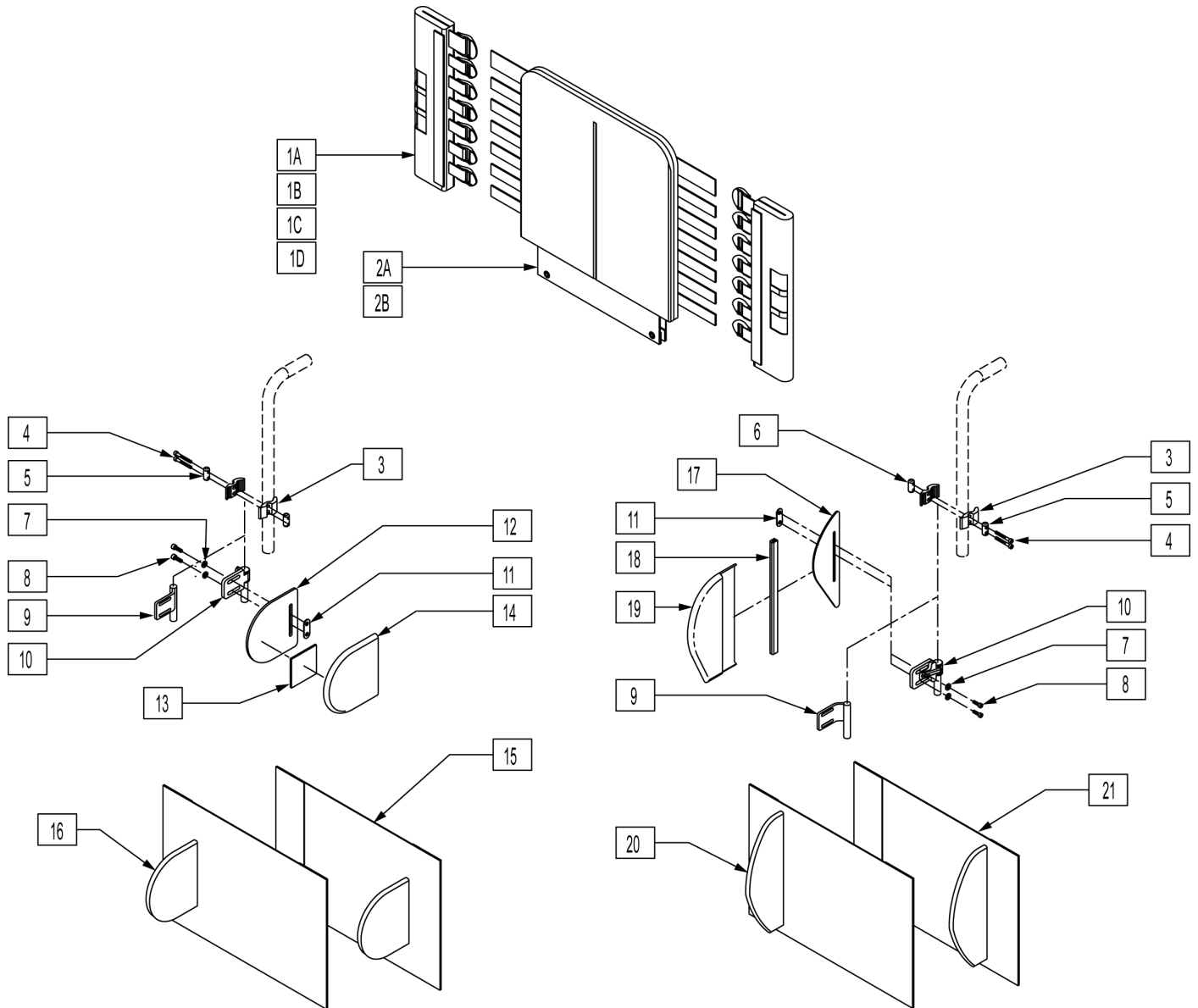
Pos.	Item Number	Description	Remarks
1A	750696	HEADREST W/ZIPPER MEDIUM CG	8X4.5 PAD
1B	750697	HEADREST W/ZIPPER LARGE CG	9X4.5 PAD
4	505933	HEADREST COLLAR	
5	455010-QU	10-32 x 3/4 BH C/S BLK	
6	226023	10-32 x 7/16 BH C/S BLK	
7	261204	#10 AN WASHER .063	
2A,3,4,8	881435	HEADREST MOUNT BRKT 7"	7" Headrest Tube
2B,3,4,8	881436	HEADREST MOUNT BRKT 9"	9" Headrest Tube
1A,2A,3-8	881940	HEADREST ASSM TILT/RCLN 7" MED	8X4.5 PAD
1B,2A,3-8	881941	HEADREST ASSM TILT/RCLN 7" LRG	9X4.5 PAD
1A,2B,2-8	881942	HEADREST ASSM TILT/RCLN 9" MED	8X4.5 PAD
1B,2B,3-8	881943	HEADREST ASSM TILT/RCLN 9" LRG	9X4.5 PAD

NOTE: For symmetric and asymmetric laterals, please refer to the "JAY PRECISION BACKREST & LATERAL" parts page.



Pos.	Item Number	Description	Pos.	Item Number	Description
1	226247	1/4-28 x 5/8 B/H C/S BLACK G5	6,7E,14	450825	TRUNK PAD FLAT 4"H x 6"L 1" CN
2	120093	SWING AWAY LATERAL L BRACKET	8	221092	1/4-28 x 7/16 BH CS BLK W/PTCH
3	226018-QU	10-32 x 3/8 BH C/S W/PATCH BLK	9	261111	9/32 x 5/8 OD FLAT WASHER BLK
4	120091	SWING AWAY LATERAL FLAT BRACKET	10	330134	THREADED PLATE
5	476180	ADJUSTABLE LATERAL SWING AWAY	11	120092	SWING AWAY LAT LONG L BRKT
6	455013-QU	10-32 x 1/2 ALLEN BH SCW	12	481106-QU	1/4-28 CHANNEL NUT
6,7,14	450852	TRUNK PAD CURVED 3"H x 6"L 1" CN	13	106943	WASHER FLAT AN 1/4 ROHS
6,7A,14	450854	TRUNK PAD CURVED 4"H x 5"L 1" CN	14	455031-QU	#10 AN WASHER .032 SS
6,7B,14	450855	TRUNK PAD CURVED 4"H x 6"L 1" CN	1,2,8-13	881902	LATERAL BRACKET ASSM SOLID BACK
6,7C,14	450822	TRUNK PAD FLAT 3"H x 6"L 1" CN	1-5,8-13	900475	S/A LATERAL ASSM SOLID BACK
6,7D,14	450824	TRUNK PAD FLAT 4"H x 5"L 1" CN			

NOTE: IF MOUNTING LATERALS ONTO A SOLID BACK PLEASE REFER TO THE "LATERAL PAD ASSEMBLY" PARTS PAGE FOR MOUNTING HARDWARE.

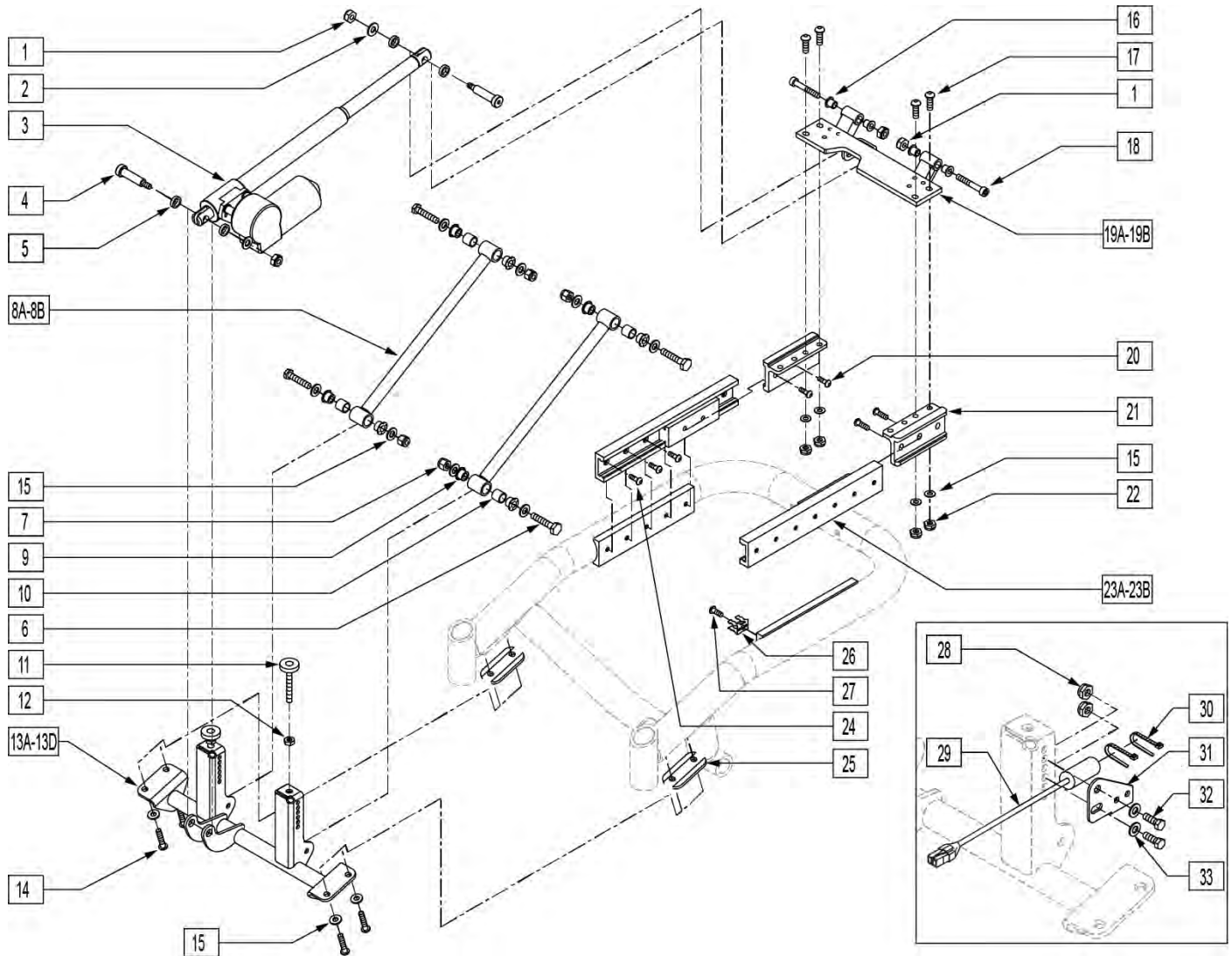


Pos.	Item Number	Description	Remarks
1A	683358	JAY BACK UPH BACK CANE COVER MEDIUM	LEFT 10"-14" & 12"-16"
1A	683360	JAY BACK UPH BACK CANE COVER MEDIUM	RIGHT 10"-14" & 12"-16"
1B	683357	JAY BACK UPH BACK CANE COVER TALL	LEFT 14"-18" & 16"-20"
1B	683359	JAY BACK UPH BACK CANE COVER TALL	RIGHT 14"-18" & 16"-20"
1C	683362	JAY BACK UPH BACK CANE COVER NO LATERAL MEDIUM	LEFT 10"-14" & 12"-16"
1C	683364	JAY BACK UPH BACK CANE COVER NO LATERAL MEDIUM	RIGHT 10"-14" & 12"-16"
1D	683361	JAY BACK UPH BACK CANE COVER NO LATERAL TALL	LEFT 14"-18" & 16"-20"
1D	683363	JAY BACK UPH BACK CANE COVER NO LATERAL TALL	RIGHT 14"-18" & 16"-20"
2A	683305	JAY BACK UPH 14W MEDIUM	10"-14" & 12"-16"
2A	683307	JAY BACK UPH 15W MEDIUM	10"-14" & 12"-16"

Pos.	Item Number	Description	Remarks
2A	683309	JAY BACK UPH 16W MEDIUM	10"-14" & 12"-16"
2A	683311	JAY BACK UPH 17W MEDIUM	10"-14" & 12"-16"
2A	683313	JAY BACK UPH 18W MEDIUM	10"-14" & 12"-16"
2A	683315	JAY BACK UPH 19W MEDIUM	10"-14" & 12"-16"
2A	683317	JAY BACK UPH 20W MEDIUM	10"-14" & 12"-16"
2B	683306	JAY BACK UPH 14W TALL	14"-18" & 16"-20"
2B	683308	JAY BACK UPH 15W TALL	14"-18" & 16"-20"
2B	683310	JAY BACK UPH 16W TALL	14"-18" & 16"-20"
2B	683312	JAY BACK UPH 17W TALL	14"-18" & 16"-20"
2B	683314	JAY BACK UPH 18W TALL	14"-18" & 16"-20"
2B	683316	JAY BACK UPH 19W TALL	14"-18" & 16"-20"
2B	683318	JAY BACK UPH 20W TALL	14"-18" & 16"-20"
3	481800	UNI LATERAL BRKT JAY PRECISION	
4	226353	10-32 X 1 1/2 SOC HD C/S W/PL	
5	481810	UNI LATERAL BRKT SCR ROLL PIN	
6	481811	LATERAL BRKT PREC THD-ROLL PIN	
7	261204	#10 AN WASHER .063	
8	226043	10-32 x 1/2 BH C/S BL	
9	541144	LATERAL BRKT 1.5 W WLDMNT	RIGHT
9	541145	LATERAL BRKT 1.5 W WLDMNT	LEFT
10	881738	S/A ASSM JAY PRECISION	RIGHT
10	881739	S/A ASSM JAY PRECISION	LEFT
11	881109	1 NUT PLATE W/THREADED INSERT	
12	500914	SYMMETRIC LATERAL PANEL	Size 5"X5"
13	751314	2 x 2 VELCRO LOOP	
14	B672	BASE EXTENDED LATERAL	
17	501140	ASYMMETRIC LATERAL PANEL	Size 10"X3.25"
18	697100	ASYMMETRIC LATERAL PANEL EDGE TRIM	
19	683319	JAY BACK UPH INT LATERAL COVER ASYMMETRIC	LEFT
19	683320	JAY BACK UPH INT LATERAL COVER ASYMMETRIC	RIGHT
3-6	880959	UNI LATERAL CLAMP ASSM	
20,21	923300	JAY BACK EXTENSION LATERAL COVER ASYMMETRIC 14-16	
20,21	923301	JAY BACK EXTENSION LATERAL COVER ASYMMETRIC 17-20	
15,16	923302	JAY BACK EXTENSION LATERAL COVER SYMMETRIC 14-16	
15,16	923303	JAY BACK EXTENSION LATERAL COVER SYMMETRIC 17-20	
1C,2	682520	JAY MEDIUM BACK UPH 14 W/O LATERAL	
1C,2	682521	JAY MEDIUM BACK UPH 15 W/O LATERAL	
1C,2	682522	JAY MEDIUM BACK UPH 16 W/O LATERAL	
1C,2	682523	JAY MEDIUM BACK UPH 17 W/O LATERAL	
1C,2	682524	JAY MEDIUM BACK UPH 18 W/O LATERAL	
1C,2	682525	JAY MEDIUM BACK UPH 19 W/O LATERAL	
1C,2	682526	JAY MEDIUM BACK UPH 20 W/O LATERAL	
1D,2B	682527	JAY TALL BACK UPH 14 W/O LATERAL	
1D,2B	682528	JAY TALL BACK UPH 15 W/O LATERAL	
1D,2B	682529	JAY TALL BACK UPH 16 W/O LATERAL	
1D,2B	682530	JAY TALL BACK UPH 17 W/O LATERAL	
1D,2B	682531	JAY TALL BACK UPH 18 W/O LATERAL	
1D,2B	682532	JAY TALL BACK UPH 19 W/O LATERAL	
1D,2B	682533	JAY TALL BACK UPH 20 W/O LATERAL	
1A,2A,3-8,9-16	682534	JAY MEDIUM BACK UPH 14 W/ FIX SYMMETRIC LATERAL	
1A,2A,3-8,9-16	682535	JAY MEDIUM BACK UPH 15 W/ FIX SYMMETRIC LATERAL	
1A,2A,3-8,9-16	682536	JAY MEDIUM BACK UPH 16 W/ FIX SYMMETRIC LATERAL	
1A,2A,3-8,9-16	682537	JAY MEDIUM BACK UPH 17 W/ FIX SYMMETRIC LATERAL	
1A,2A,3-8,9-16	682538	JAY MEDIUM BACK UPH 18 W/ FIX SYMMETRIC LATERAL	
1A,2A,3-8,9-16	682539	JAY MEDIUM BACK UPH 19 W/ FIX SYMMETRIC LATERAL	
1A,2A,3-8,9-16	682540	JAY MEDIUM BAC KUPH 20 W/ FIX SYMMETRIC LATERAL	

Pos.	Item Number	Description	Remarks
1A,2A,3-8,10-16	682541	JAY MEDIUM BACK UPH 14 W/ S/A SYMMETRIC LATERAL	
1A,2A,3-8,10-16	682542	JAY MEDIUM BACK UPH 15 W/ S/A SYMMETRIC LATERAL	
1A,2A,3-8,10-16	682543	JAY MEDIUM BACK UPH 16 W/ S/A SYMMETRIC LATERAL	
1A,2A,3-8,10-16	682544	JAY MEDIUM BACK UPH 17 W/ S/A SYMMETRIC LATERAL	
1A,2A,3-8,10-16	682545	JAY MEDIUM BACK UPH 18 W/ S/A SYMMETRIC LATERAL	
1A,2A,3-8,10-16	682546	JAY MEDIUM BACK UPH 19 W/ S/A SYMMETRIC LATERAL	
1A,2A,3-8,10-16	682547	JAY MEDIUM BACK UPH 20 W/ S/A SYMMETRIC LATERAL	
1B,2B,3-9,11-16	682562	JAY TALL BACK UPH 14 W/ FIX SYMMETRIC LATERAL	
1B,2B,3-9,11-16	682563	JAY TALL BACK UPH 15 W/ FIX SYMMETRIC LATERAL	
1B,2B,3-9,11-16	682564	JAY TALL BACK UPH 16 W/ FIX SYMMETRIC LATERAL	
1B,2B,3-9,11-16	682565	JAY TALL BACK UPH 17 W/ FIX SYMMETRIC LATERAL	
1B,2B,3-9,11-16	682566	JAY TALL BACK UPH 18 W/ FIX SYMMETRIC LATERAL	
1B,2B,3-9,11-16	682567	JAY TALL BACK UPH 19 W/ FIX SYMMETRIC LATERAL	
1B,2B,3-9,11-16	682568	JAY TALL BACK UPH 20 W/ FIX SYMMETRIC LATERAL	
1B,2B,3-8,10-16	682569	JAY TALL BACK UPH 14 W/ S/A SYMMETRIC LATERAL	
1B,2B,3-8,10-16	682570	JAY TALL BACK UPH 15 W/ S/A SYMMETRIC LATERAL	
1B,2B,3-8,10-16	682571	JAY TALL BACK UPH 16 W/ S/A SYMMETRIC LATERAL	
1B,2B,3-8,10-16	682572	JAY TALL BACK UPH 17 W/ S/A SYMMETRIC LATERAL	
1B,2B,3-8,10-16	682573	JAY TALL BACK UPH 18 W/ S/A SYMMETRIC LATERAL	
1B,2B,3-8,10-16	682574	JAY TALL BACK UPH 19 W/ S/A SYMMETRIC LATERAL	
1B,2B,3-8,10-16	682575	JAY TALL BACK UPH 20 W/ S/A SYMMETRIC LATERAL	
1A,2A,3-9,11,17-21	682576	JAY TALL BACK UPH 14 W/ FIX ASYMMETRIC LATERAL	
1A,2A,3-9,11,17-21	682577	JAY TALL BACK UPH 15 W/ FIX ASYMMETRIC LATERAL	
1A,2A,3-9,11,17-21	682578	JAY TALL BACK UPH 16 W/ FIX ASYMMETRIC LATERAL	
1A,2A,3-9,11,17-21	682579	JAY TALL BACK UPH 17 W/ FIX ASYMMETRIC LATERAL	
1A,2A,3-9,11,17-21	682580	JAY TALL BACK UPH 18 W/ FIX ASYMMETRIC LATERAL	
1A,2A,3-9,11,17-21	682581	JAY TALL BACK UPH 19 W/ FIX ASYMMETRIC LATERAL	
1A,2A,3-9,11,17-21	682582	JAY TALL BACK UPH 20 W/ FIX ASYMMETRIC LATERAL	
1A,2A,3-8,10,11,17-21	682583	JAY TALL BACK UPH 14 W/ S/A ASYMMETRIC LATERAL	
1A,2A,3-8,10,11,17-21	682584	JAY TALL BACK UPH 15 W/ S/A ASYMMETRIC LATERAL	
1A,2A,3-8,10,11,17-21	682585	JAY TALL BACK UPH 16 W/ S/A ASYMMETRIC LATERAL	
1A,2A,3-8,10,11,17-21	682586	JAY TALL BACK UPH 17 W/ S/A ASYMMETRIC LATERAL	
1A,2A,3-8,10,11,17-21	682587	JAY TALL BACK UPH 18 W/ S/A ASYMMETRIC LATERAL	
1A,2A,3-8,10,11,17-21	682588	JAY TALL BACK UPH 19 W/ S/A ASYMMETRIC LATERAL	
1A,2A,3-8,10,11,17-21	682589	JAY TALL BACK UPH 20 W/ S/A ASYMMETRIC LATERAL	

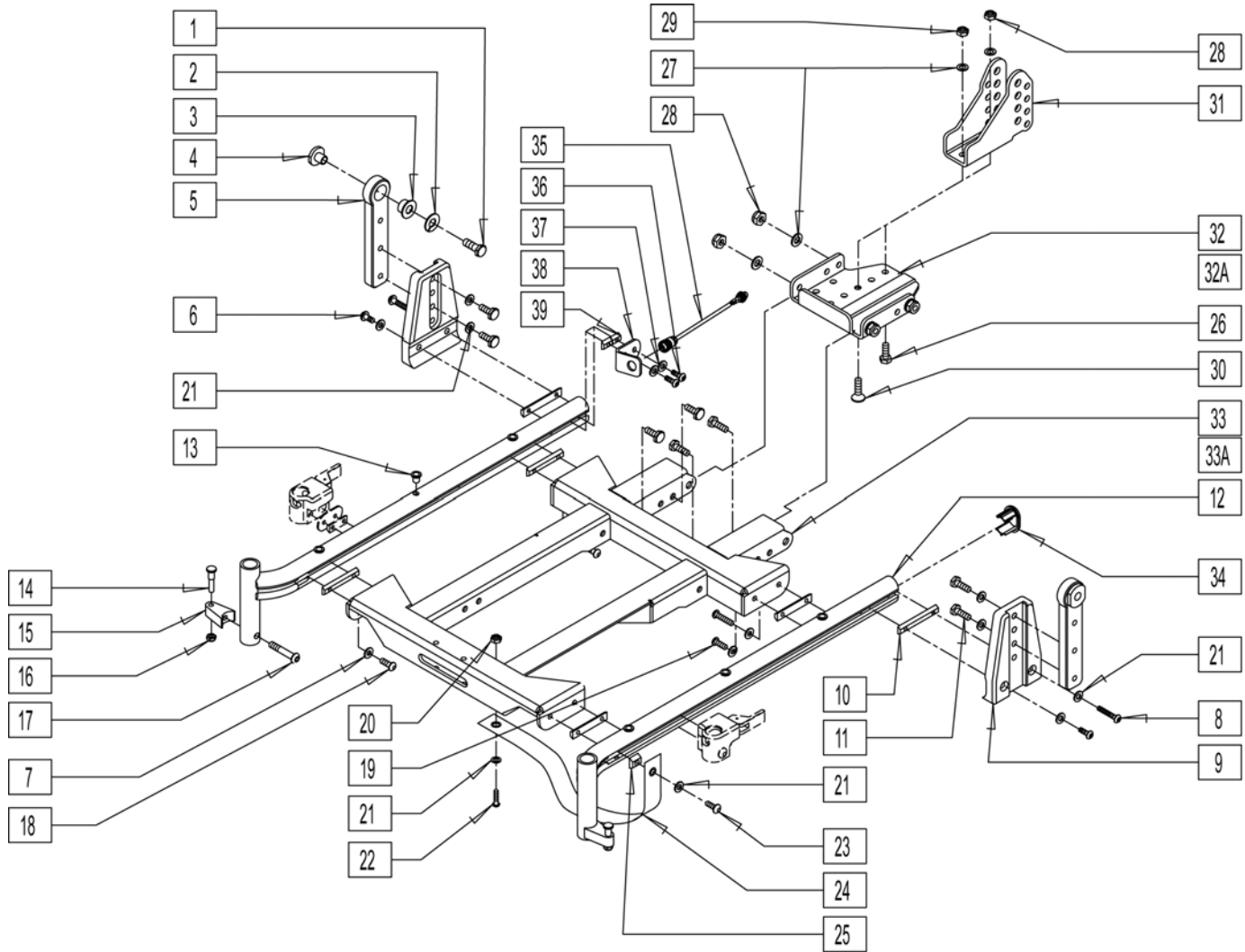
TILT/RECLINE ASSEMBLY



Pos.	Item Number	Description	Remarks
1	201263	3/8-16 NYLOCK NUT BLK ZINC	
2	263140	3/8 WASHER FLAT	
3	138445	ACT LINAK LA-30-175 W/REED SWC	For QMAC
4	226329	1/2 x 1-3/4 SOC C/S SHOULD BLK	
5	261531	ACTUATOR THRUST WASHER	
6	222103	5/16 AN5-20A HEX C/S	
7	202111	5/16-24 NYLOCK NUT THICK BLK	
8	542032	TILT SEATING FIXED LINKAGE	
8A	542041	TLT SEATING FXED LNKGE 2" LIFT	
9	560401	NYLINER BUSHING (10L7-F)	
10	481321	UPPER SOLID LINKAGE PIVOT	
11	330006	M12 x 1.75 FRNT SPVRT SEAT SCREW	
12	210075	M12 x 1.75 HEX JAM NUT	
13	547101	LOWER ACT MOUNT ASSM 16 T&R 2"	
13A	547102	LOWER ACT MOUNT ASSM 18 T&R 2"	
13B	542098	LOWER ACT MOUNT ASSM 16 T & R	
13C	542099	LOWER ACT MOUNT ASSM 18 T & R	

Pos.	Item Number	Description	Remarks
14	221018	5/16-18 x 1.5 SHCS BLK W/PL	
15	263100	5/16 AN WASHER FLAT	
16	349595	BEARING IGUS 3/8 x 15/32 x 1/2	
17	226181	5/16-18 x 1 BH C/S BLK	
18	226331	3/8-16 x 2-1/4 SOC HD C/S BLK	
19	540870	REAR PLATE WLDMT 16" 626 T/R	
19	540871	REAR PLATE WLDMT 18" 626 T/R	
19A	541029	HEIGHT PLATE WLDMT 16" REAR	
19A	541030	HEIGHT PLATE WLDMT 18" REAR	
20	235007	M8 x 1.25 x 16 BH C/S	
21	483248	GLIDE BLOCK METRIC S626	
22	202117	5/16-18 NYLOCK NUT THICK BLK	
23	883155	TILT GUIDE RAIL ASSM 250 LB	
23A	883156	TILT GUIDE RAIL ASSM 400 LB	
24	226078	1/4-20 x 3/4 BH C/S W/PATCH BLK	
5	483209	ACTUATOR MOUNT SADDLE S626	
26	138506	SPRING CLIP DRILLED	
27	226060	1/4-20 x 3/8 BH C/S W/PATCH	
6-8,10	887980	TILT SEAT FIXED LINKAGE ASSM	
6,7,8A,9,10	887981	TILT SEAT FIXED LINKG 2" ASSM	
1-5	887990	ACT LINAK LA-30-175 W/HDWR	
11-15,25	887946	LWR ACT MNT SUB ASSM 16 TR 2"	
11,12,13A,14,15,25	887947	LWR ACT MNT SUB ASSM 18 TR 2"	
11,12,13B,14,15,25	887948	LWR ACT MNT SUB ASSM 16 TR	
11,12,13C,14,15,25	887949	LWR ACT MNT SUB ASSM 18 TR	

NOTE: Discontinued 4/21/03 prior to S/N S64-034729- Parts Only.



Pos.	Item Number	Description	Remarks
1	223121	3/8-16 x .75 HEX HD C/S W/PATCH	
2	262141	3/8 LOCK WASHER	
3	349598	BEARING IGUS 5/8 x 3/4 x 1/2	
4	481466	REC PIVOT BOSS	
5	117829	REAR PIVOT POST ADJ	
6	226064	1/4-28 x 3/4 BH C/S BLK W/PTCH	
7	106944	1/4 AN WASHER FLAT THIN	
8	227110	1/4-28 x 1 BH C/S BLK ZN	
9	542162	REAR PIVOT POST ADJ MOUNT	
10	481419	1/4-28 CHANNEL NUT 1.75" SP	
11	221097	1/4-28 x 5/8 HEX C/S BZ	
13	341497	10-32 x .020-.130 RIVNUT GOLD	Rivnut tool required for installation of this part
14	202116	5/16-18 NYLOCK NUT THIN BLK	
15	505831	SPACER CAM	

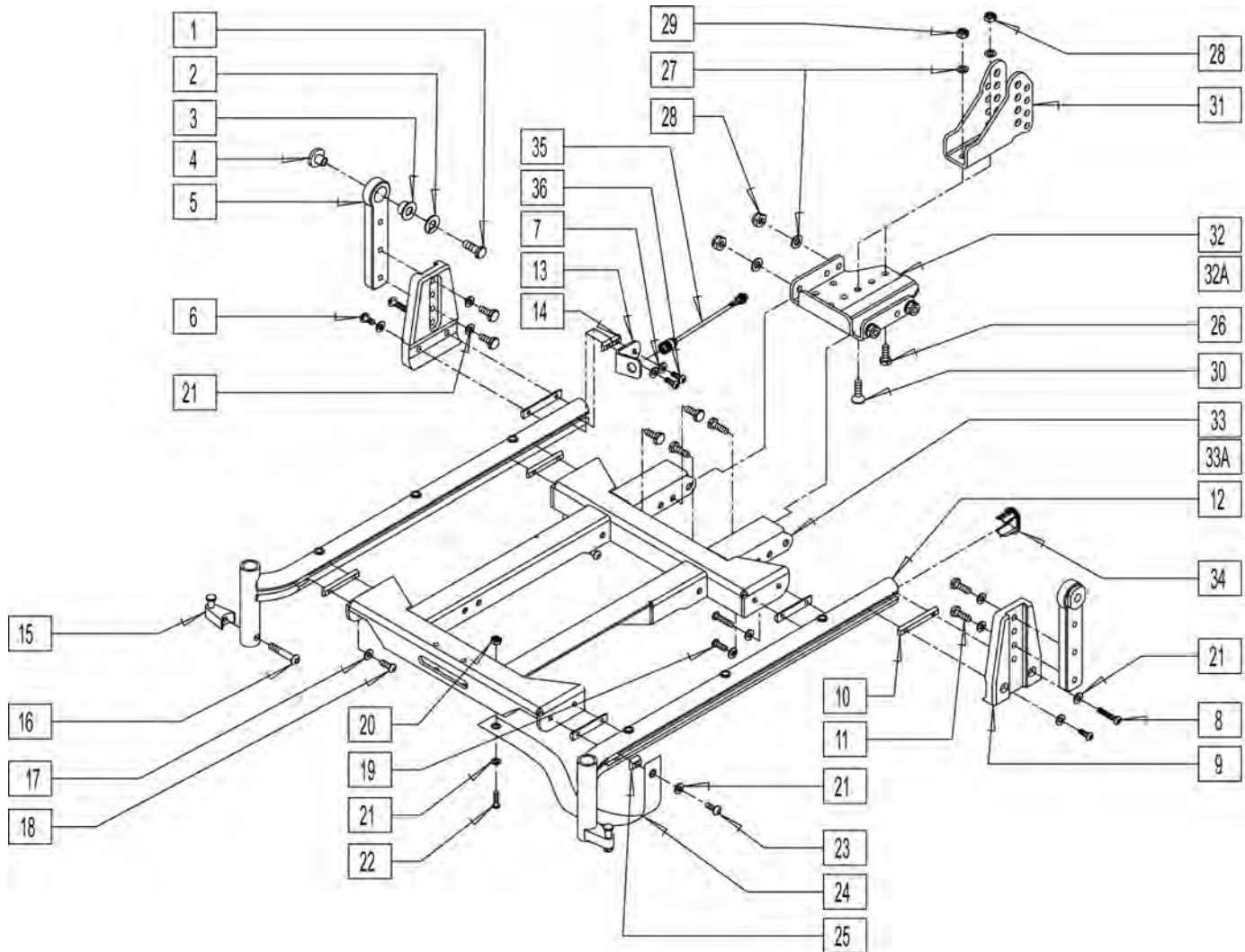
Pos.	Item Number	Description	Remarks
16	500526	BLOCK LOCATOR HNGER PWR	
17	226217	5/16-18 X 2" BH C/S BLK	
18	221012	1/4-28 x .44 SHCS BLK W/PL	
19	226064	1/4-28 x 3/4 BH C/S BLK W/PTCH	
20	202300	1/4-28 NYLOCK NUT THIN BLK ZN	
21	106943	WASHER FLAT AN 1/4 ROHS	
22	226247	1/4-28 x 5/8 B/H C/S BLACK G5	
23	221012	1/4-28 x 7/16 BH CS BLK W/PTCH	
24	740142	SUPPORT STRAP T & R ACTUATOR	
25	481106-QU	1/4-28 CHANNEL NUT	
26	222230	5/16-18 x 3/4 HEX C/S G8	
27	263100	5/16 AN WASHER FLAT	
28	202116	5/16-18 NYLOCK NUT THIN BLK	
29	202117	5/16-18 NYLOCK NUT THICK BLK	
30	226188	5/16-18 x 1 FH C/S	
31	502270	PIVOT BRKT ADJ REAR	
32	505609	REAR LOWER MULTI CLEVI WLDMNT	
32A	505623	REAR LWR MLT CLVS MNT TRAY LRG	
33	542500	14W TILT CHNNL WLDMT (.5) TUBE	
33	542501	15W TILT CHNNL WLDMT (.5) TUBE	
33	542502	16W TILT CHNNL WLDMT (.5) TUBE	
33	542503	17W TILT CHNNL WLDMT (.5) TUBE	
33	542504	18W TILT CHNNL WLDMT (.5) TUBE	
33	542505	19W TILT CHNNL WLDMT (.5) TUBE	
33	542506	20W TILT CHNNL WLDMT (.5) TUBE	
33	542507	22W TILT CHNNL WLDMT (.5) TUBE	
33	542508	24W TILT CHNNL WLDMT (.5) TUBE	
33A	542530	TILT CHANNEL WLDMNT 14W LONG	
33A	542531	TILT CHANNEL WLDMNT 15W LONG	
33A	542532	TILT CHANNEL WLDMNT 16W LONG	
33A	542533	TILT CHANNEL WLDMNT 17W LONG	
33A	542534	TILT CHANNEL WLDMNT 18W LONG	
33A	542535	TILT CHANNEL WLDMNT 19W LONG	
33A	542536	TILT CHANNEL WLDMNT 20W LONG	
33A	542537	TILT CHANNEL WLDMNT 22W LONG	
33A	542538	TILT CHANNEL WLDMNT 24W LONG	
34	567003	END PLUG OVAL	
35	139449	HOME SWITCH TILT ONLY	
36	221090	1/4-28 x 3/8 BH C/S BLK	
37	106943	WASHER FLAT AN 1/4 ROHS	
38	505929	HOME SWITCH BRACKET	
39	481418	1/4-28 CHANNEL NUT .80" SP	
12,13,34	660180S	FLRD SEAT RAIL ASSM STD L S626	
12,13,34	660181S	FLRD SEAT RAIL ASSM STD R S626	
12A,13,34	660182S	FLRD SEAT RAIL ASSM LNG L S626	
12A,13,34	660183S	FLRD SEAT RAIL ASSM LNG R S626	
1-6,8-11,21	885115	REAR PIVOT POST ADJ ASSM TR	
7,18-33	885220	TILT CHNNL WLDMNT ASSM 14W STD	
7,18-33	885221	TILT CHNNL WLDMNT ASSM 15W STD	
7,18-33	885222	TILT CHNNL WLDMNT ASSM 16W STD	
7,18-33	885223	TILT CHNNL WLDMNT ASSM 17W STD	
7,18-33	885224	TILT CHNNL WLDMNT ASSM 18W STD	
7,18-33	885225	TILT CHNNL WLDMNT ASSM 19W STD	
7,18-33	885226	TILT CHNNL WLDMNT ASSM 20W STD	
7,18-31,32A,33	885227	TILT CHNNL WLDMNT ASSM 22W STD	
7,18-31,32A,33	885228	TILT CHNNL WLDMNT ASSM 24W STD	

Pos.	Item Number	Description	Remarks
7,18-32,33A	885229	TILT CHNNL WLDMNT ASSM 14W LNG	
7,18-32,33A	885230	TILT CHNNL WLDMNT ASSM 15W LNG	
7,18-32,33A	885231	TILT CHNNL WLDMNT ASSM 16W LNG	
7,18-32,33A	885232	TILT CHNNL WLDMNT ASSM 17W LNG	
7,18-32,33A	885233	TILT CHNNL WLDMNT ASSM 18W LNG	
7,18-32,33A	885234	TILT CHNNL WLDMNT ASSM 19W LNG	
7,18-32,33A	885235	TILT CHNNL WLDMNT ASSM 20W LNG	
7,18-31,32A,33A	885236	TILT CHNNL WLDMNT ASSM 22W LNG	
7,18-31,32A,33A	885237	TILT CHNNL WLDMNT ASSM 24W LNG	
14-17	920053	HANGER LOCATOR ASSM W/HDWR	

SEAT FRAME - TILT & RECLINE

[10/2011]

NOTE: EFFECTIVE 4/21/03 STARTIING S/N S64-034729.

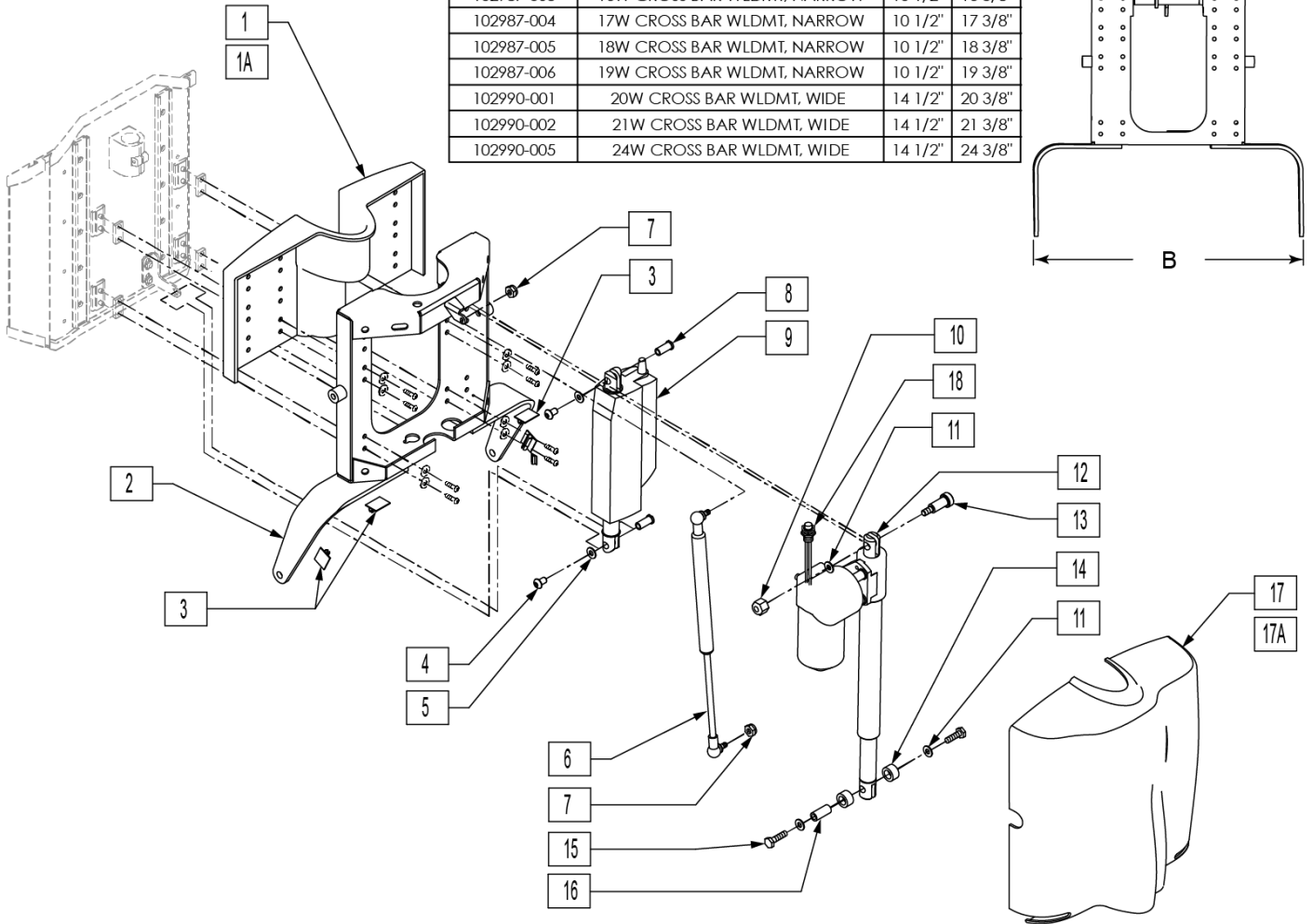


Pos.	Item Number	Description	Pos.	Item Number	Description
1	223121	3/8-16 x .75 HEX HD C/S W/PATCH	16	226218	5/16-18 x 1 3/4" BH C/S BLK
2	262141	3/8 LOCK WASHER	17	106944	WASHER FLAT THIN AN 1/4 ROHS
3	349598	BEARING IGUS 5/8 x 3/4 x 1/2	18	221012	1/4-28 x .44 SHCS BLK W/PL
4	481466	REC PIVOT BOSS	19	226064	1/4-28 x 3/4 BH C/S BLK W/PTCH
5	117829	REAR PIVOT POST ADJ	20	202300	1/4-28 NYLOCK NUT THIN BLK ZN
6	226064	1/4-28 x 3/4 BH C/S BLK W/PTCH	21	106943	WASHER FLAT AN 1/4 ROHS
7	106943	WASHER FLAT AN 1/4 ROHS	22	226247	1/4-28 x 5/8 B/H C/S BLACK G5
8	227110	1/4-28 x 1 BH C/S BLK ZN	23	221092	1/4-28 x 7/16 BH CS BLK W/PTCH
9	542162	REAR PIVOT POST ADJ MOUNT	24	740142	SUPPORT STRAP T & R ACTUATOR
10	481419	1/4-28 CHANNEL NUT 1.75" SP	25	481106-QU	1/4-28 CHANNEL NUT
11	221097	1/4-28 x 5/8 HEX C/S BZ	26	222230	5/16-18 x 3/4 HEX C/S G8
13	505929	HOME SWITCH BRACKET	27	263100	5/16 AN WASHER FLAT
14	481418	1/4-28 CHANNEL NUT .80" SP	28	202116	5/16-18 NYLOCK NUT THIN BLK
15	105787	PRSD A/A LATCH BLOCK NUT ASSM	29	202117	5/16-18 NYLOCK NUT THICK BLK

Pos.	Item Number	Description	Pos.	Item Number	Description
30	226188	5/16-18 x 1 FH C/S	36	221090	1/4-28 x 3/8 BH C/S BLK
31	502270	PIVOT BRKT ADJ REAR	12,34	660180S	FLRD SEAT RAIL ASSM STD L S626
32	505609	REAR LOWER MULTI CLEVI WLDMNT	12,34	660181S	FLRD SEAT RAIL ASSM STD R S626
32A	505623	REAR LWR MLT CLVS MNT TRAY LRG	12A,34	660182S	FLRD SEAT RAIL ASSM LNG L S626
33	542500	14W TILT CHNNL WLDMT (.5) TUBE	12A,34	660183S	FLRD SEAT RAIL ASSM LNG R S626
33	542501	15W TILT CHNNL WLDMT (.5) TUBE	1-6,8-11,21	885115	REAR PIVOT POST ADJ ASSM TR
33	542502	16W TILT CHNNL WLDMT (.5) TUBE	17-33	885220	TILT CHNNL WLDMNT ASSM 14W STD
33	542503	17W TILT CHNNL WLDMT (.5) TUBE	17-33	885221	TILT CHNNL WLDMNT ASSM 15W STD
33	542504	18W TILT CHNNL WLDMT (.5) TUBE	17-33	885222	TILT CHNNL WLDMNT ASSM 16W STD
33	542505	19W TILT CHNNL WLDMT (.5) TUBE	17-33	885223	TILT CHNNL WLDMNT ASSM 17W STD
33	542506	20W TILT CHNNL WLDMT (.5) TUBE	17-33	885224	TILT CHNNL WLDMNT ASSM 18W STD
33	542507	22W TILT CHNNL WLDMT (.5) TUBE	17-33	885225	TILT CHNNL WLDMNT ASSM 19W STD
33	542508	24W TILT CHNNL WLDMT (.5) TUBE	17-33	885226	TILT CHNNL WLDMNT ASSM 20W STD
33A	542530	TILT CHANNEL WLDMNT 14W LONG	17-31,32A,33	885227	TILT CHNNL WLDMNT ASSM 22W STD
33A	542531	TILT CHANNEL WLDMNT 15W LONG	17-31,32A,33	885228	TILT CHNNL WLDMNT ASSM 24W STD
33A	542532	TILT CHANNEL WLDMNT 16W LONG	17-32,33A	885229	TILT CHNNL WLDMNT ASSM 14W LNG
33A	542533	TILT CHANNEL WLDMNT 17W LONG	17-32,33A	885230	TILT CHNNL WLDMNT ASSM 15W LNG
33A	542534	TILT CHANNEL WLDMNT 18W LONG	17-32,33A	885231	TILT CHNNL WLDMNT ASSM 16W LNG
33A	542535	TILT CHANNEL WLDMNT 19W LONG	17-32,33A	885232	TILT CHNNL WLDMNT ASSM 17W LNG
33A	542536	TILT CHANNEL WLDMNT 20W LONG	17-32,33A	885233	TILT CHNNL WLDMNT ASSM 18W LNG
33A	542537	TILT CHANNEL WLDMNT 22W LONG	17-32,33A	885234	TILT CHNNL WLDMNT ASSM 19W LNG
33A	542538	TILT CHANNEL WLDMNT 24W LONG	17-32,33A	885235	TILT CHNNL WLDMNT ASSM 20W LNG
34	567003	END PLUG OVAL	17-31,32A,33A	885236	TILT CHNNL WLDMNT ASSM 22W LNG
35	139449	HOME SWITCH TILT ONLY	17-31,32A,33A	885237	TILT CHNNL WLDMNT ASSM 24W LNG

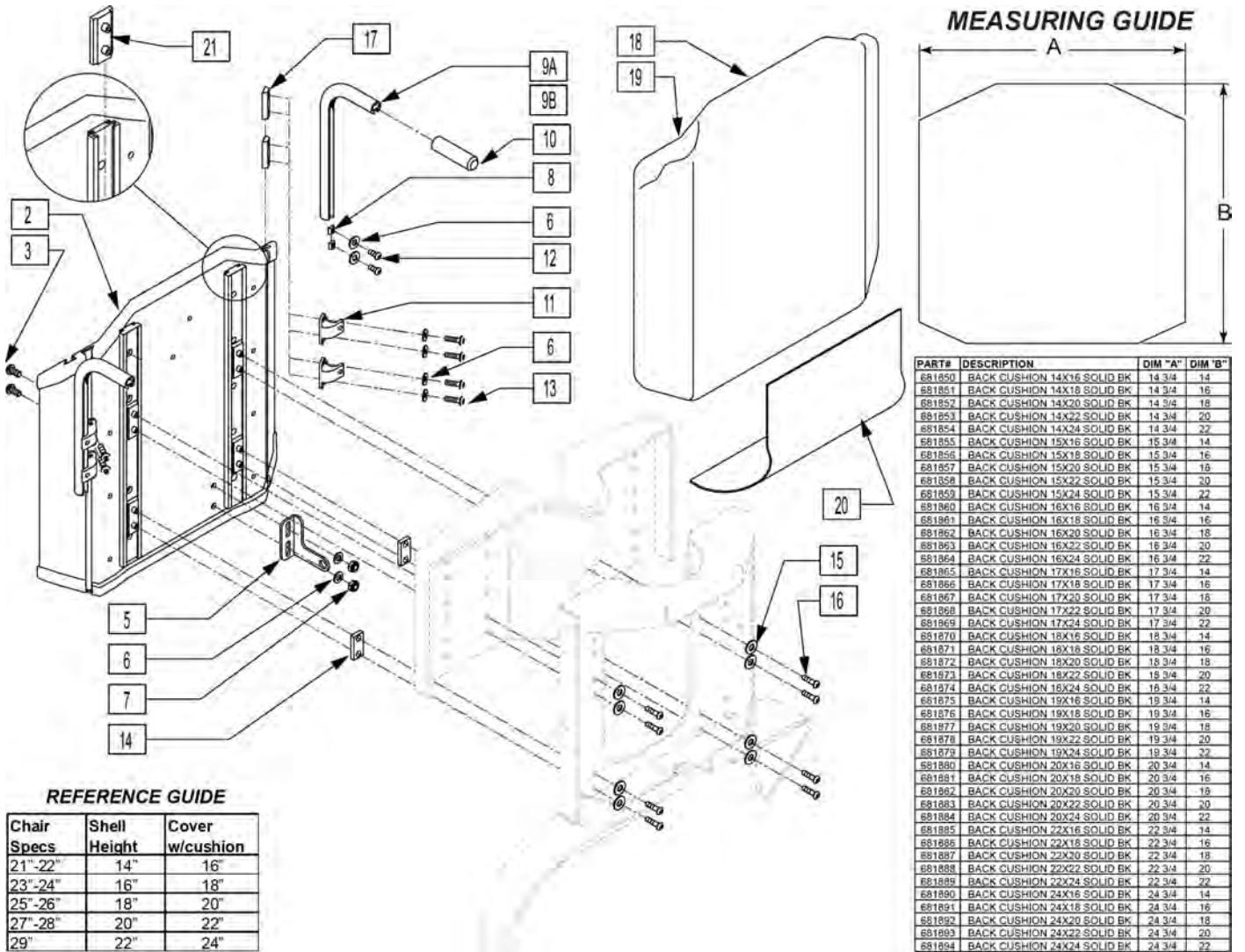
MEASURING GUIDE

PART NO.	DESCRIPTION	DIM "A"	DIM "B"
102987-003	16W CROSS BAR WLDMT, NARROW	10 1/2"	16 3/8"
102987-004	17W CROSS BAR WLDMT, NARROW	10 1/2"	17 3/8"
102987-005	18W CROSS BAR WLDMT, NARROW	10 1/2"	18 3/8"
102987-006	19W CROSS BAR WLDMT, NARROW	10 1/2"	19 3/8"
102990-001	20W CROSS BAR WLDMT, WIDE	14 1/2"	20 3/8"
102990-002	21W CROSS BAR WLDMT, WIDE	14 1/2"	21 3/8"
102990-005	24W CROSS BAR WLDMT, WIDE	14 1/2"	24 3/8"



Pos.	Item Number	Description	Remarks
1A	561422	BACKREST INNER SHROUD SMALL	16-19" WIDE
1B	561423	BACKREST INNER SHROUD LARGE	20-22" WIDE
2	102987-003	WLDMNT 16W CROSS BAR	16 WIDE
2	102987-004	WLDMNT 17W CROSS BAR	17 WIDE
2	102987-005	WLDMNT 18W CROSS BAR	18 WIDE
2	102987-006	WLDMNT 19W CROSS BAR	19 WIDE
2	102990-001	WLDMNT 20W CROSS BAR	20 WIDE
2	102990-002	WLDMNT 21W CROSS BAR	22 WIDE
2	102990-005	WLDMNT 24W CROSS BAR	24 WIDE
3	560794	CABLE HOLDER BLACK W/ADHESIVE	
4	226236	5/16-18 x 1/2 B/H C/S BLK	
5	263100	5/16 AN WASHER FLAT	
6	342088	GAS SPRING S626 T/R	
7	202116	5/16-18 NYLOCK NUT THIN BLK	
8	505615	ACT LINK PIN	
9	138448	ACTUATOR LINAK LA-12 20" CABLE	
10	201263	3/8-16 NYLOCK NUT BLK ZINC	
11	263140	3/8 WASHER FLAT	

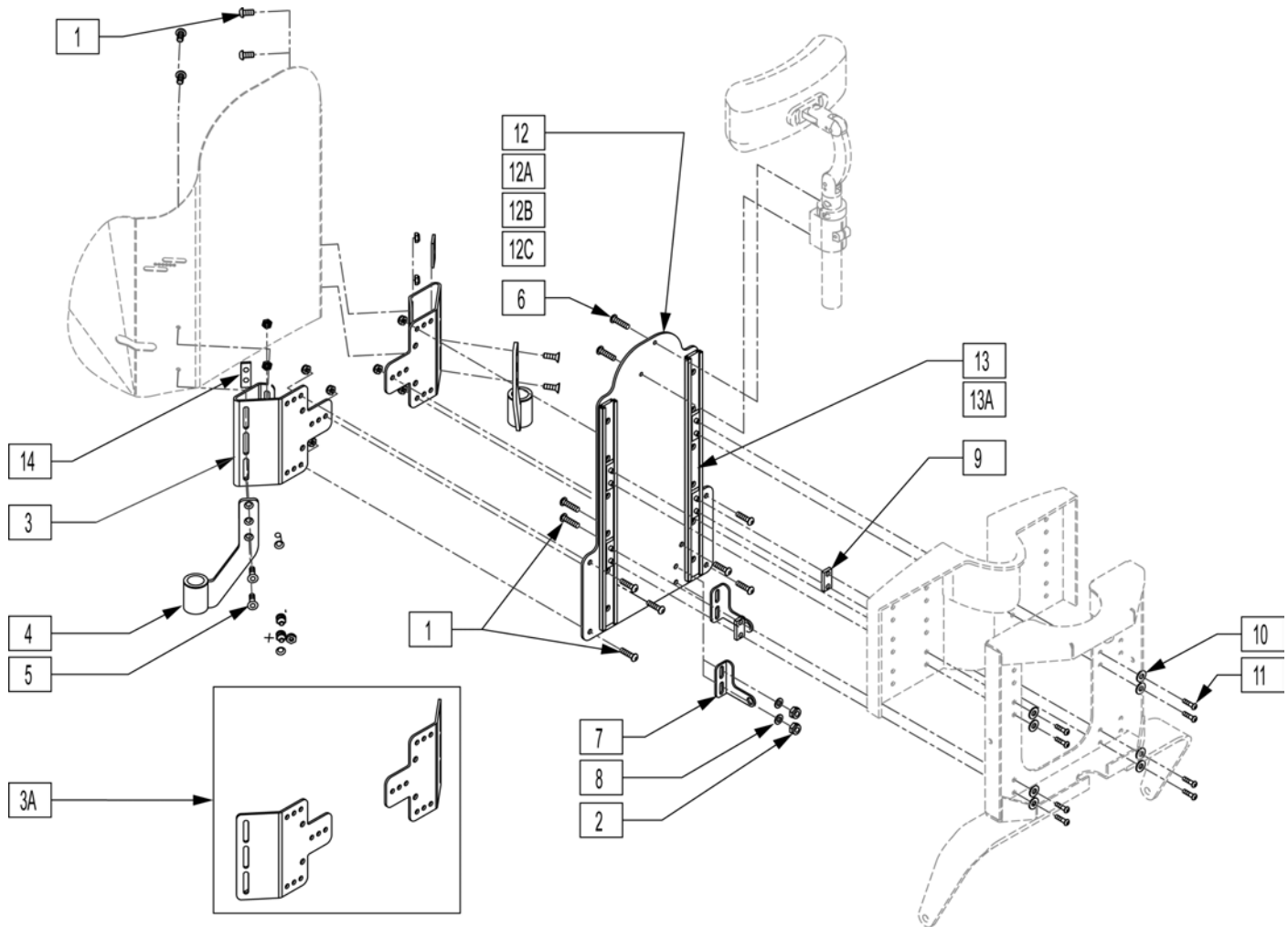
Pos.	Item Number	Description	Remarks
12	138446	ACT LINAK LA-30-150 W/REED SWC	
13	341571	1/2" SHOULDER BOLT	
14	560030	REAR ACT THRUST WASHER	
15	223120	3/8-16 x .625 HEX HD C/S W/PATCH	
16	506033	LOWER RECLINE ACT PIVOT	
17A	561420	BACKREST SHROUD SMALL	14-19" WIDE
17B	561421	BACKREST SHROUD LARGE	20-24" WIDE
1A,2-16,17A,18	883180	BACKREST ASSM 14W PWR TLT/RCLN	
1A,2-16,17A,18	883181	BACKREST ASSM 15W PWR TLT/RCLN	
1A,2-16,17A,18	883182	BACKREST ASSM 16W PWR TLT/RCLN	
1A,2-16,17A,18	883183	BACKREST ASSM 17W PWR TLT/RCLN	
1A,2-16,17A,18	883184	BACKREST ASSM 18W PWR TLT/RCLN	
1A,2-16,17A,18	883185	BACKREST ASSM 19W PWR TLT/RCLN	
1B,2-16,17B,18	883186	BACKREST ASSM 20W PWR TLT/RCLN	
1B,2-16,17B,18	883187	BACKREST ASSM 22W PWR TLT/RCLN	
1B,2-16,17B,18	883188	BACKREST ASSM 24W PWR TLT/RCLN	
1B,2-16,17B,18	883186	BACKREST ASSM PWR TLT/RCLN	



Pos.	Item Number	Description	Remarks
3	221091	1/4-28 x 1/2 BH C/S BLK W/PTCH	
5	102981	UPPER ACT CLEVIS MID SW	
6	106943	WASHER FLAT AN 1/4 ROHS	
7	202300	1/4-28 NYLOCK NUT THIN BLK ZN	
8	481106-QU	1/4-28 CHANNEL NUT	
10	920027	QUICKIE GRIP 1" W/INSTR	
9A,10	113364	PUSH HANDLES TUBE W/RCLN BCK	EACH - HANDLE 5" LONG
9B, 10	113365	PUSH HANDLES TB LNG W/RCLN BK	EACH -HANDLE 12.5" LONG
11	505553	CURVED BACK BRACKET S626	
12	221013	1/4-28 x 1/2 BH C/S BLK W/PTCH	
13	221012	1/4-28 x 7/16 BH CS BLK W/PTCH	
14	481471	GLIDE SPACER	
15	267021	#6 WASHER FLAT	
16	102257	BHCS M4 X .7 X 8 INORGANIC	
17	481419	1/4-28 CHANNEL NUT 1.75" SP	
20	680155	COVER SEAT/BACK GAP T&R	
21	505621	IGUS GLIDE - N	
18,19	681850	BACK CUSHION 14"X16" SOLID BK	Back Height 21-22"

Pos.	Item Number	Description	Remarks
18,19	681851	BACK CUSHION 14"X18" SOLID BK	Back Height 23-24"
18,19	681852	BACK CUSHION 14"X20" SOLID BK	Back Height 25-26"
18,19	681853	BACK CUSHION 14"X22" SOLID BK	Back Height 27-28"
18,19	681854	BACK CUSHION 14"X24" SOLID BK	Back Height 29"
18,19	681855	BACK CUSHION 15"X16" SOLID BK	Back Height 21-22"
18,19	681856	BACK CUSHION 15"X18" SOLID BK	Back Height 23-24"
18,19	681857	BACK CUSHION 15"X20" SOLID BK	Back Height 25-26"
18,19	681858	BACK CUSHION 15"X22" SOLID BK	Back Height 27-28"
18,19	681859	BACK CUSHION 15"X24" SOLID BK	Back Height 29"
18,19	681860	BACK CUSHION 16"X16" SOLID BK	Back Height 21-22"
18,19	681861	BACK CUSHION 16"X18" SOLID BK	Back Height 23-24"
18,19	681862	BACK CUSHION 16"X20" SOLID BK	Back Height 25-26"
18,19	681863	BACK CUSHION 16"X22" SOLID BK	Back Height 27-28"
18,19	681864	BACK CUSHION 16"X24" SOLID BK	Back Height 29"
18,19	681865	BACK CUSHION 17"X16" SOLID BK	Back Height 21-22"
18,19	681866	BACK CUSHION 17"X18" SOLID BK	Back Height 23-24"
18,19	681867	BACK CUSHION 17"X20" SOLID BK	Back Height 25-26"
18,19	681868	BACK CUSHION 17"X22" SOLID BK	Back Height 27-28"
18,19	681869	BACK CUSHION 17"X24" SOLID BK	Back Height 29"
18,19	681870	BACK CUSHION 18"X16" SOLID BK	Back Height 21-22"
18,19	681871	BACK CUSHION 18"X18" SOLID BK	Back Height 23-24"
18,19	681872	BACK CUSHION 18"X20" SOLID BK	Back Height 25-26"
18,19	681873	BACK CUSHION 18"X22" SOLID BK	Back Height 27-28"
18,19	681874	BACK CUSHION 18"X24" SOLID BK	Back Height 29"
18,19	681875	BACK CUSHION 19"X16" SOLID BK	Back Height 21-22"
18,19	681876	BACK CUSHION 19"X18" SOLID BK	Back Height 23-24"
18,19	681877	BACK CUSHION 19"X20" SOLID BK	Back Height 25-26"
18,19	681878	BACK CUSHION 19"X22" SOLID BK	Back Height 27-28"
18,19	681879	BACK CUSHION 19"X24" SOLID BK	Back Height 29"
18,19	681880	BACK CUSHION 20"X16" SOLID BK	Back Height 21-22"
18,19	681881	BACK CUSHION 20"X18" SOLID BK	Back Height 23-24"
18,19	681882	BACK CUSHION 20"X20" SOLID BK	Back Height 25-26"
18,19	681883	BACK CUSHION 20"X22" SOLID BK	Back Height 27-28"
18,19	681884	BACK CUSHION 20"X24" SOLID BK	Back Height 29"
18,19	681885	BACK CUSHION 22"X16" SOLID BK	Back Height 21-22"
18,19	681886	BACK CUSHION 22"X18" SOLID BK	Back Height 23-24"
18,19	681887	BACK CUSHION 22"X20" SOLID BK	Back Height 25-26"
18,19	681888	BACK CUSHION 22"X22" SOLID BK	Back Height 27-28"
18,19	681889	BACK CUSHION 22"X24" SOLID BK	Back Height 29"
18,19	681890	BACK CUSHION 24"X16" SOLID BK	Back Height 21-22"
18,19	681891	BACK CUSHION 24"X18" SOLID BK	Back Height 23-24"
18,19	681892	BACK CUSHION 24"X20" SOLID BK	Back Height 25-26"
18,19	681893	BACK CUSHION 24"X22" SOLID BK	Back Height 27-28"
18,19	681894	BACK CUSHION 24"X24" SOLID BK	Back Height 29"
1,2,4	887000	SLD BCK SHELL ASSM 14WX14T T/R	Back Height 21-22"
1,2,4	887001	SLD BCK SHELL ASSM 15WX14T T/R	Back Height 21-22"
1,2,4	887002	SLD BCK SHELL ASSM 16WX14T T/R	Back Height 21-22"
1,2,4	887003	SLD BCK SHELL ASSM 17WX14T T/R	Back Height 21-22"
1,2,4	887004	SLD BCK SHELL ASSM 18WX14T T/R	Back Height 21-22"
1,2,4	887005	SLD BCK SHELL ASSM 19WX14T T/R	Back Height 21-22"
1,2,4	887006	SLD BCK SHELL ASSM 20WX14T T/R	Back Height 21-22"
1,2,4	887007	SLD BCK SHELL ASSM 22WX14T T/R	Back Height 21-22"
1,2,4	887008	SLD BCK SHELL ASSM 24WX14T T/R	Back Height 21-22"
1,2,4	887009	SLD BCK SHELL ASSM 14WX16T T/R	Back Height 23-24"
1,2,4	887010	SLD BCK SHELL ASSM 15WX16T T/R	Back Height 23-24"
1,2,4	887011	SLD BCK SHELL ASSM 16WX16T T/R	Back Height 23-24"

Pos.	Item Number	Description	Remarks
1,2,4	887012	SLD BCK SHELL ASSM 17WX16T T/R	Back Height 23-24"
1,2,4	887013	SLD BCK SHELL ASSM 18WX16T T/R	Back Height 23-24"
1,2,4	887014	SLD BCK SHELL ASSM 19WX16T T/R	Back Height 23-24"
1,2,4	887015	SLD BCK SHELL ASSM 20WX16T T/R	Back Height 23-24"
1,2,4	887016	SLD BCK SHELL ASSM 22WX16T T/R	Back Height 23-24"
1,2,4	887017	SLD BCK SHELL ASSM 24WX16T T/R	Back Height 23-24"
1,2,4	887018	SLD BCK SHELL ASSM 14WX18T T/R	Back Height 25-26"
1,2,4	887019	SLD BCK SHELL ASSM 15WX18T T/R	Back Height 25-26"
1,2,4	887020	SLD BCK SHELL ASSM 16WX18T T/R	Back Height 25-26"
1,2,4	887021	SLD BCK SHELL ASSM 17WX18T T/R	Back Height 25-26"
1,2,4	887022	SLD BCK SHELL ASSM 18WX18T T/R	Back Height 25-26"
1,2,4	887023	SLD BCK SHELL ASSM 19WX18T T/R	Back Height 25-26"
1,2,4	887024	SLD BCK SHELL ASSM 20WX18T T/R	Back Height 25-26"
1,2,4	887025	SLD BCK SHELL ASSM 22WX18T T/R	Back Height 25-26"
1,2,4	887026	SLD BCK SHELL ASSM 24WX18T T/R	Back Height 25-26"
1,2,4	887027	SLD BCK SHELL ASSM 14WX20T T/R	Back Height 25-26"
1,2,4	887028	SLD BCK SHELL ASSM 15WX20T T/R	Back Height 27-28"
1,2,4	887029	SLD BCK SHELL ASSM 16WX20T T/R	Back Height 27-28"
1,2,4	887030	SLD BCK SHELL ASSM 17WX20T T/R	Back Height 27-28"
1,2,4	887031	SLD BCK SHELL ASSM 18WX20T T/R	Back Height 27-28"
1,2,4	887032	SLD BCK SHELL ASSM 19WX20T T/R	Back Height 27-28"
1,2,4	887033	SLD BCK SHELL ASSM 20WX20T T/R	Back Height 27-28"
1,2,4	887034	SLD BCK SHELL ASSM 22WX20T T/R	Back Height 27-28"
1,2,4	887035	SLD BCK SHELL ASSM 24WX20T T/R	Back Height 27-28"
1,2,4	887036	SLD BCK SHELL ASSM 14WX22T T/R	Back Height 29"
1,2,4	887037	SLD BCK SHELL ASSM 15WX22T T/R	Back Height 29"
1,2,4	887038	SLD BCK SHELL ASSM 16WX22T T/R	Back Height 29"
1,2,4	887039	SLD BCK SHELL ASSM 17WX22T T/R	Back Height 29"
1,2,4	887040	SLD BCK SHELL ASSM 18WX22T T/R	Back Height 29"
1,2,4	887041	SLD BCK SHELL ASSM 19WX22T T/R	Back Height 29"
1,2,4	887042	SLD BCK SHELL ASSM 20WX22T T/R	Back Height 29"
1,2,4	887043	SLD BCK SHELL ASSM 22WX22T T/R	Back Height 29"
1,2,4	887044	SLD BCK SHELL ASSM 24WX22T T/R	Back Height 29"



Pos.	Item Number	Description	Remarks
1	226075	1/4-28 x 1/2 SOC HD C/S BLK	
2	202300	1/4-28 NYLOCK NUT THIN BLK ZN	
3A	505944	SPPRT BCK DP CNTR EAR PLATE	
3B	505976	REAR SPRPT ARMREST MNT BRCKT	
4	542029	REAR ARMREST MOUNT WLDMNT	
5	226076	1/4-28 x 1/2 FH C/S W/PATCH	
6	221091	1/4-28 x 1/2 BH C/S BLK W/PTCH	
7	102981	UPPER ACT CLEVIS MID SW	
8	106943	WASHER FLAT AN 1/4 ROHS	
9	481471	GLIDE SPACER	
10	267021	#6 WASHER FLAT	
11	102257	BHCS M4 X .7 X 8 INORGANIC	
12A	505940	BCKRST SPRPT SP CNTR PLT 20 x19	
12B	505941	BCK SPRT SP CNT PLT 17-18-9 x19	
12C	505942	BCK SPRT SP CNT PLT 15-16 x19	
12D	505943	BCKRST SPRPT SP CNTR PLT 14 x18	
13A	885040	IGUS GLIDE RAIL ASSM 12	
13B	885041	IGUS GLIDE RAIL ASSM 14	
14	481108-QU	1/4-28 CHANNEL NUT-2 HOLE	
15	505621	IGUS GLIDE - N	

Pos.	Item Number	Description	Remarks
1-11,12A,13A,14	888020	DP CNTR RCL BCK PLT ASSM 14	
1-11,12B,13A,14	888021	DP CNTR RCL BCK PLT ASSM	(15" -16")
1-11,12C,13A,14	888022	DP CNTR RCL BCK PLT ASSM	(17"-19")
1-11,12D,13A,14	888023	DP CNTR RCL BCK PLT ASSM	(20" -22")

To request assembly of parts being ordered as a kit, please add "ASSY-HNG-FP" after compatible Hanger & Footplate parts are selected

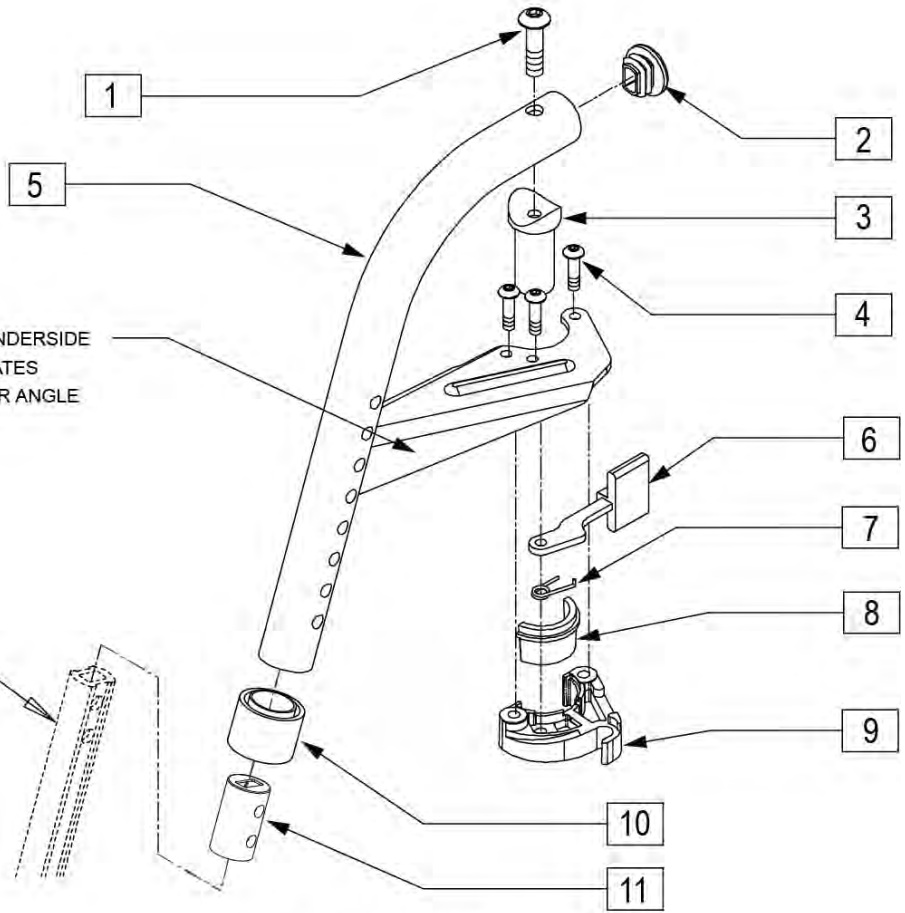
12



ORDER QUANTITY 2 WHEN RETRO-FITTING TO CHAIR

NOTE: STAMP ON UNDERSIDE OF BRACKET INDICATES DEGREE OF HANGER ANGLE

NOTE: DOUBLE D EXTENSION TUBE 2 BOLTS.



Drawing shows left side

Pos.	Item Number	Description	Remarks
1	226217	5/16-18 x 2" BH C/S BLK	
2	561378	END PLUG DBL "D" S525	
3	561197	PLASTIC PIVOT SADDLE	
4	226057	10/24 x .725 BTTN HD SOC BZ	
6	561079	S/A LATCH LEVER	
7	321136	S/A SPRING L RED	Left
7	321137	S/A SPRING R CLEAR	Right
8,9	881500	LATCH BLOCK ASSM R	Right
8,9	881501	LATCH BLOCK ASSM L	Left
10	561082	1" TUBE END BUSHING THIN	
11	100968	SPCR ANTI ROTATE INSRT D2 EXT	
12	107491	LATCH STUD KIT	order qty 2 when retrofitting to chair
1-11	641526S	HANGER ASSM S/A 70D POWER R	Right
1-11	641525S	HANGER ASSM S/A 70D POWER L	Left
		Ship assembled part #	Use with multiple assemblies
	ASSY-HNG-FP	HANGER/FOOTPLATE ASSY REQUIRED	add with Hanger & Footplate kit

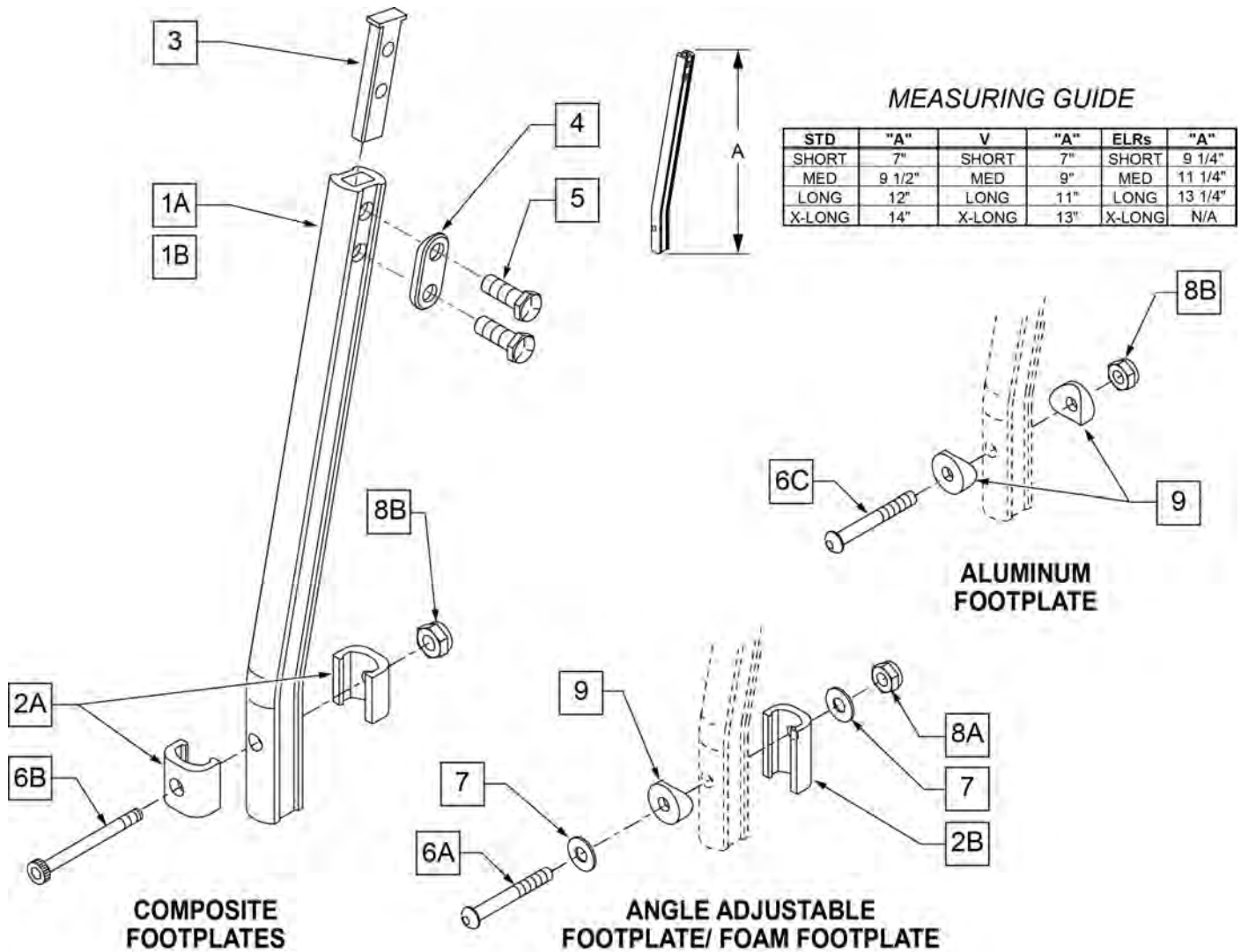
[12/26/2019]

Note: If replacing hanger only and chair was built prior to the serial numbers listed, Quickie S646/S646SE - S/N S64-041562 --Quickie S525 - S/N S52-024192--Quickie P222SE - S/N P2X-0018648--Quickie P220 - S/N P20-028108 please order complete assembly 641525 and/or 641526.

NOTE: DISCONTINUED - PARTS ONLY ON GP SWNG-AWAY BEGINNING 4/4/15 & S/N GP-95902, KIDS Q2 SE BEGINNING 4/16/15 & S/N QKE-003425, LX BEGINNING 10/24/2008 & S/N LX-034330, LXI BEGINNING 4/25/15 & S/N LXI-060868, QTS BEGINNING 5/15/15 & S/N QT-044951, QTS SE BEGINNING 5/15/15 & S/N QTE-002092

NOTE: IF REPLACING AN EXTENSION TUBE ON AN MANUAL ALR PLEASE REFER TO THE ROUND EXT TUBE PARTS MANUAL PAGE.

NOTE: WHEN ORDERING REPLACEMENT EXTENSION TUBES PLEASE VERIFY IF YOU HAVE THE OLD STYLE DOUBLE D EXTENSION TUBE OR THE NEW STYLE DOUBLE D EXTENSION TUBE. THIS CAN BE DONE BY REVIEWING THE HANGER THE EXTENSION TUBE IS USED ON. IF THE HANGER UTILIZES A SINGLE SET SCREW AT THE BOTTOM OF THE HANGER TUBE TO ATTACH THE EXTENSION TUBE TO THE HANGER, THEN THIS UTILIZES THE NEW STYLE DOUBLE D EXT TUBE. ALL OTHER HANGERS REQUIRING A DOUBLE D EXTENSION TUBE UTILIZE THE OLD STYLE.



Pos.	Item Number	Description	Remarks
1A	550819	EXT TUBE S/A ONLY SHT	Short Ext-Swing Away Hanger

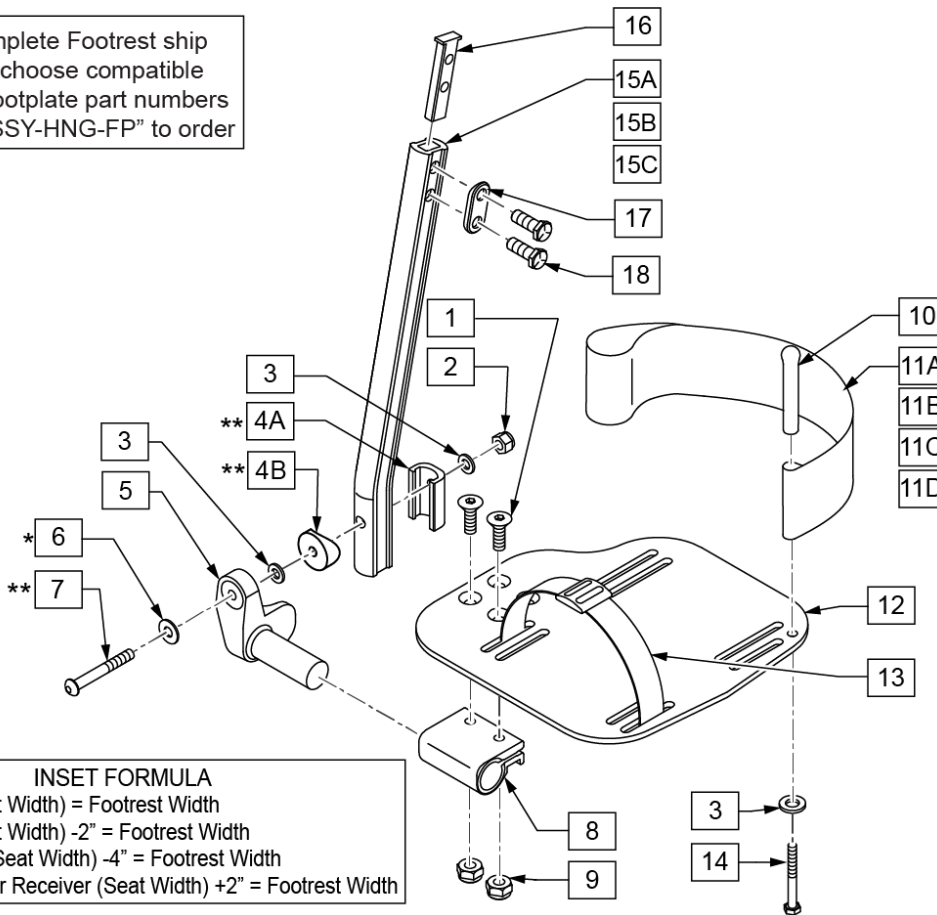
Pos.	Item Number	Description	Remarks
1A	550820	EXT TUBE S/A ONLY MED	Med Ext-Swing Away Hanger
1A	550821	EXT TUBE S/A ONLY LONG	Long Ext-Swing Away Hanger
1A	550822	EXT TUBE S/A ONLY X-LONG	X-Long Ext-Swing Away Hanger
1B	550834	EXT TUBE V IN ONLY D2 SHT R	Right Short Ext-Swing Away Hanger
1B	550835	EXT TUBE V IN ONLY D2 SHT L	Left Short Ext-Swing Away Hanger
1B	550836	EXT TUBE V IN ONLY D2 MED R	Right Med Ext-Swing Away Hanger
1B	550837	EXT TUBE V IN ONLY D2 MED L	Left Med Ext-Swing Away Hanger
1B	550838	EXT TUBE V IN ONLY D2 LONG R	Right Long Ext-Swing Away Hanger
1B	550839	EXT TUBE V IN ONLY D2 LONG L	Left Long Ext-Swing Away Hanger
1B	550840	EXT TUBE V IN ONLY D2 X-LONG R	Right X-Long Ext-Swing Away Hanger
1B	550841	EXT TUBE V IN ONLY D2 X-LONG L	Left X-Long Ext-Swing Away Hanger
2A	483718	HANGER EXTENSION SADDLE	USE W/ COMPOSITE FTPLT
2B	483720	HANGER EXTENSION SADDLE LONG	USE W/ ANGLE ADJ FTPLT
3	500078	INSERT D2 EXT TUBE	
4	483717	HANGER SADDLE	
5	221102	1/4-28 x 3/4 HEX HEAD C/S BLK W/PTCH	
6A	106962	1/4-28 x 1 3/4 BH C/S BLK ZN	USE W/ ANGLE ADJ FTPLT
6B	226165	1/4 -28 x 2 1/2 SOC C/S	USE W/ COMPOSITE FTPLT
6C	226147	1/4 -28 X 1.85 BH C/S	
7	106945	1/4" SAE WASHER	
8A	106941	1/4 -28 AUTOMATION NUT	USE W/ ANGLE ADJ FTPLT
8B	106935	1/4 -28 NYLOCK NUT THIN	USE W/ COMPOSITE FTPLT
9	561055	3/4 SADDLE 1" OD	USE W/ ANGLE ADJ FTPLT
1A,2A-5	921759	EXT TUBE S/A SHT ASSM PCKT	USE W/ COMPOSITE FTPLT
1A,2A-5	921760	EXT TUBE S/A MED ASSM PCKT	USE W/ COMPOSITE FTPLT
1A,2A-5	921761	EXT TUBE S/A LONG ASSM PCKT	USE W/ COMPOSITE FTPLT
1A,2A-5	921762	EXT TUBE S/A X-LONG ASSM PCKT	USE W/ COMPOSITE FTPLT
1B,2A-5	921751	EXT TUBE "V" D2 SHT R ASSM PCKT	RIGHT - USE W/ COMPOSITE FTPLT V HANGER
1B,2A-5	921752	EXT TUBE "V" D2 SHT L ASSM PCKT	LEFT - USE W/ COMPOSITE FTPLT V HANGER
1B,2A-5	921753	EXT TUBE "V" D2 MED R ASSM PCKT	RIGHT - USE W/ COMPOSITE FTPLT V HANGER
1B,2A-5	921754	EXT TUBE "V" D2 MED L ASSM PCKT	LEFT - USE W/ COMPOSITE FTPLT V HANGER
1B,2A-5	921755	EXT TUBE "V" D2 LONG R ASSM PCKT	RIGHT - USE W/ COMPOSITE FTPLT V HANGER
1B,2A-5	921756	EXT TUBE "V" D2 LONG L ASSM PCKT	LEFT - USE W/ COMPOSITE FTPLT V HANGER
1B,2A-5	921757	EXT TUBE "V" D2 X-LONG R ASSM PCKT	RIGHT - USE W/ COMPOSITE FTPLT V HANGER
1B,2A-5	921758	EXT TUBE "V" D2 X-LONG L ASSM PCKT	LEFT - USE W/ COMPOSITE FTPLT V HANGER
1A,2A-7,9	921772	EXT TUBE S/A SHT ANG ADJ PCKT	USE W/ ANGLE ADJ FTPLT
1A,2A-7,9	921773	EXT TUBE S/A MED ANG ADJ PCKT	USE W/ ANGLE ADJ FTPLT
1A,2A-7,9	921774	EXT TUBE S/A LONG ANG ADJ PCKT	USE W/ ANGLE ADJ FTPLT
1A,2A-7,9	921775	EXT TUBE S/A X-LONG ANG ADJ PCKT	USE W/ ANGLE ADJ FTPLT
1B,2A-7,9	921764	EXT TUBE "V" D2 SHT R ANG ADJ PCKT	RIGHT - USE W/ ANGLE ADJ FTPLT V HANGER
1B,2A-7,9	921765	EXT TUBE "V" D2 SHT L ANG ADJ PCKT	LEFT - USE W/ ANGLE ADJ FTPLT V HANGER
1B,2A-7,9	921766	EXT TUBE "V" D2 MED R ANG ADJ PCKT	RIGHT - USE W/ ANGLE ADJ FTPLT V HANGER
1B,2A-7,9	921767	EXT TUBE "V" D2 MED L ANG ADJ PCKT	LEFT - USE W/ ANGLE ADJ FTPLT V HANGER
1B,2A-7,9	921768	EXT TUBE "V" D2 LONG R ANG ADJ PCKT	RIGHT - USE W/ ANGLE ADJ FTPLT V HANGER
1B,2A-7,9	921769	EXT TUBE "V" D2 LONG L ANG ADJ PCKT	LEFT - USE W/ ANGLE ADJ FTPLT V HANGER
1B,2A-7,9	921770	EXT TUBE "V" D2 X-LONG R ANG AD PCKT	RIGHT - USE W/ ANGLE ADJ FTPLT V HANGER
1B,2A-7,9	921771	EXT TUBE "V" D2 X-LONG L ANG AD PCKT	LEFT - USE W/ ANGLE ADJ FTPLT V HANGER

Note: * only 1 washer prior to 8/13/01.

Note: **not included in the Footplate kits; order extension tube kit or part separately.

Note: see attached REFERENCE GUIDE.

To have complete Footrest ship assembled, choose compatible Hanger + Footplate part numbers and add "ASSY-HNG-FP" to order



MEASURING GUIDE

CHAIR WIDTH	"A"	"B"
10" - 11"	3 1/2"	7 1/4"
12" - 13"	4 1/2"	7 3/4"
14" - 15"	5 1/2"	7 3/4"
16" - 17"	6 1/2"	7 3/4"
18" - 20"	7 1/2"	7 3/4"

STD	"C"
SHORT	7"
MED	9 1/2"
LONG	12"

INSET FORMULA
 0" Inset (Seat Width) = Footrest Width
 1" Inset (Seat Width) -2" = Footrest Width
 "V" Hanger (Seat Width) -4" = Footrest Width
 Offset Hanger Receiver (Seat Width) +2" = Footrest Width

Pos.	Item Number	Description	Remarks
1	106978	1/4-28 x 7/8 FH C/S	
2	106941	1/4-28 AUTOMATION NUT	
3	106943	WASHER FLAT AN 1/4 ROHS	
4A	483720	HANGER EXTENSION SADDLE LONG	1 per Ext Tube
4B	561055	3/4" SADDLE 1" OD	1 per Ext Tube
5	541002	FTRST MOUNTING BRKT-3/8 RAD R	RIGHT
5	541003	FTRST MOUNTING BRKT-3/8 RAD L	LEFT
6	106945	WASHER FLAT SAE 1/4 ROHS	
7	106962	BHCS 1/4-28 X 1-3/4 ROHS	
8	550350	3/4" CLMP ADJ FT PLT	
9	106935	NUT NYLOCK THIN 1/4-28 ROHS	

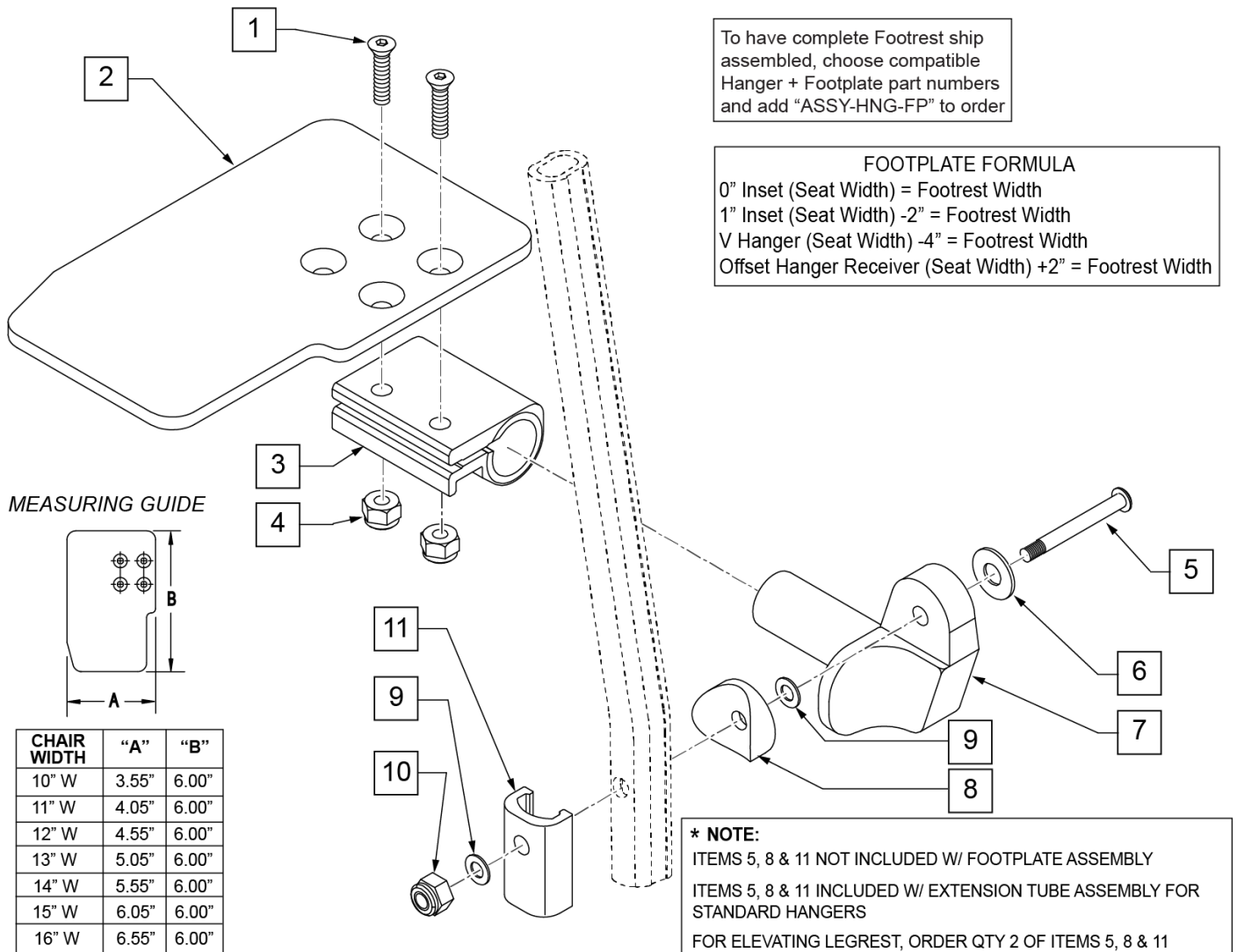
Pos.	Item Number	Description	Remarks
10	561040	HEEL LOOP PEG	
11A	741154	HEEL LOOP 14-15 CMPST HEMI	used w/ 10-11" Adult Ang Adj Ftplts
11B	741155	HEEL LOOP 16-17 CMPST HEMI	used w/ 12 -13" Adult Ang Adj Ftplts
11C	741153	H/L 18-20 CMPST/14-15 ANG ADJ	used w/ 14-15"/16-17" Adult Ang Adj Ftplts
11D	741253	HEEL LOOP ADLT ADJ F/PLT 18-20	used w/ 18 -20" Adult Ang Adj Ftplts
12	500656	ADLT ANGL ADJ F/PLT 10/11" R	RIGHT
12	500657	ADLT ANGL ADJ F/PLT 10/11" L	LEFT
12	500658	ADLT ANGL ADJ F/PLT 12/13" R	RIGHT
12	500659	ADLT ANGL ADJ F/PLT 12/13" L	LEFT
12	500660	ADLT ANGL ADJ F/PLT 14/15	RIGHT
12	500661	ADLT ANGL ADJ F/PLT 14/15	LEFT
12	500662	ADLT ANGL ADJ F/PLT 16/17	RIGHT
12	500663	ADLT ANGL ADJ F/PLT 16/17	LEFT
12	500664	ADLT ANGL ADJ F/PLT 18-20	RIGHT
12	500665	ADLT ANGL ADJ F/PLT 18-20	LEFT
13	740260	TOE/ANKLE STRAP ADJ ADLT F/PLT	
14	106958	1/4-20 x 1 HEX C/S	
15A	550819	EXT TUBE S/A ONLY SHT	Short
15B	550820	EXT TUBE S/A ONLY MED	Medium
15C	550821	EXT TUBE S/A ONLY LONG	Long
16	500078	INSERT D2 EXT TUBE	
17	483717	HANGER SADDLE	
18	221102	1/4-28 X 3/4 HEX HEAD C/S BLK W/PTCH	
1-3,6,7A,9-10,14	101533	ADLT ANG ADJ FP D2 HDWR KIT	for Double D Ext Tubes; Kit for one side
		<<Extension Tube Kit>>	
4A,4B,6,7,15A,16-18	921772	EXT TBE S/A SHT ANG ADJ PCKT	Short
4A,4B,6,7,15B,16-18	921773	EXT TBE S/A MED ANG ADJ PCKT	Medium
4A,4B,6,7,15C,16-18	921774	EXT TBE S/A LNG ANG ADJ PCKT	Long
		<<Footplate Omit Heel Loop>>	
1-3,5,6,8,9,12	820526	AD ANG ADJ F/PLT R 12"/13" OMIT HL	RIGHT
1-3,5,6,8,9,12	820536	AD ANG ADJ F/PLT L 12"/13" OMT HL	LEFT
1-3,5,6,8,9,12	820460	FP ADLT ADJ 14/15 OMIT HL	RIGHT
1-3,5,6,8,9,12	820462	FP ADLT ADJ 14/15 OMIT HL	LEFT
1-3,5,6,8,9,12	820464	FP ADLT ADJ 16/17 OMIT HL	RIGHT
1-3,5,6,8,9,12	820466	FP ADLT ADJ 16/17 OMIT HL	LEFT
1-3,5,6,8,9,12	820468	FP ADLT ADJ 18-20 OMIT HL	RIGHT
1-3,5,6,8,9,12	820470	FP ADLT ADJ 18-20 OMIT HL	LEFT
1-3,5,6,8,9,12	921466	ADLT ANGL ADJ F/PLT 12"/13" OMIT HL	PAIR
1-3,5,6,8,9,12	921320	FP ADLT ADJ 14/15 OMIT HL	PAIR
1-3,5,6,8,9,12	921322	FP ADLT ADJ 16/17 OMIT HL	PAIR
1-3,5,6,8,9,12	921324	FP ADLT ADJ 18-20 OMIT HL	PAIR
		<<Footplate w/ Heel Loop>>	
1-3,5,6,8,9,11B,12	820522	AD ANGL ADJ F/PLT R 12/13" H/L	RIGHT
1-3,5,6,8,9,11B,12	820532	AD ANGL ADJ F/PLT L 12/13" H/L	LEFT
1-3,5,6,8-10,11C, 12,14	820461	FP ADLT ADJ 14/15 HL	RIGHT
1-3,5,6,8-10,11C, 12,14	820463	FP ADLT ADJ 14/15 HL	LEFT
1-3,5,6,8-10,11C, 12,14	820465	FP ADLT ADJ 16/17 HL	RIGHT
1-3,5,6,8-10,11C, 12,14	820467	FP ADLT ADJ 16/17 HL	LEFT
1-3,5,6,8-10,11D, 12,14	820469	FP ADLT ADJ 18-20 HL	RIGHT
1-3,5,6,8-10,11D, 12,14	820471	FP ADLT ADJ 18-20 HL	LEFT
1-3,5,6,8-10,11B, 12,14	921462	ADLT ANGL ADJ F/PLATE 12"/13" HL	PAIR
1-3,5,6,8-10,11C, 12,14	921321	FP ADLT ADJ 14/15 HL	PAIR
1-3,5,6,8-10,11C, 12,14	921323	FP ADLT ADJ 16/17 HL	PAIR
1-3,5,6,8-10,11D, 12,14	921325	FP ADLT ADJ 18-20 HL	PAIR
		Ship assembled part #	Use with multiple assemblies
	ASSY-HNG-FP	HANGER/FOOTPLATE ASSY REQUIRED	add with Hanger & Footplate kit

Note: Footplate Assemblies are set to footrest width; please see "Footplate Formula" table for seat width conversion.

Note: V Style Hangers are not available on Swing Away Style chairs effective 7/14/14; see the "Prior To" ordering guide for V Style footplate assemblies.

Note: Zippie Iris (ZRS&ZRSE) and Zippie TS (Z1A&Z1SE) only use Straight Extension Tube.

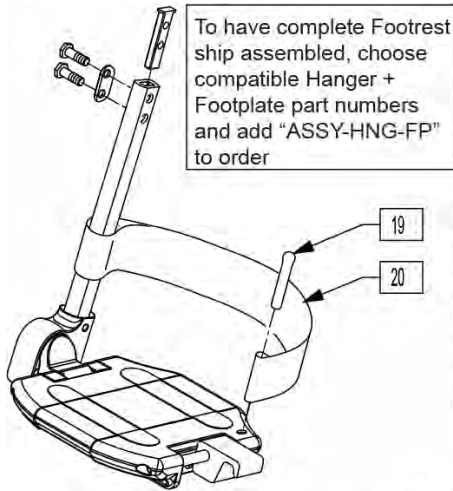
Note: if chair has High Mount Ext Tubes or if switching to High Mount Ext Tubes, see KAA Footplate w/ High Mount Extension Ordering Guide.



Pos.	Item Number	Description	Remarks
1	106978	FHCS 1/4 -28 x 7/8 ROHS	

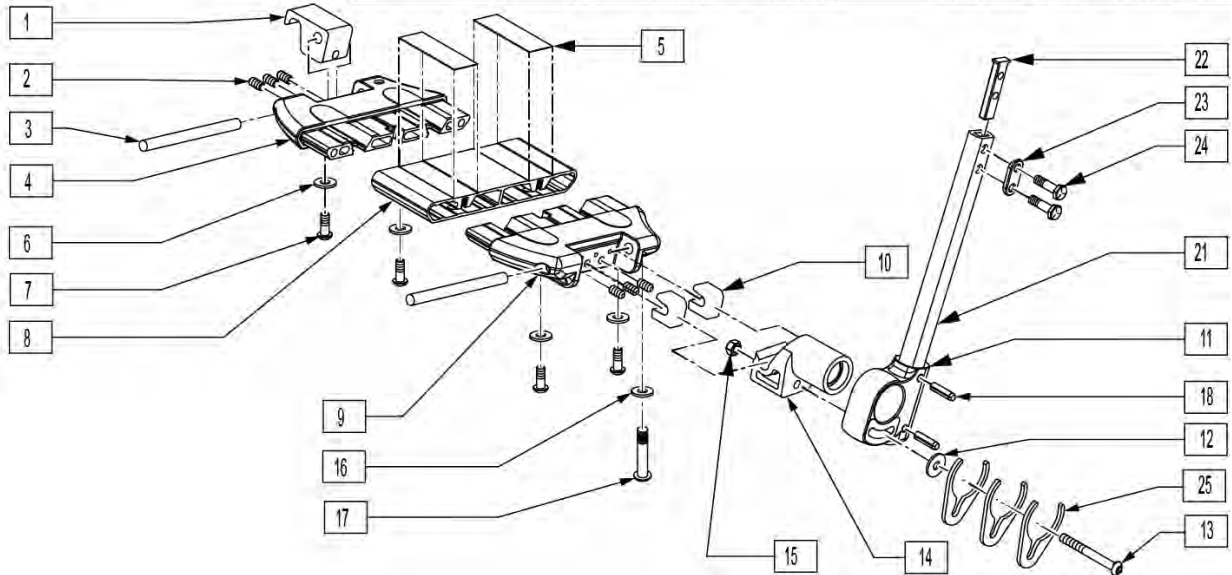
Pos.	Item Number	Description	Remarks
2	500635	KIDS ANGL ADJ F/PLT 10" R	Right
2	500636	KIDS ANGL ADJ F/PLT 10" L	Left
2	500637	KIDS ANGL ADJ F/PLT 11" R	Right
2	500638	KIDS ANGL ADJ F/PLT 11" L	Left
2	500639	KIDS ANGL ADJ F/PLT 12" R	Right
2	500640	KIDS ANGL ADJ F/PLT 12" L	Left
2	500641	KIDS ANGL ADJ F/PLT 13" R	Right
2	500642	KIDS ANGL ADJ F/PLT 13" L	Left
2	500643	KIDS ANGL ADJ F/PLT 14" R	Right
2	500644	KIDS ANGL ADJ F/PLT 14" L	Left
2	500645	KIDS ANGL ADJ F/PLT 15" R	Right
2	500646	KIDS ANGL ADJ F/PLT 15" L	Left
2	500647	KIDS ANGL ADJ F/PLT 16" R	Right
2	500648	KIDS ANGL ADJ F/PLT 16" L	Left
3	550350	3/4" CLAMP ADJ FOOTPLATE	
4	106935	NUT NYLOCK THIN 1/4 -28 ROHS	
5	106962	1/4-28 x 1 3/4 BH C/S BLK ZN (D2 EXTENSION TUBES)	
5	226167	1/4-28 x 1.625 BH C/S BLK (ROUND EXTENSION TUBES)	
6	106945	1/4 SAE WASHER	
7	541002	FTRST MOUNTING BRKT-3/8 RAD R	
7	541003	FTRST MOUNTING BRKT-3/8 RAD L	
8	561055	3/4" SADDLE 1" OD	
9	106944	WASHER FLAT THIN AN 1/4 ROHS	
10	106941	NUT AUTOMATION 1/4 -28 ROHS	
11	483720	HANGER EXTENSION SADDLE LONG	Use with Double D Ext Tube
1-4,6,7,9,10	828850	KIDS ANG ADJ F/PLT EXT-MNT 10"R	Right
1-4,6,7,9,10	828851	KIDS ANG ADJ F/PLT EXT-MNT 10"L	Left
1-4,6,7,9,10	828852	KIDS ANG ADJ F/PLT EXT-MNT 11"R	Right
1-4,6,7,9,10	828853	KIDS ANG ADJ F/PLT EXT-MNT 11"L	Left
1-4,6,7,9,10	828854	KIDS ANG ADJ F/PLT EXT-MNT 12"R	Right
1-4,6,7,9,10	828855	KIDS ANG ADJ F/PLT EXT-MNT 12"L	Left
1-4,6,7,9,10	828856	KIDS ANG ADJ F/PLT EXT-MNT 13"R	Right
1-4,6,7,9,10	828857	KIDS ANG ADJ F/PLT EXT-MNT 13"L	Left
1-4,6,7,9,10	828858	KIDS ANG ADJ F/PLT EXT-MNT 14"R	Right
1-4,6,7,9,10	828859	KIDS ANG ADJ F/PLT EXT-MNT 14"L	Left
1-4,6,7,9,10	828860	KIDS ANG ADJ F/PLT EXT-MNT 15"R	Right
1-4,6,7,9,10	828861	KIDS ANG ADJ F/PLT EXT-MNT 15"L	Left
1-4,6,7,9,10	828862	KIDS ANG ADJ F/PLT EXT-MNT 16"R	Right
1-4,6,7,9,10	828863	KIDS ANG ADJ F/PLT EXT-MNT 16"L	Left
1-4,6,7,9,10	921280	KIDS ANG ADJ F/PLT EXT-MNT 10"	Pair
1-4,6,7,9,10	921281	KIDS ANG ADJ F/PLT EXT-MNT 11"	Pair
1-4,6,7,9,10	921282	KIDS ANG ADJ F/PLT EXT-MNT 12"	Pair
1-4,6,7,9,10	921283	KIDS ANG ADJ F/PLT EXT-MNT 13"	Pair
1-4,6,7,9,10	921284	KIDS ANG ADJ F/PLT EXT-MNT 14"	Pair
1-4,6,7,9,10	921285	KIDS ANG ADJ F/PLT EXT-MNT 15"	Pair
1-4,6,7,9,10	921286	KIDS ANG ADJ F/PLT EXT-MNT 16"	Pair
		Ship assembled part #	Use with multiple assemblies
	ASSY-HNG-FP	HANGER/FOOTPLATE ASSY REQUIRED	add with Hanger & Footplate kit

TWO PIECE LOCKING FOOTPLATE



To have complete Footrest ship assembled, choose compatible Hanger + Footplate part numbers and add "ASSY-HNG-FP" to order

STRAIGHT FRAME									
FRAME WIDTH	FOOTPLATE	LENGTH	RIGHT FOOTPLATE		LEFT FOOTPLATE		ASSEMBLIES W/EXT TUBES		
			ASSEM	SHORT	MED	LONG			
14"	N/A	N/A	N/A	N/A	N/A	N/A	N/A	N/A	
15"	506230	2.23	820621	820620	921350	900280	900290	900172	
16"	506231	2.73	820623	820622	921351	900281	900291	900173	
17"	506232	3.23	820625	820624	921352	900282	900292	900174	
18"	506233	3.73	820627	820626	921353	900283	900293	900175	
19"	506234	4.23	820629	820628	921354	900284	900294	900176	
20"	506235	4.73	820631	820630	921355	900285	900295	900177	
22"	506236	5.73	820633	820632	921356	900286	900296	900178	
24"	506237	6.73	820635	820634	921357	900287	900297	900179	
FLARED FRAME									
14"	506230	2.73	820621	820620	921350	900280	900290	900172	
15"	506231	3.73	820623	820622	921351	900281	900291	900173	
16"	506232	3.73	820625	820624	921352	900282	900292	900174	
17"	506233	4.73	820627	820626	921353	900283	900293	900175	
18"	506234	4.73	820629	820628	921354	900284	900294	900176	
19"	506235	5.73	820631	820630	921355	900285	900295	900177	
20"	506238	5.73	820638	820637	921358	900763	900762	900761	
22"	506228	6.73	820640	820639	921348	900764	900765	900766	
24"	506229	7.73	820642	820641	921349	900767	900768	900769	

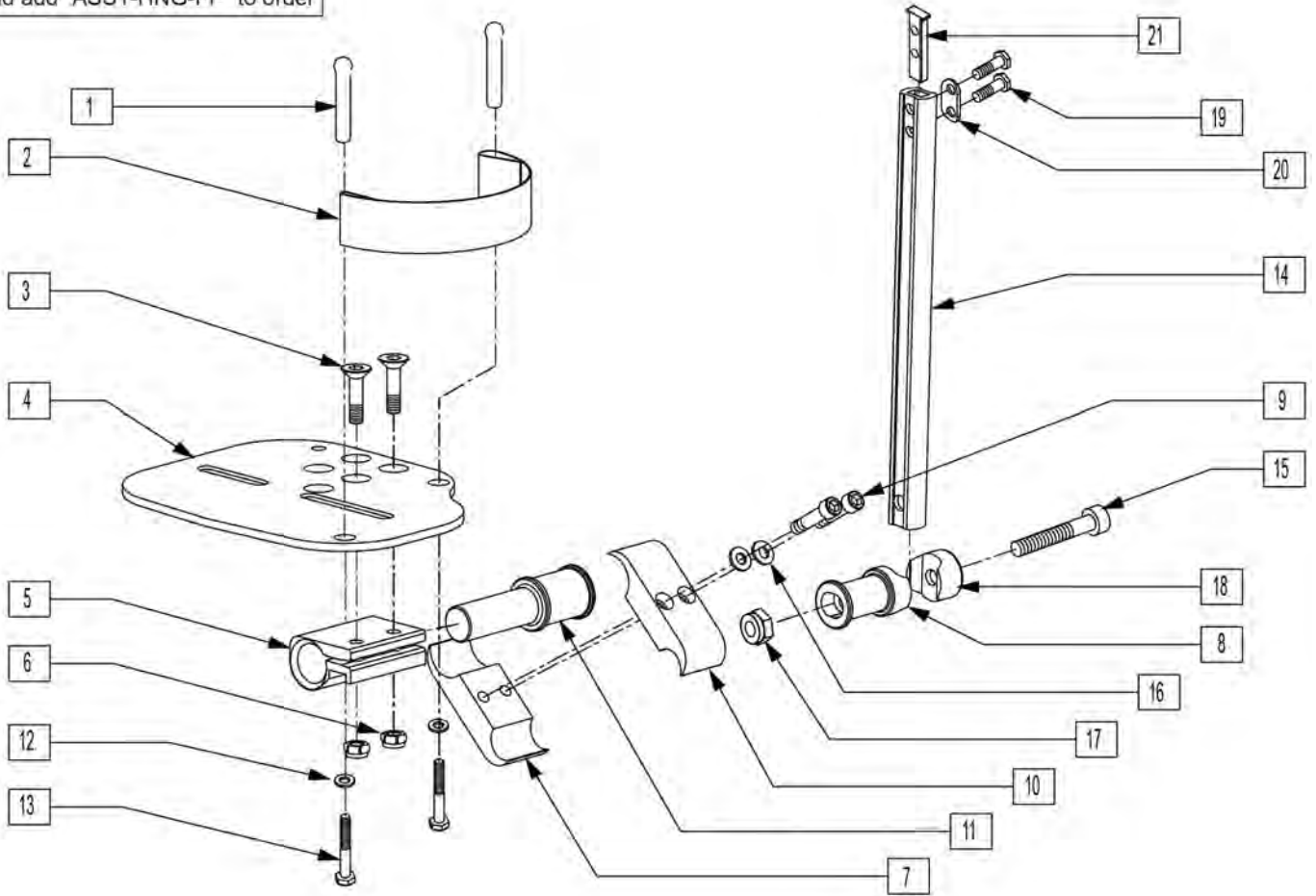


Pos.	Item Number	Description	Remarks
1	560034	FOOT BOARD LOCKING SUPPORT	
2	230030	M6 x 12 SET SCREW CUP POINT	
3	481283	PIN 8mm x 100mm	
5	360010	FOOT BOARD SKID TAPE	
6	106943	1/4 AN WASHER FLAT	
7	230032	M6 x 16 B/H CAP SCREW	
9	560019	FOOT BOARD HOLDER R	
9	560020	FOOT BOARD HOLDER L	
10	560021	FOOT BOARD SHIM ALIGNMENT	
11	560024	FOOT YOKE	
12	250070	METRIC WASHER	
13	066900-011	BHCS,MX1.0X65MM	
15	200113	NUT HEX NYLOCK M6 X 1 NUT	
16	106944	1/4 AN WASHER FLAT THIN	
17	106958	1/4-20 x 1 HEX C/S	
18	349583	6 x 25mm GROOVED PIN	
19	561040	HEEL LOOP PEG	
20	741151	HEEL LOOP 14-15 CMPST	

Pos.	Item Number	Description	Remarks
20	741153	H/L 18-20 CMPST/14-15 ANG ADJ	
20	741156	HEEL LOOP 18-20 CMPST	
20	741253	HEEL LOOP ADLT ADJ F/PLT 18-20	
21	550831	EXT TBE PLTFRM ONLY SHT	
21	550832	EXT TBE PLTFRM ONLY MED	
21	550833	EXT TBE PLTFRM ONLY LNG	
22	500078	INSERT D2 EXT TUBE	
23	483717	HANGER SADDLE	
24	221102	1/4-28 x 3/4 HEX HEAD C/S BLK W/PTCH	
26	250070	M6 WASHER	
27	210000	M6 x 55 8.8 BUTTON HD CAP SCRW	
11,18	921748	EXT TBE PLTFRM SHT ASSM PCKT	
11,18	921749	EXT TBE PLTFRM MED ASSM PCKT	
11,18	921750	EXT TBE PLTFRM LNG ASSM PCKT	
1-10,12-16,19,20,25	820620	LOCKING FTPLT 15 W LEFT	
1-10,12-16,19,20,25	820621	LOCKING FTPLT 15 W RIGHT	
1-10,12-16,19,20,25	820622	LOCKING FTPLT 16 W LEFT	
1-10,12-16,19,20,25	820623	LOCKING FTPLT 16 W	
1-10,12-16,19,20,25	820624	LOCKING FTPLT 17 W LEFT	
1-10,12-16,19,20,25	820625	LOCKING FTPLT 17 W RIGHT	
1-10,12-16,19,20,25	820626	LOCKING FTPLT 18 W LEFT	
1-10,12-16,19,20,25	820627	LOCKING FTPLT 18 W RIGHT	
1-10,12-16,19,20,25	820628	LOCKING FTPLT 19 W LEFT	
1-10,12-16,19,20,25	820629	LOCKING FTPLT 19 W RIGHT	
1-10,12-16,19,20,25	820630	LOCKING FTPLT 20 W LEFT	
1-10,12-16,19,20,25	820631	LOCKING FTPLT 20 W RIGHT	
1-10,12-16,19,20,25	820632	LOCKING FTPLT 22 W LEFT	
1-10,12-16,19,20,25	820633	LOCKING FTPLT 22 W RIGHT	
1-10,12-16,19,20,25	820634	LOCKING FTPLT 24 W LEFT	
1-10,12-16,19,20,25	820635	LOCKING FTPLT 24 W RIGHT	
1-21,25	900280	LCKNG FTPLT 15" W/SHT EXT ASSM	
1-21,25	900281	LCKNG FTPLT 16" W/SHT EXT ASSM	
1-21,25	900282	LCKNG FTPLT 17" W/SHT EXT ASSM	
1-21,25	900283	LCKNG FTPLT 18" W/SHT EXT ASSM	
1-21,25	900284	LCKNG FTPLT 19" W/SHT EXT ASSM	
1-21,25	900285	LCKNG FTPLT 20" W/SHT EXT ASSM	
1-21,25	900286	LCKNG FTPLT 22" W/SHT EXT ASSM	
1-21,25	900287	LCKNG FTPLT 24" W/SHT EXT ASSM	
1-21,25	900290	LCKNG FTPLT 15" W/MED EXT ASSM	
1-21,25	900291	LCKNG FTPLT 16" W/MED EXT ASSM	
1-21,25	900292	LCKNG FTPLT 17" W/MED EXT ASSM	
1-21,25	900293	LCKNG FTPLT 18" W/MED EXT ASSM	
1-21,25	900294	LCKNG FTPLT 19" W/MED EXT ASSM	
1-21,25	900295	LCKNG FTPLT 20" W/MED EXT ASSM	
1-21,25	900296	LCKNG FTPLT 22" W/MED EXT ASSM	
1-21,25	900297	LCKNG FTPLT 24" W/MED EXT ASSM	
1-21,25	900172	LCKNG FTPLT 15" W/LNG EXT ASSM	
1-21,25	900173	LCKNG FTPLT 16" W/LNG EXT ASSM	
1-21,25	900174	LCKNG FTPLT 17" W/LNG EXT ASSM	
1-21,25	900175	LCKNG FTPLT 18 W/LNG EXT ASSM	
1-21,25	900176	LCKNG FTPLT 19 W/LNG EXT ASSM	
1-21,25	900177	LCKNG FTPLT 20 W/LNG EXT ASSM	
1-21,25	900178	LCKNG FTPLT 22"W/LNG EXT ASSM	
1-21,25	900179	LCKNG FTPLT 24"W/LNG EXT ASSM	
		Ship assembled part #	Use with multiple assemblies
	ASSY-HNG-FP	HANGER/FOOTPLATE ASSY REQUIRED	add with Hanger & Footplate kit

Note: see Ordering Guide in informations panel to determine the correct size footplate assemblies.

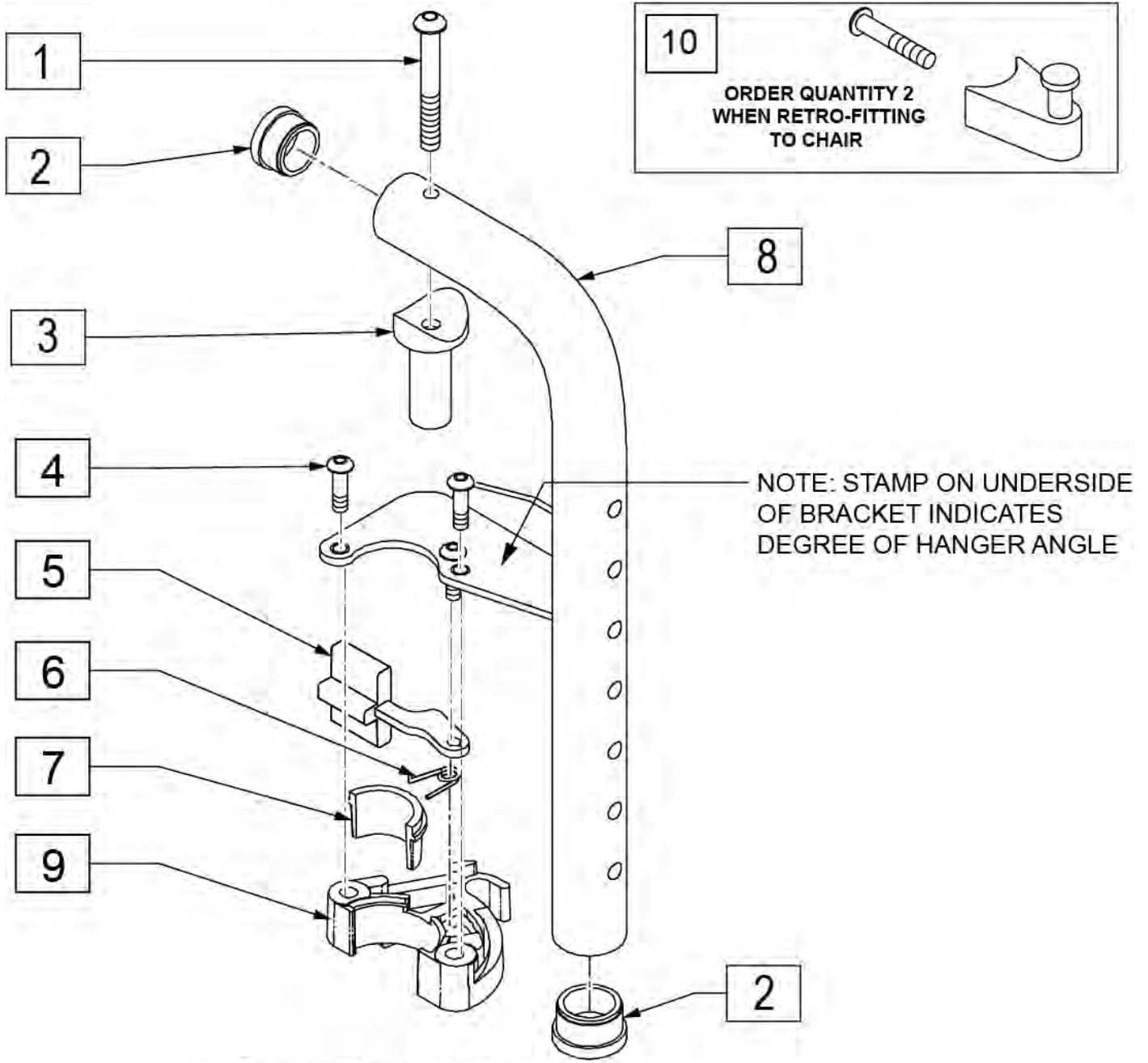
To have complete Footrest ship assembled, choose compatible Hanger + Footplate part numbers and add "ASSY-HNG-FP" to order



Pos.	Item Number	Description	Remarks
1	561040	HEEL LOOP PEG	
2	741130	HEEL LOOP 14-15 MULTI PSTN	
2	741131	HEEL LOOP 16-17 MULTI PSTN	
2	741132	HEEL LOOP 18-20 MULTI PSTN	
2	741151	HEEL LOOP 14-15 CMPST	
2	741170	HEEL LOOP P300	
3	106978	1/4-28 X 7/8 FH C/S	
4	500658	ADLT ANGL ADJ F/PLT 12/13" R	
4	500659	ADLT ANGL ADJ F/PLT 12/13" L	
4	500660	ADLT ANGL ADJ F/PLT 14/15" R	
4	500661	ADLT ANGL ADJ F/PLT 14/15" L	
4	500662	ADLT ANGL ADJ F/PLT 16/17" R	
4	500663	ADLT ANGL ADJ F/PLT 16/17" L	
4	500664	ADLT ANGL ADJ F/PLT 18-20" R	
4	500665	ADLT ANGL ADJ F/PLT 18-20" L	

Pos.	Item Number	Description	Remarks
5	550350	3/4" CLMP ADJ FT PLT	
6	106935	NUT NYLOCK THIN 1/4-28 ROHS	
7	550576	CLAMP 2 1/4" THREADED BLK	
8	483278	FOOTREST EXT PIVOT ADJ FT/PLT	
9	107032	1/4-28 x 1 SOC C/S BLK	
10	550477	CLAMP 2 1/4" RECESS BLK	
11	483279	FOOTPLATE PIVOT 1" CLAMP	
12	106944	1/4 AN WASHER FLAT THIN	
13	106958	1/4-20 x 1 HEX C/S	
14	550823	EXT TBE MULTI-ADJ ONLY SHORT	
14	550824	EXT TBE MULTI-ADJ ONLY LONG	
15	222207	5/16-24 x 2 1/4 SH C/S BLK ZNC	
16	262114	1/4 WASHER HI COLLAR LOCK ZN	
17	202111	5/16-24 NYLOCK NUT THICK BLK	
18	550786	FOOTREST PIVOT CLAMP	
19	107016	1/4-28 x 3/4 HEX HEAD C/S BLK W/PTCH	
20	483717	HANGER SADDLE	
21	500078	INSERT D2 EXT TUBE	
3-7,9-11,16	820560	MLT ADJ F/PLT 14-15 R STR	
3-7,9-11,16	820561	MLT ADJ F/PLT 14-15 L STR	
3-7,9-11,16	820562	MLT ADJ F/PLT 16-17 R STR	
3-7,9-11,16	820563	MLT ADJ F/PLT 16-17 L STR	
3-7,9-11,16	820564	MLT ADJ F/PLT 18-20 R STR	
3-7,9-11,16	820565	MLT ADJ F/PLT 18-20 L STR	
3-7,9-11,16	820566	MLT ADJ F/PLT 21-24 R STR	
3-7,9-11,16	820567	MLT ADJ F/PLT 21-24 L STR	
1-7,9-13,16	820568	MLT ADJ F/PLT 14-15 R STR W/HL	
1-7,9-13,16	820569	MLT ADJ F/PLT 14-15 L STR W/HL	
1-7,9-13,16	820570	MLT ADJ F/PLT 16-17 R STR W/HL	
1-7,9-13,16	820571	MLT ADJ F/PLT 16-17 L STR W/HL	
1-7,9-13,16	820572	MLT ADJ F/PLT 18-20 R STR W/HL	
1-7,9-13,16	820573	MLT ADJ F/PLT 18-20 L STR W/HL	
1-7,9-13,16	820574	MLT ADJ F/PLT 21-24 R STR W/HL	
1-7,9-13,16	820575	MLT ADJ F/PLT 21-24 L STR W/HL	
3,4,7,9-11,16	820576	MLT ADJ F/PLT 14-15 R FLR	
3,4,7,9-11,16	820577	MLT ADJ F/PLT 14-15 L FLR	
3,4,7,9-11,16	820578	MLT ADJ F/PLT 16-17 R FLR	
3,4,7,9-11,16	820579	MLT ADJ F/PLT 16-17 L FLR	
3,4,7,9-11,16	820580	MLT ADJ F/PLT 18-24 R FLR	
3,4,7,9-11,16	820581	MLT ADJ F/PLT 18-24 L FLR	
1-7,9-13,16	820582	MLT ADJ F/PLT 14-15 R FLR W/HL	
1-7,9-13,16	820583	MLT ADJ F/PLT 14-15 L FLR W/HL	
1-7,9-13,16	820584	MLT ADJ F/PLT 16-17 R FLR W/HL	
1-7,9-13,16	820585	MLT ADJ F/PLT 16-17 L FLR W/HL	
1-7,9-13,16	820586	MLT ADJ F/PLT 18-24 R FLR W/HL	
1-7,9-13,16	820587	MLT ADJ F/PLT 18-24 L FLR W/HL	
3-7,9-11,16	921560	MULTI ADJ F/PLT ASSM STR 14-15	Pair
3-7,9-11,16	921561	MULTI ADJ F/PLT ASSM STR 16-17	Pair
3-7,9-11,16	921562	MULTI ADJ F/PLT ASSM STR 18-20	Pair
3-7,9-11,16	921563	MULTI ADJ F/PLT ASSM STR 21-24	Pair
1-7,9-13,16	921564	MLT ADJ F/P ASM STR 14-15 W/HL	Pair
1-7,9-13,16	921565	MLT ADJ F/P ASM STR 16-17 W/HL	Pair
1-7,9-13,16	921566	MLT ADJ F/P ASM STR 18-20 W/HL	Pair
1-7,9-13,16	921567	MLT ADJ F/P ASM STR 21-24 W/HL	Pair
3-7,9-11,16	921568	MULTI ADJ F/PLT ASSM FLR 14-15	Pair
3-7,9-11,16	921569	MULTI ADJ F/PLT ASSM FLR 16-17	Pair

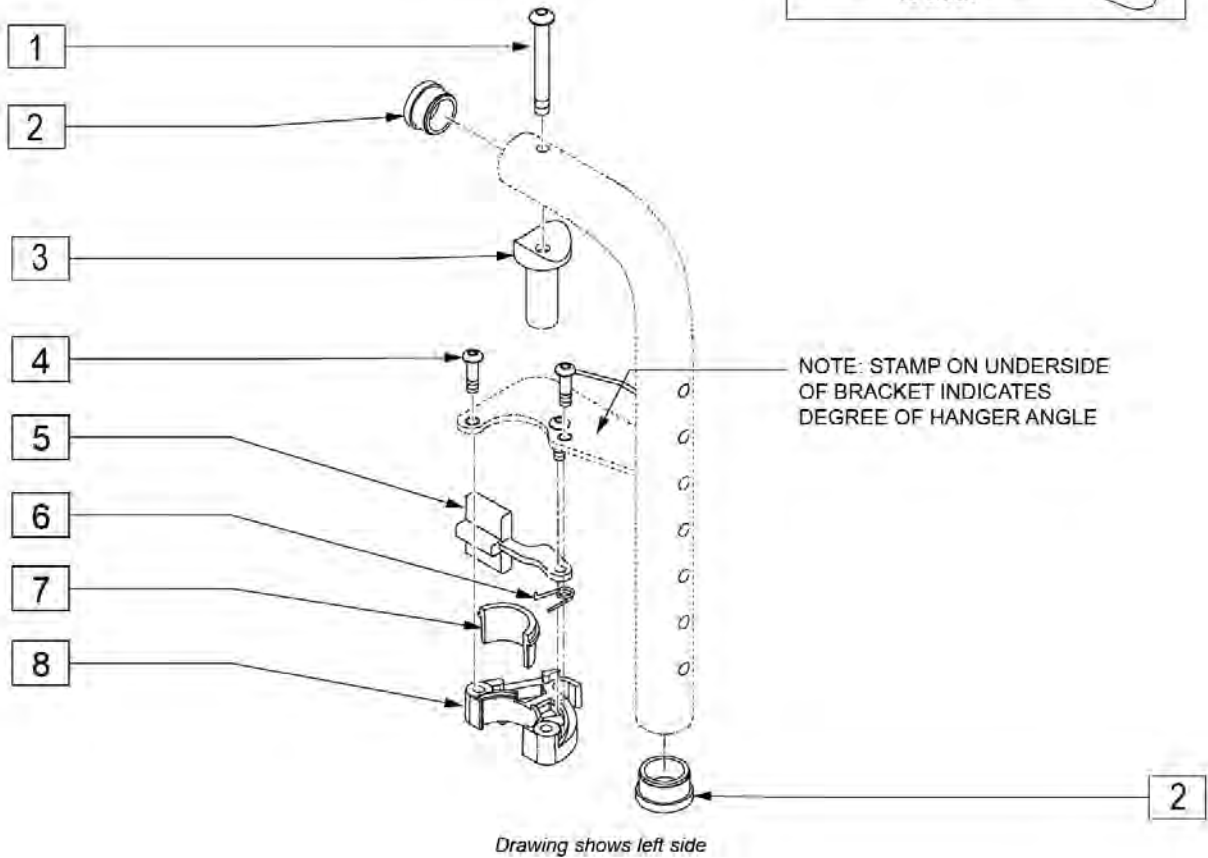
Pos.	Item Number	Description	Remarks
3-7,9-11,16	921570	MULTI ADJ F/PLT ASSM FLR 18-24	Pair
1-7,9-13,16	921571	MLT ADJ F/P ASM FLR 14-15 W/HL	Pair
1-7,9-13,16	921572	MLT ADJ F/P ASM FLR 16-17 W/HL	Pair
1-7,9-13,16	921573	MLT ADJ F/P ASM FLR 18-24 W/HL	Pair
8,14,15,17-21	921740	EXT TB MULTI-ADJ SHT ASSM PCKT	
8,14,15,17-21	921741	EXT TB MULTI-ADJ LNG ASSM PCKT	
		Ship assembled part #	Use with multiple assemblies
	ASSY-HNG-FP	HANGER/FOOTPLATE ASSY REQUIRED	add with Hanger & Footplate kit



Drawing shows left side

Pos.	Item Number	Description	Remarks
1	226291	5/16-18 X 1-1/2 BHCS BK W/PTCH	
2	561002	1" INSERT PLUG .083	
3	483603	PIVOT SADDLE MANUAL/POWER	
4	226057	10/24 X .725 BTTN HD SOC BZ	
5	561079	S/A LATCH LEVER	
6	321136	S/A SPRING L RED	Left
6	321137	S/A SPRING R CLEAR	Right
10	107491	LATCH STUD KIT	Order qty 2 when retrofitting to chair
7,9	881500	LATCH BLOCK ASSM R	Right
7,9	881501	LATCH BLOCK ASSM L	Left
1-9	641148S	HANGER 90D PNTD S/A R PWR	Specify color
1-9	641149S	HANGER 90D PNTD S/A L PWR	Specify color

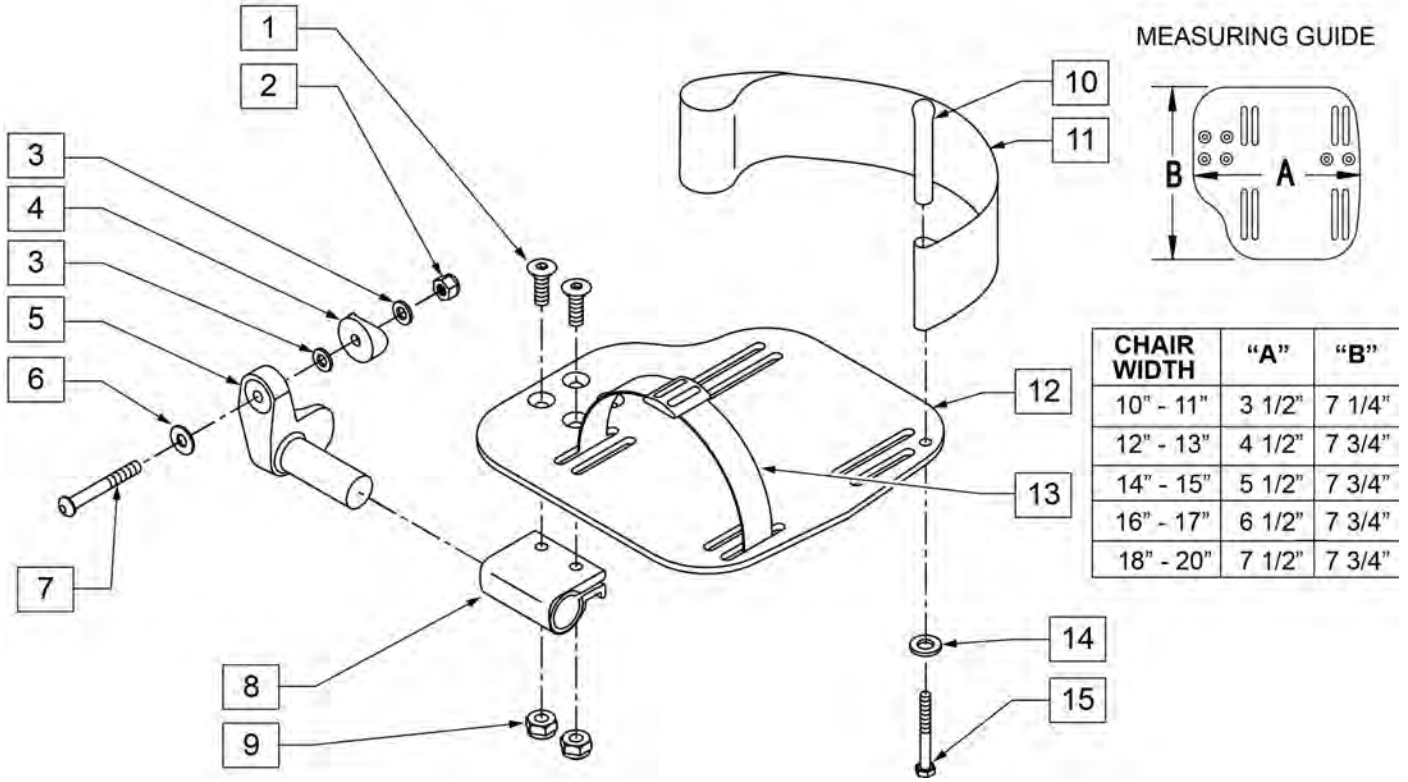
NOTE: Assembly no longer available. Replace in pairs with 90 DEG FRONT MOUNT HANGER SWING IN-OUT.



Pos.	Item Number	Description	Remarks
1	226291	5/16-18 x 1-1/2 BHCS BK W/PTCH	
2	561002	1" INSERT PLUG .083	
3	483603	PIVOT SADDLE MANUAL/POWER	
4	226057	10/24 X .725 BTTN HD SOC BZ	
5	561079	S/A LATCH LEVER	
6	321136	S/A SPRING L RED	
6	321137	S/A SPRING R CLEAR	
7,8	881500	LATCH BLOCK ASSM R	
7,8	881501	LATCH BLOCK ASSM L	
4-8	881521	S/A LATCH KIT CASTING RIGHT	
4-8	881522	S/A LATCH KIT CASTING LEFT	
9	107491	LATCH STUD KIT	Order qty 2 when retrofitting to chair

To have complete Footrest ship assembled, choose compatible Hanger + Footplate part numbers and add "ASSY-HNG-FP" to order

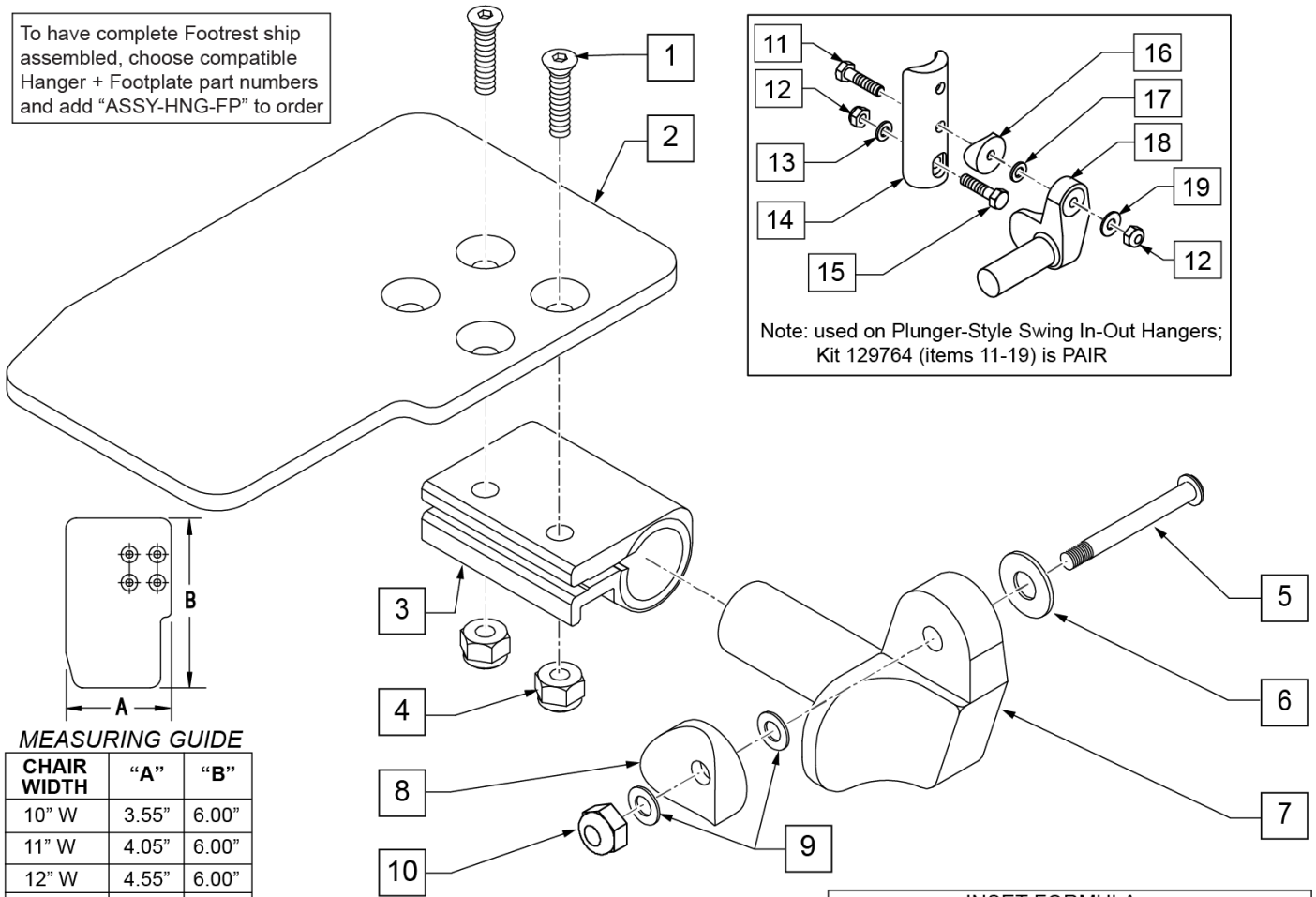
INSET FORMULA
 0" Inset (Seat Width) = Footrest Width
 1" Inset (Seat Width) - 2" = Footrest Width
 "V" Hanger (Seat Width) - 4" = Footrest Width
 Offset Hanger Receiver (Seat Width) + 2" = Footrest Width



Pos.	Item Number	Description	Remarks
1	106978	FHCS 1/4-28 X 7/8 ROHS	
2	106941	NUT AUTOMATION 1/4-28 ROHS	
3	106943	WASHER FLAT AN 1/4 ROHS	
4	561004	1" SADDLE 1/4" HOLE	
5	541000	FOOTREST MOUNTING BRKT 1/2" RAD R	RIGHT
5	541001	FOOTREST MOUNTING BRKT 1/2" RAD L	LEFT
6	106945	WASHER FLAT SAE 1/4 ROHS	
7	106964	BHCS 1/4-28 X 2	
8	550350	3/4" CLAMP ADJ FOOTPLATE	
9	106935	NUT NYLOCK THIN 1/4-28 ROHS	
10	561040	HEEL LOOP PEG	
11	741153	HEEL LOOP 18-20 CMPST/14-15 ANG ADJ	USED W/ 14-15"/16-17" ADULT ANG ADJ FTPLTS
11	741253	HEEL LOOP ADLT ADJ F/PLT 18-20	USED W/ 18 - 20" ADULT ANG ADJ FTPLTS
12	500656	ADULT ANGL ADJ F/PLT 10/11	RIGHT
12	500657	ADULT ANGL ADJ F/PLT 10/11	LEFT
12	500658	ADULT ANGL ADJ F/PLT 12/13	RIGHT
12	500659	ADULT ANGL ADJ F/PLT 12/13	LEFT
12	500660	ADULT ANGL ADJ F/PLT 14/15	RIGHT
12	500661	ADULT ANGL ADJ F/PLT 14/15	LEFT
12	500662	ADULT ANGL ADJ F/PLT 16/17	RIGHT
12	500663	ADULT ANGL ADJ F/PLT 16/17	LEFT
12	500664	ADULT ANGL ADJ F/PLT 18-20	RIGHT

Pos.	Item Number	Description	Remarks
12	500665	ADULT ANGL ADJ F/PLT 18-20	LEFT
13	740260	TOE-ANKLE STRAP ADJ ADULT FOOTPLATE	
14	106943	WASHER FLAT AN 1/4 ROHS	
15	106958	HHCS 1/4-20 X 1 ROHS	
1-9,12	820544	FP ADULT ADJ 90D 10/11 R	RIGHT
1-9,12	820554	FP ADULT ADJ 90D 10/11 L	LEFT
1-9,12	820546	FP ADULT ADJ 90D 12/13 R	RIGHT
1-9,12	820556	FP ADULT ADJ 90D 12/13 L	LEFT
1-9,12	820472	FP ADULT ADJ 90D 14/15 R	RIGHT
1-9,12	820473	FP ADULT ADJ 90D 14/15 L	LEFT
1-9,12	820474	FP ADULT ADJ 90D 16/17 R	RIGHT
1-9,12	820475	FP ADULT ADJ 90D 16/17 L	LEFT
1-9,12	820476	FP ADULT ADJ 90D 18-20 R	RIGHT
1-9,12	820477	FP ADULT ADJ 90D 18-20 L	LEFT
1-9,12	921474	ADULT ANGL ADJ 90D 10/11 OMIT H/L	PAIR
1-9,12	921476	ADULT ANGL ADJ 90D 12/13 OMIT H/L	PAIR
1-9,12	921330	ADULT ANGL ADJ 90D 14/15 OMIT H/L	PAIR
1-9,12	921331	ADULT ANGL ADJ 90D 16/17 OMIT H/L	PAIR
1-9,12	921332	ADULT ANGL ADJ 90D 18-20 OMIT H/L	PAIR
1-12,14,15	820540	F/PLT ADULT ADJ 90D 10/11 R W/ HL	RIGHT
1-12,14,15	820550	F/PLT ADULT ADJ 90D 10/11 L W/ HL	LEFT
1-12,14,15	820542	F/PLT ADULT ADJ 90D 12/13 R W/ HL	RIGHT
1-12,14,15	820552	F/PLT ADULT ADJ 90D 12/13 L W/ HL	LEFT
1-12,14,15	820478	F/PLT ADULT ADJ 90D 14/15 R W/ HL	RIGHT
1-12,14,15	820479	F/PLT ADULT ADJ 90D 14/15 L W/ HL	LEFT
1-12,14,15	820480	F/PLT ADULT ADJ 90D 16/17 R W/ HL	RIGHT
1-12,14,15	820481	F/PLT ADULT ADJ 90D 16/17 L W/ HL	LEFT
1-12,14,15	820482	F/PLT ADULT ADJ 90D 18-20 R W/ HL	RIGHT
1-12,14,15	820483	F/PLT ADULT ADJ 90D 18-20 L W/ HL	LEFT
1-12,14,15	921470	F/PLT ADULT ADJ 90D 10/11 W/ HL	PAIR
1-12,14,15	921472	F/PLT ADULT ADJ 90D 12/13 W/ HL	PAIR
1-12,14,15	921333	F/PLT ADULT ADJ 90D 14/15 W/ HL	PAIR
1-12,14,15	921334	F/PLT ADULT ADJ 90D 16/17 W/ HL	PAIR
1-12,14,15	921335	F/PLT ADULT ADJ 90D 18-20 W/ HL	PAIR
		Ship assembled part #	Use with multiple assemblies
	ASSY-HNG-FP	HANGER/FOOTPLATE ASSY REQUIRED	add with Hanger & Footplate kit

To have complete Footrest ship assembled, choose compatible Hanger + Footplate part numbers and add "ASSY-HNG-FP" to order



MEASURING GUIDE

CHAIR WIDTH	"A"	"B"
10" W	3.55"	6.00"
11" W	4.05"	6.00"
12" W	4.55"	6.00"
13" W	5.05"	6.00"
14" W	5.55"	6.00"
15" W	6.05"	6.00"
16" W	6.55"	6.00"

INSET FORMULA

0" Inset (Seat Width) = Footrest Width
 1" Inset (Seat Width) -2" = Footrest Width
 "V" Hanger (Seat Width) -4" = Footrest Width
 Offset Hanger Receiver (Seat Width) +2" = Footrest Width

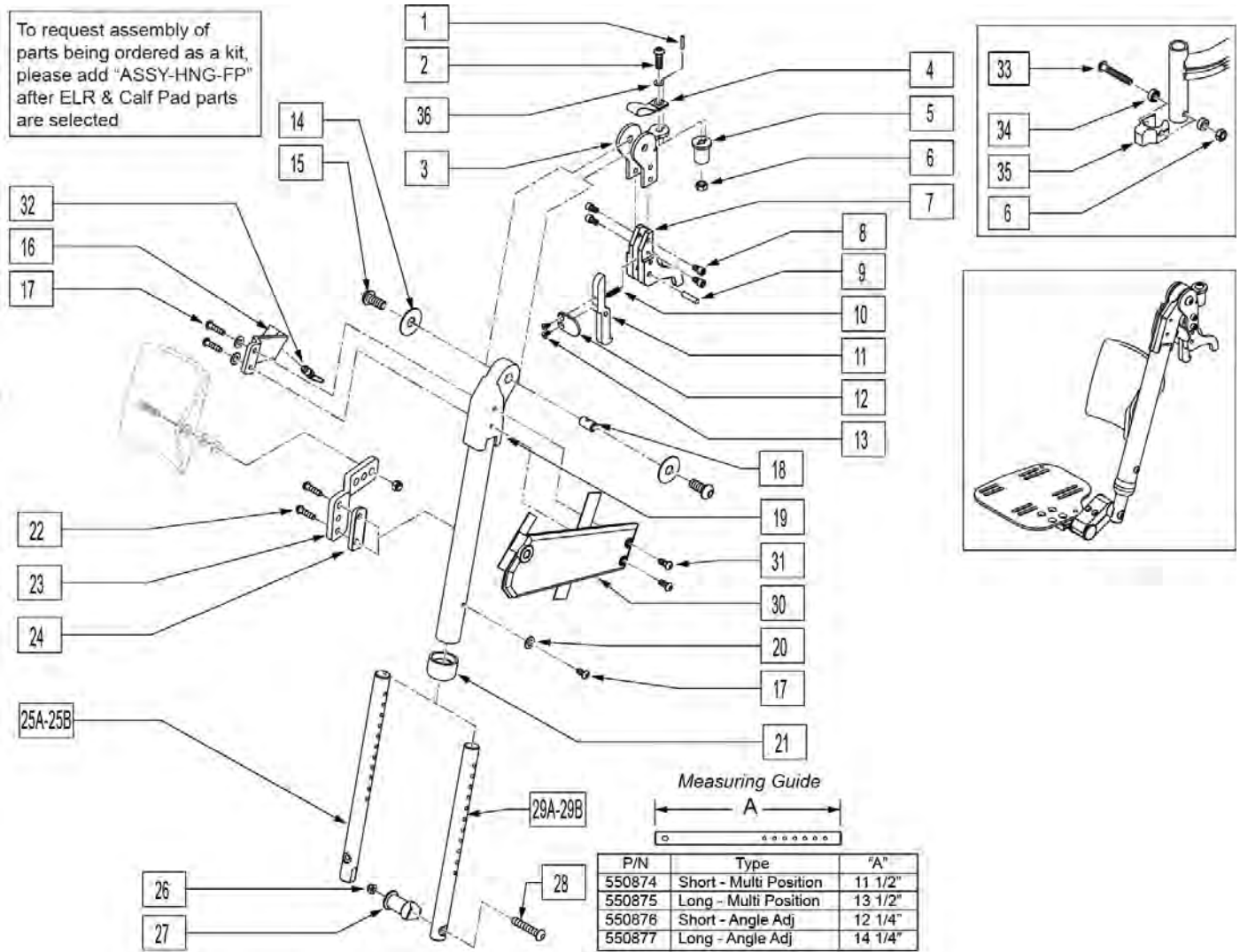
Pos.	Item Number	Description	Remarks
1	106978	FHCS 1/4-28 X 7/8 ROHS	
2	500635	KIDS ANGL ADJ F/PLT 10	RIGHT
2	500636	KIDS ANGL ADJ F/PLT 10	LEFT
2	500637	KIDS ANGL ADJ F/PLT 11	RIGHT
2	500638	KIDS ANGL ADJ F/PLT 11	LEFT
2	500639	KIDS ANGL ADJ F/PLT 12	RIGHT
2	500640	KIDS ANGL ADJ F/PLT 12	LEFT
2	500641	KIDS ANGL ADJ F/PLT 13	RIGHT
2	500642	KIDS ANGL ADJ F/PLT 13	LEFT
2	500643	KIDS ANGL ADJ F/PLT 14	RIGHT
2	500644	KIDS ANGL ADJ F/PLT 14	LEFT
2	500645	KIDS ANGL ADJ F/PLT 15	RIGHT
2	500646	KIDS ANGL ADJ F/PLT 15	LEFT
2	500647	KIDS ANGL ADJ F/PLT 16	RIGHT
2	500648	KIDS ANGL ADJ F/PLT 16	LEFT
3	550350	3/4 CLAMP ADJ FOOTPLATE	
4	106935	NUT NYLOCK THIN 1/4-28 ROHS	
5	226147	1/4-28 X 1.85 BH C/S BLK ZN	

Pos.	Item Number	Description	Remarks
6	106945	WASHER FLAT SAE 1/4 ROHS	
7	541000	FTRST MOUNTING BRKT 1/2" RAD R	RIGHT
7	541001	FTRST MOUNTING BRKT 1/2" RAD L	LEFT
8	561004	1 SADDLE 1/4 HOLE	
9	106943	WASHER FLAT THIN AN 1/4	
10	106941	NUT AUTOMATION 1/4-28 ROHS	
11	102268-001	HHCS M6 X 1 X 25	
12	132626	NUT AUTOMATION M6 X 1.0 ROHS	
13	107383	WASHER FLAT M6 ROHS	
15	118198	HHCS M6 X 1 X 40 PART NP	
16	561004	1" SADDLE 1/4" HOLE	
17	106943	WASHER FLAT AN 1/4 ROHS	
19	106945	WASHER FLAT SAE 1/4 ROHS	
1-4	158632	CAA F/PLT KIT 10 RT	RIGHT; used with Front Mount Adapter Kit on Plunger-Style Swing In/Out Hangers
1-4	158633	CAA F/PLT KIT 10 LT	LEFT; used with Front Mount Adapter Kit on Plunger-Style Swing In/Out Hangers
1-4	158634	CAA F/PLT KIT 11 RT	RIGHT; used with Front Mount Adapter Kit on Plunger-Style Swing In/Out Hangers
1-4	158635	CAA F/PLT KIT 11 LT	LEFT; used with Front Mount Adapter Kit on Plunger-Style Swing In/Out Hangers
1-4	158636	CAA F/PLT KIT 12 RT	RIGHT; used with Front Mount Adapter Kit on Plunger-Style Swing In/Out Hangers
1-4	158637	CAA F/PLT KIT 12 LT	LEFT; used with Front Mount Adapter Kit on Plunger-Style Swing In/Out Hangers
1-4	158638	CAA F/PLT KIT 13 RT	RIGHT; used with Front Mount Adapter Kit on Plunger-Style Swing In/Out Hangers
1-4	158639	CAA F/PLT KIT 13 LT	LEFT; used with Front Mount Adapter Kit on Plunger-Style Swing In/Out Hangers
1-4	158640	CAA F/PLT KIT 14 RT	RIGHT; used with Front Mount Adapter Kit on Plunger-Style Swing In/Out Hangers
1-4	158641	CAA F/PLT KIT 14 LT	LEFT; used with Front Mount Adapter Kit on Plunger-Style Swing In/Out Hangers
1-4	158642	CAA F/PLT KIT 15 RT	RIGHT; used with Front Mount Adapter Kit on Plunger-Style Swing In/Out Hangers
1-4	158643	CAA F/PLT KIT 15 LT	LEFT; used with Front Mount Adapter Kit on Plunger-Style Swing In/Out Hangers
1-4	158644	CAA F/PLT KIT 16 RT	RIGHT; used with Front Mount Adapter Kit on Plunger-Style Swing In/Out Hangers
1-4	158645	CAA F/PLT KIT 16 LT	LEFT; used with Front Mount Adapter Kit on Plunger-Style Swing In/Out Hangers
1-10	828821	KIDS ANG ADJ F/PLT ASSM 10	RIGHT; used with Old-Style Latch Block Swing In/Out & S/A Hangers
1-10	828822	KIDS ANG ADJ F/PLT ASSM 10	LEFT; used with Old-Style Latch Block Swing In/Out & S/A Hangers
1-10	828823	KIDS ANG ADJ F/PLT ASSM 11	RIGHT; used with Old-Style Latch Block Swing In/Out & S/A Hangers
1-10	828824	KIDS ANG ADJ F/PLT ASSM 11	LEFT; used with Old-Style Latch Block Swing In/Out & S/A Hangers
1-10	828825	KIDS ANG ADJ F/PLT ASSM 12	RIGHT; used with Old-Style Latch Block Swing In/Out & S/A Hangers
1-10	828826	KIDS ANG ADJ F/PLT ASSM 12	LEFT; used with Old-Style Latch Block Swing In/Out & S/A Hangers
1-10	828827	KIDS ANG ADJ F/PLT ASSM 13	RIGHT; used with Old-Style Latch Block Swing In/Out & S/A Hangers
1-10	828828	KIDS ANG ADJ F/PLT ASSM 13	LEFT; used with Old-Style Latch Block Swing In/Out & S/A Hangers
1-10	828829	KIDS ANG ADJ F/PLT ASSM 14	RIGHT; used with Old-Style Latch Block Swing In/Out & S/A Hangers
1-10	828830	KIDS ANG ADJ F/PLT ASSM 14	LEFT; used with Old-Style Latch Block Swing In/Out & S/A Hangers
1-10	828831	KIDS ANG ADJ F/PLT ASSM 15	RIGHT; used with Old-Style Latch Block Swing In/Out & S/A Hangers
1-10	828832	KIDS ANG ADJ F/PLT ASSM 15	LEFT; used with Old-Style Latch Block Swing In/Out & S/A Hangers

Pos.	Item Number	Description	Remarks
1-10	828833	KIDS ANG ADJ F/PLT ASSM 16	RIGHT; used with Old-Style Latch Block Swing In/Out & S/A Hangers
1-10	828834	KIDS ANG ADJ F/PLT ASSM 16	LEFT; used with Old-Style Latch Block Swing In/Out & S/A Hangers
1-10	921226	KIDS ANG ADJ F/PLT ASSM 10	PAIR; used with Old-Style Latch Block Swing In/Out & S/A Hangers
1-10	921227	KIDS ANG ADJ F/PLT ASSM 11	PAIR; used with Old-Style Latch Block Swing In/Out & S/A Hangers
1-10	921228	KIDS ANG ADJ F/PLT ASSM 12	PAIR; used with Old-Style Latch Block Swing In/Out & S/A Hangers
1-10	921229	KIDS ANG ADJ F/PLT ASSM 13	PAIR; used with Old-Style Latch Block Swing In/Out & S/A Hangers
1-10	921230	KIDS ANG ADJ F/PLT ASSM 14	PAIR; used with Old-Style Latch Block Swing In/Out & S/A Hangers
1-10	921231	KIDS ANG ADJ F/PLT ASSM 15	PAIR; used with Old-Style Latch Block Swing In/Out & S/A Hangers
1-10	921232	KIDS ANG ADJ F/PLT ASSM 16	PAIR; used with Old-Style Latch Block Swing In/Out & S/A Hangers
11-19	129764	AAA FRNT MNT ADAPTER KIT PR	AAA FRNT MNT fits both Kids and Adult Angle Adjustable Footplates
		Ship assembled part #	Use with multiple assemblies
	ASSY-HNG-FP	HANGER/FOOTPLATE ASSY REQUIRED	add with Hanger & Footplate kit

Note: effective 4/21/03 - beginning S64-034729.

Note: for footplate see MULTI-POSITION POWER LIFT OFF ELR/ALR FOOTPLATE page.

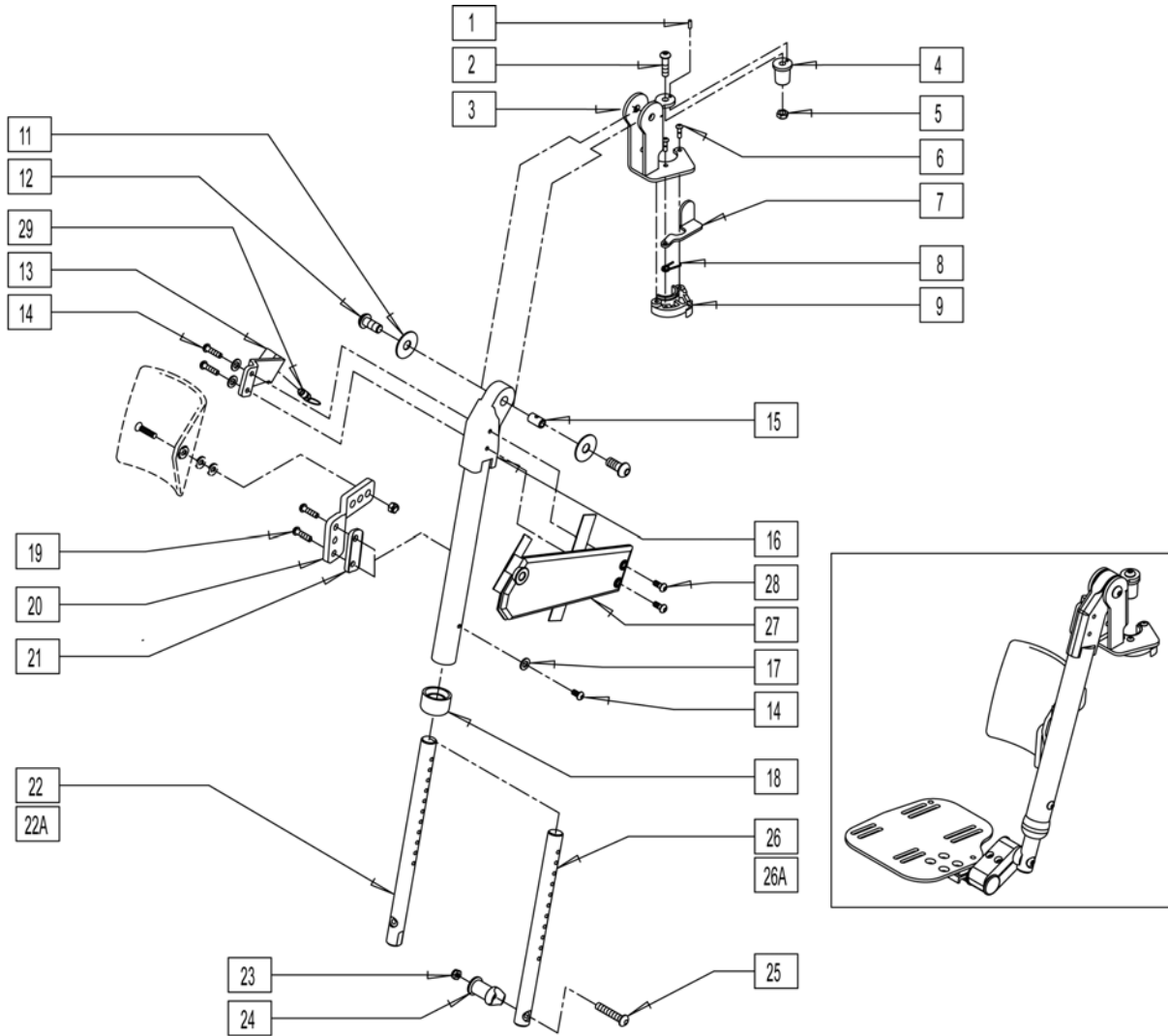


Pos.	Item Number	Description	Remarks
1	341091	1/8 x 3/4 ARMREST SPRING PIN	
2	226176	5/16-18 x 1 1/2 BH C/S BLK	
3	505983	BRKT HANGER POWER QR	
4	695040	DS LIFT LANYARD	
5	481468	PIVOT PLUG	
6	202116	5/16-18 NYLOCK NUT THIN BLK	
7	505990	BLOCK, CAPTURE, HNGR, PWR	
8	226339	1/4-20 x 7/16 SHCS BLK W/PATCH	
9	341200	1/4 x 1 ROLL PIN	
10	321787	SPRING COMP RELEASE LEVER	

Pos.	Item Number	Description	Remarks
11	505918	LEVER RELEASE HANGER POWER	
12	505994	PADDLE RELEASE HANGER POWER	
13	226006	8-32 x 3/8 FH C/S BLK	
14	261537	FOOTREST WASHER	
15	226271	3/8-16 x 1/2 BH CS BLK ZN	
16	541047	LEGREST ARM WELDMENT R/H	
16	541048	LEGREST ARM WELDMENT L/H	
17	226332	1/4-20 x 7/8 BH C/S BLK W/PTCH	
18	481469	LEGREST BOSS	
19	542118	ELR ADJUSTMENT TUBE WLDMT R	
19	542119	ELR ADJUSTMENT TUBE WLDMT L	
20	106943	WASHER FLAT AN 1/4 ROHS	
21	560792	END CAP FOOTREST RAIL S626	
22	226060	1/4-20 x 3/8 BH C/S W/PATCH	
23	550081	CALF PAD MOUNT	
24	542116	FOOTREST SADDLE 1.25"	
25	550876	ELR EXT ROD SHT PWR-ANG ADJ	
25A	550877	ELR EXT ROD LNG PWR-ANG ADJ	
26	202116	5/16-18 NYLOCK NUT THIN BLK	
27	483113	FOOTREST MOUNT LOWER S626	
28	226217	5/16-18 x 2" BH C/S BLK	
29	550874	ELR EXT ROD SHT PWR-MULTI POS	
29A	550875	ELR EXT ROD LNG PWR-MULTI POS	
30	750192	LEGREST ARM COVER R	
30	750193	LEGREST ARM COVER L	
31	226060	1/4-20 x 3/8 BH C/S W/PATCH	
32	889030	LEGREST PULL PIN ASSM	
33	226217	5/16-18 X 2" BH C/S BLK	
34	505831	SPACER CAM	
35	500526	BLOCK LOCATOR HNGER PWR	
36	561016	1" WASHER 5/16" HOLE	
11-13	887970	LEVER RELEASE HANGER ASSM RH	
11-13	887971	LEVER RELEASE HANGER ASSM LH	
6,33-36	920053	HANGER LOCATOR ASSM W/HDWR	
1-13,18	887984	ELR HANGER MOUNT ASSM R	
1-13,18	887985	ELR HANGER MOUNT ASSM L	
1-24,30-32	641532	HANGER POWER ELR R SS	
1-24,30-32	641533	HANGER POWER ELR L SS	
1-13,18,33-36	884104	HANGER POWER ELR R UPGRD	
1-13,18,33-36	884105	HANGER POWER ELR L UPGRD	
26-29	921954	ELR PWR EXT ROD SHT ASSM M/POS	
26-28,29A	921955	ELR PWR EXT ROD LNG ASSM M/POS	
1-13,18,33-36	924057	HANGER POWER ALR UPGRD	(PR)
		Ship assembled part #	Use with multiple assemblies
	ASSY-HNG-FP	HANGER/FOOTPLATE ASSY REQUIRED	add with Hanger & Footplate kit

Note: discontinued 4/21/03 - parts only; fits Smart Seat prior to S64-034729).

Note: for footplate see MULTI-POSITION POWER LIFT OFF ELR/ALR FOOTPLATE page.



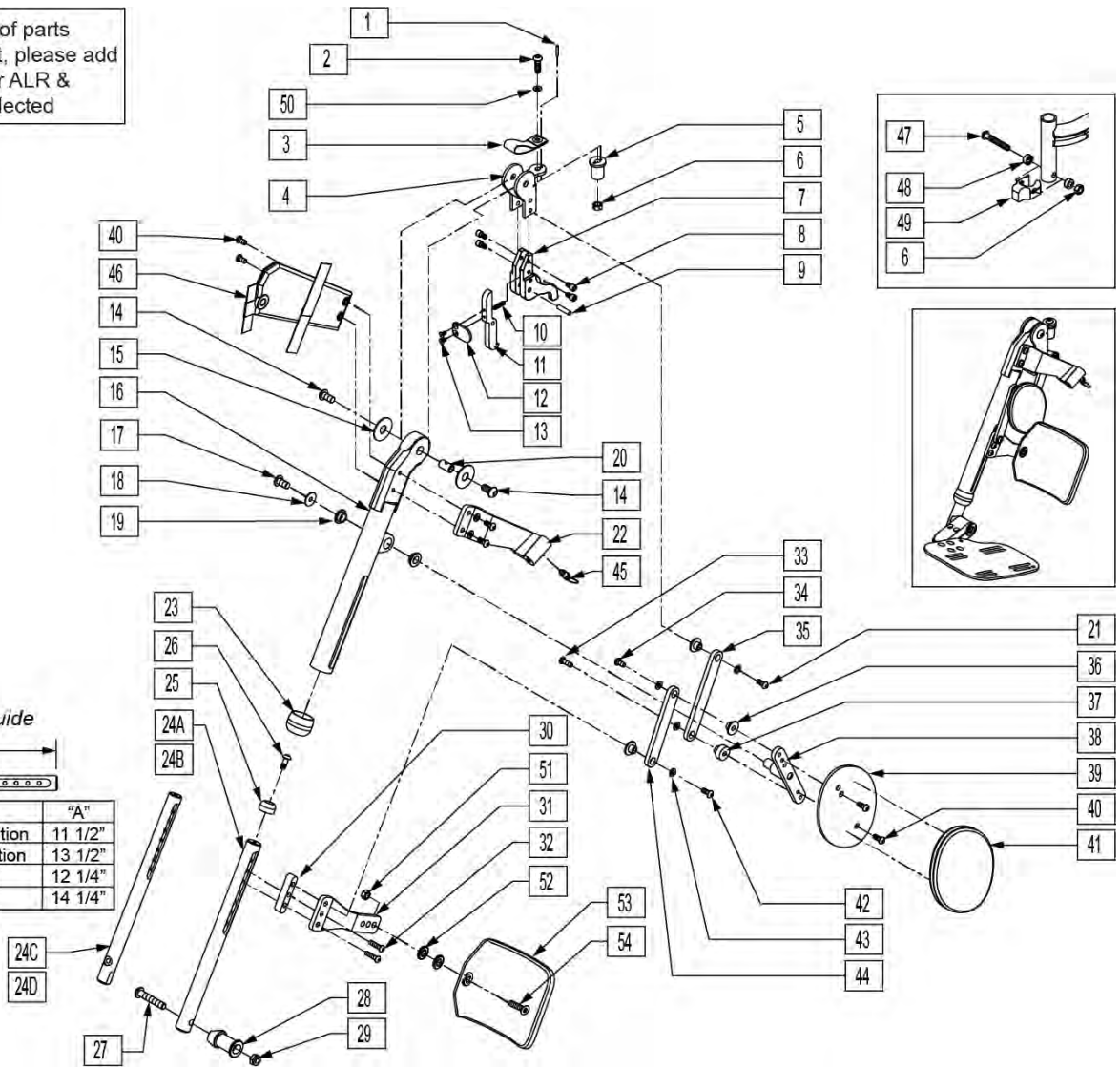
Pos.	Item Number	Description	Pos.	Item Number	Description
1	341091	1/8 x 3/4 ARMREST SPRING PIN	9	881500	LATCH BLOCK ASSM R
2	226219	5/16-18 x 1" BH C/S BLK	9	881501	LATCH BLOCK ASSM L
3	545563	LEGREST SUPPORT WLDMNT L	11	261537	FOOTREST WASHER
3	545564	LEGREST SUPPORT WLDMNT R	12	226271	3/8-16 x 1/2 BH CS BLK ZN
4	481468	PIVOT PLUG	13	541047	LEGREST ARM WELDMENT R/H
5	202116	5/16-18 NYLOCK NUT THIN BLK	13	541048	LEGREST ARM WELDMENT L/H
6	226057	10/24 x .725 BTTN HD SOC BZ	14	226332	1/4-20 x 7/8 BH C/S BLK W/PTCH
7	561079	S/A LATCH LEVER	15	481469	LEGREST BOSS
8	321136	S/A SPRING L RED	16	542118	ELR ADJUSTMENT TUBE WLDMT R
8	321137	S/A SPRING R CLEAR	16	542119	ELR ADJUSTMENT TUBE WLDMT L

Pos.	Item Number	Description	Pos.	Item Number	Description
17	106943	WASHER FLAT AN 1/4 ROHS	27	750192	LEGREST ARM COVER R
18	560792	END CAP FOOTREST RAIL S626	27	750193	LEGREST ARM COVER L
19	226060	1/4-20 x 3/8 BH C/S W/PATCH	28	226060	1/4-20 x 3/8 BH C/S W/PATCH
20	550081	CALF PAD MOUNT	29	889030	LEGREST PULL PIN ASSM
21	542116	FOOTREST SADDLE 1.25"	6-9	924057	HANGER POWER ALR UPGRD
22	550876	ELR EXT ROD SHT PWR-ANG ADJ	23-25,26	921954	ELR PWR EXT ROD SHT ASSM M/POS
22A	550877	ELR EXT ROD LNG PWR-ANG ADJ	23-25,26A	921955	ELR PWR EXT ROD LNG ASSM M/POS
23	202116	5/16-18 NYLOCK NUT THIN BLK	22-25	921956	ELR PWR EXT ROD SHT ASSM ANGLE
24	483113	FOOTREST MOUNT LOWER S626	22A,23-25	921957	ELR PWR EXT ROD LNG ASSM ANGLE
25	226217	5/16-18 x 2" BH C/S BLK	1-21	641532	HANGER POWER ELR R SS
26	550874	ELR EXT ROD SHT PWR-MULTI POS	1-21	641533	HANGER POWER ELR L SS
26A	550875	ELR EXT ROD LNG PWR-MULTI POS			

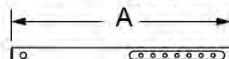
NOTE: effective 4/21/03 - beginning S64-034729

NOTE: for footplate see MULTI-POSITION POWER LIFT OFF ELR/ALR FOOTPLATE page.

To request assembly of parts being ordered as a kit, please add "ASSY-HNG-FP" after ALR & Calf Pad parts are selected



Measuring Guide



P/N	Type	"A"
550870	Short - Multi Position	11 1/2"
550871	Long - Multi Position	13 1/2"
550872	Short - Angle Adj	12 1/4"
550873	Long - Angle Adj	14 1/4"

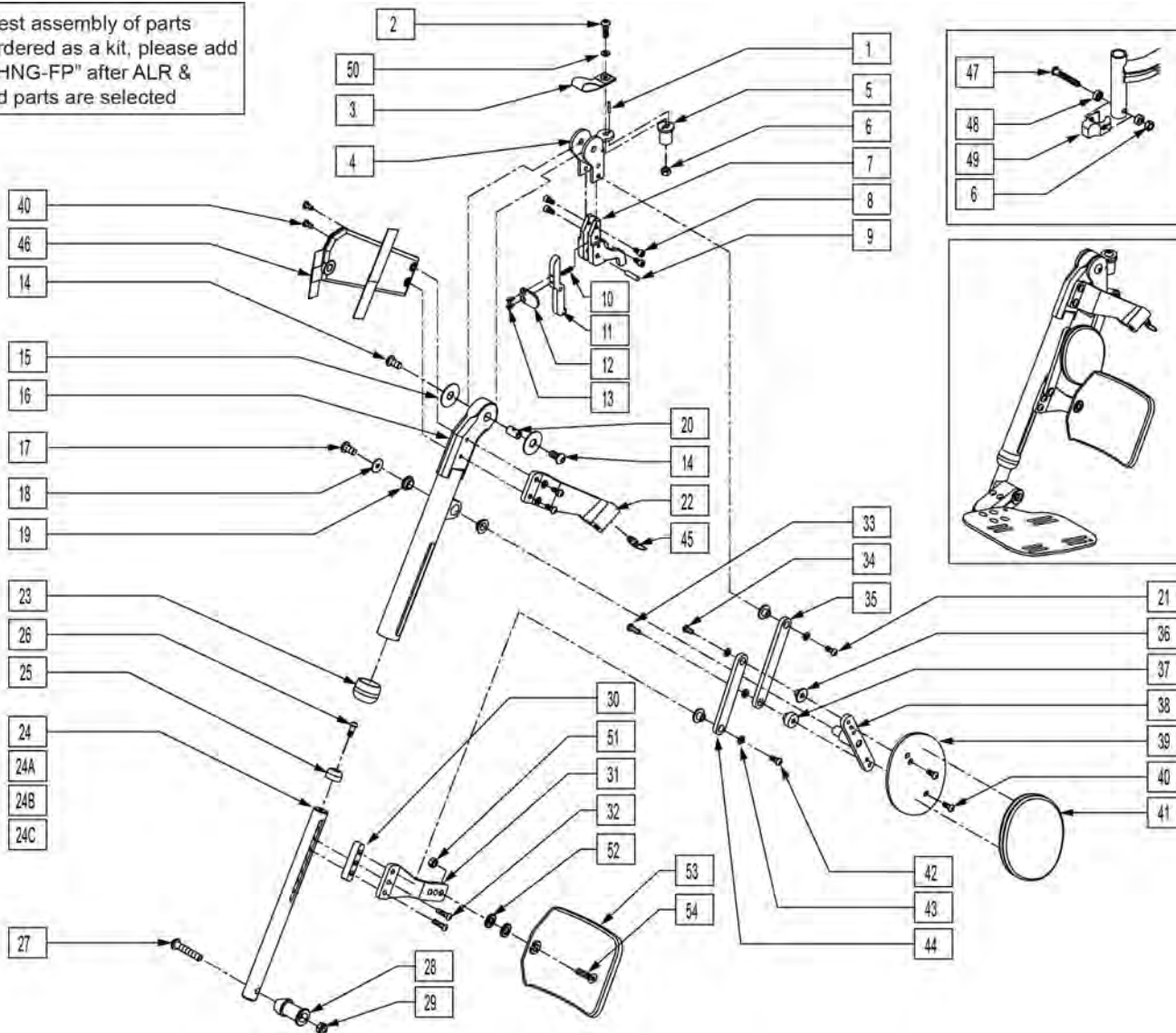
Pos.	Item Number	Description	Remarks
1	341091	1/8 x 3/4 ARMREST SPRING PIN	
2	226176	5/16-18 x 1 1/2 BH C/S BLK	
3	695040	DS LIFT LANYARD	
4	505983	BRKT HANGER POWER QR	
5	481468	PIVOT PLUG	
6	202116	5/16-18 NYLOCK NUT THIN BLK	
7	505990	BLOCK, CAPTURE, HNGR, PWR	
8	226339	1/4-20 x 7/16 SHCS BLK W/PATCH	
9	341200	1/4 x 1 ROLL PIN	

Pos.	Item Number	Description	Remarks
10	321787	SPRING COMP RELEASE LEVER	
11	505918	LEVER RELEASE HANGER POWER	
12	505994	PADDLE RELEASE HANGER POWER	
13	226006	8-32 x 3/8 FH C/S BLK	
14	226271	3/8-16 x 1/2 BH C/S BLK ZN	
15	261537	FOOTREST WASHER	
16	542510	FTRST RAIL FRT UPPER R WLDMT	
16	542511	FTRST RAIL FRT UPPER L WLDMT	
17	226069-QU	1/4-20 x 1/2 BH C/S BLK	
18	261209	1/4 x 7/8 OD FENDER WASHER ZNC	
19	349596	BEARING IGUS 1/2 x 5/8 x 1/4	
20	481469	LEGREST BOSS	
21	226078	1/4-20 x 3/4 BH C/S W/PTCH BLK	
22	541047	LEGREST ARM WELDMENT R/H	
22	541048	LEGREST ARM WELDMENT L/H	
23	560792	END CAP FOOTREST RAIL S626	
24A	550870	ALR EXT ROD SHT PWR-MULTI POS	
24B	550871	ALR EXT ROD LNG PWR-MULTI POS	
24C	550872	ALR EXT ROD SHT PWR-ANG ADJ	
24D	550873	ALR EXT ROD LNG PWR-ANG ADJ	
25	562773	END CAP INNER	
26	226091	1/4-20 x 5/8 BH C/S	
27	226217	5/16-18 x 2" BH C/S BLK	
28	483113	FOOTREST MOUNT LOWER S626	
29	202117	5/16-18 NYLOCK NUT THICK BLK	
30	562772	FOOTREST SLIDE SPACE	
31	550081	CALF PAD MOUNT	
32	221117	1/4-20 x 1-1/4 BH C/S W/PATCH	
33	226332	1/4-20 x 7/8 BH C/S BLK W/PTCH	
34	226333	1/4-20 x 5/8 BH C/S BLK W/PTCH	
35	505616	FOOTREST PULL LINK	
36	481278	FOOTREST LINK BUSHING	
37	481547	FOOTREST LINK BUSHING LONG	
38	541017	FOOTREST MID LINK WLDMT	
39	502272	LEGREST KNEE PAD PLATE	
40	226060	1/4-20 x 3/8 BH C/S W/PATCH	
41	680075	COVER LEGREST PINCH POINT	
42	221118	1/4-20 x 1-5/8 BHCS BLK W/PTCH	
43	106943	WASHER FLAT AN 1/4 ROHS	
44	505595	FOOTREST LONG LINK	
45	889030	LEGREST PULL PIN ASSM	
46	750192	LEGREST ARM COVER R	
46	750193	LEGREST ARM COVER L	
47	226217	5/16-18 X 2" BH C/S BLK	
48	505831	SPACER CAM	
49	500526	BLOCK LOCATOR HANGER PWR	
50	561016	1" WASHER 5/16" HOLE	
51	202116	5/16-18 NYLOCK NUT THIN BLK	
52	561016	1" WASHER 5/16" HOLE	
53	755012	CALF PAD TROUGH STYLE 17-20"	
53	755014	CALF PAD TROUGH STYLE 14/16	
54	226248	5/16-18 x 1 1/4" FH C/S BLK	
11-13	887970	LEVER RELEASE HANGER ASSM RH	
11-13	887971	LEVER RELEASE HANGER ASSM LH	
1-23,33-46	641530	HANGER POWER ALR R SS	
1-23,33-46	641531	HANGER POWER ALR L SS	

Pos.	Item Number	Description	Remarks
24A,25-32	921950	ALR PWR EXT ROD SHT ASSM M/POS	
24B,25-32	921951	ALR PWR EXT ROD LNG ASSM M/POS	
24C,25-32	921952	ALR PWR EXT ROD SHT ASSM ANGLE	
24D,25-32	921953	ALR PWR EXT ROD LNG ASSM ANGLE	
1-13,20,47-49	924057	HANGER POWER ALR UPGRADE	
6,47-49	920053	HANGER LOCATOR ASSM W/HDWR	
		Ship assembled part #	Use with multiple assemblies
	ASSY-HNG-FP	HANGER/FOOTPLATE ASSY REQUIRED	add with Hanger & Footplate kit

Note: for footplate see MULTI-POSITION POWER LIFT OFF ELR/ALR FOOTPLATE page.

To request assembly of parts being ordered as a kit, please add "ASSY-HNG-FP" after ALR & Calf Pad parts are selected



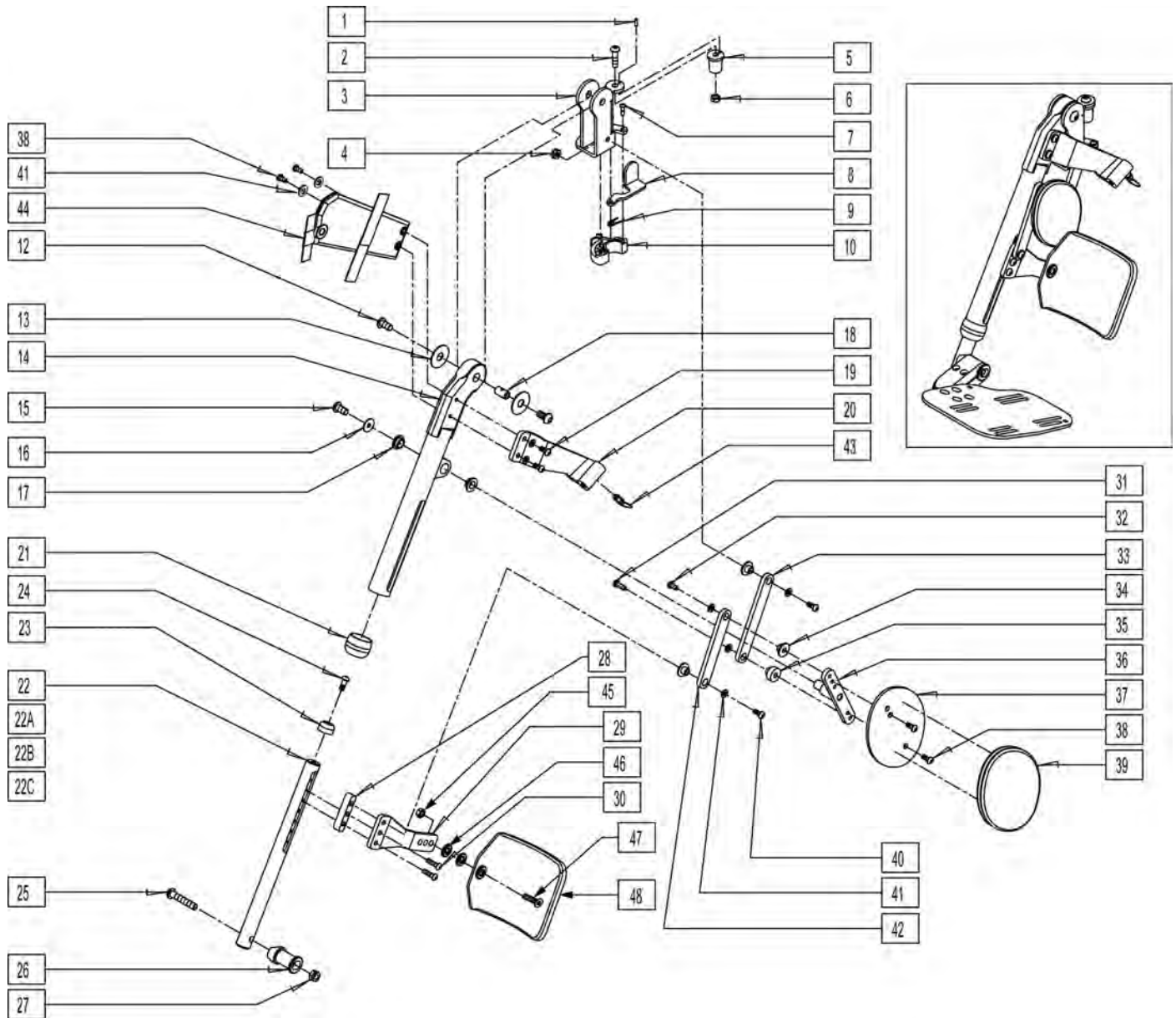
Pos.	Item Number	Description	Remarks
1	341091	1/8 x 3/4 ARMREST SPRING PIN	
2	226176	5/16-18 x 1 1/2 BH C/S BLK	
3	695040	DS LIFT LANYARD	
4	505983	BRKT HANGER POWER QR	
5	481468	PIVOT PLUG	
6	202116	5/16-18 NYLOCK NUT THIN BLK	
7	505990	BLOCK, CAPTURE, HNGR, PWR	
8	226339	1/4-20 x 7/16 SHCS BLK W/PATCH	
9	341200	1/4 x 1 ROLL PIN	
10	321787	SPRING COMP RELEASE LEVER	
11	505918	LEVER RELEASE HANGER POWER	
12	505994	PADDLE RELEASE HANGER POWER	

Pos.	Item Number	Description	Remarks
13	226006	8-32 x 3/8 FH C/S BLK	
14	226271	3/8-16 x 1/2 BH C/S BLK ZN	
15	261537	FOOTREST WASHER	
16	542510	FTRST RAIL FRT UPPER R WLDMT	
16	542511	FTRST RAIL FRT UPPER L WLDMT	
17	226069-QU	1/4-20 x 1/2 BH C/S BLK	
18	261209	1/4 x 7/8 OD FENDER WASHER ZNC	
19	349596	BEARING IGUS 1/2 x 5/8 x 1/4	
20	481469	LEGREST BOSS	
21	226078	1/4-20 x 3/4 BH C/S W/PTCH BLK	
22	541047	LEGREST ARM WELDMENT R/H	
22	541048	LEGREST ARM WELDMENT L/H	
23	560792	END CAP FOOTREST RAIL S626	
24	550870	ALR EXT ROD SHT PWR-MULTI POS	
24A	550871	ALR EXT ROD LNG PWR-MULTI POS	
24B	550872	ALR EXT ROD SHT PWR-ANG ADJ	
24C	550873	ALR EXT ROD LNG PWR-ANG ADJ	
25	562773	END CAP INNER	
26	226091	1/4-20 x 5/8 BH C/S	
27	226217	5/16-18 x 2" BH C/S BLK	
28	483113	FOOTREST MOUNT LOWER S626	
29	202117	5/16-18 NYLOCK NUT THICK BLK	
30	562772	FOOTREST SLIDE SPACE	
31	550081	CALF PAD MOUNT	
32	221117	1/4-20 x 1-1/4 BH C/S W/PATCH	
33	226332	1/4-20 x 7/8 BH C/S BLK W/PTCH	
34	226333	1/4-20 x 5/8 BH C/S BLK W/PTCH	
35	505616	FOOTREST PULL LINK	
36	481278	FOOTREST LINK BUSHING	
37	481547	FOOTREST LINK BUSHING LONG	
38	541017	FOOTREST MID LINK WLDMT	
39	502272	LEGREST KNEE PAD PLATE	
40	226060	1/4-20 x 3/8 BH C/S W/PATCH	
41	680075	COVER LEGREST PINCH POINT	
42	221118	1/4-20 x 1-5/8 BHCS BLK W/PTCH	
43	106943	WASHER FLAT AN 1/4 ROHS	
44	505595	FOOTREST LONG LINK	
45	889030	LEGREST PULL PIN ASSM	
46	750192	LEGREST ARM COVER R	
46	750193	LEGREST ARM COVER L	
47	226217	5/16-18 X 2" BH C/S BLK	
48	505831	SPACER CAM	
49	500526	BLOCK LOCATOR HANGER PWR	
50	561016	1" WASHER 5/16" HOLE	
51	202116	5/16-18 NYLOCK NUT THIN BLK	
52	561016	1" WASHER 5/16" HOLE	
53	755012	CALF PAD TROUGH STYLE 17-20"	
53	755014	CALF PAD TROUGH STYLE 14/16	
54	226248	5/16-18 x 1 1/4" FH C/S BLK	
11-13	887970	LEVER RELEASE HANGER ASSM RH	
11-13	887971	LEVER RELEASE HANGER ASSM LH	
1-23,33-46	118020	HANGER POWER ALR R S63	
1-23,33-46	118021	HANGER POWER ALR L S63	
24-32	921950	ALR PWR EXT ROD SHT ASSM M/POS	
24A,25-32	921951	ALR PWR EXT ROD LNG ASSM M/POS	
24B,25-32	921952	ALR PWR EXT ROD SHT ASSM ANGLE	

Pos.	Item Number	Description	Remarks
24C,25-32	921953	ALR PWR EXT ROD LNG ASSM ANGLE	
		Ship assembled part #	Use with multiple assemblies
	ASSY-HNG-FP	HANGER/FOOTPLATE ASSY REQUIRED	add with Hanger & Footplate kit

Note: discontinued 4/21/03 - parts only; fits Smart Seat prior to S64-034729).

Note: for footplate see MULTI-POSITION POWER LIFT OFF ELR/ALR FOOTPLATE page.

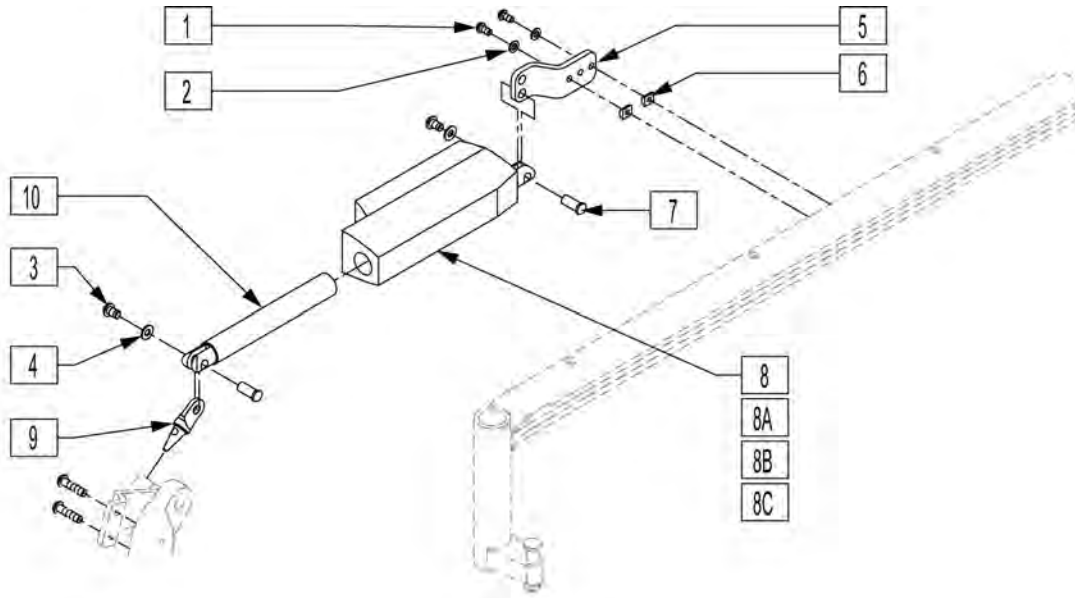


Pos.	Item Number	Description	Pos.	Item Number	Description
1	341091	1/8 x 3/4 ARMREST SPRING PIN	6	202116	5/16-18 NYLOCK NUT THIN BLK
2	226219	5/16-18 x 1 BH C/S BLK	7	226057	10/24 x .725 BTTN HD SOC BZ
3	545563	LEGREST SUPPORT WLDMNT L	8	561079	S/A LATCH LEVER
3	545564	LEGREST SUPPORT WLDMNT R	9	321136	S/A SPRING L RED
4	201105	1/4-20 NYLOCK NUT THIN	9	321137	S/A SPRING R CLEAR
5	481468	PIVOT PLUG	10	881500	LATCH BLOCK ASSM R

Pos.	Item Number	Description	Pos.	Item Number	Description
10	881501	LATCH BLOCK ASSM L	32	226333	1/4-20 x 5/8 BH C/S BLK W/PTCH
12	226271	3/8-16 x 1/2 BH CS BLK ZN	33	505616	FOOTREST PULL LINK
13	261537	FOOTREST WASHER	34	481278	FOOTREST LINK BUSHING
14	542510	FTRST RAIL FRT UPPER R WLDMT	35	481547	FOOTREST LINK BUSHING LONG
14	542511	FTRST RAIL FRT UPPER L WLDMT	36	541017	FOOTREST MID LINK WLDMT
15	226069-QU	1/4-20 x 1/2 BH C/S BLK	37	502272	LEGREST KNEE PAD PLATE
16	261209	1/4 x 7/8 OD FENDER WASHER ZNC	38	226060	1/4-20 x 3/8 BH C/S W/PATCH
17	349596	BEARING IGUS 1/2 x 5/8 x 1/4	39	680075	COVER LEGREST PINCH POINT
18	481469	LEGREST BOSS	40	226319	1/4-20 x 1-5/8 BHCS BLK W/PTCH
19	226332	1/4-20 x 7/8 BH C/S BLK W/PTCH	41	106943	1/4 AN WASHER FLAT
20	541047	LEGREST ARM WELDMENT R/H	42	505595	FOOTREST LONG LINK
20	541048	LEGREST ARM WELDMENT L/H	43	889030	LEGREST PULL PIN ASSM
21	560792	END CAP FOOTREST RAIL S626	44	750192	LEGREST ARM COVER R
22	550870	ALR EXT ROD SHT PWR-MULTI POS	44	750193	LEGREST ARM COVER L
22A	550871	ALR EXT ROD LNG PWR-MULTI POS	45	202116	5/16-18 NYLOCK NUT THIN BLK
22B	550872	ALR EXT ROD SHT PWR-ANG ADJ	46	561016	1" WASHER 5/16" HOLE
22C	550873	ALR EXT ROD LNG PWR-ANG ADJ	47	226248	5/16-18 x 1 1/4" FH C/S BLK
23	562773	END CAP INNER	48	755012	CALF PAD TROUGH STYLE 17-20"
24	226091	1/4-20 x 5/8 BH C/S	48	755014	CALF PAD TROUGH STYLE 14/16
25	226217	5/16-18 x 2" BH C/S BLK	7-10	924057	HANGER POWER ALR UPGRD
26	483113	FOOTREST MOUNT LOWER S626	1-21,31-43	641530	HANGER POWER ALR R SS
27	202117	5/16-18 NYLOCK NUT THICK BLK	1-21,31-43	641531	HANGER POWER ALR L SS
28	562772	FOOTREST SLIDE SPACE	22-30	921950	ALR PWR EXT ROD SHT ASSM M/POS
29	550081	CALF PAD MOUNT	22A,23-30	921951	ALR PWR EXT ROD LNG ASSM M/POS
30	226062	1/4-20 x 1-1/4 BH C/S W/PATCH	22B,23-30	921952	ALR PWR EXT ROD SHT ASSM ANGLE
31	226332	1/4-20 x 7/8 BH C/S BLK W/PTCH	22C,23-30	921953	ALR PWR EXT ROD LNG ASSM ANGLE

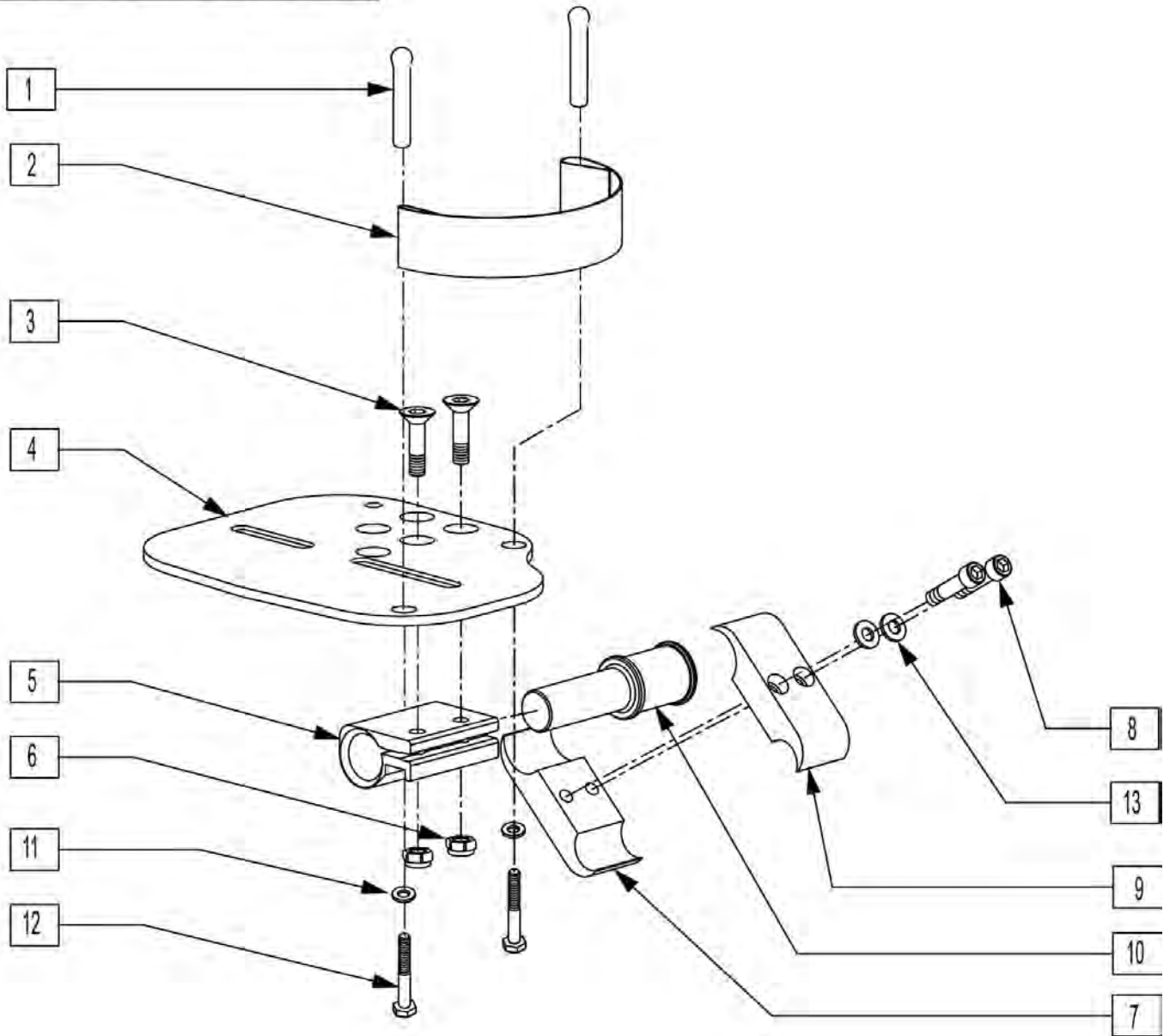
LEGREST ACTUATOR

[11/2011]



Pos.	Item Number	Description	Remarks
1	221091	1/4-28 x 1/2 BH C/S BLK W/PTCH	
2	106943	WASHER FLAT AN 1/4 ROHS	
3	226236	5/16-18 x 1/2 B/H C/S BLK	
4	263100	5/16 AN WASHER FLAT	
5	542550	REAR ACT MOUNT WLDMNT	
6	481106-QU	1/4-28 CHANNEL NUT	
7	505615	ACT LINK PIN	
8	138620	ACT LINAK LA-12 0 DEG CLEVIS	(16"/17"W LONG SEAT FRAME)
8A	138530	ACT LINAK LA-12 25 DEG CLEVIS	(18"W LONG SEAT FRAME, RIGHT SIDE)
8B	138531	ACT LINAK LA-12 15 DEG CLEVIS	(18"W LONG SEAT FRAME, LEFT SIDE)
8C	138447	ACT LINAK LA12	(16"-24" WIDE STANDARD SEAT FRAME, 19"-24" WIDE LONG SEAT FRAME)
9	505618	PUSH ARM PIN	
10	526406	LA12 TUBE ALUMINUM	
10	882610	ACT ASSM PWR ALR VERTICAL R	(16"/17"W LONG SEAT FRAME)
1-10	882611	ACT ASSM PWR ALR VERTICAL L	(16"/17"W LONG SEAT FRAME)
1-10	921891	ACT ASSM PWR ALR VERTICAL (PR)	(16"/17"W LONG SEAT FRAME)
1-7,8A,9,10	882612	ACT ASSM PWR ALR ANGLE R	(18"W LONG SEAT FRAME, RIGHT SIDE)
1-7,8B,9,10	882613	ACT ASSM PWR ALR ANGLE L	(18"W LONG SEAT FRAME, LEFT SIDE)
1-7,8A,8B,9,10	921892	ACT ASSM PWR ALR ANGLE (PR)	(18"W LONG SEAT FRAME)
1-7,8C,9,10	882002	ACT ASSM PWR ALR HRZTNL R	(16"-24" WIDE STANDARD SEAT FRAME, 19"-24" WIDE LONG SEAT FRAME)
1-7,8C,9,10	882003	ACT ASSM PWR ALR HRZNTL L	(16"-24" WIDE STANDARD SEAT FRAME, 19"-24" WIDE LONG SEAT FRAME)
1-7,8C,9,10	921890	ACT ASSM POWER ALR HRZNTL (PR)	(16"-24" WIDE STANDARD SEAT FRAME, 19"-24" WIDE LONG SEAT FRAME)

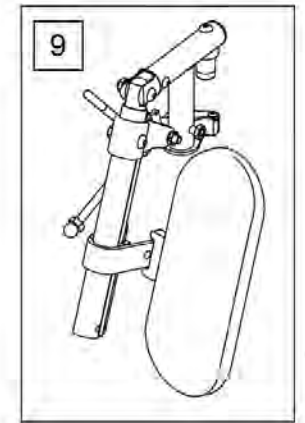
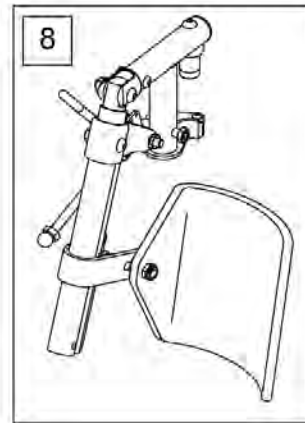
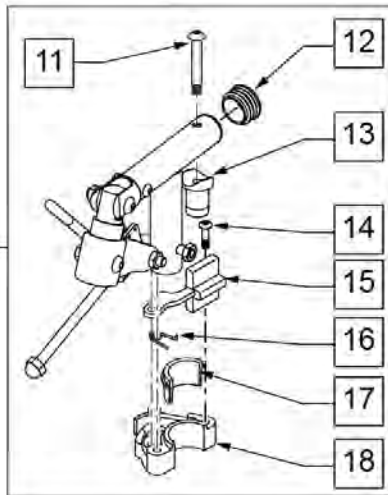
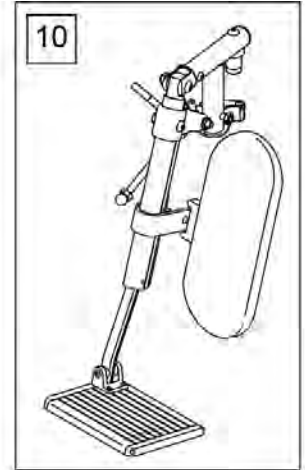
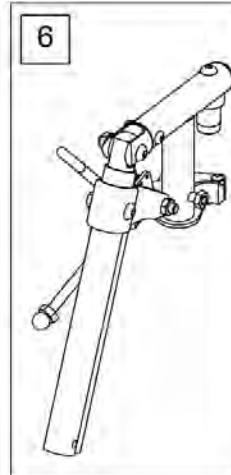
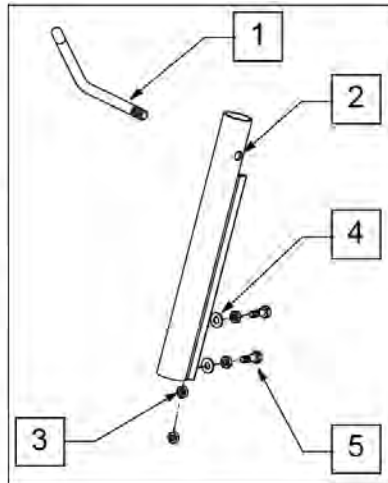
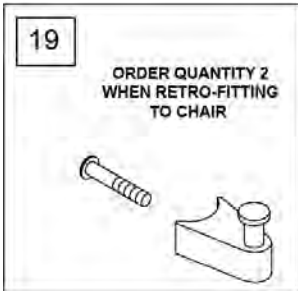
To have complete Footrest ship assembled, choose compatible Hanger + Footplate part numbers and add "ASSY-HNG-FP" to order



Pos.	Item Number	Description	Remarks
1	561040	HEEL LOOP PEG	
2	741130	HEEL LOOP 14-15 MULTI PSTN	
2	741131	HEEL LOOP 16-17 MULTI PSTN	
2	741132	HEEL LOOP 18-20 MULTI PSTN	
2	741151	HEEL LOOP 14-15 CMPST	
2	741170	HEEL LOOP P300	
3	106978	1/4-28 X 7/8 FH C/S	
4	500658	ADLT ANGL ADJ F/PLT 12/13" R	

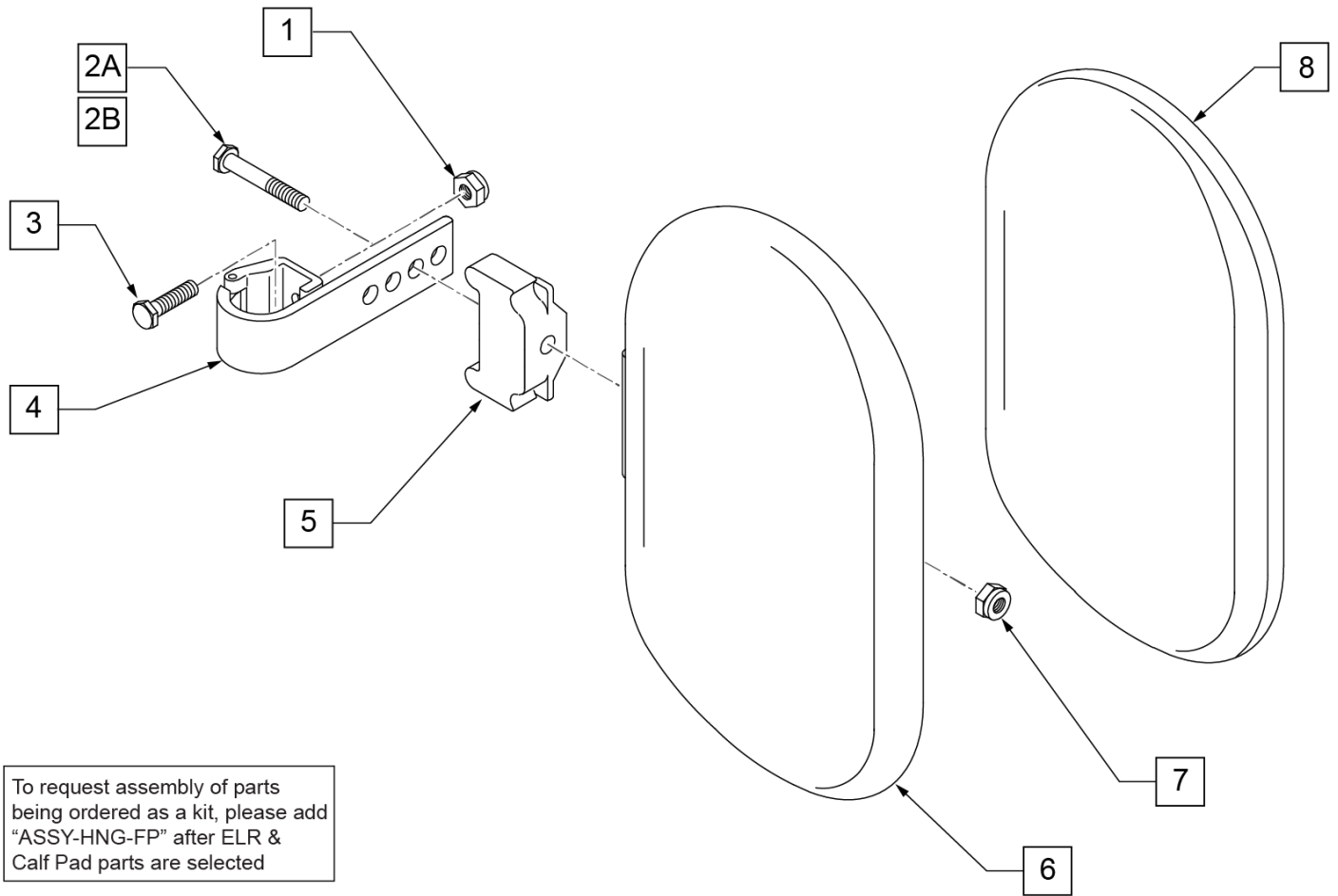
Pos.	Item Number	Description	Remarks
4	500659	ADLT ANGL ADJ F/PLT 12/13" L	
4	500660	ADLT ANGL ADJ F/PLT 14/15" R	
4	500661	ADLT ANGL ADJ F/PLT 14/15" L	
4	500662	ADLT ANGL ADJ F/PLT 16/17" R	
4	500663	ADLT ANGL ADJ F/PLT 16/17" L	
4	500664	ADLT ANGL ADJ F/PLT 18-20" R	
4	500665	ADLT ANGL ADJ F/PLT 18-20" L	
5	550350	3/4" CLMP ADJ FT PLT	
6	106935	NUT NYLOCK THIN 1/4-28 ROHS	
7	550576	CLAMP 2 1/4" THREADED BLK	
8	107032	1/4-28 x 1 SOC C/S BLK	
9	550477	CLAMP 2 1/4" RECESS BLK	
10	483279	FOOTPLATE PIVOT 1" CLAMP	
11	106944	1/4 AN WASHER FLAT THIN	
12	106958	1/4-20 x 1 HEX C/S	
13	262114	1/4 WASHER HI COLLAR LOCK ZN	
1-13	921564	MLT ADJ F/P ASM STR 14-15 W/HL	Pair
1-13	921565	MLT ADJ F/P ASM STR 16-17 W/HL	Pair
1-13	921566	MLT ADJ F/P ASM STR 18-20 W/HL	Pair
1-13	921567	MLT ADJ F/P ASM STR 21-24 W/HL	Pair
		Ship assembled part #	Use with multiple assemblies
	ASSY-HNG-FP	HANGER/FOOTPLATE ASSY REQUIRED	add with Hanger & Footplate kit

To request assembly of parts being ordered as a kit, please add "ASSY-HNG-FP" after ELR & Calf Pad parts are selected



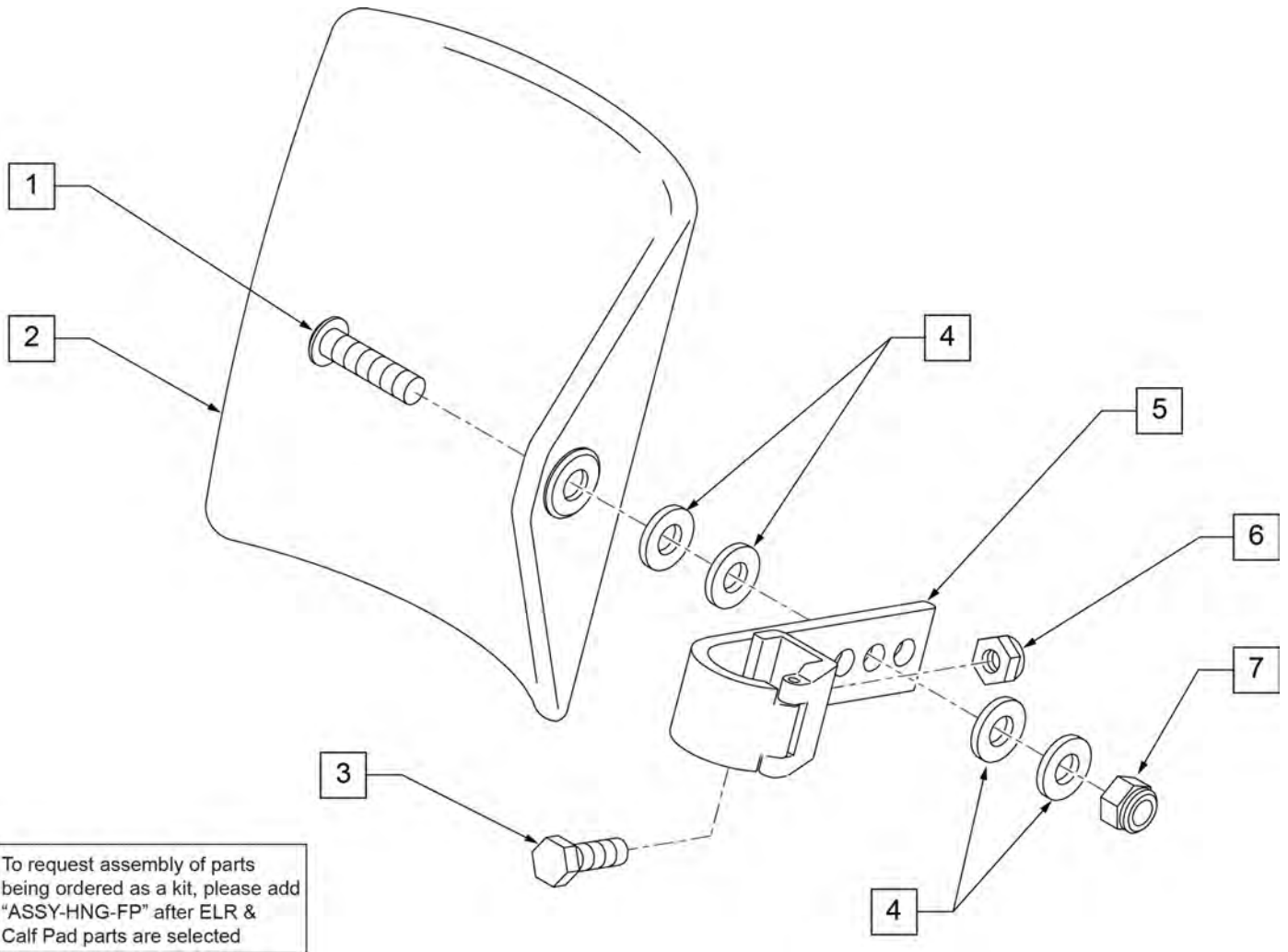
Pos.	Item Number	Description	Remarks
1	882409	ELR ACTUATION ARM ASSM S525	
2	550722S	ELR ADJUSTMENT TUBE	
3	201112	1/4-28 NUT THIN	
4	106944	1/4 AN WASHER FLAT THIN	
5	107014	1/4-28 x 3/4 HEX C/S	
6	641454S	ELR HNGR W/O PAD PNTD R PWR	
6	641455S	ELR HNGR W/O PAD PNTD L PWR	
7	882232	PWR ELR RIGHT W/O EXT TBE ASSM	
7	882231	PWR ELR LFT W/O EXT TBE ASSM	
8	923096S	ELR HNGR ASSM 14-15" W/PD G424	
9	923097S	ELR HNGR ASSM 16-17" W/PD G424	
9	923098S	ELR HNGR ASSM 18-24" W/PD G424	
10	923147S	ELR 16" MED EXT (PR)	ELR with Calf Pad, Extension Tube & Footplate
10	923148S	ELR 18-20 MED EXT (PR)	ELR with Calf Pad, Extension Tube & Footplate
11	226217	5/16 -18 X 2 BH C/S BLK	
12	561062	1" INSERT PLUG .065 RIBS	
13	561197	PLASTIC PIVOT SADDLE	
14	226057	10/24 x .725 BTTN HD SOC BZ	
15	561079	S/A LATCH LEVER	

Pos.	Item Number	Description	Remarks
16	321136	S/A SPRING L RED	LEFT
16	321137	S/A SPRING R CLR	RIGHT
17,18	881500	LATCH BLOCK ASSM R	RIGHT
17,18	881501	LATCH BLOCK ASSM L	LEFT
19	107491	LATCH STUD KIT	Order qty2 when retrofitting to chair
		Ship assembled part #	Use with multiple assemblies
	ASSY-HNG-FP	HANGER/FOOTPLATE ASSY REQUIRED	add with Hanger & Footplate kit



To request assembly of parts being ordered as a kit, please add "ASSY-HNG-FP" after ELR & Calf Pad parts are selected

Pos.	Item Number	Description	Remarks
1	106934	NUT NYLOCK 1/4-28 ROHS	
2A	107018	HHCS 5/16-18 X 2-1/2 ROHS	16"-17" wide only
2B	107019	HHCS 5/16-18 X 3-1/2 ROHS	18"-20" wide only
3	107013	HHCS 1/4-28 X 5/8 ROHS	
4	881413	CALF PAD BRACKET ASSEMBLY	
5	560199	ELR CALF HINGE SPACER	18"-20" wide only
6	560108	CALF PAD MOLDED 16"-20"	
7	106936	NUT NYLOCK 5/16-18 ROHS	
8	751045	CALF PAD COVER	
1,2A,3,4,6-8	881416	CALF MOLDED 16"-17" ASSEMBLY	
1,2B,3-7,8	881412	CALF PAD MOLDED 18"-20" ASSEMBLY	
		Ship assembled part #	Use with multiple assemblies
	ASSY-HNG-FP	HANGER/FOOTPLATE ASSY REQUIRED	add with Hanger & Footplate kit

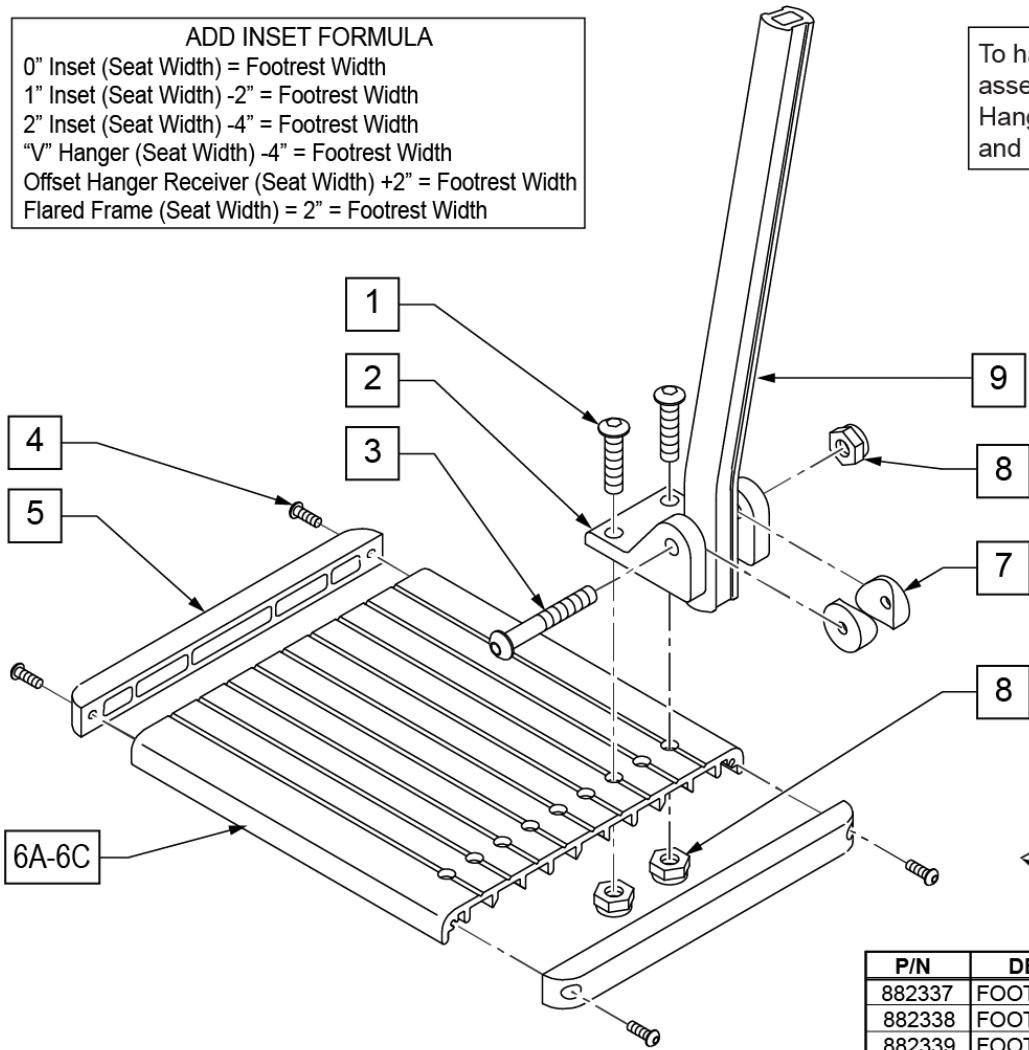


Pos.	Item Number	Description	Remarks
1	106980	BHCS 5/16-18 X 1-1/4 ROHS	
2	755014	CALF PAD TROUGH STYLE 14"/16"	
3	221097	1/4-28 X 5/8 HEX C/S BZ	
4	561016	1" WASHER 5/16" HOLE	
5	881413	CALF PAD BRACKET ASSEMBLY	
6	106934	NUT NYLOCK 1/4-28 ROHS	
7	106937	NUT NYLOCK THIN 5/16-18	
1-7	881414	CALF PAD J-HOOK 14"-15" ASSEMBLY	
		Ship assembled part #	Use with multiple assemblies
	ASSY-HNG-FP	HANGER/FOOTPLATE ASSY REQUIRED	add with Hanger & Footplate kit

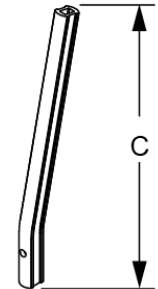
NOTE: Left Side Shown

ADD INSET FORMULA
 0" Inset (Seat Width) = Footrest Width
 1" Inset (Seat Width) - 2" = Footrest Width
 2" Inset (Seat Width) - 4" = Footrest Width
 "V" Hanger (Seat Width) - 4" = Footrest Width
 Offset Hanger Receiver (Seat Width) + 2" = Footrest Width
 Flared Frame (Seat Width) = 2" = Footrest Width

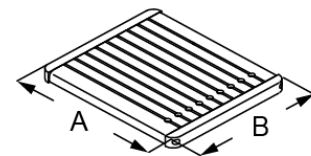
To have complete Footrest ship assembled, choose compatible Hanger + Footplate part numbers and add "ASSY-HNG-FP" to order



MEASURING GUIDE

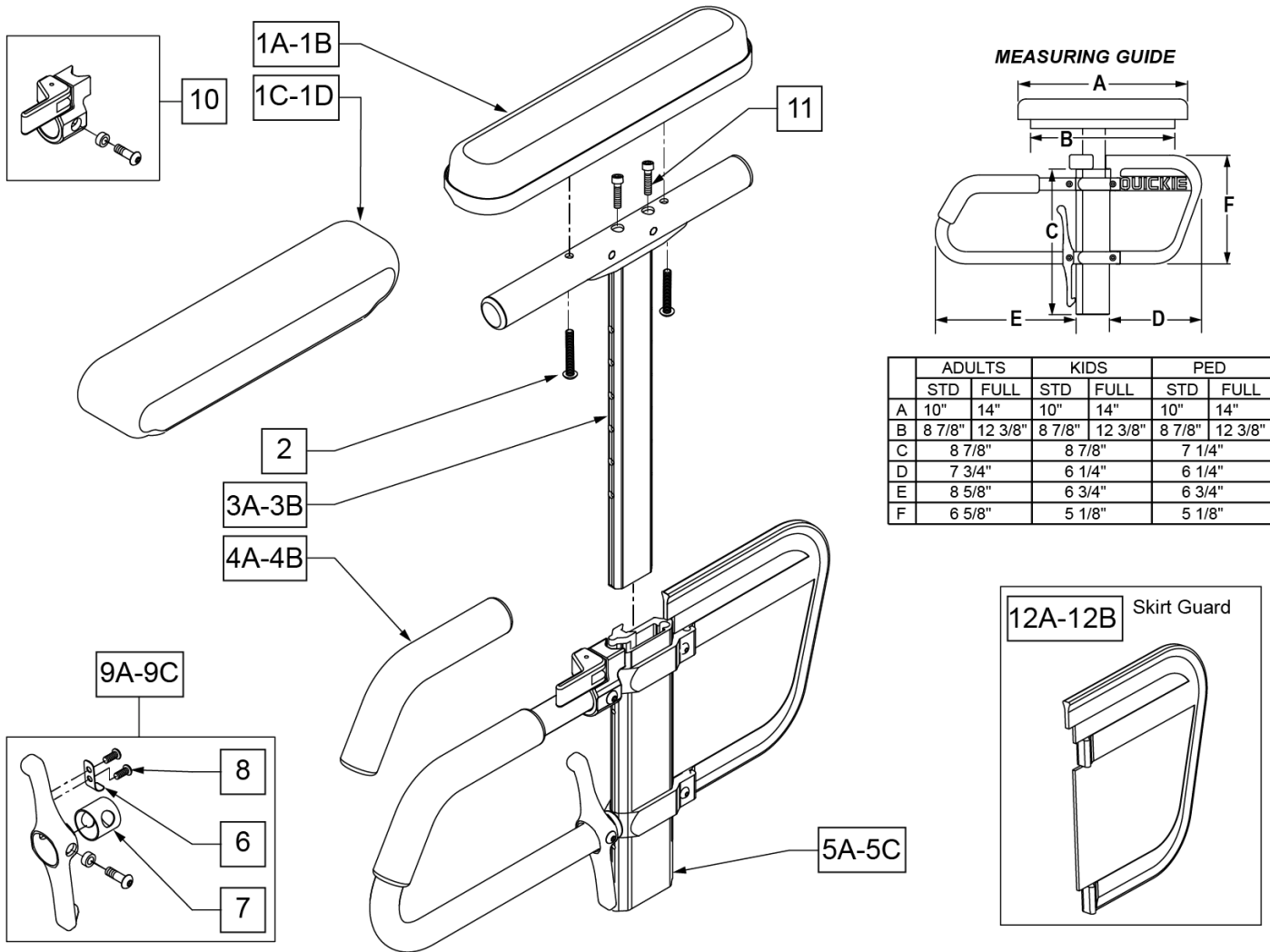


	"C"
SHORT	9 1/4"
MED	11 1/4"
LONG	13 1/4"



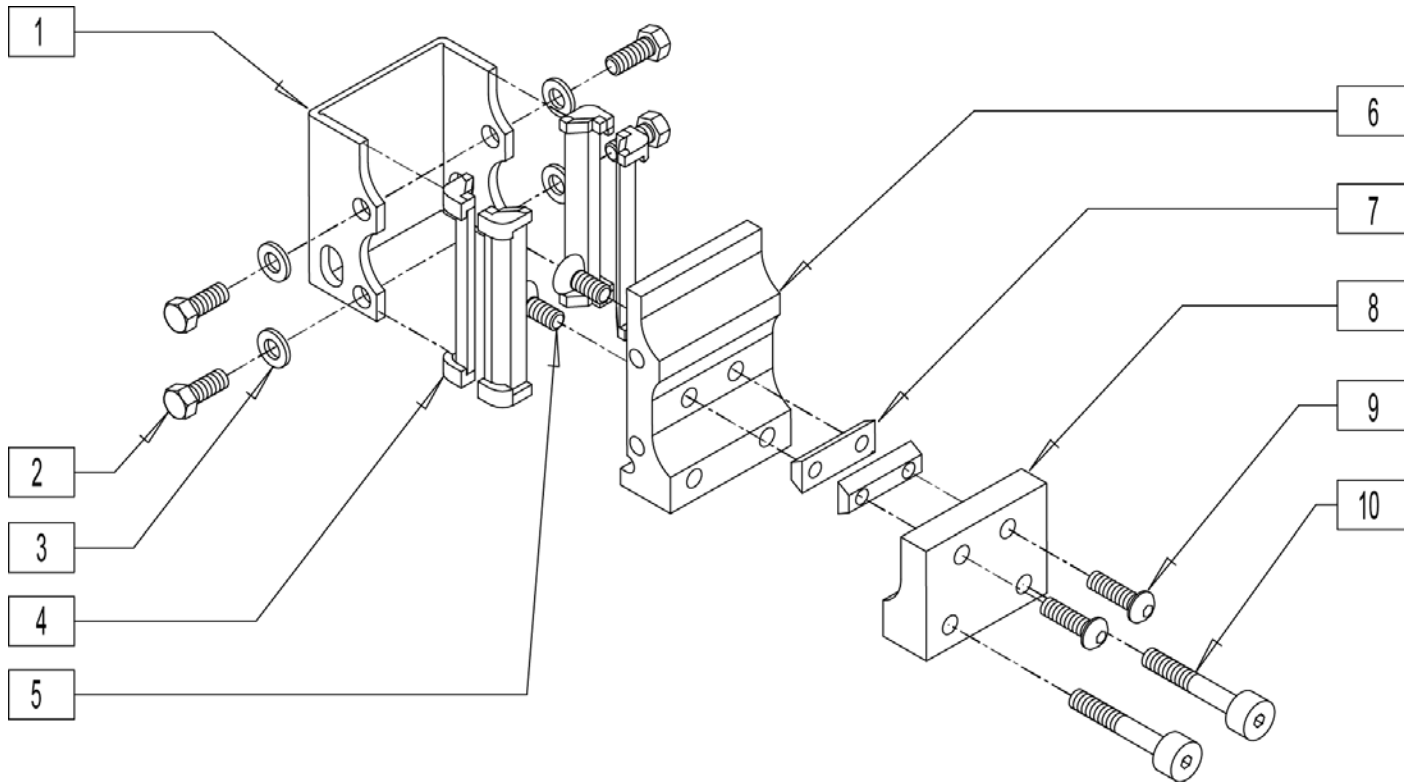
P/N	DESCRIPTION	"A"	"B"
882337	FOOTPLATE ELR 14-15"	6"	6"
882338	FOOTPLATE ELR 16-17"	7"	6"
882339	FOOTPLATE ELR 18-20"	8"	6"

Pos.	Item Number	Description	Remarks
1	106959	1/4-28 x 5/8 BH C/S	
2	550739	FOOTPLATE MOUNTING BRACKET	
3	226147	1/4-28 x 1.85 BH C/S	
4	281043	#4 x 5/8 PAN PHIL S/TAP	
5	560101	END CAPS FOOTREST	
7	561003	3/4" SADDLE THIN	
8	106935	1/4-28 NYLOCK NUT THIN	
9	550764	S/A HANGER EXT D2 SHORT BLACK	
9	550765	S/A HANGER EXT D2 MED BLK	
9	550766	S/A HANGER EXT D2 LONG BLACK	
4,5,6A	882337	ELR FOOTPLATE ASSEMBLY 14 -15"	
4,5,6B	882338	ELR FOOTPLATE ASSEMBLY 16 -17"	
4,5,6C	882339	ELR FOOTPLATE ASSEMBLY 18 -20"	
1-5,6A-8	921400S	ELR FOOTPLATE KIT 14 -15"	Does not include Extension
1-5,6B-8	921401S	ELR FOOTPLATE KIT 16 -17"	Does not include Extension
1-5,6C-8	921402S	ELR FOOTPLATE KIT 18 -20"	Does not include Extension
		Ship assembled part #	Use with multiple assemblies
	ASSY-HNG-FP	HANGER/FOOTPLATE ASSY REQUIRED	add with Hanger & Footplate kit



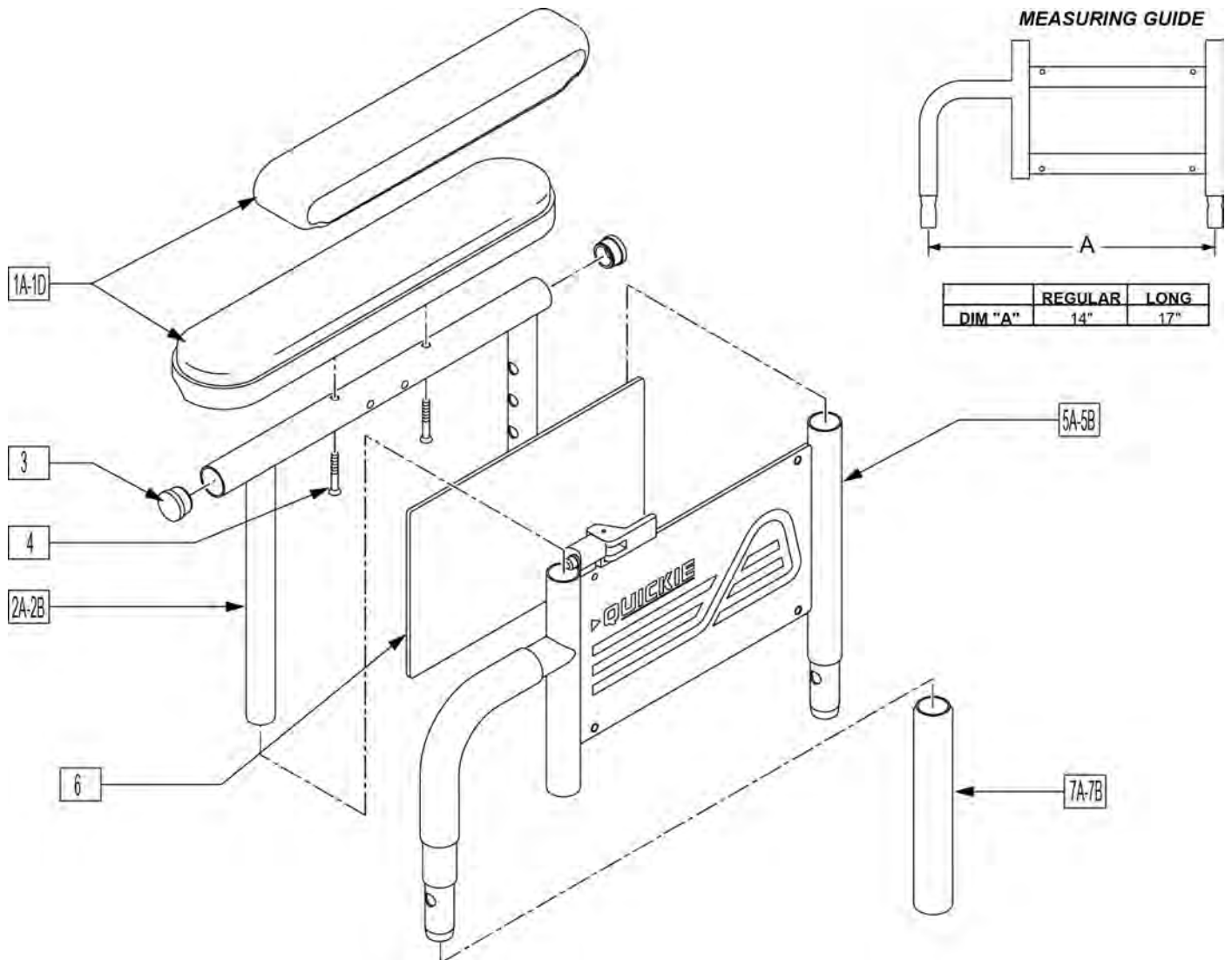
Pos.	Item Number	Description	Remarks
1A	561024	ARMREST PAD 10" DESK	DESK PAD
1B	561031	ARMREST PAD 14" FULL	FULL PAD
1C	561280	ARMREST PAD 10" L W/F	LEFT - DESK WATERFALL PAD
1C	561281	ARMREST PAD 10" R W/F	RIGHT - DESK WATERFALL PAD
1D	561284	ARMREST PAD 14" L W/F	LEFT - FULL WATERFALL PAD
1D	561285	ARMREST PAD 14" R W/F	RIGHT - FULL WATERFALL PAD
2	226038	10-32 x 1 3/8 BH C/S BLK	
4A	560610	5" x .705 x .125 FOAM TUBE	ADULT
4B	560627	7-1/2" x .705 x .125 FOAM TUBE	PEDS/KIDS
5A	882084	HT ADJ LOWER DC ARM ASSM STD R	RIGHT - STANDARD/ADULT
5A	882085	HT ADJ LOWER DC ARM ASSM STD L	LEFT - STANDARD/ADULT
5B	882082	HT ADJ LOWER DC ARM ASM KIDS R	RIGHT - KIDS
5B	882083	HT ADJ LOWER DC ARM ASM KIDS L	LEFT - KIDS
5C	882080	HT ADJ LOWER ARM ASSM PE D R	RIGHT - PEDIATRIC
5C	882081	HT ADJ LOWER ARM ASSM PE D L	LEFT - PEDIATRIC
6	321721	LEVER RETURN SPRING	
7	562825	RELEASE LEVER INNER SLEEVE	
8	281045	#6 x 1/4 PAN PHIL S/M/S	
9A	888000	HT ADJ REC REL LEVER ASSM STD	ADULT

Pos.	Item Number	Description	Remarks
9B	888001	HT ADJ REC REL LEVER ASSM KIDS	KIDS
9C	888002	HT ADJ REC REL LEVER ASSM PEDS	PEDS
10	888003	HT ADJ UPPER ARM REL ASSM R	RIGHT
10	888004	HT ADJ UPPER ARM REL ASSM L	LEFT
11	108534	SHCS 10-32 X 1-1/4 PL	Used with Classic Full only
12A	561140	HT ADJ SKIRT GUARD STD	Standard
12B	561141	HT ADJ SKIRT GUARD KDS	Kids
>>>>		ADULT UPPER ASSEMBLIES	
1A-3A	880192	HT ADJ UPPER ARM ASSM DESK R	RIGHT - ADULT DESK PAD
1A-3A	880198	HT ADJ UPPER ARM ASSM DESK L	LEFT - ADULT DESK PAD
1B-3A,11	880193	HT ADJ UPPER ARM ASSM FL R	RIGHT - ADULT FULL PAD
1B-3A,11	880199	HT ADJ UPPER ARM ASSM FL L	LEFT - ADULT FULL PAD
>>>>		ADULT UPPER ASSEMBLIES	
1C-3A	881231	HT ADJ UPPER R ARM ASSM DESK W/F	RIGHT - ADULT DESK WATER FALL PAD
1C-3A	881230	HT ADJ UPPER L ARM ASSM DESK W/F	LEFT - ADULT DESK WATER FALL PAD
1D-3A	881233	HT ADJ UPPER R ARM ASSM FL W/F	RIGHT - ADULT FULL WATER FALL PAD
1D-3A	881232	HT ADJ UPPER L ARM ASSM FL W/F	LEFT - ADULT FULL WATER FALL PAD
>>>>		PEDIATRIC AND KIDS UPPER ASSEMBLIES	
1A-3B	880174	HT ADJ UPPER ARM PED PWR DESK R	RIGHT - PED/KIDS DESK PAD
1A-3B	880175	HT ADJ UPPER ARM PED PWR DESK L	LEFT - PED/KIDS DESK PAD
1B-3B,11	880176	HT ADJ UPPER ARM PED PWR FULL R	RIGHT - PED/KIDS FULL PAD
1B-3B,11	880177	HT ADJ UPPER ARM PED PWR FULL L	LEFT - PED/KIDS FULL PAD
>>>>		PEDIATRIC AND KIDS UPPER ASSEMBLIES	
1C-3B	888341	HT ADJ PED UPPER R ARM ASSM D WF	RIGHT - PED/KIDS DESK WATER FALL PAD
1C-3B	888342	HT ADJ PED UPPER L ARM ASSM D WF	LEFT - PED/KIDS DESK WATER FALL PAD
1D-3B	888343	HT ADJ PED UPPER R ARM ASSM F WF	RIGHT - PED/KIDS FULL WATER FALL PAD
1D-3B	888344	HT ADJ PED UPPER L ARM ASSM F WF	LEFT - PED/KIDS FULL WATER FALL PAD
>>>>		COMPLETE ADULT ARMREST ASSEMBLY	
1A-3A-5A	880210	HT ADJ STD R W/DESK ARM PAD	RIGHT - ADULT - DESK PAD
1A-3A-5A	880211	HT ADJ STD L W/DESK ARM PAD	LEFT - ADULT - DESK PAD
1B-3A-5A,11	880212	HT ADJ STD R W/FULL ARM PAD	RIGHT - ADULT - FULL PAD
1B-3A-5A,11	880213	HT ADJ STD L W/FULL ARM PAD	LEFT - ADULT - FULL PAD
1C-3A-5A	881301	HT ADJ STD R W/DESK W/F PAD	RIGHT - ADULT - WATERFALL DESK PAD
1C-3A-5A	881300	HT ADJ STD L W/DESK W/F PAD	LEFT - ADULT - WATERFALL DESK PAD
1D-3A-5A	881305	HT ADJ STD R W/FULL W/F PAD	RIGHT - ADULT - WATERFALL FULL PAD
1D-3A-5A	881304	HT ADJ STD L W/FULL W/F PAD	LEFT - ADULT - WATERFALL FULL PAD
>>>>		COMPLETE KIDS ARMREST ASSEMBLY	
1A-3B-5B	880214	HT ADJ KIDS R W/DESK ARM PAD	RIGHT - KIDS - DESK PAD
1A-3B-5B	880215	HT ADJ KIDS L W/DESK ARM PAD	LEFT - KIDS - DESK PAD
1B-3B-5B,11	880216	HT ADJ KIDS R W/FULL ARM PAD	RIGHT - KIDS - FULL PAD
1B-3B-5B,11	880217	HT ADJ KIDS L W/FULL ARM PAD	LEFT - KIDS - FULL PAD
1C-3B-5B	881303	HT ADJ KIDS R W/DESK W/F PAD	RIGHT - KIDS - WATERFALL DESK PAD
1C-3B-5B	881302	HT ADJ KIDS L W/DESK W/F PAD	LEFT - KIDS - WATERFALL DESK PAD
1D-3B-5B	881307	HT ADJ KIDS R W/FULL W/F PAD	RIGHT - KIDS - WATERFALL FULL PAD
1D-3B-5B	881306	HT ADJ KIDS L W/FULL W/F PAD	LEFT - KIDS - WATERFALL FULL PAD
>>>>		COMPLETE PEDIATRIC ARMREST ASSEMBLY	
1A-3B-5C	880226	HT ADJ PED R W/DESK ARM PAD	RIGHT - PEDS - DESK PAD
1A-3B-5C	880227	HT ADJ PED L W/DESK ARM PAD	LEFT - PEDS - DESK PAD
1B-3B-5C,11	880228	HT ADJ PED R W/FULL ARM PAD	RIGHT - PEDS - FULL PAD
1B-3B-5C,11	880229	HT ADJ PED L W/FULL ARM PAD	LEFT - PEDS - FULL PAD
1C-3B-5C	888345	HT ADJ PED R W/DESK W/F PAD	RIGHT - PEDS - WATERFALL DESK PAD
1C-3B-5C	888346	HT ADJ PED L W/DESK W/F PAD	LEFT - PEDS - WATERFALL DESK PAD
1D-3B-5C	888347	HT ADJ PED R W/FULL W/F PAD	RIGHT - PEDS - WATERFALL FULL PAD
1D-3B-5C	888348	HT ADJ PED L W/FULL W/F PAD	LEFT - PEDS - WATERFALL FULL PAD



Pos.	Item Number	Description
1	550485	HT ADJ REC CHANNEL
2	221097	1/4-28 x 5/8 HEX C/S BZ
3	106943	WASHER FLAT AN 1/4 ROHS
4	561134	HT ADJ RECEIVER LINER
5	227104	1/4-28 x 5/8 FH C/S BLK ZN
6	550507	HEIGHT ADJ REC S626
7	481418	1/4-28 CHANNEL NUT .80" SP
8	550508	HEIGHT ADJ REC CLAMP S626
9	221016	1/4-28 x 5/8 B/H C/S BLACK G5
10	226114	1/4-28 x 1 1/2 SOC C/S BLK
1-10	880277	HT ADJ ARM REC ASSM S626

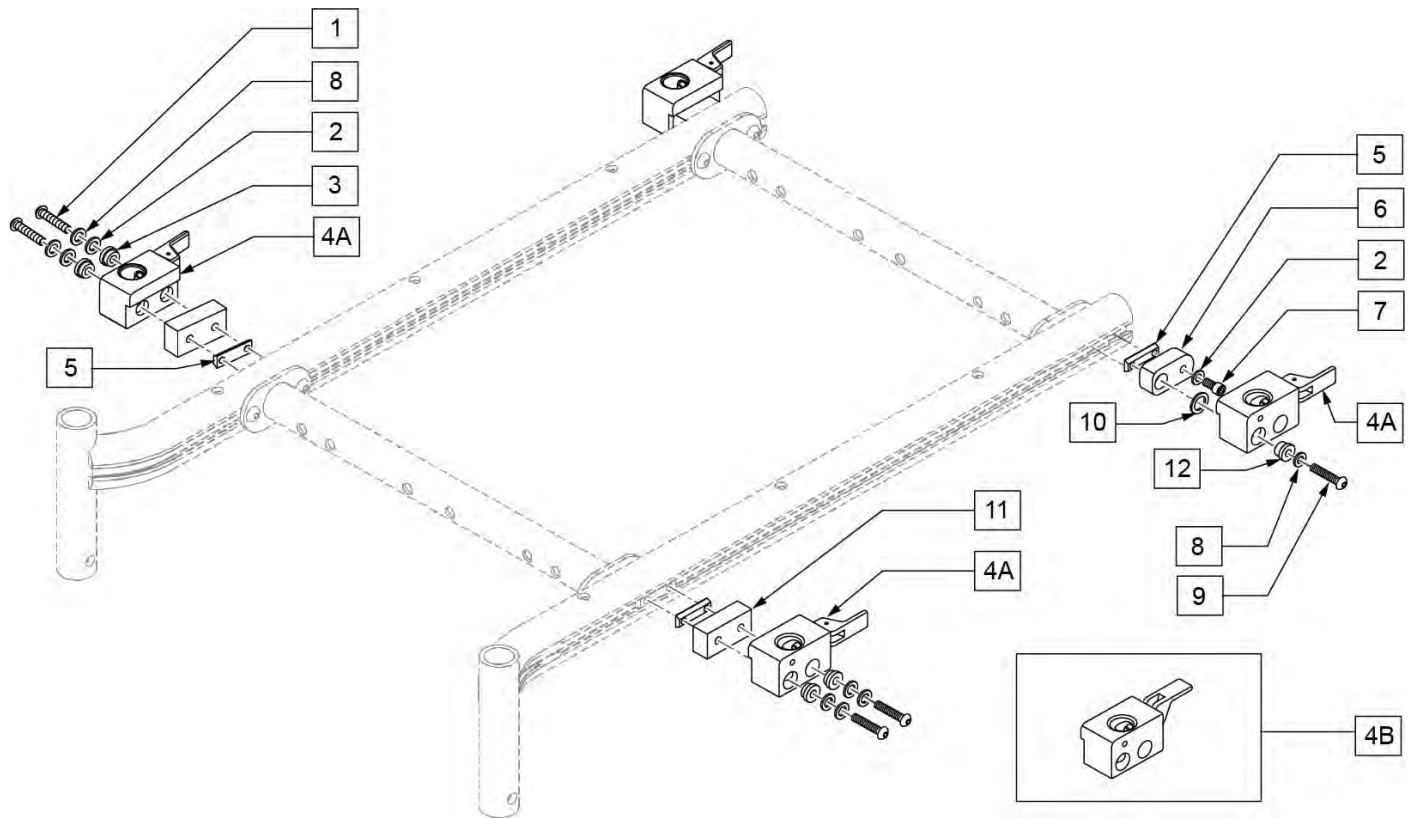
Note: for Quickie M6 if retrofitting armrests to a chair where they were originally omitted, order one each of 881256 & 881257 front receivers. The rear receivers are already on the chair.



Pos.	Item Number	Description	Remarks
1A	561280	ARMREST PAD 10" LEFT W/F	Left,Desk,Waterfall
1A	561281	ARMREST PAD 10" RIGHT W/F	Right,Desk,Waterfall
1B	561284	ARMREST PAD 14" LEFT W/F	Left,Full,Waterfall
1B	561285	ARMREST PAD 14" RIGHT W/F	Right,Full,Waterfall
1C	561024	ARMREST PAD 10" DESK	Desk Pad
1D	561031	ARMREST PAD 14" FULL	Full Pad
2A	521841	DUAL PST ADJ UPPR ARM DESK PW	Desk
2B	521843	DUAL PST ADJ UPPR ARM FULL PW	Full
3	560735	7/8" ROUND TUBE PLUG	
4	226038	10-32 x 1 3/8 BH C/S BLK	
5A	881556	ARM ASSM LOWER HT ADJ REG R	Right, Regular
5A	881557	ARM ASSM LOWER HT ADJ REG L	Left, Regular

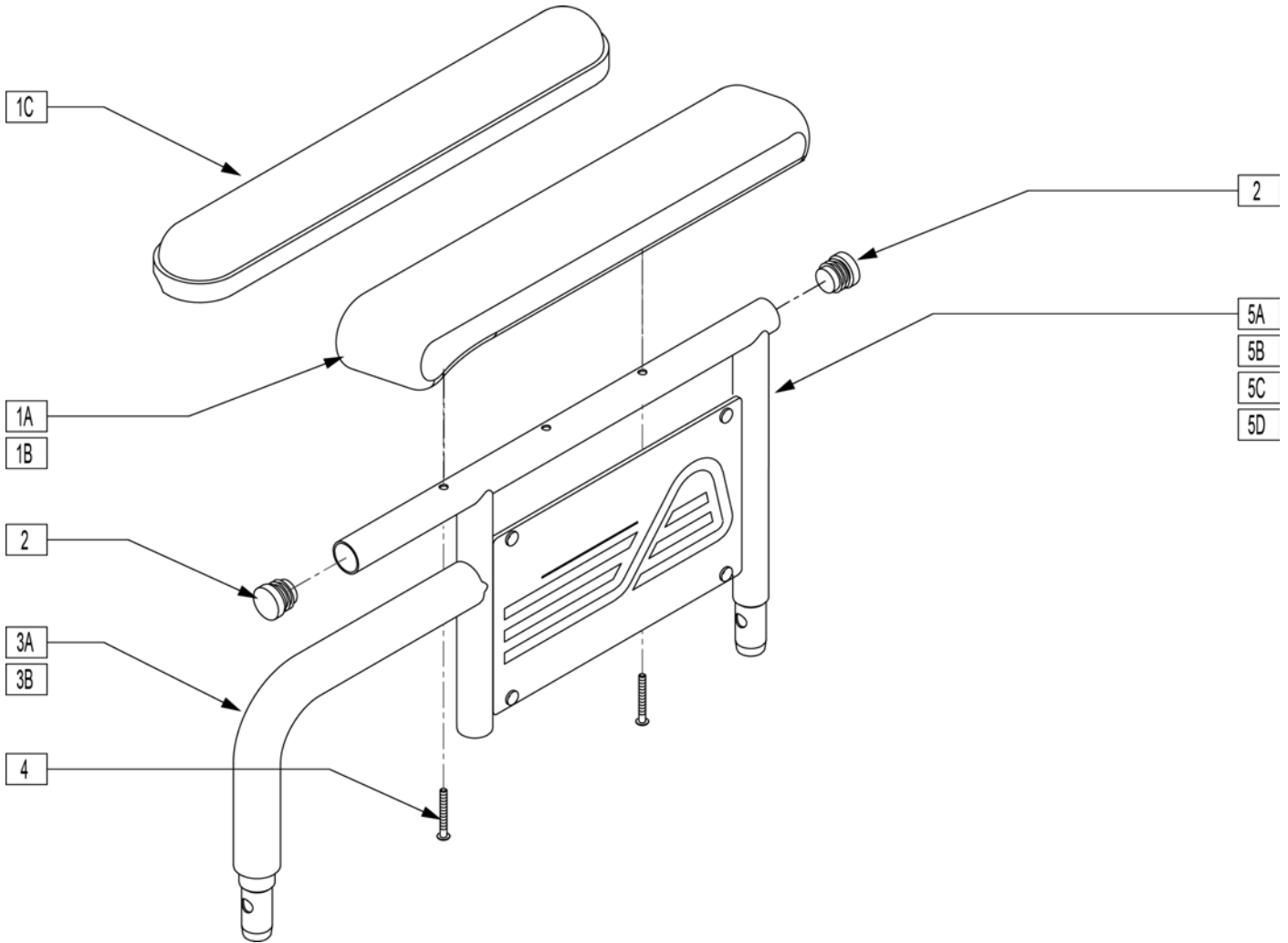
Pos.	Item Number	Description	Remarks
5B	881558	DUAL POST ADJ LOWER ARM LONG R	Right, Long
5B	881559	DUAL POST ADJ LOWER ARM LONG L	Left, Long
6	750009	INSIDE ARMREST PAD (P-222/S-626)	
7A	560514	FOAM 8" x .840 TUBE	Regular
7B	560614	11" x .840 FOAM TUBE	Long
1C,2A,3,4	881446	DUALPOST UHA AREST RH INC DESK	
1C,2A,3,4	881447	DUALPOST UHA AREST LH INC DESK	
1D,2A,3,4	881448	DUALPOST UHA AREST RH INC FULL	
1D,2A,3,4	881449	DUALPOST UHA AREST LH INC FULL	
1A,2A,3,4	881240	D-POST UPPR L ARM ASSM DSK W/F	
1A,2A,3,4	881241	D-POST UPPR R ARM ASSM DSK W/F	
1B,2B,3,4	881242	D-POST UPPR L ARM ASSM FL W/F	
1B,2B,3,4	881243	D-POST UPPR R ARM ASSM FL W/F	
1A,2A,3,4,5A,6	881308	D-POST SHT L W/DSK W/F PAD	
1A,2A,3,4,5A,6	881309	D-POST SHT R W/DSK W/F PAD	
1B,2B,3,4,5A,6	881310	D-POST SHT L W/FL W/F PAD	
1B,2B,3,4,5A,6	881311	D-POST SHT R W/FL W/F PAD	
1A,2A,3,4,5B,6	881312	D-PST LNG ADJ L W/DSK W/F PAD	
1A,2A,3,4,5B,6	881313	D-PST LNG ADJ R W/DSK W/F PAD	
1B,2B,3,4,5B,6	881314	D-POST LNG ADJ L W/FL W/F PAD	
1B,2B,3,4,5B,6	881315	D-POST LNG ADJ R W/FL W/F PAD	
1C,2A,3,4,5A,6	881572	DUAL POST ADJ SHT W/DSK R PWR	
1C,2A,3,4,5A,6	881573	DUAL POST ADJ SHT W/DSK L PWR	
1D,2B,3,4,5B,6	881574	DUAL POST ADJ LONG W/FL R PWR	
1D,2B,3,4,5B,6	881575	DUAL POST ADJ LONG W/FL L PWR	
1C,2A,3,4,5B,6	881576	DUAL POST ADJ LONG W/DSK R PWR	
1C,2A,3,4,5B,6	881577	DUAL POST ADJ LONG W/DSK L PWR	
1D,2B,3,4,5A,6	881578	DUAL POST ADJ SHT W/FL R PWR	
1D,2B,3,4,5A,6	881579	DUAL POST ADJ SHT W/FL L PWR	

Note: if replacing receiver on chairs prior to s/n S64-040046, assembly numbers with mounting hardware must be purchased.



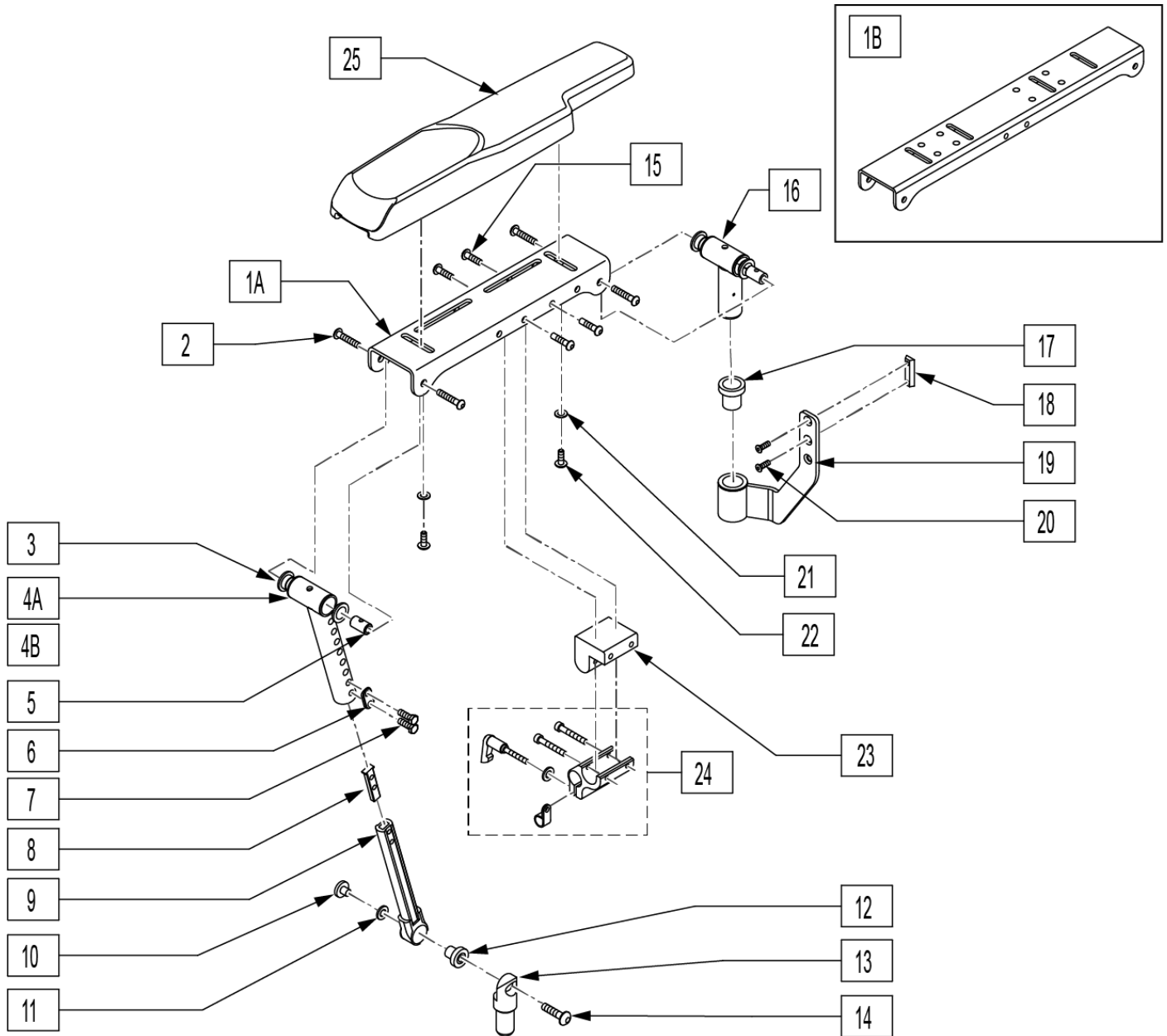
Pos.	Item Number	Description	Remarks
1	226223	1/4-28 X 1 1/4" BH C/S BLK	
2	106944	WASHER FLAT THIN AN 1/4	
3	340143	BUSHING .257IDx.25LG SST	
4A	506366	UNIVRSL ARMRST RCVR ASSM RH	Right
4A	506367	UNIVRSL ARMRST RCVR ASSM LH	Left
4B	506368	UNIV ARMREST RCVR ASSM RV	Optional release position, not offered on chair
4B	506369	UNIV ARMREST RCVR ASSM LV	Optional release position, not offered on chair
5	481108-QU	1/4-28 CHANNEL NUT-2 HOLE	
6	542181	UNIV DP AR REC PVT BACK R BRKT	
6	542184	UNIV DP AR REC PVT BCK L BRKT	
7	221013	1/4-28 X .50 SHCS BLK W/PL	
8	106943	1/4 AN WASHER FLAT	
9	226223	1/4-28 X 1 1/4" BH C/S BLK	
10	561273	1/2 x 3/4 x .060 NYLON WASHER	
11	542180	UNIV DP AR REC SL TD FRNT BRKT	
12	340144	BUSHING .257 ID X .346 LG SST	
2,4A,5-10,12	506414	UNI DP ARM RCVR ASSM RRR S646	Right
2,4A,5-10,12	506415	UNI DP ARM RCVR ASSM LRH S646	Left
2,4B,5-10,12	506416	UNI DP ARM RCVR ASSM RRV S646	Right
2,4B,5-10,12	506417	UNI DP ARM RCVR ASSM LRV S646	Left
1-3,4A,5,8,11	506418	UNI DP ARM RCVR ASSM RFH S646	Right
1-3,4A,5,8,11	506419	UNI DP ARM RCVR ASSM LFH S646	Left

Pos.	Item Number	Description	Remarks
1-3,4B,5,8,11	506420	UNI DP ARM RCVR ASSM RFV S646	Right
1-3,4B,5,8,11	506421	UNI DP ARM RCVR ASSM LFV S646	Left



Pos.	Item Number	Description	Remarks
1A	561280	ARMREST PAD 10" LEFT W/F	
1A	561281	ARMREST PAD 10" RIGHT W/F	
1B	561284	ARMREST PAD 14" LEFT W/F	
1B	561285	ARMREST PAD 14" RIGHT W/F	
1C	561024	ARMREST PAD 10" DESK	
1D	561031	ARMREST PAD 14" FULL	
2	560735	7/8" ROUND TUBE PLUG	
3A	560514	FOAM 8" x .840 TUBE	
3B	560614	11" x .840 FOAM TUBE	
4	226038	10-32 x 1 3/8 BH C/S BLK	
6	240155	RIVET 3/16 x 3/8 TUBULAR ALUM	Requires Rivet installation Tool
7	562744	ARMREST FRAME PANEL FIXED R	Right
7	562745	ARMREST FRAME PANEL FIXED L	Left
1A,2-4,5A,6,7	881730	D-POST ARM SHT R W/DSK W/F PAD	Right
1A,2-4,5A,6,7	881731	D-POST ARM SHT L W/DSK W/F PAD	Left
1B,2-4,5B,6,7	881732	D-POST ARM SHT R W/FL W/F PAD	Right
1B,2-4,5B,6,7	881733	D-POST ARM SHT L W/FL W/F PAD	Left
1A,2,3A,4,5C,6,7	881734	D-POST ARM LNG R W/DSK W/F PAD	Right
1A,2,3A,4,5C,6,7	881735	D-POST ARM LNG L W/DSK W/F PAD	Left

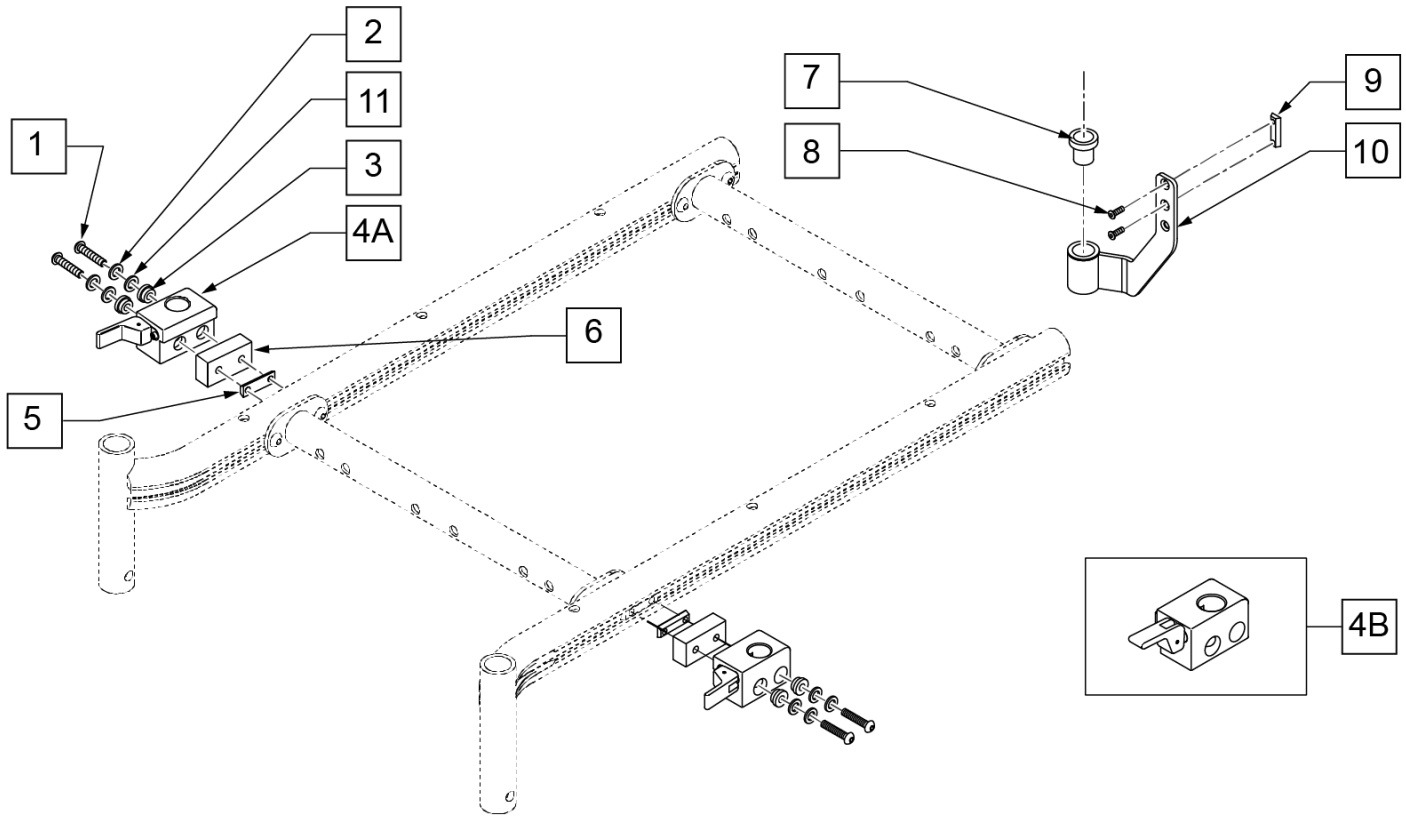
Pos.	Item Number	Description	Remarks
1B,2-4,5D,6,7	881736	D-POST ARM LNG R W/FL W/F PAD	Right
1B,2-4,5D,6,7	881737	D-POST ARM LNG L W/FL W/F PAD	Left
1C,2-4,5A,6,7	881580	DUAL POST ARM SHT W/DSK R PWR	Right
1C,2-4,5A,6,7	881581	DUAL POST ARM SHT W/DSK L PWR	Left
1D,2-4,5B,6,7	881582	DUAL POST ARM SHT W/FL R PWR	Right
1D,2-4,5B,6,7	881583	DUAL POST ARM SHT W/FL L PWR	Left
1C,2-4,5C,6,7	881584	DUAL POST ARM LNG W/DSK R PWR	Right
1C,2-4,5C,6,7	881585	DUAL POST ARM LNG W/DSK L PWR	Left
1D,2-4,5D,6,7	881586	DUAL POST ARM LNG W/FL R PWR	Right
1D,2-4,5D,6,7	881587	DUAL POST ARM LNG W/FL L PWR	Left



Pos.	Item Number	Description	Remarks
1A	483249	ARMREST CHANNEL SHORT	
1B	505624	ARMREST CHANNEL LONG	use w/ large Otto Boc Pads (discontinued)
2	226245	1/4-20 x 3/8 BH CS BLK ZN	
3	349598	BEARING IGUS 5/8 x 3/4 x 1/2	
4A	542096	FRNT MNT UPPER STRUT WLDMNT SHT	
4B	542130	FRNT MNT UPPER STRT WLDMNT LNG	
5	481457	UPPER PIVOT PIN	
6	483717	HANGER SADDLE	
7	221102	1/4-28 x 3/4 HEX C/S BLK W/PAT	
8	500078	INSERT D2 EXT TUBE	
9	542097	FRNT MNT LOWER STRUT WLDMNT	
10	481467	LOWER ARMEST BOSS	

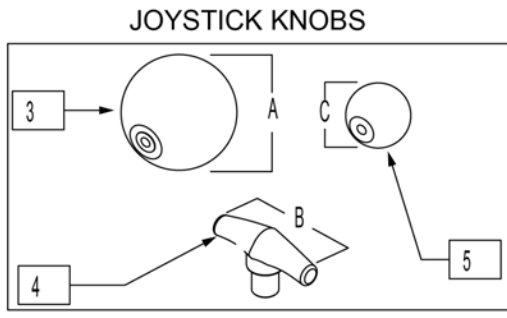
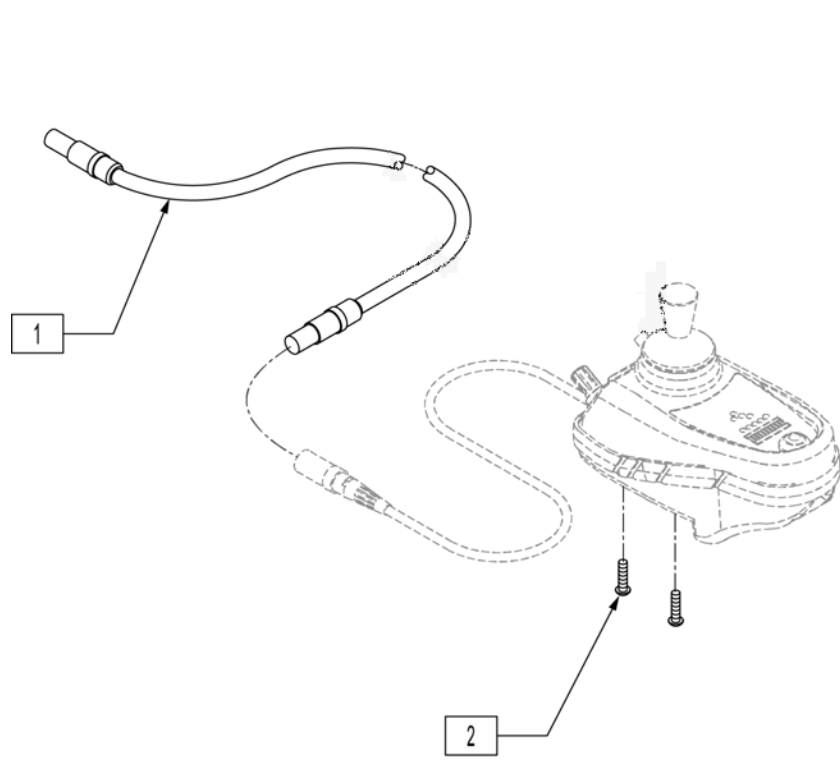
Pos.	Item Number	Description	Remarks
11	341558	.5 x 1.0 x .043 BLLVILL WASHER	
12	349597	BEARING IGUS 1/2 x 5/8 x 5/8	
13	502248	FRONT ARMREST PIVOT POST	
14	226274	3/8-16 x 3/4 BH C/S BLK W/PTCH	
15	222297	10-24 x 3/8 SOC BH C/S W/PTCH	
16	885070	REAR PIVOT POST SUB-ASSM R	Right
16	885071	REAR PIVOT POST SUB-ASSM L	Left
17	349599	BEARING IGUS 7/8 x 1.0 x 1-1/2	
18	481108-QU	(04) 1/4-28 CHANNEL NUT-2 HOLE	
19	542029	REAR ARMREST MOUNT WLDMNT	
20	226109	1/4-28 x 3/8 F/H SOCKET C/S	
21	261204	#10 AN WASHER .063	
22	226020-QU	10-32 X 5/8 BH C/S BLK	Use w/ item 25
23	551001	CONTROLER MOUNT BLOCK	
24	920713	CONTROL ARM CLAMP ASSM	
25	561186	ARM PAD PWR RCLN R	
25	561187	ARM PAD PWR RCLN L	
17-20	887238	TILT/RCLNE REAR ARM REC	
1A-4A,5,9-15	887750	TLT/RCLN ARMST SHT STD R	Right
1A-4A,5,9-15	887751	TLT/RCLN ARMST SHT STD L	Left
1B-4A,5,9-15	887752	TLT/RCLN ARMST LNG STD R	Right; use w/ large Otto Boc Pads (discontinued)
1B-4A,5,9-15	887753	TLT/RCLN ARMST LNG STD L	Left; use w/ large Otto Boc Pads (discontinued)
1A-4B,5,9,15	887770	TLT/RCLN ARMST SHT TALL R	Right
1A-4B,5,9,15	887771	TLT/RCLN ARMST SHT TALL L	Left
1B-4B,5,9-15	887772	TLT/RCLN ARMST LNG TALL R	Right; use w/ large Otto Boc Pads (discontinued)
1B-4B,5,9-15	887773	TLT/RCLN ARMST LNG TALL L	Left; use w/ large Otto Boc Pads (discontinued)
1A-4A,5,9-15	921905	TILT/RCLN ARM SHRT STD (PR)	Pair
1B-4B,5,9-15	921907	TILT/RCLN ARM SHRT TALL (PR)	Pair; use w/ large Otto Boc Pads (discontinued)
1A-4A,5,9,15	921906	TILT/RCLNE ARM LNG STD (PR)	Pair
1B-4B,5,9-15	921908	TILT/RCLNE ARM LNG TALL (PR)	Pair; use w/ large Otto Boc Pads (discontinued)

NOTE: if replacing receiver on chairs prior to s/n S64-040046, assembly numbers with mounting hardware must be purchased.



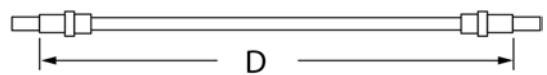
Pos.	Item Number	Description	Remarks
1	226223	1/4-28 X 1 1/4" BH C/S BLK	
2	106943	WASHER FLAT AN 1/4 ROHS	
3	340143	BUSHING .257IDx.25LG SST	
4A	506366	UNIVRSL ARMRST RCVR ASSM RH	
4A	506367	UNIVRSL ARMRST RCVR ASSM LH	
4B	506368	UNIV ARMREST RCVR ASSM RV	Optional release position, not offered on chair
4B	506369	UNIV ARMREST RCVR ASSM LV	Optional release position, not offered on chair
5	481108-QU	1/4-28 CHANNEL NUT-2 HOLE	
6	542180	UNIV DP AR REC SL TD FRNT BRKT	
7	349599	BEARING IGUS 7/8 x 1.0 x 1-1/2	
8	226109	1/4-28 x 3/8 F/H SOCKET C/S	
9	481108-QU	(04) 1/4-28 CHANNEL NUT-2 HOLE	
10	542029	REAR ARMREST MOUNT WLDMNT	
11	106944	WASHER FLAT THIN AN 1/4	
1-4A,5,6,11	506418	UNI DP ARM RCVR ASSM RFH S646	
1-4A,5,6,11	506419	UNI DP ARM RCVR ASSM LFH S646	
1-4B,5,6,11	506420	UNI DP ARM RCVR ASSM RFV S646	Optional release position, not offered on chair
1-4B,5,6,11	506421	UNI DP ARM RCVR ASSM LFV S646	Optional release position, not offered on chair

Note: Qtronix Joystick has been discontinued, for replacement Joystick please see "Pilot Plus Joystick" page.



MEASURING GUIDE

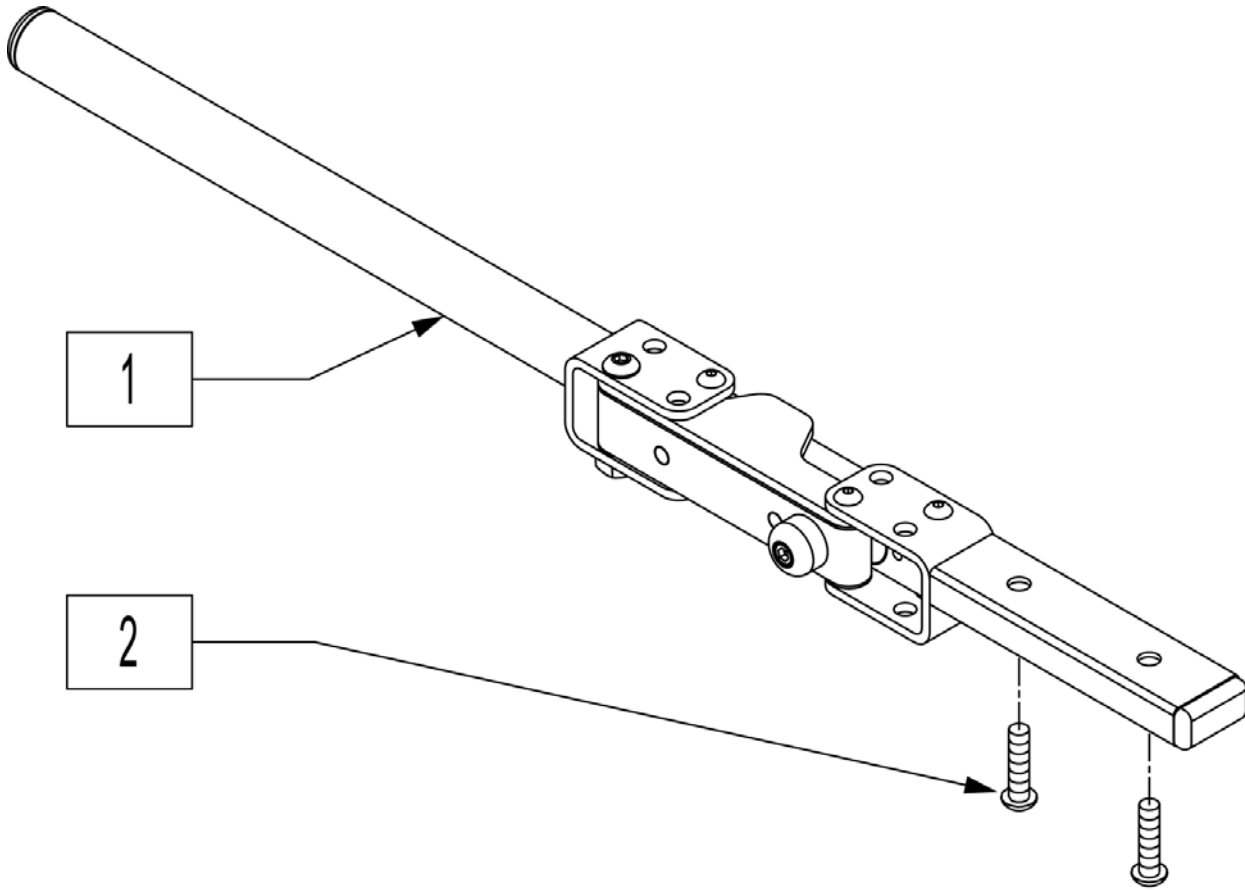
"A"	"B"	"C"
2 1/2"	3"	1 1/2"



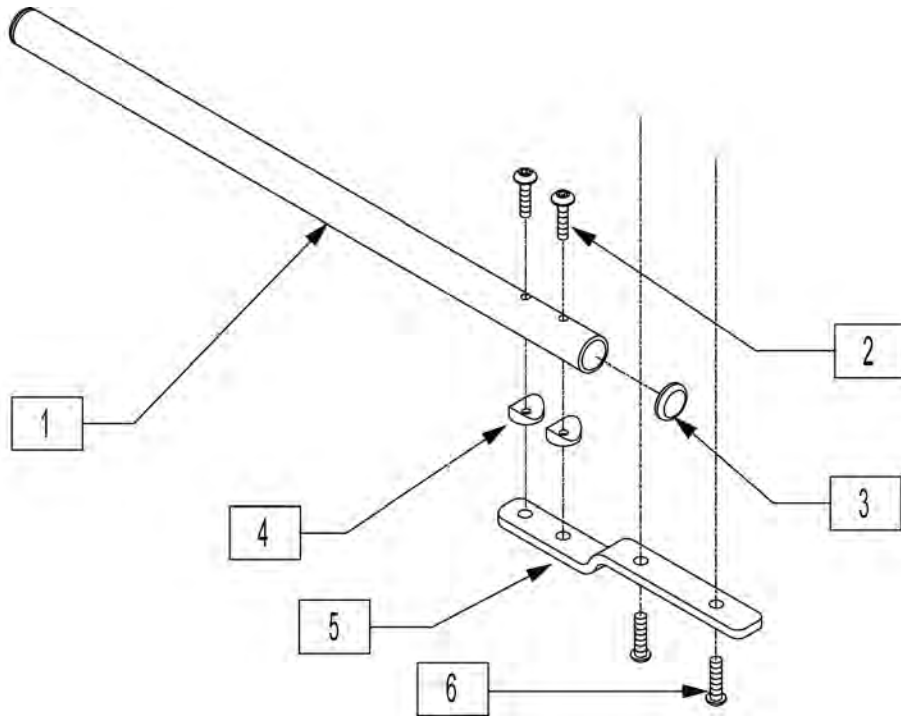
CONTROL CABLE GUIDE

PART NUMBER	DIM "D"
139137	48"
139138	61.4"
139139	78.7"
139142	26"
139143	39.4"
139144	45.9"

Pos.	Item Number	Description
1	139137	CONTROL CABLE 48"
1	139138	CONTROL CABLE 61 1/2"
1	139139	CONTROL CABLE 78 3/4"
1	139142	CONTROL CABLE 26"
1	139143	CONTROL CABLE 39 1/2"
2	226106	1/4-20 x 3/4 BH C/S BLK ZN
3	138165	J/S KNOB BALL HANDLE (SOFT)
4	138167	J/S KNOB T-BAR
5	138166	J/S KNOB BALL HANDLE (SOLID)

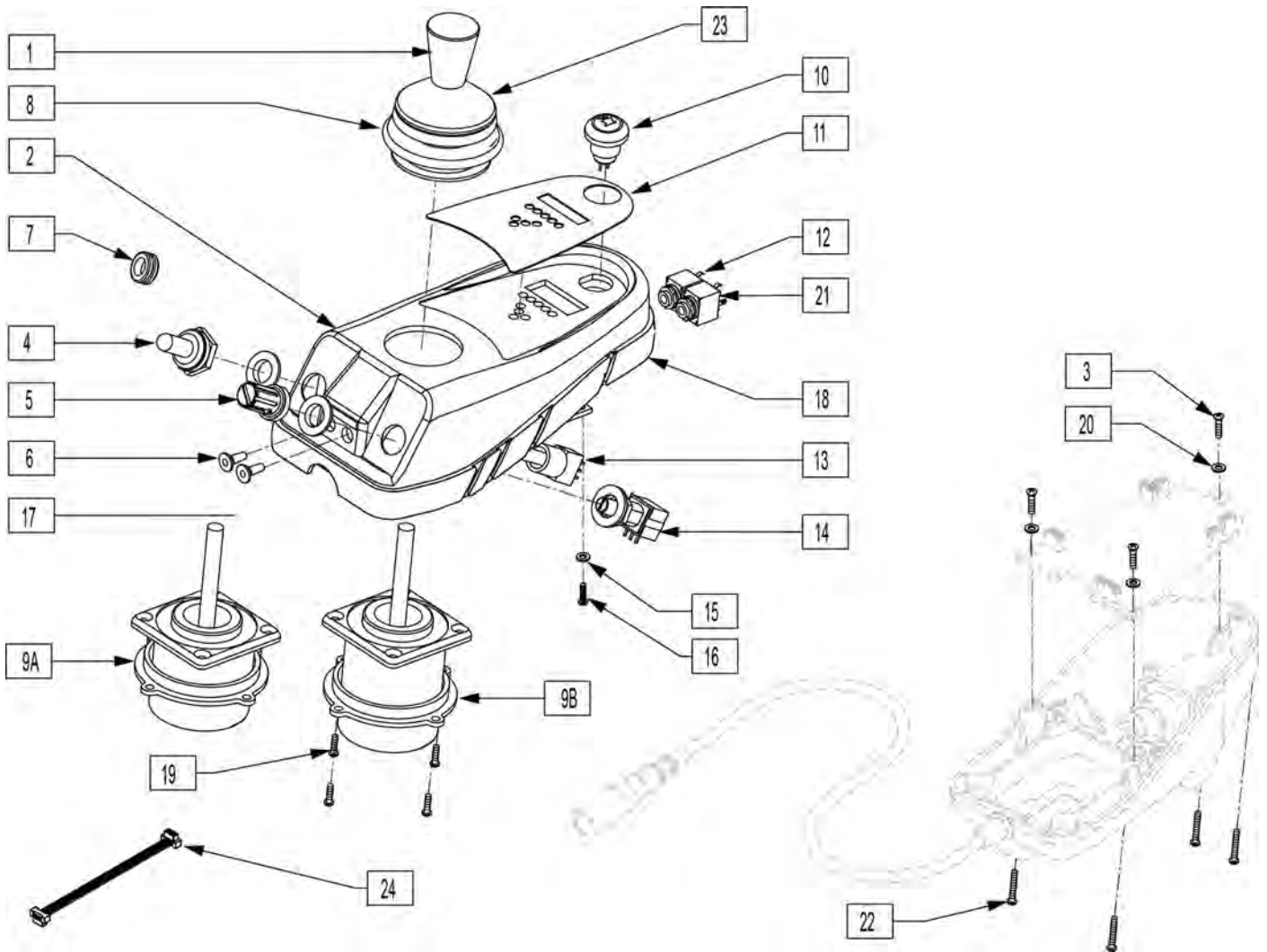


Pos.	Item Number	Description	Remarks
2	226069-QU	1/4-20 x 1/2 BH C/S BLK	
1,2	882696	RMT S/A R W/ARM MAG	Right
1,2	882697	RMT S/A L W/ARM MAG	Left



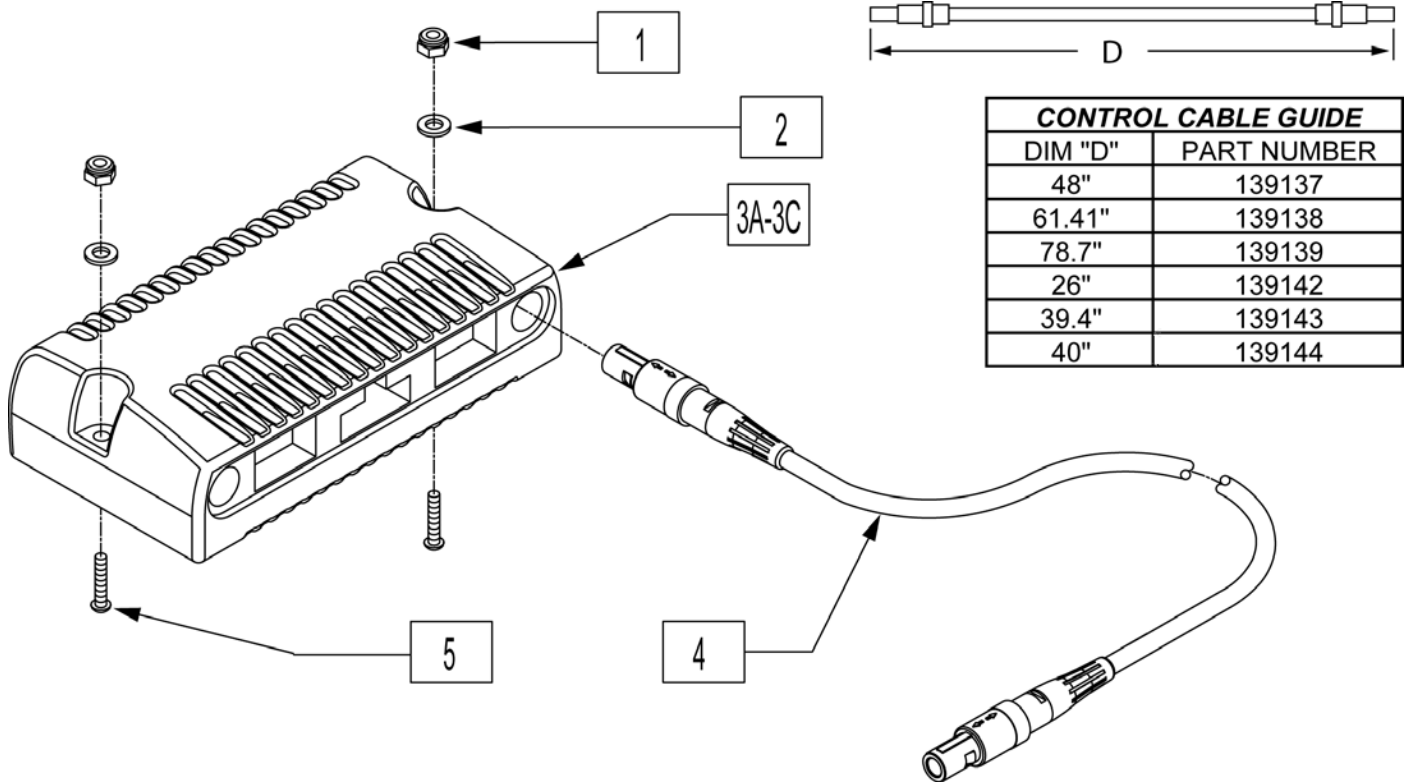
Pos.	Item Number	Description
1	520231	REMOTE BOX MOUNT TUBE Q-TRONIX
2	226066	1/4-28 x 1.1" BH C/S BLK
3	560761	3/4" INSERT PLUG .049 (18GA)
4	561003	3/4" SADDLE THIN
5	481196	REMOTE BOX BENT MOUNT S525
6	226069-QU	1/4-20 x 1/2 BH C/S BLK
1-6	882270	REMOTE CONTROL ARM ASSM QX

NOTE: Item 7 goes where toggle and or speed switches are if customer removes them.

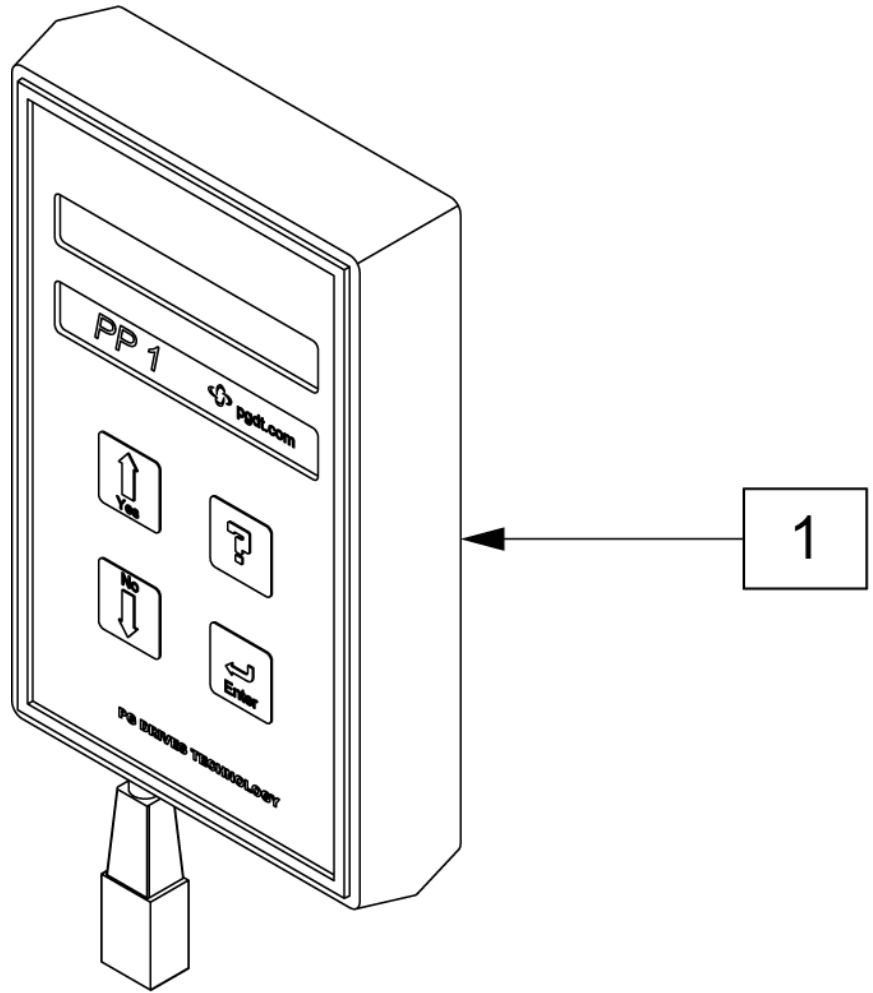


Pos.	Item Number	Description	Remarks
1	560224	JOYSTICK KNOB QTRONIX	
2	561251	REMOTE BOX TOP W/AUX HOLES	
3	281046	#4-24 x .25 PAN HD TAPPING SCREW	
4	138028	TOGGLE SWITCH BOOT 15/32"	
5	560226	POTENTIOMETER KNOB QTRONIX	
6	138045	REMOTE JACK STOPPER QTRONIX	
7	560109	INSERT PLUG .49 HOLE	
8	105930	JOYSTICK BOOT P&G CONTROLLER	
10	138179	HORN W/HARNESS QTRONIX	
11	150081	DECAL JOYSTICK OVERLAY	
12	139036	HARNESS REMOTE JACK (MODE)	
13	131122	TOGGLE SWITCH W/HARNESS 15/32"	
14	130527	POT W/HARNESS QTRONIX	
15	250103	M2.5 FLAT WASHER NYLON	
16	250150	M2.2 x .80 x 6.0 PAN HD SCREW	

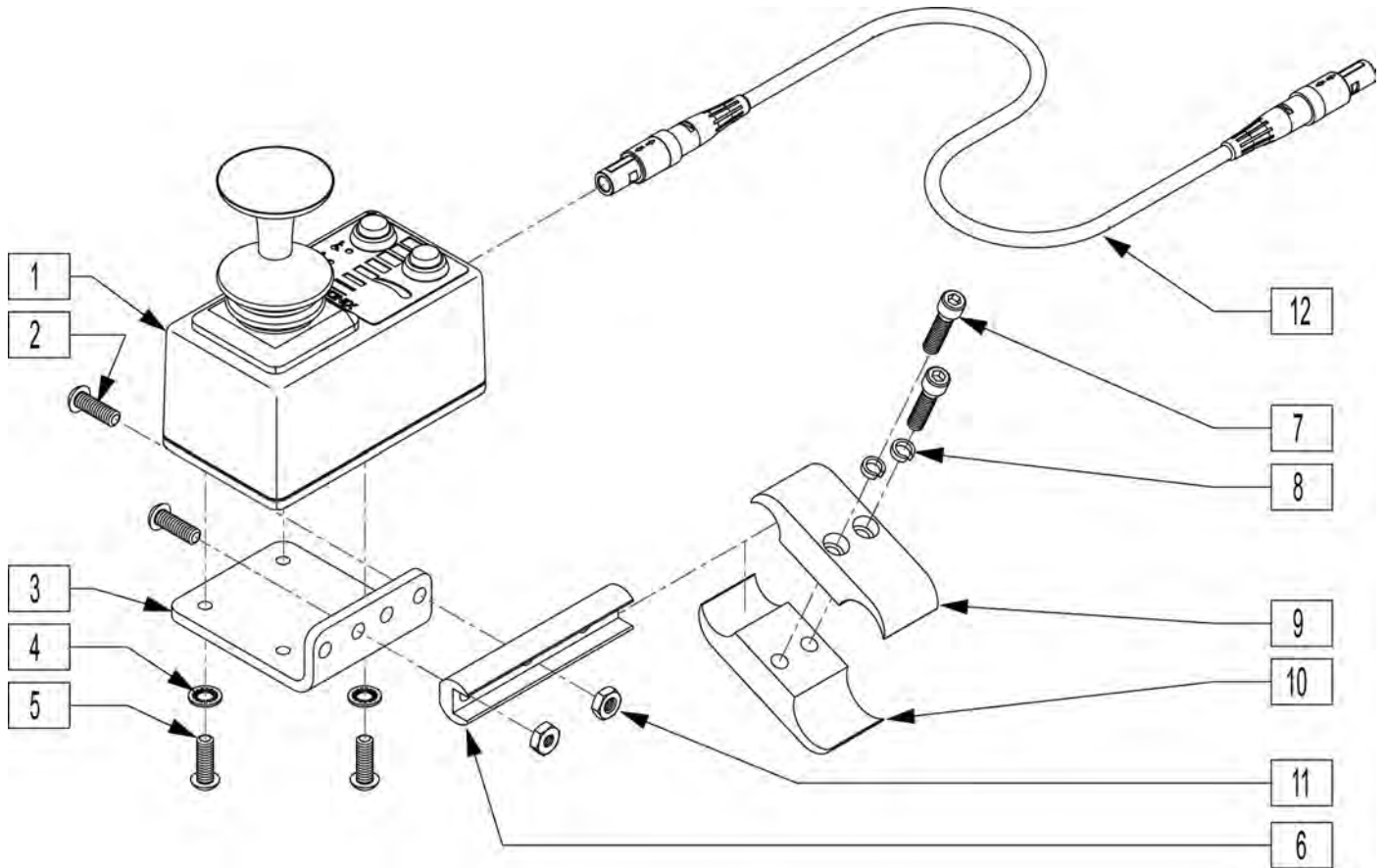
Pos.	Item Number	Description	Remarks
17	138041	LABEL REMOTE JACK	
18	561254	REMOTE BOX GASKET S525	
20	250102	M3.0 FLAT WASHER NYLON	
21	139037	HARNESS REMOTE JACK (ON/OFF)	
22	281047	#4-40 x .375 PAN HD PHLLPS M/S	
23	560229	JOYSTICK BOOT PROTECTOR	
24	104774	RIBBON CABLE 124MM	Used to turn Joystick 90deg in case.
1,8,9A,19,23	105706	JOYSTICK MAID P & G QTRONIX	
1,8,9B,19,23	139507	JOYSTICK JC200 P & G QTRONIX	



Pos.	Item Number	Description	Remarks
1	200100-QU	10-32 NYLOCK NUT	
2	455031-QU	#10 AN WASHER .032 SS	
3A	910062	RMT PRG PILOT+ 80/100A S646	S646SE (NON HD) 250 lbs 8.5 mph
3B	910126	PILOT+CNTRLR RWD 80A 7 MPH	S646SE (HD ONLY) 350 lbs 7.0 mph
3C	910059	RMT PRG PILOT+ 80A S626	S626: 7mph 250 lbs & 6mph 400 lbs; S646 7mph 250 lbs & 6 mph 400 lbs
5	226069-QU	1/4-20 x 1/2 BH C/S BLK	
5	226034	10-32 x 1 3/4 BH C/S BLK	
4	139142	CONTROL CABLE FLYING LEAD SHT	(26")
4	139139	CONTROL CABLE SLIM X-LONG	(78.7")



Pos.	Item Number	Description
1	QTRX	PROGRAMMING PAD QTRONIX



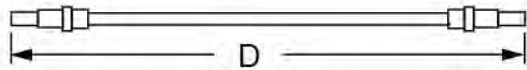
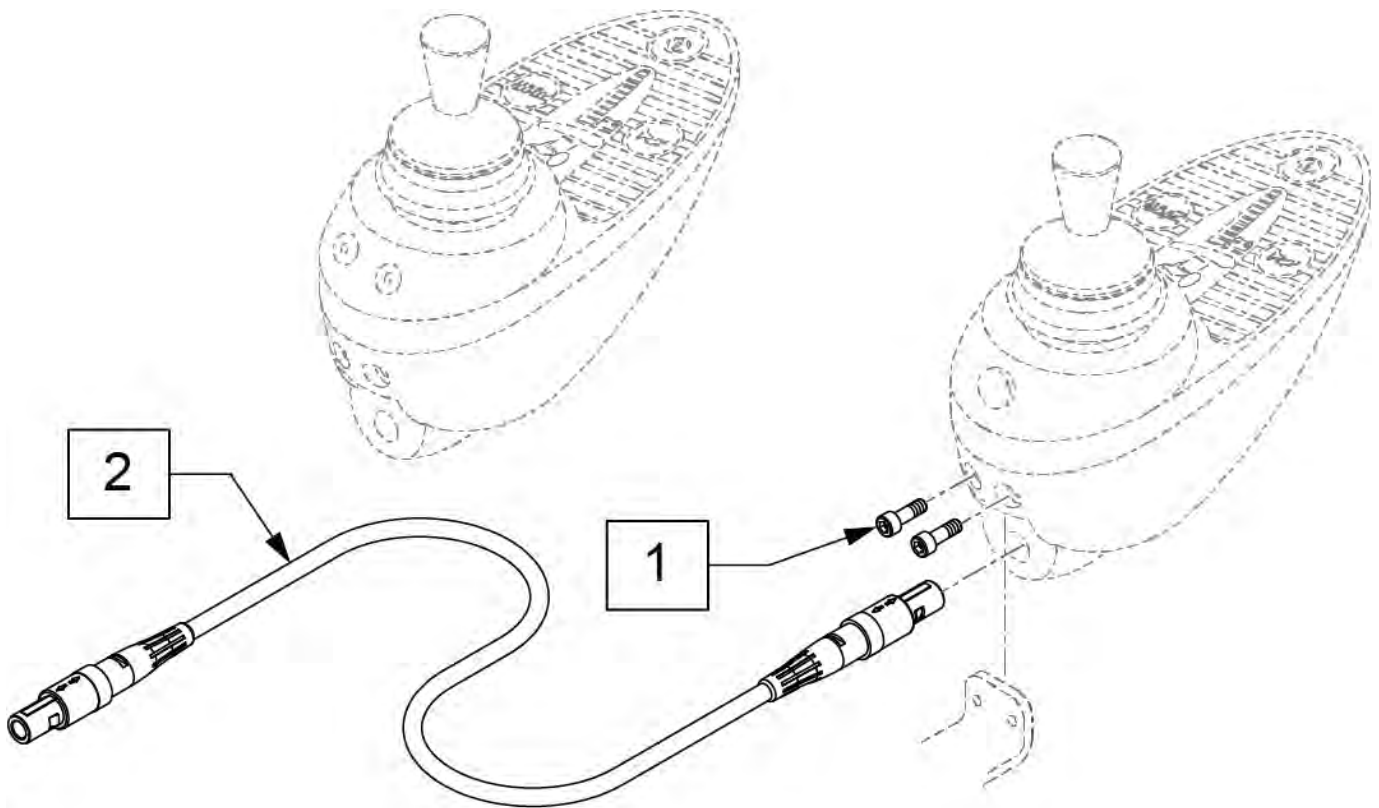
Pos.	Item Number	Description	Remarks
2	226100	1/4-28 x 3/4 BH C/S	
3	505533	ATTENDANT CTRL MOUNT BRACKET	
4	267340	#10 WASHER INT LOCK ZN	
5	230495	M5-12 BUTTON HD C/S BLACK	
6	550374	WHL LCK SLIDE BLOCK 3 1/2" BLK	3.5" long
7	107032	1/4-28 x 1 SOC C/S BLK	
8	262114	1/4 WASHER HI COLLAR LOCK ZN	
9	550477	CLAMP 2 1/4" RECESS BLK	
10	550576	CLAMP 2 1/4" THREADED BLK	
11	202300	1/4-28 NYLOCK NUT THIN BLK ZN	
1,6	885016	DUAL ATTENDANT CNTRL ASSM	
12	139138	CONTROL CABLE SLIM LONG	61.5" Long-not included in assm.
1-11	920900	ATTNDNT CNTRL MNT ASSM W/INSTR	

Note: if using the Pilot + Joystick to replace a Qtronix Joystick, a new joystick arm must be purchased and a longer cable may be required.

Note: used on P222 beginning with S/N P2X-019421.

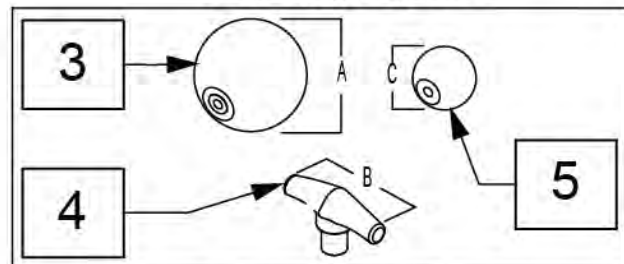
Note: used on S646 beginning with S/N S64-042509.

Note: please see attachment in informations panel for additional joystick component information and to determine appropriate replacement parts.



CONTROL CABLE GUIDE	
DIM "D"	PART NUMBER
48"	139137
61.41"	139138
78.7"	139139

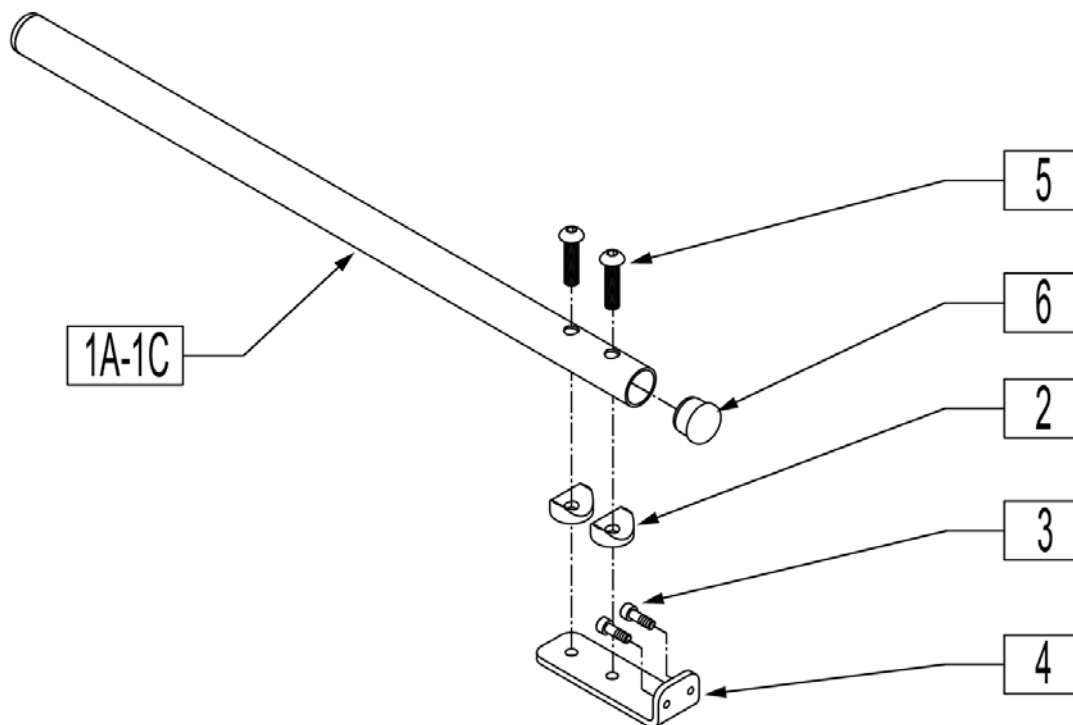
JOYSTICK KNOBS



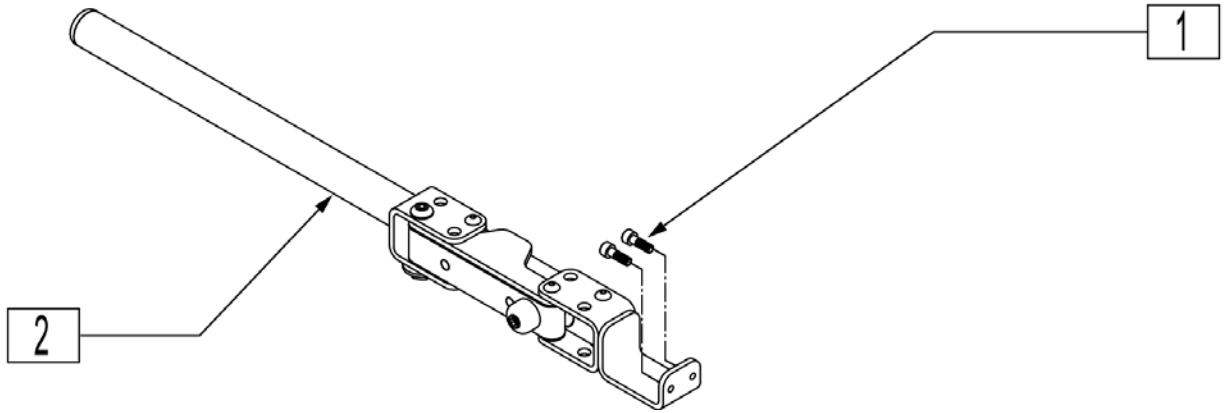
MEASURING GUIDE

"A"	"B"	"C"
2 1/2"	3"	1 1/2"

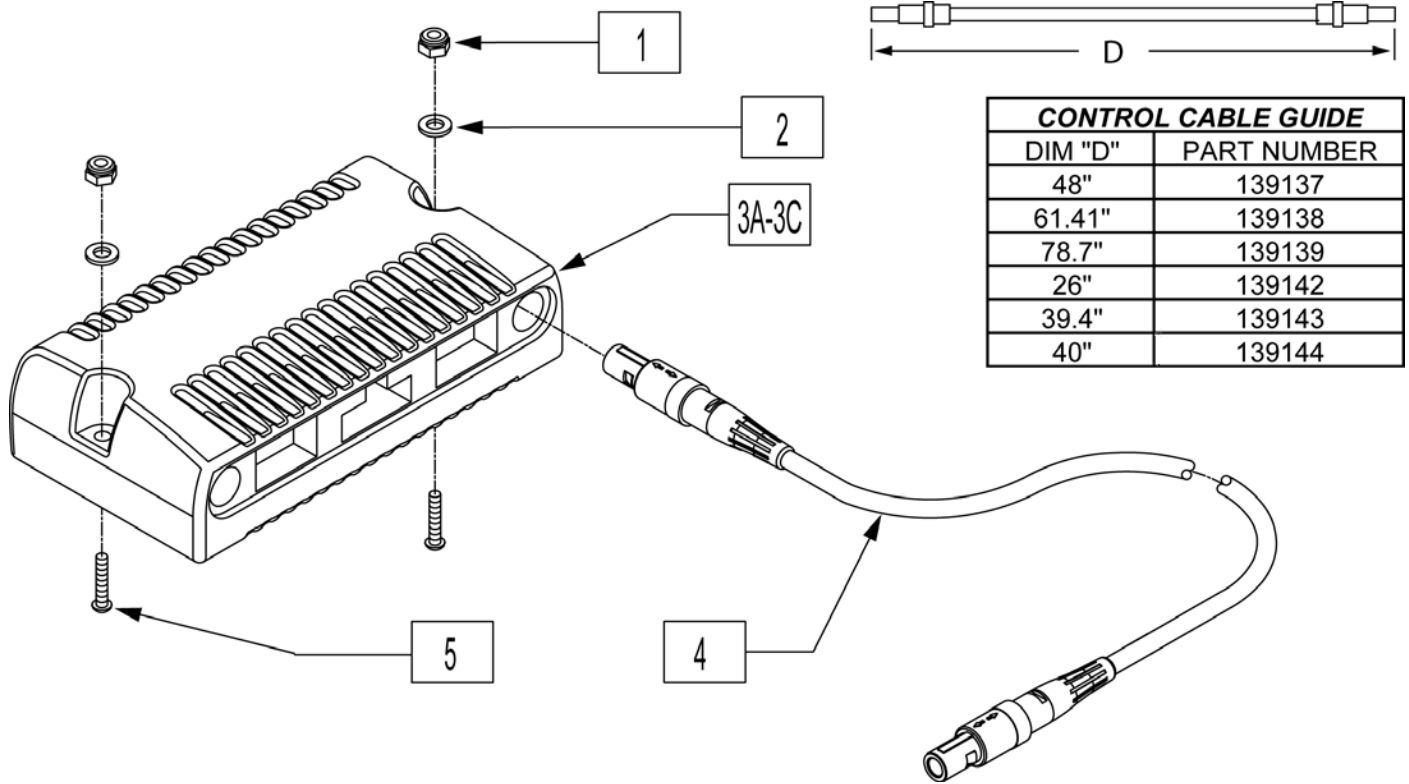
Pos.	Item Number	Description
1	220120	8-32 x 1/2 SOC C/S P/LK BLK
2	139137	CONTROL CABLE 48"
2	139138	CONTROL CABLE 61 1/2"
2	139139	CONTROL CABLE 78 3/4"
3	138165	J/S KNOB BALL HANDLE (SOFT)
4	138167	J/S KNOB T-BAR
5	138166	J/S KNOB BALL HANDLE (SOLID)



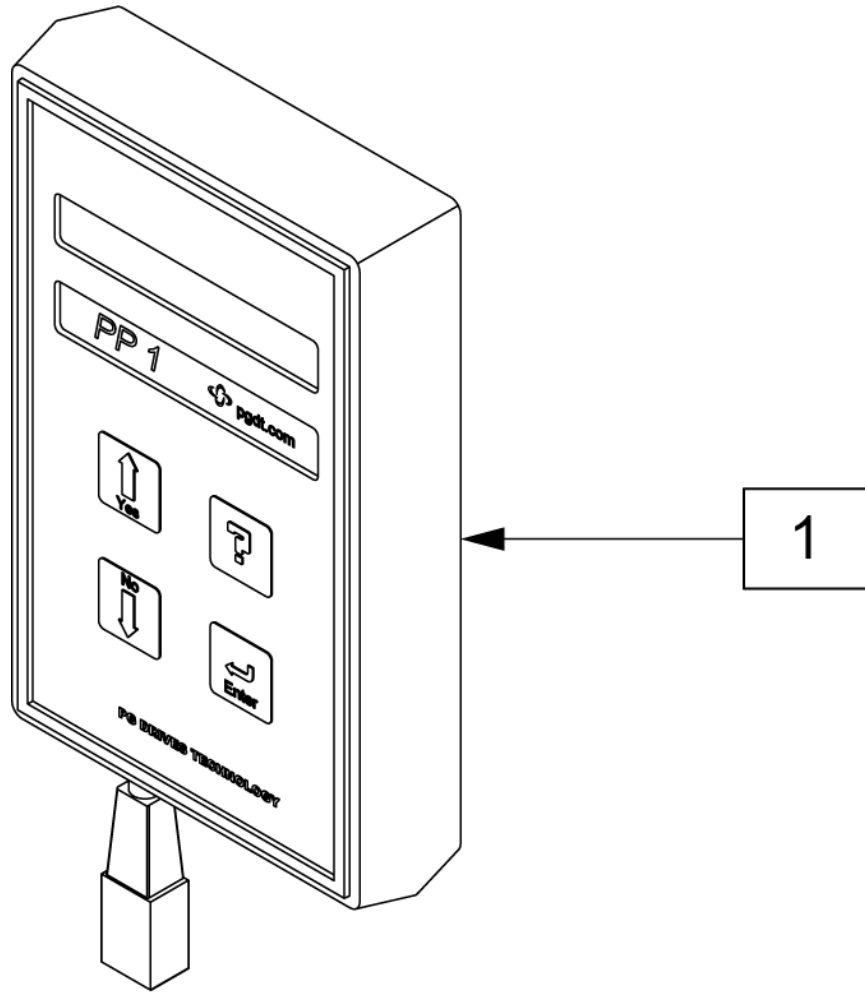
Pos.	Item Number	Description	Remarks
2	561003	3/4" SADDLE THIN	
3	220120	8-32 x 1/2 SOC C/S P/LK BLK	
4	481211	REMOTE MOUNT	
5	107355	BHCS 1/4-28 X 1 ROHS	
6	560761	3/4" INSERT PLUG .049 (18GA)	
1A-6	118842	JOYSTICK MOUNT RND 7.5	7.5" Long
1B-6	118844	JOYSTICK MOUNT RND 11	11" Long
1C-6	119726	JOYSTICK MOUNT RND 15	15" Long



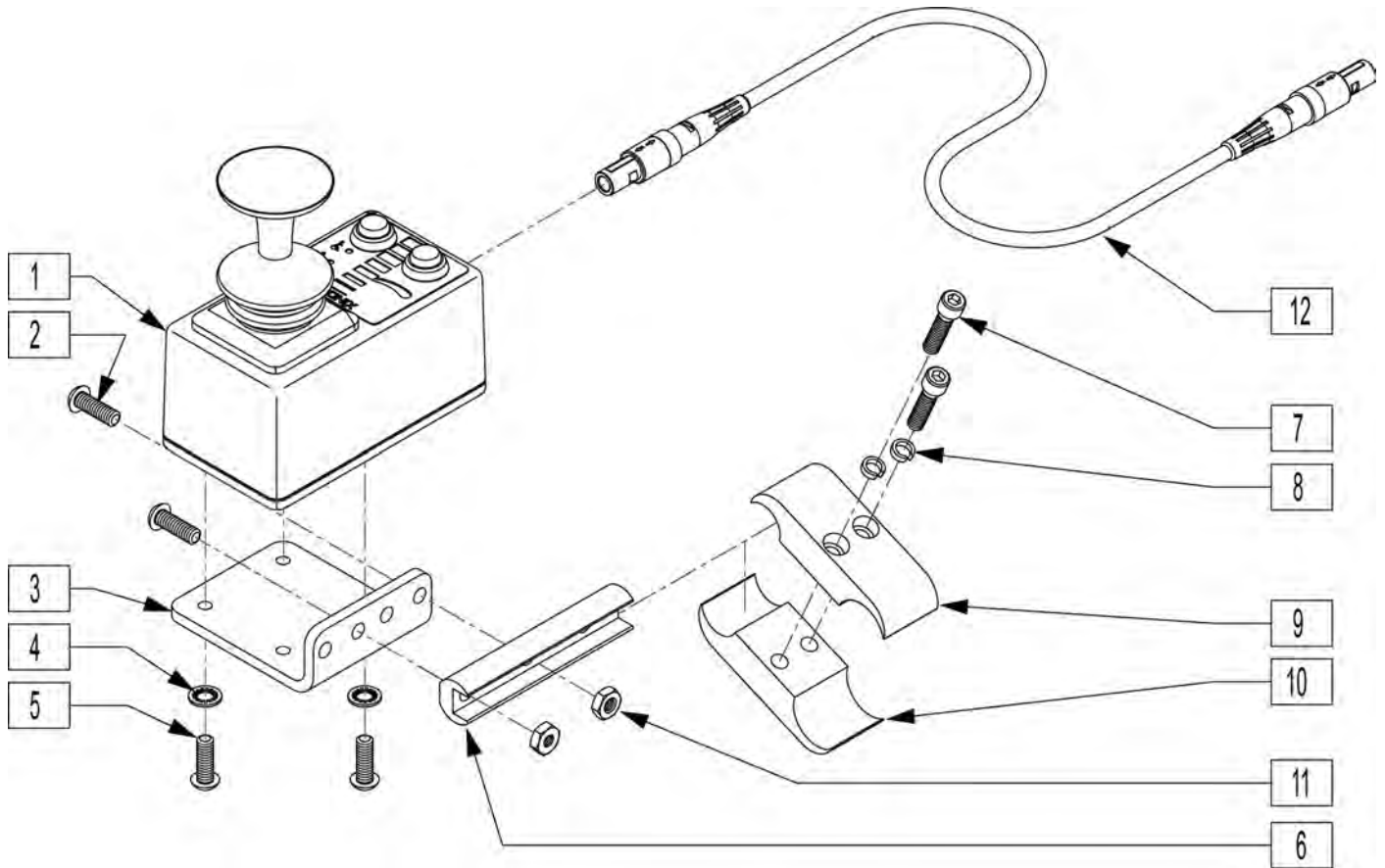
Pos.	Item Number	Description
1	220120	8-32 x 1/2 SOC C/S P/LK BLK
2	882498	S/A ARM PILOT+ R ASSM
2	882499	S/A ARM PILOT+ L ASSM



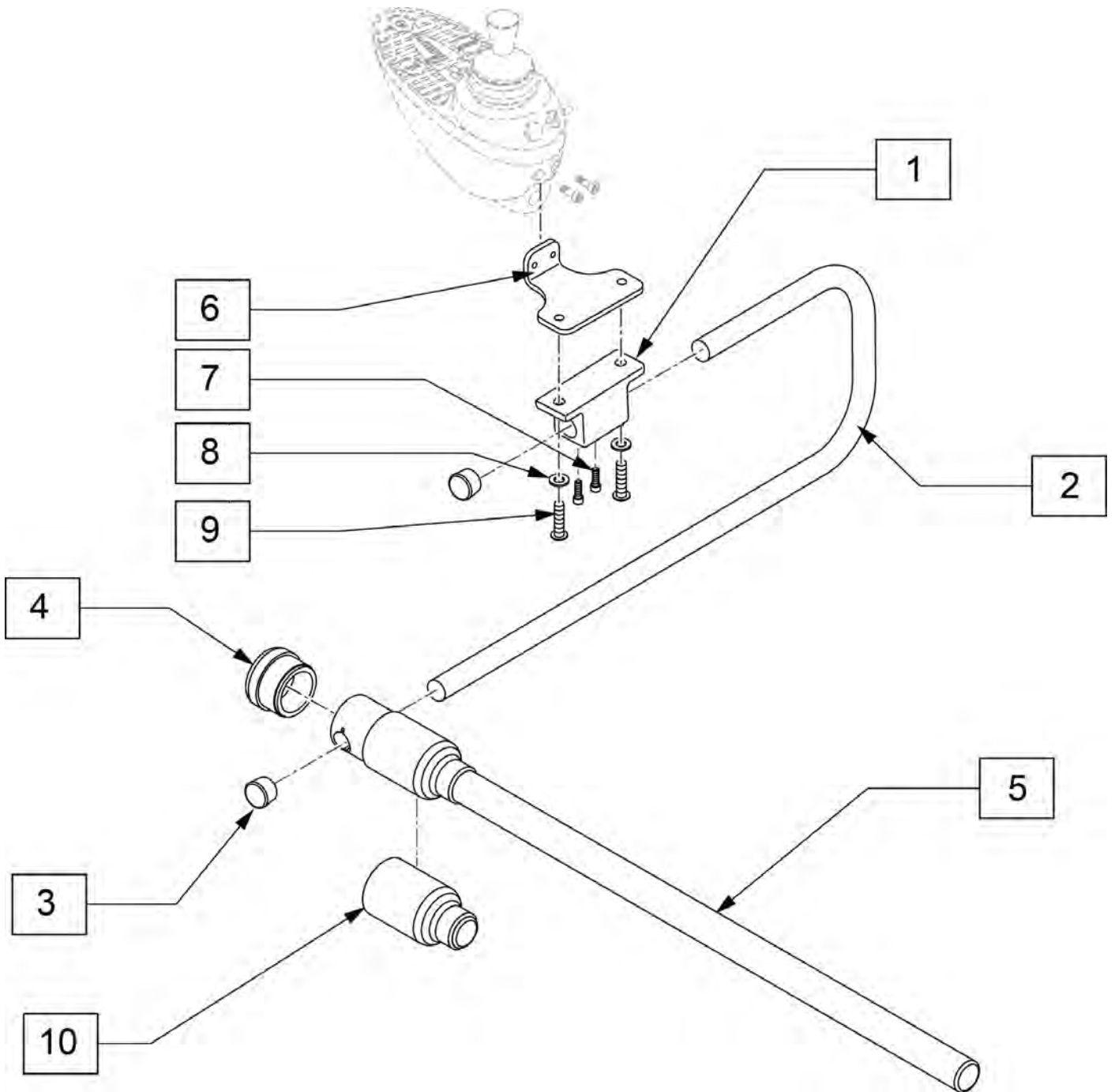
Pos.	Item Number	Description	Remarks
1	200100-QU	10-32 NYLOCK NUT	
2	455031-QU	#10 AN WASHER .032 SS	
3A	910062	RMT PRG PILOT+ 80/100A S646	S646SE (NON HD) 250 lbs 8.5 mph
3B	910126	PILOT+CNTRLR RWD 80A 7 MPH	S646SE (HD ONLY) 350 lbs 7.0 mph
3C	910059	RMT PRG PILOT+ 80A S626	S626: 7mph 250 lbs & 6mph 400 lbs; S646 7mph 250 lbs & 6 mph 400 lbs
5	226069-QU	1/4-20 x 1/2 BH C/S BLK	
5	226034	10-32 x 1 3/4 BH C/S BLK	
4	139142	CONTROL CABLE FLYING LEAD SHT	(26")
4	139139	CONTROL CABLE SLIM X-LONG	(78.7")



Pos.	Item Number	Description
1	QTRX	PROGRAMMING PAD QTRONIX

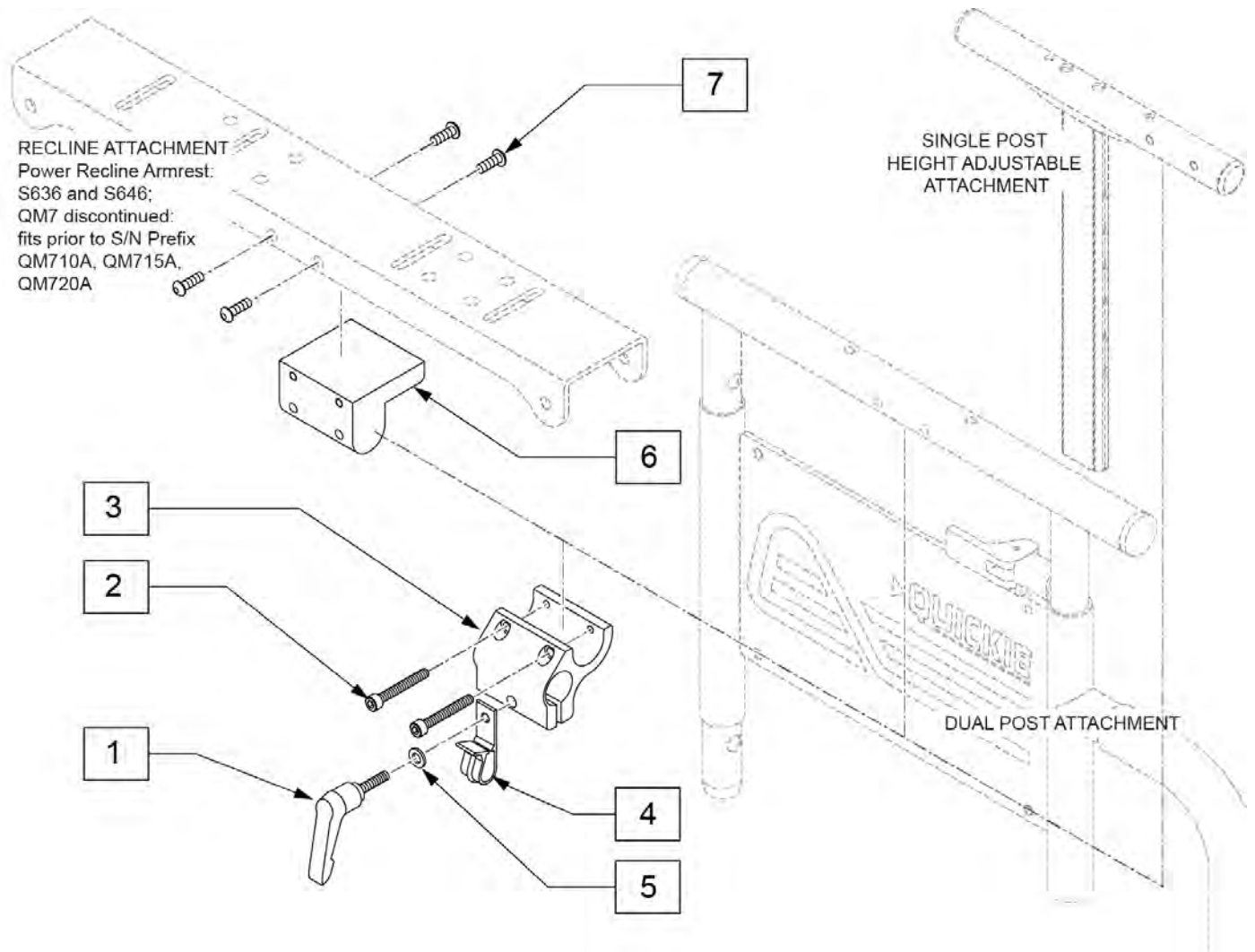


Pos.	Item Number	Description	Remarks
2	226100	1/4-28 x 3/4 BH C/S	
3	505533	ATTENDANT CTRL MOUNT BRACKET	
4	267340	#10 WASHER INT LOCK ZN	
5	230495	M5-12 BUTTON HD C/S BLACK	
6	550374	WHL LCK SLIDE BLOCK 3 1/2" BLK	3.5" long
7	107032	1/4-28 x 1 SOC C/S BLK	
8	262114	1/4 WASHER HI COLLAR LOCK ZN	
9	550477	CLAMP 2 1/4" RECESS BLK	
10	550576	CLAMP 2 1/4" THREADED BLK	
11	202300	1/4-28 NYLOCK NUT THIN BLK ZN	
1,6	885016	DUAL ATTENDANT CNTRL ASSM	
12	139138	CONTROL CABLE SLIM LONG	61.5" Long-not included in assm.
1-11	920900	ATTNDNT CNTRL MNT ASSM W/INSTR	



Pos.	Item Number	Description
1	500756	BASE CLAMP JOYSTICK MOUNT
2	521096	ADJ DISPLAY ARM "J" (USCM)
3	560307	ADJ DISPLAY ARM CAP (USCM)
4	560308	RECEIVER PLUG (USCM)
5	521095	SLIDING ARM TUBE (USCM)
6	481489	CENTER MOUNT ADAPTER
7	220120	8-32 x 1/2 SOC C/S P/LK BLK
8	106944	WASHER FLAT THIN AN 1/4 ROHS
9	226106	1/4-20 x 3/4 BH C/S BLK ZN
10	560122	RECEIVER SLEEVE (USCM)
4,5,10	886974	USCM DISPLAY ARM ASSEMBLY

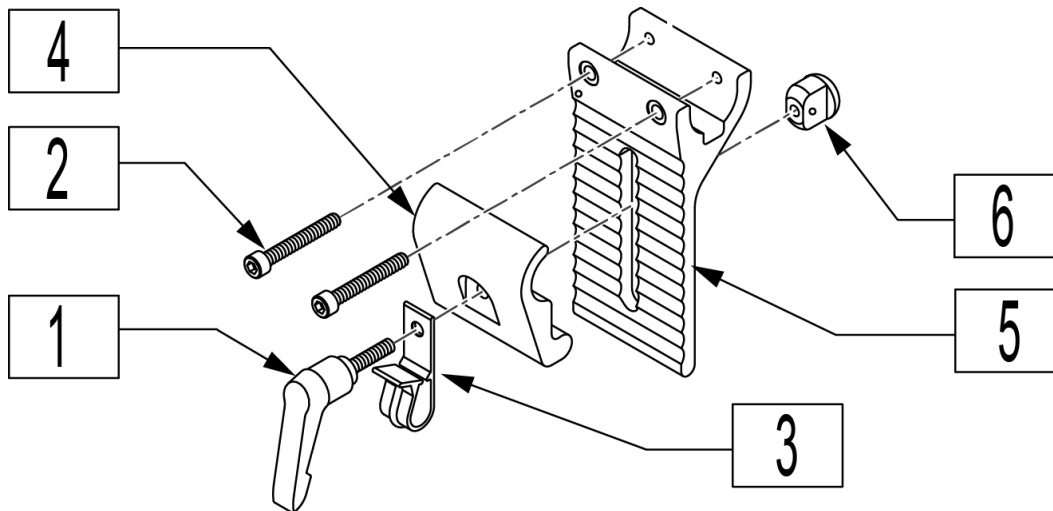
Note: used when OMNI is ordered on a Quickie Pulse or QM7 Series.



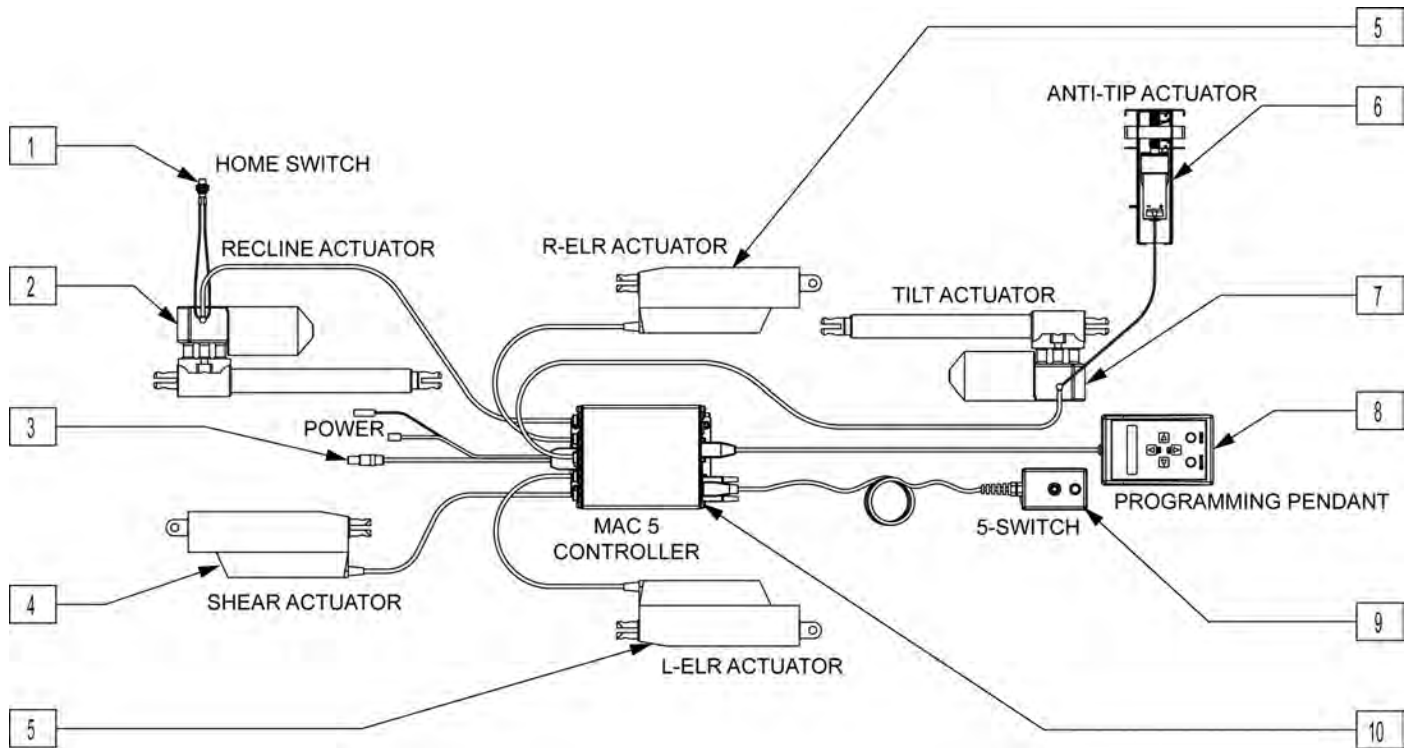
Pos.	Item Number	Description
1	349024	HNDL 10-32 x 3/4 C/A P1/P3/P5
2	226037	10-32 x 1 3/8 SOC C/S BLK
3	501750	CONTROL ARM CLAMP
4	560268	QUICK RELEASE CLIP
5	261204	#10 AN WASHER .063
6	551001	CONTROLLER MOUNT BLOCK
7	222297	10-24 X 3/8 SOC BH C/S W/PTCH
1-5	920713	CONTROL ARM CLAMP ASSM

(06/2017) HEIGHT ADJ CLAMP FOR ROUND ARM JOYSTICK MOUNT (SPHA & DUAL POST ARMRESTS)

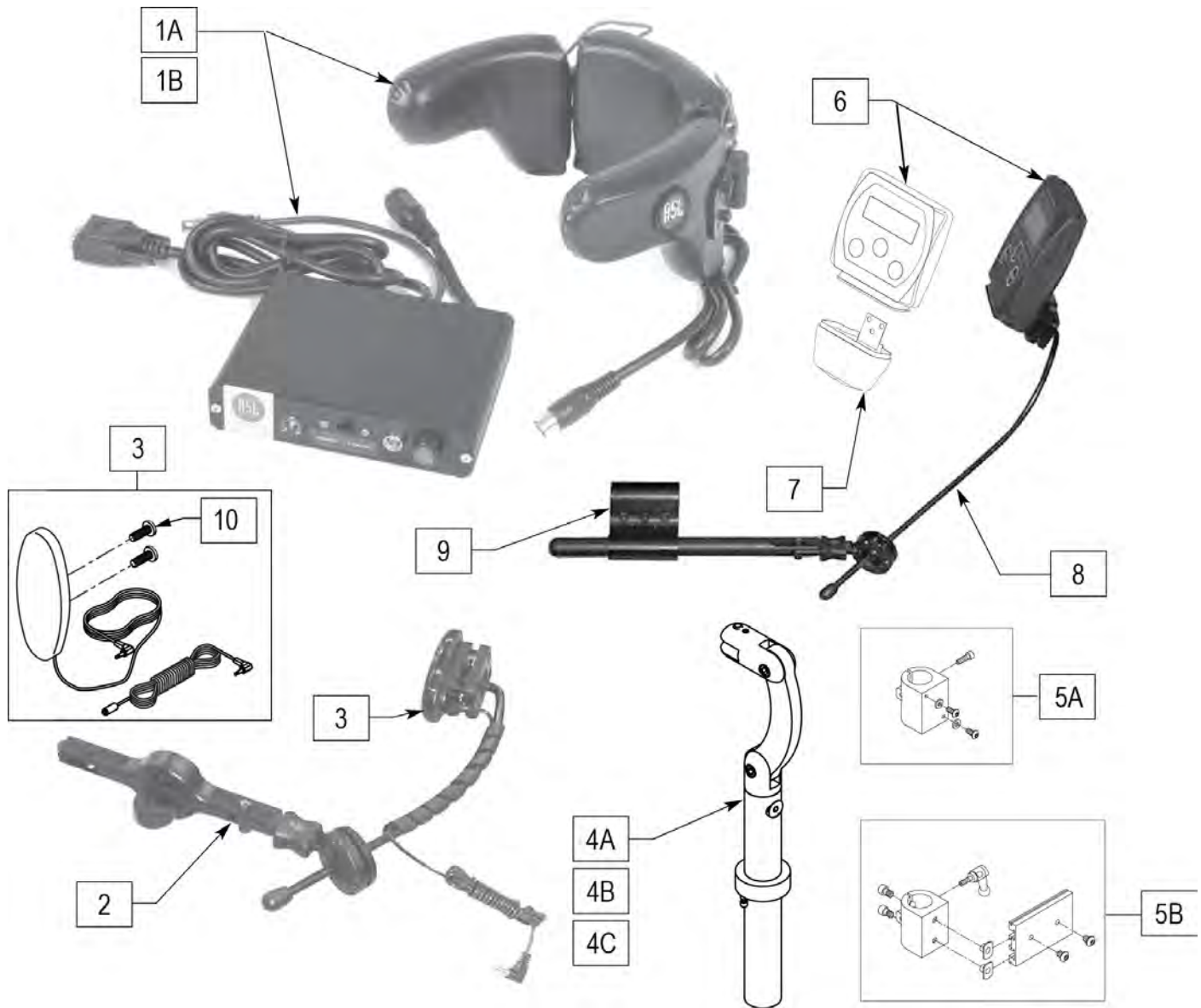
Note: for OMNI Joystick Mount order 920713 Control Arm Clamp Assembly (Fixed, not Height Adjustable).



Pos.	Item Number	Description
1	349024	HNDL 10-32 x 3/4 C/A P1/P3/P5
2	226037	10-32 x 1 3/8 SOC C/S BLK
3	560268	QUICK RELEASE CLIP
4	505767	ADJUSTABLE REMOTE MOUNT
5	505766	ADJUSTABLE CLAMP OUTER
6	200139	SLIDING NUT
1-6	920738	HT ADJ MOUNT ASSM STD

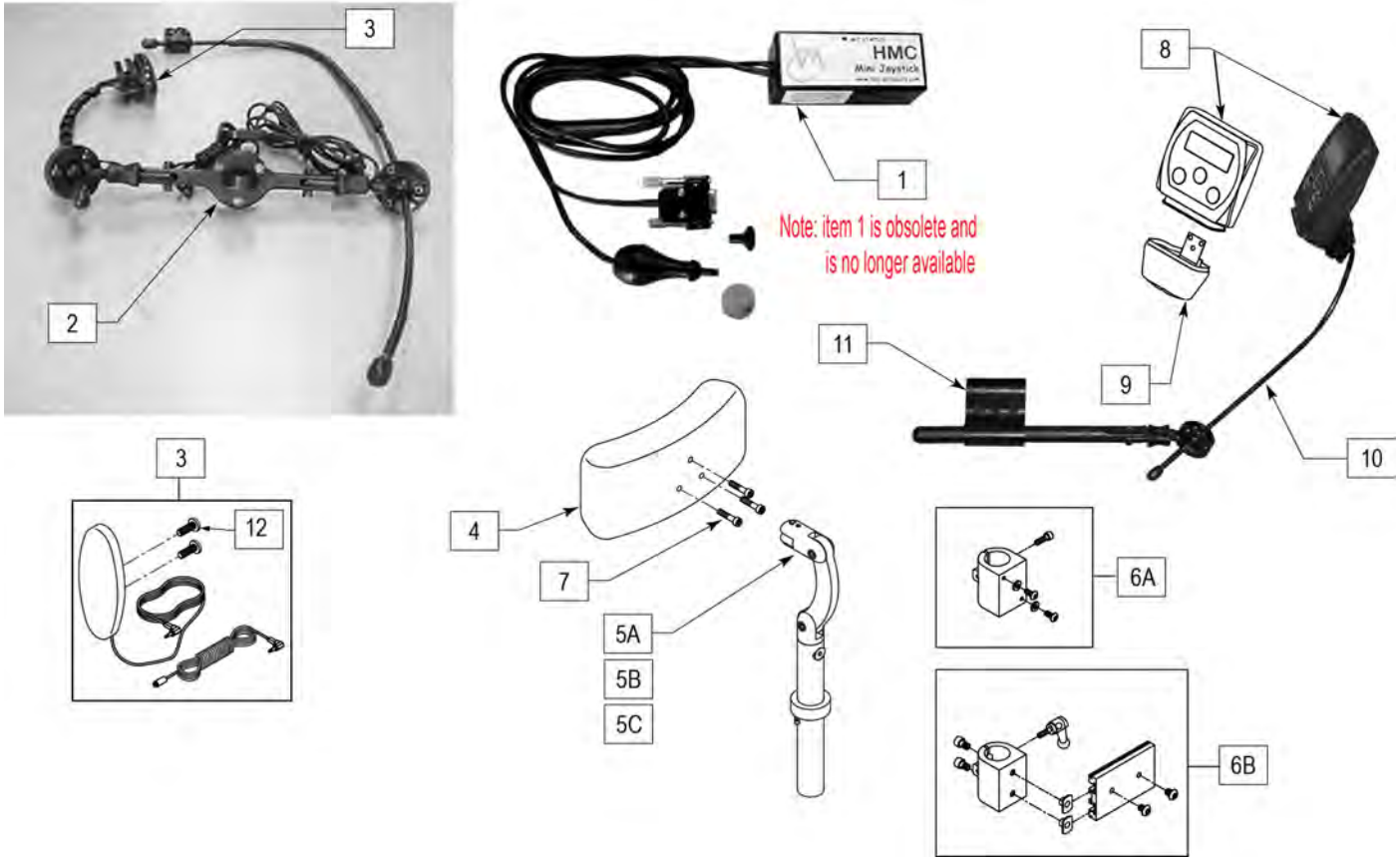


Pos.	Item Number	Description
1	139222	HOME SWITCH
2	138446	ACT LINAK LA-30-150 W/REED SWC
3	139454	POWER HARNESS
4	138448	ACTUATOR LINAK LA-12 20" CABLE
5	138447	ACT LINAK LA-12
6	882019	LOCK OUT MECH TILT/RECLINE 626
7	138445	ACT LINAK LA-30-175 W/REED SWC
8	138032	PROGRAMMING PENDANT
9	139221	MULTI SWITCH CONTROLLER
10	138017	MAC 5 CONTROLLER BOX

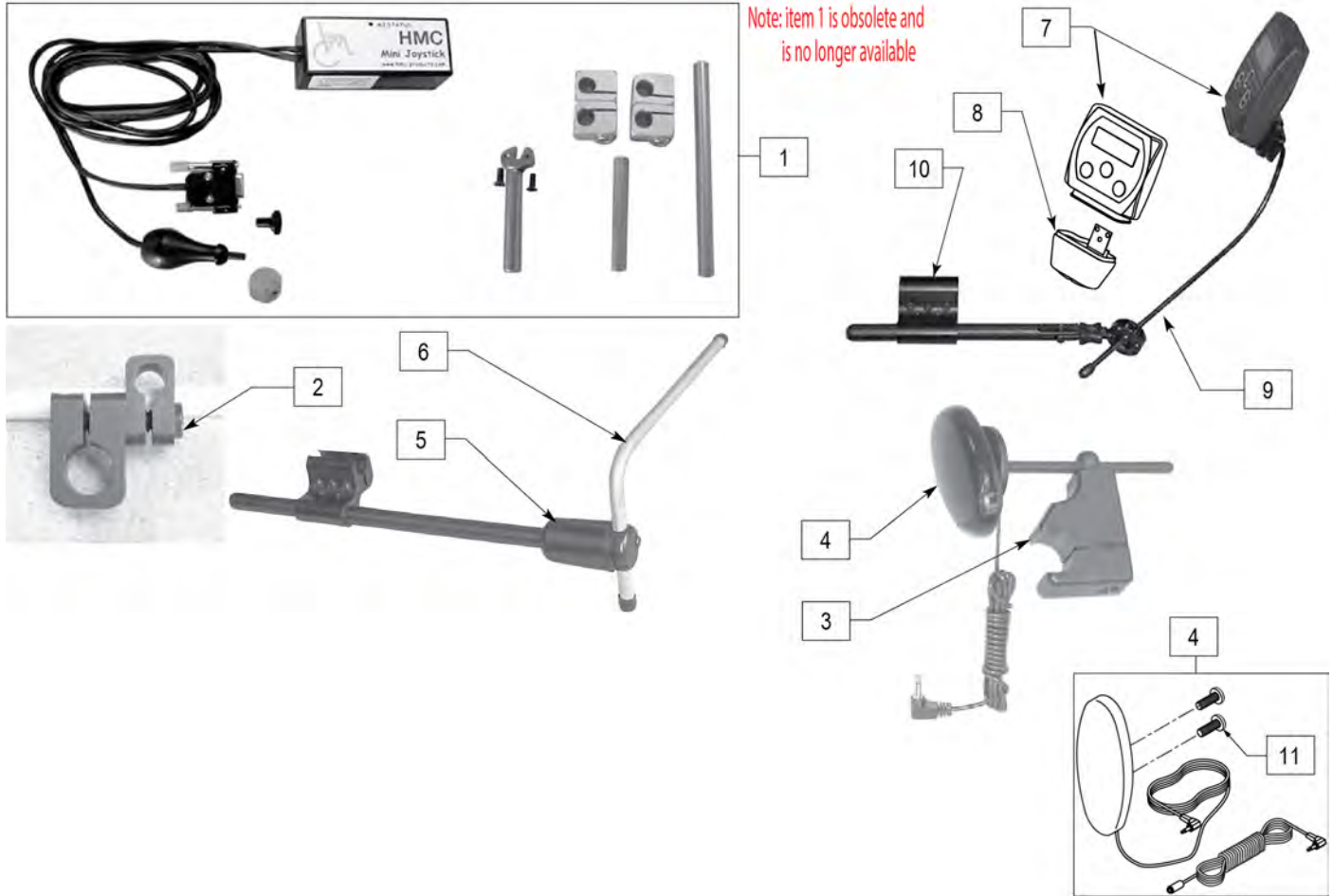


Pos.	Item Number	Description	Remarks
1A	139940	HEAD ARRAY ADULT W INTERFACE	
1B	139941	HEAD ARRAY PED W INTERFACE	
3	139915	RESET SWITCH EGG SHAPED	
2,3	882870	HEADREST MT W SWNG AWAY SWITCH	
4A	888113	MOUNT HEADREST WO FLANGE 7 IN	
4B	888114	MOUNT HEADREST WO FLANGE 9 IN	
4C	888115	MOUNT HEADREST WO FLANGE 15 IN	
5A	888100	CLAMP HEADREST SMART SEAT	
5B	888101	CLAMP HEADREST RIGID BACK	
6	910113	USCM W/USER INSTR	
7	560118	USCM BOOT	
8	521618	ARMREST MOUNT FOR USCM	
9	920713	CONTROL ARM CLAMP ASSM	
10	281082	8-32 X 3/8 PAN PHIL M/S BLK	Included in 139915
1A-3,4A,5A-9	888319	ASL HEAD ARRY PCKG ADL SMRT 7"	

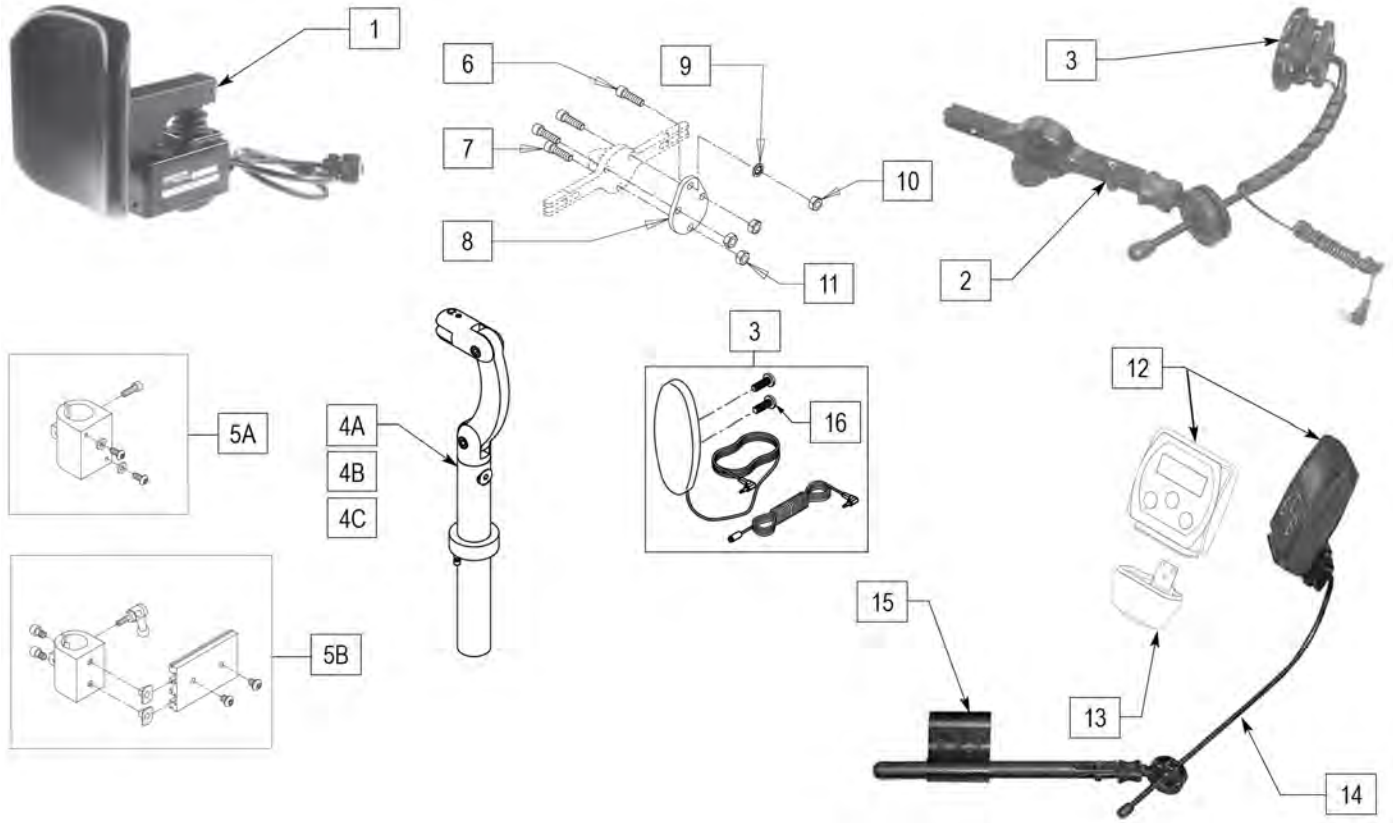
Pos.	Item Number	Description	Remarks
1B-3,4A,5A-9	888316	ASL HEAD ARRY PCKG PED SMRT 7"	
1A-3,4B,5A-9	888320	ASL HEAD ARRY PCKG ADL SMRT 9"	
1B-3,4B,5A-9	888317	ASL HEAD ARRY PCKG PED SMRT 9"	
1A-3,4C,5B-9	888318	ASL HEAD ARRY PCKG ADL STD (15")	
1B-3,4C,5B-9	888315	ASL HEAD ARRY PCKG PED STD (15")	



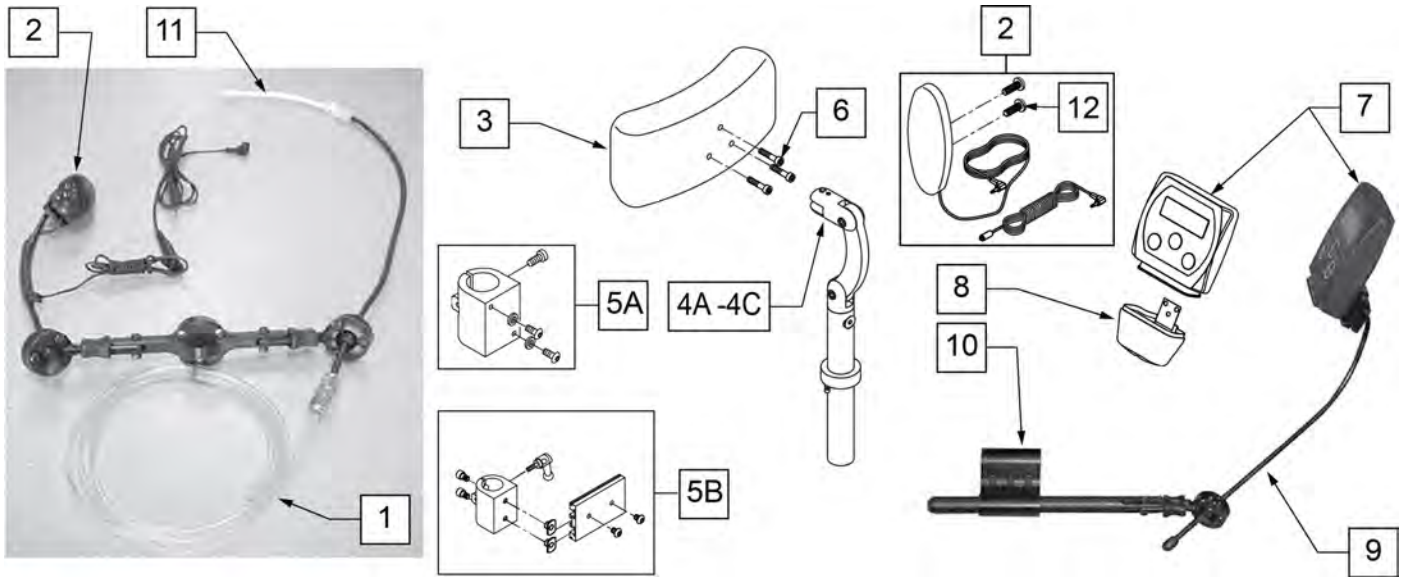
Pos.	Item Number	Description	Remarks
1	OBSOLETE	JOYSTICK MINI W INTERFACE	NO LONGER AVAILABLE
2	882872	HEADREST JOYSTK MOUNT W SA SW	
3	139915	RESET SWITCH EGG SHAPED	
4	750697	HEADREST W/ZIPPER LARGE CG	
5A	888113	MOUNT HEADREST WO FLANGE 7"	
5B	888114	MOUNT HEADREST WO FLANGE 9"	
5C	888115	MOUNT HEADREST WO FLANGE 15"	
6A	888100	CLAMP HEADREST SMART SEAT	
6B	888101	CLAMP HEADREST RIGID BACK	
7	226116	10-32 X 1" SOC C/S BLK	
8	910113	USCM W/USER INSTR	
9	560118	USCM BOOT	
10	521618	ARMREST MOUNT FOR USCM	
11	920713	CONTROL ARM CLAMP ASSM	
12	281082	8-32 X 3/8 PAN PHIL M/S BLK	



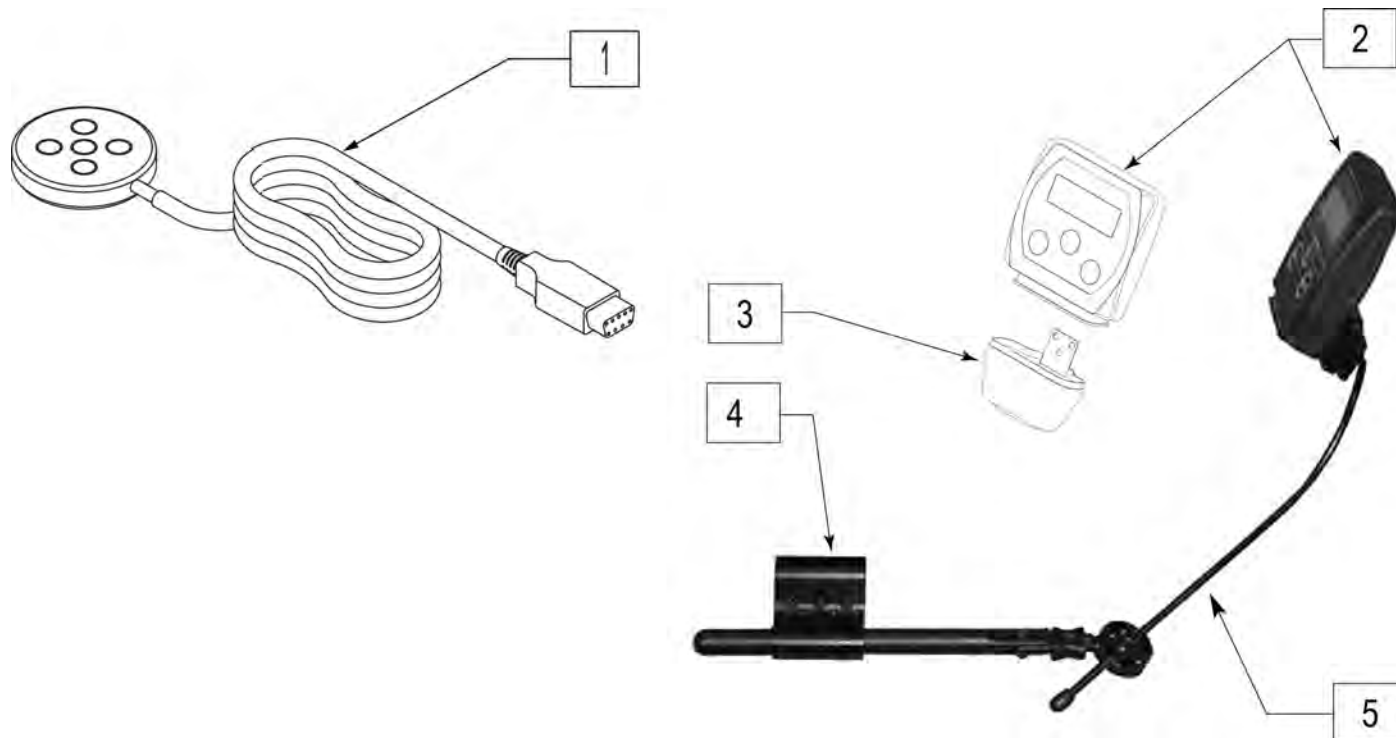
Pos.	Item Number	Description	Remarks
1	OBSOLETE	JOYSTICK MINI W INTERFACE	NO LONGER AVAILABLE
2	521617	MOUNT MINI JOYSTK TO 1/2" TUBE	
3	920904	MOUNT RESET SW FOR 7/8 TUBE	
3,4	521619	RESET SWITCH W BRACKET UNIV	
4	139915	RESET SWITCH EGG SHAPED	
5	886974	USCM DISPLAY ARM ASSY	
6	521097	ADJ DISPLAY ARM "L" (USCM)	
7	910113	USCM W/USER INSTR	
8	560118	USCM BOOT	
9	521618	ARMREST MOUNT FOR USCM	
10	920713	CONTROL ARM CLAMP ASSM	
11	281082	8-32 X 3/8 PAN PHIL M/S BLK	



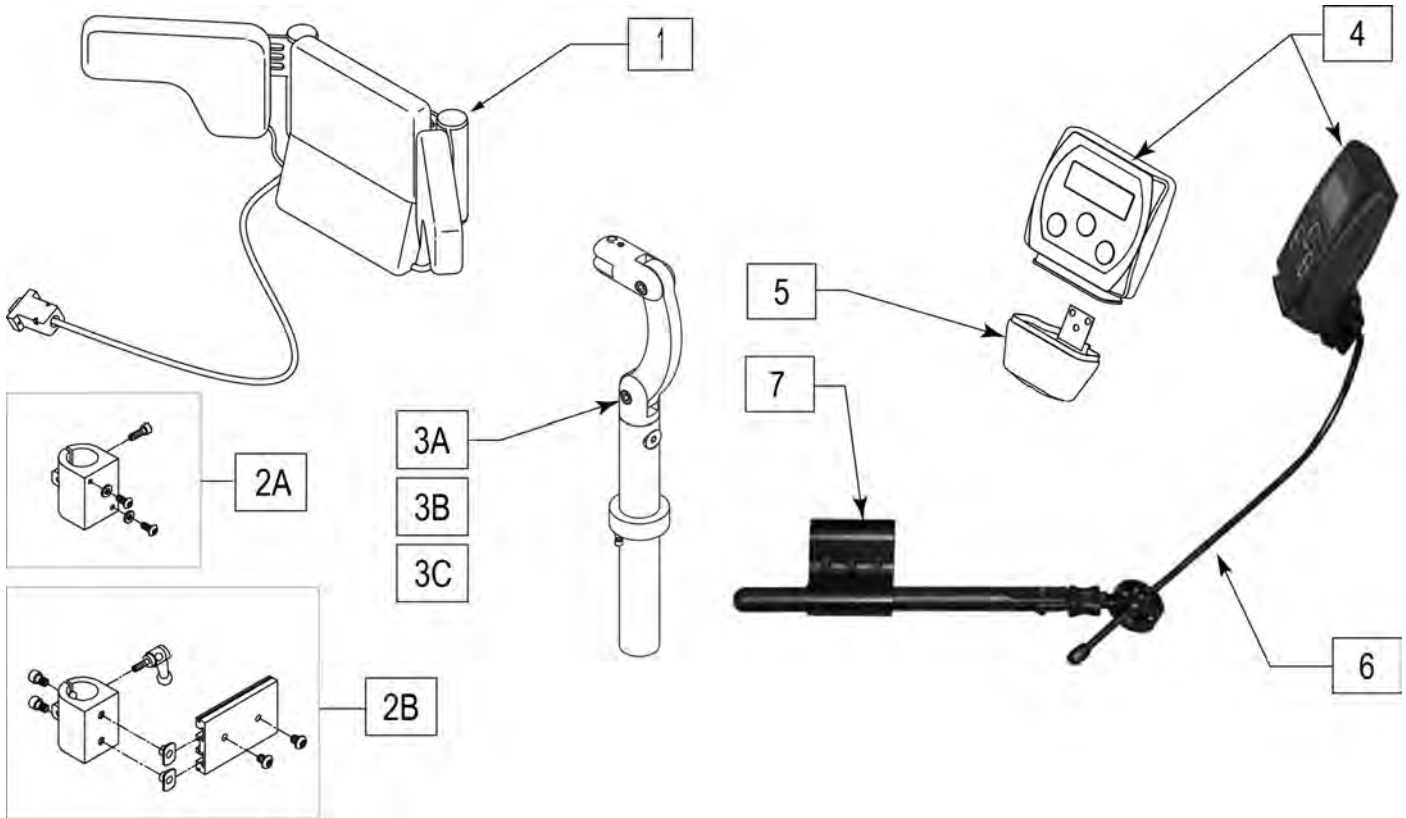
Pos.	Item Number	Description	Remarks
1	888140	PROP HD CTRL QTRNX NO RESET SW	
2,3	882868	HDREST MOUNT W LONG SW AWAY SW	
3	139915	RESET SWITCH EGG SHAPED	
4A	888113	MOUNT HEADREST WO FLANGE 7"	
4B	888114	MOUNT HEADREST WO FLANGE 9"	
4C	888115	MOUNT HEADREST WO FLANGE 15"	
5A	888100	CLAMP HEADREST SMART SEAT	
5B	888101	CLAMP HEADREST RIGID BACK	
6	107032	1/4-28 X 1 SOC C/S BLK	
7	226116	10-32 X 1" SOC C/S BLK	
8	506212	HEADREST ADAPTER PLATE	
9	267350	1/4 WASHER INT LOCK ZN	
10	204110	1/4-28 NYLOCK NUT BLK ZN	
11	200100-QU	10-32 NYLOCK NUT	
12	910113	USCM W/USER INSTR	
13	560118	USCM BOOT	
14	521618	ARMREST MOUNT FOR USCM	
15	920713	CONTROL ARM CLAMP ASSM	
16	281082	8-32 X 3/8 PAN PHIL M/S BLK	Included in 139915
1-4A,5A-15	888313	PROPORTIONAL HEAD CNTR SMRT 7"	
1-4B,5A-15	888314	PROPORTIONAL HEAD CNTR SMRT 9"	
1-4C,5B-15	888312	PROPORTIONAL HEAD CNTRL STD (15")	
1-3,7,8,11	139712	PROP HEAD ARRAY UPGRADE ASSM	



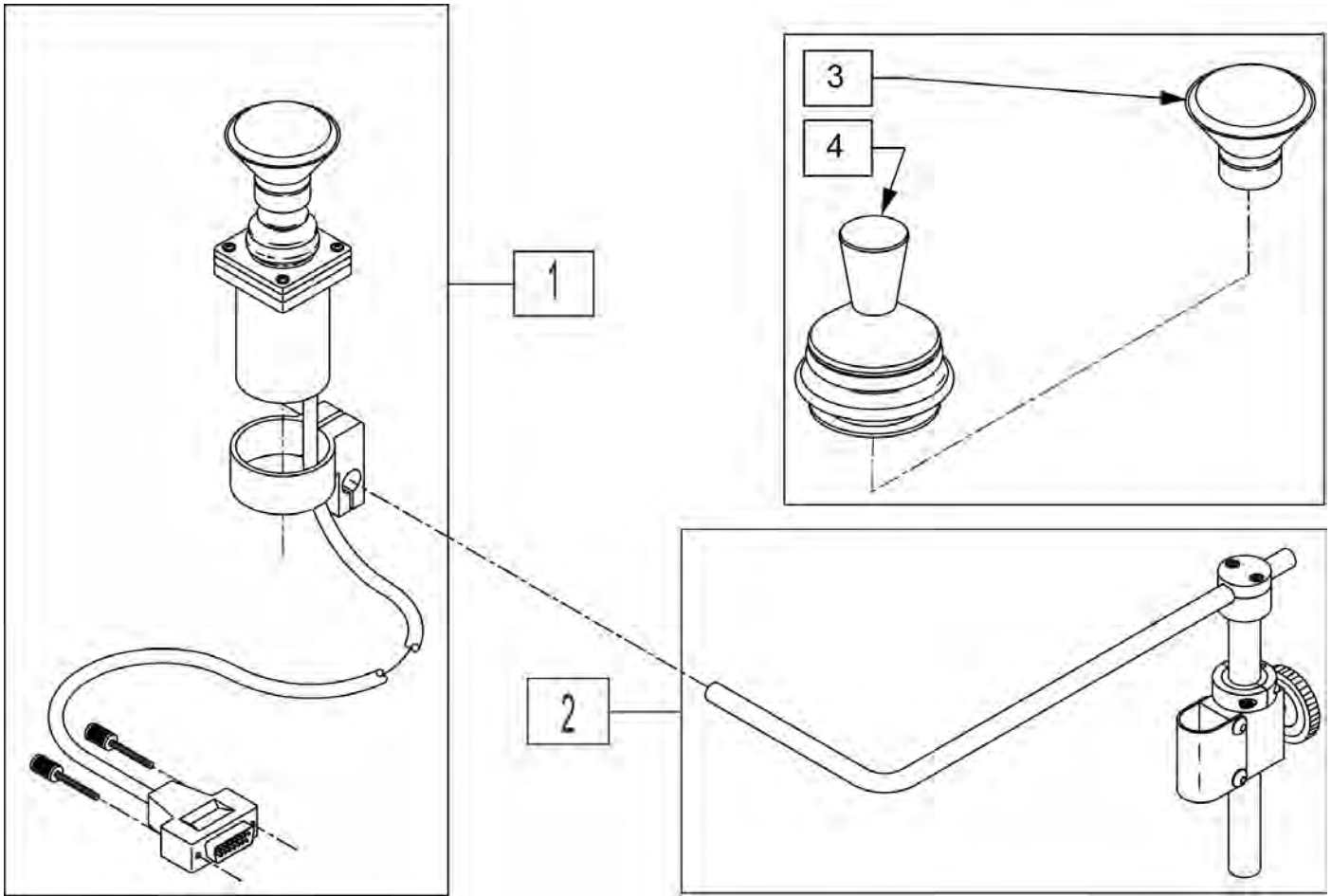
Pos.	Item Number	Description	Remarks
1,2,11	882873	HEADREST SIPNPUFF W SW AWAY SW	
2	139915	RESET SWITCH EGG SHAPED	
3	750697	HEADREST W/ZIPPER LARGE CG	
4A	888113	MOUNT HEADREST WO FLANGE 7"	
4B	888114	MOUNT HEADREST WO FLANGE 9"	
4C	888115	MOUNT HEADREST WO FLANGE 15"	
5A	888100	CLAMP HEADREST SMART SEAT	
5B	888101	CLAMP HEADREST RIGID BACK	
6	226116	10-32 X 1" SOC C/S BLK	
7	910113	USCM W/USER INSTR	
8	560118	USCM BOOT	
9	521618	ARMREST MOUNT FOR USCM	
10	920713	CONTROL ARM CLAMP ASSM	
11	101434	SIP N PUFF STRAW	
12	281082	8-32 X 3/8 PAN PHIL M/S BLK	Included in 139915
1-3,4A,5A-11	888304	SIP N PUFF PCKG ADLT SMRT 7"	
1-3,4B,5A-11	888305	SIP N PUFF PCK ADLT SMRT 9"	
1-4C,5B-11	888303	SIP N PUFF PACKAGE ADLT STD (15")	



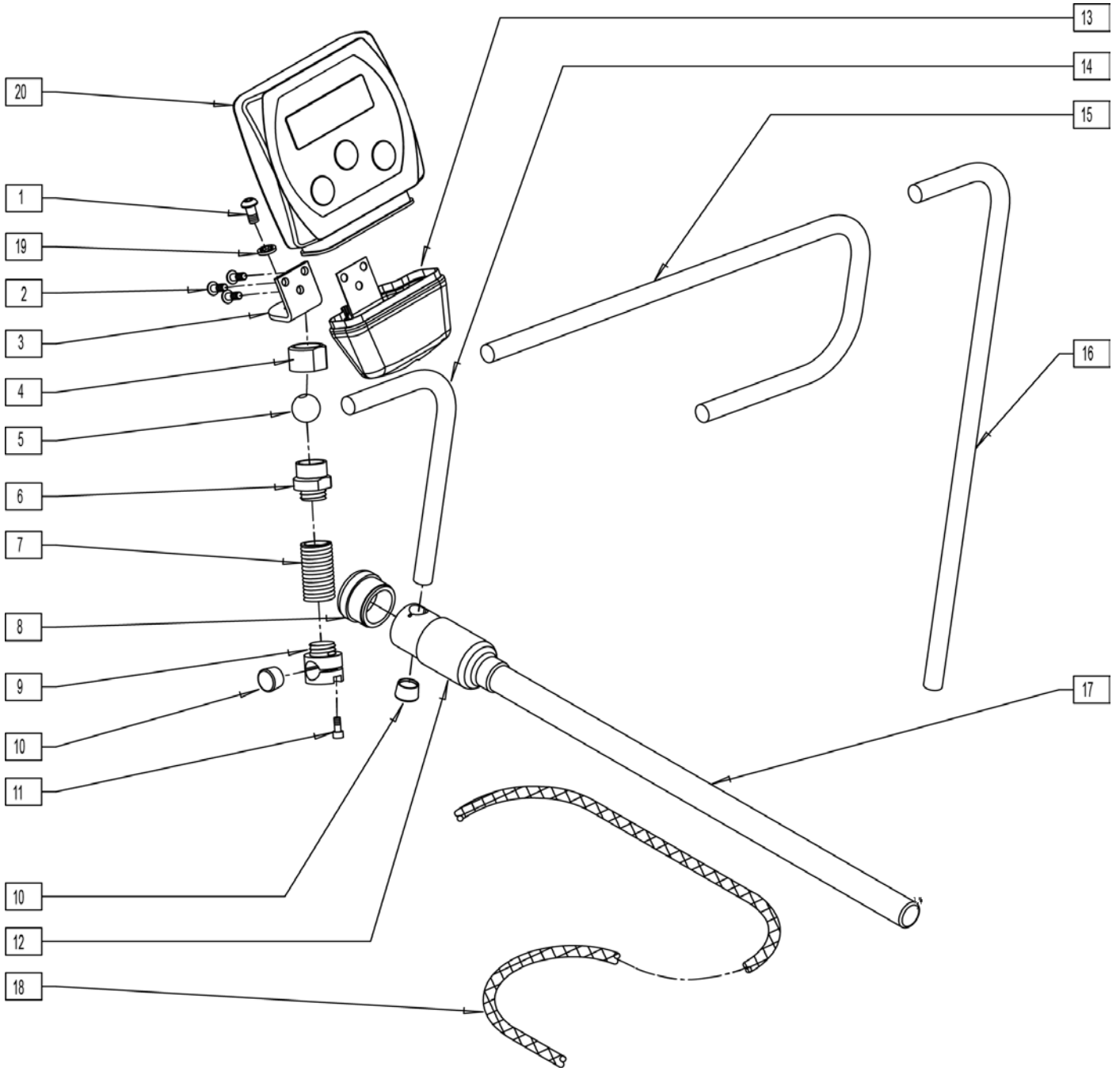
Pos.	Item Number	Description
1	discontinued	SWITCH PENTA
2	910113	USCM W/USER INSTR
3	560118	USCM BOOT
4	521618	ARMREST MOUNT FOR USCM
5	920713	CONTROL ARM CLAMP ASSM
1-5	discontinued	PENTA SWITCH PACKAGE



Pos.	Item Number	Description
1A	139897	HEAD ARRAY ADULT W INTERFACE
1B	139898	HEAD ARRAY PED W INTERFACE
2A	888100	CLAMP HEADREST SMART SEAT
2B	888101	CLAMP HEADREST RIGID BACK
3A	888113	MOUNT HEADREST WO FLANGE 7 IN
3B	888114	MOUNT HEADREST WO FLANGE 9 IN
3C	888115	MOUNT HEADREST WO FLANGE 15 IN
4	910113	USCM W/USER INSTR
5	560118	USCM BOOT
6	521618	ARMREST MOUNT FOR USCM
7	920713	CONTROL ARM CLAMP ASSM
1A,2A,3A-7	888324	SWTCH IT HD ARRY PCK PD SMRT 7
1A,2A,3B-7	888325	SWTCH IT HD ARRY PCK PD SMRT 9
1A,2B,3C-7	888323	SWITCH IT HD ARRY PCK PED STD
1B,2A,3A-7	888327	SWTCH IT HD ARRY PCK ADL SMT 7
1B,2A,3B-7	888328	SWTCH IT HD ARRY PCK ADL SMT 9
1B,2B,3C-7	888326	SWTCH IT HD ARRY PCK ADL STD

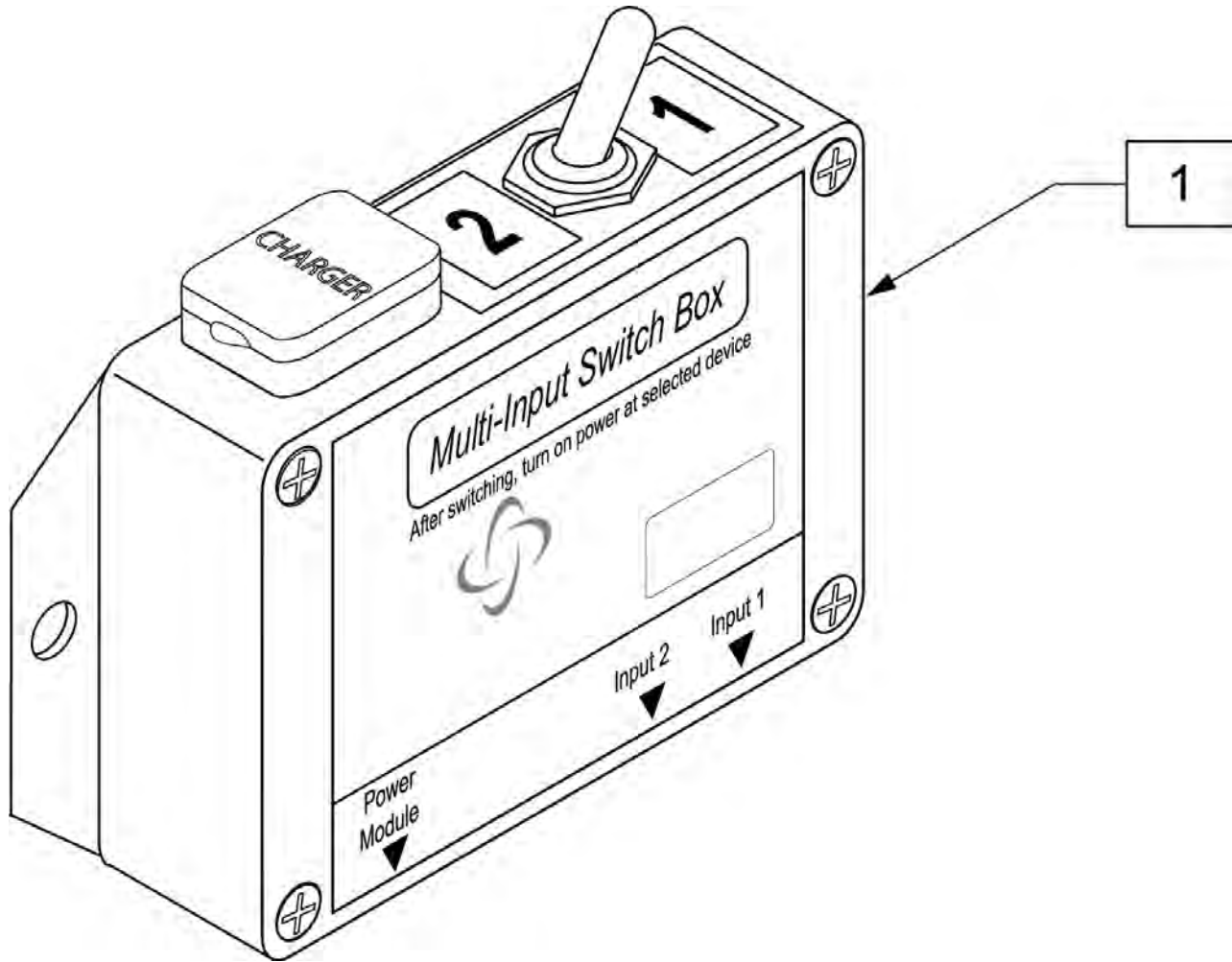


Pos.	Item Number	Description
1	139705	PROP CHIN CONTRO W/MINI JS
2	D3150-3	AMH S/A MNTG KIT B/R 1" 3185
4	138154	KNOB&PROTECTOR D10AB JOYSTICK
3	D4000	CHINCUP QTRONIX

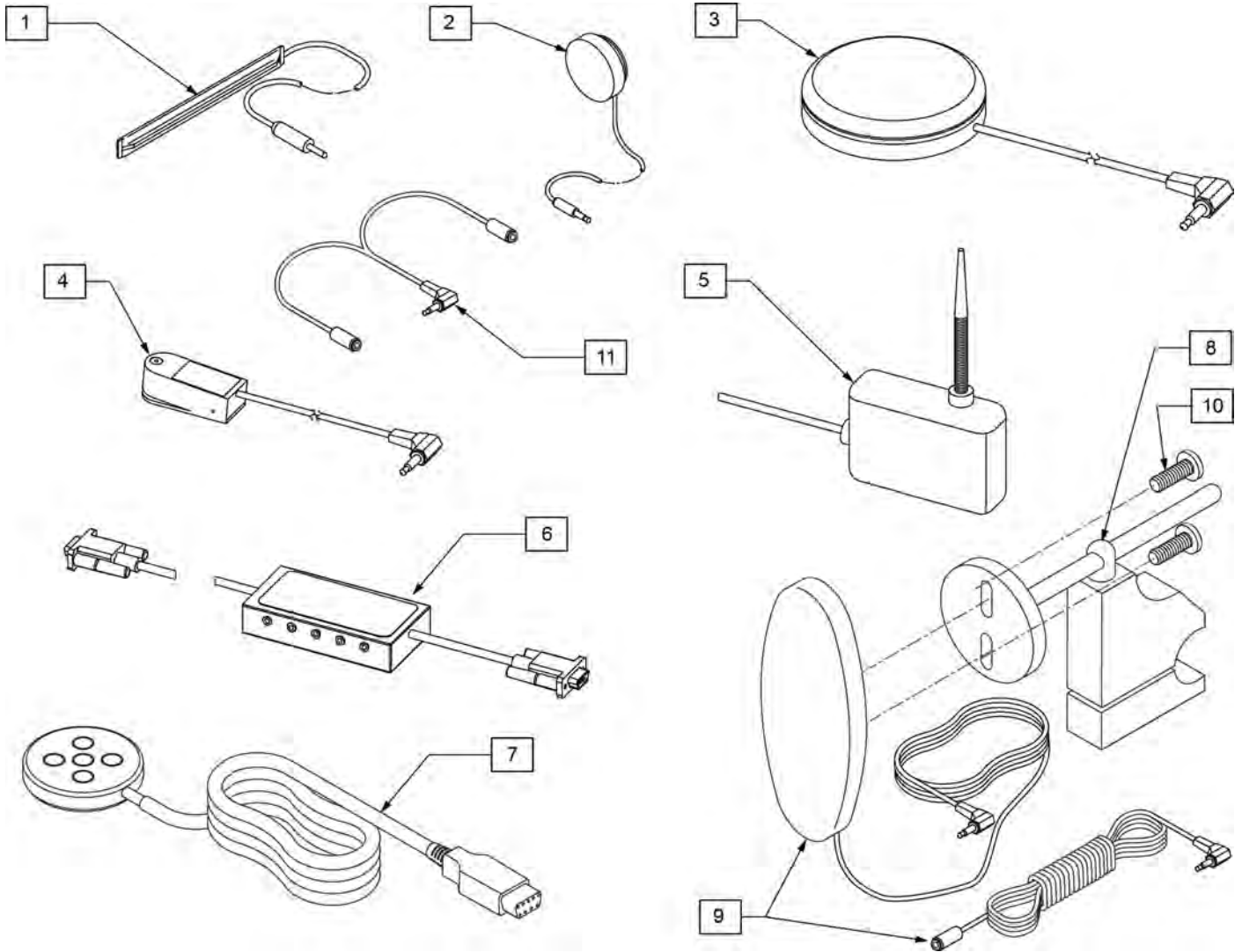


Pos.	Item Number	Description
1	221091	1/4-28 x 1/2 BH C/S BLK W/PATCH
2	226043	10-32 x 1/2 BH C/S BLK
4	481741	KNURLED NUT (USCM) MOUNT
5	481740	PIVOT BALL (USCM) MOUNT
8	560308	RECEIVER PLUG (USCM)
10	560307	ADJ DISPLAY ARM CAP (USCM)
11	227000	8-32 x 3/8 SOC C/S BLK
12	560122	RECEIVER SLEEVE (USCM)
13	560118	USCM BOOT
14	521098	ADJ DISPLAY ARM "L" SHORT (USCM)

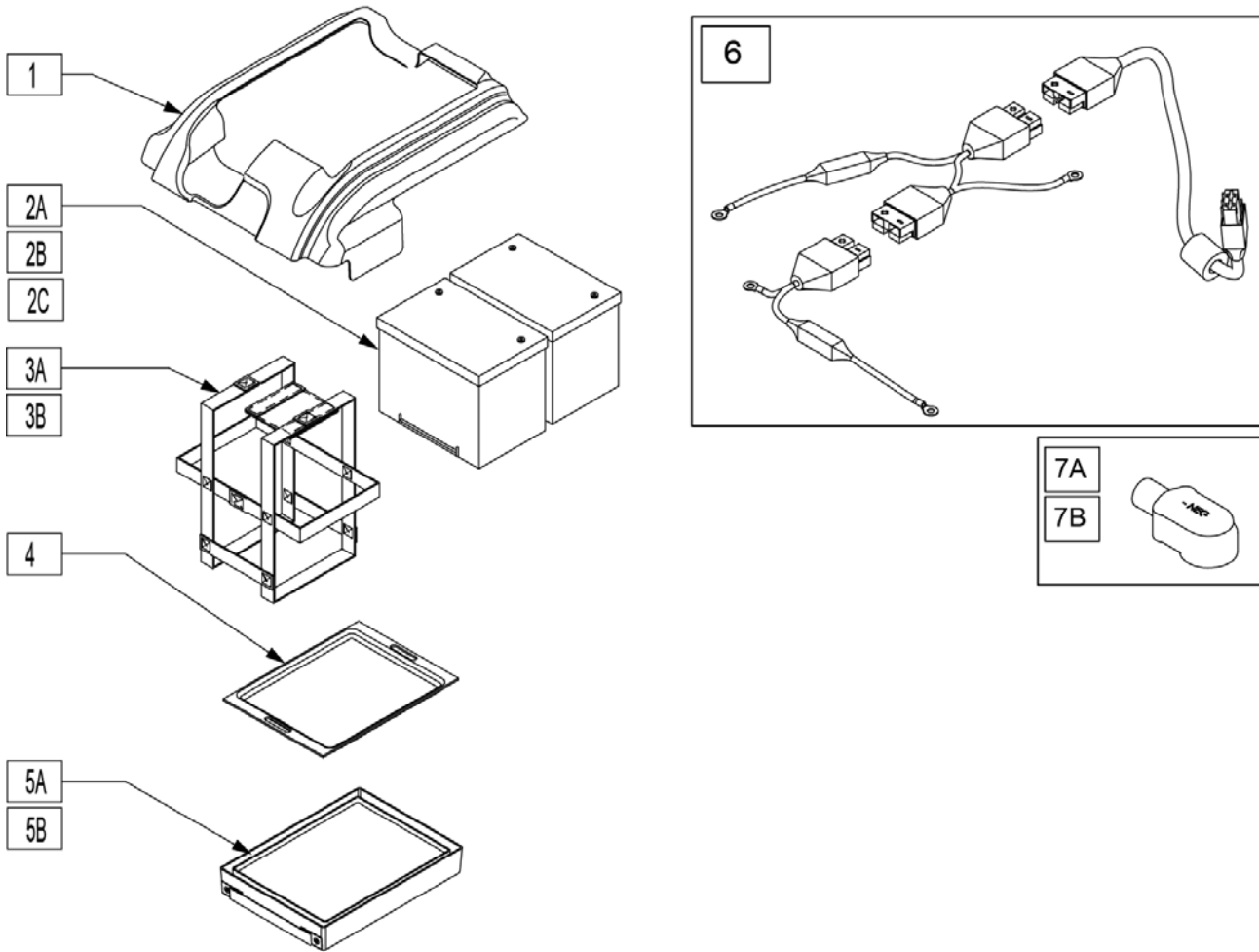
Pos.	Item Number	Description
15	521096	ADJ DISPLAY ARM "J" (USCM)
16	521097	ADJ DISPLAY ARM "L" (USCM)
17	521095	SLIDING ARM TUBE (USCM)
18	180351	BRAIDED SLEEVING 24"
19	267350	1/4 WASHER INT LOCK ZN
20	910113	USCM W/USER INSTR
1-18	886970	USCM MOUNT ASSEMBLY
1-14,17,18	886971	USCM L/R MOUNT ASSEMBLY
1-13,15,17,18	886972	USCM CENTER TRAY MOUNT ASSEMBLY
1-13,16-18	886973	USCM CENTER MOUNT ASSEMBLY
8,12,17	886974	USCM DISPLAY ARM ASSEMBLY
1,3-11	886976	USCM SPRING MOUNT ASSEMBLY
8,10,12,15-17	886980	JOYSTICK CENTER MOUNT ASSM



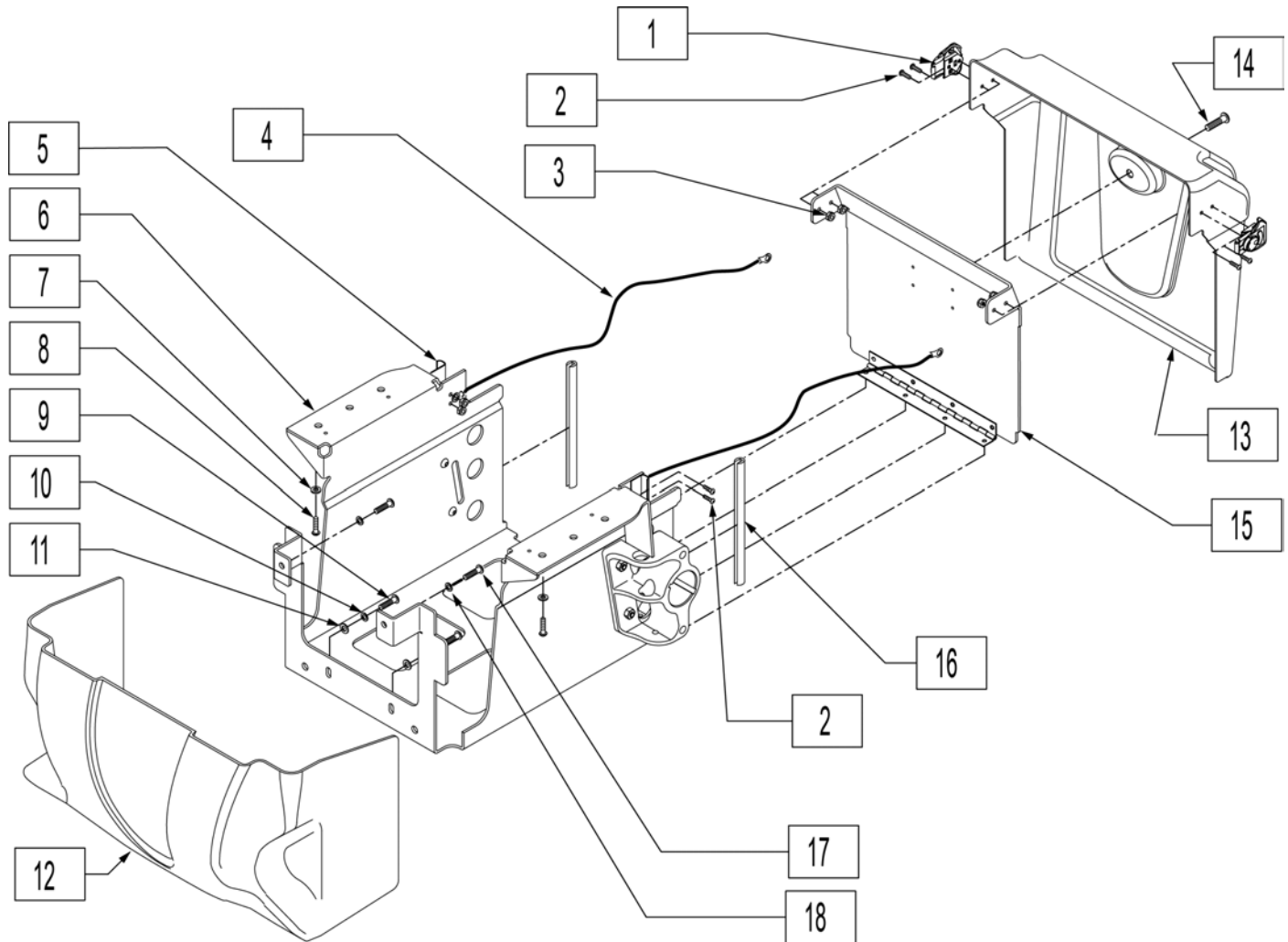
Pos.	Item Number	Description
1	910121	INPUT DEVICE SWITCH BOX



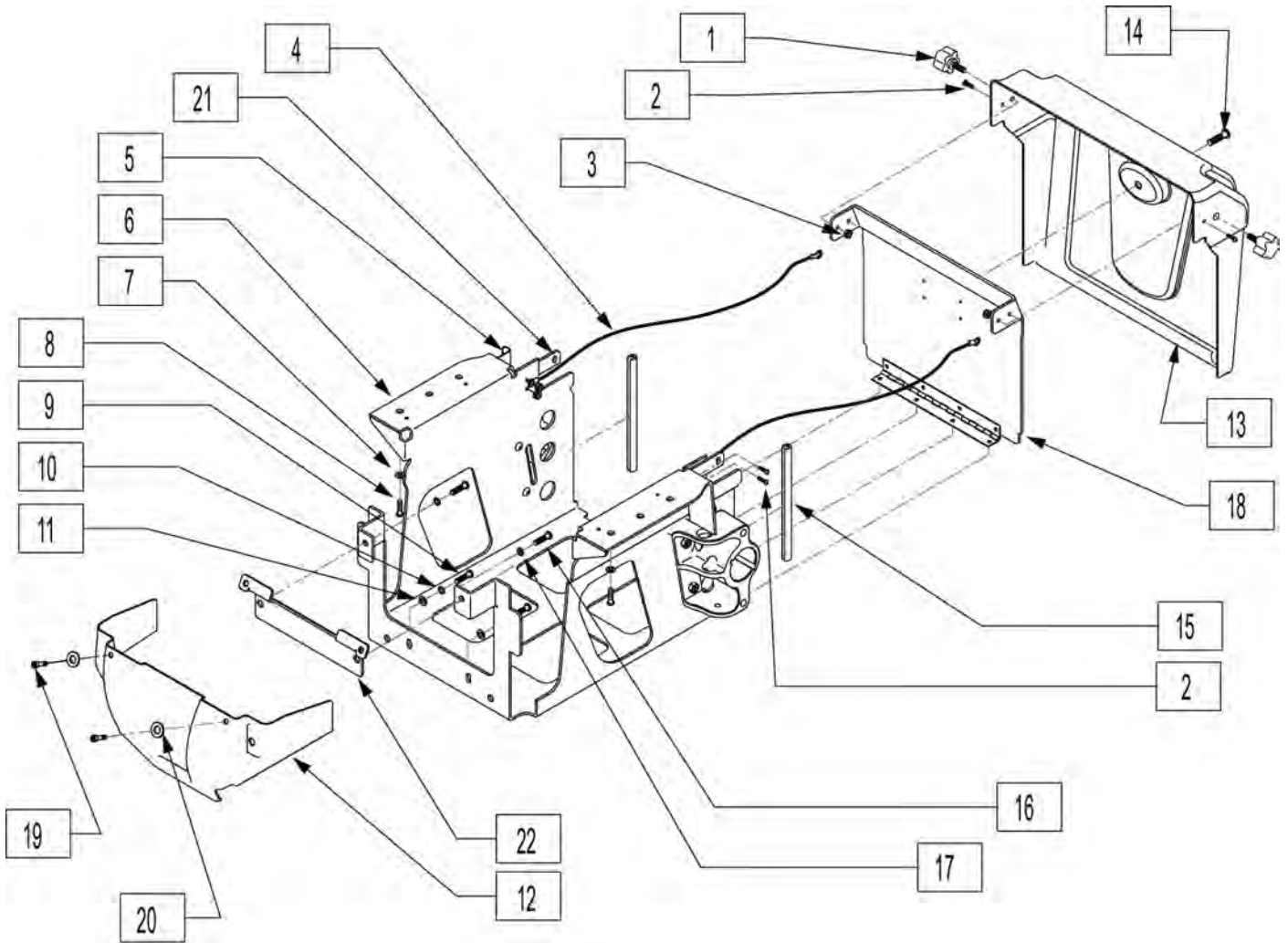
Pos.	Item Number	Description	Remarks
1	133721	SWITCH RIBBON	Cord length 63"
2	133722	SWITCH DISC	Cord length 69"
3	139920	SWITCH BUDDY BUTTON RED	Cord length 57"
4	139921	MICRO LIGHT	Cord length 58"
5	139910	SWITCH WOBBLE	Cord length 68"
6	Discontinued	SWITCH CA-5 BOX	Cord length (female cable 63")(male cable 6")
7	Discontinued	SWITCH PENTA	Cord length 63"
8	920904	MOUNT RESET SW FOR 7/8 TUBE	Clamps to 7/8" tubing
9,10	139915	RESET SWITCH EGG SHAPED	Cord length 51"(Ext 71")
10	281082	8-32 X 3/8 PAN PHIL M/S BLK	
11	105417	STEREO TO 2 MONO SPLITTER	Cord length 6"



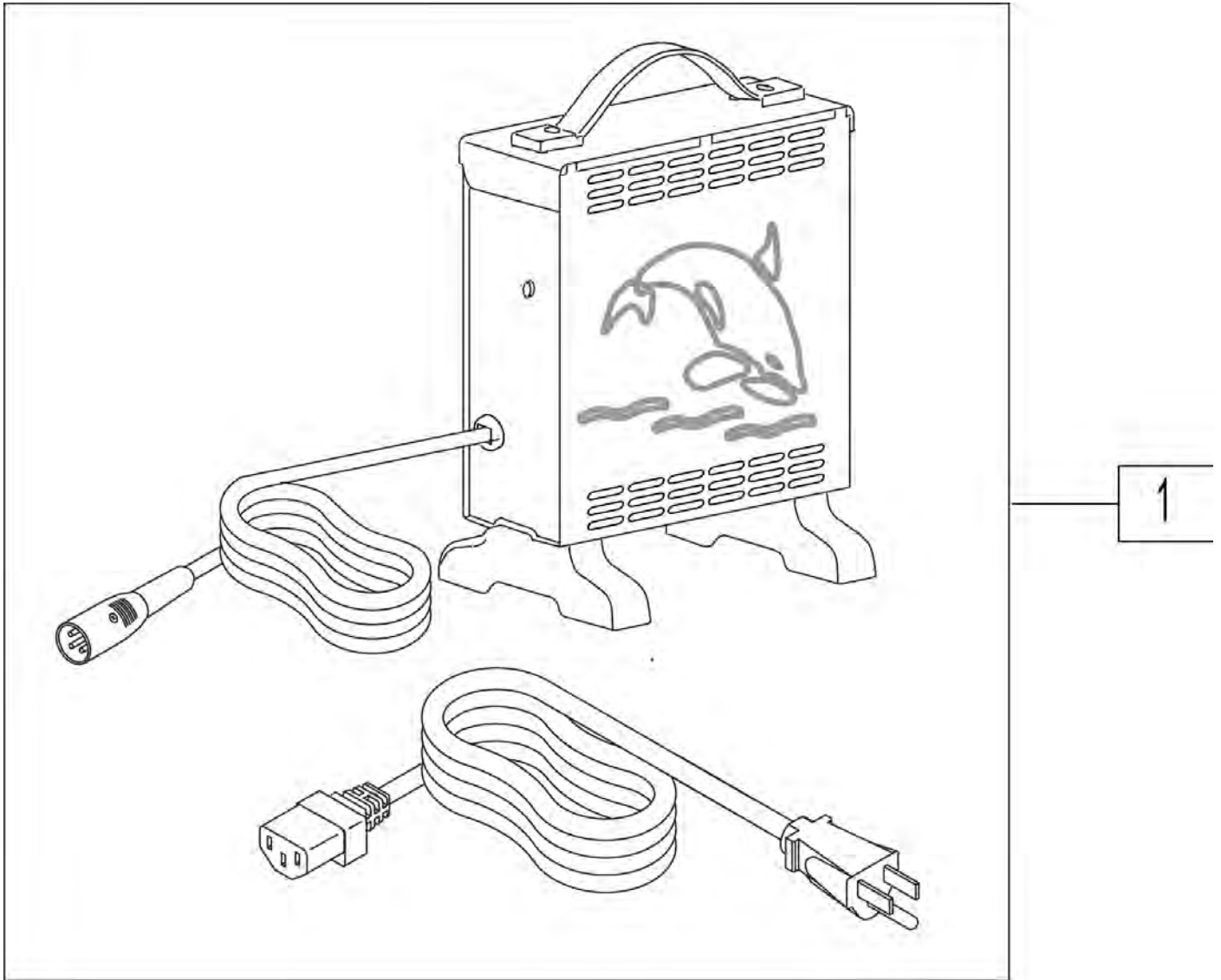
Pos.	Item Number	Description	Remarks
1	882007	TOP BATTERY COVER ASSEMBLY S626	
2A	244624	BRIGHT WAY GROUP 22 BATTERY	
2B	108114	BAT 24 FEMALE TERM	replaces M-24 Gel/Group 24 w/ Std Post Batteries
2C	244625	BRIGHT WAY GROUP 24 BATTERY	
3A	740140	BATTERY STRAP GRP 22	
3B	740141	BATTERY STRAP GROUP 24	
4	562530	BATTERY ADAPTER G-424	
5A	562719	BATTERY TRAY GROUP 22 S626	
5B	562669	BATTERY TRAY S626	
6	164137	BATTERY HARN 80A KIT 750MM	
7A	247543	HARNESS BOOT POS	Red
7B	247544	HARNESS BOOT NEG	Black



Pos.	Item Number	Description
1	481452	ROTARY ACTION LATCH S626
2	226309	8-32 x 5/8 BH C/S BLK
3	200099	8-32 NYLOCK NUT THIN
4	139029	BATTERY BOX CABLE
5	481451	LATCH PLATE KEEPER
7	106947	5/16 AN WASHER FLAT THIN
8	220128	5/16-18 x .63 HHCS BLK W/PL
9	107032	1/4-28 x 1 SOC C/S BLK
10	262114	1/4 WASHER HI COLLAR LOCK ZN
11	106943	1/4 AN WASHER FLAT
12	882005	CONTROLLER COVER STD ASSM S626
13	560364	REAR BATTERY COVER S626
14	222205	1/4-14 x 1/2 PAN HEAD TP SCREW
16	580000	BATTERY SUPPORT EDGE 3"
17	221011	10-32 x 1.75 SHCS BLK
18	455031-QU	#10 AN WASHER .032 SS
1-18	885000	BATTERY BOX ASSM 16" S626
1-18	885001	BATTERY BOX ASSM 18" S626



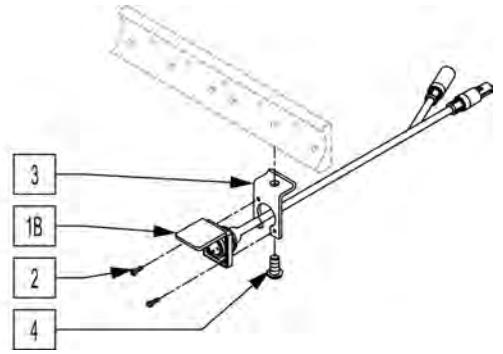
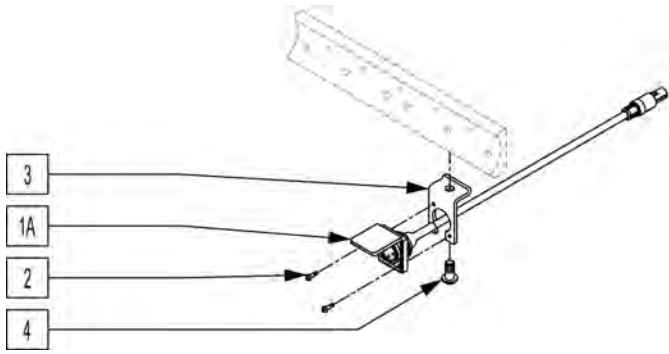
Pos.	Item Number	Description	Pos.	Item Number	Description
1	117994	THUMB SCREW M8 X 1.25	14	222205	1/4-14 x 1/2 PAN HEAD TP SCREW
2	226309	8-32 x 5/8 BH C/S BLK	15	580000	BATTERY SUPPORT EDGE 3"
3	200099	8-32 NYLOCK NUT THIN	16	221011	10-32 x 1.75 SHCS BLK
4	139029	BATTERY BOX CABLE	17	455031-QU	#10 AN WASHER .032 SS
5	481451	LATCH PLATE KEEPER	18	888888	SHROUD MOUNT BRACKET ASSM
7	106947	WASHER FLAT THIN AN 5/16 ROHS	19	226246	10-32 x 5/8 SOC HD C/S BLK
8	220128	5/16-18 x .63 HHCS BLK W/PL	20	455031-QU	#10 AN WASHER .032 SS
9	227110	1/4-28 x 1 BH C/S BLK ZN	21	118521	PLATE ADAPTER THUMB SCREW
10	262114	1/4 WASHER HI COLLAR LOCK ZN	22	505547	BATTERY SUPPORT GATE S626
11	106943	WASHER FLAT AN 1/4 ROHS	1-22	885008	BATTERY BOX ASSM 16" S646
12	562009	FRONT SHROUD	1-22	885009	BATTERY BOX ASSM 18" S646
13	560364	REAR BATTERY COVER S626			



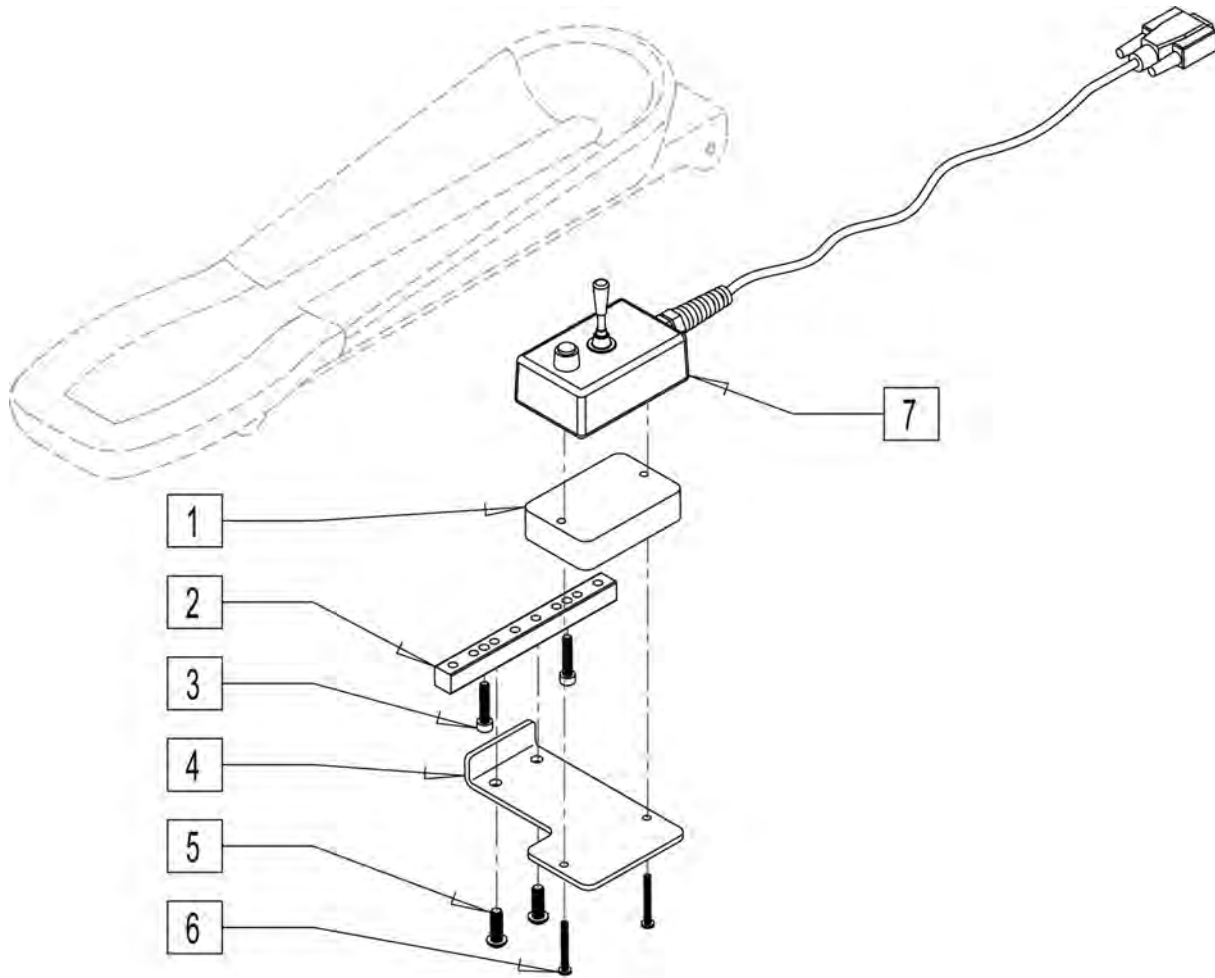
Pos.	Item Number	Description	HCPC
1	131386	CHRGR OFF BRD 8A CTE W/CHKE	E2367

ALTERNATE BATTERY CHARGER

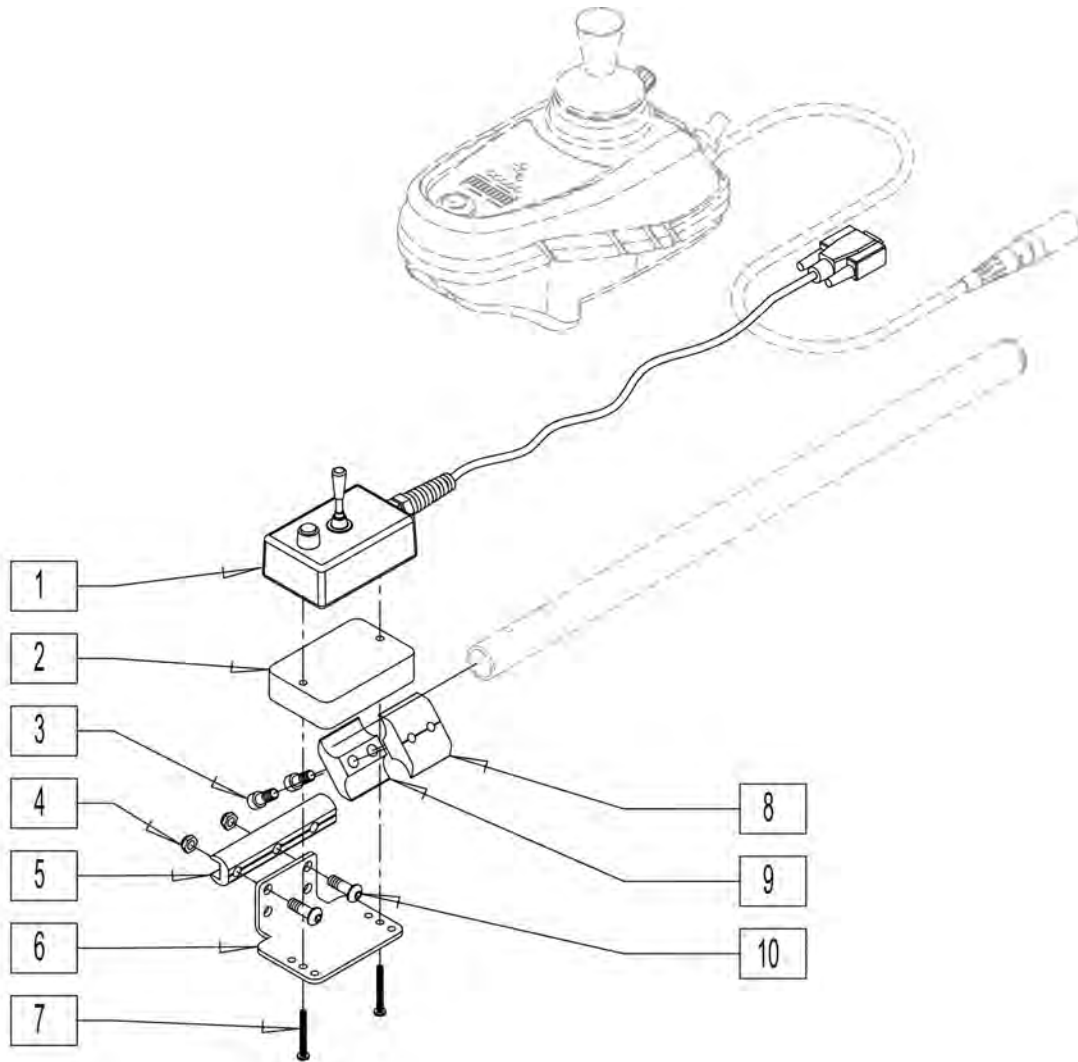
[09/2007]



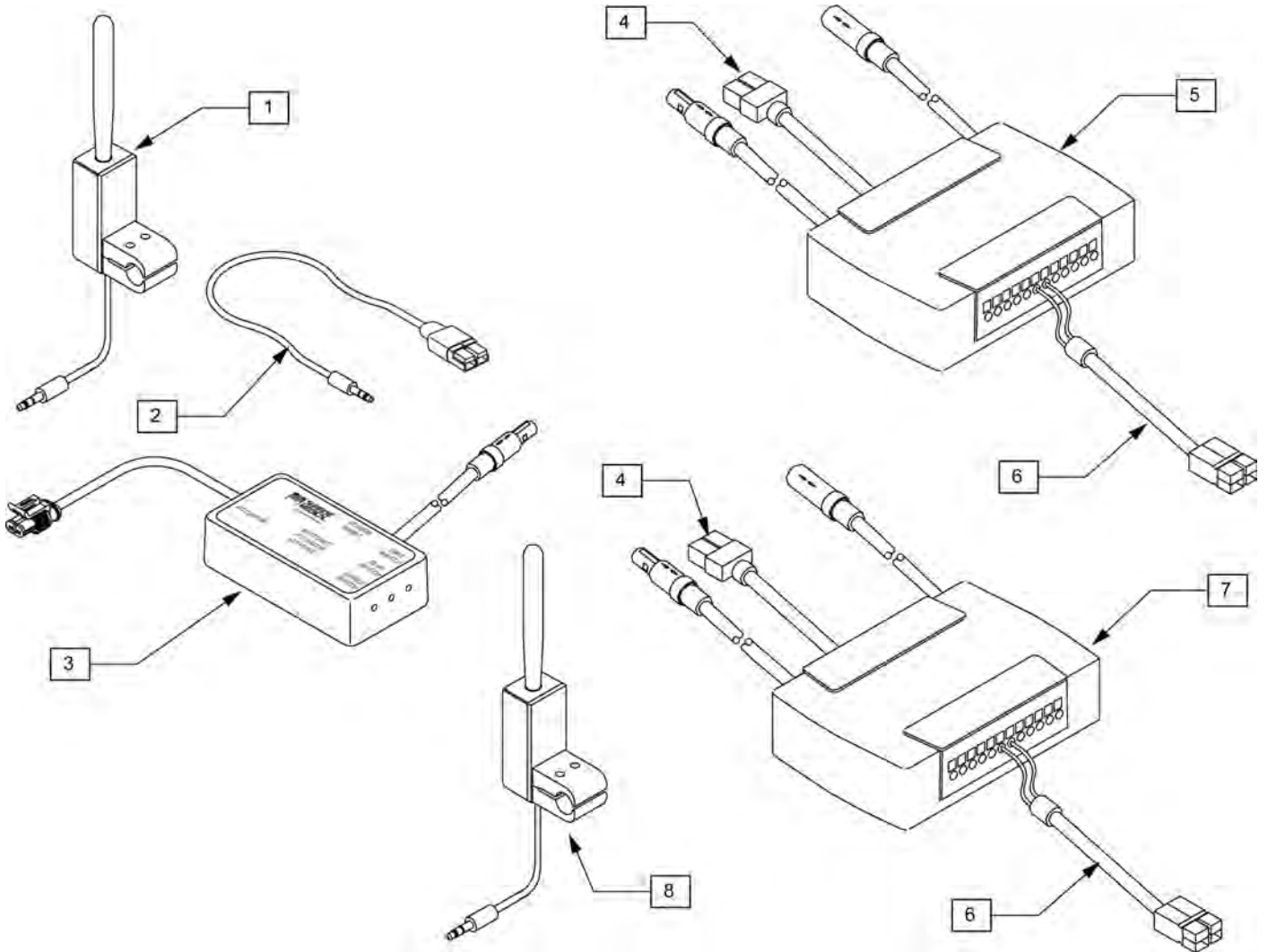
Pos.	Item Number	Description
1A	139329	CHARGER CABLE ASSY
1B	139339	CHARGER CABLE TILT ASSY
2	281036	4-40 x 3/8 PAN PHIL M/S BLK
3	550703	CHARGER MOUNTING BRKT S626
4	222231	5/16-18 x 5/8 BH CS BLK W/PTCH
1A,2-4	882212	ALT BATT CHARGER S626
1B,2-4	883312	ALT BATTERY CHRGER S626 TILT



Pos.	Item Number	Description
1	505789	5 SWITCH MOUNT SPACER
2	505989	5 SWITCH MOUNT BLOCK
3	234811	M5-.8 SH CS
4	505790	5 SWITCH MOUNT BRACKET
5	226064	1/4-28 x 3/4 BH C/S BLK W/PTCH
6	281070	6-32 x 1 1/4 PAN PHIL
7	139221	MULTI SWITCH CONTROLLER
1-7	887996	5 SWTCH MOUNT ASSM RCL ARMRESTS

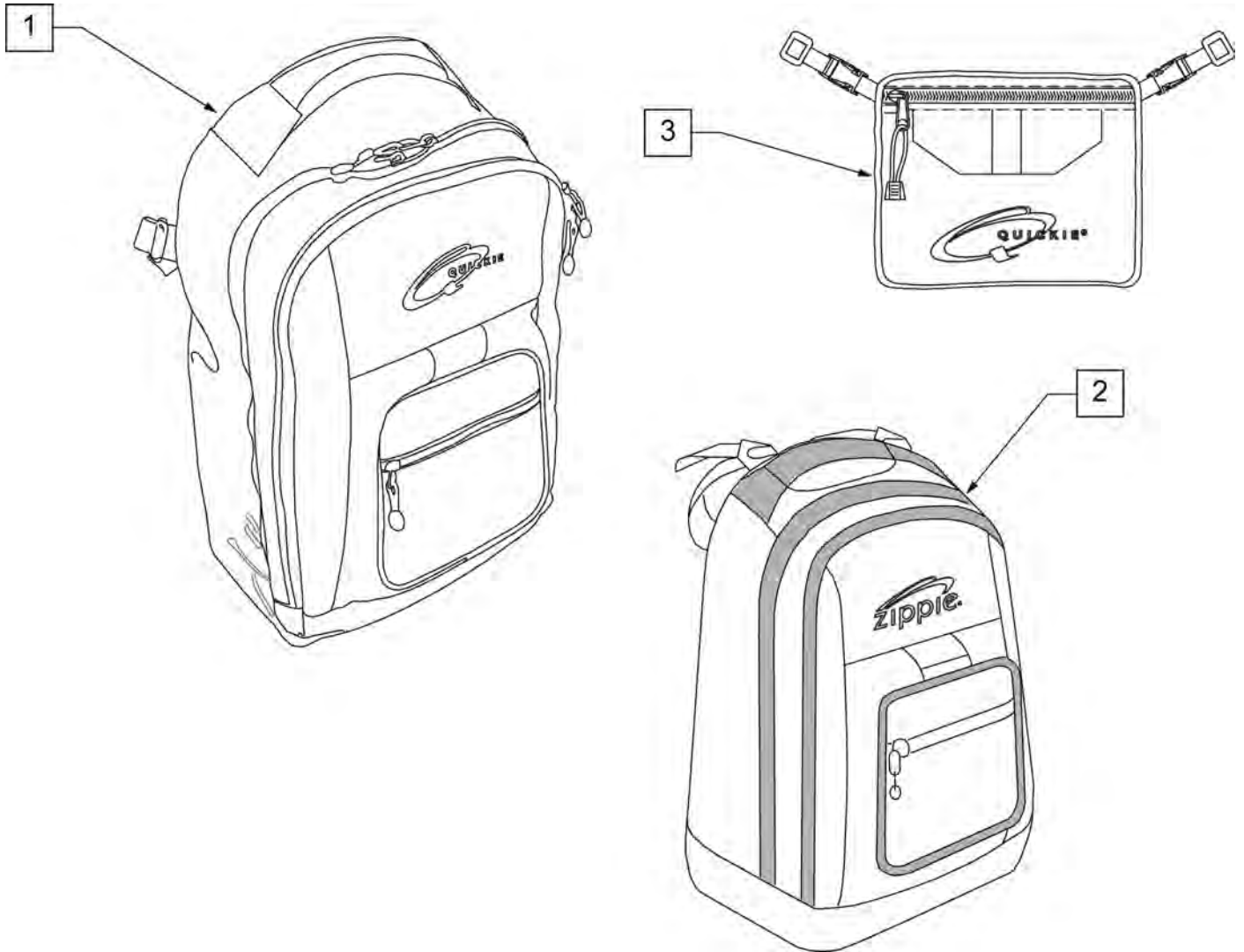


Pos.	Item Number	Description	Remarks
1	139221	MULTI SWITCH CONTROLLER	
2	505789	5 SWITCH MOUNT SPACER	
3	107032	1/4-28 x 1 SOC C/S BLK	
4	106935	NUT NYLOCK THIN 1/4-28 ROHS	
5	550374	WHL LCK SLIDE BLOCK 3 1/2" BLK	3.5" long
6	505978	5 SWITCH DUAL POST MOUNT BRCKT	
7	281070	6-32 x 1 1/4 PAN PHIL	
8	550725	CLAMP 3/4"-3/4"THRD HALF ST/DT	
9	550724	CLAMP 3/4"-3/4"TOP HALF ST/DT	
10	226064	1/4-28 x 3/4 BH C/S BLK W/PTCH	
1-10	887995	5 SWITCH MOUNT ASSM STD ARMRESTS	

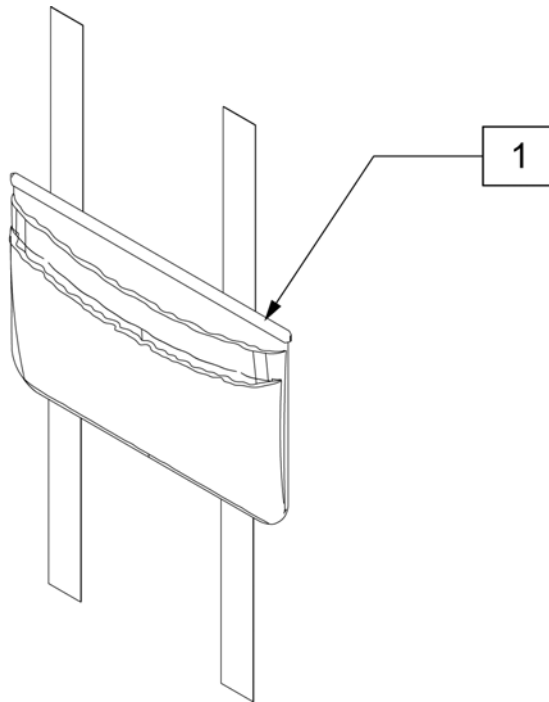


Pos.	Item Number	Description	Pos.	Item Number	Description
1	881318	TOGGLE SWITCH ASSY TILT L	6	139427	WIRING HARNESS WP COVER ALM (13")
1	881338	TOGGLE SWITCH ASSY TILT R	4-6	881515	ALM 250LB CNTRL ASSM S626
2	139425	WIRING HARNESS TM40 S626	4-6	881516	ALM 400LB CNTRL ASSM S626
3	881347	TM40 TILT CONTROL ASY 6 AMP	7	882690	PILOT+ ALM 6AMP W/VLRO AX INP
1-3	881517	TM40 CNTRL ASSM R S626	7	881346	PILOT + ALM W/VELCRO AUX INPUT
1-3	881518	TM40 CNTRL ASSM L S626	8	881394	ATTN TGGLE SWTH ASSM TLT VLCRO
4	139424	WIRING HARNESS ALM P500 TK	8	881395	ATTN TGGLE SWTH ASSM TLT L
5	881342	PILOT + ALM W/VELCRO 6 AMP	8	881396	ATTN TGGLE SWTH ASSM TLT R
5	881343	PILOT + ALM W/VELCRO 10 AMP	4,6,7	882691	ALM 6 AMP CNTRL ASSM AUX
6	139420	WIRING HARNESS ALM G424 CG (3")			

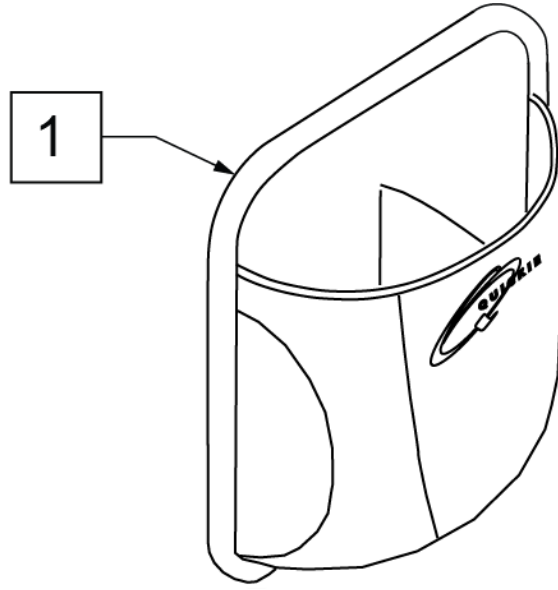
NOTE: KIDS BACKPACKS DO NOT HAVE ADJUSTABLE STRAPS W/ BUCKLES.



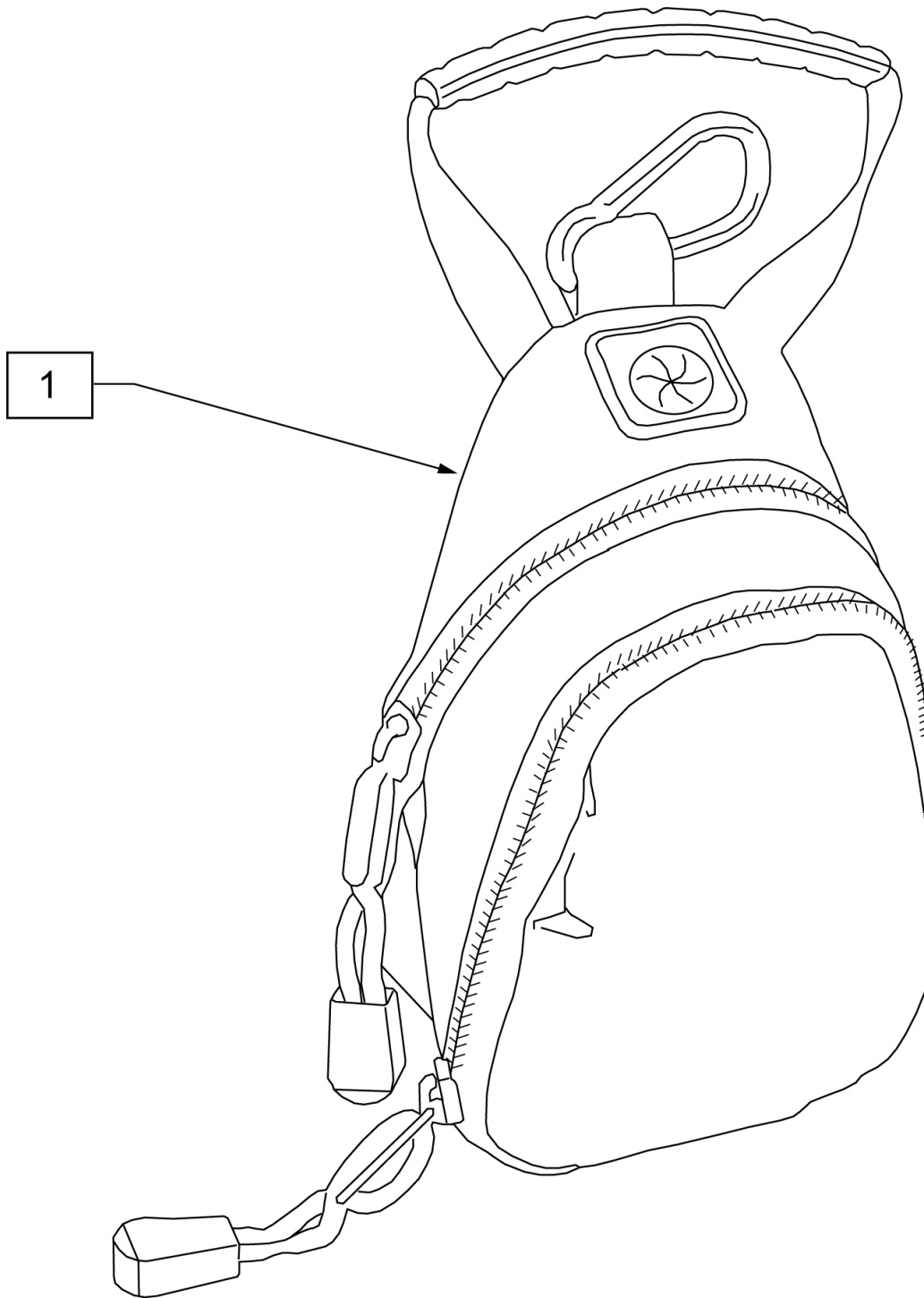
Pos.	Item Number	Description	Remarks
1	750115	BACK PACK QUICKIE	Overall dimensions:width 12.5", height 18.5", depth 6.5"
2	104572	BACKPACK ZIPPIE	Overall dimensions: width 12", height 16.5", depth 4.5"
3	750307	SEAT POUCH QUICKIE	Dimensions: width 8.5", height 6", depth top 2.5", depth bottom 3.5"



Pos.	Item Number	Description
1	011687	POWER CORD POUCH

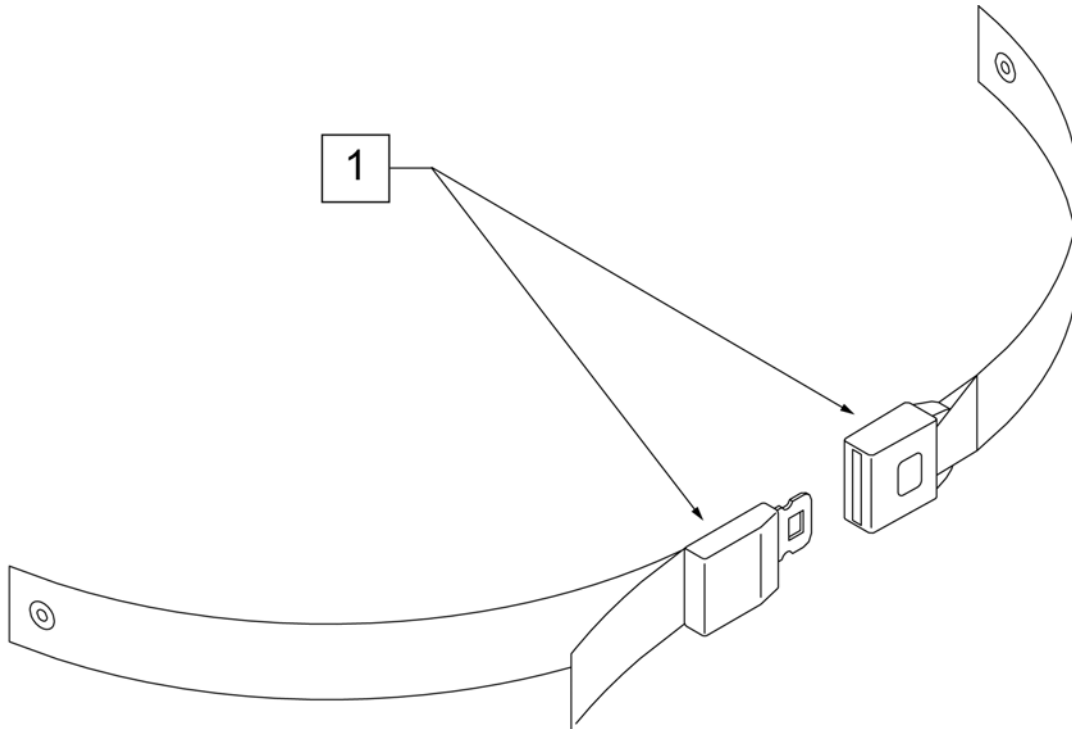


Pos.	Item Number	Description	Remarks
1	013475	QUICKIE SIDE POCKET	Size: 6.5"x 6.5"x 2"



Pos.	Item Number	Description
1	109229	CELL PHONE PACK (ORANGE)

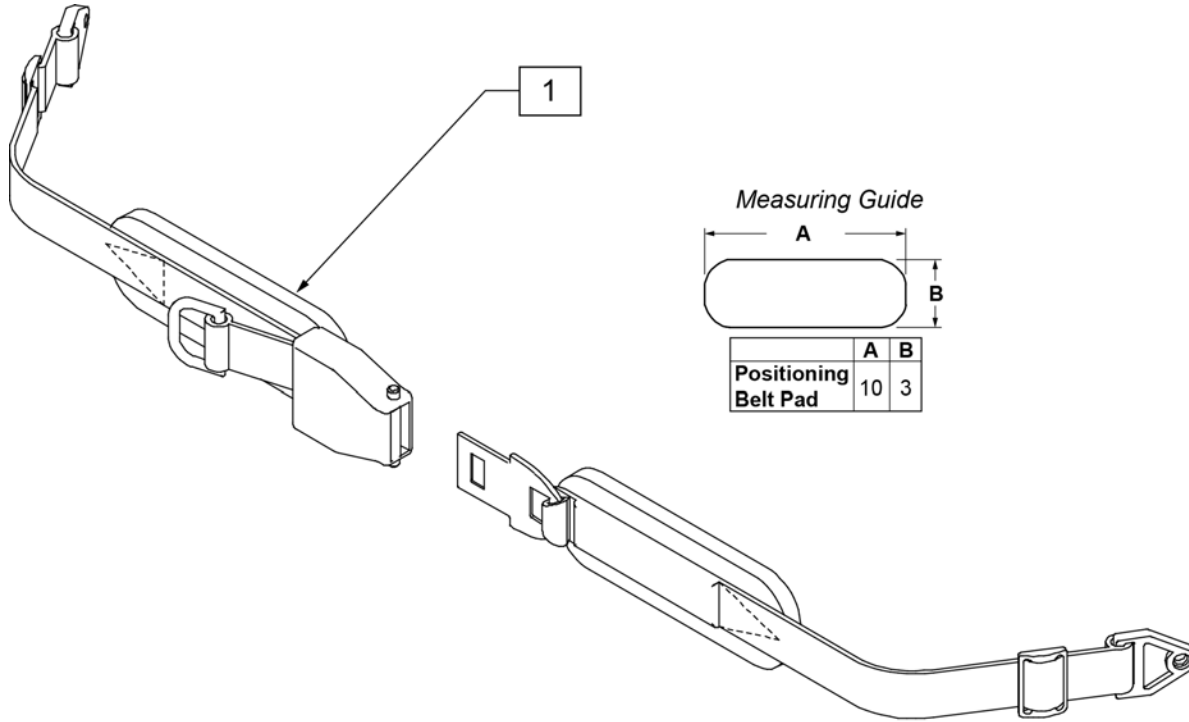
NOTE: when mounting Positioning Belts to the GT or GTI, it is recommended to attach the belt by using the Backrest Support Bracket Hardware.



Pos.	Item Number	Description	Remarks
1	750276	1 1/2" POSITION BELT	AUTOSTYLE-64" Max length of belt.

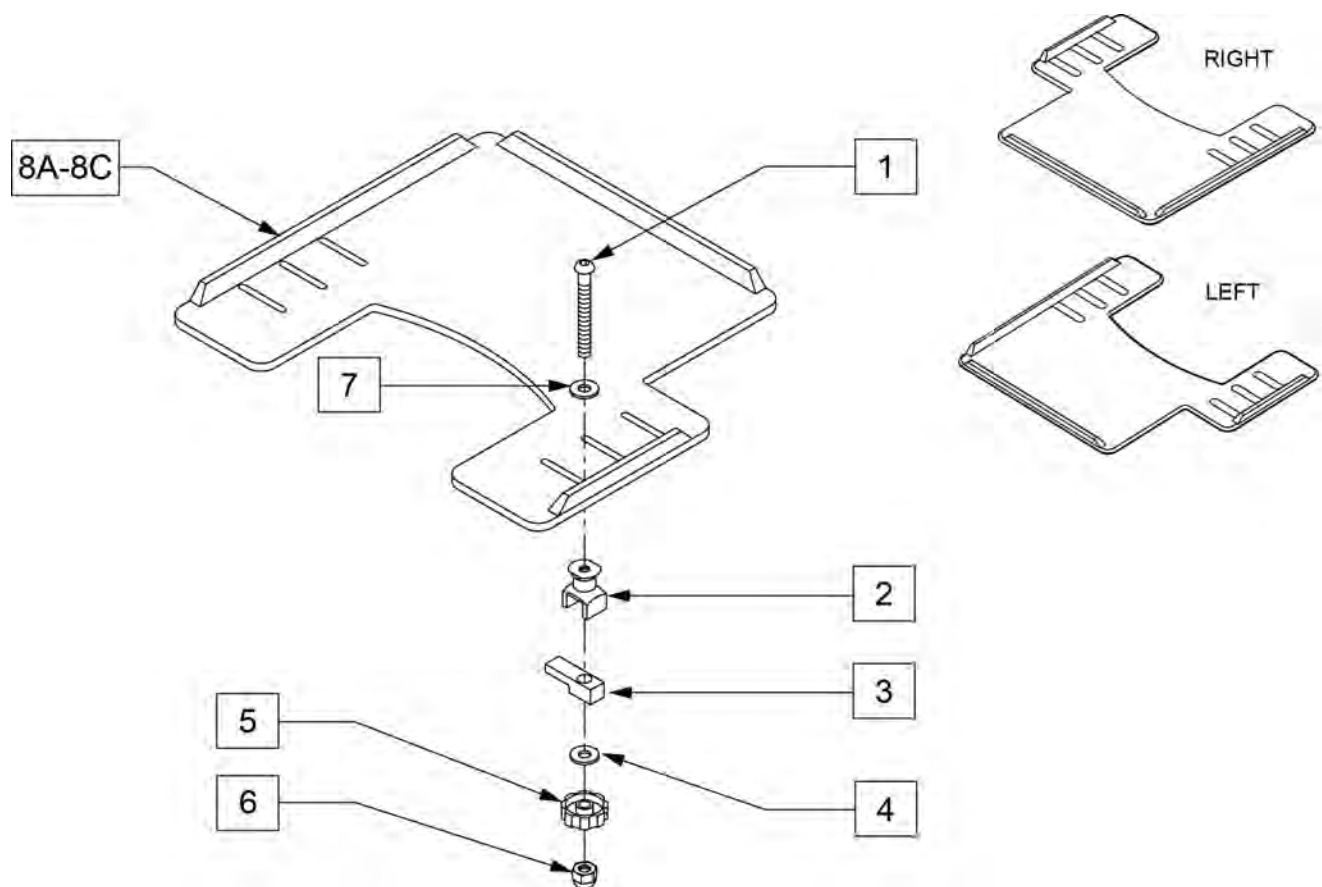
Note: Some items listed may not be available with every chair model or in conjunction with another chair feature .

NOTE: when mounting Positioning Belts to the GT or GTI, it is recommended to attach the belt by using the Backrest Support Bracket Hardware.



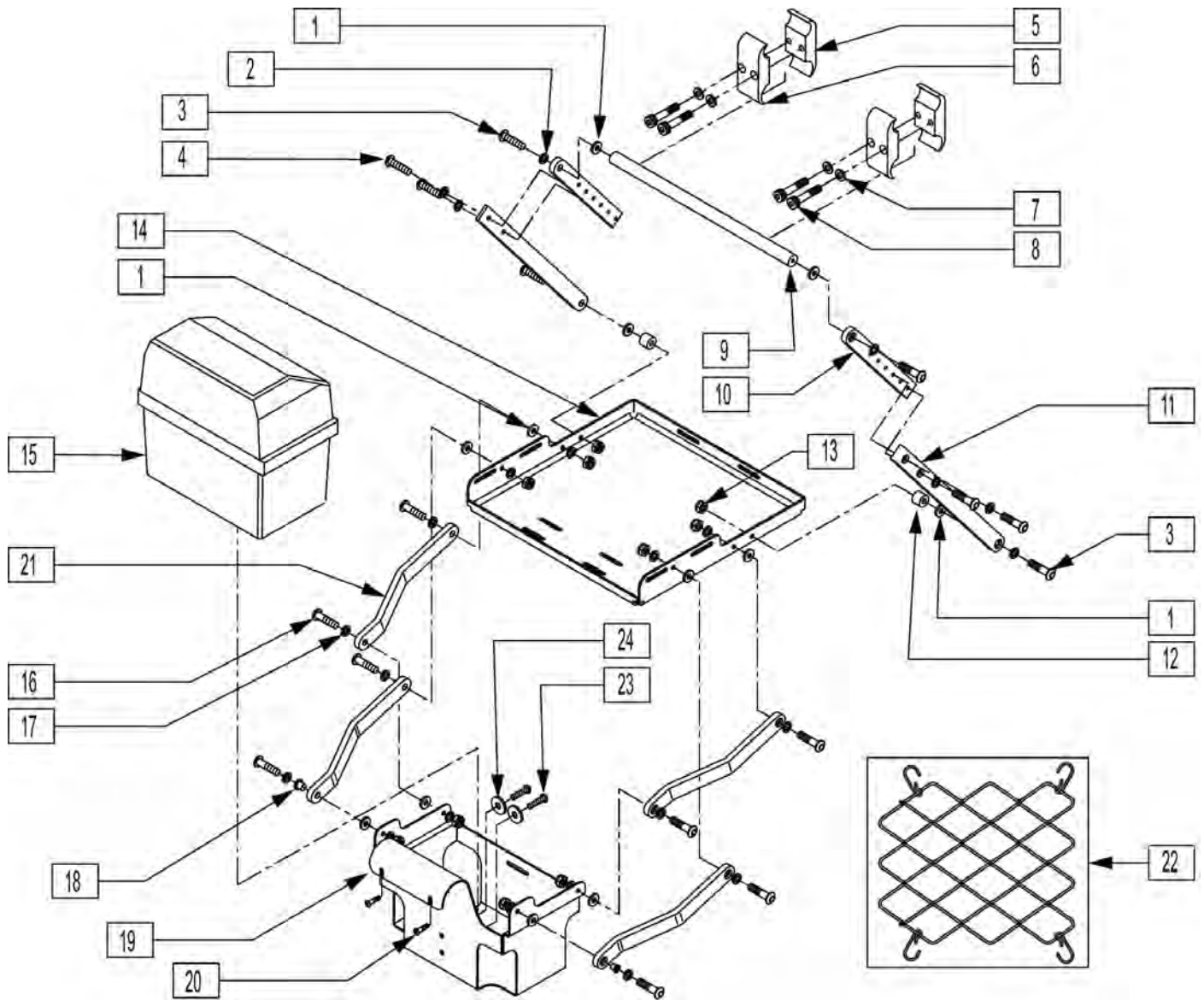
Pos.	Item Number	Description	Remarks
1	450418-QU	BELT 2" AIRCRAFT BUCKLE	Max length of belt 64"
1	450423-QU	BELT 2" AIRCRAFT BUCKLE W/PAD	Max length of belt 64"
1	450424	BELT 2" AIRCRAFT BKL LONG W/PAD	Max length of belt 72"
1	450425	BELT 2" AIRCRAFT BKL LONG	Max length of belt 72"
1	450419-QU	BELT 2" AIRCRAFT BKL W/QUAD LP	Max length of belt 64"
1	468419	BELT 2" AIRCRT BKL W/QD LPCZ	Max length of belt 64"

NOTE: WHEN ADDING A TRAY TO AN EXISTING CHAIR WITH DESK OR FULL LENGTH ARM PADS, ADD 1" TO CURRENT SEAT WIDTH TO ACHIEVE THE BEST TRAY SIZE.



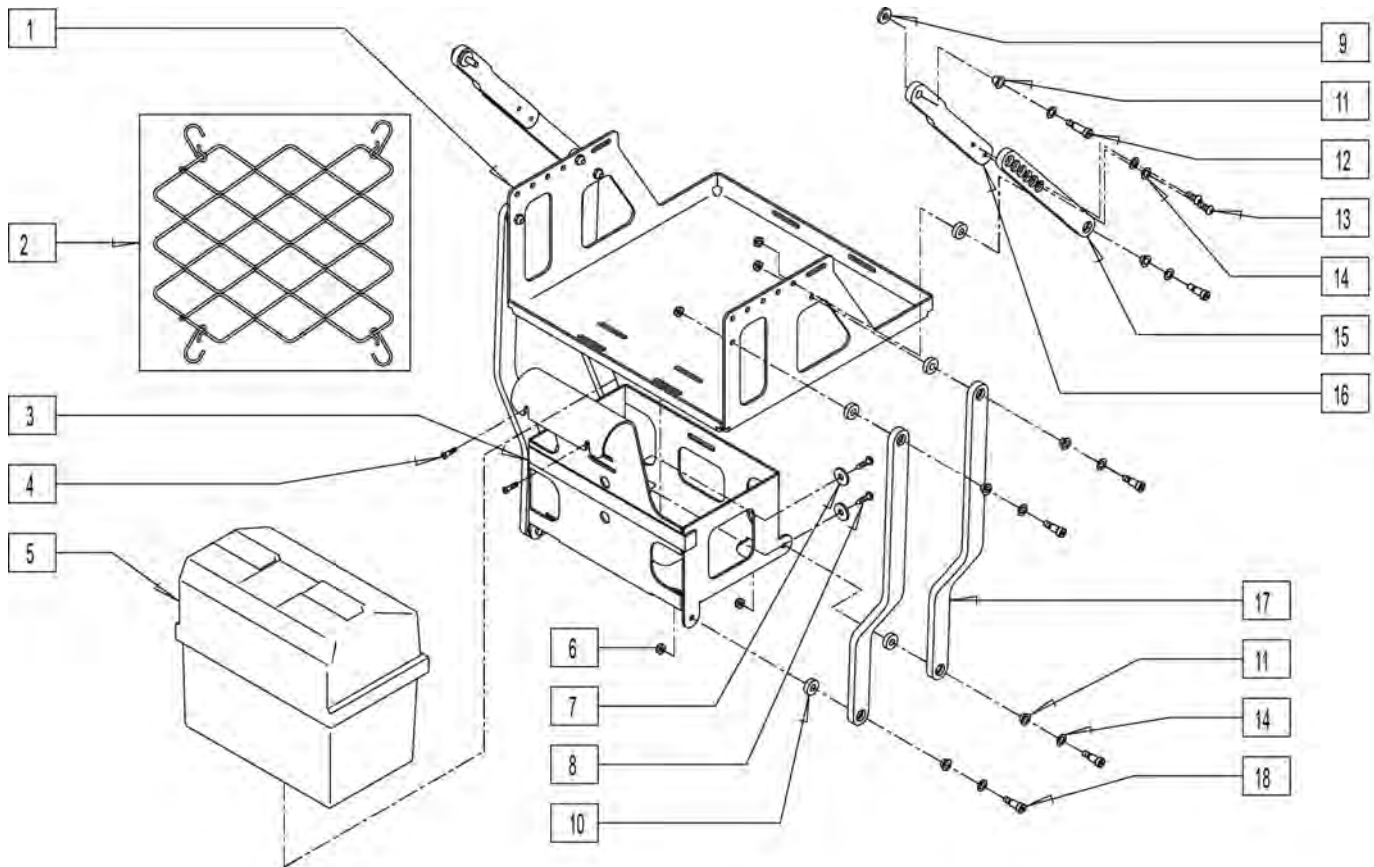
Pos.	Item Number	Description	Remarks
1	2021	5/16-18 x 2 3/4 BUTTON HD C/S	
2	14240	TRAY BUSHING	
3	14230	TRAY LOCK BAR	
4	2705	1/4" FLAT WASHER	
5	14220P	TRAY KNOB	
6	202114	5/16-18 ACORN LOCK NUT	
7	2709	.625X.315X.031 NYLON WASHER	
8A	562625	TRAY TOP W/RAIL SM PWR (12"-13")	Right-Cutout fits 12"-13" wide chairs
8B	562626	TRAY TOP W/RAIL MED PWR (14"-16")	Right-Cutout fits 14"-16" wide chairs
8C	562627	TRAY TOP W/RAIL LRG PWR (17"-20")	Right-Cutout fits 17"-20" wide chairs
8A	118094	TRAY TOP W/RAIL SM PWR LH	Left-Cutout fits 12"-13" wide chairs
8B	118095	TRAY TOP W/RAIL MED PWR LH	Left-Cutout fits 14"-16" wide chairs
8C	118096	TRAY TOP W/RAIL LG PWR LH	Left-Cutout fits 17"-20" wide chairs
1-7	881053	TRAY HDWR ADJ ARM PWR	

NOTE: EFFECTIVE 11/13/01 QUICKIE S626 TRANSITIONED TO QUICKIE S646 7/26/02

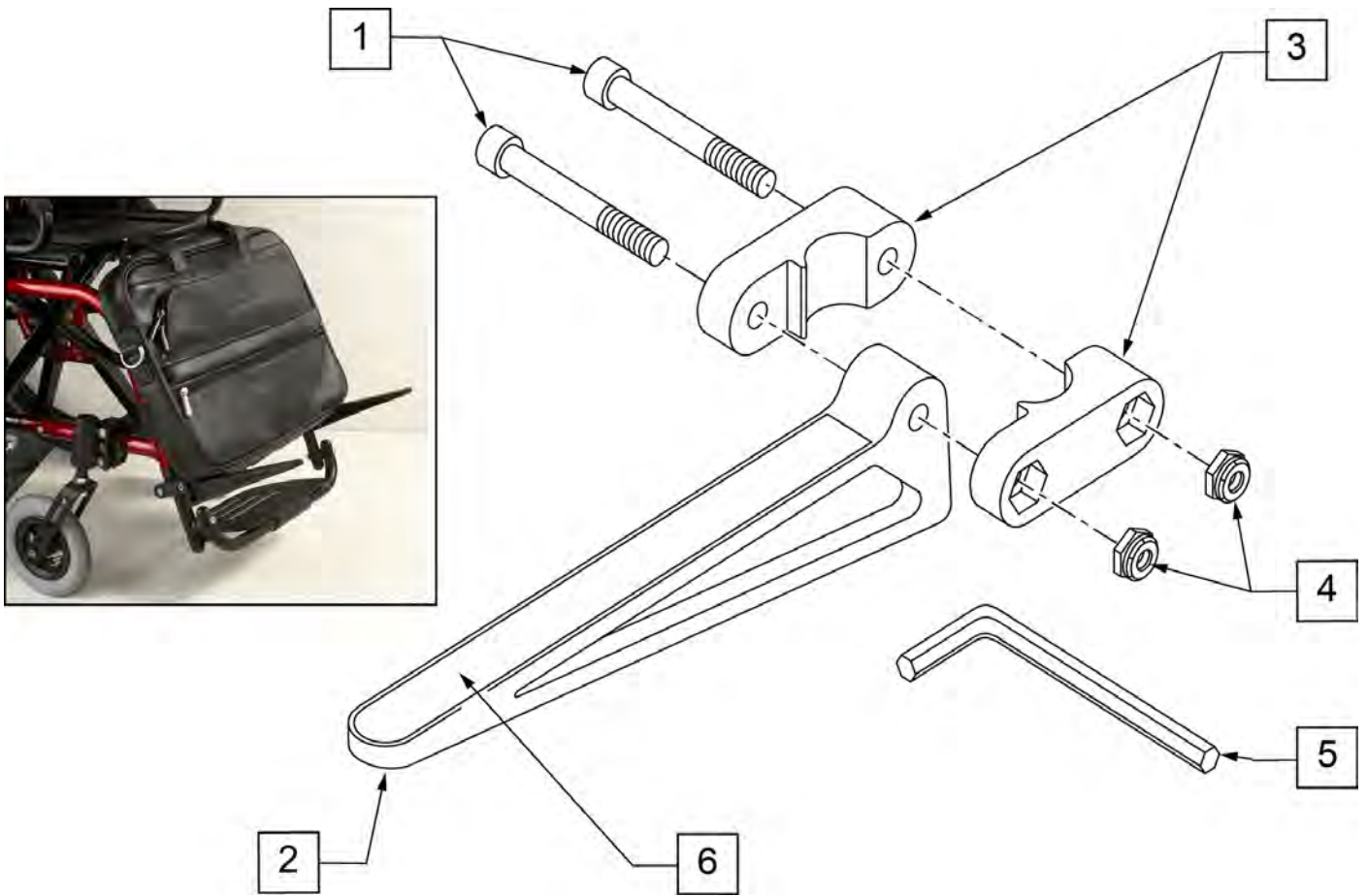


Pos.	Item Number	Description	Remarks
1	561059	3/4 OD x .318 ID WASHER	
2	106947	5/16 AN WASHER FLAT THIN	
3	226250	5/16 x 1 SH SHLDR BOLT 1"	
4	221016	1/4-28 x .63 SHCS BLK W/PL	
5	550576	CLAMP 2 1/4" THREADED BLK	
6	550477	CLAMP 2 1/4" RECESS BLK	
7	262114	1/4 WASHER HI COLLAR LOCK ZN	
8	107032	1/4-28 x 1 SOC C/S BLK	
9	526055	VENT TRAY CROSS TUBE S626	
10	505559	VENT TOP DRIVING LINK S626	
11	505558	VENT BOTTOM DRIVE LINK S626	

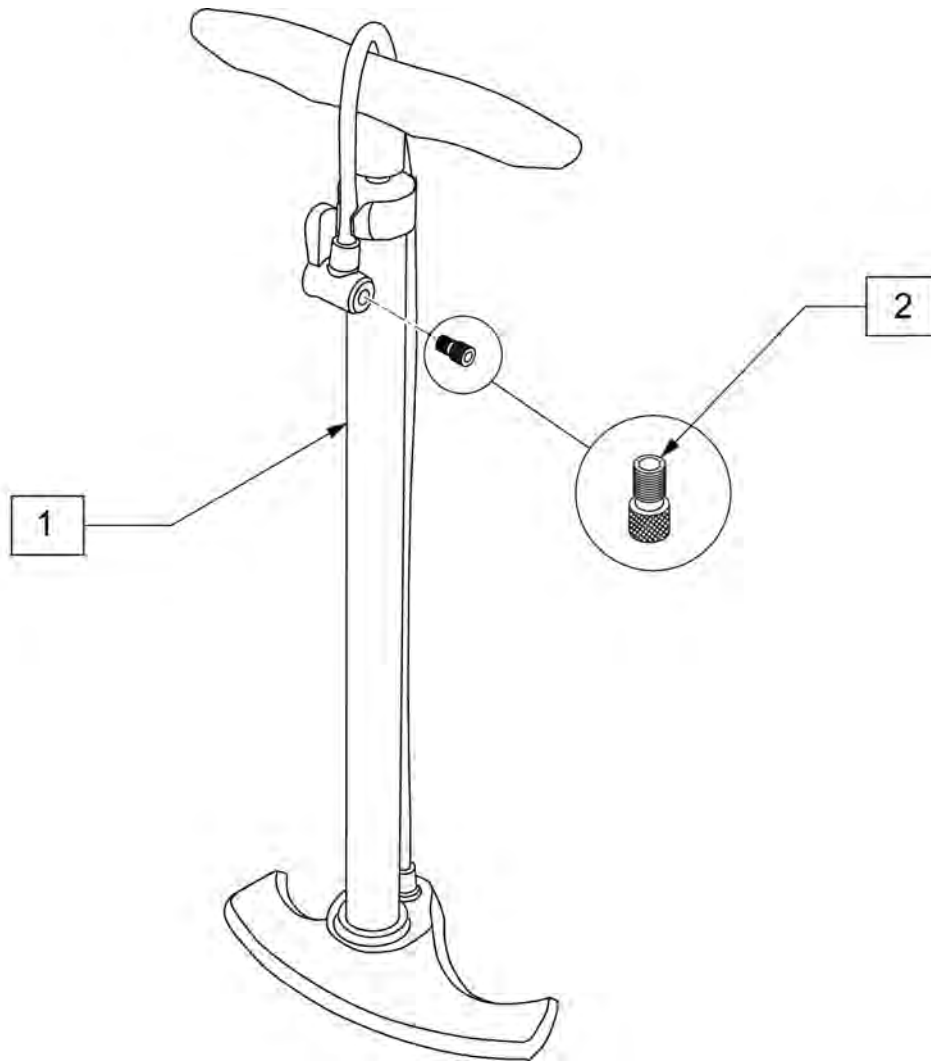
Pos.	Item Number	Description	Remarks
12	483198	VENT TRAY SPACER S626	
13	201105	1/4-20 NYLOCK NUT THIN	
14	505557	VENT TRAY S626	
15	920540	BATTERY BOX ASSM	FITS GROUP 22 BATTERY
16	226249	5/16 x 3/8 SH SHLDR BOLT 3/8"	
17	106947	5/16 AN WASHER FLAT THIN	
18	560249	5/16 ID x 1/4 IGLIDE BUSHING	
19	540207	VENT BATTERY CAGE WELDMNT S626	
20	221112	1/4-28 x 1 HEX C/S	
21	483199	VENT TRAY LINK S626	
22	360000	VENT TRAY VENT BUNGIE S626	
23	222205	1/4-14 x 1/2 PAN HEAD TP SCREW	
24	455037-QU	1/4 x 1 FLAT WASHER	
5-8	884101	VENT TRAY CLAMP ASSEMBLY S626	
1-4,9-14,16-22	884102	VENT TRAY ASSEMBLY S626	
1-24	920553	VENT TRAY/BATT BOX ASSEMBLY S626	



Pos.	Item Number	Description
1	502275	VENT TRAY S626
2	360000	VENT TRAY VENT BUNGIE S626
3	540217	VENT BATTERY CAGE WLDMNT S626
4	227110	1/4-28 x 1 BH C/S BLK ZN
5	920540	BTTRY BOX ASSM FRNT(GRP22)P120
6	201105	1/4-20 NYLOCK NUT THIN
7	455037-QU	1/4 x 1 FLAT WASHER
8	222205	1/4-14 x 1/2 PAN HEAD TP SCREW
9	561059	3/4 O.D. x .318 I.D. WASHER
10	561112	3/4 OD x .318 ID x .25 NYLON
11	560249	5/16 ID x 1/4 IGLIDE BUSHING
12	223116	5/16 x .75 SH SHLDR BLT W/PTCH
13	226333	1/4-20 x 5/8 BH C/S BLK W/PTCH
14	106947	WASHER FLAT THIN AN 5/16 ROHS
15	500229	UPPER VENT TRAY LINK
16	502281	LINK VENT TRAY UPPER
17	502280	LINK VENT TRAY LOWER
18	223117	5/16 x .50 SH SHLDR BLT
1-18	885075	VENT TRAY ASSM TILT/RECLINE
1-16	882019	LOCK OUT MECH TILT/RECLINE 626



Pos.	Item Number	Description	Remarks
1	106975	1/4-28 x 1 1/4 SOC C/S	
2	561105	CADDY ARM	Clamps on to Extension Tube (3/4" round and D2); Caddy Arm length is 7 1/2"
3	561104	CADDY CLAMP	Clamps on to Extension Tube (3/4" round and D2)
4	106935	1/4-28 NYLOCK NUT THIN	
5	349998	3/16" ALLEN WRENCH	
6	580050	CADDY TAPE	
1-6	902350	QUICKIE CADDY (PR)	



Pos.	Item Number	Description
1	389050	TIRE PUMP
2	381230	VALVE ADAPTER PRESTA

