



PARTS MANUAL

JANUARY 2017

Sunrise Medical appreciates your business. For your ordering convenience, our Customer Service Representatives can be contacted at:

**To place orders:
(800)333-4000**

Quickie Technical Assistance:

You can reach our Technical Support Team by choosing prompt 1 followed by the # sign, then prompt 2 for Technical Support. Choose option 1 for Quickie Technical Support.

**For Assistance with a Web Order,
or to sign up for sunrisemedical.com
(800) 333-4000 Option 5**

**FOR YOUR CONVENIENCE YOU MAY PLACE ORDERS THROUGH
OUR WEBSITE OR BY FAX 24 HOURS A DAY:**

www.sunrisemedical.com

Fax: (800)300-7502

For easy reference please fill in your Customer Number and Sunrise Account Manager's name.

Customer Account Number _____
Ship to Account Number _____
Sunrise Account Manager _____

*Part prices and configurations or specifications of products included in this Parts Manual are subject to change without prior notice.

QUICKIE S525	5
DISCONTINUED LETTER	5
QUICKIE S525 DISCONTINUED	5
BASE	5
FRAME	5
S525 FRAME	6
MOTORS	7
S525 MOTOR ASSEMBLY-DISCONTINUED	8
S525 MOTOR ASSEMBLY	9
S525 MOTORS-DISC-RETROFIT	10
DRIVE WHEELS	11
HUBLESS WHEEL RIM/TIRE/TUBE DISC	12
HUBLESS WHEEL RIM/TIRE/TUBE	13
12 X 4 DRIVE WHEEL	14
SOLID/SEMI PNEUMATIC WHEEL RIM/TIRE/TUBE	16
HUB WHEEL RIM/TIRE/TUBE	17
S525 WHEEL LOCK	18
CASTERS AND FORKS	18
S525 FORK ASSEMBLY	19
CASTERS & CASTER TIRES	20
S525 ANTI-TIP	21
SEATING AND POSITIONING	23
SEATING	23
POWERED SEATING	23
S525 PIVOT SYSTEM-DISC	23
S525 INTEGRATED TILT (PIVOT SYSTEM)	26
S525 TILT SYSTEM HARNESSSES	29
S525 INTEGRATED TILT SEAT FRAME MOUNT	30
S525 SEAT PAN	32
S525 SEAT CUSHION	33
FIXED REHAB SEATING	34
S525 SEAT FRAME INTERFACE	35
S525 FIXED SEAT FRAME	37
S525 SEAT SLING	39
S525 SEAT PAN	40
S525 SEAT CUSHION	41
CONTOUR SEATING	42
S525 SEAT FRAME INTERFACE	43
HIGHBACK CONTOUR SEAT (DELUXE)	45
CONTOUR SEAT	47
BACKRESTS AND UPHOLSTERY	48
TRAD REHAB FOLDING BACKREST	49
TRAD. REHAB NON-FOLDING BACKREST	53
JAY SOLID BACK (TRAD REHAB)	57
JAY PRECISION BACKREST	61
HEADRESTS	63
UNIVERSAL HEADREST MOUNTING KIT	64
HEADREST	65
LATERALS	65
LATERAL PAD ASSEMBLY	66
HANGERS & FOOTPLATES	66
S/A EXT MOUNT HANGERS	66
HANGERS	66
70 DEGREE SWING-AWAY HANGER	67
EXTENSIONS	67
DOUBLE D FOOTREST EXTENSION TUBE "OLD STYLE"	68
FOOTPLATES	69
COMPOSITE FOOTPLATE	70
ADULT ANGLE-ADJUSTABLE FOOTPLATE EXT MOUNT	72
KIDS ANGLE ADJUSTABLE FOOTPLATE EXT MOUNT	74
MULTI-POSITION FOOTPLATE	76
SOLID ONE PIECE FOOTREST	79
S/A DIRECT MOUNT HANGERS	83
HANGERS	83
90 DEG FRONT MOUNT HANGER SWING IN-OUT	84
90 DEGREE SWING-AWAY HANGER (DISC.4-21-15)	86
FOOTPLATES	86
ADULT ANGLE-ADJ FOOTPLATE FRONT MOUNT	87
KIDS ANGLE ADJ FOOTPLATE FRONT MOUNT	89
MANUAL ELR'S	91

MANUAL ELR HANGERS.....	91
POWER CHAIR ELR.....	92
ELEVATING HANGER CALF PAD 16-20".....	94
ELEVATING HANGER CALF PAD 14 -15".....	95
ELR ALUMINUM FOOTPLATE.....	96
ARMRESTS.....	96
SINGLE POST HEIGHT ADJUSTABLE ARMREST (POWER PRODUCTS).....	97
FLIP-BACK ARMREST FOR CONTOUR SEATING.....	99
DUAL POST HEIGHT ADJUSTABLE FLIP-BACK ARMREST.....	100
DUAL POST FIXED HEIGHT ARMREST.....	102
SINGLE-POST HT ADJUSTABLE ARMREST RECEIVER.....	104
DUAL-POST FLIP-BACK ARMREST RECEIVERS.....	105
ELECTRONICS.....	106
VSI.....	106
INTEGRAL JOYSTICK (VSI) (S525).....	107
ROUND ARM JOYSTICK MOUNT VSI/VR2/RNET.....	108
SWING AWAY ROUND ARM JOYSTICK MOUNT VSI/VR2/RNET.....	109
QTRONIX, VSI, VR2, & PILOT + PROGRAMMER.....	110
QTRONIX.....	110
QTRONIX REMOTE JOYSTICK.....	111
QTRONIX REMOTE JOYSTICK PARTS.....	112
SWING AWAY ROUND ARM JOYSTICK MOUNT QTRONIX.....	114
ROUND ARM JOYSTICK MOUNT QTRONIX.....	115
S525 QTRONIX & PILOT + CONTROLLER.....	116
ATTENDANT CONTROL.....	117
QTRONIX, VSI, VR2, & PILOT + PROGRAMMER.....	118
PILOT PLUS.....	118
PILOT + JOYSTICK.....	119
FIXED ROUND ARM JOYSTICK MOUNT PILOT +.....	121
SWING AWAY ROUND ARM JOYSTICK MOUNT PILOT +.....	122
S525 QTRONIX & PILOT + CONTROLLER.....	123
ATTENDANT CONTROL.....	124
QTRONIX, VSI, VR2, & PILOT + PROGRAMMER.....	125
JOYSTICK CENTER MOUNT.....	126
INTEGRAL CONTROL SYSTEM -DISC-PARTS ONLY.....	128
HEIGHT ADJ CLAMP FOR ROUND ARM JOYSTICK MOUNT.....	130
CLAMP FOR ROUND ARM JOYSTICK MOUNT.....	131
S525 TILT SYSTEM HARNESSSES.....	132
BATTERIES.....	132
BATTERY & CONTROLLER SUPPORT.....	133
OFF BOARD BATTERY CHARGERS.....	135
BATTERY & BATTERY BOX.....	136
S525 ALTERNATE BATTERY CHARGER PORT.....	137
SPECIALTY CONTROLS.....	137
QTRONIX USCM.....	138
MINI PROPORTIONAL CHIN CONTROL.....	140
SWITCH IT HEAD ARRAY PACKAGE.....	141
PENTA SWITCH PACKAGE.....	142
QUICKIE SIP N PUFF WITH STEALTH MOUNT.....	143
QUICKIE PROPORTIONAL HEAD CONTROL WITH STEALTH MOUNT.....	144
HMC MINI JOYSTICK WITH STEALTH MOUNT (HAND CONTROL).....	145
ASL HEAD ARRAY WITH STEALTH MOUNT.....	146
HMC MINI JOYSTICK WITH STEALTH MOUNT.....	148
MULTI-INPUT SWITCH BOX.....	149
SINGLE SWITCH DEVICES.....	150
ACCESSORIES.....	150
TUFFAK TRAY(POWER CHAIRS).....	151
LEG STRAPS.....	152
AUTO BUCKLE POSITIONING BELTS.....	153
POSITIONING BELT (VELCRO & PLASTIC BUCKLE).....	154
QUICKIE CADDY.....	155
BAGS AND POUCHES.....	155
BACKPACKS AND SEAT POUCHES.....	156
CASE LOGIC BAGS.....	157
CELL PHONE PACK.....	158
POWER CORD POUCH.....	159
TIRE PUMP.....	160

improving people's lives



Dear Valued Customer,

As of **1/15/2010**, the sale of **Quickie S525** has been discontinued. In compliance with Sunrise Medical's policy, replacement parts will continue to be available until **1/14/2016**. Effective **1/14/2016**, replacement parts for the **Quickie S525** will be obsolete and therefore no longer available for sale.

Sincerely,

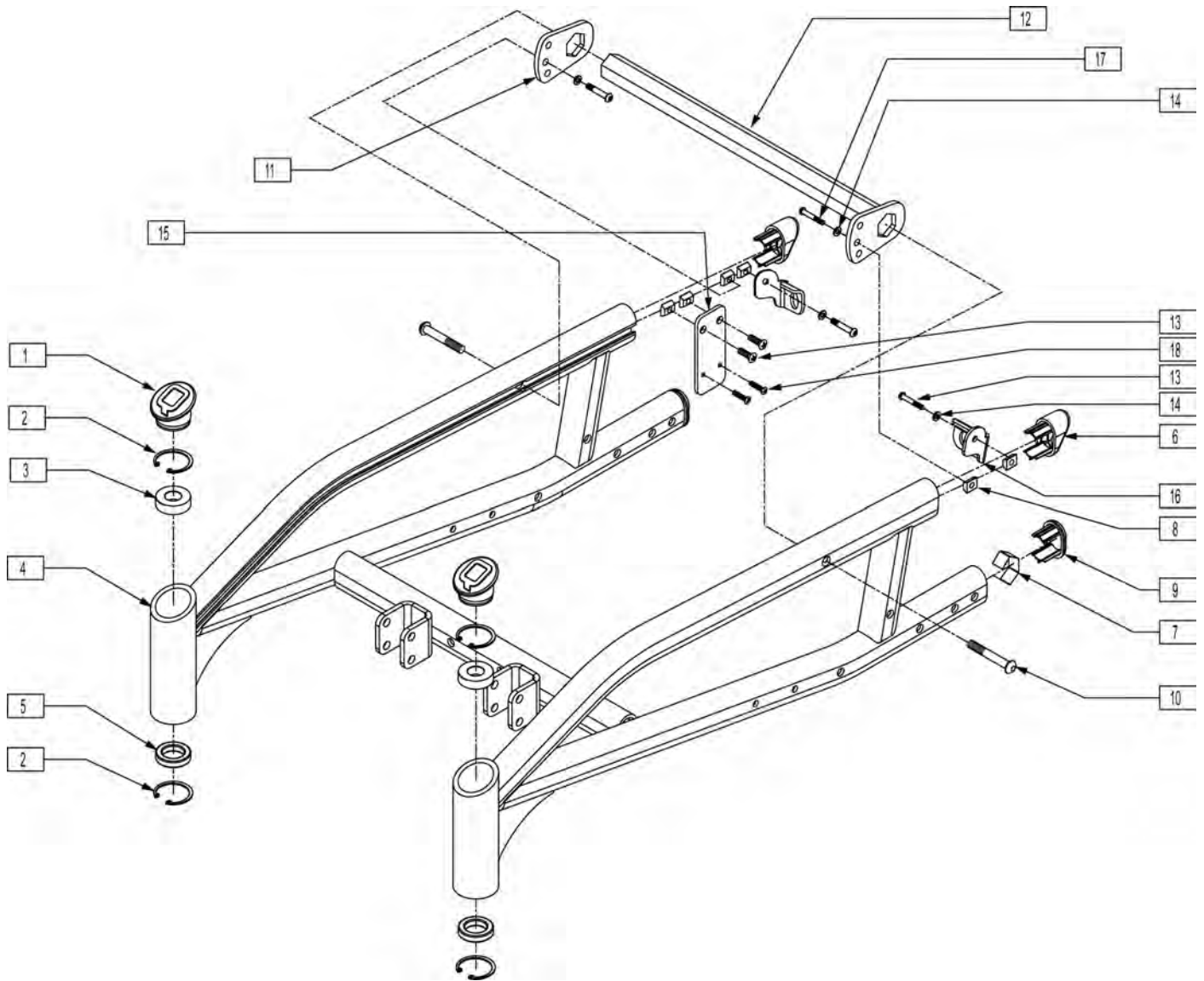
Sunrise Medical

6899 Winchester Circle, Suite 200 • Boulder, CO 80301 • USA

800.333.4000 www.SunriseMedical.com

Description

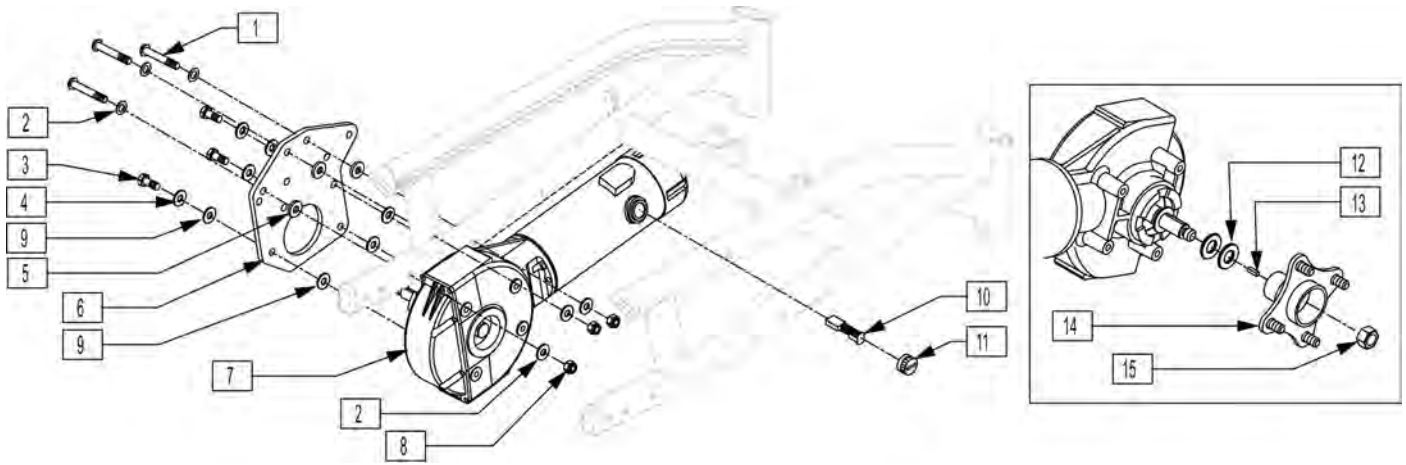
DISCONTINUED PRODUCT



Pos.	Item Number	Description	Remarks
1	567001	CASTER CAP S525	
2	340003	INTERNAL RETAINING RING 1.39	
3	349504	BEARING 32mm x 15mm x 9mm THICK	
5	349490	BEARING 32mm x 20mm x 7mm	
6	567004	END PLUG OVAL/BEVEL	
7	540189	END CAP SPRING S525	
8	481106-QU	1/4-28 CHANNEL NUT	
9	567003	END PLUG OVAL	
10	226228	3/8-16 x 2 BH C/S BLK	
11	505901	ANTI-ROTATE KEY PLATE ADJ S525	
12	505846	KEY BAR 16"	USED W/ FIXED SEAT ONLY - N/A WITH TILT -
12	505847	KEY BAR 18"	USED W/ FIXED SEAT ONLY - N/A WITH TILT -
12	505848	KEY BAR 20"	USED W/ FIXED SEAT ONLY - N/A WITH TILT -
13	221090	1/4-28 x 3/8 BH C/S BLK	

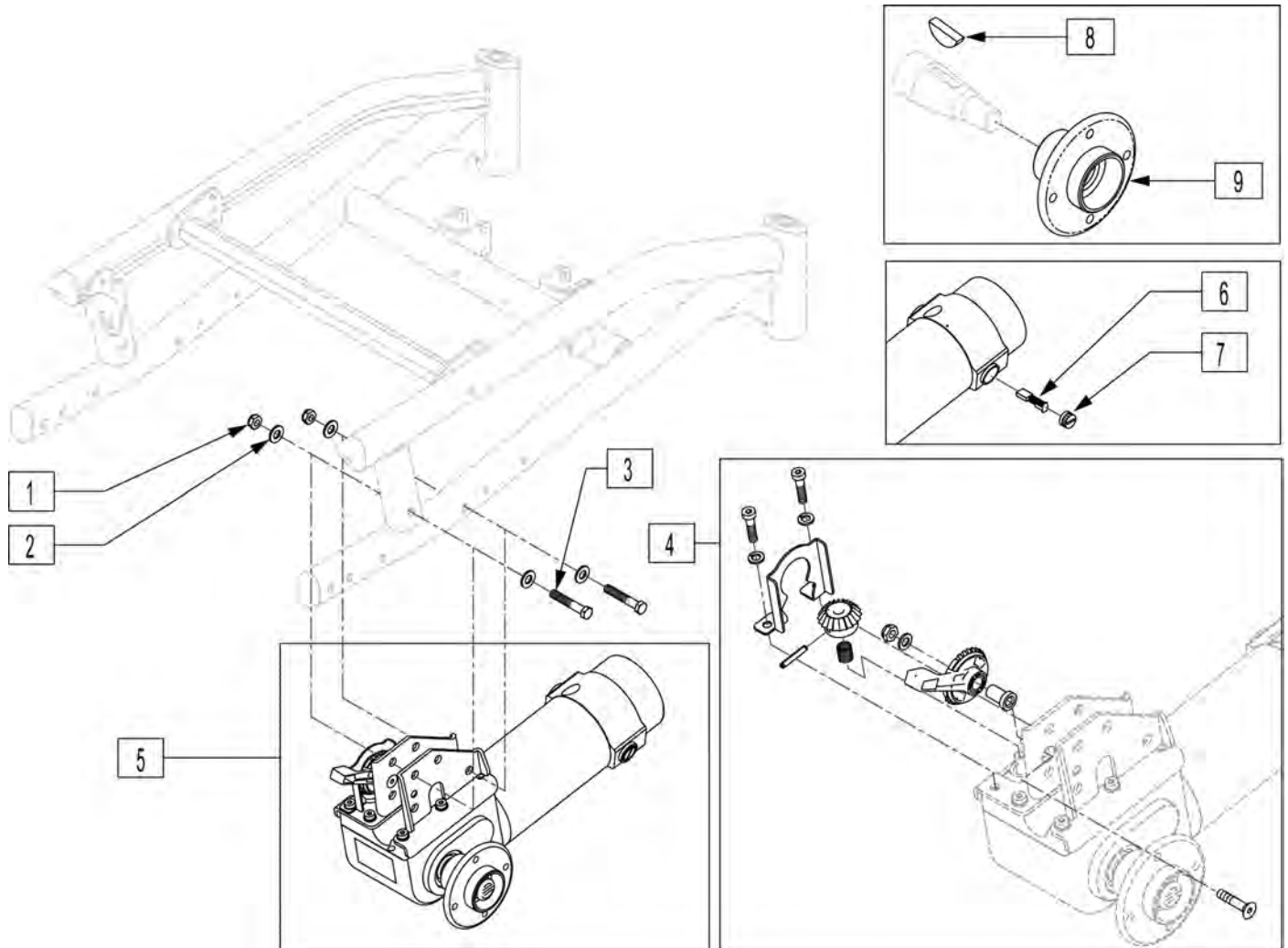
Pos.	Item Number	Description	Remarks
14	106943	1/4 AN WASHER FLAT	
15	550027	CONNECTOR PLATE S525	
16	505839	LATCH RECEIVER R S525	
16	505841	LATCH RECEIVER L S525	
17	221090	1/4-28 x 3/8 BH C/S BLK	
18	281071	6-32 x 1 PAN PHIL M/S ZN	
1-9, 13,17	662730S	BASE FRAME 14"-16" PNTD S525	
1-9, 13,17	662731S	BASE FRAME 17"-18" PNTD S525	
1-9, 13,17	662732S	BASE FRAME 19"-20" PNTD S525	

NOTE: Discontinued 12-02 fits chairs prior to serial # S52-19752.



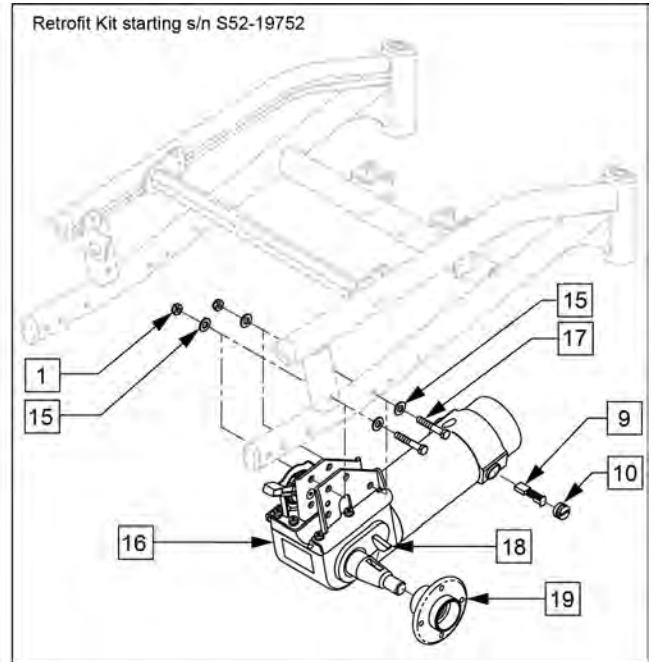
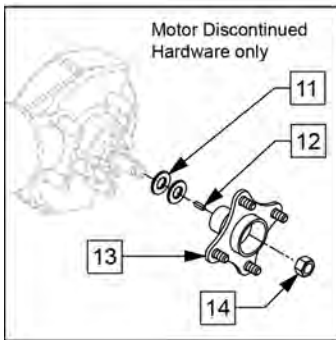
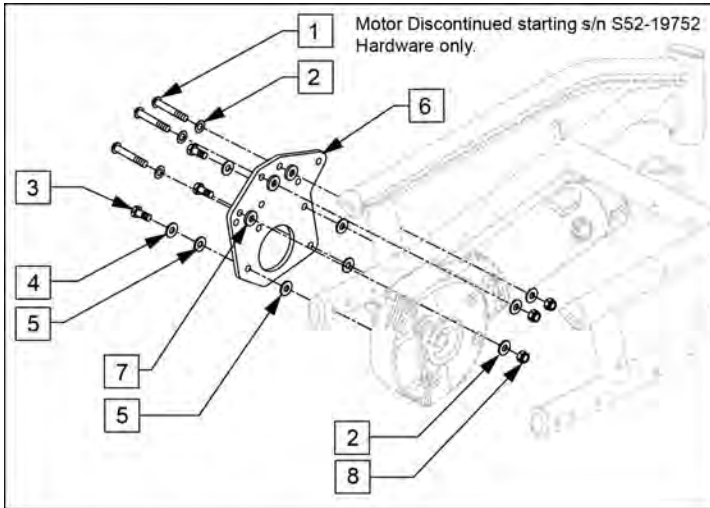
Pos.	Item Number	Description
1	226217	5/16-18 x 2 BH C/S BLK
2	106947	WASHER FLAT THIN AN 5/16 ROHS
3	222197	5/16-24 x 1 HEX C/S GRD 8
4	263118	5/16 WASHER TYPE B R SERIES
5	561059	3/4 OD x .318 ID WASHER
6	501740	MOTOR PLATE S525
8	202116	5/16-18 NYLOCK NUT THIN BLK
9	340018	RUBBER INSULATOR S525
12	264106	9/16" WASHER FLAT THICK
13	341265	KEY STEEL 5mm x 5mm x 20mm
14	501544	WHEEL HUB EXTENDED
15	210095	M12 X 1.75 LNUT CLASS10 W/PTCH
7,10	921823	RETRO FIT 250LB 4.5 MPH 12 X 4
7,10	921824	RETRO FIT 250LB 6.5 MPH 12 X 4
7,10	921825	RETRO FIT 350LB 4.5 MPH 12 X 4
7,10	921815	RTRO FT KT 250# 4.5MP 12X2 3/4
7,10	921816	RTRO FT KT 250# 6.5MP 12X2 3/4
7,10	921817	RTRO FT KT 350# 4.5MP 12X2 3/4
10,11	139197	BRUSH/CAP SET ASI

NOTE: Fits chairs after serial # S52-19752.



Pos.	Item Number	Description	Remarks
1	202116	5/16-18 NYLOCK NUT THIN BLK	
2	263100	5/16 AN WASHER FLAT	
3	222235	5/16-18 x 1 3/4" HEX C/S BLK	
4	922235	KIT COG RELEASE	
5	499936	S525 DR 4.5 250LB HUB 12X2.75R	
5	499937	S525 DR 4.5 250LB HUB 12X2.75L	
5	499938	S525 DR 6.5 250LB HUB 12X2.75R	
5	499939	S525 DR 6.5 250LB HUB 12X2.75L	
5	499940	S525 DR 4.5 350LB HUB 12X2.75R	
5	499941	S525 DR 4.5 350LB HUB 12X2.75L	
6,7	139197	BRUSH/CAP SET ASI (2 POLE)	Includes 3 Brushes and 2 caps
8	341269	#606 WOODRUFF KEY STEEL	
9	362249	HUB 5/16 INTRFACE ID C TS	

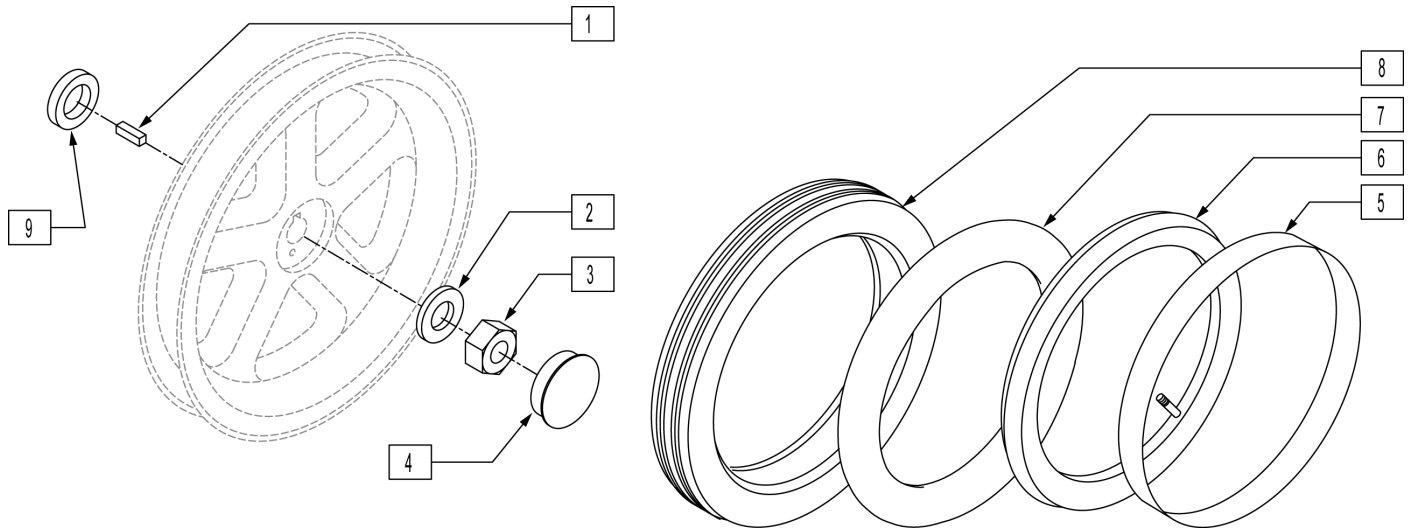
NOTE: Original S525 Motor Discontinued starting s/n S52-19752. Retrofit Kit Fits chairs after s/n S52-19752. When ordering Retrofit Kit replace Drive Wheels with Parts 762084, or 762085 Qty(2)



Pos.	Item Number	Description	Remarks
1	202116	5/16-18 NYLOCK NUT THIN BLK	
2	263110-QU	5/16 AN WASHER FLAT THIN	
3	222197	5/16-24 x 1 HEX C/S GRD 8	
4	263118	5/16 WASHER TYPE B R SERIES	
5	340018	RUBBER INSULATOR S525	
6	501740	MOTOR PLATE S525	
7	561059	3/4 OD X .318 ID WASHER	
8	202116	5/16-18 NYLOCK NUT THIN BLK	
9,10	139197	BRUSH/CAP SET ASI (2 POLE)	Includes 3 Brushes and 2caps
11	264106	9/16" WASHER FLAT THICK	
12	341265	KEY STEEL 5MMx 5MMx 20MM	
13	501544	WHEEL HUB EXTENDED	
14	210095	M12 X 1.75 LNUT CLASS10 W/PTCH	
15	263100	5/16 AN WASHER FLAT	
16	499936	S525 DR 4.5 250LB HUB 12X2.75R	Right
16	499937	S525 DR 4.5 250LB HUB 12X2.75L	Left

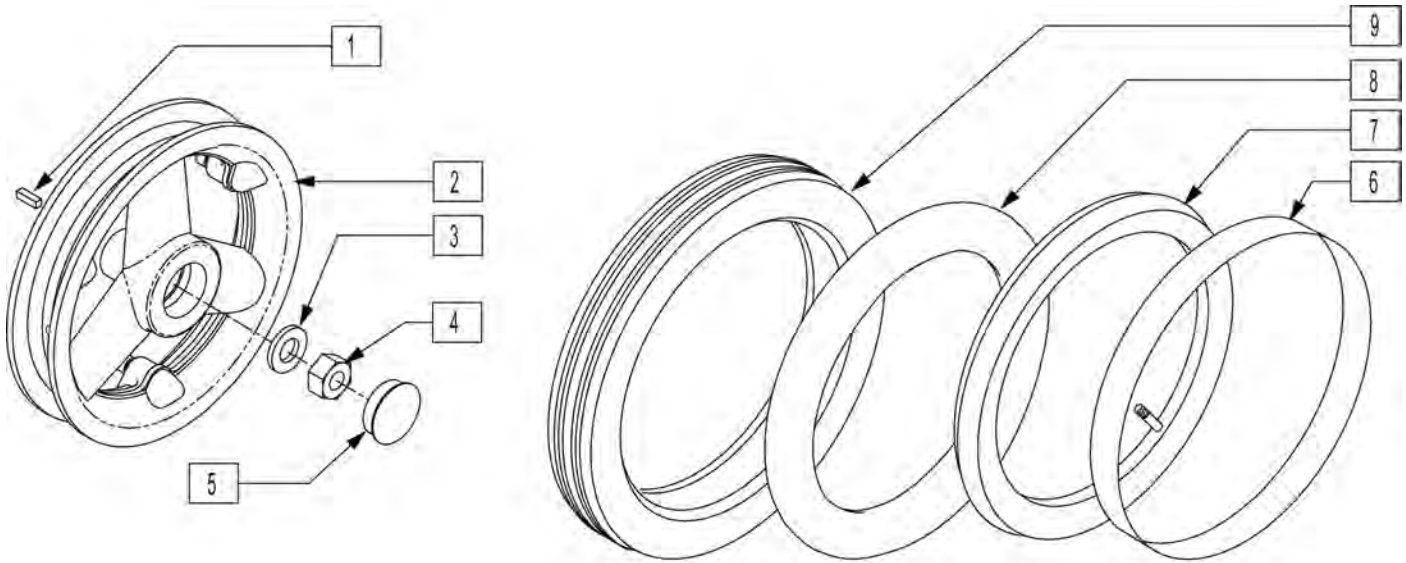
Pos.	Item Number	Description	Remarks
16	499938	S525 DR 6.5 250LB HUB 12X2.75R	Right
16	499939	S525 DR 6.5 250LB HUB 12X2.75L	Left
16	499940	S525 DR 4.5 350LB HUB 12X2.75R	Right
16	499941	S525 DR 4.5 350LB HUB 12X2.75L	Left
16	499942	S525 DR 4.5 250LB HUB 12X4 R	Right
16	499943	S525 DR 4.5 250LB HUB 12X4 L	Left
16	499944	S525 DR 6.5 250LB HUB 12X4 R	Right
16	499945	S525 DR 6.5 250LB HUB 12X4 L	Left
16	499946	S525 DR 4.5 350LB HUB 12X4 R	Right
16	499947	S525 DR 4.5 350LB HUB 12X4 L	Left
17	222235	5/16-18 NYLOCK NUT THIN BLK	
18	341269	#606 WOODRUFF KEY STEEL	
19	362249	HUB 5/16 INTRFACE ID C TS	
20	921818	KIT COG RELEASE	
1,15-17	921815	RTRO FT KT 250# 4.5MP 12X2 3/4	Motor Pair
1,15-17	921816	RTRO FT KT 250# 6.5MP 12X2 3/4	Motor Pair
1,15-17	921817	RTRO FT KT 350# 4.5MP 12X2 3/4	Motor Pair
1,15-17	921823	RETRO FIT 250LB 4.5 MPH 12 X 4	Motor Pair
1,15-17	921824	RETRO FIT 250LB 6.5 MPH 12 X 4	Motor Pair
1,15-17	921825	RETRO FIT 350LB 4.5 MPH 12 X 4	Motor Pair

NOTE: Discontinued 12-02; fits S525 prior to S52-19752.



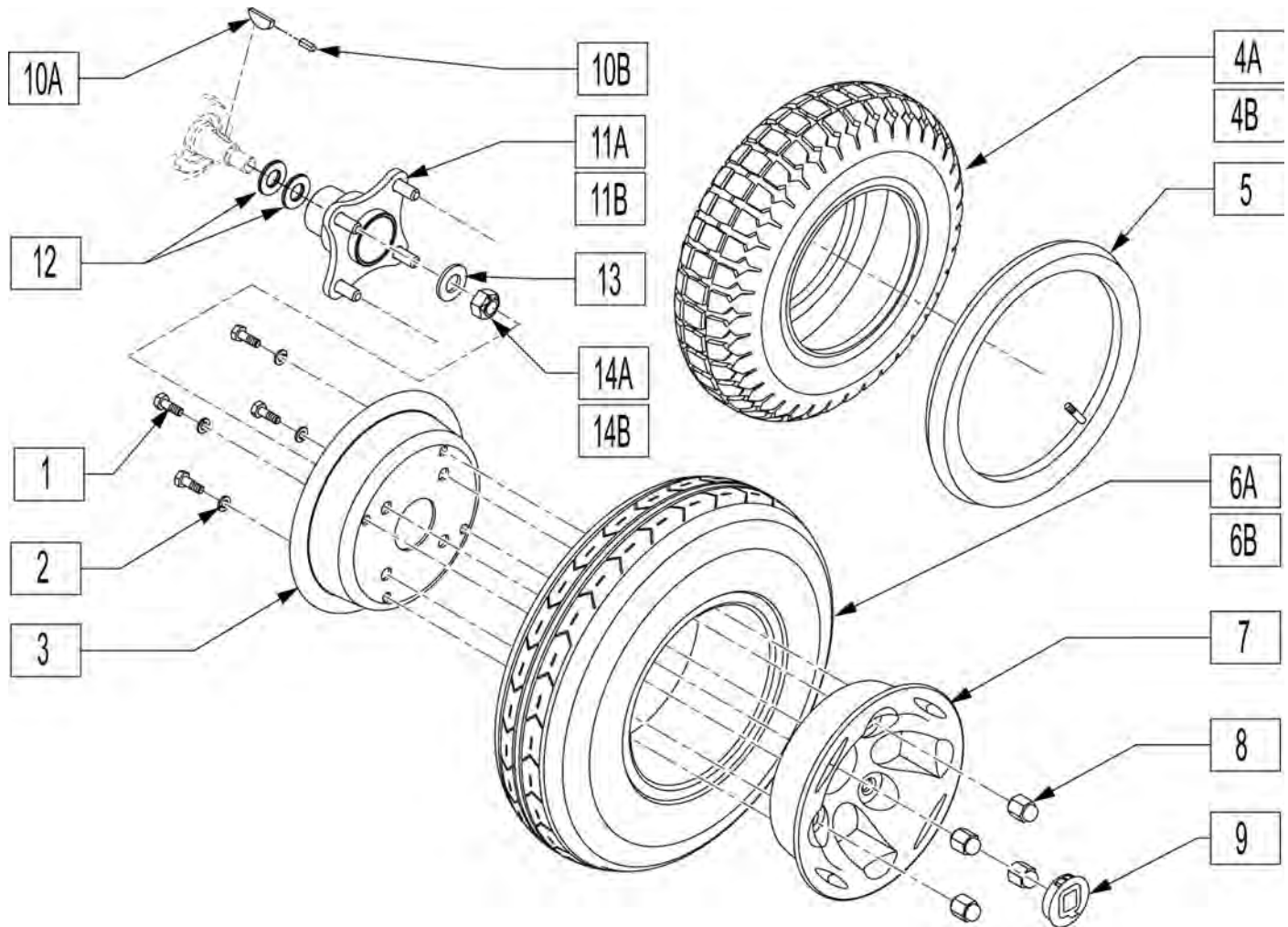
Pos.	Item Number	Description
1	341265	KEY STEEL 5mm x 5mm x 20mm
2	106949	1/2 AN WASHER FLAT
3	210095	M12 x 1.75 LNUT CLASS10 W/PTCH
4	560990	1 1/2" DOME PLUG
5	381241	RIM STRIP 12" P1/P5
6	384736	INNER TUBE 12-1/2" x 2-1/4"
6	384737	INNER TUBE 3.00-8 (14" x 3")
7	102972-001	12 1/2 IN AIRLESS INSERT
8	384706	TIRE PNEU 12-1/2" x 2-1/4"
8	384709	TIRE PNEU 14" x 3"
9	265160	SPACER 14" WHEEL P190

NOTE: Fits S525 before S52-019752



Pos.	Item Number	Description
1	341265	KEY STEEL 5mm x 5mm x 20mm
2	761739S	12-14" SPLIT RIM ASSM
3	106949	1/2 AN WASHER FLAT
4	210095	M12 x 1.75 LNUT CLASS10 W/PTCH
5	560990	1 1/2" DOME PLUG
6	381241	RIM STRIP 12" P1/P5
7	384736	INNER TUBE 12-1/2" x 2-1/4"
7	384737	INNER TUBE 3.00-8 (14" x 3")
8	382402	12-1/2" x 2-1/4" AIRLESS INSERT
9	384706	TIRE PNEU 12-1/2" x 2-1/4"
9	384709	TIRE PNEU 14" x 3"
2,6,7,9	761691S	12" MAG PNEU DIR DRV W/INSTRC
2,6,7,9	761696	Discontinued
2,8,9	761692	12" MAG PNEU INSRT DD W/INSTRC

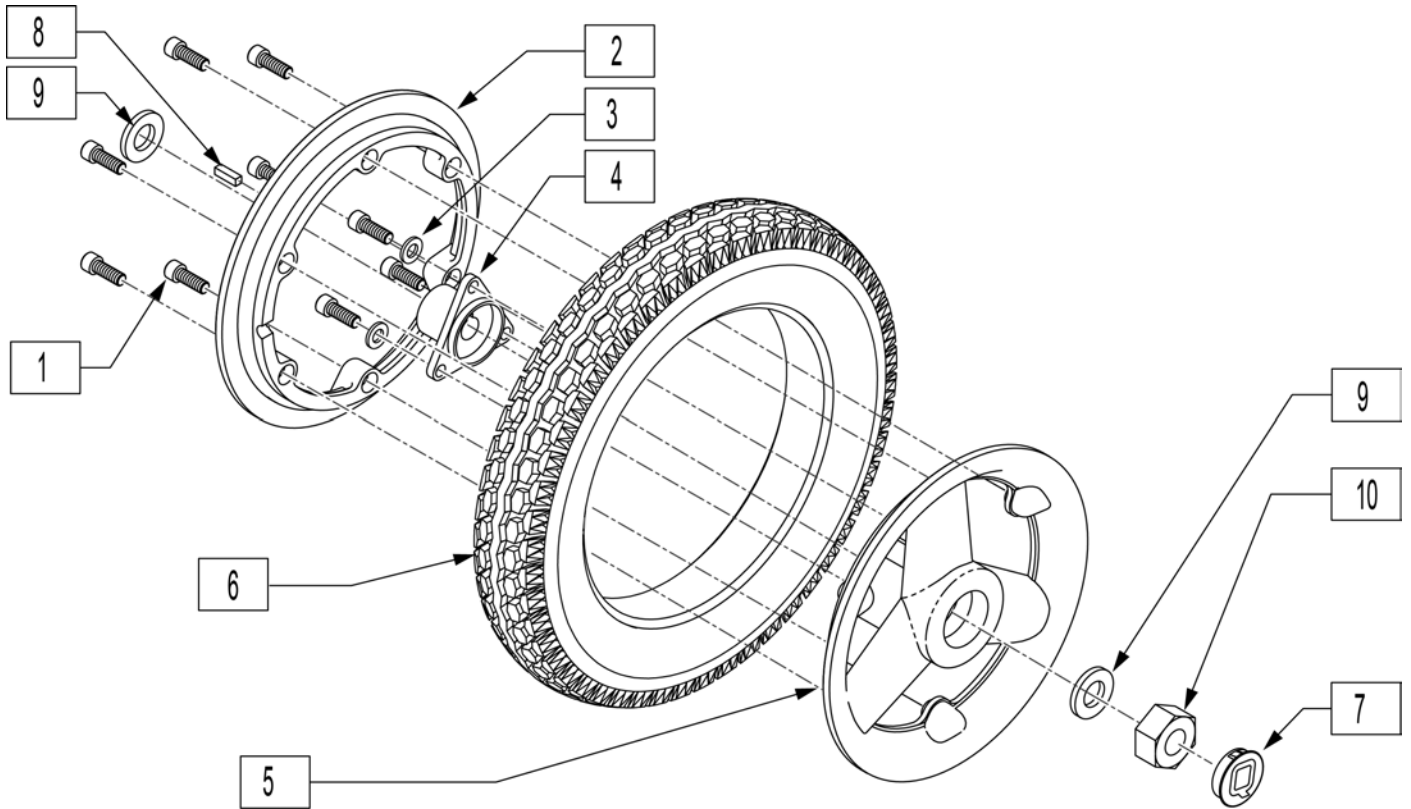
NOTE: EFFECTIVE ON S525 CHAIRS BUILT AFTER S/N S52-19752.



Pos.	Item Number	Description	Remarks
1	221105-QU	1/4-20 x 3/4 HEX C/S	
2	262122	1/4 WASHER LOCK ZN	
3	400781	12 x 4 INNER RIM BOLT-THRU	
4	384303	3.50 x 12" KNOBBY TIRE	
4A	384305	3.50 x 12" KNOBBY W/INSERT	
5	384729	INNER TUBE 12" x 3.50"	
6	384300	3.50 x 12" V-GROOVE TIRE	
6A	384302	3.50 x 12" V-GRV W/INSRT	
7	400780	12 x 4 OUTER RIM THREADED	
8	200135	CONICAL LUG NUT	
9	567002	WHEEL HUB CAP S525/G424	
1-3,5-7	761870	12" MAG PNEU V-GRV WHEEL ONLY	
1-3,6A,7	761871	12" MAG INST V-GRV WHEEL ONLY	
1-5,7	761872	12" MAG PNEU KNBBY WHEEL ONLY	
1-3,4A,7	761873	12" MAG INST KNBBY WHEEL ONLY	
10A	341269	#606 WOODRUFF KEY STEEL	Fits chairs after S/N S52-19752
10B	341265	KEY STEEL 5MM X 5MM X 20MM	Fits chairs prior to S/N S52-19752

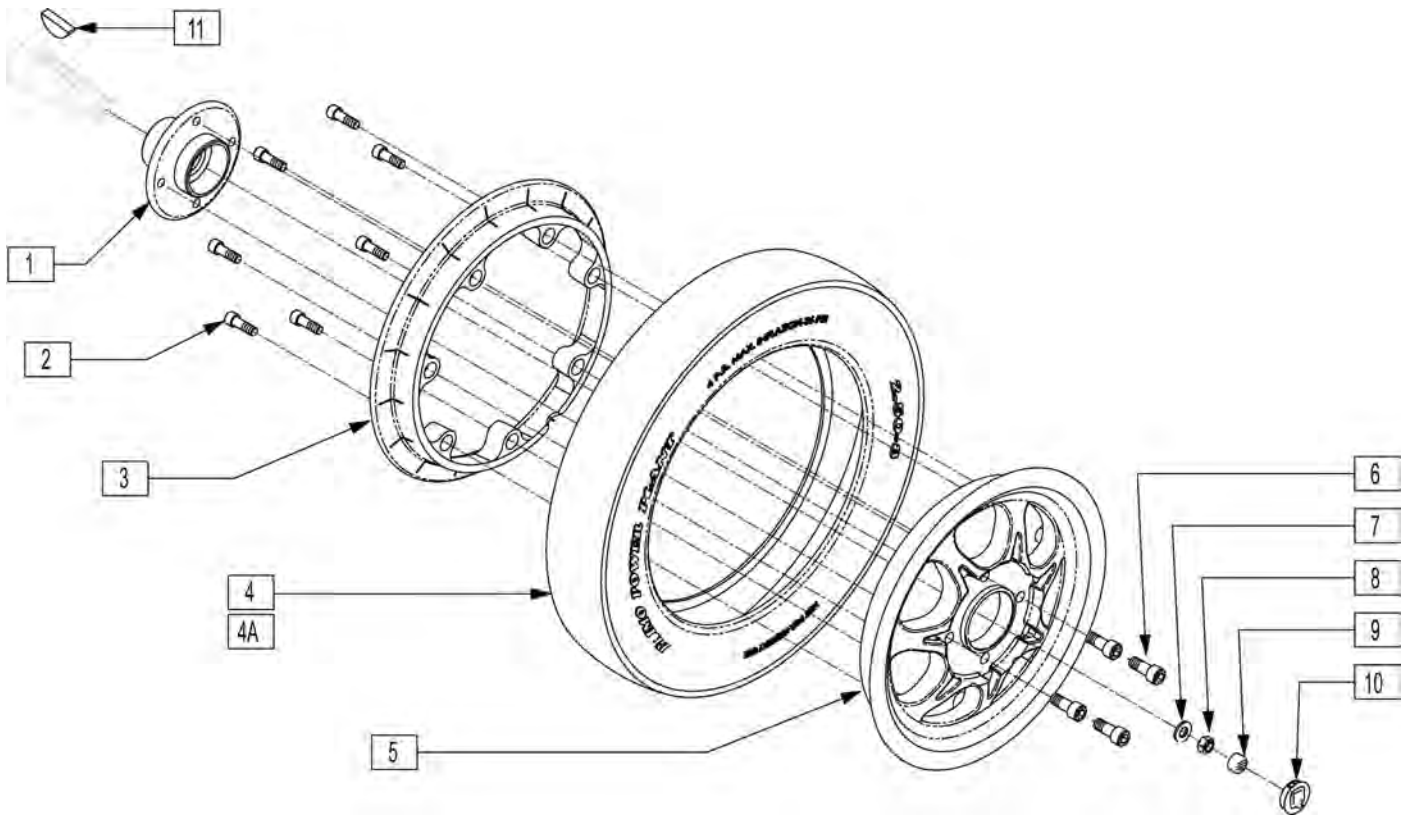
Pos.	Item Number	Description	Remarks
11A	262245	HUB 2" OFFSET ID A TS	Fits chairs after S/N S52-19752
11B	501544	WHEEL HUB EXTENDED	Fits chairs prior to S/N S52-19752
12	264106	9/16" WASHER FLAT THICK	Fits chairs after S/N S52-19752
13	264101	1/2 WASHER HARDENED FLAT	Fits chairs after S/N S52-19752
14A	210002	M12 X 1.75 ALL MTL PREV TRQ NT	Fits chairs after S/N S52-19752
14B	210095	M12 X 1.75 LNUT CLASS10 W/PTCH	Fits chairs prior to S/N S52-19752

NOTE: Discontinued 12/02 - parts only; fits chairs prior to s/n S52-019752

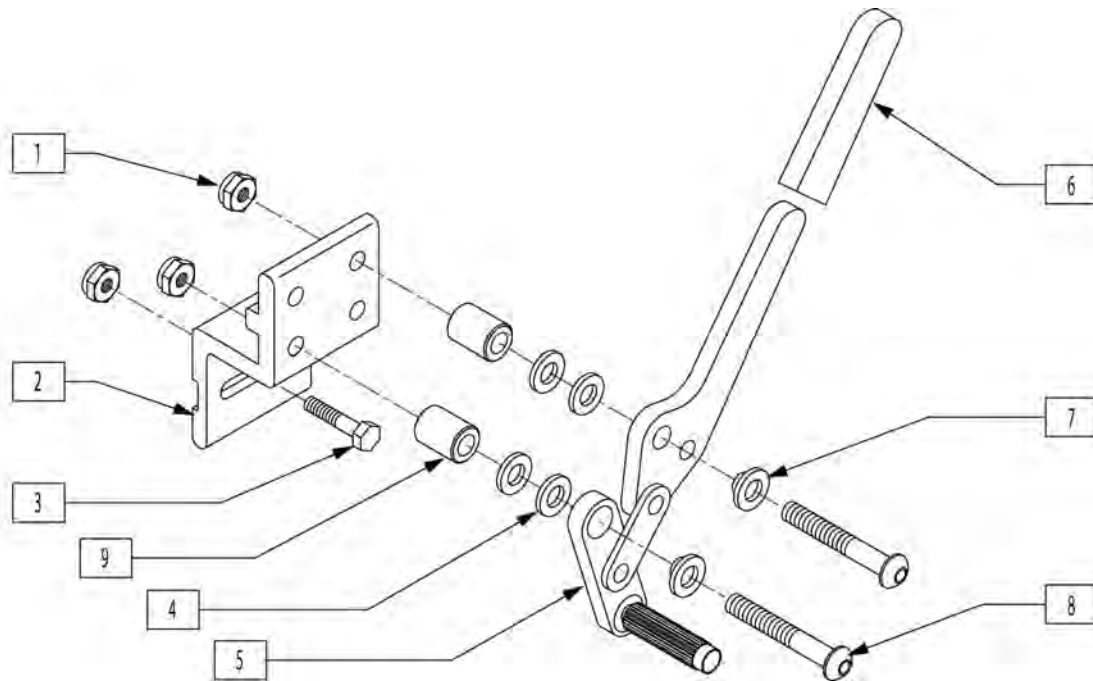


Pos.	Item Number	Description
1	222092	5/16-24 X 7/8 SOC C/S
1-5	761739	12-14" SPLIT RIM ASSM
6	382403	12 1/2 x 2 1/4 TIRE W/INSERT
7	567002	WHEEL HUB CAP S525/G424
8	265150	1" OD WASHER THRUST
9	341265	KEY STEEL 5mm x 5mm x 20mm
10	210095	M12 x 1.75 LNUT CLASS10 W/PTCH
1-6	761692	12" MAG PNEU INSRT DD W/INSTRC

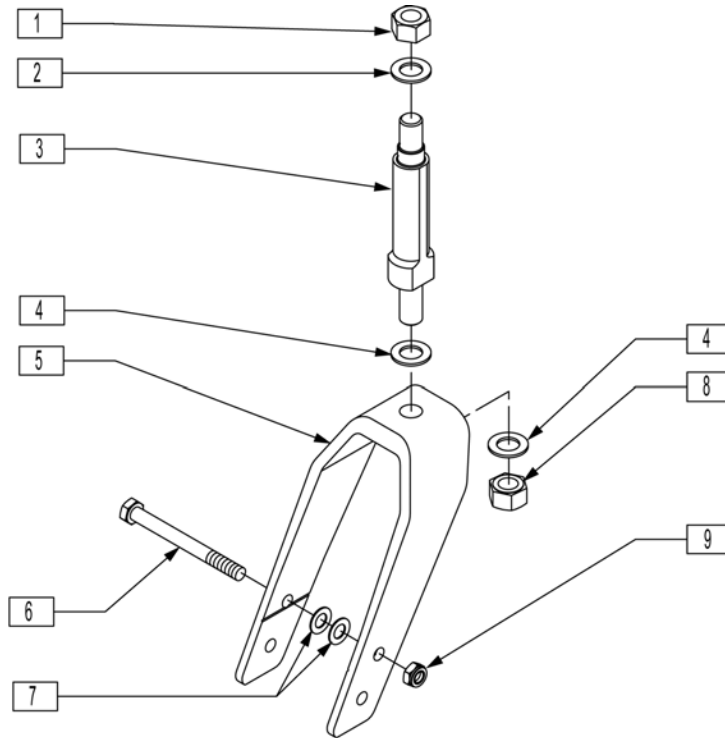
Note: fits chairs after S/N S52-19752



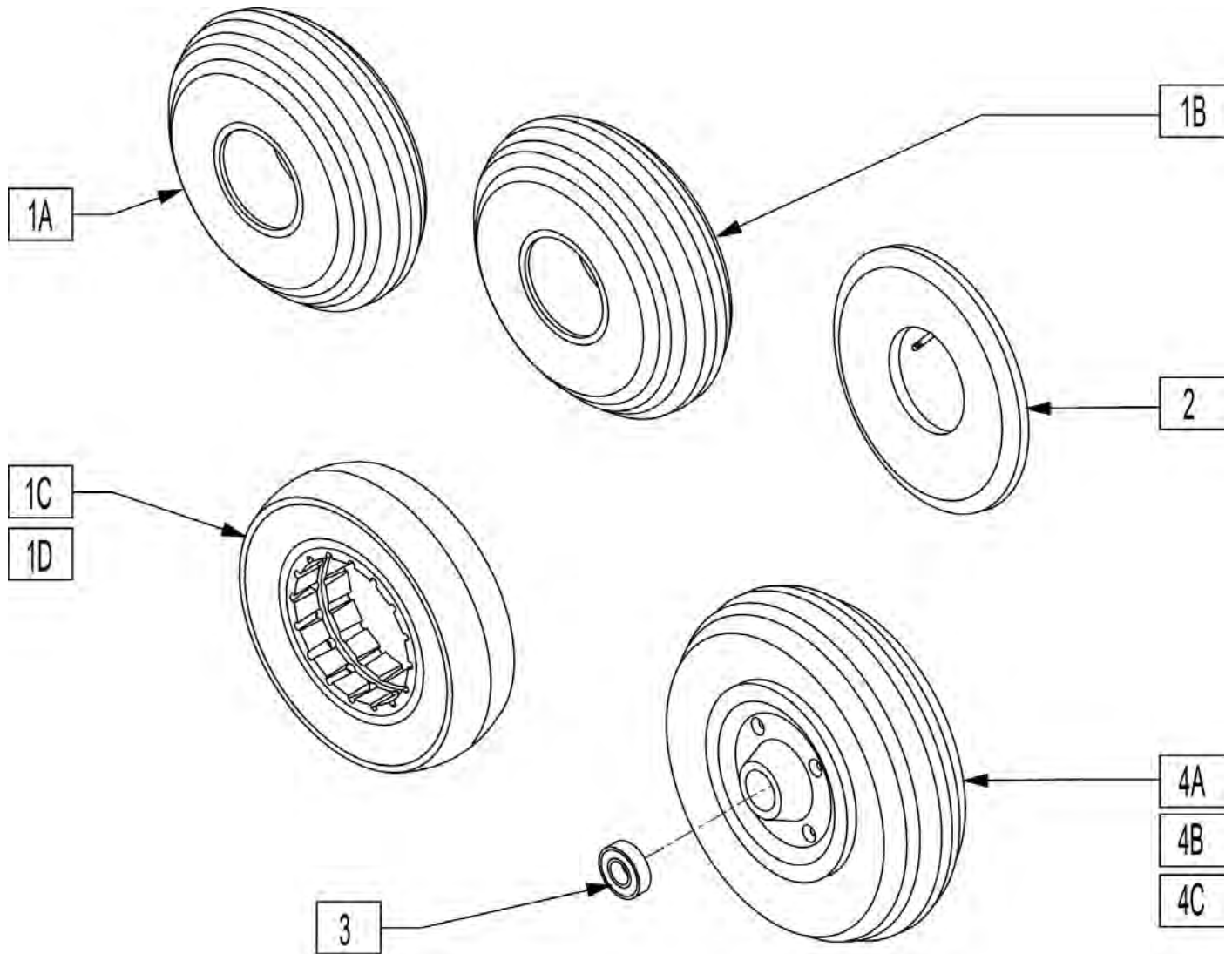
Pos.	Item Number	Description
1	362249	HUB 5/16 INTRFACE ID C TS
2	221115	1/4-20 x 3/4" SOC HD C/S BLK
4	382301	TIRE, KNOBBY 12x3 (2.50-8 C-177)
4	384739	INNER TUBE 14"x 3" 90D STEM
4A	382303	TIRE KNOBBY 12x3 FOAM FILL
6	222194	5/16-24 x 3/4 SHCS W/PTCH
7	264101	1/2 WASHER HARDENED FLAT
8	210002	M12 x 1.75 ALL MTL PREV TRQ NT
9	349611	VINYL PLUG 7/8 DIA
10	567002	WHEEL HUB CAP S525/G424
11	341269	#606 WOODRUFF KEY STEEL
2-5	762084	WHEEL 7 SPOKE 2.50-8 PNEU WO/HB
2,3,4A,5	762085	WHL 7 SPOKE 2.50-8 FOAM FILL WO/HB
1-6	762076	WHEEL 7 SPOKE 2.50-8 PNEU W/HUB
1-3,4A,5,6	762077	WHL 7 SPOKE 2.50-8 FOAM FILL W/HUB



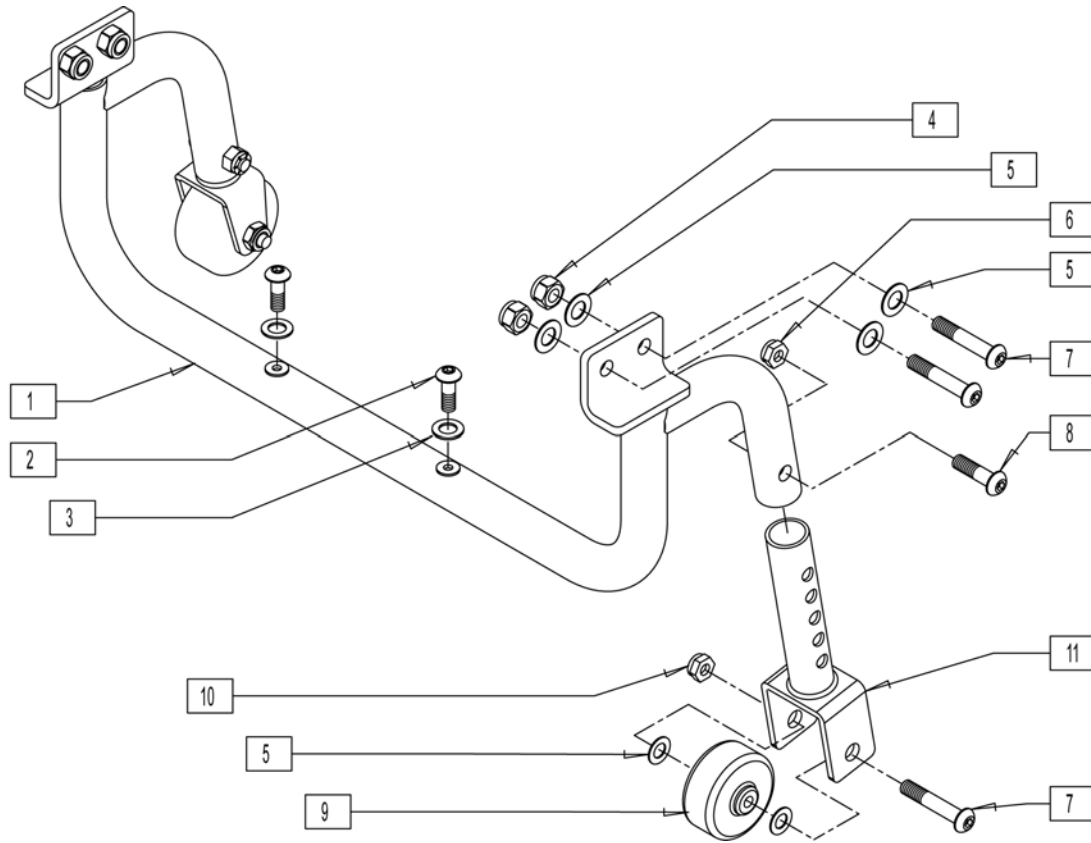
Pos.	Item Number	Description	Remarks
1	202300	1/4-28 NYLOCK NUT THIN BLK ZN	
2	550166	WHEEL LOCK MOUNT S525	
3	226222	1/4-28 x 1 1/2" G8 HEX C/S BLK	
4	561028	1/4 NYLON WASHER	
6	560500-QU	HB PLASTIC COVER	
7	560126	.250 ID .312 OD BUSHING PLASTIC	
8	226224	1/4-28 x 1 BH C/S BLK	
8	227130	1/4-28 x 1 1/2 BH C/S BLK ZN	
9	330031	SUSPENSION SPACER 1/2" P3	(1/2" SPACER)
1-8	881920	WHEEL LOCK ASSM R W/MOUNT	Used w/ 12X2.5 tire
1-8	881921	WHEEL LOCK ASSM L W/MOUNT	Used w/ 12X2.5 tire
1-8	921315	WHEEL LOCK ASSM W/MOUNT (PR)	Used w/ 12X2.5 tire
1-9	881922	WHEEL LOCK ASSM R W/MNT 1/2 SP	Used w/ 12X4 tire
1-9	881923	WHEEL LOCK ASSM L W/MNT 1/2 SP	Used w/ 12X4 tire
1-9	921316	WHEEL LOCK ASSM W/MOUNT 1/2 SP	Used w/ 12X4 tire



Pos.	Item Number	Description
1	106940	1/2-20 NYLOCK NUT
2	106949	1/2 AN WASHER FLAT
3	481771	CASTER STEM S525
4	264101	1/2 WASHER HARDENED FLAT
5	550730	8" x 2" FORK ONLY
6	226216	5/16-24 x 3 1/4" HEX C/S BLK G8
7	106947	5/16 AN WASHER FLAT THIN
8	203115	1/2-20 GRD C LOCK NUT
9	202106	5/16-24 NYLOCK NUT THIN BLK
3-5,8	780915	8" x 2" FORK/STEM S525
1-9	780922	8" x 2" FORK/STEM W/HDWR S525



Pos.	Item Number	Description	HCPC
1A	384700	TIRE PNEUMATIC 8" x 2"	E2214
1B	384701	TIRE FOAMED INSERT 8" x 2"	E2219
1C	384254	8" x 2" SOLID TIRE	E2215
1D	384253	7" x 1 3/4" SOLID TIRE	K0071
2	384730	INNER TUBE CASTER 8" x 2"	K0077
3	349502	7/8 X 5/16 BEARING	K0072
4	400700	8" x 2" CMPST W/PNEU & BRNG	E2221
4	400701	8" x 2" CMPST W/SOLID & BR	E2221
4A	400702	8" x 2" CMPST W/PNEU INSERT & BRNG	

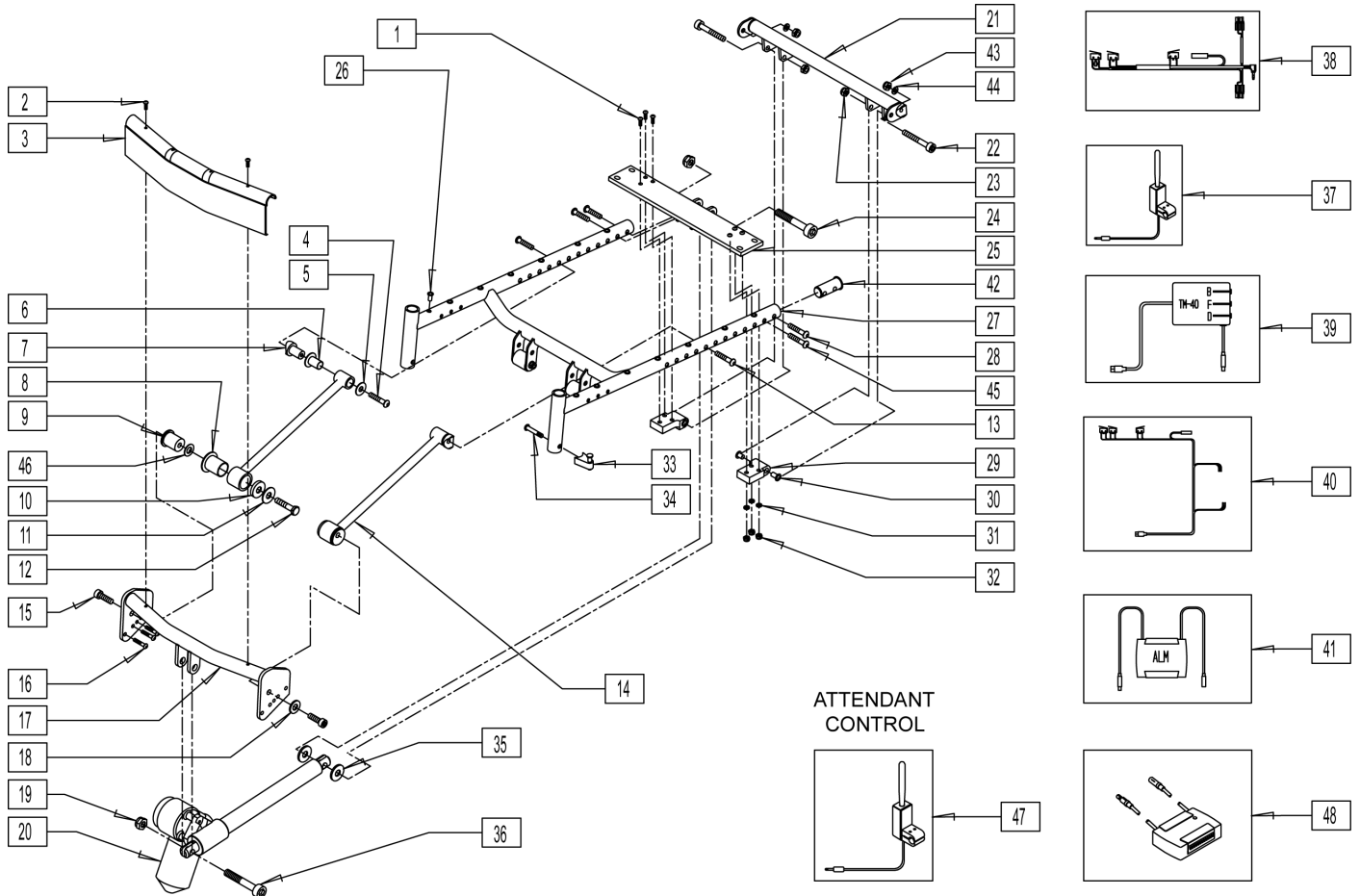


Pos.	Item Number	Description
1	885030	ANTI TIP BAR ASSM 14-16" S525
1	885031	ANTI TIP BAR ASSM 17-18" S525
1	885032	ANTI TIP BAR ASSM 19-20" S525
1	923503	ANTI TIP TRANS BAR ASSM 14-16"
1	923504	ANTI TIP TRANS BAR ASSM 17-18"
1	923505	ANTI TIP TRANS BAR ASSM 19-20"
2	221091	1/4-28 x 1/2 BH C/S BLK W/PTCH
3	106943	WASHER FLAT AN 1/4 ROHS
4	202117	5/16-18 NYLOCK NUT THICK BLK
5	106947	WASHER FLAT THIN AN 5/16 ROHS
6	204110	1/4-28 NYLOCK NUT BLK ZN
7	226218	5/16-18 x 1 3/4 BH C/S BLK
8	226223	1/4-28 x 1 1/4 BH C/S BLK
9	400010	WHEEL ONLY 2" x 7/8" ANTI-TIP
10	202116	5/16-18 NYLOCK NUT THIN BLK
11	505744	ANTI-TIP TUBE W/BRKT S525
5-11	881216	ANTI-TIP W/BRKT S525
1,4-11	921406	ANTI-TIP ASSM 14-16" S525
1,4-11	921408	ANTI-TIP ASSM 17-18" S525
1,4-11	921410	ANTI-TIP ASSM 19-20" S525
1,4-11	921416	ANTI TIP RETRO KIT 14-16" S525
1,4-11	921418	ANTI TIP RETRO KIT 17-18" S525
1,4-11	921420	ANTI TIP RETRO KIT 19-20" S525
1,4-11	920940	TRANS RETRO FIT KIT 14-16W
1,4-11	920941	TRANS RETRO FIT KIT 17-18W
1,4-11	920942	TRANS RETRO FIT KIT 19-20W

NOTE: DISCONTINUED - FITS S525 CHAIRS PRIOR TO SERIAL NUMBER S52-20011.

NOTE: WHEN GROWING THE SEAT FRAME IN WIDTH, THE BASE FRAME MAY NEED TO BE CHANGED, SEE BASE FRAME SECTION OF THE PARTS MANUALS FOR WIDTH RANGE OF BASE FRAME.

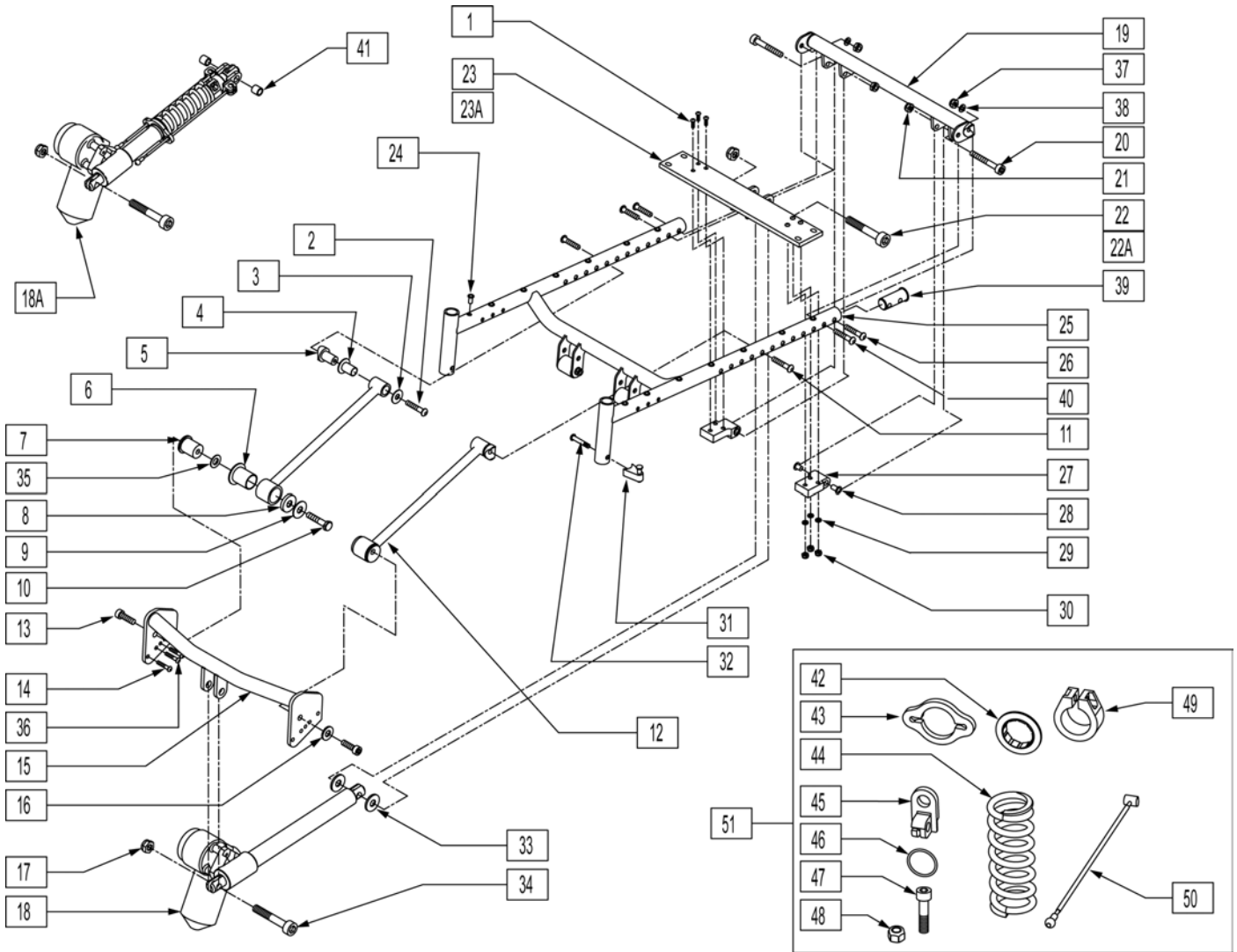
NOTE: IF RETROFITTING A TILT ONTO AN EXISTING CHAIR PLEASE CONTACT SUNRISE MEDICAL TECHNICAL SUPPORT TO ENSURE ALL REQUIRED PARTS ARE PURCHASED.



Pos.	Item Number	Description	Remarks
1	226223	1/4-28 x 1 1/4" BH C/S BLK	
2		#10 x 3/4" PAN HD PHLLP SHT MTL	NO LONGER AVAILABLE
3		TILT FRONT SHROUD	NO LONGER AVAILABLE
4	226283	5/16-18 x 1/2 BH C/S BLK ZN	
5	263109	5/16 FENDER WASHER SS 3/4" OD	
6	560401	NYLINER BUSHING (10L7-F)	
7	481793	TILT LINKAGE SADDLE UPPER	
8	560403	NYLINER BUSHING (16L16-F)	
9	481794	TILT LINKAGE SADDLE (14")	
9	481795	TILT LINKAGE SADDLE (15"-20")	
10	481796	TILT SADDLE WASHER	
11	263137	3/8 x 1-1/4 FENDER WASHER SS	
12	221251	3/8-16 x 1/2 HEX HD C/S CL ZN	
13	226217	5/16-18 X 2" BH C/S BLK	16" only
14	505926	TILT LINKAGE ARM W/SOCKETS	
15	226326	3/8-16 x 1-1/4 G8 SH C/S BLK	

Pos.	Item Number	Description	Remarks
16	226071	1/4-28 x 1/2 BH C/S BLK	
17	505923	TILT STRUT TUBE W/TAB 16"	
17	505924	TILT STRUT TUBE W/TAB 18"	
17	505925	TILT STRUT TUBE W/TAB 20"	
18	263139	3/8 WASHER THIN	
19	201262	3/8-16 NYLOCK NUT	
20	880869	ACTUATOR TILT W/CONNECTORS	
21	540380	BACK TUBE WLDMNT 14	
21	881324	BACK TUBE ASSY S52 TILT 15"	
21	881325	BACK TUBE ASSY S52 TILT 16"	
21	881326	BACK TUBE ASSY S52 TILT 15"	
21	881327	BACK TUBE ASSY S52 TILT 18"	
21	540385	BACK TUBE WLDMNT 19" STL S525	
21	540386	BACK TUBE WLDMNT 20" STL S525	
22	226323	5/16 x 1 3/4 SOC C/S SHLDR SS	
23	106932	1/4-20 NYLOCK NUT HIGH	
24	226324	1/2 x 1 3/4 SOC C/S SHLDR SS	
25	505920	TILT REAR MNT PLATE W/TAB 16"	
25	505921	TILT REAR MNT PLATE W/TAB 18"	
25	505922	TILT REAR MNT PLATE W/TAB 20"	
28	226218	5/16-18 x 1 3/4" BH C/S BLK	
29	550466	TILT RR PIVOT BLOCK	
29	550666	TILT LR PIVOT BLOCK	
30	560444	IGLIDE G300 BUSHING	
31	106944	1/4 AN WASHER FLAT THIN	
32	202300	1/4-28 NYLOCK NUT THIN BLK ZN	
33	105787	PRSD A/A LATCH BLOCK NUT ASSM	
34	106982	BHCS 5/16-18 X 1-3/4 SHLD ROHS	
35	261531	ACTUATOR THRUST WASHER	
36	226325	1/2 x 1 1/2 SOC C/S SHLDR SS	
37	881338	TOGGLE SWITCH ASSY TILT R	
37	881318	TOGGLE SWITCH ASSY TILT L	
38	139034	HRNSS M40 TILT CNTRL LWR ST SW	
39	881347	TM40 TILT CONTROL ASY 6 AMP	
40	139231	TILT SWITCH HARNESS	
41	881342	PILOT + ALM ASSY 6 AMP	
42	483185	SEAT END PLUG	
43	202117	5/16-18 NYLOCK NUT THICK BLK	
44	263100	5/16 AN WASHER FLAT	
45	226231	5/16 -18 x 2 1/2 BH C/S BLK	
46	561270	3/8 x 5/8 x .060 NYLON WASHER	USE 1 PER SIDE IF ITEM 9 MEASERES 2" LONG
46	881394	ATTN TGGLE SWTH ASSM TLT VLCRO	
47	881395	ATTN TGGLE SWTH ASSM TLT L	
47	881396	ATTN TGGLE SWTH ASSM TLT R	
48	882690	PILOT + ALM W/VELCRO AUX INPUT	
33,34	107491	LATCH STUD KIT	
1,29-32	881331	TILT REAR PIVOT BLOCK ASSY R	
1,29-32	881332	TILT REAR PIVOT BLOCK ASSY L	
4-12,14,47	881321	TILT LINACK ARM ASSM (EA)14"	
4-12,14	881322	TILT LINACK ARM ASSM (EA)15"- 20"	
21-23, 28,42-46	881323	BACK TUBE ASSY S52 TILT 14"	
21-23, 28,42-46	881324	BACK TUBE ASSY S52 TILT 15"	
21-23, 28,42-46	881325	BACK TUBE ASSY S52 TILT 16"	
21-23, 28,42-46	881326	BACK TUBE ASSY S52 TILT 17"	
21-23, 28,42-46	881327	BACK TUBE ASSY S52 TILT 18"	
21-23, 28,42-46	881328	BACK TUBE ASSY S52 TILT 19"	
21-23, 28,42-46	881329	BACK TUBE ASSY S52 TILT 20"	

Pos.	Item Number	Description	Remarks
26,27	661070S	TILT S/F PNTD 14"	
26,27	661071S	TILT S/F PNTD 15"	
26,27	661072S	TILT S/F PNTD 16"	
26,27	661073S	TILT S/F PNTD 17"	
26,27	661074S	TILT S/F PNTD 18"	
26,27	661075S	TILT S/F PNTD 19"	
26,27	661076S	TILT S/F PNTD 20"	



Pos.	Item Number	Description	Remarks
1	226223	1/4-28 x 1 1/4" BH C/S BLK	
2	226283	5/16-18 x 1/2 BH C/S BLK ZN	
3	263109	5/16 FENDER WASHER SS 3/4" OD	
4	560401	NYLINER BUSHING (10L7-F)	
5	481793	TILT LINKAGE SADDLE UPPER	
6	560403	NYLINER BUSHING (16L16-F)	
7	481794	TILT LINKAGE SADDLE (14")	
7	481795	TILT LINKAGE SADDLE (15"-20")	
8	481796	TILT SADDLE WASHER	
9	263137	3/8 x 1-1/4 FENDER WASHER SS	
10	221251	3/8-16 x 1/2 HEX HD C/S CL ZN	
11	226217	5/16-18 X 2" BH C/S BLK	16" ONLY
12	505926	TILT LINKAGE ARM W/SOCKETS	
13	226326	3/8-16 x 1-1/4 G8 SH C/S BLK	
14	226071	1/4-28 x 1/2 BH C/S BLK	
15	505923	TILT STRUT TUBE W/TAB 16"	
15	505924	TILT STRUT TUBE W/TAB 18"	
15	505925	TILT STRUT TUBE W/TAB 20"	
16	263139	3/8 WASHER THIN	

Pos.	Item Number	Description	Remarks
17	201262	3/8-16 NYLOCK NUT	
18	138351	ACT 1350LB 150 STRK -120 DEG	
18A	883175	ACT ASSM 525 176-250	
19	540380	BACK TUBE WLDMNT 14	
19	881324	BACK TUBE ASSY S52 TILT 15"	
19	881325	BACK TUBE ASSY S52 TILT 16"	
19	881326	BACK TUBE ASSY S52 TILT 15"	
19	881327	BACK TUBE ASSY S52 TILT 18"	
19	540385	BACK TUBE WLDMNT 19" STL S525	
19	540386	BACK TUBE WLDMNT 20" STL S525	
20	226323	5/16 x 1 3/4 SOC C/S SHLDR SS	
21	106932	1/4-20 NYLOCK NUT HIGH	
22	226324	1/2 x 1 3/4 SOC C/S SHLDR SS	
22A	221712	1/2 x 3-1/4 SOC C/S SHLDR SS	
23	505920	TILT REAR MNT PLATE W/TAB 16"	
23	505921	TILT REAR MNT PLATE W/TAB 18"	
23	505922	TILT REAR MNT PLATE W/TAB 20"	
23A	541137	MOUNT ACTUATOR REAR WIDE-16	
23A	541138	MOUNT ACTUATOR REAR WIDE-18	
23A	541139	MOUNT ACTUATOR REAR WIDE-20	
26	226218	5/16-18 x 1 3/4" BH C/S BLK	
27	550466	TILT RR PIVOT BLOCK	
27	550666	TILT LR PIVOT BLOCK	
28	560444	IGLIDE G300 BUSHING	
29	106944	1/4 AN WASHER FLAT THIN	
30	202300	1/4-28 NYLOCK NUT THIN BLK ZN	
31	105787	PRSD A/A LATCH BLOCK NUT ASSM	
32	106982	BHCS 5/16-18 X 1-3/4 SHLD ROHS	
33	482010	SPACER ACTUATOR	
34	226325	1/2 x 1 1/2 SOC C/S SHLDR SS	
35	561270	3/8 x 5/8 x .060 NYLON WASHER	
36	221091	1/4-28 x 1/2 BH C/S BLK W/PTCH	
37	202117	5/16-18 NYLOCK NUT THICK BLK	
38	263100	5/16 AN WASHER FLAT	
39	483185	SEAT END PLUG	
40	226231	5/16 -18 x 2 1/2 BH C/S BLK	
41	521560	+3/4" CASTER STEM SPACER BLK	
42	505909	COLLAR GUIDE	
43	505908	SPRING COLLAR	
44	321176	SPRING COMP 4-5/8 x 400 LBS/IN	
45	505907	CLEVIS	
46	349586	O-RING .975ID 1.395OD	
47	221116	1/4-20 x 1 SOC HD BLK	
48	201114	1/4-20 NYLOCK NUT BLK ZN	
49	505903	CLAMP ACTUATOR ASSIST	
50	139250	CABLE	
51	883154	SUPER SEAL SPRING ASSM HDWR	
31,32	107491	LATCH STUD KIT	
1,27-30	881331	TILT REAR PIVOT BLOCK ASSY R	
1,27-30	881332	TILT REAR PIVOT BLOCK ASSY L	
2-10,12,35	881321	TILT LINACK ARM ASSM (EA)14"	
2-10,12	881322	TILT LINACK ARM ASSM (EA)15"- 20"	
19-21,26,37-40	881323	BACK TUBE ASSY S52 TILT 14"	
19-21,26,37-40	881324	BACK TUBE ASSY S52 TILT 15"	
19-21,26,37-40	881325	BACK TUBE ASSY S52 TILT 16"	
19-21,26,37-40	881326	BACK TUBE ASSY S52 TILT 17"	
19-21,26,37-40	881327	BACK TUBE ASSY S52 TILT 18"	

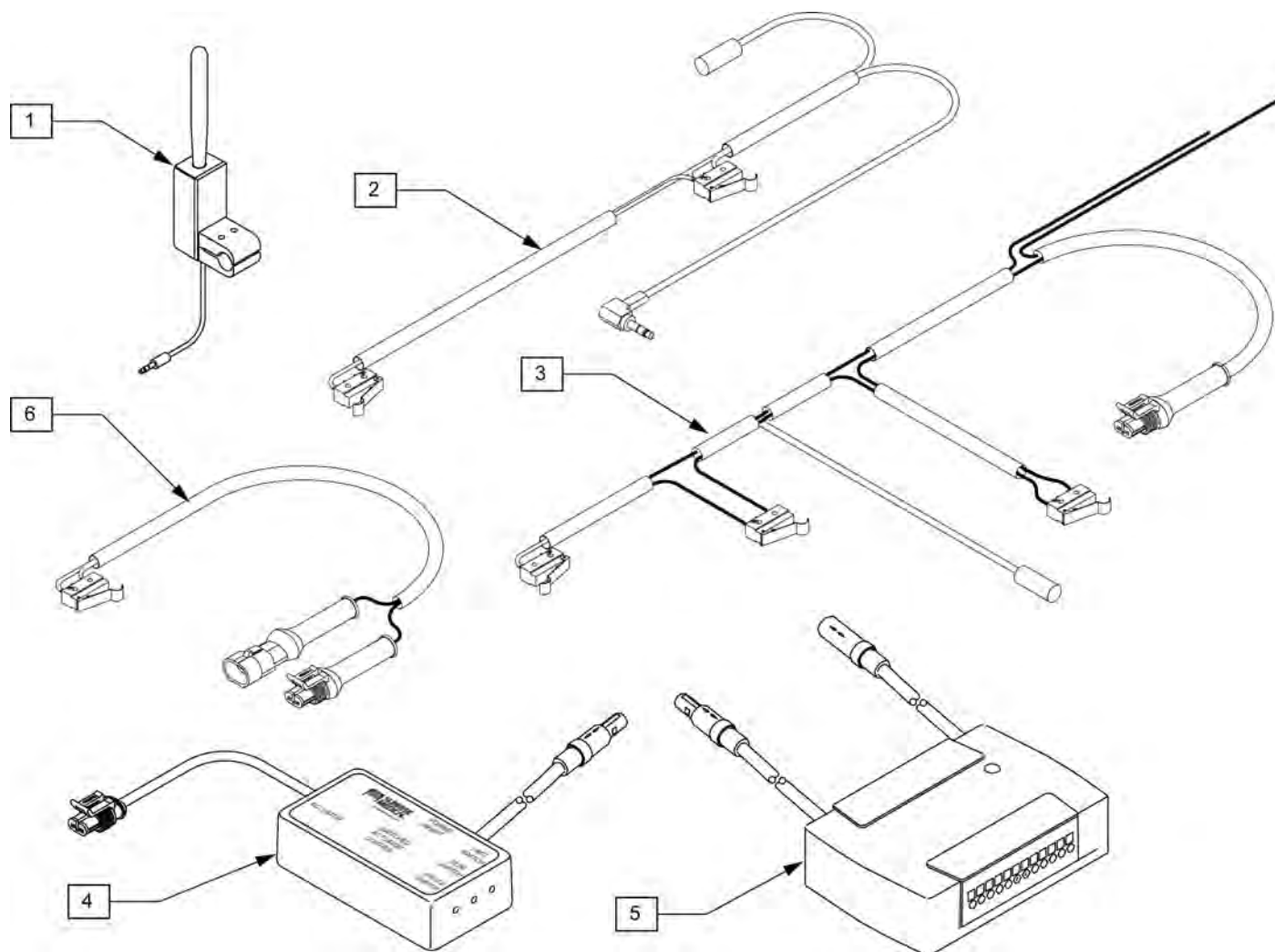
Pos.	Item Number	Description	Remarks
19-21,26,37-40	881328	BACK TUBE ASSY S52 TILT 19"	
19-21,26,37-40	881329	BACK TUBE ASSY S52 TILT 20"	
24,25	661070S	TILT S/F PNTD 14"	
24,25	661071S	TILT S/F PNTD 15"	
24,25	661072S	TILT S/F PNTD 16"	
24,25	661073S	TILT S/F PNTD 17"	
24,25	661074S	TILT S/F PNTD 18"	
24,25	661075S	TILT S/F PNTD 19"	
24,25	661076S	TILT S/F PNTD 20"	

NOTE: EFFECTIVE AFFTER SERIAL NUMBER S52-20011.

NOTE: WHEN GROWING THE SEAT FRAME IN WIDTH, THE BASE FRAME MAY NEED TO BE CHANGED, SEE BASE FRAME SECTION OF THE PARTS MANUALS FOR WIDTH RANGE OF BASE FRAME.

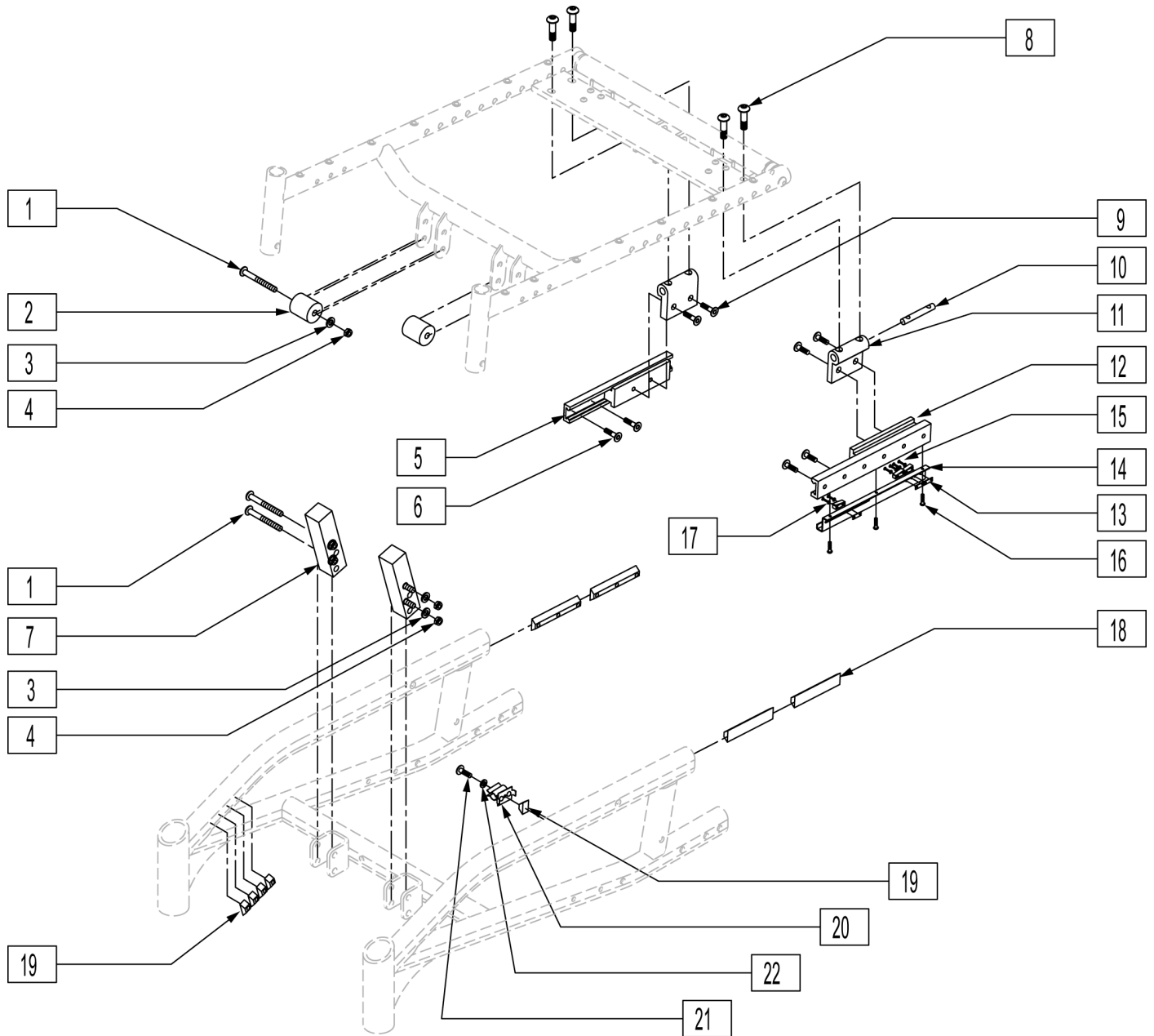
NOTE: IF RETROFITTING A TILT ONTO AN EXISTING CHAIR PLEASE CONTACT SUNRISE MEDICAL TECHNICAL SUPPORT TO ENSURE ALL REQUIRED PARTS ARE PURCHASED.

EFFECTIVE AFTER SERIAL NUMBER S52-20011.



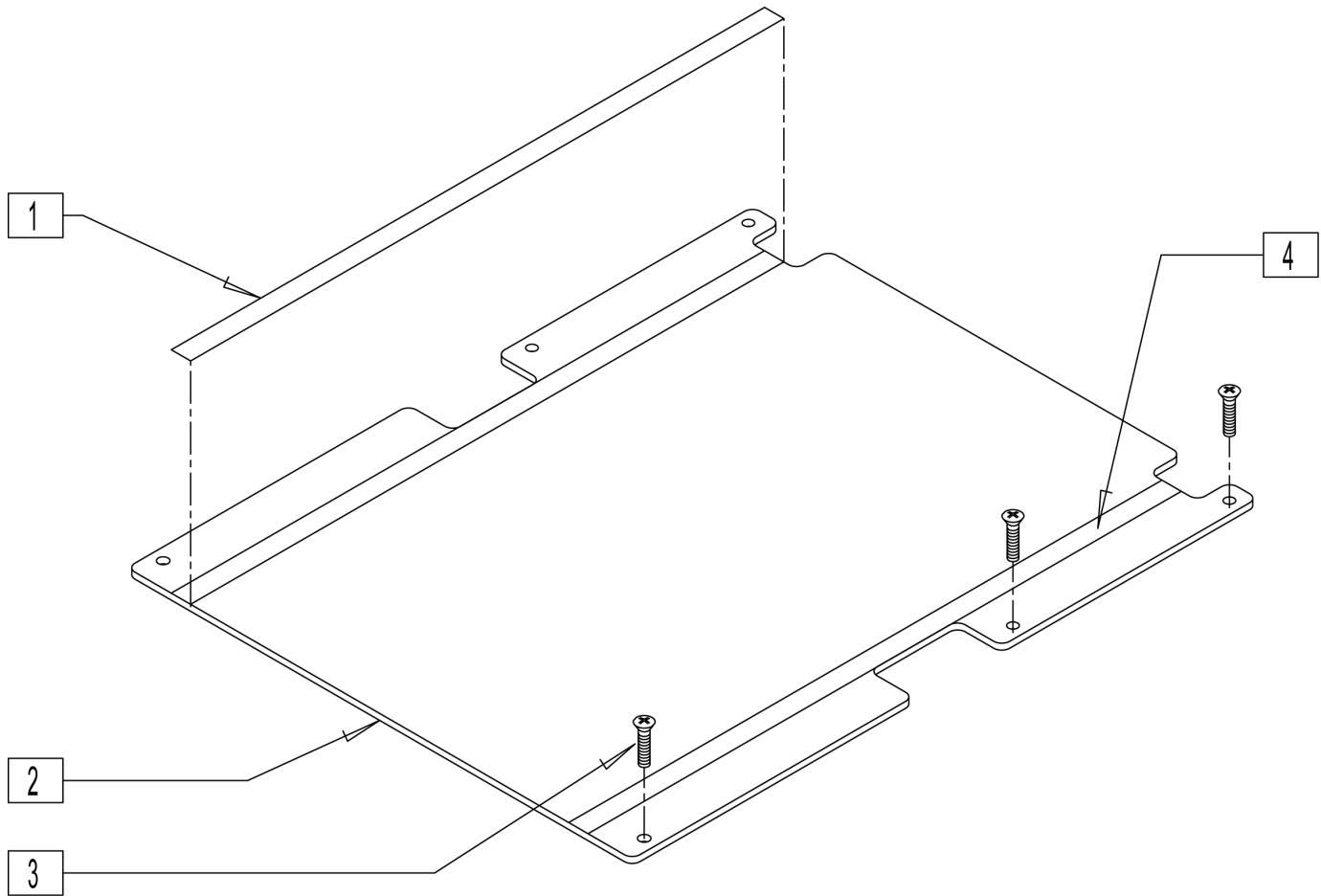
Pos.	Item Number	Description	Remarks
1	881338	TOGGLE SWITCH ASSY TILT R	
1	881318	TOGGLE SWITCH ASSY TILT L	
2	139394	HRNSS RCLN LMT ANG INH M40	
3	139473	HRNSS TLT LMT ANG INH ALM RECT	
4	881379	AUTO STP TLT DR CNTRL TM40 ASM	For use w/ Toggle or Single Switch
5	881342	PILOT + ALM W/VELCRO 6 AMP	For use w/ Thru Drive
5	882690	PILOT+ ALM 6AMP W/VLRO AX INP	For use w/ Thru Drive and Dual Toggle Only
3-5	881340	DRIVE CONTROL ACTIVATION ASSM	
1,2,4	881339	DUAL TOGGLE CONTROL R ASSY	
1,2,4	881319	DUAL TOGGLE CONTROL L ASSY	
1,4	882692	TM40 & TOGGLE KIT R	
1,4	882693	TM40 & TOGGLE KIT L	
6	139395	HRNSS UPRGHT LIMIT M40	

NOTE: IF RETROFITTING A TILT ONTO AN EXISTING CHAIR PLEASE CONTACT SUNRISE MEDICAL TECHNICAL SUPPORT TO ENSURE ALL REQUIRED PARTS ARE PURCHASED.

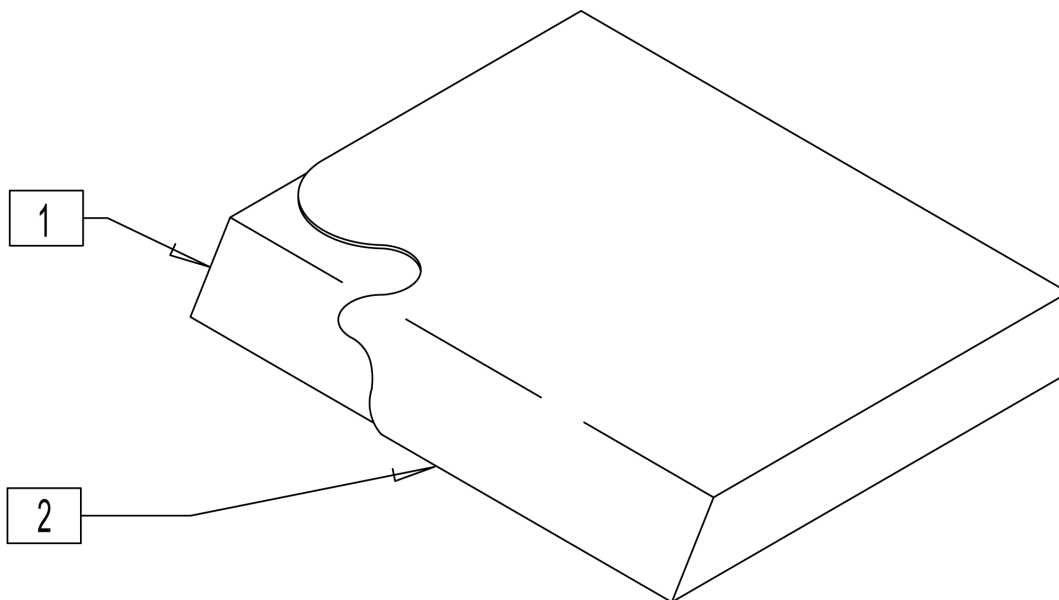


Pos.	Item Number	Description	Pos.	Item Number	Description
1	226218	5/16-18 x 1 3/4" BH C/S BLK	10	500343	TILT PIVOT NUT
2	580010	TILT UPPER STOP BLOCK	11	500340	TILT GLIDE BLOCK
3	106947	5/16 AN WASHER FLAT THIN	13	124500	TILT LIMIT SWITCH PLATE
4	106937	5/16-18 NYLOCK NUT THIN	14	501767	TILT SWITCH MOUNT
6	226109	1/4-28 x 3/8 F/H SOCKET C/S	15	281013	2-56 x 1/2 PAN PHIL M/S BLK
7	550469	TILT LOWER STOP BLOCK	16	281042	#4 x 1/4 PH PHIL S/TAP SCREW
8	227100	1/4-20 x 7/8 BH C/S BLK	17	261536	#2 x 1/4 FLAT WASHER
9	226078	1/4-20 x 3/4 BH C/S W/PATCH BLK	18	505137	TILT RAIL DOVE TAIL 4.5

Pos.	Item Number	Description	Pos.	Item Number	Description
19	481106-QU	1/4-28 CHANNEL NUT	5,12	883070	TILT GUIDE RECEIVER SUB ASSM L
20	500076	TILT MERCURY SWITCH MOUNT BRKT	5,12	883071	TILT GUIDE RECEIVER SUB ASSM R
20	138506	SPRING CLIP DRILLED	5,6,12-17	881336	TILT GUIDE RECEIVER ASSY LEFT
21	221090	1/4-28 x 3/8 BH C/S BLK	5,6,12-17	881337	TILT GUIDE RECEIVER ASSY RIGHT
22	261204	#10 AN WASHER .063	19-22	881333	TILT SWITCH MOUNT BRKT ASSEMBLY

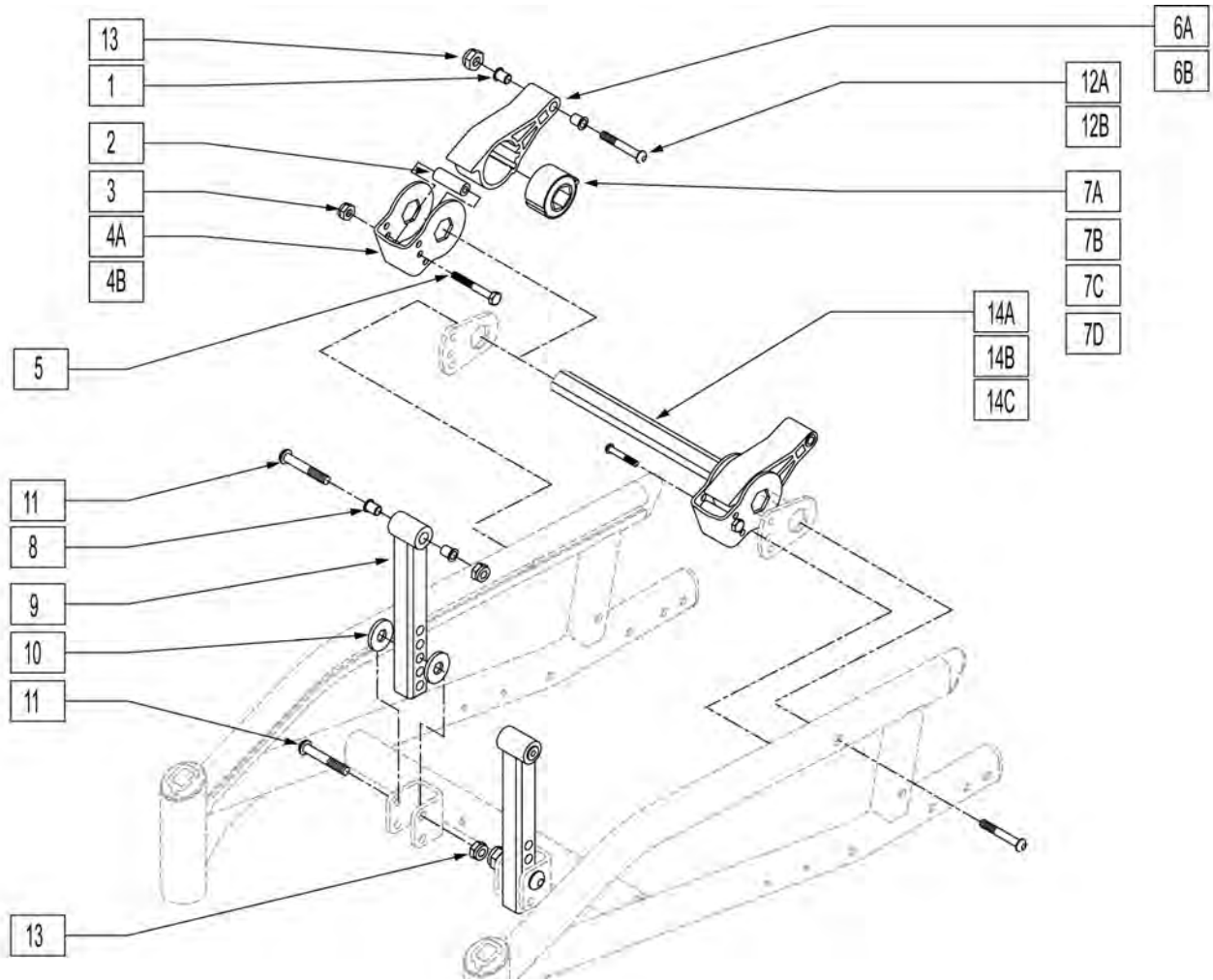


Pos.	Item Number	Description	Remarks
1	901172	LOW SEAT VELCRO® STRIP NON PS P300	
2,4	688134	SEAT PAN ASSM 14" W/VELCRO RHB	Fits all 14" wide chairs
2,4	688135	SEAT PAN ASSM 15" W/VELCRO RHB	Fits all 15" wide chairs
2,4	688136	SEAT PAN ASSM 16" W/VELCRO RHB	Fits all 16" wide chairs
2,4	688137	SEAT PAN ASSM 17" W/VELCRO RHB	Fits all 17" wide chairs
2,4	688138	SEAT PAN ASSM 18" W/VELCRO RHB	Fits all 18" wide chairs
2,4	688139	SEAT PAN ASSM 19" W/VELCRO RHB	Fits all 19" wide chairs
2,4	688140	SEAT PAN ASSM 20" W/VELCRO RHB	Fits all 20" wide chairs
3	281122	10-32 x 3/4 PAN PHIL	
4	901171	LOW SEAT VELCRO® STRIP PS P300	



Pos.	Item Number	Description	Pos.	Item Number	Description
1-2	700322	SEAT CUSHION 14" X 14" X 2"	1-2	700612	SEAT CUSHION 17" X 15" X 2"
1-2	700332	SEAT CUSHION 14" X 15" X 2"	1-2	700622	SEAT CUSHION 17" X 16" X 2"
1-2	700342	SEAT CUSHION 14" X 16" X 2"	1-2	700632	SEAT CUSHION 17" X 17" X 2"
1-2	700352	SEAT CUSHION 14" X 17" X 2"	1-2	700642	SEAT CUSHION 17" X 18" X 2"
1-2	700362	SEAT CUSHION 14" X 18" X 2"	1-2	700652	SEAT CUSHION 17" X 19" X 2"
1-2	700372	SEAT CUSHION 14" X 19" X 2"	1-2	700662	SEAT CUSHION 17" X 20" X 2"
1-2	700382	SEAT CUSHION 14" X 20" X 2"	1-2	700672	SEAT CUSHION 17" X 21" X 2"
1-2	700392	SEAT CUSHION 14" X 21" X 2"	1-2	702113	SEAT CUSHION 17" X 22" X 2"
1-2	702110	SEAT CUSHION 14" X 22" X 2"	1-2	700682	SEAT CUSHION 18" X 12" X 2"
1-2	700402	SEAT CUSHION 15" X 12" X 2"	1-2	700692	SEAT CUSHION 18" X 13" X 2"
1-2	700412	SEAT CUSHION 15" X 13" X 2"	1-2	700702	SEAT CUSHION 18" X 14" X 2"
1-2	700422	SEAT CUSHION 15" X 14" X 2"	1-2	700712	SEAT CUSHION 18" X 15" X 2"
1-2	700432	SEAT CUSHION 15" X 15" X 2"	1-2	700722	SEAT CUSHION 18" X 16" X 2"
1-2	700442	SEAT CUSHION 15" X 16" X 2"	1-2	700732	SEAT CUSHION 18" X 17" X 2"
1-2	700452	SEAT CUSHION 15" X 17" X 2"	1-2	700742	SEAT CUSHION 18" X 18" X 2"
1-2	700462	SEAT CUSHION 15" X 18" X 2"	1-2	700752	SEAT CUSHION 18" X 19" X 2"
1-2	700472	SEAT CUSHION 15" X 19" X 2"	1-2	700762	SEAT CUSHION 18" X 20" X 2"
1-2	700482	SEAT CUSHION 15" X 20" X 2"	1-2	700772	SEAT CUSHION 18" X 21" X 2"
1-2	700492	SEAT CUSHION 15" X 21" X 2"	1-2	702114	SEAT CUSHION 18" X 22" X 2"
1-2	702111	SEAT CUSHION 15" X 22" X 2"	1-2	700782	SEAT CUSHION 19" X 12" X 2"
1-2	700502	SEAT CUSHION 16" X 12" X 2"	1-2	700792	SEAT CUSHION 19" X 13" X 2"
1-2	700512	SEAT CUSHION 16" X 13" X 2"	1-2	700802	SEAT CUSHION 19" X 14" X 2"
1-2	700522	SEAT CUSHION 16" X 14" X 2"	1-2	700812	SEAT CUSHION 19" X 15" X 2"
1-2	700532	SEAT CUSHION 16" X 15" X 2"	1-2	700822	SEAT CUSHION 19" X 16" X 2"
1-2	700542	SEAT CUSHION 16" X 16" X 2"	1-2	700832	SEAT CUSHION 19" X 17" X 2"
1-2	700552	SEAT CUSHION 16" X 17" X 2"	1-2	700842	SEAT CUSHION 19" X 18" X 2"
1-2	700562	SEAT CUSHION 16" X 18" X 2"	1-2	700852	SEAT CUSHION 19" X 19" X 2"
1-2	700572	SEAT CUSHION 16" X 19" X 2"	1-2	700862	SEAT CUSHION 19" X 20" X 2"
1-2	700582	SEAT CUSHION 16" X 20" X 2"	1-2	700872	SEAT CUSHION 19" X 21" X 2"
1-2	700592	SEAT CUSHION 16" X 21" X 2"	1-2	702115	SEAT CUSHION 19" X 22" X 2"
1-2	702112	SEAT CUSHION 16" X 22" X 2"	1-2	700882	SEAT CUSHION 20" X 12" X 2"
1-2	700606	SEAT CUSHION 17" X 12" X 2"	1-2	700892	SEAT CUSHION 20" X 13" X 2"
1-2	700597	SEAT CUSHION 17" X 13" X 2"	1-2	700902	SEAT CUSHION 20" X 14" X 2"
1-2	700602	SEAT CUSHION 17" X 14" X 2"	1-2	700912	SEAT CUSHION 20" X 15" X 2"

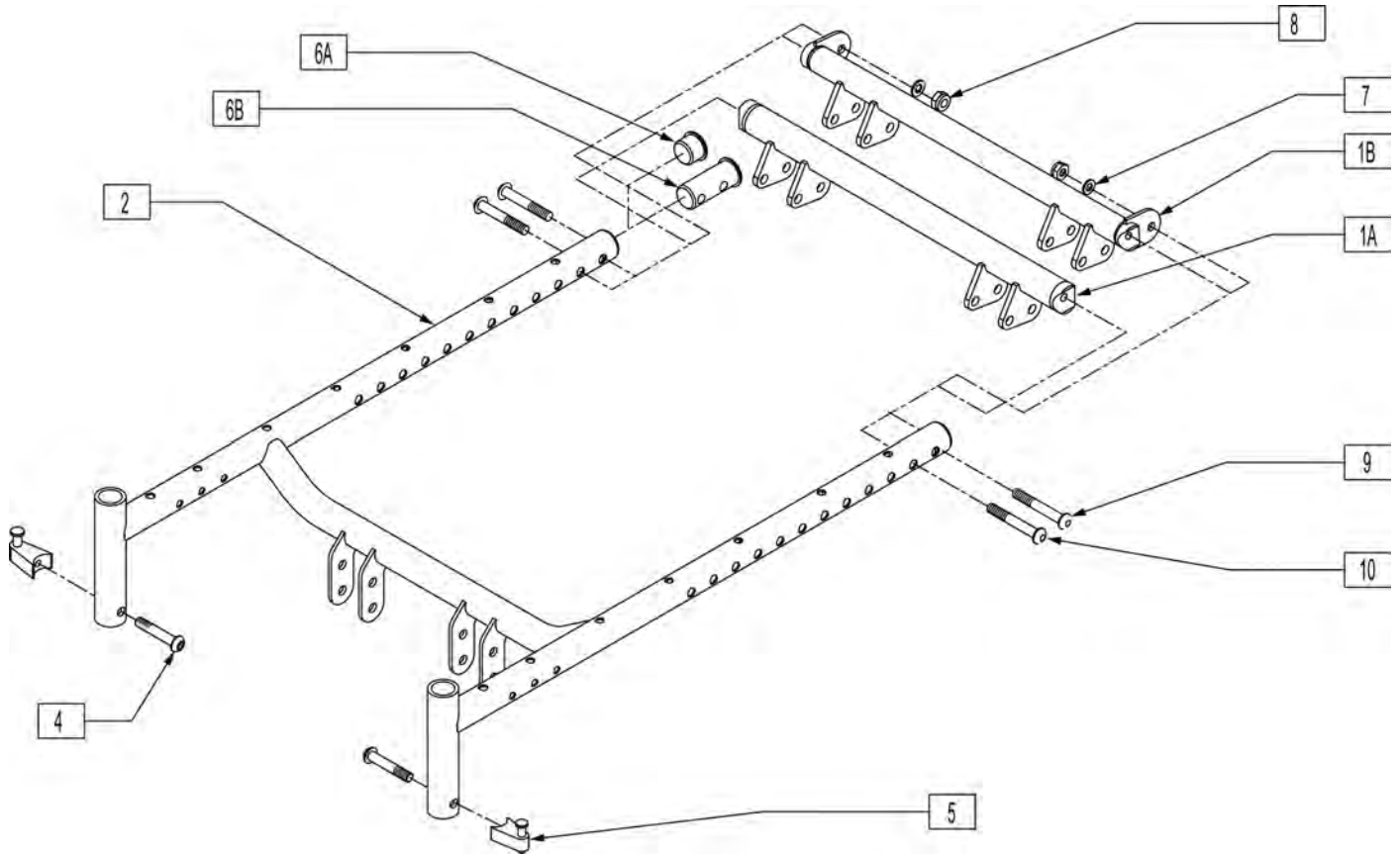
Pos.	Item Number	Description	Pos.	Item Number	Description
1-2	700922	SEAT CUSHION 20" X 16" X 2"	1-2	700952	SEAT CUSHION 20" X 19" X 2"
1-2	700932	SEAT CUSHION 20" X 17" X 2"	1-2	700962	SEAT CUSHION 20" X 20" X 2"
1-2	700942	SEAT CUSHION 20" X 18" X 2"			



Pos.	Item Number	Description	Remarks
1	340172	BUSHING IGUS	
2	180111	SUSPENSION STOP BUMPER G424	
3	204110	1/4-28 NYLOCK NUT BLK ZN	
4A	505845	SUSPENSION STOP BRKT 250LB S525	
4B	505844	SUSPENSION STOP BRCKT 350LB S525	Used w/ 350 lb option chairs
5	106973	1/4-28 x 2 G8 HEX C/S	
6A	550019	SEAT SUSPENSION RECEIVER	
6B	550029	SEAT SUSPENSION RECEIVER 350 LB	Used w/ 350 lb option chairs
7A	321000	TORSILASTIC SPRING LIGHT (150lb)	
7B	321001	TORSILASTIC SPRING MED (250lb)	
7C	321002	TORSILASTIC SPRING HEAVY (350lb)	Used w/ 350 lb option chairs
7D	550018	SEAT SUSPENSION INSERT	
8	340172	BUSHING IGUS	
9	540121	SEAT/FRAME FRONT VERT G424	
10	561059	3/4 OD x .318 ID WASHER	
11	226218	5/16-18 x 1 3/4" BH C/S BLK	
12A	226350	5/16-18 x 2" BH SHLDR C/S BLK	
12B	222251	5/16-18 X 3 3/4 HEX C/S	Used w/ 350 lb option chairs
13	202116	5/16-18 NYLOCK NUT THIN BLK	
14A	505846	KEY BAR 16"	USED W/ FIXED SEAT ONLY - N/A WITH TILT -

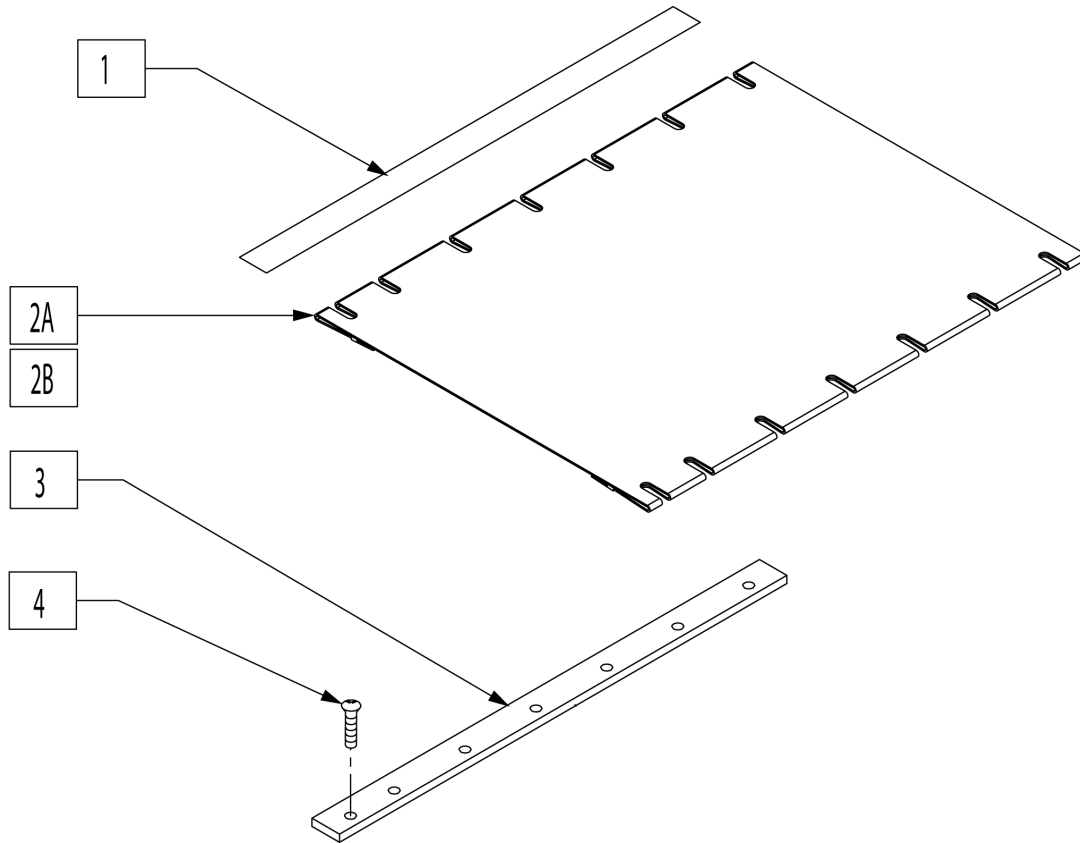
Pos.	Item Number	Description	Remarks
14B	505847	KEY BAR 18"	USED W/ FIXED SEAT ONLY - N/A WITH TILT -
14C	505848	KEY BAR 20"	USED W/ FIXED SEAT ONLY - N/A WITH TILT -
1-3,4A,5,6A,7D,14A	883065	KEYBAR SUBASSM 14-16 SOLID S52	
1-3,4A,5,6A,7D,14B	883066	KEYBAR SUBASSM 17-18 SOLID S52	
1-3,4A,5,6A,7D,14C	883067	KEYBAR SUBASSM 19-20 SOLID S52	
1-3,4A,5,6A,7A,14A	883051	KEYBAR SUBASSM 14-16 0-150 S52	
1-3,4A,5,6A,7A,14B	883052	KEYBAR SUBASSM 17-18 0-150 S52	
1-3,4A,5,6A,7A,14B	883053	KEYBAR SUBASSM 19-20 0-150 S52	
1-3,4A,5,6A,7B,14A	883054	KEYBAR SUBSY 14-16 151-250 S52	
1-3,4A,5,6A,7B,14B	883055	KEYBAR SUBSY 17-18 151-250 S52	
1-3,4A,5,6A,7B,14C	883056	KEYBAR SUBSY 19-20 151-250 S52	
1-3,4A,5,6A,7B,14A	883057	KEYBAR SUBSY 14-16 250-350 S52	Used w/ 350 lb option chairs
1-3,4A,5,6A,7B,14B	883058	KEYBAR SUBSY 17-18 250-350 S52	Used w/ 350 lb option chairs
1-3,4A,5,6A,7B,14C	883059	KEYBAR SUBSY 19-20 250-350 S52	Used w/ 350 lb option chairs

NOTE: WHEN GROWING THE SEAT FRAME IN WIDTH, THE BASE FRAME MAY NEED TO BE CHANGED, SEE BASE FRAME SECTION OF THE PARTS MANUALS FOR WIDTH RANGE OF BASE FRAME.

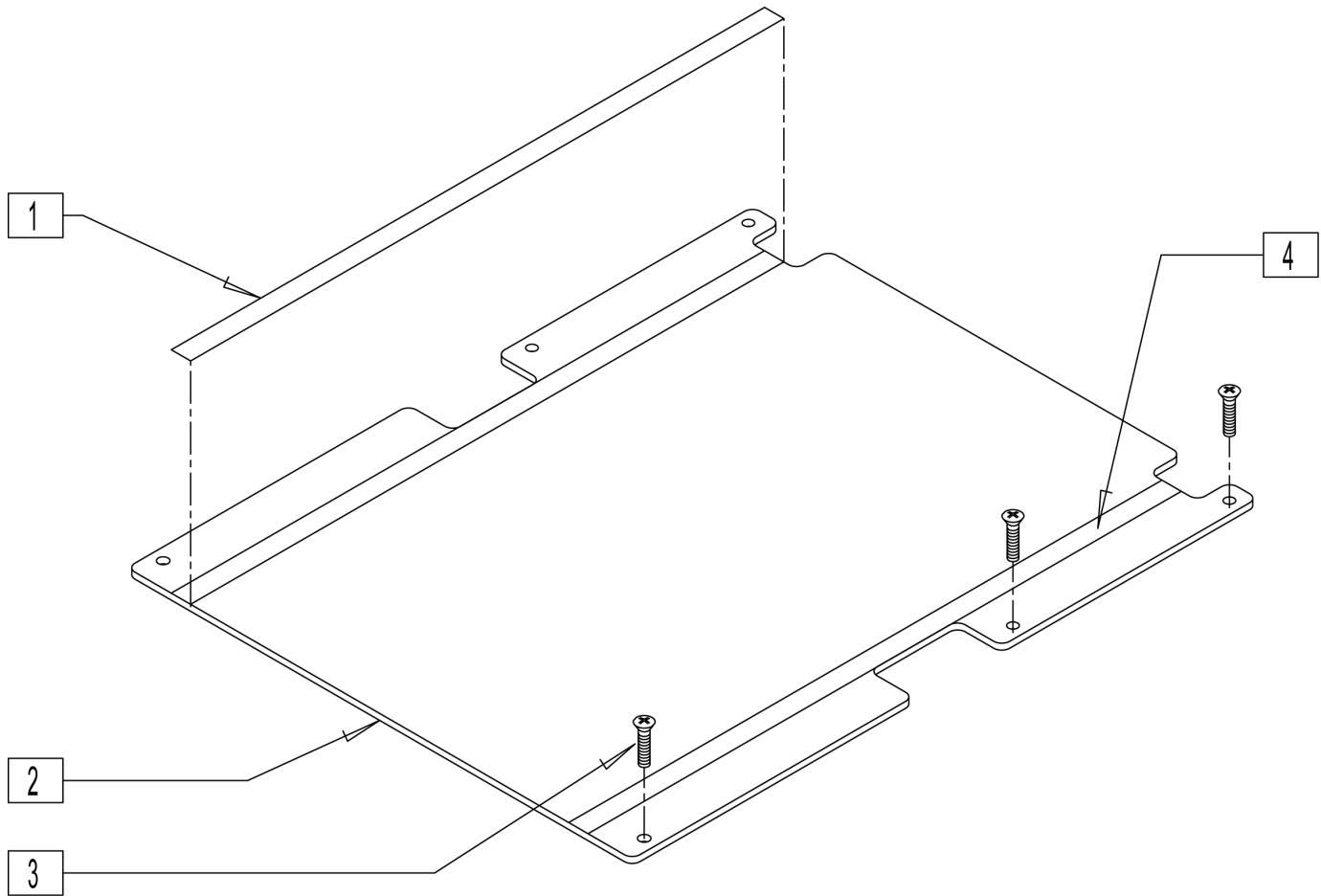


Pos.	Item Number	Description	Remarks
1A	540027	BACK TUBE WLDMNT 17" G424	
1A	540028	BACK TUBE WLDMNT 18" G424	
1A	540029	BACK TUBE WLDMNT 19" G424	
1A	540030	BACK TUBE WLDMNT 20" G424	
1B,6B,7-10	881323	BACK TUBE WLDMNT 14" STL S525	
1B,6B,7-10	881324	BACK TUBE WLDMNT 15" STL S525	
1B,6B,7-10	881325	BACK TUBE WLDMNT 16" STL S525	
1B,6B,7-10	881326	BACK TUBE WLDMNT 17" STL S525	
1B,6B,7-10	881327	BACK TUBE WLDMNT 18" STL S525	
1B,6B,7-10	881328	BACK TUBE WLDMNT 19" STL S525	
1B,6B,7-10	881329	BACK TUBE WLDMNT 20" STL S525	
1B,6B,7-10	540387	BACK TUBE WLDMNT 18" 350 S525	
1B,6B,7-10	540388	BACK TUBE WLDMNT 19" 350 S525	
1B,6B,7-10	540389	BACK TUBE WLDMNT 20" 350 S525	
4	226218	5/16-18 x 1 3/4 BH C/S BLK	
5	105787	PRSD A/A LATCH BLOCK NUT ASSM	
6A	560315	1" BUSHING .065	
6B	483185	SEAT END PLUG	
7	263100	5/16 AN WASHER FLAT	
8	202117	5/16-18 NYLOCK NUT THICK BLK	

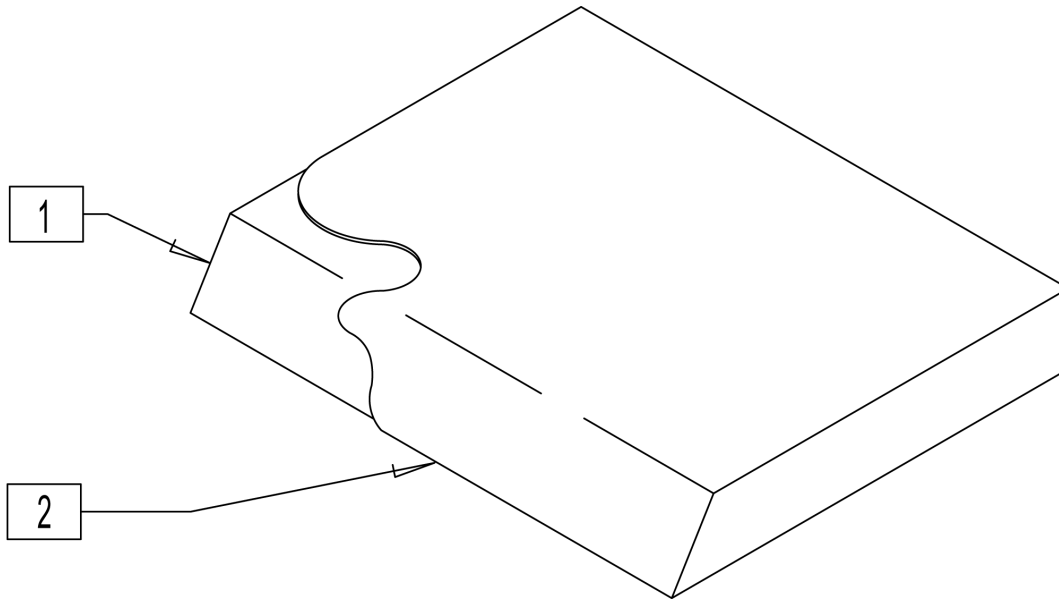
Pos.	Item Number	Description	Remarks
9	226231	5/16-18 x 2 1/2 BH C/S BLK	
10	226218	5/16-18 x 1 3/4" BH C/S BLK	
4,5	107491	LATCH STUD KIT	
1B,2,3, 6B,7-10	660144S	SEAT FRAME ASSM 14" S525/G424	
1B,2,3, 6B,7-10	660145S	SEAT FRAME ASSM 15" S525/G424	
1B,2,3, 6B,7-10	660146S	SEAT FRAME ASSM 16" S525/G424	
1B,2,3, 6B,7-10	660147S	SEAT FRAME ASSM 17" S525	
1B,2,3, 6B,7-10	660148S	SEAT FRAME ASSM 18" S525	
1B,2,3, 6B,7-10	660149S	SEAT FRAME ASSM 19" S525	
1B,2,3, 6B,7-10	660150S	SEAT FRAME ASSM 20" S525	
1B,2,3, 6B,7-10	660168	SEAT FRAME ASSM 18" S525 350LB	
1B,2,3, 6B,7-10	660169S	SEAT FRAME ASSM 19" S525 350LB	
7-10	660170S	SEAT FRAME ASSM 20" S525 350LB	
1A,2, 3,6A, 7,8,9	660205S	SEAT FRAME ASSM 17" NRROW S525	FOR SPECIAL CIRCUMSTANCES THAT REQUIRE SEAT FRAME TO BE WIDER THAN BASE FRAME
1A,2, 3,6A, 7,8,9	660206S	SEAT FRAME ASSM 18" NRROW S525	FOR SPECIAL CIRCUMSTANCES THAT REQUIRE SEAT FRAME TO BE WIDER THAN BASE FRAME
1A,2, 3,6A, 7,8,9	660207S	SEAT FRME ASSM 19" MEDIUM S525	FOR SPECIAL CIRCUMSTANCES THAT REQUIRE SEAT FRAME TO BE WIDER THAN BASE FRAME
1A,2, 3,6A, 7,8,9	660208S	SEAT FRME ASSM 20" MEDIUM S525	FOR SPECIAL CIRCUMSTANCES THAT REQUIRE SEAT FRAME TO BE WIDER THAN BASE FRAME



Pos.	Item Number	Description	Remarks
1	901170	SEAT SLING VELCRO® STRIP	
2A	722500	SEAT SLING 14" X 20" W/PCKT	Fits 14" wide chairs
2A	722501	SEAT SLING 15" X 20" W/PCKT	Fits 15" wide chairs
2A	722502	SEAT SLING 16" X 20" W/PCKT	Fits 16" wide chairs
2A	722503	SEAT SLING 17" X 20" W/PCKT	Fits 17" wide chairs
2A	722504	SEAT SLING 18" X 20" W/PCKT	Fits 18" wide chairs
2A	722505	SEAT SLING 19" X 20" W/PCKT	Fits 19" wide chairs
2A	722506	SEAT SLING 20" X 20" W/PCKT	Fits 20" wide chairs
2B	722507	SEAT SLING 18 X 20 REIN W/PCKT	Fits 18" wide chairs
2B	722508	SEAT SLING 19 X 20 REIN W/PCKT	Fits 19" wide chairs
2B	722509	SEAT SLING 20 X 20 REIN W/PCKT	Fits 20" wide chairs
3	505103	SEAT RAIL 20" STD S525 PWR	
4	281122	10-32 X 3/4 PAN PHIL	

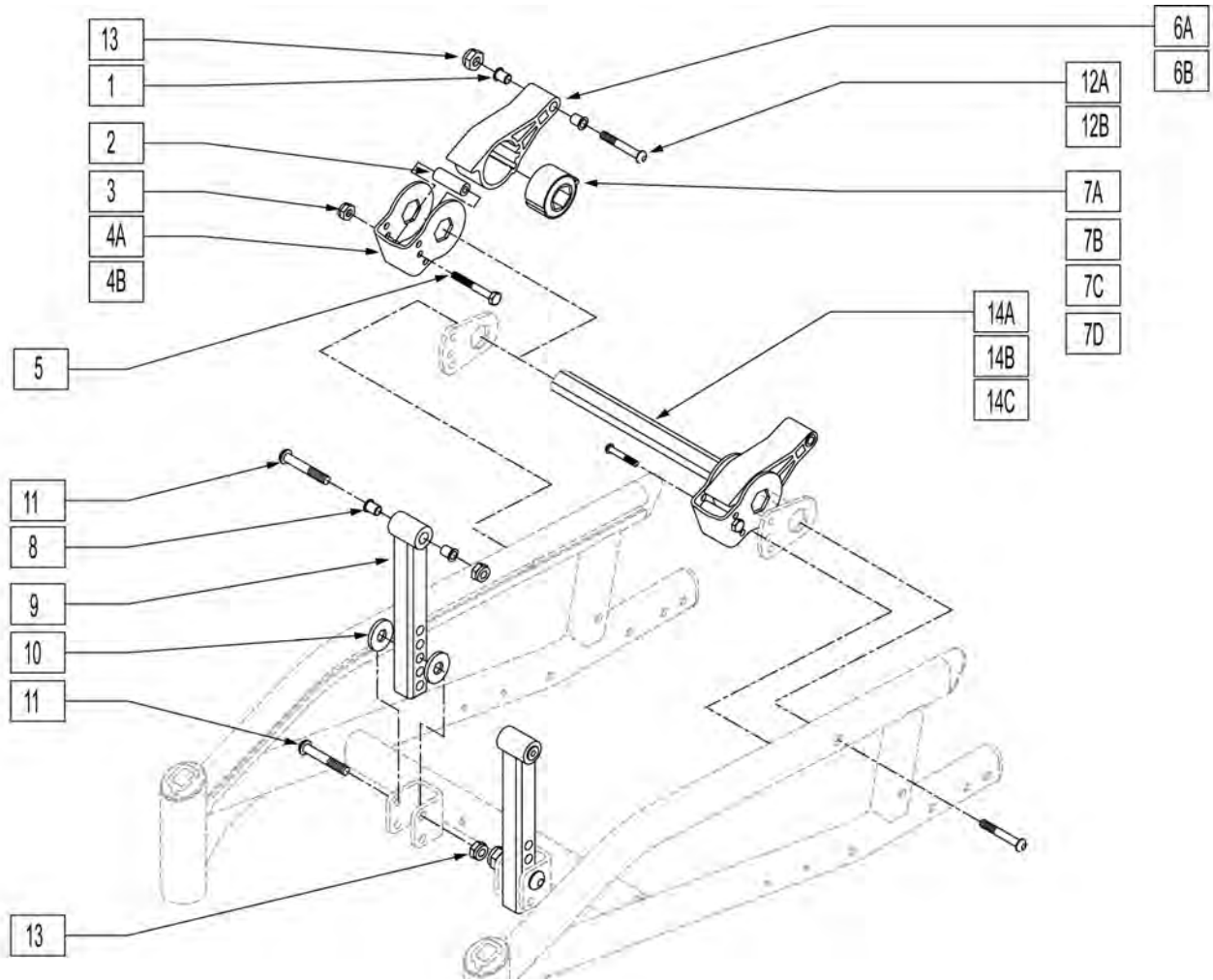


Pos.	Item Number	Description	Remarks
1	901172	LOW SEAT VELCRO® STRIP NON PS P300	
2,4	688134	SEAT PAN ASSM 14" W/VELCRO RHB	Fits all 14" wide chairs
2,4	688135	SEAT PAN ASSM 15" W/VELCRO RHB	Fits all 15" wide chairs
2,4	688136	SEAT PAN ASSM 16" W/VELCRO RHB	Fits all 16" wide chairs
2,4	688137	SEAT PAN ASSM 17" W/VELCRO RHB	Fits all 17" wide chairs
2,4	688138	SEAT PAN ASSM 18" W/VELCRO RHB	Fits all 18" wide chairs
2,4	688139	SEAT PAN ASSM 19" W/VELCRO RHB	Fits all 19" wide chairs
2,4	688140	SEAT PAN ASSM 20" W/VELCRO RHB	Fits all 20" wide chairs
3	281122	10-32 x 3/4 PAN PHIL	
4	901171	LOW SEAT VELCRO® STRIP PS P300	



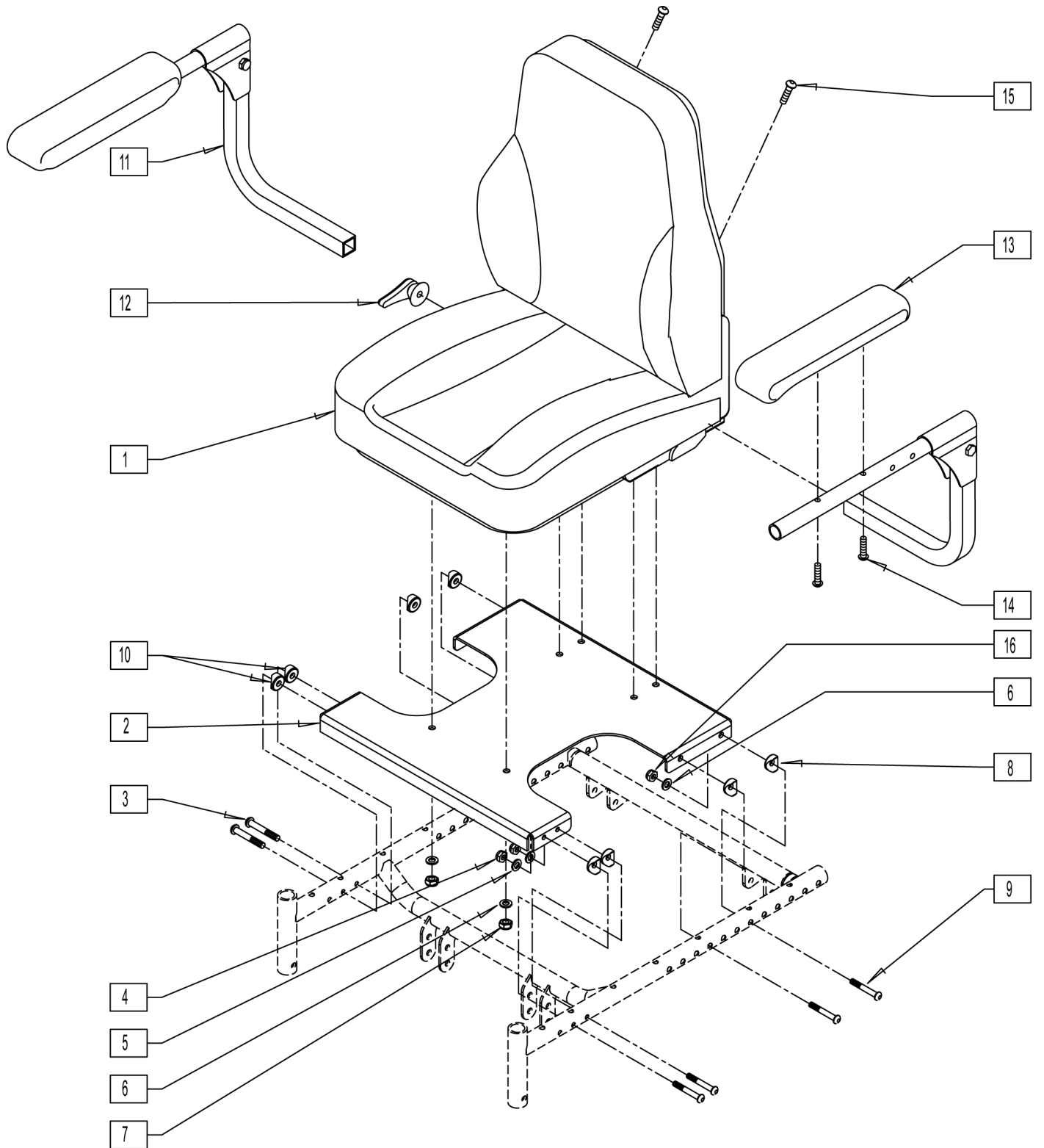
Pos.	Item Number	Description	Pos.	Item Number	Description
1-2	700322	SEAT CUSHION 14" X 14" X 2"	1-2	700612	SEAT CUSHION 17" X 15" X 2"
1-2	700332	SEAT CUSHION 14" X 15" X 2"	1-2	700622	SEAT CUSHION 17" X 16" X 2"
1-2	700342	SEAT CUSHION 14" X 16" X 2"	1-2	700632	SEAT CUSHION 17" X 17" X 2"
1-2	700352	SEAT CUSHION 14" X 17" X 2"	1-2	700642	SEAT CUSHION 17" X 18" X 2"
1-2	700362	SEAT CUSHION 14" X 18" X 2"	1-2	700652	SEAT CUSHION 17" X 19" X 2"
1-2	700372	SEAT CUSHION 14" X 19" X 2"	1-2	700662	SEAT CUSHION 17" X 20" X 2"
1-2	700382	SEAT CUSHION 14" X 20" X 2"	1-2	700672	SEAT CUSHION 17" X 21" X 2"
1-2	700392	SEAT CUSHION 14" X 21" X 2"	1-2	702113	SEAT CUSHION 17" X 22" X 2"
1-2	702110	SEAT CUSHION 14" X 22" X 2"	1-2	700682	SEAT CUSHION 18" X 12" X 2"
1-2	700402	SEAT CUSHION 15" X 12" X 2"	1-2	700692	SEAT CUSHION 18" X 13" X 2"
1-2	700412	SEAT CUSHION 15" X 13" X 2"	1-2	700702	SEAT CUSHION 18" X 14" X 2"
1-2	700422	SEAT CUSHION 15" X 14" X 2"	1-2	700712	SEAT CUSHION 18" X 15" X 2"
1-2	700432	SEAT CUSHION 15" X 15" X 2"	1-2	700722	SEAT CUSHION 18" X 16" X 2"
1-2	700442	SEAT CUSHION 15" X 16" X 2"	1-2	700732	SEAT CUSHION 18" X 17" X 2"
1-2	700452	SEAT CUSHION 15" X 17" X 2"	1-2	700742	SEAT CUSHION 18" X 18" X 2"
1-2	700462	SEAT CUSHION 15" X 18" X 2"	1-2	700752	SEAT CUSHION 18" X 19" X 2"
1-2	700472	SEAT CUSHION 15" X 19" X 2"	1-2	700762	SEAT CUSHION 18" X 20" X 2"
1-2	700482	SEAT CUSHION 15" X 20" X 2"	1-2	700772	SEAT CUSHION 18" X 21" X 2"
1-2	700492	SEAT CUSHION 15" X 21" X 2"	1-2	702114	SEAT CUSHION 18" X 22" X 2"
1-2	702111	SEAT CUSHION 15" X 22" X 2"	1-2	700782	SEAT CUSHION 19" X 12" X 2"
1-2	700502	SEAT CUSHION 16" X 12" X 2"	1-2	700792	SEAT CUSHION 19" X 13" X 2"
1-2	700512	SEAT CUSHION 16" X 13" X 2"	1-2	700802	SEAT CUSHION 19" X 14" X 2"
1-2	700522	SEAT CUSHION 16" X 14" X 2"	1-2	700812	SEAT CUSHION 19" X 15" X 2"
1-2	700532	SEAT CUSHION 16" X 15" X 2"	1-2	700822	SEAT CUSHION 19" X 16" X 2"
1-2	700542	SEAT CUSHION 16" X 16" X 2"	1-2	700832	SEAT CUSHION 19" X 17" X 2"
1-2	700552	SEAT CUSHION 16" X 17" X 2"	1-2	700842	SEAT CUSHION 19" X 18" X 2"
1-2	700562	SEAT CUSHION 16" X 18" X 2"	1-2	700852	SEAT CUSHION 19" X 19" X 2"
1-2	700572	SEAT CUSHION 16" X 19" X 2"	1-2	700862	SEAT CUSHION 19" X 20" X 2"
1-2	700582	SEAT CUSHION 16" X 20" X 2"	1-2	700872	SEAT CUSHION 19" X 21" X 2"
1-2	700592	SEAT CUSHION 16" X 21" X 2"	1-2	702115	SEAT CUSHION 19" X 22" X 2"
1-2	702112	SEAT CUSHION 16" X 22" X 2"	1-2	700882	SEAT CUSHION 20" X 12" X 2"
1-2	700606	SEAT CUSHION 17" X 12" X 2"	1-2	700892	SEAT CUSHION 20" X 13" X 2"
1-2	700597	SEAT CUSHION 17" X 13" X 2"	1-2	700902	SEAT CUSHION 20" X 14" X 2"
1-2	700602	SEAT CUSHION 17" X 14" X 2"	1-2	700912	SEAT CUSHION 20" X 15" X 2"

Pos.	Item Number	Description	Pos.	Item Number	Description
1-2	700922	SEAT CUSHION 20" X 16" X 2"	1-2	700952	SEAT CUSHION 20" X 19" X 2"
1-2	700932	SEAT CUSHION 20" X 17" X 2"	1-2	700962	SEAT CUSHION 20" X 20" X 2"
1-2	700942	SEAT CUSHION 20" X 18" X 2"			



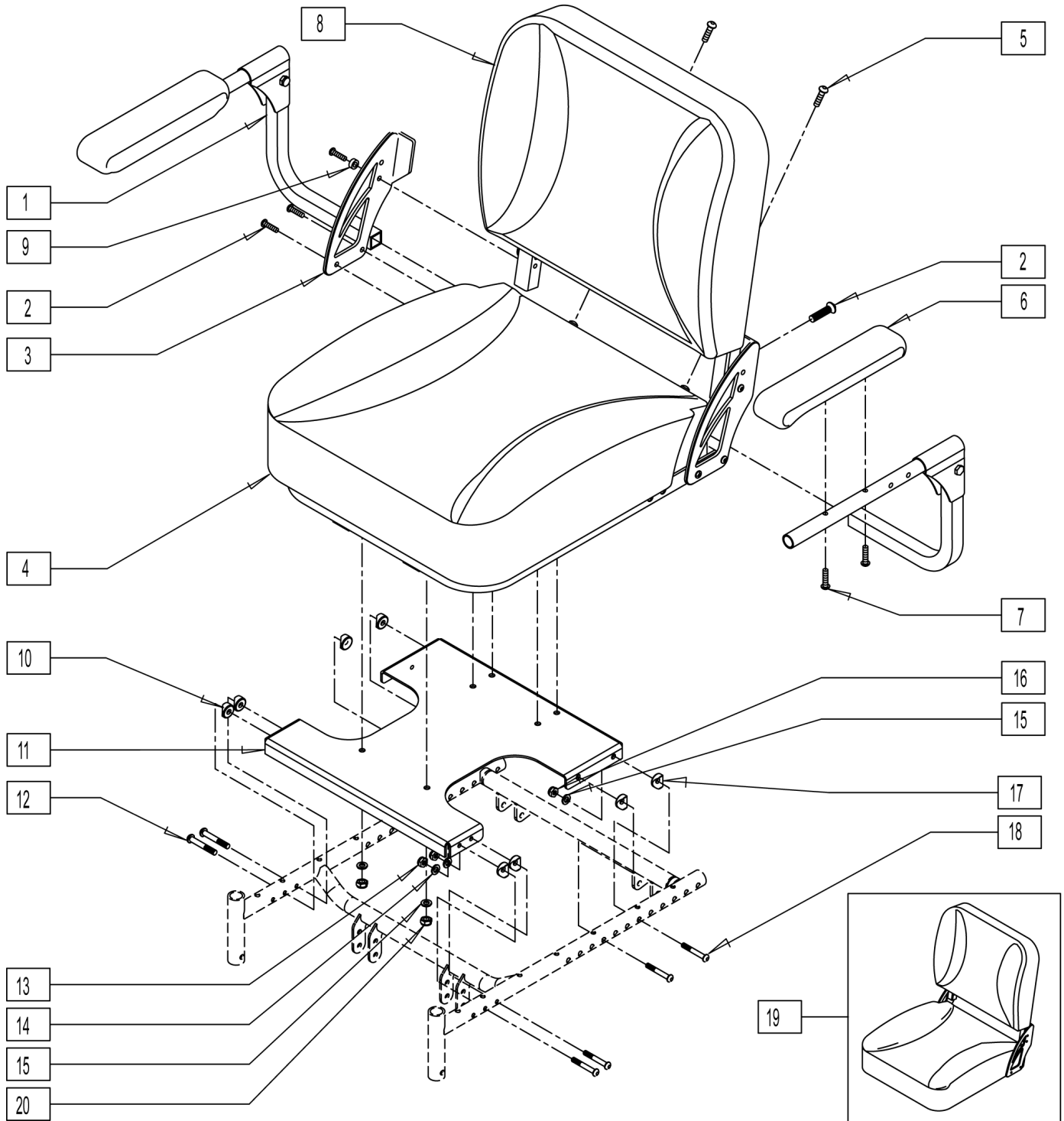
Pos.	Item Number	Description	Remarks
1	340172	BUSHING IGUS	
2	180111	SUSPENSION STOP BUMPER G424	
3	204110	1/4-28 NYLOCK NUT BLK ZN	
4A	505845	SUSPENSION STOP BRKT 250LB S525	
4B	505844	SUSPENSION STOP BRCKT 350LB S525	Used w/ 350 lb option chairs
5	106973	1/4-28 x 2 G8 HEX C/S	
6A	550019	SEAT SUSPENSION RECEIVER	
6B	550029	SEAT SUSPENSION RECEIVER 350 LB	Used w/ 350 lb option chairs
7A	321000	TORSILASTIC SPRING LIGHT (150lb)	
7B	321001	TORSILASTIC SPRING MED (250lb)	
7C	321002	TORSILASTIC SPRING HEAVY (350lb)	Used w/ 350 lb option chairs
7D	550018	SEAT SUSPENSION INSERT	
8	340172	BUSHING IGUS	
9	540121	SEAT/FRAME FRONT VERT G424	
10	561059	3/4 OD x .318 ID WASHER	
11	226218	5/16-18 x 1 3/4" BH C/S BLK	
12A	226350	5/16-18 x 2" BH SHLDR C/S BLK	
12B	222251	5/16-18 X 3 3/4 HEX C/S	Used w/ 350 lb option chairs
13	202116	5/16-18 NYLOCK NUT THIN BLK	
14A	505846	KEY BAR 16"	USED W/ FIXED SEAT ONLY - N/A WITH TILT -

Pos.	Item Number	Description	Remarks
14B	505847	KEY BAR 18"	USED W/ FIXED SEAT ONLY - N/A WITH TILT -
14C	505848	KEY BAR 20"	USED W/ FIXED SEAT ONLY - N/A WITH TILT -
1-3,4A,5,6A,7D,14A	883065	KEYBAR SUBASSM 14-16 SOLID S52	
1-3,4A,5,6A,7D,14B	883066	KEYBAR SUBASSM 17-18 SOLID S52	
1-3,4A,5,6A,7D,14C	883067	KEYBAR SUBASSM 19-20 SOLID S52	
1-3,4A,5,6A,7A,14A	883051	KEYBAR SUBASSM 14-16 0-150 S52	
1-3,4A,5,6A,7A,14B	883052	KEYBAR SUBASSM 17-18 0-150 S52	
1-3,4A,5,6A,7A,14B	883053	KEYBAR SUBASSM 19-20 0-150 S52	
1-3,4A,5,6A,7B,14A	883054	KEYBAR SUBSY 14-16 151-250 S52	
1-3,4A,5,6A,7B,14B	883055	KEYBAR SUBSY 17-18 151-250 S52	
1-3,4A,5,6A,7B,14C	883056	KEYBAR SUBSY 19-20 151-250 S52	
1-3,4A,5,6A,7B,14A	883057	KEYBAR SUBSY 14-16 250-350 S52	Used w/ 350 lb option chairs
1-3,4A,5,6A,7B,14B	883058	KEYBAR SUBSY 17-18 250-350 S52	Used w/ 350 lb option chairs
1-3,4A,5,6A,7B,14C	883059	KEYBAR SUBSY 19-20 250-350 S52	Used w/ 350 lb option chairs



Pos.	Item Number	Description	Pos.	Item Number	Description
1,11,12,15	700092	HIBK CNTR GRY STD ARM 18X17X22	4	204110	1/4-28 NYLOCK NUT BLK ZN
1,11,12,15	700093	HIBK CNTR BLK STD ARM 18X17X22	5	106943	1/4 AN WASHER FLAT
2	500026	SEAT PLATE S525	6	263100	5/16 AN WASHER FLAT
3	227140	1/4-28 x 1 3/4" BH C/S BLK ZN	7	202117	5/16-18 NYLOCK NUT THICK BLK

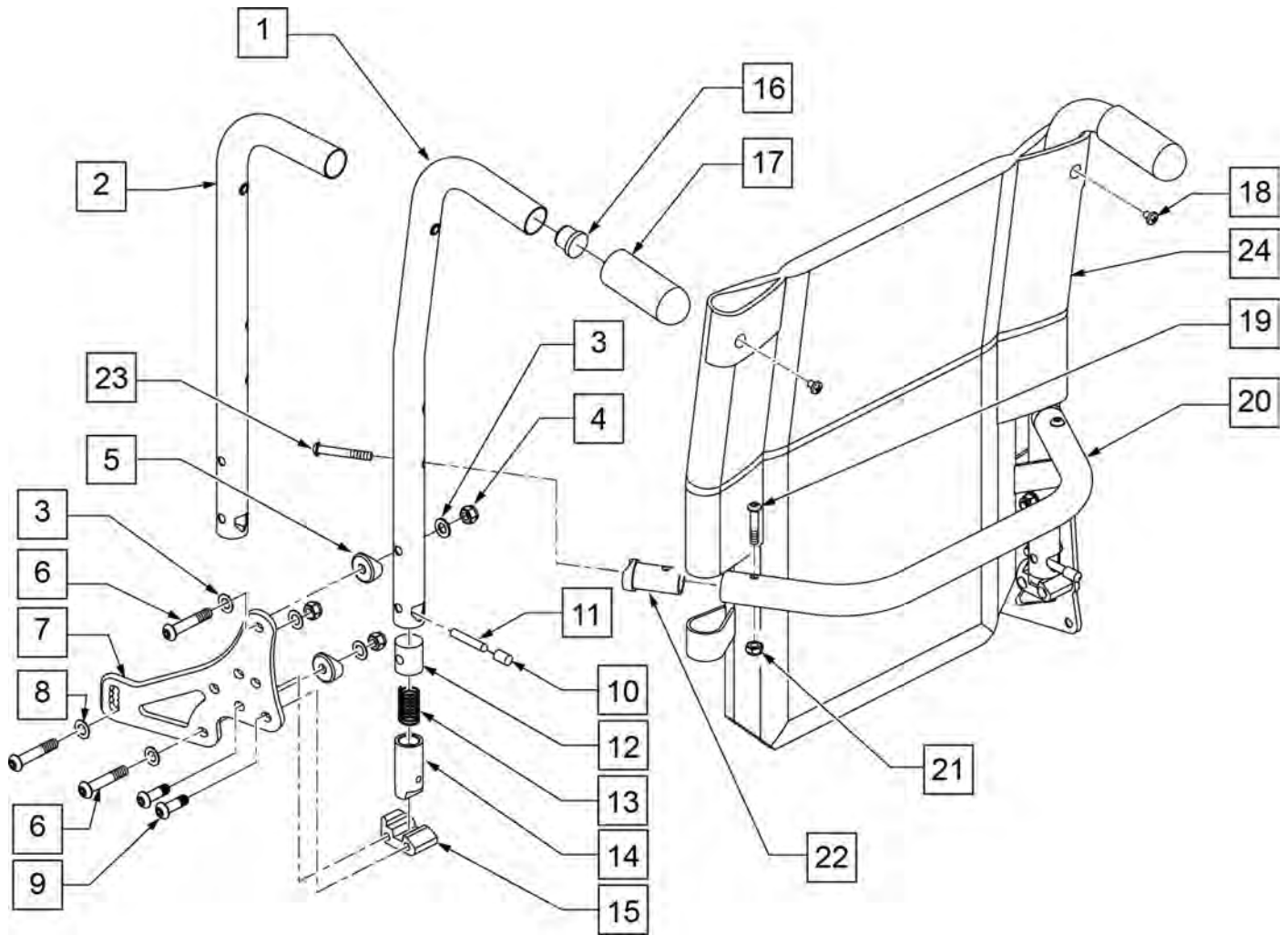
Pos.	Item Number	Description	Pos.	Item Number	Description
8	561006	1" SADDLE 5/16" HOLE	13	561282	ARMREST PAD 12" LEFT P/G
9	226218	5/16-18 x 1 3/4 BH C/S BLK	13	561283	ARMREST PAD 12" RIGHT P/G
10	561004	1" SADDLE 1/4" HOLE	14	226038	10-32 x 1 3/8 BH C/S BLK
11	882340	ARMREST ONLY RIGHT G424	15	227100	1/4-20 x 7/8" BH C/S BLK
11	882341	ARMREST ONLY LEFT G424	16	202116	5/16-18 NYLOCK NUT THIN BLK
12	330125	RECLINE HANDLE KIT	2-10,16	660161	HI BACK CONTOUR SEAT PAN ASSM



Pos.	Item Number	Description
1	882340	ARMREST ONLY RIGHT G424
1	882341	ARMREST ONLY LEFT G424
2	226270	3/8-16 x 1 1/4" BH C/S W/PATCH

Pos.	Item Number	Description
3	500245	CONTOUR SEAT BRACKET RIGHT
3	500246	CONTOUR SEAT BRACKET LEFT
1-5,9	722182	CONTOUR SEAT/GREY VINYL
1-5,9	722183	CONTOUR SEAT/BLACK VINYL
5	227100	1/4-20 x 7/8" BH C/S BLK
6	561282	ARMREST PAD 12" LEFT P/G
6	561283	ARMREST PAD 12" RIGHT P/G
7	226038	10-32 x 1 3/8 BH C/S BLK
8	680089	CONTOUR BACK/GREY VINYL
8	680090	CONTOUR BACK/BLACK VINYL
9	481164	SPACER COLLAR CONTOUR
10	561004	1" SADDLE 1/4" HOLE
11	500026	SEAT PLATE S525
12	106962	1/4-28 x 1 3/4 BH C/S BLK ZN
13	204110	1/4-28 NYLOCK NUT BLK ZN
14	106943	1/4 AN WASHER FLAT
15	263100	5/16 AN WASHER FLAT
16	202117	5/16-18 NYLOCK NUT THICK BLK
17	561006	1" SADDLE 5/16" HOLE
18	226218	5/16-18 x 1 3/4 BH C/S BLK
19	700098	CONTOUR SEAT/BACK GREY VINYL
19	700099	CONTOUR SEAT/BACK BLACK VINYL
20	106936	5/16-18 NYLOCK NUT THICK
10-18,20	660160	CONTOUR SEAT PAN ASSM S-525

NOTE: BACK HEIGHT RANGES LOW = 18", MED = 19"-21", TALL = 22"-24"

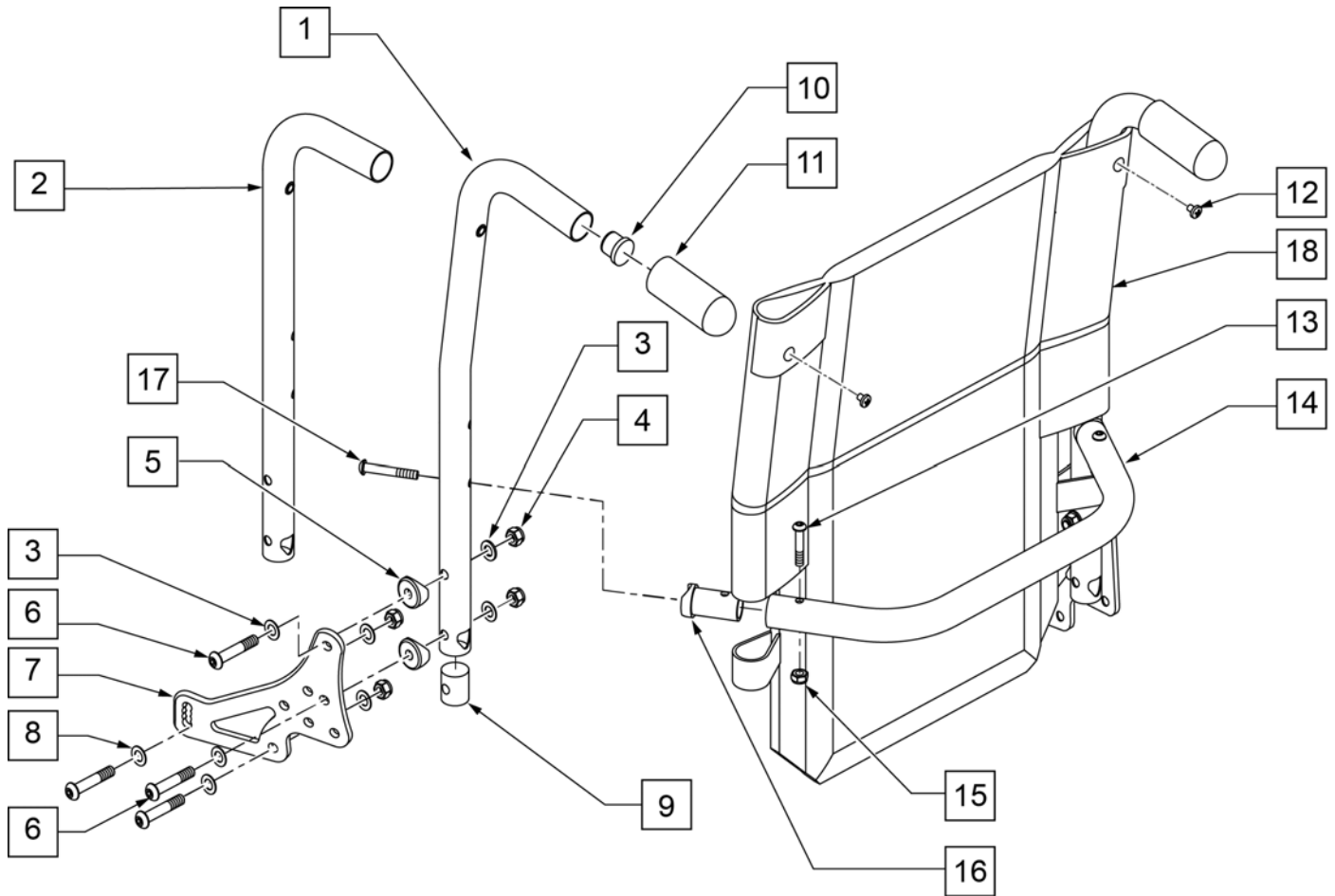


Pos.	Item Number	Description	Remarks
3	106947	WASHER FLAT THIN AN 5/16 ROHS	
4	202116	5/16 -18 NYLOCK NUT THIN BLK	
5	561006	1 SADDLE 5/16 HOLE	
6	226218	5/16 -18 x 1 3/4 BH C/S BLK	
7	501723	BACKREST PLATE 86-114 DEGREE	
8	263100	5/16 AN WASHER FLAT	
9	226219	5/16 -18 x 1 BH C/S BLK	
10	126238	PUSH ON ROUND CAP	
11	481084	BACK RELEASE PIN Z2/QT/EX	
12	483801	BACKREST LATCH PLUG P2	BOTH USED
13	321110	S/A LATCH SPRING	
14	483800	BACKREST LATCH SLIDER P2	
15	550340	BACKREST LATCH BLOCKP2/KZ	RIGHT
15	550341	BACKREST LATCH BLOCKP2/KZ	LEFT
16	561019	1 INSERT PLUG .049	
17	920027	QUICKIE GRIP 1" W/INSTR SHEET	

Pos.	Item Number	Description	Remarks
18	281120	10/32 x 5/8 PAN HD PHIL	
19	226223	1/4 -28 x 1 1/4 BH C/S BLK	
20	520564	TOWEL RACK 14	
20	520565	TOWEL RACK 15	
20	520566	TOWEL RACK 16	
20	520567	TOWEL RACK 17	
20	520568	TOWEL RACK 18	
20	520569	TOWEL RACK 19	
20	520570	TOWEL RACK 20	
20	520571	TOWEL RACK 22	
20	520572	TOWEL RACK 24	
21	202300	1/4 -28 NYLOCK NUT THIN BLK ZN	
22	483161	STRUT SADDLE S525	
23	226267	1/4 -28 x 1 5/8 BH C/S W/ PATCH	
24	686930	BACK UPH 14 LOW P2	
24	686931	BACK UPH 14 MED P2	
24	686932	BACK UPH 14 TALL P2	
24	686933	BACK UPH 15 LOW P2	
24	686934	BACK UPH 15 MED P2	
24	686935	BACK UPH 15 TALL P2	
24	686936	BACK UPH 17 LOW P2	
24	686937	BACK UPH 17 MED P2	
24	686938	BACK UPH 17 TALL P2	
24	686940	BACK UPH 19 LOW P2	
24	686941	BACK UPH 19 MED P2	
24	686942	BACK UPH 19 TALL P2	
24	686943	BACK UPH 20 LOW P2	
24	686944	BACK UPH 20 MED P2	
24	686945	BACK UPH 20 TALL P2	
24	686961	BACK UPH 16 LOW P2	
24	686962	BACK UPH 16 MED P2	
24	686963	BACK UPH 16 TALL P2	
24	686981	BACK UPH 18 LOW P2	
24	686982	BACK UPH 18 MED P2	
24	686983	BACK UPH 18" TALL P2	
24	687900	BACK UPH 14 (21-22) S626	
24	687901	BACK UPH 14 (23-24) S626	
24	687902	BACK UPH 15 (21-22) S626	
24	687903	BACK UPH 15 (23-24) S626	
24	687904	BACK UPH 16 (21-22) S626	
24	687905	BACK UPH 16 (23-24) S626	
24	687906	BACK UPH 17 (21-22) S626	
24	687907	BACK UPH 17 (23-24) S626	
24	687908	BACK UPH 18 (21-22) S626	
24	687909	BACK UPH 18 (23-24) S626	
24	687910	BACK UPH 19 (21-22) S626	
24	687911	BACK UPH 19 (23-24) S626	
24	687912	BACK UPH 20 (21-22) S626	
24	687913	BACK UPH 20 (23-24) S626	
24	687914	BACK UPH 22 LOW S626	
24	687915	BACK UPH 22 MED S626	
24	687916	BACK UPH 22 TALL S626	
24	687917	BACK UPH 22 (21-22) S626	
24	687918	BACK UPH 22 (23-24) S626	
24	687919	BACK UPH 24 LOW S626	
24	687920	BACK UPH 24 MED S626	
24	687921	BACK UPH 24 TALL S626	

Pos.	Item Number	Description	Remarks
1,16,17	842221	BACK TUBE PH 8D LOW R S525	RIGHT
1,16,17	842222	BACK TUBE PH 8D LOW L S525	LEFT
1,16,17	842223	BACK TUBE PH 8D MED R S525	RIGHT
1,16,17	842224	BACK TUBE PH 8D MED L S525	LEFT
1,16,17	842225	BACK TUBE PH 8D TALL R S525	RIGHT
1,16,17	842226	BACK TUBE PH 8D TALL L S525	LEFT
2,16,17	842227	BACK TUBE PH LOW R S525	RIGHT
2,16,17	842228	BACK TUBE PH LOW L S525	LEFT
2,16,17	842229	BACK TUBE PH MED R S525	RIGHT
2,16,17	842230	BACK TUBE PH MED L S525	LEFT
2,16,17	842231	BACK TUBE PH TALL R S525	RIGHT
2,16,17	842232	BACK TUBE PH TALL L S525	LEFT
19-23	842234	TOWEL RACK ASSM 14 S525	
19-23	842235	TOWEL RACK ASSM 15 S525	
19-23	842236	TOWEL RACK ASSM 16 S525	
19-23	842237	TOWEL RACK ASSM 17 S525	
19-23	842238	TOWEL RACK ASSM 18 S525	
19-23	842239	TOWEL RACK ASSM 19 S525	
19-23	842240	TOWEL RACK ASSM 20 S525	
19-23	842241	TOWEL RACK ASSM 22	
19-23	842242	TOWEL RACK ASSM 24	
1,3-12	882884	PH 8D LOW R ASSM FLDG 86-114	RIGHT
1,3-12	882885	PH 8D LOW L ASSM FLDG 86-114	LEFT
1,3-12	882886	PH 8D MED R ASSM FLDG 86-114	RIGHT
1,3-12	882887	PH 8D MED L ASSM FLDG 86-114	LEFT
1,3-12	882888	PH 8D TAL R ASSM FLDG 86-114	RIGHT
1,3-12	882889	PH 8D TAL L ASSM FLDG 86-114	LEFT
2-12	882890	PH LOW R ASSM FLDG 86-114	RIGHT
2-12	882891	PH LOW L ASSM FLDG 86-114	LEFT
2-12	882892	PH MED R ASSM FLDG 86-114	RIGHT
2-12	882893	PH MED L ASSM FLDG 86-114	LEFT
2-12	882894	PH TALL R ASSM FLD 86-114	RIGHT
2-12	882895	PH TALL L ASSM FLD 86-114	LEFT
1,3-24	922619	BACK ASSM 8D LOW 14 (F) 86-114	
1,3-24	922620	BACK ASSM 8D LOW 15 (F) 86-114	
1,3-24	922621	BACK ASSM 8D LOW 16 (F) 86-114	
1,3-24	922622	BACK ASSM 8D LOW 17 (F) 86-114	
1,3-24	922623	BACK ASSM 8D LOW 18 (F) 86-114	
1,3-24	922624	BACK ASSM 8D LOW 19 (F) 86-114	
1,3-24	922625	BACK ASSM 8D LOW 20 (F) 86-11	
1,3-24	922626	BACK ASSM 8D LOW 22 (F) 86-114	
1,3-24	922627	BACK ASSM 8D LOW 24 (F) 86-114	
1,3-24	922639	BACK ASSM 8D MED 14 (F) 86-114	
1,3-24	922640	BACK ASSM 8D MED 15 (F) 86-114	
1,3-24	922641	BACK ASSM 8D MED 16 (F) 86-114	
1,3-24	922642	BACK ASSM 8D MED 17 (F) 86-114	
1,3-24	922643	BACK ASSM 8D MED 18 (F) 86-114	
1,3-24	922644	BACK ASSM 8D MED 19 (F) 86-114	
1,3-24	922645	BACK ASSM 8D MED 20 (F) 86-114	
1,3-24	922646	BACK ASSM 8D MED 22 (F) 86-114	
1,3-24	922647	BACK ASSM 8D MED 24 (F) 86-114	
1,3-24	922659	BACK ASSM 8D TALL 14 (F)86-114	
1,3-24	922660	BACK ASSM 8D TALL 15 (F)86-114	
1,3-24	922661	BACK ASSM 8D TALL 16 (F)86-114	
1,3-24	922662	BACK ASSM 8D TALL 17 (F)86-114	
1,3-24	922663	BACK ASSM 8D TALL 18 (F)86-114	
1,3-24	922664	BACK ASSM 8D TALL 19 (F)86-114	

Pos.	Item Number	Description	Remarks
1,3-24	922665	BACK ASSM 8D TALL 20 (F)86-114	
1,3-24	922666	BACK ASSM 8D TALL 22 (F)86-114	
1,3-24	922667	BACK ASSM 8D TALL 24 (F)86-114	
2-24	922609	BACK ASSM LOW 14 (F) 86-114	
2-24	922610	BACK ASSM LOW 15 (F) 86-114	
2-24	922611	BACK ASSM LOW 16 (F) 86-114	
2-24	922612	BACK ASSM LOW 17 (F) 86-114	
2-24	922613	BACK ASSM LOW 18 (F) 86-114	
2-24	922614	BACK ASSM LOW 19 (F) 86-114	
2-24	922615	BACK ASSM LOW 20 (F) 86-114	
2-24	922616	BACK ASSM LOW 22 (F) 86-114	
2-24	922617	BACK ASSM LOW 24 (F) 86-114	
2-24	922629	BACK ASSM MED 14 (F) 86-114	
2-24	922630	BACK ASSM MED 15 (F) 86-114	
2-24	922631	BACK ASSM MED 16 (F) 86-114	
2-24	922632	BACK ASSM MED 17 (F) 86-114	
2-24	922633	BACK ASSM MED 18 (F) 86-114	
2-24	922634	BACK ASSM MED 19 (F) 86-114	
2-24	922635	BACK ASSM MED 20 (F) 86-114	
2-24	922636	BACK ASSM MED 22 (F) 86-114	
2-24	922637	BACK ASSM MED 24 (F) 86-114	
2-24	922649	BACK ASSM TALL 14 (F) 86-114	
2-24	922650	BACK ASSM TALL 15 (F) 86-114	
2-24	922651	BACK ASSM TALL 16 (F) 86-114	
2-24	922652	BACK ASSM TALL 17 (F) 86-114	
2-24	922653	BACK ASSM TALL 18 (F) 86-114	
2-24	922654	BACK ASSM TALL 19 (F) 86-114	
2-24	922655	BACK ASSM TALL 20 (F) 86-114	
2-24	922656	BACK ASSM TALL 22 (F) 86-114	
2-24	922657	BACK ASSM TALL 24 (F) 86-114	

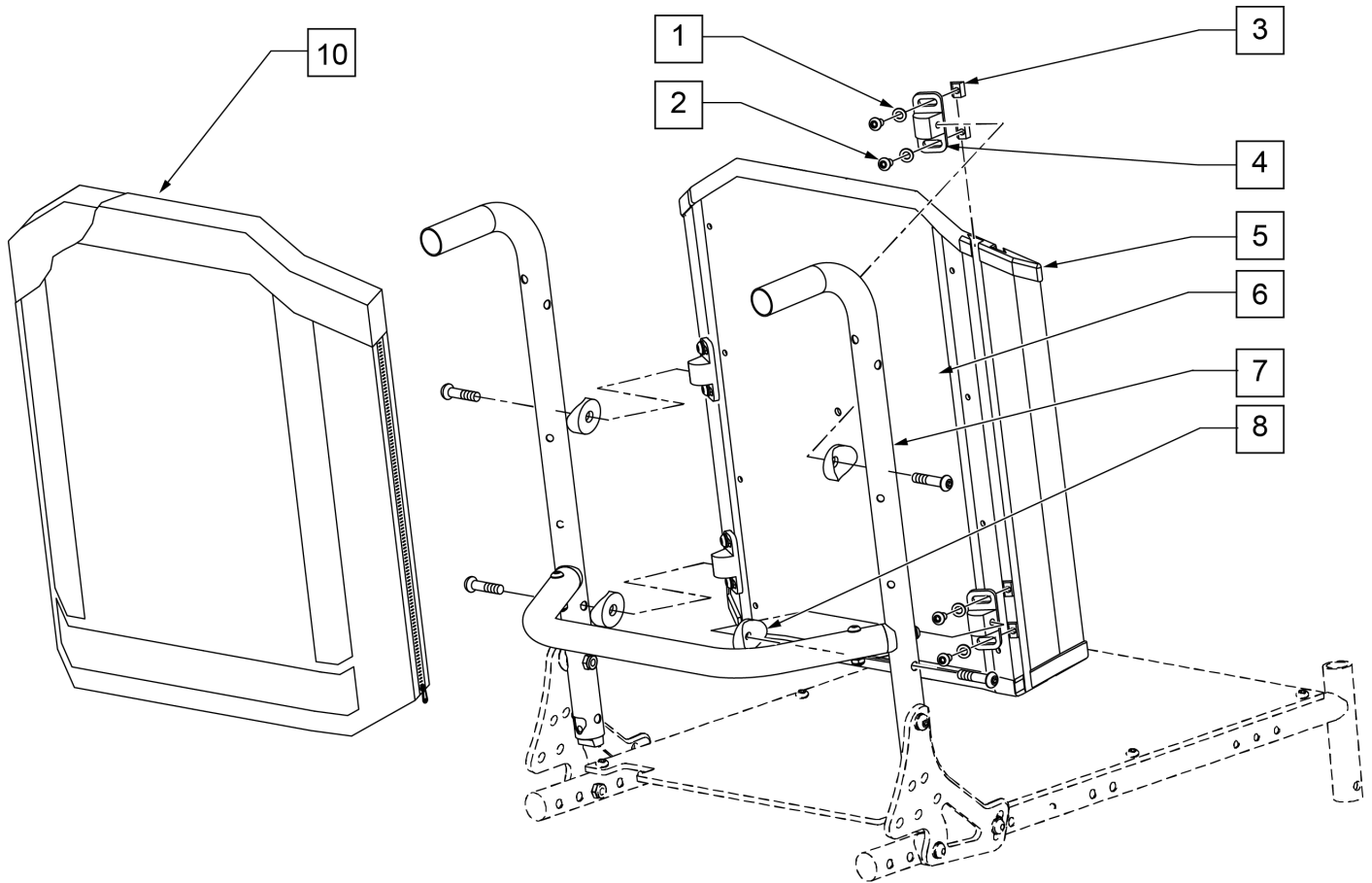


Pos.	Item Number	Description	Remarks
3	106947	WASHER FLAT THIN AN 5/16 ROHS	
4	202116	5/16 -18 NYLOCK NUT THIN BLK	
5	561006	1 SADDLE 5/16 HOLE	
6	226218	5/16 -18 x 1 3/4 BH C/S BLK	
7	501723	BACKREST PLATE 86-114 DEGREE	
8	263100	5/16 AN WASHER FLAT	
9	483801	BACKREST LATCH PLUG P2	BOTH USED
9	550080	PUSH HANDLE INSERT S525	BOTH USED
10	561019	1 INSERT PLUG .049	
11	920027	QUICKIE GRIP 1" W/INSTR SHEET	
12	281120	10/32 x 5/8 PAN HD PHIL	
13	226223	1/4 -28 x 1 1/4 BH C/S BLK	
14	520564	TOWEL RACK 14	
14	520565	TOWEL RACK 15	
14	520566	TOWEL RACK 16	
14	520567	TOWEL RACK 17	
14	520568	TOWEL RACK 18	
14	520569	TOWEL RACK 19	
14	520570	TOWEL RACK 20	
14	520571	TOWEL RACK 22	
14	520572	TOWEL RACK 24	
15	202300	1/4 -28 NYLOCK NUT THIN BLK ZN	
16	483161	STRUT SADDLE S525	

Pos.	Item Number	Description	Remarks
17	226267	1/4 -28 x 1 5/8 BH C/S W/ PATCH	
18	686930	BACK UPH 14 LOW P2	
18	686931	BACK UPH 14 MED P2	
18	686932	BACK UPH 14 TALL P2	
18	686933	BACK UPH 15 LOW P2	
18	686934	BACK UPH 15 MED P2	
18	686935	BACK UPH 15 TALL P2	
18	686936	BACK UPH 17 LOW P2	
18	686937	BACK UPH 17 MED P2	
18	686938	BACK UPH 17 TALL P2	
18	686940	BACK UPH 19 LOW P2	
18	686941	BACK UPH 19 MED P2	
18	686942	BACK UPH 19 TALL P2	
18	686943	BACK UPH 20 LOW P2	
18	686944	BACK UPH 20 MED P2	
18	686945	BACK UPH 20 TALL P2	
18	686961	BACK UPH 16 LOW P2	
18	686962	BACK UPH 16 MED P2	
18	686963	BACK UPH 16 TALL P2	
18	686981	BACK UPH 18 LOW P2	
18	686982	BACK UPH 18 MED P2	
18	686983	"BACK UPH 18"" TALL P2"	
18	687900	BACK UPH 14 (21-22) S626	
18	687901	BACK UPH 14 (23-24) S626	
18	687902	BACK UPH 15 (21-22) S626	
18	687903	BACK UPH 15 (23-24) S626	
18	687904	BACK UPH 16 (21-22) S626	
18	687905	BACK UPH 16 (23-24) S626	
18	687906	BACK UPH 17 (21-22) S626	
18	687907	BACK UPH 17 (23-24) S626	
18	687908	BACK UPH 18 (21-22) S626	
18	687909	BACK UPH 18 (23-24) S626	
18	687910	BACK UPH 19 (21-22) S626	
18	687911	BACK UPH 19 (23-24) S626	
18	687912	BACK UPH 20 (21-22) S626	
18	687913	BACK UPH 20 (23-24) S626	
18	687914	BACK UPH 22 LOW S626	
18	687915	BACK UPH 22 MED S626	
18	687916	BACK UPH 22 TALL S626	
18	687917	BACK UPH 22 (21-22) S626	
18	687918	BACK UPH 22 (23-24) S626	
18	687919	BACK UPH 24 LOW S626	
18	687920	BACK UPH 24 MED S626	
18	687921	BACK UPH 24 TALL S626	
1,10,11	842221	BACK TUBE PH 8D LOW R S525	RIGHT
1,10,11	842222	BACK TUBE PH 8D LOW L S525	LEFT
1,10,11	842223	BACK TUBE PH 8D MED R S525	RIGHT
1,10,11	842224	BACK TUBE PH 8D MED L S525	LEFT
1,10,11	842225	BACK TUBE PH 8D TALL R S525	RIGHT
1,10,11	842226	BACK TUBE PH 8D TALL L S525	LEFT
2,10,11	842227	BACK TUBE PH LOW R S525	RIGHT
2,10,11	842228	BACK TUBE PH LOW L S525	LEFT
2,10,11	842229	BACK TUBE PH MED R S525	RIGHT
2,10,11	842230	BACK TUBE PH MED L S525	LEFT
2,10,11	842231	BACK TUBE PH TALL R S525	RIGHT
2,10,11	842232	BACK TUBE PH TALL L S525	LEFT
13-17	842234	TOWEL RACK ASSM 14 S525	

Pos.	Item Number	Description	Remarks
13-17	842235	TOWEL RACK ASSM 15 S525	
13-17	842236	TOWEL RACK ASSM 16 S525	
13-17	842237	TOWEL RACK ASSM 17 S525	
13-17	842238	TOWEL RACK ASSM 18 S525	
13-17	842239	TOWEL RACK ASSM 19 S525	
13-17	842240	TOWEL RACK ASSM 20 S525	
13-17	842241	TOWEL RACK ASSM 22	
13-17	842242	TOWEL RACK ASSM 24	
1,3-12	882656	PH 8D LOW R ASSM NF 86-114	RIGHT
1,3-12	882657	PH 8D LOW L ASSM NF 86-114	LEFT
1,3-12	882658	PH 8D MED R ASSM NF 86-114	RIGHT
1,3-12	882659	PH 8D MED L ASSM NF 86-114	LEFT
1,3-12	882660	PH 8D TALL R ASSM NF 86-114	RIGHT
1,3-12	882661	PH 8D TALL L ASSM NF 86-114	LEFT
2-12	882662	PH LOW R ASSM NF 86-114	RIGHT
2-12	882663	PH LOW L ASSM NF 86-114	LEFT
2-12	882664	PH MED R ASSM NF 86-114	RIGHT
2-12	882665	PH MED L ASSM NF 86-114	LEFT
2-12	882666	PH TALL R ASSM NF 86-114	RIGHT
2-12	882667	PH TALL L ASSM NF 86-114	LEFT
1,3-18	922060	BACK ASSM 8D LOW 14 NF 86-114	
1,3-18	922061	BACK ASSM 8D LOW 15 NF 86-114	
1,3-18	922062	BACK ASSM 8D LOW 16 NF 86-114	
1,3-18	922063	BACK ASSM 8D LOW 17 NF 86-114	
1,3-18	922064	BACK ASSM 8D LOW 18 NF 86-114	
1,3-18	922065	BACK ASSM 8D LOW 19 NF 86-114	
1,3-18	922066	BACK ASSM 8D LOW 20 NF 86-114	
1,3-18	922067	BACK ASSM 8D LOW 22 NF 86-114	
1,3-18	922068	BACK ASSM 8D LOW 24 NF 86-114	
1,3-18	922010	BACK ASSM 8D MED 14 NF 86-114	
1,3-18	922011	BACK ASSM 8D MED 15 NF 86-114	
1,3-18	922012	BACK ASSM 8D MED 16 NF 86-114	
1,3-18	922013	BACK ASSM 8D MED 17 NF 86-114	
1,3-18	922014	BACK ASSM 8D MED 18 NF 86-114	
1,3-18	922015	BACK ASSM 8D MED 19 NF 86-114	
1,3-18	922016	BACK ASSM 8D MED 20 NF 86-114	
1,3-18	922017	BACK ASSM 8D MED 22 NF 86-114	
1,3-18	922018	BACK ASSM 8D MED 24 NF 86-114	
1,3-18	922028	BACK ASSM 8D TALL 14 NF 86-114	
1,3-18	922029	BACK ASSM 8D TALL 15 NF 86-114	
1,3-18	922030	BACK ASSM 8D TALL 16 NF 86-114	
1,3-18	922031	BACK ASSM 8D TALL 17 NF 86-114	
1,3-18	922032	BACK ASSM 8D TALL 18 NF 86-114	
1,3-18	922033	BACK ASSM 8D TALL 19 NF 86-114	
1,3-18	922034	BACK ASSM 8D TALL 20 NF 86-114	
1,3-18	922035	BACK ASSM 8D TALL 22 NF 86-114	
1,3-18	922036	BACK ASSM 8D TALL 24 NF 86-114	
2-18	922040	BACK ASSM LOW 14 NF 86-114	
2-18	922041	BACK ASSM LOW 15 NF 86-114	
2-18	922042	BACK ASSM LOW 16 NF 86-114	
2-18	922043	BACK ASSM LOW 17 NF 86-114	
2-18	922044	BACK ASSM LOW 18 NF 86-114	
2-18	922045	BACK ASSM LOW 19 NF 86-114	
2-18	922046	BACK ASSM LOW 20 NF 86-114	
2-18	922047	BACK ASSM LOW 22 NF 86-114	
2-18	922048	BACK ASSM LOW 24 NF 86-114	
2-18	922001	BACK ASSM MED 14 NF 86-114	

Pos.	Item Number	Description	Remarks
2-18	922002	BACK ASSM MED 15 NF 86-114	
2-18	922003	BACK ASSM MED 16 NF 86-114	
2-18	922004	BACK ASSM MED 17 NF 86-114	
2-18	922005	BACK ASSM MED 18 NF 86-114	
2-18	922006	BACK ASSM MED 19 NF 86-114	
2-18	922007	BACK ASSM MED 20 NF 86-114	
2-18	922008	BACK ASSM MED 22 NF 86-114	
2-18	922009	BACK ASSM MED 24 NF 86-114	
2-18	922019	BACK ASSM TALL 14 NF 86-114	
2-18	922020	BACK ASSM TALL 15 NF 86-114	
2-18	922021	BACK ASSM TALL 16 NF 86-114	
2-18	922022	BACK ASSM TALL 17 NF 86-114	
2-18	922023	BACK ASSM TALL 18 NF 86-114	
2-18	922024	BACK ASSM TALL 19 NF 86-114	
2-18	922025	BACK ASSM TALL 20 NF 86-114	
2-18	922026	BACK ASSM TALL 22 NF 86-114	
2-18	922027	BACK ASSM TALL 24 NF 86-114	



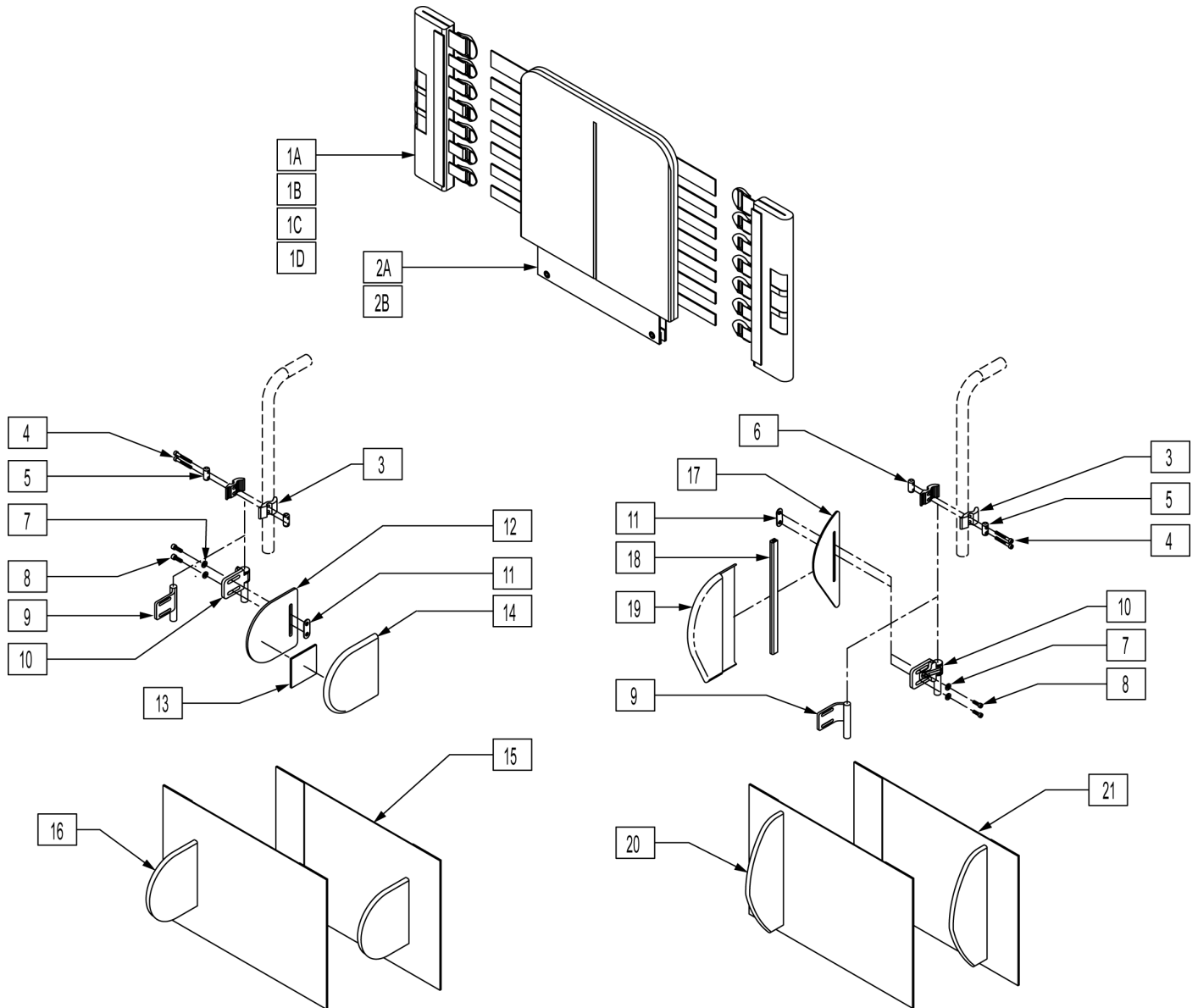
Pos.	Item Number	Description	Remarks
1	267052	1/4 AN WASHER FLAT AN960C416	
2	221094	1/4 -28 x 7/16 BH C/S BLK	
3	481106-QU	1/4 -28 CHANNEL NUT	
4	121507	SOLID BACK MOUNTING BRACKET	
5	011244	SLD BCKRST SHELL ASSMBLY 12X16	
5	011248	SLD BCKRST SHELL ASSMBLY 12X18	
5	011252	SLD BCKRST SHELL ASSMBLY 12X20	
5	011256	SLD BCKRST SHELL ASSMBLY 12X22	
5	011260	SLD BCKRST SHELL ASSMBLY 12X24	
5	011245	SLD BCKRST SHELL ASSMBLY 13X16	
5	011249	SLD BCKRST SHELL ASSMBLY 13X18	
5	011253	SLD BCKRST SHELL ASSMBLY 13X20	
5	011257	SLD BCKRST SHELL ASSMBLY 13X22	
5	011261	SLD BCKRST SHELL ASSMBLY 13X24	
5	881850	SOLID BCKRST SHELL ASSM 14 x 16	
5	881851	SOLID BCKRST SHELL ASSM 15 x 16	
5	881852	SOLID BCKRST SHELL ASSM 16 x 16	
5	881853	SOLID BCKRST SHELL ASSM 17 x 16	
5	881854	SOLID BCKRST SHELL ASSM 18 x 16	
5	881855	SOLID BCKRST SHELL ASSM 19 x 16	
5	881856	SOLID BCKRST SHELL ASSM 20 x 16	
5	881857	SOLID BCKRST SHELL ASSM 14 x 18	
5	881858	SOLID BCKRST SHELL ASSM 15 x 18	
5	881859	SOLID BCKRST SHELL ASSM 16 x 18	

Pos.	Item Number	Description	Remarks
5	881860	SOLID BCKRST SHELL ASSM 17 x 18	
5	881861	SOLID BCKRST SHELL ASSM 18 x 18	
5	881862	SOLID BCKRST SHELL ASSM 19 x 18	
5	881863	SOLID BCKRST SHELL ASSM 20 x 18	
5	881864	SOLID BCKRST SHELL ASSM 14 x 20	
5	881865	SOLID BCKRST SHELL ASSM 15 x 20	
5	881866	SOLID BCKRST SHELL ASSM 16 x 20	
5	881867	SOLID BCKRST SHELL ASSM 17 x 20	
5	881868	SOLID BCKRST SHELL ASSM 18 x 20	
5	881869	SOLID BCKRST SHELL ASSM 19 x 20	
5	881870	SOLID BCKRST SHELL ASSM 20 x 20	
5	881871	SOLID BCKRST SHELL ASSM 14 x 22	
5	881872	SOLID BCKRST SHELL ASSM 15 x 22	
5	881873	SOLID BCKRST SHELL ASSM 16 x 22	
5	881874	SOLID BCKRST SHELL ASSM 17 x 22	
5	881875	SOLID BCKRST SHELL ASSM 18 x 22	
5	881876	SOLID BCKRST SHELL ASSM 19 x 22	
5	881877	SOLID BCKRST SHELL ASSM 20 x 22	
5	881878	SOLID BCKRST SHELL ASSM 14 x 24	
5	881879	SOLID BCKRST SHELL ASSM 15 x 24	
5	881880	SOLID BCKRST SHELL ASSM 16 x 24	
5	881881	SOLID BCKRST SHELL ASSM 17 x 24	
5	881882	SOLID BCKRST SHELL ASSM 18 x 24	
5	881883	SOLID BCKRST SHELL ASSM 19 x 24	
5	881884	SOLID BCKRST SHELL ASSM 20 x 24	
5	881885	SOLID BCKRST SHELL ASSM 22 x 16	
5	881886	SOLID BCKRST SHELL ASSM 22 x 18	
5	881887	SOLID BCKRST SHELL ASSM 22 x 20	
5	881888	SOLID BCKRST SHELL ASSM 22 x 22	
5	881889	SOLID BCKRST SHELL ASSM 22 x 24	
5	881890	SOLID BCKRST SHELL ASSM 24 x 16	
5	881892	SOLID BCKRST SHELL ASSM 24 x 20	
5	881893	SOLID BCKRST SHELL ASSM 24 x 22	
5	881894	SOLID BCKRST SHELL ASSM 24 x 24	
6	226291	5/16 -18 x 1-1/2 BHCS BK W/ PATCH	
8	561006	1 SADDLE 5/16 HOLE	
10	687073	BACK CUSHION 12"X16" SOLID BK	
10	687074	BACK CUSHION 12"X18" SOLID BK	
10	687075	BACK CUSHION 12"X20" SOLID BK	
10	687076	BACK CUSHION 12"X22" SOLID BK	
10	687077	BACK CUSHION 12"X24" SOLID BK	
10	687078	BACK CUSHION 13"X16" SOLID BK	
10	687079	BACK CUSHION 13"X18" SOLID BK	
10	687080	BACK CUSHION 13"X20" SOLID BK	
10	687081	BACK CUSHION 13"X22" SOLID BK	
10	687082	BACK CUSHION 13"X24" SOLID BK	
10	681850	BACK CUSHION 14 x 16 SOLID BACK	
10	681851	BACK CUSHION 14 x 18 SOLID BACK	
10	681852	BACK CUSHION 14 x 20 SOLID BACK	
10	681853	BACK CUSHION 14 x 22 SOLID BACK	
10	681854	BACK CUSHION 14 x 24 SOLID BACK	
10	681855	BACK CUSHION 15 x 16 SOLID BACK	
10	681856	BACK CUSHION 15 x 18 SOLID BACK	
10	681857	BACK CUSHION 15 x 20 SOLID BACK	
10	681858	BACK CUSHION 15 x 22 SOLID BACK	
10	681859	BACK CUSHION 15 x 24 SOLID BACK	
10	681860	BACK CUSHION 16 x 16 SOLID BACK	

Pos.	Item Number	Description	Remarks
10	681861	BACK CUSHION 16 x 18 SOLID BACK	
10	681862	BACK CUSHION 16 x 20 SOLID BACK	
10	681863	BACK CUSHION 16 x 22 SOLID BACK	
10	681864	BACK CUSHION 16 x 24 SOLID BACK	
10	681865	BACK CUSHION 17 x 16 SOLID BACK	
10	681866	BACK CUSHION 17 x 18 SOLID BACK	
10	681867	BACK CUSHION 17 x 20 SOLID BACK	
10	681868	BACK CUSHION 17 x 22 SOLID BACK	
10	681869	BACK CUSHION 17 x 24 SOLID BACK	
10	681870	BACK CUSHION 18 x 16 SOLID BACK	
10	681871	BACK CUSHION 18 x 18 SOLID BACK	
10	681872	BACK CUSHION 18 x 20 SOLID BACK	
10	681873	BACK CUSHION 18 x 22 SOLID BACK	
10	681874	BACK CUSHION 18 x 24 SOLID BACK	
10	681875	BACK CUSHION 19 x 16 SOLID BACK	
10	681876	BACK CUSHION 19 x 18 SOLID BACK	
10	681877	BACK CUSHION 19 x 20 SOLID BACK	
10	681878	BACK CUSHION 19 x 22 SOLID BACK	
10	681879	BACK CUSHION 19 x 24 SOLID BACK	
10	681880	BACK CUSHION 20 x 16 SOLID BACK	
10	681881	BACK CUSHION 20 x 18 SOLID BACK	
10	681882	BACK CUSHION 20 x 20 SOLID BACK	
10	681883	BACK CUSHION 20 x 22 SOLID BACK	
10	681884	BACK CUSHION 20 x 24 SOLID BACK	
10	681885	BACK CUSHION 22 x 16 SOLID BACK	
10	681886	BACK CUSHION 22 x 18 SOLID BACK	
10	681887	BACK CUSHION 22 x 20 SOLID BACK	
10	681888	BACK CUSHION 22 x 22 SOLID BACK	
10	681889	BACK CUSHION 22 x 24 SOLID BACK	
10	681890	BACK CUSHION 24 x 16 SOLID BACK	
10	681891	BACK CUSHION 24 x 18 SOLID BACK	
10	681892	BACK CUSHION 24 x 20 SOLID BACK	
10	681893	BACK CUSHION 24 x 22 SOLID BACK	
10	681894	BACK CUSHION 24 x 24 SOLID BACK	
5,10	687400	SOLID BACKREST ASSY 14 x 16/17	
5,10	687401	SOLID BACKREST ASSY 14 x 18/19	
5,10	687402	SOLID BACKREST ASSY 14 x 20/21	
5,10	687403	SOLID BACKREST ASSY 14 x 22/23	
5,10	687404	SOLID BACKREST ASSY 14 x 24	
5,10	687405	SOLID BACKREST ASSY 15 x 16/17	
5,10	687406	SOLID BACKREST ASSY 15 x 18/19	
5,10	687407	SOLID BACKREST ASSY 15 x 20/21	
5,10	687408	SOLID BACKREST ASSY 15 x 22/23	
5,10	687409	SOLID BACKREST ASSY 15 x 24	
5,10	687410	SOLID BACKREST ASSY 16 x 16/17	
5,10	687411	SOLID BACKREST ASSY 16 x 18/19	
5,10	687412	SOLID BACKREST ASSY 16 x 20/21	
5,10	687413	SOLID BACKREST ASSY 16 x 22/23	
5,10	687414	SOLID BACKREST ASSY 16 x 24	
5,10	687415	SOLID BACKREST ASSY 17 x 16/17	
5,10	687416	SOLID BACKREST ASSY 17 x 18/19	
5,10	687417	SOLID BACKREST ASSY 17 x 20/21	
5,10	687418	SOLID BACKREST ASSY 17 x 22/23	
5,10	687419	SOLID BACKREST ASSY 17 x 24	
5,10	687420	SOLID BACKREST ASSY 18 x 16/17	
5,10	687421	SOLID BACKREST ASSY 18 x 18/19	
5,10	687422	SOLID BACKREST ASSY 18 x 20/21	

Pos.	Item Number	Description	Remarks
5,10	687423	SOLID BACKREST ASSY 18 x 22/23	
5,10	687424	SOLID BACKREST ASSY 18 x 24	
5,10	687425	SOLID BACKREST ASSY 19 x 16/17	
5,10	687426	SOLID BACKREST ASSY 19 x 18/19	
5,10	687427	SOLID BACKREST ASSY 19 x 20/21	
5,10	687428	SOLID BACKREST ASSY 19 x 22/23	
5,10	687429	SOLID BACKREST ASSY 19 x 24	
5,10	687430	SOLID BACKREST ASSY 20 x 16/17	
5,10	687431	SOLID BACKREST ASSY 20 x 18/19	
5,10	687432	SOLID BACKREST ASSY 20 x 20/21	
5,10	687433	SOLID BACKREST ASSY 20 x 22/23	
5,10	687434	SOLID BACKREST ASSY 20 x 24	
5,10	687435	SOLID BACKREST ASSY 22 x 16/17	
5,10	687436	SOLID BACKREST ASSY 22 x 18/19	
5,10	687437	SOLID BACKREST ASSY 22 x 20/21	
5,10	687438	SOLID BACKREST ASSY 22 x 22/23	
5,10	687439	SOLID BACKREST ASSY 22 x 24	
5,10	687440	SOLID BACKREST ASSY 24 x 16/17	
5,10	687441	SOLID BACKREST ASSY 24 x 18/19	
5,10	687442	SOLID BACKREST ASSY 24 x 20/21	
5,10	687443	SOLID BACKREST ASSY 24 x 22/23	
5,10	687444	SOLID BACKREST ASSY 24 x 24	
1-4,6,8	881900	MOUNT KIT SOLID BACK	PAIR
1-4,6,8	881795	MOUNT HDWR SOLID BACK	

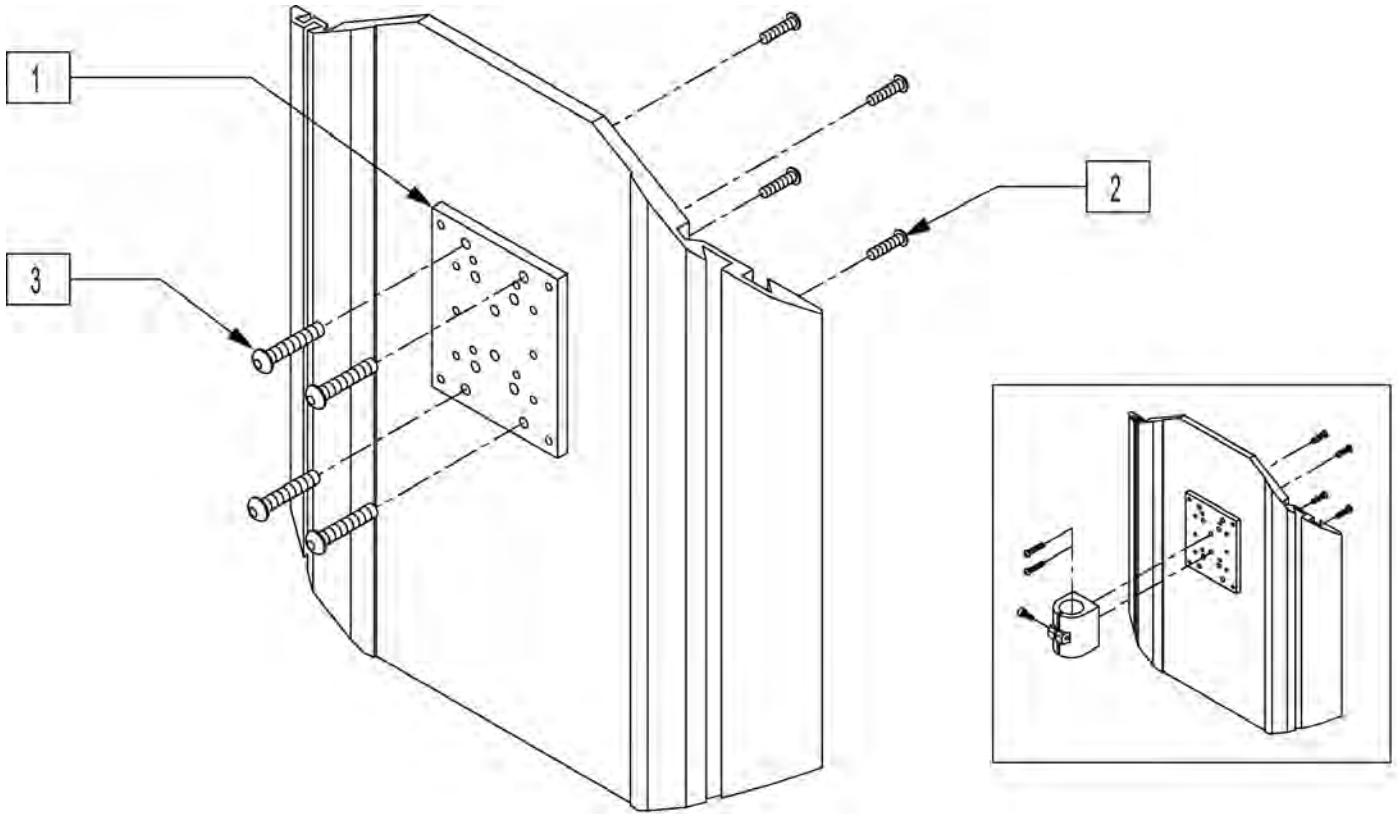
NOTE: IF MOUNTING LATERALS ONTO A SOLID BACK PLEASE REFER TO THE "LATERAL PAD ASSEMBLY" PARTS PAGE FOR MOUNTING HARDWARE.



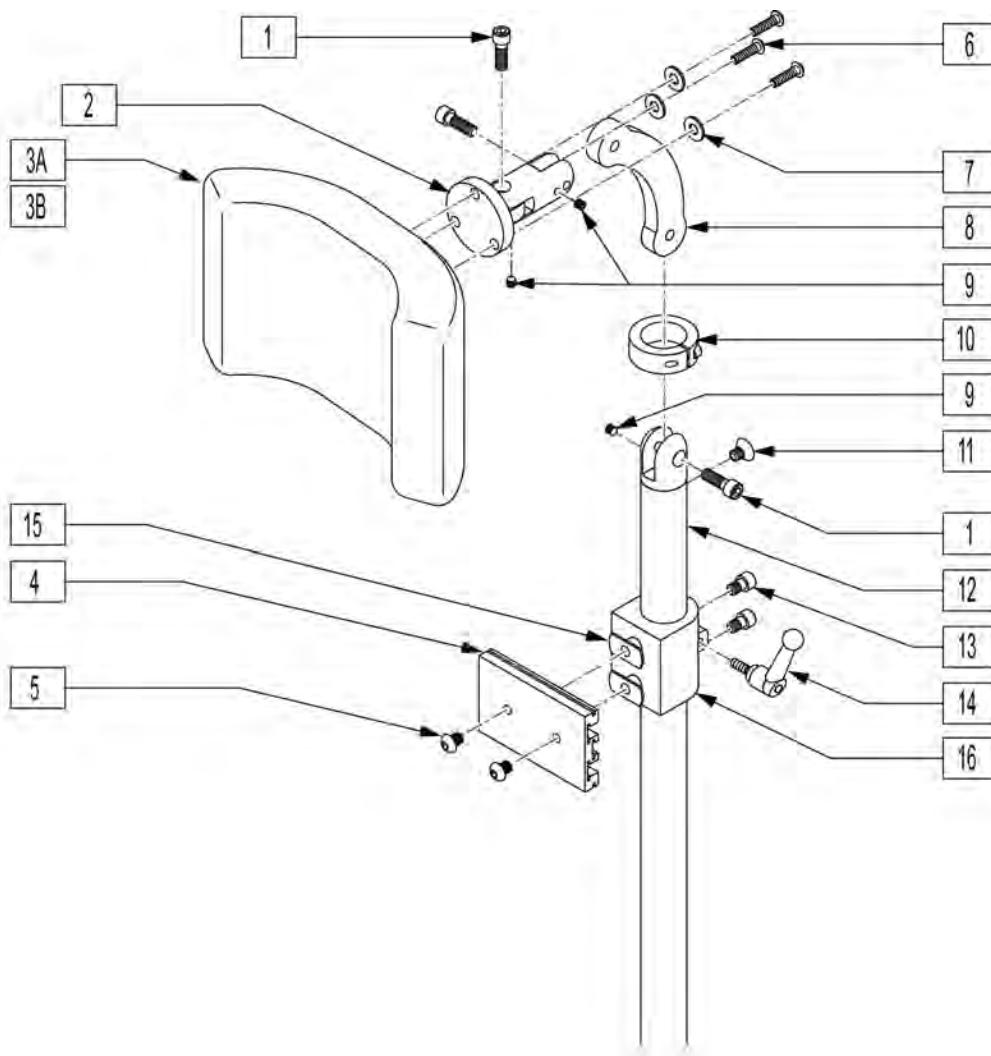
Pos.	Item Number	Description	Remarks
1A	683358	JAY BACK UPH BACK CANE COVER MEDIUM	LEFT 10"-14" & 12"-16"
1A	683360	JAY BACK UPH BACK CANE COVER MEDIUM	RIGHT 10"-14" & 12"-16"
1B	683357	JAY BACK UPH BACK CANE COVER TALL	LEFT 14"-18" & 16"-20"
1B	683359	JAY BACK UPH BACK CANE COVER TALL	RIGHT 14"-18" & 16"-20"
1C	683362	JAY BACK UPH BACK CANE COVER NO LATERAL MEDIUM	LEFT 10"-14" & 12"-16"
1C	683364	JAY BACK UPH BACK CANE COVER NO LATERAL MEDIUM	RIGHT 10"-14" & 12"-16"
1D	683361	JAY BACK UPH BACK CANE COVER NO LATERAL TALL	LEFT 14"-18" & 16"-20"
1D	683363	JAY BACK UPH BACK CANE COVER NO LATERAL TALL	RIGHT 14"-18" & 16"-20"
2A	683305	JAY BACK UPH 14W MEDIUM	10"-14" & 12"-16"
2A	683307	JAY BACK UPH 15W MEDIUM	10"-14" & 12"-16"

Pos.	Item Number	Description	Remarks
2A	683309	JAY BACK UPH 16W MEDIUM	10"-14" & 12"-16"
2A	683311	JAY BACK UPH 17W MEDIUM	10"-14" & 12"-16"
2A	683313	JAY BACK UPH 18W MEDIUM	10"-14" & 12"-16"
2A	683315	JAY BACK UPH 19W MEDIUM	10"-14" & 12"-16"
2A	683317	JAY BACK UPH 20W MEDIUM	10"-14" & 12"-16"
2B	683306	JAY BACK UPH 14W TALL	14"-18" & 16"-20"
2B	683308	JAY BACK UPH 15W TALL	14"-18" & 16"-20"
2B	683310	JAY BACK UPH 16W TALL	14"-18" & 16"-20"
2B	683312	JAY BACK UPH 17W TALL	14"-18" & 16"-20"
2B	683314	JAY BACK UPH 18W TALL	14"-18" & 16"-20"
2B	683316	JAY BACK UPH 19W TALL	14"-18" & 16"-20"
2B	683318	JAY BACK UPH 20W TALL	14"-18" & 16"-20"
3	481800	UNI LATERAL BRKT JAY PRECISION	
4	226353	10-32 X 1 1/2 SOC HD C/S W/PL	
5	481810	UNI LATERAL BRKT SCR ROLL PIN	
6	481811	LATERAL BRKT PREC THD-ROLL PIN	
7	261204	#10 AN WASHER .063	
8	226043	10-32 x 1/2 BH C/S BL	
9	541144	LATERAL BRKT 1.5 W WLDMNT	RIGHT
9	541145	LATERAL BRKT 1.5 W WLDMNT	LEFT
10	881738	S/A ASSM JAY PRECISION	RIGHT
10	881739	S/A ASSM JAY PRECISION	LEFT
11	881109	1 NUT PLATE W/THREADED INSERT	
12	500914	SYMMETRIC LATERAL PANEL	Size 5"X5"
13	751314	2 x 2 VELCRO LOOP	
14	B672	BASE EXTENDED LATERAL	
17	501140	ASYMMETRIC LATERAL PANEL	Size 10"X3.25"
18	697100	ASYMMETRIC LATERAL PANEL EDGE TRIM	
19	683319	JAY BACK UPH INT LATERAL COVER ASYMMETRIC	LEFT
19	683320	JAY BACK UPH INT LATERAL COVER ASYMMETRIC	RIGHT
3-6	880959	UNI LATERAL CLAMP ASSM	
20,21	923300	JAY BACK EXTENSION LATERAL COVER ASYMMETRIC 14-16	
20,21	923301	JAY BACK EXTENSION LATERAL COVER ASYMMETRIC 17-20	
15,16	923302	JAY BACK EXTENSION LATERAL COVER SYMMETRIC 14-16	
15,16	923303	JAY BACK EXTENSION LATERAL COVER SYMMETRIC 17-20	
1C,2	682520	JAY MEDIUM BACK UPH 14 W/O LATERAL	
1C,2	682521	JAY MEDIUM BACK UPH 15 W/O LATERAL	
1C,2	682522	JAY MEDIUM BACK UPH 16 W/O LATERAL	
1C,2	682523	JAY MEDIUM BACK UPH 17 W/O LATERAL	
1C,2	682524	JAY MEDIUM BACK UPH 18 W/O LATERAL	
1C,2	682525	JAY MEDIUM BACK UPH 19 W/O LATERAL	
1C,2	682526	JAY MEDIUM BACK UPH 20 W/O LATERAL	
1D,2B	682527	JAY TALL BACK UPH 14 W/O LATERAL	
1D,2B	682528	JAY TALL BACK UPH 15 W/O LATERAL	
1D,2B	682529	JAY TALL BACK UPH 16 W/O LATERAL	
1D,2B	682530	JAY TALL BACK UPH 17 W/O LATERAL	
1D,2B	682531	JAY TALL BACK UPH 18 W/O LATERAL	
1D,2B	682532	JAY TALL BACK UPH 19 W/O LATERAL	
1D,2B	682533	JAY TALL BACK UPH 20 W/O LATERAL	
1A,2A,3-8,9-16	682534	JAY MEDIUM BACK UPH 14 W/ FIX SYMMETRIC LATERAL	
1A,2A,3-8,9-16	682535	JAY MEDIUM BACK UPH 15 W/ FIX SYMMETRIC LATERAL	
1A,2A,3-8,9-16	682536	JAY MEDIUM BACK UPH 16 W/ FIX SYMMETRIC LATERAL	
1A,2A,3-8,9-16	682537	JAY MEDIUM BACK UPH 17 W/ FIX SYMMETRIC LATERAL	
1A,2A,3-8,9-16	682538	JAY MEDIUM BACK UPH 18 W/ FIX SYMMETRIC LATERAL	
1A,2A,3-8,9-16	682539	JAY MEDIUM BACK UPH 19 W/ FIX SYMMETRIC LATERAL	
1A,2A,3-8,9-16	682540	JAY MEDIUM BAC KUPH 20 W/ FIX SYMMETRIC LATERAL	
1A,2A,3-8,10-16	682541	JAY MEDIUM BACK UPH 14 W/ S/A SYMMETRIC LATERAL	

Pos.	Item Number	Description	Remarks
1A,2A,3-8,10-16	682542	JAY MEDIUM BACK UPH 15 W/ S/A SYMMETRIC LATERAL	
1A,2A,3-8,10-16	682543	JAY MEDIUM BACK UPH 16 W/ S/A SYMMETRIC LATERAL	
1A,2A,3-8,10-16	682544	JAY MEDIUM BACK UPH 17 W/ S/A SYMMETRIC LATERAL	
1A,2A,3-8,10-16	682545	JAY MEDIUM BACK UPH 18 W/ S/A SYMMETRIC LATERAL	
1A,2A,3-8,10-16	682546	JAY MEDIUM BACK UPH 19 W/ S/A SYMMETRIC LATERAL	
1A,2A,3-8,10-16	682547	JAY MEDIUM BACK UPH 20 W/ S/A SYMMETRIC LATERAL	
1B,2B,3-9,11-16	682562	JAY TALL BACK UPH 14 W/ FIX SYMMETRIC LATERAL	
1B,2B,3-9,11-16	682563	JAY TALL BACK UPH 15 W/ FIX SYMMETRIC LATERAL	
1B,2B,3-9,11-16	682564	JAY TALL BACK UPH 16 W/ FIX SYMMETRIC LATERAL	
1B,2B,3-9,11-16	682565	JAY TALL BACK UPH 17 W/ FIX SYMMETRIC LATERAL	
1B,2B,3-9,11-16	682566	JAY TALL BACK UPH 18 W/ FIX SYMMETRIC LATERAL	
1B,2B,3-9,11-16	682567	JAY TALL BACK UPH 19 W/ FIX SYMMETRIC LATERAL	
1B,2B,3-9,11-16	682568	JAY TALL BACK UPH 20 W/ FIX SYMMETRIC LATERAL	
1B,2B,3-8,10-16	682569	JAY TALL BACK UPH 14 W/ S/A SYMMETRIC LATERAL	
1B,2B,3-8,10-16	682570	JAY TALL BACK UPH 15 W/ S/A SYMMETRIC LATERAL	
1B,2B,3-8,10-16	682571	JAY TALL BACK UPH 16 W/ S/A SYMMETRIC LATERAL	
1B,2B,3-8,10-16	682572	JAY TALL BACK UPH 17 W/ S/A SYMMETRIC LATERAL	
1B,2B,3-8,10-16	682573	JAY TALL BACK UPH 18 W/ S/A SYMMETRIC LATERAL	
1B,2B,3-8,10-16	682574	JAY TALL BACK UPH 19 W/ S/A SYMMETRIC LATERAL	
1B,2B,3-8,10-16	682575	JAY TALL BACK UPH 20 W/ S/A SYMMETRIC LATERAL	
1A,2A,3-9,11,17-21	682576	JAY TALL BACK UPH 14 W/ FIX ASYMMETRIC LATERAL	
1A,2A,3-9,11,17-21	682577	JAY TALL BACK UPH 15 W/ FIX ASYMMETRIC LATERAL	
1A,2A,3-9,11,17-21	682578	JAY TALL BACK UPH 16 W/ FIX ASYMMETRIC LATERAL	
1A,2A,3-9,11,17-21	682579	JAY TALL BACK UPH 17 W/ FIX ASYMMETRIC LATERAL	
1A,2A,3-9,11,17-21	682580	JAY TALL BACK UPH 18 W/ FIX ASYMMETRIC LATERAL	
1A,2A,3-9,11,17-21	682581	JAY TALL BACK UPH 19 W/ FIX ASYMMETRIC LATERAL	
1A,2A,3-9,11,17-21	682582	JAY TALL BACK UPH 20 W/ FIX ASYMMETRIC LATERAL	
1A,2A,3-8,10,11,17-21	682583	JAY TALL BACK UPH 14 W/ S/A ASYMMETRIC LATERAL	
1A,2A,3-8,10,11,17-21	682584	JAY TALL BACK UPH 15 W/ S/A ASYMMETRIC LATERAL	
1A,2A,3-8,10,11,17-21	682585	JAY TALL BACK UPH 16 W/ S/A ASYMMETRIC LATERAL	
1A,2A,3-8,10,11,17-21	682586	JAY TALL BACK UPH 17 W/ S/A ASYMMETRIC LATERAL	
1A,2A,3-8,10,11,17-21	682587	JAY TALL BACK UPH 18 W/ S/A ASYMMETRIC LATERAL	
1A,2A,3-8,10,11,17-21	682588	JAY TALL BACK UPH 19 W/ S/A ASYMMETRIC LATERAL	
1A,2A,3-8,10,11,17-21	682589	JAY TALL BACK UPH 20 W/ S/A ASYMMETRIC LATERAL	

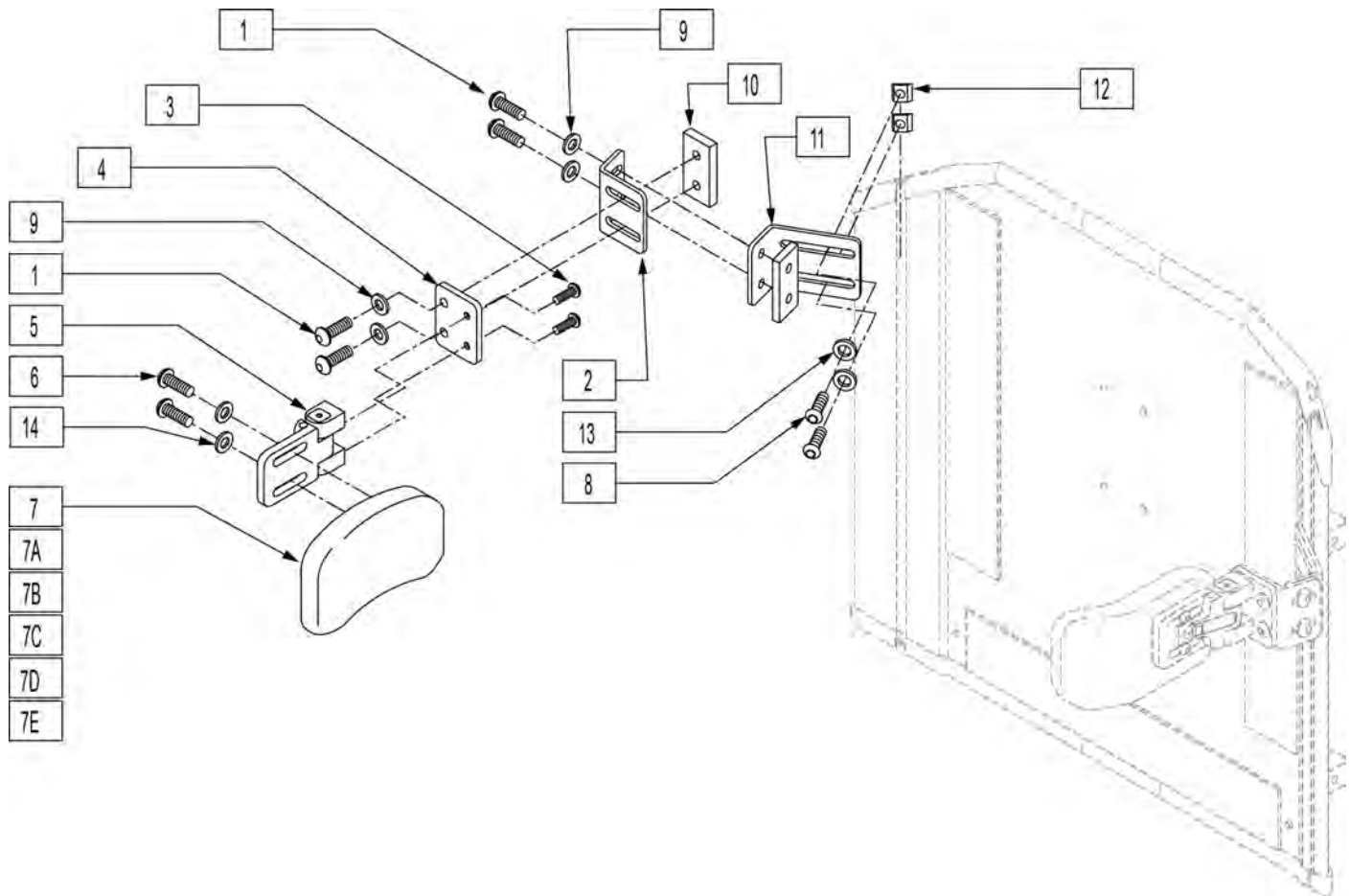


Pos.	Item Number	Description
1	XM2025	MNTNG PLATE/PEDIAT.HEAD REST
2	226018-QU	10-32 X 3/8 BH C/S W/PATCH BLK
3	476304	1/4-28 x .31 BHCS W/PATCH
1-3	476314	HEADREST NMT KIT W/HDWR POWER



Pos.	Item Number	Description	Remarks
1	221115	1/4-20 x 3/4" SOC HD C/S BLK	
3A	750696	HEADREST W/ZIPPER MEDIUM CG	8x4.5 pad
3B	750697	HEADREST W/ZIPPER LARGE CG	9x4.5 pad
4	505932	HEADREST MOUNTING TRACK	
5	476304	1/4-28 x .31 BHCS W/PATCH	
6	221010	10-32 x .75 SHCS BLK W/PL	
7	261204	#10 AN WASHER .063	
8	331077	HEADREST LINK 6 INCH	
9	341045	#10-24 CONE POINT SET SCREW	
10	505933	HEADREST COLLAR	
11	226072	1/4-20 x 1/2 FH C/S BLK	
13	226095	1/4-20 x 3/8" SOC C/S BLK ZN	
14	341046	HEADREST CLAMPING HANDLE SCREW	
15	340033	1/4-20 WELD NUTS SLAB BASE	
4,5,13-16	888101	CLAMP HEADREST RIGID BACK	
1,2,4,6-16	881003	HEADREST MOUNTING BRACKET ASSM	
1-3A,4-16	881907	HEADREST ASSEMBLY MEDIUM	8x4.5 pad
1-3B,4-16	881908	HEADREST ASSEMBLY LARGE	9x4.5 pad

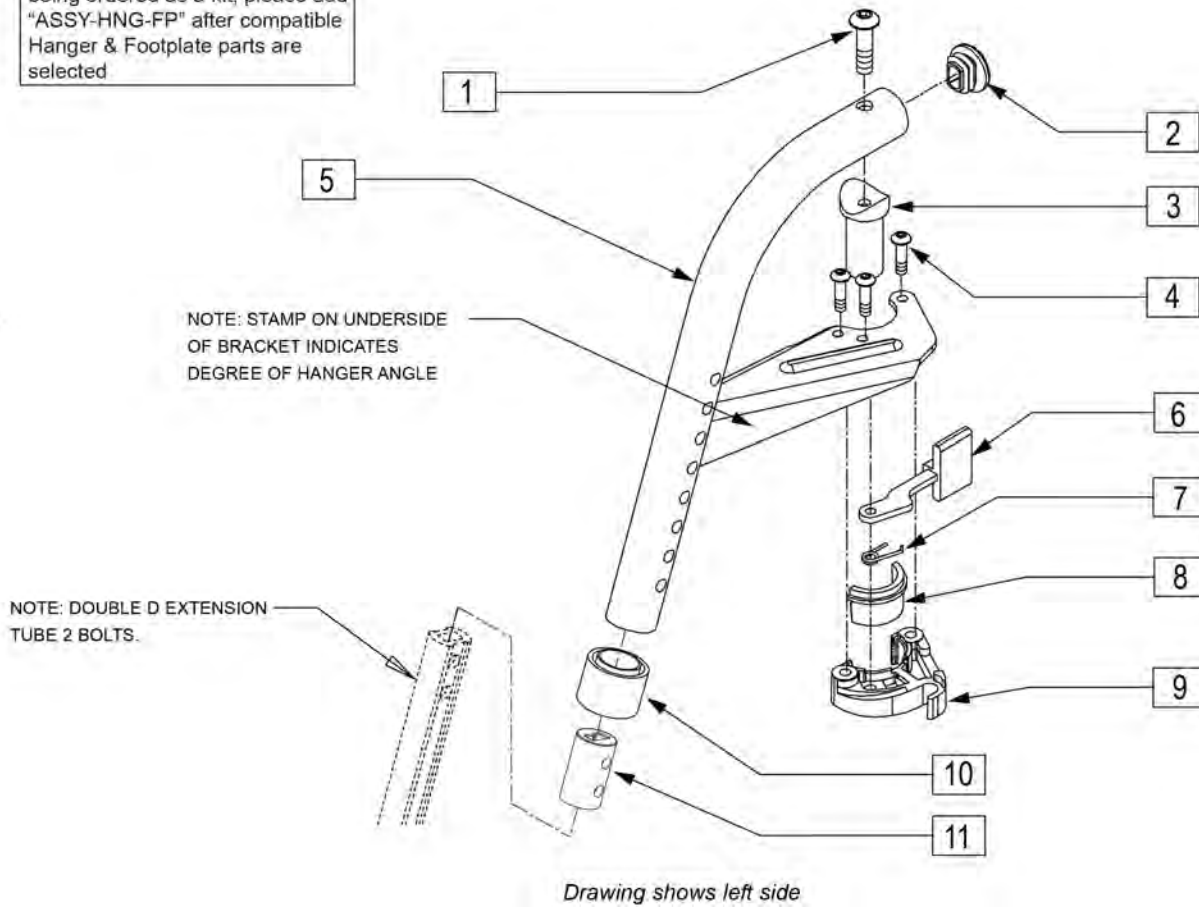
NOTE: For symmetric and asymmetric laterals, please refer to the "JAY PRECISION BACKREST & LATERAL" parts page.



Pos.	Item Number	Description	Pos.	Item Number	Description
1	226247	1/4-28 x 5/8 B/H C/S BLACK G5	6,7E,14	450825	TRUNK PAD FLAT 4"H x 6"L 1" CN
2	120093	SWING AWAY LATERAL L BRACKET	8	221092	1/4-28 x 7/16 BH CS BLK W/PTCH
3	226018-QU	10-32 x 3/8 BH C/S W/PATCH BLK	9	261111	9/32 x 5/8 OD FLAT WASHER BLK
4	120091	SWING AWAY LATERAL FLAT BRACKET	10	330134	THREADED PLATE
5	476180	ADJUSTABLE LATERAL SWING AWAY	11	120092	SWING AWAY LAT LONG L BRKT
6	455013-QU	10-32 x 1/2 ALLEN BH SCW	12	481106-QU	1/4-28 CHANNEL NUT
6,7,14	450852	TRUNK PAD CURVED 3"H x 6"L 1" CN	13	106943	WASHER FLAT AN 1/4 ROHS
6,7A,14	450854	TRUNK PAD CURVED 4"H x 5"L 1" CN	14	455031-QU	#10 AN WASHER .032 SS
6,7B,14	450855	TRUNK PAD CURVED 4"H x 6"L 1" CN	1,2,8-13	881902	LATERAL BRACKET ASSM SOLID BACK
6,7C,14	450822	TRUNK PAD FLAT 3"H x 6"L 1" CN	1-5,8-13	900475	S/A LATERAL ASSM SOLID BACK
6,7D,14	450824	TRUNK PAD FLAT 4"H x 5"L 1" CN			

Note: If replacing hanger only and chair was built prior to the serial numbers listed, Quickie S646/S646SE - S/N S64-041562 --Quickie S525 - S/N S52-024192--Quickie P222SE - S/N P2X-0018648--Quickie P220 - S/N P20-028108 please order complete assembly 641525 and/or 641526.

To request assembly of parts being ordered as a kit, please add "ASSY-HNG-FP" after compatible Hanger & Footplate parts are selected

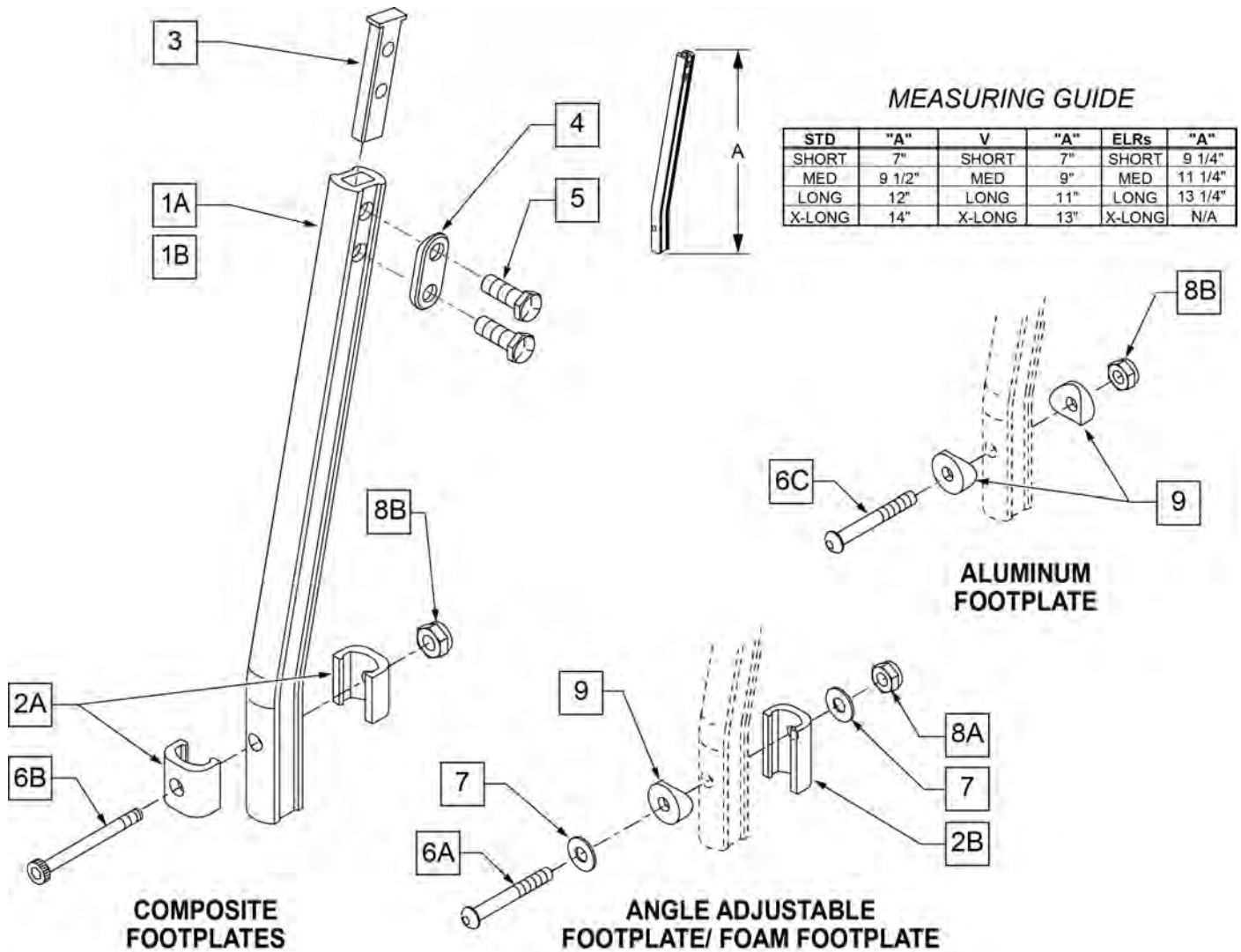


Pos.	Item Number	Description	Remarks
1	226217	5/16-18 x 2" BH C/S BLK	
2	561378	END PLUG DBL "D" S525	
3	561197	PLASTIC PIVOT SADDLE	
4	226057	10/24 x .725 BTTN HD SOC BZ	
6	561079	S/A LATCH LEVER	
7	321136	S/A SPRING L RED	Left
7	321137	S/A SPRING R CLEAR	Right
8,9	881500	LATCH BLOCK ASSM R	Right
8,9	881501	LATCH BLOCK ASSM L	Left
10	561082	1" TUBE END BUSHING THIN	
11	100968	SPCR ANTI ROTATE INSRT D2 EXT	
1-11	641526S	HANGER ASSM S/A 70D POWER R	Right
1-11	641525S	HANGER ASSM S/A 70D POWER L	Left
		Ship assembled part #	Use with multiple assemblies
	ASSY-HNG-FP	HANGER/FOOTPLATE ASSY REQUIRED	add with Hanger & Footplate kit

NOTE: DISCONTINUED - PARTS ONLY ON GP SWNG-AWAY BEGINNING 4/4/15 & S/N GP-95902, KIDS Q2 SE BEGINNING 4/16/15 & S/N QKE-003425, LX BEGINNING 10/24/2008 & S/N LX-034330, LXI BEGINNING 4/25/15 & S/N LXI-060868, QTS BEGINNING 5/15/15 & S/N QT-044951, QTS SE BEGINNING 5/15/15 & S/N QTE-002092

NOTE: IF REPLACING AN EXTENSION TUBE ON AN MANUAL ALR PLEASE REFER TO THE ROUND EXT TUBE PARTS MANUAL PAGE.

NOTE: WHEN ORDERING REPLACEMENT EXTENSION TUBES PLEASE VERIFY IF YOU HAVE THE OLD STYLE DOUBLE D EXTENSION TUBE OR THE NEW STYLE DOUBLE D EXTENSION TUBE. THIS CAN BE DONE BY REVIEWING THE HANGER THE EXTENSION TUBE IS USED ON. IF THE HANGER UTILIZES A SINGLE SET SCREW AT THE BOTTOM OF THE HANGER TUBE TO ATTACH THE EXTENSION TUBE TO THE HANGER, THEN THIS UTILIZES THE NEW STYLE DOUBLE D EXT TUBE. ALL OTHER HANGERS REQUIRING A DOUBLE D EXTENSION TUBE UTILIZE THE OLD STYLE.

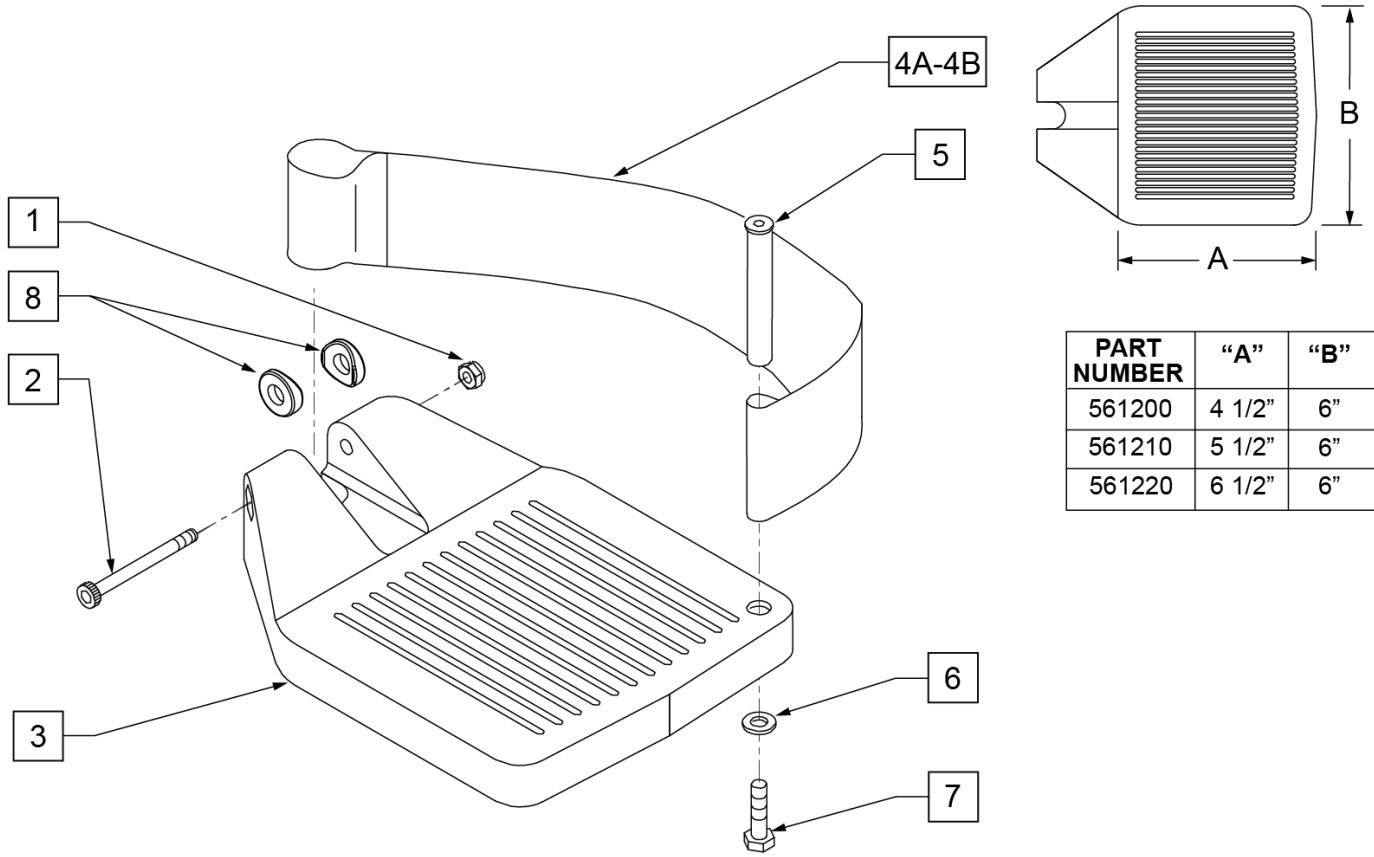


Pos.	Item Number	Description	Remarks
1A	550819	EXT TUBE S/A ONLY SHT	Short Ext-Swing Away Hanger

Pos.	Item Number	Description	Remarks
1A	550820	EXT TUBE S/A ONLY MED	Med Ext-Swing Away Hanger
1A	550821	EXT TUBE S/A ONLY LONG	Long Ext-Swing Away Hanger
1A	550822	EXT TUBE S/A ONLY X-LONG	X-Long Ext-Swing Away Hanger
1B	550834	EXT TUBE V IN ONLY D2 SHT R	Right Short Ext-Swing Away Hanger
1B	550835	EXT TUBE V IN ONLY D2 SHT L	Left Short Ext-Swing Away Hanger
1B	550836	EXT TUBE V IN ONLY D2 MED R	Right Med Ext-Swing Away Hanger
1B	550837	EXT TUBE V IN ONLY D2 MED L	Left Med Ext-Swing Away Hanger
1B	550838	EXT TUBE V IN ONLY D2 LONG R	Right Long Ext-Swing Away Hanger
1B	550839	EXT TUBE V IN ONLY D2 LONG L	Left Long Ext-Swing Away Hanger
1B	550840	EXT TUBE V IN ONLY D2 X-LONG R	Right X-Long Ext-Swing Away Hanger
1B	550841	EXT TUBE V IN ONLY D2 X-LONG L	Left X-Long Ext-Swing Away Hanger
2A	483718	HANGER EXTENSION SADDLE	USE W/ COMPOSITE FTPLT
2B	483720	HANGER EXTENSION SADDLE LONG	USE W/ ANGLE ADJ FTPLT
1C	550764	S/A HANGER EXT D2 SHORT BLACK	Short Ext ELR Hangers
1C	550765	S/A HANGER EXT D2 MED BLACK	Medium Ext ELR Hangers
1C	550766	S/A HANGER EXT D2 LONG BLACK	Long Ext ELR Hangers
3	500078	INSERT D2 EXT TUBE	
4	483717	HANGER SADDLE	
5	221102	1/4-28 x 3/4 HEX HEAD C/S BLK W/PTCH	
6A	106962	1/4-28 x 1 3/4 BH C/S BLK ZN	USE W/ ANGLE ADJ FTPLT
6B	226165	1/4 -28 x 2 1/2 SOC C/S	USE W/ COMPOSITE FTPLT
6C	226147	1/4 -28 X 1.85 BH C/S	
7	106945	1/4" SAE WASHER	
8A	106941	1/4 -28 AUTOMATION NUT	USE W/ ANGLE ADJ FTPLT
8B	106935	1/4 -28 NYLOCK NUT THIN	USE W/ COMPOSITE FTPLT
9	561055	3/4 SADDLE 1" OD	USE W/ ANGLE ADJ FTPLT
1A,2A-5	921759	EXT TUBE S/A SHT ASSM PCKT	USE W/ COMPOSITE FTPLT
1A,2A-5	921760	EXT TUBE S/A MED ASSM PCKT	USE W/ COMPOSITE FTPLT
1A,2A-5	921761	EXT TUBE S/A LONG ASSM PCKT	USE W/ COMPOSITE FTPLT
1A,2A-5	921762	EXT TUBE S/A X-LONG ASSM PCKT	USE W/ COMPOSITE FTPLT
1B,2A-5	921751	EXT TUBE "V" D2 SHT R ASSM PCKT	RIGHT - USE W/ COMPOSITE FTPLT V HANGER
1B,2A-5	921752	EXT TUBE "V" D2 SHT L ASSM PCKT	LEFT - USE W/ COMPOSITE FTPLT V HANGER
1B,2A-5	921753	EXT TUBE "V" D2 MED R ASSM PCKT	RIGHT - USE W/ COMPOSITE FTPLT V HANGER
1B,2A-5	921754	EXT TUBE "V" D2 MED L ASSM PCKT	LEFT - USE W/ COMPOSITE FTPLT V HANGER
1B,2A-5	921755	EXT TUBE "V" D2 LONG R ASSM PCKT	RIGHT - USE W/ COMPOSITE FTPLT V HANGER
1B,2A-5	921756	EXT TUBE "V" D2 LONG L ASSM PCKT	LEFT - USE W/ COMPOSITE FTPLT V HANGER
1B,2A-5	921757	EXT TUBE "V" D2 X-LONG R ASSM PCKT	RIGHT - USE W/ COMPOSITE FTPLT V HANGER
1B,2A-5	921758	EXT TUBE "V" D2 X-LONG L ASSM PCKT	LEFT - USE W/ COMPOSITE FTPLT V HANGER
1A,2A-7,9	921772	EXT TUBE S/A SHT ANG ADJ PCKT	USE W/ ANGLE ADJ FTPLT
1A,2A-7,9	921773	EXT TUBE S/A MED ANG ADJ PCKT	USE W/ ANGLE ADJ FTPLT
1A,2A-7,9	921774	EXT TUBE S/A LONG ANG ADJ PCKT	USE W/ ANGLE ADJ FTPLT
1A,2A-7,9	921775	EXT TUBE S/A X-LONG ANG ADJ PCKT	USE W/ ANGLE ADJ FTPLT
1B,2A-7,9	921764	EXT TUBE "V" D2 SHT R ANG ADJ PCKT	RIGHT - USE W/ ANGLE ADJ FTPLT V HANGER
1B,2A-7,9	921765	EXT TUBE "V" D2 SHT L ANG ADJ PCKT	LEFT - USE W/ ANGLE ADJ FTPLT V HANGER
1B,2A-7,9	921766	EXT TUBE "V" D2 MED R ANG ADJ PCKT	RIGHT - USE W/ ANGLE ADJ FTPLT V HANGER
1B,2A-7,9	921767	EXT TUBE "V" D2 MED L ANG ADJ PCKT	LEFT - USE W/ ANGLE ADJ FTPLT V HANGER
1B,2A-7,9	921768	EXT TUBE "V" D2 LONG R ANG ADJ PCKT	RIGHT - USE W/ ANGLE ADJ FTPLT V HANGER
1B,2A-7,9	921769	EXT TUBE "V" D2 LONG L ANG ADJ PCKT	LEFT - USE W/ ANGLE ADJ FTPLT V HANGER
1B,2A-7,9	921770	EXT TUBE "V" D2 X-LONG R ANG AD PCKT	RIGHT - USE W/ ANGLE ADJ FTPLT V HANGER
1B,2A-7,9	921771	EXT TUBE "V" D2 X-LONG L ANG AD PCKT	LEFT - USE W/ ANGLE ADJ FTPLT V HANGER

To have complete Footrest ship assembled, choose compatible Hanger + Footplate part numbers and add "ASSY-HNG-FP" to order

INSET FORMULA
 0" Inset (Seat Width) = Footrest Width
 1" Inset (Seat Width) -2" = Footrest Width
 "V" Hanger (Seat Width) -4" = Footrest Width
 Offset Hanger Receiver (Seat Width) +2" = Footrest Width



PART NUMBER	"A"	"B"
561200	4 1/2"	6"
561210	5 1/2"	6"
561220	6 1/2"	6"

Pos.	Item Number	Description	Remarks
1	106935	1/4 - 28 NYLOCK NUT	
2	226165	1/4 - 28 x 2 1/2 SOC C/S	
3	561200	COMPOSITE FOOTPLATE 14 -15 (16 -18 V)	14 -15 OR 16 -18V
3	561210	COMPOSITE FOOTPLATE 16 -17 (19 -20 V)	16 -17 OR 19 -20V
3	561220	COMPOSITE FOOTPLATE 18 -20	18 -20
4A	741151	HEEL LOOP 14-15 COMPOSITE (14 -15 or 16 -18V)	14 -15 OR 16 -18V
4A	741156	HEEL LOOP 16 -17 or 19 -20V	16 -17 OR 19 -20V
4A	741153	HEEL LOOP 18 -20 COMPOSITE/14-15 ANG ADJ	18 -20
4A	902270	HEEL LOOP COMPOSITE FT 14-15	PAIR 14 -15 OR 16 -18V
4A	902271	HEEL LOOP COMPOSITE FT 16-17	PAIR 16 -17 OR 19 -20V
4A	902272	HEEL LOOP COMPOSITE FT 18-20	PAIR 18 -20
4B	741154	HEEL LOOP 14-15 COMPOSITE HEMI	14 -15 HEMI
4B	741155	HEEL LOOP 16-17 COMPOSITE HEMI	16 -17 HEMI
4B	741153	HEEL LOOP 18-20 COMPOSITE HEMI	18 -10 HEMI
4B	902260	HEEL LOOPS HEMI COMPOSITE 14-15	PAIR 14 -15 HEMI
4B	902261	HEEL LOOPS HEMI COMPOSITE 16-17	PAIR 16 -17 HEMI
4B	902262	HEEL LOOPS HEMI COMPOSITE 18-20	PAIR 18 -20 HEMI
5	561040	HEEL LOOP PEG	
6	106944	1/4 AN WASHER FLAT THIN	

Pos.	Item Number	Description	Remarks
7	106958	HHCS 1/4-20 X 1 ROHS	
8	561003	3/4" SADDLE THIN	USED W/ ROUND EXT TUBES ONLY
1-3	921180	COMPOSITE FOOTPLATE ASSM 14-15	RIGHT (14 -15 OR 16 -18V) W/O HEEL LOOP
1-3	921181	COMPOSITE FOOTPLATE ASSM 14-15	LEFT (14 -15 OR 16 -18V) W/O HEEL LOOP
1-3	921182	COMPOSITE FOOTPLATE ASSM 16-17	RIGHT (16 -17 OR 19 -20V) W/O HEEL LOOP
1-3	921183	COMPOSITE FOOTPLATE ASSM 16-17	LEFT (16 -17 OR 19 -20V) W/O HEEL LOOP
1-3	921184	COMPOSITE FOOTPLATE ASSM 18-20	RIGHT (18 -20) W/O HEEL LOOP
1-3	921185	COMPOSITE FOOTPLATE ASSM 18-20	LEFT (18 -20) W/O HEEL LOOP
1-3	921151	COMPOSITE FOOTPLATE ASSM 14-15/16-18V	PAIR (14 -15 OR 16 -18V) W/O HEEL LOOP
1-3	921152	COMPOSITE FOOTPLATE ASSM 16-17/19-20V	PAIR (16 -17 OR 19 -20V) W/O HEEL LOOP
1-3	921153	COMPOSITE FOOTPLATE ASSM 18-20	PAIR (18 -20) W/O HEEL LOOP
1,2,3A,4-7	921190	COMPOSITE FOOTPLATE ASSM HL LP 14-15	RIGHT (14 -15 OR 16 -18V) W/ HEEL LOOP
1,2,3A,4-7	921191	COMPOSITE FOOTPLATE ASSM HL LP 14-15	LEFT (14 -15 OR 16 -18V) W/ HEEL LOOP
1,2,3A,4-7	921192	COMPOSITE FOOTPLATE ASSM HL LP 16-17	RIGHT (16 -17 OR 19 -20V) W/ HEEL LOOP
1,2,3A,4-7	921193	COMPOSITE FOOTPLATE ASSM HL LP 16-17	LEFT (16 -17 OR 19 -20V) W/ HEEL LOOP
1,2,3A,4-7	921194	COMPOSITE FOOTPLATE ASSM HL LP 18-20	RIGHT (18 -20) W/ HEEL LOOP
1,2,3A,4-7	921195	COMPOSITE FOOTPLATE ASSM HL LP 18-20	LEFT (18 -20) W/ HEEL LOOP
1,2,3A,4-7	921161	COMPOSITE FOOTPLATE ASSM HL 14-15/16-18V	PAIR (14 -15 OR 16 -18V) W/ HEEL LOOP
1,2,3A,4-7	921162	COMPOSITE FOOTPLATE ASSM HL 16-17/19-20V	PAIR (16 -17 OR 19 -20V) W/ HEEL LOOP
1,2,3A,4-7	921163	COMPOSITE FOOTPLATE ASSM HL 18-20	PAIR (18 -20) W/ HEEL LOOP
1,2,3B,4-7	921140	COMPOSITE FOOTPLATE ASSM HEMI HL LP 14-15	RIGHT (14 -15) W/ HEEL LOOP
1,2,3B,4-7	921141	COMPOSITE FOOTPLATE ASSM HEMI HL LP 14-15	LEFT (14 -15) W/ HEEL LOOP
1,2,3B,4-7	921142	COMPOSITE FOOTPLATE ASSM HEMI HL LP 16-17	RIGHT (16 -17) W/ HEEL LOOP
1,2,3B,4-7	921143	COMPOSITE FOOTPLATE ASSM HEMI HL LP 16-17	LEFT (16 -17) W/ HEEL LOOP
1,2,3B,4-7	921144	COMPOSITE FOOTPLATE ASSM HEMI HL LP 18-20	RIGHT (18 -20) W/ HEEL LOOP
1,2,3B,4-7	921145	COMPOSITE FOOTPLATE ASSM HEMI HL LP 18-20	LEFT (18 -20) W/ HEEL LOOP
1,2,3B,4-7	921167	COMPOSITE FOOTPLATE ASSM HEMI HL LPS 14-15	PAIR (14 -15) W/ HEEL LOOP
1,2,3B,4-7	921168	COMPOSITE FOOTPLATE ASSM HEMI HL LPS 16-17	PAIR (16 -17) W/ HEEL LOOP
1,2,3B,4-7	921169	COMPOSITE FOOTPLATE ASSM HEMI HL LPS 18-20	PAIR (18 -20) W/ HEEL LOOP
		Ship assembled part #	Use with multiple assemblies
	ASSY-HNG-FP	HANGER/FOOTPLATE ASSY REQUIRED	add with Hanger & Footplate kit

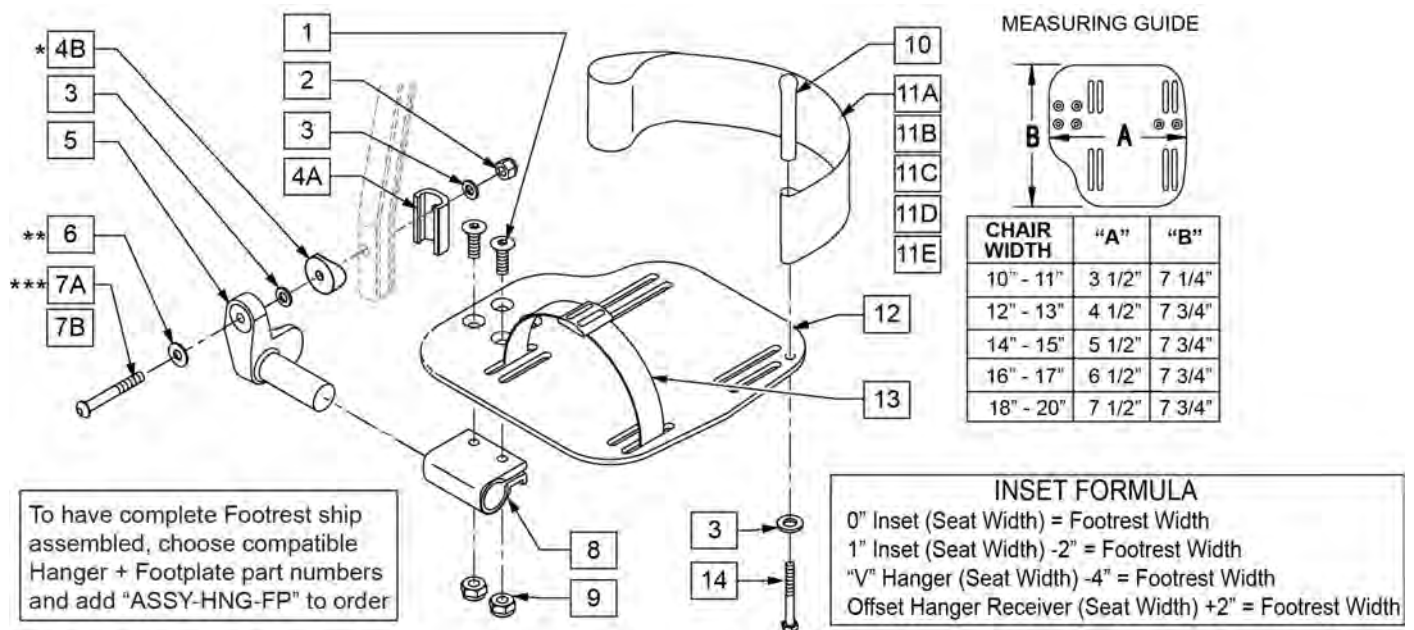
NOTE: FOR HIGH-MOUNT ADULT ANGLE-ADJUSTABLE FOOTPLATE, SEE "HIGH-MOUNT EXTENSION TUBE" PAGE.

NOTE: ORDER ITEM 4B FOR CHAIRS PRIOR TO 8/13/01.

NOTE: ONLY 1 WASHER PRIOR TO 8/13/01.

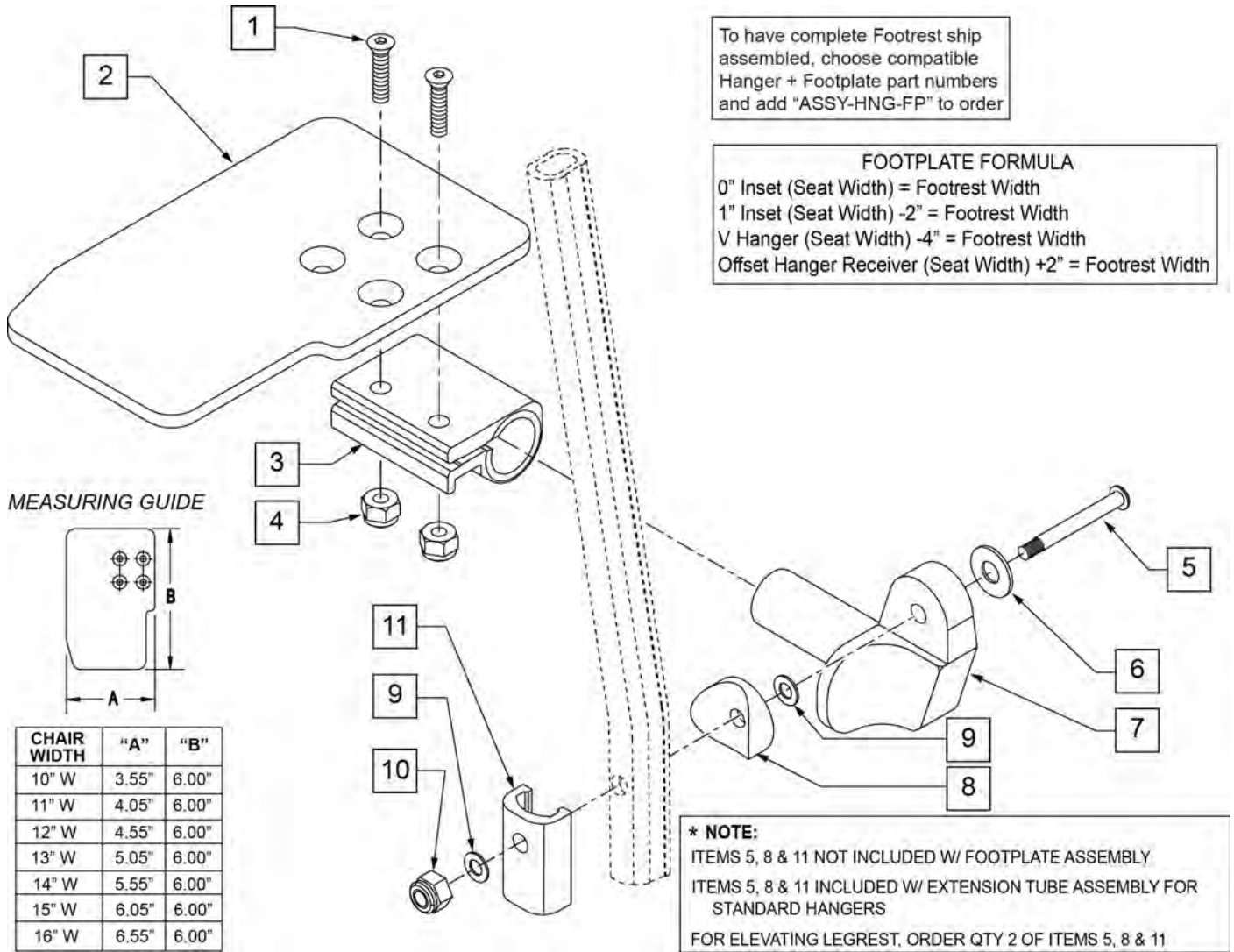
NOTE: ORDER PART 226167 PRIOR TO 8/13/01.

NOTE: See attached REFERENCE GUIDE.



Pos.	Item Number	Description	Remarks
1	106978	1/4-28 x 7/8 FH C/S	
2	106941	1/4-28 AUTOMATION NUT	
3	106943	WASHER FLAT AN 1/4 ROHS	
4A	483720	HANGER EXTENSION SADDLE LONG	USE W/ DOUBLE D EXT TUBE
4B	561055	3/4" SADDLE 1" OD	USE W/ ROUND EXT TUBE
5	541002	FTRST MOUNTING BRKT-3/8 RAD R	RIGHT
5	541003	FTRST MOUNTING BRKT-3/8 RAD L	LEFT
6	106945	WASHER FLAT SAE 1/4 ROHS	
7A	106962	BHCS 1/4-28 X 1-3/4 ROHS	USE W/ DOUBLE D EXT TUBE
7B	226167	1/4-28 x 1.625 BH C/S BLK	USE W/ ROUND EXT TUBE
8	550350	3/4" CLMP ADJ FT PLT	
9	106935	NUT NYLOCK THIN 1/4-28 ROHS	
10	561040	HEEL LOOP PEG	

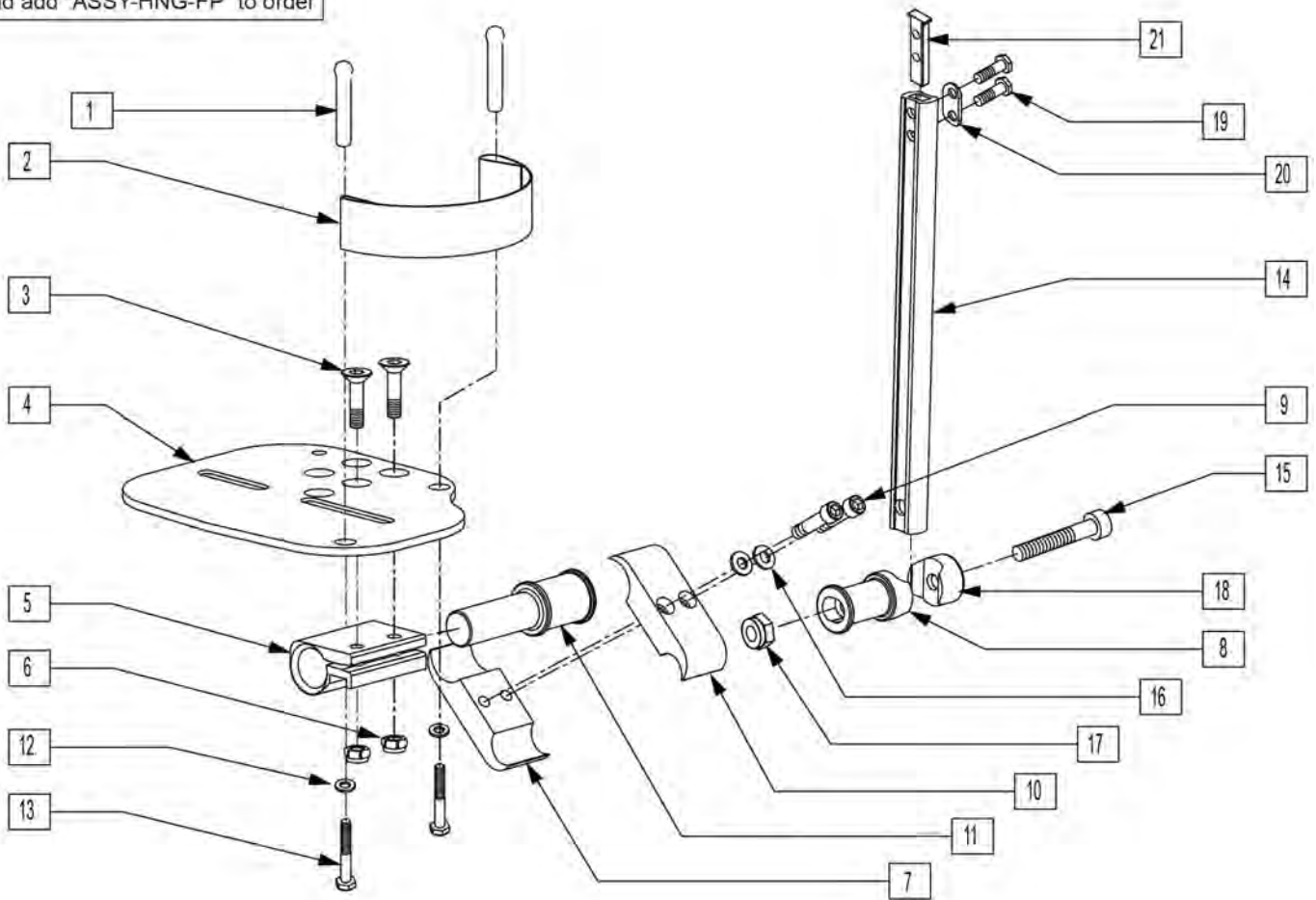
Pos.	Item Number	Description	Remarks
11A	741154	HEEL LOOP 14-15 CMPST HEMI	USED W/ 10-11" ADULT ANG ADJ FTPLTS
11B	741155	HEEL LOOP 16-17 CMPST HEMI	USED W/ 12 -13" ADULT ANG ADJ FTPLTS
11C	741153	H/L 18-20 CMPST/14-15 ANG ADJ	USED W/ 14-15"/16-17" ADULT ANG ADJ FTPLTS
11D	741253	HEEL LOOP ADLT ADJ F/PLT 18-20	USED W/ 18 -20" ADULT ANG ADJ FTPLTS
12	500656	ADLT ANGL ADJ F/PLT 10/11" R	RIGHT
12	500657	ADLT ANGL ADJ F/PLT 10/11" L	LEFT
12	500658	ADLT ANGL ADJ F/PLT 12/13" R	RIGHT
12	500659	ADLT ANGL ADJ F/PLT 12/13" L	LEFT
12	500660	ADLT ANGL ADJ F/PLT 14/15	RIGHT
12	500661	ADLT ANGL ADJ F/PLT 14/15	LEFT
12	500662	ADLT ANGL ADJ F/PLT 16/17	RIGHT
12	500663	ADLT ANGL ADJ F/PLT 16/17	LEFT
12	500664	ADLT ANGL ADJ F/PLT 18-20	RIGHT
12	500665	ADLT ANGL ADJ F/PLT 18-20	LEFT
13	740260	TOE/ANKLE STRAP ADJ ADLT F/PLT	
14	106958	1/4-20 x 1 HEX C/S	
1-3,5,6,8,9,12	820526	AD ANG ADJ F/PLT R 12"/13" OMIT HL	RIGHT
1-3,5,6,8,9,12	820536	AD ANG ADJ F/PLT L 12"/13" OMT HL	LEFT
1-3,5,6,8,9,12	820460	FP ADLT ADJ 14/15 OMIT HL	RIGHT
1-3,5,6,8,9,12	820462	FP ADLT ADJ 14/15 OMIT HL	LEFT
1-3,5,6,8,9,12	820464	FP ADLT ADJ 16/17 OMIT HL	RIGHT
1-3,5,6,8,9,12	820466	FP ADLT ADJ 16/17 OMIT HL	LEFT
1-3,5,6,8,9,12	820468	FP ADLT ADJ 18-20 OMIT HL	RIGHT
1-3,5,6,8,9,12	820470	FP ADLT ADJ 18-20 OMIT HL	LEFT
1-3,5,6,8,9,12	921466	ADLT ANGL ADJ F/PLT 12"/13" OMIT HL	PAIR
1-3,5,6,8,9,12	921320	FP ADLT ADJ 14/15 OMIT HL	PAIR
1-3,5,6,8,9,12	921322	FP ADLT ADJ 16/17 OMIT HL	PAIR
1-3,5,6,8,9,12	921324	FP ADLT ADJ 18-20 OMIT HL	PAIR
1-3,5,6,8,9,11B,12	820522	AD ANGL ADJ F/PLT R 12/13" H/L	RIGHT
1-3,5,6,8,9,11B,12	820532	AD ANGL ADJ F/PLT L 12/13" H/L	LEFT
1-3,5,6,8-10,11C, 12,14	820461	FP ADLT ADJ 14/15 HL	RIGHT
1-3,5,6,8-10,11C, 12,14	820463	FP ADLT ADJ 14/15 HL	LEFT
1-3,5,6,8-10,11C, 12,14	820465	FP ADLT ADJ 16/17 HL	RIGHT
1-3,5,6,8-10,11C, 12,14	820467	FP ADLT ADJ 16/17 HL	LEFT
1-3,5,6,8-10,11D, 12,14	820469	FP ADLT ADJ 18-20 HL	RIGHT
1-3,5,6,8-10,11D, 12,14	820471	FP ADLT ADJ 18-20 HL	LEFT
1-3,5,6,8-10,11B, 12,14	921462	ADLT ANGL ADJ F/PLATE 12"/13" HL	PAIR
1-3,5,6,8-10,11C, 12,14	921321	FP ADLT ADJ 14/15 HL	PAIR
1-3,5,6,8-10,11C, 12,14	921323	FP ADLT ADJ 16/17 HL	PAIR
1-3,5,6,8-10,11D, 12,14	921325	FP ADLT ADJ 18-20 HL	PAIR
1-3,6,7A,9-10,14	101533	ADLT ANG ADJ FP D2 HDWR KIT	FOR DOUBLE D EXT TUBES
1-3B,4B,6,7B,9,10,14	101534	ADLT ANG ADJ FP RND HDWR KIT	FOR ROUND EXT TUBES (Q2 HP ONLY)
		Ship assembled part #	Use with multiple assemblies
	ASSY-HNG-FP	HANGER/FOOTPLATE ASSY REQUIRED	add with Hanger & Footplate kit



Pos.	Item Number	Description	Remarks
1	106978	FHCS 1/4 -28 x 7/8 ROHS	
2	500635	KIDS ANGL ADJ F/PLT 10" R	Right
2	500636	KIDS ANGL ADJ F/PLT 10" L	Left
2	500637	KIDS ANGL ADJ F/PLT 11" R	Right
2	500638	KIDS ANGL ADJ F/PLT 11" L	Left
2	500639	KIDS ANGL ADJ F/PLT 12" R	Right
2	500640	KIDS ANGL ADJ F/PLT 12" L	Left
2	500641	KIDS ANGL ADJ F/PLT 13" R	Right
2	500642	KIDS ANGL ADJ F/PLT 13" L	Left
2	500643	KIDS ANGL ADJ F/PLT 14" R	Right
2	500644	KIDS ANGL ADJ F/PLT 14" L	Left
2	500645	KIDS ANGL ADJ F/PLT 15" R	Right
2	500646	KIDS ANGL ADJ F/PLT 15" L	Left
2	500647	KIDS ANGL ADJ F/PLT 16" R	Right
2	500648	KIDS ANGL ADJ F/PLT 16" L	Left
3	550350	3/4" CLAMP ADJ FOOTPLATE	
4	106935	NUT NYLOCK THIN 1/4 -28 ROHS	
5	106962	1/4-28 x 1 3/4 BH C/S BLK ZN (D2 EXTENSION TUBES)	

Pos.	Item Number	Description	Remarks
5	226167	1/4-28 x 1.625 BH C/S BLK (ROUND EXTENSION TUBES)	
6	106945	1/4 SAE WASHER	
7	541002	FTRST MOUNTING BRKT-3/8 RAD R	
7	541003	FTRST MOUNTING BRKT-3/8 RAD L	
8	561055	3/4" SADDLE 1" OD	
9	106944	WASHER FLAT THIN AN 1/4 ROHS	
10	106941	NUT AUTOMATION 1/4 -28 ROHS	
11	483720	HANGER EXTENSION SADDLE LONG	Use with Double D Ext Tube
1-4,6,7,9,10	828850	KIDS ANG ADJ F/PLT EXT-MNT 10"R	Right
1-4,6,7,9,10	828851	KIDS ANG ADJ F/PLT EXT-MNT 10"L	Left
1-4,6,7,9,10	828852	KIDS ANG ADJ F/PLT EXT-MNT 11"R	Right
1-4,6,7,9,10	828853	KIDS ANG ADJ F/PLT EXT-MNT 11"L	Left
1-4,6,7,9,10	828854	KIDS ANG ADJ F/PLT EXT-MNT 12"R	Right
1-4,6,7,9,10	828855	KIDS ANG ADJ F/PLT EXT-MNT 12"L	Left
1-4,6,7,9,10	828856	KIDS ANG ADJ F/PLT EXT-MNT 13"R	Right
1-4,6,7,9,10	828857	KIDS ANG ADJ F/PLT EXT-MNT 13"L	Left
1-4,6,7,9,10	828858	KIDS ANG ADJ F/PLT EXT-MNT 14"R	Right
1-4,6,7,9,10	828859	KIDS ANG ADJ F/PLT EXT-MNT 14"L	Left
1-4,6,7,9,10	828860	KIDS ANG ADJ F/PLT EXT-MNT 15"R	Right
1-4,6,7,9,10	828861	KIDS ANG ADJ F/PLT EXT-MNT 15"L	Left
1-4,6,7,9,10	828862	KIDS ANG ADJ F/PLT EXT-MNT 16"R	Right
1-4,6,7,9,10	828863	KIDS ANG ADJ F/PLT EXT-MNT 16"L	Left
1-4,6,7,9,10	921280	KIDS ANG ADJ F/PLT EXT-MNT 10"	Pair
1-4,6,7,9,10	921281	KIDS ANG ADJ F/PLT EXT-MNT 11"	Pair
1-4,6,7,9,10	921282	KIDS ANG ADJ F/PLT EXT-MNT 12"	Pair
1-4,6,7,9,10	921283	KIDS ANG ADJ F/PLT EXT-MNT 13"	Pair
1-4,6,7,9,10	921284	KIDS ANG ADJ F/PLT EXT-MNT 14"	Pair
1-4,6,7,9,10	921285	KIDS ANG ADJ F/PLT EXT-MNT 15"	Pair
1-4,6,7,9,10	921286	KIDS ANG ADJ F/PLT EXT-MNT 16"	Pair
		Ship assembled part #	Use with multiple assemblies
	ASSY-HNG-FP	HANGER/FOOTPLATE ASSY REQUIRED	add with Hanger & Footplate kit

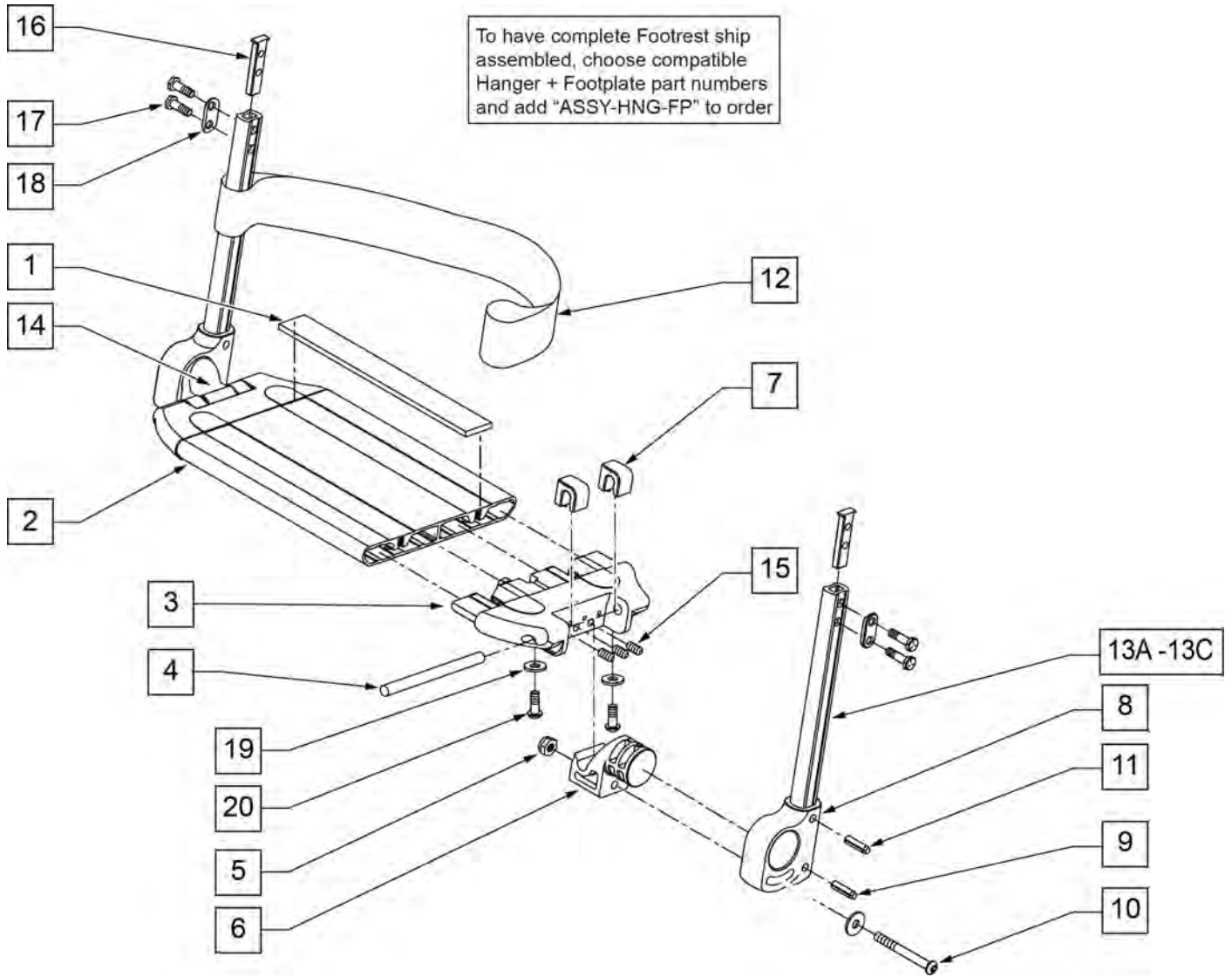
To have complete Footrest ship assembled, choose compatible Hanger + Footplate part numbers and add "ASSY-HNG-FP" to order



Pos.	Item Number	Description	Remarks
1	561040	HEEL LOOP PEG	
2	741130	HEEL LOOP 14-15 MULTI PSTN	
2	741131	HEEL LOOP 16-17 MULTI PSTN	
2	741132	HEEL LOOP 18-20 MULTI PSTN	
2	741151	HEEL LOOP 14-15 CMPST	
2	741170	HEEL LOOP P300	
3	106978	1/4-28 X 7/8 FH C/S	
4	500658	ADLT ANGL ADJ F/PLT 12/13" R	
4	500659	ADLT ANGL ADJ F/PLT 12/13" L	
4	500660	ADLT ANGL ADJ F/PLT 14/15" R	
4	500661	ADLT ANGL ADJ F/PLT 14/15" L	
4	500662	ADLT ANGL ADJ F/PLT 16/17" R	
4	500663	ADLT ANGL ADJ F/PLT 16/17" L	
4	500664	ADLT ANGL ADJ F/PLT 18-20" R	
4	500665	ADLT ANGL ADJ F/PLT 18-20" L	
5	550350	3/4" CLMP ADJ FT PLT	
6	106935	NUT NYLOCK THIN 1/4-28 ROHS	
7	550576	CLAMP 2 1/4" THREADED BLK	
8	483278	FOOTREST EXT PIVOT ADJ FT/PLT	
9	107032	1/4-28 x 1 SOC C/S BLK	

Pos.	Item Number	Description	Remarks
10	550477	CLAMP 2 1/4" RECESS BLK	
11	483279	FOOTPLATE PIVOT 1" CLAMP	
12	106944	1/4 AN WASHER FLAT THIN	
13	106958	1/4-20 x 1 HEX C/S	
14	550823	EXT TBE MULTI-ADJ ONLY SHORT	
14	550824	EXT TBE MULTI-ADJ ONLY LONG	
15	222207	5/16-24 x 2 1/4 SH C/S BLK ZNC	
16	262114	1/4 WASHER HI COLLAR LOCK ZN	
17	202111	5/16-24 NYLOCK NUT THICK BLK	
18	550786	FOOTREST PIVOT CLAMP	
19	107016	1/4-28 x 3/4 HEX HEAD C/S BLK W/PTCH	
20	483717	HANGER SADDLE	
21	500078	INSERT D2 EXT TUBE	
3-7,9-11,16	820560	MLT ADJ F/PLT 14-15 R STR	
3-7,9-11,16	820561	MLT ADJ F/PLT 14-15 L STR	
3-7,9-11,16	820562	MLT ADJ F/PLT 16-17 R STR	
3-7,9-11,16	820563	MLT ADJ F/PLT 16-17 L STR	
3-7,9-11,16	820564	MLT ADJ F/PLT 18-20 R STR	
3-7,9-11,16	820565	MLT ADJ F/PLT 18-20 L STR	
3-7,9-11,16	820566	MLT ADJ F/PLT 21-24 R STR	
3-7,9-11,16	820567	MLT ADJ F/PLT 21-24 L STR	
1-7,9-13,16	820568	MLT ADJ F/PLT 14-15 R STR W/HL	
1-7,9-13,16	820569	MLT ADJ F/PLT 14-15 L STR W/HL	
1-7,9-13,16	820570	MLT ADJ F/PLT 16-17 R STR W/HL	
1-7,9-13,16	820571	MLT ADJ F/PLT 16-17 L STR W/HL	
1-7,9-13,16	820572	MLT ADJ F/PLT 18-20 R STR W/HL	
1-7,9-13,16	820573	MLT ADJ F/PLT 18-20 L STR W/HL	
1-7,9-13,16	820574	MLT ADJ F/PLT 21-24 R STR W/HL	
1-7,9-13,16	820575	MLT ADJ F/PLT 21-24 L STR W/HL	
3,4,7,9-11,16	820576	MLT ADJ F/PLT 14-15 R FLR	
3,4,7,9-11,16	820577	MLT ADJ F/PLT 14-15 L FLR	
3,4,7,9-11,16	820578	MLT ADJ F/PLT 16-17 R FLR	
3,4,7,9-11,16	820579	MLT ADJ F/PLT 16-17 L FLR	
3,4,7,9-11,16	820580	MLT ADJ F/PLT 18-24 R FLR	
3,4,7,9-11,16	820581	MLT ADJ F/PLT 18-24 L FLR	
1-7,9-13,16	820582	MLT ADJ F/PLT 14-15 R FLR W/HL	
1-7,9-13,16	820583	MLT ADJ F/PLT 14-15 L FLR W/HL	
1-7,9-13,16	820584	MLT ADJ F/PLT 16-17 R FLR W/HL	
1-7,9-13,16	820585	MLT ADJ F/PLT 16-17 L FLR W/HL	
1-7,9-13,16	820586	MLT ADJ F/PLT 18-24 R FLR W/HL	
1-7,9-13,16	820587	MLT ADJ F/PLT 18-24 L FLR W/HL	
3-7,9-11,16	921560	MULTI ADJ F/PLT ASSM STR 14-15	Pair
3-7,9-11,16	921561	MULTI ADJ F/PLT ASSM STR 16-17	Pair
3-7,9-11,16	921562	MULTI ADJ F/PLT ASSM STR 18-20	Pair
3-7,9-11,16	921563	MULTI ADJ F/PLT ASSM STR 21-24	Pair
1-7,9-13,16	921564	MLT ADJ F/P ASM STR 14-15 W/HL	Pair
1-7,9-13,16	921565	MLT ADJ F/P ASM STR 16-17 W/HL	Pair
1-7,9-13,16	921566	MLT ADJ F/P ASM STR 18-20 W/HL	Pair
1-7,9-13,16	921567	MLT ADJ F/P ASM STR 21-24 W/HL	Pair
3-7,9-11,16	921568	MULTI ADJ F/PLT ASSM FLR 14-15	Pair
3-7,9-11,16	921569	MULTI ADJ F/PLT ASSM FLR 16-17	Pair
3-7,9-11,16	921570	MULTI ADJ F/PLT ASSM FLR 18-24	Pair
1-7,9-13,16	921571	MLT ADJ F/P ASM FLR 14-15 W/HL	Pair
1-7,9-13,16	921572	MLT ADJ F/P ASM FLR 16-17 W/HL	Pair
1-7,9-13,16	921573	MLT ADJ F/P ASM FLR 18-24 W/HL	Pair
8,14,15,17-21	921740	EXT TB MULTI-ADJ SHT ASSM PCKT	
8,14,15,17-21	921741	EXT TB MULTI-ADJ LNG ASSM PCKT	

Pos.	Item Number	Description	Remarks
		Ship assembled part #	Use with multiple assemblies
	ASSY-HNG-FP	HANGER/FOOTPLATE ASSY REQUIRED	add with Hanger & Footplate kit



Pos.	Item Number	Description	Remarks
1	360010	FOOT BOARD SKID TAPE	
3	560019	FOOT BOARD HOLDER R	
3	560020	FOOT BOARD HOLDER L	
4	481283	PIN 8mm x 100mm	
5	200113	NUT HEX NYLOCK M6 X 1 NUT	
6	560022	FOOT BOARD SUPPORT	
7	560021	FOOT BOARD SHIM ALIGNMENT	
9	250070	METRIC WASHER	
10	210000	M6 x 55 8.8 BUTTON HD CAP SCRW	
12	740130	LEG STRAP 10"-14" BLK	
12	740131	LEG STRAP 15"-17" BLK	
12	740132	LEG STRAP 18"-20" BLK	
14	560023	FOOT BOARD BEARING SUPPORT	
15	230030	M6 x 12 SET SCREW CUP POINT	
16	500078	INSERT D2 EXT TUBE	
17	221102	1/4-28 x 3/4 HEX HEAD C/S BLK W/PTCH	
18	483717	HANGER SADDLE	

Pos.	Item Number	Description	Remarks
19	106943	WASHER FLAT AN 1/4 ROHS	
20	230032	M6 x 16 B/H CAP SCREW	
8,11,13,	921748	EXT TBE PLTFRM SHT ASSM PCKT	
16-18	921749	EXT TBE PLTFRM MED ASSM PCKT	
1-7,9,10,16-18	900190	SLD 1-PC FOOTREST 14 WIDE	
1-7,9,10,16-18	900191	SLD 1-PC FOOTREST 15 WIDE	
1-7,9,10,16-18	900192	SLD 1-PC FOOTREST 16 WIDE	
1-7,9,10,16-18	900193	SLD 1-PC FOOTREST 17 WIDE	
1-7,9,10,16-18	900194	SLD 1-PC FTRST 18W TAP/14W ST	
1-7,9,10,16-18	900195	SLD 1-PC FTRST 19W TAP/15W ST	
1-7,9,10,16-18	900196	SLD 1-PC FTRST 20W TAP/16W ST	
1-7,9,10,16-18	900211	SLD 1-PC FTRST 17W STRT	
1-7,9,10,16-18	900197	SLD 1-PC FTRST 22W TAP/18W ST	
1-7,9,10,16-18	900209	SLD 1-PC FTRST 19W STRT	
1-7,9,10,16-18	900198	SLD 1-PC FTRST 24W TAP/20W ST	
1-7,9,10,16-18	900212	SLD 1-PC FTRST 22INW STRT	
1-7,9,10,16-18	900210	SLD 1-PC FTRST 24INW STRT	
>>>>		SOLID FOOTREST W/ SHORT EXT	
1-20	921700	SLD 1PC FTRST 14W/SHRT EXT	FITS 14" SEAT WIDTH W/ TAPERED HANGERS
1-20	921701	SLD 1PC FTRST 15W W/SHRT EXT	FITS 15" SEAT WIDTH W/ TAPERED HANGERS
1-20	921702	SLD 1PC FTRST 16W W/SHRT EXT	FITS 16" SEAT WIDTH W/ TAPERED HANGERS
1-20	921703	SLD 1PC FTRST 17W W/SHRT EXT	FITS 17" SEAT WIDTH W/ TAPERED HANGERS
1-20	921704	SLD 1PC FR 18INTAP/14INSTR	FITS 18" SEAT WIDTH W/ TAPERED HANGERS OR 14" SEAT WIDTH STRAIGHT HANGERS
1-20	921705	SLD 1PC FR 19INTAP/15INSTR	FITS 19" SEAT WIDTH W/ TAPERED HANGERS OR 15" SEAT WIDTH STRAIGHT HANGERS

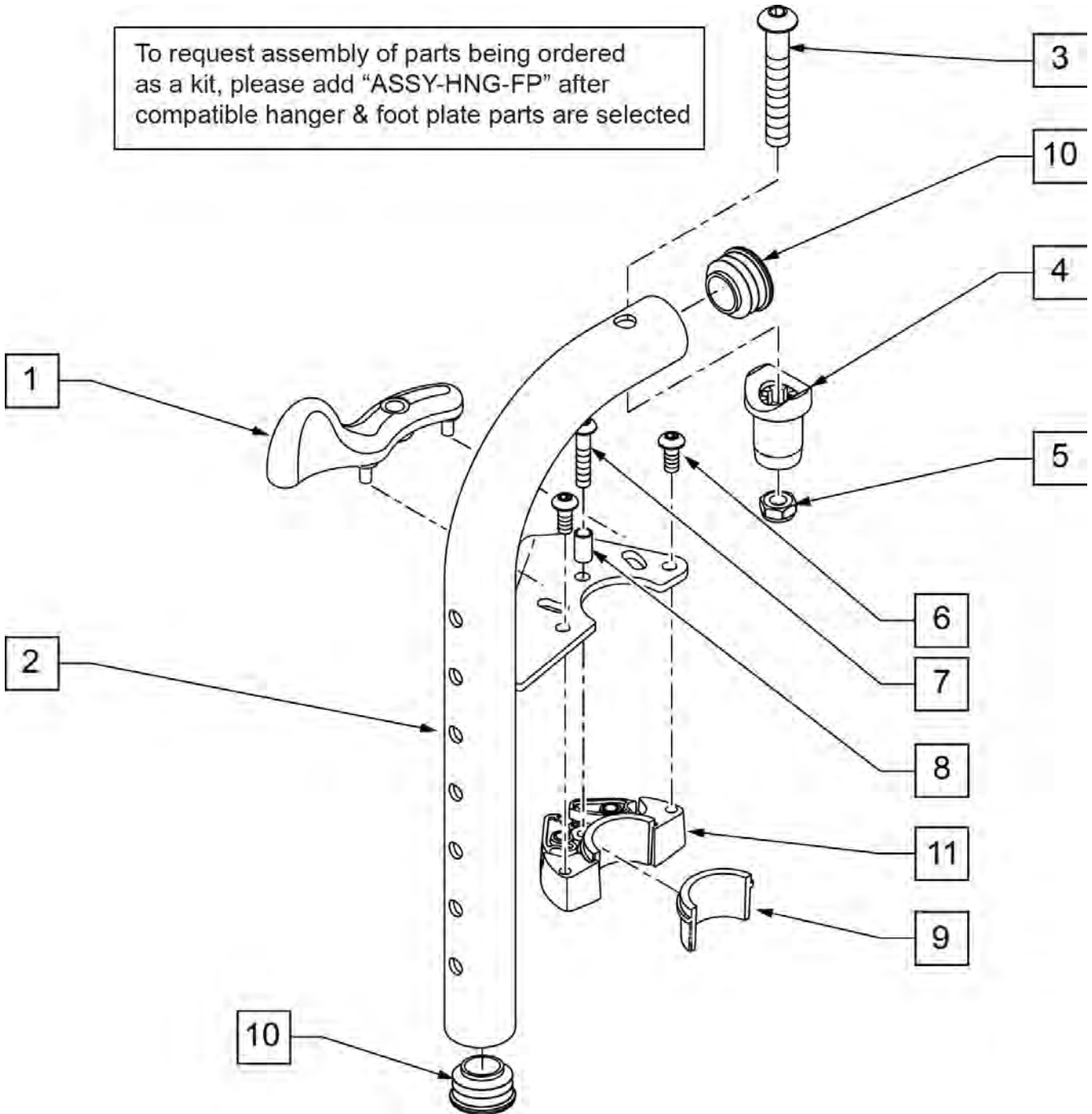
Pos.	Item Number	Description	Remarks
1-20	921706	SLD 1PC FR 20INTAP/16INSTR	FITS 20" SEAT WIDTH W/ TAPPERED HANGERS OR 16" SEAT WIDTH STRAIGHT HANGERS
1-20	921721	SLD 1PC FTRST 17W/SH EXT STRT	FITS 17" SEAT WIDTH STRAIGHT HANGERS
1-20	921707	SLD 1PC FR 22INTAP/18INSTR	FITS 22" SEAT WIDTH W/ TAPPERED HANGERS OR 18" SEAT WIDTH STRAIGHT HANGERS
1-20	921698	SLD 1PC FTRST 19W/SH EXT STRT	FITS 19" SEAT WIDTH STRAIGHT HANGERS
1-20	921708	SLD 1PC FR 24INTAP/20INSTR	FITS 24" SEAT WIDTH W/ TAPPERED HANGERS OR 20" SEAT WIDTH STRAIGHT HANGERS
1-20	921723	SLD 1PC FTRST 22W/SH EXT STRT	FIITS 22" SEAT WIDTH STRAIGHT HANGERS
1-20	921709	SLD 1PC FTRST 24W/SH EXT STRT	FITS 24" SEAT WIDTH STRAIGHT HANGERS
>>>>		SOLID FOOTREST W/ MED EXT	
1-20	921710	SLD 1PC FTRST 14W/MED EXT	FITS 14" SEAT WIDTH W/ TAPPERED HANGERS
1-20	921711	SLD 1PC FTRST 15W/MED EXT	FITS 15" SEAT WIDTH W/ TAPPERED HANGERS

Pos.	Item Number	Description	Remarks
1-20	921712	SLD 1PC FTRST 16W/MED EXT	FITS 16" SEAT WIDTH W/ TAPERED HANGERS
1-20	921713	SLD 1PC FTRST 17W/MED EXT	FITS 17" SEAT WIDTH W/ TAPERED HANGERS
1-20	921714	SLD 1PC FR 18 TAP/14 STR W/M.E	FITS 18" SEAT WIDTH W/ TAPERED HANGERS OR 14" SEAT WIDTH STRAIGHT HANGERS
1-20	921715	SLD 1PC FR 19 TAP/15 STR W/M.E	FITS 19" SEAT WIDTH W/ TAPERED HANGERS OR 15" SEAT WIDTH STRAIGHT HANGERS
1-20	921716	SLD 1PC FR 20 TAP/16 STR W/M.E	FITS 20" SEAT WIDTH W/ TAPERED HANGERS OR 16" SEAT WIDTH STRAIGHT HANGERS
1-20	921722	SLD 1PC FTRST 17W/MD EXT STRT	FITS 17" SEAT WIDTH STRAIGHT HANGERS
1-20	921717	SLD 1PC FR 22 TAP/18 STR W/M.E	FITS 22" SEAT WIDTH W/ TAPERED HANGERS OR 18" SEAT WIDTH STRAIGHT HANGERS
1-20	921699	SLD 1PC FTRST 19W/MD EXT STRT	FITS 19" SEAT WIDTH STRAIGHT HANGERS

Pos.	Item Number	Description	Remarks
1-20	921718	SLD 1PC FR 24 TAP/20 STR W/M.E	FITS 24" SEAT WIDTH W/ TAPERED HANGERS OR 20" SEAT WIDTH STRAIGHT HANGERS
1-20	921719	SLD 1PC FTRST 24W/MD EXT STRT	FIITS 22" SEAT WIDTH STRAIGHT HANGERS
1-20	921724	SLD 1PC FTRST 22W/MD EXT STRT	FITS 24" SEAT WIDTH STRAIGHT HANGERS
		Ship assembled part #	Use with multiple assemblies
	ASSY-HNG-FP	HANGER/FOOTPLATE ASSY REQUIRED	add with Hanger & Footplate kit

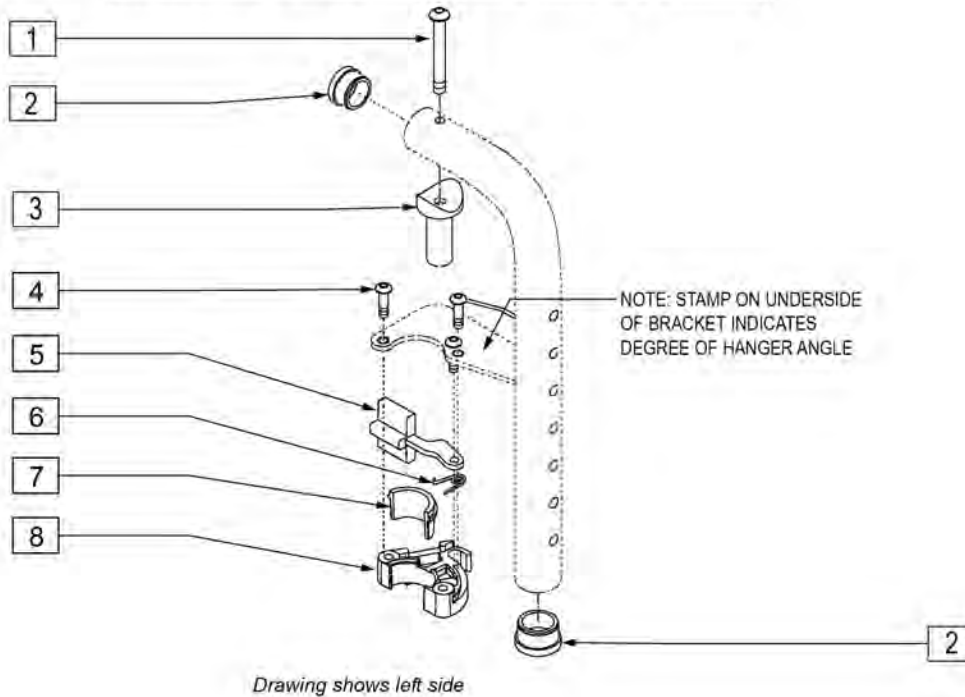
NOTE: Effective on LX/LXI as of 10/24/2008.

Note: if retrofitting 90 Deg Hangers on a S636/S646 or P222SE the following are needed: qty 2 of 483603 and qty 2 of 226291(this is to replace Power Style Hangers with Manual Style Hangers).



Pos.	Item Number	Description	Remarks
1	052296	SWING I/O LATCH LEVER R w/ PINS	RIGHT
1	052297	SWING I/O LATCH LEVER L w/ PINS	LEFT
3	106983	BHCS 5/16 -18 x 2 SHLDR ROHS	
4	561197	PLASTIC PIVOT SADDLE	
5	202117	5/16-18 NYLOCK NUT THICK BLK	
6	102259-001	BHCS M5 x .8 x 12 W /PL INORG	
7	230494	M5-30 BTTN HD SOC C/S BLK	
8	052054	BUSHING PIVOT HANGER SWING I/O	
10	561062	1" INSERT PLUG .065 RIBS	
6,9,11	120976	ASSY LATCH BLOCK ANTI LIFT	
1A,2A,3-11	101157S	90D FM SWNG I/O HNGR ASSY R	RIGHT
1B,2B,3-11	101158S	90D FM SWNG I/O HNGR ASSY L	LEFT
		Ship assembled part #	Use with multiple assemblies
	ASSY-HNG-FP	HANGER/FOOTPLATE ASSY REQUIRED	add with Hanger & Footplate kit

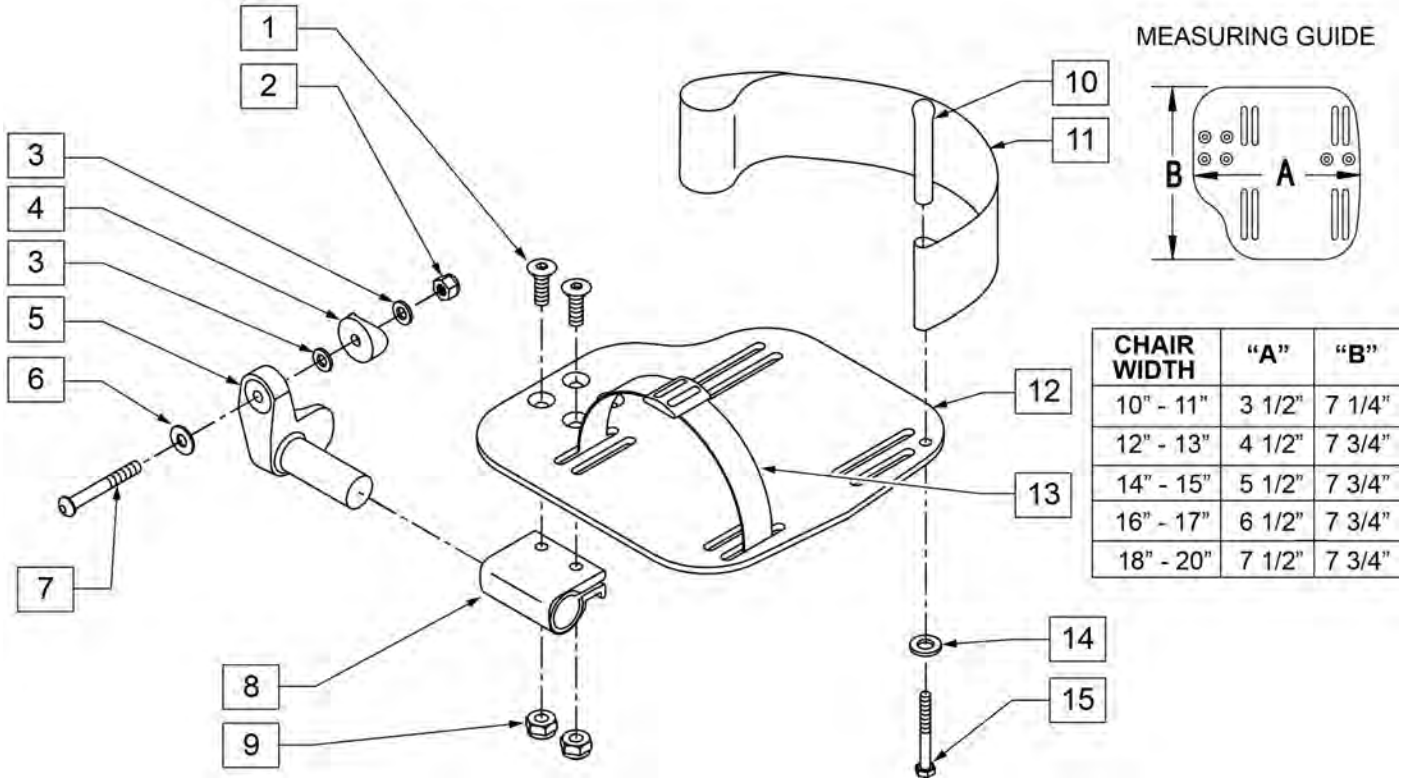
NOTE: Assembly no longer available. Replace in pairs with 90 DEG FRONT MOUNT HANGER SWING IN-OUT.



Pos.	Item Number	Description
1	226291	5/16-18 x 1-1/2 BHCS BK W/PTCH
2	561002	1" INSERT PLUG .083
3	483603	PIVOT SADDLE MANUAL/POWER
4	226057	10/24 X .725 BTTN HD SOC BZ
5	561079	S/A LATCH LEVER
6	321136	S/A SPRING L RED
6	321137	S/A SPRING R CLEAR
7,8	881500	LATCH BLOCK ASSM R
7,8	881501	LATCH BLOCK ASSM L
4-8	881521	S/A LATCH KIT CASTING RIGHT
4-8	881522	S/A LATCH KIT CASTING LEFT

To have complete Footrest ship assembled, choose compatible Hanger + Footplate part numbers and add "ASSY-HNG-FP" to order

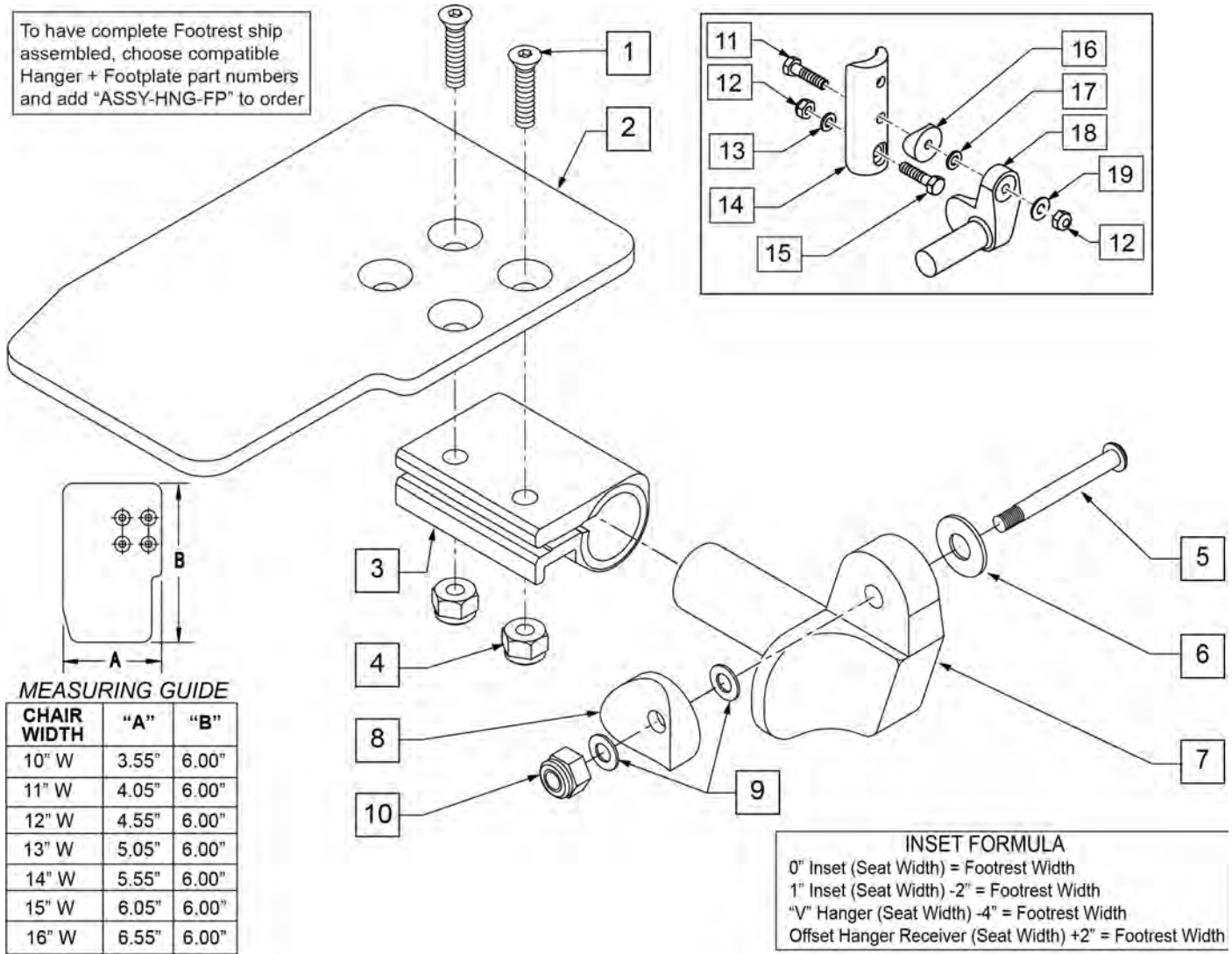
INSET FORMULA
 0" Inset (Seat Width) = Footrest Width
 1" Inset (Seat Width) - 2" = Footrest Width
 "V" Hanger (Seat Width) - 4" = Footrest Width
 Offset Hanger Receiver (Seat Width) + 2" = Footrest Width



Pos.	Item Number	Description	Remarks
1	106978	FHCS 1/4-28 X 7/8 ROHS	
2	106941	NUT AUTOMATION 1/4-28 ROHS	
3	106943	WASHER FLAT AN 1/4 ROHS	
4	561004	1" SADDLE 1/4" HOLE	
5	541000	FOOTREST MOUNTING BRKT 1/2" RAD R	RIGHT
5	541001	FOOTREST MOUNTING BRKT 1/2" RAD L	LEFT
6	106945	WASHER FLAT SAE 1/4 ROHS	
7	106964	BHCS 1/4-28 X 2	
8	550350	3/4" CLAMP ADJ FOOTPLATE	
9	106935	NUT NYLOCK THIN 1/4-28 ROHS	
10	561040	HEEL LOOP PEG	
11	741153	HEEL LOOP 18-20 CMPST/14-15 ANG ADJ	USED W/ 14-15"/16-17" ADULT ANG ADJ FTPLTS
11	741253	HEEL LOOP ADLT ADJ F/PLT 18-20	USED W/ 18 - 20" ADULT ANG ADJ FTPLTS
12	500656	ADULT ANGL ADJ F/PLT 10/11	RIGHT
12	500657	ADULT ANGL ADJ F/PLT 10/11	LEFT
12	500658	ADULT ANGL ADJ F/PLT 12/13	RIGHT
12	500659	ADULT ANGL ADJ F/PLT 12/13	LEFT
12	500660	ADULT ANGL ADJ F/PLT 14/15	RIGHT
12	500661	ADULT ANGL ADJ F/PLT 14/15	LEFT
12	500662	ADULT ANGL ADJ F/PLT 16/17	RIGHT
12	500663	ADULT ANGL ADJ F/PLT 16/17	LEFT
12	500664	ADULT ANGL ADJ F/PLT 18-20	RIGHT

Pos.	Item Number	Description	Remarks
12	500665	ADULT ANGL ADJ F/PLT 18-20	LEFT
13	740260	TOE-ANKLE STRAP ADJ ADULT FOOTPLATE	
14	106943	WASHER FLAT AN 1/4 ROHS	
15	106958	HHCS 1/4-20 X 1 ROHS	
1-9,12	820544	FP ADULT ADJ 90D 10/11 R	RIGHT
1-9,12	820554	FP ADULT ADJ 90D 10/11 L	LEFT
1-9,12	820546	FP ADULT ADJ 90D 12/13 R	RIGHT
1-9,12	820556	FP ADULT ADJ 90D 12/13 L	LEFT
1-9,12	820472	FP ADULT ADJ 90D 14/15 R	RIGHT
1-9,12	820473	FP ADULT ADJ 90D 14/15 L	LEFT
1-9,12	820474	FP ADULT ADJ 90D 16/17 R	RIGHT
1-9,12	820475	FP ADULT ADJ 90D 16/17 L	LEFT
1-9,12	820476	FP ADULT ADJ 90D 18-20 R	RIGHT
1-9,12	820477	FP ADULT ADJ 90D 18-20 L	LEFT
1-9,12	921474	ADULT ANGL ADJ 90D 10/11 OMIT H/L	PAIR
1-9,12	921476	ADULT ANGL ADJ 90D 12/13 OMIT H/L	PAIR
1-9,12	921330	ADULT ANGL ADJ 90D 14/15 OMIT H/L	PAIR
1-9,12	921331	ADULT ANGL ADJ 90D 16/17 OMIT H/L	PAIR
1-9,12	921332	ADULT ANGL ADJ 90D 18-20 OMIT H/L	PAIR
1-12,14,15	820540	F/PLT ADULT ADJ 90D 10/11 R W/ HL	RIGHT
1-12,14,15	820550	F/PLT ADULT ADJ 90D 10/11 L W/ HL	LEFT
1-12,14,15	820542	F/PLT ADULT ADJ 90D 12/13 R W/ HL	RIGHT
1-12,14,15	820552	F/PLT ADULT ADJ 90D 12/13 L W/ HL	LEFT
1-12,14,15	820478	F/PLT ADULT ADJ 90D 14/15 R W/ HL	RIGHT
1-12,14,15	820479	F/PLT ADULT ADJ 90D 14/15 L W/ HL	LEFT
1-12,14,15	820480	F/PLT ADULT ADJ 90D 16/17 R W/ HL	RIGHT
1-12,14,15	820481	F/PLT ADULT ADJ 90D 16/17 L W/ HL	LEFT
1-12,14,15	820482	F/PLT ADULT ADJ 90D 18-20 R W/ HL	RIGHT
1-12,14,15	820483	F/PLT ADULT ADJ 90D 18-20 L W/ HL	LEFT
1-12,14,15	921470	F/PLT ADULT ADJ 90D 10/11 W/ HL	PAIR
1-12,14,15	921472	F/PLT ADULT ADJ 90D 12/13 W/ HL	PAIR
1-12,14,15	921333	F/PLT ADULT ADJ 90D 14/15 W/ HL	PAIR
1-12,14,15	921334	F/PLT ADULT ADJ 90D 16/17 W/ HL	PAIR
1-12,14,15	921335	F/PLT ADULT ADJ 90D 18-20 W/ HL	PAIR
		Ship assembled part #	Use with multiple assemblies
	ASSY-HNG-FP	HANGER/FOOTPLATE ASSY REQUIRED	add with Hanger & Footplate kit

To have complete Footrest ship assembled, choose compatible Hanger + Footplate part numbers and add "ASSY-HNG-FP" to order

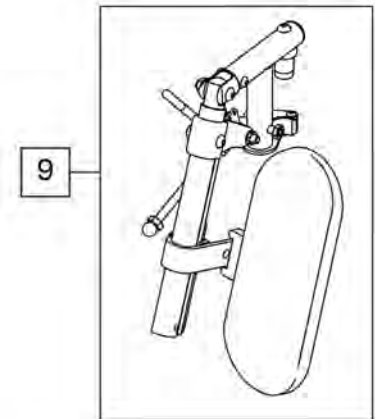
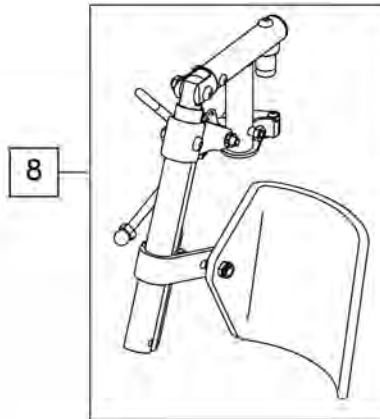
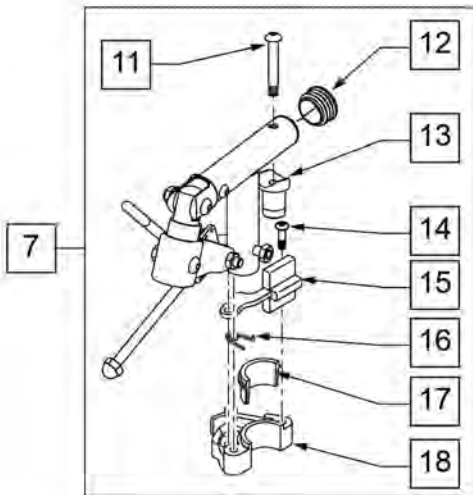
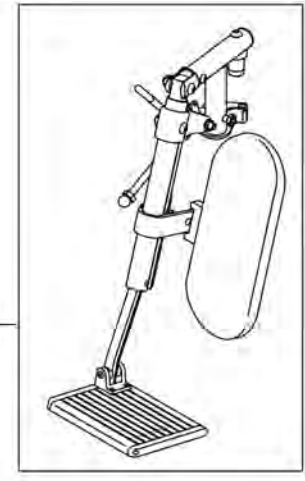
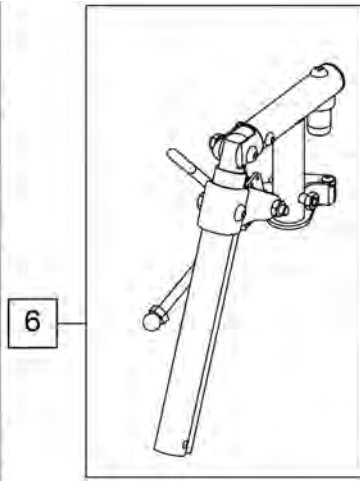
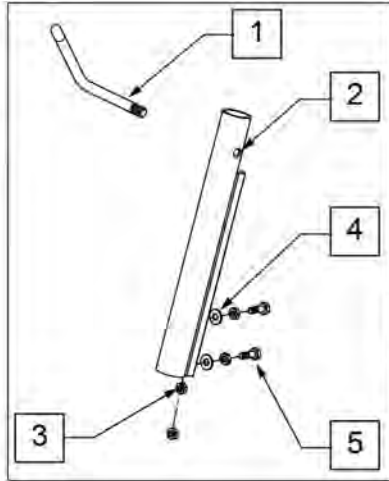


Pos.	Item Number	Description	Remarks
1	106978	FHCS 1/4-28 X 7/8 ROHS	
2	500635	KIDS ANGL ADJ F/PLT 10	RIGHT
2	500636	KIDS ANGL ADJ F/PLT 10	LEFT
2	500637	KIDS ANGL ADJ F/PLT 11	RIGHT
2	500638	KIDS ANGL ADJ F/PLT 11	LEFT
2	500639	KIDS ANGL ADJ F/PLT 12	RIGHT
2	500640	KIDS ANGL ADJ F/PLT 12	LEFT
2	500641	KIDS ANGL ADJ F/PLT 13	RIGHT
2	500642	KIDS ANGL ADJ F/PLT 13	LEFT
2	500643	KIDS ANGL ADJ F/PLT 14	RIGHT
2	500644	KIDS ANGL ADJ F/PLT 14	LEFT
2	500645	KIDS ANGL ADJ F/PLT 15	RIGHT
2	500646	KIDS ANGL ADJ F/PLT 15	LEFT
2	500647	KIDS ANGL ADJ F/PLT 16	RIGHT
2	500648	KIDS ANGL ADJ F/PLT 16	LEFT
3	550350	3/4 CLAMP ADJ FOOTPLATE	
4	106935	NUT NYLOCK THIN 1/4-28 ROHS	
5	226147	1/4-28 X 1.85 BH C/S BLK ZN	

Pos.	Item Number	Description	Remarks
6	106945	WASHER FLAT SAE 1/4 ROHS	
7	541000	FTRST MOUNTING BRKT 1/2" RAD R	RIGHT
7	541001	FTRST MOUNTING BRKT 1/2" RAD L	LEFT
8	561004	1 SADDLE 1/4 HOLE	
9	106943	WASHER FLAT THIN AN 1/4	
10	106941	NUT AUTOMATION 1/4-28 ROHS	
11	102268-001	HHCS M6 X 1 X 25	
12	104381	NUT HEX NYLOCK M6 X 1	
13	107383	WASHER FLAT M6 ROHS	
15	118198	HHCS M6 X 1 X 40 PART NP	
16	561004	1" SADDLE 1/4" HOLE	
17	106943	WASHER FLAT AN 1/4 ROHS	
19	106945	WASHER FLAT SAE 1/4 ROHS	
1-4	158632	CAA F/PLT KIT 10 RT	RIGHT; used with Front Mount Adapter Kit on Plunger-Style Swing In/Out Hangers
1-4	158633	CAA F/PLT KIT 10 LT	LEFT; used with Front Mount Adapter Kit on Plunger-Style Swing In/Out Hangers
1-4	158634	CAA F/PLT KIT 11 RT	RIGHT; used with Front Mount Adapter Kit on Plunger-Style Swing In/Out Hangers
1-4	158635	CAA F/PLT KIT 11 LT	LEFT; used with Front Mount Adapter Kit on Plunger-Style Swing In/Out Hangers
1-4	158636	CAA F/PLT KIT 12 RT	RIGHT; used with Front Mount Adapter Kit on Plunger-Style Swing In/Out Hangers
1-4	158637	CAA F/PLT KIT 12 LT	LEFT; used with Front Mount Adapter Kit on Plunger-Style Swing In/Out Hangers
1-4	158638	CAA F/PLT KIT 13 RT	RIGHT; used with Front Mount Adapter Kit on Plunger-Style Swing In/Out Hangers
1-4	158639	CAA F/PLT KIT 13 LT	LEFT; used with Front Mount Adapter Kit on Plunger-Style Swing In/Out Hangers
1-4	158640	CAA F/PLT KIT 14 RT	RIGHT; used with Front Mount Adapter Kit on Plunger-Style Swing In/Out Hangers
1-4	158641	CAA F/PLT KIT 14 LT	LEFT; used with Front Mount Adapter Kit on Plunger-Style Swing In/Out Hangers
1-4	158642	CAA F/PLT KIT 15 RT	RIGHT; used with Front Mount Adapter Kit on Plunger-Style Swing In/Out Hangers
1-4	158643	CAA F/PLT KIT 15 LT	LEFT; used with Front Mount Adapter Kit on Plunger-Style Swing In/Out Hangers
1-4	158644	CAA F/PLT KIT 16 RT	RIGHT; used with Front Mount Adapter Kit on Plunger-Style Swing In/Out Hangers
1-4	158645	CAA F/PLT KIT 16 LT	LEFT; used with Front Mount Adapter Kit on Plunger-Style Swing In/Out Hangers
1-10	828821	KIDS ANG ADJ F/PLT ASSM 10	RIGHT; used with Old-Style Latch Block Swing In/Out & S/A Hangers
1-10	828822	KIDS ANG ADJ F/PLT ASSM 10	LEFT; used with Old-Style Latch Block Swing In/Out & S/A Hangers
1-10	828823	KIDS ANG ADJ F/PLT ASSM 11	RIGHT; used with Old-Style Latch Block Swing In/Out & S/A Hangers
1-10	828824	KIDS ANG ADJ F/PLT ASSM 11	LEFT; used with Old-Style Latch Block Swing In/Out & S/A Hangers
1-10	828825	KIDS ANG ADJ F/PLT ASSM 12	RIGHT; used with Old-Style Latch Block Swing In/Out & S/A Hangers
1-10	828826	KIDS ANG ADJ F/PLT ASSM 12	LEFT; used with Old-Style Latch Block Swing In/Out & S/A Hangers
1-10	828827	KIDS ANG ADJ F/PLT ASSM 13	RIGHT; used with Old-Style Latch Block Swing In/Out & S/A Hangers
1-10	828828	KIDS ANG ADJ F/PLT ASSM 13	LEFT; used with Old-Style Latch Block Swing In/Out & S/A Hangers
1-10	828829	KIDS ANG ADJ F/PLT ASSM 14	RIGHT; used with Old-Style Latch Block Swing In/Out & S/A Hangers
1-10	828830	KIDS ANG ADJ F/PLT ASSM 14	LEFT; used with Old-Style Latch Block Swing In/Out & S/A Hangers
1-10	828831	KIDS ANG ADJ F/PLT ASSM 15	RIGHT; used with Old-Style Latch Block Swing In/Out & S/A Hangers
1-10	828832	KIDS ANG ADJ F/PLT ASSM 15	LEFT; used with Old-Style Latch Block Swing In/Out & S/A Hangers

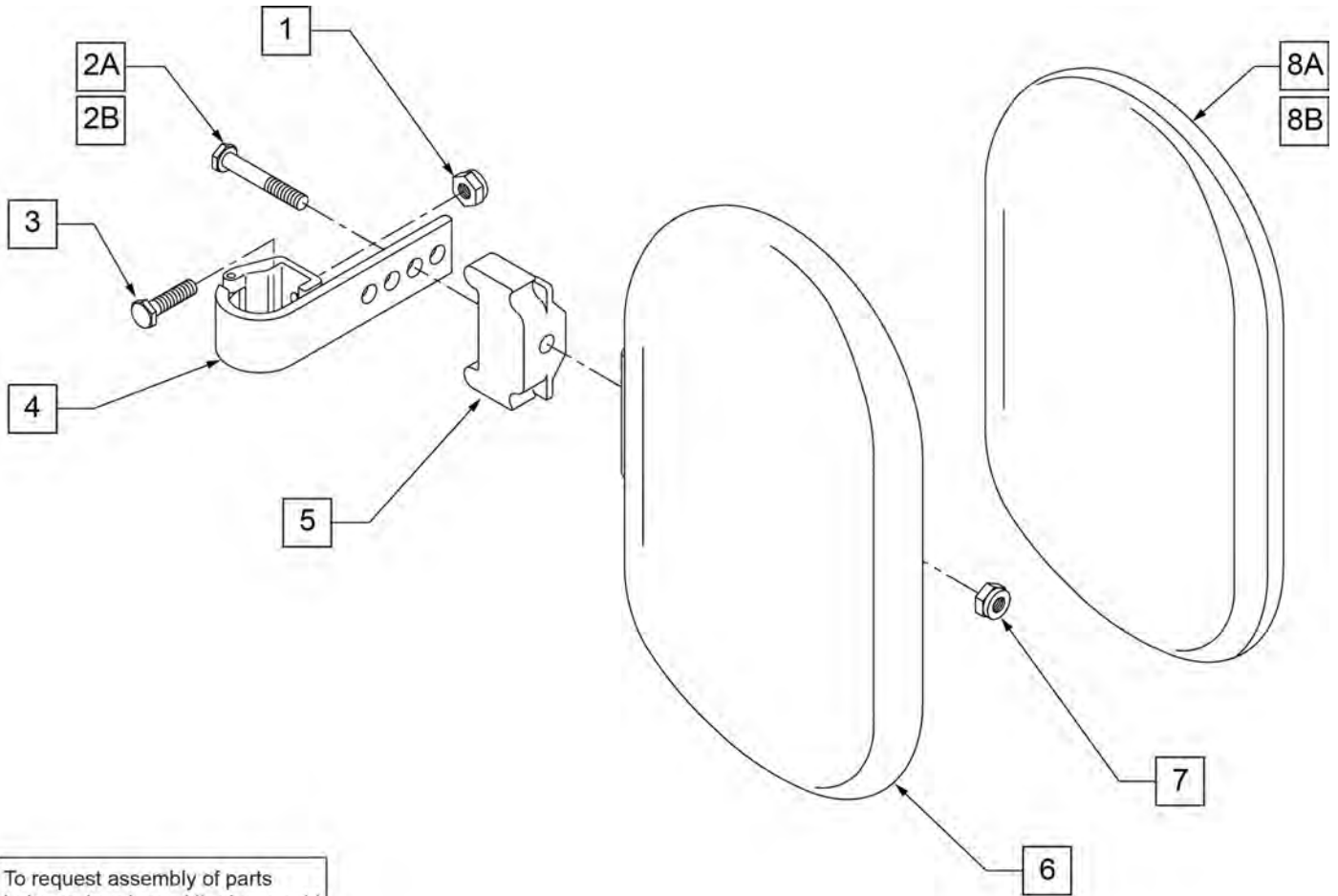
Pos.	Item Number	Description	Remarks
1-10	828833	KIDS ANG ADJ F/PLT ASSM 16	RIGHT; used with Old-Style Latch Block Swing In/Out & S/A Hangers
1-10	828834	KIDS ANG ADJ F/PLT ASSM 16	LEFT; used with Old-Style Latch Block Swing In/Out & S/A Hangers
1-10	921226	KIDS ANG ADJ F/PLT ASSM 10	PAIR; used with Old-Style Latch Block Swing In/Out & S/A Hangers
1-10	921227	KIDS ANG ADJ F/PLT ASSM 11	PAIR; used with Old-Style Latch Block Swing In/Out & S/A Hangers
1-10	921228	KIDS ANG ADJ F/PLT ASSM 12	PAIR; used with Old-Style Latch Block Swing In/Out & S/A Hangers
1-10	921229	KIDS ANG ADJ F/PLT ASSM 13	PAIR; used with Old-Style Latch Block Swing In/Out & S/A Hangers
1-10	921230	KIDS ANG ADJ F/PLT ASSM 14	PAIR; used with Old-Style Latch Block Swing In/Out & S/A Hangers
1-10	921231	KIDS ANG ADJ F/PLT ASSM 15	PAIR; used with Old-Style Latch Block Swing In/Out & S/A Hangers
1-10	921232	KIDS ANG ADJ F/PLT ASSM 16	PAIR; used with Old-Style Latch Block Swing In/Out & S/A Hangers
11-19	158646	KAA FRNT MNT ADAPTER KIT PR	PAIR; used on Plunger-Style Swing In/Out Hangers
		Ship assembled part #	Use with multiple assemblies
	ASSY-HNG-FP	HANGER/FOOTPLATE ASSY REQUIRED	add with Hanger & Footplate kit

To request assembly of parts being ordered as a kit, please add "ASSY-HNG-FP" after ELR & Calf Pad parts are selected



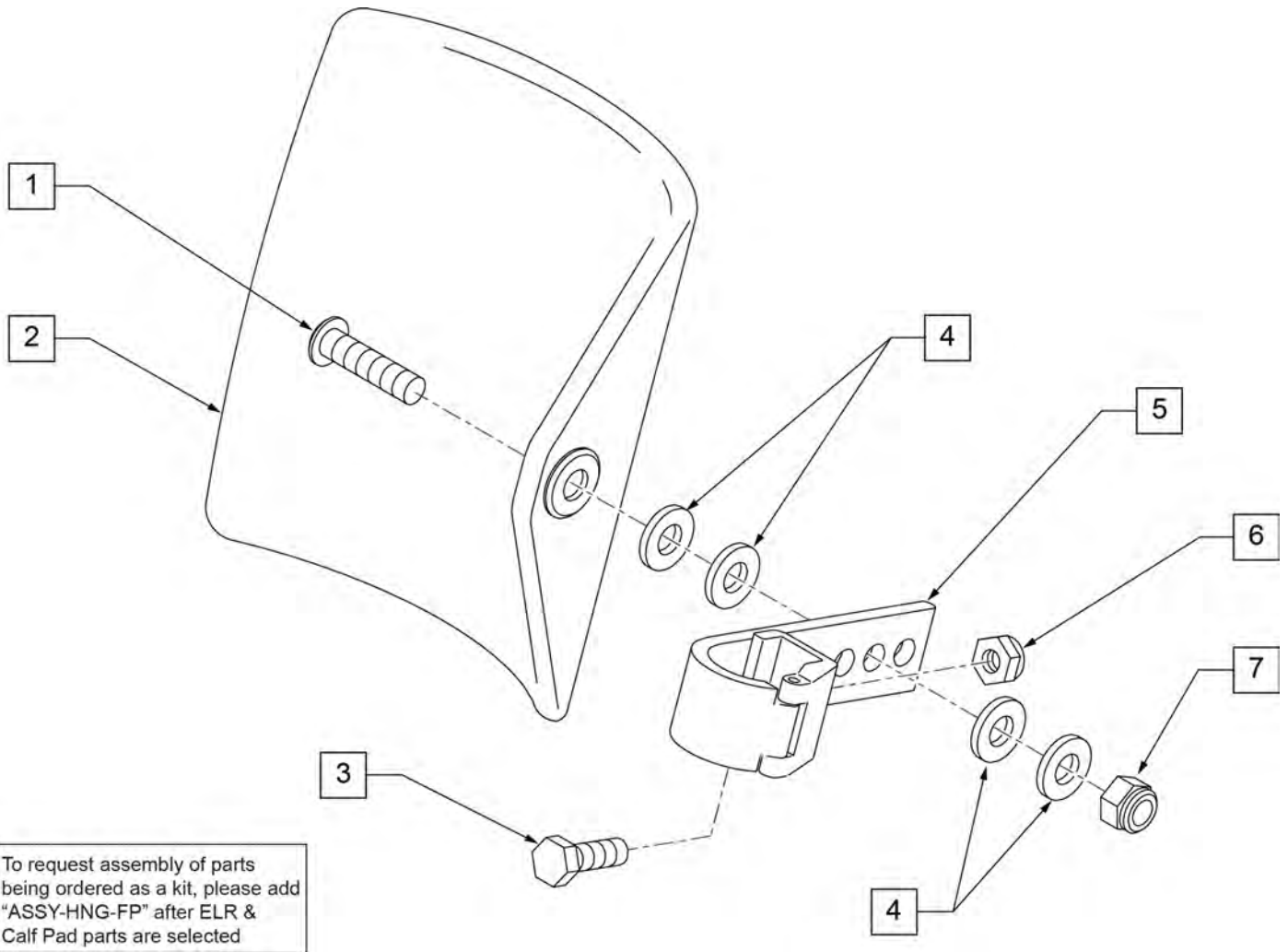
Pos.	Item Number	Description	Remarks
1	882409	ELR ACTUATION ARM ASSM S525	
2	550722S	ELR ADJUSTMENT TUBE	
3	201112	1/4-28 NUT THIN	
4	106944	1/4 AN WASHER FLAT THIN	
5	107014	1/4-28 x 3/4 HEX C/S	
6	641454S	ELR HNGR W/O PAD PNTD R PWR	
6	641455S	ELR HNGR W/O PAD PNTD L PWR	
7	882232	PWR ELR RIGHT W/O EXT TBE ASSM	
7	882231	PWR ELR LFT W/O EXT TBE ASSM	
8	923096S	ELR HNGR ASSM 14-15" W/PD G424	
9	923097S	ELR HNGR ASSM 16-17" W/PD G424	
9	923098S	ELR HNGR ASSM 18-24" W/PD G424	
10	923147S	ELR 16" MED EXT (PR)	(ELR WITH CALF PAD,EXTENSION TUBE AND FOOTPLATE)
10	923148S	ELR 18-20 MED EXT (PR)	(ELR WITH CALF PAD,EXTENSION TUBE AND FOOTPLATE)
11	226217	5/16 -18 X 2 BH C/S BLK	
12	561062	1" INSERT PLUG .065 RIBS	
13	561197	PLASTIC PIVOT SADDLE	
14	226057	10/24 x .725 BTTN HD SOC BZ	
15	561079	S/A LATCH LEVER	
16	321136	S/A SPRING L RED	LEFT
16	321137	S/A SPRING R CLR	RIGHT

Pos.	Item Number	Description	Remarks
17,18	881500	LATCH BLOCK ASSM R	RIGHT
17,18	881501	LATCH BLOCK ASSM L	LEFT
		Ship assembled part #	Use with multiple assemblies
	ASSY-HNG-FP	HANGER/FOOTPLATE ASSY REQUIRED	add with Hanger & Footplate kit



To request assembly of parts being ordered as a kit, please add "ASSY-HNG-FP" after ELR & Calf Pad parts are selected

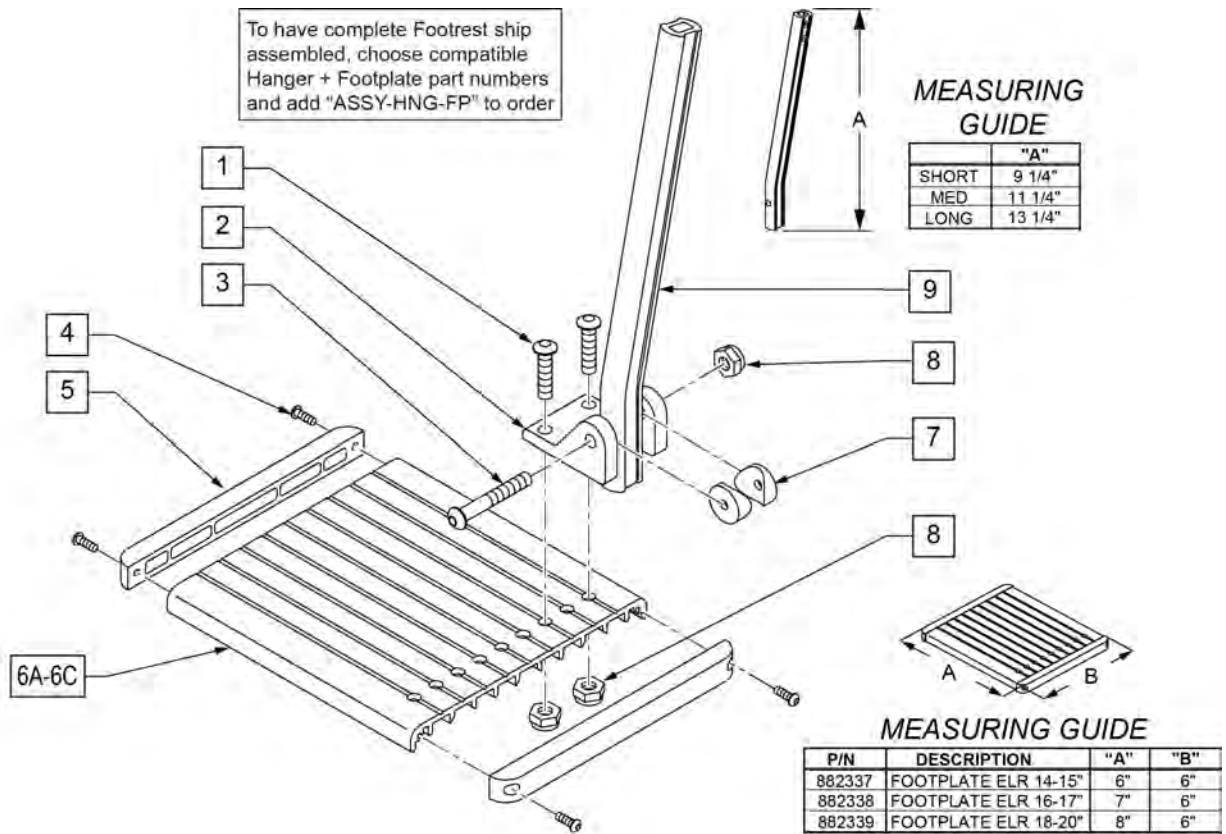
Pos.	Item Number	Description	Remarks
1	106934	NUT NYLOCK 1/4-28 ROHS	
2A	107018	HHCS 5/16-18 X 2-1/2 ROHS	16"-17" wide only
2B	107019	HHCS 5/16-18 X 3-1/2 ROHS	18"-20" wide only
3	107013	HHCS 1/4-28 X 5/8 ROHS	
4	881413	CALF PAD BRACKET ASSEMBLY	
5	560199	ELR CALF HINGE SPACER	18"-20" wide only
6	560108	CALF PAD MOLDED 16"-20"	
7	106936	NUT NYLOCK 5/16-18 ROHS	
8A	751045	CALF PAD COVER	
8B	751046	CALF PAD COVER (BREEZY)	
1,2A,3,4,6,7,8A	881416	CALF MOLDED 16"-17" ASSEMBLY	
1,2B,3-7,8A	881412	CALF PAD MOLDED 18"-20" ASSEMBLY	
		Ship assembled part #	Use with multiple assemblies
	ASSY-HNG-FP	HANGER/FOOTPLATE ASSY REQUIRED	add with Hanger & Footplate kit



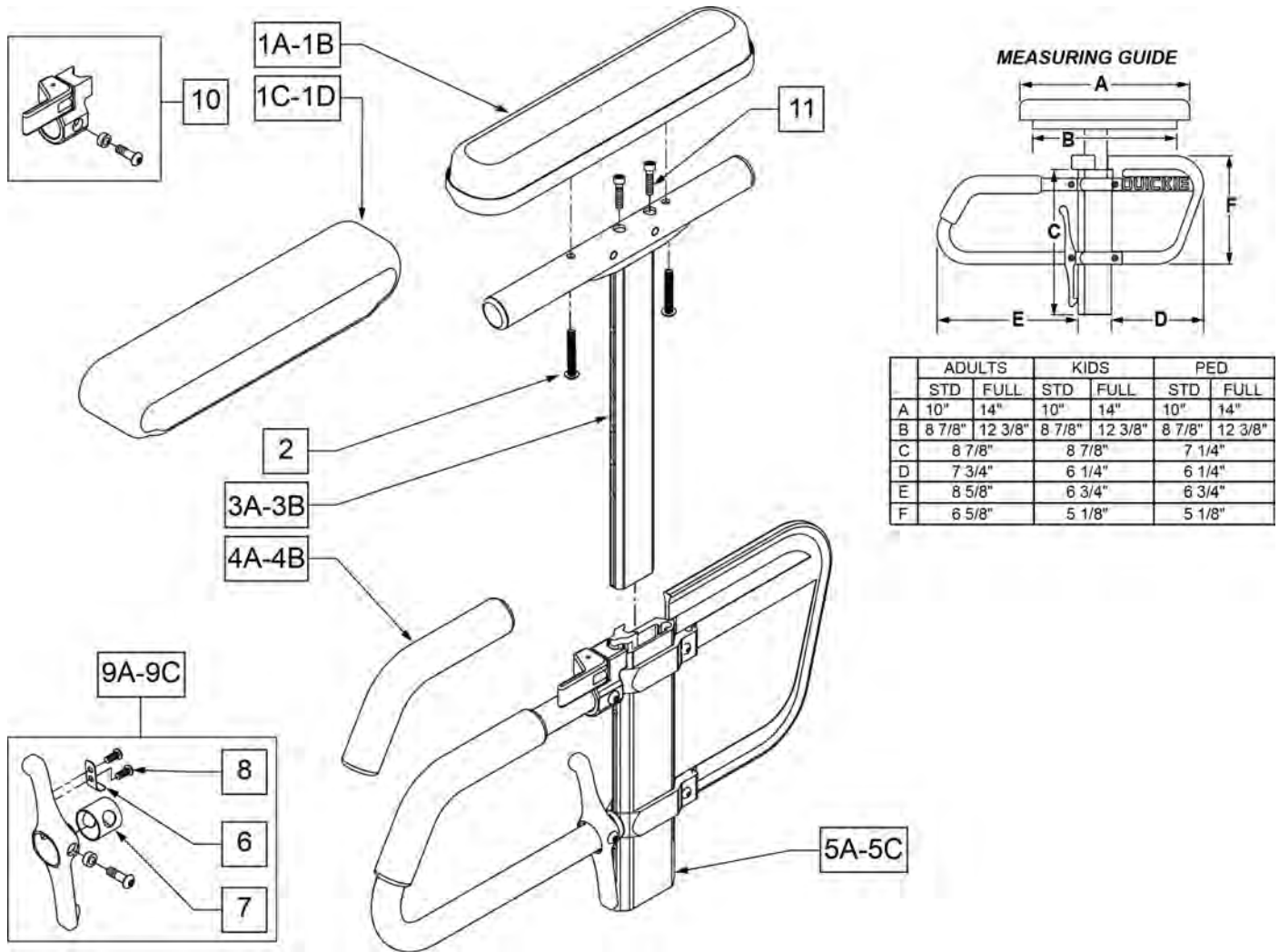
To request assembly of parts being ordered as a kit, please add "ASSY-HNG-FP" after ELR & Calf Pad parts are selected

Pos.	Item Number	Description	Remarks
1	106980	BHCS 5/16-18 X 1-1/4 ROHS	
2	755014	CALF PAD TROUGH STYLE 14"/16"	
3	221097	1/4-28 X 5/8 HEX C/S BZ	
4	561016	1" WASHER 5/16" HOLE	
5	881413	CALF PAD BRACKET ASSEMBLY	
6	106934	NUT NYLOCK 1/4-28 ROHS	
7	106937	NUT NYLOCK THIN 5/16-18	
1-7	881414	CALF PAD J-HOOK 14"-15" ASSEMBLY	
		Ship assembled part #	Use with multiple assemblies
	ASSY-HNG-FP	HANGER/FOOTPLATE ASSY REQUIRED	add with Hanger & Footplate kit

NOTE: Left Side Shown

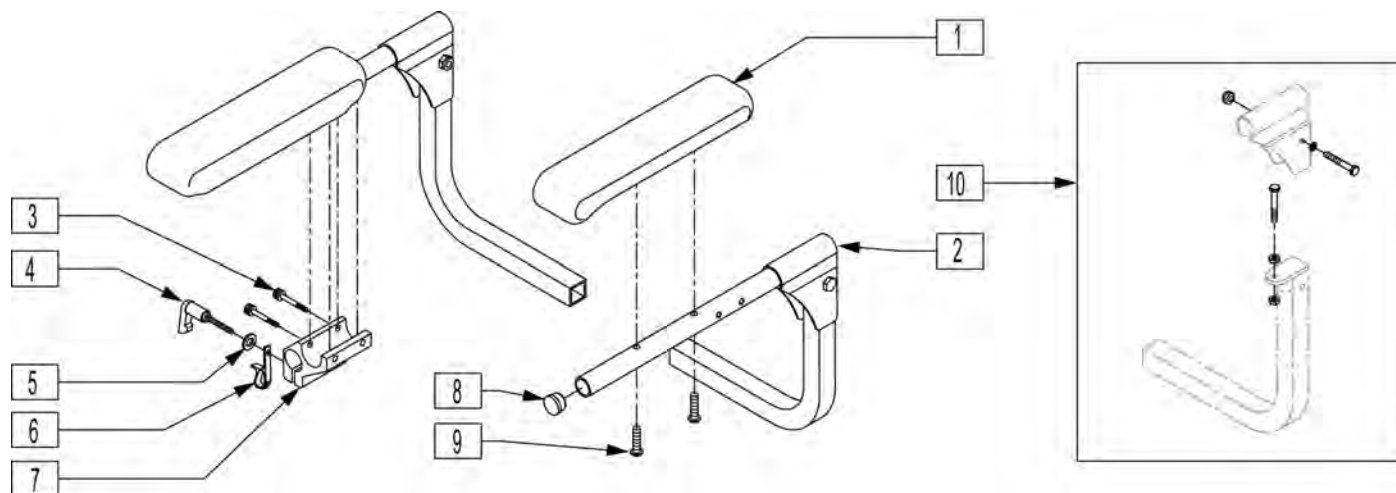


Pos.	Item Number	Description	Remarks
1	106959	1/4-28 x 5/8 BH C/S	
2	550739	FOOTPLATE MOUNTING BRACKET	
3	226147	1/4-28 x 1.85 BH C/S	
4	281043	#4 x 5/8 PAN PHIL S/TAP	
5	560101	END CAPS FOOTREST	
7	561003	3/4" SADDLE THIN	
8	106935	1/4-28 NYLOCK NUT THIN	
9	550764	S/A HANGER EXT D2 SHORT BLACK	
9	550765	S/A HANGER EXT D2 MED BLK	
9	550766	S/A HANGER EXT D2 LONG BLACK	
4,5,6A	882337	ELR FOOTPLATE ASSEMBLY 14 -15"	
4,5,6B	882338	ELR FOOTPLATE ASSEMBLY 16 -17"	
4,5,6C	882339	ELR FOOTPLATE ASSEMBLY 18 -20"	
1-5,6A-8	921400S	ELR FOOTPLATE KIT 14 -15"	Does not include Extension
1-5,6B-8	921401S	ELR FOOTPLATE KIT 16 -17"	Does not include Extension
1-5,6C-8	921402S	ELR FOOTPLATE KIT 18 -20"	Does not include Extension
		Ship assembled part #	Use with multiple assemblies
	ASSY-HNG-FP	HANGER/FOOTPLATE ASSY REQUIRED	add with Hanger & Footplate kit



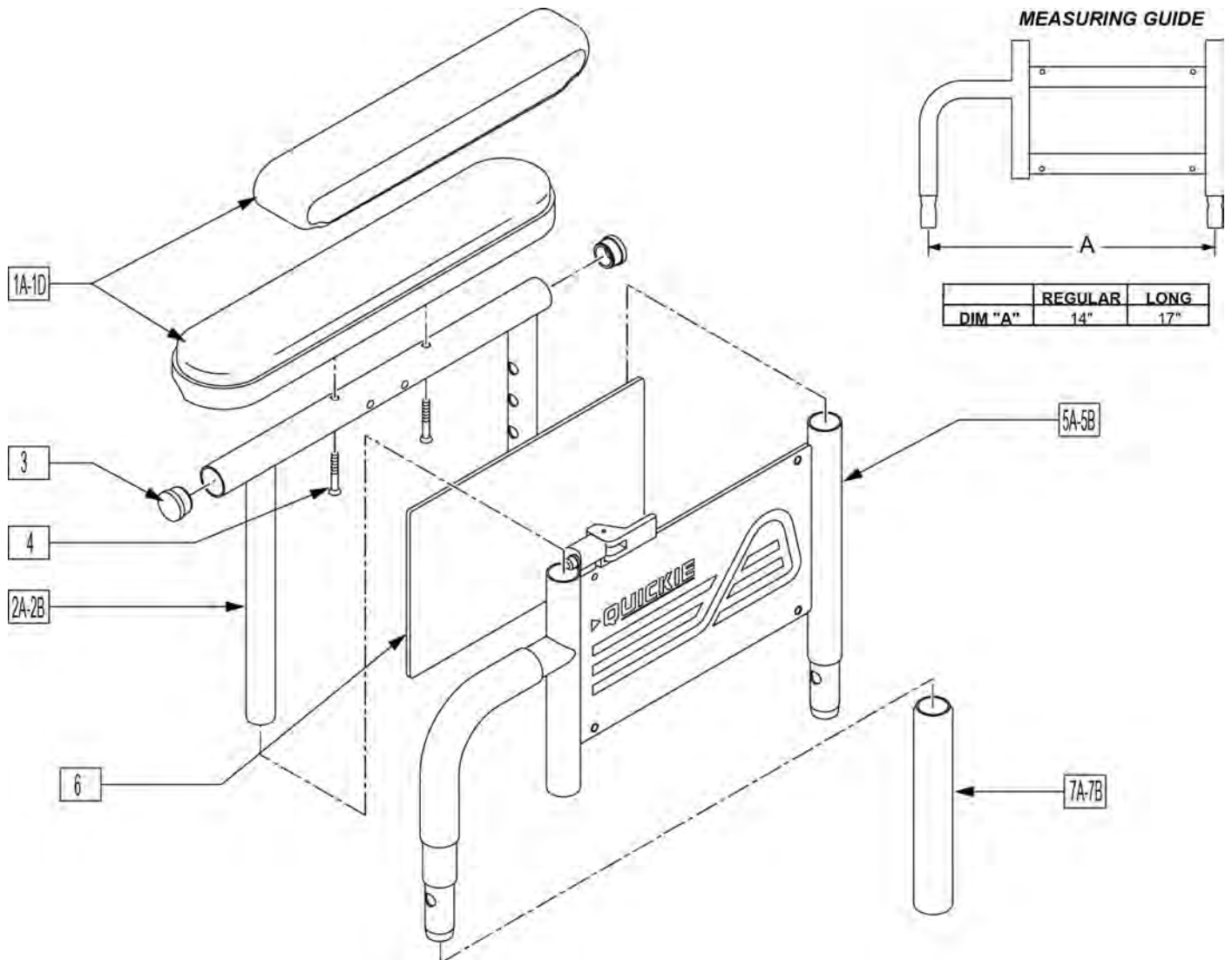
Pos.	Item Number	Description	Remarks
1A	561024	ARMREST PAD 10" DESK	DESK PAD
1B	561031	ARMREST PAD 14" FULL	FULL PAD
1C	561280	ARMREST PAD 10" L W/F	LEFT - DESK WATERFALL PAD
1C	561281	ARMREST PAD 10" R W/F	RIGHT - DESK WATERFALL PAD
1D	561284	ARMREST PAD 14" L W/F	LEFT - FULL WATERFALL PAD
1D	561285	ARMREST PAD 14" R W/F	RIGHT - FULL WATERFALL PAD
2	226038	10-32 x 1 3/8 BH C/S BLK	
4A	560610	5" x .705 x .125 FOAM TUBE	ADULT
4B	560627	7-1/2" x .705 x .125 FOAM TUBE	PEDS/KIDS
5A	882084	HT ADJ LOWER DC ARM ASSM STD R	RIGHT - STANDARD/ADULT
5A	882085	HT ADJ LOWER DC ARM ASSM STD L	LEFT - STANDARD/ADULT
5B	882082	HT ADJ LOWER DC ARM ASM KIDS R	RIGHT - KIDS
5B	882083	HT ADJ LOWER DC ARM ASM KIDS L	LEFT - KIDS
5C	882080	HT ADJ LOWER ARM ASSM PE D R	RIGHT - PEDIATRIC
5C	882081	HT ADJ LOWER ARM ASSM PE D L	LEFT - PEDIATRIC
6	321721	LEVER RETURN SPRING	
7	562825	RELEASE LEVER INNER SLEEVE	
8	281045	#6 x 1/4 PAN PHIL S/M/S	
9A	888000	HT ADJ REC REL LEVER ASSM STD	ADULT
9B	888001	HT ADJ REC REL LEVER ASSM KIDS	KIDS

Pos.	Item Number	Description	Remarks
9C	888002	HT ADJ REC REL LEVER ASSM PEDS	PEDS
10	888003	HT ADJ UPPER ARM REL ASSM R	RIGHT
10	888004	HT ADJ UPPER ARM REL ASSM L	LEFT
11	108534	SHCS 10-32 X 1-1/4 PL	Used with Classic Full only
>>>>		ADULT UPPER ASSEMBLIES	
1A-3A	880192	HT ADJ UPPER ARM ASSM DESK R	RIGHT - ADULT DESK PAD
1A-3A	880198	HT ADJ UPPER ARM ASSM DESK L	LEFT - ADULT DESK PAD
1B-3A,11	880193	HT ADJ UPPER ARM ASSM FL R	RIGHT - ADULT FULL PAD
1B-3A,11	880199	HT ADJ UPPER ARM ASSM FL L	LEFT - ADULT FULL PAD
>>>>		ADULT UPPER ASSEMBLIES	
1C-3A	881230	HT ADJ UPPER L ARM ASSM DESK W/F	RIGHT - ADULT DESK WATER FALL PAD
1C-3A	881231	HT ADJ UPPER R ARM ASSM DESK W/F	LEFT - ADULT DESK WATER FALL PAD
1D-3A	881232	HT ADJ UPPER L ARM ASSM FL W/F	RIGHT - ADULT FULL WATER FALL PAD
1D-3A	881233	HT ADJ UPPER R ARM ASSM FL W/F	LEFT - ADULT FULL WATER FALL PAD
>>>>		PEDIATRIC AND KIDS UPPER ASSEMBLIES	
1A-3B	880174	HT ADJ UPPER ARM PED PWR DESK R	RIGHT - PED/KIDS DESK PAD
1A-3B	880175	HT ADJ UPPER ARM PED PWR DESK L	LEFT - PED/KIDS DESK PAD
1B-3B,11	880176	HT ADJ UPPER ARM PED PWR FULL R	RIGHT - PED/KIDS FULL PAD
1B-3B,11	880177	HT ADJ UPPER ARM PED PWR FULL L	LEFT - PED/KIDS FULL PAD
>>>>		PEDIATRIC AND KIDS UPPER ASSEMBLIES	
1C-3B	888341	HT ADJ PED UPPER R ARM ASSM D WF	RIGHT - PED/KIDS DESK WATER FALL PAD
1C-3B	888342	HT ADJ PED UPPER L ARM ASSM D WF	LEFT - PED/KIDS DESK WATER FALL PAD
1D-3B	888343	HT ADJ PED UPPER R ARM ASSM F WF	RIGHT - PED/KIDS FULL WATER FALL PAD
1D-3B	888344	HT ADJ PED UPPER L ARM ASSM F WF	LEFT - PED/KIDS FULL WATER FALL PAD
>>>>		COMPLETE ADULT ARMREST ASSEMBLY	
1A-3A-5A	880210	HT ADJ STD R W/DESK ARM PAD	RIGHT - ADULT - DESK PAD
1A-3A-5A	880211	HT ADJ STD L W/DESK ARM PAD	LEFT - ADULT - DESK PAD
1B-3A-5A,11	880212	HT ADJ STD R W/FULL ARM PAD	RIGHT - ADULT - FULL PAD
1B-3A-5A,11	880213	HT ADJ STD L W/FULL ARM PAD	LEFT - ADULT - FULL PAD
1C-3A-5A	881301	HT ADJ STD R W/DESK W/F PAD	RIGHT - ADULT - WATERFALL DESK PAD
1C-3A-5A	881300	HT ADJ STD L W/DESK W/F PAD	LEFT - ADULT - WATERFALL DESK PAD
1D-3A-5A	881305	HT ADJ STD R W/FULL W/F PAD	RIGHT - ADULT - WATERFALL FULL PAD
1D-3A-5A	881304	HT ADJ STD L W/FULL W/F PAD	LEFT - ADULT - WATERFALL FULL PAD
>>>>		COMPLETE KIDS ARMREST ASSEMBLY	
1A-3B-5B	880214	HT ADJ KIDS R W/DESK ARM PAD	RIGHT - KIDS - DESK PAD
1A-3B-5B	880215	HT ADJ KIDS L W/DESK ARM PAD	LEFT - KIDS - DESK PAD
1B-3B-5B,11	880216	HT ADJ KIDS R W/FULL ARM PAD	RIGHT - KIDS - FULL PAD
1B-3B-5B,11	880217	HT ADJ KIDS L W/FULL ARM PAD	LEFT - KIDS - FULL PAD
1C-3B-5B	881303	HT ADJ KIDS R W/DESK W/F PAD	RIGHT - KIDS - WATERFALL DESK PAD
1C-3B-5B	881302	HT ADJ KIDS L W/DESK W/F PAD	LEFT - KIDS - WATERFALL DESK PAD
1D-3B-5B	881307	HT ADJ KIDS R W/FULL W/F PAD	RIGHT - KIDS - WATERFALL FULL PAD
1D-3B-5B	881306	HT ADJ KIDS L W/FULL W/F PAD	LEFT - KIDS - WATERFALL FULL PAD
>>>>		COMPLETE PEDIATRIC ARMREST ASSEMBLY	
1A-3B-5C	880226	HT ADJ PED R W/DESK ARM PAD	RIGHT - PEDS - DESK PAD
1A-3B-5C	880227	HT ADJ PED L W/DESK ARM PAD	LEFT - PEDS - DESK PAD
1B-3B-5C,11	880228	HT ADJ PED R W/FULL ARM PAD	RIGHT - PEDS - FULL PAD
1B-3B-5C,11	880229	HT ADJ PED L W/FULL ARM PAD	LEFT - PEDS - FULL PAD
1C-3B-5C	888345	HT ADJ PED R W/DESK W/F PAD	RIGHT - PEDS - WATERFALL DESK PAD
1C-3B-5C	888346	HT ADJ PED L W/DESK W/F PAD	LEFT - PEDS - WATERFALL DESK PAD
1D-3B-5C	888347	HT ADJ PED R W/FULL W/F PAD	RIGHT - PEDS - WATERFALL FULL PAD
1D-3B-5C	888348	HT ADJ PED L W/FULL W/F PAD	LEFT - PEDS - WATERFALL FULL PAD



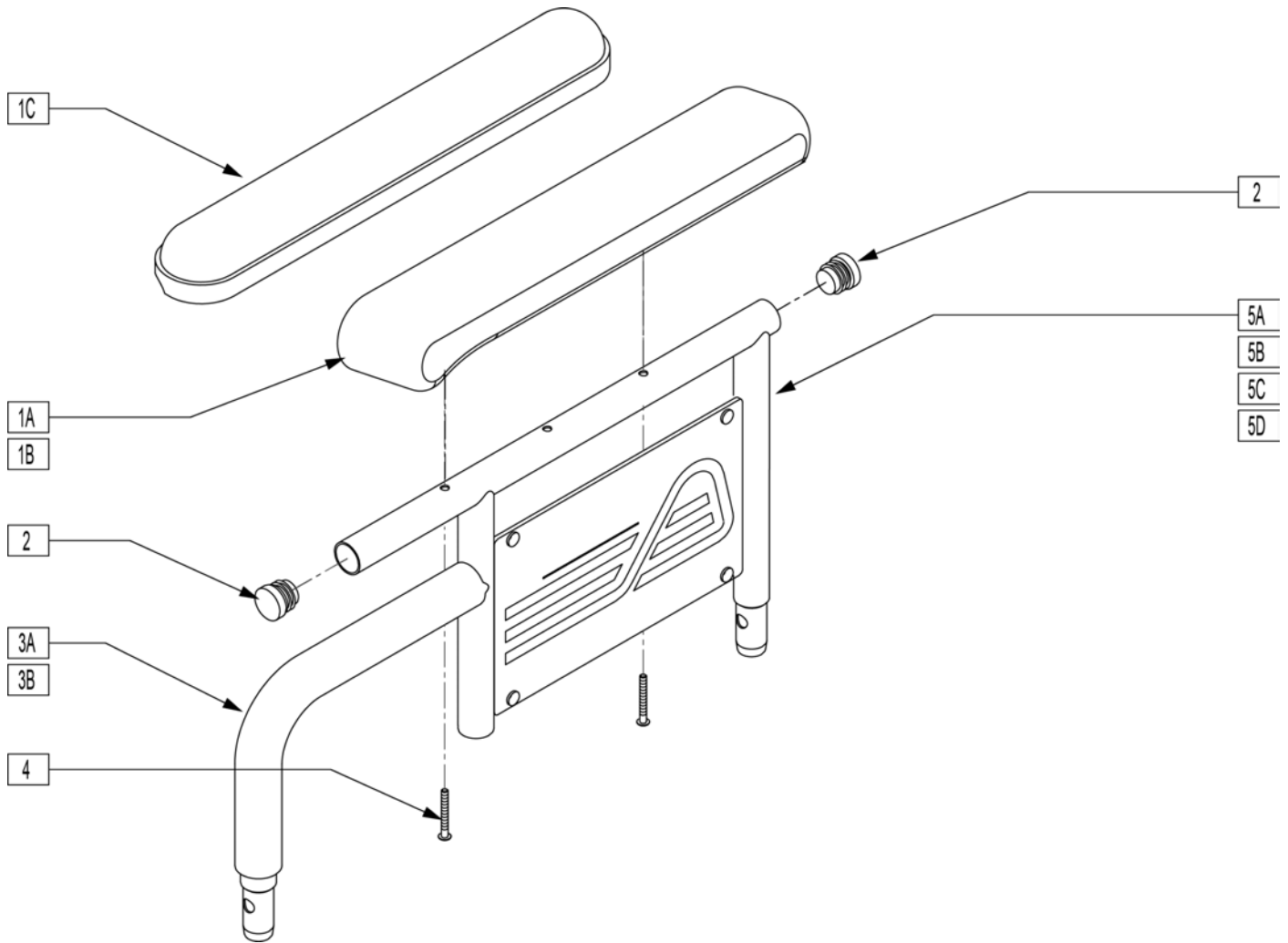
Pos.	Item Number	Description	Remarks
1	561283	ARMREST PAD 12" R P/G	Right
1	561282	ARMREST PAD 12" L P/G	Left
2	882340	ARMREST ONLY G424 R	Right
2	882341	ARMREST ONLY G424 L	Left
3	226037	10-32 x 1 3/8 SOC C/S BLK	
4	349024	HNDL 10-32 x 3/4 C/A P1/P3/P5	
5	261204	# 10 AN WASHER .063	
6	560268	QUICK RELEASE CLIP	
7	501750	CONTROL ARM CLAMP	
8	560735	7/8" ROUND TUBE PLUG	
9	226038	10-32 x 1 3/8 BH C/S BLK	
10	920007	ARMRST HDWR KT CNTR/HGBCK SEAT	
3-7	920713	CNTRL ARM CLAMP ASSM	
1,2,8,9	882280	ARMRST R W/PD CNTR/HIGHBACK	Right
1,2,8,9	882281	ARMRST L W/PAD CNTR/HIGHBACK	Left

Note: for Quickie M6 if retrofitting armrests to a chair where they were originally omitted, order one each of 881256 & 881257 front receivers. The rear receivers are already on the chair.



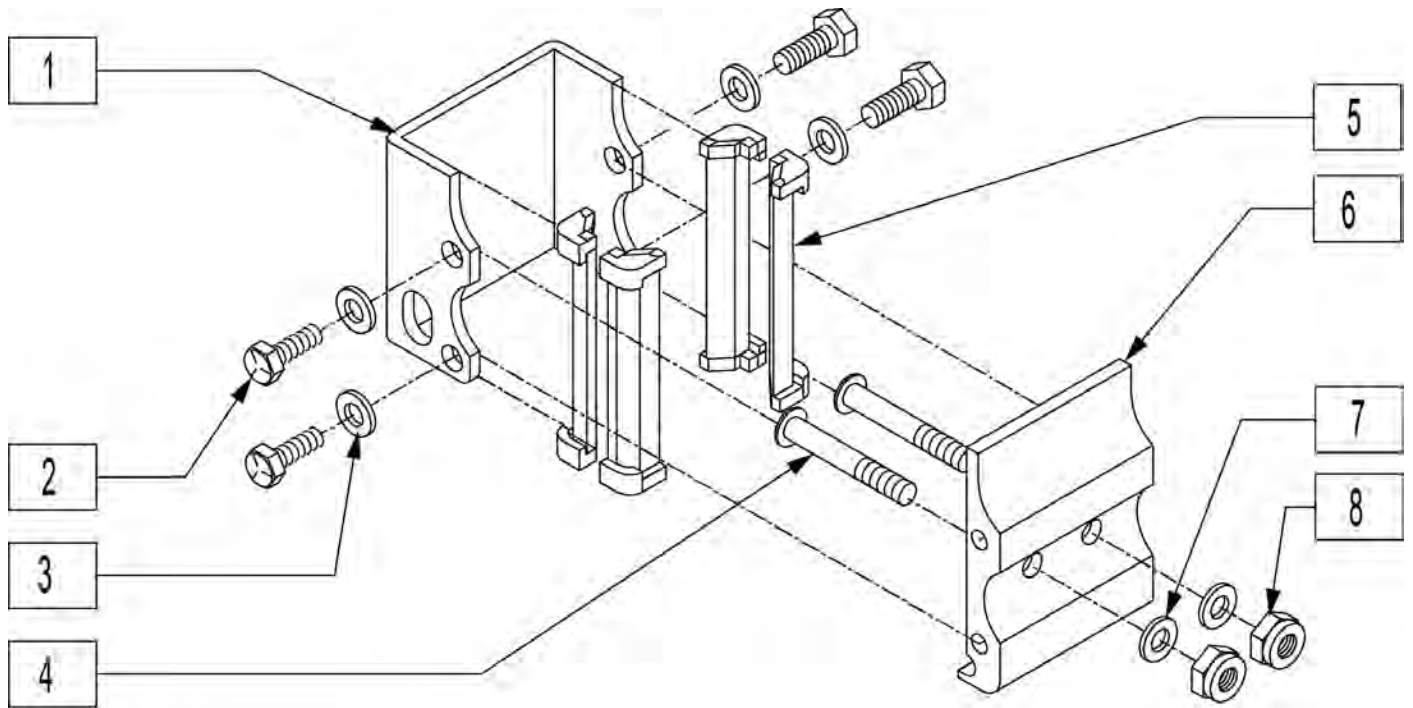
Pos.	Item Number	Description	Remarks
1A	561280	ARMREST PAD 10" LEFT W/F	Left,Desk,Waterfall
1A	561281	ARMREST PAD 10" RIGHT W/F	Right,Desk,Waterfall
1B	561284	ARMREST PAD 14" LEFT W/F	Left,Full,Waterfall
1B	561285	ARMREST PAD 14" RIGHT W/F	Right,Full,Waterfall
1C	561024	ARMREST PAD 10" DESK	Desk Pad
1D	561031	ARMREST PAD 14" FULL	Full Pad
2A	521841	DUAL PST ADJ UPPR ARM DESK PW	Desk
2B	521843	DUAL PST ADJ UPPR ARM FULL PW	Full
3	560735	7/8" ROUND TUBE PLUG	
4	226038	10-32 x 1 3/8 BH C/S BLK	
5A	881556	DUAL POST LOWER ARM ASSM SHT	Regular
5A	881557	DUAL POST LOWER ARM ASSM SHT	Regular
5B	881558	DUAL POST ADJ LOWER ARM LONG R	Long

Pos.	Item Number	Description	Remarks
5B	881559	DUAL POST ADJ LOWER ARM LONG L	Long
6	750009	INSIDE ARMREST PAD (P-222/S-626)	
7A	560514	FOAM 8" x .840 TUBE	Regular
7B	560614	11" x .840 FOAM TUBE	Long
1C,2A,3,4	881446	DUALPOST UHA AREST RH INC DESK	
1C,2A,3,4	881447	DUALPOST UHA AREST LH INC DESK	
1D,2A,3,4	881448	DUALPOST UHA AREST RH INC FULL	
1D,2A,3,4	881449	DUALPOST UHA AREST LH INC FULL	
1A,2A,3,4	881240	D-POST UPPR L ARM ASSM DSK W/F	
1A,2A,3,4	881241	D-POST UPPR R ARM ASSM DSK W/F	
1B,2B,3,4	881242	D-POST UPPR L ARM ASSM FL W/F	
1B,2B,3,4	881243	D-POST UPPR R ARM ASSM FL W/F	
1A,2A,3,4,5A,6	881308	D-POST SHT L W/DSK W/F PAD	
1A,2A,3,4,5A,6	881309	D-POST SHT R W/DSK W/F PAD	
1B,2B,3,4,5A,6	881310	D-POST SHT L W/FL W/F PAD	
1B,2B,3,4,5A,6	881311	D-POST SHT R W/FL W/F PAD	
1A,2A,3,4,5B,6	881312	D-PST LNG ADJ L W/DSK W/F PAD	
1A,2A,3,4,5B,6	881313	D-PST LNG ADJ R W/DSK W/F PAD	
1B,2B,3,4,5B,6	881314	D-POST LNG ADJ L W/FL W/F PAD	
1B,2B,3,4,5B,6	881315	D-POST LNG ADJ R W/FL W/F PAD	
1C,2A,3,4,5A,6	881572	DUAL POST ADJ SHT W/DSK R PWR	
1C,2A,3,4,5A,6	881573	DUAL POST ADJ SHT W/DSK L PWR	
1D,2B,3,4,5B,6	881574	DUAL POST ADJ LONG W/FL R PWR	
1D,2B,3,4,5B,6	881575	DUAL POST ADJ LONG W/FL L PWR	
1C,2A,3,4,5B,6	881576	DUAL POST ADJ LONG W/DSK R PWR	
1C,2A,3,4,5B,6	881577	DUAL POST ADJ LONG W/DSK L PWR	
1D,2B,3,4,5A,6	881578	DUAL POST ADJ SHT W/FL R PWR	
1D,2B,3,4,5A,6	881579	DUAL POST ADJ SHT W/FL L PWR	



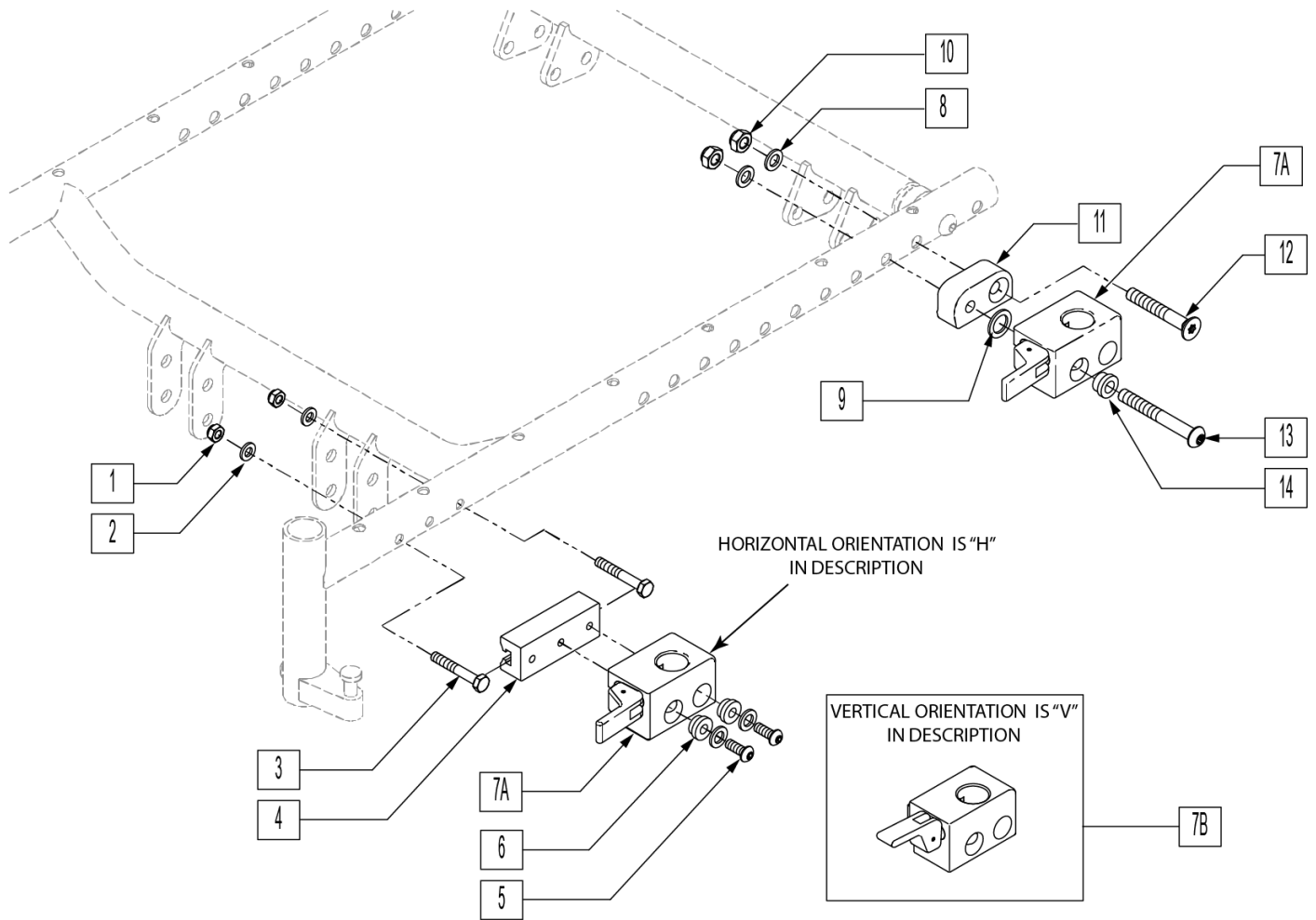
Pos.	Item Number	Description	Remarks
1A	561280	ARMREST PAD 10" LEFT W/F	
1A	561281	ARMREST PAD 10" RIGHT W/F	
1B	561284	ARMREST PAD 14" LEFT W/F	
1B	561285	ARMREST PAD 14" RIGHT W/F	
1C	561024	ARMREST PAD 10" DESK	
1D	561031	ARMREST PAD 14" FULL	
2	560735	7/8" ROUND TUBE PLUG	
3A	560514	FOAM 8" x .840 TUBE	
3B	560614	11" x .840 FOAM TUBE	
4	226038	10-32 x 1 3/8 BH C/S BLK	
5A	540124	FIXED HT SHT ARM DESK PAD PWR	
5B	540125	FIXED HT SHT ARM FULL PAD PWR	
5C	540126	FIXED HGT LONG ARM DSK PAD PW	
5D	540127	FIXED HT LONG ARM FULL PAD PWR	
6	240155	RIVET 3/16 x 3/8 TUBULAR ALUM	
7	562744	ARMREST FRAME PANEL FIXED R	Right
7	562745	ARMREST FRAME PANEL FIXED L	Left
1A,2-4,5A,6,7	881730	D-POST ARM SHT R W/DSK W/F PAD	Right
1A,2-4,5A,6,7	881731	D-POST ARM SHT L W/DSK W/F PAD	Left
1B,2-4,5B,6,7	881732	D-POST ARM SHT R W/FL W/F PAD	Right

Pos.	Item Number	Description	Remarks
1B,2-4,5B,6,7	881733	D-POST ARM SHT L W/FL W/F PAD	Left
1C,2,3A,4,5C,6,7	881734	D-POST ARM LNG R W/DSK W/F PAD	Right
1C,2,3A,4,5C,6,7	881735	D-POST ARM LNG L W/DSK W/F PAD	Left
1B,2-4,5D,6,7	881736	D-POST ARM LNG R W/FL W/F PAD	Right
1B,2-4,5D,6,7	881737	D-POST ARM LNG L W/FL W/F PAD	Left
1C,2-4,5A,6,7	881580	DUAL POST ARM SHT W/DSK R PWR	Right
1C,2-4,5A,6,7	881581	DUAL POST ARM SHT W/DSK L PWR	Left
1D,2-4,5B,6,7	881582	DUAL POST ARM SHT W/FL R PWR	Right
1D,2-4,5B,6,7	881583	DUAL POST ARM SHT W/FL L PWR	Left
1C,2-4,5C,6,7	881584	DUAL POST ARM LNG W/DSK R PWR	Right
1C,2-4,5C,6,7	881585	DUAL POST ARM LNG W/DSK L PWR	Left
1D,2-4,5D,6,7	881586	DUAL POST ARM LNG W/FL R PWR	Right
1D,2-4,5D,6,7	881587	DUAL POST ARM LNG W/FL L PWR	Left



Pos.	Item Number	Description
1	550485	HT ADJ REC CHANNEL
2	221096	1/4-28 x 5/8 HEX C/S
3	106943	1/4 AN WASHER FLAT
4	226218	5/16-18 x 1 3/4" BH C/S BLK
5	561134	HT ADJ RECEIVER LINER
6	550497	HT ADJ REC STD S525 SEAT
7	263100	5/16 AN WASHER FLAT
8	202116	5/16-18 NYLOCK NUT THIN BLK
1-8	880239	HT ADJ REC W/HDWR STD S525

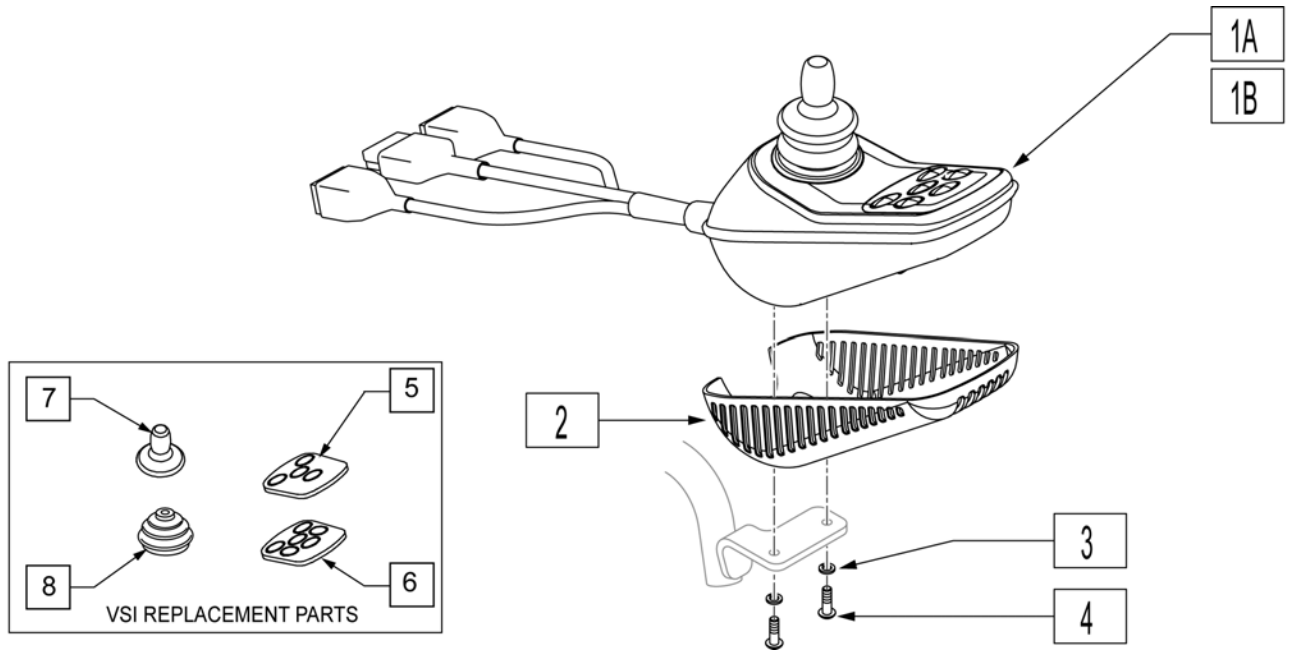
Note: if replacing on chairs prior to S/N S52-023316, assembly numbers with mounting hardware must be purchased.



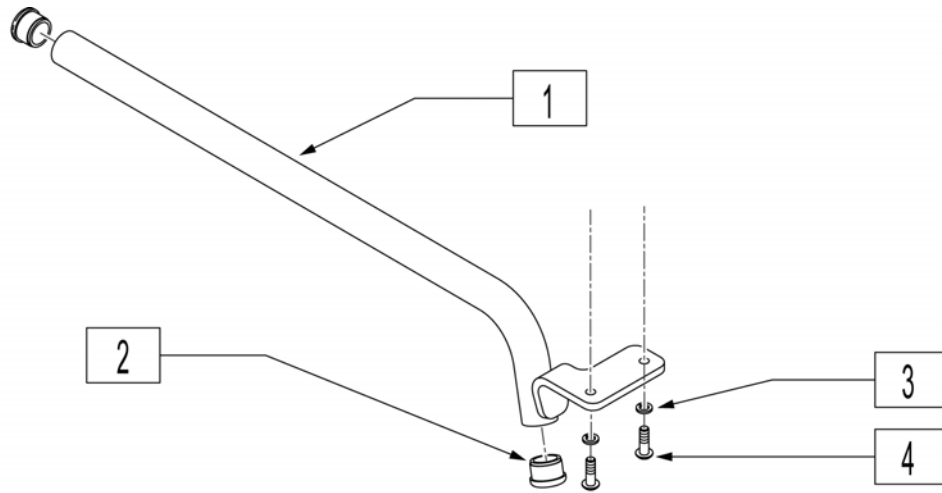
Pos.	Item Number	Description	Remarks
1	106934	1/4-28 NYLOCK NUT	
2	106943	1/4 AN WASHER FLAT	
3	226222	1/4-28 X 1 1/2" G8 HEX C/S BLK	
4	506127	ADPTR FR UNI ARST RCR 1.13 OFF	
5	226100	1/4-28 X 3/4 BH C/S	
6	340143	BUSHING .257IDx.25LG SST	
7A	506366	UNIVRSL ARMRST RCVR ASSM RH	
7A	506367	UNIVRSL ARMRST RCVR ASSM LH	
7B	506368	UNIV ARMREST RCVR ASSM RV	Optional release position, not offered on chair
7B	506369	UNIV ARMREST RCVR ASSM LV	Optional release position, not offered on chair
8	263100	5/16 AN WASHER FLAT	
9	561273	1/2 X 3/4 X .060 NYLON WASHER	
10	202117	5/16-18 NYLOCK NUT THICK BLK	
11	506128	ADPTR PVT R UNI ARST RCVR P222	Right
11	506129	ADPTR PVT L UNI ARST RCVR P222	Left
12	222193	5/16-18 X 2 1/4 FH SOC CS BLK	
13	226208	5/16-18 X 2-3/4 BH C/S G8 BLK	
14	340142	BUSHING .325IDx.346LG SST	

Pos.	Item Number	Description	Remarks
1-7A	506364	UNI DP ARM RCVR ASSM RFH PWR	
1-7A	506365	UNI DP ARM RCVR ASSM LFH PWR	
1-7B	506400	UNI DP ARM RCVR ASSM RFV PWR	
1-7B	506401	UNI DP ARM RCVR ASSM LFV PWR	
7A-14	506360	UNI DP ARM RCVR ASSM RRH PWR	Right
7A-14	506361	UNI DP ARM RCVR ASSM LRH PWR	Left
7B-14	506362	UNI DP ARM RCVR ASSM RRV PWR	Right
7B-14	506363	UNI DP ARM RCVR ASSM LRV PWR	Left

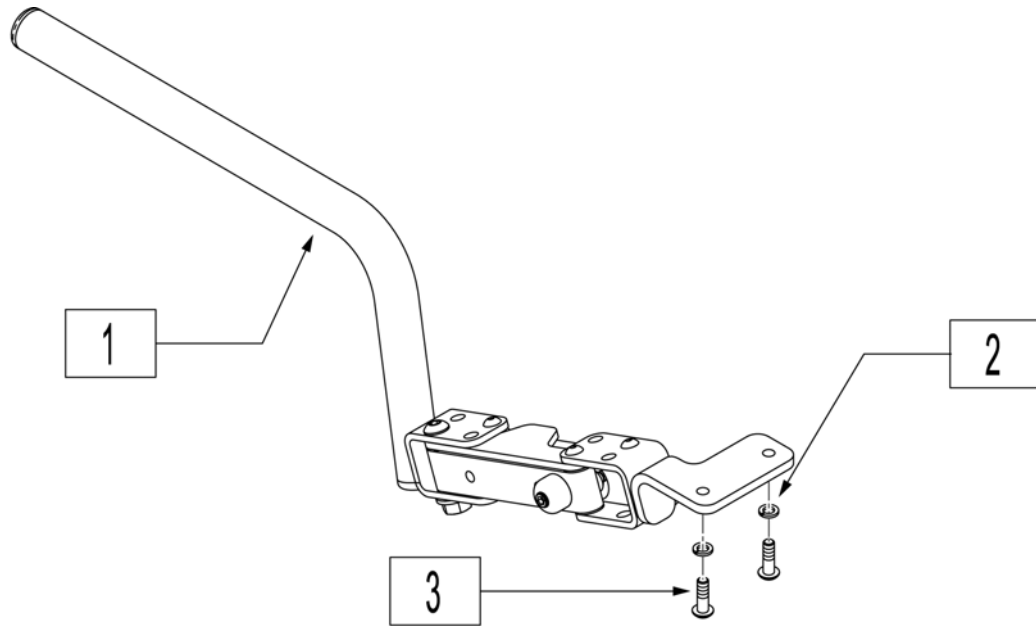
NOTE: EFFECTIVE AFTER SERIAL NUMBER S52-20012.



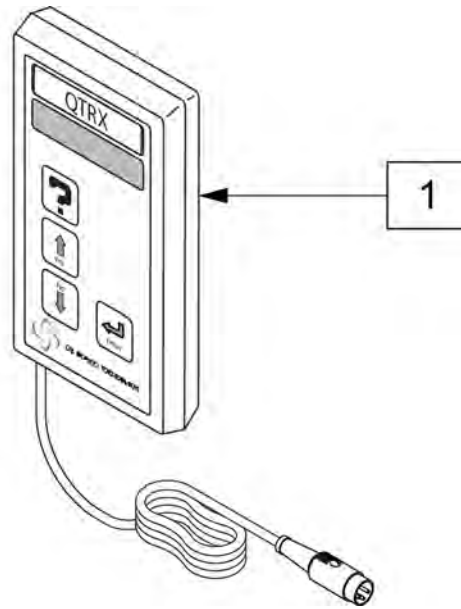
Pos.	Item Number	Description	Remarks
1A,2	910136	CNTRLR VSI INTEC 4.5 MPH	w/o tilt 4.5mph (4button)
1B,2	910137	CNTRLR VSI INTEC	TILT 4.5 mph (6 button)
1C,2	910149S	CNTRLR VSI INTEC	TM40 4.5 mph (4 button)
3	261524	#10 WASHER LOCK SS	
4	455010-QU	10 -32 x 3/4 BH C/S BLK	
5	105689	VSI 4 BTN KEYPAD	
6	105690	VSI 6 BTN KEYPAD	
7	138169	VSI JOYSTICK HANDLE	
8	105930	JOYSTICK GAITER	Joystick Boot



Pos.	Item Number	Description	Remarks
1	542131	VSI FIX MNTNG BLK WLDMNT RT	Right- Fixed
1	542132	VSI FIX MNTNG BLK WLDMNT LEFT	Left-Fixed
2	560761	3/4" INSERT PLUG .049 (18GA)	
3	261524	#10 WASHER LOCK SS	
4	226024-QU	10-32 x 7/8 BH C/S BLK	

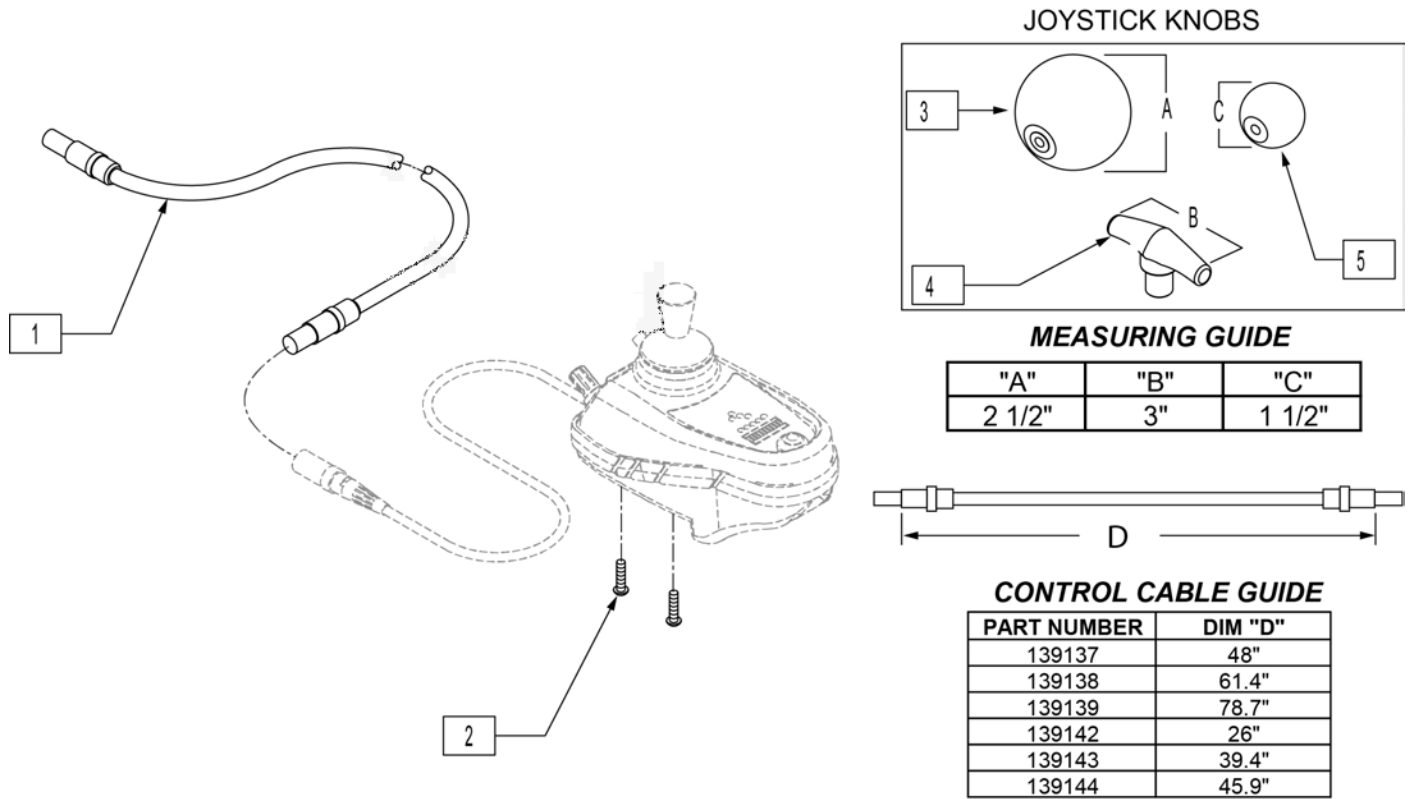


Pos.	Item Number	Description	Remarks
1	882496	S/A ARM VSI R ASSM	Right-Swing-away
1	882497	S/A ARM VSI L ASSM	Left-Swing-away
2	261524	#10 WASHER LOCK SS	
3	226024-QU	10-32 x 7/8 BH C/S BLK	



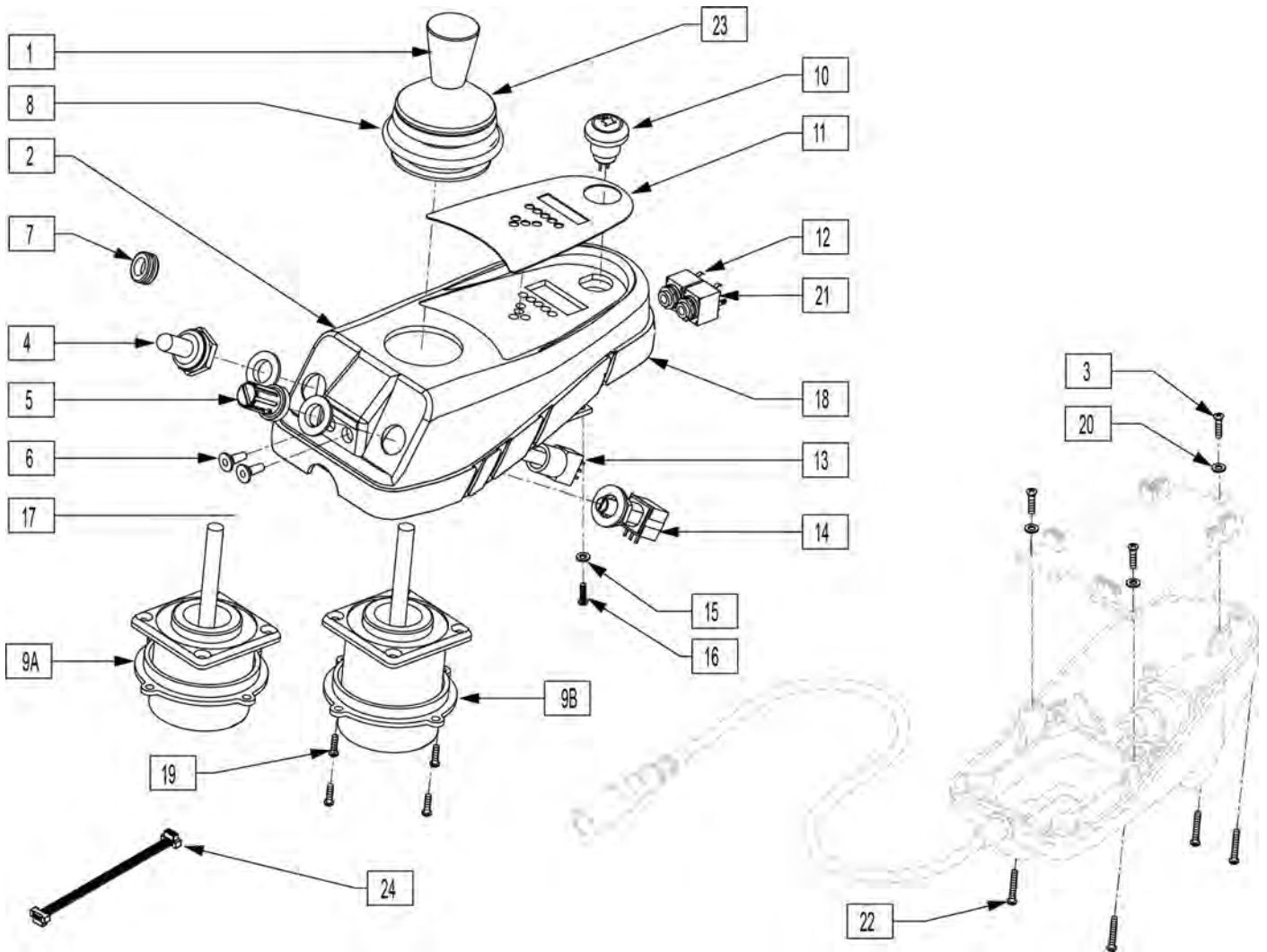
Pos.	Item Number	Description
1	QTRX	PROGRAMMING PAD QTRONIX

Note: Qtronix Joystick has been discontinued, for replacement Joystick please see "Pilot Plus Joystick" page.



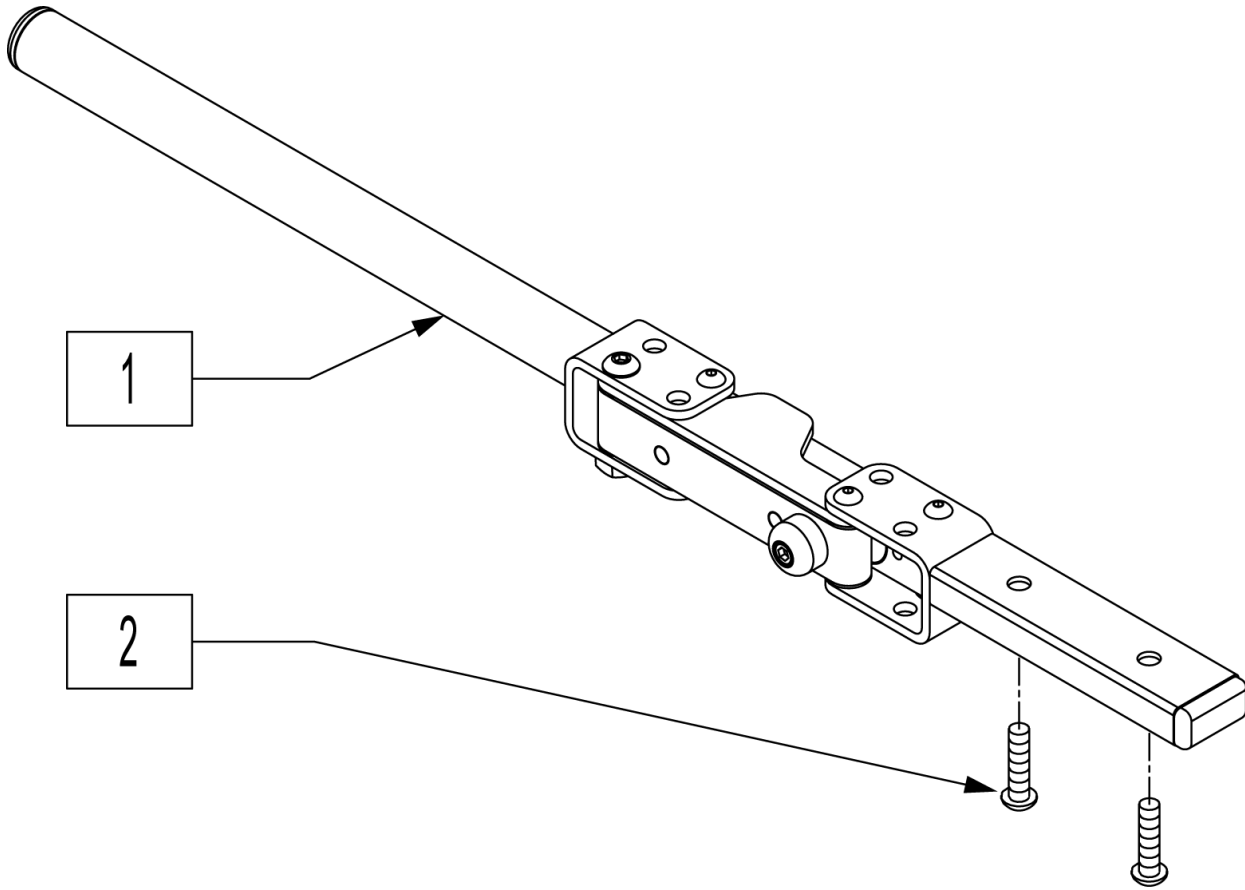
Pos.	Item Number	Description
1	139137	CONTROL CABLE 48"
1	139138	CONTROL CABLE 61 1/2"
1	139139	CONTROL CABLE 78 3/4"
1	139142	CONTROL CABLE 26"
1	139143	CONTROL CABLE 39 1/2"
2	226106	1/4-20 x 3/4 BH C/S BLK ZN
3	138165	J/S KNOB BALL HANDLE (SOFT)
4	138167	J/S KNOB T-BAR
5	138166	J/S KNOB BALL HANDLE (SOLID)

NOTE: Item 7 goes where toggle and or speed switches are if customer removes them.

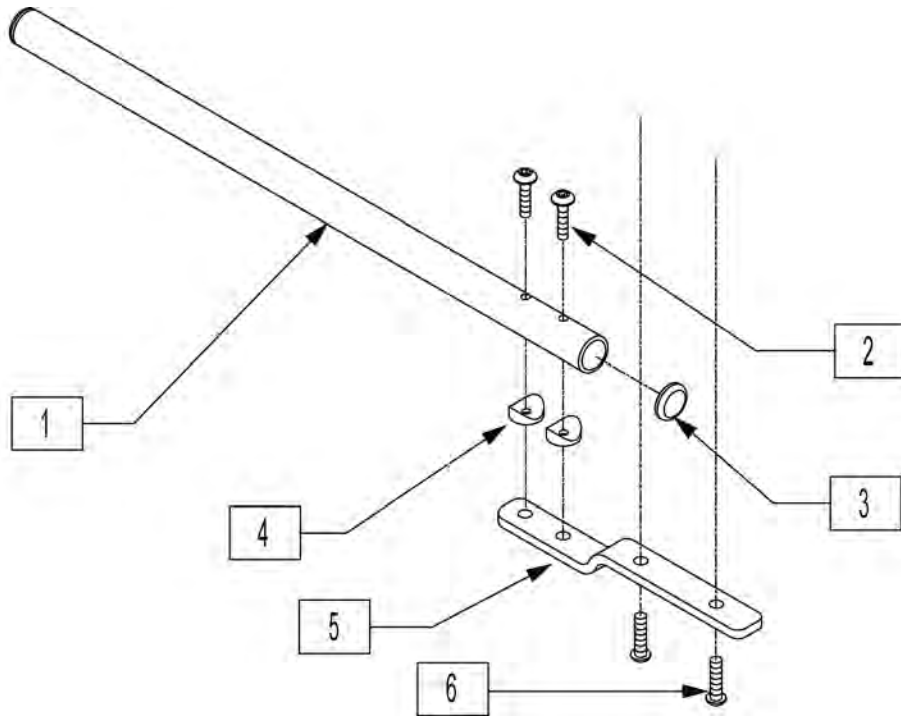


Pos.	Item Number	Description	Remarks
1	560224	JOYSTICK KNOB QTRONIX	
2	561251	REMOTE BOX TOP W/AUX HOLES	
3	281046	#4-24 x .25 PAN HD TAPPING SCREW	
4	138028	TOGGLE SWITCH BOOT 15/32"	
5	560226	POTENTIOMETER KNOB QTRONIX	
6	138045	REMOTE JACK STOPPER QTRONIX	
7	560109	INSERT PLUG .49 HOLE	
8	105930	JOYSTICK BOOT P&G CONTROLLER	
10	138179	HORN W/HARNESS QTRONIX	
11	150081	DECAL JOYSTICK OVERLAY	
12	139036	HARNESS REMOTE JACK (MODE)	
13	131122	TOGGLE SWITCH W/HARNESS 15/32"	
14	130527	POT W/HARNESS QTRONIX	
15	250103	M2.5 FLAT WASHER NYLON	
16	250150	M2.2 x .80 x 6.0 PAN HD SCREW	

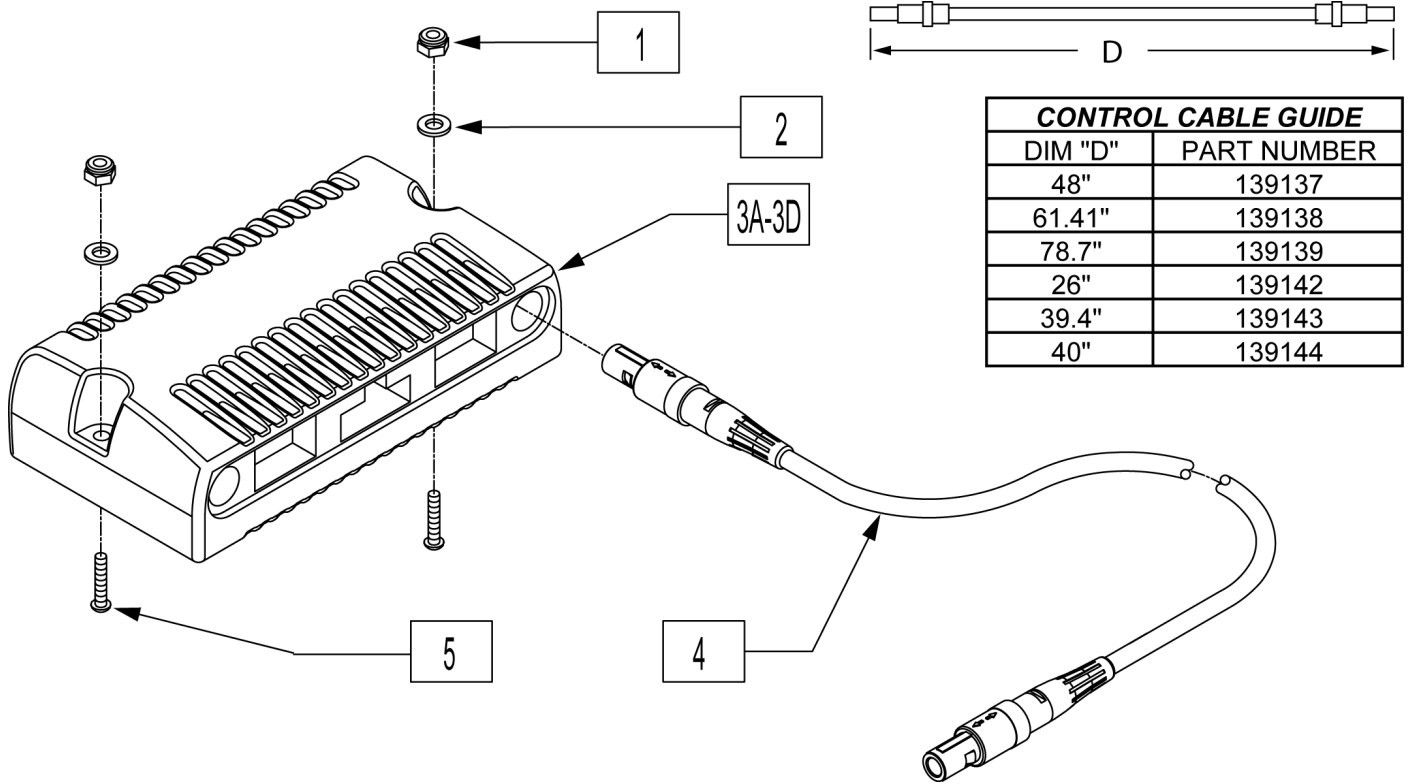
Pos.	Item Number	Description	Remarks
17	138041	LABEL REMOTE JACK	
18	561254	REMOTE BOX GASKET S525	
20	250102	M3.0 FLAT WASHER NYLON	
21	139037	HARNESS REMOTE JACK (ON/OFF)	
22	281047	#4-40 x .375 PAN HD PHLLPS M/S	
23	560229	JOYSTICK BOOT PROTECTOR	
24	104774	RIBBON CABLE 124MM	Used to turn Joystick 90deg in case.
1,8,9A,19,23	105706	JOYSTICK MAID P & G QTRONIX	
1,8,9B,19,23	139507	JOYSTICK JC200 P & G QTRONIX	



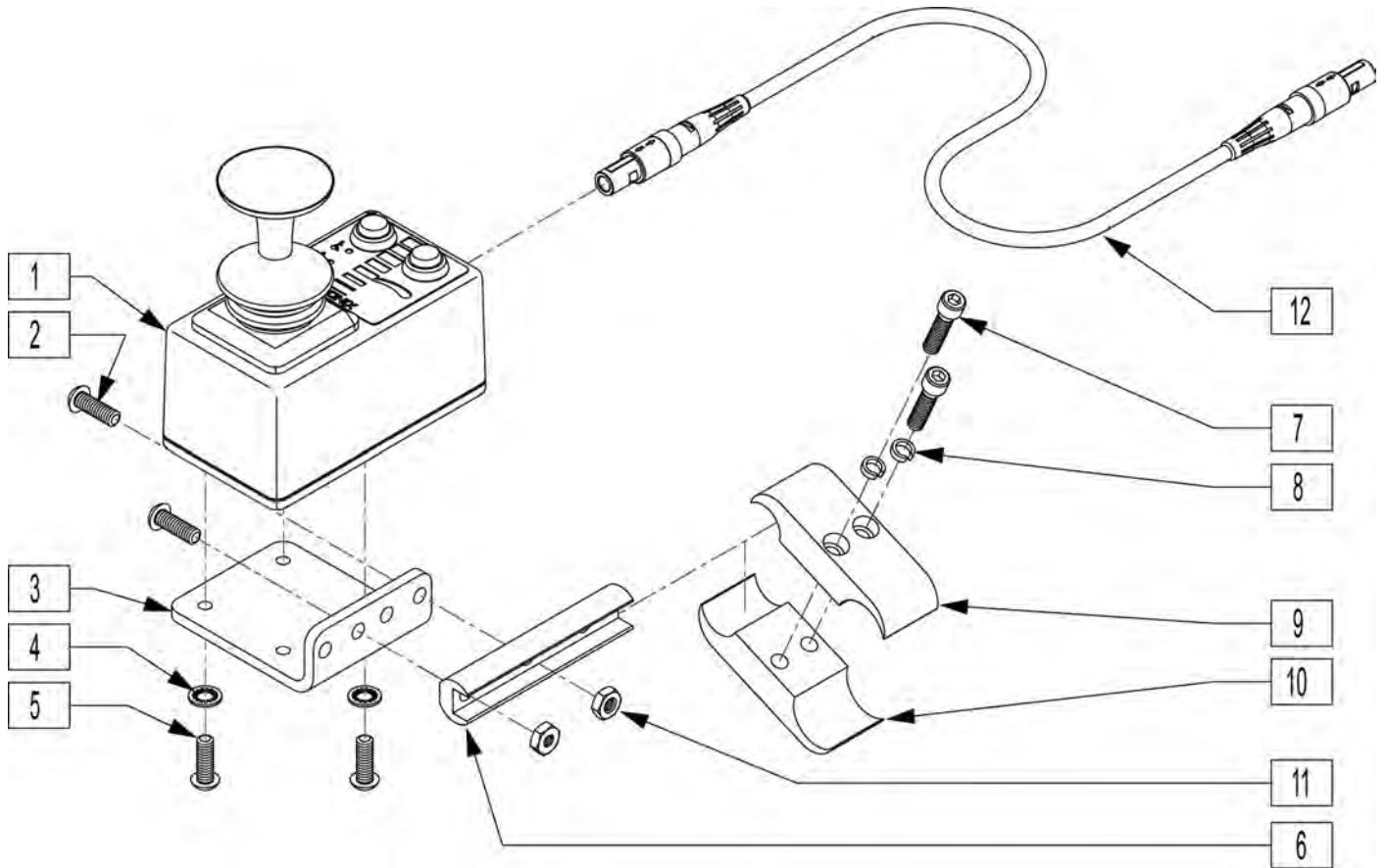
Pos.	Item Number	Description	Remarks
2	226069-QU	1/4-20 x 1/2 BH C/S BLK	
1,2	882696	RMT S/A R W/ARM MAG	Right
1,2	882697	RMT S/A L W/ARM MAG	Left



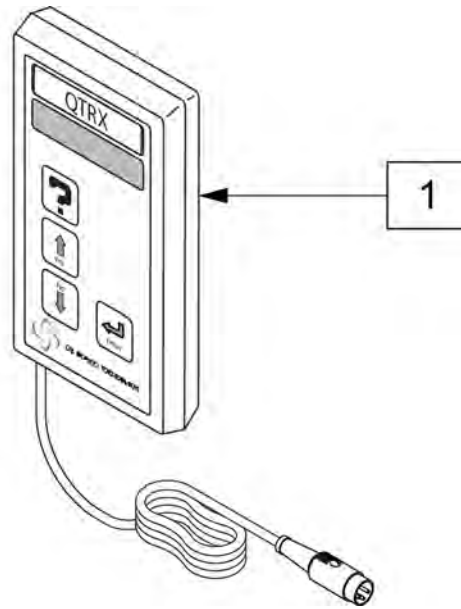
Pos.	Item Number	Description
1	520231	REMOTE BOX MOUNT TUBE Q-TRONIX
2	226066	1/4-28 x 1.1" BH C/S BLK
3	560761	3/4" INSERT PLUG .049 (18GA)
4	561003	3/4" SADDLE THIN
5	481196	REMOTE BOX BENT MOUNT S525
6	226069-QU	1/4-20 x 1/2 BH C/S BLK
1-6	882270	REMOTE CONTROL ARM ASSM QX



Pos.	Item Number	Description	Remarks
1	200100-QU	10-32 NYLOCK NUT	
2	455031-QU	#10 AN WASHER .032 SS	
3A	910050	REMOTE QTRONIX 50A RR WHL DR	4.5 & 5.5 mph (NON HD) 250 lbs (For chairs Prior to S/N S52-19752)
3B	910051	REMOTE QTRONIX 80A RR WHL DR	4.5 & 5.5 mph (HD Only) 350 lbs (For chairs Prior to S/N S52-19752)
3C	910056	RMT PRG PILOT+ 80A RR WHL DR	6.5 mph (NON HD) 250lbs (For chairs Prior to S/N S52-19752)
3D	910124	PILOT+CNTRLR RWD 50A 250 LB	4.5 & 6.5 mph (For chairs After to S/N S52-19752)
5	226069-QU	1/4-20 x 1/2 BH C/S BLK	
5	226034	10-32 x 1 3/4 BH C/S BLK	
4	139142	CONTROL CABLE FLYING LEAD SHT	(26")
4	139139	CONTROL CABLE SLIM X-LONG	(78.7")



Pos.	Item Number	Description	Remarks
2	226100	1/4-28 x 3/4 BH C/S	
3	505533	ATTENDANT CTRL MOUNT BRACKET	
4	267340	#10 WASHER INT LOCK ZN	
5	230495	M5-12 BUTTON HD C/S BLACK	
6	550374	WHL LCK SLIDE BLOCK 3 1/2" BLK	
7	107032	1/4-28 x 1 SOC C/S BLK	
8	262114	1/4 WASHER HI COLLAR LOCK ZN	
9	550477	CLAMP 2 1/4" RECESS BLK	
10	550576	CLAMP 2 1/4" THREADED BLK	
11	202300	1/4-28 NYLOCK NUT THIN BLK ZN	
1,6	885016	DUAL ATTENDANT CNTRL ASSM	
12	139138	CONTROL CABLE SLIM LONG	61.5" Long-not included in assm.
1-11	920900	ATTNDNT CNTRL MNT ASSM W/INSTR	

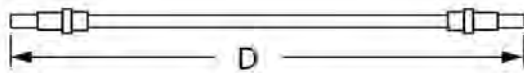
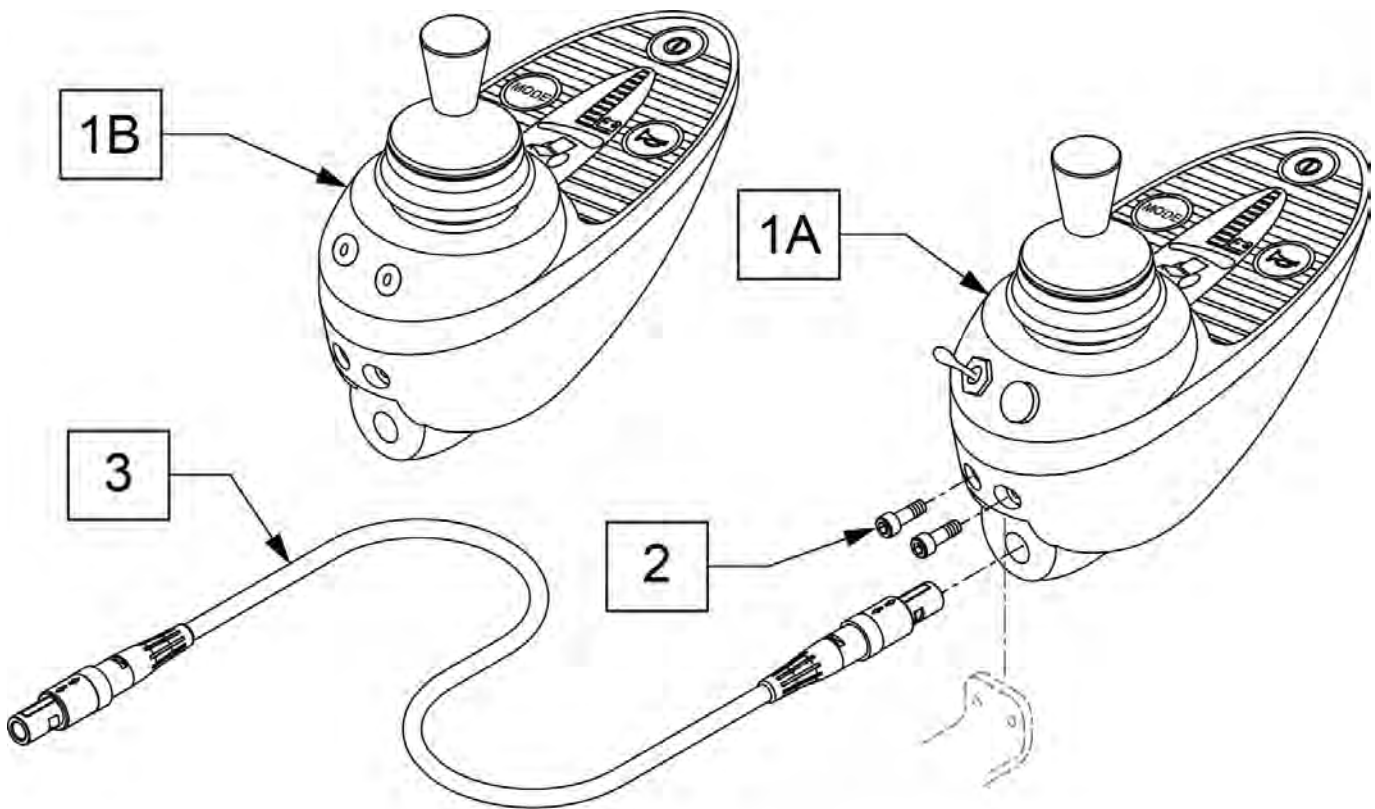


Pos.	Item Number	Description
1	QTRX	PROGRAMMING PAD QTRONIX

Note: if using the Pilot + Joystick to replace a Qtronix Joystick, a new joystick arm must be purchased and a longer cable may be required.

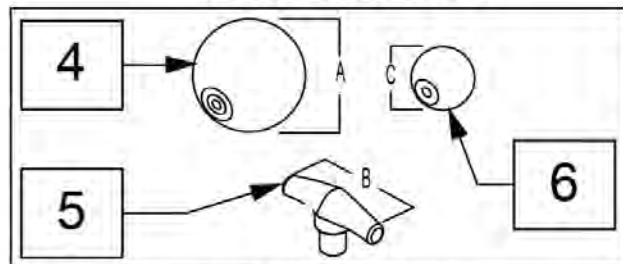
Note: used on P222 beginning with S/N P2X-019421.

Note: used on S646 beginning with S/N S64-042509.



CONTROL CABLE GUIDE	
DIM "D"	PART NUMBER
48"	139137
61.41"	139138
78.7"	139139

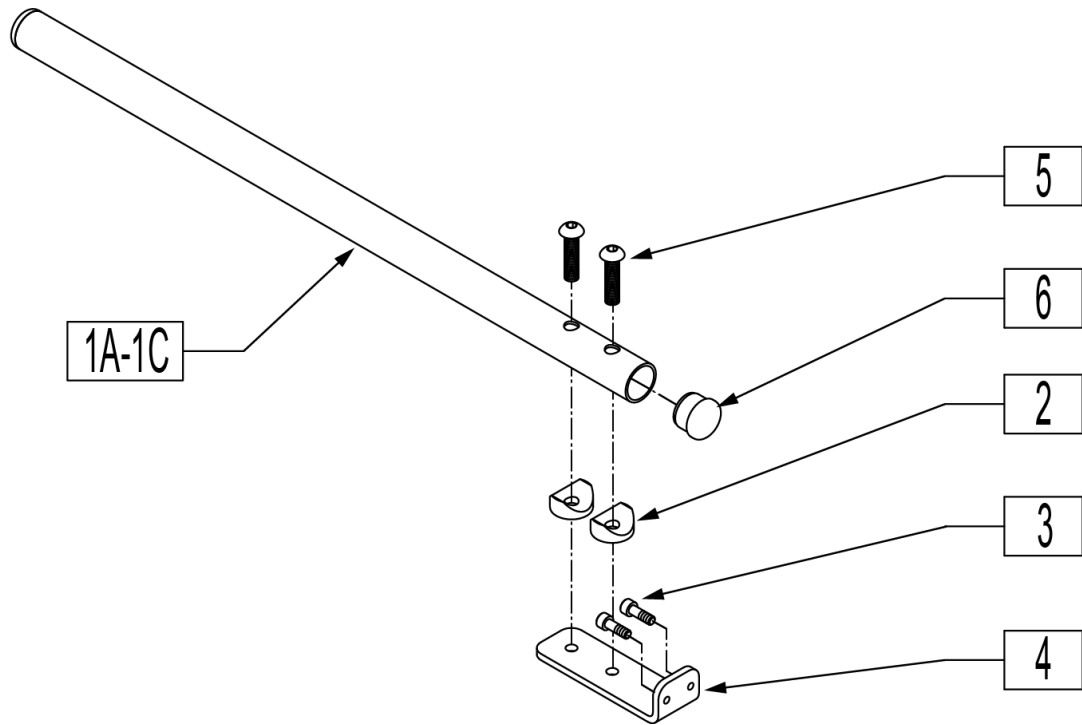
JOYSTICK KNOBS



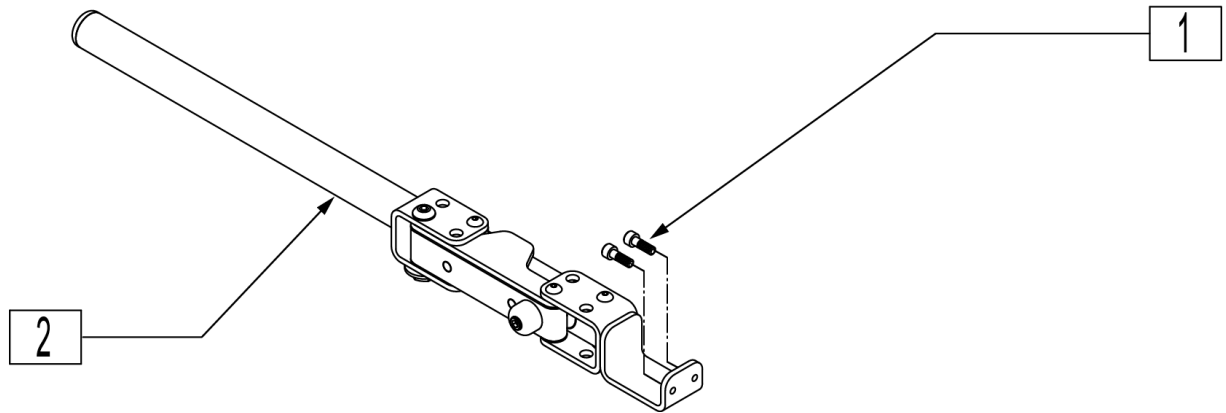
MEASURING GUIDE

"A"	"B"	"C"
2 1/2"	3"	1 1/2"

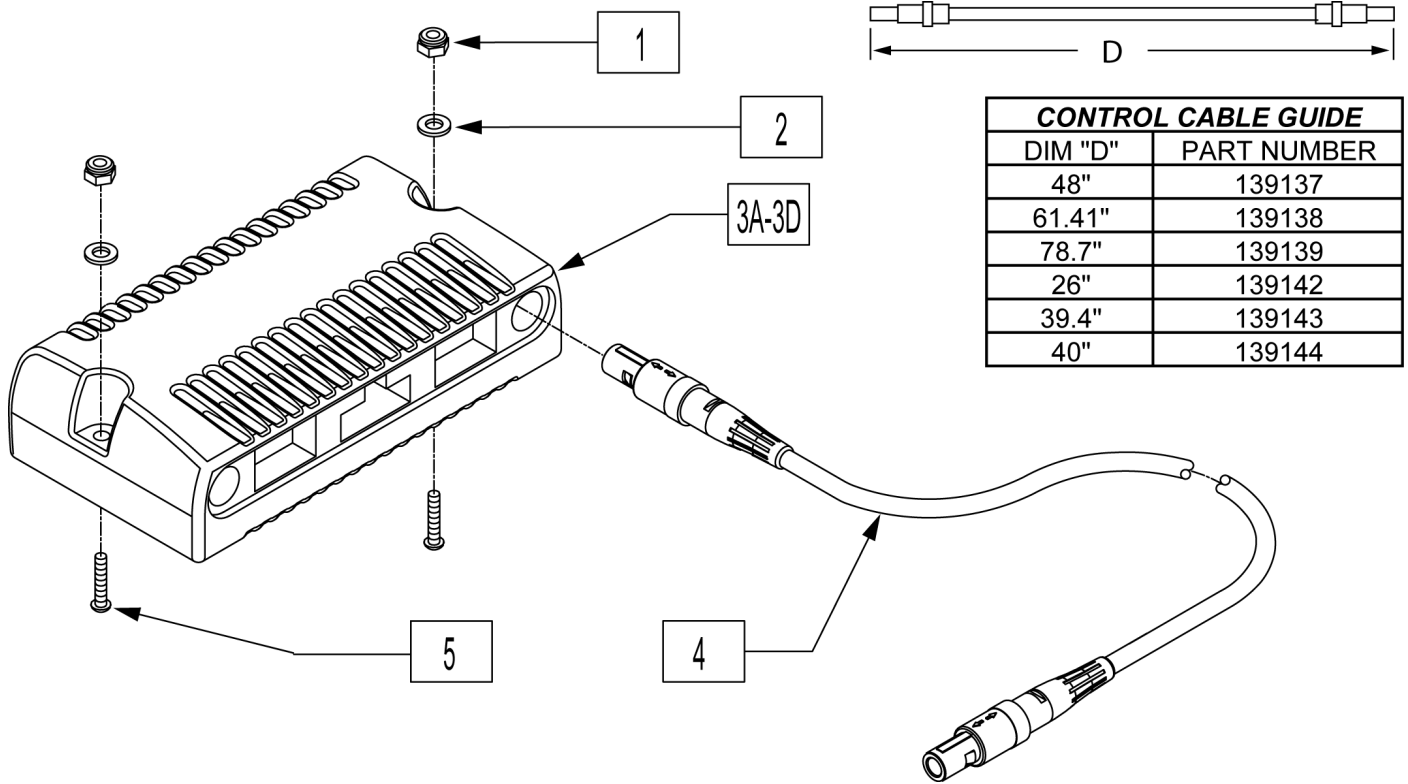
Pos.	Item Number	Description
1A,2	126245	JS P+ POT/TOG NO JACKS W/HDWR
1B,2	126246	JS P+ JACKS NO POT/TOG W/HDWR
2	220120	8-32 x 1/2 SOC C/S P/LK BLK
3	139137	CONTROL CABLE 48"
3	139138	CONTROL CABLE 61 1/2"
3	139139	CONTROL CABLE 78 3/4"
4	138165	J/S KNOB BALL HANDLE (SOFT)
5	138167	J/S KNOB T-BAR
6	138166	J/S KNOB BALL HANDLE (SOLID)



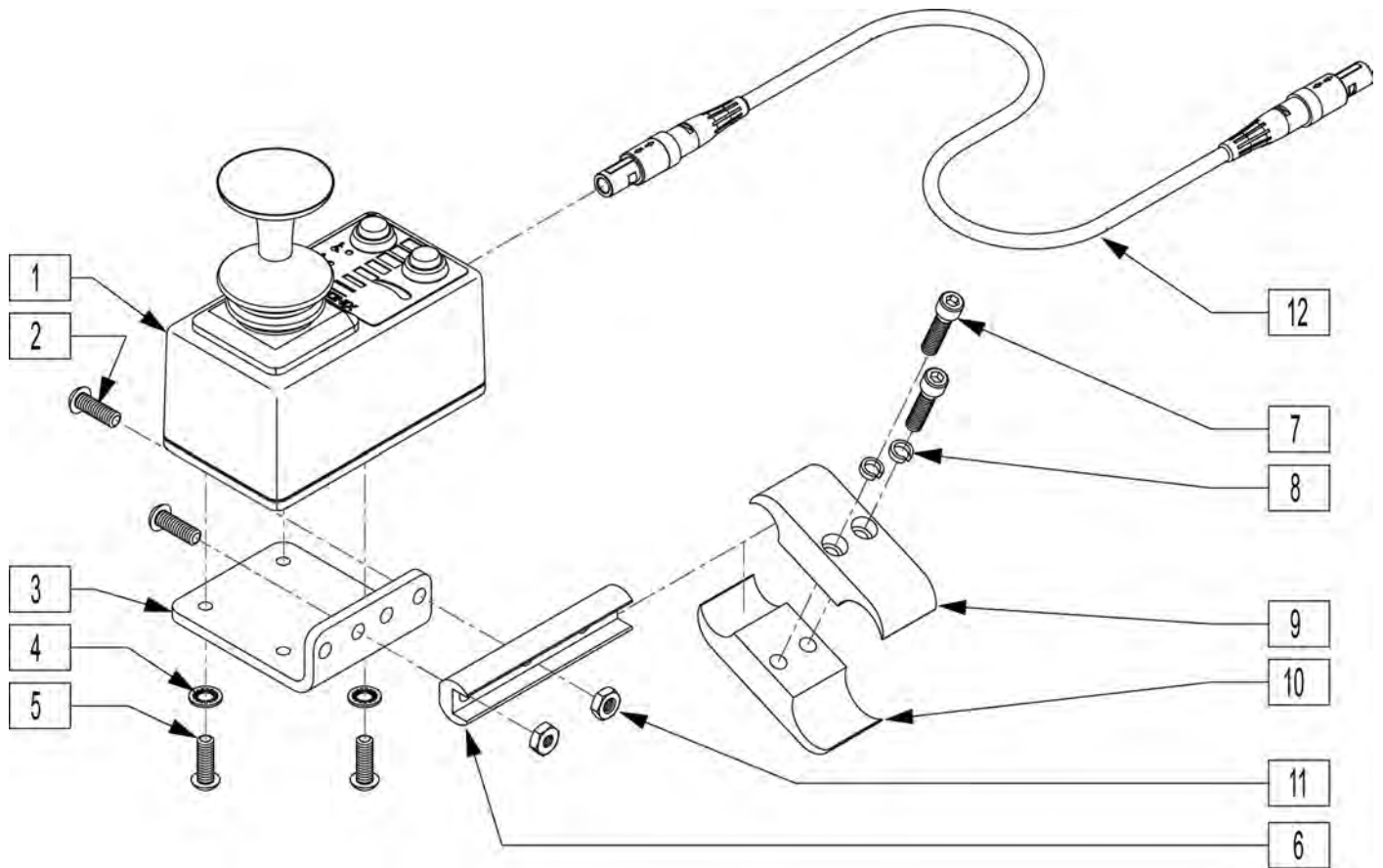
Pos.	Item Number	Description	Remarks
2	561003	3/4" SADDLE THIN	
3	220120	8-32 x 1/2 SOC C/S P/LK BLK	
4	481211	REMOTE MOUNT	
5	107355	BHCS 1/4-28 X 1 ROHS	
6	560761	3/4" INSERT PLUG .049 (18GA)	
1A-6	118842	JOYSTICK MOUNT RND 7.5	7.5" Long
1B-6	118844	JOYSTICK MOUNT RND 11	11" Long
1C-6	119726	JOYSTICK MOUNT RND 15	15" Long



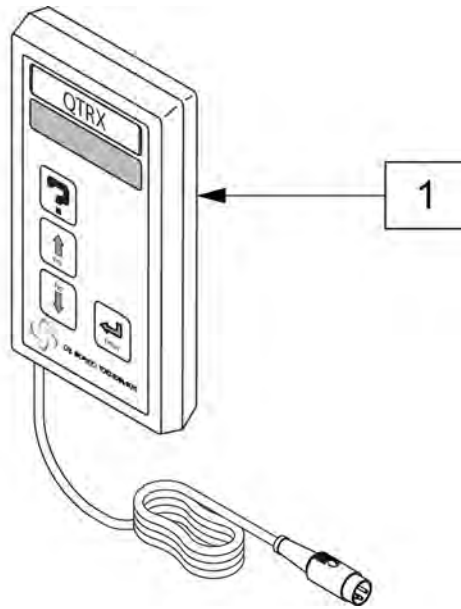
Pos.	Item Number	Description
1	220120	8-32 x 1/2 SOC C/S P/LK BLK
2	882498	S/A ARM PILOT+ R ASSM
2	882499	S/A ARM PILOT+ L ASSM



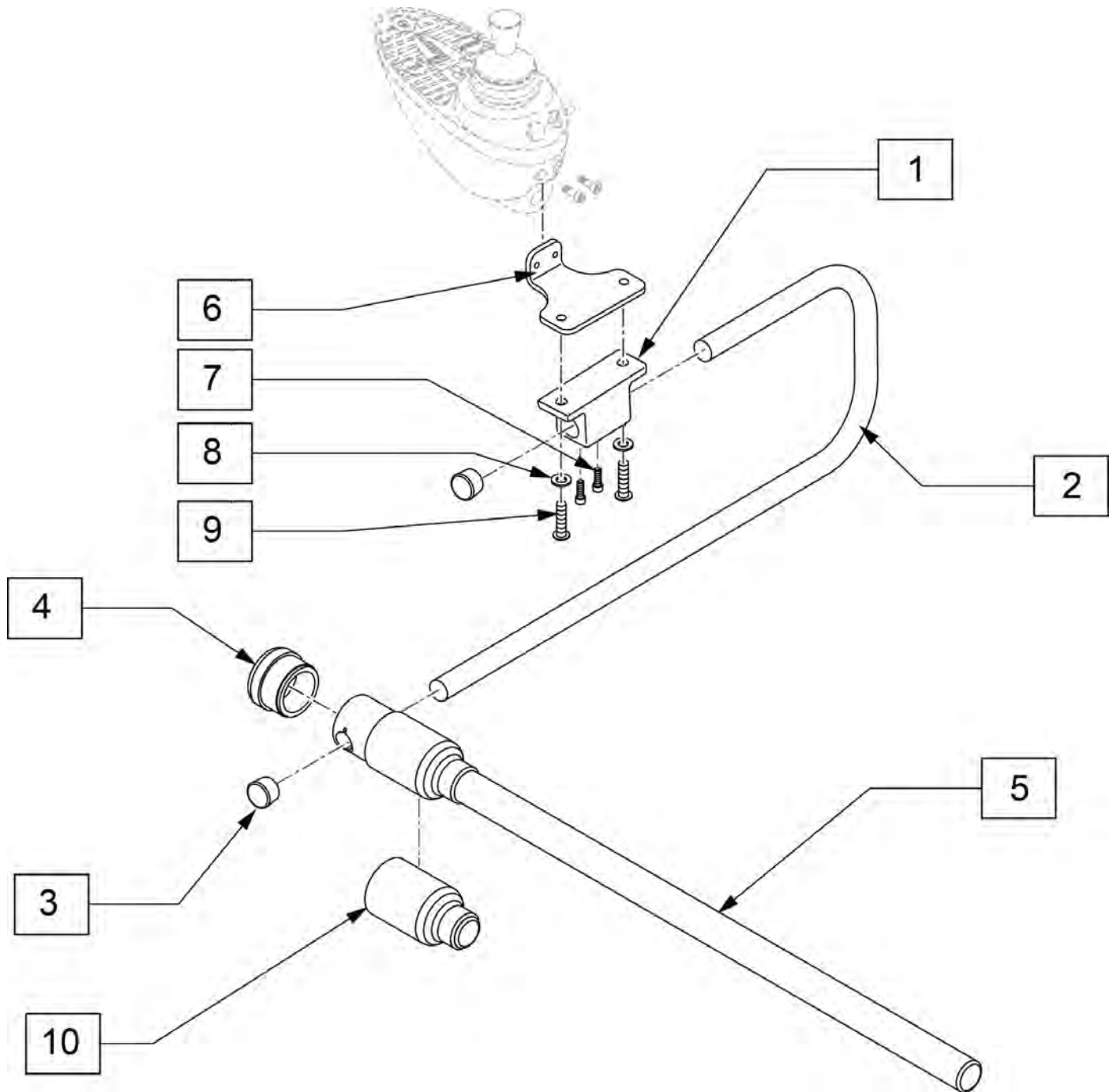
Pos.	Item Number	Description	Remarks
1	200100-QU	10-32 NYLOCK NUT	
2	455031-QU	#10 AN WASHER .032 SS	
3A	910050	REMOTE QTRONIX 50A RR WHL DR	4.5 & 5.5 mph (NON HD) 250 lbs (For chairs Prior to S/N S52-19752)
3B	910051	REMOTE QTRONIX 80A RR WHL DR	4.5 & 5.5 mph (HD Only) 350 lbs (For chairs Prior to S/N S52-19752)
3C	910056	RMT PRG PILOT+ 80A RR WHL DR	6.5 mph (NON HD) 250lbs (For chairs Prior to S/N S52-19752)
3D	910124	PILOT+CNTRLR RWD 50A 250 LB	4.5 & 6.5 mph (For chairs After to S/N S52-19752)
5	226069-QU	1/4-20 x 1/2 BH C/S BLK	
5	226034	10-32 x 1 3/4 BH C/S BLK	
4	139142	CONTROL CABLE FLYING LEAD SHT	(26")
4	139139	CONTROL CABLE SLIM X-LONG	(78.7")



Pos.	Item Number	Description	Remarks
2	226100	1/4-28 x 3/4 BH C/S	
3	505533	ATTENDANT CTRL MOUNT BRACKET	
4	267340	#10 WASHER INT LOCK ZN	
5	230495	M5-12 BUTTON HD C/S BLACK	
6	550374	WHL LCK SLIDE BLOCK 3 1/2" BLK	
7	107032	1/4-28 x 1 SOC C/S BLK	
8	262114	1/4 WASHER HI COLLAR LOCK ZN	
9	550477	CLAMP 2 1/4" RECESS BLK	
10	550576	CLAMP 2 1/4" THREADED BLK	
11	202300	1/4-28 NYLOCK NUT THIN BLK ZN	
1,6	885016	DUAL ATTENDANT CNTRL ASSM	
12	139138	CONTROL CABLE SLIM LONG	61.5" Long-not included in assm.
1-11	920900	ATTNDNT CNTRL MNT ASSM W/INSTR	



Pos.	Item Number	Description
1	QTRX	PROGRAMMING PAD QTRONIX

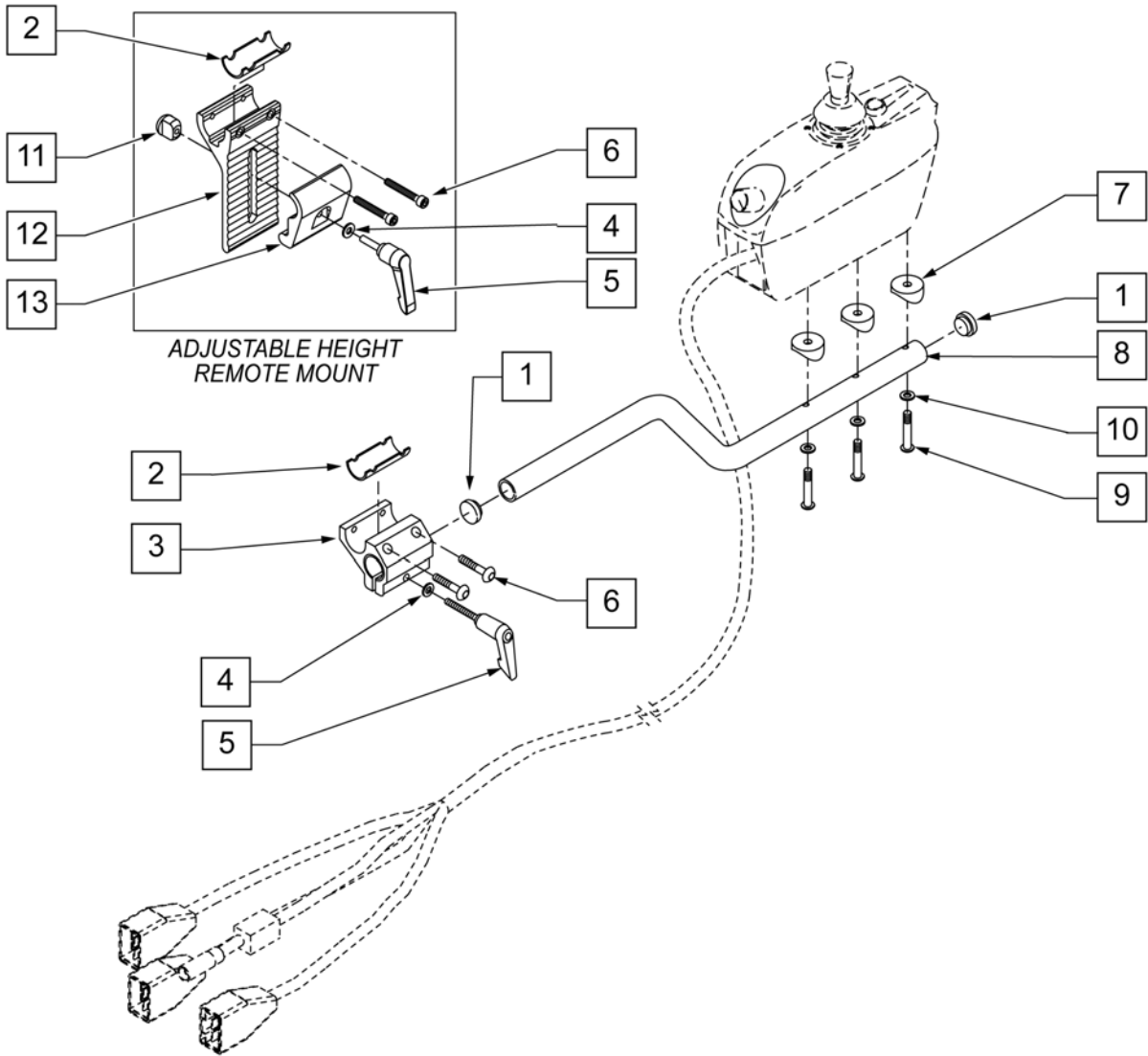


Pos.	Item Number	Description
1	500756	BASE CLAMP JOYSTICK MOUNT
2	521096	ADJ DISPLAY ARM "J" (USCM)
3	560307	ADJ DISPLAY ARM CAP (USCM)
4	560308	RECEIVER PLUG (USCM)
5	521095	SLIDING ARM TUBE (USCM)
6	481489	CENTER MOUNT ADAPTER
7	220120	8-32 x 1/2 SOC C/S P/LK BLK
8	106944	WASHER FLAT THIN AN 1/4 ROHS
9	226106	1/4-20 x 3/4 BH C/S BLK ZN
10	560122	RECEIVER SLEEVE (USCM)
4,5,10	886974	USCM DISPLAY ARM ASSEMBLY

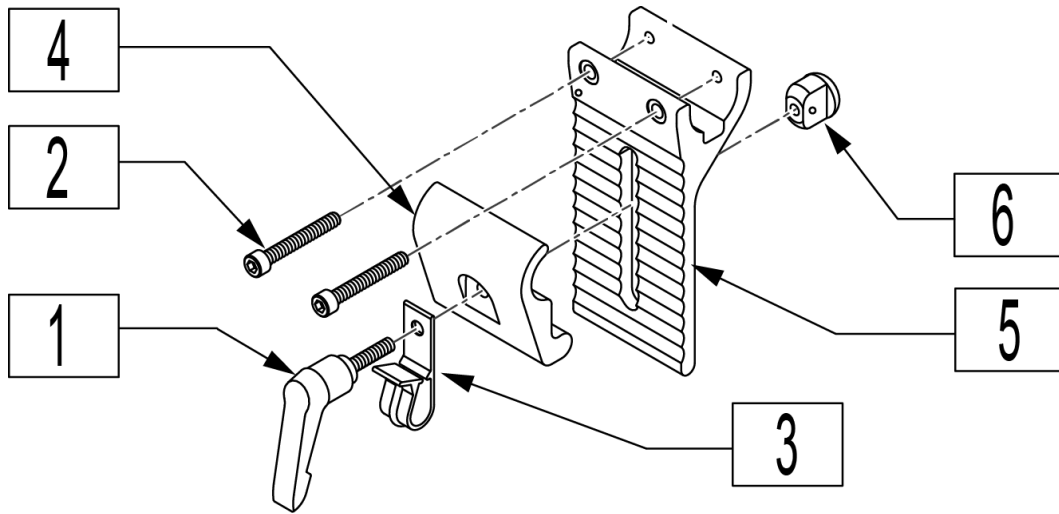
NOTE: EFFECTIVE PRIOR TO: SERIAL NUMBER S52-20012.

NOTE: FOR SWING AWAY ARM ASSEMBLY OR PARTS, SEE *SWING-AWAY RETRACTABLE JOYSTICK HARDWARE (INTEGRAL CONTROLLER)* PAGE.

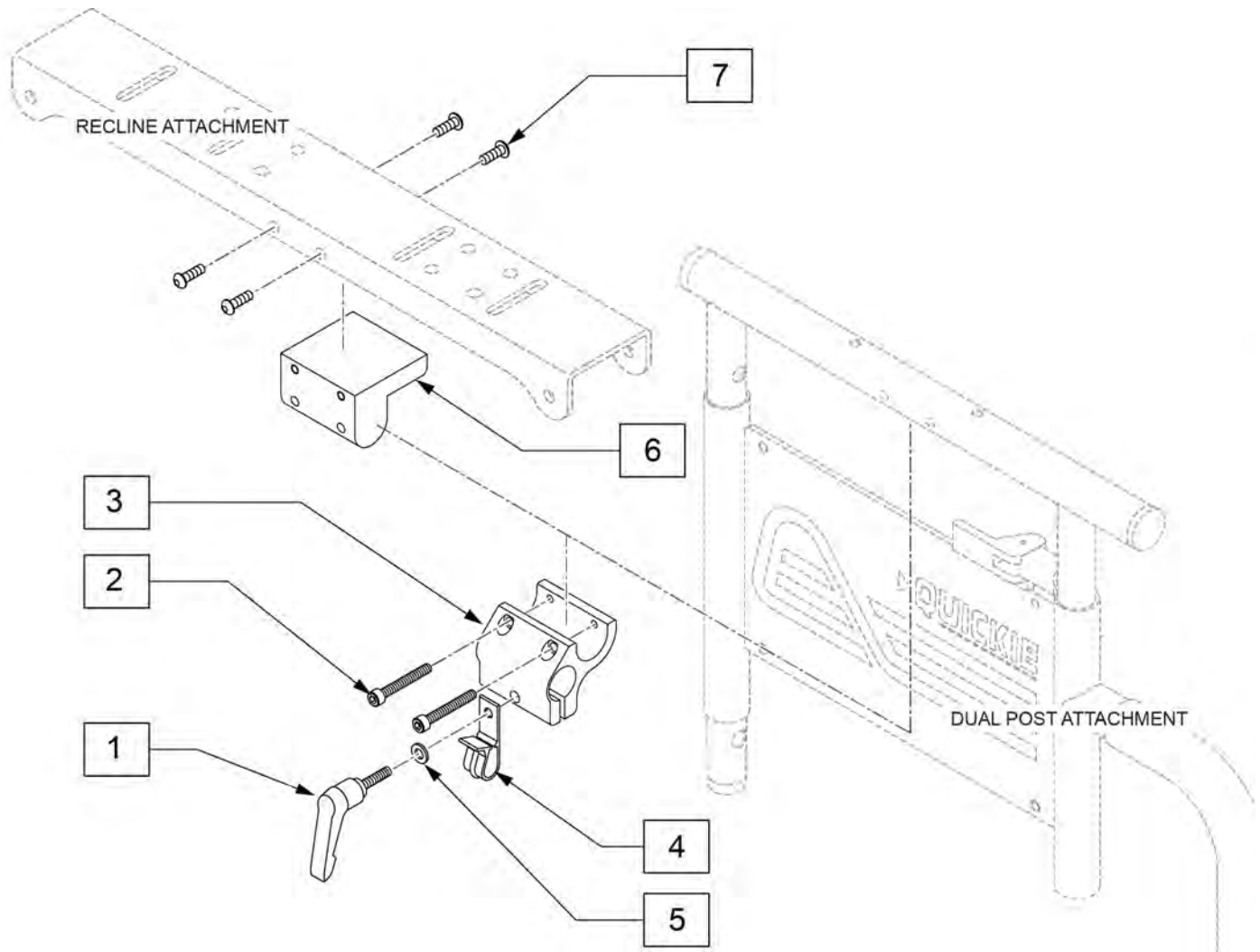
NOTE: TO REPLACE INTEGRAL CONTROLLER, USE *VSI INTEGRAL JOYSTICK CONTROL SYSTEM (QUICKIE S-525)* PAGE.



Pos.	Item Number	Description
1	560762	3/4" INSERT PLUG .065
2	483114	CONTROLLER SHIM P120
3	501750	CONTROL ARM CLAMP
4	261204	#10 AN WASHER .063
5	349024	HANDLE 10 -32 x 3/4 C/A P1/P3/P5
6	226037	10 -32 x 1 3/8 SOC C/S BLK
7	561003	3/4" SADDLE THIN
8	520531	JOYSTICK MOUNT TUBE P120
9	230494	M5 -30 BUTTON HD SOC C/S BLK
10	455066-QU	#10 AN WASHER .063 SS
11	200139	SLIDING NUT
12	505766	ADJUSTABLE CLAMP OUTER
13	505767	ADJUSTABLE REMOTE MOUNT
4-6,11-13	920739	HEIGHT ADJ MOUNT ASSM INTEGRAL
3-6	920713	CONTROL ARM CLAMP ASSM

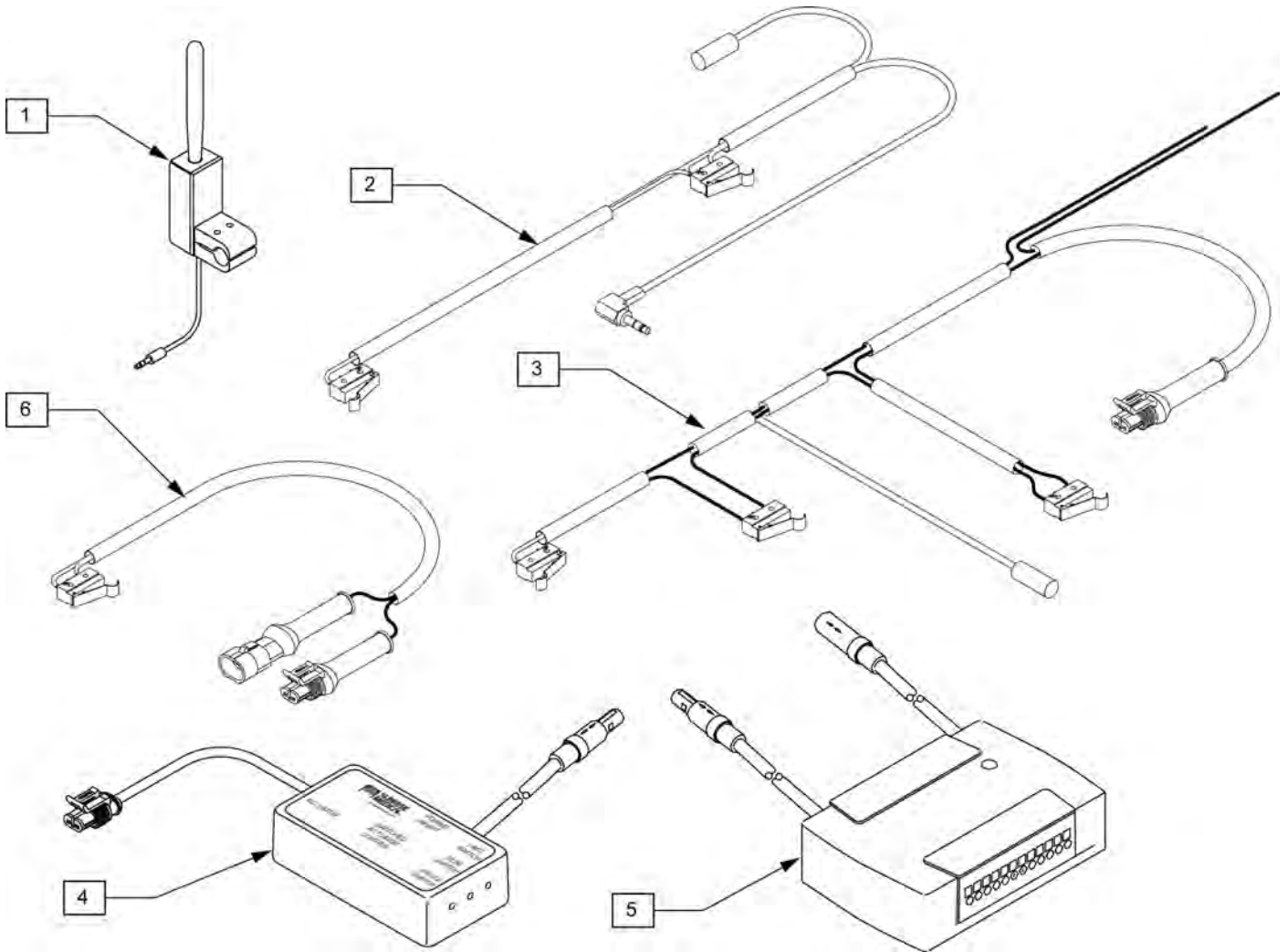


Pos.	Item Number	Description
1	349024	HNDL 10-32 x 3/4 C/A P1/P3/P5
2	226037	10-32 x 1 3/8 SOC C/S BLK
3	560268	QUICK RELEASE CLIP
4	505767	ADJUSTABLE REMOTE MOUNT
5	505766	ADJUSTABLE CLAMP OUTER
6	200139	SLIDING NUT
1-6	920738	HT ADJ MOUNT ASSM STD

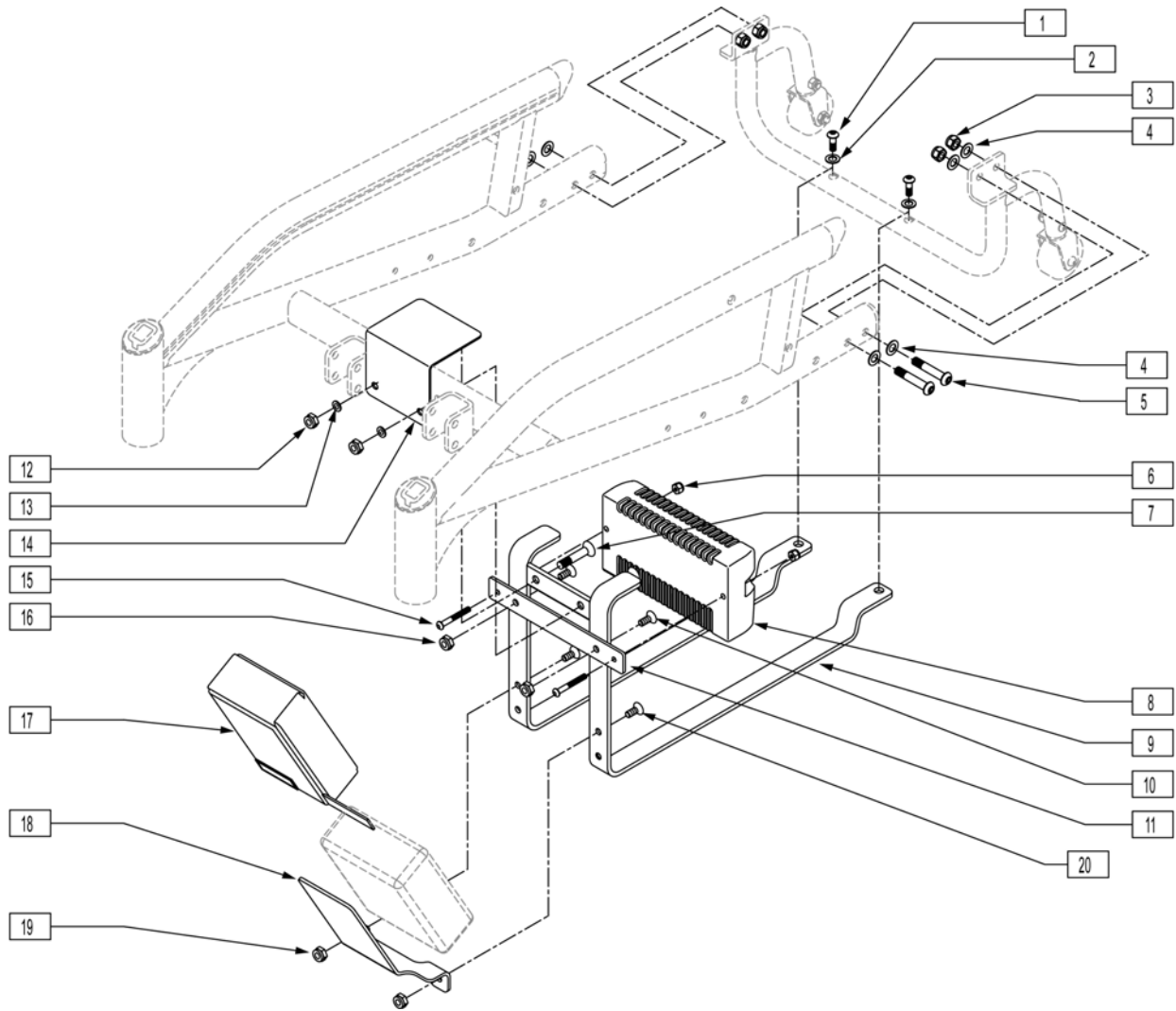


Pos.	Item Number	Description
1	349024	HNDL 10-32 x 3/4 C/A P1/P3/P5
2	226037	10-32 x 1 3/8 SOC C/S BLK
3	501750	CONTROL ARM CLAMP
4	560268	QUICK RELEASE CLIP
5	261204	#10 AN WASHER .063
6	551001	CONTROLLER MOUNT BLOCK
7	222297	10-24 X 3/8 SOC BH C/S W/PTCH
1-5	920713	CONTROL ARM CLAMP ASSM

EFFECTIVE AFTER SERIAL NUMBER S52-20011.

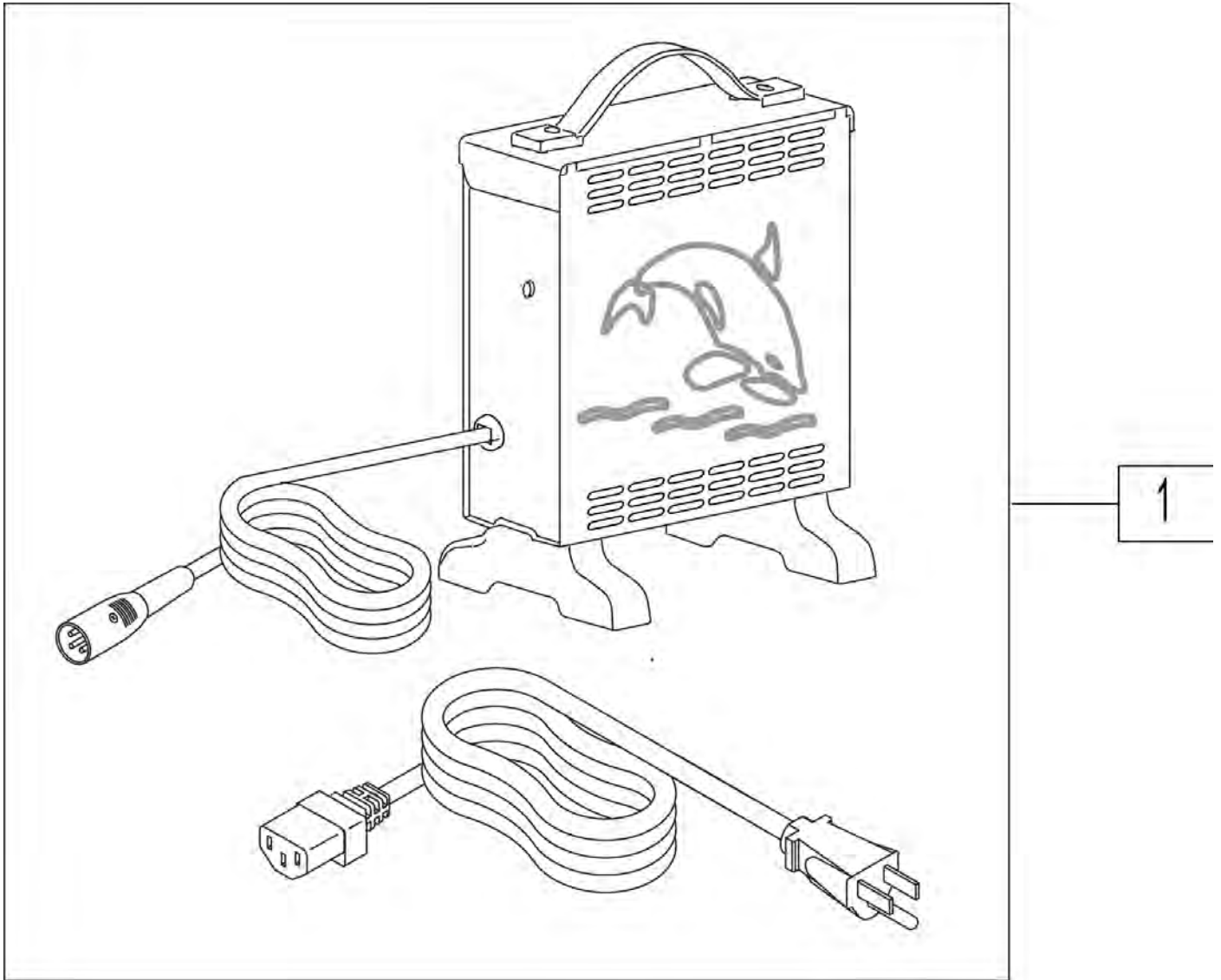


Pos.	Item Number	Description	Remarks
1	881338	TOGGLE SWITCH ASSY TILT R	
1	881318	TOGGLE SWITCH ASSY TILT L	
2	139394	HRNSS RCLN LMT ANG INH M40	
3	139473	HRNSS TLT LMT ANG INH ALM RECT	
4	881379	AUTO STP TLT DR CNTRL TM40 ASM	For use w/ Toggle or Single Switch
5	881342	PILOT + ALM W/VELCRO 6 AMP	For use w/ Thru Drive
5	882690	PILOT+ ALM 6AMP W/VLRO AX INP	For use w/ Thru Drive and Dual Toggle Only
3-5	881340	DRIVE CONTROL ACTIVATION ASSM	
1,2,4	881339	DUAL TOGGLE CONTROL R ASSY	
1,2,4	881319	DUAL TOGGLE CONTROL L ASSY	
1,4	882692	TM40 & TOGGLE KIT R	
1,4	882693	TM40 & TOGGLE KIT L	
6	139395	HRNSS UPRGHT LIMIT M40	

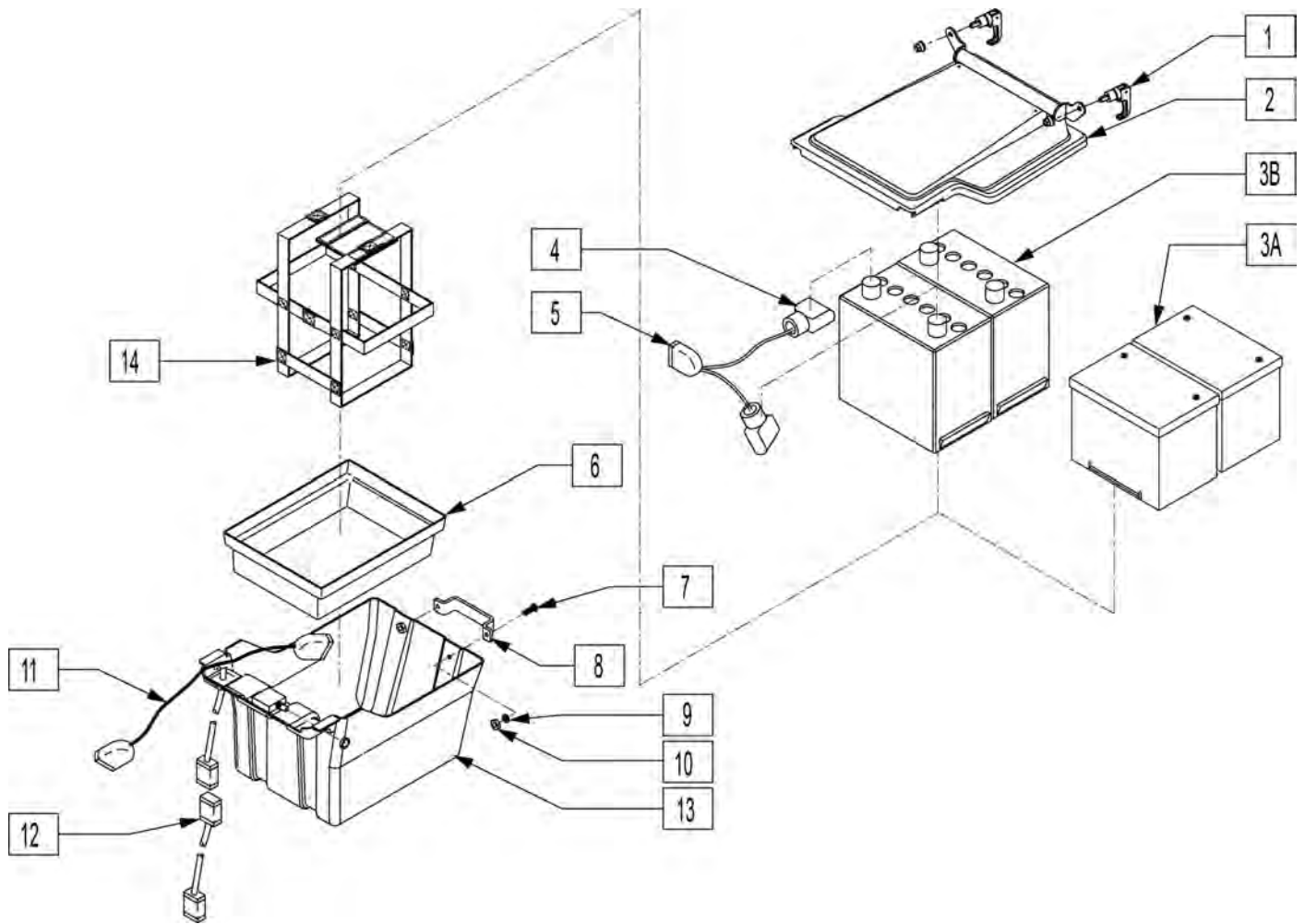


Pos.	Item Number	Description	Remarks
1	221091	1/4-28 x 1/2 BH C/S BLK W/PTCH	
2	106943	WASHER FLAT AN 1/4 ROHS	
3	202117	5/16-18 NYLOCK NUT THICK BLK	
4	106947	WASHER FLAT THIN AN 5/16 ROHS	
5	226218	5/16-18 x 1 3/4" BH C/S BLK	
6	200100-QU	10-32 NYLOCK NUT	
7	226193	5/16-18 x 1 5/8" FH C/S BLK	
8	910050S	REMOTE QTRONIX 50A RR WHL DR	
8	910051S	REMOTE QTRONIX 80A RR WHL DR	
9	540341	BTRY CAGE WLDMNT (NEW) S525	
10	227104	1/4-28 x 5/8 FH C/S BLK ZN	
11	481244	STRAP CONTROLLER MOUNTING	
12	202116	5/16-18 NYLOCK NUT THIN BLK	
13	106947	WASHER FLAT THIN AN 5/16 ROHS	
14	880066	BATT BOX LID BRKT W/VELCRO S525	
15	226034	10-32 x 1 3/4 BH C/S BLK	
16	202300	1/4-28 NYLOCK NUT THIN BLK ZN	
17	750155	WATER PROOF COVER ALM	
18	506295	ALM BRACKET S525	

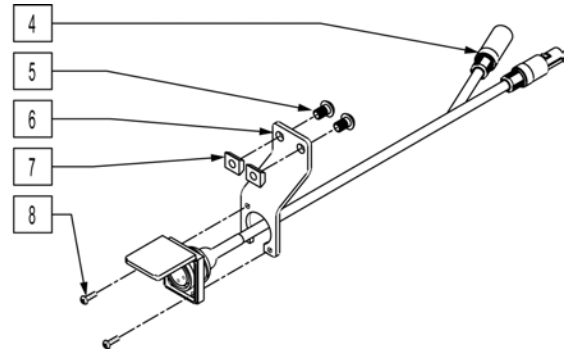
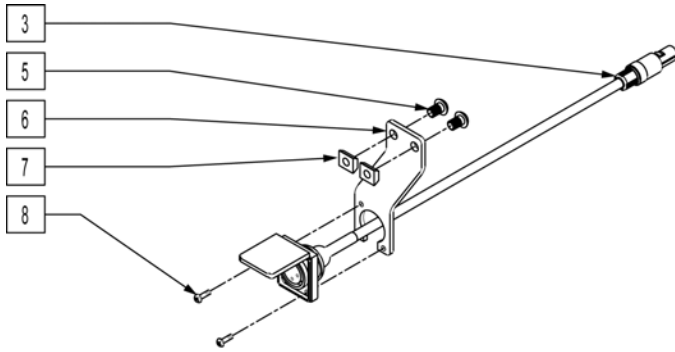
Pos.	Item Number	Description	Remarks
19	202300	1/4-28 NYLOCK NUT THIN BLK ZN	
20	227104	1/4-28 x 5/8 FH C/S BLK ZN	
17-20	882500	ALM COVER ASSM S525	TILT ONLY



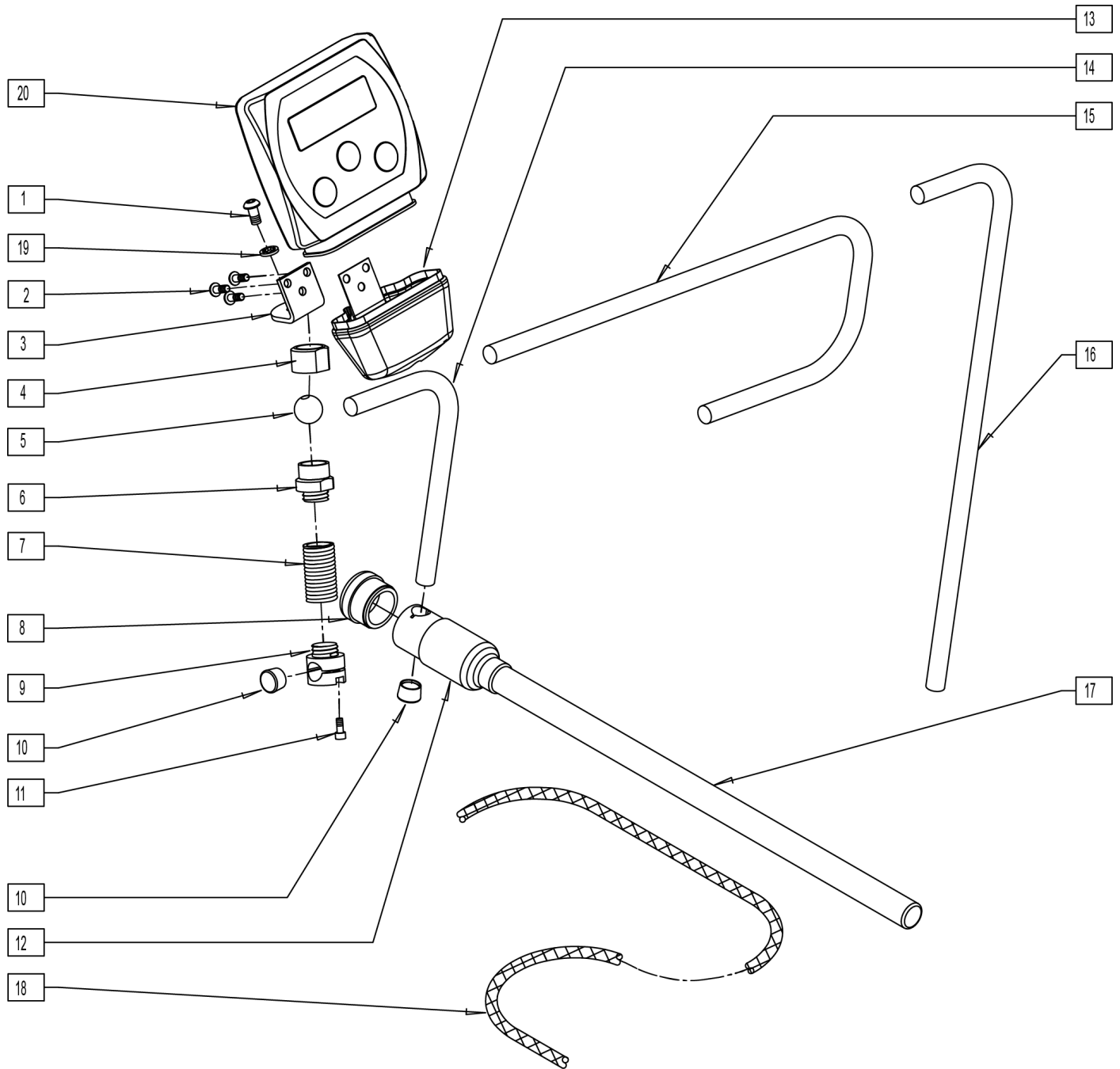
Pos.	Item Number	Description	HCPC
1	131386	CHRGR OFF BRD 8A CTE W/CHKE	E2367



Pos.	Item Number	Description
1	340015	SWELL LATCH S525
3A	121049	GRP22 FEMALE TERM
3B	BATU1	U1 BATTERY IN BOX
5	138070	TERMINAL CAP SET (INTL)
4,5	139033	BATTERY CNNCT HARNESS G424
6	562668	BATTERY BOX U1 INSERT S525
7	226247	1/4-28 x 5/8 BH C/S BLACK G5
8	501013	BATTERY BOX HANDLE S525
9	106943	1/4 AN WASHER FLAT
10	202300	1/4-28 NYLOCK NUT THIN BLK ZN
11	139032	POWER HARNESS W/70 AMP BRCKR S525
12	139027	POWER HARNESS CONNECTOR S525
13	562667	BATTERY BOX BOTTOM S525
14	740140	BATTERY STRAP GRP 22
1,2	882126	BATTERY BOX LID ASSM 16" S525
1,2	882128	BATTERY BOX LID ASSM 18" S525
1,2	882130	BATTERY BOX LID ASSM 20" S525
1,4,5, 7-14	920616	BATTERY BOX ASSM 16" S525
1,4,5, 7-14	920618	BATTERY BOX ASSM 18" S525
1,4,5, 7-14	920620	BATTERY BOX ASSM 20" S525
7-13	882136	BATTERY BOX BOTTOM ASSM S525

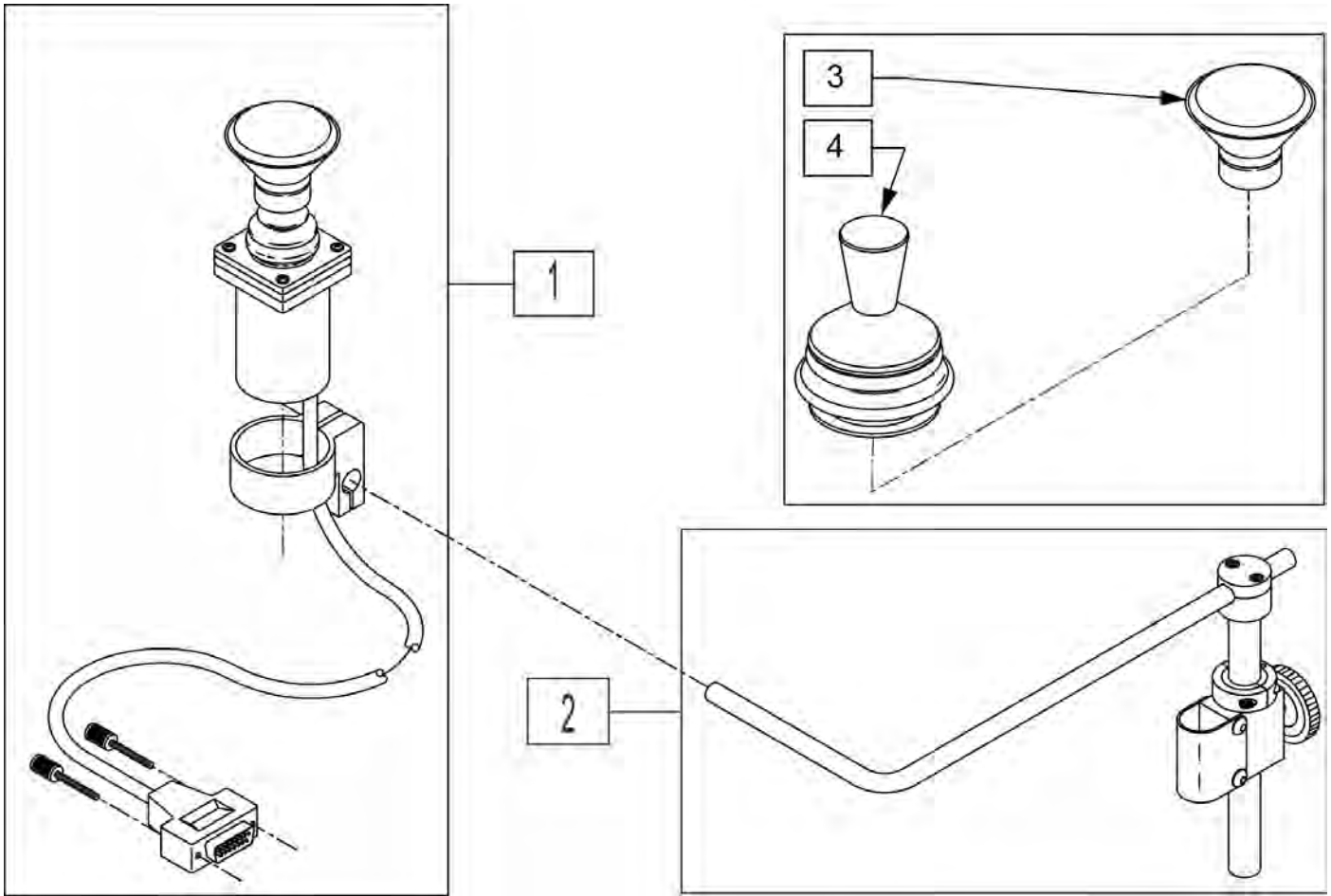


Pos.	Item Number	Description
3	139329	CHARGER CABLE ASSY
4	139339	CHARGER CABLE TILT ASSY
5	221090	1/4-28 x 3/8 BH C/S BLK
6	550702	CHARGER MOUNTING PLATE S525
7	481106-QU	1/4-28 CHANNEL NUT
8	281036	4-40 x 3/8 PAN PHIL M/S BLK
3,5-8	882211	ALT BATT CHARGER S525
4-8	883311	ALT BATTERY CHRGER S525 TILT

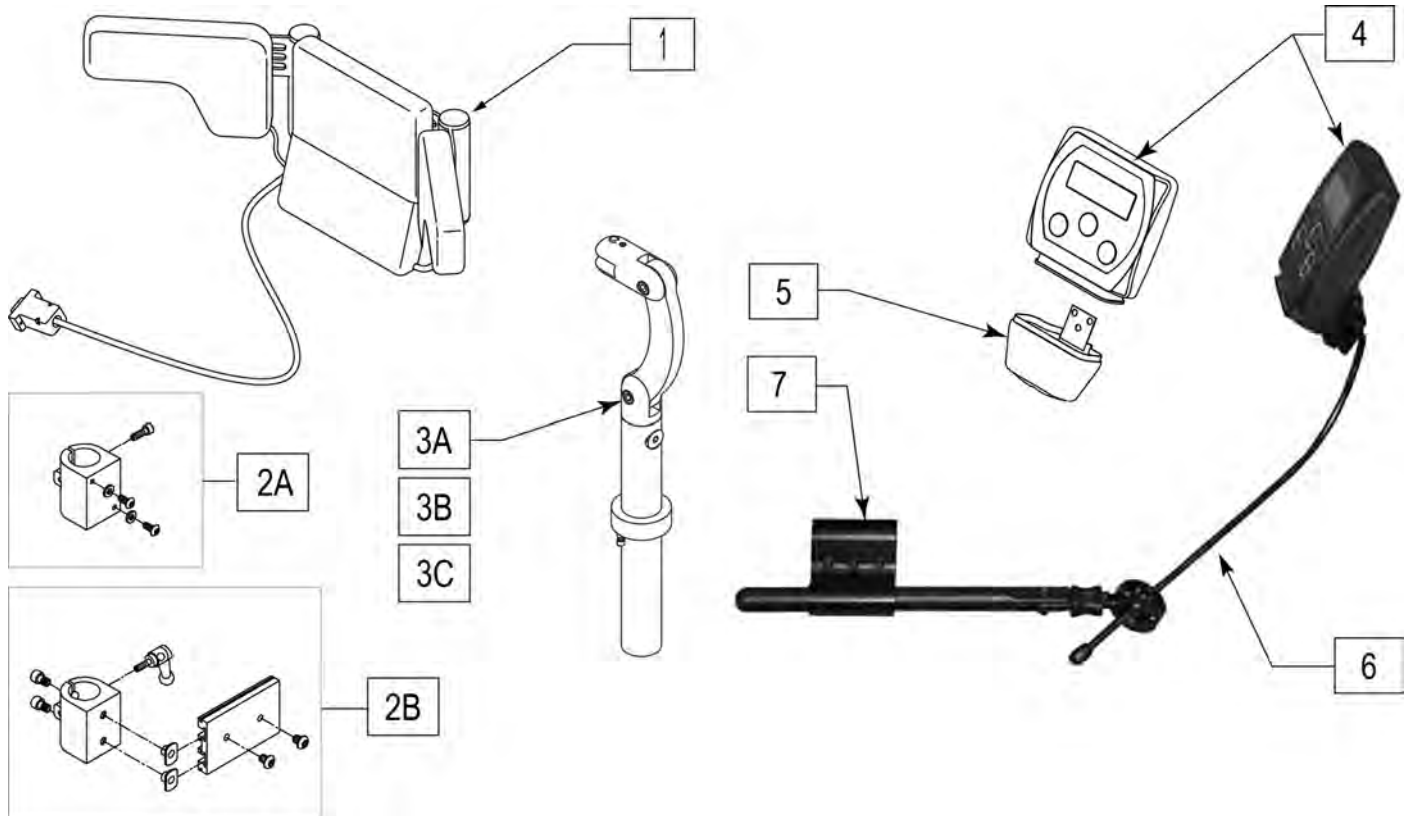


Pos.	Item Number	Description
1	221091	1/4-28 x 1/2 BH C/S BLK W/PATCH
2	226043	10-32 x 1/2 BH C/S BLK
4	481741	KNURLED NUT (USCM) MOUNT
5	481740	PIVOT BALL (USCM) MOUNT
8	560308	RECEIVER PLUG (USCM)
10	560307	ADJ DISPLAY ARM CAP (USCM)
11	227000	8-32 x 3/8 SOC C/S BLK
12	560122	RECEIVER SLEEVE (USCM)
13	560118	USCM BOOT
14	521098	ADJ DISPLAY ARM "L" SHORT (USCM)

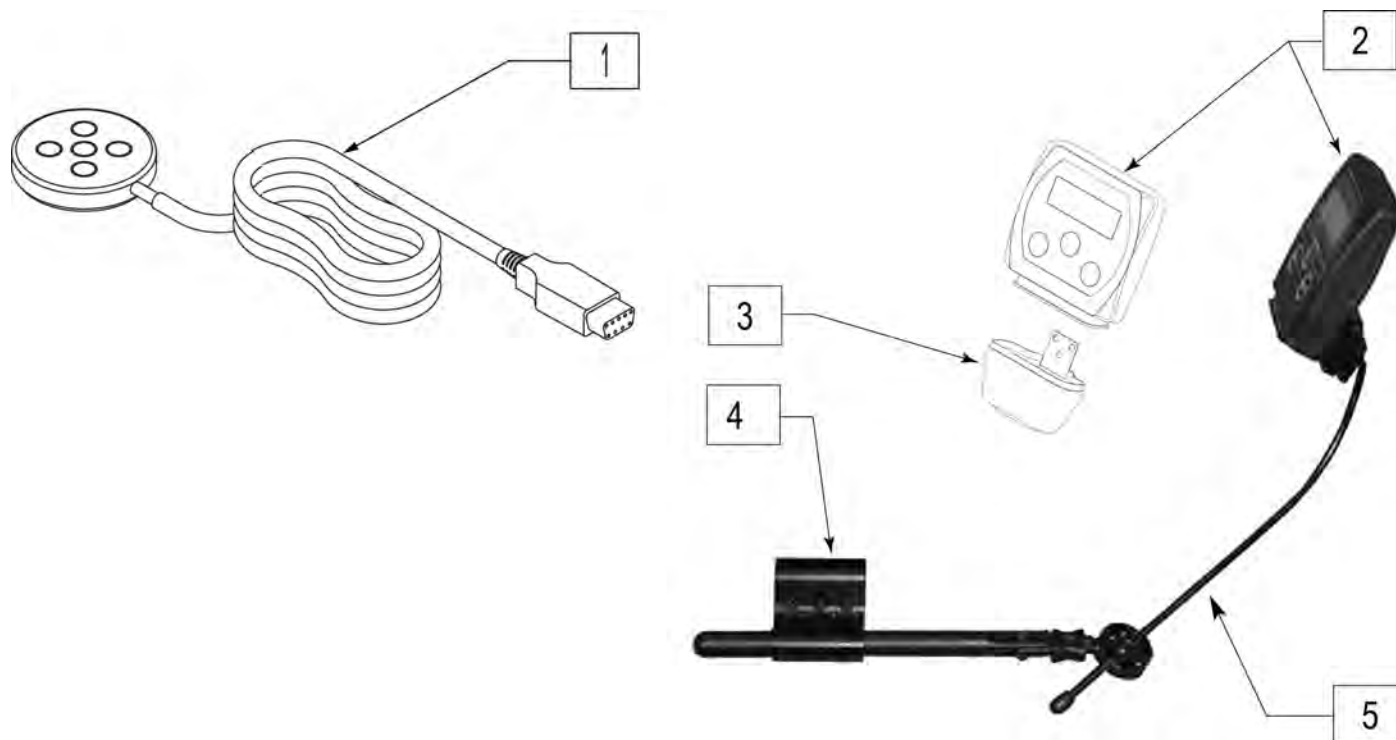
Pos.	Item Number	Description
15	521096	ADJ DISPLAY ARM "J" (USCM)
16	521097	ADJ DISPLAY ARM "L" (USCM)
17	521095	SLIDING ARM TUBE (USCM)
18	180351	BRAIDED SLEEVING 24"
19	267350	1/4 WASHER INT LOCK ZN
20	910113	USCM W/USER INSTR
1-18	886970	USCM MOUNT ASSEMBLY
1-14,17,18	886971	USCM L/R MOUNT ASSEMBLY
1-13,15,17,18	886972	USCM CENTER TRAY MOUNT ASSEMBLY
1-13,16-18	886973	USCM CENTER MOUNT ASSEMBLY
8,12,17	886974	USCM DISPLAY ARM ASSEMBLY
1,3-11	886976	USCM SPRING MOUNT ASSEMBLY
8,10,12,15-17	886980	JOYSTICK CENTER MOUNT ASSM



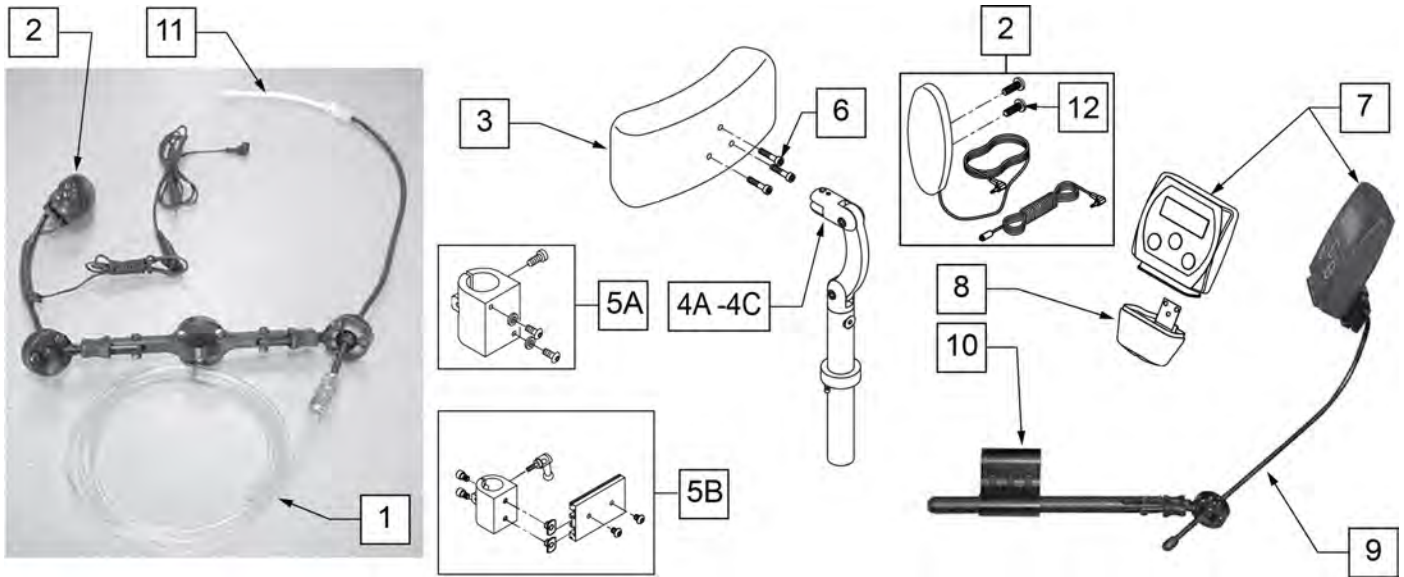
Pos.	Item Number	Description
1	139705	PROP CHIN CONTRO W/MINI JS
2	D3150-3	AMH S/A MNTG KIT B/R 1" 3185
4	138154	KNOB&PROTECTOR D10AB JOYSTICK
3	D4000	CHINCUP QTRONIX



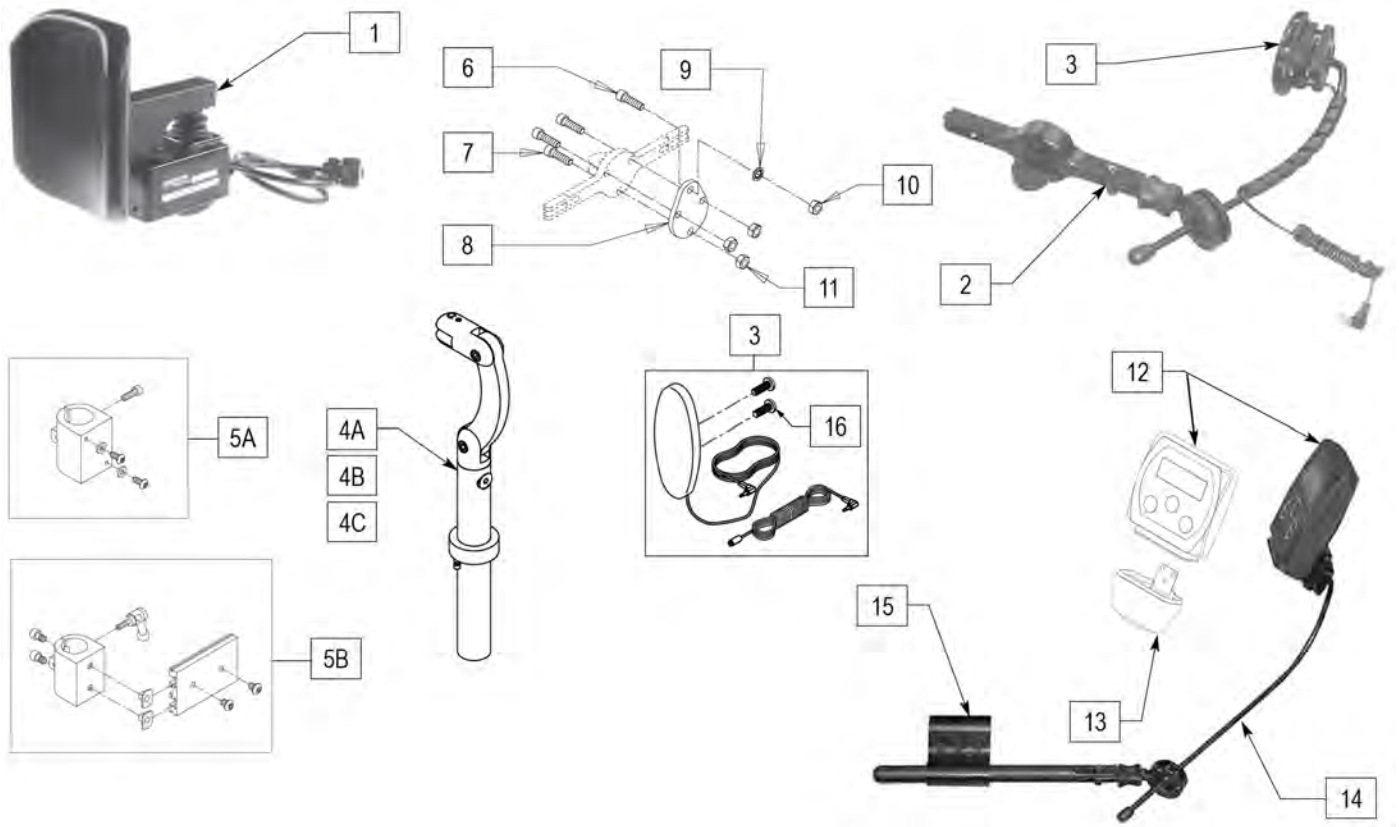
Pos.	Item Number	Description
1A	139897	HEAD ARRAY ADULT W INTERFACE
1B	139898	HEAD ARRAY PED W INTERFACE
2A	888100	CLAMP HEADREST SMART SEAT
2B	888101	CLAMP HEADREST RIGID BACK
3A	888113	MOUNT HEADREST WO FLANGE 7 IN
3B	888114	MOUNT HEADREST WO FLANGE 9 IN
3C	888115	MOUNT HEADREST WO FLANGE 15 IN
4	910113	USCM W/USER INSTR
5	560118	USCM BOOT
6	521618	ARMREST MOUNT FOR USCM
7	920713	CONTROL ARM CLAMP ASSM
1A,2A,3A-7	888324	SWTCH IT HD ARRY PCK PD SMRT 7
1A,2A,3B-7	888325	SWTCH IT HD ARRY PCK PD SMRT 9
1A,2B,3C-7	888323	SWITCH IT HD ARRY PCK PED STD
1B,2A,3A-7	888327	SWTCH IT HD ARRY PCK ADL SMT 7
1B,2A,3B-7	888328	SWTCH IT HD ARRY PCK ADL SMT 9
1B,2B,3C-7	888326	SWTCH IT HD ARRY PCK ADL STD



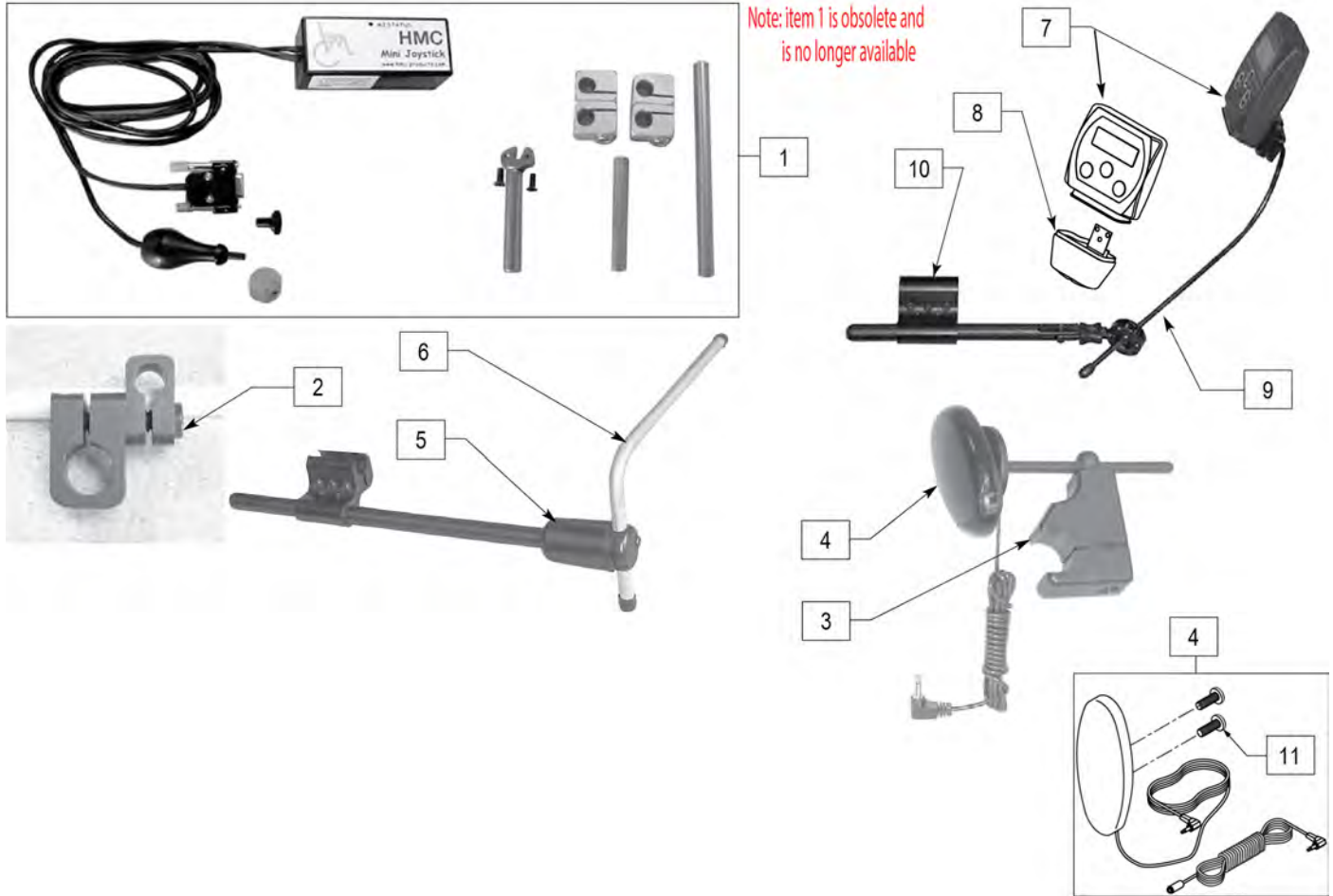
Pos.	Item Number	Description
1	discontinued	SWITCH PENTA
2	910113	USCM W/USER INSTR
3	560118	USCM BOOT
4	521618	ARMREST MOUNT FOR USCM
5	920713	CONTROL ARM CLAMP ASSM
1-5	discontinued	PENTA SWITCH PACKAGE



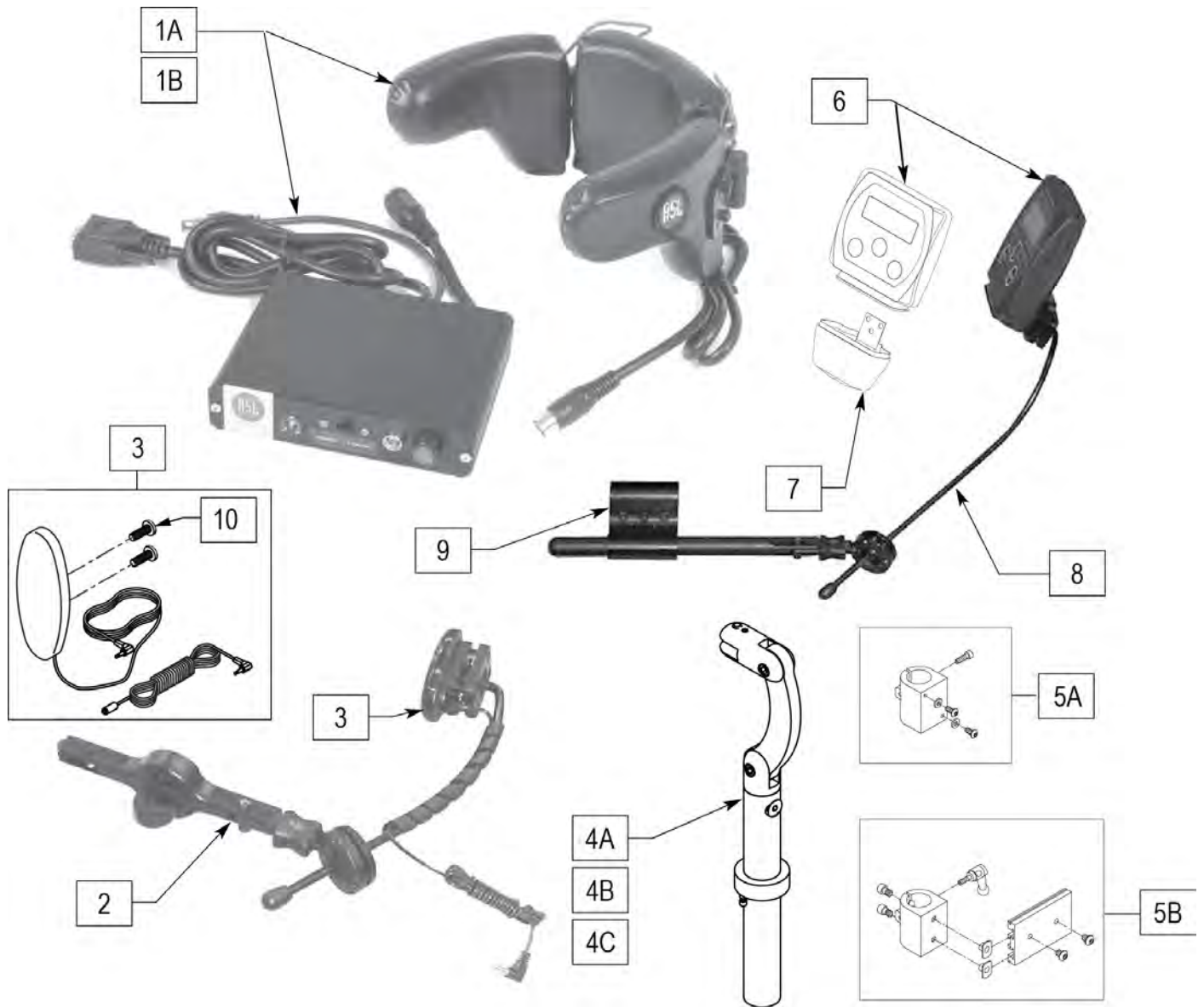
Pos.	Item Number	Description	Remarks
1,2,11	882873	HEADREST SIPNPUFF W SW AWAY SW	
2	139915	RESET SWITCH EGG SHAPED	
3	750697	HEADREST W/ZIPPER LARGE CG	
4A	888113	MOUNT HEADREST WO FLANGE 7"	
4B	888114	MOUNT HEADREST WO FLANGE 9"	
4C	888115	MOUNT HEADREST WO FLANGE 15"	
5A	888100	CLAMP HEADREST SMART SEAT	
5B	888101	CLAMP HEADREST RIGID BACK	
6	226116	10-32 X 1" SOC C/S BLK	
7	910113	USCM W/USER INSTR	
8	560118	USCM BOOT	
9	521618	ARMREST MOUNT FOR USCM	
10	920713	CONTROL ARM CLAMP ASSM	
11	101434	SIP N PUFF STRAW	
12	281082	8-32 X 3/8 PAN PHIL M/S BLK	Included in 139915
1-3,4A,5A-11	888304	SIP N PUFF PCKG ADLT SMRT 7"	
1-3,4B,5A-11	888305	SIP N PUFF PCK ADLT SMRT 9"	
1-4C,5B-11	888303	SIP N PUFF PACKAGE ADLT STD (15")	



Pos.	Item Number	Description	Remarks
1	888140	PROP HD CTRL QTRNX NO RESET SW	
2,3	882868	HDREST MOUNT W LONG SW AWAY SW	
3	139915	RESET SWITCH EGG SHAPED	
4A	888113	MOUNT HEADREST WO FLANGE 7"	
4B	888114	MOUNT HEADREST WO FLANGE 9"	
4C	888115	MOUNT HEADREST WO FLANGE 15"	
5A	888100	CLAMP HEADREST SMART SEAT	
5B	888101	CLAMP HEADREST RIGID BACK	
6	107032	1/4-28 X 1 SOC C/S BLK	
7	226116	10-32 X 1" SOC C/S BLK	
8	506212	HEADREST ADAPTER PLATE	
9	267350	1/4 WASHER INT LOCK ZN	
10	204110	1/4-28 NYLOCK NUT BLK ZN	
11	200100-QU	10-32 NYLOCK NUT	
12	910113	USCM W/USER INSTR	
13	560118	USCM BOOT	
14	521618	ARMREST MOUNT FOR USCM	
15	920713	CONTROL ARM CLAMP ASSM	
16	281082	8-32 X 3/8 PAN PHIL M/S BLK	Included in 139915
1-4A,5A-15	888313	PROPORTIONAL HEAD CNTR SMRT 7"	
1-4B,5A-15	888314	PROPORTIONAL HEAD CNTR SMRT 9"	
1-4C,5B-15	888312	PROPORTIONAL HEAD CNTRL STD (15")	

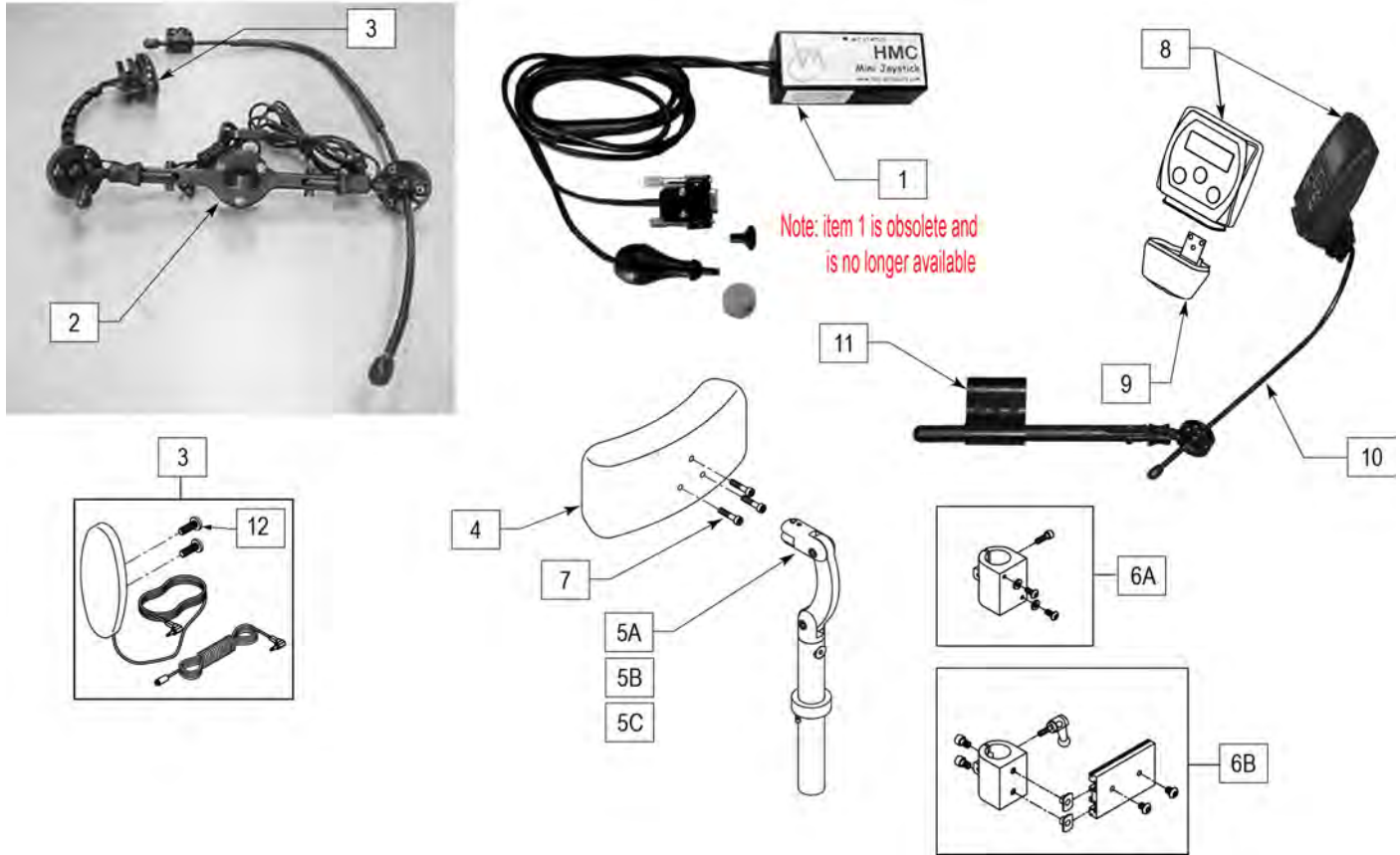


Pos.	Item Number	Description	Remarks
1	OBSOLETE	JOYSTICK MINI W INTERFACE	NO LONGER AVAILABLE
2	521617	MOUNT MINI JOYSTK TO 1/2" TUBE	
3	920904	MOUNT RESET SW FOR 7/8 TUBE	
3,4	521619	RESET SWITCH W BRACKET UNIV	
4	139915	RESET SWITCH EGG SHAPED	
5	886974	USCM DISPLAY ARM ASSY	
6	521097	ADJ DISPLAY ARM "L" (USCM)	
7	910113	USCM W/USER INSTR	
8	560118	USCM BOOT	
9	521618	ARMREST MOUNT FOR USCM	
10	920713	CONTROL ARM CLAMP ASSM	
11	281082	8-32 X 3/8 PAN PHIL M/S BLK	

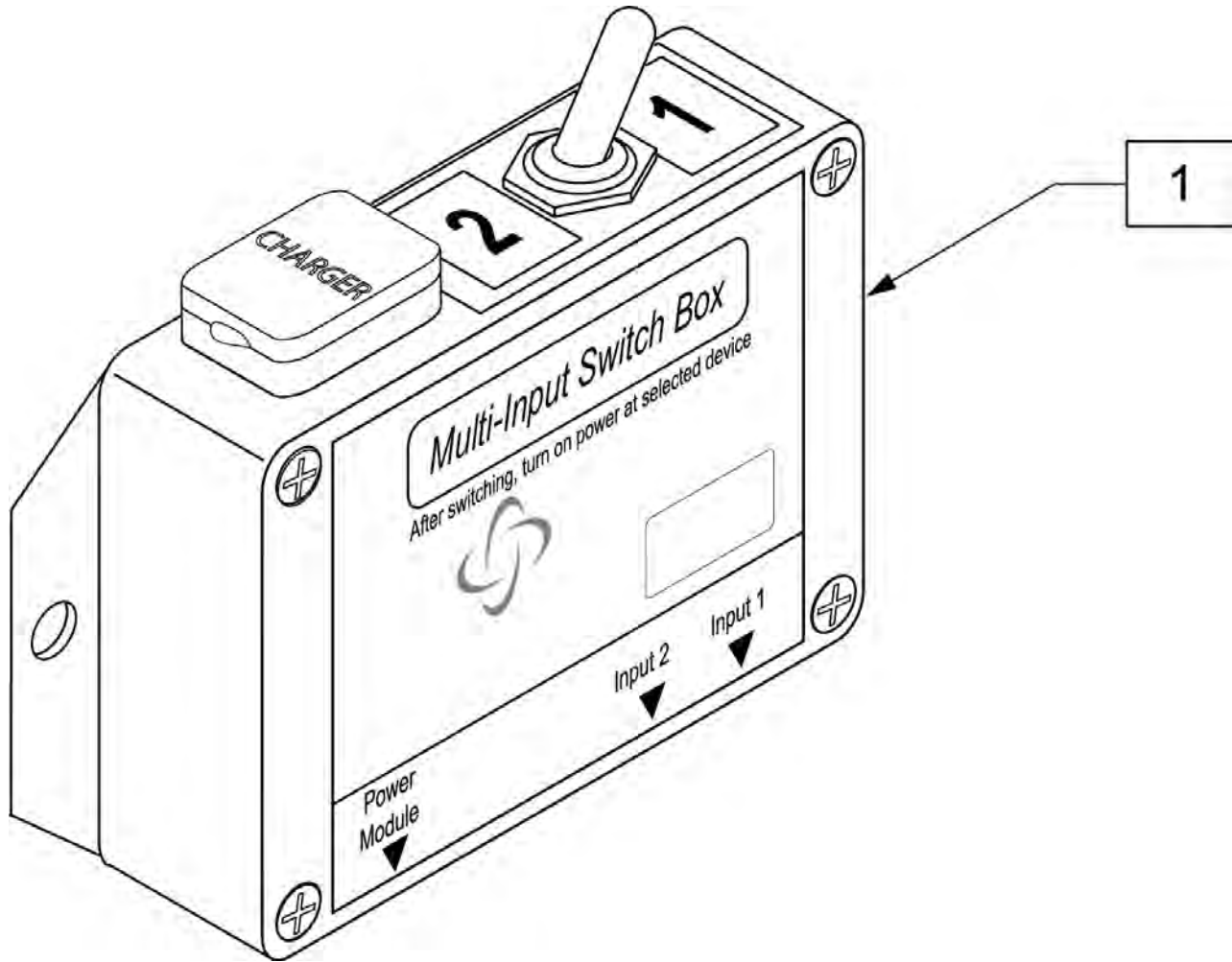


Pos.	Item Number	Description	Remarks
1A	139940	HEAD ARRAY ADULT W INTERFACE	
1B	139941	HEAD ARRAY PED W INTERFACE	
3	139915	RESET SWITCH EGG SHAPED	
2,3	882870	HEADREST MT W SWNG AWAY SWITCH	
4A	888113	MOUNT HEADREST WO FLANGE 7 IN	
4B	888114	MOUNT HEADREST WO FLANGE 9 IN	
4C	888115	MOUNT HEADREST WO FLANGE 15 IN	
5A	888100	CLAMP HEADREST SMART SEAT	
5B	888101	CLAMP HEADREST RIGID BACK	
6	910113	USCM W/USER INSTR	
7	560118	USCM BOOT	
8	521618	ARMREST MOUNT FOR USCM	
9	920713	CONTROL ARM CLAMP ASSM	
10	281082	8-32 X 3/8 PAN PHIL M/S BLK	Included in 139915
1A-3,4A,5A-9	888319	ASL HEAD ARRY PCKG ADL SMRT 7"	

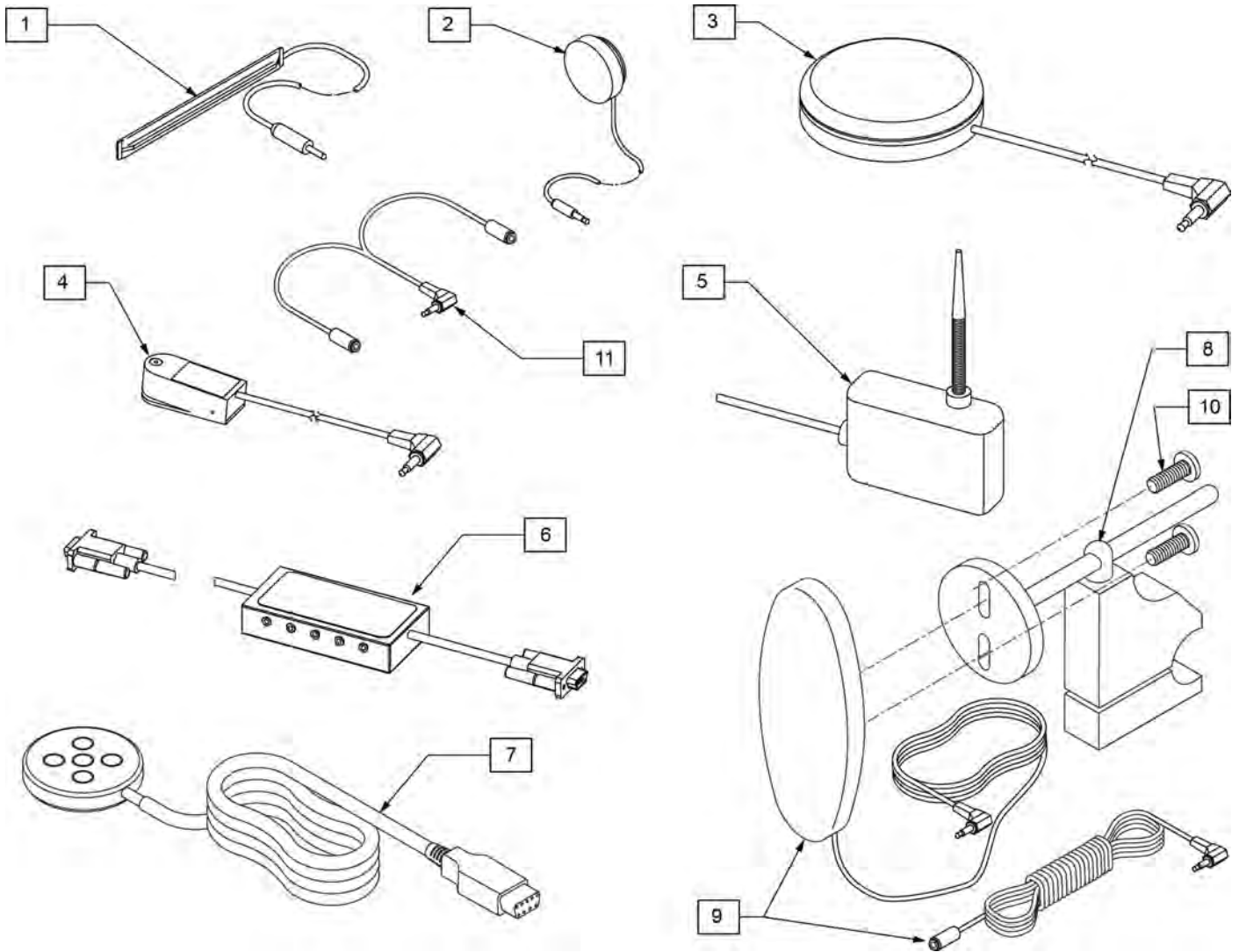
Pos.	Item Number	Description	Remarks
1B-3,4A,5A-9	888316	ASL HEAD ARRY PCKG PED SMRT 7"	
1A-3,4B,5A-9	888320	ASL HEAD ARRY PCKG ADL SMRT 9"	
1B-3,4B,5A-9	888317	ASL HEAD ARRY PCKG PED SMRT 9"	
1A-3,4C,5B-9	888318	ASL HEAD ARRY PCKG ADL STD (15")	
1B-3,4C,5B-9	888315	ASL HEAD ARRY PCKG PED STD (15")	



Pos.	Item Number	Description	Remarks
1	OBSOLETE	JOYSTICK MINI W INTERFACE	NO LONGER AVAILABLE
2	882872	HEADREST JOYSTK MOUNT W SA SW	
3	139915	RESET SWITCH EGG SHAPED	
4	750697	HEADREST W/ZIPPER LARGE CG	
5A	888113	MOUNT HEADREST WO FLANGE 7"	
5B	888114	MOUNT HEADREST WO FLANGE 9"	
5C	888115	MOUNT HEADREST WO FLANGE 15"	
6A	888100	CLAMP HEADREST SMART SEAT	
6B	888101	CLAMP HEADREST RIGID BACK	
7	226116	10-32 X 1" SOC C/S BLK	
8	910113	USCM W/USER INSTR	
9	560118	USCM BOOT	
10	521618	ARMREST MOUNT FOR USCM	
11	920713	CONTROL ARM CLAMP ASSM	
12	281082	8-32 X 3/8 PAN PHIL M/S BLK	

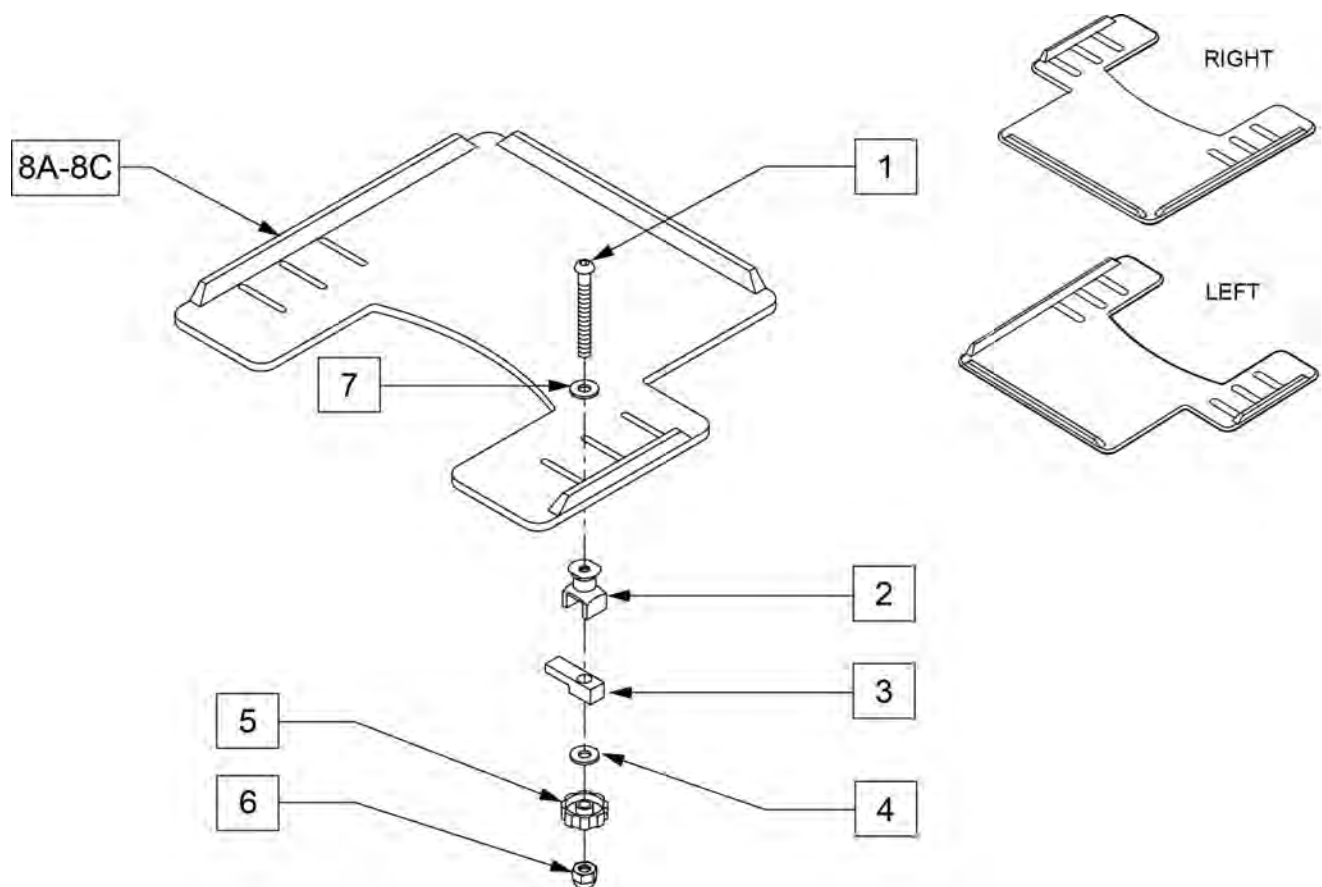


Pos.	Item Number	Description
1	910121	INPUT DEVICE SWITCH BOX

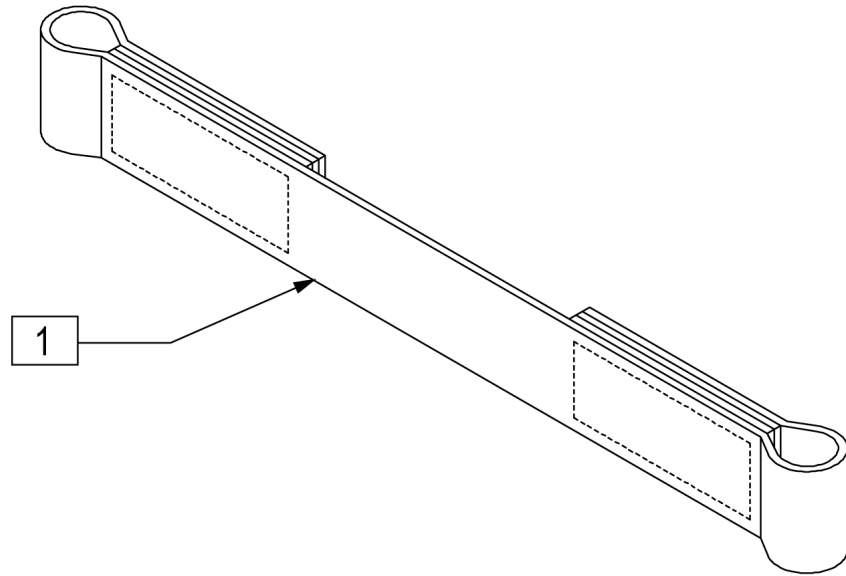


Pos.	Item Number	Description	Remarks
1	133721	SWITCH RIBBON	Cord length 63"
2	133722	SWITCH DISC	Cord length 69"
3	139920	SWITCH BUDDY BUTTON RED	Cord length 57"
4	139921	MICRO LIGHT	Cord length 58"
5	139910	SWITCH WOBBLE	Cord length 68"
6	Discontinued	SWITCH CA-5 BOX	Cord length (female cable 63")(male cable 6")
7	Discontinued	SWITCH PENTA	Cord length 63"
8	920904	MOUNT RESET SW FOR 7/8 TUBE	Clamps to 7/8" tubing
9,10	139915	RESET SWITCH EGG SHAPED	Cord length 51"(Ext 71")
10	281082	8-32 X 3/8 PAN PHIL M/S BLK	
11	105417	STEREO TO 2 MONO SPLITTER	Cord length 6"

NOTE: WHEN ADDING A TRAY TO AN EXISTING CHAIR WITH DESK OR FULL LENGTH ARM PADS, ADD 1" TO CURRENT SEAT WIDTH TO ACHIEVE THE BEST TRAY SIZE.

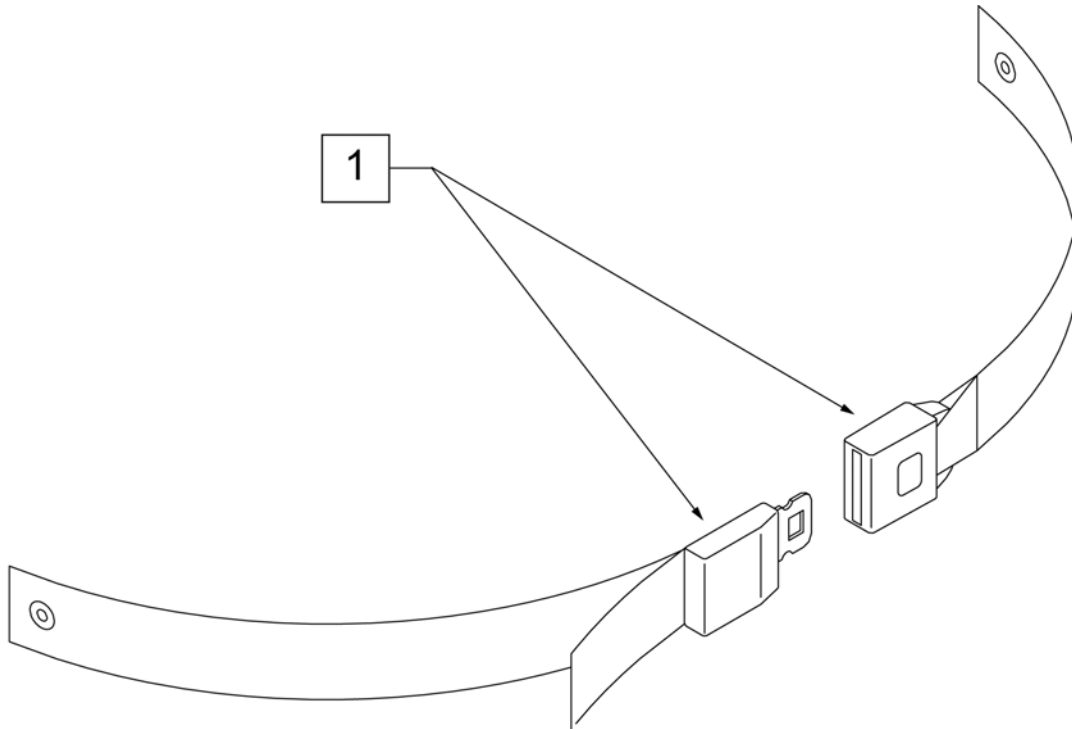


Pos.	Item Number	Description	Remarks
1	2021	5/16-18 x 2 3/4 BUTTON HD C/S	
2	14240	TRAY BUSHING	
3	14230	TRAY LOCK BAR	
4	2705	1/4" FLAT WASHER	
5	14220P	TRAY KNOB	
6	202114	5/16-18 ACORN LOCK NUT	
7	2709	.625X.315X.031 NYLON WASHER	
8A	562625	TRAY TOP W/RAIL SM PWR (12"-13")	Right-Cutout fits 12"-13" wide chairs
8B	562626	TRAY TOP W/RAIL MED PWR (14"-16")	Right-Cutout fits 14"-16" wide chairs
8C	562627	TRAY TOP W/RAIL LRG PWR (17"-20")	Right-Cutout fits 17"-20" wide chairs
8A	118094	TRAY TOP W/RAIL SM PWR LH	Left-Cutout fits 12"-13" wide chairs
8B	118095	TRAY TOP W/RAIL MED PWR LH	Left-Cutout fits 14"-16" wide chairs
8C	118096	TRAY TOP W/RAIL LG PWR LH	Left-Cutout fits 17"-20" wide chairs
1-7	881053	TRAY HDWR ADJ ARM PWR	

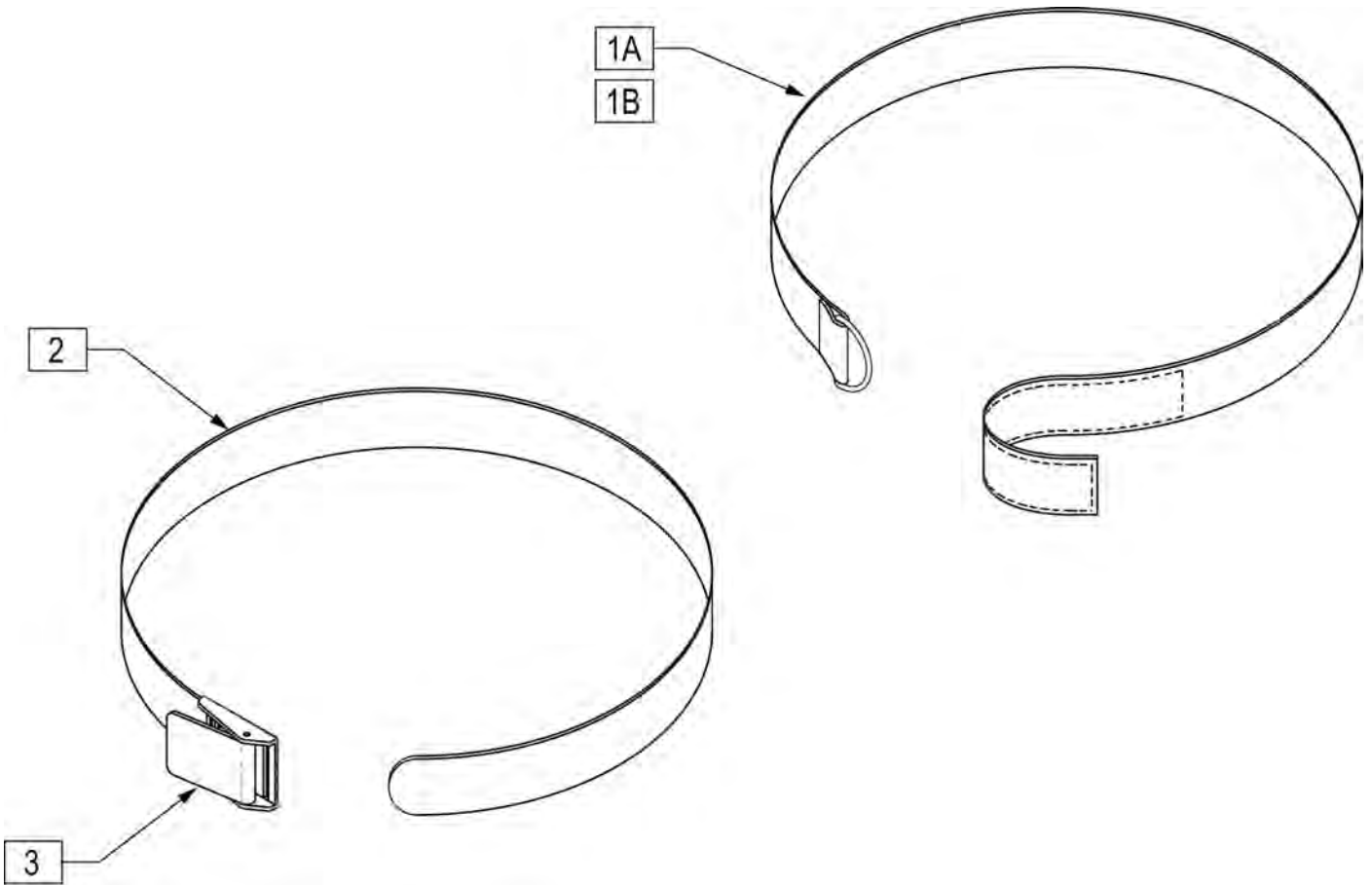


Pos.	Item Number	Description
1	740130	LEG STRAP 10"-14" BLK
1	740131	LEG STRAP 15"-17" BLK
1	740132	LEG STRAP 18"-20" BLK

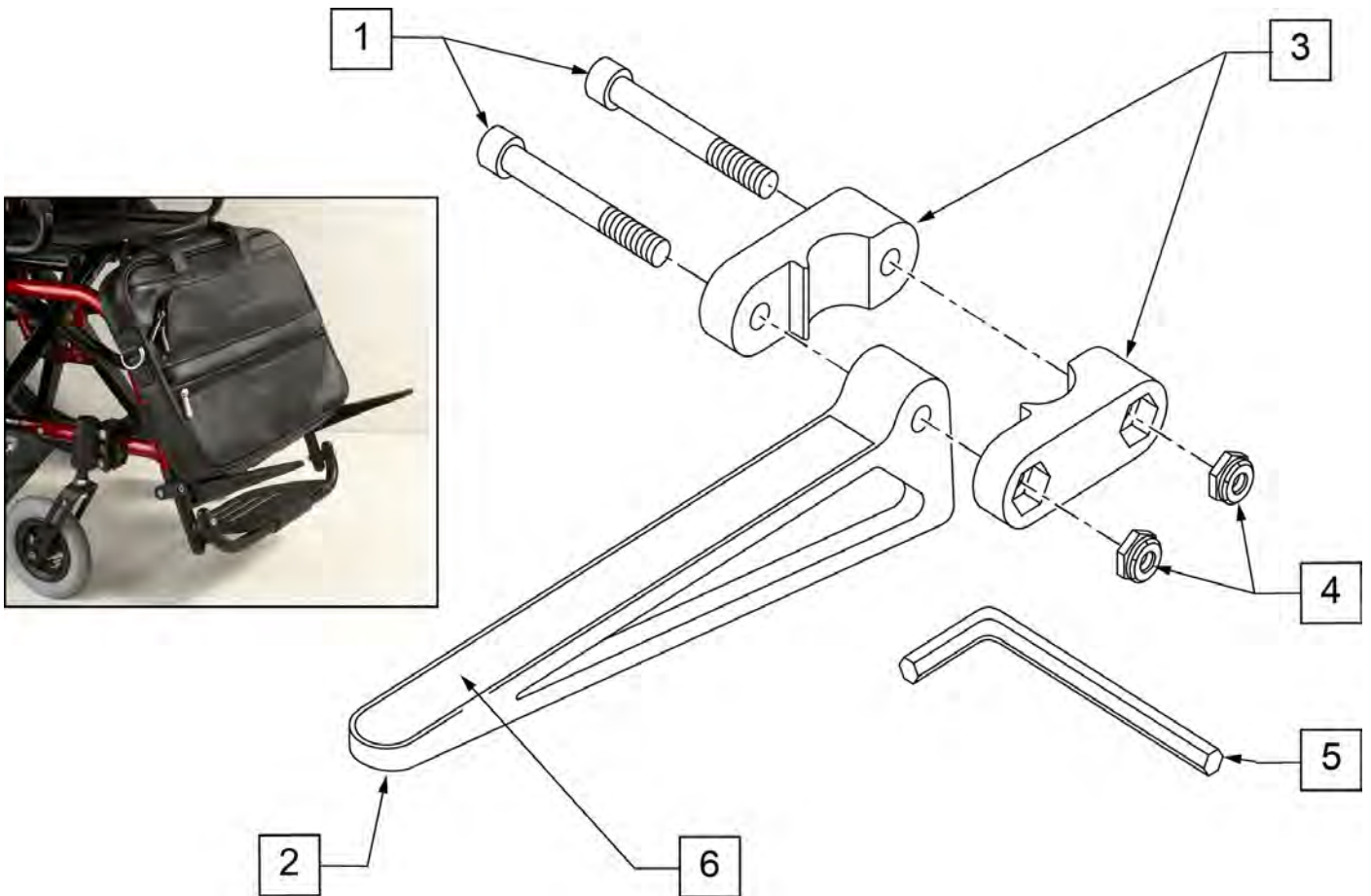
NOTE: when mounting Positioning Belts to the GT or GTI, it is recommended to attach the belt by using the Backrest Support Bracket Hardware.



Pos.	Item Number	Description	Remarks
1	750276	1 1/2" POSITION BELT	AUTOSTYLE-64" Max length of belt.

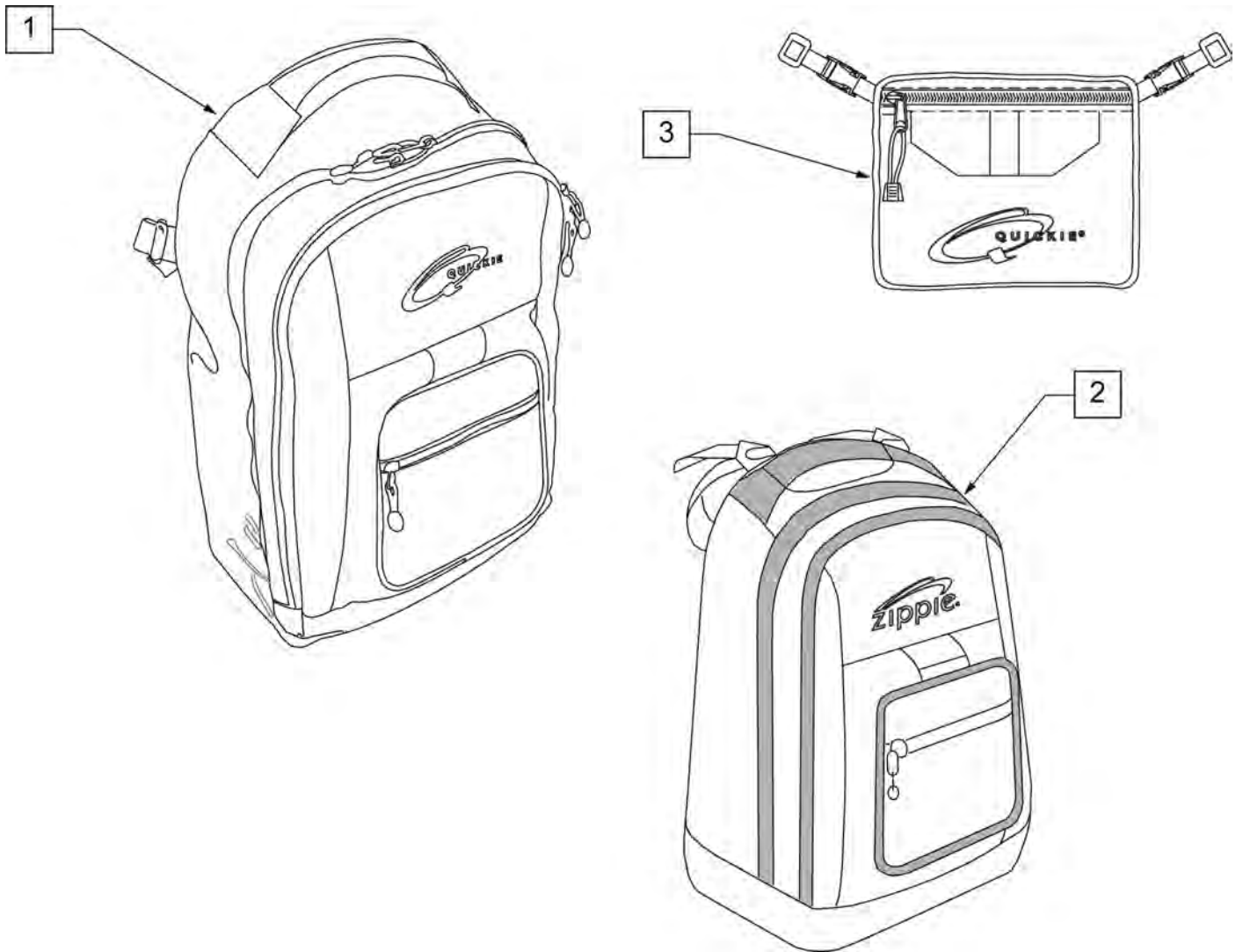


Pos.	Item Number	Description
1A	750200	POSITIONING BELT LONG VELCRO
1B	750204	POSITIONING BELT SHORT VELCRO
2,3	750210	POSITIONING BELT LONG BUCKLE
2,3	750214	POSITIONING BELT SHORT BUCKLE
3	560200	2" PLASTIC BUCKLE

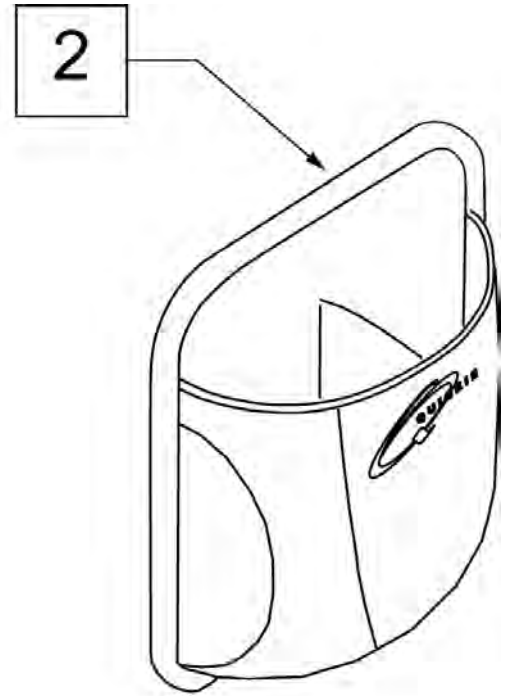
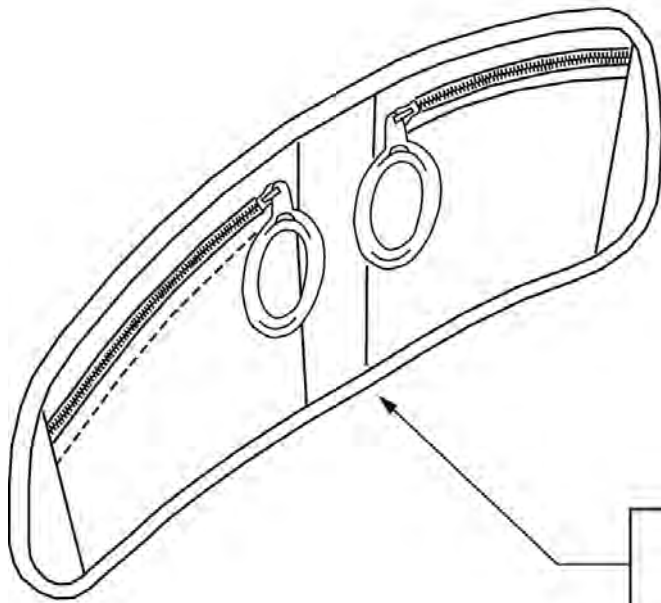


Pos.	Item Number	Description	Remarks
1	106975	1/4-28 x 1 1/4 SOC C/S	
2	561105	CADDY ARM	Clamps on to Extension Tube (3/4" round and D2); Caddy Arm length is 7 1/2"
3	561104	CADDY CLAMP	Clamps on to Extension Tube (3/4" round and D2)
4	106935	1/4-28 NYLOCK NUT THIN	
5	349998	3/16" ALLEN WRENCH	
6	580050	CADDY TAPE	
1-6	902350	QUICKIE CADDY (PR)	

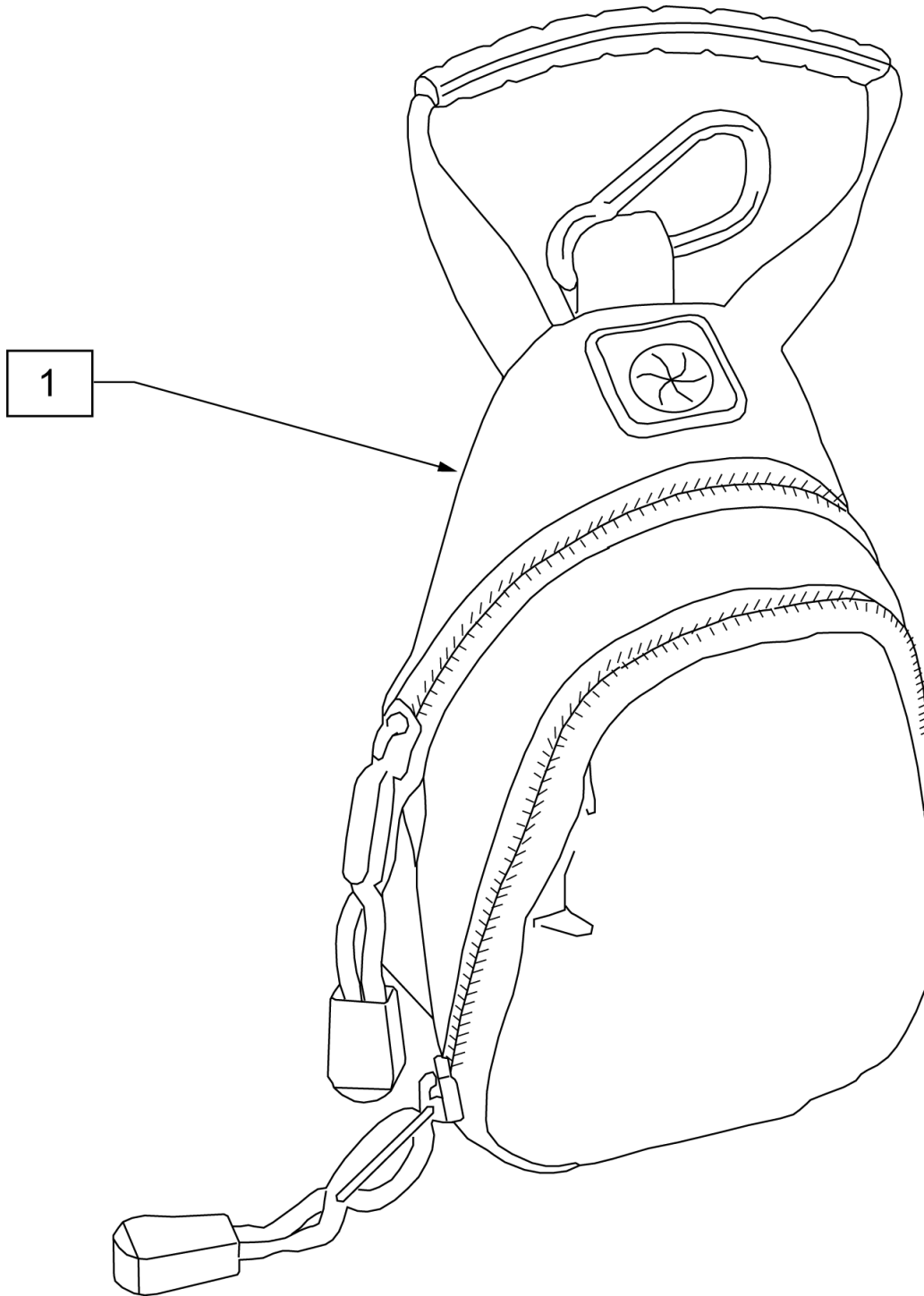
NOTE: KIDS BACKPACKS DO NOT HAVE ADJUSTABLE STRAPS W/ BUCKLES.



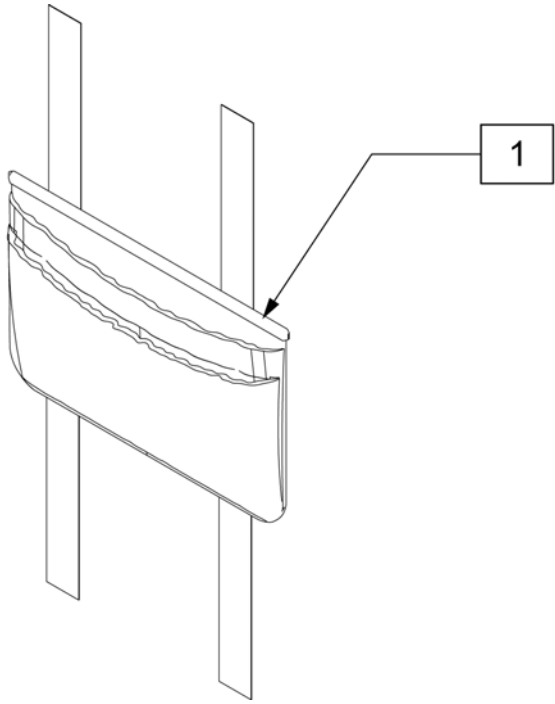
Pos.	Item Number	Description
1	750115	BACK PACK QUICKIE
2	104572	BACKPACK ZIPPIE
3	750307	SEAT POUCH QUICKIE



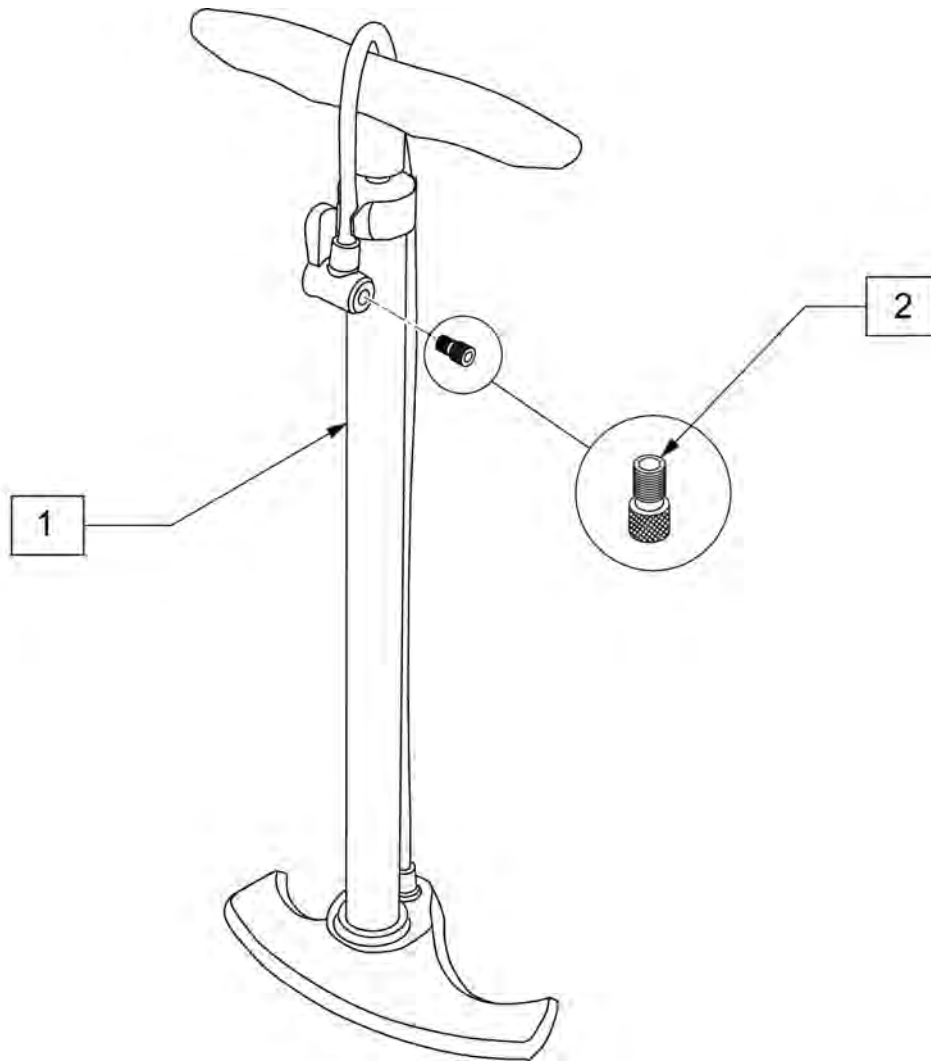
Pos.	Item Number	Description	Remarks
1		discontinued	
2	013475	QUICKIE SIDE POCKET	Size: 6.5"x 6.5"x 2"



Pos.	Item Number	Description
1	109229	CELL PHONE PACK (ORANGE)



Pos.	Item Number	Description
1	011687	POWER CORD POUCH



Pos.	Item Number	Description
1	389050	TIRE PUMP
2	381230	VALVE ADAPTER PRESTA



PARTS MANUAL