



Rhythm
with



PARTS MANUAL

(RTM-PG)
JANUARY 2017

QUICKIE RHYTHM WITH PG (Chairs w/ S/N Prefix RTMA)	5
DISCONTINUED LETTER	5
QUICKIE RHYTHM WITH PG DISCONTINUED	5
BASE	5
FRAME	5
RHYTHM CHASSIS ANTI-PITCH ANTI-SWAY	6
RHYTHM SUSPENSION	7
RHYTHM TRANSIT KIT	9
SHROUDS	10
RHYTHM SHROUDS	11
MOTORS	12
RHYTHM MOTOR & MOUNT (PG ELECTRONICS) before S/N RTMA-106673	13
RHYTHM MOTOR & MOUNT (PG ELECTRONICS) after S/N RTMA-106673	15
DRIVE WHEELS	16
DRIVE WHEEL	17
CASTERS & FORKS	18
RHYTHM FRONT CASTER	19
RHYTHM REAR CASTER	21
SEATING AND POSITIONING	21
SEAT	21
SEAT TO BASE INTERFACE	21
SEAT INTERFACE TILT	22
SEAT INTERFACE NON-TILT ASAP	23
SEAT INTERFACE NON-TILT TRAD REHAB & POWER RECLINE	24
SEAT FRAME	24
ASAP	24
ASAP SEAT ASSEMBLY	25
ASAP SEAT FRAME COVER	26
TRAD REHAB	26
SEAT BASE REHAB (15-24 WIDE)	27
SEAT BASE REHAB (12-14 WIDE)	30
POWER RECLINE	30
RECLINE WITH POWER SHEER SEAT FRAME	31
POWERED SEATING	32
SPOT TILT	33
BACK	33
BACK FRAME & UPHOLSTERY	33
ASAP	33
ASAP BACK AND UPHOLSTERY	34
CURVED BACKREST	35
SPO BACKS	37
JAY SPO BACK	38
ART SPO CUSTOM CURVED BACKREST	41
TRAD REHAB	41
FOLDING BACKREST	42
NON FOLDING BACKREST	46
REHAB SOLID BACK	50
KEIPER MANUAL RECLINE BACK	54
POWER RECLINE	56
RECLINE WITH POWER SHEER BACK ASSM	57
RECLINE WITH POWER SHEER BACKREST	59
HEADREST	61
HEADREST	62
LATERAL SUPPORTS	62
ASAP	62
LATERALS	63
TRAD REHAB & POWER RECLINE	63
TRAD REHAB LATERAL PAD ASSEMBLY	64
THIGH SUPPORTS	65
THIGH SUPPORTS	66
KNEE ADDUCTOR SUPPORTS	66
KNEE ADDUCTOR SUPPORTS - DISCONTINUED	67
KNEE ADDUCTOR SUPPORT - RECLINE	69
HANGERS & FOOTPLATES	70
HANGERS AND EXT TUBES	70
SWING AWAY HANGERS	70
90 DEG FRONT MOUNT SWING AWAY HANGERS	71
65 & 70 DEG SWING AWAY HANGERS	72
65 SWING AWAY HANGER W/ FOOTPLATES	73
75 DEG TAPERED SWING AWAY HANGER	75

ELEVATING LEGREST.....	77
CENTER MOUNT FOOTREST (REHAB & POWER RECLINE).....	79
FIXED CENTER MOUNT FOOTREST (ASAP SEATING).....	81
POWER CENTER MOUNT.....	81
POWER CENTER MOUNT ELR(ASAP SEAT-CENTER MNT FOOTPLATE).....	82
POWER CENTER MOUNT ELR(ASAP SEAT-ANGLE ADJ FOOTPLATES).....	84
POWER CENTER MOUNT ELR(REHAB/RECLINE SEAT-ANGLE ADJ FOOTPLATES).....	86
POWER CENTER MOUNT ELR(REHAB/RECLINE SEAT-CENTER MNT FOOTPLATE).....	88
S/A POWER ELR WITH ARTICULATION.....	90
HIGH MOUNT EXTENSION TUBE.....	92
EXTENSION TUBES.....	93
ROUND EXTENSION TUBE.....	94
EXTENSION TUBE FOR ONE PIECE ANGLE ADJ FOOTPLATE.....	95
DOUBLE D FOOTREST EXTENSION TUBE "OLD STYLE".....	96
FOOTPLATES.....	97
ADULT ANGLE ADJUSTABLE FOOTPLATE.....	98
KIDS ANGLE ADJUSTABLE FOOTPLATE.....	100
ONE PIECE ANGLE ADJ FOOTPLATE.....	102
COMPOSITE FOOTPLATE.....	104
ELR ALUMINUM FOOTPLATE.....	106
HANGER RECEIVER.....	106
SWING AWAY HANGER RECEIVER.....	107
ARMREST & RECEIVERS.....	107
ASAP.....	107
ASAP ARMREST.....	108
TRAD REHAB.....	109
SINGLE POST ARMREST.....	109
SINGLE POST ARMREST - TRAD REHAB.....	110
SINGLE POST ARMREST RECEIVER.....	113
SINGLE POST HEIGHT ADJUSTABLE ARMREST (POWER PRODUCTS).....	114
DUAL POST ARMREST.....	115
DUAL POST FLIP BACK ARMREST.....	116
DUAL POST FIXED HEIGHT ARMREST.....	118
DUAL POST FLIP BACK ARMREST RECEIVER.....	120
POWER RECLINE.....	120
DISCONTINUED-RECLINE WITH POWER SHEER ARMREST W/ PG.....	121
CONE HAND PAD.....	123
ELECTRONICS.....	123
JOYSTICKS, CONTROLLERS, & ACCESSORIES.....	123
RNET ELECTRONICS.....	123
R NET REMOTE JOYSTICKS.....	124
R NET CONTROLLER RHYTHM.....	126
R NET ACCESSORY ELECTRONICS.....	127
R NET OMNI DISPLAY & COMPACT JOYSTICK.....	128
OPTIONAL JOYSTICK HANDLES.....	130
R NET/VR2 PROGRAMMER.....	131
VR2 ELECTRONICS.....	131
VR2 JOYSTICKS.....	132
VR2 CONTROLLER RHYTHM.....	133
QTRONIX, VSI, VR2, & PILOT + PROGRAMMER.....	135
R NET/VR2 PROGRAMMER.....	136
OPTIONAL JOYSTICK HANDLES.....	137
TOGGLE SWITCH ASSEMBLY.....	138
ATTENDANT CONTROL ASSEMBLY.....	140
JOYSTICK ARM SQUARE TUBE.....	142
JOYSTICK ARM ROUND TUBE.....	143
JOYSTICK MOUNT ASAP SQUARE.....	144
JOYSTICK MOUNT CANTILEVERED ARM ROUND.....	145
JOYSTICK MOUNT TRAD REHAB SQUARE TUBE.....	146
JOYSTICK MOUNT TRAD REHAB ROUND TUBE.....	147
JOYSTICK MOUNT RECLINE W/PWR SHEER SQUARE TUBE.....	148
JOYSTICK MOUNT RECLINE W/PWR SHEER ROUND TUBE.....	149
JOYSTICK HEIGHT ADJUSTABLE MOUNT ROUND TUBE.....	150
JOYSTICK MOUNT ROUND TUBE (FIXED).....	151
WIRING.....	151
RHYTHM WITH PG WIRING.....	152
BATTERIES.....	154
RHYTHM BATTERY.....	154
OFF BOARD BATTERY CHARGERS.....	155
SPECIALTY CONTROLS.....	155

SIP N PUFF SYSTEM.....	156
ASL HEAD ARRAY PACKAGE.....	158
R NET OMNI DISPLAY & COMPACT JOYSTICK.....	160
SINGLE SWITCH DEVICES.....	162
ASL MINI JOYSTICK HAND CONTROL.....	163
ASL PROPORTIONAL MINI JOYSTICK W/ CHIN CONTROL.....	164
SWITCH-IT HEAD ARRAY PACKAGE.....	165
PROPORTIONAL CHIN CONTROL PACKAGE.....	167
ACCESSORY ELECTRONIC MOUNTING.....	168
ACCESSORIES.....	169
BAGS AND POUCHES.....	169
BACKPACKS AND SEAT POUCHES.....	170
POWER CORD POUCH.....	171
CASE LOGIC BAGS.....	172
CELL PHONE PACK.....	173
VENT TRAY.....	173
VENT TRAY ARTICULATING-POWER RECLINE WITH POWER SHEER REDUCTION.....	174
VENT AND BATTERY TRAY (FIXED) - TRAD REHAB.....	176
VENT AND BATTERY TRAY (ARTICULATING) - TRAD REHAB.....	178
TUFFAK TRAY(POWER CHAIRS).....	180
AUTO BUCKLE POSITIONING BELTS.....	181
AIRCRAFT BUCKLE POSITIONING BELT.....	182
POSITIONING BELT ATTACHMENT CHANNEL NUT KIT.....	183
CHEST STRAP.....	184
R NET ACCESSORY ELECTRONICS.....	185
TIRE PUMP.....	186

improving people's lives



Dear Valued Customer,

As of **6/29/2012**, the sale of **Quickie Rhythm with PG** has been discontinued. In compliance with Sunrise Medical's policy, replacement parts will continue to be available until **6/28/2018**. Effective **6/28/2018**, replacement parts for the **Quickie Rhythm with PG** will be obsolete and therefore no longer available for sale.

Sincerely,

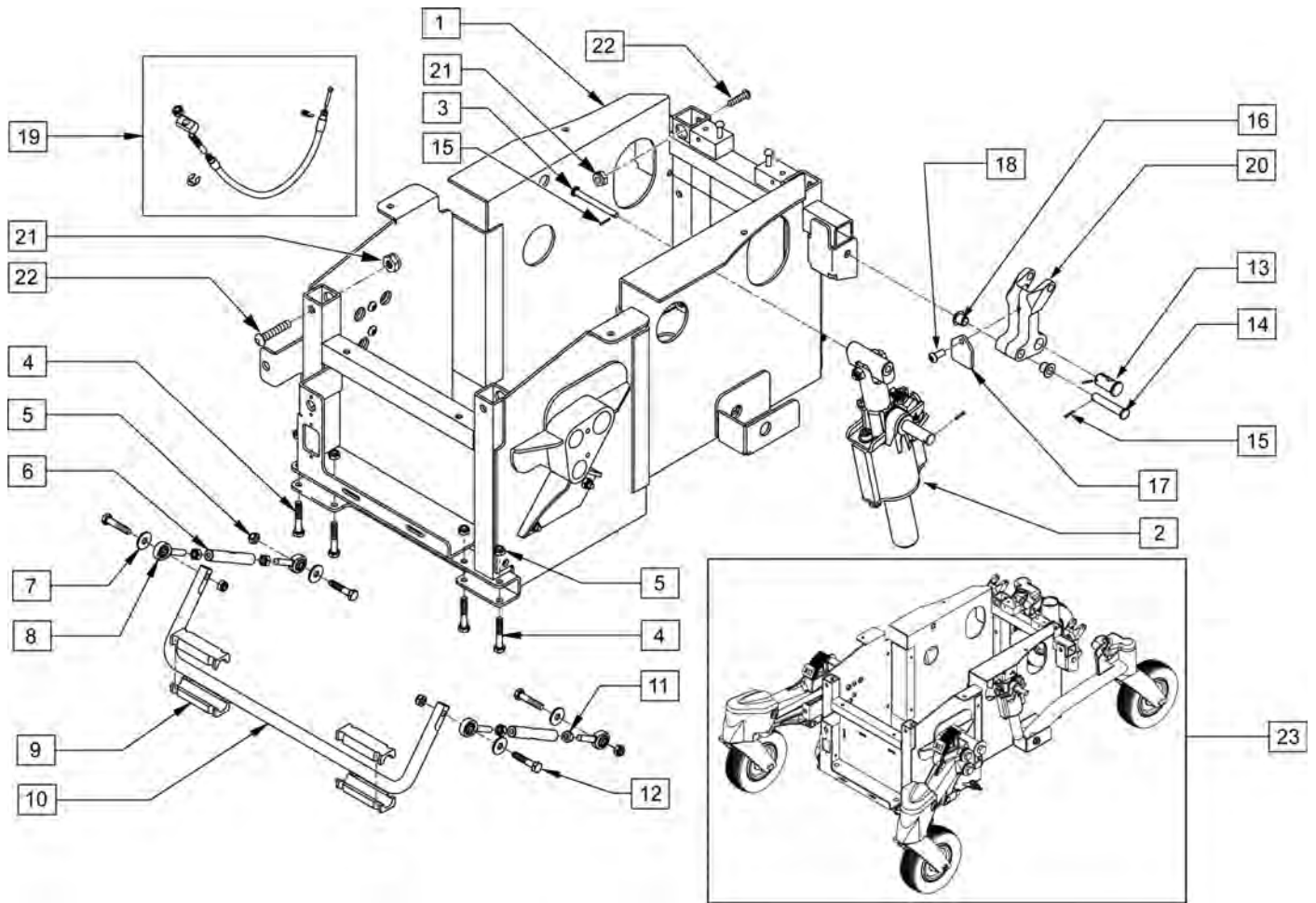
Sunrise Medical

6899 Winchester Circle, Suite 200 • Boulder, CO 80301 • USA

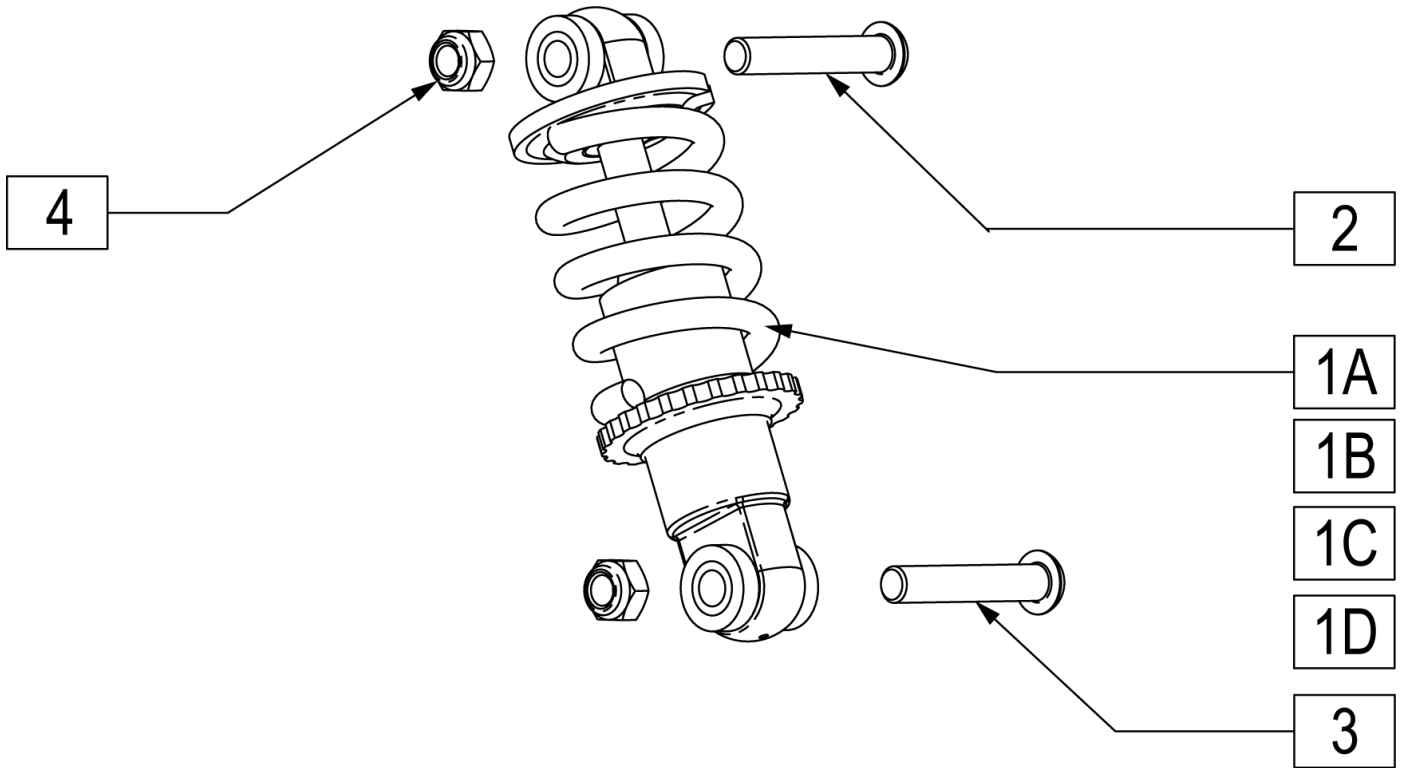
800.333.4000 www.SunriseMedical.com

Description

DISCONTINUED PRODUCT



Pos.	Item Number	Description
2	014183	ANTI PITCH ASSEMBLY RIGHT
2	014184	ANTI PITCH ASSEMBLY LEFT
4	234813	HHCS M6 X 1.0 X 35 10.9
5	210084	NUT HEX NYLOCK M6 BLACK
7	011111	WASHER M6 X 18 REGULAR BLK
10	506086	ANTI SWAY BAR
11	011485	NUT HEX PLAIN M6 CLASS 10 BLK
12	234816	HHCS M6 X 1.0 X 30 10.9
15	340032	1/16 X 1/2 COTTER PIN
18	013143	BHCS M5 X .8 X 14 BLK W/PL
19	014452	CHASSIS CABLE ASSM RHYTHM
21	102266	BHCS M8 X 1.25 X 35 INORGANIC
22	210085	NUT HEX NYLOCK M8 BLACK
4,5,7,8,11,12	101473	RHYTHM ANTI-PITCH HDR KIT
2,3,13-20	101337	ANTI-PITCH LOCKOUT RIGHT
2,3,13-20	101336	ANTI-PITCH LOCKOUT LEFT
4-12	013013	RHYTHM SWAY BAR ASSEMBLY
23	011411	RHYTHM BASE FRAME SUB ASSM

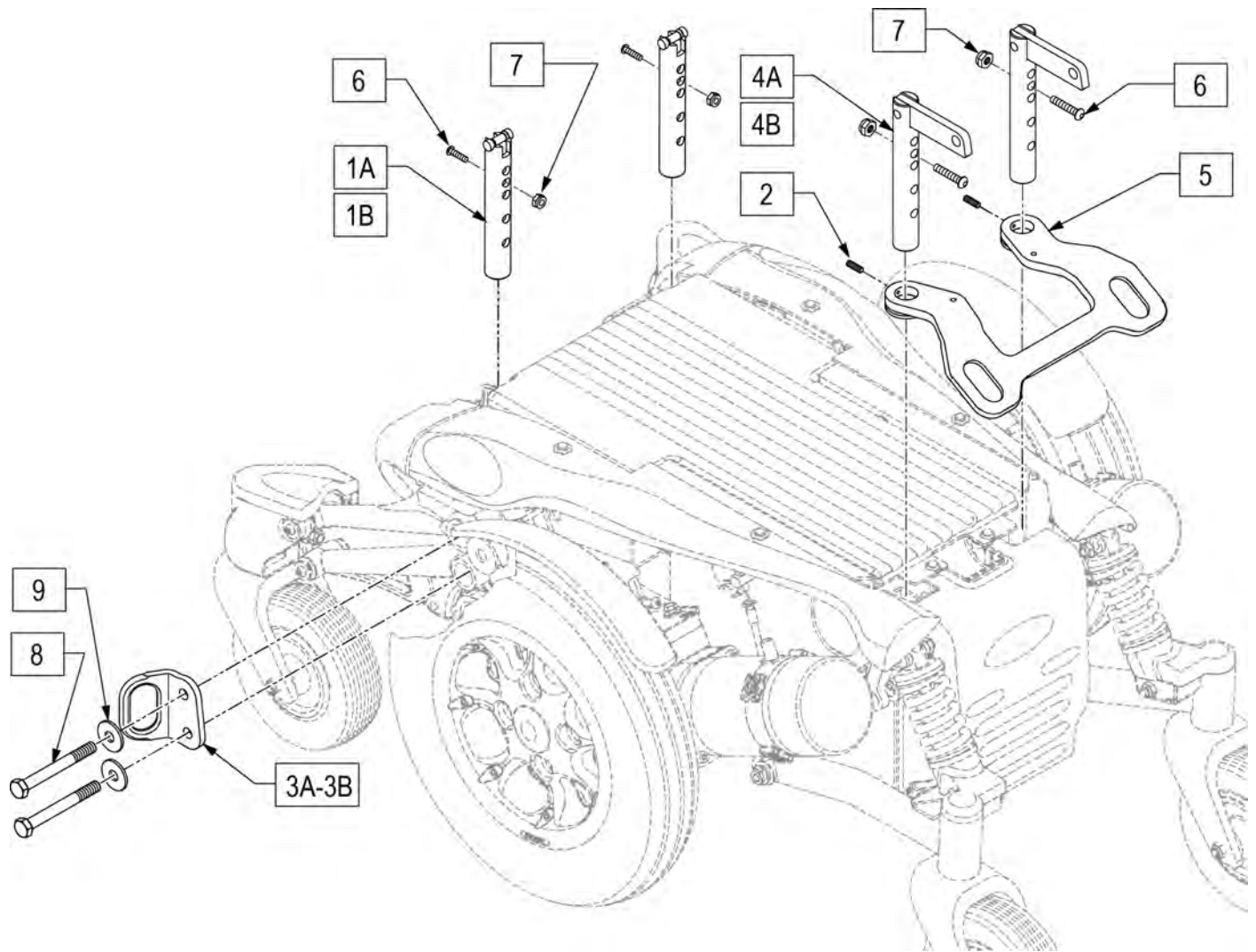


Pos.	Item Number	Description	Remarks
2	230123	BHCS M8 X 1.25 X 45	
3	230122	BHCS M8 X 1.25 X 40 BLK	
4	210085	NUT HEX NYLOCK M8 BLACK	
1A	011631-001	SHOCK ASSM RR RHYTHM 100LB-IN 63	0-300LBS USER WEIGHT
1B	011631-002	SHOCK ASSM RR RHYTHM 100LB-IN 57	300-400LBS USER WEIGHT
1C	011631-003	SHOCK ASSM RR RHYTHM 200LB-IN 63	W/VENT TRAY - 0-300LBS USER WEIGHT
1D	011631-004	SHOCK ASSM RR RHYTHM 200LB-IN 57	W/VENT TRAY - 300-400LBS USER WEIGHT

NOTE: See Rhythm Front Caster page for Front Transit attachment hardware.

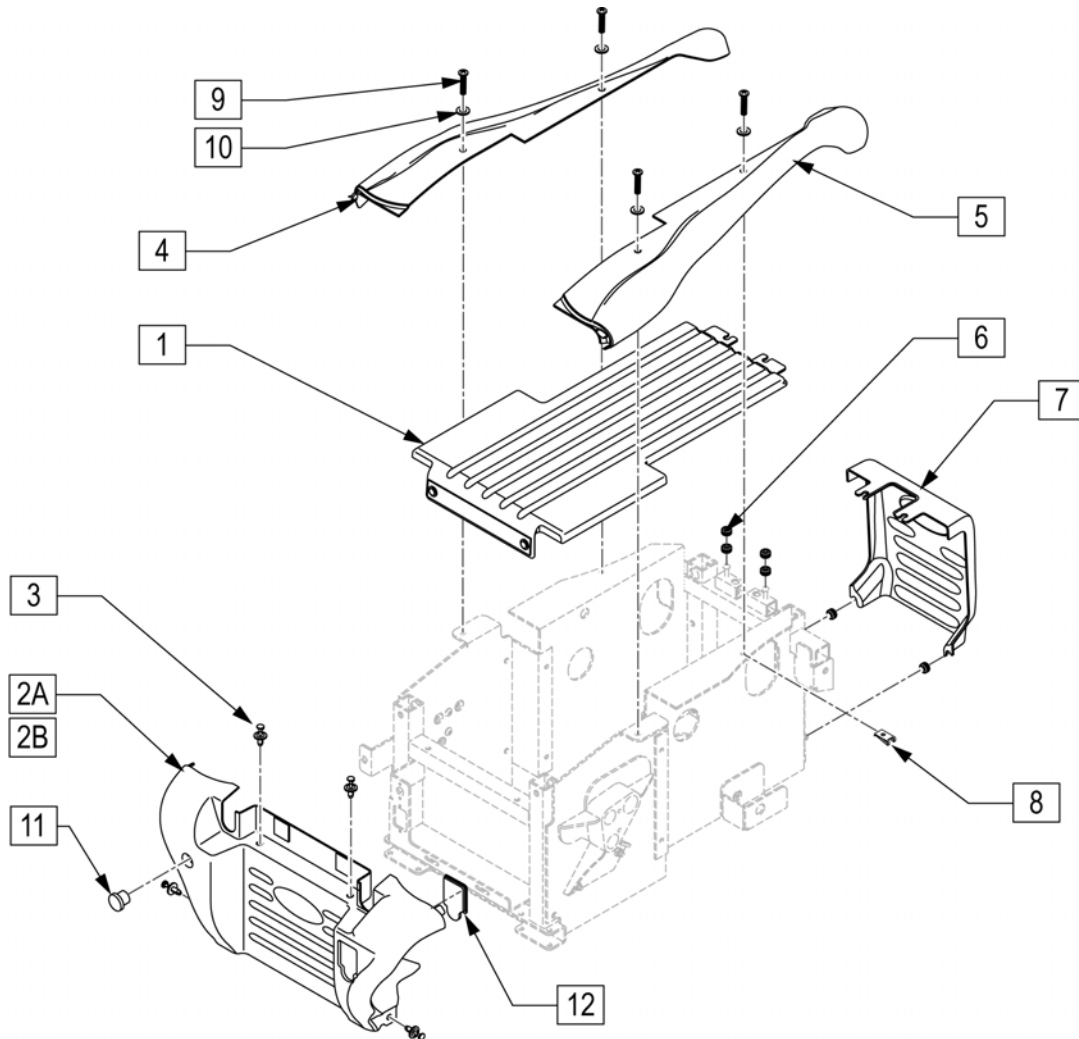
NOTE: If adding Transit Option to a Rhythm chair prior to s/n RTM-103407 the front Support Mounts must be upgraded.

NOTE: Transit Kit not available with Vent Tray.



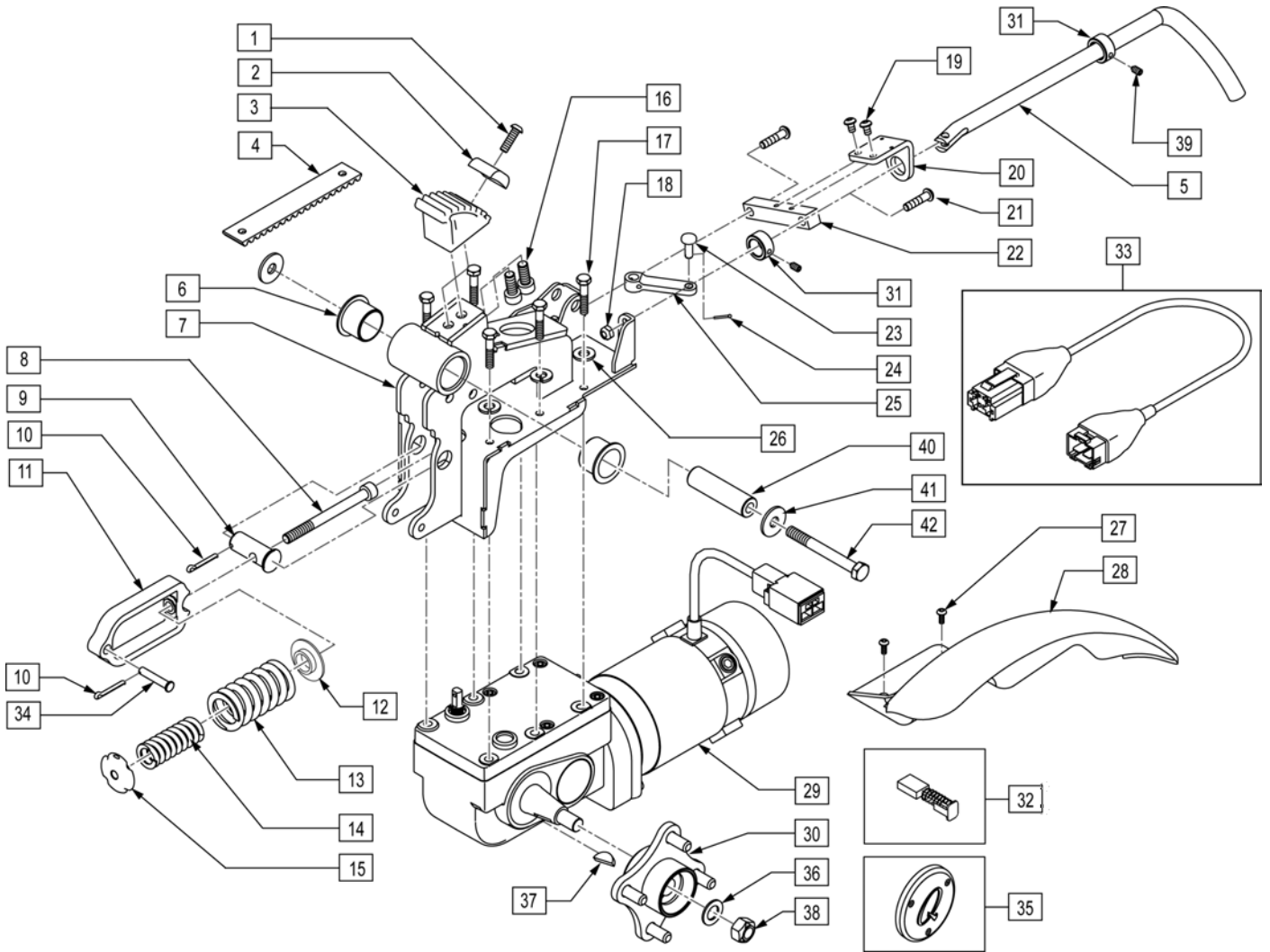
Pos.	Item Number	Description	Remarks
1A	012753	SUPPORT MOUNT TRANSIT BRKT	Use prior to S/N RTM-103407
1B	013724	POST WELDMENT FRONT RHYTHM	Use after S/N RTM-103407 & with S/N prefix RTMA
3A	010618	BRCKT TRNST FRNT RIGHT PRMNT	Right
3B	010619	BRCKT TRNST FRNT LEFT PRMNT	Left
4A	012750	WELDMENT SUPPORT TRANSIT BRACKET	Use prior to S/N RTM-103407
4B	014704	WELDMENT POST REAR	Use after S/N RTM-103407 & with S/N prefix RTMA
6	011879	M4 X .7 X 5 MM SSS W/ PATCH	
7	210085	NUT HEX NYLOCK M8 BLK	
8	221206	BOLT HEX 10 X 1.5 X 100 10.9	
9	265164	WASHER FLAT M10.5 X 30 X 2.5 BLK	
1A,2,3A,3B,4A,5,6,8,9	101792	RHYTHM TRANSIT KIT	Use prior to S/N RTM-103407
2,3A,3B,5,6,8,9	102861	RHYTHM TRANSIT KIT	Use after S/N RTM-103407 & with S/N prefix RTMA

NOTE: FOR FENDER SHROUDS PLEASE SEE RHYTHM MOTOR AND MOUNT ASSEMBLY PAGE.



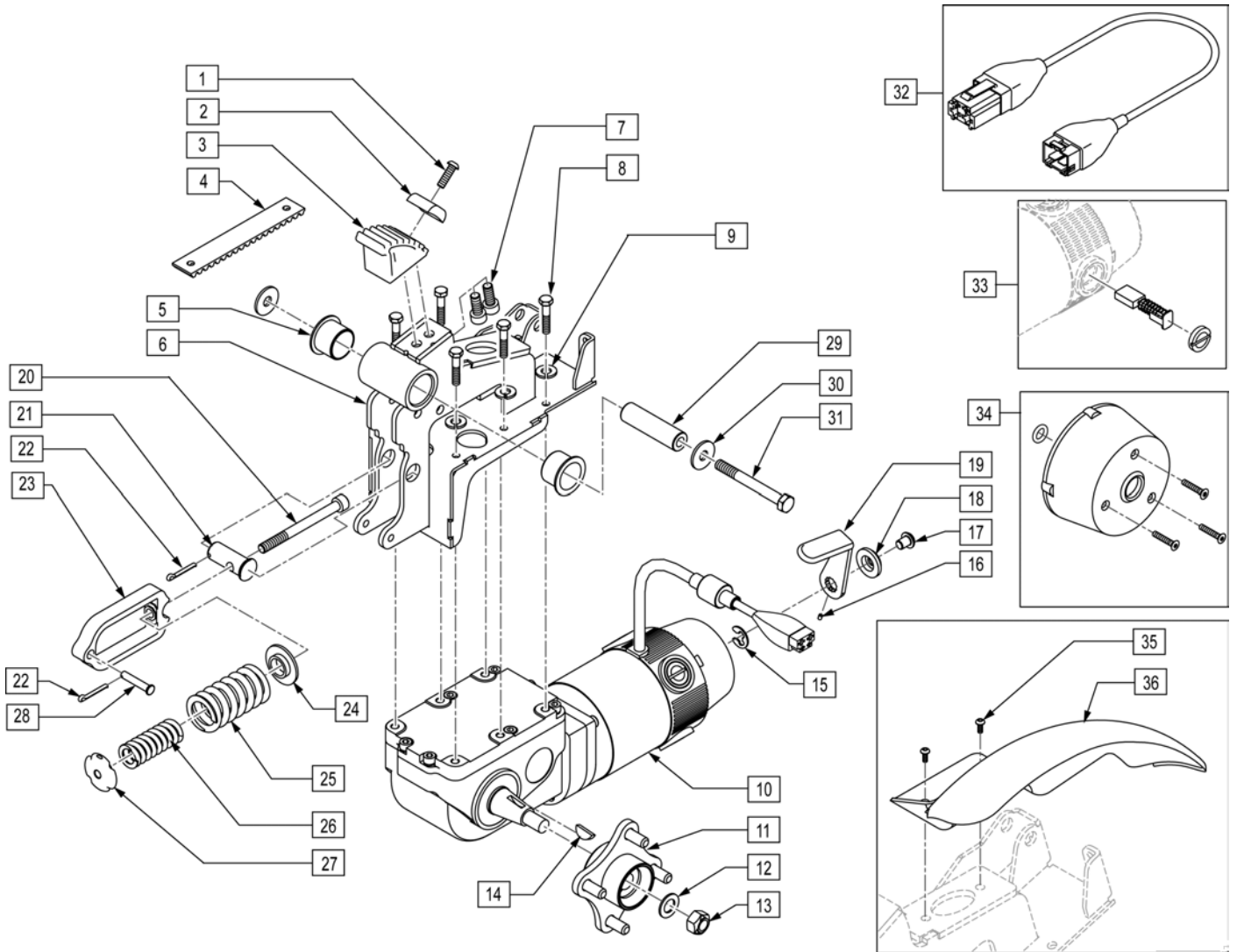
Pos.	Item Number	Description	Remarks
1	011614-001	TOP SHROUD WITH STRAP BLACK	
2A	105655	SHRD FRNT BLACK W/ DECAL	Use for chairs w/ S/N prefix PTM
2A	105656	SHRD FRNT BURGUNDY W/ DECAL	Use for chairs w/ S/N prefix PTM
2A	105657	SHRD FRNT BLUE W/ DECAL	Use for chairs w/ S/N prefix PTM
2B,11,12	112718	SHROUD FRONT ASSM BLACK	Use for chairs w/ S/N prefix RTMA
2B,11,12	112719	SHROUD FRONT ASSM RED	Use for chairs w/ S/N prefix RTMA
2B,11,12	112720	SHROUD FRONT ASSM BLUE	Use for chairs w/ S/N prefix RTMA
3,8-10	101474	SHROUD FASTENER KIT	Pack of 4 ea
4	105658	HRD RIGHT BLACK W/ DECAL	
4	105659	SHRD RIGHT BURGUNDY W/ DECAL	
4	105660	SHRD RIGHT BLUE W/ DECAL	
5	105665	SHRD LEFT BLACK W/ DECAL	
5	105666	SHRD LEFT BURGUNDY W/ DECAL	
5	105667	SHRD LEFT BLUE W/ DECAL	
6	101475	GROMMET RUBBER KIT	Pack of 6

Pos.	Item Number	Description	Remarks
7	105668	SHRD REAR BLACK W/ DECAL	
7	105669	SHRD REAR BURGUNDY W/ DECAL	
7	105670	SHRD REAR BLUE W/ DECAL	
8	107068	CLP ON NUT SHT MTL NUM 10	
9	107069	PHSS #10X5/8 STND PNT BLK	
10	261204	#10 AN WASHER .063	
11	560735	7/8" ROUND TUBE PLUG	
12	101788	DECAL CHARGER PORT	
8-10	112725	SHROUD FASTENER KIT (4)	Qty 4



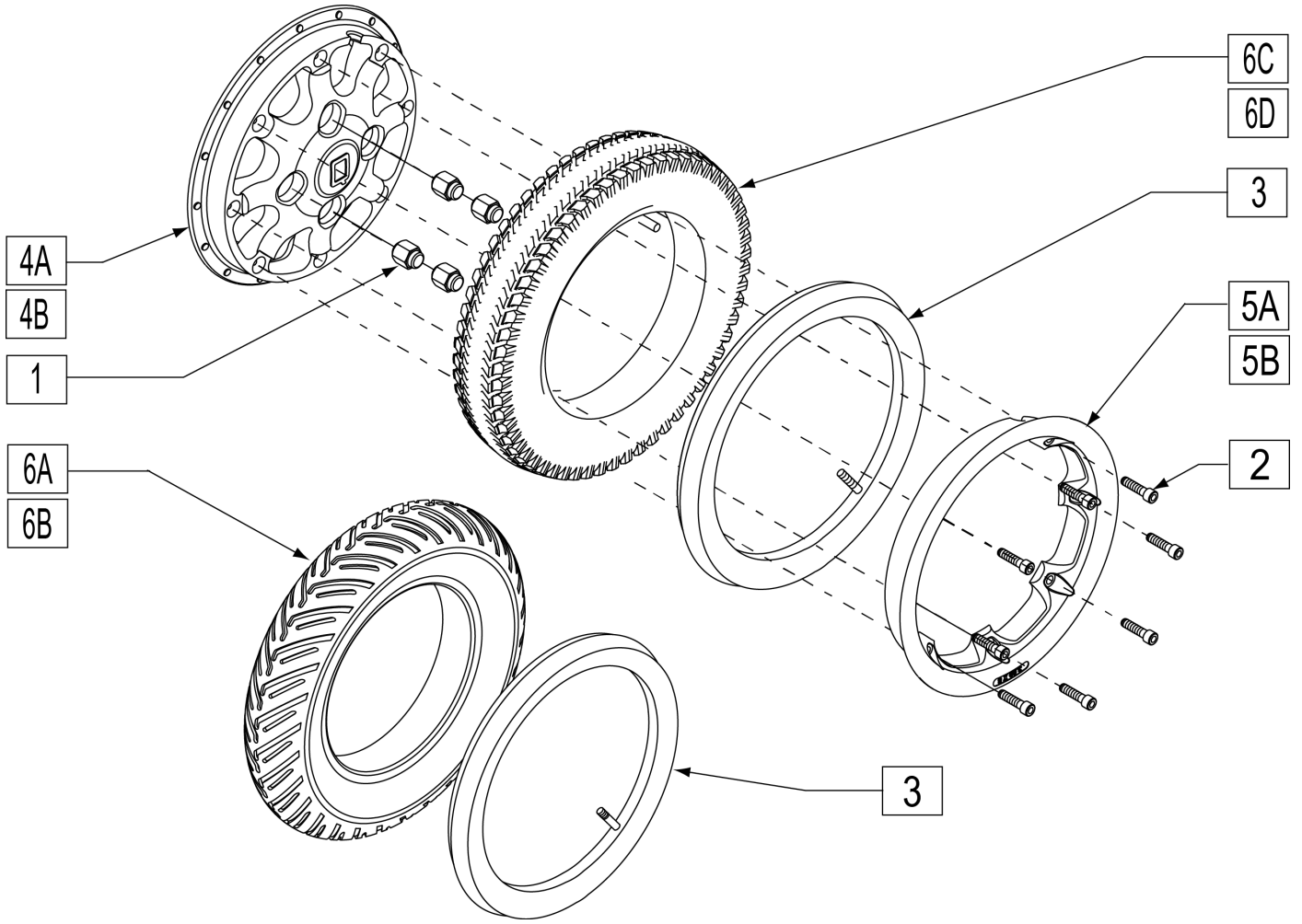
Pos.	Item Number	Description	Remarks
1	230114	BHCS M6 X 1 X 20 W/PL	
2	010973	CLAMP BELT	
3	010962	PULLEY TOOTHED HPPD8 BELT	
4	010979	BELT CASTER LIFT HPPD8	Remove
5	013761	LANYARD COG RELEASE FLAT NA	
6	349671	IGUS BEARING 2528-21	
7	012734	WELDMNT MNT MTR 4P R	Right
7	012735	WELDMNT MNT MTR 4P L	Left
8	234995	M8-90 SOC C/S BLK	Remove
9	012736	PIN PIVOT CAGE SPRING	Remove
10	349065	1/8 X 1 COTTER PIN	
11	014632	CAGE SPRING SUSP	
12	012882	WASHER SPRING STEPPED	
13	010974	SPRING COMP 510	
14	013070	SPRING COMP 567 INNER	
15	011032	WASHER STEPPED SPRING	
16	230134	SHCS M8 X 1.25 X 16	
17	234816	M6 X 1.0 X 30 HHCS 10.9	
18	210084	NUT HEX NYLOCK M6 BLACK	

Pos.	Item Number	Description	Remarks
19	102259-001	BHCS M5 X .8 X 12 W/PL INORG	
20	011502	GUIDE BRKT COG RELEASE R	
20	011503	GUIDE BRKT COG RELEASE L	
21	102262-004	BHCS M6 X 1 X 25 W/PL INORG	
22	011504	MOUNT BAR COG RELEASE	
23	011621	PIVOT PIN LANYARD COG RELEASE	
24	340032	1/16 X 1/2 COTTER PIN	
25	014460	LEVER MOTOR COG RELEASE 22.5	
26	262122	1/4" WASHER LOCK ZN	
27	102262-001	BHCS M6X1X8 FULL PL	
28, 27	105190-001	FENDER RHYTHM L BLACK KIT	
28, 27	105190-002	FENDER RHYTHM L BURGUNDY KIT	
28, 27	105190-003	FENDER RHYTHM L BLUE KIT	
28, 27	105199-001	FENDER RHYTHM R BLACK KIT	
28, 27	105199-002	FENDER RHYTHM R BURGUNDY KIT	
28, 27	105199-003	FENDER RHYTHM R BLUE KIT	
29,33	112721	MTR/GBX LS LION 4PL ENC ADP A	LEFT-USED W/ 5.0/6.5 MPH PKG
29,33	112722	MTR/GBX LS LION 4PL ENC ADP B	RIGHT-USED W/ 5.0/6.5 MPH PKG
30,36-38	014354	HUB ASSM W/HDWR	
31,39	105207	COLLAR STOP COG RELEASE	
32	014819	BRUSH KIT AMT 4 POLE MTR	INCLUDES 4 BRUSHES
33	108311	HARN RHYTHM MTR EXTNSN FOR PGD	
34	011401	PIN PIVOT SPRING ASSM	
35	104752	Q MOTOR END CAP	
36	264101	1/2 WASHER HARDENED FLAT	
37	341269	#606 WOODRUFF KEY STEEL	
38	210002	M12 X 1.75 ALL MTL PREV TRQ NT	
39	014079	M5X.8X4 SET SCREW CUP POINT	
40	506089	MOTOR PIVOT SHAFT	
41	265165	WASHER FLAT M13X37X3 BLK	
42	221207	BOLT HEX 12 X 1.75 X 90 10.9	
43	011885	7/64" X 1" COTTER PIN	
1,2,4	101279	CASTER BELT ASSEMBLY	
8-15	014191	SPRING ASSMEMBLY	
3,5-7,10,16-26,29,30,33	112723	MOTOR ASSEMBLY 154RPM 4POLE	RIGHT-USED W/ 5.0/6.5 MPH PKG
3,5-7,10,16-26,29,30,33	112724	MOTOR ASSEMBLY 154RPM 4POLE	LEFT-USED W/ 5.0/6.5 MPH PKG
1,10,16-19,21,24,26,27	101482	RHYTHM MOTOR MOUNT HDWR KIT	
5,10,18-25,31,39	105217	COG REL RHYTHM ASSM R	Right
5,10,18-25,31,39	105218	COG REL RHYTHM ASSM L	Left



Pos.	Item Number	Description	Remarks
1	230114	BHCS M6 X 1 X 20 W/PL	
2	010973	CLAMP BELT	
3	010962	PULLEY TOOTHED HPPD8 BELT	
4	010979	BELT CASTER LIFT HPPD8	
5	349671	IGUS BEARING 2528-21	
6	012734	WELDMNT MNT MTR 4P R	Right
6	012735	WELDMNT MNT MTR 4P L	Left
7	230134	SHCS M8 X 1.25 X 16	
8	102263-004	SHCS M6 X 1 X 35 INORGANIC	
9	262122	1/4" WASHER LOCK ZN	
10	113212	MTR 10KPH 4PL LH	
10	113217	MTR 10KPH 4PL RH RHTHM	
11-14	014354	HUB ASSM W/HDWR	
12	264101	1/2 WASHER HARDENED FLAT	
13	210002	M12 X 1.75 ALL MTL PREV TRQ NT	
14	341269	#606 WOODRUFF KEY STEEL	
15-19	116067	MTR BRAKE REL HANDLE KIT	
20	234995	M8-90 SOC C/S BLK	

Pos.	Item Number	Description	Remarks
21	012736	PIN PIVOT CAGE SPRING	
22	349065	1/8 X 1 COTTER PIN	
23	014632	CAGE SPRING SUSP	
24	012882	WASHER SPRING STEPPED	
25	010974	SPRING COMP 510	
26	013070	SPRING COMP 567 INNER	
27	011032	WASHER STEPPED SPRING	
28	011401	PIN PIVOT SPRING ASSM	
29	506089	MOTOR PIVOT SHAFT	
30	265165	WASHER FLAT M13X37X3 BLK	
31	221207	BOLT HEX 12 X 1.75 X 90 10.9	
32	108311	HARN RHYTHM MTR EXTNSN FOR PGD	
33	112281	BRUSH KIT 4 PL	INCLUDES 4 BRUSHES
34	112283	COVER BRAKE	
35	102262-001	BHCS M6X1X8 FULL PL	
35,36	105190-001	FENDER RHYTHM L BLACK KIT	
35,36	105190-002	FENDER RHYTHM L BURGUNDY KIT	
35,36	105190-003	FENDER RHYTHM L BLUE KIT	
35,36	105199-001	FENDER RHYTHM R BLACK KIT	
35,36	105199-002	FENDER RHYTHM R BURGUNDY KIT	
35,36	105199-003	FENDER RHYTHM R BLUE KIT	
10-19	116065	RTM MTR/GBX W/ MNT R ASSM	
10-19	116066	RTM MTR/GBX W/ MNT L ASSM	
8,9	116069	MOTOR HRDWR KIT	
1,2,4	101279	CASTER BELT ASSEMBLY	
20-27	014191	SPRING ASSMEMBLY	

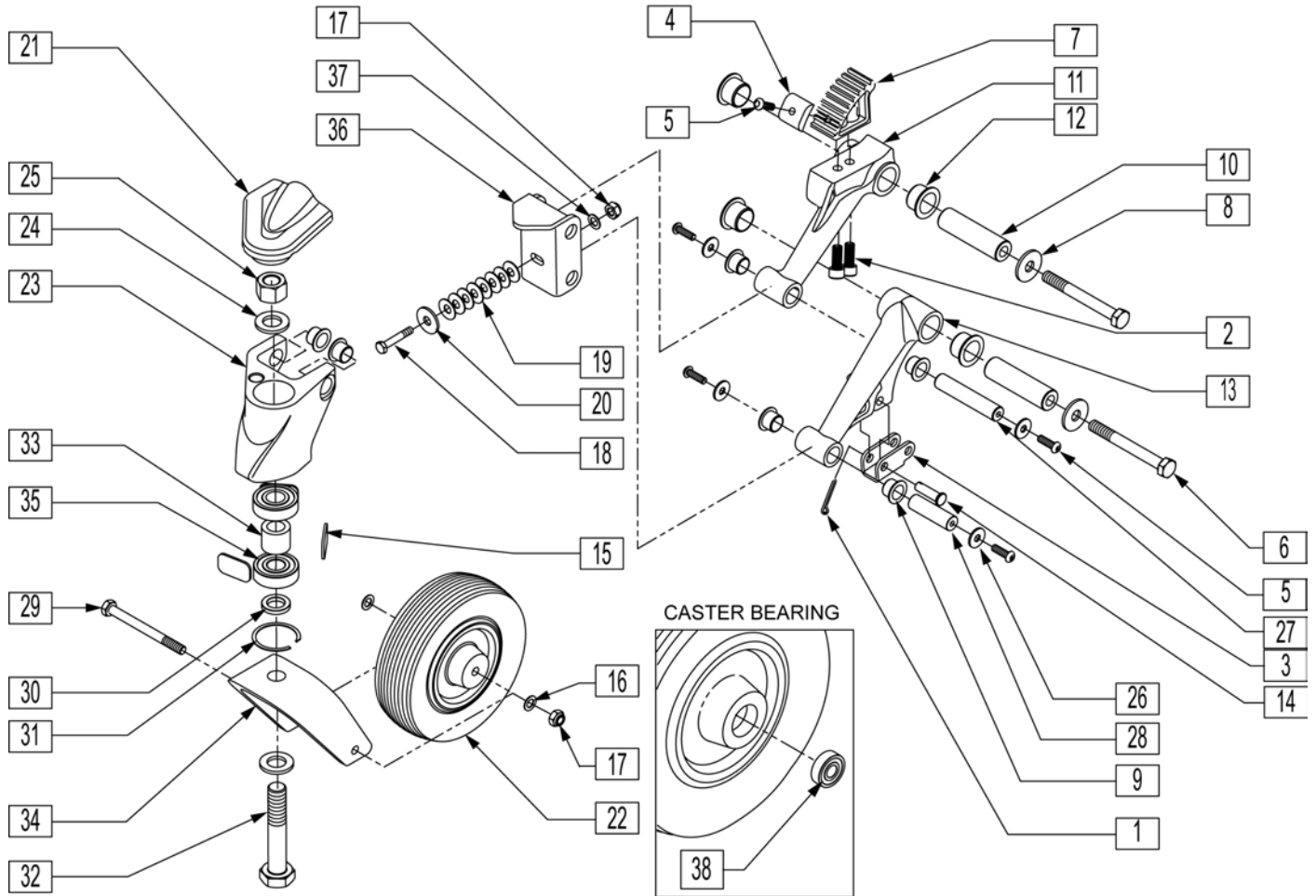


Pos.	Item Number	Description	Remarks
1	200135	CONICAL LUG NUT	
2	221116	1/4-20 X 1 SOC HD BLK	
3	384739	INNER TUBE 14"X 3" 90D STEM	
4A	400782	INNER WHEEL 8 SPOKE CAST	
4B	400786	INNER WHEEL 8 SPOKE GLOSS BLACK	
5A	400784	OUTER WHEEL WIDE CAST	
5B	400785	OUTER WHEEL CHROME	
6A	384520	3.00 X 8" PNEUMATIC V GROOVE TIRE	
6B	384262	3.00 X 8" V-GROOVE W/INSRT 5 SPK	
6C	384709	TIRE PNEU 14" X 3" (KNOBBY)	
6D	384261	3.00 X 8" KNOBBY W/INSRT 5 SPK	
2-3,4A,5A,6C	762086	WHL 8 SPK 3x8 KNOB PNEU CAST	CAST WHEEL, PNEUMATIC GREY TIRE
2,4A,5A,6D	124579	WHL 8 SPK 3x8 KNOB DD CAST	CAST WHEEL, GREY TIRE, SOLID INSERT
2-3,4B,5B,6C	762092	WHL 8 SPK 3x8 KNB PNU BLK & CHROME	BLACK & CHROME WHEEL, PNEUMATIC GREY TIRE
2,4B,5B,6D	124578	WHL 8 SPK 3X8 KNB DD BLACK	BLACK & CHROME WHEEL, GREY DUAL DENSITY TIRE, SOLID INSERT
1,2	101531	DRIVE WHEEL HDWR KIT	INCLUDES QTY 4 OF ITEM 1 AND QTY 8 OF ITEM 2

RHYTHM FRONT CASTER

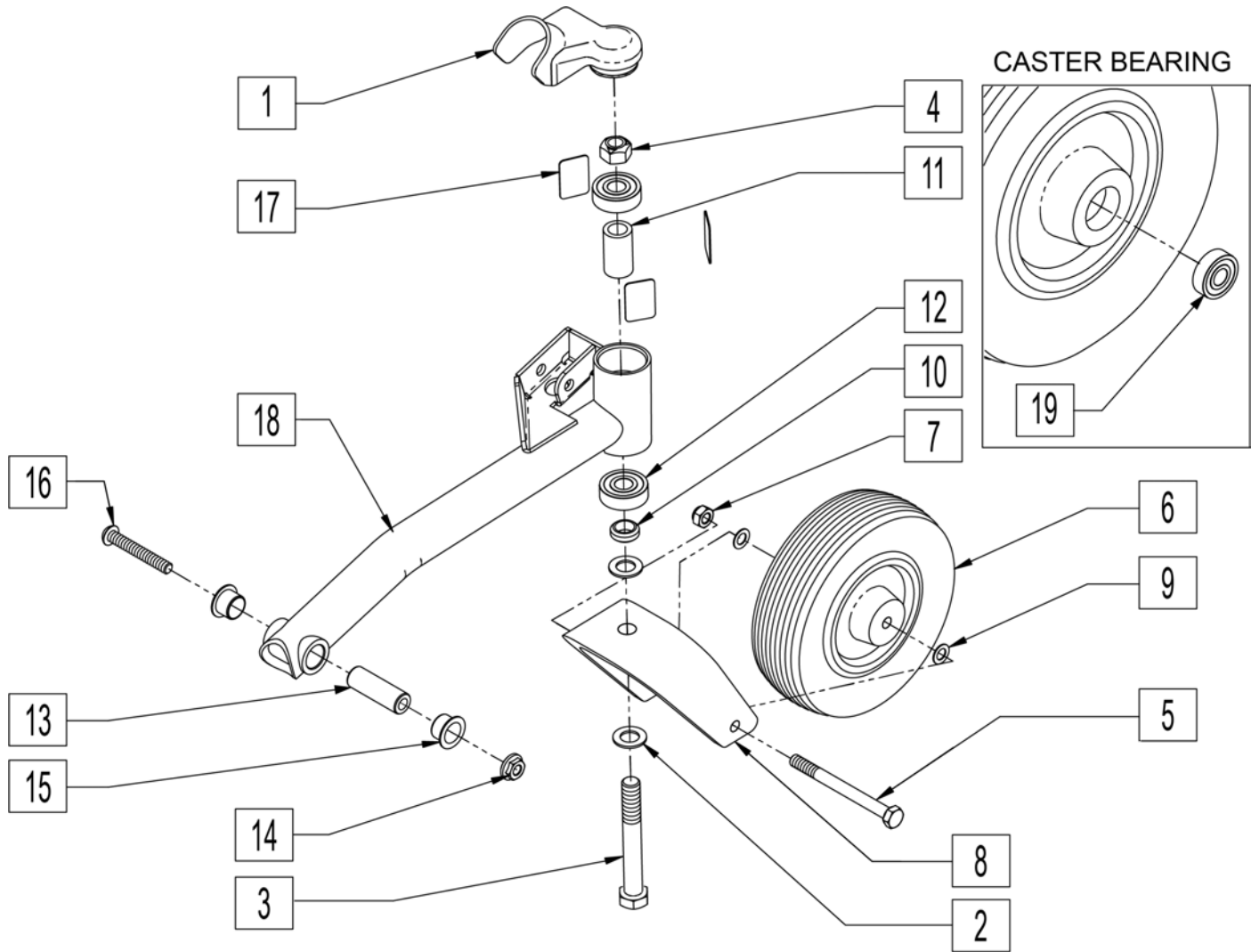
[09/2011]

NOTE: Hardware Kit contains qty 1 of items 1,4,5 & 14; qty 2 of items 2,6 & 8; qty 4 of item 26.

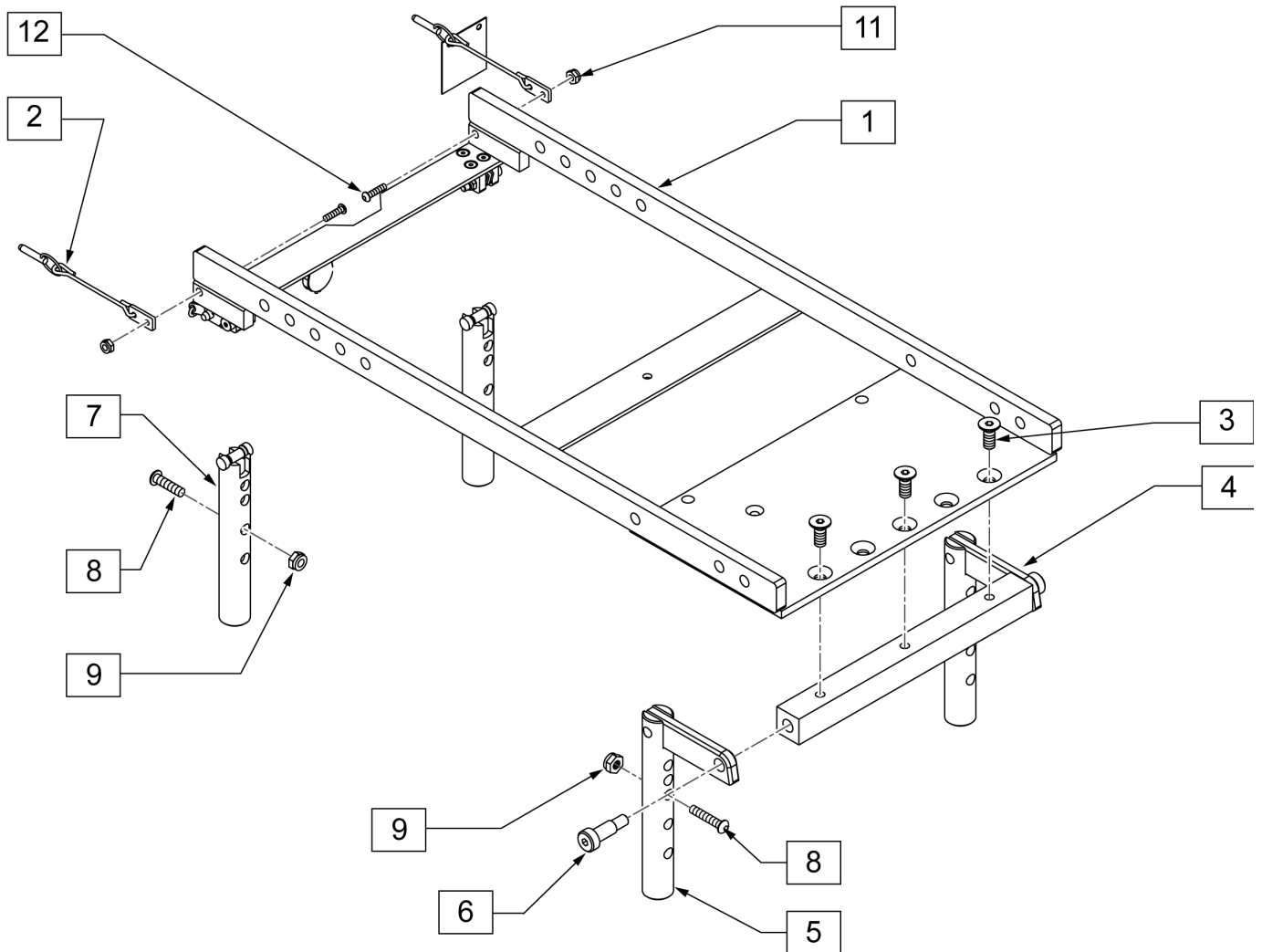


Pos.	Item Number	Description	HCPC	Remarks
1	011885	7/64" X 1" COTTER PIN		
2	013158	SHCS M8 x 1.25 x 20 BLK W/PL		
4	010973	CLAMP BELT		
5	230114	BHCS M6 x 1 x 20 W/PL		
7	010962	PULLEY TOOTHED HPPD8 BELT		
21	506242	CAP FRONT CASTER HOUSING		RIGHT
21	506243	CAP FRONT CASTER HOUSING		LEFT
22	400735	WHEEL CASTER 6 x 2 SOLID	K0077	
29	010517	M8 X 1.25 X 90 HHCS GD 10.9		
30	481480	CASTER FORK SPACER		
35	349542	BEARING BALL 6203-2RS-16		
36	011622	WELDMENT CASTER TRANSFER PLATE		
38	349502	7/8 X 5/16 BEARING		
9,15,23, 31,33,35	014192	FRONT CASTER HOUSING		RIGHT
9,15,23, 31,33,35	014193	FRONT CASTER HOUSING		LEFT
2,7,9, 11,12	014194	FRONT UPPER LINK KIT		RIGHT
2,7,9, 11,12	014364	FRONT UPPER LINK KIT		LEFT

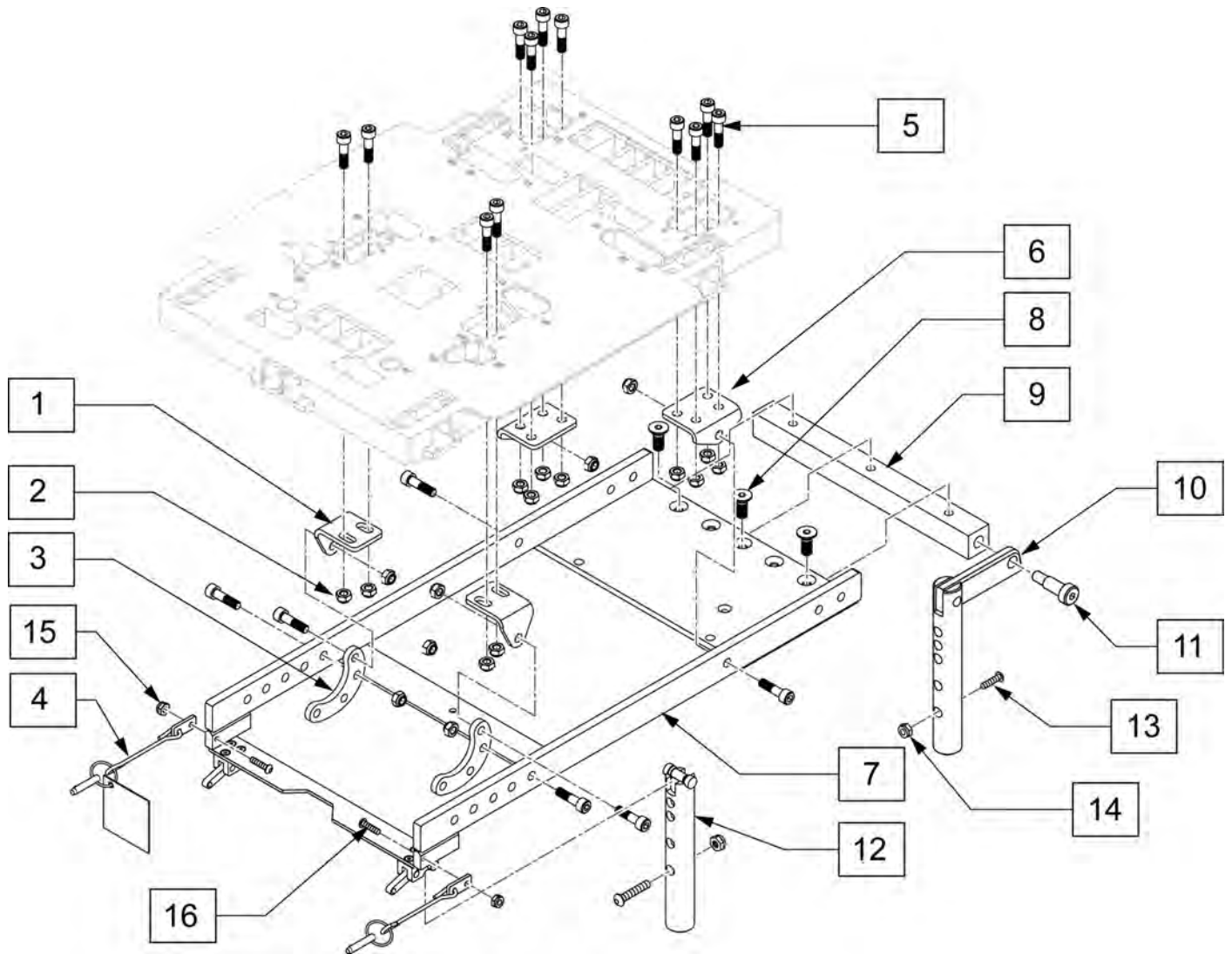
Pos.	Item Number	Description	HCPC	Remarks
1,3,13, 14	014195	FRONT LOWER LINK KIT		RIGHT
1,3,13, 14	014365	FRONT LOWER LINK KIT		LEFT
16,17,22, 24,25,32, 34	101522	RHYTHM FRONT CASTER KIT		
1,2,4-6, 8,14,26	101523	RHYTHM FRONT CASTER HDWR KIT		
1,5,8, 14,26	101958	RHY LNK FRONT SUSP HDWR KIT		
16, 17, 22, 29	014197	CASTER WHEEL ASSEMBLY		
17-20, 36,37	101960	RHY CASTER TRANSFER PLATE KIT		
21,24,25, 31,32,34	101961	RHY FRONT FORK & STEM KIT		RIGHT
21,24,25, 31,32,34	101962	RHY FRONT FORK & STEM KIT		LEFT
5,6,8-10,12,26-28	101964	RHY LNK FROT PIVOT & BUSNG KIT		KIT
5,6,8-10, 12,26-28	101964	RHY LNK FROT PIVOT & BUSNG KIT		



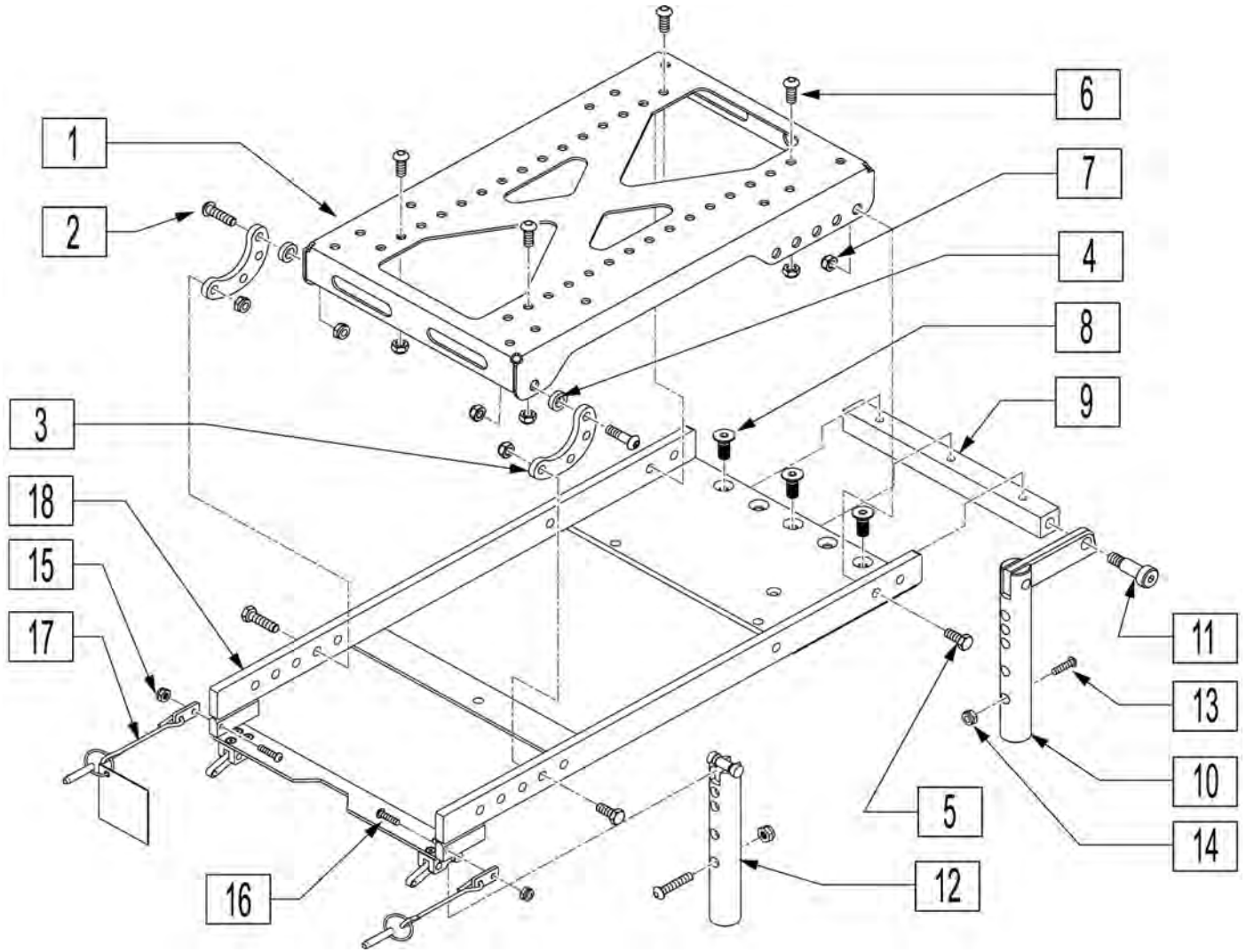
Pos.	Item Number	Description	HCPC	Remarks
1	506244	CAP REAR CASTER HOUSING		RIGHT
1	506245	CAP REAR CASTER HOUSING		LEFT
6	400735	WHEEL CASTER 6 x 2 SOLID	K0077	
12	349543	BEARING BALL 6201-2RS		
2-4,8	014196	CASTER FORK ASSEMBLY		
5-7,9	014197	CASTER WHEEL ASSEMBLY		
11-18	014198	CASTER ARM REAR STRUT ASSEMBLY		RIGHT
11-18	014199	CASTER ARM REAR STRUT ASSEMBLY		LEFT
5,7,9, 14,16	101481	REAR CASTER ASSM HDWR KIT		
19	349502	7/8 X 5/16 BEARING		



Pos.	Item Number	Description
1, 2	108798	INTERFACE ASSM RHYTHM
2	013728	PIN QUICK RELEASE .25 x .8 IN
3	230129	FHCS M8 x 1.25 x 20 W/ PL
4	014773-001	PIVOT BLOCK REAR RHYTHM
5	014704	WELDMENT POST REAR RHYTHM & GROOVE
6	011514-004	SHOULDER BOLT 10mm x 20 W/ PTCH
7	013724	POST WELDMENT FRONT RHYTHM
8	102266	BHCS M8 X 1.25 X 35 INORGANIC
9	210085	NUT HEX NYLOCK M8 BLK
11	220121	NUT HEX NYLOCK (M5)
12	230497	M5 X .8 X 20MM (BHCS)

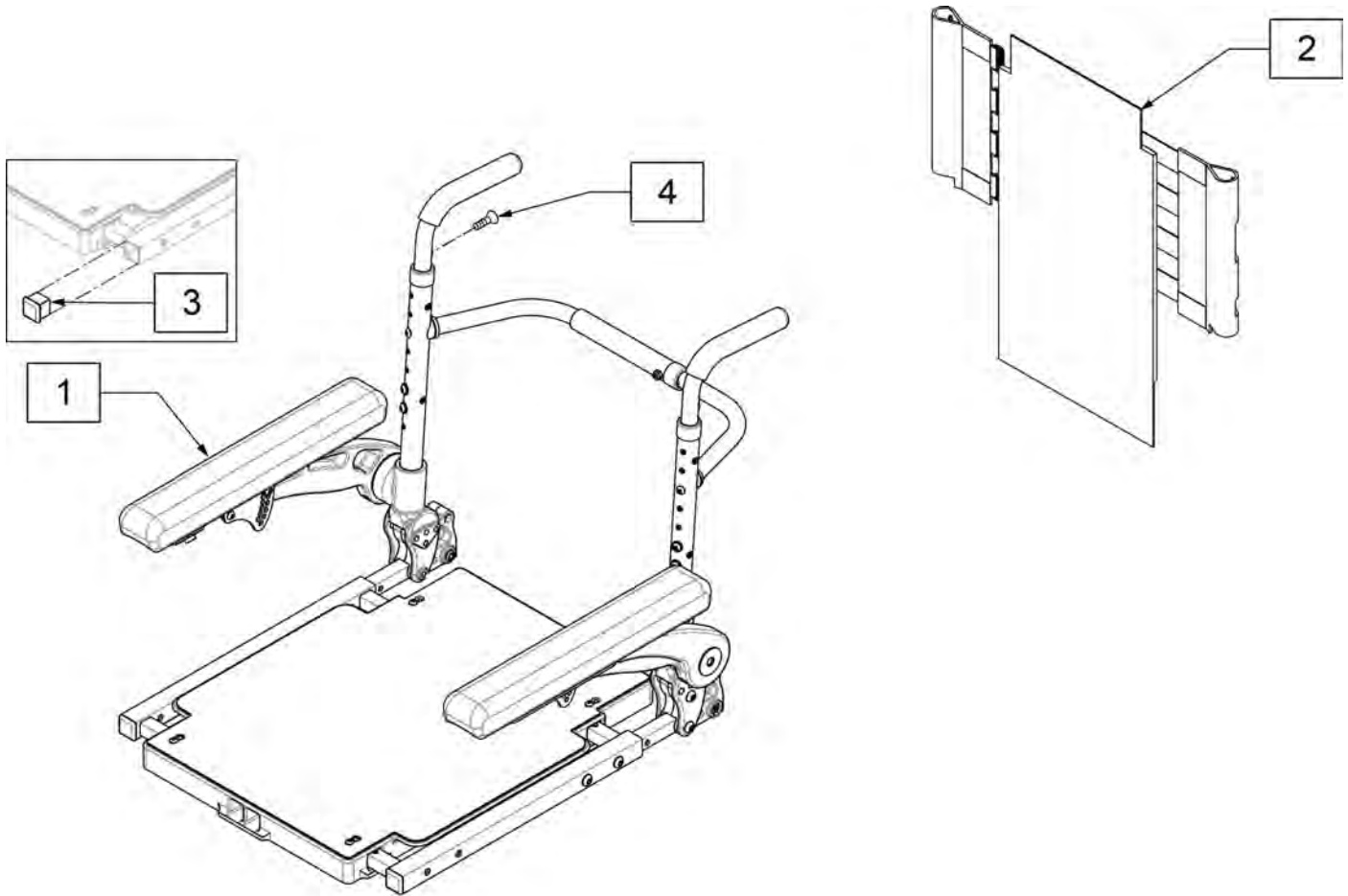


Pos.	Item Number	Description
1	103201	BRACKET FRONT NONTILT ASAP
2	210085	NUT HEX NYLOCK M8 BLACK
3	524093	PACKER ADJ BRACKET
4	013728	PIN QUICK RELEASE .25X.8IN
5	230135	SHCS M8 X 1.25 X 30
6	103199	BRACKET REAR NON-TILT ASAP
4, 7,15,16	108798	INTERFACE ASSY RHYTHM
8	230129	FHCS M8 X 1.25 X 20 W/PL
9	014773-001	PIVOT BLOCK REAR RHYTHM
10	014704	WELDMENT POST REAR RHYTHM GRV
11	011514-004	SHOULDER BOLT 10 MMX 20 W/PTCH
12	013724	POST WELDMENT FRONT RHTYHM
13	102266	BHCS M8 X 1.25 X 35 INORGANIC
14	210085	NUT HEX NYLOCK M8 BLK
15	220121	NUT HEX NYLOCK (M5)
16	230497	M5 X .8 X 20MM (BHCS)
1-12,15,16	111955	NON TILT ASAP ASSM



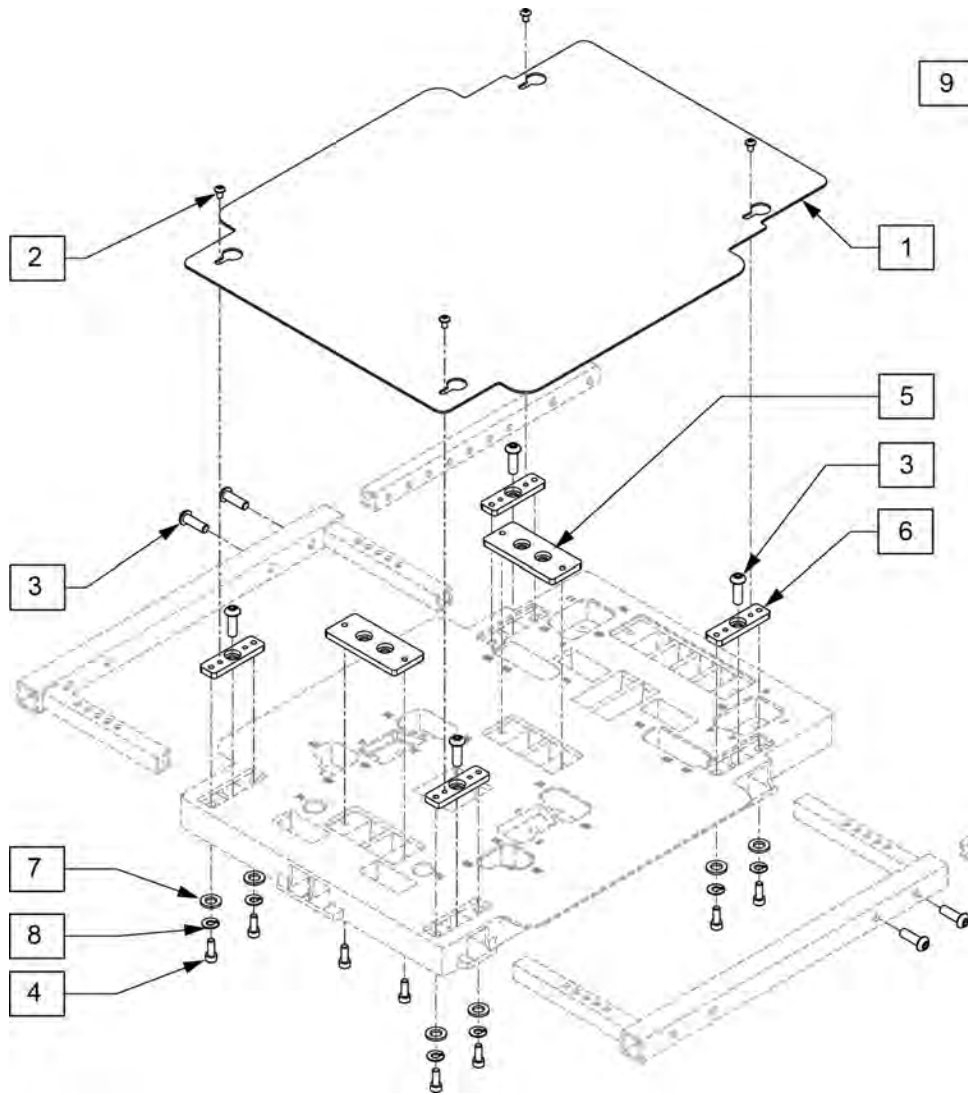
Pos.	Item Number	Description
1	013338	PACKER MODULE
2	013355	HHCS M8 X 1.25 X 30 BLK
3	524093	PACKER ADJ BRACKET
4	505562	ANTI TIP WHEEL SPACER S626
5	013923	HHCS M8 X 1.25 X 25 W PTCH
6	013149	BHCS M8 X 1.25 X 16 BLK W/PL (Rehab)
7	210085	NUT HEX NYLOCK M8 BLACK
8	230129	FHCS M8 X 1.25 X 20 W/PL
9	014773-001	PIVOT BLOCK REAR RHYTHM
10	014704	WELDMENT POST REAR RHYTHM GRV
11	011514-004	SHOULDER BOLT 10 MMX 20 W/PTCH
12	013724	POST WELDMENT FRONT RHYTHM
13	102266	BHCS M8 X 1.25 X 35 INORGANIC
14	210085	NUT HEX NYLOCK M8 BLK
15-18	108798	INTERFACE ASSY RHYTHM
1-12	111954	NON TILT ASAP ASSM

Note: To achieve 19" & 20" back depth on ASAP seating order Qty 2 117840.



Pos.	Item Number	Description	Remarks
1	108661	ASAP SEAT ASSEMBLY	Includes everything except interface and upholstery
2	060675	STANDARD BACK UPHOLSTERY	
3	010615	SQUARE END CAP CNTR LEG SUPPORT	
4	230497	M5-.8 X 20 MM BH C/S	

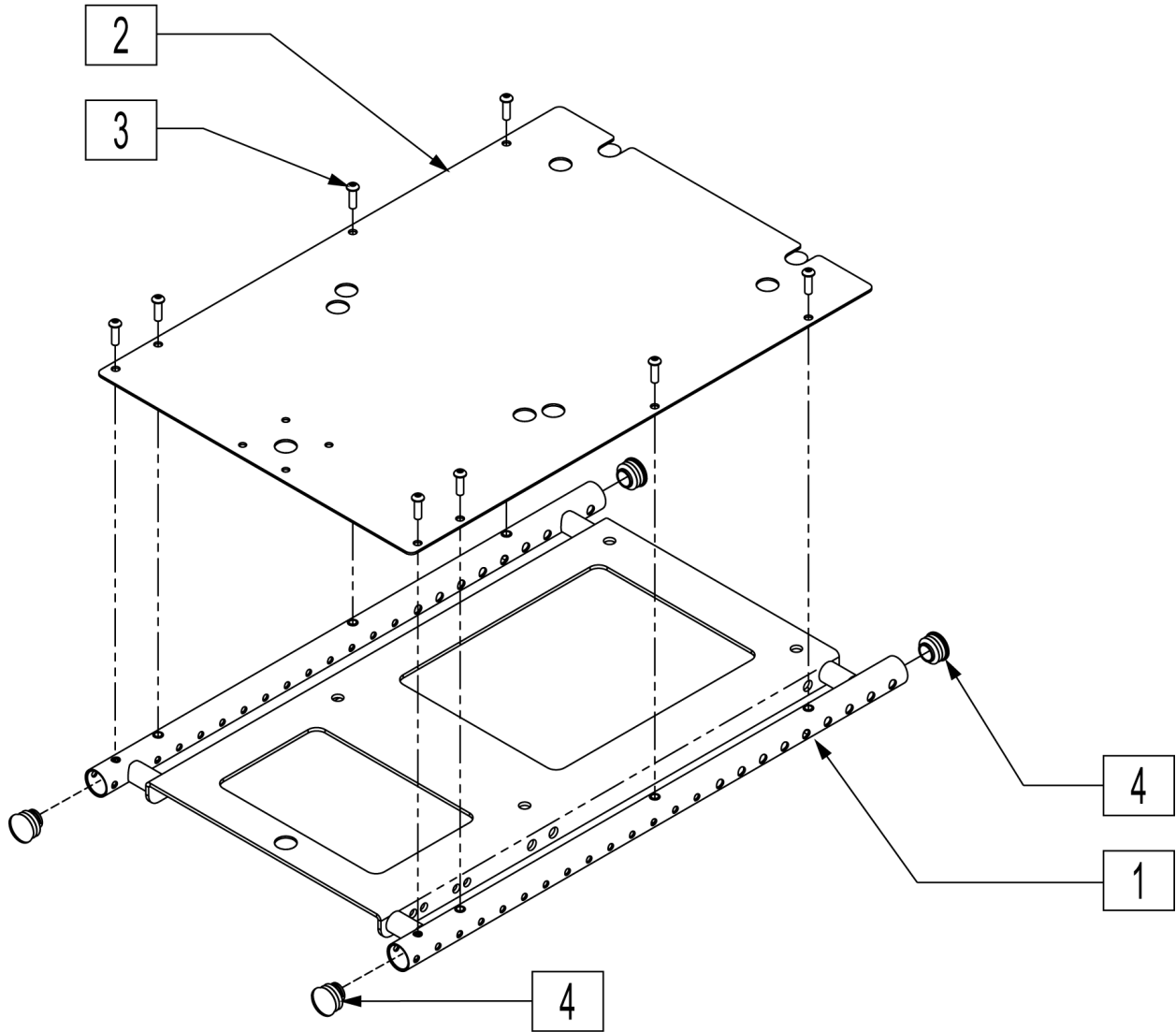
ASAP SEAT FRAME COVER



DESCRIPTION	QTY.
WASHER FLAT M6 BLK	24
WASHER LOCK M6	12
SHCS M6 X 1 X 16 BLK	14
BHCS M5 X .8 X 8 BLK W/PL	4
BHCS M8 X 1.25 X 25 BLK	8
FHCS M6 X 1 X 20 BLK	4
WASHER M10 X 35 X 1.5 BLK	2
BHCS M10 X 40 BLK 12.9	2
BHCS M8 X 1.25 X 45 BLK	6
NUT HEX NYLOCK M8 BLK	4
BHCS M8 X 1.25 X 35 BLK IO	2
BHCS M6 X 1 X 20 BLK W/PL	8
BHCS M6 X 1 X 12 BLK	4
HHCS M5 X .8 X 12 BLK	2
NUT HEX NYLOCK M5 BLK	2
BHCS M6 X 1 X 30 BLK W/PL	5
NUT HEX NYLOCK M6 BLK	1
6MM WASHER WAVE	2
BHCS M6 X 1 X 45 BLK	2
WASHER FLAT M8	2
M8 X 1.25 JAM NUT HEX BLK	2
INSERT PLATE 1	4
INSERT PLATE 2	2

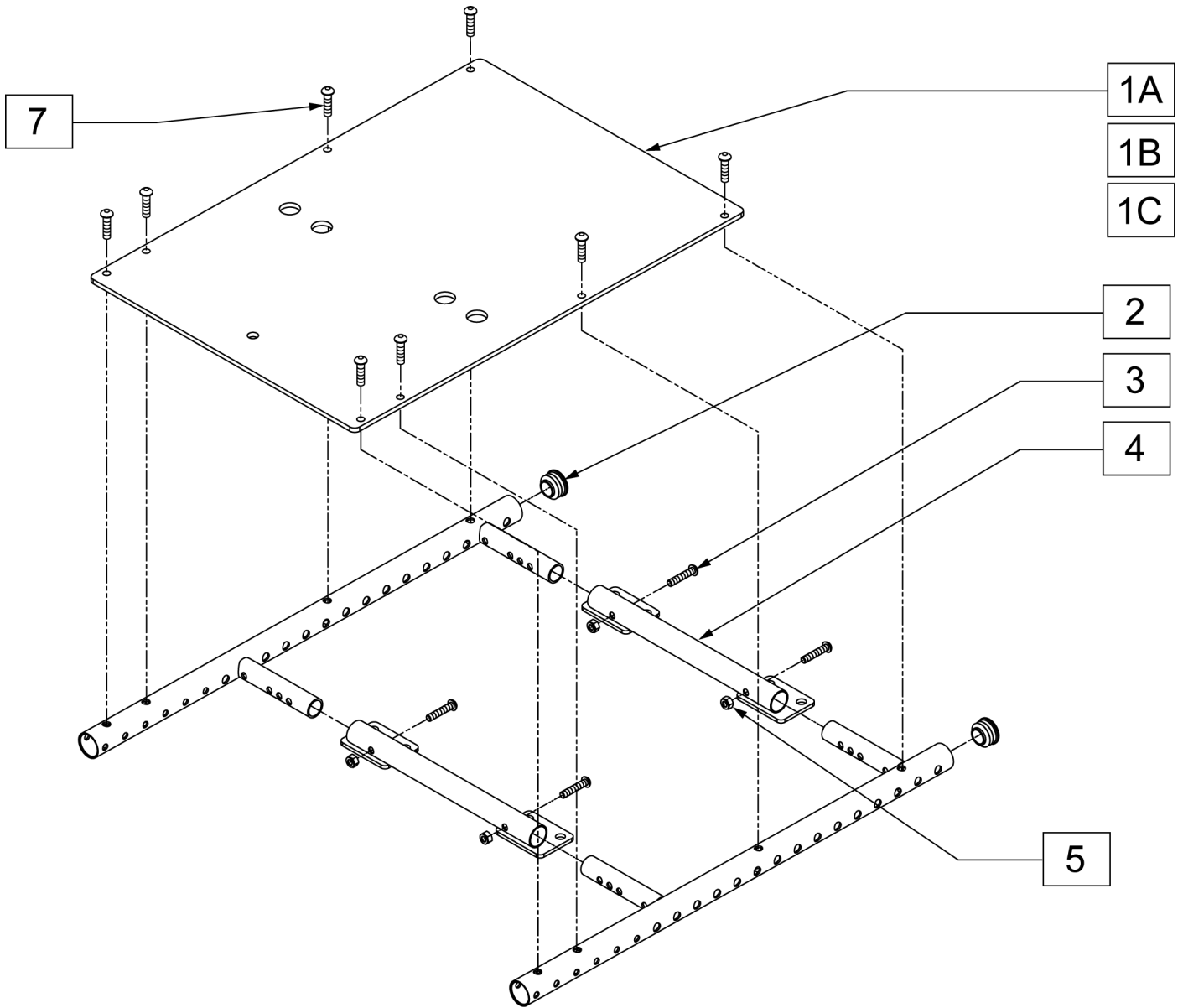
Pos.	Item Number	Description	Remarks
1	014918	SEAT COVER	
2	n/a	BHCS M5X0.8X8	Only available in Hardware Kit
3	n/a	BHCS M8 X 1.25 X 25	Only available in Hardware Kit
4	n/a	SHCS M6 X 1 X 16	Only available in Hardware Kit
5,6	119339	ASAP SEAT HARDWARE PLATES	
7	n/a	WASHER, FLAT, M6	Only available in Hardware Kit
8	n/a	WASHER, LOCK, M6	Only available in Hardware Kit

Note: 24" seat widths ar not offered on Rhythm chairs with serial number prefix RTMA.



Pos.	Item Number	Description	Remarks
2A	125113	SEAT PAN 15	15W x 12D-20D
2A	125114	SEAT PAN 16	16W x 12D-20D
2A	125115	SEAT PAN 17	17W x 12D-20D
2A	125116	SEAT PAN 18	18W x 12D-20D
2A	125117	SEAT PAN 19	19W x 12D-20D
2A	125118	SEAT PAN 20	20W x 12D-20D
2A	125120	SEAT PAN 22	22W x 12D-20D
2A	125122	SEAT PAN 24	24W x 12D-20D
2B	125124	SEAT PAN LONG 15	15W x 22D
2B	125125	SEAT PAN LONG 16	16W x 22D
2B	125126	SEAT PAN LONG 17	17W x 22D
2B	125127	SEAT PAN LONG 18	18W x 22D
2B	125128	SEAT PAN LONG 19	19W x 22D
2B	125129	SEAT PAN LONG 20	20W x 22D
2B	125131	SEAT PAN LONG 22	22W x 22D
2B	125133	SEAT PAN LONG 24	24W x 22D
3	230497	M5-.8 X 20 MM BH C/S	
4	561062	1" INSERT PLUG .065 RIBS	Pack of 4
5	011403	EXTENSION 2" FRONT FRAME REHAB	
1,2A-4	100238	REHAB SEAT BASE 15W	15W x 12D-20D
1,2A-4	100239	REHAB SEAT BASE 16W	16W x 12D-20D
1,2A-4	100250	REHAB SEAT BASE 17W	17W x 12D-20D
1,2A-4	100267	REHAB SEAT BASE 18W	18W x 12D-20D
1,2A-4	100268	REHAB SEAT BASE 19W	19W x 12D-20D
1,2A-4	100269	REHAB SEAT BASE 20W	20W x 12D-20D
1,2A-4	100306	REHAB SEAT BASE 22W	22W x 12D-20D
1,2A-4	100319	REHAB SEAT BASE 24W	24W x 12D-20D
1,2B-5	100345	REHAB SEAT 15W W/2" EXTENSION	15W x 22D
1,2B-5	100346	REHAB SEAT 16W W/2" EXTENSION	16W x 22D
1,2B-5	100347	REHAB SEAT 17W W/2" EXTENSION	17W x 22D
1,2B-5	100352	REHAB SEAT 18W W/2" EXTENSION	18W x 22D
1,2B-5	100366	REHAB SEAT 19W W/2" EXTENSION	19W x 22D
1,2B-5	100367	REHAB SEAT 20W W/2" EXTENSION	20W x 22D
1,2B-5	100369	REHAB SEAT 22W W/2" EXTENSION	22W x 22D
1,2B-5	100371	REHAB SEAT 24W W/2" EXTENSION	24W x 22D

SEAT BASE REHAB (12-14 WIDE)

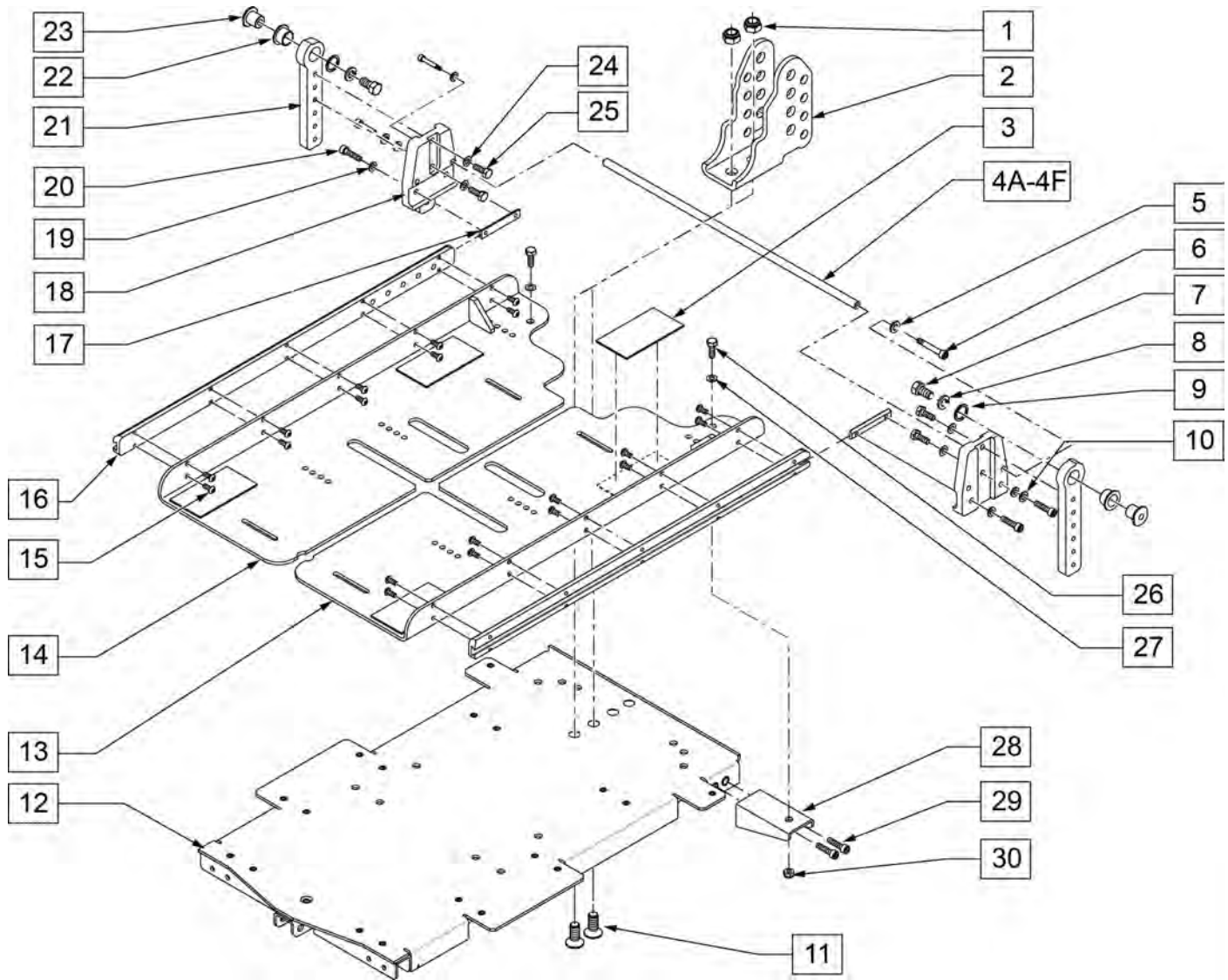


Pos.	Item Number	Description	Remarks
1A	011053-001	SEAT PAN 12	12w x 12d-20d
1B	011053-002	SEAT PAN 13	13w x 12d-20d
1C	011053-003	SEAT PAN 14	14w x 12d-20d
2	561062	1" INSERT PLUG .065 RIBS	
3	011600	HHCS M6 X 1.0 X 35 BLK	
4	010770	WELDMENT SPREADER TUBE	
5	210084	NUT HEX NYLOCK M6 BLACK	
7	230497	M5-.8 X 20 MM BH C/S	
2,6	105970	WELDMENT FRAME SIDE NARROW L ASSM	LEFT
2,6	105958	WELDMENT FRAME SIDE NARROW R ASSM	RIGHT

RECLINE WITH POWER SHEER SEAT FRAME

(10/2011)

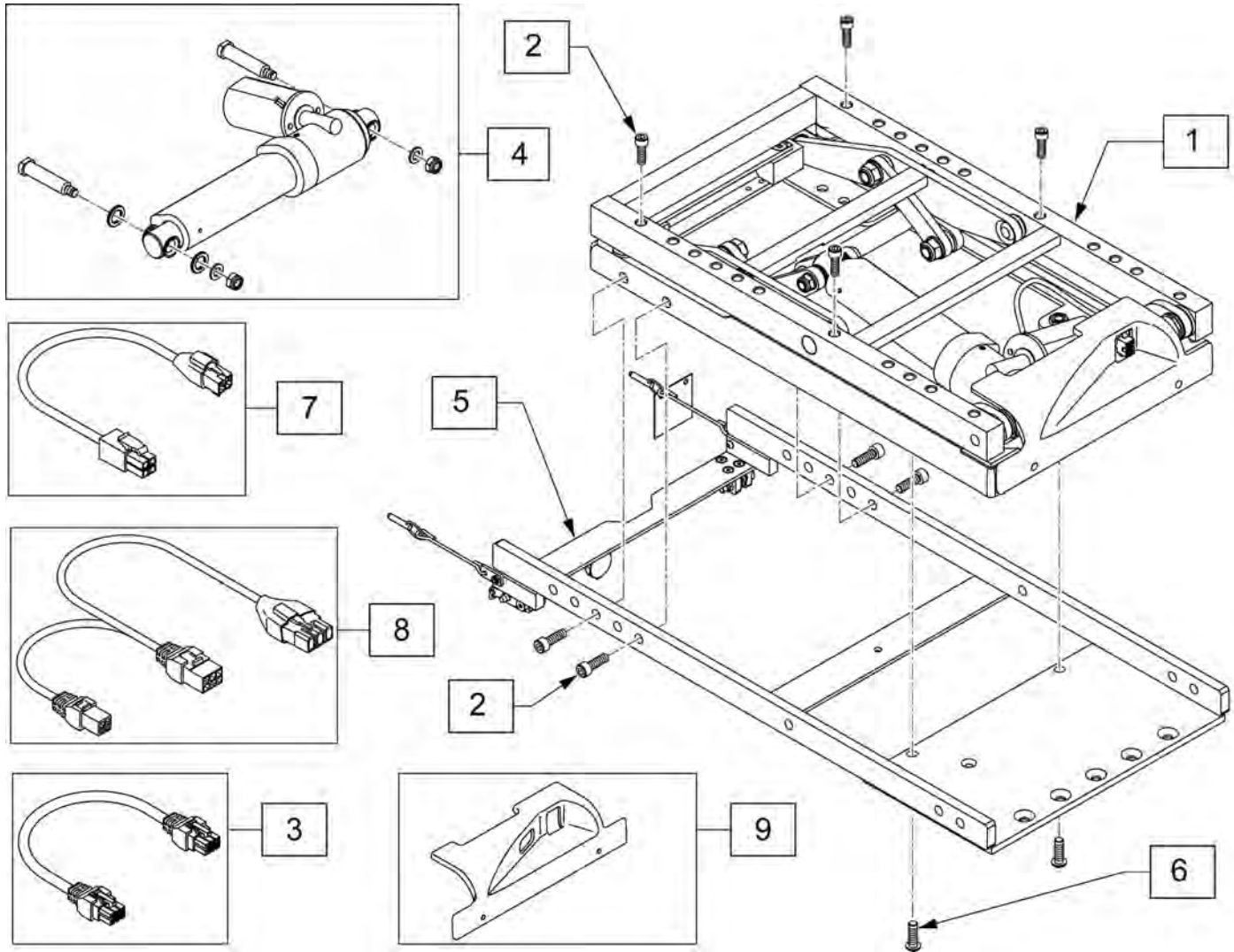
Note: On QM7 series fits chairs prior to S/N prefix QM710A, QM715A & QM720A.



Pos.	Item Number	Description	Remarks	Pos.	Item Number	Description	Remarks
1	210074	M8 NUT NYLOCK BLK		9	103462	WASHER 21/32"ID X 27/32"OD	
2	102912	BRACKET REAR ADJ PIVOT		10	262133	WASHER LOCK M6	
3	011806-001	VELCRO 2 x 3		11	230129	FHCS M8 x 1.25 x 20 W/ PL	
4A	103194-001	CROSSBAR 16W	16" WIDE	12	102937	BASE SEAT PAN	
4B	103194-002	CROSSBAR 17W	17" WIDE	13	102922	WING SEAT PAN-LEFT	
4C	103194-003	CROSSBAR 18W	18" WIDE	14	102923	WING SEAT PAN-RIGHT	
4D	103194-004	CROSSBAR 19W	19" WIDE	15	102259-001	BHCS M5 x .8 x 12 W/PL INORG	
4E	103194-005	CROSSBAR 20W	20" WIDE	16	102915	DOVE TAIL CHANNEL	
4F	103194-006	CROSSBAR 22W	22" WIDE	17	102955	NUT CHANNEL M6 x 50.8	
5	250104	WASHER FLAT M6		18	102913	MOUNT REAR ADJ PIVOT	
6	102262-001	SHCS M6 x 1 x 8 W/ PL		19	250104	WASHER FLAT M6	
7	223120	3/8 16 X .625 HEX HD C/S W/ PATCH		20	221102	1/4-28 x 3/4 HEX C/S BLK W/ PAT	
8	262141	3/8 LOCK WASHER		21	117829	REAR PIVOT POST ADJ	

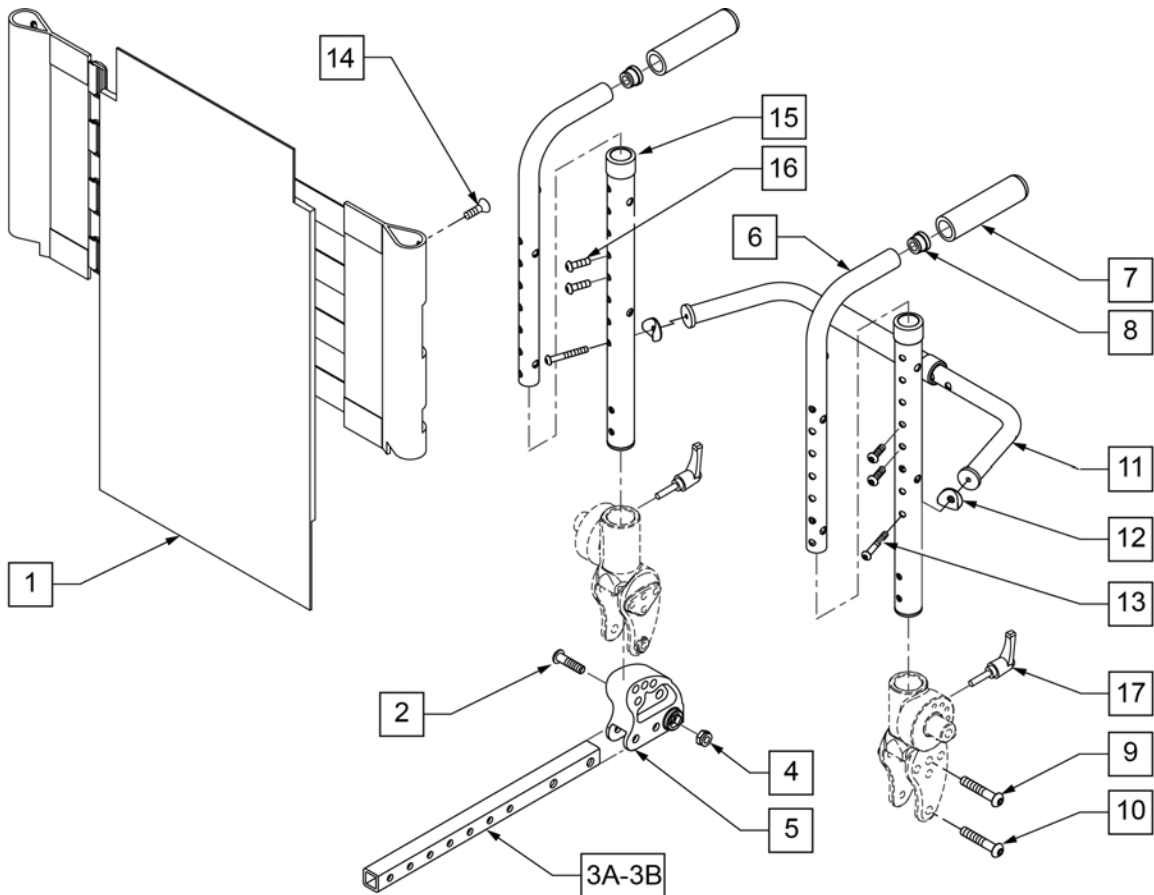
Pos.	Item Number	Description	Remarks	Pos.	Item Number	Description	Remarks
22	349595	BEARING INGUS 3/8 x 15/32 x1/2		27	011648	WASHER FLAT M8	
23	481466	REC PIVOT BOSS		28	102932	BRKT LEAF	
24	106943	WASHER FLAT AN 1/4 ROHS		29	102260-001	SHCS M5X0.8X18 FULL NP	
25	221102	1/4-28 x 3/4 HEX C/S BLK W/ PAT		30	210085	M8-20 HEX C/S	
26	234950	M8-20 HEX C/S					

Note: If adding tilt to a chair w/o tilt, Retro Kit must be ordered and the following electronics must be ordered separately:
 VR2 w/ thru drive (Joystick-105376 & controller - 104451)
 Rnet or VR2 w/ Toggle (Toggle retro kit - 110842)
 Rnet w/ thru drive (no other items needed)



Pos.	Item Number	Description
1,4	129883	MDL PWR TILT SPOT W/FERRITE
2	055028	SHCS M8 X 1.25 X 25
3	020063-040	HARNESS DELPHI ACTUATOR 400mm
4	106694	KIT TILT SPOT ADJ LIM ACT
5	108798	INTERFACE ASSM RHYTHM
6	230006	BHCS M8 X 1.25 X 25
7	111438-010	HARN VR2 DRIVE THRU ACT 100MM
8	104977-020	HARN ADPT ACT TO VR2 200MM
1-8	111956	SPOT TILT KIT
9	118026	TILT MODULE SHROUD, REAR

Note: Use to achieve 19 & 20" back depths with Solid Back, Curved, Jay SPO of Art SPO Back



Pos.	Item Number	Description	Remarks
1	060675	ASAP SEAT UPHOLSTERY	One size fits all
2	n/a	BHCS M8X35	
3B	117840	19 - 20 ASAP ST DEPTH KIT	
4	n/a	M8 NYLOCK NUT	
9	n/a	BHCS M8 X 1.25 X 45	
10	n/a	BHCS M8 X 1.25 X 55	
14	n/a	PHMS M5 X .8 X 20	
17	118826	CLAMPING HANDLE M6X25 PAIR	PAIR
3A-5	108784	BACKREST DEPTH ADJ ASM	PAIR
6-8	108785	PUSH HANDLES W/ GRIPS PARTS	PAIR
11-13	105628	TOWEL RAIL ASSY W/ HDWR SP	
7,8,11-13,15,16	060329	BACKREST ASSEMBLY	

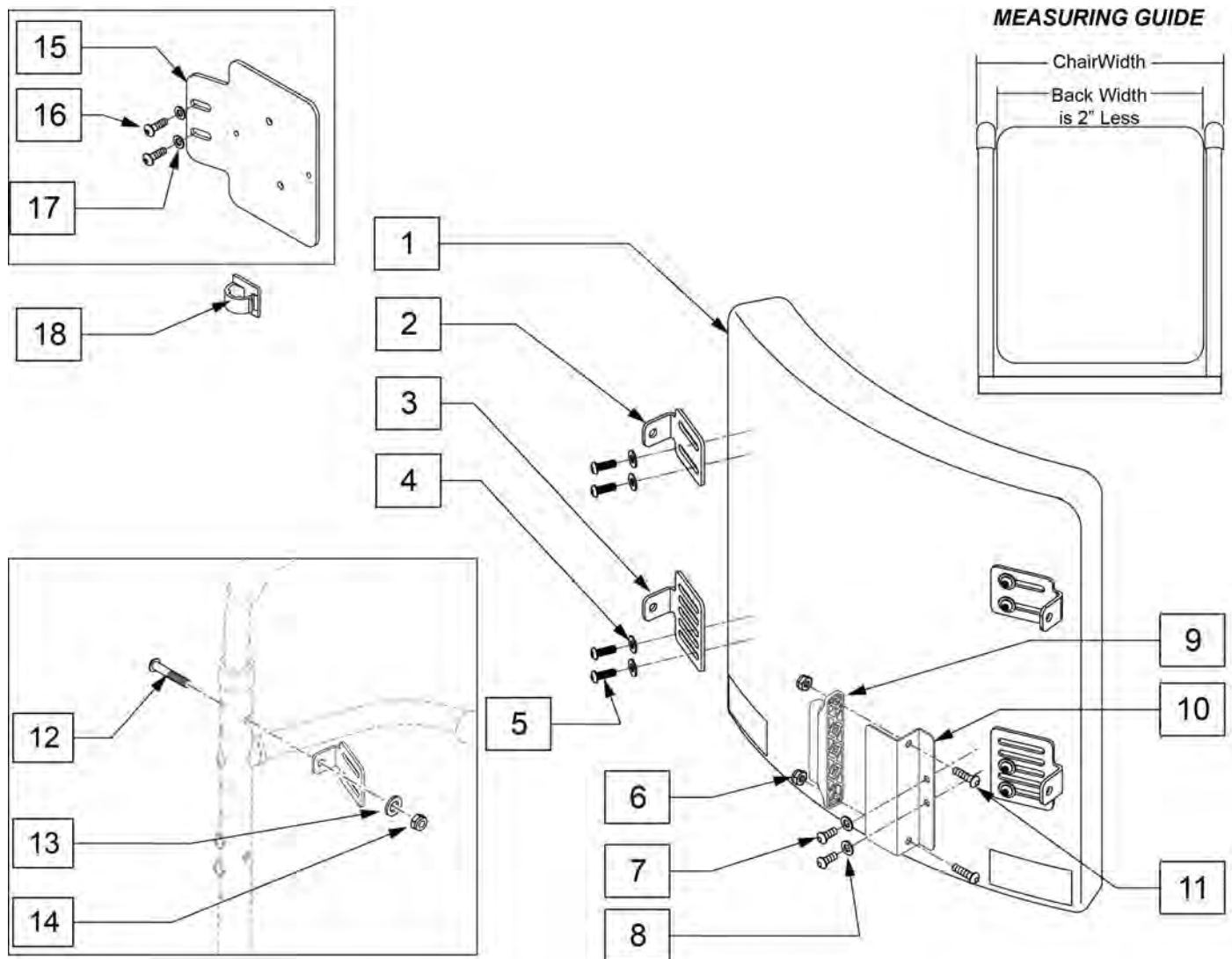
CURVED BACKREST

(10/2011)

Note: Replacement Backs are listed based on actual chair width. Please note that backs are actually 2" narrower than the chair. For example, 16 x 16 back is 14 wide and used on 16" wide chair.

Note: Back Assemblies do not include mounting bolts. Reference no.'s 12,13,&14 on parts page.

Note: To achieve 19" & 20" back depth on ASAP seating order Qty 2 117840.

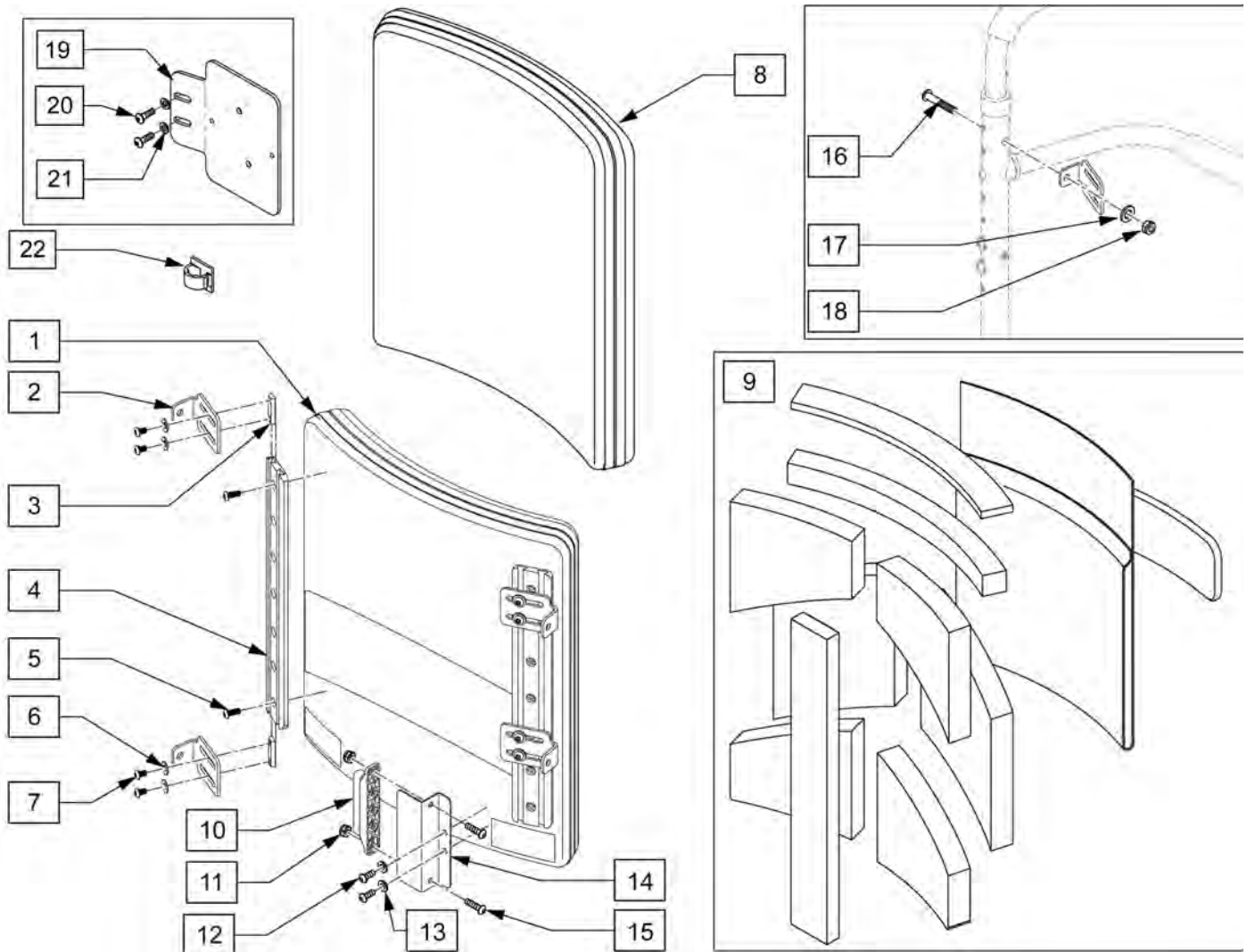


Pos.	Item Number	Description	Remarks
2-5	107064	MOUNTING KIT	4 brackets & hardware
1-5	106315-031	BACK STD COMP ASSY 12X12	
1-5	106315-032	BACK STD COMPLETE 12X14	
1-5	106315-033	BACK STD COMPLETE 12X16	
1-5	106315-035	BACK STD COMPLETE 13X12	

Pos.	Item Number	Description	Remarks
1-5	106315-036	BACK STD COMPLETE 13X14	
1-5	106315-037	BACK STD COMPLETE 13X16	
1-5	106315-038	BACK STD COMPLETE 13X18	
1-5	106315-039	BACK STD COMPLETE 13X20	
1-5	106315-041	BACK STD COMPLETE 14X12	
1-5	106315-042	BACK STD COMPLETE 14X14	
1-5	106315-043	BACK STD COMPLETE 14X16	
1-5	106315-044	BACK STD COMPLETE 14X18	
1-5	106315-045	BACK STD COMPLETE 14X20	
1-5	106315-047	BACK STD COMPLETE 15X12	
1-5	106315-048	BACK STD COMPLETE 15X14	
1-5	106315-049	BACK STD COMPLETE 15X16	
1-5	106315-050	BACK STD COMPLETE 15X18	
1-5	106315-051	BACK STD COMPLETE 15X20	
1-5	106315-052	BACK STD COMPLETE 16X12	
1-5	106315-053	BACK STD COMPLETE 16x14	
1-5	106315-054	BACK STD COMPLETE 16x16	
1-5	106315-001	BACK STD COMPLETE 16X18	
1-5	106315-002	BACK STD COMPLETE 16X20	
1-5	106315-003	BACK STD COMPLETE 16X22	
1-5	106315-004	BACK STD COMPLETE 16X24	
1-5	106315-055	BACK STD COMP ASSY 17X14	
1-5	106315-056	BACK STD COMP ASSY 17X16	
1-5	106315-005	BACK STD COMPLETE 17X18	
1-5	106315-006	BACK STD COMPLETE 17X20	
1-5	106315-007	BACK STD COMPLETE 17X22	
1-5	106315-008	BACK STD COMPLETE 17X24	
1-5	106315-057	BACK STD COMP ASSY 18X16	
1-5	106315-009	BACK STD COMPLETE 18X18	
1-5	106315-010	BACK STD COMPLETE 18X20	
1-5	106315-011	BACK STD COMPLETE 18X22	
1-5	106315-012	BACK STD COMPLETE 18X24	
1-5	106315-058	BACK STD COMPLETE ASSY 19X16	
1-5	106315-059	BACK STD COMPLETE ASSY 19X18	
1-5	106315-013	BACK STD COMPLETE 19X20	
1-5	106315-014	BACK STD COMPLETE 19X22	
1-5	106315-015	BACK STD COMPLETE 19X24	
1-5	106315-065	BACK STD COMPLETE ASSY 20X16	
1-5	106315-066	BACK STD COMPLETE ASSY 20X18	
1-5	106315-016	BACK STD COMPLETE 20X20	
1-5	106315-017	BACK STD COMPLETE 20X22	
1-5	106315-018	BACK STD COMPLETE 20X24	
1-5	106315-060	BACK STD COMP ASSY 22X16	
1-5	106315-061	BACK STD COMP ASSY 22X18	
1-5	106315-062	BACK STD COMP ASSY 22X20	
1-5	106315-063	BACK STD COMP ASSY 22X22	
1-5	106315-064	BACK STD COMP ASSY 22X24	
6	210084	NUT HEX NYLOCK M6 BLACK	
7	108107	BHCS 1/4-20 X 3/4 ROHS	
8	106943	WASHER FLAT AN 1/4 ROHS	
9	108312	DISTRIBUTION BLOCK	
10	109251	BRKT DSTRBTN BLCK	
11	103185-006	ROHSBHCSM6X1X16FULLNP	
12	230122	BHCSM8X1.25X40FULLNP	
13	011691	WASHER HIGH STRENGTH	
14	210085	NUT HEX NYLOCK M8 BLACK	

Pos.	Item Number	Description	Remarks
15-18	120196	BRACKET ART BACK 3 AXIS CNTR w/HDWR	
16	108107	BHCS 1/4-20 X 3/4 ROHS	
17	106943	WASHER FLAT AN 1/4 ROHS	
18	341220	BATTERY CABLE CLIP	

NOTE: ACTUAL BACK WIDTH MEASUREMENT IS 2" LESS THAN STATED WIDTH.

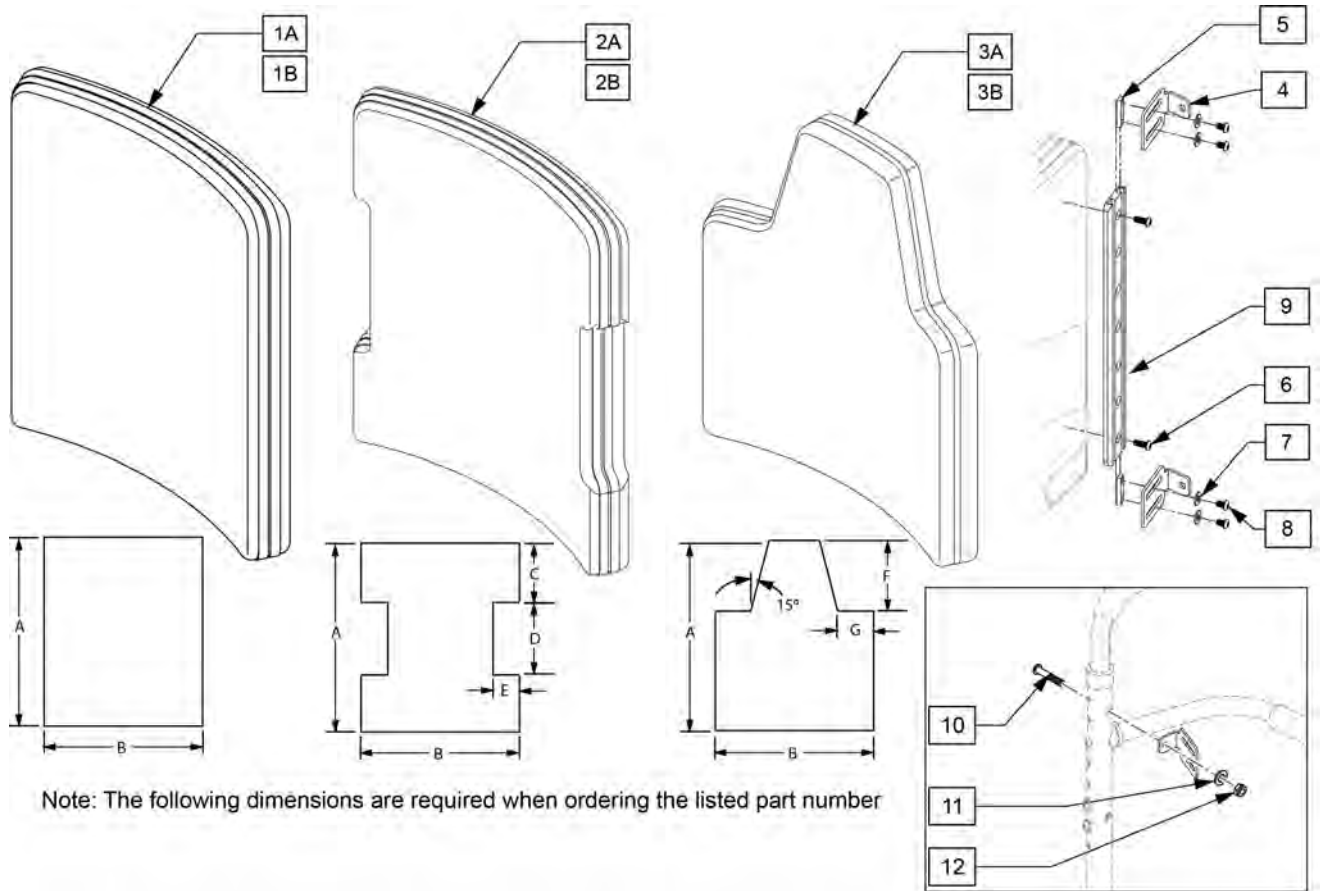


Pos.	Item Number	Description	Remarks
2	107183	CANE BRACKET - STANDARD	
2-7	107310-001	BACK UPGRADE MNTG KIT 14 IN	FITS 18T BACK HEIGHTS
2-7	107310-002	BACK UPGRADE MNTG KIT 16 IN	FITS 20T BACK HEIGHTS
2-7	107310-003	BACK UPGRADE MNTG KIT 18 IN	FITS 22T BACK HEIGHTS
2-7	107310-004	BACK UPGRADE MNTG KIT 20 IN	FITS 24T BACK HEIGHTS
1-8	106324-001	BACK UPGRADE COMPLETE 16X18	FITS 16W x 18T
1-8	106324-002	BACK UPGRADE COMPLETE 16x20	FITS 16W x 20T
1-8	106324-003	BACK UPGRADE COMPLETE 16x22	FITS 16W x 22T
1-8	106324-004	BACK UPGRADE COMPLETE 16x24	FITS 16W x 24T
1-8	106324-005	BACK UPGRADE COMPLETE 17x18	FITS 17W x 18T
1-8	106324-006	BACK UPGRADE COMPLETE 17x20	FITS 17W x 20T
1-8	106324-007	BACK UPGRADE COMPLETE 17x22	FITS 17W x 22T
1-8	106324-008	BACK UPGRADE COMPLETE 17x24	FITS 17W x 24T
1-8	106324-009	BACK UPGRADE COMPLETE 18x18	FITS 18W x 18T

Pos.	Item Number	Description	Remarks
1-8	106324-010	BACK UPGRADE COMPLETE 18x20	FITS 18W x 20T
1-8	106324-011	BACK UPGRADE COMPLETE 18x22	FITS 18W x 22T
1-8	106324-012	BACK UPGRADE COMPLETE 18x24	FITS 18W x 24T
1-8	106324-013	BACK UPGRADE COMPLETE 19x20	FITS 19W x 20T
1-8	106324-014	BACK UPGRADE COMPLETE 19x22	FITS 19W x 22T
1-8	106324-015	BACK UPGRADE COMPLETE 19x24	FITS 19W x 24T
1-8	106324-016	BACK UPGRADE COMPLETE 20x20	FITS 20W x 20T
1-8	106324-017	BACK UPGRADE COMPLETE 20x22	FITS 20W x 22T
1-8	106324-018	BACK UPGRADE COMPLETE 20x24	FITS 20W x 24T
8	106372-001	BACK COVER 16X18	FITS 16W x 18T
8	106372-002	BACK COVER 16X20	FITS 16W x 20T
8	106372-003	BACK COVER 16X22	FITS 16W x 22T
8	106372-004	BACK COVER 16X24	FITS 16W x 24T
8	106372-005	BACK COVER 17X18	FITS 17W x 18T
8	106372-006	BACK COVER 17X20	FITS 17W x 20T
8	106372-007	BACK COVER 17X22	FITS 17W x 22T
8	106372-008	BACK COVER 17X24	FITS 17W x 24T
8	106372-009	BACK COVER 18X18	FITS 18W x 18T
8	106372-010	BACK COVER 18X20	FITS 18W x 20T
8	106372-011	BACK COVER 18X22	FITS 18W x 22T
8	106372-012	BACK COVER 18X24	FITS 18W x 24T
8	106372-013	BACK COVER 19X20	FITS 19W x 20T
8	106372-014	BACK COVER 19X22	FITS 19W x 22T
8	106372-015	BACK COVER 19X24	FITS 19W x 24T
8	106372-016	BACK COVER 20X20	FITS 20W x 20T
8	106372-017	BACK COVER 20X22	FITS 20W x 22T
8	106372-018	BACK COVER 20X24	FITS 20W x 24T
9	107309-001	Back Upgrade Foam Kit 16x18	FITS 16W x 18T
9	107309-002	Back Upgrade Foam Kit 16x20	FITS 16W x 20T
9	107309-003	Back Upgrade Foam Kit 16x22	FITS 16W x 22T
9	107309-004	Back Upgrade Foam Kit 16x24	FITS 16W x 24T
9	107309-005	Back Upgrade Foam Kit 17x18	FITS 17W x 18T
9	107309-006	Back Upgrade Foam Kit 17x20	FITS 17W x 20T
9	107309-007	Back Upgrade Foam Kit 17x22	FITS 17W x 22T
9	107309-008	Back Upgrade Foam Kit 17x24	FITS 17W x 24T
9	107309-009	Back Upgrade Foam Kit 18x18	FITS 18W x 18T
9	107309-010	Back Upgrade Foam Kit 18x20	FITS 18W x 20T
9	107309-011	Back Upgrade Foam Kit 18x22	FITS 18W x 22T
9	107309-012	Back Upgrade Foam Kit 18x24	FITS 18W x 24T
9	107309-013	Back Upgrade Foam Kit 19x20	FITS 19W x 20T
9	107309-014	Back Upgrade Foam Kit 19x22	FITS 19W x 22T
9	107309-015	Back Upgrade Foam Kit 19x24	FITS 19W x 24T
9	107309-016	Back Upgrade Foam Kit 20x20	FITS 20W x 20T
9	107309-017	Back Upgrade Foam Kit 20x22	FITS 20W x 22T
9	107309-018	Back Upgrade Foam Kit 20x24	FITS 20W x 24T
10	108312	DISTRIBUTION BLOCK	R-net distribution block
11	210084	NUT HEX NYLOCK M6 BLACK	
12	108107	BHCS 1/4-20 X 3/4 ROHS	
13	106943	WASHER FLAT AN 1/4 ROHS	
14	109251	BRKT DSTRBTN BLCK	
15	103185-006	ROHSBHCSM6X1X16FULLNP	
10-15	110843	DIST BLOCK BACK KIT	R-net distribution block kit
16	230122	BHCSM8X1.25X40FULLNP	
17	011691	WASHER HIGH STRENGTH	
18	210085	NUT HEX NYLOCK M8 BLACK	
19-22	120196	BRACKET ART BACK 3 AXIS CNTR w/HDWR	

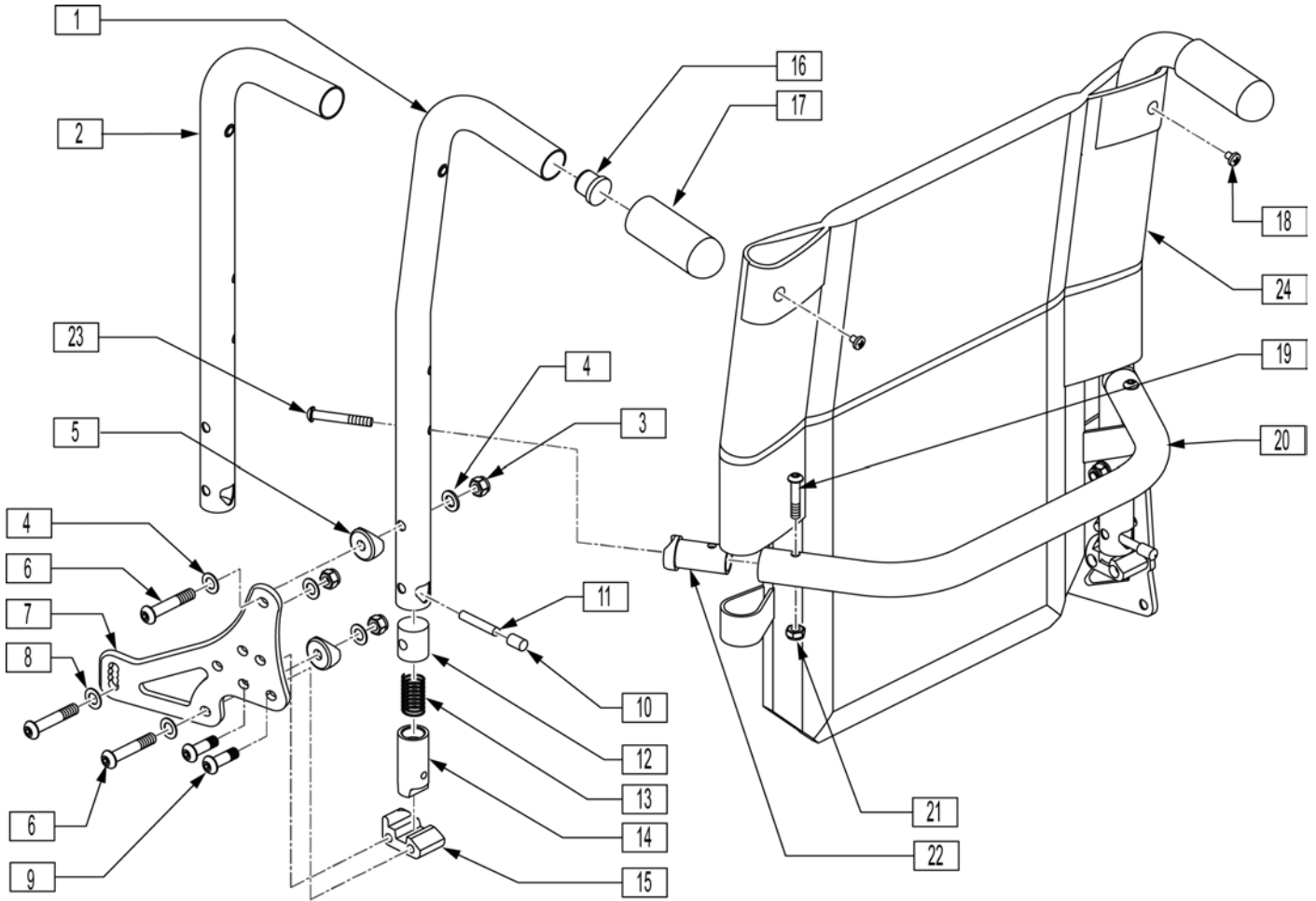
Pos.	Item Number	Description	Remarks
20	108107	BHCS 1/4-20 X 3/4 ROHS	
21	106943	WASHER FLAT AN 1/4 ROHS	
22	341220	BATTERY CABLE CLIP	

Note: to achieve 19" & 20" back depth on ASAP seating order Qty 2 117840.



Note: The following dimensions are required when ordering the listed part number

Pos.	Item Number	Description	Remarks
1B	112539S	GNRIC REC ART SPO COVER	Replacement Rectangular back cover only
2B	112540S	GNRIC I ART SPO BCK COVER	Replacement I back cover only
3B	112541S	GNRIC SCAP ART SPO BCK COVER	Replacement Scapular back cover only
1A-9	112536S	GNRIC REC ART SPO ASSM	Replacement Rectangular back assembly
2A-9	112537S	GNRIC I ART SPO BCK ASM	Replacement I back assembly
3A-9	112538S	GNRIC SCAP ART SPO BCK ASM	Replacement Scapular back assembly
10	230122	BHCSM8X1.25X40FULLNP	
11	011691	WASHER HIGH STRENGTH	
12	210085	NUT HEX NYLOCK M8 BLACK	

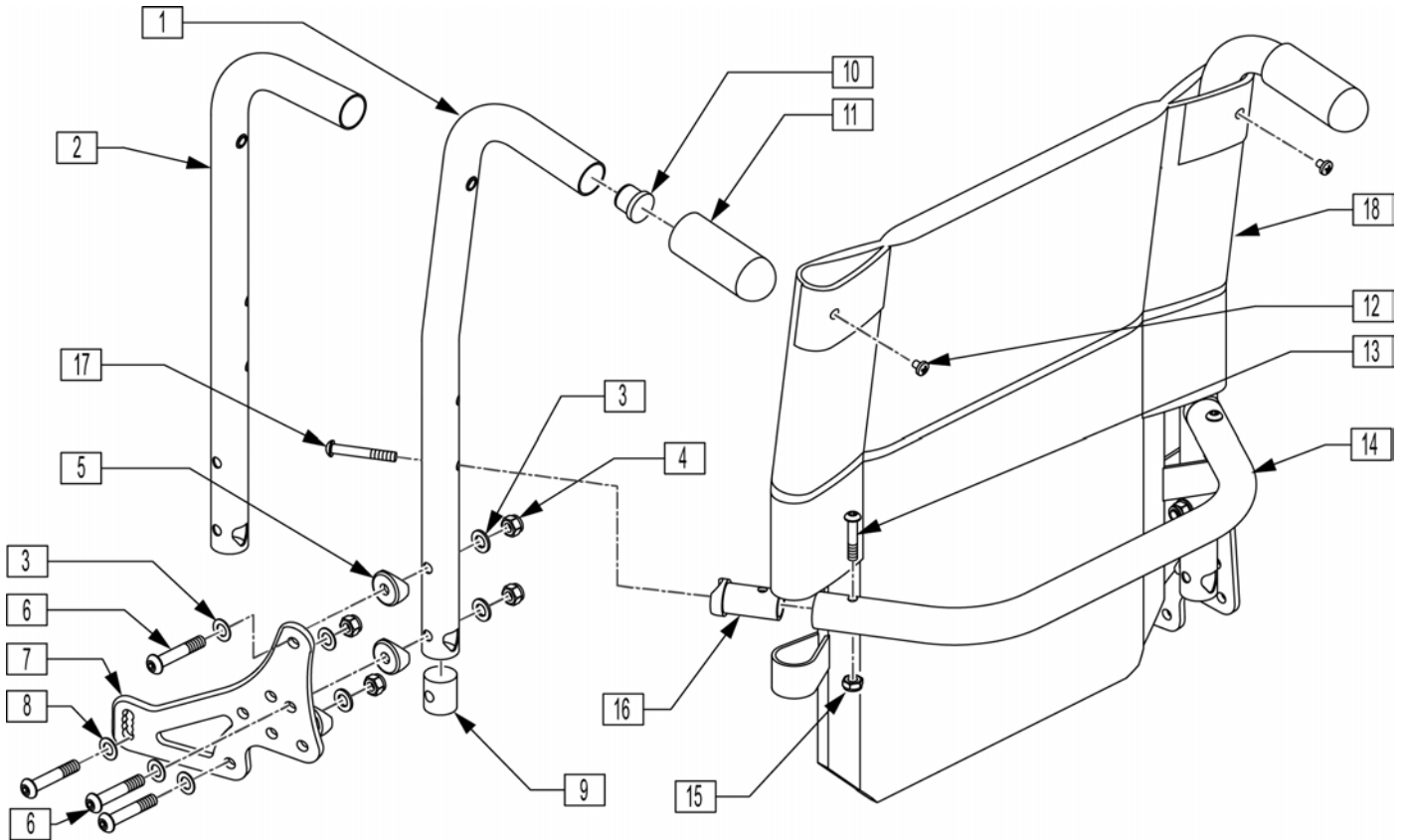


Pos.	Item Number	Description
3	202116	5/16-18 NYLOCK NUT THIN BLK
4	106947	WASHER FLAT THIN AN 5/16 ROHS
5	561006	1" SADDLE 5/16" HOLE
6	226218	5/16-18 x 1 3/4" BH C/S BLK
7	501723	BACKREST PLATE 86-114 DEGREE
8	263100	5/16 AN WASHER FLAT
9	226219	5/16-18 x 1" BH C/S BLK
10	126238	PUSH ON ROUND CAP
11	481084	BACK REL PIN Z2/QT/EX
12	483801	BACKREST LATCH PLUG P2
13	321110	S/A LATCH SPRING
14	483800	BACKREST LATCH SLIDER P2
15	550340	BCKRST LATCH BLOCK R P2/KZ
15	550341	BCKRST LATCH BLOCK L P2/KZ
16	561019	1" INSERT PLUG .049
17	920027	QUICKIE GRIP 1" W/INSTR SHEET
18	281120	10-32 x 5/8 PAN HD PHIL
19	226223	1/4-28 x 1 1/4" BH C/S BLK
20	011122	TOWEL RACK 12" WIDE
20	011123	TOWEL RACK 13" WIDE
20	520564	TOWEL RACK 14"
20	520565	TOWEL RACK 15"

Pos.	Item Number	Description
20	520566	TOWEL RACK 16"
20	520567	TOWEL RACK 17"
20	520568	TOWEL RACK 18"
20	520569	TOWEL RACK 19"
20	520570	TOWEL RACK 20"
20	520571	TOWEL RACK 22"
20	520572	TOWEL RACK 24"
21	202300	1/4-28 NYLOCK NUT THIN BLK ZN
22	483161	STRUT SADDLE S525
23	226267	1/4-28 x 1 5/8 BH C/S W/PATCH
24	687930	BACK UPH 12 LOW
24	687931	BACK UPH 12 MED
24	687932	BACK UPH 12 TALL
24	687935	BACK UPH 13 LOW
24	687936	BACK UPH 13 MED
24	687937	BACK UPH 13 TALL
24	686930	BACK UPH 14" LOW P2
24	686931	BACK UPH 14" MED P2
24	686932	BACK UPH 14" TALL P2
24	686933	BACK UPH 15" LOW P2
24	686934	BACK UPH 15" MED P2
24	686935	BACK UPH 15" TALL P2
24	686961	BACK UPH 16" LOW P2
24	686962	BACK UPH 16" MED P2
24	686963	BACK UPH 16" TALL P2
24	686936	BACK UPH 17" LOW P2
24	686937	BACK UPH 17" MED P2
24	686981	BACK UPH 18" LOW P2
24	686982	BACK UPH 18" MED P2
24	686983	BACK UPH 18" TALL P2
24	686938	BACK UPH 17" TALL P2
24	686940	BACK UPH 19" LOW P2
24	686941	BACK UPH 19" MED P2
24	686942	BACK UPH 19" TALL P2
24	686943	BACK UPH 20" LOW P2
24	686944	BACK UPH 20" MED P2
24	686945	BACK UPH 20" TALL P2
24	687914	BACK UPH 22" LOW S626
24	687915	BACK UPH 22" MED S626
24	687916	BACK UPH 22" TALL S626
24	687919	BACK UPH 24" LOW S626
24	687920	BACK UPH 24" MED S626
24	687921	BACK UPH 24" TALL S626
1,16,17	842221	BACK TUBE PH 8D LOW R S525
1,16,17	842222	BACK TUBE PH 8D LOW L S525
1,16,17	842223	BACK TUBE PH 8D MED R S525
1,16,17	842224	BACK TUBE PH 8D MED L S525
1,16,17	842225	BACK TUBE PH 8D TALL R S525
1,16,17	842226	BACK TUBE PH 8D TALL L S525
2,16,17	842227	BACK TUBE PH LOW R S525
2,16,17	842228	BACK TUBE PH LOW L S525
2,16,17	842229	BACK TUBE PH MED R S525
2,16,17	842230	BACK TUBE PH MED L S525
2,16,17	842231	BACK TUBE PH TALL R S525
2,16,17	842232	BACK TUBE PH TALL L S525
19-23	842234	TOWEL RACK ASSM 14" S525

Pos.	Item Number	Description
19-23	842235	TOWEL RACK ASSM 15" S525
19-23	842236	TOWEL RACK ASSM 16" S525
19-23	842237	TOWEL RACK ASSM 17" S525
19-23	842238	TOWEL RACK ASSM 18" S525
19-23	842239	TOWEL RACK ASSM 19" S525
19-23	842240	TOWEL RACK ASSM 20" S525
19-23	842241	TOWEL RACK ASSM 22"
19-23	842242	TOWEL RACK ASSM 24"
1,3-18	882884	PH 8D LOW R ASSM FLDG 86-114
1,3-18	882885	PH 8D LOW L ASSM FLDG 86-114
1,3-18	882886	PH 8D MED R ASSM FLDG 86-114
1,3-18	882887	PH 8D MED L ASSM FLDG 86-114
1,3-18	882888	PH 8D TAL R ASSM FLDG 86-114
1,3-18	882889	PH 8D TAL L ASSM FLDG 86-114
2-18	882890	PH LOW R ASSM FLDG 86-114
2-18	882891	PH LOW L ASSM FLDG 86-114
2-18	882892	PH MED R ASSM FLDG 86-114
2-18	882893	PH MED L ASSM FLDG 86-114
2-18	882894	PH TALL R ASSM FLD 86-114
2-18	882895	PH TALL L ASSM FLD 86-114
1,3-24	922619	BACK ASSM 8D LOW 14"(F) 86-114
1,3-24	922620	BACK ASSM 8D LOW 15"(F) 86-114
1,3-24	922621	BACK ASSM 8D LOW 16"(F) 86-114
1,3-24	922622	BACK ASSM 8D LOW 17"(F) 86-114
1,3-24	922623	BACK ASSM 8D LOW 18"(F) 86-114
1,3-24	922624	"BACK ASSM 8D LOW 19"(F) 86-114
1,3-24	922625	BACK ASSM 8D LOW 20"(F) 86-11
1,3-24	922626	BACK ASSM 8D LOW 22"(F) 86-114
1,3-24	922627	BACK ASSM 8D LOW 24"(F) 86-114
1,3-24	922639	BACK ASSM 8D MED 14"(F) 86-114
1,3-24	922640	BACK ASSM 8D MED 15"(F) 86-114
1,3-24	922641	BACK ASSM 8D MED 16"(F) 86-114
1,3-24	922642	BACK ASSM 8D MED 17"(F) 86-114
1,3-24	922643	BACK ASSM 8D MED 18"(F) 86-114
1,3-24	922644	BACK ASSM 8D MED 19"(F) 86-114
1,3-24	922645	BACK ASSM 8D MED 20"(F) 86-114
1,3-24	922646	BACK ASSM 8D MED 22"(F) 86-114
1,3-24	922647	BACK ASSM 8D MED 24"(F) 86-114
1,3-24	922659	BACK ASSM 8D TALL 14"(F)86-114
1,3-24	922660	BACK ASSM 8D TALL 15"(F)86-114
1,3-24	922661	BACK ASSM 8D TALL 16"(F)86-114
1,3-24	922662	BACK ASSM 8D TALL 17"(F)86-114
1,3-24	922663	BACK ASSM 8D TALL 18"(F)86-114
1,3-24	922664	BACK ASSM 8D TALL 19"(F)86-114
1,3-24	922665	BACK ASSM 8D TALL 20"(F)86-114
1,3-24	922666	BACK ASSM 8D TALL 22"(F)86-114
1,3-24	922667	BACK ASSM 8D TALL 24"(F)86-114
2-24	922609	BACK ASSM LOW 14"(F) 86-114
2-24	922610	BACK ASSM LOW 15"(F) 86-114
2-24	922611	BACK ASSM LOW 16"(F) 86-114
2-24	922612	BACK ASSM LOW 17"(F) 86-114
2-24	922613	BACK ASSM LOW 18"(F) 86-114
2-24	922614	BACK ASSM LOW 19"(F) 86-114
2-24	922615	BACK ASSM LOW 20"(F) 86-114
2-24	922616	BACK ASSM LOW 22"(F) 86-114
2-24	922617	BACK ASSM LOW 24"(F) 86-114

Pos.	Item Number	Description
2-24	922629	BACK ASSM MED 14"(F) 86-114
2-24	922630	BACK ASSM MED 15"(F) 86-114
2-24	922631	BACK ASSM MED 16 (F) 86-114
2-24	922632	BACK ASSM MED 17"(F) 86-114
2-24	922633	BACK ASSM MED 18"(F) 86-114
2-24	922634	BACK ASSM MED 19"(F) 86-114
2-24	922635	BACK ASSM MED 20"(F) 86-114
2-24	922636	BACK ASSM MED 22"(F) 86-114
2-24	922637	BACK ASSM MED 24"(F) 86-114
2-24	922649	BACK ASSM TALL 14"(F) 86-114
2-24	922650	BACK ASSM TALL 15"(F) 86-114
2-24	922651	BACK ASSM TALL 16"(F) 86-114
2-24	922652	BACK ASSM TALL 17"(F) 86-114
2-24	922653	BACK ASSM TALL 18"(F) 86-114
2-24	922654	BACK ASSM TALL 19"(F) 86-114
2-24	922655	BACK ASSM TALL 20"(F) 86-114
2-24	922656	BACK ASSM TALL 22"(F) 86-114
2-24	922657	BACK ASSM TALL 24"(F) 86-114
3,4,6,8,9,18,19,21,23	101547	FOLDING BACKREST HDWR KIT

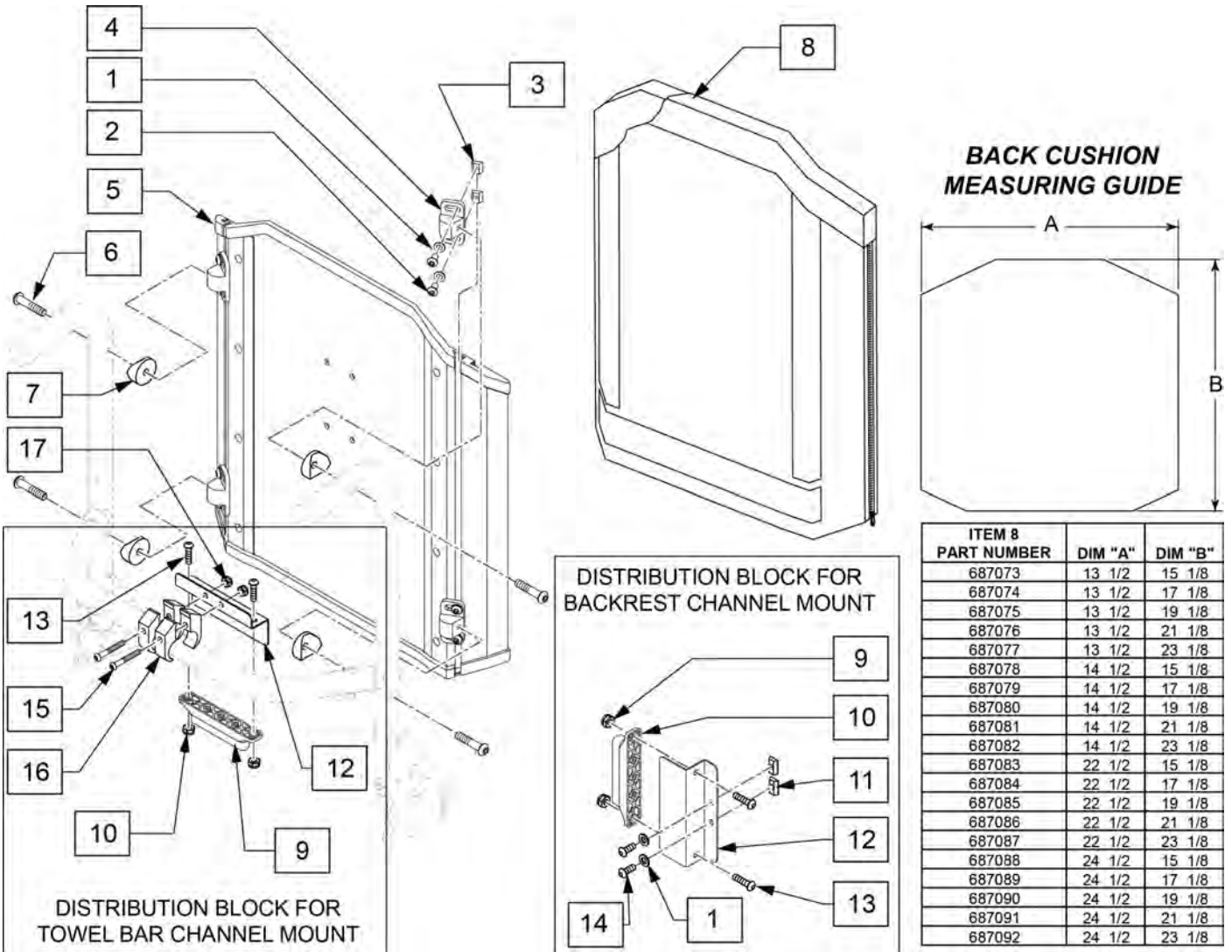


Pos.	Item Number	Description
3	106947	WASHER FLAT THIN AN 5/16 ROHS
4	202116	5/16-18 NYLOCK NUT THIN BLK
5	561006	1" SADDLE 5/16" HOLE
6	226218	"5/16-18 x 1 3/4" BH C/S BLK
7	501723	BACKREST PLATE 86-114 DEGREE
8	263100	5/16 AN WASHER FLAT
9	483801	BCKREST LATCH PLUG P2 (Both Used)
9	550080	PUSH HNDLE INSERT S525 (Both Used)
10	561019	1" INSERT PLUG .049
11	920027	QUICKIE GRIP 1" W/INSTR SHEET
12	281120	10/32 x 5/8 PAN HD PHIL
13	226223	1/4-28 x 1 1/4" BH C/S BLK
14	011122	TOWEL RACK 12" WIDE
14	011123	TOWEL RACK 13" WIDE
14	520564	TOWEL RACK 14"
14	520565	TOWEL RACK 15"
14	520566	TOWEL RACK 16"
14	520567	TOWEL RACK 17"
14	520568	TOWEL RACK 18"
14	520569	TOWEL RACK 19"
14	520570	TOWEL RACK 20"
14	520571	TOWEL RACK 22"
14	520572	TOWEL RACK 24"
15	202300	1/4-28 NYLOCK NUT THIN BLK ZN
16	483161	STRUT SADDLE S525

Pos.	Item Number	Description
17	226267	1/4-28 x 1 5/8 BH C/S W/PATCH
18	687930	BACK UPH 12 LOW
18	687931	BACK UPH 12 MED
18	687932	BACK UPH 12 TALL
18	687935	BACK UPH 13 LOW
18	687936	BACK UPH 13 MED
18	687937	BACK UPH 13 TALL
18	686930	BACK UPH 14" LOW P2
18	686931	BACK UPH 14" MED P2
18	686932	BACK UPH 14" TALL P2
18	686933	BACK UPH 15" LOW P2
18	686934	BACK UPH 15" MED P2
18	686935	BACK UPH 15" TALL P2
18	686961	BACK UPH 16" LOW P2
18	686962	BACK UPH 16" MED P2
18	686963	BACK UPH 16" TALL P2
18	686936	BACK UPH 17" LOW P2
18	686937	BACK UPH 17" MED P2
18	686938	BACK UPH 17" TALL P2
18	686981	BACK UPH 18" LOW P2
18	686982	BACK UPH 18" MED P2
18	686983	BACK UPH 18" TALL P2
18	686940	BACK UPH 19" LOW P2
18	686941	BACK UPH 19" MED P2
18	686942	BACK UPH 19" TALL P2
18	686943	BACK UPH 20" LOW P2
18	686944	BACK UPH 20" MED P2
18	686945	BACK UPH 20" TALL P2
18	687914	BACK UPH 22" LOW S626
18	687915	BACK UPH 22" MED S626
18	687916	BACK UPH 22" TALL S626
18	687919	BACK UPH 24" LOW S626
18	687920	BACK UPH 24" MED S626
18	687921	BACK UPH 24" TALL S626
1,10,11	842221	BACK TUBE PH 8D LOW R S525
1,10,11	842222	BACK TUBE PH 8D LOW L S525
1,10,11	842223	BACK TUBE PH 8D MED R S525
1,10,11	842224	BACK TUBE PH 8D MED L S525
1,10,11	842225	BACK TUBE PH 8D TALL R S525
1,10,11	842226	BACK TUBE PH 8D TALL L S525
2,10,11	842227	BACK TUBE PH LOW R S525
2,10,11	842228	BACK TUBE PH LOW L S525
2,10,11	842229	BACK TUBE PH MED R S525
2,10,11	842230	BACK TUBE PH MED L S525
2,10,11	842231	BACK TUBE PH TALL R S525
2,10,11	842232	BACK TUBE PH TALL L S525
13-17	842234	TOWEL RACK ASSM 14" S525
13-17	842235	TOWEL RACK ASSM 15" S525
13-17	842236	TOWEL RACK ASSM 16" S525
13-17	842237	TOWEL RACK ASSM 17" S525
13-17	842238	TOWEL RACK ASSM 18" S525
13-17	842239	TOWEL RACK ASSM 19" S525
13-17	842240	TOWEL RACK ASSM 20" S525
13-17	842241	TOWEL RACK ASSM 22"
13-17	842242	TOWEL RACK ASSM 24"
1,3-12	882656	PH 8D LOW R ASSM NF 86-114

Pos.	Item Number	Description
1,3-12	882657	PH 8D LOW L ASSM NF 86-114
1,3-12	882658	PH 8D MED R ASSM NF 86-114
1,3-12	882659	PH 8D MED L ASSM NF 86-114
1,3-12	882660	PH 8D TALL R ASSM NF 86-114
1,3-12	882661	PH 8D TALL L ASSM NF 86-114
1,3-12	882662	PH LOW R ASSM NF 86-114
2-12	882663	PH LOW L ASSM NF 86-114
2-12	882664	PH MED R ASSM NF 86-114
2-12	882665	PH MED L ASSM NF 86-114
2-12	882666	PH TALL R ASSM NF 86-114
2-12	882667	PH TALL L ASSM NF 86-114
1,3-18	922060	BCK ASSM 8D LOW 14" NF 86-114
1,3-18	922061	BCK ASSM 8D LOW 15" NF 86-114
1,3-18	922062	BCK ASSM 8D LOW 16" NF 86-114
1,3-18	922063	BCK ASSM 8D LOW 17" NF 86-114
1,3-18	922064	BCK ASSM 8D LOW 18" NF 86-114
1,3-18	922065	BCK ASSM 8D LOW 19" NF 86-114
1,3-18	922066	BCK ASSM 8D LOW 20" NF 86-114
1,3-18	922067	BCK ASSM 8D LOW 22" NF 86-114
1,3-18	922068	BCK ASSM 8D LOW 24" NF 86-114
1,3-18	922010	BCK ASSM 8D MED 14" NF 86-114
1,3-18	922011	BCK ASSM 8D MED 15" NF 86-114
1,3-18	922012	BCK ASSM 8D MED 16" NF 86-114
1,3-18	922013	BCK ASSM 8D MED 17" NF 86-114
1,3-18	922014	BCK ASSM 8D MED 18" NF 86-114
1,3-18	922015	BCK ASSM 8D MED 19" NF 86-114
1,3-18	922016	BCK ASSM 8D MED 20" NF 86-114
1,3-18	922017	BCK ASSM 8D MED 22" NF 86-114
1,3-18	922018	BCK ASSM 8D MED 24" NF 86-114
1,3-18	922028	BCK ASSM 8D TALL 14" NF 86-114
1,3-18	922029	BCK ASSM 8D TALL 15" NF 86-114
1,3-18	922030	BCK ASSM 8D TALL 16" NF 86-114
1,3-18	922031	BCK ASSM 8D TALL 17" NF 86-114
1,3-18	922032	BCK ASSM 8D TALL 18" NF 86-114
1,3-18	922033	BCK ASSM 8D TALL 19" NF 86-114
1,3-18	922034	BCK ASSM 8D TALL 20" NF 86-114
1,3-18	922035	BCK ASSM 8D TALL 22" NF 86-114
1,3-18	922036	BCK ASSM 8D TALL 24" NF 86-114
2-18	922040	BCK ASSM LOW 14" NF 86-114
2-18	922041	BCK ASSM LOW 15" NF 86-114
2-18	922042	BCK ASSM LOW 16" NF 86-114
2-18	922043	BCK ASSM LOW 17" NF 86-114
2-18	922044	BCK ASSM LOW 18" NF 86-114
2-18	922045	BCK ASSM LOW 19" NF 86-114
2-18	922046	BCK ASSM LOW 20" NF 86-114
2-18	922047	BCK ASSM LOW 22" NF 86-114
2-18	922048	BCK ASSM LOW 24" NF 86-114
2-18	922001	BCK ASSM MED 14" NF 86-114
2-18	922002	BCK ASSM MED 15" NF 86-114
2-18	922003	BCK ASSM MED 16" NF 86-114
2-18	922004	BCK ASSM MED 17" NF 86-114
2-18	922005	BCK ASSM MED 18" NF 86-114
2-18	922006	BCK ASSM MED 19" NF 86-114
2-18	922007	BCK ASSM MED 20" NF 86-114
2-18	922008	BCK ASSM MED 22" NF 86-114
2-18	922009	BCK ASSM MED 24" NF 86-114

Pos.	Item Number	Description
2-18	922019	BCK ASSM TALL 14" NF 86-114
2-18	922020	BCK ASSM TALL 15" NF 86-114
2-18	922021	BCK ASSM TALL 16" NF 86-114
2-18	922022	BCK ASSM TALL 17" NF 86-114
2-18	922023	BCK ASSM TALL 18" NF 86-114
2-18	922024	BCK ASSM TALL 19" NF 86-114
2-18	922025	BCK ASSM TALL 20" NF 86-114
2-18	922026	BCK ASSM TALL 22" NF 86-114
2-18	922027	BCK ASSM TALL 24" NF 86-114
3,4,6,8,12,13,15,17	101541	NON FOLDING BACKREST HDWR KIT



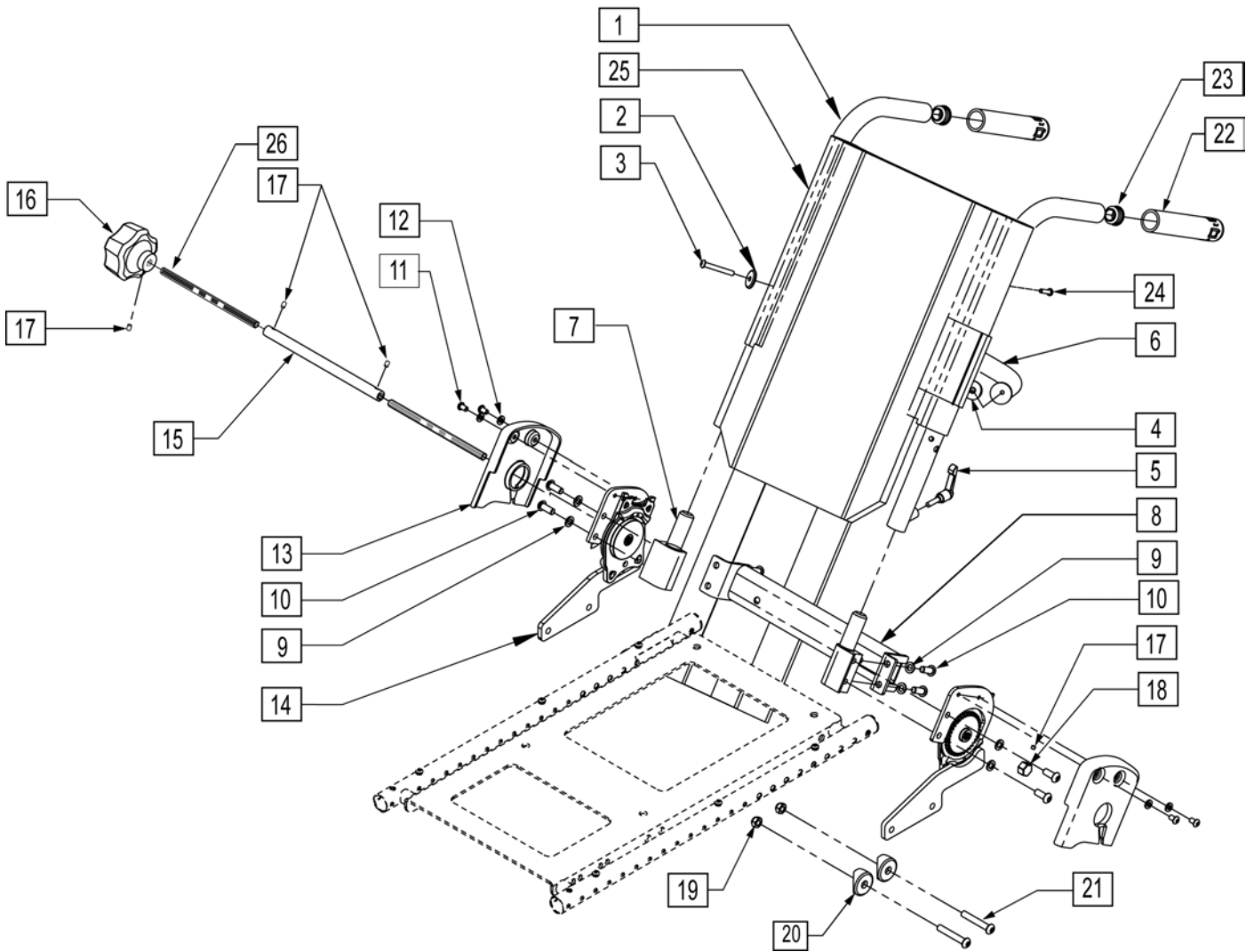
ITEM 8 PART NUMBER	DIM "A"	DIM "B"
687073	13 1/2	15 1/8
687074	13 1/2	17 1/8
687075	13 1/2	19 1/8
687076	13 1/2	21 1/8
687077	13 1/2	23 1/8
687078	14 1/2	15 1/8
687079	14 1/2	17 1/8
687080	14 1/2	19 1/8
687081	14 1/2	21 1/8
687082	14 1/2	23 1/8
687083	22 1/2	15 1/8
687084	22 1/2	17 1/8
687085	22 1/2	19 1/8
687086	22 1/2	21 1/8
687087	22 1/2	23 1/8
687088	24 1/2	15 1/8
687089	24 1/2	17 1/8
687090	24 1/2	19 1/8
687091	24 1/2	21 1/8
687092	24 1/2	23 1/8

Pos.	Item Number	Description	Remarks
1	267052	1/4 AN WASHER FLAT AN960C416	
2	221094	1/4 -28 x 7/16 BH C/S BLK	
3	481106-QU	1/4 -28 CHANNEL NUT	
4	121507	SOLID BACK MOUNTING BRACKET	
5	011244	SLD BCKRST SHELL ASSMBLY 12X16	
5	011248	SLD BCKRST SHELL ASSMBLY 12X18	
5	011252	SLD BCKRST SHELL ASSMBLY 12X20	
5	011256	SLD BCKRST SHELL ASSMBLY 12X22	
5	011260	SLD BCKRST SHELL ASSMBLY 12X24	
5	011245	SLD BCKRST SHELL ASSMBLY 13X16	
5	011249	SLD BCKRST SHELL ASSMBLY 13X18	
5	011253	SLD BCKRST SHELL ASSMBLY 13X20	
5	011257	SLD BCKRST SHELL ASSMBLY 13X22	
5	011261	SLD BCKRST SHELL ASSMBLY 13X24	
5	881850	SOLID BCKRST SHELL ASSM 14 x 16	
5	881851	SOLID BCKRST SHELL ASSM 15 x 16	
5	881852	SOLID BCKRST SHELL ASSM 16 x 16	
5	881853	SOLID BCKRST SHELL ASSM 17 x 16	

Pos.	Item Number	Description	Remarks
5	881854	SOLID BCKRST SHELL ASSM 18 x 16	
5	881855	SOLID BCKRST SHELL ASSM 19 x 16	
5	881856	SOLID BCKRST SHELL ASSM 20 x 16	
5	881857	SOLID BCKRST SHELL ASSM 14 x 18	
5	881858	SOLID BCKRST SHELL ASSM 15 x 18	
5	881859	SOLID BCKRST SHELL ASSM 16 x 18	
5	881860	SOLID BCKRST SHELL ASSM 17 x 18	
5	881861	SOLID BCKRST SHELL ASSM 18 x 18	
5	881862	SOLID BCKRST SHELL ASSM 19 x 18	
5	881863	SOLID BCKRST SHELL ASSM 20 x 18	
5	881864	SOLID BCKRST SHELL ASSM 14 x 20	
5	881865	SOLID BCKRST SHELL ASSM 15 x 20	
5	881866	SOLID BCKRST SHELL ASSM 16 x 20	
5	881867	SOLID BCKRST SHELL ASSM 17 x 20	
5	881868	SOLID BCKRST SHELL ASSM 18 x 20	
5	881869	SOLID BCKRST SHELL ASSM 19 x 20	
5	881870	SOLID BCKRST SHELL ASSM 20 x 20	
5	881871	SOLID BCKRST SHELL ASSM 14 x 22	
5	881872	SOLID BCKRST SHELL ASSM 15 x 22	
5	881873	SOLID BCKRST SHELL ASSM 16 x 22	
5	881874	SOLID BCKRST SHELL ASSM 17 x 22	
5	881875	SOLID BCKRST SHELL ASSM 18 x 22	
5	881876	SOLID BCKRST SHELL ASSM 19 x 22	
5	881877	SOLID BCKRST SHELL ASSM 20 x 22	
5	881878	SOLID BCKRST SHELL ASSM 14 x 24	
5	881879	SOLID BCKRST SHELL ASSM 15 x 24	
5	881880	SOLID BCKRST SHELL ASSM 16 x 24	
5	881881	SOLID BCKRST SHELL ASSM 17 x 24	
5	881882	SOLID BCKRST SHELL ASSM 18 x 24	
5	881883	SOLID BCKRST SHELL ASSM 19 x 24	
5	881884	SOLID BCKRST SHELL ASSM 20 x 24	
5	881885	SOLID BCKRST SHELL ASSM 22 x 16	
5	881886	SOLID BCKRST SHELL ASSM 22 x 18	
5	881887	SOLID BCKRST SHELL ASSM 22 x 20	
5	881888	SOLID BCKRST SHELL ASSM 22 x 22	
5	881889	SOLID BCKRST SHELL ASSM 22 x 24	
5	881890	SOLID BCKRST SHELL ASSM 24 x 16	
5	881892	SOLID BCKRST SHELL ASSM 24 x 20	
5	881893	SOLID BCKRST SHELL ASSM 24 x 22	
5	881894	SOLID BCKRST SHELL ASSM 24 x 24	
6	226291	5/16 -18 x 1-1/2 BHCS BK W/ PATCH	
7	561006	1 SADDLE 5/16 HOLE	
8	687073	BACK CUSHION 12"X16" SOLID BK	
8	687074	BACK CUSHION 12"X18" SOLID BK	
8	687075	BACK CUSHION 12"X20" SOLID BK	
8	687076	BACK CUSHION 12"X22" SOLID BK	
8	687077	BACK CUSHION 12"X24" SOLID BK	
8	687078	BACK CUSHION 13"X16" SOLID BK	
8	687079	BACK CUSHION 13"X18" SOLID BK	
8	687080	BACK CUSHION 13"X20" SOLID BK	
8	687081	BACK CUSHION 13"X22" SOLID BK	
8	687082	BACK CUSHION 13"X24" SOLID BK	
8	681850	BACK CUSHION 14 x 16 SOLID BACK	
8	681851	BACK CUSHION 14 x 18 SOLID BACK	
8	681852	BACK CUSHION 14 x 20 SOLID BACK	
8	681853	BACK CUSHION 14 x 22 SOLID BACK	

Pos.	Item Number	Description	Remarks
8	681854	BACK CUSHION 14 x 24 SOLID BACK	
8	681855	BACK CUSHION 15 x 16 SOLID BACK	
8	681856	BACK CUSHION 15 x 18 SOLID BACK	
8	681857	BACK CUSHION 15 x 20 SOLID BACK	
8	681858	BACK CUSHION 15 x 22 SOLID BACK	
8	681859	BACK CUSHION 15 x 24 SOLID BACK	
8	681860	BACK CUSHION 16 x 16 SOLID BACK	
8	681861	BACK CUSHION 16 x 18 SOLID BACK	
8	681862	BACK CUSHION 16 x 20 SOLID BACK	
8	681863	BACK CUSHION 16 x 22 SOLID BACK	
8	681864	BACK CUSHION 16 x 24 SOLID BACK	
8	681865	BACK CUSHION 17 x 16 SOLID BACK	
8	681866	BACK CUSHION 17 x 18 SOLID BACK	
8	681867	BACK CUSHION 17 x 20 SOLID BACK	
8	681868	BACK CUSHION 17 x 22 SOLID BACK	
8	681869	BACK CUSHION 17 x 24 SOLID BACK	
8	681870	BACK CUSHION 18 x 16 SOLID BACK	
8	681871	BACK CUSHION 18 x 18 SOLID BACK	
8	681872	BACK CUSHION 18 x 20 SOLID BACK	
8	681873	BACK CUSHION 18 x 22 SOLID BACK	
8	681874	BACK CUSHION 18 x 24 SOLID BACK	
8	681875	BACK CUSHION 19 x 16 SOLID BACK	
8	681876	BACK CUSHION 19 x 18 SOLID BACK	
8	681877	BACK CUSHION 19 x 20 SOLID BACK	
8	681878	BACK CUSHION 19 x 22 SOLID BACK	
8	681879	BACK CUSHION 19 x 24 SOLID BACK	
8	681880	BACK CUSHION 20 x 16 SOLID BACK	
8	681881	BACK CUSHION 20 x 18 SOLID BACK	
8	681882	BACK CUSHION 20 x 20 SOLID BACK	
8	681883	BACK CUSHION 20 x 22 SOLID BACK	
8	681884	BACK CUSHION 20 x 24 SOLID BACK	
8	681885	BACK CUSHION 22 x 16 SOLID BACK	
8	681886	BACK CUSHION 22 x 18 SOLID BACK	
8	681887	BACK CUSHION 22 x 20 SOLID BACK	
8	681888	BACK CUSHION 22 x 22 SOLID BACK	
8	681889	BACK CUSHION 22 x 24 SOLID BACK	
8	681890	BACK CUSHION 24 x 16 SOLID BACK	
8	681891	BACK CUSHION 24 x 18 SOLID BACK	
8	681892	BACK CUSHION 24 x 20 SOLID BACK	
8	681893	BACK CUSHION 24 x 22 SOLID BACK	
8	681894	BACK CUSHION 24 x 24 SOLID BACK	
5,8	687400	SOLID BACKREST ASSY 14 x 16/17	
5,8	687401	SOLID BACKREST ASSY 14 x 18/19	
5,8	687402	SOLID BACKREST ASSY 14 x 20/21	
5,8	687403	SOLID BACKREST ASSY 14 x 22/23	
5,8	687404	SOLID BACKREST ASSY 14 x 24	
5,8	687405	SOLID BACKREST ASSY 15 x 16/17	
5,8	687406	SOLID BACKREST ASSY 15 x 18/19	
5,8	687407	SOLID BACKREST ASSY 15 x 20/21	
5,8	687408	SOLID BACKREST ASSY 15 x 22/23	
5,8	687409	SOLID BACKREST ASSY 15 x 24	
5,8	687410	SOLID BACKREST ASSY 16 x 16/17	
5,8	687411	SOLID BACKREST ASSY 16 x 18/19	
5,8	687412	SOLID BACKREST ASSY 16 x 20/21	
5,8	687413	SOLID BACKREST ASSY 16 x 22/23	
5,8	687414	SOLID BACKREST ASSY 16 x 24	

Pos.	Item Number	Description	Remarks
5,8	687415	SOLID BACKREST ASSY 17 x 16/17	
5,8	687416	SOLID BACKREST ASSY 17 x 18/19	
5,8	687417	SOLID BACKREST ASSY 17 x 20/21	
5,8	687418	SOLID BACKREST ASSY 17 x 22/23	
5,8	687419	SOLID BACKREST ASSY 17 x 24	
5,8	687420	SOLID BACKREST ASSY 18 x 16/17	
5,8	687421	SOLID BACKREST ASSY 18 x 18/19	
5,8	687422	SOLID BACKREST ASSY 18 x 20/21	
5,8	687423	SOLID BACKREST ASSY 18 x 22/23	
5,8	687424	SOLID BACKREST ASSY 18 x 24	
5,8	687425	SOLID BACKREST ASSY 19 x 16/17	
5,8	687426	SOLID BACKREST ASSY 19 x 18/19	
5,8	687427	SOLID BACKREST ASSY 19 x 20/21	
5,8	687428	SOLID BACKREST ASSY 19 x 22/23	
5,8	687429	SOLID BACKREST ASSY 19 x 24	
5,8	687430	SOLID BACKREST ASSY 20 x 16/17	
5,8	687431	SOLID BACKREST ASSY 20 x 18/19	
5,8	687432	SOLID BACKREST ASSY 20 x 20/21	
5,8	687433	SOLID BACKREST ASSY 20 x 22/23	
5,8	687434	SOLID BACKREST ASSY 20 x 24	
5,8	687435	SOLID BACKREST ASSY 22 x 16/17	
5,8	687436	SOLID BACKREST ASSY 22 x 18/19	
5,8	687437	SOLID BACKREST ASSY 22 x 20/21	
5,8	687438	SOLID BACKREST ASSY 22 x 22/23	
5,8	687439	SOLID BACKREST ASSY 22 x 24	
5,8	687440	SOLID BACKREST ASSY 24 x 16/17	
5,8	687441	SOLID BACKREST ASSY 24 x 18/19	
5,8	687442	SOLID BACKREST ASSY 24 x 20/21	
5,8	687443	SOLID BACKREST ASSY 24 x 22/23	
5,8	687444	SOLID BACKREST ASSY 24 x 24	
9	210084	NUT HEX NYLOCK M6 BLACK	
10	108312	DISTRIBUTION BLOCK	
11	481106-QU	1/4-28 CHANNEL NUT	
12	109251	BRKT DSTRBTN BLCK	
13	103185-006	BHCSM6X1X16FULLNP	
14	221090	1/4-28 X 3/8 BH C/S BLK	
1-4,6,8	881900	MOUNT KIT SOLID BACK	PAIR
1-4,6,8	881795	MOUNT HDWR SOLID BACK	
15	227140	1/4-28 X 1 3/4 BH C/S BLK ZN	
16	550251	CLMP P300 CHRNG/ADJ FL KDS	
17	204110	1/4-28 NYLOCK NUT BLK ZN	

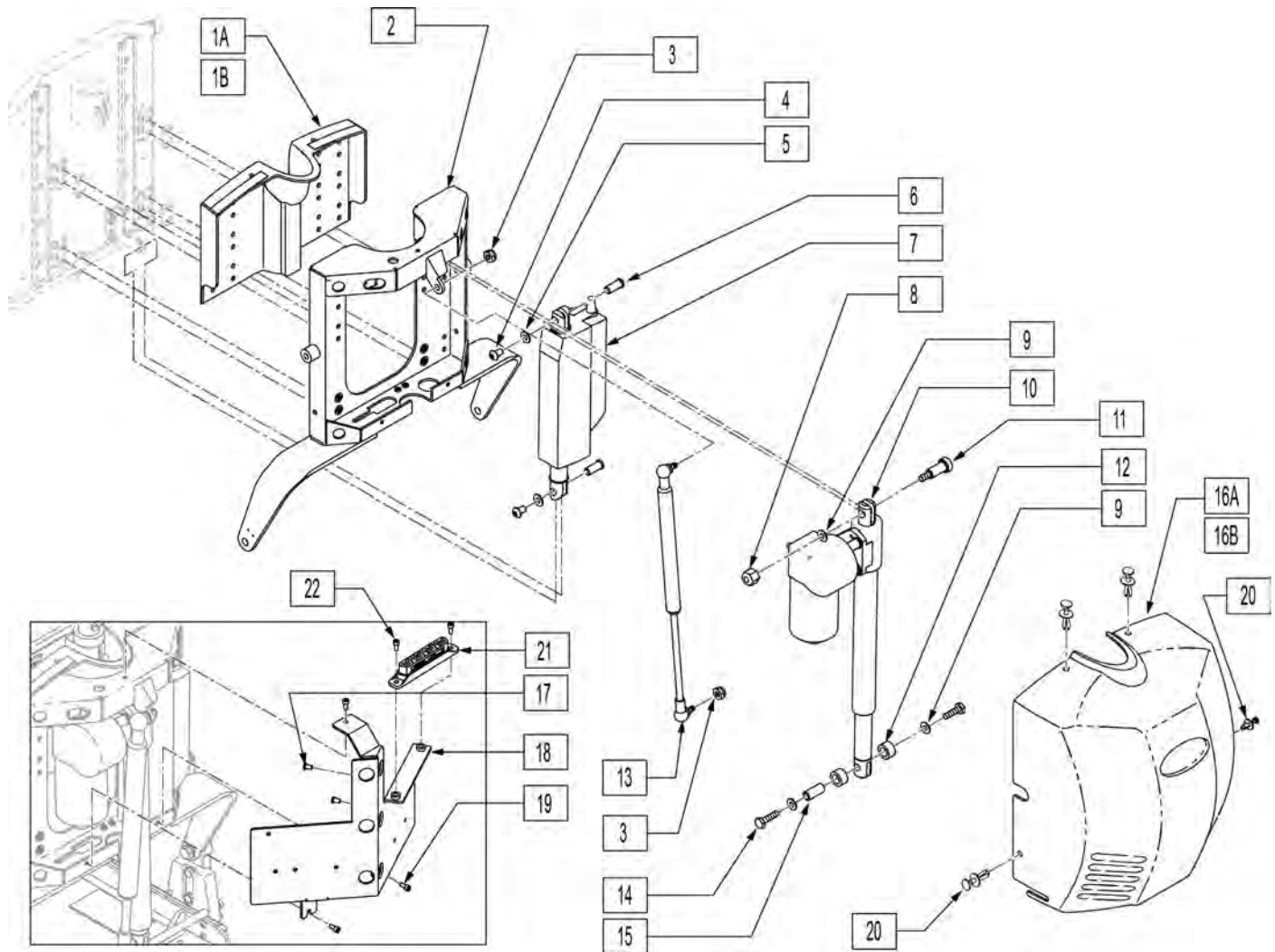


Pos.	Item Number	Description	Remarks
2	561086	1" HALF SADDLE 1/4" HOLE	
3	230118	BHCS M6 X 1 X 45 BLK	
4	561004	1" SADDLE 1/4" HOLE	
5	011685	HANDLE ADJ MODERN M6 X 20 STUD	
6	010679-001	FIXED BACK BRACE 1" OD TUBE 12"	
6	010679-002	FIXED BACK BRACE 1" OD TUBE 13"	
6	010679-003	FIXED BACK BRACE 1" OD TUBE 14"	
6	010679-004	FIXED BACK BRACE 1" OD TUBE 15"	
6	010679-005	FIXED BACK BRACE 1" OD TUBE 16"	
6	010679-006	FIXED BACK BRACE 1" OD TUBE 17"	
6	010679-007	FIXED BACK BRACE 1" OD TUBE 18"	
6	010679-008	FIXED BACK BRACE 1" OD TUBE 19"	
6	010679-009	FIXED BACK BRACE 1" OD TUBE 20"	
6	010679-010	FIXED BACK BRACE 1" OD TUBE 21"	
6	010679-011	FIXED BACK BRACE 1" OD TUBE 22"	
6	010679-012	FIXED BACK BRACE 1" OD TUBE 23"	

Pos.	Item Number	Description	Remarks
6	010679-013	FIXED BACK BRACE 1" OD TUBE 24"	
7	501554	BACKPOST RECEIVER	RIGHT
7	501555	BACKPOST RECEIVER	LEFT
8	541268	TUBE BACKREST 12"	
8	541269	TUBE BACKREST 13"	
8	541270	TUBE BACKREST 14"	
8	541271	TUBE BACKREST 15"	
8	541272	TUBE BACKREST 16"	
8	541273	TUBE BACKREST 17"	
8	541274	TUBE BACKREST 18"	
8	541275	TUBE BACKREST 19"	
8	541276	TUBE BACKREST 20"	
8	541277	TUBE BACKREST 21"	
8	541278	TUBE BACKREST 22"	
8	541279	TUBE BACKREST 23"	
8	541280	TUBE BACKREST 24"	
9	263100	5/16" AN WASHER FLAT	
10	230121	BHCS M8 X 1.25 X 20MM PATCH	
11	013145	BHCS M6 X 1 X 10 BLK	
12	250104	WASHER FLAT M6	
13	561192	PANEL RECLINE MECH MANUAL	RIGHT
13	561193	PANEL RECLINE MECH MANUAL	LEFT
14	540570	KEIPER LOWER BRACKET	RIGHT
14	540571	KEIPER LOWER BRACKET	LEFT
15	010699	SHAFT KEIPER CONNNECT FEMALE	
16	000384.32100	MANUAL KNOB	
17	013154	SCREW SET M5 X .8 X 3	
18	541149	CONNECTING ROD STOP NUT	
19	210085	NUT HEX NYLOCK M8 BLACK	
20	561006	1" SADDLE 5/16" HOLE	
21	230123	BHCS M8 X 1.25 X 45	
22	920027	QUICKIE GRIP 1" W/INSTR SHEET	
23	561062	1" INSERT PLUG .065 RIBS	
24	230497	M5-.8 X 20 MM BH C/S	
25	010661-001	UPH BCKRST ASSM 12W 38-42/43CM	LOW & MED BACK HEIGHTS
25	010661-002	UPH BCKRST ASSM 13W 38-42/43CM	LOW & MED BACK HEIGHTS
25	010661-003	UPH BCKRST ASSM 14W 38-42/43CM	LOW & MED BACK HEIGHTS
25	010661-004	UPH BCKRST ASSM 15W 38-42/43CM	LOW & MED BACK HEIGHTS
25	010661-005	UPH BCKRST ASSM 16W 38-42/43CM	LOW & MED BACK HEIGHTS
25	010661-006	UPH BCKRST ASSM 17W 38-42/43CM	LOW & MED BACK HEIGHTS
25	010661-007	UPH BCKRST ASSM 18W 38-42/43CM	LOW & MED BACK HEIGHTS
25	010661-008	UPH BCKRST ASSM 19W 38-42/43CM	LOW & MED BACK HEIGHTS
25	010661-009	UPH BCKRST ASSM 20W 38-42/43CM	LOW & MED BACK HEIGHTS
25	010661-010	UPH BCKRST ASSM 21W 38-42/43CM	LOW & MED BACK HEIGHTS
25	010661-011	UPH BCKRST ASSM 22W 38-42/43CM	LOW & MED BACK HEIGHTS
25	010661-012	UPH BCKRST ASSM 23W 38-42/43CM	LOW & MED BACK HEIGHTS
25	010662-001	UPH BCKRST ASSM 12W 48CM	TALL BACK HEIGHTS
25	010662-002	UPH BCKRST ASSM 13W 48CM	TALL BACK HEIGHTS
25	010662-003	UPH BCKRST ASSM 14W 48CM	TALL BACK HEIGHTS
25	010662-004	UPH BCKRST ASSM 15W 48CM	TALL BACK HEIGHTS
25	010662-005	UPH BCKRST ASSM 16W 48CM	TALL BACK HEIGHTS
25	010662-006	UPH BCKRST ASSM 17W 48CM	TALL BACK HEIGHTS
25	010662-007	UPH BCKRST ASSM 18W 48CM	TALL BACK HEIGHTS
25	010662-008	UPH BCKRST ASSM 19W 48CM	TALL BACK HEIGHTS
25	010662-009	UPH BCKRST ASSM 20W 48CM	TALL BACK HEIGHTS
25	010662-010	UPH BCKRST ASSM 21W 48CM	TALL BACK HEIGHTS

Pos.	Item Number	Description	Remarks
25	010662-011	UPH BCKRST ASSM 22W 48CM	TALL BACK HEIGHTS
25	010662-012	UPH BCKRST ASSM 23W 48CM	TALL BACK HEIGHTS
25	010662-013	UPH BCKRST ASSM 24W 48CM	TALL BACK HEIGHTS
26	525438-001	CON ROD MNL TILT & REC 12"	BACK WIDTH 12" - 16"
26	525438-002	CON ROD MNL TILT & REC 13"	BACK WIDTH 17" - 20"
26	525438-003	CON ROD MNL TILT & REC 14"	BACK WIDTH 22" - 24"
1, 5, 22, 23	104855	BACK POST 60D ASSM	LEFT
1, 5, 22, 23	104854	BACK POST 60D ASSM	RIGHT
2, 3, 4, 9, 10, 11, 12, 19, 21, 24	101542	KEIPER MNL RCLN BACK HDWR KIT	

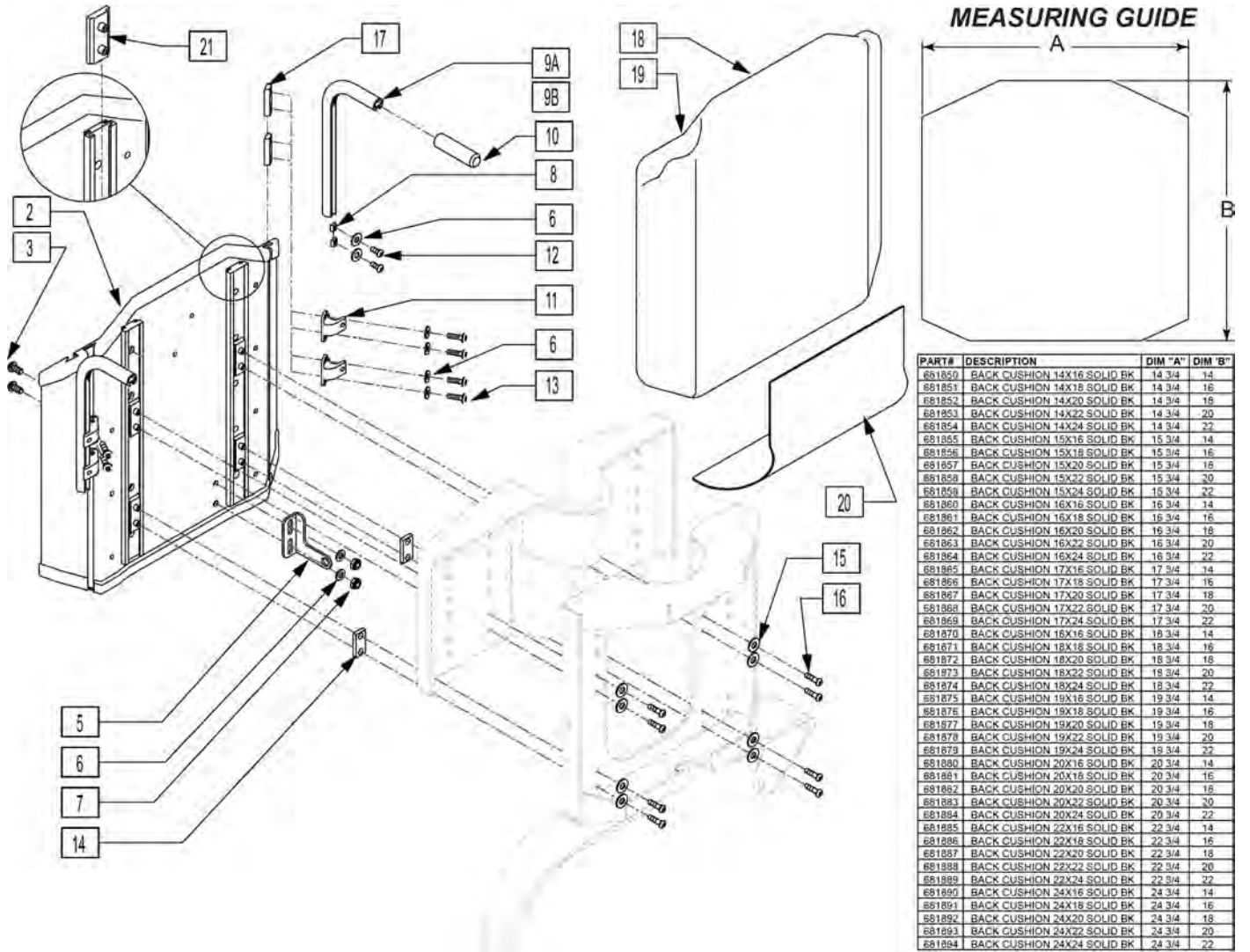
Note: On QM7 series fits chairs prior to S/N prefix QM710A, QM715A & QM720A.



Pos.	Item Number	Description	Remarks
1A	104371	BACKREST INNER SHROUD SMALL	USED ON 16-19" WIDE SEATS
1B	104372	BACKREST INNER SHROUD LARGE	USED ON 20 & 22" WIDE SEATS
2	102987-004	WLDMNT 17W CROSS BAR	USED ON 16" WIDE SEATS
2	102987-005	WLDMNT 18W CROSS BAR	USED ON 17" WIDE SEATS
2	102987-006	WLDMNT 19W CROSS BAR	USED ON 18" WIDE SEATS
2	102987-007	WLDMNT 20W CROSS BAR	USED ON 19" WIDE SEATS
2	102990-002	WLDMNT 21W CROSS BAR	USED ON 20" WIDE SEATS
2	102990-004	WLDMNT 23W CROSS BAR	USED ON 22" WIDE SEATS
3	202116	5/16-18 NYLOCK NUT THIN BLK	
4	226236	5/16-18 x 1/2 B/H C/S BLK	
5	263100	5/16 AN WASHER FLAT	
6	505615	ACT LINK PIN	
7	012038	ACT LINAK LA-12 9OD CLVS DLPHI	SHEER ACTUATOR
8	201263	3/8-16 NYLOCK NUT BLK ZINC	
9	263140	3/8 WASHER FLAT	

Pos.	Item Number	Description	Remarks
10	108843	ACT LINAK LA-30-150	RECLINE ACTUATOR
11	341571	1/2" SHOULDER BOLT	
12	560030	REAR ACT THRUST WASHER	
13	342088	GAS SPRING S626 T/R	
14	223120	3/8-16 x .625 HEX HD C/S W/PATCH	
15	506033	LOWER RECLINE ACT PIVOT	
16A	103950	SHROUD POWER RECLINE ASSM	INCLUDES VELCRO & FASTENERS
16B	103951	SHROUD WIDE PWR RECLINE WIDE	INCLUDES VELCRO & FASTENERS
17	102257	BHCS M4 X .7 X 8 INORGANIC	
18	108295	BRKT CONTROLLER RNET	
19	227000	8-32 X 3/8 SOC C/S BLK	
20	011402	FASTENER SHROUD	
21	108312	DISTRIBUTION BLOCK	
22	103185-006	BHCSM6X1X16FULLNP	

NOTE: IF RETROFITTING A TILT OR RECLINE ONTO AN EXISTING CHAIR PLEASE CONTACT SUNRISE MEDICAL TECHNICAL SUPPORT TO ENSURE ALL REQUIRED PARTS ARE PURCHASED.



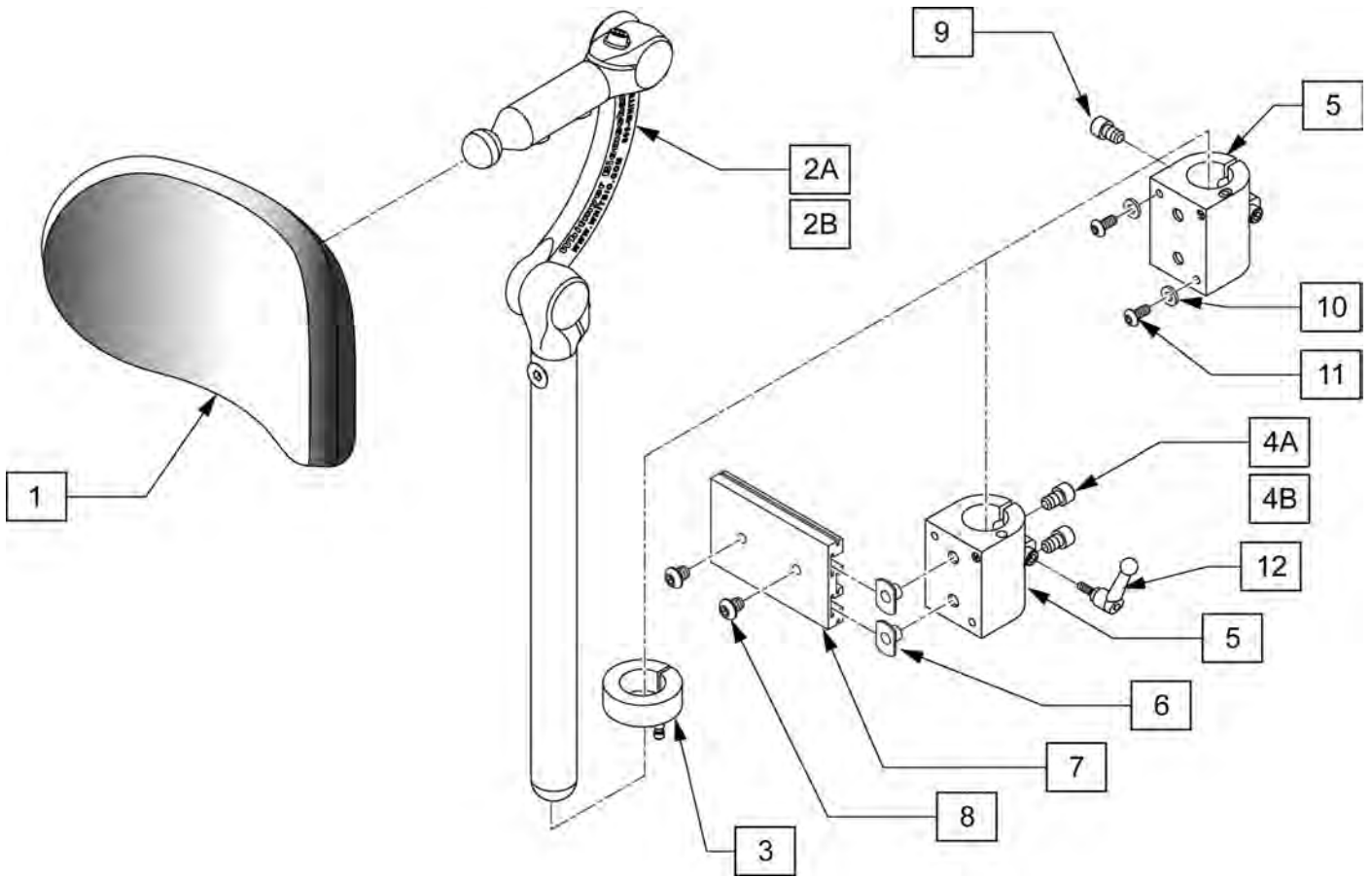
PART#	DESCRIPTION	DIM "A"	DIM "B"
681850	BACK CUSHION 14X16 SOLID BK	14 3/4	14
681851	BACK CUSHION 14X18 SOLID BK	14 3/4	16
681852	BACK CUSHION 14X20 SOLID BK	14 3/4	18
681853	BACK CUSHION 14X22 SOLID BK	14 3/4	20
681854	BACK CUSHION 14X24 SOLID BK	14 3/4	22
681855	BACK CUSHION 15X16 SOLID BK	15 3/4	14
681856	BACK CUSHION 15X18 SOLID BK	15 3/4	16
681857	BACK CUSHION 15X20 SOLID BK	15 3/4	18
681858	BACK CUSHION 15X22 SOLID BK	15 3/4	20
681859	BACK CUSHION 15X24 SOLID BK	15 3/4	22
681860	BACK CUSHION 16X16 SOLID BK	16 3/4	14
681861	BACK CUSHION 16X18 SOLID BK	16 3/4	16
681862	BACK CUSHION 16X20 SOLID BK	16 3/4	18
681863	BACK CUSHION 16X22 SOLID BK	16 3/4	20
681864	BACK CUSHION 16X24 SOLID BK	16 3/4	22
681865	BACK CUSHION 17X16 SOLID BK	17 3/4	14
681866	BACK CUSHION 17X18 SOLID BK	17 3/4	16
681867	BACK CUSHION 17X20 SOLID BK	17 3/4	18
681868	BACK CUSHION 17X22 SOLID BK	17 3/4	20
681869	BACK CUSHION 17X24 SOLID BK	17 3/4	22
681870	BACK CUSHION 18X16 SOLID BK	18 3/4	14
681871	BACK CUSHION 18X18 SOLID BK	18 3/4	16
681872	BACK CUSHION 18X20 SOLID BK	18 3/4	18
681873	BACK CUSHION 18X22 SOLID BK	18 3/4	20
681874	BACK CUSHION 18X24 SOLID BK	18 3/4	22
681875	BACK CUSHION 19X16 SOLID BK	19 3/4	14
681876	BACK CUSHION 19X18 SOLID BK	19 3/4	16
681877	BACK CUSHION 19X20 SOLID BK	19 3/4	18
681878	BACK CUSHION 19X22 SOLID BK	19 3/4	20
681879	BACK CUSHION 19X24 SOLID BK	19 3/4	22
681880	BACK CUSHION 20X16 SOLID BK	20 3/4	14
681881	BACK CUSHION 20X18 SOLID BK	20 3/4	16
681882	BACK CUSHION 20X20 SOLID BK	20 3/4	18
681883	BACK CUSHION 20X22 SOLID BK	20 3/4	20
681884	BACK CUSHION 20X24 SOLID BK	20 3/4	22
681885	BACK CUSHION 22X16 SOLID BK	22 3/4	14
681886	BACK CUSHION 22X18 SOLID BK	22 3/4	16
681887	BACK CUSHION 22X20 SOLID BK	22 3/4	18
681888	BACK CUSHION 22X22 SOLID BK	22 3/4	20
681889	BACK CUSHION 22X24 SOLID BK	22 3/4	22
681890	BACK CUSHION 24X16 SOLID BK	24 3/4	14
681891	BACK CUSHION 24X18 SOLID BK	24 3/4	16
681892	BACK CUSHION 24X20 SOLID BK	24 3/4	18
681893	BACK CUSHION 24X22 SOLID BK	24 3/4	20
681894	BACK CUSHION 24X24 SOLID BK	24 3/4	22

Pos.	Item Number	Description	Remarks
3	221091	1/4-28 x 1/2 BH C/S BLK W/PTCH	
5	102981	UPPER ACT CLEVIS MID SW	
6	106943	WASHER FLAT AN 1/4 ROHS	
7	202300	1/4-28 NYLOCK NUT THIN BLK ZN	
8	481106-QU	1/4-28 CHANNEL NUT	
9A,10	113364	PUSH HANDLES TUBE W/RCLN BCK	Each - HANDLE 5" Long
9B,10	113365	PUSH HANDLES TB LNG W/RCLN BK	Each - HANDLE 12.5" LONG
10	920027	QUICKIE GRIP 1	
11	505553	CURVED BACK BRACKET S626	
12	221091	1/4-28 x 1/2 BH C/S BLK W/PTCH	
13	221092	1/4-28 x 7/16 BH CS BLK W/PTCH	
14	481471	GLIDE SPACER	
15	267021	WASHER FLAT # 8 ZINC	

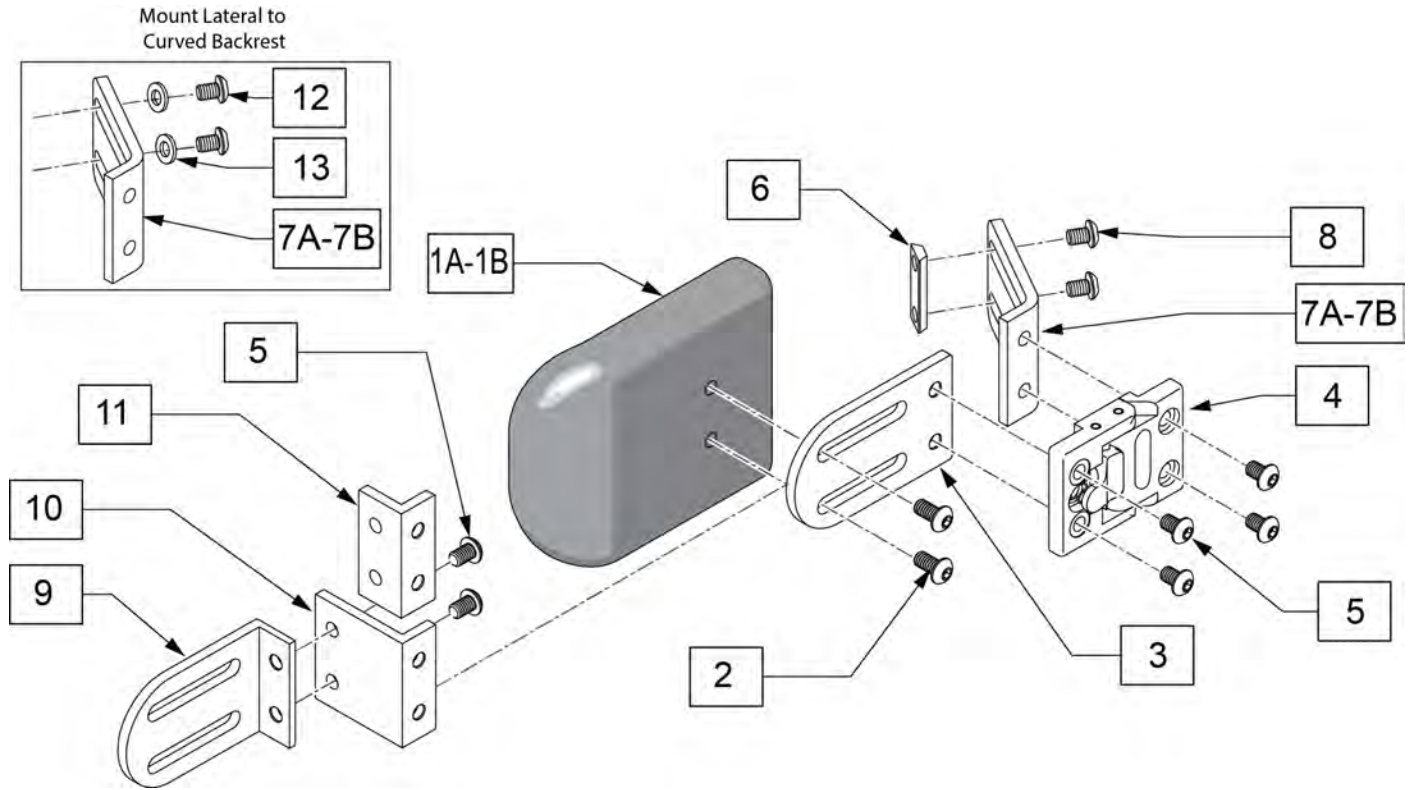
Pos.	Item Number	Description	Remarks
16	102257	BHCS M4 X .7 X 8 INORGANIC	
17	481419	1/4-28 CHANNEL NUT 1.75" SP	
20	680155	COVER SEAT/BACK GAP T&R	
21	505621	IGUS GLIDE - N	
18,19	681860	BACK CUSHION 16 X16" SOLID BK	USE WITH 22-23" BACK HEIGHT
18,19	681861	BACK CUSHION 16 X18" SOLID BK	USE WITH 24-25" BACK HEIGHT
18,19	681862	BACK CUSHION 16 X20" SOLID BK	USE WITH 26-27" BACK HEIGHT
18,19	681863	BACK CUSHION 16 X22" SOLID BK	USE WITH 28-29" BACK HEIGHT
18,19	681864	BACK CUSHION 16 X24" SOLID BK	USE WITH 30" BACK HEIGHT
18,19	681865	BACK CUSHION 17 X16" SOLID BK	USE WITH 22-23" BACK HEIGHT
18,19	681866	BACK CUSHION 17 X18" SOLID BK	USE WITH 24-25" BACK HEIGHT
18,19	681867	BACK CUSHION 17 X20" SOLID BK	USE WITH 26-27" BACK HEIGHT
18,19	681868	BACK CUSHION 17 X22" SOLID BK	USE WITH 28-29" BACK HEIGHT
18,19	681869	BACK CUSHION 17 X24" SOLID BK	USE WITH 30" BACK HEIGHT
18,19	681870	BACK CUSHION 18 X16" SOLID BK	USE WITH 22-23" BACK HEIGHT
18,19	681871	BACK CUSHION 18 X18" SOLID BK	USE WITH 24-25" BACK HEIGHT
18,19	681872	BACK CUSHION 18 X20" SOLID BK	USE WITH 26-27" BACK HEIGHT
18,19	681873	BACK CUSHION 18 X22" SOLID BK	USE WITH 28-29" BACK HEIGHT
18,19	681874	BACK CUSHION 18 X24" SOLID BK	USE WITH 30" BACK HEIGHT
18,19	681875	BACK CUSHION 19 X16" SOLID BK	USE WITH 22-23" BACK HEIGHT
18,19	681876	BACK CUSHION 19 X18" SOLID BK	USE WITH 24-25" BACK HEIGHT
18,19	681877	BACK CUSHION 19 X20" SOLID BK	USE WITH 26-27" BACK HEIGHT
18,19	681878	BACK CUSHION 19 X22" SOLID BK	USE WITH 28-29" BACK HEIGHT
18,19	681879	BACK CUSHION 19 X24" SOLID BK	USE WITH 30" BACK HEIGHT
18,19	681880	BACK CUSHION 20 X16" SOLID BK	USE WITH 22-23" BACK HEIGHT
18,19	681881	BACK CUSHION 20 X18" SOLID BK	USE WITH 24-25" BACK HEIGHT
18,19	681882	BACK CUSHION 20 X20" SOLID BK	USE WITH 26-27" BACK HEIGHT
18,19	681883	BACK CUSHION 20 X22" SOLID BK	USE WITH 28-29" BACK HEIGHT
18,19	681884	BACK CUSHION 20 X24" SOLID BK	USE WITH 30" BACK HEIGHT
18,19	681885	BACK CUSHION 22 X16" SOLID BK	USE WITH 22-23" BACK HEIGHT
18,19	681886	BACK CUSHION 22 X18" SOLID BK	USE WITH 24-25" BACK HEIGHT
18,19	681887	BACK CUSHION 22 X20" SOLID BK	USE WITH 26-27" BACK HEIGHT
18,19	681888	BACK CUSHION 22 X22" SOLID BK	USE WITH 28-29" BACK HEIGHT
18,19	681889	BACK CUSHION 22 X24" SOLID BK	USE WITH 30" BACK HEIGHT
1,2,4	887002	SLD BCK SHELL ASSM 16WX14T T/R	USE WITH 22-23" BACK HEIGHT
1,2,4	887003	SLD BCK SHELL ASSM 17WX14T T/R	USE WITH 22-23" BACK HEIGHT
1,2,4	887004	SLD BCK SHELL ASSM 18WX14T T/R	USE WITH 22-23" BACK HEIGHT
1,2,4	887005	SLD BCK SHELL ASSM 19WX14T T/R	USE WITH 22-23" BACK HEIGHT
1,2,4	887006	SLD BCK SHELL ASSM 20WX14T T/R	USE WITH 22-23" BACK HEIGHT
1,2,4	887007	SLD BCK SHELL ASSM 22WX14T T/R	USE WITH 22-23" BACK HEIGHT
1,2,4	887011	SLD BCK SHELL ASSM 16WX16T T/R	USE WITH 24-25" BACK HEIGHT
1,2,4	887012	SLD BCK SHELL ASSM 17WX16T T/R	USE WITH 24-25" BACK HEIGHT
1,2,4	887013	SLD BCK SHELL ASSM 18WX16T T/R	USE WITH 24-25" BACK HEIGHT
1,2,4	887014	SLD BCK SHELL ASSM 19WX16T T/R	USE WITH 24-25" BACK HEIGHT
1,2,4	887015	SLD BCK SHELL ASSM 20WX16T T/R	USE WITH 24-25" BACK HEIGHT
1,2,4	887016	SLD BCK SHELL ASSM 22WX16T T/R	USE WITH 24-25" BACK HEIGHT
1,2,4	887020	SLD BCK SHELL ASSM 16WX18T T/R	USE WITH 26-27" BACK HEIGHT
1,2,4	887021	SLD BCK SHELL ASSM 17WX18T T/R	USE WITH 26-27" BACK HEIGHT
1,2,4	887022	SLD BCK SHELL ASSM 18WX18T T/R	USE WITH 26-27" BACK HEIGHT
1,2,4	887023	SLD BCK SHELL ASSM 19WX18T T/R	USE WITH 26-27" BACK HEIGHT
1,2,4	887024	SLD BCK SHELL ASSM 20WX18T T/R	USE WITH 26-27" BACK HEIGHT
1,2,4	887025	SLD BCK SHELL ASSM 22WX18T T/R	USE WITH 26-27" BACK HEIGHT
1,2,4	887029	SLD BCK SHELL ASSM 16WX20T T/R	USE WITH 28-29" BACK HEIGHT
1,2,4	887030	SLD BCK SHELL ASSM 17WX20T T/R	USE WITH 28-29" BACK HEIGHT
1,2,4	887031	SLD BCK SHELL ASSM 18WX20T T/R	USE WITH 28-29" BACK HEIGHT
1,2,4	887032	SLD BCK SHELL ASSM 19WX20T T/R	USE WITH 28-29" BACK HEIGHT

Pos.	Item Number	Description	Remarks
1,2,4	887033	SLD BCK SHELL ASSM 20WX20T T/R	USE WITH 28-29" BACK HEIGHT
1,2,4	887034	SLD BCK SHELL ASSM 22WX20T T/R	USE WITH 28-29" BACK HEIGHT
1,2,4	887038	SLD BCK SHELL ASSM 16WX22T T/R	USE WITH 30" BACK HEIGHT
1,2,4	887039	SLD BCK SHELL ASSM 17WX22T T/R	USE WITH 30" BACK HEIGHT
1,2,4	887040	SLD BCK SHELL ASSM 18WX22T T/R	USE WITH 30" BACK HEIGHT
1,2,4	887041	SLD BCK SHELL ASSM 19WX22T T/R	USE WITH 30" BACK HEIGHT
1,2,4	887042	SLD BCK SHELL ASSM 20WX22T T/R	USE WITH 30" BACK HEIGHT
1,2,4	887043	SLD BCK SHELL ASSM 22WX22T T/R	USE WITH 30" BACK HEIGHT

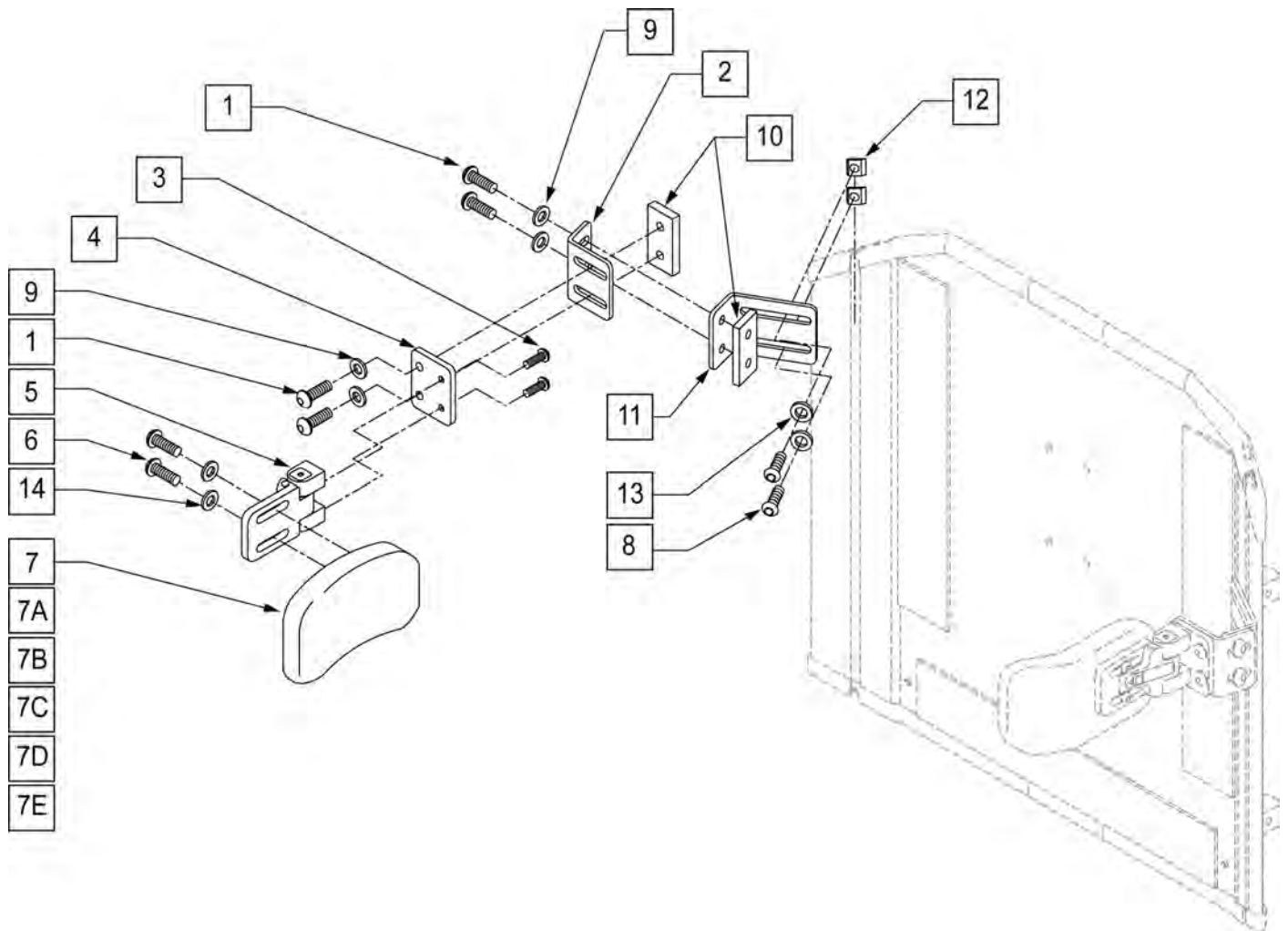
HEADREST



Pos.	Item Number	Description	Remarks
1A	P800L	PLUSH PAD, 8", LYCRA	8" wide Headrest Pad
1B	P1000L	PLUSH PAD, 10", LYCRA	10" wide Headrest Pad
2A	LX7000	LINX CORE MOUNT HDW	10" long Headrest Post
2B	LX8000	LINX CORE MNTG HDW 8"	
1A,2	110830	HDRST PLSH 8 IN POST 10"	
3	104533	HEADREST COLLAR .875 ID	
4A	226074	1/4-20 X 1/2 SOC C/S	Used with Curved Jay SPO & Art SPO Backrest
4B	226095	1/4-20 X 3/8" SOC C/S BLK ZN	Used w/ Trad Rehab Backrest
6	340033	1/4-20 WELD NUTS SLAB BASE	Used w/ Trad Rehab Backrest only
7	505932	HEADREST MOUNTING TRACK	Used w/ Trad Rehab Backrest only
8	476304	1/4-28X.31 BHCS W/PATCH	Used w/ Trad Rehab Backrest only
9	455017-QU	10-24 X 3/4 ALLEN SOC HD SCW	
10	261204	#10 AN WASHER .063	Used w/ power recline
11	226023	10-32 X 7/16 BH C/S BLK	Used w/ power recline
12	341046	HEADREST CLAMPING HANDLE SCREW	
4A-5,9	111902	HDRST CLMP	Used with Curved Jay SPO & Art SPO Backrest
3,5,9	109347	HDRST CLMP BLCK ASSY .875 ID	Used w/ power recline
3,5,12	112257	HDRST HNDLE CLAMP ASSY .875 ID	Used w/ Trad Rehab, Curved Jay SPO & Art SPO Backrest
3,5,9-11	112717	HDRST HNDLE CLAMP ASSY .875 ID	Used w/ power recline
3,4B,5-8,12	112716	HDRST HNDLE CLAMP ASSY .875 ID	Used w/ Trad Rehab Backrest only



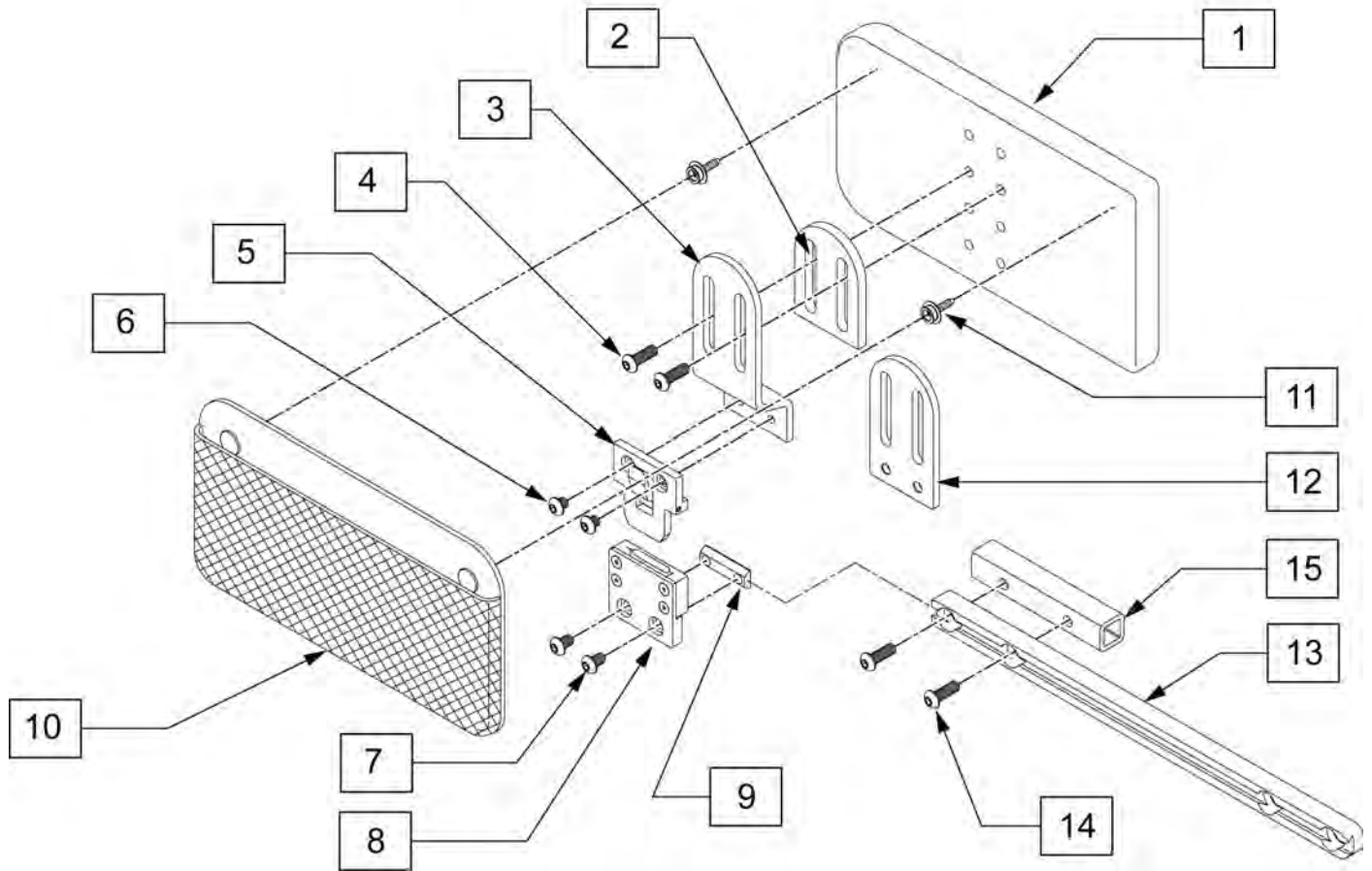
Pos.	Item Number	Description	Remarks
1A,2	107311	LATERAL PAD 4X5	
1B,2	107312	LATERAL PAD 4X6	
3-11	HDK2500	SA LATERAL HARDWARE KIT	
1A-7A.8-11	106925	4X5 LATERAL THORACIC KIT	
1B-7A.8-11	106926	4X6 LATERAL THORACIC KIT	
1A-7B.8-11	118840	4X5 LATERAL THORACIC KIT 120	Power Recline only
1B-7B.8-11	118841	4X6 LATERAL THORACIC KIT 120	Power Recline only
12	108107	BHCS 1/4-20 X 3/4	
13	106943	WASHER FLAT AN 1/4	



Pos.	Item Number	Description	Remarks
1	226247	1/4-28 x 5/8 B/H C/S BLACK G5	
2	120093	SWING AWAY LATERAL L BRACKET	Not left/right dependent
3	226018-QU	10-32 x 3/8 BH C/S W/PATCH BLK	
4	120091	SWING AWAY LATERAL FLAT BRACKET	
5	476180	ADJUSTABLE LATERAL SWING AWAY	
6	455013-QU	10-32 x 1/2 ALLEN BH SCW	
6,7,14	450852	TRUNK PAD CURVED 3"H x 6"L 1" CN	
6,7A,14	450854	TRUNK PAD CURVED 4"H x 5"L 1" CN	
6,7B,14	450855	TRUNK PAD CURVED 4"H x 6"L 1" CN	
6,7C,14	450822	TRUNK PAD FLAT 3"H x 6"L 1" CN	
6,7D,14	450824	TRUNK PAD FLAT 4"H x 5"L 1" CN	
6,7E,14	450825	TRUNK PAD FLAT 4"H x 6"L 1" CN	
8	221092	1/4-28 x 7/16 BH CS BLK W/PTCH	
9	261111	9/32 x 5/8 OD FLAT WASHER BLK	
10	330134	THREADED PLATE	
11	120092	SWING AWAY LAT LONG L BRKT	Not left/right dependent
12	481106-QU	1/4-28 CHANNEL NUT	
13	106944	WASHER FLAT THIN AN 1/4 ROHS	
14	455031-QU	#10 AN WASHER .032 SS	
1,2,8-13	881902	LATERAL BRACKET ASSM SOLID BACK	

Pos.	Item Number	Description	Remarks
1-5,8-13	900475	S/A LATERAL ASSM SOLID BACK	

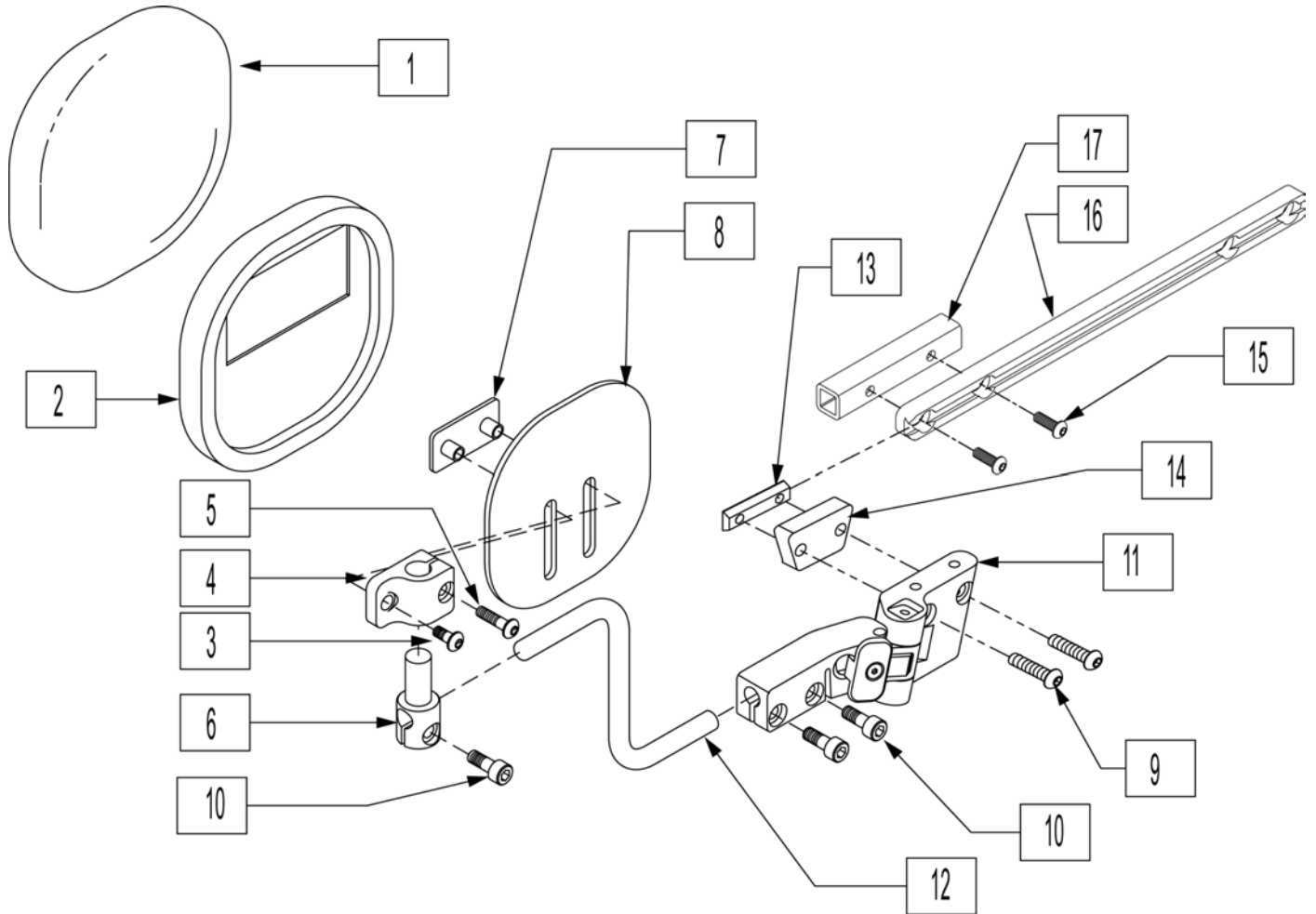
NOTE: Fits ASAP seating only.



Pos.	Item Number	Description	Remarks
4	n/a	BHCS 1/4 - 20 X .75	
6	n/a	BHCS 1/4 - 20 X .25	
7	n/a	BHCS 1/4 - 20 X .375	
10	PMB1099	PELVIC MESH BAG	
13	106425	SINGLE TRACK RAIL 8MM	
14	235008	M8 X 1.25 X 30 BH C/S	
15	107263	INNER TUBE SIDE RAIL	Use w/ Center Mount Footrest only
1,4,10,11	107313	HIP GUIDE PAD 5X10	
1-12	111906	HIP GUIDE ASSY REMOVBL L 5X10	Left, Includes parts for flush and offset mounting
1-12	111907	HIP GUIDE ASSY REMOVBL R 5X10	Right, Includes parts for flush and offset mounting
13-15	110824	SEAT RAIL KIT	PAIR

Note: Effective on Rhythm chairs built before 3/18/2010 (S/N RTMA-106545)

Note: Effective on Pulse chairs built before 3/18/2010 (S/N PLS-100923)

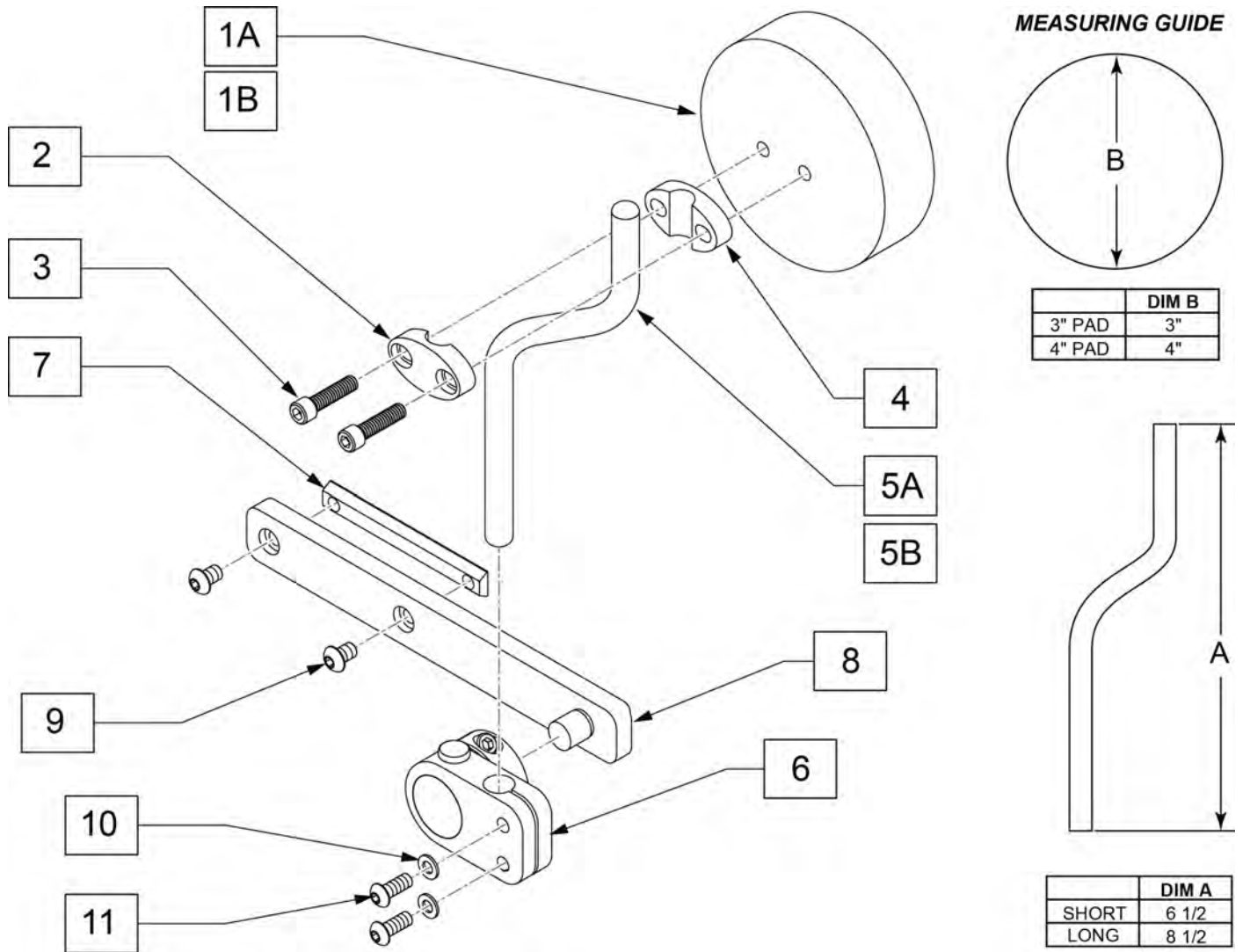


Pos.	Item Number	Description	Remarks
1	011692-003	PAD COVER KNEE SUPPORT LG	
2	011812-003	KNEE SUPPORT PAD LG VELC	
3	230497	M5-.8 X 20 MM BH C/S	
4	010422	LKSA CLAMP PIVOT	
5	102259-001	BHCS M5 X .8 X 12 W/PL INORG	
6	010060	LKSA PAD PIVOT	
7	010111-002	NUT PLATE M5 X 25.4 X 10	
8	010277-003	KNEE PLATE 6 X 6	
9	102262-004	BHCS M6 X 1 X 25 W/PL INORG	
10	102263-001	SHCS M6X1X16 FULL NP	
11	010409	LKSA ASSM HINGE LH	Left
11	010410	LKSA ASSM HINGE RH	Right
12	010058-002	LKSA ROD 100MM OFFSET	
13	011322	DUAL M6 CHANNEL NUT	
14	013611	SPACER KNEE SUPPORT	
9,13,14	014158	S/A KNEE SUPP ALT MNT KIT PF	

Pos.	Item Number	Description	Remarks
1-12	011469	KNEE SUPP S-A ASSM 100 LG LH	Left
1-12	011470	KNEE SUPP S-A ASSM 100 LG RH	Right
1-12	011471	KNEE SUPP S-A ASSM 100 LG PR	Pair
1-14	111455	KNEE SUPP S-A ASSM 100 L	Left - W/ Alternate Mount
1-14	111456	KNEE SUPP S-A ASSM 100 R	Right - W/ Alternate Mount
1-14	106427	KNEE ADDUCTOR S/A ASSY PR	Pair - W/ Alternate Mount
15	235008	M8 X 1.25 X 30 BH C/S	
16	106425	SINGLE TRACK RAIL 8MM	
17	107263	INNER TUBE SIDE RAIL	Use w/ Center Mount Footrest only
15-17	110824	SEAT RAIL KIT	Pair

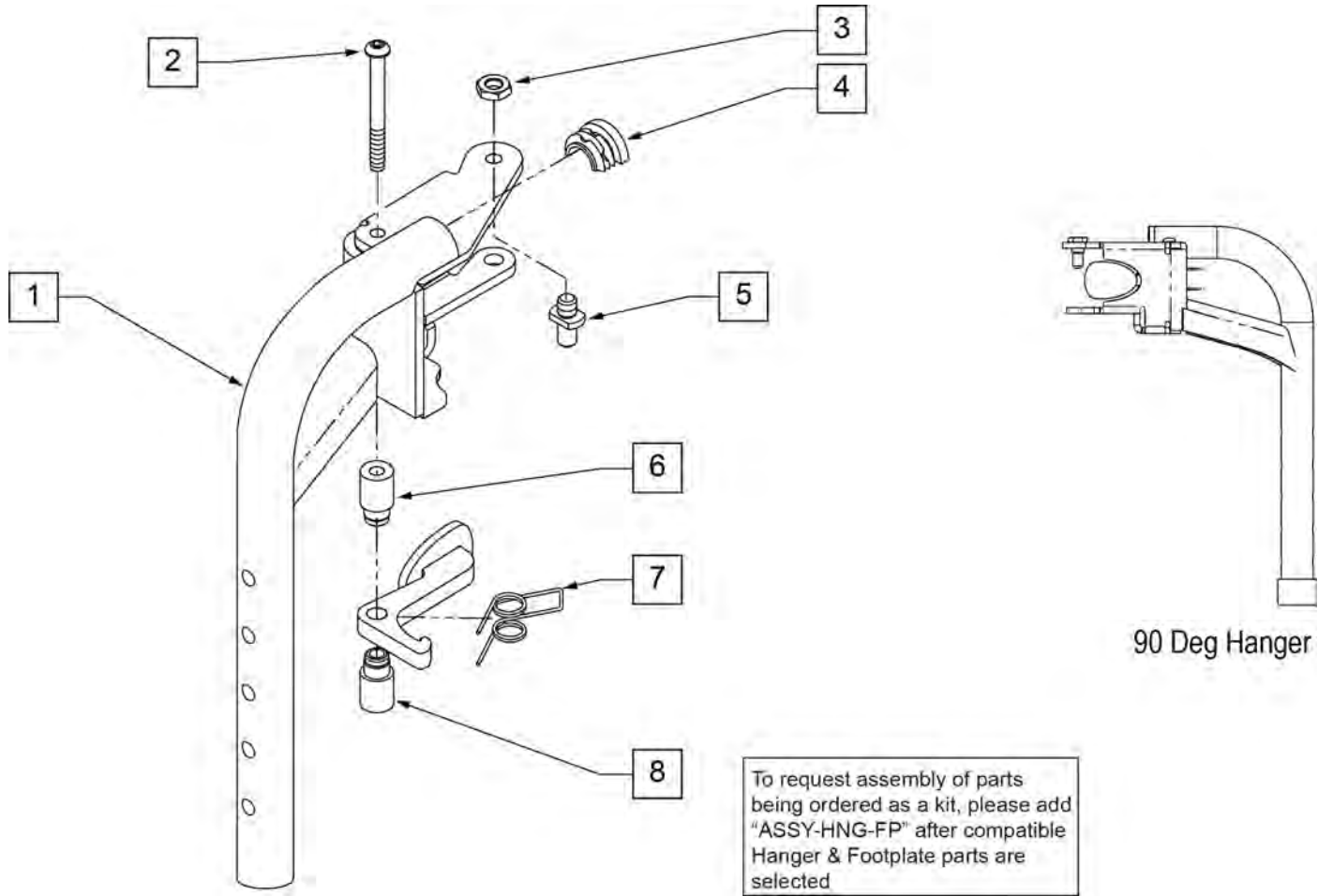
NOTE: Effective on Rhythm chairs built after 3/18/2010 (S/N RTMA-106545).

NOTE: Effective on Pulse chairs built after 3/18/2010 (S/N PLS-100923).



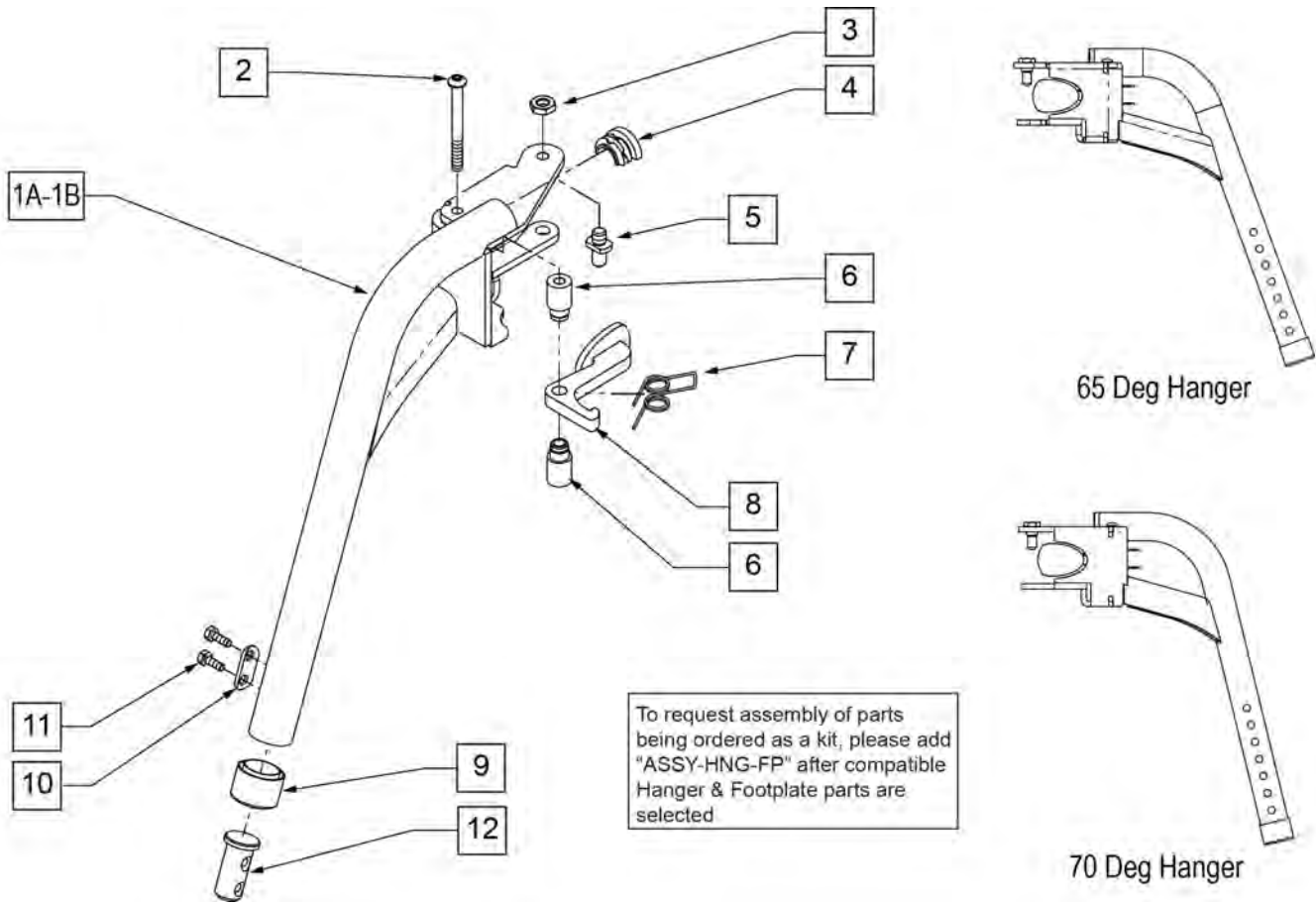
Pos.	Item Number	Description
1A	KAD10XX	KNEE ADDUCTOR PAD 3" ROUND
1B	KAD11XX	KNEE ADDUCTOR PAD 4" ROUND
2-4	112830	PAD MOUNT KIT
6,10,11	112831	SWING AWAY KNEE R
6,10,11	112832	SWING AWAY KNEE L
9	107034	BHCS 1/4-20 X 3/8 ROHS
1A-4,5A -11	112841	KNEE SUPP ASSM R SHORT 3" PAD
1A-4,5A -11	112842	KNEE SUPP ASSM L SHORT 3" PAD
1A-4,5B -11	112843	KNEE SUPP ASSM R LONG 3" PAD
1A-4,5B -11	112844	KNEE SUPP ASSM L LONG 3" PAD
1B-4,5A-11	112845	KNEE SUPP ASSM R SHORT 4" PAD
1B-4,5A-11	112846	KNEE SUPP ASSM L SHORT 4" PAD
1B-4,5B-11	112847	KNEE SUPP ASSM R LONG 4" PAD
1B-4,5B-11	112848	KNEE SUPP ASSM L LONG 4" PAD

Note: if switching from a Fixed Center Mount Footrest to Swing Away Hangers on a Pulse with a Captains Seat, order 2 each of 122712 (LAT HANGER WELDMNT W/HARDWARE) to mount the Hanger Receivers to the chair. Please see SWING AWAY HANGER RECEIVER page.



Pos.	Item Number	Description	Remarks
2	013216	SCREW M6 X 60 SKT BTN BLK	
3	013036	M8 X 1.25 JAM NUT HEX	
4	013312	HALF CAP INSERT	
5	108778	PIVOT PIN, POWER	
6	013217	SPACER S/A HANGER LATCH	
7	013163	SPRING LATCH S/A HANGER	
8	013160	LATCH ARM S/A HANGER	
1-8	013330	S/A HANGER ASSM 90D L	Left
1-8	013337	S/A HANGER ASSM 90D R	Right
		Ship assembled part #	Use with multiple assemblies
	ASSY-HNG-FP	HANGER/FOOTPLATE ASSY REQUIRED	add with Hanger & Footplate kit

Note: if switching from a Fixed Center Mount Footrest to Swing Away Hangers on a Pulse with a Captains Seat, order 2 each of 122712 (LAT HANGER WELDMNT W/HARDWARE) to mount the Hanger Receivers to the chair. Please see SWING AWAY HANGER RECEIVER page.

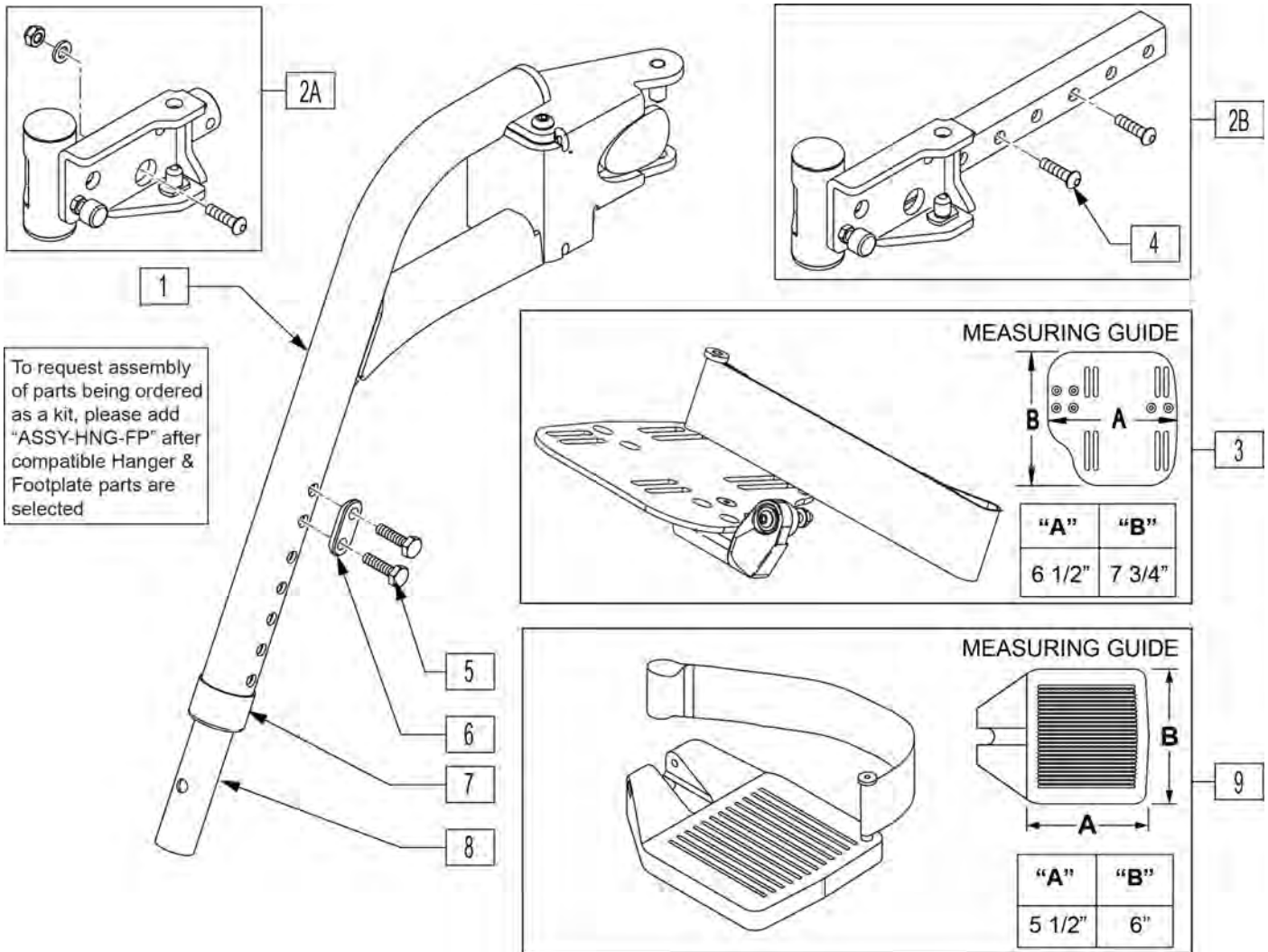


To request assembly of parts being ordered as a kit, please add "ASSY-HNG-FP" after compatible Hanger & Footplate parts are selected

Pos.	Item Number	Description	Remarks
2	013216	SCREW M6 X 60 SKT BTN BLK	
3	013036	M8 X 1.25 JAM NUT HEX	
4	013312	HALF CAP INSERT	
5	108778	PIVOT PIN, POWER	
6	013217	SPACER S/A HANGER LATCH	
7	013163	SPRING LATCH S/A HANGER	
8	013160	LATCH ARM S/A HANGER	
9	561082	1" TUBE END BUSHING THIN	
10	483717	HANGER SADDLE	
11	234891	M6 X 20 HEX C/S	
12	013369	TUBE IN EXT TB S/A HNGR EXT	
1B-9	115167	S/A HANGER ASSM 70D R	70 degree - Right
1B-9	115168	S/A HANGER ASSM 70D L	70 degree - Left
1A-9	014450	S/A HANGER ASSM 65D R	65 degree - Right
1A-9	014451	S/A HANGER ASSM 65D L	65 degree - Left
		Ship assembled part #	Use with multiple assemblies
	ASSY-HNG-FP	HANGER/FOOTPLATE ASSY REQUIRED	add with Hanger & Footplate kit

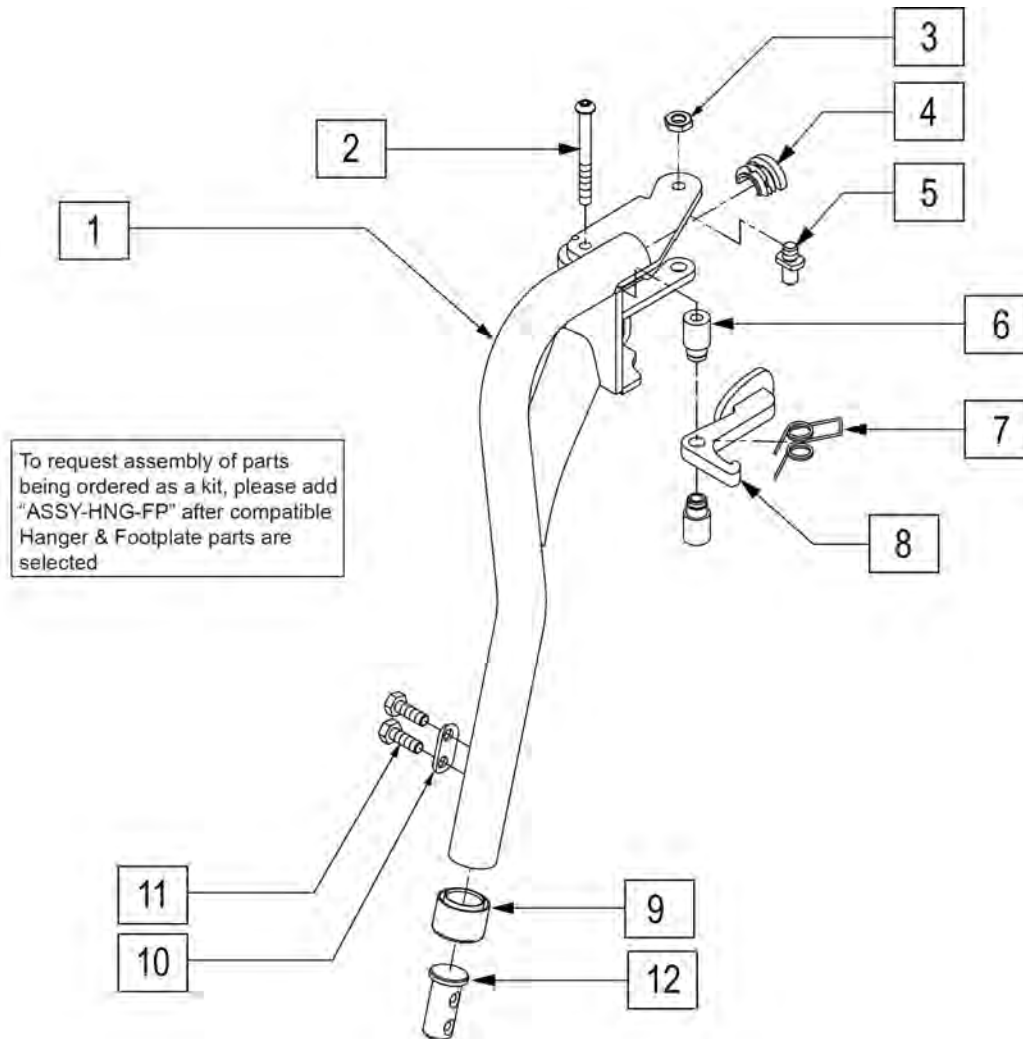
NOTE: Hanger assembly includes medium extension (achieves 15"-18" leg length)

NOTE: For smaller or larger size footplate please refer to the appropriate footplate parts page.



Pos.	Item Number	Description	Remarks
1,5-8	103219	HNGR S/A 65DEG W/EXT TB PR	PAIR
2A	104780	HANGER RECEIVER ASSM SHORT	RIGHT-Trad Rehab & Power Recline Seating
2A	104781	HANGER RECEIVER ASSM SHORT	LEFT-Trad Rehab & Power Recline Seating
2A	104782	HANGER RECEIVER ASSM LONG	RIGHT-Trad Rehab & Power Recline Seating
2A	104783	HANGER RECEIVER ASSM LONG	LEFT-Trad Rehab & Power Recline Seating
2A	104784	HANGER RECEIVER ASSM +1	RIGHT-Trad Rehab & Power Recline Seating
2A	104785	HANGER RECEIVER ASSM +1	LEFT-Trad Rehab & Power Recline Seating
2B	112532	LEGREST SWING-AWAY RETAINER ASSM	PAIR- ASAP Seating only
3	103411	ADULT ANGLE ADJUSTABLE FOOTPLATE KIT	PAIR
4	230006	BHCS M8 X 1.25 X 25 BLK	REFERENCE ONLY, SEE HARDWARE KIT
5	234891	M6 X 20 HEX C/S	
6	483717	HANGER SADDLE	
9	921162	C F/PLT ASSM H/L 16-17/19-20V	
1,2B-8	103457	HANGER 65ø SWING-AWAY W/ FOOTPLATE & RECEIVER	PAIR- Hangers with Angle adj Footplate
1,2B,4-9	110825	HANGER 65 S/A W/ COMP FOOT & RECIEVER	PAIR- Hangers with Composite Footplate
		Ship assembled part #	Use with multiple assemblies
	ASSY-HNG-FP	HANGER/FOOTPLATE ASSY REQUIRED	add with Hanger & Footplate kit

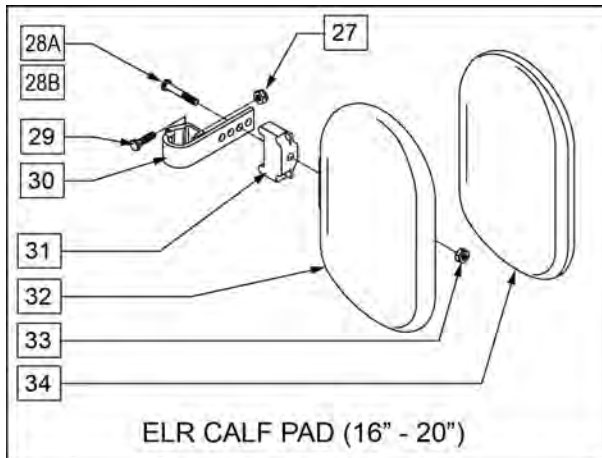
Note: if switching from a Fixed Center Mount Footrest to Swing Away Hangers on a Pulse with a Captains Seat, order 2 each of 122712 (LAT HANGER WELDMNT W/HARDWARE) to mount the Hanger Receivers to the chair. Please see SWING AWAY HANGER RECEIVER page.



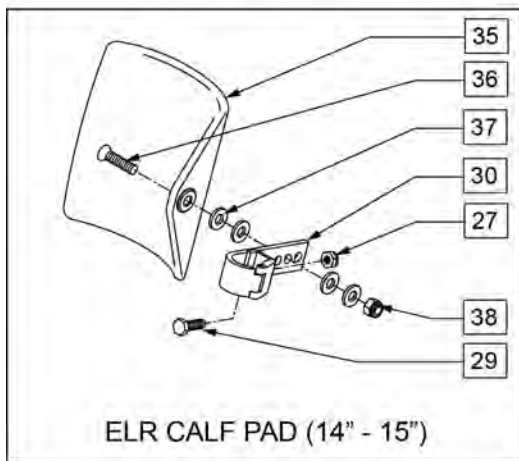
Pos.	Item Number	Description	Remarks
2	013216	SCREW M6 X 60 SKT BTN BLK	
3	013036	M8 X 1.25 JAM NUT HEX	
4	013312	HALF CAP INSERT	
5	108778	PIVOT PIN, POWER	
6	013217	SPACER S/A HANGER LATCH	
7	013163	SPRING LATCH S/A HANGER	
8	013160	LATCH ARM S/A HANGER	
9	561082	1" TUBE END BUSHING THIN	
10	483717	HANGER SADDLE	
11	234891	M6 X 20 HEX C/S	
12	013369	TUBE IN EXT TB S/A HNGR EXT	
1-9	100189	S/A HNGR ASSY TAPER 75D LH	Left
1-9	100190	S/A HNGR ASSY TAPER 75D RT	Right
		Ship assembled part #	Use with multiple assemblies
	ASSY-HNG-FP	HANGER/FOOTPLATE ASSY REQUIRED	add with Hanger & Footplate kit

ELEVATING LEGREST

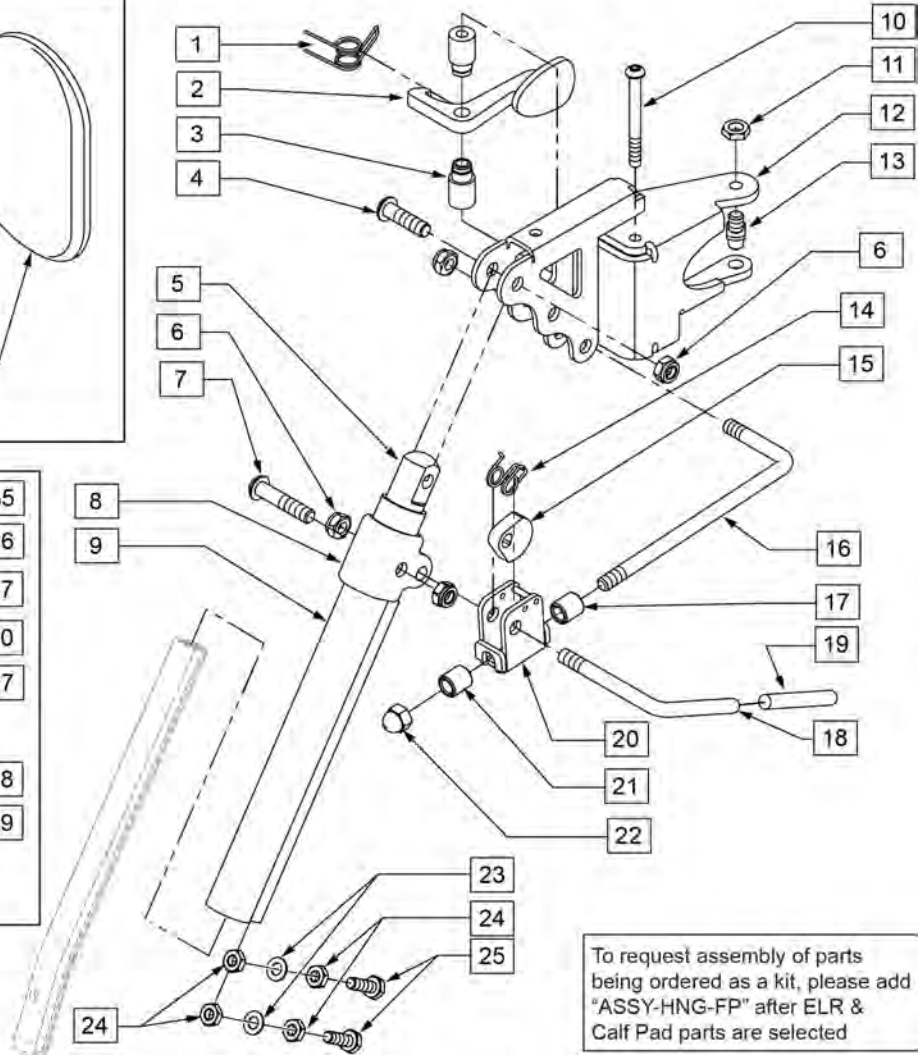
[10/2011]



ELR CALF PAD (16" - 20")



ELR CALF PAD (14" - 15")

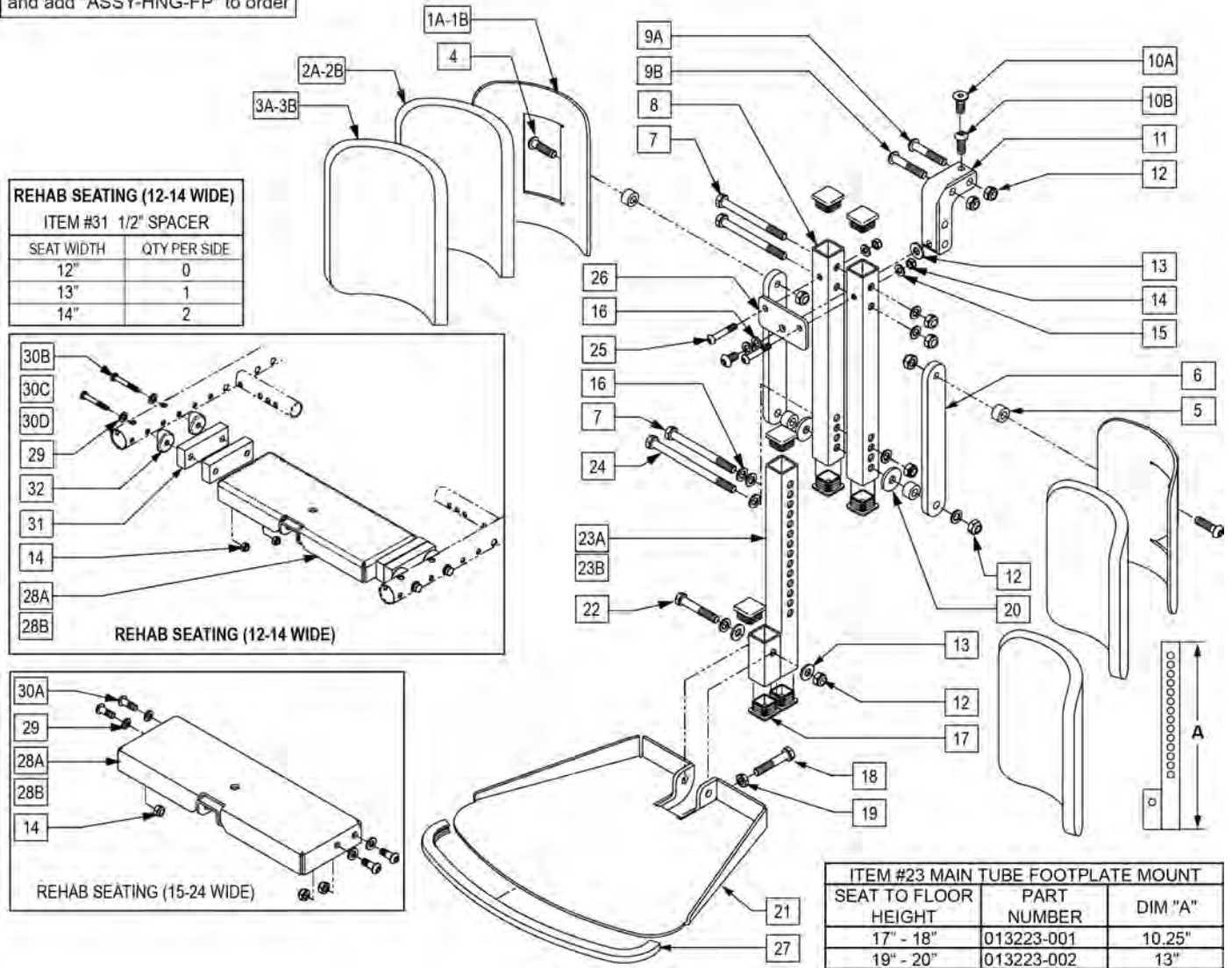


To request assembly of parts being ordered as a kit, please add "ASSY-HNG-FP" after ELR & Calf Pad parts are selected

Pos.	Item Number	Description	Remarks
1	013163	SPRING LATCH S/A HANGER	
2	013160	LATCH ARM S/A HANGER	
3	013217	SPACER S/A HANGER LATCH	
4	226343	5/16-24 X 1 1/8 BHCS BLK	
5	540252	ELR PIVOT PRS	
6	106939	5/16-24 NYLOCK NUT THIN	
7	226138	5/16-24 X 1 1/2 BH C/S	
8	560420	ELR UPPER PIVOT PLST	
9	550722S	ELR ADJUSTMENT TUBE	
10	013216	SCREW M6 X 60 SKT BTN BLK	
11	013036	M8 X 1.25 JAM NUT HEX	
13	108778	PIVOT PIN TOP S/A HANGER	
14	321106	ELR TORSION SPRING	
15	481119	ELR CAM LOCKING POWDERED METAL	
16	481242	ELR LOCK ROD S525	
17	014085	ELR ADJ STOP 20D	
18	481122	ELR ACTUATION ARM	
19	561049	ELR RELEASE ROD COVER	

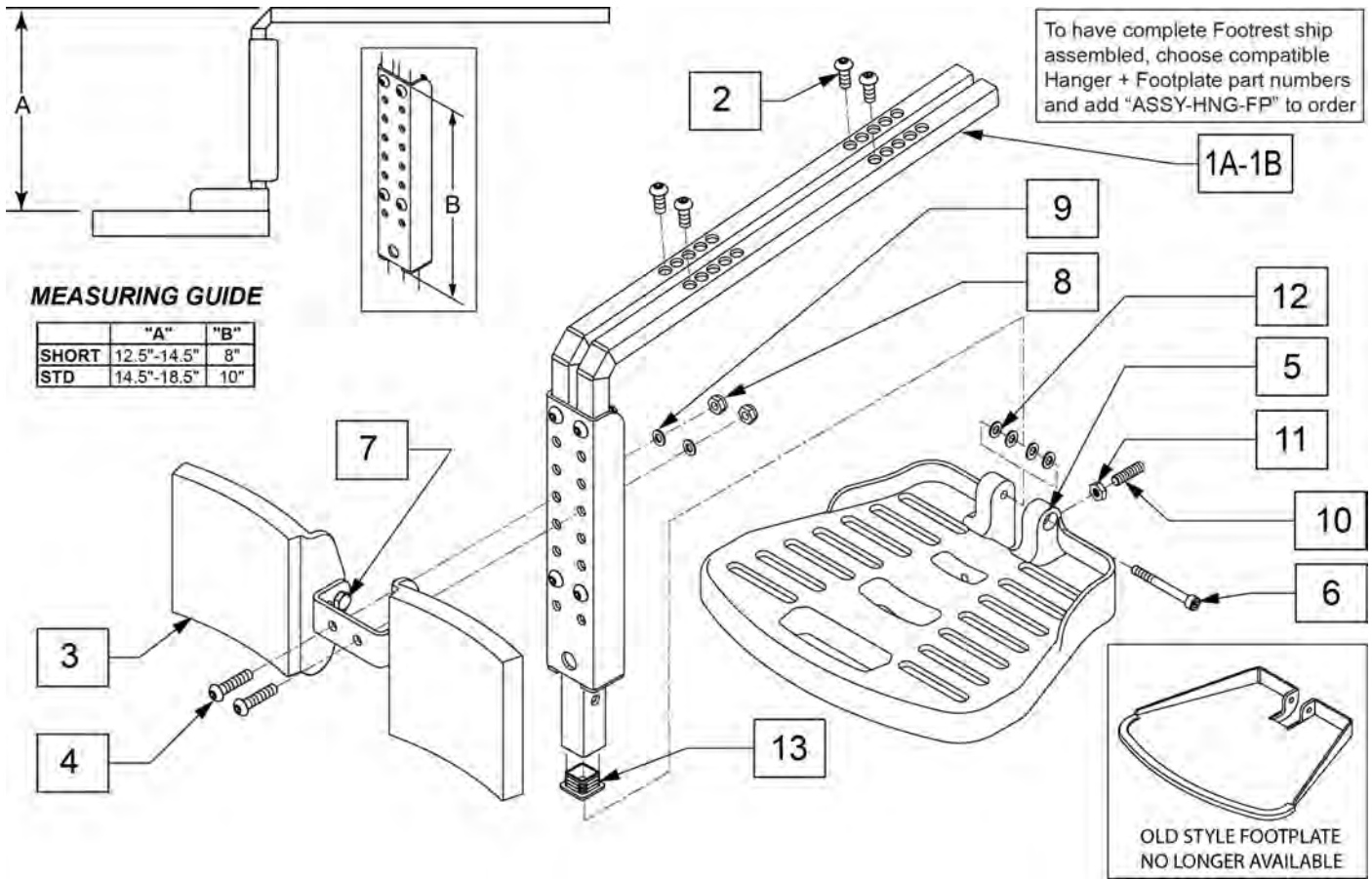
Pos.	Item Number	Description	Remarks
20	880990	ELR LOCK HOUSING W/PIN	
21	560815	HEMI ELR ADJ STOP BACK LG	
22	202109	5/16-24 ACORN NUT HEX	
23	106943	1/4 AN WASHER FLAT	
24	201112	1/4-28 NUT THIN	
25	221096	1/4-28 X 5/8 HEX C/S	
27	106934	1/4-28 NYLOCK NUT	
28A	222242	5/16-18 X 2 1/2 HEX C/S	
28B	107019	HHCS 5/16-18 X 3-1/2 ROHS	(USE W/ ITEM #31)
29	221096	1/4-28 X 5/8 HEX C/S	
30	881413	CALF PAD BRACKET ASSM	
31	560199	ELR CALF HINGE SPACER	used w/ 16-17 wide calf pad
32	560108	CALF PAD MOLDED 16-20"	
33	106936	5/16-18 NYLOCK NUT THICK	
34	751045	CALF PAD COVER NEOPRENE	
35	755014	CALF PAD TROUGH STYLE 14/16	
36	222108	5/16-18 X 1 1/4 BH C/S	
37	561016	1" WASHER 5/16" HOLE"	
38	106937	5/16-18 NYLOCK NUT THIN	
27,29,30,35-38	881414	CALF PAD J-HOOK 14-15" ASSM	
27,28B,29-34	881416	CALF PAD MOLDED 16-17" ASSM	
27,28A,29,30,32-34	881412	CALF PAD MOLDED 18-20" ASSM	
1-25	101285	RHYTHM/GROOVE ELR HNGR ASSM R	Also fits Pulse & QM-7 Series chairs
1-25	101286	RHYTHM/GROOVE ELR HNGR ASSM L	Also fits Pulse & QM-7 Series chairs
4,6,7,10,23-25	101548	ELEVATING LEGREST HDWR KIT	
1-8,10-22	101844	ELR HNGR R RHY/GRV W/O TUBE	Also fits Pulse & QM-7 Series chairs
1-8,10-22	101845	ELR HNGR L RHY/GRV W/O TUBE	Also fits Pulse & QM-7 Series chairs
		Ship assembled part #	Use with multiple assemblies
	ASSY-HNG-FP	HANGER/FOOTPLATE ASSY REQUIRED	add with Hanger & Footplate kit

To have complete Footrest ship assembled, choose compatible Hanger + Footplate part numbers and add "ASSY-HNG-FP" to order



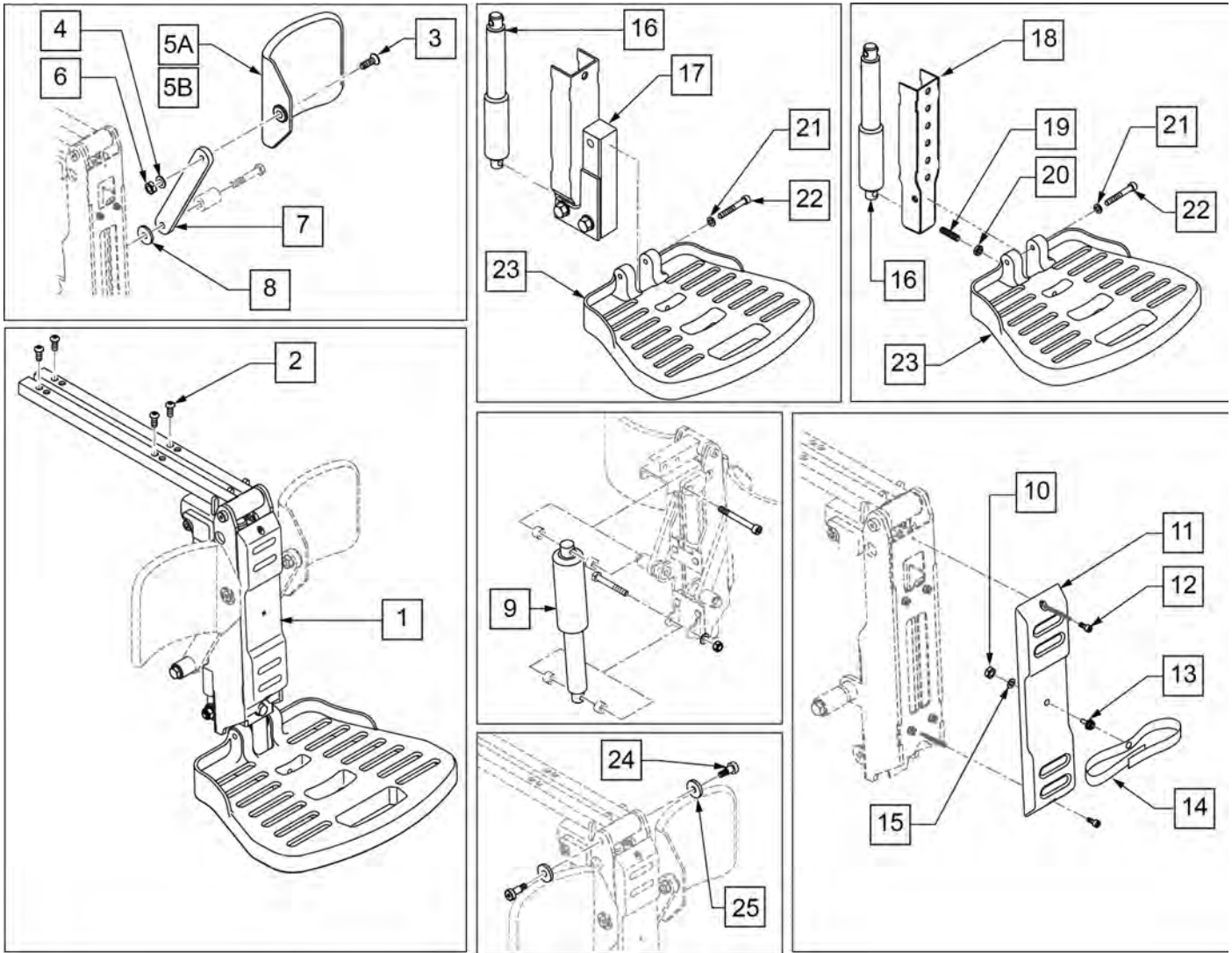
Pos.	Item Number	Description	Remarks
4	013151	BHCS M8 x 1.25 x 30 BLK W/PL	
5	505934	SPACER 8 x 2 CASTER	
6	013887-001	BAR SA CALF PAD 160	
7	010517	M8 x 1.25 x 90 HHCS GD 10.9	
8	013194	HANGER FIX CENTER MOUNT	
9	230123	BHCS M8 x 1.25 x 45	REHAB SEAT
10A	230129	FHCS M8 x 1.25 x 20 BLK W/PL	PERFECT FIT SEAT
10B	013149	BHCS M8 x 16	REHAB SEAT
11	013186	KNUCKLE FIX CENTER MOUNT	
12	210085	NUT HEX NYLOCK M8 BLACK (REHAB SEAT)	
13	011650	WASHER NYLON M8	
14	210084	NUT HEX NYLOCK M6 BLACK	
15	106944	WASHER FLAT THIN AN 1/4 ROHS	
16	263100	5/16 AN WASHER FLAT	

Pos.	Item Number	Description	Remarks
17	010615	SQUARE END CAP CNTR LEG SPVRT	
18	234960	M8-35 HEX C/S	
19	013036	M8 X 1.25 JAM NUT HEX	
20	561016	1" WASHER 5/16" HOLE	
21	013189	PLATE FOOT SUPPORT FIX	
22	013803	HHCS M8 x 1.25 x 50 BLK	
23A	013223-001	MAIN TUBE FTPLT MNT SHORT	
23B	013223-002	MAIN TUBE FTPLT MNT LNG	
24	013888	HHCS M8 x 1.25 x 130	
25	013252	BHCS M6 X 1 X 35 BLK	
26	013190	PLATE SQUARE TUBE SUPPORT	
27	014081	FOOTPLATE TRIM FIX CNTR MOUNT	
28A	013237	FRAME CENTER MT WELDMNT	
28B	013583	FRAME CENTER MT WLDMNT 12-14	
29	250104	WASHER FLAT M6	
30A	230032	M6 X 16 B/H CAP SCREW (15-24 WIDE ONLY)	FITS 15" - 24" WIDE
30B	118665	HHCS M6X1X45 PART NP	FITS 14" WIDE ONLY
30C	013035	HHCS M6 x 1.0 x 55 10.9	FITS 13" WIDE ONLY
30D	230063	HHCS M6 x 1.0 x 70	FITS 12" WIDE ONLY
31	013584	SPACER 1/2	FITS 13" - 14" WIDE
32	561004	1" SADDLE 1/4" HOLE	
1A,2A,3A	013211	ASSM CALF PAD SINGLE ROW	
1B,2B,3B	755013	CALF PAD TROUGH STYLE KIDS	
1A,2A,3A,4-9,11-23A,24-27	100214	CENTER MNT FOOTREST ASSY SHORT	
1A,2A,3A,4-9,11-23B,24-27	100215	CENTER MNT FOOTREST ASSY LONG	
4,7,9,12-16,18-20,22,24,25,29,30	101549	CENTER MOUNT LEGREST HDWR KIT	FITS 15" - 24" WIDE
		Ship assembled part #	Use with multiple assemblies
	ASSY-HNG-FP	HANGER/FOOTPLATE ASSY REQUIRED	add with Hanger & Footplate kit



Pos.	Item Number	Description	Remarks
2	n/a	BHCS M8 X 1.25 X 20	AVAILABLE IN ASSM ONLY
4	n/a	BHCS M8 X 1.25 X 35	AVAILABLE IN ASSM ONLY
7	n/a	HHCS M8 X 1.25 X 25	AVAILABLE IN ASSM ONLY
6	n/a	SHCS M8 X 60	AVAILABLE IN ASSM ONLY
8	n/a	M8 NYLOCK NUT	AVAILABLE IN ASSM ONLY
9	n/a	M8 WASHER FLAT	AVAILABLE IN ASSM ONLY
10	n/a	SET SCREW M8 X 1.25 X 60	AVAILABLE IN ASSM ONLY
13	010615	SQUARE END CAP CNTR LEG SPVRT	
3,4,7,8,9	103118	CALF PAD AND HARDWARE	
5,6,10-12	101685	QUICKIE FOOTPLATE	
1A,2-13	103135	CENTER MOUNT HANGER ASSY	Long; used with ASAP and Captains Seat
1B,2-13	130309	FIXED CENTERMOUNT SHORT	Short; used with ASAP and Captains Seat
		Ship assembled part #	Use with multiple assemblies
	ASSY-HNG-FP	HANGER/FOOTPLATE ASSY REQUIRED	add with Hanger & Footplate kit

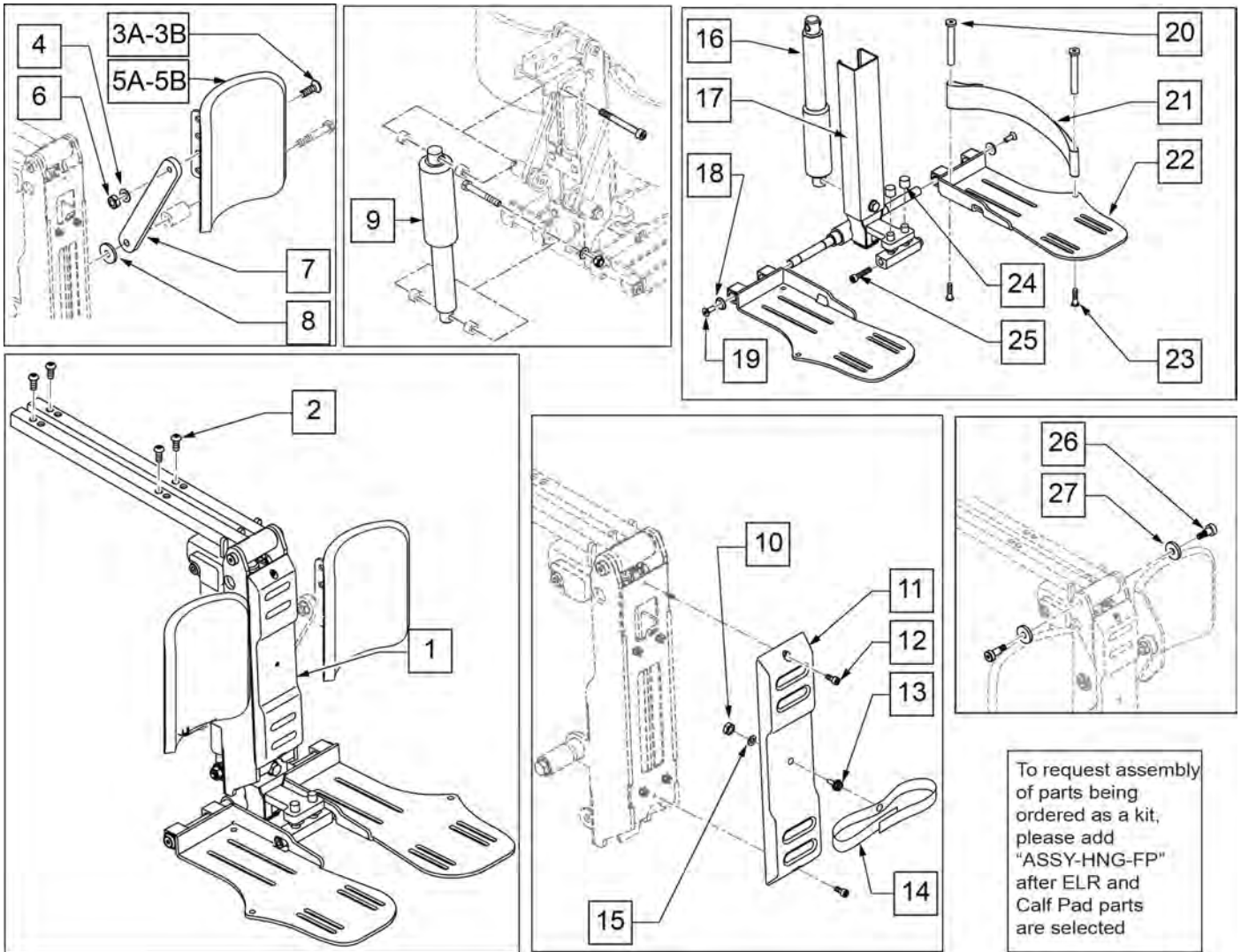
Note: item 1 (p/n 114491) does not include calf pads or screws to mount legrest to seat; must order separately for complete assembly.



Pos.	Item Number	Description	Remarks
1	114491	POWER CM LEGREST NA ASAP SINGL	See note regarding 114491
2	013150	BHCS M8 X 1.25 X 20 BLK	
3	103502-006	FHCS M8 x 1.25 x 25 FULL NP	
4	011691	WASHER HIGH STRENGTH 8mm	
5A	755012	CALF PAD TROUGH STYLE 17-20"	Used w/ 17-20" wide
5B	755014	CALF PAD TROUGH STYLE 14/16	Used w/ 14-16" wide
6	013036	M8 X 1.25 JAM NUT HEX	
7	013887-001	BAR SA CALF PAD 160	
8	561016	1" WASHER 5/16" HOLE	
9	112665	ACT MBL LL1001 NA POLARITY	Elevating Actuator
10	200099	8 -32 NYLOCK NUT THIN	
11	015156	PCM FRONT COVER	
12	230132	SHCS M4 x .7 x 10	
13	106687	MACHINE SCREW STUD #8 -32 x 1/2	

Pos.	Item Number	Description	Remarks
14	106484	CALF PAD STRAP	
15	111203	WASHER LARGE OD #8	
16	112666	ACT MBL LL1000 NA POLARITY	Articulating Actuator
17	015339	LOWER SECTION KIDS	
18	113591	LOWER SECTION	
19	106381	SET SCREW M8X35	
20	234960	M8 -35 HEX C/S	
21	250106	M8 LOCK WASHER	
22	103143	SHCS M8 X 1.25 X 60 INORG	
23	105245	FOOTPLATE	
19-23	101685	QUICKIE FOOTPLATE	
24	015203	SHOULDER SCREW M8	
25	015205	NYLON FENDER WASHER M8	
		Ship assembled part #	Use with multiple assemblies
	ASSY-HNG-FP	HANGER/FOOTPLATE ASSY REQUIRED	add with Hanger & Footplate kit

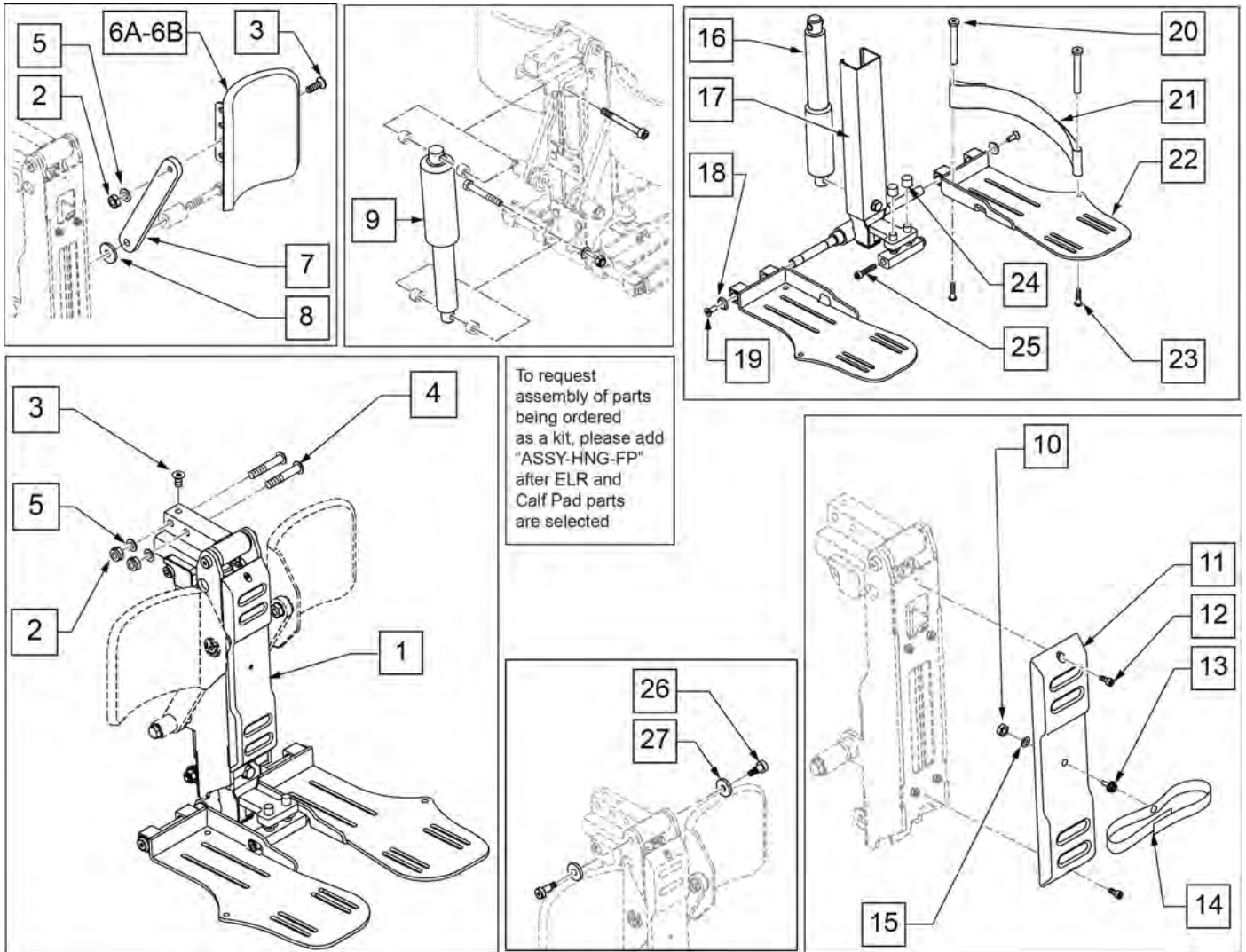
Note: item 1 (p/n 113277) does not include calf pads or screws to mount the footplate to the seat; must order separately for complete assembly.



Pos.	Item Number	Description	Remarks
1	113277	POWER CM LEGREST NA ASAP	See note regarding 113277
2	013150	BHCS M8 X 1.25 X 20 BLK	
3A	103502-006	FHCS M8 x 1.25 x 25 FULL NP	Used w/ Captains Seat
3B	230121	BHCS M8 X 1.25 X 20MM PATCH	Used w/ ASAP Seat
4	011691	WASHER HIGH STRENGTH 8mm	
5A	013211	ASSM CALF PAD SINGLE ROW	for 16"-20" wide
5B	755013	CALF PAD TROUGH STYLE KIDS	for 12"-15" wide
6	013036	M8 X 1.25 JAM NUT HEX	
7	013887-001	BAR SA CALF PAD 160	
8	561016	1" WASHER 5/16" HOLE	
9	112665	ACT MBL LL1001 NA POLARITY	Elevating Actuator
10	200099	8 -32 NYLOCK NUT THIN	
11	015156	PCM FRONT COVER	
12	230132	SHCS M4 x .7 x 10	

Pos.	Item Number	Description	Remarks
13	106687	MACHINE SCREW STUD #8 -32 x 1/2	
14	106484	CALF PAD STRAP	
15	111203	WASHER LARGE OD #8	
16	112666	ACT MBL LL1000 NA POLARITY	Articulating Actuator
20	561040	HEEL LOOP PEG	
21	741170	HEEL LOOP P300	
22	015193	PCM SINGLE FOOTPLATE LH	Left
22	015194	PCM SINGLE FOOTPLATE RH	Right
23	226123	1/4-20 X 1 BH C/S BLK ZN	
24	122106	THREAD CAP	
25	116389	SHCS, M8 x 1.25 x 10, FULL, PL	
17-19,22,25	015340	PCM LOWER SECTION ADULT	
10-15	113297	PCM COVER ASSY	
26	015203	SHOULDER SCREW M8	
27	015205	NYLON FENDER WASHER M8	
		Ship assembled part #	Use with multiple assemblies
	ASSY-HNG-FP	HANGER/FOOTPLATE ASSY REQUIRED	add with Hanger & Footplate kit

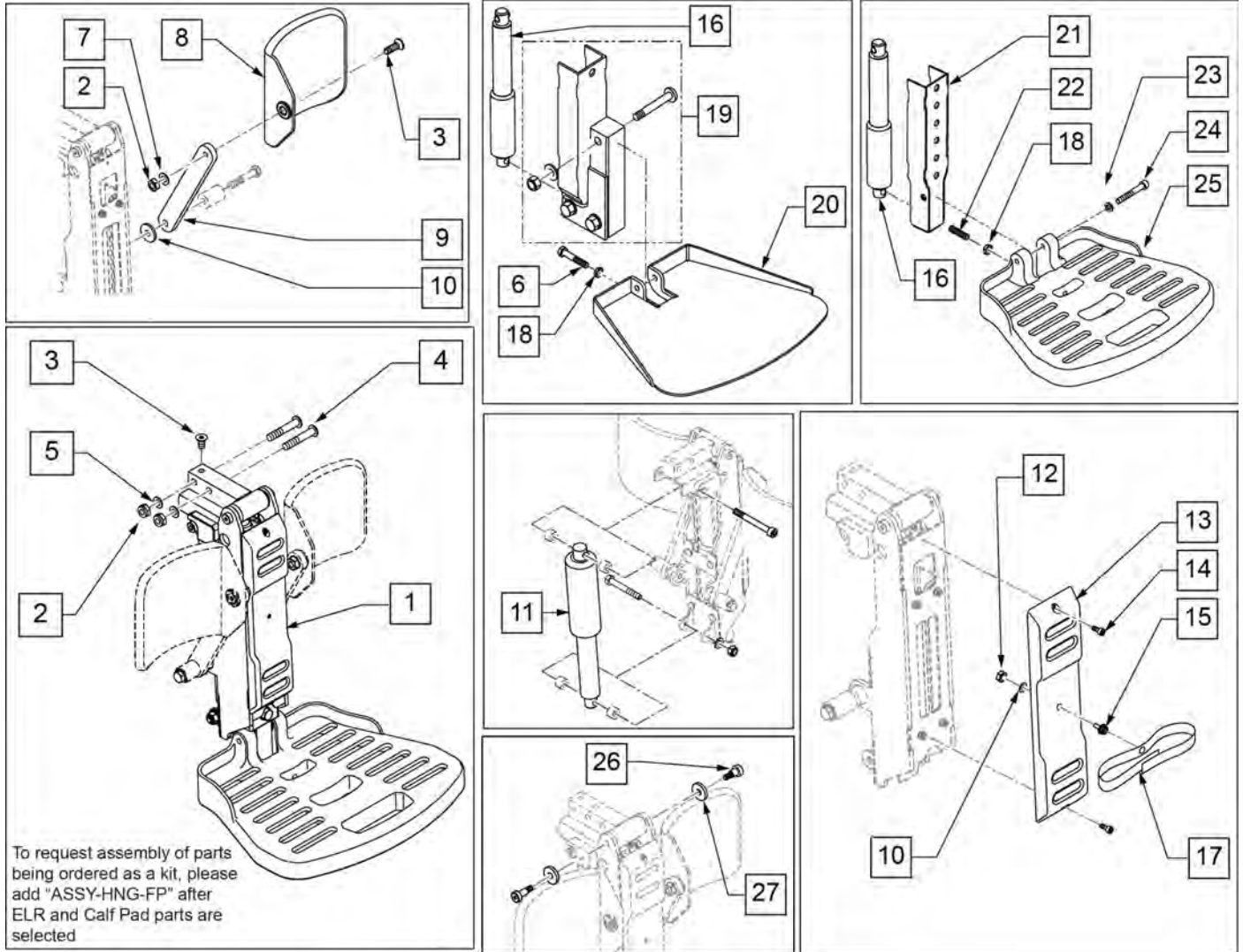
Note: item 1 (p/n 112667) does not include calf pads or mounting hardware to attach the footplate to the seat; must order separately for complete assembly.



Pos.	Item Number	Description	Remarks
1	112667	POWER CM LEGREST NA	see note regarding 112667
2	210085	NUT HEX NYLOCK M8 BLACK	
3	103502-006	FHCS M8 x 1.25 x 25 FULL NP	PR
4	230123	BHCS M8 x 1.25 x 45	
5	011691	WASHER HIGH STRENGTH 8mm	
6A	013211	ASSM CALF PAD SINGLE ROW	for 16"-20" wide
6B	755013	CALF PAD TROUGH STYLE KIDS	for 12"-15" wide
7	013887-001	BAR SA CALF PAD 160	
8	561016	1" WASHER 5/16" HOLE	
9	112665	ACT MBL LL1001 NA POLARITY	Elevating Actuator
10	200099	8 -32 NYLOCK NUT THIN	
11	015156	PCM FRONT COVER	
12	230132	SHCS M4 x .7 x 10	

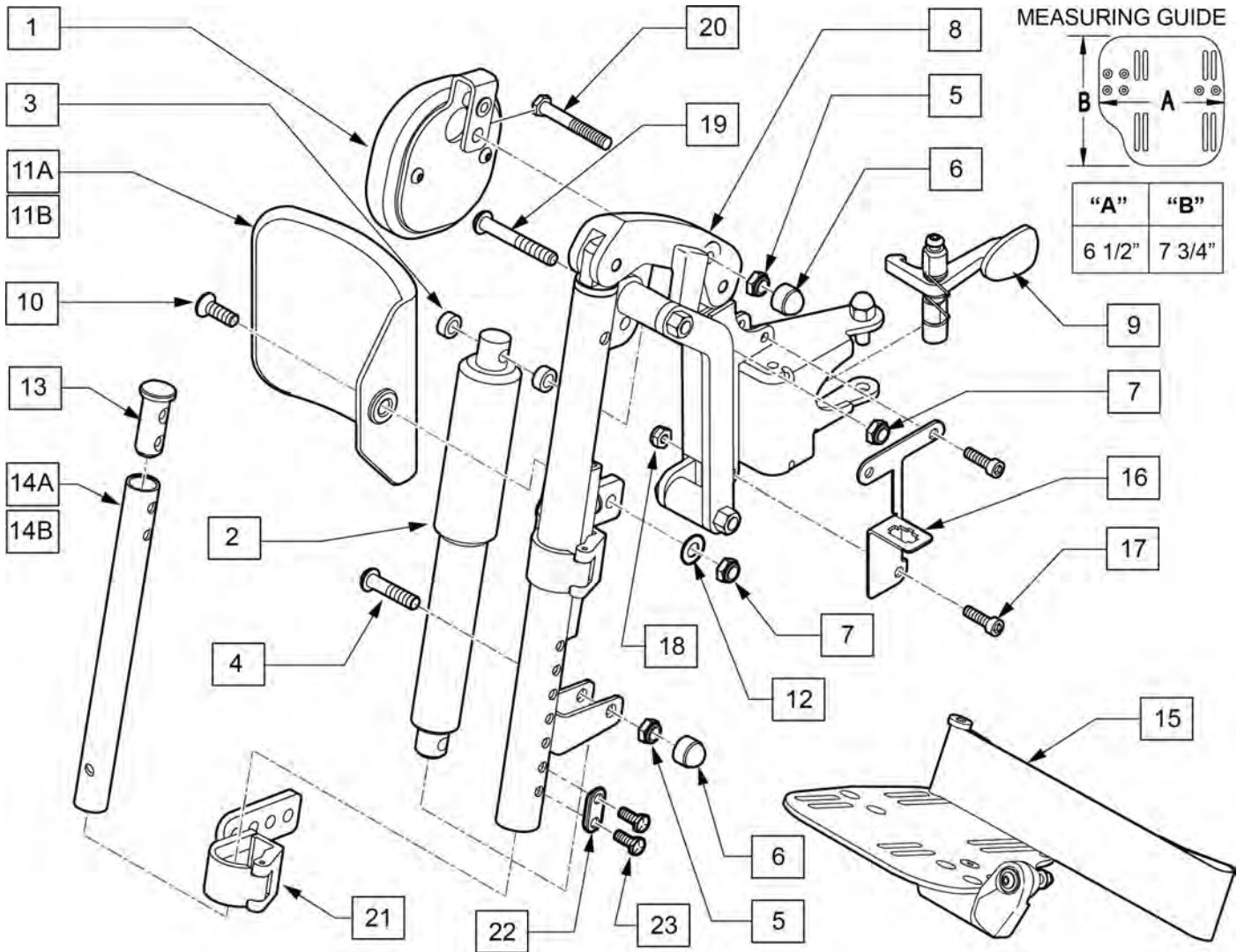
Pos.	Item Number	Description	Remarks
13	106687	MACHINE SCREW STUD #8 -32 x 1/2	
14	106484	CALF PAD STRAP	
15	111203	WASHER LARGE OD #8	
16	112666	ACT MBL LL1000 NA POLARITY	Articulating Actuator
20	561040	HEEL LOOP PEG	
21	741170	HEEL LOOP P300	
22	015193	PCM SINGLE FOOTPLATE LH	Left
22	015194	PCM SINGLE FOOTPLATE RH	Right
23	226123	1/4-20 X 1 BH C/S BLK ZN	
24	122106	THREAD CAP	
25	116389	SHCS, M8 x 1.25 x 10, FULL, PL	
17-19,22,25	015340	PCM LOWER SECTION ADULT	
10-15	113297	PCM COVER ASSY	
26	015203	SHOULDER SCREW M8	
27	015205	NYLON FENDER WASHER M8	
		Ship assembled part#	Use with multiple assemblies
	ASSY-HNG-FP	HANGER/FOOTPLATE ASSY REQUIRED	add with Hanger & Footplate kit

Note: item 1 (p/n 114492) does not include calf pads or mounting hardware to attach the footplate to the seat; must order separately for complete assembly.



Pos.	Item Number	Description	Remarks
1	114492	POWER CM LEGREST NA REHAB SNGL	See note regarding 114492
2	210085	NUT HEX NYLOCK M8 BLACK	
3	103502-006	FHCS M8 x 1.25 x 25 FULL NP	PR
4	230123	BHCS M8 x 1.25 x 45	
5	011691	WASHER HIGH STRENGTH 8mm	
6	234960	M8 -35 HEX C/S	
7	561016	1" WASHER 5/16" HOLE	
8	755012	CALF PAD TROUGH STYLE 17-20"	Used w/ 17-20" wide
8	755014	CALF PAD TROUGH STYLE 14/16	Used w/ 14-16" wide
9	013887-001	BAR SA CALF PAD 160	
10	111203	WASHER LARGE OD #8	
11	112665	ACT MBL LL1001 NA POLARITY	Elevating Actuator
12	200099	8 -32 NYLOCK NUT THIN	

Pos.	Item Number	Description	Remarks
13	015156	PCM FRONT COVER	
14	230132	SHCS M4 x .7 x 10	
15	106687	MACHINE SCREW STUD #8 -32 x 1/2	
16	112666	ACT MBL LL1000 NA POLARITY	Articulating Actuator
17	106484	CALF PAD STRAP	
18	013036	M8 x 1.25 JAM NUT HEX	
19	015339	LOWER SECTION KIDS	
20	118097	PLATE SUPPORT W/ TRIM	
21	113591	LOWER SECTION	
22	106381	SET SCREW M8X35	
23	250106	M8 LOCK WASHER	
24	103143	SHCS M8 X 1.25 X 60 INORG	
25	105245	FOOTPLATE	
26	015203	SHOULDER SCREW M8	
27	015205	NYLON FENDER WASHER M8	
		Ship assembled part #	Use with multiple assemblies
	ASSY-HNG-FP	HANGER/FOOTPLATE ASSY REQUIRED	add with Hanger & Footplate kit



Pos.	Item Number	Description	Remarks
1	524001.32100	KNEE PAD ASSEMBLY	
2	113304	ACTUATOR MBL LL220 NA	
4	102266	BHCS M8 X 1.25 X 35 INORGANIC	
5	210085	NUT HEX NYLOCK M8 BLACK	
6	000934.0108	NUT CAP M8 BLACK	
7	210085	NUT HEX NYLOCK M8 BLACK	
9	013765	HANGER RELEASE MECH & FIX KIT	
10	012934	FHCS M8 X 1.25 X 30 BLK	
11A	755014	CALF PAD TROUGH STYLE 14/16	Used for 14-17" widths
11B	755012	CALF PAD TROUGH STYLE 17-20	Used for 18-20" widths
12	561016	1" WASHER 5/16" HOLE	
13	013369	TUBE INSERT S/A	
14A	013305-001	EXT TUBE SHORT S/A	
14B	013305-003	EXT TUBE LONG S/A	
15	820461	FP ADLT ADJ 14/15 R HL	Right
15	820463	FP ADLT ADJ 14/15 L HL	Left
15	820465	FP ADLT ADJ 16/17 R HL	Right
15	820467	FP ADLT ADJ 16/17 L HL	Left

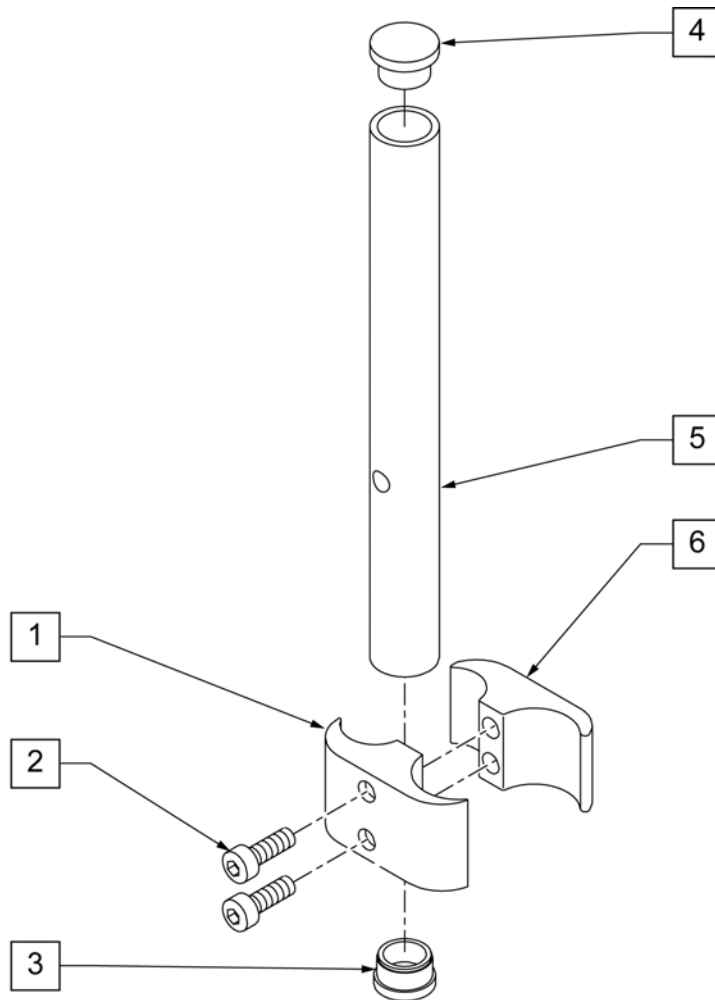
Pos.	Item Number	Description	Remarks
15	820469	FP ADLT ADJ 18-20 R HL	Right
15	820471	FP ADLT ADJ 18-20 L HL	Left
16	109779	BRACKET CONNECTOR MOUNT RH	Right
16	109837	BRACKET CONNECTOR MOUNT LH	Left
17	230494	M5-30 BTTN HD SOC C/S BLK	
18	220121	NUT HEX NYLOCK M5 BLACK	
19	013152	BHCS M8 X 1.25 X 55 BLK.	
21	015259	IN-LINE ELR CALF PAD BRKT ASSM	
22	483717	HANGER SADDLE	
23	234891	M6 X 20 HEX C/S	
1-10,21	129889	IN LINE ALR ASSY LH W/ FERRITE	Left
1-10,21	129897	IN LINE ALR ASSY RH W/ FERRITE	Right
1-11A,12,13,14A,15-23	111957	ALR 14/15W SHT EXT ASSM	PAIR
1-11A,12,13,14B,15-23	111960	ALR 14/15W LNG EXT ASSM	PAIR
1-11A,12,13,14A,15-23	111958	ALR 16/17W SHT EXT ASSM	PAIR
1-11A,12,13,14B,15-23	111961	ALR 16/17W LNG EXT ASSM	PAIR
1-11B,12,13,14A,15-23	111959	ALR 18/20W SHT EXT ASSM	PAIR
1-11B,12,13,14B,15-23	111962	ALR 18/20W LNG EXT ASSM	PAIR

NOTE: only available with Adult Angle Adjustable (AAA) or Kids Angle Adjustable (KAA) Footplates.

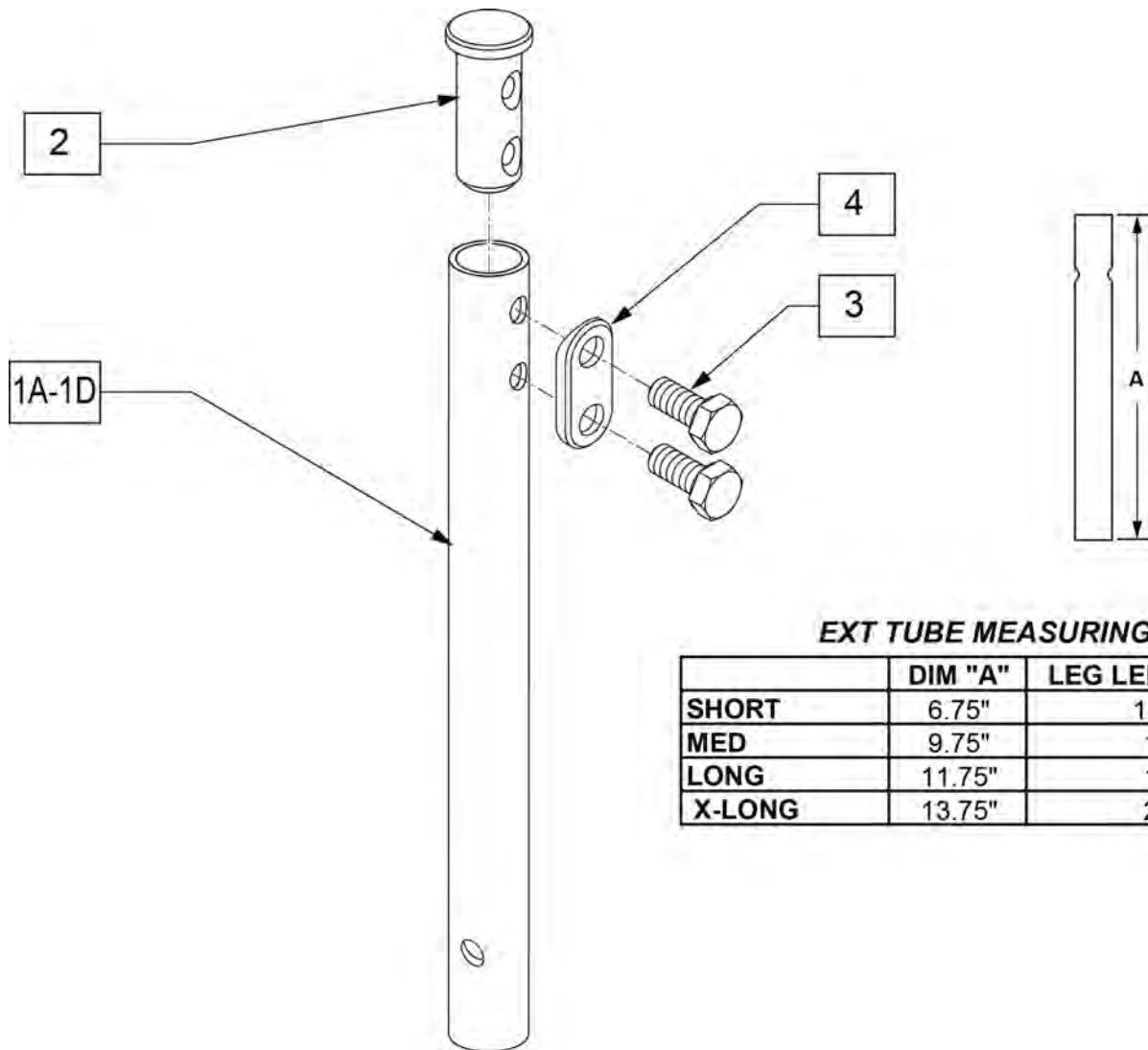
NOTE: if retrofitting to an existing chair with Front Mount Hangers, new Adult Angle Adjustable (AAA) or Kids Angle Adjustable (KAA) Footplates with High Mount Extension Tubes are required. See Footplate Ordering Guide.

NOTE: if retrofitting to an existing chair with extension tube mounted hangers (D2 extension tubes) with Adult Angle Adjustable (AAA) or Kids Angle Adjustable (KAA) Footplates, order 2 each of 226167 and 561055 to mount the footplates onto the round high-mount extension tubes.

NOTE: if retrofitting on a chair with extension tube mounted hangers with Composite, Composite Angle Adjustable, Foam, Locking Angle Adjustable, Platform Flip-Up, or Platform Flip-Up Locking Footplates, then new Adult Angle Adjustable (AAA) or Kids Angle Adjustable (KAA) Footplates with High Mount Extension Tubes are required. See Footplate Ordering Guide.



Pos.	Item Number	Description	Remarks
1	550657	CLAMP 1 1/4" RECESS FULL BLK	
2	107032	SHCS 1/4-28 X 1 ROHS	
3	561000-QU	3/4" INSERT PLUG .083	
4	482016	HIGH-MOUNT FL FT TUBE PLUG	
5	524100	H/M FL FT EXT TUBE BLK	
6	550658	CLAMP 1 1/4" THREADED BLK	
1,2,6	880538	HI-MOUNT FR CLAMP ASSEMBLY BLK	
1-6	921550S	H/M FL FT CLAMPS AND TUBES (PR)	Pair



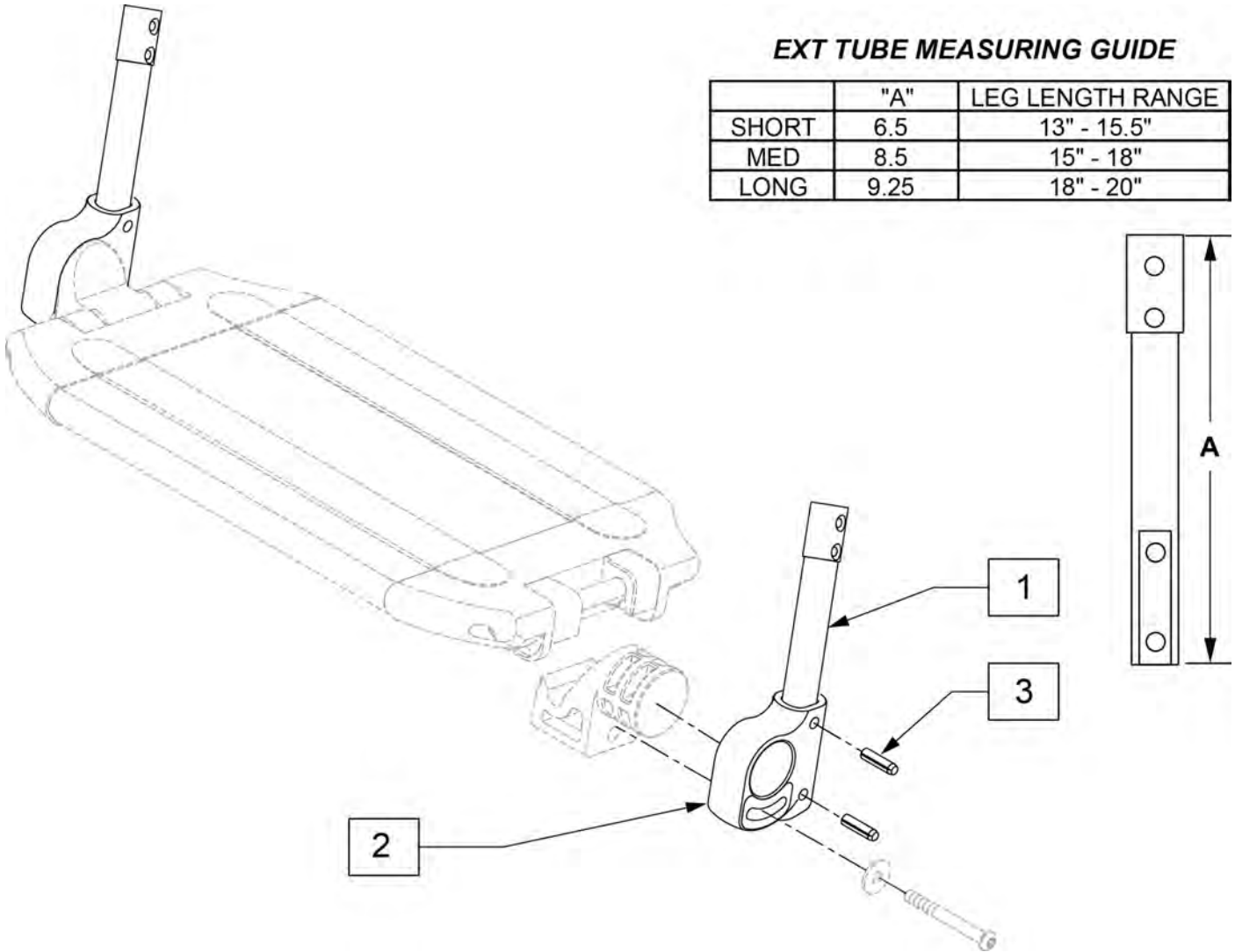
EXT TUBE MEASURING GUIDE

	DIM "A"	LEG LENGTH RANGE
SHORT	6.75"	13"-15.5"
MED	9.75"	15"-18"
LONG	11.75"	18"-20"
X-LONG	13.75"	20"-22"

Pos.	Item Number	Description
1A	013305-001	EXT TUBE SHORT S/A
1B	013305-002	EXT TUBE MED S/A
1C	013305-003	EXT TUBE LONG S/A
1D	013305-004	EXT TUBE X LONG S/A
2	013369	TUBE IN EXT TB S/A HNGR EXT
3	234891	M6 X 20 HEX C/S
4	483717	HANGER SADDLE
1A,2-4	100191	EXT TBE SHT S/A ASSM RHY/G
1B,2-4	100208	EXT TBE MED S/A ASSM RHY/G
1C,2-4	100211	EXT TBE LNG S/A ASSM RHY/G
1D,2-4	100213	EXT TBE X-LNG S/A ASSM RHY

EXT TUBE MEASURING GUIDE

	"A"	LEG LENGTH RANGE
SHORT	6.5	13" - 15.5"
MED	8.5	15" - 18"
LONG	9.25	18" - 20"

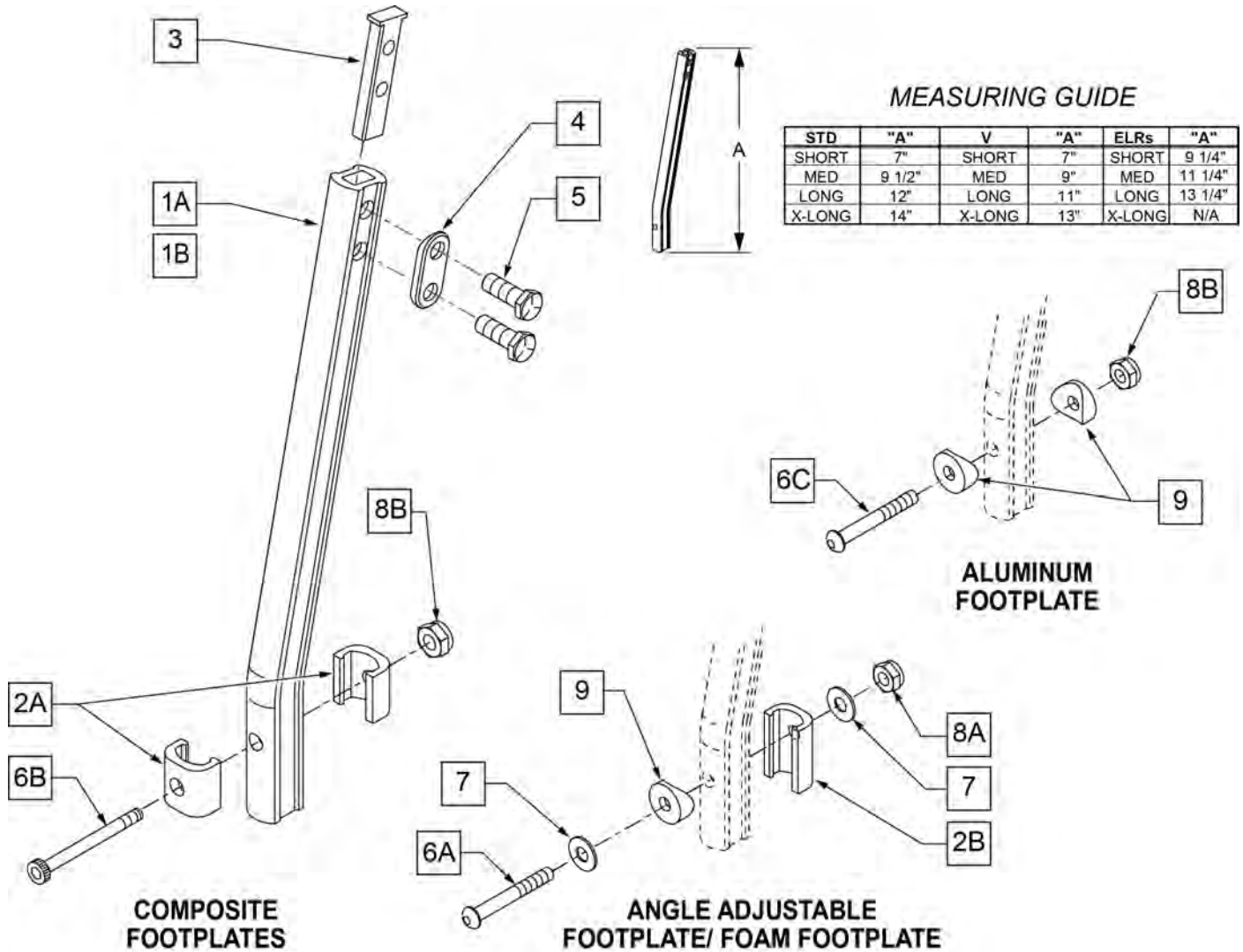


Pos.	Item Number	Description	Remarks
2	560024	FOOT YOKE	
3	349583	6 x 25mm GROOVED PIN	
1-3	014054	EXT TBE 1PC LCKNG FT SHT ASSM	PAIR
1-3	014055	EXT TBE 1PC LCKNG FT MED ASSM	PAIR
1-3	014056	EXT TBE 1PC LCKNG FT LNG ASSM	PAIR

NOTE: DISCONTINUED - PARTS ONLY ON GP SWNG-AWAY BEGINNING 4/4/15 & S/N GP-95902, KIDS Q2 SE BEGINNING 4/16/15 & S/N QKE-003425, LX BEGINNING 10/24/2008 & S/N LX-034330, LXI BEGINNING 4/25/15 & S/N LXI-060868, QTS BEGINNING 5/15/15 & S/N QT-044951, QTS SE BEGINNING 5/15/15 & S/N QTE-002092

NOTE: IF REPLACING AN EXTENSION TUBE ON AN MANUAL ALR PLEASE REFER TO THE ROUND EXT TUBE PARTS MANUAL PAGE.

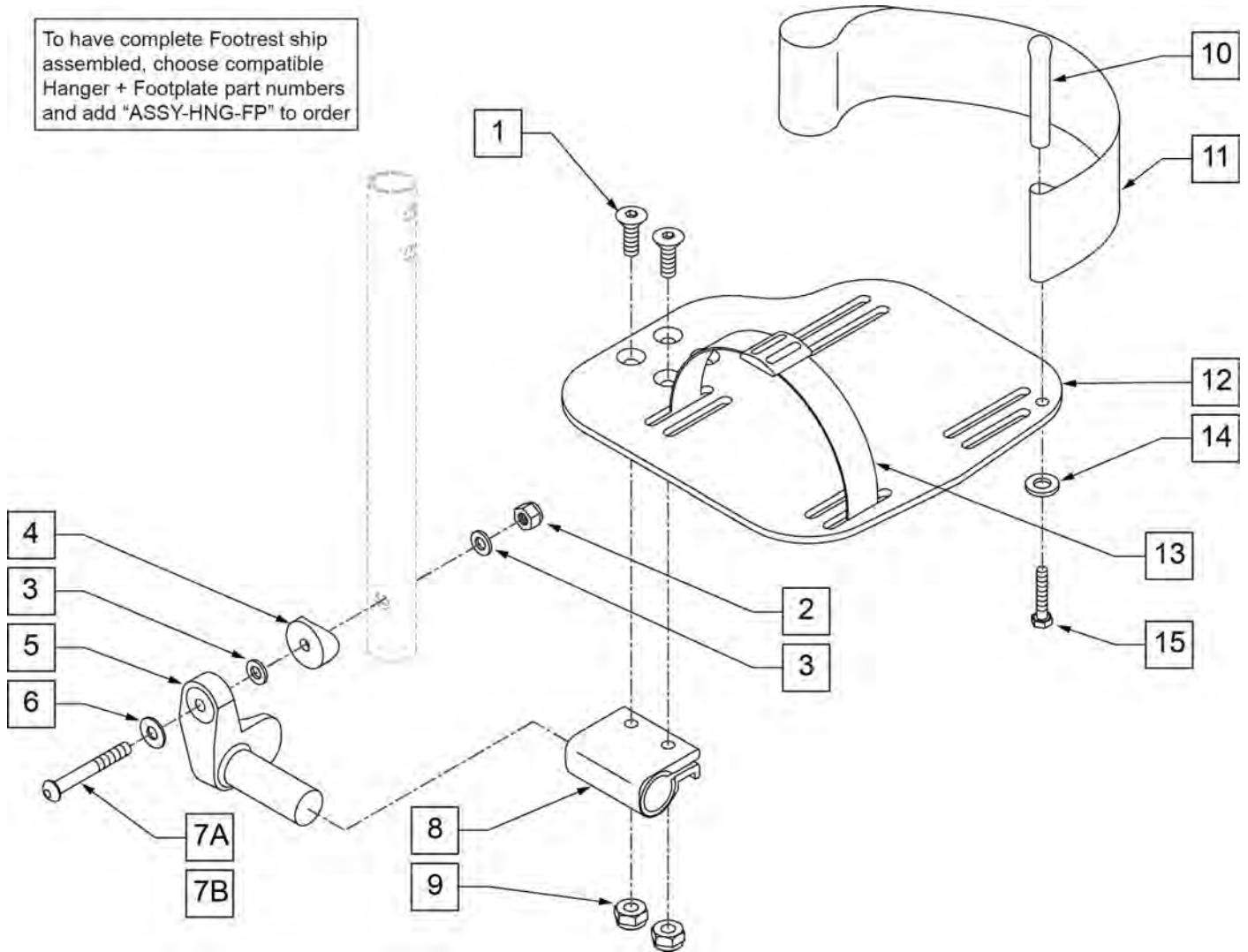
NOTE: WHEN ORDERING REPLACEMENT EXTENSION TUBES PLEASE VERIFY IF YOU HAVE THE OLD STYLE DOUBLE D EXTENSION TUBE OR THE NEW STYLE DOUBLE D EXTENSION TUBE. THIS CAN BE DONE BY REVIEWING THE HANGER THE EXTENSION TUBE IS USED ON. IF THE HANGER UTILIZES A SINGLE SET SCREW AT THE BOTTOM OF THE HANGER TUBE TO ATTACH THE EXTENSION TUBE TO THE HANGER, THEN THIS UTILIZES THE NEW STYLE DOUBLE D EXT TUBE. ALL OTHER HANGERS REQUIRING A DOUBLE D EXTENSION TUBE UTILIZE THE OLD STYLE.



Pos.	Item Number	Description	Remarks
1A	550819	EXT TUBE S/A ONLY SHT	Short Ext-Swing Away Hanger

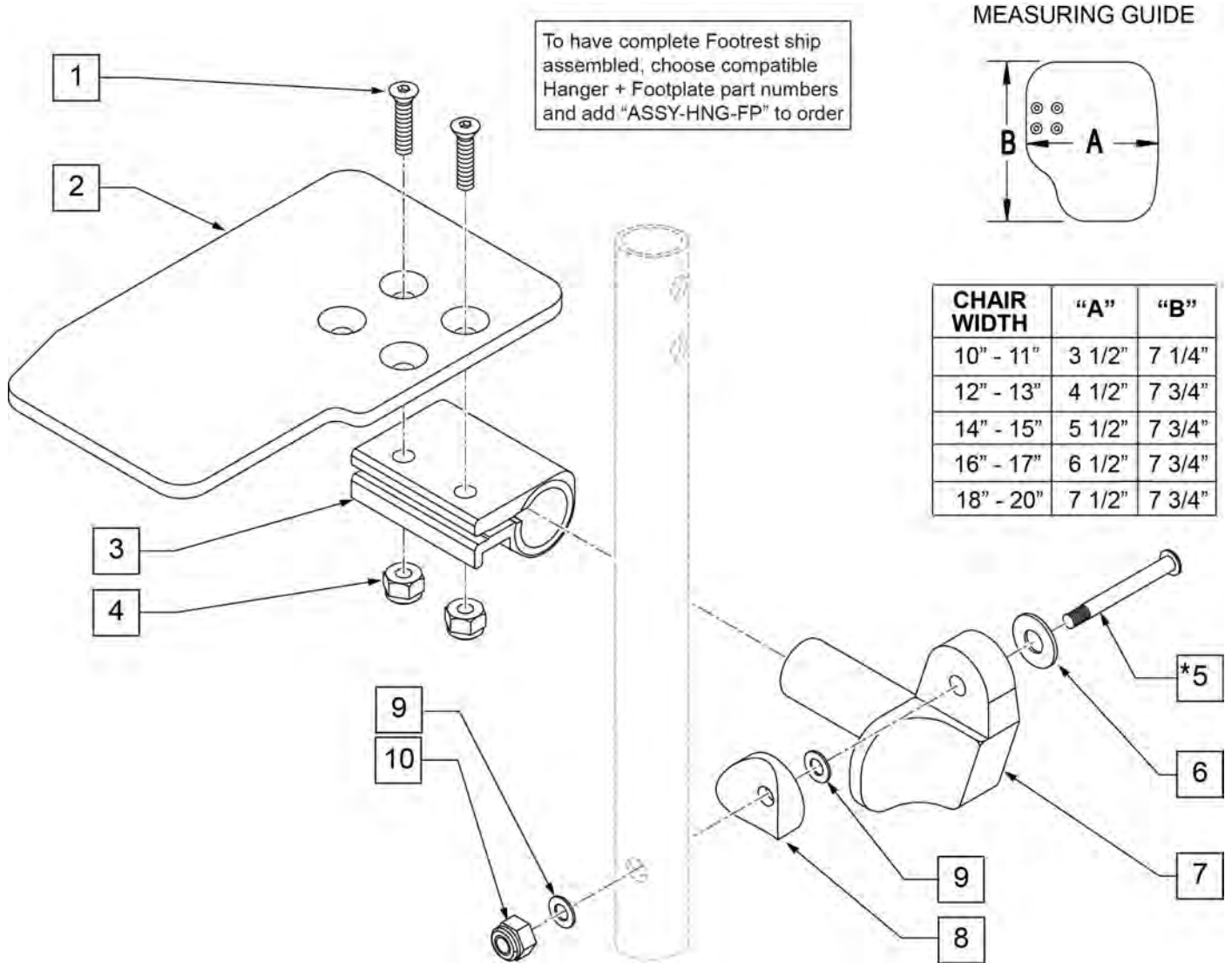
Pos.	Item Number	Description	Remarks
1A	550820	EXT TUBE S/A ONLY MED	Med Ext-Swing Away Hanger
1A	550821	EXT TUBE S/A ONLY LONG	Long Ext-Swing Away Hanger
1A	550822	EXT TUBE S/A ONLY X-LONG	X-Long Ext-Swing Away Hanger
1B	550834	EXT TUBE V IN ONLY D2 SHT R	Right Short Ext-Swing Away Hanger
1B	550835	EXT TUBE V IN ONLY D2 SHT L	Left Short Ext-Swing Away Hanger
1B	550836	EXT TUBE V IN ONLY D2 MED R	Right Med Ext-Swing Away Hanger
1B	550837	EXT TUBE V IN ONLY D2 MED L	Left Med Ext-Swing Away Hanger
1B	550838	EXT TUBE V IN ONLY D2 LONG R	Right Long Ext-Swing Away Hanger
1B	550839	EXT TUBE V IN ONLY D2 LONG L	Left Long Ext-Swing Away Hanger
1B	550840	EXT TUBE V IN ONLY D2 X-LONG R	Right X-Long Ext-Swing Away Hanger
1B	550841	EXT TUBE V IN ONLY D2 X-LONG L	Left X-Long Ext-Swing Away Hanger
2A	483718	HANGER EXTENSION SADDLE	USE W/ COMPOSITE FTPLT
2B	483720	HANGER EXTENSION SADDLE LONG	USE W/ ANGLE ADJ FTPLT
1C	550764	S/A HANGER EXT D2 SHORT BLACK	Short Ext ELR Hangers
1C	550765	S/A HANGER EXT D2 MED BLACK	Medium Ext ELR Hangers
1C	550766	S/A HANGER EXT D2 LONG BLACK	Long Ext ELR Hangers
3	500078	INSERT D2 EXT TUBE	
4	483717	HANGER SADDLE	
5	221102	1/4-28 x 3/4 HEX HEAD C/S BLK W/PTCH	
6A	106962	1/4-28 x 1 3/4 BH C/S BLK ZN	USE W/ ANGLE ADJ FTPLT
6B	226165	1/4 -28 x 2 1/2 SOC C/S	USE W/ COMPOSITE FTPLT
6C	226147	1/4 -28 X 1.85 BH C/S	
7	106945	1/4" SAE WASHER	
8A	106941	1/4 -28 AUTOMATION NUT	USE W/ ANGLE ADJ FTPLT
8B	106935	1/4 -28 NYLOCK NUT THIN	USE W/ COMPOSITE FTPLT
9	561055	3/4 SADDLE 1" OD	USE W/ ANGLE ADJ FTPLT
1A,2A-5	921759	EXT TUBE S/A SHT ASSM PCKT	USE W/ COMPOSITE FTPLT
1A,2A-5	921760	EXT TUBE S/A MED ASSM PCKT	USE W/ COMPOSITE FTPLT
1A,2A-5	921761	EXT TUBE S/A LONG ASSM PCKT	USE W/ COMPOSITE FTPLT
1A,2A-5	921762	EXT TUBE S/A X-LONG ASSM PCKT	USE W/ COMPOSITE FTPLT
1B,2A-5	921751	EXT TUBE "V" D2 SHT R ASSM PCKT	RIGHT - USE W/ COMPOSITE FTPLT V HANGER
1B,2A-5	921752	EXT TUBE "V" D2 SHT L ASSM PCKT	LEFT - USE W/ COMPOSITE FTPLT V HANGER
1B,2A-5	921753	EXT TUBE "V" D2 MED R ASSM PCKT	RIGHT - USE W/ COMPOSITE FTPLT V HANGER
1B,2A-5	921754	EXT TUBE "V" D2 MED L ASSM PCKT	LEFT - USE W/ COMPOSITE FTPLT V HANGER
1B,2A-5	921755	EXT TUBE "V" D2 LONG R ASSM PCKT	RIGHT - USE W/ COMPOSITE FTPLT V HANGER
1B,2A-5	921756	EXT TUBE "V" D2 LONG L ASSM PCKT	LEFT - USE W/ COMPOSITE FTPLT V HANGER
1B,2A-5	921757	EXT TUBE "V" D2 X-LONG R ASSM PCKT	RIGHT - USE W/ COMPOSITE FTPLT V HANGER
1B,2A-5	921758	EXT TUBE "V" D2 X-LONG L ASSM PCKT	LEFT - USE W/ COMPOSITE FTPLT V HANGER
1A,2A-7,9	921772	EXT TUBE S/A SHT ANG ADJ PCKT	USE W/ ANGLE ADJ FTPLT
1A,2A-7,9	921773	EXT TUBE S/A MED ANG ADJ PCKT	USE W/ ANGLE ADJ FTPLT
1A,2A-7,9	921774	EXT TUBE S/A LONG ANG ADJ PCKT	USE W/ ANGLE ADJ FTPLT
1A,2A-7,9	921775	EXT TUBE S/A X-LONG ANG ADJ PCKT	USE W/ ANGLE ADJ FTPLT
1B,2A-7,9	921764	EXT TUBE "V" D2 SHT R ANG ADJ PCKT	RIGHT - USE W/ ANGLE ADJ FTPLT V HANGER
1B,2A-7,9	921765	EXT TUBE "V" D2 SHT L ANG ADJ PCKT	LEFT - USE W/ ANGLE ADJ FTPLT V HANGER
1B,2A-7,9	921766	EXT TUBE "V" D2 MED R ANG ADJ PCKT	RIGHT - USE W/ ANGLE ADJ FTPLT V HANGER
1B,2A-7,9	921767	EXT TUBE "V" D2 MED L ANG ADJ PCKT	LEFT - USE W/ ANGLE ADJ FTPLT V HANGER
1B,2A-7,9	921768	EXT TUBE "V" D2 LONG R ANG ADJ PCKT	RIGHT - USE W/ ANGLE ADJ FTPLT V HANGER
1B,2A-7,9	921769	EXT TUBE "V" D2 LONG L ANG ADJ PCKT	LEFT - USE W/ ANGLE ADJ FTPLT V HANGER
1B,2A-7,9	921770	EXT TUBE "V" D2 X-LONG R ANG AD PCKT	RIGHT - USE W/ ANGLE ADJ FTPLT V HANGER
1B,2A-7,9	921771	EXT TUBE "V" D2 X-LONG L ANG AD PCKT	LEFT - USE W/ ANGLE ADJ FTPLT V HANGER

To have complete Footrest ship assembled, choose compatible Hanger + Footplate part numbers and add "ASSY-HNG-FP" to order



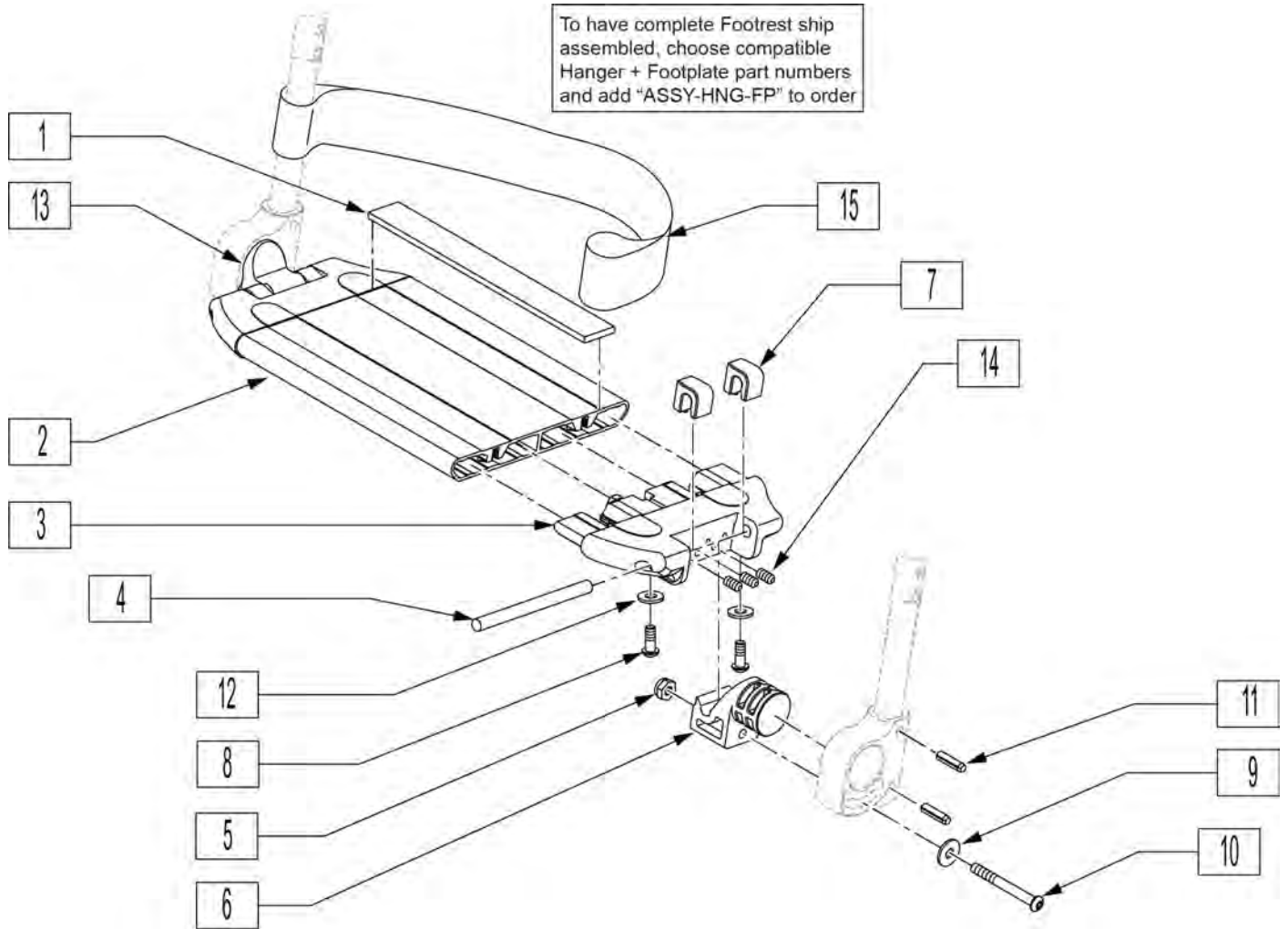
Pos.	Item Number	Description	Remarks
1	106978	FHCS 1/4 -28 x 7/8	
2	106941	1/4-28 AUTOMATION NUT	
3	106944	1/4 AN WASHER FLAT THIN	
4	561055	3/4" SADDLE 1" OD	
5	541002	FTRST MOUNTING BRKT-3/8 RAD R	
5	541003	FTRST MOUNTING BRKT-3/8 RAD L	
6	106945	1/4 SAE WASHER	
7A	106962	BHCS 1/4 -28 x 1 3/4 ROHS	For Manual ELRs only
7B	226167	1/4-28 x 1.625 BH C/S BLK (ROUND EXTENSION TUBES)	
8	550350	3/4" CLMP ADJ FT PLT	
9	106935	NUT NYLOCK THIN 1/4-28 ROHS	
10	561040	HEEL LOOP PEG	
11	741153	H/L 18-20 CMPST/14-15 ANG ADJ	
11	741253	HEEL LOOP ADLT ADJ F/PLT 18-20	
12	500660	ADLT ANGL ADJ F/PLT 14/15" R	
12	500661	ADLT ANGL ADJ F/PLT 14/15" L	
12	500662	ADLT ANGL ADJ F/PLT 16/17" R	
12	500663	ADLT ANGL ADJ F/PLT 16/17" L	

Pos.	Item Number	Description	Remarks
12	500664	ADLT ANGL ADJ F/PLT 18-20" R	
12	500665	ADLT ANGL ADJ F/PLT 18-20" L	
13	740260	TOE/ANKLE STRAP ADJ ADLT F/PLT	
14	106944	1/4 AN WASHER FLAT THIN	
15	106958	1/4-20 x 1 HEX C/S	
1-3,5,8,9,12	820460	FP ADLT ADJ 14/15 R	
1-3,5,8,9,12	820462	FP ADLT ADJ 14/15 L	
1-3,5,8,9,12	820464	FP ADLT ADJ 16/17 R	
1-3,5,8,9,12	820466	FP ADLT ADJ 16/17 L	
1-3,5,8,9,12	820468	FP ADLT ADJ 18-20 R	
1-3,5,8,9,12	820470	FP ADLT ADJ 18-20 L	
1-3,5,8,9,12	921320	FP ADLT ADJ 14/15	Pair
1-3,5,8,9,12	921322	FP ADLT ADJ 16/17	Pair
1-3,5,8,9,12	921324	FP ADLT ADJ 18-20	Pair
1-3,5,8-12,14,15	820461	FP ADLT ADJ 14/15 R HL	
1-3,5,8-12,14,15	820463	FP ADLT ADJ 14/15 L HL	
1-3,5,8-12,14,15	820465	FP ADLT ADJ 16/17 R HL	
1-3,5,8-12,14,15	820467	FP ADLT ADJ 16/17 L HL	
1-3,5,8-12,14,15	820469	FP ADLT ADJ 18-20 R HL	
1-3,5,8-12,14,15	820471	FP ADLT ADJ 18-20 L HL	
1-3,5,8-12,14,15	921321	FP ADLT ADJ 14/15 HL	Pair
1-3,5,8-12,14,15	921323	FP ADLT ADJ 16/17 HL	Pair
1-3,5,8-12,14,15	921325	FP ADLT ADJ 18-20 HL	Pair
1-3,7,9-10,14-15	101533	ADLT ANG ADJ FP D2 HDWR KIT	
1-4,7B,9,10,14-15	101534	ADLT ANG ADJ FP RND HDWR KIT	
		Ship assembled part #	Use with multiple assemblies
	ASSY-HNG-FP	HANGER/FOOTPLATE ASSY REQUIRED	add with Hanger & Footplate kit



Pos.	Item Number	Description	Remarks
1	106978	1/4-28 X 7/8 FH C/S	
2	500635	KIDS ANGL ADJ F/PLT 10" R	
2	500636	KIDS ANGL ADJ F/PLT 10" L	
2	500637	KIDS ANGL ADJ F/PLT 11" R	
2	500638	KIDS ANGL ADJ F/PLT 11" L	
2	500639	KIDS ANGL ADJ F/PLT 12" R	
2	500640	KIDS ANGL ADJ F/PLT 12" L	
2	500641	KIDS ANGL ADJ F/PLT 13" R	
2	500642	KIDS ANGL ADJ F/PLT 13" L	
2	500643	KIDS ANGL ADJ F/PLT 14" R	
2	500644	KIDS ANGL ADJ F/PLT 14" L	
2	500645	KIDS ANGL ADJ F/PLT 15" R	
2	500646	KIDS ANGL ADJ F/PLT 15" L	
2	500647	KIDS ANGL ADJ F/PLT 16" R	
2	500648	KIDS ANGL ADJ F/PLT 16" L	
3	550350	3/4" CLAMP ADJ FOOTPLATE	
4	106935	NUT NYLOCK THIN 1/4-28 ROHS	

Pos.	Item Number	Description	Remarks
5	106962	1/4-28 x 1 3/4 BH C/S BLK ZN (D2 EXTENSION TUBES)	For manual ELRs only
5	226167	1/4-28 x 1.625 BH C/S BLK (ROUND EXTENSION TUBES)	
6	106945	1/4 SAE WASHER	
7A	541002	FTRST MOUNTING BRKT-3/8 RAD R	
7B	541003	FTRST MOUNTING BRKT-3/8 RAD L	
8	561055	3/4" SADDLE 1" OD	
9	106944	1/4 AN WASHER FLAT THIN	
10	106941	1/4-28 AUTOMATION NUT	
1-4,6,7,9,10	828850	KIDS ANG ADJ F/PLT EXT-MNT 10"R	
1-4,6,7,9,10	828851	KIDS ANG ADJ F/PLT EXT-MNT 10"L	
1-4,6,7,9,10	828852	KIDS ANG ADJ F/PLT EXT-MNT 11"R	
1-4,6,7,9,10	828853	KIDS ANG ADJ F/PLT EXT-MNT 11"L	
1-4,6,7,9,10	828854	KIDS ANG ADJ F/PLT EXT-MNT 12"R	
1-4,6,7,9,10	828855	KIDS ANG ADJ F/PLT EXT-MNT 12"L	
1-4,6,7,9,10	828856	KIDS ANG ADJ F/PLT EXT-MNT 13"R	
1-4,6,7,9,10	828857	KIDS ANG ADJ F/PLT EXT-MNT 13"L	
1-4,6,7,9,10	828858	KIDS ANG ADJ F/PLT EXT-MNT 14"R	
1-4,6,7,9,10	828859	KIDS ANG ADJ F/PLT EXT-MNT 14"L	
1-4,6,7,9,10	828860	KIDS ANG ADJ F/PLT EXT-MNT 15"R	
1-4,6,7,9,10	828861	KIDS ANG ADJ F/PLT EXT-MNT 15"L	
1-4,6,7,9,10	828862	KIDS ANG ADJ F/PLT EXT-MNT 16"R	
1-4,6,7,9,10	828863	KIDS ANG ADJ F/PLT EXT-MNT 16"L	
1-4,6,7,9,10	921280	KIDS ANG ADJ F/PLT EXT-MNT 10"	
1-4,6,7,9,10	921281	KIDS ANG ADJ F/PLT EXT-MNT 11"	
1-4,6,7,9,10	921282	KIDS ANG ADJ F/PLT EXT-MNT 12"	
1-4,6,7,9,10	921283	KIDS ANG ADJ F/PLT EXT-MNT 13"	
1-4,6,7,9,10	921284	KIDS ANG ADJ F/PLT EXT-MNT 14"	
1-4,6,7,9,10	921285	KIDS ANG ADJ F/PLT EXT-MNT 15"	
1-4,6,7,9,10	921286	KIDS ANG ADJ F/PLT EXT-MNT 16"	
		Ship assembled part #	Use with multiple assemblies
	ASSY-HNG-FP	HANGER/FOOTPLATE ASSY REQUIRED	add with Hanger & Footplate kit



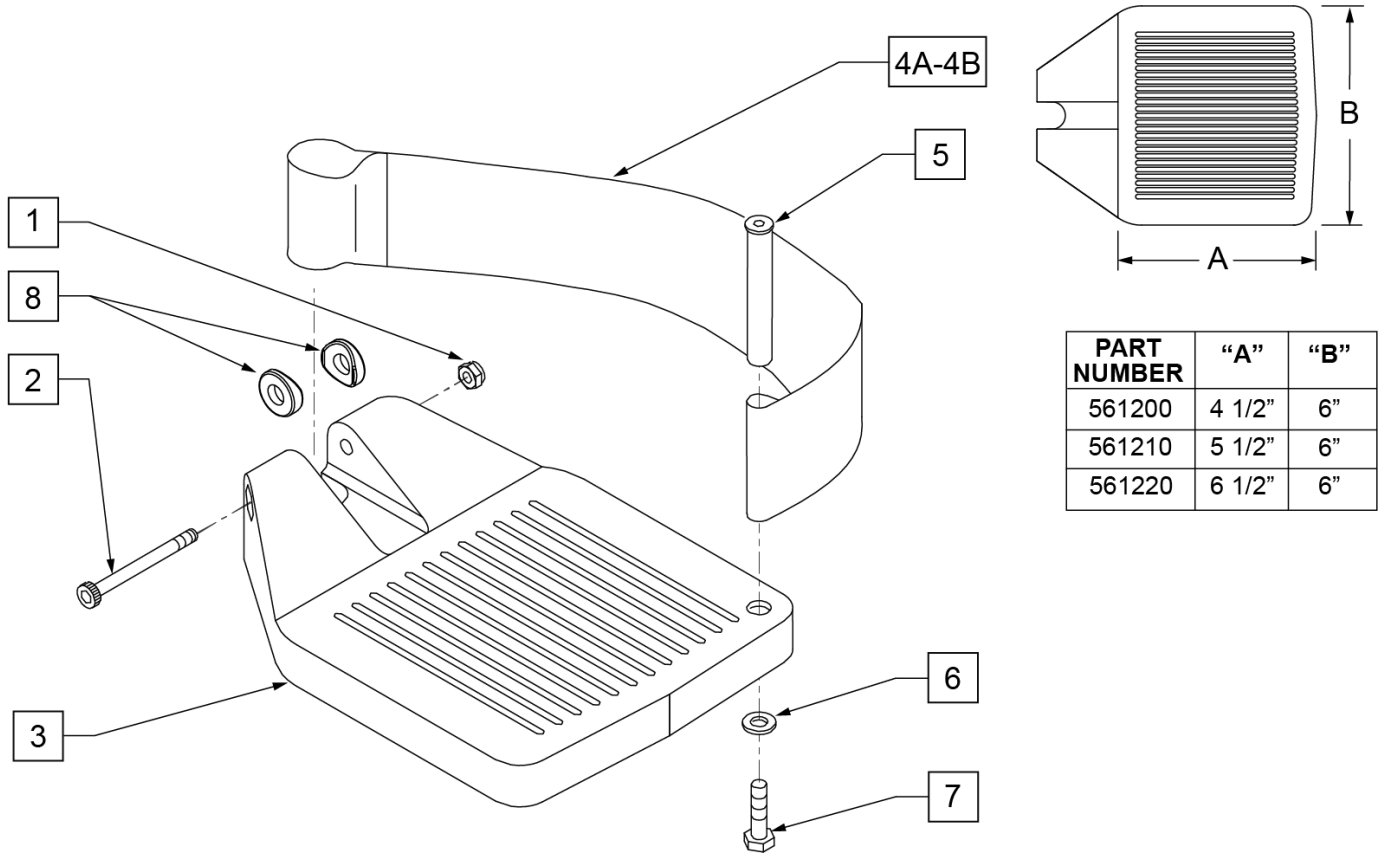
Pos.	Item Number	Description	Remarks
1	360010	FOOT BOARD SKID TAPE	
3	560019	FOOT BOARD HOLDER R	
3	560020	FOOT BOARD HOLDER L	
4	481283	PIN 8mm x 100mm	
5	200113	NUT HEX NYLOCK M6 X 1 NUT	
6	560022	FOOT BOARD SUPPORT	
7	560021	FOOT BOARD SHIM ALIGNMENT	
8	106943	WASHER FLAT AN 1/4 ROHS	
9	250070	METRIC WASHER	
10	210000	M6 x 55 8.8 BUTTON HD CAP SCRW	
11	349583	6 x 25mm GROOVED PIN	
12	230032	M6 x 16 B/H CAP SCREW	
13	560023	FOOT BOARD BEARING SUPPORT	
14	230030	M6 x 12 SET SCREW CUP POINT	
15	740130	LEG STRAP 10"-14" BLK	
15	740131	LEG STRAP 15"-17" BLK	
15	740132	LEG STRAP 18"-20" BLK	
1-14	900190	SLD 1-PC FOOTREST 14 WIDE	Tapered Hanger
1-14	900191	SLD 1-PC FOOTREST 15 WIDE	Tapered Hanger
1-14	900192	SLD 1-PC FOOTREST 16 WIDE	Tapered Hanger

Pos.	Item Number	Description	Remarks
1-14	900193	SLD 1-PC FOOTREST 17 WIDE	Tapered Hanger
1-14	900194	SLD 1-PC FTRST 18W TAP/14W ST	Tapered Hanger
1-14	900195	SLD 1-PC FTRST 19W TAP/15W ST	Tapered Hanger
1-14	900196	SLD 1-PC FTRST 20W TAP/16W ST	Tapered Hanger
1-14	900197	SLD 1-PC FTRST 22W TAP/18W ST	Tapered Hanger
1-14	900198	SLD 1-PC FTRST 24W TAP/20W ST	Tapered Hanger
1-14	900211	SLD 1-PC FTRST 17W STRT	
1-14	900209	SLD 1-PC FTRST 19W STRT	
1-14	900212	SLD 1-PC FTRST 22INW STRT	
1-14	900210	SLD 1-PC FTRST 24INW STRT	
		Ship assembled part #	Use with multiple assemblies
	ASSY-HNG-FP	HANGER/FOOTPLATE ASSY REQUIRED	add with Hanger & Footplate kit

COMPOSITE FOOTPLATE

To have complete Footrest ship assembled, choose compatible Hanger + Footplate part numbers and add "ASSY-HNG-FP" to order

INSET FORMULA
 0" Inset (Seat Width) = Footrest Width
 1" Inset (Seat Width) -2" = Footrest Width
 "V" Hanger (Seat Width) -4" = Footrest Width
 Offset Hanger Receiver (Seat Width) +2" = Footrest Width

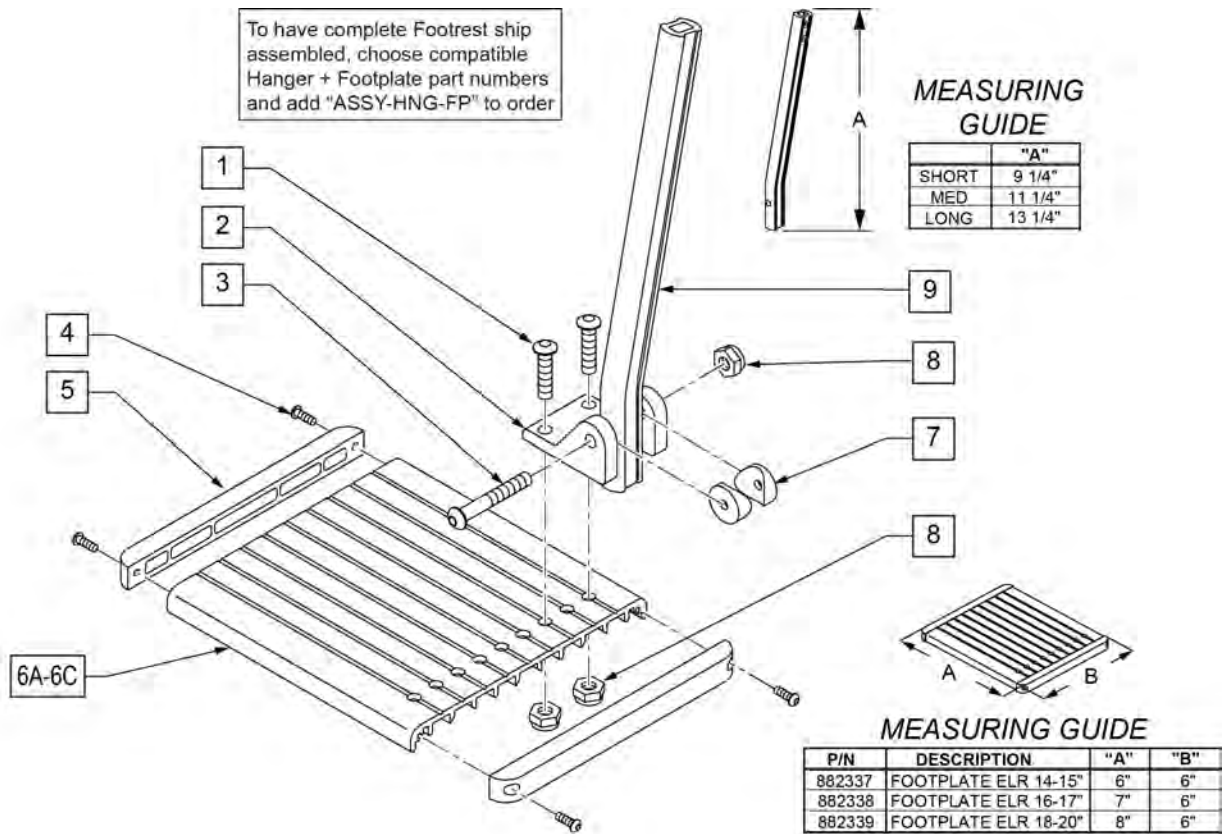


PART NUMBER	"A"	"B"
561200	4 1/2"	6"
561210	5 1/2"	6"
561220	6 1/2"	6"

Pos.	Item Number	Description	Remarks
1	106935	1/4 - 28 NYLOCK NUT	
2	226165	1/4 - 28 x 2 1/2 SOC C/S	
3	561200	COMPOSITE FOOTPLATE 14 -15 (16 -18 V)	14 -15 OR 16 -18V
3	561210	COMPOSITE FOOTPLATE 16 -17 (19 -20 V)	16 -17 OR 19 -20V
3	561220	COMPOSITE FOOTPLATE 18 -20	18 -20
4A	741151	HEEL LOOP 14-15 COMPOSITE (14 -15 or 16 -18V)	14 -15 OR 16 -18V
4A	741156	HEEL LOOP 16 -17 or 19 -20V	16 -17 OR 19 -20V
4A	741153	HEEL LOOP 18 -20 COMPOSITE/14-15 ANG ADJ	18 -20
4A	902270	HEEL LOOP COMPOSITE FT 14-15	PAIR 14 -15 OR 16 -18V
4A	902271	HEEL LOOP COMPOSITE FT 16-17	PAIR 16 -17 OR 19 -20V
4A	902272	HEEL LOOP COMPOSITE FT 18-20	PAIR 18 -20
4B	741154	HEEL LOOP 14-15 COMPOSITE HEMI	14 -15 HEMI
4B	741155	HEEL LOOP 16-17 COMPOSITE HEMI	16 -17 HEMI
4B	741153	HEEL LOOP 18-20 COMPOSITE HEMI	18 -10 HEMI
4B	902260	HEEL LOOPS HEMI COMPOSITE 14-15	PAIR 14 -15 HEMI
4B	902261	HEEL LOOPS HEMI COMPOSITE 16-17	PAIR 16 -17 HEMI
4B	902262	HEEL LOOPS HEMI COMPOSITE 18-20	PAIR 18 -20 HEMI
5	561040	HEEL LOOP PEG	

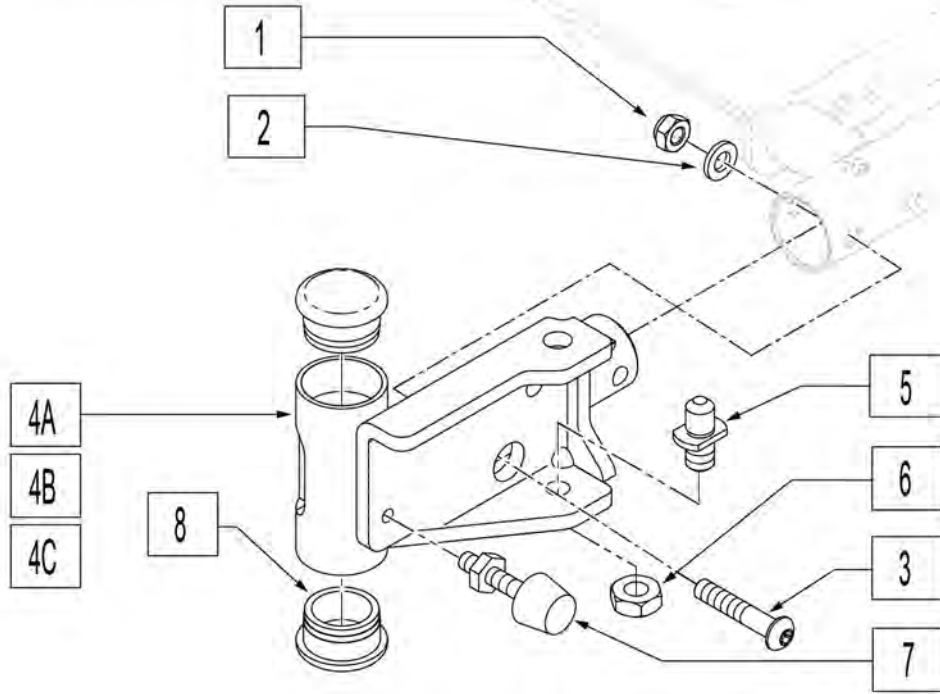
Pos.	Item Number	Description	Remarks
6	106944	1/4 AN WASHER FLAT THIN	
7	106958	HHCS 1/4-20 X 1 ROHS	
8	561003	3/4" SADDLE THIN	USED W/ ROUND EXT TUBES ONLY
1-3	921180	COMPOSITE FOOTPLATE ASSM 14-15	RIGHT (14 -15 OR 16 -18V) W/O HEEL LOOP
1-3	921181	COMPOSITE FOOTPLATE ASSM 14-15	LEFT (14 -15 OR 16 -18V) W/O HEEL LOOP
1-3	921182	COMPOSITE FOOTPLATE ASSM 16-17	RIGHT (16 -17 OR 19 -20V) W/O HEEL LOOP
1-3	921183	COMPOSITE FOOTPLATE ASSM 16-17	LEFT (16 -17 OR 19 -20V) W/O HEEL LOOP
1-3	921184	COMPOSITE FOOTPLATE ASSM 18-20	RIGHT (18 -20) W/O HEEL LOOP
1-3	921185	COMPOSITE FOOTPLATE ASSM 18-20	LEFT (18 -20) W/O HEEL LOOP
1-3	921151	COMPOSITE FOOTPLATE ASSM 14-15/16-18V	PAIR (14 -15 OR 16 -18V) W/O HEEL LOOP
1-3	921152	COMPOSITE FOOTPLATE ASSM 16-17/19-20V	PAIR (16 -17 OR 19 -20V) W/O HEEL LOOP
1-3	921153	COMPOSITE FOOTPLATE ASSM 18-20	PAIR (18 -20) W/O HEEL LOOP
1,2,3A,4-7	921190	COMPOSITE FOOTPLATE ASSM HL LP 14-15	RIGHT (14 -15 OR 16 -18V) W/ HEEL LOOP
1,2,3A,4-7	921191	COMPOSITE FOOTPLATE ASSM HL LP 14-15	LEFT (14 -15 OR 16 -18V) W/ HEEL LOOP
1,2,3A,4-7	921192	COMPOSITE FOOTPLATE ASSM HL LP 16-17	RIGHT (16 -17 OR 19 -20V) W/ HEEL LOOP
1,2,3A,4-7	921193	COMPOSITE FOOTPLATE ASSM HL LP 16-17	LEFT (16 -17 OR 19 -20V) W/ HEEL LOOP
1,2,3A,4-7	921194	COMPOSITE FOOTPLATE ASSM HL LP 18-20	RIGHT (18 -20) W/ HEEL LOOP
1,2,3A,4-7	921195	COMPOSITE FOOTPLATE ASSM HL LP 18-20	LEFT (18 -20) W/ HEEL LOOP
1,2,3A,4-7	921161	COMPOSITE FOOTPLATE ASSM HL 14-15/16-18V	PAIR (14 -15 OR 16 -18V) W/ HEEL LOOP
1,2,3A,4-7	921162	COMPOSITE FOOTPLATE ASSM HL 16-17/19-20V	PAIR (16 -17 OR 19 -20V) W/ HEEL LOOP
1,2,3A,4-7	921163	COMPOSITE FOOTPLATE ASSM HL 18-20	PAIR (18 -20) W/ HEEL LOOP
1,2,3B,4-7	921140	COMPOSITE FOOTPLATE ASSM HEMI HL LP 14-15	RIGHT (14 -15) W/ HEEL LOOP
1,2,3B,4-7	921141	COMPOSITE FOOTPLATE ASSM HEMI HL LP 14-15	LEFT (14 -15) W/ HEEL LOOP
1,2,3B,4-7	921142	COMPOSITE FOOTPLATE ASSM HEMI HL LP 16-17	RIGHT (16 -17) W/ HEEL LOOP
1,2,3B,4-7	921143	COMPOSITE FOOTPLATE ASSM HEMI HL LP 16-17	LEFT (16 -17) W/ HEEL LOOP
1,2,3B,4-7	921144	COMPOSITE FOOTPLATE ASSM HEMI HL LP 18-20	RIGHT (18 -20) W/ HEEL LOOP
1,2,3B,4-7	921145	COMPOSITE FOOTPLATE ASSM HEMI HL LP 18-20	LEFT (18 -20) W/ HEEL LOOP
1,2,3B,4-7	921167	COMPOSITE FOOTPLATE ASSM HEMI HL LPS 14-15	PAIR (14 -15) W/ HEEL LOOP
1,2,3B,4-7	921168	COMPOSITE FOOTPLATE ASSM HEMI HL LPS 16-17	PAIR (16 -17) W/ HEEL LOOP
1,2,3B,4-7	921169	COMPOSITE FOOTPLATE ASSM HEMI HL LPS 18-20	PAIR (18 -20) W/ HEEL LOOP
		Ship assembled part #	Use with multiple assemblies
	ASSY-HNG-FP	HANGER/FOOTPLATE ASSY REQUIRED	add with Hanger & Footplate kit

NOTE: Left Side Shown

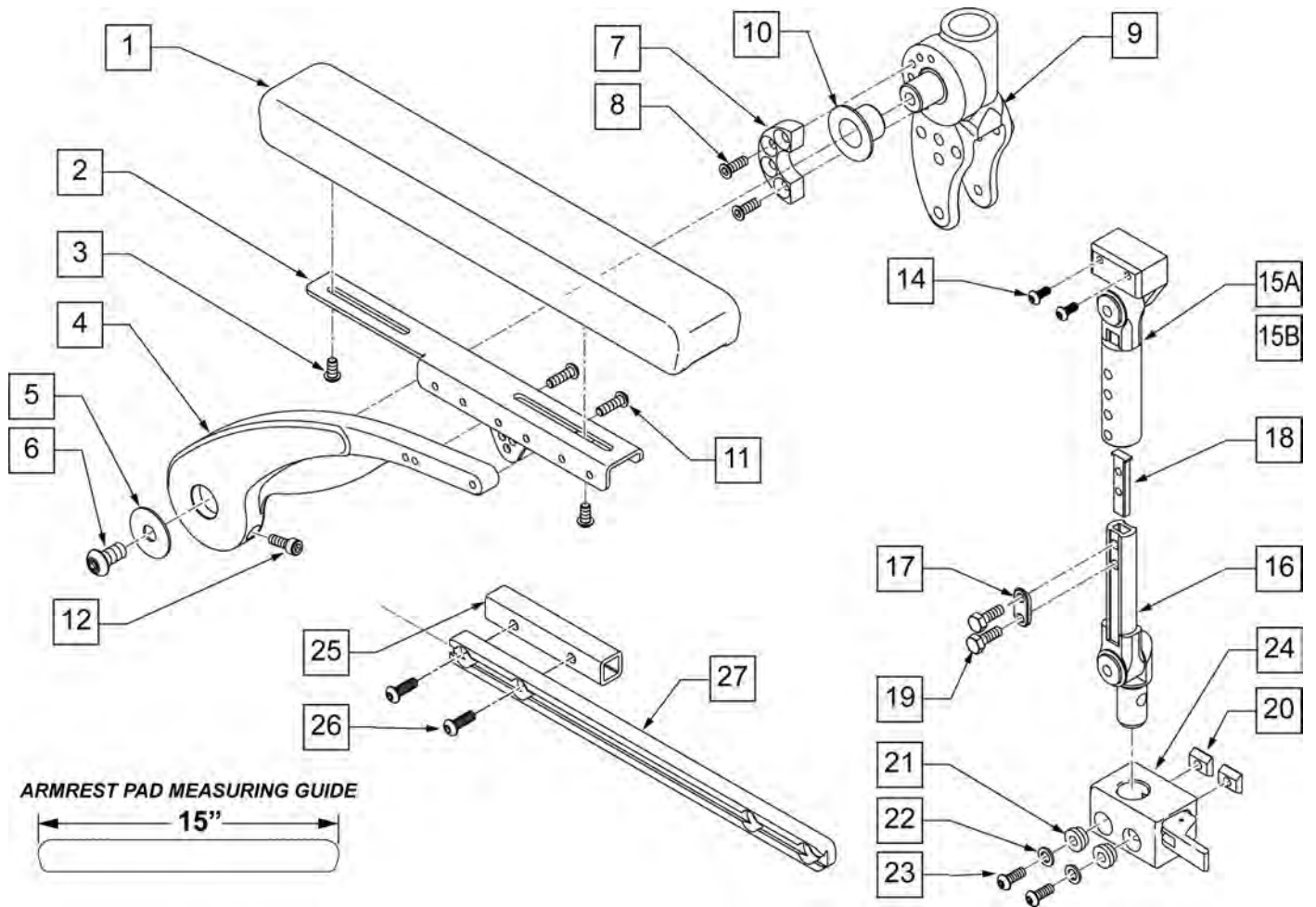


Pos.	Item Number	Description	Remarks
1	106959	1/4-28 x 5/8 BH C/S	
2	550739	FOOTPLATE MOUNTING BRACKET	
3	226147	1/4-28 x 1.85 BH C/S	
4	281043	#4 x 5/8 PAN PHIL S/TAP	
5	560101	END CAPS FOOTREST	
7	561003	3/4" SADDLE THIN	
8	106935	1/4-28 NYLOCK NUT THIN	
9	550764	S/A HANGER EXT D2 SHORT BLACK	
9	550765	S/A HANGER EXT D2 MED BLK	
9	550766	S/A HANGER EXT D2 LONG BLACK	
4,5,6A	882337	ELR FOOTPLATE ASSEMBLY 14 -15"	
4,5,6B	882338	ELR FOOTPLATE ASSEMBLY 16 -17"	
4,5,6C	882339	ELR FOOTPLATE ASSEMBLY 18 -20"	
1-5,6A-8	921400S	ELR FOOTPLATE KIT 14 -15"	Does not include Extension
1-5,6B-8	921401S	ELR FOOTPLATE KIT 16 -17"	Does not include Extension
1-5,6C-8	921402S	ELR FOOTPLATE KIT 18 -20"	Does not include Extension
		Ship assembled part #	Use with multiple assemblies
	ASSY-HNG-FP	HANGER/FOOTPLATE ASSY REQUIRED	add with Hanger & Footplate kit

To request assembly of parts being ordered as a kit, please add "ASSY-HNG-FP" after compatible Hanger & Footplate parts are selected

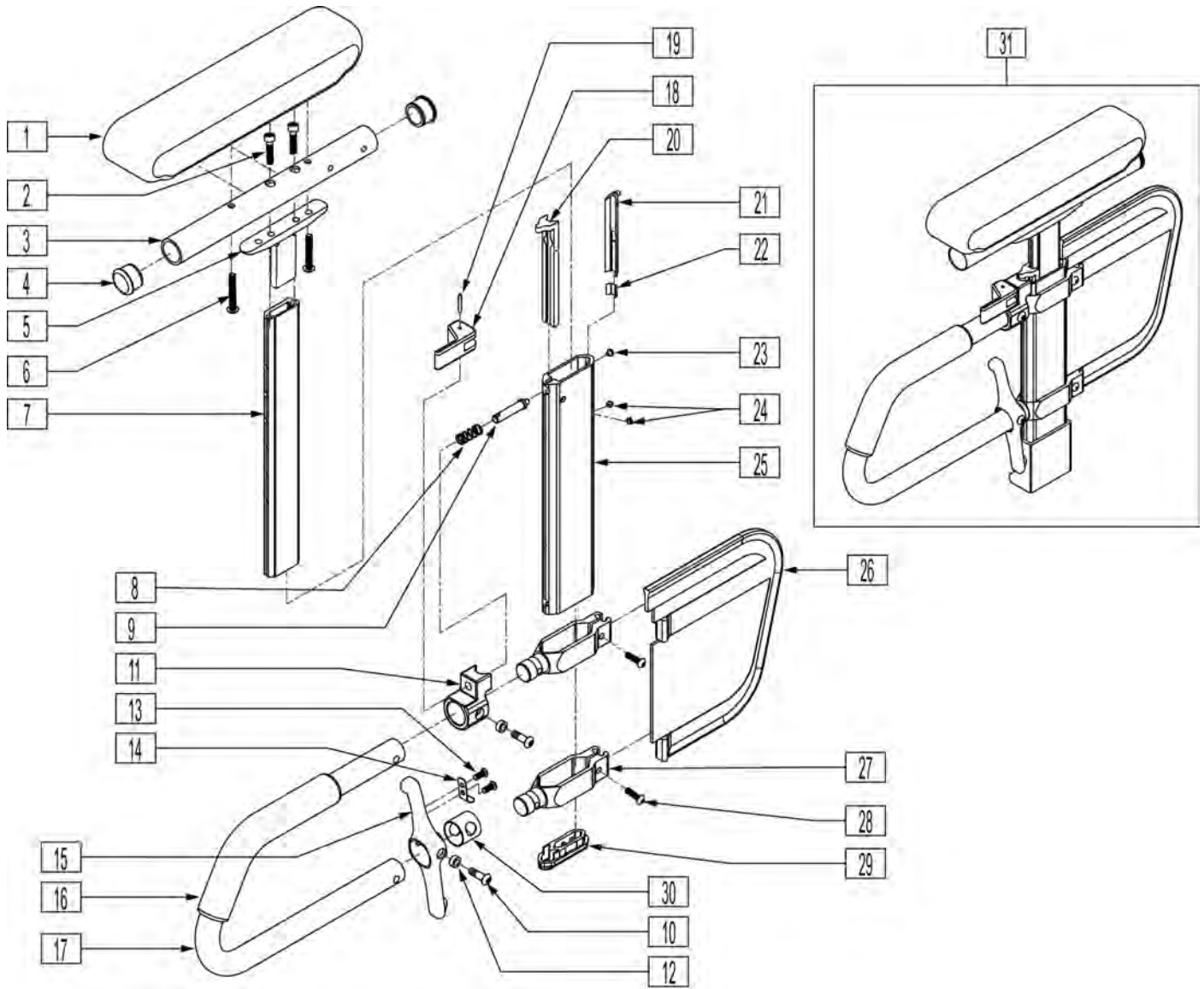


Pos.	Item Number	Description	Remarks
1	210084	NUT HEX NYLOCK M6 BLACK	
2	250104	WASHER FLAT M6	
3	013252	BHCS M6 X 1 X 35 BLK	
5	108778	PIVOT PIN, POWER	
6	013036	M8 NUT JAM THIN	
7	013763	STOP BUMPER	
8	561002	1" INSERT PLUG .083	
1-4A,5-8	104780	HANGER RECEIVER ASSM SHORT	(RIGHT)SEE NOTE #3 IN MATRIX
1-4A,5-8	104781	HANGER RECEIVER ASSM SHORT	(LEFT)SEE NOTE #3 IN MATRIX
1-4B,5-8	104782	HANGER RECEIVER ASSM LONG	(RIGHT)SEE NOTE #2 IN MATRIX
1-4B,5-8	104783	HANGER RECEIVER ASSM LONG	(LEFT)SEE NOTE #2 IN MATRIX
1-4C,5-8	104784	HANGER RECEIVER ASSM +1	(RIGHT)SEE NOTE #1 IN MATRIX
1-4C,5-8	104785	HANGER RECEIVER ASSM +1	(LEFT)SEE NOTE #1 IN MATRIX
		Ship assembled part #	Use with multiple assemblies
	ASSY-HNG-FP	HANGER/FOOTPLATE ASSY REQUIRED	add with Hanger & Footplate kit



Pos.	Item Number	Description	Remarks
1	103114	ARMREST PAD SET	PAIR
3	n/a	BHCS M6 X 16	REFERENCE ONLY
6	n/a	BHCS M10 X 35	
8	n/a	FHCS M6 X 20	
11	n/a	BHCS M6 x 20	REFERENCE ONLY
12	n/a	SHCS M6 X 25	
2-12	103110	LEFT HAND ARMREST ASSEMBLY	
2-12	103111	RIGHT HAND ARMREST ASSEMBLY	
14	102259-001	BHCS M5 X .8 X 12 W/PL INORG	
17	483717	HANGER SADDLE	
18	500078	INSERT D2 EXT TUBE	
19	221102	1/4-28 X 3/4 HEX C/S BLK W/PAT	
20	010065	M6 CHANNEL NUT	
21	340143	BUSHING .257IDx.25LG SST	
22	263100	5/16 AN WASHER FLAT	
23	230113	BHCS M6 X 1 X 12	
24	506366	UNIVRSL ARMRST RCVR ASSM R	Right
24	506367	UNIVRSL ARMRST RCVR ASSM LH	Left
25	107263	INNER TUBE SIDE RAIL	Use w/ Center Mount Footrest only
26	235008	M8 X 1.25 X 30 BH C/S	
27	106425	SINGLE TRACK RAIL 8MM	

Pos.	Item Number	Description	Remarks
20-24	110826	ARMREST REC KIT RIGHT	Right
20-24	110827	ARMREST REC KIT LEFT	Left
14,15A,16-19	126403	DUAL POST ASSY SHORT	9-10 ARMREST HEIGHT
14,15B,16-19	126404	DUAL POST ASSY TALL	11-12 ARMREST HEIGHT
14,15A,16-24	110828	ASAP 2 PNT ARM 9-10 KIT	PAIR (9-10 ARMREST HT) Includes Receivers
14,15B,16-24	110829	ASAP 2 PNT ARM 11-12 KIT	PAIR (11-12 ARMREST HT) Includes Receivers



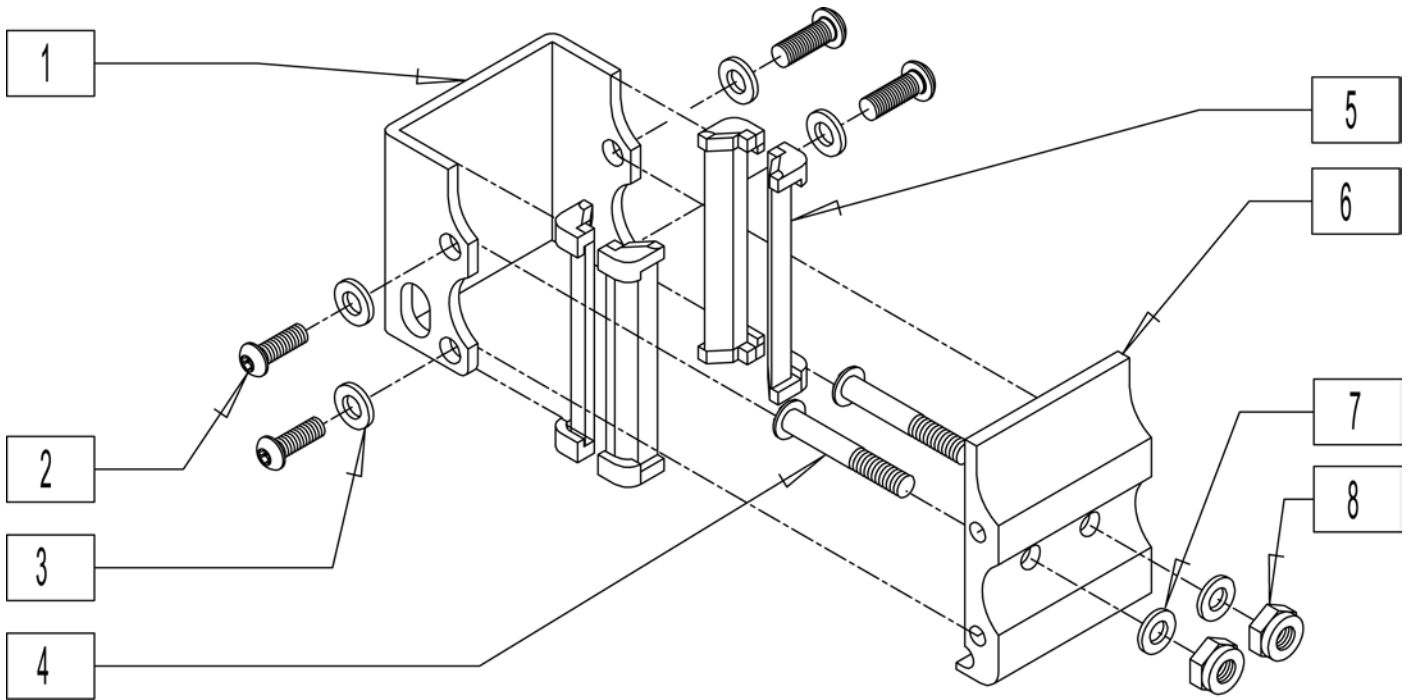
Pos.	Item Number	Description	Remarks
1	561280	ARMREST PAD 10" L W/F	
1	561281	ARMREST PAD 10" R W/F	
1	561284	ARMREST PAD 14" L W/F	
1	561285	ARMREST PAD 14" R W/F	
1	561024	ARMREST PAD 10" DESK	
1	561031	ARMREST PAD 14" FULL	
2	226031	10-32 x 1 1/4 SOC C/S BLK	
3	521812	HT ADJ PAD TUBE 10" DESK PWR	
3	521813	HT ADJ PAD TUBE 14" FULL PWR	
4	560735	7/8" ROUND TUBE PLUG	
5	505084	HT ADJ ARMREST GUSSET	
6	226038	10-32 x 1 3/8 BH C/S BLK	
8	321141	.650L x 6 COIL SPRING	
9	481258	UPPER ARM RELEASE PIN	
10	226056	10-32 x 1/2 BH C/S BLK W/PATCH	

Pos.	Item Number	Description	Remarks
11	560266	UPPER RELEASE PIN HOUSING	
12	481257	RECEIVER RELEASE LEVER BUSHING	
13	281045	#6 x 1/4 PAN PHIL S/M/S	
14	321721	LEVER RETURN SPRING	
15	501551	RECEIVER RELEASE LEVER	
15	501552	RECEIVER RELEASE LEVER KIDZ	
15	501553	RECEIVER RELEASE LEVER PEDS	
16	560610	5" x .705 x .125 FOAM TUBE	
16	560627	7-1/2" x .705 x .125 FOAM TUBE	
17	521820	HT ADJ TRANSFER TUBE STD	
17	521821	HT ADJ TRANSFER TUBE KIDS	
18	561109	ARMREST LEVER FLIP-BACK HT ADJ	
19	341088	3/32 x 5/8 ROLL PIN	
20	561132	HT ADJ ARM FRONT LINER	
21	561133	HT ADJ ARM REAR LINER	
22	321151	HT ADJ LINER SPRING	
23	330092	#4 x 5/32 STICK SCREW	
24	225098	10-32 x 1/8 SET SCREW W/PATCH BLK	
25	550479	HT ADJ ARM OUTER TUBE	
25	550480	HT ADJ ARM OUTER TUBE	
26	561140	HT ADJ SKIRT GUARD STD	
26	561141	HT ADJ SKIRT GUARD KIDS	
27	550482	HT ADJ SKIRT CLAMP	
28	107022	10-32 x 5/8 BH C/S BLK	
29	561135	HT ADJ ARM BOTTOM PLUG	
30	562825	RELEASE LEVER INNER SLEEVE	
31	900820	HT ADJ STD W/DSK W/F PAD	
31	900821	HT ADJ KDS W/DSK W/F PAD	
31	900822	HT ADJ STD W/FULL W/F PAD	
31	900823	HT ADJ KDS W/FULL W/F PAD	
31	900671	HT ADJ ASSM STD W/DSK ARM P1	
31	900672	HT ADJ ASSM STD W/DSK ARM P2	
31	900673	HT ADJ ASSM STD W/DSK ARM P3	
31	900674	HT ADJ ASSM STD W/DSK ARM P110	
31	900675	HT ADJ ASSM STD W/DSK ARM P5	
31	900676	HT ADJ ASSM STD W/FULL ARM P1	
31	900677	HT ADJ ASSM STD W/FULL ARM P2	
31	900678	HT ADJ ASSM STD W/FULL ARM P3	
31	900679	HT ADJ ASSM STD W/FL ARM P110	
31	900680	HT ADJ ASSM STD W/FULL ARM P5	
31	900775	HT ADJ STD W/DSK W/F PAD S626	
31	900776	HT ADJ STD W/FULL W/F PAD S626	
31	900777	HT ADJ ASSM STD W/DSK ARM S626	
31	900778	HT ADJ ASSM STD W/FULL ARM 626	
31	923886	HT ADJ PED DSK W/F PAD FRSTYL	
31	923887	HT ADJ PED FLL W/F PAD FRSTYL	
31	923888	HT ADJ PED DSK PAD FRSTYL	
31	923889	HT ADJ PED FLL PAD FRSTYL	
1-7	880192	HT ADJ UPPR ARM ASSM PWR DSK R	
1-7	880198	HT ADJ UPPR ARM ASSM PWR DSK L	
1-7	880193	HT ADJ UPPR ARM ASSM PWR FL R	
1-7	880199	HT ADJ UPPR ARM ASM PWR FL L	
1-7	881230	HT ADJ UPPR L ARM ASSM DSK W/F	
1-7	881231	HT ADJ UPPR R ARM ASSM DSK W/F	
1-7	881232	HT ADJ UPPR L ARM ASSM FL W/F	
1-7	881233	HT ADJ UPPR R ARM ASSM FL W/F	

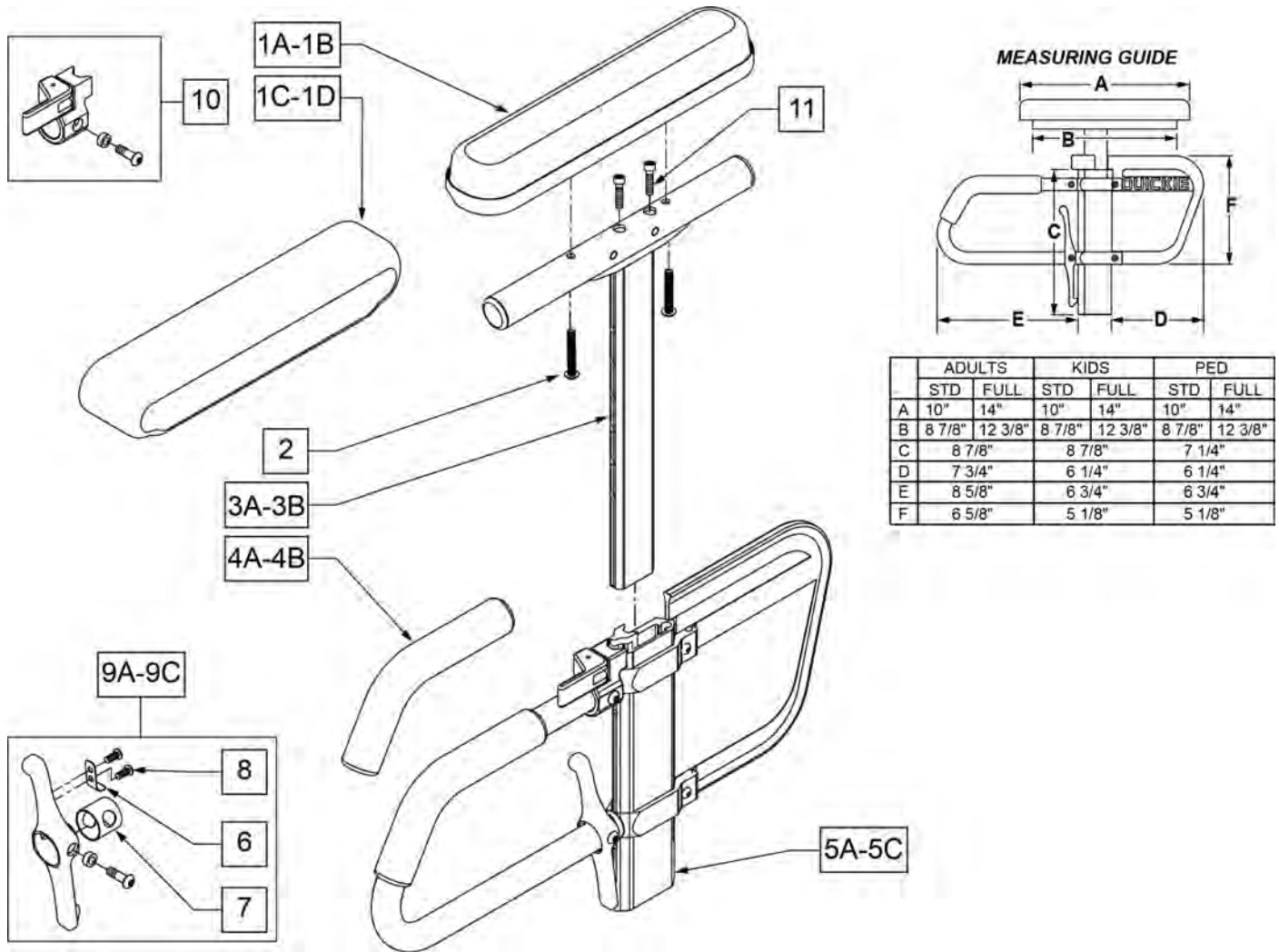
Pos.	Item Number	Description	Remarks
1-7	880174	HT ADJ UPPR ARM PED PWR DESK R	
1-7	880175	HT ADJ UPPR ARM PED PWR DESK L	
1-7	880176	HT ADJ UPPR ARM PED PWR FULL R	
1-7	880177	HT ADJ UPPR ARM PED PWR FULL L	
1-7	888341	HT ADJ PED UPR R ARM ASSM D WF	
1-7	888342	HT ADJ PED UPR L ARM ASSM D WF	
1-7	888343	HT ADJ PED UPR R ARM ASSM F WF	
1-7	888344	HT ADJ PED UPR L ARM ASSM F WF	
8,9,11,18,19	888003	HT ADJ UPPER ARM REL ASSM R	
8,9,11,18,19	888004	HT ADJ UPPER ARM REL ASSM L	
10,12-15,30	888000	HT ADJ REC REL LEVER ASSM STD	
10,12-15,30	888001	HT ADJ REC REL LEVER ASSM KDS	
10,12-15,30	888002	HT ADJ REC REL LEVER ASSM PEDS	
8-30	882082	HT ADJ LOWER DC ARM ASM KIDS R	
8-30	882083	HT ADJ LOWER DC ARM ASM KIDS L	
8-30	882084	HT ADJ LOWER DC ARM ASSM STD R	
8-30	882085	HT ADJ LOWER DC ARM ASSM STD L	
8-30	882080	HT ADJ LOWER ARM ASSM PE D	
8-30	882081	HT ADJ LOWER ARM ASSM PE D L	
1-30	880210	HT ADJ STD R W/DSK ARM PAD PWR	
1-30	880211	HT ADJ STD L W/DSK ARM PAD PWR	
1-30	880212	HT ADJ STD R W/FULL ARM PD PWR	
1-30	880213	HT ADJ STD L W/FULL ARM PD PWR	
1-30	880214	HT ADJ KDS R W/DSK ARM PAD PWR	
1-30	880215	HT ADJ KDS L W/DSK ARM PAD PWR	
1-30	880216	HT ADJ KDS R W/FULL ARM PD PWR	
1-30	880217	HT ADJ KDS L W/FULL ARM PD PWR	
1-30	881300	HT ADJ STD L W/DSK W/F PAD	
1-30	881301	HT ADJ STD R W/DSK W/F PAD	
1-30	881302	HT ADJ KDS L W/DSK W/F PAD	
1-30	881303	HT ADJ KDS R W/DSK W/F PAD	
1-30	881304	HT ADJ STD L W/FULL W/F PAD	
1-30	881305	HT ADJ STD R W/FULL W/F PAD	
1-30	881306	HT ADJ KDS L W/FULL W/F PAD	
1-30	881307	HT ADJ KDS R W/FULL W/F PAD	
1-30	880226	HT ADJ PED R W/DSK ARM PAD PWR	
1-30	880227	HT ADJ PED L W/DSK ARM PAD PWR	
1-30	880228	HT ADJ PED R W/FULL ARM PD PWR	
1-30	880229	HT ADJ PED L W/FULL ARM PD PWR	
1-30	888345	HT ADJ PED R W/DSK W/F PAD	
1-30	888346	HT ADJ PED L W/DSK W/F PAD	
1-30	888347	HT ADJ PED R W/FULL W/F PAD	
1-30	888348	HT ADJ PED L W/FULL W/F PAD	
8-15,18-20,29,30	888800	HT ADJ ARM UPGD KIT STD R	
8-15,18-20,29,30	888801	HT ADJ ARM UPGD KIT STD L	
8-15,18-20,29,30	888802	HT ADJ ARM UPGRD KIT KDS R	
8-15,18-20,29,30	888803	HT ADJ ARM UPGRD KIT KDS L	
8-15,18-20,29,30	888804	HT ADJ ARM UPGRD KIT PEDS R	
8-15,18-20,29,30	888805	HT ADJ ARM UPGRD KIT PEDS L	
8-15,18-20,29,30	921900	HT ADJ ARM UPGRD KIT STD (PR)	Pair
8-15,18-20,29,30	921901	HT ADJ ARM UPGRD KIT KDS (PR)	Pair
8-15,18-20,29,30	921902	HT ADJ ARM UPGRD KIT PED (PR)	Pair

SINGLE POST ARMREST RECEIVER

[Revision: 03/2007]



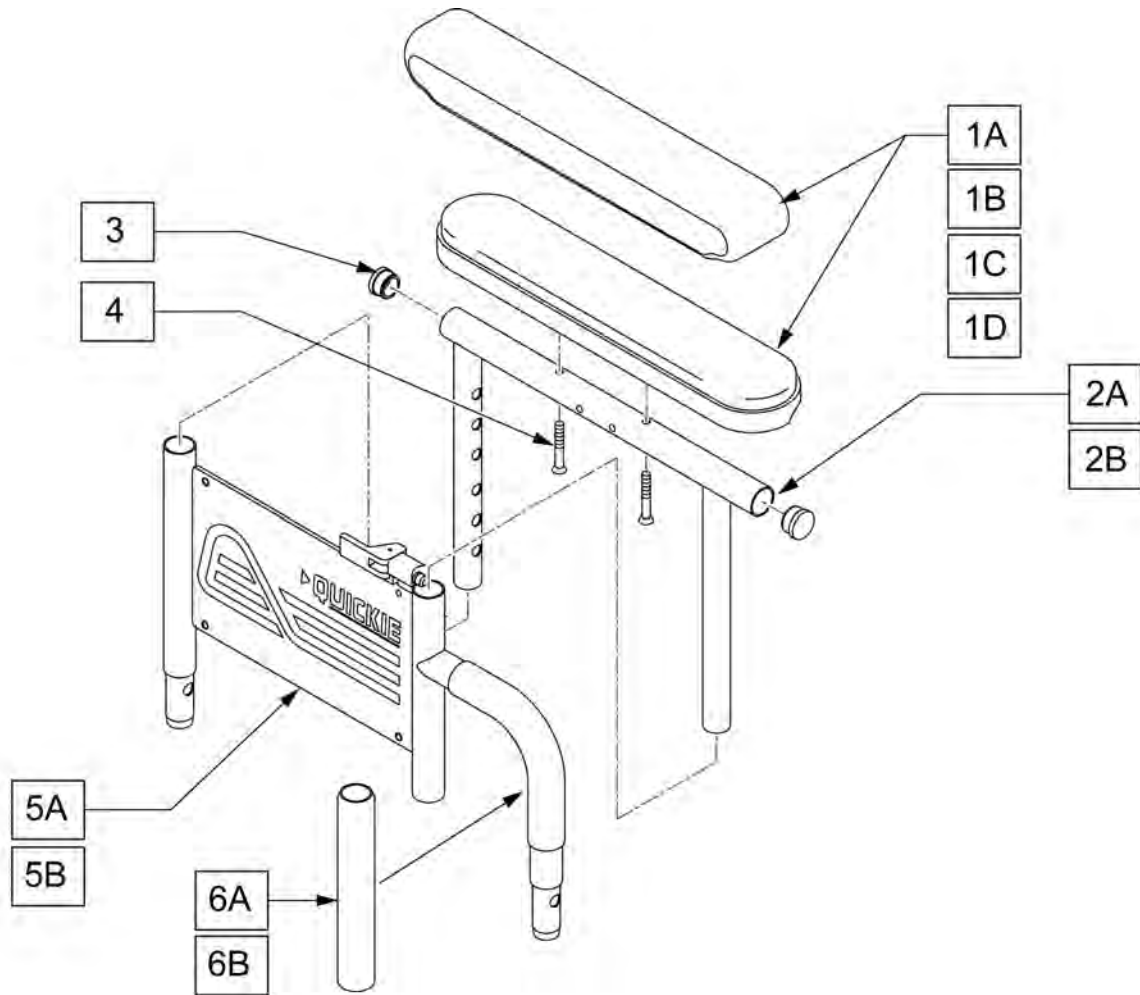
Pos.	Item Number	Description
1	550485	HT ADJ RECEIVER OUTER CHANNEL
2	102262-001	BHCS M6X1X8 FULL PL
3	250104	WASHER FLAT M6
4	230122	BHCS M8 X 1.25 X 40 BLK
5	561134	HT ADJ RECEIVER LINER
6	550629	HT ADJ ARM REC M8 HOLES
7	263100	5/16 AN WASHER FLAT
8	210085	NUT HEX NYLOCK M8 BLACK
1-8	101532	SINGLE POST ARM RECEIVER ASSM



Pos.	Item Number	Description	Remarks
1A	561024	ARMREST PAD 10" DESK	DESK PAD
1B	561031	ARMREST PAD 14" FULL	FULL PAD
1C	561280	ARMREST PAD 10" L W/F	LEFT - DESK WATERFALL PAD
1C	561281	ARMREST PAD 10" R W/F	RIGHT - DESK WATERFALL PAD
1D	561284	ARMREST PAD 14" L W/F	LEFT - FULL WATERFALL PAD
1D	561285	ARMREST PAD 14" R W/F	RIGHT - FULL WATERFALL PAD
2	226038	10-32 x 1 3/8 BH C/S BLK	
4A	560610	5" x .705 x .125 FOAM TUBE	ADULT
4B	560627	7-1/2" x .705 x .125 FOAM TUBE	PEDS/KIDS
5A	882084	HT ADJ LOWER DC ARM ASSM STD R	RIGHT - STANDARD/ADULT
5A	882085	HT ADJ LOWER DC ARM ASSM STD L	LEFT - STANDARD/ADULT
5B	882082	HT ADJ LOWER DC ARM ASM KIDS R	RIGHT - KIDS
5B	882083	HT ADJ LOWER DC ARM ASM KIDS L	LEFT - KIDS
5C	882080	HT ADJ LOWER ARM ASSM PE D R	RIGHT - PEDIATRIC
5C	882081	HT ADJ LOWER ARM ASSM PE D L	LEFT - PEDIATRIC
6	321721	LEVER RETURN SPRING	
7	562825	RELEASE LEVER INNER SLEEVE	
8	281045	#6 x 1/4 PAN PHIL S/M/S	
9A	888000	HT ADJ REC REL LEVER ASSM STD	ADULT

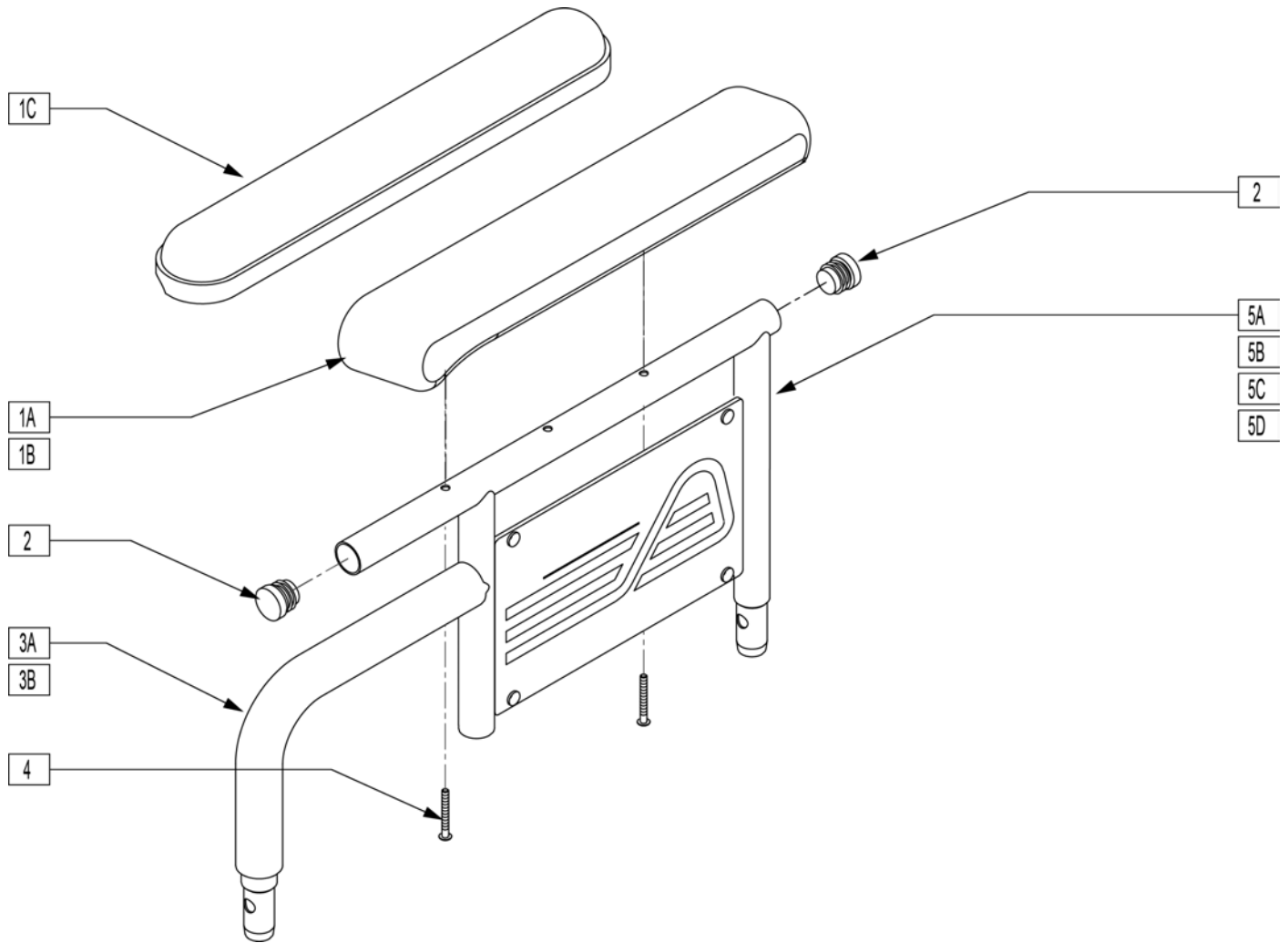
Pos.	Item Number	Description	Remarks
9B	888001	HT ADJ REC REL LEVER ASSM KIDS	KIDS
9C	888002	HT ADJ REC REL LEVER ASSM PEDS	PEDS
10	888003	HT ADJ UPPER ARM REL ASSM R	RIGHT
10	888004	HT ADJ UPPER ARM REL ASSM L	LEFT
11	108534	SHCS 10-32 X 1-1/4 PL	Used with Classic Full only
>>>>		ADULT UPPER ASSEMBLIES	
1A-3A	880192	HT ADJ UPPER ARM ASSM DESK R	RIGHT - ADULT DESK PAD
1A-3A	880198	HT ADJ UPPER ARM ASSM DESK L	LEFT - ADULT DESK PAD
1B-3A,11	880193	HT ADJ UPPER ARM ASSM FL R	RIGHT - ADULT FULL PAD
1B-3A,11	880199	HT ADJ UPPER ARM ASSM FL L	LEFT - ADULT FULL PAD
>>>>		ADULT UPPER ASSEMBLIES	
1C-3A	881230	HT ADJ UPPER L ARM ASSM DESK W/F	RIGHT - ADULT DESK WATER FALL PAD
1C-3A	881231	HT ADJ UPPER R ARM ASSM DESK W/F	LEFT - ADULT DESK WATER FALL PAD
1D-3A	881232	HT ADJ UPPER L ARM ASSM FL W/F	RIGHT - ADULT FULL WATER FALL PAD
1D-3A	881233	HT ADJ UPPER R ARM ASSM FL W/F	LEFT - ADULT FULL WATER FALL PAD
>>>>		PEDIATRIC AND KIDS UPPER ASSEMBLIES	
1A-3B	880174	HT ADJ UPPER ARM PED PWR DESK R	RIGHT - PED/KIDS DESK PAD
1A-3B	880175	HT ADJ UPPER ARM PED PWR DESK L	LEFT - PED/KIDS DESK PAD
1B-3B,11	880176	HT ADJ UPPER ARM PED PWR FULL R	RIGHT - PED/KIDS FULL PAD
1B-3B,11	880177	HT ADJ UPPER ARM PED PWR FULL L	LEFT - PED/KIDS FULL PAD
>>>>		PEDIATRIC AND KIDS UPPER ASSEMBLIES	
1C-3B	888341	HT ADJ PED UPPER R ARM ASSM D WF	RIGHT - PED/KIDS DESK WATER FALL PAD
1C-3B	888342	HT ADJ PED UPPER L ARM ASSM D WF	LEFT - PED/KIDS DESK WATER FALL PAD
1D-3B	888343	HT ADJ PED UPPER R ARM ASSM F WF	RIGHT - PED/KIDS FULL WATER FALL PAD
1D-3B	888344	HT ADJ PED UPPER L ARM ASSM F WF	LEFT - PED/KIDS FULL WATER FALL PAD
>>>>		COMPLETE ADULT ARMREST ASSEMBLY	
1A-3A-5A	880210	HT ADJ STD R W/DESK ARM PAD	RIGHT - ADULT - DESK PAD
1A-3A-5A	880211	HT ADJ STD L W/DESK ARM PAD	LEFT - ADULT - DESK PAD
1B-3A-5A,11	880212	HT ADJ STD R W/FULL ARM PAD	RIGHT - ADULT - FULL PAD
1B-3A-5A,11	880213	HT ADJ STD L W/FULL ARM PAD	LEFT - ADULT - FULL PAD
1C-3A-5A	881301	HT ADJ STD R W/DESK W/F PAD	RIGHT - ADULT - WATERFALL DESK PAD
1C-3A-5A	881300	HT ADJ STD L W/DESK W/F PAD	LEFT - ADULT - WATERFALL DESK PAD
1D-3A-5A	881305	HT ADJ STD R W/FULL W/F PAD	RIGHT - ADULT - WATERFALL FULL PAD
1D-3A-5A	881304	HT ADJ STD L W/FULL W/F PAD	LEFT - ADULT - WATERFALL FULL PAD
>>>>		COMPLETE KIDS ARMREST ASSEMBLY	
1A-3B-5B	880214	HT ADJ KIDS R W/DESK ARM PAD	RIGHT - KIDS - DESK PAD
1A-3B-5B	880215	HT ADJ KIDS L W/DESK ARM PAD	LEFT - KIDS - DESK PAD
1B-3B-5B,11	880216	HT ADJ KIDS R W/FULL ARM PAD	RIGHT - KIDS - FULL PAD
1B-3B-5B,11	880217	HT ADJ KIDS L W/FULL ARM PAD	LEFT - KIDS - FULL PAD
1C-3B-5B	881303	HT ADJ KIDS R W/DESK W/F PAD	RIGHT - KIDS - WATERFALL DESK PAD
1C-3B-5B	881302	HT ADJ KIDS L W/DESK W/F PAD	LEFT - KIDS - WATERFALL DESK PAD
1D-3B-5B	881307	HT ADJ KIDS R W/FULL W/F PAD	RIGHT - KIDS - WATERFALL FULL PAD
1D-3B-5B	881306	HT ADJ KIDS L W/FULL W/F PAD	LEFT - KIDS - WATERFALL FULL PAD
>>>>		COMPLETE PEDIATRIC ARMREST ASSEMBLY	
1A-3B-5C	880226	HT ADJ PED R W/DESK ARM PAD	RIGHT - PEDS - DESK PAD
1A-3B-5C	880227	HT ADJ PED L W/DESK ARM PAD	LEFT - PEDS - DESK PAD
1B-3B-5C,11	880228	HT ADJ PED R W/FULL ARM PAD	RIGHT - PEDS - FULL PAD
1B-3B-5C,11	880229	HT ADJ PED L W/FULL ARM PAD	LEFT - PEDS - FULL PAD
1C-3B-5C	888345	HT ADJ PED R W/DESK W/F PAD	RIGHT - PEDS - WATERFALL DESK PAD
1C-3B-5C	888346	HT ADJ PED L W/DESK W/F PAD	LEFT - PEDS - WATERFALL DESK PAD
1D-3B-5C	888347	HT ADJ PED R W/FULL W/F PAD	RIGHT - PEDS - WATERFALL FULL PAD
1D-3B-5C	888348	HT ADJ PED L W/FULL W/F PAD	LEFT - PEDS - WATERFALL FULL PAD

DUAL POST FLIP BACK ARMREST



Pos.	Item Number	Description	Remarks
1A	561280	ARMREST PAD 10" LEFT W/F	
1A	561281	ARMREST PAD 10" RIGHT W/F	
1B	561284	ARMREST PAD 14" LEFT W/F	
1B	561285	ARMREST PAD 14" RIGHT W/F	
1C	561024	ARMREST PAD 10" DESK	
1D	561031	ARMREST PAD 14" FULL"	
2A	521841	DUAL POST ADJ UPPER ARM DESK	
2B	521843	DUAL POST ADJ UPPER ARM FULL	
3	560735	7/8" ROUND TUBE PLUG	
4	226038	10-32 x 1 3/8 BH C/S BLK	
5A	881556	DUAL POST LOWER ARM ASSM SHT	Right
5A	881557	DUAL POST LOWER ARM ASSM SHT	Left
5B	881558	DUAL POST ADJ LOWER ARM LONG R	Right
5B	881559	DUAL POST ADJ LOWER ARM LONG L	Left
6A	560514	FOAM 8" x .840 TUBE	
6B	560614	11" x .840 FOAM TUBE	
1C,2A,3,4	881446	DUALPOST UHA AREST RH INC DESK	
1C,2A,3,4	881447	DUALPOST UHA AREST LH INC DESK	
1D,2A,3,4	881448	DUALPOST UHA AREST RH INC FULL	
1D,2A,3,4	881449	DUALPOST UHA AREST LH INC FULL	
1A,2A,3,4	881240	D-POST UPPR L ARM ASSM DSK W/F	

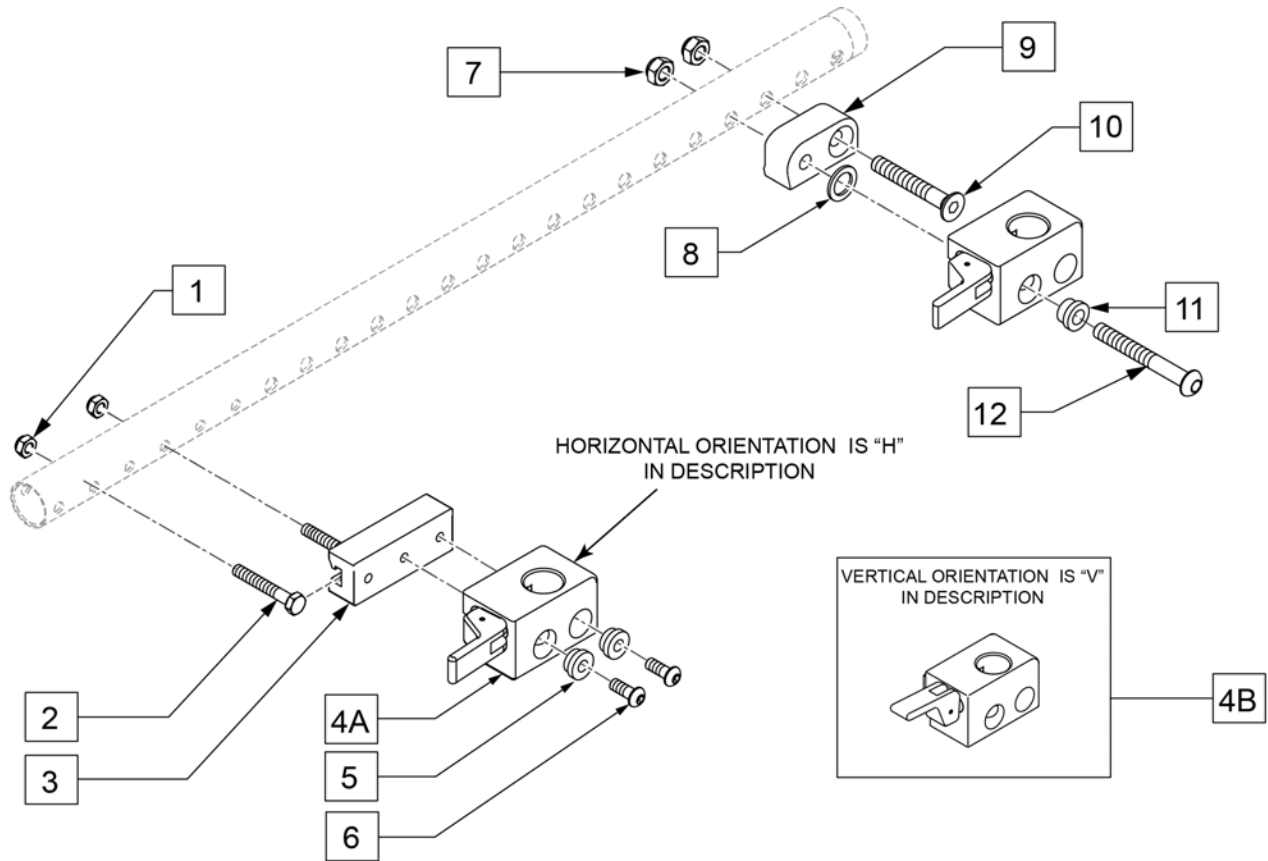
Pos.	Item Number	Description	Remarks
1A,2A,3,4	881241	D-POST UPPR R ARM ASSM DSK W/F	
1B,2B,3,4	881242	D-POST UPPR L ARM ASSM FL W/F	
1B,2B,3,4	881243	D-POST UPPR R ARM ASSM FL W/F	
1A,2A,3,4,5A	881308	D-POST SHT L W/DSK W/F PAD	
1A,2A,3,4,5A	881309	D-POST SHT R W/DSK W/F PAD	
1B,2B,3,4,5B	881310	D-POST SHT L W/FL W/F PAD	
1B,2B,3,4,5B	881311	D-POST SHT R W/FL W/F PAD	
1C,2A,3,4,5A	881572	DUAL POST ADJ SHT W/DSK R PWR	
1C,2A,3,4,5A	881573	DUAL POST ADJ SHT W/DSK L PWR	
1A,2B,3,4,5B	881312	D-PST LNG ADJ L W/DSK W/F PAD	
1A,2B,3,4,5B	881313	D-PST LNG ADJ R W/DSK W/F PAD	
1B,2B,3,4,5B	881314	D-POST LNG ADJ L W/FL W/F PAD	
1B,2B,3,4,5B	881315	D-POST LNG ADJ R W/FL W/F PAD	
1D,2A,3,4,5B	881574	DUAL POST ADJ LONG W/FL R PWR	
1D,2A,3,4,5B	881575	DUAL POST ADJ LONG W/FL L PWR	
1C,2A,3,4,5B	881576	DUAL POST ADJ LONG W/DSK R PWR	
1C,2A,3,4,5B	881577	DUAL POST ADJ LONG W/DSK L PWR	
1D,2B,3,4,5A	881578	DUAL POST ADJ SHT W/FL R PWR	
1D,2B,3,4,5A	881579	DUAL POST ADJ SHT W/FL L PWR	



Pos.	Item Number	Description	Remarks
1A	561280	ARMREST PAD 10" LEFT W/F	
1A	561281	ARMREST PAD 10" RIGHT W/F	
1B	561284	ARMREST PAD 14" LEFT W/F	
1B	561285	ARMREST PAD 14" RIGHT W/F	
1C	561024	ARMREST PAD 10" DESK	
1D	561031	ARMREST PAD 14" FULL	
2	560735	7/8" ROUND TUBE PLUG	
3A	560514	FOAM 8" x .840 TUBE	
3B	560614	11" x .840 FOAM TUBE	
4	226038	10-32 x 1 3/8 BH C/S BLK	
5A	540124	FIXED HT SHT ARM DESK PAD PWR	
5B	540125	FIXED HT SHT ARM FULL PAD PWR	
5C	540126	FIXED HGT LONG ARM DSK PAD PW	
5D	540127	FIXED HT LONG ARM FULL PAD PWR	
6	240155	RIVET 3/16 x 3/8 TUBULAR ALUM	
7	562744	ARMREST FRAME PANEL FIXED R	Right
7	562745	ARMREST FRAME PANEL FIXED L	Left
1A,2-4,5A,6,7	881730	D-POST ARM SHT R W/DSK W/F PAD	Right
1A,2-4,5A,6,7	881731	D-POST ARM SHT L W/DSK W/F PAD	Left

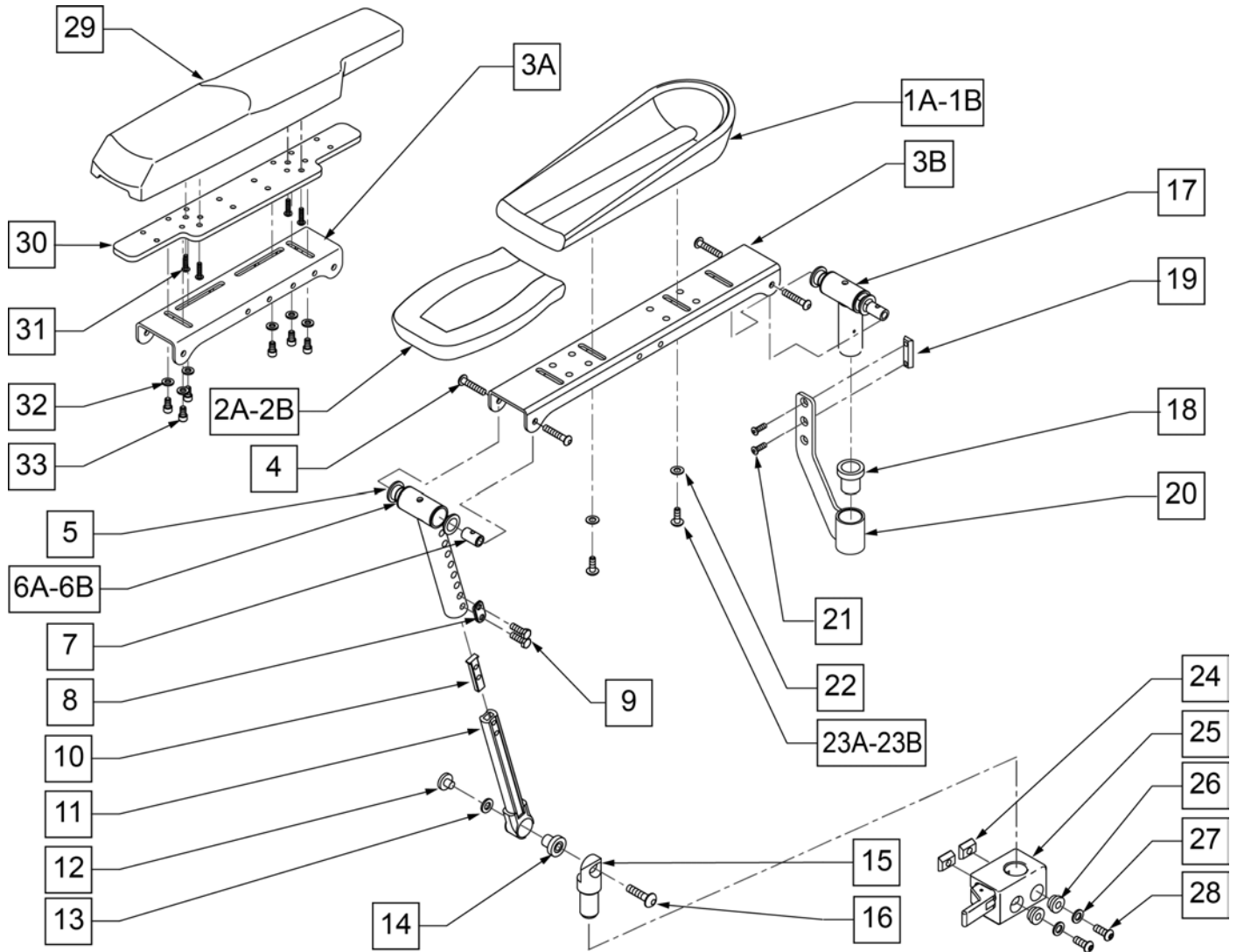
Pos.	Item Number	Description	Remarks
1B,2-4,5B,6,7	881732	D-POST ARM SHT R W/FL W/F PAD	Right
1B,2-4,5B,6,7	881733	D-POST ARM SHT L W/FL W/F PAD	Left
1C,2,3A,4,5C,6,7	881734	D-POST ARM LNG R W/DSK W/F PAD	Right
1C,2,3A,4,5C,6,7	881735	D-POST ARM LNG L W/DSK W/F PAD	Left
1B,2-4,5D,6,7	881736	D-POST ARM LNG R W/FL W/F PAD	Right
1B,2-4,5D,6,7	881737	D-POST ARM LNG L W/FL W/F PAD	Left
1C,2-4,5A,6,7	881580	DUAL POST ARM SHT W/DSK R PWR	Right
1C,2-4,5A,6,7	881581	DUAL POST ARM SHT W/DSK L PWR	Left
1D,2-4,5B,6,7	881582	DUAL POST ARM SHT W/FL R PWR	Right
1D,2-4,5B,6,7	881583	DUAL POST ARM SHT W/FL L PWR	Left
1C,2-4,5C,6,7	881584	DUAL POST ARM LNG W/DSK R PWR	Right
1C,2-4,5C,6,7	881585	DUAL POST ARM LNG W/DSK L PWR	Left
1D,2-4,5D,6,7	881586	DUAL POST ARM LNG W/FL R PWR	Right
1D,2-4,5D,6,7	881587	DUAL POST ARM LNG W/FL L PWR	Left

DUAL POST FLIP BACK ARMREST RECEIVER



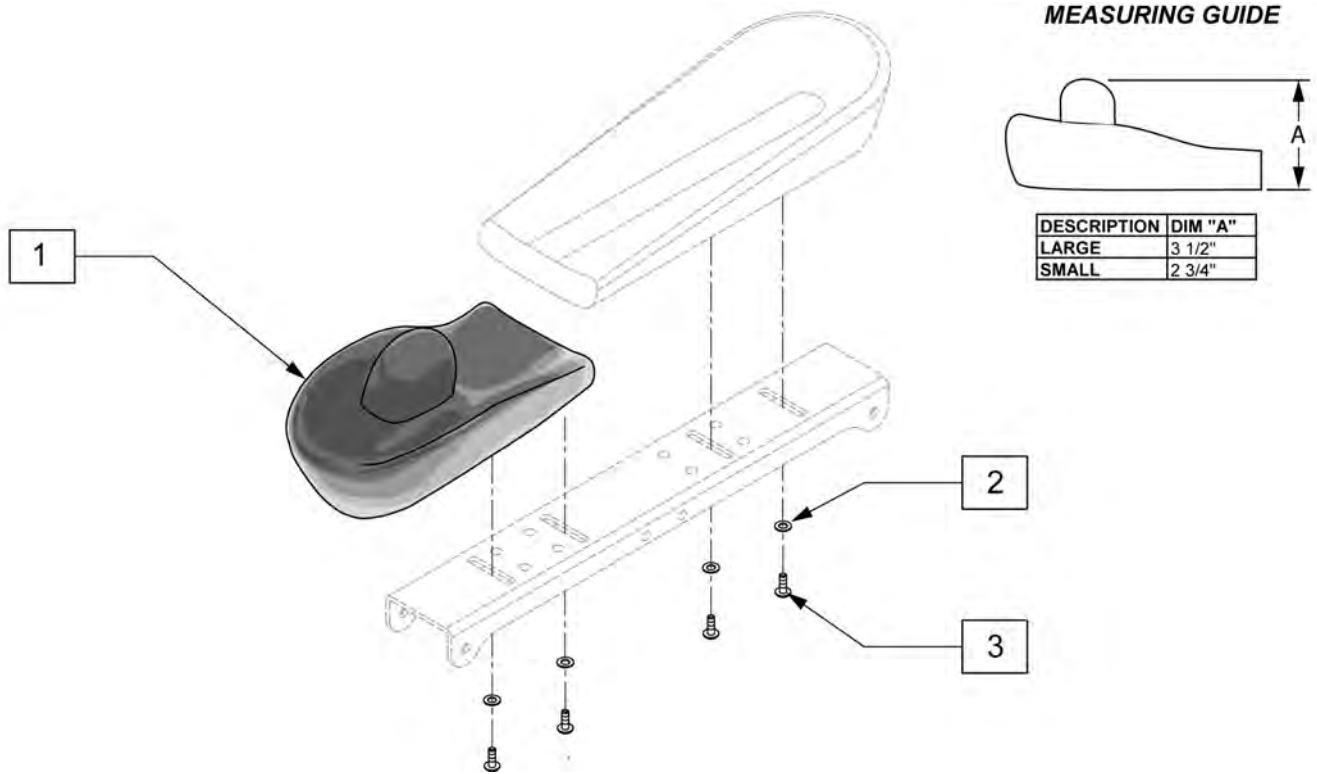
Pos.	Item Number	Description	Remarks
1	210084	NUT HEX NYLOCK M6 BLACK	
2	234813	M6 X 1.0 X 35 HHCS 10.9	
3	011501	ADPTR FRNT ARM REC 28.5MM OFST	
4A	506366	UNIVRSL ARMRST RCVR ASSM RH	
4A	506367	UNIVRSL ARMRST RCVR ASSM LH	
4B	506368	UNIV ARMREST RCVR ASSM RV	Optional release position, not offered on chair
4B	506369	UNIV ARMREST RCVR ASSM LV	Optional release position, not offered on chair
5	340143	BUSHING .257IDx.25LG SST	
6	103185-006	BHCSM6X1X16FULLNP	
7	210085	NUT HEX NYLOCK M8 BLACK	
8	561272	1/2 X 3/4 X .030 NYLON WASHER	
9	506128	ADPTR PVT R UNI ARST RCVR P222	
9	506129	ADPTR PVT L UNI ARST RCVR P222	
10	230130	FHCS M8 X 1.25 X 50 BLK	
11	340142	BUSHING .325IDx.346LG SST	
12	103186-014	BHCS M8 X 1.25 X 60 BLK W/PL	
1-6	120651	ARMREST RECEIVER ASSM FRNT R	
1-6	120652	ARMREST RECEIVER ASSM FRNT L	
4A,7-12	120653	ARMREST RECEIVER ASSM BCK R	
4A,7-12	120654	ARMREST RECEIVER ASSM BCK L	

Note: On QM7 series fits chairs prior to S/N prefix QM710A, QM715A & QM720A.



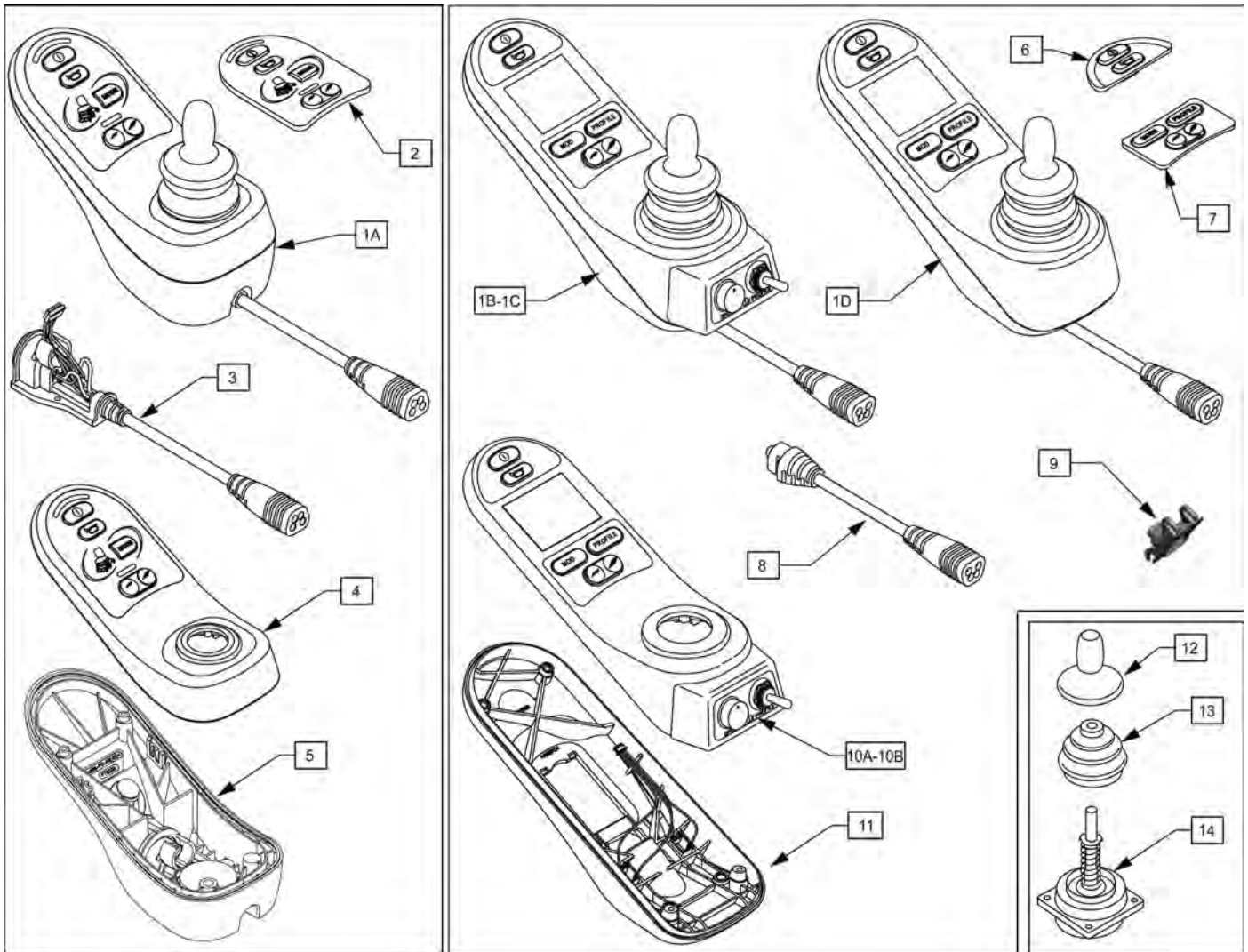
Pos.	Item Number	Description	Remarks
1A	755024	ELBOW PAD TROUGH ARMREST 11.5	11.5" LONG
1B	755027	ELBOW PAD TROUGH ARMREST 14	14" LONG
2A	755022	HAND PAD TROUGH ARMREST	SIZE 4.5" X 7"
2B	561325	FRONT ARM PAD LARGE	SIZE 5.5" X 9"
3A	483249	ARMREST CHANNEL SHORT	
3B	505624	ARMREST CHANNEL LONG	USE WITH LARGE OTTO BOC PADS
4	226245	1/4-20 x 3/8 BH CS BLK ZN	
5	349598	BEARING IGUS 5/8 x 3/4 x 1/2	
6A	542096	FRNT MNT UPPER STRUT WLDMNT SHT	ARMREST HT. 11-14"
6B	542130	FRNT MNT UPPER STRT WLDMNT LNG	ARMREST HT. 13-16"
7	481457	UPPER PIVOT PIN	
8	483717	HANGER SADDLE	
9	221102	1/4-28 x 3/4 HEX C/S BLK W/PAT	
10	500078	INSERT D2 EXT TUBE	

Pos.	Item Number	Description	Remarks
11	542097	FRNT MNT LOWER STRUT WLDMNT	
12	481467	LOWER ARMEST BOSS	
13	341558	.5 x 1.0 x .043 BLLVILL WASHER	
14	349597	BEARING IGUS 1/2 x 5/8 x 5/8	
15	502248	FRONT ARMREST PIVOT POST	
16	226274	3/8-16 x 3/4 BH C/S BLK W/PTCH	
17	885070	REAR PIVOT POST SUB-ASSM R	Right
17	885071	REAR PIVOT POST SUB-ASSM L	Left
18	349599	BEARING IGUS 7/8x1.0x1-1/2	
19	481108-QU	1/4-28 CHANNEL NUT-2 HOLE	
20	542029	REAR ARMREST MOUNT WLDMNT	
21	226109	1/4-28 X 3/8 F/H SOCKET C/S	
22	261204	#10 AN WASHER .063	
23A	102259-001	BHCS M5 X .8 X 12 BLK w/ PL INORG	USE W/ ITEMS 1 & 2
23B	230497	M5-.8 X 20 MM BH C/S	USE WITH ITEM 32
24	010065	M6 CHANNEL NUT	
25	506366	UNIVRSL ARMRST RCVR ASSM RH	
25	506367	UNIVRSL ARMRST RCVR ASSM LH	
26	340143	BUSHING .257IDx.25LG SST	
27	263100	5/16 AN WASHER FLAT	
28	230113	BHCS M6 X 1 X 12	
29	561186	ARM PAD PWR RCLN R	16.5" long
29	561187	ARM PAD PWR RCLN L	16.5" long
30	013422	ARMPAD WIDTH ADJ PLATE	
31	230497	M5-.8 X 20 MM BH C/S	
32	250104	WASHER M6	
33	103132	SHCS M6X1X10 FULL PL	
4,5,7-10,12-14,16,17	101553	RCLN ARMREST HDWR KIT	
3A-6A,7,11-19,24A	887750	TLT/RCLN ARMRST SHT STD R	Right
3A-6A,7,11-19,24A	887751	TLT/RCLN ARMRST SHT STD L	Left
3B-6A,7,11-19,24A	887752	TLT/RCLN ARMRST LNG STD R	Right
3B-6A,7,11-19,24A	887753	TLT/RCLN ARMRST LNG STD L	Left
3A-6B,7,11,19,24A	887770	TLT/RCLN ARMRST SHT TALL R	Right
3A-6B,7,11,19,24A	887771	TLT/RCLN ARMRST SHT TALL L	Left
3B-6A,7,11-19,24A	887772	TLT/RCLN ARMRST LNG TALL R	Right
3B-6A,7,11-19,24A	887773	TLT/RCLN ARMRST LNG TALL L	Left



Pos.	Item Number	Description	Remarks
1	120539	OTTO BOCK CONE HAND PAD LRG LH	Left
1	120540	OTTO BOCK CONE HAND PAD LRG RH	Right
1	120541	OTTO BOCK CONE HAND PAD SML LH	Left
1	120542	OTTO BOCK CONE HAND PAD SML RH	Right
2	261204	#10 AN WASHER .063	
3	102259-001	BHCS M5 X .8 X 12 BLK w/ PL INORG	

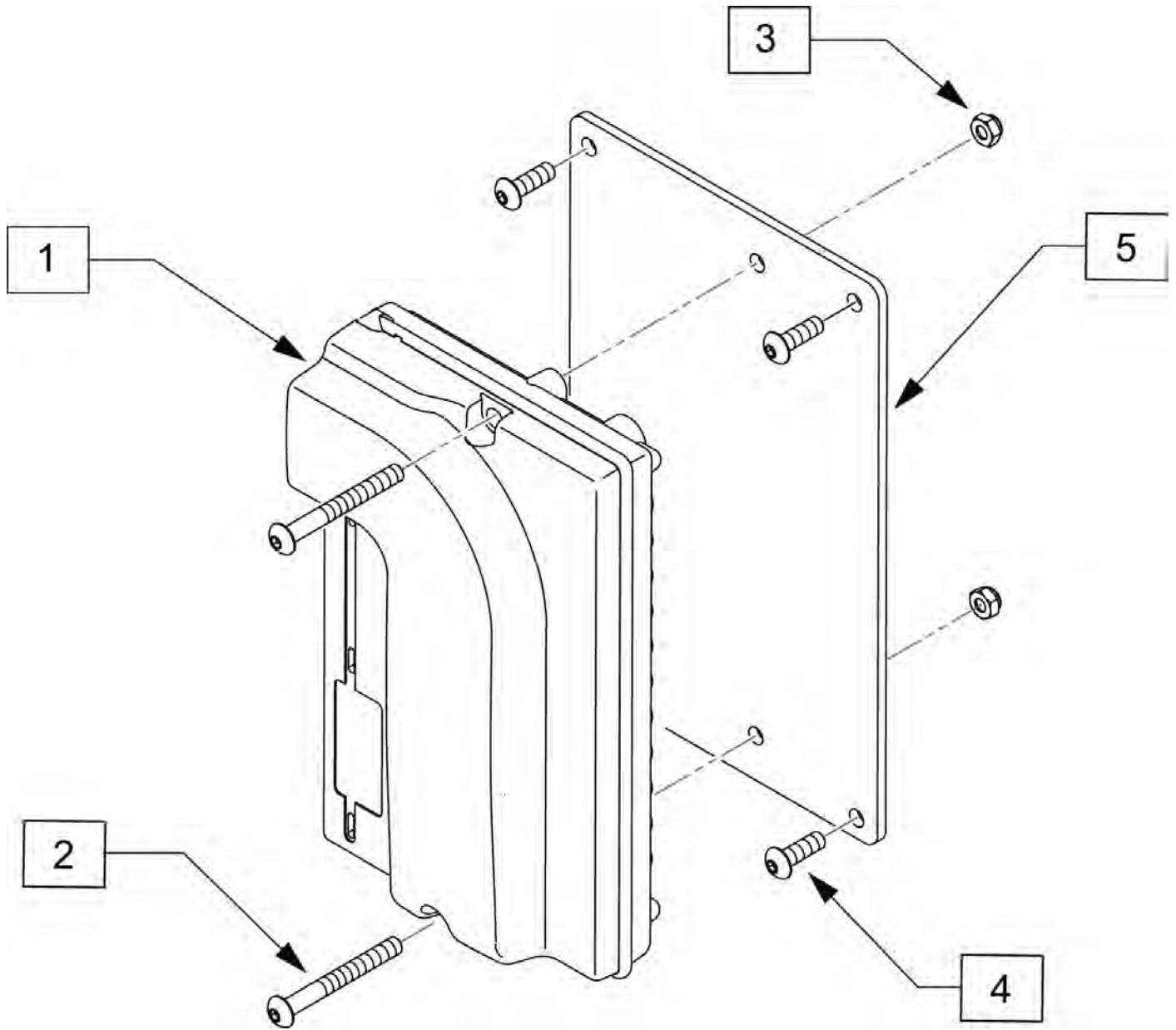
NOTE: JOYSTICK POST (ITEM 15) ACCEPTS JOYSTICK KNOBS THAT HAVE A 1/4" DIAMETER MATING HOLE.



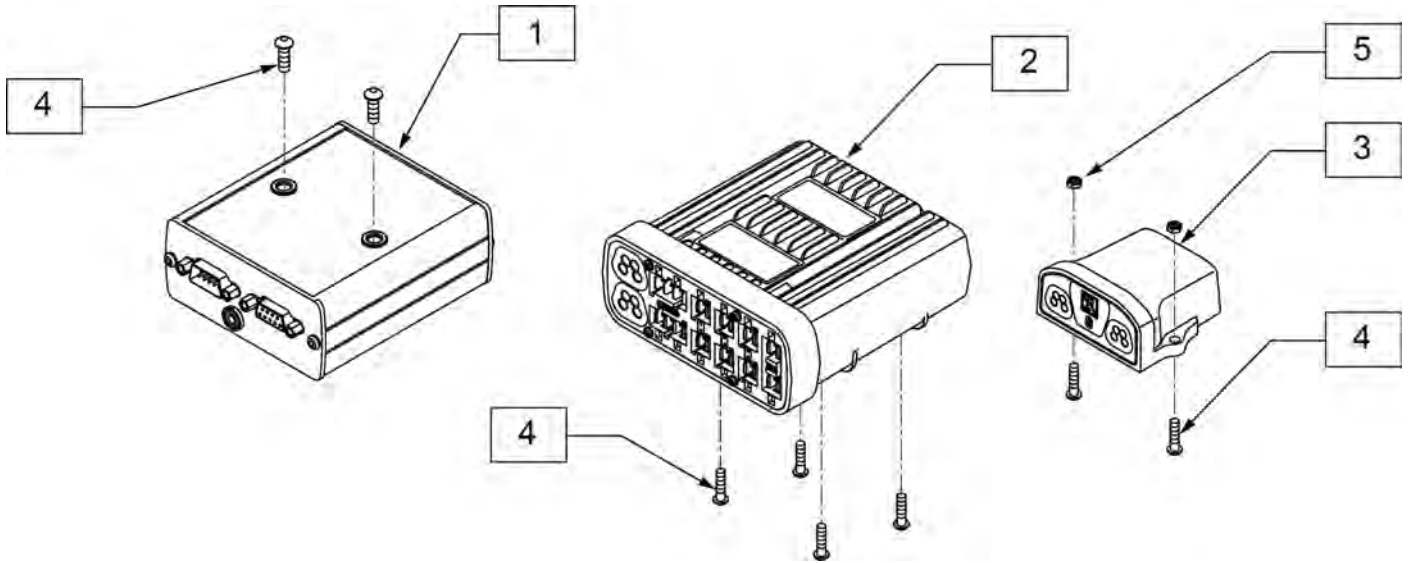
Pos.	Item Number	Description	Remarks
1A	108207	JYSTCK LED JSM	LED
1B	108210	JYSTCK CJSM PT TGL	Color Display; w/ jacks, pot & toggle
1C	116525	JYSTCK MONOCHROME	Monochrome
1D	108208	JYSTCK CJSM	w/ jacks
2	109749	KEYPAD RNET JSM LED	
3	109750	CABLE ASSM RNET JSM LED	
4	112414	CASE TOP LED ASSY	
5	112413	CASE BASE LED ASSY	
6	109751	KEYPAD RNET JSM FRONT	
7	109752	KEYPAD RNET JSM REAR	
8	109846	CABLE ASSY	
9	109845	CHARGER SOCKET ASSY	
10A	112357	CASE CJSM TOP ASSY	Color Display
10B	117991	RNET JSM TOP ASSY MONO	Monochrome
11	112356	CASE CJSM BOTTOM ASSY	
12	138169	JOYSTICK KNOB	
13	105930	JOYSTICK BOOT	
14	105936	JOYSTICK	

Note: Serial Number must be provided for replacement controllers.

Note: Assignable buttons software update occurred on chairs after S/N RTMA-107061, if assignable buttons is desired a new controller is required.

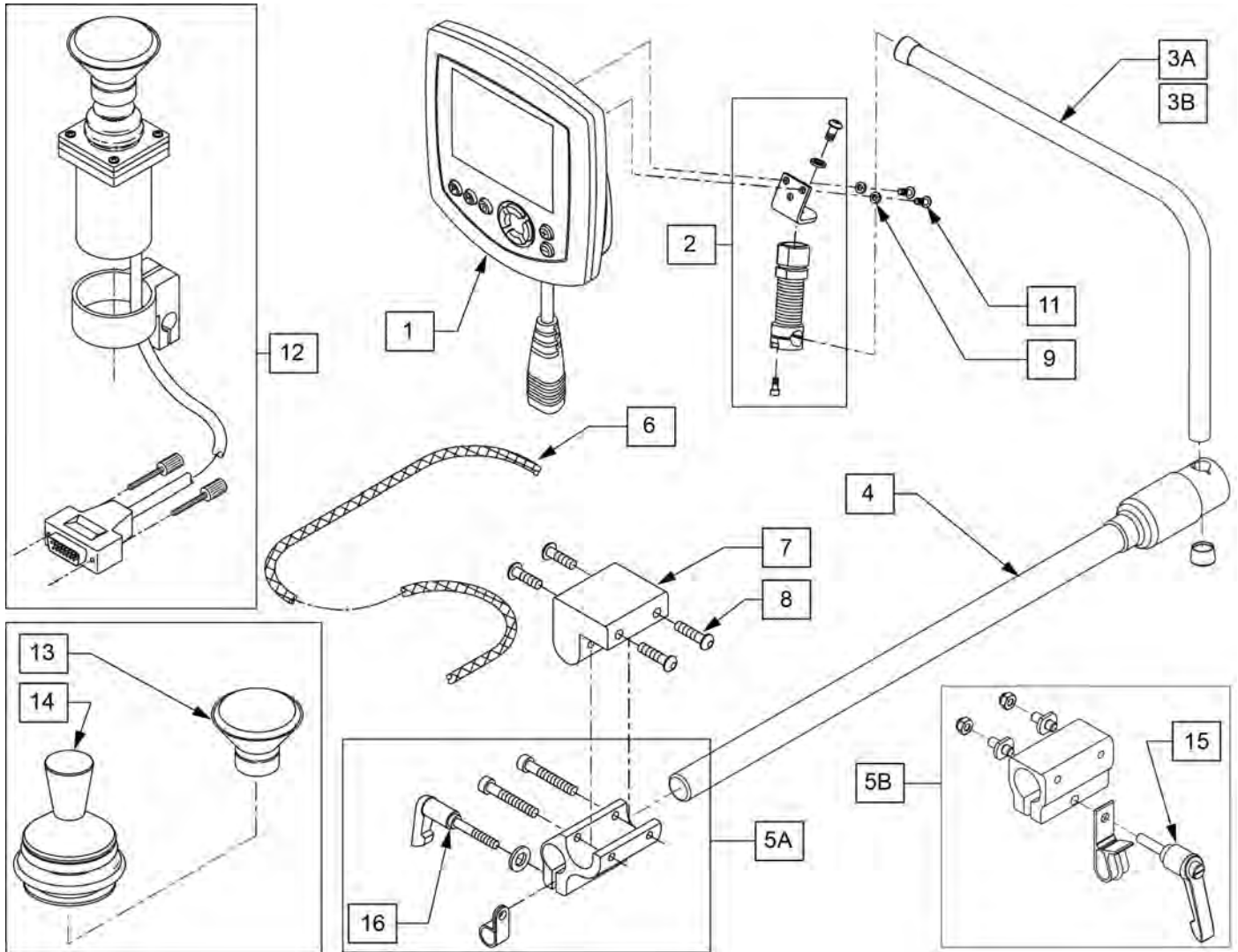


Pos.	Item Number	Description
1	111964	CNTRLR EL PM90
2	102260-003	SHCS M5X0.8X35 PART NP
3	220121	NUT HEX NYLOCK M5 BLACK
4	102259-001	BHCS M5 X .8 X 12 W/PL INORG
5	108119	PLATE CONTROLLER MOUNT
1-5	116078	CONTROLLER RNET RHYTHM

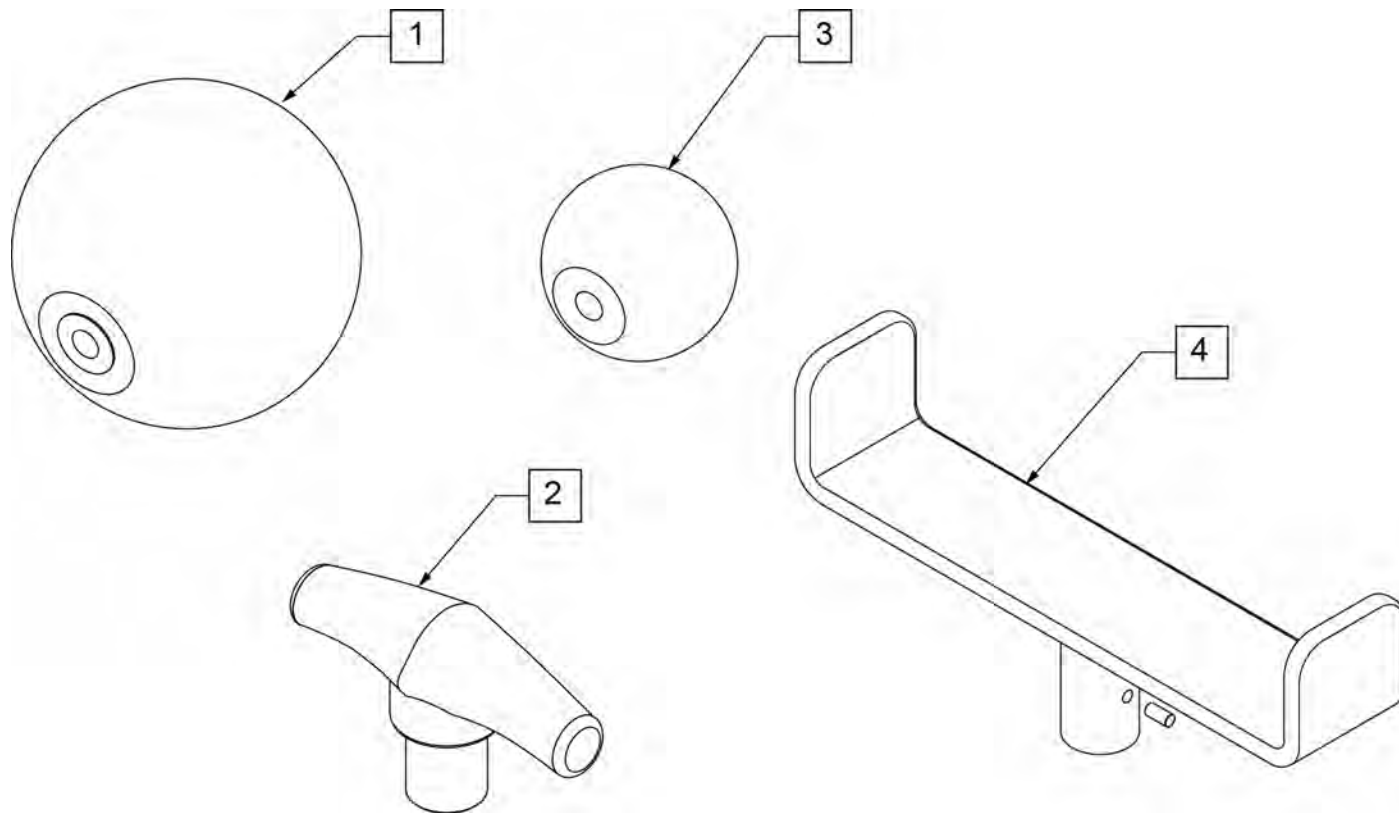


Pos.	Item Number	Description
1	108217B	MDLE OUTPUT IND BOX
2	122194	MODULE INTEL ST W/O LIGHTS
3	108218	MDLE BLUETOOTH IND BOX
4	103184-003	BHCS M5X0.8X10 FULLPL
5	220121	NUT HEX NYLOCK M5 BLACK

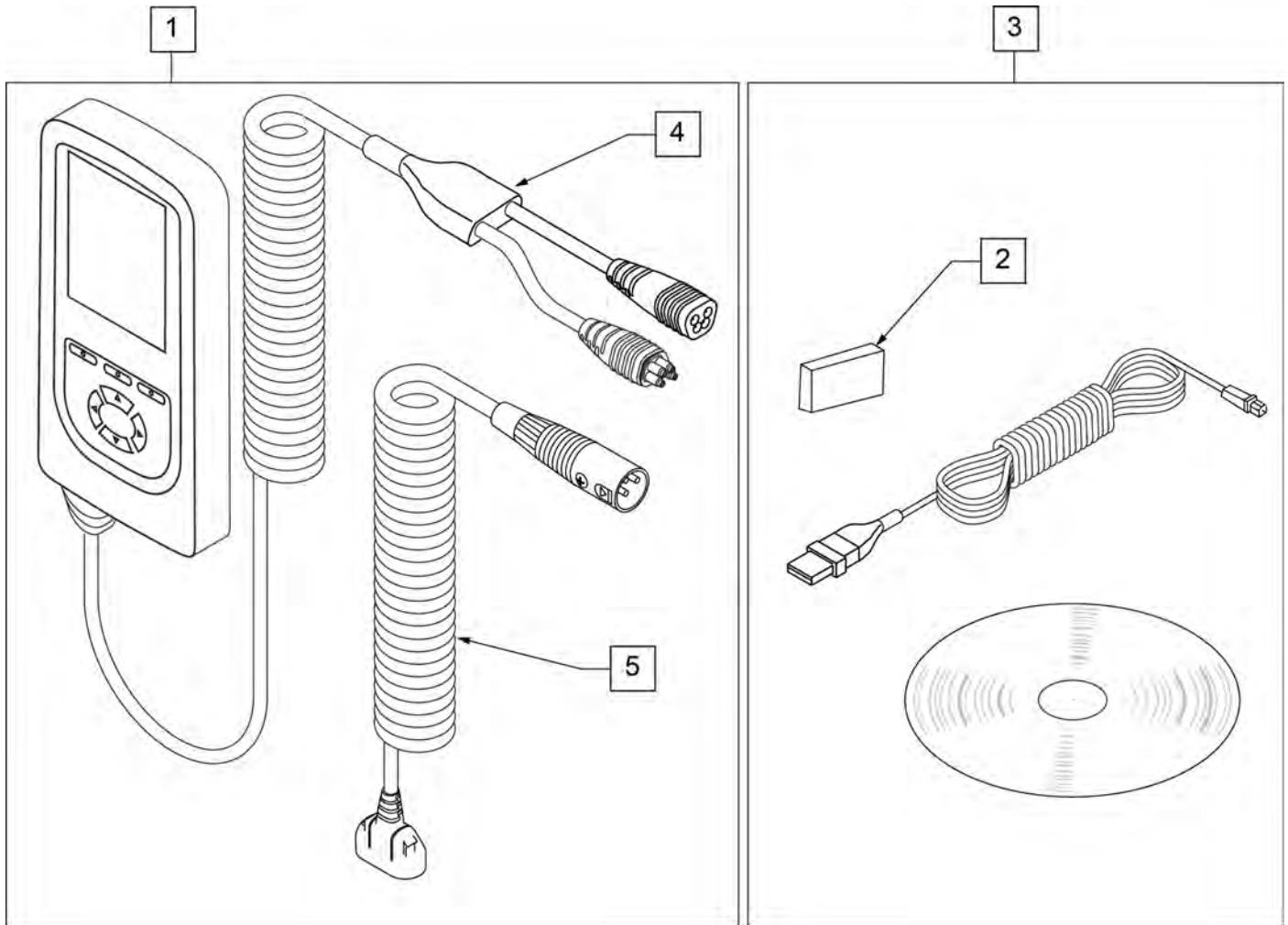
NOTE: JOYSTICK POST (ITEM 12) ACCEPTS JOYSTICK KNOBS THAT HAVE A 3/16" DIAMETER MATING HOLE.



Pos.	Item Number	Description	Remarks
1	113220	MDLE SPCLTY INPT OMNI IR W/FER	
2	886976	USCM SPRING MOUNT AS	
3A	521098	ADJ DISPLAY ARM "L"SHORT(USCM)	Used w/ OMNI only
3B	521097	ADJ DISPLAY ARM "L" (USCM)	Used w/ OMNI & Compact Joystick
4	111190	MOUNT ARM DISPLAY	
5A	012433	CNTRL ARM CLMP UNIVERSAL ASSM	Used w/ Trad Rehab Armrest
5B	159406	CNTRLR CLMP ARM ASSM RND	Used w/ ASAP Seating Armrest
6	180351	BRAIDED SLEEVING 24"	
7	551001	CONTROLLER MOUNT BLOCK	USED w/ 5A on Power Recline
8	222297	10-24 X 3/8 SOC BH C/S W/PTCH	
9	261204	#10 AN WASHER .063	
11	013143	BHCS M5 X .8 X 14 BLK W/PL	
12	139705	PROP CHIN CONTROL W/ MINI JS	
13	D4000	CHINCUP QTRONIX	
14	138154	KNOB&PROTECTOR D10AB JOYSTICK	
15	011049	HANDLE ADJ MODERN M5 X 20 STUD	
16	349024	HNDL 10-32 X 3/4 C/A P1/P3/P5	
1 -3A,4,9,11	110834	OMNI MNT ASSEMBLY	

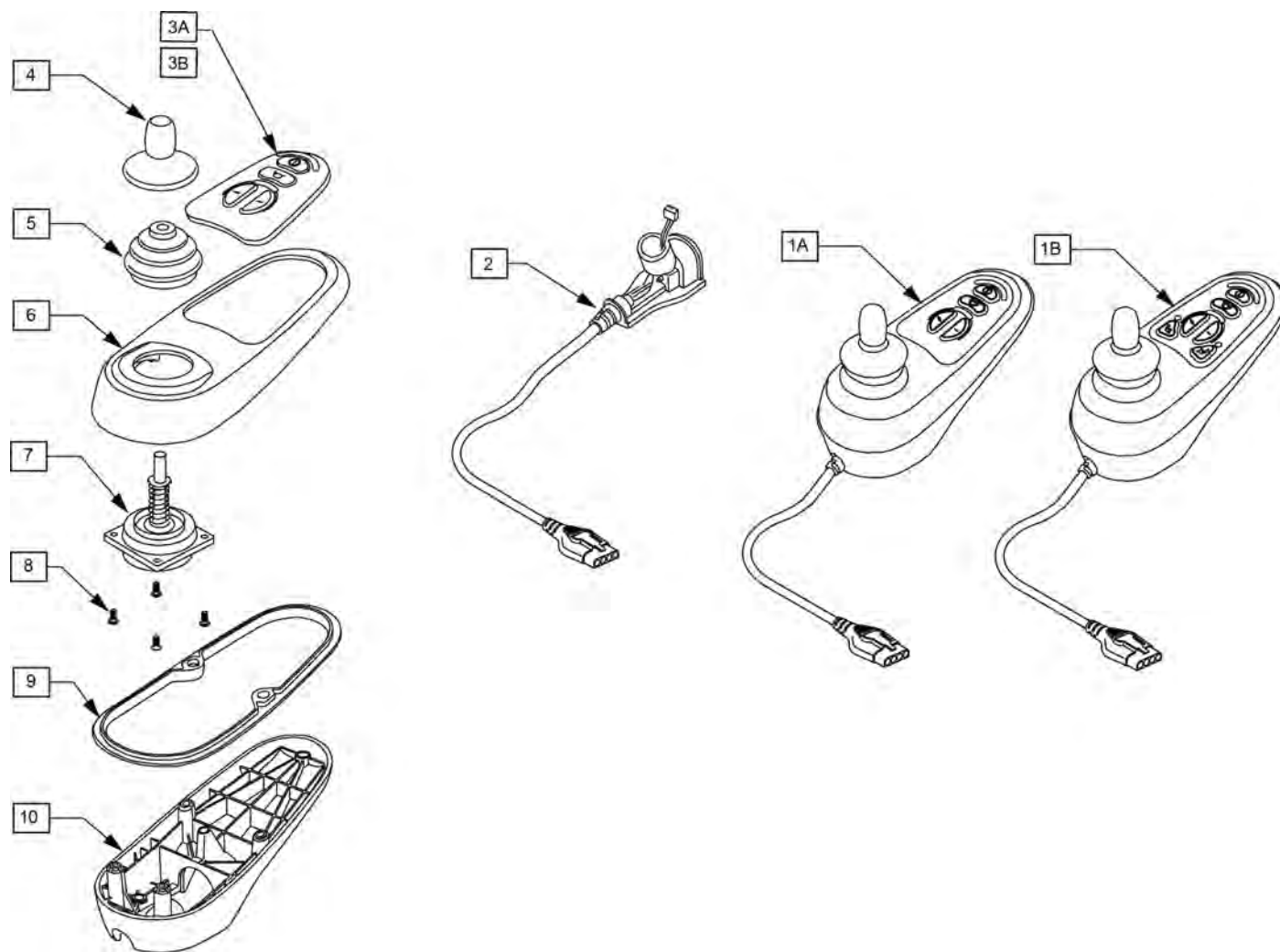


Pos.	Item Number	Description
1	138165	J/S KNOB BALL HANDLE (SOFT)
2	138167	J/S KNOB T-BAR
3	138166	J/S KNOB BALL HANDLE (SOLID)
4	013113	GOALPOST JOYSTICK EXT



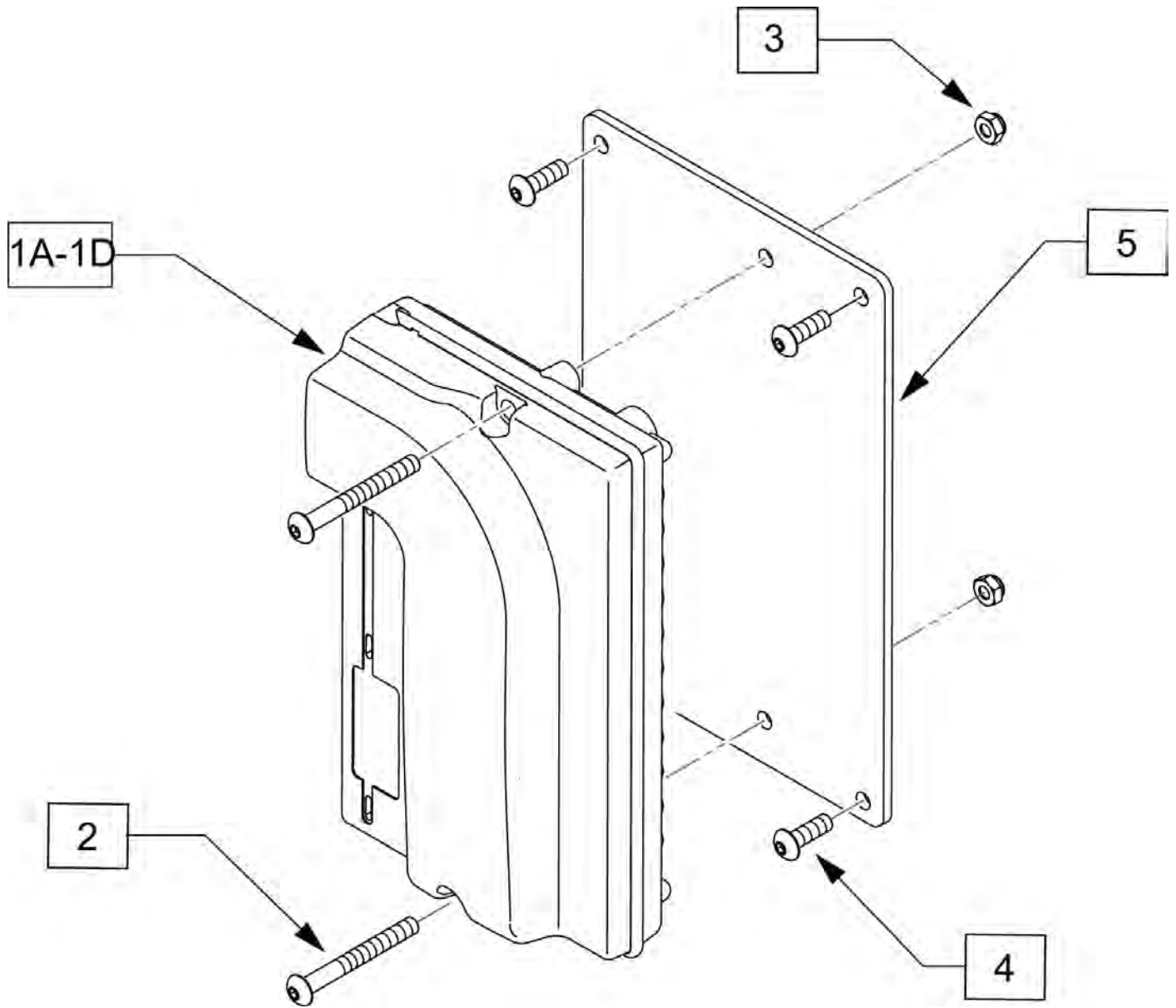
Pos.	Item Number	Description	Remarks
1	115207	DIAGNOSTIC TEST TOOL R-NET/VR2	
2	108531	DONGLE R-NET PROGRAMING DEALER	
3	108532	PC PROGRAMMER SOFTWARE	PC not included
4	111423	CABLE DTT RNET	
5	115211	HARNESS DIAG TEST TOOL NEUTRIK	

NOTE: JOYSTICK POST (ITEM 7) ACCEPTS JOYSTICK KNOBS THAT HAVE A 1/4" DIAMETER MATING HOLE.

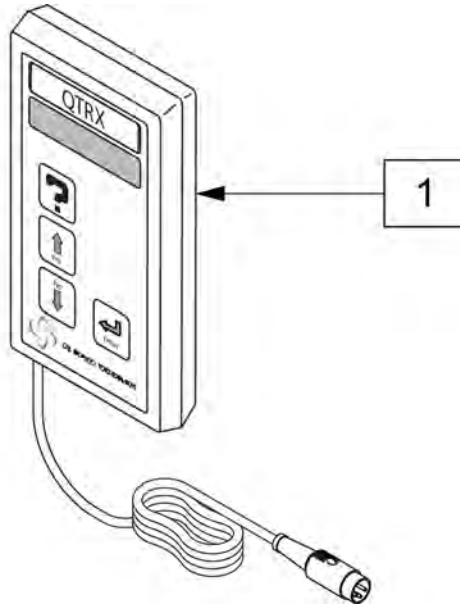


Pos.	Item Number	Description	Remarks
1A	105375	VR2 JOYSTICK 4 BUTTON	STD Joystick (Used when Dual Toggle is picked)
1B	105376	VR2 JOYSTICK 6 BUTTON	Thru Drive Joystick
2	105937	JOYSTICK CABLE	
3A	105938	KEYPAD 4 KEY	
3B	105939	KEYPAD 6 KEY	
4	138169	VSI JOYSTICK HANDLE	
5	105930	JOYSTICK GAITER	
6	105945	MOLDED TOP	
7	105936	JOYSTICK	
8	105947	SHCS M3X14 TORX	
9	105946	RUBBER SEAL JOYSTICK	
10	105940	MOLDED BOTTOM	

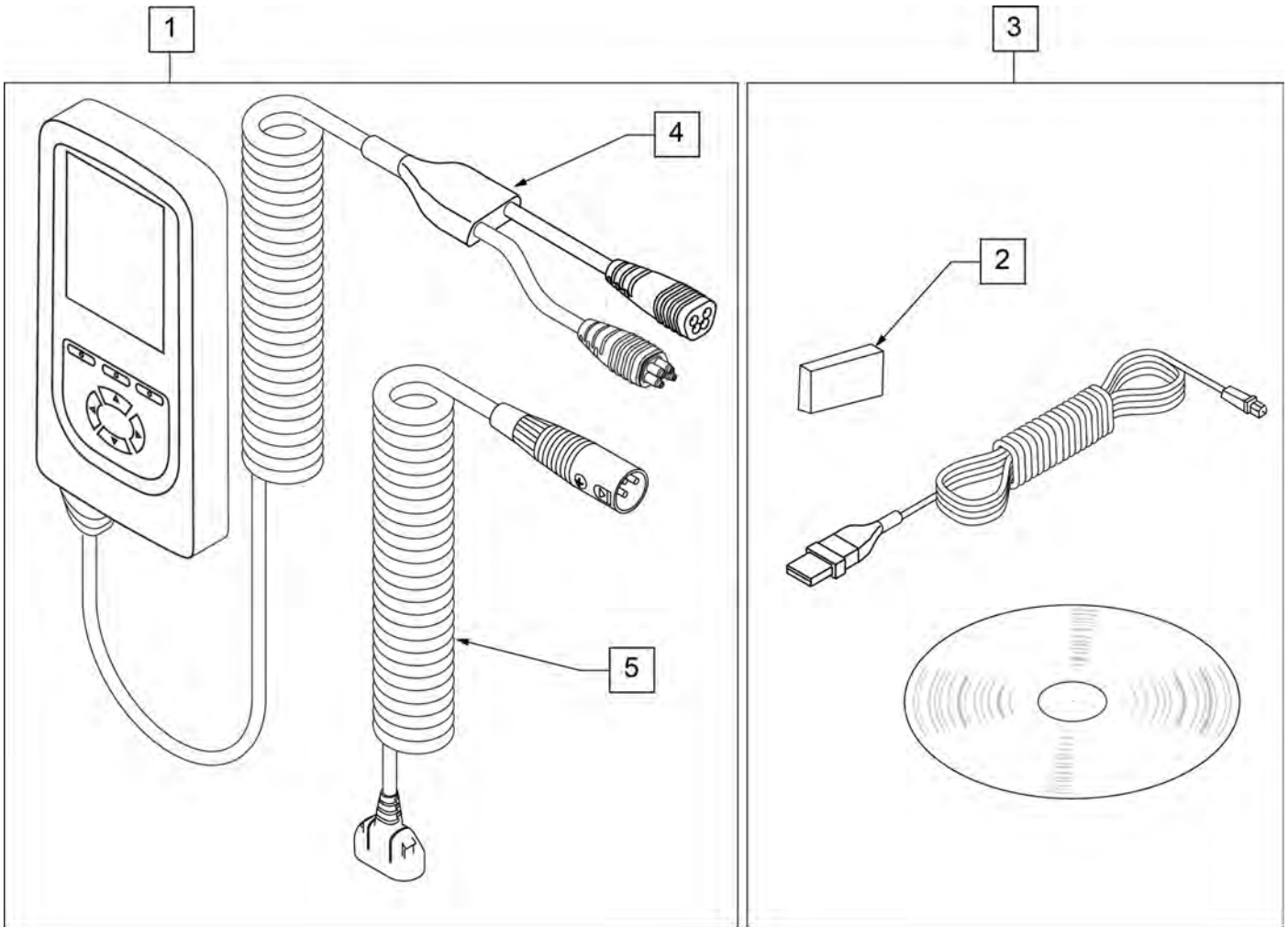
Note: Assignable buttons software update occurred on chairs after S/N RTMA-107061, if assignable buttons is desired a new controller is required.



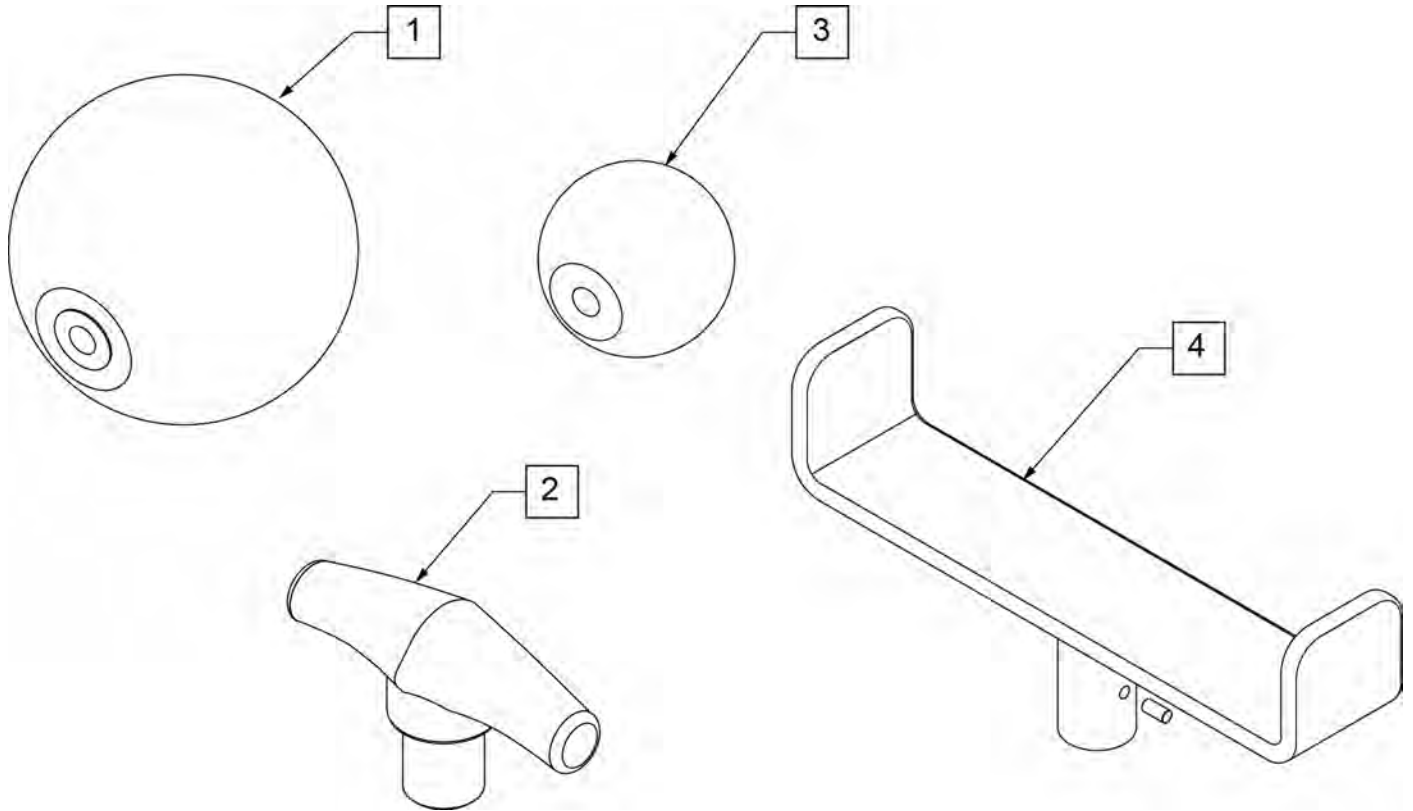
Pos.	Item Number	Description	Remarks
1A	111971	CONTROLLER VR2 RHYTHM STANDARD	STD (Used when Dual Toggle is picked) used w/chair prior to S/N RTMA-106673
1B	111972	CONTROLR VR2 RHYTHM DRIVE-THRU	Thru Drive used w/chair prior to S/N RTMA-106673
1C	114485	CNTRL VR2 90 WACT STAND PROP	STD(used when Dual Toggle is picked) - used w/chair after S/N RTMA-106673
1D	114486	CNTL VR2 90 WACT DRIVE THRU PR	Thru Drive used w/chair after S/N RTMA-106673
2	102259-001	BHCS M5 X .8 X 12 W/PL INORG	
3	220121	NUT HEX NYLOCK M5 BLACK	
4	108103	BUTTON CONTROLLER MOUNT	
5	108119	PLATE CONTROLLER MOUNT	



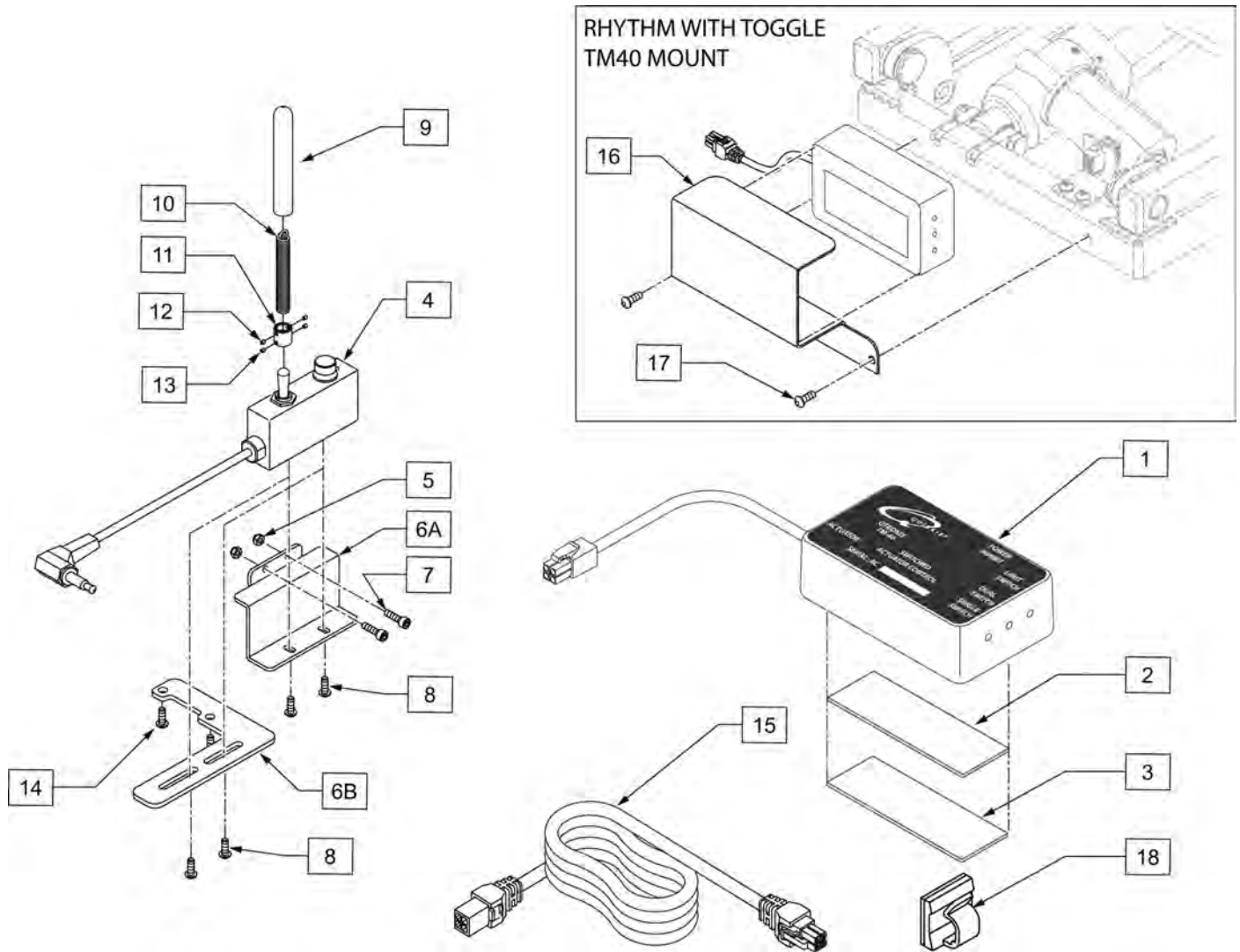
Pos.	Item Number	Description
1	QTRX	PROGRAMMING PAD QTRONIX



Pos.	Item Number	Description	Remarks
1	115207	DIAGNOSTIC TEST TOOL R-NET/VR2	
2	108531	DONGLE R-NET PROGRAMING DEALER	
3	108532	PC PROGRAMMER SOFTWARE	PC not included
4	111423	CABLE DTT RNET	
5	115211	HARNESS DIAG TEST TOOL NEUTRIK	



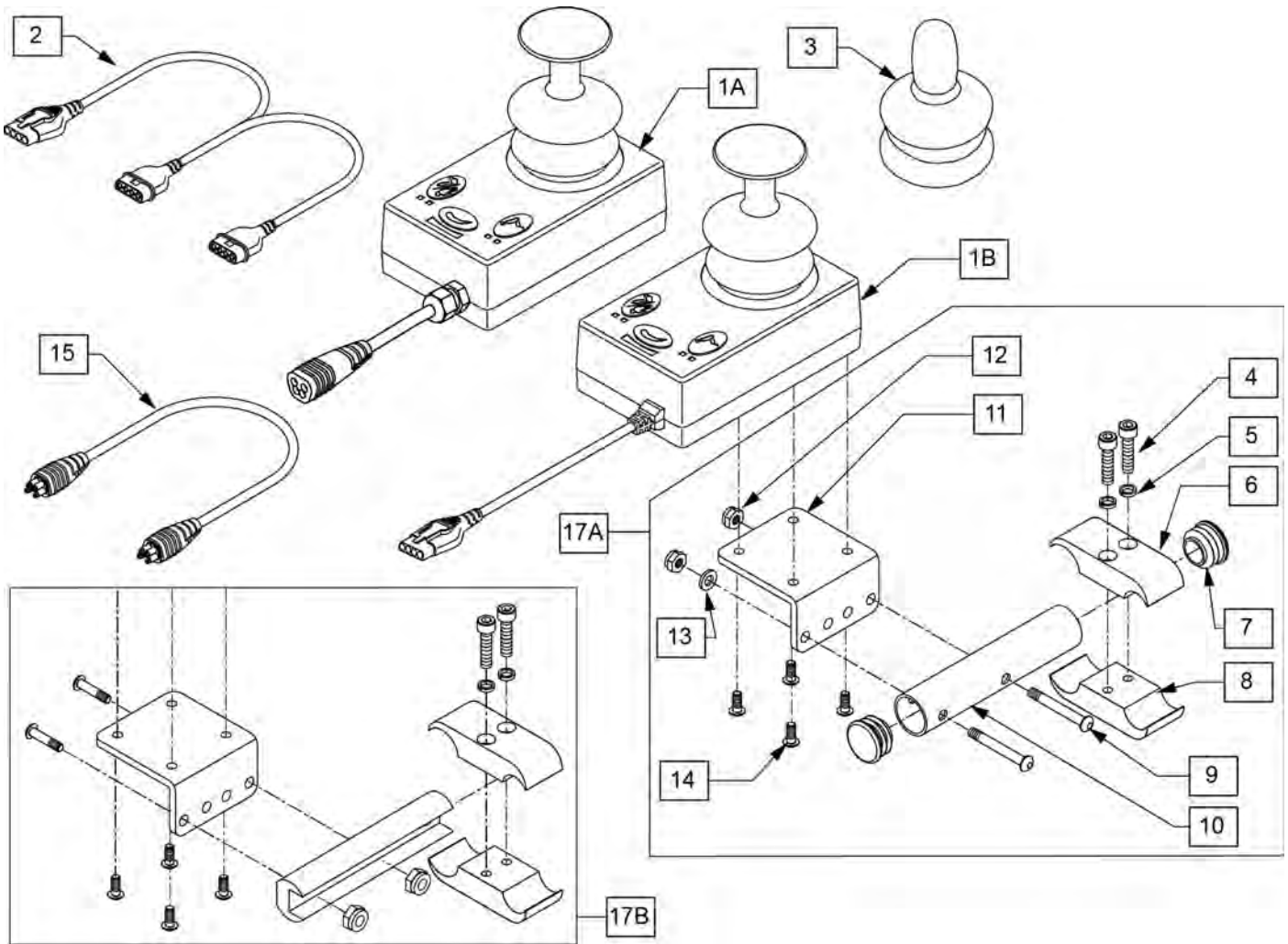
Pos.	Item Number	Description
1	138165	J/S KNOB BALL HANDLE (SOFT)
2	138167	J/S KNOB T-BAR
3	138166	J/S KNOB BALL HANDLE (SOLID)
4	013113	GOALPOST JOYSTICK EXT



Pos.	Item Number	Description	Remarks
2	102340	POLYLOCK FEMALE 3" X 1"	
3	102341	POLYLOCK MALE 3" X 1"	
4	102181	SWITCH DUAL TOGGLE W DISABLE	
5	220121	NUT HEX NYLOCK M5 BLACK	
6A	102811	MOUNT TOGGLE SWITCH	Mounts Toggle to non-Joystick side
6B	108556	DRCT ACT SWTCH MNT RNET	Mounts Toggle to Joystick side
7	102260-001	SHCS M5X0.8X18 FULL NP	
8	013143	BHCS M5 X .8 X 14 BLK W/PL	
9	560305	4 X .375 ID X .125 FOAM GRIP	
10	321104	SPRING .38 ODX2.85-TILT SWITCH	
11	341125	COUPLER -TILT SWITCH	
12	225106	4-40 X 1/8 SET SCREW BLK	
13	225105	4-40 X 1/16 SET SCREW BLK	
1-3	110838	TM40 7AMP W/ VELCRO	
14	102259-002	BHCS M5 X .8 X 20 W/PL INORG	Used to mount to joystick
9-13	110839	TOGGLE HANDLE ASSM	
6B,8,14	110840	TOGGLE MOUNT JOYSICK SIDE	Toggle Mounts to Joystick side
5,6A,7,8	110841	TOGGLE MOUNT NON JOYSICK SIDE	Toggle Mounts to non-Joystick side

Pos.	Item Number	Description	Remarks
1-15	110842	TOGGLE RETRO KIT	Used for tilt, Includes parts to add a toggle. Includes both mounting kits.
15	108277-100	HARNESS DUAL TOGGLE 1000MM	Rhythm only
16	110980	BRACKET MBL TM40	
17	103184-003	BHCS M5X0.8X10 FULLPL	
18	560794	CABLE HOLDER BLACK W/ADHESIVE	

Note: Not compatible on chairs with Captains Seat.

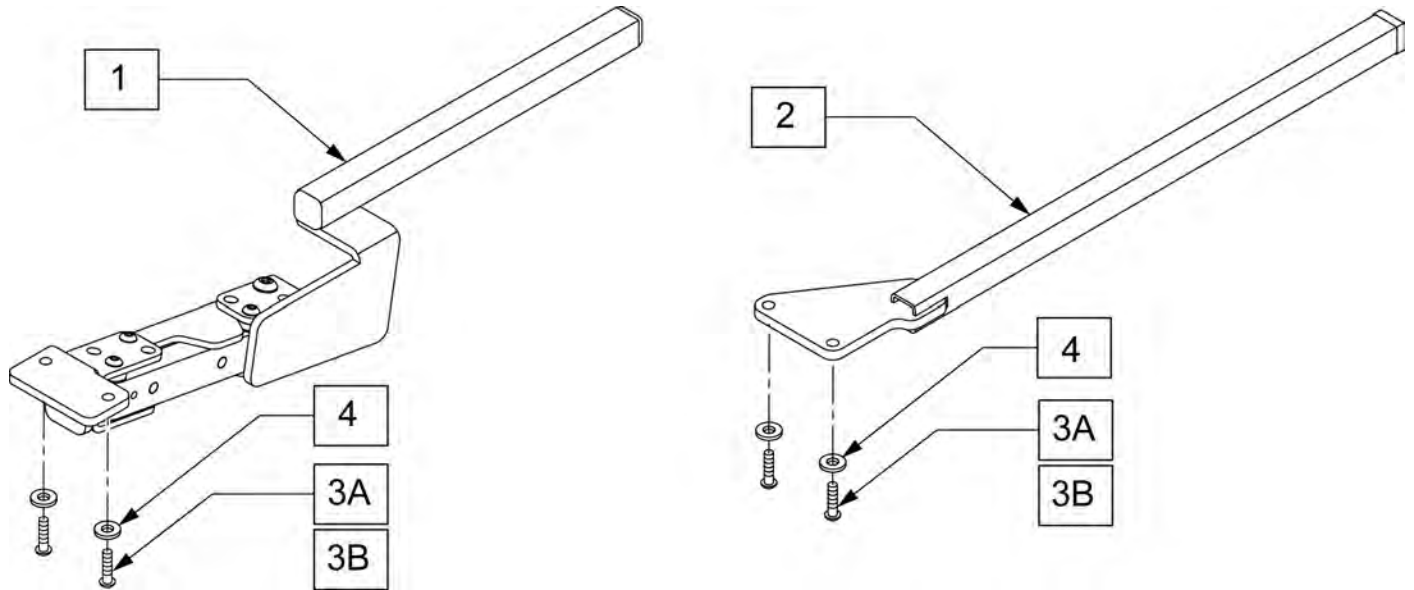


Pos.	Item Number	Description	Remarks
2	102359	HARNESS VR2 BUS SPLITTER	Used w/ VR2 Electronics Only
3	138169	VSI JOYSTICK HANDLE	
4	107032	1/4-28 X 1 SOC C/S BLK	
5	262114	1/4 WASHER HI COLLAR LOCK ZN	
6	550477	CLAMP 2 1/4" RECESS BLK	
7	561062	1" INSERT PLUG .065 RIBS	
8	550576	CLAMP 2 1/4" THREADED BLK	
9	102262-006	BHCS M6 X 1 X 40 INORGANIC	
10	102660	ATTND CNTRL MNT TB	
11	505533	ATTENDANT CTRL MOUNT BRACKET	
12	210084	NUT HEX NYLOCK M6 BLACK	
13	250104	WASHER FLAT M6	
14	013143	BHCS M5 X .8 X 14 BLK W/PL	
15	108316-050	HARNESS R-NET BUS 500MM	Used w/ Rnet Electronics Only
17A	102661	ATTND CNTRL MNT	Used w/ ASAP Seating only
17B	108281	ATTND CNTRL MNT	Used w/ ASAP2, Trad Rehab & Power Recline Seating Only
1A,3,15	110845	RNET ATTENDANT JOYSTICK	Used w/ Rnet Electronics Only
1B,2,3	102175	VR2 ATTENDANT JOYSTICK W/CABL	Used w/ VR2 Electronics Only

Note: Available on chairs prior to S/N PLS-101550

Note: Available on chairs prior to S/N PLS-101550

Note: Available on chairs prior to S/N RTMA-106838

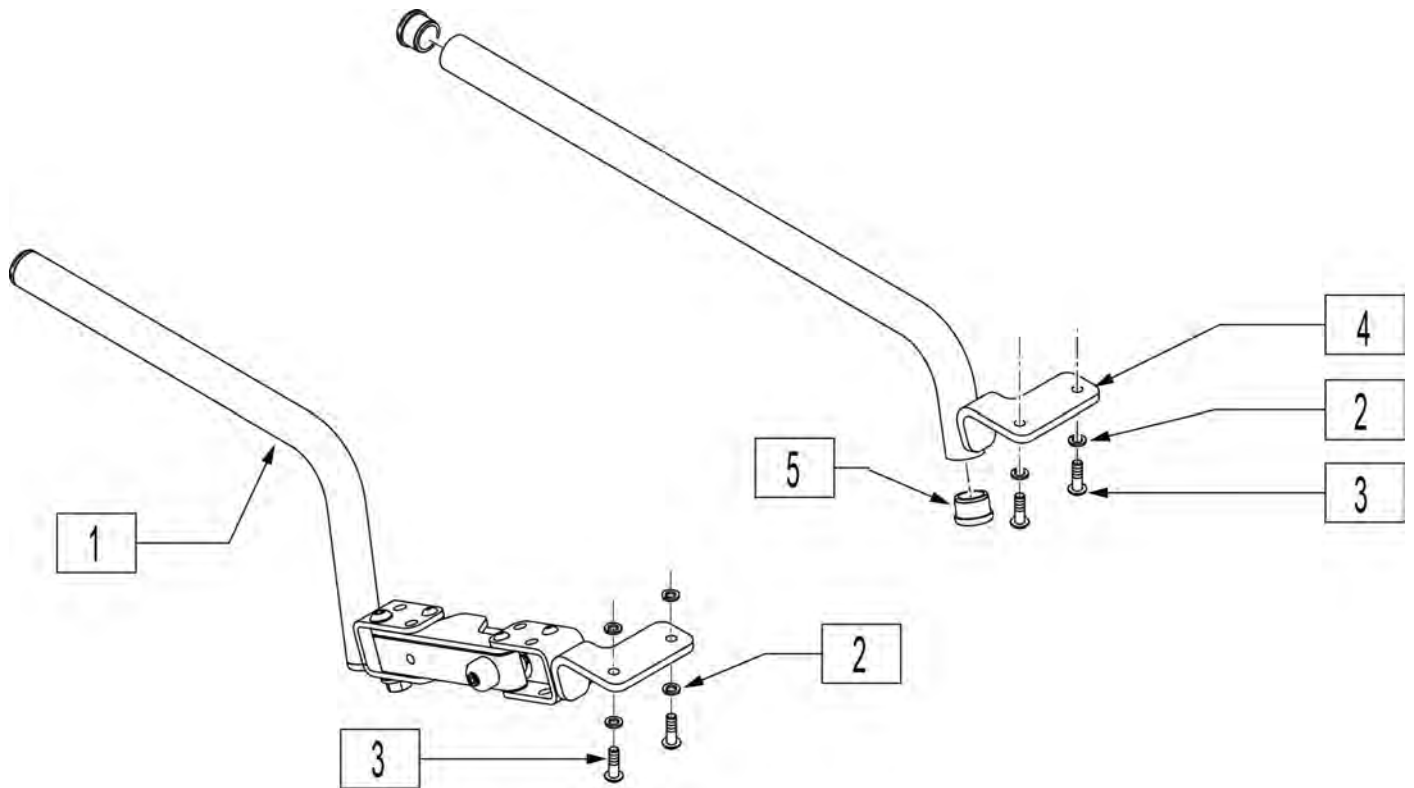


Pos.	Item Number	Description	Remarks
1	108554	S/A ARM VR2 RNET ASSM RH	
1	108555	S/A ARM VR2 RNET ASSM LH	
2	108276	CONTROLLER MOUNT ASSY	
3A	013143	BHCS M5 X .8 X 14 BLK W/PL	Used w/o toggle
3B	102259-002	BHCS M5 X .8 X 20 W/PL INORG	Used w/ toggle
4	261204	#10 AN WASHER .063	

Note: Available on Pulse Chairs after S/N pls-101550.

Note: Available on Rhythm Chairs after S/N RTMA-106838.

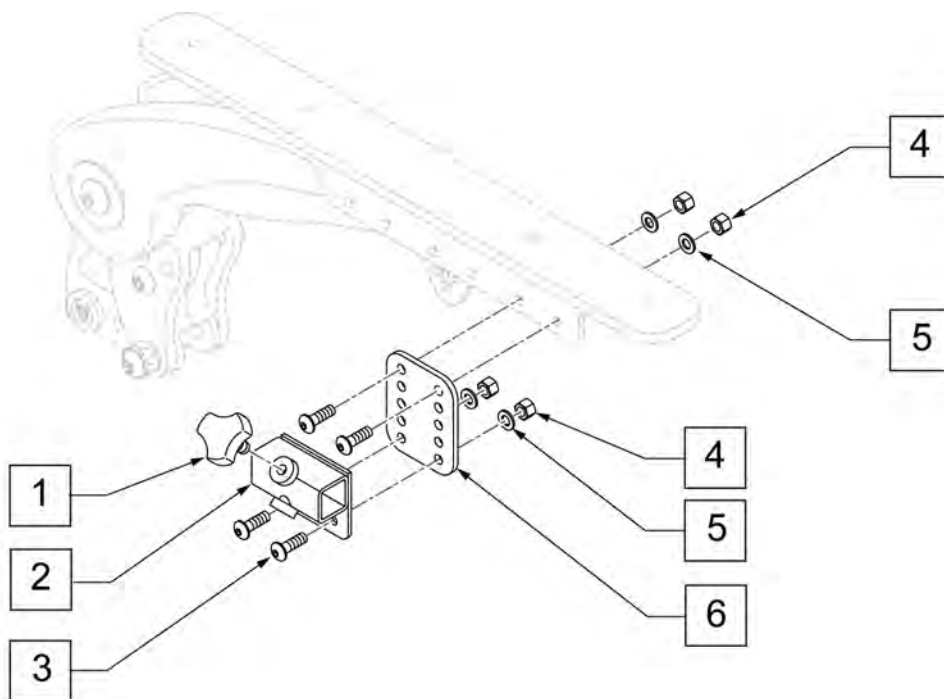
Note: Joystick arms shown fit Vr2 & Rnet Joysticks on Rehab Armrest only, will not fit Catilever Armrest.



Pos.	Item Number	Description	Remarks
1	882496	S/A ARM VSI R ASSM	Right-Swing-away
1	882497	S/A ARM VSI L ASSM	Left-Swing-away
2	261524	#10 WASHER LOCK SS	
3	226024-QU	10-32 x 7/8 BH C/S BLK	
4	542131	VSI FIX MNTNG BLK WLDMNT RT	Right- Fixed
4	542132	VSI FIX MNTNG BLK WLDMNT LEFT	Left-Fixed
5	560761	3/4" INSERT PLUG .049 (18GA)	

Note: Available on chairs prior to S/N PLS-101550

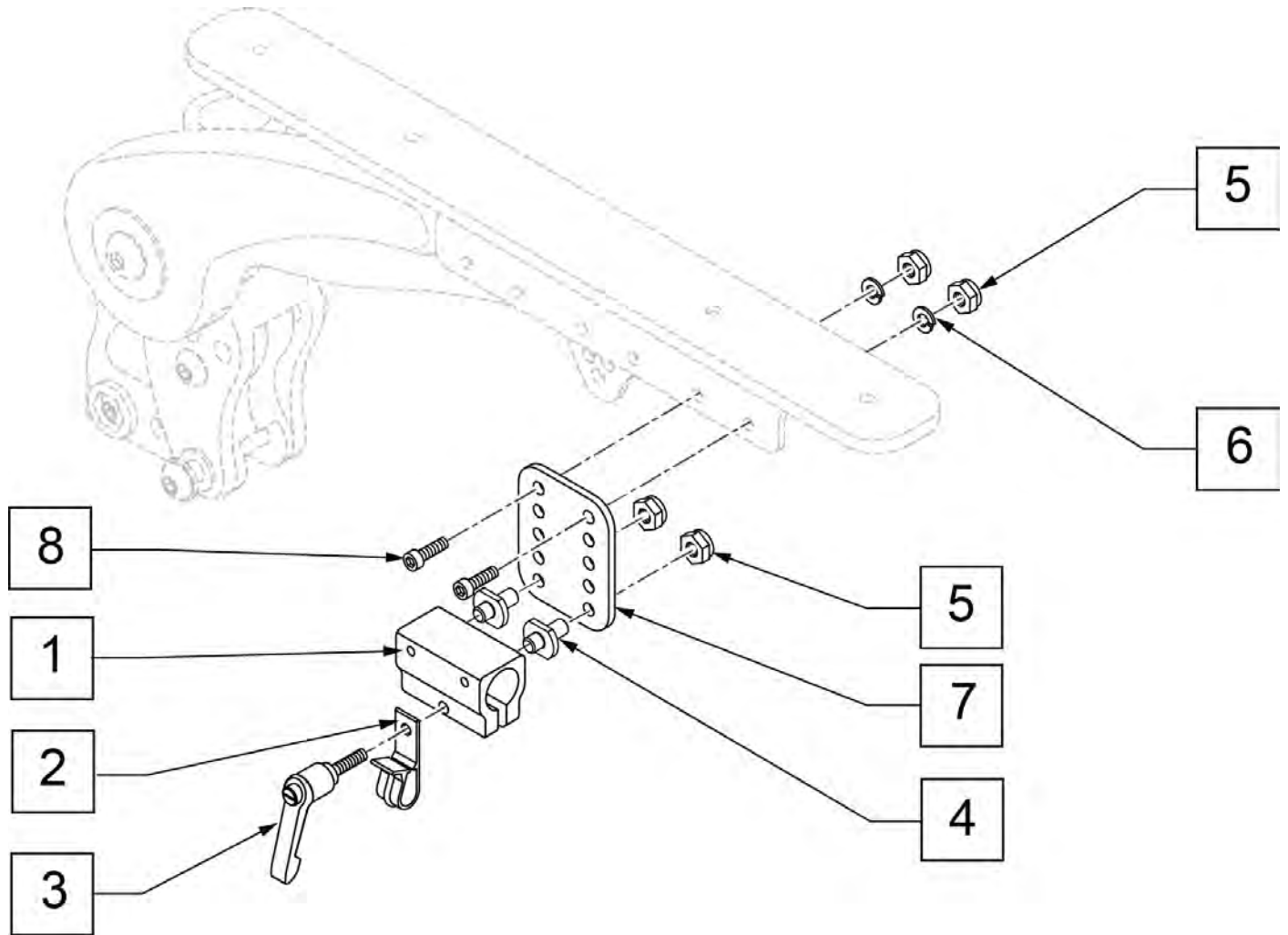
Note: Available on chairs prior to S/N RTMA-106838



Pos.	Item Number	Description
1	116132	KNOB M6X13 LOCKING KEY
1-6	060250	CNTRL VERTICAL ADJ ASSM

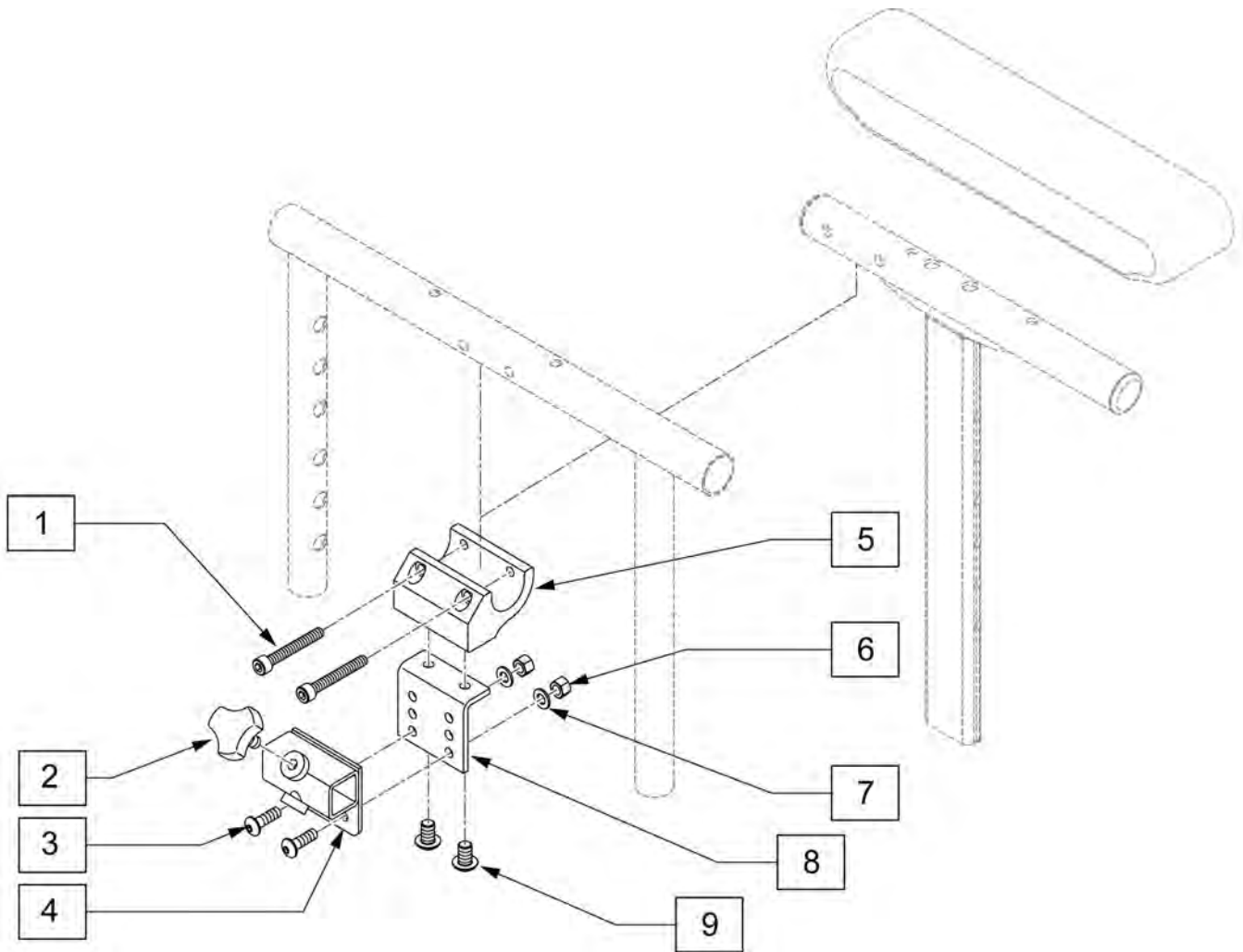
Note: Available on chairs after S/N PLS-101550 and all PLS6A and PLS6B.

Note: Available on chairs after S/N PLS-101550 and all PLS6A and PLS6B.
 Note: Available on chairs prior to S/N RTMA-106838



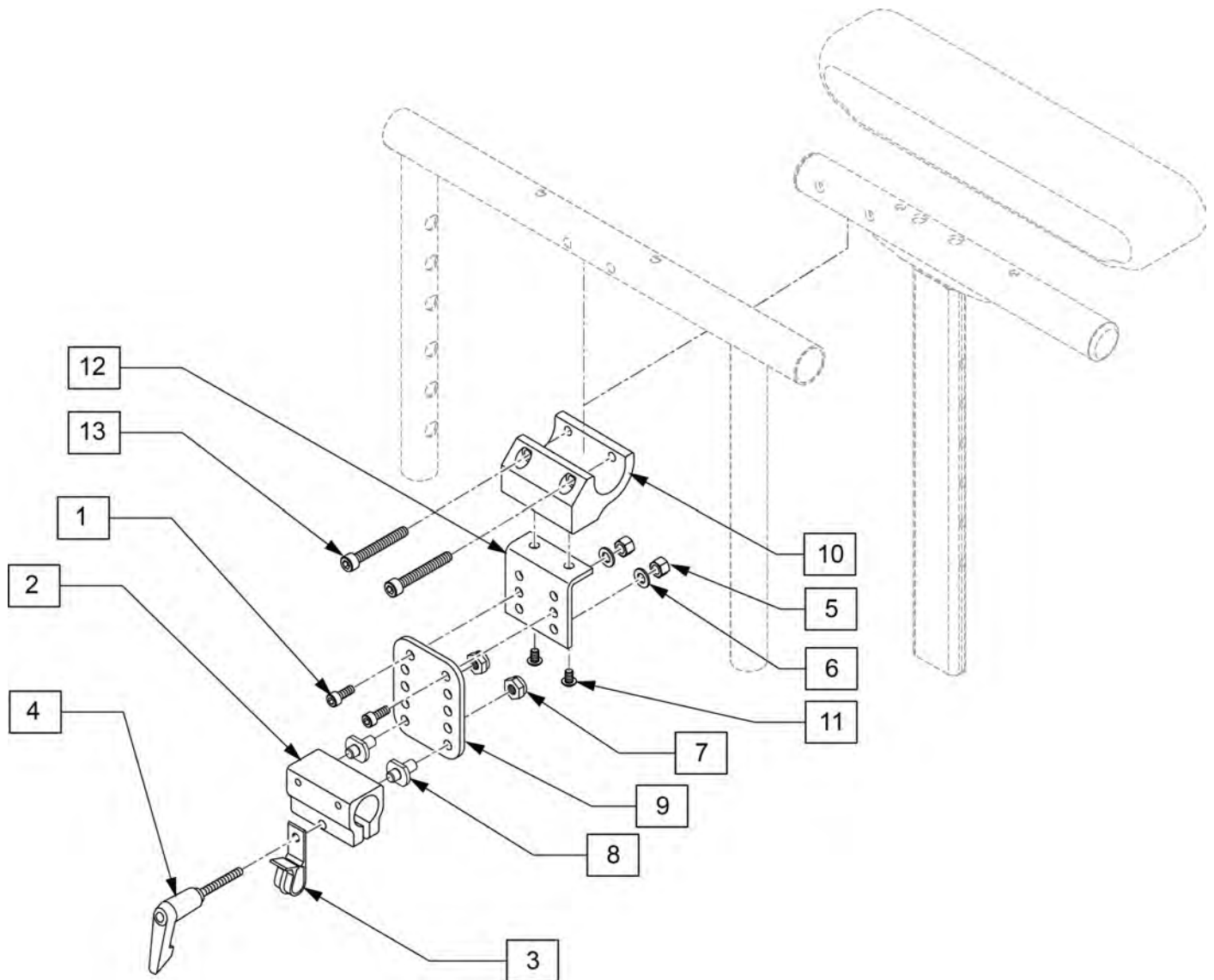
Pos.	Item Number	Description
1-5	159406	CNTRLR CLMP ARM ASSM RND
3	011049	HANDLE ADJ MODERN M5 X 20 STUD
5	220121	NUT HEX NYLOCK M5 BLACK
6	107357	WASHER SPLIT LOCK M5 ROHS
8	103189-004	SHCS M5X0.8X12 FULLNP
1-8	159405	VERTICAL ADJUSTMENT ASSM

Note: Available on chairs prior to S/N RTMA-106838



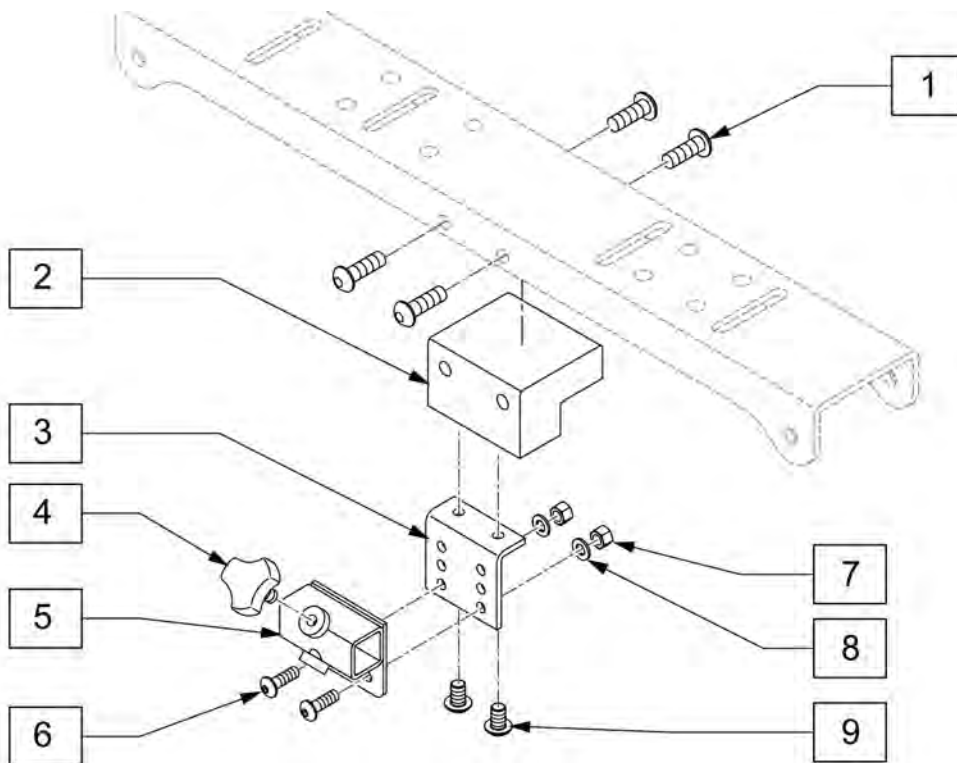
Pos.	Item Number	Description
1	226037	10-32 X 1 3/8 SOC C/S
2	116132	KNOB M6X13 LOCKING KEY
5	108548	CLAMP ARM JOYSTICK
8	108549	BRACKET L JOYSTICK ARM
9	102259-001	BHCS M5 X .8 X 12 W/P
2-4,6,7	060250	CTRL VERTICAL ADJUSTMENT

Note: Available on chairs after S/N RTMA-106838



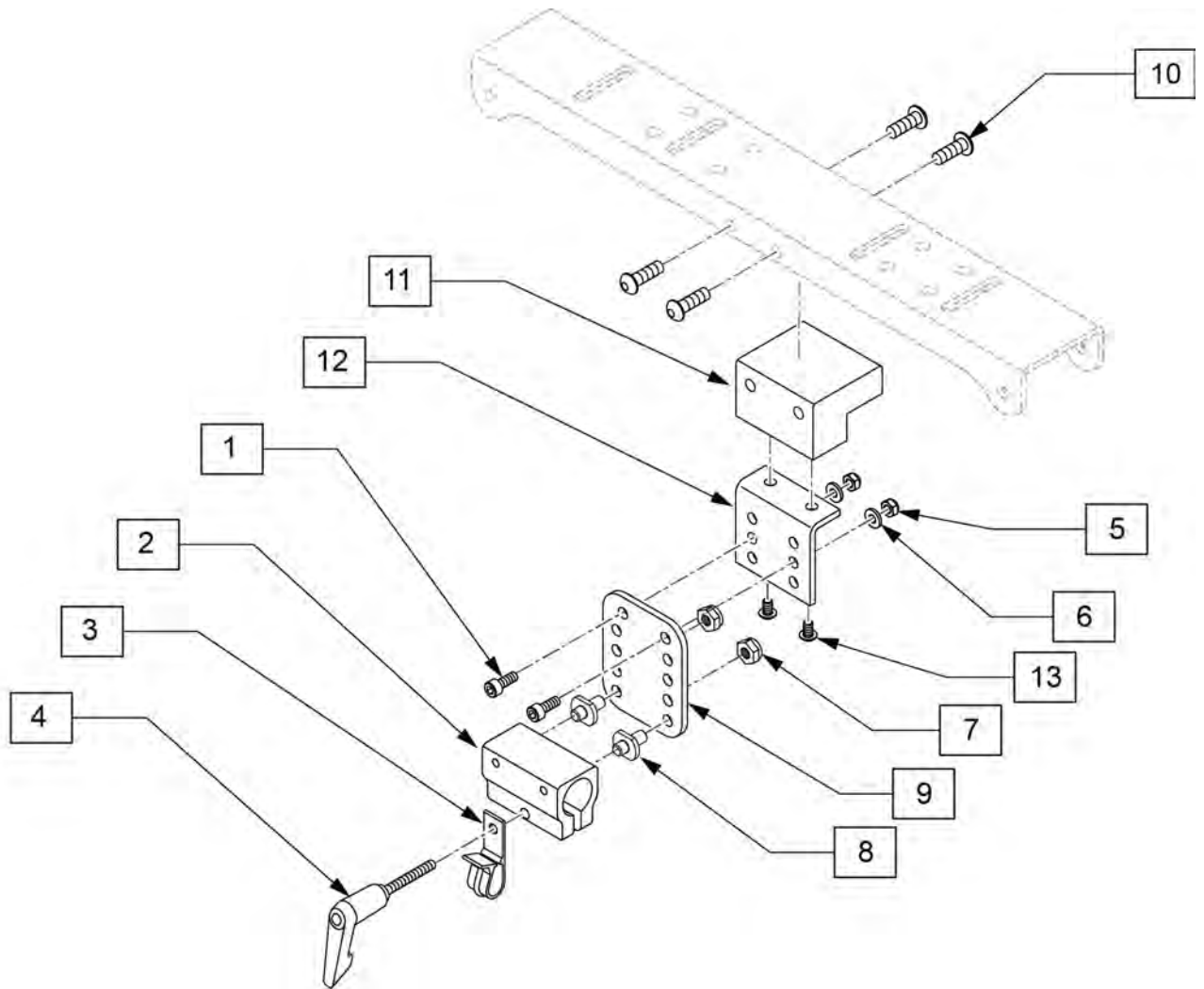
Pos.	Item Number	Description
4	349024	HNDL 10-32 x 3/4 C/A P1/P3/P5
3	560268	QUICK RELEASE CLIP
10	108548	CLAMP ARM JOYSTICK
11	102259-001	BHCS M5 X .8 X 12 W/PL INORG
12	108549	BRACKET L JOYSTICK ARM
13	226037	10-32 x 1 3/8 SOC C/S BLK
1-9	159405	VERTICAL ADJUSTMENT ASSM
1-13	118515	JYSTK REC TRAD REHAB

Note: Available on chairs prior to S/N RTMA-106838



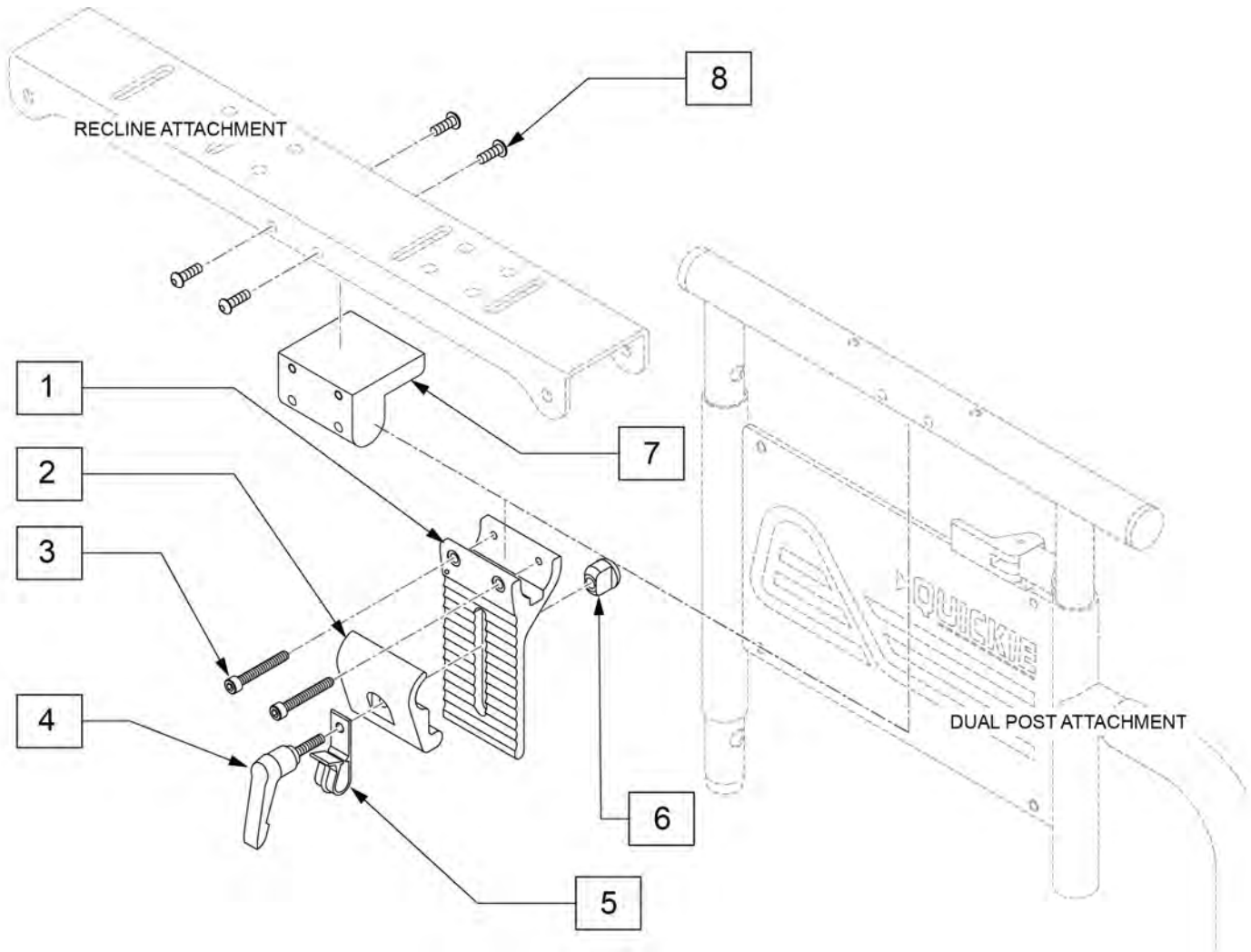
Pos.	Item Number	Description
1	222297	10-24 x 3/8 SOC BH C/S W/PTCH
2	108574	JOYSTICK MOUNT BLOCK
3	108549	BRACKET L JOYSTICK ARM
4	116132	KNOB M6X13 LOCKING KEY
4-8	060250	CTRL VERTICAL ADJUSTMENT

Note: Available on chairs after S/N PLS-101550

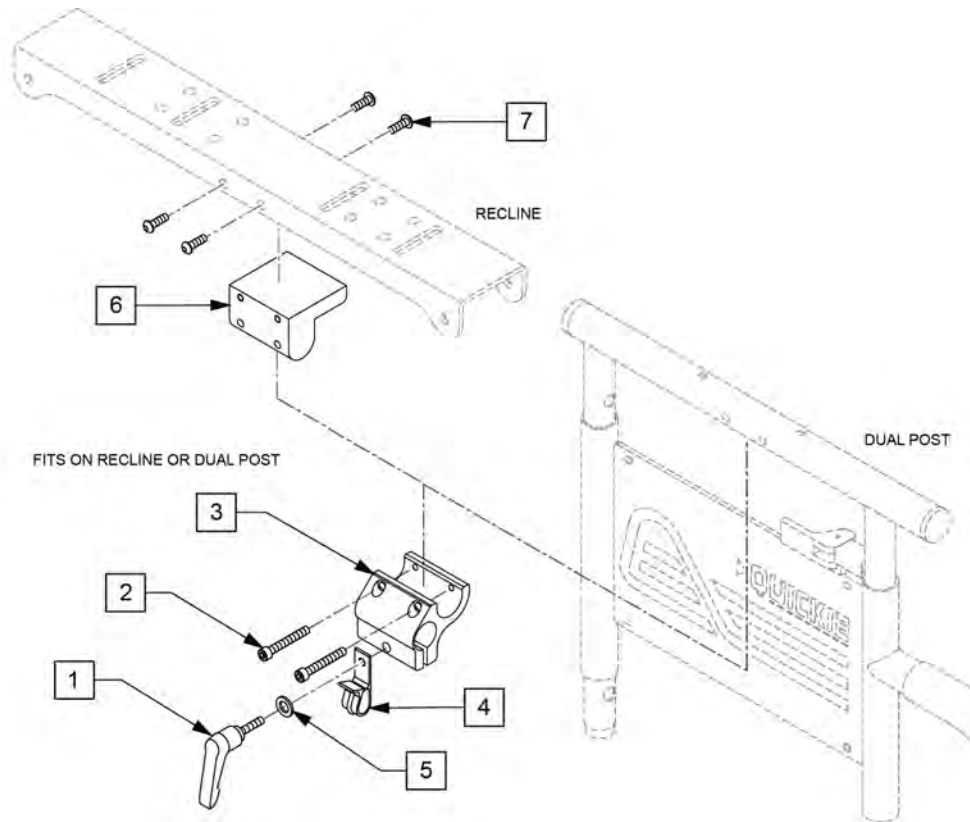


Pos.	Item Number	Description
3	560268	QUICK RELEASE CLIP
4	349024	HNDL 10-32 x 3/4 C/A P1/P3/P5
1-9	159405	VERTICAL ADJUSTMENT ASSM
10	222297	10-24 X 3/8 SOC BH C/S W/PTCH
11	551001	CONTROLLER MOUNT BLOCK
12	108549	BRACKET L JOYSTICK ARM
13	102259-001	BHCS M5 X .8 X 12 W/PL INORG
1-13	118516	JYSTK REC PWR RECLINE

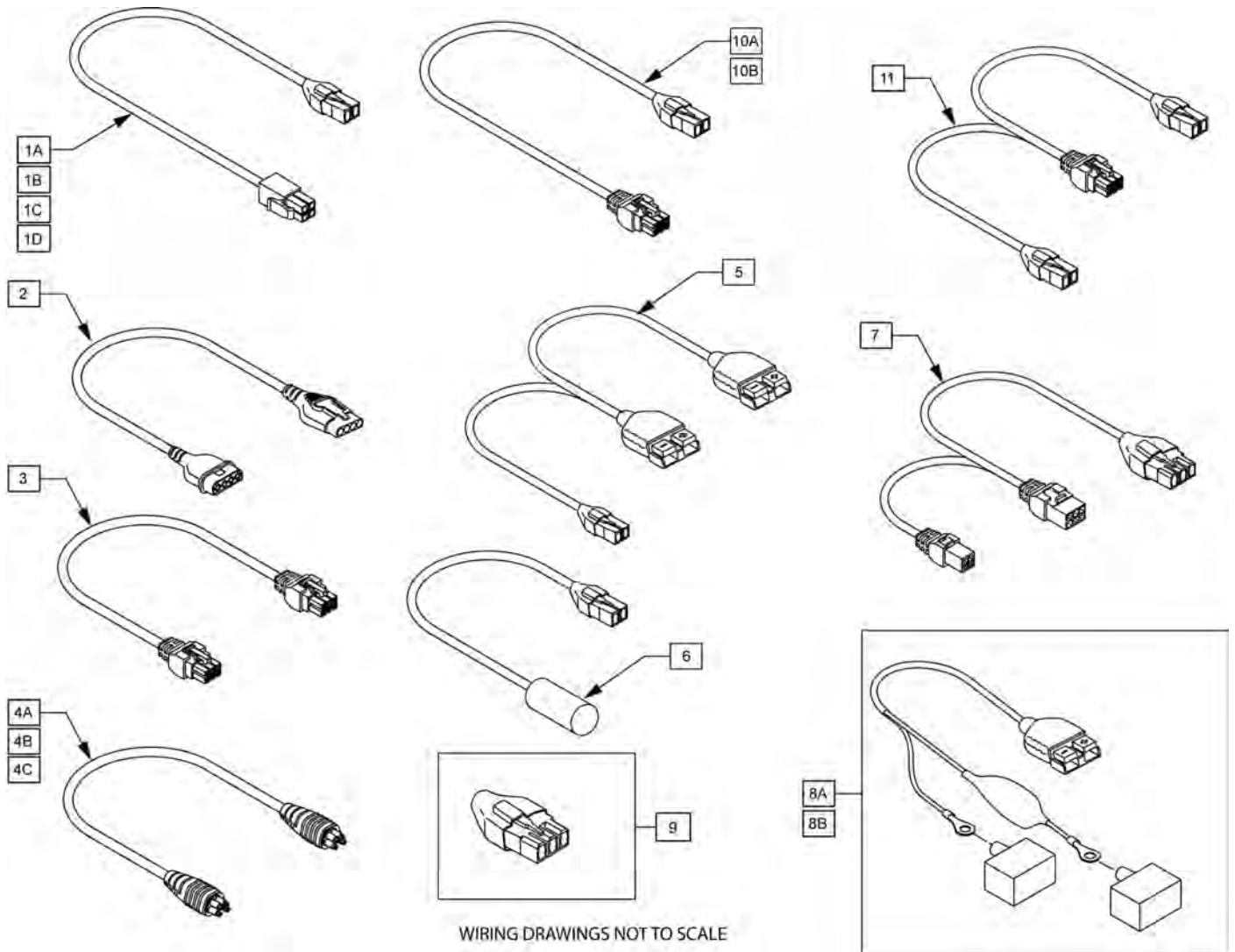
Note: Available on Rhythm Chairs after S/N RTMA-106838.



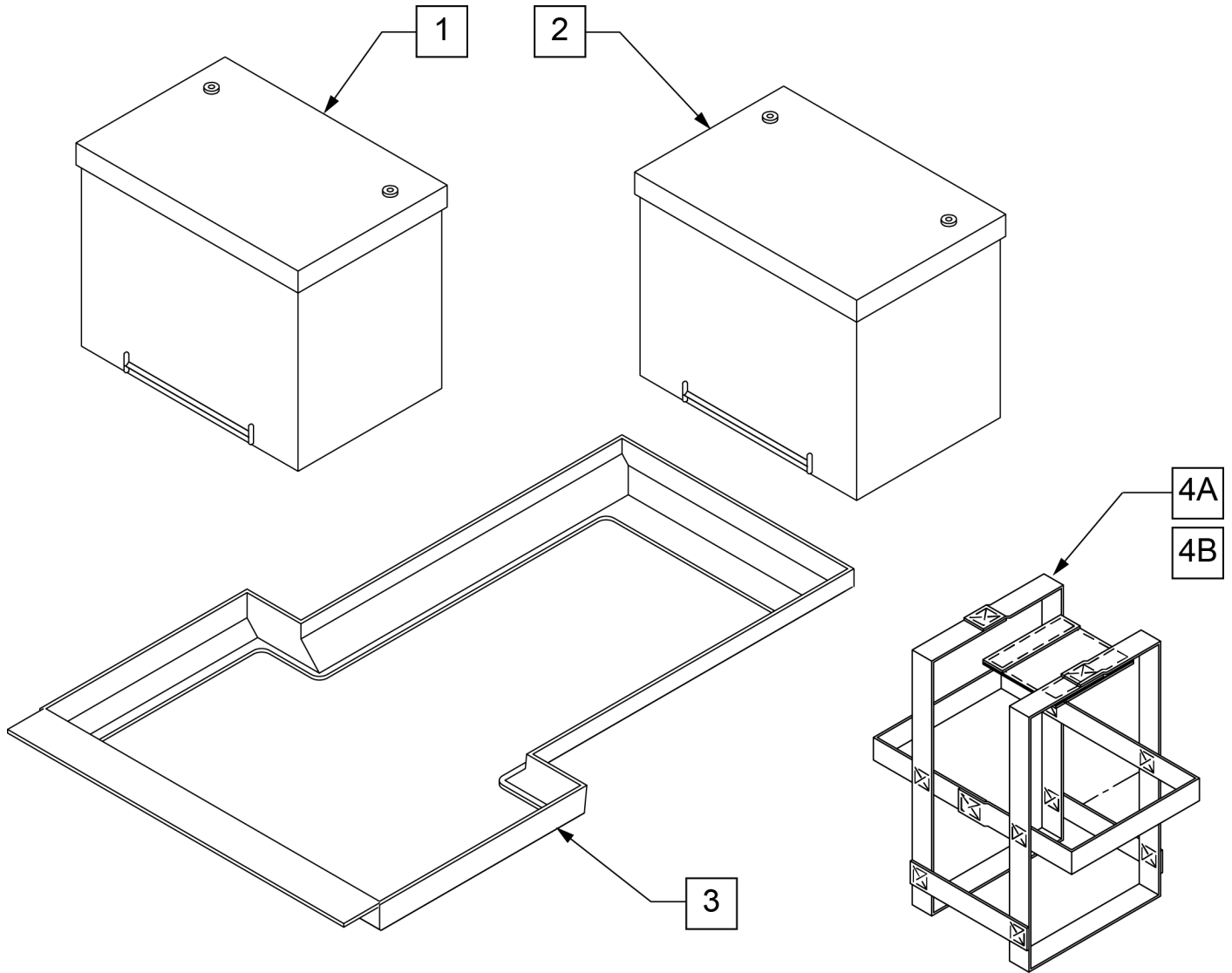
Pos.	Item Number	Description	Remarks
1	505766	ADJUSTABLE CLAMP OUTER	
2	505767	ADJUSTABLE REMOTE MOUNT	
4	349024	HNDL 10-32 X 3/4 C/A P1/P3/P5	
5	560268	QUICK RELEASE CLIP	
1-6	920738	HT ADJ MOUNT ASSM STD	
7	551001	CONTROLLER MOUNT BLOCK	Used w/ reclining armrest only
8	222297	10-24 X 3/8 SOC BH C/S W/PTCH	Used w/ reclining armrest only



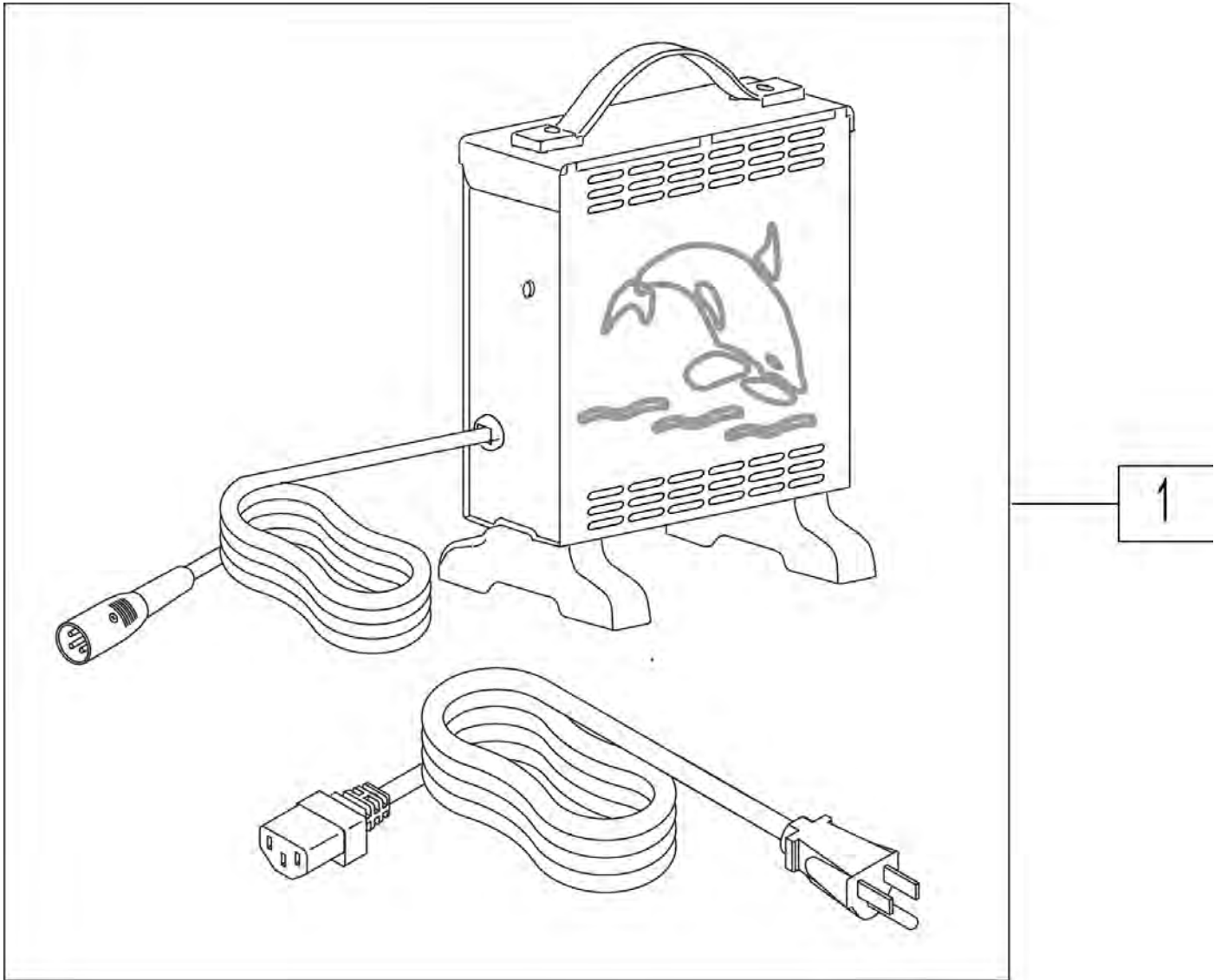
Pos.	Item Number	Description	Remarks
1	349024	HNDL 10-32 X 3/4 C/A P1/P3/P5	
2	226037	10-32 X 1 3/8 SOC C/S BLK	
3	501750	CONTROL ARM CLAMP	
4	560268	QUICK RELEASE CLIP	
5	261524	#10 AN WASHER.063	
6	551001	CONTROLLER MOUNT BLOCK	Recline only
7	222297	10-24 X 3/8 SOC BH C/S W/PTCH	Recline only
1-5	920713	CONTROL ARM CLAMP ASSM	



Pos.	Item Number	Description	Remarks
1A	111438-150	HARN VR2 DRIVE THRU ACT 1500MM	Used w/ thru drive tilt w/ISM
1B	111438-010	HARN VR2 DRIVE THRU ACT 100MM	Used w/ thru drive tilt only
2	113242	CONTROLLER HARNESS W/FER	Used w/ VR2 chairs only(Controller to Joystick)
3	020063-040	HARNESS DELPHI ACTUATOR 400mm	Connects tilt to base tilt harness
4A	108316-050	HARNESS R-NET BUS 500MM	Rnet Joystick EXT (Dist block to Joystick, Omni or Attendant Control)
4B	108316-120	HARNESS R-NET BUS 1200MM	Rnet Joystick EXT (Dist block to Joystick, Omni or Attendant Control)
4C	108316-150	HARNESS R-NET BUS 1500MM	Controller to ISM
5	112768	HARNESS MAIN RHYTHM 150 DEG	Battery connector to controller
6	111488-040	HARN LEVEL SW TO PGD INH 400MM	Power Recline level switch
7	104977-020	BASE TILT HARNESS	Used on all tilt chairs
8A	109403	HARNESS BATTERY LOW 150 DEG	Battery Harness (Black)
8B	109402	HARNESS BATTERY HIGH 150 DEG	Battery Harness (Red)
9	109324	HARNESS INHIBIT3 SHORTING PLUG	Used w/ Rnet non-tilt chairs(Plugs into Motor Controller)
10A	108278-150	HARN PGDRIVES ACTUATOR 1500MM	Power Legs to ISM-Right
10A	111564-150	HARN PGDRIVES ACTUATOR 1500MM	Power Legs to ISM-Left
10B	108278-050	HARN PGDRIVES ACTUATOR 500 MM	Power Shear to ISM
11	108309-050	HARN ACT WITH PGD INHBT 500 MM	Power recline to ISM

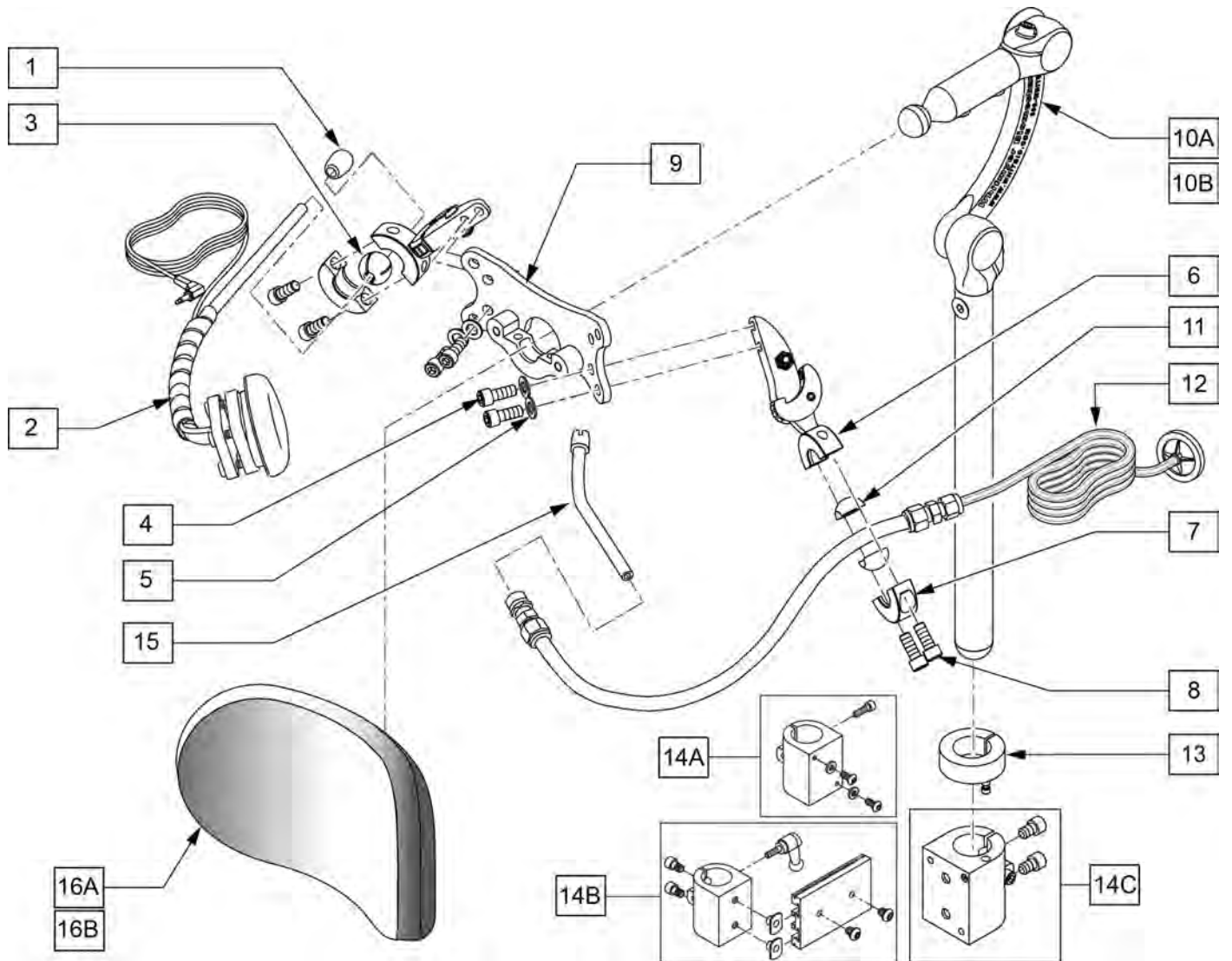


Pos.	Item Number	Description	Remarks
1	121049	GRP 22 FEMALE TERM	GROUP 22
2	108114	BAT 24 FEMALE TERM	GROUP 24
3	010545	BATTERY ADAPTER	USED W/ GROUP 22 ONLY
4A	740140	BATTERY STRAP GROUP 22	USED W/ GROUP 22 ONLY
4B	740141	BATTERY STRAP GROUP 24	USED W/ GROUP 24 ONLY

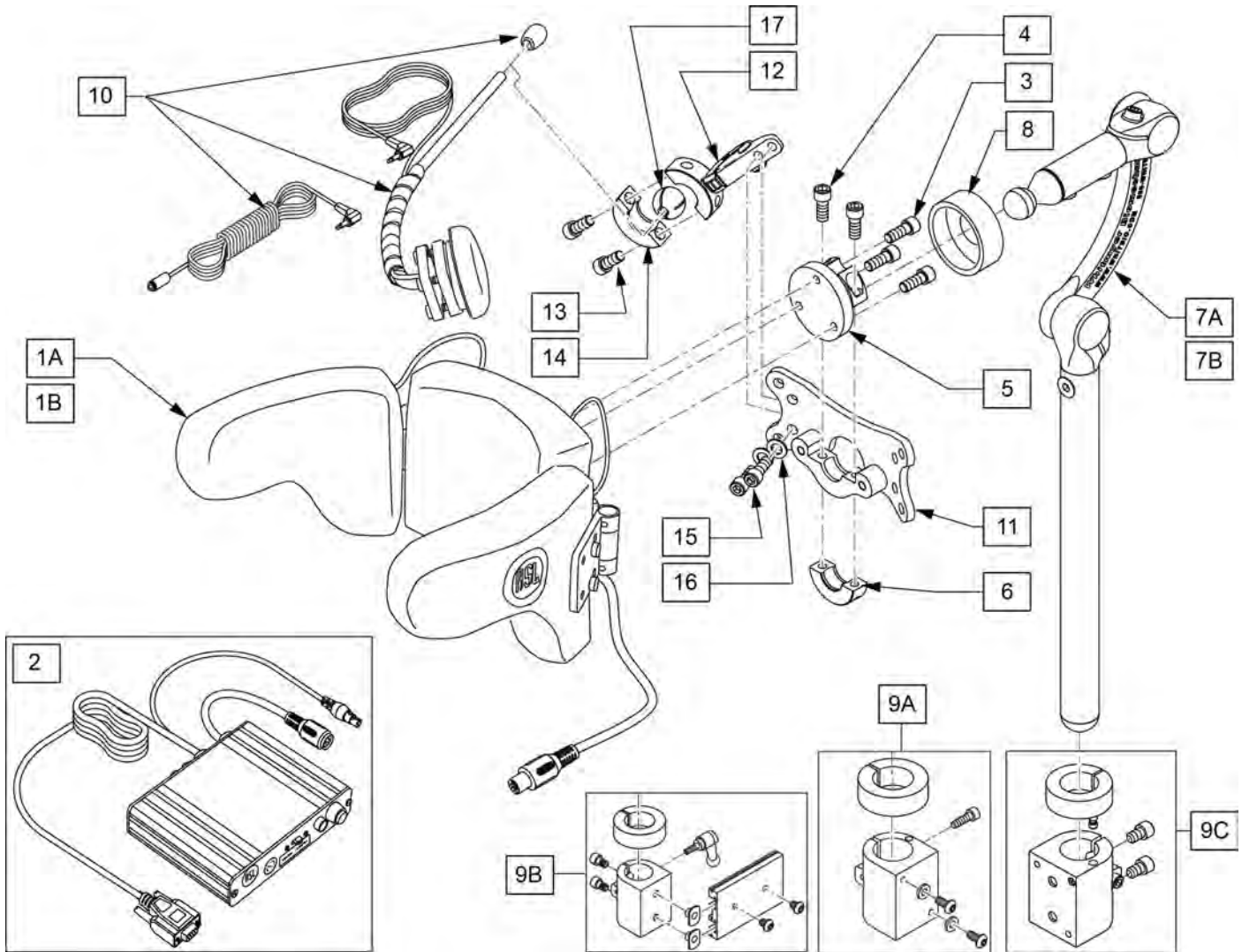


Pos.	Item Number	Description	HCPC
1	131386	CHGR OFF BRD 8A CTE W/CHKE	E2367

NOTE: IF ADDING SPECIALTY CONTROLS TO A CHAIR AN OMNI IS REQUIRED.



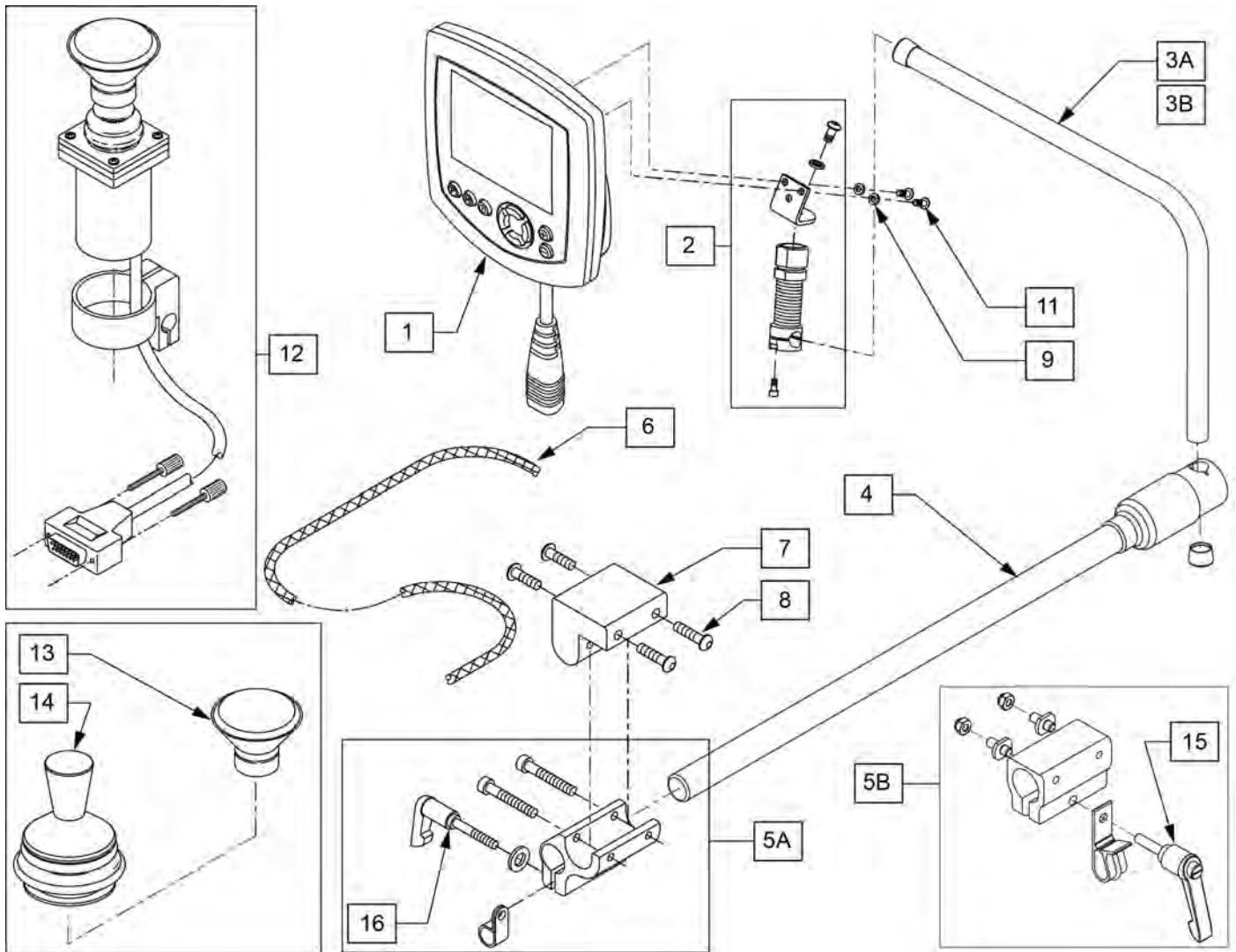
Pos.	Item Number	Description	Remarks
10A	LX7000	LINX CORE MOUNT HDW	10" POST LENGTH
10B	LX8000	LINX CORE MNTG HDW 8"	8" POST LENGTH
1-9,11,12,15	108638	SIP N PUFF W/ SA RESET SWITCH	
12	107425	SIP-N-PUFF INTERFACE	
13	104533	HEADREST COLLAR .875 ID	
15	101434	SIP N PUFF STRAW	
16A	P800L	PLUSH PAD, 8", LYCRA	8" PAD
16B	P1000L	PAD 10" PLUSH / LYCRA	10" PAD "LARGE"
13,14A,14B,14C	115057	UNIVERSAL HEAD MNT KIT	
13,14A	112717	CLAMP HEADREST SMART SEAT	Used w/ Power Recline Only
13,14B	112716	CLAMP HEADREST RIGID BACK	Used w/ Trad Rehab Back Only
13,14C	111902	HDRST CLMP ASSY .875 ID KIT	Used w/ Curved, JAY SPO, and ART SPO Backrest
1-10B-14A,14B,14C-16A	115058	RNET SIPNPUF 8" PAD 8" POST KIT	
1-10A-14A,14B,14C-16B	115059	RNET SIPNPUF 10" PAD 10" POST KIT	
1-10A-14A,14B,14C-16A	115060	RNET SIPNPUF 8" PAD 10" POST KIT	
1-10B-14A,14B,14C-16B	115061	RNET SIPNPUF 10" PAD 8" POST KIT	



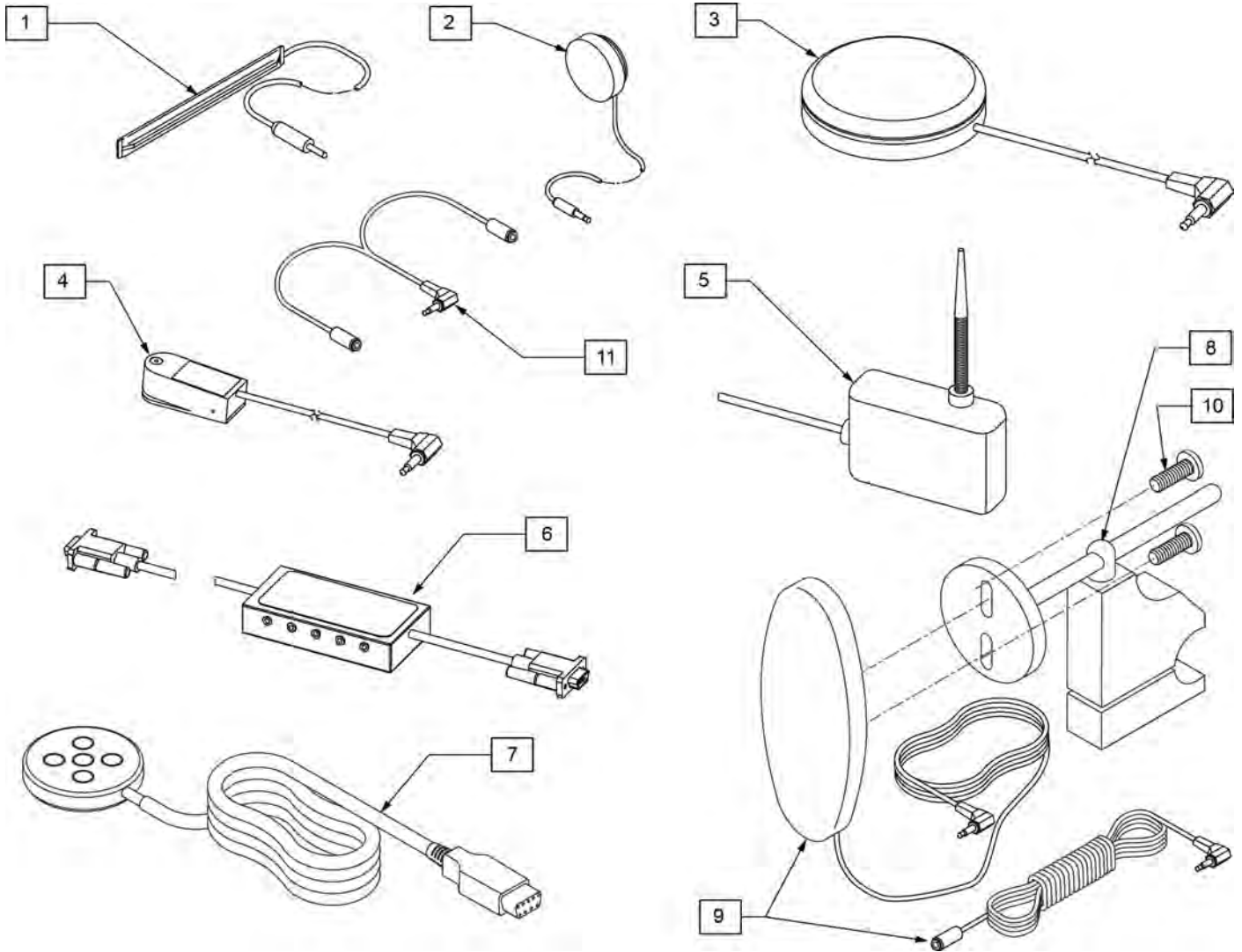
Pos.	Item Number	Description	Remarks
1A,2	139940	HEAD ARRAY ADULT W INTERFACE	Adult size
1B,2	139941	HEAD ARRAY MINI W INTERFACE	Pediatric size
3	221010	10-32 X .75 SHCS BLK W/PL	
4	107348	SHCS 1/4-28 X 5/8 PL ROHS	
5	104907	TOP COLLAR FLANGE WELDM	
6	MW027100	COL HALF RAD 3/4"THREADED BLK	
7A	LX7000	LINX CORE MOUNT HDW	10" POST
7B	LX8000	LINX CORE MNTG HDWR 8"	8" POST
8	MC100-WB	COVER 3/4"COLLAR/VINYL BLACK	
9A	112717	CLAMP HEADREST SMART SEAT	Used w/ Power Recline Only
9B	112716	CLAMP HEADREST RIGID BACK	Used w/ Trad Rehab Back Only
9C	111902	HDRST CLMP ASSY .875 ID KIT	Used w/ Curved, JAY SPO, and ART SPO Backrest
9A,9B,9C	115057	UNIVERSAL HEAD MNT KIT	
10	108637	EGG SWITCH MNTG SYSTEM	
11	LM-PL	PLUSH LAT INTERFACE PLATE	
12-16	LM115	LFC MOUNT, SWINGAWAY	
17	107411	CLAMP BALL, STEEL	
1A-7A,9A,9B,9C,10-17	115063	RNET A-ASL 10" POST KIT	

Pos.	Item Number	Description	Remarks
1A-7B,9A,9B,9C,10-17	115062	RNET A-ASL 8" POST KIT	
1B-7A,9A,9B,9C,10-17	115065	RNET P-ASL 10" POST KIT	
1B-7B,9A,9B,9C,10-17	115064	RNET P-ASL 8" POST KIT	
1A-6,8	112367	ASL HEAD ARRAY PCKG ADULT	Adult size
1B-6,8	108640	ASL HEAD ARRAY PCKG PED	Pediatric size

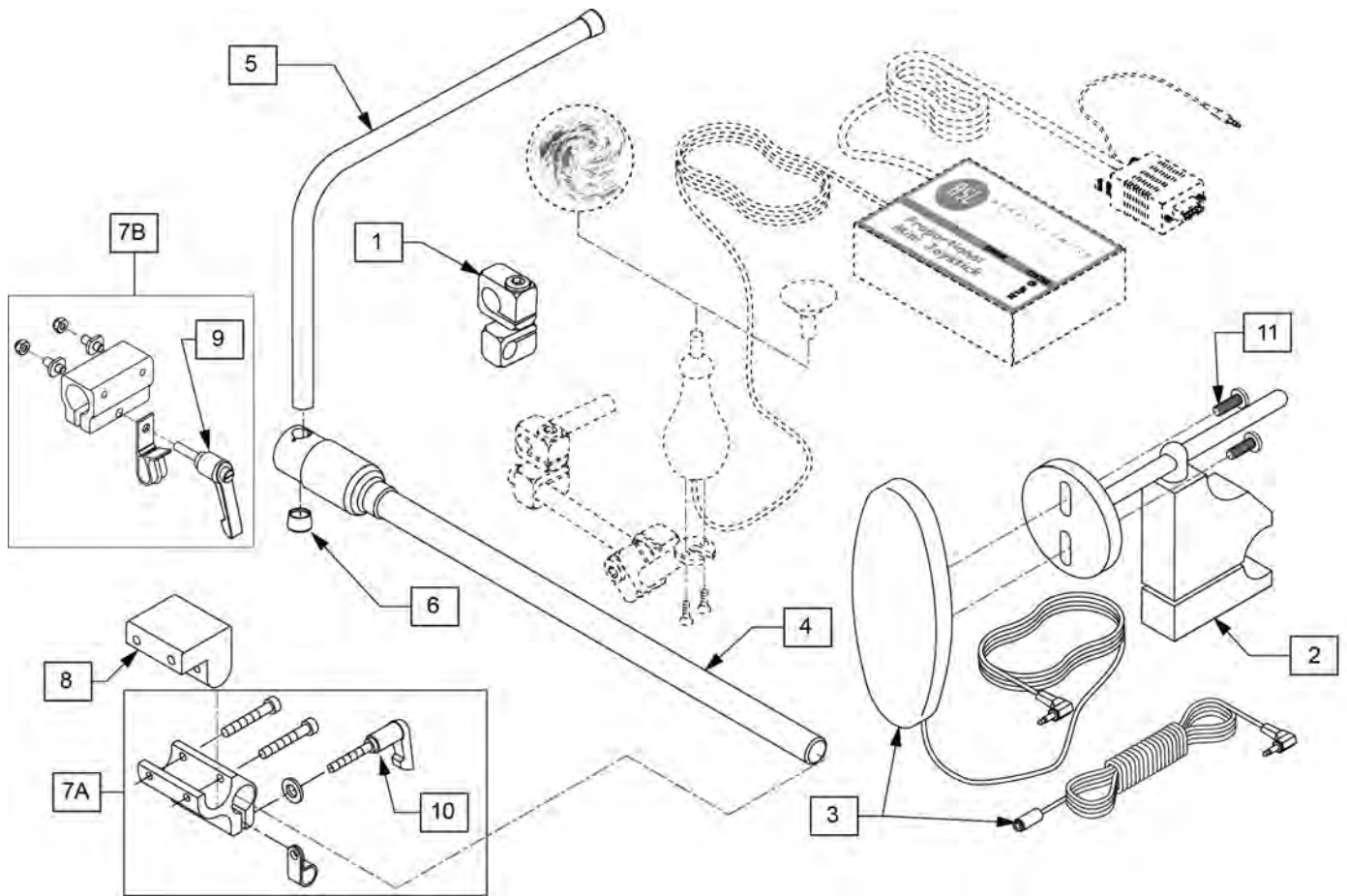
NOTE: JOYSTICK POST (ITEM 12) ACCEPTS JOYSTICK KNOBS THAT HAVE A 3/16" DIAMETER MATING HOLE.



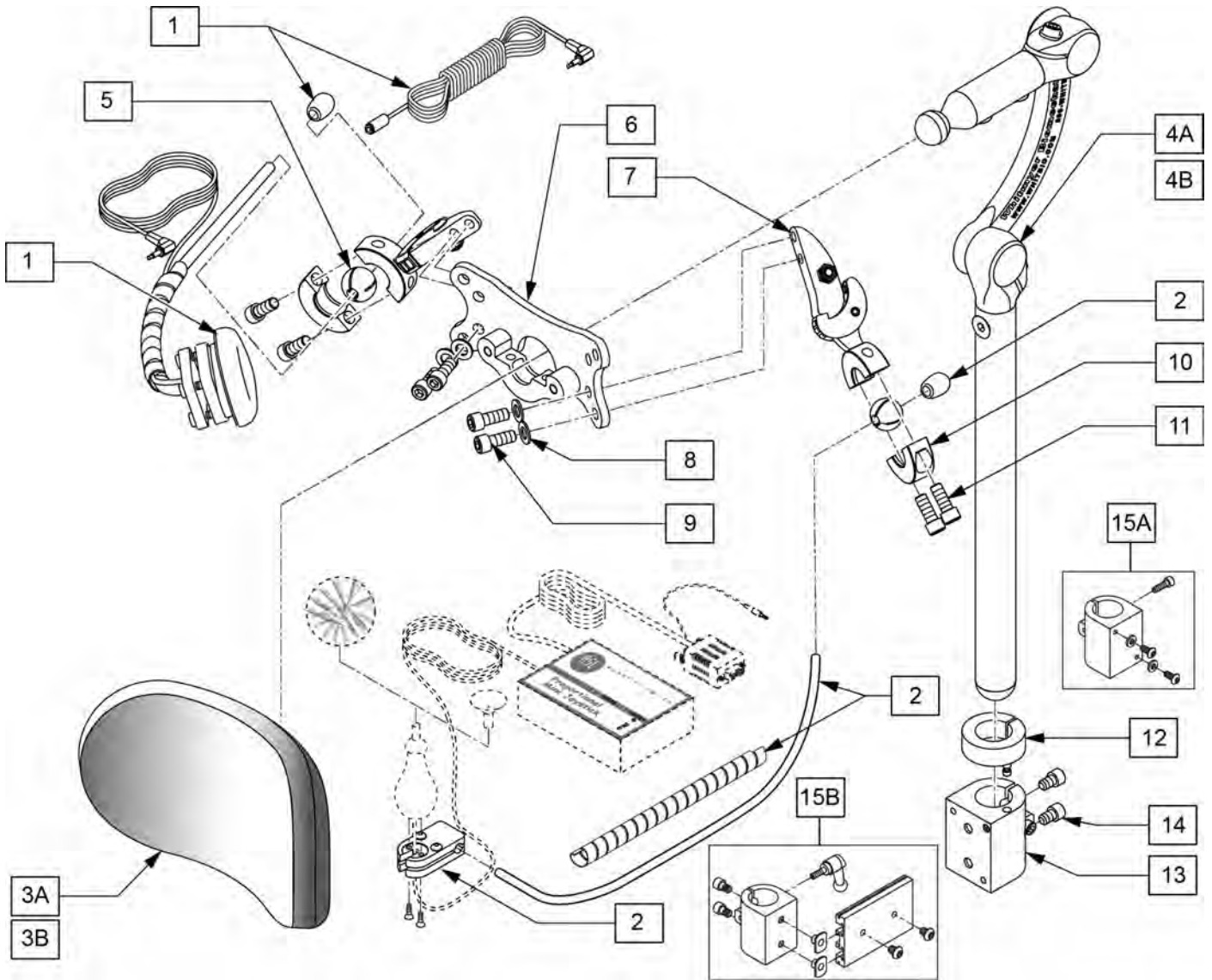
Pos.	Item Number	Description	Remarks
1	113220	MDLE SPCLTY INPT OMNI IR W/FER	
2	886976	USCM SPRING MOUNT AS	
3A	521098	ADJ DISPLAY ARM "L"SHORT(USCM)	Used w/ OMNI only
3B	521097	ADJ DISPLAY ARM "L" (USCM)	Used w/ OMNI & Compact Joystick
4	111190	MOUNT ARM DISPLAY	
5A	012433	CNTRL ARM CLMP UNIVERSAL ASSM	Used w/ Trad Rehab Armrest
5B	159406	CNTRLR CLMP ARM ASSM RND	Used w/ ASAP Seating Armrest
6	180351	BRAIDED SLEEVING 24"	
7	551001	CONTROLLER MOUNT BLOCK	USED w/ 5A on Power Recline
8	222297	10-24 X 3/8 SOC BH C/S W/PTCH	
9	261204	#10 AN WASHER .063	
11	013143	BHCS M5 X .8 X 14 BLK W/PL	
12	139705	PROP CHIN CONTROL W/ MINI JS	
13	D4000	CHINCUP QTRONIX	
14	138154	KNOB&PROTECTOR D10AB JOYSTICK	
15	011049	HANDLE ADJ MODERN M5 X 20 STUD	
16	349024	HNDL 10-32 X 3/4 C/A P1/P3/P5	
1 -3A,4,9,11	110834	OMNI MNT ASSEMBLY	



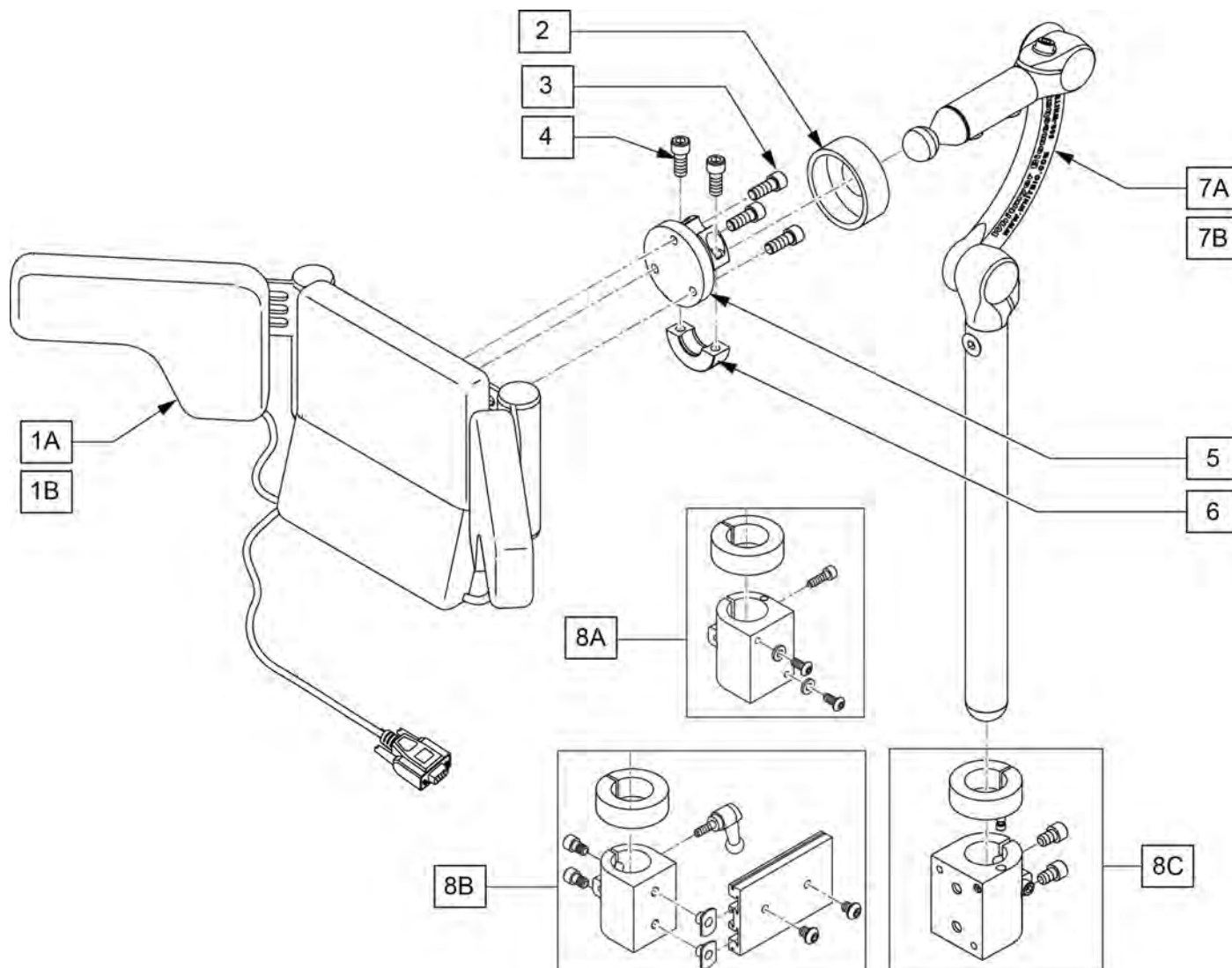
Pos.	Item Number	Description	Remarks
1	133721	SWITCH RIBBON	Cord length 63"
2	133722	SWITCH DISC	Cord length 69"
3	139920	SWITCH BUDDY BUTTON RED	Cord length 57"
4	139921	MICRO LIGHT	Cord length 58"
5	139910	SWITCH WOBBLE	Cord length 68"
6	Discontinued	SWITCH CA-5 BOX	Cord length (female cable 63")(male cable 6")
7	Discontinued	SWITCH PENTA	Cord length 63"
8	920904	MOUNT RESET SW FOR 7/8 TUBE	Clamps to 7/8" tubing
9,10	139915	RESET SWITCH EGG SHAPED	Cord length 51"(Ext 71")
10	281082	8-32 X 3/8 PAN PHIL M/S BLK	
11	105417	STEREO TO 2 MONO SPLITTER	Cord length 6"



Pos.	Item Number	Description	Remarks
1	521617	MOUNT MINI JOYSTK TO 1/2" TUBE	
2	920904	MOUNT RESET SW FOR 7/8 TUBE	
2,3,11	521619	RESET SWITCH W BRACKET UNIV	
3,11	139915	RESET SWITCH EGG SHAPED	
4	111190	MOUNT ARM DISPLAY	
5	521097	ADJ DISPLAY ARM "L" (USCM/OMNI)	
6	560307	ADJ DISPLAY ARM CAP (USCM/OMNI)	
7A	012433	CNTRL ARM CLMP UNIVERSAL ASSM	Trad Rehab Seating Armrest
7B	159406	CNTRLR CLMP ARM ASSM RND	ASAP Seating Armrest
8	551001	CONTROLLER MOUNT BLOCK	USED w/ 8A on Power Recline Armrest
9	011049	HANDLE ADJ MODERN M5 X 20 STUD	
10	349024	HNDL 10-32 X 3/4 C/A P1/P3/P5	
11	281082	8-32 X 3/8 PAN PHIL M/S BLK	

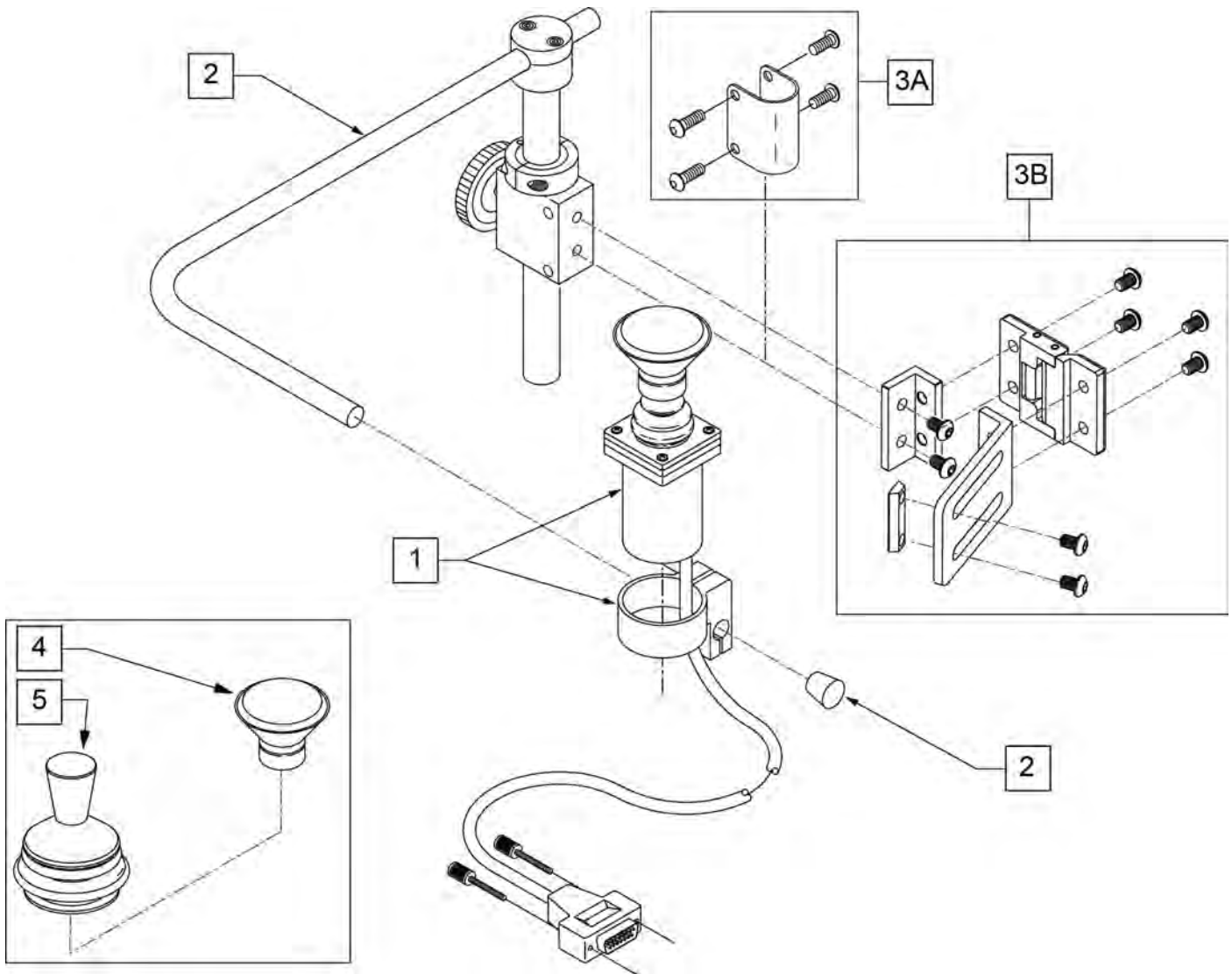


Pos.	Item Number	Description	Remarks
1	108637	EGG SWITCH MNTG SYSTEM	
2	109443	HEADREST MT W SWNG AWAY SWITCH	
3A	P800L	PLUSH PAD, 8", LYCRA	8" POST
3B	P10000L	PAD 10" PLUSH / LYCRA	10" POST
4A	LX7000	LINX CORE MOUNT HDW	10" POST
4B	LX8000	LINX CORE MNTG HDW 8"	8" POST
5	107411	CLAMP BALL, STEEL	
6	LM-PL	PLUSH LAT INTERFACE PLATE	
9	226095	1/4-20 X 3/8" SOC C/S BLK ZN	
12,15A	112717	CLAMP HEADREST SMART SEAT	Used w/ Power Recline Only
12,15B	112716	CLAMP HEADREST RIGID BACK	Used w/ Trad Rehab Back Only
7-11	LM115	LFC MOUNT, SWINGAWAY	
12-14	111902	HDRST CLMP ASSY .875 ID KIT	Used w/ Curved, JAY SPO, and ART SPO Backrest

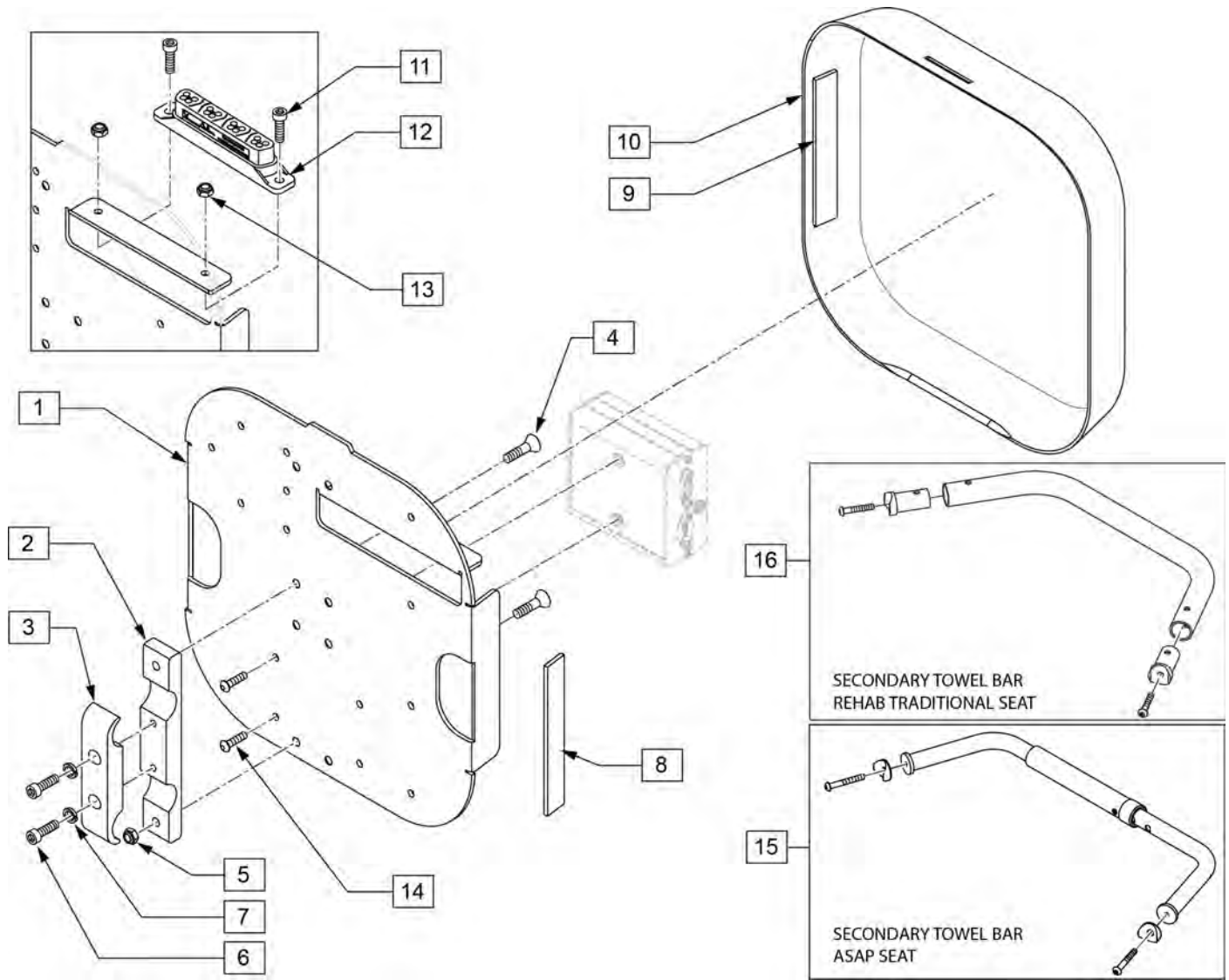


Pos.	Item Number	Description	Remarks
1A	139897	HEAD ARRAY SWITCH IT PED	Peds
1B	139898	HEAD ARRAY SWITCH IT STD	Std/Adult
2	MC100-WB	COVER 3/4"COLLAR/VINYL BLACK	
3	221010	10-32 X .75 SHCS BLK W/PL	
4	107348	SHCS 1/4-28 X 5/8 PL ROHS	
5	104907	TOP COLLAR FLANGE WELDM	
6	MW027100	COL HALF RAD 3/4"THREADED BLK	
7A	LX7000	LINX CORE MOUNT HDW	10" POST
7B	LX8000	LINX CORE MNTG HDW 8"	8" POST
8A	112717	CLAMP HEADREST SMART SEAT	Used w/ Power Recline Only
8B	112716	CLAMP HEADREST RIGID BACK	Used w/ Trad Rehab Back Only
8C	111902	HDRST CLMP ASSY .875 ID KIT	Used w/ Curved, JAY SPO, and ART SPO Backrest
8A,8B,8C	115057	UNIVERSAL HEAD MNT KIT	
1B-7A,8A,8B,8C	115067	RNET A-SWCHIT 10" POST KIT	
1B-7B,8A,8B,8C	115066	RNET A-SWCHIT 8" POST KIT	
1A-7A,8A,8B,8C	115069	RNET P-SWCHIT 10" POST KIT	
1B-7B,8A,8B,8C	115068	RNET P-SWCHIT 8" POST KIT	

Pos.	Item Number	Description	Remarks
1B-6	108641	SWITCH-IT HEAD ARRAY PCKG ADLT	Std/Adult
1A-6	108642	SWITCH-IT HEAD ARRAY PCKG PED	Peds



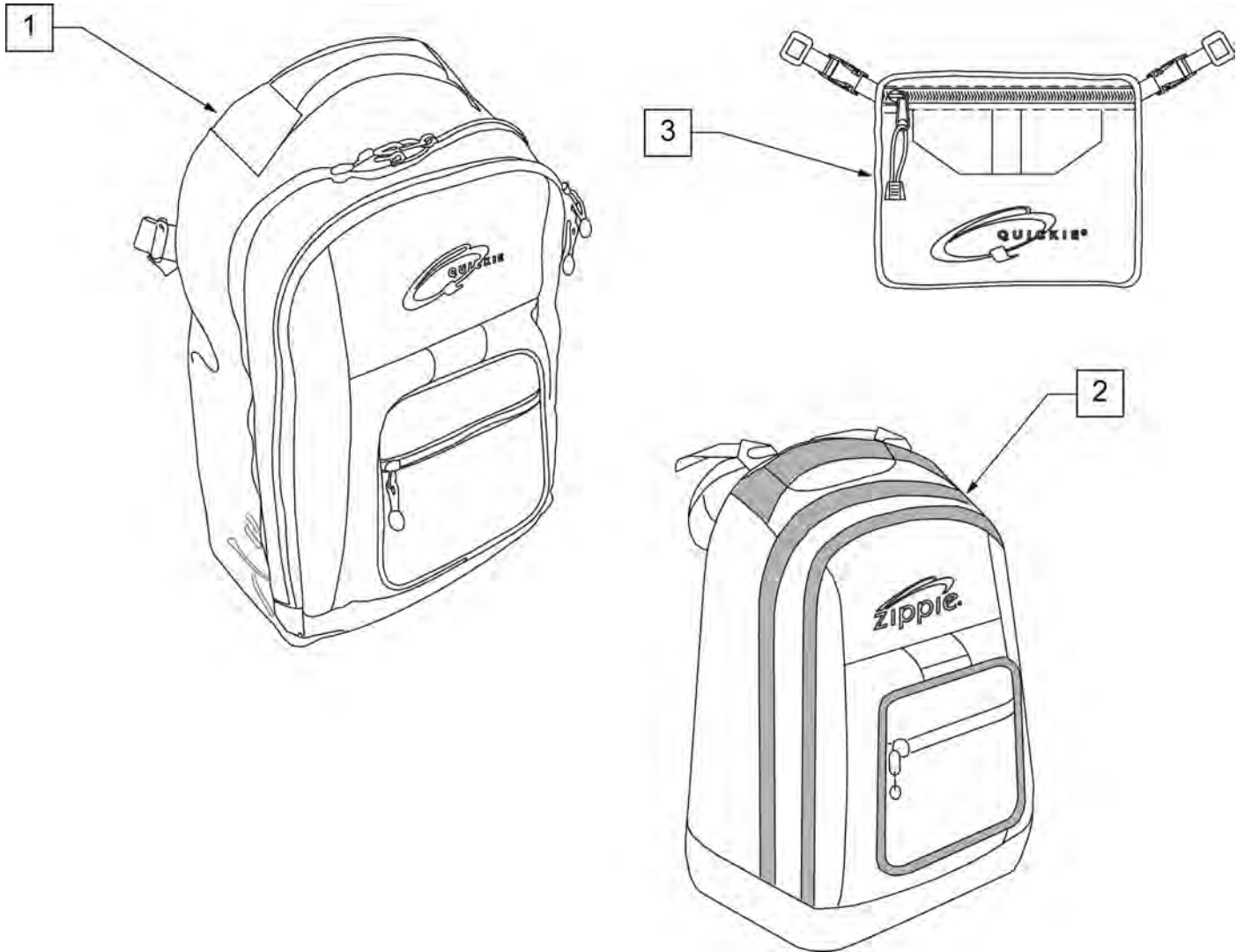
Pos.	Item Number	Description	Remarks
1	139705	ACT JOYSTICK PROP KNOB OR CHIN	
2,3A	D3150-3	AMH S/A MNTG KIT B/R 1" 3185	
3B	108841	S/A SIDE MOUNTING KIT	ASAP only
4	D4000	CHINCUP QTRONIX	
5	138154	KNOB & PROTECTOR D10AB JOYSTICK	
1-5	115076	PROP CHIN CONTROL KIT	Includes 3A &3B



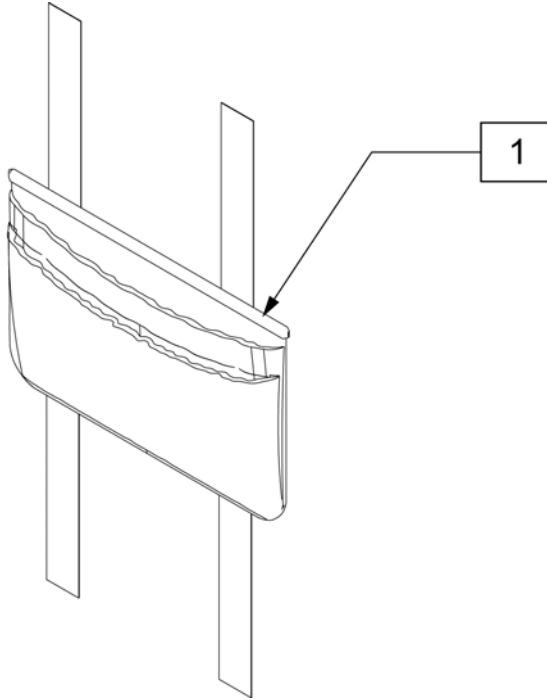
Pos.	Item Number	Description	Remarks
2	502313	CLAMP PIVOT VENT TRAY SMAL	
3	502294	VENT TRAY PIVOT CLAMP RECESS	
4	102265-002	FHCS M6 X 1 X 20 INORGANIC	
5	200113	NUT HEX NYLOCK M6 X 1	
6	102263-003	SHCS M6 X 1 X 25 W/PL INORG	
7	262114	1/4 WASHER HI COLLAR LOCK ZN	
8	012080-002	HOOK BLK VLCRO PS 1" x 5"	Qty 2 Required
9	011803-002	1 X 5 LOOP BLACK PSA117	Qty 2 Required
11	104522	SHCS M6X1X16 FULL PL	
12	108312	DISTRIBUTION BLOCK	Rnet only
13	210084	NUT HEX NYLOCK M6 BLACK	
14	103184-003	BHCS M5X0.8X10 FULLPL	Used to mount Output Module to Plate
15	105628	TOWEL RAIL ASSY W/HRDWR SP	2 R'QED TO ATTACH MOUNTING PLATE
16	842234	TOWEL RACK ASSM 14" S525	
16	842235	TOWEL RACK ASSM 15" S525	
16	842236	TOWEL RACK ASSM 16" S525	
16	842237	TOWEL RACK ASSM 17" S525	

Pos.	Item Number	Description	Remarks
16	842238	TOWEL RACK ASSM 18" S525	
16	842239	TOWEL RACK ASSM 19" S525	
16	842240	TOWEL RACK ASSM 20" S525	
16	842241	TOWEL RACK ASSM 22"	
1,8	110837	PLATE REHAB W/ VELCRO	
1-10	108561	ASAP RNET MNTING BCK	
9,10	110836	SHROUD REHAB W/ VELCRO	
11-13	110835	DIST BLOCK MNT KIT	

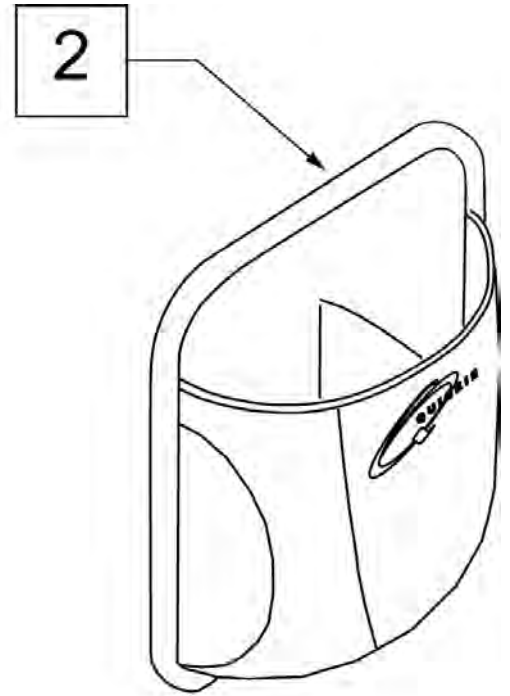
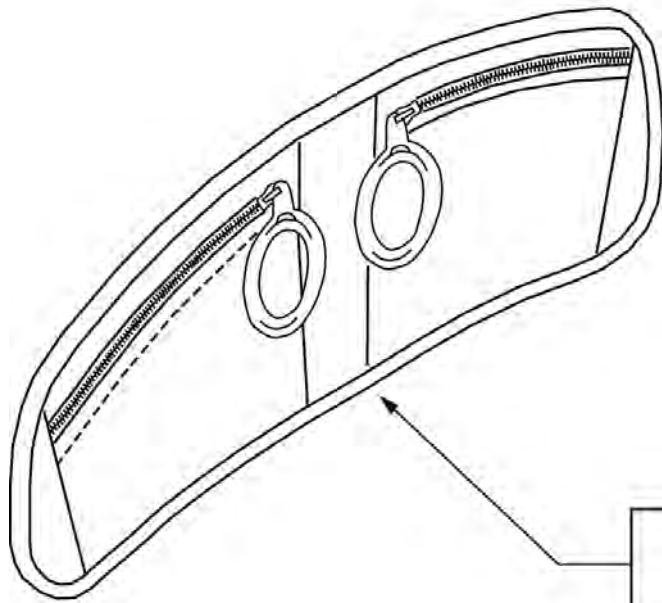
NOTE: KIDS BACKPACKS DO NOT HAVE ADJUSTABLE STRAPS W/ BUCKLES.



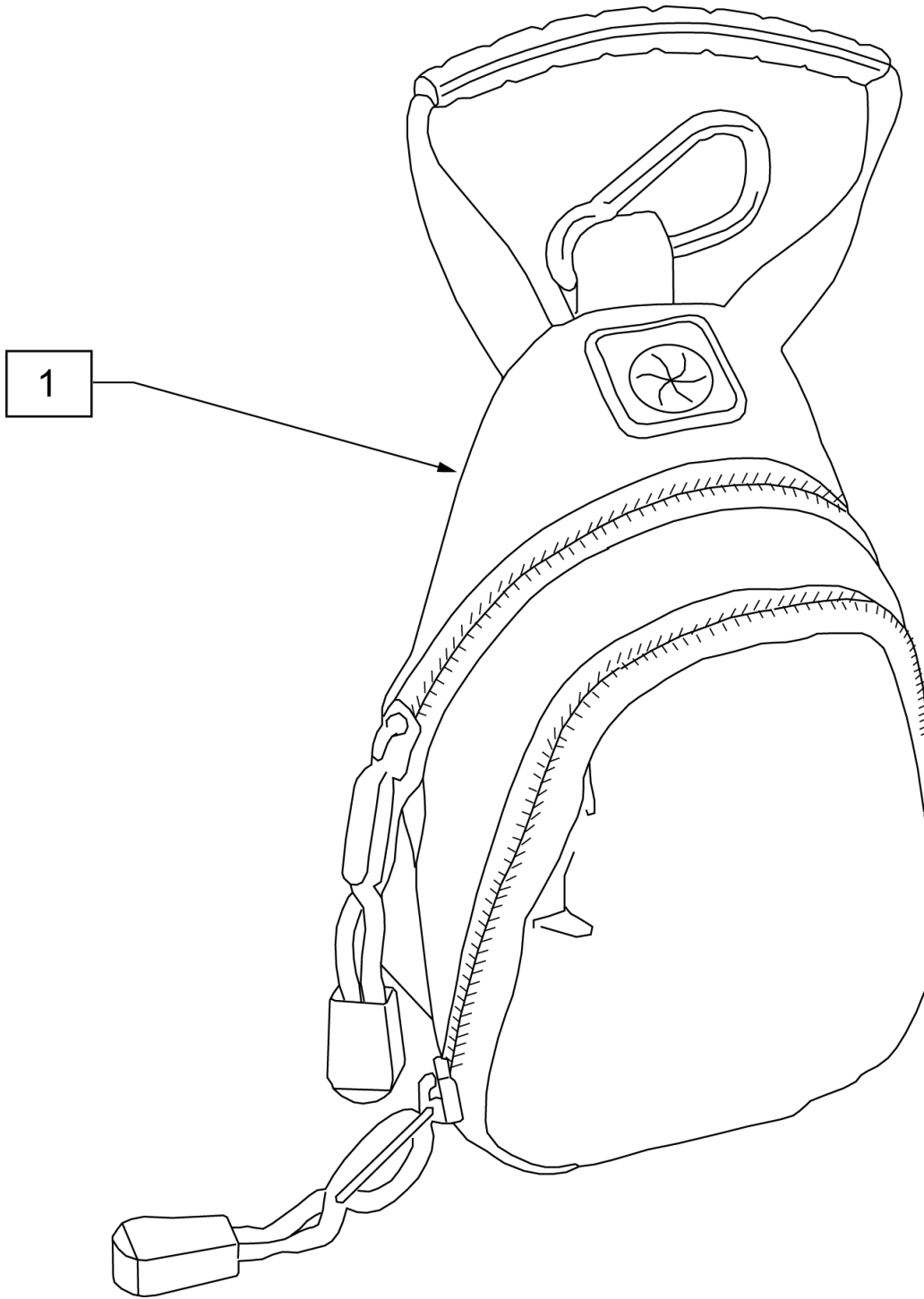
Pos.	Item Number	Description
1	750115	BACK PACK QUICKIE
2	104572	BACKPACK ZIPPIE
3	750307	SEAT POUCH QUICKIE



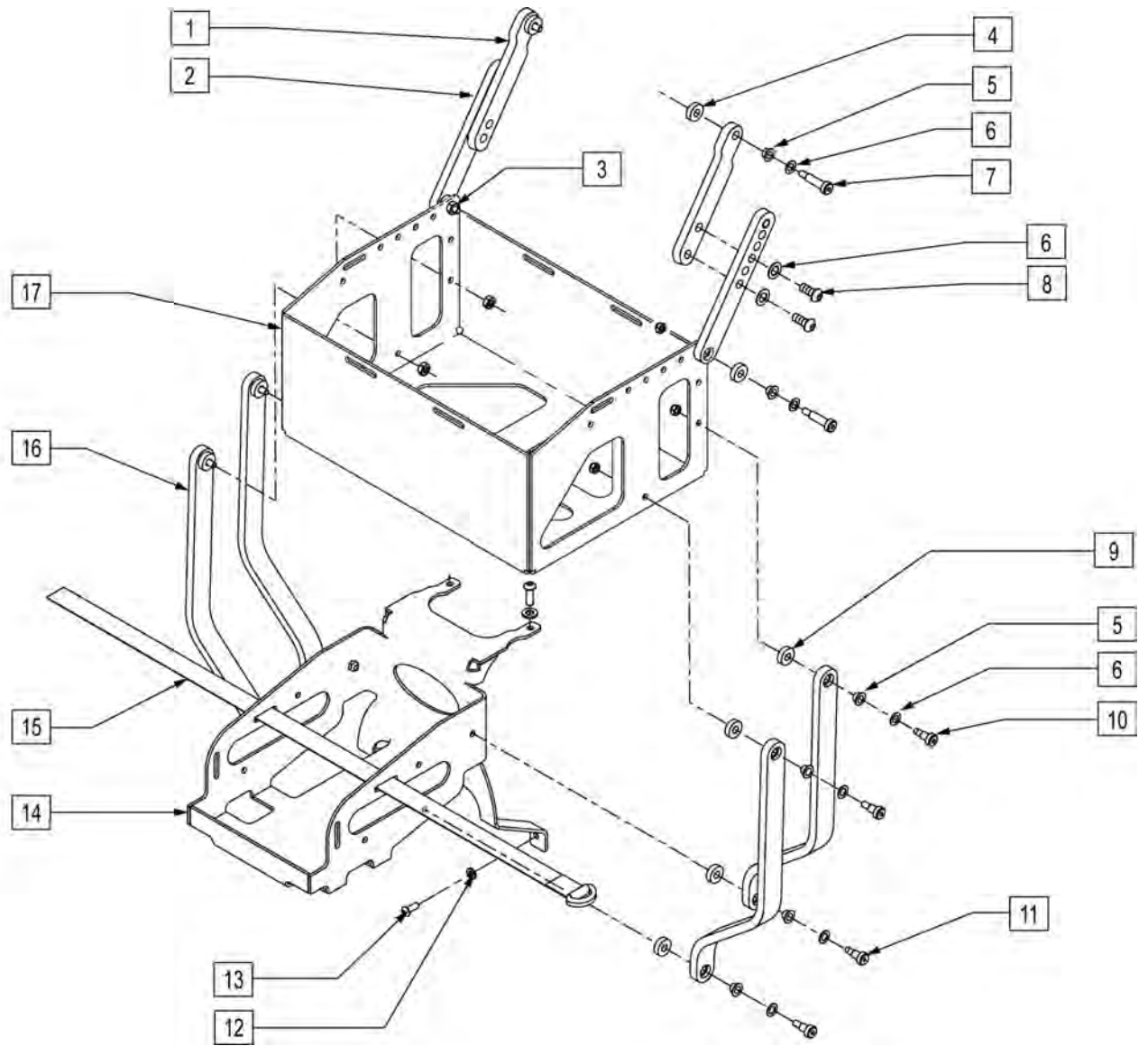
Pos.	Item Number	Description
1	011687	POWER CORD POUCH



Pos.	Item Number	Description	Remarks
1		discontinued	
2	013475	QUICKIE SIDE POCKET	Size: 6.5"x 6.5"x 2"

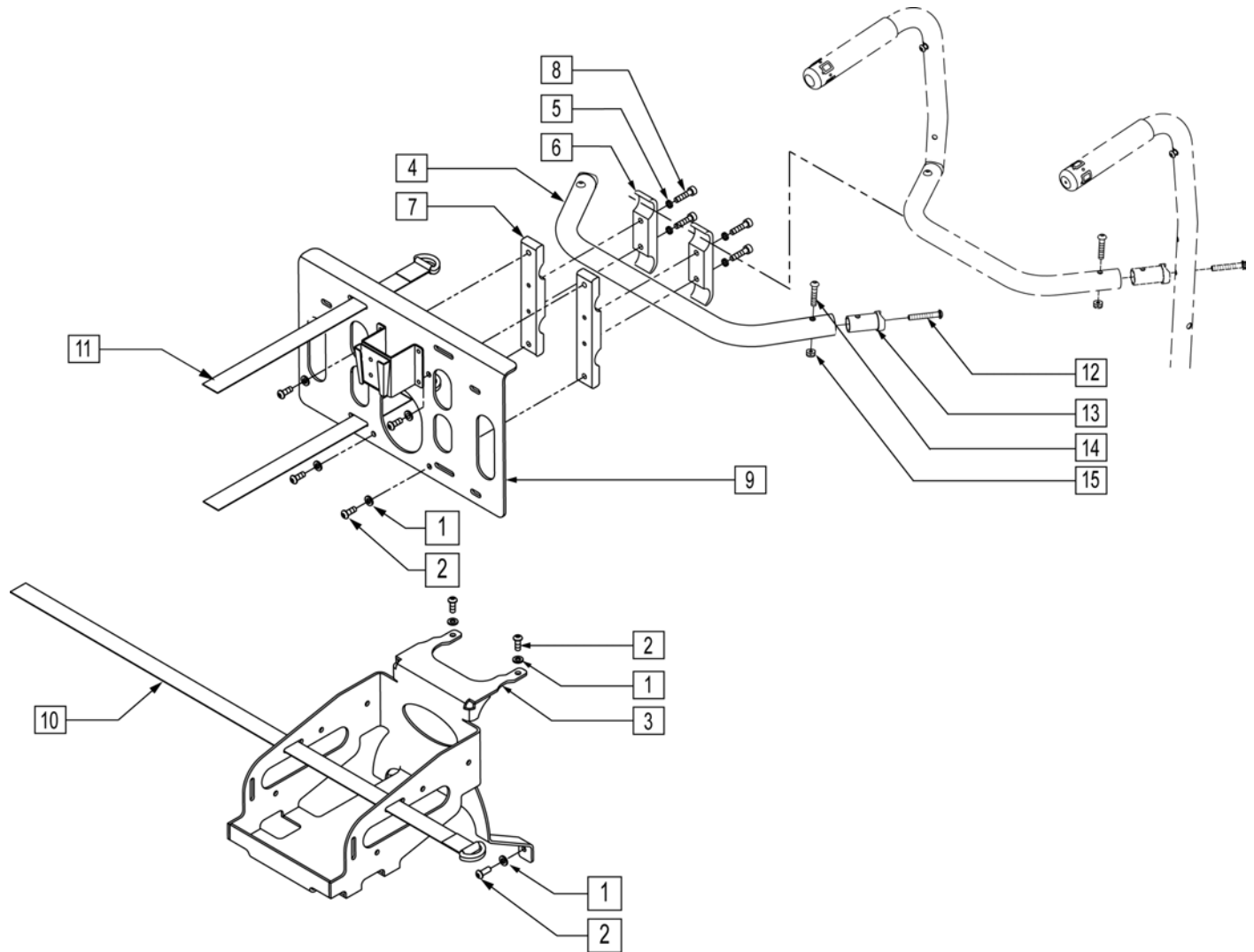


Pos.	Item Number	Description
1	109229	CELL PHONE PACK (ORANGE)



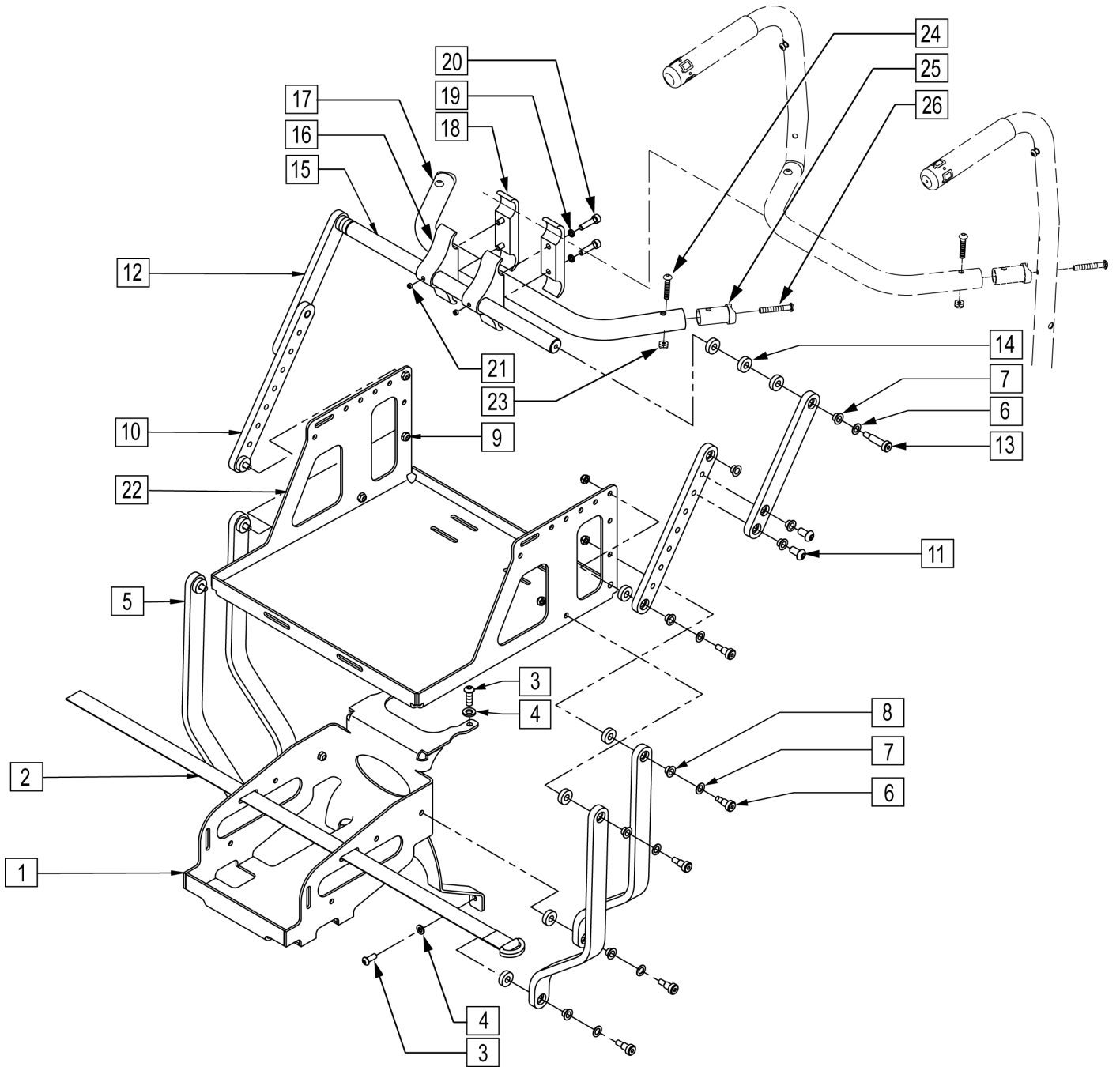
Pos.	Item Number	Description
1	502281	LINK VENT TRAY UPPER
2	500229	UPPER VENT TRAY LINK
3	210084	NUT HEX NYLOCK M6 BLACK
4	561059	3/4 O.D. x .318 I.D. WASHER
5	560249	5/16 I.D. x 1/4 IGLIDE BUSHING
6	106947	WASHER FLAT THIN AN 5/16 ROHS
7	223116	5/16 x .75 SH SHOULDER BOLT W/ PTCH
8	226333	1/4 -20 x 5/8 BH C/S BLK W/ PTCH
9	561112	3/4 O.D. x .318 I.D. x .25 NYLON
10	011336	SHOULDER SCREW 8mm O.D.x 10mm LG
11	223117	5/16 x .50 SH SHOULDER BOLT
12	250104	WASHER FLAT M6
13	230032	M6 x 16 B/H CAP SCREW
14	502316	PLATE BASE INTERFACE VENT TRAY
15	011404-001	STRAP CINCH BATTERY
16	502282	LOWER VENT TRAY LINK
17	103208	VENT TRAY UPRIGHT
1-17	107108	RHYTHM VNT/BAT TRAY PWR RCL

Fits Pulmonatics LTV models.



Pos.	Item Number	Description	Remarks
1	250104	WASHER FLAT M6	
2	230032	M6 x 16 B/H CAP SCREW	
3	502316	PLATE BASE INTERFACE VENT TRAY	
4	520564	TOWEL RACK 14"	
4	520565	TOWEL RACK 15"	
4	520566	TOWEL RACK 16"	
4	520567	TOWEL RACK 17"	
4	520568	TOWEL RACK 18"	
4	520569	TOWEL RACK 19"	
4	520570	TOWEL RACK 20"	
4	520571	TOWEL RACK 22"	
4	520572	TOWEL RACK 24"	Rhythm chairs w s/n prefix RTM only
5	262114	1/4" WASHER HI COLLAR LOCK ZN	
6	502294	VENT TRAY PIVOT CLAMP RECESS	

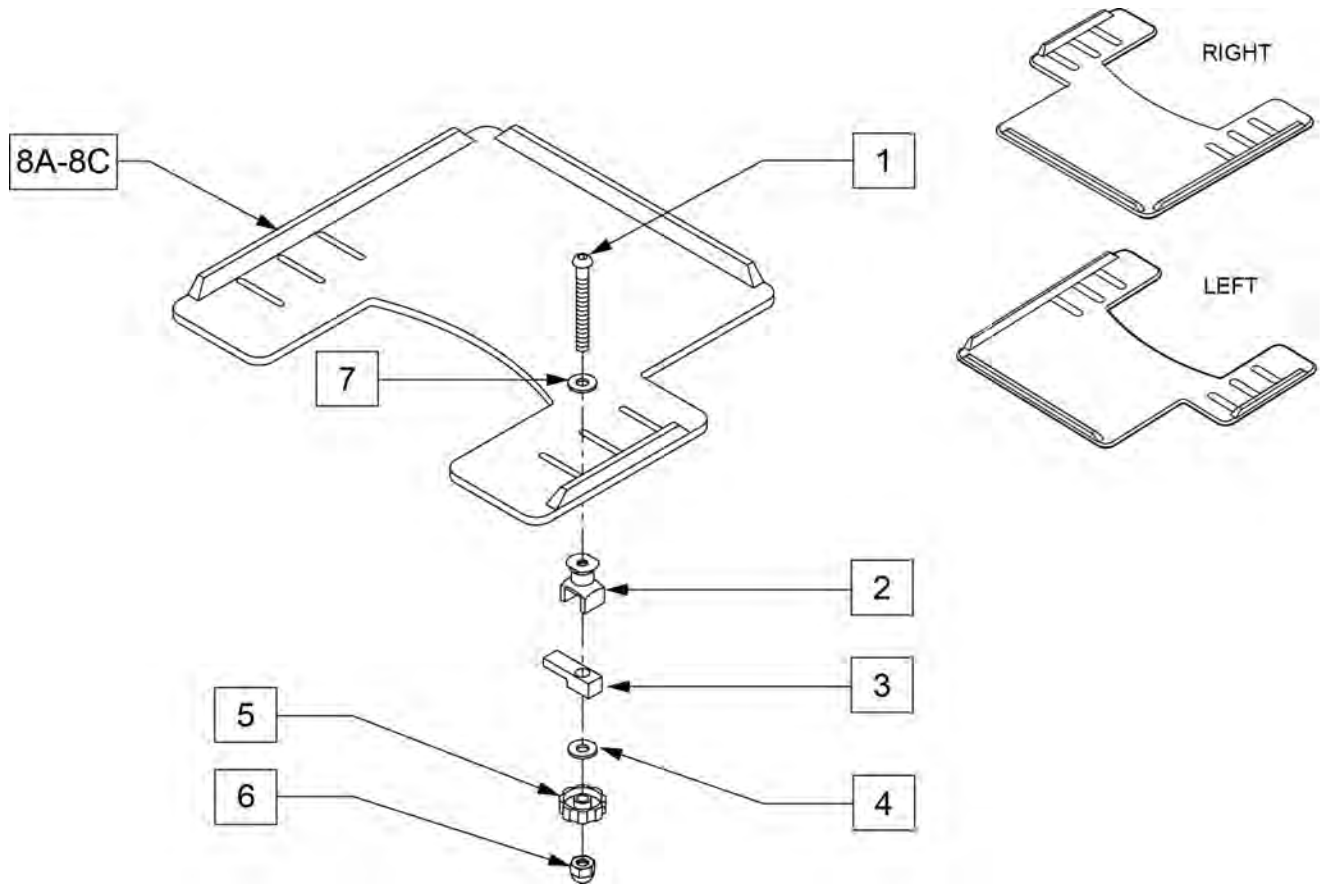
Pos.	Item Number	Description	Remarks
7	502313	CLAMP PIVOT VENT TRAY SMALL	
8	102263-003	SHCS M6 X 1 X 25 W/PL INORG	
9	101862	VENT TRAY PLATE MNT ASSM SML	
10	011404-001	STRAP CINCH BATTERY	
11	011404-002	STRAP CINCH VENT SM	
12	226267	1/4-28 x 1 5/8 BH C/S W/PATCH	
13	483161	STRUT SADDLE S525	
14	226223	1/4-28 x 1 1/4" BH C/S BLK	
15	202300	1/4-28 NYLOCK NUT THIN BLK ZN	
1-3,5-15	101873	RHYTHM VENT/BATTERY TRAY RHB FXD	MUST ORDER TOWEL BAR SEPERATELY BASED WIDTH OF SEAT.



Pos.	Item Number	Description	Remarks
1	502316	PLATE BASE INTERFACE VENT TRAY	
2	011404-001	STRAP CINCH BATTERY	
3	230032	M6 X 16 B/H CAP SCREW	
4	250104	WASHER FLAT M6	
5	502282	LOWER VENT TRAY LINK	
6	011336	SHOULDER SCREW 8MM ODX10MM LG	
7	106947	WASHER FLAT THIN AN 5/16 ROHS	
8	560249	5/16 ID x 1/4 IGLIDE BUSHING	
9	210084	NUT HEX NYLOCK M6 BLACK	

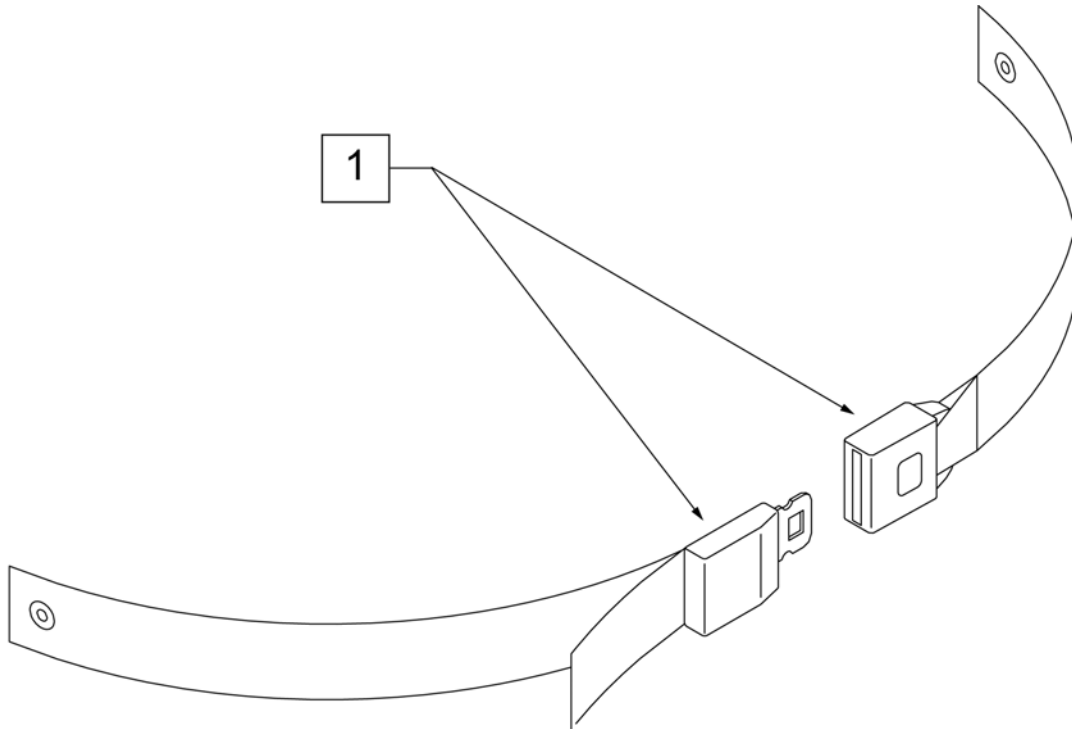
Pos.	Item Number	Description	Remarks
10	502310	UPPER VENT TRAY LINK EXT	
11	013149	BHCS M8 x 1.25 x 16MM PATCH	
12	502283	UPPER VENT TRAY LINK	
13	011709	SHLDR SCREW 8MM OD X 25 MM LG	
14	561112	3/4 OD x .318 ID x .25 NYLON	
15	502292	VENT TRAY PIVOT BAR	
16	502293	VENT TRAY PIVOT CLAMP THRD	
17	520564	TOWEL RACK 14"	
17	520565	TOWEL RACK 15"	
17	520566	TOWEL RACK 16"	
17	520567	TOWEL RACK 17"	
17	520568	TOWEL RACK 18"	
17	520569	TOWEL RACK 19"	
17	520570	TOWEL RACK 20"	
17	520571	TOWEL RACK 22"	
17	520572	TOWEL RACK 24"	Rhythm chairs w s/n prefix RTM only
18	502294	VENT TRAY PIVOT CLAMP RECESS	
19	262114	1/4" WASHER HI COLLAR LOCK ZN	
20	102263-003	SHCS M6 X 1 X 25 W/PL INORG	
21	011710	SCREW SET M6 x 1 x 4	
22	502275	VENT TRAY S626	
23	202300	1/4-28 NYLOCK NUT THIN BLK ZN	
24	226223	1/4-28 X 1 1/4" BH C/S BLK	
25	483161	STRUT SADDLE S525	
26	226267	1/4-28 x 1 5/8 BH C/S W/PATCH	
1-16,18-26	101872	RTHM VNT/BTTRY TRY RHB ST ART	MUST ORDER TOWEL BAR SEPERATELY BASED ON SEAT WIDTH.

NOTE: WHEN ADDING A TRAY TO AN EXISTING CHAIR WITH DESK OR FULL LENGTH ARM PADS, ADD 1" TO CURRENT SEAT WIDTH TO ACHIEVE THE BEST TRAY SIZE.



Pos.	Item Number	Description	Remarks
1	2021	5/16-18 x 2 3/4 BUTTON HD C/S	
2	14240	TRAY BUSHING	
3	14230	TRAY LOCK BAR	
4	2705	1/4" FLAT WASHER	
5	14220P	TRAY KNOB	
6	202114	5/16-18 ACORN LOCK NUT	
7	2709	.625X.315X.031 NYLON WASHER	
8A	562625	TRAY TOP W/RAIL SM PWR (12"-13")	Right-Cutout fits 12"-13" wide chairs
8B	562626	TRAY TOP W/RAIL MED PWR (14"-16")	Right-Cutout fits 14"-16" wide chairs
8C	562627	TRAY TOP W/RAIL LRG PWR (17"-20")	Right-Cutout fits 17"-20" wide chairs
8A	118094	TRAY TOP W/RAIL SM PWR LH	Left-Cutout fits 12"-13" wide chairs
8B	118095	TRAY TOP W/RAIL MED PWR LH	Left-Cutout fits 14"-16" wide chairs
8C	118096	TRAY TOP W/RAIL LG PWR LH	Left-Cutout fits 17"-20" wide chairs
1-7	881053	TRAY HDWR ADJ ARM PWR	

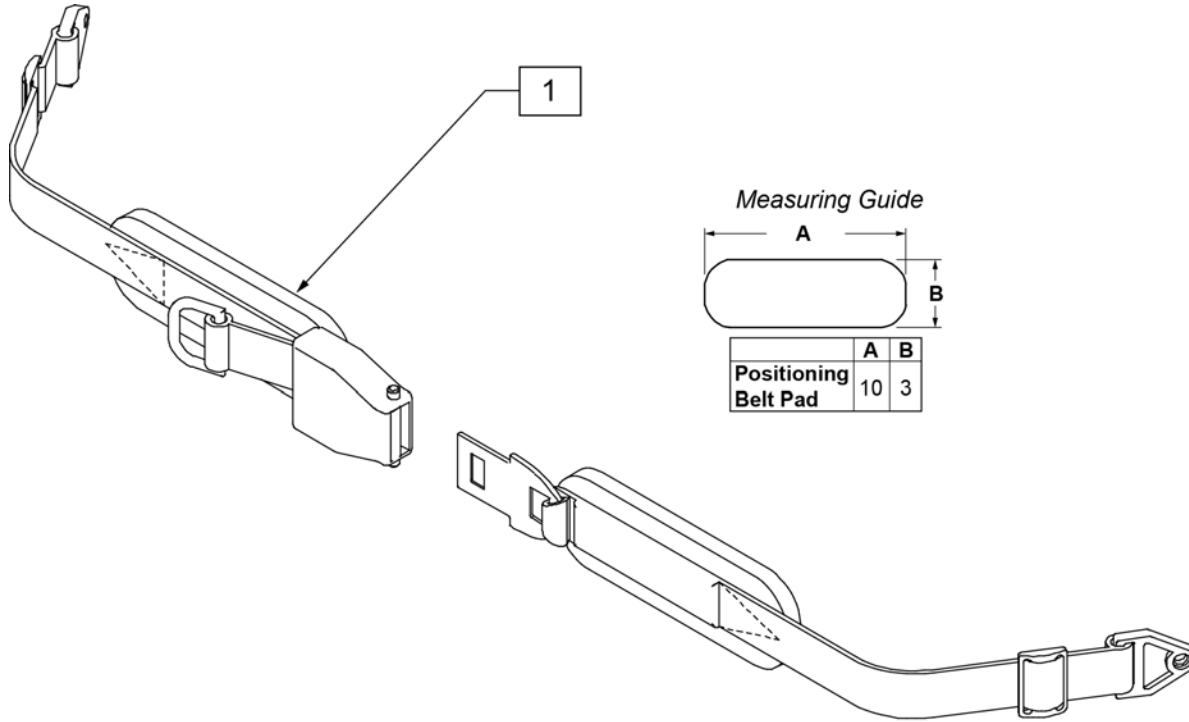
NOTE: when mounting Positioning Belts to the GT or GTI, it is recommended to attach the belt by using the Backrest Support Bracket Hardware.



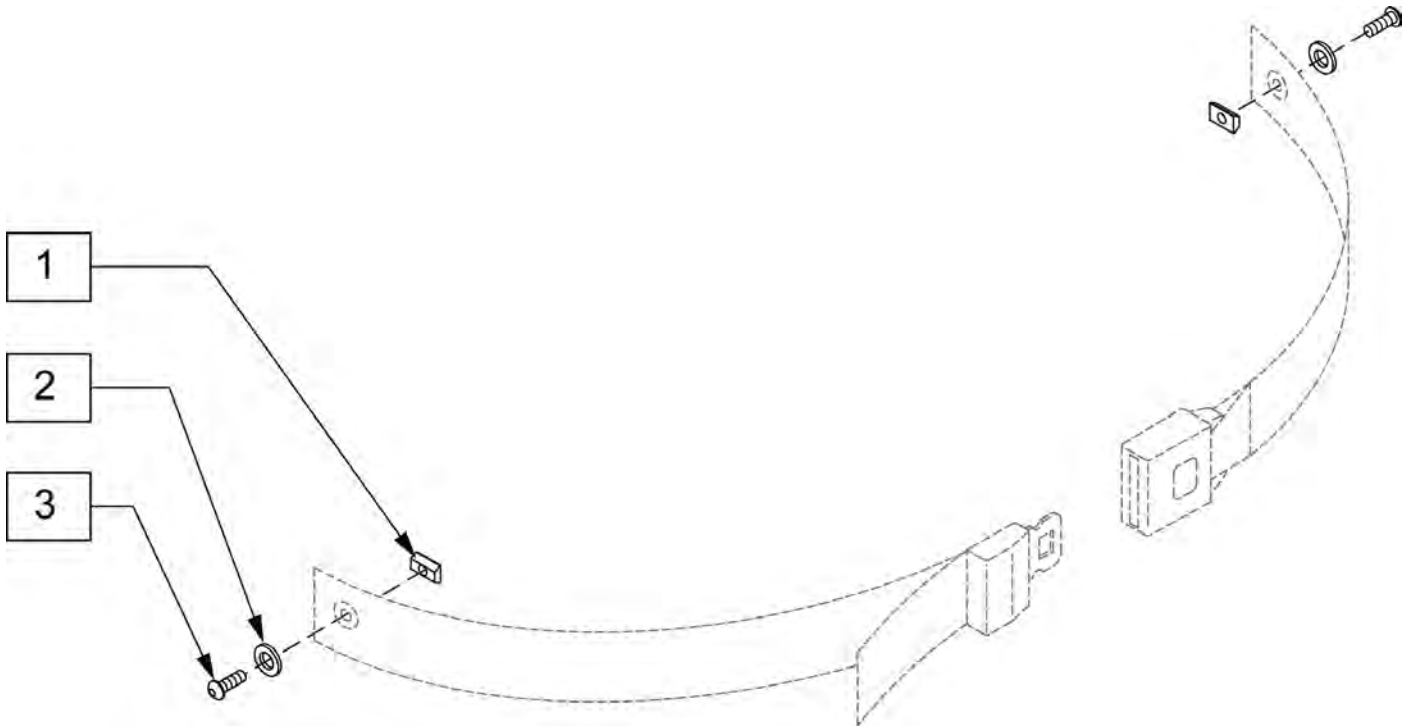
Pos.	Item Number	Description	Remarks
1	750276	1 1/2" POSITION BELT	AUTOSTYLE-64" Max length of belt.

Note: Some items listed may not be available with every chair model or in conjunction with another chair feature .

NOTE: when mounting Positioning Belts to the GT or GTI, it is recommended to attach the belt by using the Backrest Support Bracket Hardware.

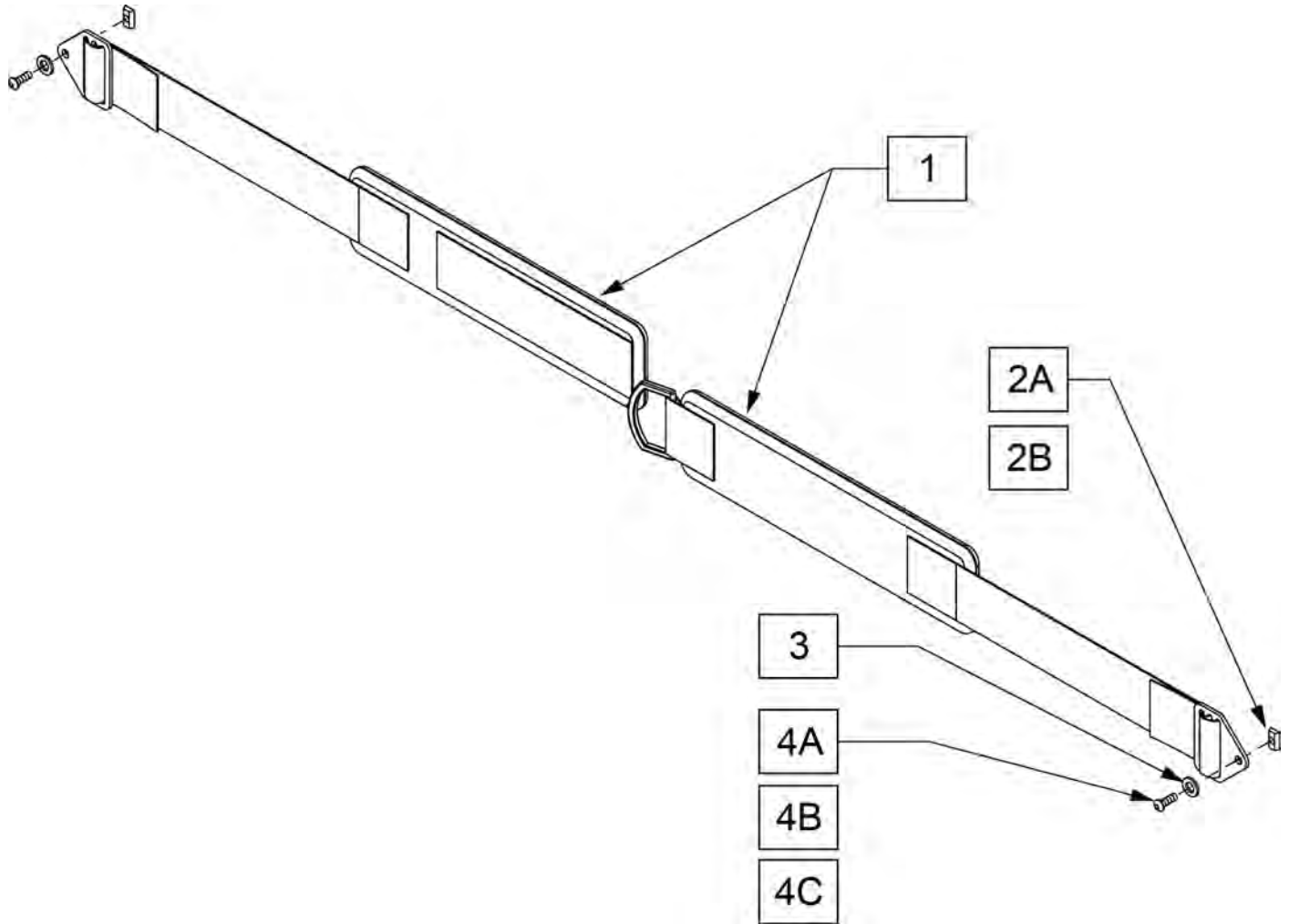


Pos.	Item Number	Description	Remarks
1	450418-QU	BELT 2" AIRCRAFT BUCKLE	Max length of belt 64"
1	450423-QU	BELT 2" AIRCRAFT BUCKLE W/PAD	Max length of belt 64"
1	450424	BELT 2" AIRCRAFT BKL LONG W/PAD	Max length of belt 72"
1	450425	BELT 2" AIRCRAFT BKL LONG	Max length of belt 72"
1	450419-QU	BELT 2" AIRCRAFT BKL W/QUAD LP	Max length of belt 64"
1	468419	BELT 2" AIRCRT BKL W/QD LPCZ	Max length of belt 64"

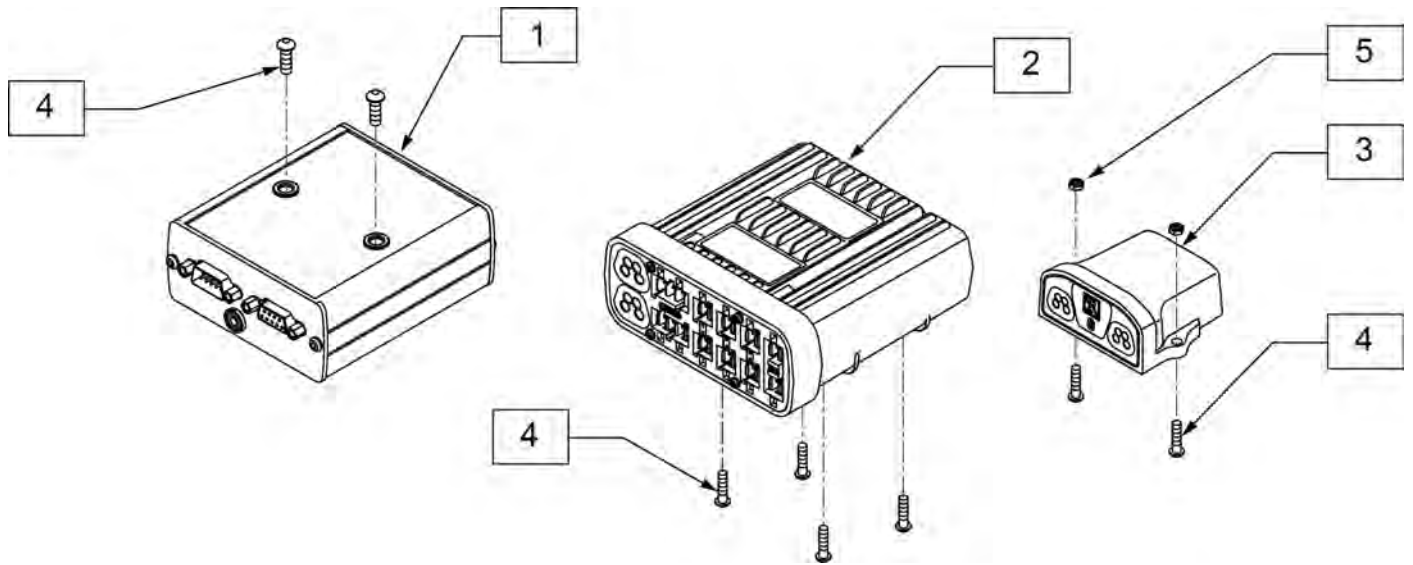


Pos.	Item Number	Description
1	010065	M6 CHANNEL NUT
2	250104	WASHER FLAT M6
3	102262-001	BHCS M6X1X8 FULL PL

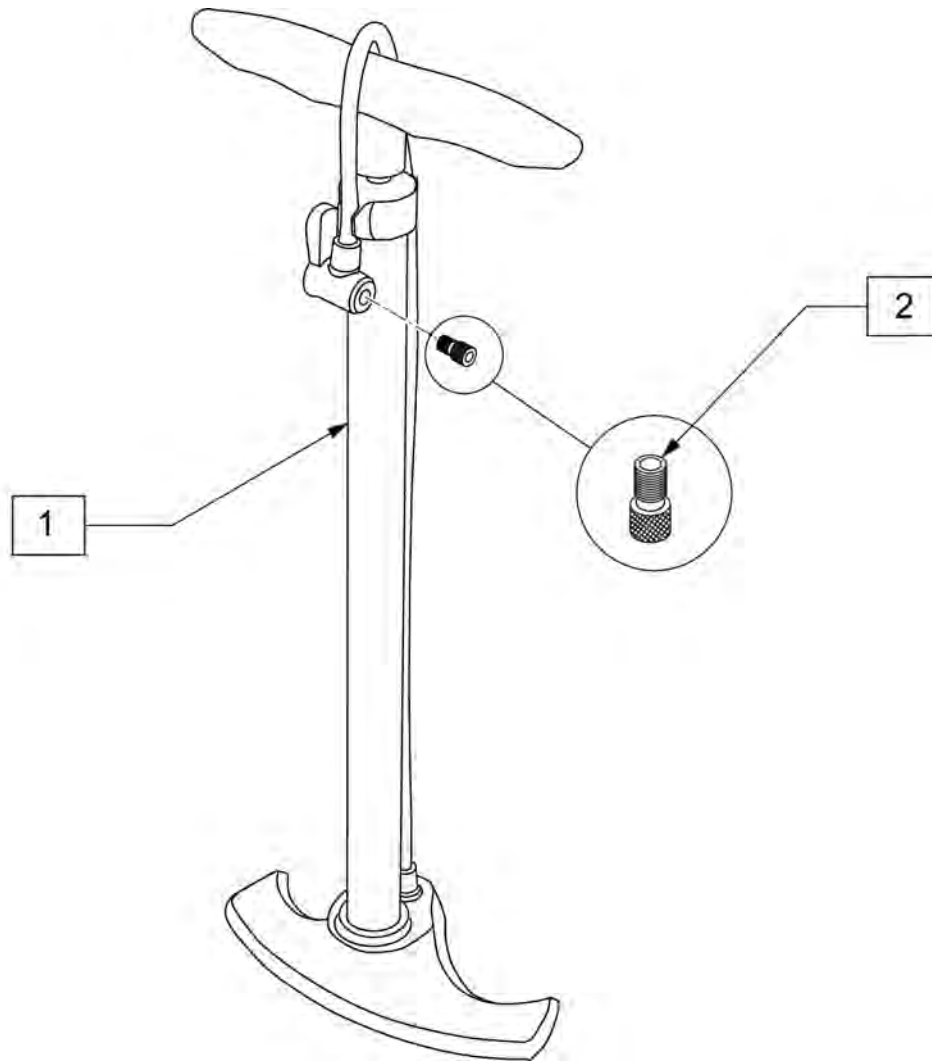
Note: Chest strap is 2" wide and will adjust from 30" to 53" long.



Pos.	Item Number	Description	Remarks
1,2A,3,4A	106429	CHEST STRAP 2" VELCRO CLOSURE	Used w/SPO Backrest only
2B	010065	M6 CHANNEL NUT	Used w/Trad Rehab and Power Recline only
3	250104	WASHER FLAT M6	Used w/Trad Rehab and Power Recline only
4A	226060	1/4-20 X 3/8 BHCS	Used w/SPO Backrest only
4B	226074	1/4-20 X 1/2 SOC C/S	Used w/Curved Backrest only
4C	102262-001	BHCS M6X1X8 FULL PL	Used w/Trad Rehab and Power Recline only
1,4B	112713	CHEST STRAP 2" CURVED BACK	Used w/Curved Backrest only
1,2B,3,4C	112714	CHEST STRAP 2" TRAD BACK	Used w/Trad Rehab and Power Recline only



Pos.	Item Number	Description
1	108217B	MDLE OUTPUT IND BOX
2	122194	MODULE INTEL ST W/O LIGHTS
3	108218	MDLE BLUETOOTH IND BOX
4	103184-003	BHCS M5X0.8X10 FULLPL
5	220121	NUT HEX NYLOCK M5 BLACK



Pos.	Item Number	Description
1	389050	TIRE PUMP
2	381230	VALVE ADAPTER PRESTA