



Rhythm

PARTS MANUAL

(RTM-DEL)
JANUARY 2017

Sunrise Medical appreciates your business. For your ordering convenience, our Customer Service Representatives can be contacted at:

**To place orders:
(800)333-4000**

Quickie Technical Assistance:

You can reach our Technical Support Team by choosing prompt 1 followed by the # sign, then prompt 2 for Technical Support. Choose option 1 for Quickie Technical Support.

**For Assistance with a Web Order,
or to sign up for sunrisemedical.com
(800) 333-4000 Option 5**

**FOR YOUR CONVENIENCE YOU MAY PLACE ORDERS THROUGH
OUR WEBSITE OR BY FAX 24 HOURS A DAY:**

www.sunrisemedical.com

Fax: (800)300-7502

For easy reference please fill in your Customer Number and Sunrise Account Manager's name.

Customer Account Number _____
Ship to Account Number _____
Sunrise Account Manager _____

*Part prices and configurations or specifications of products included in this Parts Manual are subject to change without prior notice.

QUICKIE RHYTHM WITH DELPHI (Chairs w/ S/N Prefix RTM).....	1
DISCONTINUED LETTER	6
QUICKIE RHYTHM WITH DELPHI DISCONTINUED.....	6
BASE.....	6
FRAME.....	6
RHYTHM CHASSIS ANTI-PITCH ANTI-SWAY	7
RHYTHM SUSPENSION.....	8
RHYTHM TRANSIT KIT	10
SHROUDS	11
RHYTHM SHROUDS	12
MOTORS.....	13
RHYTHM MOTOR & MOUNT (DELPHI ELECTRONICS)	14
WHEELS	16
DRIVE WHEEL.....	17
CASTERS & FORKS.....	18
RHYTHM FRONT CASTER	19
RHYTHM REAR CASTER.....	21
SEATING AND POSITIONING.....	21
SEAT.....	21
SEAT CUSHION.....	21
SEAT CUSHION.....	22
SEAT TO BASE INTERFACE	23
SEAT ANGLE MODULE ASSEMBLY	24
AUTO-LATCH SEAT INTERFACE-RHYTHM	25
A.S.A.P. & S.P.O.T. SEAT INTERFACE.....	26
SEAT FRAME.....	26
ASAP FULL SEAT ASSM.....	27
ASAP SEAT FRAME COVER	28
SEAT BASE REHAB (15-24 WIDE)	29
SEAT BASE REHAB (12-14 WIDE)	32
RECLINE WITH POWER SHEER SEAT FRAME.....	33
SEAT BASE MANUAL RECLINE	35
PERFECT FIT SEAT PAN.....	36
POWERED SEATING	37
TILT	37
S.P.O.T. TILT	38
QUICKIE TILT MODULE	39
QUICKIE LIFT AND TILT COMBO.....	40
LIFT	41
QUICKIE LIFT MODULE	42
QUICKIE LIFT AND TILT COMBO.....	43
BACK.....	44
TRAD REHAB	44
FOLDING BACKREST	45
NON FOLDING BACKREST	49
REHAB SOLID BACK.....	53
KEIPER MANUAL RECLINE BACK.....	57
ASAP.....	59
ASAP SOLID BACK	60
ASAP BACK AND UPHOLSTERY	62
PERFECT FIT	62
CONTOUR POSTERIOR ADJUSTABLE BACK PAN.....	63
CONTOUR POSTERIOR ADJUSTABLE BACK CUSHION.....	64
POSTERIOR LATERAL POSITIONING BACK (DEEP CONTOUR).....	65
GENERAL PURPOSE BACK.....	67
ADJUSTABLE MANUAL RECLINE BACK.....	68
PUSH HANDLES.....	70
POWER RECLINE	70
RECLINE WITH POWER SHEER BACK ASSM.....	71
RECLINE WITH POWER SHEER BACKREST	73
PERFECT FIT POWER RECLINE BACK BASE.....	76
PERFECT FIT POWER RECLINE GAS SPRING.....	78
DISCONTINUED POWER RECLINE KITS	81
PERFECT FIT POWER RECLINE (DUAL KEIPER).....	81
QUICKIE PERFECT FIT POWER RECLINE	82
HEADREST.....	82
PERFECT FIT HEADREST.....	83
RECLINE WITH POWER SHEER HEADREST	84
HEADREST.....	85

LATERALS	87
TRADITIONAL SWING AWAY LATERALS.....	87
TRADITIONAL FIXED LATERAL	88
TRAD REHAB LATERAL PAD ASSEMBLY.....	89
LATERAL PAD ASSEMBLY.....	91
KNEE SUPPORTS.....	91
PF SWING AWAY KNEE SUPPORT.....	92
HANGERS & FOOTPLATES.....	93
HANGERS & EXTENSIONS.....	93
90 DEG FRONT MOUNT SWING AWAY HANGERS.....	94
65 SWING AWAY HANGER W/ FOOTPLATES.....	95
SWING AWAY HANGER ASSEMBLY.....	97
75 DEG TAPERED SWING AWAY HANGER.....	99
ELEVATING LEGREST.....	101
CENTER MOUNT FOOTREST (REHAB & POWER RECLINE).....	103
FIXED CENTER MOUNT FOOTREST (ASAP SEATING).....	105
PF CENTER MOUNT FOOTREST.....	106
HIGH MOUNT EXTENSION TUBE.....	108
POWER ELR/ALR.....	109
PERFECT FIT POWER ELR WITH ARTICULATION.....	110
PERFECT FIT POWER CENTER MOUNT ELR (NEW POWER RECLINE & PERFECT FIT).....	113
LEGREST ACTUATOR.....	117
ELR ALR KNEEPAD.....	118
FOOTPLATES.....	118
COMPOSITE FOOTPLATE.....	119
ADULT ANGLE ADJUSTABLE FOOTPLATE.....	121
KIDS ANGLE ADJUSTABLE FOOTPLATE EXT MOUNT.....	123
ONE PIECE ANGLE ADJ FOOTPLATE.....	125
ELR ALUMINUM FOOTPLATE.....	127
EXTENSION TUBE FOR ONE PIECE ANGLE ADJ FOOTPLATE.....	128
DOUBLE D FOOTREST EXTENSION TUBE "OLD STYLE".....	129
HANGER RECEIVERS.....	130
HANGER RECEIVER 15 -24 (PERFECT FIT&POWER RECLINE).....	131
HANGER RECEIVER 12-14.....	133
SWING AWAY HANGER RECEIVER.....	134
ARMREST & RECEIVERS.....	134
ASAP SEATING.....	134
ASAP ARMREST.....	135
TRADITIONAL REHAB SEATING.....	136
SINGLE POST ARMREST.....	137
SINGLE POST ARMREST RECEIVER.....	140
DUAL POST FIXED HEIGHT ARMREST.....	141
DUAL POST FLIP BACK ARMREST.....	143
DUAL POST FLIP BACK ARMREST RECEIVER.....	145
SINGLE POST HEIGHT ADJUSTABLE ARMREST (POWER PRODUCTS).....	146
RECLINE W/ POWER SHEAR SEATING.....	147
RECLINE WITH POWER SHEER ARMREST W/ DELPHI.....	148
PERFECT FIT SEATING.....	149
PF FLIPBACK ARMREST RHYTHM.....	150
MANUAL RECLINING ARMREST RECEIVERS.....	153
PF POWER RECLINE ARMREST RHYTHM.....	154
ELECTRONICS.....	155
MOTOR CONTROLLER & JOYSTICKS.....	155
100A DRIVE CONTROLS.....	156
70A DRIVE CONTROLS.....	158
OPTIONAL ELECTRONIC ACCESSORIES.....	159
PROGRAMMING OPTIONS.....	163
ACCESSORY ELECTRONIC MOUNTING - TRAD REHAB.....	164
TOGGLE SWITCH MOUNT (DUAL TOGGLE).....	166
OPTIONAL JOYSTICK HANDLES.....	168
JOYSTICK & DISPLAY MOUNTS.....	168
PERFECT FIT & TRAD REHAB MOUNTS.....	168
FIXED JOYSTICK MOUNT.....	169
SWING AWAY JOYSTICK MOUNT.....	170
MIDLINE JOYSTICK MOUNT.....	171
SWING AWAY QR-2 JOYSTICK MOUNT.....	172
REAR ATTENDANT MOUNT.....	174
REAR ED (electronic display) MOUNT.....	175
FIXED DISPLAY MOUNT.....	176
SWING AWAY ED (electronic display) MOUNT.....	177

ASAP MOUNTS	177
CONTROLLER MOUNTS	178
WIRING	178
ACTUATOR & SCM/ECM WIRING	179
RHYTHM WIRING.....	181
SPECIALTY CONTROLS.....	181
QUICKIE SIP N PUFF SYSTEM.....	182
ASL HEAD ARRAY PACKAGE.....	184
HMC MINI JOYSTICK.....	186
SWITCH-IT HEAD ARRAY PACKAGE	188
HMC MINI JOYSTICK HAND CONTROL	190
PROPORTIONAL HEAD CONTROL PACKAGE.....	192
PROPORTIONAL CHIN CONTROL PACKAGE.....	193
SPECIALTY CONTROL READY PACKAGE	194
SINGLE SWITCH DEVICES	195
BATTERIES	195
RHYTHM BATTERY.....	196
BATTERY CHARGER	196
OFF BOARD BATTERY CHARGERS.....	197
ACCESSORIES	197
TUFFAK TRAY(POWER CHAIRS)	198
VENT TRAY	198
VENT AND BATTERY TRAY (ARTICULATING) - PERFECT FIT	199
VENT AND BATTERY TRAY (ARTICULATING) - TRAD REHAB.....	201
VENT AND BATTERY TRAY (SMALL) - PERFECT FIT.....	203
VENT AND BATTERY TRAY (FIXED) - TRAD REHAB.....	205
VENT TRAY ARTICULATING-POWER RECLINE WITH POWER SHEER REDUCTION	207
SIDE GUARDS.....	208
SIDE GUARD	209
BAGS AND POUCHES	210
BACKPACKS AND SEAT POUCHES.....	211
POWER CORD POUCH	212
CASE LOGIC BAGS.....	213
CELL PHONE PACK.....	214
TIRE PUMP.....	215
AUTO BUCKLE POSITIONING BELTS	216
AIRCRAFT BUCKLE POSITIONING BELT.....	217
.....
Cover Page	218

improving people's lives



Dear Valued Customer,

As of **6/29/2012**, the sale of **Quickie Rhythm with Delphi** has been discontinued. In compliance with Sunrise Medical's policy, replacement parts will continue to be available until **6/28/2018**.

Effective **6/28/2018**, replacement parts for the **Quickie Rhythm with Delphi** will be obsolete and therefore no longer available for sale.

Sincerely,

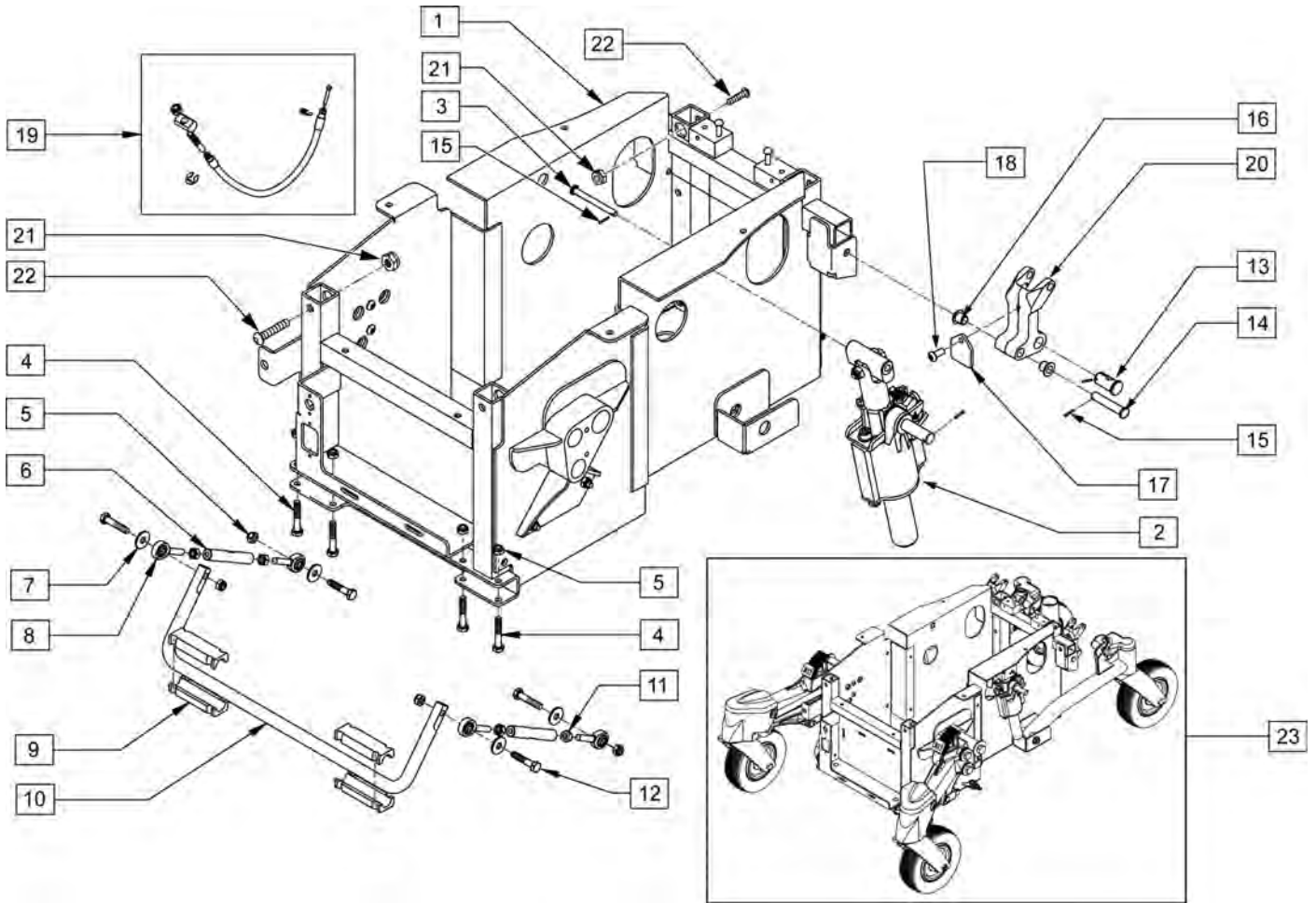
Sunrise Medical

6899 Winchester Circle, Suite 200 • Boulder, CO 80301 • USA

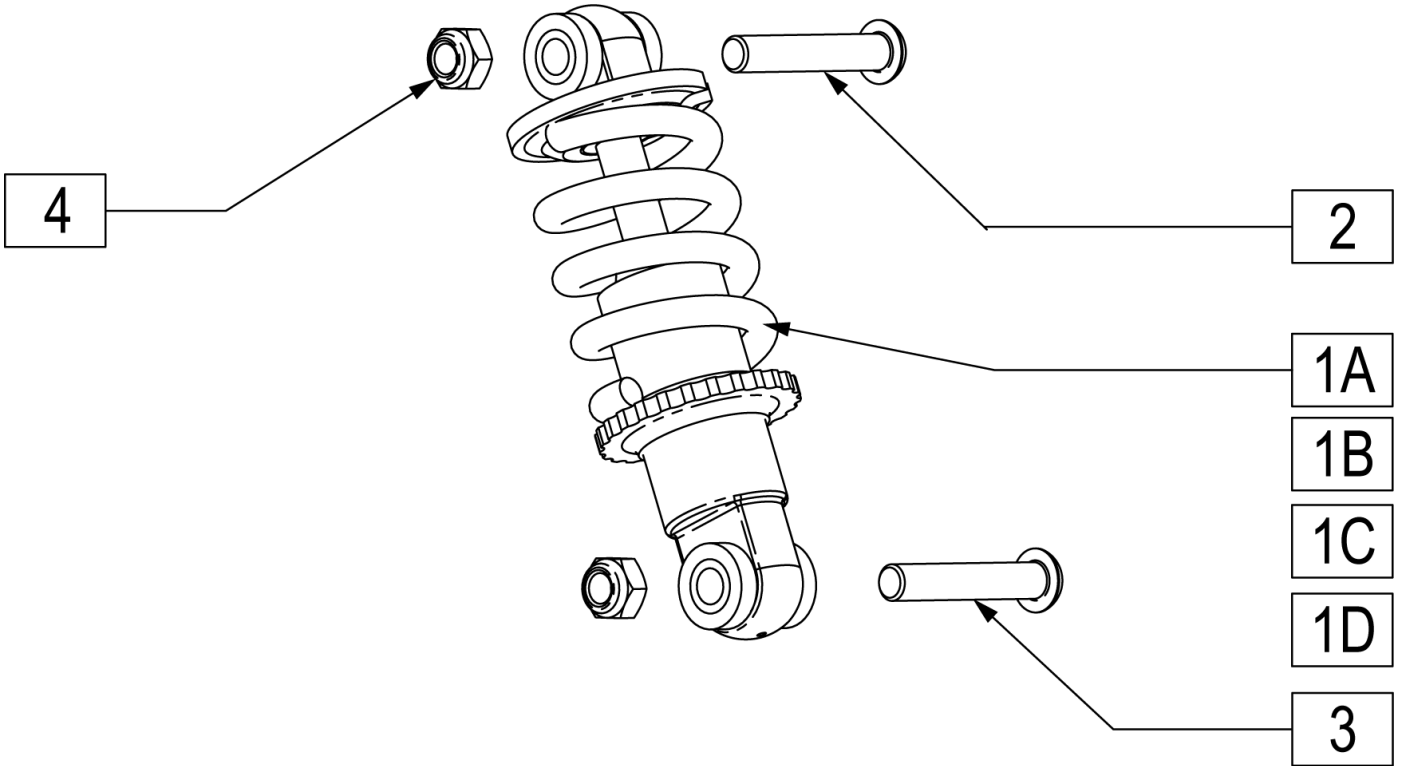
800.333.4000 www.SunriseMedical.com

Description

DISCONTINUED PRODUCT



Pos.	Item Number	Description
2	014183	ANTI PITCH ASSEMBLY RIGHT
2	014184	ANTI PITCH ASSEMBLY LEFT
4	234813	HHCS M6 X 1.0 X 35 10.9
5	210084	NUT HEX NYLOCK M6 BLACK
7	011111	WASHER M6 X 18 REGULAR BLK
10	506086	ANTI SWAY BAR
11	011485	NUT HEX PLAIN M6 CLASS 10 BLK
12	234816	HHCS M6 X 1.0 X 30 10.9
15	340032	1/16 X 1/2 COTTER PIN
18	013143	BHCS M5 X .8 X 14 BLK W/PL
19	014452	CHASSIS CABLE ASSM RHYTHM
21	102266	BHCS M8 X 1.25 X 35 INORGANIC
22	210085	NUT HEX NYLOCK M8 BLACK
4,5,7,8,11,12	101473	RHYTHM ANTI-PITCH HDR KIT
2,3,13-20	101337	ANTI-PITCH LOCKOUT RIGHT
2,3,13-20	101336	ANTI-PITCH LOCKOUT LEFT
4-12	013013	RHYTHM SWAY BAR ASSEMBLY
23	011411	RHYTHM BASE FRAME SUB ASSM

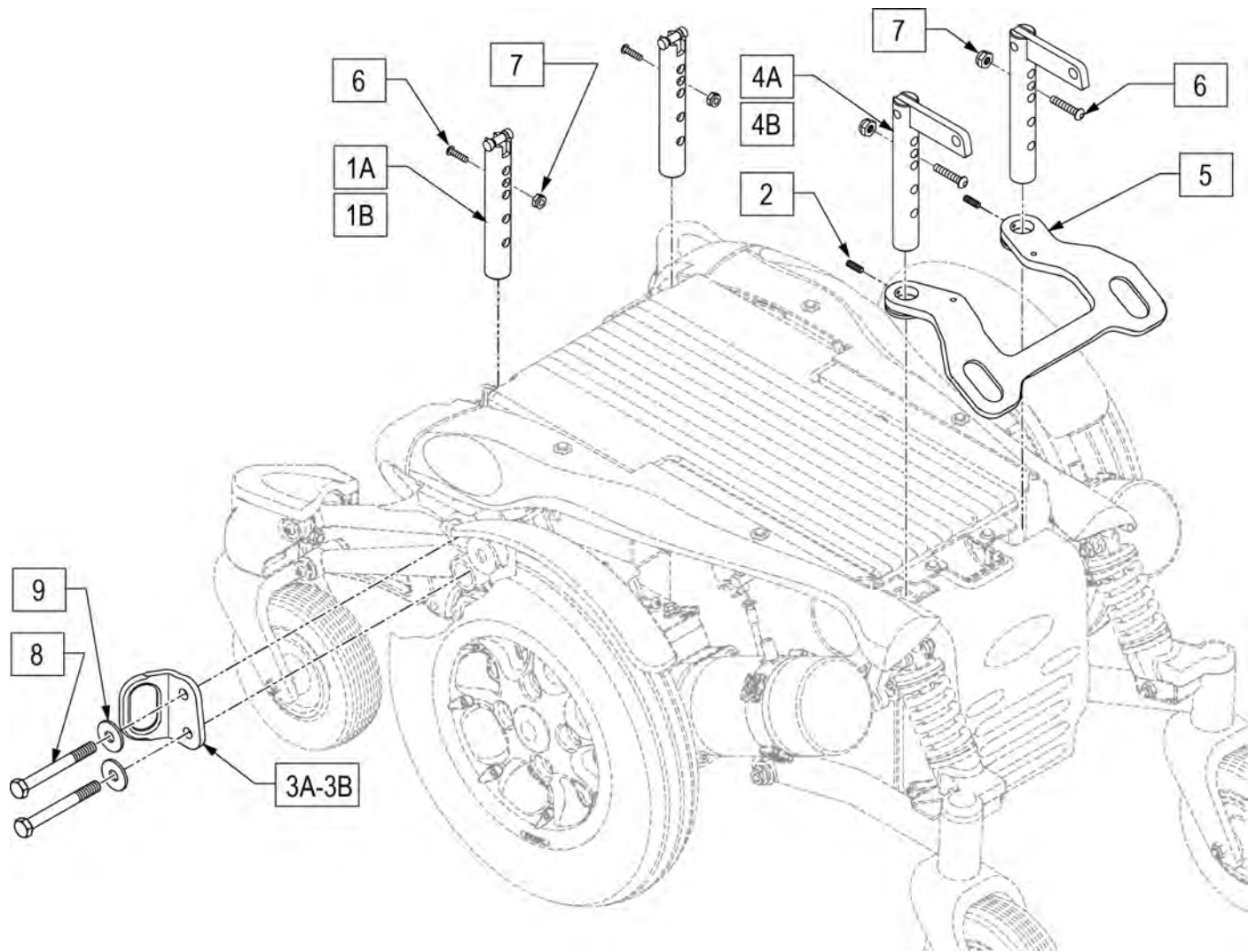


Pos.	Item Number	Description	Remarks
2	230123	BHCS M8 X 1.25 X 45	
3	230122	BHCS M8 X 1.25 X 40 BLK	
4	210085	NUT HEX NYLOCK M8 BLACK	
1A	011631-001	SHOCK ASSM RR RHYTHM 100LB-IN 63	0-300LBS USER WEIGHT
1B	011631-002	SHOCK ASSM RR RHYTHM 100LB-IN 57	300-400LBS USER WEIGHT
1C	011631-003	SHOCK ASSM RR RHYTHM 200LB-IN 63	W/VENT TRAY - 0-300LBS USER WEIGHT
1D	011631-004	SHOCK ASSM RR RHYTHM 200LB-IN 57	W/VENT TRAY - 300-400LBS USER WEIGHT

NOTE: See Rhythm Front Caster page for Front Transit attachment hardware.

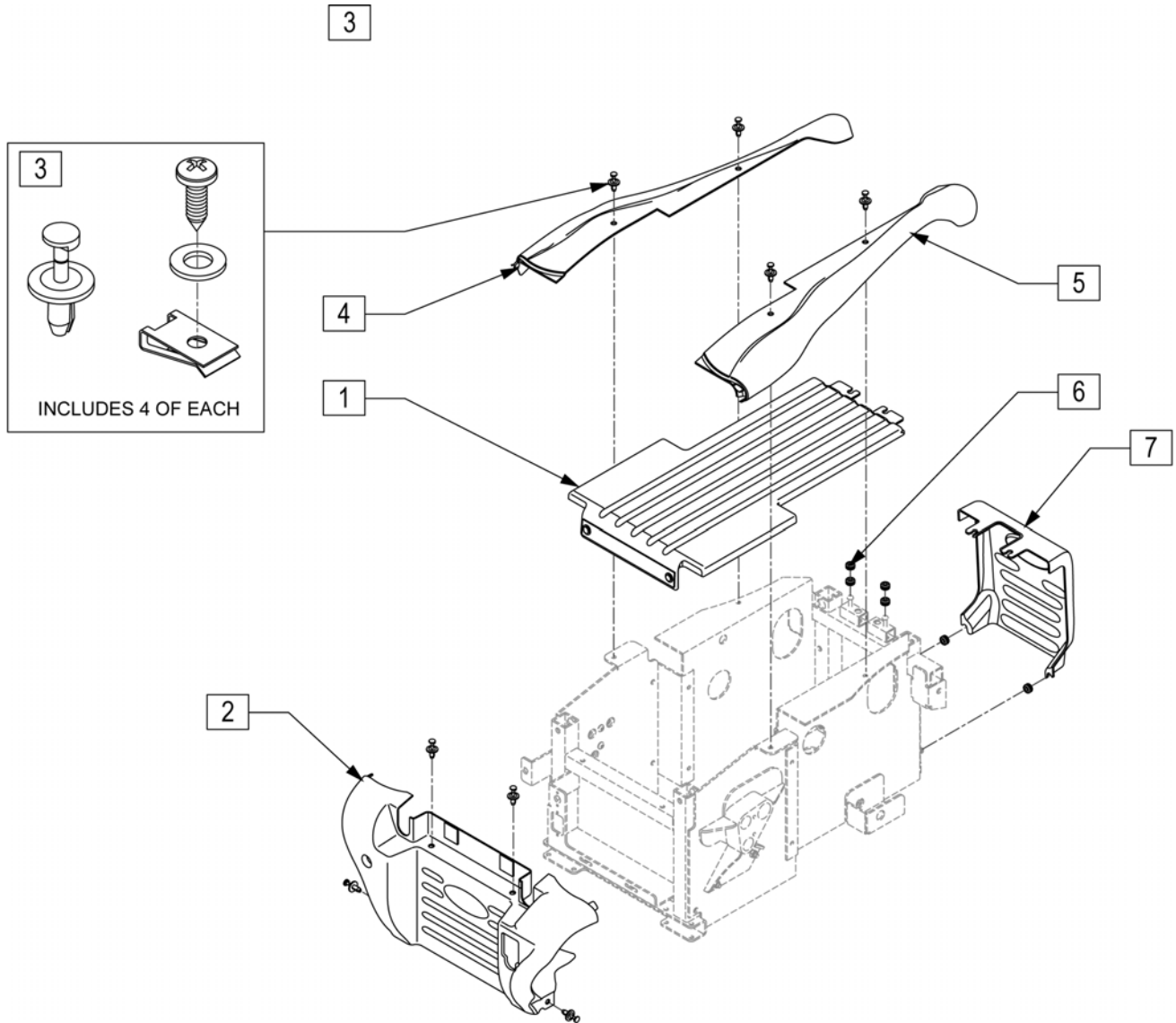
NOTE: If adding Transit Option to a Rhythm chair prior to s/n RTM-103407 the front Support Mounts must be upgraded.

NOTE: Transit Kit not available with Vent Tray.



Pos.	Item Number	Description	Remarks
1A	012753	SUPPORT MOUNT TRANSIT BRKT	Use prior to S/N RTM-103407
1B	013724	POST WELDMENT FRONT RHYTHM	Use after S/N RTM-103407 & with S/N prefix RTMA
3A	010618	BRCKT TRNST FRNT RIGHT PRMNT	Right
3B	010619	BRCKT TRNST FRNT LEFT PRMNT	Left
4A	012750	WELDMENT SUPPORT TRANSIT BRACKET	Use prior to S/N RTM-103407
4B	014704	WELDMENT POST REAR	Use after S/N RTM-103407 & with S/N prefix RTMA
6	011879	M4 X .7 X 5 MM SSS W/ PATCH	
7	210085	NUT HEX NYLOCK M8 BLK	
8	221206	BOLT HEX 10 X 1.5 X 100 10.9	
9	265164	WASHER FLAT M10.5 X 30 X 2.5 BLK	
1A,2,3A,3B,4A,5,6,8,9	101792	RHYTHM TRANSIT KIT	Use prior to S/N RTM-103407
2,3A,3B,5,6,8,9	102861	RHYTHM TRANSIT KIT	Use after S/N RTM-103407 & with S/N prefix RTMA

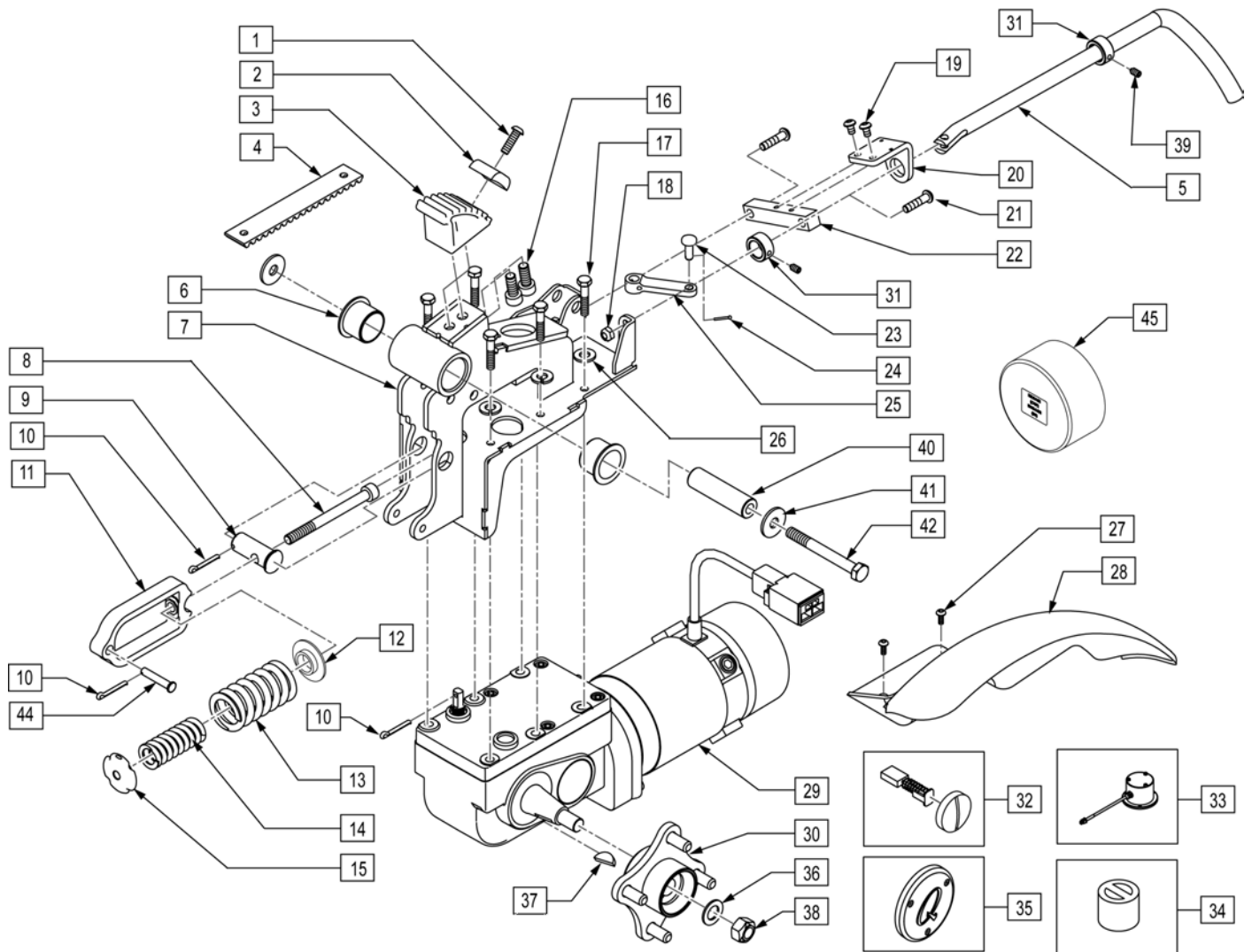
NOTE: FOR FENDER SHROUDS PLEASE SEE RHYTHM MOTOR AND MOUNT ASSEMBLY PAGE.



Pos.	Item Number	Description	Remarks
1	011614-001	TOP SHROUD WITH STRAP BLACK	
2	105655	SHRD FRNT BLACK W/ DECAL	
2	105656	SHRD FRNT BURGUNDY W/ DECAL	
2	105657	SHRD FRNT BLUE W/ DECAL	
3	101474	SHROUD FASTENER KIT	Pack of 4
4	105658	HRD RIGHT BLACK W/ DECAL	
4	105659	SHRD RIGHT BURGUNDY W/ DECAL	
4	105660	SHRD RIGHT BLUE W/ DECAL	
5	105665	SHRD LEFT BLACK W/ DECAL	
5	105666	SHRD LEFT BURGUNDY W/ DECAL	
5	105667	SHRD LEFT BLUE W/ DECAL	
6	101475	GROMMET RUBBER KIT	Pack of 6
7	105668	SHRD REAR BLACK W/ DECAL	
7	105669	SHRD REAR BURGUNDY W/ DECAL	
7	105670	SHRD REAR BLUE W/ DECAL	

Note: 499XXX (1st generation motors utilized the large plastic cap (item 45).

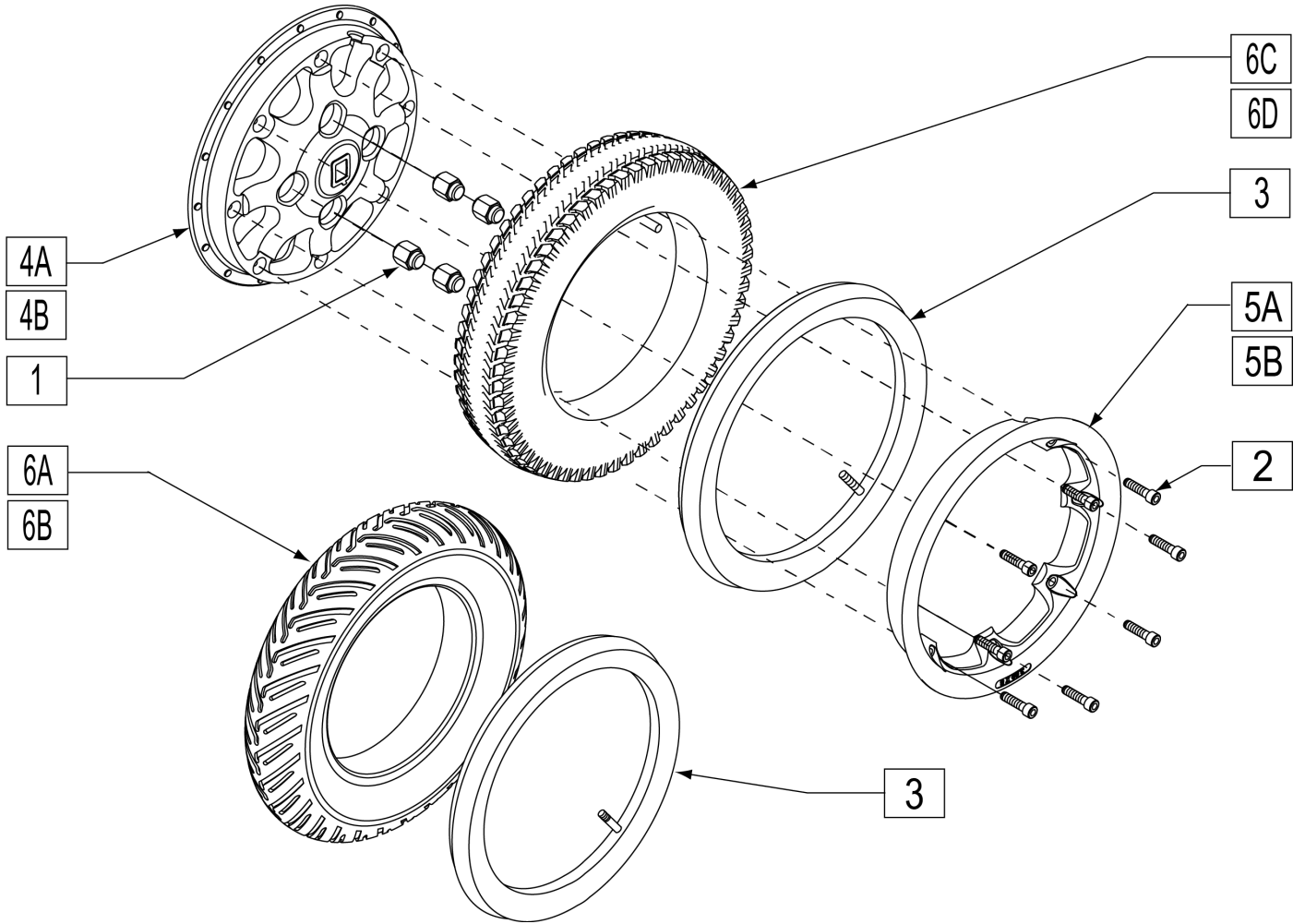
Note: 013XXX (2nd generation motors utilized the thin plastic cap (item 35).



Pos.	Item Number	Description	Remarks
1	230114	BHCS M6 X 1 X 20 W/PL	
2	010973	CLAMP BELT	
3	010962	PULLEY TOOTHED HPPD8 BELT	
4	010979	BELT CASTER LIFT HPPD8	
5	013761	LANYARD COG RELEASE FLAT NA	
6	349671	IGUS BEARING 2528-21	
7	012734	WELDMNT MNT MTR 4P R	Right
7	012735	WELDMNT MNT MTR 4P L	Left

Pos.	Item Number	Description	Remarks
8	234995	M8-90 SOC C/S BLK	
10	349065	1/8 X 1 COTTER PIN	
11	014632	CAGE SPRING SUSP	
13	010974	SPRING COMP 510	
14	013070	SPRING COMP 567 INNER	
15	011032	WASHER STEPPED SPRING	
16	230134	SHCS M8 X 1.25 X 16	
17	234816	M6 X 1.0 X 30 HHCS 10.9	
18	210084	NUT HEX NYLOCK M6 BLACK	
19	102259-001	BHCS M5 X .8 X 12 W/PL INORG	
20	011502	GUIDE BRKT COG RELEASE R	
20	011503	GUIDE BRKT COG RELEASE L	
21	102262-004	BHCS M6 X 1 X 25 W/PL	
22	011504	MOUNT BAR COG RELEASE	
23	011621	PIVOT PIN LANYARD COG RELEASE	
24	340032	1/16 X 1/2 COTTER PIN	
25	014460	LEVER MOTOR COG RELEASE 22.5	
26	262122	1/4" WASHER LOCK ZN	
27	102262-001	BHCS M6X1X8 FULL PL	
28, 27	105190-001	FENDER RHYTHM L BLACK KIT	
28, 27	105190-002	FENDER RHYTHM L RED KIT	
28, 27	105190-003	FENDER RHYTHM L BLUE KIT	
28, 27	105199-001	FENDER RHYTHM R BLACK KIT	
28, 27	105199-002	FENDER RHYTHM R RED KIT	
28, 27	105199-003	FENDER RHYTHM R BLUE KIT	
29	013551	MTR/GBX LS LION 4PL ENC ADP A	LEFT-USED W/ 5.0/6.5 MPH PKG
29	013552	MTR/GBX LS LION 4PL ENC ADP B	RIGHT-USED W/ 5.0/6.5 MPH PKG
30,36-38	014354	HUB ASSM W/HDWR	
31,39	105207	COLLAR STOP COG RELEASE	
32	014819	BRUSH KIT AMT 4 POLE MTR	INCLUDES 4 BRUSHES & CAPS Used w/ 2nd Generation 013xxx series Rhythm Motors.
32	014818	BRUSH KIT 499*** MOTORS	INCLUDES 4 BRUSHES & CAPS Used w/ 1st Generation 499xxx series Rhythm Motors.
34	101916	COUPLING ENCODER/MOTOR	Used to interface Intellidrive Encoder with motor

Pos.	Item Number	Description	Remarks
35	104752	Q MOTOR END CAP	Used w/ 2nd Generation 013xxx series Rhythm Motors.
36	264101	1/2 WASHER HARDENED FLAT	
37	341269	#606 WOODRUFF KEY STEEL	
38	210002	M12 X 1.75 ALL MTL PREV TRQ NT	
39	014079	M5X.8X4 SET SCREW CUP POINT	
40	506089	MOTOR PIVOT SHAFT	
41	265165	WASHER FLAT M13X37X3 BLK	
42	221207	BOLT HEX 12 X 1.75 X 90 10.9	
43	011885	7/64" X 1" COTTER PIN	
44	011401	PIN PIVOT SPRING ASSM	
1,2,4	101279	CASTER BELT ASSEMBLY	
8-15	014191	SPRING ASSMEMBLY	
3-7,10,16-26,29, 30,31,36-39,43	014189	MOTOR ASSEMBLY 154RPM 4POLE	RIGHT-USED W/ 5.0/6.5 MPH PKG
3-7,10,16-26,29, 30,31,36-39,43	014190	MOTOR ASSEMBLY 154RPM 4POLE	LEFT-USED W/ 5.0/6.5 MPH PKG
1,10,16-19,21,24, 26,27	101482	RHYTHM MOTOR MOUNT HDWR KIT	
5,10,18-25,31,39	105217	COG REL RHYTHM ASSM R	Right
5,10,18-25,31,39	105218	COG REL RHYTHM ASSM L	Left
33,34	101915	ENCODER/COUPLING ASSM	
33,34	101917	ENCODER RETRO FIT KIT	COMES W/ 2 ENCODERS, 2 COUPLINGS, AND INSTRUCTIONS.
45	111660	BRAKE CAP ASSM 499 SERIES MTRS	Used w/ 1st generation 499xxx series Rhythm motors

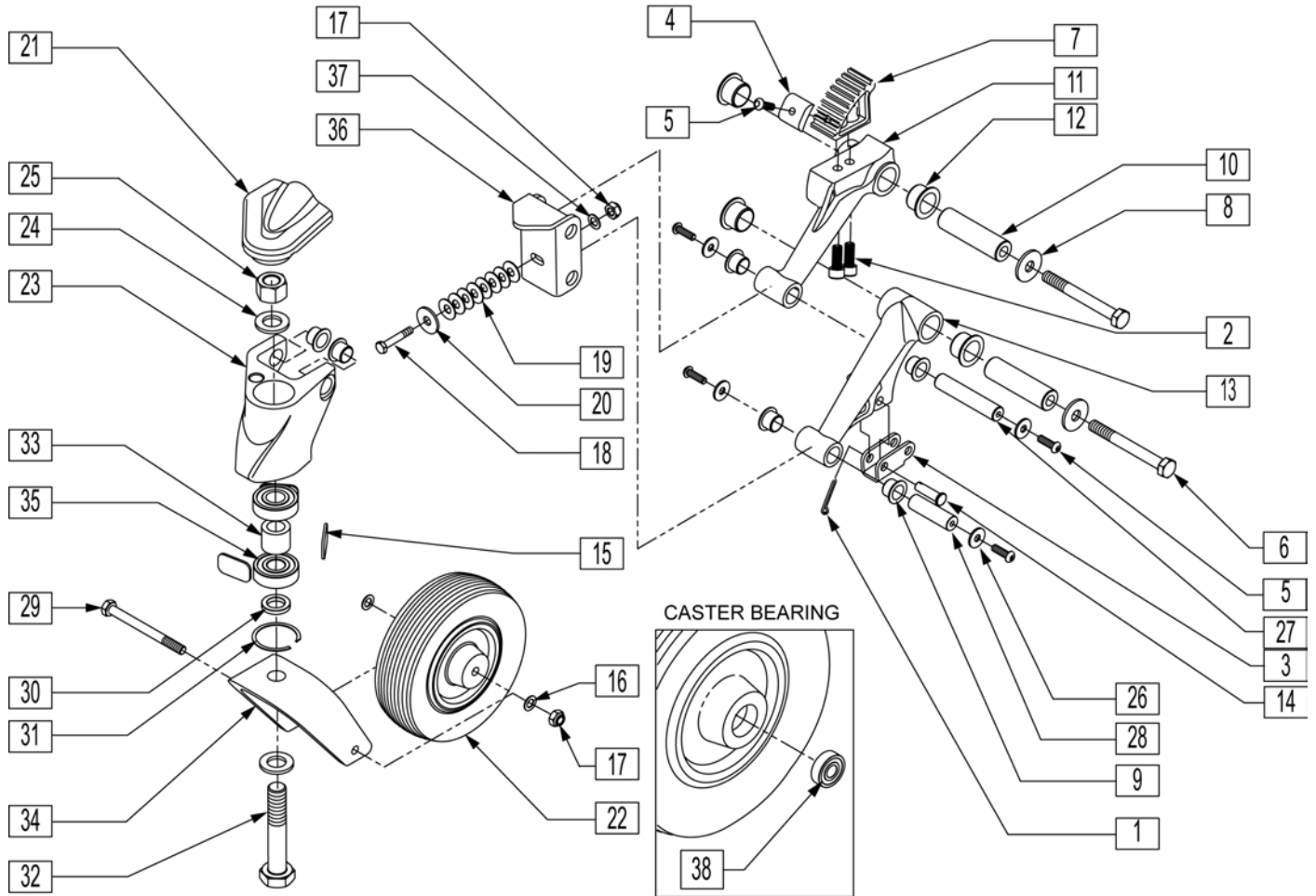


Pos.	Item Number	Description	Remarks
1	200135	CONICAL LUG NUT	
2	221116	1/4-20 X 1 SOC HD BLK	
3	384739	INNER TUBE 14"X 3" 90D STEM	
4A	400782	INNER WHEEL 8 SPOKE CAST	
4B	400786	INNER WHEEL 8 SPOKE GLOSS BLACK	
5A	400784	OUTER WHEEL WIDE CAST	
5B	400785	OUTER WHEEL CHROME	
6A	384520	3.00 X 8" PNEUMATIC V GROOVE TIRE	
6B	384262	3.00 X 8" V-GROOVE W/INSRT 5 SPK	
6C	384709	TIRE PNEU 14" X 3" (KNOBBY)	
6D	384261	3.00 X 8" KNOBBY W/INSRT 5 SPK	
2-3,4A,5A,6C	762086	WHL 8 SPK 3x8 KNOB PNEU CAST	CAST WHEEL, PNEUMATIC GREY TIRE
2,4A,5A,6D	124579	WHL 8 SPK 3x8 KNOB DD CAST	CAST WHEEL, GREY TIRE, SOLID INSERT
2-3,4B,5B,6C	762092	WHL 8 SPK 3x8 KNB PNU BLK & CHROME	BLACK & CHROME WHEEL, PNEUMATIC GREY TIRE
2,4B,5B,6D	124578	WHL 8 SPK 3X8 KNB DD BLACK	BLACK & CHROME WHEEL, GREY DUAL DENSITY TIRE, SOLID INSERT
1,2	101531	DRIVE WHEEL HDWR KIT	INCLUDES QTY 4 OF ITEM 1 AND QTY 8 OF ITEM 2

RHYTHM FRONT CASTER

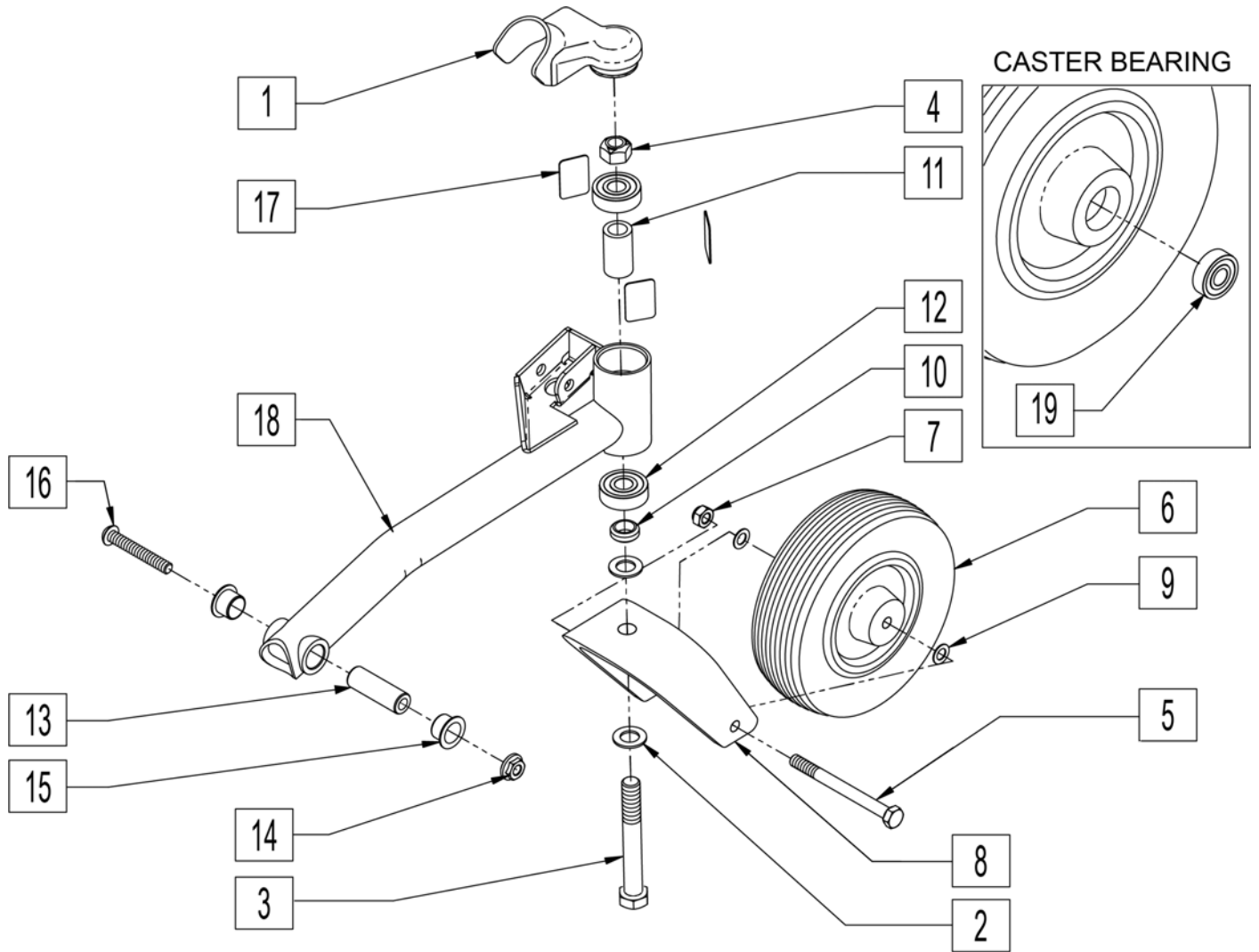
[09/2011]

NOTE: Hardware Kit contains qty 1 of items 1,4,5 & 14; qty 2 of items 2,6 & 8; qty 4 of item 26.

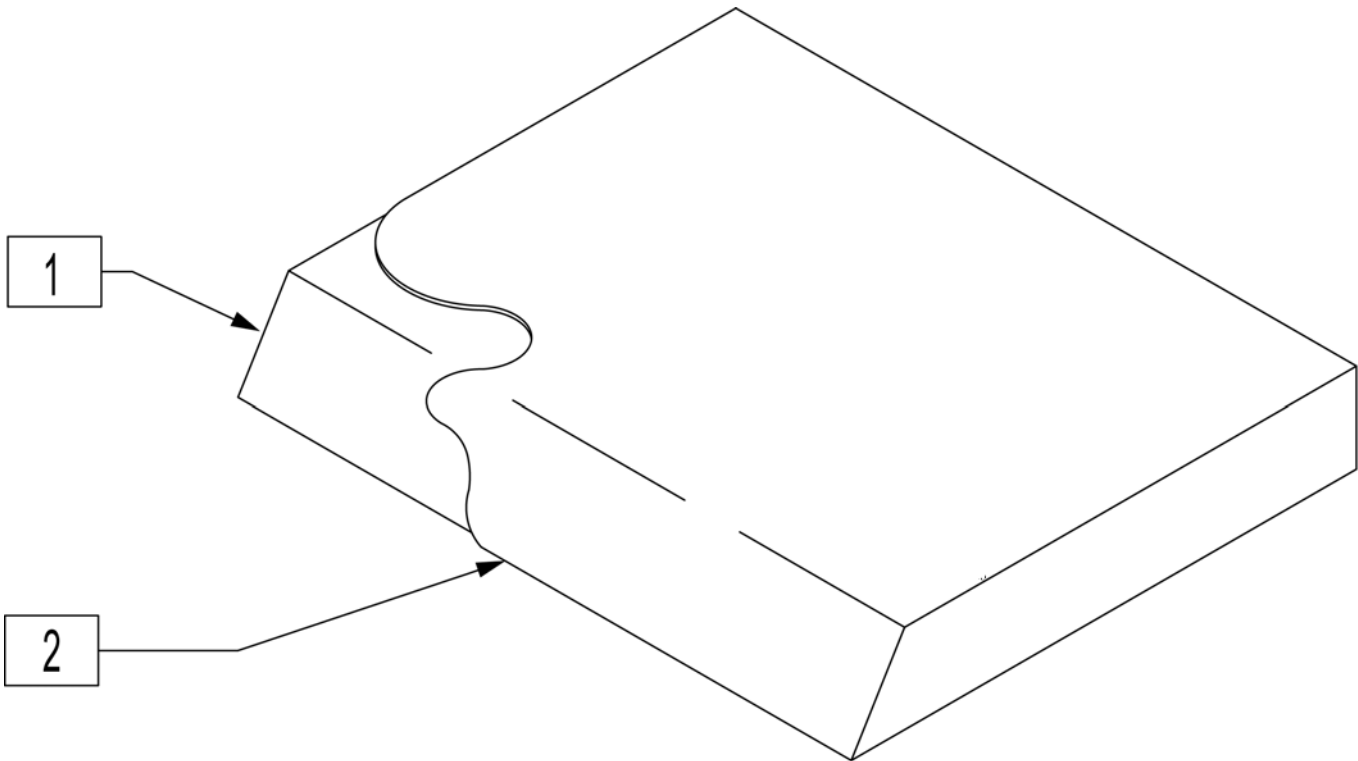


Pos.	Item Number	Description	HCPC	Remarks
1	011885	7/64" X 1" COTTER PIN		
2	013158	SHCS M8 x 1.25 x 20 BLK W/PL		
4	010973	CLAMP BELT		
5	230114	BHCS M6 x 1 x 20 W/PL		
7	010962	PULLEY TOOTHED HPPD8 BELT		
21	506242	CAP FRONT CASTER HOUSING		RIGHT
21	506243	CAP FRONT CASTER HOUSING		LEFT
22	400735	WHEEL CASTER 6 x 2 SOLID	K0077	
29	010517	M8 X 1.25 X 90 HHCS GD 10.9		
30	481480	CASTER FORK SPACER		
35	349542	BEARING BALL 6203-2RS-16		
36	011622	WELDMENT CASTER TRANSFER PLATE		
38	349502	7/8 X 5/16 BEARING		
9,15,23, 31,33,35	014192	FRONT CASTER HOUSING		RIGHT
9,15,23, 31,33,35	014193	FRONT CASTER HOUSING		LEFT
2,7,9, 11,12	014194	FRONT UPPER LINK KIT		RIGHT
2,7,9, 11,12	014364	FRONT UPPER LINK KIT		LEFT

Pos.	Item Number	Description	HCPC	Remarks
1,3,13, 14	014195	FRONT LOWER LINK KIT		RIGHT
1,3,13, 14	014365	FRONT LOWER LINK KIT		LEFT
16,17,22, 24,25,32, 34	101522	RHYTHM FRONT CASTER KIT		
1,2,4-6, 8,14,26	101523	RHYTHM FRONT CASTER HDWR KIT		
1,5,8, 14,26	101958	RHY LNK FRONT SUSP HDWR KIT		
16, 17, 22, 29	014197	CASTER WHEEL ASSEMBLY		
17-20, 36,37	101960	RHY CASTER TRANSFER PLATE KIT		
21,24,25, 31,32,34	101961	RHY FRONT FORK & STEM KIT		RIGHT
21,24,25, 31,32,34	101962	RHY FRONT FORK & STEM KIT		LEFT
5,6,8-10,12,26-28	101964	RHY LNK FROT PIVOT & BUSNG KIT		KIT
5,6,8-10, 12,26-28	101964	RHY LNK FROT PIVOT & BUSNG KIT		

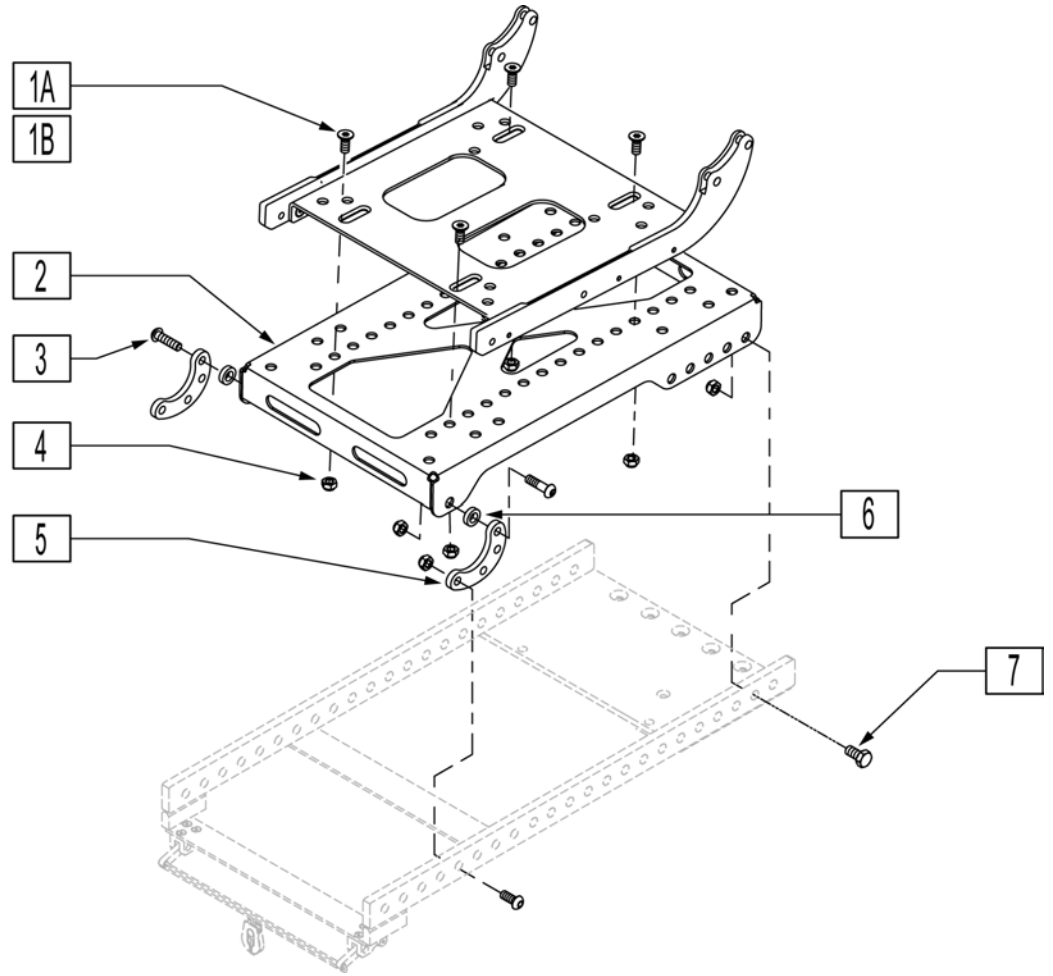


Pos.	Item Number	Description	HCPC	Remarks
1	506244	CAP REAR CASTER HOUSING		RIGHT
1	506245	CAP REAR CASTER HOUSING		LEFT
6	400735	WHEEL CASTER 6 x 2 SOLID	K0077	
12	349543	BEARING BALL 6201-2RS		
2-4,8	014196	CASTER FORK ASSEMBLY		
5-7,9	014197	CASTER WHEEL ASSEMBLY		
11-18	014198	CASTER ARM REAR STRUT ASSEMBLY		RIGHT
11-18	014199	CASTER ARM REAR STRUT ASSEMBLY		LEFT
5,7,9, 14,16	101481	REAR CASTER ASSM HDWR KIT		
19	349502	7/8 X 5/16 BEARING		



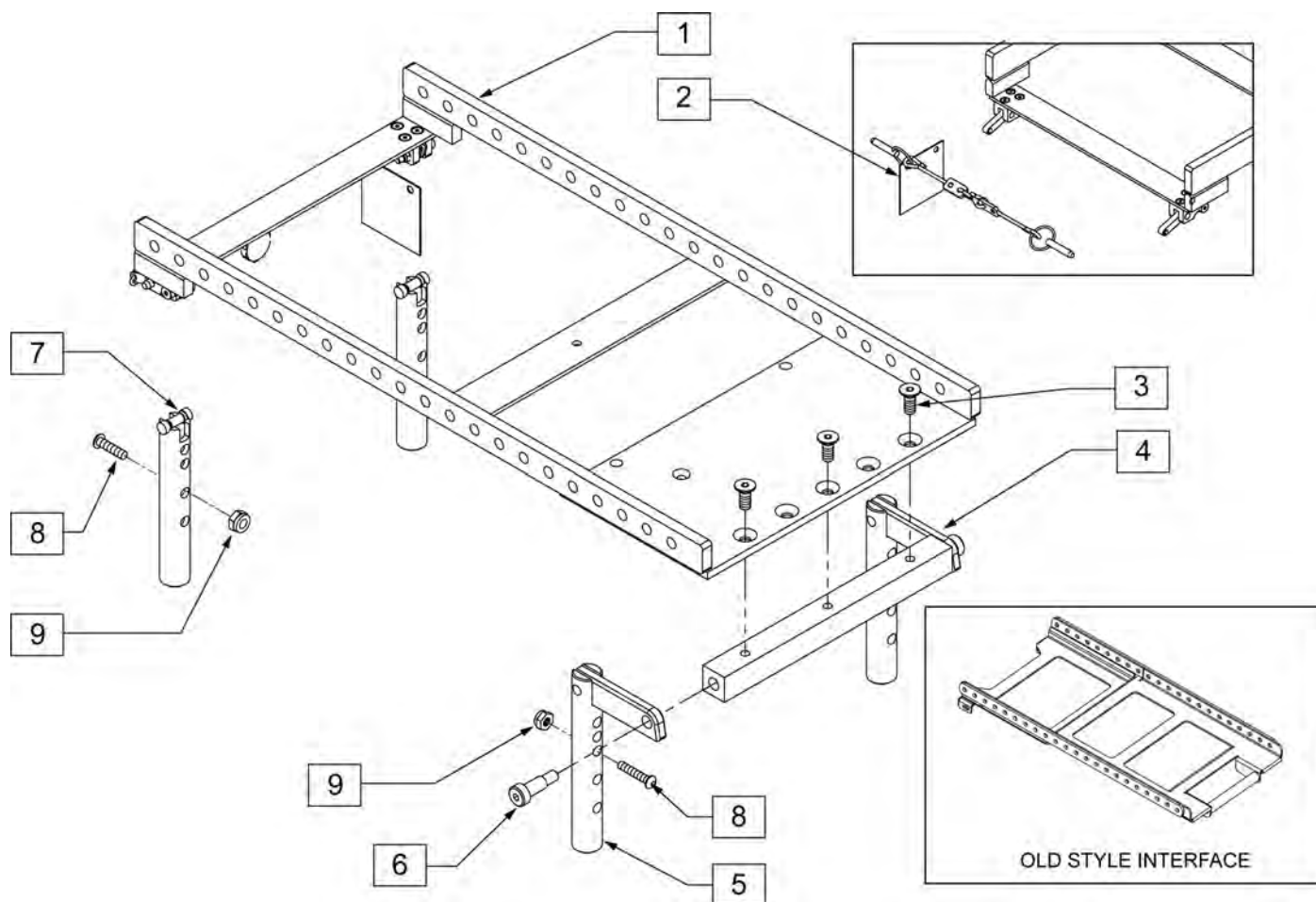
Pos.	Item Number	Description	Pos.	Item Number	Description
1-2	700122	SEAT CUSHION 12" X 12" X 2"	1-2	700402	SEAT CUSHION 15" X 12" X 2"
1-2	700132	SEAT CUSHION 12" X 13" X 2"	1-2	700412	SEAT CUSHION 15" X 13" X 2"
1-2	700142	SEAT CUSHION 12" X 14" X 2"	1-2	700422	SEAT CUSHION 15" X 14" X 2"
1-2	700152	SEAT CUSHION 12" X 15" X 2"	1-2	700432	SEAT CUSHION 15" X 15" X 2"
1-2	700162	SEAT CUSHION 12" X 16" X 2"	1-2	700442	SEAT CUSHION 15" X 16" X 2"
1-2	700172	SEAT CUSHION 12" X 17" X 2"	1-2	700452	SEAT CUSHION 15" X 17" X 2"
1-2	700182	SEAT CUSHION 12" X 18" X 2"	1-2	700462	SEAT CUSHION 15" X 18" X 2"
1-2	700192	SEAT CUSHION 12" X 19" X 2"	1-2	700472	SEAT CUSHION 15" X 19" X 2"
1-2	700222	SEAT CUSHION 13" X 12" X 2"	1-2	700482	SEAT CUSHION 15" X 20" X 2"
1-2	700232	SEAT CUSHION 13" X 13" X 2"	1-2	700492	SEAT CUSHION 15" X 21" X 2"
1-2	700242	SEAT CUSHION 13" X 14" X 2"	1-2	702111	SEAT CUSHION 15" X 22" X 2"
1-2	700252	SEAT CUSHION 13" X 15" X 2"	1-2	700502	SEAT CUSHION 16" X 12" X 2"
1-2	700262	SEAT CUSHION 13" X 16" X 2"	1-2	700512	SEAT CUSHION 16" X 13" X 2"
1-2	700272	SEAT CUSHION 13" X 17" X 2"	1-2	700522	SEAT CUSHION 16" X 14" X 2"
1-2	700277	SEAT CUSHION 13" X 18" X 2"	1-2	700532	SEAT CUSHION 16" X 15" X 2"
1-2	700267	SEAT CUSHION 13" X 19" X 2"	1-2	700542	SEAT CUSHION 16" X 16" X 2"
1-2	700302	SEAT CUSHION 14" X 12" X 2"	1-2	700552	SEAT CUSHION 16" X 17" X 2"
1-2	700312	SEAT CUSHION 14" X 13" X 2"	1-2	700562	SEAT CUSHION 16" X 18" X 2"
1-2	700322	SEAT CUSHION 14" X 14" X 2"	1-2	700572	SEAT CUSHION 16" X 19" X 2"
1-2	700332	SEAT CUSHION 14" X 15" X 2"	1-2	700582	SEAT CUSHION 16" X 20" X 2"
1-2	700342	SEAT CUSHION 14" X 16" X 2"	1-2	700592	SEAT CUSHION 16" X 21" X 2"
1-2	700352	SEAT CUSHION 14" X 17" X 2"	1-2	702112	SEAT CUSHION 16" X 22" X 2"
1-2	700362	SEAT CUSHION 14" X 18" X 2"	1-2	700606	SEAT CUSHION 17" X 12" X 2"
1-2	700372	SEAT CUSHION 14" X 19" X 2"	1-2	700597	SEAT CUSHION 17" X 13" X 2"
1-2	700382	SEAT CUSHION 14" X 20" X 2"	1-2	700602	SEAT CUSHION 17" X 14" X 2"
1-2	700392	SEAT CUSHION 14" X 21" X 2"	1-2	700612	SEAT CUSHION 17" X 15" X 2"
1-2	702110	SEAT CUSHION 14" X 22" X 2"	1-2	700622	SEAT CUSHION 17" X 16" X 2"

Pos.	Item Number	Description	Pos.	Item Number	Description
1-2	700632	SEAT CUSHION 17" X 17" X 2"	1-2	702080	SEAT CUSHION 21" X 13" X 2"
1-2	700642	SEAT CUSHION 17" X 18" X 2"	1-2	702081	SEAT CUSHION 21" X 14" X 2"
1-2	700652	SEAT CUSHION 17" X 19" X 2"	1-2	702082	SEAT CUSHION 21" X 15" X 2"
1-2	700662	SEAT CUSHION 17" X 20" X 2"	1-2	702083	SEAT CUSHION 21" X 16" X 2"
1-2	700672	SEAT CUSHION 17" X 21" X 2"	1-2	702084	SEAT CUSHION 21" X 17" X 2"
1-2	702113	SEAT CUSHION 17" X 22" X 2"	1-2	702085	SEAT CUSHION 21" X 18" X 2"
1-2	700682	SEAT CUSHION 18" X 12" X 2"	1-2	702086	SEAT CUSHION 21" X 19" X 2"
1-2	700692	SEAT CUSHION 18" X 13" X 2"	1-2	702087	SEAT CUSHION 21" X 20" X 2"
1-2	700702	SEAT CUSHION 18" X 14" X 2"	1-2	702088	SEAT CUSHION 21" X 21" X 2"
1-2	700712	SEAT CUSHION 18" X 15" X 2"	1-2	702089	SEAT CUSHION 21" X 22" X 2"
1-2	700722	SEAT CUSHION 18" X 16" X 2"	1-2	702090	SEAT CUSHION 22" X 13" X 2"
1-2	700732	SEAT CUSHION 18" X 17" X 2"	1-2	702091	SEAT CUSHION 22" X 14" X 2"
1-2	700742	SEAT CUSHION 18" X 18" X 2"	1-2	702092	SEAT CUSHION 22" X 15" X 2"
1-2	700752	SEAT CUSHION 18" X 19" X 2"	1-2	702093	SEAT CUSHION 22" X 16" X 2"
1-2	700762	SEAT CUSHION 18" X 20" X 2"	1-2	702094	SEAT CUSHION 22" X 17" X 2"
1-2	700772	SEAT CUSHION 18" X 21" X 2"	1-2	702095	SEAT CUSHION 22" X 18" X 2"
1-2	702114	SEAT CUSHION 18" X 22" X 2"	1-2	702096	SEAT CUSHION 22" X 19" X 2"
1-2	700782	SEAT CUSHION 19" X 12" X 2"	1-2	702097	SEAT CUSHION 22" X 20" X 2"
1-2	700792	SEAT CUSHION 19" X 13" X 2"	1-2	702098	SEAT CUSHION 22" X 21" X 2"
1-2	700802	SEAT CUSHION 19" X 14" X 2"	1-2	702117	SEAT CUSHION 22" X 22" X 2"
1-2	700812	SEAT CUSHION 19" X 15" X 2"	1-2	011069	SEAT CUSHION 23" X 14" X 2"
1-2	700822	SEAT CUSHION 19" X 16" X 2"	1-2	011070	SEAT CUSHION 23" X 15" X 2"
1-2	700832	SEAT CUSHION 19" X 17" X 2"	1-2	011071	SEAT CUSHION 23" X 16" X 2"
1-2	700842	SEAT CUSHION 19" X 18" X 2"	1-2	011072	SEAT CUSHION 23" X 17" X 2"
1-2	700852	SEAT CUSHION 19" X 19" X 2"	1-2	011073	SEAT CUSHION 23" X 18" X 2"
1-2	700862	SEAT CUSHION 19" X 20" X 2"	1-2	011074	SEAT CUSHION 23" X 19" X 2"
1-2	700872	SEAT CUSHION 19" X 21" X 2"	1-2	011075	SEAT CUSHION 23" X 20" X 2"
1-2	702115	SEAT CUSHION 19" X 22" X 2"	1-2	011076	SEAT CUSHION 23" X 21" X 2"
1-2	700882	SEAT CUSHION 20" X 12" X 2"	1-2	011077	SEAT CUSHION 23" X 22" X 2"
1-2	700892	SEAT CUSHION 20" X 13" X 2"	1-2	702099	SEAT CUSHION 24" X 14" X 2"
1-2	700902	SEAT CUSHION 20" X 14" X 2"	1-2	702100	SEAT CUSHION 24" X 15" X 2"
1-2	700912	SEAT CUSHION 20" X 15" X 2"	1-2	702101	SEAT CUSHION 24" X 16" X 2"
1-2	700922	SEAT CUSHION 20" X 16" X 2"	1-2	702102	SEAT CUSHION 24" X 17" X 2"
1-2	700932	SEAT CUSHION 20" X 17" X 2"	1-2	702103	SEAT CUSHION 24" X 18" X 2"
1-2	700942	SEAT CUSHION 20" X 18" X 2"	1-2	702104	SEAT CUSHION 24" X 19" X 2"
1-2	700952	SEAT CUSHION 20" X 19" X 2"	1-2	702105	SEAT CUSHION 24" X 20" X 2"
1-2	700962	SEAT CUSHION 20" X 20" X 2"	1-2	702106	SEAT CUSHION 24" X 21" X 2"
1-2	700972	SEAT CUSHION 20" X 21" X 2"	1-2	702118	SEAT CUSHION 24" X 22" X 2"
1-2	702116	SEAT CUSHION 20" X 22" X 2"			

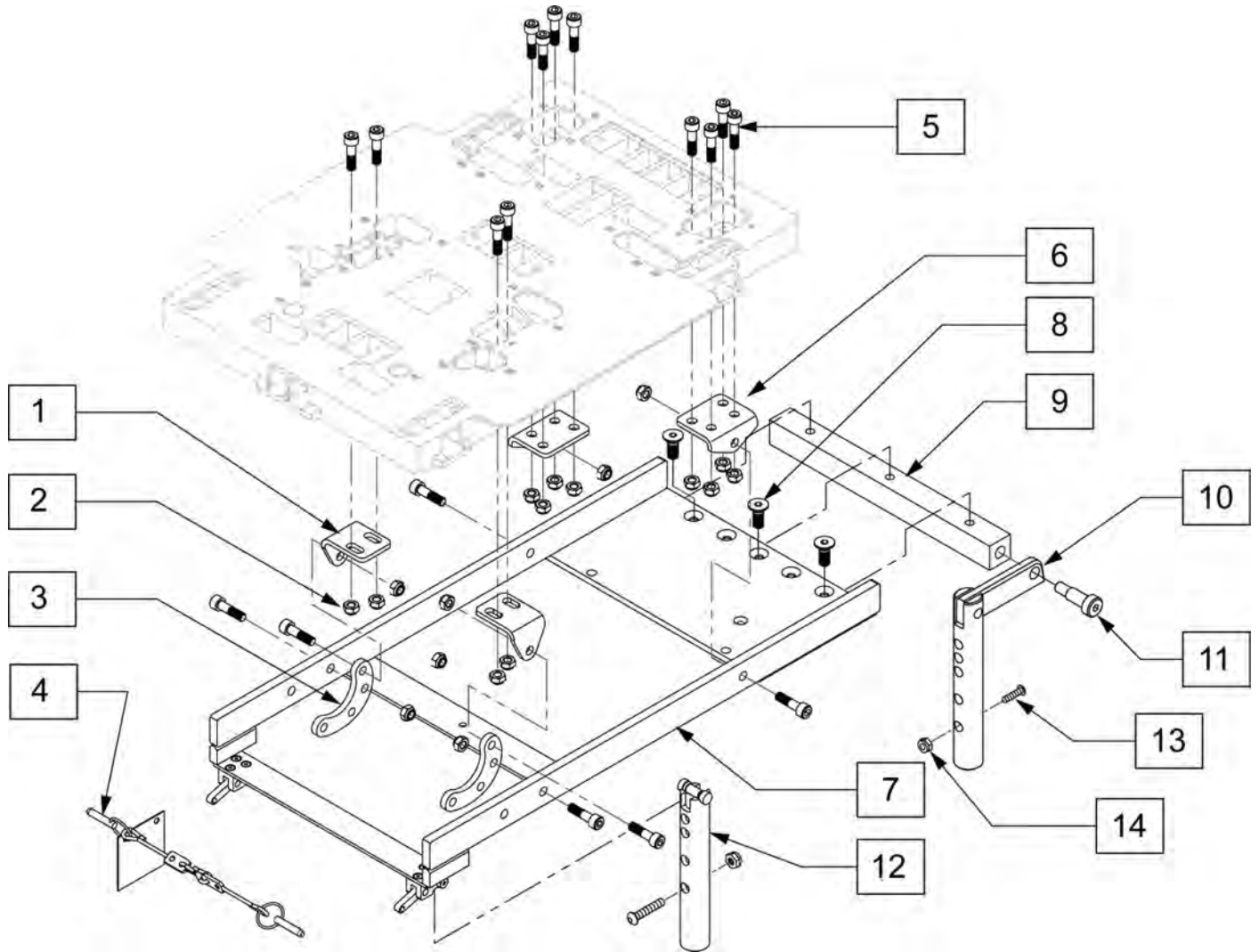


Pos.	Item Number	Description
1A	230129	FHCS M8 X 1.25 X 20 BLK W/PL (Perfect Fit)
1B	013149	BHCS M8 X 1.25 X 16 BLK W/PL (Rehab)
2	013338	PACKER MODULE
3	013355	HHCS M8 X 1.25 X 30 BLK
4	210085	NUT HEX NYLOCK M8 BLACK
5	524093	PACKER ADJ BRACKET
6	505562	ANTI TIP WHEEL SPACER S626
7	013923	HHCS M8 X 1.25 X 25 W PTCH
1A,3-7	101478	SEAT MODULE PF HDWR KIT
1B,3-7	101477	SEAT MODULE REHAB HDWR KIT

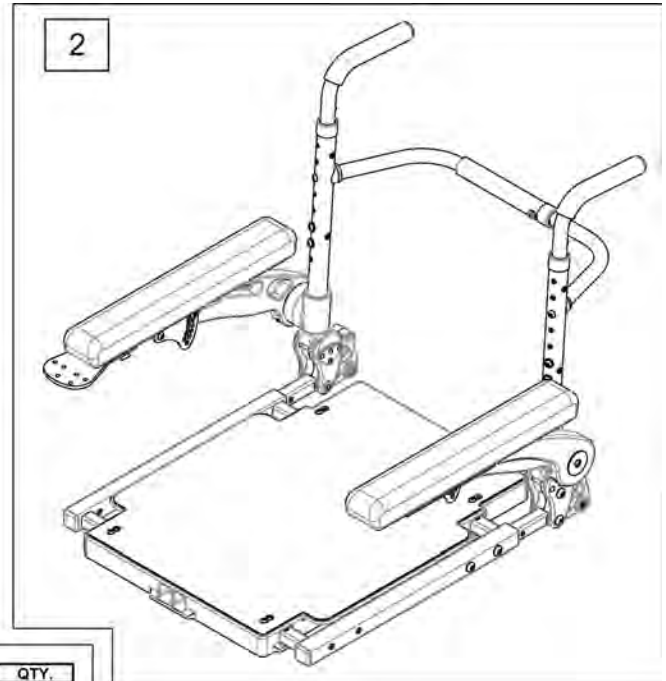
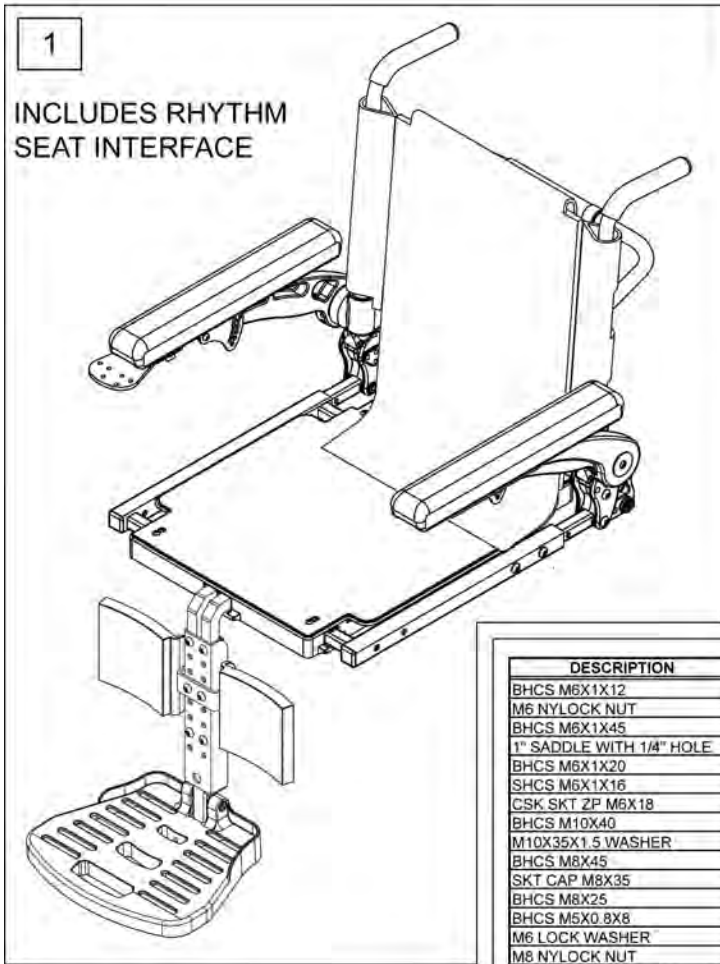
Note: if replacing prior to S/N RTM-103407 Interface Assembly 105220 must be purchased.



Pos.	Item Number	Description
1, 2	102659	INTERFACE ASSM RHYTHM & GROOVE
2	013728	PIN QUICK RELEASE .25 x .8 IN
3	230129	FHCS M8 x 1.25 x 20 W/ PL
4	014773-001	PIVOT BLOCK REAR RHYTHM
5	014704	WELDMENT POST REAR RHYTHM & GROOVE
6	011514-004	SHOULDER BOLT 10mm x 20 W/ PTCH
7	013724	POST WELDMENT FRONT RHYTHM
8	102266	BHCS M8 X 1.25 X 35 INORGANIC
9	210085	NUT HEX NYLOCK M8 BLK
1-7	105220	INTERFACE ASSM RHYTHM KIT



Pos.	Item Number	Description
1	103201	BRACKET FRONT NONTILT ASAP
2	210085	NUT HEX NYLOCK M8 BLACK
3	524093	PACKER ADJ BRACKET
4	013728	PIN QUICK RELEASE .25X.8IN
5	230135	SHCS M8 X 1.25 X 30
6	103199	BRACKET REAR NON-TILT ASAP
4, 7	103198	INTERFACE ASSY RHYTHM ASAP
8	230129	FHCS M8 X 1.25 X 20 W/PL
9	014773-001	PIVOT BLOCK REAR RHYTHM
10	014704	WELDMENT POST REAR RHYTHM GRV
11	011514-004	SHOULDER BOLT 10 MMX 20 W/PTCH
12	013724	POST WELDMENT FRONT RHTYHM
13	102266	BHCS M8 X 1.25 X 35 INORGANIC
14	210085	NUT HEX NYLOCK M8 BLK

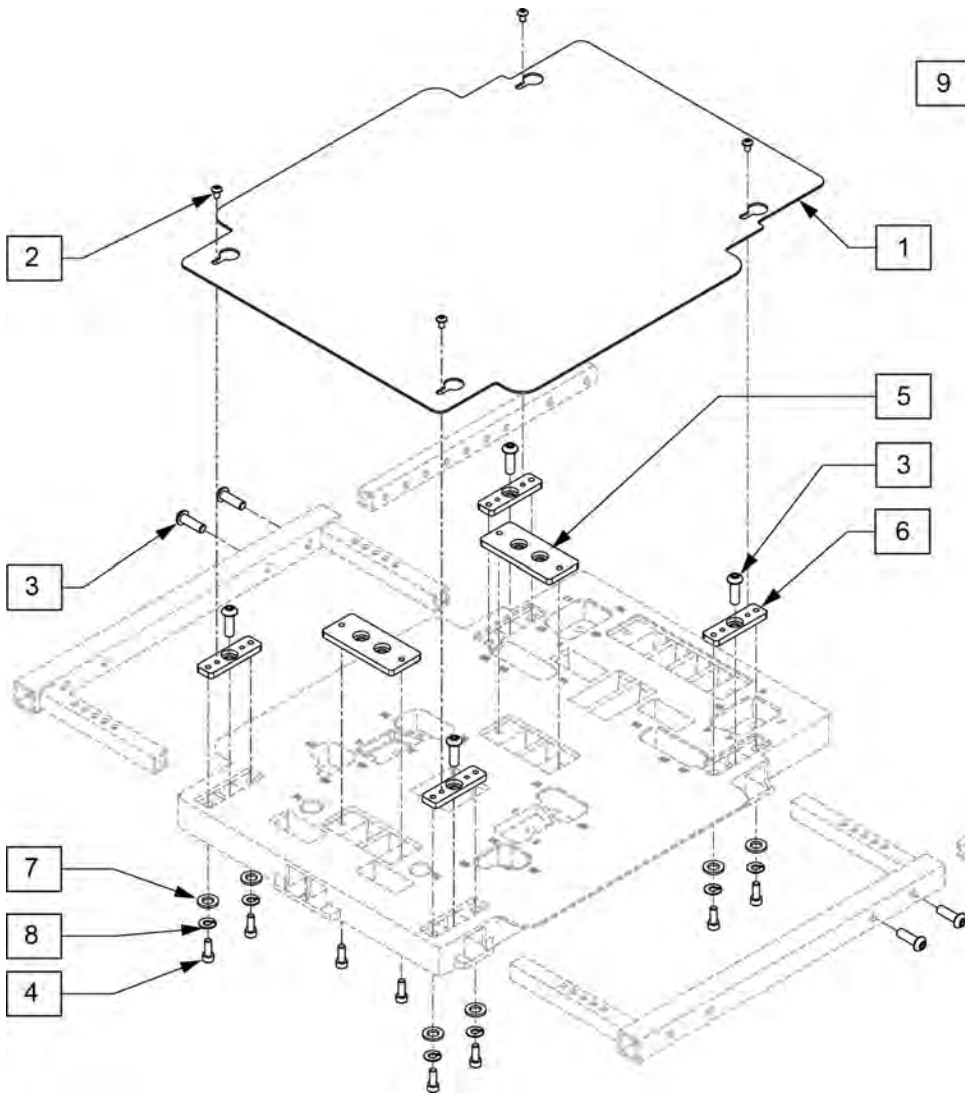


DESCRIPTION	QTY.
BHCS M6X1X12	9
M6 NYLOCK NUT	1
BHCS M6X1X45	2
1" SADDLE WITH 1/4" HOLE	2
BHCS M6X1X20	4
SHCS M6X1X16	18
CSK SKT 2P M6X18	4
BHCS M10X40	2
M10X35X1.5 WASHER	2
BHCS M8X45	4
SKT CAP M8X35	2
BHCS M8X25	8
BHCS M5X0.8X8	4
M6 LOCK WASHER	16
M8 NYLOCK NUT	2
INSERT PLATE 2	2
INSERT PLATE 1	4
BHCSM6X30	4
M6 WASHER	41



Pos.	Item Number	Description	Remarks
1	105688	RHYTHM ASAP ASSM 18X18	Set at 18x18
2	015023	ASAP SEAT ASSEMBLY	
3	103109	SEAT HARDWARE	
4	010615	SQUARE END CAP CNTR LEG	

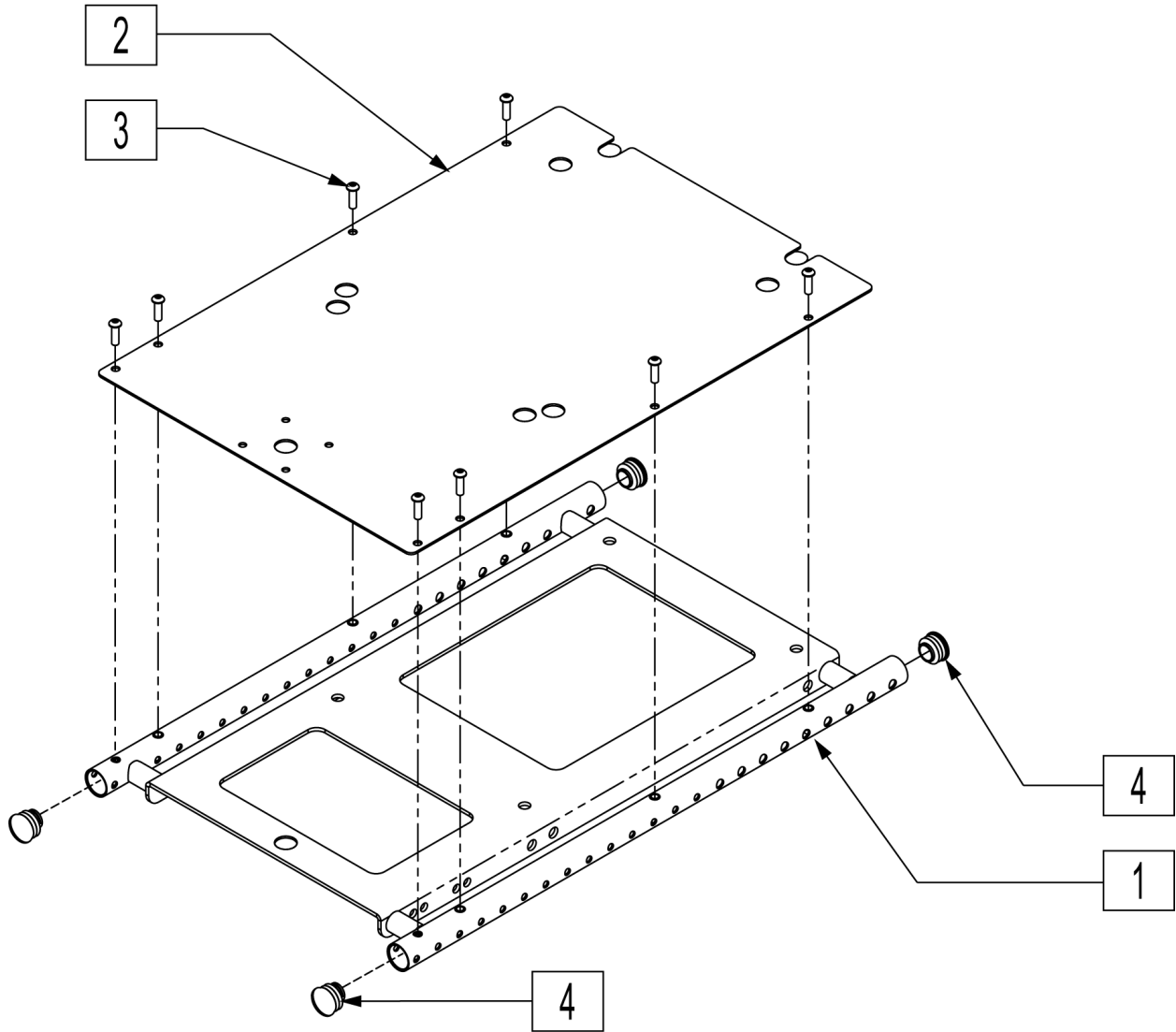
ASAP SEAT FRAME COVER



DESCRIPTION	QTY.
WASHER FLAT M6 BLK	24
WASHER LOCK M6	12
SHCS M6 X 1 X 16 BLK	14
BHCS M5 X .8 X 8 BLK W/PL	4
BHCS M8 X 1.25 X 25 BLK	8
FHCS M6 X 1 X 20 BLK	4
WASHER M10 X 35 X 1.5 BLK	2
BHCS M10 X 40 BLK 12.9	2
BHCS M8 X 1.25 X 45 BLK	6
NUT HEX NYLOCK M8 BLK	4
BHCS M8 X 1.25 X 35 BLK IO	2
BHCS M6 X 1 X 20 BLK W/PL	8
BHCS M6 X 1 X 12 BLK	4
HHCS M5 X .8 X 12 BLK	2
NUT HEX NYLOCK M5 BLK	2
BHCS M6 X 1 X 30 BLK W/PL	5
NUT HEX NYLOCK M6 BLK	1
6MM WASHER WAVE	2
BHCS M6 X 1 X 45 BLK	2
WASHER FLAT M8	2
M8 X 1.25 JAM NUT HEX BLK	2
INSERT PLATE 1	4
INSERT PLATE 2	2

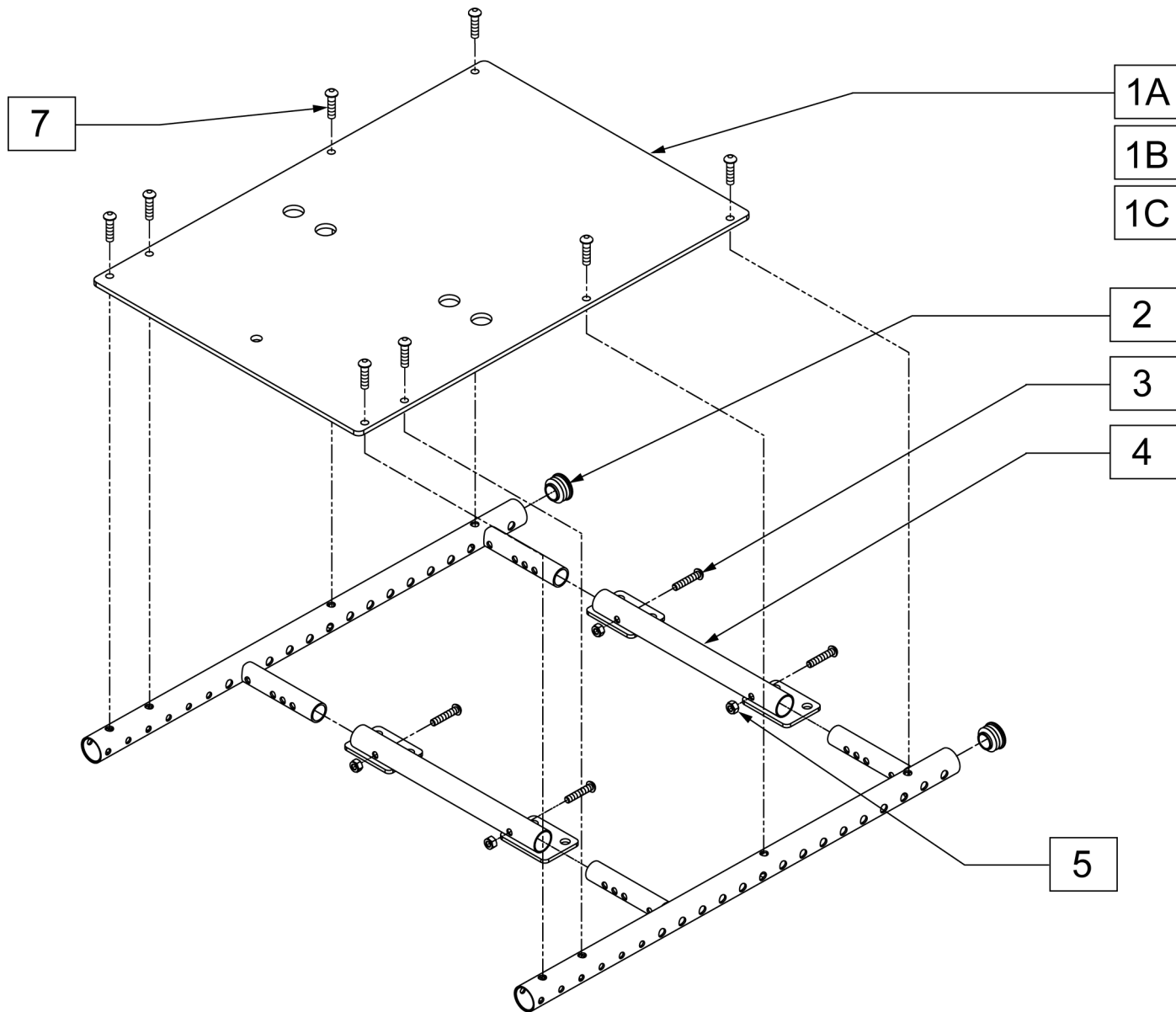
Pos.	Item Number	Description	Remarks
1	014918	SEAT COVER	
2	n/a	BHCS M5X0.8X8	Only available in Hardware Kit
3	n/a	BHCS M8 X 1.25 X 25	Only available in Hardware Kit
4	n/a	SHCS M6 X 1 X 16	Only available in Hardware Kit
5,6	119339	ASAP SEAT HARDWARE PLATES	
7	n/a	WASHER, FLAT, M6	Only available in Hardware Kit
8	n/a	WASHER, LOCK, M6	Only available in Hardware Kit

Note: 24" seat widths ar not offered on Rhythm chairs with serial number prefix RTMA.



Pos.	Item Number	Description	Remarks
2A	125113	SEAT PAN 15	15W x 12D-20D
2A	125114	SEAT PAN 16	16W x 12D-20D
2A	125115	SEAT PAN 17	17W x 12D-20D
2A	125116	SEAT PAN 18	18W x 12D-20D
2A	125117	SEAT PAN 19	19W x 12D-20D
2A	125118	SEAT PAN 20	20W x 12D-20D
2A	125120	SEAT PAN 22	22W x 12D-20D
2A	125122	SEAT PAN 24	24W x 12D-20D
2B	125124	SEAT PAN LONG 15	15W x 22D
2B	125125	SEAT PAN LONG 16	16W x 22D
2B	125126	SEAT PAN LONG 17	17W x 22D
2B	125127	SEAT PAN LONG 18	18W x 22D
2B	125128	SEAT PAN LONG 19	19W x 22D
2B	125129	SEAT PAN LONG 20	20W x 22D
2B	125131	SEAT PAN LONG 22	22W x 22D
2B	125133	SEAT PAN LONG 24	24W x 22D
3	230497	M5-.8 X 20 MM BH C/S	
4	561062	1" INSERT PLUG .065 RIBS	Pack of 4
5	011403	EXTENSION 2" FRONT FRAME REHAB	
1,2A-4	100238	REHAB SEAT BASE 15W	15W x 12D-20D
1,2A-4	100239	REHAB SEAT BASE 16W	16W x 12D-20D
1,2A-4	100250	REHAB SEAT BASE 17W	17W x 12D-20D
1,2A-4	100267	REHAB SEAT BASE 18W	18W x 12D-20D
1,2A-4	100268	REHAB SEAT BASE 19W	19W x 12D-20D
1,2A-4	100269	REHAB SEAT BASE 20W	20W x 12D-20D
1,2A-4	100306	REHAB SEAT BASE 22W	22W x 12D-20D
1,2A-4	100319	REHAB SEAT BASE 24W	24W x 12D-20D
1,2B-5	100345	REHAB SEAT 15W W/2" EXTENSION	15W x 22D
1,2B-5	100346	REHAB SEAT 16W W/2" EXTENSION	16W x 22D
1,2B-5	100347	REHAB SEAT 17W W/2" EXTENSION	17W x 22D
1,2B-5	100352	REHAB SEAT 18W W/2" EXTENSION	18W x 22D
1,2B-5	100366	REHAB SEAT 19W W/2" EXTENSION	19W x 22D
1,2B-5	100367	REHAB SEAT 20W W/2" EXTENSION	20W x 22D
1,2B-5	100369	REHAB SEAT 22W W/2" EXTENSION	22W x 22D
1,2B-5	100371	REHAB SEAT 24W W/2" EXTENSION	24W x 22D

SEAT BASE REHAB (12-14 WIDE)

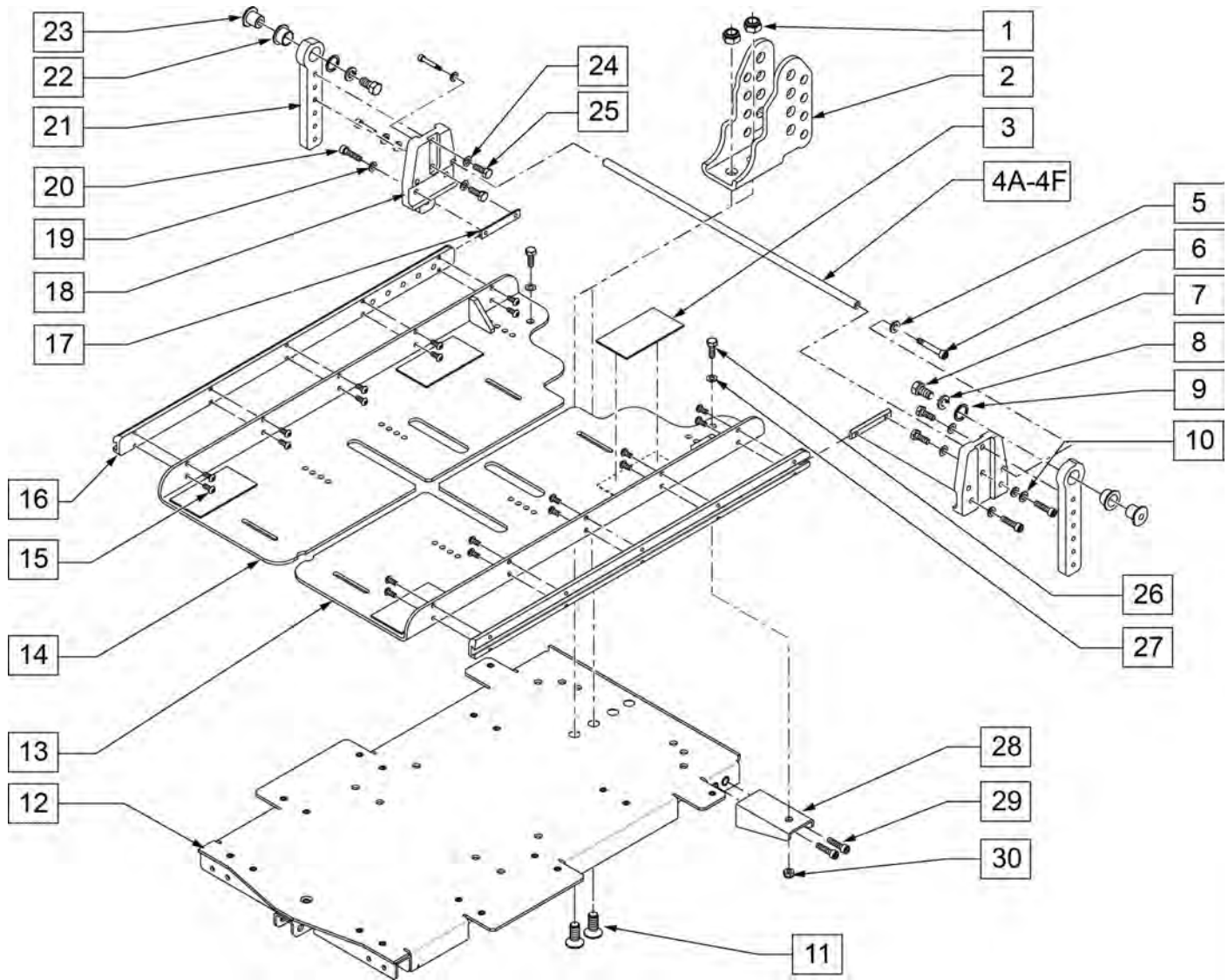


Pos.	Item Number	Description	Remarks
1A	011053-001	SEAT PAN 12	12w x 12d-20d
1B	011053-002	SEAT PAN 13	13w x 12d-20d
1C	011053-003	SEAT PAN 14	14w x 12d-20d
2	561062	1" INSERT PLUG .065 RIBS	
3	011600	HHCS M6 X 1.0 X 35 BLK	
4	010770	WELDMENT SPREADER TUBE	
5	210084	NUT HEX NYLOCK M6 BLACK	
7	230497	M5-.8 X 20 MM BH C/S	
2,6	105970	WELDMENT FRAME SIDE NARROW L ASSM	LEFT
2,6	105958	WELDMENT FRAME SIDE NARROW R ASSM	RIGHT

RECLINE WITH POWER SHEER SEAT FRAME

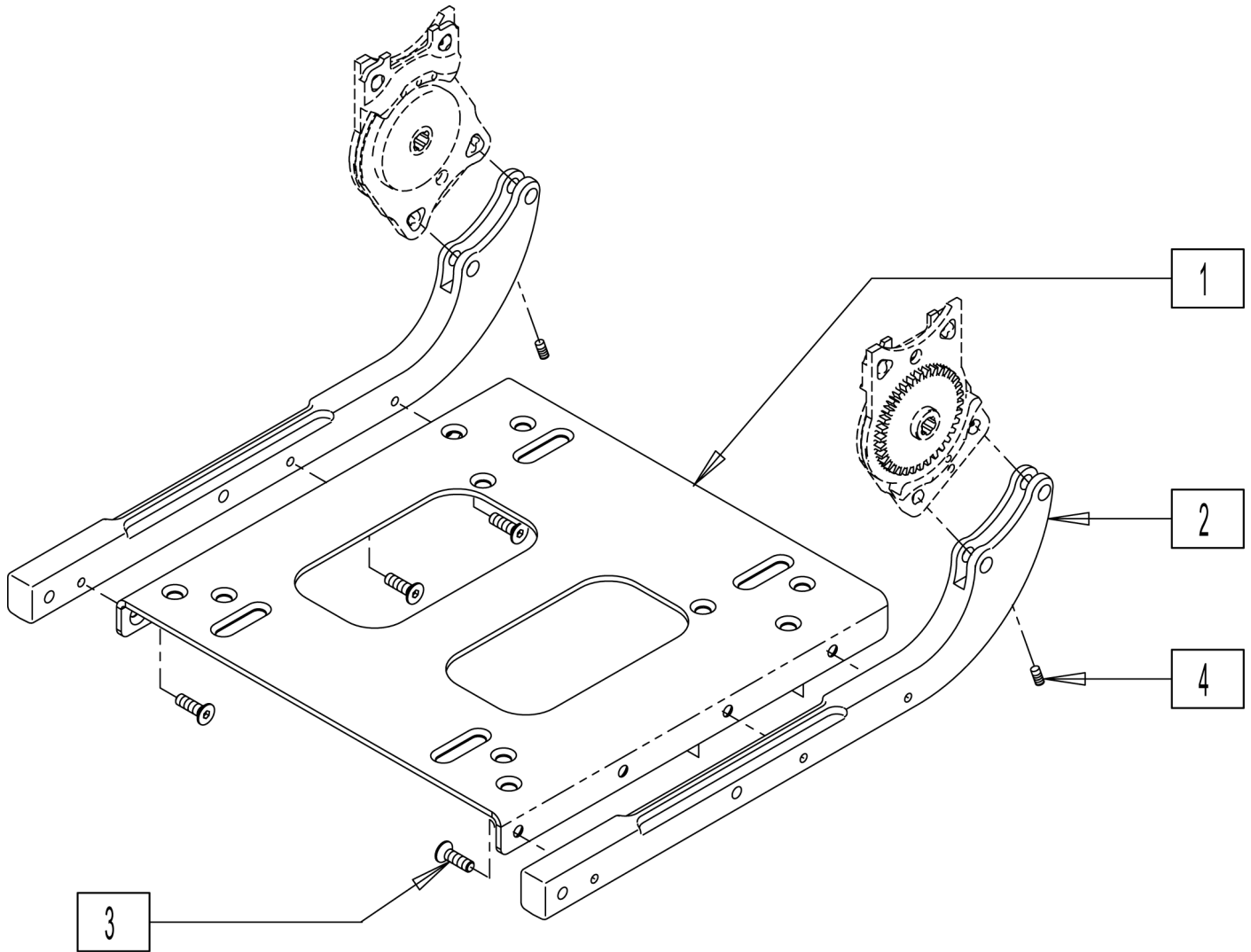
(10/2011)

Note: On QM7 series fits chairs prior to S/N prefix QM710A, QM715A & QM720A.



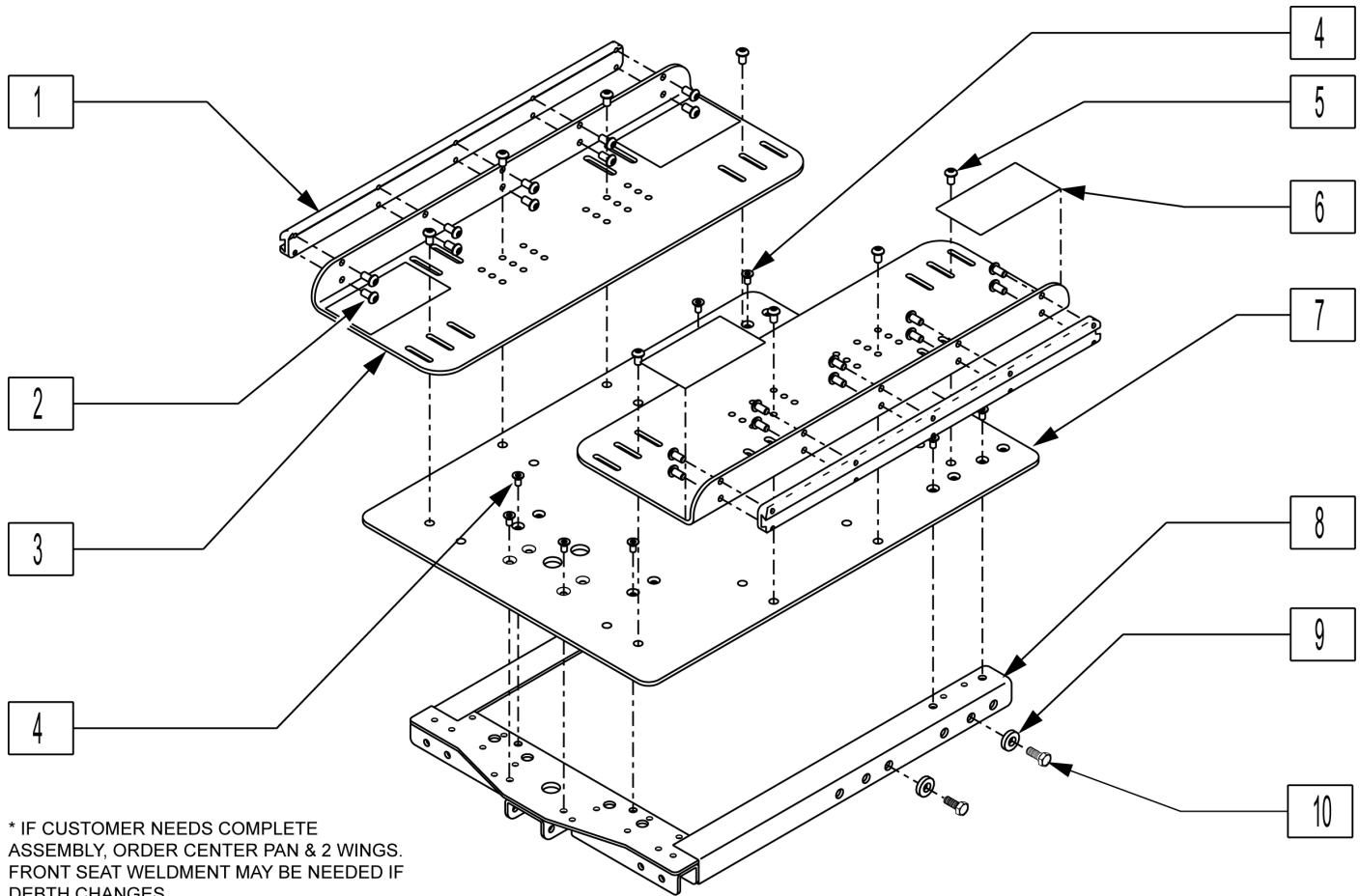
Pos.	Item Number	Description	Remarks	Pos.	Item Number	Description	Remarks
1	210074	M8 NUT NYLOCK BLK		9	103462	WASHER 21/32"ID X 27/32"OD	
2	102912	BRACKET REAR ADJ PIVOT		10	262133	WASHER LOCK M6	
3	011806-001	VELCRO 2 x 3		11	230129	FHCS M8 x 1.25 x 20 W/ PL	
4A	103194-001	CROSSBAR 16W	16" WIDE	12	102937	BASE SEAT PAN	
4B	103194-002	CROSSBAR 17W	17" WIDE	13	102922	WING SEAT PAN-LEFT	
4C	103194-003	CROSSBAR 18W	18" WIDE	14	102923	WING SEAT PAN-RIGHT	
4D	103194-004	CROSSBAR 19W	19" WIDE	15	102259-001	BHCS M5 x .8 x 12 W/PL INORG	
4E	103194-005	CROSSBAR 20W	20" WIDE	16	102915	DOVE TAIL CHANNEL	
4F	103194-006	CROSSBAR 22W	22" WIDE	17	102955	NUT CHANNEL M6 x 50.8	
5	250104	WASHER FLAT M6		18	102913	MOUNT REAR ADJ PIVOT	
6	102262-001	SHCS M6 x 1 x 8 W/ PL		19	250104	WASHER FLAT M6	
7	223120	3/8 16 X .625 HEX HD C/S W/ PATCH		20	221102	1/4-28 x 3/4 HEX C/S BLK W/ PAT	
8	262141	3/8 LOCK WASHER		21	117829	REAR PIVOT POST ADJ	

Pos.	Item Number	Description	Remarks	Pos.	Item Number	Description	Remarks
22	349595	BEARING INGUS 3/8 x 15/32 x1/2		27	011648	WASHER FLAT M8	
23	481466	REC PIVOT BOSS		28	102932	BRKT LEAF	
24	106943	WASHER FLAT AN 1/4 ROHS		29	102260-001	SHCS M5X0.8X18 FULL NP	
25	221102	1/4-28 x 3/4 HEX C/S BLK W/ PAT		30	210085	M8-20 HEX C/S	
26	234950	M8-20 HEX C/S					



Pos.	Item Number	Description
1	010241	NON RECLINE SEAT CROSS BRACKET
2	010136	NON RECLINE BACK SUPPORT
3	102265-001	FHCS M6 X 1 X 16 INORGANIC
4	013826	SET SCREW M6 X 16 CUP PT
1-4	012089	NON RECLINE SEAT BASE ASSM

PERFECT FIT SEAT PAN

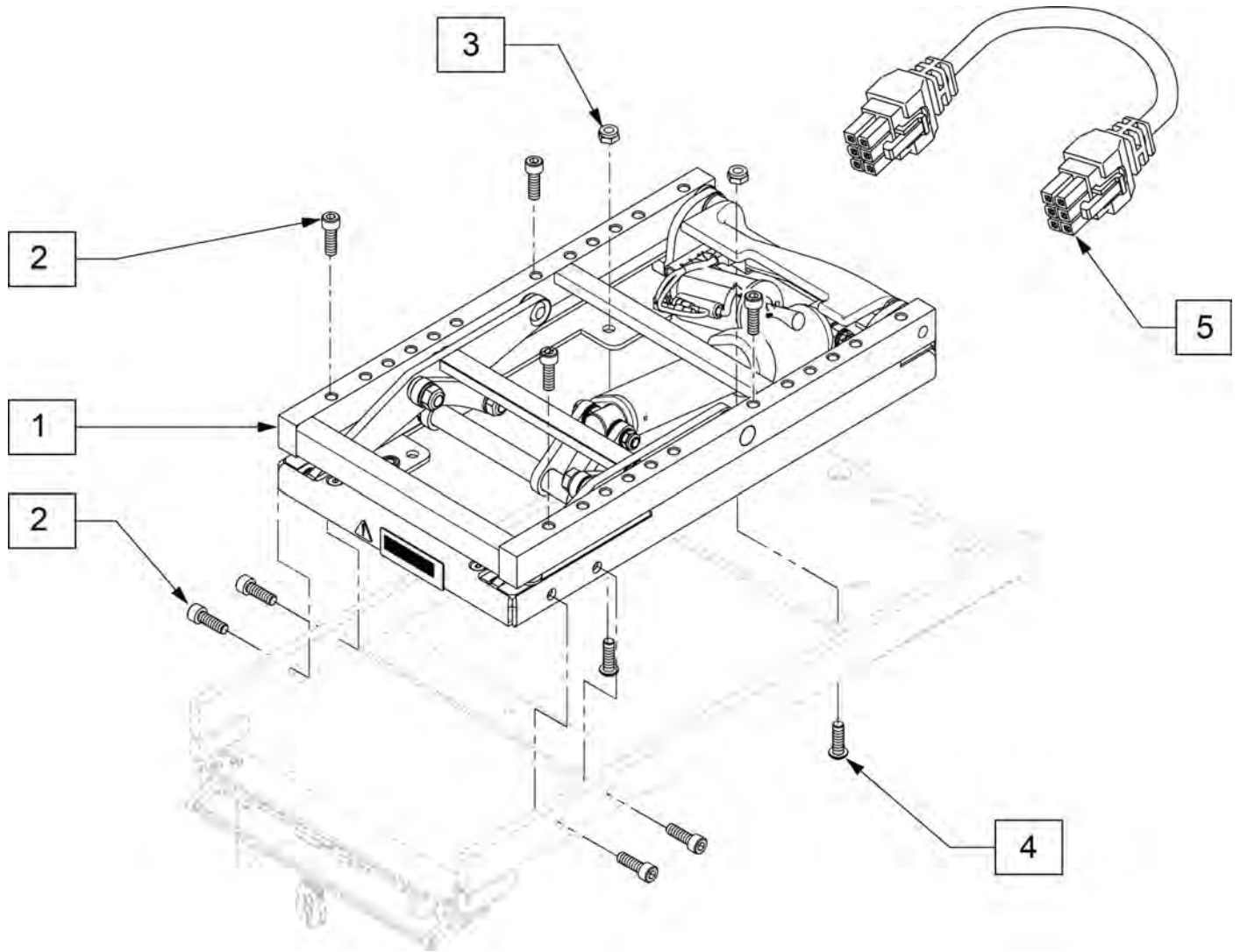


* IF CUSTOMER NEEDS COMPLETE ASSEMBLY, ORDER CENTER PAN & 2 WINGS. FRONT SEAT WELDMENT MAY BE NEEDED IF DEPTH CHANGES.

Pos.	Item Number	Description	Remarks
1	011652-001	DOVETAIL CHNNL 12DP SEAT WING	12 DEEP
1	011652-002	DOVETAIL CHNNL 13DP SEAT WING	13 DEEP
1	011652-003	DOVETAIL CHNNL 14DP SEAT WING	14 DEEP
1	011652-004	DOVETAIL CHNNL 15DP SEAT WING	15 DEEP
1	011652-005	DOVETAIL CHNNL 16DP SEAT WING	16 DEEP
1	011652-006	DOVETAIL CHNNL 17DP SEAT WING	17 DEEP
1	011652-007	DOVETAIL CHNNL 18DP SEAT WING	18 DEEP
1	011652-008	DOVETAIL CHNNL 19DP SEAT WING	19 DEEP
1	011652-009	DOVETAIL CHNNL 20DP SEAT WING	20 DEEP
1	011652-010	DOVETAIL CHNNL 21DP SEAT WING	21 DEEP
1	011652-011	DOVETAIL CHNNL 22DP SEAT WING	22 DEEP
2	102259-001	BHCS M5 X .8 X 12 W/PL INORG	
4	013450	FHCS M6 X 1 X 10MM W/PCH	
5	012931	BHCS M5 X 10 W/PL BLK CL 10.9	
6	011806-001	2 X 3.75 HOOK BLACK PSA	
7	013167-001	SEAT PAN CNTR 12-14 DEEP NARR	12-17 WIDE
7	013167-002	SEAT PAN CNTR 12-14 DEEP MED	15-20 WIDE
7	013167-003	SEAT PAN CNTR 12-14 DEEP WIDE	19-24 WIDE
7	013168-001	SEAT PAN CNTR 15-17 DEEP NARR	12-17 WIDE
7	013168-002	SEAT PAN CNTR 15-17 DEEP MED	15-20 WIDE
7	013168-003	SEAT PAN CNTR 15-17 DEEP WIDE	19-24 WIDE
7	013169-001	SEAT PAN CNTR 18-20 DEEP NARR	12-17 WIDE

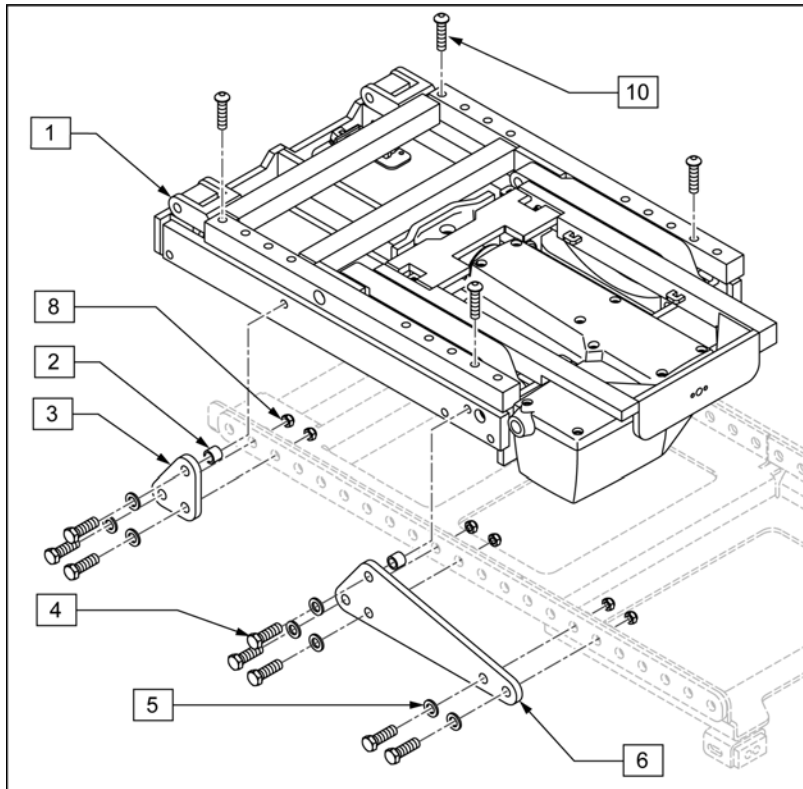
Pos.	Item Number	Description	Remarks
7	013169-002	SEAT PAN CNTR 18-20 DEEP MED	15-20 WIDE
7	013169-003	SEAT PAN CNTR 18-20 DEEP WIDE	19-24 WIDE
7	013170-001	SEAT PAN CNTR 21-22 DEEP NARR	12-17 WIDE
7	013170-002	SEAT PAN CNTR 21-22 DEEP MED	15-20 WIDE
7	013170-003	SEAT PAN CNTR 21-22 DEEP WIDE	19-24 WIDE
8	013176-001	FRONT SEAT FRAME WLDMNT 12-14	12-14 DEEP
8	013176-002	FRONT SEAT FRAME WLDMNT 15-17	15-17 DEEP
8	013176-003	FRONT SEAT FRAME WLDMNT 18-20	18-20 DEEP
8	013176-004	FRONT SEAT FRAME WLDMNT 21-22	21-22 DEEP
9	011648	WASHER FLAT M8	
10	013354	HHCS M8 X 1.25 X 20 BLK W/PL	
3,6	012029-001	SEAT PAN WING W/VELCRO 12"	12 DEEP
3,6	012029-002	SEAT PAN WING W/VELCRO 13"	13 DEEP
3,6	012029-003	SEAT PAN WING W/VELCRO 14"	14 DEEP
3,6	012029-004	SEAT PAN WING W/VELCRO 15"	15 DEEP
3,6	012029-005	SEAT PAN WING W/VELCRO 16"	16 DEEP
3,6	012029-006	SEAT PAN WING W/VELCRO 17"	17 DEEP
3,6	012029-007	SEAT PAN WING W/VELCRO 18"	18 DEEP
3,6	012029-008	SEAT PAN WING W/VELCRO 19"	19 DEEP
3,6	012029-009	SEAT PAN WING W/VELCRO 20"	20 DEEP
3,6	012029-010	SEAT PAN WING W/VELCRO 21"	21 DEEP
3,6	012029-011	SEAT PAN WING W/VELCRO 22"	22 DEEP
1-3,6	012030-001	SEAT PAN WING ASSM 12"	12 DEEP
1-3,6	012030-002	SEAT PAN WING ASSM 13"	13 DEEP
1-3,6	012030-003	SEAT PAN WING ASSM 14"	14 DEEP
1-3,6	012030-004	SEAT PAN WING ASSM 15"	15 DEEP
1-3,6	012030-005	SEAT PAN WING ASSM 16"	16 DEEP
1-3,6	012030-006	SEAT PAN WING ASSM 17"	17 DEEP
1-3,6	012030-007	SEAT PAN WING ASSM 18"	18 DEEP
1-3,6	012030-008	SEAT PAN WING ASSM 19"	19 DEEP
1-3,6	012030-009	SEAT PAN WING ASSM 20"	20 DEEP
1-3,6	012030-010	SEAT PAN WING ASSM 21"	21 DEEP
1-3,6	012030-011	SEAT PAN WING ASSM 22"	22 DEEP
2,4-6,9,10	101538	SEAT PAN HDWR KIT	

NOTE: IF RETROFITTING A TILT OR RECLINE ONTO AN EXISTING CHAIR PLEASE CONTACT SUNRISE MEDICAL TECHNICAL SUPPORT TO ENSURE ALL REQUIRED PARTS ARE PURCHASED.

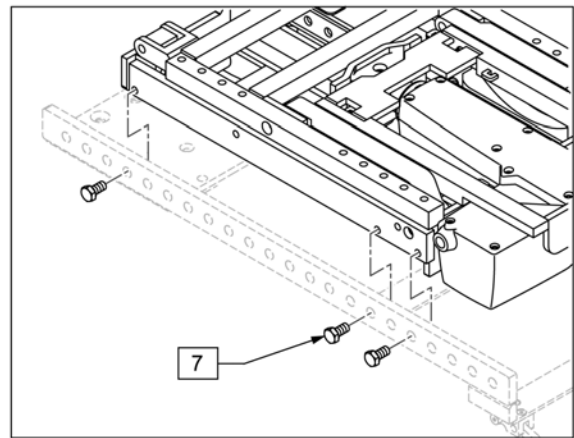
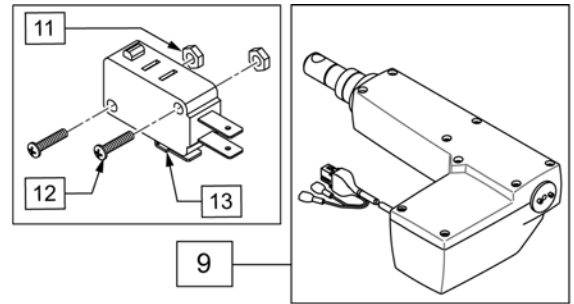


Pos.	Item Number	Description	Remarks
1	131952	MDL PWR TILT SPT W/NOISE SUPP	
2	055028	SHCS M8 X 1.25 X 25	
3	210085	NUT HEX NYLOCK	
4	230006	BHCS, M8 X 1.25 X 25	
5	020063-040	HARNESS DELPHI ACTUATOR 400mm	
1-5	104329	KIT ADDING SPOT TO A.S.A.P.	KIT

NOTE: IF RETROFITTING A TILT OR RECLINE ONTO AN EXISTING CHAIR PLEASE CONTACT SUNRISE MEDICAL TECHNICAL SUPPORT TO ENSURE ALL REQUIRED PARTS ARE PURCHASED.



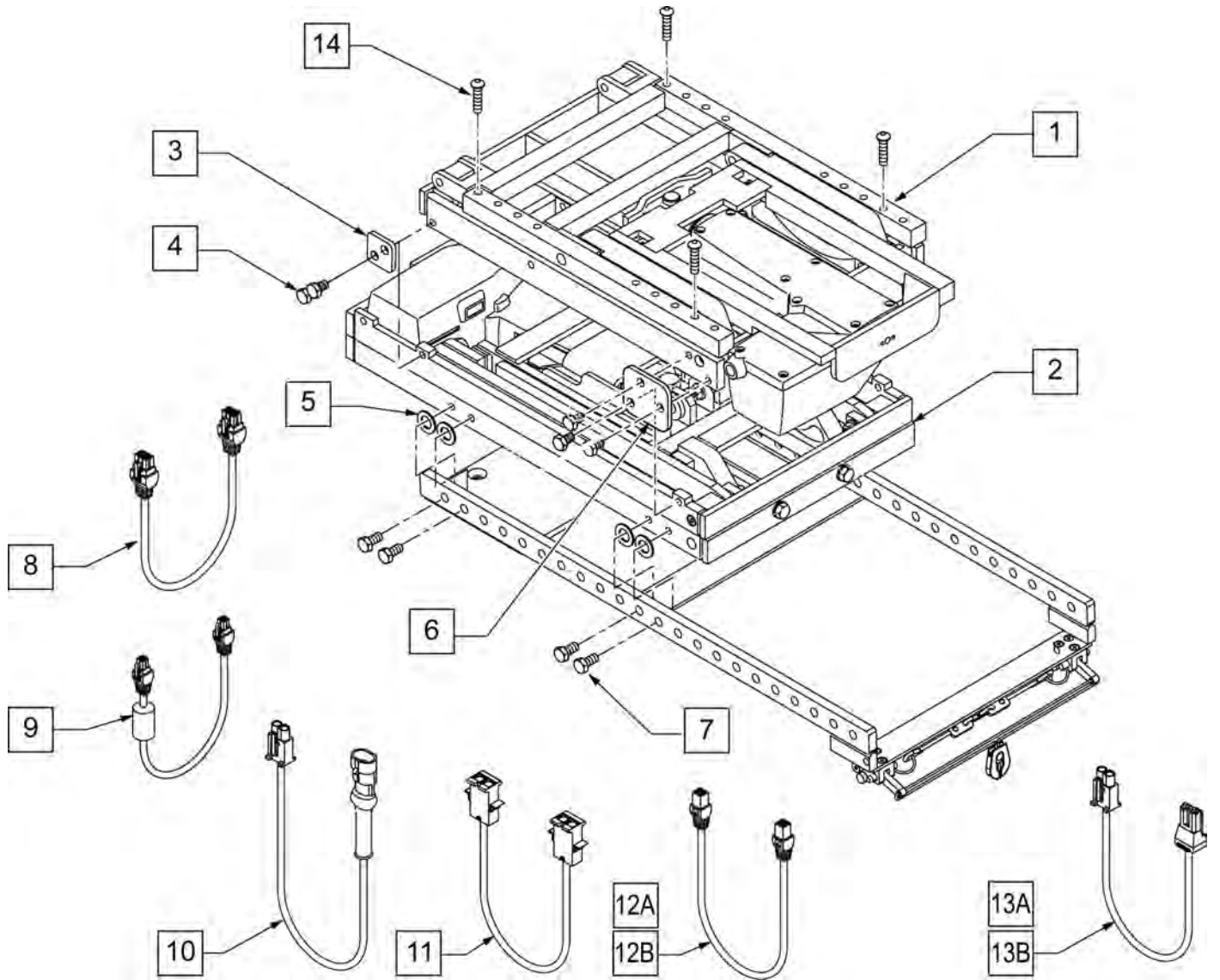
PERFECT FIT MANUAL RECLINE 21" & 22" DEPTH
 PERFECT FIT POWER RECLINE 18", 19" & 20" DEPTH



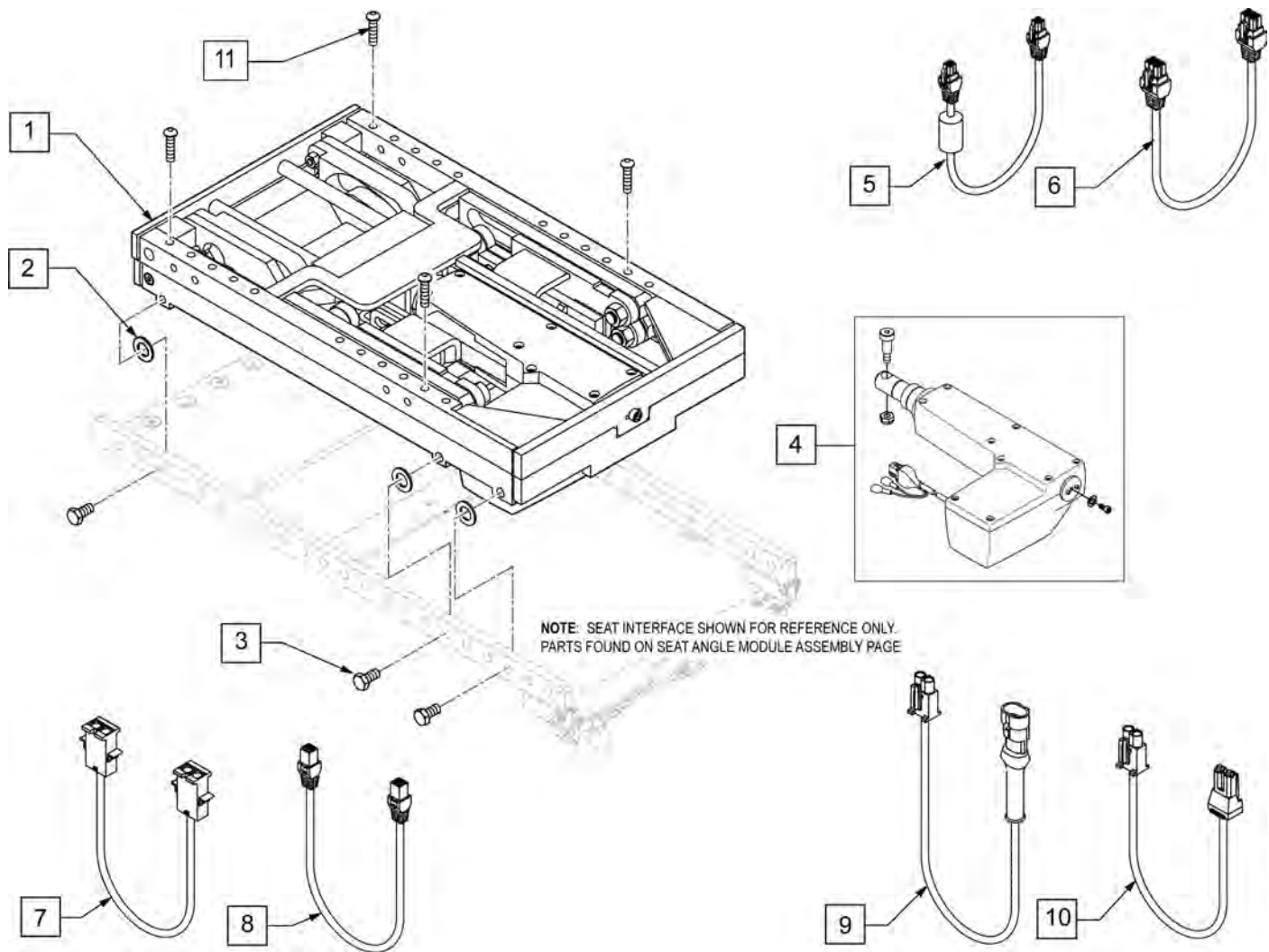
POWER RECLINE W/ POWER SHEER ATTACHMENT
 PERFECT FIT MANUAL RECLINE LESS THAN 21" DEPTH
 PERFECT FIT POWER RECLINE LESS THAN 18" DEPTH

Pos.	Item Number	Description	Remarks
1	013233	MODULE PWR TILT	
2	505562	ANTI TIP WHEEL SPACER S626	
3	013347	MODULE INTERFACE BRCKT	
4	013923	HHCS M8 X 1.25 X 25 W PTCH	
5	263100	5/16 AN WASHER FLAT	
6	013375	MDL INTERFACE	
7	235005	M8-16 HEX C/S	
8	210085	NUT HEX NYLOCK M8 BLACK	
9	013235	ACT LINAK LA31	
10	230120	BHCS M8 X 1.25 X 14	
2-8	101539	TILT MODULE MNTING KIT	
1-8	013769	KIT TILT	Includes harness and all attachment hardware
11	200030	4-40 HEX KEP N	
12	281038	4-40 X 5/8 PAN PHIL M/S BLK	
13	102934	SWITCH BASIC MINI PIN PLUNGER	

NOTE: IF RETROFITTING A TILT OR RECLINE ONTO AN EXISTING CHAIR PLEASE CONTACT SUNRISE MEDICAL TECHNICAL SUPPORT TO ENSURE ALL REQUIRED PARTS ARE PURCHASED.

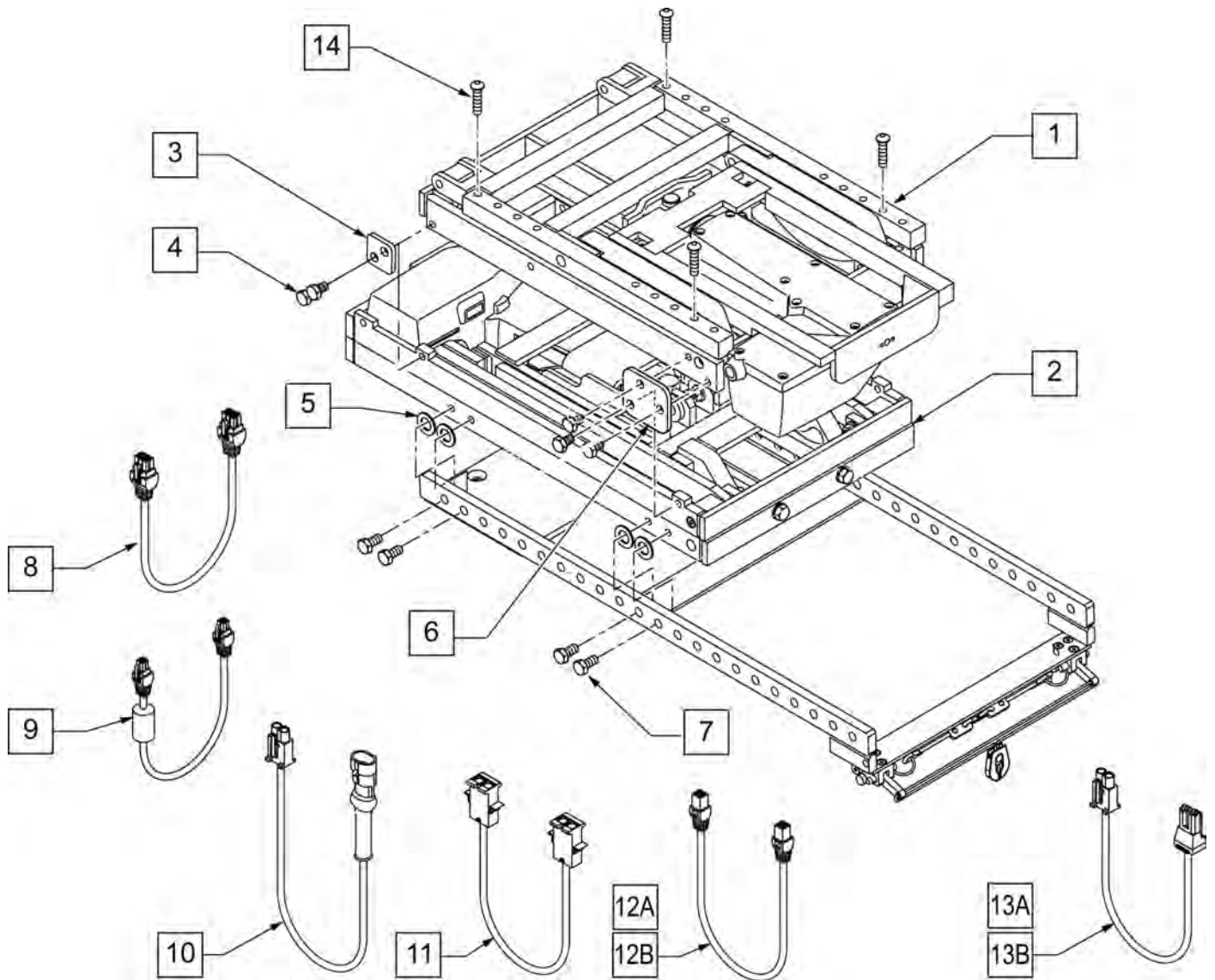


Pos.	Item Number	Description	Remarks
1	013233	MODULE PWR TILT	
2	013234	MODULE POWER LIFT	
3	013503	BRACKET MOUNT DUAL MODULE REAR	
4	013924	HHCS M8 X 1.25 X 12 W PTCH	
6	013502	BRACKET MOUNT DUAL MODULE FRNT	
7	235005	M8-16 HEX C/S	
8	013465-070	HARNESS ACTUATOR BYPASS 700MM	ACTUATOR CABLE BYPASS
9	014106-070	HARN ACTUATOR SW BYPASS 700MM	BUS CABLE BYPASS
10	013528-050	HARN MAC POWER TO LIFT 500MM	FROM BATTERIES TO BOTTOM OF LIFT
11	013464-070	HARNESS POWER BYPASS 700MM	QR MAC POWER BYPASS
12A	014107-040	HARNESS ACTUATOR SWITCH 400MM	RHYTHM W/ DUAL TOGGLE
12B	014107-090	HARNESS ACTUATOR SWITCH 900MM	GROOVE W/ DUAL TOGGLE
13A	013529-100	HARN MAC PWR FROM LIFT 1000MMM	NEW RECLINE & MANUAL RECLINE
13B	013529-110	HARN MAC PWR FROM LIFT 1100MMM	PF RECLINE
14	230120	BHCS M8 X 1.25 X 14	

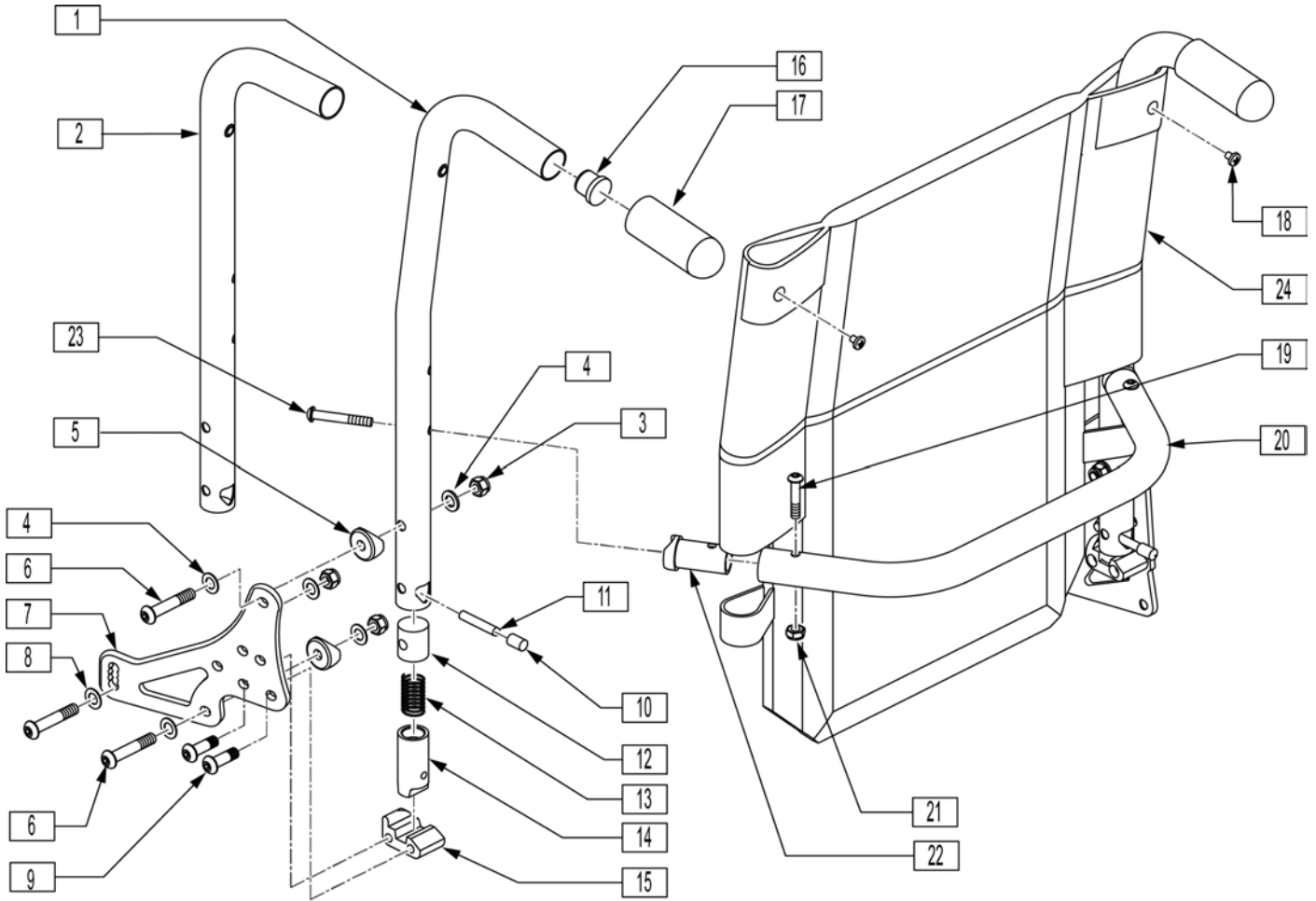


Pos.	Item Number	Description	Remarks
1	013234	MODULE POWER LIFT	
3	235005	M8-16 HEX C/S	
4	013235	ACT LINAK LA31	
5	014106-070	HARN ACTUATOR SW BYPASS 700MM	BUS CABLE BYPASS
6	013465-070	HARNESS ACTUATOR BYPASS 700MM	ACTUATOR CABLE BYPASS
7	013464-070	HARNESS POWER BYPASS 700MM	QR MAC POWER BYPASS
8	014107-040	HARNESS ACTUATOR SWITCH 400MM	RHYTHM W/ DUAL TOGGLE
8	014107-090	HARNESS ACTUATOR SWITCH 900MM	GROOVE W/ DUAL TOGGLE
9	013528-050	HARN MAC POWER TO LIFT 500MM	FROM BATTERIES TO BOTTOM OF LIFT
10	013529-100	HARN MAC PWR FROM LIFT 1000MMM	NEW RECLINE & MANUAL RECLINE
10	013529-110	HARN MAC PWR FROM LIFT 1100MMM	PF RECLINE
11	230120	BHCS M8 X 1.25 X 14	
2,3	101540	LIFT MODULE MOUNTING HDWR KIT	KIT

NOTE: IF RETROFITTING A TILT OR RECLINE ONTO AN EXISTING CHAIR PLEASE CONTACT SUNRISE MEDICAL TECHNICAL SUPPORT TO ENSURE ALL REQUIRED PARTS ARE PURCHASED.



Pos.	Item Number	Description	Remarks
1	013233	MODULE PWR TILT	
2	013234	MODULE POWER LIFT	
3	013503	BRACKET MOUNT DUAL MODULE REAR	
4	013924	HHCS M8 X 1.25 X 12 W PTCH	
6	013502	BRACKET MOUNT DUAL MODULE FRNT	
7	235005	M8-16 HEX C/S	
8	013465-070	HARNESS ACTUATOR BYPASS 700MM	ACTUATOR CABLE BYPASS
9	014106-070	HARN ACTUATOR SW BYPASS 700MM	BUS CABLE BYPASS
10	013528-050	HARN MAC POWER TO LIFT 500MM	FROM BATTERIES TO BOTTOM OF LIFT
11	013464-070	HARNESS POWER BYPASS 700MM	QR MAC POWER BYPASS
12A	014107-040	HARNESS ACTUATOR SWITCH 400MM	RHYTHM W/ DUAL TOGGLE
12B	014107-090	HARNESS ACTUATOR SWITCH 900MM	GROOVE W/ DUAL TOGGLE
13A	013529-100	HARN MAC PWR FROM LIFT 1000MMM	NEW RECLINE & MANUAL RECLINE
13B	013529-110	HARN MAC PWR FROM LIFT 1100MMM	PF RECLINE
14	230120	BHCS M8 X 1.25 X 14	



Pos.	Item Number	Description
3	202116	5/16-18 NYLOCK NUT THIN BLK
4	106947	WASHER FLAT THIN AN 5/16 ROHS
5	561006	1" SADDLE 5/16" HOLE
6	226218	5/16-18 x 1 3/4" BH C/S BLK
7	501723	BACKREST PLATE 86-114 DEGREE
8	263100	5/16 AN WASHER FLAT
9	226219	5/16-18 x 1" BH C/S BLK
10	126238	PUSH ON ROUND CAP
11	481084	BACK REL PIN Z2/QT/EX
12	483801	BACKREST LATCH PLUG P2
13	321110	S/A LATCH SPRING
14	483800	BACKREST LATCH SLIDER P2
15	550340	BCKRST LATCH BLOCK R P2/KZ
15	550341	BCKRST LATCH BLOCK L P2/KZ
16	561019	1" INSERT PLUG .049
17	920027	QUICKIE GRIP 1" W/INSTR SHEET
18	281120	10-32 x 5/8 PAN HD PHIL
19	226223	1/4-28 x 1 1/4" BH C/S BLK
20	011122	TOWEL RACK 12" WIDE
20	011123	TOWEL RACK 13" WIDE
20	520564	TOWEL RACK 14"
20	520565	TOWEL RACK 15"

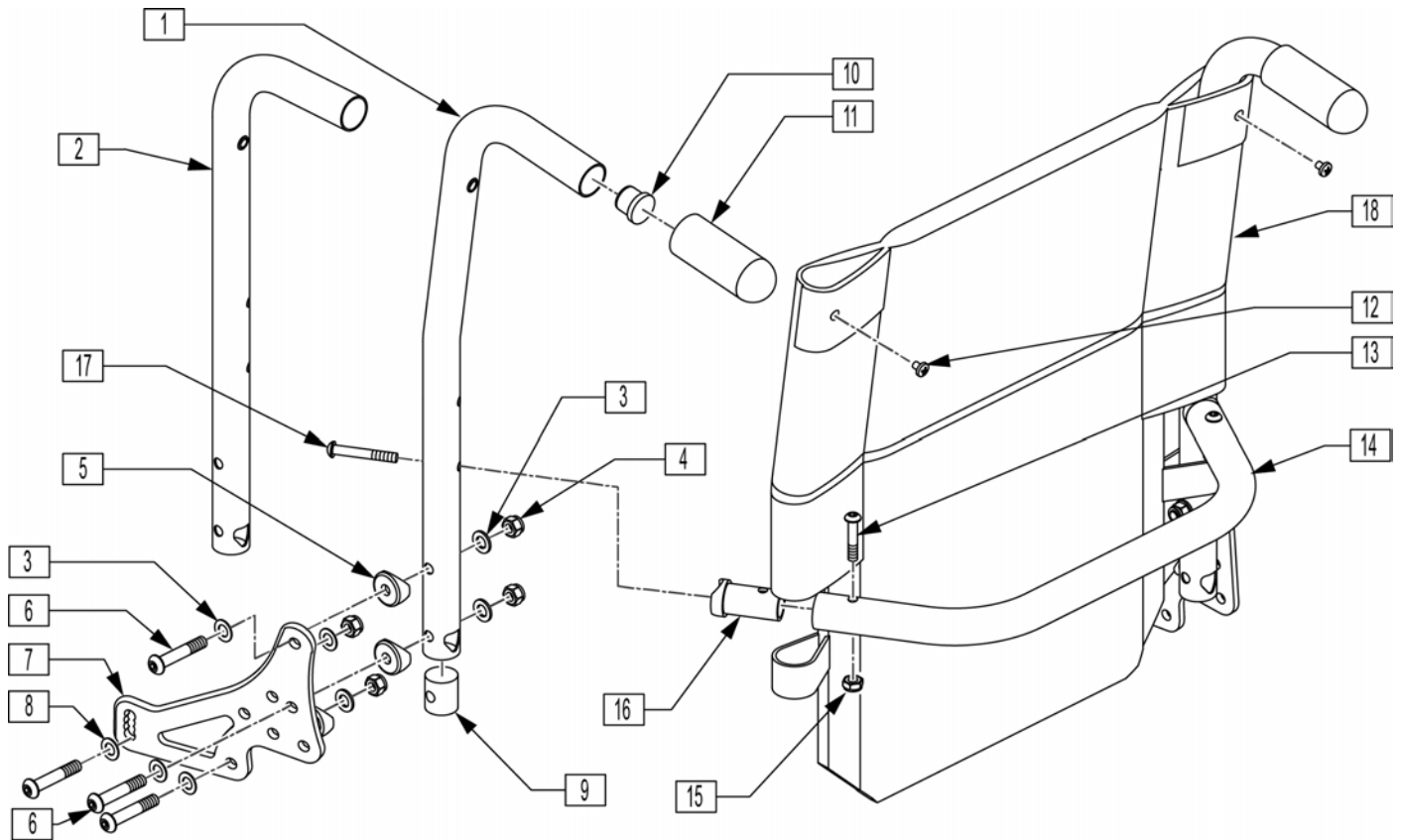
Pos.	Item Number	Description
20	520566	TOWEL RACK 16"
20	520567	TOWEL RACK 17"
20	520568	TOWEL RACK 18"
20	520569	TOWEL RACK 19"
20	520570	TOWEL RACK 20"
20	520571	TOWEL RACK 22"
20	520572	TOWEL RACK 24"
21	202300	1/4-28 NYLOCK NUT THIN BLK ZN
22	483161	STRUT SADDLE S525
23	226267	1/4-28 x 1 5/8 BH C/S W/PATCH
24	687930	BACK UPH 12 LOW
24	687931	BACK UPH 12 MED
24	687932	BACK UPH 12 TALL
24	687935	BACK UPH 13 LOW
24	687936	BACK UPH 13 MED
24	687937	BACK UPH 13 TALL
24	686930	BACK UPH 14" LOW P2
24	686931	BACK UPH 14" MED P2
24	686932	BACK UPH 14" TALL P2
24	686933	BACK UPH 15" LOW P2
24	686934	BACK UPH 15" MED P2
24	686935	BACK UPH 15" TALL P2
24	686961	BACK UPH 16" LOW P2
24	686962	BACK UPH 16" MED P2
24	686963	BACK UPH 16" TALL P2
24	686936	BACK UPH 17" LOW P2
24	686937	BACK UPH 17" MED P2
24	686981	BACK UPH 18" LOW P2
24	686982	BACK UPH 18" MED P2
24	686983	BACK UPH 18" TALL P2
24	686938	BACK UPH 17" TALL P2
24	686940	BACK UPH 19" LOW P2
24	686941	BACK UPH 19" MED P2
24	686942	BACK UPH 19" TALL P2
24	686943	BACK UPH 20" LOW P2
24	686944	BACK UPH 20" MED P2
24	686945	BACK UPH 20" TALL P2
24	687914	BACK UPH 22" LOW S626
24	687915	BACK UPH 22" MED S626
24	687916	BACK UPH 22" TALL S626
24	687919	BACK UPH 24" LOW S626
24	687920	BACK UPH 24" MED S626
24	687921	BACK UPH 24" TALL S626
1,16,17	842221	BACK TUBE PH 8D LOW R S525
1,16,17	842222	BACK TUBE PH 8D LOW L S525
1,16,17	842223	BACK TUBE PH 8D MED R S525
1,16,17	842224	BACK TUBE PH 8D MED L S525
1,16,17	842225	BACK TUBE PH 8D TALL R S525
1,16,17	842226	BACK TUBE PH 8D TALL L S525
2,16,17	842227	BACK TUBE PH LOW R S525
2,16,17	842228	BACK TUBE PH LOW L S525
2,16,17	842229	BACK TUBE PH MED R S525
2,16,17	842230	BACK TUBE PH MED L S525
2,16,17	842231	BACK TUBE PH TALL R S525
2,16,17	842232	BACK TUBE PH TALL L S525
19-23	842234	TOWEL RACK ASSM 14" S525

Pos.	Item Number	Description
19-23	842235	TOWEL RACK ASSM 15" S525
19-23	842236	TOWEL RACK ASSM 16" S525
19-23	842237	TOWEL RACK ASSM 17" S525
19-23	842238	TOWEL RACK ASSM 18" S525
19-23	842239	TOWEL RACK ASSM 19" S525
19-23	842240	TOWEL RACK ASSM 20" S525
19-23	842241	TOWEL RACK ASSM 22"
19-23	842242	TOWEL RACK ASSM 24"
1,3-18	882884	PH 8D LOW R ASSM FLDG 86-114
1,3-18	882885	PH 8D LOW L ASSM FLDG 86-114
1,3-18	882886	PH 8D MED R ASSM FLDG 86-114
1,3-18	882887	PH 8D MED L ASSM FLDG 86-114
1,3-18	882888	PH 8D TAL R ASSM FLDG 86-114
1,3-18	882889	PH 8D TAL L ASSM FLDG 86-114
2-18	882890	PH LOW R ASSM FLDG 86-114
2-18	882891	PH LOW L ASSM FLDG 86-114
2-18	882892	PH MED R ASSM FLDG 86-114
2-18	882893	PH MED L ASSM FLDG 86-114
2-18	882894	PH TALL R ASSM FLD 86-114
2-18	882895	PH TALL L ASSM FLD 86-114
1,3-24	922619	BACK ASSM 8D LOW 14"(F) 86-114
1,3-24	922620	BACK ASSM 8D LOW 15"(F) 86-114
1,3-24	922621	BACK ASSM 8D LOW 16"(F) 86-114
1,3-24	922622	BACK ASSM 8D LOW 17"(F) 86-114
1,3-24	922623	BACK ASSM 8D LOW 18"(F) 86-114
1,3-24	922624	"BACK ASSM 8D LOW 19"(F) 86-114
1,3-24	922625	BACK ASSM 8D LOW 20"(F) 86-11
1,3-24	922626	BACK ASSM 8D LOW 22"(F) 86-114
1,3-24	922627	BACK ASSM 8D LOW 24"(F) 86-114
1,3-24	922639	BACK ASSM 8D MED 14"(F) 86-114
1,3-24	922640	BACK ASSM 8D MED 15"(F) 86-114
1,3-24	922641	BACK ASSM 8D MED 16"(F) 86-114
1,3-24	922642	BACK ASSM 8D MED 17"(F) 86-114
1,3-24	922643	BACK ASSM 8D MED 18"(F) 86-114
1,3-24	922644	BACK ASSM 8D MED 19"(F) 86-114
1,3-24	922645	BACK ASSM 8D MED 20"(F) 86-114
1,3-24	922646	BACK ASSM 8D MED 22"(F) 86-114
1,3-24	922647	BACK ASSM 8D MED 24"(F) 86-114
1,3-24	922659	BACK ASSM 8D TALL 14"(F)86-114
1,3-24	922660	BACK ASSM 8D TALL 15"(F)86-114
1,3-24	922661	BACK ASSM 8D TALL 16"(F)86-114
1,3-24	922662	BACK ASSM 8D TALL 17"(F)86-114
1,3-24	922663	BACK ASSM 8D TALL 18"(F)86-114
1,3-24	922664	BACK ASSM 8D TALL 19"(F)86-114
1,3-24	922665	BACK ASSM 8D TALL 20"(F)86-114
1,3-24	922666	BACK ASSM 8D TALL 22"(F)86-114
1,3-24	922667	BACK ASSM 8D TALL 24"(F)86-114
2-24	922609	BACK ASSM LOW 14"(F) 86-114
2-24	922610	BACK ASSM LOW 15"(F) 86-114
2-24	922611	BACK ASSM LOW 16"(F) 86-114
2-24	922612	BACK ASSM LOW 17"(F) 86-114
2-24	922613	BACK ASSM LOW 18"(F) 86-114
2-24	922614	BACK ASSM LOW 19"(F) 86-114
2-24	922615	BACK ASSM LOW 20"(F) 86-114
2-24	922616	BACK ASSM LOW 22"(F) 86-114
2-24	922617	BACK ASSM LOW 24"(F) 86-114

Pos.	Item Number	Description
2-24	922629	BACK ASSM MED 14"(F) 86-114
2-24	922630	BACK ASSM MED 15"(F) 86-114
2-24	922631	BACK ASSM MED 16 (F) 86-114
2-24	922632	BACK ASSM MED 17"(F) 86-114
2-24	922633	BACK ASSM MED 18"(F) 86-114
2-24	922634	BACK ASSM MED 19"(F) 86-114
2-24	922635	BACK ASSM MED 20"(F) 86-114
2-24	922636	BACK ASSM MED 22"(F) 86-114
2-24	922637	BACK ASSM MED 24"(F) 86-114
2-24	922649	BACK ASSM TALL 14"(F) 86-114
2-24	922650	BACK ASSM TALL 15"(F) 86-114
2-24	922651	BACK ASSM TALL 16"(F) 86-114
2-24	922652	BACK ASSM TALL 17"(F) 86-114
2-24	922653	BACK ASSM TALL 18"(F) 86-114
2-24	922654	BACK ASSM TALL 19"(F) 86-114
2-24	922655	BACK ASSM TALL 20"(F) 86-114
2-24	922656	BACK ASSM TALL 22"(F) 86-114
2-24	922657	BACK ASSM TALL 24"(F) 86-114
3,4,6,8,9,18,19,21,23	101547	FOLDING BACKREST HDWR KIT

NON FOLDING BACKREST

[Revision: 08/2016]

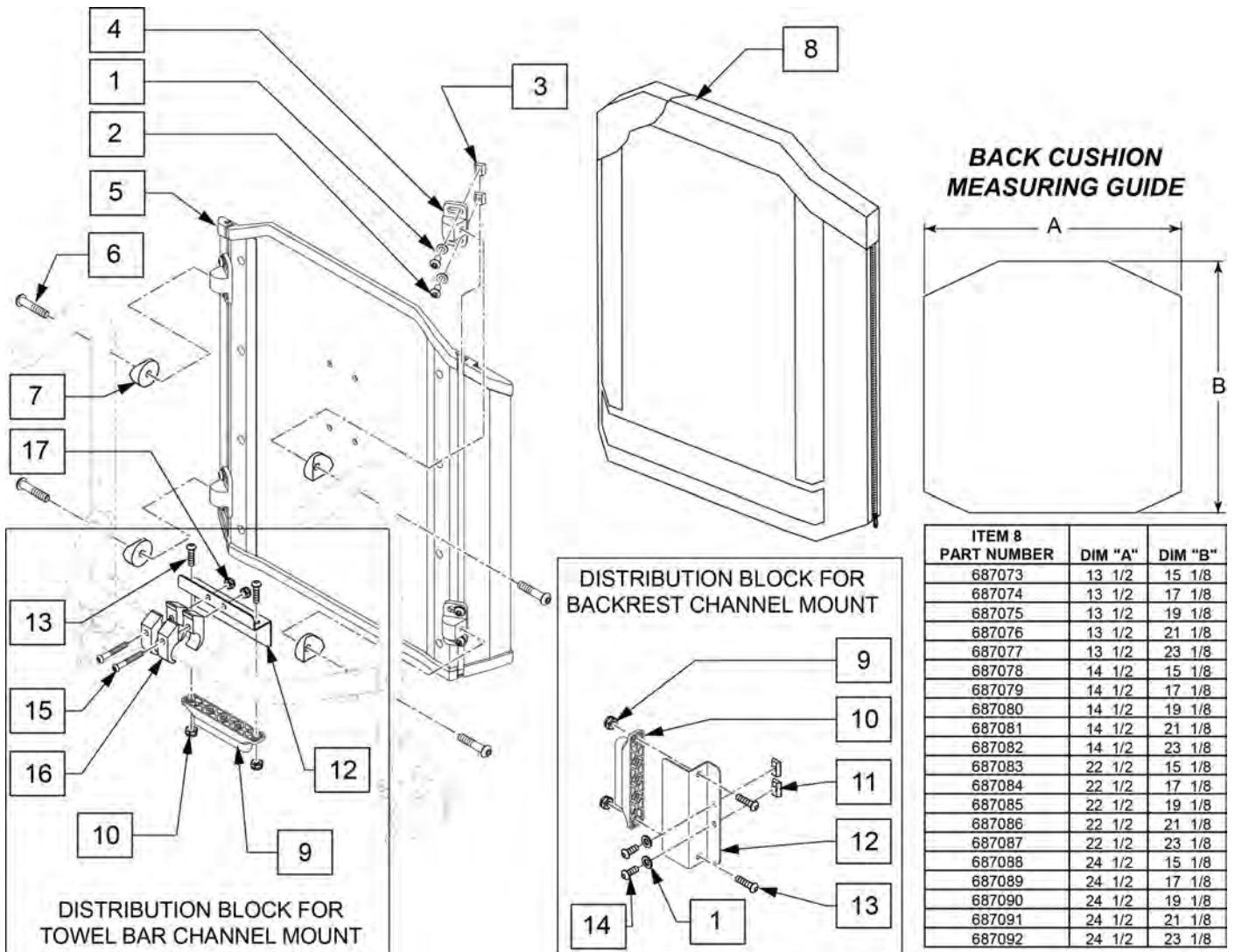


Pos.	Item Number	Description
3	106947	WASHER FLAT THIN AN 5/16 ROHS
4	202116	5/16-18 NYLOCK NUT THIN BLK
5	561006	1" SADDLE 5/16" HOLE
6	226218	"5/16-18 x 1 3/4" BH C/S BLK
7	501723	BACKREST PLATE 86-114 DEGREE
8	263100	5/16 AN WASHER FLAT
9	483801	BCKREST LATCH PLUG P2 (Both Used)
9	550080	PUSH HNDLE INSERT S525 (Both Used)
10	561019	1" INSERT PLUG .049
11	920027	QUICKIE GRIP 1" W/INSTR SHEET
12	281120	10/32 x 5/8 PAN HD PHIL
13	226223	1/4-28 x 1 1/4" BH C/S BLK
14	011122	TOWEL RACK 12" WIDE
14	011123	TOWEL RACK 13" WIDE
14	520564	TOWEL RACK 14"
14	520565	TOWEL RACK 15"
14	520566	TOWEL RACK 16"
14	520567	TOWEL RACK 17"
14	520568	TOWEL RACK 18"
14	520569	TOWEL RACK 19"
14	520570	TOWEL RACK 20"
14	520571	TOWEL RACK 22"
14	520572	TOWEL RACK 24"
15	202300	1/4-28 NYLOCK NUT THIN BLK ZN
16	483161	STRUT SADDLE S525

Pos.	Item Number	Description
17	226267	1/4-28 x 1 5/8 BH C/S W/PATCH
18	687930	BACK UPH 12 LOW
18	687931	BACK UPH 12 MED
18	687932	BACK UPH 12 TALL
18	687935	BACK UPH 13 LOW
18	687936	BACK UPH 13 MED
18	687937	BACK UPH 13 TALL
18	686930	BACK UPH 14" LOW P2
18	686931	BACK UPH 14" MED P2
18	686932	BACK UPH 14" TALL P2
18	686933	BACK UPH 15" LOW P2
18	686934	BACK UPH 15" MED P2
18	686935	BACK UPH 15" TALL P2
18	686961	BACK UPH 16" LOW P2
18	686962	BACK UPH 16" MED P2
18	686963	BACK UPH 16" TALL P2
18	686936	BACK UPH 17" LOW P2
18	686937	BACK UPH 17" MED P2
18	686938	BACK UPH 17" TALL P2
18	686981	BACK UPH 18" LOW P2
18	686982	BACK UPH 18" MED P2
18	686983	BACK UPH 18" TALL P2
18	686940	BACK UPH 19" LOW P2
18	686941	BACK UPH 19" MED P2
18	686942	BACK UPH 19" TALL P2
18	686943	BACK UPH 20" LOW P2
18	686944	BACK UPH 20" MED P2
18	686945	BACK UPH 20" TALL P2
18	687914	BACK UPH 22" LOW S626
18	687915	BACK UPH 22" MED S626
18	687916	BACK UPH 22" TALL S626
18	687919	BACK UPH 24" LOW S626
18	687920	BACK UPH 24" MED S626
18	687921	BACK UPH 24" TALL S626
1,10,11	842221	BACK TUBE PH 8D LOW R S525
1,10,11	842222	BACK TUBE PH 8D LOW L S525
1,10,11	842223	BACK TUBE PH 8D MED R S525
1,10,11	842224	BACK TUBE PH 8D MED L S525
1,10,11	842225	BACK TUBE PH 8D TALL R S525
1,10,11	842226	BACK TUBE PH 8D TALL L S525
2,10,11	842227	BACK TUBE PH LOW R S525
2,10,11	842228	BACK TUBE PH LOW L S525
2,10,11	842229	BACK TUBE PH MED R S525
2,10,11	842230	BACK TUBE PH MED L S525
2,10,11	842231	BACK TUBE PH TALL R S525
2,10,11	842232	BACK TUBE PH TALL L S525
13-17	842234	TOWEL RACK ASSM 14" S525
13-17	842235	TOWEL RACK ASSM 15" S525
13-17	842236	TOWEL RACK ASSM 16" S525
13-17	842237	TOWEL RACK ASSM 17" S525
13-17	842238	TOWEL RACK ASSM 18" S525
13-17	842239	TOWEL RACK ASSM 19" S525
13-17	842240	TOWEL RACK ASSM 20" S525
13-17	842241	TOWEL RACK ASSM 22"
13-17	842242	TOWEL RACK ASSM 24"
1,3-12	882656	PH 8D LOW R ASSM NF 86-114

Pos.	Item Number	Description
1,3-12	882657	PH 8D LOW L ASSM NF 86-114
1,3-12	882658	PH 8D MED R ASSM NF 86-114
1,3-12	882659	PH 8D MED L ASSM NF 86-114
1,3-12	882660	PH 8D TALL R ASSM NF 86-114
1,3-12	882661	PH 8D TALL L ASSM NF 86-114
1,3-12	882662	PH LOW R ASSM NF 86-114
2-12	882663	PH LOW L ASSM NF 86-114
2-12	882664	PH MED R ASSM NF 86-114
2-12	882665	PH MED L ASSM NF 86-114
2-12	882666	PH TALL R ASSM NF 86-114
2-12	882667	PH TALL L ASSM NF 86-114
1,3-18	922060	BCK ASSM 8D LOW 14" NF 86-114
1,3-18	922061	BCK ASSM 8D LOW 15" NF 86-114
1,3-18	922062	BCK ASSM 8D LOW 16" NF 86-114
1,3-18	922063	BCK ASSM 8D LOW 17" NF 86-114
1,3-18	922064	BCK ASSM 8D LOW 18" NF 86-114
1,3-18	922065	BCK ASSM 8D LOW 19" NF 86-114
1,3-18	922066	BCK ASSM 8D LOW 20" NF 86-114
1,3-18	922067	BCK ASSM 8D LOW 22" NF 86-114
1,3-18	922068	BCK ASSM 8D LOW 24" NF 86-114
1,3-18	922010	BCK ASSM 8D MED 14" NF 86-114
1,3-18	922011	BCK ASSM 8D MED 15" NF 86-114
1,3-18	922012	BCK ASSM 8D MED 16" NF 86-114
1,3-18	922013	BCK ASSM 8D MED 17" NF 86-114
1,3-18	922014	BCK ASSM 8D MED 18" NF 86-114
1,3-18	922015	BCK ASSM 8D MED 19" NF 86-114
1,3-18	922016	BCK ASSM 8D MED 20" NF 86-114
1,3-18	922017	BCK ASSM 8D MED 22" NF 86-114
1,3-18	922018	BCK ASSM 8D MED 24" NF 86-114
1,3-18	922028	BCK ASSM 8D TALL 14" NF 86-114
1,3-18	922029	BCK ASSM 8D TALL 15" NF 86-114
1,3-18	922030	BCK ASSM 8D TALL 16" NF 86-114
1,3-18	922031	BCK ASSM 8D TALL 17" NF 86-114
1,3-18	922032	BCK ASSM 8D TALL 18" NF 86-114
1,3-18	922033	BCK ASSM 8D TALL 19" NF 86-114
1,3-18	922034	BCK ASSM 8D TALL 20" NF 86-114
1,3-18	922035	BCK ASSM 8D TALL 22" NF 86-114
1,3-18	922036	BCK ASSM 8D TALL 24" NF 86-114
2-18	922040	BCK ASSM LOW 14" NF 86-114
2-18	922041	BCK ASSM LOW 15" NF 86-114
2-18	922042	BCK ASSM LOW 16" NF 86-114
2-18	922043	BCK ASSM LOW 17" NF 86-114
2-18	922044	BCK ASSM LOW 18" NF 86-114
2-18	922045	BCK ASSM LOW 19" NF 86-114
2-18	922046	BCK ASSM LOW 20" NF 86-114
2-18	922047	BCK ASSM LOW 22" NF 86-114
2-18	922048	BCK ASSM LOW 24" NF 86-114
2-18	922001	BCK ASSM MED 14" NF 86-114
2-18	922002	BCK ASSM MED 15" NF 86-114
2-18	922003	BCK ASSM MED 16" NF 86-114
2-18	922004	BCK ASSM MED 17" NF 86-114
2-18	922005	BCK ASSM MED 18" NF 86-114
2-18	922006	BCK ASSM MED 19" NF 86-114
2-18	922007	BCK ASSM MED 20" NF 86-114
2-18	922008	BCK ASSM MED 22" NF 86-114
2-18	922009	BCK ASSM MED 24" NF 86-114

Pos.	Item Number	Description
2-18	922019	BCK ASSM TALL 14" NF 86-114
2-18	922020	BCK ASSM TALL 15" NF 86-114
2-18	922021	BCK ASSM TALL 16" NF 86-114
2-18	922022	BCK ASSM TALL 17" NF 86-114
2-18	922023	BCK ASSM TALL 18" NF 86-114
2-18	922024	BCK ASSM TALL 19" NF 86-114
2-18	922025	BCK ASSM TALL 20" NF 86-114
2-18	922026	BCK ASSM TALL 22" NF 86-114
2-18	922027	BCK ASSM TALL 24" NF 86-114
3,4,6,8,12,13,15,17	101541	NON FOLDING BACKREST HDWR KIT



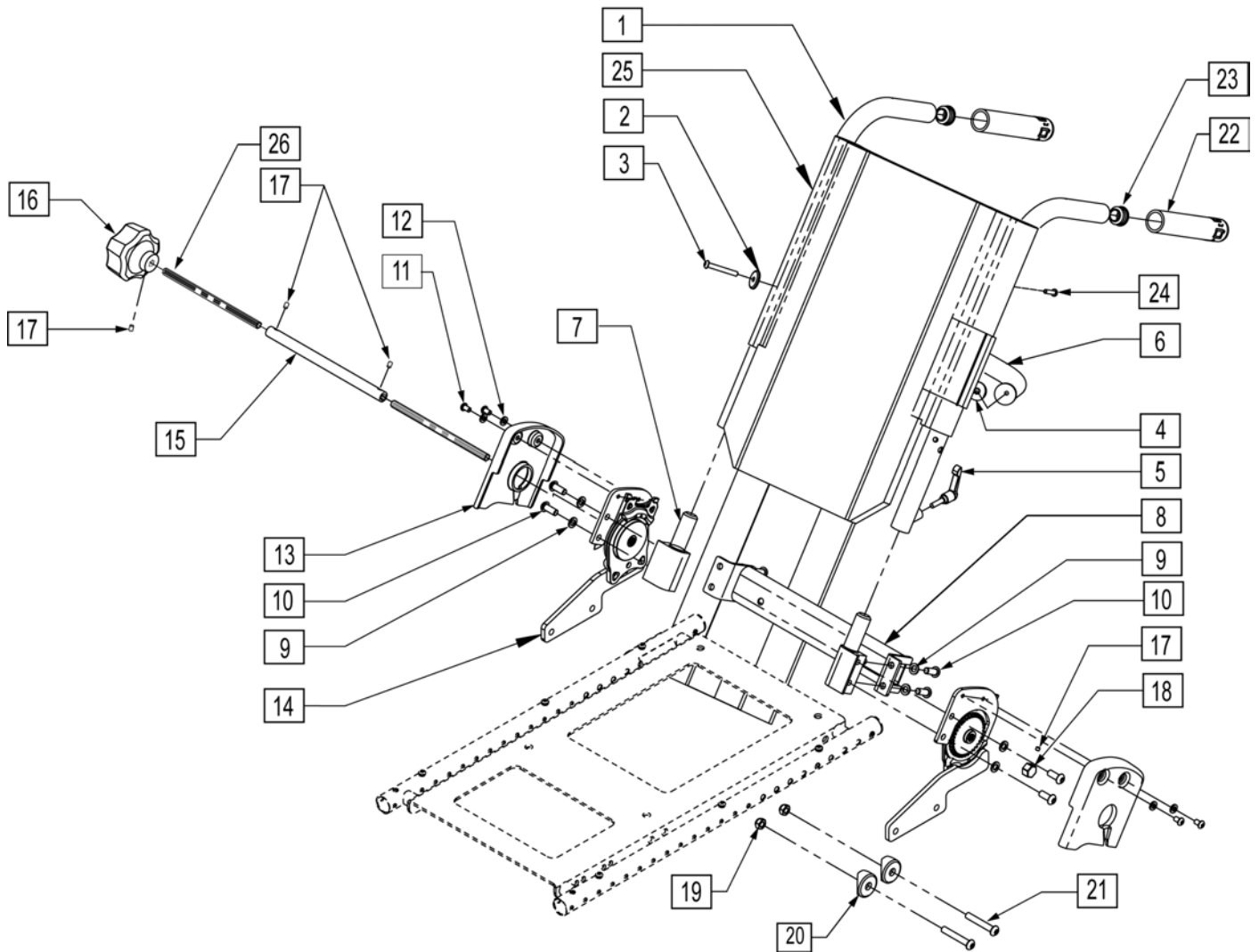
ITEM 8 PART NUMBER	DIM "A"	DIM "B"
687073	13 1/2	15 1/8
687074	13 1/2	17 1/8
687075	13 1/2	19 1/8
687076	13 1/2	21 1/8
687077	13 1/2	23 1/8
687078	14 1/2	15 1/8
687079	14 1/2	17 1/8
687080	14 1/2	19 1/8
687081	14 1/2	21 1/8
687082	14 1/2	23 1/8
687083	22 1/2	15 1/8
687084	22 1/2	17 1/8
687085	22 1/2	19 1/8
687086	22 1/2	21 1/8
687087	22 1/2	23 1/8
687088	24 1/2	15 1/8
687089	24 1/2	17 1/8
687090	24 1/2	19 1/8
687091	24 1/2	21 1/8
687092	24 1/2	23 1/8

Pos.	Item Number	Description	Remarks
1	267052	1/4 AN WASHER FLAT AN960C416	
2	221094	1/4 -28 x 7/16 BH C/S BLK	
3	481106-QU	1/4 -28 CHANNEL NUT	
4	121507	SOLID BACK MOUNTING BRACKET	
5	011244	SLD BCKRST SHELL ASSMBLY 12X16	
5	011248	SLD BCKRST SHELL ASSMBLY 12X18	
5	011252	SLD BCKRST SHELL ASSMBLY 12X20	
5	011256	SLD BCKRST SHELL ASSMBLY 12X22	
5	011260	SLD BCKRST SHELL ASSMBLY 12X24	
5	011245	SLD BCKRST SHELL ASSMBLY 13X16	
5	011249	SLD BCKRST SHELL ASSMBLY 13X18	
5	011253	SLD BCKRST SHELL ASSMBLY 13X20	
5	011257	SLD BCKRST SHELL ASSMBLY 13X22	
5	011261	SLD BCKRST SHELL ASSMBLY 13X24	
5	881850	SOLID BCKRST SHELL ASSM 14 x 16	
5	881851	SOLID BCKRST SHELL ASSM 15 x 16	
5	881852	SOLID BCKRST SHELL ASSM 16 x 16	
5	881853	SOLID BCKRST SHELL ASSM 17 x 16	

Pos.	Item Number	Description	Remarks
5	881854	SOLID BCKRST SHELL ASSM 18 x 16	
5	881855	SOLID BCKRST SHELL ASSM 19 x 16	
5	881856	SOLID BCKRST SHELL ASSM 20 x 16	
5	881857	SOLID BCKRST SHELL ASSM 14 x 18	
5	881858	SOLID BCKRST SHELL ASSM 15 x 18	
5	881859	SOLID BCKRST SHELL ASSM 16 x 18	
5	881860	SOLID BCKRST SHELL ASSM 17 x 18	
5	881861	SOLID BCKRST SHELL ASSM 18 x 18	
5	881862	SOLID BCKRST SHELL ASSM 19 x 18	
5	881863	SOLID BCKRST SHELL ASSM 20 x 18	
5	881864	SOLID BCKRST SHELL ASSM 14 x 20	
5	881865	SOLID BCKRST SHELL ASSM 15 x 20	
5	881866	SOLID BCKRST SHELL ASSM 16 x 20	
5	881867	SOLID BCKRST SHELL ASSM 17 x 20	
5	881868	SOLID BCKRST SHELL ASSM 18 x 20	
5	881869	SOLID BCKRST SHELL ASSM 19 x 20	
5	881870	SOLID BCKRST SHELL ASSM 20 x 20	
5	881871	SOLID BCKRST SHELL ASSM 14 x 22	
5	881872	SOLID BCKRST SHELL ASSM 15 x 22	
5	881873	SOLID BCKRST SHELL ASSM 16 x 22	
5	881874	SOLID BCKRST SHELL ASSM 17 x 22	
5	881875	SOLID BCKRST SHELL ASSM 18 x 22	
5	881876	SOLID BCKRST SHELL ASSM 19 x 22	
5	881877	SOLID BCKRST SHELL ASSM 20 x 22	
5	881878	SOLID BCKRST SHELL ASSM 14 x 24	
5	881879	SOLID BCKRST SHELL ASSM 15 x 24	
5	881880	SOLID BCKRST SHELL ASSM 16 x 24	
5	881881	SOLID BCKRST SHELL ASSM 17 x 24	
5	881882	SOLID BCKRST SHELL ASSM 18 x 24	
5	881883	SOLID BCKRST SHELL ASSM 19 x 24	
5	881884	SOLID BCKRST SHELL ASSM 20 x 24	
5	881885	SOLID BCKRST SHELL ASSM 22 x 16	
5	881886	SOLID BCKRST SHELL ASSM 22 x 18	
5	881887	SOLID BCKRST SHELL ASSM 22 x 20	
5	881888	SOLID BCKRST SHELL ASSM 22 x 22	
5	881889	SOLID BCKRST SHELL ASSM 22 x 24	
5	881890	SOLID BCKRST SHELL ASSM 24 x 16	
5	881892	SOLID BCKRST SHELL ASSM 24 x 20	
5	881893	SOLID BCKRST SHELL ASSM 24 x 22	
5	881894	SOLID BCKRST SHELL ASSM 24 x 24	
6	226291	5/16 -18 x 1-1/2 BHCS BK W/ PATCH	
7	561006	1 SADDLE 5/16 HOLE	
8	687073	BACK CUSHION 12"X16" SOLID BK	
8	687074	BACK CUSHION 12"X18" SOLID BK	
8	687075	BACK CUSHION 12"X20" SOLID BK	
8	687076	BACK CUSHION 12"X22" SOLID BK	
8	687077	BACK CUSHION 12"X24" SOLID BK	
8	687078	BACK CUSHION 13"X16" SOLID BK	
8	687079	BACK CUSHION 13"X18" SOLID BK	
8	687080	BACK CUSHION 13"X20" SOLID BK	
8	687081	BACK CUSHION 13"X22" SOLID BK	
8	687082	BACK CUSHION 13"X24" SOLID BK	
8	681850	BACK CUSHION 14 x 16 SOLID BACK	
8	681851	BACK CUSHION 14 x 18 SOLID BACK	
8	681852	BACK CUSHION 14 x 20 SOLID BACK	
8	681853	BACK CUSHION 14 x 22 SOLID BACK	

Pos.	Item Number	Description	Remarks
8	681854	BACK CUSHION 14 x 24 SOLID BACK	
8	681855	BACK CUSHION 15 x 16 SOLID BACK	
8	681856	BACK CUSHION 15 x 18 SOLID BACK	
8	681857	BACK CUSHION 15 x 20 SOLID BACK	
8	681858	BACK CUSHION 15 x 22 SOLID BACK	
8	681859	BACK CUSHION 15 x 24 SOLID BACK	
8	681860	BACK CUSHION 16 x 16 SOLID BACK	
8	681861	BACK CUSHION 16 x 18 SOLID BACK	
8	681862	BACK CUSHION 16 x 20 SOLID BACK	
8	681863	BACK CUSHION 16 x 22 SOLID BACK	
8	681864	BACK CUSHION 16 x 24 SOLID BACK	
8	681865	BACK CUSHION 17 x 16 SOLID BACK	
8	681866	BACK CUSHION 17 x 18 SOLID BACK	
8	681867	BACK CUSHION 17 x 20 SOLID BACK	
8	681868	BACK CUSHION 17 x 22 SOLID BACK	
8	681869	BACK CUSHION 17 x 24 SOLID BACK	
8	681870	BACK CUSHION 18 x 16 SOLID BACK	
8	681871	BACK CUSHION 18 x 18 SOLID BACK	
8	681872	BACK CUSHION 18 x 20 SOLID BACK	
8	681873	BACK CUSHION 18 x 22 SOLID BACK	
8	681874	BACK CUSHION 18 x 24 SOLID BACK	
8	681875	BACK CUSHION 19 x 16 SOLID BACK	
8	681876	BACK CUSHION 19 x 18 SOLID BACK	
8	681877	BACK CUSHION 19 x 20 SOLID BACK	
8	681878	BACK CUSHION 19 x 22 SOLID BACK	
8	681879	BACK CUSHION 19 x 24 SOLID BACK	
8	681880	BACK CUSHION 20 x 16 SOLID BACK	
8	681881	BACK CUSHION 20 x 18 SOLID BACK	
8	681882	BACK CUSHION 20 x 20 SOLID BACK	
8	681883	BACK CUSHION 20 x 22 SOLID BACK	
8	681884	BACK CUSHION 20 x 24 SOLID BACK	
8	681885	BACK CUSHION 22 x 16 SOLID BACK	
8	681886	BACK CUSHION 22 x 18 SOLID BACK	
8	681887	BACK CUSHION 22 x 20 SOLID BACK	
8	681888	BACK CUSHION 22 x 22 SOLID BACK	
8	681889	BACK CUSHION 22 x 24 SOLID BACK	
8	681890	BACK CUSHION 24 x 16 SOLID BACK	
8	681891	BACK CUSHION 24 x 18 SOLID BACK	
8	681892	BACK CUSHION 24 x 20 SOLID BACK	
8	681893	BACK CUSHION 24 x 22 SOLID BACK	
8	681894	BACK CUSHION 24 x 24 SOLID BACK	
5,8	687400	SOLID BACKREST ASSY 14 x 16/17	
5,8	687401	SOLID BACKREST ASSY 14 x 18/19	
5,8	687402	SOLID BACKREST ASSY 14 x 20/21	
5,8	687403	SOLID BACKREST ASSY 14 x 22/23	
5,8	687404	SOLID BACKREST ASSY 14 x 24	
5,8	687405	SOLID BACKREST ASSY 15 x 16/17	
5,8	687406	SOLID BACKREST ASSY 15 x 18/19	
5,8	687407	SOLID BACKREST ASSY 15 x 20/21	
5,8	687408	SOLID BACKREST ASSY 15 x 22/23	
5,8	687409	SOLID BACKREST ASSY 15 x 24	
5,8	687410	SOLID BACKREST ASSY 16 x 16/17	
5,8	687411	SOLID BACKREST ASSY 16 x 18/19	
5,8	687412	SOLID BACKREST ASSY 16 x 20/21	
5,8	687413	SOLID BACKREST ASSY 16 x 22/23	
5,8	687414	SOLID BACKREST ASSY 16 x 24	

Pos.	Item Number	Description	Remarks
5,8	687415	SOLID BACKREST ASSY 17 x 16/17	
5,8	687416	SOLID BACKREST ASSY 17 x 18/19	
5,8	687417	SOLID BACKREST ASSY 17 x 20/21	
5,8	687418	SOLID BACKREST ASSY 17 x 22/23	
5,8	687419	SOLID BACKREST ASSY 17 x 24	
5,8	687420	SOLID BACKREST ASSY 18 x 16/17	
5,8	687421	SOLID BACKREST ASSY 18 x 18/19	
5,8	687422	SOLID BACKREST ASSY 18 x 20/21	
5,8	687423	SOLID BACKREST ASSY 18 x 22/23	
5,8	687424	SOLID BACKREST ASSY 18 x 24	
5,8	687425	SOLID BACKREST ASSY 19 x 16/17	
5,8	687426	SOLID BACKREST ASSY 19 x 18/19	
5,8	687427	SOLID BACKREST ASSY 19 x 20/21	
5,8	687428	SOLID BACKREST ASSY 19 x 22/23	
5,8	687429	SOLID BACKREST ASSY 19 x 24	
5,8	687430	SOLID BACKREST ASSY 20 x 16/17	
5,8	687431	SOLID BACKREST ASSY 20 x 18/19	
5,8	687432	SOLID BACKREST ASSY 20 x 20/21	
5,8	687433	SOLID BACKREST ASSY 20 x 22/23	
5,8	687434	SOLID BACKREST ASSY 20 x 24	
5,8	687435	SOLID BACKREST ASSY 22 x 16/17	
5,8	687436	SOLID BACKREST ASSY 22 x 18/19	
5,8	687437	SOLID BACKREST ASSY 22 x 20/21	
5,8	687438	SOLID BACKREST ASSY 22 x 22/23	
5,8	687439	SOLID BACKREST ASSY 22 x 24	
5,8	687440	SOLID BACKREST ASSY 24 x 16/17	
5,8	687441	SOLID BACKREST ASSY 24 x 18/19	
5,8	687442	SOLID BACKREST ASSY 24 x 20/21	
5,8	687443	SOLID BACKREST ASSY 24 x 22/23	
5,8	687444	SOLID BACKREST ASSY 24 x 24	
9	210084	NUT HEX NYLOCK M6 BLACK	
10	108312	DISTRIBUTION BLOCK	
11	481106-QU	1/4-28 CHANNEL NUT	
12	109251	BRKT DSTRBTN BLCK	
13	103185-006	BHCSM6X1X16FULLNP	
14	221090	1/4-28 X 3/8 BH C/S BLK	
1-4,6,8	881900	MOUNT KIT SOLID BACK	PAIR
1-4,6,8	881795	MOUNT HDWR SOLID BACK	
15	227140	1/4-28 X 1 3/4 BH C/S BLK ZN	
16	550251	CLMP P300 CHRNG/ADJ FL KDS	
17	204110	1/4-28 NYLOCK NUT BLK ZN	

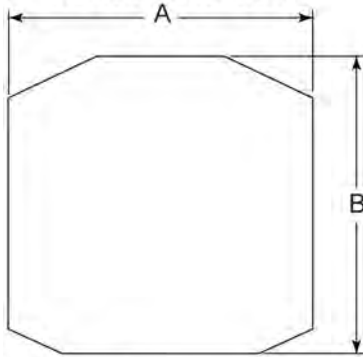


Pos.	Item Number	Description	Remarks
2	561086	1" HALF SADDLE 1/4" HOLE	
3	230118	BHCS M6 X 1 X 45 BLK	
4	561004	1" SADDLE 1/4" HOLE	
5	011685	HANDLE ADJ MODERN M6 X 20 STUD	
6	010679-001	FIXED BACK BRACE 1" OD TUBE 12"	
6	010679-002	FIXED BACK BRACE 1" OD TUBE 13"	
6	010679-003	FIXED BACK BRACE 1" OD TUBE 14"	
6	010679-004	FIXED BACK BRACE 1" OD TUBE 15"	
6	010679-005	FIXED BACK BRACE 1" OD TUBE 16"	
6	010679-006	FIXED BACK BRACE 1" OD TUBE 17"	
6	010679-007	FIXED BACK BRACE 1" OD TUBE 18"	
6	010679-008	FIXED BACK BRACE 1" OD TUBE 19"	
6	010679-009	FIXED BACK BRACE 1" OD TUBE 20"	
6	010679-010	FIXED BACK BRACE 1" OD TUBE 21"	
6	010679-011	FIXED BACK BRACE 1" OD TUBE 22"	
6	010679-012	FIXED BACK BRACE 1" OD TUBE 23"	

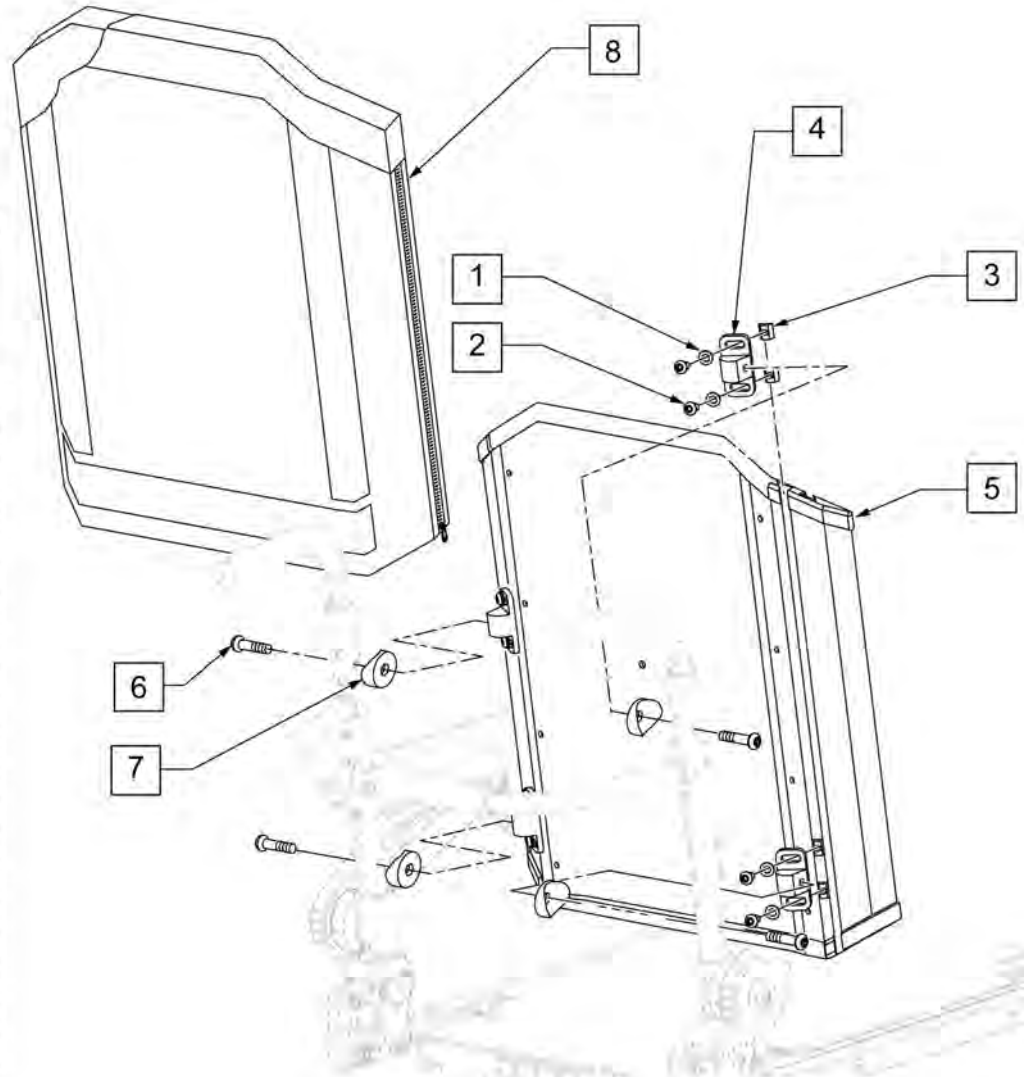
Pos.	Item Number	Description	Remarks
6	010679-013	FIXED BACK BRACE 1" OD TUBE 24"	
7	501554	BACKPOST RECEIVER	RIGHT
7	501555	BACKPOST RECEIVER	LEFT
8	541268	TUBE BACKREST 12"	
8	541269	TUBE BACKREST 13"	
8	541270	TUBE BACKREST 14"	
8	541271	TUBE BACKREST 15"	
8	541272	TUBE BACKREST 16"	
8	541273	TUBE BACKREST 17"	
8	541274	TUBE BACKREST 18"	
8	541275	TUBE BACKREST 19"	
8	541276	TUBE BACKREST 20"	
8	541277	TUBE BACKREST 21"	
8	541278	TUBE BACKREST 22"	
8	541279	TUBE BACKREST 23"	
8	541280	TUBE BACKREST 24"	
9	263100	5/16" AN WASHER FLAT	
10	230121	BHCS M8 X 1.25 X 20MM PATCH	
11	013145	BHCS M6 X 1 X 10 BLK	
12	250104	WASHER FLAT M6	
13	561192	PANEL RECLINE MECH MANUAL	RIGHT
13	561193	PANEL RECLINE MECH MANUAL	LEFT
14	540570	KEIPER LOWER BRACKET	RIGHT
14	540571	KEIPER LOWER BRACKET	LEFT
15	010699	SHAFT KEIPER CONNNECT FEMALE	
16	000384.32100	MANUAL KNOB	
17	013154	SCREW SET M5 X .8 X 3	
18	541149	CONNECTING ROD STOP NUT	
19	210085	NUT HEX NYLOCK M8 BLACK	
20	561006	1" SADDLE 5/16" HOLE	
21	230123	BHCS M8 X 1.25 X 45	
22	920027	QUICKIE GRIP 1" W/INSTR SHEET	
23	561062	1" INSERT PLUG .065 RIBS	
24	230497	M5-.8 X 20 MM BH C/S	
25	010661-001	UPH BCKRST ASSM 12W 38-42/43CM	LOW & MED BACK HEIGHTS
25	010661-002	UPH BCKRST ASSM 13W 38-42/43CM	LOW & MED BACK HEIGHTS
25	010661-003	UPH BCKRST ASSM 14W 38-42/43CM	LOW & MED BACK HEIGHTS
25	010661-004	UPH BCKRST ASSM 15W 38-42/43CM	LOW & MED BACK HEIGHTS
25	010661-005	UPH BCKRST ASSM 16W 38-42/43CM	LOW & MED BACK HEIGHTS
25	010661-006	UPH BCKRST ASSM 17W 38-42/43CM	LOW & MED BACK HEIGHTS
25	010661-007	UPH BCKRST ASSM 18W 38-42/43CM	LOW & MED BACK HEIGHTS
25	010661-008	UPH BCKRST ASSM 19W 38-42/43CM	LOW & MED BACK HEIGHTS
25	010661-009	UPH BCKRST ASSM 20W 38-42/43CM	LOW & MED BACK HEIGHTS
25	010661-010	UPH BCKRST ASSM 21W 38-42/43CM	LOW & MED BACK HEIGHTS
25	010661-011	UPH BCKRST ASSM 22W 38-42/43CM	LOW & MED BACK HEIGHTS
25	010661-012	UPH BCKRST ASSM 23W 38-42/43CM	LOW & MED BACK HEIGHTS
25	010662-001	UPH BCKRST ASSM 12W 48CM	TALL BACK HEIGHTS
25	010662-002	UPH BCKRST ASSM 13W 48CM	TALL BACK HEIGHTS
25	010662-003	UPH BCKRST ASSM 14W 48CM	TALL BACK HEIGHTS
25	010662-004	UPH BCKRST ASSM 15W 48CM	TALL BACK HEIGHTS
25	010662-005	UPH BCKRST ASSM 16W 48CM	TALL BACK HEIGHTS
25	010662-006	UPH BCKRST ASSM 17W 48CM	TALL BACK HEIGHTS
25	010662-007	UPH BCKRST ASSM 18W 48CM	TALL BACK HEIGHTS
25	010662-008	UPH BCKRST ASSM 19W 48CM	TALL BACK HEIGHTS
25	010662-009	UPH BCKRST ASSM 20W 48CM	TALL BACK HEIGHTS
25	010662-010	UPH BCKRST ASSM 21W 48CM	TALL BACK HEIGHTS

Pos.	Item Number	Description	Remarks
25	010662-011	UPH BCKRST ASSM 22W 48CM	TALL BACK HEIGHTS
25	010662-012	UPH BCKRST ASSM 23W 48CM	TALL BACK HEIGHTS
25	010662-013	UPH BCKRST ASSM 24W 48CM	TALL BACK HEIGHTS
26	525438-001	CON ROD MNL TILT & REC 12"	BACK WIDTH 12" - 16"
26	525438-002	CON ROD MNL TILT & REC 13"	BACK WIDTH 17" - 20"
26	525438-003	CON ROD MNL TILT & REC 14"	BACK WIDTH 22" - 24"
1, 5, 22, 23	104855	BACK POST 60D ASSM	LEFT
1, 5, 22, 23	104854	BACK POST 60D ASSM	RIGHT
2, 3, 4, 9, 10, 11, 12, 19, 21, 24	101542	KEIPER MNL RCLN BACK HDWR KIT	

MEASURING GUIDE

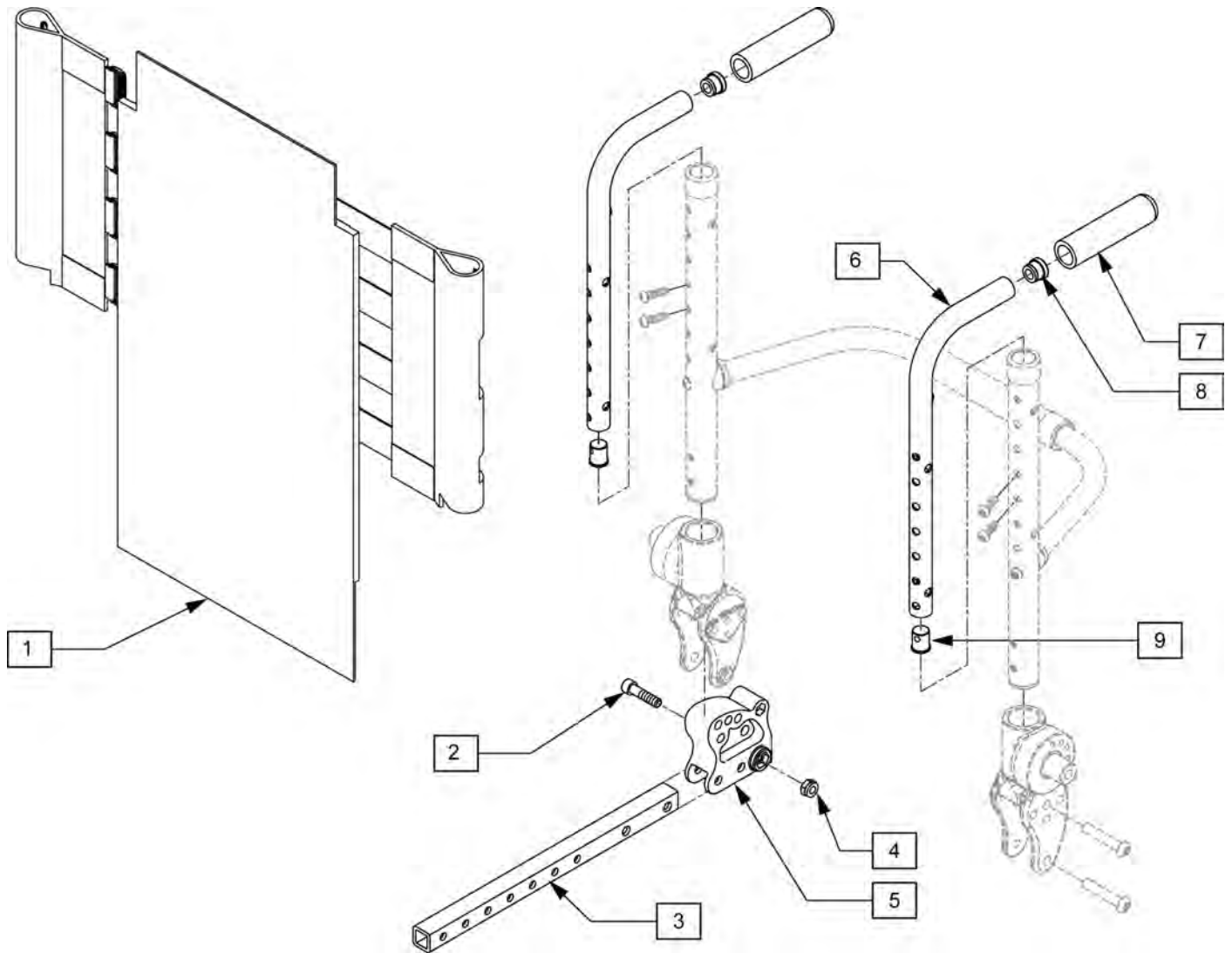


PART#	DESCRIPTION	DIM "A"	DIM "B"
881850	BACK CUSHION 14X18 SOLID BK	14 3/4	14
881851	BACK CUSHION 14X18 SOLID BK	14 3/4	16
881852	BACK CUSHION 14X20 SOLID BK	14 3/4	18
881853	BACK CUSHION 14X22 SOLID BK	14 3/4	20
881854	BACK CUSHION 14X24 SOLID BK	14 3/4	22
881855	BACK CUSHION 15X16 SOLID BK	15 3/4	14
881856	BACK CUSHION 15X16 SOLID BK	15 3/4	16
881857	BACK CUSHION 15X20 SOLID BK	15 3/4	18
881858	BACK CUSHION 15X22 SOLID BK	15 3/4	20
881859	BACK CUSHION 15X24 SOLID BK	15 3/4	22
881860	BACK CUSHION 16X16 SOLID BK	16 3/4	14
881861	BACK CUSHION 16X18 SOLID BK	16 3/4	16
881862	BACK CUSHION 16X20 SOLID BK	16 3/4	18
881863	BACK CUSHION 16X22 SOLID BK	16 3/4	20
881864	BACK CUSHION 16X24 SOLID BK	16 3/4	22
881865	BACK CUSHION 17X18 SOLID BK	17 3/4	14
881866	BACK CUSHION 17X18 SOLID BK	17 3/4	16
881867	BACK CUSHION 17X20 SOLID BK	17 3/4	18
881868	BACK CUSHION 17X22 SOLID BK	17 3/4	20
881869	BACK CUSHION 17X24 SOLID BK	17 3/4	22
881870	BACK CUSHION 18X16 SOLID BK	18 3/4	14
881871	BACK CUSHION 18X18 SOLID BK	18 3/4	16
881872	BACK CUSHION 18X20 SOLID BK	18 3/4	18
881873	BACK CUSHION 18X22 SOLID BK	18 3/4	20
881874	BACK CUSHION 18X24 SOLID BK	18 3/4	22
881875	BACK CUSHION 19X16 SOLID BK	19 3/4	14
881876	BACK CUSHION 19X18 SOLID BK	19 3/4	16
881877	BACK CUSHION 19X20 SOLID BK	19 3/4	18
881878	BACK CUSHION 19X22 SOLID BK	19 3/4	20
881879	BACK CUSHION 19X24 SOLID BK	19 3/4	22
881880	BACK CUSHION 20X16 SOLID BK	20 3/4	14
881881	BACK CUSHION 20X18 SOLID BK	20 3/4	16
881882	BACK CUSHION 20X20 SOLID BK	20 3/4	18
881883	BACK CUSHION 20X22 SOLID BK	20 3/4	20
881884	BACK CUSHION 20X24 SOLID BK	20 3/4	22
881885	BACK CUSHION 22X16 SOLID BK	22 3/4	14
881886	BACK CUSHION 22X18 SOLID BK	22 3/4	16
881887	BACK CUSHION 22X20 SOLID BK	22 3/4	18
881888	BACK CUSHION 22X22 SOLID BK	22 3/4	20
881889	BACK CUSHION 22X24 SOLID BK	22 3/4	22
881890	BACK CUSHION 24X16 SOLID BK	24 3/4	14
881891	BACK CUSHION 24X18 SOLID BK	24 3/4	16
881892	BACK CUSHION 24X20 SOLID BK	24 3/4	18
881893	BACK CUSHION 24X22 SOLID BK	24 3/4	20
881894	BACK CUSHION 24X24 SOLID BK	24 3/4	22



Pos.	Item Number	Description	Remarks
1	267052	1/4 AN WASHER FLAT AN960C416	
2	221094	1/4 -28 x 7/16 BH C/S BLK	
3	481106-QU	1/4 -28 CHANNEL NUT	
4	121507	SOLID BACK MOUNTING BRACKET	
5	881852	SOLID BCKRST SHELL ASSM 16 x 16	
5	881853	SOLID BCKRST SHELL ASSM 17 x 16	
5	881854	SOLID BCKRST SHELL ASSM 18 x 16	
5	881855	SOLID BCKRST SHELL ASSM 19 x 16	
5	881856	SOLID BCKRST SHELL ASSM 20 x 16	
5	881859	SOLID BCKRST SHELL ASSM 16 x 18	
5	881860	SOLID BCKRST SHELL ASSM 17 x 18	
5	881861	SOLID BCKRST SHELL ASSM 18 x 18	
5	881862	SOLID BCKRST SHELL ASSM 19 x 18	
5	881863	SOLID BCKRST SHELL ASSM 20 x 18	
5	881866	SOLID BCKRST SHELL ASSM 16 x 20	
5	881867	SOLID BCKRST SHELL ASSM 17 x 20	
5	881868	SOLID BCKRST SHELL ASSM 18 x 20	
5	881869	SOLID BCKRST SHELL ASSM 19 x 20	

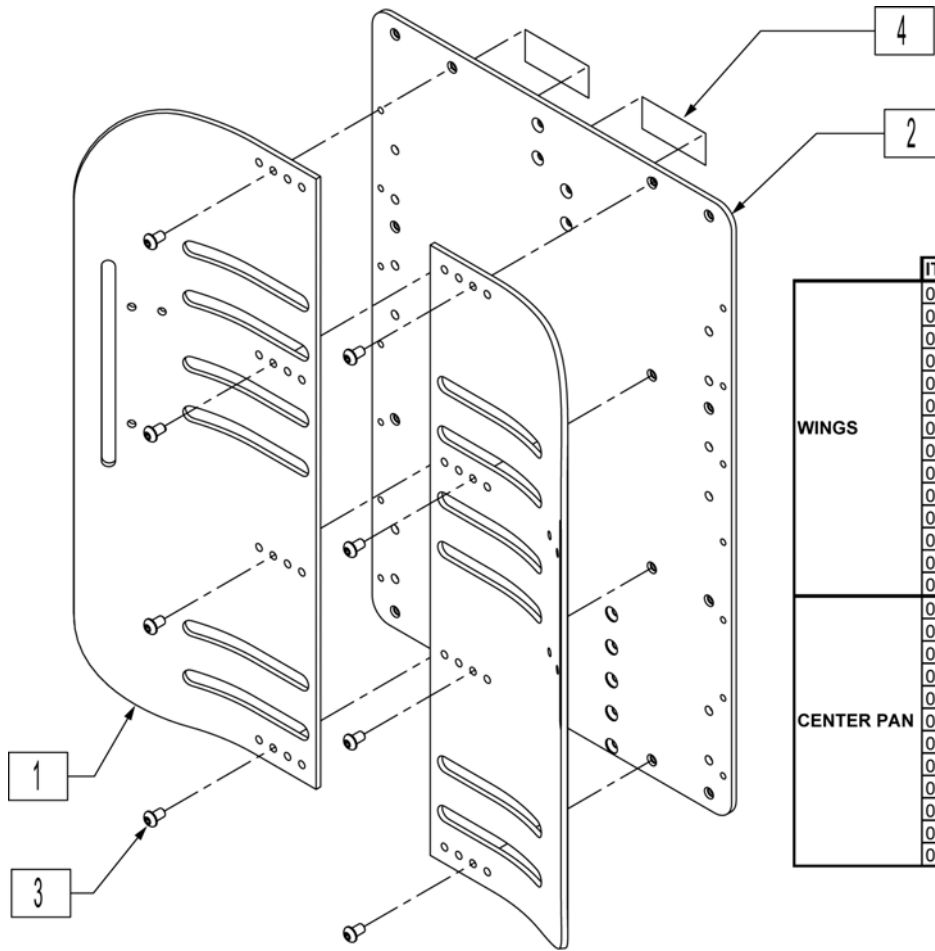
Pos.	Item Number	Description	Remarks
5	881870	SOLID BCKRST SHELL ASSM 20 x 20	
5	881873	SOLID BCKRST SHELL ASSM 16 x 22	
5	881874	SOLID BCKRST SHELL ASSM 17 x 22	
5	881875	SOLID BCKRST SHELL ASSM 18 x 22	
5	881876	SOLID BCKRST SHELL ASSM 19 x 22	
5	881877	SOLID BCKRST SHELL ASSM 20 x 22	
6	226291	5/16 -18 x 1-1/2 BHCS BK W/ PATCH	
7	561006	1 SADDLE 5/16 HOLE	
8	681860	BACK CUSHION 16 x 16 SOLID BACK	
8	681861	BACK CUSHION 16 x 18 SOLID BACK	
8	681862	BACK CUSHION 16 x 20 SOLID BACK	
8	681863	BACK CUSHION 16 x 22 SOLID BACK	
8	681865	BACK CUSHION 17 x 16 SOLID BACK	
8	681866	BACK CUSHION 17 x 18 SOLID BACK	
8	681867	BACK CUSHION 17 x 20 SOLID BACK	
8	681868	BACK CUSHION 17 x 22 SOLID BACK	
8	681870	BACK CUSHION 18 x 16 SOLID BACK	
8	681871	BACK CUSHION 18 x 18 SOLID BACK	
8	681872	BACK CUSHION 18 x 20 SOLID BACK	
8	681873	BACK CUSHION 18 x 22 SOLID BACK	
8	681875	BACK CUSHION 19 x 16 SOLID BACK	
8	681876	BACK CUSHION 19 x 18 SOLID BACK	
8	681877	BACK CUSHION 19 x 20 SOLID BACK	
8	681878	BACK CUSHION 19 x 22 SOLID BACK	
8	681880	BACK CUSHION 20 x 16 SOLID BACK	
8	681881	BACK CUSHION 20 x 18 SOLID BACK	
8	681882	BACK CUSHION 20 x 20 SOLID BACK	
8	681883	BACK CUSHION 20 x 22 SOLID BACK	
5,8	687410	SOLID BACKREST ASSY 16 x 16/17	
5,8	687411	SOLID BACKREST ASSY 16 x 18/19	
5,8	687412	SOLID BACKREST ASSY 16 x 20/21	
5,8	687413	SOLID BACKREST ASSY 16 x 22/23	
5,8	687415	SOLID BACKREST ASSY 17 x 16/17	
5,8	687416	SOLID BACKREST ASSY 17 x 18/19	
5,8	687417	SOLID BACKREST ASSY 17 x 20/21	
5,8	687418	SOLID BACKREST ASSY 17 x 22/23	
5,8	687420	SOLID BACKREST ASSY 18 x 16/17	
5,8	687421	SOLID BACKREST ASSY 18 x 18/19	
5,8	687422	SOLID BACKREST ASSY 18 x 20/21	
5,8	687423	SOLID BACKREST ASSY 18 x 22/23	
5,8	687425	SOLID BACKREST ASSY 19 x 16/17	
5,8	687426	SOLID BACKREST ASSY 19 x 18/19	
5,8	687427	SOLID BACKREST ASSY 19 x 20/21	
5,8	687428	SOLID BACKREST ASSY 19 x 22/23	
5,8	687430	SOLID BACKREST ASSY 20 x 16/17	
5,8	687431	SOLID BACKREST ASSY 20 x 18/19	
5,8	687432	SOLID BACKREST ASSY 20 x 20/21	
5,8	687433	SOLID BACKREST ASSY 20 x 22/23	
1-4,6,7	881900	MOUNT KIT SOLID BACK	4 mounting brackets and hardware
1-4,6,7	881795	MOUNT HDWR SOLID BACK	



Pos.	Item Number	Description	Remarks
1	103170	ASAP SEAT UPHOLSTERY	
2	n/a	BHCS M8X35	AVAILABLE IN HARDWARE KIT ONLY
4	n/a	M8 NYLOCK NUT	AVAILABLE IN HARDWARE KIT ONLY
3-5	103173	BACKREST DEPTH ADJ ASM	PAIR
6-8	103124	PUSH HANDLES W/GRIPS PARTS	PAIR
9	n/a	BHCS M8 X 1.25 X 45	AVAILABLE IN HARDWARE KIT ONLY
10	n/a	BHCS M8 X 1.25 X 55	AVAILABLE IN HARDWARE KIT ONLY
14	n/a	PHMS M5 X .8 X 20	
11-13	105628	TOWEL RAIL ASSY W/HRDWR SP	
7,8,11-13,15,16	014984	BACKREST ASSEMBLY	
17	103109	ASAP SEAT HARDWARE KIT	SEE ITEM 8 ASAP SEAT ASSM PAGE

CONTOUR POSTERIOR ADJUSTABLE BACK PAN

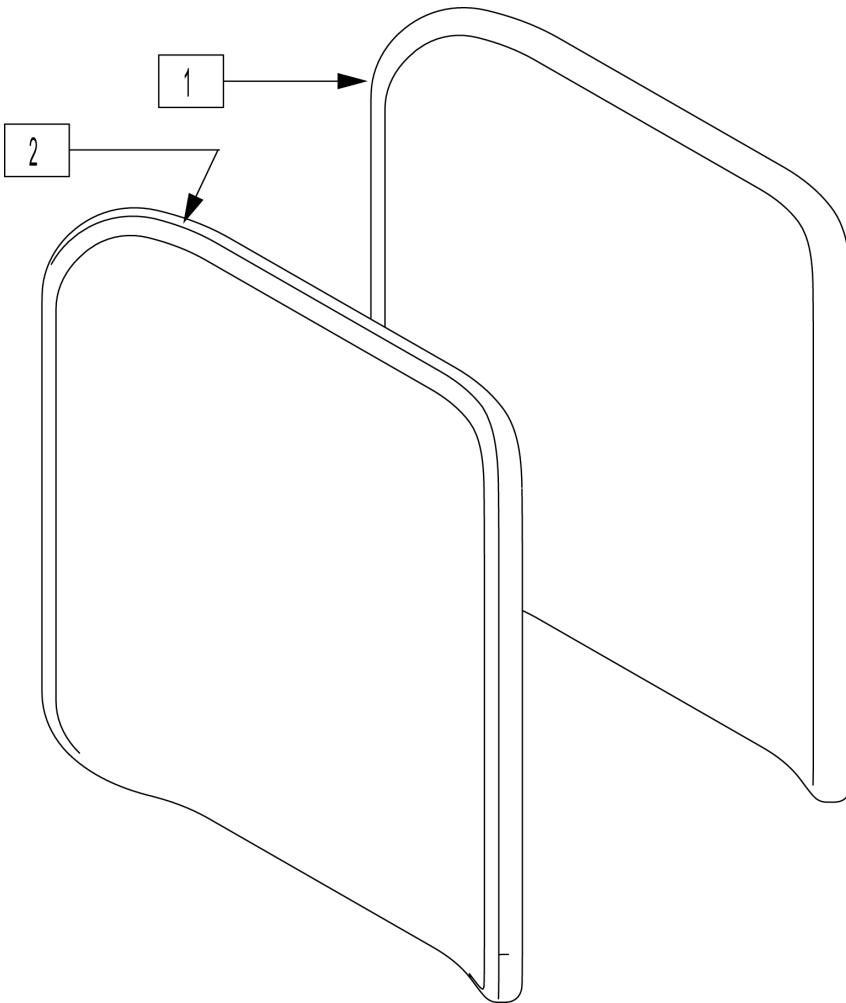
[Revision: 06/2007]



BACK PAN GUIDE

	ITEM NUMBER	MANUAL RECLINE	POWER RECLINE
WINGS	010438	12-13W 15-18H	12-13W 17-20H
	010439	12-13W 15-18H	12-13W 17-20H
	010431	14-24W 15-18H	14-24W 17-20H
	010432	14-24W 15-18H	14-24W 17-20H
	010822	14-24W 17-20H	14-24W 19-22H
	010821	14-24W 17-20H	14-24W 19-22H
	010105	14-24W 19-22H	14-24W 21-24H
	010106	14-24W 19-22H	14-24W 21-24H
	010433	14-24W 21-24H	14-24W 23-26H
	010434	14-24W 21-24H	14-24W 23-26H
	010826	14-24W 23-26H	14-24W 25-28H
	010825	14-24W 23-26H	14-24W 25-28H
	010716	14-24W 25-28H	N/A
	010717	14-24W 25-28H	N/A
CENTER PAN	012031-001	12-19W 15-18H	12-19W 17-20H
	012031-002	17-24W 15-18H	17-24W 17-20H
	012032-001	12-19W 17-20H	12-19W 19-22H
	012032-002	17-24W 17-20H	17-24W 19-22H
	012033-001	12-19W 19-22H	12-14W 21-24H
	012033-002	17-24W 19-22H	17-24W 21-24H
	012034-001	12-19W 21-24H	12-19W 23-26H
	012034-002	17-24W 21-24H	17-24W 23-26H
	012035-001	12-19W 23-26H	12-19W 25-28H
	012035-002	17-24W 23-26H	17-24W 25-28H
	012036-001	12-19W 25-28H	N/A
	012036-002	17-24W 25-28H	N/A

Pos.	Item Number	Description	Pos.	Item Number	Description
1	010438	BACK PAN WING LH 15T SMALL	3	012931	BHCS M5 X 10 W/PL BLK CL 10.9
1	010439	BACK PAN WING RH 15T SMALL	2,4	012031-001	BACK PAN CENTER 15T W/VEL NARR
1	010431	BACK PAN WING LH 15T LARGE	2,4	012031-002	BACK PAN CENTER 15T W/VEL WIDE
1	010432	BACK PAN WING RH 15T LARGE	2,4	012032-001	BACK PAN CENTER 17TW/VEL NARR
1	010822	BACK PAN WING LH 17T	2,4	012032-002	BACK PAN CENTER 17T W/VEL WIDE
1	010821	BACK PAN WING RH 17T	2,4	012033-001	BACK PAN CENTER 19T W/VEL NARR
1	010105	BACK PAN WING LH 19T	2,4	012033-002	BACK PAN CENTER 19T W/VEL WIDE
1	010106	BACK PAN WING RH 19T	2,4	012034-001	BACK PAN CENTER 21T W/VEL NARR
1	010433	BACK PAN WING LH 21T	2,4	012034-002	BACK PAN CENTER 21T W/VEL WIDE
1	010434	BACK PAN WING RH 21T	2,4	012035-001	BACK PAN CENTER 23T W/VEL NARR
1	010826	BACK PAN WING LH 23T	2,4	012035-002	BACK PAN CENTER 23T W/VEL WIDE
1	010825	BACK PAN WING RH 23T	2,4	012036-001	BACK PAN CENTER 25T W/VEL NARR
1	010716	BACK PAN WING LH 25T	2,4	012036-002	BACK PAN CENTER 25T W/VEL WIDE
1	010717	BACK PAN WING RH 25T			



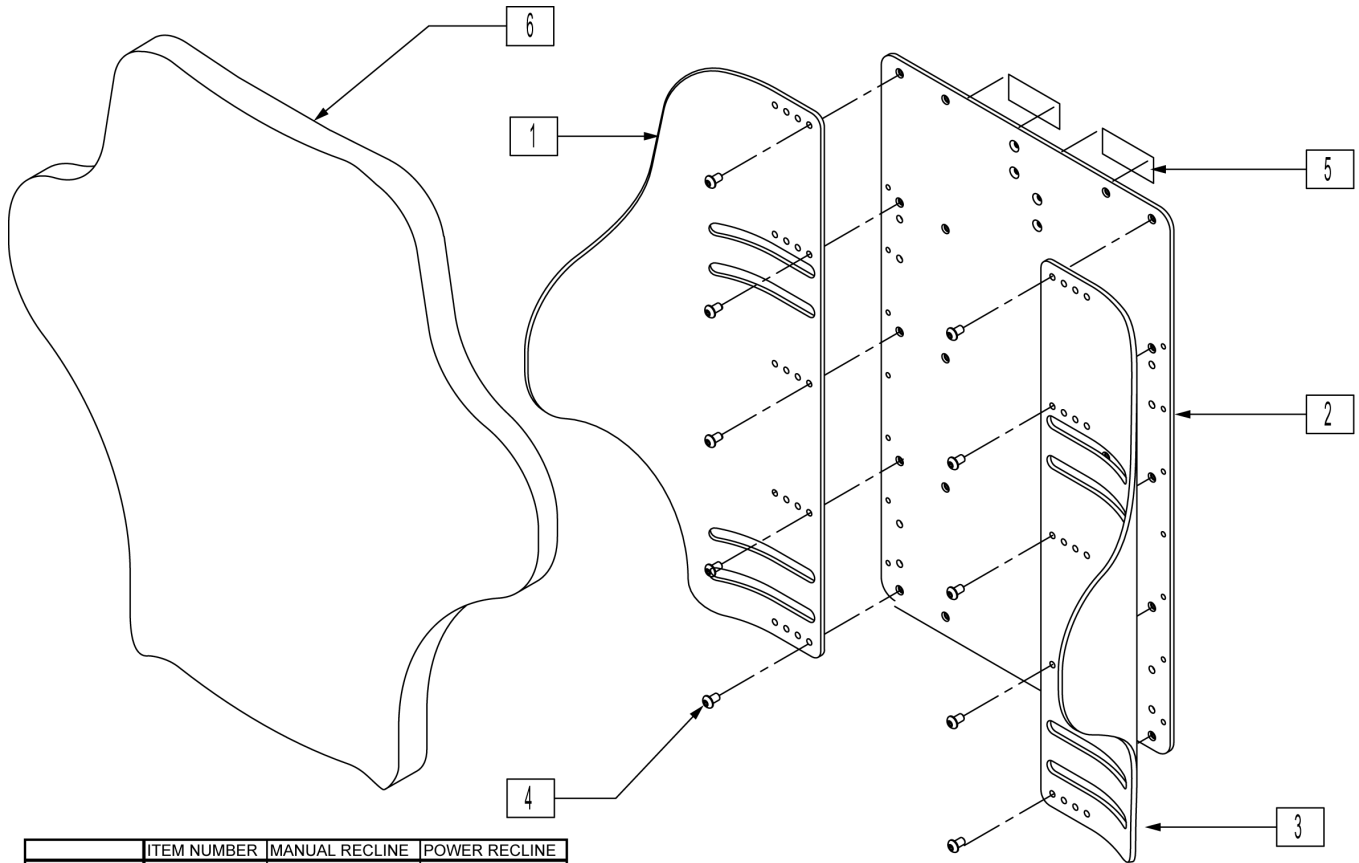
SIZE ORDERING GUIDE

ITEM NUMBER	MANUAL RECLINE	POWER RECLINE
102314-001	14-15W 15-18H	14-15W 17-20H
102314-002	14-15W 17-20H	14-15W 19-22H
102314-003	14-15W 19-22H	14-15W 21-24H
102314-004	14-15W 21-24H	14-15W 23-26H
102314-005	14-15W 23-26H	14-15W 25-28H
102314-006	14-15W 25-28H	N/A
102315-001	16-17W 15-18H	16-17W 17-20H
102315-002	16-17W 17-20H	16-17W 19-22H
102315-003	16-17W 19-22H	16-17W 21-24H
102315-004	16-17W 21-24H	16-17W 23-26H
102315-005	16-17W 23-26H	16-17W 25-28H
102315-006	16-17W 25-28H	N/A
102316-001	18-19W 15-18H	18-19W 17-20H
102316-002	18-19W 17-20H	18-19W 19-22H
102316-003	18-19W 19-22H	18-19W 21-24H
102316-004	18-19W 21-24H	18-19W 23-26H
102316-005	18-19W 23-26H	18-19W 25-28H
102316-006	18-19W 25-28H	N/A
102317-001	20-21W 15-18H	20-21W 17-20H
102317-002	20-21W 17-20H	20-21W 16-22H
102317-003	20-21W 16-22H	20-21W 21-24H
102317-004	20-21W 21-24H	20-21W 23-26H
102317-005	20-21W 23-26H	20-21W 25-28H
102317-006	20-21W 25-28H	N/A
102318-001	22-23W 15-18H	22-23W 17-20H
102318-002	22-23W 17-20H	22-23W 19-22H
102318-003	22-23W 19-22H	22-23W 21-24H
102318-004	22-23W 21-24H	22-23W 23-26H
102318-005	22-23W 23-26H	22-23W 25-28H
102318-006	22-23W 25-28H	N/A
102319-001	24W 15-18H	24W 17-20H
102319-002	24W 17-20H	24W 19-22H
102319-003	24W 19-22H	24W 21-24H
102319-004	24W 21-24H	24W 23-26H
102319-005	24W 23-26H	24W 25-28H
102319-006	24W 25-28H	N/A
102313	12-13W 15-18H	12-03W 17-20H

Pos.	Item Number	Description	Pos.	Item Number	Description
1-2	102314-001	BACK FOAM & COVER 14-15W X 15	1-2	102317-002	BACK FOAM & COVER 20-21W X 17
1-2	102314-002	BACK FOAM & COVER 14-15W X 17	1-2	102317-003	BACK FOAM & COVER 20-21W X 19
1-2	102314-003	BACK FOAM & COVER 14-15W X 19	1-2	102317-004	BACK FOAM & COVER 20-21W X 21
1-2	102314-004	BACK FOAM & COVER 14-15W X 21	1-2	102317-005	BACK FOAM & COVER 20-21W X 23
1-2	102314-005	BACK FOAM & COVER 14-15W X 23	1-2	102317-006	BACK FOAM & COVER 20-21W X 25
1-2	102314-006	BACK FOAM & COVER 14-15W X 25	1-2	102318-001	BACK FOAM & COVER 22-23W X 15
1-2	102315-001	BACK FOAM & COVER 16-17W X 15	1-2	102318-002	BACK FOAM & COVER 22-23W X 17
1-2	102315-002	BACK FOAM & COVER 16-17W X 17	1-2	102318-003	BACK FOAM & COVER 22-23W X 19
1-2	102315-003	BACK FOAM & COVER 16-17W X 19	1-2	102318-004	BACK FOAM & COVER 22-23W X 21
1-2	102315-004	BACK FOAM & COVER 16-17W X 21	1-2	102318-005	BACK FOAM & COVER 22-23W X 23
1-2	102315-005	BACK FOAM & COVER 16-17W X 23	1-2	102318-006	BACK FOAM & COVER 22-23W X 25
1-2	102315-006	BACK FOAM & COVER 16-17W X 25	1-2	102319-001	BACK FOAM & COVER 24W X 15H
1-2	102316-001	BACK FOAM & COVER 18-19W X 15	1-2	102319-002	BACK FOAM & COVER 24W X 17H
1-2	102316-002	BACK FOAM & COVER 18-19W X 17	1-2	102319-003	BACK FOAM & COVER 24W X 19H
1-2	102316-003	BACK FOAM & COVER 18-19W X 19	1-2	102319-004	BACK FOAM & COVER 24W X 21H
1-2	102316-004	BACK FOAM & COVER 18-19W X 21	1-2	102319-005	BACK FOAM & COVER 24W X 23H
1-2	102316-005	BACK FOAM & COVER 18-19W X 23	1-2	102319-006	BACK FOAM & COVER 24W X 25H
1-2	102316-005	BACK FOAM & COVER 18-19W X 25	1-2	102313	BACK FOAM & COVER 12-13W X 15
1-2	102317-001	BACK FOAM & COVER 20-21W X 15			

POSTERIOR LATERAL POSITIONING BACK (DEEP CONTOUR)

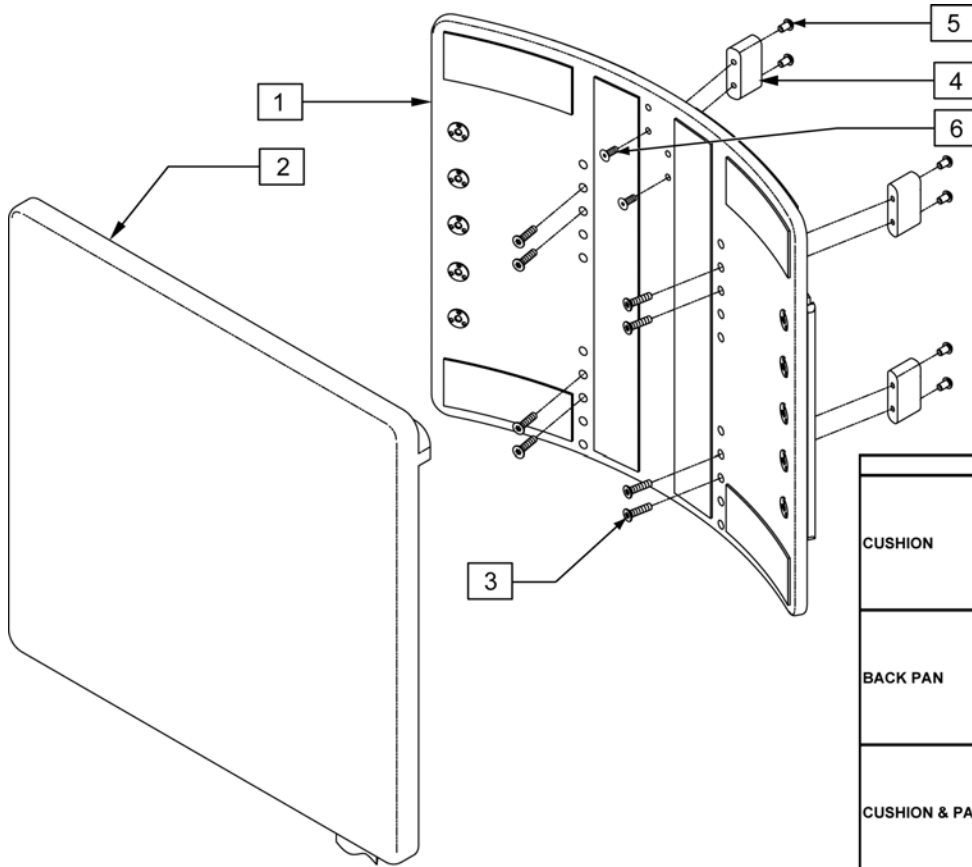
[Revision: 02/2009]



	ITEM NUMBER	MANUAL RECLINE	POWER RECLINE
BACK PAN	012034-001	11-16W 21-24H	11-16W 23-26H
	012034-002	14-21W 21-24H	14-21W 23-26H
	012035-001	11-16W 23-26H	11-16W 25-28H
	012035-002	14-21W 23-26H	14-21W 25-28H
	012036-001	11-16W 25-28H	N/A
	012036-002	14-21W 25-28H	N/A
BACK ASSEM	013547-001	11-16W 21-24H	11-16W 23-26H
	013547-002	14-21W 21-24H	14-21W 23-26H
	013547-003	11-16W 23-26H	11-16W 25-28H
	013547-004	14-21W 23-26H	14-21W 25-28H
	013547-005	11-16W 25-28H	N/A
	013547-006	14-21W 25-28H	N/A

Pos.	Item Number	Description	Remarks
1	013545-001	WING DEEP CTR 21T RH W/VELCRO	11-21W
1	013545-002	WING DEEP CTR 23T RH W/VELCRO	11-21W
1	013545-003	WING DEEP CTR 25T RH W/VELCRO	11-21W
3	013546-001	WING DEEP CTR 21T LH W/VELCRO	11-21W
3	013546-002	WING DEEP CTR 23T LH W/VELCRO	11-21W
3	013546-003	WING DEEP CTR 25T LH W/VELCRO	11-21W
4	012931	BHCS M5 X 10 W/PL BLK CL 10.9	
5	011802-002	1 X 2 HOOK BLACK PSA117	
6	102320-001	CHSN BK PLC 11-12W X 21T	INCLUDES COVER AND FOAM
6	102320-002	CHSN BK PLC 13-14W X 21T	INCLUDES COVER AND FOAM
6	102320-003	CHSN BK PLC 15-16W X 21T	INCLUDES COVER AND FOAM
6	102320-004	CHSN BK PLC 17-18W X 21T	INCLUDES COVER AND FOAM
6	102320-005	CHSN BK PLC 19-20W X 21T	INCLUDES COVER AND FOAM
6	102320-006	CHSN BK PLC 21W X 21T	INCLUDES COVER AND FOAM
6	102321-001	CSHN BK PLC 11-12W X 23T	INCLUDES COVER AND FOAM
6	102321-002	CSHN BK PLC 13-14W X 23T	INCLUDES COVER AND FOAM
6	102321-003	CSHN BK PLC 15-16W X 23T	INCLUDES COVER AND FOAM

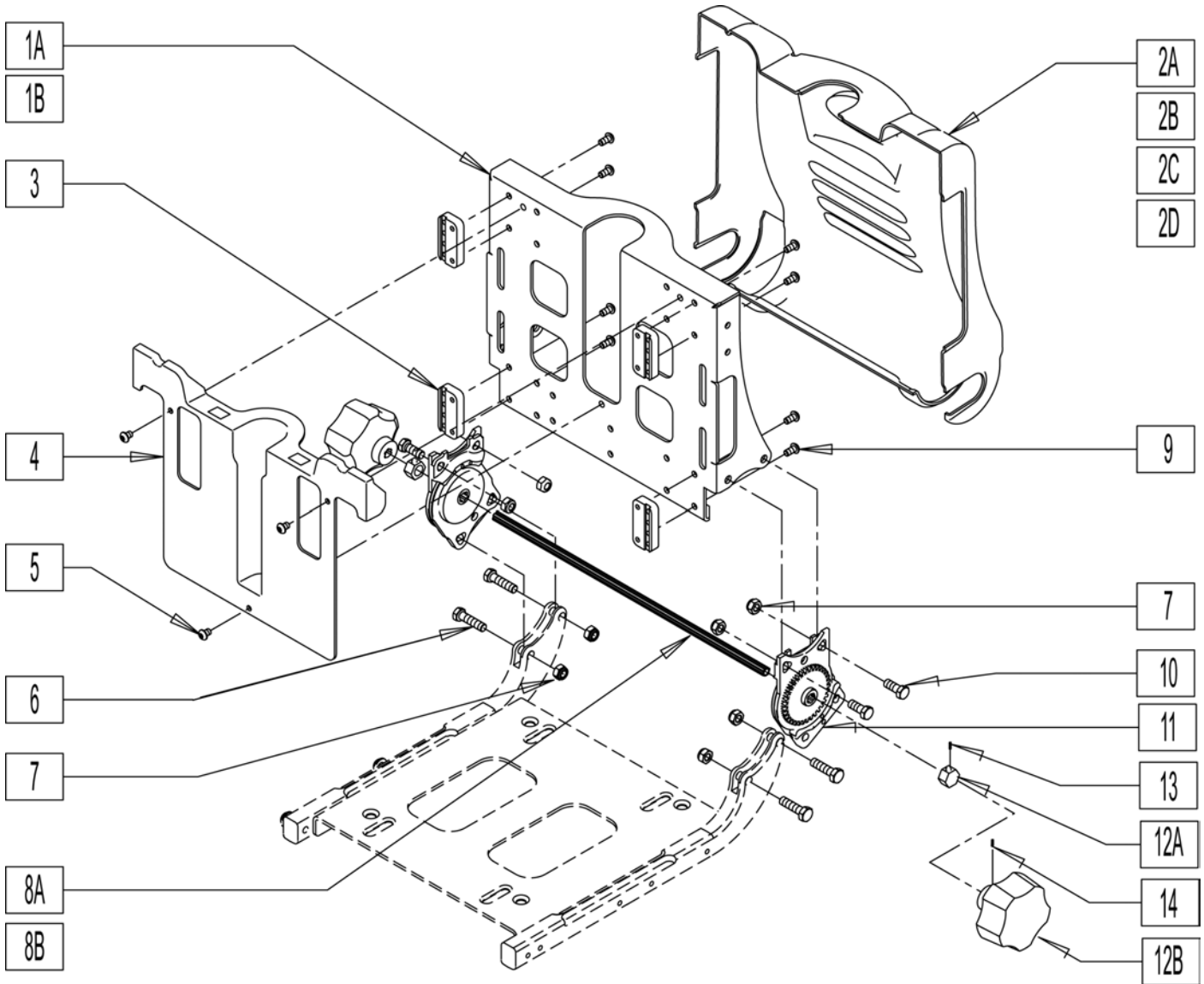
Pos.	Item Number	Description	Remarks
6	102321-004	CSHN BK PLC 17-18W X 23T	INCLUDES COVER AND FOAM
6	102321-005	CSHN BK PLC 19-20W X 23T	INCLUDES COVER AND FOAM
6	102321-006	CSHN BK PLC 21W X 23T	INCLUDES COVER AND FOAM
6	102322-001	CSHN BK PLC 11-12W X 25T	INCLUDES COVER AND FOAM
6	102322-002	CSHN BK PLC 13-14W X 25T	INCLUDES COVER AND FOAM
6	102322-003	CSHN BK PLC 15-16W X 25T	INCLUDES COVER AND FOAM
6	102322-004	CSHN BK PLC 17-18W X 25T	INCLUDES COVER AND FOAM
6	102322-005	CSHN BK PLC 19-20W X 25T	INCLUDES COVER AND FOAM
6	102322-006	CSHN BK PLC 21W X 25T	INCLUDES COVER AND FOAM
2,5	012034-001	BACK PAN CENTER 21T W/VEL NARR	
2,5	012034-002	BACK PAN CENTER 21T W/VEL WIDE	
2,5	012035-001	BACK PAN CENTER 23T W/VEL NARR	
2,5	012035-002	BACK PAN CENTER 23T W/VEL WIDE	
2,5	012036-001	BACK PAN CENTER 25T W/VEL NARR	
2,5	012036-002	BACK PAN CENTER 25T W/VEL WIDE	
1-5	013547-001	DEEP CONTOUR BACK ASSM 21T NARROW	
1-5	013547-002	DEEP CONTOUR BACK ASSM 21T WIDE	
1-5	013547-003	DEEP CONTOUR BACK ASSM 23T NARROW	
1-5	013547-004	DEEP CONTOUR BACK ASSM 23T WIDE	
1-5	013547-005	DEEP CONTOUR BACK ASSM 25T NARROW	
1-5	013547-006	DEEP CONTOUR BACK ASSM 25T WIDE	



SIZE ORDERING GUIDE

	ITEM NUMBER	MANUAL RECLINE	POWER RECLINE
CUSHION	012843-001	15-18T 12W	18-21T 12W
	012843-002	15-18T 14W	18-21T 14W
	012843-003	17-20T 16W	20-22T 16W
	012843-004	17-20T 18W	20-22T 18W
	012843-005	17-20T 20W	20-22T 20 W
	012843-006	17-20T 22W	20-22T 22W
	012843-007	17-20T 24W	20-22T 24W
BACK PAN	012844-001	15-18T 12W	18-21T 12W
	012844-002	15-18T 14W	18-21T 14W
	012844-003	17-20T 16W	20-22T 16W
	012844-004	17-20T 18W	20-22T 18W
	012844-005	17-20T 20W	20-22T 20 W
	012844-006	17-20T 22W	20-22T 22W
	012844-007	17-20T 24W	20-22T 24W
CUSHION & PAN	012845-001	15-18T 12W	18-21T 12W
	012845-002	15-18T 14W	18-21T 14W
	012845-003	17-20T 16W	20-22T 16W
	012845-004	17-20T 18W	20-22T 18W
	012845-005	17-20T 20W	20-22T 20 W
	012845-006	17-20T 22W	20-22T 22W
	012845-007	17-20T 24W	20-22T 24W

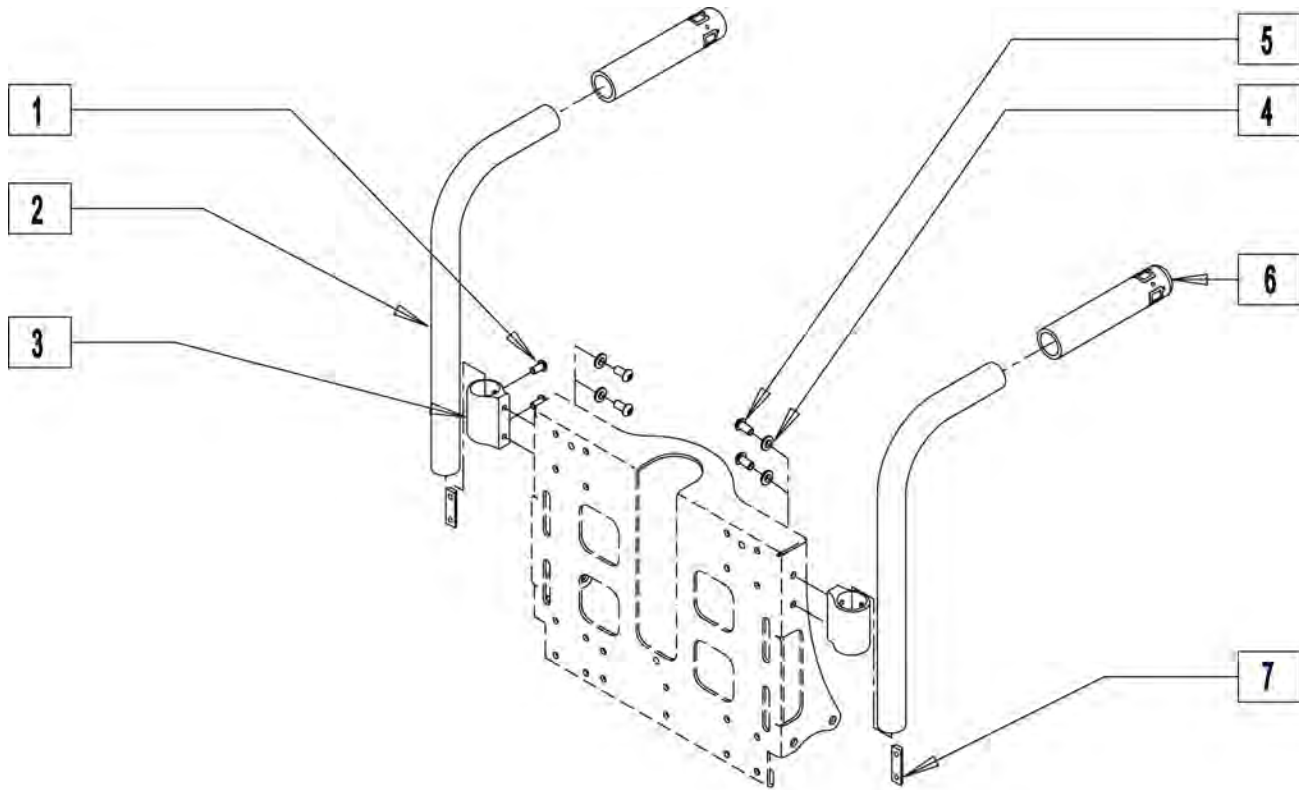
Pos.	Item Number	Description
2	012843-001	BACK CSHN CRVD BACK 12W X 15T
2	012843-002	BACK CSHN CRVD BACK 14W X 15T
2	012843-003	BACK CSHN CRVD BACK 16W X 17T
2	012843-004	BACK CSHN CRVD BACK 18W X 17T
2	012843-005	BACK CSHN CRVD BACK 20W X 17T
2	012843-006	BACK CSHN CRVD BACK 22W X 17T
2	012843-007	BACK CSHN CRVD BACK 24W X 17T
3	102265-003	FHCS M6X1X25 FULL N
4	013207	MOUNTING BLOCK CURVED BACK
5	230113	BHCS M6 X 1 X 12 BLK W/PL
6	226014	FHCS 10-32 X 3/4
1-4	012845-001	CRVD BACK & CSHN 12W X 15T
1-4	012845-002	CRVD BACK & CSHN 14W X 15T
1-4	012845-003	CRVD BACK & CSHN 16W X 17T
1-4	012845-004	CRVD BACK & CSHN 18W X 17T
1-4	012845-005	CRVD BACK & CSHN 20W X 17T
1-4	012845-006	CRVD BACK & CSHN 22W X 17T
1-4	012845-007	CRVD BACK & CSHN 24W X 17T



Pos.	Item Number	Description	Remarks
1A	014087	NON RCLN BACK STR DEL SHT VELC	15-20" Back Ht
1B	014088	NON RCLN BACK STR DEL TLL VELC	20-28" Back Ht
2A	012111	NON REC BACK SHROUD SHT ASSY	15-20" Back Ht
2B	012114	NON RECL BACK SHROUD TALL ASSY	20-28" Back Ht
2C	014089	SHRD DELPHI SNGL PVT SHRT VELC	15-20" Back Ht w/Deep Shroud
2D	014090	SHRD DELPHI SNGL PVT TALL VELC	20-28" Back Ht w/Deep Shroud
3	010243	BACK SPACER	
4	012112	NON REC BACK INNER SHROUD ASSY	
5	013144	BHCS M5 X .8 X 8 BLK W/PL	
6	013355	HHCS M8 X 1.25 X 30 BLK	
7	210072	M8 NYLOCK NUT	
9	230113	BHCS M6 X 1 X 12 BLK W/PL	
10	013354	HHCS M8 X 1.25 X 20 BLK W/PL	
11	011036	KEIPER MANUAL MACH LH	
11	011037	KEIPER MANUAL MACH RH	
12A,13	012154	STOP NUT AND SET SCREW	

Pos.	Item Number	Description	Remarks
12B,14	012155	MANUAL KNOB AND SET SCREW	
8A,12A,13	014350	MNL KNB/SET SCRW SHRT 5 SPLINE	
8B,12B,14	014351	MNL KNB/SET SCRW LNG 5 SPLINE	
5-7,9,10	101472	ADJ MNL RECLINE BACK HDWR	

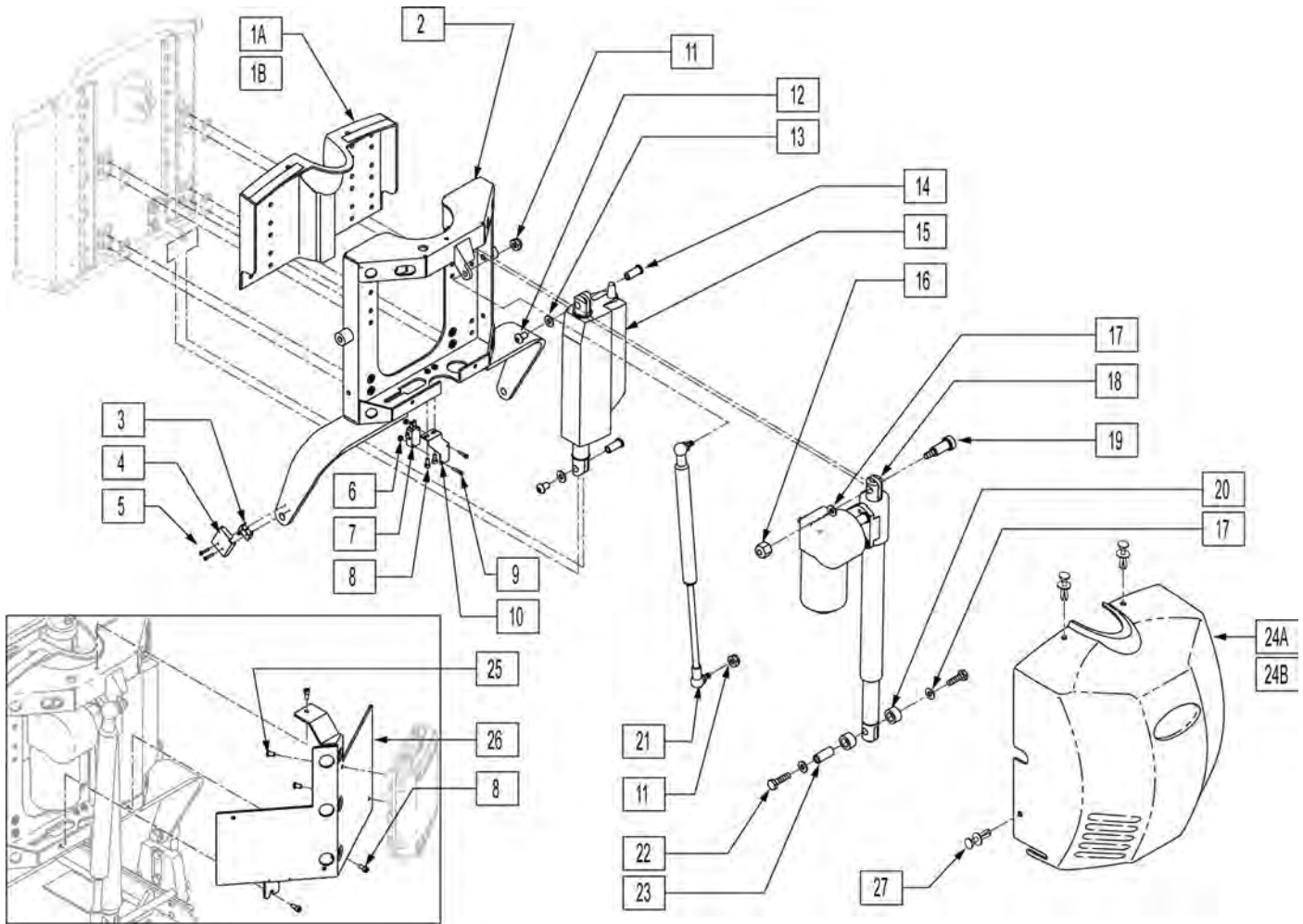
PUSH HANDLES



Pos.	Item Number	Description
1	102262-001	BHCS M6X1X8 FULL PL
2, 6	842245	PUSH HANDLE TUBE W/ F RECLINE BACK
3	010308	RECEIVER PUSH HANDLE
4	261535	1/4" WASHER STAR EXTERNAL
5	230113	BHCS M6 X 1 X 12 BLK W/PL
6	920027	QUICKIE GRIP 1" W/INSTR SHEET
7	011322	DUAL M6 CHANNEL NUT
1-7	012104	PERFECT FIT PUSH HANDLE KIT

Note: On QM7 series fits chairs prior to S/N prefix QM710A, QM715A & QM720A.

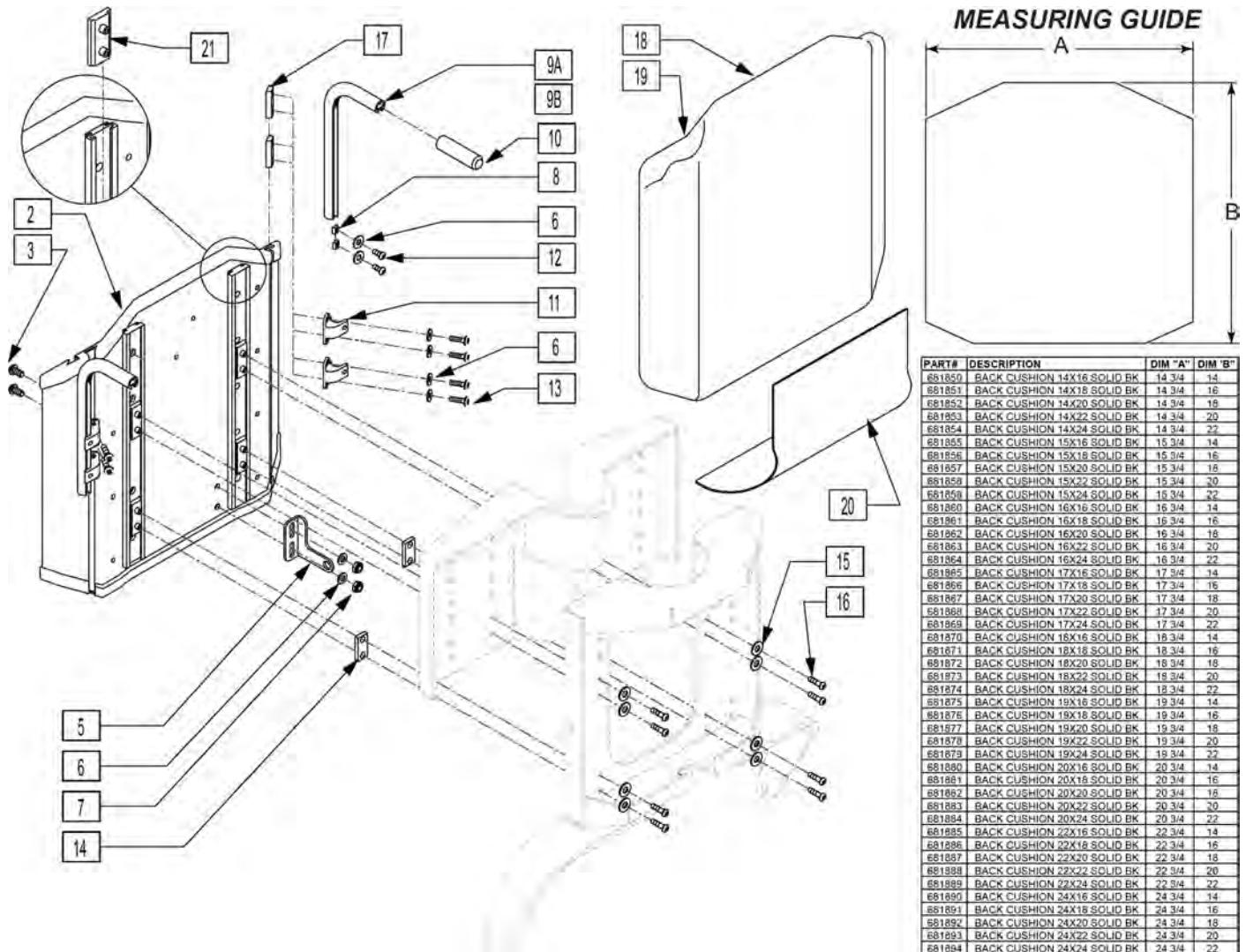
NOTE: IF RETROFITTING A TILT OR RECLINE ONTO AN EXISTING CHAIR PLEASE CONTACT SUNRISE MEDICAL TECHNICAL SUPPORT TO ENSURE ALL REQUIRED PARTS ARE PURCHASED.



Pos.	Item Number	Description	Remarks
1A	104371	BACKREST INNER SHROUD SMALL	16-19" WIDE
1B	104372	BACKREST INNER SHROUD LARGE	20 & 22" WIDE
2	102987-004	WLDMNT 17W CROSS BAR	16" WIDE
2	102987-005	WLDMNT 18W CROSS BAR	17" WIDE
2	102987-006	WLDMNT 19W CROSS BAR	18" WIDE
2	102987-007	WLDMNT 20W CROSS BAR	19" WIDE
2	102990-002	WLDMNT 21W CROSS BAR	20" WIDE
2	102990-004	WLDMNT 23W CROSS BAR	22" WIDE
8	227000	8-32 X 3/8 SOC C/S BLK	
11	202116	5/16-18 NYLOCK NUT THIN BLK	
12	226236	5/16-18 x 1/2 B/H C/S BLK	
13	263100	5/16 AN WASHER FLAT	

Pos.	Item Number	Description	Remarks
14	505615	ACT LINK PIN	
15	012038	ACT LINAK LA-12 9OD CLVS DLPHI	
16	201263	3/8-16 NYLOCK NUT BLK ZINC	
17	263140	3/8 WASHER FLAT	
18	102988	ACT LINAK LA-30-150 REED SWC	
19	341571	1/2" SHOULDER BOLT	
20	560030	REAR ACT THRUST WASHER	
21	342088	GAS SPRING S626 T/R	
22	223120	3/8-16 x .625 HEX HD C/S W/PATCH	
23	506033	LOWER RECLINE ACT PIVOT	
24A	103950	SHROUD POWER RECLINE ASSM	INCLUDES VELCRO & FASTENERS
24B	103951	SHROUD WIDE PWR RECLINE WIDE	INCLUDES VELCRO & FASTENERS
25	102257	BHCS M4 X .7 X 8 INORGANIC	
26	102941	BRKT CONTROLLERS	
27	011402	FASTENER SHROUD	
3-5	103953	HARNESS RECLINE SWITCH ASSM	
6,7,9,10	103952	HARNESS SHEAR SWITCH ASSM	

NOTE: IF RETROFITTING A TILT OR RECLINE ONTO AN EXISTING CHAIR PLEASE CONTACT SUNRISE MEDICAL TECHNICAL SUPPORT TO ENSURE ALL REQUIRED PARTS ARE PURCHASED.

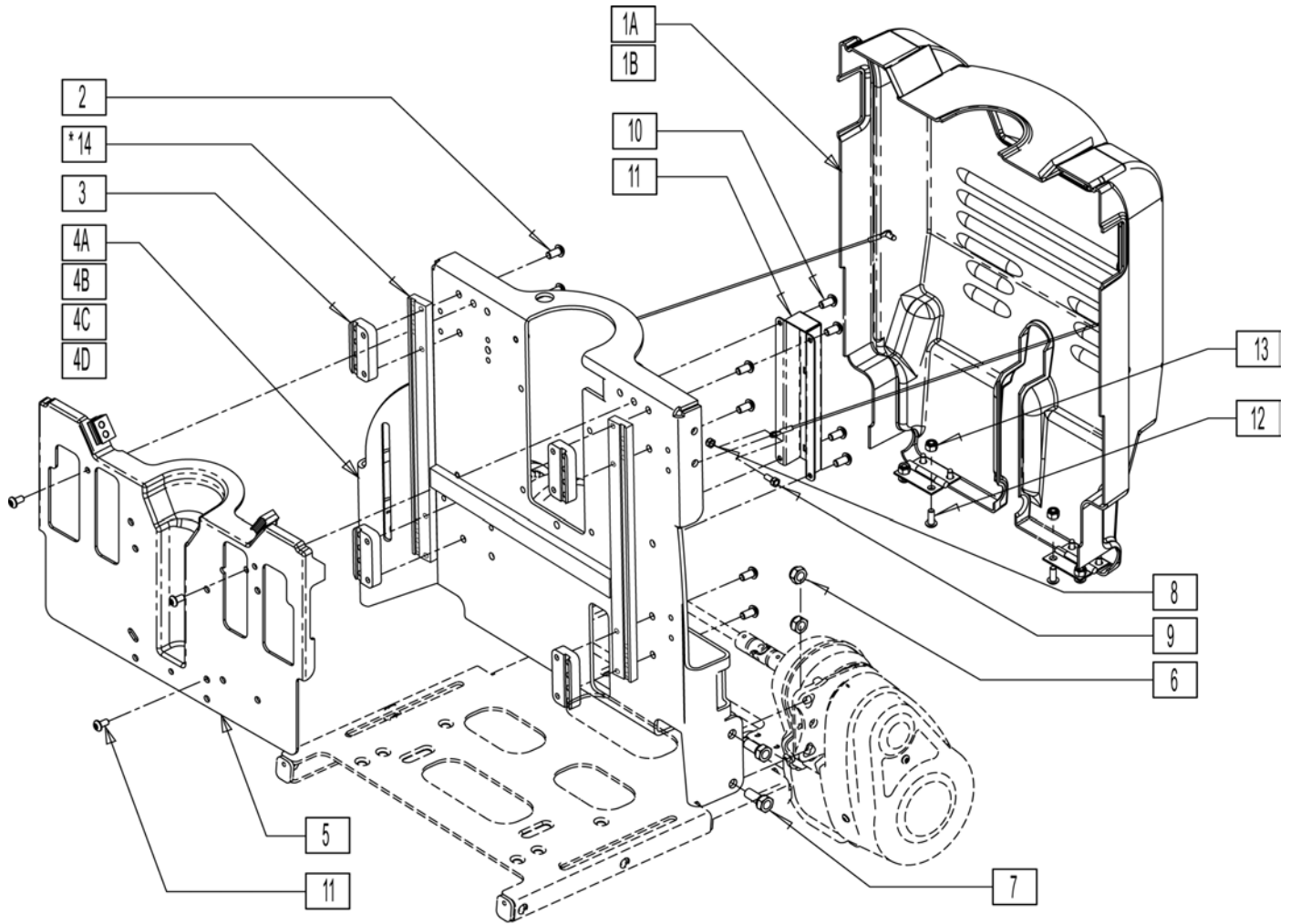


PART#	DESCRIPTION	DIM "A"	DIM "B"
681850	BACK CUSHION 14X16 SOLID BK	14 3/4	14
681851	BACK CUSHION 14X18 SOLID BK	14 3/4	16
681852	BACK CUSHION 14X20 SOLID BK	14 3/4	18
681853	BACK CUSHION 14X22 SOLID BK	14 3/4	20
681854	BACK CUSHION 14X24 SOLID BK	14 3/4	22
681855	BACK CUSHION 15X16 SOLID BK	15 3/4	14
681856	BACK CUSHION 15X18 SOLID BK	15 3/4	16
681857	BACK CUSHION 15X20 SOLID BK	15 3/4	18
681858	BACK CUSHION 15X22 SOLID BK	15 3/4	20
681859	BACK CUSHION 15X24 SOLID BK	15 3/4	22
681860	BACK CUSHION 16X16 SOLID BK	16 3/4	14
681861	BACK CUSHION 16X18 SOLID BK	16 3/4	16
681862	BACK CUSHION 16X20 SOLID BK	16 3/4	18
681863	BACK CUSHION 16X22 SOLID BK	16 3/4	20
681864	BACK CUSHION 16X24 SOLID BK	16 3/4	22
681865	BACK CUSHION 17X16 SOLID BK	17 3/4	14
681866	BACK CUSHION 17X18 SOLID BK	17 3/4	16
681867	BACK CUSHION 17X20 SOLID BK	17 3/4	18
681868	BACK CUSHION 17X22 SOLID BK	17 3/4	20
681869	BACK CUSHION 17X24 SOLID BK	17 3/4	22
681870	BACK CUSHION 18X16 SOLID BK	18 3/4	14
681871	BACK CUSHION 18X18 SOLID BK	18 3/4	16
681872	BACK CUSHION 18X20 SOLID BK	18 3/4	18
681873	BACK CUSHION 18X22 SOLID BK	18 3/4	20
681874	BACK CUSHION 18X24 SOLID BK	18 3/4	22
681875	BACK CUSHION 19X16 SOLID BK	19 3/4	14
681876	BACK CUSHION 19X18 SOLID BK	19 3/4	16
681877	BACK CUSHION 19X20 SOLID BK	19 3/4	18
681878	BACK CUSHION 19X22 SOLID BK	19 3/4	20
681879	BACK CUSHION 19X24 SOLID BK	19 3/4	22
681880	BACK CUSHION 20X16 SOLID BK	20 3/4	14
681881	BACK CUSHION 20X18 SOLID BK	20 3/4	16
681882	BACK CUSHION 20X20 SOLID BK	20 3/4	18
681883	BACK CUSHION 20X22 SOLID BK	20 3/4	20
681884	BACK CUSHION 20X24 SOLID BK	20 3/4	22
681885	BACK CUSHION 22X16 SOLID BK	22 3/4	14
681886	BACK CUSHION 22X18 SOLID BK	22 3/4	16
681887	BACK CUSHION 22X20 SOLID BK	22 3/4	18
681888	BACK CUSHION 22X22 SOLID BK	22 3/4	20
681889	BACK CUSHION 22X24 SOLID BK	22 3/4	22
681890	BACK CUSHION 24X16 SOLID BK	24 3/4	14
681891	BACK CUSHION 24X18 SOLID BK	24 3/4	16
681892	BACK CUSHION 24X20 SOLID BK	24 3/4	18
681893	BACK CUSHION 24X22 SOLID BK	24 3/4	20
681894	BACK CUSHION 24X24 SOLID BK	24 3/4	22

Pos.	Item Number	Description	Remarks
3	221091	1/4-28 x 1/2 BH C/S BLK W/PTCH	
5	102981	UPPER ACT CLEVIS MID SW	
6	106943	WASHER FLAT AN 1/4 ROHS	
7	202300	1/4-28 NYLOCK NUT THIN BLK ZN	
8	481106-QU	1/4-28 CHANNEL NUT	
9A,10	113364	PUSH HANDLES TUBE W/RCLN BCK	Each - HANDLE 5" Long
9B,10	113365	PUSH HANDLES TB LNG W/RCLN BK	Each - HANDLE 12.5" LONG
10	920027	QUICKIE GRIP 1	
11	505553	CURVED BACK BRACKET S626	
12	221091	1/4-28 x 1/2 BH C/S BLK W/PTCH	
13	221092	1/4-28 x 7/16 BH CS BLK W/PTCH	
14	481471	GLIDE SPACER	
15	267021	WASHER FLAT # 8 ZINC	

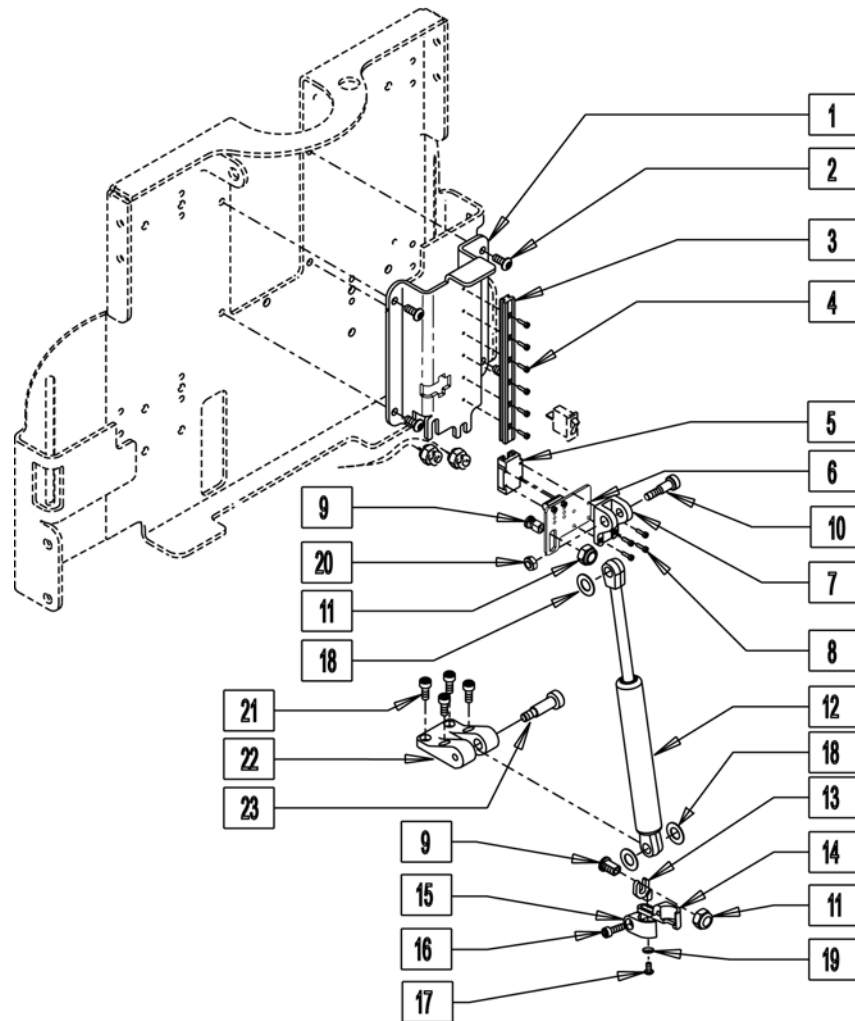
Pos.	Item Number	Description	Remarks
16	102257	BHCS M4 X .7 X 8 INORGANIC	
17	481419	1/4-28 CHANNEL NUT 1.75" SP	
20	680155	COVER SEAT/BACK GAP T&R	
21	505621	IGUS GLIDE - N	
18,19	681860	BACK CUSHION 16 X16" SOLID BK	USE WITH 22-23" BACK HEIGHT
18,19	681861	BACK CUSHION 16 X18" SOLID BK	USE WITH 24-25" BACK HEIGHT
18,19	681862	BACK CUSHION 16 X20" SOLID BK	USE WITH 26-27" BACK HEIGHT
18,19	681863	BACK CUSHION 16 X22" SOLID BK	USE WITH 28-29" BACK HEIGHT
18,19	681864	BACK CUSHION 16 X24" SOLID BK	USE WITH 30" BACK HEIGHT
18,19	681865	BACK CUSHION 17 X16" SOLID BK	USE WITH 22-23" BACK HEIGHT
18,19	681866	BACK CUSHION 17 X18" SOLID BK	USE WITH 24-25" BACK HEIGHT
18,19	681867	BACK CUSHION 17 X20" SOLID BK	USE WITH 26-27" BACK HEIGHT
18,19	681868	BACK CUSHION 17 X22" SOLID BK	USE WITH 28-29" BACK HEIGHT
18,19	681869	BACK CUSHION 17 X24" SOLID BK	USE WITH 30" BACK HEIGHT
18,19	681870	BACK CUSHION 18 X16" SOLID BK	USE WITH 22-23" BACK HEIGHT
18,19	681871	BACK CUSHION 18 X18" SOLID BK	USE WITH 24-25" BACK HEIGHT
18,19	681872	BACK CUSHION 18 X20" SOLID BK	USE WITH 26-27" BACK HEIGHT
18,19	681873	BACK CUSHION 18 X22" SOLID BK	USE WITH 28-29" BACK HEIGHT
18,19	681874	BACK CUSHION 18 X24" SOLID BK	USE WITH 30" BACK HEIGHT
18,19	681875	BACK CUSHION 19 X16" SOLID BK	USE WITH 22-23" BACK HEIGHT
18,19	681876	BACK CUSHION 19 X18" SOLID BK	USE WITH 24-25" BACK HEIGHT
18,19	681877	BACK CUSHION 19 X20" SOLID BK	USE WITH 26-27" BACK HEIGHT
18,19	681878	BACK CUSHION 19 X22" SOLID BK	USE WITH 28-29" BACK HEIGHT
18,19	681879	BACK CUSHION 19 X24" SOLID BK	USE WITH 30" BACK HEIGHT
18,19	681880	BACK CUSHION 20 X16" SOLID BK	USE WITH 22-23" BACK HEIGHT
18,19	681881	BACK CUSHION 20 X18" SOLID BK	USE WITH 24-25" BACK HEIGHT
18,19	681882	BACK CUSHION 20 X20" SOLID BK	USE WITH 26-27" BACK HEIGHT
18,19	681883	BACK CUSHION 20 X22" SOLID BK	USE WITH 28-29" BACK HEIGHT
18,19	681884	BACK CUSHION 20 X24" SOLID BK	USE WITH 30" BACK HEIGHT
18,19	681885	BACK CUSHION 22 X16" SOLID BK	USE WITH 22-23" BACK HEIGHT
18,19	681886	BACK CUSHION 22 X18" SOLID BK	USE WITH 24-25" BACK HEIGHT
18,19	681887	BACK CUSHION 22 X20" SOLID BK	USE WITH 26-27" BACK HEIGHT
18,19	681888	BACK CUSHION 22 X22" SOLID BK	USE WITH 28-29" BACK HEIGHT
18,19	681889	BACK CUSHION 22 X24" SOLID BK	USE WITH 30" BACK HEIGHT
1,2,4	887002	SLD BCK SHELL ASSM 16WX14T T/R	USE WITH 22-23" BACK HEIGHT
1,2,4	887003	SLD BCK SHELL ASSM 17WX14T T/R	USE WITH 22-23" BACK HEIGHT
1,2,4	887004	SLD BCK SHELL ASSM 18WX14T T/R	USE WITH 22-23" BACK HEIGHT
1,2,4	887005	SLD BCK SHELL ASSM 19WX14T T/R	USE WITH 22-23" BACK HEIGHT
1,2,4	887006	SLD BCK SHELL ASSM 20WX14T T/R	USE WITH 22-23" BACK HEIGHT
1,2,4	887007	SLD BCK SHELL ASSM 22WX14T T/R	USE WITH 22-23" BACK HEIGHT
1,2,4	887011	SLD BCK SHELL ASSM 16WX16T T/R	USE WITH 24-25" BACK HEIGHT
1,2,4	887012	SLD BCK SHELL ASSM 17WX16T T/R	USE WITH 24-25" BACK HEIGHT
1,2,4	887013	SLD BCK SHELL ASSM 18WX16T T/R	USE WITH 24-25" BACK HEIGHT
1,2,4	887014	SLD BCK SHELL ASSM 19WX16T T/R	USE WITH 24-25" BACK HEIGHT
1,2,4	887015	SLD BCK SHELL ASSM 20WX16T T/R	USE WITH 24-25" BACK HEIGHT
1,2,4	887016	SLD BCK SHELL ASSM 22WX16T T/R	USE WITH 24-25" BACK HEIGHT
1,2,4	887020	SLD BCK SHELL ASSM 16WX18T T/R	USE WITH 26-27" BACK HEIGHT
1,2,4	887021	SLD BCK SHELL ASSM 17WX18T T/R	USE WITH 26-27" BACK HEIGHT
1,2,4	887022	SLD BCK SHELL ASSM 18WX18T T/R	USE WITH 26-27" BACK HEIGHT
1,2,4	887023	SLD BCK SHELL ASSM 19WX18T T/R	USE WITH 26-27" BACK HEIGHT
1,2,4	887024	SLD BCK SHELL ASSM 20WX18T T/R	USE WITH 26-27" BACK HEIGHT
1,2,4	887025	SLD BCK SHELL ASSM 22WX18T T/R	USE WITH 26-27" BACK HEIGHT
1,2,4	887029	SLD BCK SHELL ASSM 16WX20T T/R	USE WITH 28-29" BACK HEIGHT
1,2,4	887030	SLD BCK SHELL ASSM 17WX20T T/R	USE WITH 28-29" BACK HEIGHT
1,2,4	887031	SLD BCK SHELL ASSM 18WX20T T/R	USE WITH 28-29" BACK HEIGHT
1,2,4	887032	SLD BCK SHELL ASSM 19WX20T T/R	USE WITH 28-29" BACK HEIGHT

Pos.	Item Number	Description	Remarks
1,2,4	887033	SLD BCK SHELL ASSM 20WX20T T/R	USE WITH 28-29" BACK HEIGHT
1,2,4	887034	SLD BCK SHELL ASSM 22WX20T T/R	USE WITH 28-29" BACK HEIGHT
1,2,4	887038	SLD BCK SHELL ASSM 16WX22T T/R	USE WITH 30" BACK HEIGHT
1,2,4	887039	SLD BCK SHELL ASSM 17WX22T T/R	USE WITH 30" BACK HEIGHT
1,2,4	887040	SLD BCK SHELL ASSM 18WX22T T/R	USE WITH 30" BACK HEIGHT
1,2,4	887041	SLD BCK SHELL ASSM 19WX22T T/R	USE WITH 30" BACK HEIGHT
1,2,4	887042	SLD BCK SHELL ASSM 20WX22T T/R	USE WITH 30" BACK HEIGHT
1,2,4	887043	SLD BCK SHELL ASSM 22WX22T T/R	USE WITH 30" BACK HEIGHT

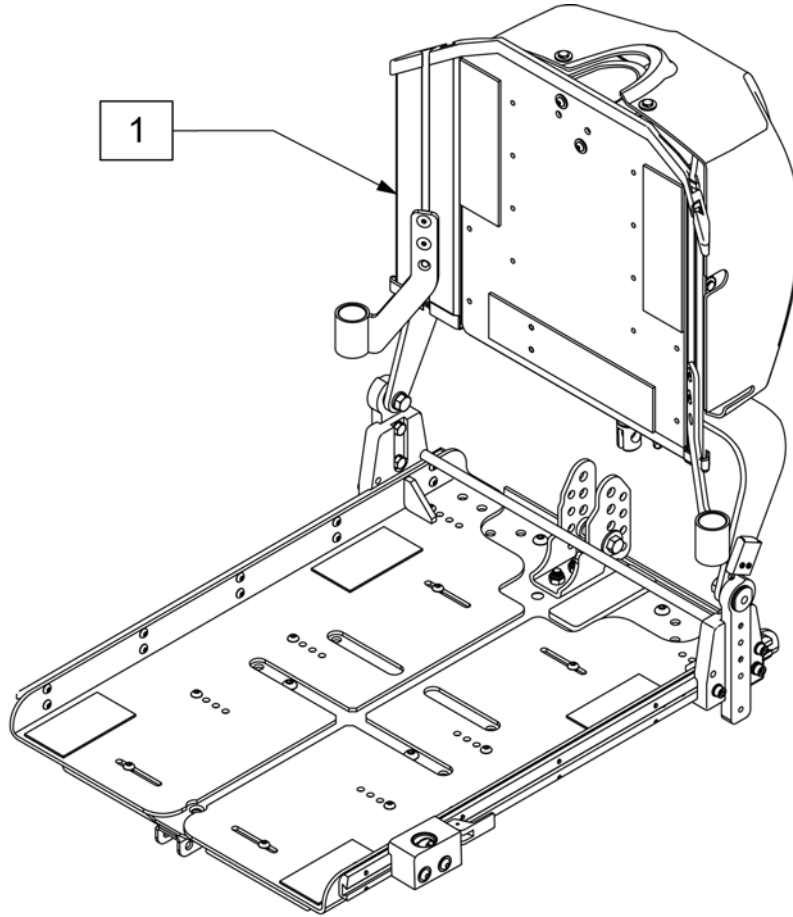


* ITEM 14 FOR TALL, WIDE POWER BACK ONLY, REPLACES 4X ITEM 3.

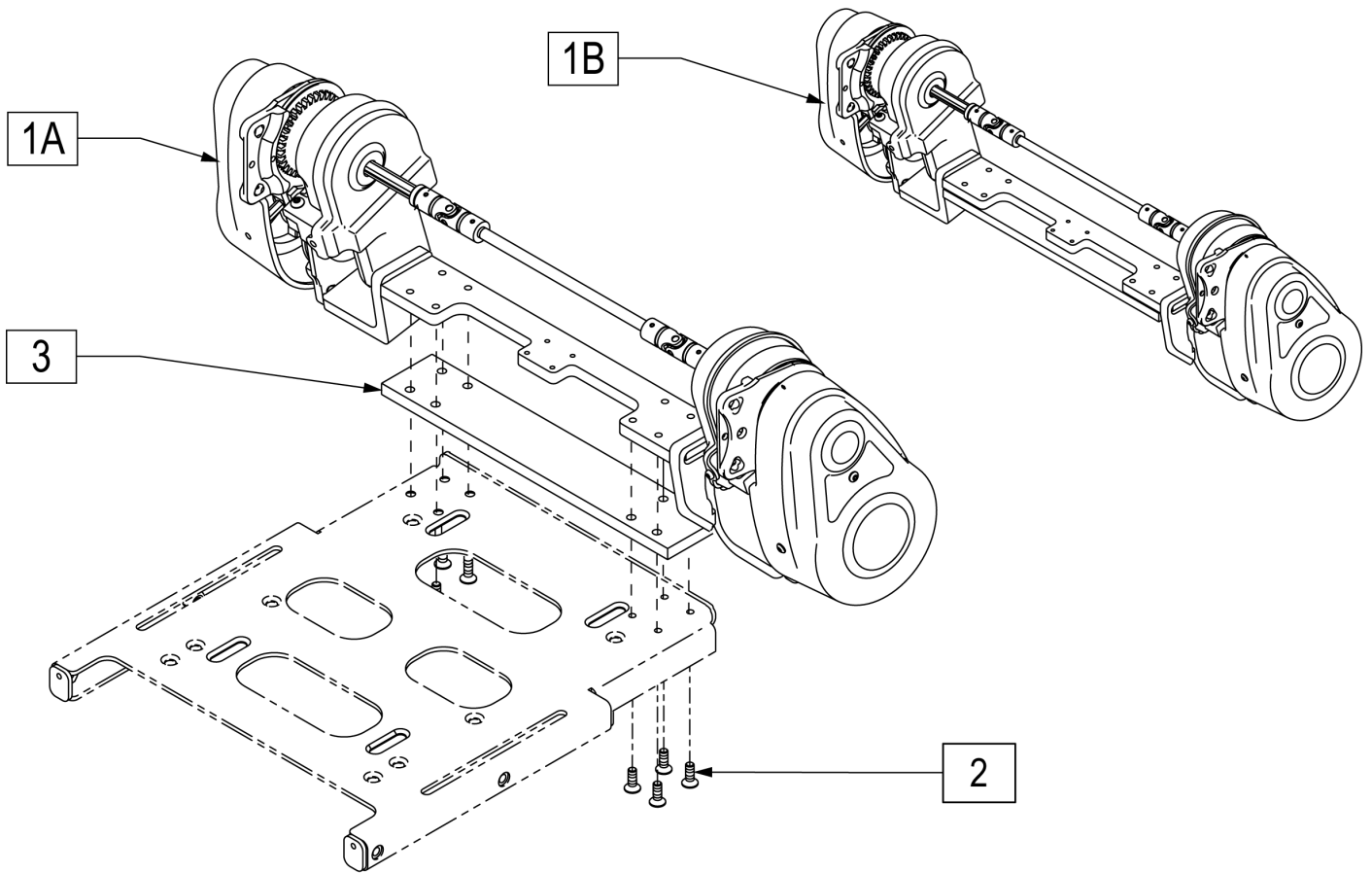
Pos.	Item Number	Description	Remarks
1A	013482	ASSM SHROUD DELPHI SHEAR SHORT	17-22 H
1B	013483	ASSM SHROUD DELPHI SHEAR TALL	22-28 H
2	230113	BHCS M6 X 1 X 12 BLK W/ PL	
3	010243	BACK SPACER	
4A	012248-001	BACK STRUCT DELPHI NARROW SHORT	12-19W 17-22H
4B	012248-002	BACK STRUCT DELPHI NARROW TALL	12-19W 22-28H
4C	012249-001	BACK STRUCT DELPHI WIDE SHORT	20-24W 17-22H
4D	012249-002	BACK STRUCT DELPHI WIDE TALL	20-24W 22-28H
5		ASSM RCLN BACK INNER SHROUD	No Longer Available
6	210072	M8 NYLOCK NUT	
7	013354	HHCS M8 X 1.25 X 20 BLK W/ PL	
8	220121	NUT HEX NYLOCK M5 BLACK	
9	012931	BHCS M5 X 10 W/PL BLK CL 10.9	
10	013144	BHCS M5 X .8 X 8 BLK W/ PL	
11	013685	COVER RECLINE PCB PF	
12	013141	BHCS M4 X .7 X 10 BLK W/ PL	
13	050136	NUT NYLOCK M4	
14	014455	WELDMNT STIFFENER BRKT WD PWR	



Pos.	Item Number	Description
1	010733	GAS SPRING MOUNTING BRACKET
2	013144	BHCS M5 X .8 X 8 BLK W/PL
3	010735	IGUS RAIL TS-04-09
4	011639-001	SHCS M2 X .4 X 8MM
5	010736	IGUS GLIDE TW-04-09
7	010732	GAS SPRING UPPER PIVOT
8	011639-002	SHCS M2 X 0.4 X 12MM
9	012109	MOUNT ACTUATOR ASSY
10	011649-001	SHLDR SCREW 8MM OD X 16MM LG
11	013314	M8 NYLON HEX NUT
12	010734	GAS SPRING
13	010750	BRKT SWITCH REED ADJ
14	012160	BRKT READ SWITCH RIGHT
15	012167	BRKT READ SWITCH LEFT
16	102260-001	SHCS M5X0.8X18 FULL NP
17	230110	BHCS M4 X .7 X 6 BLK W/PL
18	012592	WASHER IGUS GTM
19	012289	WASHER FLAT M4 ZINC
20	200113	NUT HEX NYLOCK M6 X 1 NUT
21	230132	SHCS M4 X .7 X 10
22	010731	GAS SPRING LOWER PIVOT
23	011649-002	SHLDR SCREW 8MM OD X 20MM LG
21-23	012092	GAS STRUT BASE MOUNT
1-11,18,20	013390	GAS SPRING MNT BRKT ASSM
1-20	012099	GAS SPRING ASSM



Pos.	Description
1	DISCONTINUED NO LONGER AVAILABLE

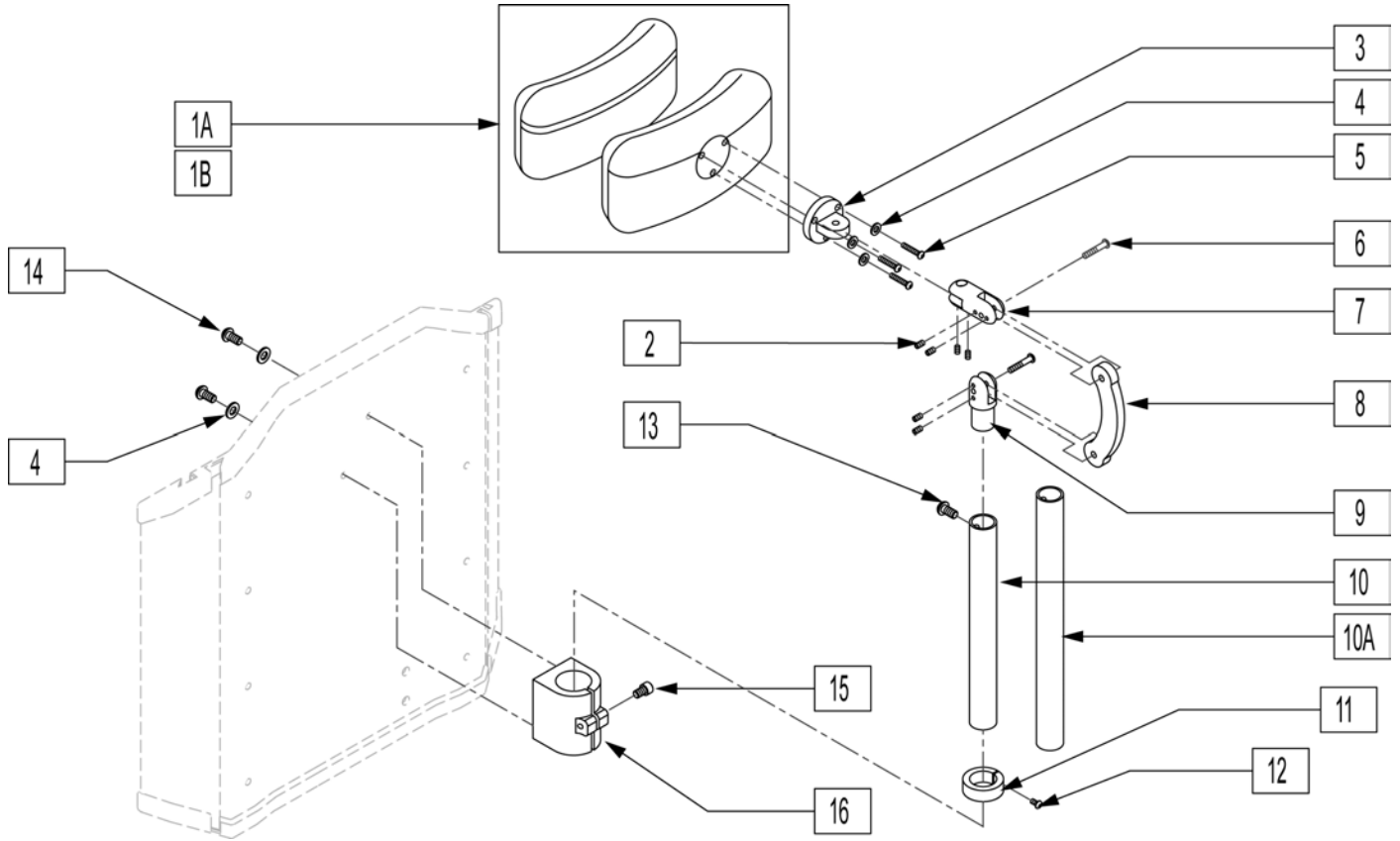


Description

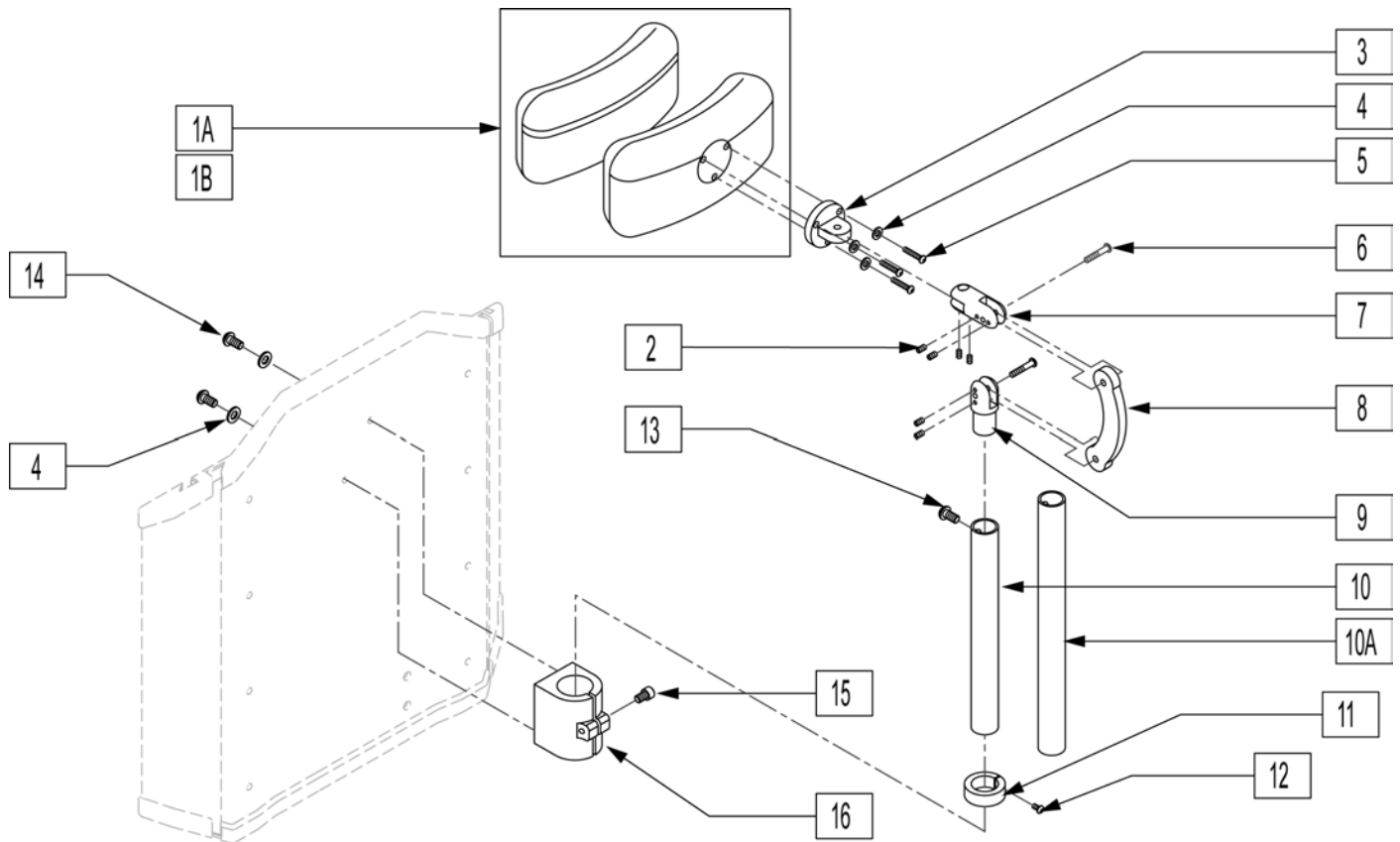
DISCONTINUED NO LONGER AVAILABLE

PERFECT FIT HEADREST

[Revision: 10/2008]



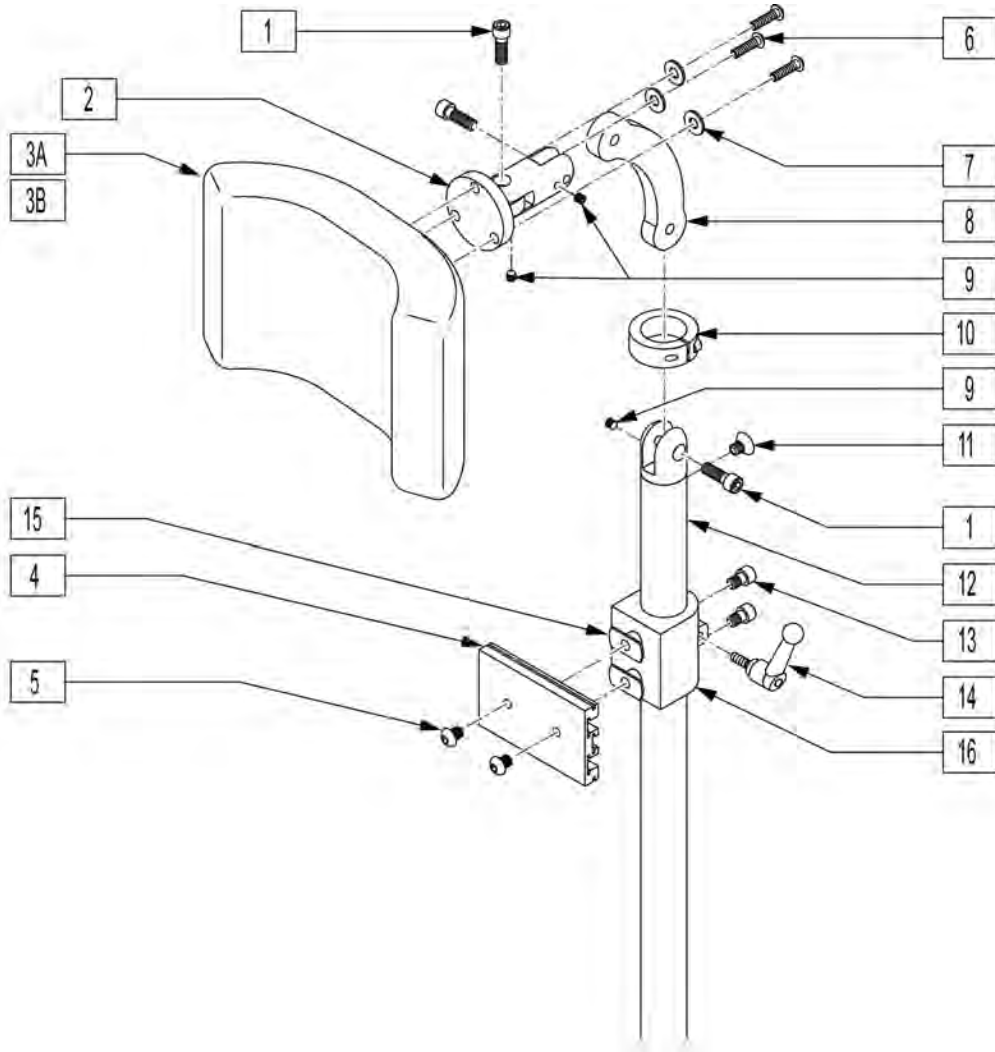
Pos.	Item Number	Description	Remarks
1A	750696	HEADREST W/ZIPPER MEDIUM CG	8x4.5 pad
1B	750697	HEADREST W/ZIPPER LARGE CG	9x4.5 pad
2	341045	#10-24 CONE POINT SET SCREW	
4	261204	#10 AN WASHER .063	
5	455010-QU	10-32 x 3/4 BH C/S BLK	
6	221115	1/4-20 x 3/4" SOC HD C/S BLK	
8	331077	HEADREST LINK 6 INCH	
12	226072	1/4-20 x 1/2 FH C/S BLK	
13	341046	HEADREST CLAMPING HANDLE SCREW	
15	226012	10-32 X 1/2 FH C/S BLK	
10,11	505933	HEADREST COLLAR	
2-9A,10-14	013117	HEADREST MOUNT BRKT 7" QR	7" Headrest Tube
2-9B,10-14	013118	HEADREST MOUNT BRKT 9" QR	9" Headrest Tube
1A,2-9A,10-14	013119	HEADREST ASSM 7" QR MED	8x4.5 pad



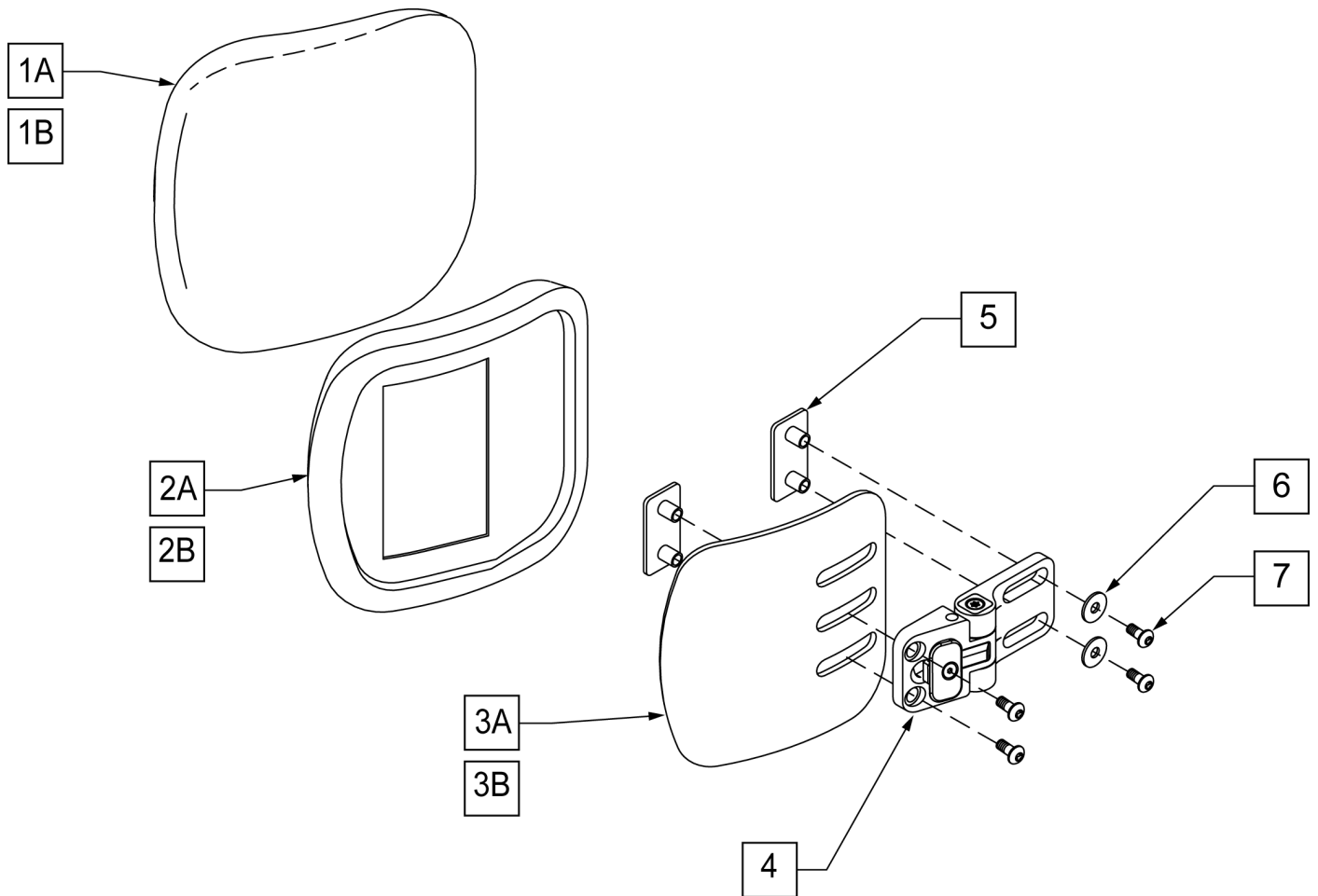
Pos.	Item Number	Description	Remarks
1A	750696	HEADREST W/ZIPPER MEDIUM CG	8x4.5 pad
1B	750697	HEADREST W/ZIPPER LARGE CG	9x4.5 pad
2	341045	#10-24 CONE POINT SET SCREW	
4	261204	#10 AN WASHER .063	
5	455010-QU	10-32 x 3/4 BH C/S BLK	
6	221115	"1/4-20 X 3/4" SOC HD C/S BLK"	
8	331077	HEADREST LINK 6 INCH	
11,12	103413	ASSY CLAMP HEADREST	
14	226023	10-32 x 7/16 BH C/S BLK	
2-9,10A,11-16	103531	HEADREST MOUNT BRKT 7"	7" Headrest Tube
2-9,10B,11-16	103487	HEADREST MOUNT BRKT 9"	9" Headrest Tube
1A-9,10B,11-16	104355	ASSM HEADREST TILT/RECLINE 7" MED	8x4.5 pad
1B-9,10B,11-16	104356	ASSM HEADREST TILT/RECLINE 7" LARGE	9x4.5 pad
1A-9,10A,11-16	104357	ASSM HEADREST TILT/RECLINE 9" MED	8x4.5 pad
1B,2-9,10A,11-16	104358	ASSM HEADREST TILT/RECLINE 9" LARGE	9x4.5 pad

HEADREST

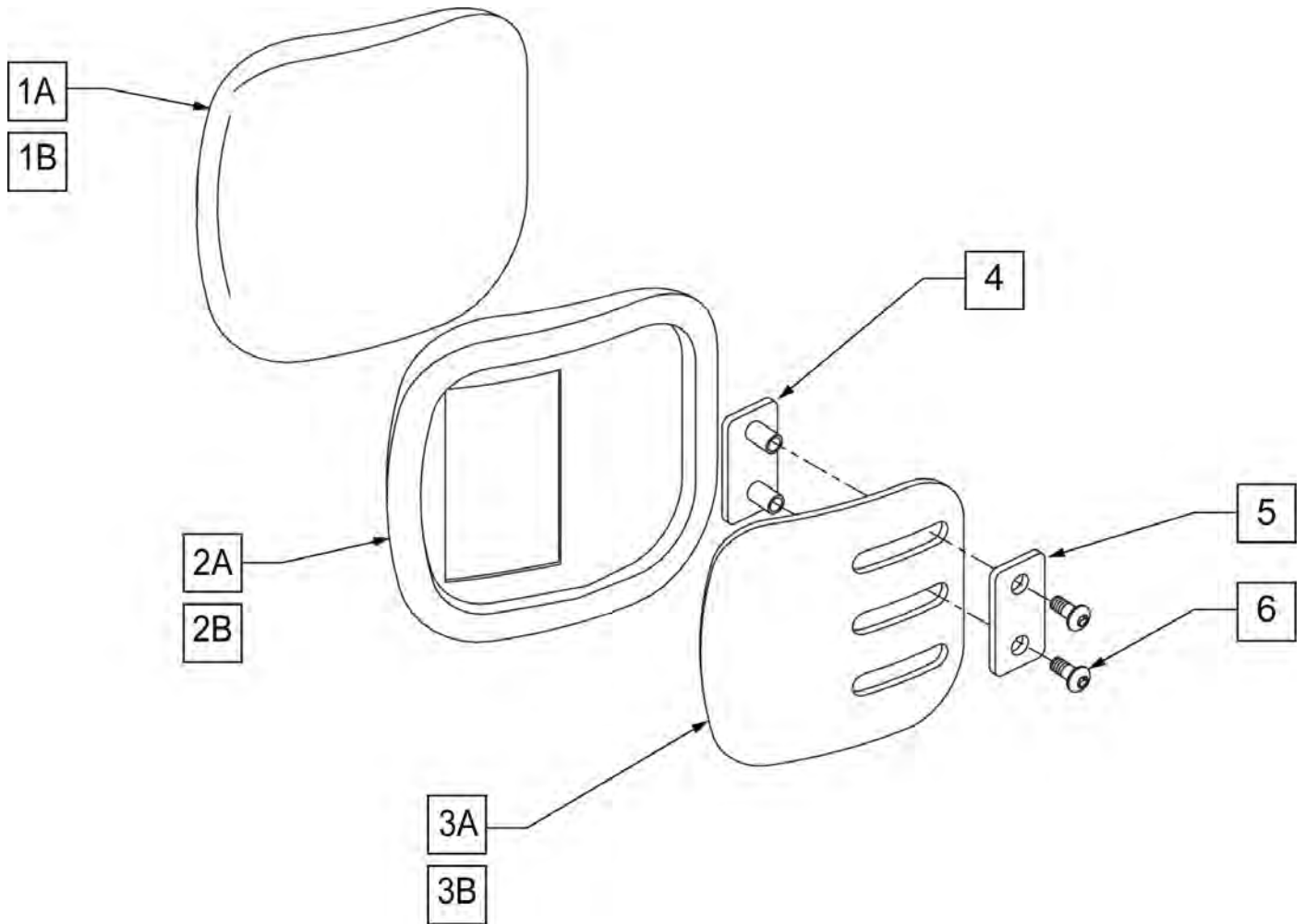
[04/2009]



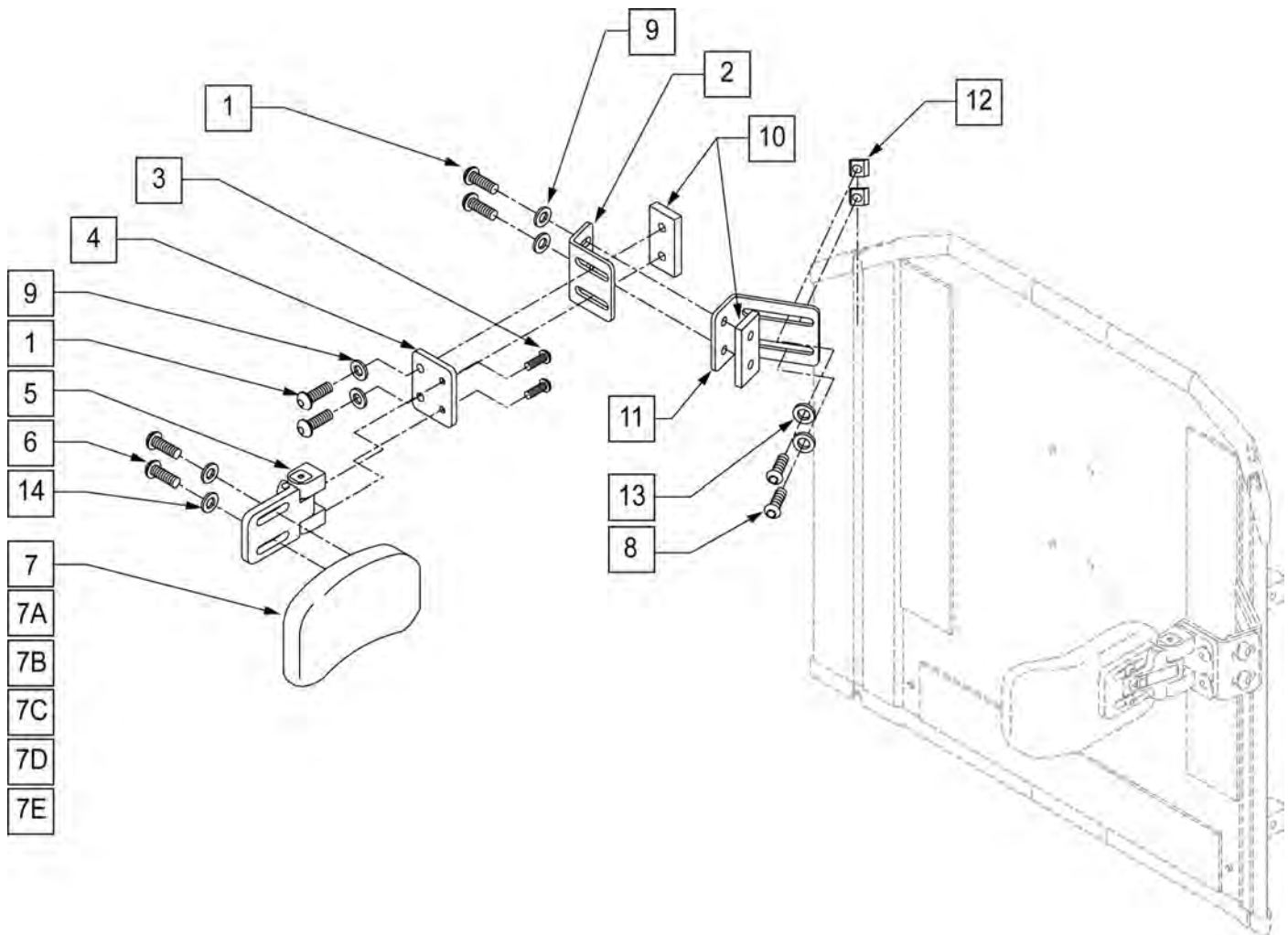
Pos.	Item Number	Description	Remarks
1	221115	1/4-20 x 3/4" SOC HD C/S BLK	
3A	750696	HEADREST W/ZIPPER MEDIUM CG	8x4.5 pad
3B	750697	HEADREST W/ZIPPER LARGE CG	9x4.5 pad
4	505932	HEADREST MOUNTING TRACK	
5	476304	1/4-28 x .31 BHCS W/PATCH	
6	221010	10-32 x .75 SHCS BLK W/PL	
7	261204	#10 AN WASHER .063	
8	331077	HEADREST LINK 6 INCH	
9	341045	#10-24 CONE POINT SET SCREW	
10	505933	HEADREST COLLAR	
11	226072	1/4-20 x 1/2 FH C/S BLK	
13	226095	1/4-20 x 3/8" SOC C/S BLK ZN	
14	341046	HEADREST CLAMPING HANDLE SCREW	
15	340033	1/4-20 WELD NUTS SLAB BASE	
4,5,13-16	888101	CLAMP HEADREST RIGID BACK	
1,2,4,6-16	881003	HEADREST MOUNTING BRACKET ASSM	
1-3A,4-16	881907	HEADREST ASSEMBLY MEDIUM	8x4.5 pad
1-3B,4-16	881908	HEADREST ASSEMBLY LARGE	9x4.5 pad



Pos.	Item Number	Description	Remarks
1A	011693-001	PAD COVER INTEG LAT THOR SM	
1B	011693-002	PAD COVER INTEG LAT THOR LG	
2A	011811-001	INTEG S-A THOR PAD SM VELC	
2B	011811-002	INTEG S-A THOR PAD LG VELC	
3A	010108-001	INTEGRAL LATERAL PANEL SM	
3B	010108-002	INTEGRAL LATERAL PANEL LG	
4	010784	INTEGRAL S-A HINGE ASSM	RIGHT
4	011813	INTEGRAL S-A HINGE ASSM	LEFT
5	010111-002	NUT PLATE M5 X 25.4 X 10	
6	011024	M5 FLAT WASHER LARGE OD	
7	102259-001	BHCS M5 X .8 X 12 W/PL INORG	
3A,4-7	012353	INTEG S-A LATERAL SM	RIGHT
3A,4-7	012354	INTEG S-A LATERAL SM	LEFT
3B,4-7	012355	INTEG S-A LATERAL LG	RIGHT
3B,4-7	012356	INTEG S-A LATERAL LG	LEFT
1A,2A, 3A,4-7	011421	INTEG LTRL SUPP S-A ASSM SM	LEFT
1A,2A, 3A,4-7	011422	INTEG LTRL SUPP S-A ASSM SM	RIGHT
1A,2A, 3A,4-7	011423	INTEG LTRL SUPP S-A ASSM SM	PAIR
1B,2B, 3B,4-7	011424	INTEG LTRL SUPP S-A ASSM LG	LEFT
1B,2B, 3B,4-7	011425	INTEG LTRL SUPP S-A ASSM LG	RIGHT
1B,2B, 3B,4-7	011426	INTEG LTRL SUPP S-A ASSM LG	PAIR
5-7	101535	TRAD SWING-AWAY LAT HDWR KIT	



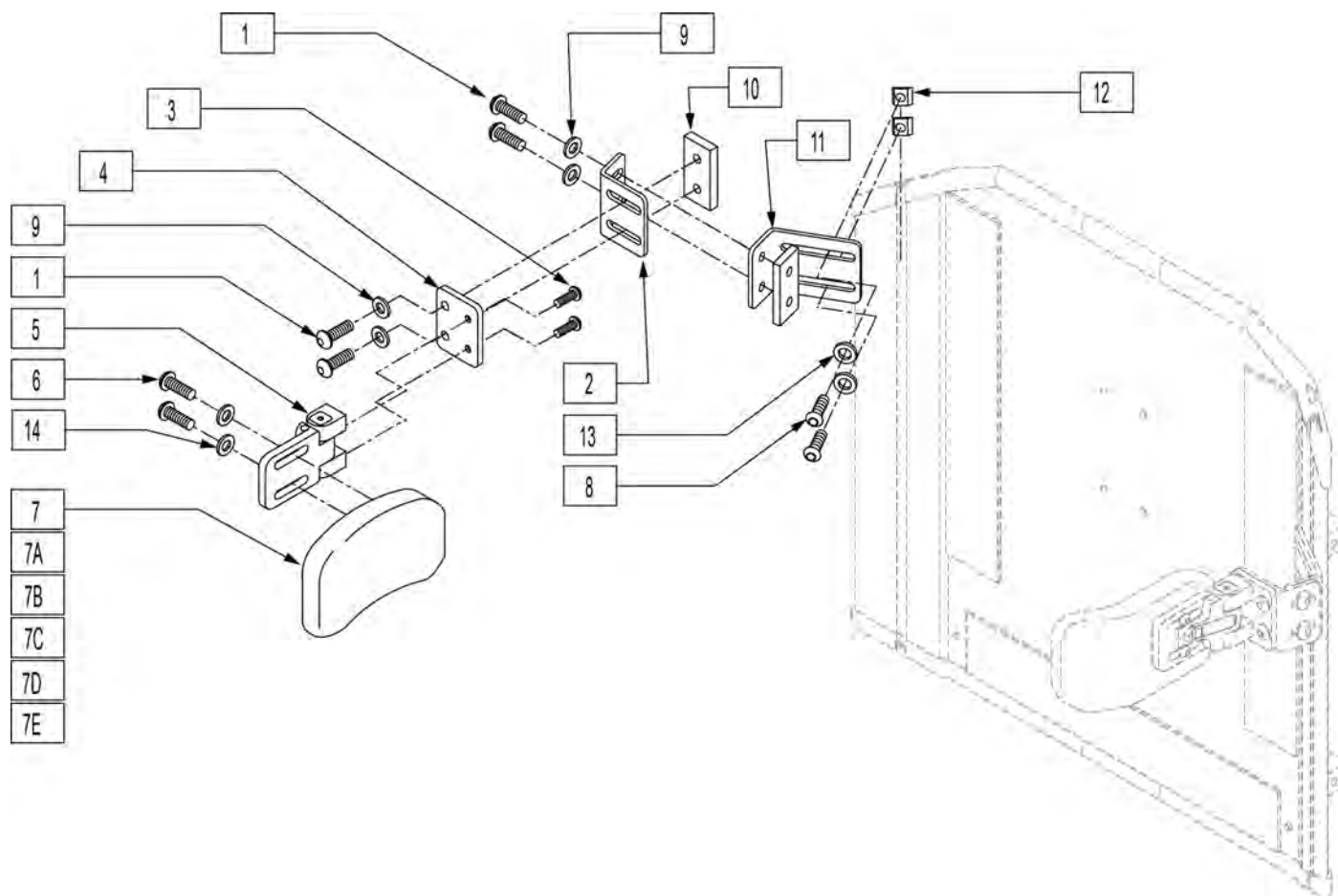
Pos.	Item Number	Description	Remarks
1A	011693-001	PAD COVER INTEG LAT THOR SM	
1B	011693-002	PAD COVER INTEG LAT THOR LG	
2A	011810-001	INTEG NON S-A THOR PAD SM VELC	
2B	011810-002	INTEG NON S-A THOR PAD LG VELC	
3A	010108-001	INTEGRAL LATERAL PANEL SM	
3B	010108-002	INTEGRAL LATERAL PANEL LG	
4	010111-001	NUT PLATE M5 X 25.4 X 12	
5	010109	WASHER NUT PLATE	
6	102259-001	BHCS M5 X .8 X 12 W/PL INORG	
4-6	012352	FIXED LATERAL HARDWARE	
1A,2A,3A,4-6	011415	INTEG LTRL SUPP FXD ASSM SM	RIGHT
1A,2A,3A,4-6	011416	INTEG LTRL SUPP FXD ASSM SM	LEFT
1A,2A,3A,4-6	011417	INTEG LTRL SUPP FXD ASSM SMALL PR	PAIR
1B,2B,3B,4-6	011418	INTEG LTRL SUPP FXD ASSM LG	RIGHT
1B,2B,3B,4-6	011419	INTEG LTRL SUPP FXD ASSM LG	LEFT
1B,2B,3B,4-6	011420	INTEG LTRL SUPP FXD ASSM LARGE PR	PAIR



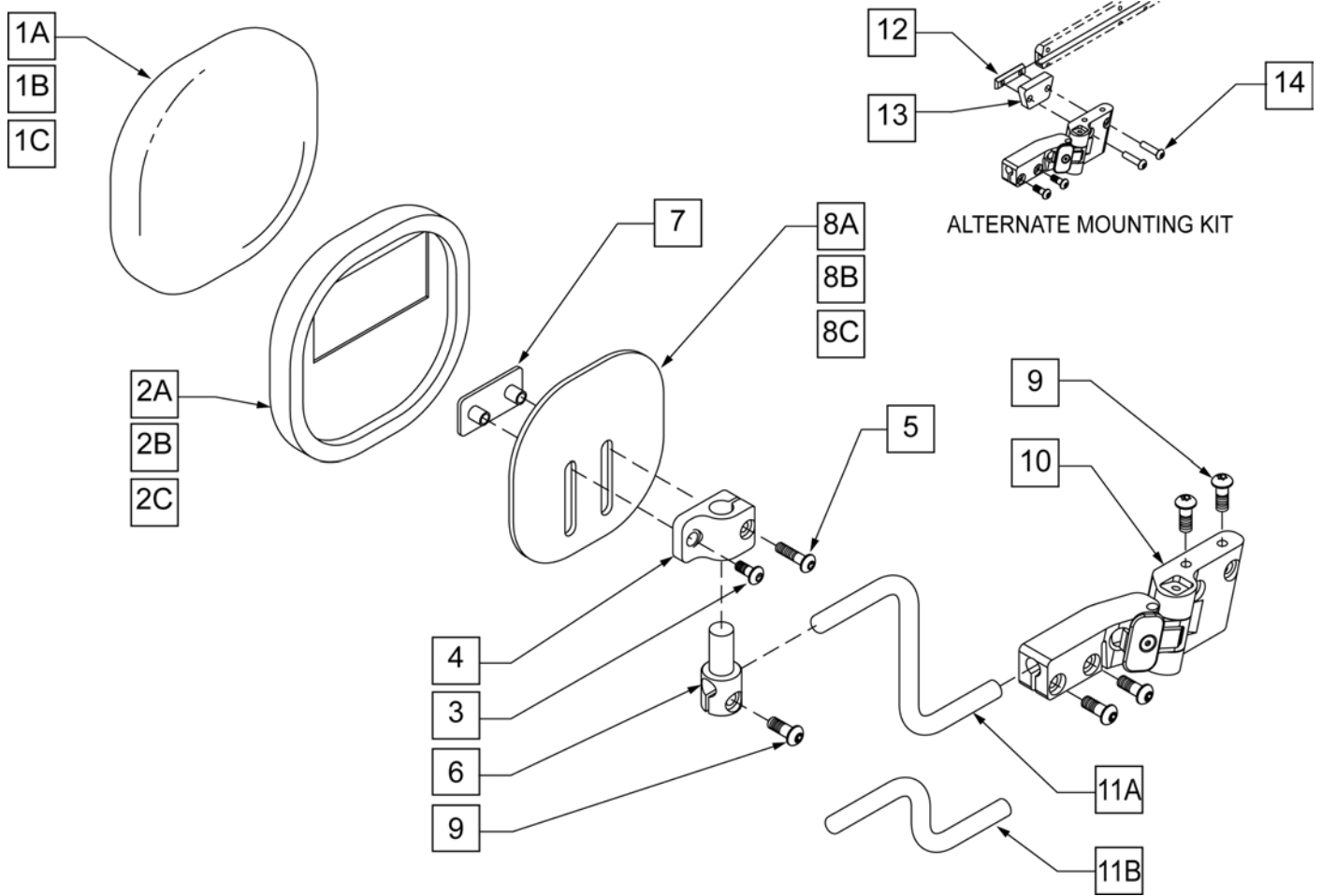
Pos.	Item Number	Description	Remarks
1	226247	1/4-28 x 5/8 B/H C/S BLACK G5	
2	120093	SWING AWAY LATERAL L BRACKET	Not left/right dependent
3	226018-QU	10-32 x 3/8 BH C/S W/PATCH BLK	
4	120091	SWING AWAY LATERAL FLAT BRACKET	
5	476180	ADJUSTABLE LATERAL SWING AWAY	
6	455013-QU	10-32 x 1/2 ALLEN BH SCW	
6,7,14	450852	TRUNK PAD CURVED 3"H x 6"L 1" CN	
6,7A,14	450854	TRUNK PAD CURVED 4"H x 5"L 1" CN	
6,7B,14	450855	TRUNK PAD CURVED 4"H x 6"L 1" CN	
6,7C,14	450822	TRUNK PAD FLAT 3"H x 6"L 1" CN	
6,7D,14	450824	TRUNK PAD FLAT 4"H x 5"L 1" CN	
6,7E,14	450825	TRUNK PAD FLAT 4"H x 6"L 1" CN	
8	221092	1/4-28 x 7/16 BH CS BLK W/PTCH	
9	261111	9/32 x 5/8 OD FLAT WASHER BLK	
10	330134	THREADED PLATE	
11	120092	SWING AWAY LAT LONG L BRKT	Not left/right dependent
12	481106-QU	1/4-28 CHANNEL NUT	
13	106944	WASHER FLAT THIN AN 1/4 ROHS	
14	455031-QU	#10 AN WASHER .032 SS	
1,2,8-13	881902	LATERAL BRACKET ASSM SOLID BACK	

Pos.	Item Number	Description	Remarks
1-5,8-13	900475	S/A LATERAL ASSM SOLID BACK	

NOTE: For symmetric and asymmetric laterals, please refer to the "JAY PRECISION BACKREST & LATERAL" parts page.



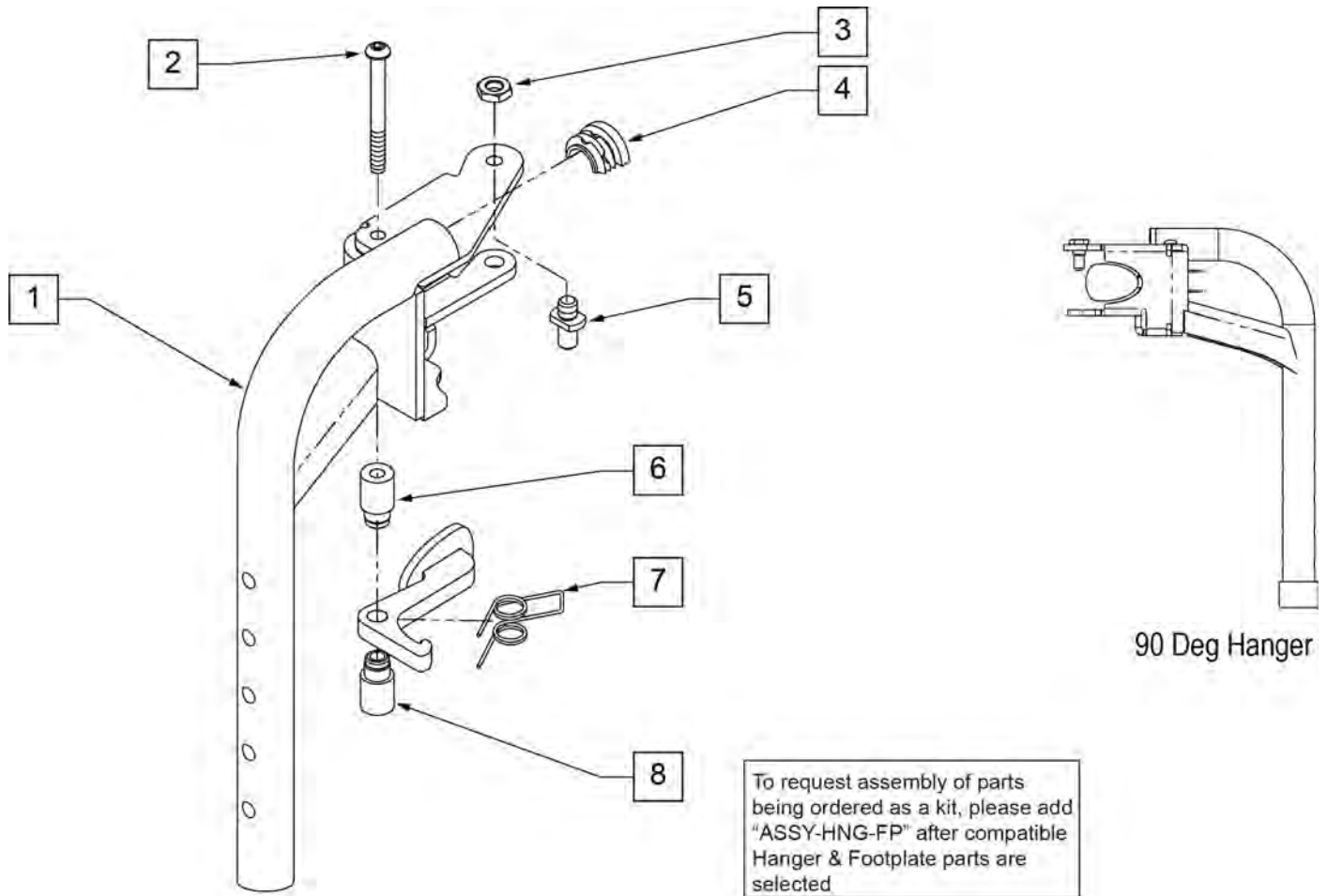
Pos.	Item Number	Description	Pos.	Item Number	Description
1	226247	1/4-28 x 5/8 B/H C/S BLACK G5	6,7E,14	450825	TRUNK PAD FLAT 4"H x 6"L 1" CN
2	120093	SWING AWAY LATERAL L BRACKET	8	221092	1/4-28 x 7/16 BH CS BLK W/PTCH
3	226018-QU	10-32 x 3/8 BH C/S W/PATCH BLK	9	261111	9/32 x 5/8 OD FLAT WASHER BLK
4	120091	SWING AWAY LATERAL FLAT BRACKET	10	330134	THREADED PLATE
5	476180	ADJUSTABLE LATERAL SWING AWAY	11	120092	SWING AWAY LAT LONG L BRKT
6	455013-QU	10-32 x 1/2 ALLEN BH SCW	12	481106-QU	1/4-28 CHANNEL NUT
6,7,14	450852	TRUNK PAD CURVED 3"H x 6"L 1" CN	13	106943	WASHER FLAT AN 1/4 ROHS
6,7A,14	450854	TRUNK PAD CURVED 4"H x 5"L 1" CN	14	455031-QU	#10 AN WASHER .032 SS
6,7B,14	450855	TRUNK PAD CURVED 4"H x 6"L 1" CN	1,2,8-13	881902	LATERAL BRACKET ASSM SOLID BACK
6,7C,14	450822	TRUNK PAD FLAT 3"H x 6"L 1" CN	1-5,8-13	900475	S/A LATERAL ASSM SOLID BACK
6,7D,14	450824	TRUNK PAD FLAT 4"H x 5"L 1" CN			



Pos.	Item Number	Description
1A	011692-001	PAD COVER KNEE SUPPORT SMALL
1B	011692-002	PAD COVER KNEE SUPPORT MEDIUM
1C	011692-003	PAD COVER KNEE SUPPORT LARGE
2A	011812-001	KNEE SUPPORT PAD SMALL VELC
2B	011812-002	KNEE SUPPORT PAD MEDIUM VELC
2C	011812-003	KNEE SUPPORT PAD LARGE VELC
3	230497	M5-.8 x 20 MM BH C/S
4	010422	LKSA CLAMP PIVOT
5	102259-001	BHCS M5 X .8 X 12 W/PL INORG
6	010060	LKSA PAD PIVOT
7	010111-002	NUT PLATE M5 x 25.4 x 10
8A	010277-001	KNEE PLATE 4 x 4
8B	010277-002	KNEE PLATE 5 x 5
8C	010277-003	KNEE PLATE 6 x 6
9	230032	M6 x 16 B/H CAP SCREW
10	010409	LKSA ASSM HINGE LH
10	010410	LKSA ASSM HINGE RH
11A	010058-002	LKSA ROD 100MM OFFSET
11B	010058-001	LKSA ROD 50MM OFFSET
12	011322	DUAL M6 CHANNEL NUT
13	013611	SPACER KNEE SUPPORT
14	102262-004	BHCS M6 x 1 x 25 W/PL

Pos.	Item Number	Description
1A,2A,8A	012363	S-A KNEE SUP PLATE, PAD,CVR SM
1B,2B,8B	012364	S-A KNEE SUP PLATE, PAD,CVR MD
1C,2C,8C	012365	S-A KNEE SUP PLATE, PAD,CVR LG
3-7,9-11A	012366	S-A KNEE SUP ASSM 100mm LH
3-7,9-11A	012367	S-A KNEE SUP ASSM 100mm RH
3-7,9,10,11A	012368	S-A KNEE SUP ASSM 50mm LH
3-7,9,10,11A	012369	S-A KNEE SUP ASSM 50mm RH
1A-11B	011454	KNEE SUPP S-A ASSM 50 SM LH
1A-11B	011463	KNEE SUPP S-A ASSM 100 SM LH
1B,2B,3-7,8B,9-11B	011465	KNEE SUPP S-A ASSM 100 SM PR
1B,2B,3-7,8B,9-11B	011455	KNEE SUPP S-A ASSM 50 SM RH
1C,2C,3-7,8C,9-11B	011457	KNEE SUPP S-A ASSM 50 MD LH
1C,2C,3-7,8C,9-11B	011466	KNEE SUPP S-A ASSM 100 MD LH
1A-11A	011468	KNEE SUPP S-A ASSM 100 MD PR
1A-11A	011458	KNEE SUPP S-A ASSM 50 MD RH
1B,2B,3-7,8B,9-11A	011460	KNEE SUPP S-A ASSM 50 LG LH
1B,2B,3-7,8B,9-11A	011469	KNEE SUPP S-A ASSM 100 LG LH
1C,2C,3-7,8C,9-11A	011461	KNEE SUPP S-A ASSM 50 LG RH
1C,2C,3-7,8C,9-11A	011464	KNEE SUPP S-A ASSM 100 SM RH
1-11B	011467	KNEE SUPP S-A ASSM 100 MD RH
1B,2B,3-7,8B,9-11B	011470	KNEE SUPP S-A ASSM 100 LG RH
1C,2C,3-7,8C,9-11B	011456	KNEE SUPP S-A ASSM 50 SM PR
1A-11A	011459	KNEE SUPP S-A ASSM 50 MD PR
1B,2B,3-7,8B,9-11A	011462	KNEE SUPP S-A ASSM 50 LG PR
1C,2C,3-7,8C,9-11A	011471	KNEE SUPP S-A ASSM 100 LG PR

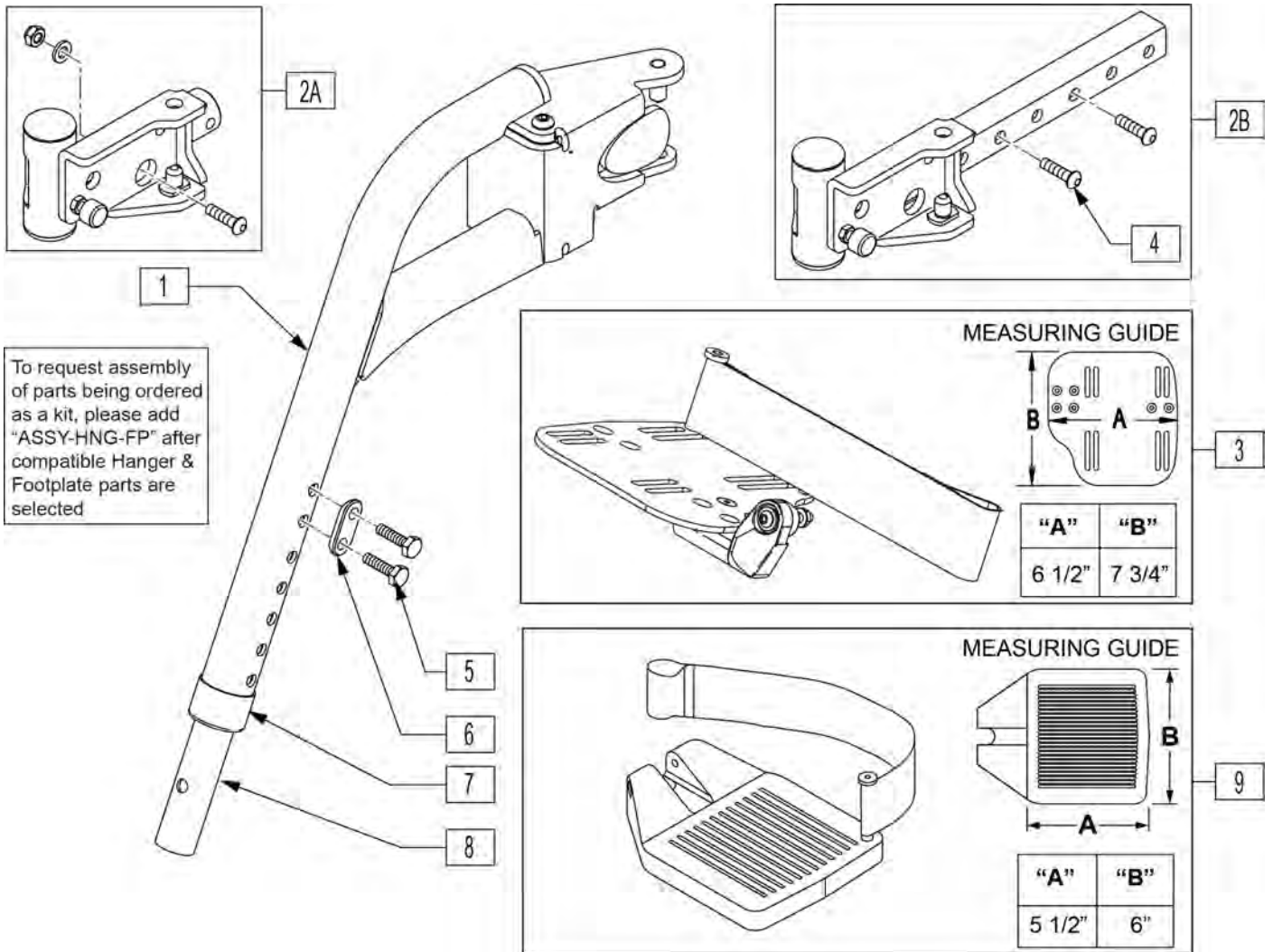
Note: if switching from a Fixed Center Mount Footrest to Swing Away Hangers on a Pulse with a Captains Seat, order 2 each of 122712 (LAT HANGER WELDMNT W/HARDWARE) to mount the Hanger Receivers to the chair. Please see SWING AWAY HANGER RECEIVER page.



Pos.	Item Number	Description	Remarks
2	013216	SCREW M6 X 60 SKT BTN BLK	
3	013036	M8 X 1.25 JAM NUT HEX	
4	013312	HALF CAP INSERT	
5	108778	PIVOT PIN, POWER	
6	013217	SPACER S/A HANGER LATCH	
7	013163	SPRING LATCH S/A HANGER	
8	013160	LATCH ARM S/A HANGER	
1-8	013330	S/A HANGER ASSM 90D L	Left
1-8	013337	S/A HANGER ASSM 90D R	Right
		Ship assembled part #	Use with multiple assemblies
	ASSY-HNG-FP	HANGER/FOOTPLATE ASSY REQUIRED	add with Hanger & Footplate kit

NOTE: Hanger assembly includes medium extension (achieves 15"-18" leg length)

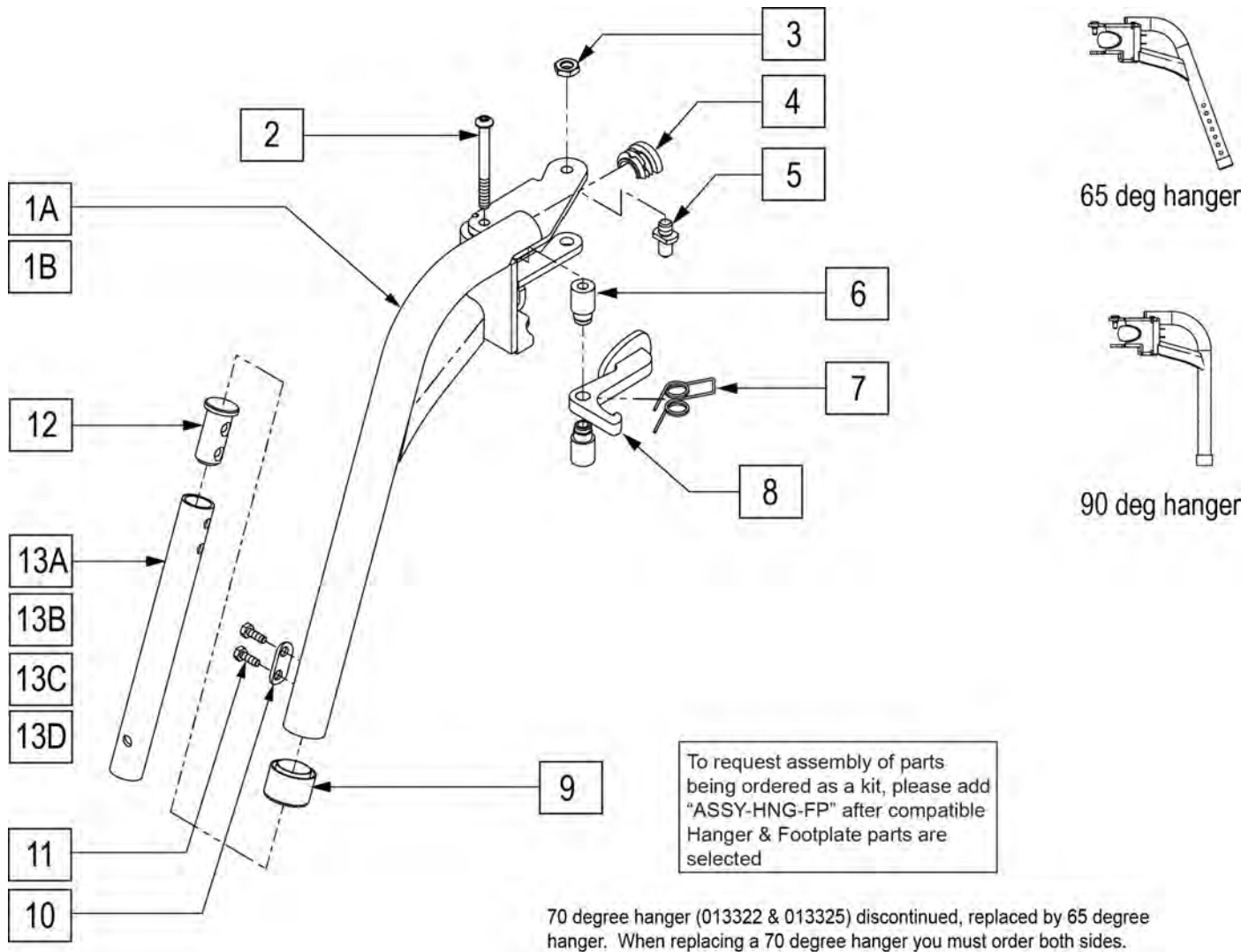
NOTE: For smaller or larger size footplate please refer to the appropriate footplate parts page.



Pos.	Item Number	Description	Remarks
1,5-8	103219	HNGR S/A 65DEG W/EXT TB PR	PAIR
2A	104780	HANGER RECEIVER ASSM SHORT	RIGHT-Trad Rehab & Power Recline Seating
2A	104781	HANGER RECEIVER ASSM SHORT	LEFT-Trad Rehab & Power Recline Seating
2A	104782	HANGER RECEIVER ASSM LONG	RIGHT-Trad Rehab & Power Recline Seating
2A	104783	HANGER RECEIVER ASSM LONG	LEFT-Trad Rehab & Power Recline Seating
2A	104784	HANGER RECEIVER ASSM +1	RIGHT-Trad Rehab & Power Recline Seating
2A	104785	HANGER RECEIVER ASSM +1	LEFT-Trad Rehab & Power Recline Seating
2B	112532	LEGREST SWING-AWAY RETAINER ASSM	PAIR- ASAP Seating only
3	103411	ADULT ANGLE ADJUSTABLE FOOTPLATE KIT	PAIR
4	230006	BHCS M8 X 1.25 X 25 BLK	REFERENCE ONLY, SEE HARDWARE KIT
5	234891	M6 X 20 HEX C/S	
6	483717	HANGER SADDLE	
9	921162	C F/PLT ASSM H/L 16-17/19-20V	
1,2B-8	103457	HANGER 65ø SWING-AWAY W/ FOOTPLATE & RECEIVER	PAIR- Hangers with Angle adj Footplate
1,2B,4-9	110825	HANGER 65 S/A W/ COMP FOOT & RECIEVER	PAIR- Hangers with Composite Footplate
		Ship assembled part #	Use with multiple assemblies
	ASSY-HNG-FP	HANGER/FOOTPLATE ASSY REQUIRED	add with Hanger & Footplate kit

SWING AWAY HANGER ASSEMBLY

[04/2010]



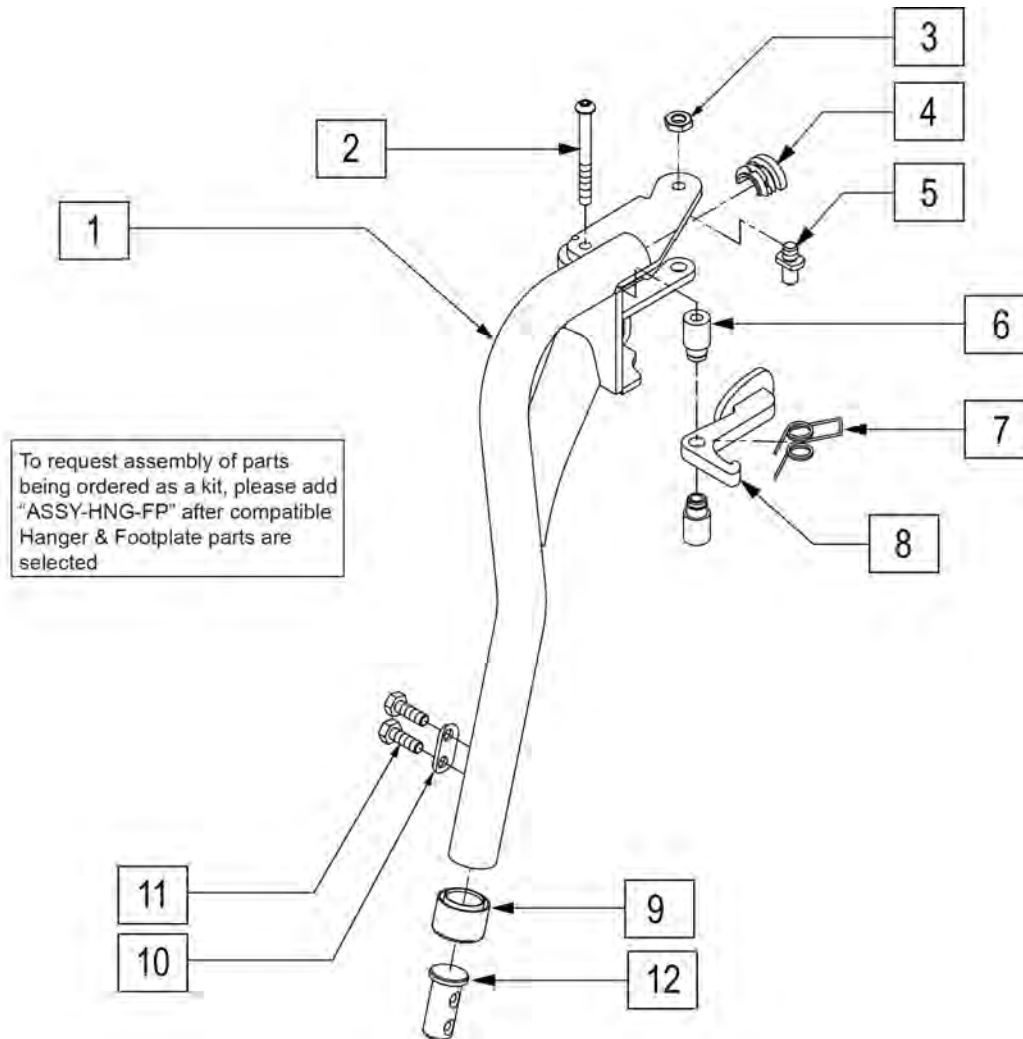
To request assembly of parts being ordered as a kit, please add "ASSY-HNG-FP" after compatible Hanger & Footplate parts are selected

70 degree hanger (013322 & 013325) discontinued, replaced by 65 degree hanger. When replacing a 70 degree hanger you must order both sides.

Pos.	Item Number	Description	Remarks
1A	014203	WELDMENT HANGER 65D LH	
1A	014202	WELDMENT HANGER 65D RH	
1B	013327	90D LH WELD ASSM	
1B	013324	90D RH WELD ASSM	
2	013216	SCREW M6 X 60 SKT BTN BLK	
3	013036	M8 X 1.25 JAM NUT HEX	
4	013312	HALF CAP INSERT	
5	108778	PIVOT PIN, POWER	
6	013217	SPACER S/A HANGER LATCH	
7	013163	SPRING LATCH S/A HANGER	
8	013160	LATCH ARM S/A HANGER	
9	561082	1" TUBE END BUSHING THIN	
10	483717	HANGER SADDLE	
11	234891	M6 X 20 HEX C/S	
12	013369	TUBE IN EXT TB S/A HNGR EXT	
13A	013305-001	EXT TUBE SHORT S/A	
13B	013305-002	EXT TUBE MED S/A	
13C	013305-003	EXT TUBE LONG S/A	

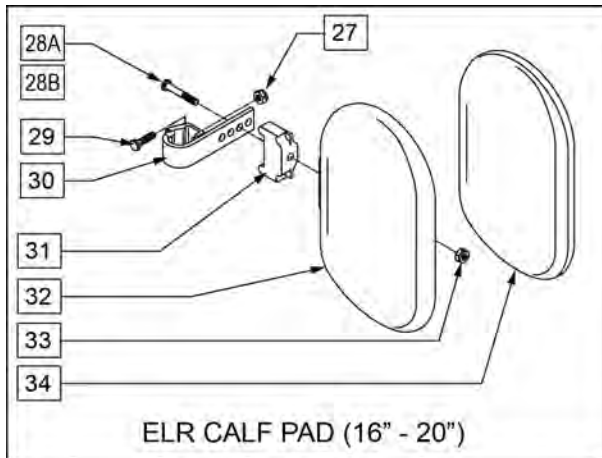
Pos.	Item Number	Description	Remarks
13D	013305-004	EXT TUBE X LONG S/A	
1A-9	014450	S/A HANGER ASSM 65D R	
1A-9	014451	S/A HANGER ASSM 65D L	
1B-9	013330	S/A HANGER ASSM 90D L	
1B-9	013337	S/A HANGER ASSM 90D R	
10-13A	100191	EXT TBE SHT S/A ASSM RHY/GRV	
10-13B	100208	EXT TBE MED S/A ASSM RHY/GRV	
10-13C	100211	EXT TBE LNG S/A ASSM RHY/GRV	
10-13D	100213	EXT TBE X-LNG S/A ASSM RHY/GRV	
		Ship assembled part #	Use with multiple assemblies
	ASSY-HNG-FP	HANGER/FOOTPLATE ASSY REQUIRED	add with Hanger & Footplate kit

Note: if switching from a Fixed Center Mount Footrest to Swing Away Hangers on a Pulse with a Captains Seat, order 2 each of 122712 (LAT HANGER WELDMNT W/HARDWARE) to mount the Hanger Receivers to the chair. Please see SWING AWAY HANGER RECEIVER page.

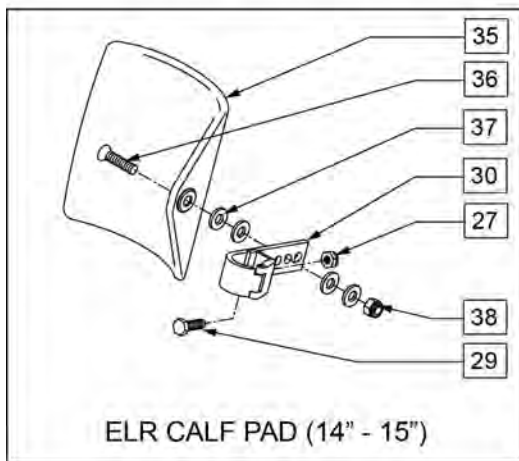


To request assembly of parts being ordered as a kit, please add "ASSY-HNG-FP" after compatible Hanger & Footplate parts are selected

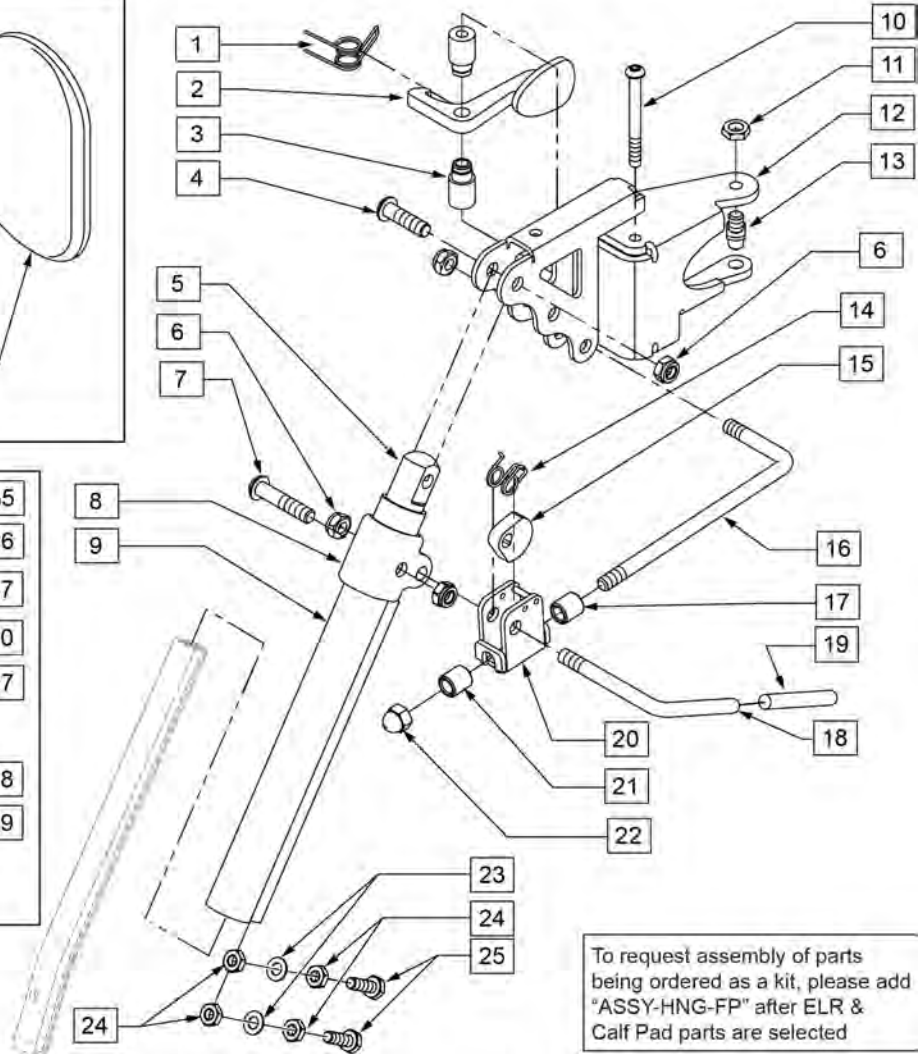
Pos.	Item Number	Description	Remarks
2	013216	SCREW M6 X 60 SKT BTN BLK	
3	013036	M8 X 1.25 JAM NUT HEX	
4	013312	HALF CAP INSERT	
5	108778	PIVOT PIN, POWER	
6	013217	SPACER S/A HANGER LATCH	
7	013163	SPRING LATCH S/A HANGER	
8	013160	LATCH ARM S/A HANGER	
9	561082	1" TUBE END BUSHING THIN	
10	483717	HANGER SADDLE	
11	234891	M6 X 20 HEX C/S	
12	013369	TUBE IN EXT TB S/A HNGR EXT	
1-9	100189	S/A HNGR ASSY TAPER 75D LH	Left
1-9	100190	S/A HNGR ASSY TAPER 75D RT	Right
		Ship assembled part #	Use with multiple assemblies
	ASSY-HNG-FP	HANGER/FOOTPLATE ASSY REQUIRED	add with Hanger & Footplate kit



ELR CALF PAD (16" - 20")



ELR CALF PAD (14" - 15")

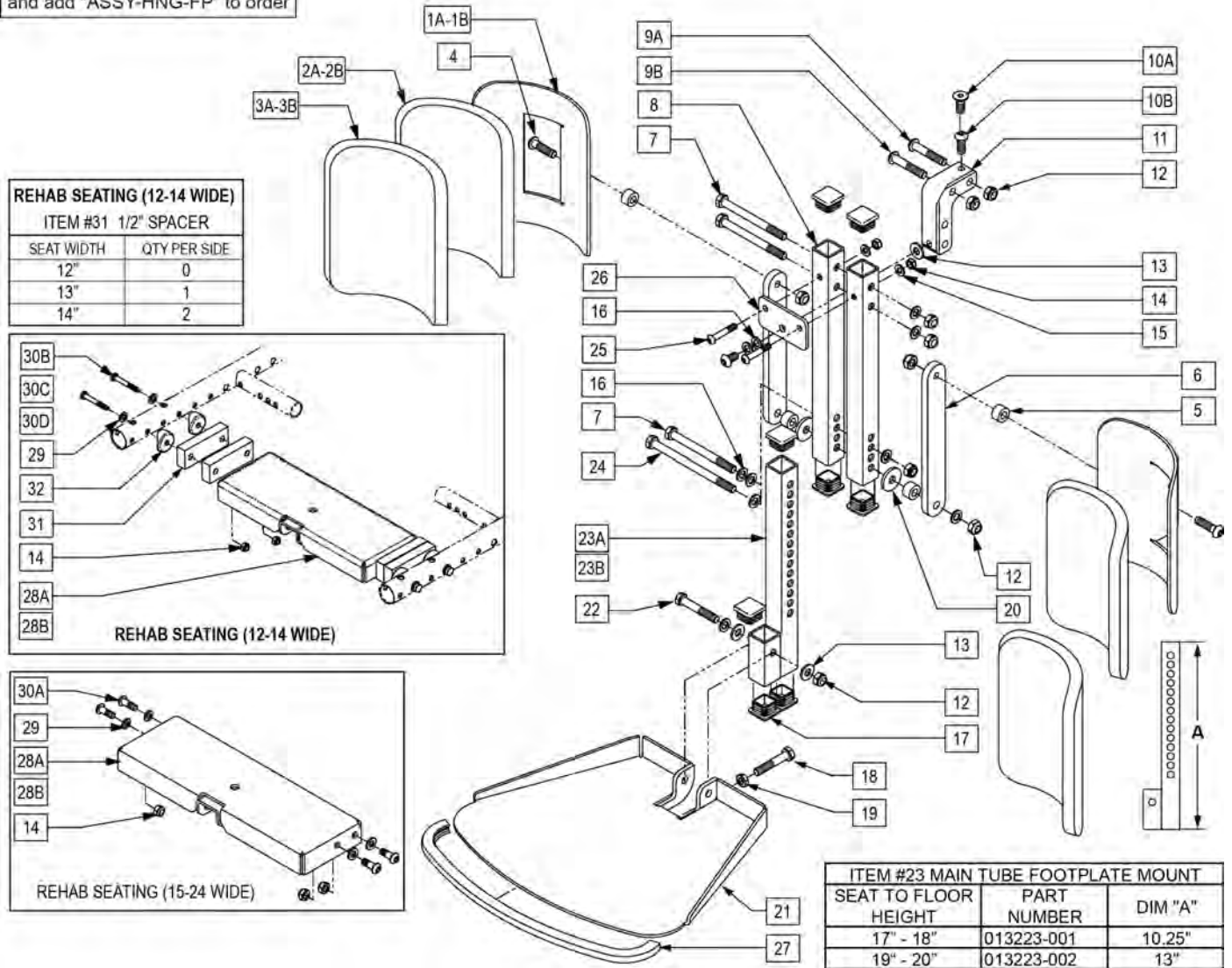


To request assembly of parts being ordered as a kit, please add "ASSY-HNG-FP" after ELR & Calf Pad parts are selected

Pos.	Item Number	Description	Remarks
1	013163	SPRING LATCH S/A HANGER	
2	013160	LATCH ARM S/A HANGER	
3	013217	SPACER S/A HANGER LATCH	
4	226343	5/16-24 X 1 1/8 BHCS BLK	
5	540252	ELR PIVOT PRS	
6	106939	5/16-24 NYLOCK NUT THIN	
7	226138	5/16-24 X 1 1/2 BH C/S	
8	560420	ELR UPPER PIVOT PLST	
9	550722S	ELR ADJUSTMENT TUBE	
10	013216	SCREW M6 X 60 SKT BTN BLK	
11	013036	M8 X 1.25 JAM NUT HEX	
13	108778	PIVOT PIN TOP S/A HANGER	
14	321106	ELR TORSION SPRING	
15	481119	ELR CAM LOCKING POWDERED METAL	
16	481242	ELR LOCK ROD S525	
17	014085	ELR ADJ STOP 20D	
18	481122	ELR ACTUATION ARM	
19	561049	ELR RELEASE ROD COVER	

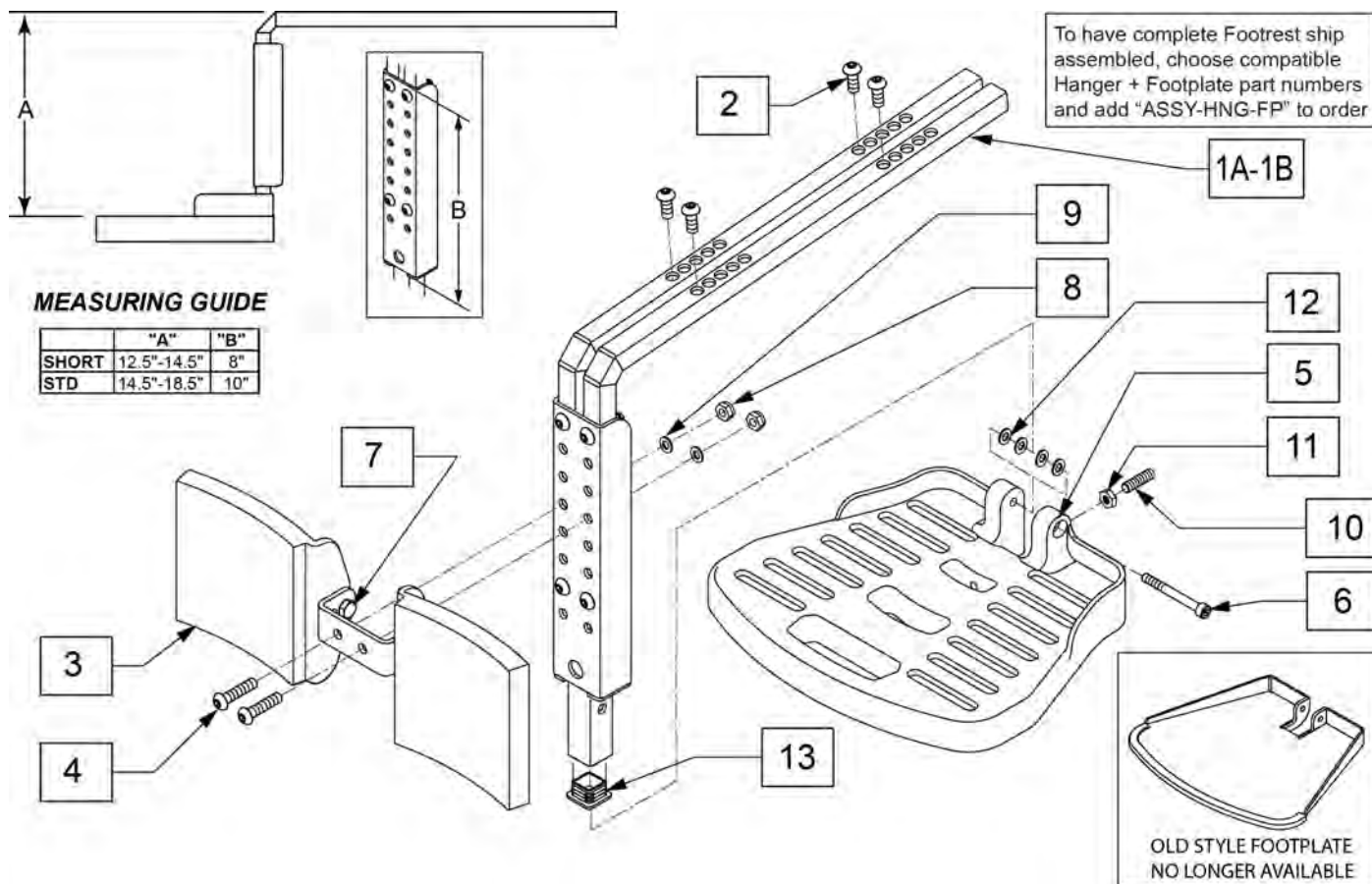
Pos.	Item Number	Description	Remarks
20	880990	ELR LOCK HOUSING W/PIN	
21	560815	HEMI ELR ADJ STOP BACK LG	
22	202109	5/16-24 ACORN NUT HEX	
23	106943	1/4 AN WASHER FLAT	
24	201112	1/4-28 NUT THIN	
25	221096	1/4-28 X 5/8 HEX C/S	
27	106934	1/4-28 NYLOCK NUT	
28A	222242	5/16-18 X 2 1/2 HEX C/S	
28B	107019	HHCS 5/16-18 X 3-1/2 ROHS	(USE W/ ITEM #31)
29	221096	1/4-28 X 5/8 HEX C/S	
30	881413	CALF PAD BRACKET ASSM	
31	560199	ELR CALF HINGE SPACER	used w/ 16-17 wide calf pad
32	560108	CALF PAD MOLDED 16-20"	
33	106936	5/16-18 NYLOCK NUT THICK	
34	751045	CALF PAD COVER NEOPRENE	
35	755014	CALF PAD TROUGH STYLE 14/16	
36	222108	5/16-18 X 1 1/4 BH C/S	
37	561016	1" WASHER 5/16"" HOLE"	
38	106937	5/16-18 NYLOCK NUT THIN	
27,29,30,35-38	881414	CALF PAD J-HOOK 14-15" ASSM	
27,28B,29-34	881416	CALF PAD MOLDED 16-17" ASSM	
27,28A,29,30,32-34	881412	CALF PAD MOLDED 18-20" ASSM	
1-25	101285	RHYTHM/GROOVE ELR HNGR ASSM R	Also fits Pulse & QM-7 Series chairs
1-25	101286	RHYTHM/GROOVE ELR HNGR ASSM L	Also fits Pulse & QM-7 Series chairs
4,6,7,10,23-25	101548	ELEVATING LEGREST HDWR KIT	
1-8,10-22	101844	ELR HNGR R RHY/GRV W/O TUBE	Also fits Pulse & QM-7 Series chairs
1-8,10-22	101845	ELR HNGR L RHY/GRV W/O TUBE	Also fits Pulse & QM-7 Series chairs
		Ship assembled part #	Use with multiple assemblies
	ASSY-HNG-FP	HANGER/FOOTPLATE ASSY REQUIRED	add with Hanger & Footplate kit

To have complete Footrest ship assembled, choose compatible Hanger + Footplate part numbers and add "ASSY-HNG-FP" to order



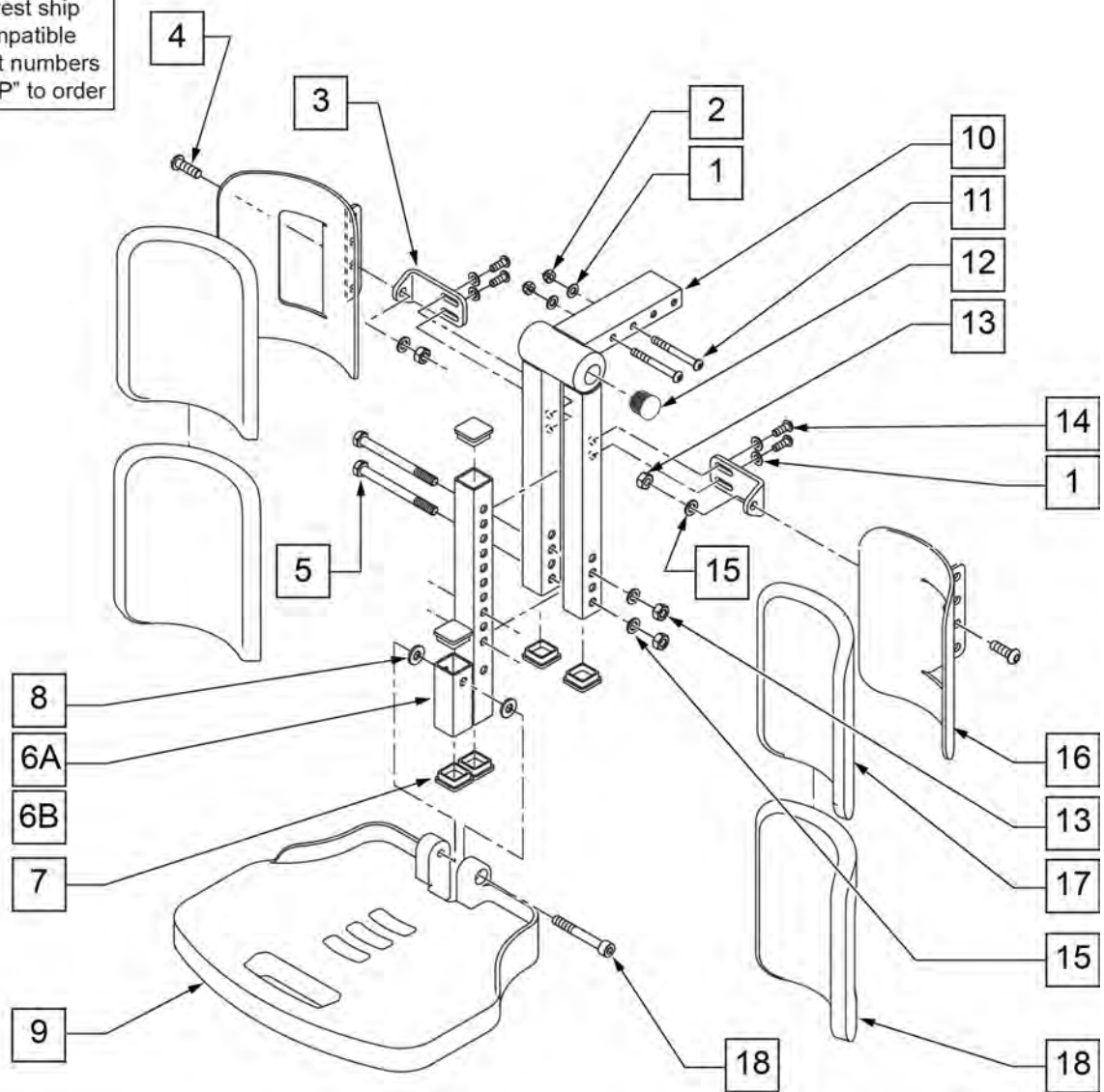
Pos.	Item Number	Description	Remarks
4	013151	BHCS M8 x 1.25 x 30 BLK W/PL	
5	505934	SPACER 8 x 2 CASTER	
6	013887-001	BAR SA CALF PAD 160	
7	010517	M8 x 1.25 x 90 HHCS GD 10.9	
8	013194	HANGER FIX CENTER MOUNT	
9	230123	BHCS M8 x 1.25 x 45	REHAB SEAT
10A	230129	FHCS M8 x 1.25 x 20 BLK W/PL	PERFECT FIT SEAT
10B	013149	BHCS M8 x 16	REHAB SEAT
11	013186	KNUCKLE FIX CENTER MOUNT	
12	210085	NUT HEX NYLOCK M8 BLACK (REHAB SEAT)	
13	011650	WASHER NYLON M8	
14	210084	NUT HEX NYLOCK M6 BLACK	
15	106944	WASHER FLAT THIN AN 1/4 ROHS	
16	263100	5/16 AN WASHER FLAT	

Pos.	Item Number	Description	Remarks
17	010615	SQUARE END CAP CNTR LEG SPVRT	
18	234960	M8-35 HEX C/S	
19	013036	M8 X 1.25 JAM NUT HEX	
20	561016	1" WASHER 5/16" HOLE	
21	013189	PLATE FOOT SUPPORT FIX	
22	013803	HHCS M8 x 1.25 x 50 BLK	
23A	013223-001	MAIN TUBE FTPLT MNT SHORT	
23B	013223-002	MAIN TUBE FTPLT MNT LNG	
24	013888	HHCS M8 x 1.25 x 130	
25	013252	BHCS M6 X 1 X 35 BLK	
26	013190	PLATE SQUARE TUBE SUPPORT	
27	014081	FOOTPLATE TRIM FIX CNTR MOUNT	
28A	013237	FRAME CENTER MT WELDMNT	
28B	013583	FRAME CENTER MT WLDMNT 12-14	
29	250104	WASHER FLAT M6	
30A	230032	M6 X 16 B/H CAP SCREW (15-24 WIDE ONLY)	FITS 15" - 24" WIDE
30B	118665	HHCS M6X1X45 PART NP	FITS 14" WIDE ONLY
30C	013035	HHCS M6 x 1.0 x 55 10.9	FITS 13" WIDE ONLY
30D	230063	HHCS M6 x 1.0 x 70	FITS 12" WIDE ONLY
31	013584	SPACER 1/2	FITS 13" - 14" WIDE
32	561004	1" SADDLE 1/4" HOLE	
1A,2A,3A	013211	ASSM CALF PAD SINGLE ROW	
1B,2B,3B	755013	CALF PAD TROUGH STYLE KIDS	
1A,2A,3A,4-9,11-23A,24-27	100214	CENTER MNT FOOTREST ASSY SHORT	
1A,2A,3A,4-9,11-23B,24-27	100215	CENTER MNT FOOTREST ASSY LONG	
4,7,9,12-16,18-20,22,24,25,29,30	101549	CENTER MOUNT LEGREST HDWR KIT	FITS 15" - 24" WIDE
		Ship assembled part #	Use with multiple assemblies
	ASSY-HNG-FP	HANGER/FOOTPLATE ASSY REQUIRED	add with Hanger & Footplate kit



Pos.	Item Number	Description	Remarks
2	n/a	BHCS M8 X 1.25 X 20	AVAILABLE IN ASSM ONLY
4	n/a	BHCS M8 X 1.25 X 35	AVAILABLE IN ASSM ONLY
7	n/a	HHCS M8 X 1.25 X 25	AVAILABLE IN ASSM ONLY
6	n/a	SHCS M8 X 60	AVAILABLE IN ASSM ONLY
8	n/a	M8 NYLOCK NUT	AVAILABLE IN ASSM ONLY
9	n/a	M8 WASHER FLAT	AVAILABLE IN ASSM ONLY
10	n/a	SET SCREW M8 X 1.25 X 60	AVAILABLE IN ASSM ONLY
13	010615	SQUARE END CAP CNTR LEG SPVRT	
3,4,7,8,9	103118	CALF PAD AND HARDWARE	
5,6,10-12	101685	QUICKIE FOOTPLATE	
1A,2-13	103135	CENTER MOUNT HANGER ASSY	Long; used with ASAP and Captains Seat
1B,2-13	130309	FIXED CENTERMOUNT SHORT	Short; used with ASAP and Captains Seat
		Ship assembled part #	Use with multiple assemblies
	ASSY-HNG-FP	HANGER/FOOTPLATE ASSY REQUIRED	add with Hanger & Footplate kit

To have complete Footrest ship assembled, choose compatible Hanger + Footplate part numbers and add "ASSY-HNG-FP" to order



Pos.	Item Number	Description	Remarks
1	106943	WASHER FLAT AN 1/4 ROHS	
2	200113	NUT HEX NYLOCK M6 X 1 NUT	
3	010613	BRACKET CALF PAD MOUNT ADJ	
4	230006	BHCS M8 X 1.25 X 25 BLK	
5	010517	M8 X 1.25 X 90 HHCS GD 10.9	
6A	541214-001	HANGER FOOT PLATE MOUNT REG	13 -18" LEG LENGTH
6B	541214-002	HANGER FOOT PLATE MOUNT LNG	15 -20" LEG LENGTH
7	010615	SQUARE END CAP CNTR LEG SPVRT	
8,9,20	922071	"FOOTPLATE 12" X 9" W/HDWR "	
10	010609	SUPPORT FIX CENTER LEG REST	
11	013148	BHCS M6 X 1 X 55	
12	560735	"7/8" ROUND TUBE PLUG"	
13	210085	NUT HEX NYLOCK M8	
14	230032	M6 X 16 B/H CAP SCREW	
15	263100	5/16 AN WASHER FLAT	
17	210072	M8 NYLOCK NUT85	

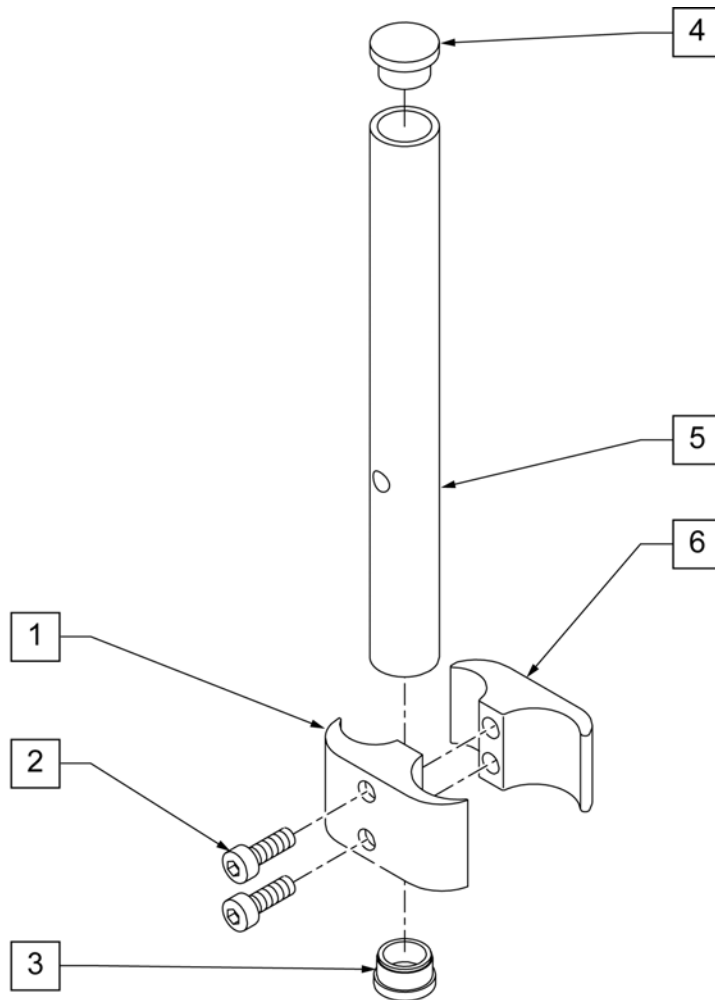
Pos.	Item Number	Description	Remarks
16,17,18	010747	COVER CALF PAD	
1-5,6A-19	012178	FIXED CENTER MOUNT SHORT ASSM	13 -18" LEG LENGTH
1-5,6B-19	012179	FIXED CENTER MOUNT TALL ASSM	15 -20" LEG LENGTH
		Ship assembled part #	Use with multiple assemblies
	ASSY-HNG-FP	HANGER/FOOTPLATE ASSY REQUIRED	add with Hanger & Footplate kit

NOTE: only available with Adult Angle Adjustable (AAA) or Kids Angle Adjustable (KAA) Footplates.

NOTE: if retrofitting to an existing chair with Front Mount Hangers, new Adult Angle Adjustable (AAA) or Kids Angle Adjustable (KAA) Footplates with High Mount Extension Tubes are required. See Footplate Ordering Guide.

NOTE: if retrofitting to an existing chair with extension tube mounted hangers (D2 extension tubes) with Adult Angle Adjustable (AAA) or Kids Angle Adjustable (KAA) Footplates, order 2 each of 226167 and 561055 to mount the footplates onto the round high-mount extension tubes.

NOTE: if retrofitting on a chair with extension tube mounted hangers with Composite, Composite Angle Adjustable, Foam, Locking Angle Adjustable, Platform Flip-Up, or Platform Flip-Up Locking Footplates, then new Adult Angle Adjustable (AAA) or Kids Angle Adjustable (KAA) Footplates with High Mount Extension Tubes are required. See Footplate Ordering Guide.

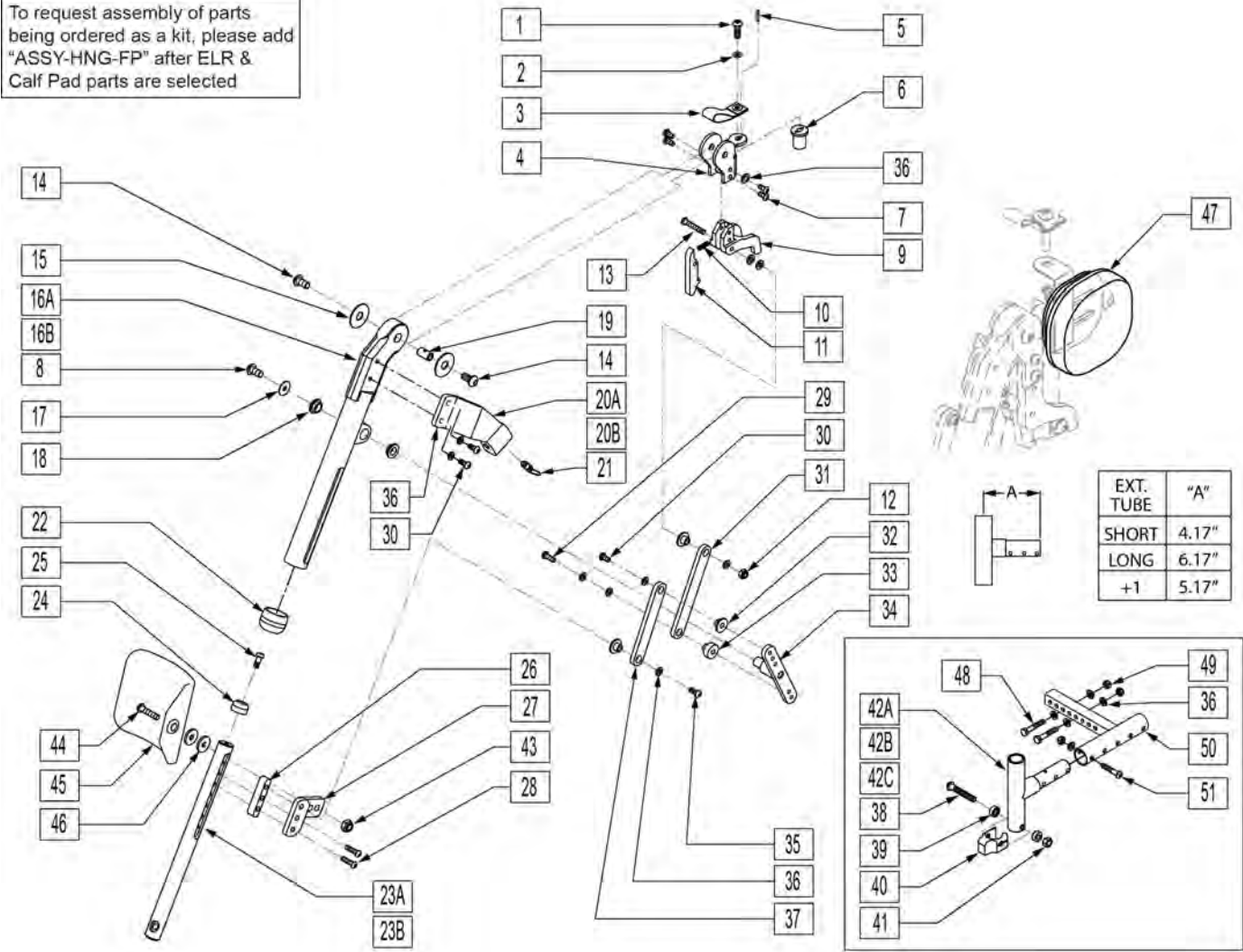


Pos.	Item Number	Description	Remarks
1	550657	CLAMP 1 1/4" RECESS FULL BLK	
2	107032	SHCS 1/4-28 X 1 ROHS	
3	561000-QU	3/4" INSERT PLUG .083	
4	482016	HIGH-MOUNT FL FT TUBE PLUG	
5	524100	H/M FL FT EXT TUBE BLK	
6	550658	CLAMP 1 1/4" THREADED BLK	
1,2,6	880538	HI-MOUNT FR CLAMP ASSEMBLY BLK	
1-6	921550S	H/M FL FT CLAMPS AND TUBES (PR)	Pair

* ORDER 'CALF PAD' SEPARATELY

** SEE 'ELR ALR KNEEPAD' SHEET FOR ASSEMBLY PART NUMBERS

To request assembly of parts being ordered as a kit, please add "ASSY-HNG-FP" after ELR & Calf Pad parts are selected

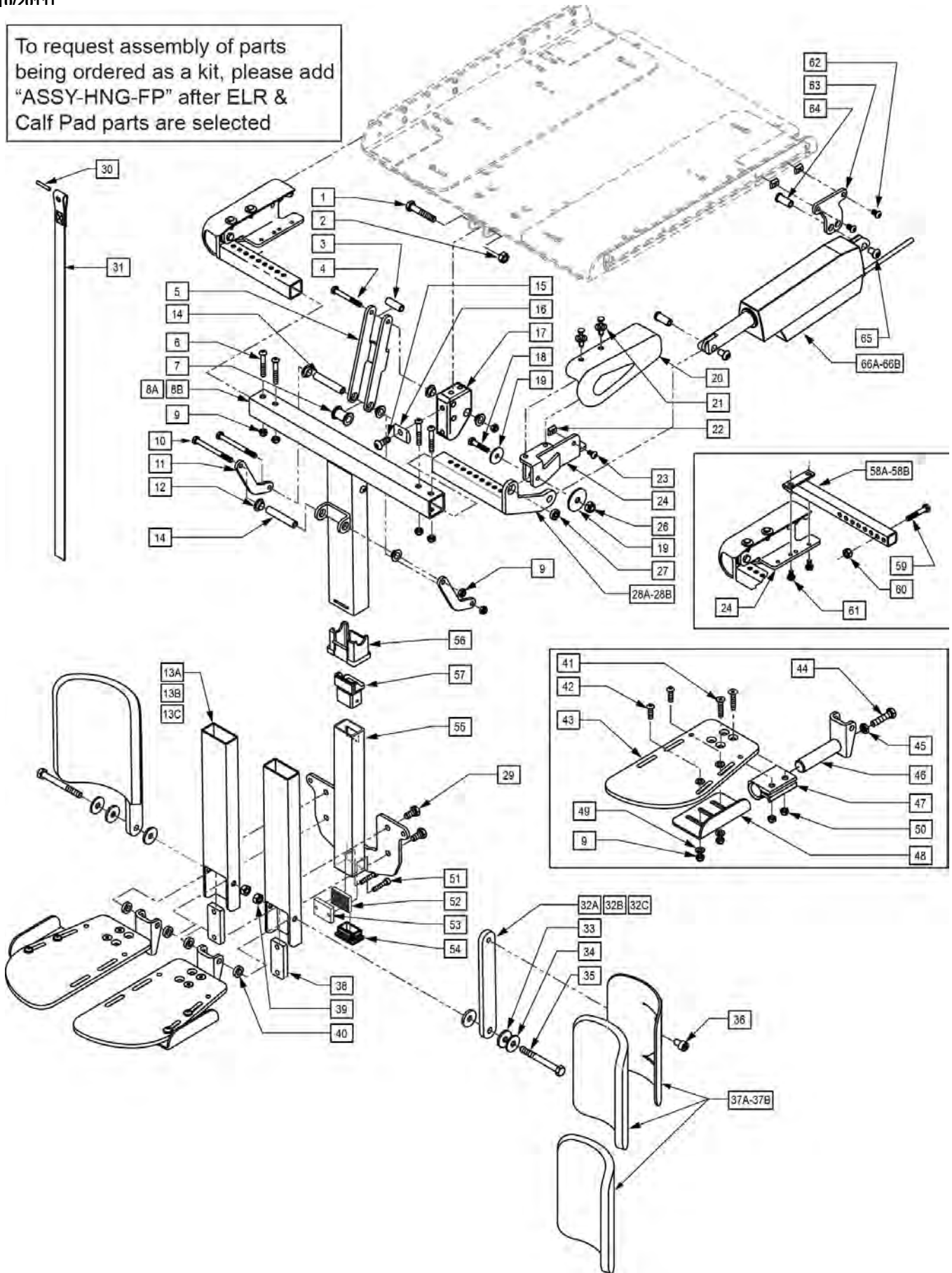


Pos.	Item Number	Description	Remarks
1	102266	BHCS M8 X 1.25 X 35 INORGANIC	
2	561016	1 WASHER 5/16 HOLE	
3	695040	DS LIFT LANYARD	
4	013589	BRKT HANGER PWR	
5	011047	SPRING PIN SLOTTED M3 X 18	
6	011023	PIVOT PLUG METRIC	
7	013145	BHCS M6 X 1 X 10 BLK	
8	102262-006	BHCS M6 X 1 X 40 INORGANIC	
9	013590	BLOCK CAPTURE HANGER	
10	321787	SPRING COMP RELEASE LEVER	

Pos.	Item Number	Description	Remarks
11	013588	LEVER RELEASE HANGER METRIC	
12	102262-008	BHCS M6 X 1 X 50 INORGANIC	
13	210084	NUT HEX NYLOCK M6 BLACK	
14	226271	3/8-16 x 1/2 BH C/S BLK ZN	
15	261537	FOOTREST WASHER	
16A	011020-001	WLD UPPR FRNT RAIL FTRST MTC R	RIGHT
16B	011020-002	WLD UPPR FRNT RAIL FTRST MTC L	LEFT
17	261209	1/4 x 7/8 OD FENDER WASHER ZNC	
18	349596	BEARING IGUS 1/2 x 5/8 x 1/4	
19	481469	LEGREST BOSS	
20A	540902	WLDMNT LEGREST ARM PWR INT R	RIGHT
20B	540903	WLDMNT LEGREST ARM PWR INT L	LEFT
21	889030	LEGREST PULL PIN ASSM	
22	560792	END CAP FOOTREST RAIL S626	
23A	011017-001	ALR EXT RD SHT PWR ANG AD MTRC	SHORT
23B	011017-002	ALR EXT RD LNG PWR ANG AD MTRC	LONG
24	562773	END CAP INNER	
25	013145	BHCS M6 x 1 x 10 BLK	
26	562772	FOOTREST SLIDE SPACE	
27	550081	CALF PAD MOUNT	
28	230116	BHCS M6 x 1 x 30 BLK W/PL	
29	102262-004	BHCS M6 x 1 x 25 W/PL	
30	230032	M6 x 16 B/H CAP SCREW	
31	505616	FOOTREST PULL LINK	
32	481278	FOOTREST LINK BUSHING	
33	481547	FOOTREST LINK BUSHING LONG	
34	011016	FOOTREST MID LNK WLDMNT METRIC	
35	102262-006	BHCS M6 X 1 X 40 INORGANIC	
36	250104	1/4" AN WASHER FLAT	
37	505595	FOOTREST LONG LINK	
38	226217	5/16-18 x 2" BH C/S BLK	
39	505831	SPACER CAM	
40	500526	BLOCK LOCATOR HANGER PWR	
41	202116	5/16-18 NYLOCK NUT THIN BLK	
42	013582	FRAME CENTER MT REC 12-14	
43	202113	5/16-24 x 1 HH CAP SCR W/PTCH	
44	102266	BHCS M8 X 1.25 X 35 INORGANIC	
45	755014	CALF PAD TROUGH STYLE 14/16	
46	561016	1" WASHER 5/16" HOLE	
42A	013586	WELDMNT, REC, HANGER S/A SHORT	SHORT
42B	013777	WELDMNT, REC, HANGER S/A LONG	LONG
42C	014227	WELDMNT, REC, HANGER S/A +1	
45A*	755014	CALF PAD TROUGH STYLE 14/16	
45B*	755012	CALF PAD TROUGH STYLE 17-20	
47**	012229	KNEE PAD ASSM	
48	011600	HHCS M6 X 1.0 X 35 BLK	
49	011600	HHCS M6 X 1.0 X 35 BLK	
50A	013447	WLDMNT REC HANGER PF 15-19W	PERFECT FIT ONLY
50B	013448	WLDMNT REC HANGER PF 19-25W	PERFECT FIT ONLY
51	013252	BHCS M6 X 1 X 35 BLK	
38-41,42A	102878-001	POWER ELR HANGER ASSM - SHORT	
38-41,42B	102878-002	POWER ELR HANGER ASSM - LONG	
38-41,42C	102878-003	POWER ELR HANGER ASSM - MEDIUM	
1-15,16B,17-19,20B,21,22,23A,24-37,43,44,46	102875-001	ELR ASSM W/ARTICULATION L SHORT	Left
1-15,16B,17-19,20B,21,22,23B,24-37,43,44,46	102875-002	ELR ASSM W/ARTICULATION L LONG	Left
1-15,16A,17-19,20A,21,22,23A,24-37,43,44,46	102876-001	ELR ASSM W/ARTICULATION R SHORT	Right

Pos.	Item Number	Description	Remarks
1-15,16A,17-19,20A,21,22,23B,24-37,43,44,46	102876-002	ELR ASSM W/ARTICULATION R LONG	Right
1-37,39-41,43,44,46	102877-001	ELR ASSM W/ARTICULATION PAIR SHORT	Pair
1-37,39-41,43,44,46	102877-002	ELR ASSM W/ARTICULATION PAIR LONG	Pair
		Ship assembled part #	Use with multiple assemblies
	ASSY-HNG-FP	HANGER/FOOTPLATE ASSY REQUIRED	add with Hanger & Footplate kit

To request assembly of parts being ordered as a kit, please add "ASSY-HNG-FP" after ELR & Calf Pad parts are selected

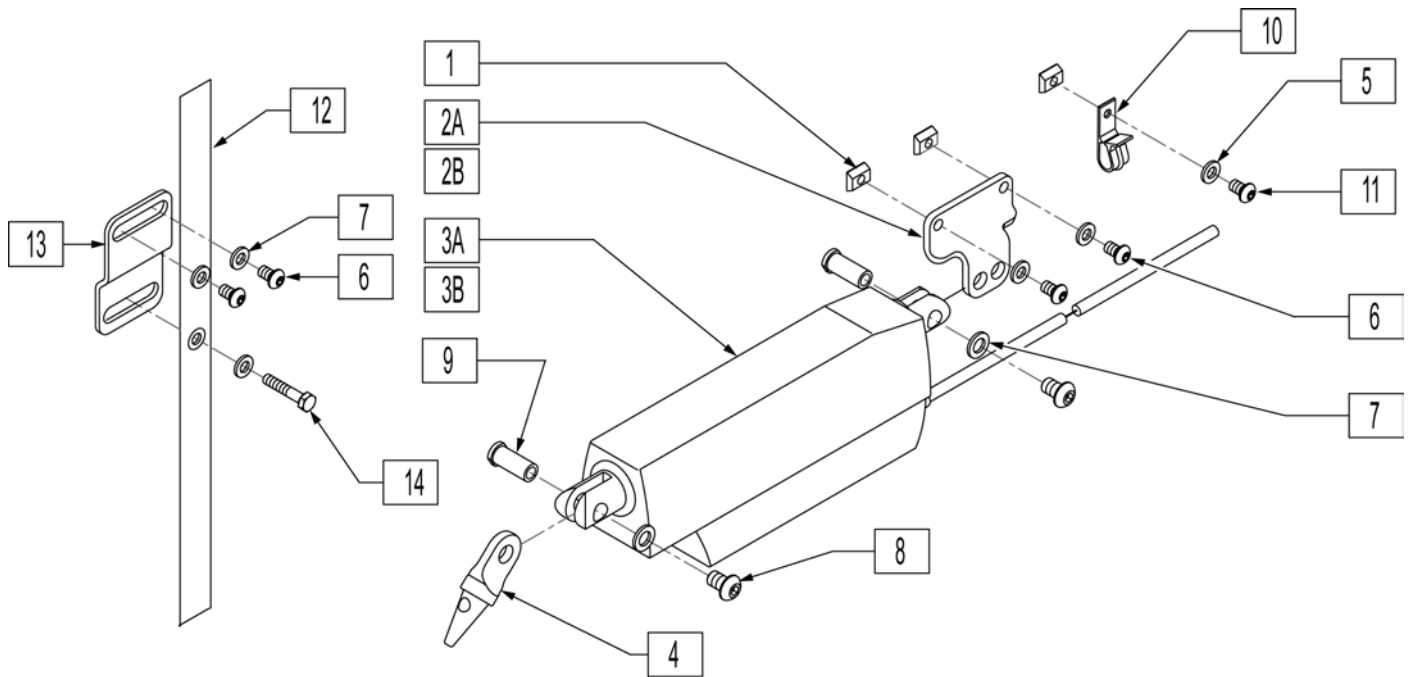


Pos.	Item Number	Description	Remarks
1	235010	M8-45 HEX C/S	
2	210074	M8 NUT NYLOCK BLK	
3	013578	PIN PIVOT REAR	
4	230502	HHCS M6 x 1.0 x 50 BLK	
5	013579	LINK PIVOT REAR	
6	102262-006	BHCS M6 X 1 X 40 INORGANIC	
7	011912	PULLEY TENSION	
8A	011963-001	WELDMENT PIVOT TUBE 12-18W	12-18" WIDE
8B	011963-002	WELDMENT PIVOT TUBE 19-24W	19-24" WIDE
9	210084	NUT HEX NYLOCK M6 BLACK	
10	230063	HHCS M6 x 1.0 x 70	
11	011910	LINK ARTICULATION	
12	013598	BEARING IGUS LFM-1012-06	
13A	011904-001	TUBE FOOTPLATE SHORT	
13B	011904-002	TUBE FOOTPLATE MEDIUM	
13C	011904-003	TUBE FOOTPLATE LONG	
14	013612	PIN PIVOT 10 x 6.2 x 54	
15	230121	BHCS M8 x 1.25 x 20 BLK W/PL	
16	013576	CLAMP BELT ARTICULATION	
17	013575	MOUNT PIVOT UPPER	
18	234816	M6 X 1.0 x 30 HHCS 10.9	
19	013580	WASHER BEARING THRUST POLYMER	
20	012770	COVER KNUCKLE PIVOT ALR R	RIGHT
20	012771	COVER KNUCKLE PIVOT ALR L	LEFT
21	011402	FASTENER SHROUD	
22	010065	M6 CHANNEL NUT	
23	230113	BHCS M6 1 x 12	
24	012589	PIVOT WELDMENT L	LEFT
24	012590	PIVOT WELDMENT R	RIGHT
26	210084	NUT HEX NYLOCK M6 BLACK	
27	013581	BEARING SHIELDED 6 x 15 x 5	
28A	011968	WELDMENT PIVOT SUPPRT LEFT	
28A	011967	WELDMENT PIVOT SUPPRT RIGHT	
28B	014787	WLDMNT PIVOT SUPPRT HD	
29	235005	M8-16 HEX C/S	
30	013577	PIN RETENTION LANYARD	
31	012769	LANYARD ALR ARTICULATION	
32A	013887-001	BAR SA CALF PAD 160	
32B	013887-002	BAR SA CALF PAD 236	
32C	013887-003	BAR SA CALF PAD 312	
33	561016	1" WASHER 5/16" HOLE	
34	263111	5/16 FENDER WASHER SS 1" OD	
35	210080	M8X1.25X75 HB SEAT MOUNTING	
36	013921	SHCS M8 X 1.25 X 12 BLK W/PTCH	
38	012593	NUT FLAT PANEL	
39	210074	M8 NUT NYLOCK BLK	
40	013056	SPACER FOOTPLATE	
41	226314	FHCS M6 x 1 x 30 BLK	
42	230114	BHCS M6 x 1 x 20 W/PL	
43	010484	PLATE FOOTREST	
44	234960	M8-35 HEX C/S	
45	013036	M8 x 1.25 JAM NUT HEX	
46	010483	BRACKET FOOT PLATE MOUNT	
47	550350	3/4" CLMP ADJ FT PLT	
48	013710	PLATE REST FOOT LATERAL	

Pos.	Item Number	Description	Remarks
49	106943	WASHER FLAT AN 1/4 ROHS	
50	106935	NUT NYLOCK THIN 1/4-28 ROHS	
51	102260-002	SHCS M5X0.8X25 FULL NP	
52	011906	BLOCK SPACER CLAMP	
53	011907	CLAMP STRAP	
54	012859	PLUG TUBE 1 1/2 x 1	
55	011900	WELDMENT ARTICULATION	
56	010458	BEARING BLK BOTTOM OUTER TUBE	
57	010455	BEARING BLK ROLLER GUIDE SPRT	
58A	011917-001	WELDMENT MNT TUBE MNT R 12-19W	12"-18" wide
58B	011917-002	WELDMENT MNT TUBE MNT 18-24	19"-24" wide
59	234816	M6 X 1.0 X 30 HHCS 10.9	
60	210084	NUT HEX NYLOCK M6 BLACK	
61	013034	HHCS M6 X 1.0 X 10 10.9	
62	102262-002	BHCS M6X1X10 FULL PL	
63	506175	BRKT SIDE PANEL PVT ACT	
64	505615	ACT LINK PIN	
65	226236	5/16-18 X 1/2 B/H C/S BLK	
66A	012037	ACT LINAK LA-12 0D CLVS DLPHI	RHYTHM:16"- 24" WIDTH, GROOVE: FWD 16" - 24" WIDTH, RWD 20" - 24"
66B	012038	ACT LINAK LA-12 9OD CLVS DLPHI	RHYTHM:12"- 15" WIDTH, GROOVE: FWD 12" - 15" WIDTH, RWD 12" - 19"
2-5,7-17,26,29-36,37A,39-49	101842-001	PWR CNTR MNT ASSM NARROW SHT FP	LEG LENGTH 12-16 / 12-18 WIDE
2-5,7-17,26,29-36,37A,39-49	101842-002	PWR CNTR MNT ASSM NARROW MED FP	LEG LENGTH 15-19 / 12-18 WIDE
2-5,7-17,26,29-36,37A,39-49	101842-003	PWR CNTR MNT ASSM NARROW LNG FP	LEG LENGTH 18-22 / 12-18 WIDE
2-5,7-17,26,29-36,37A,39-49	101843-001	PWR CNTR MNT ASSM WIDE SHT FP	LEG LENGTH 12-16 / 19-24 WIDE
2-5,7-17,26,29-36,37A,39-49	101843-002	PWR CNTR MNT ASSM WIDE MED FP	LEG LENGTH 15-19 / 19-24 WIDE
2-5,7-17,26,29-36,37A,39-49	101843-003	PWR CNTR MNT ASSM WIDE LNG FP	LEG LENGTH 18-22 / 19-24 WIDE
9,41-49	102850	COMPLETE FOOTREST ASSM	
37A	013211	ASSM CALF PAD SINGLE ROW	
37B	755013	CALF PAD TROUGH STYLE KIDS	
1-57	102851	ELR CENTER MNT ASSM SHORT	LEG LENGTH 12-16 / 12-18 WIDE
1-57	102852	ELR CENTER MNT ASSM MED	LEG LENGTH 15-19 / 12-18 WIDE
1-57	102853	ELR CENTER MNT ASSM LONG	LEG LENGTH 18-22 / 12-18 WIDE
1-57	102854	ELR CENTER MNT ASSM SHORT	LEG LENGTH 12-16 / 19-24 WIDE
1-57	102855	ELR CENTER MNT ASSM MED	LEG LENGTH 16-19 / 19-24 WIDE
1-57	102856	ELR CENTER MNT ASSM LONG	LEG LENGTH 18-22 / 19-24 WIDE
		Ship assembled part #	Use with multiple assemblies
	ASSY-HNG-FP	HANGER/FOOTPLATE ASSY REQUIRED	add with Hanger & Footplate kit

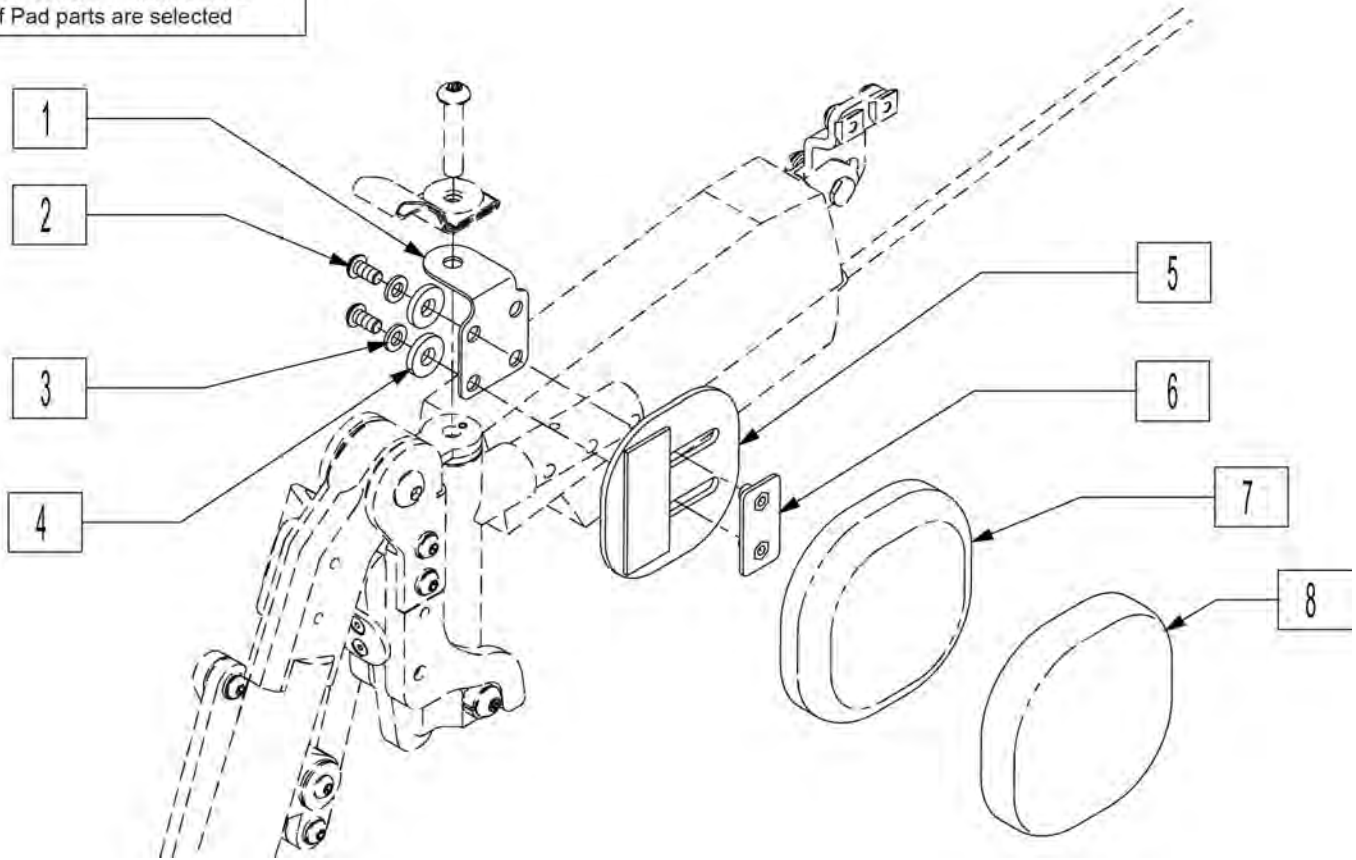
LEGREST ACTUATOR

[07/2007]



Pos.	Item Number	Description	Remarks
1	010065	M6 CHANNEL NUT	
2A	013762	BRKT SIDE PANEL PIVOT ACTUATOR	LIFT OFF ELR & ALR
2B	506175	BRKT SIDE PANEL PVT ACT	POWER CENTER MOUNT ELR
3A	012037	ACT LINAK LA-12 0D CLVS DLPHI	RHYTHM:16"-24" WIDTH, GROOVE: FWD 16" -24" WIDTH, RWD 20" - 24"
3B	012038	ACT LINAK LA-12 90D CLVS DLPHI	RHYTHM:12"-15" WIDTH, GROOVE: FWD 12" -15" WIDTH, RWD 12" - 19"
4	505618	PUSH ARM PIN	LIFT OFF ELR & ALR
5	250104	WASHER FLAT M6	
6	102262-002	BHCS M6X1X10 FULL PL	
7	263100	5/16 AN WASHER FLAT	
8	226236	5/16-18 X 1/2 B/H C/S BLK	
9	505615	ACT LINK PIN	
10	560268	QUICK RELEASE CLIP	
11	102262-001	BHCS M6X1X8 FULL PL	
12	750495	CRUTCH HOLDER STRAP F	LIFT OFF ELR & ALR
13	013443	BRKT SUPPORT REC HANGER	LIFT OFF ELR & ALR
14	234816	M6 X 1.0 X 30 HHCS 10.9	LIFT OFF ELR & ALR
1,2B,3A, 4-9	104459	PWR ELR/ALR ACT ASSM 0D	
1,2B,3B, 4-9	104460	PWR ELR/ALR ACT ASSM 90D	
1,2A,3A, 4-9	104463	PWR ELR/ALR ACT ASSM 0D RG	
1,2A,3B, 4-9	104464	PWR ELR/ALR ACT ASSM 90D RG	

To request assembly of parts being ordered as a kit, please add "ASSY-HNG-FP" after ELR & Calf Pad parts are selected



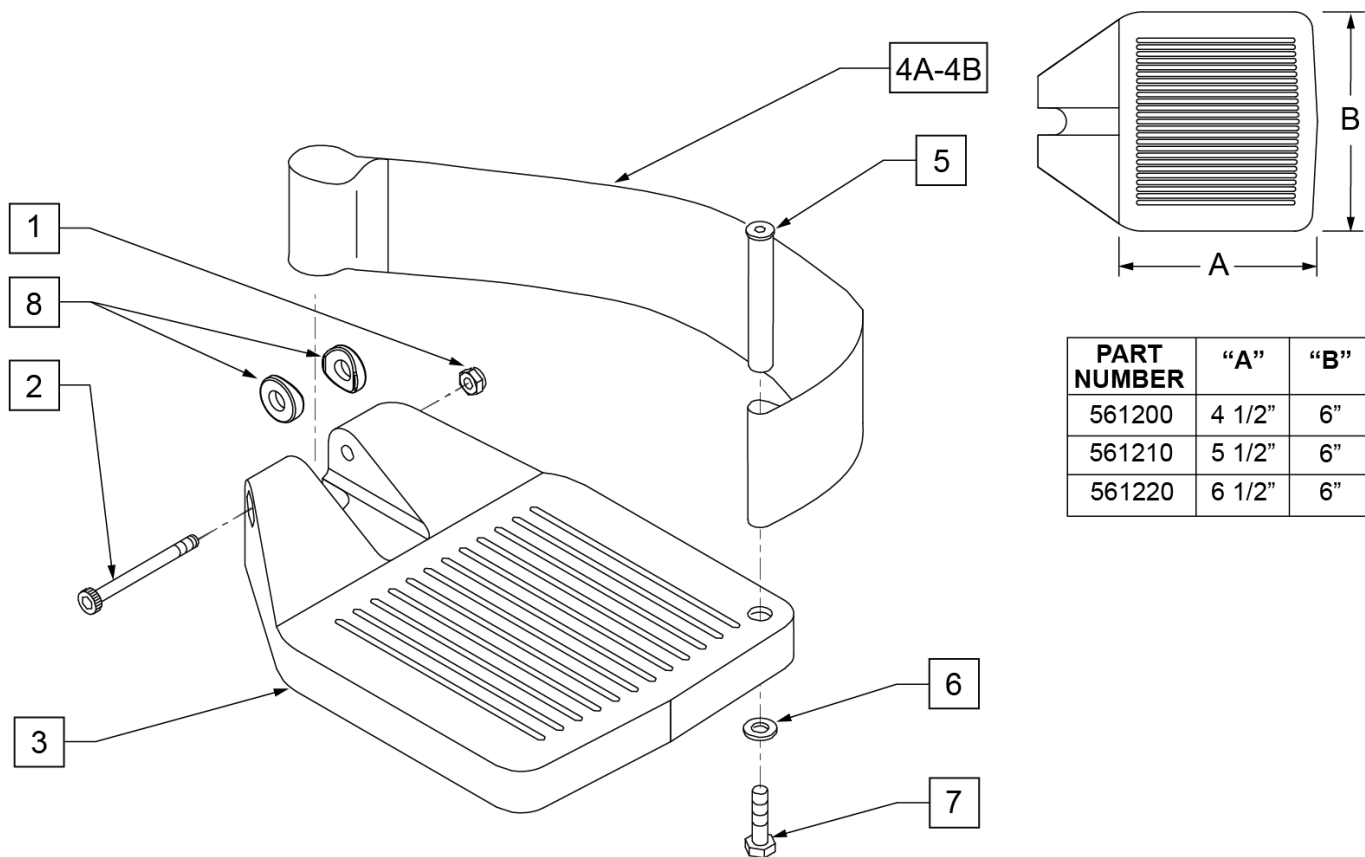
Pos.	Item Number	Description	Remarks
1	011860	BRACKET ALR PAD KNEE	
2	013147	BHCS M6 X 1 X 12 BLK	
3	250104	WASHER FLAT M6	
4	561059	3/4 O.D. X .318 I.D. WASHER	
5	010277-001	KNEE PLATE 4 X 4	
6	010111-002	NUT PLATE M5 X 25.4 X 10	
7	011812-001	KNEE SUPPORT PAD SM VELC	
8	011692-001	PAD COVER KNEE SUPPORT SM	
1-8	012229	ELR KNEE PAD ASSM	
		Ship assembled part #	Use with multiple assemblies
	ASSY-HNG-FP	HANGER/FOOTPLATE ASSY REQUIRED	add with Hanger & Footplate kit

COMPOSITE FOOTPLATE

[10/2011]

To have complete Footrest ship assembled, choose compatible Hanger + Footplate part numbers and add "ASSY-HNG-FP" to order

INSET FORMULA
 0" Inset (Seat Width) = Footrest Width
 1" Inset (Seat Width) -2" = Footrest Width
 "V" Hanger (Seat Width) -4" = Footrest Width
 Offset Hanger Receiver (Seat Width) +2" = Footrest Width

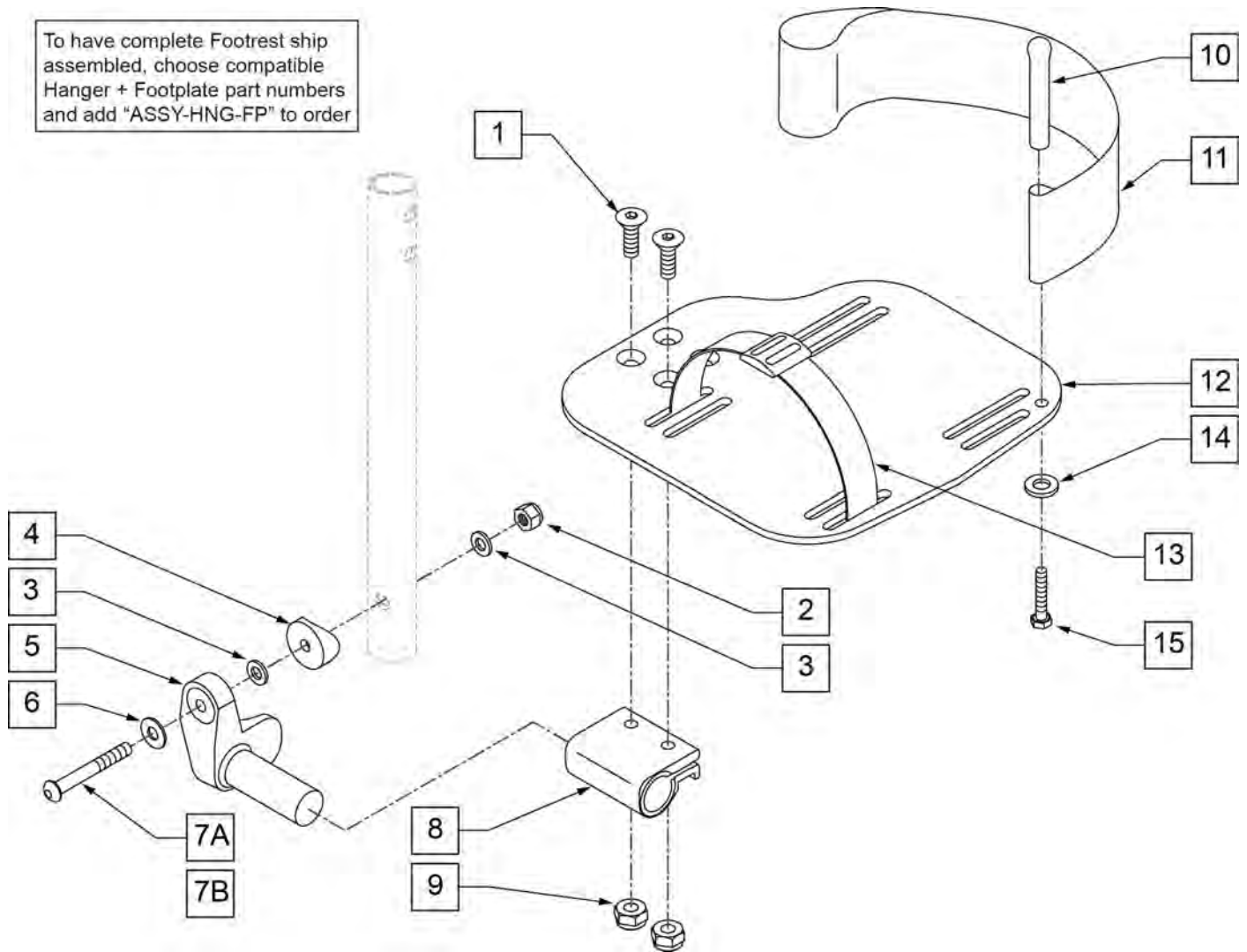


PART NUMBER	"A"	"B"
561200	4 1/2"	6"
561210	5 1/2"	6"
561220	6 1/2"	6"

Pos.	Item Number	Description	Remarks
1	106935	1/4 - 28 NYLOCK NUT	
2	226165	1/4 - 28 x 2 1/2 SOC C/S	
3	561200	COMPOSITE FOOTPLATE 14 -15 (16 -18 V)	14 -15 OR 16 -18V
3	561210	COMPOSITE FOOTPLATE 16 -17 (19 -20 V)	16 -17 OR 19 -20V
3	561220	COMPOSITE FOOTPLATE 18 -20	18 -20
4A	741151	HEEL LOOP 14-15 COMPOSITE (14 -15 or 16 -18V)	14 -15 OR 16 -18V
4A	741156	HEEL LOOP 16 -17 or 19 -20V	16 -17 OR 19 -20V
4A	741153	HEEL LOOP 18 -20 COMPOSITE/14-15 ANG ADJ	18 -20
4A	902270	HEEL LOOP COMPOSITE FT 14-15	PAIR 14 -15 OR 16 -18V
4A	902271	HEEL LOOP COMPOSITE FT 16-17	PAIR 16 -17 OR 19 -20V
4A	902272	HEEL LOOP COMPOSITE FT 18-20	PAIR 18 -20
4B	741154	HEEL LOOP 14-15 COMPOSITE HEMI	14 -15 HEMI
4B	741155	HEEL LOOP 16-17 COMPOSITE HEMI	16 -17 HEMI
4B	741153	HEEL LOOP 18-20 COMPOSITE HEMI	18 -10 HEMI
4B	902260	HEEL LOOPS HEMI COMPOSITE 14-15	PAIR 14 -15 HEMI
4B	902261	HEEL LOOPS HEMI COMPOSITE 16-17	PAIR 16 -17 HEMI
4B	902262	HEEL LOOPS HEMI COMPOSITE 18-20	PAIR 18 -20 HEMI
5	561040	HEEL LOOP PEG	

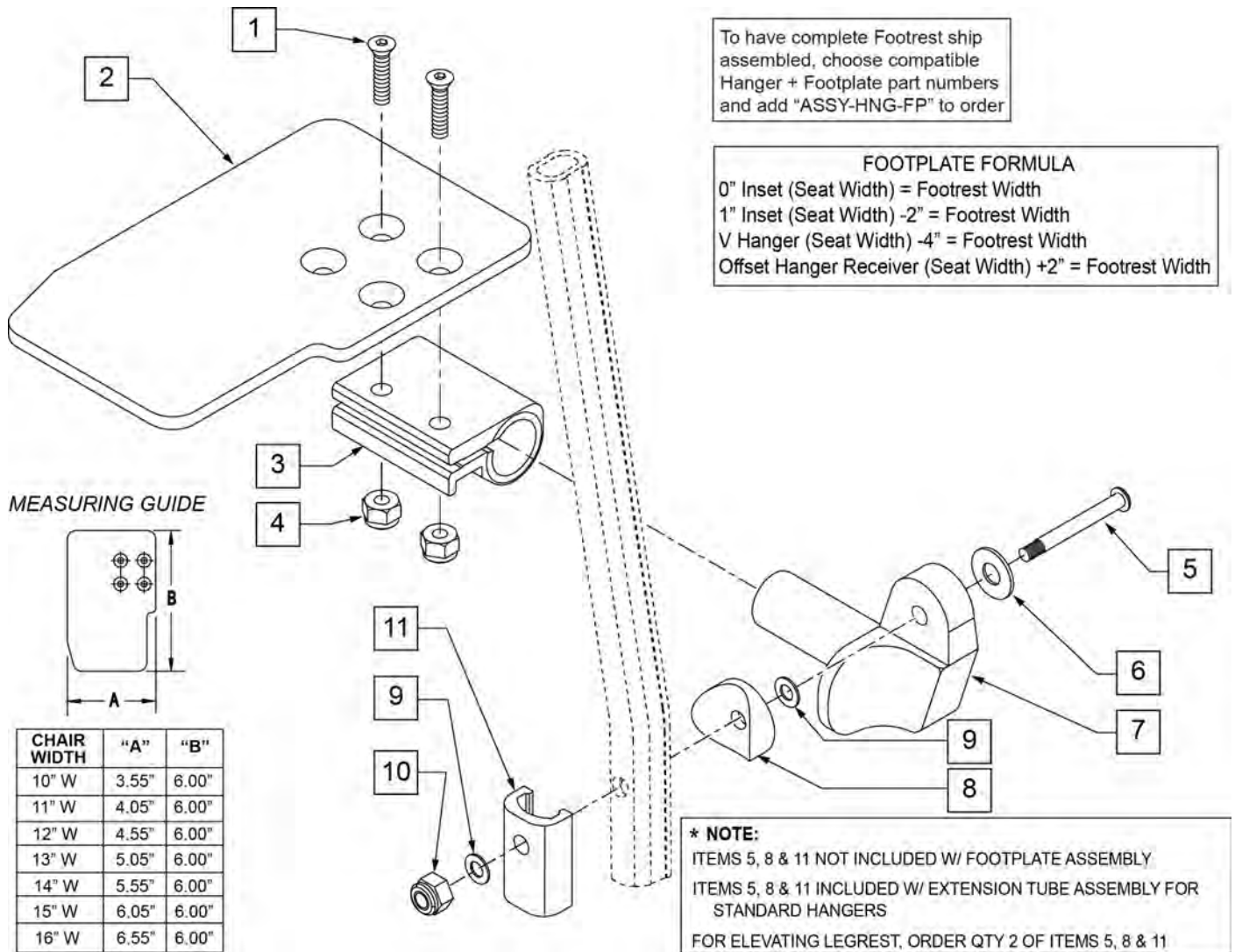
Pos.	Item Number	Description	Remarks
6	106944	1/4 AN WASHER FLAT THIN	
7	106958	HHCS 1/4-20 X 1 ROHS	
8	561003	3/4" SADDLE THIN	USED W/ ROUND EXT TUBES ONLY
1-3	921180	COMPOSITE FOOTPLATE ASSM 14-15	RIGHT (14 -15 OR 16 -18V) W/O HEEL LOOP
1-3	921181	COMPOSITE FOOTPLATE ASSM 14-15	LEFT (14 -15 OR 16 -18V) W/O HEEL LOOP
1-3	921182	COMPOSITE FOOTPLATE ASSM 16-17	RIGHT (16 -17 OR 19 -20V) W/O HEEL LOOP
1-3	921183	COMPOSITE FOOTPLATE ASSM 16-17	LEFT (16 -17 OR 19 -20V) W/O HEEL LOOP
1-3	921184	COMPOSITE FOOTPLATE ASSM 18-20	RIGHT (18 -20) W/O HEEL LOOP
1-3	921185	COMPOSITE FOOTPLATE ASSM 18-20	LEFT (18 -20) W/O HEEL LOOP
1-3	921151	COMPOSITE FOOTPLATE ASSM 14-15/16-18V	PAIR (14 -15 OR 16 -18V) W/O HEEL LOOP
1-3	921152	COMPOSITE FOOTPLATE ASSM 16-17/19-20V	PAIR (16 -17 OR 19 -20V) W/O HEEL LOOP
1-3	921153	COMPOSITE FOOTPLATE ASSM 18-20	PAIR (18 -20) W/O HEEL LOOP
1,2,3A,4-7	921190	COMPOSITE FOOTPLATE ASSM HL LP 14-15	RIGHT (14 -15 OR 16 -18V) W/ HEEL LOOP
1,2,3A,4-7	921191	COMPOSITE FOOTPLATE ASSM HL LP 14-15	LEFT (14 -15 OR 16 -18V) W/ HEEL LOOP
1,2,3A,4-7	921192	COMPOSITE FOOTPLATE ASSM HL LP 16-17	RIGHT (16 -17 OR 19 -20V) W/ HEEL LOOP
1,2,3A,4-7	921193	COMPOSITE FOOTPLATE ASSM HL LP 16-17	LEFT (16 -17 OR 19 -20V) W/ HEEL LOOP
1,2,3A,4-7	921194	COMPOSITE FOOTPLATE ASSM HL LP 18-20	RIGHT (18 -20) W/ HEEL LOOP
1,2,3A,4-7	921195	COMPOSITE FOOTPLATE ASSM HL LP 18-20	LEFT (18 -20) W/ HEEL LOOP
1,2,3A,4-7	921161	COMPOSITE FOOTPLATE ASSM HL 14-15/16-18V	PAIR (14 -15 OR 16 -18V) W/ HEEL LOOP
1,2,3A,4-7	921162	COMPOSITE FOOTPLATE ASSM HL 16-17/19-20V	PAIR (16 -17 OR 19 -20V) W/ HEEL LOOP
1,2,3A,4-7	921163	COMPOSITE FOOTPLATE ASSM HL 18-20	PAIR (18 -20) W/ HEEL LOOP
1,2,3B,4-7	921140	COMPOSITE FOOTPLATE ASSM HEMI HL LP 14-15	RIGHT (14 -15) W/ HEEL LOOP
1,2,3B,4-7	921141	COMPOSITE FOOTPLATE ASSM HEMI HL LP 14-15	LEFT (14 -15) W/ HEEL LOOP
1,2,3B,4-7	921142	COMPOSITE FOOTPLATE ASSM HEMI HL LP 16-17	RIGHT (16 -17) W/ HEEL LOOP
1,2,3B,4-7	921143	COMPOSITE FOOTPLATE ASSM HEMI HL LP 16-17	LEFT (16 -17) W/ HEEL LOOP
1,2,3B,4-7	921144	COMPOSITE FOOTPLATE ASSM HEMI HL LP 18-20	RIGHT (18 -20) W/ HEEL LOOP
1,2,3B,4-7	921145	COMPOSITE FOOTPLATE ASSM HEMI HL LP 18-20	LEFT (18 -20) W/ HEEL LOOP
1,2,3B,4-7	921167	COMPOSITE FOOTPLATE ASSM HEMI HL LPS 14-15	PAIR (14 -15) W/ HEEL LOOP
1,2,3B,4-7	921168	COMPOSITE FOOTPLATE ASSM HEMI HL LPS 16-17	PAIR (16 -17) W/ HEEL LOOP
1,2,3B,4-7	921169	COMPOSITE FOOTPLATE ASSM HEMI HL LPS 18-20	PAIR (18 -20) W/ HEEL LOOP
		Ship assembled part #	Use with multiple assemblies
	ASSY-HNG-FP	HANGER/FOOTPLATE ASSY REQUIRED	add with Hanger & Footplate kit

To have complete Footrest ship assembled, choose compatible Hanger + Footplate part numbers and add "ASSY-HNG-FP" to order



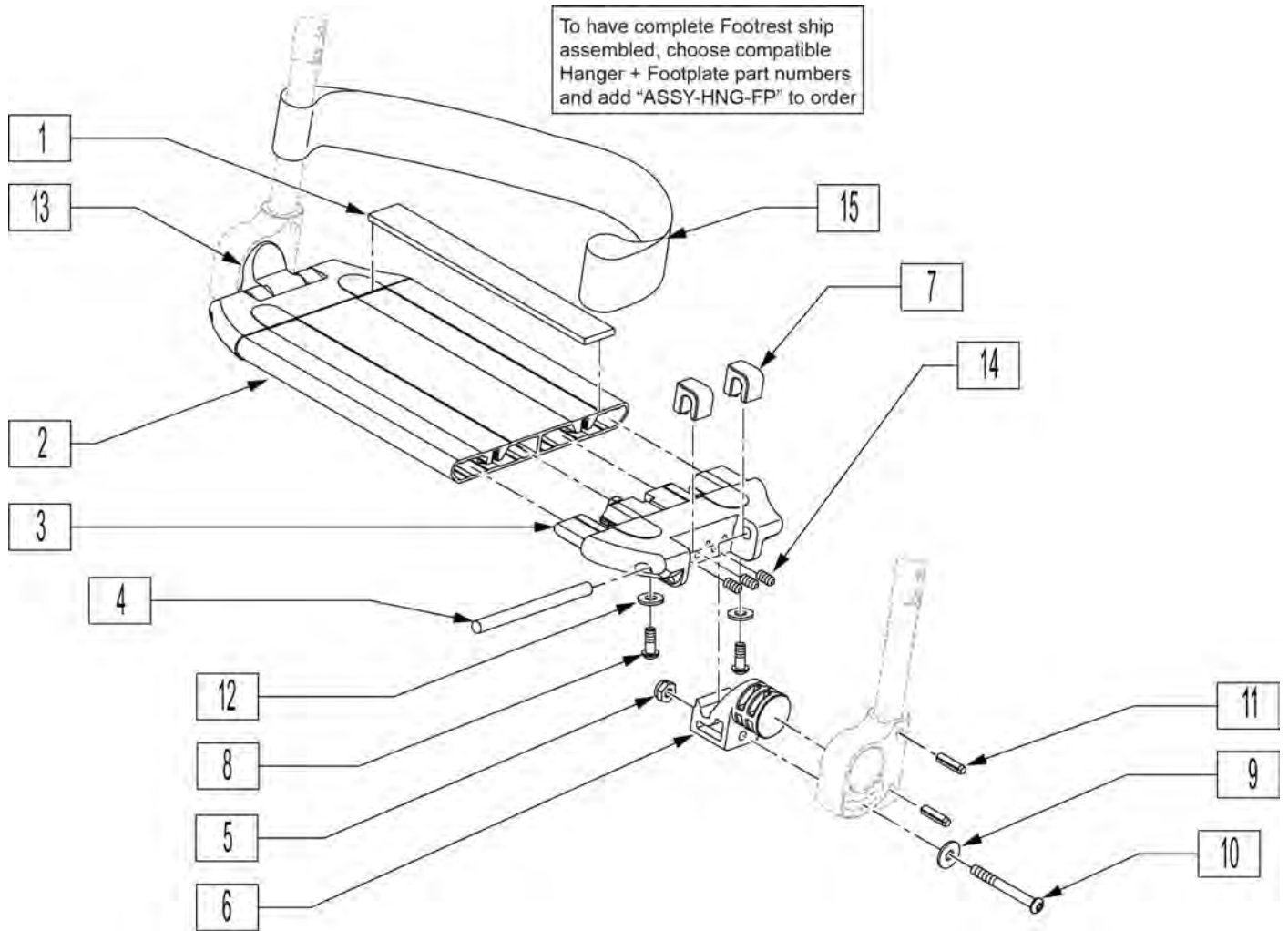
Pos.	Item Number	Description	Remarks
1	106978	FHCS 1/4 -28 x 7/8	
2	106941	1/4-28 AUTOMATION NUT	
3	106944	1/4 AN WASHER FLAT THIN	
4	561055	3/4" SADDLE 1" OD	
5	541002	FTRST MOUNTING BRKT-3/8 RAD R	
5	541003	FTRST MOUNTING BRKT-3/8 RAD L	
6	106945	1/4 SAE WASHER	
7A	106962	BHCS 1/4 -28 x 1 3/4 ROHS	For Manual ELRs only
7B	226167	1/4-28 x 1.625 BH C/S BLK (ROUND EXTENSION TUBES)	
8	550350	3/4" CLMP ADJ FT PLT	
9	106935	NUT NYLOCK THIN 1/4-28 ROHS	
10	561040	HEEL LOOP PEG	
11	741153	H/L 18-20 CMPST/14-15 ANG ADJ	
11	741253	HEEL LOOP ADLT ADJ F/PLT 18-20	
12	500660	ADLT ANGL ADJ F/PLT 14/15" R	
12	500661	ADLT ANGL ADJ F/PLT 14/15" L	
12	500662	ADLT ANGL ADJ F/PLT 16/17" R	
12	500663	ADLT ANGL ADJ F/PLT 16/17" L	

Pos.	Item Number	Description	Remarks
12	500664	ADLT ANGL ADJ F/PLT 18-20" R	
12	500665	ADLT ANGL ADJ F/PLT 18-20" L	
13	740260	TOE/ANKLE STRAP ADJ ADLT F/PLT	
14	106944	1/4 AN WASHER FLAT THIN	
15	106958	1/4-20 x 1 HEX C/S	
1-3,5,8,9,12	820460	FP ADLT ADJ 14/15 R	
1-3,5,8,9,12	820462	FP ADLT ADJ 14/15 L	
1-3,5,8,9,12	820464	FP ADLT ADJ 16/17 R	
1-3,5,8,9,12	820466	FP ADLT ADJ 16/17 L	
1-3,5,8,9,12	820468	FP ADLT ADJ 18-20 R	
1-3,5,8,9,12	820470	FP ADLT ADJ 18-20 L	
1-3,5,8,9,12	921320	FP ADLT ADJ 14/15	Pair
1-3,5,8,9,12	921322	FP ADLT ADJ 16/17	Pair
1-3,5,8,9,12	921324	FP ADLT ADJ 18-20	Pair
1-3,5,8-12,14,15	820461	FP ADLT ADJ 14/15 R HL	
1-3,5,8-12,14,15	820463	FP ADLT ADJ 14/15 L HL	
1-3,5,8-12,14,15	820465	FP ADLT ADJ 16/17 R HL	
1-3,5,8-12,14,15	820467	FP ADLT ADJ 16/17 L HL	
1-3,5,8-12,14,15	820469	FP ADLT ADJ 18-20 R HL	
1-3,5,8-12,14,15	820471	FP ADLT ADJ 18-20 L HL	
1-3,5,8-12,14,15	921321	FP ADLT ADJ 14/15 HL	Pair
1-3,5,8-12,14,15	921323	FP ADLT ADJ 16/17 HL	Pair
1-3,5,8-12,14,15	921325	FP ADLT ADJ 18-20 HL	Pair
1-3,7,9-10,14-15	101533	ADLT ANG ADJ FP D2 HDWR KIT	
1-4,7B,9,10,14-15	101534	ADLT ANG ADJ FP RND HDWR KIT	
		Ship assembled part #	Use with multiple assemblies
	ASSY-HNG-FP	HANGER/FOOTPLATE ASSY REQUIRED	add with Hanger & Footplate kit



Pos.	Item Number	Description	Remarks
1	106978	FHCS 1/4 -28 x 7/8 ROHS	
2	500635	KIDS ANGL ADJ F/PLT 10" R	Right
2	500636	KIDS ANGL ADJ F/PLT 10" L	Left
2	500637	KIDS ANGL ADJ F/PLT 11" R	Right
2	500638	KIDS ANGL ADJ F/PLT 11" L	Left
2	500639	KIDS ANGL ADJ F/PLT 12" R	Right
2	500640	KIDS ANGL ADJ F/PLT 12" L	Left
2	500641	KIDS ANGL ADJ F/PLT 13" R	Right
2	500642	KIDS ANGL ADJ F/PLT 13" L	Left
2	500643	KIDS ANGL ADJ F/PLT 14" R	Right
2	500644	KIDS ANGL ADJ F/PLT 14" L	Left
2	500645	KIDS ANGL ADJ F/PLT 15" R	Right
2	500646	KIDS ANGL ADJ F/PLT 15" L	Left
2	500647	KIDS ANGL ADJ F/PLT 16" R	Right
2	500648	KIDS ANGL ADJ F/PLT 16" L	Left
3	550350	3/4" CLAMP ADJ FOOTPLATE	
4	106935	NUT NYLOCK THIN 1/4 -28 ROHS	
5	106962	1/4-28 x 1 3/4 BH C/S BLK ZN (D2 EXTENSION TUBES)	

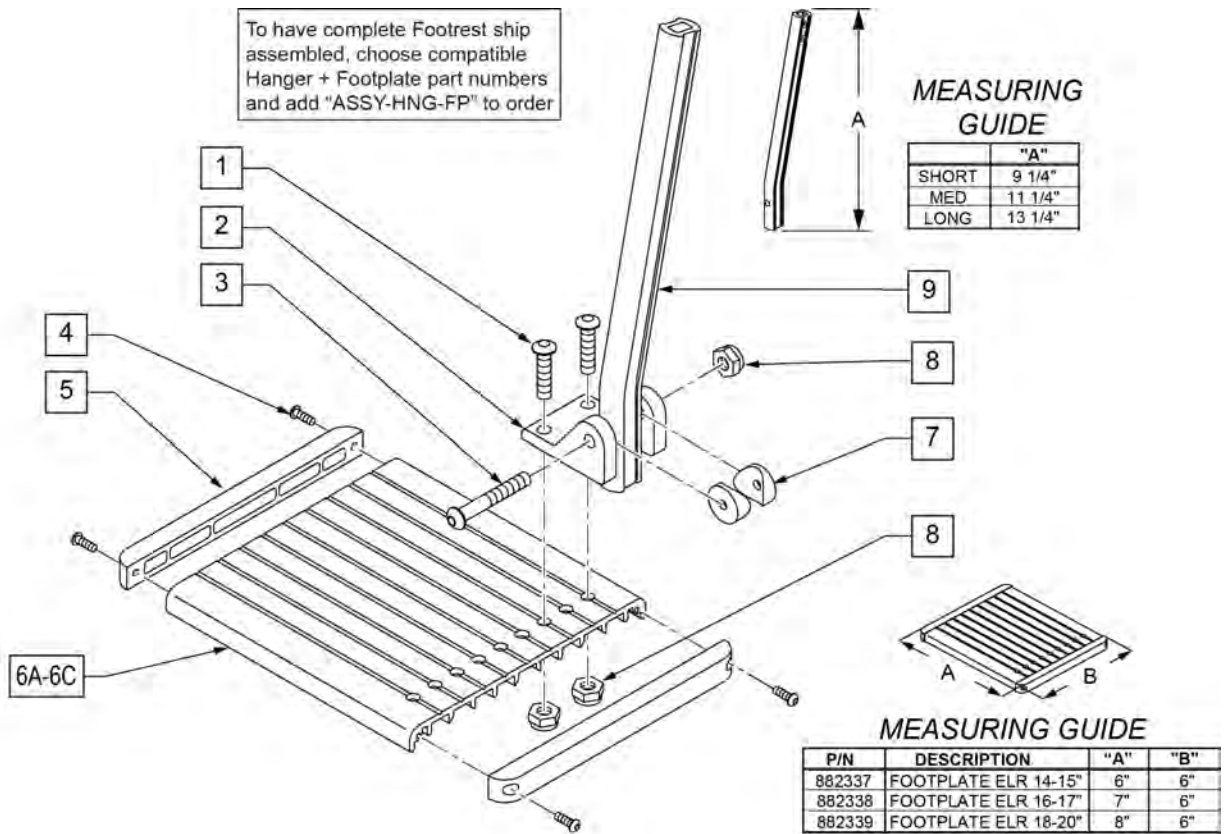
Pos.	Item Number	Description	Remarks
5	226167	1/4-28 x 1.625 BH C/S BLK (ROUND EXTENSION TUBES)	
6	106945	1/4 SAE WASHER	
7	541002	FTRST MOUNTING BRKT-3/8 RAD R	
7	541003	FTRST MOUNTING BRKT-3/8 RAD L	
8	561055	3/4" SADDLE 1" OD	
9	106944	WASHER FLAT THIN AN 1/4 ROHS	
10	106941	NUT AUTOMATION 1/4 -28 ROHS	
11	483720	HANGER EXTENSION SADDLE LONG	Use with Double D Ext Tube
1-4,6,7,9,10	828850	KIDS ANG ADJ F/PLT EXT-MNT 10"R	Right
1-4,6,7,9,10	828851	KIDS ANG ADJ F/PLT EXT-MNT 10"L	Left
1-4,6,7,9,10	828852	KIDS ANG ADJ F/PLT EXT-MNT 11"R	Right
1-4,6,7,9,10	828853	KIDS ANG ADJ F/PLT EXT-MNT 11"L	Left
1-4,6,7,9,10	828854	KIDS ANG ADJ F/PLT EXT-MNT 12"R	Right
1-4,6,7,9,10	828855	KIDS ANG ADJ F/PLT EXT-MNT 12"L	Left
1-4,6,7,9,10	828856	KIDS ANG ADJ F/PLT EXT-MNT 13"R	Right
1-4,6,7,9,10	828857	KIDS ANG ADJ F/PLT EXT-MNT 13"L	Left
1-4,6,7,9,10	828858	KIDS ANG ADJ F/PLT EXT-MNT 14"R	Right
1-4,6,7,9,10	828859	KIDS ANG ADJ F/PLT EXT-MNT 14"L	Left
1-4,6,7,9,10	828860	KIDS ANG ADJ F/PLT EXT-MNT 15"R	Right
1-4,6,7,9,10	828861	KIDS ANG ADJ F/PLT EXT-MNT 15"L	Left
1-4,6,7,9,10	828862	KIDS ANG ADJ F/PLT EXT-MNT 16"R	Right
1-4,6,7,9,10	828863	KIDS ANG ADJ F/PLT EXT-MNT 16"L	Left
1-4,6,7,9,10	921280	KIDS ANG ADJ F/PLT EXT-MNT 10"	Pair
1-4,6,7,9,10	921281	KIDS ANG ADJ F/PLT EXT-MNT 11"	Pair
1-4,6,7,9,10	921282	KIDS ANG ADJ F/PLT EXT-MNT 12"	Pair
1-4,6,7,9,10	921283	KIDS ANG ADJ F/PLT EXT-MNT 13"	Pair
1-4,6,7,9,10	921284	KIDS ANG ADJ F/PLT EXT-MNT 14"	Pair
1-4,6,7,9,10	921285	KIDS ANG ADJ F/PLT EXT-MNT 15"	Pair
1-4,6,7,9,10	921286	KIDS ANG ADJ F/PLT EXT-MNT 16"	Pair
		Ship assembled part #	Use with multiple assemblies
	ASSY-HNG-FP	HANGER/FOOTPLATE ASSY REQUIRED	add with Hanger & Footplate kit



Pos.	Item Number	Description	Remarks
1	360010	FOOT BOARD SKID TAPE	
3	560019	FOOT BOARD HOLDER R	
3	560020	FOOT BOARD HOLDER L	
4	481283	PIN 8mm x 100mm	
5	200113	NUT HEX NYLOCK M6 X 1 NUT	
6	560022	FOOT BOARD SUPPORT	
7	560021	FOOT BOARD SHIM ALIGNMENT	
8	106943	WASHER FLAT AN 1/4 ROHS	
9	250070	METRIC WASHER	
10	210000	M6 x 55 8.8 BUTTON HD CAP SCRW	
11	349583	6 x 25mm GROOVED PIN	
12	230032	M6 x 16 B/H CAP SCREW	
13	560023	FOOT BOARD BEARING SUPPORT	
14	230030	M6 x 12 SET SCREW CUP POINT	
15	740130	LEG STRAP 10"-14" BLK	
15	740131	LEG STRAP 15"-17" BLK	
15	740132	LEG STRAP 18"-20" BLK	
1-14	900190	SLD 1-PC FOOTREST 14 WIDE	Tapered Hanger
1-14	900191	SLD 1-PC FOOTREST 15 WIDE	Tapered Hanger
1-14	900192	SLD 1-PC FOOTREST 16 WIDE	Tapered Hanger

Pos.	Item Number	Description	Remarks
1-14	900193	SLD 1-PC FOOTREST 17 WIDE	Tapered Hanger
1-14	900194	SLD 1-PC FTRST 18W TAP/14W ST	Tapered Hanger
1-14	900195	SLD 1-PC FTRST 19W TAP/15W ST	Tapered Hanger
1-14	900196	SLD 1-PC FTRST 20W TAP/16W ST	Tapered Hanger
1-14	900197	SLD 1-PC FTRST 22W TAP/18W ST	Tapered Hanger
1-14	900198	SLD 1-PC FTRST 24W TAP/20W ST	Tapered Hanger
1-14	900211	SLD 1-PC FTRST 17W STRT	
1-14	900209	SLD 1-PC FTRST 19W STRT	
1-14	900212	SLD 1-PC FTRST 22INW STRT	
1-14	900210	SLD 1-PC FTRST 24INW STRT	
		Ship assembled part #	Use with multiple assemblies
	ASSY-HNG-FP	HANGER/FOOTPLATE ASSY REQUIRED	add with Hanger & Footplate kit

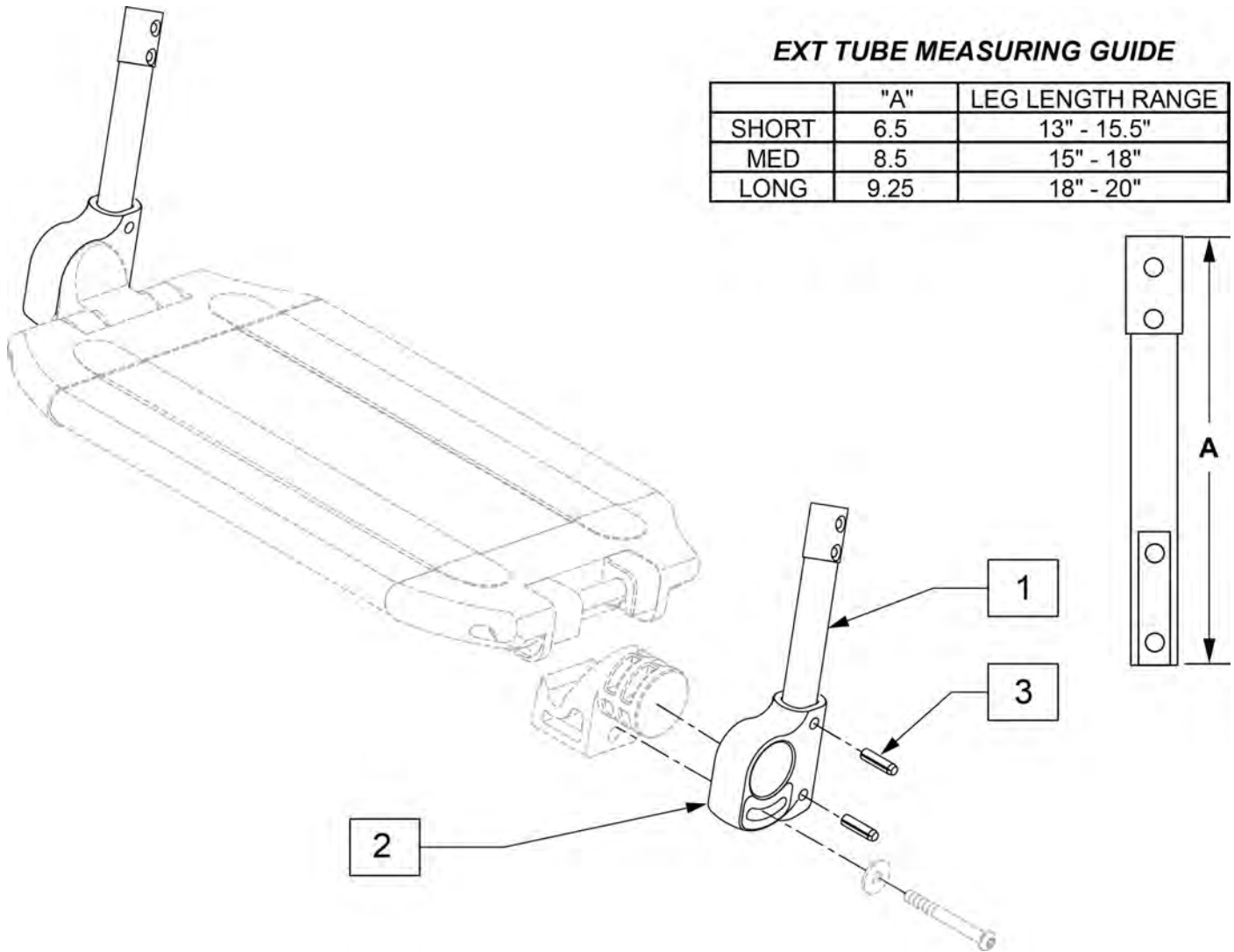
NOTE: Left Side Shown



Pos.	Item Number	Description	Remarks
1	106959	1/4-28 x 5/8 BH C/S	
2	550739	FOOTPLATE MOUNTING BRACKET	
3	226147	1/4-28 x 1.85 BH C/S	
4	281043	#4 x 5/8 PAN PHIL S/TAP	
5	560101	END CAPS FOOTREST	
7	561003	3/4" SADDLE THIN	
8	106935	1/4-28 NYLOCK NUT THIN	
9	550764	S/A HANGER EXT D2 SHORT BLACK	
9	550765	S/A HANGER EXT D2 MED BLK	
9	550766	S/A HANGER EXT D2 LONG BLACK	
4,5,6A	882337	ELR FOOTPLATE ASSEMBLY 14 -15"	
4,5,6B	882338	ELR FOOTPLATE ASSEMBLY 16 -17"	
4,5,6C	882339	ELR FOOTPLATE ASSEMBLY 18 -20"	
1-5,6A-8	921400S	ELR FOOTPLATE KIT 14 -15"	Does not include Extension
1-5,6B-8	921401S	ELR FOOTPLATE KIT 16 -17"	Does not include Extension
1-5,6C-8	921402S	ELR FOOTPLATE KIT 18 -20"	Does not include Extension
		Ship assembled part #	Use with multiple assemblies
	ASSY-HNG-FP	HANGER/FOOTPLATE ASSY REQUIRED	add with Hanger & Footplate kit

EXT TUBE MEASURING GUIDE

	"A"	LEG LENGTH RANGE
SHORT	6.5	13" - 15.5"
MED	8.5	15" - 18"
LONG	9.25	18" - 20"



Pos.	Item Number	Description	Remarks
2	560024	FOOT YOKE	
3	349583	6 x 25mm GROOVED PIN	
1-3	014054	EXT TBE 1PC LCKNG FT SHT ASSM	PAIR
1-3	014055	EXT TBE 1PC LCKNG FT MED ASSM	PAIR
1-3	014056	EXT TBE 1PC LCKNG FT LNG ASSM	PAIR

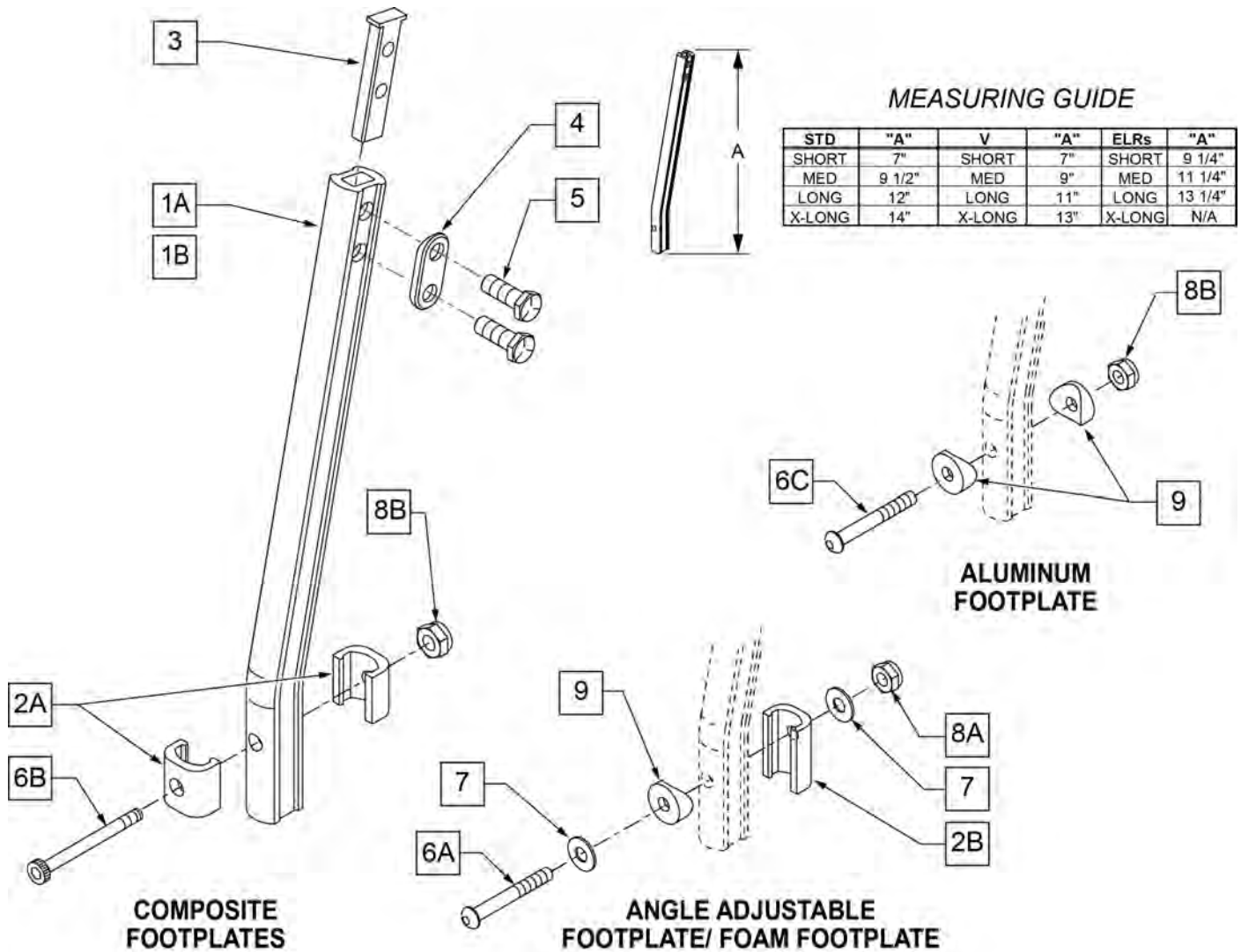
DOUBLE D FOOTREST EXTENSION TUBE "OLD STYLE"

[10/2011]

NOTE: DISCONTINUED - PARTS ONLY ON GP SWNG-AWAY BEGINNING 4/4/15 & S/N GP-95902, KIDS Q2 SE BEGINNING 4/16/15 & S/N QKE-003425, LX BEGINNING 10/24/2008 & S/N LX-034330, LXI BEGINNING 4/25/15 & S/N LXI-060868, QTS BEGINNING 5/15/15 & S/N QT-044951, QTS SE BEGINNING 5/15/15 & S/N QTE-002092

NOTE: IF REPLACING AN EXTENSION TUBE ON AN MANUAL ALR PLEASE REFER TO THE ROUND EXT TUBE PARTS MANUAL PAGE.

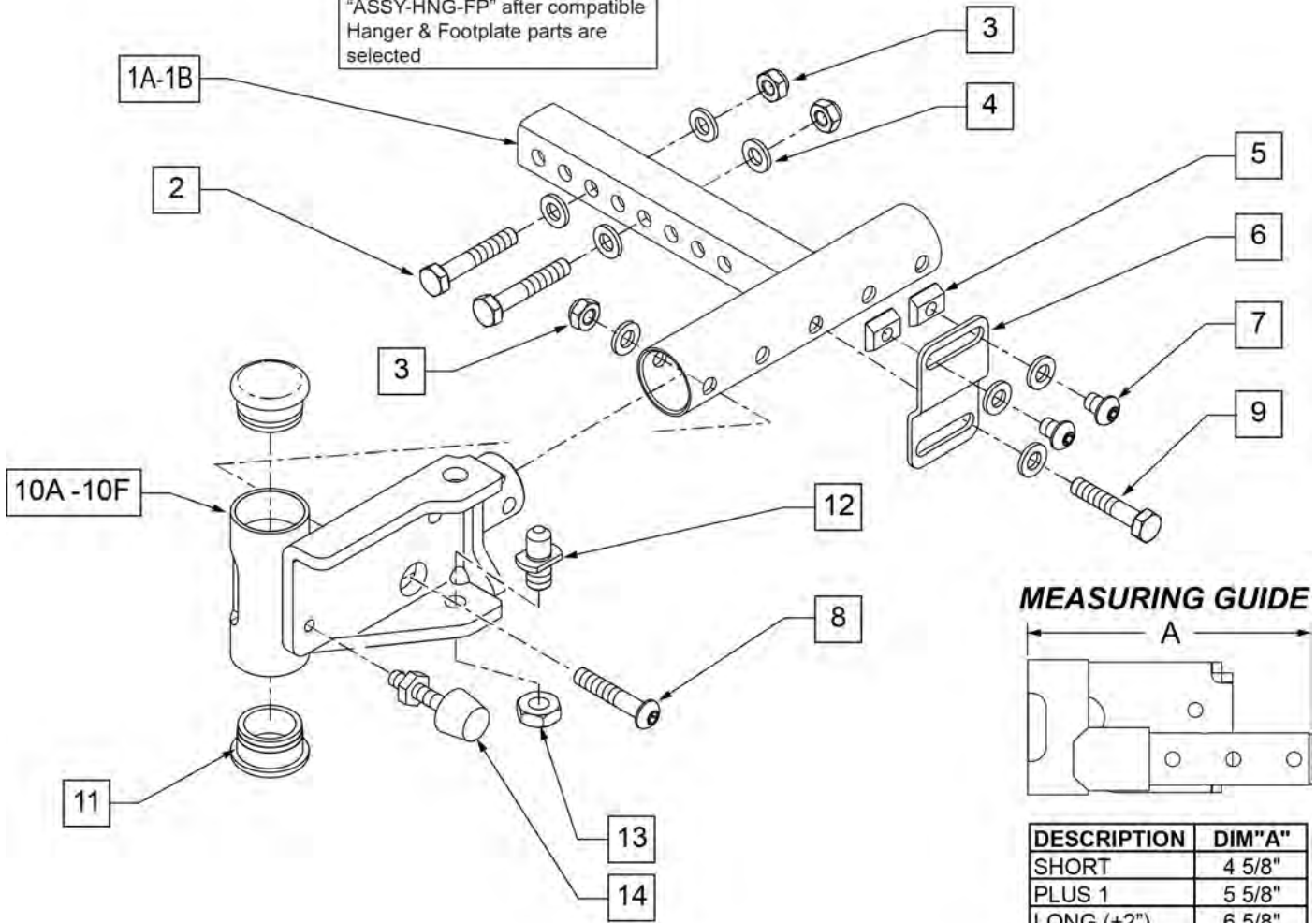
NOTE: WHEN ORDERING REPLACEMENT EXTENSION TUBES PLEASE VERIFY IF YOU HAVE THE OLD STYLE DOUBLE D EXTENSION TUBE OR THE NEW STYLE DOUBLE D EXTENSION TUBE. THIS CAN BE DONE BY REVIEWING THE HANGER THE EXTENSION TUBE IS USED ON. IF THE HANGER UTILIZES A SINGLE SET SCREW AT THE BOTTOM OF THE HANGER TUBE TO ATTACH THE EXTENSION TUBE TO THE HANGER, THEN THIS UTILIZES THE NEW STYLE DOUBLE D EXT TUBE. ALL OTHER HANGERS REQUIRING A DOUBLE D EXTENSION TUBE UTILIZE THE OLD STYLE.



Pos.	Item Number	Description	Remarks
1A	550819	EXT TUBE S/A ONLY SHT	Short Ext-Swing Away Hanger

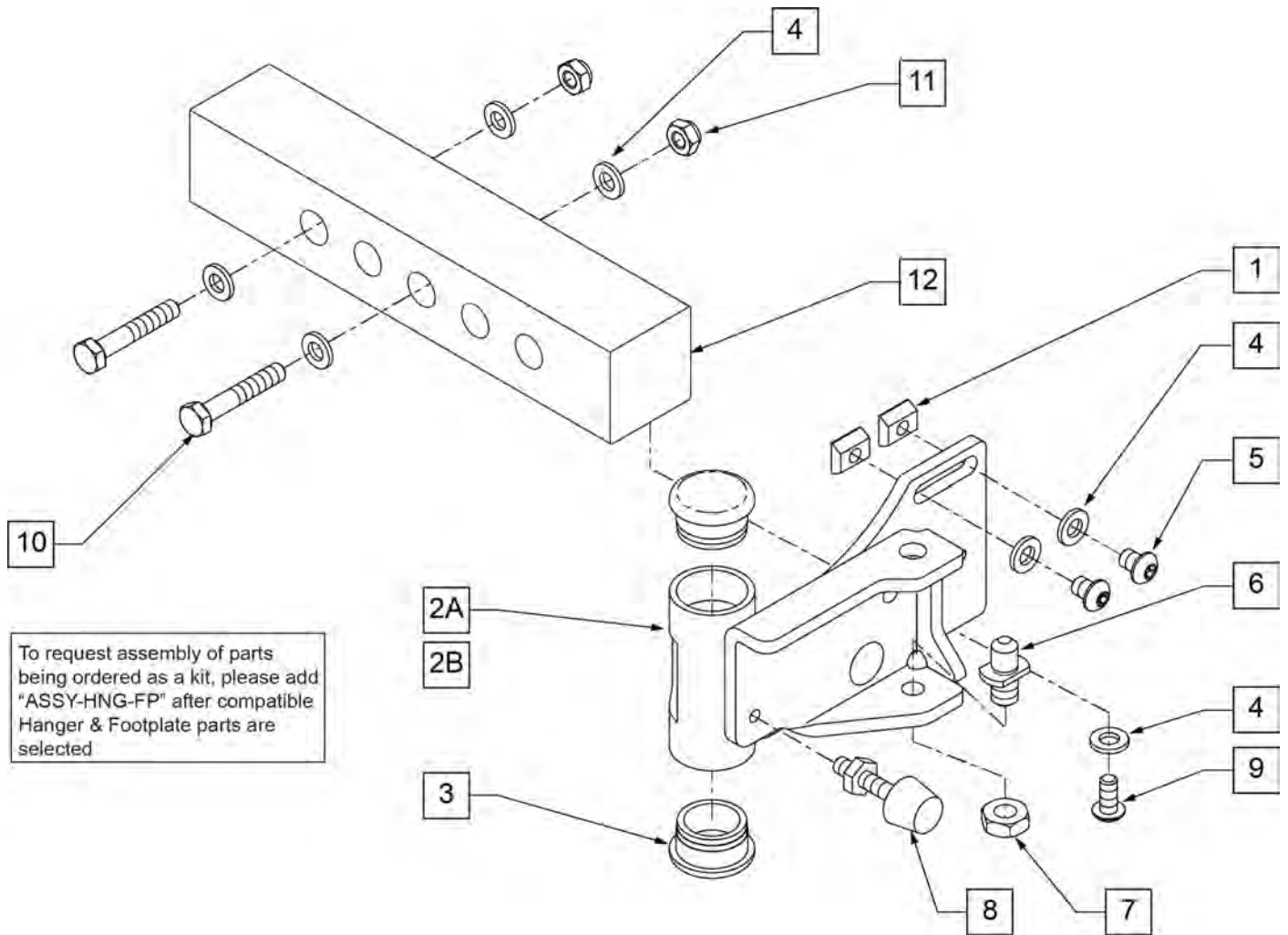
Pos.	Item Number	Description	Remarks
1A	550820	EXT TUBE S/A ONLY MED	Med Ext-Swing Away Hanger
1A	550821	EXT TUBE S/A ONLY LONG	Long Ext-Swing Away Hanger
1A	550822	EXT TUBE S/A ONLY X-LONG	X-Long Ext-Swing Away Hanger
1B	550834	EXT TUBE V IN ONLY D2 SHT R	Right Short Ext-Swing Away Hanger
1B	550835	EXT TUBE V IN ONLY D2 SHT L	Left Short Ext-Swing Away Hanger
1B	550836	EXT TUBE V IN ONLY D2 MED R	Right Med Ext-Swing Away Hanger
1B	550837	EXT TUBE V IN ONLY D2 MED L	Left Med Ext-Swing Away Hanger
1B	550838	EXT TUBE V IN ONLY D2 LONG R	Right Long Ext-Swing Away Hanger
1B	550839	EXT TUBE V IN ONLY D2 LONG L	Left Long Ext-Swing Away Hanger
1B	550840	EXT TUBE V IN ONLY D2 X-LONG R	Right X-Long Ext-Swing Away Hanger
1B	550841	EXT TUBE V IN ONLY D2 X-LONG L	Left X-Long Ext-Swing Away Hanger
2A	483718	HANGER EXTENSION SADDLE	USE W/ COMPOSITE FTPLT
2B	483720	HANGER EXTENSION SADDLE LONG	USE W/ ANGLE ADJ FTPLT
1C	550764	S/A HANGER EXT D2 SHORT BLACK	Short Ext ELR Hangers
1C	550765	S/A HANGER EXT D2 MED BLACK	Medium Ext ELR Hangers
1C	550766	S/A HANGER EXT D2 LONG BLACK	Long Ext ELR Hangers
3	500078	INSERT D2 EXT TUBE	
4	483717	HANGER SADDLE	
5	221102	1/4-28 x 3/4 HEX HEAD C/S BLK W/PTCH	
6A	106962	1/4-28 x 1 3/4 BH C/S BLK ZN	USE W/ ANGLE ADJ FTPLT
6B	226165	1/4 -28 x 2 1/2 SOC C/S	USE W/ COMPOSITE FTPLT
6C	226147	1/4 -28 X 1.85 BH C/S	
7	106945	1/4" SAE WASHER	
8A	106941	1/4 -28 AUTOMATION NUT	USE W/ ANGLE ADJ FTPLT
8B	106935	1/4 -28 NYLOCK NUT THIN	USE W/ COMPOSITE FTPLT
9	561055	3/4 SADDLE 1" OD	USE W/ ANGLE ADJ FTPLT
1A,2A-5	921759	EXT TUBE S/A SHT ASSM PCKT	USE W/ COMPOSITE FTPLT
1A,2A-5	921760	EXT TUBE S/A MED ASSM PCKT	USE W/ COMPOSITE FTPLT
1A,2A-5	921761	EXT TUBE S/A LONG ASSM PCKT	USE W/ COMPOSITE FTPLT
1A,2A-5	921762	EXT TUBE S/A X-LONG ASSM PCKT	USE W/ COMPOSITE FTPLT
1B,2A-5	921751	EXT TUBE "V" D2 SHT R ASSM PCKT	RIGHT - USE W/ COMPOSITE FTPLT V HANGER
1B,2A-5	921752	EXT TUBE "V" D2 SHT L ASSM PCKT	LEFT - USE W/ COMPOSITE FTPLT V HANGER
1B,2A-5	921753	EXT TUBE "V" D2 MED R ASSM PCKT	RIGHT - USE W/ COMPOSITE FTPLT V HANGER
1B,2A-5	921754	EXT TUBE "V" D2 MED L ASSM PCKT	LEFT - USE W/ COMPOSITE FTPLT V HANGER
1B,2A-5	921755	EXT TUBE "V" D2 LONG R ASSM PCKT	RIGHT - USE W/ COMPOSITE FTPLT V HANGER
1B,2A-5	921756	EXT TUBE "V" D2 LONG L ASSM PCKT	LEFT - USE W/ COMPOSITE FTPLT V HANGER
1B,2A-5	921757	EXT TUBE "V" D2 X-LONG R ASSM PCKT	RIGHT - USE W/ COMPOSITE FTPLT V HANGER
1B,2A-5	921758	EXT TUBE "V" D2 X-LONG L ASSM PCKT	LEFT - USE W/ COMPOSITE FTPLT V HANGER
1A,2A-7,9	921772	EXT TUBE S/A SHT ANG ADJ PCKT	USE W/ ANGLE ADJ FTPLT
1A,2A-7,9	921773	EXT TUBE S/A MED ANG ADJ PCKT	USE W/ ANGLE ADJ FTPLT
1A,2A-7,9	921774	EXT TUBE S/A LONG ANG ADJ PCKT	USE W/ ANGLE ADJ FTPLT
1A,2A-7,9	921775	EXT TUBE S/A X-LONG ANG ADJ PCKT	USE W/ ANGLE ADJ FTPLT
1B,2A-7,9	921764	EXT TUBE "V" D2 SHT R ANG ADJ PCKT	RIGHT - USE W/ ANGLE ADJ FTPLT V HANGER
1B,2A-7,9	921765	EXT TUBE "V" D2 SHT L ANG ADJ PCKT	LEFT - USE W/ ANGLE ADJ FTPLT V HANGER
1B,2A-7,9	921766	EXT TUBE "V" D2 MED R ANG ADJ PCKT	RIGHT - USE W/ ANGLE ADJ FTPLT V HANGER
1B,2A-7,9	921767	EXT TUBE "V" D2 MED L ANG ADJ PCKT	LEFT - USE W/ ANGLE ADJ FTPLT V HANGER
1B,2A-7,9	921768	EXT TUBE "V" D2 LONG R ANG ADJ PCKT	RIGHT - USE W/ ANGLE ADJ FTPLT V HANGER
1B,2A-7,9	921769	EXT TUBE "V" D2 LONG L ANG ADJ PCKT	LEFT - USE W/ ANGLE ADJ FTPLT V HANGER
1B,2A-7,9	921770	EXT TUBE "V" D2 X-LONG R ANG AD PCKT	RIGHT - USE W/ ANGLE ADJ FTPLT V HANGER
1B,2A-7,9	921771	EXT TUBE "V" D2 X-LONG L ANG AD PCKT	LEFT - USE W/ ANGLE ADJ FTPLT V HANGER

To request assembly of parts being ordered as a kit, please add "ASSY-HNG-FP" after compatible Hanger & Footplate parts are selected



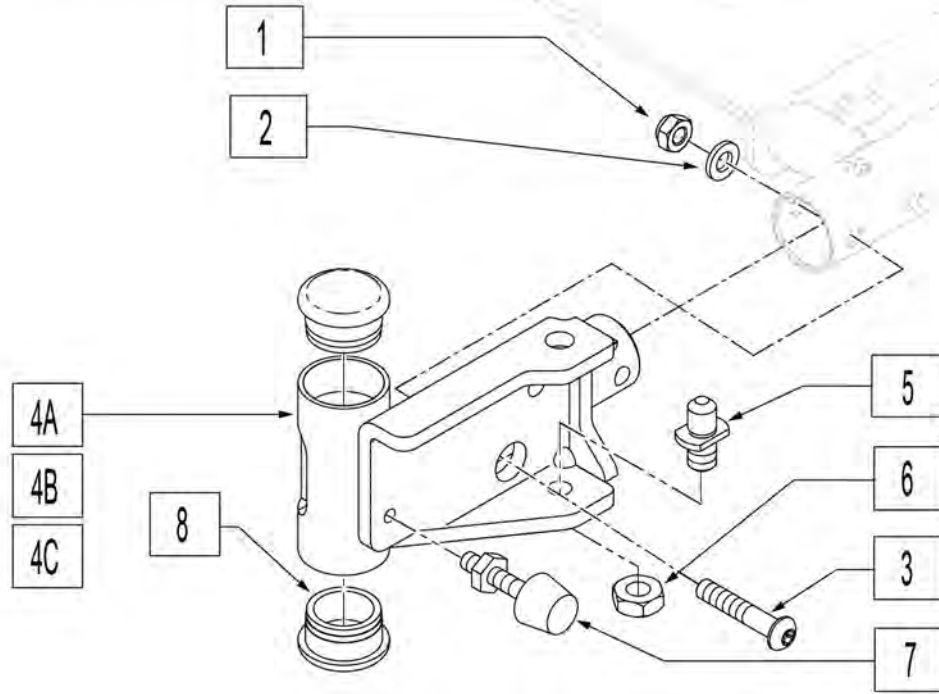
Pos.	Item Number	Description	Remarks
1A	013447	WLDMNT REC HANGER PF 15-19W	Perfect Fit & Power Recline
1B	013448	WLDMNT REC HANGER PF 19-25W	Perfect Fit & Power Recline
2	011600	HHCS M6 X 1.0 X 35 BLK	
3	210084	NUT HEX NYLOCK M6 BLACK	
4	250104	WASHER FLAT M6	
5	010065	M6 CHANNEL NUT	
6	013443	BRKT SUPPORT REC HANGER	
7	230113	BHCS M6X1X10 FULL PL	
8	013252	BHCS M6 X 1 X 35 BLK	
9	234891	M6 X 20 HEX C/S	
10A	111441	RCVR WLDMNT S/A HNGR SHT RIGHT	SEE NOTE #3 IN MATRIX
10B	111442	RCVR WLDMNT S/A HNGR SHT LEFT	SEE NOTE #3 IN MATRIX
10C	111443	RCVR WELDMENT S/A HNGR LNG RIGHT	SEE NOTE #2 IN MATRIX
10D	111444	RCVR WELDMENT S/A HNGR LNG LEFT	SEE NOTE #2 IN MATRIX
10E	111447	REC WLDMNT S/A HNGR + 1 RH	SEE NOTE #1 IN MATRIX
10F	111448	REC WLDMNT S/A HNGR + 1 LH	SEE NOTE #1 IN MATRIX
11	561002	1" INSERT PLUG .083	
12	108778	PIVOT PIN POWER	

Pos.	Item Number	Description	Remarks
13	013036	M8 NUT JAM THIN	
14	013763	STOP BUMPER	
1A-10A,11-14	014682	HNGR RCVR 15-20W WLDMNT SH	Perfect Fit & Power Recline
1A-10A,11-14	014683	HNGR RCVR 15-20W WLDMNT SH	Perfect Fit & Power Recline
1A-10B,11-14	014684	HNGR RCVR 15-20W WLDMNT LN	PERFECT FIT ONLY
1A-10B,11-14	014685	HNGR RCVR 15-20W WLDMNT LN	PERFECT FIT ONLY
1A-10C,11-14	014686	HNGR RCVR 15-20W WLDMNT +1	PERFECT FIT ONLY
1A-10C,11-14	014687	HNGR RCVR 15-20W WLDMNT +1	PERFECT FIT ONLY
1B-10A,11-14	014688	HNGR RCVR 19-25W WLDMNT SH	Perfect Fit & Power Recline
1B-10A,11-14	014689	HNGR RCVR 19-25W WLDMNT SH	Perfect Fit & Power Recline
1B-10B,11-14	014690	HNGR RCVR 19-25W WLDMNT LN	Perfect Fit & Power Recline
1B-10B,11-14	014691	HNGR RCVR 19-25W WLDMNT LN	Perfect Fit & Power Recline
1B-10C,11-14	014692	HNGR RCVR 19-25W WLDMNT +1	Perfect Fit & Power Recline
1B-10C,11-14	014693	HNGR RCVR 19-25W WLDMNT +1	Perfect Fit & Power Recline
10A, 3, 4, 8, 11-14	104780	HANGER RECEIVER ASSM SHORT	RIGHT
10B, 3, 4, 8, 11-14	104781	HANGER RECEIVER ASSM SHORT	LEFT
10C, 3, 4, 8, 11-14	104782	HANGER RECEIVER ASSM LONG	RIGHT
10D, 3, 4, 8, 11-14	104783	HANGER RECEIVER ASSM LONG	LEFT
10E, 3, 4, 8, 11-14	104785	HANGER RECEIVER ASSM +1	LEFT
10F, 3, 4, 8, 11-14	104784	HANGER RECEIVER ASSM +1	RIGHT
		Ship assembled part #	Use with multiple assemblies
	ASSY-HNG-FP	HANGER/FOOTPLATE ASSY REQUIRED	add with Hanger & Footplate kit

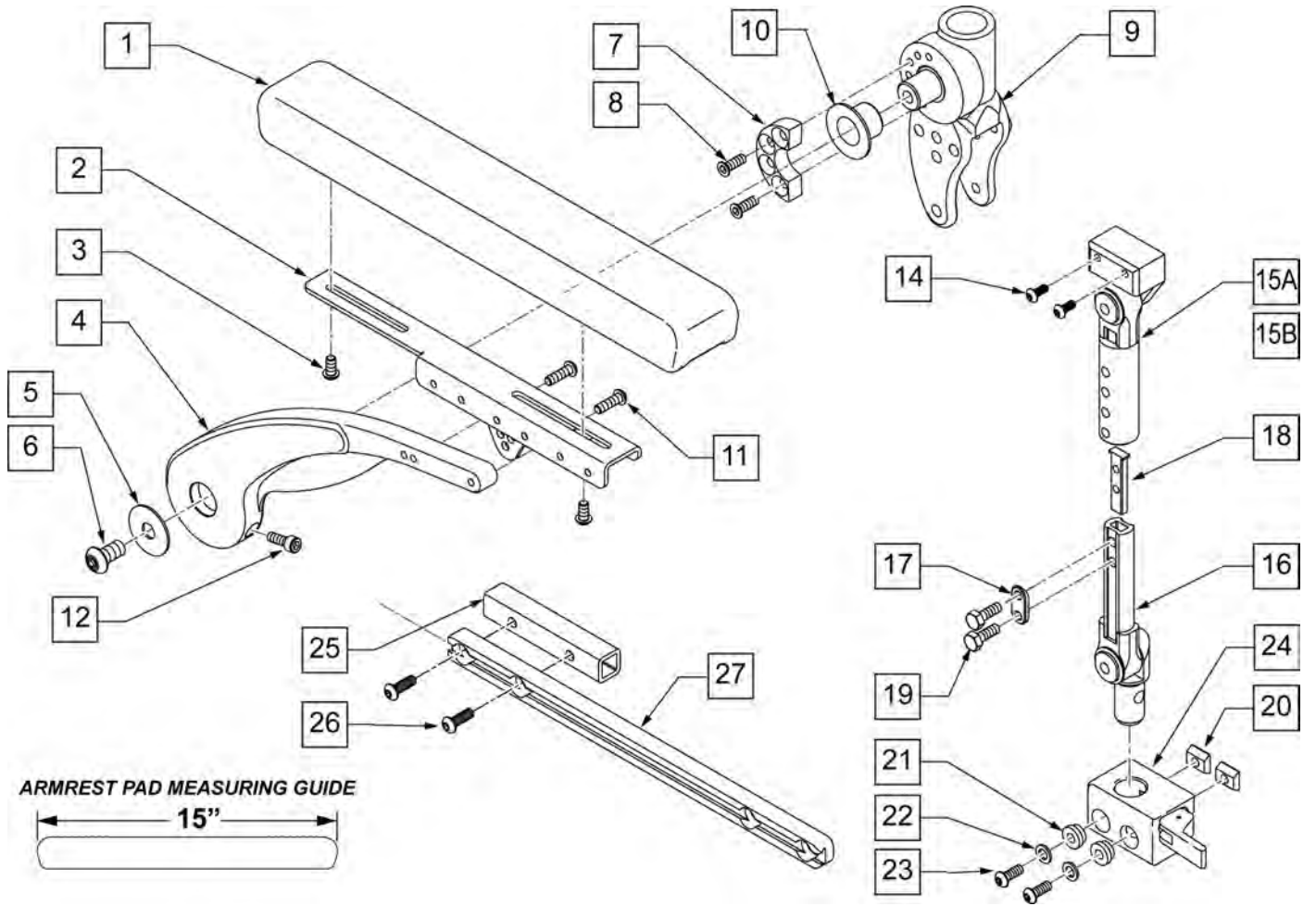


Pos.	Item Number	Description	Remarks
1	010065	M6 CHANNEL NUT	
2A	111445	REC WELD S/A PERFIT 12-14W RH	
2B	111446	REC WELD S/A PERFIT 12-14W LH	
3	561002	1" INSERT PLUG .083	
4	250104	WASHER FLAT M6	
5	230113	BHCS M6 X 1 X 12 BLK W/PL	
6	108778	PIVOT PIN, POWER	
7	013036	M8 X 1.25 JAM NUT HEX	
8	013763	STOP BUMPER	
9	230032	M6 X 16 B/H CAP SCREW	
10	011600	HHCS M6 X 1.0 X 35 BL	
11	200113	NUT HEX NYLOCK M6 X 1	
12	013018	SUPPORT HANGER REC 12-14W	
1,2A-12	101544	HANGER RECEIVER ASSM 12-14 R	
1,2B-12	101545	HANGER RECEIVER ASSM 12-14 L	
1,4,5,9-11	101546	HANGER RECEIVER HDWR KIT	
		Ship assembled part #	Use with multiple assemblies
	ASSY-HNG-FP	HANGER/FOOTPLATE ASSY REQUIRED	add with Hanger & Footplate kit

To request assembly of parts being ordered as a kit, please add "ASSY-HNG-FP" after compatible Hanger & Footplate parts are selected



Pos.	Item Number	Description	Remarks
1	210084	NUT HEX NYLOCK M6 BLACK	
2	250104	WASHER FLAT M6	
3	013252	BHCS M6 X 1 X 35 BLK	
5	108778	PIVOT PIN, POWER	
6	013036	M8 NUT JAM THIN	
7	013763	STOP BUMPER	
8	561002	1" INSERT PLUG .083	
1-4A,5-8	104780	HANGER RECEIVER ASSM SHORT	(RIGHT)SEE NOTE #3 IN MATRIX
1-4A,5-8	104781	HANGER RECEIVER ASSM SHORT	(LEFT)SEE NOTE #3 IN MATRIX
1-4B,5-8	104782	HANGER RECEIVER ASSM LONG	(RIGHT)SEE NOTE #2 IN MATRIX
1-4B,5-8	104783	HANGER RECEIVER ASSM LONG	(LEFT)SEE NOTE #2 IN MATRIX
1-4C,5-8	104784	HANGER RECEIVER ASSM +1	(RIGHT)SEE NOTE #1 IN MATRIX
1-4C,5-8	104785	HANGER RECEIVER ASSM +1	(LEFT)SEE NOTE #1 IN MATRIX
		Ship assembled part #	Use with multiple assemblies
	ASSY-HNG-FP	HANGER/FOOTPLATE ASSY REQUIRED	add with Hanger & Footplate kit

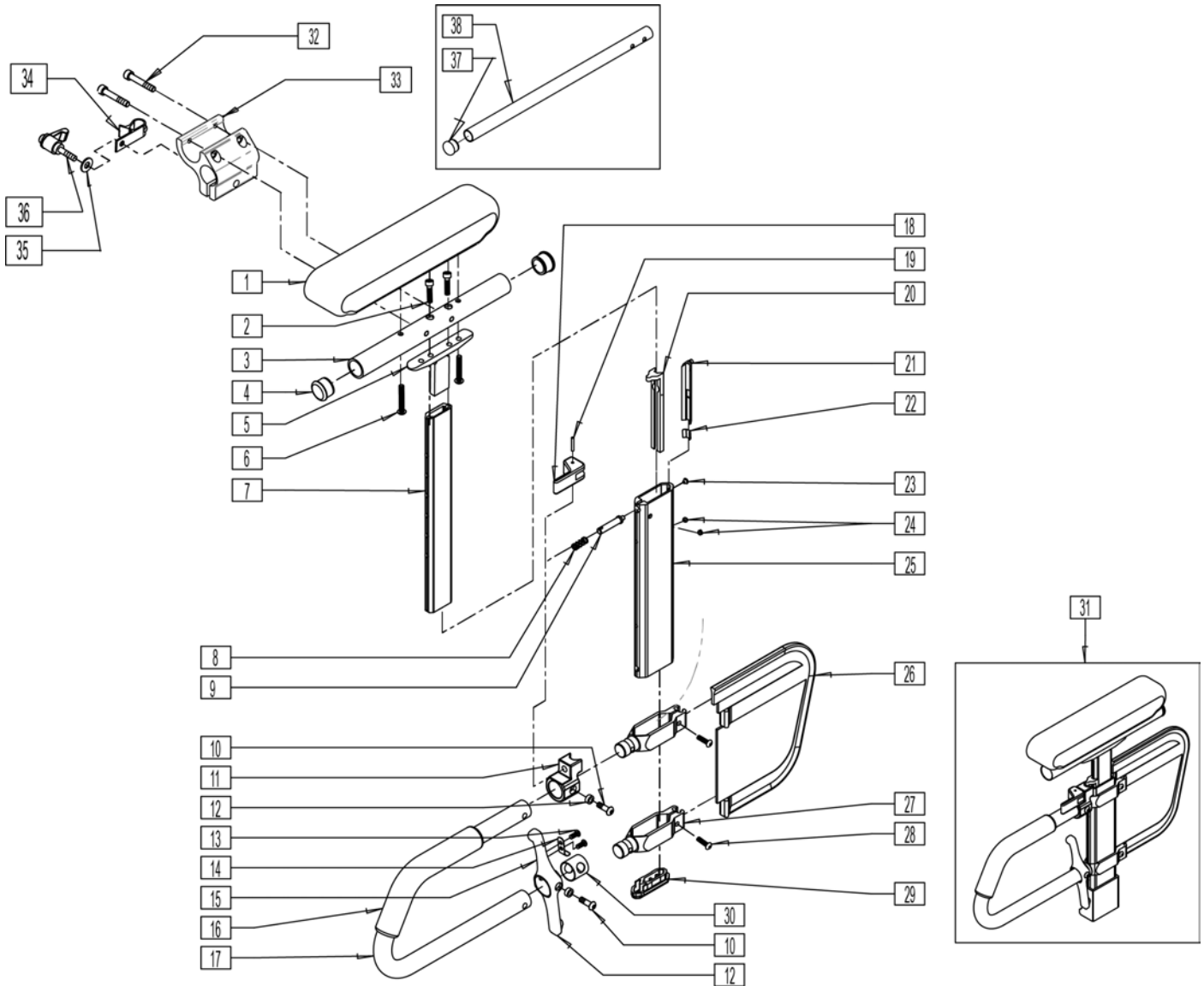


Pos.	Item Number	Description	Remarks
1	103114	ARMREST PAD SET	PAIR
3	n/a	BHCS M6 X 16	REFERENCE ONLY
6	n/a	BHCS M10 X 35	
8	n/a	FHCS M6 X 20	
11	n/a	BHCS M6 x 20	REFERENCE ONLY
12	n/a	SHCS M6 X 25	
2-12	103110	LEFT HAND ARMREST ASSEMBLY	
2-12	103111	RIGHT HAND ARMREST ASSEMBLY	
14	102259-001	BHCS M5 X .8 X 12 W/PL INORG	
17	483717	HANGER SADDLE	
18	500078	INSERT D2 EXT TUBE	
19	221102	1/4-28 X 3/4 HEX C/S BLK W/PAT	
20	010065	M6 CHANNEL NUT	
21	340143	BUSHING .257IDx.25LG SST	
22	263100	5/16 AN WASHER FLAT	
23	230113	BHCS M6 X 1 X 12	
24	506366	UNIVRSL ARMREST RCVR ASSM R	Right
24	506367	UNIVRSL ARMREST RCVR ASSM LH	Left
25	107263	INNER TUBE SIDE RAIL	Use w/ Center Mount Footrest only
26	235008	M8 X 1.25 X 30 BH C/S	
27	106425	SINGLE TRACK RAIL 8MM	

Pos.	Item Number	Description	Remarks
20-24	110826	ARMREST REC KIT RIGHT	Right
20-24	110827	ARMREST REC KIT LEFT	Left
14,15A,16-19	126403	DUAL POST ASSY SHORT	9-10 ARMREST HEIGHT
14,15B,16-19	126404	DUAL POST ASSY TALL	11-12 ARMREST HEIGHT
14,15A,16-24	110828	ASAP 2 PNT ARM 9-10 KIT	PAIR (9-10 ARMREST HT) Includes Receivers
14,15B,16-24	110829	ASAP 2 PNT ARM 11-12 KIT	PAIR (11-12 ARMREST HT) Includes Receivers

SINGLE POST ARMREST

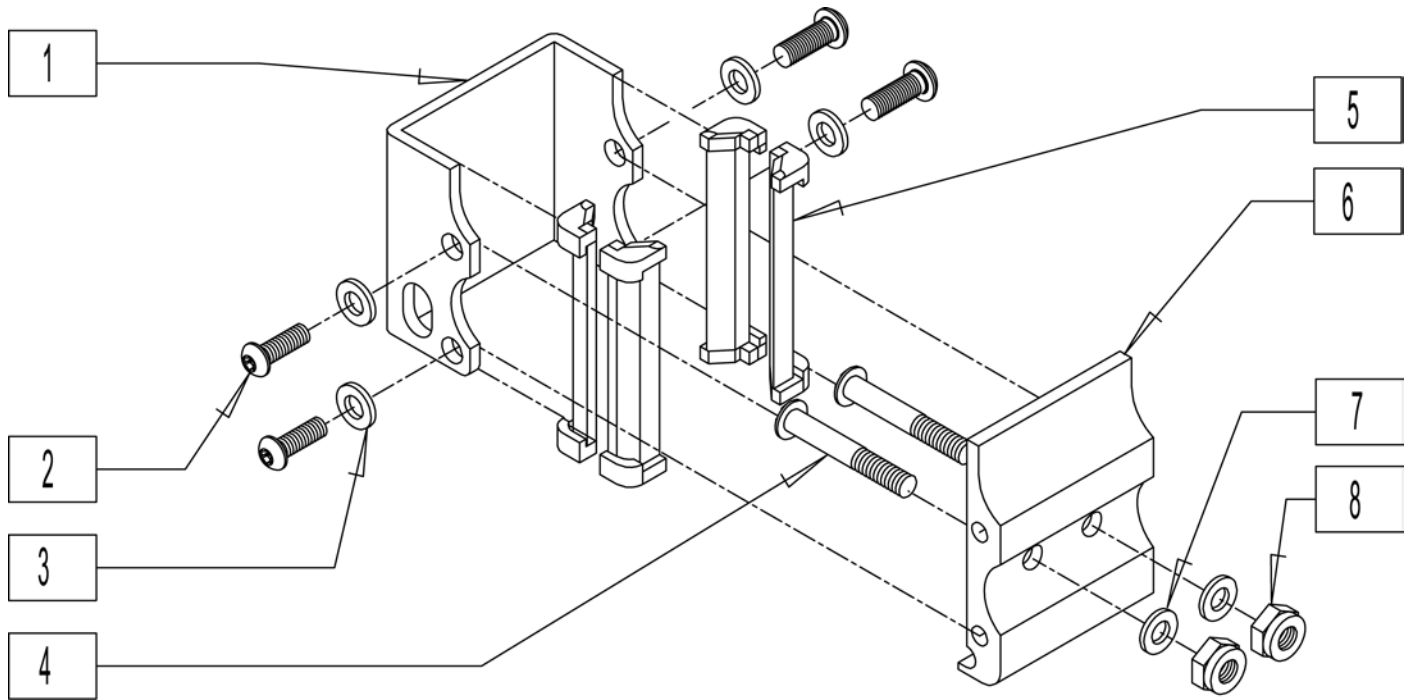
[9/2008]



Pos.	Item Number	Description	Remarks
1	561280	ARMREST PAD 10" L W/F	
1	561281	ARMREST PAD 10" R W/F	
1	561284	ARMREST PAD 14" L W/F	
1	561285	ARMREST PAD 14" R W/F	
1	561024	"ARMREST PAD 10"" DESK "	
1	561031	"ARMREST PAD 14"" FULL "	
2	226031	10-32 x 1 1/4 SOC C/S BLK	
3	521812	HT ADJ PAD TUBE 10" DESK PWR	
3	521813	HT ADJ PAD TUBE 14" FULL PWR	
4	560735	"7/8"" ROUND TUBE PLUG "	
5	505084	HT ADJ ARMREST GUSSET	
6	226038	10-32 x 1 3/8 BH C/S BLK	
8	321141	.650L x 6 COIL SPRING	
9	481258	UPPER ARM RELEASE PIN	
10	226056	10-32 x 1/2 BH C/S BLK W/PATCH	
11	560266	UPPER RELEASE PIN HOUSING	

Pos.	Item Number	Description	Remarks
12	481257	RECEIVER RELEASE LEVER BUSHING	
13	281045	#6 x 1/4 PAN PHIL S/M/S	
14	321721	LEVER RETURN SPRING	
15	501551	RECEIVER RELEASE LEVER	
15	501552	RECEIVER RELEASE LEVER KIDZ	
15	501553	RECEIVER RELEASE LEVER PEDS	
16	560610	5" x .705 x .125 FOAM TUBE	
16	560627	7-1/2" x .705 x .125 FOAM TUBE	
18	561109	ARMREST LEVER FLIP-BACK HT ADJ	
19	341088	3/32 x 5/8 ROLL PIN	
20	561132	HT ADJ ARM FRONT LINER	
21	561133	HT ADJ ARM REAR LINER	
22	321151	HT ADJ LINER SPRING	
23	330092	#4 x 5/32 STICK SCREW	
24	225098	10-32 x 1/8 SET SCREW W/PATCH BLK	
26	561140	HT ADJ SKIRT GUARD STD	
26	561141	HT ADJ SKIRT GUARD KIDS	
27	550482	HT ADJ SKIRT CLAMP	
28	107022	10-32 x 5/8 BH C/S BLK	
29	561135	HT ADJ ARM BOTTOM PLUG	
30	562825	RELEASE LEVER INNER SLEEVE	
31	900820	HT ADJ STD W/DSK W/F PAD	
31	900821	HT ADJ KDS W/DSK W/F PAD	
31	900822	HT ADJ STD W/FULL W/F PAD	
31	900823	HT ADJ KDS W/FULL W/F PAD	
31	900671	HT ADJ ASSM STD W/DSK ARM P1	
31	900672	HT ADJ ASSM STD W/DSK ARM P2	
31	900673	HT ADJ ASSM STD W/DSK ARM P3	
31	900674	HT ADJ ASSM STD W/DSK ARM P110	
31	900675	HT ADJ ASSM STD W/DSK ARM P5	
31	900676	HT ADJ ASSM STD W/FULL ARM P1	
31	900677	HT ADJ ASSM STD W/FULL ARM P2	
31	900678	HT ADJ ASSM STD W/FULL ARM P3	
31	900679	HT ADJ ASSM STD W/FL ARM P110	
31	900680	HT ADJ ASSM STD W/FULL ARM P5	
31	900775	HT ADJ STD W/DSK W/F PAD S626	
31	900776	HT ADJ STD W/FULL W/F PAD S626	
31	900777	HT ADJ ASSM STD W/DSK ARM S626	
31	900778	HT ADJ ASSM STD W/FULL ARM 626	
31	923886	HT ADJ PED DSK W/F PAD FRSTYL	
31	923887	HT ADJ PED FLL W/F PAD FRSTYL	
31	923888	HT ADJ PED DSK PAD FRSTYL	
31	923889	HT ADJ PED FLL PAD FRSTYL	
32	226037	SHCS M5X0.8X35 PART NP	
33	501750	CONTROL ARM CLAMP	
34	560268	QUICK RELEASE CLIP	
35	455066-QU	M5 FLAT WASHER LARGE OD	
36	349024	HANDLE ADJ MODERN M5 X 20 STUD	
37	560761	3/4" INSERT PLUG .049 (18GA)	
38	520231	REMOTE BOX MOUNT TUBE Q-TRONI	
1-7	880192	HT ADJ UPPER ARM ASSEMBLY	
1-7	880198	PWR DESK (EA)	
1-7	880193	HT ADJ UPPER ARM ASSEMBLY	
1-7	880199	PWR FULL (EA)	
1-7	881230	HT ADJ UPPR L ARM ASSM DSK W/F	
1-7	881231	HT ADJ UPPR R ARM ASSM DSK W/F	

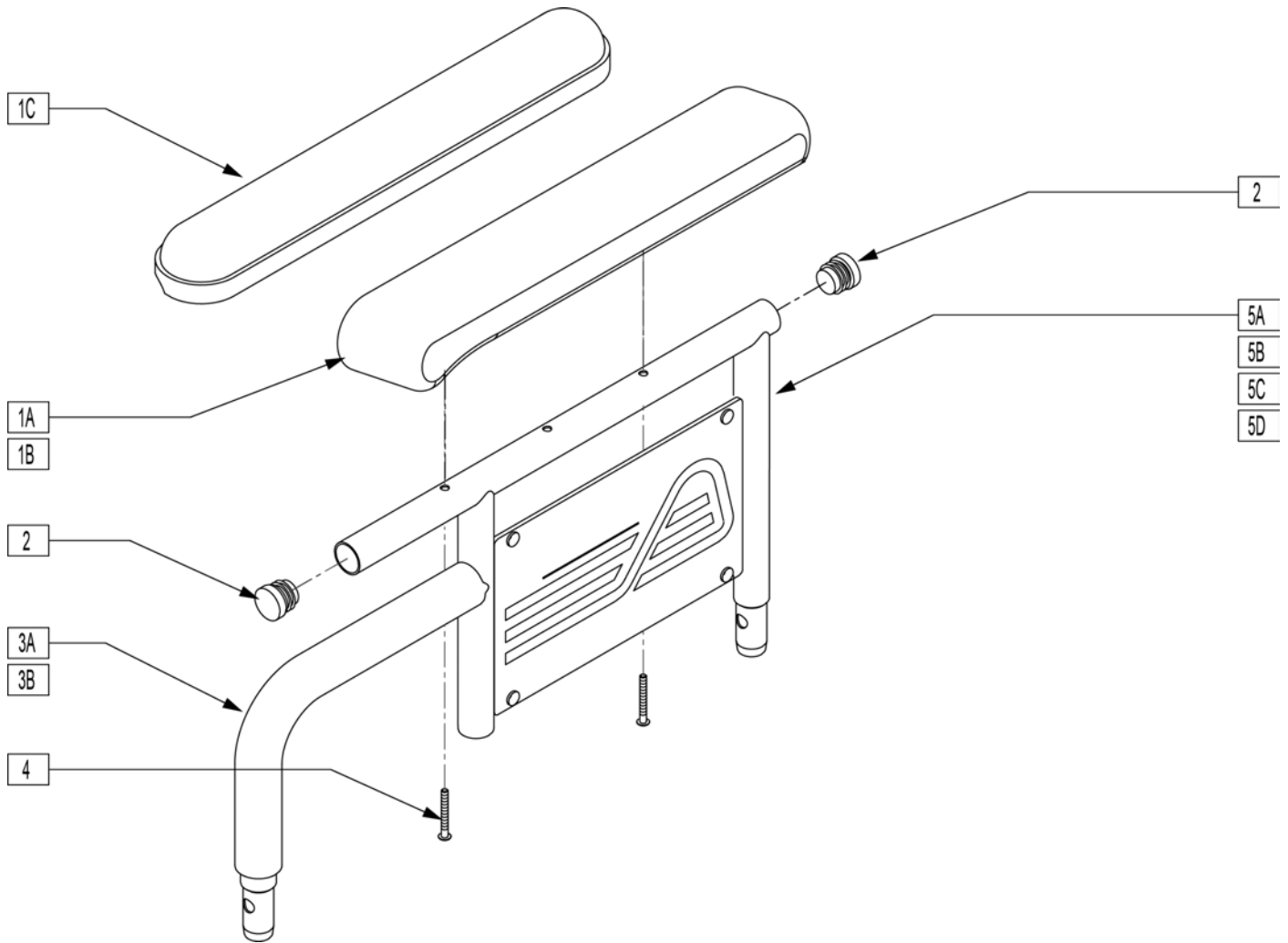
Pos.	Item Number	Description	Remarks
1-7	881232	HT ADJ UPPR L ARM ASSM FL W/F	
1-7	881233	HT ADJ UPPR R ARM ASSM FL W/F	
1-7	880174	HT ADJ UPPR ARM PED PWR DESK R	
1-7	880175	HT ADJ UPPR ARM PED PWR DESK L	
1-7	880176	HT ADJ UPPR ARM PED PWR FULL R	
1-7	880177	HT ADJ UPPR ARM PED PWR FULL L	
1-7	888341	HT ADJ PED UPR R ARM ASSM D WF	
1-7	888342	HT ADJ PED UPR L ARM ASSM D WF	
1-7	888343	HT ADJ PED UPR R ARM ASSM F WF	
1-7	888344	HT ADJ PED UPR L ARM ASSM F WF	
8,9,11,18,19	888003	HT ADJ UPPER ARM REL ASSM R	
8,9,11,18,19	888004	HT ADJ UPPER ARM REL ASSM L	
10,12-15,30	888000	HT ADJ REC REL LEVER ASSM STD	
10,12-15,30	888001	HT ADJ REC REL LEVER ASSM KDS	
10,12-15,30	888002	HT ADJ REC REL LEVER ASSM PEDS	
8-30	882082	HT ADJ LOWER DC ARM ASM KIDS R	
8-30	882083	HT ADJ LOWER DC ARM ASM KIDS L	
8-30	882084	HT ADJ LOWER DC ARM ASSM STD R	
8-30	882085	HT ADJ LOWER DC ARM ASSM STD L	
8-30	882080	HT ADJ LOWER ARM ASSM PE D	
8-30	882081	HT ADJ LOWER ARM ASSM PE D L	
1-30	880210	HT ADJ STD R W/DSK ARM PAD PWR	
1-30	880211	HT ADJ STD L W/DSK ARM PAD PWR	
1-30	880212	HT ADJ STD R W/FULL ARM PD PWR	
1-30	880213	HT ADJ STD L W/FULL ARM PD PWR	
1-30	880214	HT ADJ KDS R W/DSK ARM PAD PWR	
1-30	880215	HT ADJ KDS L W/DSK ARM PAD PWR	
1-30	880216	HT ADJ KDS R W/FULL ARM PD PWR	
1-30	880217	HT ADJ KDS L W/FULL ARM PD PWR	
1-30	881300	HT ADJ STD L W/DSK W/F PAD	
1-30	881301	HT ADJ STD R W/DSK W/F PAD	
1-30	881302	HT ADJ KDS L W/DSK W/F PAD	
1-30	881303	HT ADJ KDS R W/DSK W/F PAD	
1-30	881304	HT ADJ STD L W/FULL W/F PAD	
1-30	881305	HT ADJ STD R W/FULL W/F PAD	
1-30	881306	HT ADJ KDS L W/FULL W/F PAD	
1-30	881307	HT ADJ KDS R W/FULL W/F PAD	
1-30	880226	HT ADJ PED R W/DSK ARM PAD PWR	
1-30	880227	HT ADJ PED L W/DSK ARM PAD PWR	
1-30	880228	HT ADJ PED R W/FULL ARM PD PWR	
1-30	880229	HT ADJ PED L W/FULL ARM PD PWR	
1-30	888345	HT ADJ PED R W/DSK W/F PAD	
1-30	888346	HT ADJ PED L W/DSK W/F PAD	
1-30	888347	HT ADJ PED R W/FULL W/F PAD	
1-30	888348	HT ADJ PED L W/FULL W/F PAD	
8-15,18-20,29,30	888800	HT ADJ ARM UPGRD KIT STD R	
8-15,18-20,29,30	888801	HT ADJ ARM UPGRD KIT STD L	
8-15,18-20,29,30	888802	HT ADJ ARM UPGRD KIT KDS R	
8-15,18-20,29,30	888803	HT ADJ ARM UPGRD KIT KDS L	
8-15,18-20,29,30	888804	HT ADJ ARM UPGRD KIT PEDS R	
8-15,18-20,29,30	888805	HT ADJ ARM UPGRD KIT PEDS L	
8-15,18-20,29,30	921900	HT ADJ ARM UPGRD KIT STD (PR)	Pair
8-15,18-20,29,30	921901	HT ADJ ARM UPGRD KIT KDS (PR)	Pair
8-15,18-20,29,30	921902	HT ADJ ARM UPGRD KIT PED (PR)	Pair
32-38	105969	CLAMP JOYSTICK MOUNT SQ/RD ASSM	



Pos.	Item Number	Description
1	550485	HT ADJ RECEIVER OUTER CHANNEL
2	102262-001	BHCS M6X1X8 FULL PL
3	250104	WASHER FLAT M6
4	230122	BHCS M8 X 1.25 X 40 BLK
5	561134	HT ADJ RECEIVER LINER
6	550629	HT ADJ ARM REC M8 HOLES
7	263100	5/16 AN WASHER FLAT
8	210085	NUT HEX NYLOCK M8 BLACK
1-8	101532	SINGLE POST ARM RECEIVER ASSM

DUAL POST FIXED HEIGHT ARMREST

[11/2011]

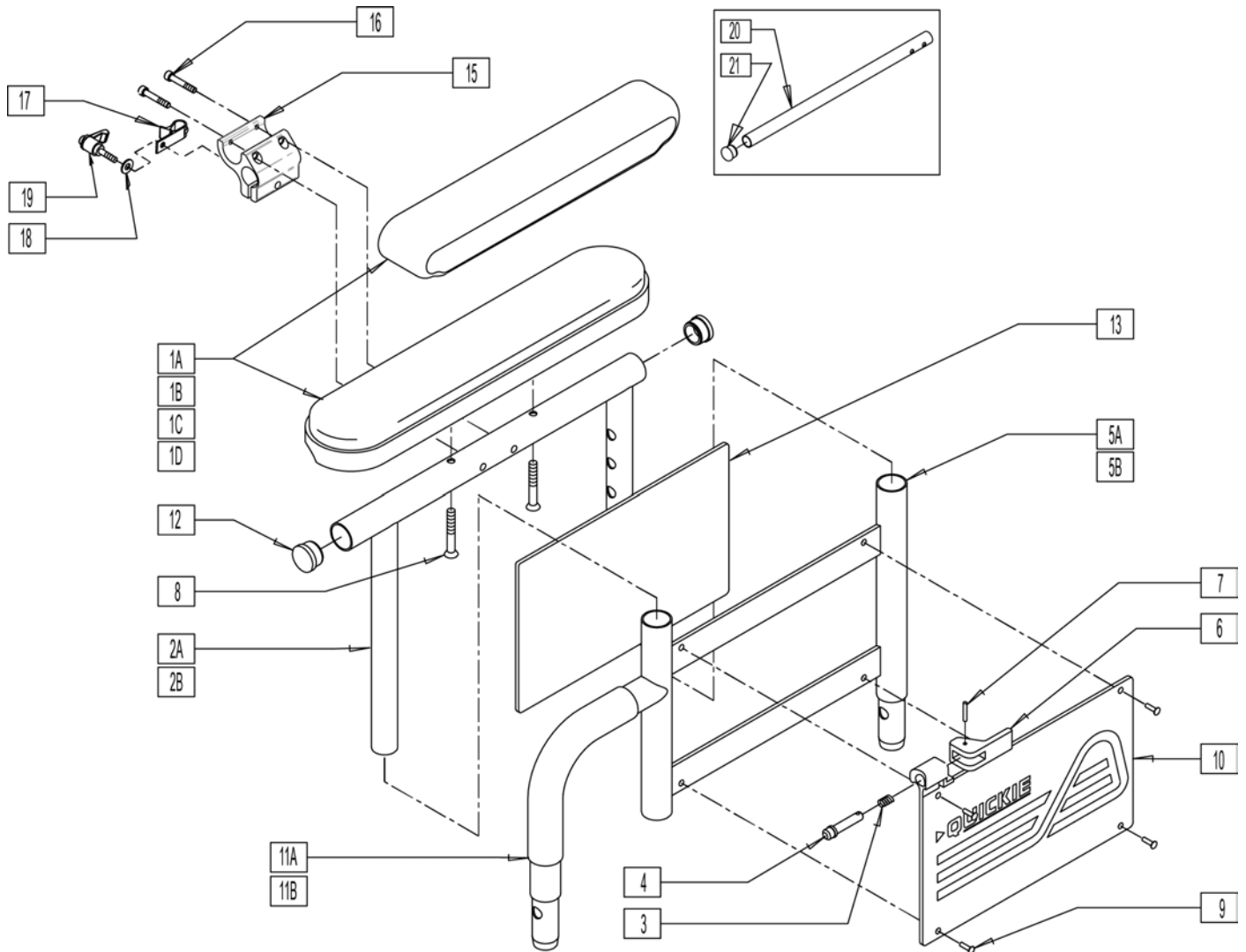


Pos.	Item Number	Description	Remarks
1A	561280	ARMREST PAD 10" LEFT W/F	
1A	561281	ARMREST PAD 10" RIGHT W/F	
1B	561284	ARMREST PAD 14" LEFT W/F	
1B	561285	ARMREST PAD 14" RIGHT W/F	
1C	561024	ARMREST PAD 10" DESK	
1D	561031	ARMREST PAD 14" FULL	
2	560735	7/8" ROUND TUBE PLUG	
3A	560514	FOAM 8" x .840 TUBE	
3B	560614	11" x .840 FOAM TUBE	
4	226038	10-32 x 1 3/8 BH C/S BLK	
5A	540124	FIXED HT SHT ARM DESK PAD PWR	
5B	540125	FIXED HT SHT ARM FULL PAD PWR	
5C	540126	FIXED HGT LONG ARM DSK PAD PW	
5D	540127	FIXED HT LONG ARM FULL PAD PWR	
6	240155	RIVET 3/16 x 3/8 TUBULAR ALUM	
7	562744	ARMREST FRAME PANEL FIXED R	Right
7	562745	ARMREST FRAME PANEL FIXED L	Left
1A,2-4,5A,6,7	881730	D-POST ARM SHT R W/DSK W/F PAD	Right
1A,2-4,5A,6,7	881731	D-POST ARM SHT L W/DSK W/F PAD	Left

Pos.	Item Number	Description	Remarks
1B,2-4,5B,6,7	881732	D-POST ARM SHT R W/FL W/F PAD	Right
1B,2-4,5B,6,7	881733	D-POST ARM SHT L W/FL W/F PAD	Left
1C,2,3A,4,5C,6,7	881734	D-POST ARM LNG R W/DSK W/F PAD	Right
1C,2,3A,4,5C,6,7	881735	D-POST ARM LNG L W/DSK W/F PAD	Left
1B,2-4,5D,6,7	881736	D-POST ARM LNG R W/FL W/F PAD	Right
1B,2-4,5D,6,7	881737	D-POST ARM LNG L W/FL W/F PAD	Left
1C,2-4,5A,6,7	881580	DUAL POST ARM SHT W/DSK R PWR	Right
1C,2-4,5A,6,7	881581	DUAL POST ARM SHT W/DSK L PWR	Left
1D,2-4,5B,6,7	881582	DUAL POST ARM SHT W/FL R PWR	Right
1D,2-4,5B,6,7	881583	DUAL POST ARM SHT W/FL L PWR	Left
1C,2-4,5C,6,7	881584	DUAL POST ARM LNG W/DSK R PWR	Right
1C,2-4,5C,6,7	881585	DUAL POST ARM LNG W/DSK L PWR	Left
1D,2-4,5D,6,7	881586	DUAL POST ARM LNG W/FL R PWR	Right
1D,2-4,5D,6,7	881587	DUAL POST ARM LNG W/FL L PWR	Left

DUAL POST FLIP BACK ARMREST

[Revision: 03/2007]

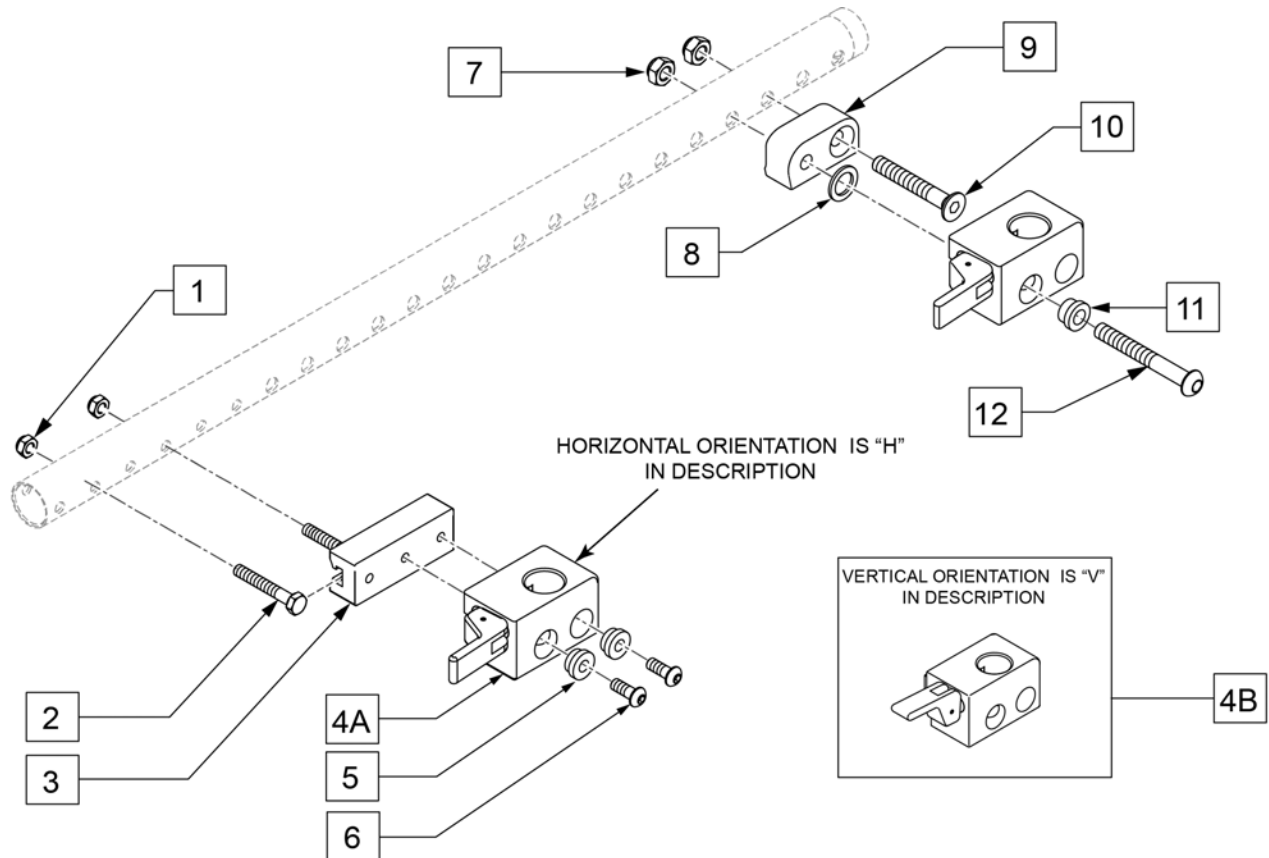


Pos.	Item Number	Description
1A	561280	" ARMREST PAD 10" LEFT W/F"
1A	561281	" ARMREST PAD 10" RIGHT W/F"
1B	561284	" ARMREST PAD 14" LEFT W/F"
1B	561285	"ARMREST PAD 14" RIGHT W/F"
1C	561024	"ARMREST PAD 10" DESK"
1D	561031	"ARMREST PAD 14" FULL"
2A	521841	DUAL PST ADJ UPPR ARM DESK PW
2B	521843	DUAL PST ADJ UPPR ARM FULL PW
3	321141	.650L x 6 COIL SPRING
4	341132	ARMREST PIN W/SHOULDER
5A	540224	ARM FRAME LOWER HT ADJ REG R
5A	540225	ARM FRAME LOWER HT ADJ REG L
5B	540226	ARM FRAME LOWER HT ADJ LONG R
5B	540227	ARM FRAME LOWER HT ADJ LONG L
6	561109	ARMREST LEVER FLIP-BACK HT ADJ
7	341088	3/32 x 5/8 ROLL PIN
8	226038	10-32 x 1 3/8 BH C/S BLK
9	240155	RIVET 3/16 x 3/8 TUBULAR ALUM

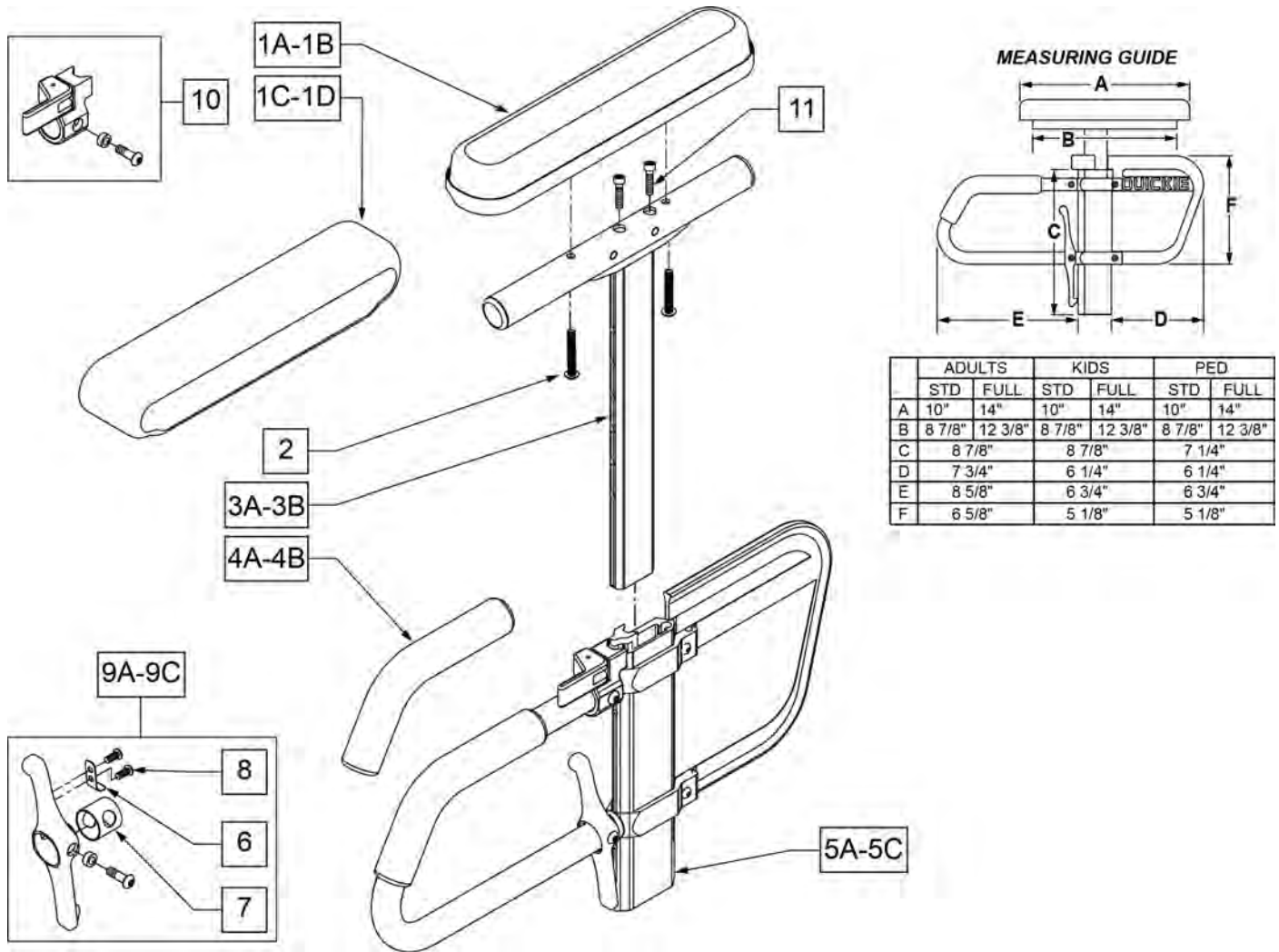
Pos.	Item Number	Description
10	562740	ARMREST PANEL DUAL POST R
10	562741	ARMREST PANEL DUAL POST L
11A	560514	FOAM 8" x .840 TUBE
11B	560614	11" x .840 FOAM TUBE
12	560735	"7/8" ROUND TUBE PLUG"
13	750009	INSIDE ARMREST PAD (P-222/S-626)
14	349024	HNDL 10-32 X 3/4 C/A P1/P3/P5
15	501750	CONTROL ARM CLAMP
16	226037	SHCS M5X0.8X35 PART NP
17	560268	QUICK RELEASE CLIP
18	455066-QU	M5 FLAT WASHER LARGE OD
19	349024	HANDLE ADJ MODERN M5 X 20 STUD
20	520231	REMOTE BOX MOUNT TUBE Q-TRONI
21	560761	3/4" INSERT PLUG .049 (18GA)
15-21	105969	CLAMP JOYSTICK MNT SQ/RD ASM
1C,2A,8,12	881446	DUALPOST UHA AREST RH INC DESK
1C,2A,8,12	881447	DUALPOST UHA AREST LH INC DESK
1D,2A,8,12	881448	DUALPOST UHA AREST RH INC FULL
1D,2A,8,12	881449	DUALPOST UHA AREST LH INC FULL
1A,2A,8,12	881240	D-POST UPPR L ARM ASSM DSK W/F
1A,2A,8,12	881241	D-POST UPPR R ARM ASSM DSK W/F
1B,2B,8,12	881242	D-POST UPPR L ARM ASSM FL W/F
1B,2B,8,12	881243	D-POST UPPR R ARM ASSM FL W/F
3-7,9-11A	881556	DUAL POST LOWER ARM ASSM SHT
3-7,9-11A	881557	DUAL POST LOWER ARM ASSM SHT
3,4,5B,9,10,11B	881558	DUAL POST ADJ LOWER ARM LONG R
3,4,5B,9,10,11B	881559	DUAL POST ADJ LOWER ARM LONG L
1A-10,11A,12	881308	D-POST SHT L W/DSK W/F PAD
1A-10,11A,12	881309	D-POST SHT R W/DSK W/F PAD
1B,2B,3-12	881310	D-POST SHT L W/FL W/F PAD
1B,2B,3-12	881311	D-POST SHT R W/FL W/F PAD
1A-4,5B,6-10,11B,12	881312	D-PST LNG ADJ L W/DSK W/F PAD
1A-4,5B,6-10,11B,12	881313	D-PST LNG ADJ R W/DSK W/F PAD
1B,2B,3,4,5B,6-10,11A,12	881314	D-POST LNG ADJ L W/FL W/F PAD
1B,2B,3,4,5B,6-10,11A,12	881315	D-POST LNG ADJ R W/FL W/F PAD
1C,2A-12	881572	DUAL POST ADJ SHT W/DSK R PWR
1C,2A-12	881573	DUAL POST ADJ SHT W/DSK L PWR
1D,2B,3,4,5B,6-10,11A,12	881574	DUAL POST ADJ LONG W/FL R PWR
1D,2B,3,4,5B,6-10,11A,12	881575	DUAL POST ADJ LONG W/FL L PWR
1C,2A-4,5B,6-10,11B,12	881576	DUAL POST ADJ LONG W/DSK R PWR
1C,2A-4,5B,6-10,11B,12	881577	DUAL POST ADJ LONG W/DSK L PWR
1D,2B,3-10,11A,12	881578	DUAL POST ADJ SHT W/FL R PWR
1D,2B,3-10,11A,12	881579	DUAL POST ADJ SHT W/FL L PWR

DUAL POST FLIP BACK ARMREST RECEIVER

[11/2011]

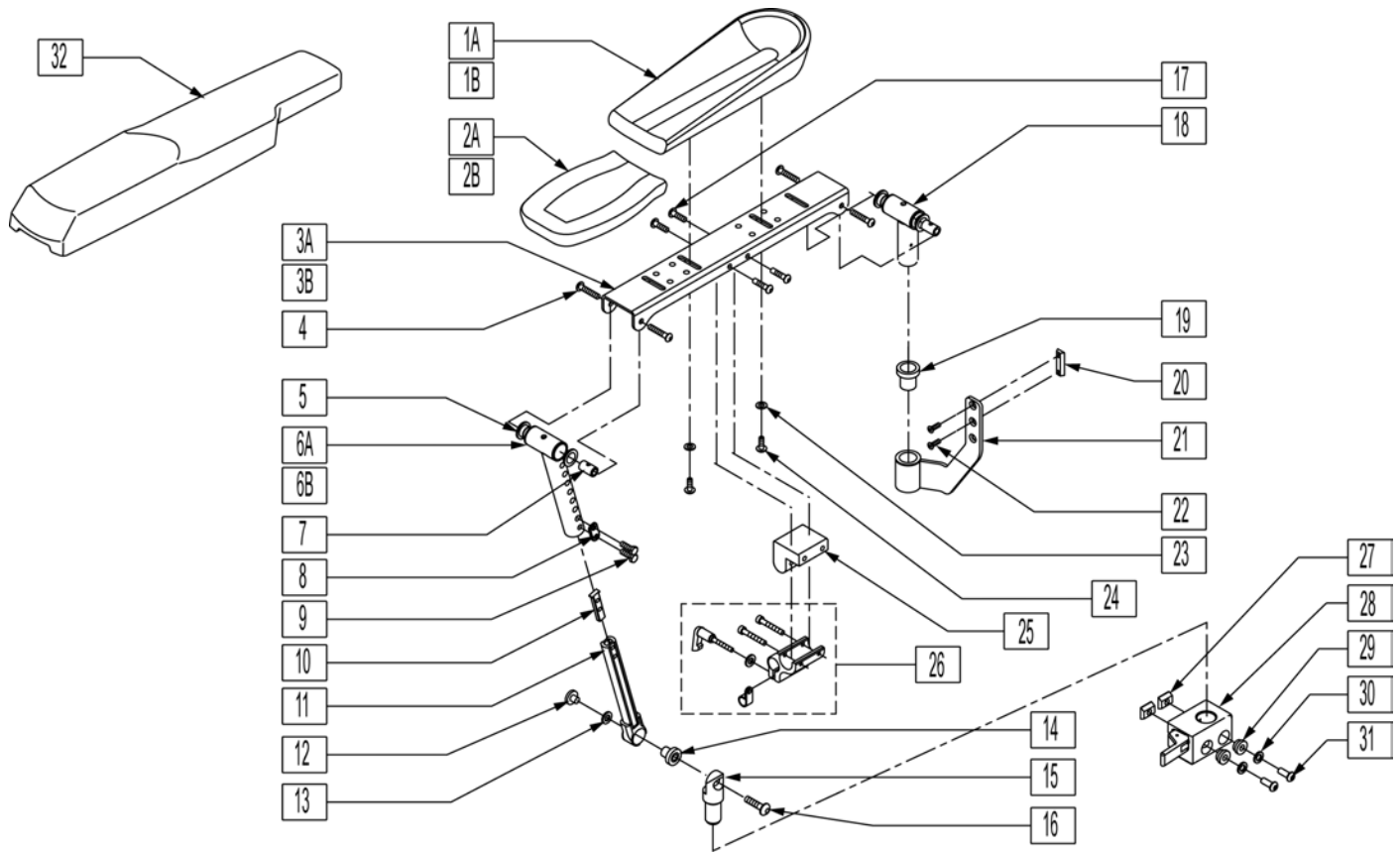


Pos.	Item Number	Description	Remarks
1	210084	NUT HEX NYLOCK M6 BLACK	
2	234813	M6 X 1.0 X 35 HHCS 10.9	
3	011501	ADPTR FRNT ARM REC 28.5MM OFST	
4A	506366	UNIVRSL ARMRST RCVR ASSM RH	
4A	506367	UNIVRSL ARMRST RCVR ASSM LH	
4B	506368	UNIV ARMREST RCVR ASSM RV	Optional release position, not offered on chair
4B	506369	UNIV ARMREST RCVR ASSM LV	Optional release position, not offered on chair
5	340143	BUSHING .257IDx.25LG SST	
6	103185-006	BHCSM6X1X16FULLNP	
7	210085	NUT HEX NYLOCK M8 BLACK	
8	561272	1/2 X 3/4 X .030 NYLON WASHER	
9	506128	ADPTR PVT R UNI ARST RCVR P222	
9	506129	ADPTR PVT L UNI ARST RCVR P222	
10	230130	FHCS M8 X 1.25 X 50 BLK	
11	340142	BUSHING .325IDx.346LG SST	
12	103186-014	BHCS M8 X 1.25 X 60 BLK W/PL	
1-6	120651	ARMREST RECEIVER ASSM FRNT R	
1-6	120652	ARMREST RECEIVER ASSM FRNT L	
4A,7-12	120653	ARMREST RECEIVER ASSM BCK R	
4A,7-12	120654	ARMREST RECEIVER ASSM BCK L	



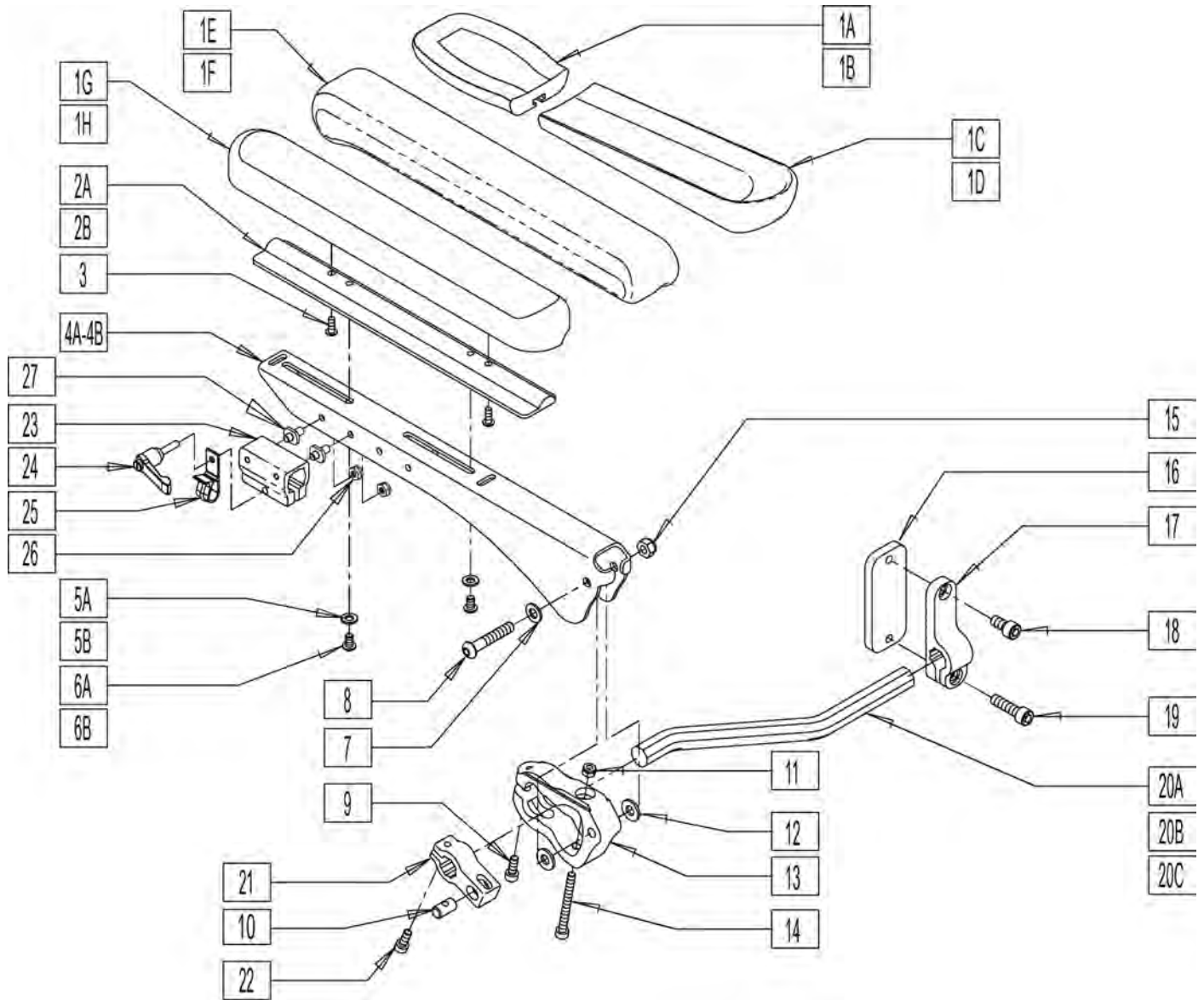
Pos.	Item Number	Description	Remarks
1A	561024	ARMREST PAD 10" DESK	DESK PAD
1B	561031	ARMREST PAD 14" FULL	FULL PAD
1C	561280	ARMREST PAD 10" L W/F	LEFT - DESK WATERFALL PAD
1C	561281	ARMREST PAD 10" R W/F	RIGHT - DESK WATERFALL PAD
1D	561284	ARMREST PAD 14" L W/F	LEFT - FULL WATERFALL PAD
1D	561285	ARMREST PAD 14" R W/F	RIGHT - FULL WATERFALL PAD
2	226038	10-32 x 1 3/8 BH C/S BLK	
4A	560610	5" x .705 x .125 FOAM TUBE	ADULT
4B	560627	7-1/2" x .705 x .125 FOAM TUBE	PEDS/KIDS
5A	882084	HT ADJ LOWER DC ARM ASSM STD R	RIGHT - STANDARD/ADULT
5A	882085	HT ADJ LOWER DC ARM ASSM STD L	LEFT - STANDARD/ADULT
5B	882082	HT ADJ LOWER DC ARM ASM KIDS R	RIGHT - KIDS
5B	882083	HT ADJ LOWER DC ARM ASM KIDS L	LEFT - KIDS
5C	882080	HT ADJ LOWER ARM ASSM PE D R	RIGHT - PEDIATRIC
5C	882081	HT ADJ LOWER ARM ASSM PE D L	LEFT - PEDIATRIC
6	321721	LEVER RETURN SPRING	
7	562825	RELEASE LEVER INNER SLEEVE	
8	281045	#6 x 1/4 PAN PHIL S/M/S	
9A	888000	HT ADJ REC REL LEVER ASSM STD	ADULT

Pos.	Item Number	Description	Remarks
9B	888001	HT ADJ REC REL LEVER ASSM KIDS	KIDS
9C	888002	HT ADJ REC REL LEVER ASSM PEDS	PEDS
10	888003	HT ADJ UPPER ARM REL ASSM R	RIGHT
10	888004	HT ADJ UPPER ARM REL ASSM L	LEFT
11	108534	SHCS 10-32 X 1-1/4 PL	Used with Classic Full only
>>>>		ADULT UPPER ASSEMBLIES	
1A-3A	880192	HT ADJ UPPER ARM ASSM DESK R	RIGHT - ADULT DESK PAD
1A-3A	880198	HT ADJ UPPER ARM ASSM DESK L	LEFT - ADULT DESK PAD
1B-3A,11	880193	HT ADJ UPPER ARM ASSM FL R	RIGHT - ADULT FULL PAD
1B-3A,11	880199	HT ADJ UPPER ARM ASSM FL L	LEFT - ADULT FULL PAD
>>>>		ADULT UPPER ASSEMBLIES	
1C-3A	881230	HT ADJ UPPER L ARM ASSM DESK W/F	RIGHT - ADULT DESK WATER FALL PAD
1C-3A	881231	HT ADJ UPPER R ARM ASSM DESK W/F	LEFT - ADULT DESK WATER FALL PAD
1D-3A	881232	HT ADJ UPPER L ARM ASSM FL W/F	RIGHT - ADULT FULL WATER FALL PAD
1D-3A	881233	HT ADJ UPPER R ARM ASSM FL W/F	LEFT - ADULT FULL WATER FALL PAD
>>>>		PEDIATRIC AND KIDS UPPER ASSEMBLIES	
1A-3B	880174	HT ADJ UPPER ARM PED PWR DESK R	RIGHT - PED/KIDS DESK PAD
1A-3B	880175	HT ADJ UPPER ARM PED PWR DESK L	LEFT - PED/KIDS DESK PAD
1B-3B,11	880176	HT ADJ UPPER ARM PED PWR FULL R	RIGHT - PED/KIDS FULL PAD
1B-3B,11	880177	HT ADJ UPPER ARM PED PWR FULL L	LEFT - PED/KIDS FULL PAD
>>>>		PEDIATRIC AND KIDS UPPER ASSEMBLIES	
1C-3B	888341	HT ADJ PED UPPER R ARM ASSM D WF	RIGHT - PED/KIDS DESK WATER FALL PAD
1C-3B	888342	HT ADJ PED UPPER L ARM ASSM D WF	LEFT - PED/KIDS DESK WATER FALL PAD
1D-3B	888343	HT ADJ PED UPPER R ARM ASSM F WF	RIGHT - PED/KIDS FULL WATER FALL PAD
1D-3B	888344	HT ADJ PED UPPER L ARM ASSM F WF	LEFT - PED/KIDS FULL WATER FALL PAD
>>>>		COMPLETE ADULT ARMREST ASSEMBLY	
1A-3A-5A	880210	HT ADJ STD R W/DESK ARM PAD	RIGHT - ADULT - DESK PAD
1A-3A-5A	880211	HT ADJ STD L W/DESK ARM PAD	LEFT - ADULT - DESK PAD
1B-3A-5A,11	880212	HT ADJ STD R W/FULL ARM PAD	RIGHT - ADULT - FULL PAD
1B-3A-5A,11	880213	HT ADJ STD L W/FULL ARM PAD	LEFT - ADULT - FULL PAD
1C-3A-5A	881301	HT ADJ STD R W/DESK W/F PAD	RIGHT - ADULT - WATERFALL DESK PAD
1C-3A-5A	881300	HT ADJ STD L W/DESK W/F PAD	LEFT - ADULT - WATERFALL DESK PAD
1D-3A-5A	881305	HT ADJ STD R W/FULL W/F PAD	RIGHT - ADULT - WATERFALL FULL PAD
1D-3A-5A	881304	HT ADJ STD L W/FULL W/F PAD	LEFT - ADULT - WATERFALL FULL PAD
>>>>		COMPLETE KIDS ARMREST ASSEMBLY	
1A-3B-5B	880214	HT ADJ KIDS R W/DESK ARM PAD	RIGHT - KIDS - DESK PAD
1A-3B-5B	880215	HT ADJ KIDS L W/DESK ARM PAD	LEFT - KIDS - DESK PAD
1B-3B-5B,11	880216	HT ADJ KIDS R W/FULL ARM PAD	RIGHT - KIDS - FULL PAD
1B-3B-5B,11	880217	HT ADJ KIDS L W/FULL ARM PAD	LEFT - KIDS - FULL PAD
1C-3B-5B	881303	HT ADJ KIDS R W/DESK W/F PAD	RIGHT - KIDS - WATERFALL DESK PAD
1C-3B-5B	881302	HT ADJ KIDS L W/DESK W/F PAD	LEFT - KIDS - WATERFALL DESK PAD
1D-3B-5B	881307	HT ADJ KIDS R W/FULL W/F PAD	RIGHT - KIDS - WATERFALL FULL PAD
1D-3B-5B	881306	HT ADJ KIDS L W/FULL W/F PAD	LEFT - KIDS - WATERFALL FULL PAD
>>>>		COMPLETE PEDIATRIC ARMREST ASSEMBLY	
1A-3B-5C	880226	HT ADJ PED R W/DESK ARM PAD	RIGHT - PEDS - DESK PAD
1A-3B-5C	880227	HT ADJ PED L W/DESK ARM PAD	LEFT - PEDS - DESK PAD
1B-3B-5C,11	880228	HT ADJ PED R W/FULL ARM PAD	RIGHT - PEDS - FULL PAD
1B-3B-5C,11	880229	HT ADJ PED L W/FULL ARM PAD	LEFT - PEDS - FULL PAD
1C-3B-5C	888345	HT ADJ PED R W/DESK W/F PAD	RIGHT - PEDS - WATERFALL DESK PAD
1C-3B-5C	888346	HT ADJ PED L W/DESK W/F PAD	LEFT - PEDS - WATERFALL DESK PAD
1D-3B-5C	888347	HT ADJ PED R W/FULL W/F PAD	RIGHT - PEDS - WATERFALL FULL PAD
1D-3B-5C	888348	HT ADJ PED L W/FULL W/F PAD	LEFT - PEDS - WATERFALL FULL PAD



Pos.	Item Number	Description	Remarks
1A	755024	ELBOW PAD TROUGH ARMREST 11.5	11.5" LONG
1B	755027	ELBOW PAD TROUGH ARMREST 14	14" LONG
2A	755022	HAND PAD TROUGH ARMREST	SIZE 4.5" X 7"
2B	561325	FRONT ARM PAD LARGE	SIZE 5.5" X 9"
3A	483249	ARMREST CHANNEL SHORT	
3B	505624	ARMREST CHANNEL LONG	USE WITH LARGE OTTO BOC PADS
4	226245	1/4-20 x 3/8 BH CS BLK ZN	
5	349598	BEARING IGUS 5/8 x 3/4 x 1/2	
6A	542096	FRNT MNT UPPER STRUT WLDMNT SHT	ARMREST HT. 11-14"
6B	542130	FRNT MNT UPPER STRT WLDMNT LNG	ARMREST HT. 13-16"
7	481457	UPPER PIVOT PIN	
8	483717	HANGER SADDLE	
9	221102	1/4-28 x 3/4 HEX C/S BLK W/PAT	
10	500078	INSERT D2 EXT TUBE	
11	542097	FRNT MNT LOWER STRUT WLDMNT	
12	481467	LOWER ARMEST BOSS	
13	341558	.5 x 1.0 x .043 BLLVILL WASHER	
14	349597	BEARING IGUS 1/2 x 5/8 x 5/8	
15	502248	FRONT ARMREST PIVOT POST	
16	226274	3/8-16 x 3/4 BH C/S BLK W/PTCH	
17	222297	10-24 x 3/8 SOC BH C/S W/PTCH	
18	885070	REAR PIVOT POST SUB-ASSM R	Right
18	885071	REAR PIVOT POST SUB-ASSM L	Left
19	349599	BEARING IGUS 7/8x1.0x1-1/2	
20	481108-QU	1/4-28 CHANNEL NUT-2 HOLE	

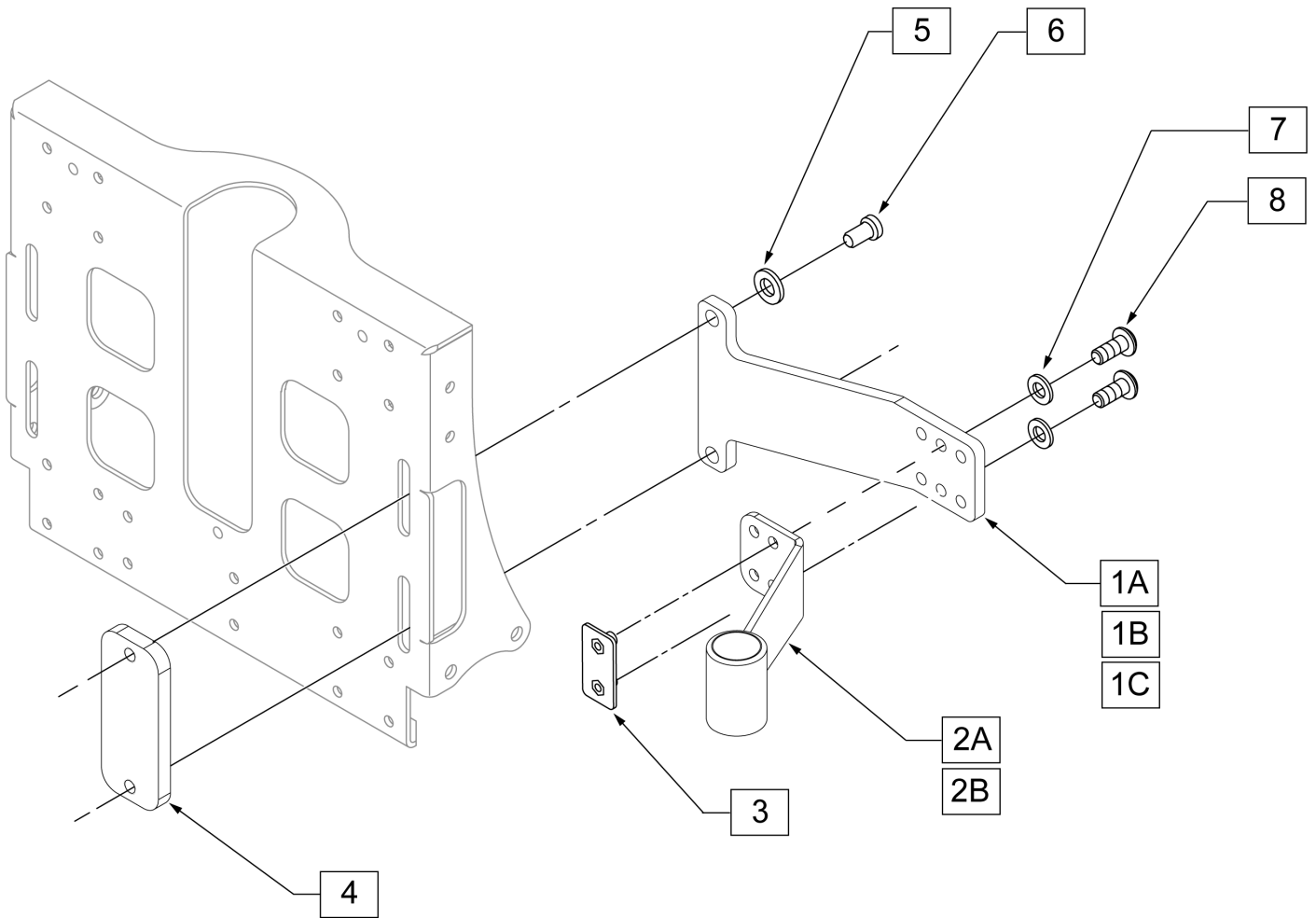
Pos.	Item Number	Description	Remarks
21	542029	REAR ARMREST MOUNT WLDMNT	
22	226109	1/4-28 X 3/8 F/H SOCKET C/S	
23	261204	#10 AN WASHER .063	
24	230495	BHCS M5 X .8 X 12 BLK W/PL	
24	230497	M5-.8 X 20 MM BH C/S	USE WITH ITEM 35
25	551001	CONTROLLER MOUNT BLOCK	
26	012433	CNTRL ARM CLMP UNIVERSAL ASSM	
27	010065	M6 CHANNEL NUT	
28	506366	UNIVRSL ARMRST RCVR ASSM RH	
28	506367	UNIVRSL ARMRST RCVR ASSM LH	
29	340143	BUSHING .257IDx.25LG SST	
30	230113	BHCS M6 X 1 X 12	
31	263100	5/16 AN WASHER FLAT	
32	561186	ARM PAD PWR RCLN R	
32	561187	ARM PAD PWR RCLN L	
4,5,7-10,12-14,16,17	101553	RCLN ARMREST HDWR KIT	
3A-6A,7,11-19,25	887750	TLT/RCLN ARMRST SHT STD R	Right
3A-6A,7,11-19,25	887751	TLT/RCLN ARMRST SHT STD L	Left
3B-6A,7,11-19,25	887752	TLT/RCLN ARMRST LNG STD R	Right
3B-6A,7,11-19,25	887753	TLT/RCLN ARMRST LNG STD L	Left
1A,2A,3A-5,6B,7,11,13-18,20,21,25	887770	TLT/RCLN ARMRST SHT TALL R	Right
1A,2A,3A-5,6B,7,11,13-18,20,21,25	887771	TLT/RCLN ARMRST SHT TALL L	Left
3B-6A,7,11-19,25	887772	TLT/RCLN ARMRST LNG TALL R	Right
3B-6A,7,11-19,25	887773	TLT/RCLN ARMRST LNG TALL L	Left



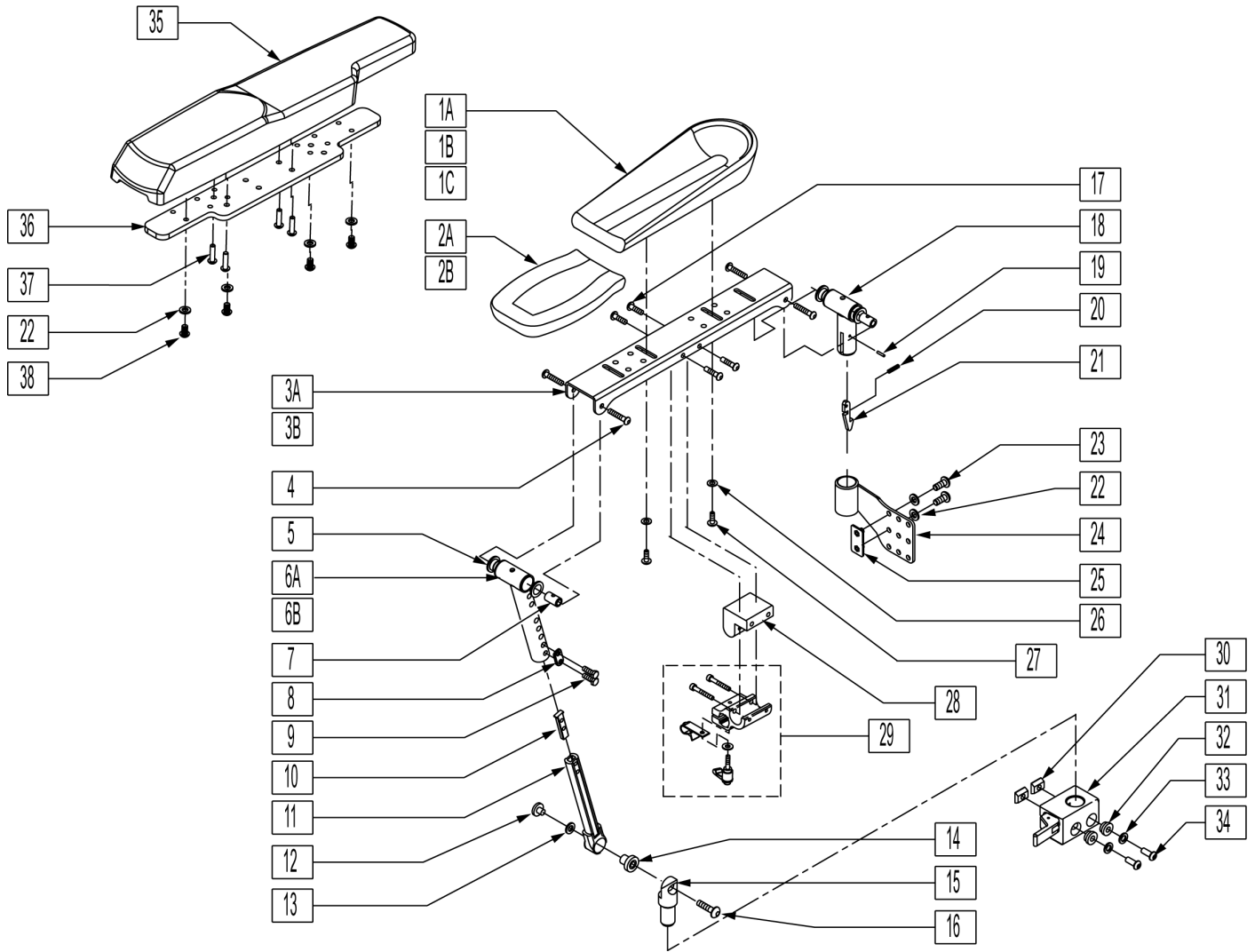
Pos.	Item Number	Description	Remarks
1A	755022	STANDARD TROUGH HAND PAD	SIZE 4.5" X 7"
1B	561325	LONG THROUGH HAND PAD	SIZE 5.5" X 9"
1C	755023	ELBOW PAD TROUGH ARMREST STD	11.5" LONG
1D	755024	ELBOW PAD TROUGH ARMREST LONG	14" LONG
1E	561280	ARMREST PAD 10" LEFT W/F (WATERFALL)	
1E	561281	ARMREST PAD 10" RIGHT W/F2 (WATERFALL)	
1F	561284	ARMREST PAD 14" LEFT W/F (WATERFALL)	
1F	561285	ARMREST PAD 14" RIGHT W/F (WATERFALL)	
1G	561024	ARMREST PAD 10" DESK	
1H	561031	ARMREST PAD 14" FULL	
2A	010124-001	ARMPAD RIGIDIZER DESK LENGTH	
2B	010124-002	ARMPAD RIGIDIZER FULL LENGTH	
3	226043	10-32 X 1/2 BH C/S BLK	
4B	011146	ARMREST BASE DESK LH	LEFT
4B	011147	ARMREST BASE DESK RH	RIGHT

Pos.	Item Number	Description	Remarks
4A	010122	ARMREST BASE	
4A	010125	ARMREST BASE RH	
5B	011024	M5 FLAT WASHER LARGE OD	
5A	250104	WASHER FLAT M6	
6A	230113	BHCS M6 X 1 X 12 BLK W/PL	
6B	102259-001	BHCS M5 X .8 X 12 W/PL INORG	
7	011648	WASHER FLAT M8	
8	230123	BHCS M8 X 1.25 X 45 BLK	
9	102263-003	SHCS M6 X 1 X 25 W/PL INORG	
10	010063	ARMREST MOUNT BARREL NUT	
11	200113	NUT HEX NYLOCK M6 X 1 NUT	
12	011650	WASHER NYLON M8	
13	010061	ARMREST MOUNT CLAMP OUTER	
14	011645	M6 X 60 SOC C/S BLK FULL THRD	
15	210072	M8 NYLOCK NUT	
16	011145	NUT PLATE ARMREST MOUNT R	
17	010126	ARMREST MOUNT REAR	
18	230134	SHCS M8 X 1.25 X 16 BLK	
19	230135	SHCS M8 X 1.25 X 30 BLK	
20A	010064	ARMREST MOUNT ROD	
20B	011148	ARMREST MOUNT ROD, NARROW	
20C	012853	ARMREST MNT ROD, EXTRA NARROW	
21	010062	ARMREST MOUNT CLAMP INNER	
22	102263-001	SHCS M6X1X16 FULL NP	
23	108863	CLMP CNTRL ARM RND	
24	011049	HANDLE ADJ MODERN M5 X 20 STUD	
25	560268	QUICK RELEASE CLIP	
26	220121	M5 NUT HEX NYLOCK	
1E,2A, 3,5A,6A	012370	DESK W/F ARMPAD	LEFT
1E,2A, 3,5A,6A	012371	DESK W/F ARMPAD	RIGHT
1F,2B, 3,5A,6A	012372	FULL W/F ARMPAD	LEFT
1F,2B, 3,5A,6A	012373	FULL W/F ARMPAD	RIGHT
1G,2A, 3,5A,6A	012374	DESK ARMPAD	
1H,2B, 3,5A,6A	012375	FULL ARMPAD L	
1A,1C, 4A,5B,6B	012376	ARMRST BASE TROUGH ARMPAD STD	LEFT
1A,1C, 4A,5B,6B	012377	ARMRST BASE TROUGH ARMPAD STD	RIGHT
1B,1C, 4A,5B,6B	012378	ARMRST BASE TROUGH ARMPAD MED	LEFT
1B,1C, 4A,5B,6B	012379	ARMRST BASE TROUGH ARMPAD MED	RIGHT
1A,1D, 4A,5A,6B	012380	ARMRST BASE TROUGH ARMPAD LNG	LEFT
1A,1D, 4A,5A,6B	012381	ARMRST BASE TROUGH ARMPAD LNG	RIGHT
1E,2A, 3,4B,5A,6A	012382	ARMRST BASE DESK W/F ARMPAD LNG	LEFT
1E,2A, 3,4B,5A,6A	012383	ARMRST BASE DESK W/F ARMPAD LNG	RIGHT
1F,2B, 3,4A,5A,6A	012384	ARMRST BASE FULL W/F ARMPAD LNG	LEFT
1F,2B, 3,4A,5A,6A	012385	ARMRST BASE FULL W/F ARMPAD LNG	RIGHT
1G,2A, 3,4B,5A,6A	012386	ARMRST BASE DESK ARMPAD	LEFT
1G,2A, 3,4B,5A,6A	012387	ARMRST BASE DESK ARMPAD	RIGHT
1H,2B, 3,4A,5A,6A	012388	ARMRST BASE FULL ARMPAD	LEFT
1H,2B, 3,4A,5A,6A	012389	ARMRST BASE FULL ARMPAD	RIGHT
4A,5A, 6A	012410	ARMRST BASE W/HDWR FULL	LEFT
4A,5A, 6A	012411	ARMRST BASE W/HDWR FULL	RIGHT
4B,5A, 6A	012412	ARMRST BASE W/HDWR DESK	LEFT
4B,5A, 6A	012413	ARMRST BASE W/HDWR DESK	RIGHT
7-20A, 21,22	012414	ARMREST MOUNT ASSM STD	
7-20B, 21,22	012415	ARMREST MOUNT ASSM NARROW	
7-20C, 21,22	012857	ARMREST MNT ASSM EXTRA NARROW	
23-27	159406	CNTRLR CLMP ARM ASSM RND	

Pos.	Item Number	Description	Remarks
3,5A,5B, 6A,6B	101550	ARMREST PAD MOUNTING HDWR KIT	
7-9,11, 12,14,18, 19,22	101551	ARMREST HDWR KIT	

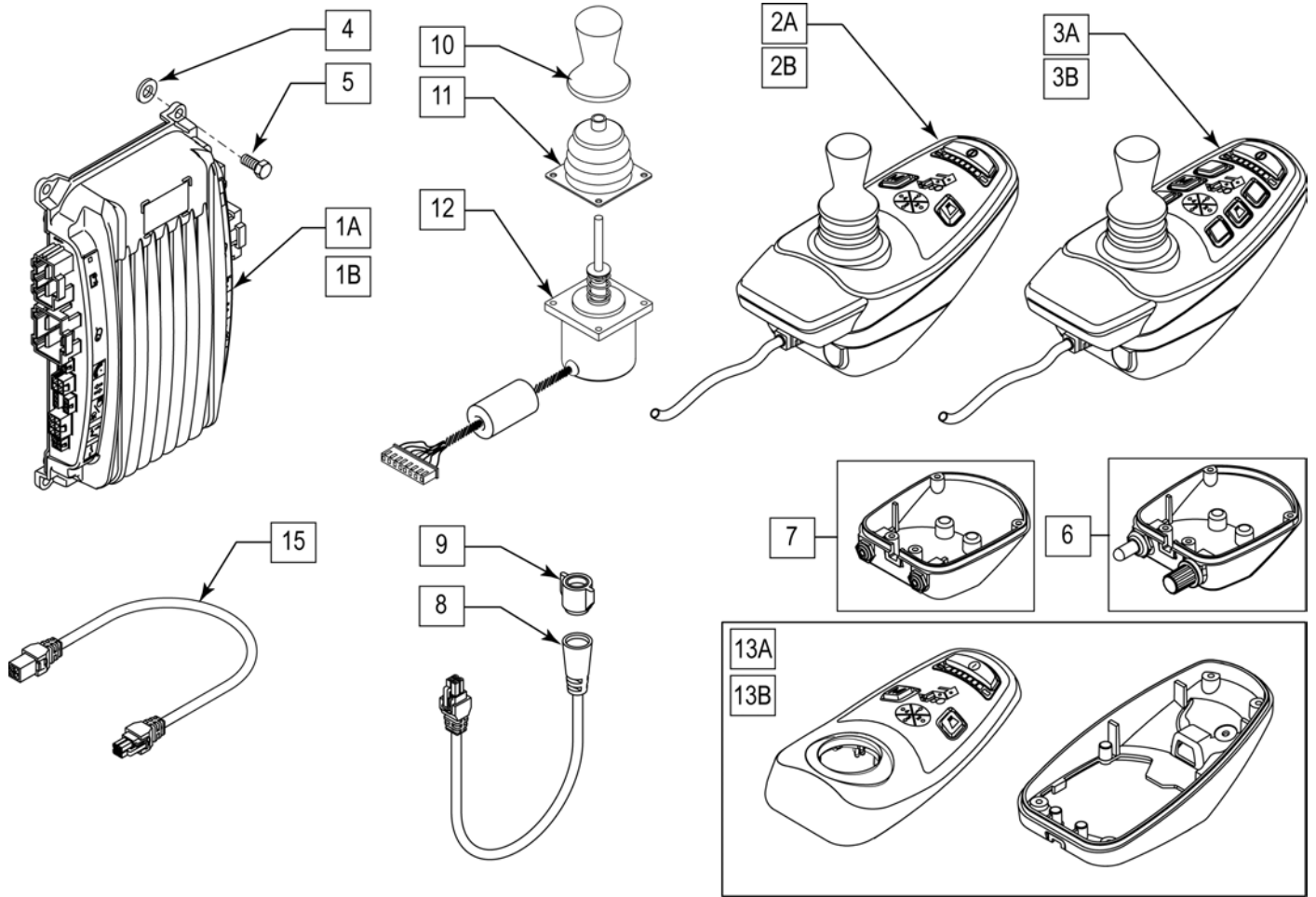


Pos.	Item Number	Description
1A	012522-001	PLATE ADAPTER ARM SPACER STANDARD
1B	012522-002	PLATE ADAPTER ARM SPACER WIDE
1C	012522-003	PLATE ADAPTER ARM SPACER NARROW
2A	012524	RECEIVER ARMREST SPACER R
2B	012525	RECEIVER ARMREST SPACER L
3	010758	NUT PLATE M6 X 25 FLUSH
4	011145	NUT PLATE ARMREST MOUNT
5	011648	WASHER FLAT M8
6	013158	SHCS M8 X 1.25 X 20 BLK W/PL
7	250104	WASHER FLAT M6
8	230113	BHCS M6 X 1 12 BLK W/PL



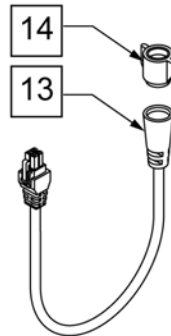
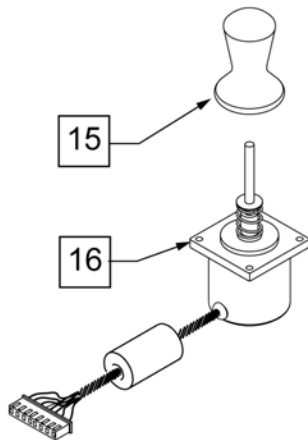
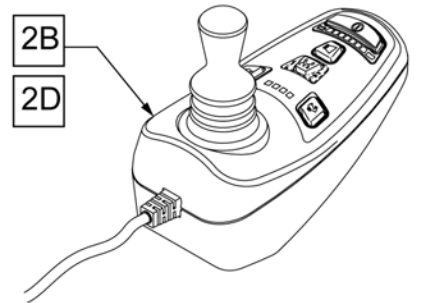
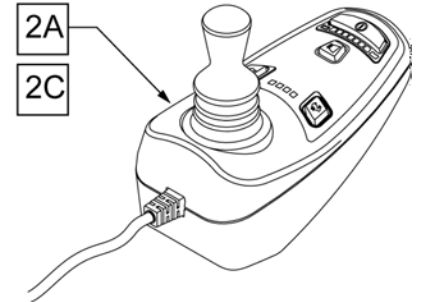
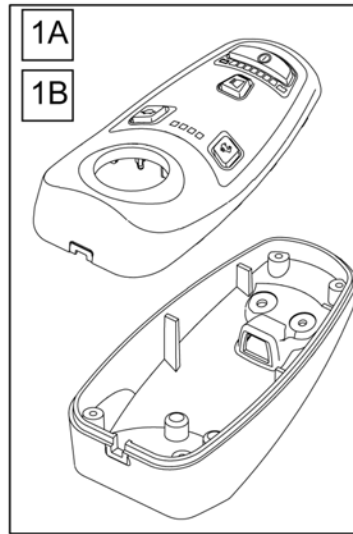
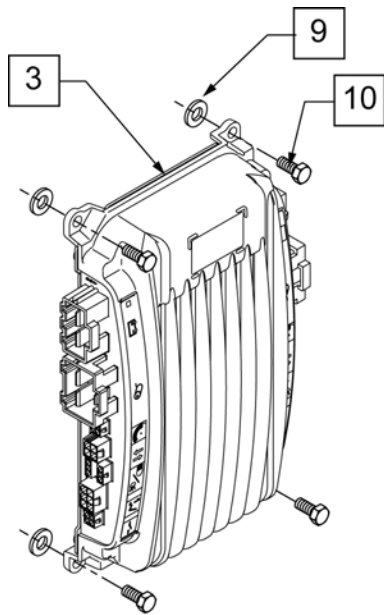
Pos.	Item Number	Description	Remarks
1A	755024	ELBOW PAD TROUGH ARMREST 11.5"	11.5" LONG
1B	755027	ELBOW PAD TROUGH ARMREST 14"	14" LONG
1C	755023	ELBOW PAD TROUGH ARMREST STD	8" LONG
2A	755022	HAND PAD TROUGH ARMREST	SIZE 4.5" X 7"
2B	561325	FRONT ARM PAD LARGE	SIZE 5.5" X 9"
3A	483249	ARMREST CHANNEL SHORT	
3B	505624	ARMREST CHANNEL LONG	USE WITH LARGE OTTO BOC PADS
4	226245	1/4-20 x 3/8 BH CS BLK ZN	
5	349598	BEARING IGUS 5/8 x 3/4 x 1/2	
6A	542096	FRNT MNT UPPER STRUT WLDMNT SHT	ARMREST HT. 11-14"
6B	542130	FRNT MNT UPPER STRT WLDMNT LNG	ARMREST HT. 13-16"
7	481457	UPPER PIVOT PIN	
8	483717	HANGER SADDLE	
9	221102	1/4-28 x 3/4 HEX C/S BLK W/PAT	
10	500078	INSERT D2 EXT TUBE	
11	542097	FRNT MNT LOWER STRUT WLDMNT	
12	481467	LOWER ARMEST BOSS	
13	341558	.5 x 1.0 x .043 BLLVILL WASHER	

Pos.	Item Number	Description	Remarks
14	349597	BEARING IGUS 1/2 x 5/8 x 5/8	
15	502248	FRONT ARMREST PIVOT POST	
16	226274	3/8-16 x 3/4 BH C/S BLK W/PTCH	
17	222297	10-24 x 3/8 SOC BH C/S W/PTCH	
18	542094	REAR PIVOT POST WLDMNT R	RIGHT
18	542095	REAR PIVOT POST WLDMNT L	LEFT
19	330152	1/8 x 3/4 ARMREST SPRING PIN	
20	321175	ARMREST SPRING	
21	505647	ARMREST LATCH	
22	250104	WASHER M6	
23	230113	BHCS M6 X 1 X 12 BLK W/PL	
24	010202	WELD REAR PIVOT BRKT ARMREST R	RIGHT
24	010203	WELD REAR PIVOT BRKT ARMREST L	LEFT
25	010758	NUT PLATE M6 X 25 FLUSH	
26	011024	M5 FLAT WASHER LARGE OD	
27	102259-001	BHCS M5 X .8 X 12 W/PL INORG	
28	551001	CONTROLLER MOUNT BLOCK	
29	012433	CNTRL ARM CLMP UNIVERSAL ASSM	
30	010065	M6 CHANNEL NUT	
31	506366	UNIVRSL ARMREST RCVR ASSM RH	
31	506367	UNIVRSL ARMREST RCVR ASSM LH	
32	340143	BUSHING .257IDx.25LG SST	
33	263100	5/16 AN WASHER FLAT	
34	230113	BHCS M6 X 1 X 12	
35	561186	ARM PAD PWR RCLN R	
35	561187	ARM PAD PWR RCLN L	
36	013422	ARMPAD WIDTH ADJ PLATE	
37	230497	M5-.8 X 20 MM BH C/S	
38	102262-002	BHCS M6X1X10 FULL PL	
3A-6A,7,11,13-16,18,20,21,27	887750	TILT/RCLNE ARMREST SHRT STD R	RIGHT
3A-6A,7,11,13-16,18,20,21,27	887751	TLT/RCLN ARMREST SHT STD L	LEFT
3B,4-6A,7,11,13-16,18,20,21,27	887752	TILT/RCLNE ARMREST LNG STD R	RIGHT
3B,4-6A,7,11,13-16,18,20,21,27	887753	TLT/RCLN ARMREST LNG STD L	LEFT
3A-5,6B,7,11,13-16,18,20,21,27,29	887770	TILT/RCLN ARMREST SHRT TALL R	RIGHT
3A-5,6B,7,11,13-16,18,20,21,27,29	887771	TLT/RCLN ARMREST SHT TALL L	LEFT
3B-5,6B,7,11,13-18,20,21,27,28	887772	TLT/RCLN ARMREST LNG TALL R	RIGHT
3B-5,6B,7,11,13-18,20,21,27,28	887773	TLT/RCLN ARMREST LNG TALL L	LEFT
22-25	012351	REAR PIVOT BRT ASSM L	LEFT
22-25	012420	REAR PIVOT BRT ASSM R	RIGHT
22,26,27,27,28	101552	RCLN ARMREST PAD MNT HDWR KIT	
4,5,7-10,12-14,16,17	101553	RCLN ARMREST HDWR KIT	
22,23,25,27,30,34	101555	RCLN ARMREST PAD MNT HDWR KIT	

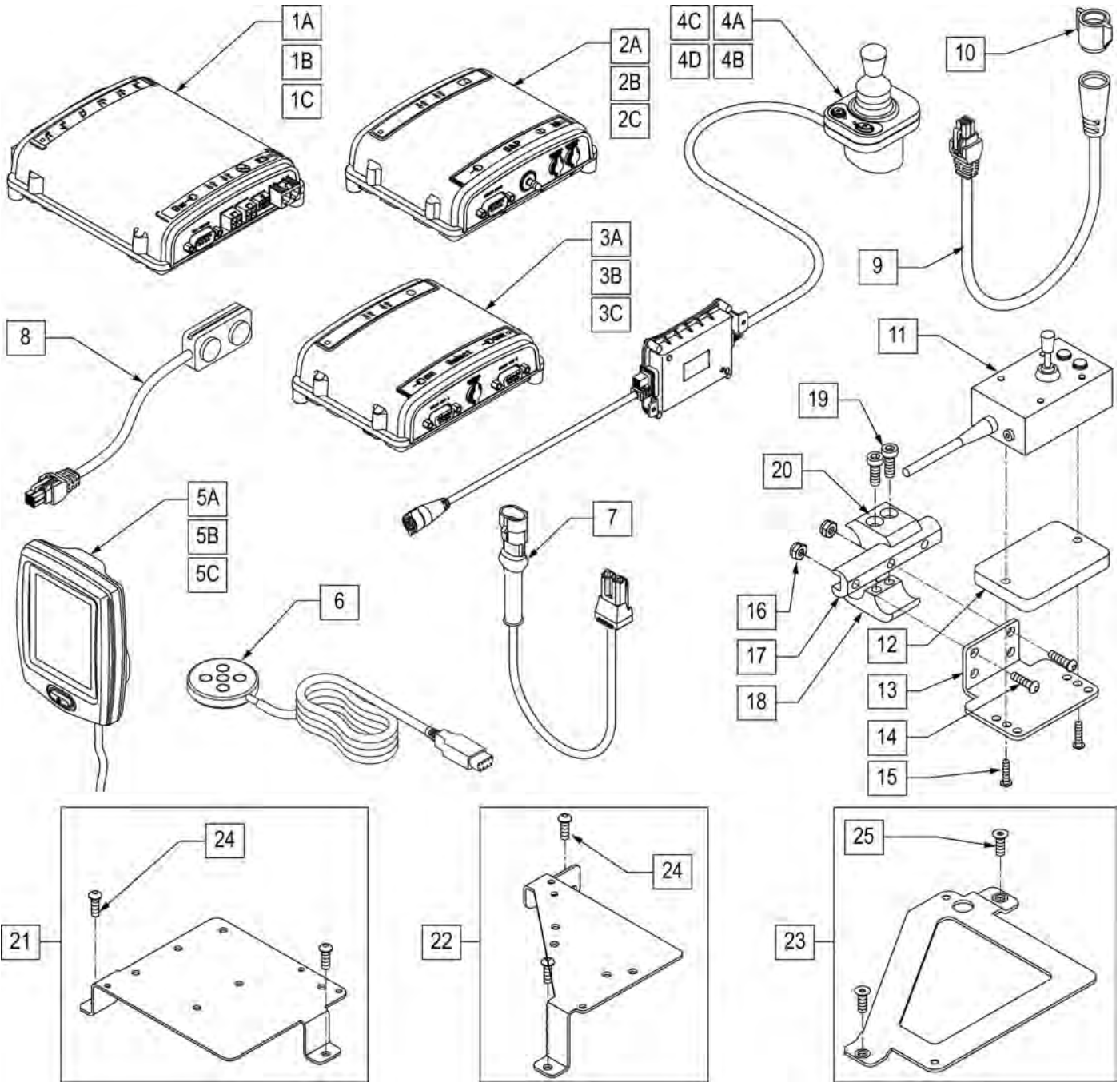


Pos.	Item Number	Description	Remarks
1A	020000S	CONTROLLER-REHAB BASIC	
1B	020001S	CONTROLLER-REHAB FULL	
2A	020012S	HANDCONTROL REHAB3 BTN	On chair replacment part only
2B	104959	QR3 SERVICE PART KIT	Off chair part
2A,11	020022S	HANDCONTROL REHAB3 SW+POT	On chair replacment part only
2B,11	104964	QR3 SW POT SRVC PART KIT	Off chair part
2A,12	020021S	HANDCONTROL REHAB3 + PHONO JACKS	On chair replacment part only
2B,12	104960	QR3 W JACKS SRVC PART KIT	Off chair part
3A	020010S	HANDCONTROL REHAB7	On chair replacment part only
3B	104965	QR7 SERVICE PART KIT	Off chair part
3A,11	020018S	HANDCONTROL REHAB7 SW+POT	On chair replacment part only
3B,11	104968	QR7 SW N POT SRVC PART KIT	Off chair part
3A,12	020017S	HANDCONTROL REHAB7 + PHONO JACKS	On chair replacment part only
3B,12	104966	QR7 W JACKS SRVC PART KIT	Off chair part
4	561028	1/4 NYLON WASHER	
5	014020	M5 X .8 X 12 POLYMER HEX	
6	020041	HANDCONTROL HEEL PAD SW + POT	
7	020042	HANDCONTROL HEEL PAD PHONO JACKS	
9	101722	RING LOCKING HCM BUS	
10	103744	KNOB HAND CONTROL BLACK	Discontinued, No Longer Available
12	014585	JOYSTICK ONLY DELPHI HCM	

Pos.	Item Number	Description	Remarks
13A	105908	3 BUTTON HOUSING ASSY	
13B	105909	7 BUTTON HOUSING ASSY	
8,9	020026-100	HARNESS DELPHI HCM BUS 1000 MM	40" LONG, Label w/Part# is affixed to cable
8,9	020026-200	HARNESS DELPHI HCM BUS 2000 MM	80" LONG, Label w/Part# is affixed to cable
15	020056-100	HARNESS DELPHI BUS EXTENSION 100MM	Cable ext - req'd on Z-Bop



Pos.	Item Number	Description	Remarks
1A		4 BUTTON HOUSING ASSY	no longer available
1B	105907	5 BUTTON HOUSING ASSY	
2A	101568S	HANDCONTROL STD 4 BTN	On chair replacment part only
2B	101569S	HANDCONTROL STD 5 BTN	On chair replacment part only
2C	104972	QC4 SERVICE PART KIT	Off chair part
2D	104973	QC5 SERVICE PART KIT	Off chair part
3	101566S	CONTROLLER-STD ACT	
9	561028	1/4" NYLON WASHER	
10	014020	M5 X .8 X 12 POLYMER HEX	
13,14	020026-100	HARNESS DELPHI HCM BUS 1000 MM	40" LONG, Label w/Part# is affixed to cable
13,14	020026-200	HARNESS DELPHI HCM BUS 2000 MM	80" LONG, Label w/Part# is affixed to cable
14	101722	RING LOCKING HCM BUS	
15	103744	KNOB HAND CONTROL BLACK	Discontinued, No Longer Available
16	014585	JOYSTICK ONLY DELPHI HCM	

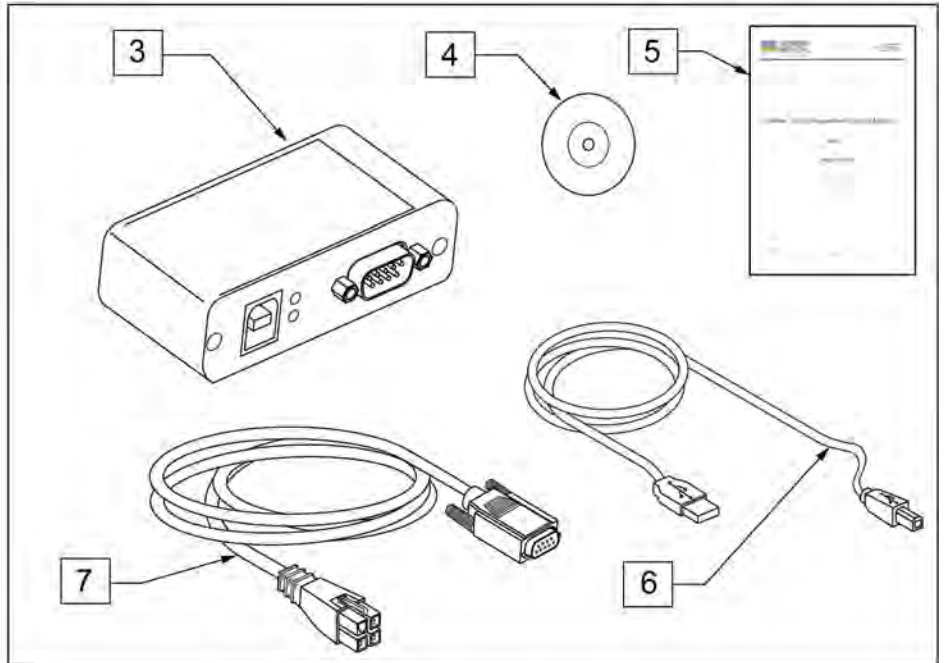
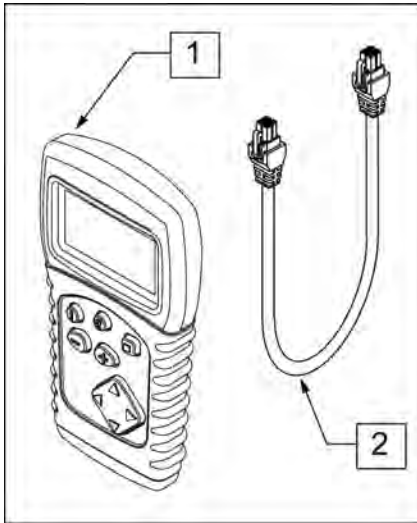


Pos.	Item Number	Description	Remarks
1A	020007S	QRMAC	On chair replacment part only
1B	104954	QRMAC2 PF RECLINE PART KIT	Off chair part (Use w/ Perfect Flt Recline)

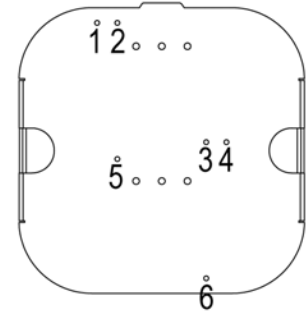
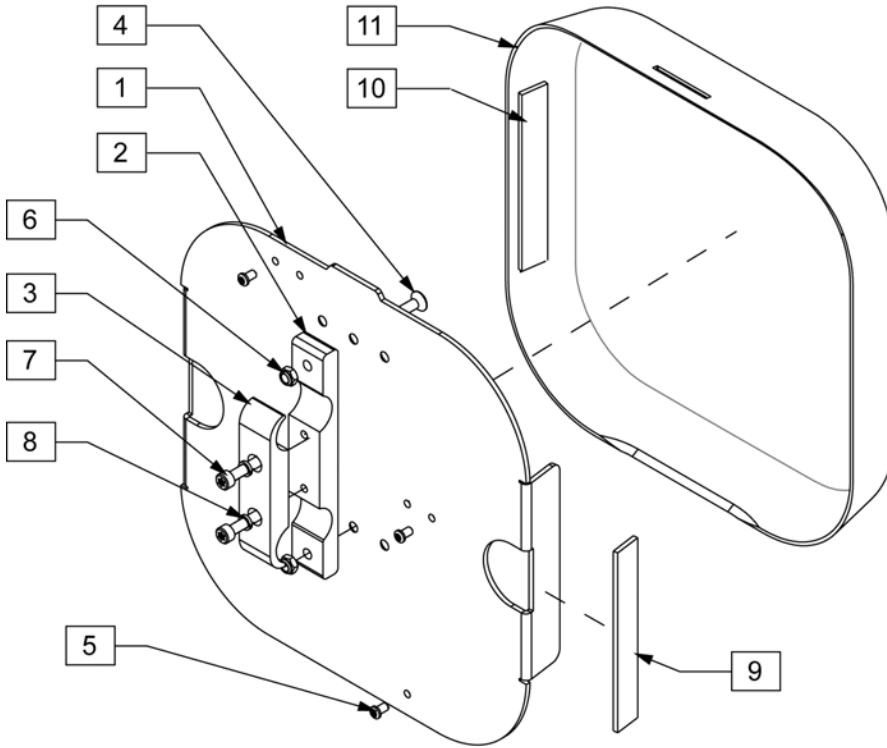
Pos.	Item Number	Description	Remarks
1C	104955	QRMAC2 RCLN W SHR PART KIT	Off chair part (Use w/ Recline w/Power Sheer)
2A	020006S	SPEC CONTROLS INPUT MOD	On chair replacment part only
2B	104951	SCM1 SERVICE PART KIT	Off chair part (SCM12)
2C	104953	SCM2 SERVICE PART KIT	Off chair part (SCM34)
3A	020008S	discontinued	
3B	104947	discontinued	
3C	104950	discontinued	
4A	020009S	QR2 BUTTON COMPACT JOYSTICK	On chair replacment part only
4B	101659	Q-AD ATTENDANT JOYSTICK	On chair replacment part only
4C	104969	QR2 SERVICE PART KIT	Off chair part
4D	104971	QAD SERVICE PART KIT	Off chair part
5A	020024S	ENHANCED DISPLAY MOD	On chair replacment part only
5B	104956	QRED FOR MTR CNTRL PART KIT	Off chair part (use w/motor control only)
5C	104958	QRED FOR QRMAC2 PART KIT	Off chair part (use w/QRMAC)
6	discontinued	SWITCH PENTA	
7	012498-150	HARNESS DELPHI QMAC PWR 1500 MM	70" LONG, Label w/Part# is affixed to cable
7	012498-175	HRNSS DELPHI QMAC PWR 1750 MM	80" LONG, Label w/Part# is affixed to cable
8	102793	SWITCH DUAL PUSHBUTTON MODULE	
9	101722	RING LOCKING HCM BUS	

Pos.	Item Number	Description	Remarks
9,10	020026-100	HARNESS DELPHI HCM BUS 1000 MM	40" LONG, Label w/Part# is affixed to cable
9,10	020026-200	HARNESS DELPHI HCM BUS 2000 MM	80" LONG, Label w/Part# is affixed to cable
11	020037	SWITCH QMAC HEX ACTUATOR	
12	505789	5 SWITCH MOUNT SPACER	
13	505978	5 SWITCH DUAL POST MOUNT BRCKT	
14	226064	1/4-28 X 3/4 BH C/S BLK W/PTCH	
15	230497	M5-.8 X 20 MM BH C/S	
16	106934	1/4-28 NYLOCK NUT	
17	550374	WHL LCK SLIDE BLOCK 3 1/2" BLK	
18	550725	CLAMP 3/4"-3/4"THR D HALF ST/DT	
19	107032	1/4-28 X 1 SOC C/S BLK	
20	550724	CLAMP 3/4"-3/4"TOP HALF ST/DT	
21	012252	BRACKET MNTG DELPHI	QMAC, ECM & SCM mount for Perfect Fit Manual Recline Back
22	012267	BRKT DELPHI SCIM OR ECM	QMAC mount for old Dual Kieper Power Recline, for new style power recline mounting see "RECLINE WITH POWER SHEAR BACKREST" parts manual page.
23	012266	BRACKET DELPHI-QMAC	ECM & SCM mount for old Dual Kieper Power Recline, for new style power recline mounting see "RECLINE WITH POWER SHEAR BACKREST" parts manual page.

Pos.	Item Number	Description	Remarks
24	102257	BHCS M4 X .7 X 8 INORGANIC	2 req'd to mount 012252 or 012267
25	230455	M4X8 FH SOC/CS	2 req'd to mount 012266

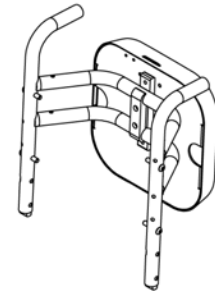


Pos.	Item Number	Description
1,2	014082	discontinued
2	020029-150	HARNESS DELPHI BUS 1500 MM
3-7	101871	QUICKIE PCSS KIT

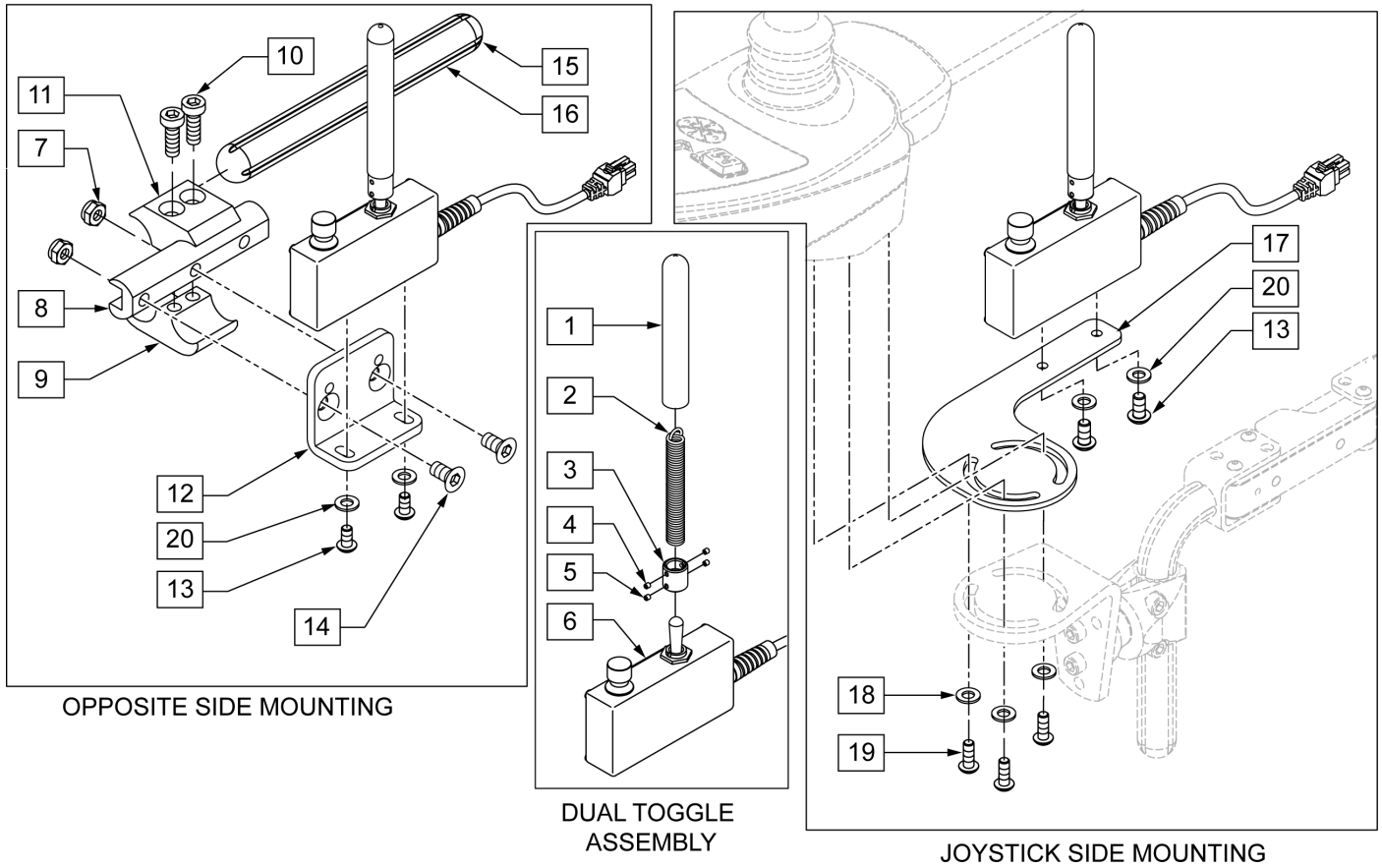


SETUP	HOLE CONFIG	
QMAC & SCIM	QMAC	Holes 1 & 4
	SCIM	Holes 5 & 6
2 SCIM Modules	SCIM (1)	Holes 2 & 3
	SCIM (2)	Holes 5 & 6

TO ATTACH THE SCIM AND/OR QMAC USE BOLT
P/N 230459 M4-.7X8MM BH C/S

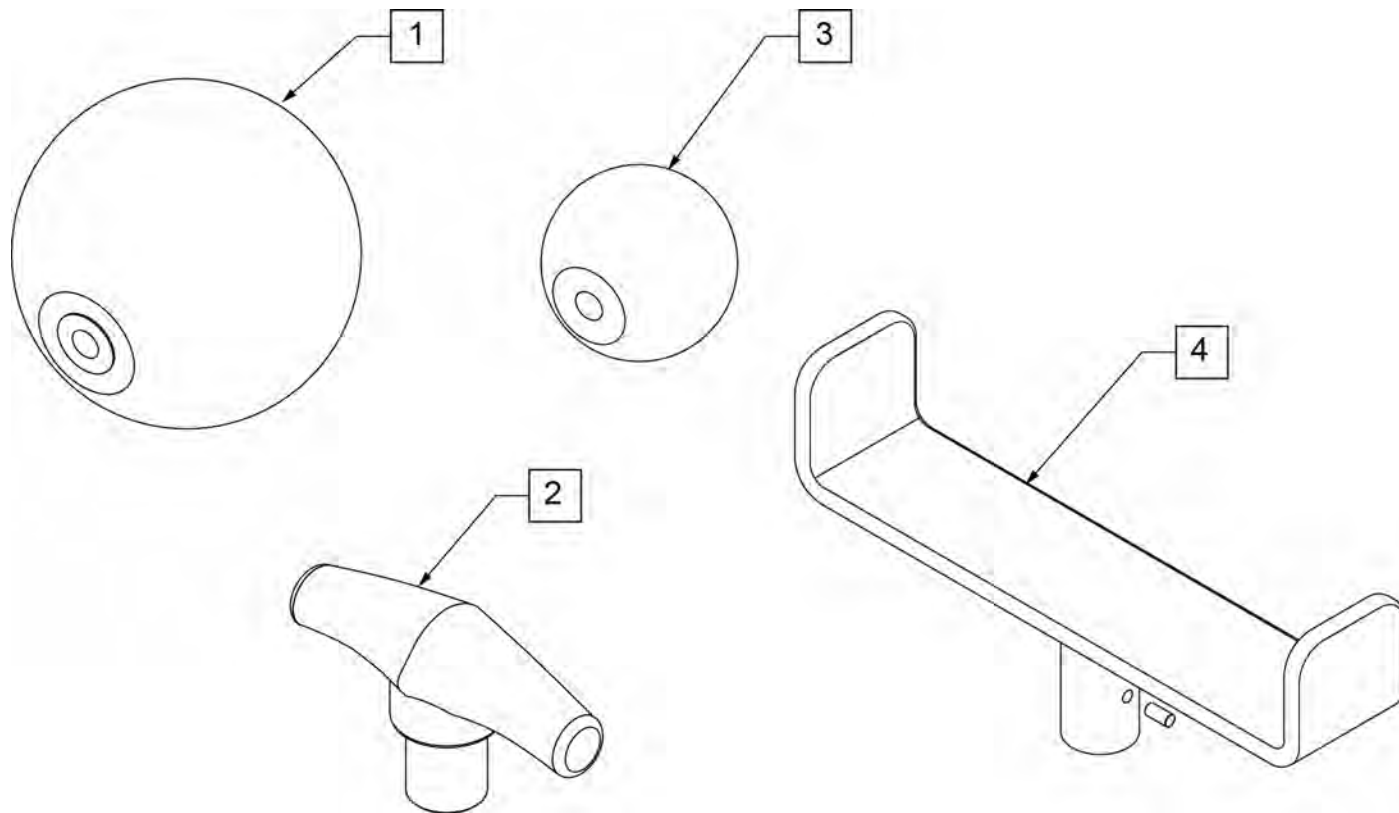


Pos.	Item Number	Description
1	020072	DELPHI MNT PLT REHAB BCK
2	502313	CLAMP PIVOT VENT TRAY SMAL
3	502294	VENT TRAY PIVOT CLAMP RECESS
4	102265-003	FHCS M6X1X25 FULL NP
5	102257	BHCS M4 X .7 X 8 INORGANIC
6	200113	NUT HEX NYLOCK M6 X 1
7	102263-003	SHCS M6 X 1 X 25 W/PL INORG
8	262114	1/4 WASHER HI COLLAR LOCK ZN
9	012080-002	HOOK BLK VLCRO PS 1" x 5"
10	011803-004	1 X 5 LOOP BLACK PSA117
11	020062	DELPHI STD REHAB SHROUD
1-11	101785	STD REHAB DELPHI MNTING BACK

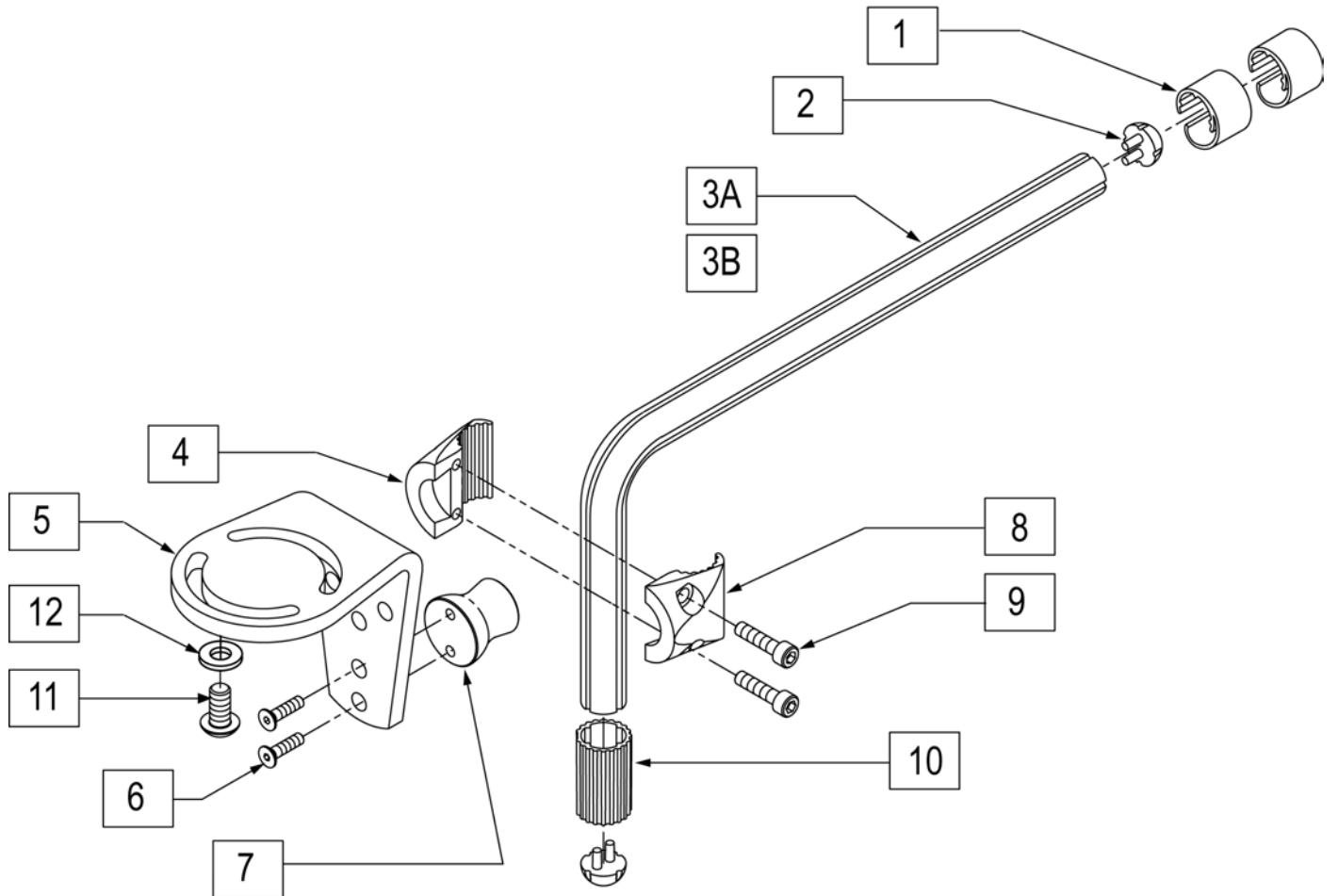


Pos.	Item Number	Description	Remarks
1	560305	4 X .375 ID X .125 FOAM GRIP	
2	321104	SPRING .38 ODX2.85-TILT SWITCH	
3	341125	COUPLER -TILT SWITCH	
4	225106	4-40 X 1/8 SET SCREW BLK	
5	225105	4-40 X 1/16 SET SCREW BLK	
6	014676	SWITCH DIRECT ACT	TOGGLE SWITCH (A.K.A DUAL TOGGLE)
7	106934	1/4-28 NYLOCK NUT	
8	550374	WHL LCK SLIDE BLOCK 3 1/2" BLK	
9	550725	CLAMP 3/4"-3/4"THRD HALF ST/DT	
10	107032	1/4-28 X 1 SOC C/S BLK	
11	550724	CLAMP 3/4"-3/4"TOP HALF ST/DT	
12	101468	DAS MOUNT ADAPTER	
13	013143	BHCS M5 x .8 x14 BLK W/ PL	
14	226105	1/4-28 X 3/4 FH C/S BLK	
15	011956	CAP TUBE 3/4"	
16	011957-007	3/4" 2 HOLE TUBE 11"	
17	101467	DIRECT ACT SWITCH MOUNT	
18	261204	#10 AN WASHER .063	
19	000925.0263	BHCS M5 X 16 W/PL BLK CL 10.9	

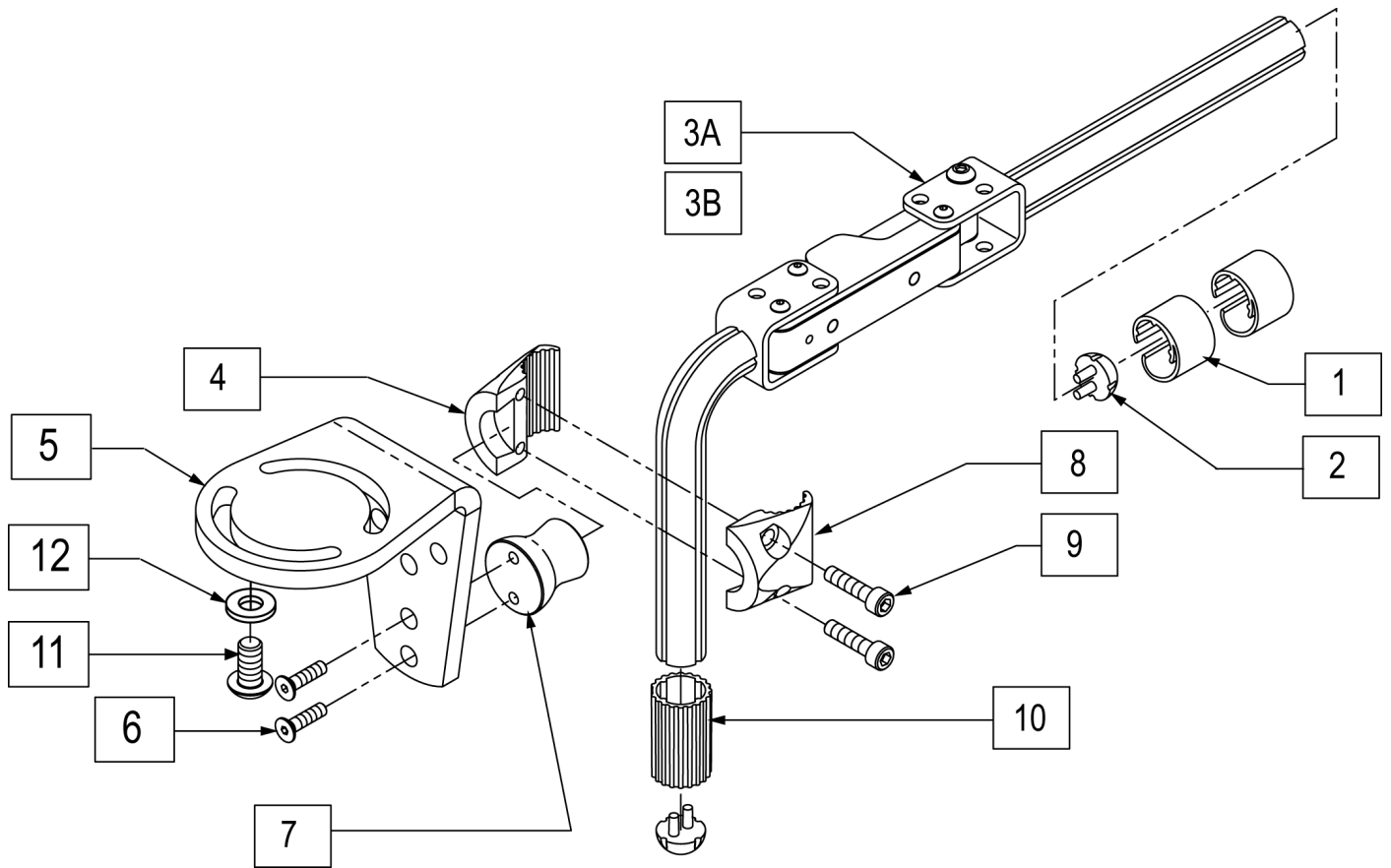
Pos.	Item Number	Description	Remarks
20	261204	#10 AN WASHER .063	
1-6,13,17-20	101986	RHYTHM DUAL TOGGLE KIT JYSTK SIDE	TOGGLE SWITCH (A.K.A DUAL TOGGLE)
1-6,7-16,18,20	101987	RHYTHM DUAL TOGGLE KIT OPST JYSTK	TOGGLE SWITCH (A.K.A DUAL TOGGLE)



Pos.	Item Number	Description
1	138165	J/S KNOB BALL HANDLE (SOFT)
2	138167	J/S KNOB T-BAR
3	138166	J/S KNOB BALL HANDLE (SOLID)
4	013113	GOALPOST JOYSTICK EXT



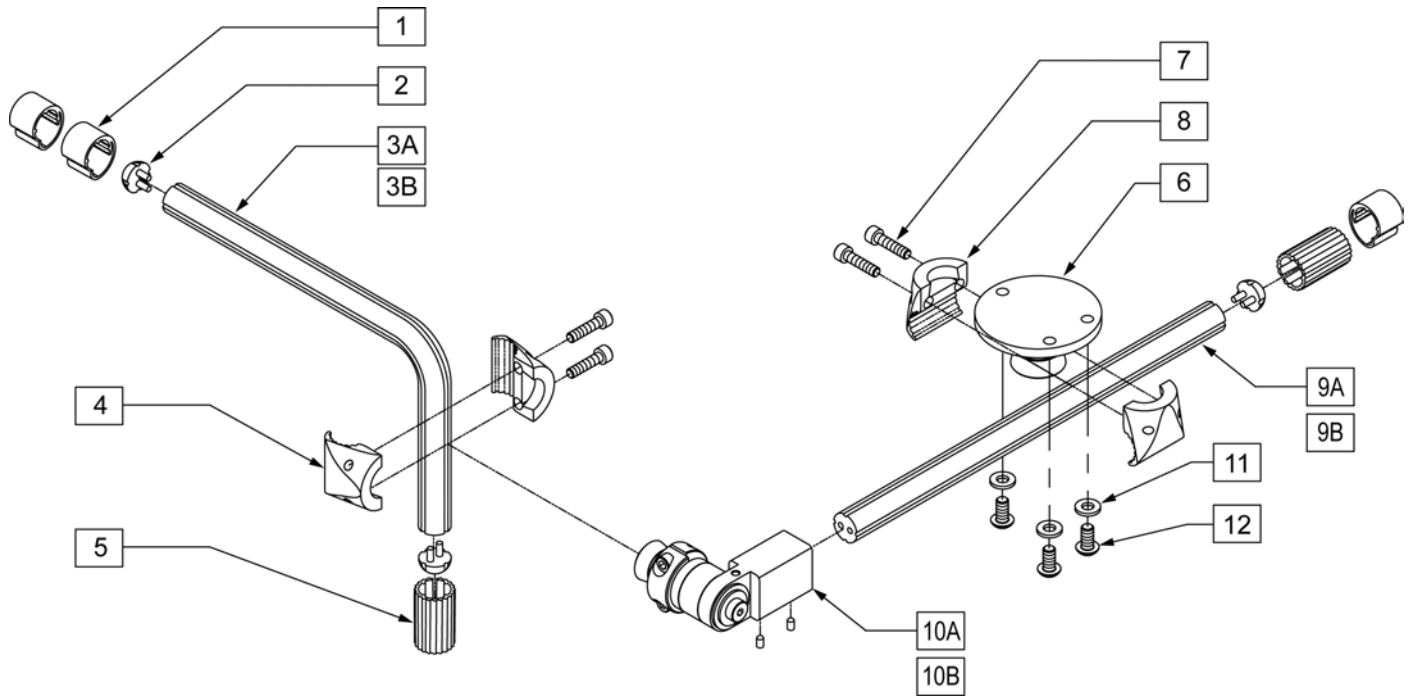
Pos.	Item Number	Description	Remarks
1	011958	CLAMP PLASTIC CABLE GUIDE	
2	011956	CAP TUBE 3/4"	
3A	013256	3/4" 2 HOLE TUBE STANDARD MOUNT	SHORT
3B	013257	3/4" 2 HOLE TUBE STANDARD MOUNT	LONG
4	011946	CLAMP NUT TAPER 3/4" TUBE	
5	013421	ANGLE CONTROL MOUNT STANDARD	
6	102263-001	SHCS M6X1X16 FULL NP	
7	012305	MOUNT LOW COST TAPER	
8	011947	CLAMP THROUGH TAPER 3/4" TUBE	
9	102263-003	SHCS M6 X 1 X 25 W/PL INORG	
10	011959	INSERT PLASTIC DELPHI CLAMP	
11	013143	BHCS M5 X .8 X 14 BLK W/ PL	
12	261204	#10 AN WASHER .063	
1-3A,4-12	013346	DELPHI JOYSTICK MOUNT STD 90D	SHORT
1-3B,4-12	101780	DELPHI JOYSTICK STD 90D	LONG
4,8,9	102289	3/4 TUBE CLAMP TAPER ASSM	
4, 8, 9	102289	3/4 TUBE CLAMP TAPER ASSM	



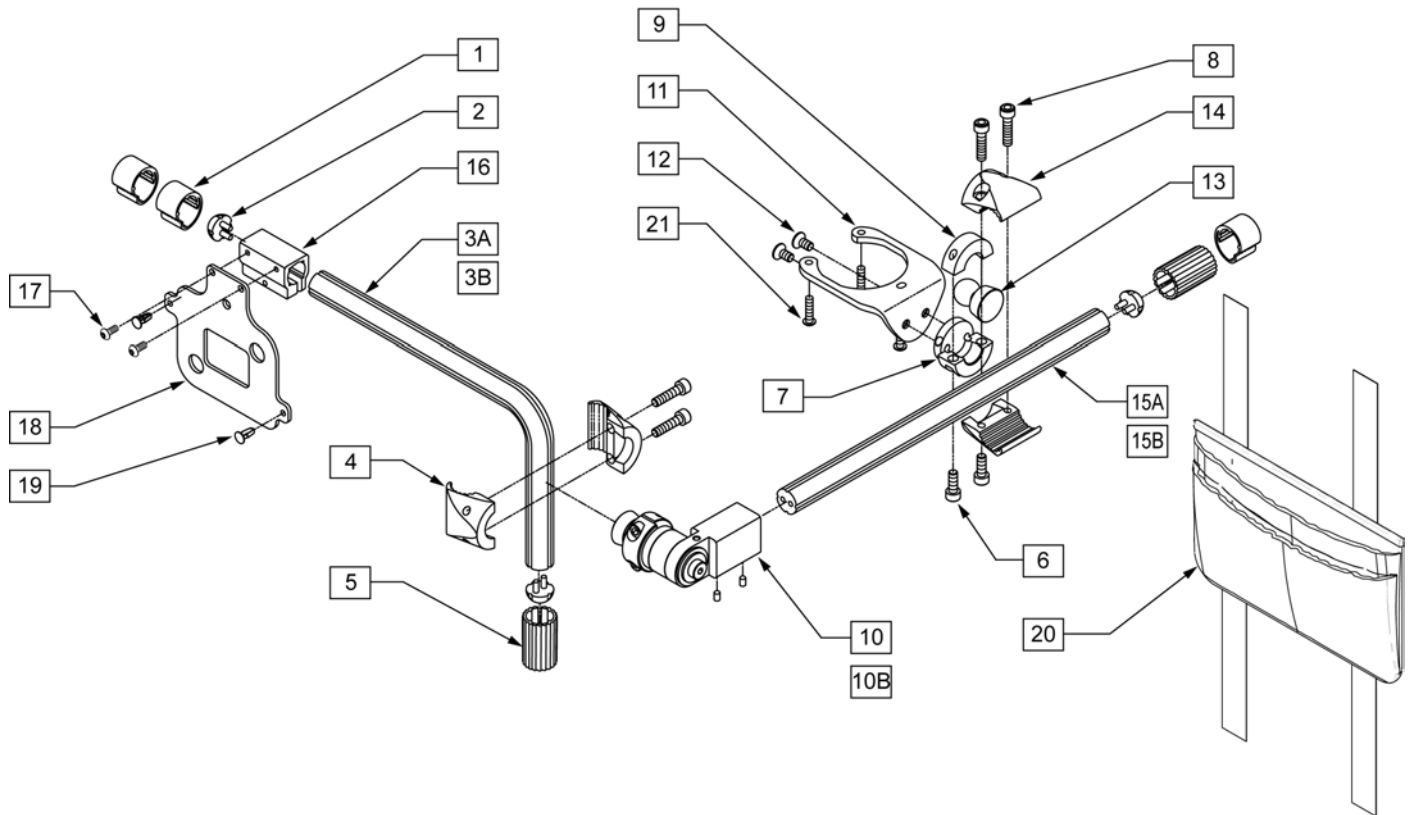
Pos.	Item Number	Description
1	011958	CLAMP PLASTIC CABLE GUIDE
2	011956	CAP TUBE 3/4"
3A	013260	S/A 2 HOLE TUBE ASSM 90D RH
3B	013261	S/A 2 HOLE TUBE ASSM 90D LH
4	011946	CLAMP NUT TAPER 3/4" TUBE
5	013421	ANGLE CONTROL MOUNT STD
6	102263-001	SHCS M6X1X16 FULL NP
7	012305	MOUNT LOW COST TAPER
8	011947	CLAMP THROUGH TAPER 3/4" TUBE
9	102263-003	SHCS M6 X 1 X 25 W/PL INORG
10	011959	INSERT PLASTIC DELPHI CLAMP
11	013143	BHCS M5 X .8 X 14 BLK W/PL
12	261204	#10 AN WASHER .063
1-3A,4-11	013262	CONTROL MNT S/A ASSM 90D RH
1-3B,4-11	013263	CONTROL MNT S/A ASSM 90D LH
4, 8-9	102289	3/4 TUBE CLAMP TAPER ASSM

MIDLINE JOYSTICK MOUNT

[08/2007]



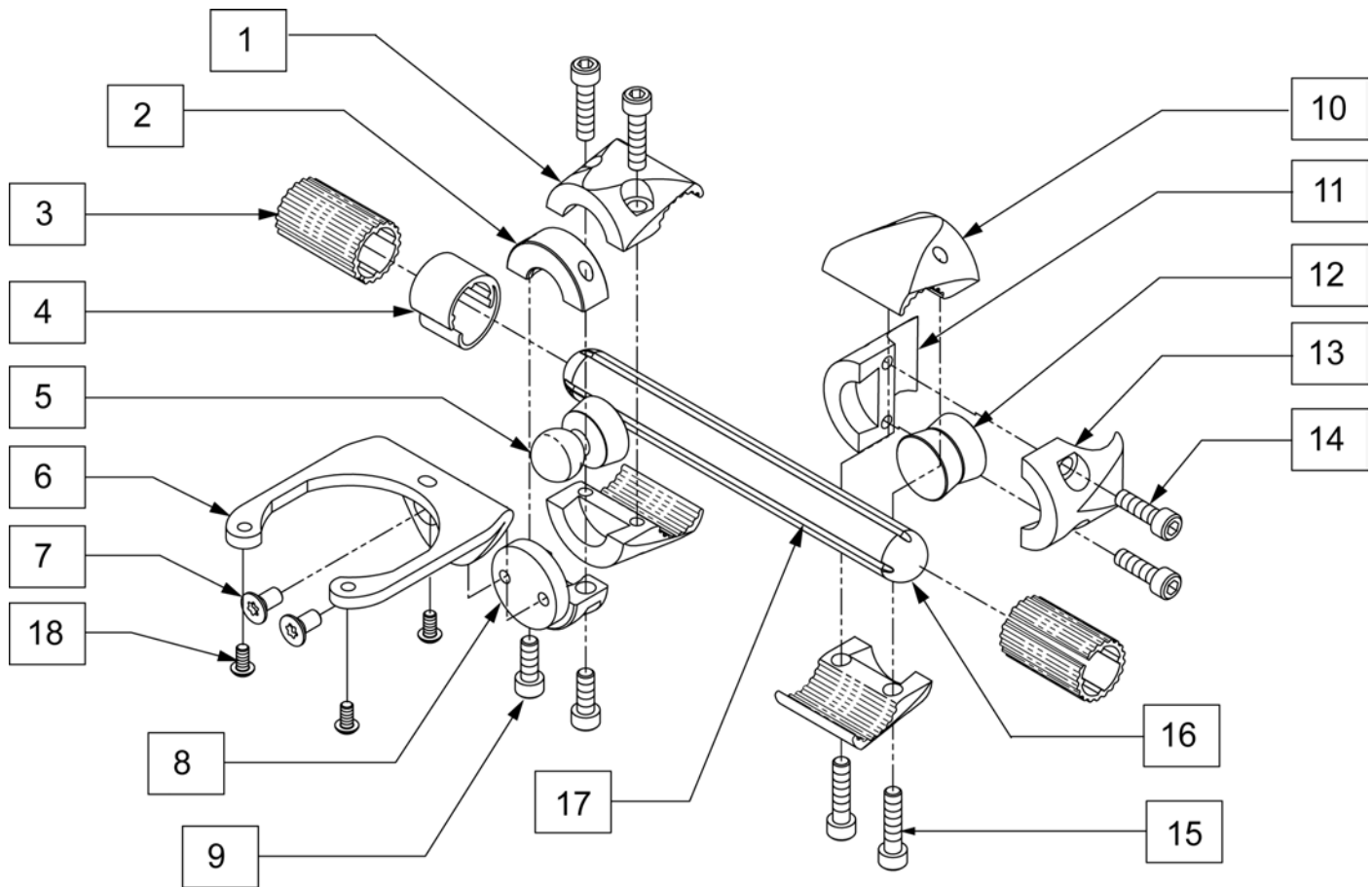
Pos.	Item Number	Description
1	011958	CLAMP PLASTIC CABLE GUIDE
2	011956	CAP TUBE 3/4"
3A	013256	3/4" 2 HOLE TUBE STD MNT SHORT
3B	013257	3/4" 2 HOLE TUBE STD MNT LONG
4	011946	CLAMP NUT TAPER 3/4" TUBE
5	011959	INSERT PLASTIC DELPHI CLAMP
6	013415	MOUNT TAPER MIDLINE CONTROL
7	101699	SHCS M6 X 1 X 25 BLK W/PL
8	011947	CLAMP THROUGH TAPER 3/4" TUBE
9A	011957-006	3/4" 2 HOLE TUBE 12
9B	011957-009	3/4" 2 HOLE TUBE 15
10A	013411-001	SWING AWAY ASSM VERTICAL RH
10B	013411-002	SWING AWAY ASSM VERTICAL LH
11	261204	#10 AN WASHER .063
12	013143	BHCS M5 X .8 X 14 BLK W/PL
4,7,8	102289	3/4 IN TUBE CLAMP TAPER ASSM
1-3B, 1-9A,10A	013675	DELPHI MNT ASM MDLN LH 12-18W
1-3B, 1-9A,10B	013674	DELPHI MNT ASM MDLN RH 12-18W
1-3B, 1-9B,10A	013676	DELPHI MNT ASM MDLN RH 16-24W
1-3B, 1-9B,10B	013677	DELPHI MNT ASM MDLN LH 16-24W



Pos.	Item Number	Description
1	011958	CLAMP PLASTIC CABLE GUIDE
2	011956	CAP TUBE 3/4"
3A	013256	3/4" 2 HOLE TUBE STD MNT SHORT
3B	013257	3/4" 2 HOLE TUBE STD MNT LONG
4	011946	CLAMP NUT TAPER 3/4" TUBE
5	011959	INSERT PLASTIC DELPHI CLAMP
6	101699	SHCS M6 x 1 x 25 BLK W/PL
7	011943	CLAMP MOUNT 3/4" BALL
8	101699	SHCS M6 x 1 x 25 BLK W/PL
9	011941	CLAMP NUT 3/4" BALL
10A	013411-001	SWING AWAY ASSM VERTICAL RH
10B	013411-002	SWING AWAY ASSM VERTICAL LH
11	101884	MNT PLATE DELPHI ATDNT JOYSTCK
12	230128	FHCS M6 x 1 x 12
13	011942	BALL MOUNT 3/4
14	011947	CLAMP THROUGH TAPER 3/4" TUBE
15A	011957-006	3/4" 2 HOLE TUBE 12"
15B	011957-009	3/4" 2 HOLE TUBE 15"
16	010765	CONTROL ARM CLMP SQ/RD INTGRTD
17	102259-001	BHCS M5 X .8 X 12 W/PL INORG
18	013548	MOUNT BOX MINI HAND CNTRL

Pos.	Item Number	Description
19	560111	PLASTIC SNAP RIVET
20	011687	POWER CORD POUCH (Rehab)
21	013141	BHCS M4 x .7 x 10 BLK W/PL
16-19	101779	MOUNT BOX ASSM PERFECT FIT
1-3A,4-10A,11-15A	013678	MINI HCM MIDLNE MNT RH 12-18W
1-3A,4-10B,11-15A	013679	MINI HCM MIDLNE MNT LH 12-18W
1-3B,4-10A,11-15A	101775	MIDLINE MINI MNT LN 12" R S/A
1-3B,4-10B,11-15A	101776	MIDLINE MINI MNT LN 12" L S/A
1-3B,4-10A,11-15B	101777	MIDLINE MINI MNT LG 15" R S/A
1-3B,4-10B,11-15B	101778	MIDLINE MINI MNT LG 15" L S/A
1-3A,4-10A,11-15B	013680	MINI HCM MIDLNE MNT RH 16-24W
1-3A,4-10B,11-15B	013681	MINI HCM MIDLNE MNT LH 16-24W
4, 8, 14	102289	3/4" TUBE CLAMP TAPER ASSM

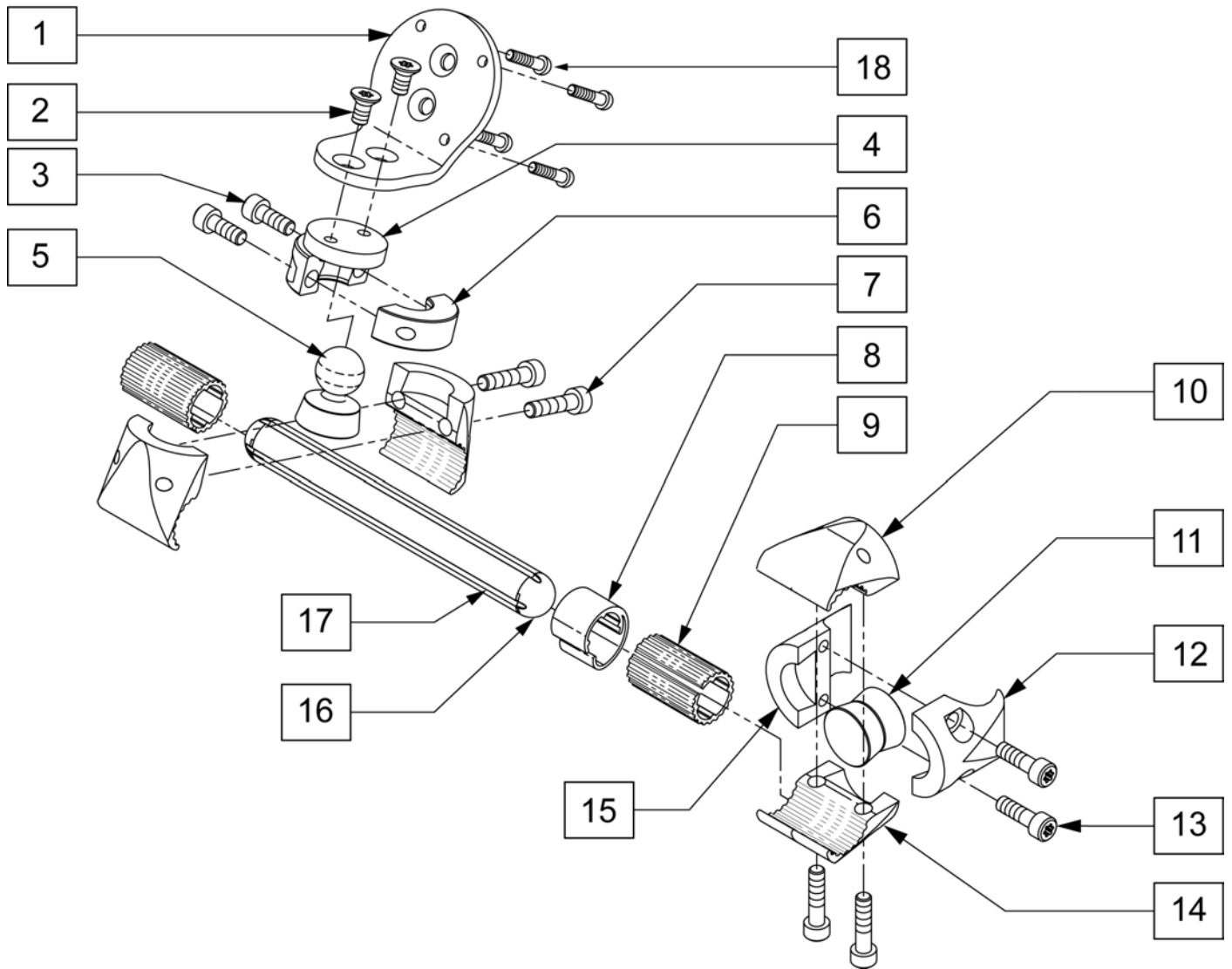
REAR ATTENDANT MOUNT



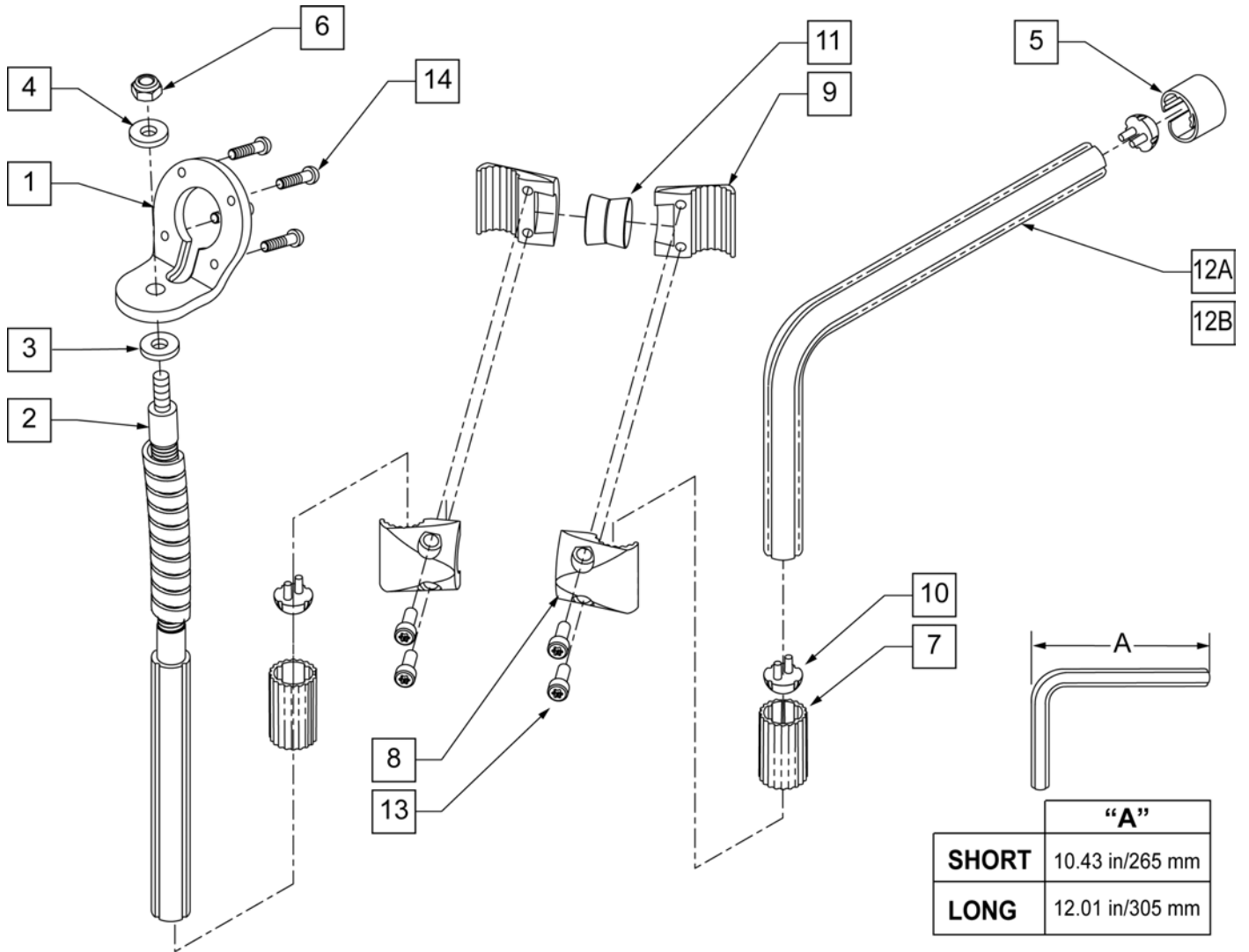
Pos.	Item Number	Description
1	011947	CLAMP THROUGH TAPER 3/4 TUBE
2	011941	CLAMP NUT 3/4 BALL
3	011959	INSERT PLASTIC DELPHI CLAMP
4	011958	CLAMP PLASTIC CABLE GUIDE
5	011942	BALL MOUNT 3/4
6	101884	MNT PLATE DELPHI ATDNT JOYSTCK
7	230128	FHCS M6 x 1 x 12
8	011943	CLAMP MOUNT 3/4 BALL
9	102263-001	SHCS M6X1X16 FULL NP
10	011946	CLAMP NUT TAPER 3/4 TUBE
11	011974	CLAMP NUT TAPER 1 TUBE
12	011945	ADAPTER TAPER TAPER
13	011973	CLAMP THROUGH TAPER 1 TUBE
14	102263-002	SHCS M6X1X20 FULL NP
15	102263-003	SHCS M6 X 1 X 25 W/PL INORG
16	011956	CAP TUBE 3/4
17	011957-002	3/4 2 HOLE TUBE 6
18	013141	BHCS M4 x .7 x 10 BLK W/PL
1-18	012304	DELPHI RR MNT ATDNT CTRL ASSM
1, 10, 15	012289	3/4 TUBE CLAMP TAPER ASSM
11, 13, 14	102290	1" TUBE CLAMP TAPER ASSM

REAR ED (electronic display) MOUNT

[03/2010]



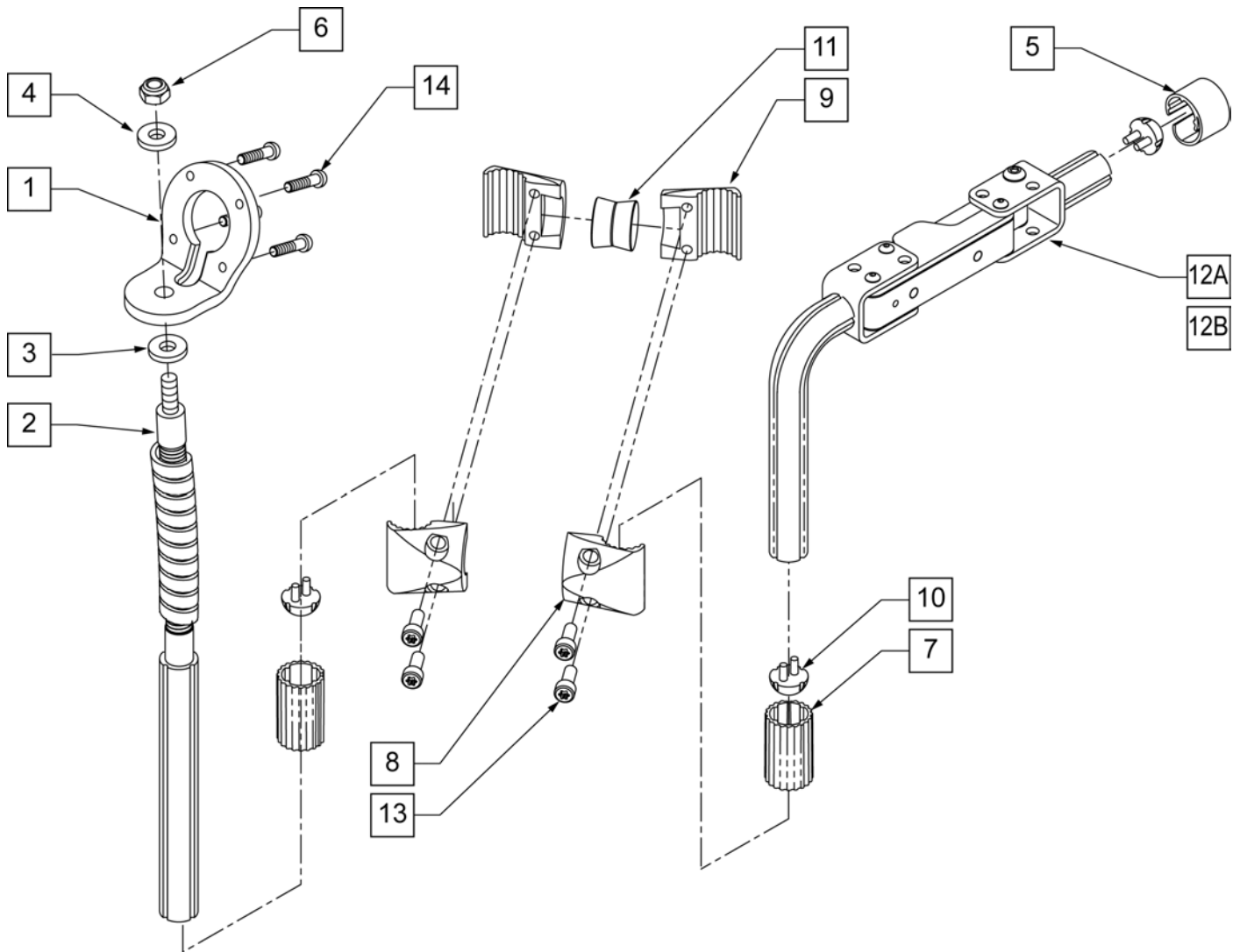
Pos.	Item Number	Description	Pos.	Item Number	Description
1	011954	MNT PLATE DELPHI DISPLAY	12	011973	CLAMP THROUGH TAPER 1" TUBE
2	230128	FHCS M6 X 1 X 12	13	102263-002	SHCS M6X1X20 FULL NP
3	102263-001	SHCS M6X1X16 FULL NP	15	011974	CLAMP NUT TAPER 1" TUBE
4	011943	CLAMP MOUNT 3/4" BALL	16	011956	CAP TUBE 3/4"
5	011942	BALL MOUNT 3/4"	17	011957-002	3/4" 2 HOLE TUBE 6"
6	011941	CLAMP NUT 3/4" BALL	18	230111	BHCS M4 X .7 X 8
7	102263-003	SHCS M6 X 1 X 25 W/PL INORG	1-18	012303	DELPHI REAR MNT DISPLAY ASSM
8	011958	CLAMP PLASTIC CABLE GUIDE	1, 10, 14	102289	3/4" TUBE CLAMP TAPER ASSM
9	011959	INSERT PLASTIC DELPHI CLAMP	12, 13, 15	102290	1" TUBE CLAMP TAPER ASSM
11	011945	ADAPTER TAPER TAPER			



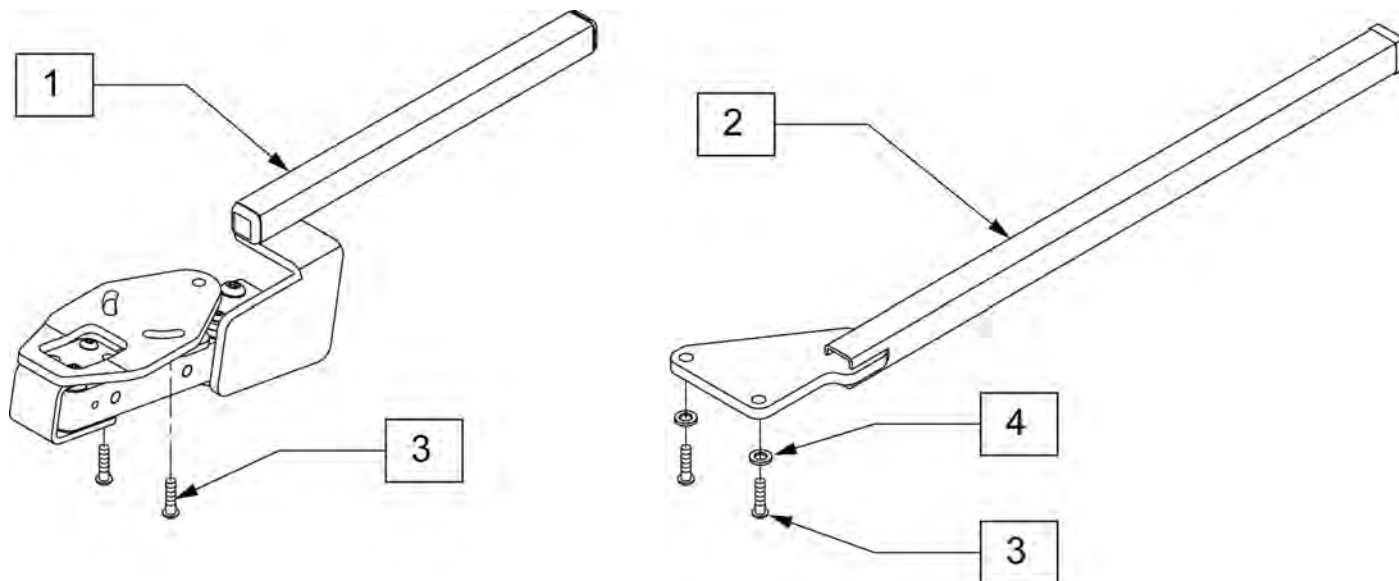
Pos.	Item Number	Description	Remarks
1	103724	PLATE MNT ADJ DELPHI DISPLAY	
3	262143	5/16" LOCK WASHER INT/EXT TOOTH	
4	011648	WASHER FLAT M8	
5	011958	CLAMP PLASTIC CABLE GUIDE	
6	210085	NUT HEX NYLOCK M8 BLACK	
7	011959	INSERT PLASTIC DELPHI CLAMP	
10	011956	CAP TUBE 3/4"	
11	011945	ADAPTER TAPER TAPER	
12A	013256	3/4" 2 HOLE TUBE STD MNT SHORT	SHORT
12B	013257	3/4" 2 HOLE TUBE STD MNT LONG	LONG
13	102262-003	BHCS M6 X 1 X 20 INORGANIC	
14	230111	BHCS M4 x .7 x 8	
8, 9, 13	102289	3/4" TUBE CLAMP TAPER ASSM	
1-11,13, 14	103213	ENHANCED DISPLAY MOUNT ASSM	
1-12A,14	101783	FLEXIBLE ARM 12 W/ SHRT TUBE	SHORT
1-12B,14	101784	FLEXIBLE ARM 12 W/ LONG TUBE	LONG

SWING AWAY ED (electronic display) MOUNT

[03/2010]

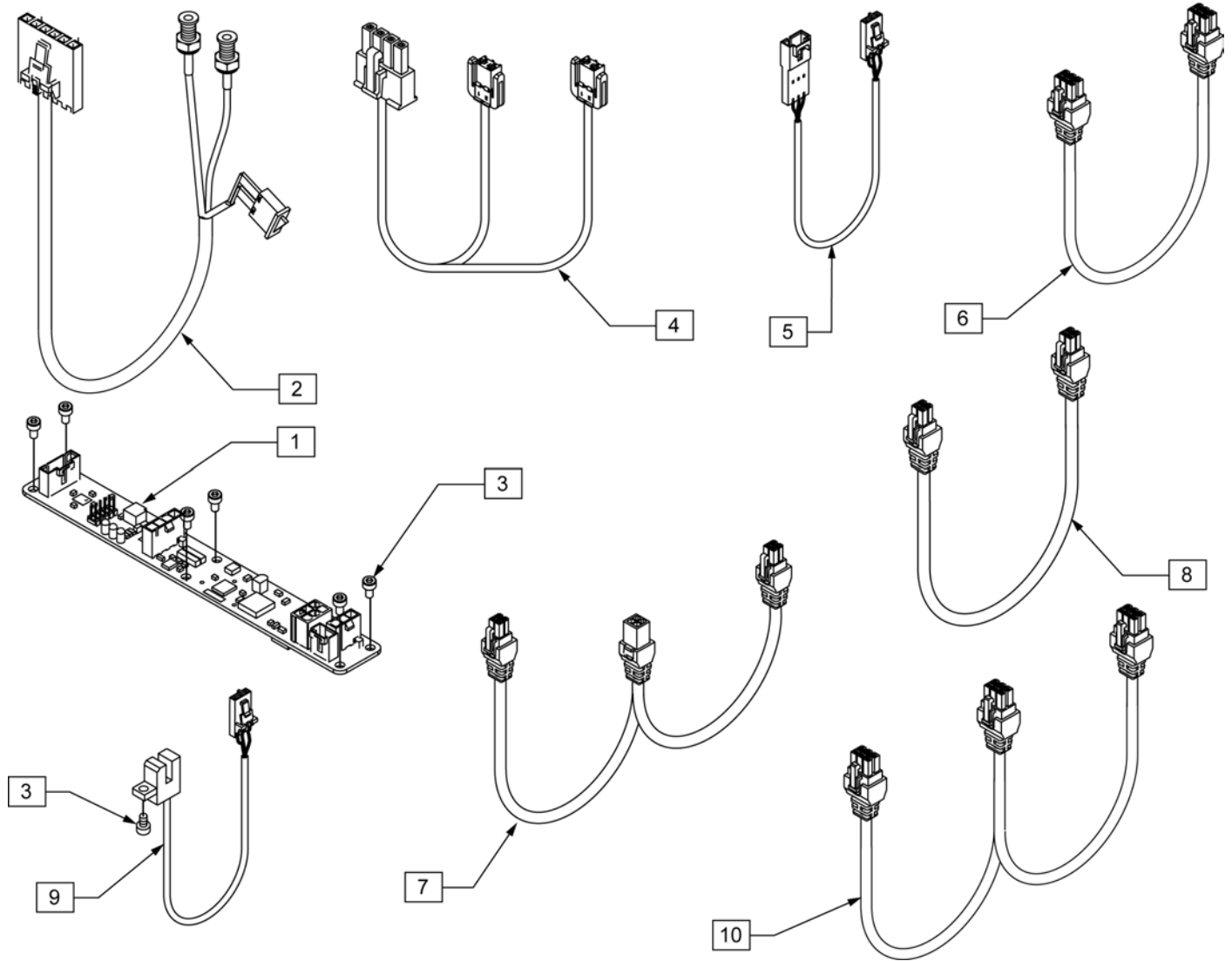


Pos.	Item Number	Description	Remarks
1	103724	PLATE MNT ADJ DELPHI DISPLAY	
3	262143	5/16 LOCK WASHER INT/EXT TOOTH	
4	011648	WASHER FLAT M8	
5	011958	CLAMP PLASTIC CABLE GUIDE	
6	210085	NUT HEX NYLOCK M8 BLACK	
7	011959	INSERT PLASTIC DELPHI CLAMP	
10	011956	CAP TUBE 3/4"	
11	011945	ADAPTER TAPER TAPER	
12	013260	S/A 2 HOLE TUBE ASSM 90D RH	RIGHT
12	013261	S/A 2 HOLE TUBE ASSM 90D LH	LEFT
13	102262-003	BHCS M6 X 1 X 20 INORGANIC	
14	230111	BHCS M4 x .7 x 8	
1 -14	101772	S/A UED MOUNT RH	RIGHT
1 -14	101773	S/A UED MOUNT LH	LEFT
8, 9, 13	102289	3/4 TUBE CLAMP TAPER ASSM	
1-11,13,14	103213	ENHANCED DISPLAY MOUNT ASSM	



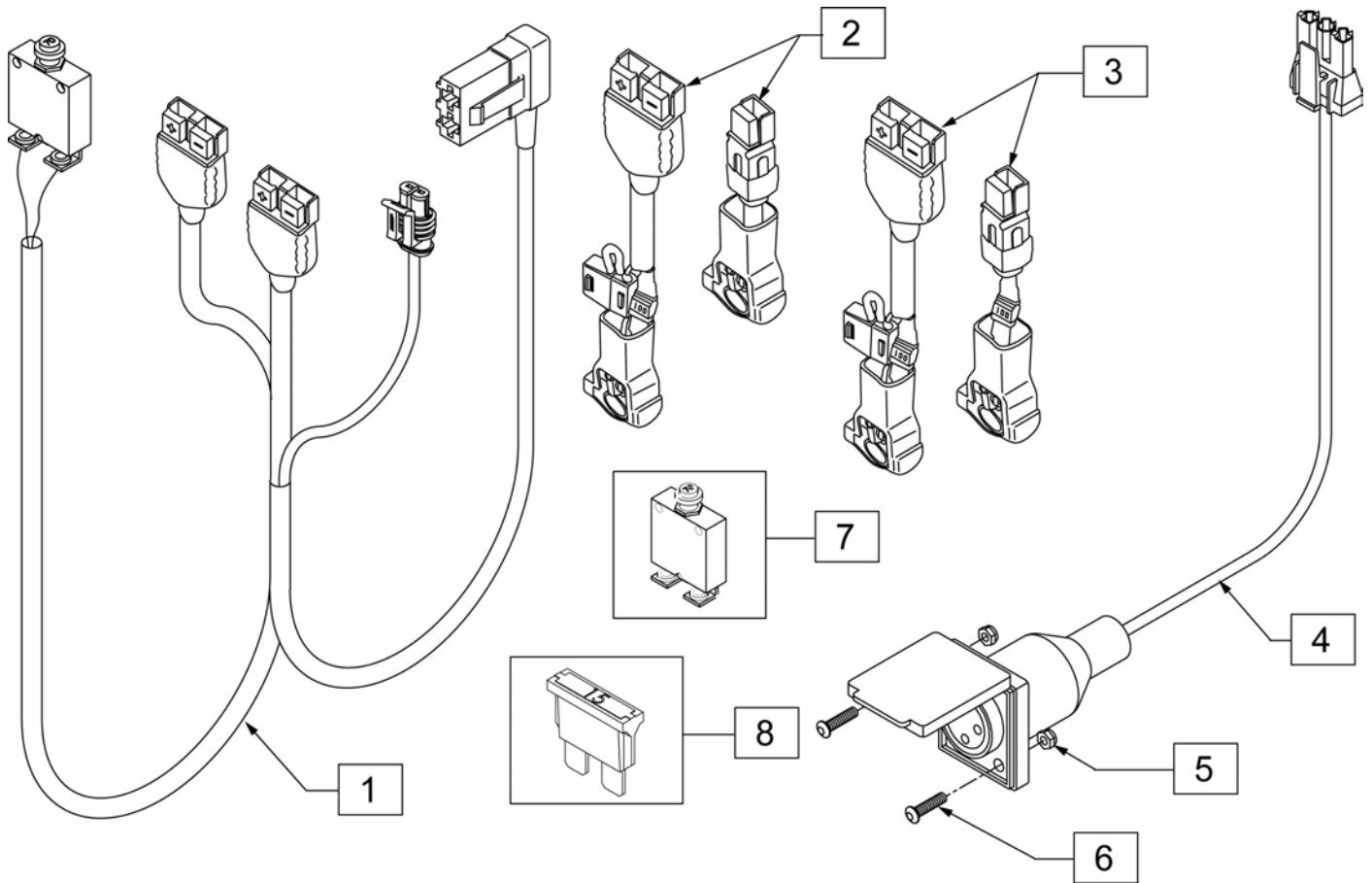
Pos.	Item Number	Description
1,3	105700	S/A ARM VR2 VSI DPH KIT RH
1,3	105708	S/A ARM VR2 VSI DPH KIT LH
2	108276	CONTROLLER MOUNT ASSY
3	013143	BHCS M5 X .8 X 12 BLK W/PL
4	261204	#10 AN WASHER .063

NOTE: TO ORDER HANDCONTROL TO BUS HARNESS PLEASE REFER TO "70A OR 100A DRIVE CONTROLS" PARTS MANUAL PAGE"



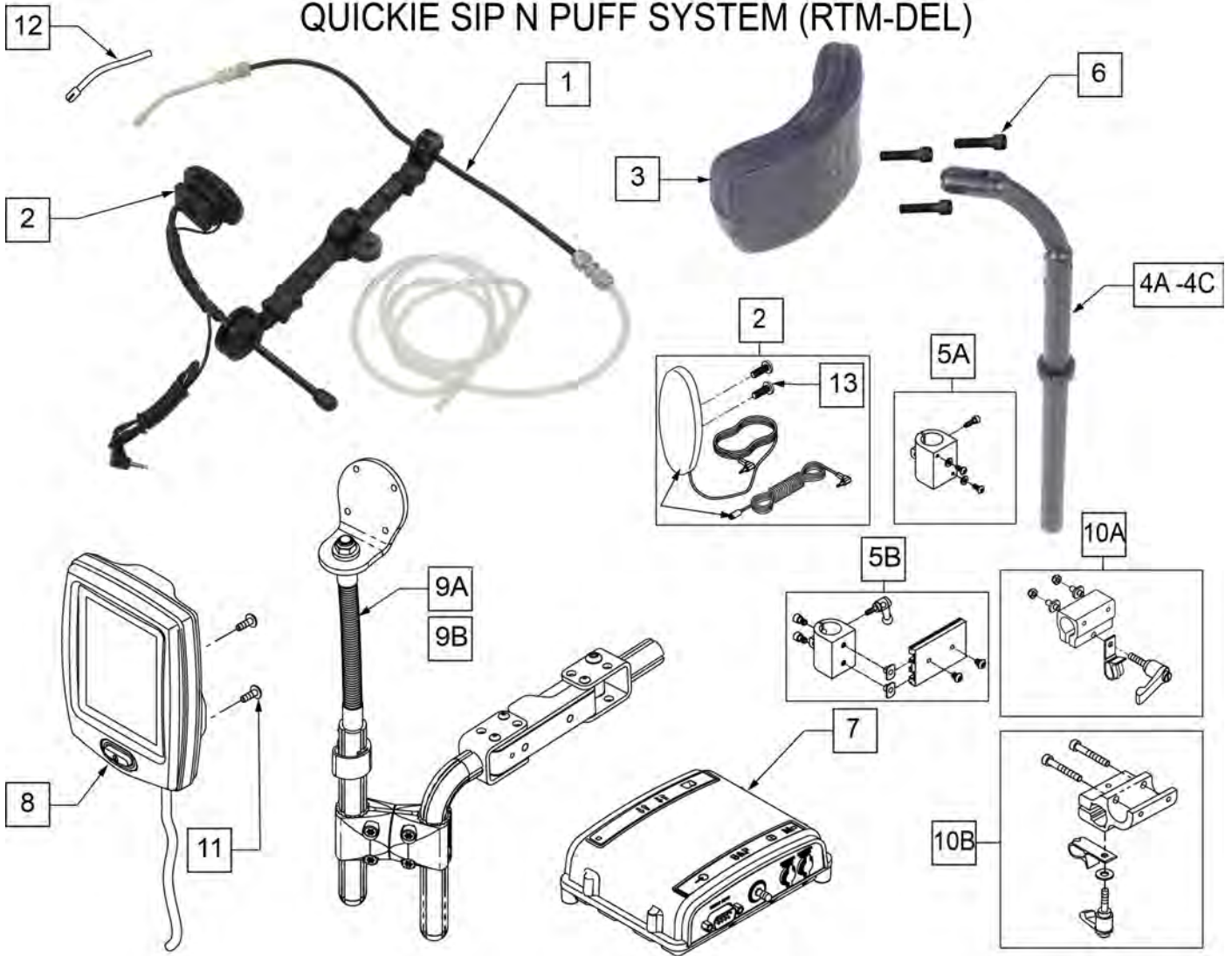
Pos.	Item Number	Description	Remarks
1	012162	PCB ASSY RECLINE DELPHI	
2	105968	HARNESS RECLINE LIMIT ASSM	Label w/Part# is affixed to cable
3	011640-001	SHCS M3 x .5 x 6MM	
4	010581	RECLINE ACT DBL MOTOR HARNESS	Label w/Part# is affixed to cable
5	012666	HARN RECLINE ENCODER EXTENSION	Label w/Part# is affixed to cable
6	020063-040	HARNESS DELPHI ACTUATOR 400mm	16" LONG, Label w/Part# is affixed to cable
6	020063-070	HARNESS DELPHI ACTUATOR 700mm	28" LONG, Label w/Part# is affixed to cable
6	020063-110	HARNESS DELPHI ACTUATOR 1100mm	43" LONG, Label w/Part# is affixed to cable
6	020063-140	HARNESS DELPHI ACTUATOR 1400mm	55" LONG, Label w/Part# is affixed to cable
6	020063-160	HARNESS DELPHI ACTUATOR 1600mm	63" LONG, Label w/Part# is affixed to cable
7	013382	HARNESS BUS PORT MULTIPLIER	Label w/Part# is affixed to cable

Pos.	Item Number	Description	Remarks
8	020029-050	HARNESS DELPHI BUS 500mm	20" LONG, Label w/Part# is affixed to cable
8	020029-150	HARNESS DELPHI BUS 1500mm	60" LONG, Label w/Part# is affixed to cable
8	020029-200	HARNESS DELPHI BUS 2000mm	80" LONG, Label w/Part# is affixed to cable
9	012395	HARNESS ENCODER RECLINE	Label w/Part# is affixed to cable
10	014385-075	HARNESS DELPHI CENTERMOUNT 750mm	30" LONG, Label w/Part# is affixed to cable
10	014385-100	HARNESS DELPHI CENTERMOUNT 1000mm	40" LONG, Label w/Part# is affixed to cable
10	014385-120	HARNESS DELPHI CENTERMOUNT 1200mm	47" LONG, Label w/Part# is affixed to cable
10	014385-140	HARNESS DELPHI CENTERMOUNT 1400mm	55" LONG, Label w/Part# is affixed to cable
10	014385-150	HARNESS DELPHI CENTERMOUNT 1500mm	60" LONG, Label w/Part# is affixed to cable
10	014385-170	HARNESS DELPHI CENTERMOUNT 1700mm	67" LONG, Label w/Part# is affixed to cable



Pos.	Item Number	Description	Remarks
1	013180	HARNESS MAIN/AUX POWER B	Label w/Part# is affixed to cable
2	104376	HARNESS BATTERY HIGH NO CLAMP	(Red)Label w/Part# is affixed to cable
3	104374	HARNESS BATTERY LOW NO CLAMP	(Black)Label w/Part# is affixed to cable
4	012392-090	HARN OFFBOARD CHARGER 900 MM	Label w/Part# is affixed to cable
5	210043	NUT NYLOCK M3 X .5 BLACK	
6	013140	BHCS M3 X .5 X 12 BLK	
7	133015	CIRCUIT BREAKER 70 AMP	
8	131058	FUSE ATO BLADE 15 AMP	

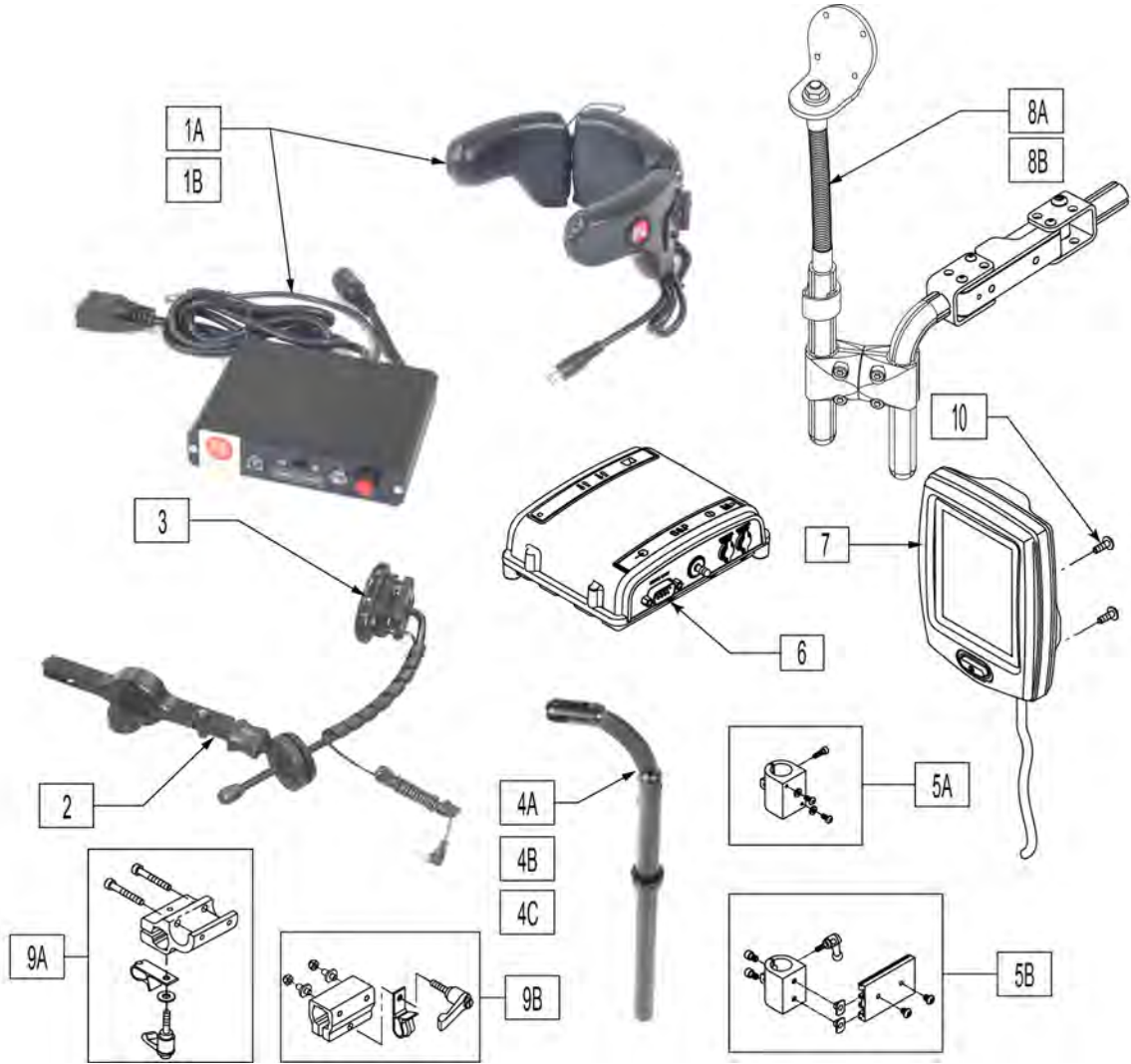
QUICKIE SIP N PUFF SYSTEM (RTM-DEL)



Pos.	Item Number	Description	Remarks
1,2	882873	HEADREST SIPNPUFF W SW AWAY SW	
2	139915	RESET SWITCH EGG SHAPED	
3	750697	HEADREST W/ZIPPER LARGE CG	
4A	888113	MOUNT HEADREST WO FLANGE 7?	
4B	888114	MOUNT HEADREST WO FLANGE 9?	
4C	888115	MOUNT HEADREST WO FLANGE 15?	
5A	888100	CLAMP HEADREST SMART SEAT	
5B	888101	CLAMP HEADREST RIGID BACK	
6	226116	10-32 X 1" SOC C/S BLK	
7	020006S	SPEC CONTROLS INPUT MOD	
8	020024S	ENHANCED DISPLAY MOD	
9A	101772	S/A 2HOLE TUBE 90D R FLEXL 12	
9B	101773	S/A 2HOLE TUBE 90D L FLEXL 12	
10A	159406	CNTRLR CLMP ARM ASSM RND	ASAP SEATING
10B	012433	CNTRL ARM CLMP UNIVERSAL ASSM	
11	101324	BHCS M4 X .7 X 16	
12	101434	SIP N PUFF STRAW	
13	281082	8-32 X 3/8 PAN PHIL M/S BLK	Included in 139915

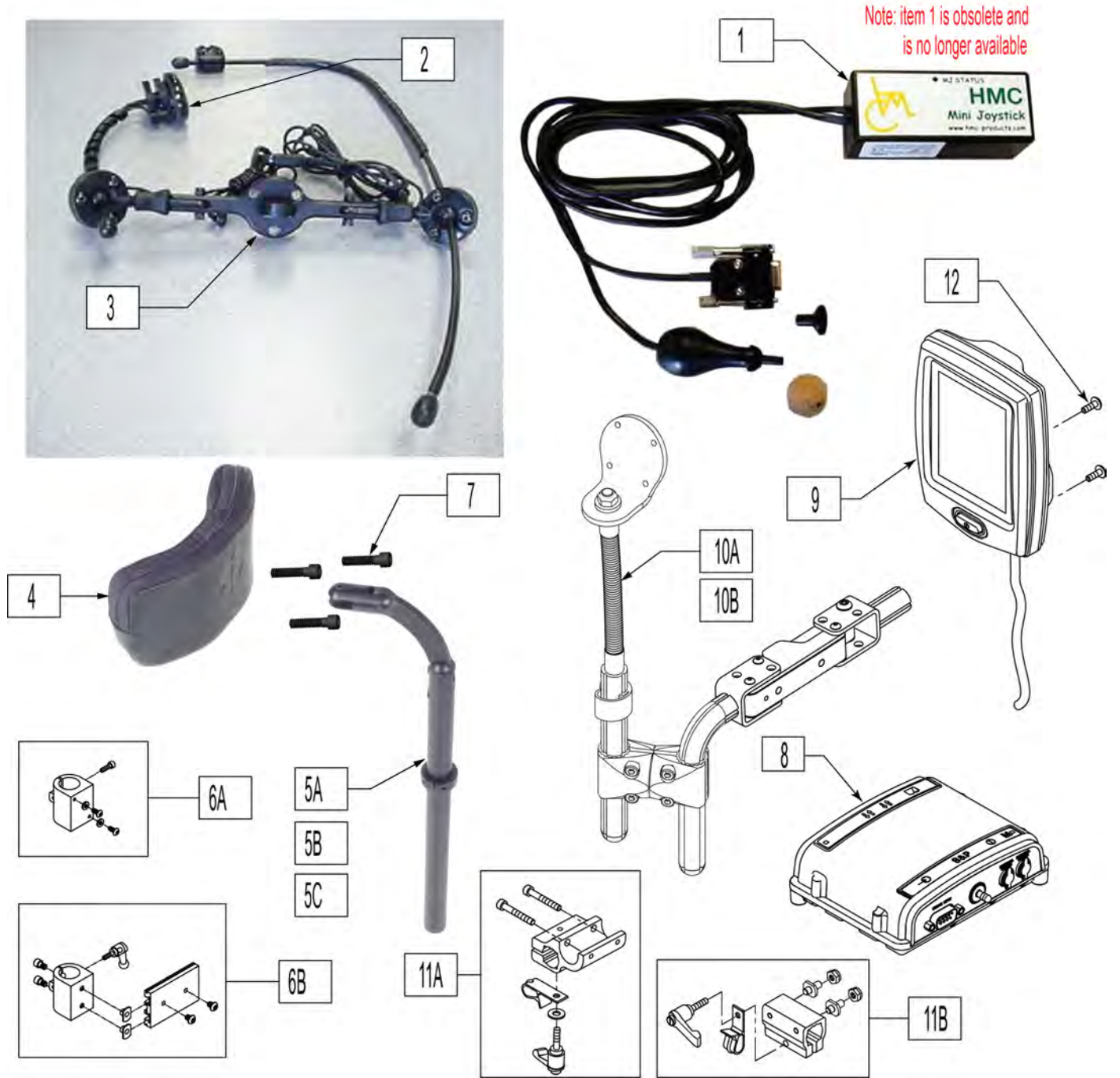
NOTE: PLEASE REFER TO THE "70A OR 100A DRIVE CONTROL" PARTS MANUAL PAGES FOR HAND CONTROL/DISPLAY TO BUS HARNESS (020026-XXX), AND REFER TO THE "ACTUATOR & SCM/ECK WIRING" PARTS MANUAL PAGE FOR BUS HARNESS INFORMATION (020029-XXX).

NOTE: PLEASE REFER TO THE "70A OR 100A DRIVE CONTROL" PARTS MANUAL PAGES FOR HAND CONTROL/DISPLAY TO BUS HARNESS (020026-XXX), AND REFER TO THE "ACTUATOR & SCM/ECK WIRING" PARTS MANUAL PAGE FOR BUS HARNESS INFORMATION (020029-XXX).



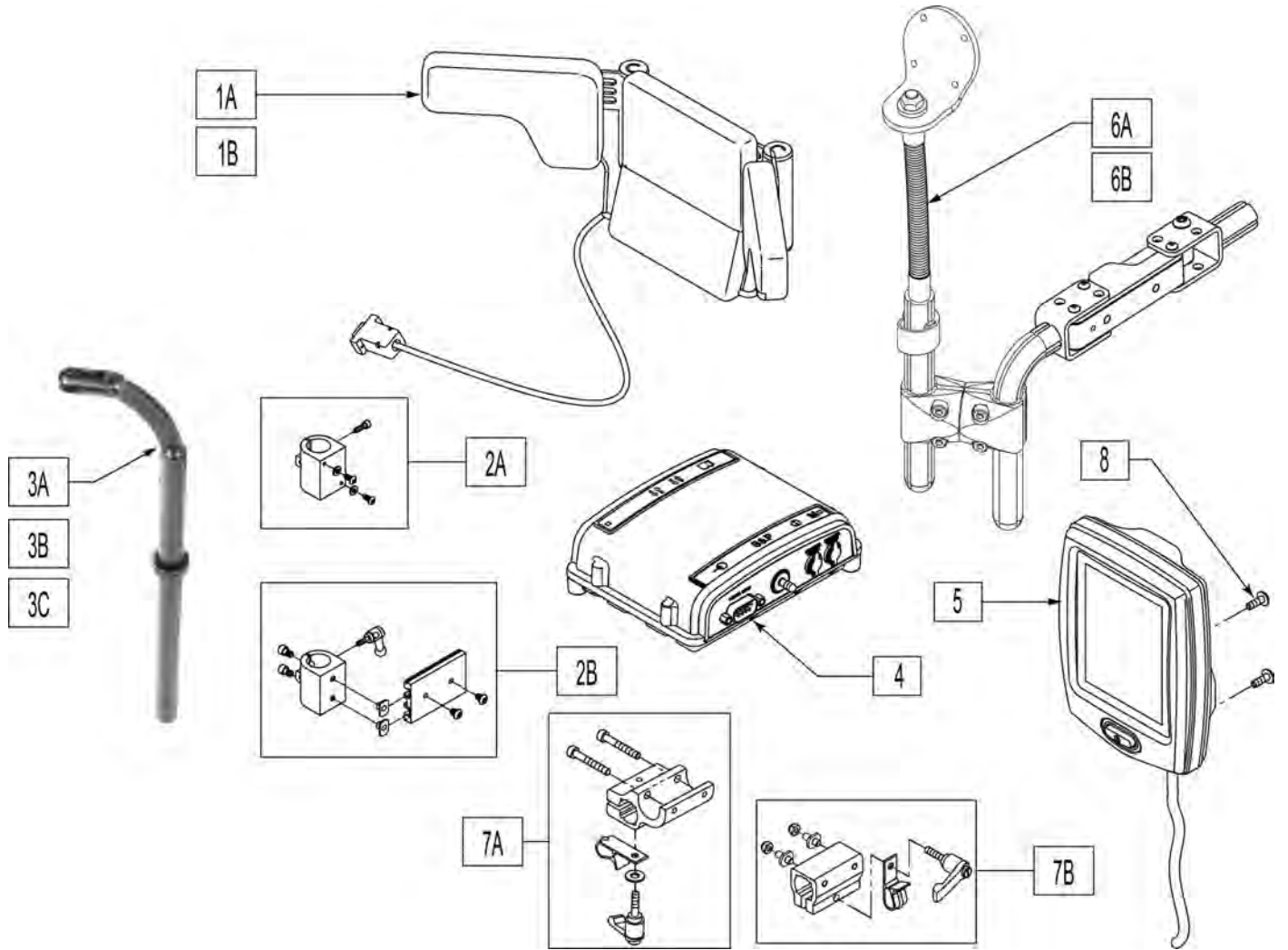
Pos.	Item Number	Description	Remarks
1A	139940	HEAD ARRAY ADULT W INTERFACE	
1B	139941	HEAD ARRAY PED W INTERFACE	
2,3	882870	HEADREST MT W SWNG AWAY SWITCH	
3	139915	RESET SWITCH EGG SHAPED	
4A	888113	MOUNT HEADREST WO FLANGE 7 IN	
4B	888114	MOUNT HEADREST WO FLANGE 9 IN	
4C	888115	MOUNT HEADREST WO FLANGE 15 IN	
5A	888100	CLAMP HEADREST SMART SEAT	
5B	888101	CLAMP HEADREST RIGID BACK	
6	020006S	SPEC CONTROLS INPUT MOD	
7	020024S	ENHANCED DISPLAY MOD	
8A	101772	S/A 2HOLE TUBE 90D R FLEXL 12	
8B	101773	S/A 2HOLE TUBE 90D L FLEXL 12	
9A	012433	CNTRL ARM CLMP UNIVERSAL ASSM	
9B	159406	CNTRLR CLMP ARM ASSM RND	ASAP SEATING
10	101324	BHCS M4 X .7 X 16	

NOTE: PLEASE REFER TO THE "70A OR 100A DRIVE CONTROL" PARTS MANUAL PAGES FOR HAND CONTROL/DISPLAY TO BUS HARNESS (020026-XXX), AND REFER TO THE "ACTUATOR & SCM/ECK WIRING" PARTS MANUAL PAGE FOR BUS HARNESS INFORMATION (020029-XXX).



Pos.	Item Number	Description	Remarks
1	OBSOLETE	JOYSTICK MINI W INTERFACE	NO LONGER AVAILABLE
2	139915	RESET SWITCH EGG SHAPED	
3	882872	HEADREST MT W SWNG AWAY SWITCH	
4	750697	HEADREST W/ZIPPER LARGE CG	
5A	888113	MOUNT HEADREST WO FLANGE 7?	
5B	888114	MOUNT HEADREST WO FLANGE 9?	
5C	888115	MOUNT HEADREST WO FLANGE 15?	
6A	888100	CLAMP HEADREST SMART SEAT	
6B	888101	CLAMP HEADREST RIGID BACK	
7	226116	"10-32 X 1"" SOC C/S BLK"	
8	020006S	SPEC CONTROLS INPUT MOD	
9	020024S	ENHANCED DISPLAY MOD	
10A	101772	S/A 2HOLE TUBE 90D R FLEXL 12	
10B	101773	S/A 2HOLE TUBE 90D L FLEXL 12	
11A	012433	CNTRL ARM CLMP UNIVERSAL ASSM	
11B	159406	CNTRLR CLMP ARM ASSM RND	
12	101324	BHCS M4 X .7 X 16	

NOTE: PLEASE REFER TO THE "70A OR 100A DRIVE CONTROL" PARTS MANUAL PAGES FOR HAND CONTROL/DISPLAY TO BUS HARNESS (020026-XXX), AND REFER TO THE "ACTUATOR & SCM/ECK WIRING" PARTS MANUAL PAGE FOR BUS HARNESS INFORMATION (020029-XXX).

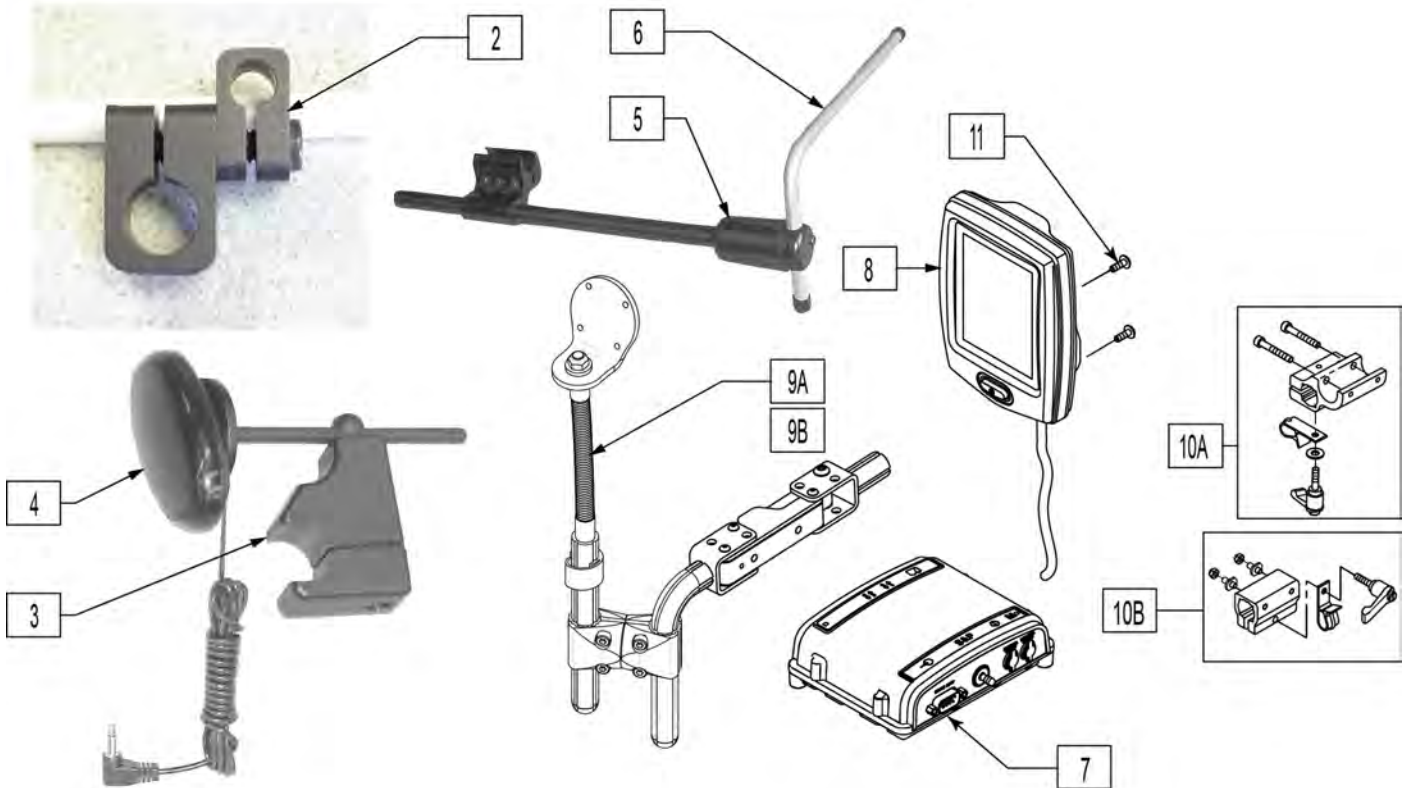


Pos.	Item Number	Description	Remarks
1A	139897	HEAD ARRAY ADULT W INTERFACE	
1B	139898	HEAD ARRAY PED W INTERFACE	
2A	888100	CLAMP HEADREST SMART SEAT	
2B	888101	CLAMP HEADREST RIGID BACK	
3A	888113	MOUNT HEADREST WO FLANGE 7 IN	
3B	888114	MOUNT HEADREST WO FLANGE 9 IN	
3C	888115	MOUNT HEADREST WO FLANGE 15 IN	
4	020006S	SPEC CONTROLS INPUT MOD	
5	020024S	ENHANCED DISPLAY MOD	
6A	101772	S/A 2HOLE TUBE 90D R FLEXL 12	
6B	101773	S/A 2HOLE TUBE 90D L FLEXL 12	
7A	012433	CNTRL ARM CLMP UNIVERSAL ASSM	
7B	159406	CNTRLR CLMP ARM ASSM RND	ASAP SEATING
8	101324	BHCS M4 X .7 X 16	

NOTE: PLEASE REFER TO THE "70A OR 100A DRIVE CONTROL" PARTS MANUAL PAGES FOR HAND CONTROL/DISPLAY TO BUS HARNESS (020026-XXX), AND REFER TO THE "ACTUATOR & SCM/ECK WIRING" PARTS MANUAL PAGE FOR BUS HARNESS INFORMATION (020029-XXX).

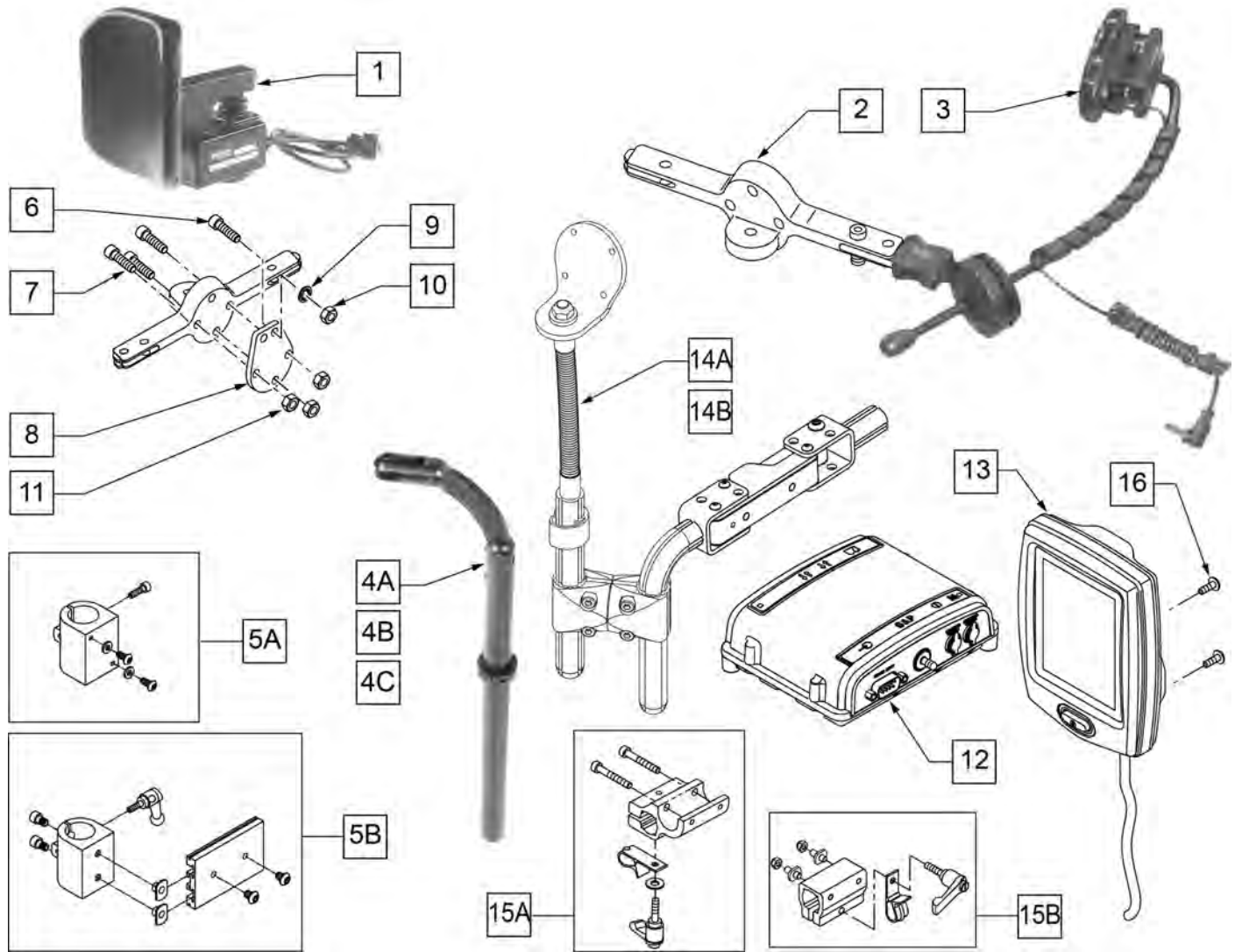


Note: item 1 is obsolete and is no longer available



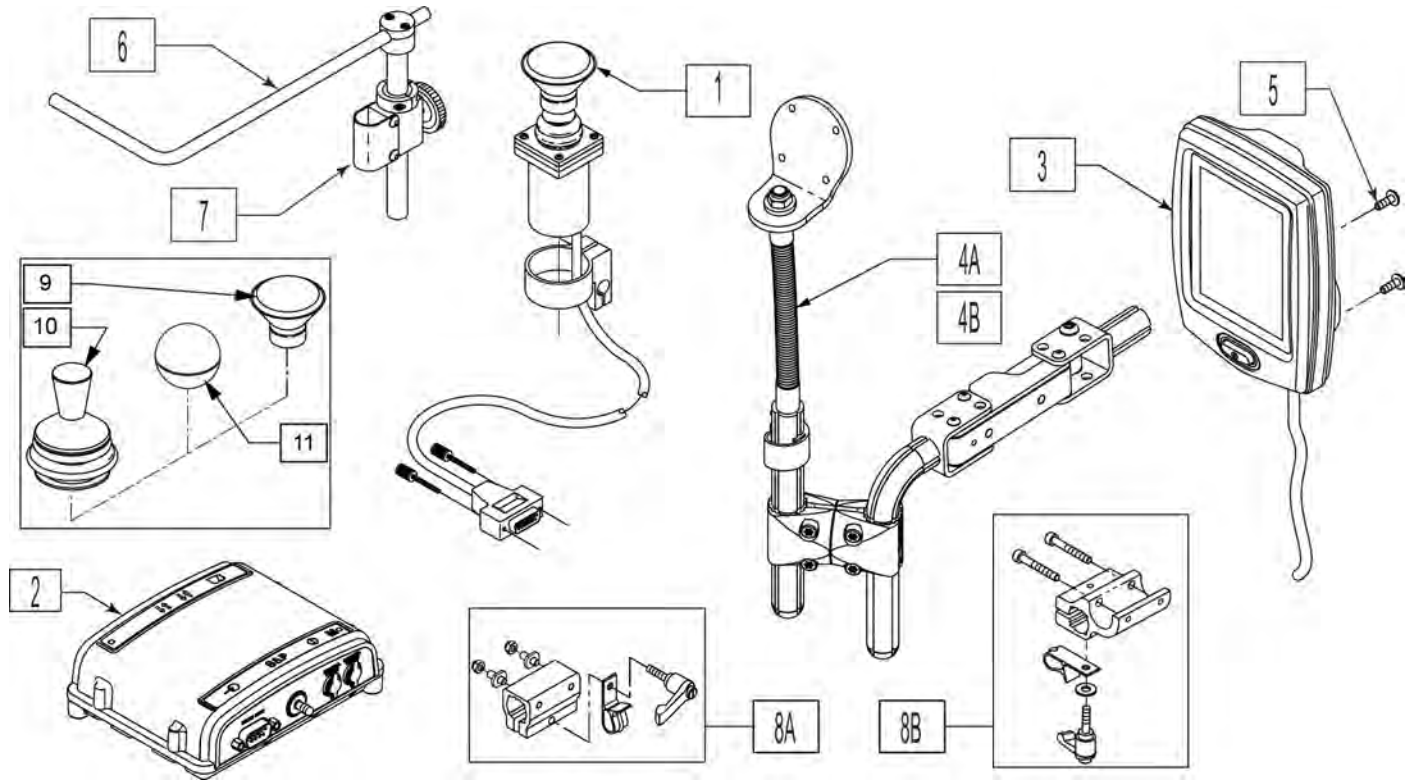
Pos.	Item Number	Description	Remarks
1	OBSOLETE	JOYSTICK MINI W INTERFACE	NO LONGER AVAILABLE
2	521617	MOUNT MINI JOYSTK TO 1/2" TUBE	
3	920904	MOUNT RESET SW FOR 7/8 TUBE	
3,4	521619	RESET SWITCH W BRACKET UNIV	
4	139915	RESET SWITCH EGG SHAPED	
5	886974	USCM DISPLAY ARM ASSY	
6	521097	ADJ DISPLAY ARM "L" (USCM)	
7	020006S	SPEC CONTROLS INPUT MOD	
8	020024S	ENHANCED DISPLAY MOD	
9A	101772	S/A 2HOLE TUBE 90D R FLEXL 12	
9B	101773	S/A 2HOLE TUBE 90D L FLEXL 12	
10A	012433	CNTRL ARM CLMP UNIVERSAL ASSM	
10B	159406	CNTRLR CLMP ARM ASSM RND	
11	101324	BHCS M4 X .7 X 16	

NOTE: PLEASE REFER TO THE "70A OR 100A DRIVE CONTROL" PARTS MANUAL PAGES FOR HAND CONTROL/DISPLAY TO BUS HARNESS (020026-XXX), AND REFER TO THE "ACTUATOR & SCM/ECK WIRING" PARTS MANUAL PAGE FOR BUS HARNESS INFORMATION (020029-XXX).



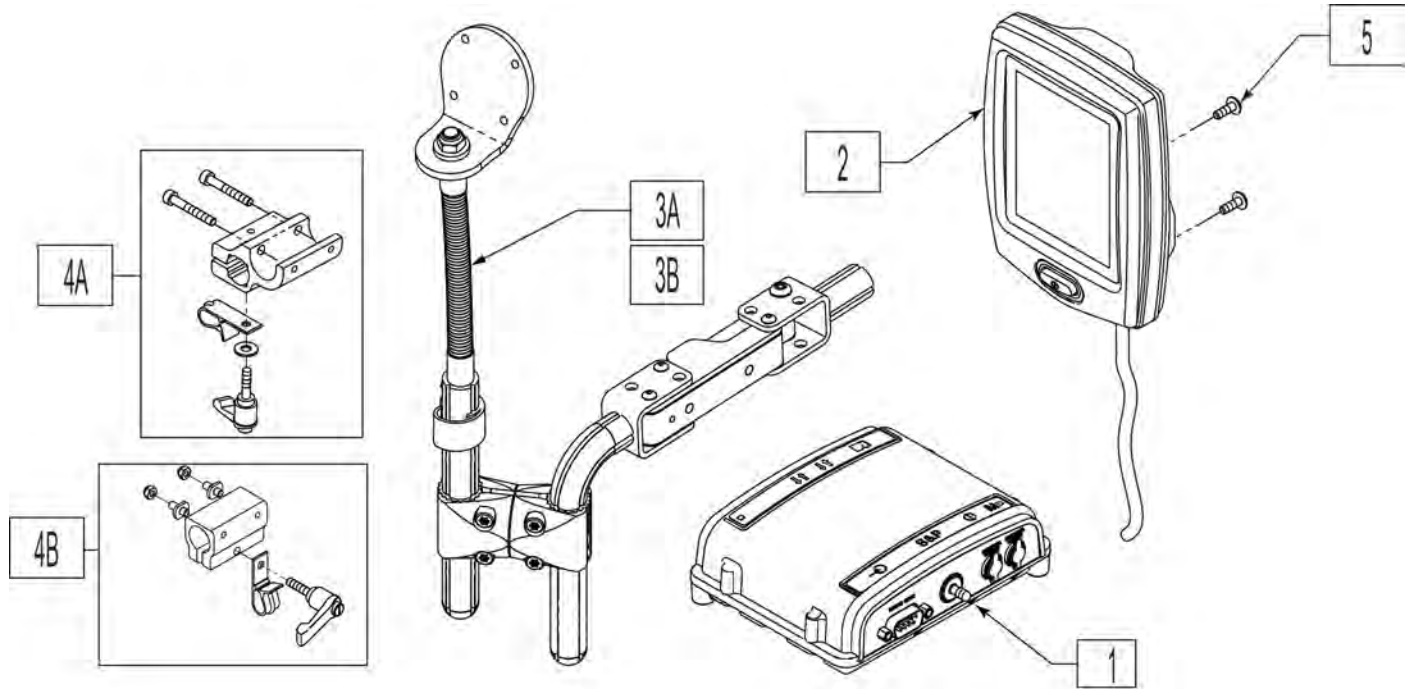
Pos.	Item Number	Description	Pos.	Item Number	Description
1	888140	PROP HD CTRL QTRNX NO RESET SW	10	204110	1/4-28 NYLOCK NUT BLK ZN
3	139915	RESET SWITCH EGG SHAPED	11	200100-QU	10-32 NYLOCK NUT
4A	888113	MOUNT HEADREST WO FLANGE 7"	12	020006S	SPEC CONTROLS INPUT MOD
4B	888114	MOUNT HEADREST WO FLANGE 9"	13	020024S	ENHANCED DISPLAY MOD
4C	888115	MOUNT HEADREST WO FLANGE 15"	14A	101772	S/A 2HOLE TUBE 90D R FLEXL 12
5A	888100	CLAMP HEADREST SMART SEAT	14B	101773	S/A 2HOLE TUBE 90D L FLEXL 12
5B	888101	CLAMP HEADREST RIGID BACK	15A	012433	CNTRL ARM CLMP UNIVERSAL ASSM
6	107032	SHCS 1/4-28 X 1	15B	159406	CNTRLR CLMP ARM ASSM RND
7	226116	10-32 X 1" SOC C/S BLK	16	101324	BHCS M4 X .7 X 16
8	506212	HEADREST ADAPTER PLATE	2,3	882868	HDREST MOUNT W LONG SW AWAY SW
9	267350	1/4 WASHER INT LOCK ZN			

NOTE: PLEASE REFER TO THE "70A OR 100A DRIVE CONTROL" PARTS MANUAL PAGES FOR HAND CONTROL/DISPLAY TO BUS HARNESS (020026-XXX), AND REFER TO THE "ACTUATOR & SCM/ECK WIRING" PARTS MANUAL PAGE FOR BUS HARNESS INFORMATION (020029-XXX).



Pos.	Item Number	Description	Remarks
1	139705	PROP CHIN CONTROL W/ MINI JS	
2	020006S	SPEC CONTROLS INPUT MOD	
3	020024S	ENHANCED DISPLAY MOD	
4A	101772	S/A 2HOLE TUBE 90D R FLEXL 12	RIGHT
4B	101773	S/A 2HOLE TUBE 90D L FLEXL 12	LEFT
8A	159406	CNTRLR CLMP ARM ASSM RND	ASAP SEATING
8B	012433	CNTRL ARM CLMP UNIVERSAL ASSM	
5	101324	BHCS M4 X .7 X 16	
6,7	D3150-3	AMH S/A MNTG KIT B/R 1" 3185	

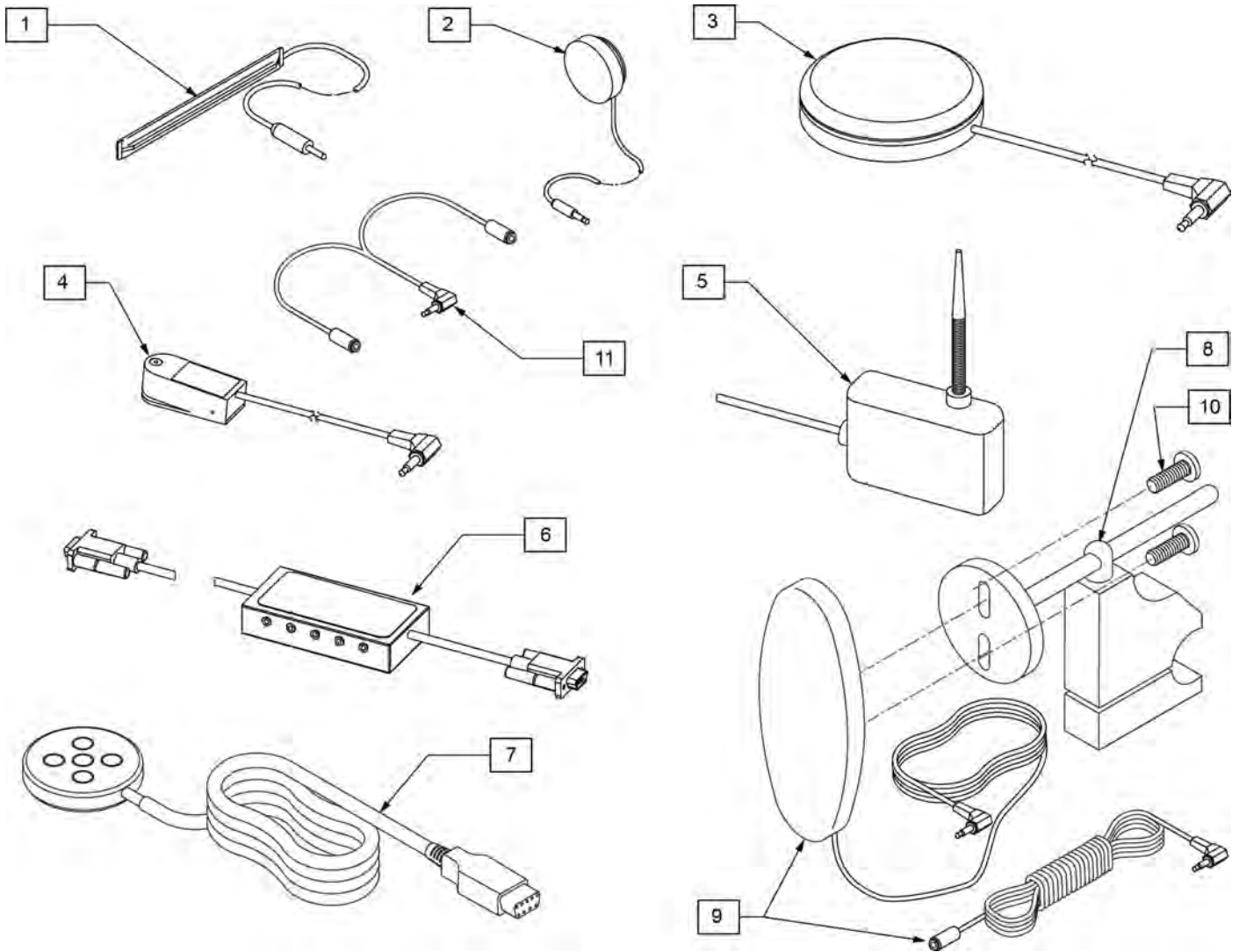
NOTE: PLEASE REFER TO THE "70A OR 100A DRIVE CONTROL" PARTS MANUAL PAGES FOR HAND CONTROL/DISPLAY TO BUS HARNESS (020026-XXX), AND REFER TO THE "ACTUATOR & SCM/ECK WIRING" PARTS MANUAL PAGE FOR BUS HARNESS INFORMATION (020029-XXX).



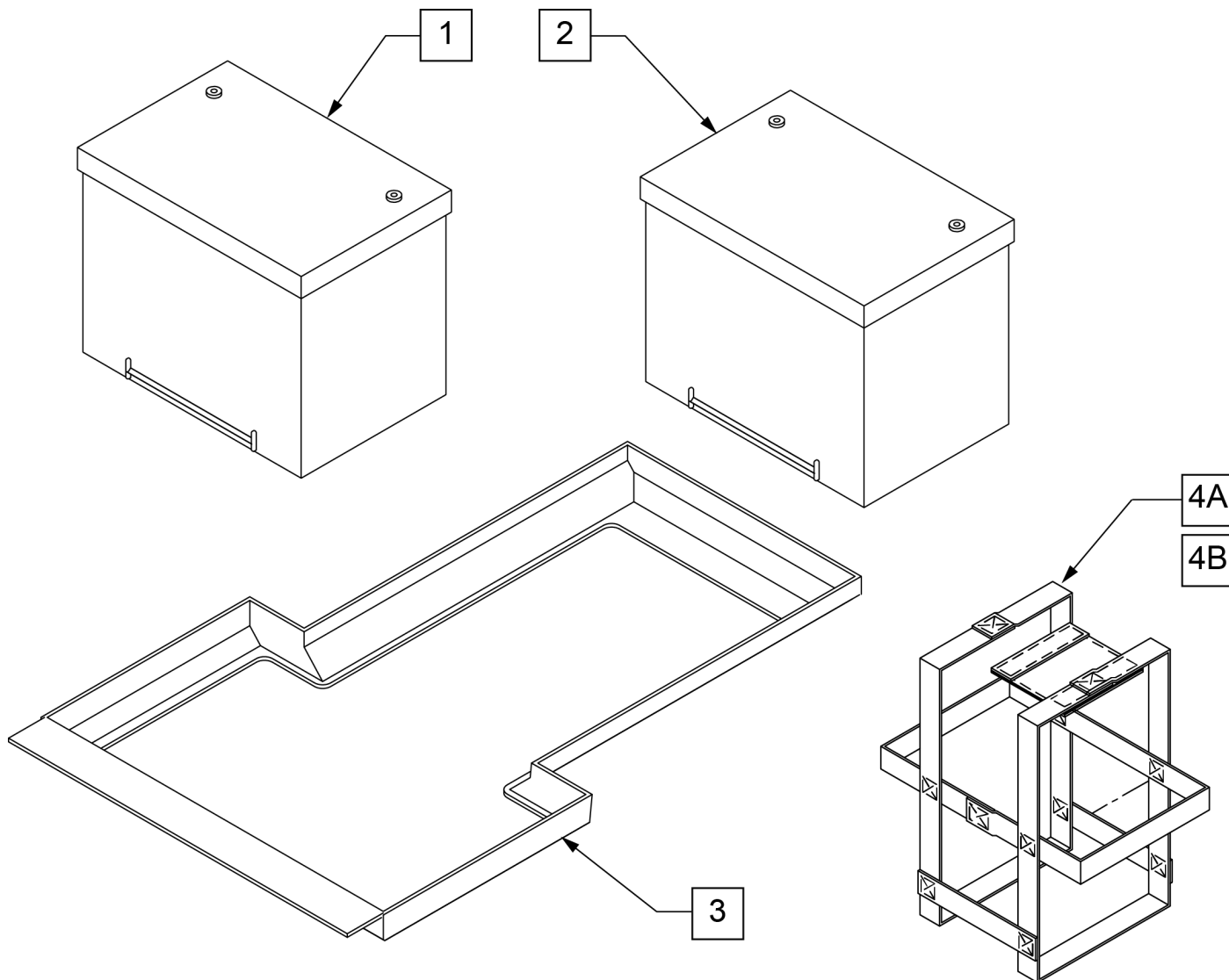
Pos.	Item Number	Description	Remarks
1	020006S	SPEC CONTROLS INPUT MOD	
2	020024S	ENHANCED DISPLAY MOD	
3A	101772	S/A 2HOLE TUBE 90D R FLEXL 12	
3B	101773	S/A 2HOLE TUBE 90D L FLEXL 12	
4A	012433	CNTRL ARM CLMP UNIVERSAL ASSM	
4B	159406	CNTRLR CLMP ARM ASSM RND	ASAP SEATING
5	101324	BHCS M4 X .7 X 16	

SINGLE SWITCH DEVICES

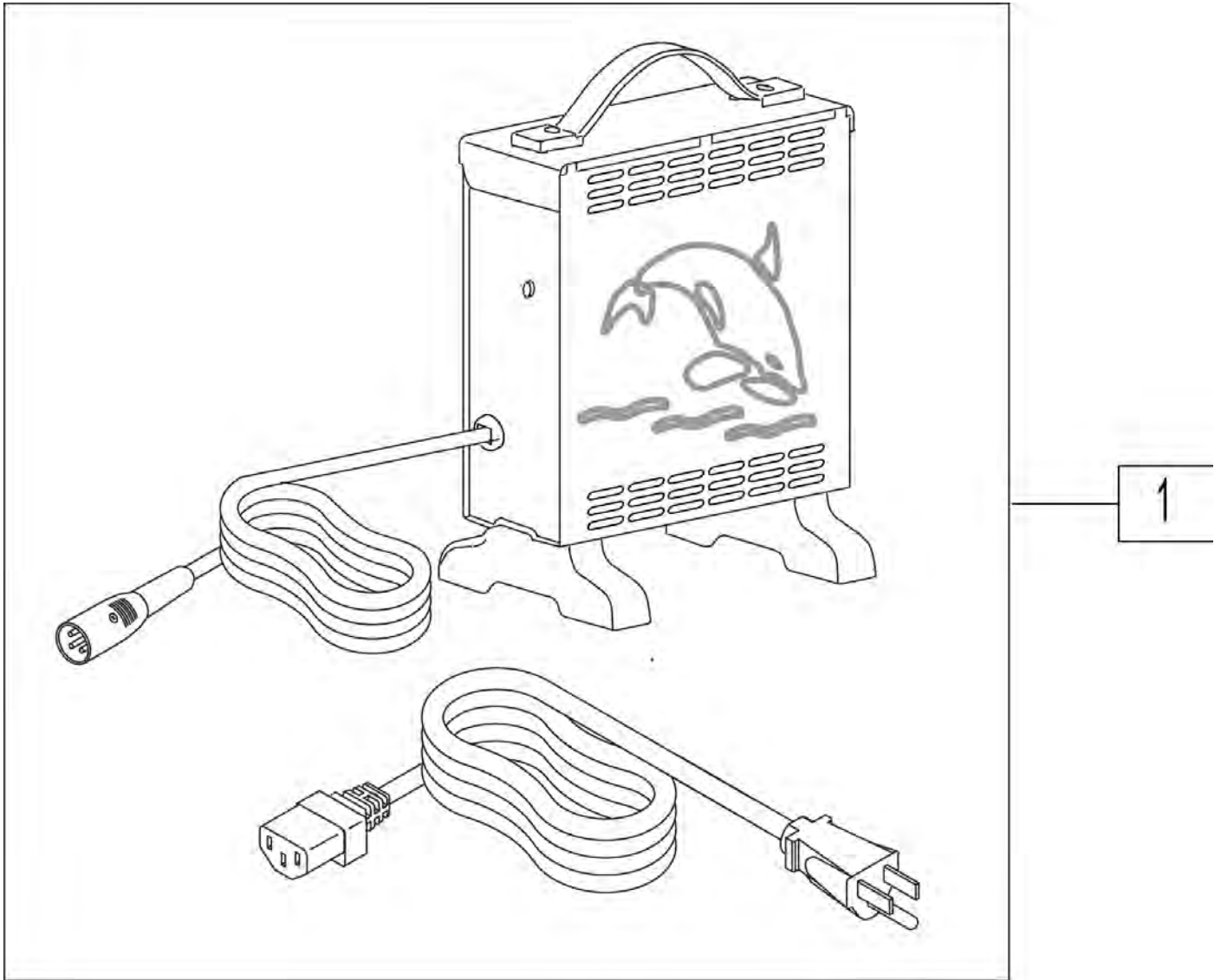
[12/2009]



Pos.	Item Number	Description	Remarks
1	133721	SWITCH RIBBON	Cord length 63"
2	133722	SWITCH DISC	Cord length 69"
3	139920	SWITCH BUDDY BUTTON RED	Cord length 57"
4	139921	MICRO LIGHT	Cord length 58"
5	139910	SWITCH WOBBLE	Cord length 68"
6	Discontinued	SWITCH CA-5 BOX	Cord length (female cable 63")(male cable 6")
7	Discontinued	SWITCH PENTA	Cord length 63"
8	920904	MOUNT RESET SW FOR 7/8 TUBE	Clamps to 7/8" tubing
9,10	139915	RESET SWITCH EGG SHAPED	Cord length 51"(Ext 71")
10	281082	8-32 X 3/8 PAN PHIL M/S BLK	
11	105417	STEREO TO 2 MONO SPLITTER	Cord length 6"

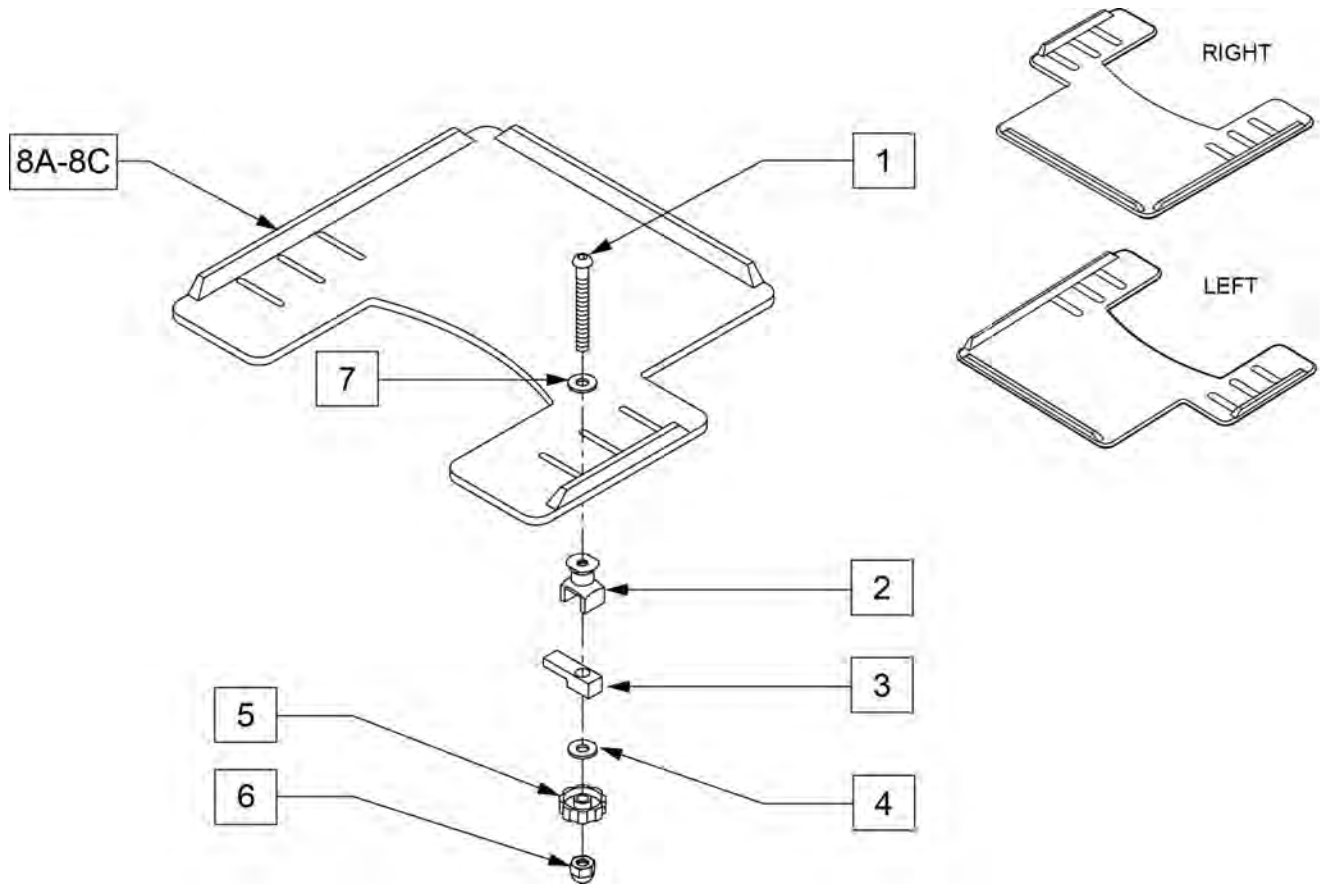


Pos.	Item Number	Description	Remarks
1	121049	GRP 22 FEMALE TERM	GROUP 22
2	108114	BAT 24 FEMALE TERM	GROUP 24
3	010545	BATTERY ADAPTER	USED W/ GROUP 22 ONLY
4A	740140	BATTERY STRAP GROUP 22	USED W/ GROUP 22 ONLY
4B	740141	BATTERY STRAP GROUP 24	USED W/ GROUP 24 ONLY

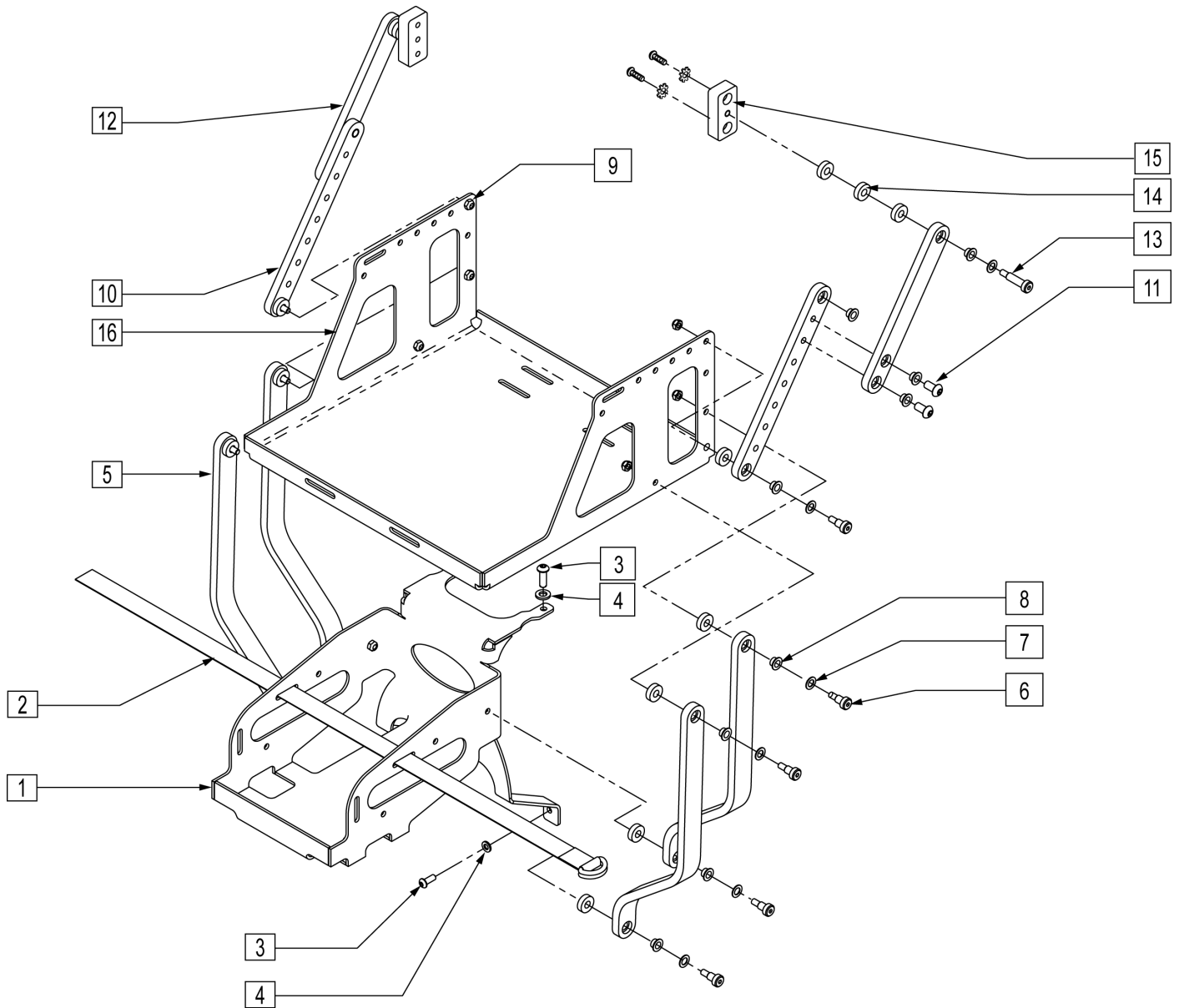


Pos.	Item Number	Description	HCPC
1	131386	CHGR OFF BRD 8A CTE W/CHKE	E2367

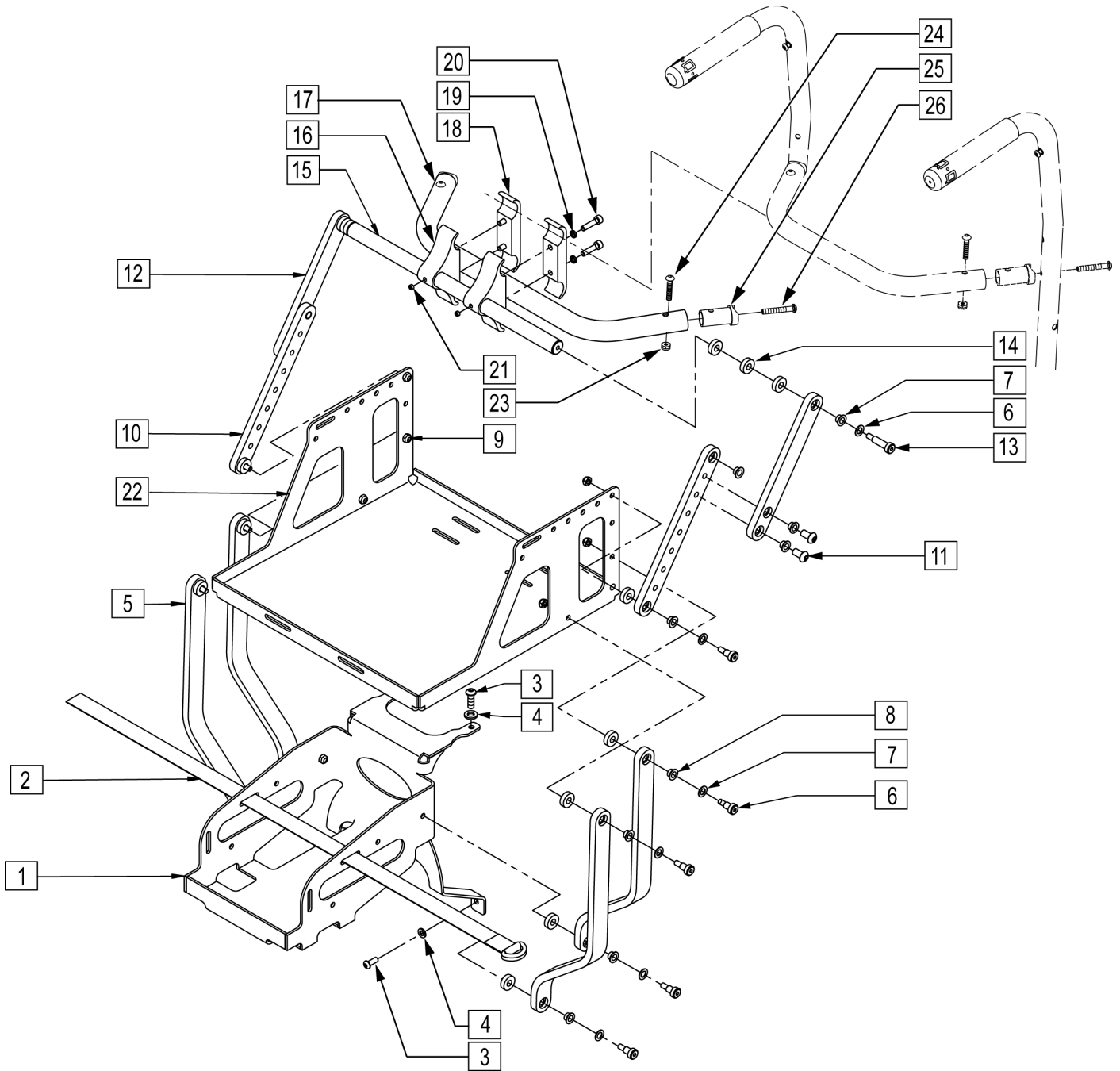
NOTE: WHEN ADDING A TRAY TO AN EXISTING CHAIR WITH DESK OR FULL LENGTH ARM PADS, ADD 1" TO CURRENT SEAT WIDTH TO ACHIEVE THE BEST TRAY SIZE.



Pos.	Item Number	Description	Remarks
1	2021	5/16-18 x 2 3/4 BUTTON HD C/S	
2	14240	TRAY BUSHING	
3	14230	TRAY LOCK BAR	
4	2705	1/4" FLAT WASHER	
5	14220P	TRAY KNOB	
6	202114	5/16-18 ACORN LOCK NUT	
7	2709	.625X.315X.031 NYLON WASHER	
8A	562625	TRAY TOP W/RAIL SM PWR (12"-13")	Right-Cutout fits 12"-13" wide chairs
8B	562626	TRAY TOP W/RAIL MED PWR (14"-16")	Right-Cutout fits 14"-16" wide chairs
8C	562627	TRAY TOP W/RAIL LRG PWR (17"-20")	Right-Cutout fits 17"-20" wide chairs
8A	118094	TRAY TOP W/RAIL SM PWR LH	Left-Cutout fits 12"-13" wide chairs
8B	118095	TRAY TOP W/RAIL MED PWR LH	Left-Cutout fits 14"-16" wide chairs
8C	118096	TRAY TOP W/RAIL LG PWR LH	Left-Cutout fits 17"-20" wide chairs
1-7	881053	TRAY HDWR ADJ ARM PWR	

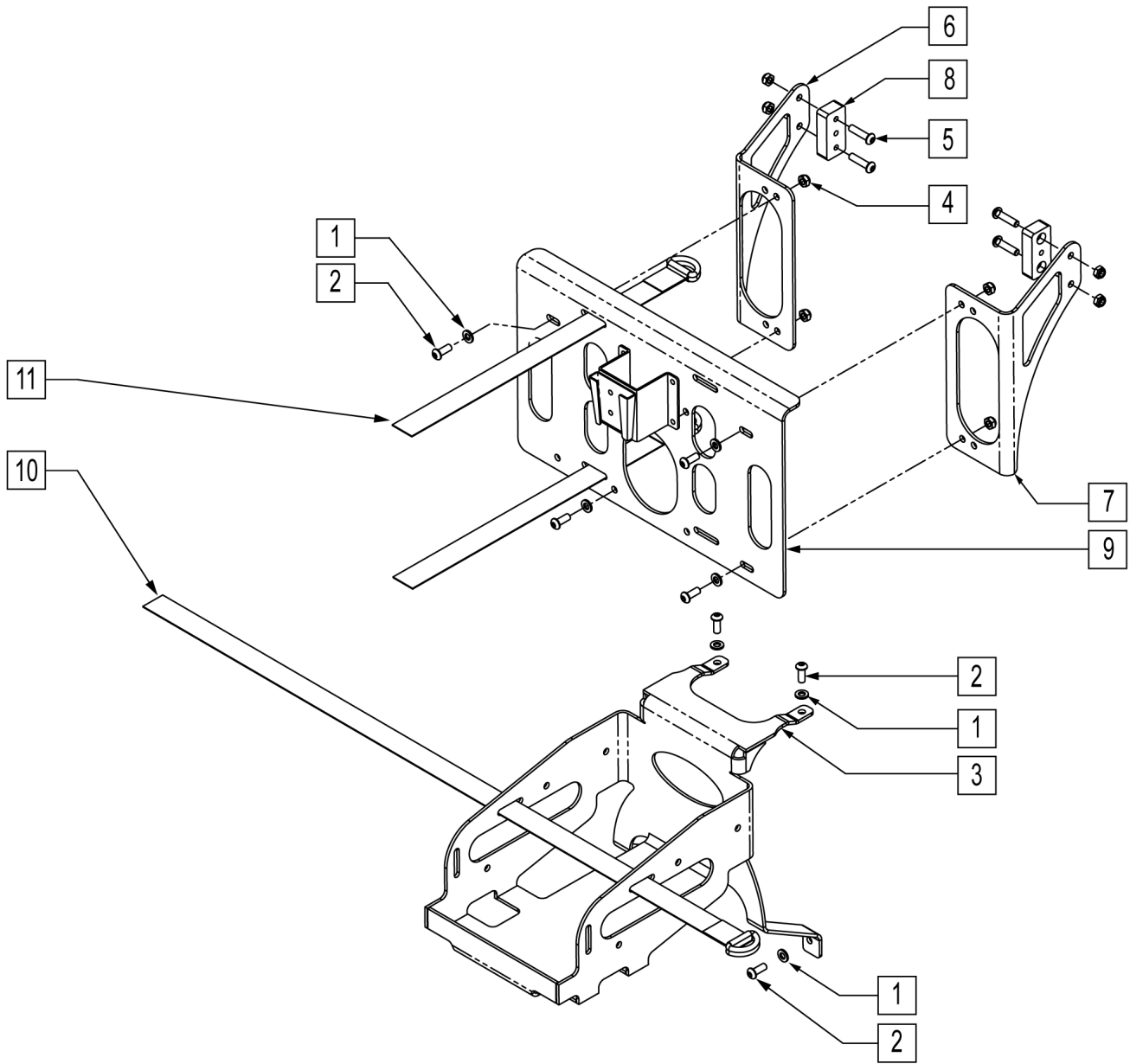


Pos.	Item Number	Description
1	502316	PLATE BASE INTERFACE VENT TRAY
2	011404-001	STRAP CINCH BATTERY
3	230032	M6 X 16 B/H CAP SCREW
4	250104	WASHER FLAT M6
5	502282	LOWER VENT TRAY LINK
6	011336	SHOULDER SCREW 8MM ODX10MM LG
7	106947	WASHER FLAT THIN AN 5/16 ROHS
8	560249	5/16 ID x 1/4 IGLIDE BUSHING
9	210084	NUT HEX NYLOCK M6 BLACK
10	502310	UPPER VENT TRAY LINK EXT
11	013149	BHCS M8 x 1.25 x 16MM PATCH
12	502283	UPPER VENT TRAY LINK
13	011709	SHLDR SCREW 8MM OD x 25 MM LG
14	561112	3/4 OD x .318 ID x .25 NYLON
15	502312	MOUNT BLOCK VENT TRAY
16	502275	VENT TRAY S626
1-16	101874	RHYTHM VENT/BATTERY TRAY PF ST ART



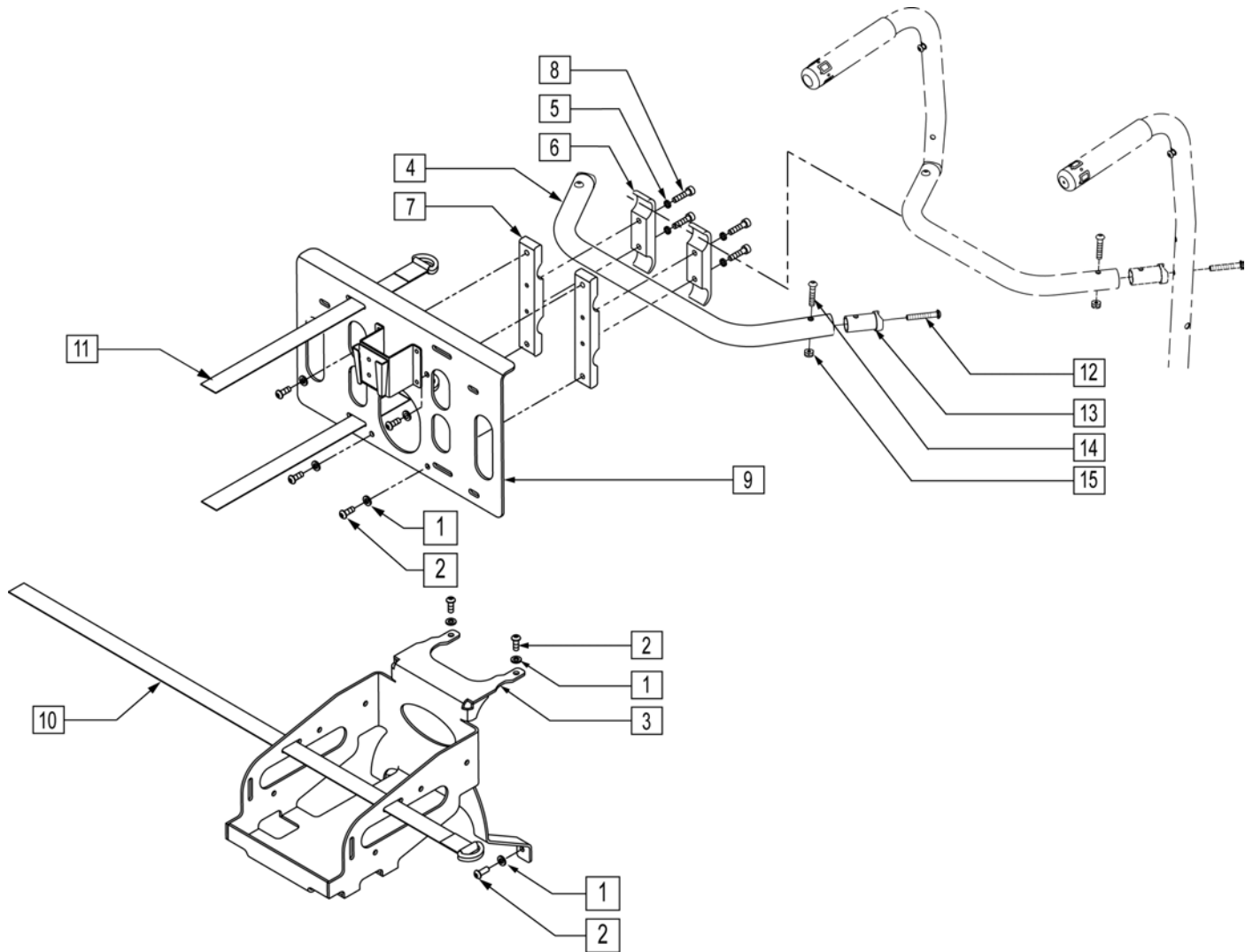
Pos.	Item Number	Description	Remarks
1	502316	PLATE BASE INTERFACE VENT TRAY	
2	011404-001	STRAP CINCH BATTERY	
3	230032	M6 X 16 B/H CAP SCREW	
4	250104	WASHER FLAT M6	
5	502282	LOWER VENT TRAY LINK	
6	011336	SHOULDER SCREW 8MM ODX10MM LG	
7	106947	WASHER FLAT THIN AN 5/16 ROHS	
8	560249	5/16 ID x 1/4 IGLIDE BUSHING	
9	210084	NUT HEX NYLOCK M6 BLACK	

Pos.	Item Number	Description	Remarks
10	502310	UPPER VENT TRAY LINK EXT	
11	013149	BHCS M8 x 1.25 x 16MM PATCH	
12	502283	UPPER VENT TRAY LINK	
13	011709	SHLDR SCREW 8MM OD X 25 MM LG	
14	561112	3/4 OD x .318 ID x .25 NYLON	
15	502292	VENT TRAY PIVOT BAR	
16	502293	VENT TRAY PIVOT CLAMP THRD	
17	520564	TOWEL RACK 14"	
17	520565	TOWEL RACK 15"	
17	520566	TOWEL RACK 16"	
17	520567	TOWEL RACK 17"	
17	520568	TOWEL RACK 18"	
17	520569	TOWEL RACK 19"	
17	520570	TOWEL RACK 20"	
17	520571	TOWEL RACK 22"	
17	520572	TOWEL RACK 24"	Rhythm chairs w s/n prefix RTM only
18	502294	VENT TRAY PIVOT CLAMP RECESS	
19	262114	1/4" WASHER HI COLLAR LOCK ZN	
20	102263-003	SHCS M6 X 1 X 25 W/PL INORG	
21	011710	SCREW SET M6 x 1 x 4	
22	502275	VENT TRAY S626	
23	202300	1/4-28 NYLOCK NUT THIN BLK ZN	
24	226223	1/4-28 X 1 1/4" BH C/S BLK	
25	483161	STRUT SADDLE S525	
26	226267	1/4-28 x 1 5/8 BH C/S W/PATCH	
1-16,18-26	101872	RTHM VNT/BTTRY TRY RHB ST ART	MUST ORDER TOWEL BAR SEPERATELY BASED ON SEAT WIDTH.



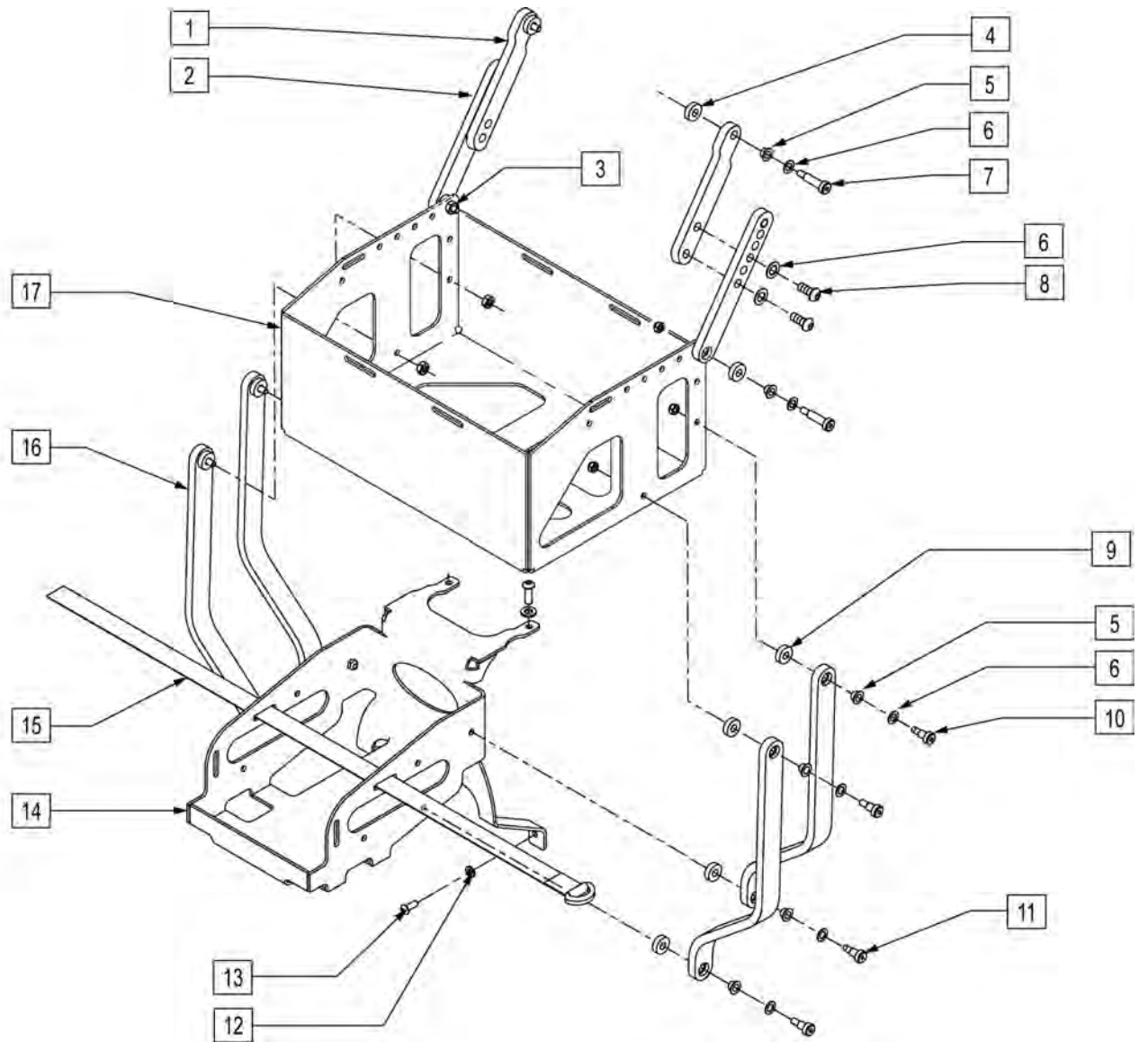
Pos.	Item Number	Description
1	250104	WASHER FLAT M6
2	230032	M6 X 16 B/H CAP SCREW
3	502316	PLATE BASE INTERFACE VENT TRAY
4	210084	NUT HEX NYLOCK M6 BLACK
5	102262-004	BHCS M6 X 1 X 25 W/PL INORG
6	502315	SIDE PANEL ADJ VENT TRAY LEFT
7	502314	SIDE PANEL ADJ VENT TRAY RIGHT
8	502312	MOUNT BLOCK VENT TRAY
9	101862	VENT TRAY PLATE MNT ASSM SML
10	011404-001	STRAP CINCH BATTERY
11	011404-002	STRAP CINCH VENT SM
1-11	101875	RTHM VNT/BTTRY TRY PF ST FXD

Fits Pulmonatics LTV models.



Pos.	Item Number	Description	Remarks
1	250104	WASHER FLAT M6	
2	230032	M6 x 16 B/H CAP SCREW	
3	502316	PLATE BASE INTERFACE VENT TRAY	
4	520564	TOWEL RACK 14"	
4	520565	TOWEL RACK 15"	
4	520566	TOWEL RACK 16"	
4	520567	TOWEL RACK 17"	
4	520568	TOWEL RACK 18"	
4	520569	TOWEL RACK 19"	
4	520570	TOWEL RACK 20"	
4	520571	TOWEL RACK 22"	
4	520572	TOWEL RACK 24"	Rhythm chairs w s/n prefix RTM only
5	262114	1/4" WASHER HI COLLAR LOCK ZN	
6	502294	VENT TRAY PIVOT CLAMP RECESS	

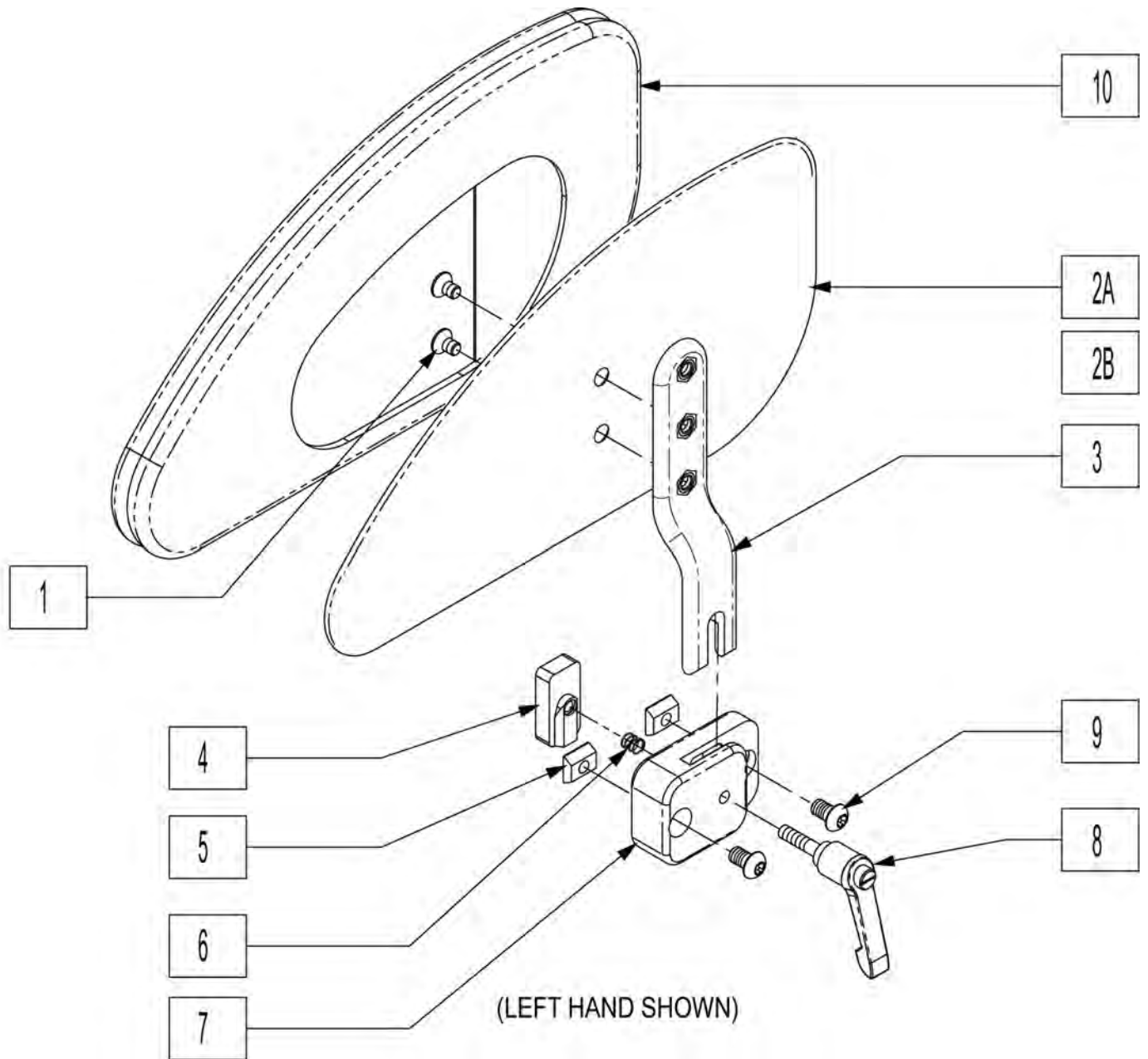
Pos.	Item Number	Description	Remarks
7	502313	CLAMP PIVOT VENT TRAY SMALL	
8	102263-003	SHCS M6 X 1 X 25 W/PL INORG	
9	101862	VENT TRAY PLATE MNT ASSM SML	
10	011404-001	STRAP CINCH BATTERY	
11	011404-002	STRAP CINCH VENT SM	
12	226267	1/4-28 x 1 5/8 BH C/S W/PATCH	
13	483161	STRUT SADDLE S525	
14	226223	1/4-28 x 1 1/4" BH C/S BLK	
15	202300	1/4-28 NYLOCK NUT THIN BLK ZN	
1-3,5-15	101873	RHYTHM VENT/BATTERY TRAY RHB FXD	MUST ORDER TOWEL BAR SEPERATELY BASED WIDTH OF SEAT.



Pos.	Item Number	Description
1	502281	LINK VENT TRAY UPPER
2	500229	UPPER VENT TRAY LINK
3	210084	NUT HEX NYLOCK M6 BLACK
4	561059	3/4 O.D. x .318 I.D. WASHER
5	560249	5/16 I.D. x 1/4 IGLIDE BUSHING
6	106947	WASHER FLAT THIN AN 5/16 ROHS
7	223116	5/16 x .75 SH SHOULDER BOLT W/ PTCH
8	226333	1/4 -20 x 5/8 BH C/S BLK W/ PTCH
9	561112	3/4 O.D. x .318 I.D. x .25 NYLON
10	011336	SHOULDER SCREW 8mm O.D.x 10mm LG
11	223117	5/16 x .50 SH SHOULDER BOLT
12	250104	WASHER FLAT M6
13	230032	M6 x 16 B/H CAP SCREW
14	502316	PLATE BASE INTERFACE VENT TRAY
15	011404-001	STRAP CINCH BATTERY
16	502282	LOWER VENT TRAY LINK
17	103208	VENT TRAY UPRIGHT
1-17	107108	RHYTHM VNT/BAT TRAY PWR RCL

SIDE GUARD

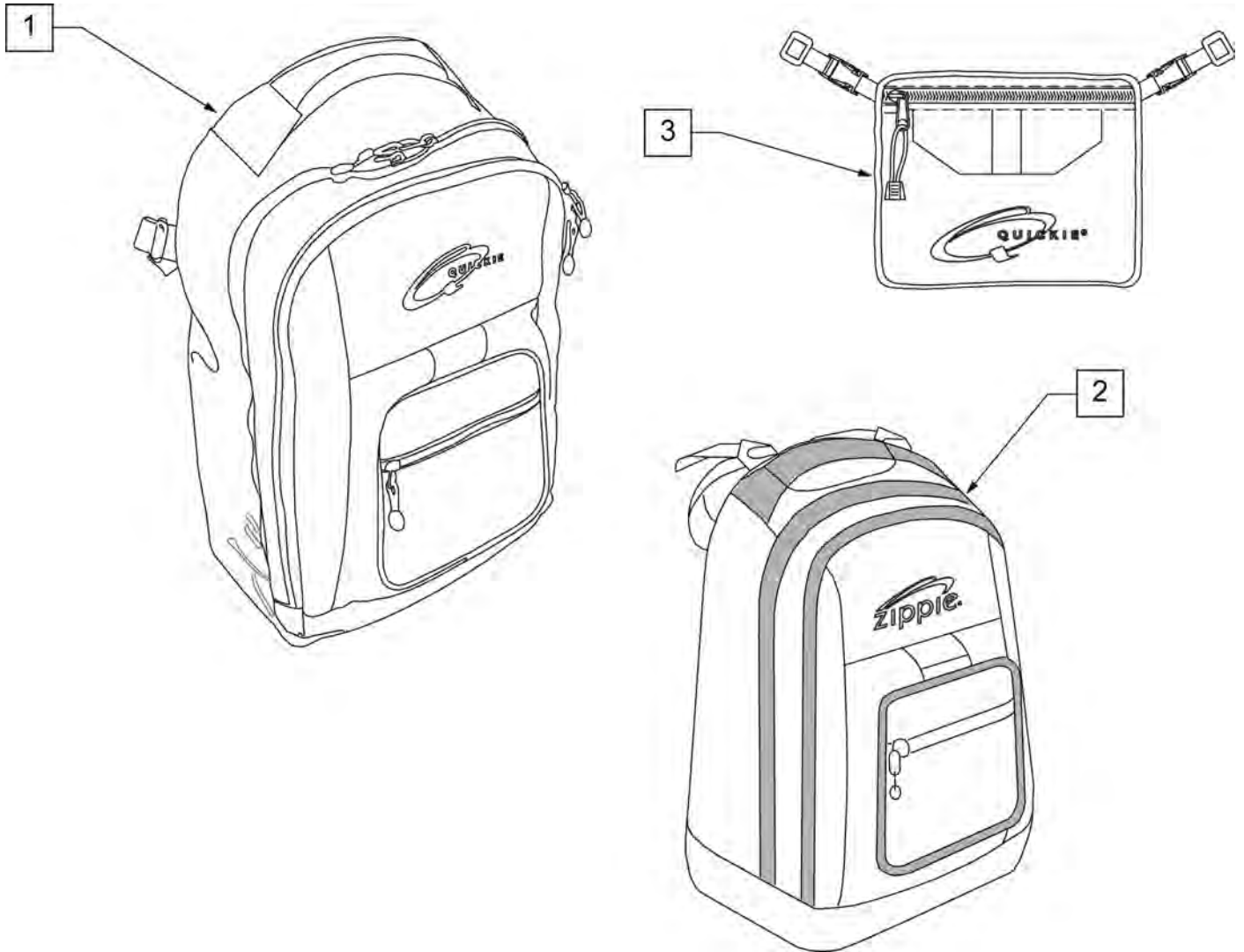
[Revision: 03/2007]



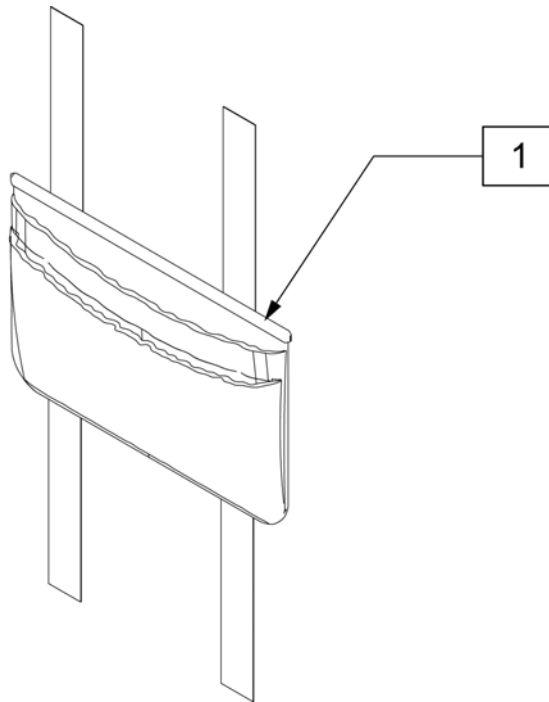
Pos.	Item Number	Description	Remarks
1	230127	FHCS M5 X .8 X 8 BLK W/PL	
2A	010980	PANEL SIDE GUARD	RIGHT
2A	010981	PANEL SIDE GUARD	LEFT
2B	013627	PANEL SIDE GUARD LARGE	RIGHT
2B	013628	PANEL SIDE GUARD LARGE	LEFT
3	010982	POST, SIDE GUARD	
4	013571	SIDEGUARD CLAMP WEDGE	
5	010065	M6 CHANNEL NUT, SINGLE	
6	013572	CMP SPR 6.1MM ODX5.1MMIDX6.4MM	
7	010983	MOUNT, SIDE GUARD	
8	011049	HANDLE ADJ MODERN M5 X 20 STUD	
9	102262-002	BHCS M6X1X10 FULL PL	

Pos.	Item Number	Description	Remarks
10	013784	SIDEGUARD COVER SMALL	LEFT
10	013785	SIDEGUARD COVER SMALL	RIGHT
10	013786	SIDEGUARD COVER LARGE	LEFT
10	013787	SIDEGUARD COVER LARGE	RIGHT
1,2A,3,10	012347	SIDE GUARD RIGHT	
1,2A,3,10	012348	SIDE GUARD LEFT	
1,2B,3,10	013869	SIDE GUARD LARGE LEFT	
1,2B,3,10	013870	SIDE GUARD LARGE RIGHT	
4-9	012346	MOUNTING HARDWARE	
1,2A-10	012344	SIDE GUARD ASSY	RIGHT
1,2A-10	012345	SIDE GUARD ASSY	LEFT
1,2A-10	012349	SIDE GUARD ASSY	PAIR
1,2B-10	013871	SIDEGUARD ASSY LARGE	LEFT
1,2B-10	013872	SIDEGUARD ASSY LARGE	RIGHT
1,2B-10	013873	SIDEGUARD ASSY LARGE	PAIR
1,5,6,9	101537	SIDE GUARD HDWR KIT	

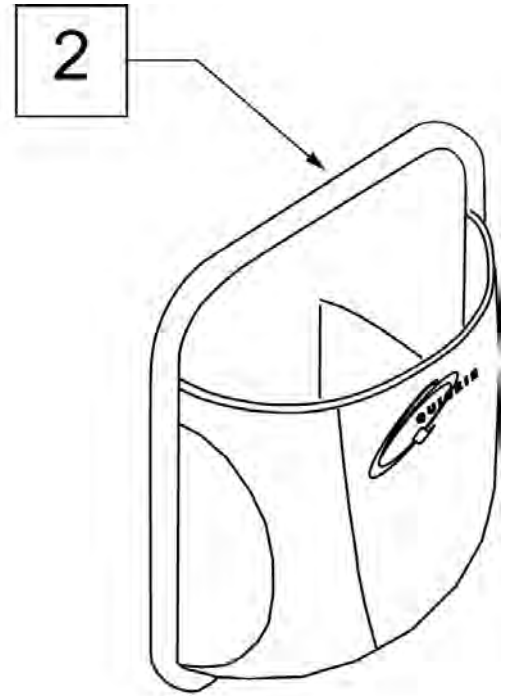
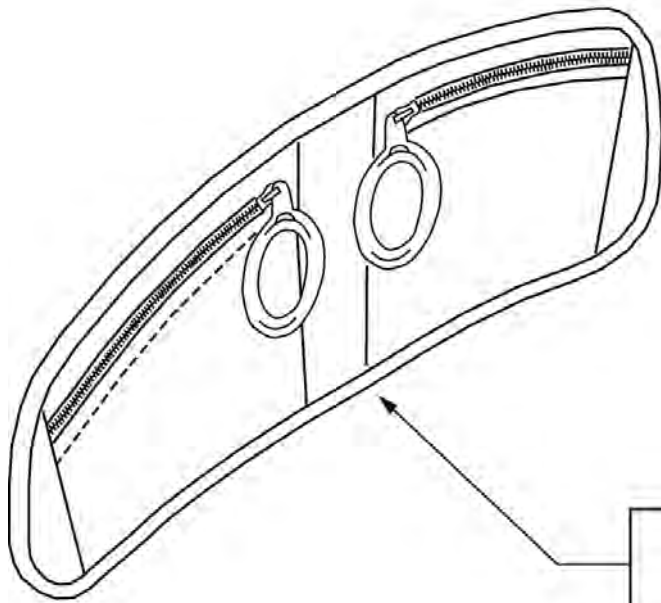
NOTE: KIDS BACKPACKS DO NOT HAVE ADJUSTABLE STRAPS W/ BUCKLES.



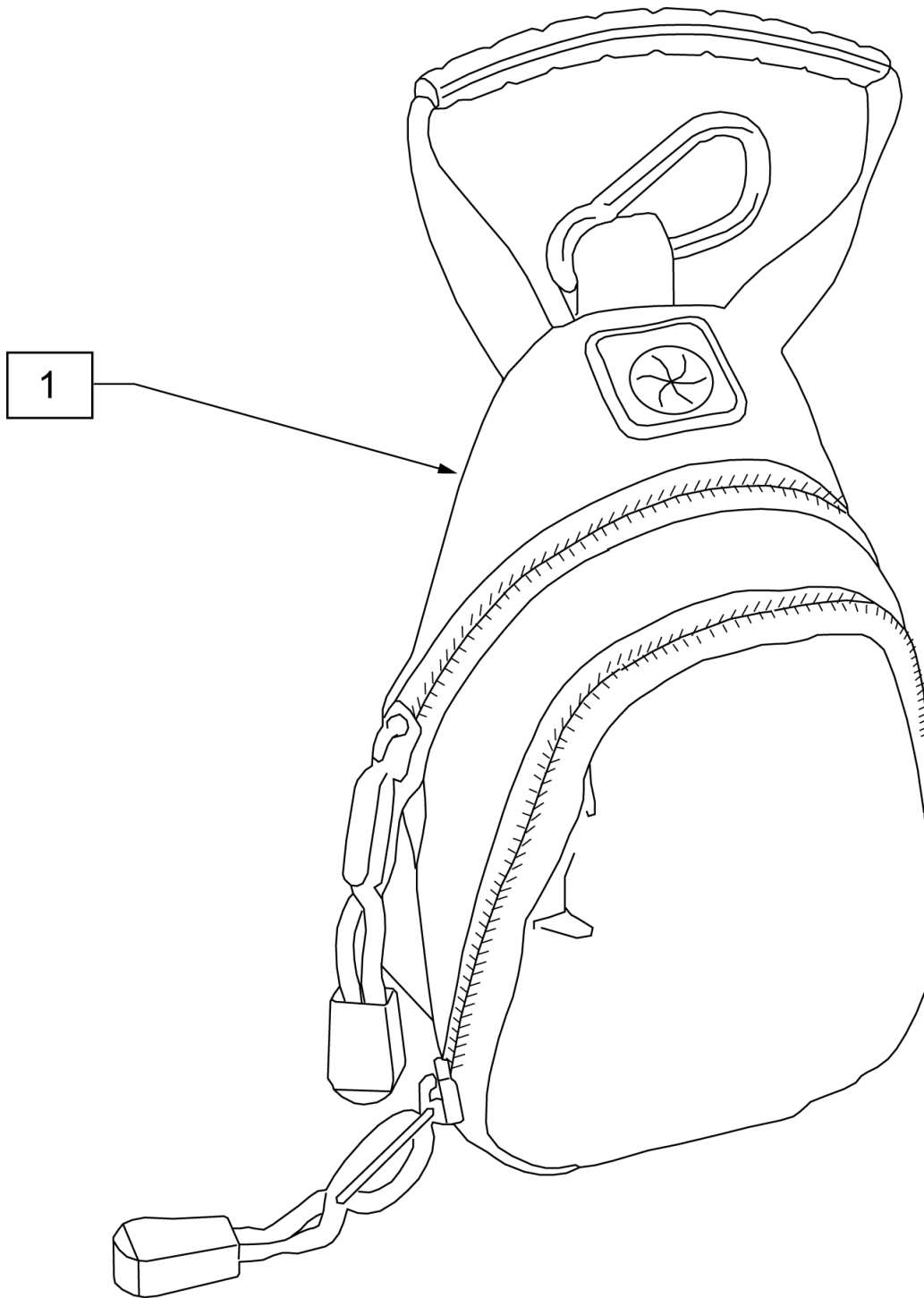
Pos.	Item Number	Description
1	750115	BACK PACK QUICKIE
2	104572	BACKPACK ZIPPIE
3	750307	SEAT POUCH QUICKIE



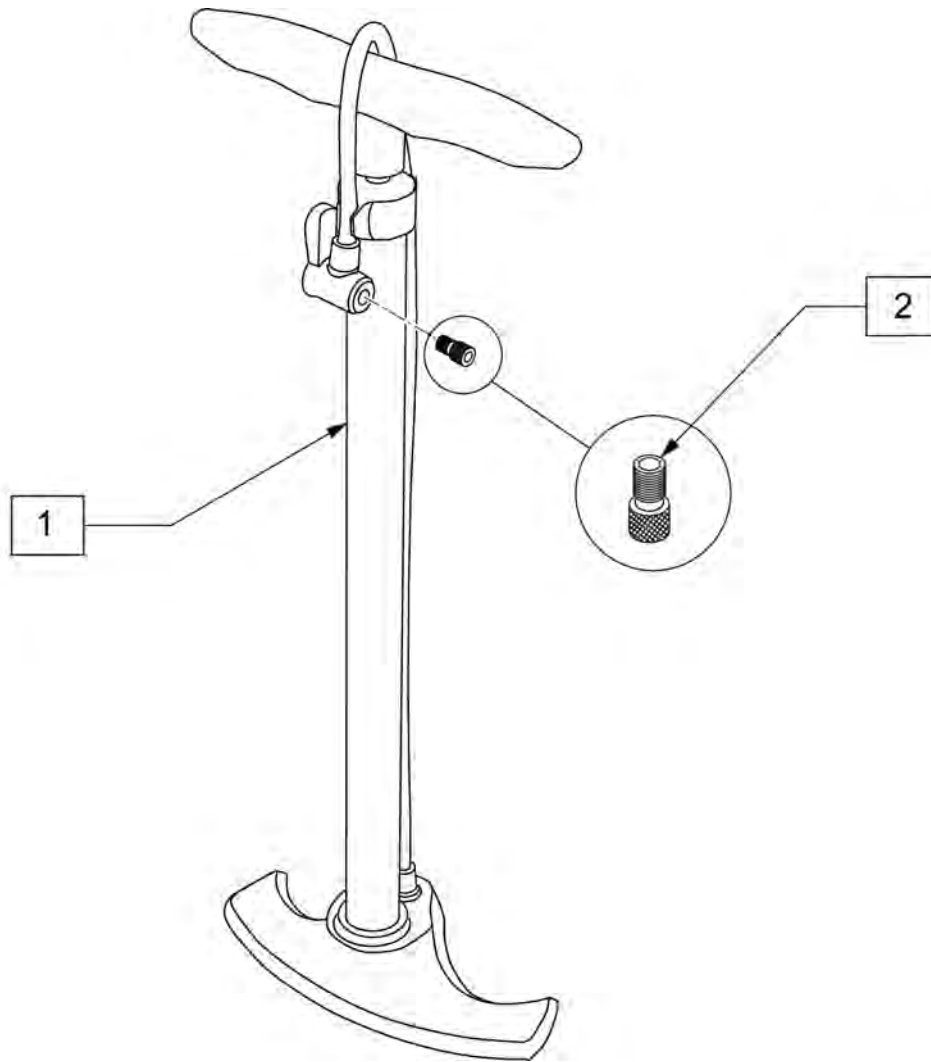
Pos.	Item Number	Description
1	011687	POWER CORD POUCH



Pos.	Item Number	Description	Remarks
1		discontinued	
2	013475	QUICKIE SIDE POCKET	Size: 6.5"x 6.5"x 2"

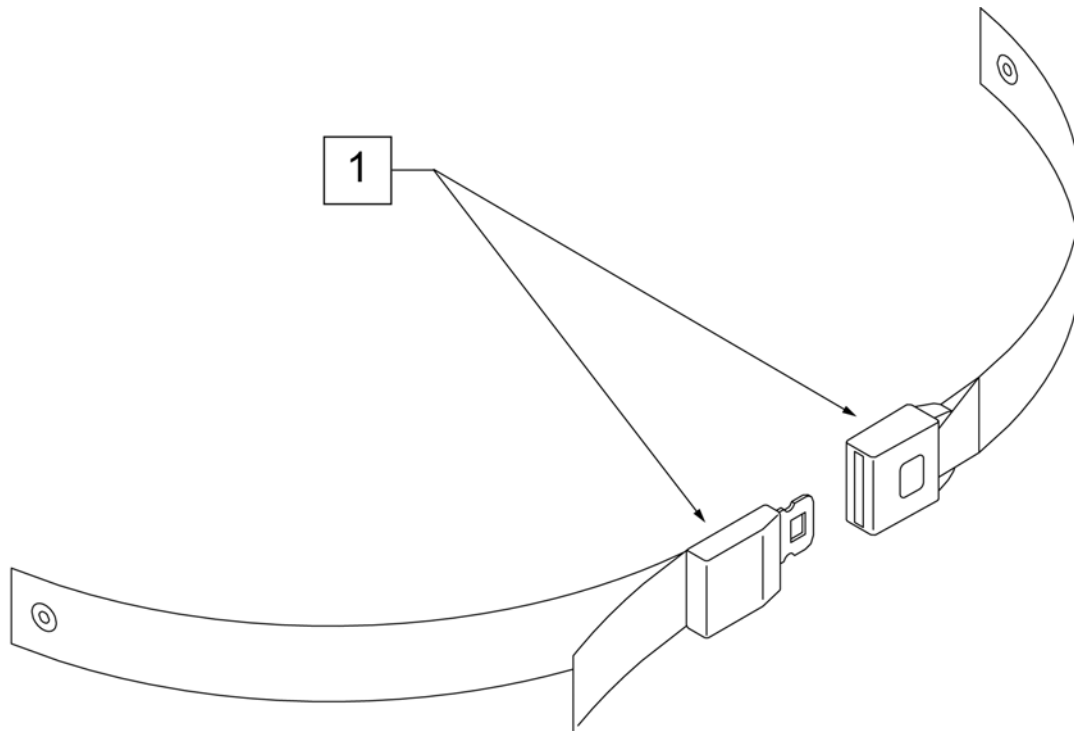


Pos.	Item Number	Description
1	109229	CELL PHONE PACK (ORANGE)



Pos.	Item Number	Description
1	389050	TIRE PUMP
2	381230	VALVE ADAPTER PRESTA

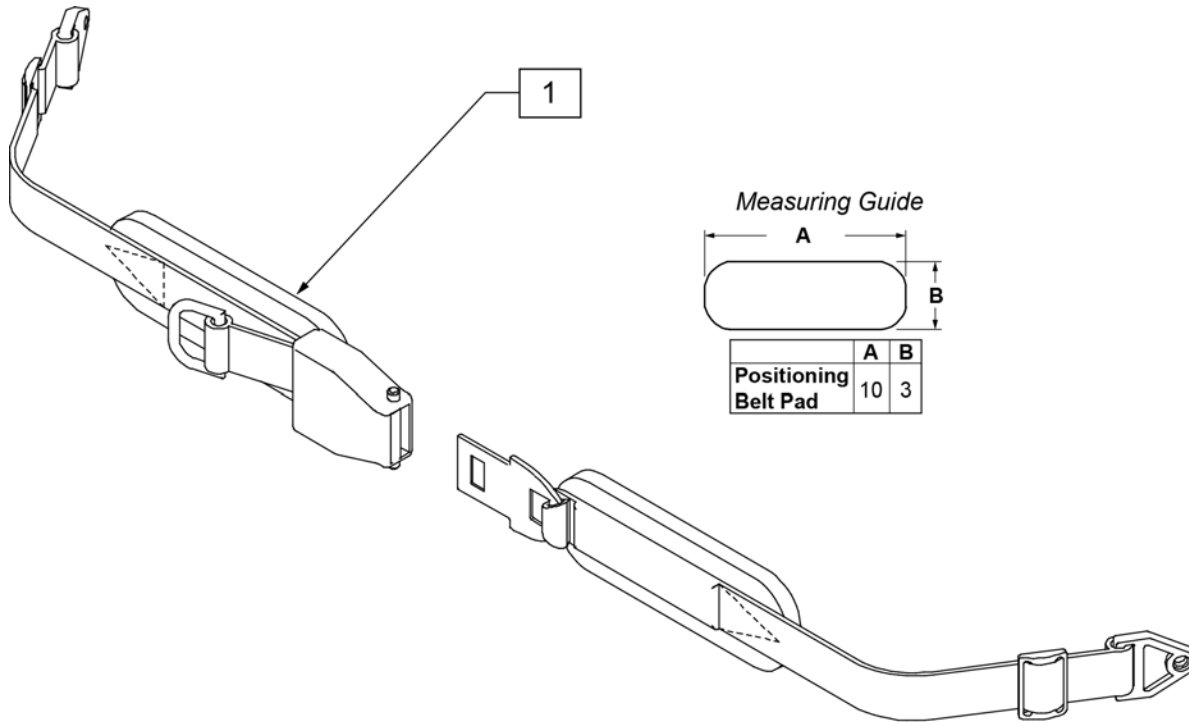
NOTE: when mounting Positioning Belts to the GT or GTI, it is recommended to attach the belt by using the Backrest Support Bracket Hardware.



Pos.	Item Number	Description	Remarks
1	750276	1 1/2" POSITION BELT	AUTOSTYLE-64" Max length of belt.

Note: Some items listed may not be available with every chair model or in conjunction with another chair feature .

NOTE: when mounting Positioning Belts to the GT or GTI, it is recommended to attach the belt by using the Backrest Support Bracket Hardware.



Pos.	Item Number	Description	Remarks
1	450418-QU	BELT 2" AIRCRAFT BUCKLE	Max length of belt 64"
1	450423-QU	BELT 2" AIRCRAFT BUCKLE W/PAD	Max length of belt 64"
1	450424	BELT 2" AIRCRAFT BKL LONG W/PAD	Max length of belt 72"
1	450425	BELT 2" AIRCRAFT BKL LONG	Max length of belt 72"
1	450419-QU	BELT 2" AIRCRAFT BKL W/QUAD LP	Max length of belt 64"
1	468419	BELT 2" AIRCRT BKL W/QD LPCZ	Max length of belt 64"



Rhythm