



Rhapsody

PARTS MANUAL

JANUARY 2012

Sunrise Medical appreciates your business. For your ordering convenience, our Customer Service Representatives can be contacted at:

**To place orders:
(800)333-4000**

Quickie Technical Assistance:

You can reach our Technical Support Team by choosing prompt 1 followed by the # sign, then prompt 2 for Technical Support. Choose option 1 for Quickie Technical Support.

**For Assistance with a Web Order,
or to sign up for sunrisemedical.com
(800) 333-4000 Option 5**

**FOR YOUR CONVENIENCE YOU MAY PLACE ORDERS THROUGH
OUR WEBSITE OR BY FAX 24 HOURS A DAY:**

www.sunrisemedical.com

Fax: (800)300-7502

For easy reference please fill in your Customer Number and Sunrise Account Manager's name.

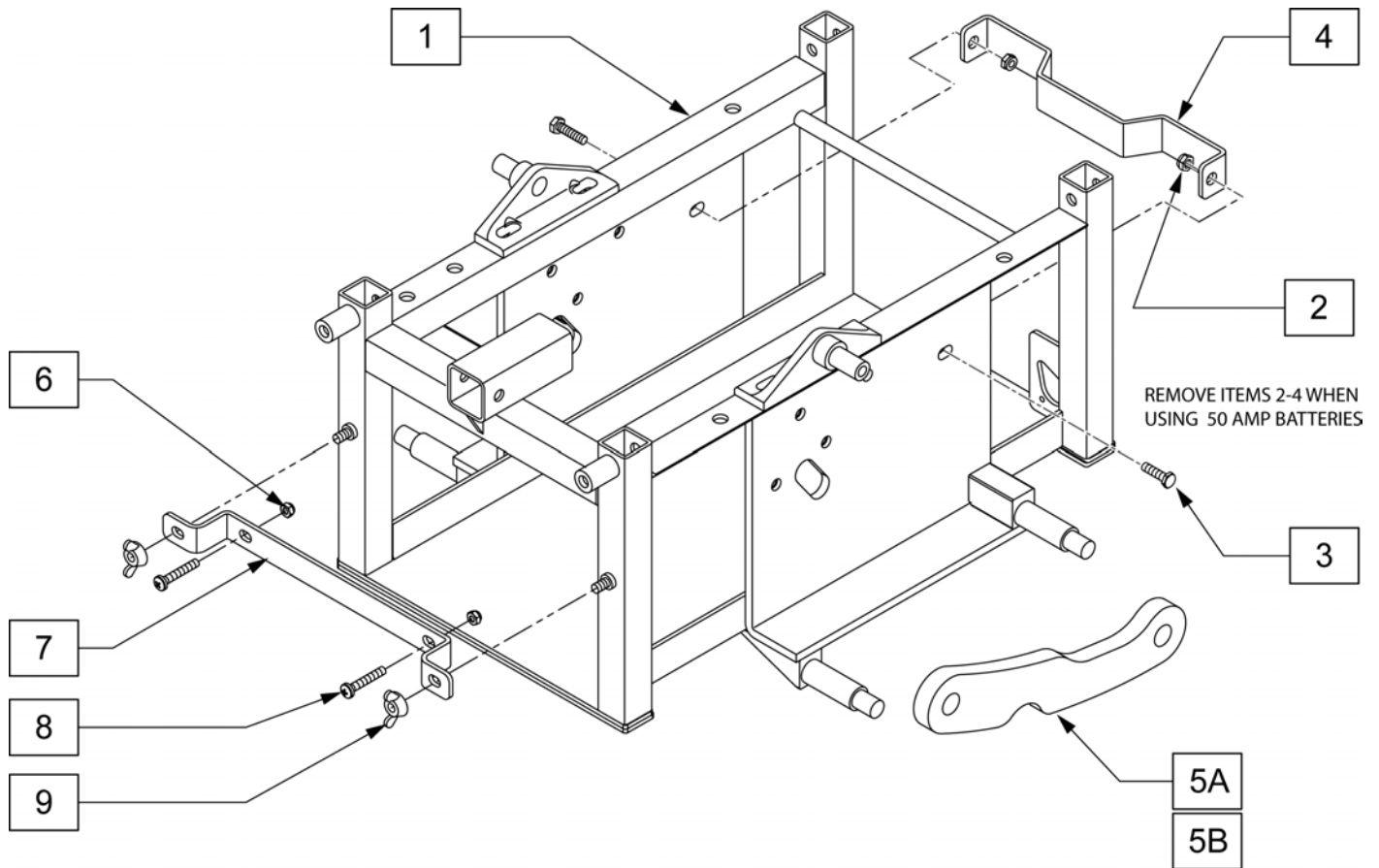
Customer Account Number _____
Ship to Account Number _____
Sunrise Account Manager _____

*Part prices and configurations or specifications of products included in this Parts Manual are subject to change without prior notice.

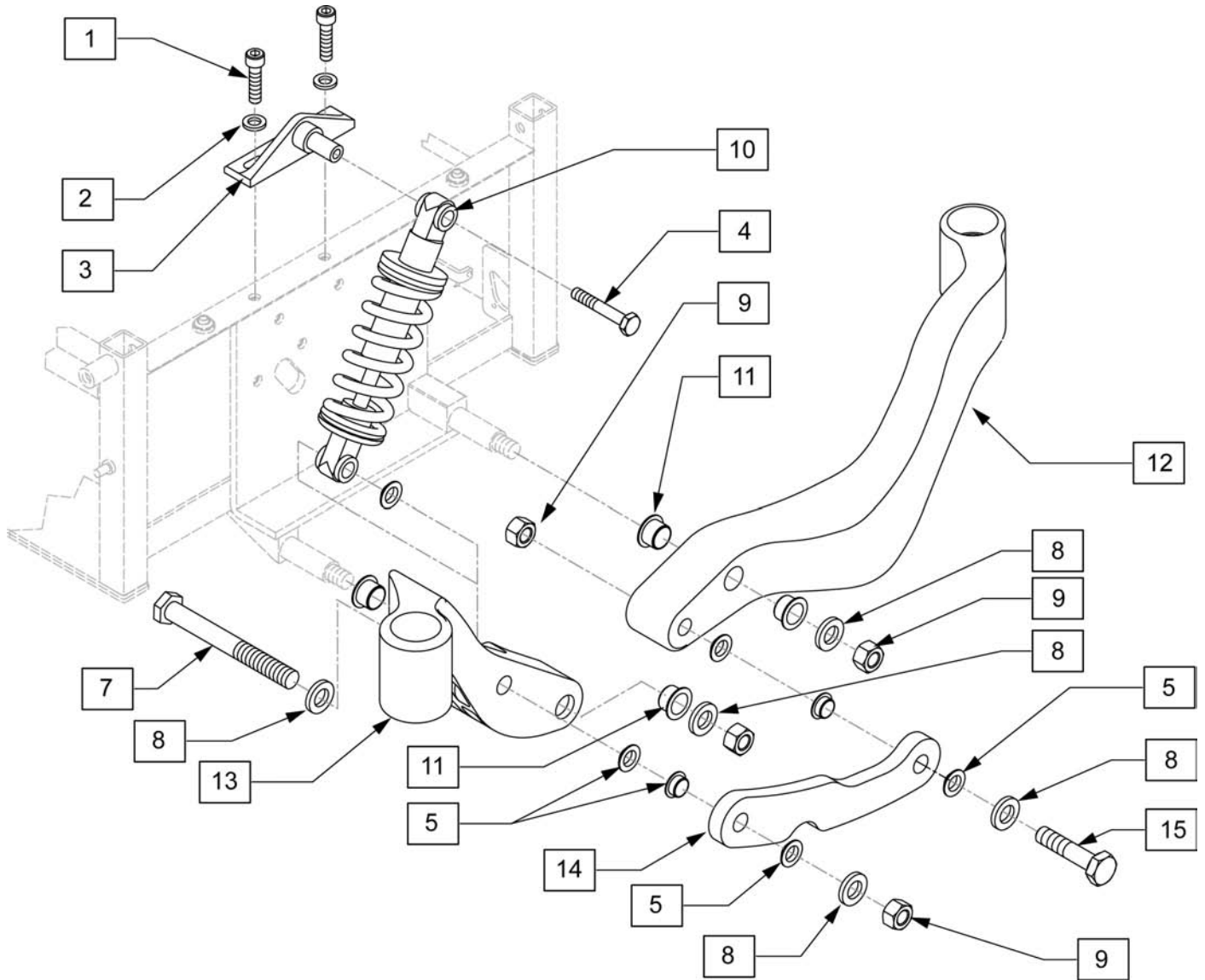
----- QUICKIE RHAPSODY	5
BASE	5
FRAME	5
RHAPSODY - FRAME	5
RHAPSODY - SUSPENSION	6
RHAPSODY - SHROUDS	7
DRIVE WHEEL	9
MOTOR ASSEMBLY	10
CASTERS	10
RHAPSODY - FRONT CASTER	11
RHAPSODY - REAR CASTER	12
SEATING AND POSITIONING	12
SEAT	12
CB (CAPTAINS) SEAT	13
CB / BB - SEAT FRAME & POST	14
ASAP SEAT & INTERFACE ASSM	15
RHAPSODY ASAP SEAT FRAME COVER	16
SB SPOT TILT SEAT INTERFACE	17
RHAPSODY - REHAB SEAT INTERFACE DISCONTINUED	18
POWERED SEATING	20
SPOT TILT	20
BACKREST AND UPHOLSTERY	20
ASAP SOLID BACK	21
ASAP BACK AND UPHOLSTERY	23
REHAB SOLID BACK	25
RHAPSODY NON FOLDING BACKREST DISCONTINUED	29
RHAPSODY REHAB LATERAL PAD ASSEMBLY	31
HEADREST	32
HANGERS & FOOTPLATES	32
HANGERS	32
ASAP AND TRAD REHAB HANGERS	32
65 SWING AWAY HANGER	33
65 SWING AWAY HANGER W/ FOOTPLATES	35
MANUAL ELR	37
TRADITIONAL REHAB SWING-AWAY HANGER RECIEVER DISCONTINUED	38
RHAPSODY ELR REHAB DISCONTINUED	39
CENTER MOUNT LEGREST REHAB DISCONTINUED	41
ASAP CENTER MOUNT FOOTREST	43
CAPTAIN SEAT HANGERS	43
CB (CAPTAINS SEAT) ELR	44
FOOTPLATES	44
COMPOSITE FOOTPLATE DISC	45
CB (CAPTAINS SEAT) SWING-AWAY FOOTREST	47
SB (ASAP) CENTER MOUNT FOOTREST	48
CB & BB STANDARD FOOTREST	49
ARMRESTS	49
CAPTAINS SEAT ARMREST	50
ASAP ARMREST	52
DUAL POST FLIP BACK ARMREST	54
DUAL POST FLIP BACK ARMREST RECEIVER	56
ELECTRONICS	57
VR2 CONTROLLER - RHAPSODY	58
VR2 JOYSTICKS	59
VR2 ATTENDANT CONTROL ASSEMBLY	60
DUAL TOGGLE - RHAPSODY	61
QTRONIX, VSI, VR2, & PILOT + PROGRAMMER	62
CONTROLLER MOUNTS	63
RHAPSODY - BATTERY	64
RHAPSODY - BATTERY CHARGER	67
RHAPSODY - WIRING	68
WIRING DIAGRAM	69
QTRONIX, VSI, VR2, & PILOT + PROGRAMMER	70
ACCESSORIES	70
TUFFAK TRAY(POWER CHAIRS)	71
RHAPSODY - ACCESSORIES	72
RHAPSODY - BASKET	73
BAGS AND POUCHES	73
BACKPACKS AND SEAT POUCHES	74
CASE LOGIC BAGS	75
CELL PHONE PACK	76

POWER CORD POUCH	77
TIRE PUMP	78

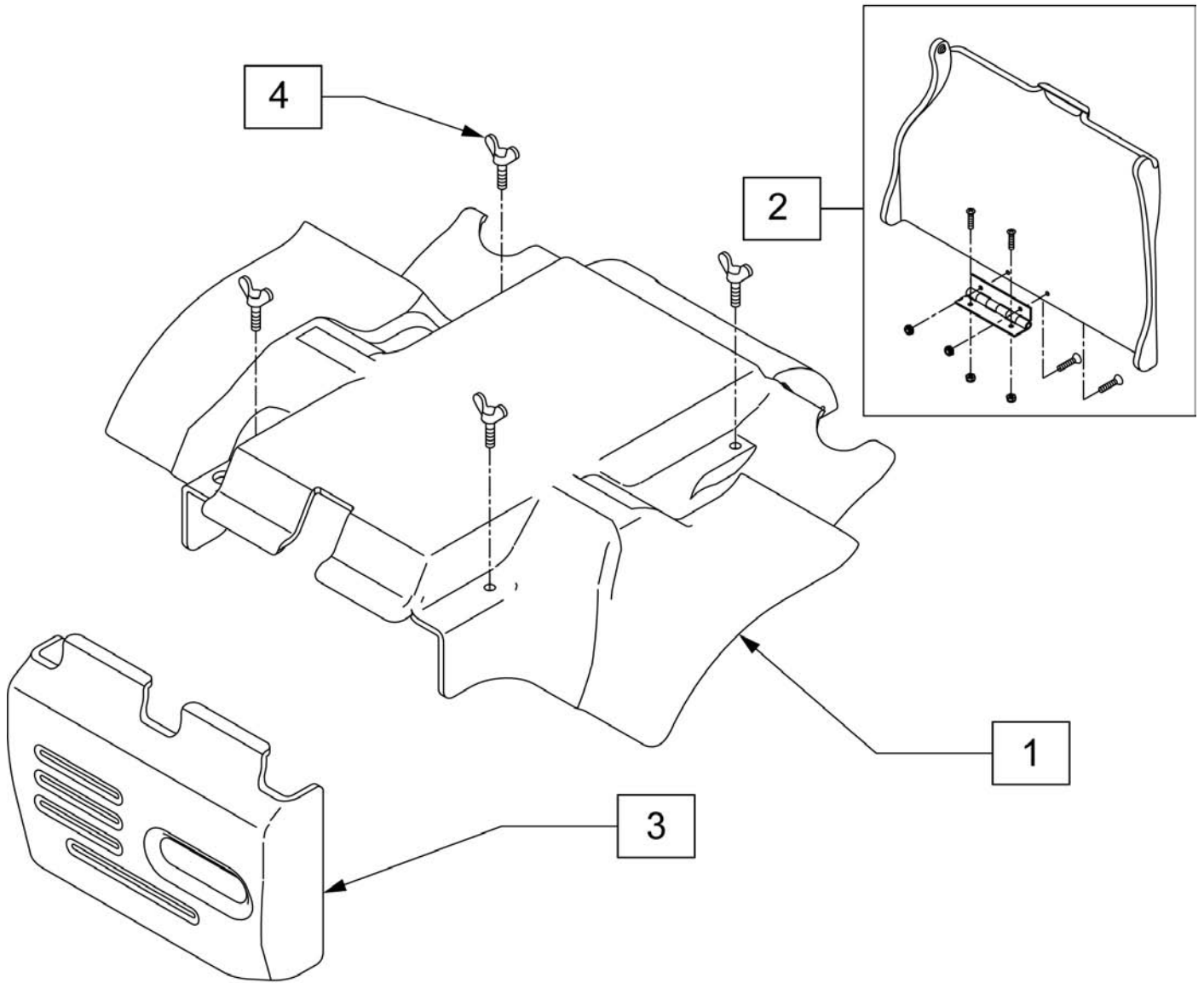
Rhapsody chairs prior to serial# RHP003507 must purchase 106034 to replace frame.



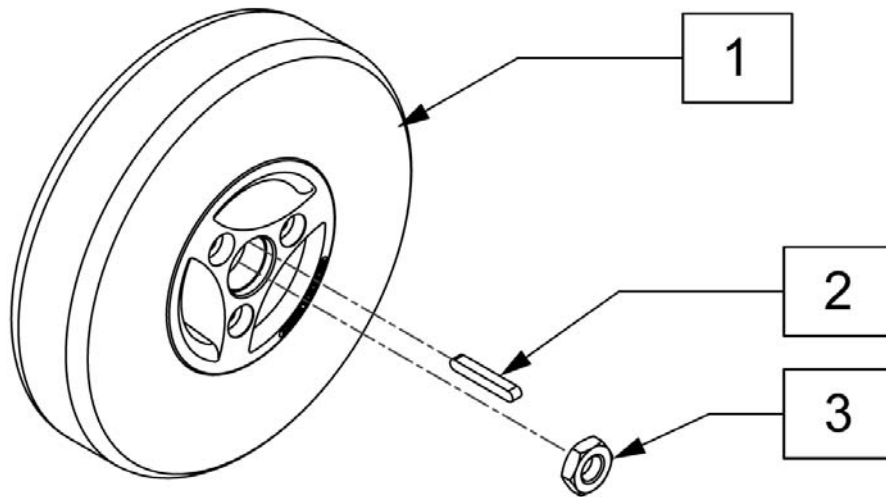
Pos.	Item Number	Description	Remarks
5A	101696	SUSP MIDDLE LINK	REQ'D FOR S/N PRIOR TO RHP003507
5B	547022	ARM SUSP MID	
3-4	105699	BRACKET BATTERY KIT	
1-4	105205	BASE FRAME RHAPSODY W/VELCRO	
6-9	105178	MOUNT ASSEMBLY CONTROLLER	



Pos.	Item Number	Description	Remarks
1	N/A	SHCS M6 X 17	AVAILABLE IN ASSEMBLY ONLY
2	N/A	M6 LOCK WASHER	AVAILABLE IN ASSEMBLY ONLY
4	N/A	HHCS M12 X 12	AVAILABLE IN ASSEMBLY ONLY
7	N/A	HHCS M12X100X1.25X35	AVAILABLE IN ASSEMBLY ONLY
8	N/A	M12 WASHER PLAIN NARROW	RHAPSODY SOLID BACK REHAB
9	N/A	NUT NYLOCK M12X1.25	Available in suspension HRDWR kit only
10	101694	SUSPENSION SHOCK	
12	887322	SUSPENSION REAR	RIGHT (arm w/ caster bearing)
12	887323	SUSPENSION REAR	LEFT (arm w/ caster bearing)
13	887320	SUSPENSION FRONT	RIGHT (arm w/ caster bearing)
13	887321	SUSPENSION FRONT	LEFT (arm w/ caster bearing)
14	101696	SUSP MIDDLE LINK	
15	N/A	HHCS M12X1.25X60	Available in suspension HRDWR kit only
1-4	101695	SUSPENSION SHOCK MNT & HRDWRE	
5,7-9,15	340149	HRDWR FOR SUSPENSION	

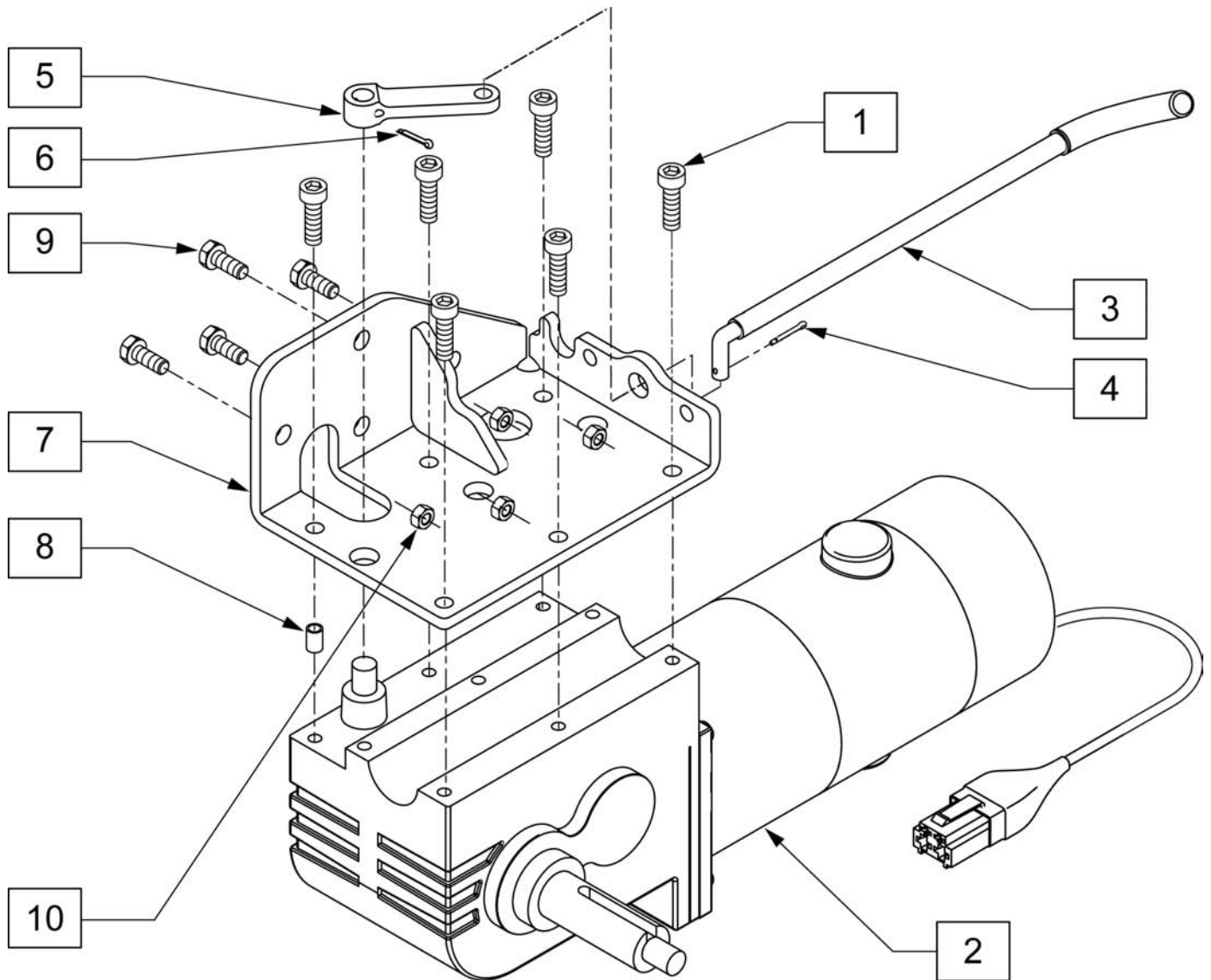


Pos.	Item Number	Description	Remarks
1,4	101678	TOP SHROUD BLUE	
1,4	101679	TOP SHROUD RED	
2	101676	REAR SHROUD BLUE W/HDWR	
2	101677	REAR SHROUD RED W/HDWR	
3	101680	FRONT SHROUD BLUE W/VELCRO	
3	101681	FRONT SHROUD RED W/VELCRO	
4	102832	M6 WING BOLT KIT	Pack of 4

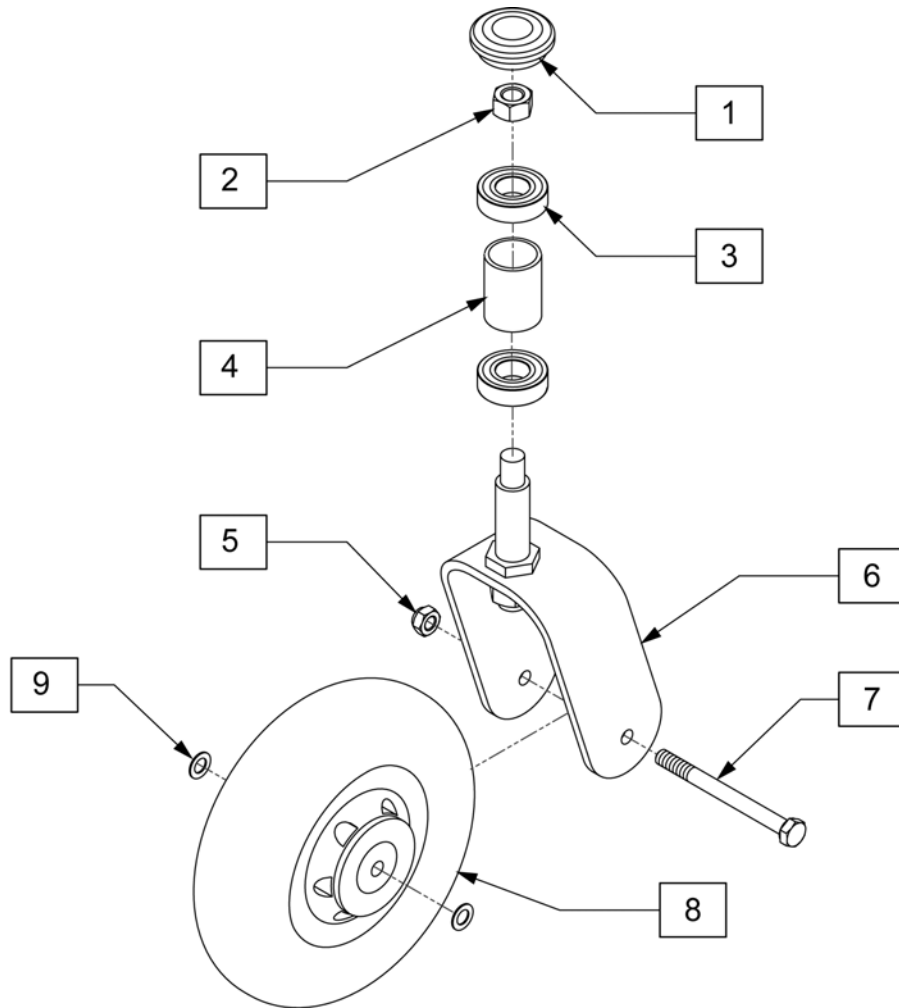


Pos.	Item Number	Description
1	101690	DRIVE WHEEL SOLID INSRT TIRE
2	341265	MOTOR SHAFT KEY
3	210086	NUT NYLOCK M10 SILVER ROHS

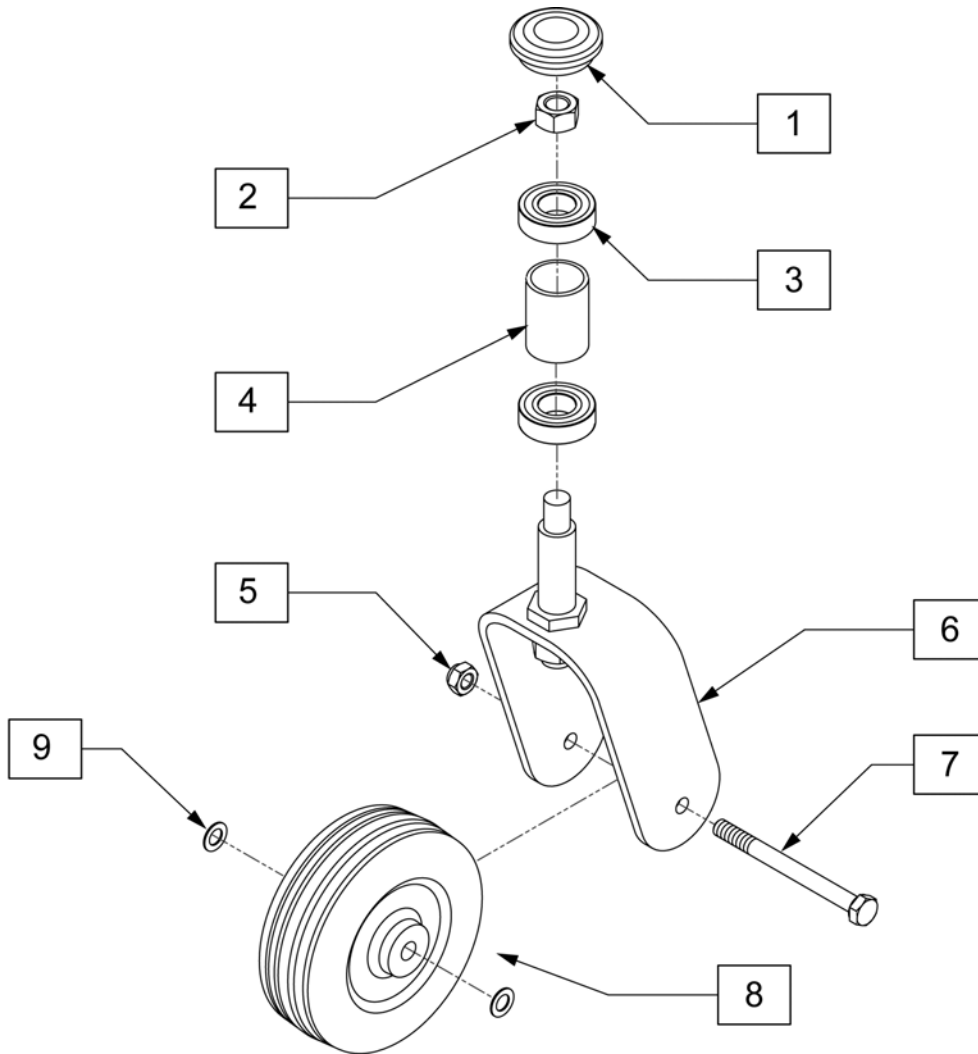
Note: Prior to motor S/N P725L25000 or chair S/N RHP002027 both left and right motors must be replaced.



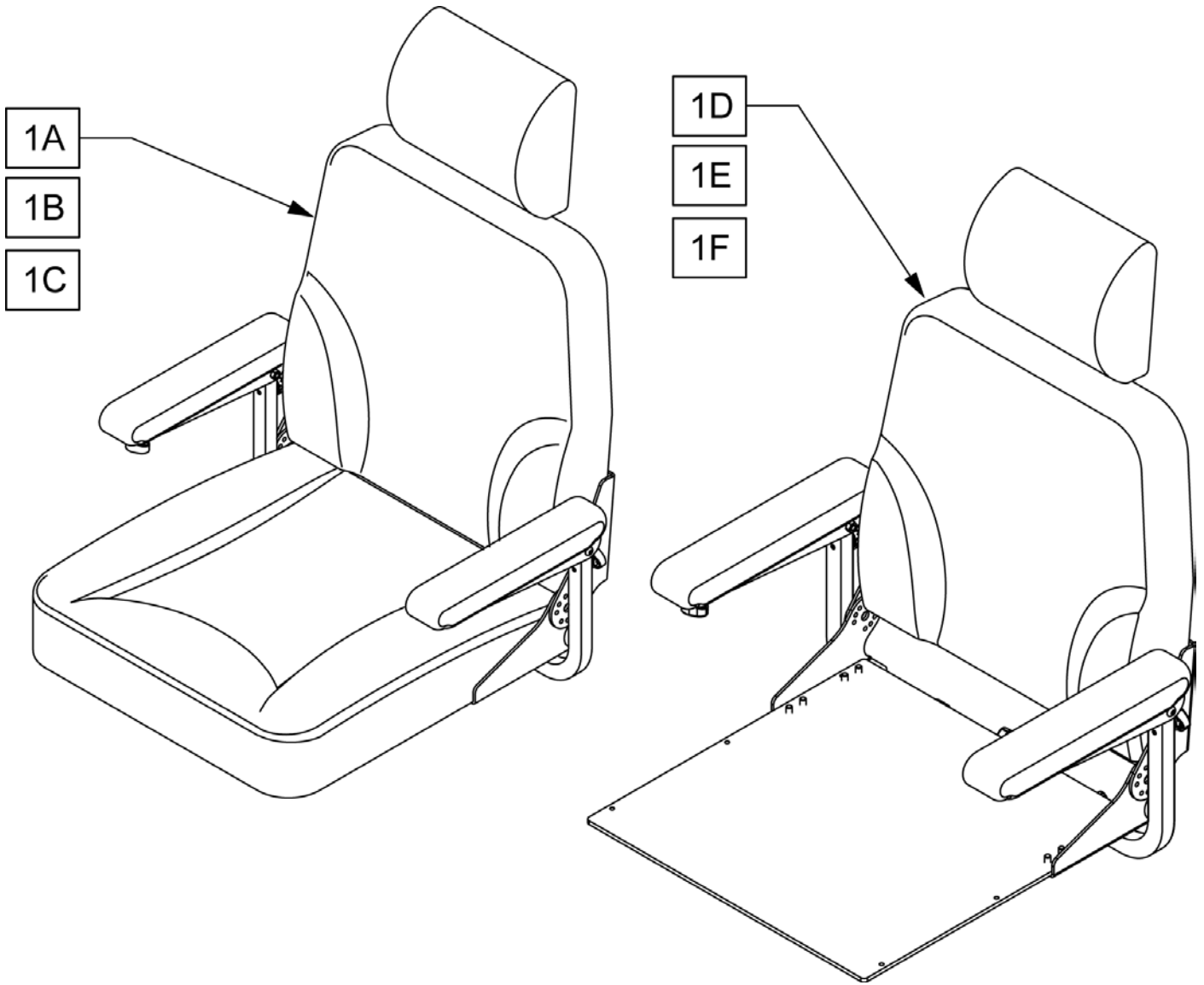
Pos.	Item Number	Description	Remarks
3-6	101697	COG RELEASE HANDLE LH W/ HDWR	LEFT
3-6	101698	COG RELEASE HANDLE RH W/ HDWR	RIGHT
11	341265	MOTOR KEY	
12	210086	NUT NYLOCK M10 SILVER ROHS	
13	101765	MOTOR BRUSHES W/CAP (PR)	
14	n/a	PLAIN WASHER M18	
1,7,9,10	101764	MOTOR BRACKET ASM LEFT	LEFT
1,7,9,10	101767	MOTOR BRACKET ASM RIGHT	RIGHT
1-12	103753	MOTOR/GEARBOX ASSY RH W/ HDWR	19:1 GEAR RATIO
1-12	103754	MOTOR/GEARBOX ASSY LH W/ HDWR	19:1 GEAR RATIO



Pos.	Item Number	Description	HCPC	Remarks
1	101921	CASTER JOURNAL CAPS		pack of 4
2	n/a	HEX NUT M19		Available in assm only
5	n/a	HEX NUT M8		Available in assm only
7	n/a	HHCS M8 X 1.25 X 90		Available in assm only
8	101691	CASTER WHEEL (7 INCH)	K0077	
9	n/a	5/16 AN FLAT WASHER		Available in assm only
3	101686	CASTER BRNGS		
2,5-9	116173	CASTER FORK ASSM FRNT 7IN BLK		

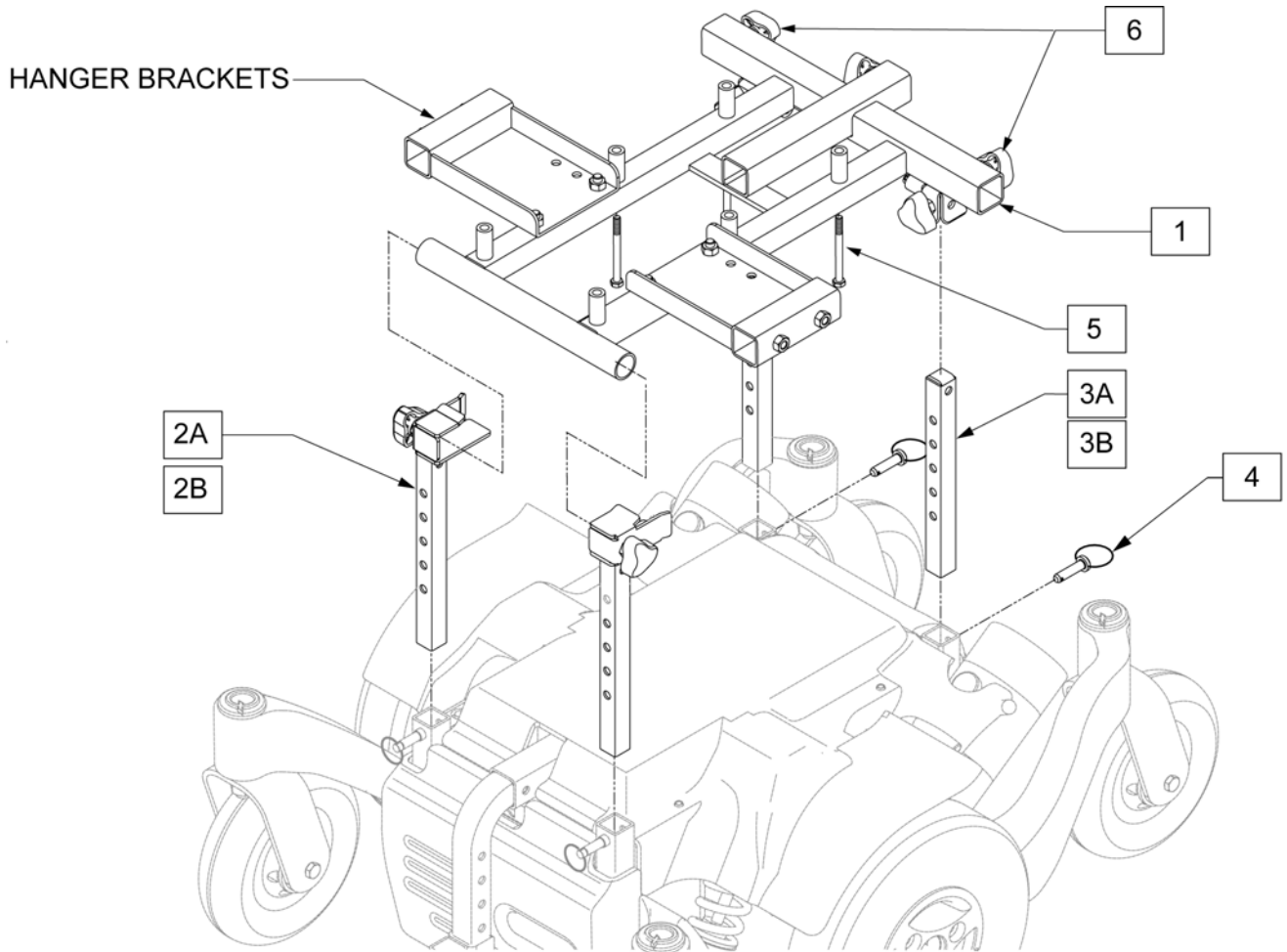


Pos.	Item Number	Description	HPCP	Remarks
1	101921	CASTER CAP KITS		Pack of 4
2	n/a	HEX NUT M19		Available in assm only
5	n/a	HEX NUT M8		Available in assm only
7	n/a	HHCS M8 X 1.25 X 90		Available in assm only
8,9	102797	CASTER WHEEL (6 INCH)	K0077	
9	n/a	5/16 AN FLAT WASHER		Available in assm only
3	101686	CASTER BRNG		
2,5-9	116175	CASTER FORK ASSM RR S 6IN BLK		

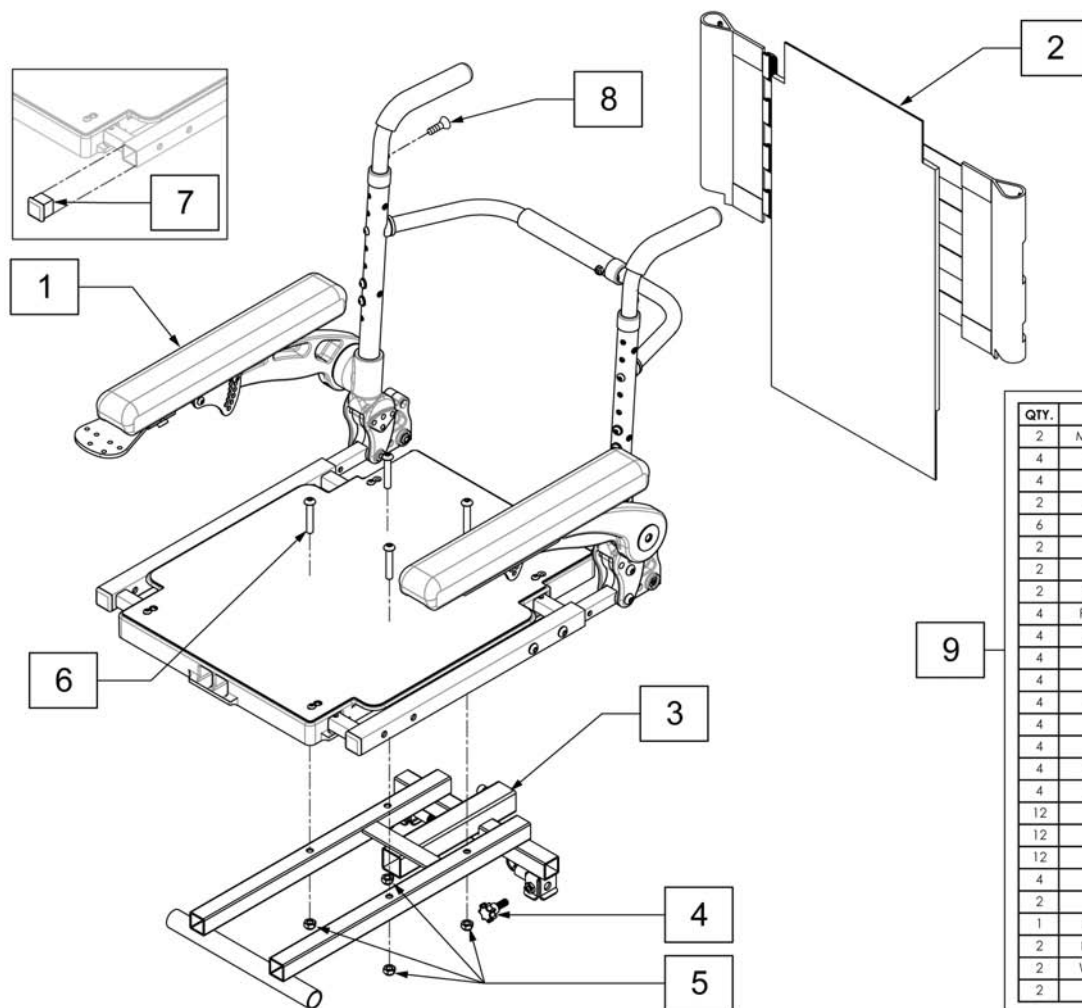


Pos.	Item Number	Description	Remarks
1A	101649	16" X 16" ADJ DP GY VYL W/ADP (depth adj.)	16-18 set @ 17, includes interface
1B	101652	18" X 18" ADJ DP GY VYL W/ADP (depth adj.)	17-19 set @ 18, includes interface
1C	101655	20" X 20" ADJ DP GY VYL W/ADP (depth adj.)	18-20 set @ 20, includes interface
1D	101650	16X16 HI-BACK CAPT SEAT (FLAT PAN)	Discontinued as of March 2008
1E	101653	18X18 HI-BACK CAPT SEAT (FLAT PAN)	Discontinued as of March 2008
1F	101656	20X20 HI-BACK CAPT SEAT (FLAT PAN)	Discontinued as of March 2008

Note: Remove Hanger Brackets from p/n 101675 to fit ASAP seat system.

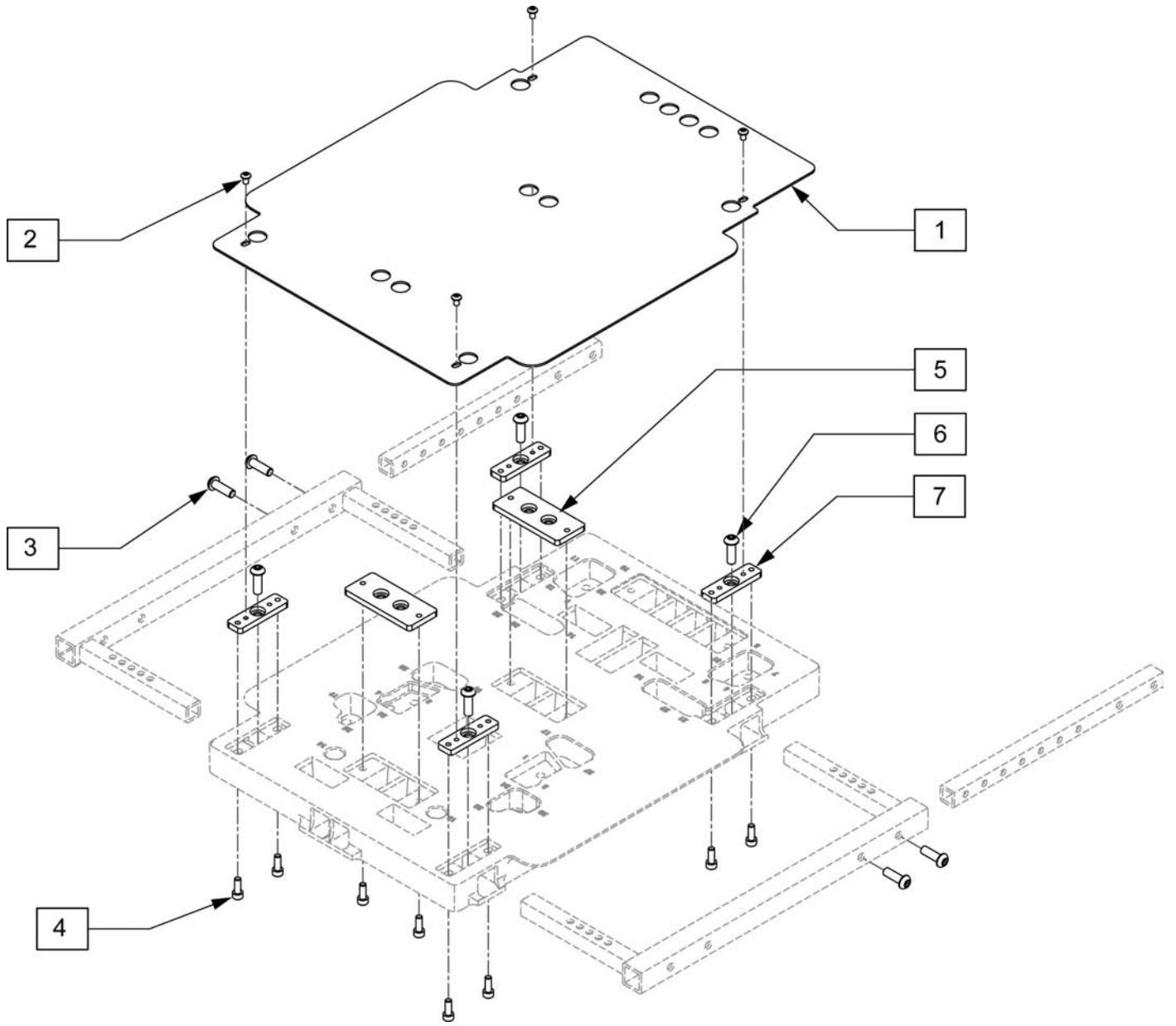


Pos.	Item Number	Description	Remarks
1,5,6	102245	SEAT FRAME CAPTAIN W/HDWR	Fits Captains Seat & Captains Seat w/ Flat Pan
2A	101673	POST INTERFACE SEAT KIT	PAIR - 3 holes, ASAP w/o tilt only
2B	109618	FRONT SEAT POST 5 HOLE	Pair - 5 hole, fits Captains seat only
3A,4	101674	POST REAR WELDMENT KIT	PAIR
3B	102225	POST REAR SLINGSHOT	
4	101920	LOCKING RING 8X40L (W/RING)	PAIR
5	n/a		AVAILABLE IN ASSEMBLY ONLY
6	102833	KNOB M8 X 1.25 X 18 (PR)	Pair

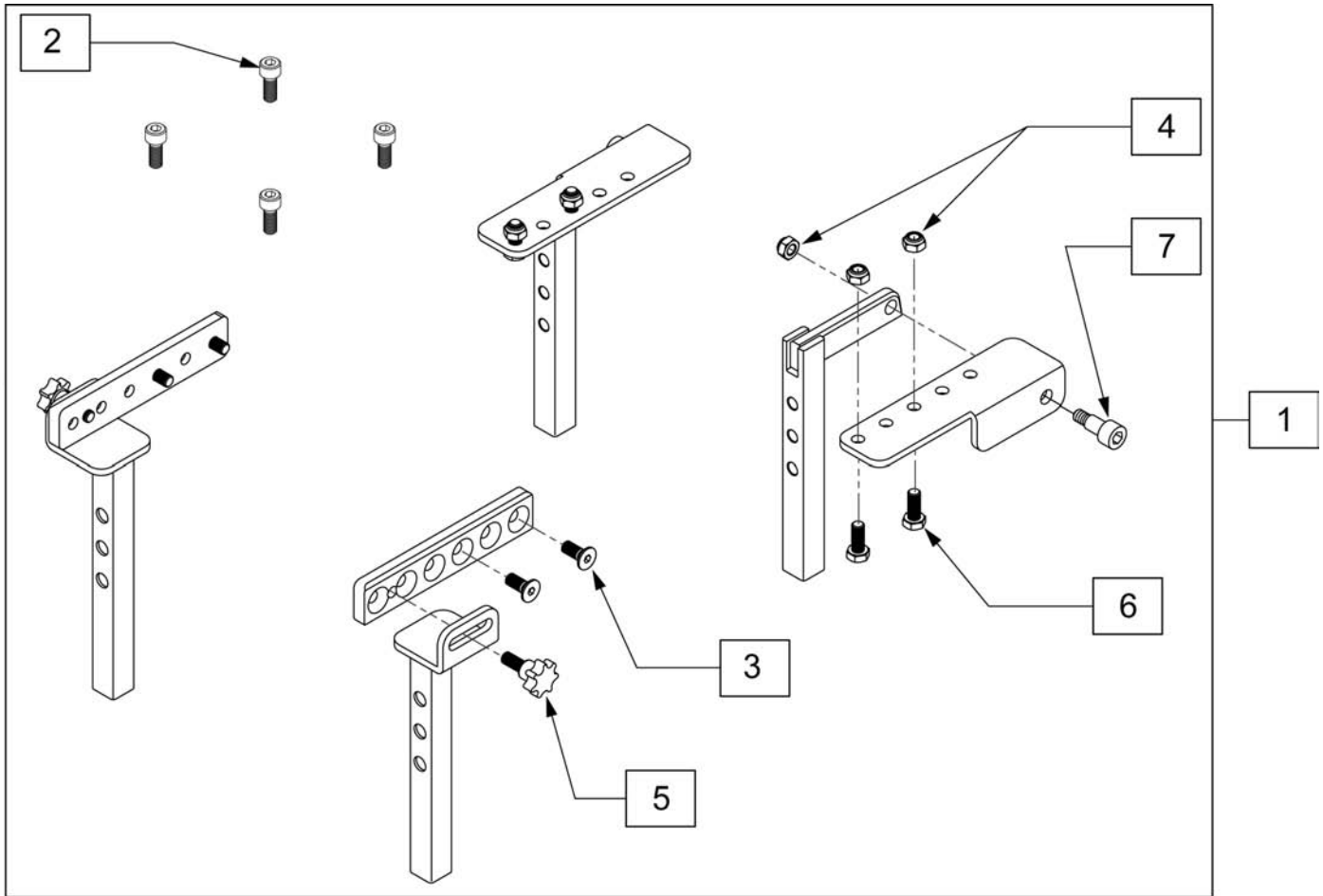


QTY.	DESCRIPTION
2	M10 X 60 SKT BITN HD, DRI-LOC
4	BHCS M8 X 1.25 X 20 FULL NP
4	WASHER M8 SHAKE PROOF
2	NUT HEX NYLOCK M8 BLACK
6	BHCS M8 X 1.25 X 45
2	BHCS M10 X 40 BLK 12.9
2	WASHER M10 X 35 X 1.5 BLK
2	CLAMPING HANDLE M6 X 25
4	FHCS M6 X 1 X 20 INORGANIC
4	SHCS, M8 X 1.25 X 25 FULL NP
4	SHCS M5 X 0.8 X 12 FULL NP
4	NUT M5 NYLOC THICK
4	WASHER M5 SHAKE PROOF
4	BHCS M6 X 1X 16 FULL NP
4	SHCS M6 X 1X 20 FULL NP
4	BHCS M5 X .8 X 8 BLK W/PL
4	SHCS M8 X 1.25X 20 FULL NP
12	SHCS M6 X 1X 16 FULL NP
12	WASHER FLAT M6
12	WASHER LOCK M6
4	INSERT PLATE-1
2	INSERT PLATE-2
1	KNOB - M6 X 13 LOCKING KEY
2	NUT M8 NYLOC HEX (THIN) Z/P
2	WASHER M8 SPRING SQ SEC ZP
2	WASHER M8 OD 20MM

Pos.	Item Number	Description	Remarks
1	108661	ASAP SEAT ASSEMBLY	Icludes everything except interface and upholstery
2	103170	ASAP SEAT UPH	FOR BB ONLY
3	101675	SEAT FRAME CAPTAIN	FOR BB ONLY
5	210085	NUT HEX NYLOCK M8 BLACK	
6	230123	BHCS M8 X 1.25 X 45	
7	010615	SQUARE END CAP CNTR LEG SUPPORT	
8	230497	M5-.8 X 20 MM BH C/S	
9	108786	SEAT HARDWARE	

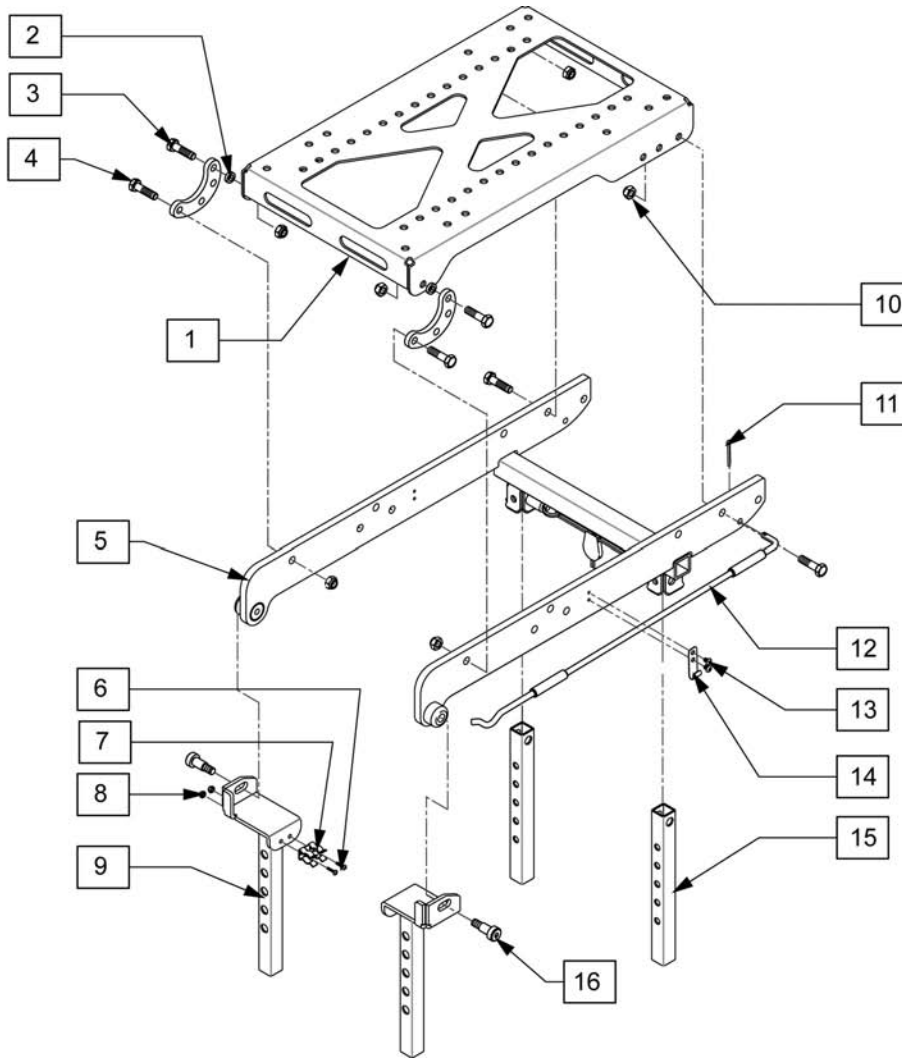


Pos.	Item Number	Description	Remarks
1	014918	SEAT COVER	
2	n/a	BHCS M5X0.8X8	ONLYAVAILABLE IN HARDWARE KIT
3	n/a	BHCS M8 X 1.25 X 25	ONLYAVAILABLE IN HARDWARE KIT
4	n/a	SHCS M6 X 1 X 16	ONLYAVAILABLE IN HARDWARE KIT
5	n/a	INSERT PLATE 2	ONLYAVAILABLE IN HARDWARE KIT
6	n/a	INSERT PLATE 1	ONLYAVAILABLE IN HARDWARE KIT
7	n/a	WASHER, FLAT, M6	ONLYAVAILABLE IN HARDWARE KIT
8	n/a	WASHER, LOCK, M6	ONLYAVAILABLE IN HARDWARE KIT
	103109	ASAP SEAT HARDWARE KIT	SEE ITEM 9 ASAP SEAT ASSM PAGE



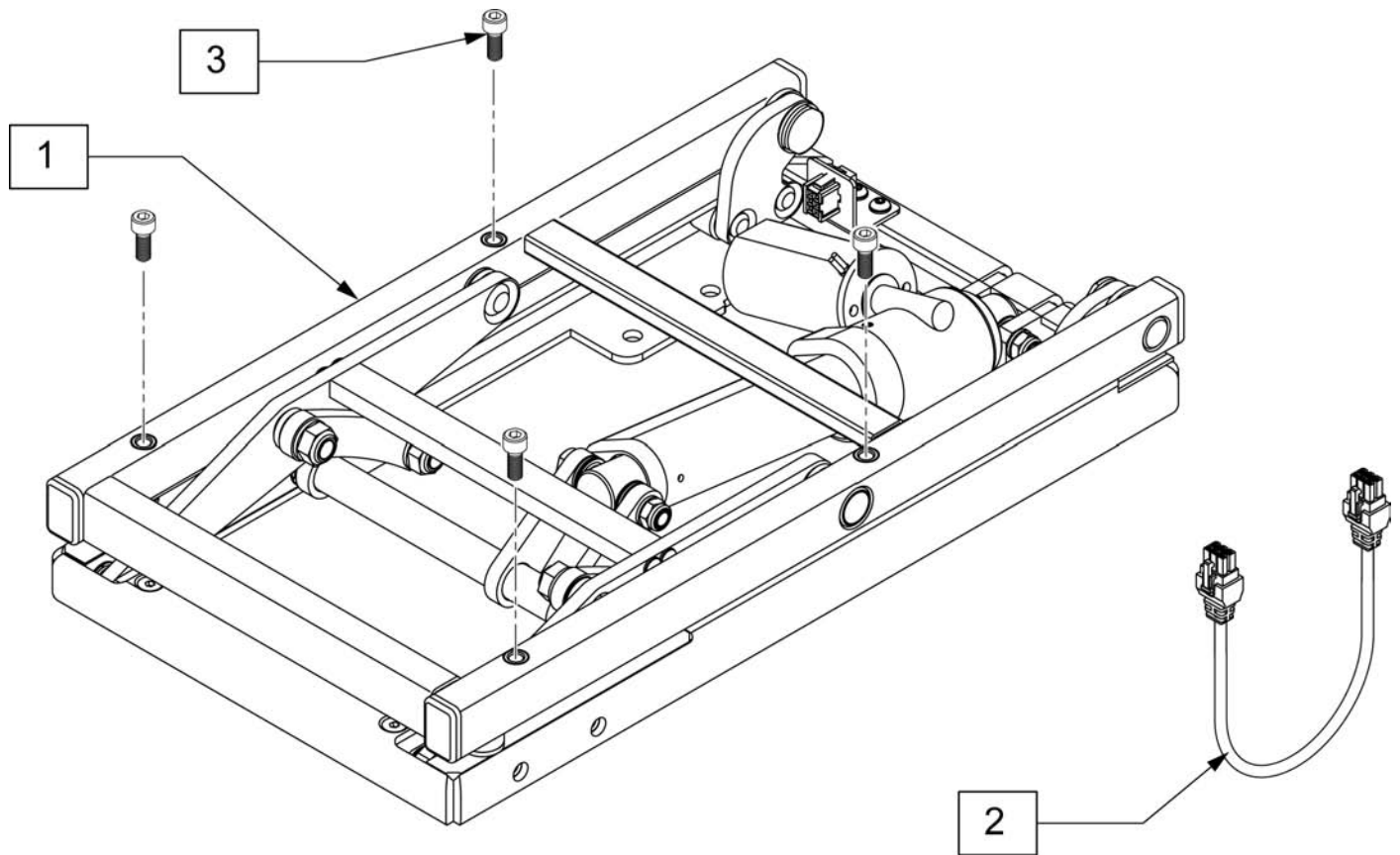
Pos.	Item Number	Description	Remarks
1	103402	INTERFACE/POST ASSM KIT	
2	013158	SHCS M8 X 1.25 X 12	
3	n/a	FHCS M8 X 1.25 X 20	Available in assm only
4	n/a	M8 NYLOCK NUT	Available in assm only
5	102833	M8 X 1.25 X 18 THUMB SCREW	
6	n/a	HHCS M8 X 1.25 X 20	Available in assm only
7	n/a	SHCS M10 X 27	Available in assm only

DISCONTINUED, AVAILABLE AS PARTS ONLY FOR CHAIRS PRIOR TO SERIAL # RHP003507.



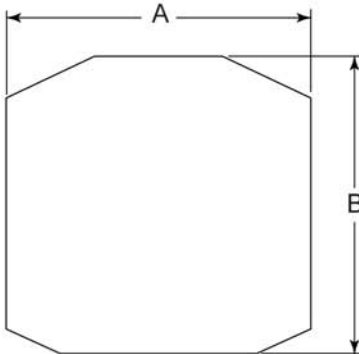
Pos.	Item Number	Description
1	013338	PACKER MODULE AMY
2	505562	ANTI TIP WHEEL SPACER S626
3	013355	HHCS M8 X 1.25 X 30 BLK
4	013354	HHCS M8 X 1.25 X 20 BLK W/PL
5	102043	INTERFACE ASSM SHINGLE 1
6	013140	BHCS M3 X .5 X 12 BLK
7	138505	MERCURY SWITCH SPRING CLIP CG
8	210043	NUT NYLOCK M3 X .5 BLACK
10	210085	NUT HEX NYLOCK M8 BLACK
11	011885	7/64" X 1" COTTER PIN
12	102187	SEAT STAY
13	230110	BHCS M4 X .7 X 6 BLK W/PL
14	102188	CLIP SEAT STAY
15	102225	POST REAR SLINGSHOT
16	011514-001	SHLDR BOLT 10MM X 16 MM W/PTC

NOTE: SPOT TILT WILL NOT WORK ON RHAPSODY CHAIRS PRIOR TO S/N RHP-003507.

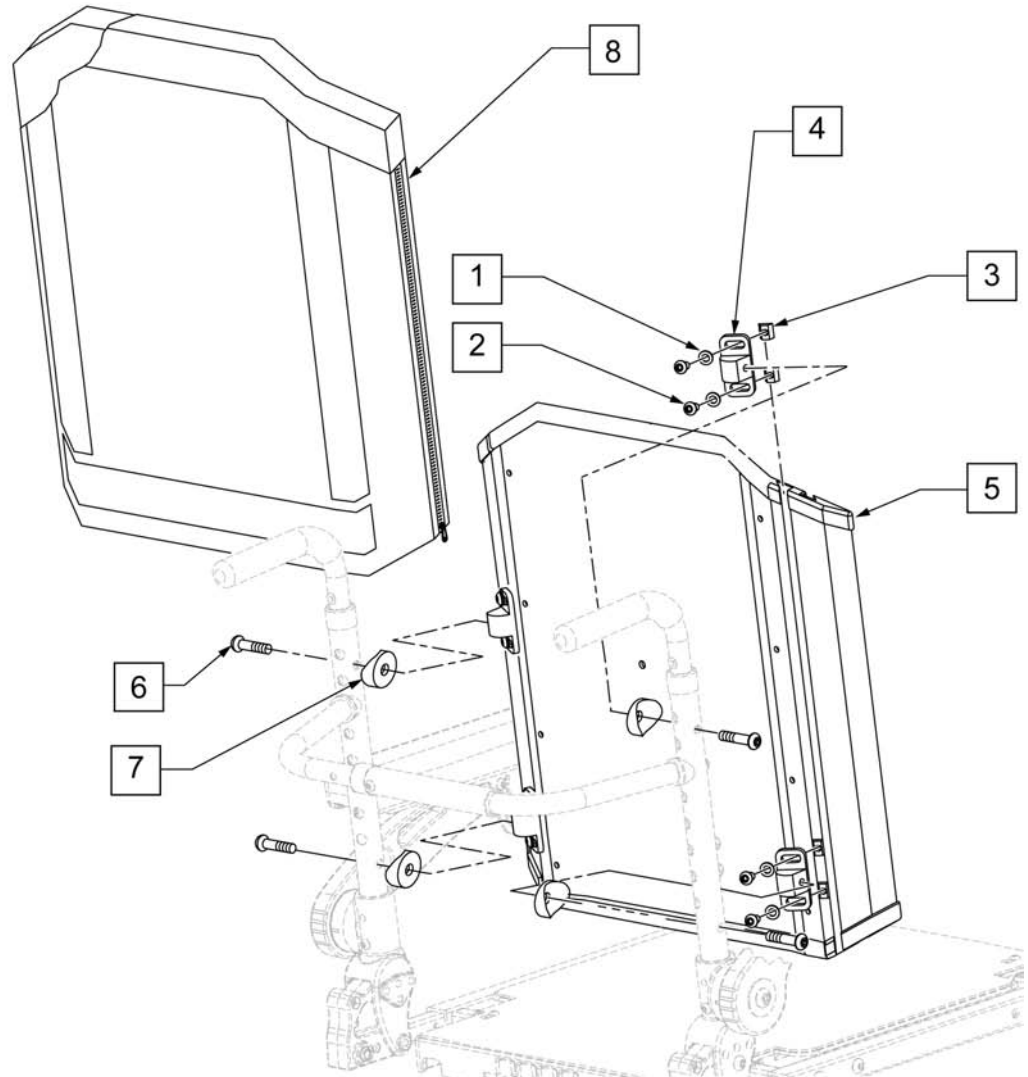


Pos.	Item Number	Description
1	105239	MDL PWR TILT SPOT ADJ LIM 20
2	020063-160	HARNESS DELPHI ACTUATOR 1600MM
3	013158	SHCS M8 X 1.25 X 20

MEASURING GUIDE

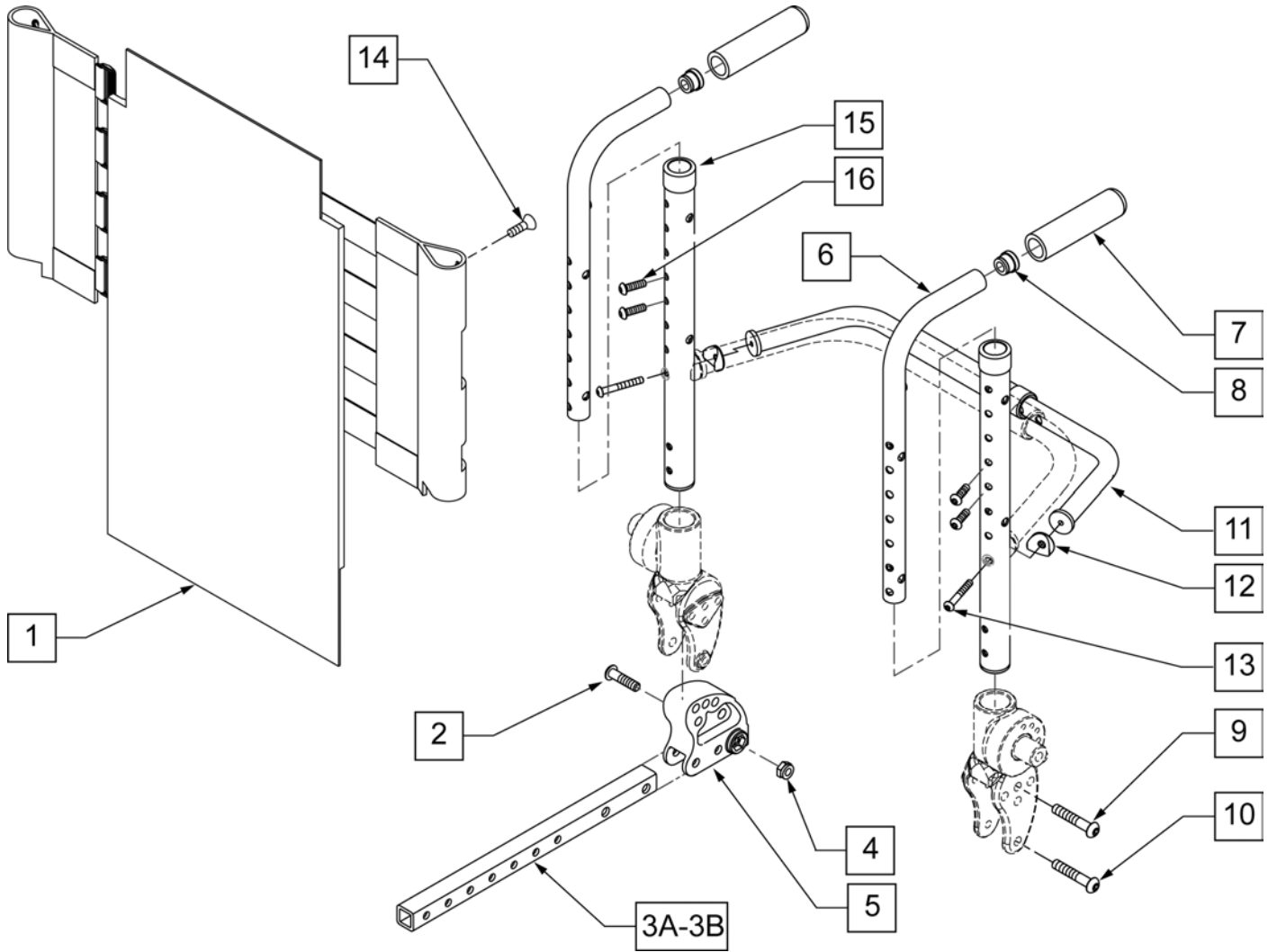


PART#	DESCRIPTION	DIM "A"	DIM "B"
681850	BACK CUSHION 14X18 SOLID BK	14 3/4	14
681851	BACK CUSHION 14X18 SOLID BK	14 3/4	16
681852	BACK CUSHION 14X20 SOLID BK	14 3/4	18
681853	BACK CUSHION 14X22 SOLID BK	14 3/4	20
681854	BACK CUSHION 14X24 SOLID BK	14 3/4	22
681855	BACK CUSHION 15X16 SOLID BK	15 3/4	14
681856	BACK CUSHION 15X18 SOLID BK	15 3/4	16
681857	BACK CUSHION 15X20 SOLID BK	15 3/4	18
681858	BACK CUSHION 15X22 SOLID BK	15 3/4	20
681859	BACK CUSHION 15X24 SOLID BK	15 3/4	22
681860	BACK CUSHION 16X16 SOLID BK	16 3/4	14
681861	BACK CUSHION 16X18 SOLID BK	16 3/4	16
681862	BACK CUSHION 16X20 SOLID BK	16 3/4	18
681863	BACK CUSHION 16X22 SOLID BK	16 3/4	20
681864	BACK CUSHION 16X24 SOLID BK	16 3/4	22
681865	BACK CUSHION 17X18 SOLID BK	17 3/4	14
681866	BACK CUSHION 17X18 SOLID BK	17 3/4	16
681867	BACK CUSHION 17X20 SOLID BK	17 3/4	18
681868	BACK CUSHION 17X22 SOLID BK	17 3/4	20
681869	BACK CUSHION 17X24 SOLID BK	17 3/4	22
681870	BACK CUSHION 18X16 SOLID BK	18 3/4	14
681871	BACK CUSHION 18X18 SOLID BK	18 3/4	16
681872	BACK CUSHION 18X20 SOLID BK	18 3/4	18
681873	BACK CUSHION 18X22 SOLID BK	18 3/4	20
681874	BACK CUSHION 18X24 SOLID BK	18 3/4	22
681875	BACK CUSHION 19X16 SOLID BK	19 3/4	14
681876	BACK CUSHION 19X18 SOLID BK	19 3/4	16
681877	BACK CUSHION 19X20 SOLID BK	19 3/4	18
681878	BACK CUSHION 19X22 SOLID BK	19 3/4	20
681879	BACK CUSHION 19X24 SOLID BK	19 3/4	22
681880	BACK CUSHION 20X16 SOLID BK	20 3/4	14
681881	BACK CUSHION 20X18 SOLID BK	20 3/4	16
681882	BACK CUSHION 20X20 SOLID BK	20 3/4	18
681883	BACK CUSHION 20X22 SOLID BK	20 3/4	20
681884	BACK CUSHION 20X24 SOLID BK	20 3/4	22
681885	BACK CUSHION 22X16 SOLID BK	22 3/4	14
681886	BACK CUSHION 22X18 SOLID BK	22 3/4	16
681887	BACK CUSHION 22X20 SOLID BK	22 3/4	18
681888	BACK CUSHION 22X22 SOLID BK	22 3/4	20
681889	BACK CUSHION 22X24 SOLID BK	22 3/4	22
681890	BACK CUSHION 24X16 SOLID BK	24 3/4	14
681891	BACK CUSHION 24X18 SOLID BK	24 3/4	16
681892	BACK CUSHION 24X20 SOLID BK	24 3/4	18
681893	BACK CUSHION 24X22 SOLID BK	24 3/4	20
681894	BACK CUSHION 24X24 SOLID BK	24 3/4	22

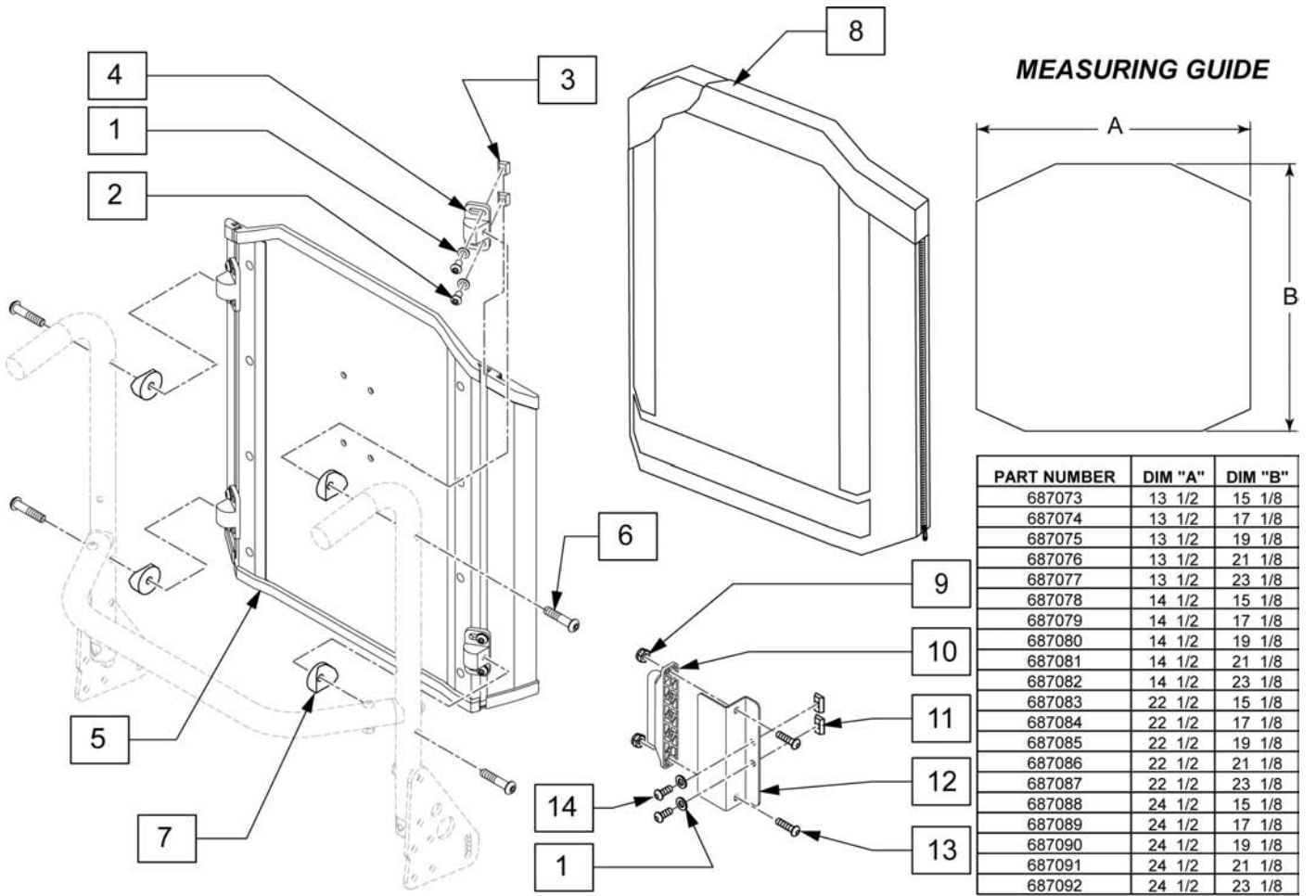


Pos.	Item Number	Description	Remarks
1	267052	1/4 AN WASHER FLAT AN960C416	
2	221094	1/4 -28 x 7/16 BH C/S BLK	
3	481106-QU	1/4 -28 CHANNEL NUT	
4	121507	SOLID BACK MOUNTING BRACKET	
5	881852	SOLID BCKRST SHELL ASSM 16 x 16	
5	881853	SOLID BCKRST SHELL ASSM 17 x 16	
5	881854	SOLID BCKRST SHELL ASSM 18 x 16	
5	881855	SOLID BCKRST SHELL ASSM 19 x 16	
5	881856	SOLID BCKRST SHELL ASSM 20 x 16	
5	881859	SOLID BCKRST SHELL ASSM 16 x 18	
5	881860	SOLID BCKRST SHELL ASSM 17 x 18	
5	881861	SOLID BCKRST SHELL ASSM 18 x 18	
5	881862	SOLID BCKRST SHELL ASSM 19 x 18	
5	881863	SOLID BCKRST SHELL ASSM 20 x 18	
5	881866	SOLID BCKRST SHELL ASSM 16 x 20	
5	881867	SOLID BCKRST SHELL ASSM 17 x 20	
5	881868	SOLID BCKRST SHELL ASSM 18 x 20	
5	881869	SOLID BCKRST SHELL ASSM 19 x 20	

Pos.	Item Number	Description	Remarks
5	881870	SOLID BCKRST SHELL ASSM 20 x 20	
5	881873	SOLID BCKRST SHELL ASSM 16 x 22	
5	881874	SOLID BCKRST SHELL ASSM 17 x 22	
5	881875	SOLID BCKRST SHELL ASSM 18 x 22	
5	881876	SOLID BCKRST SHELL ASSM 19 x 22	
5	881877	SOLID BCKRST SHELL ASSM 20 x 22	
6	226291	5/16 -18 x 1-1/2 BHCS BK W/ PATCH	
7	561006	1 SADDLE 5/16 HOLE	
8	681860	BACK CUSHION 16 x 16 SOLID BACK	
8	681861	BACK CUSHION 16 x 18 SOLID BACK	
8	681862	BACK CUSHION 16 x 20 SOLID BACK	
8	681863	BACK CUSHION 16 x 22 SOLID BACK	
8	681865	BACK CUSHION 17 x 16 SOLID BACK	
8	681866	BACK CUSHION 17 x 18 SOLID BACK	
8	681867	BACK CUSHION 17 x 20 SOLID BACK	
8	681868	BACK CUSHION 17 x 22 SOLID BACK	
8	681870	BACK CUSHION 18 x 16 SOLID BACK	
8	681871	BACK CUSHION 18 x 18 SOLID BACK	
8	681872	BACK CUSHION 18 x 20 SOLID BACK	
8	681873	BACK CUSHION 18 x 22 SOLID BACK	
8	681875	BACK CUSHION 19 x 16 SOLID BACK	
8	681876	BACK CUSHION 19 x 18 SOLID BACK	
8	681877	BACK CUSHION 19 x 20 SOLID BACK	
8	681878	BACK CUSHION 19 x 22 SOLID BACK	
8	681880	BACK CUSHION 20 x 16 SOLID BACK	
8	681881	BACK CUSHION 20 x 18 SOLID BACK	
8	681882	BACK CUSHION 20 x 20 SOLID BACK	
8	681883	BACK CUSHION 20 x 22 SOLID BACK	
5,8	687410	SOLID BACKREST ASSY 16 x 16/17	
5,8	687411	SOLID BACKREST ASSY 16 x 18/19	
5,8	687412	SOLID BACKREST ASSY 16 x 20/21	
5,8	687413	SOLID BACKREST ASSY 16 x 22/23	
5,8	687415	SOLID BACKREST ASSY 17 x 16/17	
5,8	687416	SOLID BACKREST ASSY 17 x 18/19	
5,8	687417	SOLID BACKREST ASSY 17 x 20/21	
5,8	687418	SOLID BACKREST ASSY 17 x 22/23	
5,8	687420	SOLID BACKREST ASSY 18 x 16/17	
5,8	687421	SOLID BACKREST ASSY 18 x 18/19	
5,8	687422	SOLID BACKREST ASSY 18 x 20/21	
5,8	687423	SOLID BACKREST ASSY 18 x 22/23	
5,8	687425	SOLID BACKREST ASSY 19 x 16/17	
5,8	687426	SOLID BACKREST ASSY 19 x 18/19	
5,8	687427	SOLID BACKREST ASSY 19 x 20/21	
5,8	687428	SOLID BACKREST ASSY 19 x 22/23	
5,8	687430	SOLID BACKREST ASSY 20 x 16/17	
5,8	687431	SOLID BACKREST ASSY 20 x 18/19	
5,8	687432	SOLID BACKREST ASSY 20 x 20/21	
5,8	687433	SOLID BACKREST ASSY 20 x 22/23	
1-4,6,7	881900	MOUNT KIT SOLID BACK	4 mounting brackets and hardware
1-4,6,7	881795	MOUNT HDWR SOLID BACK	



Pos.	Item Number	Description	Remarks
1	060675	ASAP SEAT UPHOLSTERY	One size fits all
2	n/a	BHCS M8X35	AVAILABLE IN HARDWARE KIT ONLY
3B	117840	19 - 20 ASAP ST DEPTH KIT	Use to achive 19 & 20" back depths with Solid Back, Curved, Jay SPO of Art SPO Back Rest
4	n/a	M8 NYLOCK NUT	AVAILABLE IN HARDWARE KIT ONLY
3A-5	108784	BACKREST DEPTH ADJ ASM	PAIR
6-8	108785	PUSH HANDLES W/ GRIPS PARTS	PAIR
9	n/a	BHCS M8 X 1.25 X 45	AVAILABLE IN HARDWARE KIT ONLY
10	n/a	BHCS M8 X 1.25 X 55	AVAILABLE IN HARDWARE KIT ONLY
14	n/a	PHMS M5 X .8 X 20	
11-13	105628	TOWEL RAIL ASSY W/ HDWR SP	
7,8,11-13,15,16	060329	BACKREST ASSEMBLY	
	108786	ASAP SEAT REPLACEMENT HARDWARE KIT	See ASAP Seat Assm page for details



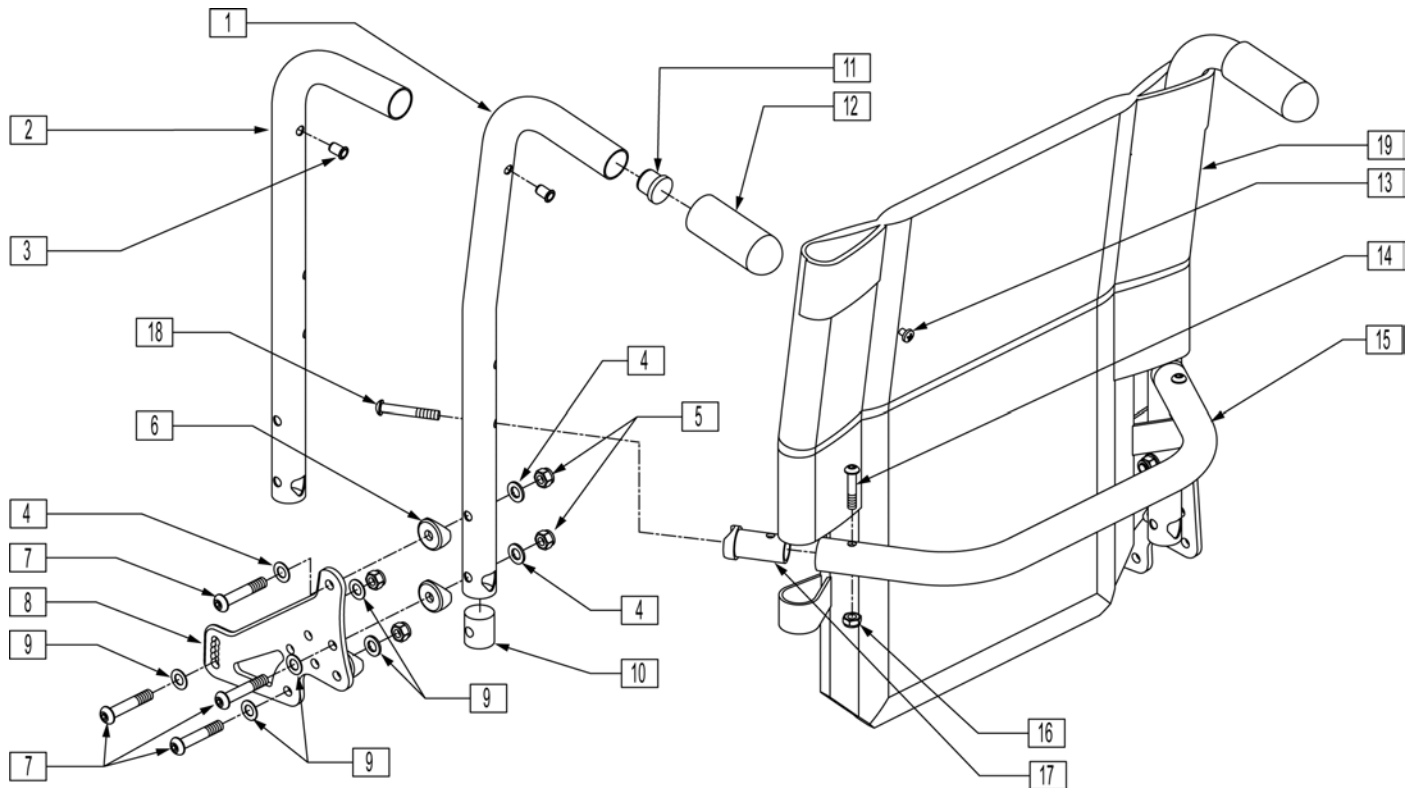
Pos.	Item Number	Description	Remarks
1	267052	1/4 AN WASHER FLAT AN960C416	
2	221094	1/4 -28 x 7/16 BH C/S BLK	
3	481106-QU	1/4 -28 CHANNEL NUT	
4	121507	SOLID BACK MOUNTING BRACKET	
5	011244	SLD BCKRST SHELL ASSMBLY 12X16	
5	011248	SLD BCKRST SHELL ASSMBLY 12X18	
5	011252	SLD BCKRST SHELL ASSMBLY 12X20	
5	011256	SLD BCKRST SHELL ASSMBLY 12X22	
5	011260	SLD BCKRST SHELL ASSMBLY 12X24	
5	011245	SLD BCKRST SHELL ASSMBLY 13X16	
5	011249	SLD BCKRST SHELL ASSMBLY 13X18	
5	011253	SLD BCKRST SHELL ASSMBLY 13X20	
5	011257	SLD BCKRST SHELL ASSMBLY 13X22	
5	011261	SLD BCKRST SHELL ASSMBLY 13X24	
5	881850	SOLID BCKRST SHELL ASSM 14 x 16	
5	881851	SOLID BCKRST SHELL ASSM 15 x 16	
5	881852	SOLID BCKRST SHELL ASSM 16 x 16	
5	881853	SOLID BCKRST SHELL ASSM 17 x 16	
5	881854	SOLID BCKRST SHELL ASSM 18 x 16	
5	881855	SOLID BCKRST SHELL ASSM 19 x 16	
5	881856	SOLID BCKRST SHELL ASSM 20 x 16	
5	881857	SOLID BCKRST SHELL ASSM 14 x 18	

Pos.	Item Number	Description	Remarks
5	881858	SOLID BCKRST SHELL ASSM 15 x 18	
5	881859	SOLID BCKRST SHELL ASSM 16 x 18	
5	881860	SOLID BCKRST SHELL ASSM 17 x 18	
5	881861	SOLID BCKRST SHELL ASSM 18 x 18	
5	881862	SOLID BCKRST SHELL ASSM 19 x 18	
5	881863	SOLID BCKRST SHELL ASSM 20 x 18	
5	881864	SOLID BCKRST SHELL ASSM 14 x 20	
5	881865	SOLID BCKRST SHELL ASSM 15 x 20	
5	881866	SOLID BCKRST SHELL ASSM 16 x 20	
5	881867	SOLID BCKRST SHELL ASSM 17 x 20	
5	881868	SOLID BCKRST SHELL ASSM 18 x 20	
5	881869	SOLID BCKRST SHELL ASSM 19 x 20	
5	881870	SOLID BCKRST SHELL ASSM 20 x 20	
5	881871	SOLID BCKRST SHELL ASSM 14 x 22	
5	881872	SOLID BCKRST SHELL ASSM 15 x 22	
5	881873	SOLID BCKRST SHELL ASSM 16 x 22	
5	881874	SOLID BCKRST SHELL ASSM 17 x 22	
5	881875	SOLID BCKRST SHELL ASSM 18 x 22	
5	881876	SOLID BCKRST SHELL ASSM 19 x 22	
5	881877	SOLID BCKRST SHELL ASSM 20 x 22	
5	881878	SOLID BCKRST SHELL ASSM 14 x 24	
5	881879	SOLID BCKRST SHELL ASSM 15 x 24	
5	881880	SOLID BCKRST SHELL ASSM 16 x 24	
5	881881	SOLID BCKRST SHELL ASSM 17 x 24	
5	881882	SOLID BCKRST SHELL ASSM 18 x 24	
5	881883	SOLID BCKRST SHELL ASSM 19 x 24	
5	881884	SOLID BCKRST SHELL ASSM 20 x 24	
5	881885	SOLID BCKRST SHELL ASSM 22 x 16	
5	881886	SOLID BCKRST SHELL ASSM 22 x 18	
5	881887	SOLID BCKRST SHELL ASSM 22 x 20	
5	881888	SOLID BCKRST SHELL ASSM 22 x 22	
5	881889	SOLID BCKRST SHELL ASSM 22 x 24	
5	881890	SOLID BCKRST SHELL ASSM 24 x 16	
5	881892	SOLID BCKRST SHELL ASSM 24 x 20	
5	881893	SOLID BCKRST SHELL ASSM 24 x 22	
5	881894	SOLID BCKRST SHELL ASSM 24 x 24	
6	226291	5/16 -18 x 1-1/2 BHCS BK W/ PATCH	
7	561006	1 SADDLE 5/16 HOLE	
8	687073	BACK CUSHION 12"X16" SOLID BK	
8	687074	BACK CUSHION 12"X18" SOLID BK	
8	687075	BACK CUSHION 12"X20" SOLID BK	
8	687076	BACK CUSHION 12"X22" SOLID BK	
8	687077	BACK CUSHION 12"X24" SOLID BK	
8	687078	BACK CUSHION 13"X16" SOLID BK	
8	687079	BACK CUSHION 13"X18" SOLID BK	
8	687080	BACK CUSHION 13"X20" SOLID BK	
8	687081	BACK CUSHION 13"X22" SOLID BK	
8	687082	BACK CUSHION 13"X24" SOLID BK	
8	681850	BACK CUSHION 14 x 16 SOLID BACK	
8	681851	BACK CUSHION 14 x 18 SOLID BACK	
8	681852	BACK CUSHION 14 x 20 SOLID BACK	
8	681853	BACK CUSHION 14 x 22 SOLID BACK	
8	681854	BACK CUSHION 14 x 24 SOLID BACK	
8	681855	BACK CUSHION 15 x 16 SOLID BACK	
8	681856	BACK CUSHION 15 x 18 SOLID BACK	
8	681857	BACK CUSHION 15 x 20 SOLID BACK	
8	681858	BACK CUSHION 15 x 22 SOLID BACK	

Pos.	Item Number	Description	Remarks
8	681859	BACK CUSHION 15 x 24 SOLID BACK	
8	681860	BACK CUSHION 16 x 16 SOLID BACK	
8	681861	BACK CUSHION 16 x 18 SOLID BACK	
8	681862	BACK CUSHION 16 x 20 SOLID BACK	
8	681863	BACK CUSHION 16 x 22 SOLID BACK	
8	681864	BACK CUSHION 16 x 24 SOLID BACK	
8	681865	BACK CUSHION 17 x 16 SOLID BACK	
8	681866	BACK CUSHION 17 x 18 SOLID BACK	
8	681867	BACK CUSHION 17 x 20 SOLID BACK	
8	681868	BACK CUSHION 17 x 22 SOLID BACK	
8	681869	BACK CUSHION 17 x 24 SOLID BACK	
8	681870	BACK CUSHION 18 x 16 SOLID BACK	
8	681871	BACK CUSHION 18 x 18 SOLID BACK	
8	681872	BACK CUSHION 18 x 20 SOLID BACK	
8	681873	BACK CUSHION 18 x 22 SOLID BACK	
8	681874	BACK CUSHION 18 x 24 SOLID BACK	
8	681875	BACK CUSHION 19 x 16 SOLID BACK	
8	681876	BACK CUSHION 19 x 18 SOLID BACK	
8	681877	BACK CUSHION 19 x 20 SOLID BACK	
8	681878	BACK CUSHION 19 x 22 SOLID BACK	
8	681879	BACK CUSHION 19 x 24 SOLID BACK	
8	681880	BACK CUSHION 20 x 16 SOLID BACK	
8	681881	BACK CUSHION 20 x 18 SOLID BACK	
8	681882	BACK CUSHION 20 x 20 SOLID BACK	
8	681883	BACK CUSHION 20 x 22 SOLID BACK	
8	681884	BACK CUSHION 20 x 24 SOLID BACK	
8	681885	BACK CUSHION 22 x 16 SOLID BACK	
8	681886	BACK CUSHION 22 x 18 SOLID BACK	
8	681887	BACK CUSHION 22 x 20 SOLID BACK	
8	681888	BACK CUSHION 22 x 22 SOLID BACK	
8	681889	BACK CUSHION 22 x 24 SOLID BACK	
8	681890	BACK CUSHION 24 x 16 SOLID BACK	
8	681891	BACK CUSHION 24 x 18 SOLID BACK	
8	681892	BACK CUSHION 24 x 20 SOLID BACK	
8	681893	BACK CUSHION 24 x 22 SOLID BACK	
8	681894	BACK CUSHION 24 x 24 SOLID BACK	
5,8	687400	SOLID BACKREST ASSY 14 x 16/17	
5,8	687401	SOLID BACKREST ASSY 14 x 18/19	
5,8	687402	SOLID BACKREST ASSY 14 x 20/21	
5,8	687403	SOLID BACKREST ASSY 14 x 22/23	
5,8	687404	SOLID BACKREST ASSY 14 x 24	
5,8	687405	SOLID BACKREST ASSY 15 x 16/17	
5,8	687406	SOLID BACKREST ASSY 15 x 18/19	
5,8	687407	SOLID BACKREST ASSY 15 x 20/21	
5,8	687408	SOLID BACKREST ASSY 15 x 22/23	
5,8	687409	SOLID BACKREST ASSY 15 x 24	
5,8	687410	SOLID BACKREST ASSY 16 x 16/17	
5,8	687411	SOLID BACKREST ASSY 16 x 18/19	
5,8	687412	SOLID BACKREST ASSY 16 x 20/21	
5,8	687413	SOLID BACKREST ASSY 16 x 22/23	
5,8	687414	SOLID BACKREST ASSY 16 x 24	
5,8	687415	SOLID BACKREST ASSY 17 x 16/17	
5,8	687416	SOLID BACKREST ASSY 17 x 18/19	
5,8	687417	SOLID BACKREST ASSY 17 x 20/21	
5,8	687418	SOLID BACKREST ASSY 17 x 22/23	
5,8	687419	SOLID BACKREST ASSY 17 x 24	
5,8	687420	SOLID BACKREST ASSY 18 x 16/17	

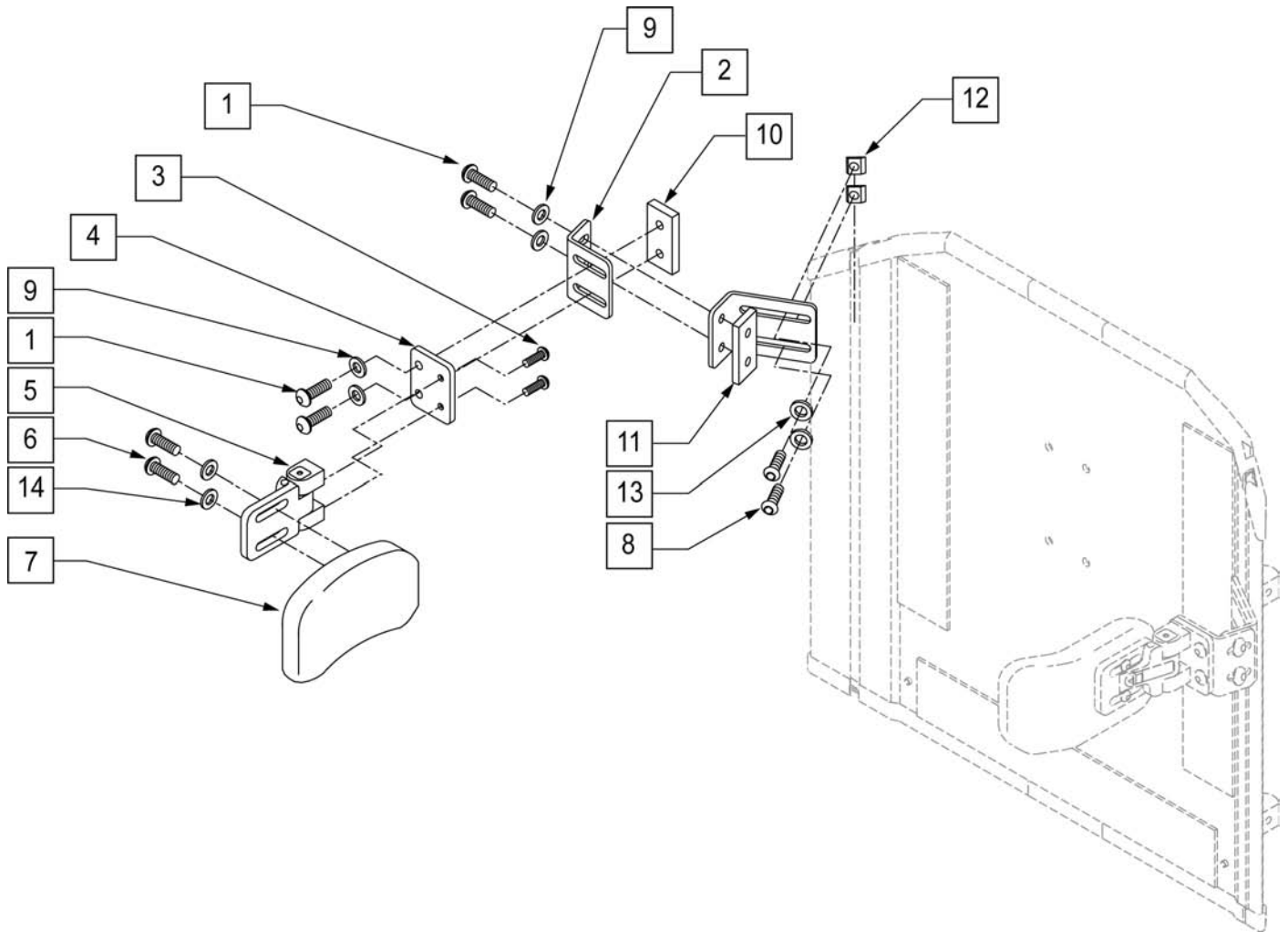
Pos.	Item Number	Description	Remarks
5,8	687421	SOLID BACKREST ASSY 18 x 18/19	
5,8	687422	SOLID BACKREST ASSY 18 x 20/21	
5,8	687423	SOLID BACKREST ASSY 18 x 22/23	
5,8	687424	SOLID BACKREST ASSY 18 x 24	
5,8	687425	SOLID BACKREST ASSY 19 x 16/17	
5,8	687426	SOLID BACKREST ASSY 19 x 18/19	
5,8	687427	SOLID BACKREST ASSY 19 x 20/21	
5,8	687428	SOLID BACKREST ASSY 19 x 22/23	
5,8	687429	SOLID BACKREST ASSY 19 x 24	
5,8	687430	SOLID BACKREST ASSY 20 x 16/17	
5,8	687431	SOLID BACKREST ASSY 20 x 18/19	
5,8	687432	SOLID BACKREST ASSY 20 x 20/21	
5,8	687433	SOLID BACKREST ASSY 20 x 22/23	
5,8	687434	SOLID BACKREST ASSY 20 x 24	
5,8	687435	SOLID BACKREST ASSY 22 x 16/17	
5,8	687436	SOLID BACKREST ASSY 22 x 18/19	
5,8	687437	SOLID BACKREST ASSY 22 x 20/21	
5,8	687438	SOLID BACKREST ASSY 22 x 22/23	
5,8	687439	SOLID BACKREST ASSY 22 x 24	
5,8	687440	SOLID BACKREST ASSY 24 x 16/17	
5,8	687441	SOLID BACKREST ASSY 24 x 18/19	
5,8	687442	SOLID BACKREST ASSY 24 x 20/21	
5,8	687443	SOLID BACKREST ASSY 24 x 22/23	
5,8	687444	SOLID BACKREST ASSY 24 x 24	
9	210084	NUT HEX NYLOCK M6 BLACK	
10	108312	DISTRIBUTION BLOCK	
11	481106-QU	1/4-28 CHANNEL NUT	
12	109251	BRKT DSTRBTN BLCK	
13	103185-006	BHCSM6X1X16FULLNP	
14	221090	1/4-28 X 3/8 BH C/S BLK	
1-4,6,8	881900	MOUNT KIT SOLID BACK	PAIR
1-4,6,8	881795	MOUNT HDWR SOLID BACK	

DISCONTINUED, AVAILABLE AS PARTS ONLY FOR CHAIRS PRIOR TO SERIAL # RHP003507.



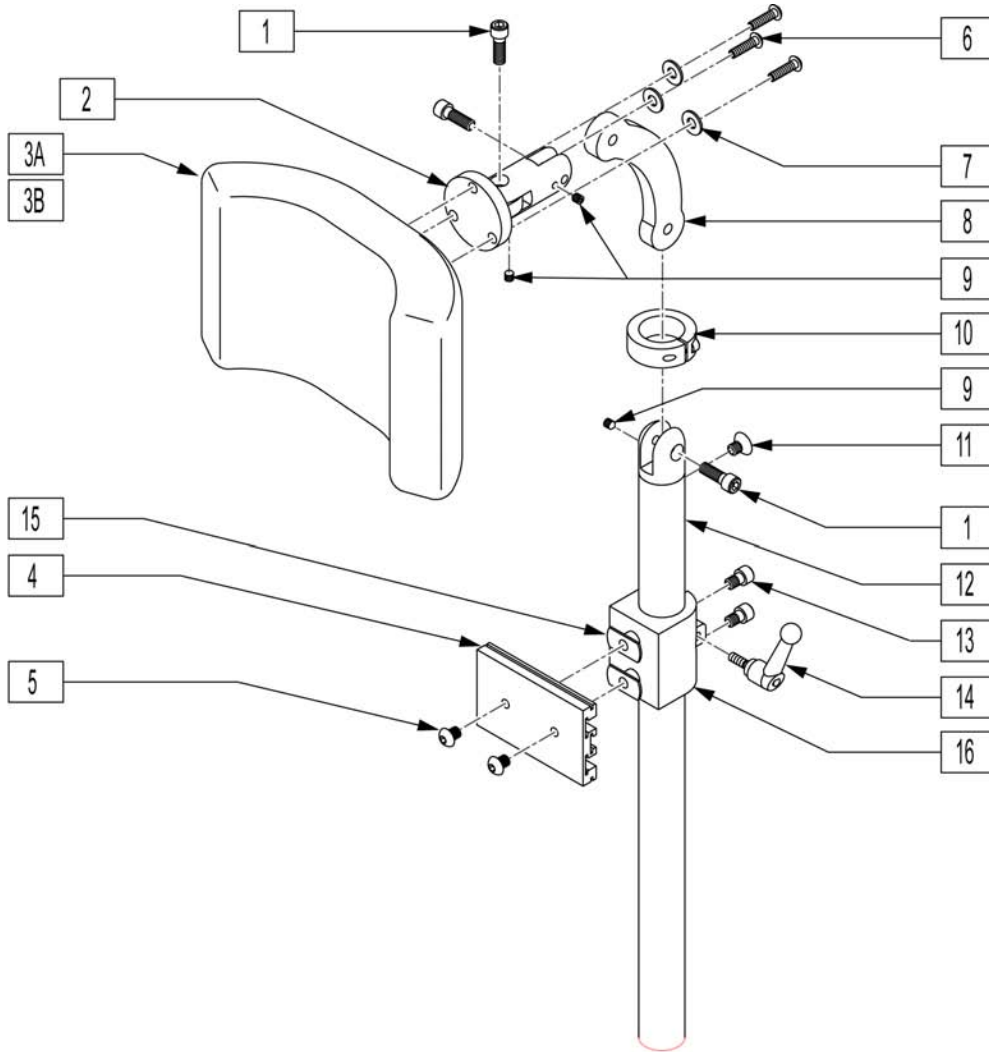
Pos.	Item Number	Description
3	341497	10-32 x .020-.130 RIVNUT GOLD
4	106947	WASHER FLAT THIN AN 5/16 ROHS
5	202116	5/16-18 NYLOCK NUT THIN BLK
6	561006	1" SADDLE 5/16" HOLE
7	226218	5/16-18 x 1 3/4" BH C/S BLK
8	501723	BACKREST PLATE 86-114 DEGREE
9	263100	5/16 AN WASHER FLAT
10	483801	BCKREST LATCH PLUG P2 (Both Used)
10	550080	PUSH HNDLE INSERT S525 (Both Used)
11	561019	1" INSERT PLUG .049
12	920027	QUICKIE GRIP 1" W/INSTR SHEET
13	281120	10/32 x 5/8 PAN HD PHIL
14	226223	1/4-28 x 1 1/4" BH C/S BLK
15	520566	TOWEL RACK 16"
15	520568	TOWEL RACK 18"
16	202300	1/4-28 NYLOCK NUT THIN BLK ZN
17	483161	STRUT SADDLE S525
18	226267	1/4-28 x 1 5/8 BH C/S W/PATCH
19	686931	BACK UPH 14" MED P2
19	686932	BACK UPH 14" TALL P2
19	686934	BACK UPH 15" MED P2
19	686935	BACK UPH 15" TALL P2
19	686937	BACK UPH 17" MED P2
19	686938	BACK UPH 17" TALL P2

Pos.	Item Number	Description
19	686941	BACK UPH 19" MED P2
19	686942	BACK UPH 19" TALL P2
19	686944	BACK UPH 20" MED P2
19	686945	BACK UPH 20" TALL P2
1,3,11,12	842223	BACK TUBE PH 8D MED R S525
1,3,11,12	842224	BACK TUBE PH 8D MED L S525
1,3,11,12	842225	BACK TUBE PH 8D TALL R S525
1,3,11,12	842226	BACK TUBE PH 8D TALL L S525
2,3,11,12	842229	BACK TUBE PH MED R S525
2,3,11,12	842230	BACK TUBE PH MED L S525
2,3,11,12	842231	BACK TUBE PH TALL R S525
2,3,11,12	842232	BACK TUBE PH TALL L S525
14-18	842236	TOWEL RACK ASSM 16" S525
14-18	842238	TOWEL RACK ASSM 18" S525
1,3-13	882658	PH 8D MED R ASSM NF 86-114
1,3-13	882659	PH 8D MED L ASSM NF 86-114
1,3-13	882660	PH 8D TALL R ASSM NF 86-114
2-13	882664	PH MED R ASSM NF 86-114
2-13	882665	PH MED L ASSM NF 86-114
2-13	882666	PH TALL R ASSM NF 86-114
2-13	882667	PH TALL L ASSM NF 86-114
1, 3-19	922012	BCK ASSM 8D MED 16" NF 86-114
1, 3-19	922014	BCK ASSM 8D MED 18" NF 86-114
1, 3-19	922030	BCK ASSM 8D TALL 16" NF 86-114
1, 3-19	922032	BCK ASSM 8D TALL 18" NF 86-114
2-19	922003	BCK ASSM MED 16" NF 86-114
2-19	922005	BCK ASSM MED 18" NF 86-114
2-19	922021	BCK ASSM TALL 16" NF 86-114
2-19	922023	BCK ASSM TALL 18" NF 86-114
3-5,7,9,13,14,16,18	101541	NON FOLDING BACKREST HDWR KIT



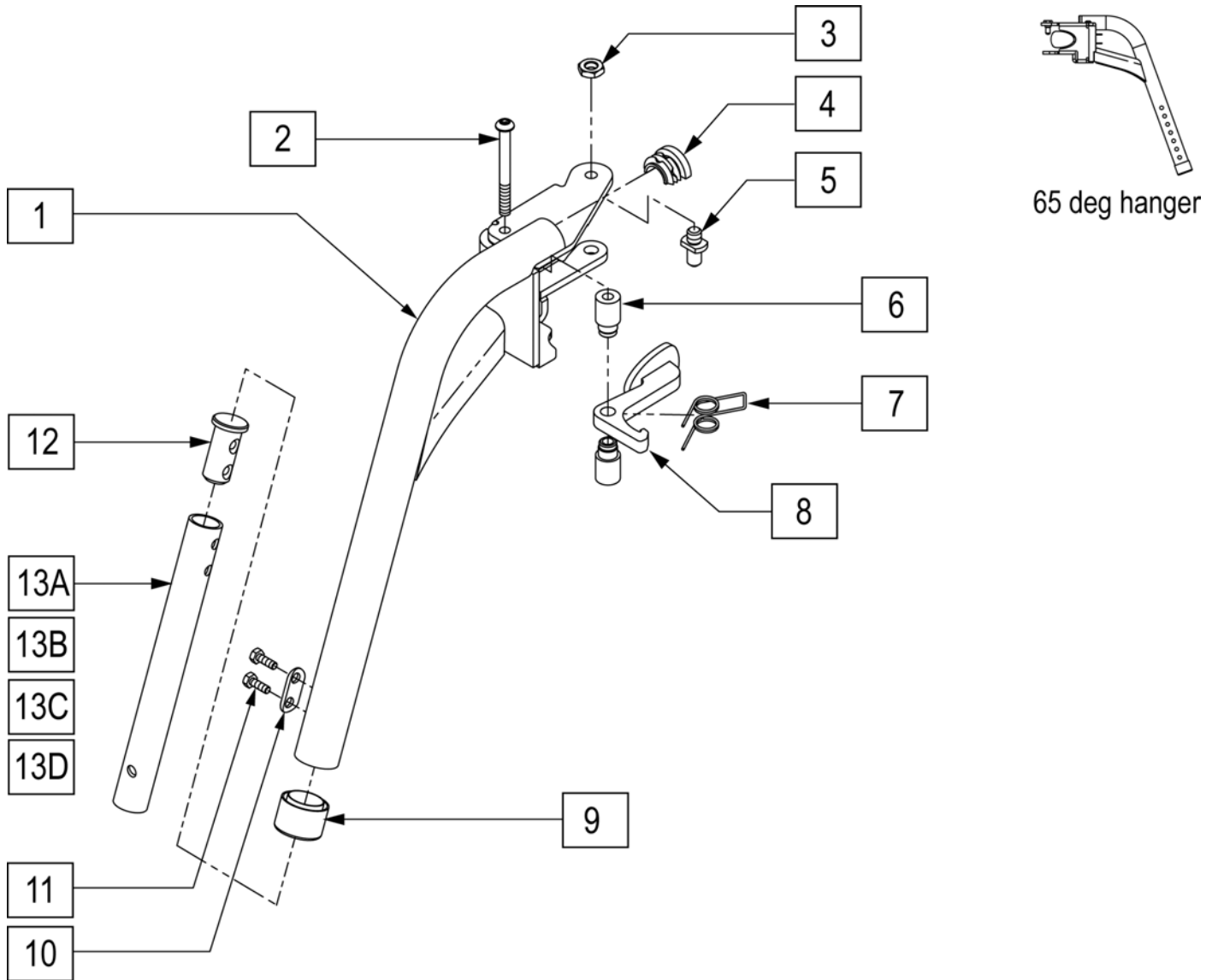
Pos.	Item Number	Description
1	226247	1/4-28 x 5/8 B/H C/S BLACK G5
2	120093	SWING AWAY LATERAL L BRACKET
3	226018-QU	10-32 x 3/8 BH C/S W/PATCH BLK
4	120091	SWING AWAY LATERAL FLAT BRACKET
5	476180	ADJUSTABLE LATERAL SWING AWAY
6	455013-QU	10-32 x 1/2 ALLEN BH SCW
6,7,14	450854	TRUNK PAD CURVED 4"H x 5"L 1" CN
8	221092	1/4-28 x 7/16 BH CS BLK W/PTCH
9	261111	9/32 x 5/8 OD FLAT WASHER BLK
10	330134	THREADED PLATE
11	120092	SWING AWAY LAT LONG L BRKT
12	481106-QU	1/4-28 CHANNEL NUT
13	106944	WASHER FLAT THIN AN 1/4 ROHS
14	455031-QU	#10 AN WASHER .032 SS
1,2,8-13	881902	LATERAL BRACKET ASSM SOLID BACK
1-5,8-13	900475	S/A LATERAL ASSM SOLID BACK

HEADREST



Pos.	Item Number	Description	Remarks
1	221115	1/4-20 x 3/4" SOC HD C/S BLK	
3A	750696	HEADREST W/ZIPPER MEDIUM CG	8x4.5 pad
3B	750697	HEADREST W/ZIPPER LARGE CG	9x4.5 pad
4	505932	HEADREST MOUNTING TRACK	
5	476304	1/4-28 x .31 BHCS W/PATCH	
6	221010	10-32 x .75 SHCS BLK W/PL	
7	261204	#10 AN WASHER .063	
8	331077	HEADREST LINK 6 INCH	
9	341045	#10-24 CONE POINT SET SCREW	
10	505933	HEADREST COLLAR	
11	226072	1/4-20 x 1/2 FH C/S BLK	
13	226095	1/4-20 x 3/8" SOC C/S BLK ZN	
14	341046	HEADREST CLAMPING HANDLE SCREW	
15	340033	1/4-20 WELD NUTS SLAB BASE	
4,5,13-16	888101	CLAMP HEADREST RIGID BACK	
1,2,4,6-16	881003	HEADREST MOUNTING BRACKET ASSM	
1-3A,4-16	881907	HEADREST ASSEMBLY MEDIUM	8x4.5 pad
1-3B,4-16	881908	HEADREST ASSEMBLY LARGE	9x4.5 pad

NOTE: DISCONTINUED ON RHAPSODY AVAILABLE AS PARTS ONLY FOR CHAIRS PRIOR TO SERIAL # RHP003507.

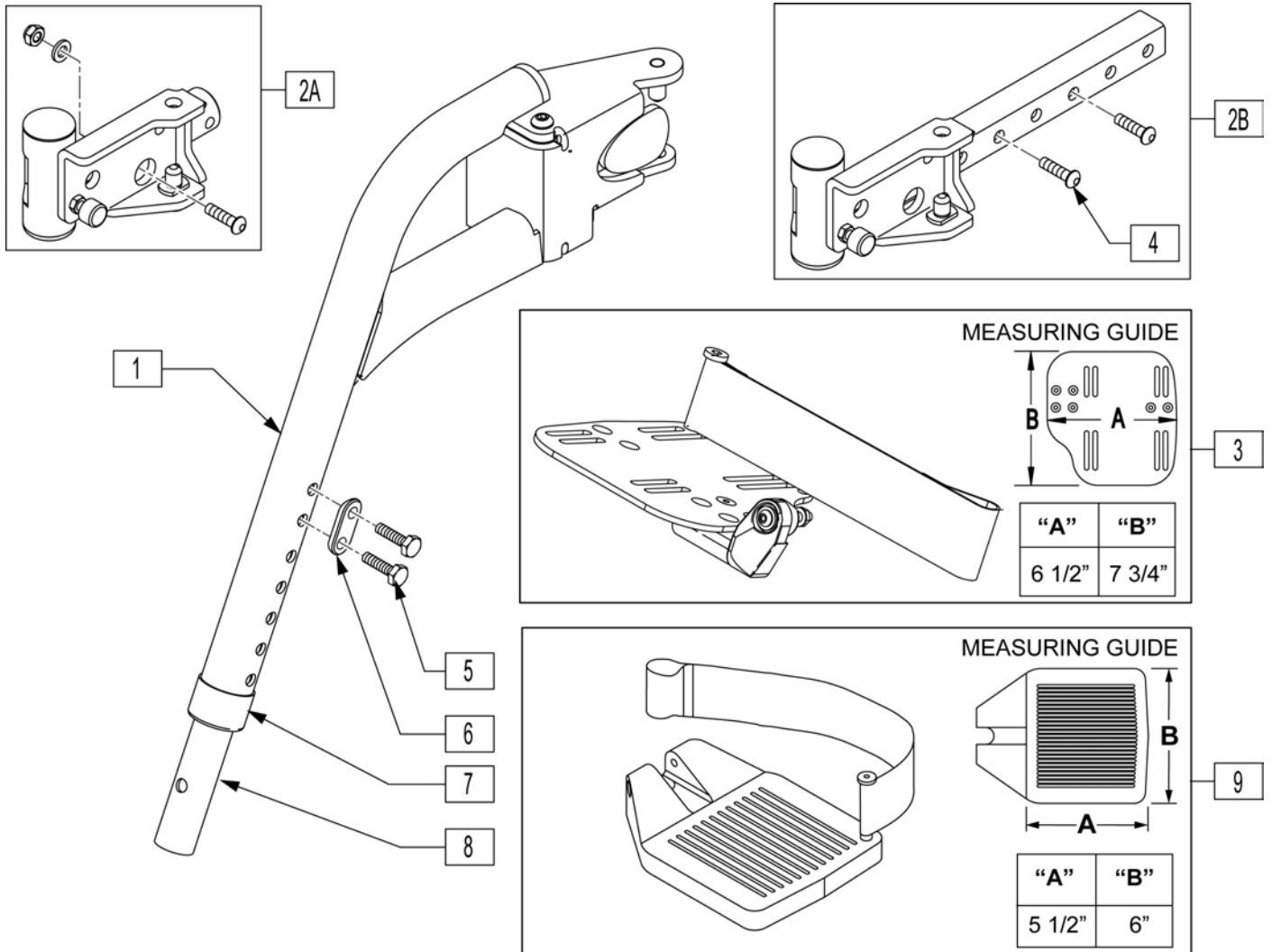


Pos.	Item Number	Description	Remarks
1	014203	WELDMENT HANGER 65D LH	Left
1	014202	WELDMENT HANGER 65D RH	Right
2	013216	SCREW M6 X 60 SKT BTN BLK	
3	013036	M8 X 1.25 JAM NUT HEX	
4	013312	HALF CAP INSERT	
5	108778	PIVOT PIN TOP S/A HANGER	
6	013217	SPACER S/A HANGER LATCH	
7	013163	SPRING LATCH S/A HANGER	
8	013160	LATCH ARM S/A HANGER	
9	561082	1" TUBE END BUSHING THIN	
10	483717	HANGER SADDLE	
11	234891	M6 X 20 HEX C/S	
12	013369	TUBE IN EXT TB S/A HNGR EXT	

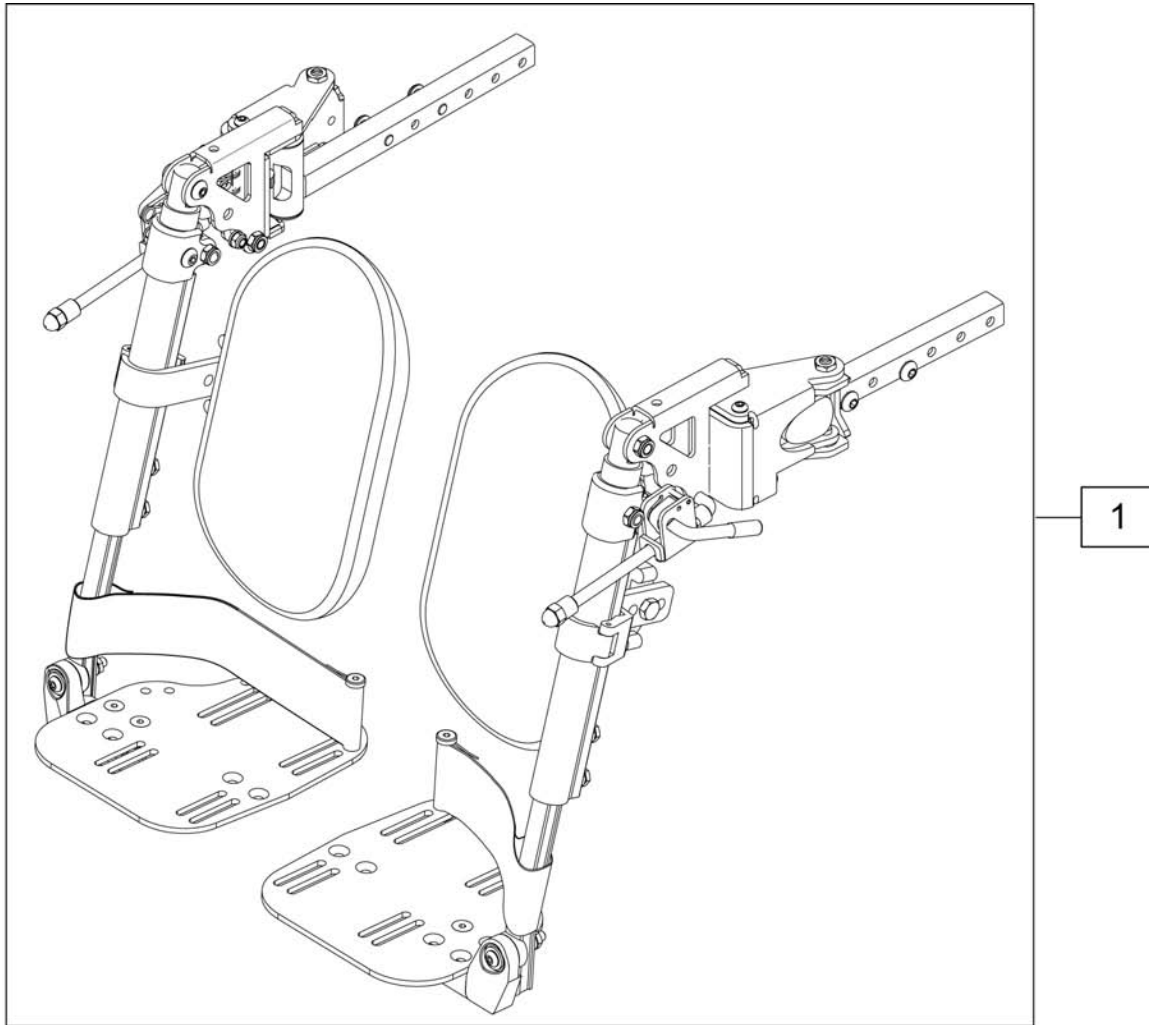
Pos.	Item Number	Description	Remarks
13A	013305-001	EXT TUBE SHORT S/A	
13B	013305-002	EXT TUBE MED S/A	
13C	013305-003	EXT TUBE LONG S/A	
13D	013305-004	EXT TUBE X LONG S/A	
1A-9	014450	S/A HANGER ASSM 65D R	
1A-9	014451	S/A HANGER ASSM 65D L	
10-13A	100191	EXT TBE SHT S/A ASSM RHY/GRV	
10-13B	100208	EXT TBE MED S/A ASSM RHY/GRV	
10-13C	100211	EXT TBE LNG S/A ASSM RHY/GRV	
10-13D	100213	EXT TBE X-LNG S/A ASSM RHY/GRV	

NOTE: Hanger assembly includes medium extension (achieves 15"-18" leg length)

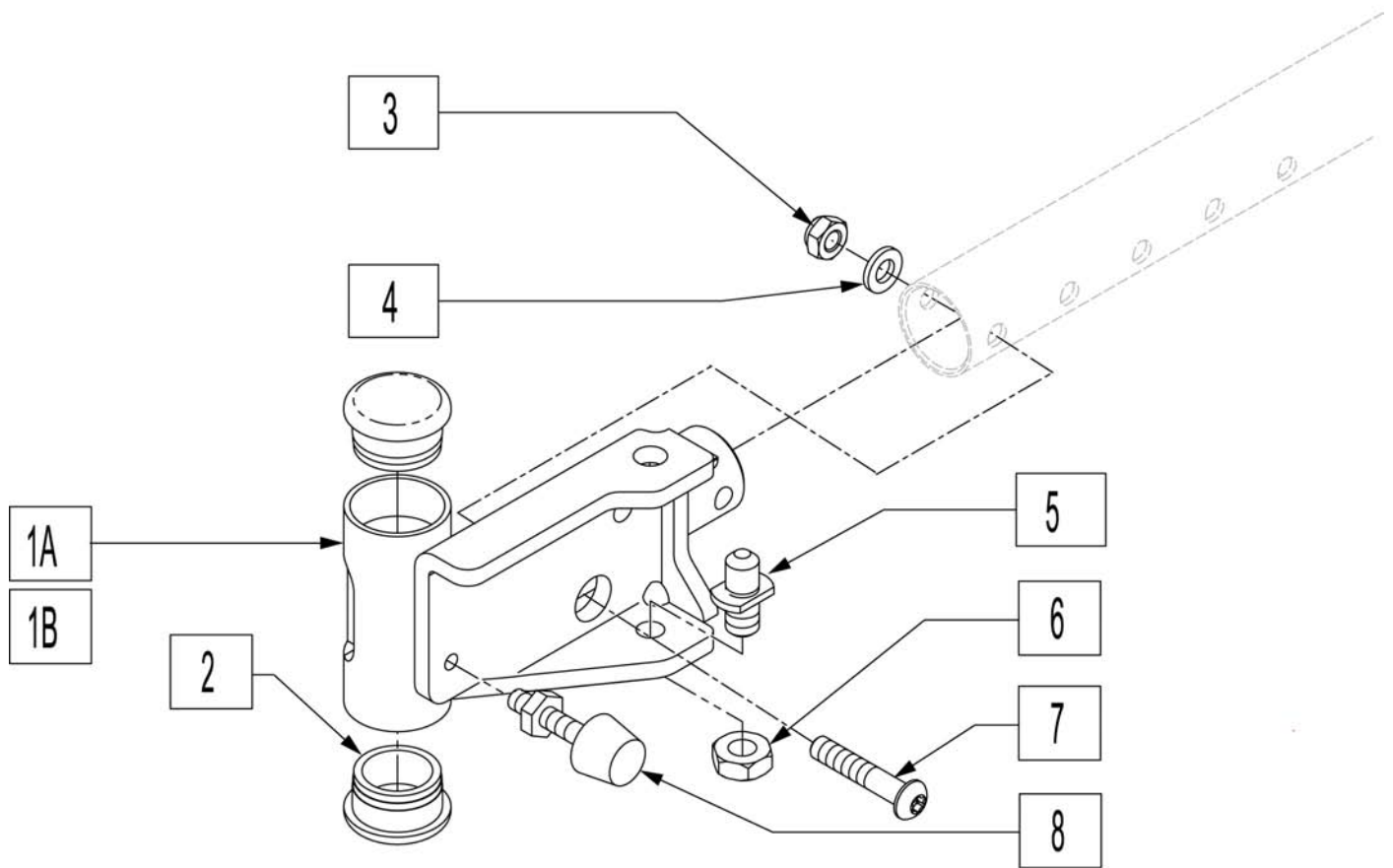
NOTE: For smaller or larger size footplate please refer to the appropriate footplate parts page.



Pos.	Item Number	Description	Remarks
1,5-8	103219	HNGR S/A 65DEG W/EXT TB PR	PAIR
2A	104780	HANGER RECEIVER ASSM SHORT	RIGHT-Trad Rehab & Power Recline Seating
2A	104781	HANGER RECEIVER ASSM SHORT	LEFT-Trad Rehab & Power Recline Seating
2A	104782	HANGER RECEIVER ASSM LONG	RIGHT-Trad Rehab & Power Recline Seating
2A	104783	HANGER RECEIVER ASSM LONG	LEFT-Trad Rehab & Power Recline Seating
2A	104784	HANGER RECEIVER ASSM +1	RIGHT-Trad Rehab & Power Recline Seating
2A	104785	HANGER RECEIVER ASSM +1	LEFT-Trad Rehab & Power Recline Seating
2B	112532	LEGREST SWING-AWAY RETAINER ASSM	PAIR- ASAP Seating only
3	103411	ADULT ANGLE ADJUSTABLE FOOTPLATE KIT	PAIR
4	230006	BHCS M8 X 1.25 X 25 BLK	REFERENCE ONLY, SEE HARDWARE KIT
5	234891	M6 X 20 HEX C/S	
6	483717	HANGER SADDLE	
1,2B-8	103457	HANGER 65 \emptyset SWING-AWAY W/ FOOTPLATE & RECEIVER	PAIR- Hangers with Angle adj Footplate
9	921162	C F/PLT ASSM H/L 16-17/19-20V	
1,2B,4-9	110825	HANGER 65 S/A W/ COMP FOOT & RECIEVER	PAIR- Hangers with Composite Footplate

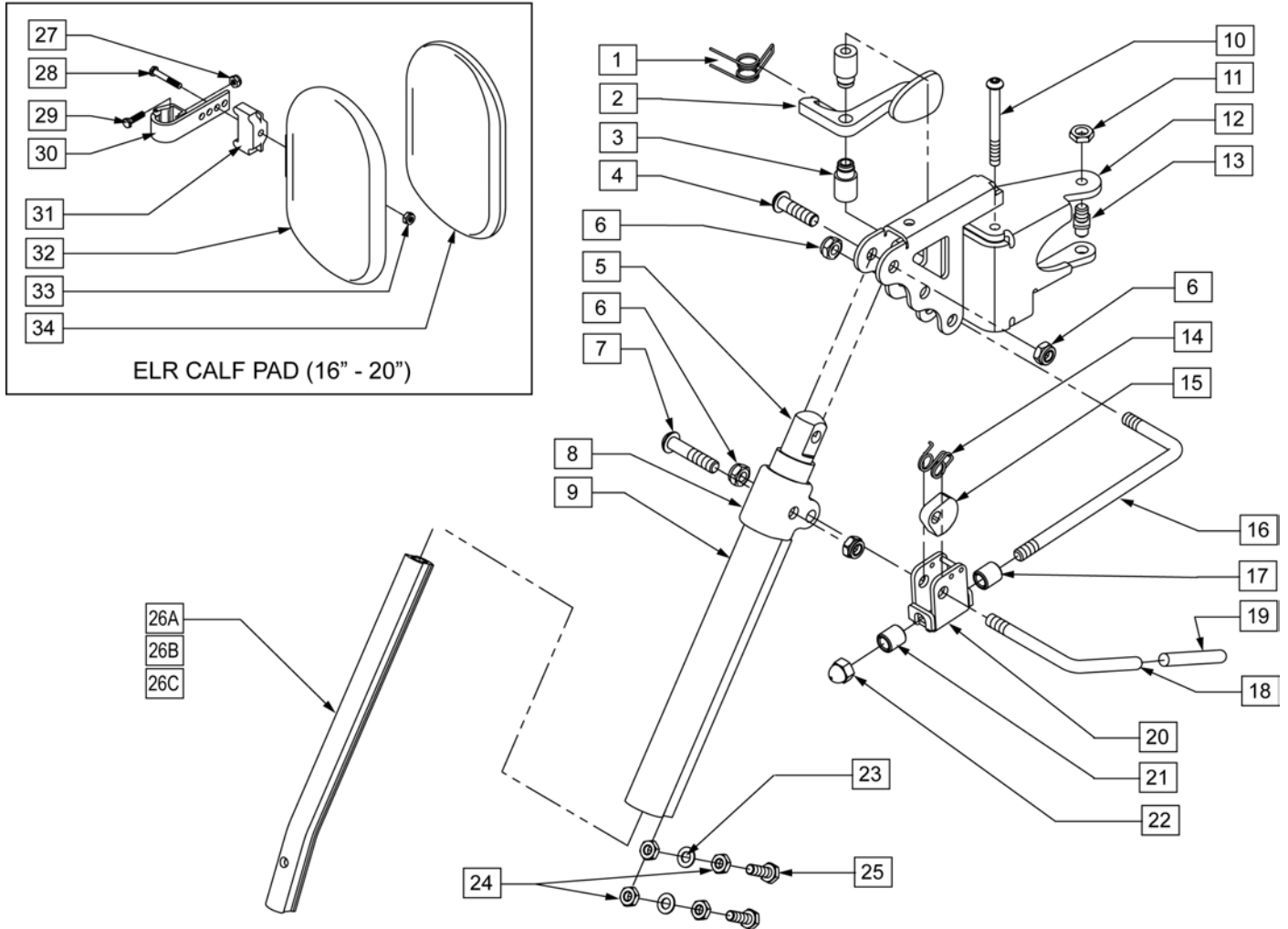


Pos.	Item Number	Description	Remarks
1	104684	MNL ELR W/FTPLT PR KIT	PAIR for ASAP



Pos.	Item Number	Description	Remarks
1A	111441	RCVR WLDMNT S/A HNGR SHT RIGHT	
1B	111442	RCVR WLDMNT S/A HNGR SHT LEFT	
3	210084	NUT HEX NYLOCK M6 BLACK	
4	250104	WASHER FLAT M6	
5	108778	PIVOT PIN POWER	
6	013036	M8 NUT JAM THIN	
7	013252	BHCS M6 X 1 X 35 BLK	
8	013763	STOP BUMPER	
1A-8	104780	HANGER RECEIVER ASSM SHORT	RIGHT
1B-8	104781	HANGER RECEIVER ASSM SHORT	LEFT

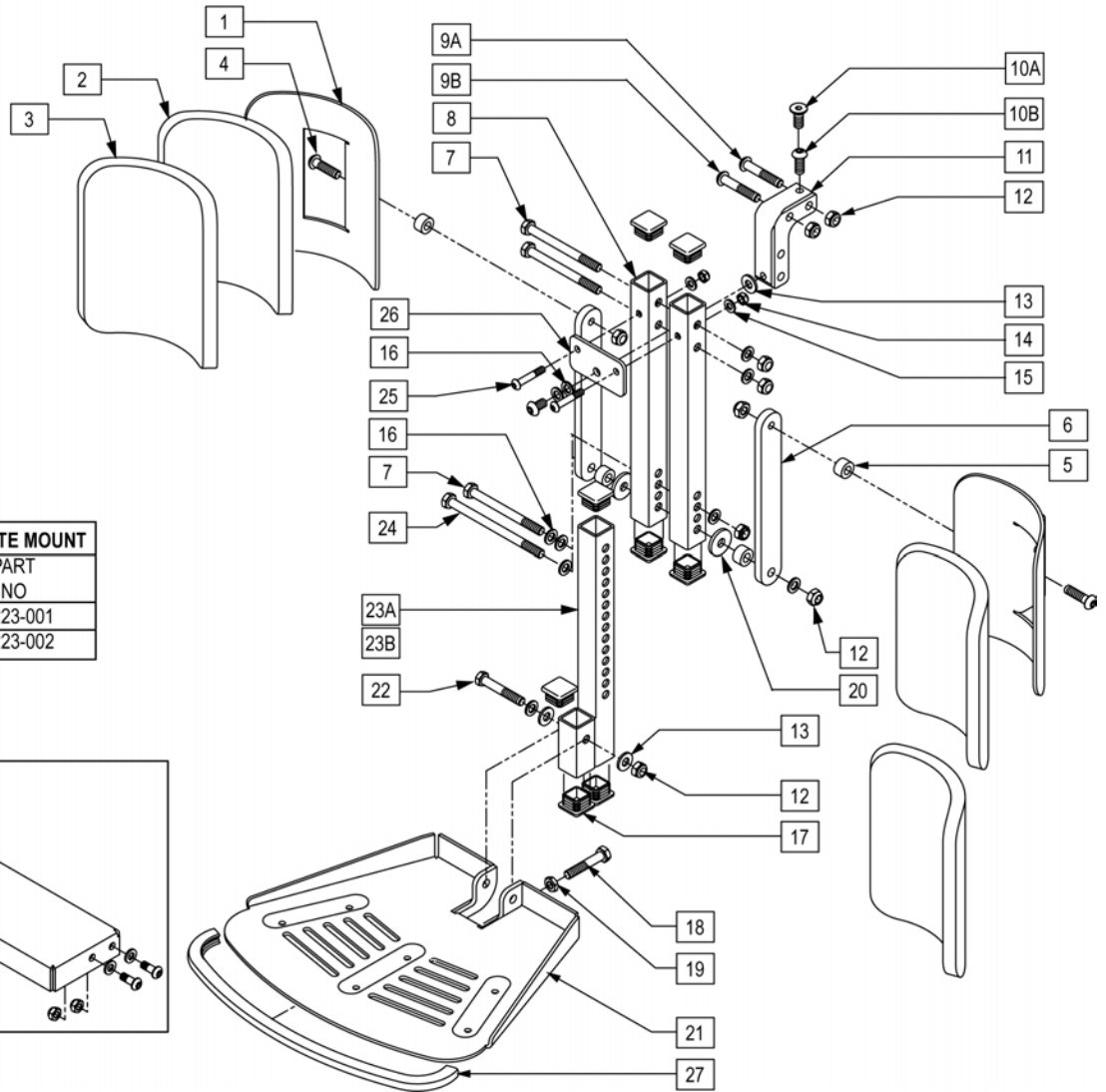
NOTE: DISCONTINUED, AVAILABLE AS PARTS ONLY FOR CHAIRS PRIOR TO SERIAL # RHP003507.



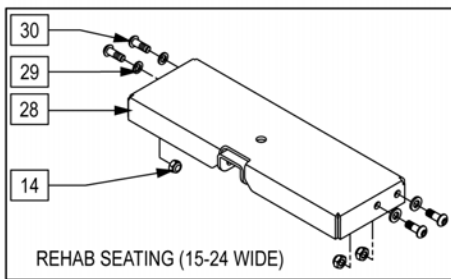
Pos.	Item Number	Description	Remarks
1	013163	SPRING LATCH S/A HANGER	
2	013160	LATCH ARM S/A HANGER	
3	013217	SPACER S/A HANGER LATCH	
4	226343	5/16-24 X 1 1/8 BHCS BLK	
5	540252	ELR PIVOT PRS	
6	106939	5/16-24 NYLOCK NUT THIN	
7	226138	5/16-24 X 1 1/2 BH C/S	
8	560420	ELR UPPER PIVOT PLST	
9	550722S	ELR ADJUSTMENT TUBE	
10	013216	SCREW M6 X 60 SKT BTN BLK	
11	013036	M8 X 1.25 JAM NUT HEX	
12	013266	BRACKET PIVOT WELDMNT RH	
12	013267	BRACKET PIVOT WELDMNT LH	

Pos.	Item Number	Description	Remarks
13	108778	PIVOT PIN, POWER	
14	321106	ELR TORSION SPRING	
15	481119	ELR CAM LOCKING POWDERED METAL	
16	481242	ELR LOCK ROD S525	
17	014085	ELR ADJ STOP 20D	
18	481122	ELR ACTUATION ARM	
19	561049	ELR RELEASE ROD COVER	
20	880990	ELR LOCK HOUSING W/PIN	
21	560815	HEMI ELR ADJ STOP BACK LG	
22	202109	5/16-24 ACORN NUT HEX	
23	106943	1/4 AN WASHER FLAT	
24	201112	1/4-28 NUT THIN	
25	221096	1/4-28 X 5/8 HEX C/S	
26A	550764	S/A HANGER EXT D2 SHORT BLK	
26B	550765	S/A HANGER EXT D2 MED BLK	
26C	550766	S/A HANGER EXT D2 LONG BLK	
27	106934	1/4-28 NYLOCK NUT	
28	222242	5/16-18 X 2 1/2 HEX C/S	
28	107019	HHCS 5/16-18 X 3-1/2 ROHS	(USE W/ ITEM #31)
29	221096	1/4-28 X 5/8 HEX C/S	
30	881413	CALF PAD BRACKET ASSM	
31	560199	ELR CALF HINGE SPACER	
32	560108	CALF PAD MOLDED 16-20"	
33	106936	5/16-18 NYLOCK NUT THICK	
34	751045	CALF PAD COVER NEOPRENE	
27-30,32,33	881416	CALF PAD MOLDED 16-17" ASSM	
27-34	881412	CALF PAD MOLDED 18-20" ASSM	
1-25	101285	RHYTHM/GROOVE ELR HNGR ASSM R	
1-25	101286	RHYTHM/GROOVE ELR HNGR ASSM L	
4,6,7,10,23-25	101548	ELEVATING LEGREST HDWR KIT	
1-22	101844	ELR HNGR R RHY/GRV W/O TUBE	
1-22	101845	ELR HNGR L RHY/GRV W/O TUBE	

DISCONTINUED, AVAILABLE AS PARTS ONLY FOR CHAIRS PRIOR TO SERIAL # RHP003507.

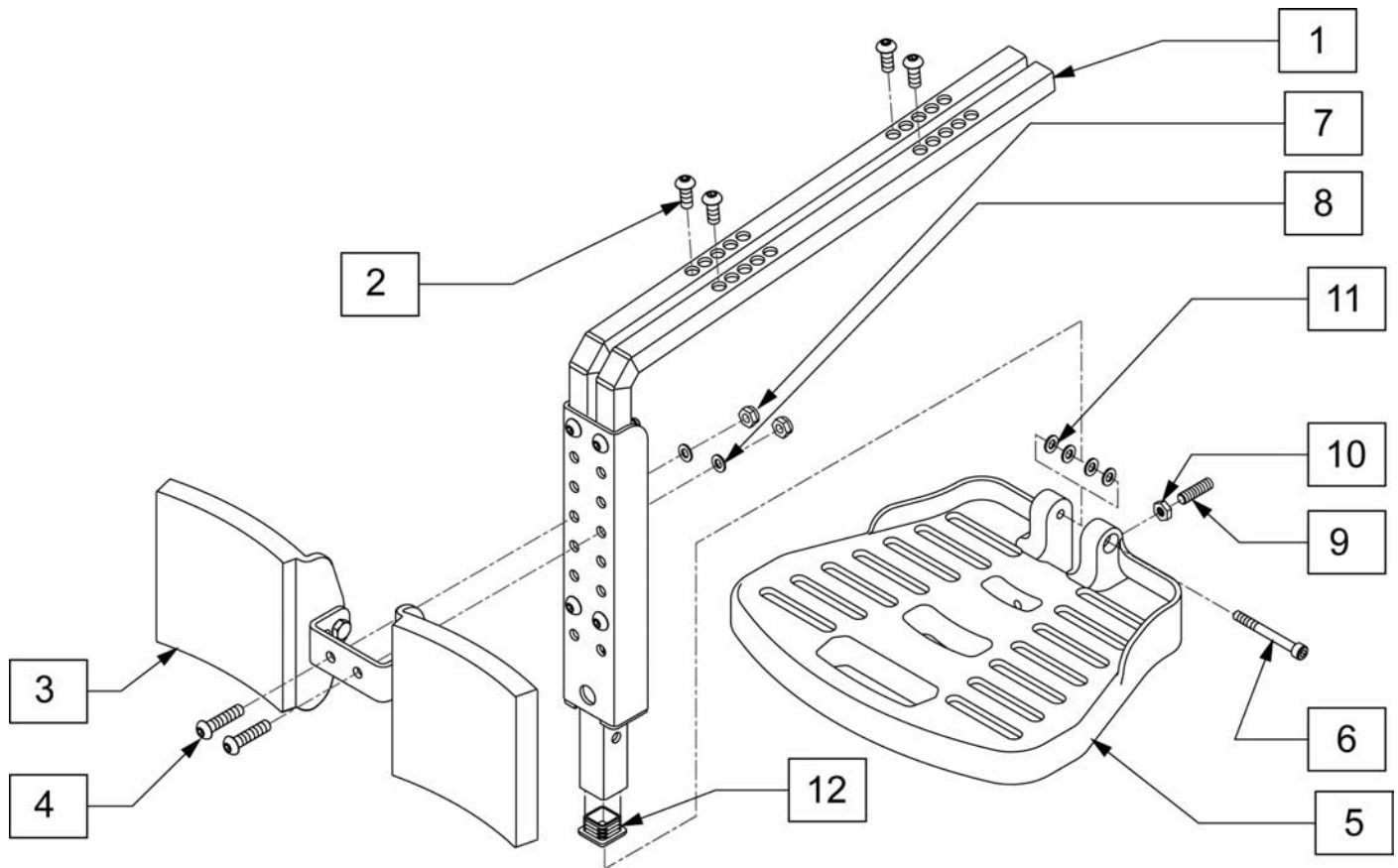


ITEM #23 MAIN TUBE FOOTPLATE MOUNT	
SEAT TO FLOOR HEIGHT	PART NO
17" - 18"	013223-001
19" - 20"	013223-002

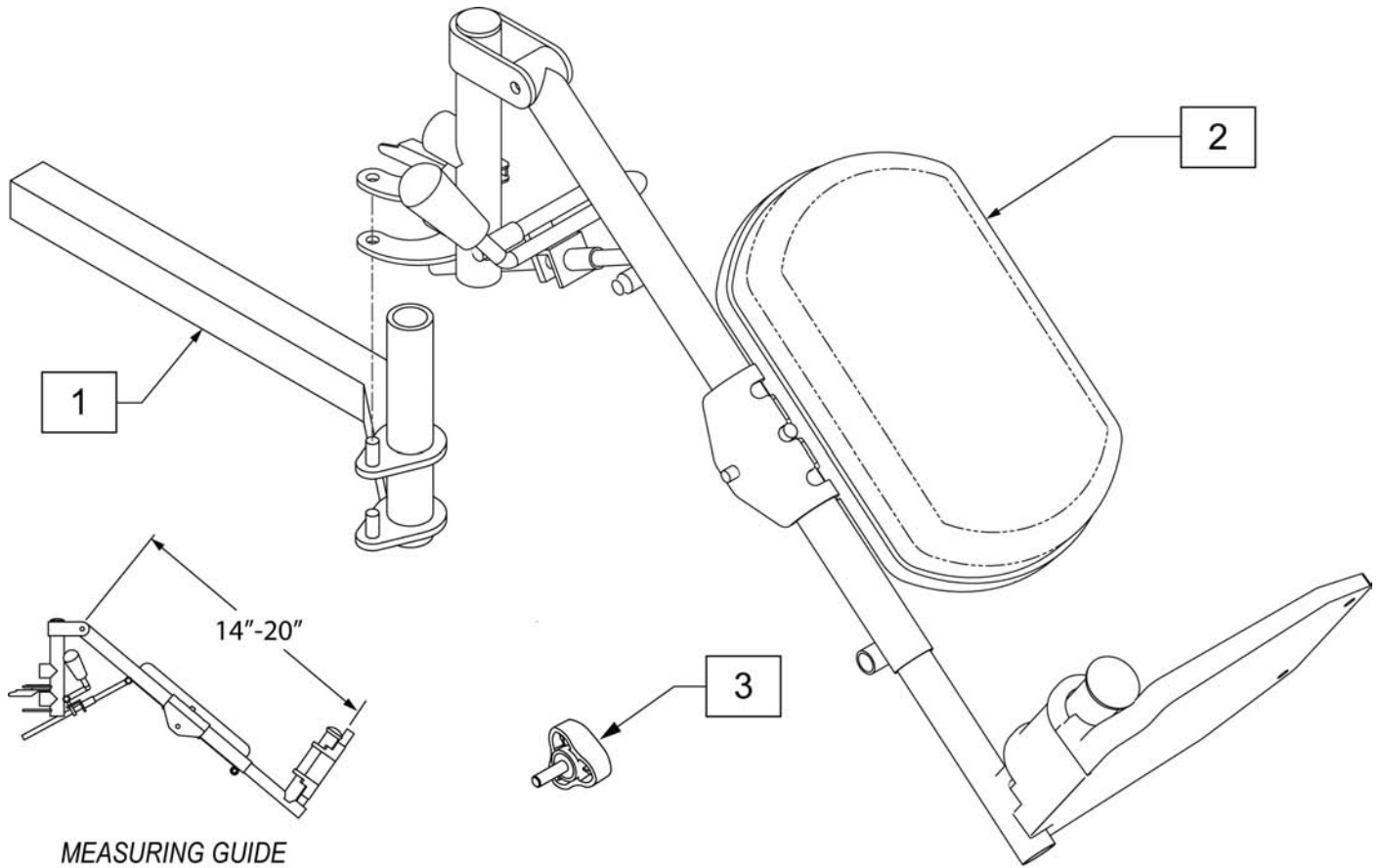


Pos.	Item Number	Description
4	013151	BHCS M8 x 1.25 x 30 BLK W/PL
5	505934	SPACER 8 x 2 CASTER
6	013887-001	BAR SA CALF PAD 160
7	010517	M8 x 1.25 x 90 HHCS GD 10.9
8	013194	HANGER FIX CENTER MOUNT
9A	230123	BHCS M8 x 1.25 x 45 (REHAB SEAT)
9B	230123	BHCS M8 x 1.25 x 45
10A	230129	FHCS M8 x 1.25 x 20 BLK W/PL (REHAB SEAT)
10B	013149	BHCS M8 x 16
11	013186	KNUCKLE FIX CENTER MOUNT
12	210085	NUT HEX NYLOCK M8 BLACK (REHAB SEAT)
13	011650	WASHER NYLON M8
14	210084	NUT HEX NYLOCK M6 BLACK
15	106944	WASHER FLAT THIN AN 1/4 ROHS

Pos.	Item Number	Description
16	263100	5/16 AN WASHER FLAT
17	010615	SQUARE END CAP CNTR LEG SPPRT
18	234960	M8-35 HEX C/S
19	013036	M8 X 1.25 JAM NUT HEX
20	561016	1" WASHER 5/16" HOLE
21	013189	PLATE FOOT SUPPORT FIX
22	013803	HHCS M8 x 1.25 x 50 BLK
23A	013223-001	MAIN TUBE FTPLT MNT SHORT
23B	013223-002	MAIN TUBE FTPLT MNT LNG
24	013888	HHCS M8 x 1.25 x 130
25	013252	BHCS M6 X 1 X 35 BLK
26	013190	PLATE SQUARE TUBE SUPPORT
27	014081	FOOTPLATE TRIM FIX CNTR MOUNT
28	013237	FRAME CENTER MT WELDMENT
29	250104	WASHER FLAT M6
30	230032	M6 X 16 B/H CAP SCREW (15-24 WIDE ONLY)
1-3	013211	ASSM CALF PAD SINGLE ROW
1-23A,24-27	100214	CENTER MNT FOOTREST ASSY SHORT
1-23B,24-27	100215	CENTER MNT FOOTREST ASSY LONG
4,7,9,12-16,18-20,22,24,25,29,30	101549	CENTER MOUNT LEGREST HDWR KIT

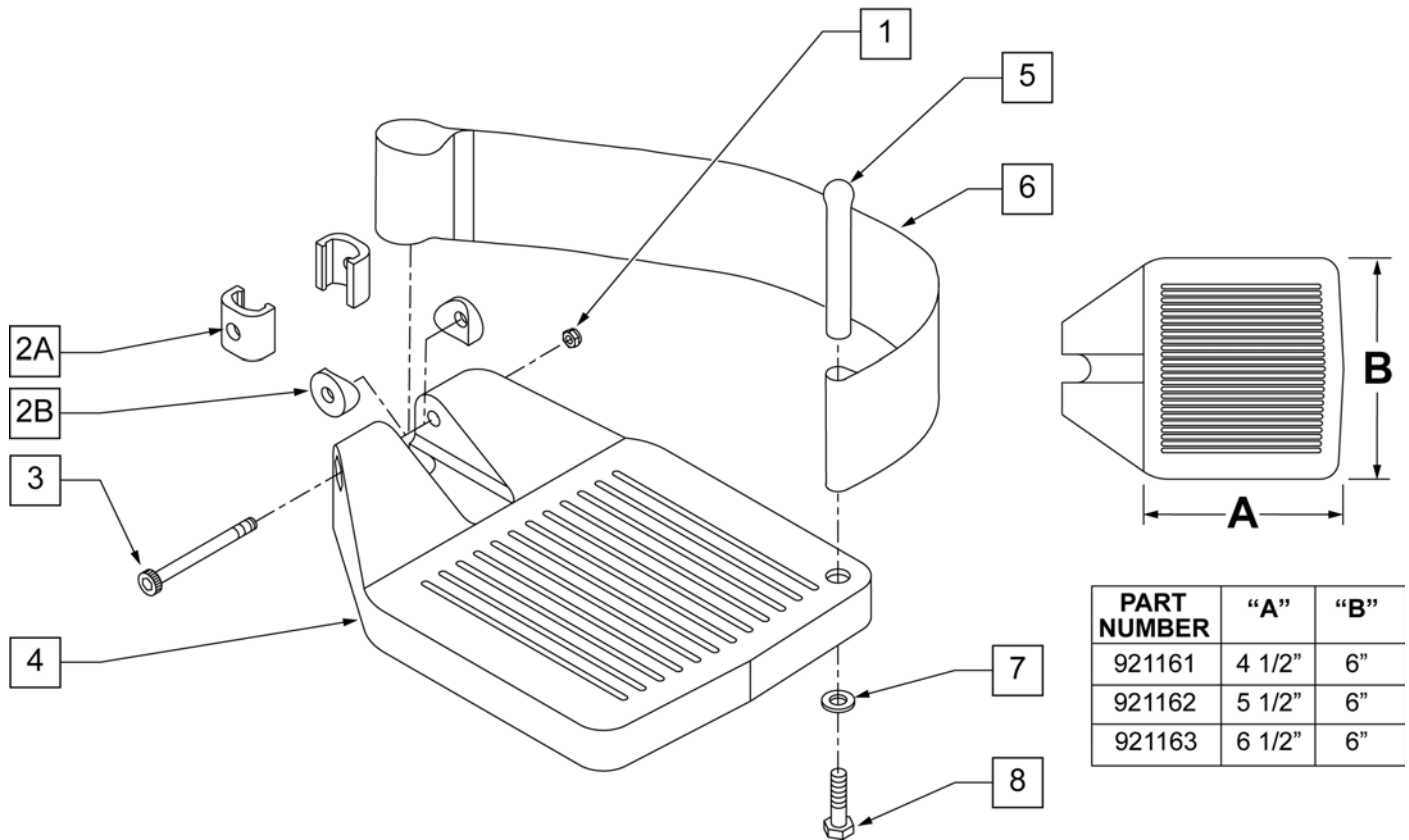


Pos.	Item Number	Description	Remarks
2	n/a	BHCS M8 X 1.25 X 20	AVAILABLE IN ASSM ONLY
4	n/a	BHCS M8 X 1.25 X 35	AVAILABLE IN ASSM ONLY
6	n/a	SHCS M8 X 60	AVAILABLE IN ASSM ONLY
7	n/a	M8 NYLOCK NUT	AVAILABLE IN ASSM ONLY
8	n/a	M8 WASHER FLAT	AVAILABLE IN ASSM ONLY
19	n/a	SET SCREW M8 X 1.25 X 60	AVAILABLE IN ASSM ONLY
10	n/a	NUT M8 X 1.25	AVAILABLE IN ASSM ONLY
12	010615	SQUARE END CAP CNTR LEG SPPRT	
11	106944	WASHER FLAT THIN AN 1/4 ROHS	
3,4,7,8,9	103118	CALF PAD AND HARDWARE	
5,6,9-11	101685	QUICKIE FOOTPLATE	
1-16	103135	CENTER MOUNT HANGER ASSY	



Pos.	Item Number	Description	Remarks
2	GEY-ELRC	ELEVATING LEGRESTS	PAIR (Leg length adj. from 14-20")
3	349049	KNOB M8 x 1.25 x 18	
1,3	GA-ADPT	ASP FTRST & ELR ADPTR	PAIR
1-3	GA-ELRCA	ASPIRE ELR W/ADAPTER	PAIR

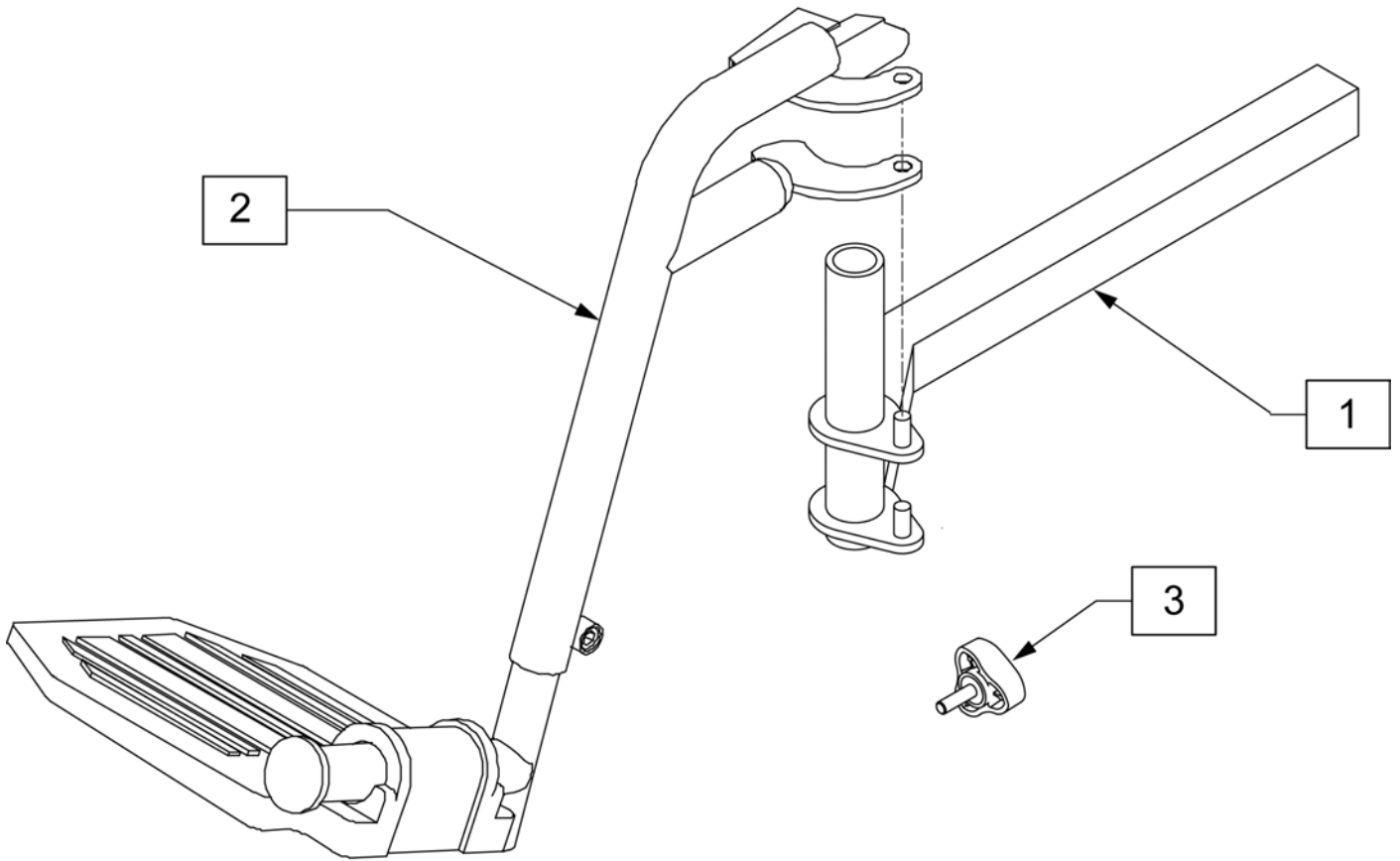
NOTE: DISCONTINUED, AVAILABLE AS PARTS ONLY FOR CHAIRS PRIOR TO SERIAL # RHP003507 PART ONLY.



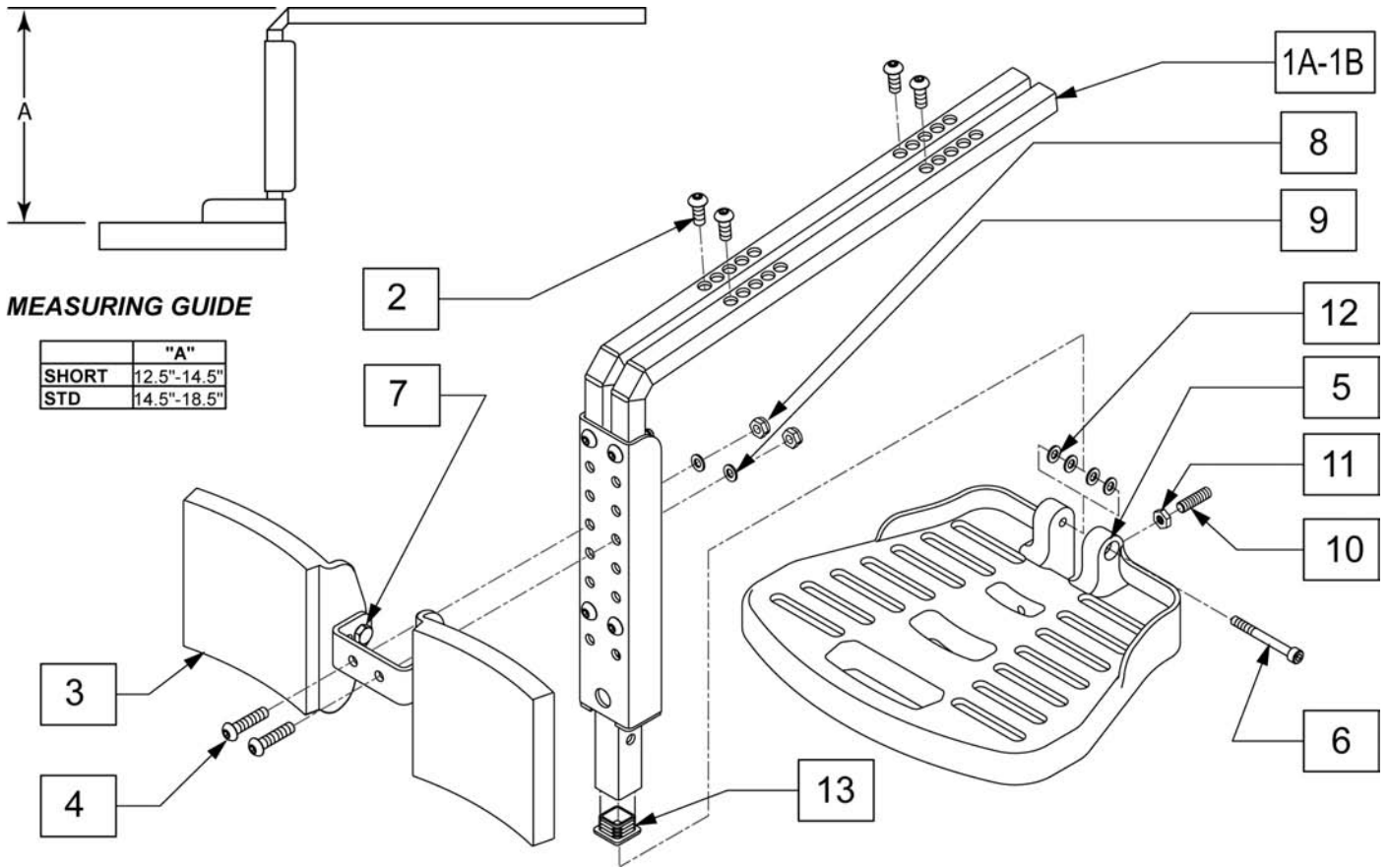
PART NUMBER	"A"	"B"
921161	4 1/2"	6"
921162	5 1/2"	6"
921163	6 1/2"	6"

Pos.	Item Number	Description	Remarks
1	106935	NUT NYLOCK THIN 1/4-28 ROHS	
2A	483718	HANGER EXTENSION SADDLE	
2B	561003	3/4" SADDLE THIN	USE W/ ROUND EXT TUBE
3	226165	1/4-28 x 2 1/2 SOC C/S	
4	561200	CMPST FOOT PLATE 14" & 15"	
4	561210	CMPST FOOT PLATE 16" & 17"	
4	561220	CMPST FOOT PLATE 18" TO 20"	
5	561040	HEEL LOOP PEG	
6	741151	HEEL LOOP 14-15 CMPST	
6	741153	HEEL LOOP 14"-20" CMPST	
6	741156	HEEL LOOP 18-20 CMPST HEMI	
7	106944	WASHER FLAT THIN AN 1/4 ROHS	
8	106958	1/4-20 x 1 HEX C/S	
1,3-4	921180	CMPST FOOT PLATE ASSM 14-15R	
1,3-4	921181	CMPST FOOT PLATE ASSM 14-15L	
1,3-4	921182	CMPST FOOT PLATE ASSM 16-17R	
1,3-4	921183	CMPST FOOT PLATE ASSM 16-17L	

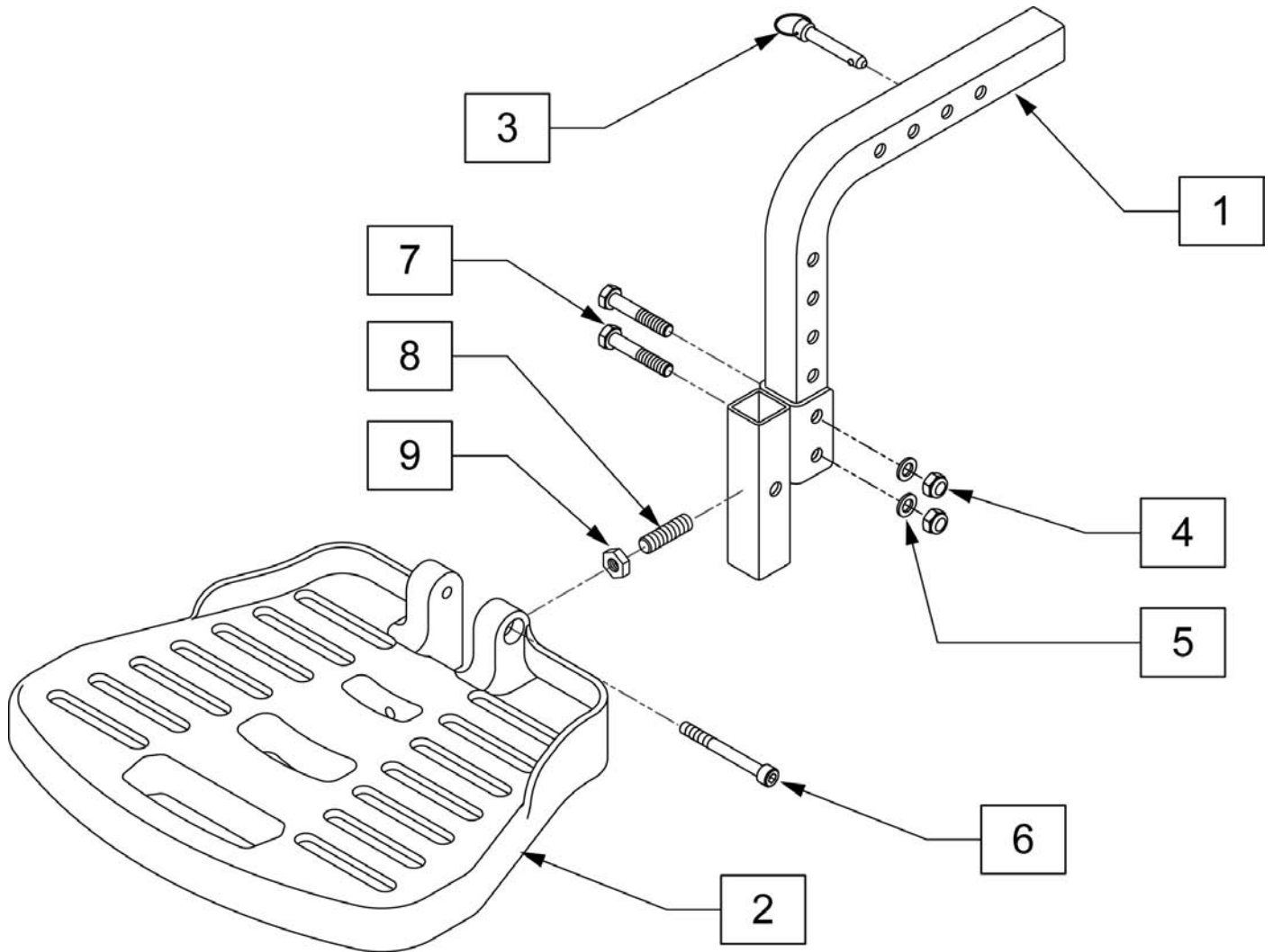
Pos.	Item Number	Description	Remarks
1,3-4	921184	CMPST FOOT PLATE ASSM 18-20R	
1,3-4	921185	CMPST FOOT PLATE ASSM 18-20L	
1,3-4	921151	C F/PLT ASSM 14-15/16-18V	PAIR
1,3-4	921152	C F/PLT ASSM 16-17/19-20V	PAIR
1,3-4	921153	CMPST FOOT PLATE ASSM 18-20	PAIR
1,3-8	921190	CMPST FT PLT ASSM HL LP 14-15R	
1,3-8	921191	CMPST FT PLT ASSM HL LP 14-15L	
1,3-8	921192	CMPST FT PLT ASSM HL LP 16-17R	
1,3-8	921193	CMPST FT PLT ASSM HL LP 16-17L	
1,3-8	921194	CMPST FT PLT ASSM HL LP 18-20R	
1,3-8	921195	CMPST FT PLT ASSM HL LP 18-20L	
1,3-8	921161	C F/PLT ASSM H/L 14-15/16-18V	PAIR
1,3-8	921162	C F/PLT ASSM H/L 16-17/19-20V	PAIR
1,3-8	921163	CMPST FT PLT ASSM HL LPS 18-20	PAIR



Pos.	Item Number	Description	Remarks
2	GEY-FRC	COMPOSITE FOOTRESTS	PAIR
3	349049	KNOB M8X1.25X18	
1,3	GA-ADPT	ASPIRE FR AND ELR ADAPTER	PAIR
1-3	GA-FRCA	ASPIRE FR W/ ADAPTER	PAIR

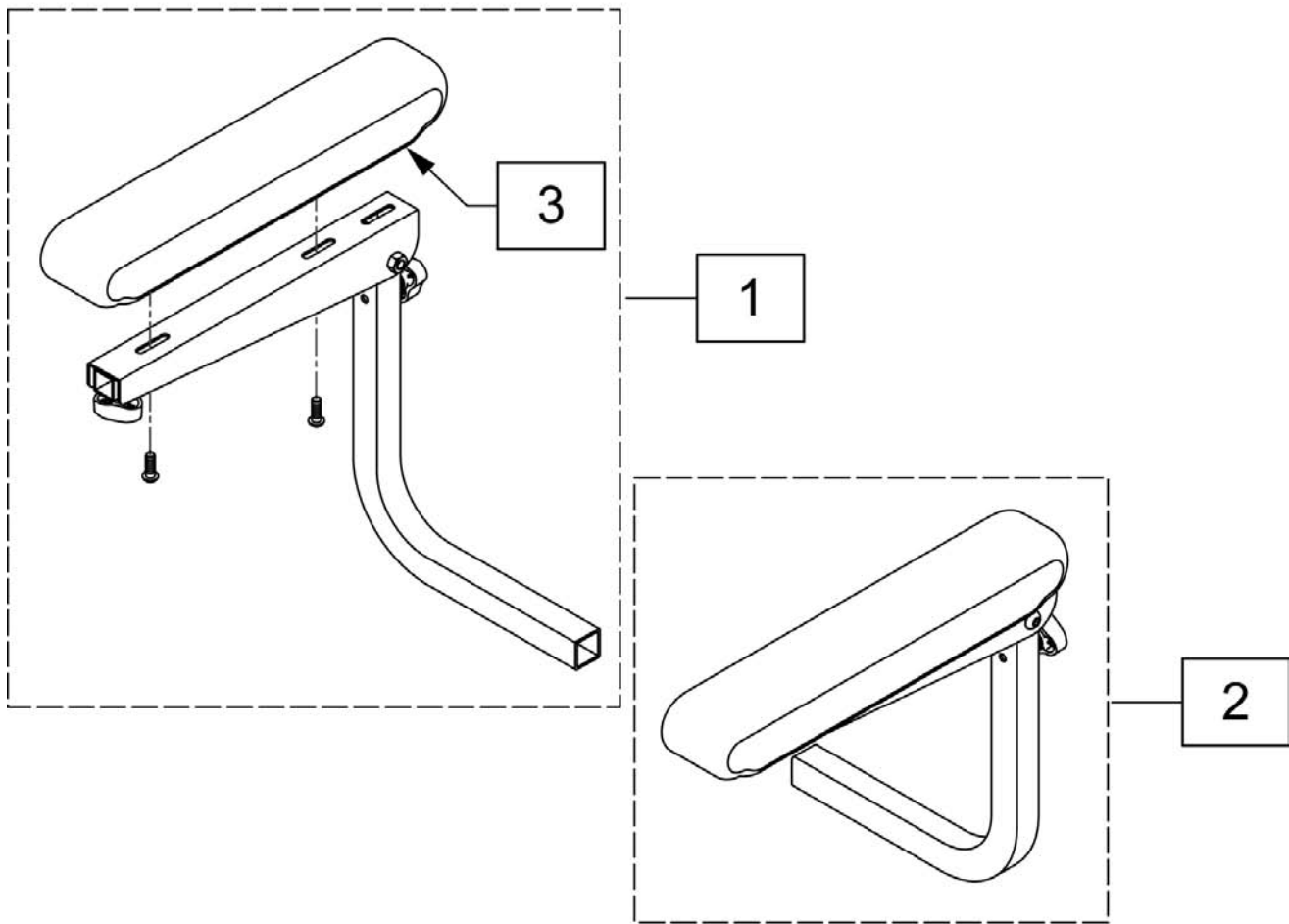


Pos.	Item Number	Description	Remarks
2	n/a	BHCS M8 X 1.25 X 20	AVAILABLE IN ASSM ONLY
4	n/a	BHCS M8 X 1.25 X 35	AVAILABLE IN ASSM ONLY
7	n/a	HHCS M8 X 1.25 X 25	AVAILABLE IN ASSM ONLY
6	n/a	SHCS M8 X 60	AVAILABLE IN ASSM ONLY
8	n/a	M8 NYLOCK NUT	AVAILABLE IN ASSM ONLY
9	n/a	M8 WASHER FLAT	AVAILABLE IN ASSM ONLY
10	n/a	SET SCREW M8 X 1.25 X 60	AVAILABLE IN ASSM ONLY
11	n/a	NUT M8 X 1.25	AVAILABLE IN ASSM ONLY
13	010615	SQUARE END CAP CNTR LEG SPPRT	
3,4,7	103118	CALF PAD AND HARDWARE	
5,6,10-12	101685	QUICKIE FOOTPLATE	
1-13	103135	CENTER MOUNT HANGER ASSY	

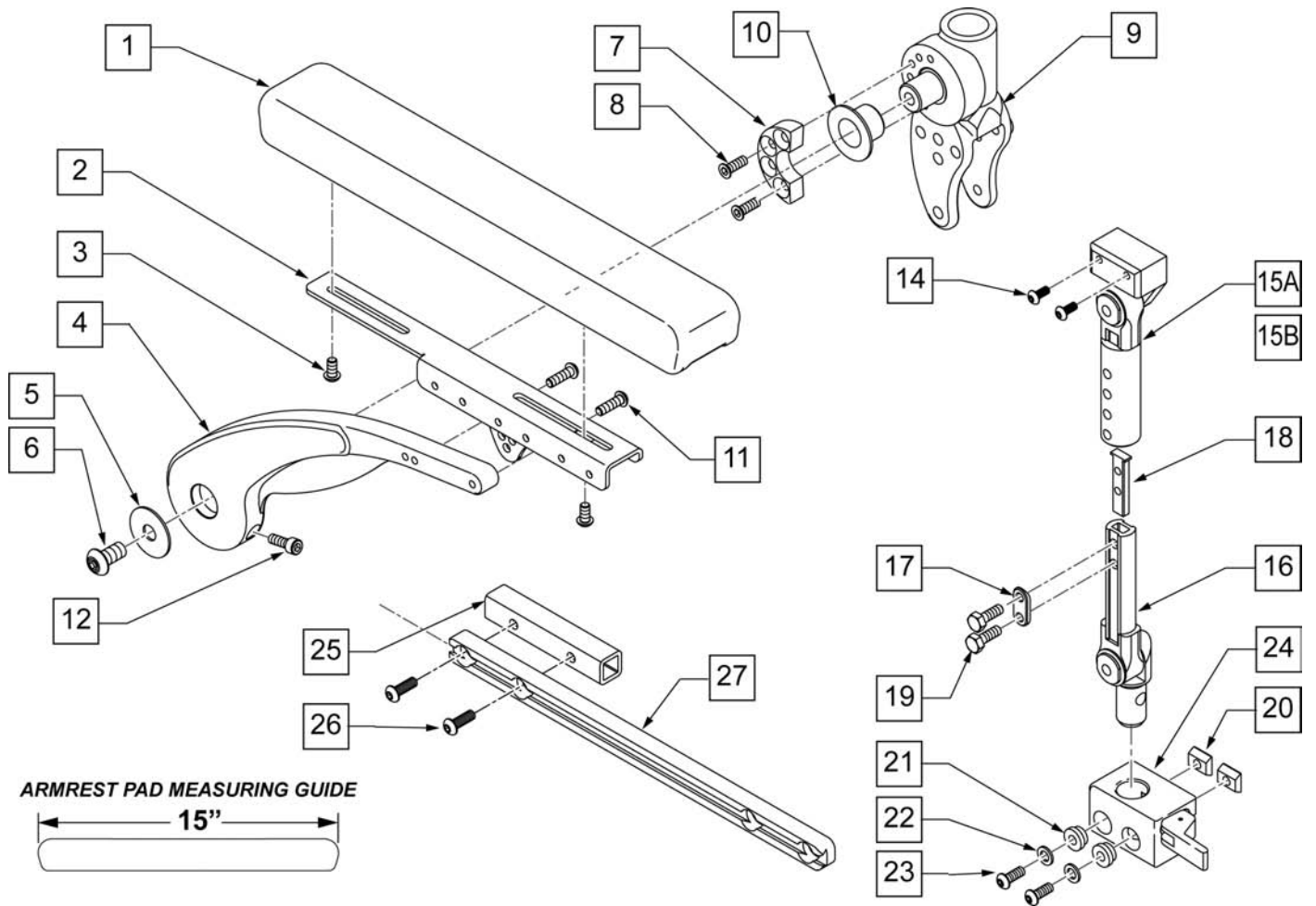


Pos.	Item Number	Description	Remarks
3	101920	LOCKING PIN 8X40L (W/RING)	
4	N/A	NYLOCK NUT M8	AVAILABLE IN ASSM ONLY
5	N/A	WASHER M8 THICK	AVAILABLE IN ASSM ONLY
6	N/A	SHCS M8 X 60	AVAILABLE IN ASSM ONLY
7	N/A	HEX HEAD BOLT M8 X 40	AVAILABLE IN ASSM ONLY
8	N/A	SET SCREW M8 X 1.25 X 60	AVAILABLE IN ASSM ONLY
9	013036	NUT M8 X 1.25	
2,6,8,9	101685	QUICKIE FOOTPLATE	
1-9	547017	FOOTREST ASSEMBLY	

Note: For Quickie Freestyle, Aspire & Rhapsody chairs the old style Armrest are no longer available, must use new style Armrest when replacing Armrest Assembly.



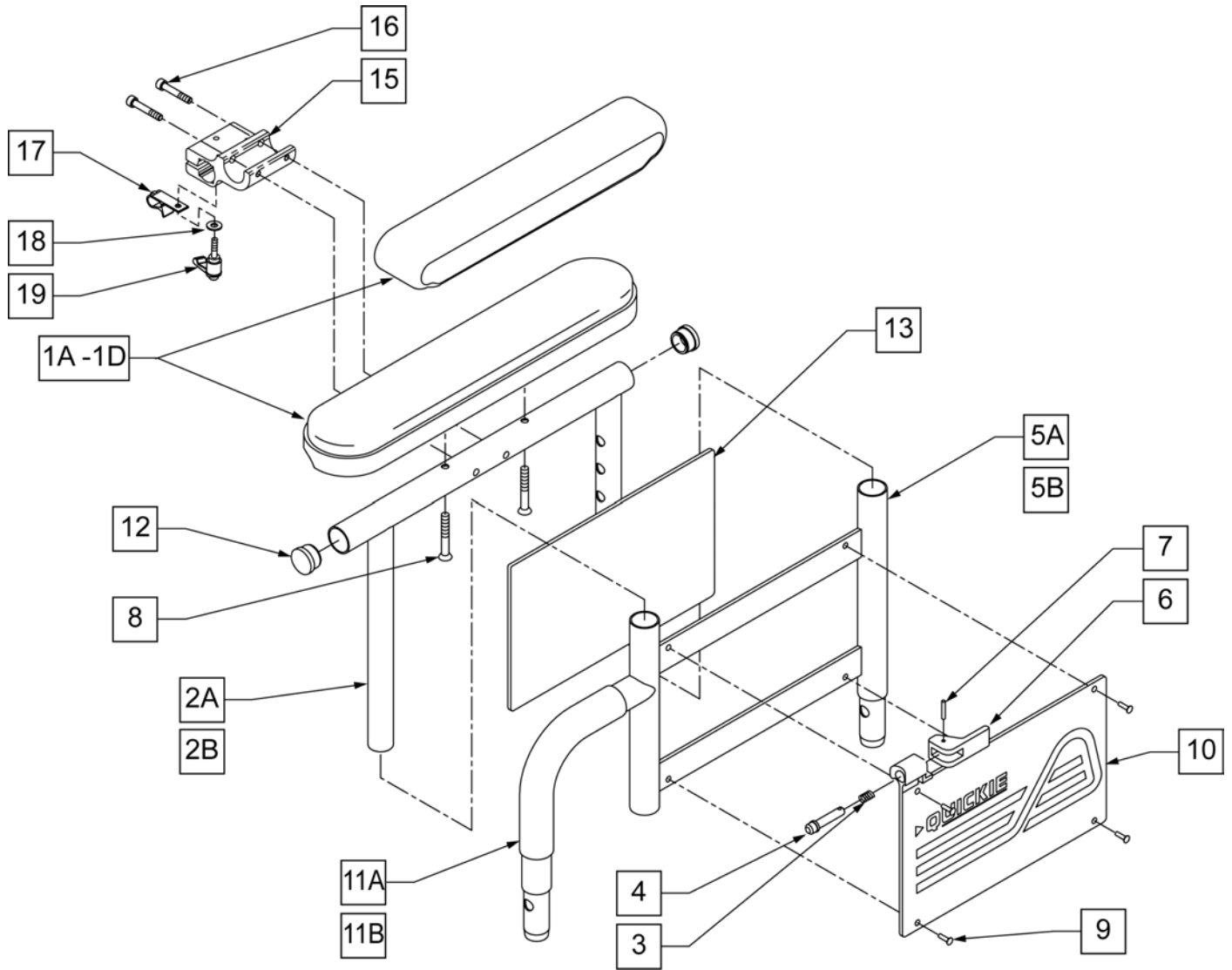
Pos.	Item Number	Description	Remarks
1	884376	ARMREST ANGLE ADJ HDWR	KIT CONTAINS 1 - M8 HEX BOLT 1 - M8 WASHER 1 - M8 X 35 HEX NUT
2	561181	ARMREST PAD W/ PIVOT BOLT	
4	349077	KNOB M8 x 5 THD x 16L	
3,4	923264	FLIP BACK ARMREST HEIGHT ADJ W/ KNOB	RIGHT
4,5	923265	FLIP BACK ARMREST HEIGHT ADJ W/ KNOB	LEFT
7	105065	SCREW THUMB M8X30	
8	013145	BHCS M6 X 1 X 10 BLK	
6,8	103114	ARMREST PAD SET	PAIR



Pos.	Item Number	Description	Remarks
1	103114	ARMREST PAD SET	PAIR
3	n/a	BHCS M6 X 16	REFERENCE ONLY
6	n/a	BHCS M10 X 35	ONLY AVAILABLE IN HARDWARE KIT
8	n/a	FHCS M6 X 20	ONLY AVAILABLE IN HARDWARE KIT
11	n/a	BHCS M6 x 20	REFERENCE ONLY
12	n/a	SHCS M6 X 25	ONLY AVAILABLE IN HARDWARE KIT
2-12	103110	LEFT HAND ARMREST ASSEMBLY	
2-12	103111	RIGHT HAND ARMREST ASSEMBLY	
	108786	ASAP SEAT REPLACEMENT HARDWARE KIT	SEE ASAP SEAT & INTERFACE ASSM
14	102259-001	BHCS M5 X .8 X 12 W/PL INORG	
17	483717	HANGER SADDLE	
16	500078	INSERT D2 EXT TUBE	
19	221102	1/4-28 X 3/4 HEX C/S BLK W/PAT	
20	010065	M6 CHANNEL NUT	
21	340143	BUSHING .257IDx.25LG SST	
22	263100	5/16 AN WASHER FLAT	
23	230113	BHCS M6 X 1 X 12	
24	506366	UNIVRSL ARMREST RCVR ASSM R	Right
24	506367	UNIVRSL ARMREST RCVR ASSM LH	Left
25	107263	INNER TUBE SIDE RAIL	Use w/ Center Mount Footrest only
26	235008	M8 X 1.25 X 30 BH C/S	
27	106425	SINGLE TRACK RAIL 8MM	

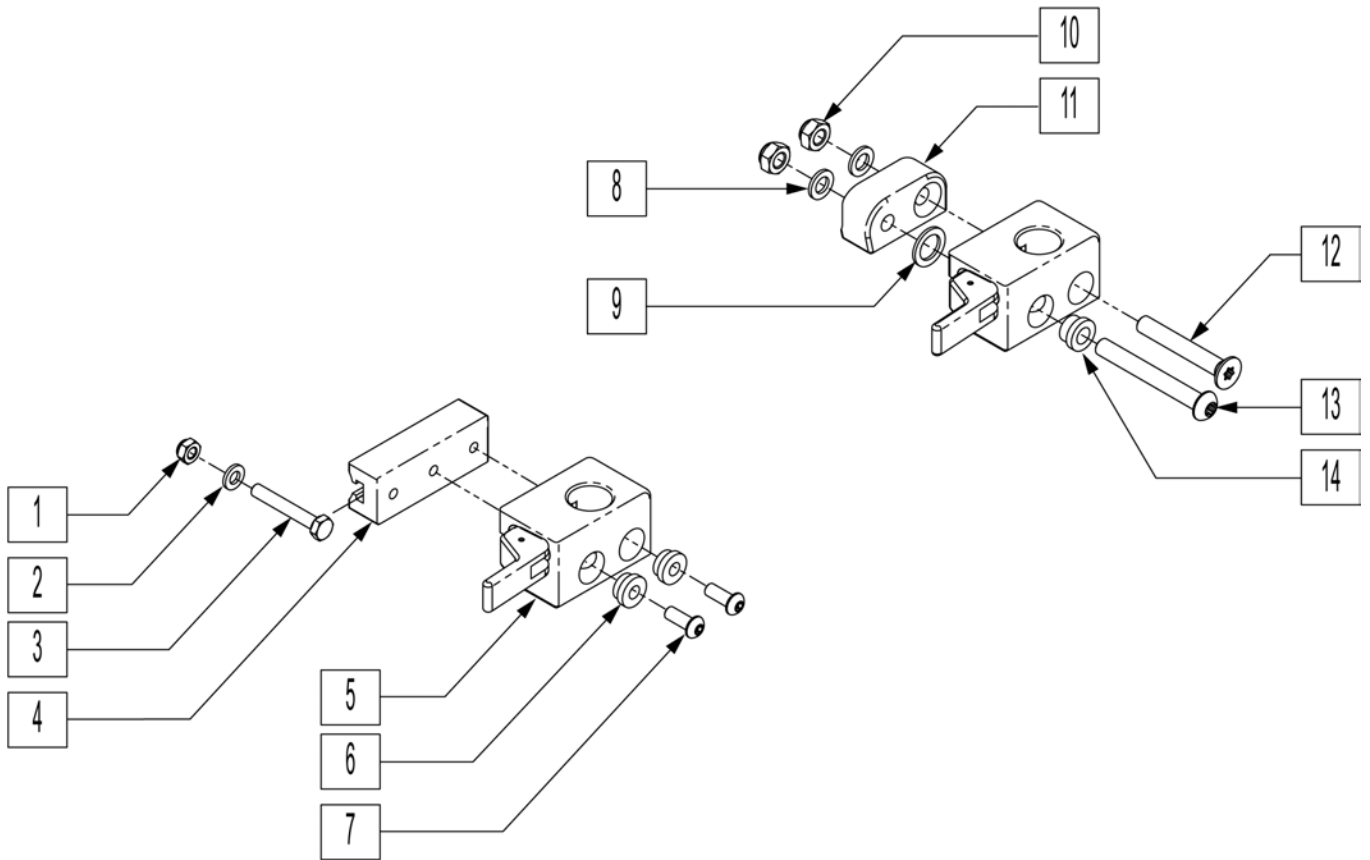
Pos.	Item Number	Description	Remarks
20-24	110826	ARMREST REC KIT RIGHT	Right
20-24	110827	ARMREST REC KIT LEFT	Left
14,15A-19	113398	DUAL POST ASSY ASAP 9-10	9-10 ARMREST HEIGHT
14,15B-19	113399	DUAL POST ASSY ASAP 11-12	11-12 ARMREST HEIGHT
14,15A-24	110828	ASAP 2 PNT ARM 9-10 KIT	PAIR (9-10 ARMREST HT) Includes Recievers
14,15B-24	110829	ASAP 2 PNT ARM 11-12 KIT	PAIR (11-12 ARMREST HT) Includes Recievers

NOTE: DISCONTINUED ON QUICKIE RHAPSODY PRIOR TO SERIAL # RHP003507.



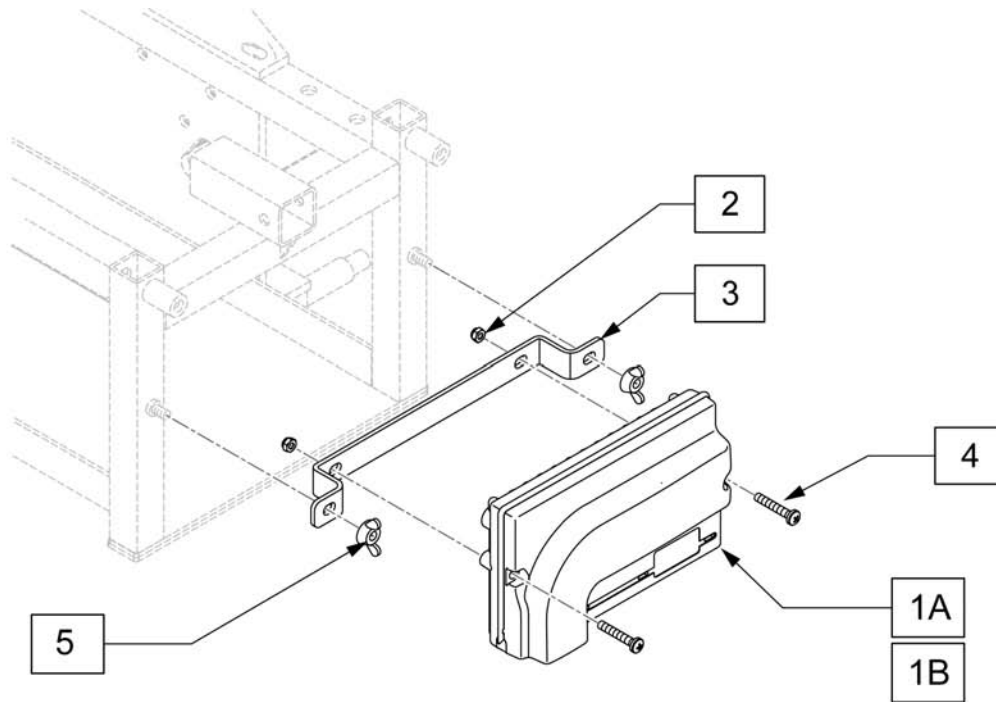
Pos.	Item Number	Description
1A	561280	" ARMREST PAD 10"" LEFT W/F"
1A	561281	" ARMREST PAD 10"" RIGHT W/F"
1B	561284	" ARMREST PAD 14"" LEFT W/F"
1B	561285	"ARMREST PAD 14"" RIGHT W/F"
1C	561024	"ARMREST PAD 10"" DESK"
1D	561031	"ARMREST PAD 14"" FULL"
2A	521841	DUAL PST ADJ UPPR ARM DESK PW
2B	521843	DUAL PST ADJ UPPR ARM FULL PW
3	321141	.650L x 6 COIL SPRING
4	341132	ARMREST PIN W/SHOULDER
5A	540224	ARM FRAME LOWER HT ADJ REG R
5A	540225	ARM FRAME LOWER HT ADJ REG L
5B	540226	ARM FRAME LOWER HT ADJ LONG R
5B	540227	ARM FRAME LOWER HT ADJ LONG L

Pos.	Item Number	Description
6	561109	ARMREST LEVER FLIP-BACK HT ADJ
7	341088	3/32 x 5/8 ROLL PIN
8	226038	10-32 x 1 3/8 BH C/S BLK
9	240155	RIVET 3/16 x 3/8 TUBULAR ALUM
10	562740	ARMREST PANEL DUAL POST R
10	562741	ARMREST PANEL DUAL POST L
11A	560514	FOAM 8" x .840 TUBE
11B	560614	11" x .840 FOAM TUBE
12	560735	"7/8" ROUND TUBE PLUG"
13	750009	INSIDE ARMREST PAD (P-222/S-626)
14	349024	HNDL 10-32 X 3/4 C/A P1/P3/P5
15	013599	CLAMP CNTRL ARM MOUNT SQ/RD
16	102260-003	SHCS M5X0.8X35 PART NP
17	560268	QUICK RELEASE CLIP
18	011024	M5 FLAT WASHER LARGE OD
19	011049	HANDLE ADJ MODERN M5 X 20 STUD
15 -19	105969	CLAMP JOYSTICK MNT SQ/RD ASM
1C,2A,8,12	881446	DUALPOST UHA AREST RH INC DESK
1C,2A,8,12	881447	DUALPOST UHA AREST LH INC DESK
1D,2A,8,12	881448	DUALPOST UHA AREST RH INC FULL
1D,2A,8,12	881449	DUALPOST UHA AREST LH INC FULL
1A,2A,8,12	881240	D-POST UPPR L ARM ASSM DSK W/F
1A,2A,8,12	881241	D-POST UPPR R ARM ASSM DSK W/F
1B,2B,8,12	881242	D-POST UPPR L ARM ASSM FL W/F
1B,2B,8,12	881243	D-POST UPPR R ARM ASSM FL W/F
3-7,9-11A	881556	DUAL POST LOWER ARM ASSM SHT
3-7,9-11A	881557	DUAL POST LOWER ARM ASSM SHT
3,4,5B,9,10,11B	881558	DUAL POST ADJ LOWER ARM LONG R
3,4,5B,9,10,11B	881559	DUAL POST ADJ LOWER ARM LONG L
1A-10,11A,12	881308	D-POST SHT L W/DSK W/F PAD
1A-10,11A,12	881309	D-POST SHT R W/DSK W/F PAD
1B,2B,3-12	881310	D-POST SHT L W/FL W/F PAD
1B,2B,3-12	881311	D-POST SHT R W/FL W/F PAD
1A-4,5B,6-10,11B,12	881312	D-PST LNG ADJ L W/DSK W/F PAD
1A-4,5B,6-10,11B,12	881313	D-PST LNG ADJ R W/DSK W/F PAD
1B,2B,3,4,5B,6-10,11A,12	881314	D-POST LNG ADJ L W/FL W/F PAD
1B,2B,3,4,5B,6-10,11A,12	881315	D-POST LNG ADJ R W/FL W/F PAD
1C,2A-12	881572	DUAL POST ADJ SHT W/DSK R PWR
1C,2A-12	881573	DUAL POST ADJ SHT W/DSK L PWR
1D,2B,3,4,5B,6-10,11A,12	881574	DUAL POST ADJ LONG W/FL R PWR
1D,2B,3,4,5B,6-10,11A,12	881575	DUAL POST ADJ LONG W/FL L PWR
1C,2A-4,5B,6-10,11B,12	881576	DUAL POST ADJ LONG W/DSK R PWR
1C,2A-4,5B,6-10,11B,12	881577	DUAL POST ADJ LONG W/DSK L PWR
1D,2B,3-10,11A,12	881578	DUAL POST ADJ SHT W/FL R PWR
1A -1D		Part 1A -1D
1D,2B,3-10,11A,12	881579	DUAL POST ADJ SHT W/FL L PWR



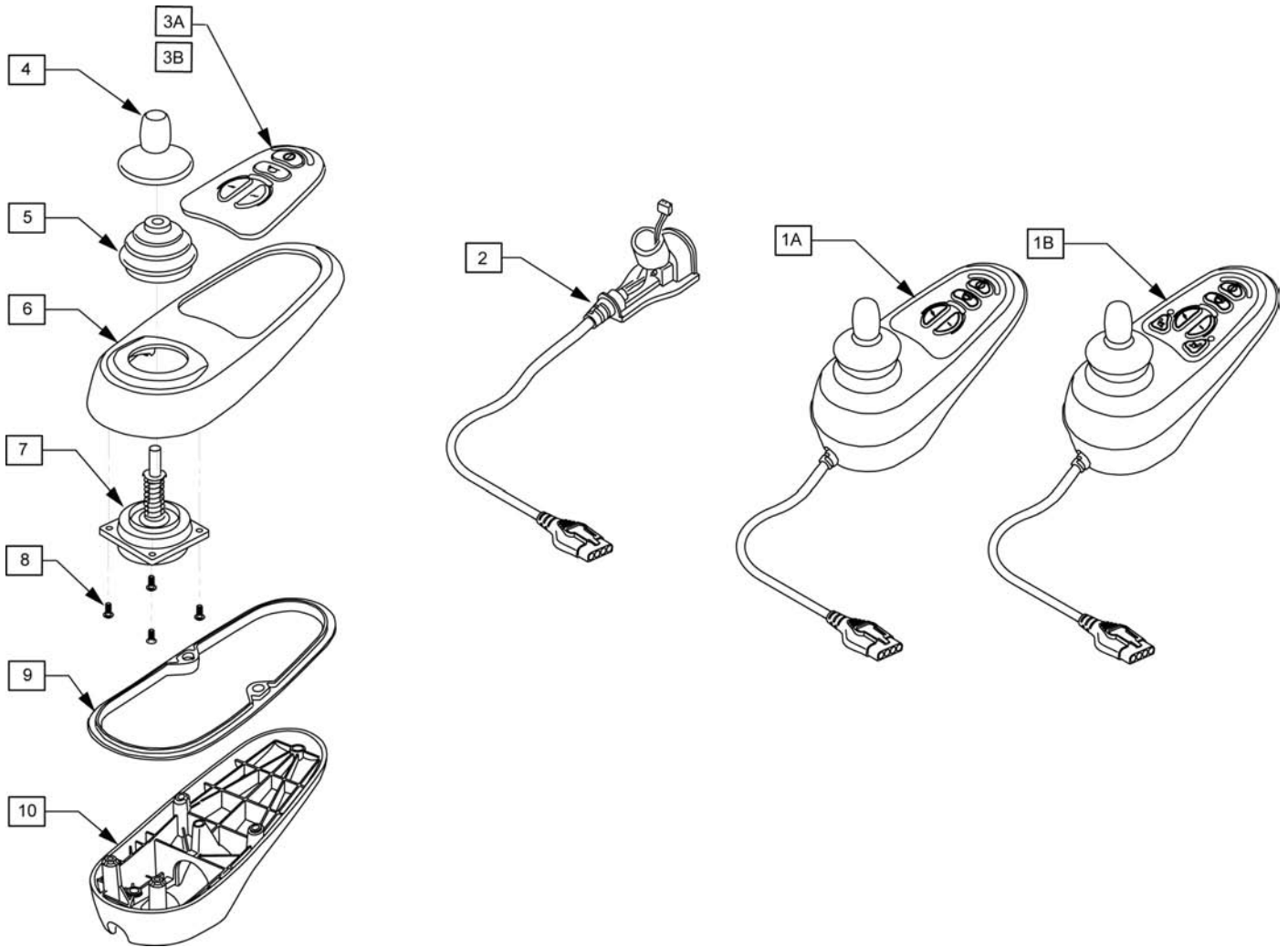
Pos.	Item Number	Description	Pos.	Item Number	Description
1	210084	NUT HEX NYLOCK M6 BLACK	5	506368	UNIV ARMREST RCVR ASSM RV
2	250104	WASHER FLAT M6	6	340143	BUSHING .257IDx.25LG SST
3	011603	HHCS M6 X 1.0 X 40 BLK	7	103185-006	BHCSM6X1X16FULLNP
4	011501	ADPTR FRNT ARM REC 28.5MM OFST	8	263100	5/16 AN WASHER FLAT
5	506366	UNIVRSL ARMRST RCVR ASSM RH	9	561272	1/2 X 3/4 X .030 NYLON WASHER
5	506367	UNIVRSL ARMRST RCVR ASSM LH	10	210085	NUT HEX NYLOCK M8 BLACK

Pos.	Item Number	Description	Pos.	Item Number	Description
11	506128	ADPTR PVT R UNI ARST RCVR P222	1-7	101525	ARMREST RECEIVER ASSM FRONT R
11	506129	ADPTR PVT L UNI ARST RCVR P222	1-7	101526	ARMREST RECEIVER ASSM FRONT L
12	230131	FHCS M8 X 1.25 X 55 BLK	8-14	101527	ARMREST RECEIVER ASSM BACK R
13	013153	BHCS M8 X 1.25 X 65 BLK W/PL	8-14	101861	ARMREST RECEIVER ASSM BACK L
14	340142	BUSHING .325IDx.346LG SST			

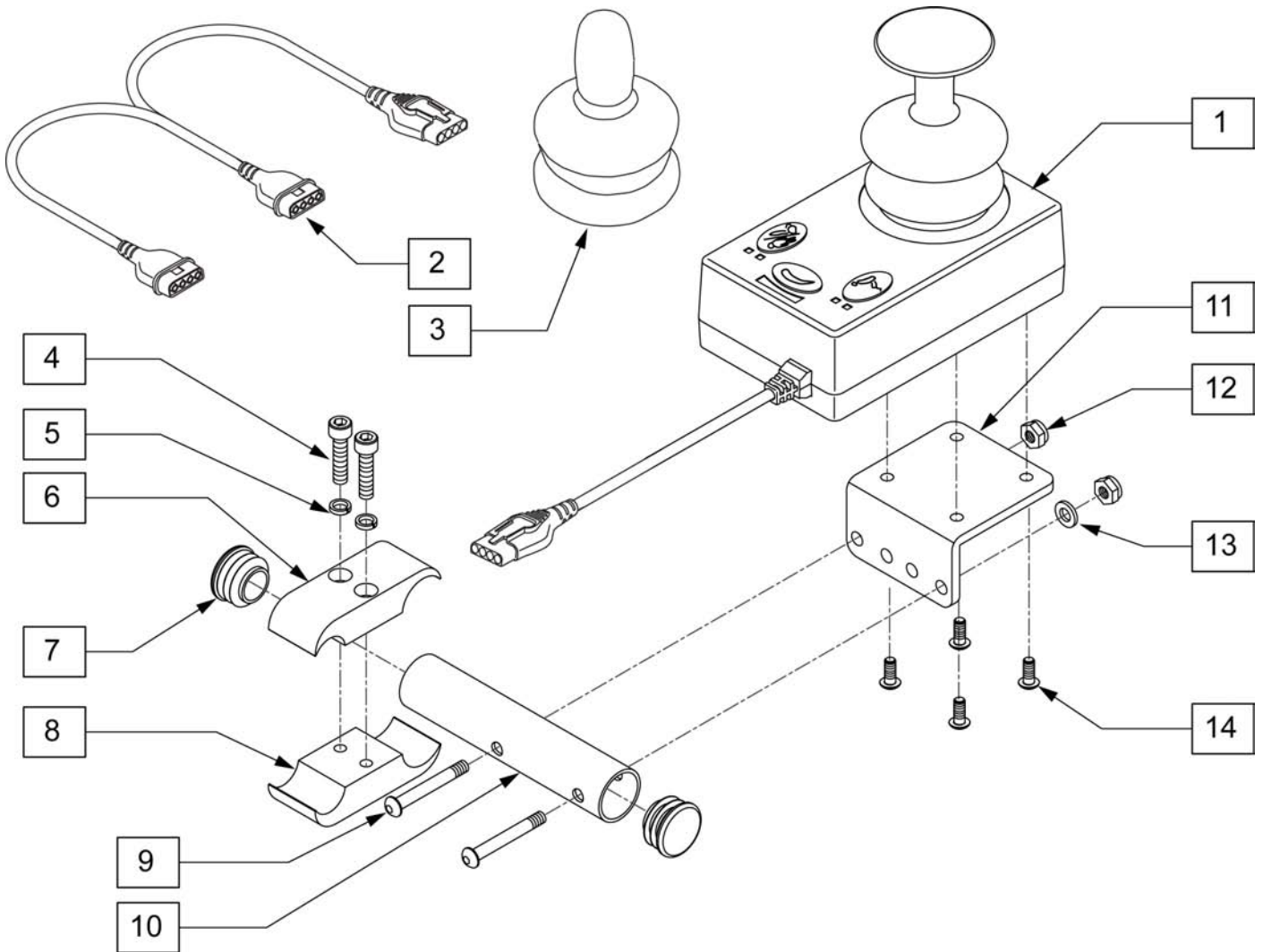


Pos.	Item Number	Description	Remarks
1A	102992	VR2 CNTLR NO ACT DRV	CB, BB & SB W/TOGGLE
1B	102991	VR2 CNTLR 60A DRIVE THRU ACT	SB ONLY
2-5	105178	MOUNT ASSEMBLY CONTROLLER	

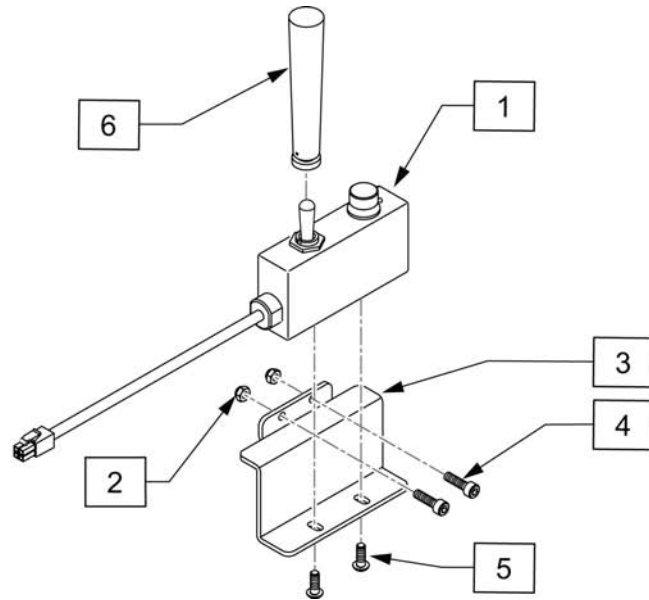
NOTE: JOYSTICK POST (ITEM 7) ACCEPTS JOYSTICK KNOBS THAT HAVE A 1/4" DIAMETER MATING HOLE.



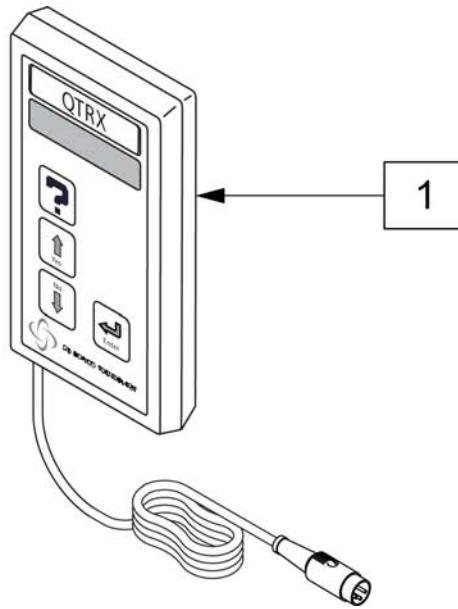
Pos.	Item Number	Description	Remarks
1A	105375	VR2 JOYSTICK 4 BUTTON	STD Joystick (Used when Dual Toggle is picked)
1B	105376	VR2 JOYSTICK 6 BUTTON	Thru Drive Joystick
2	105937	JOYSTICK CABLE	
3A	105938	KEYPAD 4 KEY	
3B	105939	KEYPAD 6 KEY	
4	138169	VSI JOYSTICK HANDLE	
5	105930	JOYSTICK GAITER	
6	105945	MOLDED TOP	
7	105936	JOYSTICK	
8	105947	SHCS M3X14 TORX	
9	105946	RUBBER SEAL JOYSTICK	
10	105940	MOLDED BOTTOM	



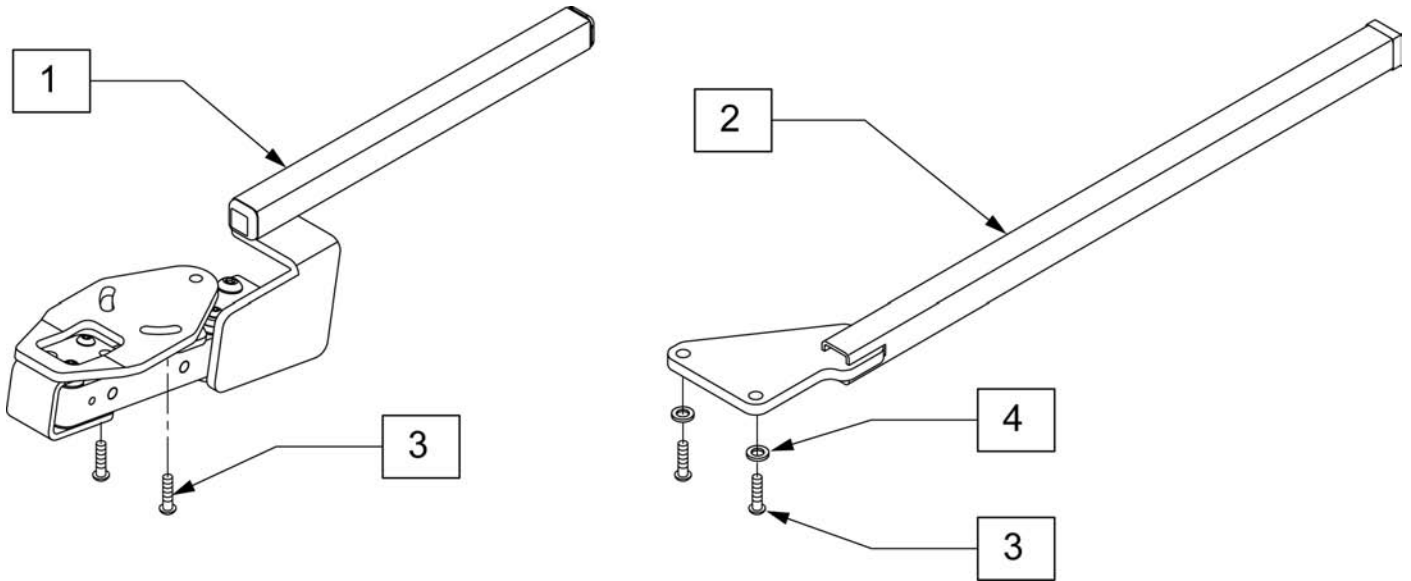
Pos.	Item Number	Description
4	107032	1/4-28 X 1 SOC C/S BLK
5	262114	1/4 WASHER HI COLLAR LOCK ZN
6	550477	CLAMP 2 1/4" RECESS BLK
7	561062	1" INSERT PLUG .065 RIBS
8	550576	CLAMP 2 1/4" THREADED BLK
9	102262-006	BHCS M6 X 1 X 40 INORGANIC
10	102660	ATTND CNTRL MNT TB
11	505533	ATTENDANT CTRL MOUNT BRACKET
12	210084	NUT HEX NYLOCK M6 BLACK
13	250104	WASHER FLAT M6
14	013143	BHCS M5 X .8 X 14 BLK W/PL
1-3	102175	VR2 ATTENDANT JOYSTICK
4-13	102661	ATTND CNTRL MNT
2	102359	HARNESS VR2 BUS SPLITTER



Pos.	Item Number	Description	Remarks
1	220121	M5 NYLOCK NUT	SB W/TOGGLE
2	102811	MOUNT TOGGLE SWITCH	SB W/TOGGLE
3	102260-001	BHCS M5 X .8 X 12	SB W/TOGGLE
4	013143	BHCS M5 X .8 X 14 BLK W/PL	SB W/TOGGLE
5	013114	2" TOGGLE EXT	SB W/TOGGLE
1-4	103139	TOGGLE SWT/MNT BRKT	SB W/TOGGLE



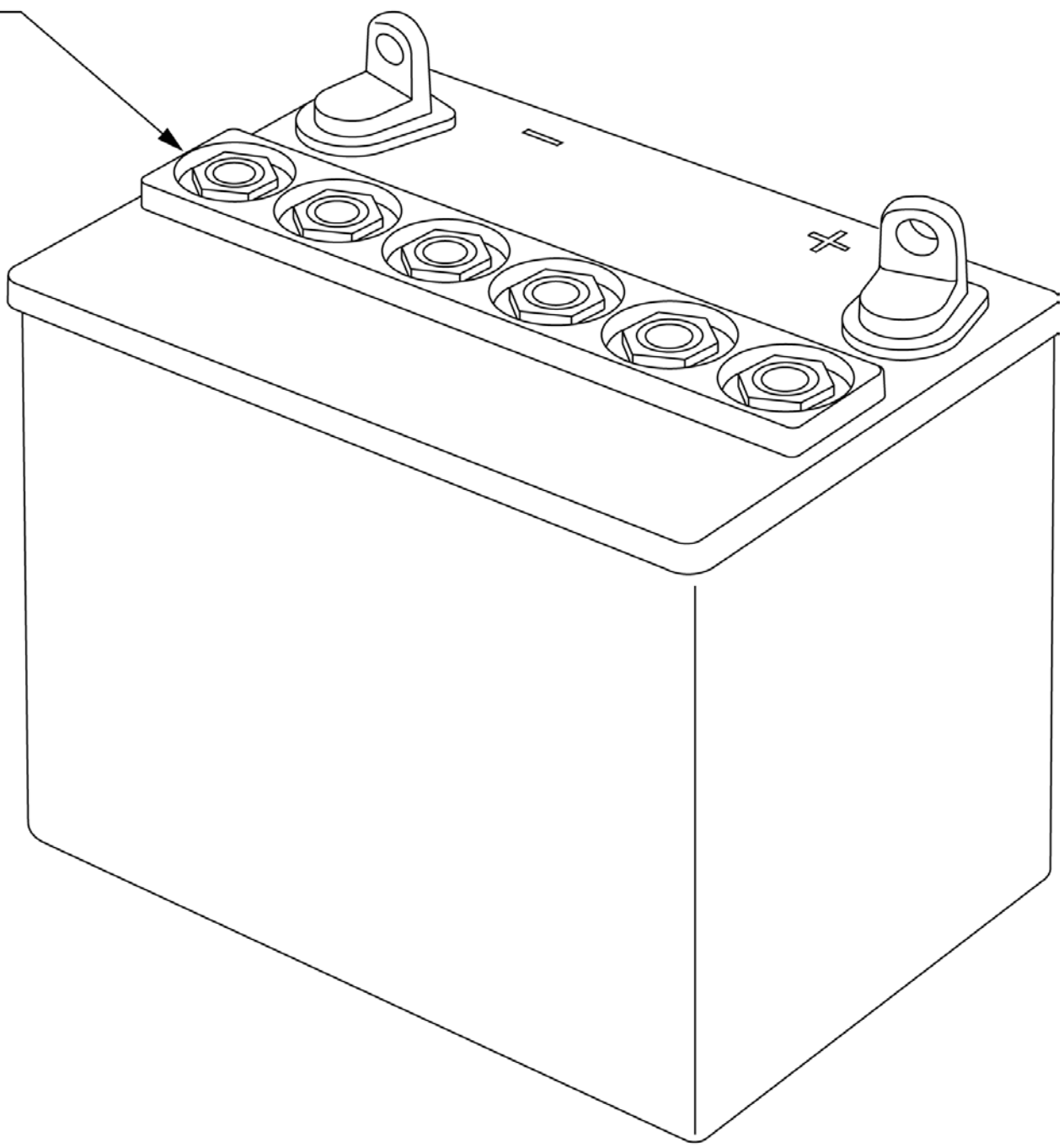
Pos.	Item Number	Description
1	QTRX	PROGRAMMING PAD QTRONIX



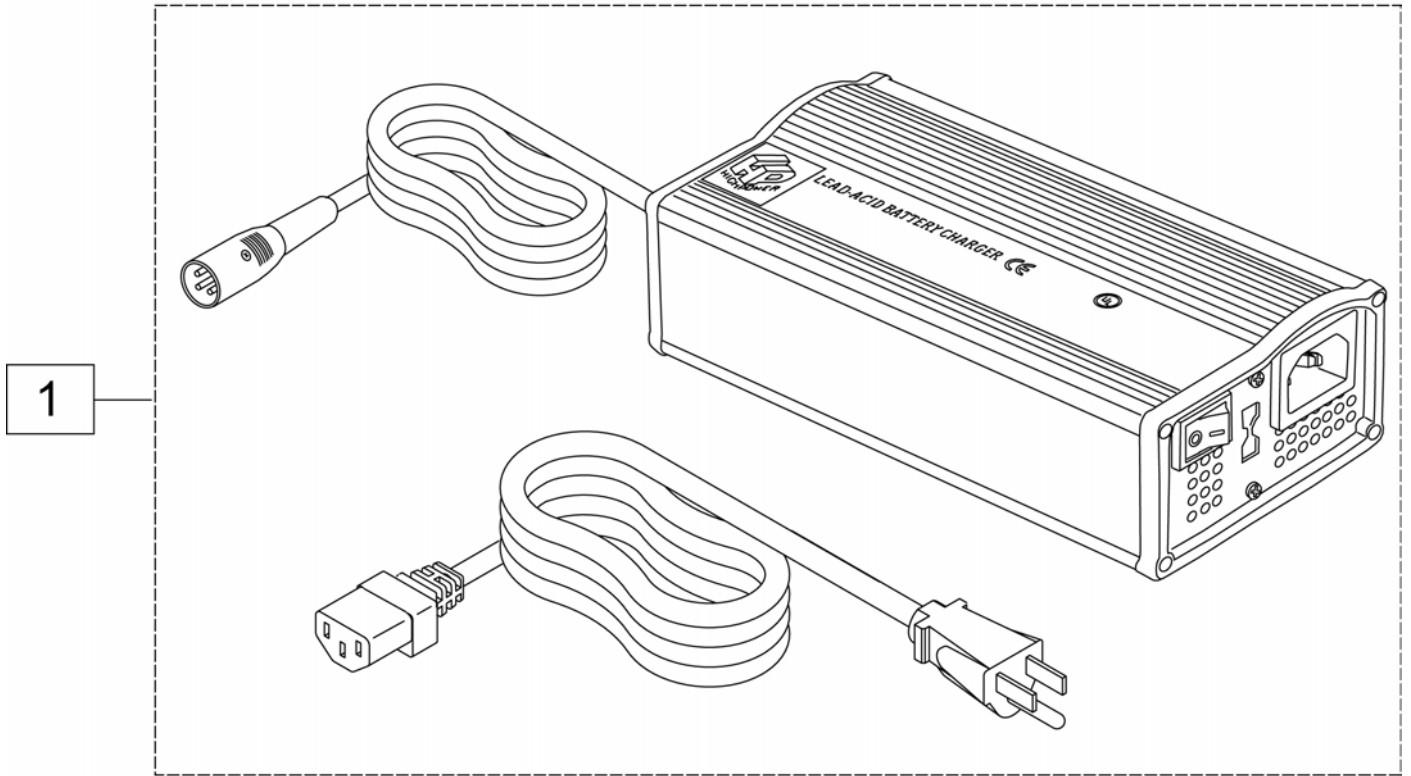
Pos.	Item Number	Description
1,3	105700	S/A ARM VR2 VSI DPH KIT RH
1,3	105708	S/A ARM VR2 VSI DPH KIT LH
2	108276	CONTROLLER MOUNT ASSY
3	013143	BHCS M5 X .8 X 12 BLK W/PL
4	261204	#10 AN WASHER .063

1A

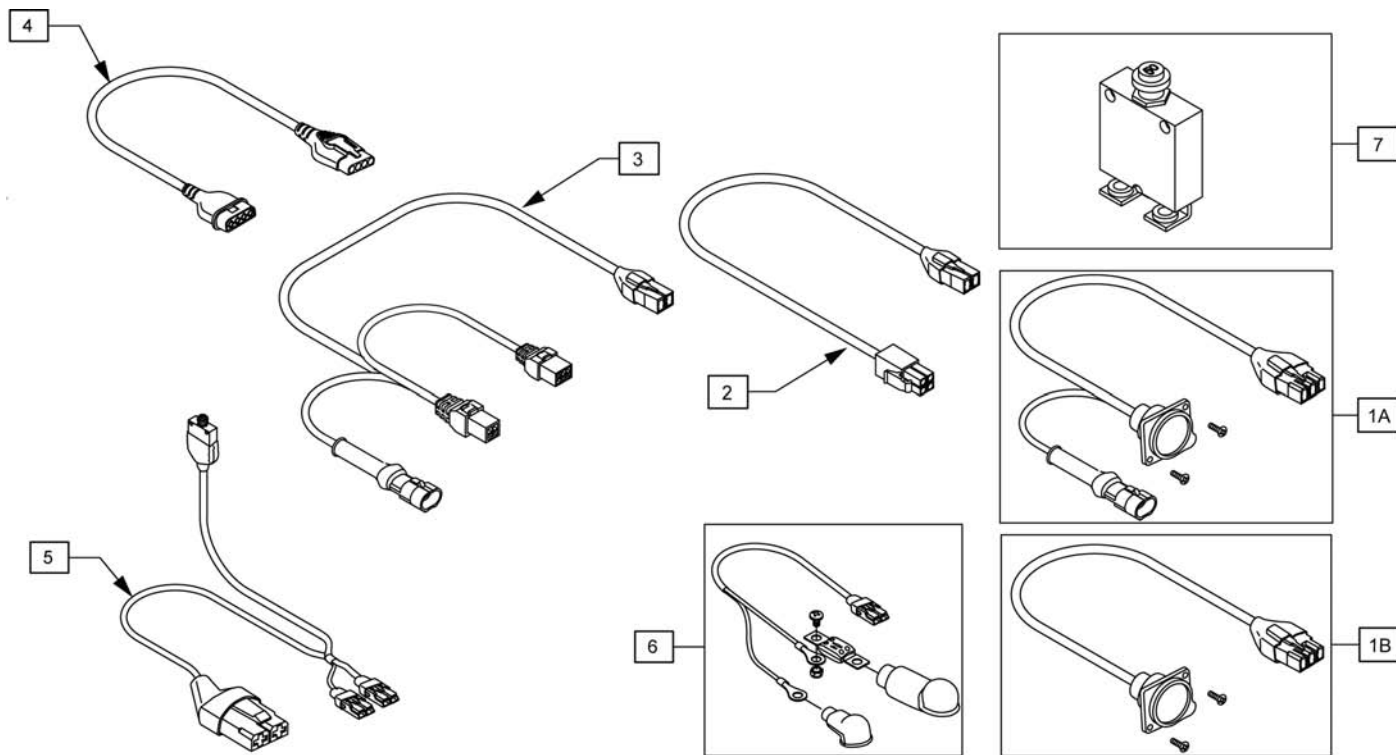
1B



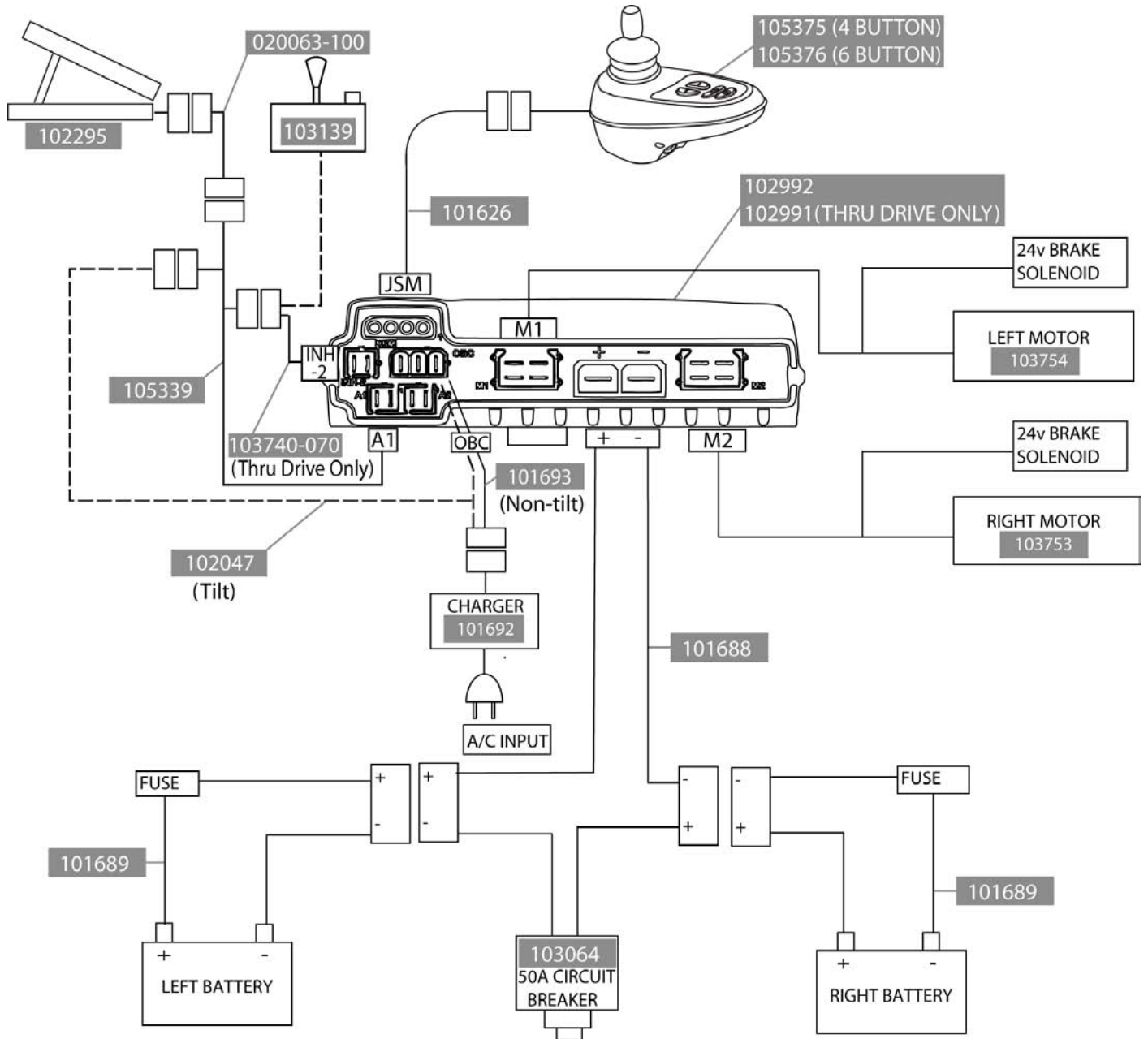
Pos.	Item Number	Description
1A	BATU1	U1 BATTERY
1B	BAT50	50A EXTENDED RANGE



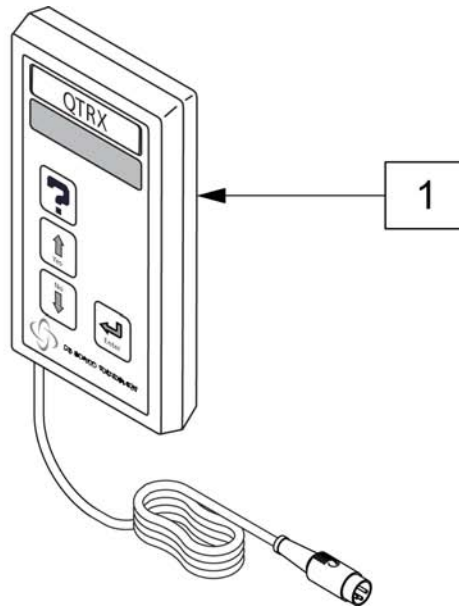
Pos.	Item Number	Description
1	BATC8CT	CHARGER OFF BOARD 8A CTE



Pos.	Item Number	Description	Remarks
1A	102047	HARN CHARGER PORT W AUX SHNGL	SB ONLY
1B	101693	CHARGER HARNESS	CB& BB
2	111438-150	HARN VR2 DRIVE THRU ACT 1500MM	SB ONLY
3	105339	HARN VR2 ACT ADAPT W SUPRSEAL	SB ONLY
4	101626	CONTROLLER HARNESS	CB, BB & SB
5	101688	MAIN WIRING HARNESS	CB, BB & SB
6	101689	BATTERY HARNESS	CB, BB & SB
7	103064	CIRCUIT BREAKER, 50A	CB, BB & SB

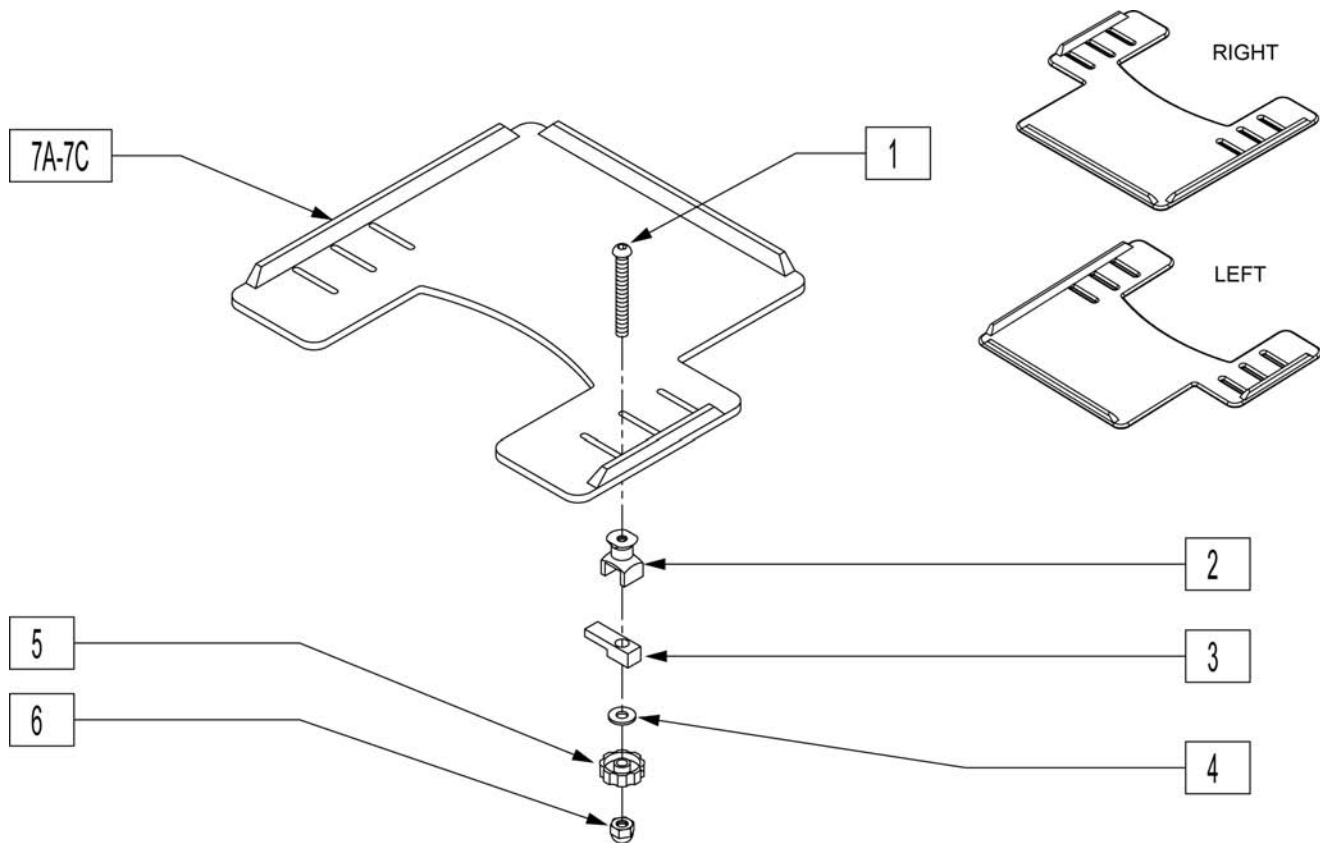


Pos.	Item Number	Description
1	N/A	WIRING DIAGRAM

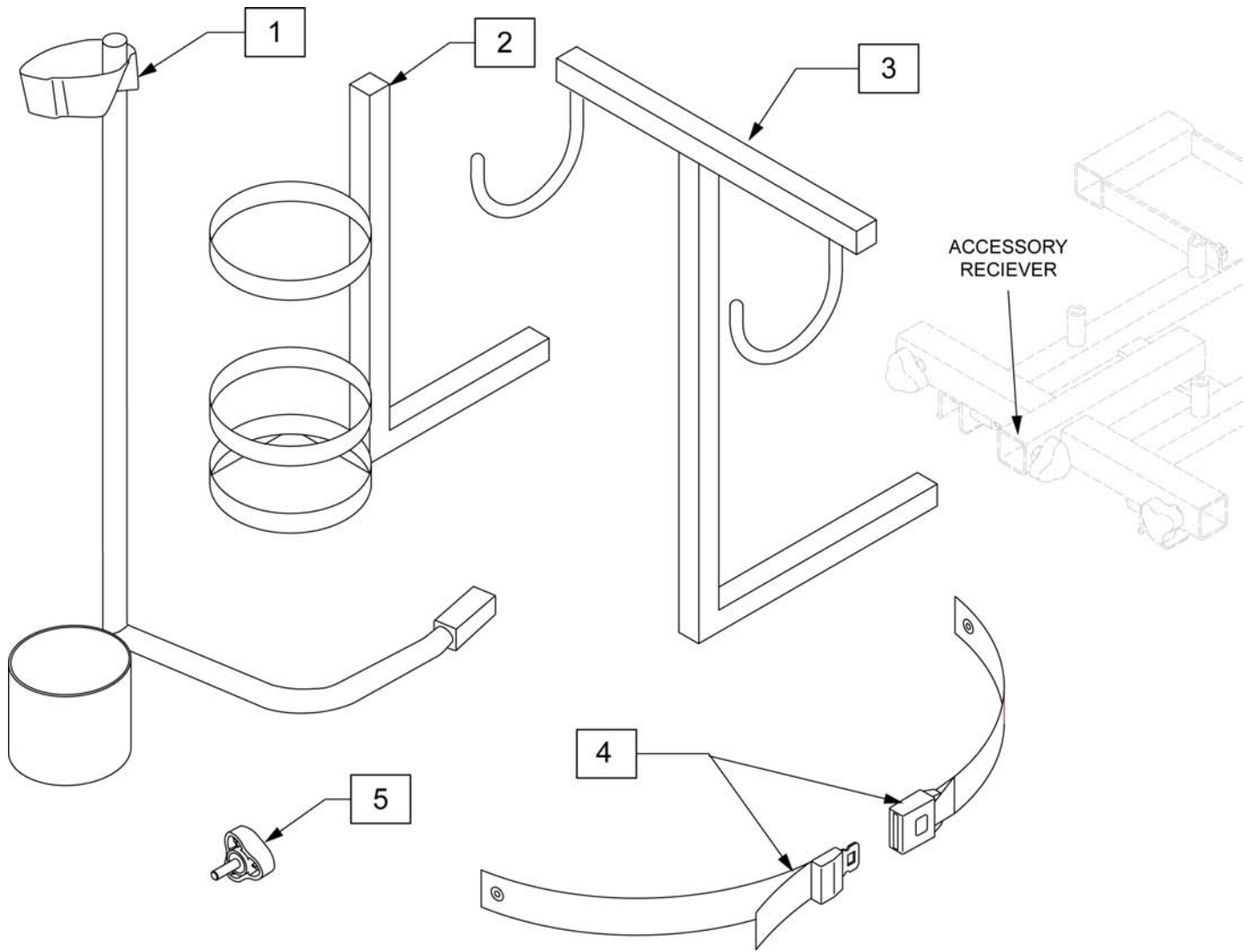


Pos.	Item Number	Description
1	QTRX	PROGRAMMING PAD QTRONIX

NOTE: WHEN ADDING A TRAY TO AN EXISTING CHAIR WITH DESK OR FULL LENGTH ARM PADS, ADD 1" TO CURRENT SEAT WIDTH TO ACHIEVE THE BEST TRAY SIZE.



Pos.	Item Number	Description	Remarks
1	2021	5/16-18 x 2 3/4 BUTTON HD C/S	
2	14240	TRAY BUSHING	
3	14230	TRAY LOCK BAR	
4	2705	1/4" FLAT WASHER	
5	14220	TRAY KNOB	
6	202114	5/16-18 ACORN LOCK NUT	
7A	562625S	TRAY TOP W/RAIL SM PWR (12"-13")	Right-Cutout fits 12"-13" wide chairs
7B	562626S	TRAY TOP W/RAIL MED PWR (14"-16")	Right-Cutout fits 14"-16" wide chairs
7C	562627S	TRAY TOP W/RAIL LRG PWR (17"-20")	Right-Cutout fits 17"-20" wide chairs
7A	118094	TRAY TOP W/RAIL SM PWR LH	Left-Cutout fits 12"-13" wide chairs
7B	118095	TRAY TOP W/RAIL MED PWR LH	Left-Cutout fits 14"-16" wide chairs
7C	118096	TRAY TOP W/RAIL LG PWR LH	Left-Cutout fits 17"-20" wide chairs
1-6	881053	TRAY HDWR ADJ ARM PWR	

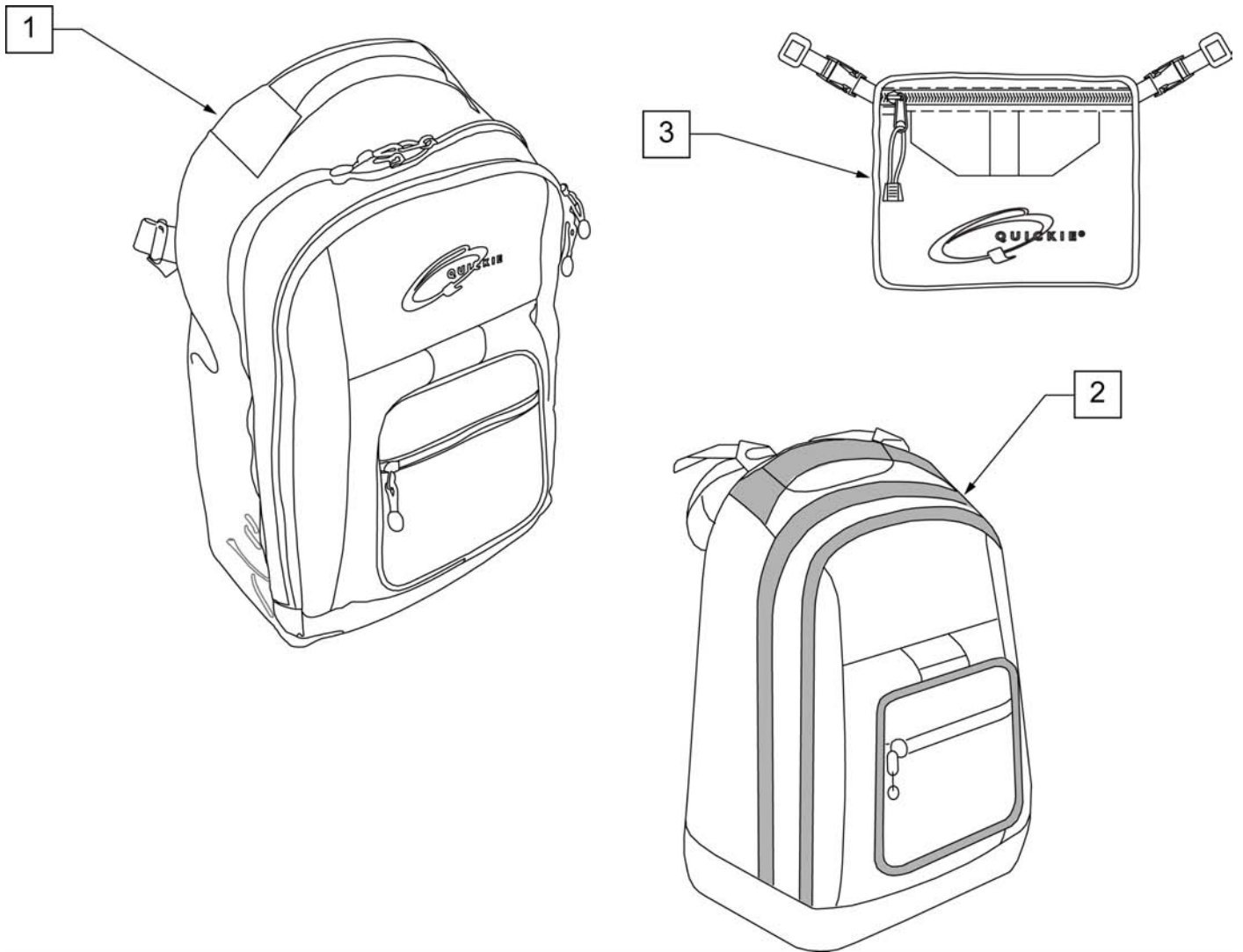


Pos.	Item Number	Description	Remarks
1	CCH	CANE/CRUTCH HOLDER	
2	O2H	O2 HOLDER	ACCOMMODATES SIZE D & E OXYGEN TANKS
3	WH	WALKER HOLDER	
4	102798	SEAT BELT ASSM	
5	349049	KNOB M8 x 1.25 x 18	

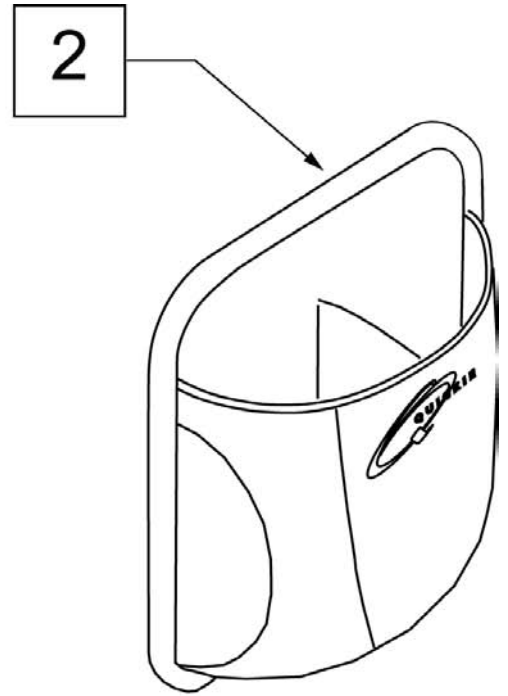
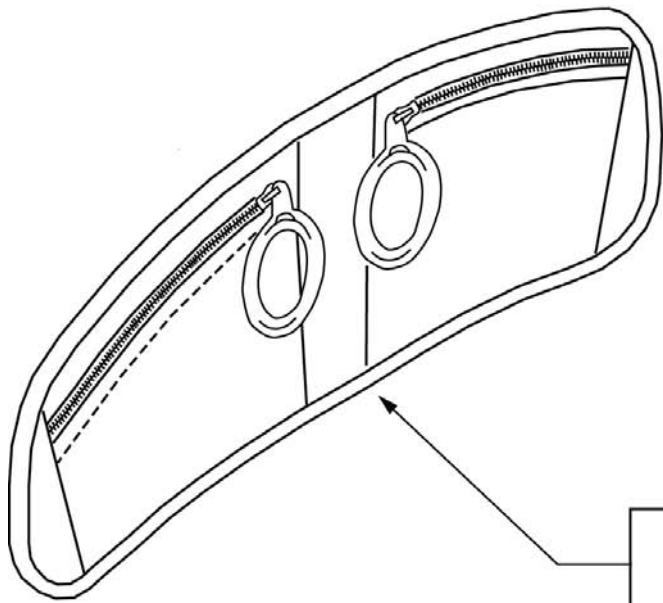


Pos.	Item Number	Description
1-4	BASKETFD	FRONT BASKET W/MOUNT

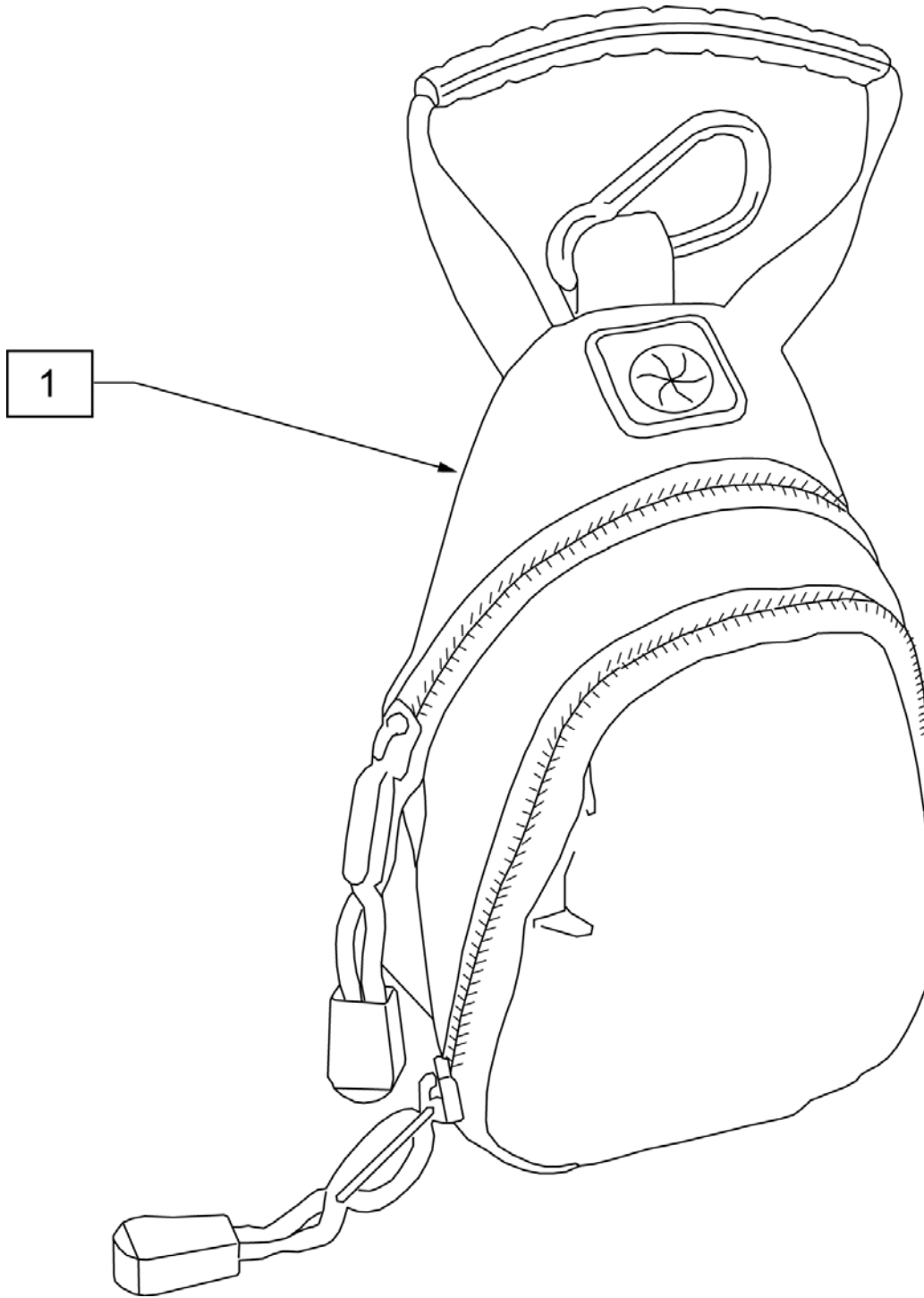
NOTE: KIDS BACKPACKS DO NOT HAVE ADJUSTABLE STRAPS W/ BUCKLES.



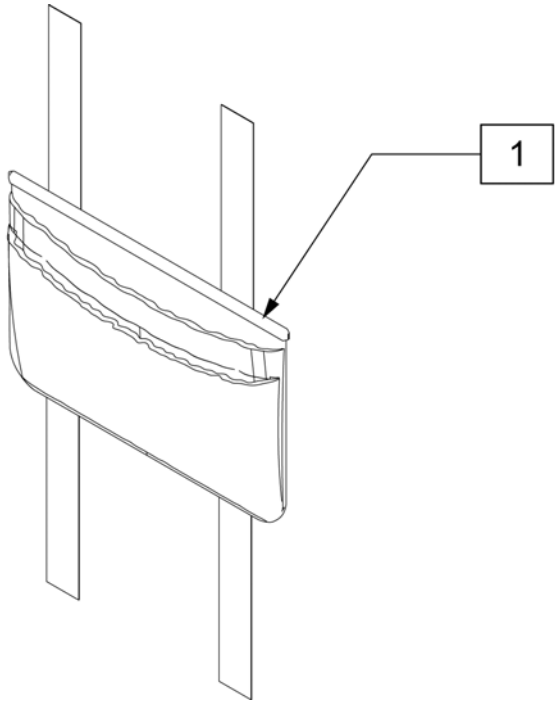
Pos.	Item Number	Description
1	750115	BACK PACK QUICKIE
2	104572	BACKPACK ZIPPIE
3	750307	SEAT POUCH QUICKIE



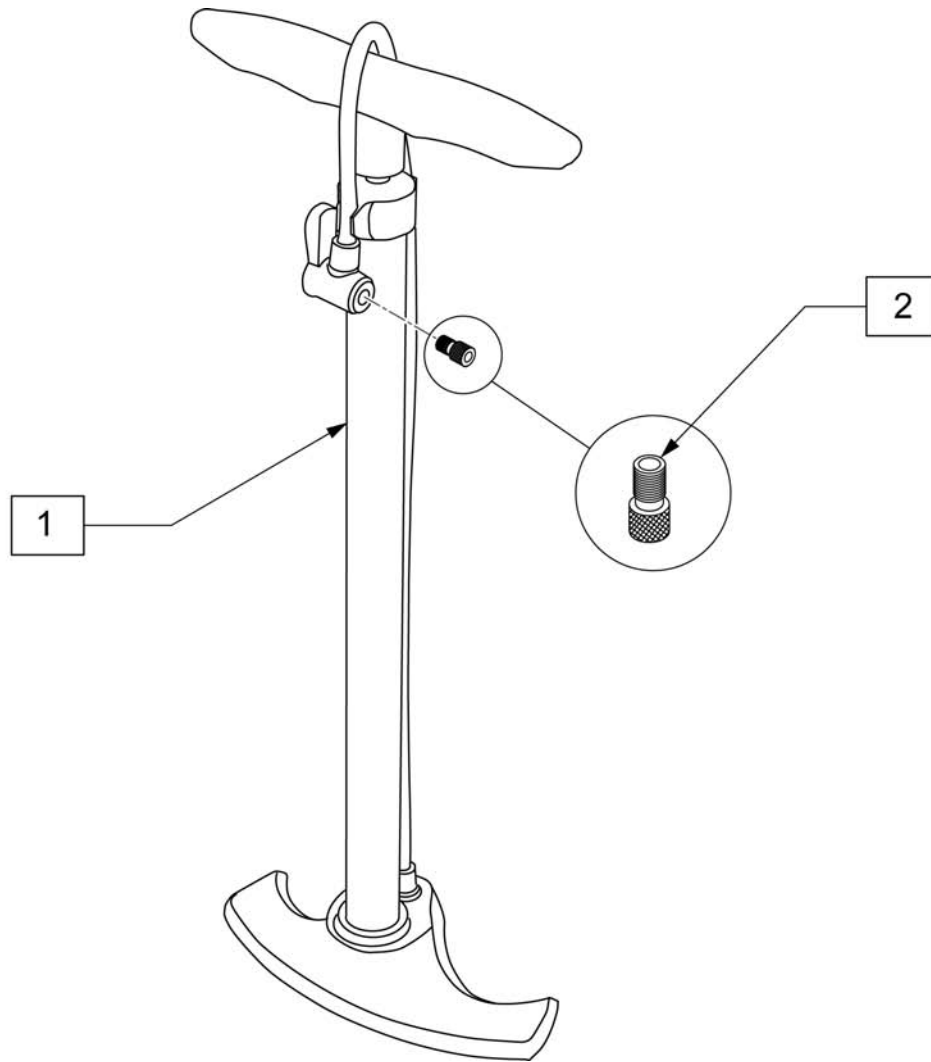
Pos.	Item Number	Description	Remarks
1	013477	LAP ORGANIZER	Size: 18.25"x 7.75"x .75"
2	013475	QUICKIE SIDE POCKET	Size: 6.5"x 6.5"x 2"



Pos.	Item Number	Description
1	109229	CELL PHONE PACK (ORANGE)



Pos.	Item Number	Description
1	011687	POWER CORD POUCH



Pos.	Item Number	Description
1	389050	TIRE PUMP
2	381230	VALVE ADAPTER PRESTA



Rhapsody