



PULSE 5

PARTS MANUAL

JANUARY 2022

Cover.....	1
Product.....	1
PULSE 5.....	6
GLOSSARY OF ABBREVIATIONS.....	6
QUICKIE PULSE SERIES DISCONTINUED.....	7
BASE.....	9
PULSE 5 BASE FRAME.....	10
MOTOR ASSEMBLY.....	11
PULSE 5 - SUSPENSION.....	12
CASTERS & FORKS.....	13
DRIVE WHEEL BLACK RIM WITH GREY TIRE 5 SPOKE.....	14
TRANSIT KIT (S/N PLS, PLS5, PLS6B & PLS6C).....	15
CAPTAINS SEAT TRANSIT KIT (WC19).....	16
SHROUDS PULSE 5.....	17
SEATING AND POSITIONING.....	17
SEAT POST & INTERFACE.....	17
PULSE ASAP II SEAT INTERFACE.....	18
CAPTAINS SEAT INTERFACE.....	20
PULSE TILT INTERFACE ADAPTERS after S/N PLS6C-134217 & PLS5A-114861.....	22
ASAP SEATING.....	22
SEAT.....	22
ASAP II 12-16 SEAT FRAME.....	23
ASAP II 12-16 SEAT FRAME (DISC. 9-10-14).....	24
ASAP II 16-22 SEAT FRAME.....	25
SEAT CUSHION.....	26
BACK.....	27
MANUAL RECLINE BACKREST.....	28
FOLDING BACKREST.....	30
NON FOLDING BACKREST.....	33
STANDARD BACK UPHOLSTERY.....	35
FOLDING BACKREST W/ ADJUSTABLE BACK CANES.....	36
NON FOLDING BACKREST W/ ADJUSTABLE BACK CANES.....	38
MANUAL RECLINE BACK UPHOLSTERY.....	40
TENSION ADJUSTABLE BALLISTIC NYLON UPHOLSTERY.....	41
TENSION ADJUSTABLE 3DX VENTED UPHOLSTERY.....	44
CURVED BACKREST.....	47
ART SPO CUSTOM CURVED BACKREST.....	49
JAY SPO BACK.....	50
ARMREST.....	52
CANTILEVER ARMRESTS.....	52
CANTILEVER ARMREST - STANDARD.....	53
CANTILEVER ARMREST - LOW.....	55
SINGLE POSTS ARMRESTS.....	57
SINGLE POST HEIGHT ADJUSTABLE ARMREST (POWER).....	57
SINGLE POST ARMREST RECEIVER.....	59
DUAL POST ARMRESTS.....	59
DUAL POST HEIGHT ADJUSTABLE FLIP-BACK ARMREST.....	60
DUAL POST FLIP BACK ARMREST RECEIVER.....	62
KNEE ADDUCTORS.....	62
KNEE ADDUCTOR SUPPORT.....	63
THIGH SUPPORTS.....	64
THIGH SUPPORTS.....	65
LATERALS.....	65
LATERALS.....	66
HEADRESTS.....	66
AXYS HEADREST.....	67
COBRA HEADREST.....	68
LINX HEADREST.....	69
POWER CHAIR HEADREST CLAMPS.....	71
PLUSH PADS REPLACEMENT FOAM AND COVERS.....	72
SPECIALTY PLUSH REPLACEMENT FOAM AND COVERS.....	73
CAPTAINS SEAT.....	73
CAPTAINS SEAT FOR WC19 TRANSIT AND LIFT.....	73
CAPTAINS SEAT ASSEMBLY - WC19 TRANSIT.....	74
CAPTAINS SEAT ARMREST.....	76
CAPTAINS SEAT SA HANGER RECEIVER ADAPTER - WC19 TRANSIT.....	77
WC19 TRANSIT BELT.....	78
HANGERS AND FOOTPLATES.....	78
65 & 70 DEG SWING AWAY HANGERS.....	79
75 DEG TAPERED SWING AWAY HANGER.....	80

90 DEG FRONT MOUNT SWING AWAY HANGERS.....	81
HIGH MOUNT EXTENSION TUBE.....	82
ELEVATING LEGREST.....	84
ANGLE ADJUSTABLE CENTER MOUNT FOOTREST.....	86
FIXED CENTER MOUNT FOOTREST (ASAP SEATING).....	88
SWING AWAY HANGER RECEIVER.....	89
EXT TUBES.....	89
ROUND EXTENSION TUBE.....	90
DOUBLE D FOOTREST EXTENSION TUBE "OLD STYLE".....	91
EXTENSION TUBE FOR ONE PIECE ANGLE ADJ FOOTPLATE.....	93
EXTENSION MOUNT FOOTPLATES.....	93
COMPOSITE FOOTPLATE.....	94
ADULT ANGLE ADJUSTABLE FOOTPLATE.....	96
KIDS ANGLE ADJUSTABLE FOOTPLATE.....	98
ELR ALUMINUM FOOTPLATE.....	100
ONE PIECE ANGLE ADJ FOOTPLATE.....	102
FRONT MOUNT FOOTPLATES.....	103
ADULT ANGLE-ADJ FOOTPLATE FRONT MOUNT.....	104
ELECTRONICS.....	105
VR2.....	105
VR2 JOYSTICKS.....	106
VR2 CONTROLLER PULSE.....	107
QTRONIX, VSI, VR2, & PILOT + PROGRAMMER.....	109
RNET.....	109
R NET REMOTE JOYSTICKS.....	110
RNET CONTROLLER PULSE.....	112
OPTIONAL JOYSTICK HANDLES.....	113
JOYSTICK ARM FIXED ROUND TUBE STYLE.....	114
JOYSTICK MOUNT CANTILEVERED ARM ROUND.....	115
JOYSTICK ARMS SWING AWAY ROUND TUBE STYLE.....	116
HEIGHT ADJ CLAMP FOR ROUND ARM JOYSTICK MOUNT (SPHA & DUAL POST ARMRESTS).....	117
BATTERY.....	117
PULSE - BATTERY.....	118
BATTERY CHARGER.....	119
RECHARGER.....	120
PULSE 5 WIRING.....	121
SPECIALTY CONTROL INPUT DEVICES.....	121
ASL.....	121
ASL PROXIMITY HEAD ARRAY PACKAGES beginning S/N Prefix PLS6A & QM710A,QM715A,QM720A.....	122
ASL HEAD ARRAY PACKAGE S/N Prefix PLS & M710,M715,M720.....	124
ASL MICRO EXTREMITY JOYSTICK MIDLINE.....	126
ASL MUSHROOM JOYSTICK.....	127
ASL COMPACT JOYSTICK WITH INTEGRATED BUTTON.....	128
ASL MICRO MINI JOYSTICK WITH HAND PAD PLATFORM.....	129
ASL MICRO EXTREMITY JOYSTICK CHIN/LIP MOUNT.....	130
ASL 5-SWITCH ADAPTOR BOX.....	132
ASL PROPORTIONAL MINI JOYSTICK W/ CHIN CONTROL.....	133
ASL MINI JOYSTICK HAND CONTROL.....	134
SWITCH IT.....	134
PROPORTIONAL MINI JOYSTICKS.....	134
MICROSERIES JOYSTICKS MICRO PILOT/MICRO GUIDE IN BULLET TRAY.....	135
MICROSERIES JOYSTICKS MICRO PILOT/MICRO GUIDE IN SPACE DISK.....	136
SWITCH-IT MICRO PILOT/MICRO GUIDE IN BIB-STYLE CHIN CONTROL MOUNT.....	138
PROPORTIONAL COMPACT JOYSTICKS.....	139
SWITCH-IT VERSA GUIDE JOYSTICK MIDLINE.....	140
SWITCH-IT VERSA GUIDE JOYSTICK BIB.....	141
SWITCH-IT VERSA GUIDE JOYSTICK CHIN.....	143
HEAD CONTROLS.....	143
SWITCH IT 3 SWITCH HEAD ARRAY.....	144
SWITCH-IT HEAD ARRAY PACKAGES (5 SWITCH).....	146
SWITCH-IT NAKED PROXIMITY SENSOR SYSTEM.....	148
PROPORTIONAL CHIN CONTROLS.....	148
PROPORTIONAL CHIN CONTROL PACKAGE beginning S/N Prefix PLS6A & QM710A,QM715A,QM720A.....	149
PROPORTIONAL CHIN CONTROL PACKAGE S/N Prefix PLS & M710,M715,M720.....	150
SIP N PUFF.....	150
SIP 'N PUFF SYSTEM beginning S/N Prefix PLS6A & QM710A,QM715A,QM720A.....	151
SIP N PUFF SYSTEM S/N Prefix PLS & M710, M715 & M720.....	153
HEADREST.....	154
AXYS HEADREST.....	155
COBRA HEADREST.....	156

LIX HEADREST	157
POWER CHAIR HEADREST CLAMPS	159
PLUSH PADS REPLACEMENT FOAM AND COVERS.....	160
SPECIALTY PLUSH REPLACEMENT FOAM AND COVERS.....	161
SWITCHES	161
SINGLE SWITCH DEVICES	162
OMNI & OMNI2	162
OMNI	162
R NET OMNI DISPLAY & COMPACT JOYSTICK	163
OMNI2	164
R NET OMNI2 & COMPACT JOYSTICK	165
OMNI2 DISPLAY MOUNT.....	167
OMNI2 INTERFACE MOUNT FOR ACCESSORY ELECTRONIC MOUNTING (OLD STYLE)	170
OMNI2 INTERFACE MOUNT FOR ASAP 2	171
OMNI2 INTERFACE MOUNT FOR MANUAL RECLINE	172
OMNI2 INTERFACE MOUNT FOR VENT & BATT TRAY FIXED QM710, PULSE 5 & PLS6A-PLS6C.....	173
ACCESSORIES	173
BACKPACKS AND SEAT POUCHES.....	173
BACKPACKS AND SEAT POUCHES.....	174
POSITIONING BELTS	174
AUTO BUCKLE POSITIONING BELTS (QM-7/PULSE)	175
AIRCRAFT BUCKLE POSITIONING BELT (QM-7/PULSE)	176
TRAYS	176
TUFFAK TRAY.....	177
VENT TRAYS.....	177
VENT TRAY FIXED REHAB	178
ASAP SEAT ACCESSORIES AND MOUNTING HARDWARE	179
CHEST STRAP	181
CUP HOLDER.....	182
POWER BUDDY	183
REMOTE STOP SWITCH.....	184
TABLET AND SMART PHONE MOUNTS	185
WC19 TRANSIT BELT	186

GLOSSARY OF ABBREVIATIONS

Note: see Informations Panel for file.

1AD One Arm Drive	CZ Cozy	INH Inhibit	PCB Pediatric Center of Gravity (AKA: Zippie Iris)	S/A Swing Away
3DCR 3DX Microclimatic cover for Cryo style inserts	DAB Depth-adjustable Back	INORG Inorganic coating	PCM Power Center Mount	S/F Side Frame
AAA Adult Angle Adjustable	DB Dynamic Back	INSRT Insert	PED Pediatric	SCW Screw
AACM Adjustable Center Mount	DBL Double	I/O Swing In Out	PEL Pelvic	SDLE Saddle
ABD Abductor	DC Deep Contour	IRIS Intelligent Rotation in Space	PH Push Handle	SG Side Guard
AC All Court	DL Desk Length	ISM Intelligent Seating Module	PHIL Phillips	SGTG Super Grip Thumb Guard
AD Arm Drive	DP Dual Post Armrest	JA Jay Active	PL Pin Lock	SHCS Socket Head Cap Screw
ADJ Adjustable	D-Post Dual Post Armrest	JNR Junior	PL Plated	SHLDR Shoulder
ADPT Adapter	DRP Drop (seat)	KAA Kids Angle Adjustable	PLL Pull	SHT Short
AE Air Exchange	DRV Drive	KDS Kids	PLT Plate	SLD Solid
AHAB ASAP II	DTT Diagnostic Test Tool	KT Kit (usually consists of all mounting hardware for one side)	PLST Plastic	SLNG Sling
ANG Angle	DY Dynamic Back	KVLR Kevlar	PLY Plywood	SLTD Slotted
ALR Articulating Legrest	EA Each	KZ Quickie Kidz/Zippie Kidz	PNEU Pneumatic	SLV Sleeve
ALUM Aluminum	ELR Elevating Legrest	L Left	PNK Pink	SM Small
AMH Adjustable Mounting Hardware	EXT Extension	LAT Lateral	PNT Paint	SNGL Single
ANO Anodized	EXTND Extended	LCK Lock	PNTD Painted	SOC Socket
ASAP Adjustable Seating and Positioning	F Folding Frame	LFH Left Front Horizontal	POLY Polyurethane	SPCR Spacer
ASL Adaptive Switch Laboratories	FHCS Flat Head Cap Screw	LFT Left	POST Posterior	SPEC CLR Specify Color
ASM Assembly (includes other parts)	FL Full Length	LFV Left Front Vertical	PR Pressure Relieving	SFHIA Single Post Height Adjustable
ASSM Assembly	FLD Folding	LH Left Hand	PR Power Recline	SPK Spoke
ASSMLY Assembly	FL FT Flip-up Footrest	LH Left Horizontal	PR Pair	SPR Super Grip Handrim
ASSY Assembly	FLP Flip	LK Lock	PR (PR) Pair	SQZ Squeeze
AT Anti-tip	FLRD Flared	LNG Long	PRCR Premium Leatherette cover for Cryo style inserts	SS Stainless Steel
ATT Attachment	FM Foam	LO Lift Off	PRE-ISC Pre-Ischial	ST Seat
BB Basketball	FM Front Mount	L/O Lift Off	PREM Premium Leatherette cover material	ST/AP Self Tapping
BC Breezy Chrome	FNDR Fender	LP Loop	PROJ Projection	STCR Stretch Cover for Cryo Style inserts
BCK Back	FPH Folding Push Handle	LPS Loops	PRPL Purple	STD Standard
BCKBRD Backboard	FT Foot	LRG Large	PTL Partial	STL Style
BH Bultion Head	F/REST Footrest	LRH Left Rear Horizontal	PSH Push	STR Stretch cover material
BHCS Bultion Head Cap Screw	FRNT Front	LRV Left Rear Vertical	PT Point	STRLR Stroller
BKL Buckle	FT PLT Footplate	LS Low Sheer	PTRN Pattern	STRT Straight
BKRST Backrest	FTRST Footrest	LT Long Tab	PWR Power	SUP Support
B-LOCK Back Lock	F/UP Flip-up	LT Natural Fit Lite Handrims	Q1 Quickie 1	SYS System
BLD Build Up	FWD Front Wheel Drive	LTRL Lateral	Q2 Quickie 2	T Tab
BLK Black	FXT Fixed	LUMB Lumbar	Q2HIP Quickie 2 High Performance	TG Thumb Guard (std)
BLU Blue	G8 Grade 8 higher grade = stronger	LV Left Vertical	QC Quickie Carbon	THRD Threaded
BR Breezy	GP Quickie GP	LW Low	QR Quick Release	Ti Titanium
BRD Board	GPS Quickie GPS	LX Quickie LX	QRx Quickie RX	TL Tall
BRNG Bearing	GPV Quickie GPV	LXI Quickie LXi	QTI Quickie Titanium	TLC Tilt Lift Comb
BRKT Bracket	GNRC Generic	MACH Machine	QT/QTs Quickie Tilt & Space	TLT Tilt
BSHNG Bushing	H Hole	MECH Mechanism	QUAD Quadrant Pad	TNNS Tennis
BTIN Bultion	HB High Brake	MED Medium	R Right	TIS Tilt-in-Space
BTTRY Battery	HD Head or Heavy Duty	mm Millimeter	RCLNR Recliner	TTS Tilt-in-Space
BZ Breezy	HVD Heavy Duty	MNT Mount	REC Receiver	UNIV Universal
CAA Composite Angle Adjustable	HDRST Headrest	MNTG Mounting	REG Regular	UNTHRD Unthreaded
CG Center of Gravity	HDWR Hardware	MOD Modify or Modification	REL Release	UPH Upholstery
CGT Center of Gravity Tilt (AKA: IRIS)	HEX Hexagon	M/S Machine Screw	REV Reverse	VERT Vertical
CHRGR Charger	HH Hemi-Height or Hex Head	MWD Mid Wheel Drive	RH Right Hand	W With
CJSM Color Joystick Module	HK Hook	Nat.Fit Natural Fit Handrim	RH Right Horizontal	WD Wide
CLMP Clamp	HL Heel Loops	NAUG Naugahyde	RFH Right Front Horizontal	W/F Water Fall
CLNCHR Cincher	HM High Mount	NF Non-folding	RFV Right Front Vertical	W/O Without
CLR Clear	HNDL Handle	NF Natural Fit Handrim	RNUT(S) Rivnut(s)	WHL Wheel
COMP Complete	HNGR Hanger	NFLT Natural Fit Lite Handrim	RoHS Restriction of Hazardous Substances	WLDMNT Weldment
CMPST Composite	HP High Pressure	NR Non-recessed	RR Rear	XS Cross Spoke
CRM Chrome	HR Handrim	OBLIQ Obliquity	RRH Right Rear Horizontal	YLW Yellow
C/S Cap Screw	HRDWR Hardware	OD Oblique	RRV Right Rear Vertical	Z2 Zippie 2
C-S Countersunk	HRNSS Harness	OD Outer/Outside Dimension	RT Right	ZN Zinc
CSTR Caster	HS High Speed	O/S Old Style	RV Right Vertical	ZP Zippie
CUSH Cushion	HT Height or Heat Treated	OUTBRD Outboard	RV Quickie Revolution	ZP2 Zippie 2
CV Conventional	ID Inner/Inside Dimension Diameter	P1 Quickie P100	RWD Rear Wheel Drive	
CVR Cover	IN In/Out (for swing in/out hangers)	P2 Quickie P200	SA Swing Away	
CVRS Covers	INBRD Inboard	P3 Quickie P300		
CYL Cylinder	INC Incontinent	P5 Quickie/Zippie P500		

Pos.	Item Number	Description	Remarks
		GLOSSARY OF ABBREVIATIONS	see attachment in Informations Panel



Dear Valued Customer,

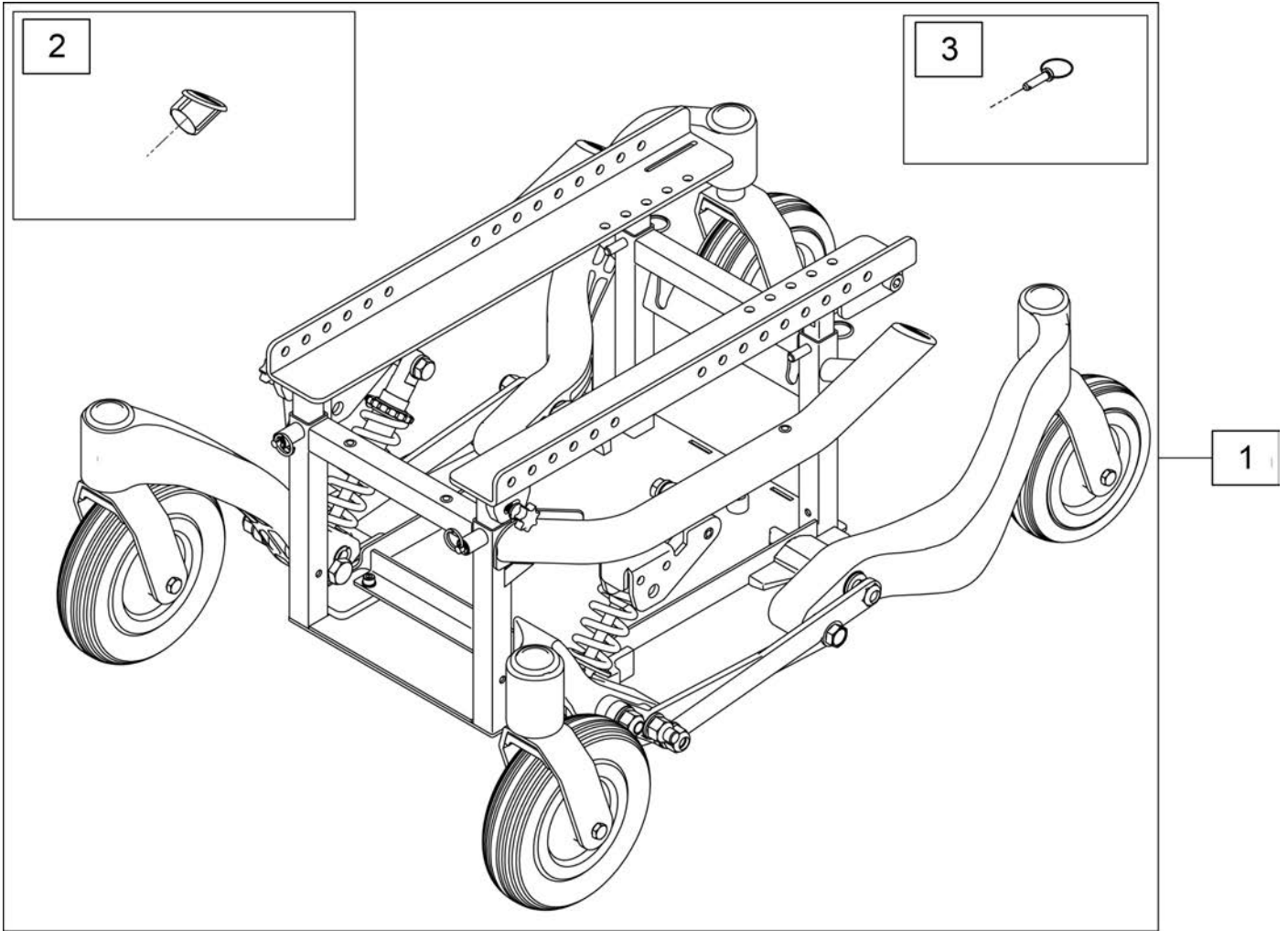
As of **12/31/19**, the sale of **Quickie Pulse Series** has been discontinued. In compliance with Sunrise Medical's policy, replacement parts will continue to be available until **12/31/2024**.

Effective **12/31/2024**, replacement parts for the **Quickie Pulse Series** will be obsolete and therefore no longer available for sale.

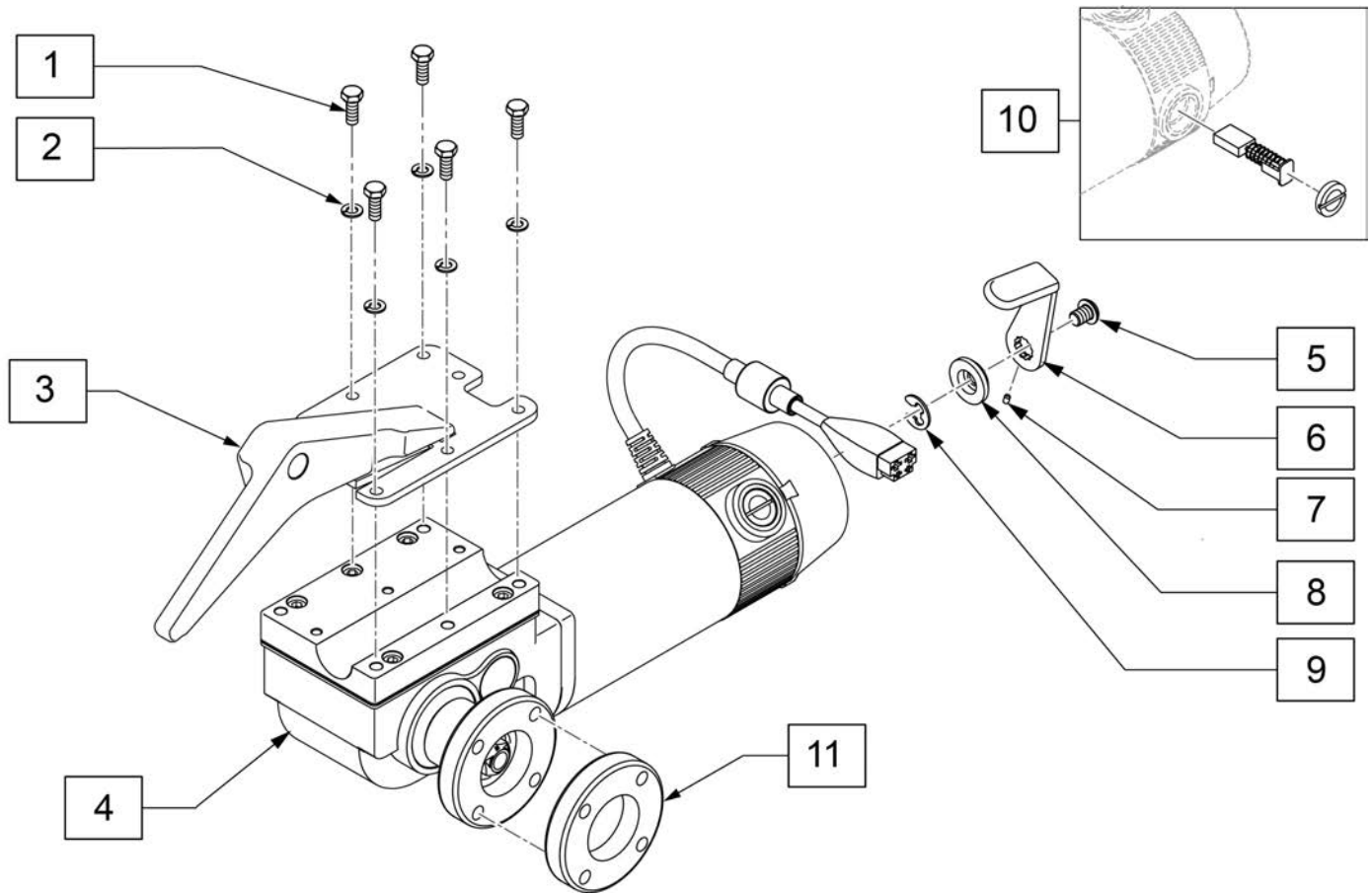
Sincerely,
Sunrise Medical

Description

DISCONTINUED PRODUCT

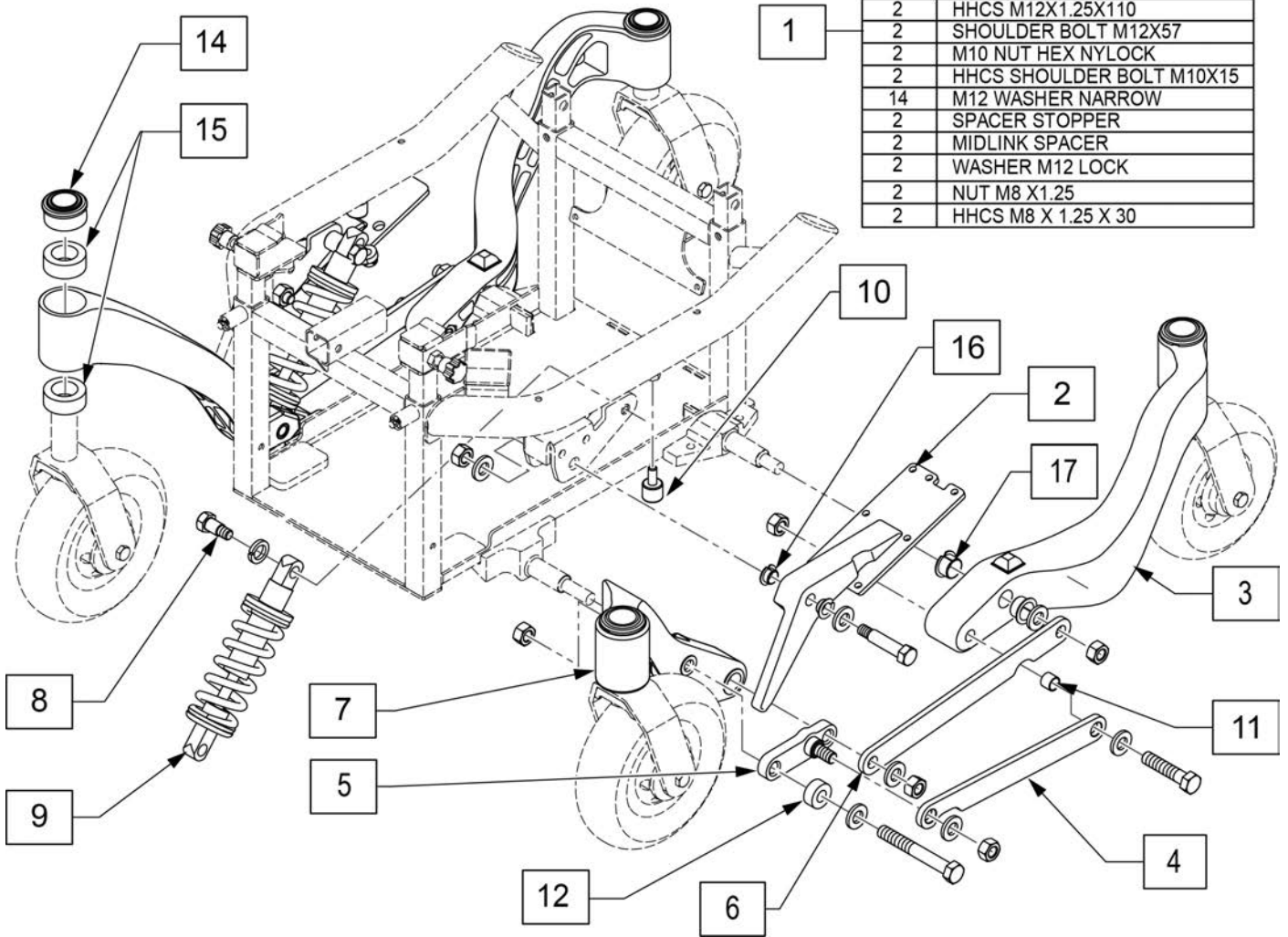


Pos.	Item Number	Description	Remarks
1	127175	BASE SUB ASSY PULSE GRY CAST	
2	104386	CAP FRAME Q	EACH
3	101920	LOCKING PIN SEAT POST W/PULL RING	EACH



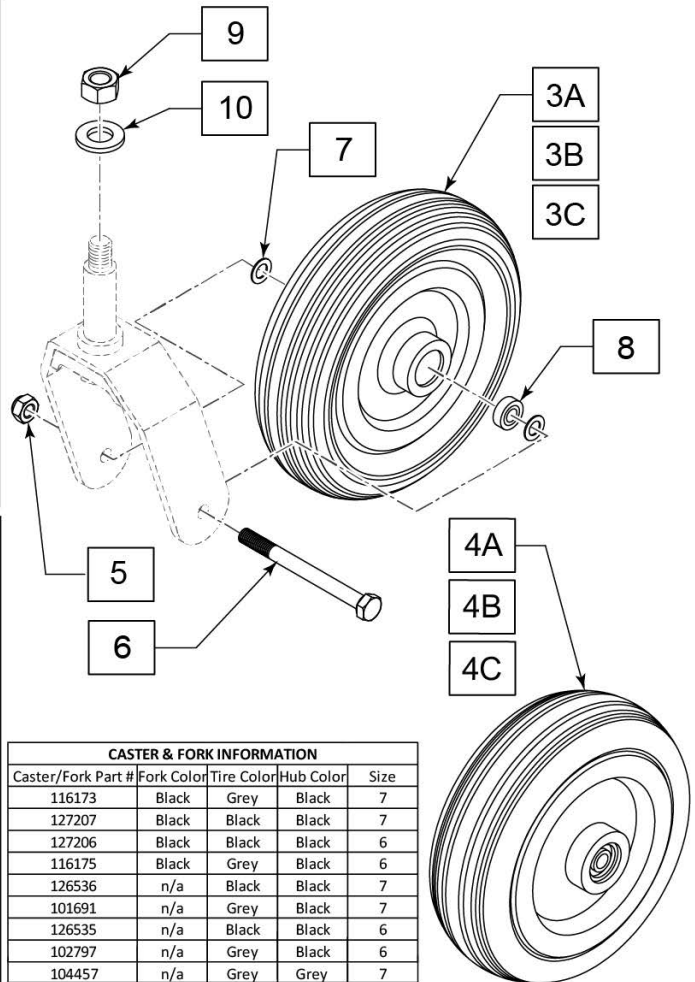
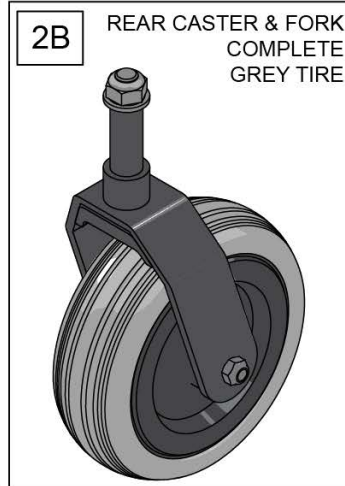
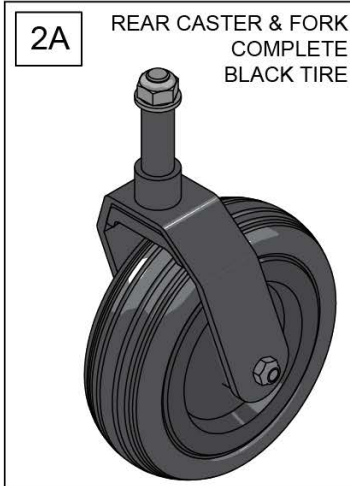
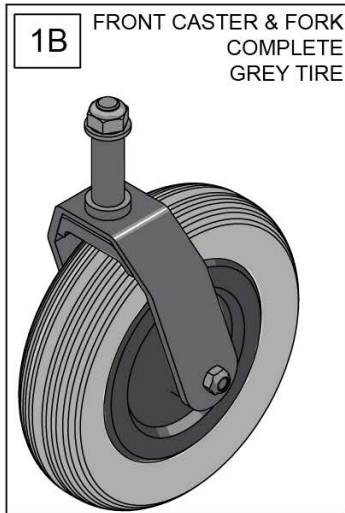
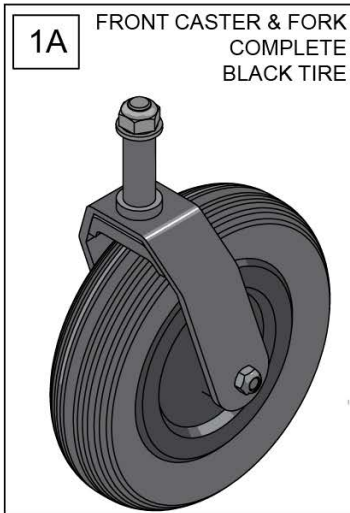
Pos.	Item Number	Description	Remarks
1	234813	HHCS M6 X 1.0 X 35	
2	262122	LOCK WASHER 1/4	
3	123344	MOUNT MOTOR RH BLACK	RIGHT
3	123345	MOUNT MOTOR LH BLACK	LEFT
4-9	118500	MTR/GBX 6 KPH 2-POLE LH ASSM	LEFT-5 MPH
4-9	118501	MTR/GBX 6 KPH 2-POLE RH ASSM	RIGHT-5 MPH
5	103186-001	BHCS M8X1.25X10 FULL NP	
6	119190	LEVER BRAKE W/ COVER	
7	011222	SET SCREW M3X.5 CUP	
8	115174	BRAKE LEVER LOCKING SPACER	
9	114479	E-STYLE BOWED CLIP	
10	112282	BRUSH KIT 2 PL	
11	122811	SPACER HUB 2 POLE	
6-9	116067	MTR BRAKE REL HANDLE KIT	

QTY	DESCRIPTION
10	NUT NYLOCK M12X1.25
2	HHCS M12X1.25X60
2	HHCS M12X1.25X110
2	SHOULDER BOLT M12X57
2	M10 NUT HEX NYLOCK
2	HHCS SHOULDER BOLT M10X15
14	M12 WASHER NARROW
2	SPACER STOPPER
2	MIDLINK SPACER
2	WASHER M12 LOCK
2	NUT M8 X1.25
2	HHCS M8 X 1.25 X 30



Pos.	Item Number	Description	Remarks
1	105580	HRDWR SUSP PULSE	KIT
2	123344	MOUNT MOTOR RH BLACK	RIGHT
2	123345	MOUNT MOTOR LH BLACK	LEFT
3	123404	CASTER ARM REAR RH BLK	RIGHT
3	123403	CASTER ARM REAR LH BLK	LEFT
4-6	116171	MIDLINK ASSM PAIR BLACK	PAIR
7	103901	CSTER ARM FRONT RIGHT ASSY	RIGHT
7	103897	CASTER ARM FRONT LEFT ASSY	LEFT
8	104437	HHSS12x15 M1010.9 Slv	
9	104027	SUSPENSION 350LBS	
10	104067	BUMPER M8X1.25X19	
11	104032	MIDLINK SPACER	
12	103921	MIDLINK SPACER	
14	104152	CAP CASTER	
15	101686	CASTER BEARING	1 bearing; bearing size: 35mm x 17mm x 10mm
16	103899	DU BUSH 12X14	
17	103900	DU BUSH 18X20	

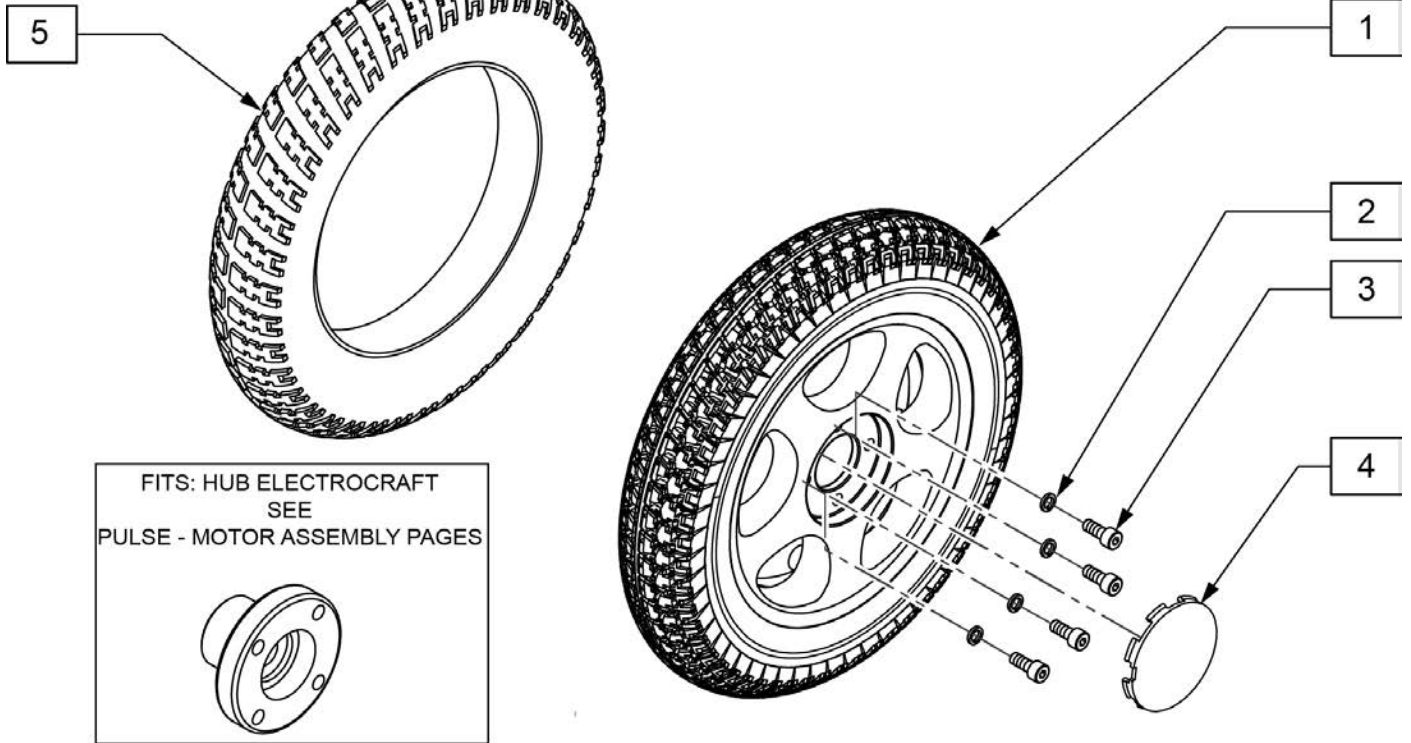
Note: Silver Fork parts are discontinued; replace with Black Fork parts.



CASTER & FORK INFORMATION				
Caster/Fork Part #	Fork Color	Tire Color	Hub Color	Size
116173	Black	Grey	Black	7
127207	Black	Black	Black	7
127206	Black	Black	Black	6
116175	Black	Grey	Black	6
126536	n/a	Black	Black	7
101691	n/a	Grey	Black	7
126535	n/a	Black	Black	6
102797	n/a	Grey	Black	6
104457	n/a	Grey	Grey	7
104458	n/a	Grey	Grey	6

Pos.	Item Number	Description	Remarks
1A	127207	CASTER FORK ASSM FRNT	Black Tires & Black Forks
1B	116173	CASTER FORK BLACK 7" GREY TIRE	Grey Tires & Black Forks
2A	127206	CASTER FORK ASSM RR	Black Tires & Black Forks
2B	116175	CASTER FORK BLACK 6" GREY TIRE	Grey Tires & Black Forks
3A,8	126536	CASTER WHEEL FRNT 7 IN BLK	Black tire w/bearings
3B,8	101691	CASTER WHEEL FRNT 7 IN GREY	Grey tire w/bearings
3C,8	104457	FRONT CASTER WHEEL	Grey Tire, Grey Hub w/ bearings
4A,8	126535	CASTER WHEEL RR 6 IN BLK	Black tire w/bearings
4B,8	102797	CASTER WHEEL RR 6 IN GREY	Grey tire w/bearings
4C,8	104458	REAR CASTER WHEEL	Grey Tire, Grey Hub w/ bearings
5	210085	NUT HEX NYLOCK M8 BLACK	
6	123432	HHCS M8X1.25X85 PART NP 10.9	
7	106946	WASHER FLAT AN 5/16 ROHS	
8	119252	7/8 X 5/16 BEARING 608-2MS	
9	121115	NUT NYLOCK M12X1.25 BLK	
10	250100	M12 WASHER PLAIN NARROW	

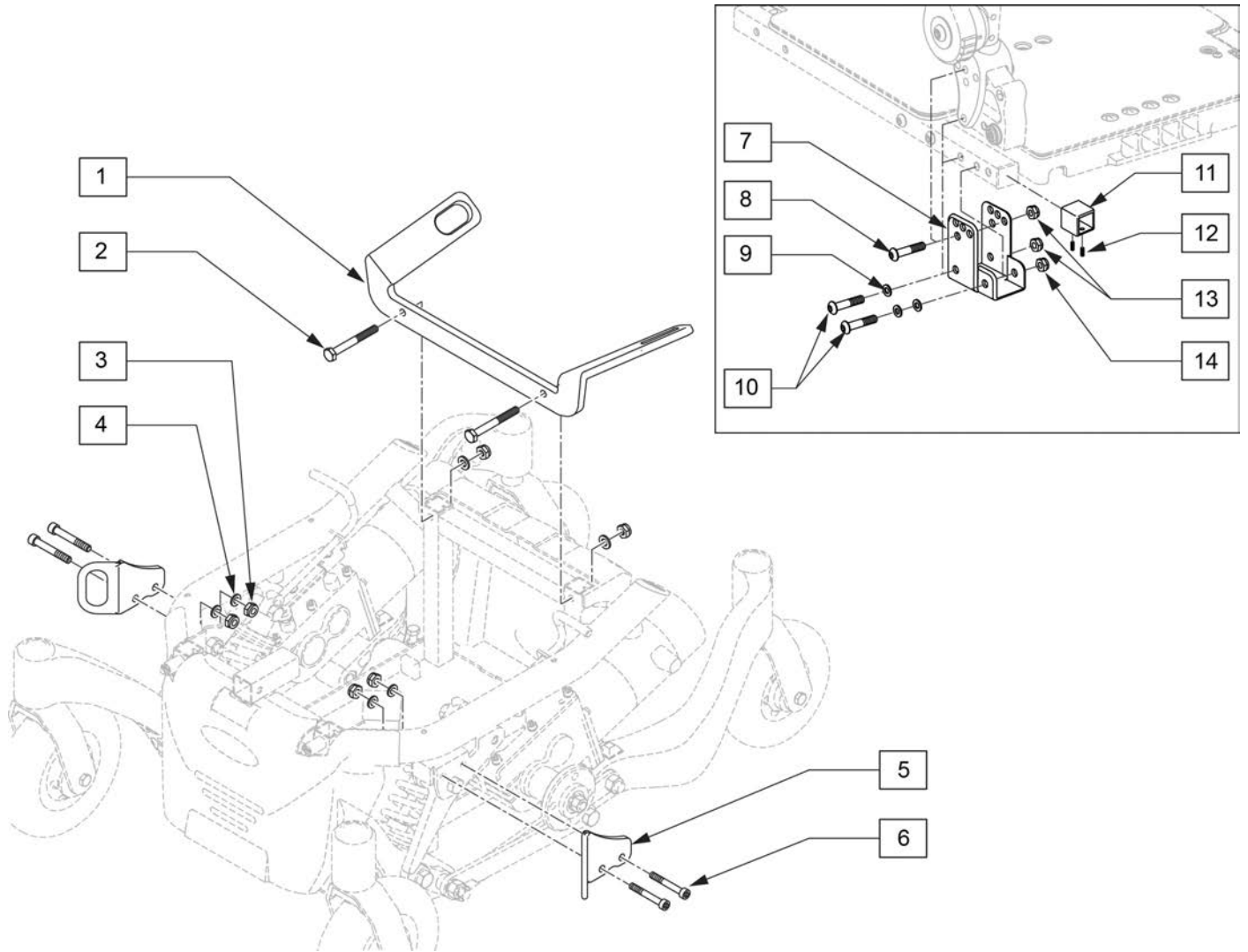
SOLID WHEEL



Pos.	Item Number	Description	Remarks
1-4	118490	DRIVE WHEEL ASSY 13" SOLID BLK	Black rim w/grey tire
2	250106	M8 LOCK WASHER	
3	055028	SHCSM8X1.25X25FULLPL	
2,3	123368	WHEEL ATTACHMENT HDWR	
4	118510	HUB CAP BLACK	
5	012016	TYRE SOLID 13 x 2.5 x 8	

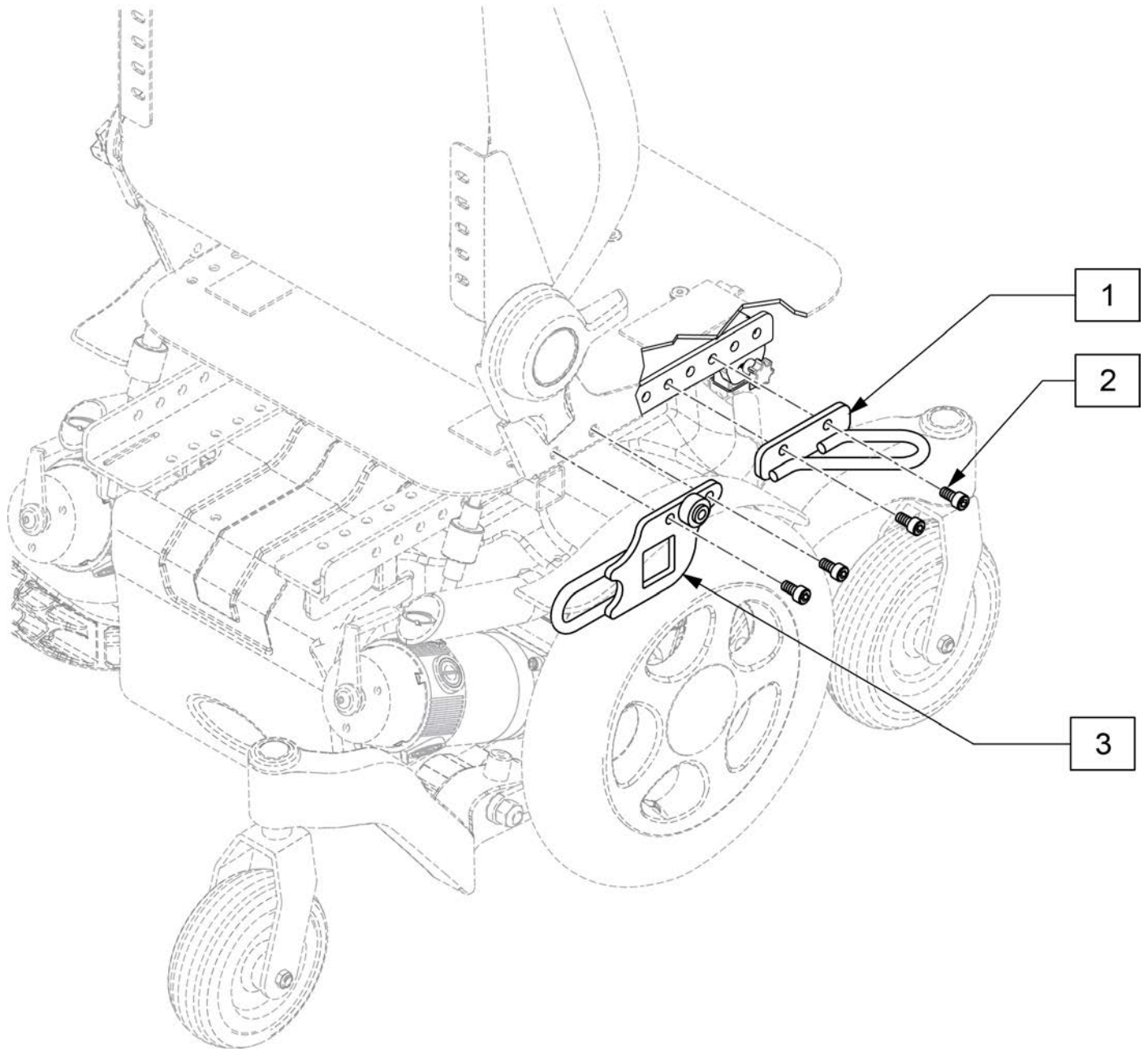
Note: effective for chairs w/ serial number prefix PLS, PLS6B & PLS6C for ISO transit kit; not available with Captains Seat or Vent Tray.

Note: items 7-14 not required on chairs with S/N prefix PLS6B or PLS6C.



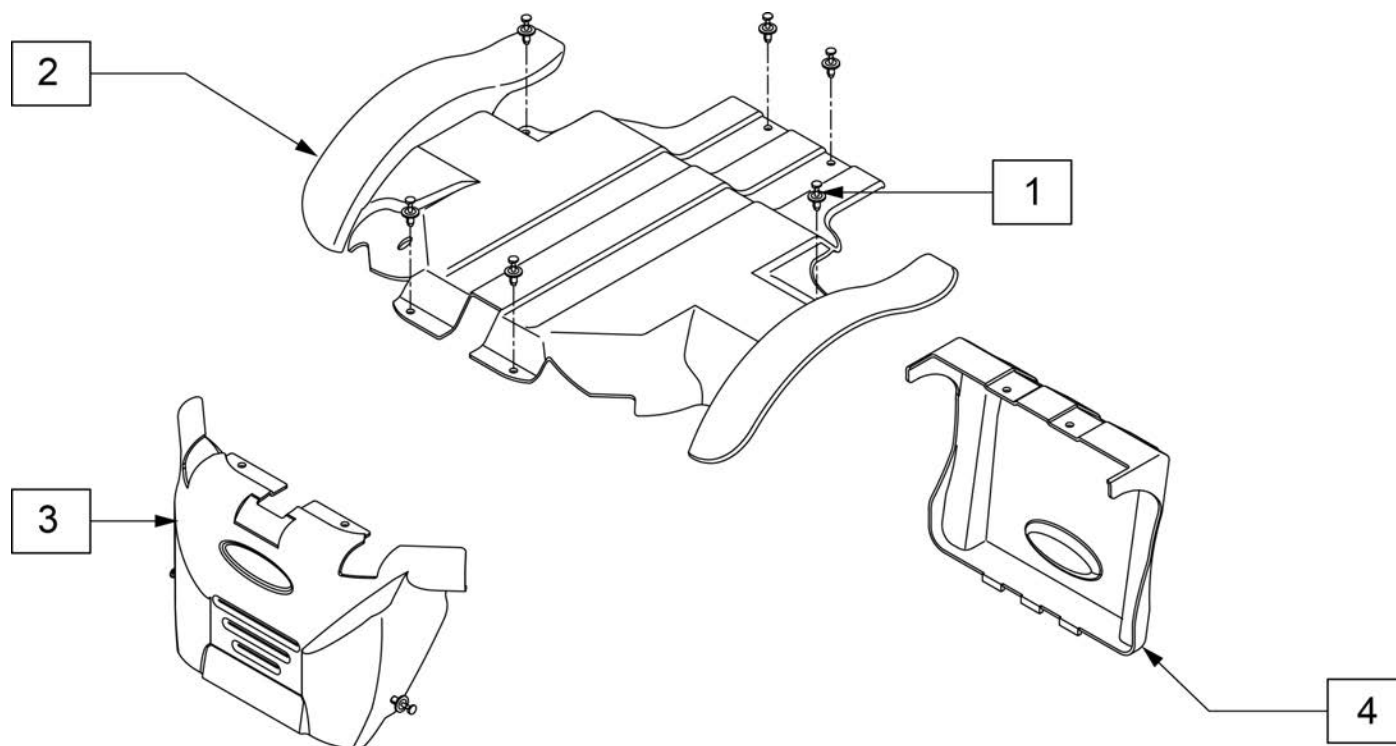
Pos.	Item Number	Description	Remarks
2	013803	HHCS M8 X 1.25 X 50 BLK	
3	210085	NUT HEX NYLOCK M8 BLACK	
4	106946	WASHER FLAT AN 5/16 ROHS	
6	103143	SHCS M8 X 1.25 X 60 INORG	
1-14	114484	TRANSIT KIT PULSE	Pulse 6, S/N prefix PLS
1-6	126341	PULSE 6 TRANSIT KIT ASAP 2	Pulse 6, S/N prefix PLS6B & PLS6C
1-6	126342	PULSE 5 TRANSIT KIT ASAP 2	Pulse 5

Note: Effective for chairs w/ serial number prefix PLS6B & PLS5 must have compatible Captains Seat.

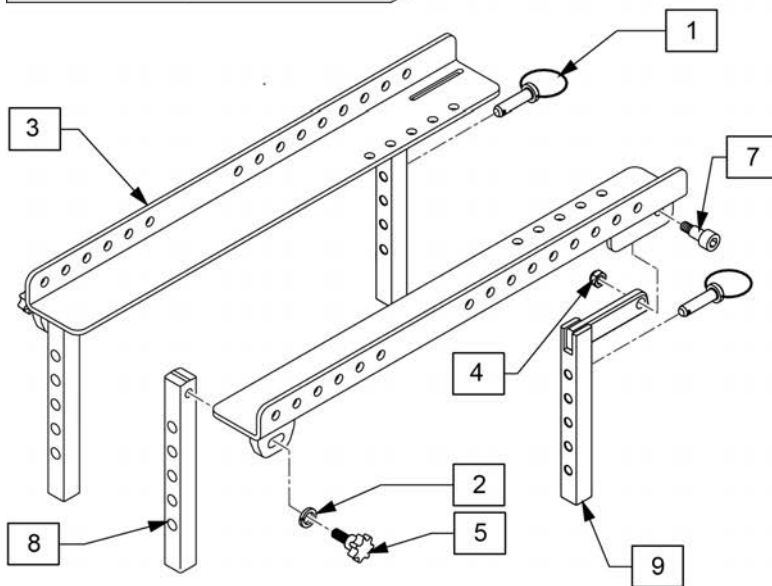
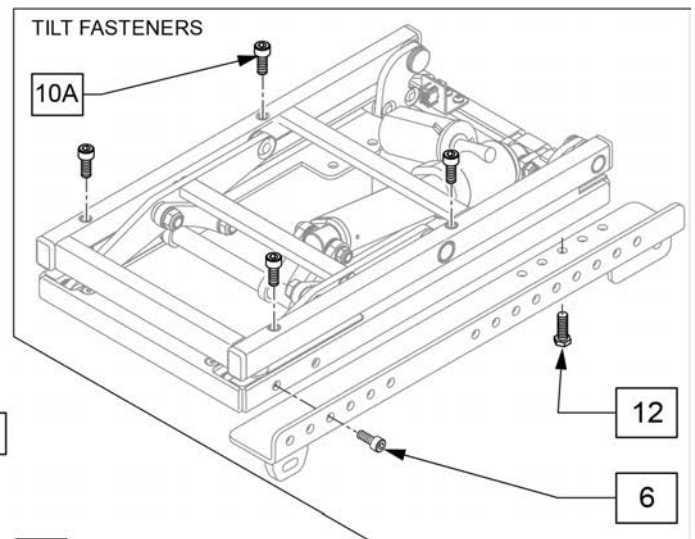
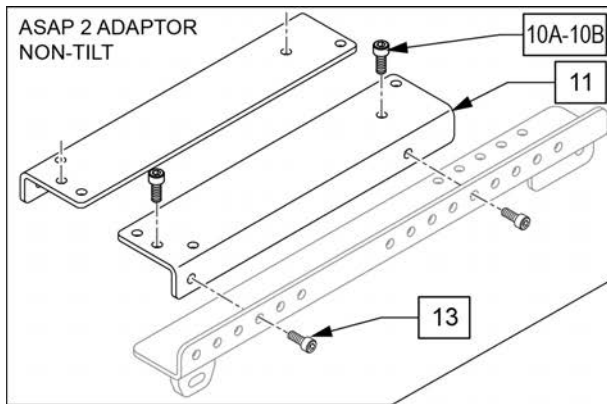


Pos.	Item Number	Description
2	103221	SHCS M8 X 1.25 X 16W/PL INORG
1-3	122708	WC19 TRANSIT KIT

Note: replace all Shrouds of this color at the same time due to minor paint variations.



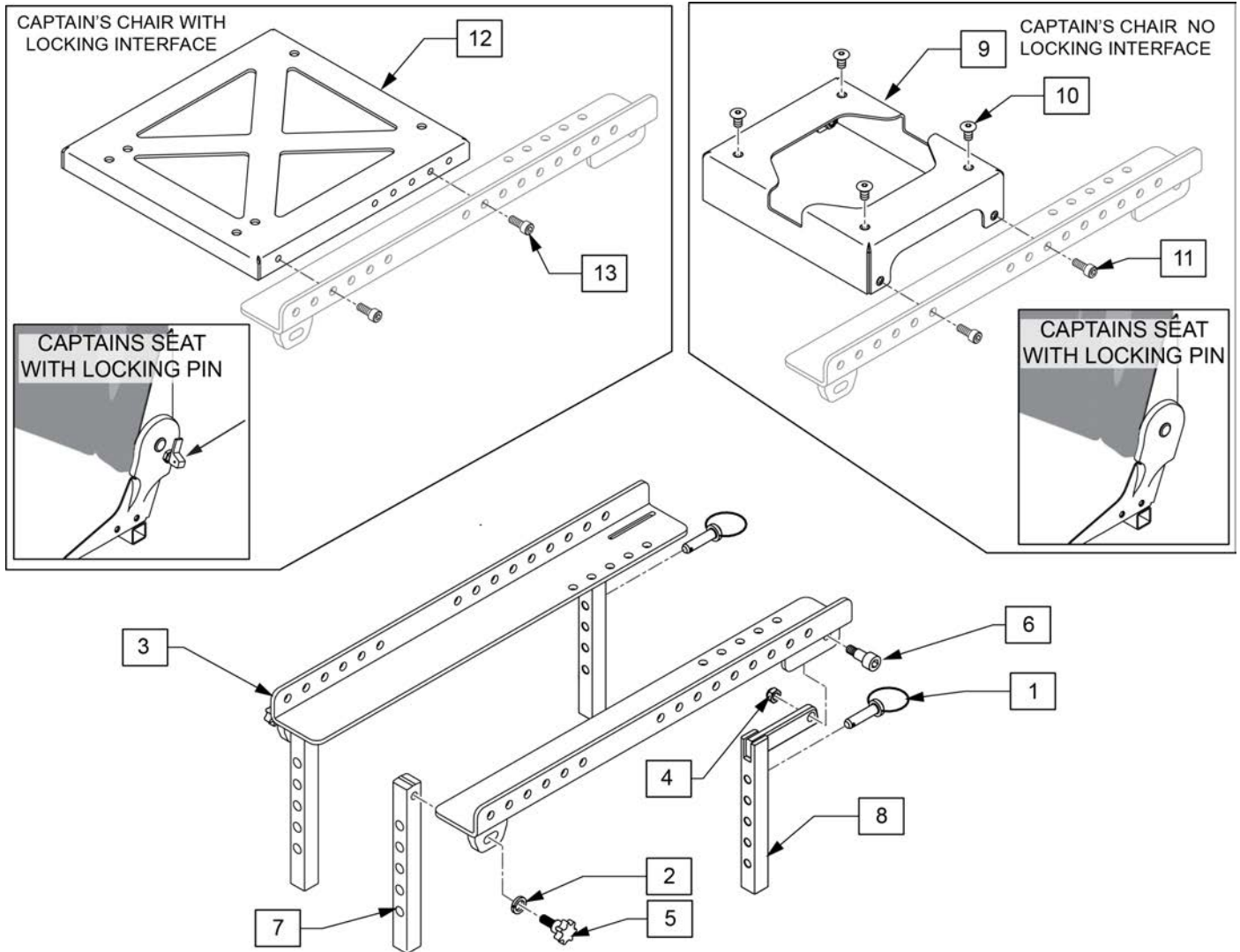
Pos.	Item Number	Description	Remarks
1,5	104439	HARDWARE SHROUD	Includes 8 fasteners
1,2	123359	SHROUD TOP RED	W/DECALS AND FASTENERS; SEE NOTE; Candy Red
1,2	123360	SHROUD TOP BLACK	W/DECALS AND FASTENERS; SEE NOTE; Gloss Black
1,2	123361	SHROUD TOP BLUE	W/DECALS AND FASTENERS; SEE NOTE; Candy Blue
1,2	130402	SHROUD TOP KIT PINK CAMO 5	W/DECALS AND FASTENERS
1,2	130403	SHROUD TOP KIT GRUNGE SKULLS 5	W/DECALS AND FASTENERS
1,2	130404	SHROUD TOP KIT AMERICAN FLG 5	W/DECALS AND FASTENERS
1,3	123362	SHROUD FRONT RED	W/DECALS AND FASTENERS; SEE NOTE; Candy Red
1,3	123363	SHROUD FRONT BLACK	W/DECALS AND FASTENERS; SEE NOTE; Gloss Black
1,3	123364	SHROUD FRONT KIT BLUE	W/DECALS AND FASTENERS; SEE NOTE; Candy Blue
1,3	130405	SHROUD FRNT KIT PINK CAMO	W/DECALS AND FASTENERS
1,3	130406	SHROUD FRNT KIT GRUNGE SKULLS	W/DECALS AND FASTENERS
1,3	130407	SHROUD FRNT KIT AMERICAN FLG	W/DECALS AND FASTENERS
1,4	123365	SHROUD REAR KIT RED PULSE5	W/ FASTENERS; SEE NOTE; Candy Red
1,4	123366	SHROUD REAR KIT BLACK PULSE5	W/ FASTENERS; SEE NOTE; Gloss Black
1,4	123367	SHROUD REAR KIT BLUE PULSE5	W/ FASTENERS; SEE NOTE; Candy Blue
1,4	130408	SHROUD REAR KIT PINK CAMO	W/ FASTENERS
1,4	130409	SHROUD REAR KIT GRUNGE SKULLS	W/ FASTENERS
1,4	130410	SHROUD REAR KIT AMERICAN FLAG	W/ FASTENERS



Pos.	Item Number	Description	Remarks
1	101920	LOCKING PIN SEAT POST	
2	250106	M8 LOCK WASHER	
3	120363	INTERFACE PULSE L	Left
3	120364	INTERFACE PULSE R	Right
4	210085	M8 NYLOCK NUT	
5	102833	KNOB M8 X 1.25 X 18 (PR)	PAIR
6	013158	SHCSM8X1.25X20FULLPL	
7	104862	SHSS 10X15 M8 CLASS 12.9 SLVR	
8	120365	SEAT POST FRONT PULSE	
1,9	104388	POST WELDMENT REAR PAIR	Pair w/pins
10A	117855	SHCS LOW HD M8X1.25X16 CLSS	Mounts 16-20 wide, 18-22 wide & Tilt
10B	119271	SHCS,M8X1.25X35,PF,NP	Mounts 12-16 wide
11	120361	BRACKET NON TILT L	Left
11	120362	BRACKET NON TILT R	Right
12	013354	HHCS M8 X 1.25 X 20 BLK W/PL	Mounts Tilt
13	103221	SHCS M8 X 1.25 X 16W/PL INORG	Mounts ASAP 2 seating
2-5,7-11,15	120401	ASAP 2 NON-TILT INTRFACE	Non tilt
2-5,7-9,12	120402	ASAP 2 TILT NTRFACE	Tilt

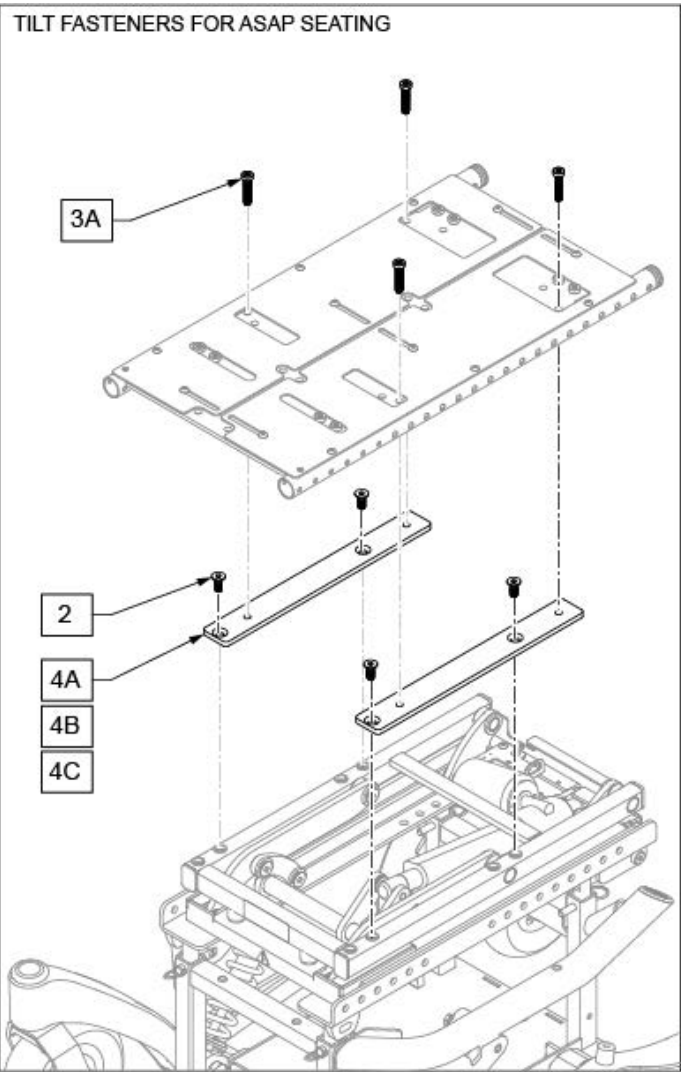
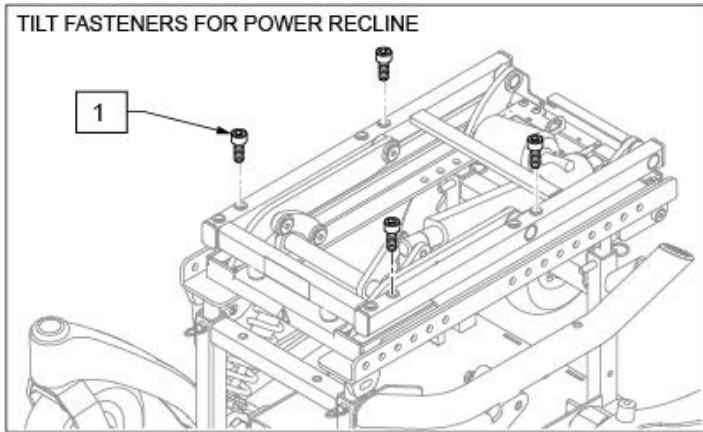
NOTE: prior to S/N PLS6Axxxxx, and PLS6Bxxxxx replace with entire new interface.

CAPTAINS SEAT INTERFACE

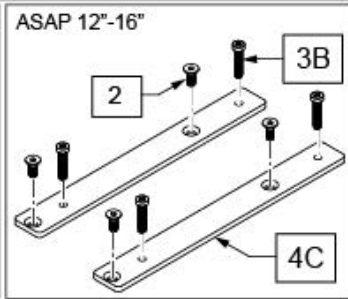
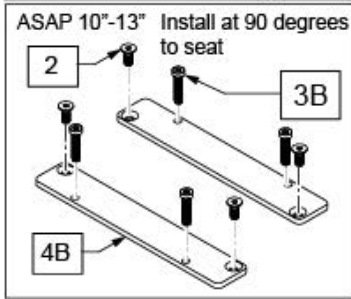
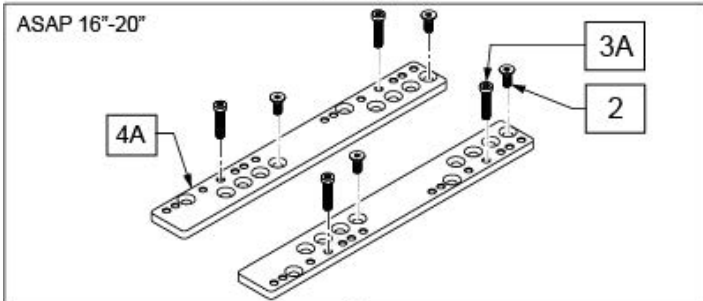


Pos.	Item Number	Description	Remarks
1	101920	LOCKING PIN SEAT POST	
2	250106	M8 LOCK WASHER	
3	120363	INTERFACE PULSE L	Left
3	120364	INTERFACE PULSE R	Right
4	210085	M8 NYLOCK NUT	
5	102833	KNOB M8 X 1.25 X 18 (PR)	PAIR
6	104862	SHSS 10X15 M8 CLASS 12.9 SLVR	
7	120365	SEAT POST FRONT PULSE	
8	104028	SEAT POST REAR WELDMENT	
9	118492	BRACKET CPT SEAT INTRFC WLD	
10	119175	SOC HD FLNGD SCR M8X1.25X16	
11	013158	SHCSM8X1.25X20FULLPL	Mounts Captains seating
2-11	120403	CAPTAIN SEAT NTRFACE	Captains
12,13	122709	CAPT SEAT INTERFACE W/ HDWR	
13	055028	SHCSM8X1.25X25FULLPL	

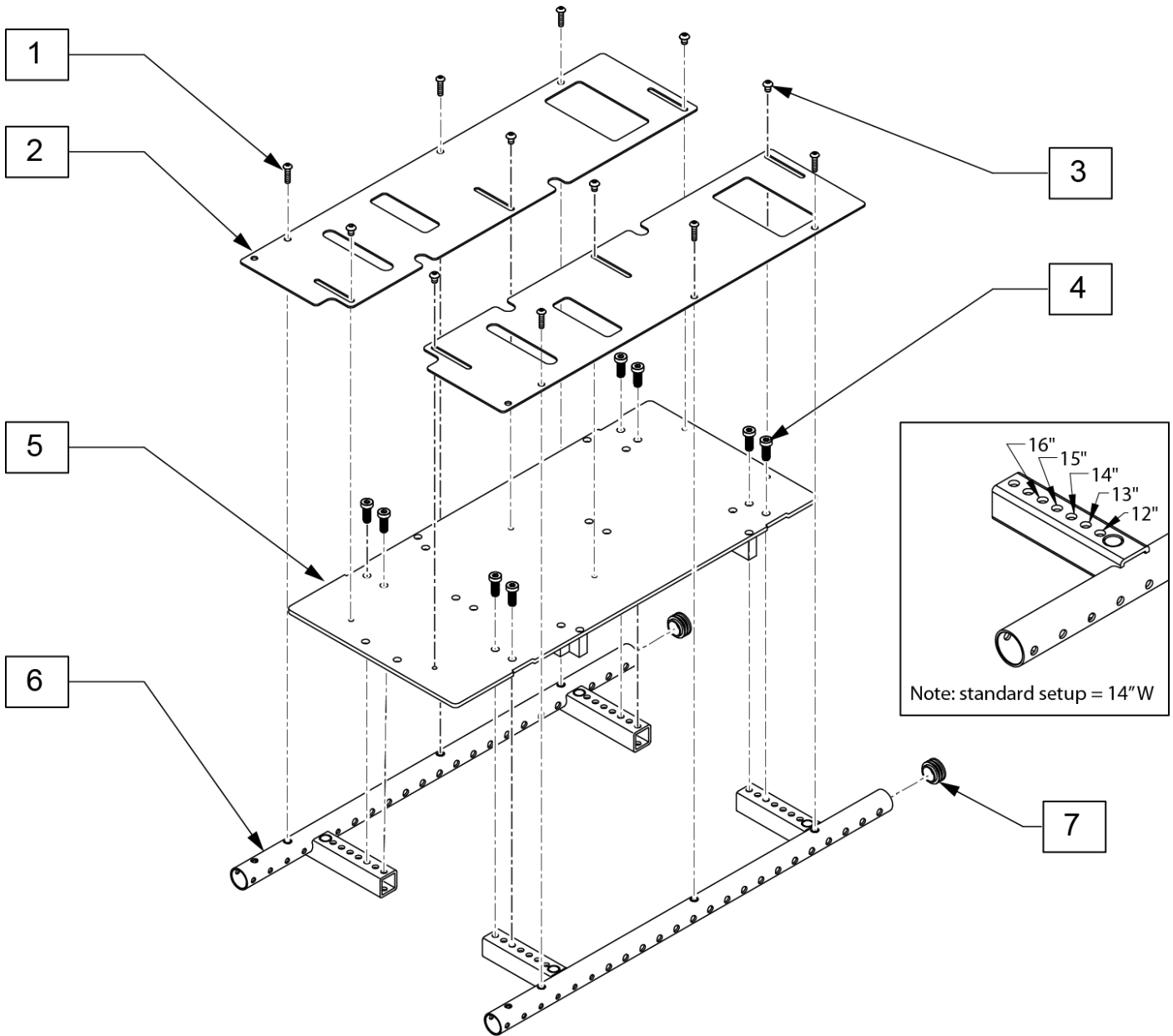
Note: When retrofitting a Captains Seat with locking pin to a chair without a locking pin, Interface and Hanger Reciever need to be ordered.



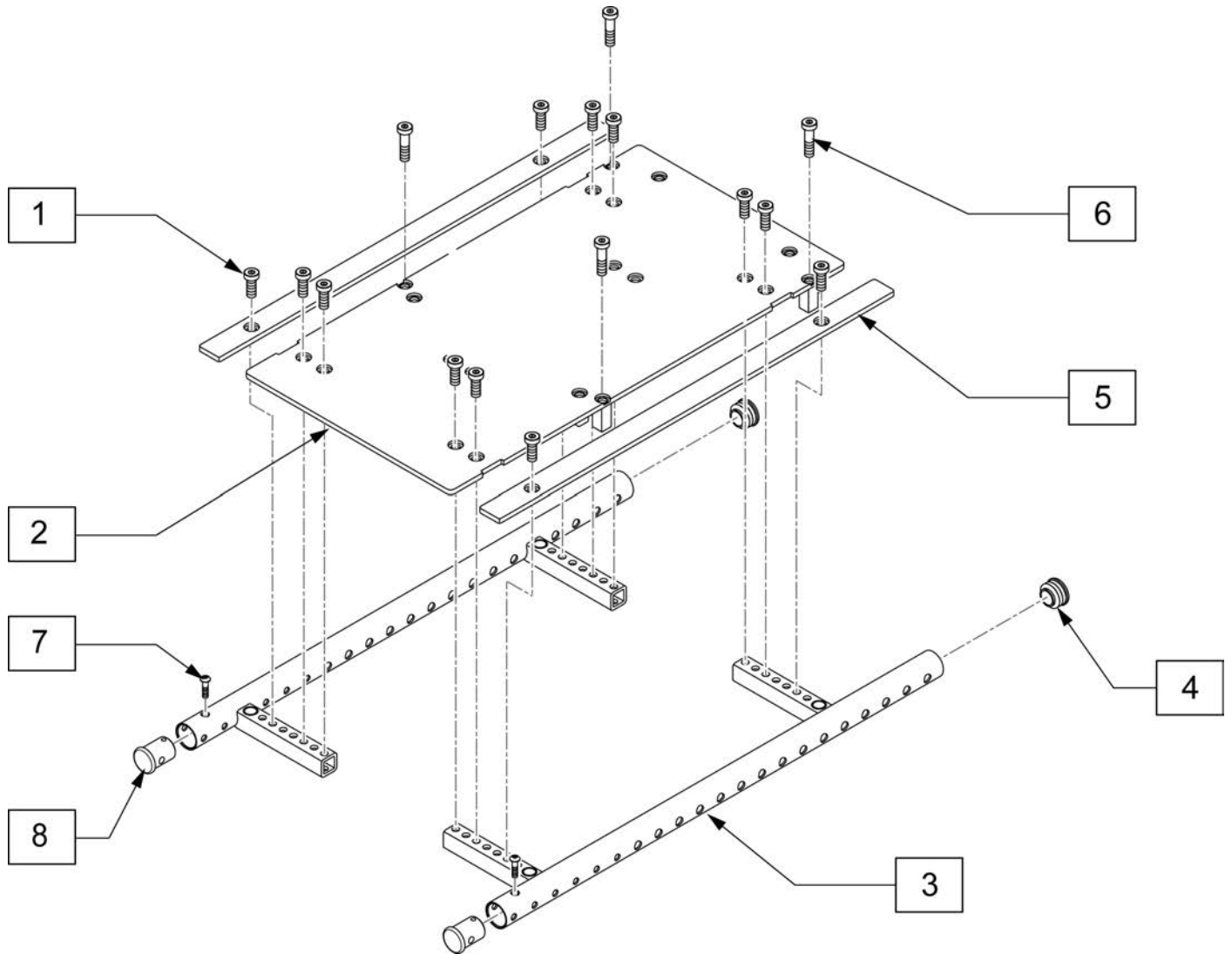
ADAPTER DETAILS



Pos.	Item Number	Description	Remarks
1	230121	BHCS M8 X 1.25 X 20	for Power Recline
2	230129	FHCS M8 X 1.25 X 20 W/PL	
3A	117855	SHCS LOW HD MX X1.25 X 16 FULL	
3B	119271	SHCS, M8 X 1.25 X 35, PF, NP	
4A	247863	MDLE ADPTR PLATE FRM A RH	Right; ASAP 16-20"
4A	247866	MDLE ADPTR PLATE FRM A LH	Left; ASAP 16-20"
4B	126937	ADAPTER PLATE ASAP 10 WD	Left & Right; ASAP 10-13"
4C	249273	ASAP TO TILT ADPTR	Left & Right; ASAP 12-16"

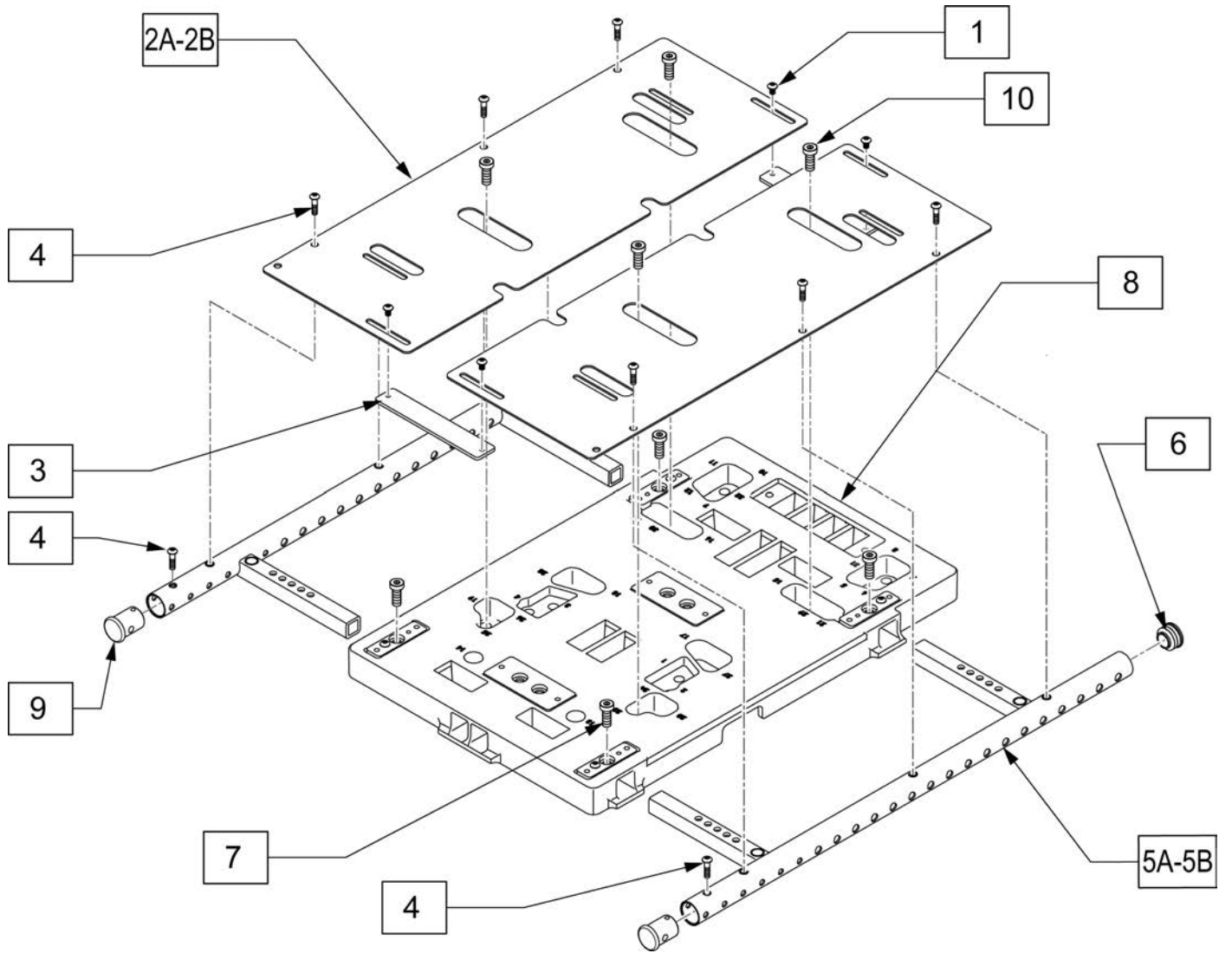


Pos.	Item Number	Description	Remarks
1	230497	M5-.8 X 20 MM BH C/S	
3	102262-001	BHCS,M6X1X8,FULL,PL	
4	116576	SHCS,M8X1.25X20,FULL,NP	
7	119372	1" END PLUG	
1-7	129012	12-16 ASAP SEAT BASE W/HDWR	w/velcro

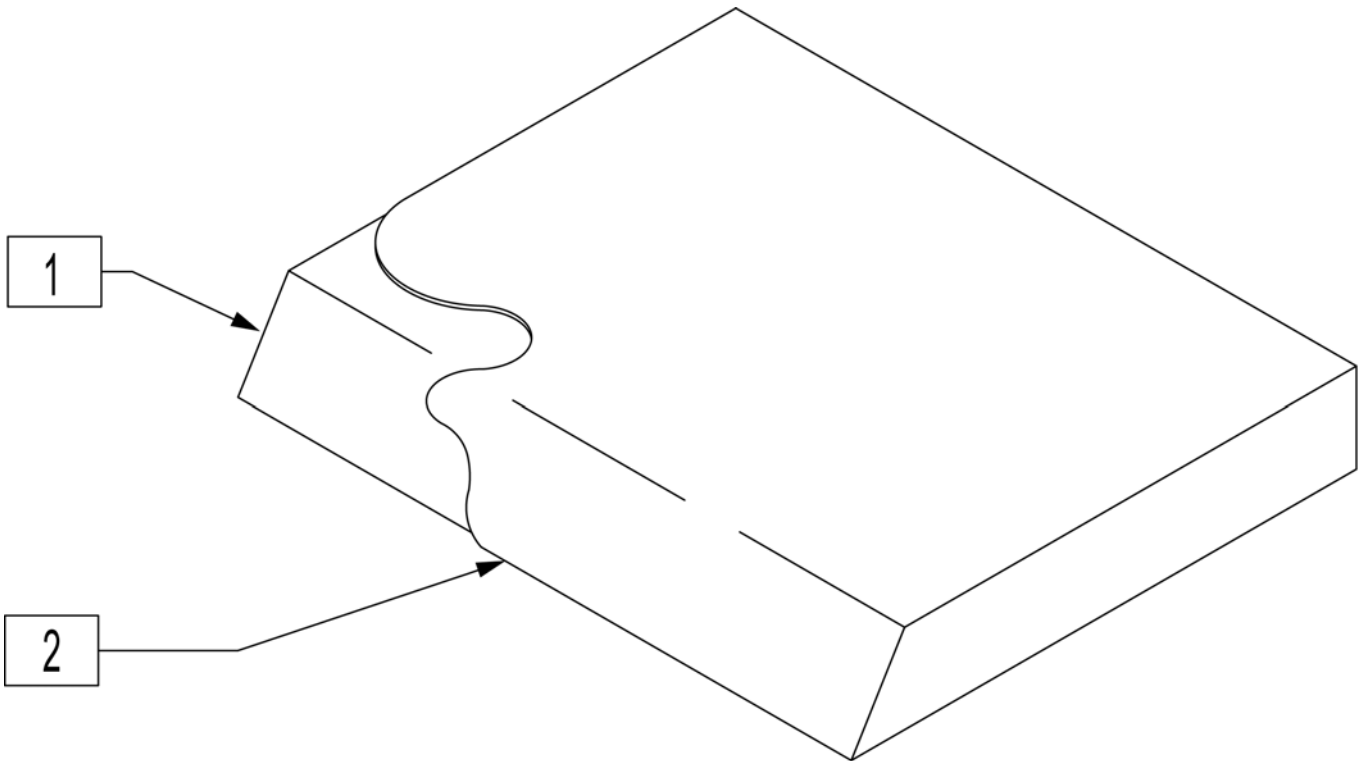


Pos.	Item Number	Description	Remarks
1	116576	SHCA, M8X1.25X20, FULL, NP	
3	118651	SIDE FRAME WELDMENT 12-16 L	Left, 12x12 thru 16x19
3	118771	SIDE FRAME WELDMENT 12-16 R	Right, 12x12 thru 16x19
4	561062	1" INSERT PLUG	
1-5	128129	12-16 SEAT PAN	
1,5	119860	WIDTH FILLER RAIL KIT W/ HRDW	Pair- used with 16" width only
6	119271	SHCS, M8X1.25X35, PF, NP	
7	230497	M5-.8 X 20 MM BH C/S	
8	118927	SEAT FRAME PLUG	Used w/ Center Mount Footrest

Note: For 24" wide seat frame, please contact Built 4 Me.



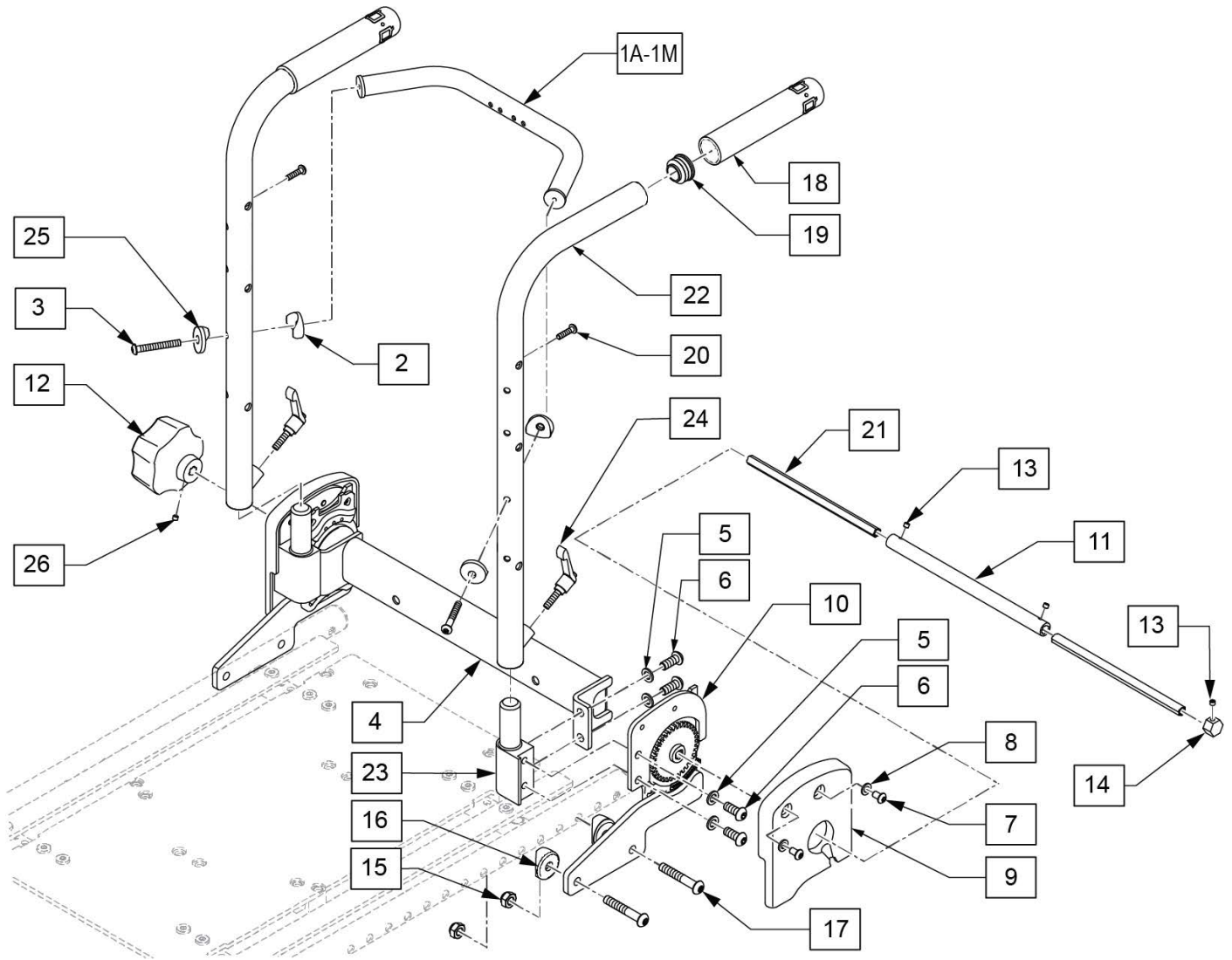
Pos.	Item Number	Description	Remarks
1	230015	BHCS M5 X.8 X8MM	
3	118593	SUPPORT SEAT PAN	
4	230497	M5-.8 X 20 MM BH C/S	
5A-6	119861	SD FRM W/ RV NT AND PLG 16-20R	Right-16x12 thru 20x20
5A-6	119862	SD FRM W/ RV NT AND PLG 16-20L	Left-16x12 thru 20x20
5B-6	119863	SD FRM W/ RV NT AND PLG 18-22R	Right-18x16 thru 22x22
5B-6	119864	SD FRM W/ RV NT AND PLG 18-22L	Left-18x16 thru 22x22
6	561062	1" INSERT PLUG	
7	116576	SHCS,M8X1.25X20,FULL,NP	
1-4,5A-8	118629	SEAT FRAME 16-20	16"-20" Seat Width
1-4,5B-8	118616	SEAT FRAME 18-22	18"-22" Seat Width- for PLS6 only
9	118927	SEAT FRAME PLUG	Used w/ Center Mount Footrest
10	117855	SHCS LOW HD M8X1.25X16 CLSS	Mounts Frame to Interface



Pos.	Item Number	Description	Pos.	Item Number	Description
1-2	700122	SEAT CUSHION 12" X 12" X 2"	1-2	700412	SEAT CUSHION 15" X 13" X 2"
1-2	700132	SEAT CUSHION 12" X 13" X 2"	1-2	700422	SEAT CUSHION 15" X 14" X 2"
1-2	700142	SEAT CUSHION 12" X 14" X 2"	1-2	700432	SEAT CUSHION 15" X 15" X 2"
1-2	700152	SEAT CUSHION 12" X 15" X 2"	1-2	700442	SEAT CUSHION 15" X 16" X 2"
1-2	700162	SEAT CUSHION 12" X 16" X 2"	1-2	700452	SEAT CUSHION 15" X 17" X 2"
1-2	700172	SEAT CUSHION 12" X 17" X 2"	1-2	700462	SEAT CUSHION 15" X 18" X 2"
1-2	700182	SEAT CUSHION 12" X 18" X 2"	1-2	700472	SEAT CUSHION 15" X 19" X 2"
1-2	700192	SEAT CUSHION 12" X 19" X 2"	1-2	700482	SEAT CUSHION 15" X 20" X 2"
1-2	700222	SEAT CUSHION 13" X 12" X 2"	1-2	700492	SEAT CUSHION 15" X 21" X 2"
1-2	700232	SEAT CUSHION 13" X 13" X 2"	1-2	702111	SEAT CUSHION 15" X 22" X 2"
1-2	700242	SEAT CUSHION 13" X 14" X 2"	1-2	700502	SEAT CUSHION 16" X 12" X 2"
1-2	700252	SEAT CUSHION 13" X 15" X 2"	1-2	700512	SEAT CUSHION 16" X 13" X 2"
1-2	700262	SEAT CUSHION 13" X 16" X 2"	1-2	700522	SEAT CUSHION 16" X 14" X 2"
1-2	700272	SEAT CUSHION 13" X 17" X 2"	1-2	700532	SEAT CUSHION 16" X 15" X 2"
1-2	700277	SEAT CUSHION 13" X 18" X 2"	1-2	700542	SEAT CUSHION 16" X 16" X 2"
1-2	700267	SEAT CUSHION 13" X 19" X 2"	1-2	700552	SEAT CUSHION 16" X 17" X 2"
1-2	700302	SEAT CUSHION 14" X 12" X 2"	1-2	700562	SEAT CUSHION 16" X 18" X 2"
1-2	700312	SEAT CUSHION 14" X 13" X 2"	1-2	700572	SEAT CUSHION 16" X 19" X 2"
1-2	700322	SEAT CUSHION 14" X 14" X 2"	1-2	700582	SEAT CUSHION 16" X 20" X 2"
1-2	700332	SEAT CUSHION 14" X 15" X 2"	1-2	700592	SEAT CUSHION 16" X 21" X 2"
1-2	700342	SEAT CUSHION 14" X 16" X 2"	1-2	702112	SEAT CUSHION 16" X 22" X 2"
1-2	700352	SEAT CUSHION 14" X 17" X 2"	1-2	700606	SEAT CUSHION 17" X 12" X 2"
1-2	700362	SEAT CUSHION 14" X 18" X 2"	1-2	700597	SEAT CUSHION 17" X 13" X 2"
1-2	700372	SEAT CUSHION 14" X 19" X 2"	1-2	700602	SEAT CUSHION 17" X 14" X 2"
1-2	700382	SEAT CUSHION 14" X 20" X 2"	1-2	700612	SEAT CUSHION 17" X 15" X 2"
1-2	700392	SEAT CUSHION 14" X 21" X 2"	1-2	700622	SEAT CUSHION 17" X 16" X 2"
1-2	702110	SEAT CUSHION 14" X 22" X 2"	1-2	700632	SEAT CUSHION 17" X 17" X 2"
1-2	700402	SEAT CUSHION 15" X 12" X 2"	1-2	700642	SEAT CUSHION 17" X 18" X 2"

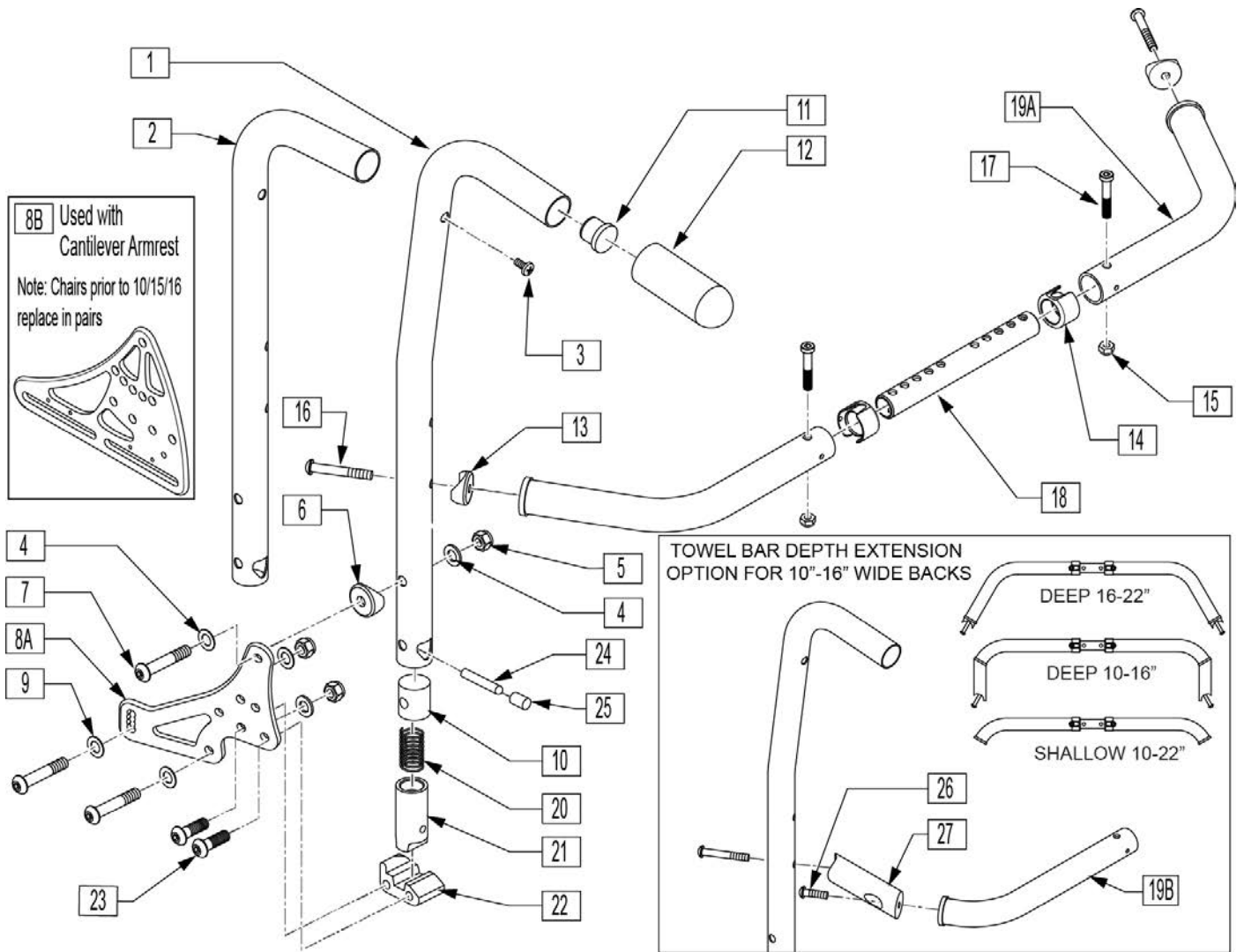
Pos.	Item Number	Description	Pos.	Item Number	Description
1-2	700652	SEAT CUSHION 17" X 19" X 2"	1-2	702081	SEAT CUSHION 21" X 14" X 2"
1-2	700662	SEAT CUSHION 17" X 20" X 2"	1-2	702082	SEAT CUSHION 21" X 15" X 2"
1-2	700672	SEAT CUSHION 17" X 21" X 2"	1-2	702083	SEAT CUSHION 21" X 16" X 2"
1-2	702113	SEAT CUSHION 17" X 22" X 2"	1-2	702084	SEAT CUSHION 21" X 17" X 2"
1-2	700682	SEAT CUSHION 18" X 12" X 2"	1-2	702085	SEAT CUSHION 21" X 18" X 2"
1-2	700692	SEAT CUSHION 18" X 13" X 2"	1-2	702086	SEAT CUSHION 21" X 19" X 2"
1-2	700702	SEAT CUSHION 18" X 14" X 2"	1-2	702087	SEAT CUSHION 21" X 20" X 2"
1-2	700712	SEAT CUSHION 18" X 15" X 2"	1-2	702088	SEAT CUSHION 21" X 21" X 2"
1-2	700722	SEAT CUSHION 18" X 16" X 2"	1-2	702089	SEAT CUSHION 21" X 22" X 2"
1-2	700732	SEAT CUSHION 18" X 17" X 2"	1-2	702090	SEAT CUSHION 22" X 13" X 2"
1-2	700742	SEAT CUSHION 18" X 18" X 2"	1-2	702091	SEAT CUSHION 22" X 14" X 2"
1-2	700752	SEAT CUSHION 18" X 19" X 2"	1-2	702092	SEAT CUSHION 22" X 15" X 2"
1-2	700762	SEAT CUSHION 18" X 20" X 2"	1-2	702093	SEAT CUSHION 22" X 16" X 2"
1-2	700772	SEAT CUSHION 18" X 21" X 2"	1-2	702094	SEAT CUSHION 22" X 17" X 2"
1-2	702114	SEAT CUSHION 18" X 22" X 2"	1-2	702095	SEAT CUSHION 22" X 18" X 2"
1-2	700782	SEAT CUSHION 19" X 12" X 2"	1-2	702096	SEAT CUSHION 22" X 19" X 2"
1-2	700792	SEAT CUSHION 19" X 13" X 2"	1-2	702097	SEAT CUSHION 22" X 20" X 2"
1-2	700802	SEAT CUSHION 19" X 14" X 2"	1-2	702098	SEAT CUSHION 22" X 21" X 2"
1-2	700812	SEAT CUSHION 19" X 15" X 2"	1-2	702117	SEAT CUSHION 22" X 22" X 2"
1-2	700822	SEAT CUSHION 19" X 16" X 2"	1-2	011069	SEAT CUSHION 23" X 14" X 2"
1-2	700832	SEAT CUSHION 19" X 17" X 2"	1-2	011070	SEAT CUSHION 23" X 15" X 2"
1-2	700842	SEAT CUSHION 19" X 18" X 2"	1-2	011071	SEAT CUSHION 23" X 16" X 2"
1-2	700852	SEAT CUSHION 19" X 19" X 2"	1-2	011072	SEAT CUSHION 23" X 17" X 2"
1-2	700862	SEAT CUSHION 19" X 20" X 2"	1-2	011073	SEAT CUSHION 23" X 18" X 2"
1-2	700872	SEAT CUSHION 19" X 21" X 2"	1-2	011074	SEAT CUSHION 23" X 19" X 2"
1-2	702115	SEAT CUSHION 19" X 22" X 2"	1-2	011075	SEAT CUSHION 23" X 20" X 2"
1-2	700882	SEAT CUSHION 20" X 12" X 2"	1-2	011076	SEAT CUSHION 23" X 21" X 2"
1-2	700892	SEAT CUSHION 20" X 13" X 2"	1-2	011077	SEAT CUSHION 23" X 22" X 2"
1-2	700902	SEAT CUSHION 20" X 14" X 2"	1-2	702099	SEAT CUSHION 24" X 14" X 2"
1-2	700912	SEAT CUSHION 20" X 15" X 2"	1-2	702100	SEAT CUSHION 24" X 15" X 2"
1-2	700922	SEAT CUSHION 20" X 16" X 2"	1-2	702101	SEAT CUSHION 24" X 16" X 2"
1-2	700932	SEAT CUSHION 20" X 17" X 2"	1-2	702102	SEAT CUSHION 24" X 17" X 2"
1-2	700942	SEAT CUSHION 20" X 18" X 2"	1-2	702103	SEAT CUSHION 24" X 18" X 2"
1-2	700952	SEAT CUSHION 20" X 19" X 2"	1-2	702104	SEAT CUSHION 24" X 19" X 2"
1-2	700962	SEAT CUSHION 20" X 20" X 2"	1-2	702105	SEAT CUSHION 24" X 20" X 2"
1-2	700972	SEAT CUSHION 20" X 21" X 2"	1-2	702106	SEAT CUSHION 24" X 21" X 2"
1-2	702116	SEAT CUSHION 20" X 22" X 2"	1-2	702118	SEAT CUSHION 24" X 22" X 2"
1-2	702080	SEAT CUSHION 21" X 13" X 2"			

Note: if adding retro Manual Recline, requires either a Dual Post or a Height Adjustable Armrest; Cantilever Armrest is not available with Manual Recline.



Pos.	Item Number	Description	Remarks
1A	010679-001	FIXED BACK BRACE 1" OD TUBE 12"	12" Back Widths
1B	010679-002	FIXED BACK BRACE 1" OD TUBE 13"	13" Back Widths
1C	010679-003	FIXED BACK BRACE 1" OD TUBE 14"	14" Back Widths
1D	010679-004	FIXED BACK BRACE 1" OD TUBE 15"	15" Back Widths
1E	010679-005	FIXED BACK BRACE 1" OD TUBE 16"	16" Back Widths
1F	010679-006	FIXED BACK BRACE 1" OD TUBE 17"	17" Back Widths
1G	010679-007	FIXED BACK BRACE 1" OD TUBE 18"	18" Back Widths
1H	010679-008	FIXED BACK BRACE 1" OD TUBE 19"	19" Back Widths
1I	010679-009	FIXED BACK BRACE 1" OD TUBE 20"	20" Back Widths
1J	010679-010	FIXED BACK BRACE 1" OD TUBE 21"	21" Back Widths
1K	010679-011	FIXED BACK BRACE 1" OD TUBE 22"	22" Back Widths
1L	010679-012	FIXED BACK BRACE 1" OD TUBE 23"	23" Back Widths
1M	010679-013	FIXED BACK BRACE 1" OD TUBE 24"	24" Back Widths

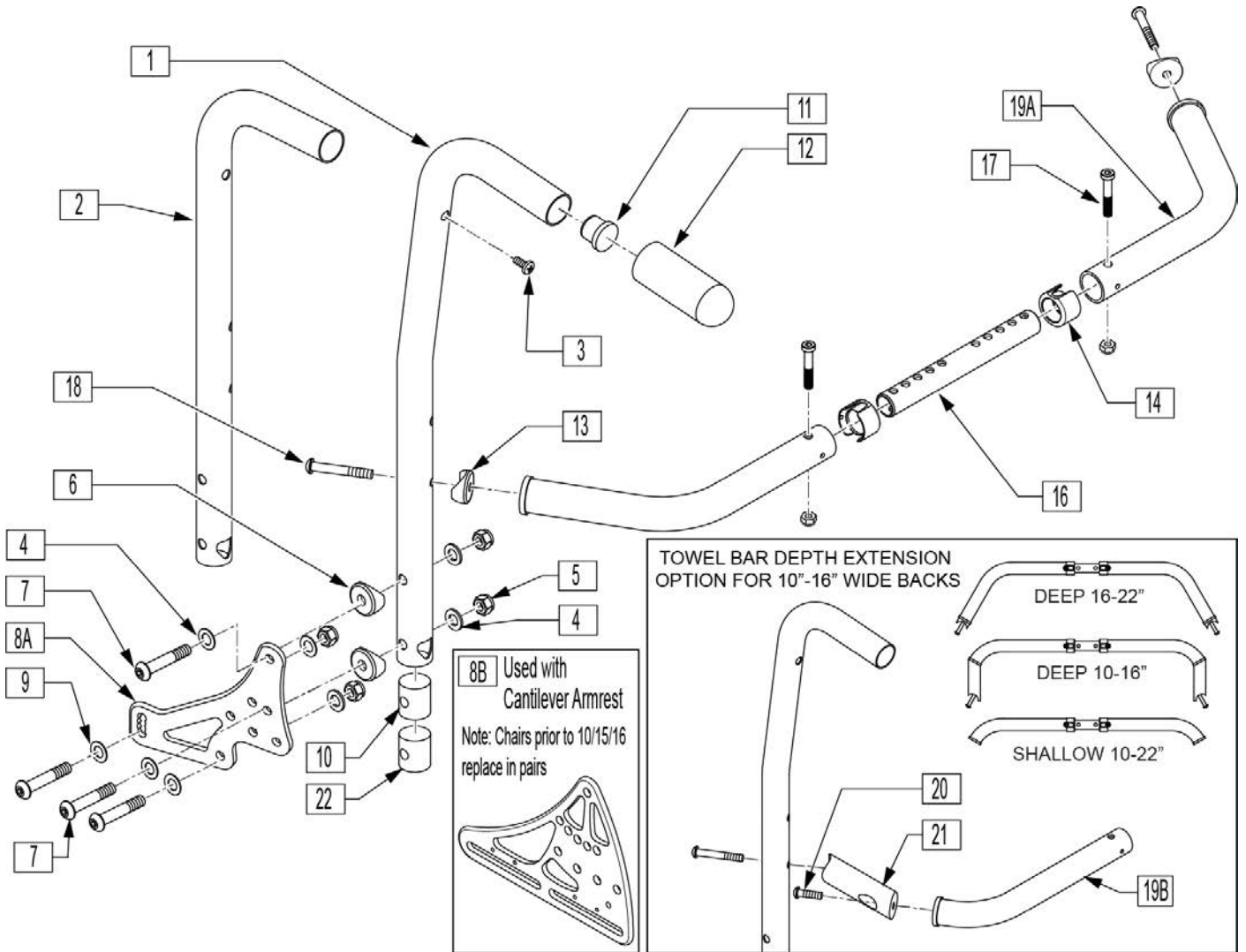
Pos.	Item Number	Description	Remarks
2	561004	1" SADDLE 1/4" HOLE	
3	230118	BHCS M6 X 1 X 45 BLK	
4	541268	TUBE BACKREST 12"	12" Back Widths
4	541269	TUBE BACKREST 13"	13" Back Widths
4	541270	TUBE BACKREST 14"	14" Back Widths
4	541271	TUBE BACKREST 15"	15" Back Widths
4	541272	TUBE BACKREST 16"	16" Back Widths
4	541273	TUBE BACKREST 17"	17" Back Widths
4	541274	TUBE BACKREST 18"	18" Back Widths
4	541275	TUBE BACKREST 19"	19" Back Widths
4	541276	TUBE BACKREST 20"	20" Back Widths
4	541277	TUBE BACKREST 21"	21" Back Widths
4	541278	TUBE BACKREST 22"	22" Back Widths
4	541279	TUBE BACKREST 23"	23" Back Widths
4	541280	TUBE BACKREST 24"	24" Back Widths
5	263100	5/16" AN WASHER FLAT	
6	230121	BHCS M8 X 1.25 X 20MM PATCH	
7	013145	BHCS M6 X 1 X 10 BLK	
8	250104	WASHER FLAT M6	
9	561192	PANEL RECLINE MECH MANUAL	Right
9	561193	PANEL RECLINE MECH MANUAL	Left
10	540570	KEIPER LOWER BRACKET	Right
10	540571	KEIPER LOWER BRACKET	Left
11	010699	SHAFT KEIPER CONNNECT FEMALE	
12	000384.32100	MANUAL KNOB	
13	013154	SCREW SET M5 X .8 X 3	
14	541149	CONNECTING ROD STOP NUT	
15	210085	NUT HEX NYLOCK M8 BLACK	
16	561006	1" SADDLE 5/16" HOLE	
17	230123	BHCS M8 X 1.25 X 45	
18	920027	QUICKIE GRIP 1" W/INSTR SHEET	
19	561062	1" INSERT PLUG .065 RIBS	
20	230497	M5-.8 X 20 MM BH C/S	
21	525438-001	CON ROD MNL TILT & REC 12"	Used on 12"-16" Back Widths
21	525438-002	CON ROD MNL TILT & REC 13"	Used on 17"-20" Back Widths
21	525438-003	CON ROD MNL TILT & REC 14"	Used on 21"-24" Back Widths
23	501554	BACKPOST RECEIVER RIGHT	
23	501555	BACKPOST RECEIVER LEFT	
24	011685	HANDLE ADJ MODERN M6 X 20 STUD	
25	561086	1" HALF SADDLE 1/4" HOLE	
26	011825	SET SCREW M6x8MM CAP TIP	
18,19,22,24	104855	BACK POST 60D ASSM L	Left
18,19,22,24	104854	BACK POST 60D ASSM R	Right
2-3,5-8,15,17,20	101542	KEIPER MNL RCLN BACK HDWR KIT	
1-26	120096	MANUAL RECLINE BACK ASSM 12	12" Back Widths
1-26	120159	MANUAL RECLINE BACK ASSM 13	13" Back Widths
1-26	120160	MANUAL RECLINE BACK ASSM 144	14" Back Widths
1-26	120161	MANUAL RECLINE BACK ASSM 15	15" Back Widths
1-26	120162	MANUAL RECLINE BACK ASSM 16	16" Back Widths
1-26	120163	MANUAL RECLINE BACK ASSM 17	17" Back Widths
1-26	120164	MANUAL RECLINE BACK ASSM 18	18" Back Widths
1-26	120165	MANUAL RECLINE BACK ASSM 19	19" Back Widths
1-26	120166	MANUAL RECLINE BACK ASSM 20	20" Back Widths
1-26	120167	MANUAL RECLINE BACK ASSM 21	21" Back Widths
1-26	120168	MANUAL RECLINE BACK ASSM 22	22" Back Widths
1-26	120169	MANUAL RECLINE BACK ASSM 23	23" Back Widths
1-26	120170	MANUAL RECLINE BACK ASSM 24	24" Back Widths



Pos.	Item Number	Description	Remarks
3	100223-002	BHCS M5X.8X16MM	
4	106947	5/16 AN WASHER FLAT THIN	
5	210085	NUT HEX NYLOCK M8 BLACK	
6	561006	1" SADDLE 5/16" HOLE	
7	230123	BHCS M8 X 1.25 X 45	
8A	501723	BACKREST PLATE 86-114 DEGREE	
8B	241040	BACKREST BRACKET ASAP SLOTTED	Used with Cantilever Armrest
9	263100	5/16 AN WASHER FLAT	
10	483801	BACKREST LATCH PLUG P2	
11	561019	1" INSERT PLUG .049	
12	920027	QUICKIE GRIP 1" W/INSTR SHEET	
13	561004	1" SADDLE 1/4" HOLE	
14	118672	1" TUBE END BUSHING SHORT	
15	200113	NUT HEX NYLOCK M6 X 1 NUT	
16	102262-007	BHCS M6 X 1 X 45	
17	119125	SHCS LOW HD M6X1X35 PART NP	

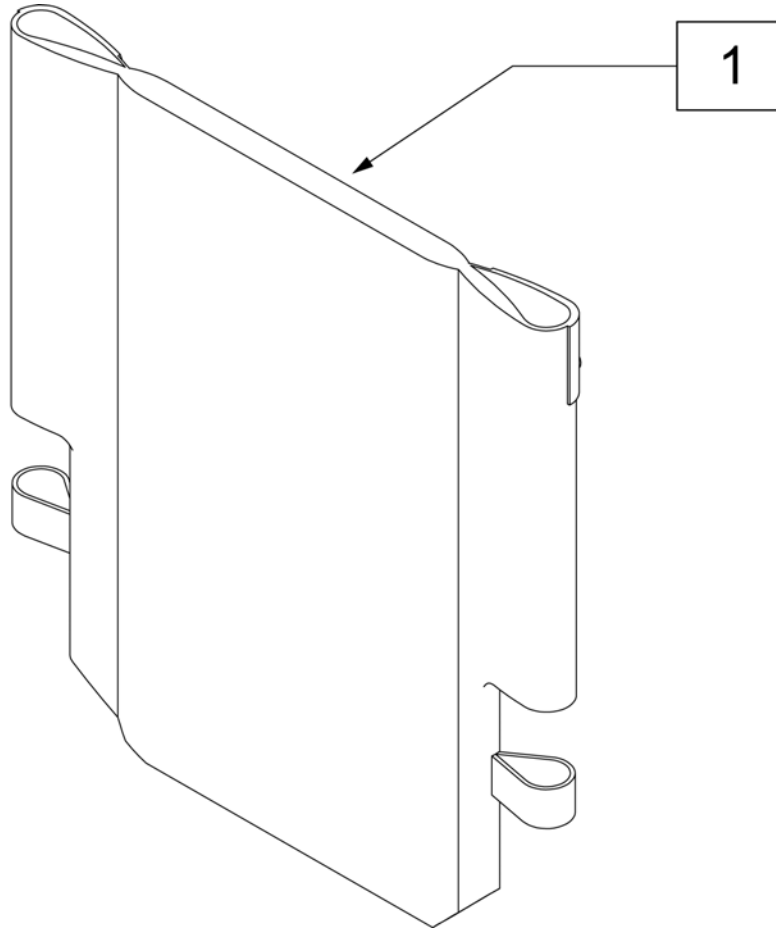
Pos.	Item Number	Description	Remarks
20	321110	S/A LATCH SPRING	
21	483800	BACKREST LATCH SLIDER P2	
22	118925	BCKRST LATCH BLOCK R	Right
22	118926	BCKRST LATCH BLOCK L	Left
23	230006	BHCS M8 X 1.25 X 25 BLK	
24	481084	BACK REL PIN Z2/QT/EX	
25	126238	PUSH ON ROUND CAP	
26	119127	SHCS LOW HD, M6X1X45	Required to attach towel bar depth extension the Shallow Towel Bar to convert to the Deep Towel Bar
27	118769	TOWEL BAR DEPTH EXTENSION	Required on the Deep Towel Bar assembly; mounts to both sides of the Shallow Towel Bar.
1,11,12	842221	BACK TUBE PH 8D LOW R S525	8 Deg - Low - Right
1,11,12	842222	BACK TUBE PH 8D LOW L S525	8 Deg - Low - Left
1,11,12	842223	BACK TUBE PH 8D MED R S525	8 Deg - Med - Right
1,11,12	842224	BACK TUBE PH 8D MED L S525	8 Deg - Med - Left
1,11,12	842225	BACK TUBE PH 8D TALL R S525	8 Deg - Tall - Right
1,11,12	842226	BACK TUBE PH 8D TALL L S525	8 Deg - Tall - Left
2,11,12	842227	BACK TUBE PH LOW R S525	Straight - Low - Right
2,11,12	842228	BACK TUBE PH LOW L S525	Straight - Low - Left
2,11,12	842229	BACK TUBE PH MED R S525	Straight - Med - Right

Pos.	Item Number	Description	Remarks
2,11,12	842230	BACK TUBE PH MED L S525	Straight - Med - Left
2,11,12	842231	BACK TUBE PH TALL R S525	Straight - Tall - Right
2,11,12	842232	BACK TUBE PH TALL L S525	Straight - Tall - Left
1,3-7,8A,9-12,20-25	120171	PH 8D LOW R ASSM FLDG 86-114	Right
1,3-7,8A,9-12,20-25	120172	PH 8D LOW L ASSM FLDG 86-114	Left
1,3-7,8A,9-12,20-25	120173	PH 8D MED R ASSM FLDG 86-114	Right
1,3-7,8A,9-12,20-25	120174	PH 8D MED L ASSM FLDG 86-114	Left
1,3-7,8A,9-12,20-25	120175	PH 8D TAL R ASSM FLDG 86-114	Right
1,3-7,8A,9-12,20-25	120176	PH 8D TAL L ASSM FLDG 86-114	Left
2-7,8A,9-12,20-25	120177	PH LOW R ASSM FLDG 86-114	Right
2-7,8A,9-12,20-25	120178	PH LOW L ASSM FLDG 86-114	Left
2-7,8A,9-12,20-25	120179	PH MED R ASSM FLDG 86-114	Right
2-7,8A,9-12,20-25	120181	PH MED L ASSM FLDG 86-114	Left
2-7,8A,9-12,20-25	120182	PH TALL R ASSM FLD 86-114	Right
2-7,8A,9-12,20-25	120183	PH TALL L ASSM FLD 86-114	Left
13-18,19A	118614	TOWEL BAR ASSY 18-22D	DEEP
13-18,19A	118637	TOWEL BAR ASSY 16-20D	DEEP
13-18,19B	118600	TOWEL BAR ASSY 18-22S	SHALLOW
13-18,19B	118633	TOWEL BAR ASSY 16-20S	SHALLOW
13-18,19B	118645	TOWEL BAR ASSY 12-16S	SHALLOW
13-18,19B	118646	TOWEL BAR ASSY 10-13S	SHALLOW



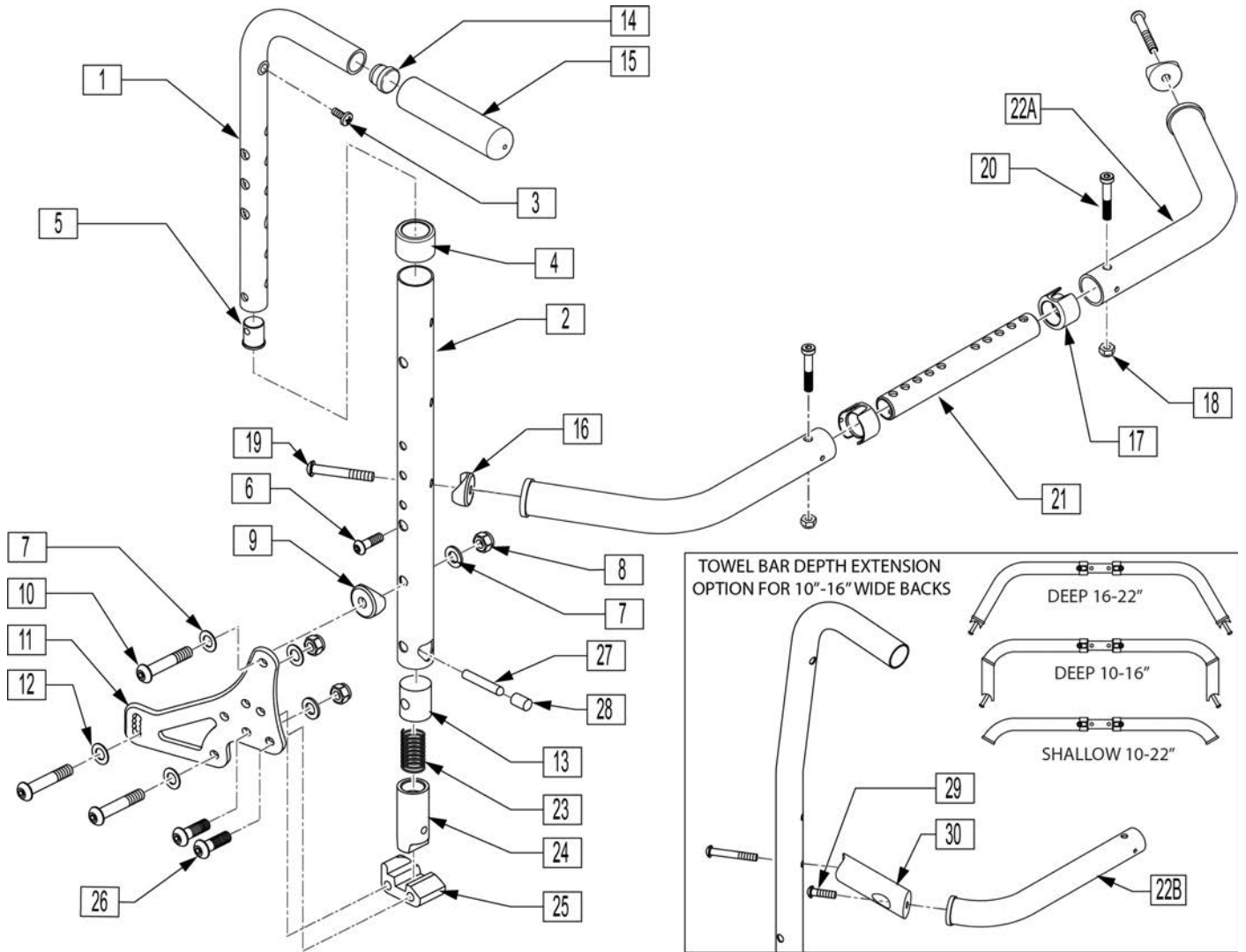
Pos.	Item Number	Description	Remarks
3	100223-002	BHCS M5X.8X16MM	
4	106947	5/16 AN WASHER FLAT THIN	
5	210085	NUT HEX NYLOCK M8 BLACK	
6	561006	1" SADDLE 5/16" HOLE	
7	230123	BHCS M8 X 1.25 X 45	
8A	501723	BACKREST PLATE 86-114 DEGREE	
8B	241040	BACKREST BRACKET ASAP SLOTTED	Used with Cantilever Armrest
9	263100	5/16 AN WASHER FLAT	
10	483801	BCKREST LATCH PLUG P2 (Both Used)	
11	561019	1" INSERT PLUG .049	
12	920027	QUICKIE GRIP 1" W/INSTR SHEET	
13	561004	1" SADDLE 1/4" HOLE	
14	118672	1" TUBE END BUSHING SHORT	
15	200113	NUT HEX NYLOCK M6 X 1 NUT	
17	119125	SHCS LOW HD M6X1X35 PART NP	
18	102262-007	BHCS M6 X 1 X 45	

Pos.	Item Number	Description	Remarks
20	119127	SHCS LOW HD, M6X1X45	Required to attach towel bar depth extension the Shallow Towel Bar to convert to the Deep Towel Bar
21	118769	TOWEL BAR DEPTH EXTENSION	Required on the Deep Towel Bar assembly; mounts to both sides of the Shallow Towel Bar.
22	550080	PUSH HNDLE INSERT S525 (Both Used)	
13-18,19A	118614	TOWEL BAR ASSY 18-22D	Deep-PLS6 only
13-18,19A	118637	TOWEL BAR ASSY 16-20D	Deep
13-18,19B	118600	TOWEL BAR ASSY 18-22S	Shallow-PLS6 only
13-18,19B	118633	TOWEL BAR ASSY 16-20S	Shallow
13-18,19B	118645	TOWEL BAR ASSY 12-16S	Shallow
13-18,19B	118646	TOWEL BAR ASSY 10-13S	Shallow
1,3-7,8A,9-12,22	120184	PH 8D LOW R ASSM NF 86-114	Right
1,3-7,8A,9-12,22	120185	PH 8D LOW L ASSM NF 86-114	Left
1,3-7,8A,9-12,22	120186	PH 8D MED R ASSM NF 86-114	Right
1,3-7,8A,9-12,22	120187	PH 8D MED L ASSM NF 86-114	Left
1,3-7,8A,9-12,22	120188	PH 8D TALL R ASSM NF 86-114	Right
1,3-7,8A,9-12,22	120189	PH 8D TALL L ASSM NF 86-114	Left
2-7,8A,9-12,22	120190	PH LOW R ASSM NF 86-114	Right
2-7,8A,9-12,22	120191	PH LOW L ASSM NF 86-114	Left
2-7,8A,9-12,22	120192	PH MED R ASSM NF 86-114	Right
2-7,8A,9-12,22	120193	PH MED L ASSM NF 86-114	Left
2-7,8A,9-12,22	120194	PH TALL R ASSM NF 86-114	Right
2-7,8A,9-12,22	120195	PH TALL L ASSM NF 86-114	Left
1,11,12	842221	BACK TUBE PH 8D LOW R S525	Right
1,11,12	842222	BACK TUBE PH 8D LOW L S525	Left
1,11,12	842223	BACK TUBE PH 8D MED R S525	Right
1,11,12	842224	BACK TUBE PH 8D MED L S525	Left
1,11,12	842225	BACK TUBE PH 8D TALL R S525	Right
1,11,12	842226	BACK TUBE PH 8D TALL L S525	Left
2,11,12	842227	BACK TUBE PH LOW R S525	Right
2,11,12	842228	BACK TUBE PH LOW L S525	Left
2,11,12	842229	BACK TUBE PH MED R S525	Right
2,11,12	842230	BACK TUBE PH MED L S525	Left
2,11,12	842231	BACK TUBE PH TALL R S525	Right
2,11,12	842232	BACK TUBE PH TALL L S525	Left



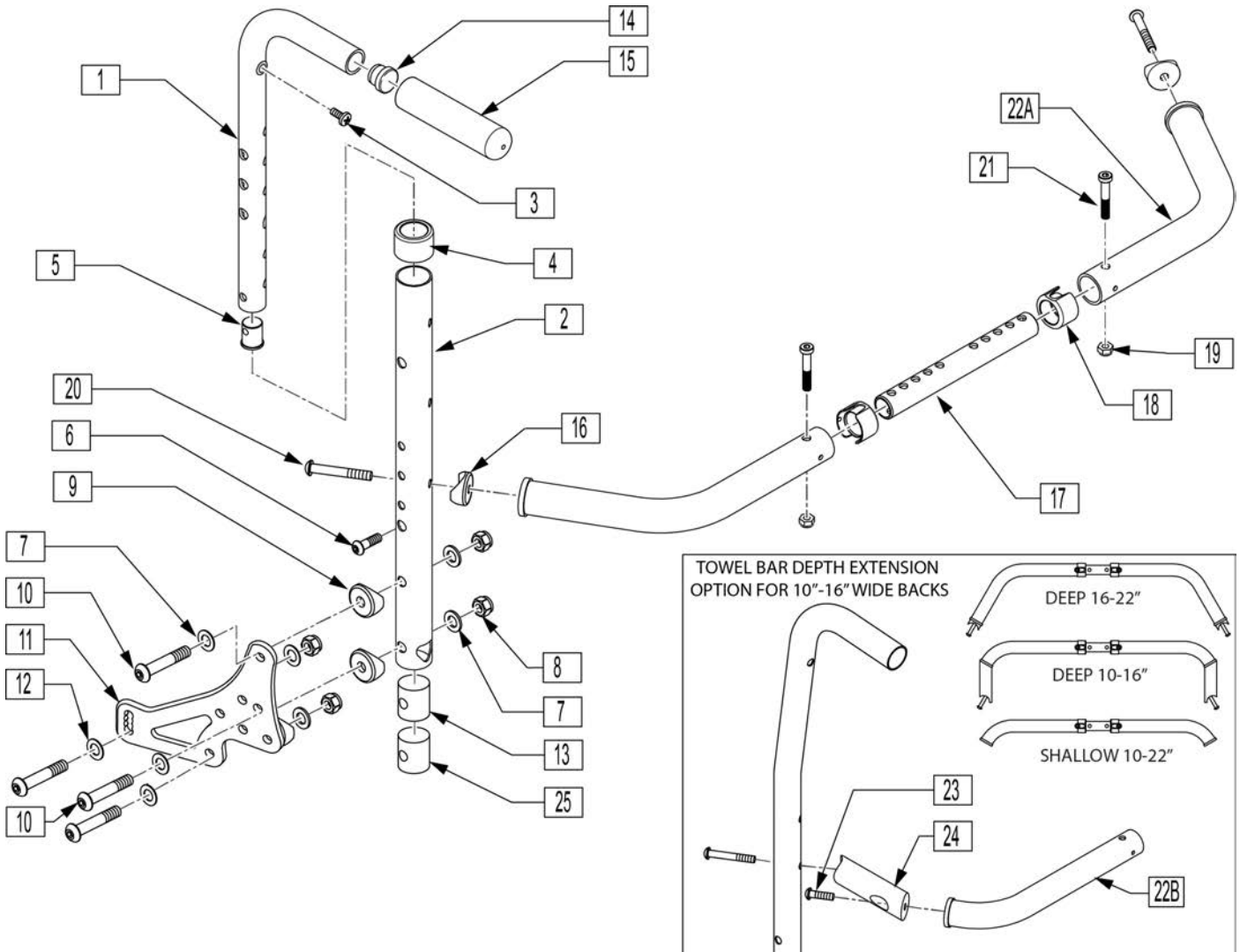
Pos.	Item Number	Description	Pos.	Item Number	Description	Pos.	Item Number	Description
1	687930	BACK UPH 12 LOW	1	686935	BACK UPH 15" TALL P2	1	686941	BACK UPH 19" MED P2
1	687931	BACK UPH 12 MED	1	686961	BACK UPH 16" LOW P2	1	686942	BACK UPH 19" TALL P2
1	687932	BACK UPH 12 TALL	1	686962	BACK UPH 16" MED P2	1	686943	BACK UPH 20" LOW P2
1	687935	BACK UPH 13 LOW	1	686963	BACK UPH 16" TALL P2	1	686944	BACK UPH 20" MED P2
1	687936	BACK UPH 13 MED	1	686936	BACK UPH 17" LOW P2	1	686945	BACK UPH 20" TALL P2
1	687937	BACK UPH 13 TALL	1	686937	BACK UPH 17" MED P2	1	687914	BACK UPH 22" LOW S626
1	686930	BACK UPH 14" LOW P2	1	686938	BACK UPH 17" TALL P2	1	687915	BACK UPH 22" MED S626
1	686931	BACK UPH 14" MED P2	1	686981	BACK UPH 18" LOW P2	1	687916	BACK UPH 22" TALL S626
1	686932	BACK UPH 14" TALL P2	1	686982	BACK UPH 18" MED P2	1	687919	BACK UPH 24" LOW S626
1	686933	BACK UPH 15" LOW P2	1	686983	BACK UPH 18" TALL P2	1	687920	BACK UPH 24" MED S626
1	686934	BACK UPH 15" MED P2	1	686940	BACK UPH 19" LOW P2	1	687921	BACK UPH 24" TALL S626

FOLDING BACKREST W/ ADJUSTABLE BACK CANES



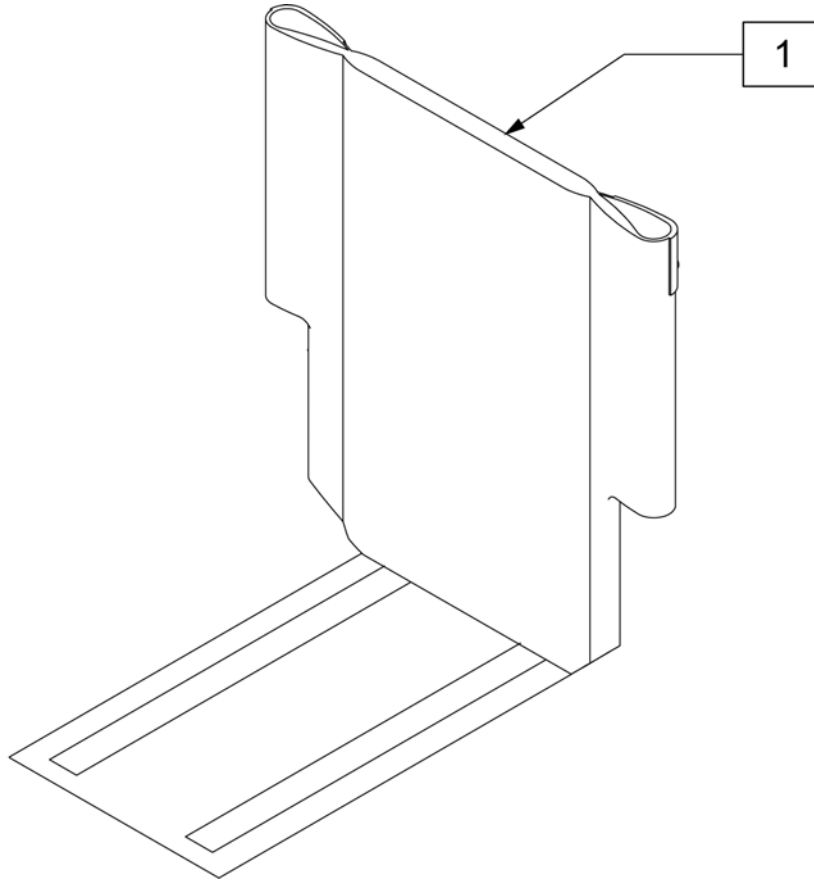
Pos.	Item Number	Description	Remarks
1,14,15	120417	PUSH HNDL ADJ LOW ASM LH	
1,14,15	120418	PUSH HNDL ADJ LOW ASM RH	
1,14,15	120419	PUSH HNDL ADJ TALL ASM LH	
1,14,15	120420	PUSH HNDL ADJ TALL ASM RH	
2	120409	PUSH HNDL RCVR LOW LH	
2	120410	PUSH HNDL RCVR LOW RH	
2	120411	PUSH HNDL RCVR TALL LH	
2	120412	PUSH HNDL RCVR TALL RH	
3	100223-002	BHCS M5X.8X16MM	
4	561082	1" TUBE END BUSHING THIN	
5	050019	PLUG BACKREST M6	
6	102262-004	BHCS M6 X 1 X 25 W/PL INORG	
7	263110-QU	5/16 AN WASHER FLAT THIN	
8	210085	NUT HEX NYLOCK M8 BLACK	
9	561006	1" SADDLE 5/16" HOLE	
10	230123	BHCS M8 X 1.25 X 45	
11	501723	BACKREST PLATE 86-114 DEGREE	
12	263100	5/16 AN WASHER FLAT	

Pos.	Item Number	Description	Remarks
13	483801	BACKREST LATCH PLUG P2	
14	561000-QU	3/4" INSERT PLUG .083	
15	920026	QUICKIE GRIP 3/4" W/INSTR. SH.	
16	561004	1" SADDLE 1/4" HOLE	
17	118672	1" TUBE END BUSHING SHORT	
18	200113	NUT HEX NYLOCK M6 X 1 NUT	
19	102262-007	BHCS M6 X 1 X 45	
20	119125	SHCS LOW HD M6X1X35 PART NP	
23	321110	S/A LATCH SPRING	
24	483800	BACKREST LATCH SLIDER P2	
25	118925	BCKRST LATCH BLOCK R	Right
25	118926	BCKRST LATCH BLOCK L	Left
26	230006	BHCS M8 X 1.25 X 25 BLK	
27	481084	BACK REL PIN Z2/QT/EX	
28	126238	PUSH ON ROUND CAP	
29	119127	SHCS LOW HD, M6X1X45	Required to attach towel bar depth extension the Shallow Towel Bar to convert to the Deep Towel Bar
30	118769	TOWEL BAR DEPTH EXTENSION	Required on the Deep Towel Bar assembly; mounts to both sides of the Shallow Towel Bar.
1-6,14,15	120421	PUSH HANDLE ADJ LOW FL ASM LH	
1-6,14,15	120422	PUSH HANDLE ADJ LOW FL ASM RH	
1-6,14,15	120423	PUSH HANDLE ADJ TALL FL ASM LH	
1-6,14,15	120424	PUSH HANDLE ADJ TALL FL ASM RH	
17-21,22A	118614	TOWEL BAR ASSY 18-22D	DEEP
17-21,22A	118637	TOWEL BAR ASSY 16-20D	DEEP
17-21,22B	118600	TOWEL BAR ASSY 18-22S	SHALLOW
17-21,22B	118633	TOWEL BAR ASSY 16-20S	SHALLOW
17-21,22B	118645	TOWEL BAR ASSY 12-16S	SHALLOW
17-21,22B	118646	TOWEL BAR ASSY 10-13S	SHALLOW
7-13,23-28	122713	FOLDING BK HDWR KIT LEFT	Left
7-13,23-28	122714	FOLDING BK HDWR KIT RIGHT	Right



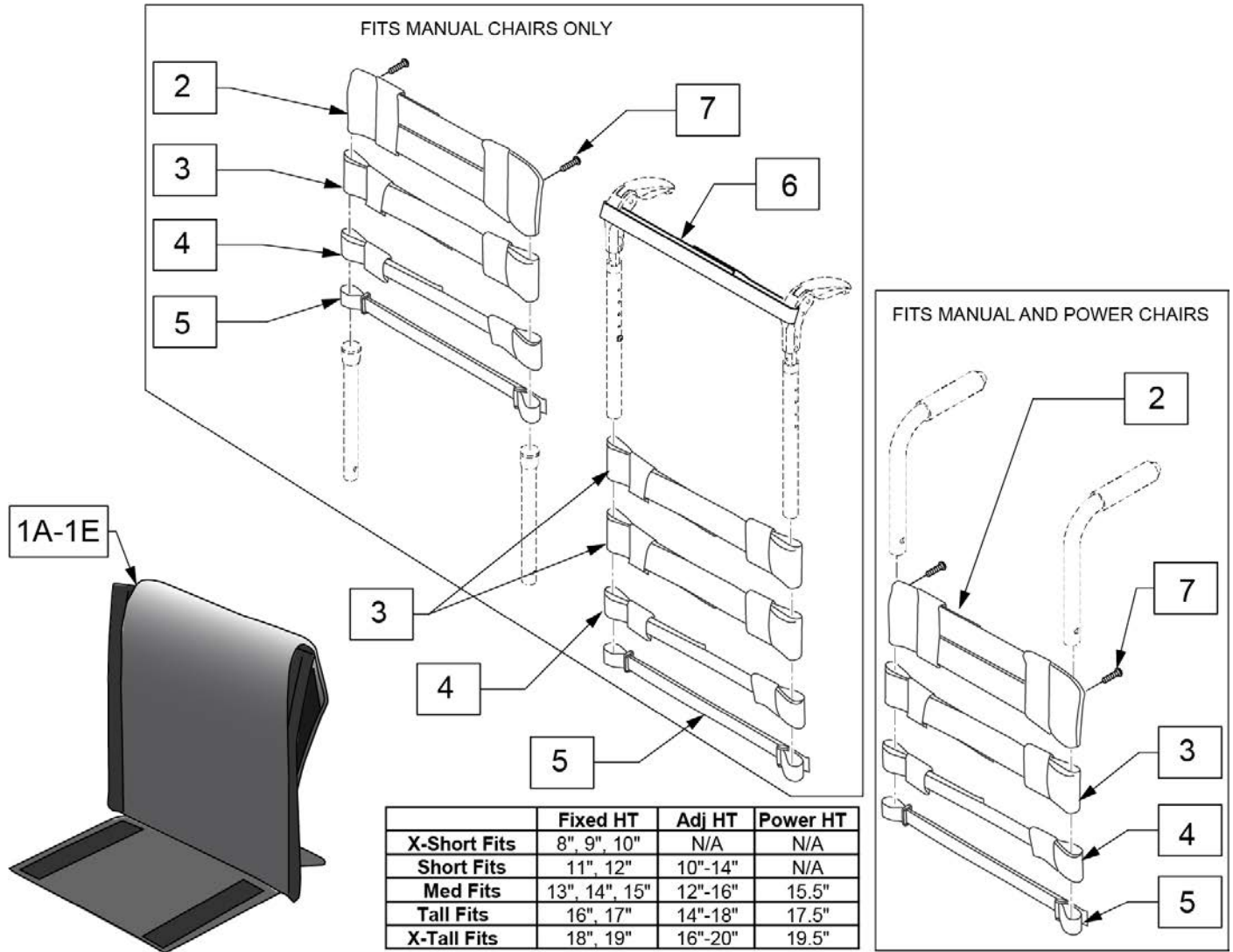
Pos.	Item Number	Description	Remarks
1,14,15	120418	PUSH HNDL ADJ LOW ASM RH	Right
1,14,15	120417	PUSH HNDL ADJ LOW ASM LH	Left
1,14,15	120420	PUSH HNDL ADJ TALL ASM RH	Right
1,14,15	120419	PUSH HNDL ADJ TALL ASM LH	Left
2	120410	PUSH HNDL RCVR LOW RH	Right
2	120409	PUSH HNDL RCVR LOW LH	Left
2	120412	PUSH HNDL RCVR TALL RH	Right
2	120411	PUSH HNDL RCVR TALL LH	Left
3	100223-002	BHCS M5X.8X16MM	
4	561082	1" TUBE END BUSHING THIN	
5	050019	PLUG BACKREST M6	
6	102262-004	BHCS M6 X 1 X 25 W/PL INORG	
7	263110-QU	5/16 AN WASHER FLAT THIN	
8	210085	NUT HEX NYLOCK M8 BLACK	
9	561006	1" SADDLE 5/16" HOLE	
10	230123	BHCS M8 X 1.25 X 45	
11	501723	BACKREST PLATE 86-114 DEGREE	
12	263100	5/16 AN WASHER FLAT	

Pos.	Item Number	Description	Remarks
13	483801	BCKREST LATCH PLUG P2 (Both Used)	
14	561000-QU	3/4" INSERT PLUG .083	
15	920026	QUICKIE GRIP 3/4" W/INSTR. SH.	
16	561004	1" SADDLE 1/4" HOLE	
18	118672	1" TUBE END BUSHING SHORT	
19	200113	NUT HEX NYLOCK M6 X 1 NUT	
20	102262-007	BHCS M6 X 1 X 45	
21	119125	SHCS LOW HD M6X1X35 PART NP	
23	119127	SHCS LOW HD, M6X1X45	Required to attach towel bar depth extension the Shallow Towel Bar to convert to the Deep Towel Bar
24	118769	TOWEL BAR DEPTH EXTENSION	Required on the Deep Towel Bar assembly; mounts to both sides of the Shallow Towel Bar.
25	550080	PUSH HNDLE INSERT S525 (Both Used)	
1-6	120422	PUSH HANDLE ADJ LOW FL ASM RH	Right
1-6	120421	PUSH HANDLE ADJ LOW FL ASM LH	Left
1-6	120424	PUSH HANDLE ADJ TALL FL ASM RH	Right
1-6	120423	PUSH HANDLE ADJ TALL FL ASM LH	Left
16-21,22A	118614	TOWEL BAR ASSY 18-22D	DEEP
16-21,22A	118637	TOWEL BAR ASSY 16-20D	DEEP
16-21,22B	118600	TOWEL BAR ASSY 18-22S	SHALLOW
16-21,22B	118633	TOWEL BAR ASSY 16-20S	SHALLOW
16-21,22B	118645	TOWEL BAR ASSY 12-16S	SHALLOW
16-21,22B	118646	TOWEL BAR ASSY 10-13S	SHALLOW
7-13,25	122715	NON FLDG BK HDWR KIT	



Pos.	Item Number	Description	Remarks
1	010661-001	UPH BCKRST ASSM 12W 38-42/43CM	LOW & MED BACK HEIGHTS
1	010661-002	UPH BCKRST ASSM 13W 38-42/43CM	LOW & MED BACK HEIGHTS
1	010661-003	UPH BCKRST ASSM 14W 38-42/43CM	LOW & MED BACK HEIGHTS
1	010661-004	UPH BCKRST ASSM 15W 38-42/43CM	LOW & MED BACK HEIGHTS
1	010661-005	UPH BCKRST ASSM 16W 38-42/43CM	LOW & MED BACK HEIGHTS
1	010661-006	UPH BCKRST ASSM 17W 38-42/43CM	LOW & MED BACK HEIGHTS
1	010661-007	UPH BCKRST ASSM 18W 38-42/43CM	LOW & MED BACK HEIGHTS
1	010661-008	UPH BCKRST ASSM 19W 38-42/43CM	LOW & MED BACK HEIGHTS
1	010661-009	UPH BCKRST ASSM 20W 38-42/43CM	LOW & MED BACK HEIGHTS
1	010661-010	UPH BCKRST ASSM 21W 38-42/43CM	LOW & MED BACK HEIGHTS
1	010661-011	UPH BCKRST ASSM 22W 38-42/43CM	LOW & MED BACK HEIGHTS
1	010661-012	UPH BCKRST ASSM 23W 38-42/43CM	LOW & MED BACK HEIGHTS
1	010662-001	UPH BCKRST ASSM 12W 48CM	TALL BACK HEIGHTS
1	010662-002	UPH BCKRST ASSM 13W 48CM	TALL BACK HEIGHTS
1	010662-003	UPH BCKRST ASSM 14W 48CM	TALL BACK HEIGHTS
1	010662-004	UPH BCKRST ASSM 15W 48CM	TALL BACK HEIGHTS
1	010662-005	UPH BCKRST ASSM 16W 48CM	TALL BACK HEIGHTS
1	010662-006	UPH BCKRST ASSM 17W 48CM	TALL BACK HEIGHTS
1	010662-007	UPH BCKRST ASSM 18W 48CM	TALL BACK HEIGHTS
1	010662-008	UPH BCKRST ASSM 19W 48CM	TALL BACK HEIGHTS
1	010662-009	UPH BCKRST ASSM 20W 48CM	TALL BACK HEIGHTS
1	010662-010	UPH BCKRST ASSM 21W 48CM	TALL BACK HEIGHTS
1	010662-011	UPH BCKRST ASSM 22W 48CM	TALL BACK HEIGHTS
1	010662-012	UPH BCKRST ASSM 23W 48CM	TALL BACK HEIGHTS
1	010662-013	UPH BCKRST ASSM 24W 48CM	TALL BACK HEIGHTS

Note: Each back height uses a different variation of back straps; replacement strap kits contain more straps than needed to support all back heights.

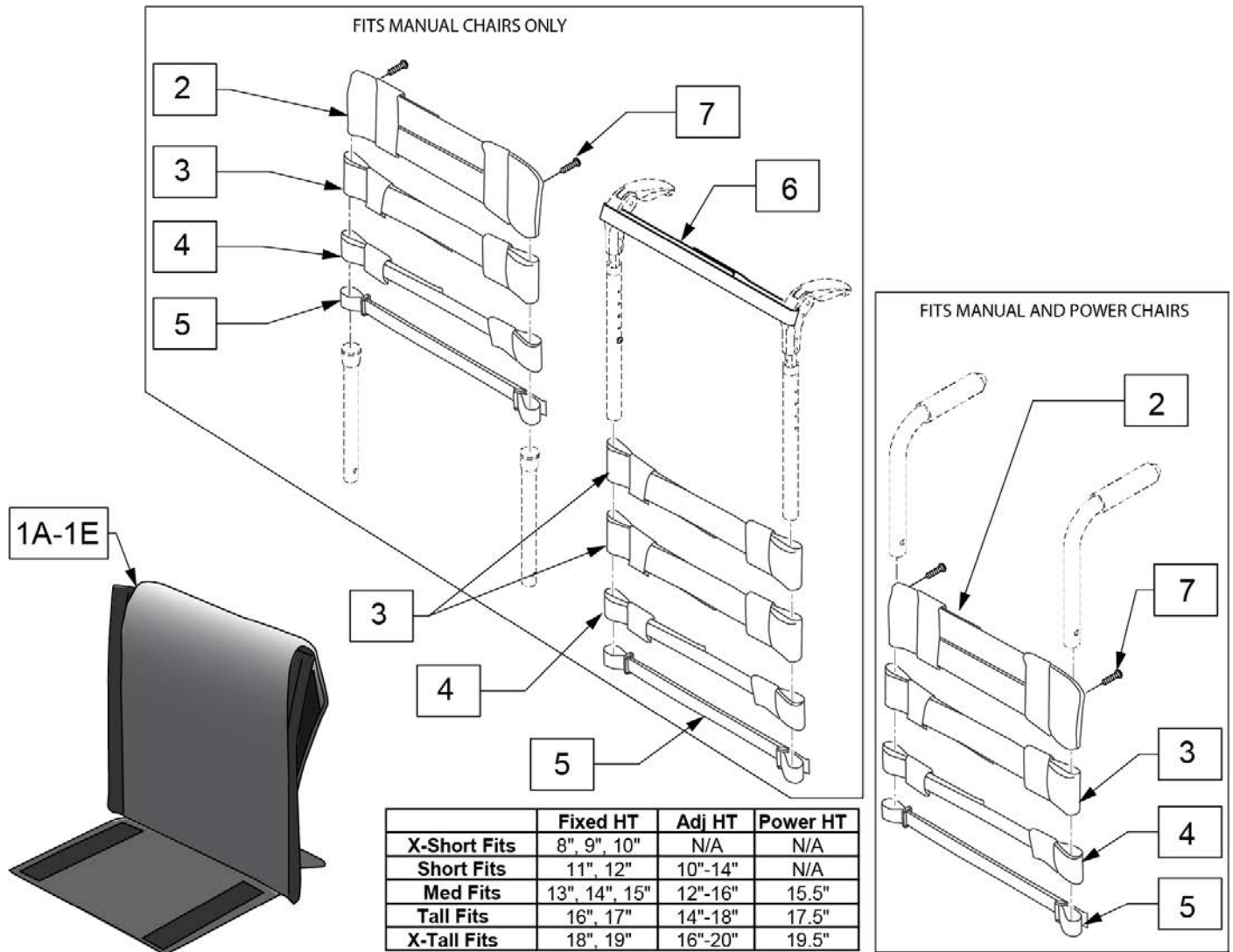


Pos.	Item Number	Description	Remarks
2	113712	TOP CAP, STD, 11 -12"	Used for Omit Push Handle & Integral Push Handle only
2	113713	TOP CAP, STD, 13 -14"	Used for Omit Push Handle & Integral Push Handle only
2	113714	TOP CAP, STD, 15 -16"	Used for Omit Push Handle & Integral Push Handle only
2	113715	TOP CAP, STD, 17 -18"	Used for Omit Push Handle & Integral Push Handle only
2	113716	TOP CAP, STD, 19 -20"	Used for Omit Push Handle & Integral Push Handle only
3	113727	STRAP PADDED 2", 11 -12"	
3	113728	STRAP PADDED 2", 13 -14"	
3	113729	STRAP PADDED 2", 15 -16"	
3	113730	STRAP PADDED 2", 17 -18"	
3	113731	STRAP PADDED 2", 19 -20"	
4	113732	STRAP PADDED 1", 11 -12"	
4	113733	STRAP PADDED 1", 13 -14"	
4	113734	STRAP PADDED 1", 15 -16"	
4	113735	STRAP PADDED 1", 16 -17"	

Pos.	Item Number	Description	Remarks
4	113736	STRAP PADDED 1", 18 -19"	
5	113717	POSITION STRAP 1", 11 -12	
5	113718	POSITION STRAP 1", 13 -14	
5	113719	POSITION STRAP 1", 15 -16	
5	113720	POSITION STRAP 1", 17 -18	
5	113721	POSITION STRAP 1", 19 -20	
6	052435-001	UPH,VNTD ADJ.,FPH STRP,12-13"W	Fold Down Push Handles only
6	052435-002	UPH,VNTD ADJ.,FPH STRP,14-15"W	Fold Down Push Handles only
6	052435-003	UPH,VNTD ADJ.,FPH STRP,16-17"W	Fold Down Push Handles only
6	052435-004	UPH,VNTD ADJ.,FPH STRP,18-20"W	Fold Down Push Handles only
7	107384	PAN HD PHIL 10/32 X 5/8 ROHS	
2-7	114879	ADJ UPH 11-12W STRAP KIT	
2-7	114880	ADJ UPH 13-14W STRAP KIT	
2-7	114881	ADJ UPH 15-16W STRAP KIT	
2-7	114882	ADJ UPH 17-18W STRAP KIT	
2-7	114883	ADJ UPH 19-20W STRAP KIT	
1A,2-7	113321-001	ADJ UP 12W X-SHT ASM	
1B,2-7	113321-002	ADJ UP 12W SHT ASM	
1C,2-7	113321-003	ADJ UP 12W MED ASM	
1D,2-7	113321-004	ADJ UP 12W TAL ASM	
1E,2-7	113321-005	ADJ UP 12W X-TAL ASM	
1A,2-7	113321-006	ADJ UP 13W X-SHT ASM	
1B,2-7	113321-007	ADJ UP 13W SHT ASM	
1C,2-7	113321-008	ADJ UP 13W MED ASM	
1D,2-7	113321-009	ADJ UP 13W TAL ASM	
1E,2-7	113321-010	ADJ UP 13W X-TAL ASM	
1A,2-7	113321-011	ADJ UP 14W X-SHT ASM	
1B,2-7	113321-012	ADJ UP 14W SHT ASM	
1C,2-7	113321-013	ADJ UP 14W MED ASM	
1D,2-7	113321-014	ADJ UP 14W TAL ASM	
1E,2-7	113321-015	ADJ UP 14W X-TAL ASM	
1A,2-7	113321-016	ADJ UP 15W X-SHT ASM	
1B,2-7	113321-017	ADJ UP 15W SHT ASM	
1C,2-7	113321-018	ADJ UP 15W MED ASM	
1D,2-7	113321-019	ADJ UP 15W TAL ASM	
1E,2-7	113321-020	ADJ UP 15W X-TAL ASM	
1A,2-7	113321-021	ADJ UP 16W X-SHT ASM	
1B,2-7	113321-022	ADJ UP 16W SHT ASM	
1C,2-7	113321-023	ADJ UP 16W MED ASM	
1D,2-7	113321-024	ADJ UP 16W TAL ASM	
1E,2-7	113321-025	ADJ UP 16W X-TAL ASM	
1A,2-7	113321-026	ADJ UP 17W X-SHT ASM	
1B,2-7	113321-027	ADJ UP 17W SHT ASM	
1C,2-7	113321-028	ADJ UP 17W MED ASM	
1D,2-7	113321-029	ADJ UP 17W TAL ASM	
1E,2-7	113321-030	ADJ UP 17W X-TAL ASM	
1A,2-7	113321-031	ADJ UP 18W X-SHT ASM	
1B,2-7	113321-032	ADJ UP 18W SHT ASM	
1C,2-7	113321-033	ADJ UP 18W MED ASM	
1D,2-7	113321-034	ADJ UP 18W TAL ASM	
1E,2-7	113321-035	ADJ UP 18W X-TAL ASM	
1A,2-7	113321-036	ADJ UP 19W X-SHT ASM	
1B,2-7	113321-037	ADJ UP 19W SHT ASM	
1C,2-7	113321-038	ADJ UP 19W MED ASM	
1D,2-7	113321-039	ADJ UP 19W TAL ASM	
1E,2-7	113321-040	ADJ UP 19W X-TAL ASM	
1A,2-7	113321-041	ADJ UP 20W X-SHT ASM	

Pos.	Item Number	Description	Remarks
1B,2-7	113321-042	ADJ UP 20W SHT ASM	
1C,2-7	113321-043	ADJ UP 20W MED ASM	
1D,2-7	113321-044	ADJ UP 20W TAL ASM	
1E,2-7	113321-045	ADJ UP 20W X-TAL ASM	

Note: Each back height uses a different variation of back straps; replacement strap kits contain more straps than needed to support all back heights.



Pos.	Item Number	Description	Remarks
2	113712	TOP CAP, STD, 11 -12"	Used for Omit Push Handle & Integral Push Handle only
2	113713	TOP CAP, STD, 13 -14"	Used for Omit Push Handle & Integral Push Handle only
2	113714	TOP CAP, STD, 15 -16"	Used for Omit Push Handle & Integral Push Handle only
2	113715	TOP CAP, STD, 17 -18"	Used for Omit Push Handle & Integral Push Handle only
2	113716	TOP CAP, STD, 19 -20"	Used for Omit Push Handle & Integral Push Handle only
3	113727	STRAP PADDED 2", 11 -12"	
3	113728	STRAP PADDED 2", 13 -14"	
3	113729	STRAP PADDED 2", 15 -16"	
3	113730	STRAP PADDED 2", 17 -18"	
3	113731	STRAP PADDED 2", 19 -20"	
4	113732	STRAP PADDED 1", 11 -12"	
4	113733	STRAP PADDED 1", 13 -14"	
4	113734	STRAP PADDED 1", 15 -16"	
4	113735	STRAP PADDED 1", 16 -17"	

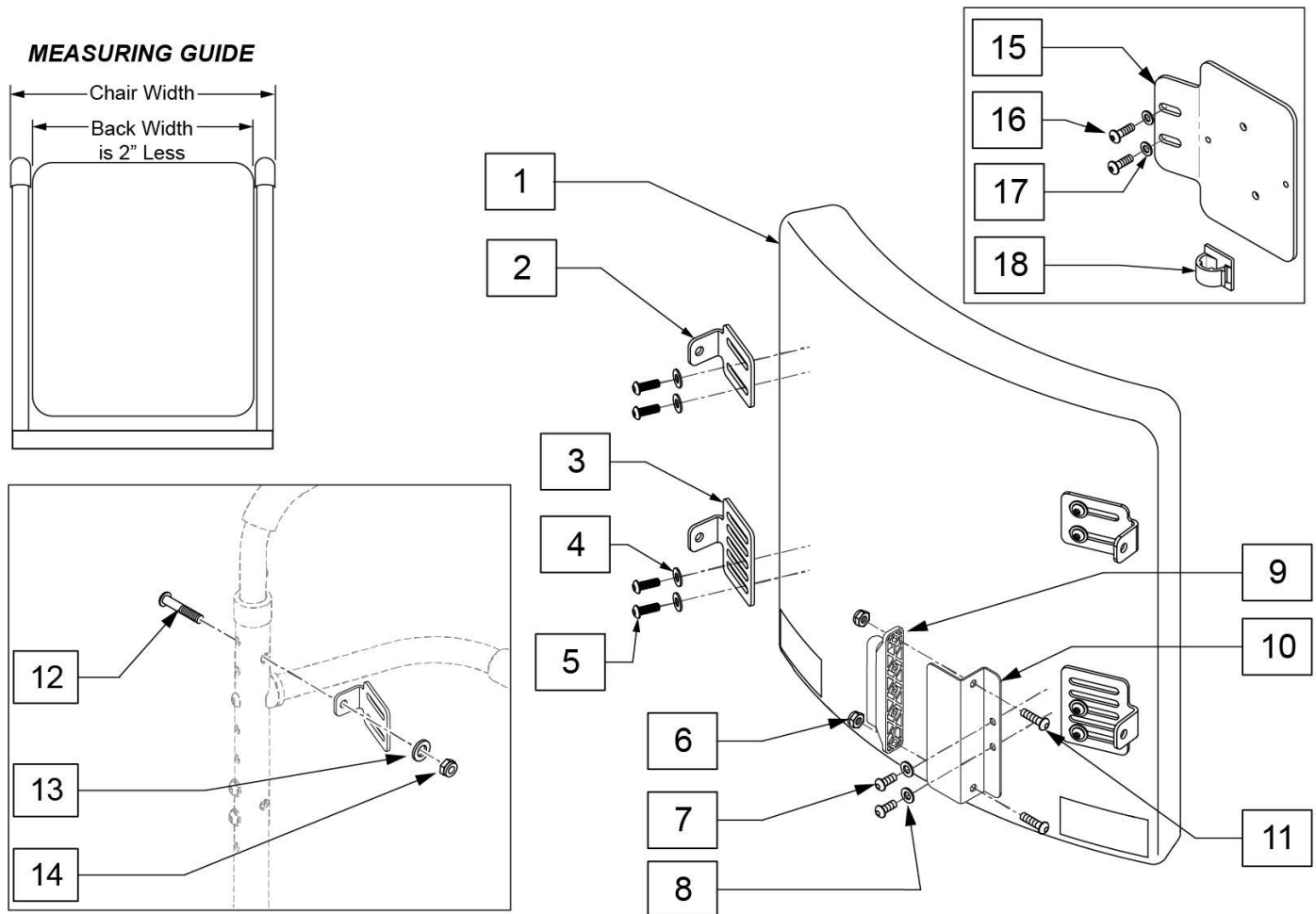
Pos.	Item Number	Description	Remarks
4	113736	STRAP PADDED 1", 18 -19"	
5	113717	POSITION STRAP 1", 11 -12	
5	113718	POSITION STRAP 1", 13 -14	
5	113719	POSITION STRAP 1", 15 -16	
5	113720	POSITION STRAP 1", 17 -18	
5	113721	POSITION STRAP 1", 19 -20	
6	052435-001	UPH,VNTD ADJ.,FPH STRP,12-13"W	Fold Down Push Handles only
6	052435-002	UPH,VNTD ADJ.,FPH STRP,14-15"W	Fold Down Push Handles only
6	052435-003	UPH,VNTD ADJ.,FPH STRP,16-17"W	Fold Down Push Handles only
6	052435-004	UPH,VNTD ADJ.,FPH STRP,18-20"W	Fold Down Push Handles only
7	107384	PAN HD PHIL 10/32 X 5/8 ROHS	
2-7	114879	ADJ UPH 11-12W STRAP KIT	
2-7	114880	ADJ UPH 13-14W STRAP KIT	
2-7	114881	ADJ UPH 15-16W STRAP KIT	
2-7	114882	ADJ UPH 17-18W STRAP KIT	
2-7	114883	ADJ UPH 19-20W STRAP KIT	
1A,2-7	113322-001	VNT ADJ UP 12W X-SHT ASM	
1B,2-7	113322-002	VNT ADJ UP 12W SHT ASM	
1C,2-7	113322-003	VNT ADJ UP 12W MED ASM	
1D,2-7	113322-004	VNT ADJ UP 12W TAL ASM	
1E,2-7	113322-005	VNT ADJ UP 12W X-TAL ASM	
1A,2-7	113322-006	VNT ADJ UP 13W X-SHT ASM	
1B,2-7	113322-007	VNT ADJ UP 13-W SHT ASM	
1C,2-7	113322-008	VNT ADJ UP 13W MED ASM	
1D,2-7	113322-009	VNT ADJ UP 13W TAL ASM	
1E,2-7	113322-010	VNT ADJ UP 13W X-TAL ASM	
1A,2-7	113322-011	VNT ADJ UP 14W X-SHT ASM	
1B,2-7	113322-012	VNT ADJ UP 14W SHT ASM	
1C,2-7	113322-013	VNT ADJ UP 14W MED ASM	
1D,2-7	113322-014	VNT ADJ UP 14W TAL ASM	
1E,2-7	113322-015	VNT ADJ UP 14W X-TAL ASM	
1A,2-7	113322-016	VNT ADJ UP 15W X-SHT ASM	
1B,2-7	113322-017	VNT ADJ UP 15W SHT ASM	
1C,2-7	113322-018	VNT ADJ UP 15W MED ASM	
1D,2-7	113322-019	VNT ADJ UP 15W TAL ASM	
1E,2-7	113322-020	VNT ADJ UP 15W X-TAL ASM	
1A,2-7	113322-021	VNT ADJ UP 16W X-SHT ASM	
1B,2-7	113322-022	VNT ADJ UP 16W SHT ASM	
1C,2-7	113322-023	VNT ADJ UP 16W MED ASM	
1D,2-7	113322-024	VNT ADJ UP 16W TAL ASM	
1E,2-7	113322-025	VNT ADJ UP 16W X-TAL ASM	
1A,2-7	113322-026	VNT ADJ UP 17W X-SHT ASM	
1B,2-7	113322-027	VNT ADJ UP 17W SHT ASM	
1C,2-7	113322-028	VNT ADJ UP 17W MED ASM	
1D,2-7	113322-029	VNT ADJ UP 17W TAL ASM	
1E,2-7	113322-030	VNT ADJ UP 17W X-TAL ASM	
1A,2-7	113322-031	VNT ADJ UP 18W X-SHT ASM	
1B,2-7	113322-032	VNT ADJ UP 18W SHT ASM	
1C,2-7	113322-033	VNT ADJ UP 18W MED ASM	
1D,2-7	113322-034	VNT ADJ UP 18W TAL ASM	
1E,2-7	113322-035	VNT ADJ UP 18W X-TAL ASM	
1A,2-7	113322-036	VNT ADJ UP 19W X-SHT ASM	
1B,2-7	113322-037	VNT ADJ UP 19W SHT ASM	
1C,2-7	113322-038	VNT ADJ UP 19W MED ASM	
1D,2-7	113322-039	VNT ADJ UP 19W TAL ASM	
1E,2-7	113322-040	VNT ADJ UP 19W X-TAL ASM	
1A,2-7	113322-041	VNT ADJ UP 20W X-SHT ASM	

Pos.	Item Number	Description	Remarks
1B,2-7	113322-042	VNT ADJ UP 20W SHT ASM	
1C,2-7	113322-043	VNT ADJ UP 20W MED ASM	
1D,2-7	113322-044	VNT ADJ UP 20W TAL ASM	
1E,2-7	113322-045	VNT ADJ UP 20W X-TAL ASM	

Note: Replacement Backs are listed based on actual chair width. Please note that backs are actually 2" narrower than the chair. For example, 16 x 16 back is 14 wide and used on 16" wide chair.

Note: Back Assemblies do not include mounting bolts. Reference no.'s 12,13,&14 on parts page.

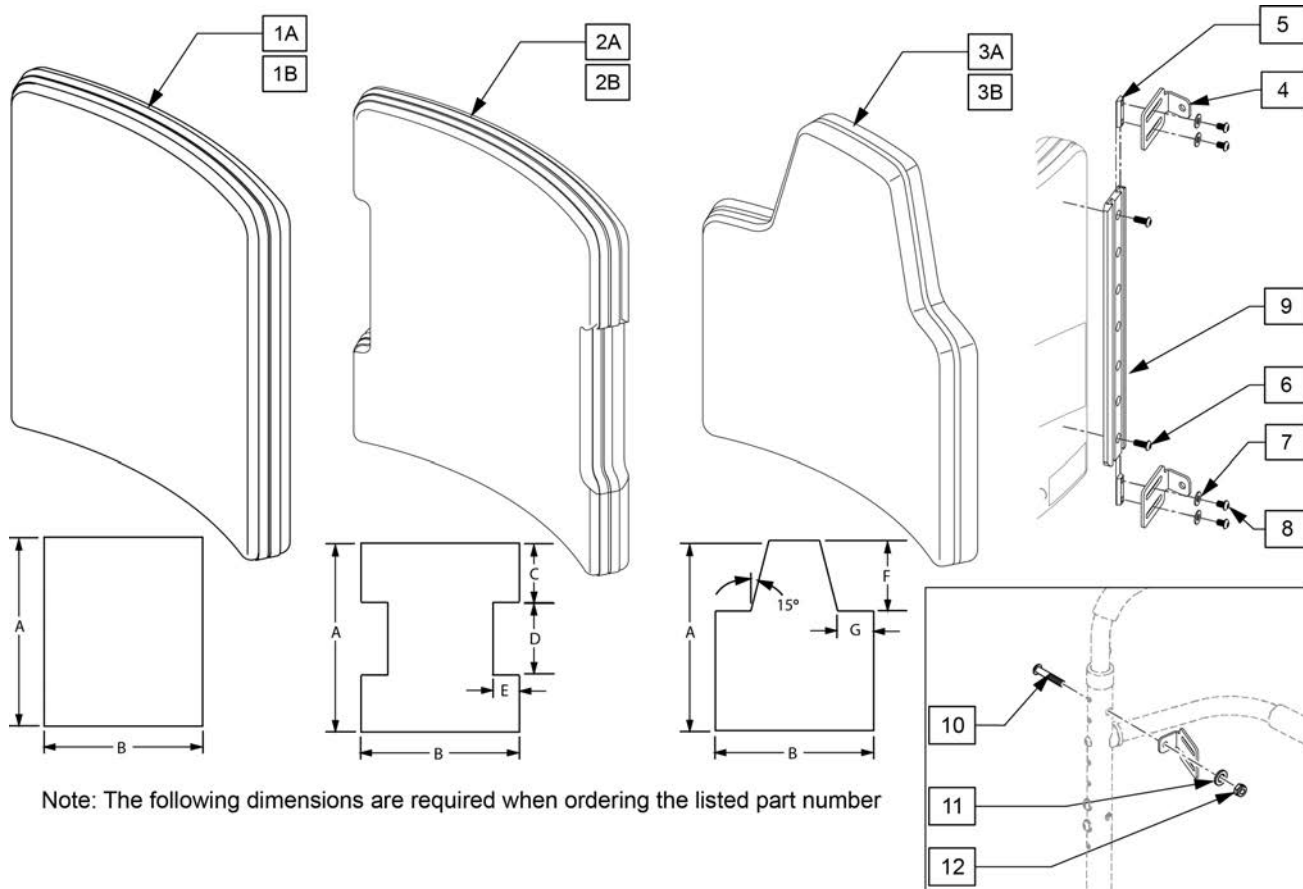
Note: To achieve 19" & 20" back depth on ASAP seating order Qty 2 117840.



Pos.	Item Number	Description	Remarks
2-5	107064	MOUNTING KIT	4 brackets & hardware
1-5	106315-031	BACK STD COMP ASSY 12X12	
1-5	106315-032	BACK STD COMPLETE 12X14	
1-5	106315-033	BACK STD COMPLETE 12X16	
1-5	106315-035	BACK STD COMPLETE 13X12	
1-5	106315-036	BACK STD COMPLETE 13X14	
1-5	106315-037	BACK STD COMPLETE 13X16	
1-5	106315-038	BACK STD COMPLETE 13X18	
1-5	106315-039	BACK STD COMPLETE 13X20	

Pos.	Item Number	Description	Remarks
1-5	106315-041	BACK STD COMPLETE 14X12	
1-5	106315-042	BACK STD COMPLETE 14X14	
1-5	106315-043	BACK STD COMPLETE 14X16	
1-5	106315-044	BACK STD COMPLETE 14X18	
1-5	106315-045	BACK STD COMPLETE 14X20	
1-5	106315-047	BACK STD COMPLETE 15X12	
1-5	106315-048	BACK STD COMPLETE 15X14	
1-5	106315-049	BACK STD COMPLETE 15X16	
1-5	106315-050	BACK STD COMPLETE 15X18	
1-5	106315-051	BACK STD COMPLETE 15X20	
1-5	106315-052	BACK STD COMPLETE 16X12	
1-5	106315-053	BACK STD COMPLETE 16x14	
1-5	106315-054	BACK STD COMPLETE 16x16	
1-5	106315-001	BACK STD COMPLETE 16X18	
1-5	106315-002	BACK STD COMPLETE 16X20	
1-5	106315-003	BACK STD COMPLETE 16X22	
1-5	106315-004	BACK STD COMPLETE 16X24	
1-5	106315-055	BACK STD COMP ASSY 17X14	
1-5	106315-056	BACK STD COMP ASSY 17X16	
1-5	106315-005	BACK STD COMPLETE 17X18	
1-5	106315-006	BACK STD COMPLETE 17X20	
1-5	106315-007	BACK STD COMPLETE 17X22	
1-5	106315-008	BACK STD COMPLETE 17X24	
1-5	106315-057	BACK STD COMP ASSY 18X16	
1-5	106315-009	BACK STD COMPLETE 18X18	
1-5	106315-010	BACK STD COMPLETE 18X20	
1-5	106315-011	BACK STD COMPLETE 18X22	
1-5	106315-012	BACK STD COMPLETE 18X24	
1-5	106315-058	BACK STD COMPLETE ASSY 19X16	
1-5	106315-059	BACK STD COMPLETE ASSY 19X18	
1-5	106315-013	BACK STD COMPLETE 19X20	
1-5	106315-014	BACK STD COMPLETE 19X22	
1-5	106315-015	BACK STD COMPLETE 19X24	
1-5	106315-065	BACK STD COMPLETE ASSY 20X16	
1-5	106315-066	BACK STD COMPLETE ASSY 20X18	
1-5	106315-016	BACK STD COMPLETE 20X20	
1-5	106315-017	BACK STD COMPLETE 20X22	
1-5	106315-018	BACK STD COMPLETE 20X24	
1-5	106315-060	BACK STD COMP ASSY 22X16	
1-5	106315-061	BACK STD COMP ASSY 22X18	
1-5	106315-062	BACK STD COMP ASSY 22X20	
1-5	106315-063	BACK STD COMP ASSY 22X22	
1-5	106315-064	BACK STD COMP ASSY 22X24	
6	210084	NUT HEX NYLOCK M6 BLACK	
7	108107	BHCS 1/4-20 X 3/4 ROHS	
8	106943	WASHER FLAT AN 1/4 ROHS	
9	108312	DISTRIBUTION BLOCK	
10	109251	BRKT DSTRBTN BLCK	
11	103185-006	ROHSBHCSM6X1X16FULLNP	
12	230122	BHCSM8X1.25X40FULLNP	
13	011691	WASHER HIGH STRENGTH	
14	210085	NUT HEX NYLOCK M8 BLACK	
15-18	120196	BRACKET ART BACK 3 AXIS CNTR w/HDWR	
16	108107	BHCS 1/4-20 X 3/4 ROHS	
17	106943	WASHER FLAT AN 1/4 ROHS	
18	341220	BATTERY CABLE CLIP	

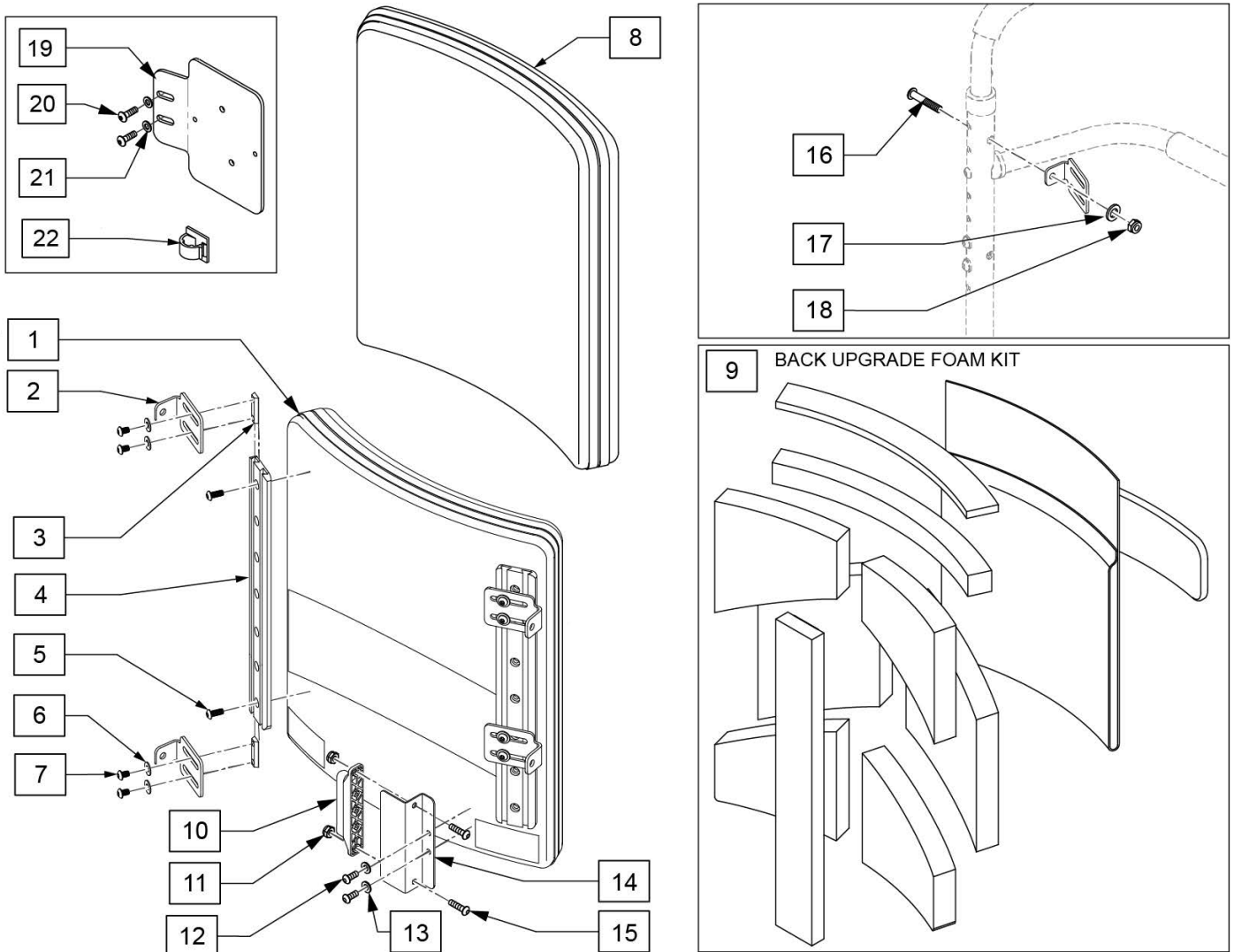
Note: to achieve 19" & 20" back depth on ASAP seating order Qty 2 117840.



Note: The following dimensions are required when ordering the listed part number

Pos.	Item Number	Description	Remarks
1B	112539S	GNRIC REC ART SPO COVER	Replacement Rectangular back cover only
2B	112540S	GNRIC I ART SPO BCK COVER	Replacement I back cover only
3B	112541S	GNRIC SCAP ART SPO BCK COVER	Replacement Scapular back cover only
1A-9	112536S	GNRIC REC ART SPO ASSM	Replacement Rectangular back assembly
2A-9	112537S	GNRIC I ART SPO BCK ASM	Replacement I back assembly
3A-9	112538S	GNRIC SCAP ART SPO BCK ASM	Replacement Scapular back assembly
10	230122	BHCSM8X1.25X40FULLNP	
11	011691	WASHER HIGH STRENGTH	
12	210085	NUT HEX NYLOCK M8 BLACK	

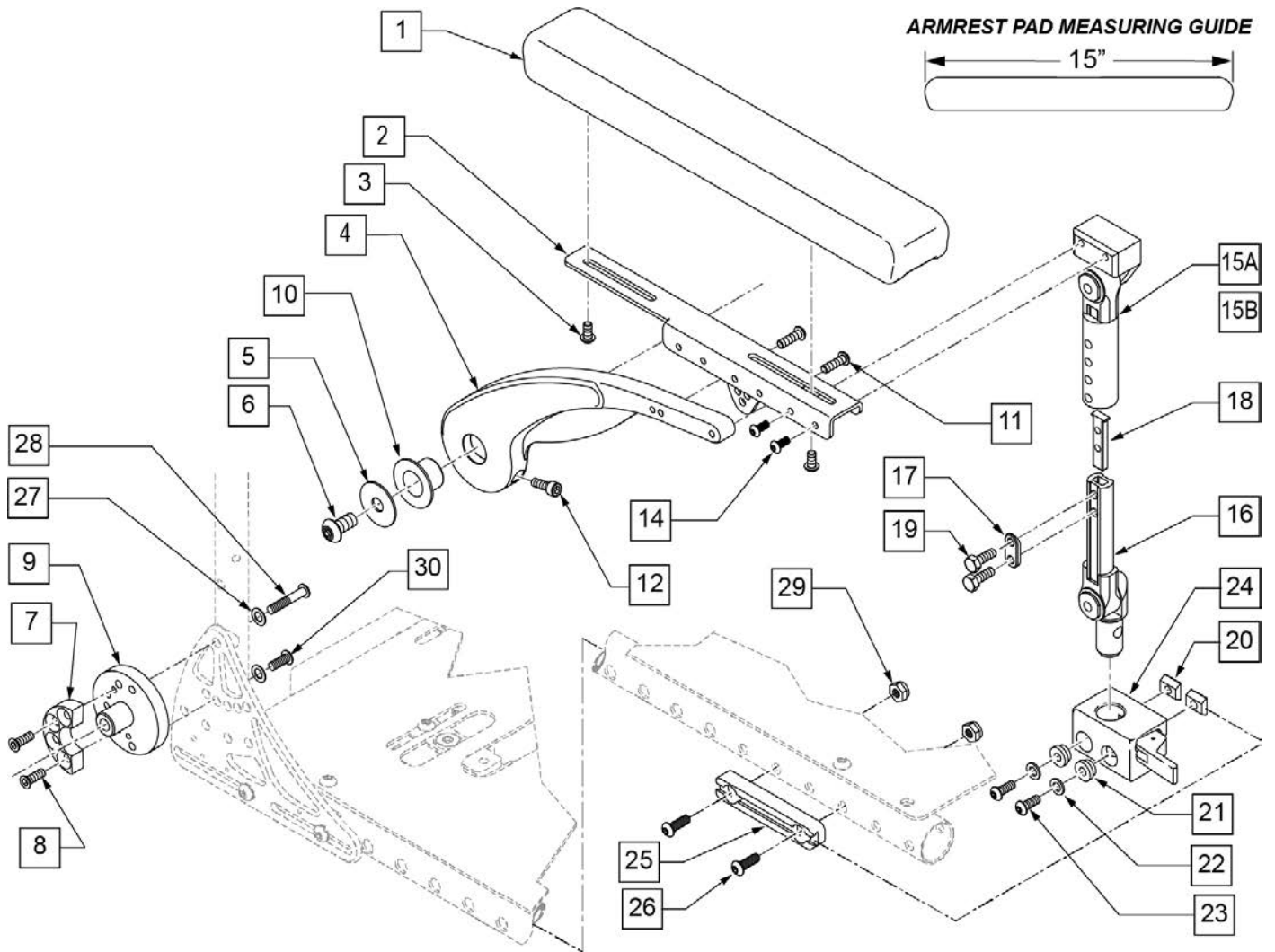
Note: actual back width measurement is 2" less than stated width.



Pos.	Item Number	Description	Remarks
2	107183	CANE BRACKET - STANDARD	
2-7	107310-001	BACK UPGRADE MNTG KIT 14 IN	FITS 18T BACK HEIGHTS
2-7	107310-002	BACK UPGRADE MNTG KIT 16 IN	FITS 20T BACK HEIGHTS
2-7	107310-003	BACK UPGRADE MNTG KIT 18 IN	FITS 22T BACK HEIGHTS
2-7	107310-004	BACK UPGRADE MNTG KIT 20 IN	FITS 24T BACK HEIGHTS
1-8	106324-001	BACK UPGRADE COMPLETE 16X18	FITS 16W x 18T
1-8	106324-002	BACK UPGRADE COMPLETE 16x20	FITS 16W x 20T
1-8	106324-003	BACK UPGRADE COMPLETE 16x22	FITS 16W x 22T
1-8	106324-004	BACK UPGRADE COMPLETE 16x24	FITS 16W x 24T
1-8	106324-005	BACK UPGRADE COMPLETE 17x18	FITS 17W x 18T
1-8	106324-006	BACK UPGRADE COMPLETE 17x20	FITS 17W x 20T
1-8	106324-007	BACK UPGRADE COMPLETE 17x22	FITS 17W x 22T
1-8	106324-008	BACK UPGRADE COMPLETE 17x24	FITS 17W x 24T
1-8	106324-009	BACK UPGRADE COMPLETE 18x18	FITS 18W x 18T

Pos.	Item Number	Description	Remarks
1-8	106324-010	BACK UPGRADE COMPLETE 18x20	FITS 18W x 20T
1-8	106324-011	BACK UPGRADE COMPLETE 18x22	FITS 18W x 22T
1-8	106324-012	BACK UPGRADE COMPLETE 18x24	FITS 18W x 24T
1-8	106324-013	BACK UPGRADE COMPLETE 19x20	FITS 19W x 20T
1-8	106324-014	BACK UPGRADE COMPLETE 19x22	FITS 19W x 22T
1-8	106324-015	BACK UPGRADE COMPLETE 19x24	FITS 19W x 24T
1-8	106324-016	BACK UPGRADE COMPLETE 20x20	FITS 20W x 20T
1-8	106324-017	BACK UPGRADE COMPLETE 20x22	FITS 20W x 22T
1-8	106324-018	BACK UPGRADE COMPLETE 20x24	FITS 20W x 24T
8	106372-001	BACK COVER 16X18	FITS 16W x 18T
8	106372-002	BACK COVER 16X20	FITS 16W x 20T
8	106372-003	BACK COVER 16X22	FITS 16W x 22T
8	106372-004	BACK COVER 16X24	FITS 16W x 24T
8	106372-005	BACK COVER 17X18	FITS 17W x 18T
8	106372-006	BACK COVER 17X20	FITS 17W x 20T
8	106372-007	BACK COVER 17X22	FITS 17W x 22T
8	106372-008	BACK COVER 17X24	FITS 17W x 24T
8	106372-009	BACK COVER 18X18	FITS 18W x 18T
8	106372-010	BACK COVER 18X20	FITS 18W x 20T
8	106372-011	BACK COVER 18X22	FITS 18W x 22T
8	106372-012	BACK COVER 18X24	FITS 18W x 24T
8	106372-013	BACK COVER 19X20	FITS 19W x 20T
8	106372-014	BACK COVER 19X22	FITS 19W x 22T
8	106372-015	BACK COVER 19X24	FITS 19W x 24T
8	106372-016	BACK COVER 20X20	FITS 20W x 20T
8	106372-017	BACK COVER 20X22	FITS 20W x 22T
8	106372-018	BACK COVER 20X24	FITS 20W x 24T
9	107309-001	BACK UPGRADE FOAM KIT 16x18	FITS 16W x 18T
9	107309-002	BACK UPGRADE FOAM KIT 16x20	FITS 16W x 20T
9	107309-003	BACK UPGRADE FOAM KIT 16x22	FITS 16W x 22T
9	107309-004	BACK UPGRADE FOAM KIT 16x24	FITS 16W x 24T
9	107309-005	BACK UPGRADE FOAM KIT 17x18	FITS 17W x 18T
9	107309-006	BACK UPGRADE FOAM KIT 17x20	FITS 17W x 20T
9	107309-007	BACK UPGRADE FOAM KIT 17x22	FITS 17W x 22T
9	107309-008	BACK UPGRADE FOAM KIT 17x24	FITS 17W x 24T
9	107309-009	BACK UPGRADE FOAM KIT 18x18	FITS 18W x 18T
9	107309-010	BACK UPGRADE FOAM KIT 18x20	FITS 18W x 20T
9	107309-011	BACK UPGRADE FOAM KIT 18x22	FITS 18W x 22T
9	107309-012	BACK UPGRADE FOAM KIT 18x24	FITS 18W x 24T
9	107309-013	BACK UPGRADE FOAM KIT 19x20	FITS 19W x 20T
9	107309-014	BACK UPGRADE FOAM KIT 19x22	FITS 19W x 22T
9	107309-015	BACK UPGRADE FOAM KIT 19x24	FITS 19W x 24T
9	107309-016	BACK UPGRADE FOAM KIT 20x20	FITS 20W x 20T
9	107309-017	BACK UPGRADE FOAM KIT 20x22	FITS 20W x 22T
9	107309-018	BACK UPGRADE FOAM KIT 20x24	FITS 20W x 24T
10	108312	DISTRIBUTION BLOCK	R-net Distribution Block
11	210084	NUT HEX NYLOCK M6 BLACK	
12	108107	BHCS 1/4-20 X 3/4 ROHS	
13	106943	WASHER FLAT AN 1/4 ROHS	
14	109251	BRKT DSTRBTN BLCK	
15	103185-006	ROHS BHCS M6 X 1 X1 6 FULL NP	
10-15	110843	DIST BLOCK BACK KIT	R-net Distribution Block Kit
16	230122	BHCSM8X1.25X40FULLNP	
17	011691	WASHER HIGH STRENGTH	
18	210085	NUT HEX NYLOCK M8 BLACK	
20	108107	BHCS 1/4-20 X 3/4 ROHS	
21	106943	WASHER FLAT AN 1/4 ROHS	

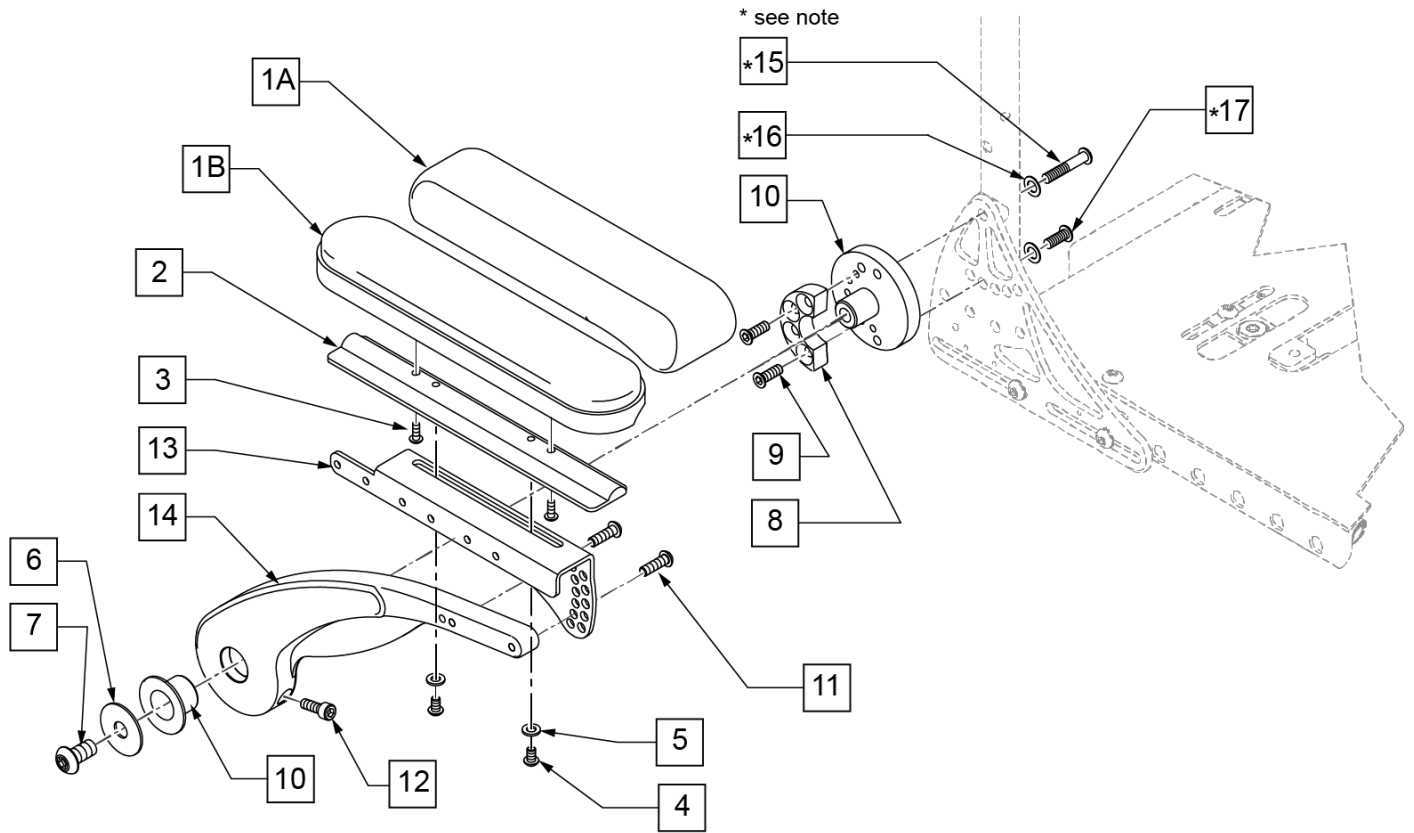
Pos.	Item Number	Description	Remarks
22	341220	BATTERY CABLE CLIP	
19-22	120196	BRACKET ART BACK 3 AXIS CNTR w/HDWR	



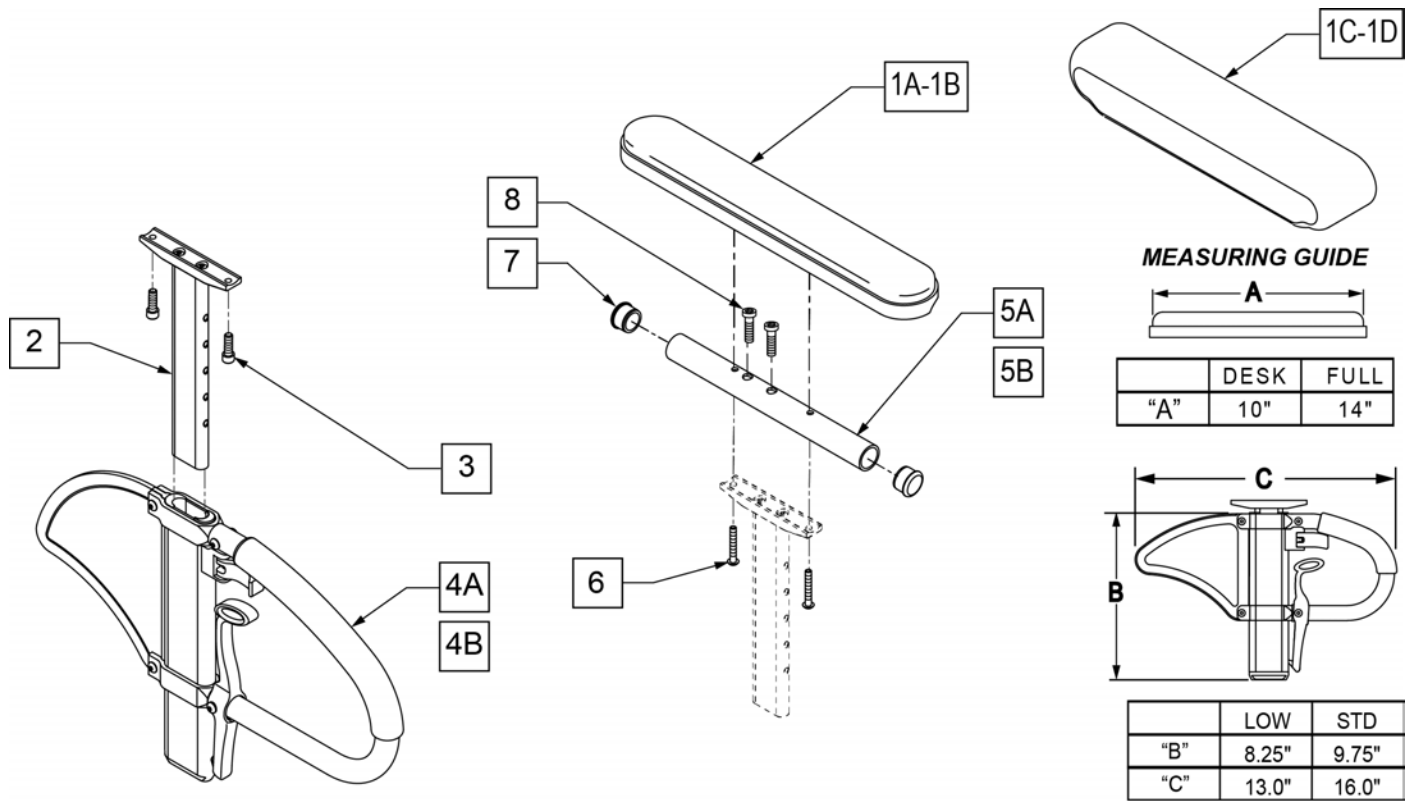
Pos.	Item Number	Description	Remarks
1,3	103114	ARMREST PAD SET	Pair
3	n/a	BHCS M6 X 16	REFERENCE ONLY
5	015056	WASHER M10 X 35 X 1.5 BLK	
6	119073	SHCS LWHD, M10X1.5X35 PL	
8	230455	M4X8 FH SOC/CS	
10	104469	MARCINAL LUB BRNG SF-1 2020	
11	102263-002	SHCS M6X1X20 FULL NP	
12	013156	SHCS M6 X 1 X 20 BLK W/PL	
14	102259-001	BHCS M5 X .8 X 12 W/PL INORG	
17	483717	HANGER SADDLE	
18	500078	INSERT D2 EXT TUBE	
19	221102	1/4-28 X 3/4 HEX C/S BLK W/PAT	
20	010065	M6 CHANNEL NUT	
21	340143	BUSHING .257IDx.25LG SST	
22	263100	5/16 AN WASHER FLAT	
23	230113	BHCS M6 X 1 X 12	
24	506366	UNIVRSL ARMRST RCVR ASSM R	Right
24	506367	UNIVRSL ARMRST RCVR ASSM LH	Left
25	118624	DOVETAIL SEAT RAIL SHORT	Use w/ Center Mount Footrest only

Pos.	Item Number	Description	Remarks
26	235008	M8 X 1.25 X 30 BH C/S	
27	263110-QU	5/16 AN WASHER FLAT THIN	
28	230123	BHCS M8 X 1.25 X 45	
29	210085	NUT HEX NYLOCK M8 BLACK	
30	013149	BHCS M8 X 1.25 X 16 BLK W/PL	
20-24	110826	ARMREST REC KIT RIGHT	Right
20-24	110827	ARMREST REC KIT LEFT	Left
14,15A-19	126403	DUAL POST ASSY SHORT	9-10 ARMREST HEIGHT
14,15B-19	126404	DUAL POST ASSY TALL	11-12 ARMREST HEIGHT
14,15A-24	110828	ASAP 2 PNT ARM 9-10 KIT	Pair (9-10" Armrest Ht) Includes Receivers
14,15B-24	110829	ASAP 2 PNT ARM 11-12 KIT	Pair (11-12" Armrest Ht) Includes Receivers
1,2,4-12	118618	FLIP BACK ARMREST ASSY R	Std
1,2,4-12	118617	FLIP BACK ARMREST ASSY L	Std

Note: Backrest Mounting Hardware is not included in Backrest Armrest kits; if retrofitting this armrest to chair order p/n 230123 qty 1, p/n 263110-QU qty 2, and p/n 013149 qty 1.



Pos.	Item Number	Description	Remarks
1A	561280	ARMREST PAD 10" LEFT W/F	Left, Desk, Waterfall
1A	561281	ARMREST PAD 10" RIGHT W/F	Right, Desk, Waterfall
1B	561024	ARMREST PAD 10" DESK	Single
2	010124-001	ARMPAD RIGIDIZER DESK LENGTH	Desk
3	226043	10-32 X 1/2 BH C/S BLK	
4	230113	BHCS M6 X 1 X 12	
5	250104	WASHER FLAT M6	
6	015056	WASHER M10 X 35 X 1.5 BLK	
7	119073	SHCS LWHD, M10X1.5X35 PL	
9	230455	M4X8 FH SOC/CS	
10	104469	MARCINAL LUB BRNG SF-1 2020	
11	102263-002	SHCS M6X1X20 FULL NP	
12	013156	SHCS M6 X 1 X 20 BLK W/PL	
15	230123	BHCS M8 X 1.25 X 45	
16	263110-QU	5/16 AN WASHER FLAT THIN	
17	013149	BHCS M8 X 1.25 X 16 BLK W/PL	
1A,2-5	012370	DESK W/F ARMPAD ASSM L	Left - 10" Desk
1A,2-5	012371	DESK W/F ARMPAD ASSM R	Right - 10" Desk
1B,2-5	012374	DESK ARMPAD ASSM	Single, Desk
6-14	118791	BACKREST ARMREST	Right, Low; Backrest mounting hdwr NOT included
6-14	118790	BACKREST ARMREST	Left, Low; Backrest mounting hdwr NOT included

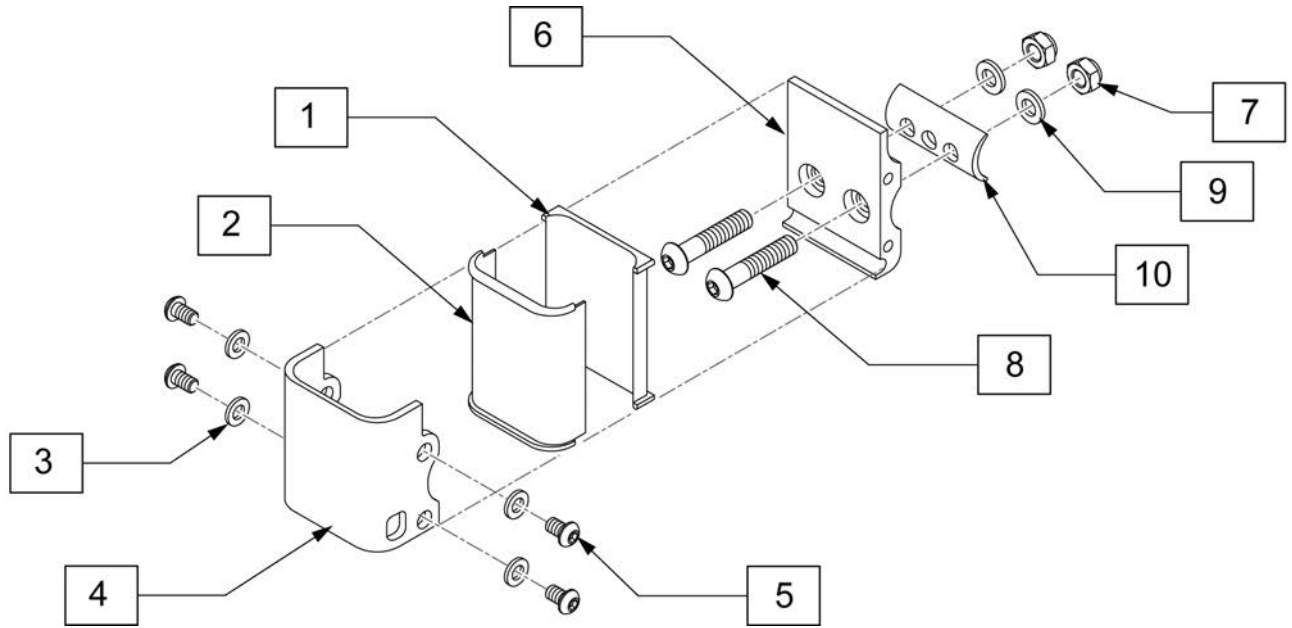


Pos.	Item Number	Description	Remarks
1A	561024	ARMREST PAD 10" DESK	CLASSIC DESK
1B	561031	ARMREST PAD 14" FULL	CLASSIC FULL
1C	561280	ARMREST PAD 10" LEFT W/F	Left-Waterfall Desk
1C	561281	ARMREST PAD 10" RIGHT W/F	Rightt-Waterfall Desk
1D	561284	ARMREST PAD 14" LEFT W/F	Leftt-Waterfall Full
1D	561285	ARMREST PAD 14" RIGHT W/F	Rightt-Waterfall Full
2	116312	SNGL POST UPPR ASSM LOW	LOW/SMALL
2	116313	SNGL POST UPPR ASSM STD	STANDARD
3	106956	SHCS 10-32 X 3/4 ROHS	
2,4A	104509-001	SPHA ARMREST ASSY STD	STANDARD
2,4B	104509-002	SPHA ARMREST ASSY LOW	LOW/SMALL
5A	521812	HT ADJ PD TUBE 10IN DESK POWE	Desk
5B	521813	HT ADJ PD TUBE 14IN FULL POWE	Full
6	107024	BHCS 10-32 X 1 1/2 ROHS	
7	560735	7/8" ROUND TUBE PLUG	
8	108534	SHCS 10-32 X 1-1/4 PL	Used with Full Length & Waterfall
1A,2,3,4A,5A,6,7	108599	SPHA STD CLASIC DESK PAD R	Right
1A,2,3,4A,5A,6,7	108603	SPHA STD CLASIC DESK PAD L	Left
1B,2,3,4A,5B,6-8	108601	SPHA STD CLASIC FULL PAD R	Right
1B,2,3,4A,5B,6-8	108605	SPHA STD CLASIC FULL PAD L	Left
1A,2,3,4B,5A,6,7	108600	SPHA LOW CLASIC DESK PAD R	Right
1A,2,3,4B,5A,6,7	108604	SPHA LOW CLASIC DESK PAD L	Left
1B,2,3,4B,5B,6-8	108602	SPHA LOW CLASIC FULL PAD R	Right
1B,2,3,4B,5B,6-8	108606	SPHA LOW CLASIC FULL PAD L	Left
1A,2,5A,6,7	159600	SPHA STD CLAS DESK UPPR R	
1A,2,5A,6,7	159601	SPHA STD CLAS DESK UPPR L	
1B,2,5B,6-8	159602	SPHA STD CLAS FULL UPPR R	

Pos.	Item Number	Description	Remarks
1B,2,5B,6-8	159603	SPHA STD CLAS FULL UPPR L	
1A,2,5A,6,7	159604	SPHA LOW CLAS DESK UPPR R	
1A,2,5A,6,7	159605	SPHA LOW CLAS DESK UPPR L	
1B,2,5B,6-8	159606	SPHA LOW CLAS FULL UPPR R	
1B,2,5B,6-8	159607	SPHA LOW CLAS FULL UPPR L	
1C,2,4B,5A,6,7	164089	SPHA LOW W/F DESK PAD R	Right
1C,2,4B,5A,6,8	164090	SPHA LOW W/F DESK PAD L	Left
1D,2,4B,5B,6,8	164091	SPHA LOW W/F FULL PAD R	Right
1D,2,4B,5B,6,8	164092	SPHA LOW W/F FULL PAD L	Left
1C,2,4A,5A,6,7	164093	SPHA STD W/F DESK PAD R	Right
1C,2,4A,5A,6,8	164094	SPHA STD W/F DESK PAD L	Left
1D,2,4A,5B,6,8	164095	SPHA STD W/F FULL PAD R	Right
1D,2,4A,5B,6,8	164096	SPHA STD W/F FULL PAD L	Left

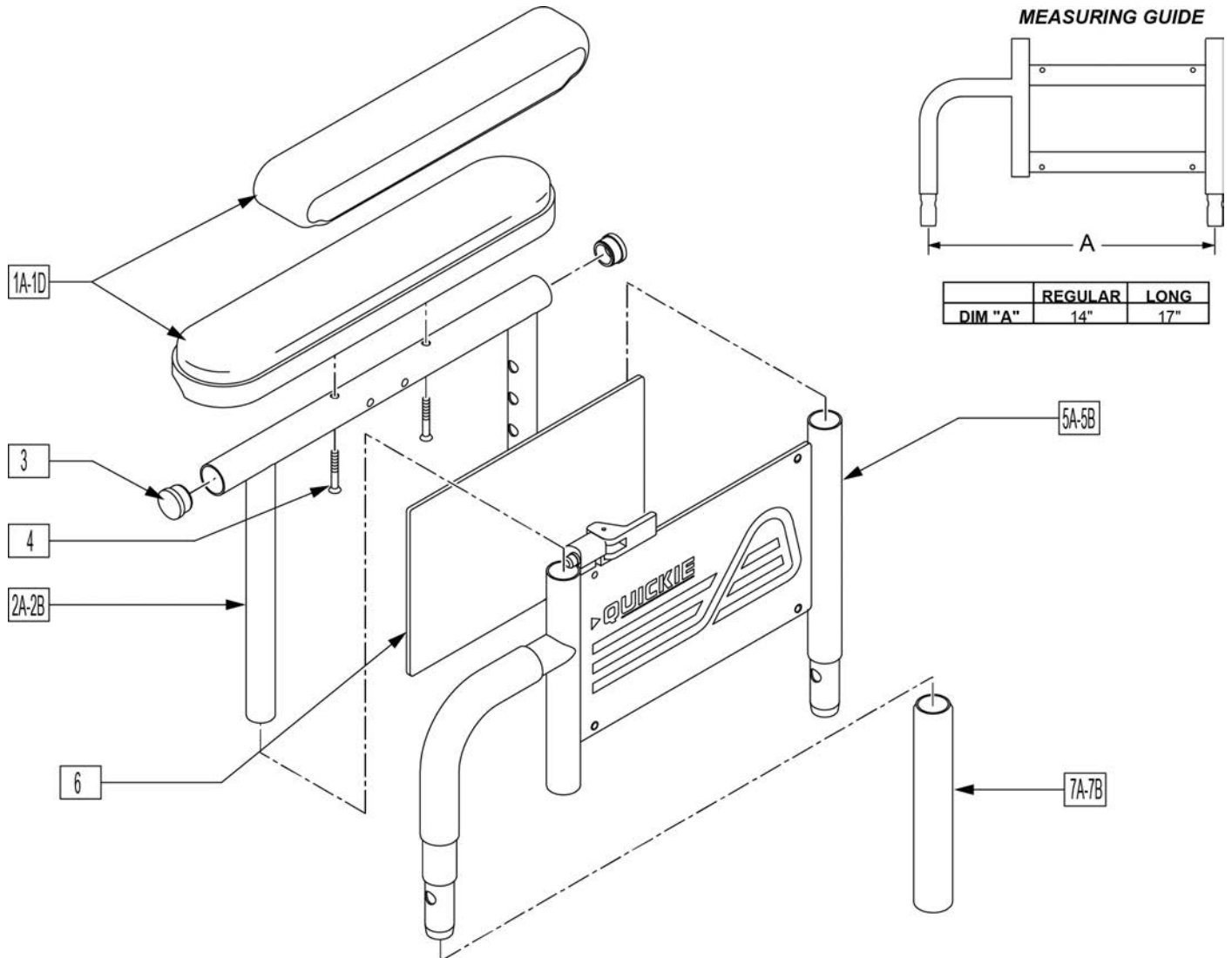
Note: not all Armrest Pads are offered on all chairs; consult product order form for compatibility.

Note: if switching from Desk to Full Length Armrest Pad OR switching from Full Length to Desk Armrest Pad, the following items are required: 1A/1B, 5A/5B, and 6-8.



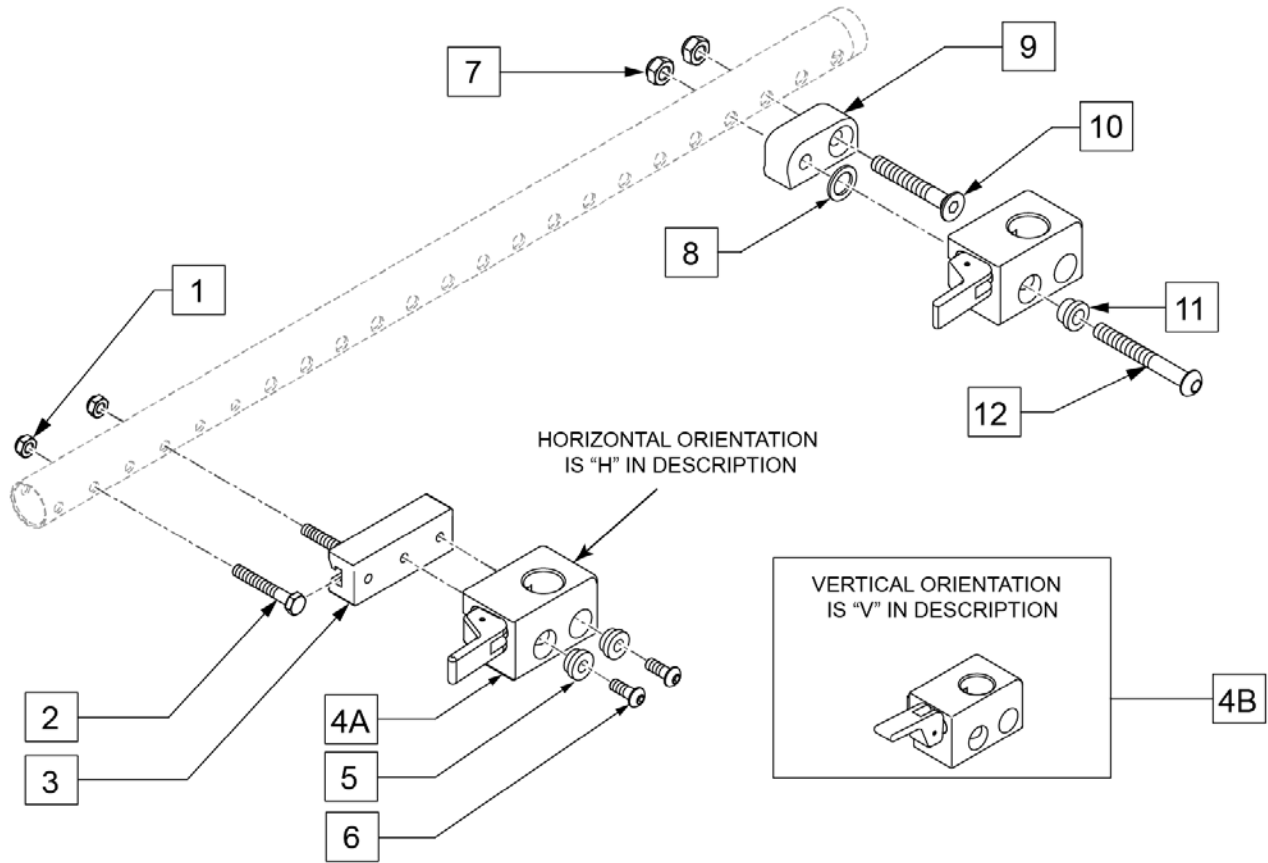
Pos.	Item Number	Description
3	250104	WASHER FLAT M6
5	230032	M6 1X10 BHCS
7	210085	NUT HEX NYLOCK M8 BLACK
8	230122	BHCS M8 X 1.25 X 40 BLK
9	263100	5/16 AN WASHER FLAT
10	550486	HT ADJ RECEIVER SPACER
1-10	118872	SINGLE ARMREST RECEIVER M8

Note: for Quickie M6 if retrofitting armrests to a chair where they were originally omitted, order one each of 881256 & 881257 front receivers. The rear receivers are already on the chair.



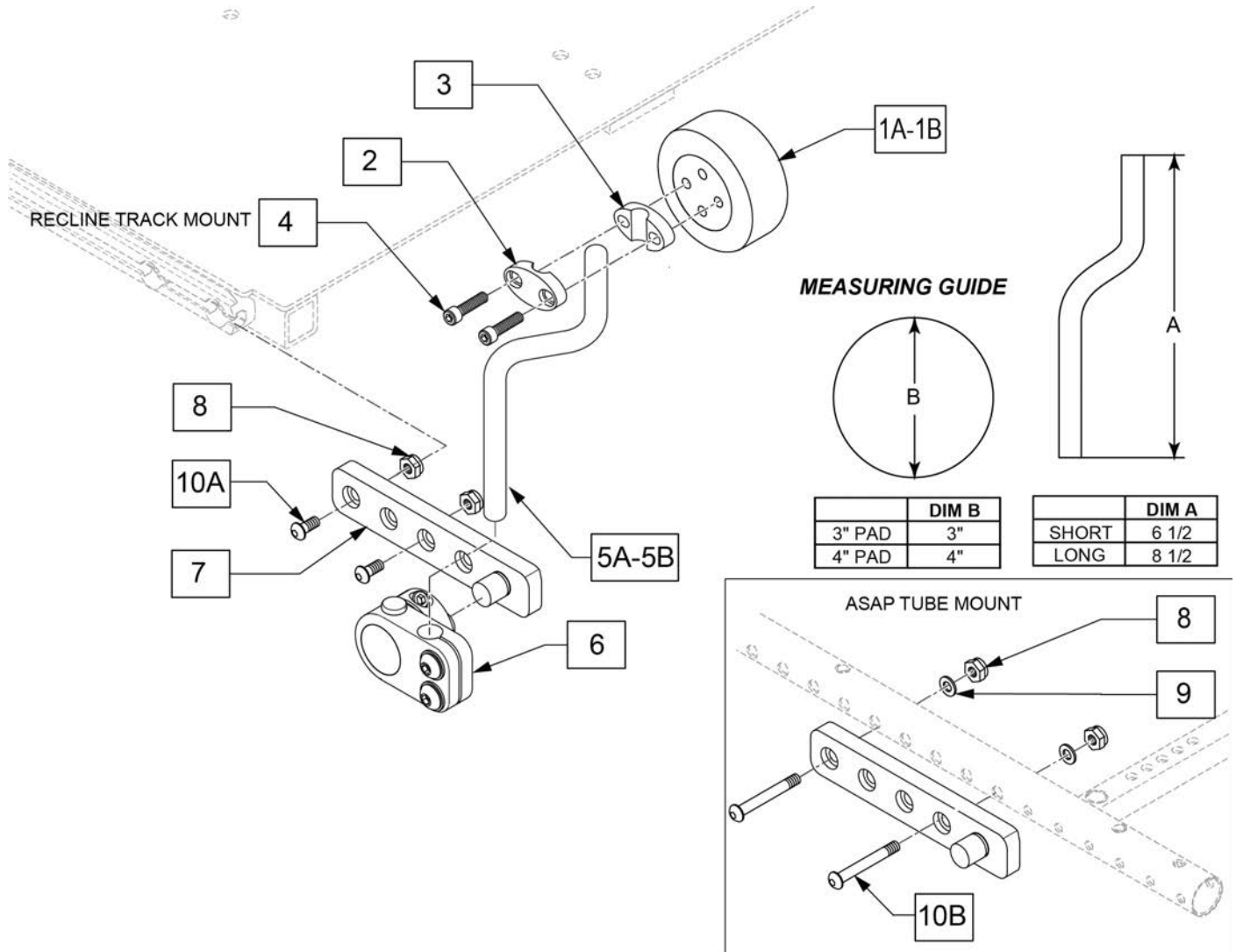
Pos.	Item Number	Description	Remarks
1A	561280	ARMREST PAD 10" LEFT W/F	Left,Desk,Waterfall
1A	561281	ARMREST PAD 10" RIGHT W/F	Right,Desk,Waterfall
1B	561284	ARMREST PAD 14" LEFT W/F	Left,Full,Waterfall
1B	561285	ARMREST PAD 14" RIGHT W/F	Right,Full,Waterfall
1C	561024	ARMREST PAD 10" DESK	Desk Pad
1D	561031	ARMREST PAD 14" FULL	Full Pad
2A	521841	DUAL PST ADJ UPPR ARM DESK PW	Desk
2B	521843	DUAL PST ADJ UPPR ARM FULL PW	Full
3	560735	7/8" ROUND TUBE PLUG	
4	226038	10-32 x 1 3/8 BH C/S BLK	
5A	881556	ARM ASSM LOWER HT ADJ REG R	Right, Regular
5A	881557	ARM ASSM LOWER HT ADJ REG L	Left, Regular
5B	881558	DUAL POST ADJ LOWER ARM LONG R	Right, Long

Pos.	Item Number	Description	Remarks
5B	881559	DUAL POST ADJ LOWER ARM LONG L	Left, Long
6	750009	INSIDE ARMREST PAD (P-222/S-626)	
7A	560514	FOAM 8" x .840 TUBE	Regular
7B	560614	11" x .840 FOAM TUBE	Long
1C,2A,3,4	881446	DUALPOST UHA AREST RH INC DESK	
1C,2A,3,4	881447	DUALPOST UHA AREST LH INC DESK	
1D,2A,3,4	881448	DUALPOST UHA AREST RH INC FULL	
1D,2A,3,4	881449	DUALPOST UHA AREST LH INC FULL	
1A,2A,3,4	881240	D-POST UPPR L ARM ASSM DSK W/F	
1A,2A,3,4	881241	D-POST UPPR R ARM ASSM DSK W/F	
1B,2B,3,4	881242	D-POST UPPR L ARM ASSM FL W/F	
1B,2B,3,4	881243	D-POST UPPR R ARM ASSM FL W/F	
1A,2A,3,4,5A,6	881308	D-POST SHT L W/DSK W/F PAD	
1A,2A,3,4,5A,6	881309	D-POST SHT R W/DSK W/F PAD	
1B,2B,3,4,5A,6	881310	D-POST SHT L W/FL W/F PAD	
1B,2B,3,4,5A,6	881311	D-POST SHT R W/FL W/F PAD	
1A,2A,3,4,5B,6	881312	D-PST LNG ADJ L W/DSK W/F PAD	
1A,2A,3,4,5B,6	881313	D-PST LNG ADJ R W/DSK W/F PAD	
1B,2B,3,4,5B,6	881314	D-POST LNG ADJ L W/FL W/F PAD	
1B,2B,3,4,5B,6	881315	D-POST LNG ADJ R W/FL W/F PAD	
1C,2A,3,4,5A,6	881572	DUAL POST ADJ SHT W/DSK R PWR	
1C,2A,3,4,5A,6	881573	DUAL POST ADJ SHT W/DSK L PWR	
1D,2B,3,4,5B,6	881574	DUAL POST ADJ LONG W/FL R PWR	
1D,2B,3,4,5B,6	881575	DUAL POST ADJ LONG W/FL L PWR	
1C,2A,3,4,5B,6	881576	DUAL POST ADJ LONG W/DSK R PWR	
1C,2A,3,4,5B,6	881577	DUAL POST ADJ LONG W/DSK L PWR	
1D,2B,3,4,5A,6	881578	DUAL POST ADJ SHT W/FL R PWR	
1D,2B,3,4,5A,6	881579	DUAL POST ADJ SHT W/FL L PWR	



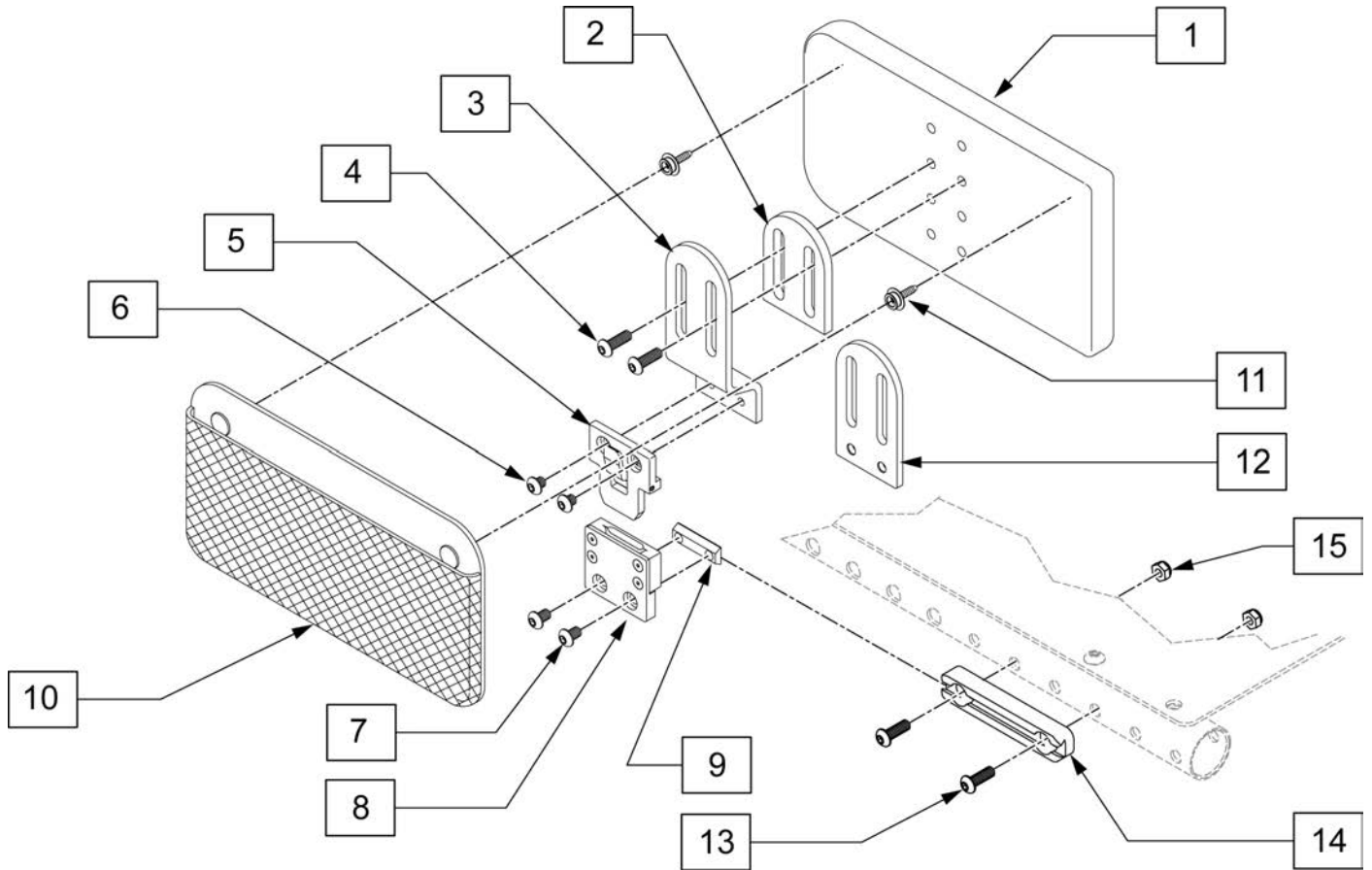
Pos.	Item Number	Description	Remarks
1	210084	NUT HEX NYLOCK M6 BLACK	
2	234813	M6 X 1.0 X 35 HHCS 10.9	
3	011501	ADPTR FRNT ARM REC 28.5MM OFST	
4A	506366	UNIVRSL ARMRST RCVR ASSM RH	
4A	506367	UNIVRSL ARMRST RCVR ASSM LH	
4B	506368	UNIV ARMREST RCVR ASSM RV	Optional release position, not offered on chair
4B	506369	UNIV ARMREST RCVR ASSM LV	Optional release position, not offered on chair
5	340143	BUSHING .257IDx.25LG SST	
6	103185-006	BHCSM6X1X16FULLNP	
7	210085	NUT HEX NYLOCK M8 BLACK	
8	561272	1/2 X 3/4 X .030 NYLON WASHER	
9	506128	ADPTR PVT R UNI ARST RCVR P222	
9	506129	ADPTR PVT L UNI ARST RCVR P222	
10	230130	FHCS M8 X 1.25 X 50 BLK	
11	340142	BUSHING .325IDx.346LG SST	
12	103186-014	BHCS M8 X 1.25 X 60 BLK W/PL	
1-6	120651	ARMREST RECEIVER ASSM FRNT R	
1-6	120652	ARMREST RECEIVER ASSM FRNT L	
4A,7-12	120653	ARMREST RECEIVER ASSM BCK R	
4A,7-12	120654	ARMREST RECEIVER ASSM BCK L	

Note: Retro Kits include extra fasteners for multiple seating styles.

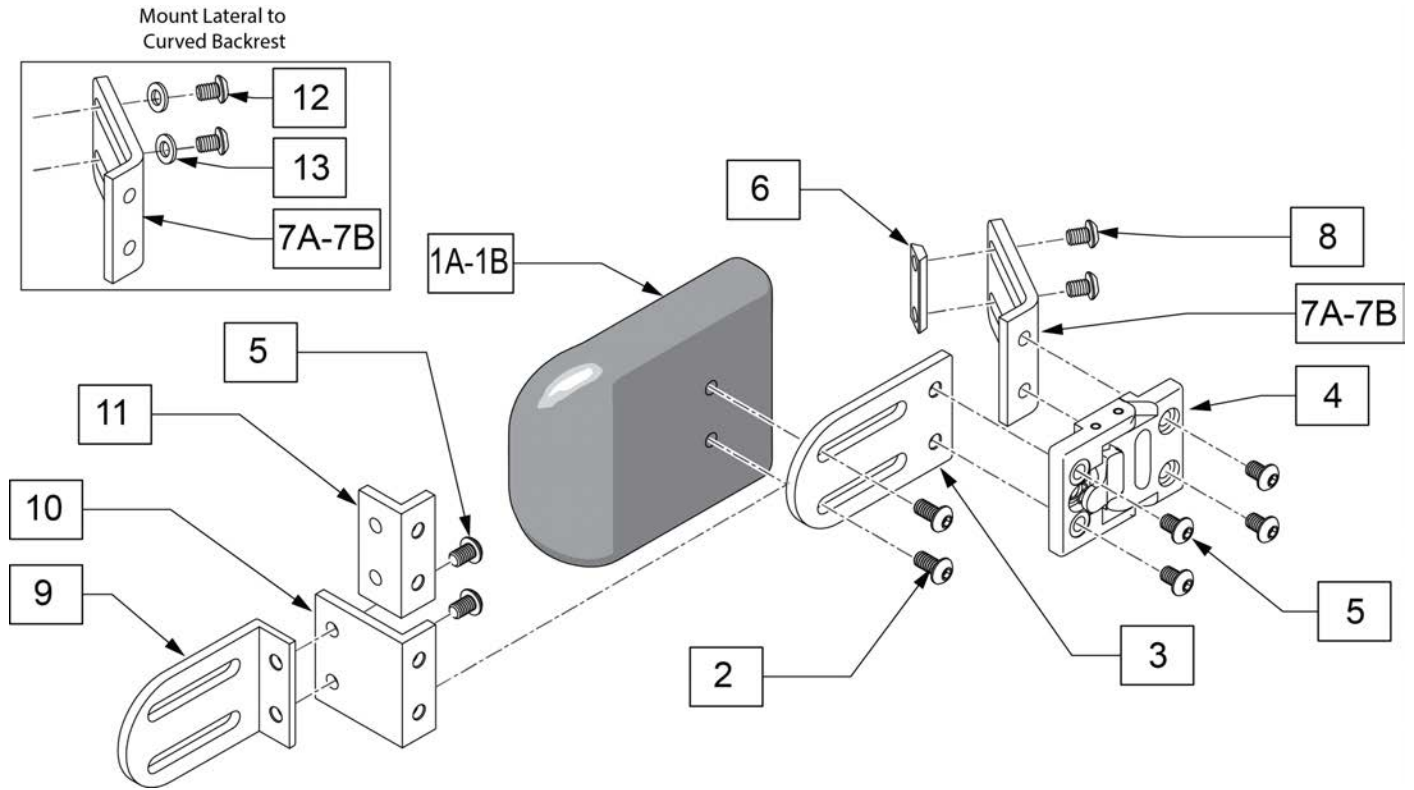


Pos.	Item Number	Description	Remarks
1A	KAD10XX	KNEE ADDUCTOR PAD, 3IN ROUND	
1B	KAD11XX	KNEE ADD PAD, 4IN ROUND	
2-4	112830	PAD MOUNT KIT KNEE SPPRT ASSM	
5A	PRT4858	SHORT ARM SA KNEE	Short: 7"
5B	PRT4857	LONG ARM SA KNEE	Long: 8"
6	112831	SWING AWAY KNEE SUPPORT R	Right
6	112832	SWING AWAY KNEE SUPPORT L	Left
7	122476	MOUNT BRKT KNEE SUPPORT SHORT	
8	104381	NUT HEX NYLOCK M6 X 1.0	
9	107383	WASHER FLAT M6 ROHS	
10A	103185-005	BHCS M6 x 1 x 12 FUL PL	Use for track mount
10B	102262-007	BHCS M6 X 1 X 45 INORG	Use for tube mount
1A-4,5A,6-10A,10B	125576	KNEE SUPP ASSM R SHORT 3" PAD SHORT	
1A-4,5A,6-10A,10B	125577	KNEE SUPP ASSM L SHORT 3" PAD SHORT	

Pos.	Item Number	Description	Remarks
1A-4,5B,6-10A,10B	125578	KNEE SUPP ASSM R LONG 3" PAD SHORT	
1A-4,5B,6-10A,10B	125579	KNEE SUPP ASSM L LONG 3" PAD SHORT	
1B-4,5A,6-10A,10B	125580	KNEE SUPP ASSM R SHORT 4" PAD SHORT	
1B-4,5A,6-10A,10B	125581	KNEE SUPP ASSM L SHORT 4" PAD SHORT	
1B-4,5B,6-10A,10B	125582	KNEE SUPP ASSM R LONG 4" PAD SHORT	
1B-4,5B,6-10A,10B	125583	KNEE SUPP ASSM L LONG 4" PAD SHORT	

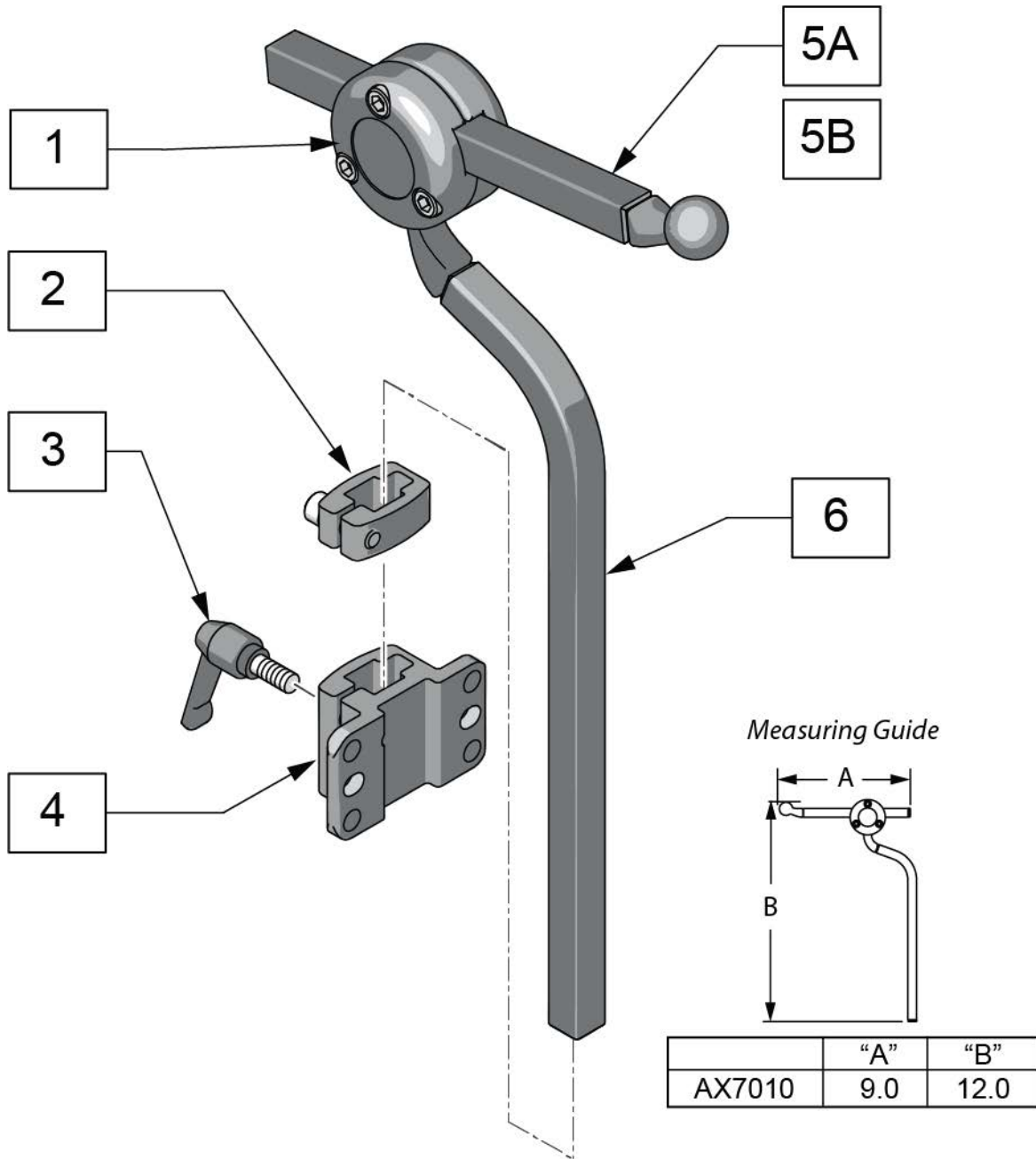


Pos.	Item Number	Description	Remarks
4	n/a	BHCS 1/4 - 20 X .75	
6	n/a	BHCS 1/4 - 20 X .25	
7	n/a	BHCS 1/4 - 20 X .375	
10	PMB1099	PELVIC MESH BAG	
1,4,10,11	107313	HIP GUIDE PAD 5X10 REPL KIT R	Right
1,4,10,11	164180	HIP GUIDE PAD 5X10 REPL KIT L	Left
1-12	111907	HIP GUIDE ASSY REMOVBL R 5x10	Right, Includes parts for flush and offset mounting
1-12	111906	HIP GUIDE ASSY REMOVBL L 5X10	Left, Includes parts for flush and offset mounting
13	119272	SHCS,M8X1.25X40,PF,NP	
14	118624	DOVE TAIL SEAT RAIL 5	
15	210085	NUT HEX NYLOCK M8 BLACK	



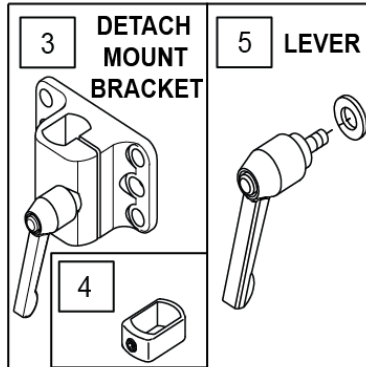
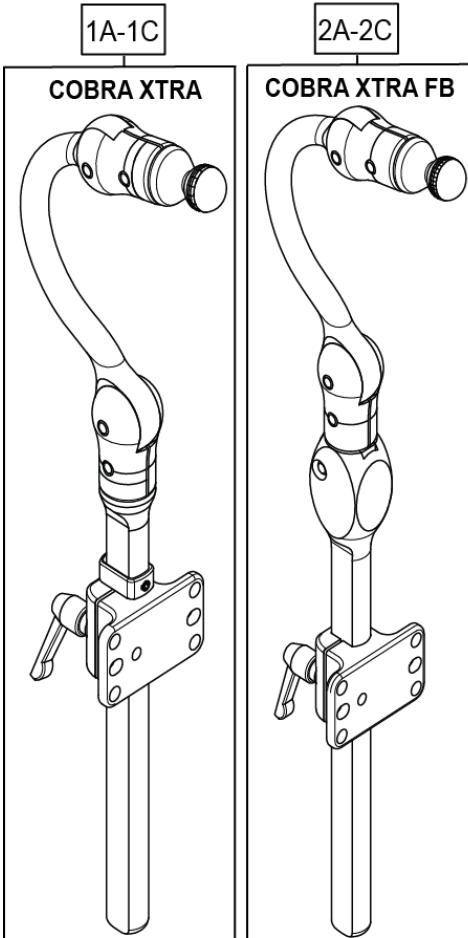
Pos.	Item Number	Description	Remarks
1A,2	107311	LATERAL PAD 4X5	
1B,2	107312	LATERAL PAD 4X6	
3-11	HDK2500	SA LATERAL HARDWARE KIT	
1A-7A.8-11	106925	4X5 LATERAL THORACIC KIT	
1B-7A.8-11	106926	4X6 LATERAL THORACIC KIT	
1A-7B.8-11	118840	4X5 LATERAL THORACIC KIT 120	Power Recline only
1B-7B.8-11	118841	4X6 LATERAL THORACIC KIT 120	Power Recline only
12	108107	BHCS 1/4-20 X 3/4	
13	106943	WASHER FLAT AN 1/4	

Note: if using the Headrest Post on a Quicke Power Chair, please refer to the HEADREST CLAMPS page located in the appropriate power chair parts manual.

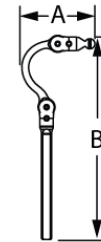


Pos.	Item Number	Description
5A	AX5080	BALLROD AXYS 6" SQUARE BLACK
5B	AX6055	AXYS 12" SQ HORIZ BAR BLK
6	MW070300	AXYS VERT ROD BLK
3,4	115215	J3 BK STD HD RST BRKT KIT
2-4	M2500	AXYS DETACH BRKT
1,5A,6	AX7010	AXYS CORE MOUNT HDWR

Note: if using the Headrest Post on a Quicke Power Chair, please refer to the HEADREST CLAMPS page located in the appropriate power chair parts manual.



Measuring Guide



SIZE	P/N	"A"	"B"
ADULT	CBRA7010	5.0	15.0
	CBRA5010	5.0	15.0
PEDIATRIC	CBRA7030	4.5	11.0
	CBRA5030	4.5	11.0
EARLY INTERVENTION	CBRA7080	4.0	10.0
	CBRA5080	4.0	10.0

6 HARDWARE MOUNT KIT

ILLUSTRATION	DESCRIPTION	QTY
	WASHER 1/4" SAE BLK	2
	BOLT 1/4-20 X 3/4" SHCS BLK NI	2
	BOLT 1/4-20 X 3/4" SHCS BLK NI	2
	1/4-20 NYLOK	2
	1/4-20 X 3/8" T-NUT THF	2

7 HARDWARE MOUNT KIT (SLIDE & SWINGAWAY)

ILLUSTRATION	DESCRIPTION	QTY
	WASHER 1/4" SAE BLK	4
	BOLT 1/4-20 X 1/2" SHCS BLK	2
	BOLT 1/4-20X1-1/4" SHCS BLK NI	4
	1/4-20 NYLOK	4
	1/4-20 X 3/8" T-NUT THF	4

Pos.	Item Number	Description	Remarks
1A	CBRA7010	COBRA XTRA MOUNT HDW, ADUL	
1B	CBRA7030	COBRA XTRA MOUNT HDW, PED	
1C	CBRA7080	COBRA XTRA MOUNT HDW, EI	
2A	CBRA5030	COBRA XTRA FB MOUNT HDW, PED	
2B	CBRA5010	COBRA XTRA FB MOUNT HDW, ADUL	
2C	CBRA5080	COBRA XTRA FB MOUNT HDW, EI	
3	M2400-WB	COBRA XTRA DETACH BRKT	INCLUDES QTY 2 1/4-20 X 1/2" SHCS & WASHERS
4	MW070152	COBRA VERT STOP BLK	
5	M0030	KNOB PLAS ADJ LVR 1/4-20 X20mm	
6	M0055	FASTENER PACK DETACH	
7	M0075	FASTENER PACK SWINGAWAY MOUNT	

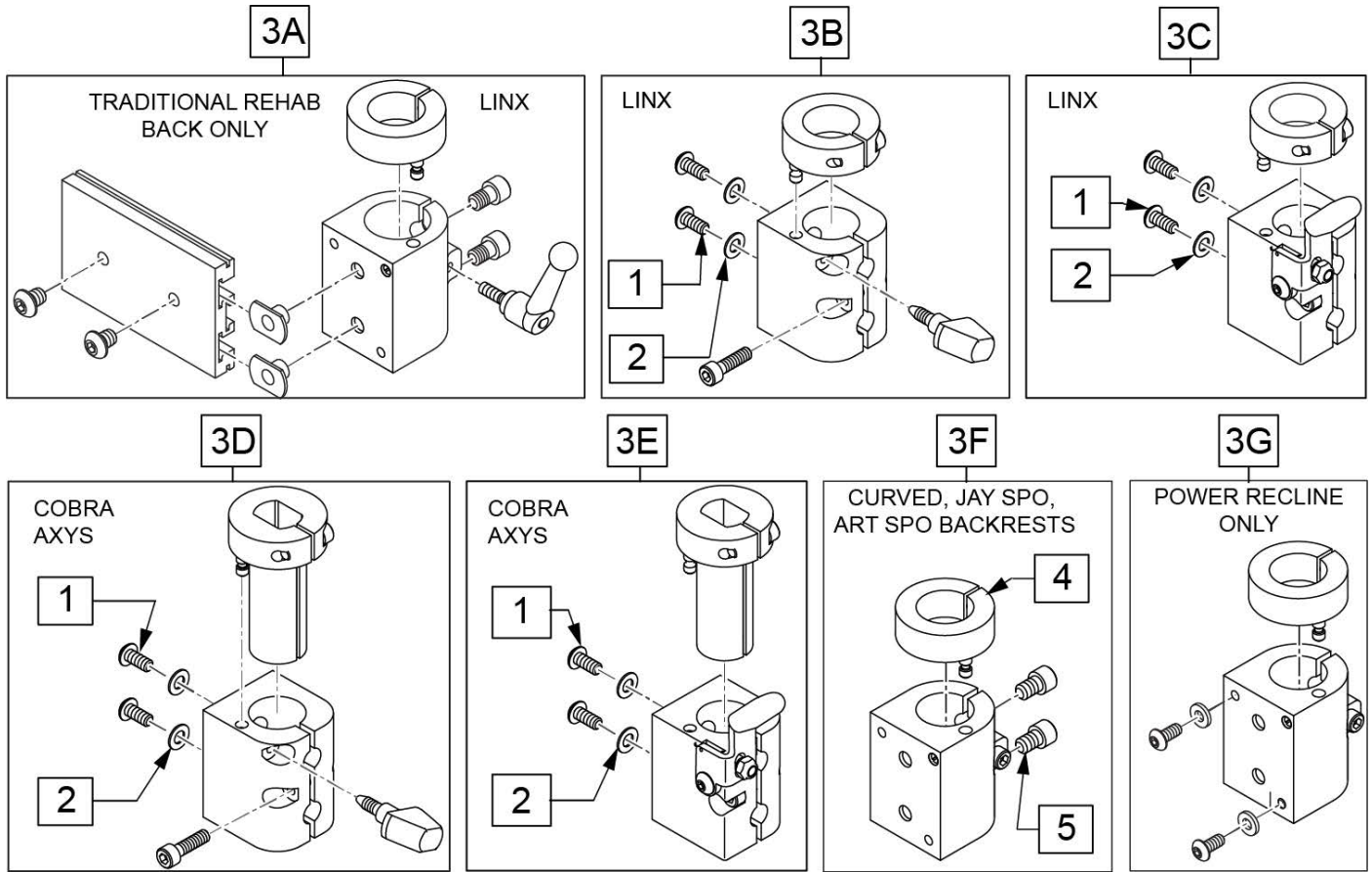
Note: if using the Headrest Post on a Quickie Power Chair, please refer to the HEADREST CLAMPS page located in the appropriate power chair parts manual.

Measuring Guide

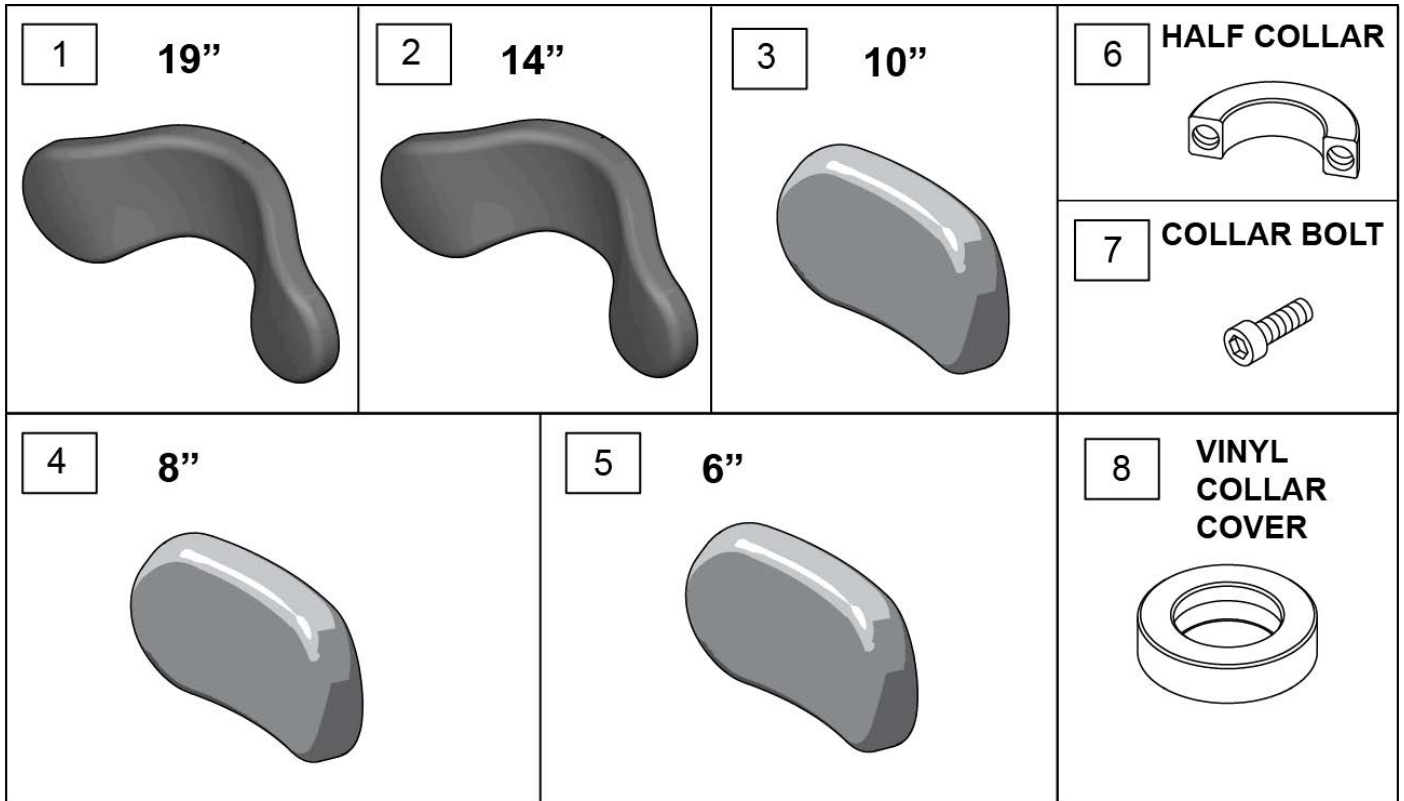
	"A"	"B"	"C"
LX7000	3.75	6.5	10.0
LX8000	3.75	6.5	8.0
LX7804	3.75	6.5	4.0
LX7815	3.75	6.5	15.0

Pos.	Item Number	Description	Remarks
1A	LX7804	LINX CORE STDHRZ/4" VRT MOUNT	4" vertical post
1B	LX8000	LINX CORE MNTG HDW 8"	8" vertical post
1C	LX7000	LINX CORE MOUNT HDW	10" vertical post
1D	LX7815	LINX CORE STDHRZ/15" VRT MOUNT	15" vertical post
1E	LX7000Q	LINX CORE MOUNT HDW QUICK ADJ	
2	MW000680	CAP RATCHET FASTENER BLACK	
3	MW070400	LYNX SYS ASSM 2"	
4	MW006030	.875 SHAFT COLLAR W/ PIN	
5	MC100-WB	COVER 3/4" COLLAR/VINYL BLACK	
6	M0030	KNOB PLAS ADJ LVR 1/4-20 X20mm	
7	M2300	LINX DETACH MOUNT BRKT	
8	M2375	MOUNT FIXED LINX 7/8" SURFACE	
9	M0055	FASTENER PACK DETACH	
10	M0075	FASTENER PACK SWINGAWAY MOUNT	
11A	LX27804	LINX2 CORE MOUNT HDW 4IN	
11B	LX28000	LINX2 CORE MOUNT HDW 8IN	

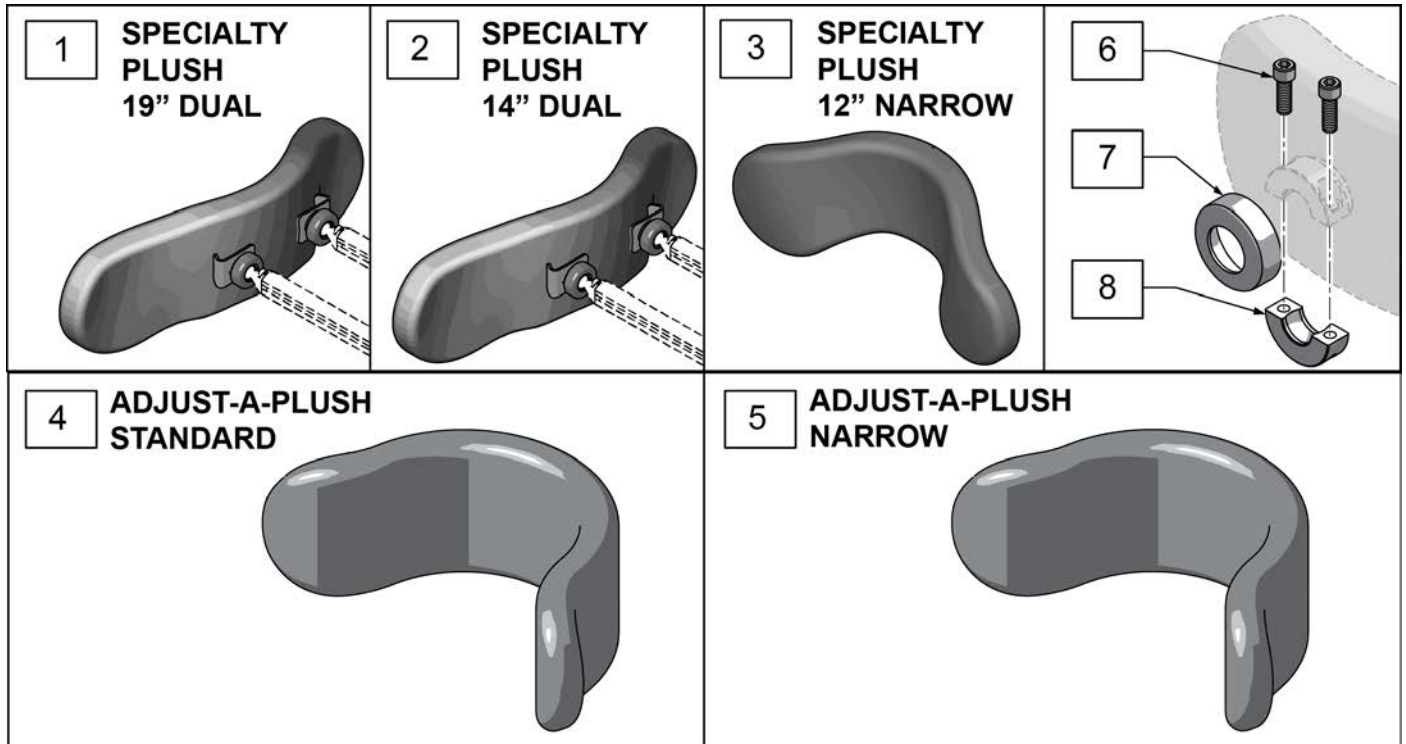
Pos.	Item Number	Description	Remarks
11C	LX27000	LINX2 CORE MOUNT HDW 10IN	
11D	LX27815	LINX2 CORE MOUNT HDW 15IN	
11E	LX27000Q	LINX2 CORE MNT HDW 10 QCK ADJ	



Pos.	Item Number	Description	Remarks
1	012931	BHCS M5 X 10 W/PL BLK CL 10.9	
2	455066-QU	#10 AN WASHER .063 SS	
3A	112716	HDRST CLAMP ASSY .875 ID W/HDW	used w/ Trad Rehab Back Only, includes hardware
3B	129525	HDRST CLAMP KNOB LINX W/HDWR	
3C	129527	HDRST CLAMP LEVR LINX W/HDWR	used w/ Power Recline beg. M710A, M715A, M720A
3D	129526	HDRST CLAMP KNOB COBRA W/HDWR	used w/ Power Recline beg. M710A, M715A, M720A
3E	129528	HDRST CLAMP LEVR COBRA W/HDWR	used w/ Power Recline beg. M710A, M715A, M720A
3F	112257	HDRST HNDLE CLAMP ASSY .875 ID	used w/ Curved, JAY SPO, and ART SPO Backrest
3G	112717	HDRST CLAMP ASSY .875 ID W/HDW	used w/ Power Recline only, not compatible w/ M710, M715, M720
4	104533	HEADREST COLLAR .875 ID	
5	226074	1/4-20 X 1/2 SOC C/S	



Pos.	Item Number	Description
1	PF1900	REFOAM KIT 19"PLUSH
1	PC1900L	COVER 19"PLUSH/LYCRA
1	PC1900V	COVER 19" PLUSH/R'VSD DARTEXX
1	PC1900F	COVER 19"PLUSH/FLEECE
2	PF1400	REFOAM KIT 14"PLUSH
2	PC1400L	COVER 14"PLUSH/LYCRA
2	PC1400V	COVER 14" PLUSH/R'VSD DARTEXX
2	PC1400F	COVER 14"PLUSH/FLEECE
3	PF1000	REFOAM KIT 10"PLUSH
3	PC1000L	COVER 10"PLUSH/LYCRA
3	PC1000V	COVER 10" PLUSH/R'VSD DARTEXX
3	PC1000F	COVER 10"PLUSH/FLEECE
4	PF800	REFOAM KIT 8"PLUSH
4	PC800L	COVER 8"PLUSH/LYCRA
4	PC800V	COVER 8" PLUSH/R'VSD DARTEXX
4	PC800F	COVER 8"PLUSH/FLEECE
4	PC800P	COVER 8"PLUSH/ALLURE NH
5	PF605	REFOAM KIT 6"PLUSH
5	PC605L	COVER 6"PLUSH/LYCRA
5	PC605V	COVER 6" PLUSH/R'VSD DARTEXX
5	PC605F	COVER 6"PLUSH/FLEECE
6	MW027100	COLLAR HALF RAD 3/4" THD. BLCK
7	MF014600	1/4-28x5/8" SHCS-COLLAR BOLT
8	MC100-WB	COVER 3/4" COLLAR /VINYL BLACK

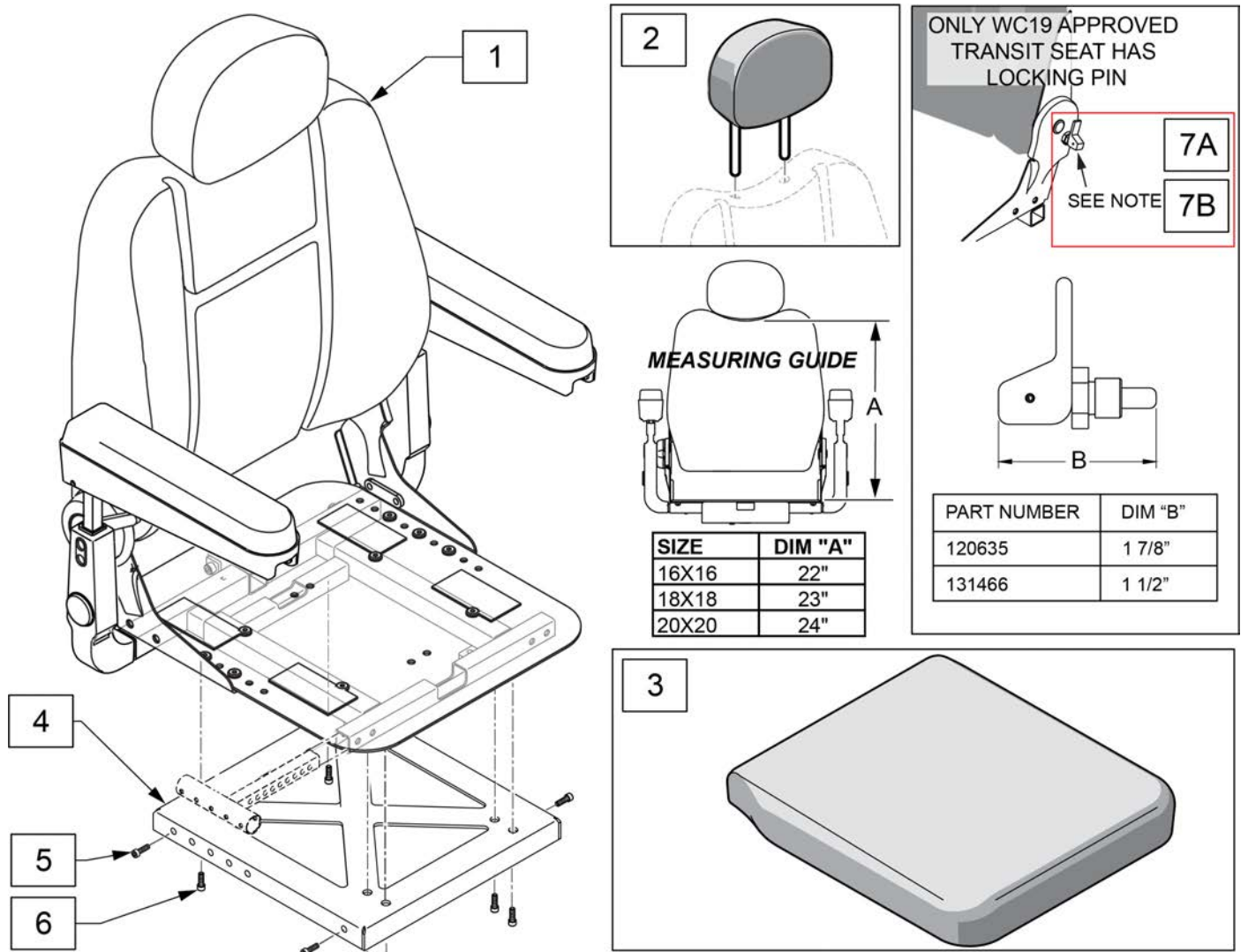


Pos.	Item Number	Description
1	PF1900	REFOAM KIT 19"PLUSH
1	PC1900L	COVER 19"PLUSH/LYCRA
1	PC1900V	COVER 19" PLUSH/R'VSD DARTEXX
1	PC1900F	COVER 19"PLUSH/FLEECE
2	PF1400	REFOAM KIT 14"PLUSH
2	PC1400L	COVER 14"PLUSH/LYCRA
2	PC1400V	COVER 14" PLUSH/R'VSD DARTEXX
2	PC1400F	COVER 14"PLUSH/FLEECE
3	PF1205	REFOAM KIT 12" NARROW PLUSH
3	PC1205L	COVER NARROW PLUSH/LYCRA
3	PC1205V	CVR NARROW PLUSH/R'VSD DARTEXX
3	PC1205F	COVER NARROW PLUSH/FLEECE
4	PF8088	FOAM STD ADJUSTAPLUSH
4	PC8088L	COVER, STD ADJUST-A-PL, LY
4	PC8088V	COVER STD ADJ-PLUSH/RD
4	PC8088F	COVER STD ADJUSTAPLUSH/FLEECE
5	PF8044	FOAM NARROW ADJUSTAPLUSH
5	PC8044L	COVER, NAR ADJUST-A-PL,LY
5	PC8044V	COVER, NAR ADJUST-A-PL, DR
5	PC8044F	COVER NARROW ADJ-PLUSH/FLEECE
6	MF014600	1/4-28x5/8" SHCS-COLLAR BOLT
7	MC100-WB	COVER 3/4" COLLAR /VINYL BLACK
8	MW027100	COLLAR HALF RAD 3/4" THD. BLCK

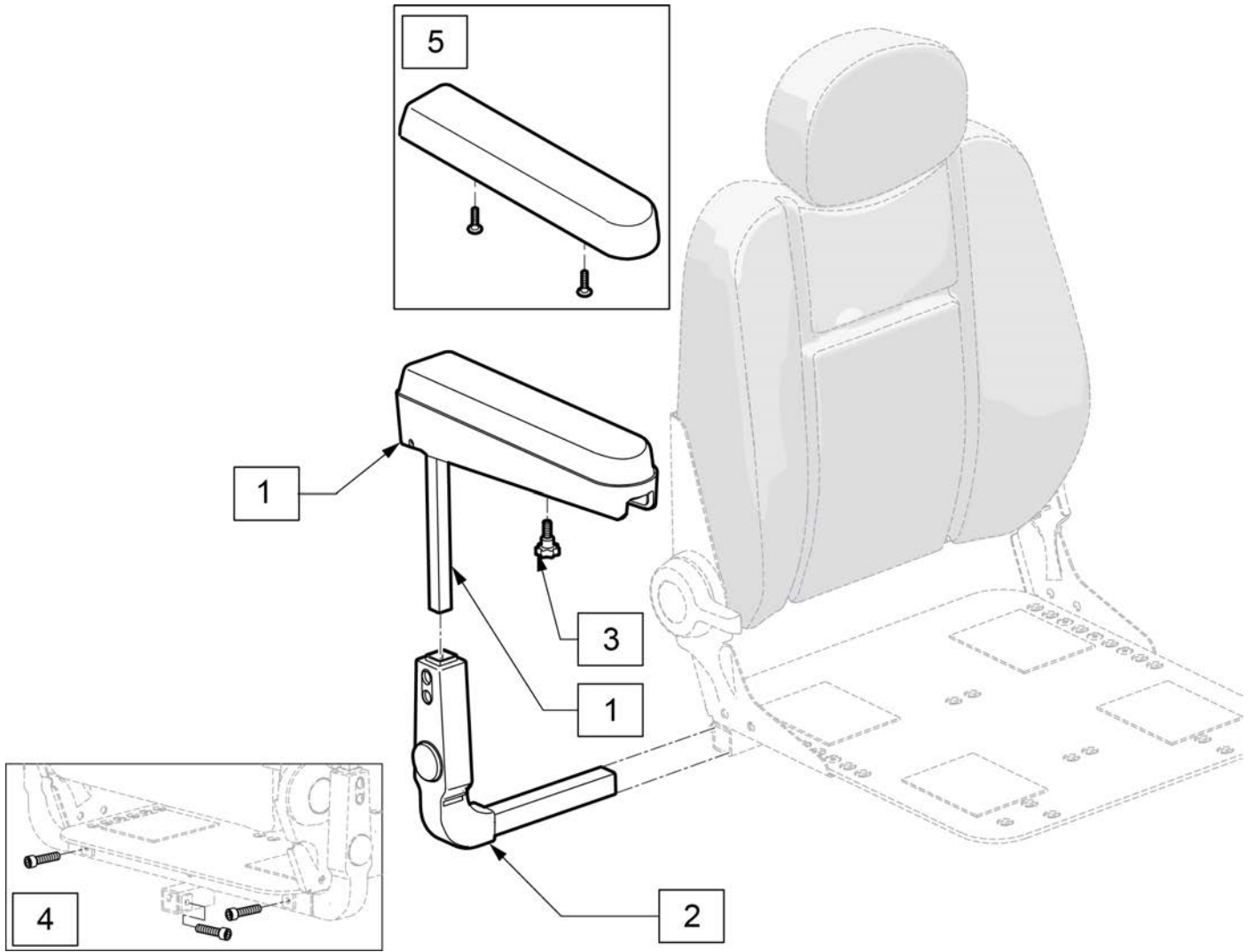
Note: Captains Seat has 3" of depth adjustment in 1" increments.

Note: when retrofitting to a Captains Seat or updating to a seat with Locking Pin from previous version without Locking Pin, a new CAPTAIN SEAT INTERFACE WITH HARDWARE is required and CAPTAINS SEAT S/A HANGER RECEIVER ADAPTER or FIXED CENTER MOUNT FOOTREST may be required.

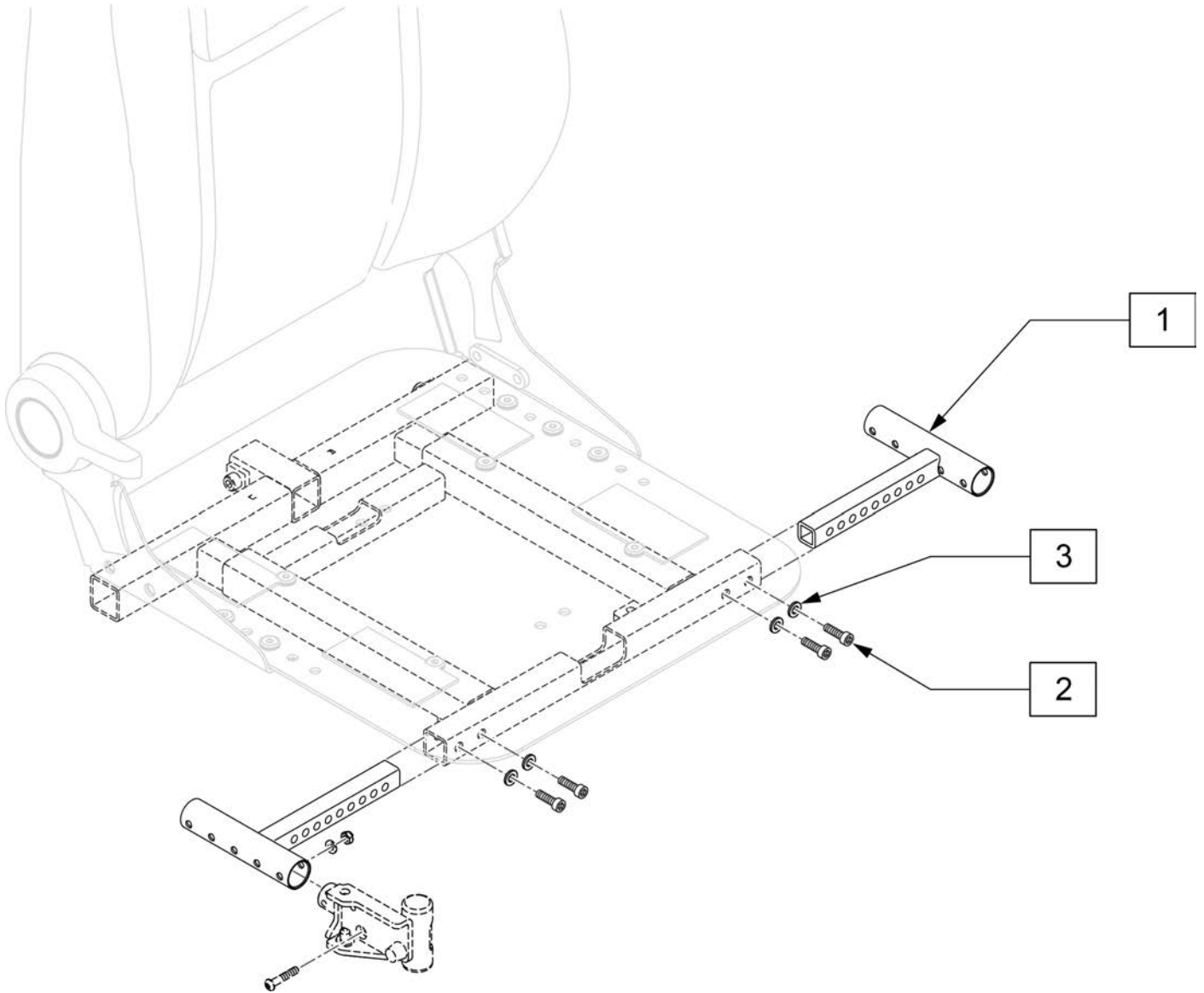
Note: Captains Seat Assembly - WC19 Transit is standard on Pulse beginning 6/6/13 and s/n PLS5-112636. Seat does not include transit brackets. See BASE/CAPTAINS SEAT TRANSIT KIT (WC19) for brackets.



Pos.	Item Number	Description	Remarks
1	248970	CPT SEAT TRANSIT 16" W	Does not include Transit Brackets
1	248971	CAPT SEAT TRANSIT 18W	Does not include Transit Brackets
1	248972	CAPT SEAT TRANSIT 20W	Does not include Transit Brackets
2	119966	HEADREST CAPTAIN SEAT	Replacement Headrest
3	118494	CAPTAIN SEAT CUSHION 16X16 BLACK ASSY	
3	118495	CAPTAIN SEAT CUSHION 18X18 BLACK ASSY	
3	118496	CAPTAIN SEAT CUSHION 20X20 BLACK ASSY	
4,5	122709	CAPT SEAT INTERFACE W/ HDWR	
6	055028	SHCSM8X1.25X25FULLPL	
7A	120635	LOCKING PIN ASSY	On or After 12/10/2015
7B	131466	LOCKING PIN ASSY BACK RECLINE	Prior to 12/10/2015

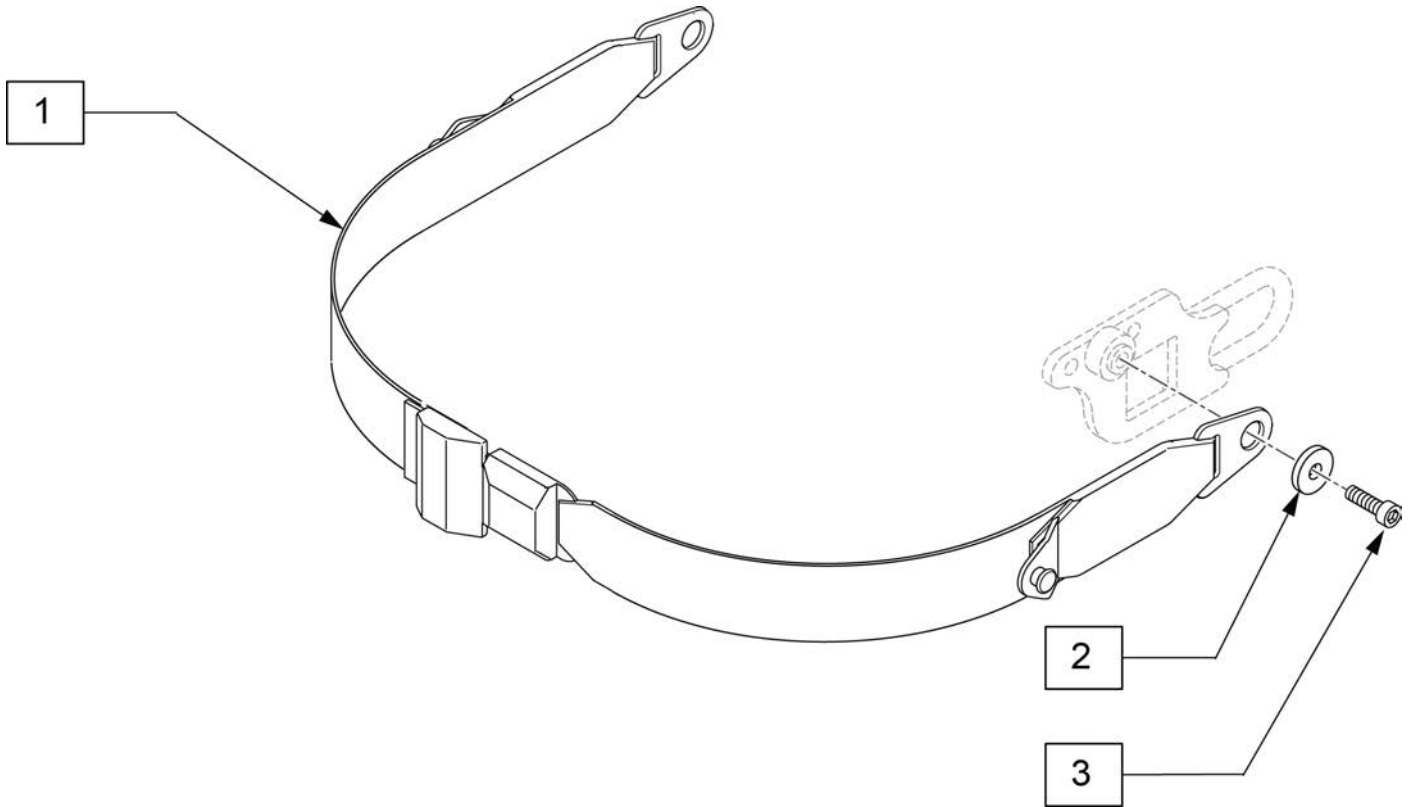


Pos.	Item Number	Description	Remarks
2	119329	ARMREST RECEIVER ASSEMBLY	For Right or Left
3	117994	THUMB SCREW M8 X 1.25	
4	116389	SHCS,M8X1.25X10,FULL,PL	
5	119326	ARMREST PAD W/ HARDWARE	
1,3	121069	CPT SEAT ARMREST ASSY SHRT	1 knob included



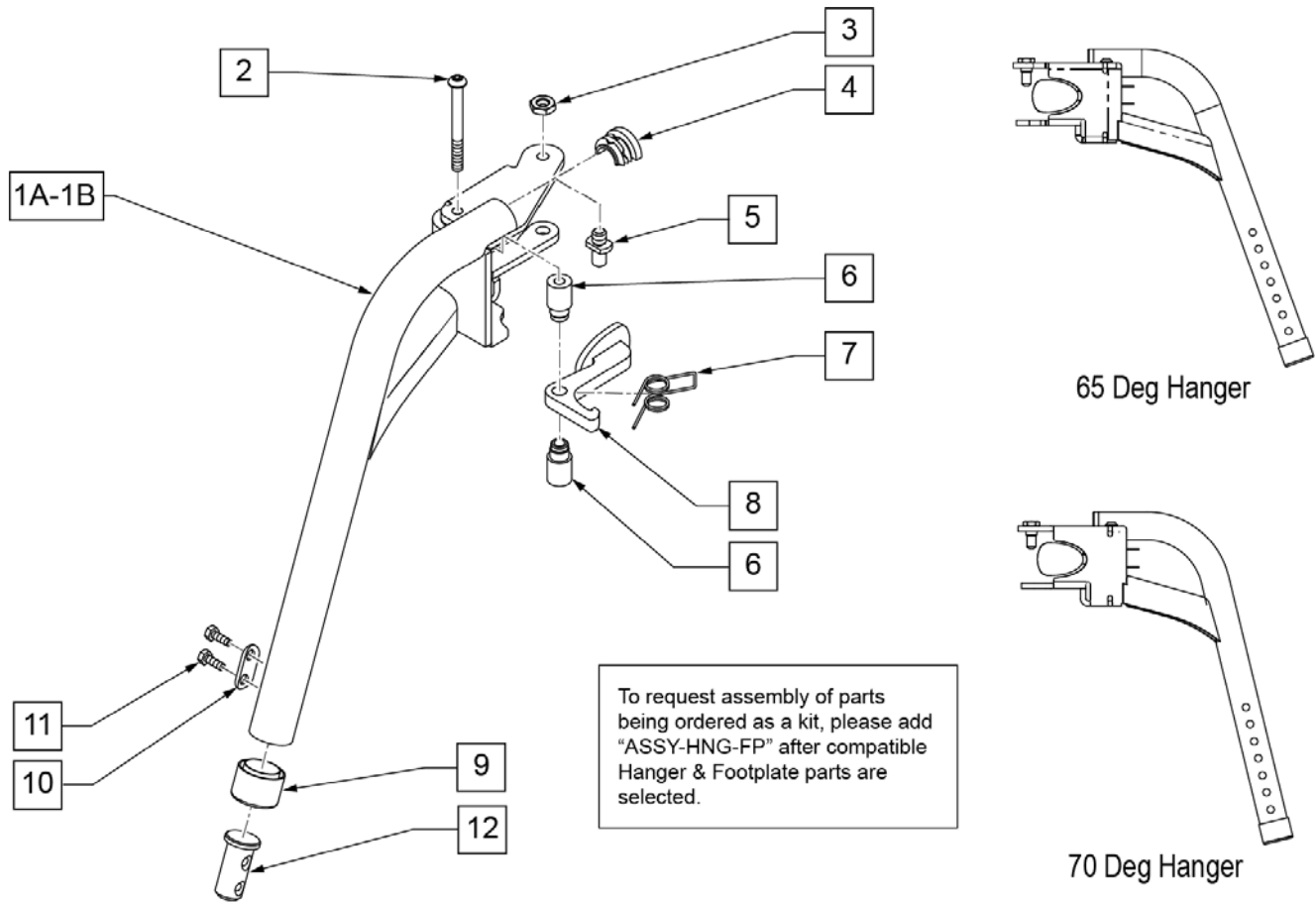
Pos.	Item Number	Description
2	103221	SHCS M8 X 1.25 X 16W/PL INORG
3	011648	WASHER FLAT M8
1-3	122712	LAT HNGR WLDM W/ HDWR

NOTE: For additional parts see: SWING AWAY HANGER RECIEVER page.



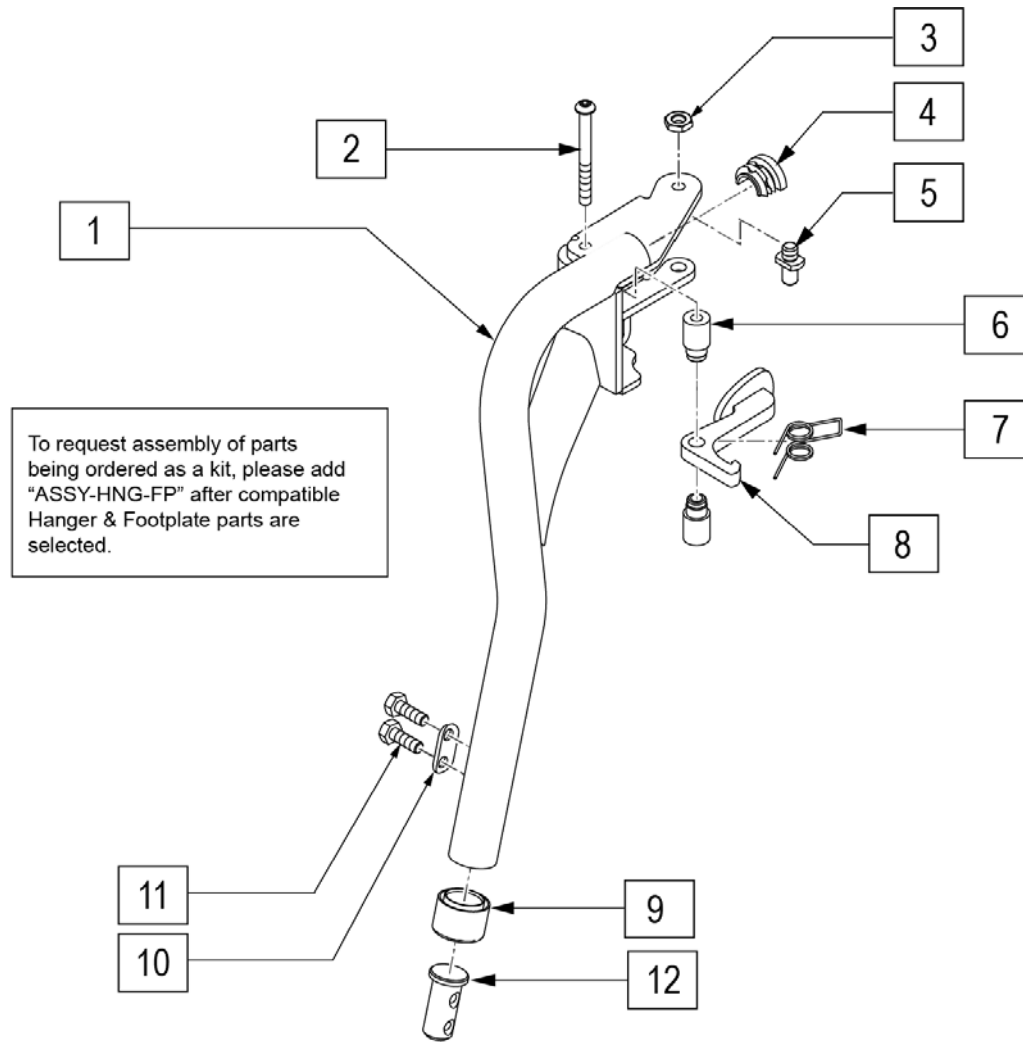
Pos.	Item Number	Description
1	120682	LAP BELT TRANSIT 7.5
2	106379	WASHER PLAIN M10 SILVER ROHS
3	119598	BHCS M10X1.5X16 PL

Note: if switching from a Fixed Center Mount Footrest to Swing Away Hangers on a Pulse with a Captains Seat, order 2 each of 122712 (LAT HANGER WELDMNT W/HARDWARE) to mount the Hanger Receivers to the chair. Please see SWING AWAY HANGER RECEIVER page.



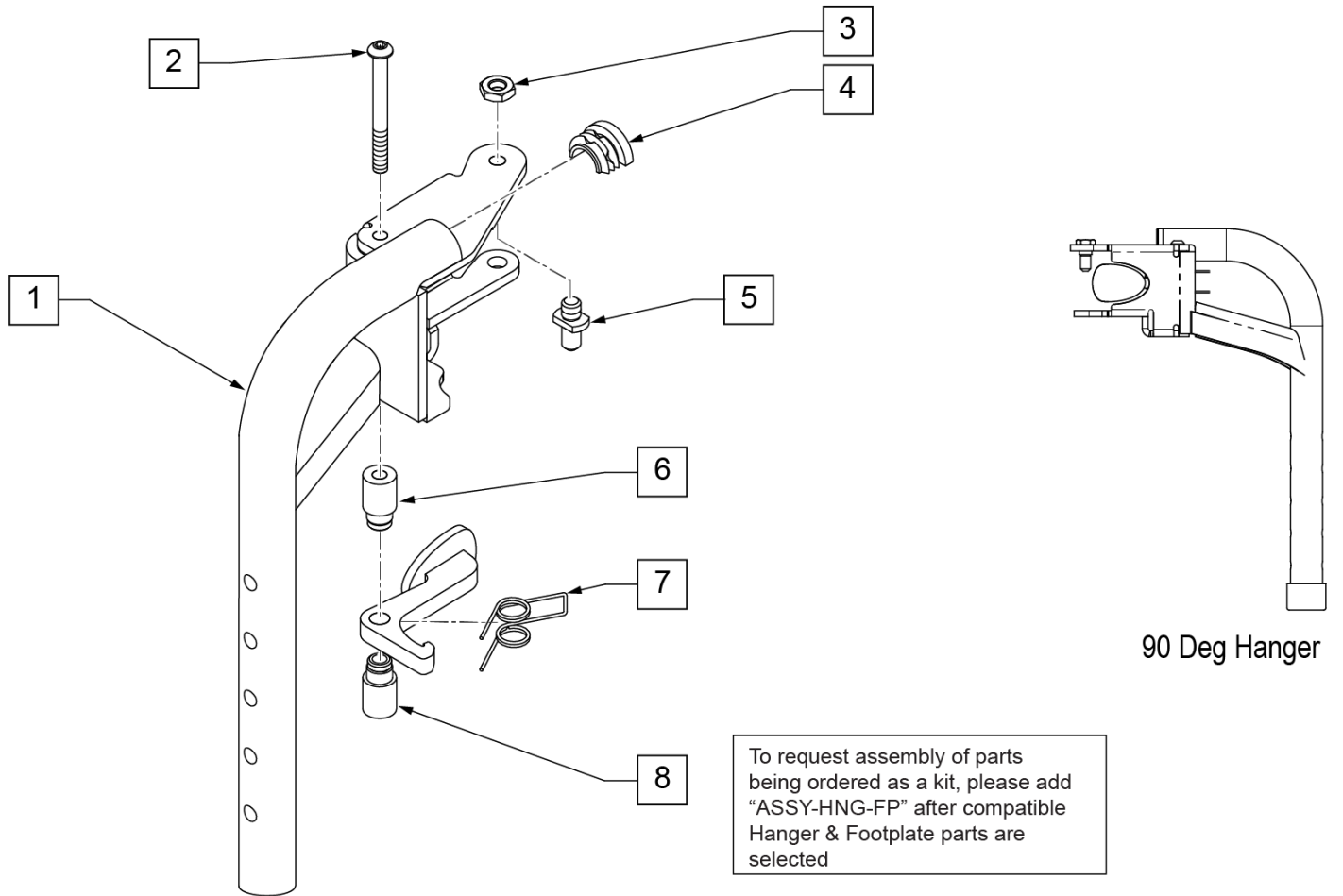
Pos.	Item Number	Description	Remarks
2	013216	SCREW M6 X 60 SKT BTN BLK	
3	013036	M8 X 1.25 JAM NUT HEX	
4	013312	HALF CAP INSERT	
5	108778	PIVOT PIN, POWER	
6	013217	SPACER S/A HANGER LATCH	
7	013163	SPRING LATCH S/A HANGER	
8	013160	LATCH ARM S/A HANGER	
9	561082	1" TUBE END BUSHING THIN	
10	483717	HANGER SADDLE	
11	234891	M6 X 20 HEX C/S	
12	013369	TUBE IN EXT TB S/A HNGR EXT	
1B-9	115167	S/A HANGER ASSM 70D R	70 degree - Right
1B-9	115168	S/A HANGER ASSM 70D L	70 degree - Left
1A-9	014450	S/A HANGER ASSM 65D R	65 degree - Right
1A-9	014451	S/A HANGER ASSM 65D L	65 degree - Left
		Ship assembled part #	Use with multiple assemblies
	ASSY-HNG-FP	HANGER/FOOTPLATE ASSY REQUIRED	add with Hanger & Footplate kit

Note: if switching from a Fixed Center Mount Footrest to Swing Away Hangers on a Pulse with a Captains Seat, order 2 each of 122712 (LAT HANGER WELDMNT W/HARDWARE) to mount the Hanger Receivers to the chair. Please see SWING AWAY HANGER RECEIVER page.



Pos.	Item Number	Description	Remarks
2	013216	SCREW M6 X 60 SKT BTN BLK	
3	013036	M8 X 1.25 JAM NUT HEX	
4	013312	HALF CAP INSERT	
5	108778	PIVOT PIN, POWER	
6	013217	SPACER S/A HANGER LATCH	
7	013163	SPRING LATCH S/A HANGER	
8	013160	LATCH ARM S/A HANGER	
9	561082	1" TUBE END BUSHING THIN	
10	483717	HANGER SADDLE	
11	234891	M6 X 20 HEX C/S	
12	013369	TUBE IN EXT TB S/A HNGR EXT	
1-9	100189	S/A HNGR ASSY TAPER 75D LH	Left
1-9	100190	S/A HNGR ASSY TAPER 75D RT	Right
		Ship assembled part #	Use with multiple assemblies
	ASSY-HNG-FP	HANGER/FOOTPLATE ASSY REQUIRED	add with Hanger & Footplate kit

Note: if switching from a Fixed Center Mount Footrest to Swing Away Hangers on a Pulse with a Captains Seat, order 2 each of 122712 (LAT HANGER WELDMNT W/HARDWARE) to mount the Hanger Receivers to the chair. Please see SWING AWAY HANGER RECEIVER page.



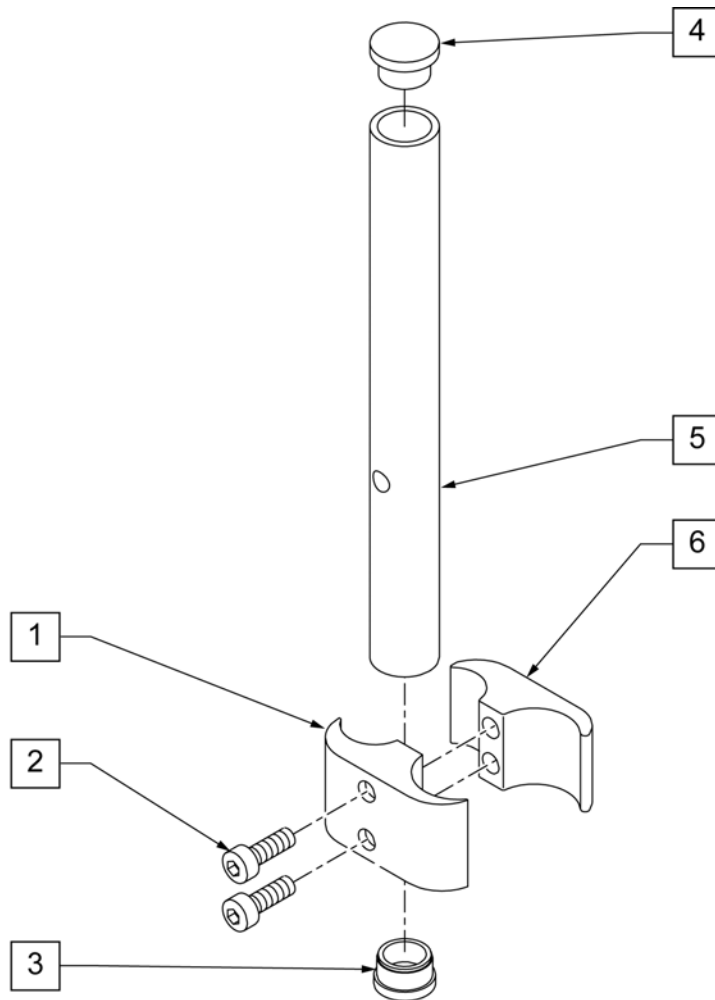
Pos.	Item Number	Description	Remarks
2	013216	SCREW M6 X 60 SKT BTN BLK	
3	013036	M8 X 1.25 JAM NUT HEX	
4	013312	HALF CAP INSERT	
5	108778	PIVOT PIN, POWER	
6	013217	SPACER S/A HANGER LATCH	
7	013163	SPRING LATCH S/A HANGER	
8	013160	LATCH ARM S/A HANGER	
1 -8	013330	S/A HANGER ASSM 90D L	Left
1 -8	013337	S/A HANGER ASSM 90D R	Right
		Ship assembled part #	Use with multiple assemblies
	ASSY-HNG-FP	HANGER/FOOTPLATE ASSY REQUIRED	add with Hanger & Footplate kit

NOTE: only available with Adult Angle Adjustable (AAA) or Kids Angle Adjustable (KAA) Footplates.

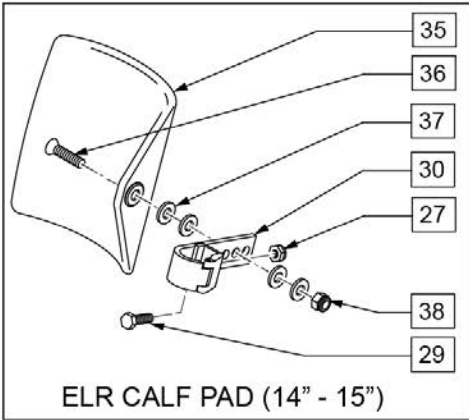
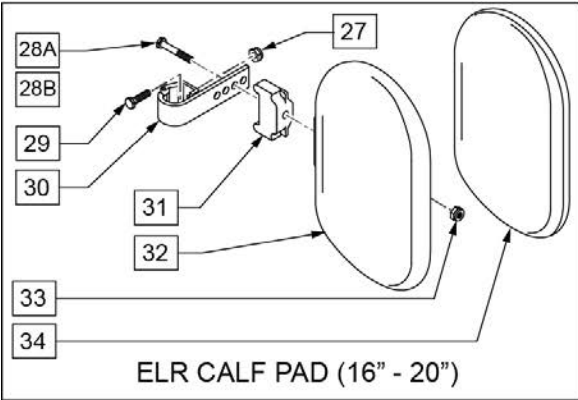
NOTE: if retrofitting to an existing chair with Front Mount Hangers, new Adult Angle Adjustable (AAA) or Kids Angle Adjustable (KAA) Footplates with High Mount Extension Tubes are required. See Footplate Ordering Guide.

NOTE: if retrofitting to an existing chair with extension tube mounted hangers (D2 extension tubes) with Adult Angle Adjustable (AAA) or Kids Angle Adjustable (KAA) Footplates, order 2 each of 226167 and 561055 to mount the footplates onto the round high-mount extension tubes.

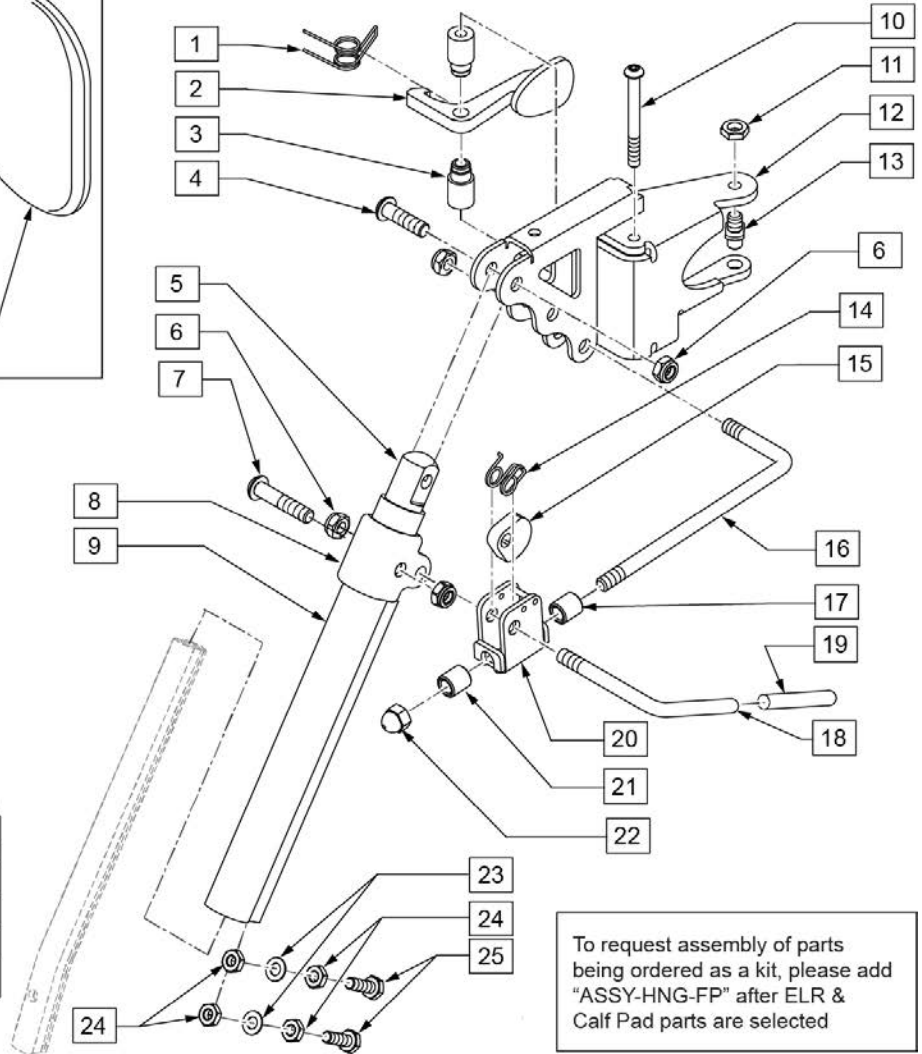
NOTE: if retrofitting on a chair with extension tube mounted hangers with Composite, Composite Angle Adjustable, Foam, Locking Angle Adjustable, Platform Flip-Up, or Platform Flip-Up Locking Footplates, then new Adult Angle Adjustable (AAA) or Kids Angle Adjustable (KAA) Footplates with High Mount Extension Tubes are required. See Footplate Ordering Guide.



Pos.	Item Number	Description	Remarks
1	550657	CLAMP 1 1/4" RECESS FULL BLK	
2	107032	SHCS 1/4-28 X 1 ROHS	
3	561000-QU	3/4" INSERT PLUG .083	
4	482016	HIGH-MOUNT FL FT TUBE PLUG	
5	524100	H/M FL FT EXT TUBE BLK	
6	550658	CLAMP 1 1/4" THREADED BLK	
1,2,6	880538	HI-MOUNT FR CLAMP ASSEMBLY BLK	
1-6	921550S	H/M FL FT CLAMPS AND TUBES (PR)	Pair



39 ELEVATING LEGREST HARDWARE KIT					
POS #	ILLUSTRATION	DESCRIPTION	QTY	POS #	DESCRIPTION
4		5/16-24 X 1 1/8 BHCS BLK	1	23	1/4 AN WASHER FLAT
6		5/16-24 NYLOCK NUT THIN	4	24	1/4-28 NUT THIN
7		5/16-24 X 1 1/2 BH C/S	1	25	1/4-28 X 5/8 HEX C/S
10		SCREW M6 X 60 SKT BTN BLK	1		

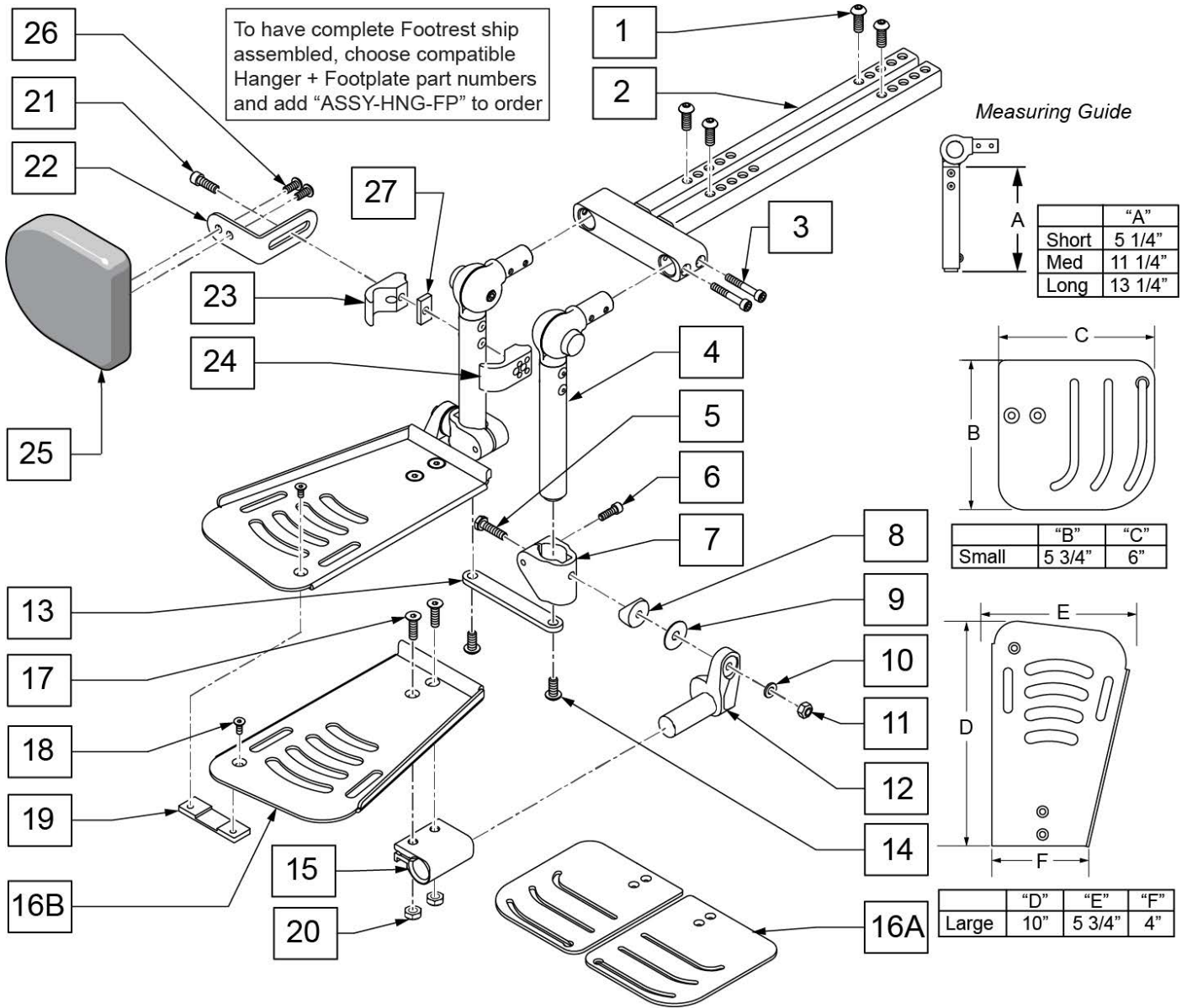


To request assembly of parts being ordered as a kit, please add "ASSY-HNG-FP" after ELR & Calf Pad parts are selected

Pos.	Item Number	Description	Remarks
1	013163	SPRING LATCH S/A HANGER	
2	013160	LATCH ARM S/A HANGER	
3	013217	SPACER S/A HANGER LATCH	
4	226343	5/16-24 X 1 1/8 BHCS BLK	
5	540252	ELR PIVOT PRS	
6	106939	5/16-24 NYLOCK NUT THIN	
7	226138	5/16-24 X 1 1/2 BH C/S	
8	560420	ELR UPPER PIVOT PLST	
9	550722S	ELR ADJUSTMENT TUBE	
10	013216	SCREW M6 X 60 SKT BTN BLK	
11	013036	M8 X 1.25 JAM NUT HEX	
13	108778	PIVOT PIN TOP S/A HANGER	
14	321106	ELR TORSION SPRING	
15	481119	ELR CAM LOCKING POWDERED METAL	
16	481242	ELR LOCK ROD S525	
17	014085	ELR ADJ STOP 20D	
18	481122	ELR ACTUATION ARM	
19	561049	ELR RELEASE ROD COVER	
20	880990	ELR LOCK HOUSING W/PIN	

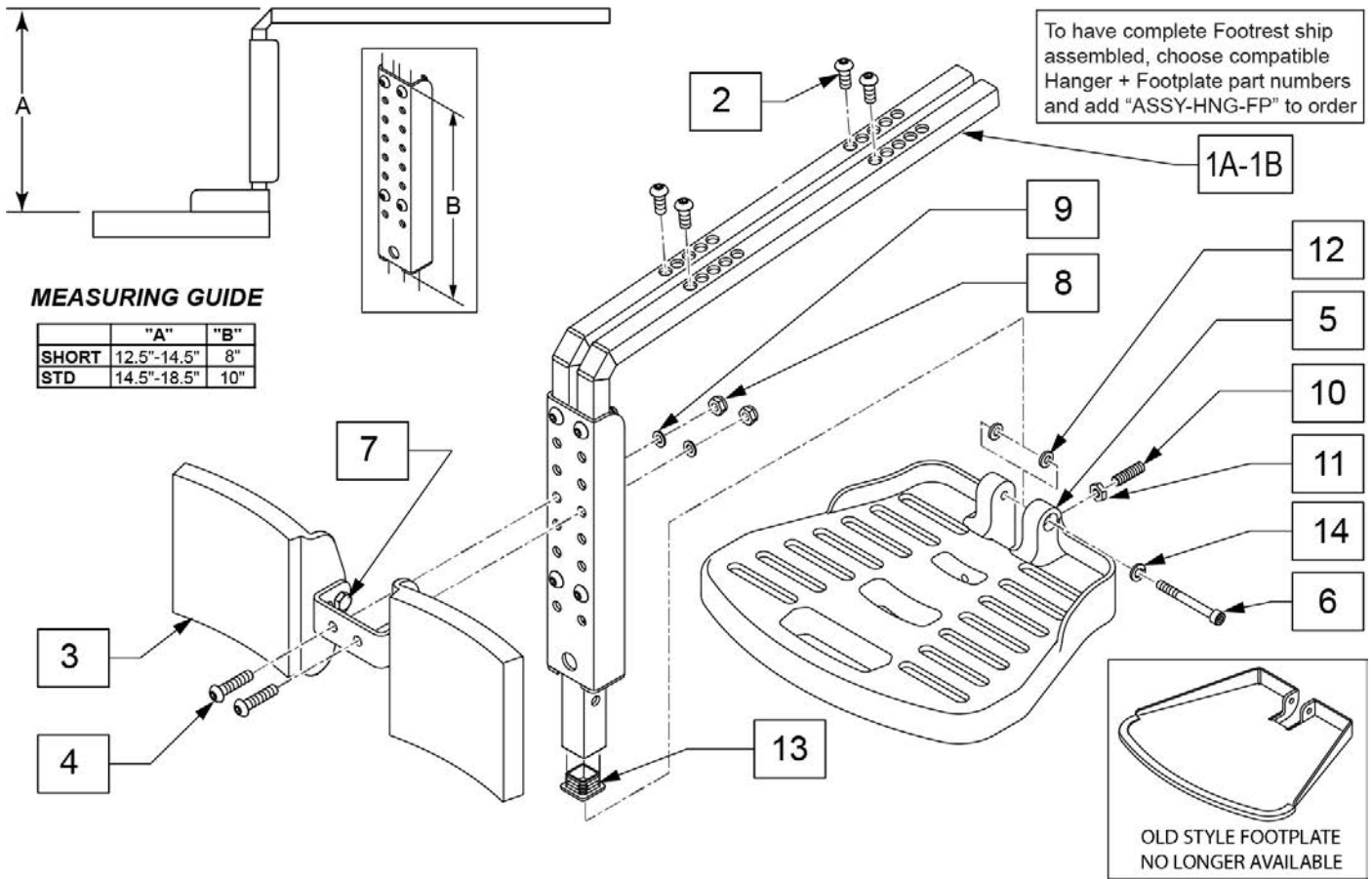
Pos.	Item Number	Description	Remarks
21	560815	HEMI ELR ADJ STOP BACK LG	
22	202109	5/16-24 ACORN NUT HEX	
23	106943	1/4 AN WASHER FLAT	
24	201112	1/4-28 NUT THIN	
25	221096	1/4-28 X 5/8 HEX C/S	
27	106934	1/4-28 NYLOCK NUT	
28A	222242	5/16-18 X 2 1/2 HEX C/S	
28B	107019	HHCS 5/16-18 X 3-1/2 ROHS	(USE W/ ITEM #31)
29	221096	1/4-28 X 5/8 HEX C/S	
30	881413	CALF PAD BRACKET ASSM	
31	560199	ELR CALF HINGE SPACER	used w/ 16-17 wide calf pad
32	560108	CALF PAD MOLDED 16-20"	
33	106936	5/16-18 NYLOCK NUT THICK	
34	751045	CALF PAD COVER NEOPRENE	
35	755014	CALF PAD TROUGH STYLE 14/16	
36	222108	5/16-18 X 1 1/4 BH C/S	
37	561016	1" WASHER 5/16" HOLE"	
38	106937	5/16-18 NYLOCK NUT THIN	
39	101548	ELEVATING LEGREST HDWR KIT	
27,29,30,35-38	881414	CALF PAD J-HOOK 14-15" ASSM	
27,28B,29-34	881416	CALF PAD MOLDED 16-17" ASSM	
27,28A,29,30,32-34	881412	CALF PAD MOLDED 18-20" ASSM	
1-25	101285	RHYTHM/GROOVE ELR HNGR ASSM R	Also fits Pulse & QM-7 Series chairs
1-25	101286	RHYTHM/GROOVE ELR HNGR ASSM L	Also fits Pulse & QM-7 Series chairs
1-8,10-22	101844	ELR HNGR R RHY/GRV W/O TUBE	Also fits Pulse & QM-7 Series chairs
1-8,10-22	101845	ELR HNGR L RHY/GRV W/O TUBE	Also fits Pulse & QM-7 Series chairs
		Ship assembled part #	Use with multiple assemblies
	ASSY-HNG-FP	HANGER/FOOTPLATE ASSY REQUIRED	add with Hanger & Footplate kit

ANGLE ADJUSTABLE CENTER MOUNT FOOTREST



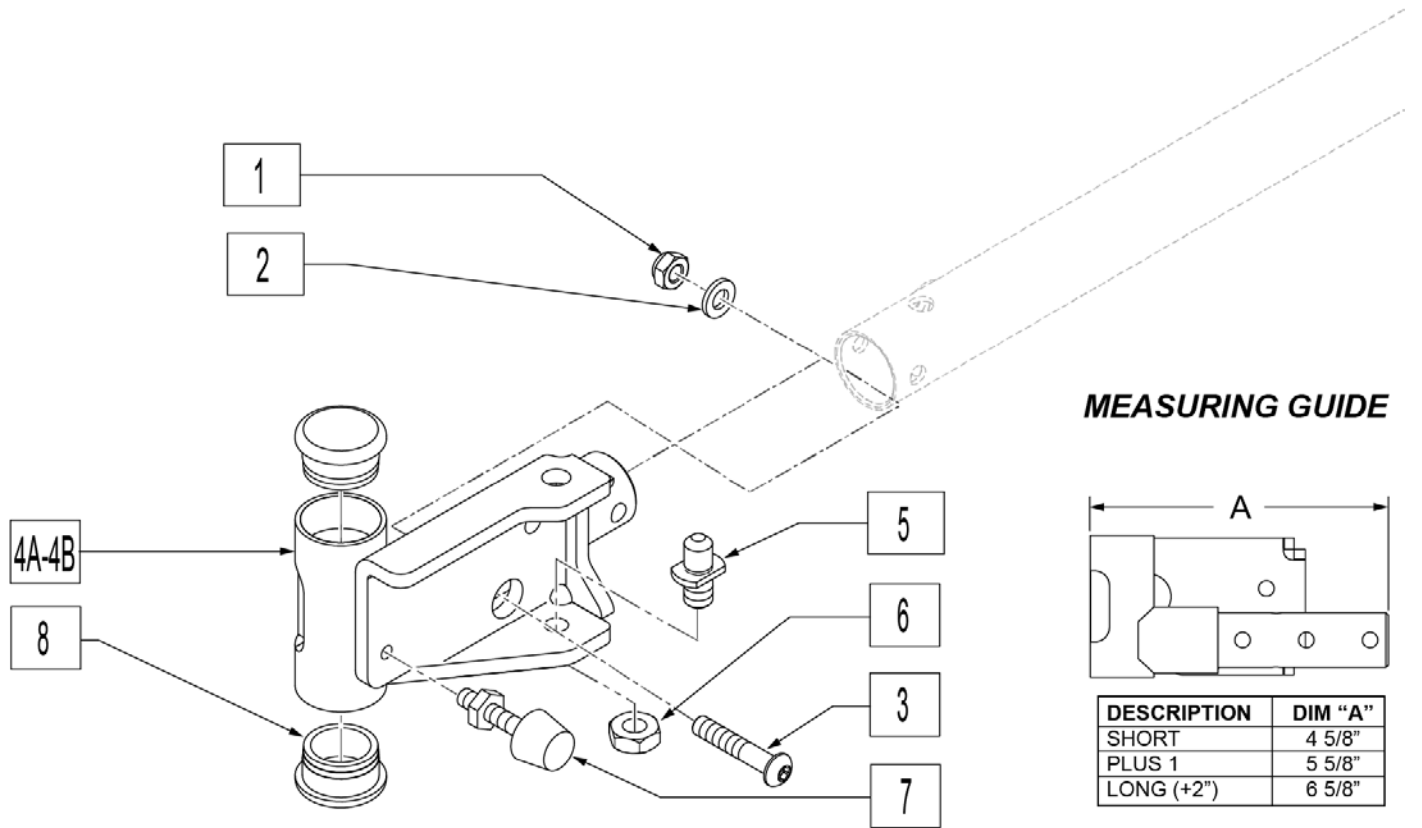
Pos.	Item Number	Description	Remarks
1	013150	BHCS M8 X 1.25 X 20 BLK	
3	113317	SHCS M5X0.8X25 FULL PL	
5	221112	HHCS 1/4-28 X 1"	
6	102263-003	SHCS M6X1X25 FULL PL	
8	561004	1" SADDLE 1/4" HOLE	
9	113268	WASHER NYLON 1IN OD X .312 ID	
10	561028	1/4" NYLON WASHER	
11	106941	NUT AUTOMATION 1/4-28 ROHS	
13	126549	BRACKET	
14	230121	BHCS M8X1.25X20	
4,13,14	129028	VERTICAL ADJ ASSM SHORT	
4,13,14	129029	VERTICAL ADJ ASSM MED	
4,13,14	162446	VERTICAL ADJ ASSM LRG	
5-12	129030	FOOTPLATE CLAMP ASSM RIGHT	
5-12	129031	FOOTPLATE CLAMP ASSM LEFT	

Pos.	Item Number	Description	Remarks
15,16A,17-20	129032	FOOTPLATE CM ADJ SM LFT KIT	
15,16A,17-20	129033	FOOTPLATE CM ADJ SM RT KIT	
15,16B,17-20	129034	FOOTPLATE CM ADJ LRG LFT KIT	
15,16B,17-20	129035	FOOTPLATE CM ADJ LRG RT KIT	
1-14	126691	ANGLE ADJ CM WO FP SHORT	
1-14	126692	ANGLE ADJ CM WO FP MED	
1-14	131392	ANGLE ADJ CM WO FP LONG KIT	
15	550350	3/4" CLMP ADJ FT PLT	
16A	126550	FOOTPLATE ANGLE ADJ CM SM RH	
16A	126551	FOOTPLATE ANGLE ADJ CM SM LH	
16B	245695	ANG ADJ LRG FOOTPLATE - RH	
16B	245696	ANG ADJ LRG FOOTPLATE - LH	
17	106978	FHCS 1/4-28 X 7/8	
18	013450	FHCS M6 X 1 X 10MM W/PCH	
19	125330	NUT PLATE PCM	
20	106935	NUT NYLOCK THIN 1/4-28	
21-27	129041	CALF PAD KIT	One side
		Complete Retro Kits	
1-15,16A,17-27	133073	AACM SHORT SM FP	Complete w/short vertical tube & small footplate
1-15,16A,17-27	135267	AACM MED SM FP	Complete w/med vertical tube & small footplate
1-15,16A,17-27	136496	AACM LONG SM FP	Complete w/long vertical tube & small footplate
1-15,16B,17-27	135266	AACM MED LRG FP	Complete w/med vertical tube & large footplate
1-15,16B,17-27	136495	AACM LONG LRG FP	Complete w/long vertical tube & large footplate
		Ship assembled part #	Use with multiple assemblies
	ASSY-HNG-FP	HANGER/FOOTPLATE ASSY REQUIRED	add with Hanger & Footplate kit

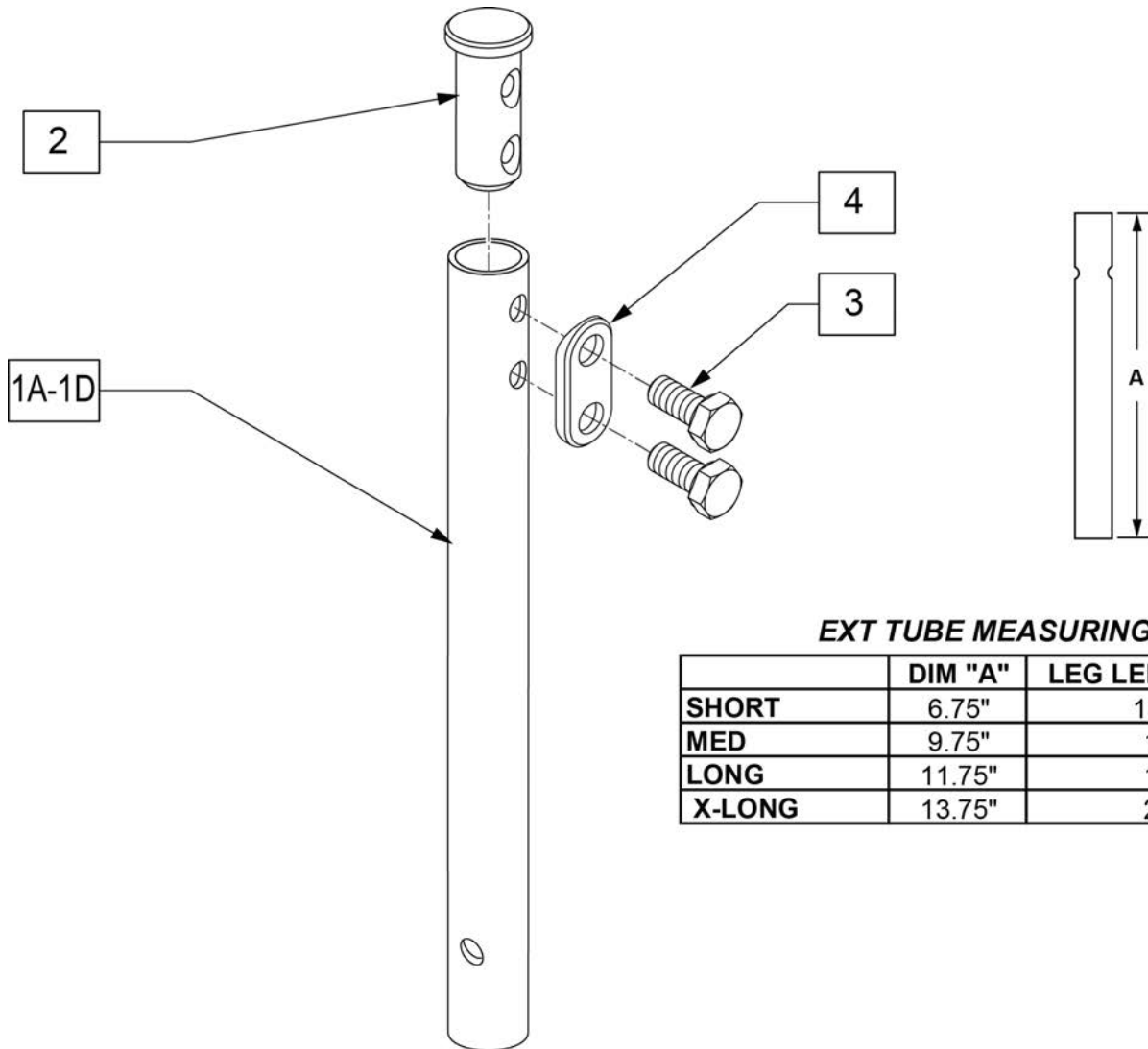


Pos.	Item Number	Description	Remarks
2	n/a	BHCS M8 X 1.25 X 20	AVAILABLE IN ASSM ONLY
4	n/a	BHCS M8 X 1.25 X 35	AVAILABLE IN ASSM ONLY
7	n/a	HHCS M8 X 1.25 X 25	AVAILABLE IN ASSM ONLY
6	n/a	SHCS M8 X 60	AVAILABLE IN ASSM ONLY
8	n/a	M8 NYLOCK NUT	AVAILABLE IN ASSM ONLY
9	n/a	M8 WASHER FLAT	AVAILABLE IN ASSM ONLY
10	n/a	SET SCREW M8 X 1.25 X 60	AVAILABLE IN ASSM ONLY
12	107196	SPACER M8 X 3.18	
13	010615	SQUARE END CAP CNTR LEG SPVRT	
14	250106	M8 LOCK WASHER	
3,4,7,8,9	103118	CALF PAD AND HARDWARE	
5,6,10-12,14	101685	QUICKIE FOOTPLATE	
1A,2-14	103135	CENTER MOUNT HANGER ASSY	Long; used with ASAP and Captains Seat
1B,2-14	130309	FIXED CENTERMOUNT SHORT	Short; used with ASAP and Captains Seat
		Ship assembled part #	Use with multiple assemblies
	ASSY-HNG-FP	HANGER/FOOTPLATE ASSY REQUIRED	add with Hanger & Footplate kit

Note: Use +1 Receiver when changes to Seat Depth or Seat Width cause interference between Front Caster and Swing Away Hangers.



Pos.	Item Number	Description	Remarks
1	210084	NUT HEX NYLOCK M6 BLACK	
2	250104	WASHER FLAT M6	
3	013252	BHCS M6 X 1 X 35 BLK	
5	108778	PIVOT PIN, POWER	
6	013036	M8 NUT JAM THIN	
7	013763	STOP BUMPER	
8	561002	1" INSERT PLUG .083	
1-4A,5-8	104780	HANGER RECVR ASSM SH R	Right
1-4A,5-8	104781	HANGER RECVR ASSM SH L	Left
1-4B,5-8	104784	HANGER RECVR ASSM +1 R	Right
1-4B,5-8	104785	HANGER RECVR ASSM +1 L	Left
1-4C,5-8	104782	HANGER RECVR ASSM LNG R	Right
1-4C,5-8	104783	HANGER RECVR ASSM LNG L	Left



EXT TUBE MEASURING GUIDE

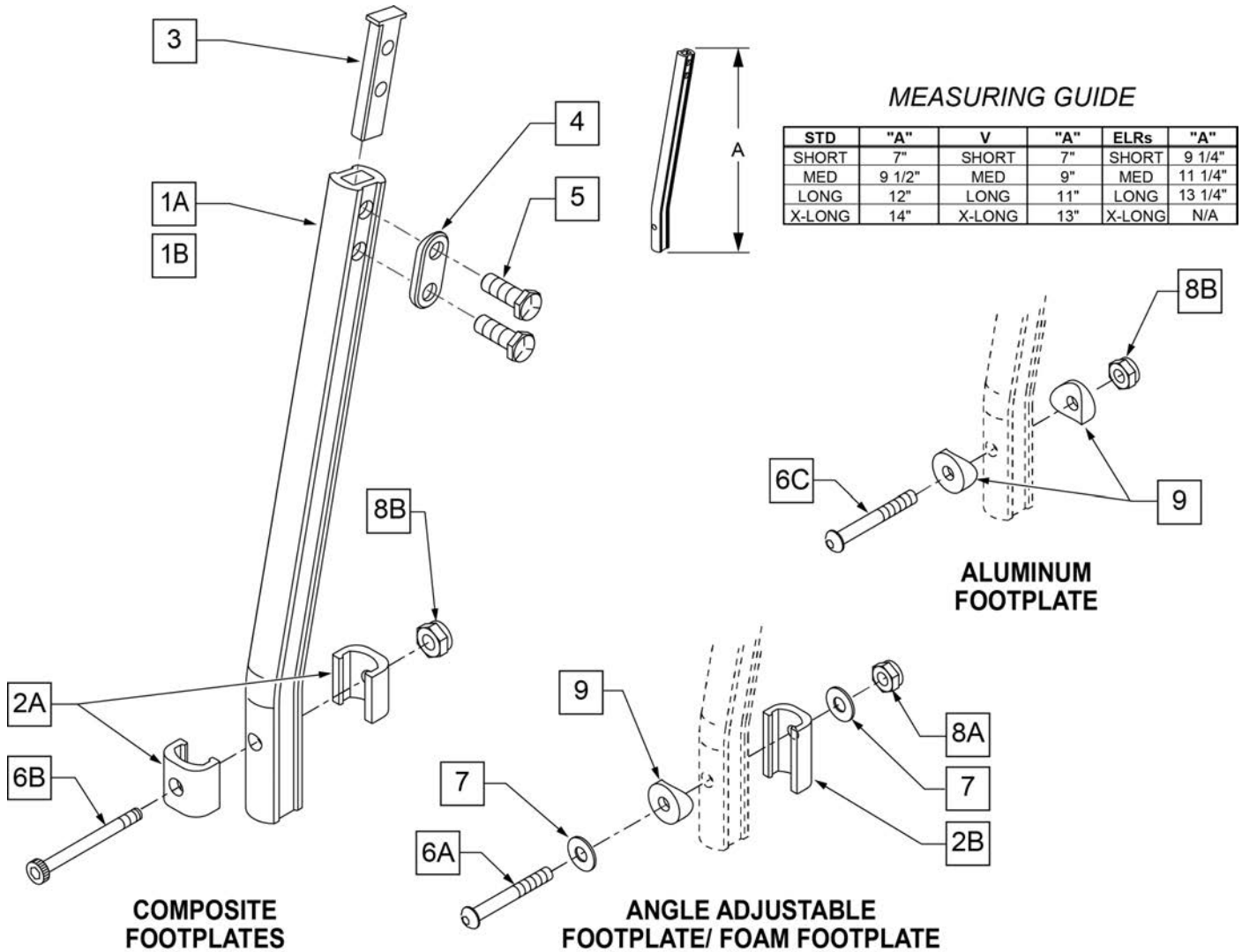
	DIM "A"	LEG LENGTH RANGE
SHORT	6.75"	13"-15.5"
MED	9.75"	15"-18"
LONG	11.75"	18"-20"
X-LONG	13.75"	20"-22"

Pos.	Item Number	Description
1A	013305-001	EXT TUBE SHORT S/A
1B	013305-002	EXT TUBE MED S/A
1C	013305-003	EXT TUBE LONG S/A
1D	013305-004	EXT TUBE X LONG S/A
2	013369	TUBE IN EXT TB S/A HNGR EXT
3	234891	M6 X 20 HEX C/S
4	483717	HANGER SADDLE
1A,2-4	100191	EXT TBE SHT S/A ASSM RHY/G
1B,2-4	100208	EXT TBE MED S/A ASSM RHY/G
1C,2-4	100211	EXT TBE LNG S/A ASSM RHY/G
1D,2-4	100213	EXT TBE X-LNG S/A ASSM RHY

NOTE: DISCONTINUED - PARTS ONLY ON GP SWNG-AWAY BEGINNING 4/4/15 & S/N GP-95902, KIDS Q2 SE BEGINNING 4/16/15 & S/N QKE-003425, LX BEGINNING 10/24/2008 & S/N LX-034330, LXI BEGINNING 4/25/15 & S/N LXI-060868, QTS BEGINNING 5/15/15 & S/N QT-044951, QTS SE BEGINNING 5/15/15 & S/N QTE-002092

NOTE: IF REPLACING AN EXTENSION TUBE ON AN MANUAL ALR PLEASE REFER TO THE ROUND EXT TUBE PARTS MANUAL PAGE.

NOTE: WHEN ORDERING REPLACEMENT EXTENSION TUBES PLEASE VERIFY IF YOU HAVE THE OLD STYLE DOUBLE D EXTENSION TUBE OR THE NEW STYLE DOUBLE D EXTENSION TUBE. THIS CAN BE DONE BY REVIEWING THE HANGER THE EXTENSION TUBE IS USED ON. IF THE HANGER UTILIZES A SINGLE SET SCREW AT THE BOTTOM OF THE HANGER TUBE TO ATTACH THE EXTENSION TUBE TO THE HANGER, THEN THIS UTILIZES THE NEW STYLE DOUBLE D EXT TUBE. ALL OTHER HANGERS REQUIRING A DOUBLE D EXTENSION TUBE UTILIZE THE OLD STYLE.

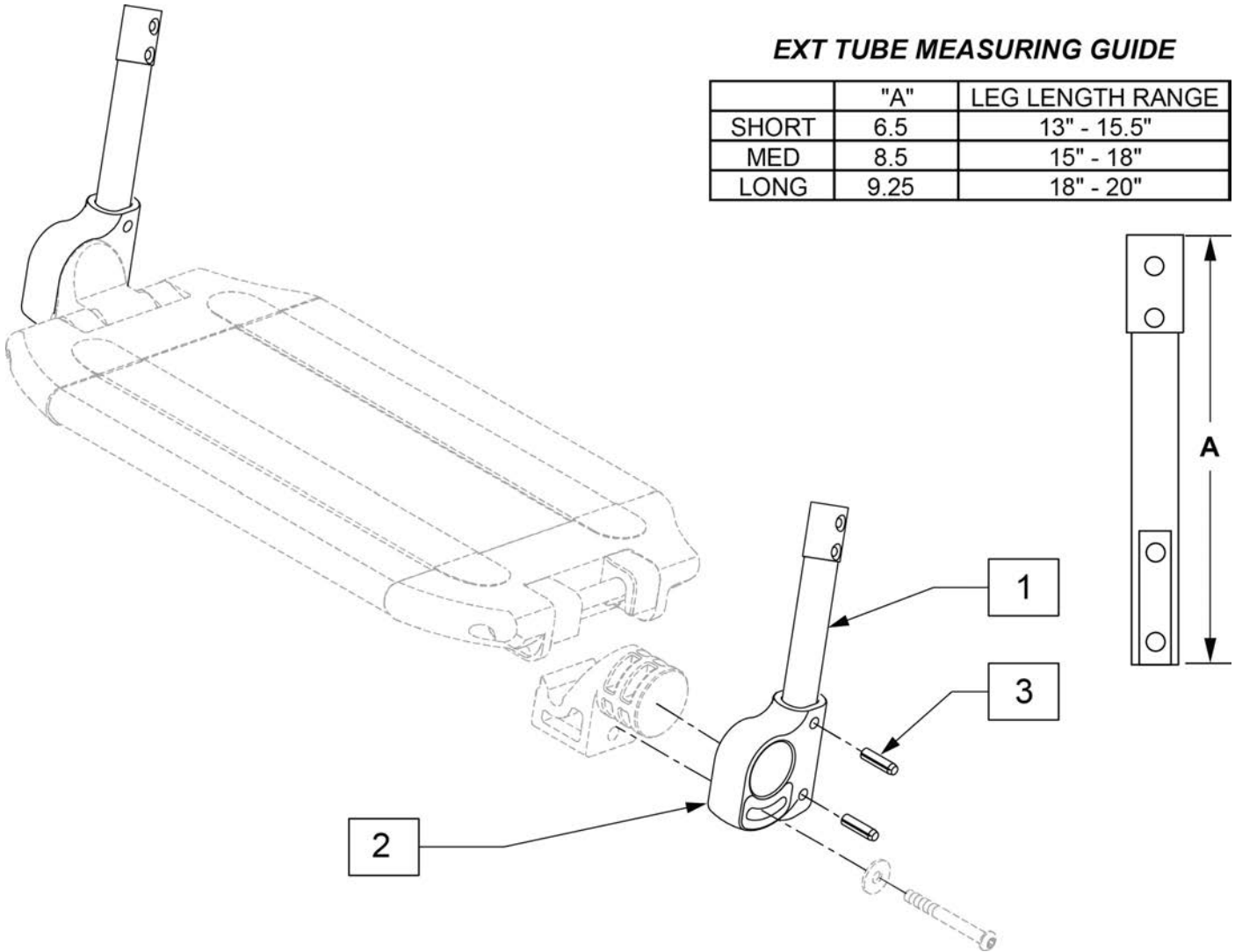


Pos.	Item Number	Description	Remarks
1A	550819	EXT TUBE S/A ONLY SHT	Short Ext-Swing Away Hanger

Pos.	Item Number	Description	Remarks
1A	550820	EXT TUBE S/A ONLY MED	Med Ext-Swing Away Hanger
1A	550821	EXT TUBE S/A ONLY LONG	Long Ext-Swing Away Hanger
1A	550822	EXT TUBE S/A ONLY X-LONG	X-Long Ext-Swing Away Hanger
1B	550834	EXT TUBE V IN ONLY D2 SHT R	Right Short Ext-Swing Away Hanger
1B	550835	EXT TUBE V IN ONLY D2 SHT L	Left Short Ext-Swing Away Hanger
1B	550836	EXT TUBE V IN ONLY D2 MED R	Right Med Ext-Swing Away Hanger
1B	550837	EXT TUBE V IN ONLY D2 MED L	Left Med Ext-Swing Away Hanger
1B	550838	EXT TUBE V IN ONLY D2 LONG R	Right Long Ext-Swing Away Hanger
1B	550839	EXT TUBE V IN ONLY D2 LONG L	Left Long Ext-Swing Away Hanger
1B	550840	EXT TUBE V IN ONLY D2 X-LONG R	Right X-Long Ext-Swing Away Hanger
1B	550841	EXT TUBE V IN ONLY D2 X-LONG L	Left X-Long Ext-Swing Away Hanger
2A	483718	HANGER EXTENSION SADDLE	USE W/ COMPOSITE FTPLT
2B	483720	HANGER EXTENSION SADDLE LONG	USE W/ ANGLE ADJ FTPLT
3	500078	INSERT D2 EXT TUBE	
4	483717	HANGER SADDLE	
5	221102	1/4-28 x 3/4 HEX HEAD C/S BLK W/PTCH	
6A	106962	1/4-28 x 1 3/4 BH C/S BLK ZN	USE W/ ANGLE ADJ FTPLT
6B	226165	1/4 -28 x 2 1/2 SOC C/S	USE W/ COMPOSITE FTPLT
6C	226147	1/4 -28 X 1.85 BH C/S	
7	106945	1/4" SAE WASHER	
8A	106941	1/4 -28 AUTOMATION NUT	USE W/ ANGLE ADJ FTPLT
8B	106935	1/4 -28 NYLOCK NUT THIN	USE W/ COMPOSITE FTPLT
9	561055	3/4 SADDLE 1" OD	USE W/ ANGLE ADJ FTPLT
1A,2A-5	921759	EXT TUBE S/A SHT ASSM PCKT	USE W/ COMPOSITE FTPLT
1A,2A-5	921760	EXT TUBE S/A MED ASSM PCKT	USE W/ COMPOSITE FTPLT
1A,2A-5	921761	EXT TUBE S/A LONG ASSM PCKT	USE W/ COMPOSITE FTPLT
1A,2A-5	921762	EXT TUBE S/A X-LONG ASSM PCKT	USE W/ COMPOSITE FTPLT
1B,2A-5	921751	EXT TUBE "V" D2 SHT R ASSM PCKT	RIGHT - USE W/ COMPOSITE FTPLT V HANGER
1B,2A-5	921752	EXT TUBE "V" D2 SHT L ASSM PCKT	LEFT - USE W/ COMPOSITE FTPLT V HANGER
1B,2A-5	921753	EXT TUBE "V" D2 MED R ASSM PCKT	RIGHT - USE W/ COMPOSITE FTPLT V HANGER
1B,2A-5	921754	EXT TUBE "V" D2 MED L ASSM PCKT	LEFT - USE W/ COMPOSITE FTPLT V HANGER
1B,2A-5	921755	EXT TUBE "V" D2 LONG R ASSM PCKT	RIGHT - USE W/ COMPOSITE FTPLT V HANGER
1B,2A-5	921756	EXT TUBE "V" D2 LONG L ASSM PCKT	LEFT - USE W/ COMPOSITE FTPLT V HANGER
1B,2A-5	921757	EXT TUBE "V" D2 X-LONG R ASSM PCKT	RIGHT - USE W/ COMPOSITE FTPLT V HANGER
1B,2A-5	921758	EXT TUBE "V" D2 X-LONG L ASSM PCKT	LEFT - USE W/ COMPOSITE FTPLT V HANGER
1A,2A-7,9	921772	EXT TUBE S/A SHT ANG ADJ PCKT	USE W/ ANGLE ADJ FTPLT
1A,2A-7,9	921773	EXT TUBE S/A MED ANG ADJ PCKT	USE W/ ANGLE ADJ FTPLT
1A,2A-7,9	921774	EXT TUBE S/A LONG ANG ADJ PCKT	USE W/ ANGLE ADJ FTPLT
1A,2A-7,9	921775	EXT TUBE S/A X-LONG ANG ADJ PCKT	USE W/ ANGLE ADJ FTPLT
1B,2A-7,9	921764	EXT TUBE "V" D2 SHT R ANG ADJ PCKT	RIGHT - USE W/ ANGLE ADJ FTPLT V HANGER
1B,2A-7,9	921765	EXT TUBE "V" D2 SHT L ANG ADJ PCKT	LEFT - USE W/ ANGLE ADJ FTPLT V HANGER
1B,2A-7,9	921766	EXT TUBE "V" D2 MED R ANG ADJ PCKT	RIGHT - USE W/ ANGLE ADJ FTPLT V HANGER
1B,2A-7,9	921767	EXT TUBE "V" D2 MED L ANG ADJ PCKT	LEFT - USE W/ ANGLE ADJ FTPLT V HANGER
1B,2A-7,9	921768	EXT TUBE "V" D2 LONG R ANG ADJ PCKT	RIGHT - USE W/ ANGLE ADJ FTPLT V HANGER
1B,2A-7,9	921769	EXT TUBE "V" D2 LONG L ANG ADJ PCKT	LEFT - USE W/ ANGLE ADJ FTPLT V HANGER
1B,2A-7,9	921770	EXT TUBE "V" D2 X-LONG R ANG AD PCKT	RIGHT - USE W/ ANGLE ADJ FTPLT V HANGER
1B,2A-7,9	921771	EXT TUBE "V" D2 X-LONG L ANG AD PCKT	LEFT - USE W/ ANGLE ADJ FTPLT V HANGER

EXT TUBE MEASURING GUIDE

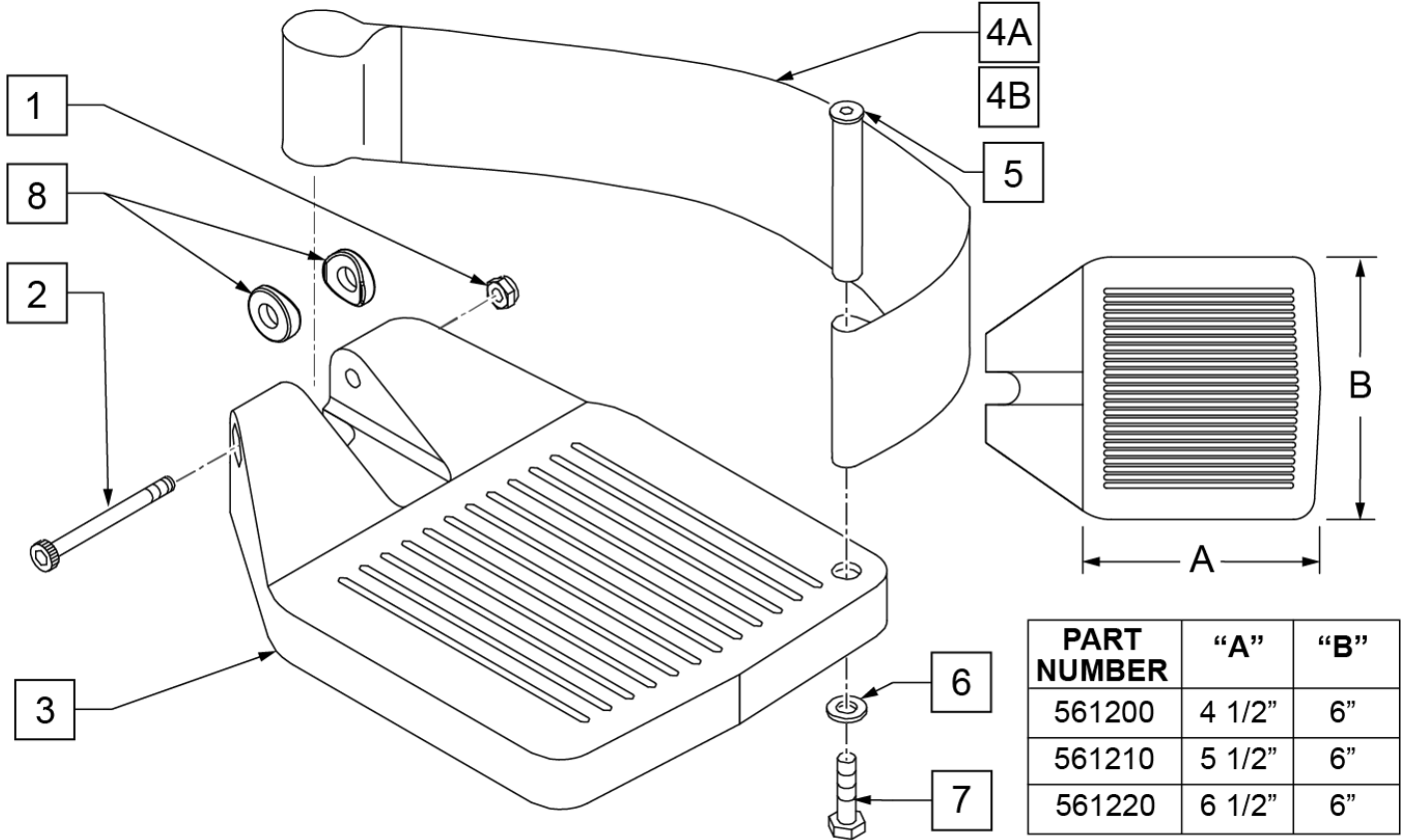
	"A"	LEG LENGTH RANGE
SHORT	6.5	13" - 15.5"
MED	8.5	15" - 18"
LONG	9.25	18" - 20"



Pos.	Item Number	Description	Remarks
2	560024	FOOT YOKE	
3	349583	6 x 25mm GROOVED PIN	
1-3	014054	EXT TBE 1PC LCKNG FT SHT ASSM	PAIR
1-3	014055	EXT TBE 1PC LCKNG FT MED ASSM	PAIR
1-3	014056	EXT TBE 1PC LCKNG FT LNG ASSM	PAIR

To have complete Footrest ship assembled, choose compatible Hanger + Footplate part numbers and add "ASSY-HNG-FP" to order

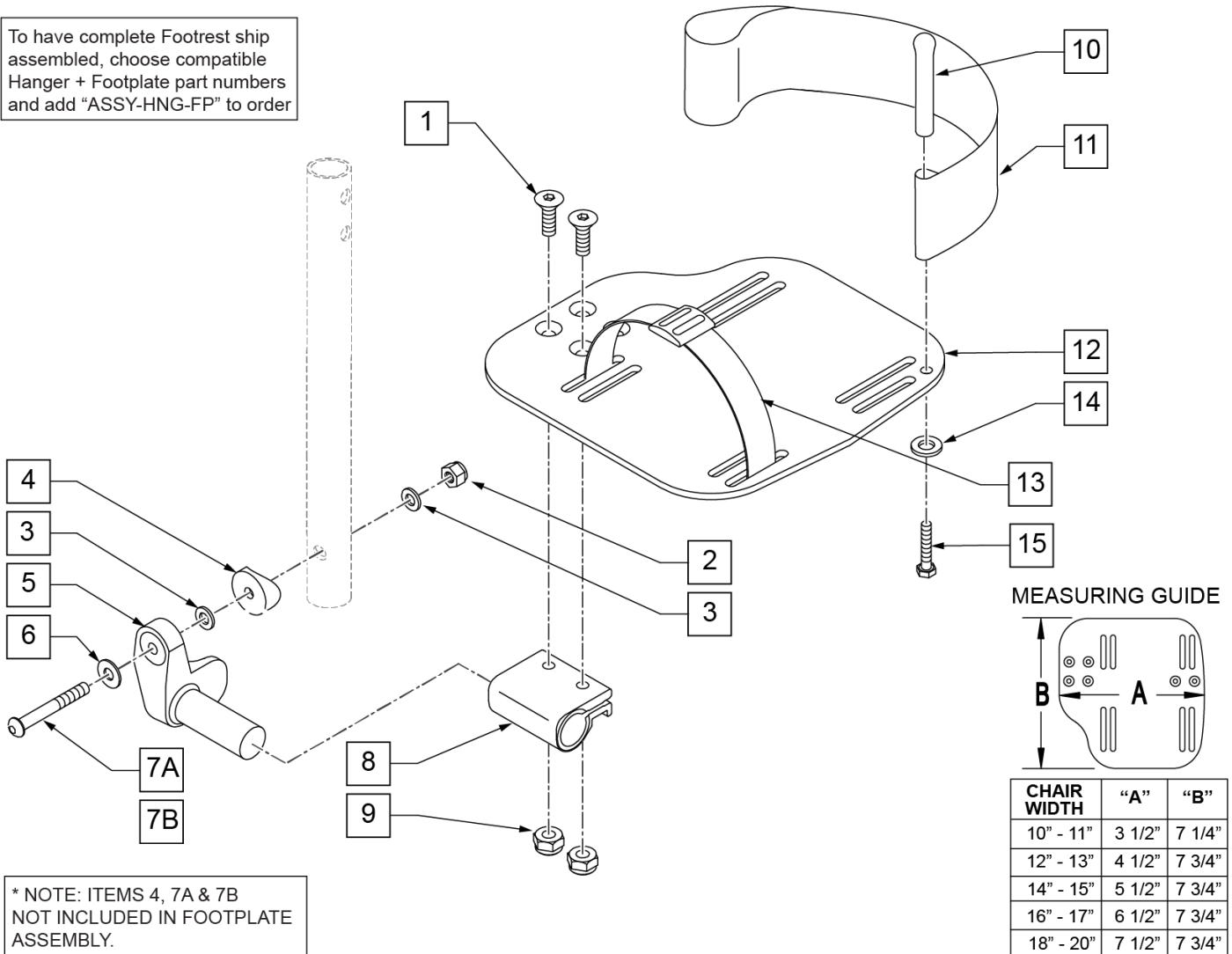
INSET FORMULA
 0" Inset (Seat Width) = Footrest Width
 1" Inset (Seat Width) -2" = Footrest Width
 "V" Hanger (Seat Width) -4" = Footrest Width
 Offset Hanger Receiver (Seat Width) +2" = Footrest Width



Pos.	Item Number	Description	Remarks
1	106935	1/4 - 28 NYLOCK NUT	
2	226165	1/4 - 28 x 2 1/2 SOC C/S	
3	561200	COMPOSITE FOOTPLATE 14 -15 (16 -18 V)	14 -15 OR 16 -18V
3	561210	COMPOSITE FOOTPLATE 16 -17 (19 -20 V)	16 -17 OR 19 -20V
3	561220	COMPOSITE FOOTPLATE 18 -20	18 -20
4A	741151	HEEL LOOP 14-15 COMPOSITE (14 -15 or 16 -18V)	14 -15 OR 16 -18V
4A	741156	HEEL LOOP 16 -17 or 19 -20V	16 -17 OR 19 -20V
4A	741153	HEEL LOOP 18 -20 COMPOSITE/14-15 ANG ADJ	18 -20
4A	902270	HEEL LOOP COMPOSITE FT 14-15	PAIR 14 -15 OR 16 -18V
4A	902271	HEEL LOOP COMPOSITE FT 16-17	PAIR 16 -17 OR 19 -20V
4A	902272	HEEL LOOP COMPOSITE FT 18-20	PAIR 18 -20
4B	741154	HEEL LOOP 14-15 COMPOSITE HEMI	14 -15 HEMI
4B	741155	HEEL LOOP 16-17 COMPOSITE HEMI	16 -17 HEMI
4B	741153	HEEL LOOP 18-20 COMPOSITE HEMI	18 -10 HEMI
4B	902260	HEEL LOOPS HEMI COMPOSITE 14-15	PAIR 14 -15 HEMI
4B	902261	HEEL LOOPS HEMI COMPOSITE 16-17	PAIR 16 -17 HEMI
4B	902262	HEEL LOOPS HEMI COMPOSITE 18-20	PAIR 18 -20 HEMI
5	561040	HEEL LOOP PEG	
6	106944	1/4 AN WASHER FLAT THIN	
7	106958	HHCS 1/4-20 X 1 ROHS	

Pos.	Item Number	Description	Remarks
8	561003	3/4" SADDLE THIN	USED W/ ROUND EXT TUBES ONLY
1-3	921180	COMPOSITE FOOTPLATE ASSM 14-15	RIGHT (14 -15 OR 16 -18V) W/O HEEL LOOP
1-3	921181	COMPOSITE FOOTPLATE ASSM 14-15	LEFT (14 -15 OR 16 -18V) W/O HEEL LOOP
1-3	921182	COMPOSITE FOOTPLATE ASSM 16-17	RIGHT (16 -17 OR 19 -20V) W/O HEEL LOOP
1-3	921183	COMPOSITE FOOTPLATE ASSM 16-17	LEFT (16 -17 OR 19 -20V) W/O HEEL LOOP
1-3	921184	COMPOSITE FOOTPLATE ASSM 18-20	RIGHT (18 -20) W/O HEEL LOOP
1-3	921185	COMPOSITE FOOTPLATE ASSM 18-20	LEFT (18 -20) W/O HEEL LOOP
1-3	921151	COMPOSITE FOOTPLATE ASSM 14-15/16-18V	PAIR (14 -15 OR 16 -18V) W/O HEEL LOOP
1-3	921152	COMPOSITE FOOTPLATE ASSM 16-17/19-20V	PAIR (16 -17 OR 19 -20V) W/O HEEL LOOP
1-3	921153	COMPOSITE FOOTPLATE ASSM 18-20	PAIR (18 -20) W/O HEEL LOOP
1,2,3A,4-7	921190	COMPOSITE FOOTPLATE ASSM HL LP 14-15	RIGHT (14 -15 OR 16 -18V) W/ HEEL LOOP
1,2,3A,4-7	921191	COMPOSITE FOOTPLATE ASSM HL LP 14-15	LEFT (14 -15 OR 16 -18V) W/ HEEL LOOP
1,2,3A,4-7	921192	COMPOSITE FOOTPLATE ASSM HL LP 16-17	RIGHT (16 -17 OR 19 -20V) W/ HEEL LOOP
1,2,3A,4-7	921193	COMPOSITE FOOTPLATE ASSM HL LP 16-17	LEFT (16 -17 OR 19 -20V) W/ HEEL LOOP
1,2,3A,4-7	921194	COMPOSITE FOOTPLATE ASSM HL LP 18-20	RIGHT (18 -20) W/ HEEL LOOP
1,2,3A,4-7	921195	COMPOSITE FOOTPLATE ASSM HL LP 18-20	LEFT (18 -20) W/ HEEL LOOP
1,2,3A,4-7	921161	COMPOSITE FOOTPLATE ASSM HL 14-15/16-18V	PAIR (14 -15 OR 16 -18V) W/ HEEL LOOP
1,2,3A,4-7	921162	COMPOSITE FOOTPLATE ASSM HL 16-17/19-20V	PAIR (16 -17 OR 19 -20V) W/ HEEL LOOP
1,2,3A,4-7	921163	COMPOSITE FOOTPLATE ASSM HL 18-20	PAIR (18 -20) W/ HEEL LOOP
1,2,3B,4-7	921140	COMPOSITE FOOTPLATE ASSM HEMI HL LP 14-15	RIGHT (14 -15) W/ HEEL LOOP
1,2,3B,4-7	921141	COMPOSITE FOOTPLATE ASSM HEMI HL LP 14-15	LEFT (14 -15) W/ HEEL LOOP
1,2,3B,4-7	921142	COMPOSITE FOOTPLATE ASSM HEMI HL LP 16-17	RIGHT (16 -17) W/ HEEL LOOP
1,2,3B,4-7	921143	COMPOSITE FOOTPLATE ASSM HEMI HL LP 16-17	LEFT (16 -17) W/ HEEL LOOP
1,2,3B,4-7	921144	COMPOSITE FOOTPLATE ASSM HEMI HL LP 18-20	RIGHT (18 -20) W/ HEEL LOOP
1,2,3B,4-7	921145	COMPOSITE FOOTPLATE ASSM HEMI HL LP 18-20	LEFT (18 -20) W/ HEEL LOOP
1,2,3B,4-7	921167	COMPOSITE FOOTPLATE ASSM HEMI HL LPS 14-15	PAIR (14 -15) W/ HEEL LOOP
1,2,3B,4-7	921168	COMPOSITE FOOTPLATE ASSM HEMI HL LPS 16-17	PAIR (16 -17) W/ HEEL LOOP
1,2,3B,4-7	921169	COMPOSITE FOOTPLATE ASSM HEMI HL LPS 18-20	PAIR (18 -20) W/ HEEL LOOP
		Ship assembled part #	Use with multiple assemblies
	ASSY-HNG-FP	HANGER/FOOTPLATE ASSY REQUIRED	add with Hanger & Footplate kit

To have complete Footrest ship assembled, choose compatible Hanger + Footplate part numbers and add "ASSY-HNG-FP" to order

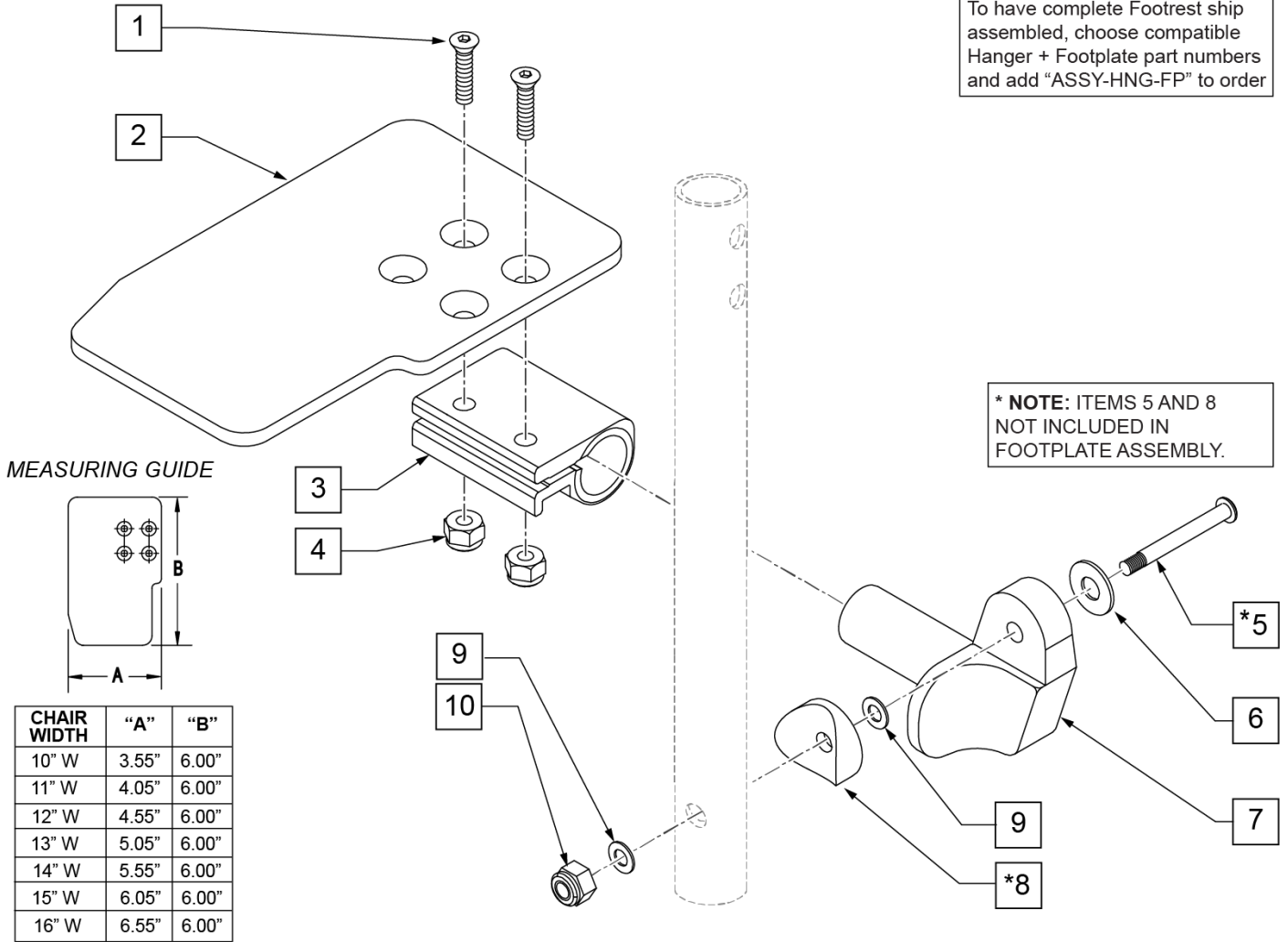


* NOTE: ITEMS 4, 7A & 7B NOT INCLUDED IN FOOTPLATE ASSEMBLY.

Pos.	Item Number	Description	Remarks
1	106978	FHCS 1/4 -28 x 7/8	
2	106941	1/4-28 AUTOMATION NUT	
3	106944	1/4 AN WASHER FLAT THIN	
4	561055	3/4" SADDLE 1" OD	
5	541002	FTRST MOUNTING BRKT-3/8 RAD R	
5	541003	FTRST MOUNTING BRKT-3/8 RAD L	
6	106945	1/4 SAE WASHER	
7A	106962	BHCS 1/4 -28 x 1 3/4 ROHS	For Manual ELRs only
7B	226167	1/4-28 x 1.625 BH C/S BLK (ROUND EXTENSION TUBES)	
8	550350	3/4" CLMP ADJ FT PLT	
9	106935	NUT NYLOCK THIN 1/4-28 ROHS	
10	561040	HEEL LOOP PEG	
11	741153	H/L 18-20 CMPST/14-15 ANG ADJ	
11	741253	HEEL LOOP ADLT ADJ F/PLT 18-20	
12	500660	ADLT ANGL ADJ F/PLT 14/15" R	
12	500661	ADLT ANGL ADJ F/PLT 14/15" L	
12	500662	ADLT ANGL ADJ F/PLT 16/17" R	
12	500663	ADLT ANGL ADJ F/PLT 16/17" L	

Pos.	Item Number	Description	Remarks
12	500664	ADLT ANGL ADJ F/PLT 18-20" R	
12	500665	ADLT ANGL ADJ F/PLT 18-20" L	
13	740260	TOE/ANKLE STRAP ADJ ADLT F/PLT	
14	106944	1/4 AN WASHER FLAT THIN	
15	106958	1/4-20 x 1 HEX C/S	
1-3,5,6,8,9,12	820460	FP ADLT ADJ 14/15 R	
1-3,5,6,8,9,12	820462	FP ADLT ADJ 14/15 L	
1-3,5,6,8,9,12	820464	FP ADLT ADJ 16/17 R	
1-3,5,6,8,9,12	820466	FP ADLT ADJ 16/17 L	
1-3,5,6,8,9,12	820468	FP ADLT ADJ 18-20 R	
1-3,5,6,8,9,12	820470	FP ADLT ADJ 18-20 L	
1-3,5,6,8,9,12	921320	FP ADLT ADJ 14/15	Pair
1-3,5,6,8,9,12	921322	FP ADLT ADJ 16/17	Pair
1-3,5,6,8,9,12	921324	FP ADLT ADJ 18-20	Pair
1-3,5,6,8-12,14,15	820461	FP ADLT ADJ 14/15 R HL	
1-3,5,6,8-12,14,15	820463	FP ADLT ADJ 14/15 L HL	
1-3,5,6,8-12,14,15	820465	FP ADLT ADJ 16/17 R HL	
1-3,5,6,8-12,14,15	820467	FP ADLT ADJ 16/17 L HL	
1-3,5,6,8-12,14,15	820469	FP ADLT ADJ 18-20 R HL	
1-3,5,6,8-12,14,15	820471	FP ADLT ADJ 18-20 L HL	
1-3,5,6,8-12,14,15	921321	FP ADLT ADJ 14/15 HL	Pair
1-3,5,6,8-12,14,15	921323	FP ADLT ADJ 16/17 HL	Pair
1-3,5,6,8-12,14,15	921325	FP ADLT ADJ 18-20 HL	Pair
1-3,7,9-10,14-15	101533	ADLT ANG ADJ FP D2 HDWR KIT	Kit for one side
1-4,7B,9,10,14-15	101534	ADLT ANG ADJ FP RND HDWR KIT	Kit for one side
		Ship assembled part #	Use with multiple assemblies
	ASSY-HNG-FP	HANGER/FOOTPLATE ASSY REQUIRED	add with Hanger & Footplate kit

To have complete Footrest ship assembled, choose compatible Hanger + Footplate part numbers and add "ASSY-HNG-FP" to order



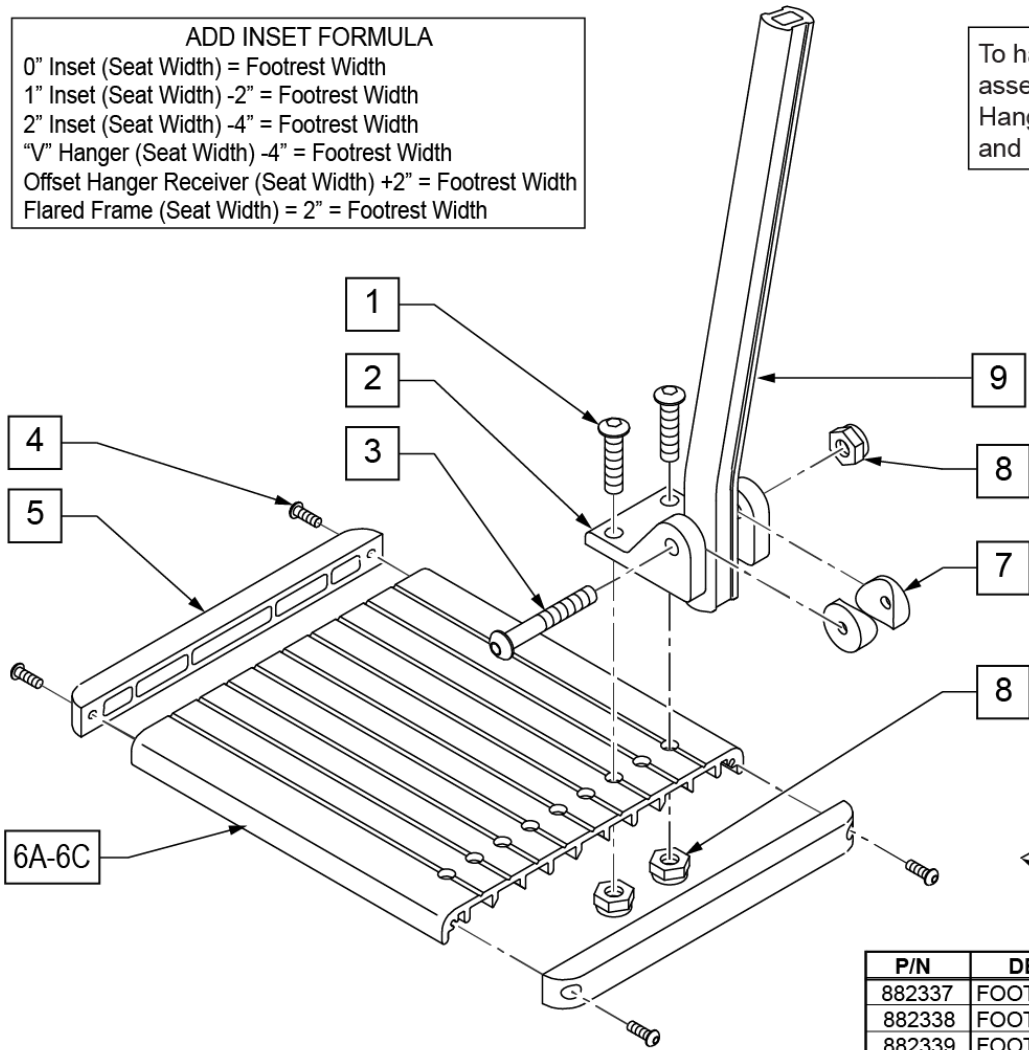
Pos.	Item Number	Description	Remarks
1	106978	1/4-28 X 7/8 FH C/S	
2	500635	KIDS ANGL ADJ F/PLT 10" R	
2	500636	KIDS ANGL ADJ F/PLT 10" L	
2	500637	KIDS ANGL ADJ F/PLT 11" R	
2	500638	KIDS ANGL ADJ F/PLT 11" L	
2	500639	KIDS ANGL ADJ F/PLT 12" R	
2	500640	KIDS ANGL ADJ F/PLT 12" L	
2	500641	KIDS ANGL ADJ F/PLT 13" R	
2	500642	KIDS ANGL ADJ F/PLT 13" L	
2	500643	KIDS ANGL ADJ F/PLT 14" R	
2	500644	KIDS ANGL ADJ F/PLT 14" L	
2	500645	KIDS ANGL ADJ F/PLT 15" R	
2	500646	KIDS ANGL ADJ F/PLT 15" L	
2	500647	KIDS ANGL ADJ F/PLT 16" R	
2	500648	KIDS ANGL ADJ F/PLT 16" L	
3	550350	3/4" CLAMP ADJ FOOTPLATE	
4	106935	NUT NYLOCK THIN 1/4-28 ROHS	
5	106962	1/4-28 x 1 3/4 BH C/S BLK ZN (D2 EXTENSION TUBES)	For manual ELRs only
5	226167	1/4-28 x 1.625 BH C/S BLK (ROUND EXTENSION TUBES)	

Pos.	Item Number	Description	Remarks
6	106945	1/4 SAE WASHER	
7A	541002	FTRST MOUNTING BRKT-3/8 RAD R	
7B	541003	FTRST MOUNTING BRKT-3/8 RAD L	
8	561055	3/4" SADDLE 1" OD	
9	106944	1/4 AN WASHER FLAT THIN	
10	106941	1/4-28 AUTOMATION NUT	
1-4,6,7,9,10	828850	KIDS ANG ADJ F/PLT EXT-MNT 10"R	
1-4,6,7,9,10	828851	KIDS ANG ADJ F/PLT EXT-MNT 10"L	
1-4,6,7,9,10	828852	KIDS ANG ADJ F/PLT EXT-MNT 11"R	
1-4,6,7,9,10	828853	KIDS ANG ADJ F/PLT EXT-MNT 11"L	
1-4,6,7,9,10	828854	KIDS ANG ADJ F/PLT EXT-MNT 12"R	
1-4,6,7,9,10	828855	KIDS ANG ADJ F/PLT EXT-MNT 12"L	
1-4,6,7,9,10	828856	KIDS ANG ADJ F/PLT EXT-MNT 13"R	
1-4,6,7,9,10	828857	KIDS ANG ADJ F/PLT EXT-MNT 13"L	
1-4,6,7,9,10	828858	KIDS ANG ADJ F/PLT EXT-MNT 14"R	
1-4,6,7,9,10	828859	KIDS ANG ADJ F/PLT EXT-MNT 14"L	
1-4,6,7,9,10	828860	KIDS ANG ADJ F/PLT EXT-MNT 15"R	
1-4,6,7,9,10	828861	KIDS ANG ADJ F/PLT EXT-MNT 15"L	
1-4,6,7,9,10	828862	KIDS ANG ADJ F/PLT EXT-MNT 16"R	
1-4,6,7,9,10	828863	KIDS ANG ADJ F/PLT EXT-MNT 16"L	
1-4,6,7,9,10	921280	KIDS ANG ADJ F/PLT EXT-MNT 10"	
1-4,6,7,9,10	921281	KIDS ANG ADJ F/PLT EXT-MNT 11"	
1-4,6,7,9,10	921282	KIDS ANG ADJ F/PLT EXT-MNT 12"	
1-4,6,7,9,10	921283	KIDS ANG ADJ F/PLT EXT-MNT 13"	
1-4,6,7,9,10	921284	KIDS ANG ADJ F/PLT EXT-MNT 14"	
1-4,6,7,9,10	921285	KIDS ANG ADJ F/PLT EXT-MNT 15"	
1-4,6,7,9,10	921286	KIDS ANG ADJ F/PLT EXT-MNT 16"	
		Ship assembled part #	Use with multiple assemblies
	ASSY-HNG-FP	HANGER/FOOTPLATE ASSY REQUIRED	add with Hanger & Footplate kit

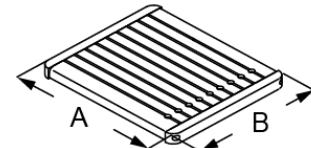
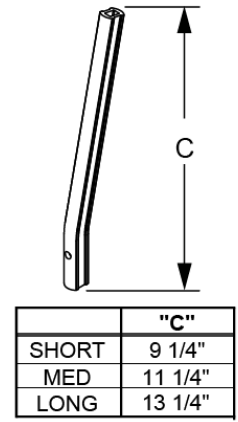
NOTE: Left Side Shown

ADD INSET FORMULA
 0" Inset (Seat Width) = Footrest Width
 1" Inset (Seat Width) - 2" = Footrest Width
 2" Inset (Seat Width) - 4" = Footrest Width
 "V" Hanger (Seat Width) - 4" = Footrest Width
 Offset Hanger Receiver (Seat Width) + 2" = Footrest Width
 Flared Frame (Seat Width) = 2" = Footrest Width

To have complete Footrest ship assembled, choose compatible Hanger + Footplate part numbers and add "ASSY-HNG-FP" to order

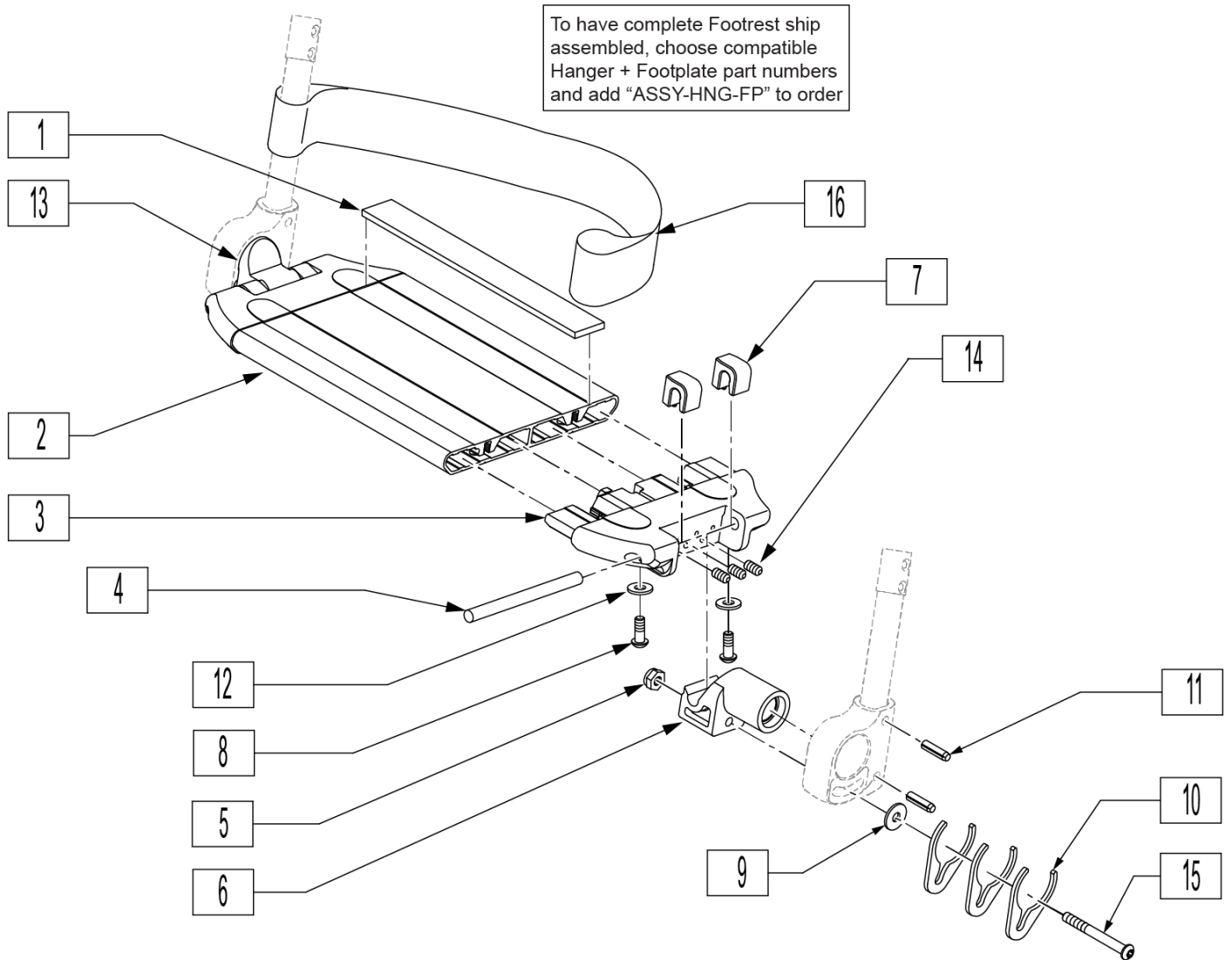


MEASURING GUIDE



P/N	DESCRIPTION	"A"	"B"
882337	FOOTPLATE ELR 14-15"	6"	6"
882338	FOOTPLATE ELR 16-17"	7"	6"
882339	FOOTPLATE ELR 18-20"	8"	6"

Pos.	Item Number	Description	Remarks
1	106959	1/4-28 x 5/8 BH C/S	
2	550739	FOOTPLATE MOUNTING BRACKET	
3	226147	1/4-28 x 1.85 BH C/S	
4	281043	#4 x 5/8 PAN PHIL S/TAP	
5	560101	END CAPS FOOTREST	
7	561003	3/4" SADDLE THIN	
8	106935	1/4-28 NYLOCK NUT THIN	
9	550764	S/A HANGER EXT D2 SHORT BLACK	
9	550765	S/A HANGER EXT D2 MED BLK	
9	550766	S/A HANGER EXT D2 LONG BLACK	
4,5,6A	882337	ELR FOOTPLATE ASSEMBLY 14 -15"	
4,5,6B	882338	ELR FOOTPLATE ASSEMBLY 16 -17"	
4,5,6C	882339	ELR FOOTPLATE ASSEMBLY 18 -20"	
1-5,6A-8	921400S	ELR FOOTPLATE KIT 14 -15"	Does not include Extension
1-5,6B-8	921401S	ELR FOOTPLATE KIT 16 -17"	Does not include Extension
1-5,6C-8	921402S	ELR FOOTPLATE KIT 18 -20"	Does not include Extension
		Ship assembled part #	Use with multiple assemblies
	ASSY-HNG-FP	HANGER/FOOTPLATE ASSY REQUIRED	add with Hanger & Footplate kit

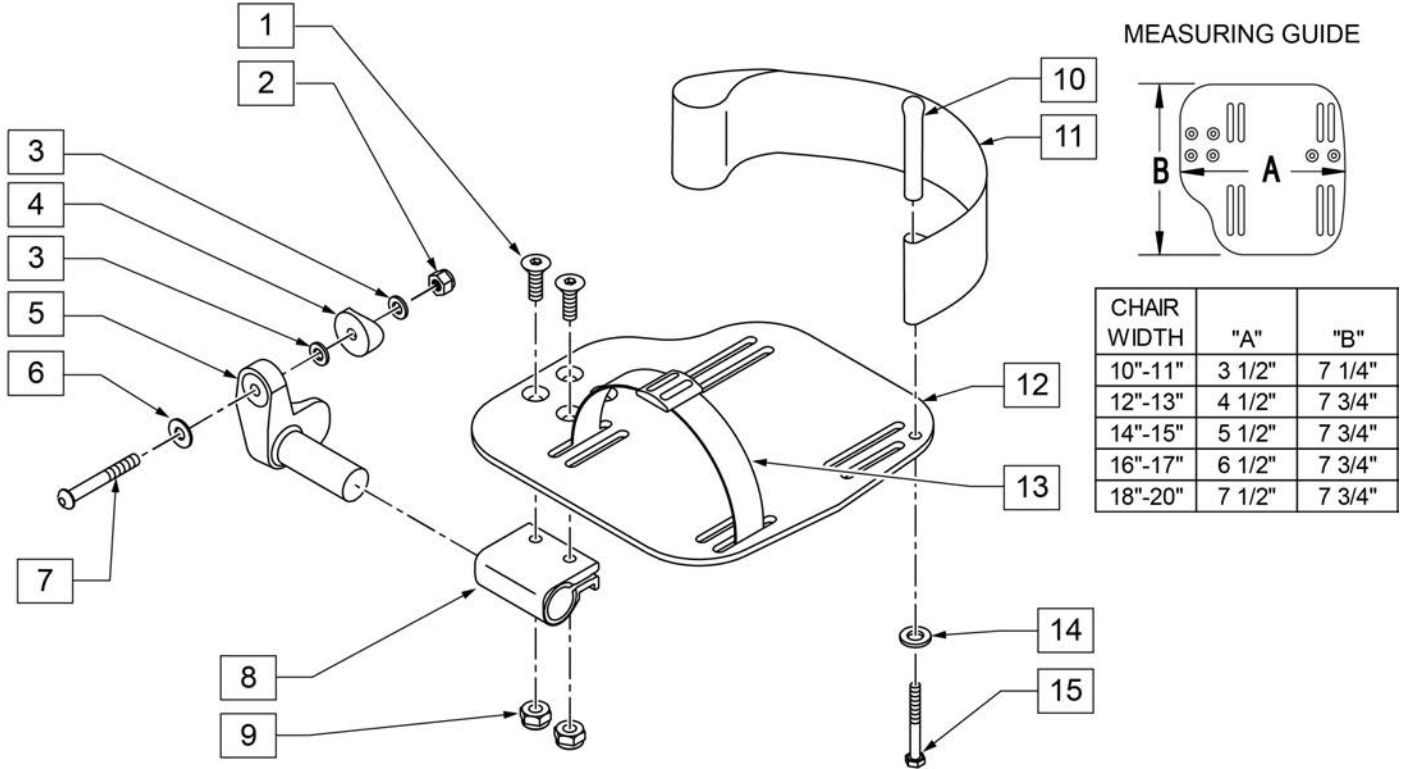


Pos.	Item Number	Description	Remarks
1	360010	FOOT BOARD SKID TAPE	
3	560019	FOOT BOARD HOLDER R	
3	560020	FOOT BOARD HOLDER L	
4	481283	PIN 8mm x 100mm	
5	200113	NUT HEX NYLOCK M6 X 1 NUT	
6	560022	FOOT BOARD SUPPORT	
7	560021	FOOT BOARD SHIM ALIGNMENT	
8	106943	WASHER FLAT AN 1/4 ROHS	
9	250070	METRIC WASHER	
10	210000	M6 x 55 8.8 BUTTON HD CAP SCRW	
11	349583	6 x 25mm GROOVED PIN	
12	230032	M6 x 16 B/H CAP SCREW	
14	230030	M6 x 12 SET SCREW CUP POINT	
16	740130	LEG STRAP 10"-14" BLK	
16	740131	LEG STRAP 15"-17" BLK	
16	740132	LEG STRAP 18"-20" BLK	
1-15	900190	SLD 1-PC FOOTREST 14 WIDE	Tapered Hanger
1-15	900191	SLD 1-PC FOOTREST 15 WIDE	Tapered Hanger

Pos.	Item Number	Description	Remarks
1-15	900192	SLD 1-PC FOOTREST 16 WIDE	Tapered Hanger
1-15	900193	SLD 1-PC FOOTREST 17 WIDE	Tapered Hanger
1-15	900194	SLD 1-PC FTRST 18W TAP/14W ST	Tapered Hanger
1-15	900195	SLD 1-PC FTRST 19W TAP/15W ST	Tapered Hanger
1-15	900196	SLD 1-PC FTRST 20W TAP/16W ST	Tapered Hanger
1-15	900197	SLD 1-PC FTRST 22W TAP/18W ST	Tapered Hanger
1-15	900198	SLD 1-PC FTRST 24W TAP/20W ST	Tapered Hanger
1-15	900211	SLD 1-PC FTRST 17W STRT	
1-15	900209	SLD 1-PC FTRST 19W STRT	
1-15	900212	SLD 1-PC FTRST 22INW STRT	
1-15	900210	SLD 1-PC FTRST 24INW STRT	
		Ship assembled part #	Use with multiple assemblies
	ASSY-HNG-FP	HANGER/FOOTPLATE ASSY REQUIRED	add with Hanger & Footplate kit

To have complete Footrest ship assembled, choose compatible Hanger + Footplate part numbers and add "ASSY-HNG-FP" to order

INSET FORMULA
 0" Inset (Seat Width) = Footrest Width
 1" Inset (Seat Width) - 2" = Footrest Width
 "V" Hanger (Seat Width) - 4" = Footrest Width
 Offset Hanger Receiver (Seat Width) + 2" = Footrest Width

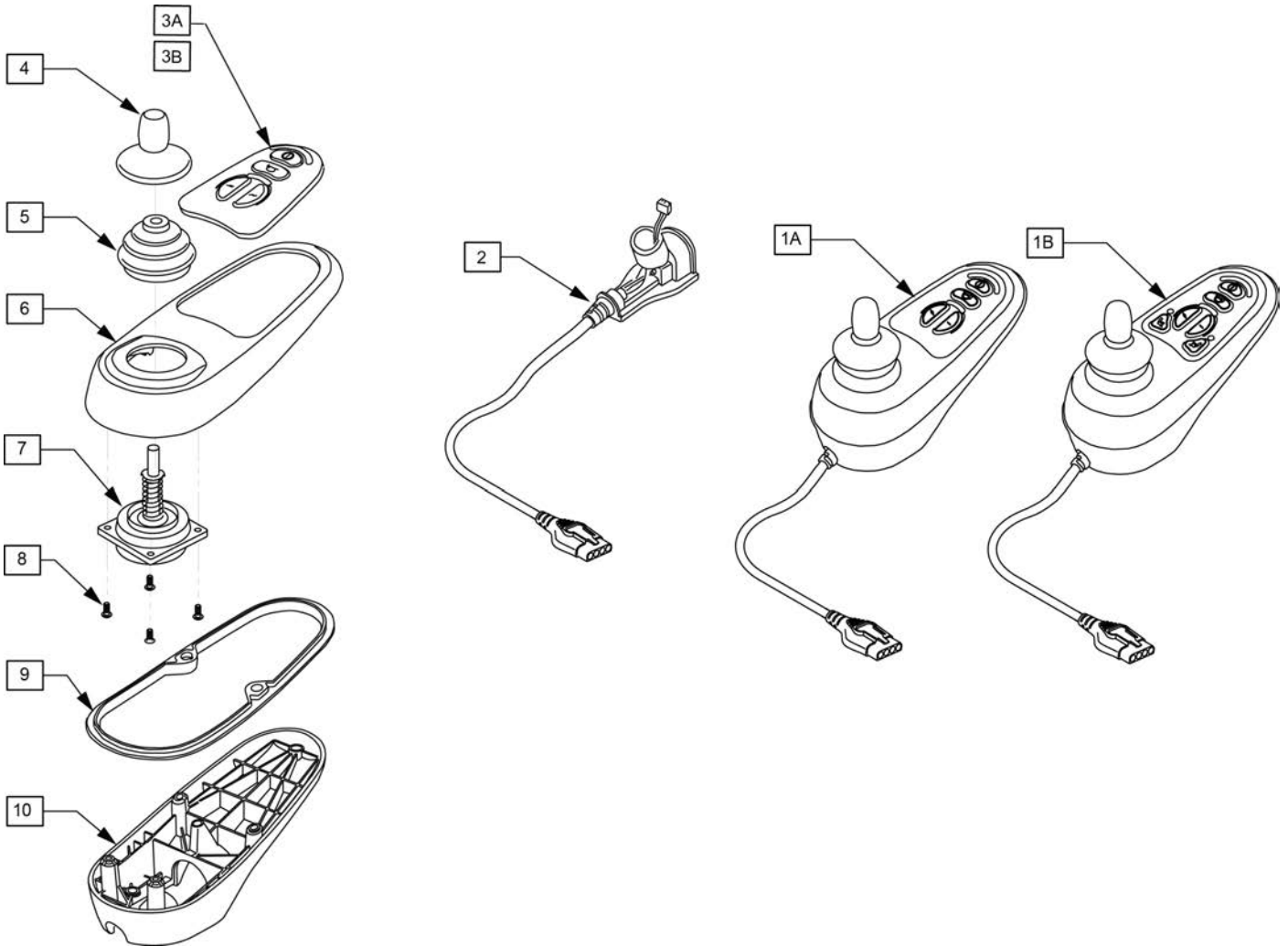


Pos.	Item Number	Description	Remarks
1	106978	FHCS 1/4-28 X 7/8 ROHS	
2	106941	NUT AUTOMATION 1/4-28 ROHS	
3	106943	WASHER FLAT AN 1/4 ROHS	
4	561004	1" SADDLE 1/4" HOLE	
5	541000	FOOTREST MOUNTING BRKT 1/2" RAD R	RIGHT
5	541001	FOOTREST MOUNTING BRKT 1/2" RAD L	LEFT
6	106945	WASHER FLAT SAE 1/4 ROHS	
7	106964	BHCS 1/4-28 X 2	
8	550350	3/4" CLAMP ADJ FOOTPLATE	
9	106935	NUT NYLOCK THIN 1/4-28 ROHS	
10	561040	HEEL LOOP PEG	
11	741153	HEEL LOOP 18-20 CMPST/14-15 ANG ADJ	USED W/ 14-15"/16-17" ADULT ANG ADJ FTPLTS
11	741253	HEEL LOOP ADLT ADJ F/PLT 18-20	USED W/ 18 -20" ADULT ANG ADJ FTPLTS
12	500656	ADULT ANGL ADJ F/PLT 10/11	RIGHT
12	500657	ADULT ANGL ADJ F/PLT 10/11	LEFT
12	500658	ADULT ANGL ADJ F/PLT 12/13	RIGHT
12	500659	ADULT ANGL ADJ F/PLT 12/13	LEFT
12	500660	ADULT ANGL ADJ F/PLT 14/15	RIGHT
12	500661	ADULT ANGL ADJ F/PLT 14/15	LEFT
12	500662	ADULT ANGL ADJ F/PLT 16/17	RIGHT
12	500663	ADULT ANGL ADJ F/PLT 16/17	LEFT
12	500664	ADULT ANGL ADJ F/PLT 18-20	RIGHT
12	500665	ADULT ANGL ADJ F/PLT 18-20	LEFT

Pos.	Item Number	Description	Remarks
13	740260	TOE-ANKLE STRAP ADJ ADULT FOOTPLATE	
14	106943	WASHER FLAT AN 1/4 ROHS	
15	106958	HHCS 1/4-20 X 1 ROHS	
1-9,12	820544	FP ADULT ADJ 90D 10/11 R	RIGHT
1-9,12	820554	FP ADULT ADJ 90D 10/11 L	LEFT
1-9,12	820546	FP ADULT ADJ 90D 12/13 R	RIGHT
1-9,12	820556	FP ADULT ADJ 90D 12/13 L	LEFT
1-9,12	820472	FP ADULT ADJ 90D 14/15 R	RIGHT
1-9,12	820473	FP ADULT ADJ 90D 14/15 L	LEFT
1-9,12	820474	FP ADULT ADJ 90D 16/17 R	RIGHT
1-9,12	820475	FP ADULT ADJ 90D 16/17 L	LEFT
1-9,12	820476	FP ADULT ADJ 90D 18-20 R	RIGHT
1-9,12	820477	FP ADULT ADJ 90D 18-20 L	LEFT
1-9,12	921474	ADULT ANGL ADJ 90D 10/11 OMIT H/L	PAIR
1-9,12	921476	ADULT ANGL ADJ 90D 12/13 OMIT H/L	PAIR
1-9,12	921330	ADULT ANGL ADJ 90D 14/15 OMIT H/L	PAIR
1-9,12	921331	ADULT ANGL ADJ 90D 16/17 OMIT H/L	PAIR
1-9,12	921332	ADULT ANGL ADJ 90D 18-20 OMIT H/L	PAIR
1-12,14,15	820540	F/PLT ADULT ADJ 90D 10/11 R W/ HL	RIGHT
1-12,14,15	820550	F/PLT ADULT ADJ 90D 10/11 L W/ HL	LEFT
1-12,14,15	820542	F/PLT ADULT ADJ 90D 12/13 R W/ HL	RIGHT
1-12,14,15	820552	F/PLT ADULT ADJ 90D 12/13 L W/ HL	LEFT
1-12,14,15	820478	F/PLT ADULT ADJ 90D 14/15 R W/ HL	RIGHT
1-12,14,15	820479	F/PLT ADULT ADJ 90D 14/15 L W/ HL	LEFT
1-12,14,15	820480	F/PLT ADULT ADJ 90D 16/17 R W/ HL	RIGHT
1-12,14,15	820481	F/PLT ADULT ADJ 90D 16/17 L W/ HL	LEFT
1-12,14,15	820482	F/PLT ADULT ADJ 90D 18-20 R W/ HL	RIGHT
1-12,14,15	820483	F/PLT ADULT ADJ 90D 18-20 L W/ HL	LEFT
1-12,14,15	921470	F/PLT ADULT ADJ 90D 10/11 W/ HL	PAIR
1-12,14,15	921472	F/PLT ADULT ADJ 90D 12/13 W/ HL	PAIR
1-12,14,15	921333	F/PLT ADULT ADJ 90D 14/15 W/ HL	PAIR
1-12,14,15	921334	F/PLT ADULT ADJ 90D 16/17 W/ HL	PAIR
1-12,14,15	921335	F/PLT ADULT ADJ 90D 18-20 W/ HL	PAIR
		Ship assembled part #	Use with multiple assemblies
	ASSY-HNG-FP	HANGER/FOOTPLATE ASSY REQUIRED	add with Hanger & Footplate kit

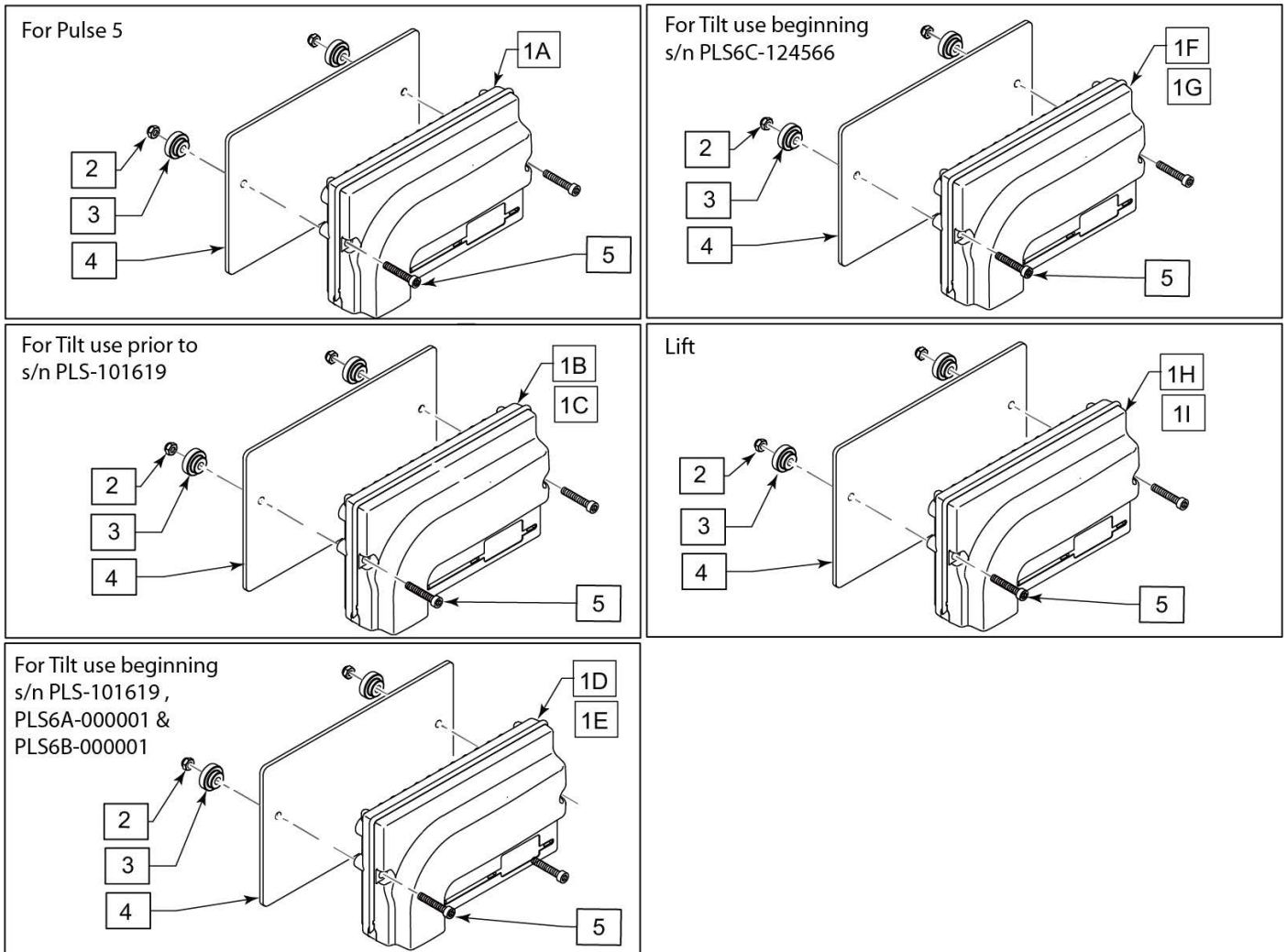
NOTE: JOYSTICK POST (ITEM 7) ACCEPTS JOYSTICK KNOBS THAT HAVE A 1/4" DIAMETER MATING HOLE.

Note: please see attachment in informations panel for additional joystick component information and to determine appropriate replacement parts.

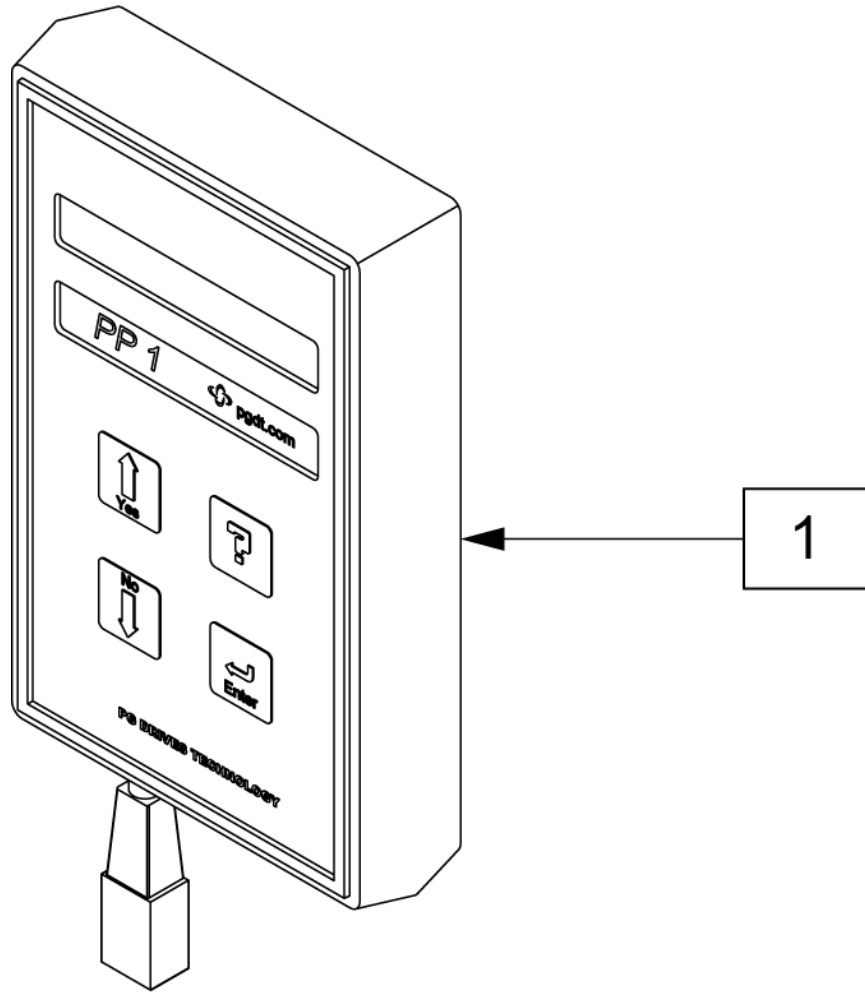


Pos.	Item Number	Description	Remarks
1A	105375	VR2 JOYSTICK 4 BUTTON	STD Joystick (Used when Dual Toggle is picked)
1B	105376	VR2 JOYSTICK 6 BUTTON	Thru Drive Joystick
2	105937	JOYSTICK CABLE	
3A	105938	KEYPAD 4 KEY	
3B	105939	KEYPAD 6 KEY	
4	138169	VSI JOYSTICK HANDLE	
5	105930	JOYSTICK GAITER	
6	105945	MOLDED TOP	
7	105936	JOYSTICK	
8	105947	SHCS M3X14 TORX	
9	105946	RUBBER SEAL JOYSTICK	
10	105940	MOLDED BOTTOM	

Note: Serial Number must be provided for replacement controller.



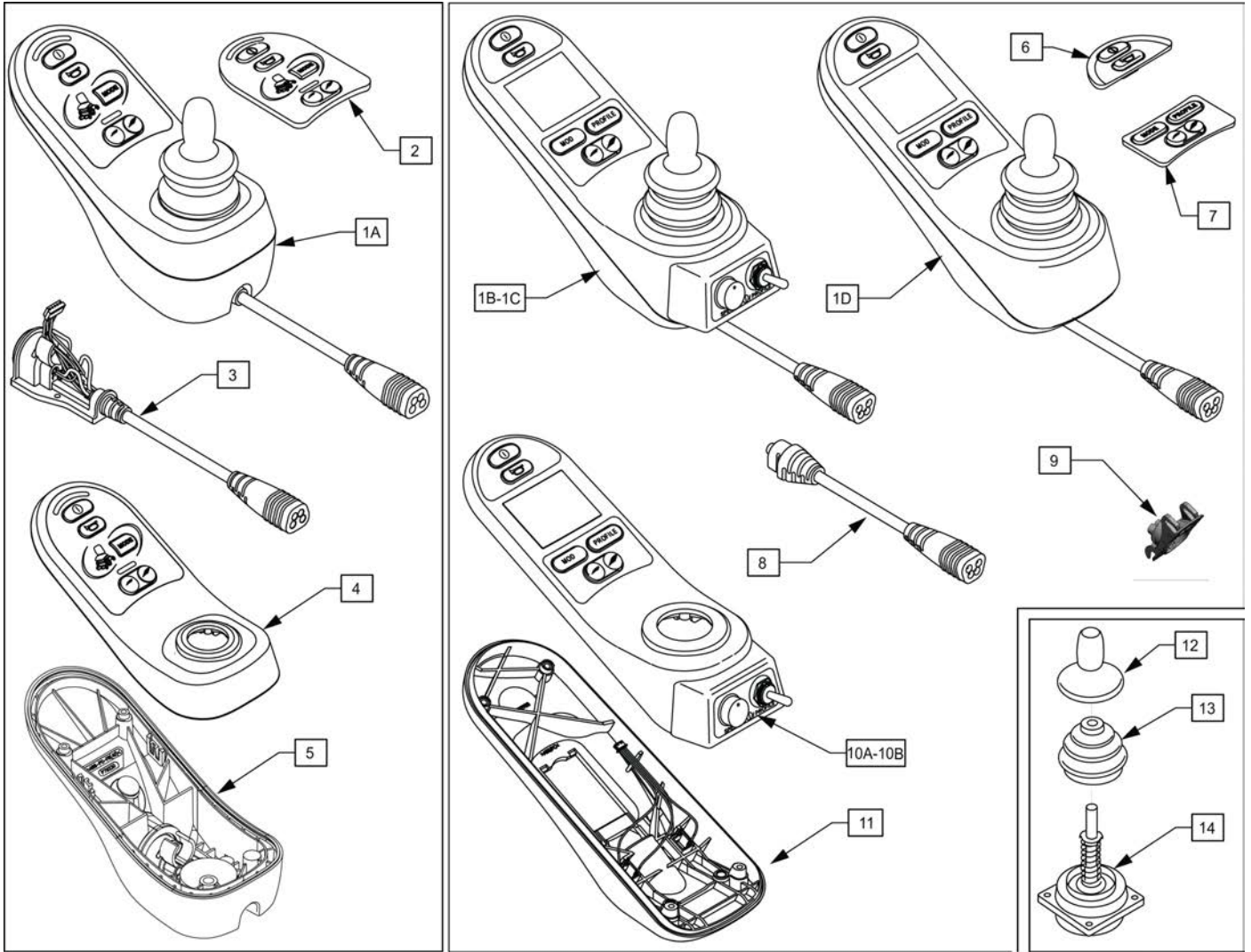
Pos.	Item Number	Description	Remarks
		For Pulse 5	
1A	118683	CNTRL VR2-70 PULSE STD PROP 2P	
		For tilt use prior to s/n PLS-101619	
1B,2-5	116079	PULSE VR2 CNTRL W/O ACT	STD (Used W/ Dual Toggle Tilt or Manual Tilt)
1C,2-5	116080	PULSE VR2 CNTRL W/ ACT	Used W/ Thru Drive Tilt Only
		For Tilt use beginning s/n PLS-101619,PLS6A-000001&PLS6B-000001	
1D,2-5	117850	PULSE VR2 CNTRL W/O ACT	STD; Used w/ Dual Toggle; for use with Electrocraft Motors
1E,2-5	117851	PULSE VR2 CNTRL W/ ACT	Used w/ Thru Drive Only; for use with Electrocraft Motors
		For Tilt use beginning s/n PLS6C-124566	
1F	243303	CTRL VR2 PLS DO OR SW FB TILT	Drive Only, Switch Drive Tilt (feedback Inhibit)
1G	243302	CTRL VR2 PULSE TD FB TILT	Thru Drive Tilt (feedback inhibit)
		Lift	
1H	120954	CNTRL VR2-90 PLS DRV-THRU LIFT	Thru Drive Lift
1I	122139	CTRL VR2 PULSE SWITCH-DRV LIFT	Switch Drive Lift
2	220121	NUT HEX NYLOCK M5 BLACK	
3	108103	BUTTON CONTROLLER MOUNT	
4	108102	PLATE CONTROLLER	116079
5	103189-010	SHCS M5X0.8X40 PARTNP	116080



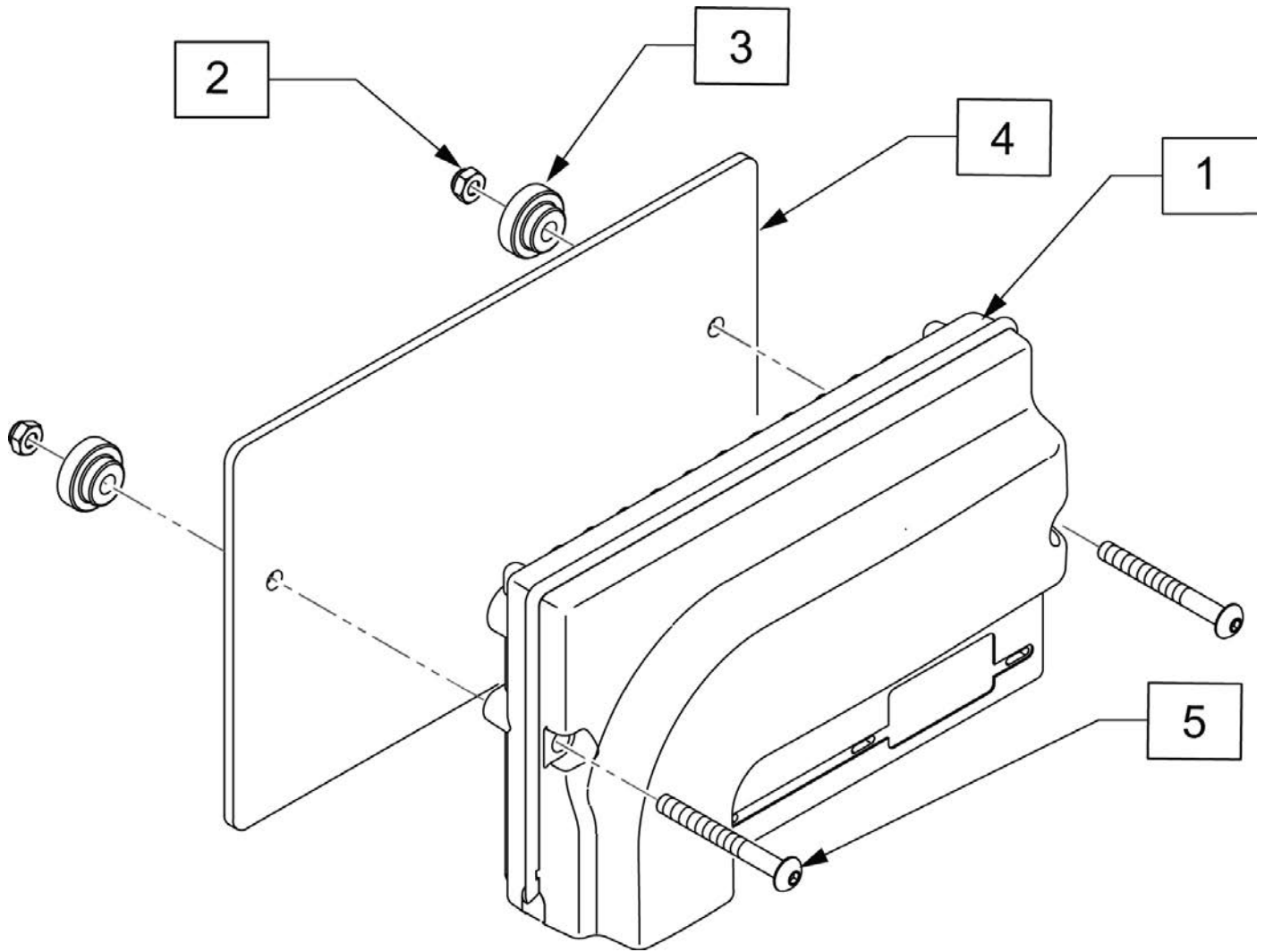
Pos.	Item Number	Description
1	QTRX	PROGRAMMING PAD QTRONIX

NOTE: JOYSTICK POST (ITEM 15) ACCEPTS JOYSTICK KNOBS THAT HAVE A 1/4" DIAMETER MATING HOLE.

Note: please see attachment in informations panel for additional joystick component information and to determine appropriate replacement parts.



Pos.	Item Number	Description	Remarks
1A	108207	JYSTCK LED JSM	LED
1B	108210	JYSTCK CJSM PT TGL	Color Display; w/jacks, pot & toggle
1C	116525	JYSTCK MONOCHROME	no toggle or speed knob
1D	108208	JYSTCK CJSM	w/jacks
2	109749	KEYPAD RNET JSM LED	
3	109750	CABLE ASSM RNET JSM LED	
4	112414	CASE TOP LED ASSY	
5	112413	CASE BASE LED ASSY	
6	109751	KEYPAD RNET JSM FRONT	
7	109752	KEYPAD RNET JSM REAR	
8	109846	CABLE ASSY	
9	109845	CHARGER SOCKET ASSY	
10A	112357	CASE CJSM TOP ASSY	with Jacks, Pot & Toggle only
10B	117991	RNET JSM TOP ASSY MONO	without Pot & Toggle
11	112356	CASE CJSM BOTTOM ASSY	
12	138169	JOYSTICK KNOB	
13	105930	JOYSTICK BOOT	
14	105936	JOYSTICK	

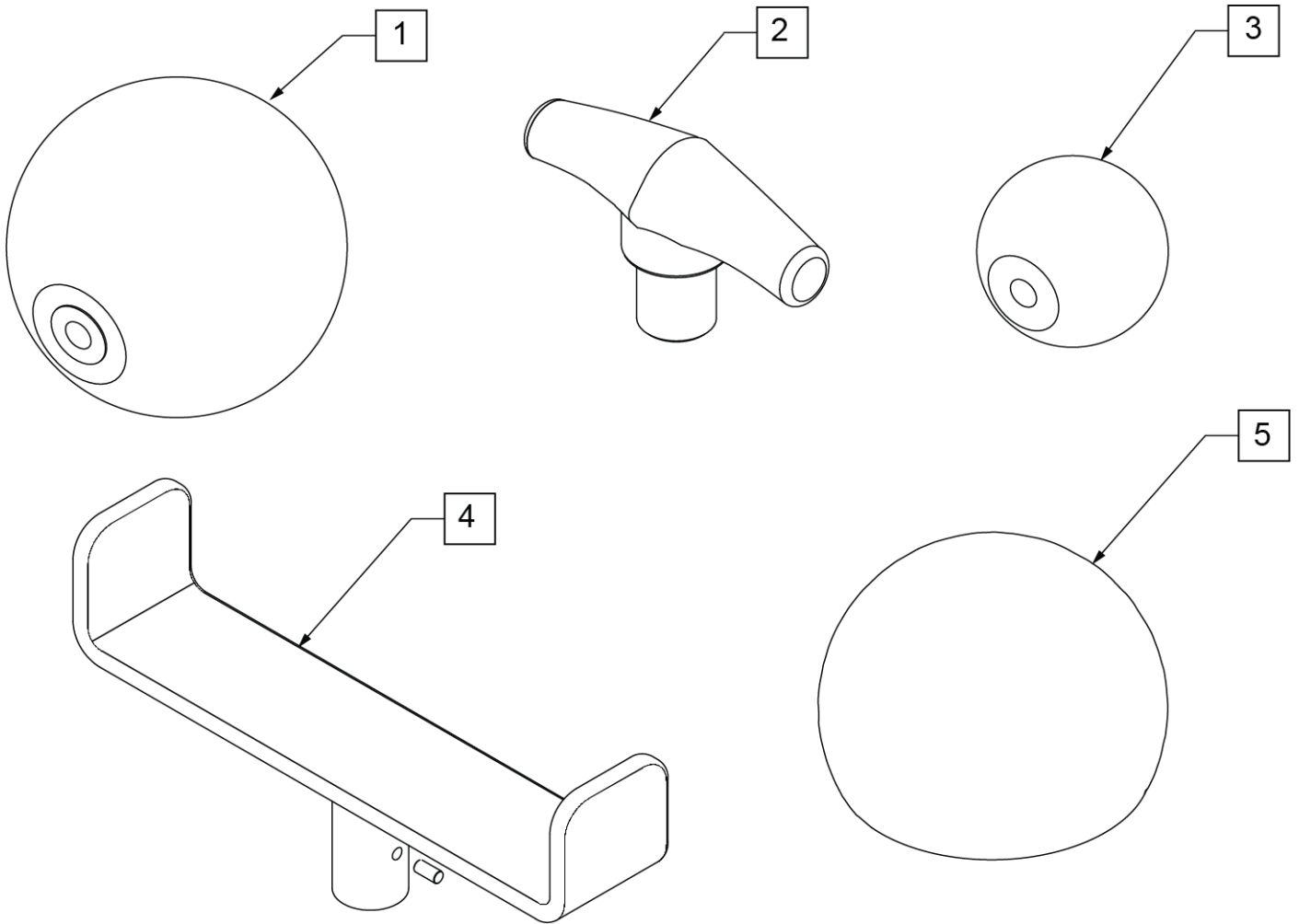


Pos.	Item Number	Description
1	108219	CNTRLR EL PM90
2	220121	NUT HEX NYLOCK M5 BLACK
3	108103	BUTTON CONTROLLER MOUNT
4	108102	PLATE CONTROLLER
5	103189-010	SHCS M5X0.8X40 PARTNP

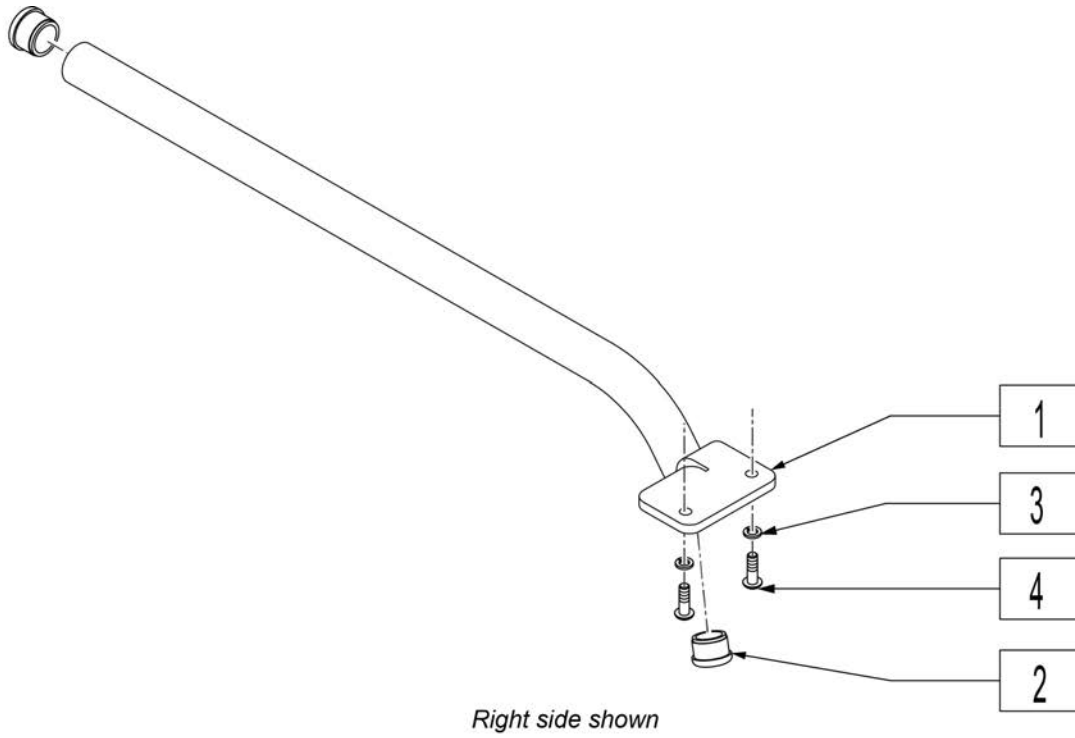
Note: Serial Number must be provided for replacement controller.

Note: Assignable buttons software update occurred on chairs after S/N PLS-102222 and all PLS6A and PLS6B. If assignable buttons is desired a new controller is required.

Note: Optional Joystick Handles not available on Heavy Duty Joystick.



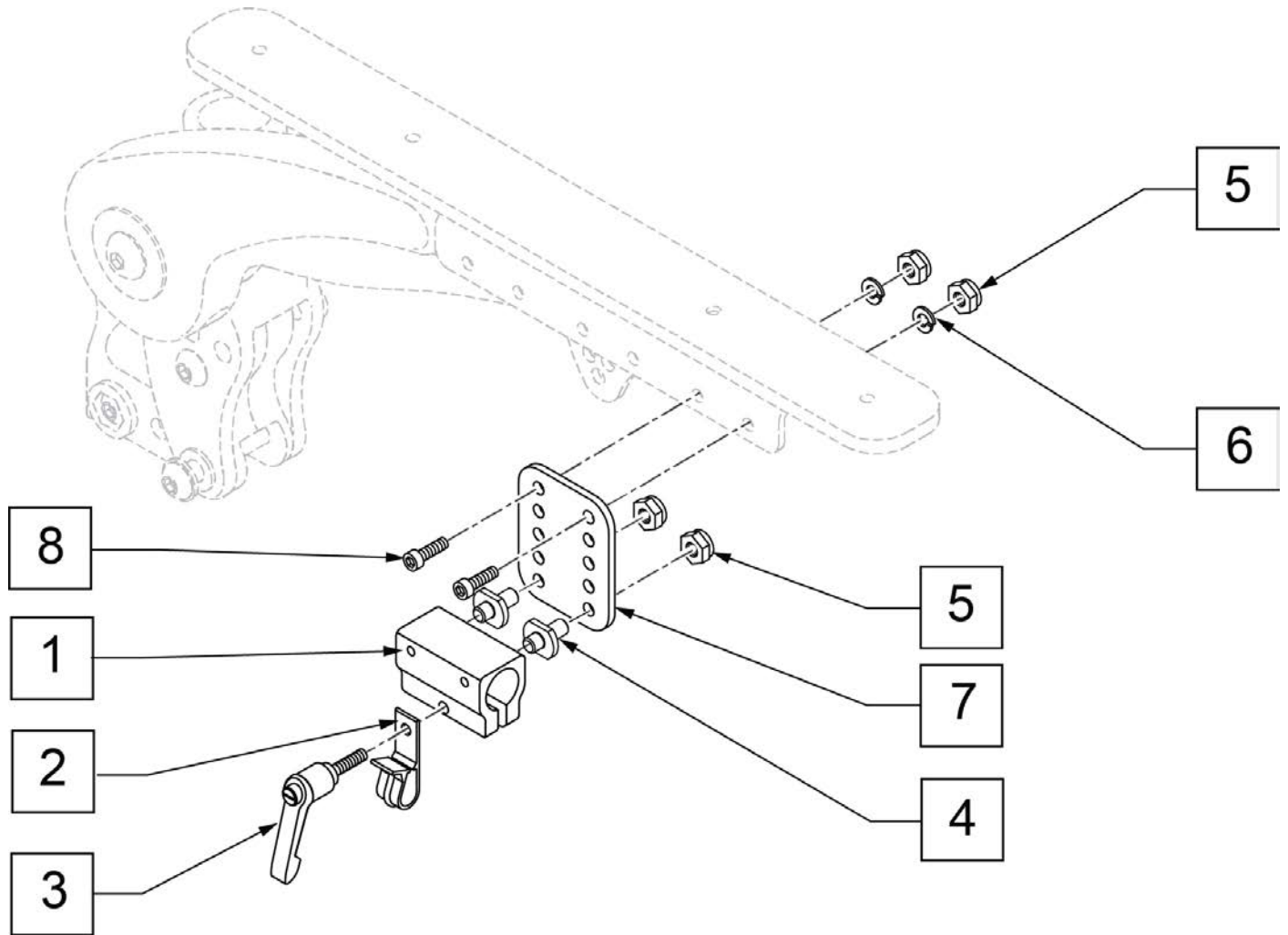
Pos.	Item Number	Description
1	138165	J/S KNOB BALL HANDLE (SOFT)
2	138167	J/S KNOB T-BAR
3	138166	J/S KNOB BALL HANDLE (SOLID)
4	013113	GOALPOST JOYSTICK EXT
5	6003447	ALL-ROUND JYSTK BALL (CHIN)



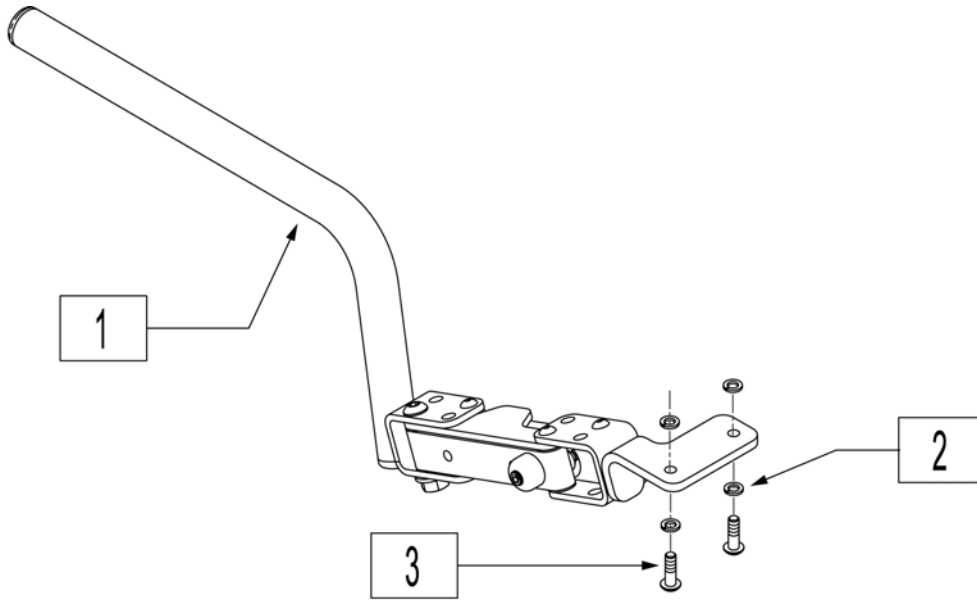
Pos.	Item Number	Description	Remarks
1,2	119123	FIX JSTCK MNT BLK RH	Right- Fixed
1,2	119124	FIX JYSTCK MNT BLK LH	Left-Fixed
2	560761	3/4" INSERT PLUG .049 (18GA)	
3	455031-QU	#10 AN WASHER .032 SS	
4	013143	BHCS M5 X .8 X 14 BLK W/PL	Used w/o toggle
4	102259-002	BHCS M5 X .8 X 20 W/PL INORG	Used w/ toggle

Note: Available on chairs after S/N PLS-101550 and all PLS6A and PLS6B.

Note: Available on chairs after S/N PLS-101550 and all PLS6A and PLS6B.
 Note: Available on chairs prior to S/N RTMA-106838



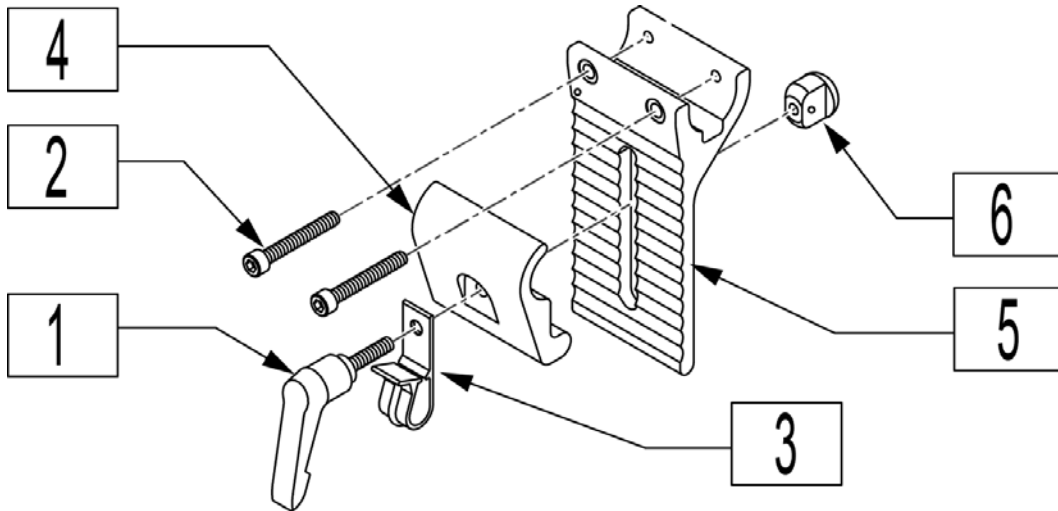
Pos.	Item Number	Description
1-5	159406	CNTRLR CLMP ARM ASSM RND
3	011049	HANDLE ADJ MODERN M5 X 20 STUD
5	220121	NUT HEX NYLOCK M5 BLACK
6	107357	WASHER SPLIT LOCK M5 ROHS
8	103189-004	SHCS M5X0.8X12 FULLNP
1-8	159405	VERTICAL ADJUSTMENT ASSM



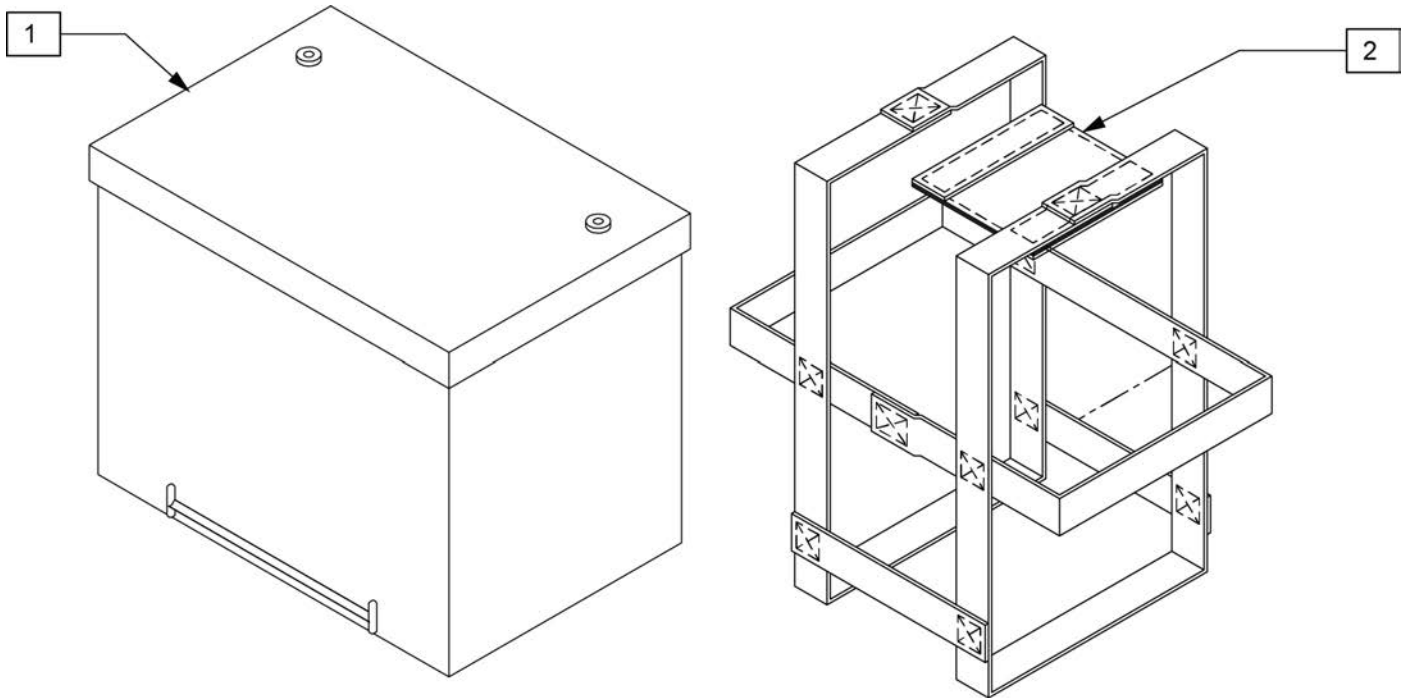
Pos.	Item Number	Description	Remarks
1	119261	S/A ARM R ASSM	Right-Swing-away
1	119262	S/A ARM L ASSM	Left-Swing-away
2	455031-QU	#10 AN WASHER .032 SS	
3	013143	BHCS M5 X .8 X 14 BLK W/PL	Used w/o toggle
3	102259-002	BHCS M5 X .8 X 20 W/PL INORG	Used w/ toggle

HEIGHT ADJ CLAMP FOR ROUND ARM JOYSTICK MOUNT (SPHA & DUAL POST ARMRESTS) (06/2017)

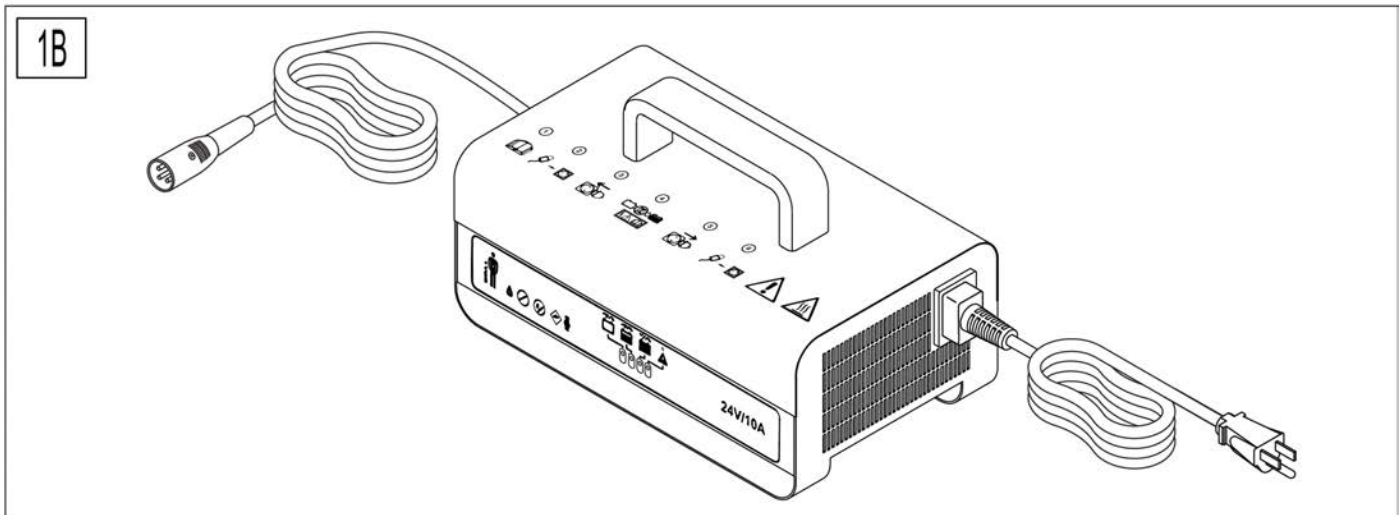
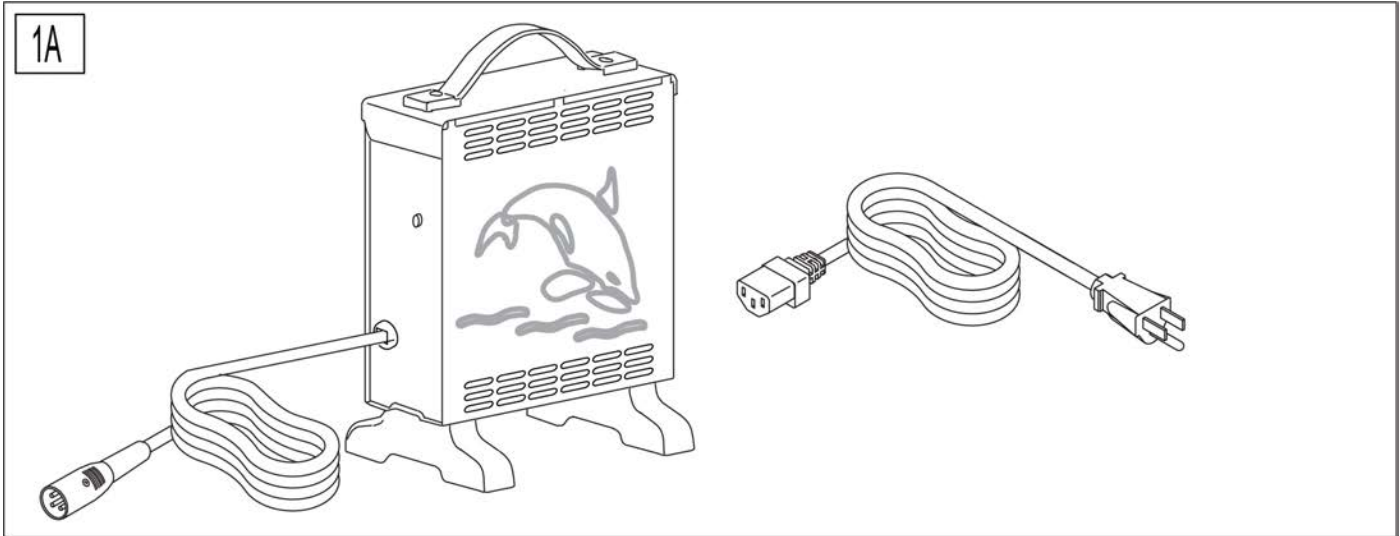
Note: for OMNI Joystick Mount order 920713 Control Arm Clamp Assembly (Fixed, not Height Adjustable).



Pos.	Item Number	Description
1	349024	HNDL 10-32 x 3/4 C/A P1/P3/P5
2	226037	10-32 x 1 3/8 SOC C/S BLK
3	560268	QUICK RELEASE CLIP
4	505767	ADJUSTABLE REMOTE MOUNT
5	505766	ADJUSTABLE CLAMP OUTER
6	200139	SLIDING NUT
1-6	920738	HT ADJ MOUNT ASSM STD

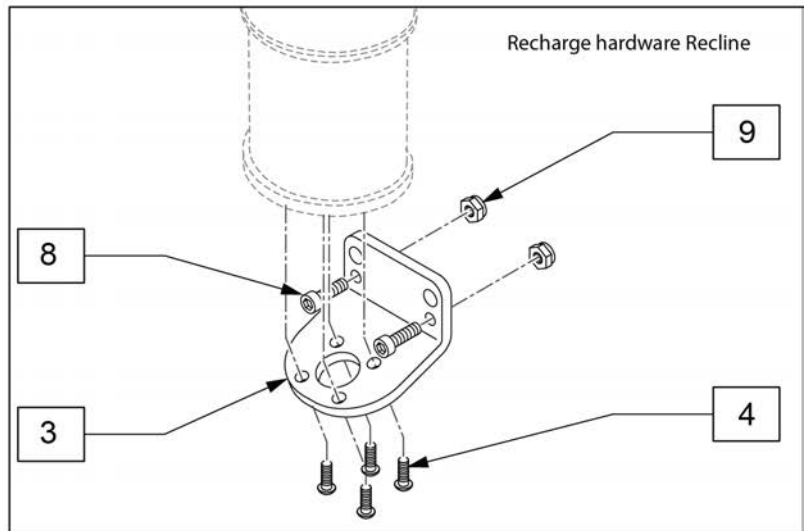
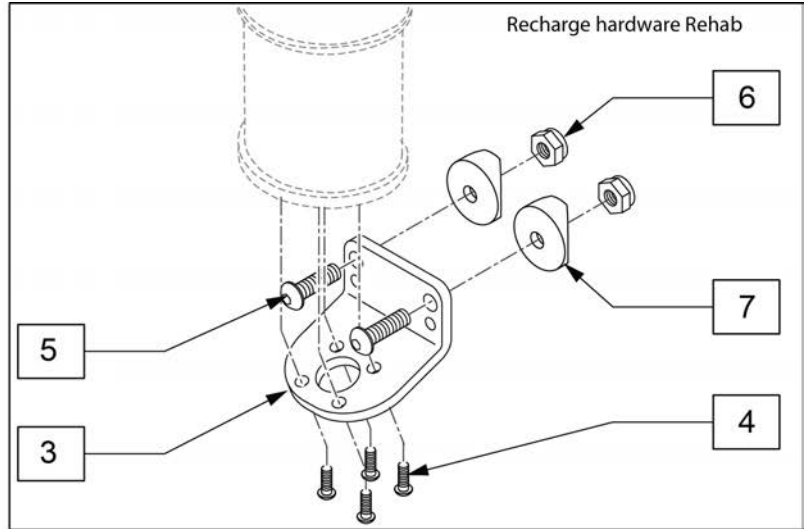
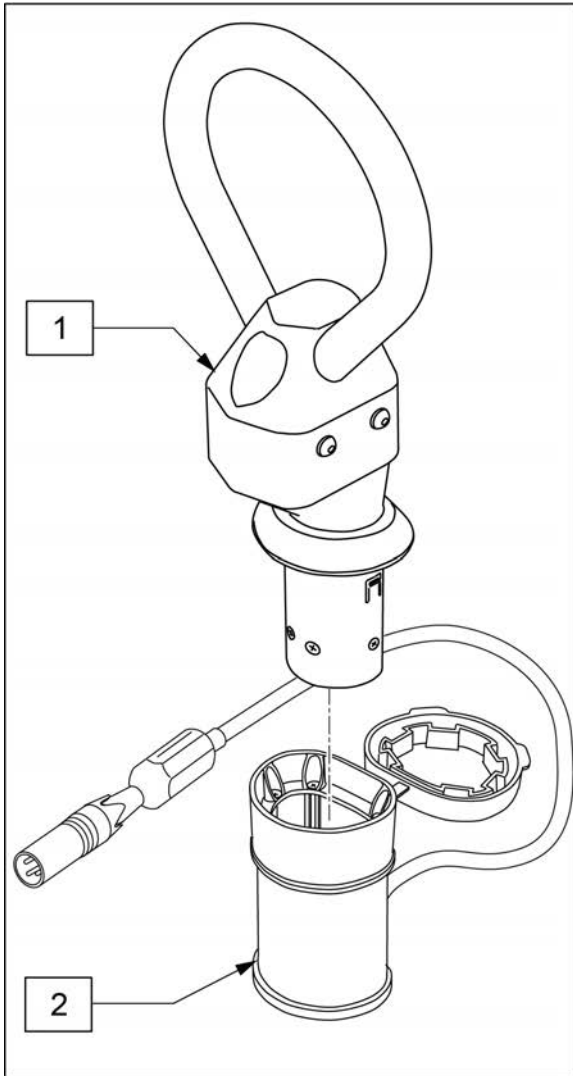


Pos.	Item Number	Description	Remarks
1	244624	BRIGHT WAY GROUP 22 BATTERY	GROUP 22
2	740140	BATTERY STRAP GROUP 22	USED W/ GROUP 22 ONLY



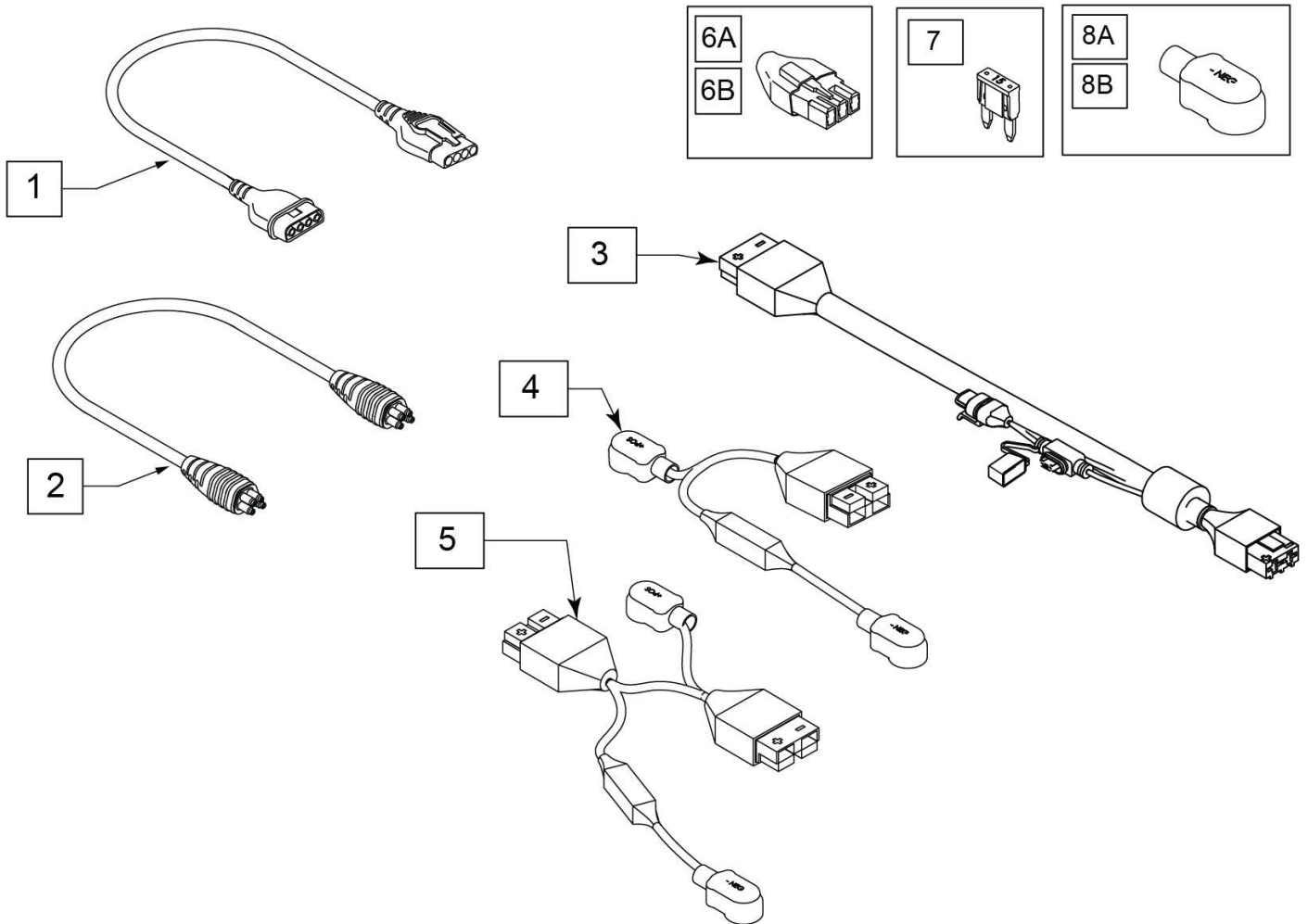
WARNING: Battery chargers are only intended to charge 24V, Group 22, Group 24, and Group 34.

Pos.	Item Number	Description	Remarks
1A	131386	CHRGR OFF BRD 8A CTE W/CHKE	E2367- Standard with most Power Chairs
1B	250647	CHRGR OFF BRD 10A IEB NA	Cutover date 4/5/21



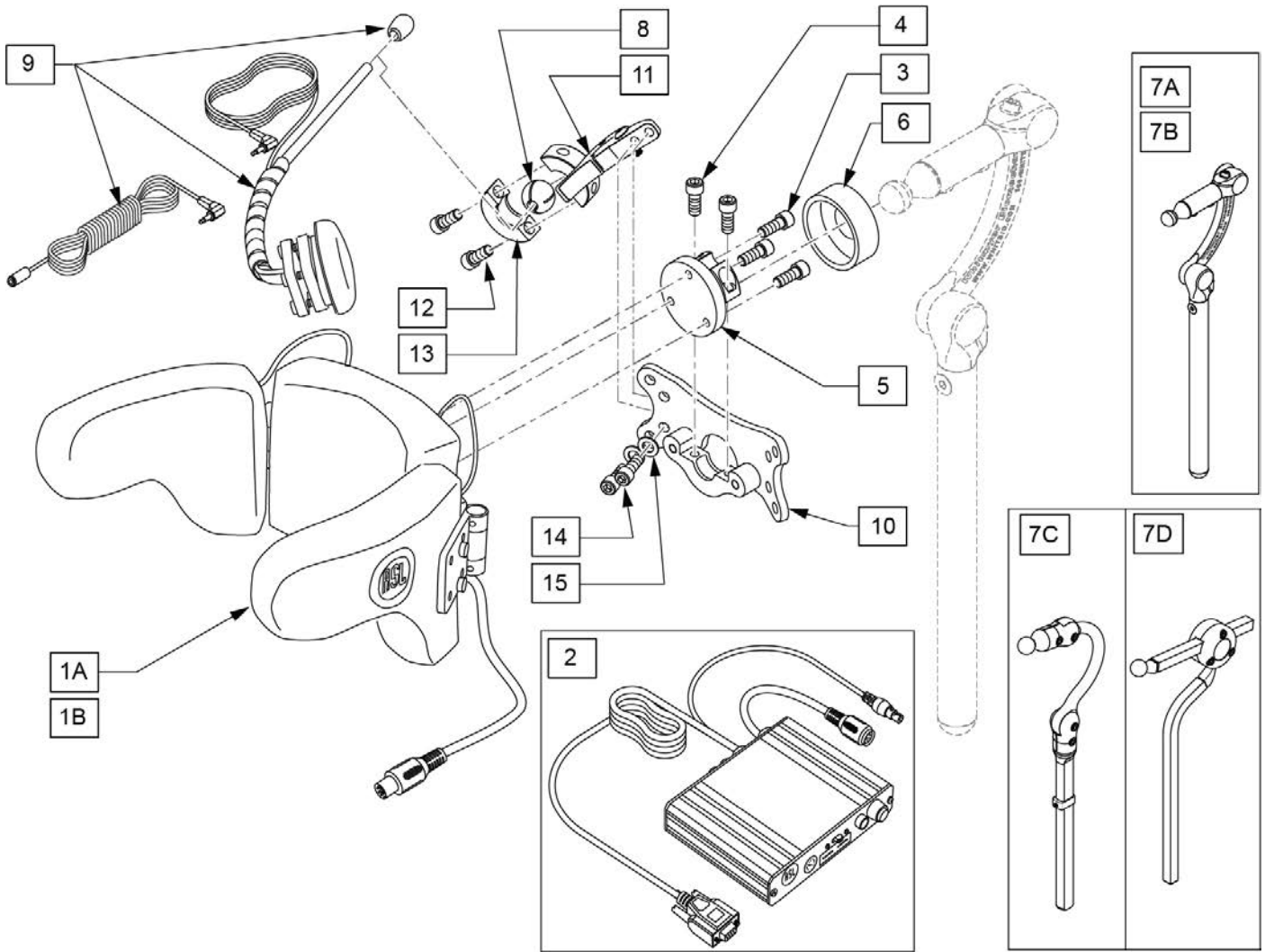
Pos.	Item Number	Description
1	126608	ReCharge
2	126609	ReCharge Socket
3	126400	MOUNT RECHARGE
4	226074	1/4-20 X 1/2 SOC C/S
		Recharge hardware Rehab
5	230123	BHCS M8 X 1.25 X 45
6	210085	NUT HEX NYLOCK M8 BLACK
7	561006	1" SADDLE 5/16" HOLE
1-7	129523	RECHARGER KIT REHAB
		Recharge hardware Recline
8	102263-001	M6-1.0 X 16MM SOCKET CAP SCREW
9	104381	M6-1.0 NYLON INSERT LOCK NUT
1-4,8,9	129524	RECHARGER KIT PWR RECLINE

NOTE: Chairs with Switch Box refer to: 4 Way Switch with 3 Axis Control page.



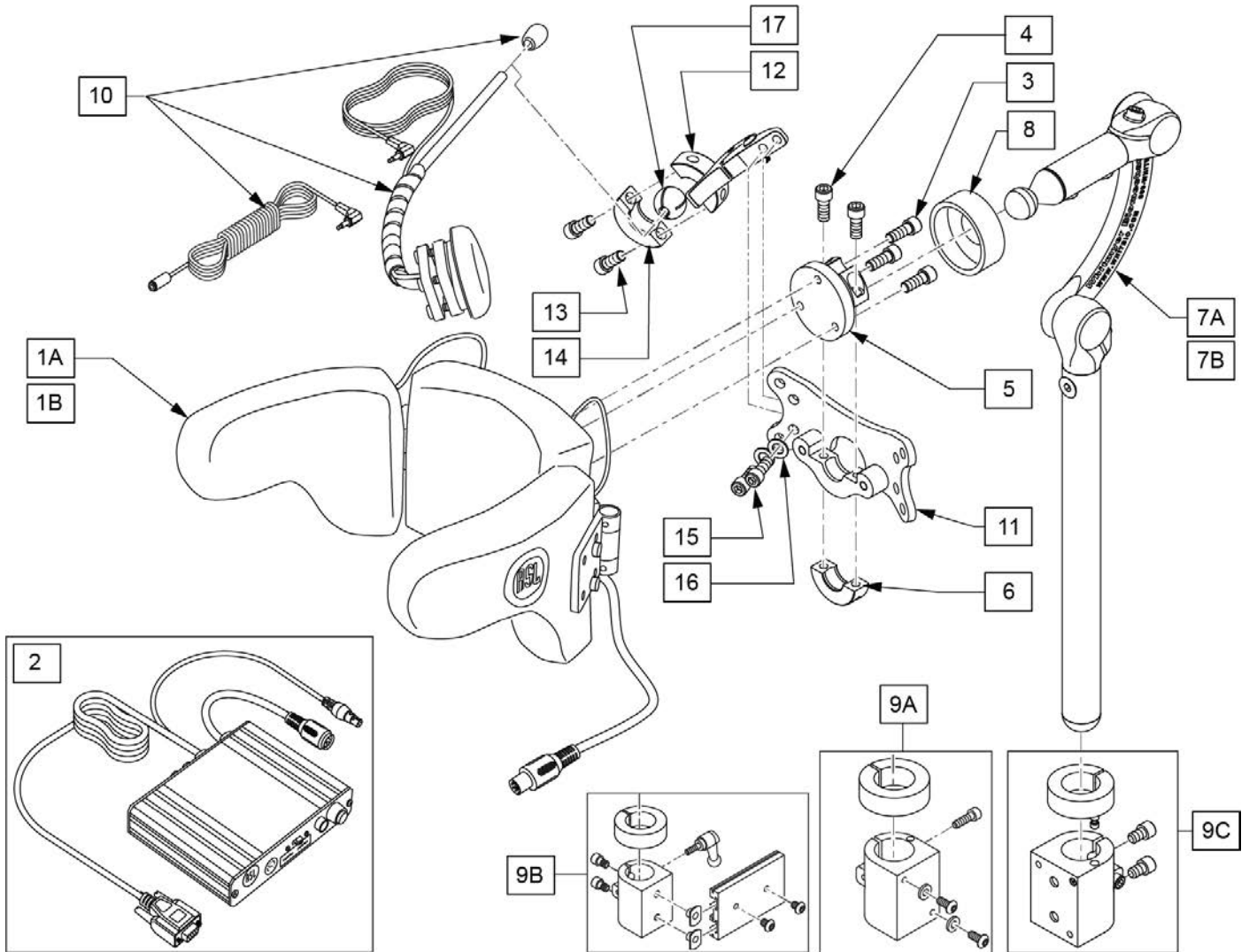
WIRING DRAWINGS NOT TO SCALE

Pos.	Item Number	Description	Remarks
1	101626	CONTROLLER HARNESS	Used w/ VR2 chairs only(Controller to Joystick)
2	108316-120	HARNESS R-NET BUS 1200MM	Rnet Joystick EXT (Dist Block to Joystick, Omni or Attendant Control, Base to Joystick)
3-5	164136	BATTERY HARN 100A KIT	
6A	116467	HARN INHBT 3 TLT/LFT	Use before S/N PLS5-114335; used w/ Rnet Non-Tilt chairs(Plugs into Motor Controller)
6B	243299	HARN INHBT 3 TLT/LFT	Use after S/N PLS5-114335; used w/ Rnet Non-Tilt chairs(Plugs into Motor Controller)
7	249005	15A MINI FUSE	
8A	247543	HARNESS BOOT POS	Red
8B	247544	HARNESS BOOT NEG	Black



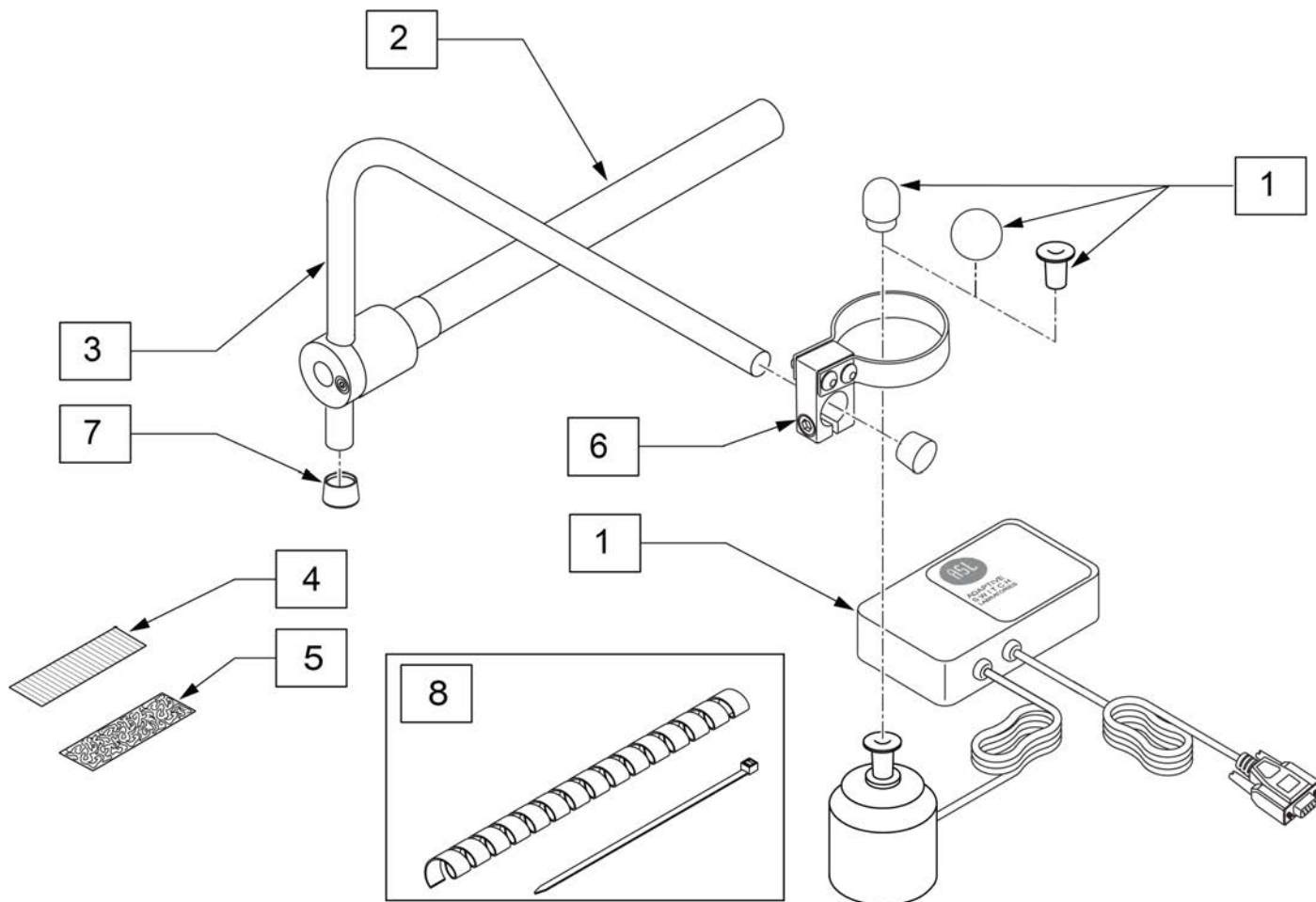
Pos.	Item Number	Description	Remarks
1A,2	139941	HEAD ARRAY MINI W INTERFACE	Pediatric size
1B,2	139940	HEAD ARRAY ADULT W INTERFACE	Adult size
3	221010	10-32 X .75 SHCS BLK W/PL	
4	107348	SHCS 1/4-28 X 5/8 PL ROHS	
5	104907	TOP COLLAR FLANGE WELDM	
6	MC100-WB	COVER 3/4" COLLAR/VINYL BLACK	
7A	LX8000	LINX CORE MNTG HDWR 8"	8" POST
7B	LX7000	LINX CORE MOUNT HDW	10" POST
7C	CBRA7010	COBRA XTRA MOUNT HDW, ADUL	
7D	AX7010	AXYS CORE MOUNT HDW	
8	107411	CLAMP BALL, STEEL	
9	108637	EGG SWITCH MNTG SYSTEM	
10	LM-PL	PLUSH LAT INTERFACE PLATE	
11-15	LM115	LFC MOUNT, SWINGAWAY	
1A-6,7A,8-10	129541	HEAD ARRAY PED LINX 8"	
1A-6,7B,8-10	129542	HEAD ARRAY PED LINX 10"	
1A-6,7C,8-10	129543	HEAD ARRAY PED COBRA	
1A-6,7D,8-10	129544	HEAD ARRAY PED AXYS	
1B-6,7A,8-10	129545	HEAD ARRAY ADULT LINX 8"	

Pos.	Item Number	Description	Remarks
1B-6,7B,8-10	129546	HEAD ARRAY ADULT LINX 10"	
1B-6,7C,8-10	129547	HEAD ARRAY ADULT COBRA	
1B-6,7D,8-10	129548	HEAD ARRAY ADULT AXYS	

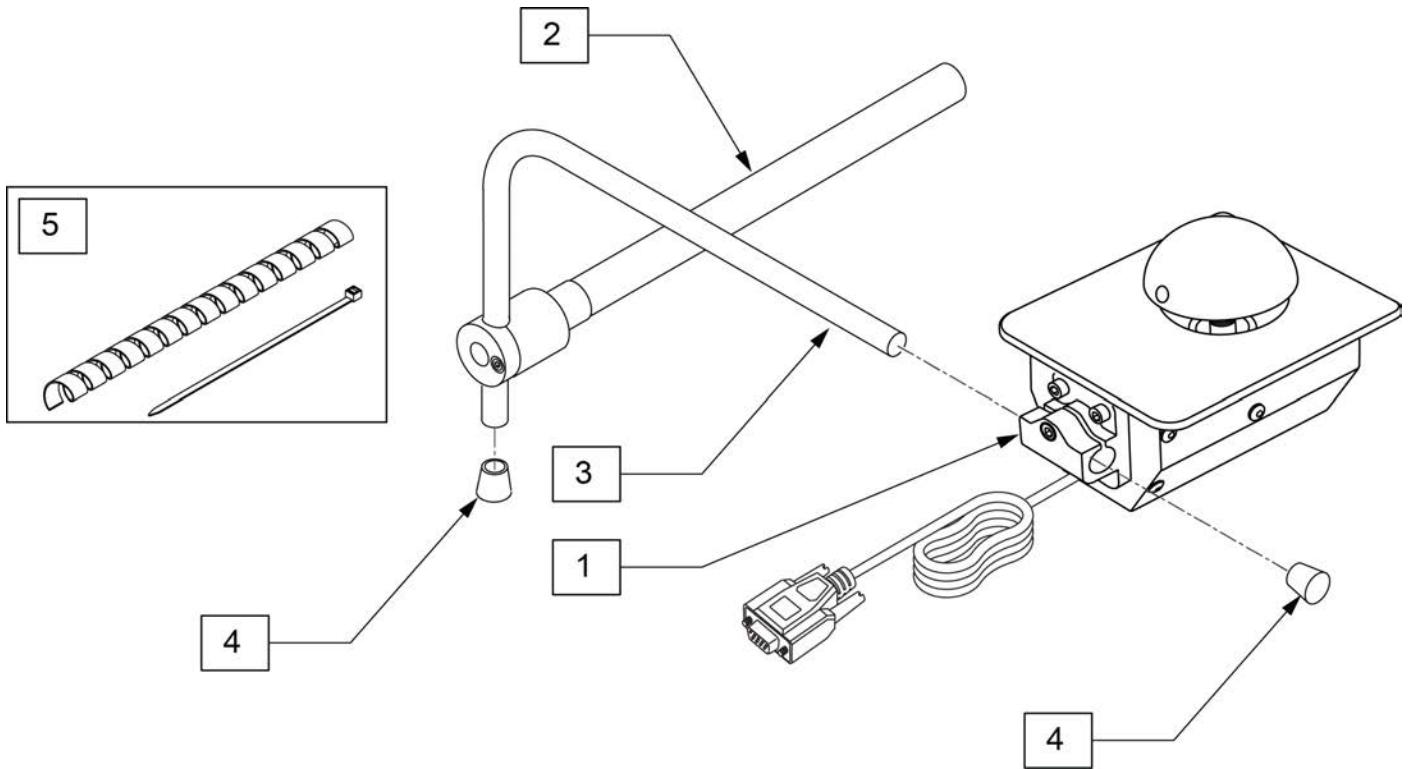


Pos.	Item Number	Description	Remarks
1A,2	139940	HEAD ARRAY ADULT W INTERFACE	Adult size
1B,2	139941	HEAD ARRAY MINI W INTERFACE	Pediatric size
3	226037	10-32 X 1 3/8 SOC C/S BLK	
4	221016	1/4-28 X .63 SHCS BLK W/PL	
5	104907	TOP COLLAR FLANGE WELDM	
6	MW027100	COL HALF RAD 3/4"THREADED BLK	
7A	LX7000	LINX CORE MOUNT HDW	10" POST
7B	LX8000	LINX CORE MNTG HDWR 8"	8" POST
8	MC100-WB	COVER 3/4"COLLAR/VINYL BLACK	
9A	112717	CLAMP HEADREST SMART SEAT	Used w/ Power Recline Only
9B	112716	CLAMP HEADREST RIGID BACK	Used w/ Trad Rehab Back Only
9C	111902	HDRST CLMP ASSY .875 ID KIT	Used w/ Curved, JAY SPO, and ART SPO Backrest
9A,9B,9C	115057	UNIVERSAL HEAD MNT KIT	
10	108637	EGG SWITCH MNTG SYSTEM	
11	LM-PL	PLUSH LAT INTERFACE PLATE	
12-16	LM115	LFC MOUNT, SWINGAWAY	
17	107411	CLAMP BALL, STEEL	
1A-7A,9A,9B,9C,10-17	115063	RNET A-ASL 10" POST KIT	
1A-7B,9A,9B,9C,10-17	115062	RNET A-ASL 8" POST KIT	

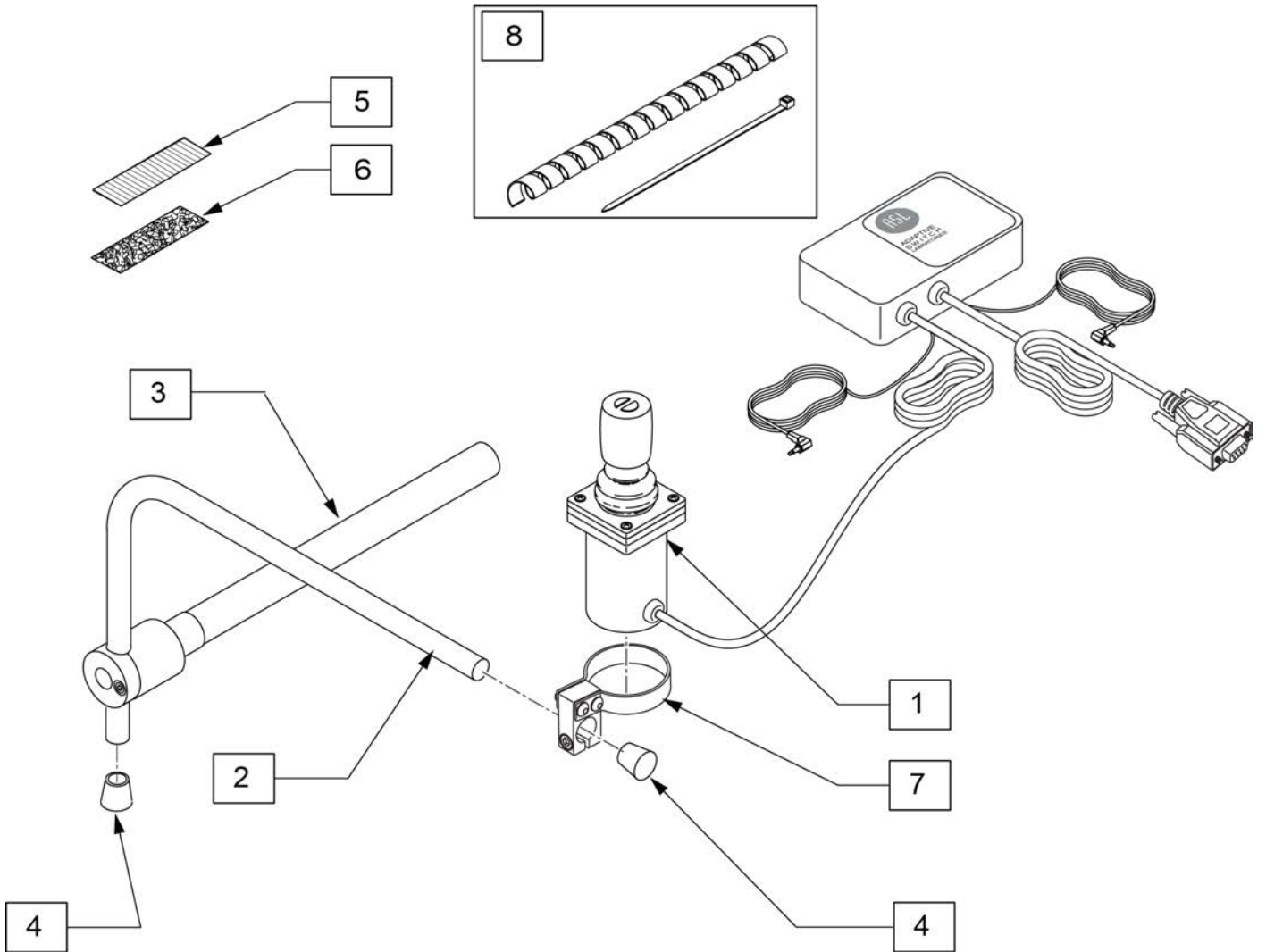
Pos.	Item Number	Description	Remarks
1B-7A,9A,9B,9C,10-17	115065	RNET P-ASL 10" POST KIT	
1B-7B,9A,9B,9C,10-17	115064	RNET P-ASL 8" POST KIT	
1A-6,8	112367	ASL HEAD ARRAY PCKG ADULT	Adult size
1B-6,8	108640	ASL HEAD ARRAY PCKG PED	Pediatric size



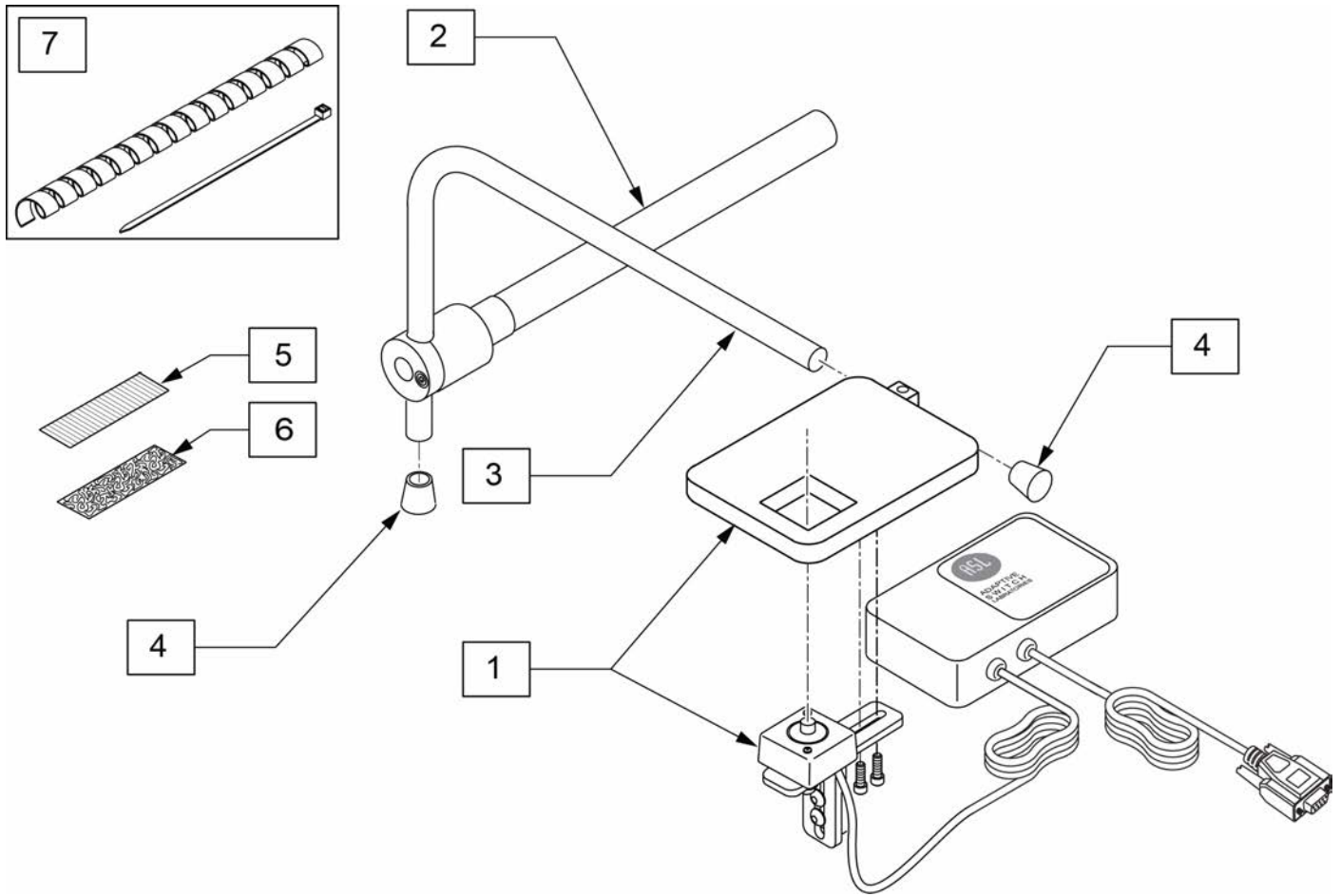
Pos.	Item Number	Description	Remarks
1,6	126575	ASL Micro Extremity Joystick	
2	111190	Mount Arm Display	
3	521097	Adj Display Arm "L" (USCM)	
4	698045	ADHESIVE POLY 1" X 2.5 FEMALE	
5	698041	ADHESIVE POLY 1" X 2.5 MALE	
6	131387	CLAMP, ASL 644	
7	560307	ADJ DISPLAY ARM CAP (USCM)	
1-7	129512	MICRO XTRMITY MDLINE W/MOUNT KIT	
8	129776	WIRE TIE DOWN KIT	1wrap, 10 ties



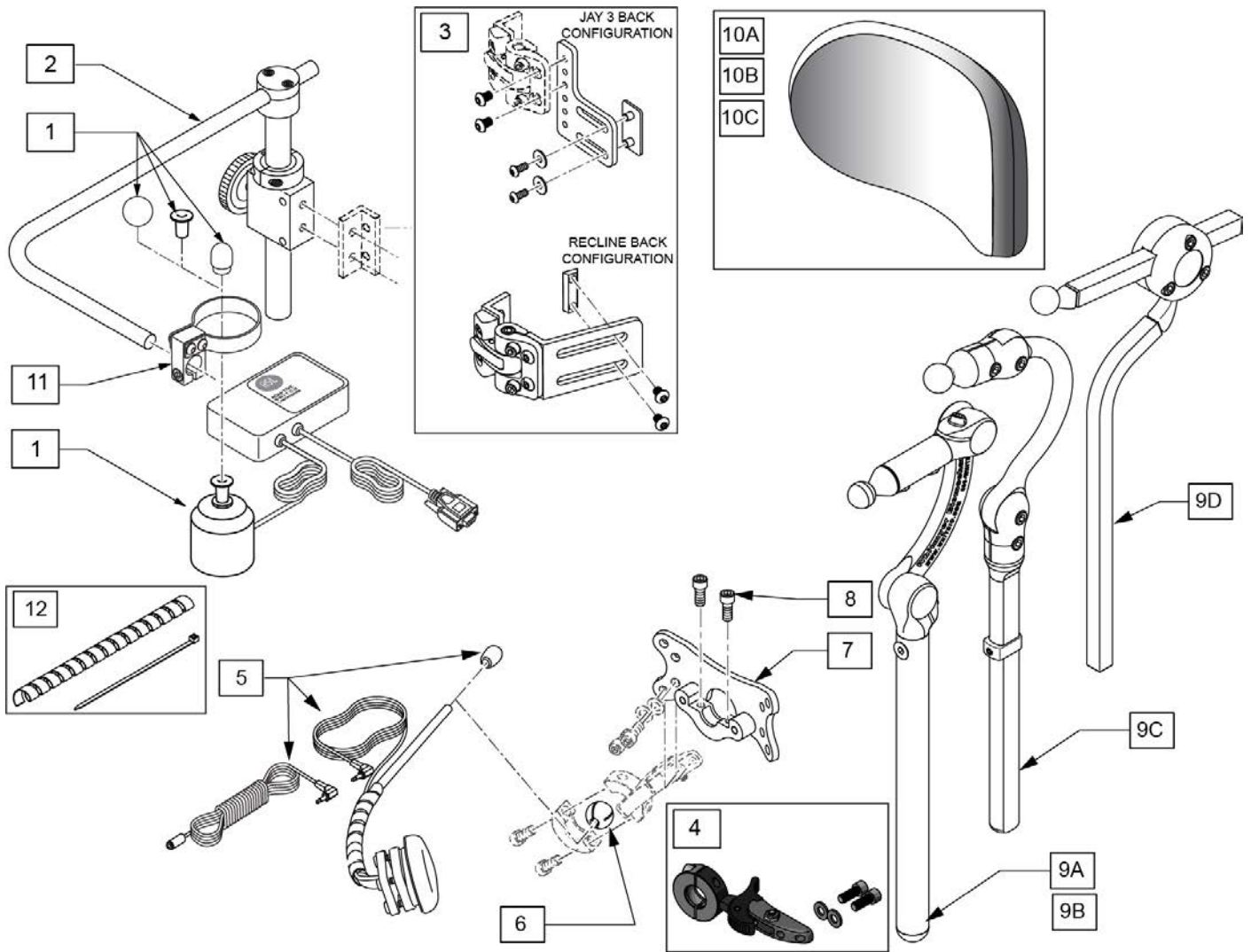
Pos.	Item Number	Description	Remarks
1	126576	ASL Mushroom Joystick	
2	111190	Mount Arm Display	
3	521097	Adj Display Arm "L" (USCM)	
4	560307	ADJ DISPLAY ARM CAP	
1-4	129514	MUSHROOM JSTICK W/MOUNT KIT	
5	129776	WIRE TIE DOWN KIT	1wrap, 10 ties



Pos.	Item Number	Description	Remarks
1	126573	ASL 134 ASL Dual Button Compact Joystick	
3	111190	Mount Arm Display	
2	521097	Adj Display Arm "L" (USCM)	
4	560307	ADJ DISPLAY ARM CAP	
5	698045	ADHESIVE POLY 1" X 2.5 FEMALE	
6	698041	ADHESIVE POLY 1" X 2.5 MALE	
1-7	129509	DUAL BTN CMPCT JSTICK KIT W/MNT	
7	131387	CLAMP, ASL 644	
8	129776	WIRE TIE DOWN KIT	1wrap, 10 ties

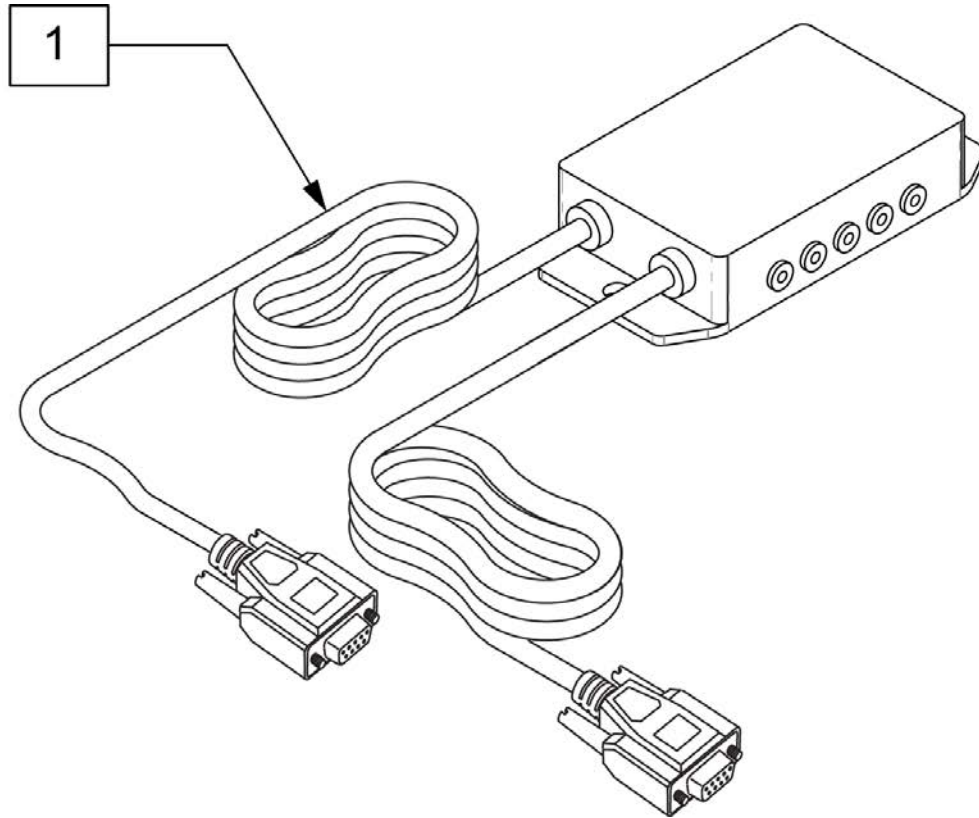


Pos.	Item Number	Description	Remarks
1	126574	ASL 136 + ASL 603HAM Micro Mini Joystick	
2	111190	Mount Arm Display	
3	521097	Adj Display Arm "L" (USCM)	
4	560307	ADJ DISPLAY ARM CAP	
5	698045	ADHESIVE POLY 1" X 2.5 FEMALE	
6	698041	ADHESIVE POLY 1" X 2.5 MALE	
1-6	129510	MICRO MINI JSTCK W/PLATFORM KIT	
7	129776	WIRE TIE DOWN KIT	1wrap, 10 ties

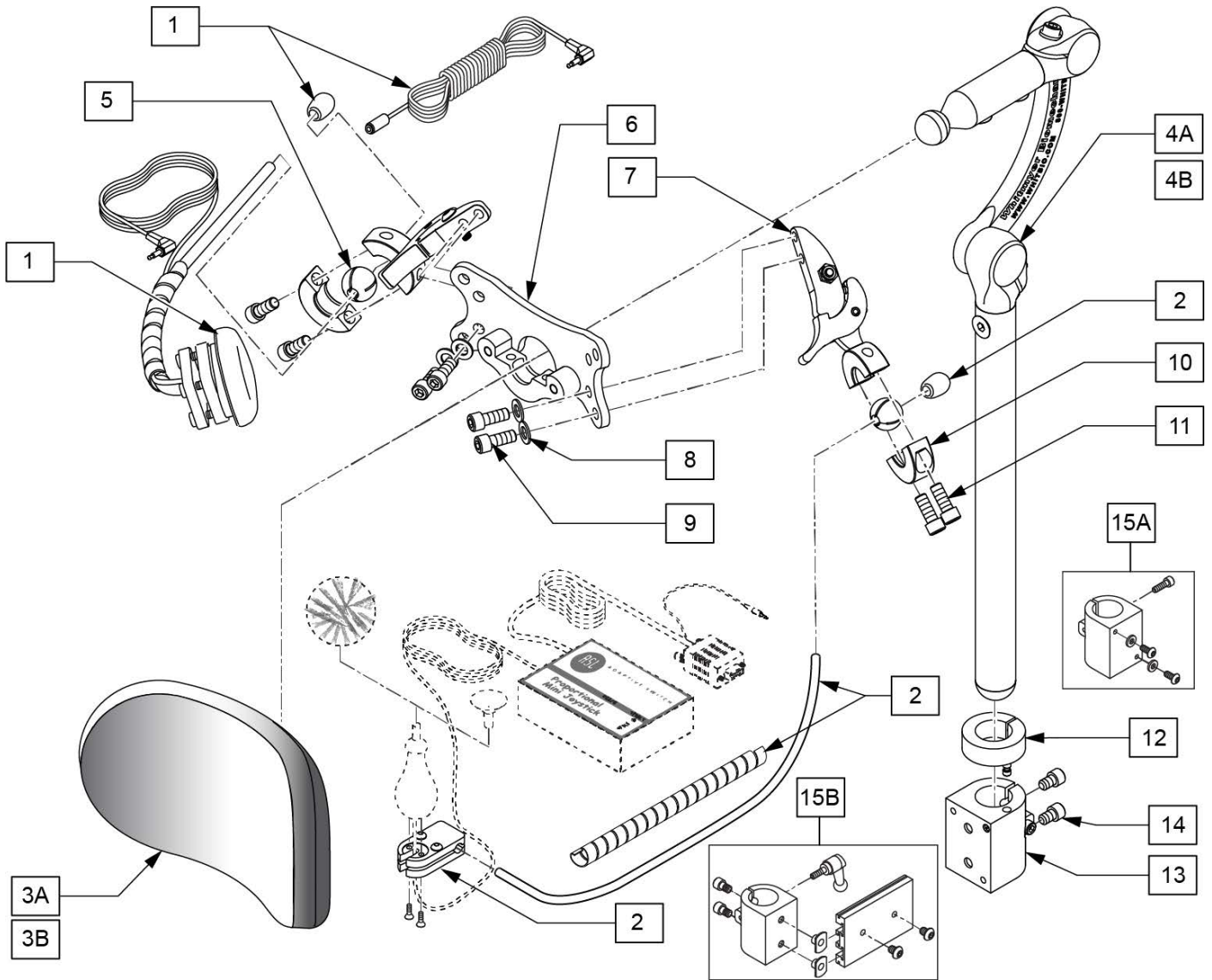


Pos.	Item Number	Description	Remarks
1,11	126575	ASL Micro Extremity Joystick	
2	109256	CHIN CONTROL MNTG SYSTEM	
3	108841	S/A Side Mounting Kit	
1-3	129511	MICRO XTRMITY CHIN W/MOUNT KIT	
4	LM115	LFC MOUNT, SWINGAWAY	
5	108637	EGG SWITCH MNTG SYSTEM	
6	107411	CLAMP BALL, STEEL	
7	LM-PL	PLUSH LAT INTERFACE PLATE	
8	107348	SHCS 1/4-28 X 5/8 PL ROHS	
9A	LX8000	LINX CORE MNTG HDWR 8"	8" POST
9B	LX7000	LINX CORE MOUNT HDW	10" POST
9C	CBRA7010	COBRA XTRA MOUNT HDW, ADUL	
9D	AX7010	AXYS CORE MOUNT HDW	
10A	P800L	PLUSH PAD, 8", LYCRA	8" wide 5" tall Headrest Pad
10B	P1000L	PLUSH PAD, 10", LYCRA	10" wide 5" tall Headrest Pad
10C	P1400L	OVER 14"PLUSH/LYCRA	14" wide 5" tall Headrest Pad
1-8,9A,10A,11	236540	MICRO XTRM CHIN PLUSH 8" LINX 8"	
1-8,9B,10A,11	236541	MICRO XTRM CHIN PLUSH 8" LINX 10"	
1-8,9C,10A,11	236542	MICRO XTRM CHIN PLUSH 8" COBRA	

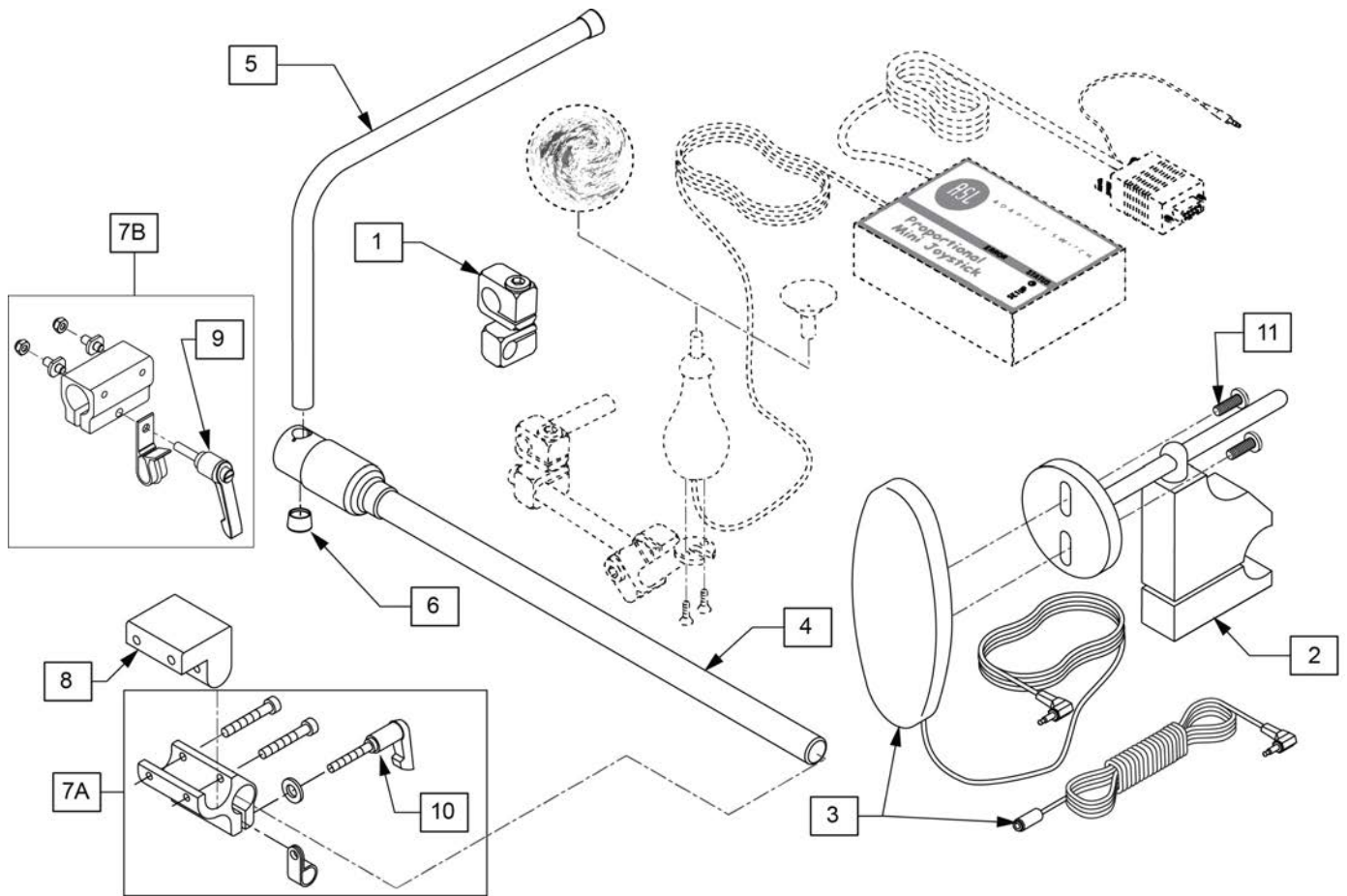
Pos.	Item Number	Description	Remarks
1-8,9D,10A,11	236543	MICRO XTRM CHIN PLUSH 8" AXYS	
1-8,9A,10B,11	236544	MICRO XTRM CHIN PLUSH 10" LINX 8"	
1-8,9B,10B,11	236545	MICRO XTRM CHIN PLUSH 10" LINX 10"	
1-8,9C,10B,11	236546	MICRO XTRM CHIN PLUSH 10" COBRA	
1-8,9D,10B,11	236547	MICRO XTRM CHIN PLUSH 10" AXYS	
1-8,9A,10C,11	236548	MICRO XTRM CHIN PLUSH 14" LINX 8"	
1-8,9B,10C,11	236549	MICRO XTRM CHIN PLUSH 14" LINX 10"	
1-8,9C,10C,11	236550	MICRO XTRM CHIN PLUSH 14" COBRA	
1-8,9D,10C,11	236551	MICRO XTRM CHIN PLUSH 14" AXYS	
11	131387	CLAMP, ASL 644	
12	129776	WIRE TIE DOWN KIT	1wrap, 10 ties



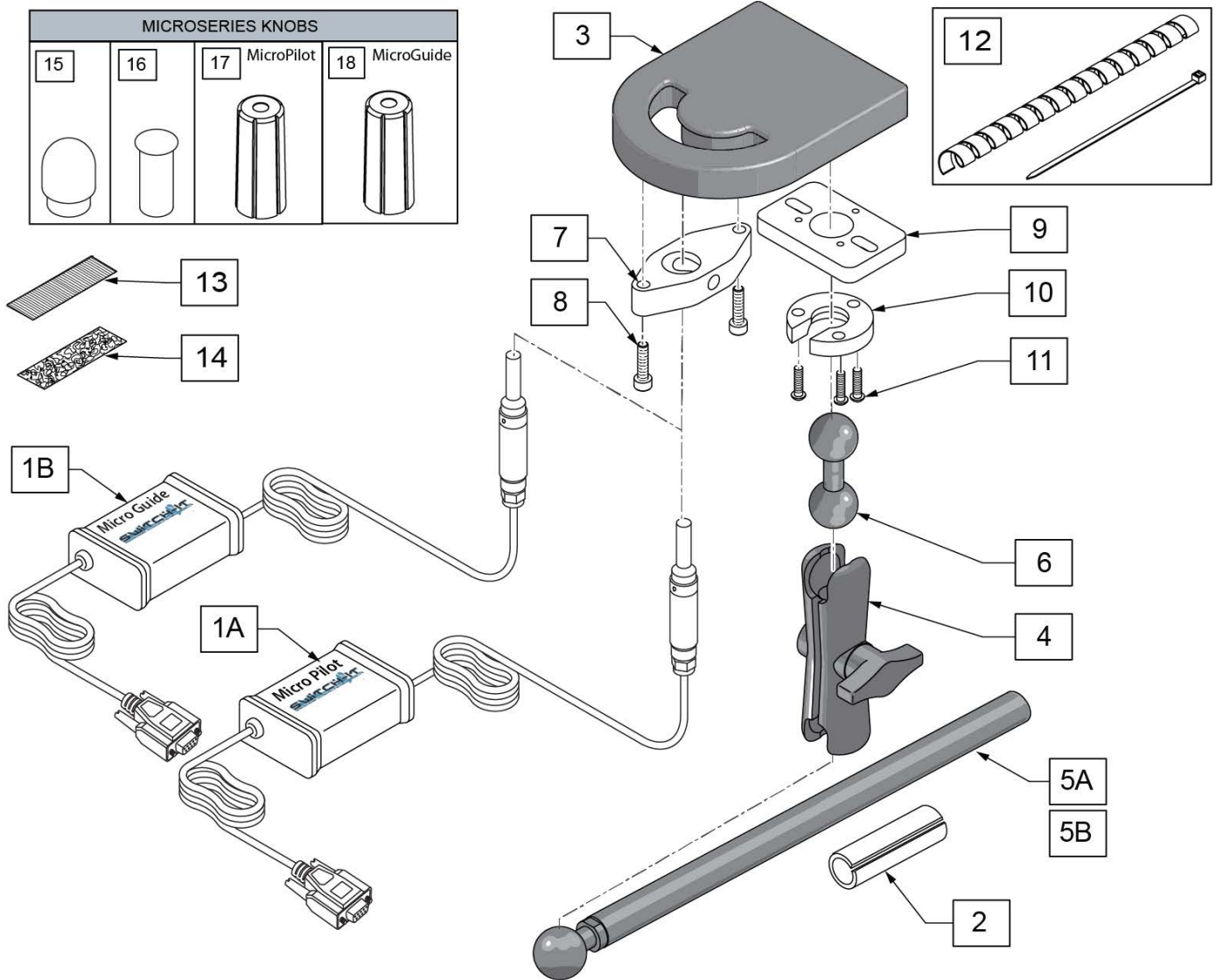
Pos.	Item Number	Description
1	129680	ASL 5-SWITCH ADAPTER BOX KIT



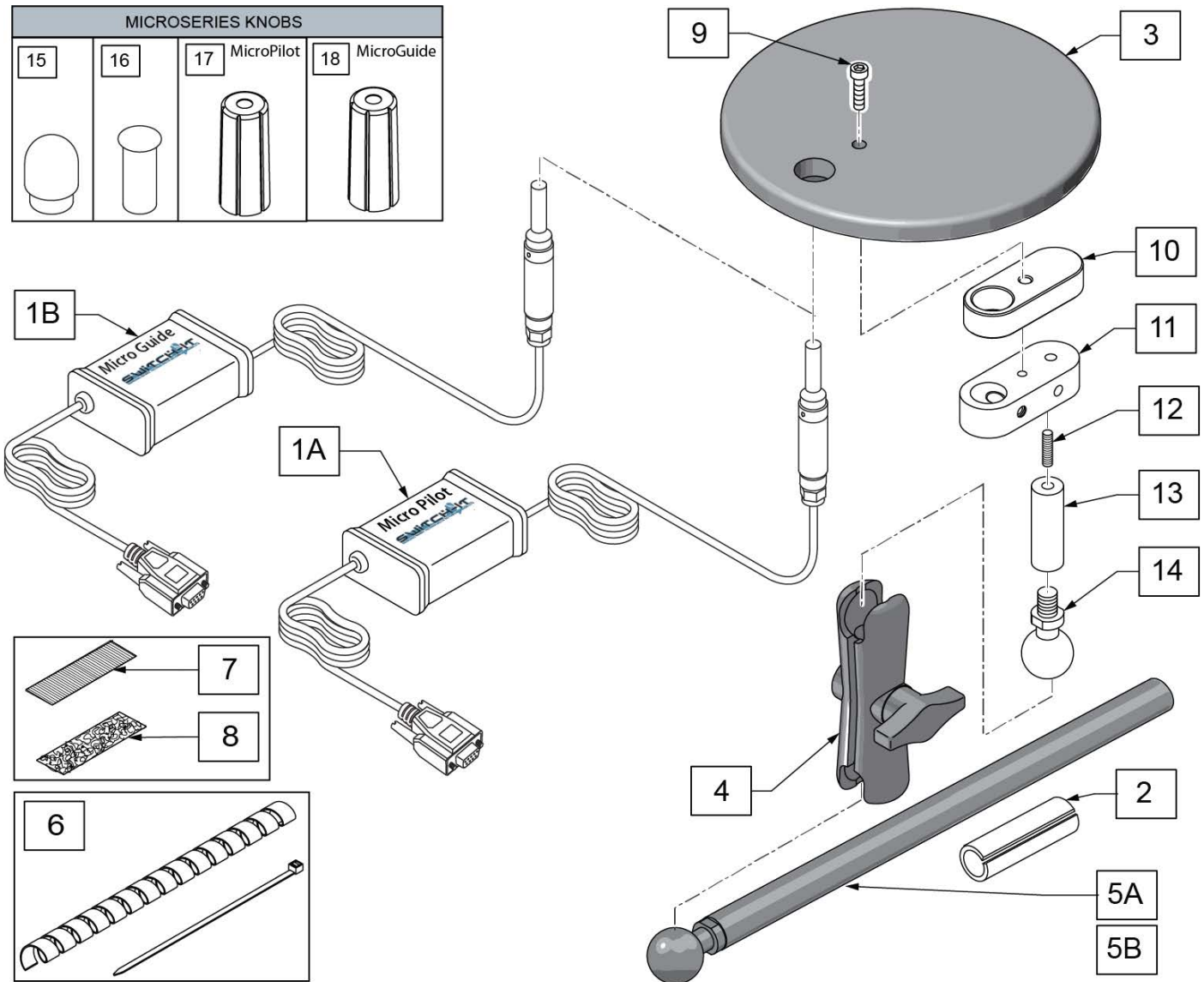
Pos.	Item Number	Description	Remarks
1	108637	EGG SWITCH MNTG SYSTEM	
2	109443	HEADREST MT W SWNG AWAY SWITCH	
3A	P800L	PLUSH PAD, 8", LYCRA	8" POST
3B	P10000L	PAD 10" PLUSH / LYCRA	10" POST
4A	LX7000	LINX CORE MOUNT HDW	10" POST
4B	LX8000	LINX CORE MNTG HDW 8"	8" POST
5	107411	CLAMP BALL, STEEL	
6	LM-PL	PLUSH LAT INTERFACE PLATE	
9	226095	1/4-20 X 3/8" SOC C/S BLK ZN	
12,15A	112717	CLAMP HEADREST SMART SEAT	Used w/ Power Recline Only
12,15B	112716	CLAMP HEADREST RIGID BACK	Used w/ Trad Rehab Back Only
7-11	LM115	LFC MOUNT, SWINGAWAY	
12-14	111902	HDRST CLMP ASSY .875 ID KIT	Used w/ Curved, JAY SPO, and ART SPO Backrest



Pos.	Item Number	Description	Remarks
1	521617	MOUNT MINI JOYSTK TO 1/2" TUBE	
2	920904	MOUNT RESET SW FOR 7/8 TUBE	
2,3,11	521619	RESET SWITCH W BRACKET UNIV	
3,11	139915	RESET SWITCH EGG SHAPED	
4	111190	MOUNT ARM DISPLAY	
5	521097	ADJ DISPLAY ARM "L" (USCM/OMNI)	
6	560307	ADJ DISPLAY ARM CAP (USCM/OMNI)	
7A	012433	CNTRL ARM CLMP UNIVERSAL ASSM	Trad Rehab Seating Armrest
7B	159406	CNTRLR CLMP ARM ASSM RND	ASAP Seating Armrest
8	551001	CONTROLLER MOUNT BLOCK	USED w/ 8A on Power Recline Armrest
9	011049	HANDLE ADJ MODERN M5 X 20 STUD	
10	349024	HNDL 10-32 X 3/4 C/A P1/P3/P5	
11	281082	8-32 X 3/8 PAN PHIL M/S BLK	

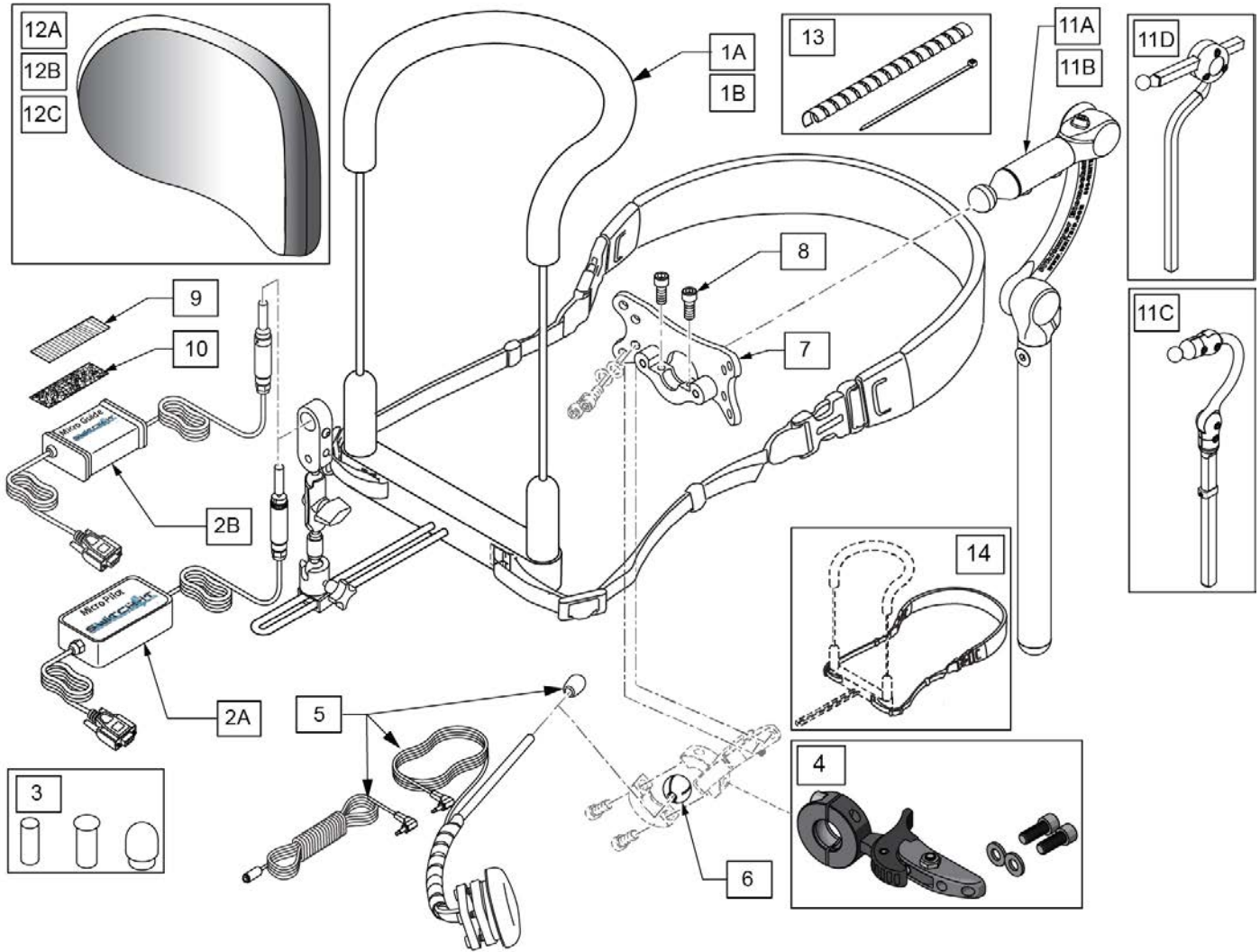


Pos.	Item Number	Description	Remarks
1A,15-18	MP	SWITCH IT MICROPILOT JOYSTICK	Includes Knob Covers
1B,15-18	MG	SWITCH IT MICROGUIDE JOYSTICK	Includes Knob Covers
2	244005	ADAPTOR, 5/8"-3/4" SPL TUBING	Used with 5A
4	126631	3IN DOUBLE SOCKET CLAMP	
2,4,5A	MA-SA	INLINE ARMREST MOUNT	
5B	129457	BAR MOUNT W/1" BALL	
6	126633	DOUBLE BALL	
12	129776	WIRE TIE DOWN KIT	1wrap, 10 ties
13	698041	ADHESIVE POLY 1" X 2.5 MALE	
14	698045	ADHESIVE POLY 1" X 2.5 FEMALE	
3,7,8	BT	BULLET TRAY HAND TRAY	
6,9-11	MC-SA-BT-TD2	CONNECTOR - TD2 & BT TO ARMRES	
2-4,5A,6-11	BT-SA	ARMREST MOUNT WITH BULLET TRAY	
15-18	129436	STANDARD KNOBS AND COVERS	



Pos.	Item Number	Description	Remarks
1A,15-18	MP	SWITCH IT MICROPILOT JOYSTICK	Includes Knob Covers
1B,15-18	MG	SWITCH IT MICROGUIDE JOYSTICK	Includes Knob Covers
2	244005	ADAPTOR, 5/8"-3/4" SPL TUBING	
3	243440	SPACE DISK	
4	126631	3IN DOUBLE SOCKET CLAMP	
2,4,5A	MA-SA	INLINE ARMREST MOUNT	
5B	129457	BAR MOUNT W/1" BALL	
6	129776	WIRE TIE DOWN KIT	1wrap, 10 ties
7	698041	ADHESIVE POLY 1" X 2.5 MALE	
8	698045	ADHESIVE POLY 1" X 2.5 FEMALE	
9	108534	SHCS 10-32 X 1-1/4 PL	
10	243444	SPACE DISK, SPACER	
11	252853	MICRO JYSTCK CLAMP ASSY	
12	244001	SET SCRW CUP PT 1/4-20 X 1"	
13	244032	STANDALONE EXTENSION	
14	244006	MNT BALL W/ 3/8-16 THRD POST	

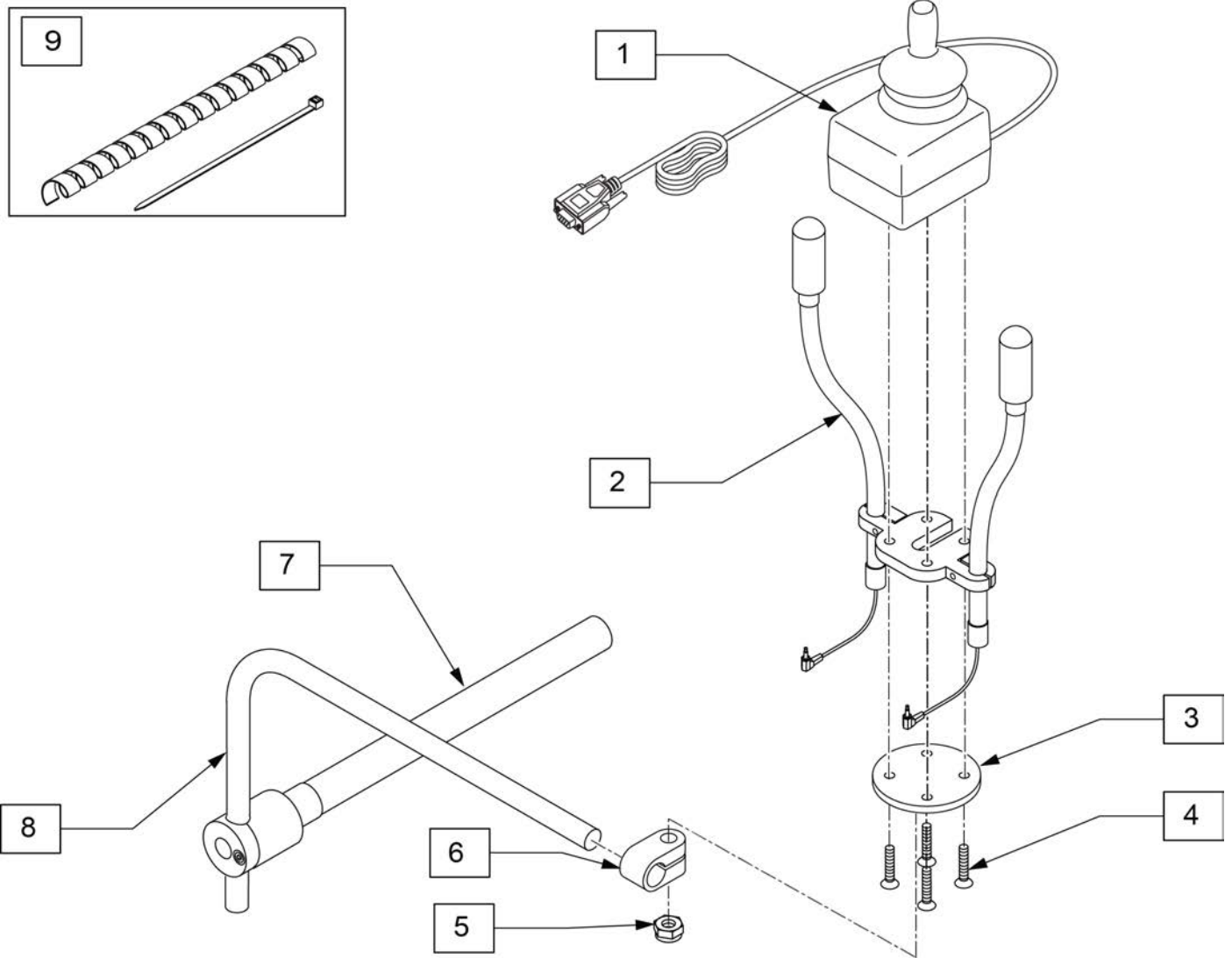
Pos.	Item Number	Description	Remarks
3,4,5A,9-14	SD-SA	SPACEDISK W/ ARMREST MOUNTING	
3,9-11	SD	SPACE DISK HAND TRAY	
12-14	MC-SA-SD	CONNECTOR - SPACE DISK TRAY	
15-18	129436	STANDARD KNOB AND KNOB COVERS	



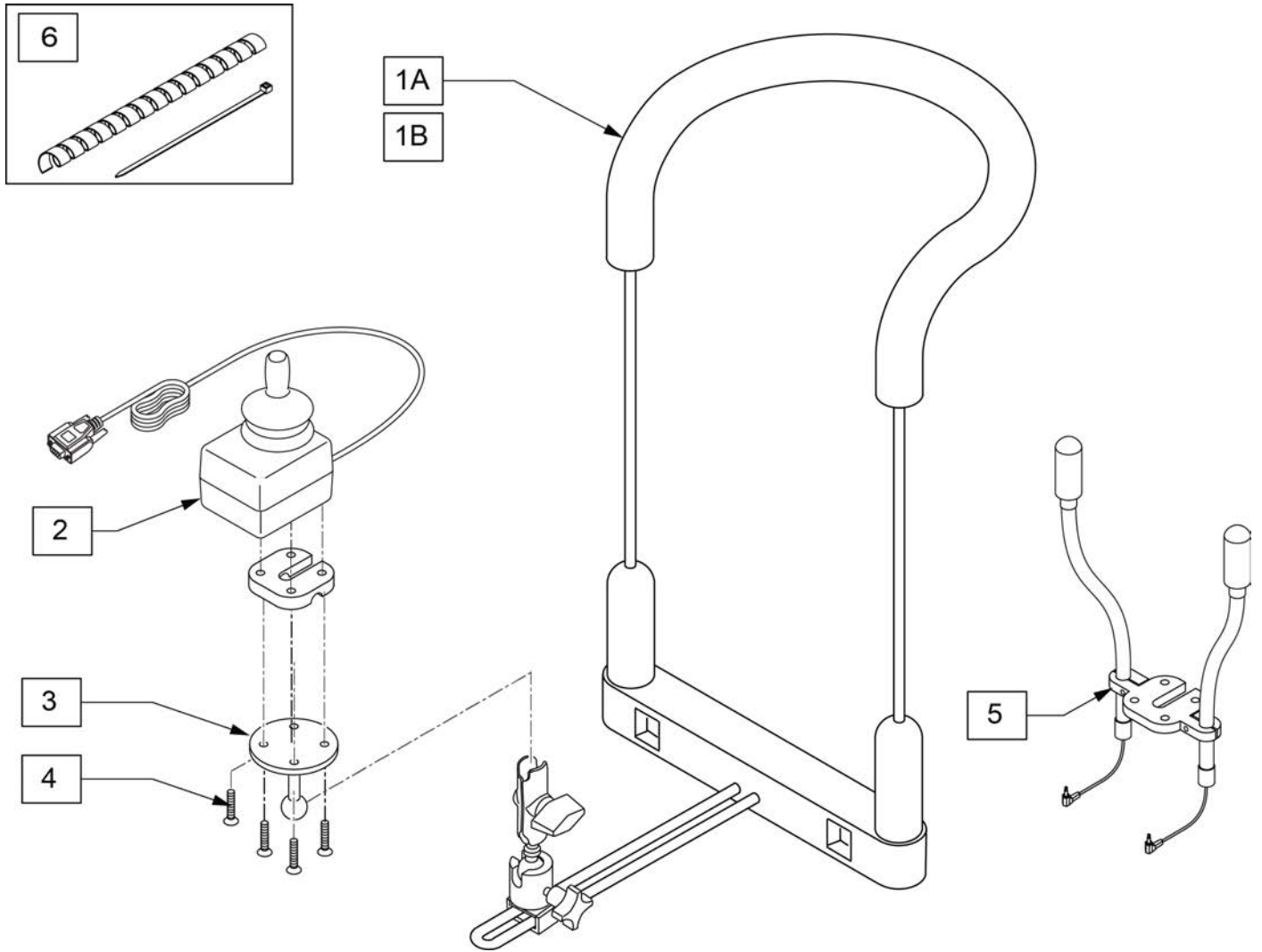
Pos.	Item Number	Description	Remarks
1A	MA-BDN3S-MS	SI BDN 3-6" WIDE MP/MG CON	Std 6" wide
1B	MA-BDN3L-MS	SI BDN 3-8" WIDE MP/MG CON	Large 8" wide
2A,3	MP	SWITCH IT MICROPILOT	includes Knob Covers
2B,3	MG	SWITCH IT MICROGUIDE JOYSTICK	includes Knob Covers
3	129436	STANDARD KNOB AND KNOB COVERS	For replacement
4	LM115	LFC MOUNT, SWINGAWAY	
5	108637	EGG SWITCH MNTG SYSTEM	
6	107411	CLAMP BALL, STEEL	
7	LM-PL	PLUSH LAT INTERFACE PLATE	
8	107348	SHCS 1/4-28 X 5/8 PL ROHS	
9	698041	ADHESIVE POLY 1" X 2.5 MALE	
10	698045	ADHESIVE POLY 1" X 2.5 FEMALE	
11A	LX8000	LINX CORE MNTG HDWR 8"	8" POST
11B	LX7000	LINX CORE MOUNT HDW	10" POST
11C	CBRA7010	COBRA XTRA MOUNT HDW, ADUL	
11D	AX7010	AXYS CORE MOUNT HDW	
12A	P800L	PLUSH PAD, 8", LYCRA	8" wide 5" tall Headrest Pad
12B	P1000L	PLUSH PAD, 10", LYCRA	10" wide 5" tall Headrest Pad
12C	P1400L	OVER 14"PLUSH/LYCRA	14" wide 5" tall Headrest Pad

Pos.	Item Number	Description	Remarks
13	129776	WIRE TIE DOWN KIT	1wrap, 10 ties
14	244516	NEOPRENE STRAP, CHIN HARNESS	
4-10	129508	EGG SWITCH MNTG KIT	
1A,2A,3-10,11A,12A	129460	PILOT BIB STD LINX 8" PLUSH 8"	
1A,2A,3-10,11B,12A	129461	PILOT BIB STD LINX 10" PLUSH 8"	
1A,2A,3-10,11C,12A	129462	PILOT BIB STD COBRA PLUSH 8"	
1A,2A,3-10,11D,12A	129463	PILOT BIB STD AXYS PLUSH 8"	
1A,2A,3-10,11A,12B	129464	PILOT BIB STD LINX 8" PLUSH 10"	
1A,2A,3-10,11B,12B	129465	PILOT BIB STD LINX 10" PLUSH 10"	
1A,2A,3-10,11C,12B	129466	PILOT BIB STD COBRA PLUSH 10"	
1A,2A,3-10,11D,12B	129467	PILOT BIB STD AXYS PLUSH 10"	
1A,2A,3-10,11A,12C	129468	PILOT BIB STD LINX 8" PLUSH 14"	
1A,2A,3-10,11B,12C	129469	PILOT BIB STD LINX 10" PLUSH 14"	
1A,2A,3-10,11C,12C	129470	PILOT BIB STD COBRA PLUSH 14"	
1A,2A,3-10,11D,12C	129471	PILOT BIB STD AXYS PLUSH 14"	
1B,2A,3-10,11A,12A	129472	PILOT BIB LRG LINX 8" PLUSH 8"	
1B,2A,3-10,11B,12A	129473	PILOT BIB LRG LINX 10" PLUSH 8"	
1B,2A,3-10,11C,12A	129474	PILOT BIB LRG COBRA PLUSH 8"	
1B,2A,3-10,11D,12A	129475	PILOT BIB LRG AXYS PLUSH 8"	
1B,2A,3-10,11A,12B	129476	PILOT BIB LRG LINX 8" PLUSH 10"	
1B,2A,3-10,11B,12B	129477	PILOT BIB LRG LINX 10" PLUSH 10"	
1B,2A,3-10,11C,12B	129478	PILOT BIB LRG COBRA PLUSH 10"	
1B,2A,3-10,11D,12B	129479	PILOT BIB LRG AXYS PLUSH 10"	
1B,2A,3-10,11A,12C	129480	PILOT BIB LRG LINX 8" PLUSH 14"	
1B,2A,3-10,11B,12C	129481	PILOT BIB LRG LINX 10" PLUSH 14"	
1B,2A,3-10,11C,12C	129482	PILOT BIB LRG COBRA PLUSH 14"	
1B,2A,3-10,11D,12C	129483	PILOT BIB LRG AXYS PLUSH 14"	
1A,2B,3-10,11A,12A	129484	GUIDE BIB STD LINX 8" PLUSH 8"	
1A,2B,3-10,11B,12A	129485	GUIDE BIB STD LINX 10" PLUSH 8"	
1A,2B,3-10,11C,12A	129486	GUIDE BIB STD COBRA PLUSH 8"	
1A,2B,3-10,11D,12A	129487	GUIDE BIB STD AXYS PLUSH 8"	
1A,2B,3-10,11A,12B	129488	GUIDE BIB STD LINX 8" PLUSH 10"	
1A,2B,3-10,11B,12B	129489	GUIDE BIB STD LINX 10" PLUSH 10"	
1A,2B,3-10,11C,12B	129490	GUIDE BIB STD COBRA PLUSH 10"	
1A,2B,3-10,11D,12B	129491	GUIDE BIB STD AXYS PLUSH 10"	
1A,2B,3-10,11A,12C	129492	GUIDE BIB STD LINX 8" PLUSH 14"	
1A,2B,3-10,11B,12C	129493	GUIDE BIB STD LINX 10" PLUSH 14"	
1A,2B,3-10,11C,12C	129494	GUIDE BIB STD COBRA PLUSH 14"	
1A,2B,3-10,11D,12C	129495	GUIDE BIB STD AXYS PLUSH 14"	
1B,2B,3-10,11A,12A	129496	GUIDE BIB LRG LINX 8" PLUSH 8"	
1B,2B,3-10,11B,12A	129497	GUIDE BIB LRG LINX 10" PLUSH 8"	
1B,2B,3-10,11C,12A	129498	GUIDE BIB LRG COBRA PLUSH 8"	
1B,2B,3-10,11D,12A	129499	GUIDE BIB LRG AXYS PLUSH 8"	
1B,2B,3-10,11A,12B	129500	GUIDE BIB LRG LINX 8" PLUSH 10"	
1B,2B,3-10,11B,12B	129501	GUIDE BIB LRG LINX 10" PLUSH 10"	
1B,2B,3-10,11C,12B	129502	GUIDE BIB LRG COBRA PLUSH 10"	
1B,2B,3-10,11D,12B	129503	GUIDE BIB LRG AXYS PLUSH 10"	
1B,2B,3-10,11A,12C	129504	GUIDE BIB LRG LINX 8" PLUSH 14"	
1B,2B,3-10,11B,12C	129505	GUIDE BIB LRG LINX 10" PLUSH 14"	
1B,2B,3-10,11C,12C	129506	GUIDE BIB LRG COBRA PLUSH 14"	
1B,2B,3-10,11D,12C	129507	GUIDE BIB LRG AXYS PLUSH 14"	

Note: Switch-It Versa Guide Joystick accepts Optional Joystick Handles. See Optional Joystick Handles parts page for part numbers.



Pos.	Item Number	Description	Remarks
1	VG	SWITCH IT VERSAGUIDE JOYSTICK	
2	132176	DUAL FLEX SWITCHES	
3-6	MC-MID-VG	VERSA JS TO BP MIDLINE STEALTH	
7	111190	MOUNT ARM DISPLAY	
8	521097	ADJ DISPLAY ARM "L" (USCM)	
9	129776	WIRE TIE DOWN KIT	1wrap, 10 ties

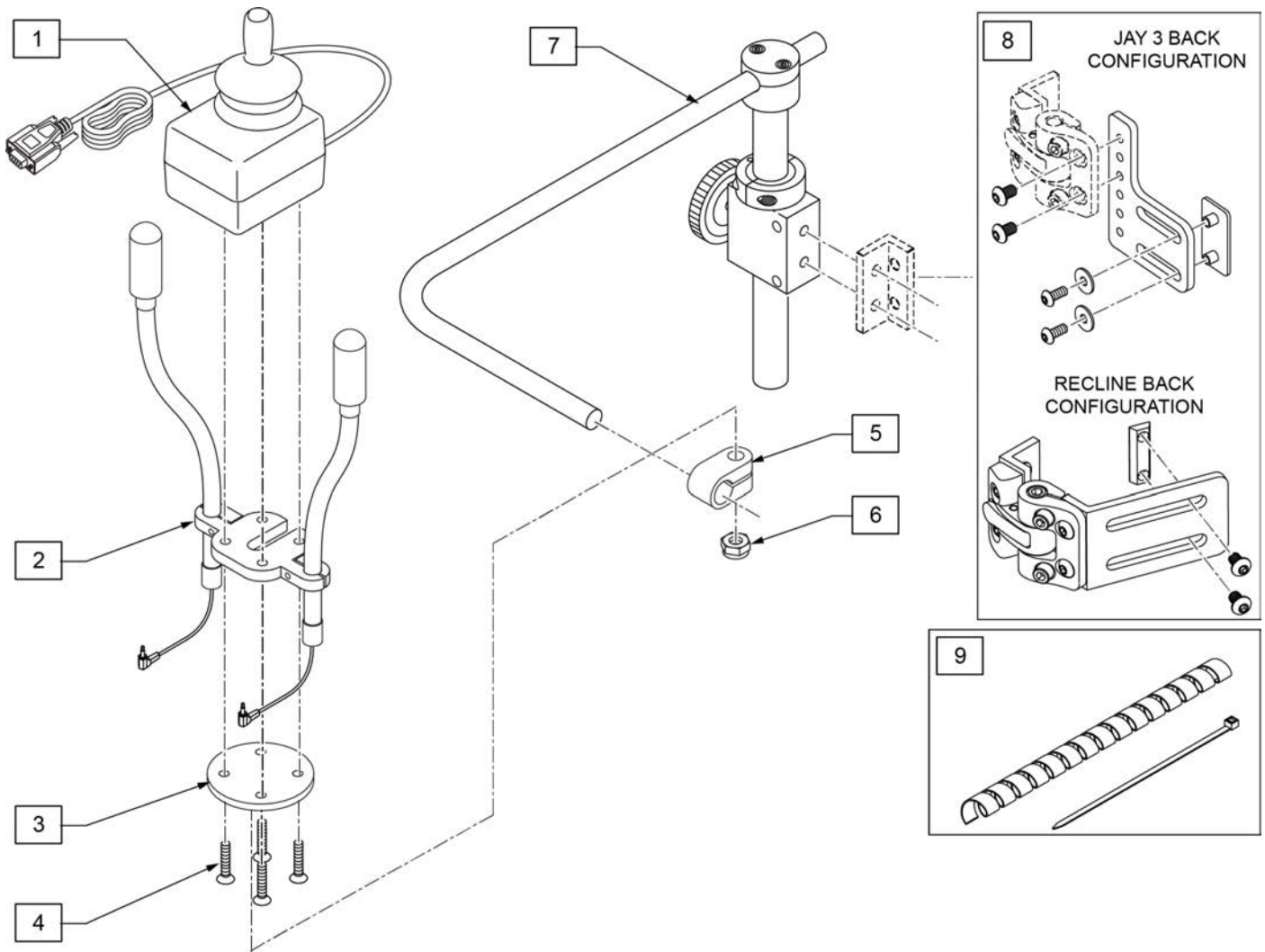


Pos.	Item Number	Description	Remarks
1A	MA-BDN3S-SR	HARNESS-CHIN/MOUTH CONTROL	Std 6" wide
1B	126579	BDN3 BIB STYLE CHIN MOUNT LRG	Large 8" wide
2	VG	SWITCH IT VERSAGUIDE JOYSTICK	
2-4	132922	VERSA GUIDE JOYSTICK BIB	
3,4	132924	VERSA GUIDE BIB MOUNT	
5	132176	DUAL FLEX SWITCHES	
6	129776	WIRE TIE DOWN KIT	1wrap, 10 ties

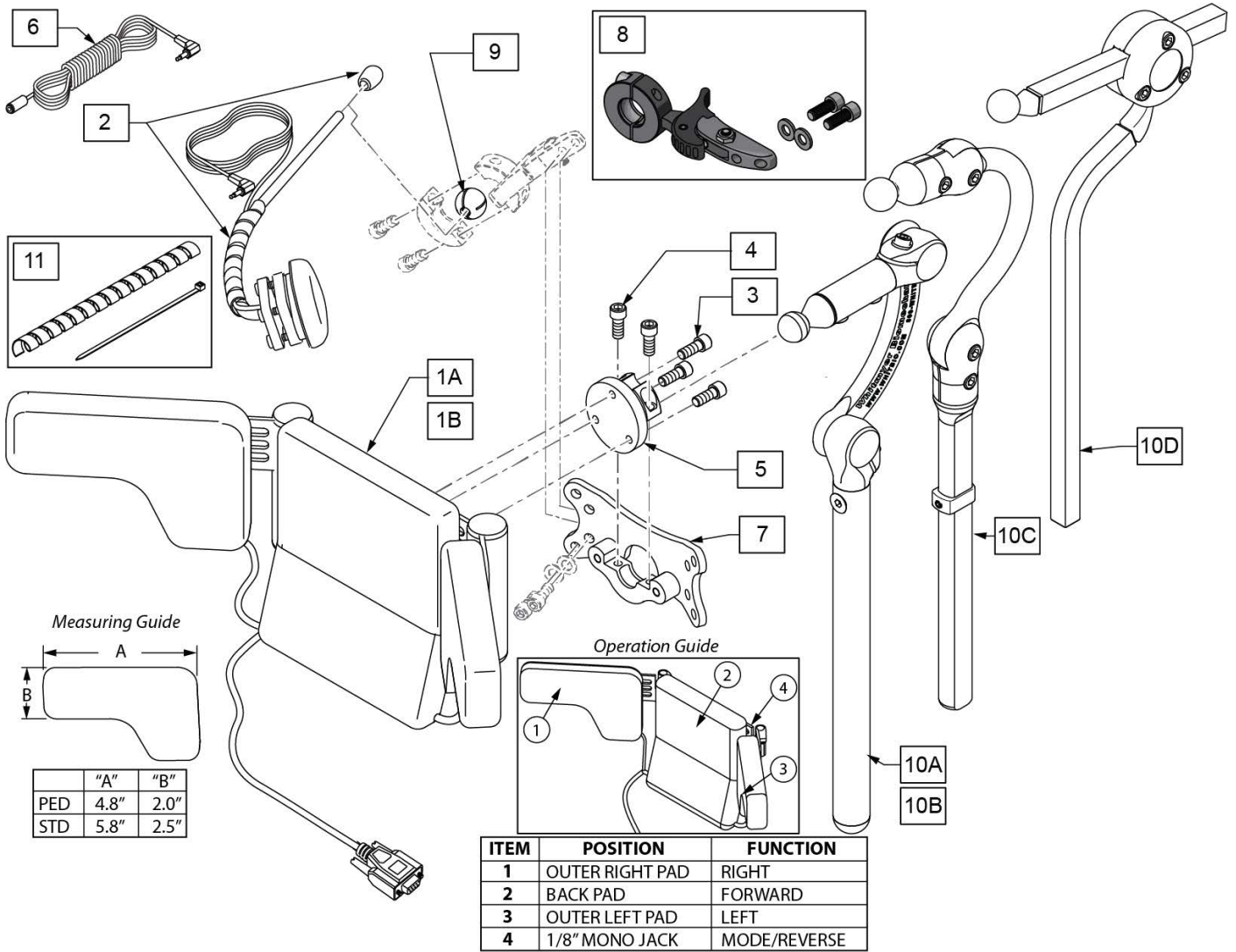
[11/2017]

Note: Switch-It Versa Guide Joystick accepts Optional Joystick Handles. See Optional Joystick Handles parts page for part numbers.

Note: Switch-It Versa Guide Joystick accepts Optional Joystick Handles. See Optional Joystick Handles parts page for part numbers.



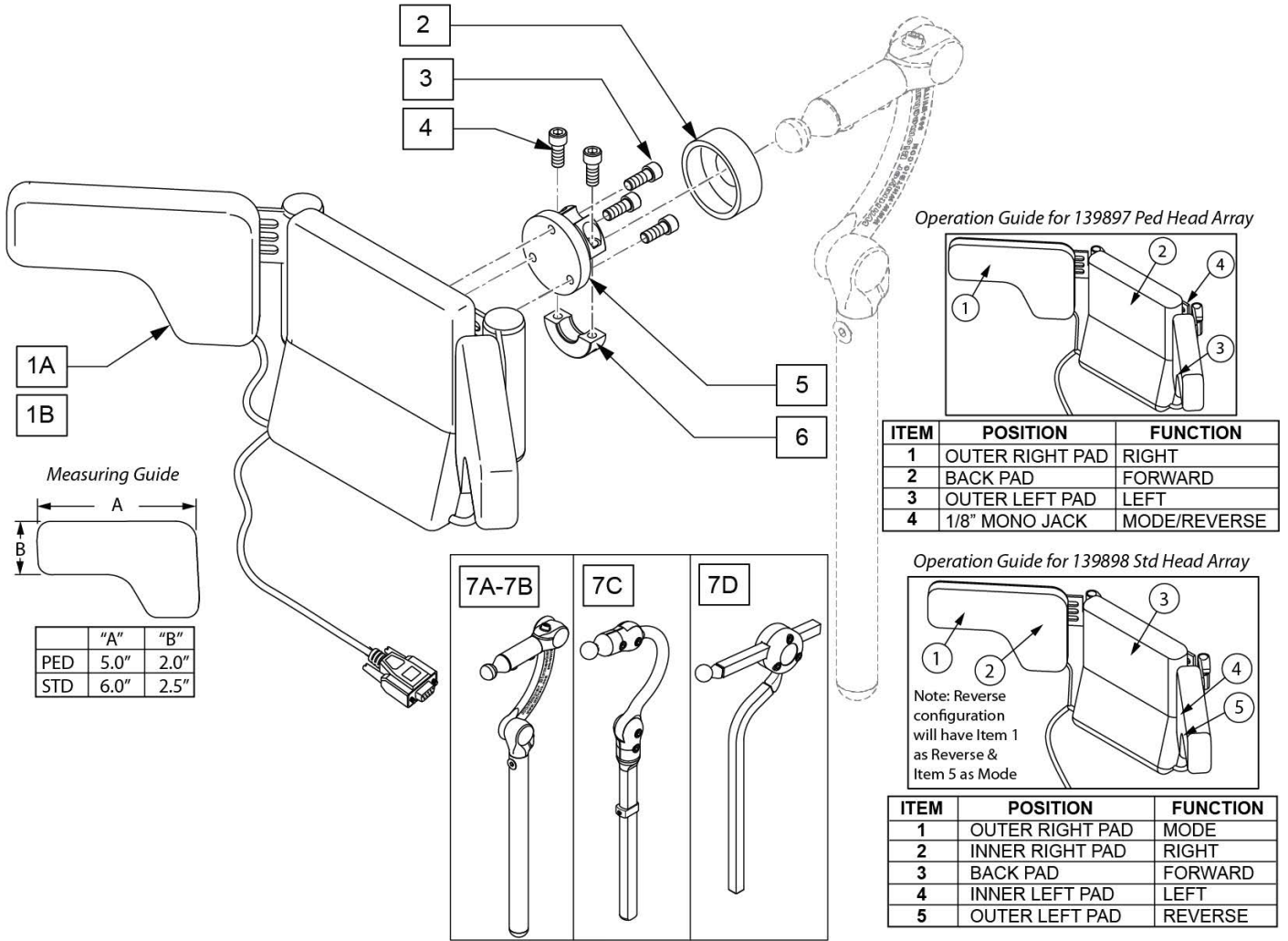
Pos.	Item Number	Description	Remarks
1	VG	SWITCH IT VERSAGUIDE JOYSTICK	
2	132176	DUAL FLEX SWITCHES	
3-6	MC-MID-VG	VERSA JS TO BP MIDLINE STEALTH	
7	D3150-3	AMH S/A MNTG KIT B/R 1" 3185	
8	108841	S/A SIDE MOUNTING KIT	
9	129776	WIRE TIE DOWN KIT	1wrap, 10 ties



ITEM	POSITION	FUNCTION
1	OUTER RIGHT PAD	RIGHT
2	BACK PAD	FORWARD
3	OUTER LEFT PAD	LEFT
4	1/8" MONO JACK	MODE/REVERSE

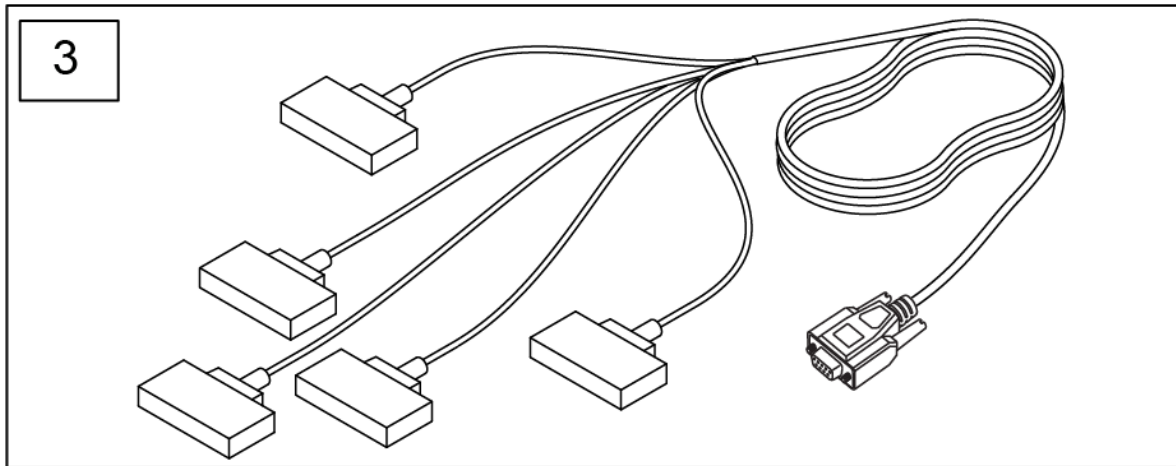
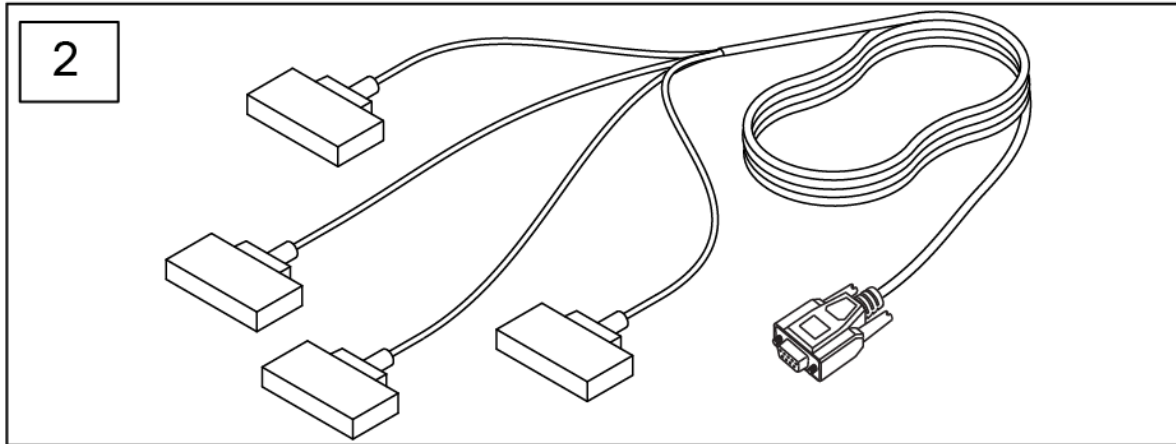
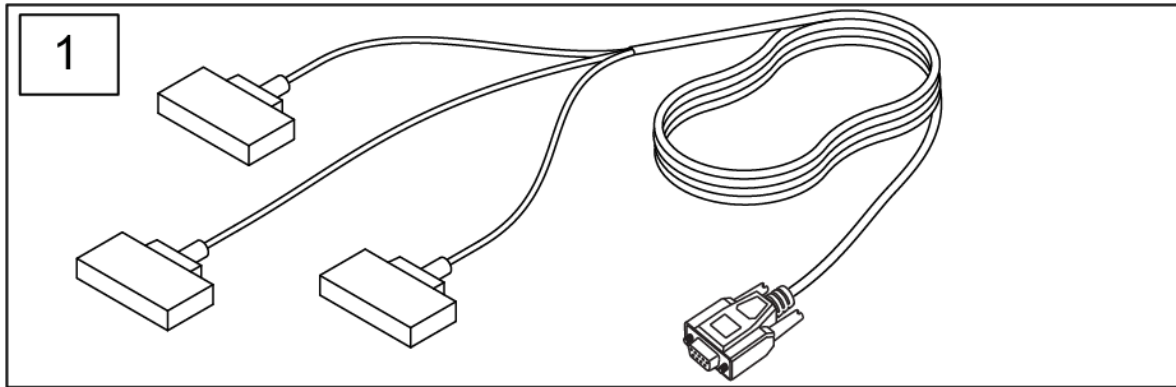
Pos.	Item Number	Description	Remarks
1A	126606	HEAD ARRAY 3SW SWITCH IT STD	Adult size/Long
1B	126605	HEAD ARRAY 3SW SWITCH IT PED	Pediatric size/Stubby
2	108637	EGG SWITCH MNTG SYSTEM	
3	221010	10-32 X .75 SHCS BLK W/PL	
4	221016	1/4-28 x .63 SHCS BLK W/PL	
5	104907	TOP COLLAR FLANGE WELDM	
6	244022	MONO CABLE, EXT M-F 72" CA68	Mech Switch Harness Extension - mono cable 3.5mm
7	LM-PL	PLUSH LAT INTERFACE PLATE	
8	LM115	LFC MOUNT, SWINGAWAY	
9	107411	CLAMP BALL, STEEL	
10A	LX7000	LINX CORE MOUNT HDW	10" POST
10B	LX8000	LINX CORE MNTG HDWR 8"	8" POST
10C	CBRA7010	COBRA XTRA MOUNT HDW, ADUL	
10D	AX7010	AXYS CORE MOUNT HDW	
1A,2-10A	129449	3 SWITCH H ARRAY STD LINX 10	
1A,2-10B	129450	3 SWITCH H ARRAY STD LINX 8	
1A,2-10C	129451	3 SWITCH H ARRAY STD COBRA	
1A,2-10D	129452	3 SWITCH H ARRAY STD AXYS	

Pos.	Item Number	Description	Remarks
1B,2-10A	129453	3 SWITCH H ARRAY PED LINX 10	
1B,2-10B	129454	3 SWITCH H ARRAY PED LINX 8	
1B,2-10C	129455	3 SWITCH H ARRAY PED COBRA	
1B,2-10A	129456	3 SWITCH H ARRAY PED AXYS	
11	129776	WIRE TIE DOWN KIT	1wrap, 10 ties

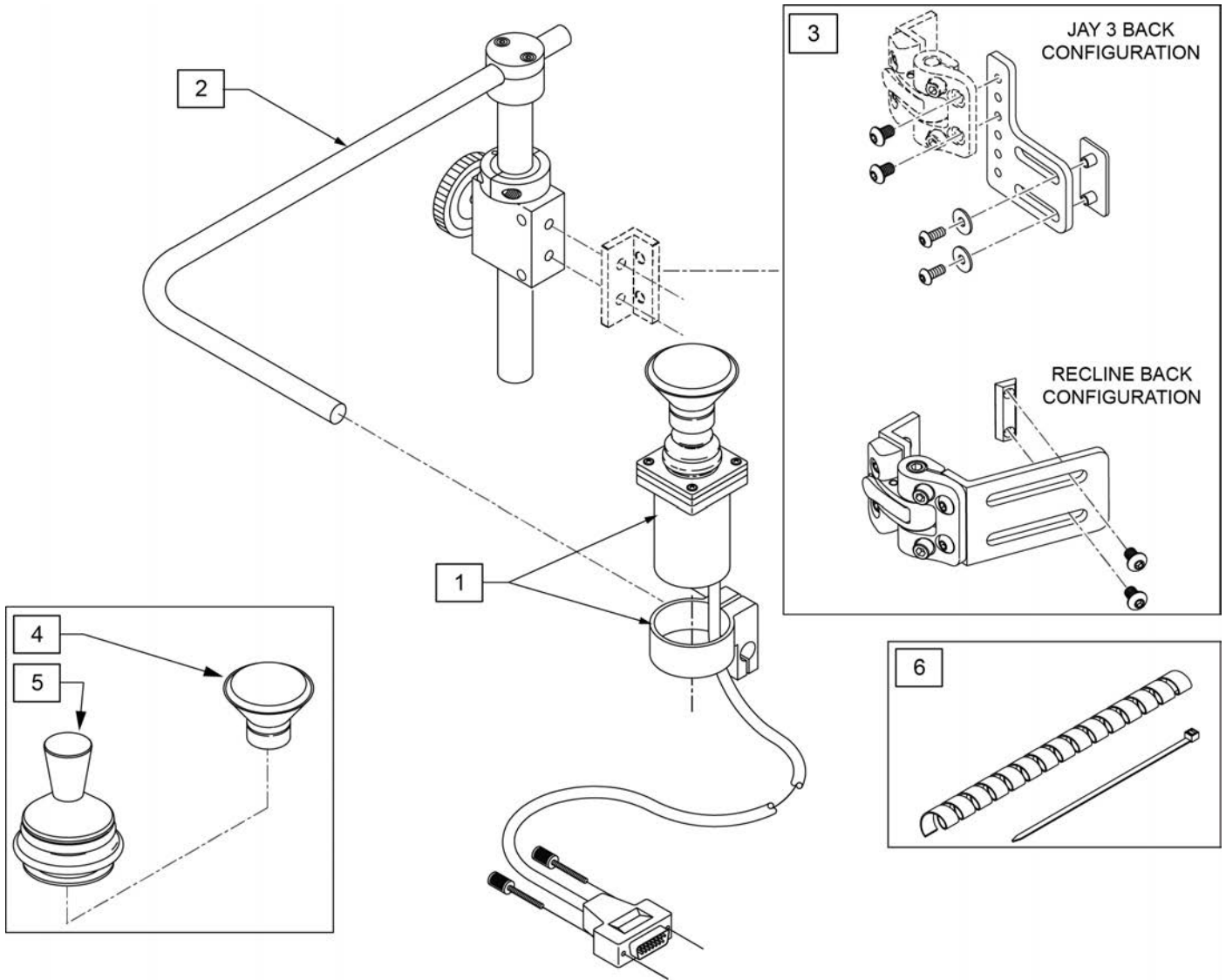


Pos.	Item Number	Description	Remarks
1A	139897	HEAD ARRAY SWITCH IT PED	Peds
1B	139898	HEAD ARRAY SWITCH IT STD	Std/Adult
2	MC100-WB	COVER 3/4"COLLAR/VINYL BLACK	
3	221010	10-32 X .75 SHCS BLK W/PL	
4	221016	1/4-28 x .63 SHCS BLK W/PL	
5	104907	TOP COLLAR FLANGE WELDM	
6	MW027100	COL HALF RAD 3/4"THREADED BLK	
7A	LX8000	LINX CORE MNTG HDW 8"	8" POST
7B	LX7000	LINX CORE MOUNT HDW	10" POST
7C	CBRA7010	COBRA XTRA MOUNT HDW, ADUL	
7D	AX7010	AXYS CORE MOUNT HDW	
1B-6	108641	SWITCH-IT HEAD ARRAY PCKG ADLT	Std/Adult
1A-6	108642	SWITCH-IT HEAD ARRAY PCKG PED	Peds
1A-6,7A	129549	HEAD ARRAY SWITCH IT PED LINX 8"	
1A-6,7B	129550	HEAD ARRAY SWITCH IT PED LINX 10"	
1A-6,7C	129551	HEAD ARRAY SWITCH IT PED COBRA	
1A-6,7D	129552	HEAD ARRAY SWITCH IT PED AXYS	
1B-6,7A	129553	HEAD ARRAY SWITCH IT ADULT LINX 8"	
1B-6,7B	129554	HEAD ARRAY SWITCH IT ADULT LINX 10"	
1B-6,7C	129555	HEAD ARRAY SWITCH IT ADULT COBRA	

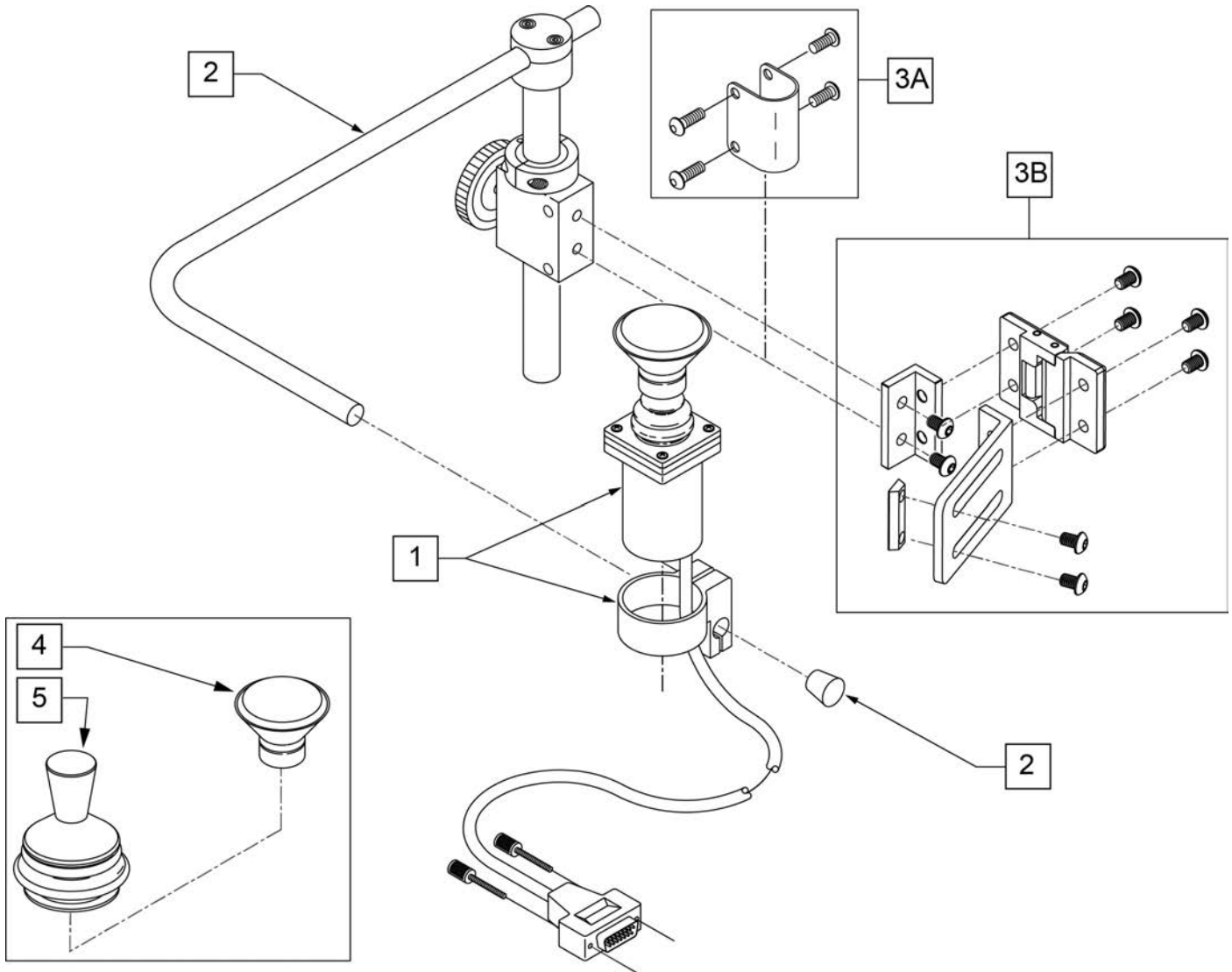
Pos.	Item Number	Description	Remarks
1B-6,7D	129556	HEAD ARRAY SWITCH IT ADULT AXYS	



Pos.	Item Number	Description	Remarks
1	126582	3NKS 3 SWITCH ARRAY	3 Zero Touch Sensors
2	4NKS	SWITCH IT ZERO TOUCH SYSTEM	4 Zero Touch Sensors
3	5NKS	SWITCH IT ZERO TOUCH SYSTEM	5 Zero Touch Sensors

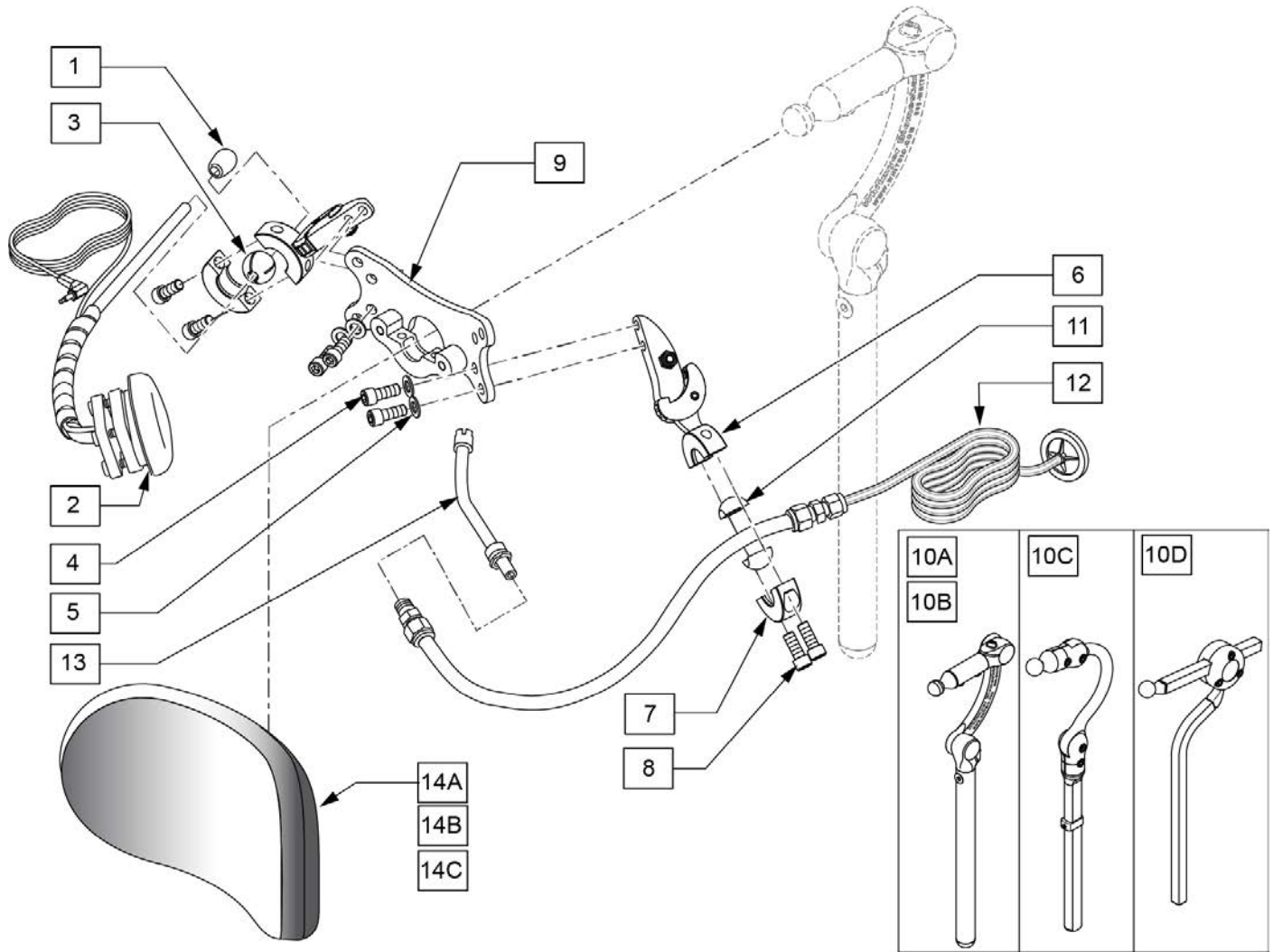


Pos.	Item Number	Description	Remarks
1	139705	ACT JOYSTICK PROP KNOB OR CHIN	
2	D3150-3	AMH S/A MNTG KIT B/R 1" 3185	
3	108841	S/A SIDE MOUNTING KIT	ASAP only
4	D4000	CHINCUP QTRONIX	
5	138154	KNOB & PROTECTOR D10AB JOYSTICK	
1-5	115076	PROP CHIN CONTROL KIT	Includes 3A & 3B



Pos.	Item Number	Description	Remarks
1	139705	ACT JOYSTICK PROP KNOB OR CHIN	
2,3A	D3150-3	AMH S/A MNTG KIT B/R 1" 3185	
3B	108841	S/A SIDE MOUNTING KIT	ASAP only
4	D4000	CHINCUP QTRONIX	
5	138154	KNOB & PROTECTOR D10AB JOYSTICK	
1-5	115076	PROP CHIN CONTROL KIT	Includes 3A & 3B

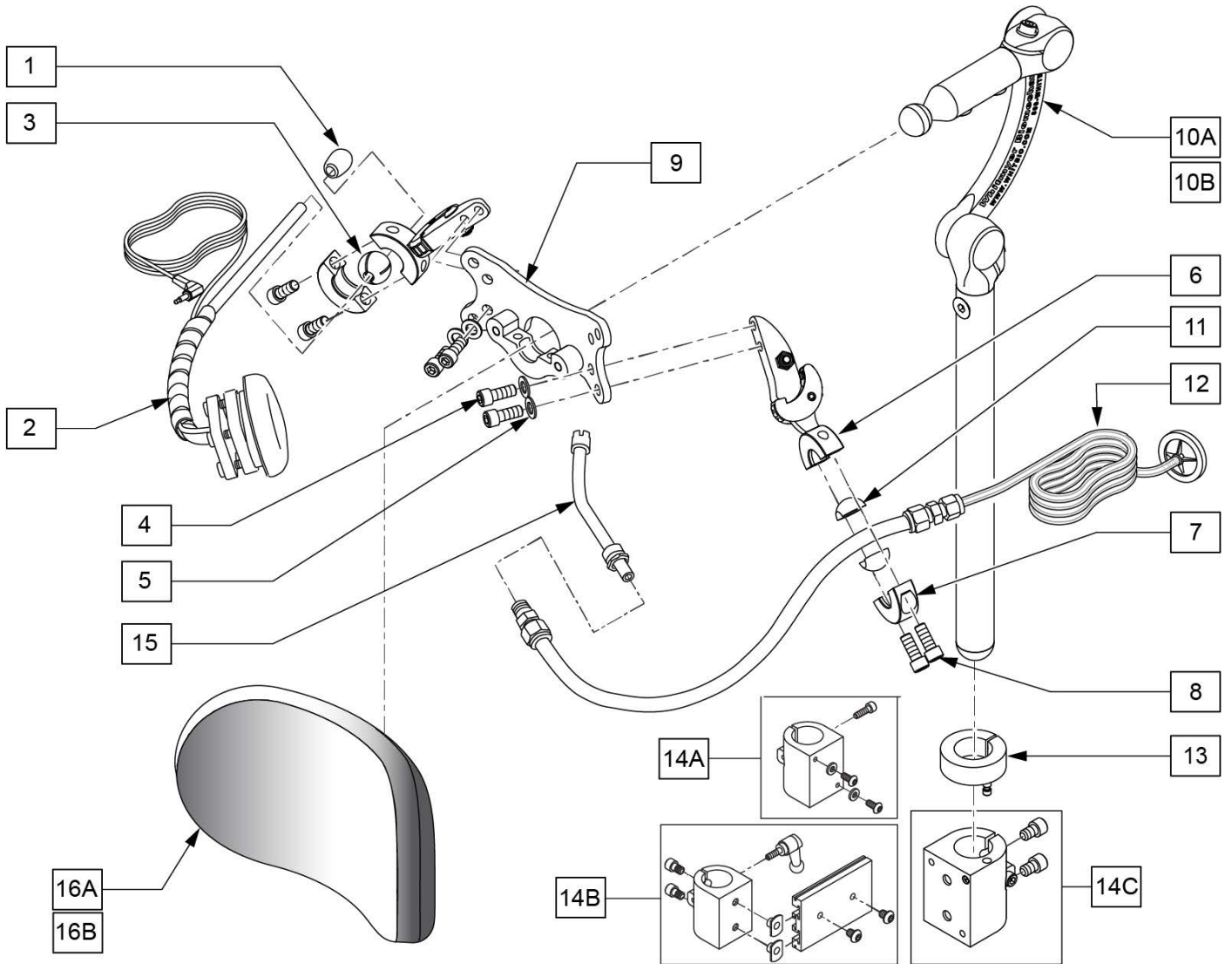
NOTE: IF ADDING SPECIALTY CONTROLS TO A CHAIR AN OMNI IS REQUIRED.



Pos.	Item Number	Description	Remarks
10A	LX7000	LINX CORE MOUNT HDW	10" POST LENGTH
10B	LX8000	LINX CORE MNTG HDW 8"	8" POST LENGTH
10C	CBRA7010	COBRA XTRA MOUNT HDW, ADUL	
10D	AX7010	AXYS CORE MOUNT HDW	
12	107425	SIP-N-PUFF INTERFACE	
13	101434	SIP N PUFF STRAW	
1-9,11-13	108638	SIP N PUFF W/ SA RESET SWITCH	
14A	P800L	PLUSH PAD, 8", LYCRA	8" PAD
14B	P1000L	PAD 10" PLUSH / LYCRA	10" PAD "LARGE"
14C	PC1400L	OVER 14"PLUSH/LYCRA	14" wide, 5" tall Headrest Pad
1-9,10A,11-13,14A	129529	SIP N PUFF LINX 8" PLUSH 8"	
1-9,10B,11-13,14A	129530	SIP N PUFF LINX 10" PLUSH 8"	
1-9,10C,11-13,14A	129531	SIP N PUFF COBRA PLUSH 8"	
1-9,10D,11-13,14A	129532	SIP N PUFF AXYS PLUSH 8"	
1-9,10A,11-13,14B	129533	SIP N PUFF LINX 8" PLUSH 10"	

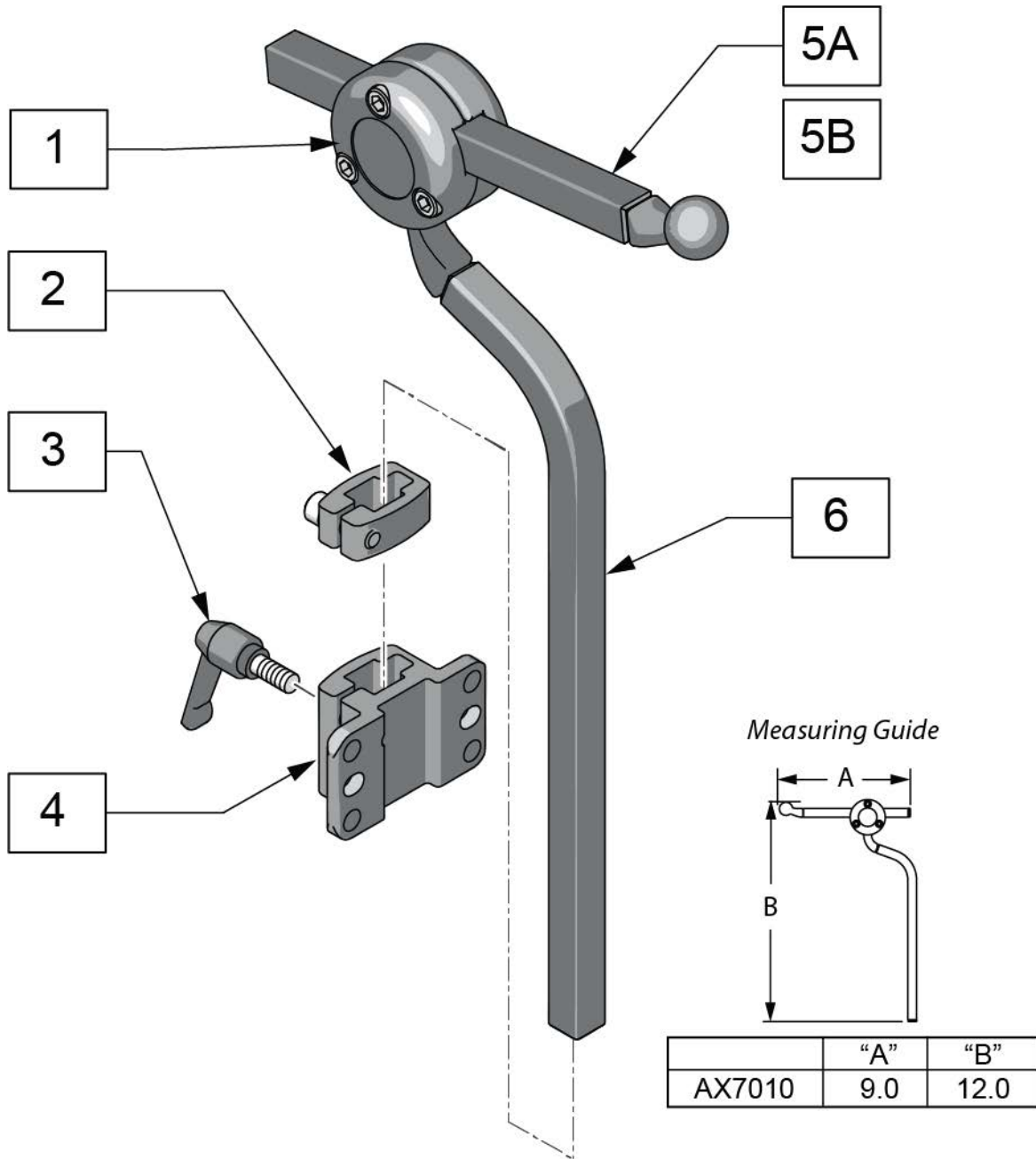
Pos.	Item Number	Description	Remarks
1-9,10B,11-13,14B	129534	SIP N PUFF LINX 10" PLUSH 10"	
1-9,10C,11-13,14C	129535	SIP N PUFF COBRA PLUSH 10"	
1-9,10D,11-13,14D	129536	SIP N PUFF AXYS PLUSH 10"	
1-9,10A,11-13,14A	129537	SIP N PUFF LINX 8" PLUSH 14"	
1-9,10B,11-13,14B	129538	SIP N PUFF LINX 10" PLUSH 14"	
1-9,10C,11-13,14C	129539	SIP N PUFF COBRA PLUSH 14"	
1-9,10D,11-13,14D	129540	SIP N PUFF AXYS PLUSH 14"	

NOTE: IF ADDING SPECIALTY CONTROLS TO A CHAIR AN OMNI IS REQUIRED.



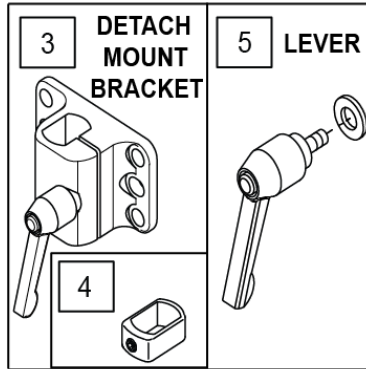
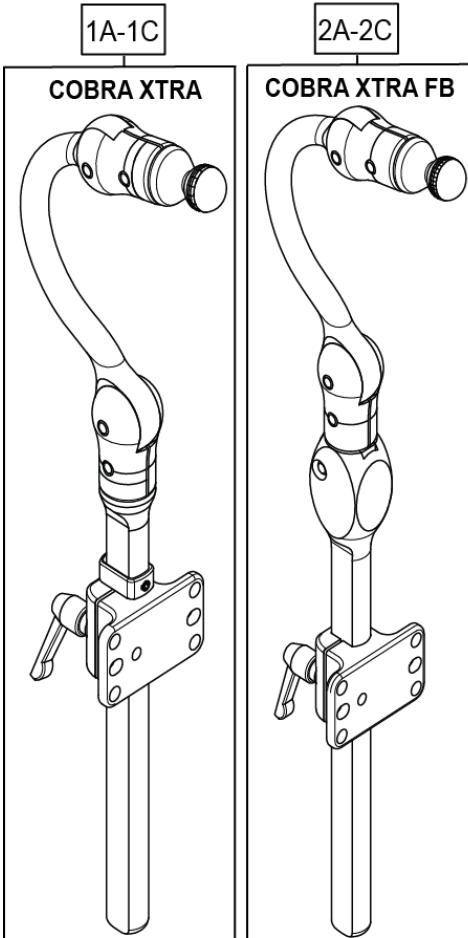
Pos.	Item Number	Description	Remarks
10A	LX7000	LINX CORE MOUNT HDW	10" POST LENGTH
10B	LX8000	LINX CORE MNTG HDW 8"	8" POST LENGTH
1-9,11,12,15	108638	SIP N PUFF W/ SA RESET SWITCH	
12	107425	SIP-N-PUFF INTERFACE	
13	104533	HEADREST COLLAR .875 ID	
15	101434	SIP N PUFF STRAW	
16A	P800L	PLUSH PAD, 8", LYCRA	8" PAD
16B	P1000L	PAD 10" PLUSH / LYCRA	10" PAD "LARGE"
13,14A,14B,14C	115057	UNIVERSAL HEAD MNT KIT	
13,14A	112717	CLAMP HEADREST SMART SEAT	Used w/ Power Recline Only
13,14B	112716	CLAMP HEADREST RIGID BACK	Used w/ Trad Rehab Back Only
13,14C	111902	HDRST CLMP ASSY .875 ID KIT	Used w/ Curved, JAY SPO, and ART SPO Backrest
1-10B-14A,14B,14C-16A	115058	RNET SIPNPUF 8" PAD 8" POST KIT	
1-10A-14A,14B,14C-16B	115059	RNET SIPNPUF 10" PAD 10" POST KIT	
1-10A-14A,14B,14C-16A	115060	RNET SIPNPUF 8" PAD 10" POST KIT	
1-10B-14A,14B,14C-16B	115061	RNET SIPNPUF 10" PAD 8" POST KIT	

Note: if using the Headrest Post on a Quicke Power Chair, please refer to the HEADREST CLAMPS page located in the appropriate power chair parts manual.

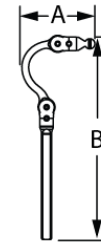


Pos.	Item Number	Description
5A	AX5080	BALLROD AXYS 6" SQUARE BLACK
5B	AX6055	AXYS 12" SQ HORIZ BAR BLK
6	MW070300	AXYS VERT ROD BLK
3,4	115215	J3 BK STD HD RST BRKT KIT
2-4	M2500	AXYS DETACH BRKT
1,5A,6	AX7010	AXYS CORE MOUNT HDWR

Note: if using the Headrest Post on a Quickie Power Chair, please refer to the HEADREST CLAMPS page located in the appropriate power chair parts manual.



Measuring Guide



SIZE	P/N	"A"	"B"
ADULT	CBRA7010	5.0	15.0
	CBRA5010	5.0	15.0
PEDIATRIC	CBRA7030	4.5	11.0
	CBRA5030	4.5	11.0
EARLY INTERVENTION	CBRA7080	4.0	10.0
	CBRA5080	4.0	10.0

6 HARDWARE MOUNT KIT

ILLUSTRATION	DESCRIPTION	QTY
	WASHER 1/4" SAE BLK	2
	BOLT 1/4-20 X 3/4" SHCS BLK NI	2
	BOLT 1/4-20 X 3/4" SHCS BLK NI	2
	1/4-20 NYLOK	2
	1/4-20 X 3/8" T-NUT THF	2

7 HARDWARE MOUNT KIT (SLIDE & SWINGAWAY)

ILLUSTRATION	DESCRIPTION	QTY
	WASHER 1/4" SAE BLK	4
	BOLT 1/4-20 X 1/2" SHCS BLK	2
	BOLT 1/4-20X1-1/4" SHCS BLK NI	4
	1/4-20 NYLOK	4
	1/4-20 X 3/8" T-NUT THF	4

Pos.	Item Number	Description	Remarks
1A	CBRA7010	COBRA XTRA MOUNT HDW, ADUL	
1B	CBRA7030	COBRA XTRA MOUNT HDW, PED	
1C	CBRA7080	COBRA XTRA MOUNT HDW, EI	
2A	CBRA5030	COBRA XTRA FB MOUNT HDW, PED	
2B	CBRA5010	COBRA XTRA FB MOUNT HDW, ADUL	
2C	CBRA5080	COBRA XTRA FB MOUNT HDW, EI	
3	M2400-WB	COBRA XTRA DETACH BRKT	INCLUDES QTY 2 1/4-20 X 1/2" SHCS & WASHERS
4	MW070152	COBRA VERT STOP BLK	
5	M0030	KNOB PLAS ADJ LVR 1/4-20 X20mm	
6	M0055	FASTENER PACK DETACH	
7	M0075	FASTENER PACK SWINGAWAY MOUNT	

Note: if using the Headrest Post on a Quickie Power Chair, please refer to the HEADREST CLAMPS page located in the appropriate power chair parts manual.

The diagram shows various components for LINX headrest assembly:

- 1A-1D:** LINX CORE STDHRZ/4" VRT MOUNT
- 11A-11D:** LINX2 CORE MOUNT HDW 4IN / 8IN
- 2:** CAP RATCHET FASTENER BLACK
- 3:** LYNX SYS ASSM 2"
- 4:** .875 SHAFT COLLAR W/ PIN
- 5:** COVER 3/4" COLLAR/VINYL BLACK
- 6:** KNOB PLAS ADJ LVR 1/4-20 X20mm
- 7:** LINX DETACH MOUNT BRKT
- 8:** MOUNT FIXED LINX 7/8" SURFACE
- 9:** FASTENER PACK DETACH
- 10:** FASTENER PACK SWINGAWAY MOUNT

Measuring Guide

	"A"	"B"	"C"
LX7000	3.75	6.5	10.0
LX8000	3.75	6.5	8.0
LX7804	3.75	6.5	4.0
LX7815	3.75	6.5	15.0

Hardware Mount Kit (Fixed Mount) - Part 8:

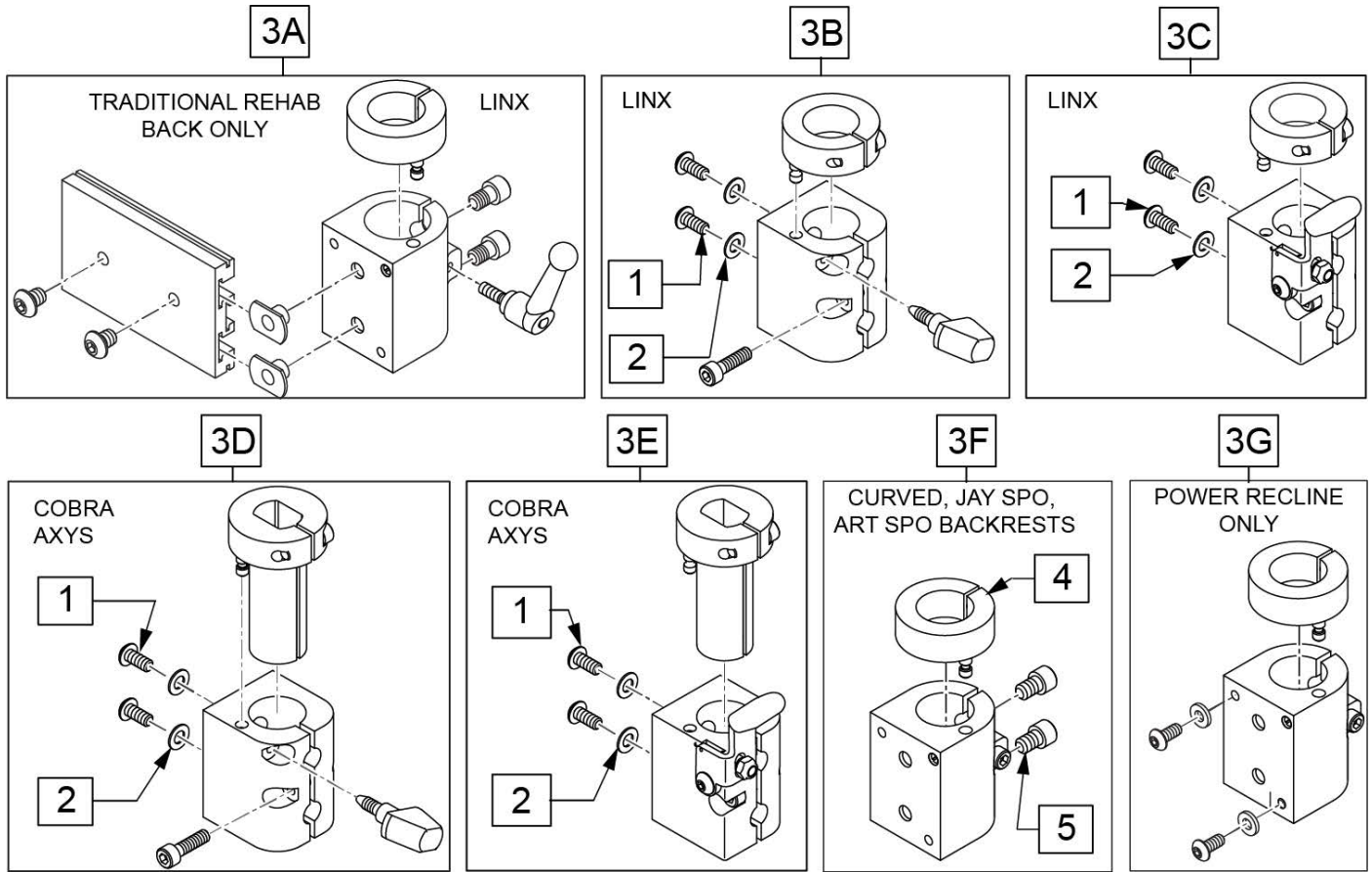
ILLUSTRATION	DESCRIPTION	QTY
	WASHER 1/4" SAE BLK	2
	BOLT 1/4-20 X 3/4" SHCS BLK NI	2
	1/4-20 NYLOK	2
	1/4-20 X 3/8" T-NUT THF	2

Hardware Mount Kit (Slide & Swingaway) - Part 10:

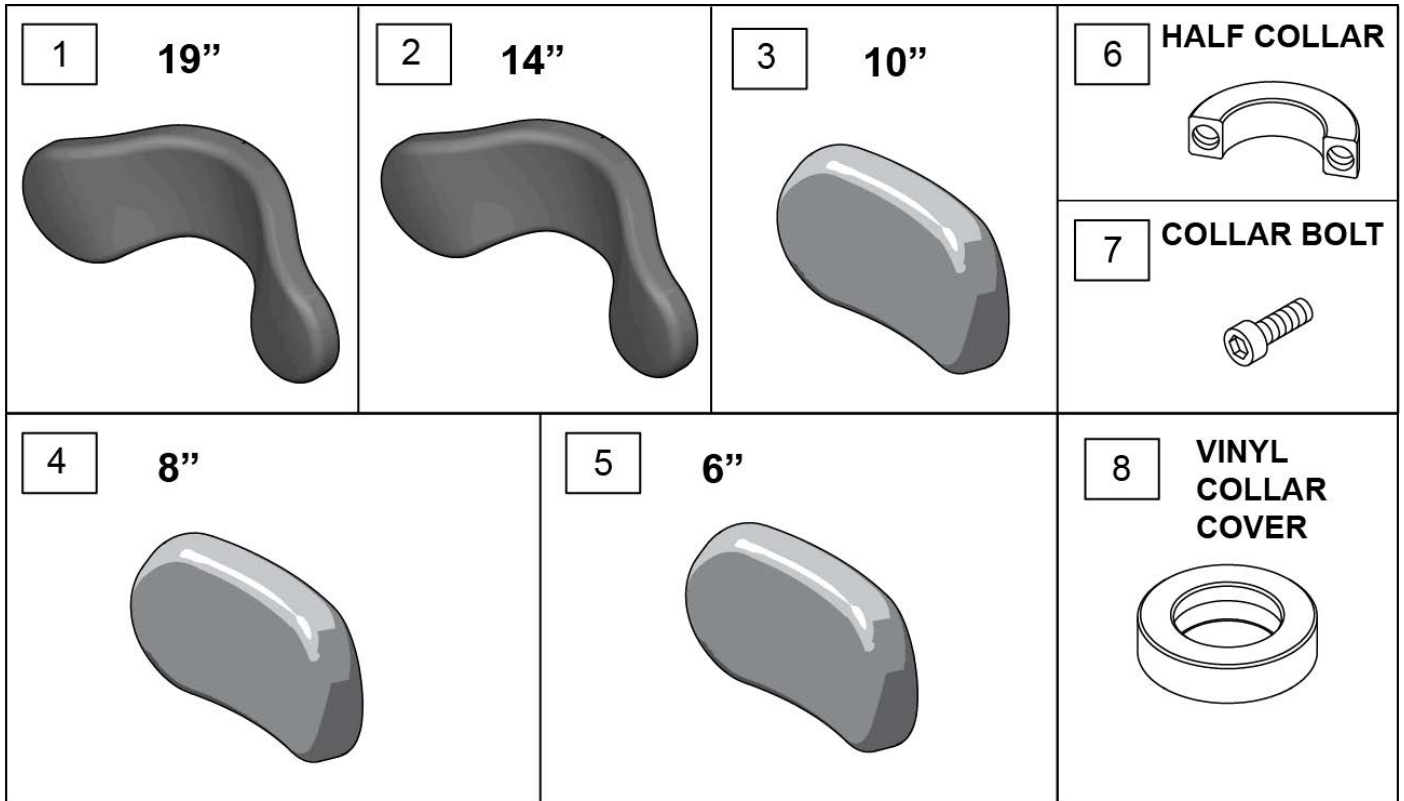
ILLUSTRATION	DESCRIPTION	QTY
	WASHER 1/4" SAE BLK	4
	BOLT 1/4-20 X 1/2" SHCS BLK	2
	BOLT 1/4-20X1-1/4" SHCS BLK NI	4
	1/4-20 NYLOK	4
	1/4-20 X 3/8" T-NUT THF	4

Pos.	Item Number	Description	Remarks
1A	LX7804	LINX CORE STDHRZ/4" VRT MOUNT	4" vertical post
1B	LX8000	LINX CORE MNTG HDW 8"	8" vertical post
1C	LX7000	LINX CORE MOUNT HDW	10" vertical post
1D	LX7815	LINX CORE STDHRZ/15" VRT MOUNT	15" vertical post
1E	LX7000Q	LINX CORE MOUNT HDW QUICK ADJ	
2	MW000680	CAP RATCHET FASTENER BLACK	
3	MW070400	LYNX SYS ASSM 2"	
4	MW006030	.875 SHAFT COLLAR W/ PIN	
5	MC100-WB	COVER 3/4" COLLAR/VINYL BLACK	
6	M0030	KNOB PLAS ADJ LVR 1/4-20 X20mm	
7	M2300	LINX DETACH MOUNT BRKT	
8	M2375	MOUNT FIXED LINX 7/8" SURFACE	
9	M0055	FASTENER PACK DETACH	
10	M0075	FASTENER PACK SWINGAWAY MOUNT	
11A	LX27804	LINX2 CORE MOUNT HDW 4IN	
11B	LX28000	LINX2 CORE MOUNT HDW 8IN	

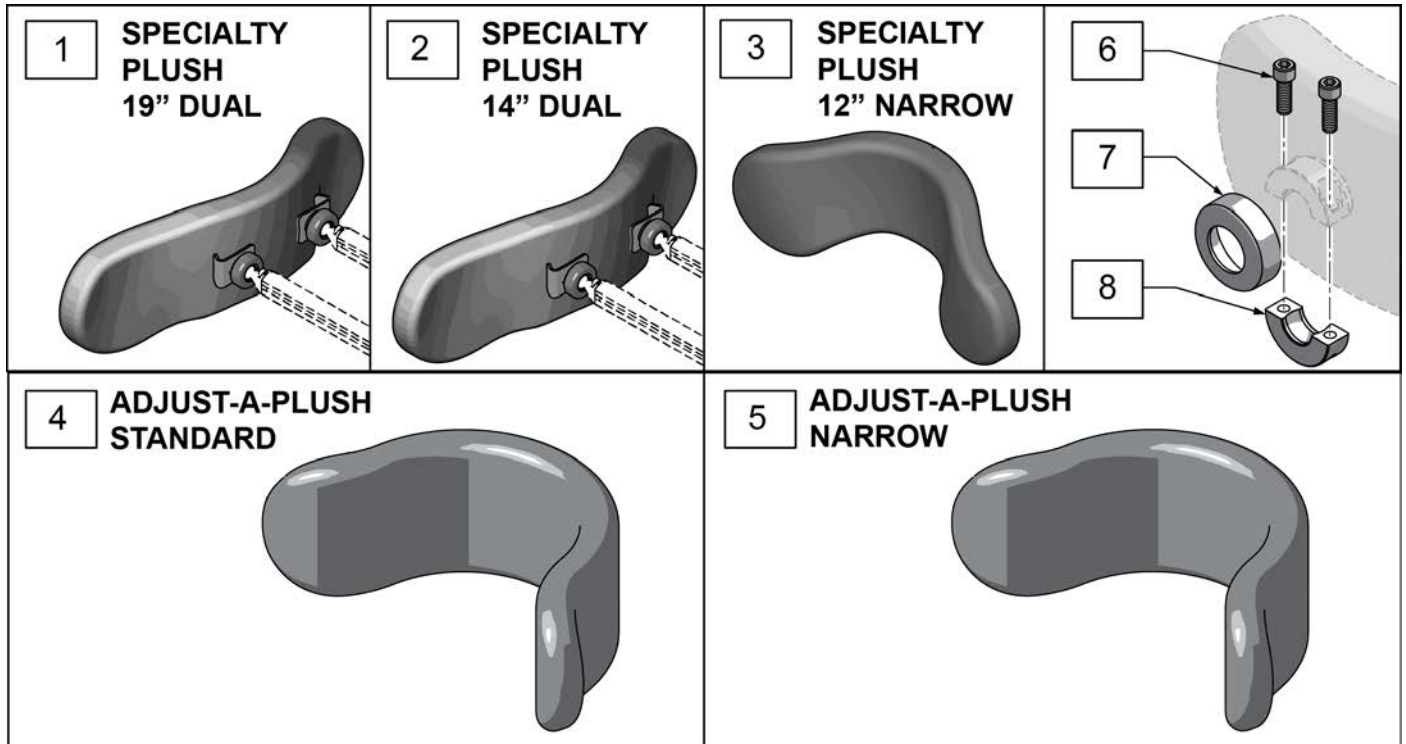
Pos.	Item Number	Description	Remarks
11C	LX27000	LINX2 CORE MOUNT HDW 10IN	
11D	LX27815	LINX2 CORE MOUNT HDW 15IN	
11E	LX27000Q	LINX2 CORE MNT HDW 10 QCK ADJ	



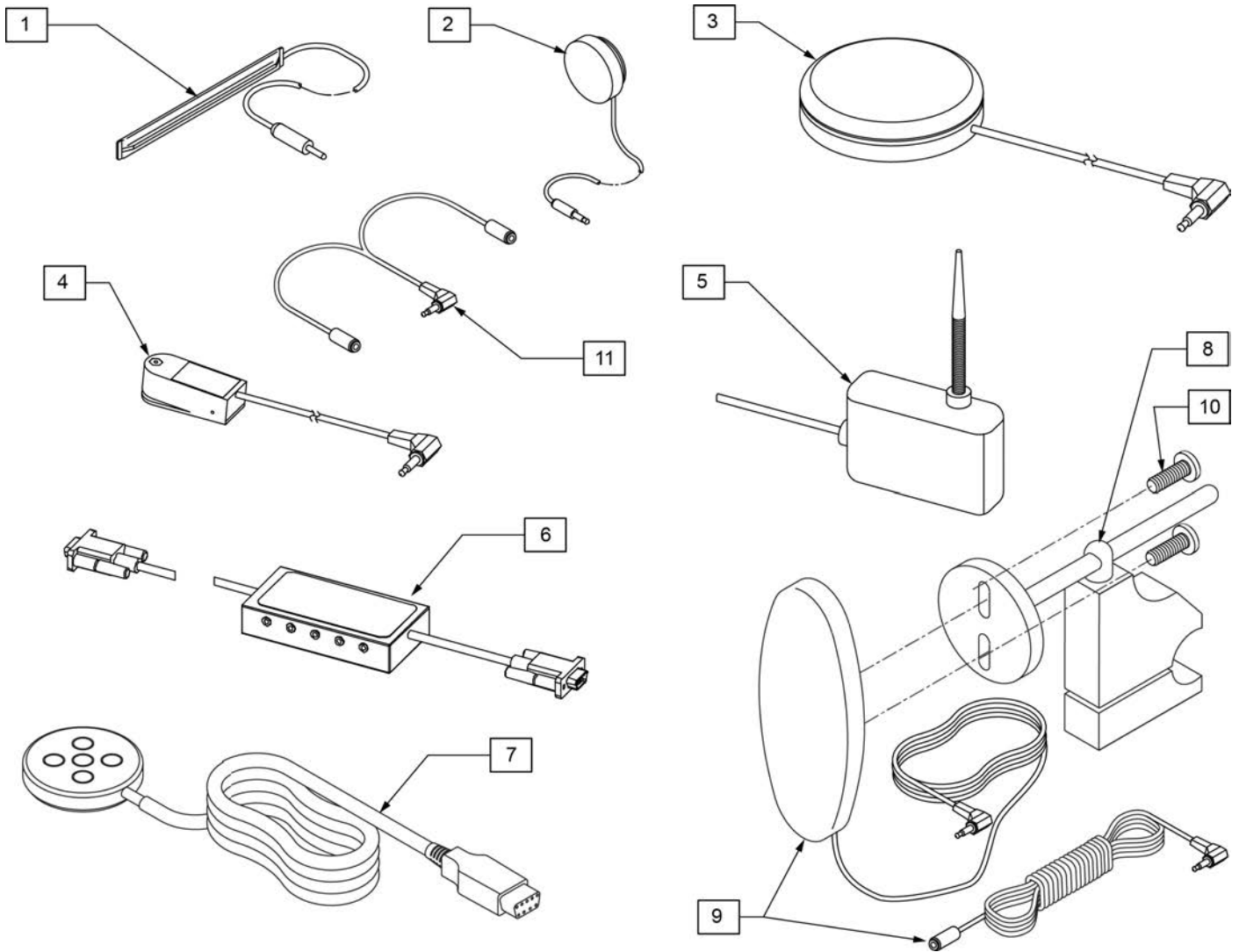
Pos.	Item Number	Description	Remarks
1	012931	BHCS M5 X 10 W/PL BLK CL 10.9	
2	455066-QU	#10 AN WASHER .063 SS	
3A	112716	HDRST CLAMP ASSY .875 ID W/HDW	used w/ Trad Rehab Back Only, includes hardware
3B	129525	HDRST CLAMP KNOB LINX W/HDWR	
3C	129527	HDRST CLAMP LEVR LINX W/HDWR	used w/ Power Recline beg. M710A, M715A, M720A
3D	129526	HDRST CLAMP KNOB COBRA W/HDWR	used w/ Power Recline beg. M710A, M715A, M720A
3E	129528	HDRST CLAMP LEVR COBRA W/HDWR	used w/ Power Recline beg. M710A, M715A, M720A
3F	112257	HDRST HNDLE CLAMP ASSY .875 ID	used w/ Curved, JAY SPO, and ART SPO Backrest
3G	112717	HDRST CLAMP ASSY .875 ID W/HDW	used w/ Power Recline only, not compatible w/ M710, M715, M720
4	104533	HEADREST COLLAR .875 ID	
5	226074	1/4-20 X 1/2 SOC C/S	



Pos.	Item Number	Description
1	PF1900	REFOAM KIT 19"PLUSH
1	PC1900L	COVER 19"PLUSH/LYCRA
1	PC1900V	COVER 19" PLUSH/R'VSD DARTEXX
1	PC1900F	COVER 19"PLUSH/FLEECE
2	PF1400	REFOAM KIT 14"PLUSH
2	PC1400L	COVER 14"PLUSH/LYCRA
2	PC1400V	COVER 14" PLUSH/R'VSD DARTEXX
2	PC1400F	COVER 14"PLUSH/FLEECE
3	PF1000	REFOAM KIT 10"PLUSH
3	PC1000L	COVER 10"PLUSH/LYCRA
3	PC1000V	COVER 10" PLUSH/R'VSD DARTEXX
3	PC1000F	COVER 10"PLUSH/FLEECE
4	PF800	REFOAM KIT 8"PLUSH
4	PC800L	COVER 8"PLUSH/LYCRA
4	PC800V	COVER 8" PLUSH/R'VSD DARTEXX
4	PC800F	COVER 8"PLUSH/FLEECE
4	PC800P	COVER 8"PLUSH/ALLURE NH
5	PF605	REFOAM KIT 6"PLUSH
5	PC605L	COVER 6"PLUSH/LYCRA
5	PC605V	COVER 6" PLUSH/R'VSD DARTEXX
5	PC605F	COVER 6"PLUSH/FLEECE
6	MW027100	COLLAR HALF RAD 3/4" THD. BLCK
7	MF014600	1/4-28x5/8" SHCS-COLLAR BOLT
8	MC100-WB	COVER 3/4" COLLAR /VINYL BLACK



Pos.	Item Number	Description
1	PF1900	REFOAM KIT 19"PLUSH
1	PC1900L	COVER 19"PLUSH/LYCRA
1	PC1900V	COVER 19" PLUSH/R'VSD DARTEXX
1	PC1900F	COVER 19"PLUSH/FLEECE
2	PF1400	REFOAM KIT 14"PLUSH
2	PC1400L	COVER 14"PLUSH/LYCRA
2	PC1400V	COVER 14" PLUSH/R'VSD DARTEXX
2	PC1400F	COVER 14"PLUSH/FLEECE
3	PF1205	REFOAM KIT 12" NARROW PLUSH
3	PC1205L	COVER NARROW PLUSH/LYCRA
3	PC1205V	CVR NARROW PLUSH/R'VSD DARTEXX
3	PC1205F	COVER NARROW PLUSH/FLEECE
4	PF8088	FOAM STD ADJUSTAPLUSH
4	PC8088L	COVER, STD ADJUST-A-PL, LY
4	PC8088V	COVER STD ADJ-PLUSH/RD
4	PC8088F	COVER STD ADJUSTAPLUSH/FLEECE
5	PF8044	FOAM NARROW ADJUSTAPLUSH
5	PC8044L	COVER, NAR ADJUST-A-PL,LY
5	PC8044V	COVER, NAR ADJUST-A-PL, DR
5	PC8044F	COVER NARROW ADJ-PLUSH/FLEECE
6	MF014600	1/4-28x5/8" SHCS-COLLAR BOLT
7	MC100-WB	COVER 3/4" COLLAR /VINYL BLACK
8	MW027100	COLLAR HALF RAD 3/4" THD. BLCK

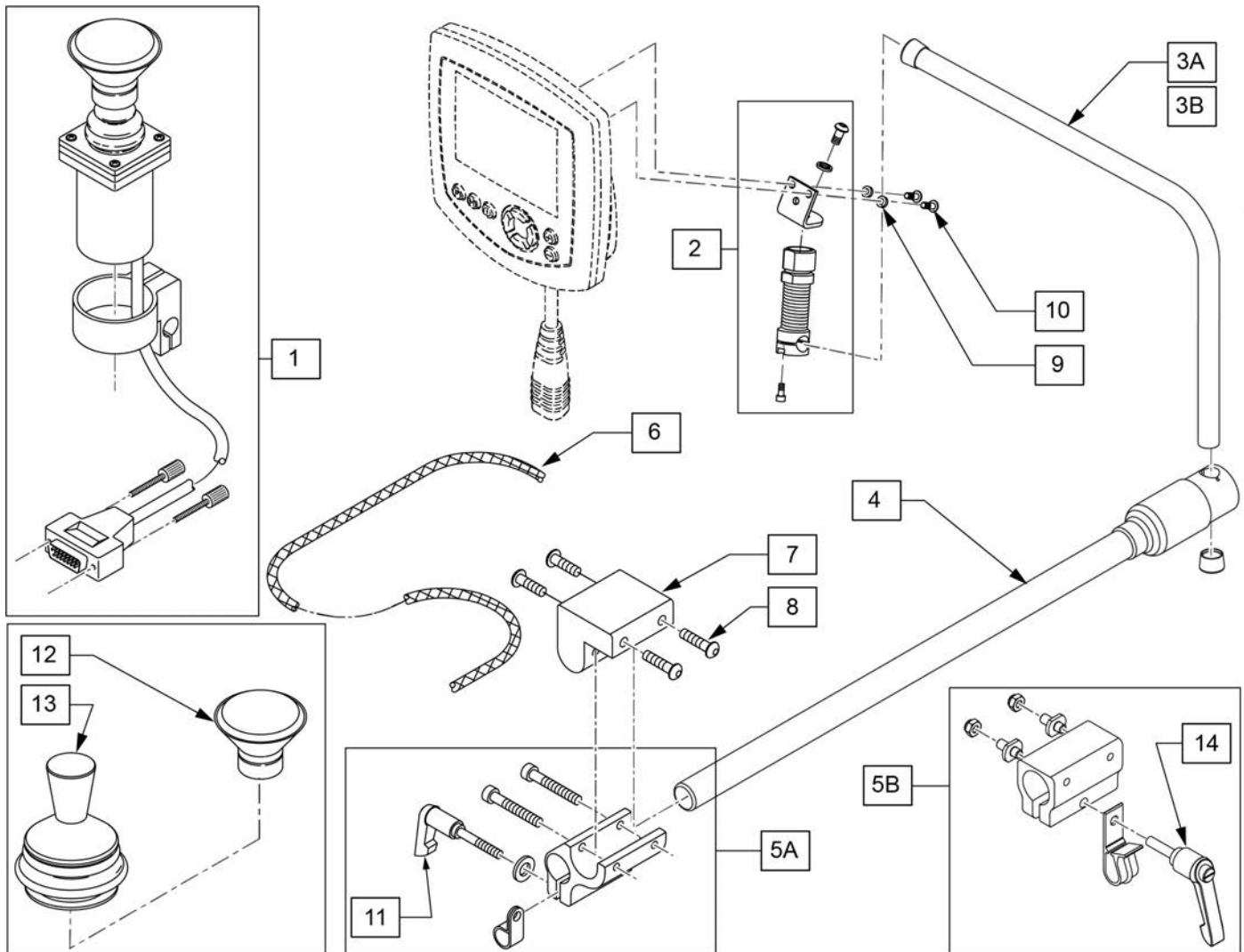


Pos.	Item Number	Description	Remarks
1	133721	SWITCH RIBBON	Cord length 63"
2	133722	SWITCH DISC	Cord length 69"
3	139920	SWITCH BUDDY BUTTON RED	Cord length 57"
4	139921	MICRO LIGHT	Cord length 58"
5	139910	SWITCH WOBBLE	Cord length 68"
6	Discontinued	SWITCH CA-5 BOX	Cord length (female cable 63")(male cable 6")
7	Discontinued	SWITCH PENTA	Cord length 63"
8	920904	MOUNT RESET SW FOR 7/8 TUBE	Clamps to 7/8" tubing
9,10	139915	RESET SWITCH EGG SHAPED	Cord length 51"(Ext 71")
10	281082	8-32 X 3/8 PAN PHIL M/S BLK	
11	105417	STEREO TO 2 MONO SPLITTER	Cord length 6"

NOTE: JOYSTICK POST ACCEPTS JOYSTICK KNOBS THAT HAVE A 3/16" DIAMETER MATING HOLE.

Note: OMNI Enhanced Display has been obsoleted and can be replaced by the new OMNI 2; in addition mounting hardware may be different so please review carefully what items are needed.

Note: if replacing a Omni with the Omni 2 and chair is equipped with a CTRL+5 and the chair was built prior to 11/15/18, the CTRL+5 will also need to be replaced; please contact Customer Service for further details.



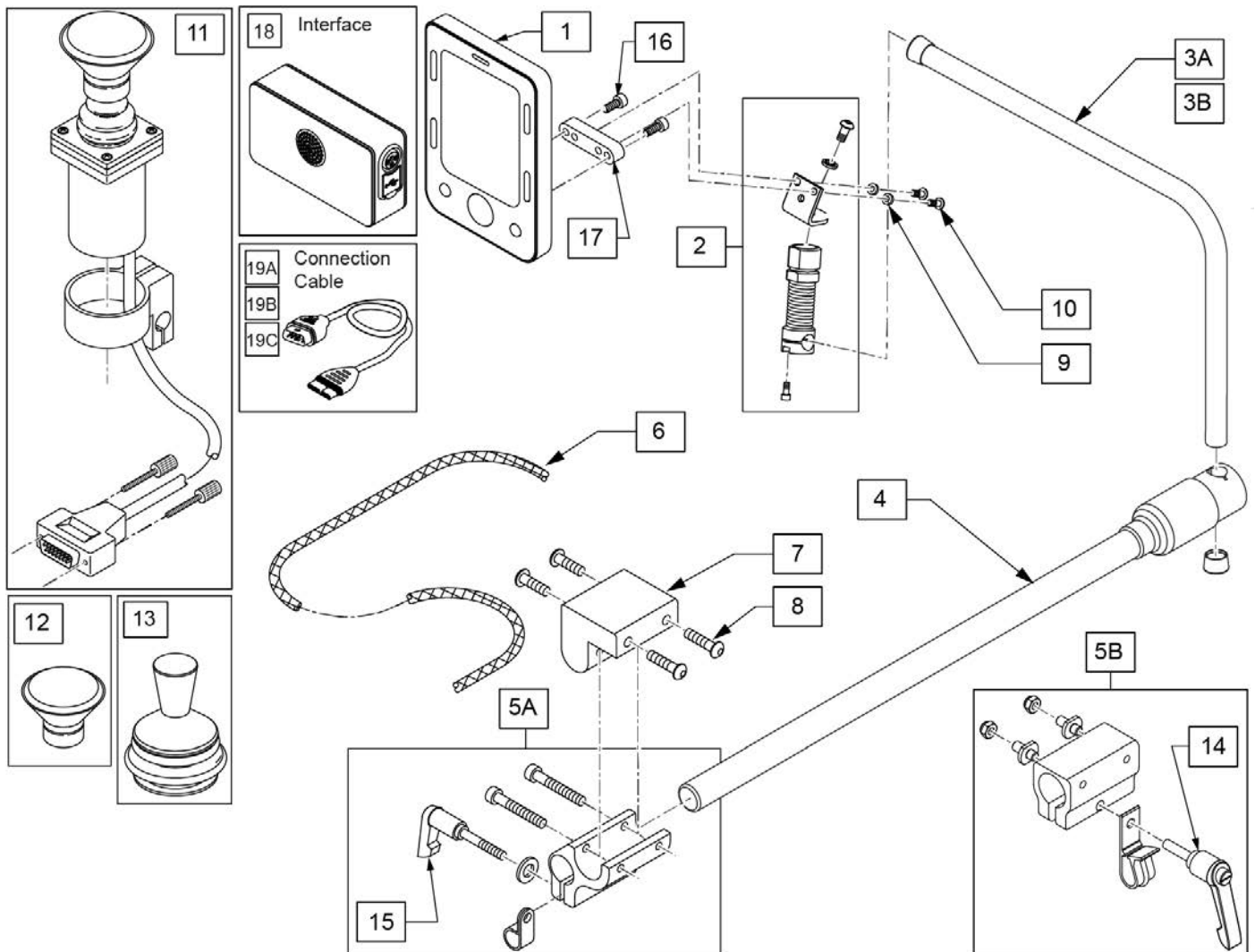
Pos.	Item Number	Description	Remarks
1	139705	PROP CHIN CONTROL W/ MINI JS	
2	886976	USCM SPRING MOUNT AS	
3A	521098	ADJ DISPLAY ARM "L" SHORT(USCM)	Used w/ OMNI only
3B	521097	ADJ DISPLAY ARM "L" (USCM)	Used w/ OMNI & Compact Joystick
4	111190	MOUNT ARM DISPLAY	
5A	012433	CNTRL ARM CLMP UNIVERSAL ASSM	Used w/ Trad Rehab Armrest
5B	159406	CNTRLR CLMP ARM ASSM RND	Used w/ ASAP Seating Armrest
6	180351	BRAIDED SLEEVING 24"	
7	551001	CONTROLLER MOUNT BLOCK	USED w/ 5A on Power Recline
8	222297	10-24 X 3/8 SOC BH C/S W/PTCH	
9	261204	#10 AN WASHER .063	
10	013143	BHCS M5 X .8 X 14 BLK W/PL	
11	349024	HNDL 10-32 X 3/4 C/A P1/P3/P5	
12	D4000	CHINCUP QTRONIX	
13	138154	KNOB&PROTECTOR D10AB JOYSTICK	
14	011049	HANDLE ADJ MODERN M5 X 20 STUD	

Note: Joystick Post (item 12) accepts Joystick Knobs that have a 3/16" diameter mating hole.

Note: if retrofitting Omni2, order Display Mounting Kit (p/n 163612), Omni2 Display & Interface (p/n 163611); see Omni2 Interface Mount parts pages for appropriate Interface mounting parts.

Note: Omni2 only compatible with CTRL+5 Push Button Rev D or newer & CTRL+5 Toggle Rev E or newer.

Note: when replacing an Omni 2 Display with Firmware version .01 or .02, BOTH Display and Interface will be required, OR when replacing an Omni2 Interface with Firmware .01/.02 or .03, BOTH Display and Interface will be required.



Pos.	Item Number	Description	Remarks
1	20011231-010	OMNI2 DISPLAY WITH BLUETOOTH	Display only; see note

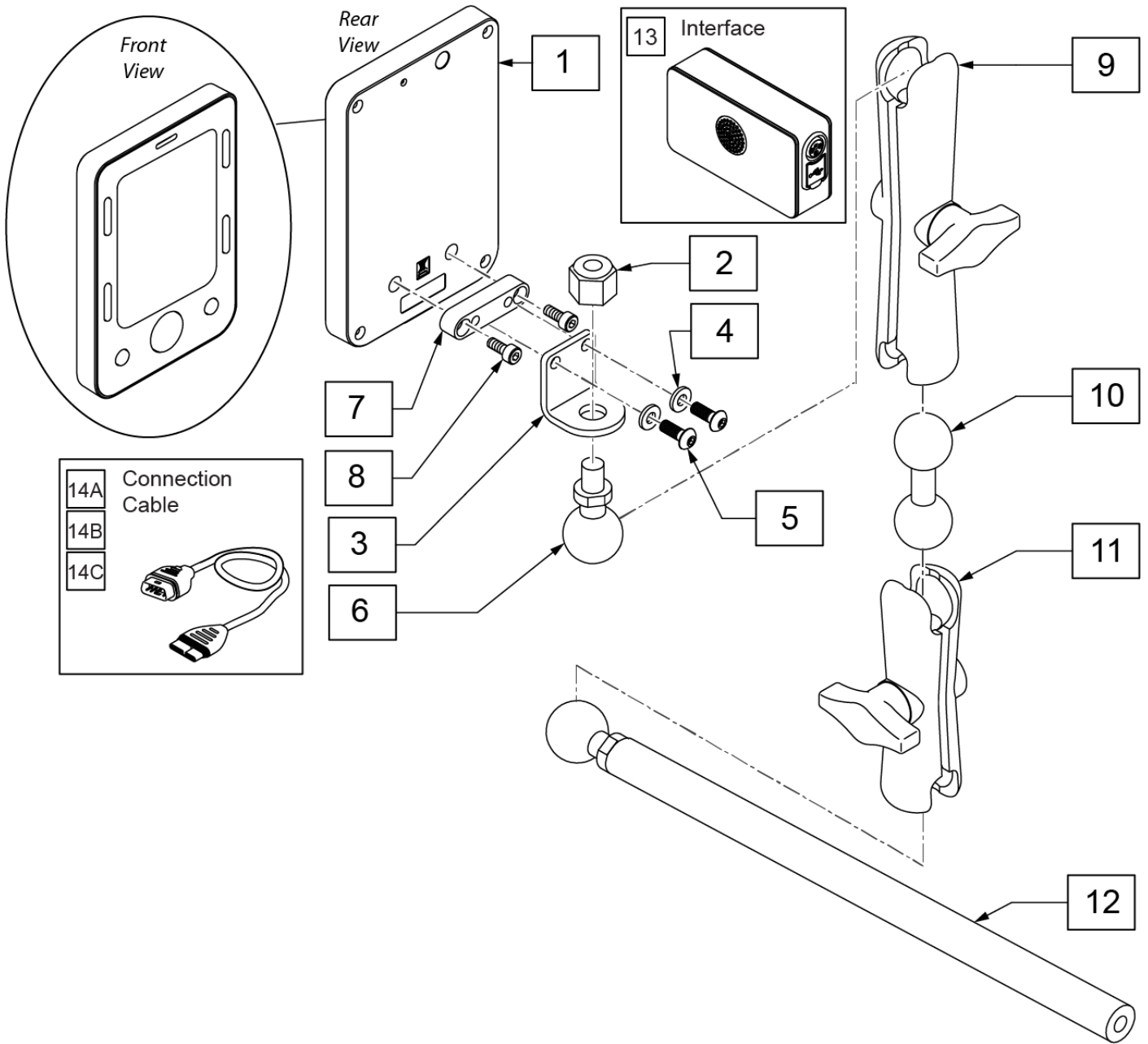
Pos.	Item Number	Description	Remarks
2	886976	USCM SPRING MOUNT AS	
3A	521098	ADJ DISPLAY ARM "L"SHORT(USCM)	Used w/ OMNI only
3B	521097	ADJ DISPLAY ARM "L" (USCM)	Used w/ OMNI & Compact Joystick
4	111190	MOUNT ARM DISPLAY	
5A	012433	CNTRL ARM CLMP UNIVERSAL ASSM	Used w/ Trad Rehab Armrest
5B	159406	CNTRLR CLMP ARM ASSM RND	Used w/ ASAP Seating Armrest
6	180351	BRAIDED SLEEVING 24"	
7	551001	CONTROLLER MOUNT BLOCK	Used w/ 5A on Power Recline
8	222297	10-24 X 3/8 SOC BH C/S W/PTCH	
9	261204	#10 AN WASHER .063	
10	102259-001	BHCS, M5 X 0.8 X 12, FULL, PL	
11	139705	PROP CHIN CONTROL W/ MINI JS	
12	D4000	CHINCUP QTRONIX	
13	138154	KNOB&PROTECTOR D10AB JOYSTICK	
14	011049	HANDLE ADJ MODERN M5 X 20 STUD	
15	349024	HNDL 10-32 X 3/4 C/A P1/P3/P5	
16	103205	SHCS M4 X .7 X 10 W/PL INORG	
17	22709119	LINK-IT OMNI SCREEN CONVERTER	
18	20011230-010	OMNI2 INTERFACE WITH USB	Interface only; see note
19A	20011236-150	OMNI 2 DISP CONN CABLE 1500 MM	59"
19B	20011236-200	OMNI 2 DISP CONN CABLE 2000 MM	79"
19C	20011236-250	OMNI 2 DISP CONN CABLE 2500 MM	98"
1,18,19B	163611	OMNI2 WITH BLUETOOTH AND USB	Includes Display, Interface & 2000mm Connection Cable
1-3A,4,9,10,16-18	163613	OMNI2 DISPL W/ COMPACT MNT KIT	
9,10,16,17	163612	OMNI2 UPGRD DISPL MNT LEGACY	

Note: See Mounting Clamp page to order appropriate clamp.

Note: if retrofitting Omni2, order Display Upgrade Mounting Kit (p/n 163612), Omni2 Display & Interface (p/n 163611); see Omni2 Mount parts pages for appropriate Interface mounting parts.

Note: Omni2 only compatible with CTRL+5 Push Button Rev D or newer & CTRL+5 Toggle Rev E or newer.

Note: when replacing an Omni 2 Display with Firmware version .01 or .02, BOTH Display and Interface will be required, OR when replacing an Omni2 Interface with Firmware .01/.02 or .03, BOTH Display and Interface will be required.



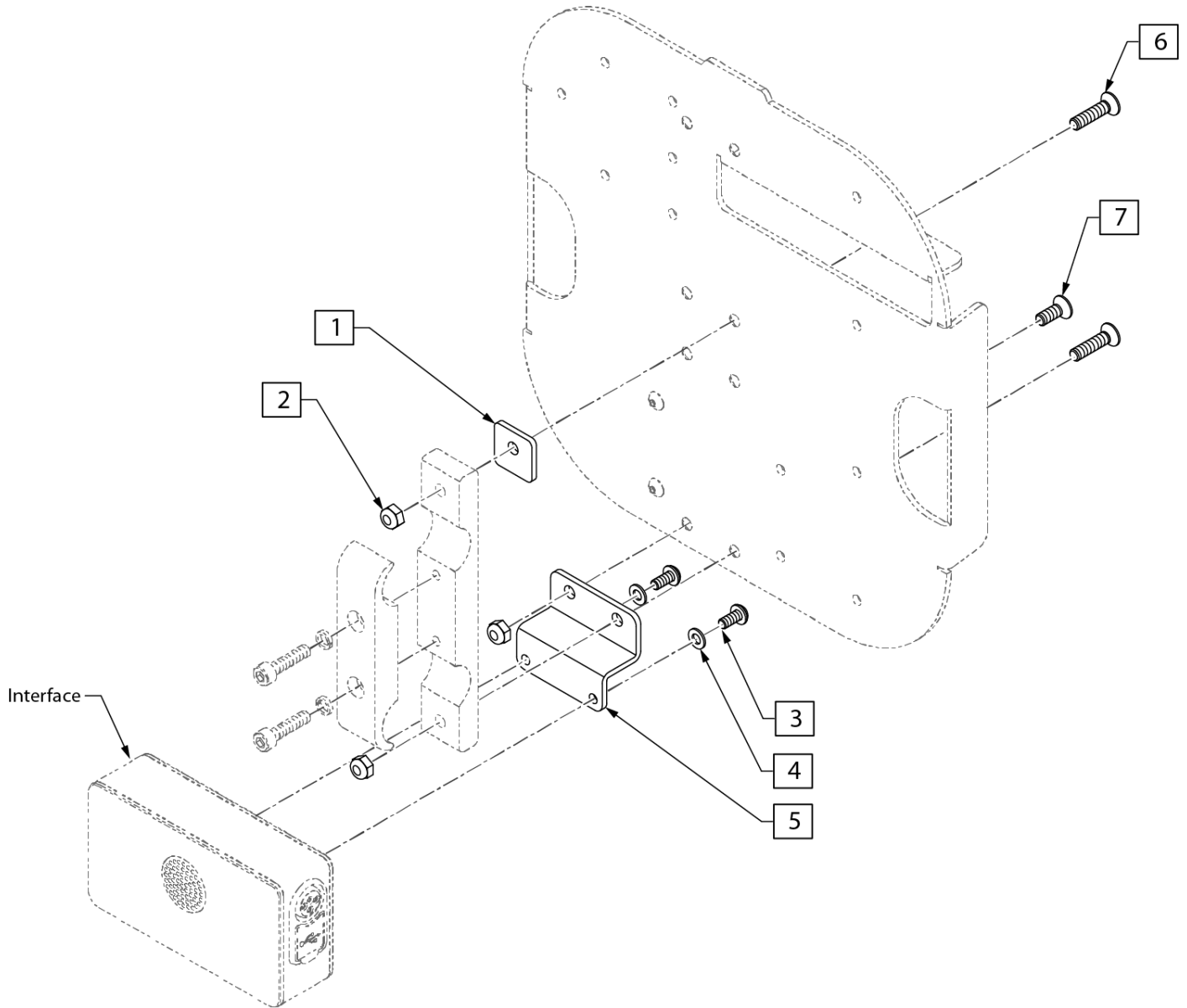
Pos.	Item Number	Description	Remarks
1	20011231-010	OMNI2 DISPLAY WITH BLUETOOTH	Display only; see note
2	201263	3/8-16 NYLOCK NUT BLK ZINC	
3	126640	BRACKET DISPLAY	
4	261204	#10 AN WASHER .063	
5	102259-001	BHCS, M5 X 0.8 X 12, FULL, PL	
6	126639	1IN BALL WITH 3/8 STD	
7	22709119	LINK-IT OMNI SCREEN CONVERTER	
8	103205	SHCS M4 X .7 X 10 W/PL INORG	
9	126632	LONG 5IN DOUBLE SOCKET	
10	126633	DOUBLE BALL	
11	126631	3IN DOUBLE SOCKET CLAMP	
12	129457	BAR MOUNT W/1" BALL	
13	20011230-010	OMNI2 INTERFACE WITH USB	Interface only; see note
14A	20011236-150	OMNI 2 DISP CONN CABLE 1500 MM	59"

Pos.	Item Number	Description	Remarks
14B	20011236-200	OMNI 2 DISP CONN CABLE 2000 MM	79"
14C	20011236-250	OMNI 2 DISP CONN CABLE 2500 MM	98"
1,13,14B	163611	OMNI2 WITH BLUETOOTH AND USB	Includes Display, Interface & 2000mm Connection Cable
9-11	126636	ASSY DOUBLE SOCKET	
4,5,7,8	163612	OMNI2 UPGRD DISPL MNT LEGACY	
1-13,14B	163614	OMNI2 W/ RAM MOUNT FULL KIT	
2-8	163615	OMNI2 UPGRD DISPL MNT RAM	

[04/15/2019] OMNI2 INTERFACE MOUNT FOR ACCESSORY ELECTRONIC MOUNTING (OLD STYLE)

Note: see Omni2 Display parts pages for Omni2 parts.

Note: Omni2 only compatible with CTRL+5 Push Button Rev D or newer & CTRL+5 Toggle Rev E or newer.

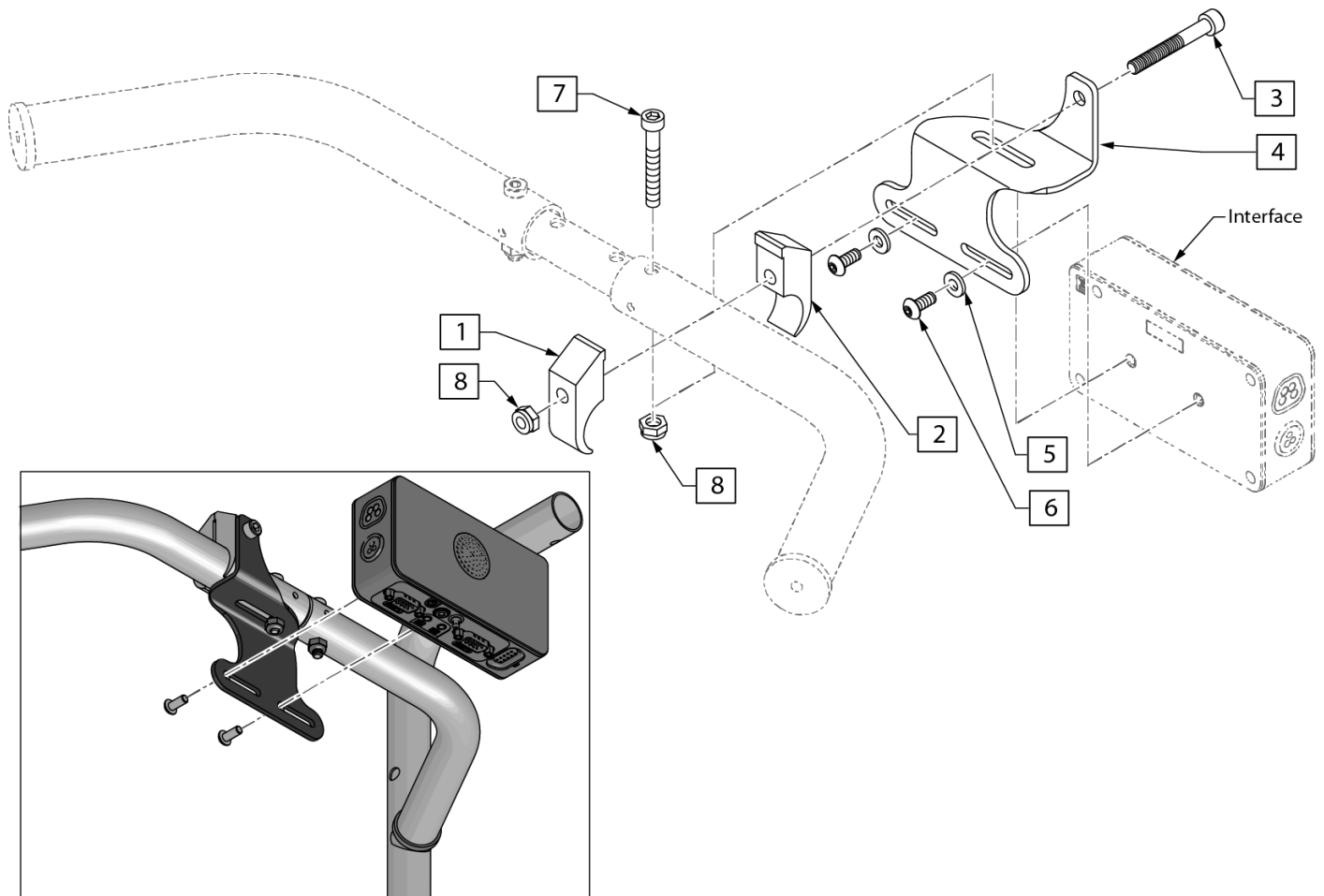


Pos.	Item Number	Description	Remarks
2	n/a	NUT HEX NYLOCK	see kit to order
3	n/a	BHCS, M5 X 0.8 X 12, FULL, PL	see kit to order
4	n/a	WASHER FLAT AN #10	see kit to order
6	n/a	FHCS M6 X 1 X 25, FULL, NP	see kit to order
7	n/a	FHCS, M6 X 1 X 16, FULL, NP	see kit to order
1-7	163622	OMNI2 UPGRD INTF TURTLE OLD	

Note: see Omni2 Display parts pages for Omni2 parts.

Note: Omni2 only compatible with CTRL+5 Push Button Rev D or newer & CTRL+5 Toggle Rev E or newer.

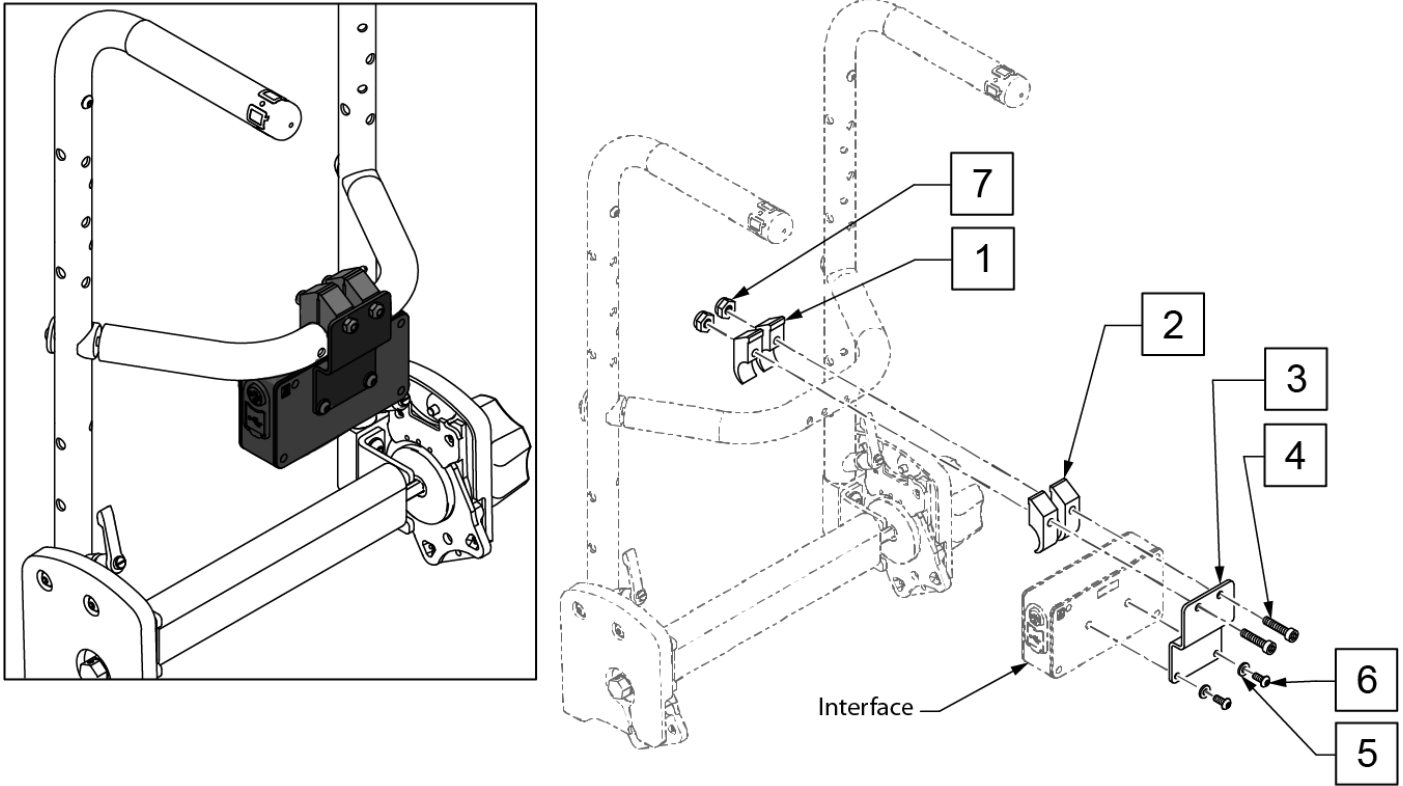
Note: 10" Wide chairs require Deep Towel Bar with Omni2.



Pos.	Item Number	Description	Remarks
3	n/a	SHCS M6 X 1 X 45 12MM PART THD	see kit to order
5	n/a	WASHER FLAT AN #10	see kit to order
6	n/a	BHCS, M5 X 0.8 X 12, FULL, PL	see kit to order
7	n/a	SHCS LOW HD M6 X 1 X 35 PART NP	see kit to order
8	n/a	NUT HEX NYLOCK M6 X 1	see kit to order
1-8	163618	OMNI2 UPGRD INTF ASAP2	

Note: see Omni2 Display parts pages for Omni2 parts.

Note: Omni2 only compatible with CTRL+5 Push Button Rev D or newer & CTRL+5 Toggle Rev E or newer.

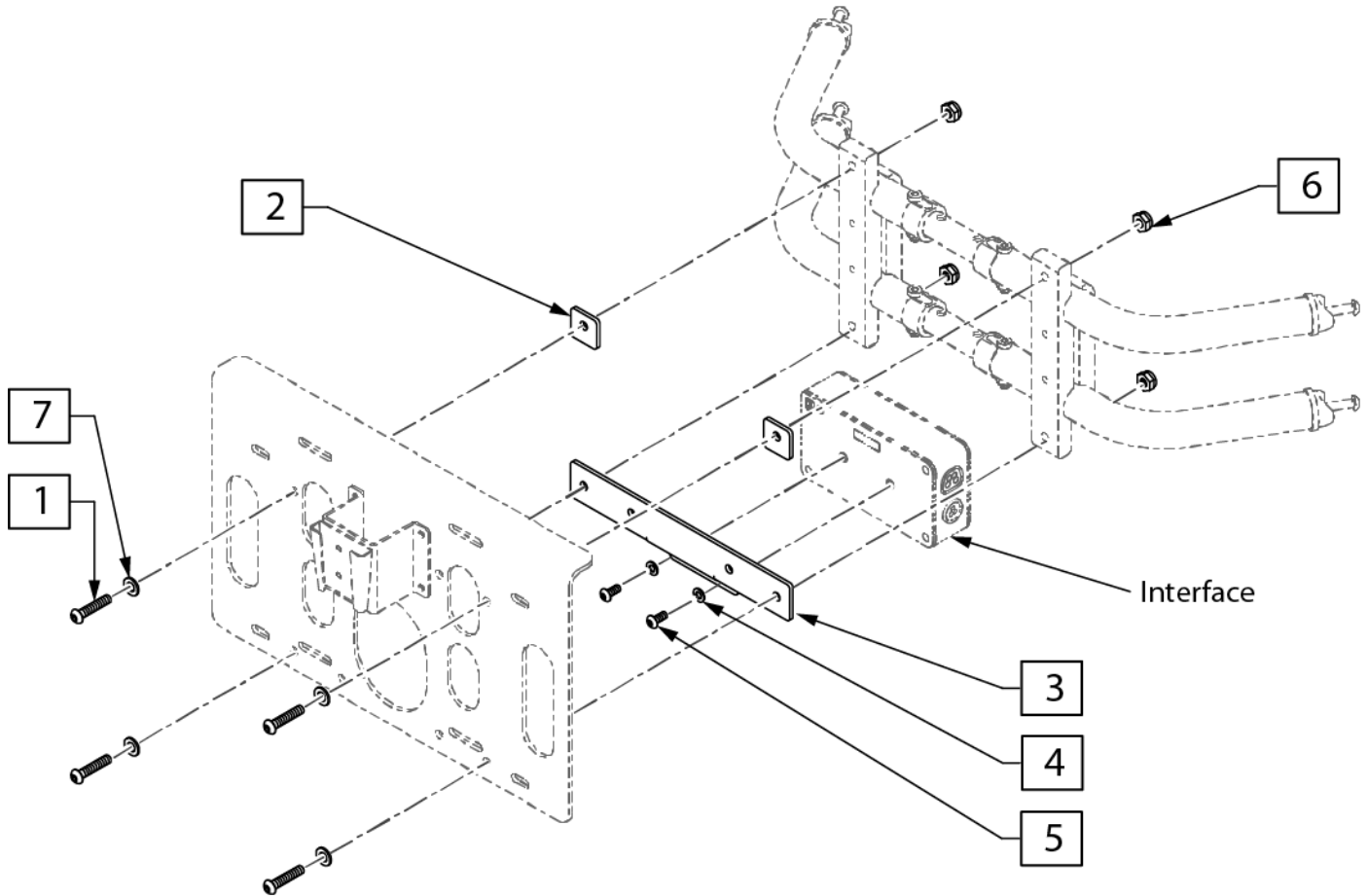


Pos.	Item Number	Description	Remarks
4	n/a	SHCS M6 X 1 X 45 12MM PART THD	see kit to order
5	n/a	WASHER FLAT AN #10	see kit to order
6	n/a	BHCS, M5 X 0.8 X 12, FULL, PL	see kit to order
7	n/a	NUT HEX NYLOCK M6 BLACK	see kit to order
1-7	163623	OMNI2 UPGRD INTF MANUAL RCLN	

OMNI2 INTERFACE MOUNT FOR VENT & BATT TRAY FIXED QM710, PULSE 5 & PLS6A-PLS6C [4/15/2019]

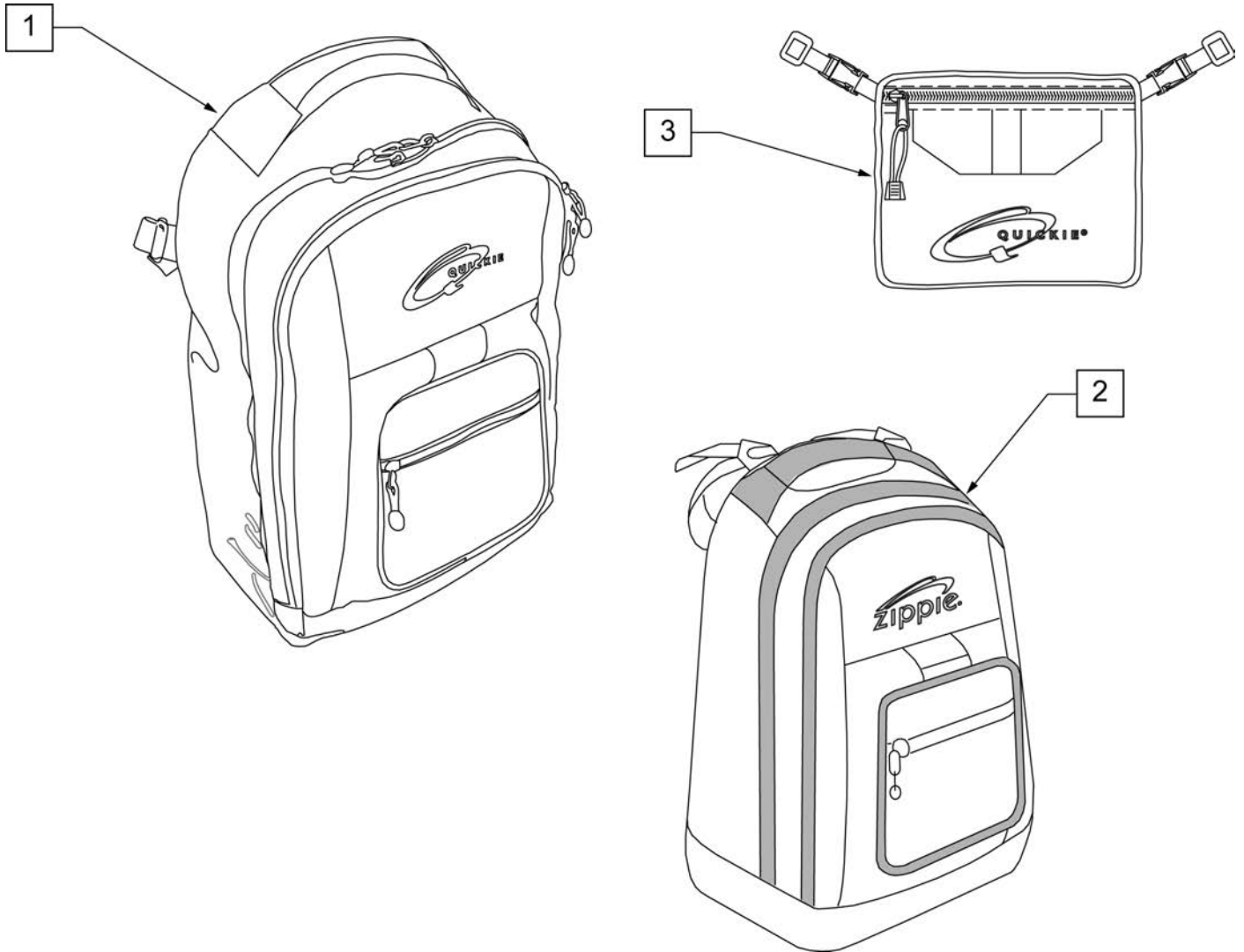
Note: see Omni2 Display parts pages for Omni2 parts.

Note: Omni2 only compatible with CTRL+5 Push Button Rev D or newer & CTRL+5 Toggle Rev E or newer.

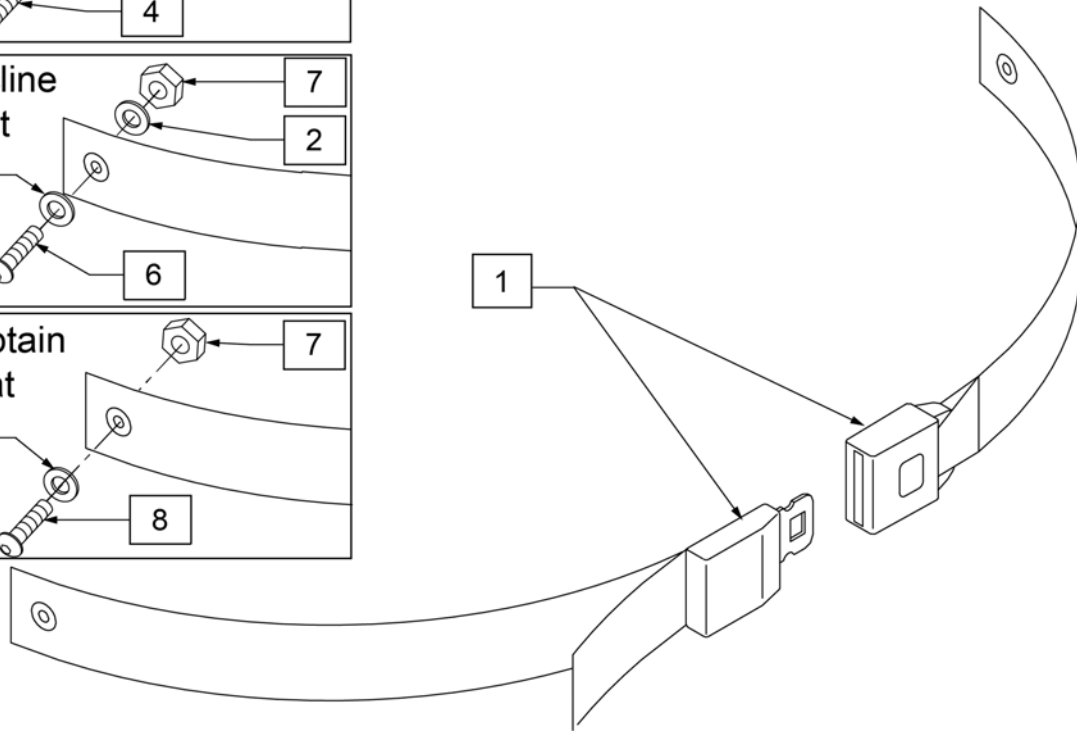
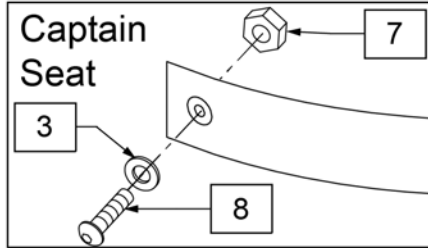
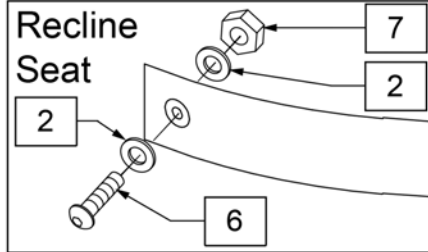
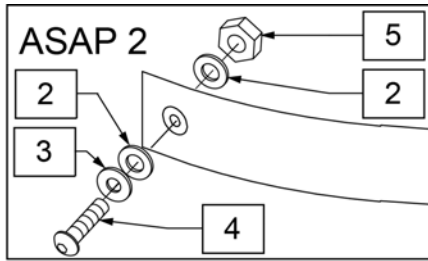


Pos.	Item Number	Description	Remarks
1	n/a	BHCS, M6 X 1 X 30, FULL, NP	see kit to order
4	n/a	WASHER FLAT AN #10	see kit to order
5	n/a	BHCS, M5 X 0.8 X 12, FULL, PL	see kit to order
6	n/a	NUT HEX NYLOCK	see kit to order
7	n/a	WASHER FLAT M6	see kit to order
1-7	163620	OMNI2 UPGRD INTF ASAP2 LPT VNT	

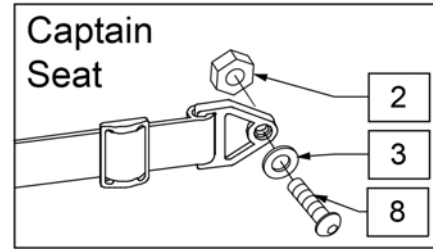
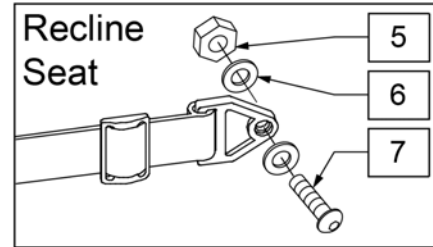
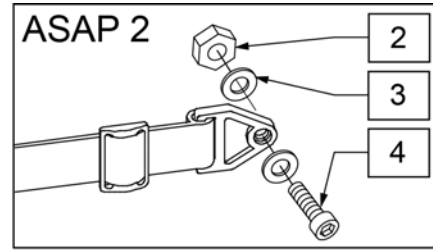
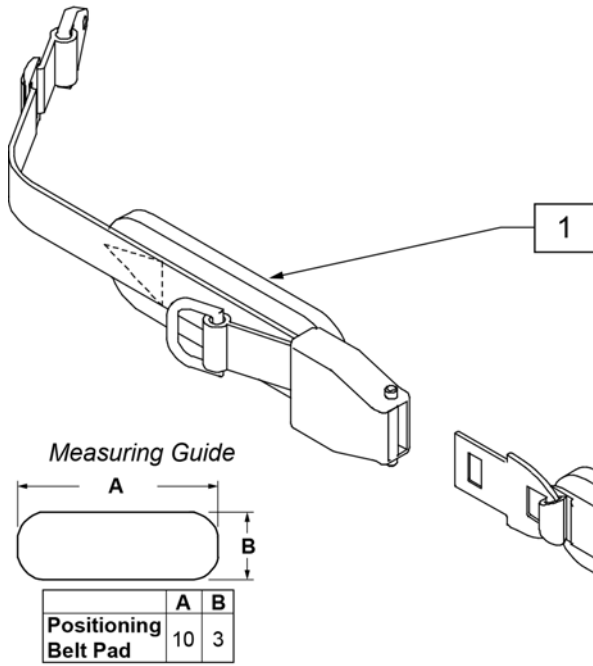
NOTE: KIDS BACKPACKS DO NOT HAVE ADJUSTABLE STRAPS W/ BUCKLES.



Pos.	Item Number	Description	Remarks
1	750115	BACK PACK QUICKIE	Overall dimensions:width 12.5", height 18.5", depth 6.5"
2	104572	BACKPACK ZIPIE	Overall dimensions: width 12", height 16.5", depth 4.5"
3	750307	SEAT POUCH QUICKIE	Dimensions: width 8.5", height 6", depth top 2.5", depth bottom 3.5"

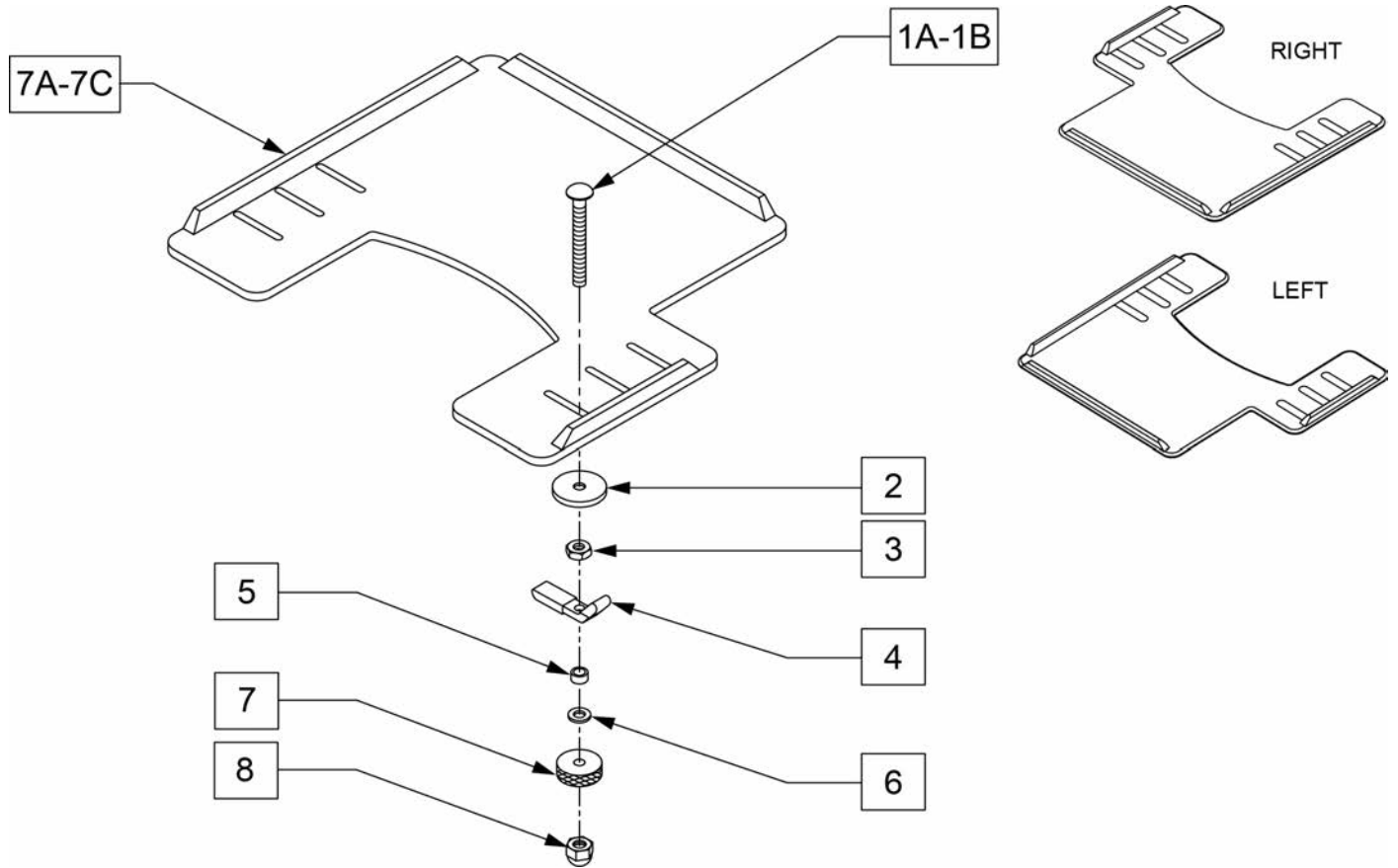


Pos.	Item Number	Description	Remarks
1	102798	1 1/2" POSITION BELT	AUTOSTYLE-64" Max length of belt.
2	117875	WASHER LARGE OD 8X24X2	
3	011648	WASHER FLAT M8	
4	230123	BHCS M8 X 1.25 X 45	
5	210085	NUT HEX NYLOCK M8 BLACK	
6	103185-006	BHCS M6X1X16 FULL NP	
7	210084	NUT HEX NYLOCK M6 BLACK	
8	013149	BHCS M8X1.25X16	

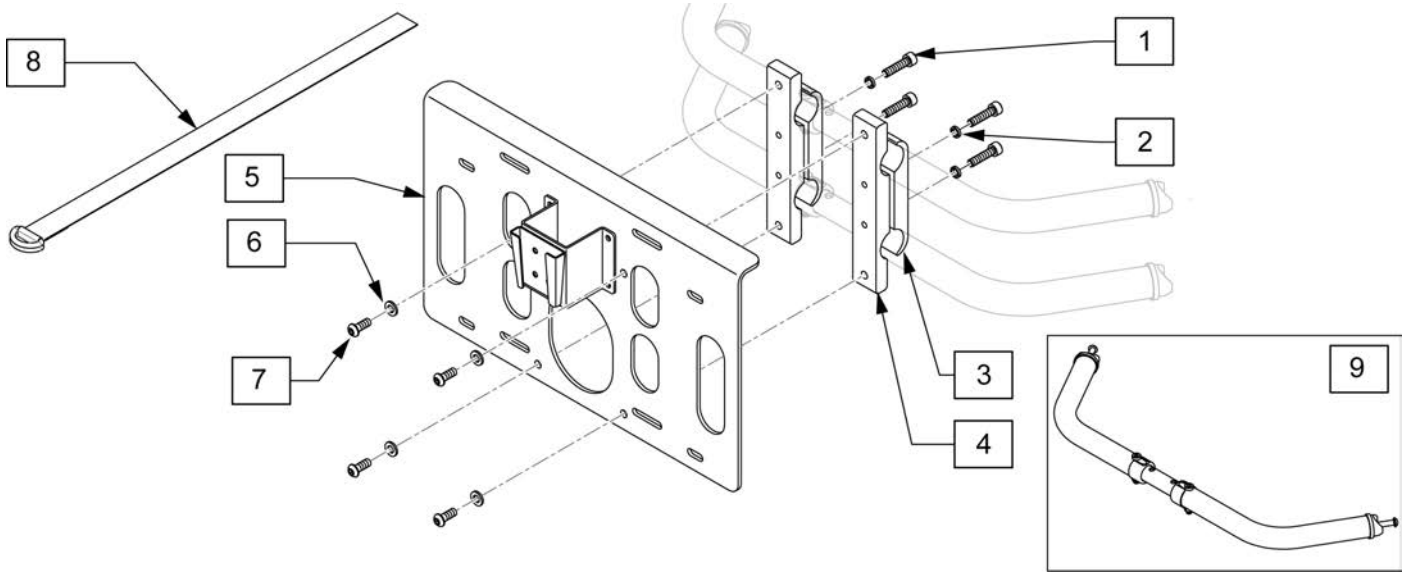


Pos.	Item Number	Description	Remarks
1	450418-QU	BELT 2" AIRCRAFT BUCKLE	Max length of belt 64"
1	450423-QU	BELT 2" AIRCRAFT BUCKLE W/PAD	Max length of belt 64"
2	220121	NUT HEX NYLOCK M5 BLACK	
3	261204	#10 AN WASHER .063	
4	103189-010	SHCS M5X.8.40 PART NP	
5	210084	NUT HEX NYLOCK M6 BLACKt	
6	106945	WASHER FLAT SAE 1/4	
7	103185-006	BHCS M6X1X16 FULL NP	
8	102259-002	BHCS M5X.8X20 FULL PL	

NOTE: WHEN ADDING A TRAY TO AN EXISTING CHAIR WITH DESK OR FULL LENGTH ARM PADS, ADD 1" TO CURRENT SEAT WIDTH TO ACHIEVE THE BEST TRAY SIZE.



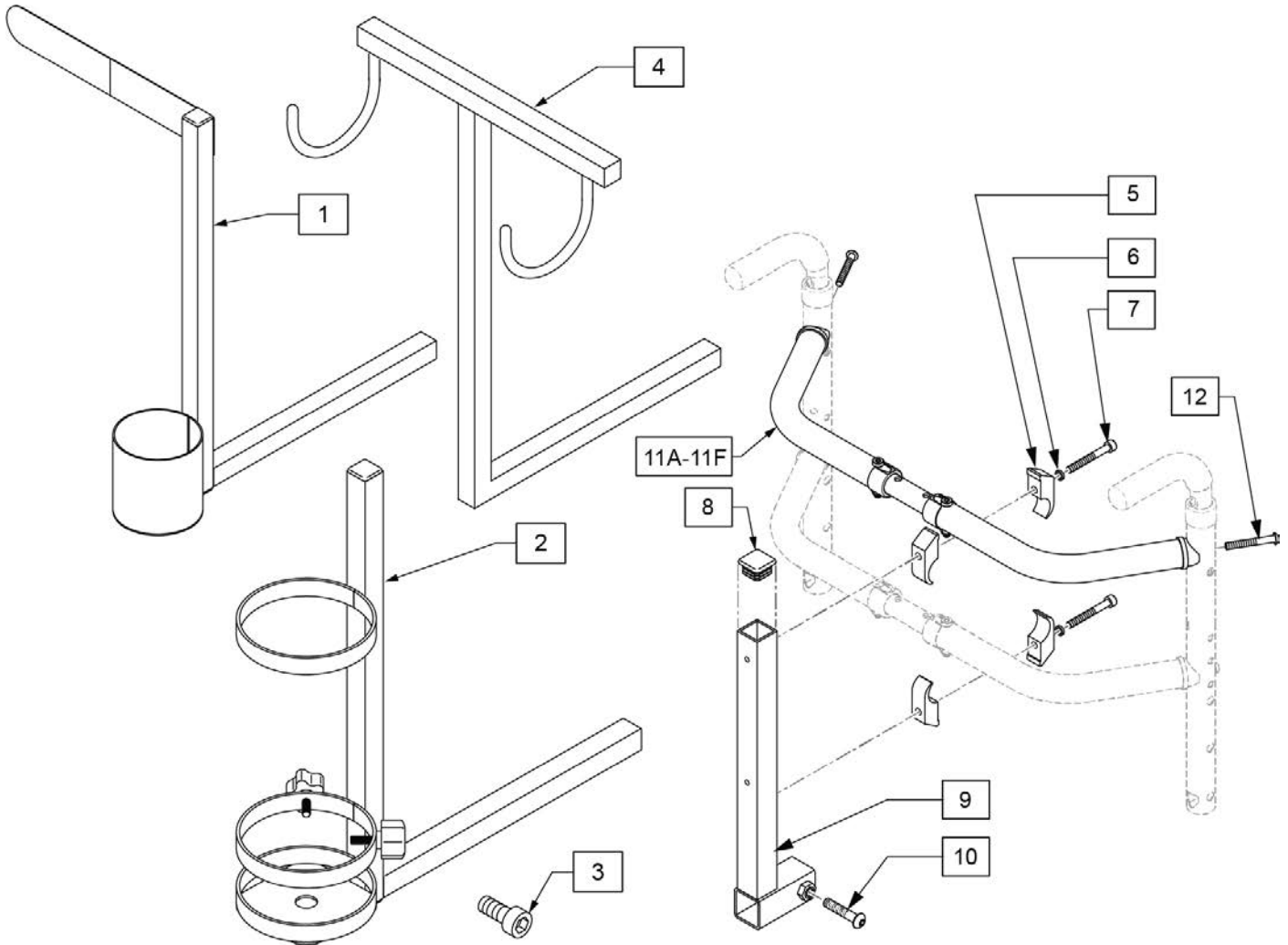
Pos.	Item Number	Description	Remarks
1A	226199	5/16-18" x 3 1/2" CARR BOLT	
1B	119164	5/16-18 X 6" CARRIAGE BOLT	
2	263112	5/16 WASHER FENDER	
3	202110	5/16-18" NUT THIN	
4	550400	TRAY CLAMP	
5	481013	BEARING SPACER	
6	263100	5/16" AN WASHER FLAT	
7	483026	KNURLED TRAY KNOB	
8	202114	5/16-18" ACORN LOCK NUT	
7A	562625	TRAY TOP W/RAIL SM PWR (12"-13")	Right-Cutout fits 12"-13" wide chairs
7B	562626	TRAY TOP W/RAIL MED PWR (14"-16")	Right-Cutout fits 14"-16" wide chairs
7C	562627	TRAY TOP W/RAIL LRG PWR (17"-20")	Right-Cutout fits 17"-20" wide chairs
7A	118094	TRAY TOP W/RAIL SM PWR LH	Left-Cutout fits 12"-13" wide chairs
7B	118095	TRAY TOP W/RAIL MED PWR LH	Left-Cutout fits 14"-16" wide chairs
7C	118096	TRAY TOP W/RAIL LG PWR LH	Left-Cutout fits 17"-20" wide chairs
1A,2-6,8	881051	TRAY HDWR KIT TUFFAK NEW STYLE (9QH)	Pair - Fits ASAP seat
1B,2-6,8	119763	TRAY HDWR KIT TUFFAK CPT SEAT	Pair - Fits Captains Seat



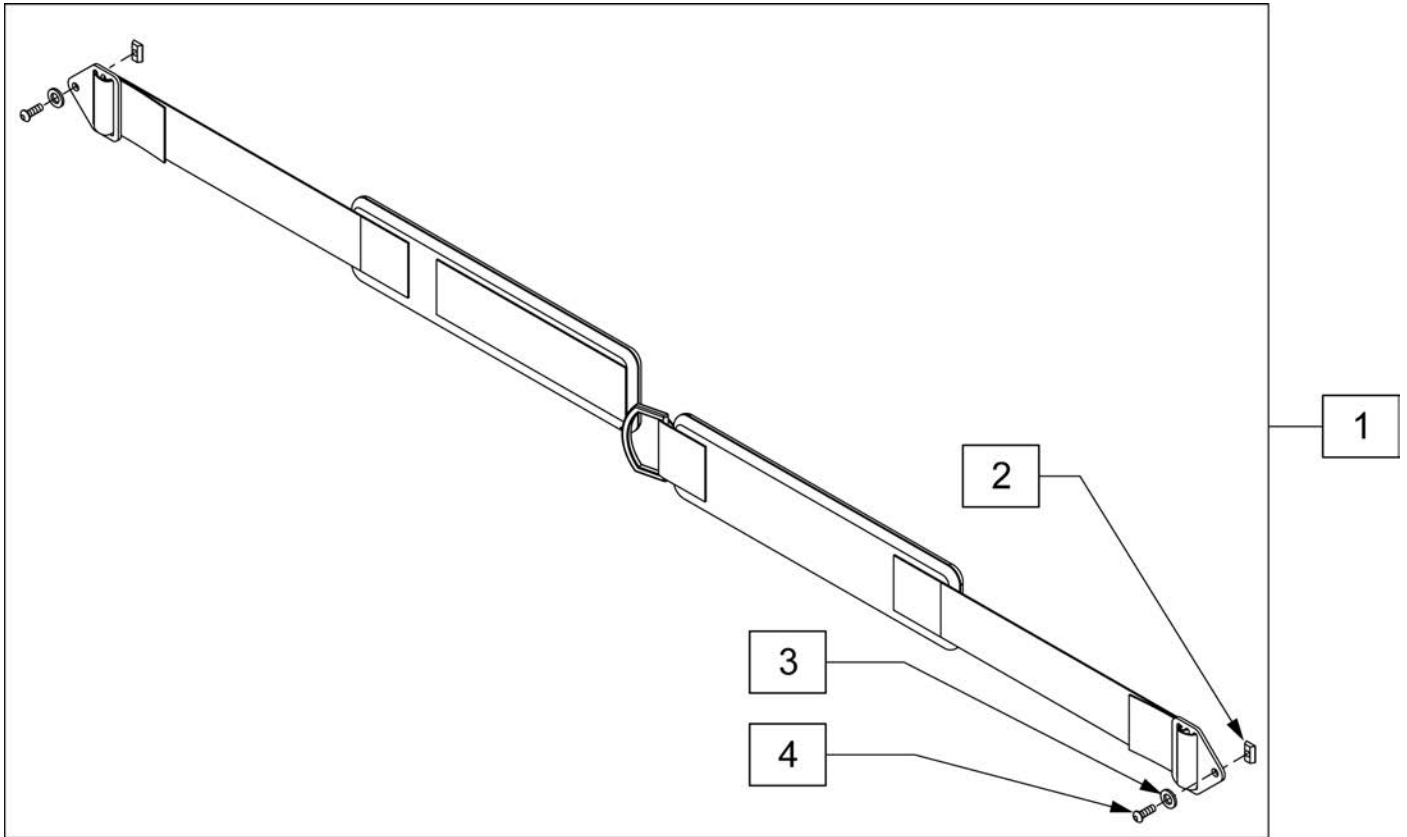
Pos.	Item Number	Description	Remarks
1	102263-003	SHCS, M6X1X25, FULL, PL INORG	
2	262114	1/4 WASHER HI COLLAR LOCK ZN	
3	502294	VENT TRAY PIVOT CLAMP RECESS	
4	502313	CLAMP PIVOT VENT TRAY SMALL	
5	101862	VENT TRAY PLATE MNT ASSM SML	
6	250104	WASHER, FLAT,M6	
7	230032	M6 X 16 BHCS	
8	011404-002	VENT STRAP, CINCH	
9	118614	TOWEL BAR ASSY 18-22D	DEEP
9	118637	TOWEL BAR ASSY 16-20D	DEEP
9	118600	TOWEL BAR ASSY 18-22S	SHALLOW
9	118633	TOWEL BAR ASSY 16-20S	SHALLOW
9	118645	TOWEL BAR ASSY 12-16S	SHALLOW
9	118646	TOWEL BAR ASSY 10-13S	SHALLOW

Note: if retro-fitting to an existing chair, the following items are REQUIRED to properly attach the accessory to the chair: a second towel bar in the width range & towel bar depth to match the chair, and qty 1 accessory mount (p/n 120379).

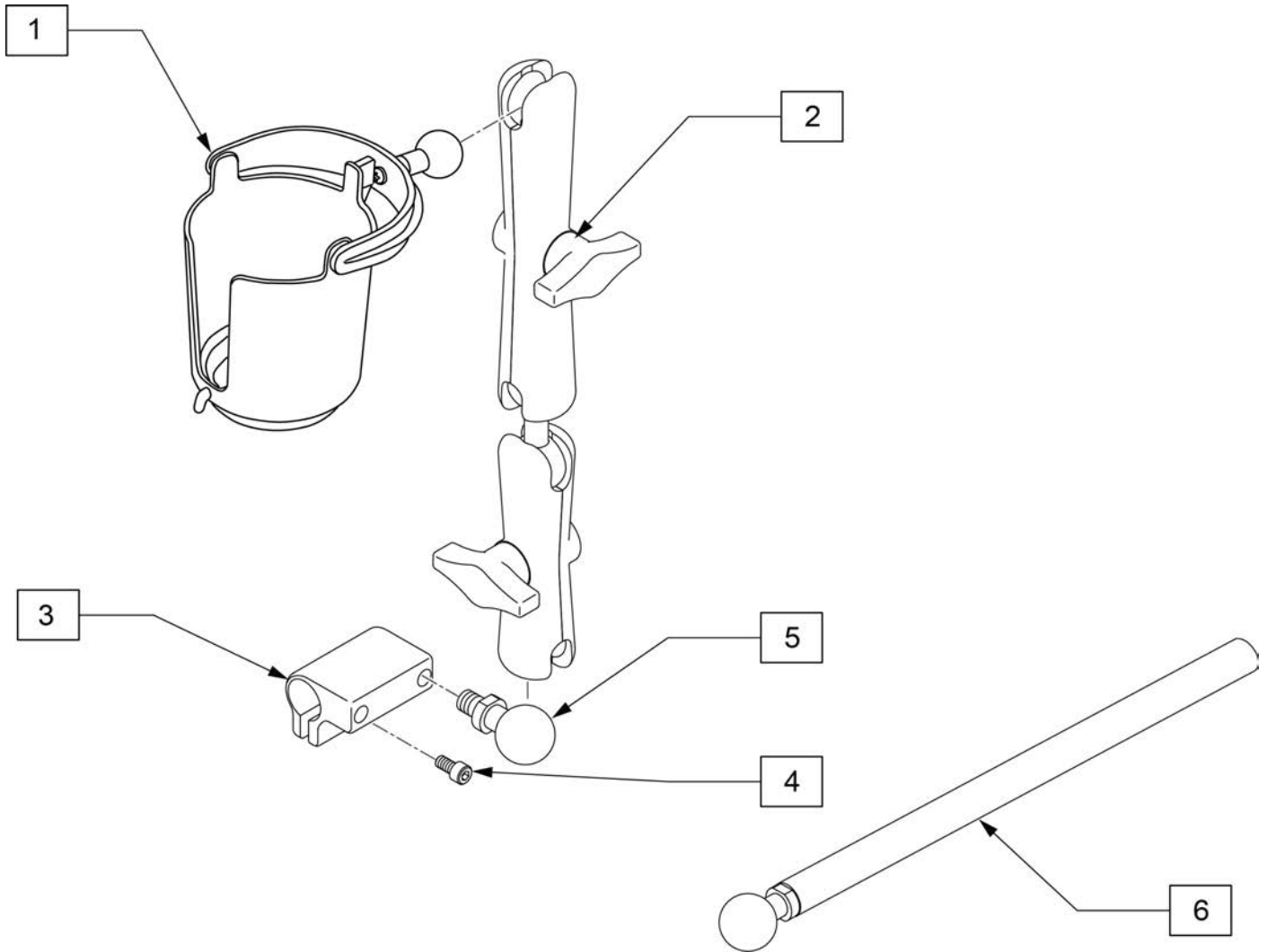
Note: if retrofitting, the horizontal bar on the Seat Accessory may need to be cut to reduce the length to optimize the fit on the given chair, depending on the options and configuration of the chair.



Pos.	Item Number	Description	Remarks
1	120353	CRUTCH/CANE HOLDER	See note if retro-fitting to chair
2	120496	O2 HOLDER ASSM	See note if retro-fitting to chair; accommodates size D & E Oxygen Tanks
3	116389	SHCS, M8 X 1.25 X 10, FULL, PL	
4	WH	WALKER HOLDER	See note if retro-fitting to chair
6	262114	1/4 WASHER HI COLLAR LOCK ZN	
7	103190-012	SHCSM6X1X50PARTNP	
8	010615	SQUARE END CAP CNTR LEG	
10	103186-011	BHCSM8X1.25X40FULLNP	
5-10	120379	ACCESSORY MOUNT	
11A,12	118646	TOWEL BAR ASSY 10-13S SHALLOW	
11B,12	118645	TOWEL BAR ASSY 12-16S SHALLOW	
11C,12	118633	TOWEL BAR ASSY 16-20S SHALLOW	
11D,12	118600	TOWEL BAR ASSY 18-22S SHALLOW	
11E,12	118637	TOWEL BAR ASSY 16-20D DEEP	
11F,12	118614	TOWEL BAR ASSY 18-22D DEEP	

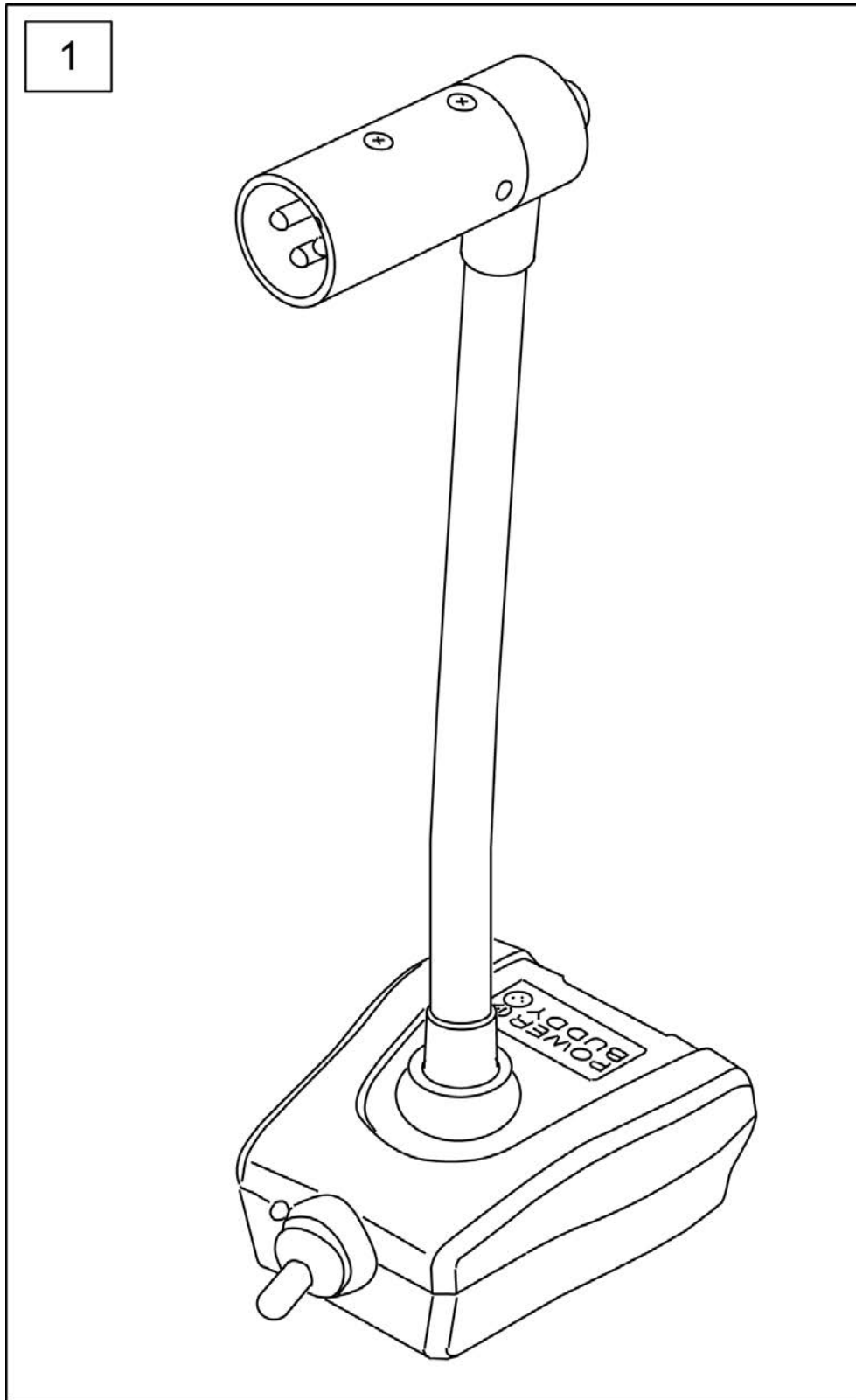


Pos.	Item Number	Description
1-4	106429	CHEST STRAP 2" VELCRO CLOSURE
2	010065	M6 CHANNEL NUT
3	250104	WASHER FLAT M6
4	102262-001	BHCS M6X1X8 FULL PL

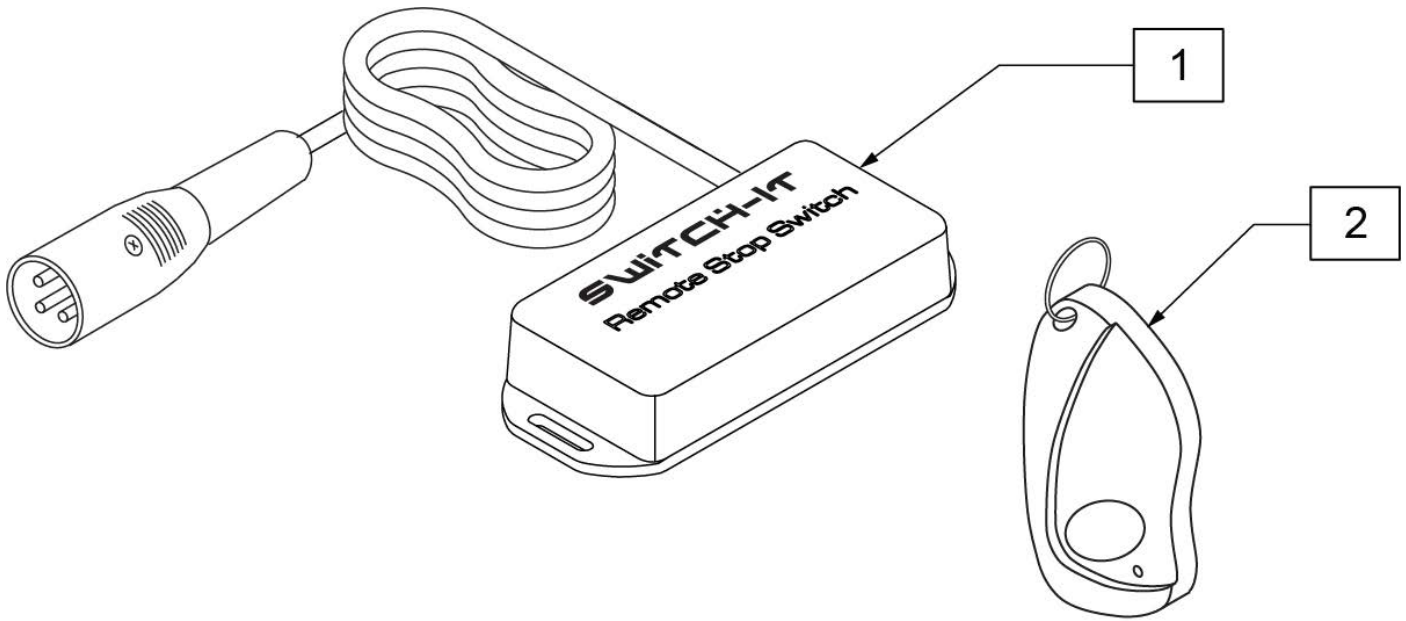


Pos.	Item Number	Description
1	126876	RAM MOUNT CUP HOLDER
2	126636	ASSY DOUBLE SOCKET
3	126660	CLAMP DISPLAY MOUNT
4	112697	M5-.8 X 20MM SOCKET CAP SCREW
5	126639	1IN BALL WITH 3/8 STD
1-5	129522	CUP HOLDER KIT W/MOUNT
6	129457	BAR MOUNT W/1" BALL

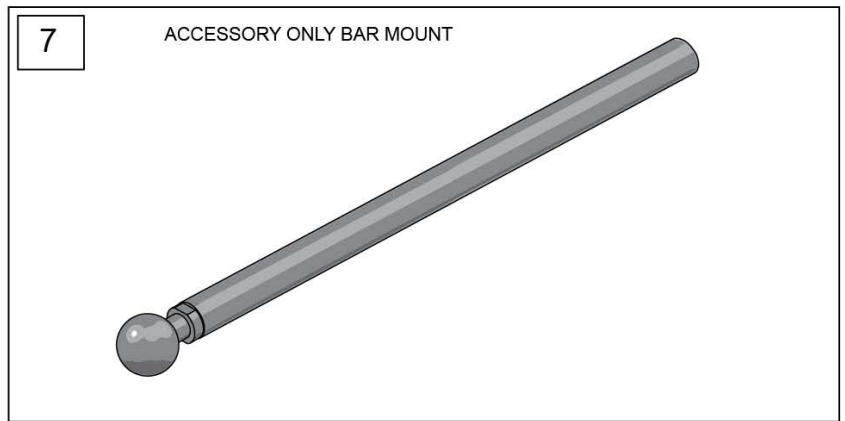
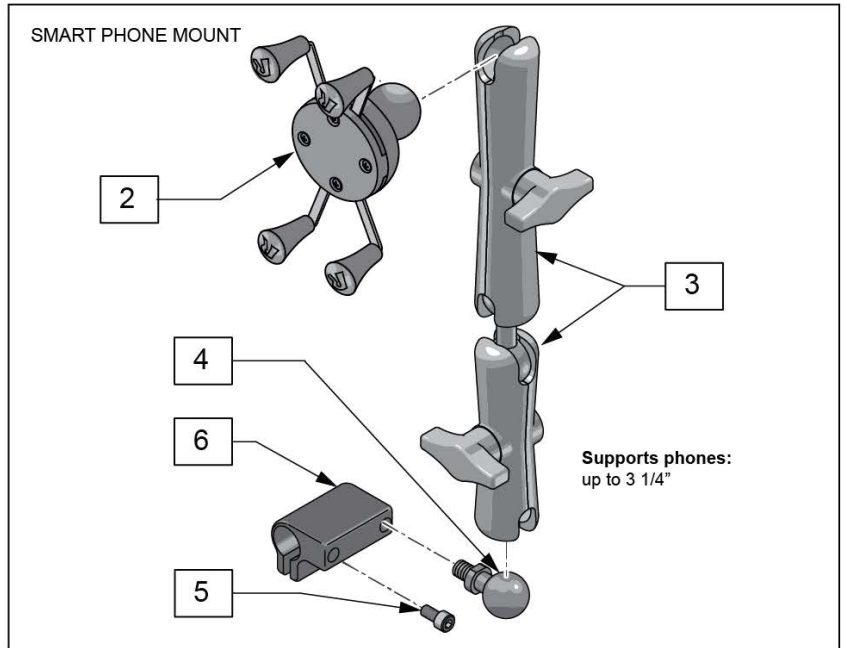
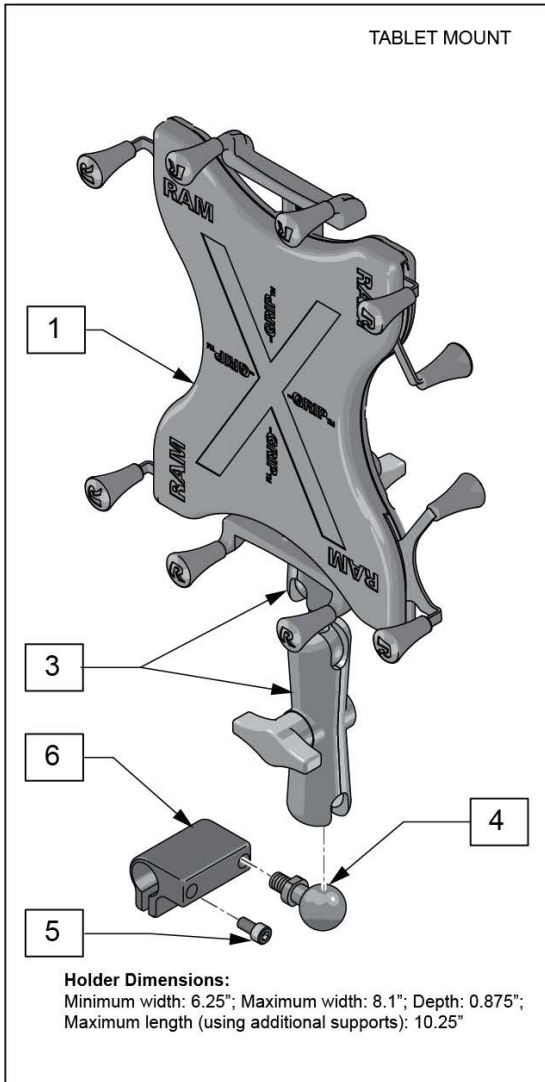
Note: See Mounting Clamp page to order appropriate clamp.



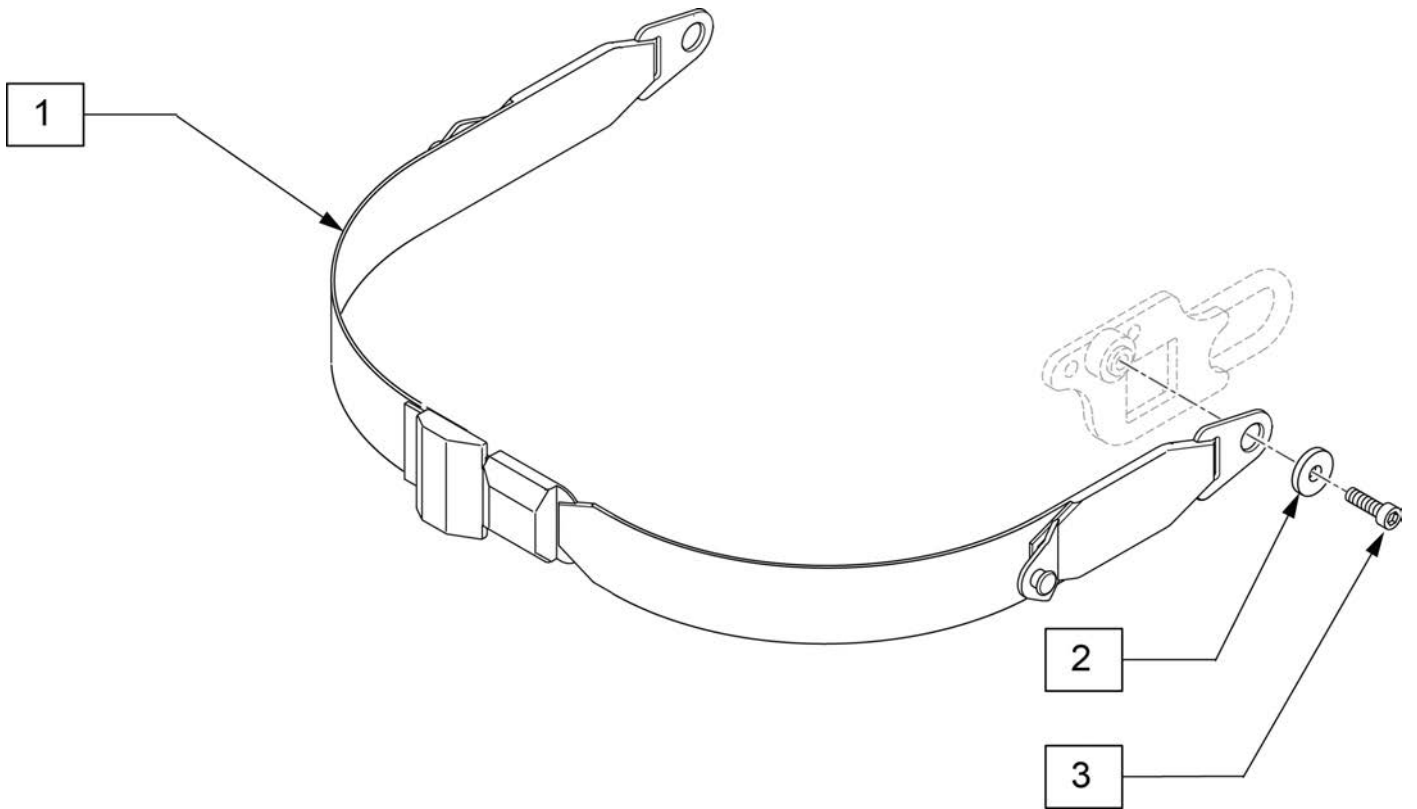
Pos.	Item Number	Description
1	126610	POWER BUDDY



Pos.	Item Number	Description
1,2	RSS-XLR	SWITCH IT REMOTE STOP SWITCH



Pos.	Item Number	Description
1	126635	ASSY TABLET MOUNT
2	126628	UNIVERSAL PHONE MOUNT
3	126636	ASSY DOUBLE SOCKET
4	126639	1IN BALL WITH 3/8 STUD
5	112697	SHCS M5 X .8 X 20 FULL PL
6	126660	CLAMP DISPLAY MOUNT
1,3-6	129516	TABLET MOUNT W/HARDWARE
2-6	129517	PHONE MOUNT W/HARDWARE
1,3,7	129518	TABLET MOUNT W/BAR
2,3,7	129519	PHONE MOUNT W/BAR



Pos.	Item Number	Description
1	120682	LAP BELT TRANSIT 7.5
2	106379	WASHER PLAIN M10 SILVER ROHS
3	119598	BHCS M10X1.5X16 PL