



QUICKIE
PRELUDE

PARTS MANUAL

OCTOBER 2012

Sunrise Medical appreciates your business. For your ordering convenience, our Customer Service Representatives can be contacted at:

**To place orders:
(800)333-4000**

Quickie Technical Assistance:

You can reach our Technical Support Team by choosing prompt 1 followed by the # sign, then prompt 2 for Technical Support. Choose option 1 for Quickie Technical Support.

**For Assistance with a Web Order,
or to sign up for sunrisemedical.com
(800) 333-4000 Option 5**

**FOR YOUR CONVENIENCE YOU MAY PLACE ORDERS THROUGH
OUR WEBSITE OR BY FAX 24 HOURS A DAY:**

www.sunrisemedical.com

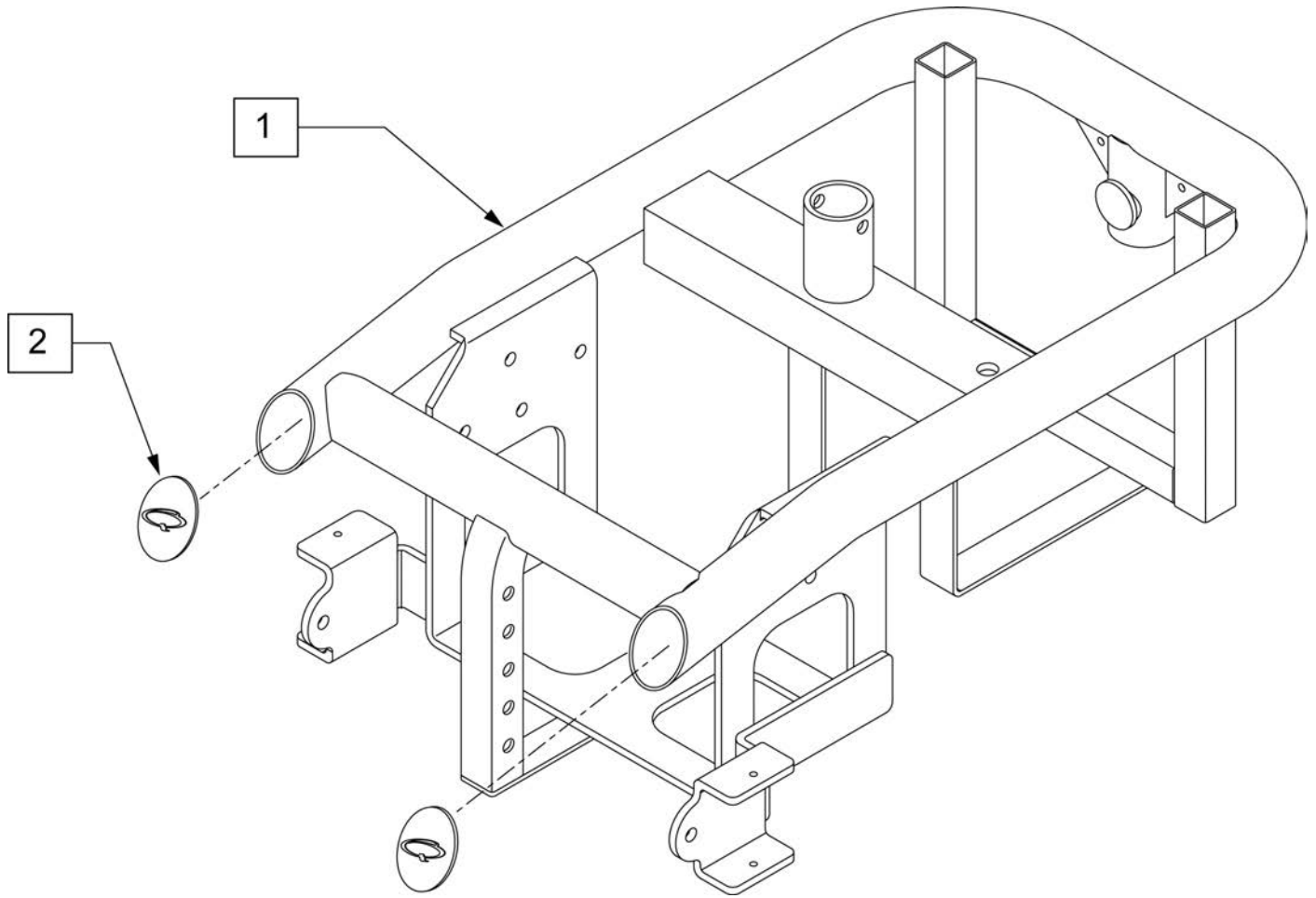
Fax: (800)300-7502

For easy reference please fill in your Customer Number and Sunrise Account Manager's name.

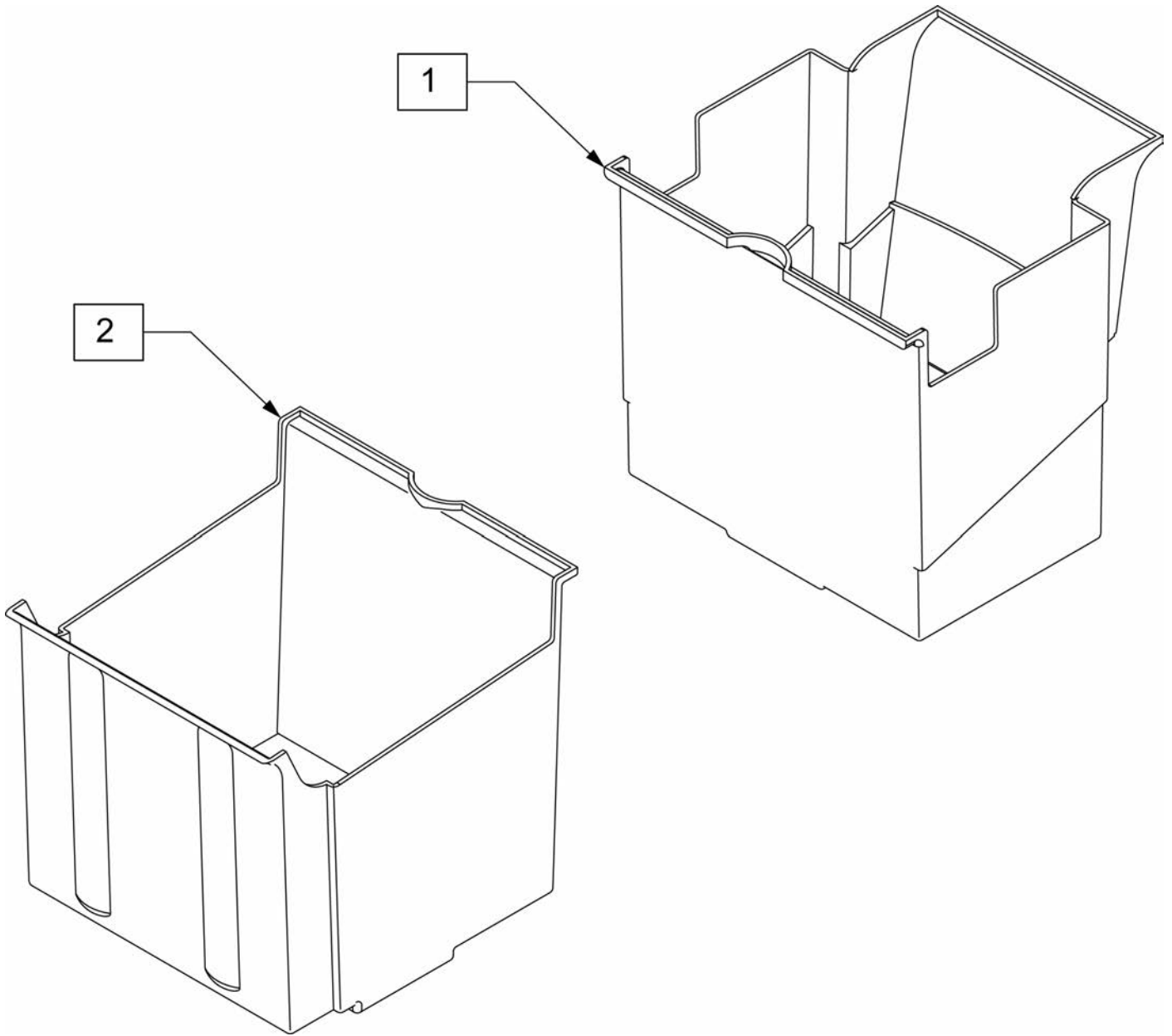
Customer Account Number _____
Ship to Account Number _____
Sunrise Account Manager _____

*Part prices and configurations or specifications of products included in this Parts Manual are subject to change without prior notice.

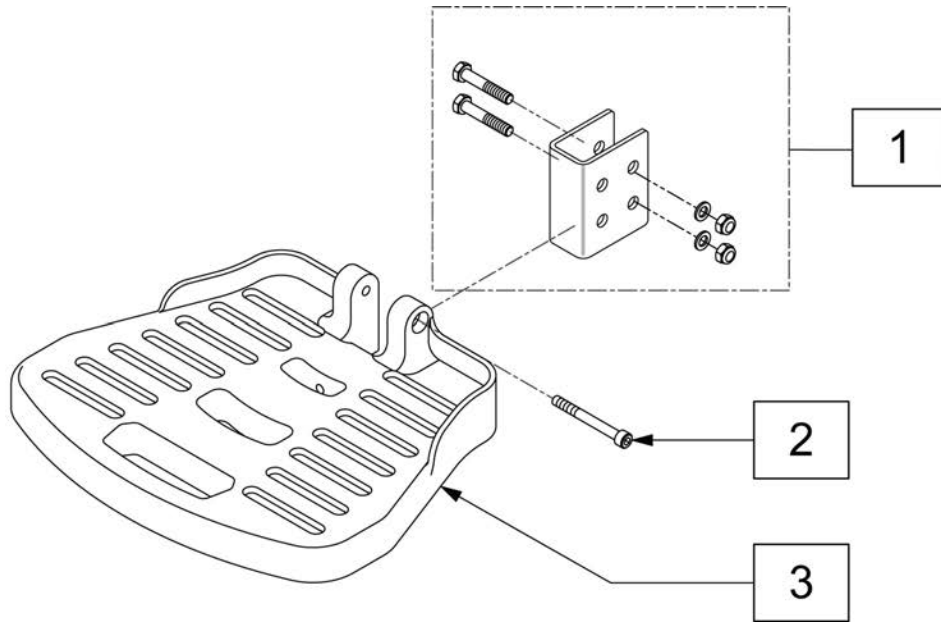
----- QUICKIE PRELUDE	4
FRAME	4
PRELUDE FRAME	4
PRELUDE BATTERY BOXES.....	5
PRELUDE FOOTPLATE	6
MOTOR ASSEMBLY.....	7
PRELUDE FRONT ANTI-TIP	8
PRELUDE REAR SWING ARM	9
PRELUDE SHROUDS.....	10
DRIVE WHEEL.....	11
SEATING AND POSITIONING.....	11
PRELUDE SEAT POST	12
PRELUDE HIGH BACK SEAT	13
LOW BACK SEAT ASSEMBLY.....	14
CB (CAPTAINS SEAT) ELR.....	15
CB (CAPTAINS SEAT) SWING-AWAY FOOTREST	16
ELECTRONICS.....	16
PRELUDE WIRING	17
BATTERY	18
VR2 ELECTRONICS.....	19
PRELUDE CONTROLLER MOUNT.....	20
ACCESSORIES	20
CAPTAINS CHAIR - ACCESSORIES	21
BAGS AND POUCHES	21
BACKPACKS AND SEAT POUCHES.....	22
CASE LOGIC BAGS.....	23
CELL PHONE PACK.....	24
POWER CORD POUCH	25
TIRE PUMP	26
BLANK.....	26
COVER PAGE.....	27



Pos.	Item Number	Description	Remarks
1,2	103047	BASE FRAME, PRELUDE	INCLUDES DECALS & VELCRO
2	103079	FRAME TUBE CAP, PRELUDE	

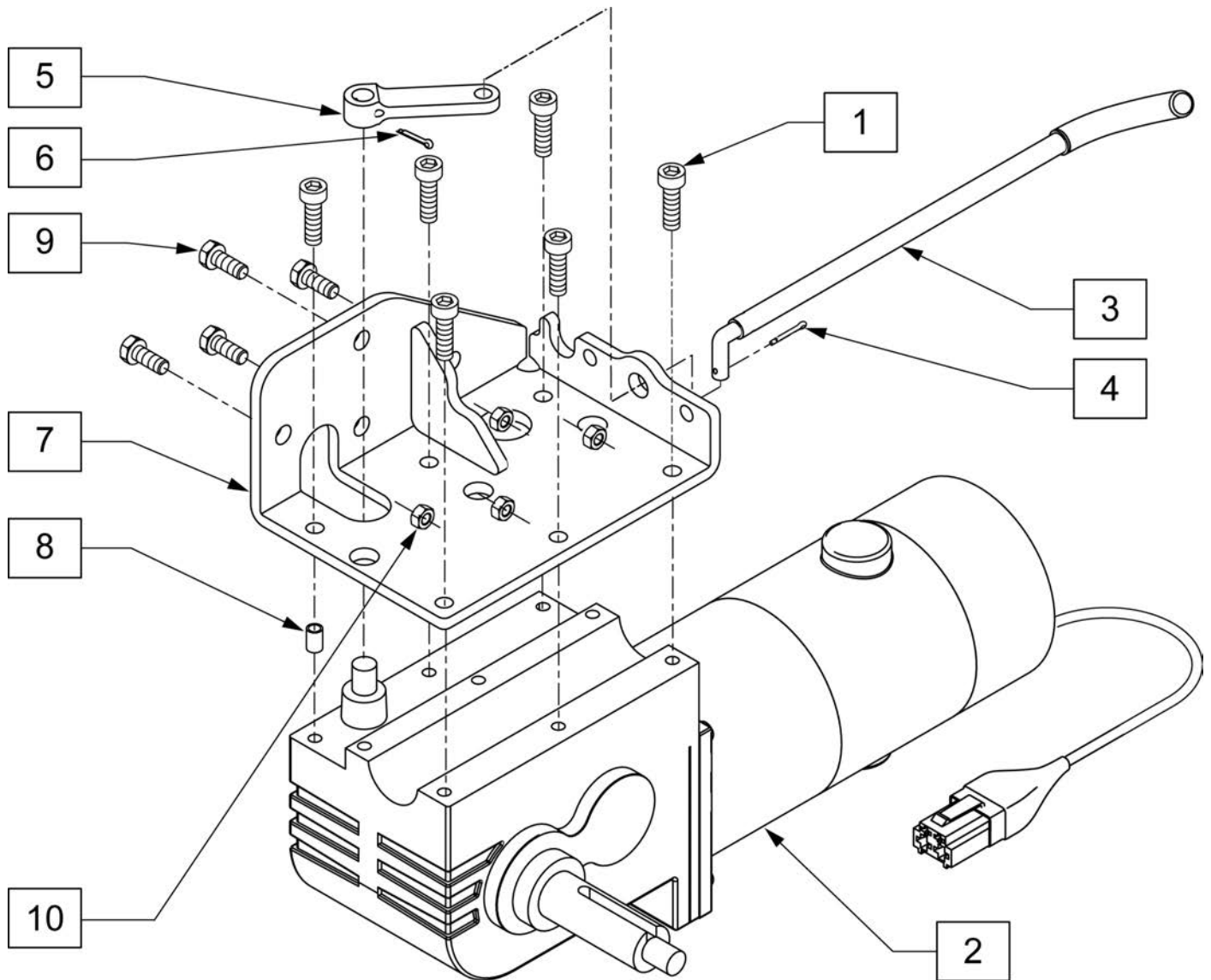


Pos.	Item Number	Description
1	103059	FRONT BATTERY BOX W/ LABELS
2	103061	REAR BATTERY BOX W/ LABELS

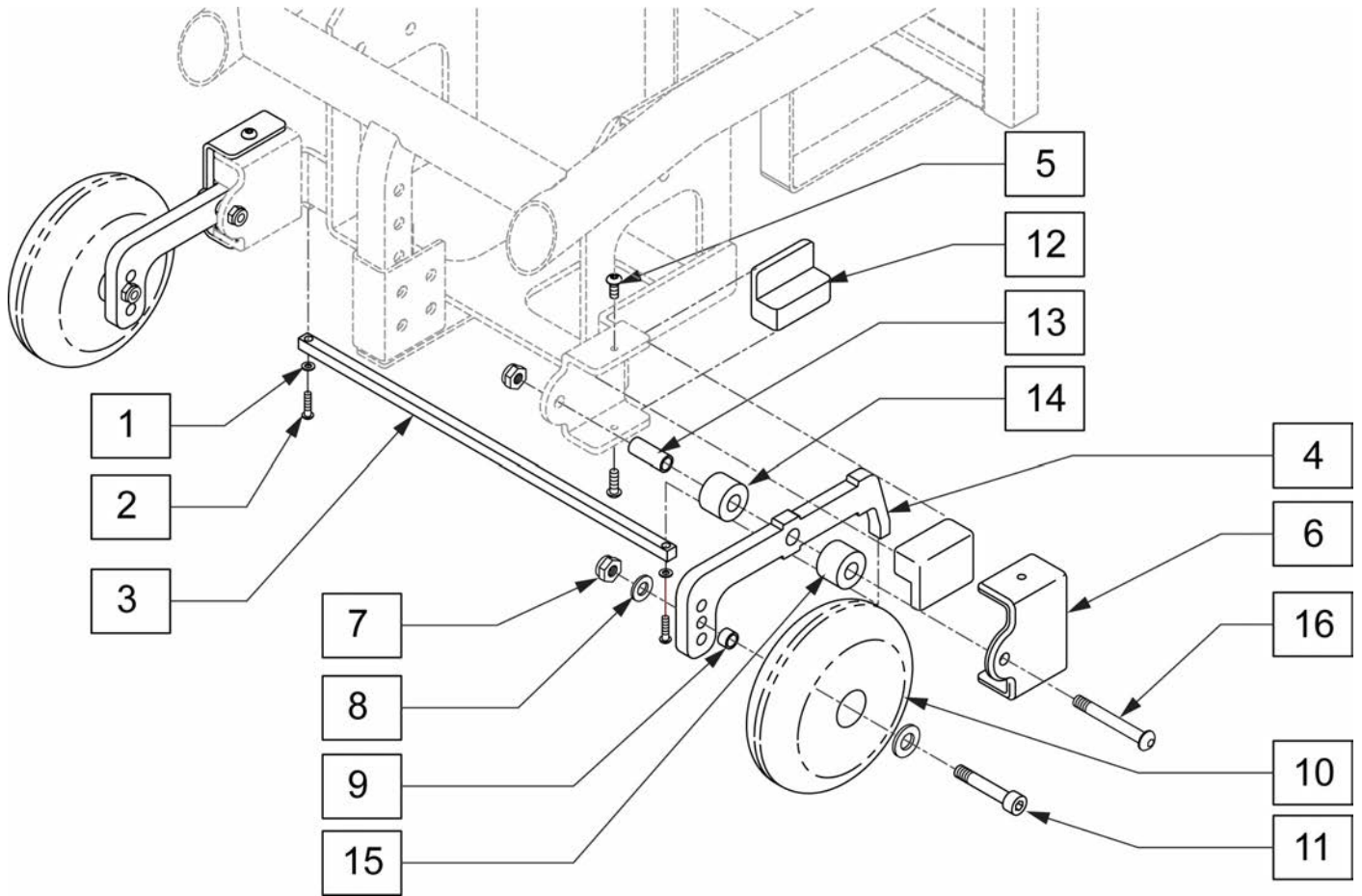


Pos.	Item Number	Description
1	103051	FOOTPLATE MOUNTING BRACKET W/ HDW
2,3	101685	FOOTPLATE ASSY, PRELUDE

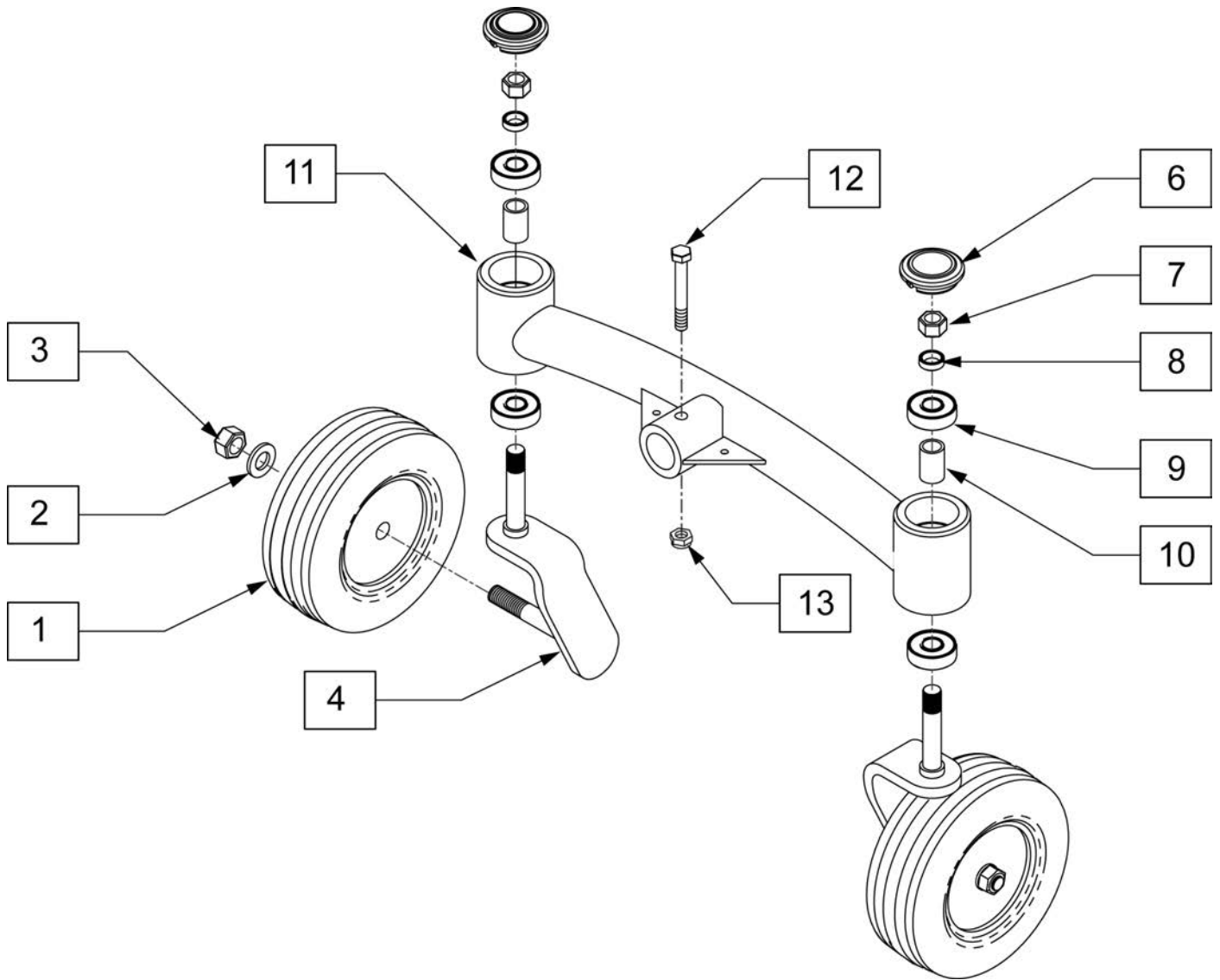
Note: Prior to motor S/N P725L25000 or chair S/N RHP002027 both left and right motors must be replaced.



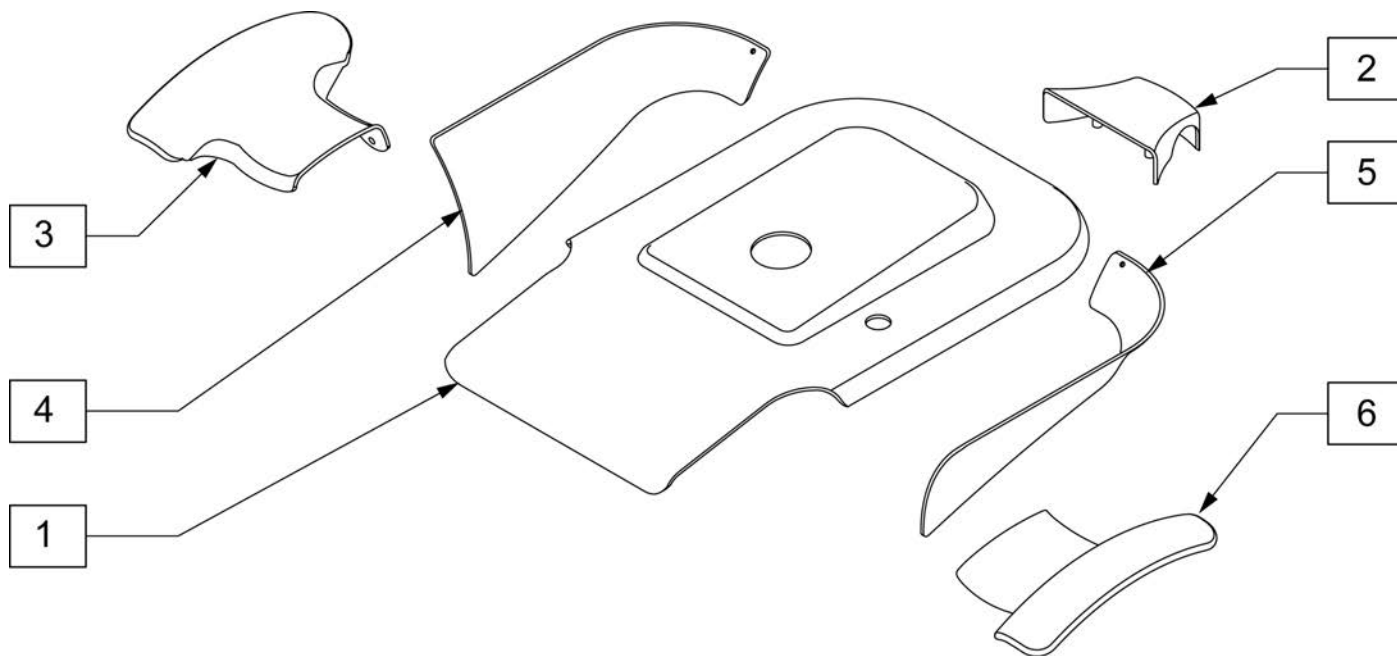
Pos.	Item Number	Description	Remarks
3-6	101697	COG RELEASE HANDLE LH W/ HDWR	LEFT
3-6	101698	COG RELEASE HANDLE RH W/ HDWR	RIGHT
11	341265	MOTOR KEY	
12	210086	NUT NYLOCK M10 SILVER ROHS	
13	101765	MOTOR BRUSHES W/CAP (PR)	
14	n/a	PLAIN WASHER M18	
1,7,9,10	101764	MOTOR BRACKET ASM LEFT	LEFT
1,7,9,10	101767	MOTOR BRACKET ASM RIGHT	RIGHT
1-12	103753	MOTOR/GEARBOX ASSY RH W/ HDWR	19:1 GEAR RATIO
1-12	103754	MOTOR/GEARBOX ASSY LH W/ HDWR	19:1 GEAR RATIO



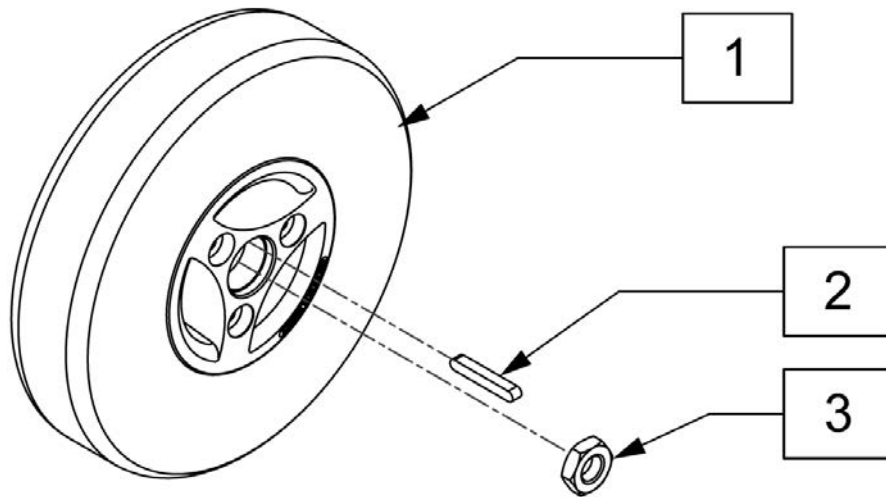
Pos.	Item Number	Description
1-3	103058	FRONT SUSP. SYNC ROD
4-7, 12-16	103057	FRONT SUSP. BRACKET
7-11	103054	FRONT ANTI-TIP CASTER ASSY 5"
12	103056	FRONT SUSP. ELASTOMERS, Set of 4



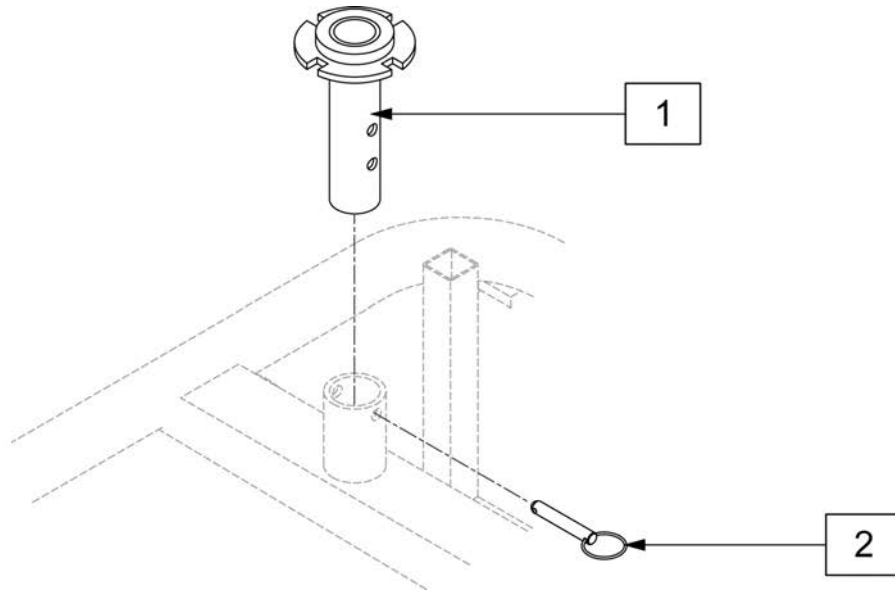
Pos.	Item Number	Description	Remarks
1	101644	REAR CASTER ASSY, PRELUDE	
6	101621	REAR CASTER CAP	
1-4	101608	CASTER & FORK ASSY, LH	INCLUDES M8 NYLOCK NUT
1-4	101609	CASTER & FORK ASSY, RH	INCLUDES M8 NYLOCK NUT
7-10	101610	CASTER STEM HDWR	
1-13	103049	REAR SUSPENSION WELDMENT ASSY	
2,3,7,8,12,13		REAR SUSPENSION HARDWARE KIT	



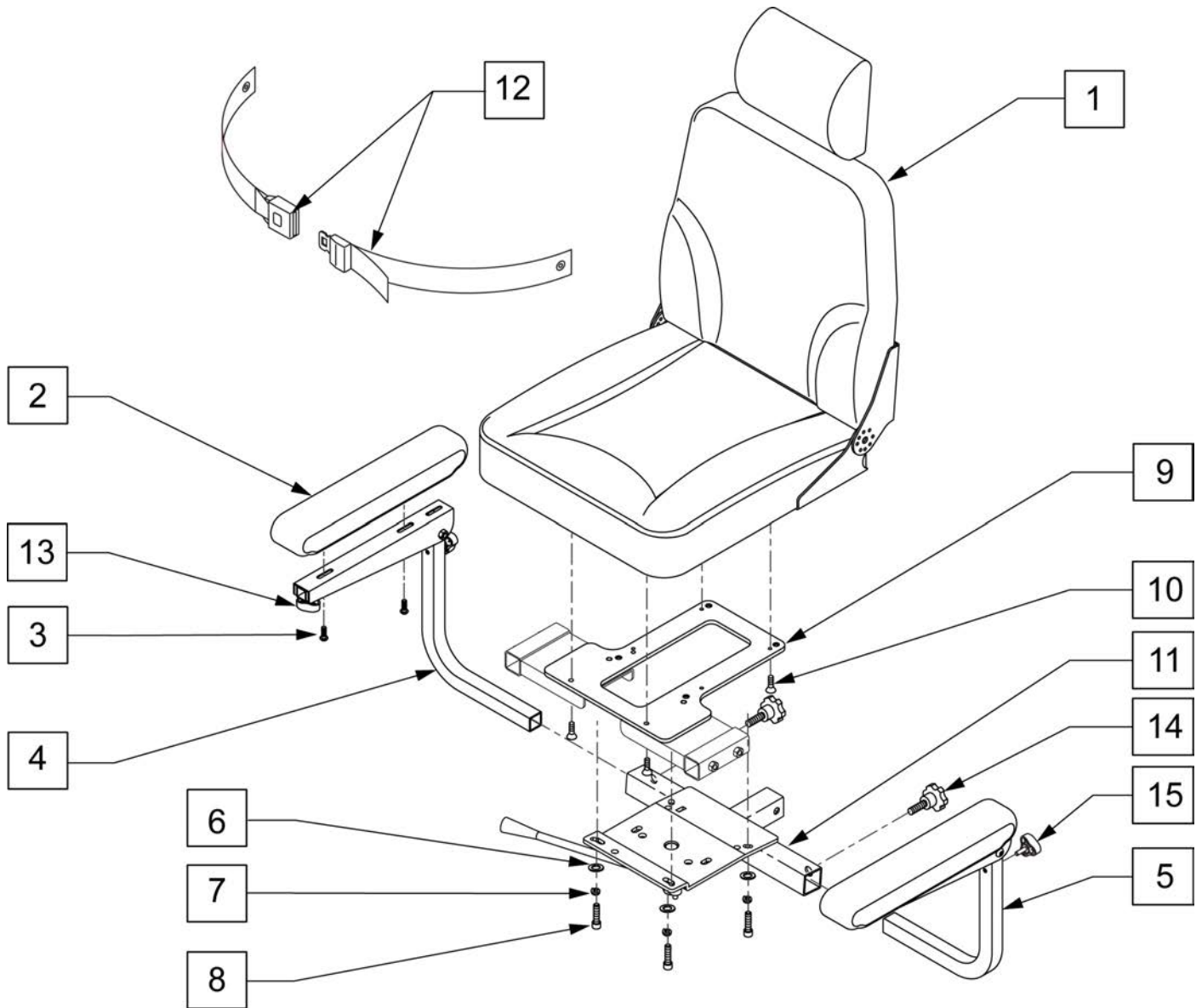
Pos.	Item Number	Description	Remarks
1	103065	TOP SHROUD BLUE PRELUDE	W/ LABELS
1	103067	TOP SHROUD RED PRELUDE	W/ LABELS
2	103077	SUSPENSION SHROUD, RED	W/ LABELS
2	103078	SUSPENSION SHROUD, BLUE	W/ LABELS
3,6	103075	FENDER RH RED W/HDW	W/ LABELS Right
3,6	103076	FENDER RH BLUE W/HDW	W/ LABELS Right
3,6	103073	FENDER LH RED W/HDW	W/ LABELS Left
3,6		FENDER LH BLUE W/HDW	no longer available
4,5	103071	REAR SHROUD RH RED W/SCREW PRELUDE	W/ LABELS Right
4,5	103072	REAR SHROUD RH BLUE W/SCREW PRELUDE	W/ LABELS Right
4,5	103068	REAR SHROUD LH RED W/SCREW PRELUDE	W/ LABELS Left



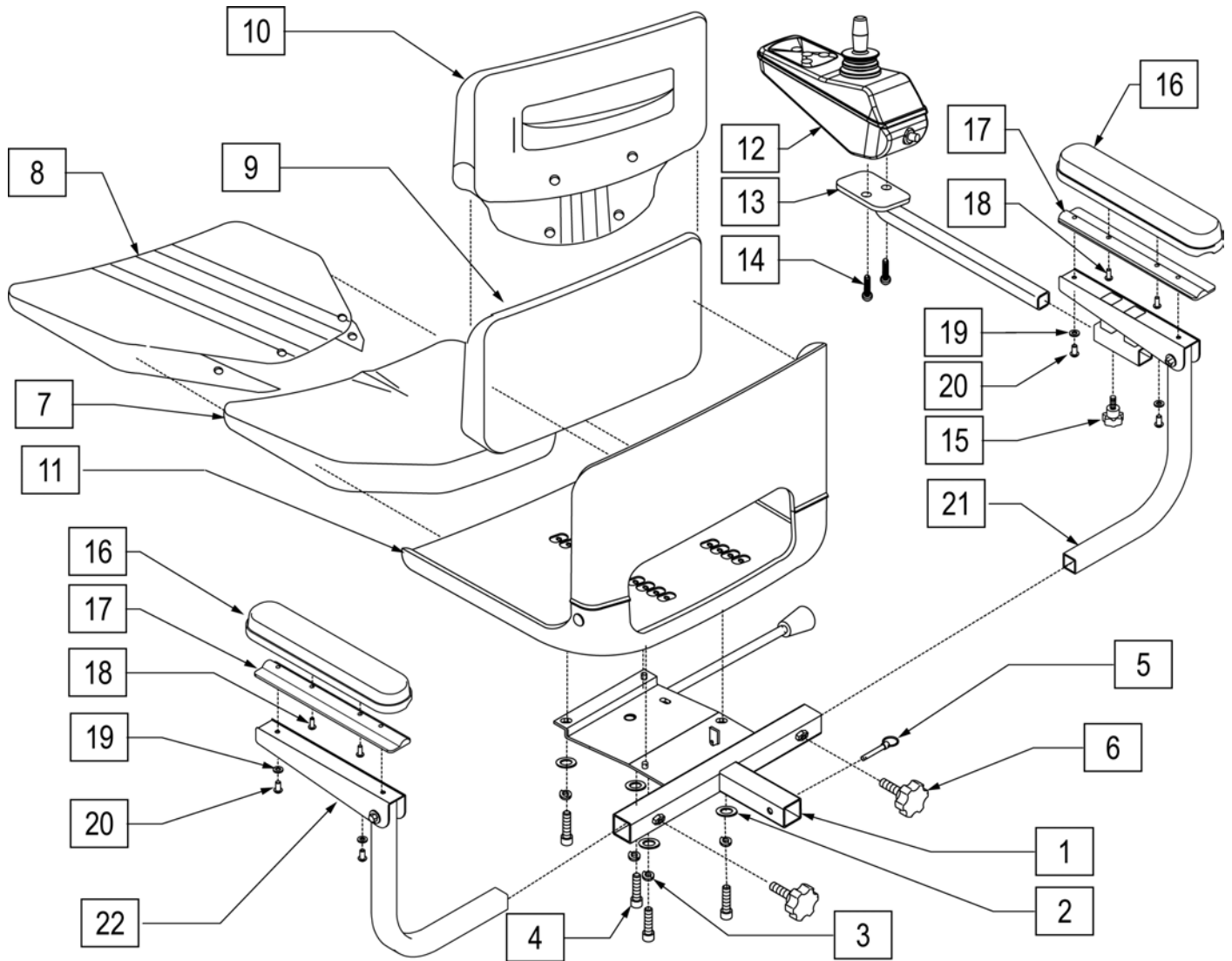
Pos.	Item Number	Description
1	101690	DRIVE WHEEL SOLID INSRT TIRE
2	341265	MOTOR SHAFT KEY
3	210086	NUT NYLOCK M10 SILVER ROHS



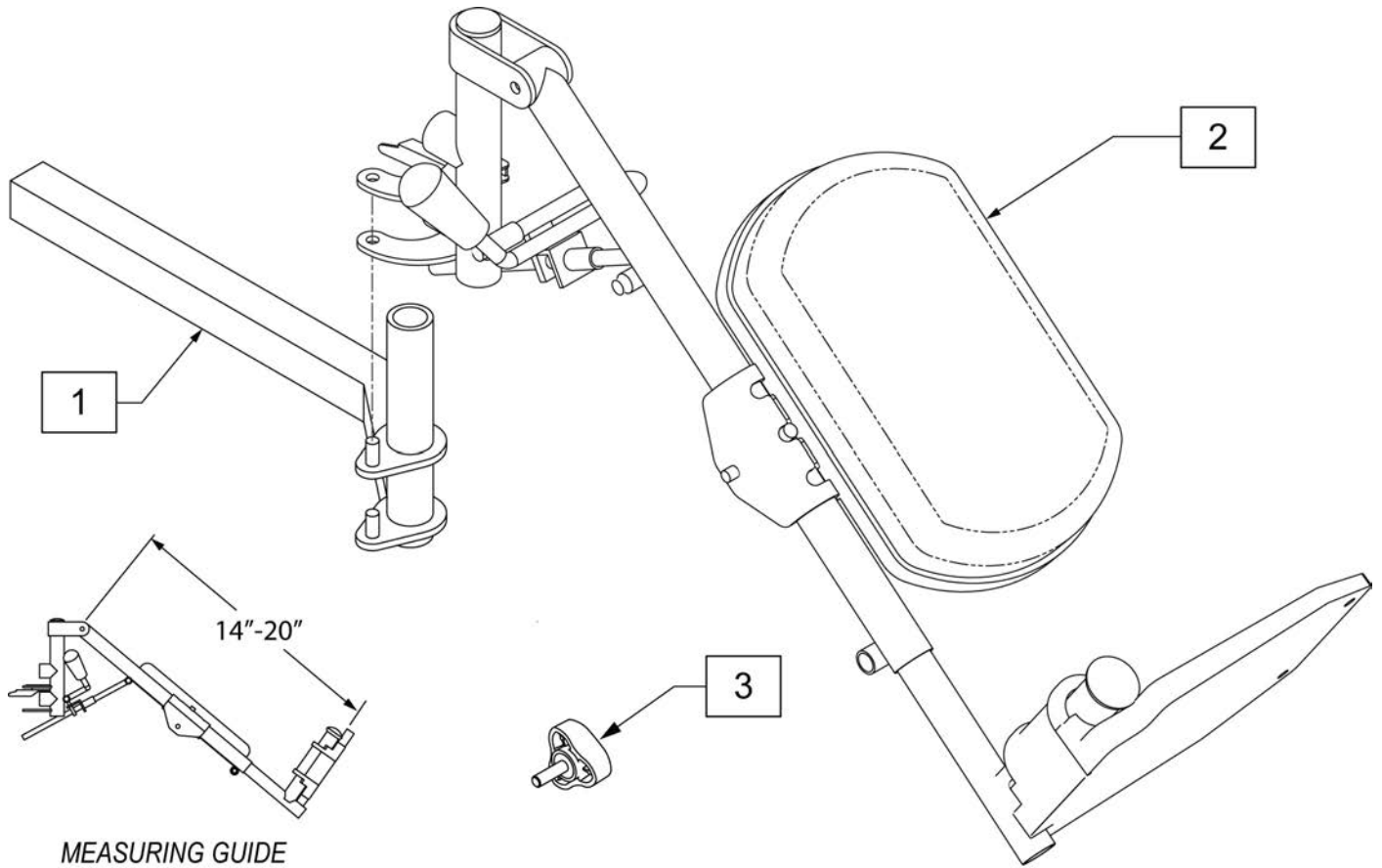
Pos.	Item Number	Description
2	103053	SEAT POST PIN
1,2	103052	SEAT POST W/ PIN, PRELUDE



Pos.	Item Number	Description	Remarks
2, 3	103114	ARMREST PAD SET	PAIR
6, 7, 8, 11, 14	103084	SEAT INTERFACE W/ HDWR	
9	104362	HIGH BACK ADAPTER PLATE	
1-11,13-15	104571	18X17 HIGH BACK SEAT ASSEMBLY	
12	102798	LAP BELT AUTO STYLE 60"	
13	101643	THUMB SCREW M8 x 18	
14	103081	THUMB SCREW M8	
1-11,13-15	104571	18X17 HIGH BACK SEAT ASSEMBLY	
15	105065	SCREW THUMB M8X30	

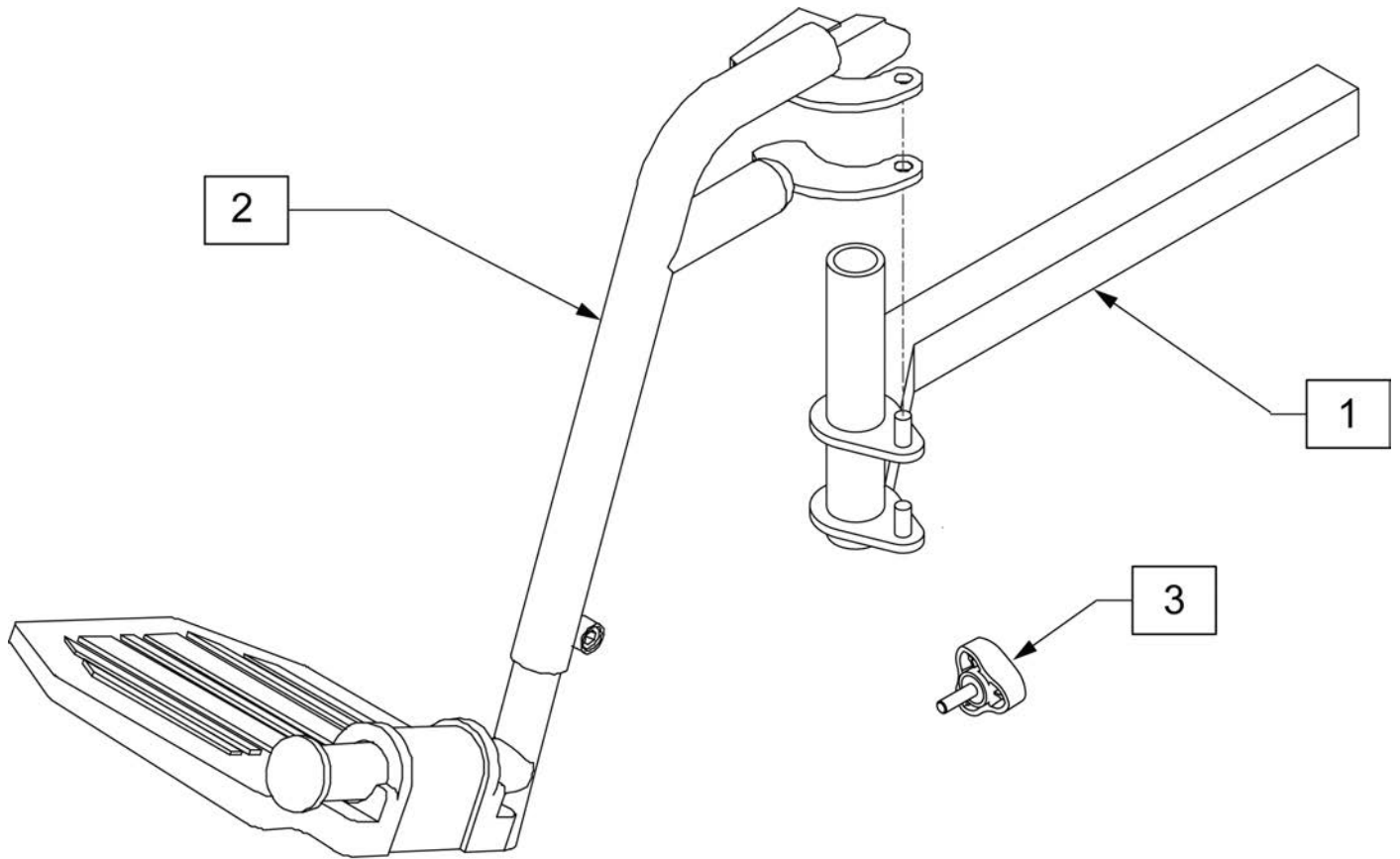


Pos.	Item Number	Description	Remarks
6	101633	THUMB SCREW 3/8-16 UNC KNOB	
11	101635	SEAT FRAME ASSEMBLY	
12	105375	VR2 JOYSTICK 4 BUTTON	
15	101643	THUMB SCREW M8	
7,9	101638	SEAT PADS	
8,10	101637	SEAT COVERS	
1-5	101642	SEAT INTERFACE	
13,14	101627	JOYSTICK MOUNT W/HDWR	
15,21,22	101636	ARMREST ASSEMBLY	
16-20	119116	ARMREST PAD REPLACEMENT KIT L&R	PAIR

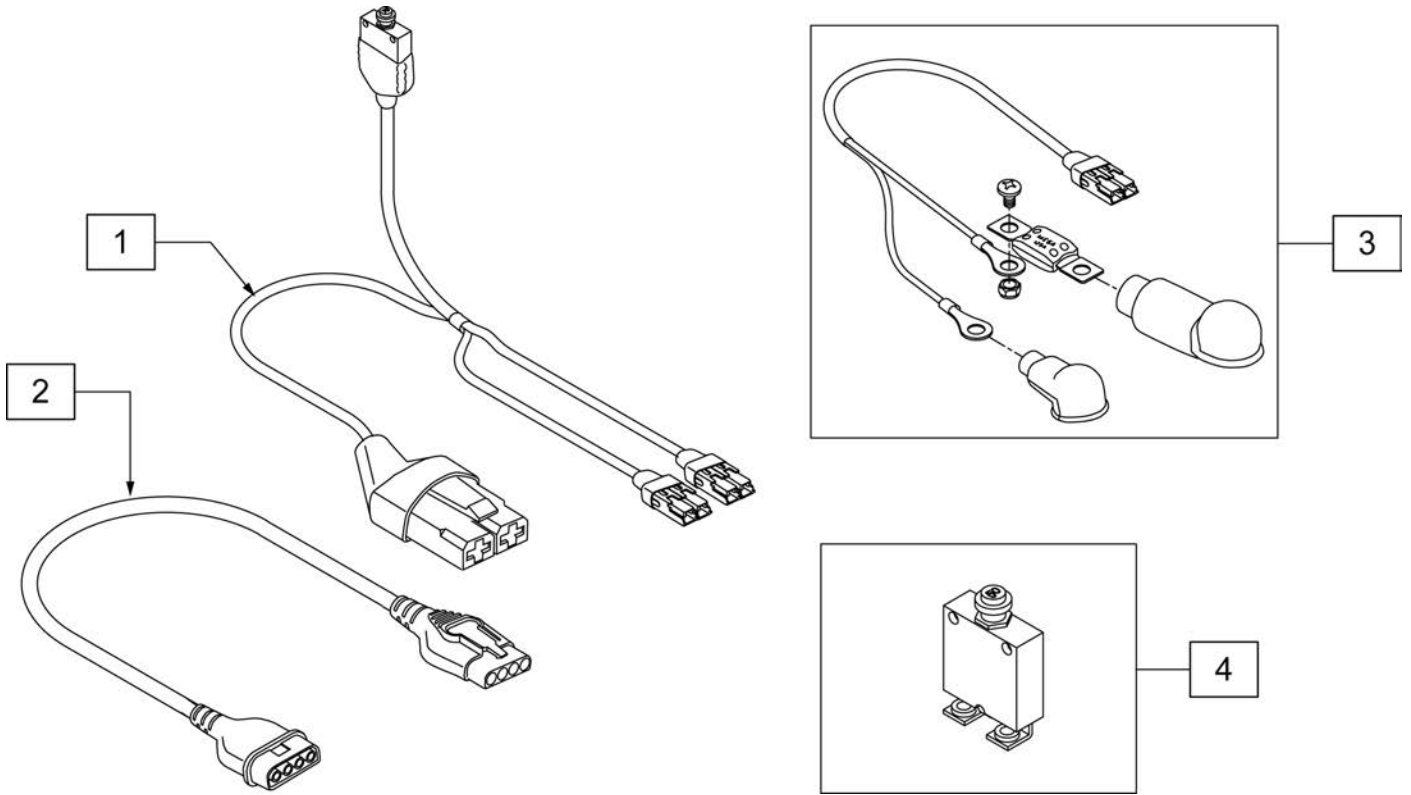


MEASURING GUIDE

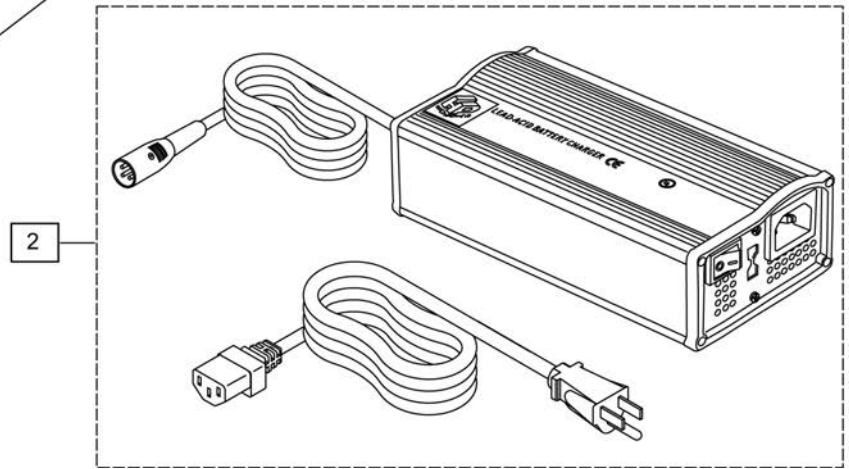
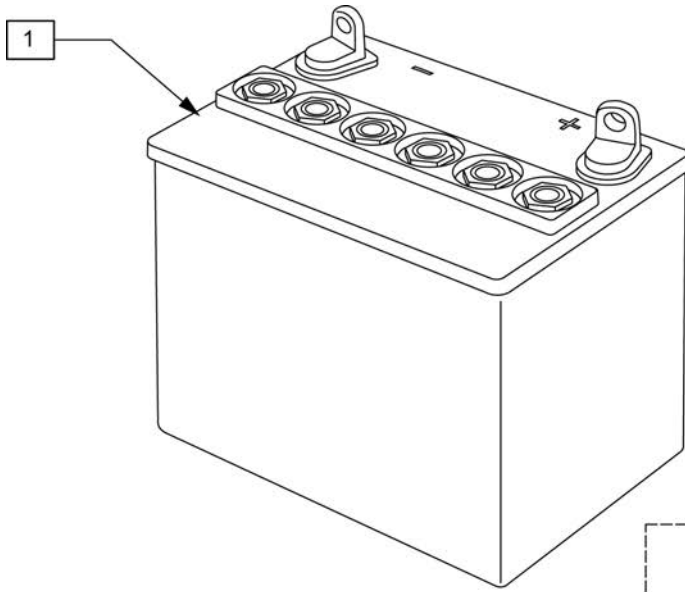
Pos.	Item Number	Description	Remarks
2	GEY-ELRC	ELEVATING LEGRESTS	PAIR (Leg length adj. from 14-20")
3	349049	KNOB M8 x 1.25 x 18	
1,3	GA-ADPT	ASP FTRST & ELR ADPTR	PAIR
1-3	GA-ELRCA	ASPIRE ELR W/ADAPTER	PAIR



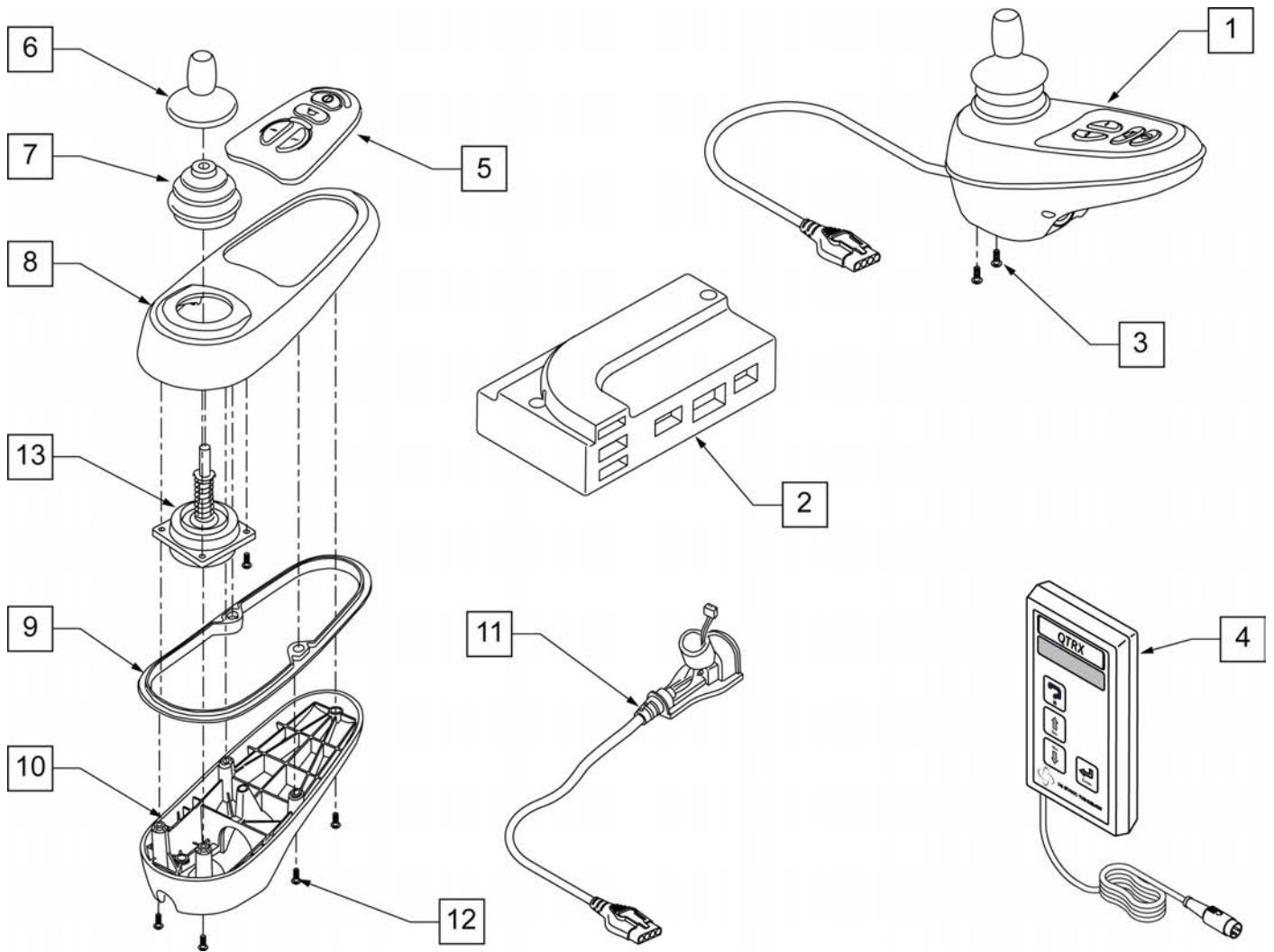
Pos.	Item Number	Description	Remarks
2	GEY-FRC	COMPOSITE FOOTRESTS	PAIR
3	349049	KNOB M8X1.25X18	
1,3	GA-ADPT	ASPIRE FR AND ELR ADAPTER	PAIR
1-3	GA-FRCA	ASPIRE FR W/ ADAPTER	PAIR
1		Part 1	



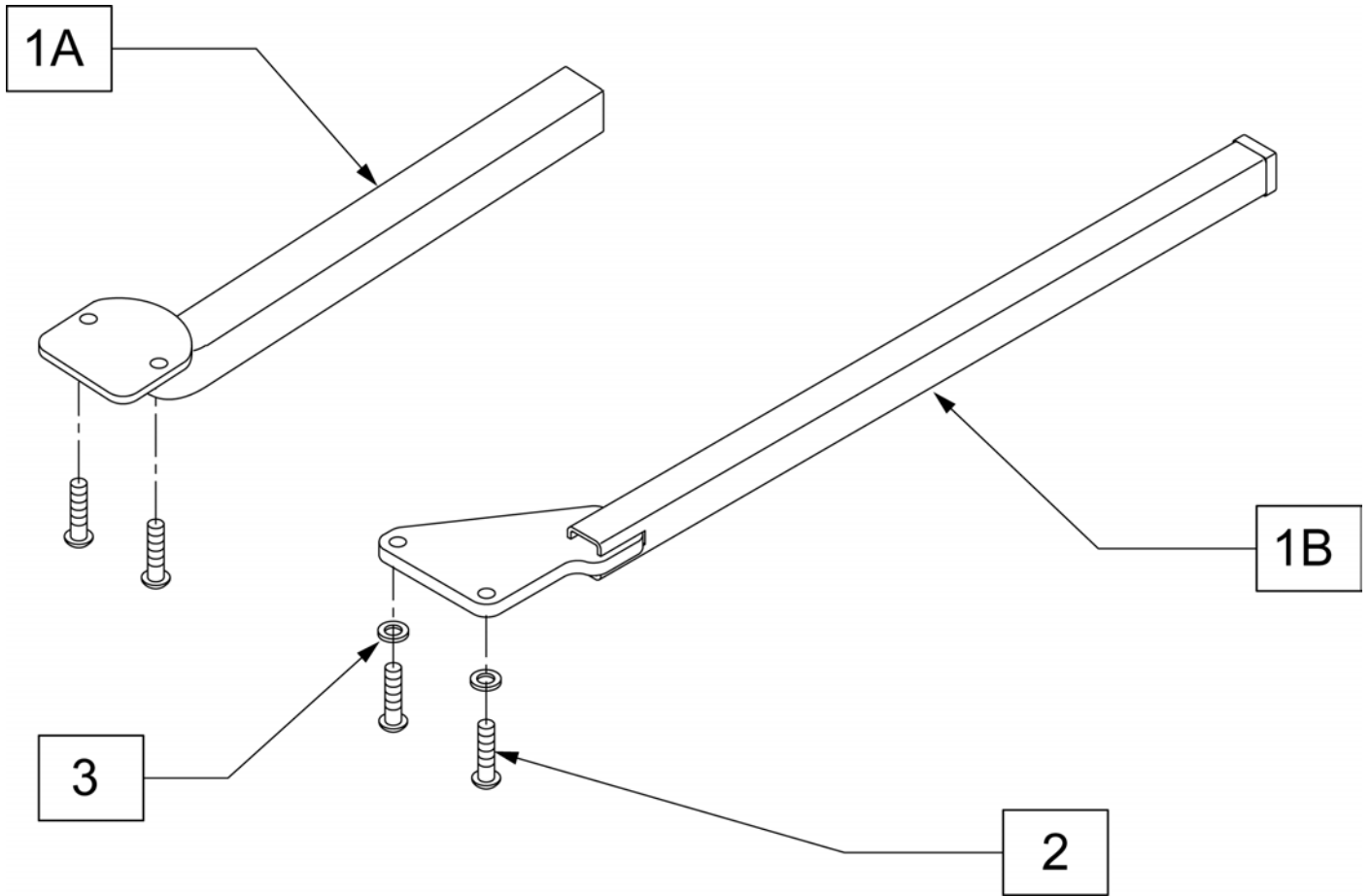
Pos.	Item Number	Description
1,4	103062	MAIN WIRING HARNESS, PRELUDE
2	101626	CONTROLLER HARNESS
3	101689	BATTERY HARNESS
4	103064	CIRCUIT BREAKER, 50A



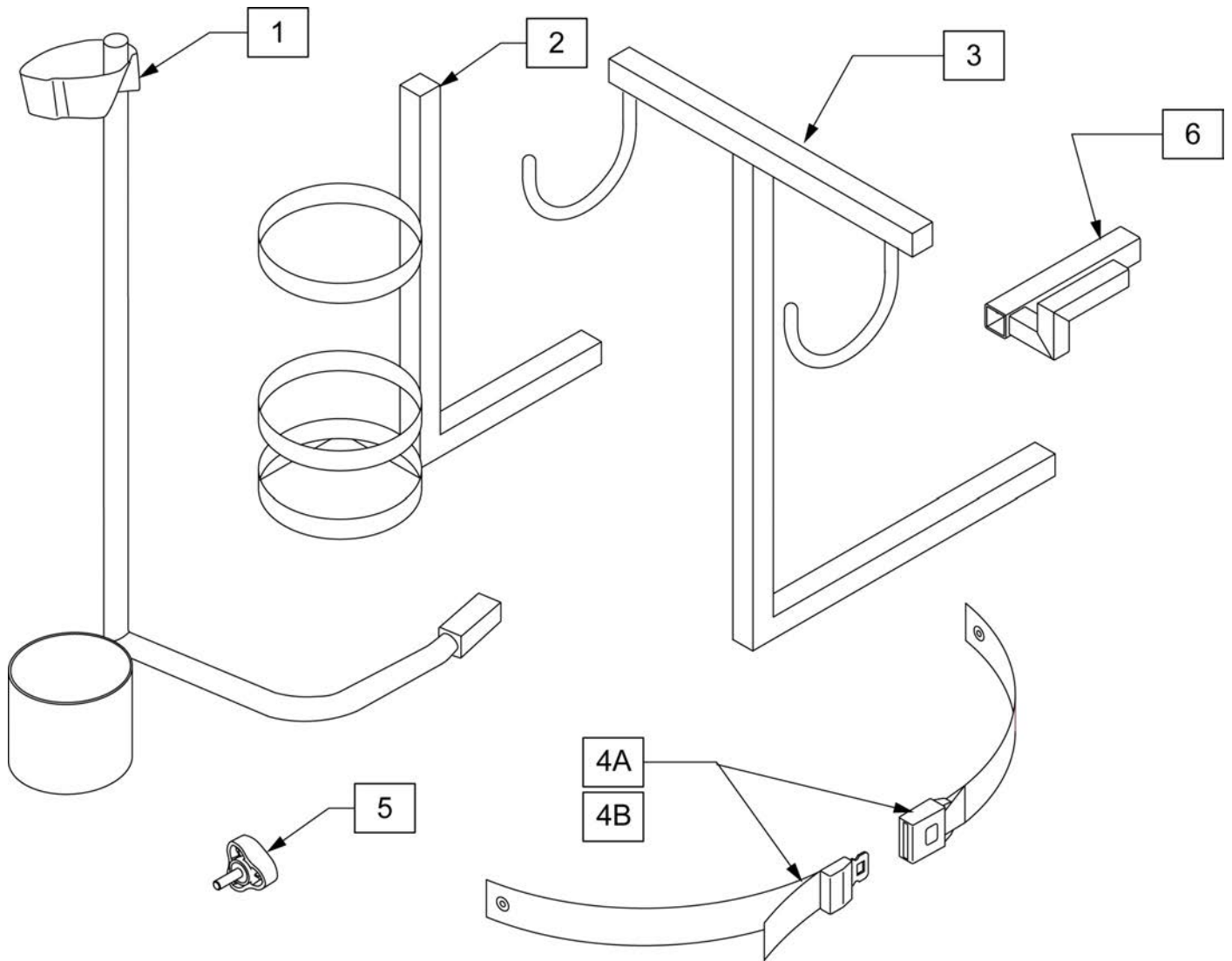
Pos.	Item Number	Description
1	BATU1	BATTERY U1, 35Ahr
2	BATC8CT	CHARGER OFF BOARD 8A CTE



Pos.	Item Number	Description
1	105375	VR2 JOYSTICK 4 BUTTON
2	103080	CONTROLLER, VR2 60A, PRELUDE
3	102259-001	BHCS M5 x .8 x 12 W/PL INORG
4	QTRX	VR-2 PROGRAMMER PAD
5	105938	KEYPAD 4 KEY
6	138169	VSI JOYSTICK HANDLE
7	105930	JOYSTICK GAITER
8	105945	MOLDED TOP
9	105946	RUBBER SEAL JOYSTICK
10	105940	MOLDED BOTTOM
11	105937	JOYSTICK CABLE
12	105947	SHCS M3X14 TORX
13	105936	JOYSTICK

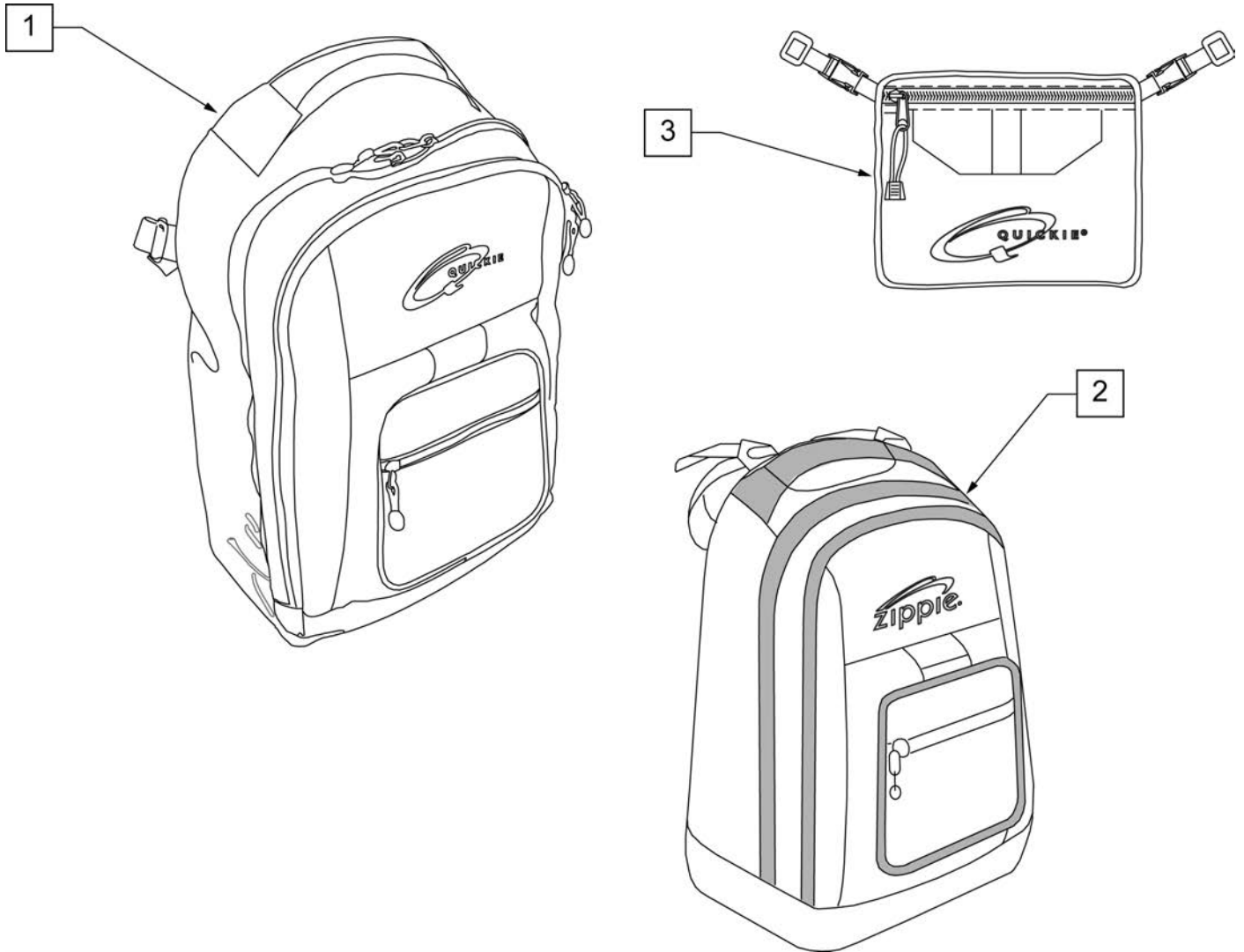


Pos.	Item Number	Description	Remarks
1B	108276	CONTROLLER MOUNT ASSY	HIGH BACK
2	013143	BHCS M5 X .8 X 14 BLK W/PL	
3	261204	#10 AN WASHER .063	
1A,2	101627	JOYSTICK MOUNT W/ HDWR	LOW BACK

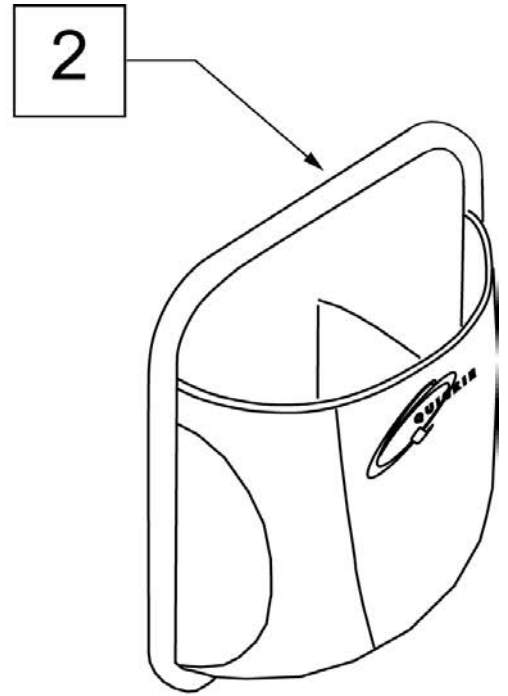
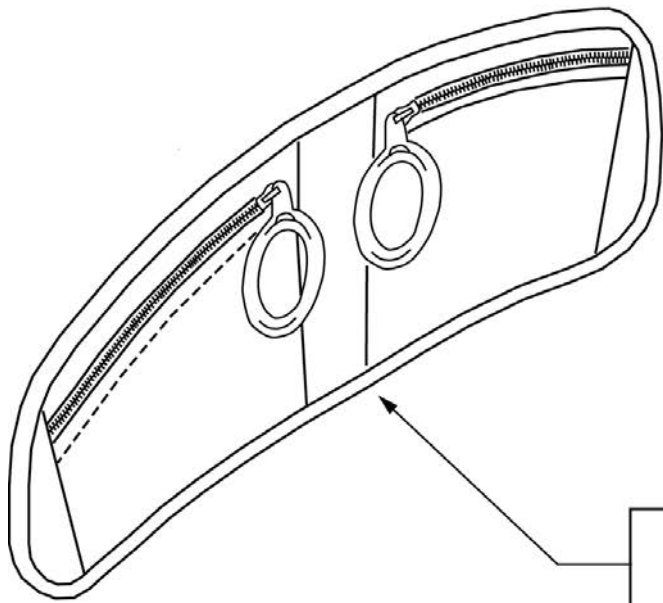


Pos.	Item Number	Description	Remarks
1	CCH	CANE/CRUTCH HOLDER	
2	O2H	O2 HOLDER	ACCOMADATES SIZE D & E OXYGEN TANKS
3	WH	WALKER HOLDER	
4	102798	SEAT BELT ASSM	
5	349049	KNOB M8 x 1.25 x 18	
6	104364	ACCESSORY RECEIVER ADAPTER	

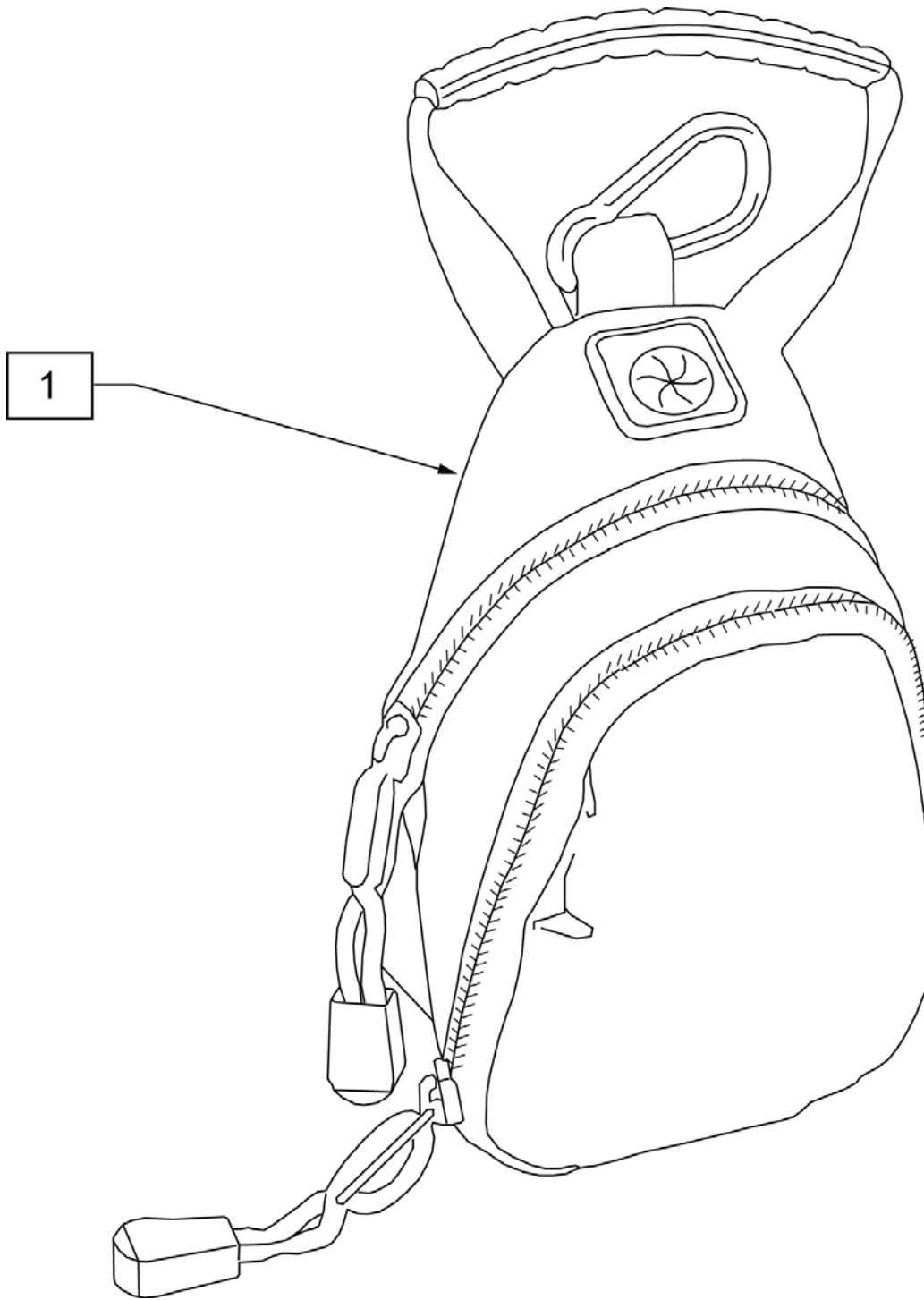
NOTE: KIDS BACKPACKS DO NOT HAVE ADJUSTABLE STRAPS W/ BUCKLES.



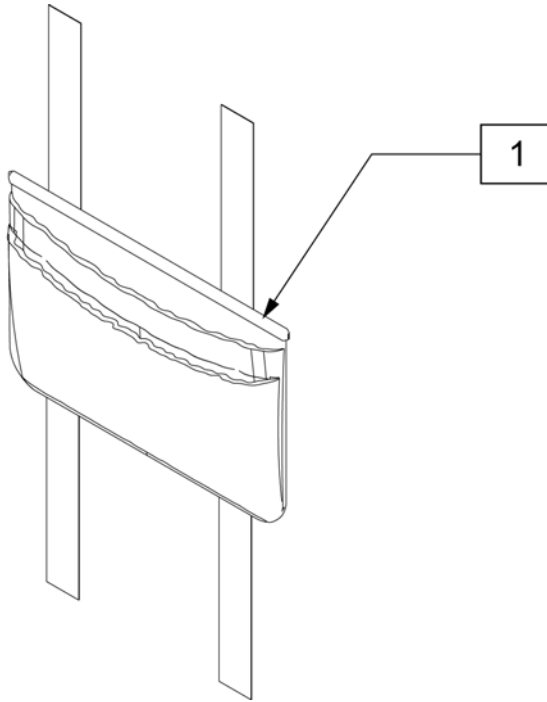
Pos.	Item Number	Description
1	750115	BACK PACK QUICKIE
2	104572	BACKPACK ZIPPIE
3	750307	SEAT POUCH QUICKIE



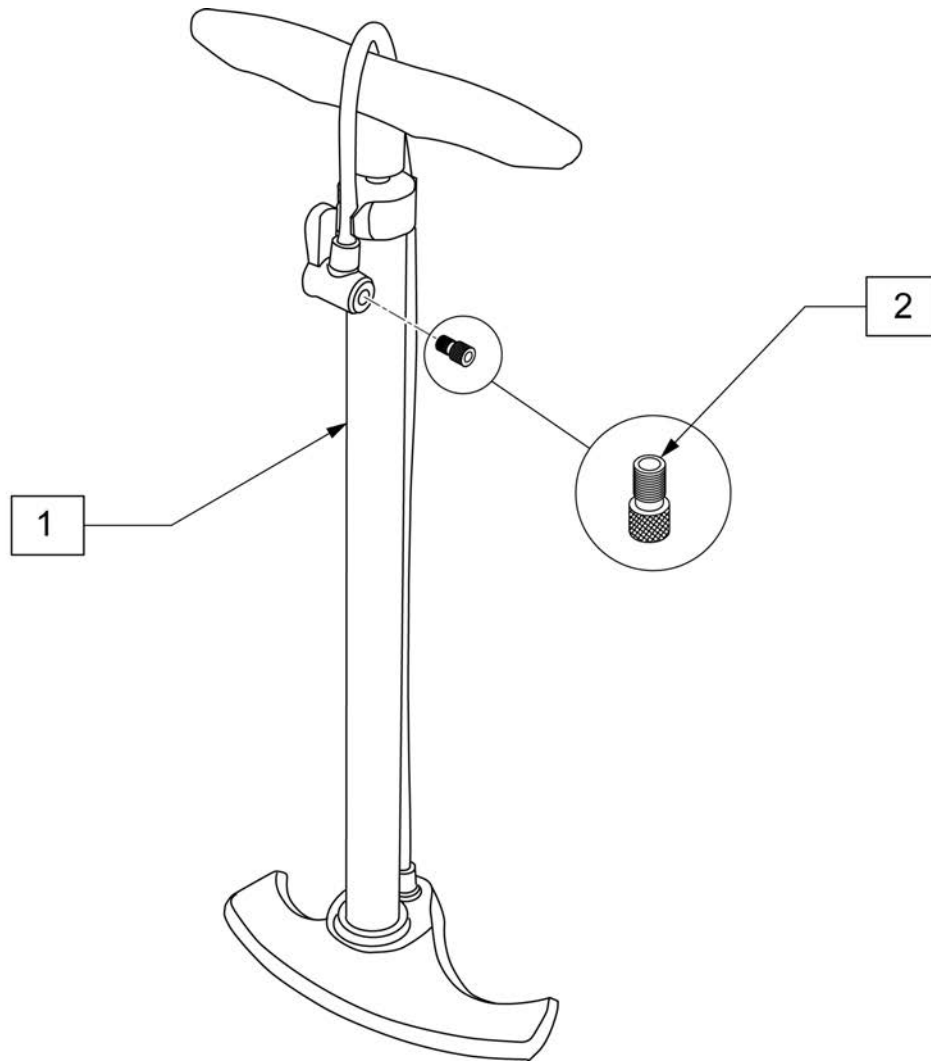
Pos.	Item Number	Description	Remarks
1	013477	LAP ORGANIZER	Size: 18.25"x 7.75"x .75"
2	013475	QUICKIE SIDE POCKET	Size: 6.5"x 6.5"x 2"



Pos.	Item Number	Description
1	109229	CELL PHONE PACK (ORANGE)



Pos.	Item Number	Description
1	011687	POWER CORD POUCH



Pos.	Item Number	Description
1	389050	TIRE PUMP
2	381230	VALVE ADAPTER PRESTA



QUICKIE PRELUDE