

PARTS MANUAL

OCTOBER 2012

Sunrise Medical appreciates your business. For your ordering convenience, our Customer Service Representatives can be contacted at:

**To place orders:
(800)333-4000**

Quickie Technical Assistance:

You can reach our Technical Support Team by choosing prompt 1 followed by the # sign, then prompt 2 for Technical Support. Choose option 1 for Quickie Technical Support.

**For Assistance with a Web Order,
or to sign up for sunrisemedical.com
(800) 333-4000 Option 5**

**FOR YOUR CONVENIENCE YOU MAY PLACE ORDERS THROUGH
OUR WEBSITE OR BY FAX 24 HOURS A DAY:**

www.sunrisemedical.com

Fax: (800)300-7502

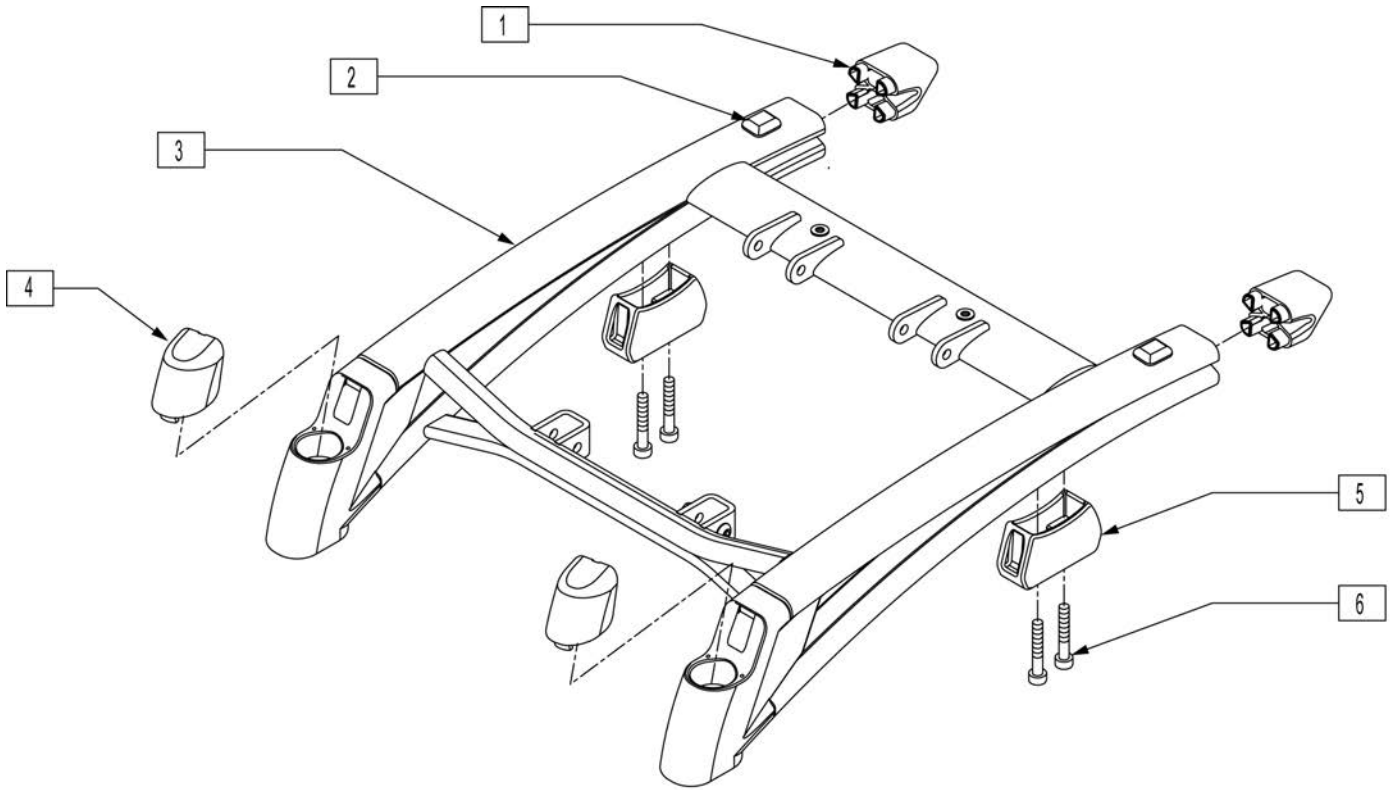
For easy reference please fill in your Customer Number and Sunrise Account Manager's name.

Customer Account Number _____
Ship to Account Number _____
Sunrise Account Manager _____

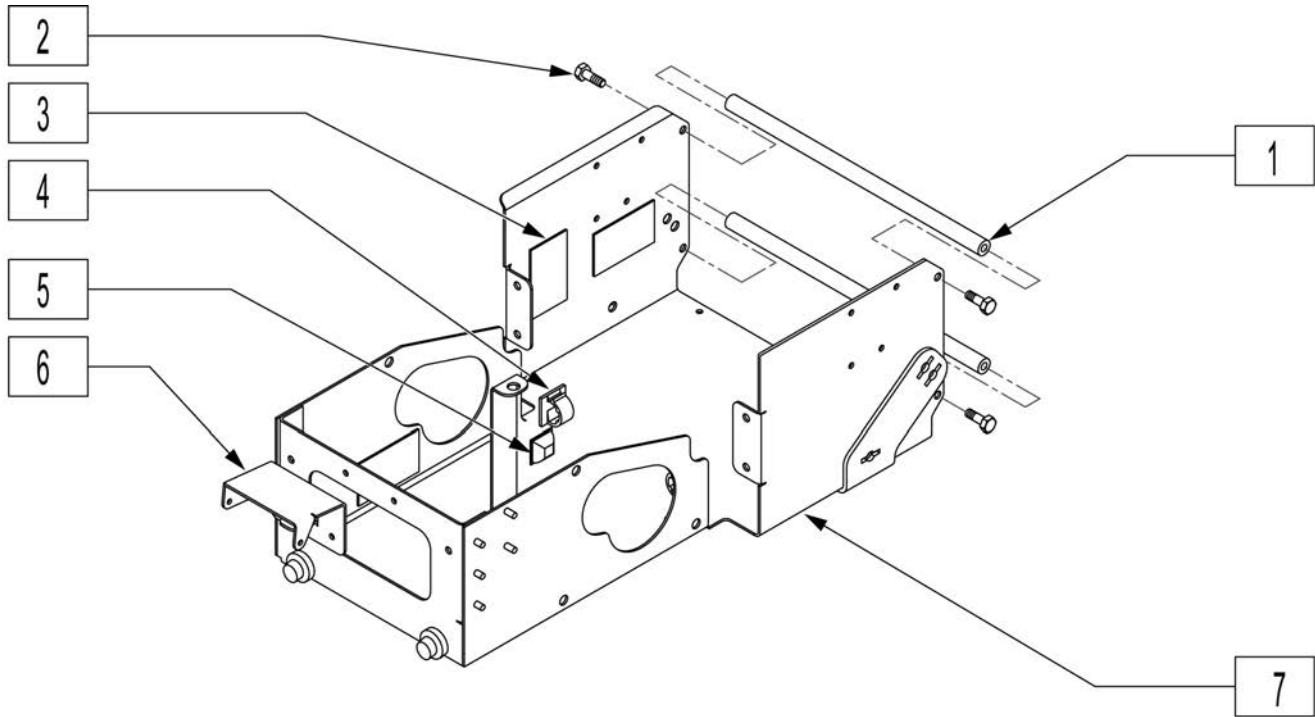
*Part prices and configurations or specifications of products included in this Parts Manual are subject to change without prior notice.

Cover.....	1
cover.....	1
QUICKIE P220	5
BASE.....	5
FRAME	5
FRAME	5
BATTERY BOX	6
P220 TECHPAK	7
INTERCONNECT ASSEMBLY.....	8
SHROUDS	10
P220 SHROUDS	11
MOTORS.....	11
MOTOR ASSEMBLY.....	12
COG RELEASE ASSEMBLY	14
DRIVE WHEELS	14
12 X 3 DRIVE WHEEL	15
12 X 4 DRIVE WHEEL	16
WHEEL LOCK PUSH TO LOCK.....	17
FRONT CASTERS AND FORKS.....	17
FIXED FORK AND CASTER.....	18
SUSPENSION CASTER & FORK	20
ANTI-TIP	22
SEATING AND POSITIONING.....	22
SEAT	22
SEAT SLING	23
SEAT PAN.....	24
SEAT CUSHION.....	25
P220 SEATFRAME INTERFACE.....	26
POWERED SEATING	27
INTEGRATED TILT MOUNTING ASSM	28
INTEGRATED TILT MOUNTING ASSM DISCONTINUED.....	30
INTEGRATED TILT SEATING ASSM.....	32
BACK.....	33
BACKRESTS.....	33
JAY PRECISION BACKREST	34
JAY SOLID BACK (TRAD REHAB).....	37
TRAD. REHAB NON-FOLDING BACKREST	41
TRAD REHAB FOLDING BACKREST	46
HEADREST	50
HEADREST	51
LATERALS	51
LATERAL PAD ASSEMBLY	52
HANGERS AND FOOTPLATES	52
SWING AWAY HANGERS	52
SWING AWAY EXT MOUNT HANGERS.....	52
HANGERS.....	52
70 DEGREE SWING-AWAY HANGER	53
EXTENSIONS	53
DOUBLE D FOOTREST EXTENSION TUBE "OLD STYLE"	54
FOOTPLATES.....	55
ADULT ANGLE-ADJUSTABLE FOOTPLATE EXT MOUNT.....	56
KIDS ANGLE ADJUSTABLE FOOTPLATE EXT MOUNT	58
COMPOSITE FOOTPLATE.....	60
MULTI-POSITION FOOTPLATE	62
ALUMINUM FOOTPLATE & EXT - M6	64
TWO PIECE LOCKING FOOTPLATE.....	65
SOLID ONE PIECE FOOTREST.....	67
SWING AWAY FRONT MOUNT HANGERS	71
HANGERS.....	71
90 DEGREE SWING-AWAY HANGER	72
FOOTPLATES.....	72
KIDS ANGLE ADJ FOOTPLATE FRONT MOUNT	73
ADULT ANGLE-ADJ FOOTPLATE FRONT MOUNT.....	75
TRAD REHAB SWING AWAY HANGER RECIEVER.....	77
FIXED HANGERS	77
FIXED TAPERED HANGER.....	78
FIXED TAPERED HANGER -DISCONTINUED.....	80
FIXED STRAIGHT HANGER	82
FIXED STRAIGHT HANGER -DISCONTINUED.....	84
MANUAL ELRS	85

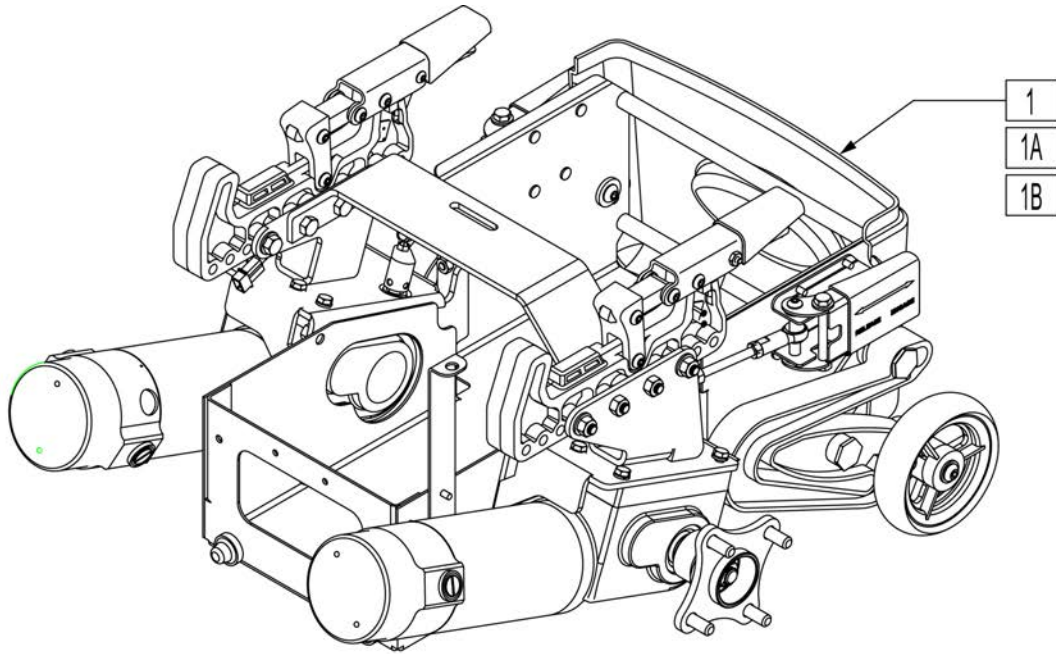
MANUAL ELR HANGERS.....	85
POWER CHAIR ELR.....	86
ELEVATING HANGER CALF PAD 14 -15".....	88
ELEVATING HANGER CALF PAD 16-20".....	89
ELR ALUMINUM FOOTPLATE.....	90
ARMREST.....	90
DUAL POST HEIGHT ADJUSTABLE FLIP-BACK ARMREST.....	91
DUAL POST FIXED HEIGHT ARMREST.....	93
SINGLE POST HEIGHT ADJUSTABLE ARMREST.....	95
SINGLE-POST HT ADJUSTABLE ARMREST RECEIVER.....	97
DUAL-POST HEIGHT ADJUSTABLE ARMREST RECIEVERS.....	98
DUAL-POST HT ADJUSTABLE FLIP-BACK ARMREST RECIEVERS.....	100
ELECTRONICS.....	101
VSI.....	101
VSI JOYSTICK CONTROL SYSTEM (P220).....	102
ROUND ARM JOYSTICK MOUNT VSI/VR2/RNET.....	103
SWING AWAY ROUND ARM JOYSTICK MOUNT VSI/VR2/RNET.....	104
QTRONIX, VSI, VR2, & PILOT + PROGRAMMER.....	105
PILOT PLUS.....	105
PILOT + JOYSTICK.....	106
FIXED ROUND ARM JOYSTICK MOUNT PILOT +.....	107
SWING AWAY ROUND ARM JOYSTICK MOUNT PILOT +.....	108
P220/P222SE QTRONIX & PILOT + CONTROLLER.....	109
ATTENDANT CONTROL.....	110
QTRONIX, VSI, VR2, & PILOT + PROGRAMMER.....	111
JOYSTICK CENTER MOUNT.....	112
QTRONIX ELECTRONICS.....	112
QTRONIX REMOTE JOYSTICK.....	113
QTRONIX REMOTE JOYSTICK PARTS.....	114
SWING AWAY ROUND ARM JOYSTICK MOUNT QTRONIX.....	116
ROUND ARM JOYSTICK MOUNT QTRONIX.....	117
P220/P222SE QTRONIX & PILOT + CONTROLLER.....	118
ATTENDANT CONTROL.....	119
QTRONIX, VSI, VR2, & PILOT + PROGRAMMER.....	120
CLAMP FOR ROUND ARM JOYSTICK MOUNT.....	121
HEIGHT ADJ CLAMP FOR ROUND ARM JOYSTICK MOUNT.....	122
QTRONIX, VSI, VR2, & PILOT + PROGRAMMER.....	123
TILT SYSTEM HARNESES.....	124
OFF BOARD BATTERY CHARGERS.....	125
BATTERIES.....	125
BATTERIES.....	126
BATTERY BOX.....	127
SPECIALTY CONTROLS.....	127
QTRONIX USCM.....	128
ASL HEAD ARRAY WITH STEALTH MOUNT.....	130
HMC MINI JOYSTICK WITH STEALTH MOUNT.....	132
HMC MINI JOYSTICK WITH STEALTH MOUNT (HAND CONTROL).....	133
QUICKIE PROPORTIONAL HEAD CONTROL WITH STEALTH MOUNT.....	134
PENTA SWITCH PACKAGE.....	135
QUICKIE SIP N PUFF WITH STEALTH MOUNT.....	136
SWITCH IT HEAD ARRAY PACKAGE.....	137
MINI PROPORTIONAL CHIN CONTROL.....	138
MULTI-INPUT SWITCH BOX.....	139
SINGLE SWITCH DEVICES.....	140
ACCESSORIES.....	140
TUFFAK TRAY(POWER CHAIRS).....	141
AUTO BUCKLE POSITIONING BELTS.....	142
AIRCRAFT BUCKLE POSITIONING BELT.....	143
POSITIONING BELT.....	144
MANUAL WHEELCHAIR CONVERSION KIT.....	145
HIGH WHEEL LOCK EXTENSION HANDLE.....	149
POWER CORD POUCH.....	150
BAGS AND POUCHES.....	150
BACKPACKS AND SEAT POUCHES.....	151
CELL PHONE PACK.....	152
CASE LOGIC BAGS.....	153
IMPACT GUARD NEOPRENE & GEL VELCRO PADS.....	154
TIRE PUMP.....	155
Back Cover.....	155
Product.....	156



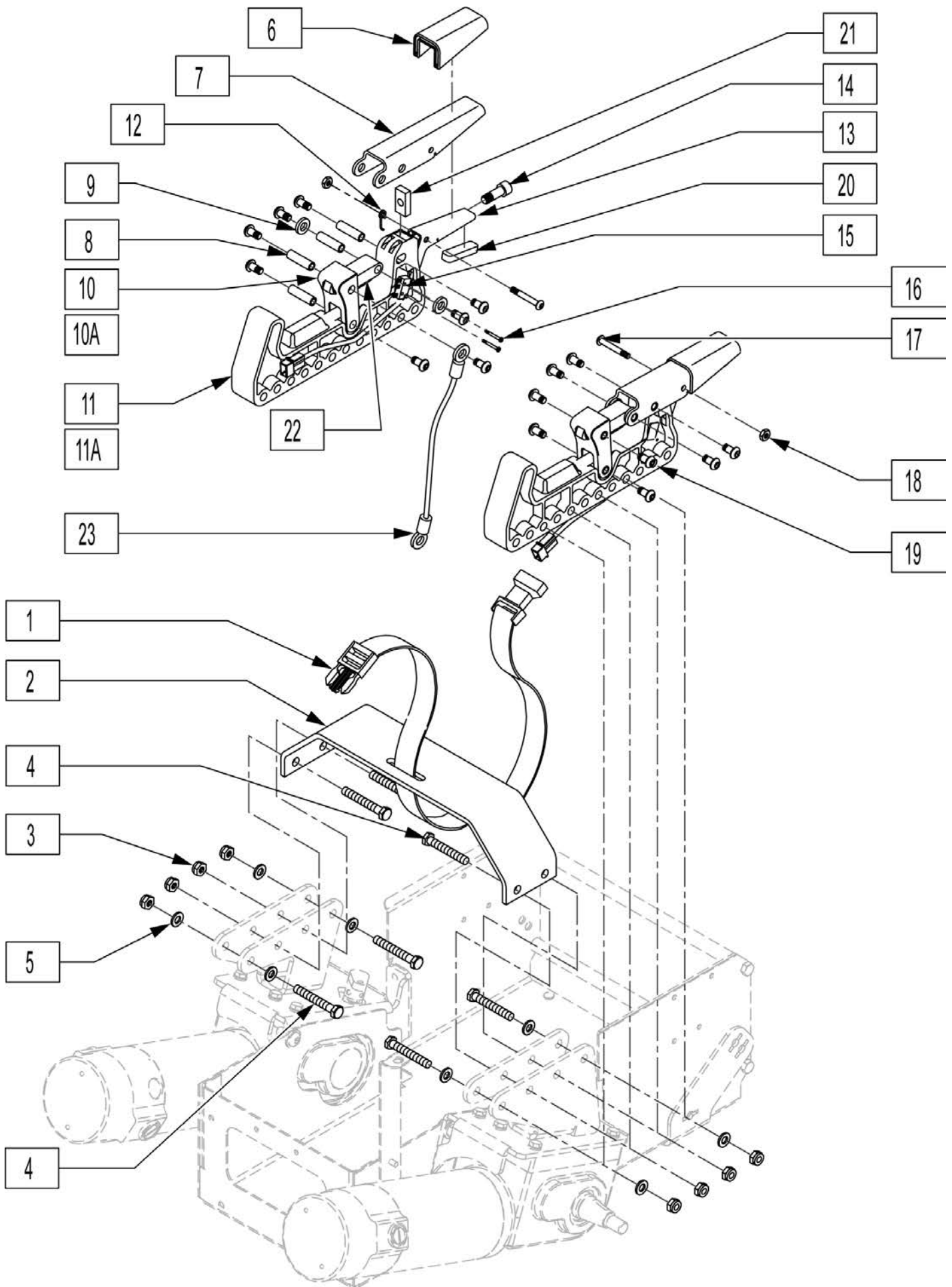
Pos.	Item Number	Description
1	560025	SIDE FRAME CAP P222
2	349578	RUBBER SUBBASE BUMPER
4	560026	CASTER CAP P222
5	483238	MALE INTERCONNECT P222
6	226272	3/8-16 x 3/4 SOC C/S BLK
3,5,6	660051S	P220/P222 BASE 14"-18" WIDE
3,5,6	660052S	P220/P222 BASE 19"-20" WIDE
3,5,6	660053S	P220/P222 BASE 22"-24" WIDE
1-6	660724S	BASE FRM P220 14"-18" WIDE
1-6	660725S	BASE FRM P220 19"-20" WIDE
1-6	660726S	BASE FRM P220 20"-24" WIDE



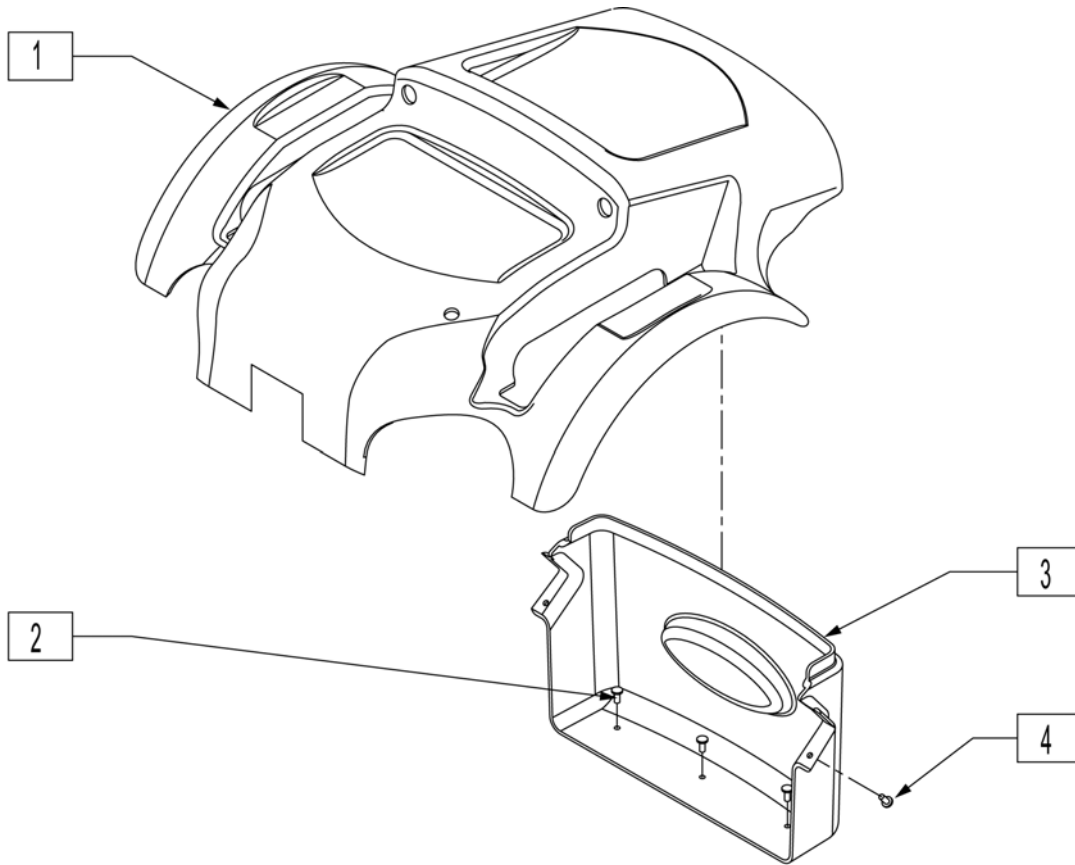
Pos.	Item Number	Description	Remarks
1	506168	BATTERY SUPPORT CROSS BAR P222	
2	221102	1/4-28 x 3/4 HEX C/S BLK W/PAT	
3	334000	DAMPING SHEET	
4	341220	BATTERY CABLE CLIP	
5	349578	RUBBER SUBBASE BUMPER	
6	501849	HARNESS MOUNT	
7	540011S	BATTERY SUPPORT WELDMNT	
1,2,7	884134	BATTERY SUPPORT SUB-ASSM P220	P220 ONLY (INCLUDES REAR SHROUD - NOT SHOWN)
1,2,7	884315	BATTERY SUPPRT SUB-ASSM P222SE	P222SE ONLY (INCLUDES REAR SHROUD - NOT SHOWN)



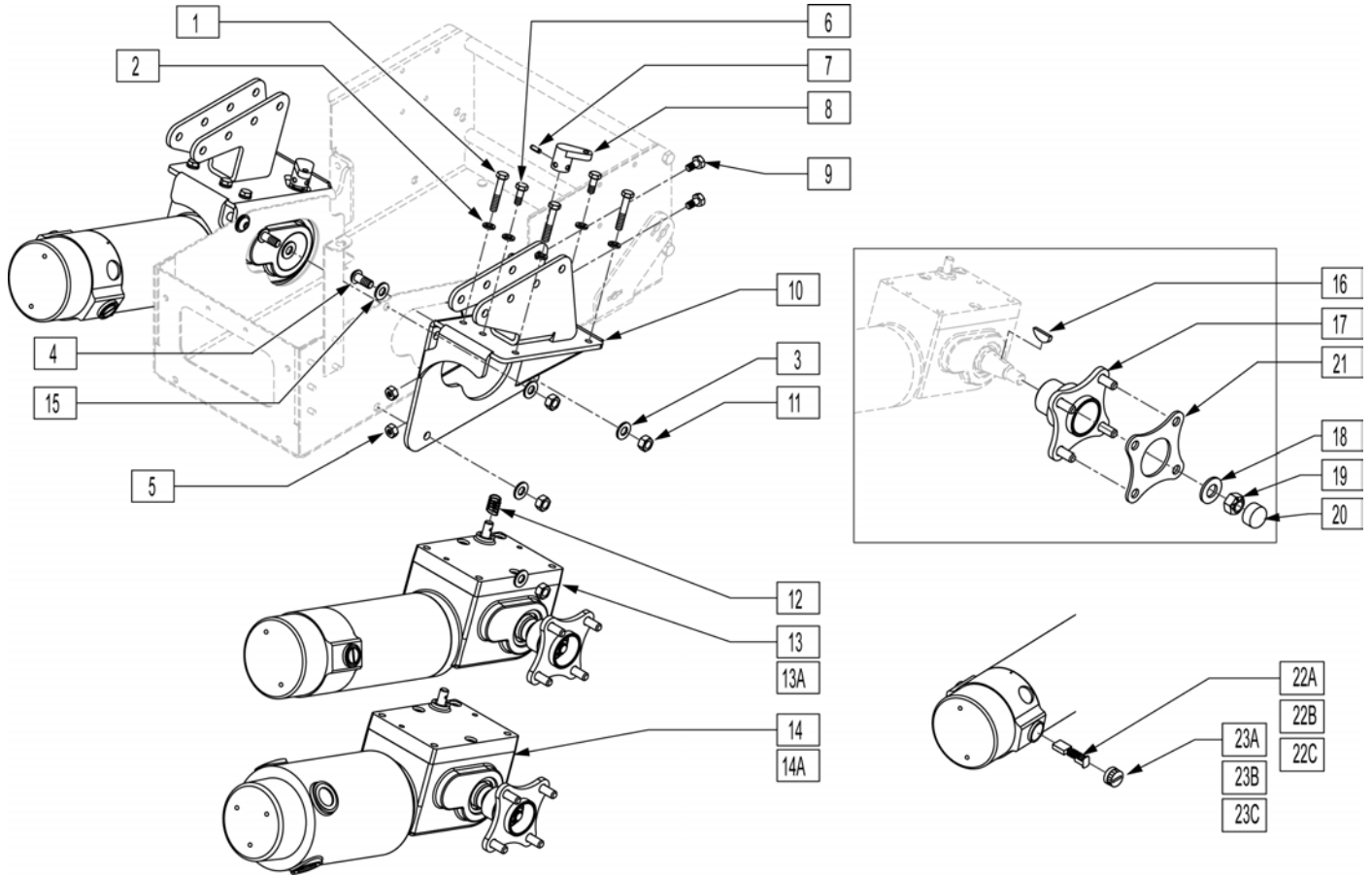
Pos.	Item Number	Description
1	887278	TCHPK STD P220 ASSM W/12x4 HUB
1	887279	TCHPK STD P220 ASSM W/12x3 HUB
1	887280	TCHPK WIDE P220 ASSM W/12x4 HUB
1	887281	TCHPK WIDE P220 ASSM W/12x3 HUB
1A	887286	TCHPK STD P220 VSI W/12X4 HUB
1A	887287	TCHPK STD P220 VSI W/12x3 HUB
1A	887288	TCHPK WIDE P220I VSI W/12X4 HUB
1A	887289	TCHPK WIDE P220 VSI W/12x3 HUB
1B	887290	TCHPK STD P220 VSI TILT W/12X4
1B	887291	TCHPK STD P220 VSI TILT W/12X3
1B	887292	TCHPK WIDE P220 VSI TILT W/12X4
1B	887293	TCHPK WIDE P220 VSI TILT W/12X3



Pos.	Item Number	Description
1	750092	BATTERY STRAP QTS TK
2	887239	TECHPAK SPREADER BAR ASSM
3	202111	5/16-24 NYLOCK NUT THICK BLK
4	222190	5/16-24 x 2 HEX C/S
5	263100	5/16 AN WASHER FLAT
6	560314	INTERCONNECT HANDLE COVER P222
7	506211	INTERCONNECT HANDLE P222
8	522400	INTERCONNECT PIVOT BAR
9	560313	INTERCONNECT BUSHING P222
10	502255	INTERCONNECT PRESS P222
11	502300	INTERCONNECT REC
12	320000	INTERCONNECT SPRING LEFT
12	320001	INTERCONNECT SPRING RIGHT
13	506210	INTERCONNECT LOCK BRKT P222
14	222090	5/16-24 x 7/8 SH C/S W/PATCH
15	133265	LIMIT SWTCH HRNSS
16	281013	2-56 x 1/2 PAN PHIL M/S BLK
17	226038	10-32 x 1 3/8 BH C/S BLK
18	200100-QU	10-32 NYLOCK NUT
19	226071	1/4-28 x 1/2 BH C/S BLK
20	341219	FINGER PAD W/PSA
21	481203	INTERCONNECT ADJ PLATE P222
22	483749	INTERCONNECT LINK P222
23	139046	STATIC STRAP
6-23	502322	INTRCNCT RCVR ASSM RIGHT
6-22	502323	INTRCNCT RCVR ASSM LEFT

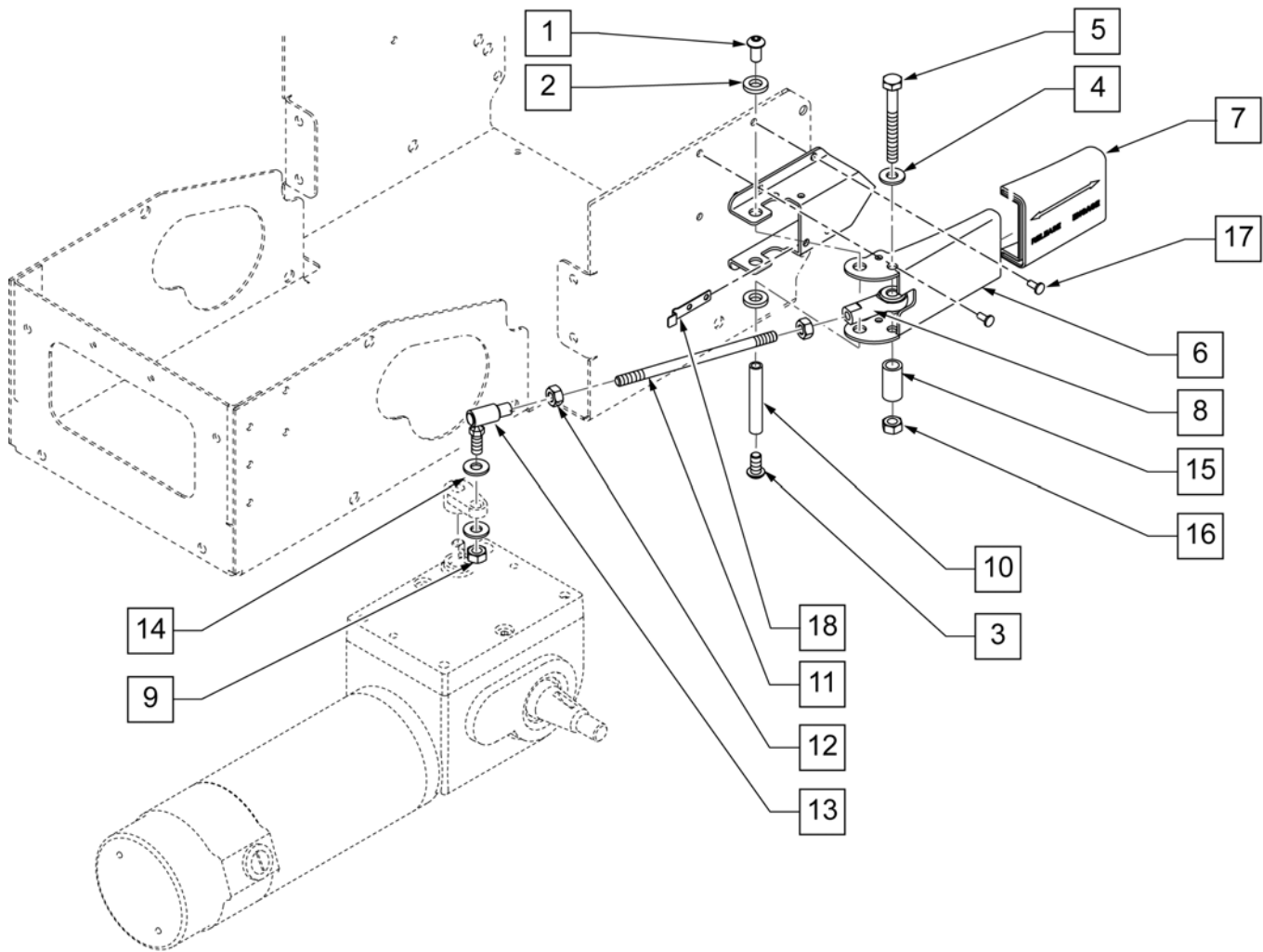


Pos.	Item Number	Description
1	882506	TOP SHROUD STD VSI ASSM (P-220)
1	882507	TOP SHROUD WIDE VSI ASSM (P-220)
1	882508	TOP SHROUD STD QTRONIX ASSM
1	882509	TOP SHROUD WIDE QTRONIX ASSM
2-4	882274	REAR SHROUD ASSM P220



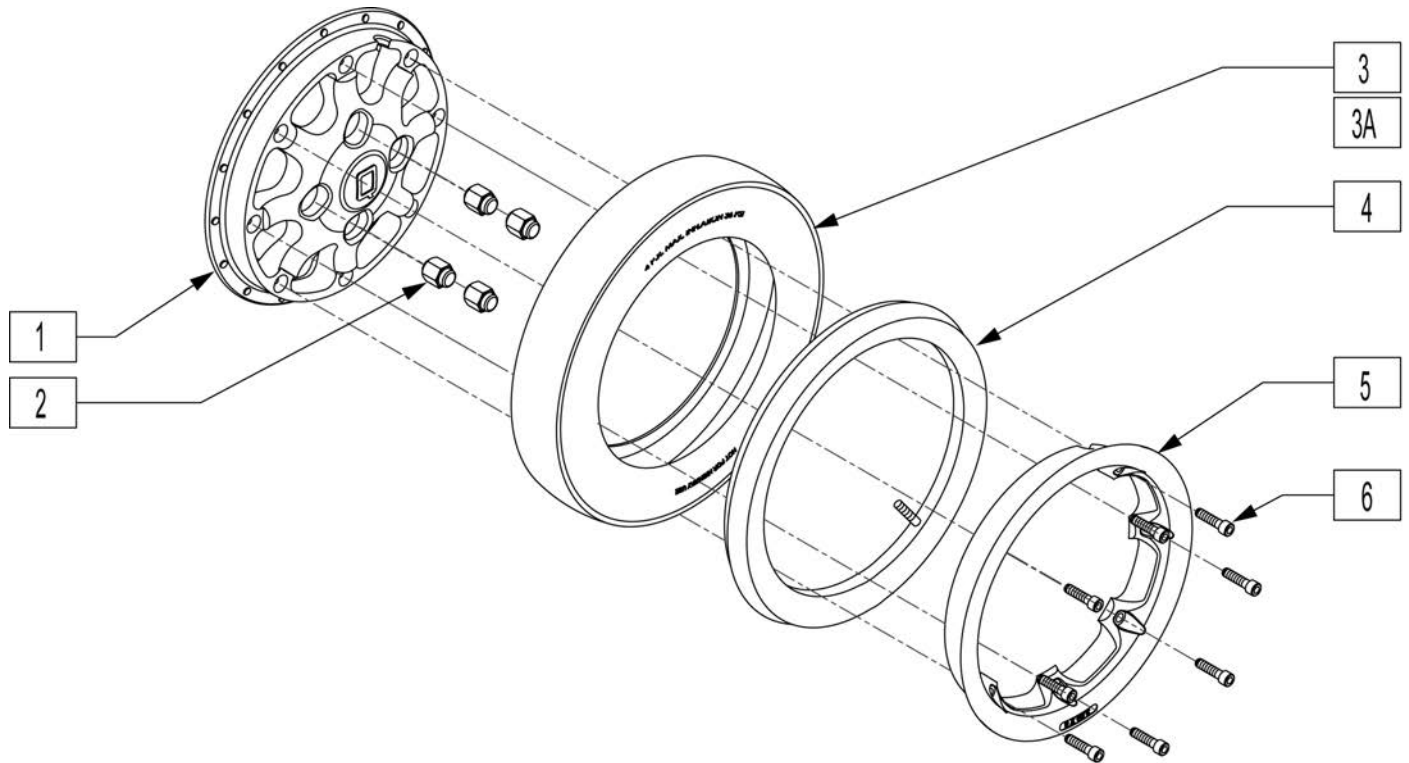
Pos.	Item Number	Description	Remarks
1	234895	M6-35 HEX C/S	
2	262122	1/4 WASHER LOCK ZN	
3	263100	5/16 AN WASHER FLAT	
4	226174	5/16-18 x 3/4" BH C/S BLK ZN	
5	202300	1/4-28 NYLOCK NUT THIN BLK ZN	
6	230038	M6 x 16 HEX C/S	
7	341211	1/8" x 11/16" ROLL PIN	
8	481491	COG REL LVR 1/8 PIN D SLOT R	
8	481492	COG REL LVR 1/8 PIN D SLOT L	
9	221093	1/4-28 x 1/2 HEX C/S	
10	542525	MTR MNT/INTRCNCT WLDMNT STD R	
10	542526	MTR MNT/INTRCNCT WLDMNT STD L	
10	542527	MTR MNT/INTRCNCT WLDMNT WIDE R	
10	542528	MTR MNT/INTRCNCT WLDMNT WIDE L	
11	202117	5/16-18 NYLOCK NUT THICK BLK	
12	321712	SPRING .336 ID .420 OD	
7,8,12,13A,16-20	886690	MOTOR 2 POLE/12 X 4 HUB ASSM R	(P220 12 x 4 HUB ASSM)
7,8,12,13A,16-20	886691	MOTOR 2 POLE/12 X 4 HUB ASSM L	(P220 12 x 4 HUB ASSM)
7,8,12,13B,16-20	886694	MOTOR 2 POLE/12 X 3 HUB ASSM R	(P220 12 x 3 HUB ASSM)
7,8,12,13B,16-20	886695	MOTOR 2 POLE/12 X 3 HUB ASSM L	(P220 12 x 3 HUB ASSM)
7,8,12,14A,16-21	886692	MOTOR 4 POLE/12 X 4 HUB ASSM R	(P222SE 12 x 4 HUB ASSM)
7,8,12,14A,16-21	886693	MOTOR 4 POLE/12 X 4 HUB ASSM L	(P222SE 12 x 4 HUB ASSM)
7,8,12,14B,16-21	886696	MOTOR 4 POLE/12 X 3 HUB ASSM R	(P222SE 12 x 3 HUB ASSM)
7,8,12,14B,16-21	886697	MOTOR 4 POLE/12 X 3 HUB ASSM L	(P222SE 12 x 3 HUB ASSM)

Pos.	Item Number	Description	Remarks
15	262143	5/16 LOCK WASHER INT/EXT TOOTH	
16	341269	#606 WOODRUFF KEY STEEL	
17	501548	WHEEL HUB TS RCKWLL GRBOX	(12x4)
17	362246	HUB .85" OFFSET ID B TS	(12x3)
18	264101	1/2 WASHER HARDENED FLAT	
19	210002	M12 x 1.75 ALL MTL PREV TRQ NT	
20	349611	VINYL PLUG 7/8 DIA	
21	505961	WHEEL HUB FLANGE 1/8" SPACER	(P222SE 12 x 4 HUB ASSM)
22A,23A	101425	KIT BRUSH-CAP SET 4 POLE MTR	Kit w/ 4 brushes & 4caps, used on P222SE after S/N P2X-17105
22B,23B	103768	BRUSH-CAP SET 4 POLE S646	2 Brushes & 2 caps, order qty 2, used on P222SE prior to P2X-17105
22C,23C	139197	BRUSH/CAP SET ASI (2 POLE)	2 Brushes & 2 Caps used on P220



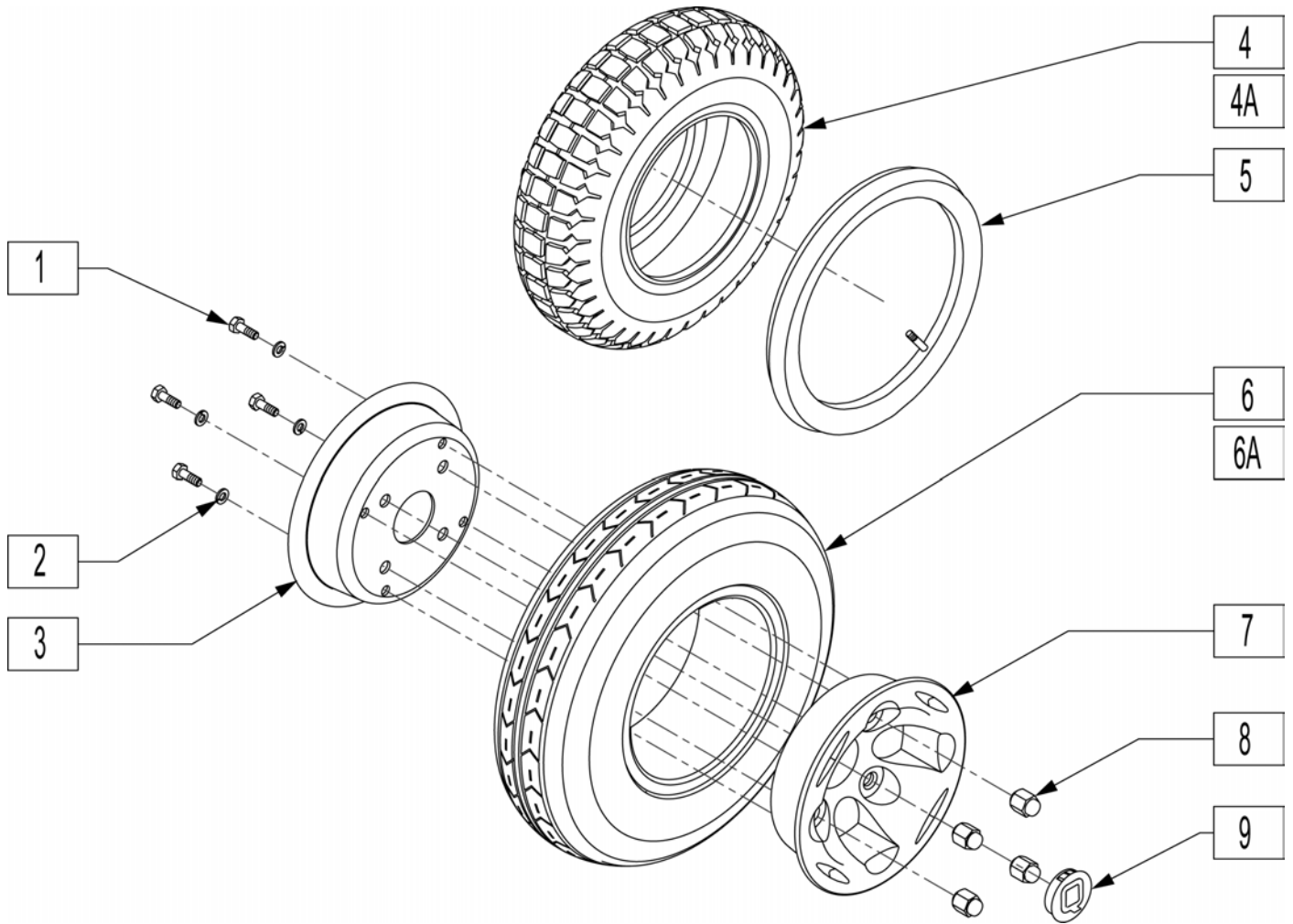
Pos.	Item Number	Description	Pos.	Item Number	Description
1	560313	INTERCONNECT BUSHING P222	11	226338	1/4-28 x 4 1/2 ALL THREAD
2	505970	LEVER ACT MNT BRCKT R	12	201112	1/4-28 NUT THIN
2	505971	LEVER ACT MNT BRCKT L	13	330207	BALL JOINT QUICK DSCNNT 1/4-28
3	221091	1/4-28 x 1/2 BH C/S BLK W/PTCH	14	106943	1/4 AN WASHER FLAT
4	106944	1/4 AN WASHER FLAT THIN	15	486513	COG RELEASE SLEEVE
5	221191	1/4-28 x 2 1/4 G8 HEX C/S	16	204110	1/4-28 NYLOCK NUT BLK ZN
6	550607	COG RELEASE LEVER HANDLE	17	302018	COG RELEASE LEVER LOCK SPRING
7	560317	LEVER HANDLE COVER	18	240162	5/32 x .29 AL/ST BLIND RIVET BLK
8	330206	ROD END FEMALE 1/4-28 RH THRD	1-16	887960	COG RELEASE ASSEMBLY RIGHT
9	202300	1/4-28 NYLOCK NUT THIN BLK ZN	1-16	887961	COG RELEASE ASSEMBLY LEFT
10	526068	ANTI TIP PIVOT BAR			

NOTE: IF CONVERTING FROM 12" X 3" DRIVE WHEELS TO 12" X 4" DRIVE WHEELS OR VISE VERSA THEN THE HUB MUST BE REPLACED. PLEASE REFER TO THE "MOTOR ASSEMBLY" PARTS MANUAL PAGE FOR APPROPRIATE HUB PARTS.

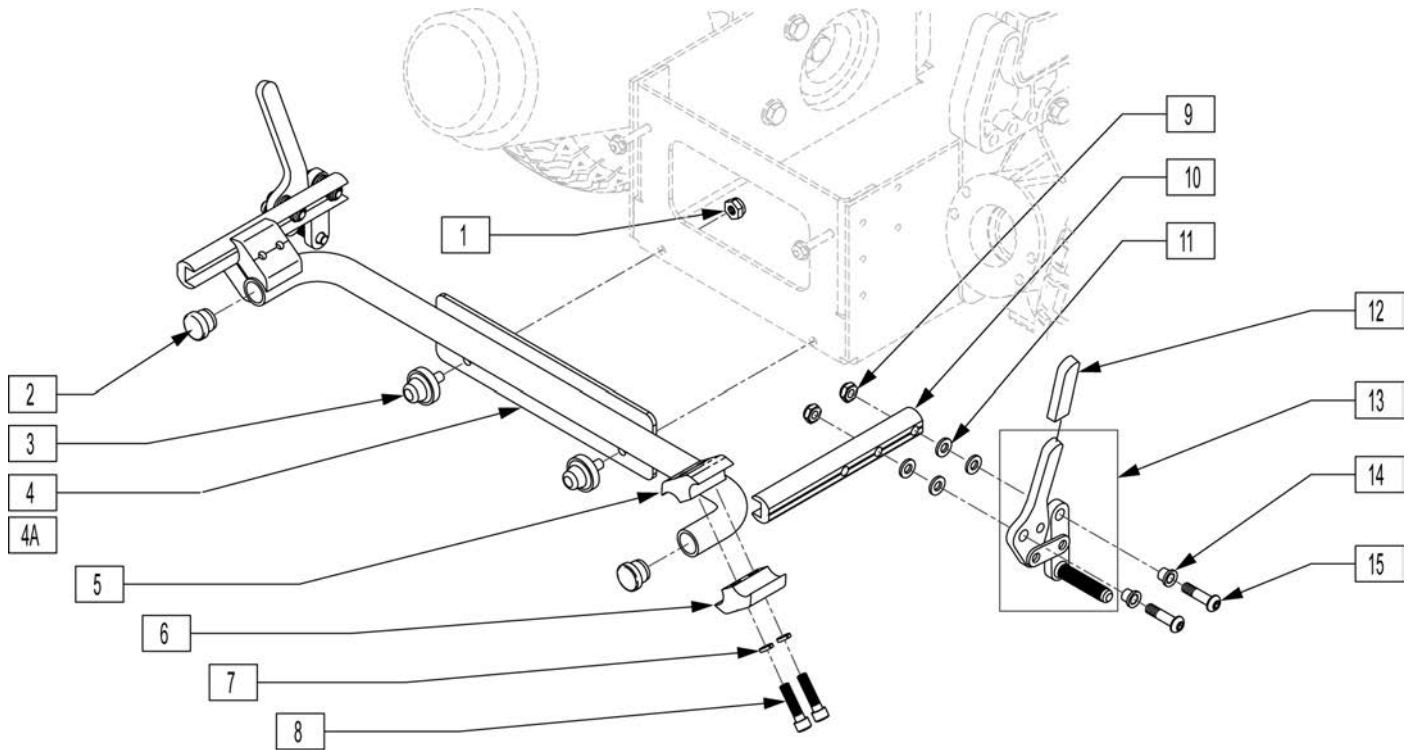


Pos.	Item Number	Description
1	400782	INNER WHEEL 8 SPOKE
2	200135	CONICAL LUG NUT
3	382301	TIRE KNOBBY 2.50-8 (C-177) (12 x 3)
3A	382303	TIRE KNOBBY 2.50-8 FOAM FILL (12 x 3)
4	384739	INNER TUBE 14" x 3" 90D STEM
5	400784	OUTER WHEEL WIDE
6	221116	1/4-20 x 1 SOC HD BLK
1,3-6	761858	12 x 3 MAG PNEU KNOBBY TIRE ASSM
1,3A,5,6	761859	12 x 3 MAG SLD KNOBBY TIRE ASSM

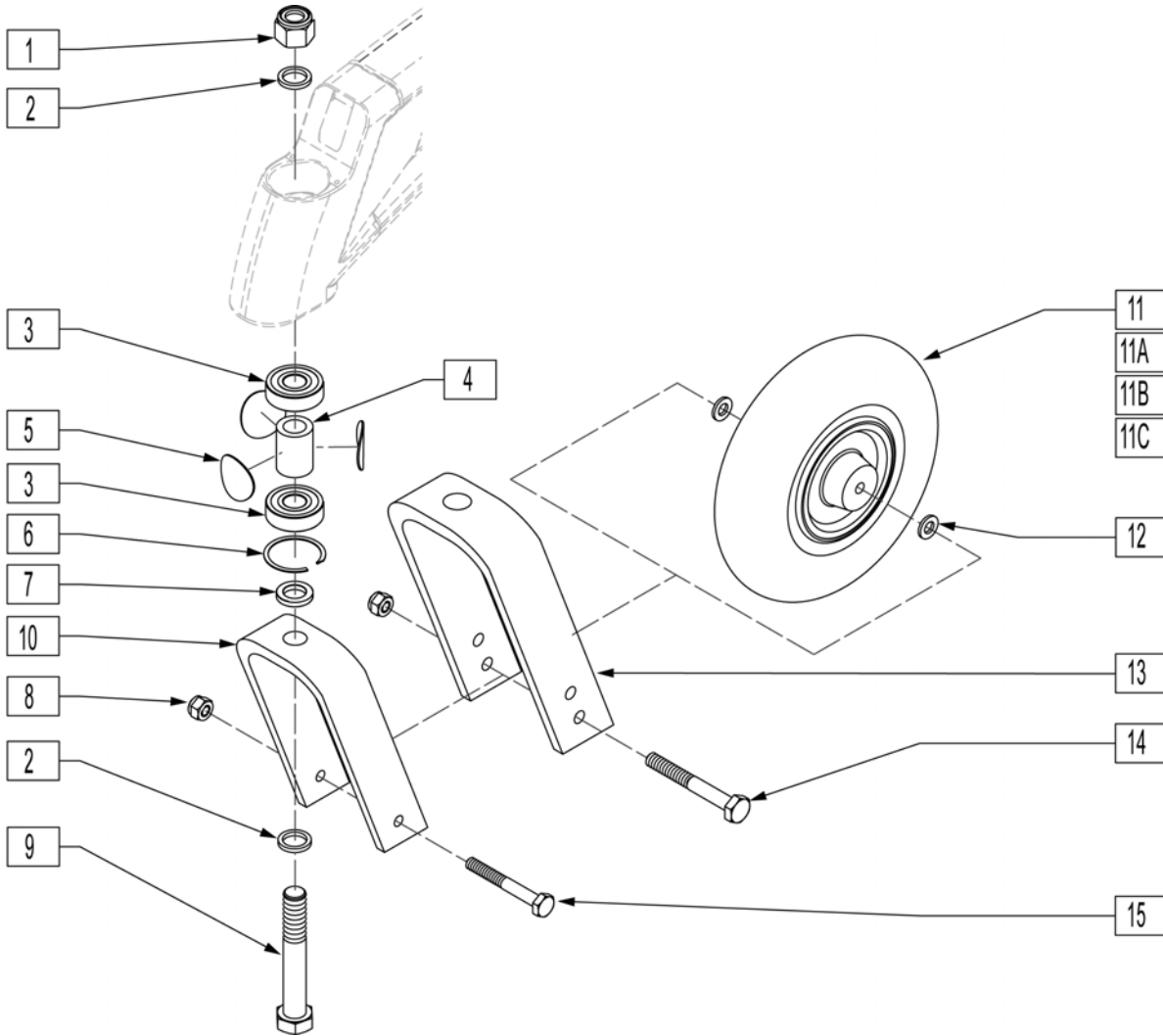
NOTE: IF CONVERTING FROM 12" X 3" DRIVE WHEELS TO 12" X 4" DRIVE WHEELS OR VISE VERSA THEN THE HUB MUST BE REPLACED. PLEASE REFER TO THE "MOTOR ASSEMBLY" PARTS MANUAL PAGE FOR APPROPRIATE HUB PARTS.



Pos.	Item Number	Description
1	221105-QU	1/4-20 x 3/4 HEX C/S
2	262122	1/4 WASHER LOCK ZN
3	400781	12 x 4 INNER RIM BOLT-THRU
4	384303	3.50 x 12" KNOBBY TIRE
4A	384305	3.50 x 12" KNOBBY W/INSERT
5	384729	INNER TUBE 12" x 3.50"
6	384300	3.50 x 12" V-GROOVE TIRE
6A	384302	3.50 x 12" V-GRV W/INSRT
7	400780	12 x 4 OUTER RIM THREADED
8	200135	CONICAL LUG NUT
9	567002	WHEEL HUB CAP S525/G424
1-3,5-7	761870	12" MAG PNEU V-GRV WHEEL ONLY
1-3,6A,7	761871	12" MAG INST V-GRV WHEEL ONLY
1-5,7	761872	12" MAG PNEU KNOBBY WHEEL ONLY
1-3,4A,7	761873	12" MAG INST KNOBBY WHEEL ONLY



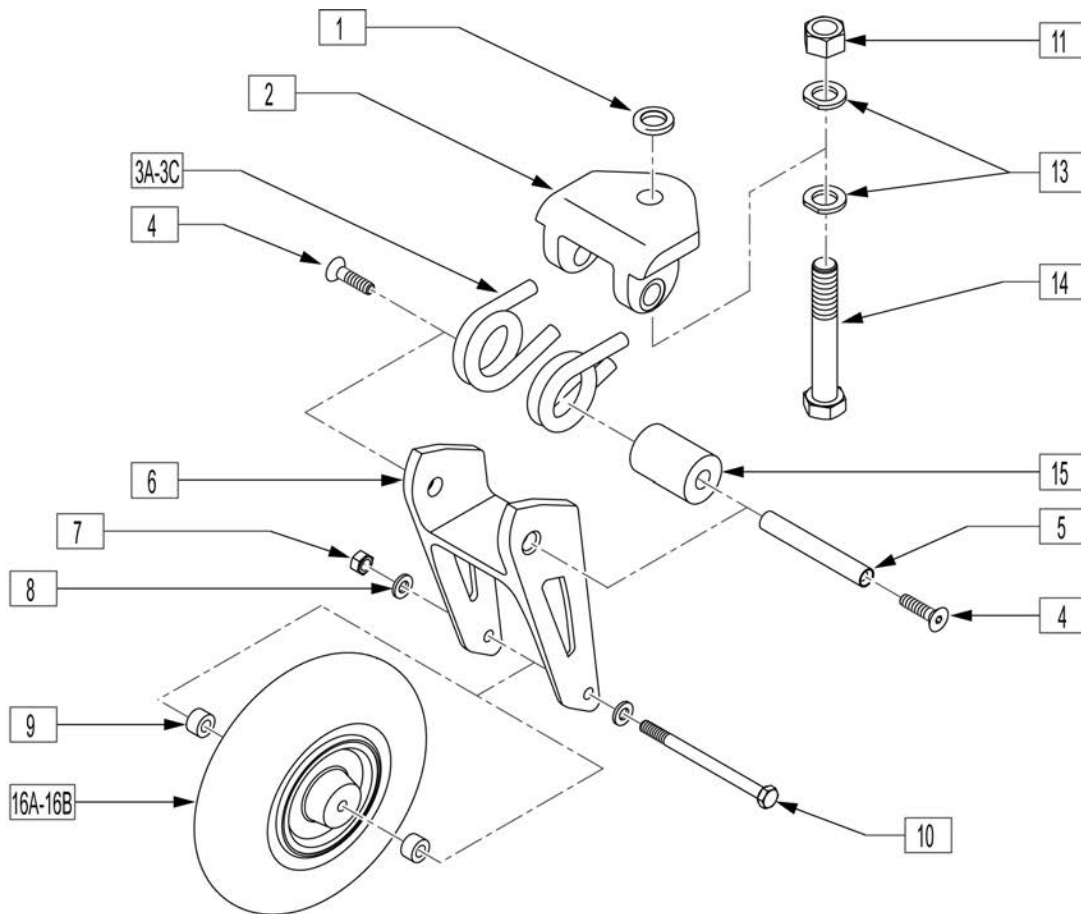
Pos.	Item Number	Description
1	106932	1/4-20 NYLOCK NUT HIGH
2	561000-QU	3/4" INSERT PLUG .083
3	560707	TAPERED BUMPER 1/4-20 x 1/2
4	545557	WHLOCK MOUNT WLDMNT STD P220
4A	545558	WHLOCK MOUNT WLDMNT WIDE P220
5	550725	CLAMP 3/4"-3/4"THRD HALF ST/DT
6	550724	CLAMP 3/4"-3/4"TOP HALF ST/DT
7	262114	1/4 WASHER HI COLLAR LOCK ZN
8	107032	1/4-28 x 1 SOC C/S BLK
9	106941	1/4-28 AUTOMATION NUT
10	550623	WHL LCK SLIDE BLOCK MED BLK
11	561028	1/4" NYLON WASHER
12	560500-QU	HB PLASTIC COVER
14	560126	.250 ID .312 OD BUSHING PLST
15	226125	1/4-28 x 1 1/8 BH C/S
5-8	880588	WHL LCK CLAMP ASSM BLK ST/DT (EA)
9-15	881960	WHLLCK PUSH LG R RVS W/O CLMP
9-15	881961	WHLLCK PUSH LG L RVS W/O CLMP
2,4-15	881250	WHL LCK PSH ASSM STD W/CLMP (PR)
2,4A,5-15	881251	WHL LCK PSH ASSM WIDE W/CLMP (PR)



Pos.	Item Number	Description	HCPC
1	203108	5/8-18 NUT NYLOCK	
2	250098	M16 HARDENED NRRW FLAT WASHER	
3	349609	BEARING 40 x 5/8 x 12 THK	
4	526063	BEARING SPACER CASTER	
5	561265	ANTI FLUTTER DISC .080 x 1.350	
6	320021	RETAINING RING CASTER BRNG	
7	481480	CASTER FORK SPACER	
8	202106	5/16-24 NYLOCK NUT THIN BLK	
9	226334	5/8-18 x 4 HEX HEAD C/S	
10	550787	8 x 2 FORK S626	
11	400700	8" x 2" CMPST W/PNEU & BEARING	K0071
11A	400750	9 x 3 CSTER WHL ASSM PNEU S626	K0071
11B	400702	8" x 2" CMPST W/PNEU INSRT&BRG	K0072
11C	400751	9 x 3 CSTR WHL ASSM SOLID S626	K0077
12	263100	5/16 AN WASHER FLAT	
13	550696	10 x 3 CASTER FORK S626	
14	222206	5/16-24 x 4-3/4 HH C/S GR8 BK ZN	
15	222257	5/16-24 x 3 1/2" G8 HEX C/S	
1,2,7-10,12,15	781000	8" x 2" FORK/STEM W/HDWR S626	

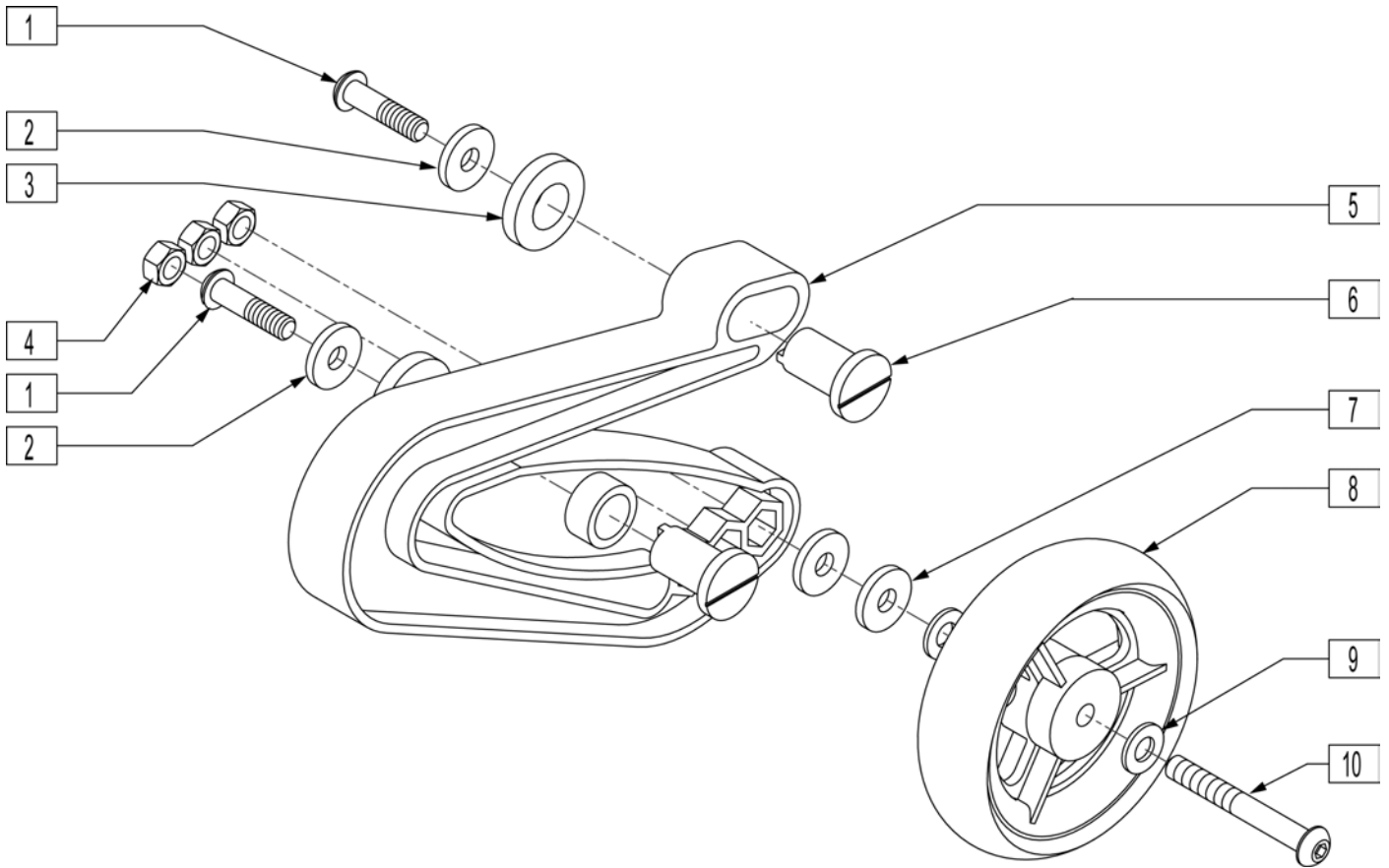
Pos.	Item Number	Description	HCPC
1,2,7-9,12-14	781001	9" x 3" FORK/STEM W/HDWR S626	
1,2,7,9,10	781003	8" x 2" FORK/STEM S626	
1,2,7,9,13	781004	9" x 3" FORK/STEM S626	
1,2,7-12,15	787146	FIXED FORK PNEU 8x2 ASSM S626	
1,2,7-9,11A,12-14	787147	FIXED FORK PNEU 9x3 ASSM S626	
1,2,7-10,11B,12,14	787148	FIXED FRK SLD IN 8x2 ASSM S626	
1,2,7-9,11C,12-14	787149	FIXED FRK SLD IN 9x3 ASSM S626	

NOTE: (Effective 1/20/03)

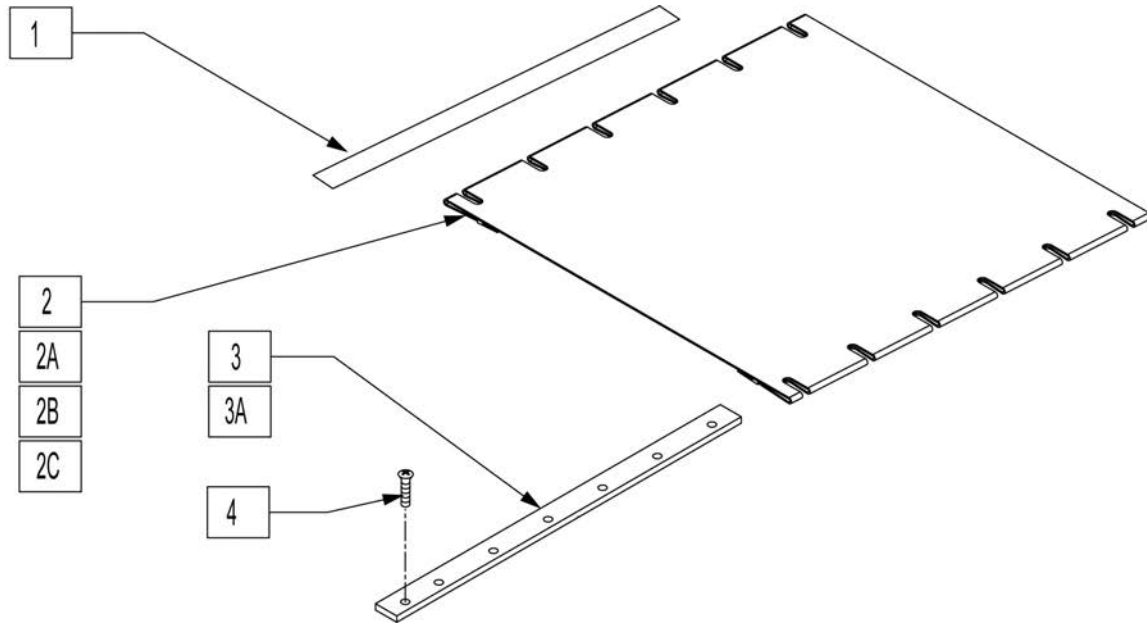


Pos.	Item Number	Description	HCP	Remarks
1	481480	CASTER FORK SPACER		
2	505804	SUSP FORK TOP PLT ASSM		
3A	321736	TORSION SPRING .31 RH		RIGHT - 0-150lbs
3A	321735	TORSION SPRING .31 LH		LEFT - 0-150lbs
3B	321738	TORSION SPRING .33 RH		RIGHT - 151-250lbs
3B	321737	TORSION SPRING .33 LH		LEFT - 151-250lbs
3C	321740	TORSION SPRING .36 RH		RIGHT - 251-400lbs
3C	321739	TORSION SPRING .36 LH		LEFT - 251-400lbs
4	222296	5/16-18 x 1-1/4 FH C/S W/PATCH		
5	481484	FRONT SUSPENSION PIVOT SHAFT		
6	506155	FRONT SUSP FORK		
7	202106	5/16-24 NYLOCK NUT THIN BLK		
8	263100	5/16 AN WASHER FLAT		
9	505934	SPACER 8 x 2 CASTER		
10	222261	5/16-24 x 4-1/4 HHCS GR8 BK ZN		
11	203108	5/8-18 NUT NYLOCK		
13	250098	5/8 CASTER FORK WASHER		
14	226334	5/8-18 x 4 HEX HEAD C/S		
15	560484	SPRING CENTER DAMPENER		
16A	400702	8" x 2" CMPST W/PNEU INSRT&BRG	K0072	

Pos.	Item Number	Description	HPCP	Remarks
16B	400700	8" x 2" CMPST W/PNEU & BEARING	K0071	
2,3A-6,13-15	787250	SUSP, FORK ASSM, .31 SPRNG		0-150lbs
2,3B-6,13-15	787251	SUSP, FORK ASSM, .33 SPRNG		151-250lbs
2,3B-6,13-15	787252	SUSP, FORK ASSM, .36 SPRNG		251-400lbs
1,-3A,4-15	787260	SUSP FORK ASSM .31 SPRNG W/HDW		0-150lbs
1,-3B,4-15	787261	SUSP FORK ASSM .33 SPRNG W/HDW		151-250lbs
1,-3C,4-15	787262	SUSP FORK ASSM .36 SPRNG W/HDW		251-400lbs
1,-3A,4-16A	787270	SUSP FRK .31 SPRNG 8x2 INSERT		0-150lbs
1,-3B,4-16A	787271	SUSP FRK .33 SPRNG 8x2 INSERT		151-250lbs
1,-3C,4-16A	787272	SUSP FRK .36 SPRNG 8x2 INSERT		251-400lbs
1,-3A,4-16B	787273	SUSP FRK .31 SPRNG 8x2 PNEU		0-150lbs
1,-3B,4-16B	787274	SUSP FRK .33 SPRNG 8x2 PNEU		151-250lbs
1,-3C,4-16B	787275	SUSP FRK .36 SPRNG 8x2 PNEU		251-400lbs

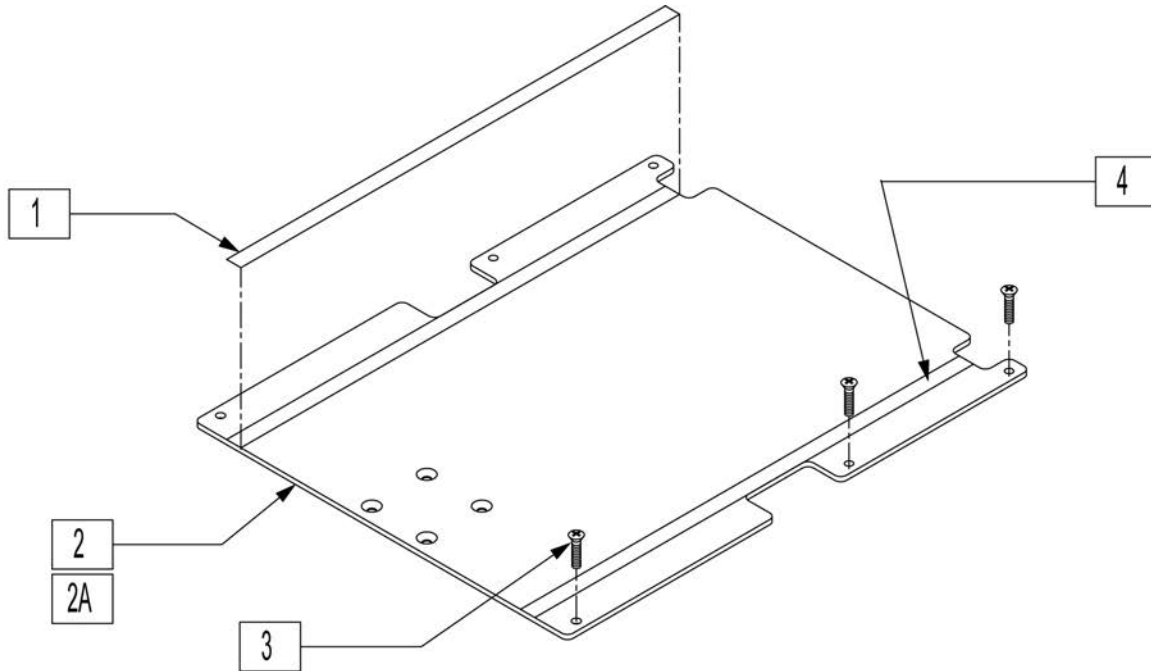


Pos.	Item Number	Description	Remarks
1	222115	5/16-18 x 1-1/4" BH C/S BLK PCH R	RIGHT
1	222116	5/16-18 x 1-1/4" BH C/S BLK PCH L	LEFT
2	106947	WASHER FLAT THIN AN 5/16 ROHS	
3	340272	REAR SPRING SPACER	
4	202117	5/16-18 NYLOCK NUT THICK BLK	
5	561370	REAR WHEEL SPRING P2	
6	481721	REARWHEEL SPRING PIVOT R THRDED	RIGHT
6	481727	REARWHL SPRING PVT LT THREADED	LEFT
7	263113	5/16 WASHER THICK	
8	101957	4"X1-1/4 POLY 3 SPOKE CSTR	
9	263100	5/16 AN WASHER FLAT	
10	226232	5/16-18 x 2 1/4" BH C/S BLK	
1-10	881450	REAR WHEEL ASSM RIGHT	
1-10	881451	REAR WHEEL ASSM LEFT	



Pos.	Item Number	Description
1	901170	SEAT SLING VELCRO® STRIP
2	722500	SEAT SLING 14" X 20" W/PCKT
2	722501	SEAT SLING 15" X 20" W/PCKT
2	722503	SEAT SLING 17" X 20" W/PCKT
2	722504	SEAT SLING 18" X 20" W/PCKT
2A	722507	SEAT SLING 18 X 20 REIN W/PCKT
2A	722508	SEAT SLING 19 X 20 REIN W/PCKT
2A	722509	SEAT SLING 20 X 20 REIN W/PCKT
2A	722510	SEAT SLING 22 X 20 REIN W/PCKT
2A	722511	SEAT SLING 24 X 20 REIN W/PCKT
2B	722520	SEAT SLING 14" X 18" W/PCKT
2B	722521	SEAT SLING 15" X 18" W/PCKT
2B	722522	SEAT SLING 16" X 18" W/PCKT
2B	722523	SEAT SLING 17" X 18" W/PCKT
2B	722524	SEAT SLING 18" X 18" W/PCKT
2C	722527	SEAT SLING 18 X 18 REIN W/PCKT
2C	722528	SEAT SLING 19 X 18 REIN W/PCKT
2C	722529	SEAT SLING 20 X 18 REIN W/PCKT
2C	722530	SEAT SLING 22 X 18 REIN W/PCKT
2C	722531	SEAT SLING 24 X 18 REIN W/PCKT
3	505110	SEAT RAIL 18"
3A	505116	SEAT RAIL 20"
4	230497	M5-.8 X 20 MM BH C/S

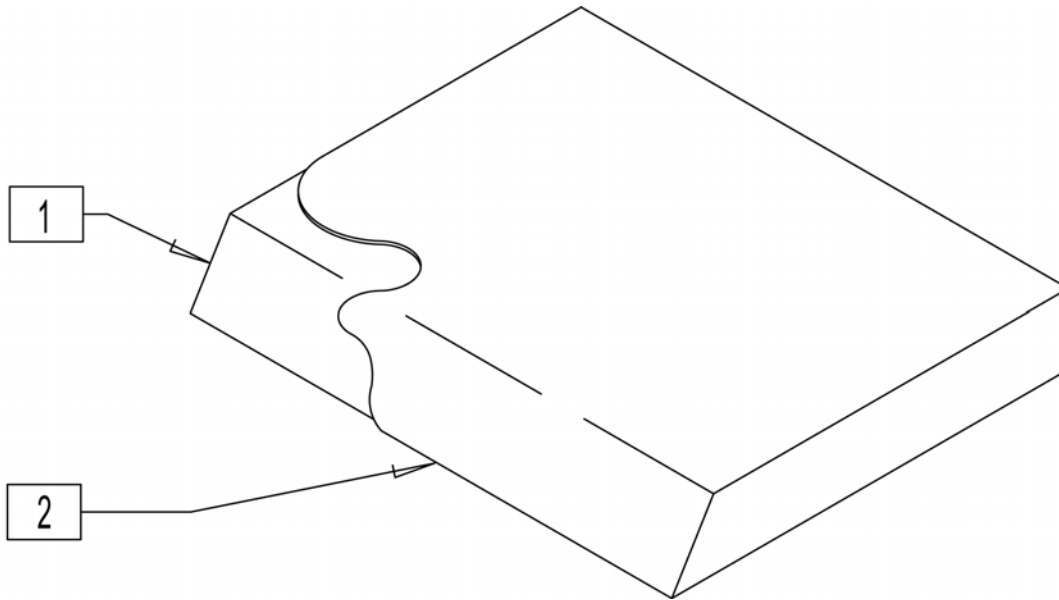
SEAT PAN



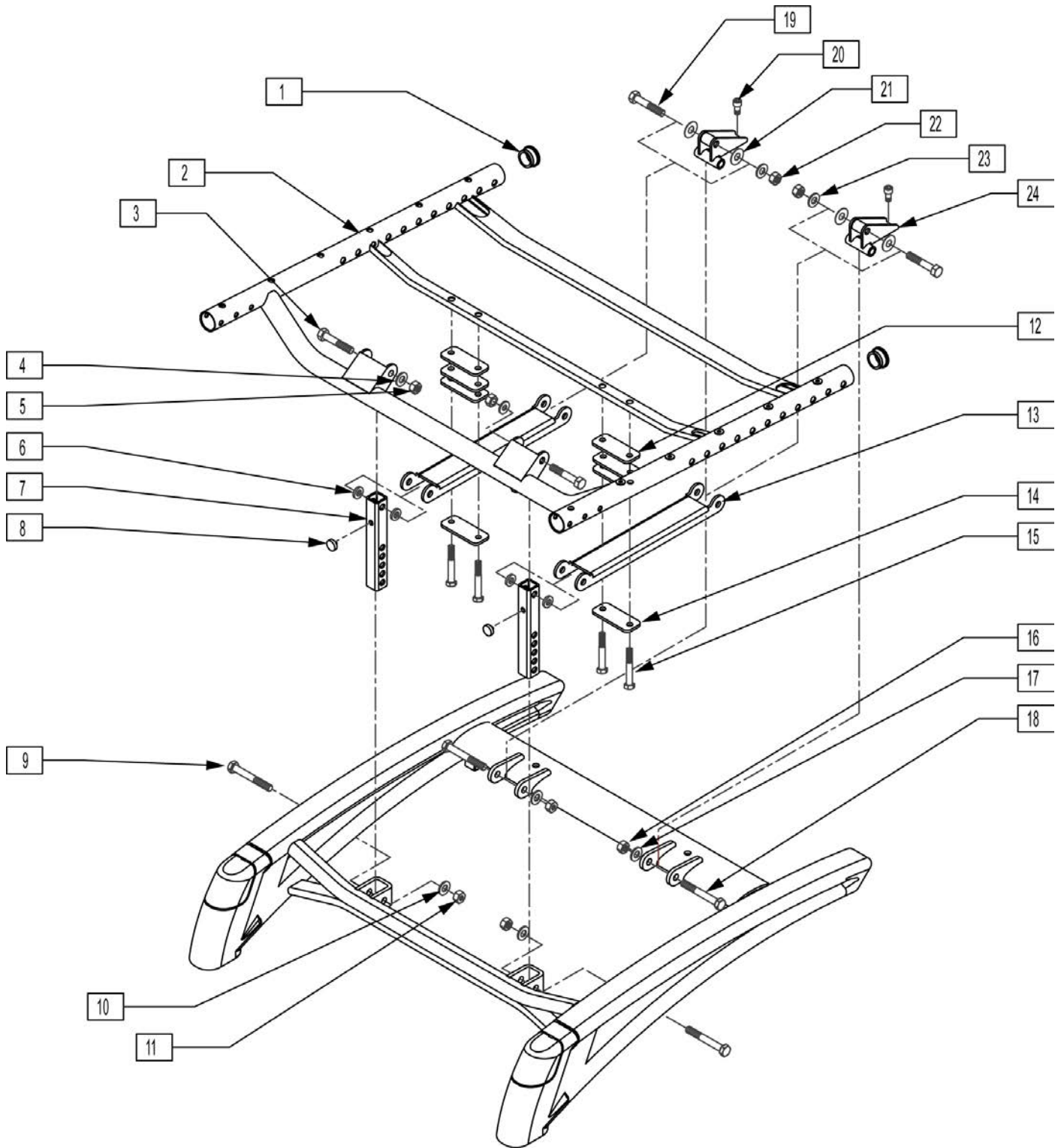
Pos.	Item Number	Description	Remarks
1	901172	LOW SEAT VELCRO® STRIP NON PS P300	
2,4	688150	SEAT PAN ASSM 14" W/VLCRO 18DP	14"-18" SEAT DEPTH - W/O TILT
2,4	688151	SEAT PAN ASSM 15" W/VLCRO 18DP	14"-18" SEAT DEPTH - W/O TILT
2,4	688152	SEAT PAN ASSM 16" W/VLCRO 18DP	14"-18" SEAT DEPTH - W/O TILT
2,4	688153	SEAT PAN ASSM 17" W/VLCRO 18DP	14"-18" SEAT DEPTH - W/O TILT
2,4	688154	SEAT PAN ASSM 18" W/VLCRO 18DP	14"-18" SEAT DEPTH - W/O TILT
2,4	688155	SEAT PAN ASSM 19" W/VLCRO 18DP	14"-18" SEAT DEPTH - W/O TILT
2,4	688156	SEAT PAN ASSM 20" W/VLCRO 18DP	14"-18" SEAT DEPTH - W/O TILT
2,4	688157	SEAT PAN ASSM 22" W/VLCRO 18DP	14"-18" SEAT DEPTH - W/O TILT
2,4	688158	SEAT PAN ASSM 24" W/VLCRO 18DP	14"-18" SEAT DEPTH - W/O TILT
2A,4	688134	SEAT PAN ASSM 14" W/VELCRO RHB	USE FOR ALL SEAT DEPTHS W/ TILT 18"-20" SEAT DEPTH - W/O TILT
2A,4	688135	SEAT PAN ASSM 15" W/VELCRO RHB	USE FOR ALL SEAT DEPTHS W/ TILT 18"-20" SEAT DEPTH - W/O TILT
2A,4	688136	SEAT PAN ASSM 16" W/VELCRO RHB	USE FOR ALL SEAT DEPTHS W/ TILT 18"-20" SEAT DEPTH - W/O TILT
2A,4	688137	SEAT PAN ASSM 17" W/VELCRO RHB	USE FOR ALL SEAT DEPTHS W/ TILT 18"-20" SEAT DEPTH - W/O TILT
2A,4	688138	SEAT PAN ASSM 18" W/VELCRO RHB	USE FOR ALL SEAT DEPTHS W/ TILT 18"-20" SEAT DEPTH - W/O TILT
2A,4	688139	SEAT PAN ASSM 19" W/VELCRO RHB	USE FOR ALL SEAT DEPTHS W/ TILT 18"-20" SEAT DEPTH - W/O TILT
2A,4	688140	SEAT PAN ASSM 20" W/VELCRO RHB	USE FOR ALL SEAT DEPTHS W/ TILT 18"-20" SEAT DEPTH - W/O TILT
2A,4	688141	SEAT PAN ASSM 22" W/VELCRO RHB	USE FOR ALL SEAT DEPTHS W/ TILT 18"-20" SEAT DEPTH - W/O TILT
2A,4	688142	SEAT PAN ASSM 24" W/VELCRO RHB	USE FOR ALL SEAT DEPTHS W/ TILT 18"-20" SEAT DEPTH - W/O TILT
3	230497	M5-.8 X 20 MM BH C/S	
4	901171	LOW SEAT VELCRO® STRIP PS P300	

SEAT CUSHION

[10/2007]



Pos.	Item Number	Description	Pos.	Item Number	Description
1-2	700322	SEAT CUSHION 14" X 14" X 2"	1-2	700632	SEAT CUSHION 17" X 17" X 2"
1-2	700332	SEAT CUSHION 14" X 15" X 2"	1-2	700642	SEAT CUSHION 17" X 18" X 2"
1-2	700342	SEAT CUSHION 14" X 16" X 2"	1-2	700652	SEAT CUSHION 17" X 19" X 2"
1-2	700352	SEAT CUSHION 14" X 17" X 2"	1-2	700662	SEAT CUSHION 17" X 20" X 2"
1-2	700362	SEAT CUSHION 14" X 18" X 2"	1-2	700702	SEAT CUSHION 18" X 14" X 2"
1-2	700372	SEAT CUSHION 14" X 19" X 2"	1-2	700712	SEAT CUSHION 18" X 15" X 2"
1-2	700382	SEAT CUSHION 14" X 20" X 2"	1-2	700722	SEAT CUSHION 18" X 16" X 2"
1-2	700422	SEAT CUSHION 15" X 14" X 2"	1-2	700732	SEAT CUSHION 18" X 17" X 2"
1-2	700432	SEAT CUSHION 15" X 15" X 2"	1-2	700742	SEAT CUSHION 18" X 18" X 2"
1-2	700442	SEAT CUSHION 15" X 16" X 2"	1-2	700752	SEAT CUSHION 18" X 19" X 2"
1-2	700452	SEAT CUSHION 15" X 17" X 2"	1-2	700762	SEAT CUSHION 18" X 20" X 2"
1-2	700462	SEAT CUSHION 15" X 18" X 2"	1-2	700802	SEAT CUSHION 19" X 14" X 2"
1-2	700472	SEAT CUSHION 15" X 19" X 2"	1-2	700812	SEAT CUSHION 19" X 15" X 2"
1-2	700482	SEAT CUSHION 15" X 20" X 2"	1-2	700822	SEAT CUSHION 19" X 16" X 2"
1-2	700502	SEAT CUSHION 16" X 12" X 2"	1-2	700832	SEAT CUSHION 19" X 17" X 2"
1-2	700512	SEAT CUSHION 16" X 13" X 2"	1-2	700842	SEAT CUSHION 19" X 18" X 2"
1-2	700522	SEAT CUSHION 16" X 14" X 2"	1-2	700852	SEAT CUSHION 19" X 19" X 2"
1-2	700532	SEAT CUSHION 16" X 15" X 2"	1-2	700862	SEAT CUSHION 19" X 20" X 2"
1-2	700542	SEAT CUSHION 16" X 16" X 2"	1-2	700902	SEAT CUSHION 20" X 14" X 2"
1-2	700552	SEAT CUSHION 16" X 17" X 2"	1-2	700912	SEAT CUSHION 20" X 15" X 2"
1-2	700562	SEAT CUSHION 16" X 18" X 2"	1-2	700922	SEAT CUSHION 20" X 16" X 2"
1-2	700572	SEAT CUSHION 16" X 19" X 2"	1-2	700932	SEAT CUSHION 20" X 17" X 2"
1-2	700582	SEAT CUSHION 16" X 20" X 2"	1-2	700942	SEAT CUSHION 20" X 18" X 2"
1-2	700602	SEAT CUSHION 17" X 14" X 2"	1-2	700952	SEAT CUSHION 20" X 19" X 2"
1-2	700612	SEAT CUSHION 17" X 15" X 2"	1-2	700962	SEAT CUSHION 20" X 20" X 2"
1-2	700622	SEAT CUSHION 17" X 16" X 2"			

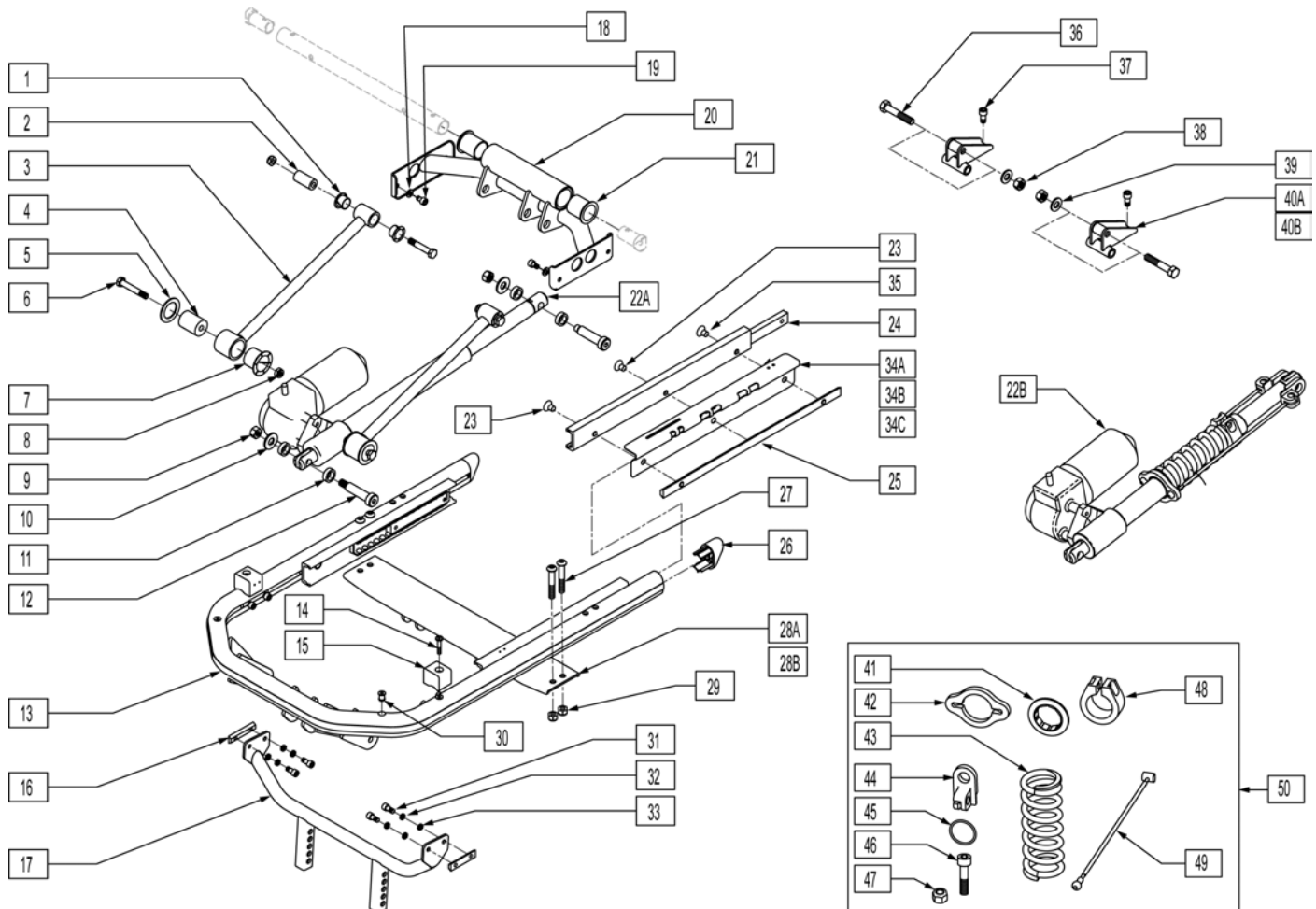


Pos.	Item Number	Description	Pos.	Item Number	Description
1	560315	1" BUSHING .065	7	501537	SUSPENSION VERTICAL
3	222103	5/16 AN5-20A HEX C/S	8	349559	RUBBER BUMPER HANGER P2
4	263100	5/16 AN WASHER FLAT	9	222099	5/16-24 x 1 1/2 HEX C/S
5	202106	5/16-24 NYLOCK NUT THIN BLK	10	263100	5/16 AN WASHER FLAT
6	560313	INTERCONNECT BUSHING P222	11	202106	5/16-24 NYLOCK NUT THIN BLK

Pos.	Item Number	Description	Pos.	Item Number	Description
12	341561	SPRING ISOLATOR	1,2	660035S	SEAT FRAME PNTD 15"W LNG
13	542164	FIXED SEAT MOUNT	1,2	660036S	SEAT FRAME PNTD 16"W LNG
14	501538	SPRING KEEPER	1,2	660037S	SEAT FRAME PNTD 17"W LNG
15	107015	1/4-28 x 1 3/4 G8 HEX C/S	1,2	660039S	SEAT FRAME PNTD 19"W LNG
16	202106	5/16-24 NYLOCK NUT THIN BLK	1,2	660040S	SEAT FRAME PNTD 20"W LNG
17	263100	5/16 AN WASHER FLAT	1,2	660041S	SEAT FRAME PNTD 22"W LNG
18	222113	5/16 AN5-22A HEX C/S	1,2	660042S	SEAT FRAME PNTD 24"W LNG
19	222101	5/16 AN5-16A HEX C/S	1-18	663880S	SEAT FRAME 14"W STD ASSM
20	226064	1/4-28 x 3/4 BH C/S BLK W/PTCH	1-18	663882S	SEAT FRAME 16"W STD ASSM
21	561275	5/16 x 7/8 x .015 NYLON WASHER	1-18	663884S	SEAT FRAME 18"W STD ASSM
22	202106	5/16-24 NYLOCK NUT THIN BLK	1-18	663886S	SEAT FRAME 20"W STD ASSM
23	263100	5/16 AN WASHER FLAT	1-18	663888S	SEAT FRAME 24"W STD ASSM
24	540176	REAR VERTICAL WLDMNT 1"	1-18	663889S	SEAT FRAME 14"W LNG ASSM
24	540177	REAR VERTICAL WLDMNT 2"	1-18	663891S	SEAT FRAME 16"W LNG ASSM
1,2	660024S	SEAT FRAME PNTD 14"W STD	1-18	663893S	SEAT FRAME 18"W LNG ASSM
1,2	660025S	SEAT FRAME PNTD 15"W STD	1-18	663895S	SEAT FRAME 20"W LNG ASSM
1,2	660027S	SEAT FRAME PNTD 17"W STD	1-18	663896S	SEAT FRAME 22"W LNG ASSM
1,2	660030S	SEAT FRAME PNTD 20"W STD	1-18	663897S	SEAT FRAME 24"W LNG ASSM
1,2	660032S	SEAT FRAME PNTD 24"W STD	4-18	900809	SEAT FIXED BRACKET ASSM
1,2	660034S	SEAT FRAME PNTD 14"W LNG	19-24	900810	SEAT HGT KIT 19"-20" STF

NOTE: EFFECTIVE AFTER SERIAL NUMBERS P02-23467 AND P2X-16014.

NOTE: IF RETROFITTING A TILT ONTO AN EXISTING CHAIR PLEASE CONTACT SUNRISE MEDICAL TECHNICAL SUPPORT TO ENSURE ALL REQUIRED PARTS ARE PURCHASED.

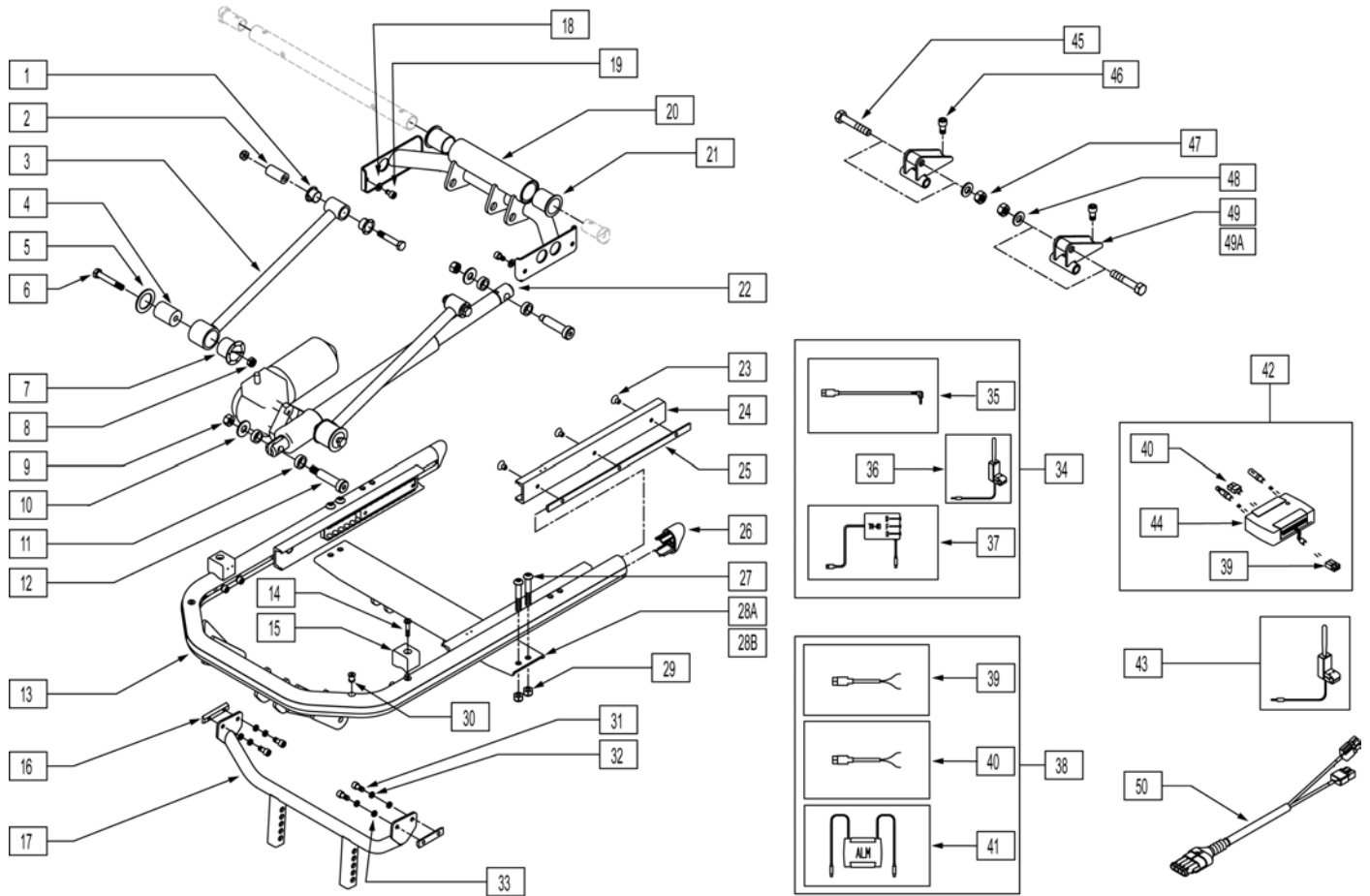


Pos.	Item Number	Description	Pos.	Item Number	Description
1	560401	NYLINER BUSHING (10L7-F)	15	561231	SEAT STOP G424 TILT
2	481321	UPPER SOLID LINKAGE PIVOT	16	481411	1/4-28 CHANNEL NUT 1.25 SP
3	505926	TILT LINKAGE ARM W/SOCKETS	17	541034	FRNT SPPRT WLDMNT CG TLT 14-18
4	483292	PIVOT RADIUS ROD	17	541134	FRNT SUPPT WLDMNT CG TLT 19-20
5	261208	WASHER NYLON	18	106943	WASHER FLAT AN 1/4 ROHS
6	222103	5/16 AN5-20A HEX C/S	19	230037	M6 x 1.0-10mm SOC HD C/S BLK
7	560403	NYLINER BUSHING (16L16-F)	20	542065	TILT GLIDE SUPPORT WELDMENT
8	202106	5/16-24 NYLOCK NUT THIN BLK	21	560008	PIVOT BUSHING S626
9	201262	3/8-16 NYLOCK NUT	22A	138350	ACT 1350LB 150 STRK -0 DEG
10	261509	3/8 SAE WASHER	22B	883146	ACT ASSM MODULAR TILT 176-250
11	261531	ACTUATOR THRUST WASHER	23	226109	1/4-28 x 3/8 F/H SOCKET C/S
12	226329	1/2 x 1-3/4 SOC C/S SHOULDER BLK	24	505937	GLIDE STEEL
14	226028-QU	10-32 x 1 BH C/S BLK	25	481409	1/4-28 CHANNEL NUT 120mm SP

Pos.	Item Number	Description	Pos.	Item Number	Description
26	567004	END PLUG OVAL/BEVEL	40B	540177	REAR VERTICAL WLDMNT 2"
27	226217	5/16-18 x 2" BH C/S BLK	41	505909	COLLAR GUIDE
28A	542392	REAR BRCKT CG TLT WLDMNT 14-18	42	505908	SPRING COLLAR
28B	542393	REAR BRCKT CG TLT WLDMNT 19-20	43	321176	SPRING COMP 4-5/8 x 400 LBS/IN
29	202117	5/16-18 NYLOCK NUT THICK BLK	44	505907	CLEVIS
30	341497	10-32 x .020-.130 RIVNUT GOLD	45	349586	O-RING .975ID 1.395OD
31	226171	1/4-28 x 1/2" SOC HD C/S	46	221116	1/4-20 x 1 SOC HD BLK
32	106944	WASHER FLAT THIN AN 1/4 ROHS	47	201114	1/4-20 NYLOCK NUT BLK ZN
33	262114	1/4 WASHER HI COLLAR LOCK ZN	48	505903	CLAMP ACTUATOR ASSIST
34A	883161	MODULAR TILT HARNESS ASSM TM40	49	139250	CABLE
34B	883164	MODUALR TILT HARNESS ASSM ALM	50	883154	SUPER SEAL SPRING ASSM HDWR
34C	883166	MODULAR TILT HARNESS ASSM VSI	1-8	882001	TILT LINKAGE ARM W/SCKT ASSM
35	226076	1/4-28 x 1/2 FH C/S W/PATCH	13,26,30	660280	TILT FRAME BASE ASSM G424
36	222234	5/16-18 x 1 3/4 HEX C/S G8	23-25,35	882004	TILT GUIDE RAIL ASSM G424
37	226064	1/4-28 x 3/4 BH C/S BLK W/PTCH	1-21,23-33	660730	TILT BASE ASSM 14"-18" WIDE
38	202106	5/16-24 NYLOCK NUT THIN BLK	1-21,23-33	660731	TILT BASE ASSM 19"-20" WIDE
39	263100	5/16 AN WASHER FLAT	36-40A,40B	900811	SEAT HGT KIT 19"-20" STF TILT
40A	540176	REAR VERTICAL WLDMNT 1"			

NOTE: DISCONTINUED (FITS P220 AND P22SE CHAIRS PRIOR TO SERIAL NUMBER P02-23467/P2X-16013)

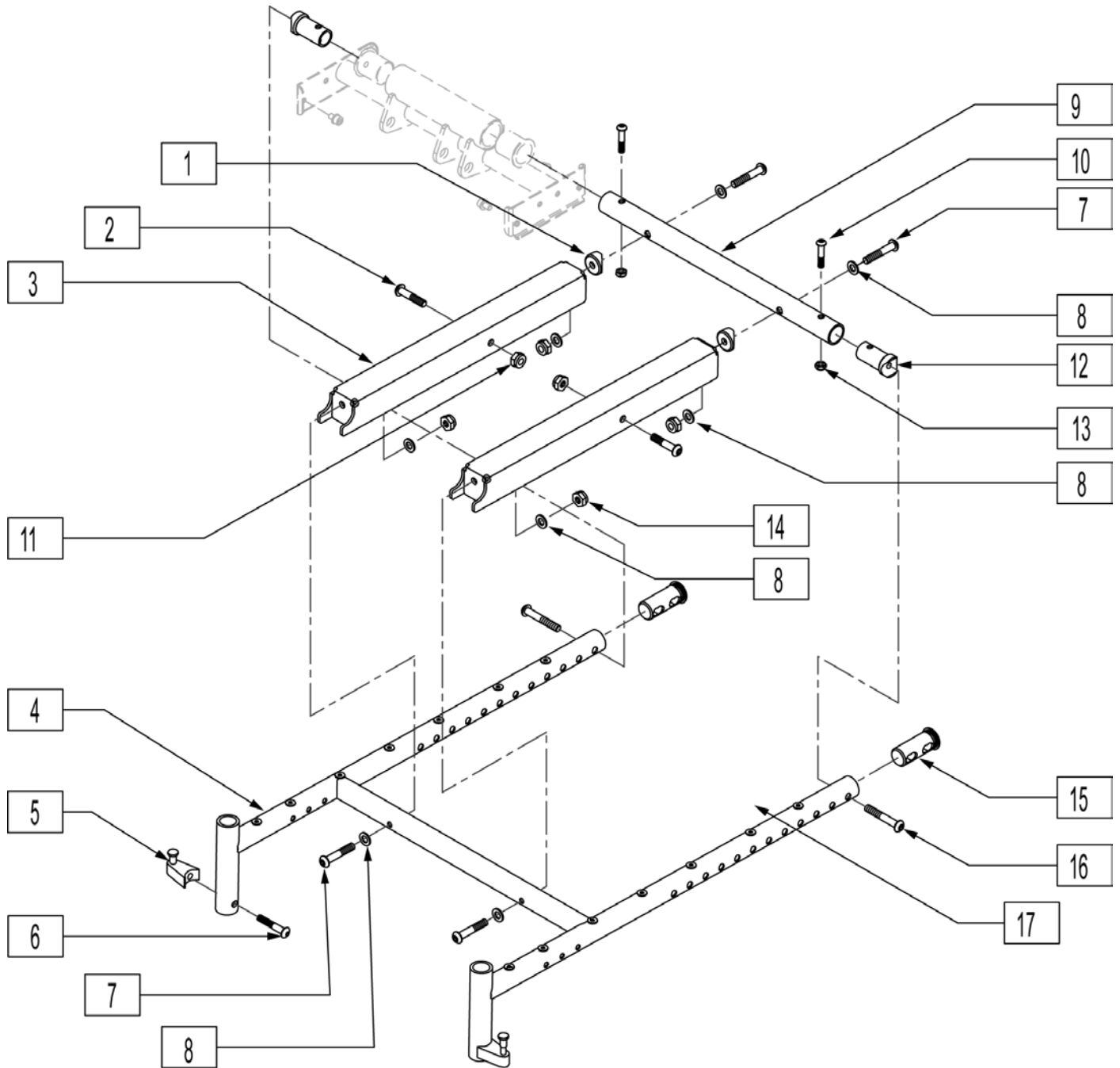
NOTE: IF RETROFITTING A TILT ONTO AN EXISTING CHAIR PLEASE CONTACT SUNRISE MEDICAL TECHNICAL SUPPORT TO ENSURE ALL REQUIRED PARTS ARE PURCHASED.



Pos.	Item Number	Description	Pos.	Item Number	Description
1	560401	NYLINER BUSHING (10L7-F)	17	541034	FRNT SPPRT WLDMNT CG TLT 14-18
2	481321	UPPER SOLID LINKAGE PIVOT	17	541134	FRNT SUPPT WLDMNT CG TLT 19-20
3	505926	TILT LINKAGE ARM W/SOCKETS	18	106943	WASHER FLAT AN 1/4 ROHS
4	483292	PIVOT RADIUS ROD	19	230037	M6 x 1.0-10mm SOC HD C/S BLK
5	261208	WASHER NYLON	20	542065	TILT GLIDE SUPPORT WELDMENT
6	222103	5/16 AN5-20A HEX C/S	21	560008	PIVOT BUSHING S626
7	560403	NYLINER BUSHING (16L16-F)	22	881425	ACTUATOR ASSEMBLY G424 TILT
8	202106	5/16-24 NYLOCK NUT THIN BLK	23	226109	1/4-28 x 3/8 F/H SOCKET C/S
9	201262	3/8-16 NYLOCK NUT	24	505937	GLIDE STEEL
10	261509	3/8 SAE WASHER	25	481409	1/4-28 CHANNEL NUT 120mm SP
11	261531	ACTUATOR THRUST WASHER	26	567004	END PLUG OVAL/BEVEL
12	226329	1/2 x 1-3/4 SOC C/S SHOULDER BLK	27	226217	5/16-18 x 2" BH C/S BLK
14	226028	10-32 x 1 BH C/S BLK	28A	542392	REAR BRCKT CG TLT WLDMNT 14-18
15	561230	SEAT STOP G424 TILT	28B	542393	REAR BRCKT CG TLT WLDMNT 19-20
16	481411	1/4-28 CHANNEL NUT 1.25 SP	29	202117	5/16-18 NYLOCK NUT THICK BLK

Pos.	Item Number	Description	Pos.	Item Number	Description
30	341497	10-32 x .020-.130 RIVNUT GOLD	43	881395	ATTN TGGLE SWTH ASSM TLT L
31	226171	1/4-28 x 1/2" SOC HD C/S	43	881396	ATTN TGGLE SWTH ASSM TLT R
32	106944	WASHER FLAT THIN AN 1/4 ROHS	44	882690	PILOT+ ALM 6AMP W/VLRO AX INP
33	262114	1/4 WASHER HI COLLAR LOCK ZN	45	222234	5/16-18 x 1 3/4 HEX C/S G8
34	881983	TM40 CNTRL ASSM R 6 AMP	46	226064	1/4-28 x 3/4 BH C/S BLK W/PTCH
34	881984	TM40 CNTRL ASSM L 6 AMP	47	202106	5/16-24 NYLOCK NUT THIN BLK
35	139425	WIRING HARNESS TM40 S626	48	263100	5/16 AN WASHER FLAT
36	881338	TOGGLE SWITCH ASSY TILT R	49	540176	REAR VERTICAL WLDMNT 1"
36	881318	TOGGLE SWITCH ASSY TILT L	49A	540177	REAR VERTICAL WLDMNT 2"
37	881347	TM40 TILT CONTROL ASY 6 AMP	50	139433	SUPERSEAL 4P MALE 2P ANDRSN CT
38	881515	ALM 250LB CNTRL ASSM S626	1-8	882001	TILT LINKAGE ARM W/SCKT ASSM
39	139420	WIRING HARNESS ALM G424 CG	13,26,30	660280	TILT FRAME BASE ASSM G424
39	139427	WIRING HARNESS WP COVER ALM	23-25	882004	TILT GUIDE RAIL ASSM G424
40	139424	WIRING HARNESS ALM P500 TK	1-21,23-33	660730	TILT BASE ASSM 14"-18" WIDE
41	881342	PILOT + ALM W/VELCRO 6 AMP	1-21,23-33	660731	TILT BASE ASSM 19"-20" WIDE
42	882691	ALM 6 AMP CNTRL ASSM AUX	45-49,49A	900811	SEAT HGT KIT 19"-20" STF TILT
43	881394	ATTN TGGLE SWTH ASSM TLT VLCRO			

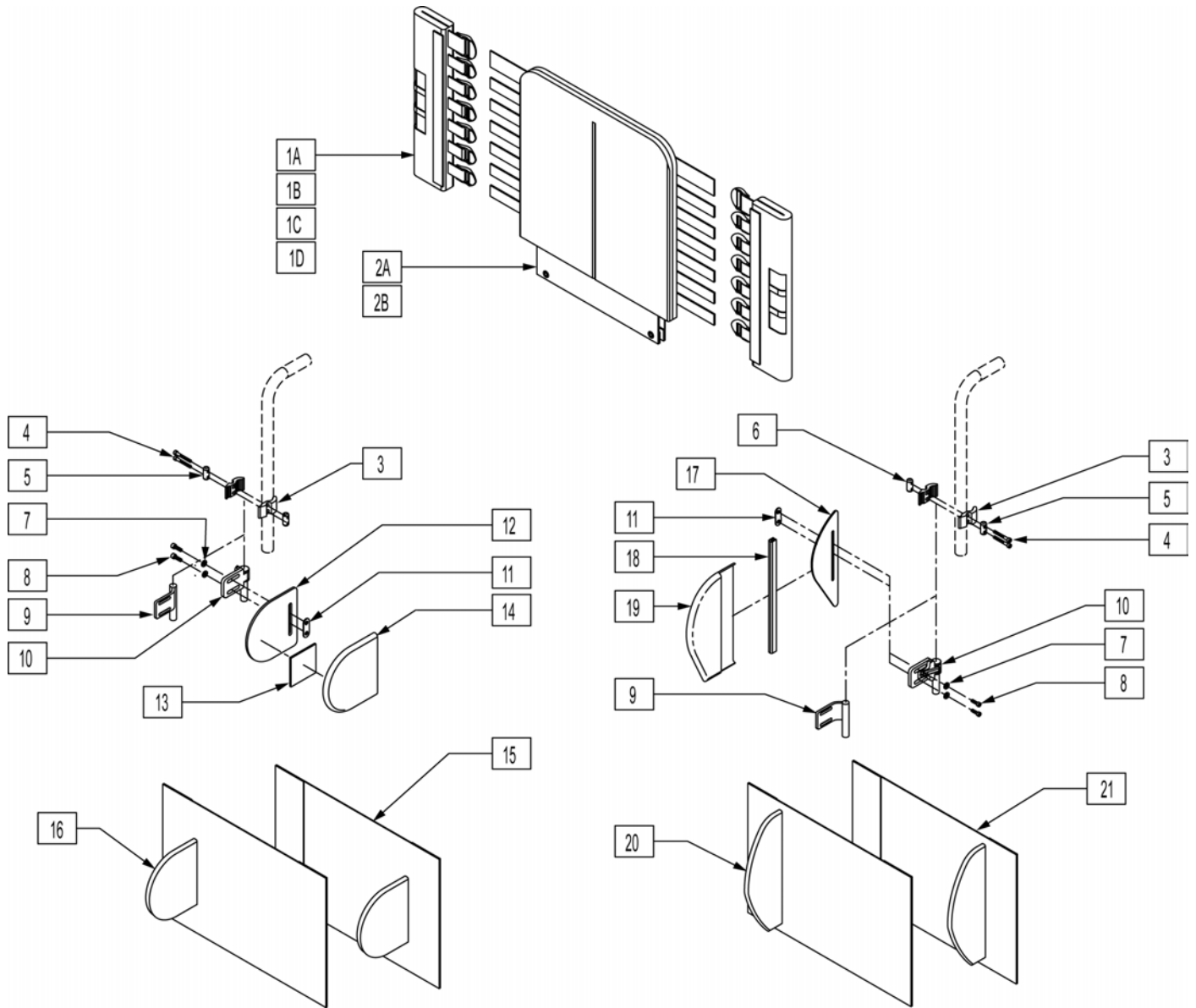
NOTE: IF RETROFITTING A TILT ONTO AN EXISTING CHAIR PLEASE CONTACT SUNRISE MEDICAL TECHNICAL SUPPORT TO ENSURE ALL REQUIRED PARTS ARE PURCHASED.



Pos.	Item Number	Description	Remarks
1	561004	1" SADDLE 1/4" HOLE	
2	222101	5/16 AN5-16A HEX C/S	
3	481386	TILT PIVOT CHANNEL	
6	226218	5/16-18 x 1 3/4 BH C/S BLK	
7	226114	1/4-28 x 1 1/2 SOC C/S BLK	

Pos.	Item Number	Description	Remarks
8	106943	WASHER FLAT AN 1/4 ROHS	
9	526174	SEAT FRAME SPRT TUBE 14" G424	
9	526175	SEAT FRAME SPRT TUBE 15" G424	
9	526176	SEAT FRAME SPRT TUBE 16" G424	
9	526177	SEAT FRAME SPRT TUBE 17" G424	
9	526178	SEAT FRAME SPRT TUBE 18" G424	
9	526179	SEAT FRAME SPRT TUBE 19" G424	
9	526180	SEAT FRAME SPRT TUBE 20" G424	
10	226223	1/4-28 x 1 1/4" BH C/S BLK	
11	202111	5/16-24 NYLOCK NUT THICK BLK	
12	483288	1" SADDLE 5/16-18 THREADED	
13	202300	1/4-28 NYLOCK NUT THIN BLK ZN	
14	202300	1/4-28 NYLOCK NUT THIN BLK ZN	
15	483185	SEAT END PLUG	
16	226217	5/16-18 x 2 BH C/S BLK	For Single Post Armrest
16	226231	5/16-18 x 2 1/2 BH C/S BLK	For Dual post Armrest
17	341497	10-32 x .020-.130 RIVNUT GOLD	
5,6	107491	LATCH BOLT KIT	
4,15,17	660270S	TILT SEAT FRAME ASSM 14" G424	
4,15,17	660271S	TILT SEAT FRAME ASSM 15" G424	
4,15,17	660272S	TILT SEAT FRAME ASSM 16" G424	
4,15,17	660273S	TILT SEAT FRAME ASSM 17" G424	
4,15,17	660274S	TILT SEAT FRAME ASSM 18" G424	
4,15,17	660275S	TILT SEAT FRAME ASSM 19" G424	
4,15,17	660276S	TILT SEAT FRAME ASSM 20" G424	
9,10,	883100	SEAT FRM SPPRT TUBE ASSM 14"	
12,13	883101	SEAT FRM SPPRT TUBE ASSM 15"	
12,13	883102	SEAT FRM SPPRT TUBE ASSM 16"	
12,13	883103	SEAT FRM SPPRT TUBE ASSM 17"	
12,13	883104	SEAT FRM SPPRT TUBE ASSM 18"	
12,13	883105	SEAT FRM SPPRT TUBE ASSM 19"	
12,13	883106	SEAT FRM SPPRT TUBE ASSM 20"	
1-17	660740S	TILT SEAT FRAME ASSM 14" WIDE	
1-17	660741S	TILT SEAT FRAME ASSM 15" WIDE	
1-17	660742S	TILT SEAT FRAME ASSM 16" WIDE	
1-17	660743S	TILT SEAT FRAME ASSM 17" WIDE	
1-17	660744S	TILT SEAT FRAME ASSM 18" WIDE	
1-17	660745S	TILT SEAT FRAME ASSM 19" WIDE	
1-17	660746S	TILT SEAT FRAME ASSM 20" WIDE	

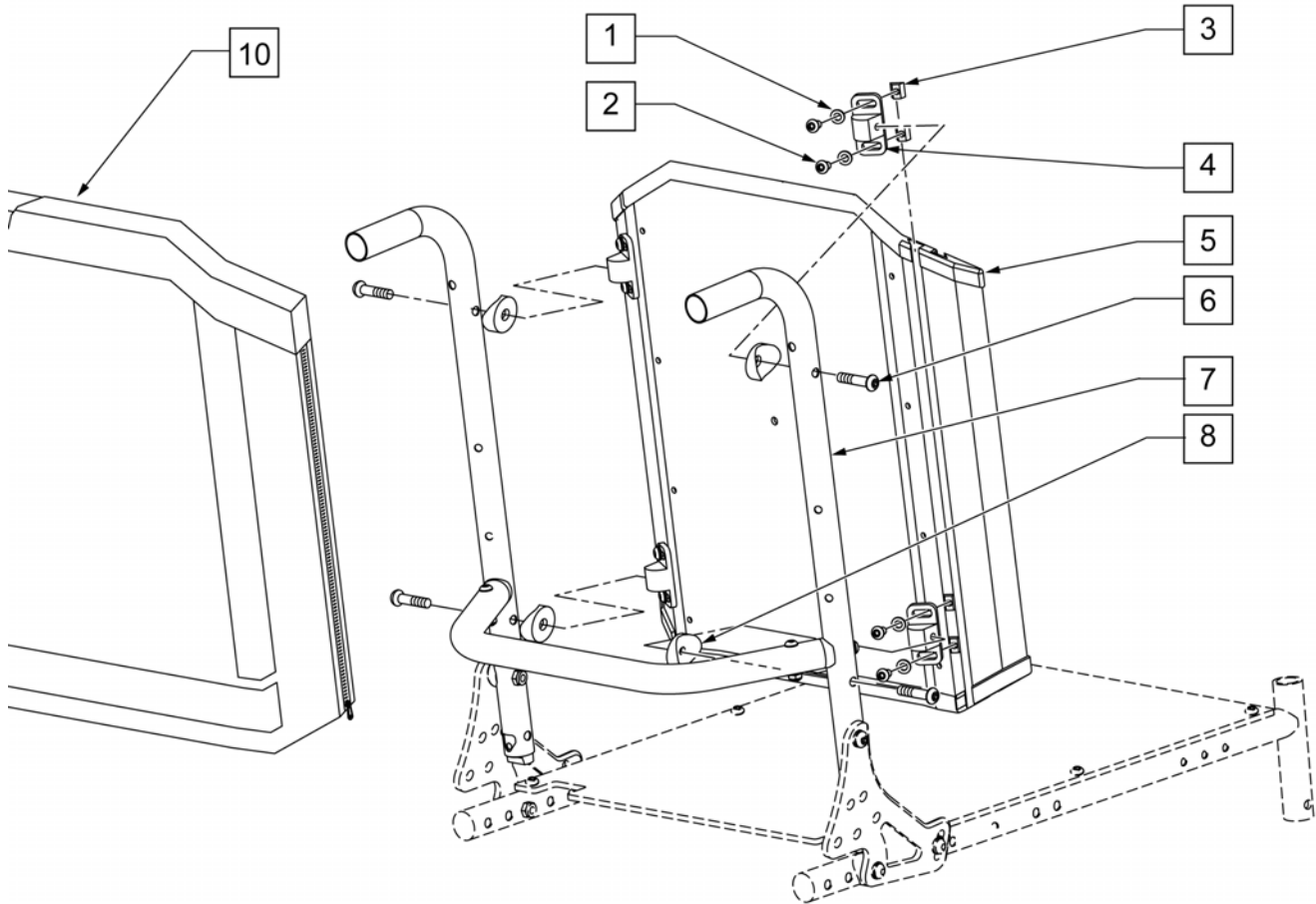
NOTE: IF MOUNTING LATERALS ONTO A SOLID BACK PLEASE REFER TO THE "LATERAL PAD ASSEMBLY" PARTS PAGE FOR MOUNTING HARDWARE.



Pos.	Item Number	Description	Remarks
1A	683358	JAY BACK UPH BACK CANE COVER MEDIUM	LEFT 10"-14" & 12"-16"
1A	683360	JAY BACK UPH BACK CANE COVER MEDIUM	RIGHT 10"-14" & 12"-16"
1B	683357	JAY BACK UPH BACK CANE COVER TALL	LEFT 14"-18" & 16"-20"
1B	683359	JAY BACK UPH BACK CANE COVER TALL	RIGHT 14"-18" & 16"-20"
1C	683362	JAY BACK UPH BACK CANE COVER NO LATERAL MEDIUM	LEFT 10"-14" & 12"-16"
1C	683364	JAY BACK UPH BACK CANE COVER NO LATERAL MEDIUM	RIGHT 10"-14" & 12"-16"
1D	683361	JAY BACK UPH BACK CANE COVER NO LATERAL TALL	LEFT 14"-18" & 16"-20"
1D	683363	JAY BACK UPH BACK CANE COVER NO LATERAL TALL	RIGHT 14"-18" & 16"-20"
2A	683305	JAY BACK UPH 14W MEDIUM	10"-14" & 12"-16"
2A	683307	JAY BACK UPH 15W MEDIUM	10"-14" & 12"-16"

Pos.	Item Number	Description	Remarks
2A	683309	JAY BACK UPH 16W MEDIUM	10"-14" & 12"-16"
2A	683311	JAY BACK UPH 17W MEDIUM	10"-14" & 12"-16"
2A	683313	JAY BACK UPH 18W MEDIUM	10"-14" & 12"-16"
2A	683315	JAY BACK UPH 19W MEDIUM	10"-14" & 12"-16"
2A	683317	JAY BACK UPH 20W MEDIUM	10"-14" & 12"-16"
2B	683306	JAY BACK UPH 14W TALL	14"-18" & 16"-20"
2B	683308	JAY BACK UPH 15W TALL	14"-18" & 16"-20"
2B	683310	JAY BACK UPH 16W TALL	14"-18" & 16"-20"
2B	683312	JAY BACK UPH 17W TALL	14"-18" & 16"-20"
2B	683314	JAY BACK UPH 18W TALL	14"-18" & 16"-20"
2B	683316	JAY BACK UPH 19W TALL	14"-18" & 16"-20"
2B	683318	JAY BACK UPH 20W TALL	14"-18" & 16"-20"
3	481800	UNI LATERAL BRKT JAY PRECISION	
4	226353	10-32 X 1 1/2 SOC HD C/S W/PL	
5	481810	UNI LATERAL BRKT SCR ROLL PIN	
6	481811	LATERAL BRKT PREC THD-ROLL PIN	
7	261204	#10 AN WASHER .063	
8	226043	10-32 x 1/2 BH C/S BL	
9	541144	LATERAL BRKT 1.5 W WLDMNT	RIGHT
9	541145	LATERAL BRKT 1.5 W WLDMNT	LEFT
10	881738	S/A ASSM JAY PRECISION	RIGHT
10	881739	S/A ASSM JAY PRECISION	LEFT
11	881109	1 NUT PLATE W/THREADED INSERT	
12	500914	SYMMETRIC LATERAL PANEL	Size 5"X5"
13	751314	2 x 2 VELCRO LOOP	
14	B672	BASE EXTENDED LATERAL	
17	501140	ASYMMETRIC LATERAL PANEL	Size 10"X3.25"
18	697100	ASYMMETRIC LATERAL PANEL EDGE TRIM	
19	683319	JAY BACK UPH INT LATERAL COVER ASYMMETRIC	LEFT
19	683320	JAY BACK UPH INT LATERAL COVER ASYMMETRIC	RIGHT
3-6	880959	UNI LATERAL CLAMP ASSM	
20,21	923300	JAY BACK EXTENSION LATERAL COVER ASYMMETRIC 14-16	
20,21	923301	JAY BACK EXTENSION LATERAL COVER ASYMMETRIC 17-20	
15,16	923302	JAY BACK EXTENSION LATERAL COVER SYMMETRIC 14-16	
15,16	923303	JAY BACK EXTENSION LATERAL COVER SYMMETRIC 17-20	
1C,2	682520	JAY MEDIUM BACK UPH 14 W/O LATERAL	
1C,2	682521	JAY MEDIUM BACK UPH 15 W/O LATERAL	
1C,2	682522	JAY MEDIUM BACK UPH 16 W/O LATERAL	
1C,2	682523	JAY MEDIUM BACK UPH 17 W/O LATERAL	
1C,2	682524	JAY MEDIUM BACK UPH 18 W/O LATERAL	
1C,2	682525	JAY MEDIUM BACK UPH 19 W/O LATERAL	
1C,2	682526	JAY MEDIUM BACK UPH 20 W/O LATERAL	
1D,2B	682527	JAY TALL BACK UPH 14 W/O LATERAL	
1D,2B	682528	JAY TALL BACK UPH 15 W/O LATERAL	
1D,2B	682529	JAY TALL BACK UPH 16 W/O LATERAL	
1D,2B	682530	JAY TALL BACK UPH 17 W/O LATERAL	
1D,2B	682531	JAY TALL BACK UPH 18 W/O LATERAL	
1D,2B	682532	JAY TALL BACK UPH 19 W/O LATERAL	
1D,2B	682533	JAY TALL BACK UPH 20 W/O LATERAL	
1A,2A,3-8,10-16	682534	JAY MEDIUM BACK UPH 14 W/ FIX SYMMETRIC LATERAL	
1A,2A,3-8,10-16	682535	JAY MEDIUM BACK UPH 15 W/ FIX SYMMETRIC LATERAL	
1A,2A,3-8,10-16	682536	JAY MEDIUM BACK UPH 16 W/ FIX SYMMETRIC LATERAL	
1A,2A,3-8,10-16	682537	JAY MEDIUM BACK UPH 17 W/ FIX SYMMETRIC LATERAL	
1A,2A,3-8,10-16	682538	JAY MEDIUM BACK UPH 18 W/ FIX SYMMETRIC LATERAL	
1A,2A,3-8,10-16	682539	JAY MEDIUM BACK UPH 19 W/ FIX SYMMETRIC LATERAL	
1A,2A,3-8,10-16	682540	JAY MEDIUM BAC KUPH 20 W/ FIX SYMMETRIC LATERAL	
1A,2A,3-9,11-16	682541	JAY MEDIUM BACK UPH 14 W/ S/A SYMMETRIC LATERAL	

Pos.	Item Number	Description	Remarks
1A,2A,3-9,11-16	682542	JAY MEDIUM BACK UPH 15 W/ S/A SYMMETRIC LATERAL	
1A,2A,3-9,11-16	682543	JAY MEDIUM BACK UPH 16 W/ S/A SYMMETRIC LATERAL	
1A,2A,3-9,11-16	682544	JAY MEDIUM BACK UPH 17 W/ S/A SYMMETRIC LATERAL	
1A,2A,3-9,11-16	682545	JAY MEDIUM BACK UPH 18 W/ S/A SYMMETRIC LATERAL	
1A,2A,3-9,11-16	682546	JAY MEDIUM BACK UPH 19 W/ S/A SYMMETRIC LATERAL	
1A,2A,3-9,11-16	682547	JAY MEDIUM BACK UPH 20 W/ S/A SYMMETRIC LATERAL	
1B,2B,3-9,11-16	682562	JAY TALL BACK UPH 14 W/ FIX SYMMETRIC LATERAL	
1B,2B,3-9,11-16	682563	JAY TALL BACK UPH 15 W/ FIX SYMMETRIC LATERAL	
1B,2B,3-9,11-16	682564	JAY TALL BACK UPH 16 W/ FIX SYMMETRIC LATERAL	
1B,2B,3-9,11-16	682565	JAY TALL BACK UPH 17 W/ FIX SYMMETRIC LATERAL	
1B,2B,3-9,11-16	682566	JAY TALL BACK UPH 18 W/ FIX SYMMETRIC LATERAL	
1B,2B,3-9,11-16	682567	JAY TALL BACK UPH 19 W/ FIX SYMMETRIC LATERAL	
1B,2B,3-9,11-16	682568	JAY TALL BACK UPH 20 W/ FIX SYMMETRIC LATERAL	
1B,2B,3-8,10-16	682569	JAY TALL BACK UPH 14 W/ S/A SYMMETRIC LATERAL	
1B,2B,3-8,10-16	682570	JAY TALL BACK UPH 15 W/ S/A SYMMETRIC LATERAL	
1B,2B,3-8,10-16	682571	JAY TALL BACK UPH 16 W/ S/A SYMMETRIC LATERAL	
1B,2B,3-8,10-16	682572	JAY TALL BACK UPH 17 W/ S/A SYMMETRIC LATERAL	
1B,2B,3-8,10-16	682573	JAY TALL BACK UPH 18 W/ S/A SYMMETRIC LATERAL	
1B,2B,3-8,10-16	682574	JAY TALL BACK UPH 19 W/ S/A SYMMETRIC LATERAL	
1B,2B,3-8,10-16	682575	JAY TALL BACK UPH 20 W/ S/A SYMMETRIC LATERAL	
1A,2A,3-9,11,17-21	682576	JAY TALL BACK UPH 14 W/ FIX ASYMMETRIC LATERAL	
1A,2A,3-9,11,17-21	682577	JAY TALL BACK UPH 15 W/ FIX ASYMMETRIC LATERAL	
1A,2A,3-9,11,17-21	682578	JAY TALL BACK UPH 16 W/ FIX ASYMMETRIC LATERAL	
1A,2A,3-9,11,17-21	682579	JAY TALL BACK UPH 17 W/ FIX ASYMMETRIC LATERAL	
1A,2A,3-9,11,17-21	682580	JAY TALL BACK UPH 18 W/ FIX ASYMMETRIC LATERAL	
1A,2A,3-9,11,17-21	682581	JAY TALL BACK UPH 19 W/ FIX ASYMMETRIC LATERAL	
1A,2A,3-9,11,17-21	682582	JAY TALL BACK UPH 20 W/ FIX ASYMMETRIC LATERAL	
1A,2A,3-11,17-21	682583	JAY TALL BACK UPH 14 W/ S/A ASYMMETRIC LATERAL	
1A,2A,3-11,17-21	682584	JAY TALL BACK UPH 15 W/ S/A ASYMMETRIC LATERAL	
1A,2A,3-11,17-21	682585	JAY TALL BACK UPH 16 W/ S/A ASYMMETRIC LATERAL	
1A,2A,3-11,17-21	682586	JAY TALL BACK UPH 17 W/ S/A ASYMMETRIC LATERAL	
1A,2A,3-11,17-21	682587	JAY TALL BACK UPH 18 W/ S/A ASYMMETRIC LATERAL	
1A,2A,3-11,17-21	682588	JAY TALL BACK UPH 19 W/ S/A ASYMMETRIC LATERAL	
1A,2A,3-11,17-21	682589	JAY TALL BACK UPH 20 W/ S/A ASYMMETRIC LATERAL	

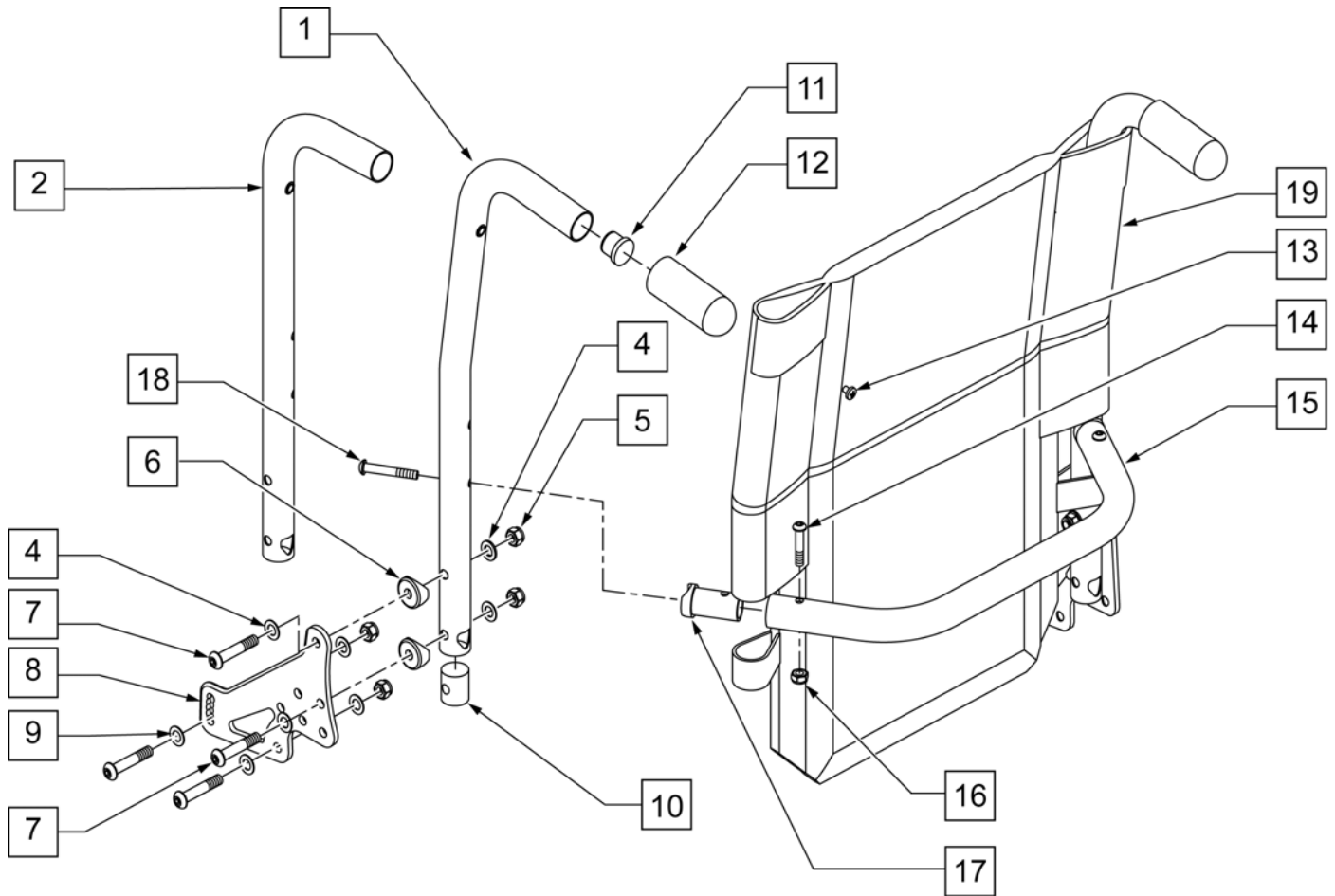


Pos.	Item Number	Description	Remarks
1	267052	1/4 AN WASHER FLAT AN960C416	
2	221094	1/4 -28 x 7/16 BH C/S BLK	
3	481106-QU	1/4 -28 CHANNEL NUT	
4	121507	SOLID BACK MOUNTING BRACKET	
5	011244	SLD BCKRST SHELL ASSMBLY 12X16	
5	011248	SLD BCKRST SHELL ASSMBLY 12X18	
5	011252	SLD BCKRST SHELL ASSMBLY 12X20	
5	011256	SLD BCKRST SHELL ASSMBLY 12X22	
5	011260	SLD BCKRST SHELL ASSMBLY 12X24	
5	011245	SLD BCKRST SHELL ASSMBLY 13X16	
5	011249	SLD BCKRST SHELL ASSMBLY 13X18	
5	011253	SLD BCKRST SHELL ASSMBLY 13X20	
5	011257	SLD BCKRST SHELL ASSMBLY 13X22	
5	011261	SLD BCKRST SHELL ASSMBLY 13X24	
5	881850	SOLID BCKRST SHELL ASSM 14 x 16	
5	881851	SOLID BCKRST SHELL ASSM 15 x 16	
5	881852	SOLID BCKRST SHELL ASSM 16 x 16	
5	881853	SOLID BCKRST SHELL ASSM 17 x 16	
5	881854	SOLID BCKRST SHELL ASSM 18 x 16	
5	881855	SOLID BCKRST SHELL ASSM 19 x 16	

Pos.	Item Number	Description	Remarks
5	881856	SOLID BCKRST SHELL ASSM 20 x 16	
5	881857	SOLID BCKRST SHELL ASSM 14 x 18	
5	881858	SOLID BCKRST SHELL ASSM 15 x 18	
5	881859	SOLID BCKRST SHELL ASSM 16 x 18	
5	881860	SOLID BCKRST SHELL ASSM 17 x 18	
5	881861	SOLID BCKRST SHELL ASSM 18 x 18	
5	881862	SOLID BCKRST SHELL ASSM 19 x 18	
5	881863	SOLID BCKRST SHELL ASSM 20 x 18	
5	881864	SOLID BCKRST SHELL ASSM 14 x 20	
5	881865	SOLID BCKRST SHELL ASSM 15 x 20	
5	881866	SOLID BCKRST SHELL ASSM 16 x 20	
5	881867	SOLID BCKRST SHELL ASSM 17 x 20	
5	881868	SOLID BCKRST SHELL ASSM 18 x 20	
5	881869	SOLID BCKRST SHELL ASSM 19 x 20	
5	881870	SOLID BCKRST SHELL ASSM 20 x 20	
5	881871	SOLID BCKRST SHELL ASSM 14 x 22	
5	881872	SOLID BCKRST SHELL ASSM 15 x 22	
5	881873	SOLID BCKRST SHELL ASSM 16 x 22	
5	881874	SOLID BCKRST SHELL ASSM 17 x 22	
5	881875	SOLID BCKRST SHELL ASSM 18 x 22	
5	881876	SOLID BCKRST SHELL ASSM 19 x 22	
5	881877	SOLID BCKRST SHELL ASSM 20 x 22	
5	881878	SOLID BCKRST SHELL ASSM 14 x 24	
5	881879	SOLID BCKRST SHELL ASSM 15 x 24	
5	881880	SOLID BCKRST SHELL ASSM 16 x 24	
5	881881	SOLID BCKRST SHELL ASSM 17 x 24	
5	881882	SOLID BCKRST SHELL ASSM 18 x 24	
5	881883	SOLID BCKRST SHELL ASSM 19 x 24	
5	881884	SOLID BCKRST SHELL ASSM 20 x 24	
5	881885	SOLID BCKRST SHELL ASSM 22 x 16	
5	881886	SOLID BCKRST SHELL ASSM 22 x 18	
5	881887	SOLID BCKRST SHELL ASSM 22 x 20	
5	881888	SOLID BCKRST SHELL ASSM 22 x 22	
5	881889	SOLID BCKRST SHELL ASSM 22 x 24	
5	881890	SOLID BCKRST SHELL ASSM 24 x 16	
5	881892	SOLID BCKRST SHELL ASSM 24 x 20	
5	881893	SOLID BCKRST SHELL ASSM 24 x 22	
5	881894	SOLID BCKRST SHELL ASSM 24 x 24	
6	226291	5/16 -18 x 1-1/2 BHCS BK W/ PATCH	
8	561006	1 SADDLE 5/16 HOLE	
10	687073	BACK CUSHION 12"X16" SOLID BK	
10	687074	BACK CUSHION 12"X18" SOLID BK	
10	687075	BACK CUSHION 12"X20" SOLID BK	
10	687076	BACK CUSHION 12"X22" SOLID BK	
10	687077	BACK CUSHION 12"X24" SOLID BK	
10	687078	BACK CUSHION 13"X16" SOLID BK	
10	687079	BACK CUSHION 13"X18" SOLID BK	
10	687080	BACK CUSHION 13"X20" SOLID BK	
10	687081	BACK CUSHION 13"X22" SOLID BK	
10	687082	BACK CUSHION 13"X24" SOLID BK	
10	681850	BACK CUSHION 14 x 16 SOLID BACK	
10	681851	BACK CUSHION 14 x 18 SOLID BACK	
10	681852	BACK CUSHION 14 x 20 SOLID BACK	
10	681853	BACK CUSHION 14 x 22 SOLID BACK	
10	681854	BACK CUSHION 14 x 24 SOLID BACK	
10	681855	BACK CUSHION 15 x 16 SOLID BACK	
10	681856	BACK CUSHION 15 x 18 SOLID BACK	

Pos.	Item Number	Description	Remarks
10	681857	BACK CUSHION 15 x 20 SOLID BACK	
10	681858	BACK CUSHION 15 x 22 SOLID BACK	
10	681859	BACK CUSHION 15 x 24 SOLID BACK	
10	681860	BACK CUSHION 16 x 16 SOLID BACK	
10	681861	BACK CUSHION 16 x 18 SOLID BACK	
10	681862	BACK CUSHION 16 x 20 SOLID BACK	
10	681863	BACK CUSHION 16 x 22 SOLID BACK	
10	681864	BACK CUSHION 16 x 24 SOLID BACK	
10	681865	BACK CUSHION 17 x 16 SOLID BACK	
10	681866	BACK CUSHION 17 x 18 SOLID BACK	
10	681867	BACK CUSHION 17 x 20 SOLID BACK	
10	681868	BACK CUSHION 17 x 22 SOLID BACK	
10	681869	BACK CUSHION 17 x 24 SOLID BACK	
10	681870	BACK CUSHION 18 x 16 SOLID BACK	
10	681871	BACK CUSHION 18 x 18 SOLID BACK	
10	681872	BACK CUSHION 18 x 20 SOLID BACK	
10	681873	BACK CUSHION 18 x 22 SOLID BACK	
10	681874	BACK CUSHION 18 x 24 SOLID BACK	
10	681875	BACK CUSHION 19 x 16 SOLID BACK	
10	681876	BACK CUSHION 19 x 18 SOLID BACK	
10	681877	BACK CUSHION 19 x 20 SOLID BACK	
10	681878	BACK CUSHION 19 x 22 SOLID BACK	
10	681879	BACK CUSHION 19 x 24 SOLID BACK	
10	681880	BACK CUSHION 20 x 16 SOLID BACK	
10	681881	BACK CUSHION 20 x 18 SOLID BACK	
10	681882	BACK CUSHION 20 x 20 SOLID BACK	
10	681883	BACK CUSHION 20 x 22 SOLID BACK	
10	681884	BACK CUSHION 20 x 24 SOLID BACK	
10	681885	BACK CUSHION 22 x 16 SOLID BACK	
10	681886	BACK CUSHION 22 x 18 SOLID BACK	
10	681887	BACK CUSHION 22 x 20 SOLID BACK	
10	681888	BACK CUSHION 22 x 22 SOLID BACK	
10	681889	BACK CUSHION 22 x 24 SOLID BACK	
10	681890	BACK CUSHION 24 x 16 SOLID BACK	
10	681891	BACK CUSHION 24 x 18 SOLID BACK	
10	681892	BACK CUSHION 24 x 20 SOLID BACK	
10	681893	BACK CUSHION 24 x 22 SOLID BACK	
10	681894	BACK CUSHION 24 x 24 SOLID BACK	
5,10	687400	SOLID BACKREST ASSY 14 x 16/17	
5,10	687401	SOLID BACKREST ASSY 14 x 18/19	
5,10	687402	SOLID BACKREST ASSY 14 x 20/21	
5,10	687403	SOLID BACKREST ASSY 14 x 22/23	
5,10	687404	SOLID BACKREST ASSY 14 x 24	
5,10	687405	SOLID BACKREST ASSY 15 x 16/17	
5,10	687406	SOLID BACKREST ASSY 15 x 18/19	
5,10	687407	SOLID BACKREST ASSY 15 x 20/21	
5,10	687408	SOLID BACKREST ASSY 15 x 22/23	
5,10	687409	SOLID BACKREST ASSY 15 x 24	
5,10	687410	SOLID BACKREST ASSY 16 x 16/17	
5,10	687411	SOLID BACKREST ASSY 16 x 18/19	
5,10	687412	SOLID BACKREST ASSY 16 x 20/21	
5,10	687413	SOLID BACKREST ASSY 16 x 22/23	
5,10	687414	SOLID BACKREST ASSY 16 x 24	
5,10	687415	SOLID BACKREST ASSY 17 x 16/17	
5,10	687416	SOLID BACKREST ASSY 17 x 18/19	
5,10	687417	SOLID BACKREST ASSY 17 x 20/21	
5,10	687418	SOLID BACKREST ASSY 17 x 22/23	

Pos.	Item Number	Description	Remarks
5,10	687419	SOLID BACKREST ASSY 17 x 24	
5,10	687420	SOLID BACKREST ASSY 18 x 16/17	
5,10	687421	SOLID BACKREST ASSY 18 x 18/19	
5,10	687422	SOLID BACKREST ASSY 18 x 20/21	
5,10	687423	SOLID BACKREST ASSY 18 x 22/23	
5,10	687424	SOLID BACKREST ASSY 18 x 24	
5,10	687425	SOLID BACKREST ASSY 19 x 16/17	
5,10	687426	SOLID BACKREST ASSY 19 x 18/19	
5,10	687427	SOLID BACKREST ASSY 19 x 20/21	
5,10	687428	SOLID BACKREST ASSY 19 x 22/23	
5,10	687429	SOLID BACKREST ASSY 19 x 24	
5,10	687430	SOLID BACKREST ASSY 20 x 16/17	
5,10	687431	SOLID BACKREST ASSY 20 x 18/19	
5,10	687432	SOLID BACKREST ASSY 20 x 20/21	
5,10	687433	SOLID BACKREST ASSY 20 x 22/23	
5,10	687434	SOLID BACKREST ASSY 20 x 24	
5,10	687435	SOLID BACKREST ASSY 22 x 16/17	
5,10	687436	SOLID BACKREST ASSY 22 x 18/19	
5,10	687437	SOLID BACKREST ASSY 22 x 20/21	
5,10	687438	SOLID BACKREST ASSY 22 x 22/23	
5,10	687439	SOLID BACKREST ASSY 22 x 24	
5,10	687440	SOLID BACKREST ASSY 24 x 16/17	
5,10	687441	SOLID BACKREST ASSY 24 x 18/19	
5,10	687442	SOLID BACKREST ASSY 24 x 20/21	
5,10	687443	SOLID BACKREST ASSY 24 x 22/23	
5,10	687444	SOLID BACKREST ASSY 24 x 24	
1-4,6,8	881900	MOUNT KIT SOLID BACK	PAIR
1-4,6,8	881795	MOUNT HDWR SOLID BACK	



Pos.	Item Number	Description	Remarks
4	106947	WASHER FLAT THIN AN 5/16 ROHS	
5	202116	5/16 -18 NYLOCK NUT THIN BLK	
6	561006	1 SADDLE 5/16 HOLE	
7	226218	5/16 -18 x 1 3/4 BH C/S BLK	
8	501723	BACKREST PLATE 86-114 DEGREE	
9	263100	5/16 AN WASHER FLAT	
10	483801	BACKREST LATCH PLUG P2	BOTH USED
10	550080	PUSH HANDLE INSERT S525	BOTH USED
11	561019	1 INSERT PLUG .049	
12	920027	QUICKIE GRIP 1" W/INSTR SHEET	
13	281120	10/32 x 5/8 PAN HD PHIL	
14	226223	1/4 -28 x 1 1/4 BH C/S BLK	
15	520564	TOWEL RACK 14	
15	520565	TOWEL RACK 15	
15	520566	TOWEL RACK 16	
15	520567	TOWEL RACK 17	
15	520568	TOWEL RACK 18	
15	520569	TOWEL RACK 19	
15	520570	TOWEL RACK 20	
15	520571	TOWEL RACK 22	
15	520572	TOWEL RACK 24	
16	202300	1/4 -28 NYLOCK NUT THIN BLK ZN	
17	483161	STRUT SADDLE S525	

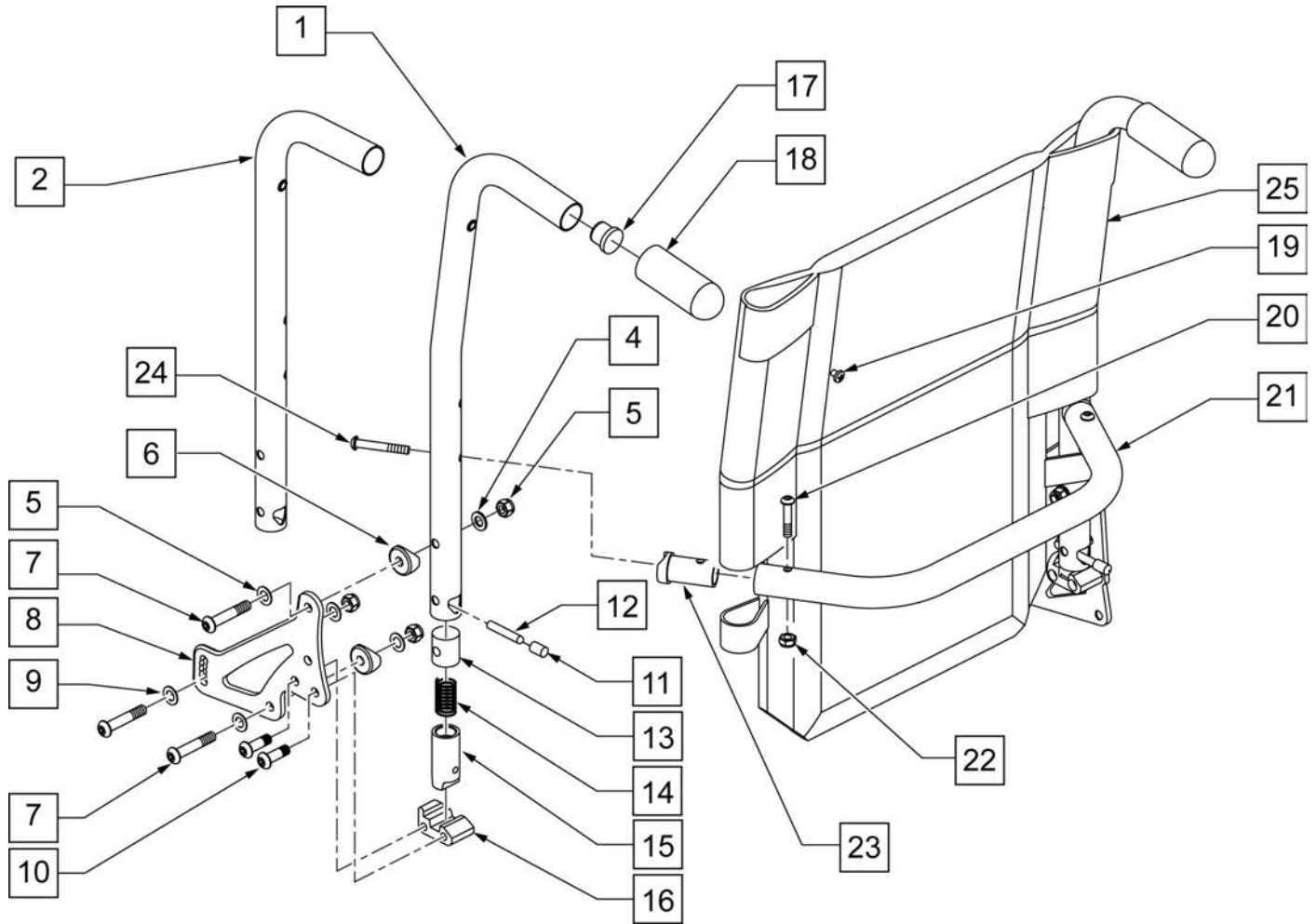
Pos.	Item Number	Description	Remarks
18	226267	1/4 -28 x 1 5/8 BH C/S W/ PATCH	
19	686930	BACK UPH 14 LOW P2	
19	686931	BACK UPH 14 MED P2	
19	686932	BACK UPH 14 TALL P2	
19	686933	BACK UPH 15 LOW P2	
19	686934	BACK UPH 15 MED P2	
19	686935	BACK UPH 15 TALL P2	
19	686936	BACK UPH 17 LOW P2	
19	686937	BACK UPH 17 MED P2	
19	686938	BACK UPH 17 TALL P2	
19	686940	BACK UPH 19 LOW P2	
19	686941	BACK UPH 19 MED P2	
19	686942	BACK UPH 19 TALL P2	
19	686943	BACK UPH 20 LOW P2	
19	686944	BACK UPH 20 MED P2	
19	686945	BACK UPH 20 TALL P2	
19	686961	BACK UPH 16 LOW P2	
19	686962	BACK UPH 16 MED P2	
19	686963	BACK UPH 16 TALL P2	
19	686981	BACK UPH 18 LOW P2	
19	686982	BACK UPH 18 MED P2	
19	686983	"BACK UPH 18" TALL P2"	
1,11,12	842221	BACK TUBE PH 8D LOW R S525	RIGHT
1,11,12	842222	BACK TUBE PH 8D LOW L S525	LEFT
1,11,12	842223	BACK TUBE PH 8D MED R S525	RIGHT
1,11,12	842224	BACK TUBE PH 8D MED L S525	LEFT
1,11,12	842225	BACK TUBE PH 8D TALL R S525	RIGHT
1,11,12	842226	BACK TUBE PH 8D TALL L S525	LEFT
2,11,12	842227	BACK TUBE PH LOW R S525	RIGHT
2,11,12	842228	BACK TUBE PH LOW L S525	LEFT
2,11,12	842229	BACK TUBE PH MED R S525	RIGHT
2,11,12	842230	BACK TUBE PH MED L S525	LEFT
2,11,12	842231	BACK TUBE PH TALL R S525	RIGHT
2,11,12	842232	BACK TUBE PH TALL L S525	LEFT
14-18	842234	TOWEL RACK ASSM 14 S525	
14-18	842235	TOWEL RACK ASSM 15 S525	
14-18	842236	TOWEL RACK ASSM 16 S525	
14-18	842237	TOWEL RACK ASSM 17 S525	
14-18	842238	TOWEL RACK ASSM 18 S525	
14-18	842239	TOWEL RACK ASSM 19 S525	
14-18	842240	TOWEL RACK ASSM 20 S525	
14-18	842241	TOWEL RACK ASSM 22	
14-18	842242	TOWEL RACK ASSM 24	
1, 4-13	882656	PH 8D LOW R ASSM NF 86-114	RIGHT
1, 4-13	882657	PH 8D LOW L ASSM NF 86-114	LEFT
1, 4-13	882658	PH 8D MED R ASSM NF 86-114	RIGHT
1, 4-13	882659	PH 8D MED L ASSM NF 86-114	LEFT
1, 4-13	882660	PH 8D TALL R ASSM NF 86-114	RIGHT
1, 4-13	882661	PH 8D TALL L ASSM NF 86-114	LEFT
2-13	882662	PH LOW R ASSM NF 86-114	RIGHT
2-13	882663	PH LOW L ASSM NF 86-114	LEFT
2-13	882664	PH MED R ASSM NF 86-114	RIGHT
2-13	882665	PH MED L ASSM NF 86-114	LEFT
2-13	882666	PH TALL R ASSM NF 86-114	RIGHT
2-13	882667	PH TALL L ASSM NF 86-114	LEFT
1, 4-19	922060	BACK ASSM 8D LOW 14 NF 86-114	
1, 4-19	922061	BACK ASSM 8D LOW 15 NF 86-114	

Pos.	Item Number	Description	Remarks
1, 4-19	922062	BACK ASSM 8D LOW 16 NF 86-114	
1, 4-19	922063	BACK ASSM 8D LOW 17 NF 86-114	
1, 4-19	922064	BACK ASSM 8D LOW 18 NF 86-114	
1, 4-19	922065	BACK ASSM 8D LOW 19 NF 86-114	
1, 4-19	922066	BACK ASSM 8D LOW 20 NF 86-114	
1, 4-19	922067	BACK ASSM 8D LOW 22 NF 86-114	
1, 4-19	922068	BACK ASSM 8D LOW 24 NF 86-114	
1, 4-19	922010	BACK ASSM 8D MED 14 NF 86-114	
1, 4-19	922011	BACK ASSM 8D MED 15 NF 86-114	
1, 4-19	922012	BACK ASSM 8D MED 16 NF 86-114	
1, 4-19	922013	BACK ASSM 8D MED 17 NF 86-114	
1, 4-19	922014	BACK ASSM 8D MED 18 NF 86-114	
1, 4-19	922015	BACK ASSM 8D MED 19 NF 86-114	
1, 4-19	922016	BACK ASSM 8D MED 20 NF 86-114	
1, 4-19	922017	BACK ASSM 8D MED 22 NF 86-114	
1, 4-19	922018	BACK ASSM 8D MED 24 NF 86-114	
1, 4-19	922028	BACK ASSM 8D TALL 14 NF 86-114	
1, 4-19	922029	BACK ASSM 8D TALL 15 NF 86-114	
1, 4-19	922030	BACK ASSM 8D TALL 16 NF 86-114	
1, 4-19	922031	BACK ASSM 8D TALL 17 NF 86-114	
1, 4-19	922032	BACK ASSM 8D TALL 18 NF 86-114	
1, 4-19	922033	BACK ASSM 8D TALL 19 NF 86-114	
1, 4-19	922034	BACK ASSM 8D TALL 20 NF 86-114	
1, 4-19	922035	BACK ASSM 8D TALL 22 NF 86-114	
1, 4-19	922036	BACK ASSM 8D TALL 24 NF 86-114	
2-19	922040	BACK ASSM LOW 14 NF 86-114	
2-19	922041	BACK ASSM LOW 15 NF 86-114	
2-19	922042	BACK ASSM LOW 16 NF 86-114	
2-19	922043	BACK ASSM LOW 17 NF 86-114	
2-19	922044	BACK ASSM LOW 18 NF 86-114	
2-19	922045	BACK ASSM LOW 19 NF 86-114	
2-19	922046	BACK ASSM LOW 20 NF 86-114	
2-19	922047	BACK ASSM LOW 22 NF 86-114	
2-19	922048	BACK ASSM LOW 24 NF 86-114	
2-19	922001	BACK ASSM MED 14 NF 86-114	
2-19	922002	BACK ASSM MED 15 NF 86-114	
2-19	922003	BACK ASSM MED 16 NF 86-114	
2-19	922004	BACK ASSM MED 17 NF 86-114	
2-19	922005	BACK ASSM MED 18 NF 86-114	
2-19	922006	BACK ASSM MED 19 NF 86-114	
2-19	922007	BACK ASSM MED 20 NF 86-114	
2-19	922008	BACK ASSM MED 22 NF 86-114	
2-19	922009	BACK ASSM MED 24 NF 86-114	
2-19	922019	BACK ASSM TALL 14 NF 86-114	
2-19	922020	BACK ASSM TALL 15 NF 86-114	
2-19	922021	BACK ASSM TALL 16 NF 86-114	
2-19	922022	BACK ASSM TALL 17 NF 86-114	
2-19	922023	BACK ASSM TALL 18 NF 86-114	
2-19	922024	BACK ASSM TALL 19 NF 86-114	
2-19	922025	BACK ASSM TALL 20 NF 86-114	
2-19	922026	BACK ASSM TALL 22 NF 86-114	
19	687900	BACK UPH 14 (21-22) S626	
19	687901	BACK UPH 14 (23-24) S626	
19	687902	BACK UPH 15 (21-22) S626	
19	687903	BACK UPH 15 (23-24) S626	
19	687904	BACK UPH 16 (21-22) S626	
19	687905	BACK UPH 16 (23-24) S626	

Pos.	Item Number	Description	Remarks
19	687906	BACK UPH 17 (21-22) S626	
19	687907	BACK UPH 17 (23-24) S626	
19	687908	BACK UPH 18 (21-22) S626	
19	687909	BACK UPH 18 (23-24) S626	
19	687910	BACK UPH 19 (21-22) S626	
19	687911	BACK UPH 19 (23-24) S626	
19	687912	BACK UPH 20 (21-22) S626	
19	687913	BACK UPH 20 (23-24) S626	
19	687914	BACK UPH 22 LOW S626	
19	687915	BACK UPH 22 MED S626	
19	687916	BACK UPH 22 TALL S626	
19	687917	BACK UPH 22 (21-22) S626	
19	687918	BACK UPH 22 (23-24) S626	
19	687919	BACK UPH 24 LOW S626	
19	687920	BACK UPH 24 MED S626	
19	687921	BACK UPH 24 TALL S626	
3	341497	10 -32 x .020 - .130 RIVNUT GOLD	
1,3,11,12	842221	BACK TUBE PH 8D LOW R S525	RIGHT
1,3,11,12	842222	BACK TUBE PH 8D LOW L S525	LEFT
1,3,11,12	842223	BACK TUBE PH 8D MED R S525	RIGHT
1,3,11,12	842224	BACK TUBE PH 8D MED L S525	LEFT
1,3,11,12	842225	BACK TUBE PH 8D TALL R S525	RIGHT
1,3,11,12	842226	BACK TUBE PH 8D TALL L S525	LEFT
2,3,11,12	842227	BACK TUBE PH LOW R S525	RIGHT
2,3,11,12	842228	BACK TUBE PH LOW L S525	LEFT
2,3,11,12	842229	BACK TUBE PH MED R S525	RIGHT
2,3,11,12	842230	BACK TUBE PH MED L S525	LEFT
2,3,11,12	842231	BACK TUBE PH TALL R S525	RIGHT
2,3,11,12	842232	BACK TUBE PH TALL L S525	LEFT
1, 3-13	882656	PH 8D LOW R ASSM NF 86-114	RIGHT
1, 3-13	882657	PH 8D LOW L ASSM NF 86-114	LEFT
1, 3-13	882658	PH 8D MED R ASSM NF 86-114	RIGHT
1, 3-13	882659	PH 8D MED L ASSM NF 86-114	LEFT
1, 3-13	882660	PH 8D TALL R ASSM NF 86-114	RIGHT
1, 3-13	882661	PH 8D TALL L ASSM NF 86-114	LEFT
1, 3-19	922060	BACK ASSM 8D LOW 14 NF 86-114	
1, 3-19	922061	BACK ASSM 8D LOW 15 NF 86-114	
1, 3-19	922062	BACK ASSM 8D LOW 16 NF 86-114	
1, 3-19	922063	BACK ASSM 8D LOW 17 NF 86-114	
1, 3-19	922064	BACK ASSM 8D LOW 18 NF 86-114	
1, 3-19	922065	BACK ASSM 8D LOW 19 NF 86-114	
1, 3-19	922066	BACK ASSM 8D LOW 20 NF 86-114	
1, 3-19	922067	BACK ASSM 8D LOW 22 NF 86-114	
1, 3-19	922068	BACK ASSM 8D LOW 24 NF 86-114	
1, 3-19	922010	BACK ASSM 8D MED 14 NF 86-114	
1, 3-19	922011	BACK ASSM 8D MED 15 NF 86-114	
1, 3-19	922012	BACK ASSM 8D MED 16 NF 86-114	
1, 3-19	922013	BACK ASSM 8D MED 17 NF 86-114	
1, 3-19	922014	BACK ASSM 8D MED 18 NF 86-114	
1, 3-19	922015	BACK ASSM 8D MED 19 NF 86-114	
1, 3-19	922016	BACK ASSM 8D MED 20 NF 86-114	
1, 3-19	922017	BACK ASSM 8D MED 22 NF 86-114	
1, 3-19	922018	BACK ASSM 8D MED 24 NF 86-114	
1, 3-19	922028	BACK ASSM 8D TALL 14 NF 86-114	
1, 3-19	922029	BACK ASSM 8D TALL 15 NF 86-114	
1, 3-19	922030	BACK ASSM 8D TALL 16 NF 86-114	
1, 3-19	922031	BACK ASSM 8D TALL 17 NF 86-114	

Pos.	Item Number	Description	Remarks
1, 3-19	922032	BACK ASSM 8D TALL 18 NF 86-114	
1, 3-19	922033	BACK ASSM 8D TALL 19 NF 86-114	
1, 3-19	922034	BACK ASSM 8D TALL 20 NF 86-114	
1, 3-19	922035	BACK ASSM 8D TALL 22 NF 86-114	
1, 3-19	922036	BACK ASSM 8D TALL 24 NF 86-114	
2-19	922027	BACK ASSM TALL 24 NF 86-114	

NOTE: BACK HEIGHT RANGES LOW = 18" MED = 19"-21" TALL = 22"-24"



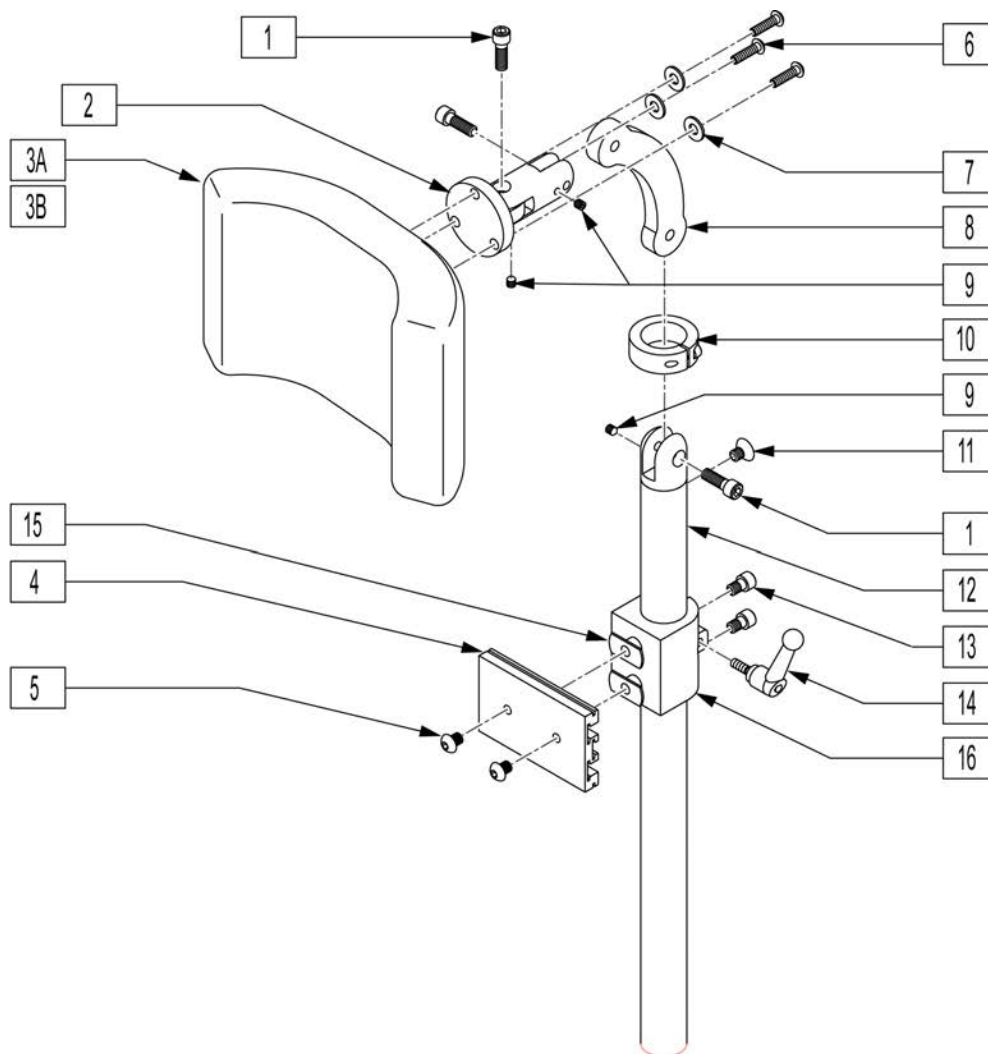
Pos.	Item Number	Description	Remarks
4	106947	WASHER FLAT THIN AN 5/16 ROHS	
5	202116	5/16 -18 NYLOCK NUT THIN BLK	
6	561006	1 SADDLE 5/16 HOLE	
7	226218	5/16 -18 x 1 3/4 BH C/S BLK	
8	501723	BACKREST PLATE 86-114 DEGREE	
9	263100	5/16 AN WASHER FLAT	
10	226219	5/16 -18 x 1 BH C/S BLK	
11	560502	ANTI-TIP LEVER COVER	
12	481084	BACK RELEASE PIN Z2/QT/EX	
13	483801	BACKREST LATCH PLUG P2	BOTH USED
14	321110	S/A LATCH SPRING	
15	483800	BACKREST LATCH SLIDER P2	
16	550340	BACKREST LATCH BLOCKP2/KZ	RIGHT
16	550341	BACKREST LATCH BLOCKP2/KZ	LEFT
17	561019	1 INSERT PLUG .049	
18	920027	QUICKIE GRIP 1" W/INSTR SHEET	
19	281120	10/32 x 5/8 PAN HD PHIL	

Pos.	Item Number	Description	Remarks
20	226223	1/4 -28 x 1 1/4 BH C/S BLK	
21	520564	TOWEL RACK 14	
21	520565	TOWEL RACK 15	
21	520566	TOWEL RACK 16	
21	520567	TOWEL RACK 17	
21	520568	TOWEL RACK 18	
21	520569	TOWEL RACK 19	
21	520570	TOWEL RACK 20	
21	520571	TOWEL RACK 22	
21	520572	TOWEL RACK 24	
22	202300	1/4 -28 NYLOCK NUT THIN BLK ZN	
23	483161	STRUT SADDLE S525	
24	226267	1/4 -28 x 1 5/8 BH C/S W/ PATCH	
25	686930	BACK UPH 14 LOW P2	
25	686931	BACK UPH 14 MED P2	
25	686932	BACK UPH 14 TALL P2	
25	686933	BACK UPH 15 LOW P2	
25	686934	BACK UPH 15 MED P2	
25	686935	BACK UPH 15 TALL P2	
25	686936	BACK UPH 17 LOW P2	
25	686937	BACK UPH 17 MED P2	
25	686938	BACK UPH 17 TALL P2	
25	686940	BACK UPH 19 LOW P2	
25	686941	BACK UPH 19 MED P2	
25	686942	BACK UPH 19 TALL P2	
25	686943	BACK UPH 20 LOW P2	
25	686944	BACK UPH 20 MED P2	
25	686945	BACK UPH 20 TALL P2	
25	686961	BACK UPH 16 LOW P2	
25	686962	BACK UPH 16 MED P2	
25	686963	BACK UPH 16 TALL P2	
25	686981	BACK UPH 18 LOW P2	
25	686982	BACK UPH 18 MED P2	
25	686983	BACK UPH 18" TALL P2	
25	687900	BACK UPH 14 (21-22) S626	
25	687901	BACK UPH 14 (23-24) S626	
25	687902	BACK UPH 15 (21-22) S626	
25	687903	BACK UPH 15 (23-24) S626	
25	687904	BACK UPH 16 (21-22) S626	
25	687905	BACK UPH 16 (23-24) S626	
25	687906	BACK UPH 17 (21-22) S626	
25	687907	BACK UPH 17 (23-24) S626	
25	687908	BACK UPH 18 (21-22) S626	
25	687909	BACK UPH 18 (23-24) S626	
25	687910	BACK UPH 19 (21-22) S626	
25	687911	BACK UPH 19 (23-24) S626	
25	687912	BACK UPH 20 (21-22) S626	
25	687913	BACK UPH 20 (23-24) S626	
25	687914	BACK UPH 22 LOW S626	
25	687915	BACK UPH 22 MED S626	
25	687916	BACK UPH 22 TALL S626	
25	687917	BACK UPH 22 (21-22) S626	
25	687918	BACK UPH 22 (23-24) S626	
25	687919	BACK UPH 24 LOW S626	
25	687920	BACK UPH 24 MED S626	
25	687921	BACK UPH 24 TALL S626	
1,17.18	842221	BACK TUBE PH 8D LOW R S525	RIGHT

Pos.	Item Number	Description	Remarks
1,17,18	842222	BACK TUBE PH 8D LOW L S525	LEFT
1,17,18	842223	BACK TUBE PH 8D MED R S525	RIGHT
1,17,18	842224	BACK TUBE PH 8D MED L S525	LEFT
1,17,18	842225	BACK TUBE PH 8D TALL R S525	RIGHT
1,17,18	842226	BACK TUBE PH 8D TALL L S525	LEFT
2,17,18	842227	BACK TUBE PH LOW R S525	RIGHT
2,17,18	842228	BACK TUBE PH LOW L S525	LEFT
2,17,18	842229	BACK TUBE PH MED R S525	RIGHT
2,17,18	842230	BACK TUBE PH MED L S525	LEFT
2,17,18	842231	BACK TUBE PH TALL R S525	RIGHT
2,17,18	842232	BACK TUBE PH TALL L S525	LEFT
20-24	842234	TOWEL RACK ASSM 14 S525	
20-24	842235	TOWEL RACK ASSM 15 S525	
20-24	842236	TOWEL RACK ASSM 16 S525	
20-24	842237	TOWEL RACK ASSM 17 S525	
20-24	842238	TOWEL RACK ASSM 18 S525	
20-24	842239	TOWEL RACK ASSM 19 S525	
20-24	842240	TOWEL RACK ASSM 20 S525	
20-24	842241	TOWEL RACK ASSM 22	
20-24	842242	TOWEL RACK ASSM 24	
1, 4-13	882884	PH 8D LOW R ASSM FLDG 86-114	RIGHT
1, 4-13	882885	PH 8D LOW L ASSM FLDG 86-114	LEFT
1, 4-13	882886	PH 8D MED R ASSM FLDG 86-114	RIGHT
1, 4-13	882887	PH 8D MED L ASSM FLDG 86-114	LEFT
1, 4-13	882888	PH 8D TAL R ASSM FLDG 86-114	RIGHT
1, 4-13	882889	PH 8D TAL L ASSM FLDG 86-114	LEFT
2-13	882890	PH LOW R ASSM FLDG 86-114	RIGHT
2-13	882891	PH LOW L ASSM FLDG 86-114	LEFT
2-13	882892	PH MED R ASSM FLDG 86-114	RIGHT
2-13	882893	PH MED L ASSM FLDG 86-114	LEFT
2-13	882894	PH TALL R ASSM FLD 86-114	RIGHT
2-13	882895	PH TALL L ASSM FLD 86-114	LEFT
1, 4-25	922619	BACK ASSM 8D LOW 14 (F) 86-114	
1, 4-25	922620	BACK ASSM 8D LOW 15 (F) 86-114	
1, 4-25	922621	BACK ASSM 8D LOW 16 (F) 86-114	
1, 4-25	922622	BACK ASSM 8D LOW 17 (F) 86-114	
1, 4-25	922623	BACK ASSM 8D LOW 18 (F) 86-114	
1, 4-25	922624	BACK ASSM 8D LOW 19 (F) 86-114	
1, 4-25	922625	BACK ASSM 8D LOW 20 (F) 86-11	
1, 4-25	922626	BACK ASSM 8D LOW 22 (F) 86-114	
1, 4-25	922627	BACK ASSM 8D LOW 24 (F) 86-114	
1, 4-25	922639	BACK ASSM 8D MED 14 (F) 86-114	
1, 4-25	922640	BACK ASSM 8D MED 15 (F) 86-114	
1, 4-25	922641	BACK ASSM 8D MED 16 (F) 86-114	
1, 4-25	922642	BACK ASSM 8D MED 17 (F) 86-114	
1, 4-25	922643	BACK ASSM 8D MED 18 (F) 86-114	
1, 4-25	922644	BACK ASSM 8D MED 19 (F) 86-114	
1, 4-25	922645	BACK ASSM 8D MED 20 (F) 86-114	
1, 4-25	922646	BACK ASSM 8D MED 22 (F) 86-114	
1, 4-25	922647	BACK ASSM 8D MED 24 (F) 86-114	
1, 4-25	922659	BACK ASSM 8D TALL 14 (F)86-114	
1, 4-25	922660	BACK ASSM 8D TALL 15 (F)86-114	
1, 4-25	922661	BACK ASSM 8D TALL 16 (F)86-114	
1, 4-25	922662	BACK ASSM 8D TALL 17 (F)86-114	
1, 4-25	922663	BACK ASSM 8D TALL 18 (F)86-114	
1, 4-25	922664	BACK ASSM 8D TALL 19 (F)86-114	
1, 4-25	922665	BACK ASSM 8D TALL 20 (F)86-114	

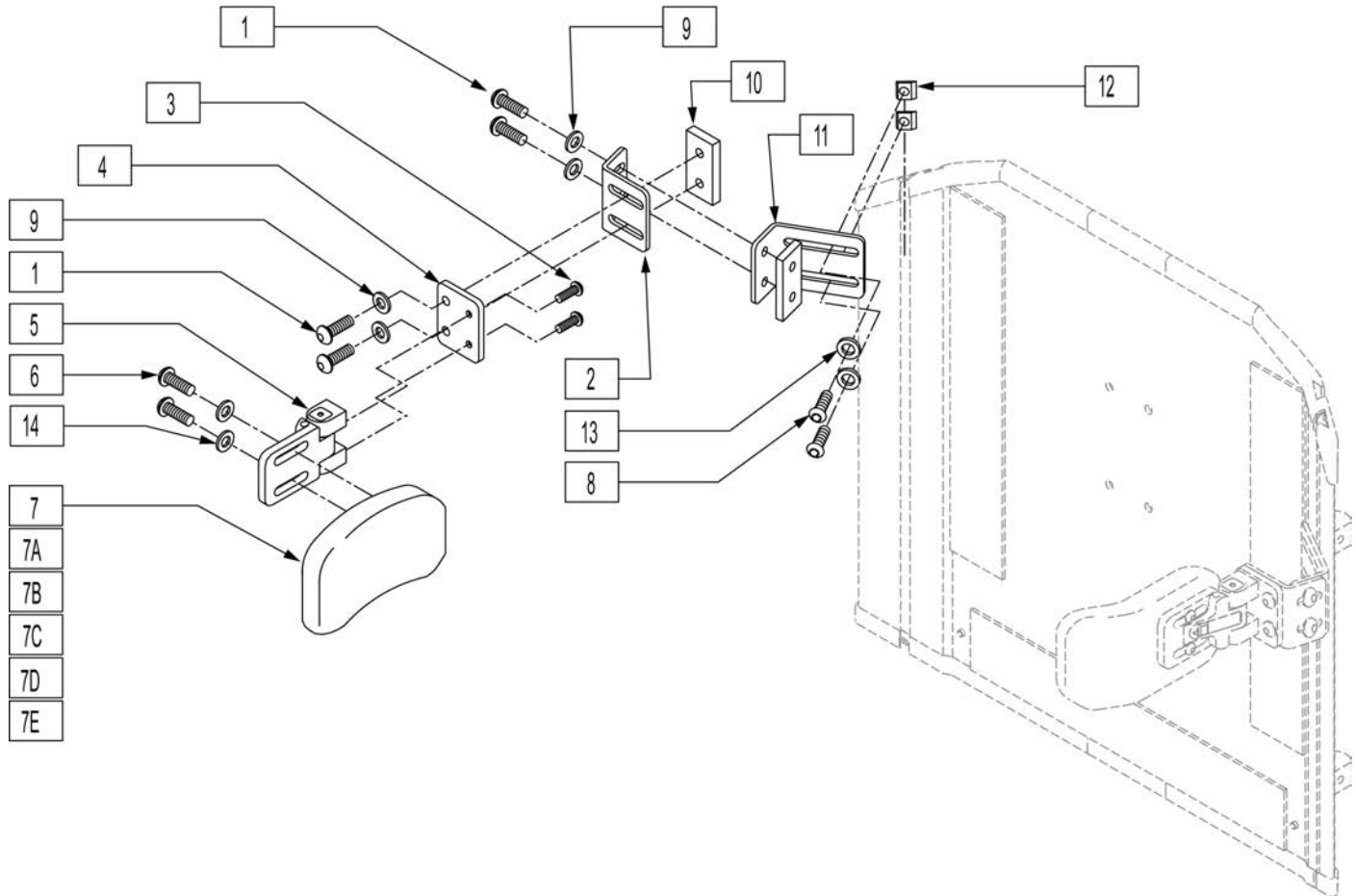
Pos.	Item Number	Description	Remarks
1, 4-25	922666	BACK ASSM 8D TALL 22 (F)86-114	
1, 4-25	922667	BACK ASSM 8D TALL 24 (F)86-114	
2-25	922609	BACK ASSM LOW 14 (F) 86-114	
2-25	922610	BACK ASSM LOW 15 (F) 86-114	
2-25	922611	BACK ASSM LOW 16 (F) 86-114	
2-25	922612	BACK ASSM LOW 17 (F) 86-114	
2-25	922613	BACK ASSM LOW 18 (F) 86-114	
2-25	922614	BACK ASSM LOW 19 (F) 86-114	
2-25	922615	BACK ASSM LOW 20 (F) 86-114	
2-25	922616	BACK ASSM LOW 22 (F) 86-114	
2-25	922617	BACK ASSM LOW 24 (F) 86-114	
2-25	922629	BACK ASSM MED 14 (F) 86-114	
2-25	922630	BACK ASSM MED 15 (F) 86-114	
2-25	922631	BACK ASSM MED 16 (F) 86-114	
2-25	922632	BACK ASSM MED 17 (F) 86-114	
2-25	922633	BACK ASSM MED 18 (F) 86-114	
2-25	922634	BACK ASSM MED 19 (F) 86-114	
2-25	922635	BACK ASSM MED 20 (F) 86-114	
2-25	922636	BACK ASSM MED 22 (F) 86-114	
2-25	922637	BACK ASSM MED 24 (F) 86-114	
2-25	922649	BACK ASSM TALL 14 (F) 86-114	
2-25	922650	BACK ASSM TALL 15 (F) 86-114	
2-25	922651	BACK ASSM TALL 16 (F) 86-114	
2-25	922652	BACK ASSM TALL 17 (F) 86-114	
2-25	922653	BACK ASSM TALL 18 (F) 86-114	
2-25	922654	BACK ASSM TALL 19 (F) 86-114	
2-25	922655	BACK ASSM TALL 20 (F) 86-114	
2-25	922656	BACK ASSM TALL 22 (F) 86-114	
1,3,17,18	842221	BACK TUBE PH 8D LOW R S525	RIGHT
1,3,17,18	842224	BACK TUBE PH 8D MED L S525	LEFT
1,3,17,18	842222	BACK TUBE PH 8D LOW L S525	LEFT
1,3,17,18	842223	BACK TUBE PH 8D MED R S525	RIGHT
1,3,17,18	842225	BACK TUBE PH 8D TALL R S525	RIGHT
1,3,17,18	842226	BACK TUBE PH 8D TALL L S525	LEFT
2,3,17,18	842227	BACK TUBE PH LOW R S525	RIGHT
2,3,17,18	842230	BACK TUBE PH MED L S525	LEFT
2,3,17,18	842228	BACK TUBE PH LOW L S525	LEFT
2,3,17,18	842229	BACK TUBE PH MED R S525	RIGHT
2,3,17,18	842231	BACK TUBE PH TALL R S525	RIGHT
2,3,17,18	842232	BACK TUBE PH TALL L S525	LEFT
1, 3-13	882884	PH 8D LOW R ASSM FLDG 86-114	RIGHT
1, 3-13	882885	PH 8D LOW L ASSM FLDG 86-114	LEFT
1, 3-13	882886	PH 8D MED R ASSM FLDG 86-114	RIGHT
1, 3-13	882887	PH 8D MED L ASSM FLDG 86-114	LEFT
1, 3-13	882888	PH 8D TAL R ASSM FLDG 86-114	RIGHT
1, 3-13	882889	PH 8D TAL L ASSM FLDG 86-114	LEFT
1, 3-25	922619	BACK ASSM 8D LOW 14 (F) 86-114	
1, 3-25	922620	BACK ASSM 8D LOW 15 (F) 86-114	
1, 3-25	922621	BACK ASSM 8D LOW 16 (F) 86-114	
1, 3-25	922622	BACK ASSM 8D LOW 17 (F) 86-114	
1, 3-25	922623	BACK ASSM 8D LOW 18 (F) 86-114	
1, 3-25	922624	BACK ASSM 8D LOW 19 (F) 86-114	
1, 3-25	922625	BACK ASSM 8D LOW 20 (F) 86-11	
1, 3-25	922626	BACK ASSM 8D LOW 22 (F) 86-114	
1, 3-25	922627	BACK ASSM 8D LOW 24 (F) 86-114	
1, 3-25	922639	BACK ASSM 8D MED 14 (F) 86-114	
1, 3-25	922640	BACK ASSM 8D MED 15 (F) 86-114	

Pos.	Item Number	Description	Remarks
1, 3-25	922641	BACK ASSM 8D MED 16 (F) 86-114	
1, 3-25	922642	BACK ASSM 8D MED 17 (F) 86-114	
1, 3-25	922643	BACK ASSM 8D MED 18 (F) 86-114	
1, 3-25	922644	BACK ASSM 8D MED 19 (F) 86-114	
1, 3-25	922645	BACK ASSM 8D MED 20 (F) 86-114	
1, 3-25	922646	BACK ASSM 8D MED 22 (F) 86-114	
1, 3-25	922647	BACK ASSM 8D MED 24 (F) 86-114	
1, 3-25	922659	BACK ASSM 8D TALL 14 (F)86-114	
1, 3-25	922660	BACK ASSM 8D TALL 15 (F)86-114	
1, 3-25	922661	BACK ASSM 8D TALL 16 (F)86-114	
1, 3-25	922662	BACK ASSM 8D TALL 17 (F)86-114	
1, 3-25	922663	BACK ASSM 8D TALL 18 (F)86-114	
1, 3-25	922664	BACK ASSM 8D TALL 19 (F)86-114	
1, 3-25	922665	BACK ASSM 8D TALL 20 (F)86-114	
1, 3-25	922666	BACK ASSM 8D TALL 22 (F)86-114	
1, 3-25	922667	BACK ASSM 8D TALL 24 (F)86-114	
2-25	922657	BACK ASSM TALL 24 (F) 86-114	



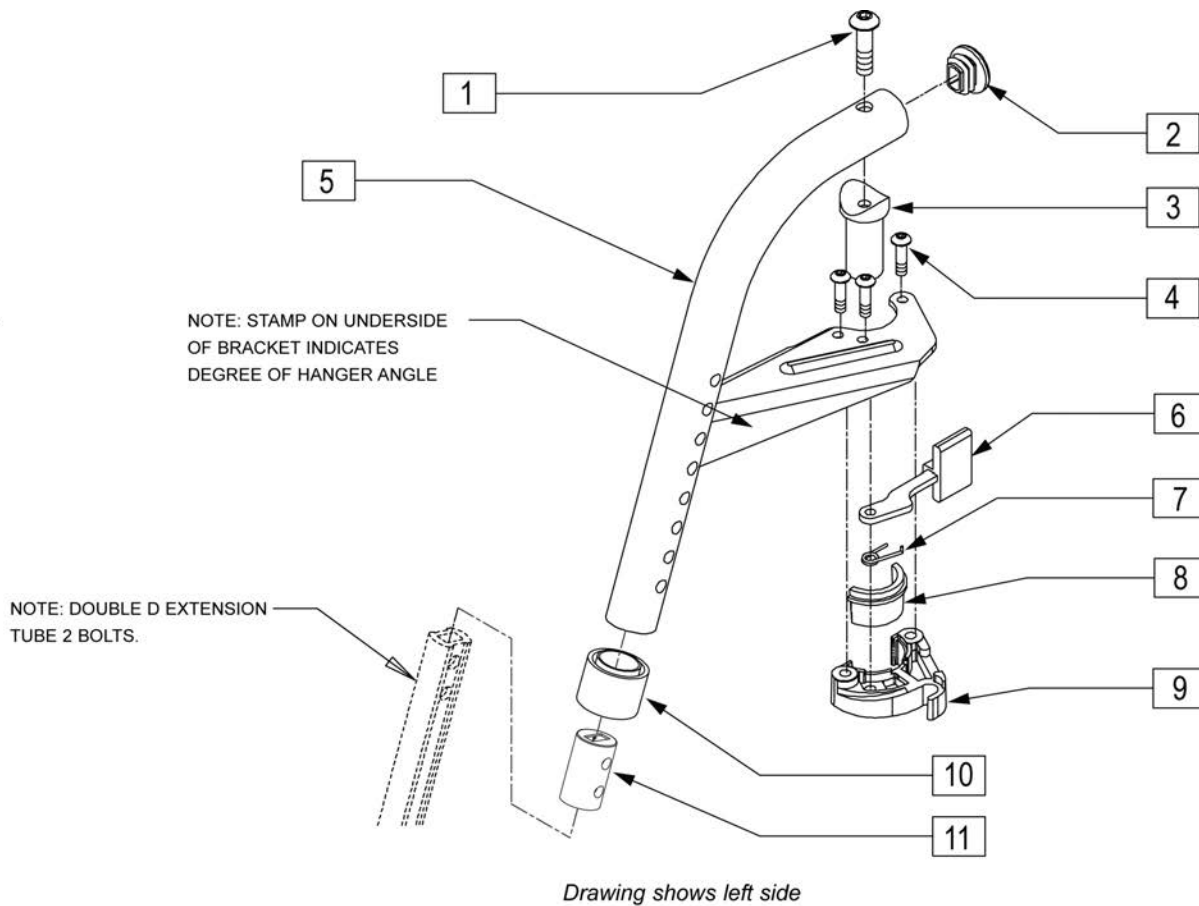
Pos.	Item Number	Description	Remarks
1	221115	1/4-20 x 3/4" SOC HD C/S BLK	
3A	750696	HEADREST W/ZIPPER MEDIUM CG	8x4.5 pad
3B	750697	HEADREST W/ZIPPER LARGE CG	9x4.5 pad
4	505932	HEADREST MOUNTING TRACK	
5	476304	1/4-28 x .31 BHCS W/PATCH	
6	221010	10-32 x .75 SHCS BLK W/PL	
7	261204	#10 AN WASHER .063	
8	331077	HEADREST LINK 6 INCH	
9	341045	#10-24 CONE POINT SET SCREW	
10	505933	HEADREST COLLAR	
11	226072	1/4-20 x 1/2 FH C/S BLK	
13	226095	1/4-20 x 3/8" SOC C/S BLK ZN	
14	341046	HEADREST CLAMPING HANDLE SCREW	
15	340033	1/4-20 WELD NUTS SLAB BASE	
4,5,13-16	888101	CLAMP HEADREST RIGID BACK	
1,2,4,6-16	881003	HEADREST MOUNTING BRACKET ASSM	
1-3A,4-16	881907	HEADREST ASSEMBLY MEDIUM	8x4.5 pad
1-3B,4-16	881908	HEADREST ASSEMBLY LARGE	9x4.5 pad

NOTE: For symmetric and asymmetric laterals, please refer to the "JAY PRECISION BACKREST & LATERAL" parts page.



Pos.	Item Number	Description	Pos.	Item Number	Description
1	226247	1/4-28 x 5/8 B/H C/S BLACK G5	6,7E,14	450825	TRUNK PAD FLAT 4"H x 6"L 1" CN
2	120093	SWING AWAY LATERAL L BRACKET	8	221092	1/4-28 x 7/16 BH CS BLK W/PTCH
3	226018-QU	10-32 x 3/8 BH C/S W/PATCH BLK	9	261111	9/32 x 5/8 OD FLAT WASHER BLK
4	120091	SWING AWAY LATERAL FLAT BRACKET	10	330134	THREADED PLATE
5	476180	ADJUSTABLE LATERAL SWING AWAY	11	120092	SWING AWAY LAT LONG L BRKT
6	455013-QU	10-32 x 1/2 ALLEN BH SCW	12	481106-QU	1/4-28 CHANNEL NUT
6,7,14	450852	TRUNK PAD CURVED 3"H x 6"L 1" CN	13	106943	WASHER FLAT AN 1/4 ROHS
6,7A,14	450854	TRUNK PAD CURVED 4"H x 5"L 1" CN	14	455031-QU	#10 AN WASHER .032 SS
6,7B,14	450855	TRUNK PAD CURVED 4"H x 6"L 1" CN	1,2,8-13	881902	LATERAL BRACKET ASSM SOLID BACK
6,7C,14	450822	TRUNK PAD FLAT 3"H x 6"L 1" CN	1-5,8-13	900475	S/A LATERAL ASSM SOLID BACK
6,7D,14	450824	TRUNK PAD FLAT 4"H x 5"L 1" CN			

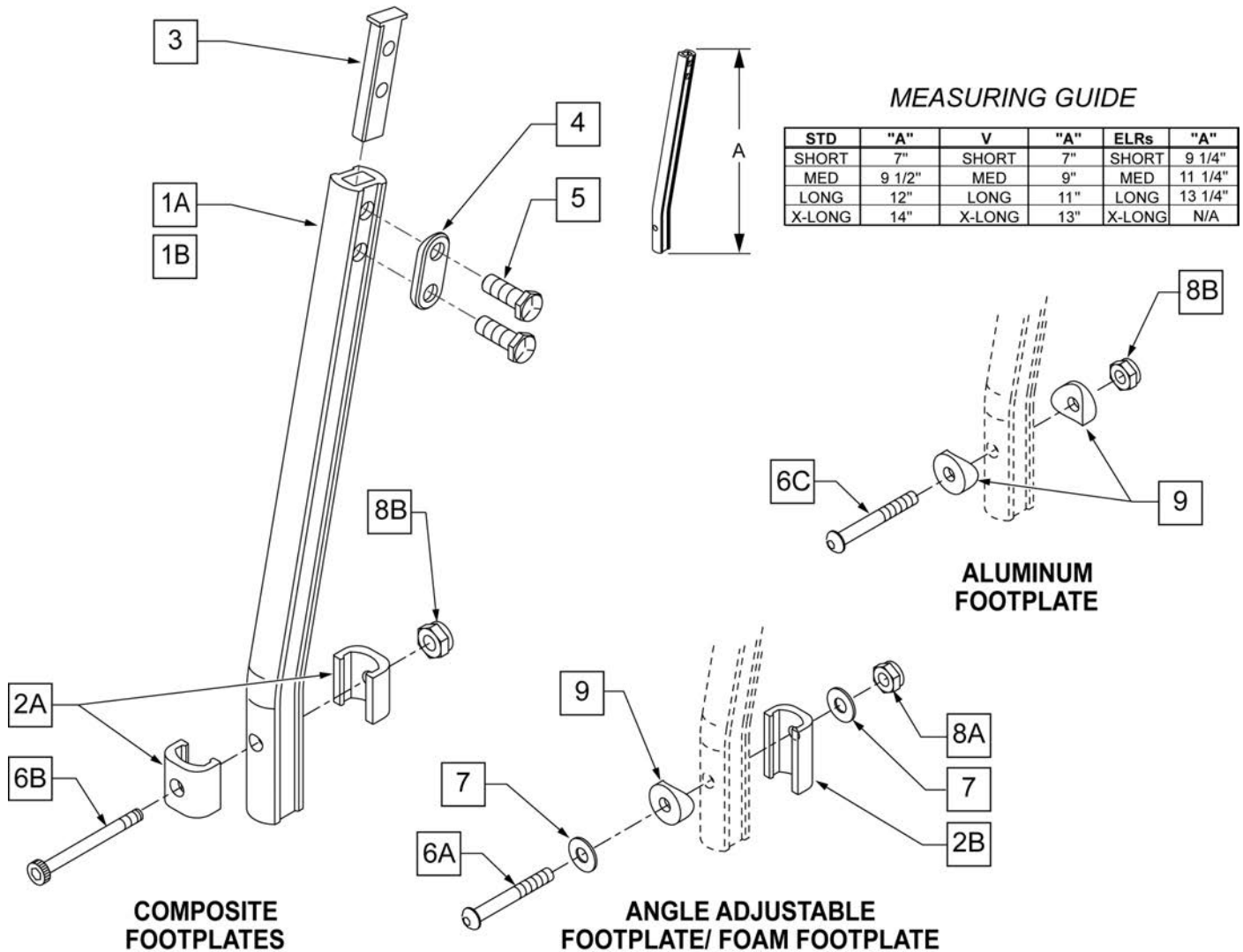
Note: If replacing hanger only and chair was built prior to the serial numbers listed, Quickie S646/S646SE - S/N S64-041562 --Quickie S525 - S/N S52-024192--Quickie P222SE - S/N P2X-0018648--Quickie P220 - S/N P20-028108 please order complete assembly 641525 and/or 641526.



Pos.	Item Number	Description	Remarks
1	226217	5/16-18 x 2" BH C/S BLK	
2	561378	END PLUG DBL "D" S525	
3	561197	PLASTIC PIVOT SADDLE	
4	226057	10/24 x .725 BTTN HD SOC BZ	
6	561079	S/A LATCH LEVER	
7	321136	S/A SPRING L RED	Left
7	321137	S/A SPRING R CLEAR	Right
8,9	881500	LATCH BLOCK ASSM R	Right
8,9	881501	LATCH BLOCK ASSM L	Left
10	561082	1" TUBE END BUSHING THIN	
11	100968	SPCR ANTI ROTATE INSRT D2 EXT	
1-11	641526S	HANGER ASSM S/A 70D POWER R	Right
1-11	641525S	HANGER ASSM S/A 70D POWER L	Left

NOTE: IF REPLACING AN EXTENSION TUBE ON AN MANUAL ALR PLEASE REFER TO THE ROUND EXT TUBE PARTS MANUAL PAGE.

NOTE: WHEN ORDERING REPLACEMENT EXTENSION TUBES PLEASE VERIFY IF YOU HAVE THE OLD STYLE DOUBLE D EXTENSION TUBE OR THE NEW STYLE DOUBLE D EXTENSION TUBE. THIS CAN BE DONE BY REVIEWING THE HANGER THE EXTENSION TUBE IS USED ON. IF THE HANGER UTILIZES A SINGLE SET SCREW AT THE BOTTOM OF THE HANGER TUBE TO ATTACH THE EXTENSION TUBE TO THE HANGER, THEN THIS UTILIZES THE NEW STYLE DOUBLE D EXT TUBE ALL OTHER HANGERS REQUIRING A DOUBLE D EXTENSION TUBE UTILIZE THE OLD STYLE.



Pos.	Item Number	Description	Remarks
1A	550819	EXT TUBE S/A ONLY SHT	Short Ext-Swing Away Hanger
1A	550820	EXT TUBE S/A ONLY MED	Med Ext-Swing Away Hanger
1A	550821	EXT TUBE S/A ONLY LONG	Long Ext-Swing Away Hanger
1A	550822	EXT TUBE S/A ONLY X-LONG	X-Long Ext-Swing Away Hanger
1B	550834	EXT TUBE V IN ONLY D2 SHT R	Right Short Ext-Swing Away Hanger
1B	550835	EXT TUBE V IN ONLY D2 SHT L	Left Short Ext-Swing Away Hanger
1B	550836	EXT TUBE V IN ONLY D2 MED R	Right Med Ext-Swing Away Hanger

Pos.	Item Number	Description	Remarks
1B	550837	EXT TUBE V IN ONLY D2 MED L	Left Med Ext-Swing Away Hanger
1B	550838	EXT TUBE V IN ONLY D2 LONG R	Right Long Ext-Swing Away Hanger
1B	550839	EXT TUBE V IN ONLY D2 LONG L	Left Long Ext-Swing Away Hanger
1B	550840	EXT TUBE V IN ONLY D2 X-LONG R	Right X-Long Ext-Swing Away Hanger
1B	550841	EXT TUBE V IN ONLY D2 X-LONG L	Left X-Long Ext-Swing Away Hanger
2A	483718	HANGER EXTENSION SADDLE	USE W/ COMPOSITE FTPLT
2B	483720	HANGER EXTENSION SADDLE LONG	USE W/ ANGLE ADJ FTPLT
1C	550764	S/A HANGER EXT D2 SHORT BLACK	Short Ext ELR Hangers
1C	550765	S/A HANGER EXT D2 MED BLACK	Medium Ext ELR Hangers
1C	550766	S/A HANGER EXT D2 LONG BLACK	Long Ext ELR Hangers
3	500078	INSERT D2 EXT TUBE	
4	483717	HANGER SADDLE	
5	221102	1/4-28 x 3/4 HEX HEAD C/S BLK W/PTCH	
6A	106962	1/4-28 x 1 3/4 BH C/S BLK ZN	USE W/ ANGLE ADJ FTPLT
6B	226165	1/4 -28 x 2 1/2 SOC C/S	USE W/ COMPOSITE FTPLT
6C	226147	1/4 -28 X 1.85 BH C/S	
7	106945	1/4" SAE WASHER	
8A	106941	1/4 -28 AUTOMATION NUT	USE W/ ANGLE ADJ FTPLT
8B	106935	1/4 -28 NYLOCK NUT THIN	USE W/ COMPOSITE FTPLT
9	561055	3/4 SADDLE 1" OD	USE W/ ANGLE ADJ FTPLT
1A,2A-5	921759	EXT TUBE S/A SHT ASSM PCKT	USE W/ COMPOSITE FTPLT
1A,2A-5	921760	EXT TUBE S/A MED ASSM PCKT	USE W/ COMPOSITE FTPLT
1A,2A-5	921761	EXT TUBE S/A LONG ASSM PCKT	USE W/ COMPOSITE FTPLT
1A,2A-5	921762	EXT TUBE S/A X-LONG ASSM PCKT	USE W/ COMPOSITE FTPLT
1B,2A-5	921751	EXT TUBE "V" D2 SHT R ASSM PCKT	RIGHT - USE W/ COMPOSITE FTPLT V HANGER
1B,2A-5	921752	EXT TUBE "V" D2 SHT L ASSM PCKT	LEFT - USE W/ COMPOSITE FTPLT V HANGER
1B,2A-5	921753	EXT TUBE "V" D2 MED R ASSM PCKT	RIGHT - USE W/ COMPOSITE FTPLT V HANGER
1B,2A-5	921754	EXT TUBE "V" D2 MED L ASSM PCKT	LEFT - USE W/ COMPOSITE FTPLT V HANGER
1B,2A-5	921755	EXT TUBE "V" D2 LONG R ASSM PCKT	RIGHT - USE W/ COMPOSITE FTPLT V HANGER
1B,2A-5	921756	EXT TUBE "V" D2 LONG L ASSM PCKT	LEFT - USE W/ COMPOSITE FTPLT V HANGER
1B,2A-5	921757	EXT TUBE "V" D2 X-LONG R ASSM PCKT	RIGHT - USE W/ COMPOSITE FTPLT V HANGER
1B,2A-5	921758	EXT TUBE "V" D2 X-LONG L ASSM PCKT	LEFT - USE W/ COMPOSITE FTPLT V HANGER
1A,2A-7,9	921772	EXT TUBE S/A SHT ANG ADJ PCKT	USE W/ ANGLE ADJ FTPLT
1A,2A-7,9	921773	EXT TUBE S/A MED ANG ADJ PCKT	USE W/ ANGLE ADJ FTPLT
1A,2A-7,9	921774	EXT TUBE S/A LONG ANG ADJ PCKT	USE W/ ANGLE ADJ FTPLT
1A,2A-7,9	921775	EXT TUBE S/A X-LONG ANG ADJ PCKT	USE W/ ANGLE ADJ FTPLT
1B,2A-7,9	921764	EXT TUBE "V" D2 SHT R ANG ADJ PCKT	RIGHT - USE W/ ANGLE ADJ FTPLT V HANGER
1B,2A-7,9	921765	EXT TUBE "V" D2 SHT L ANG ADJ PCKT	LEFT - USE W/ ANGLE ADJ FTPLT V HANGER
1B,2A-7,9	921766	EXT TUBE "V" D2 MED R ANG ADJ PCKT	RIGHT - USE W/ ANGLE ADJ FTPLT V HANGER
1B,2A-7,9	921767	EXT TUBE "V" D2 MED L ANG ADJ PCKT	LEFT - USE W/ ANGLE ADJ FTPLT V HANGER
1B,2A-7,9	921768	EXT TUBE "V" D2 LONG R ANG ADJ PCKT	RIGHT - USE W/ ANGLE ADJ FTPLT V HANGER
1B,2A-7,9	921769	EXT TUBE "V" D2 LONG L ANG ADJ PCKT	LEFT - USE W/ ANGLE ADJ FTPLT V HANGER
1B,2A-7,9	921770	EXT TUBE "V" D2 X-LONG R ANG AD PCKT	RIGHT - USE W/ ANGLE ADJ FTPLT V HANGER
1B,2A-7,9	921771	EXT TUBE "V" D2 X-LONG L ANG AD PCKT	LEFT - USE W/ ANGLE ADJ FTPLT V HANGER

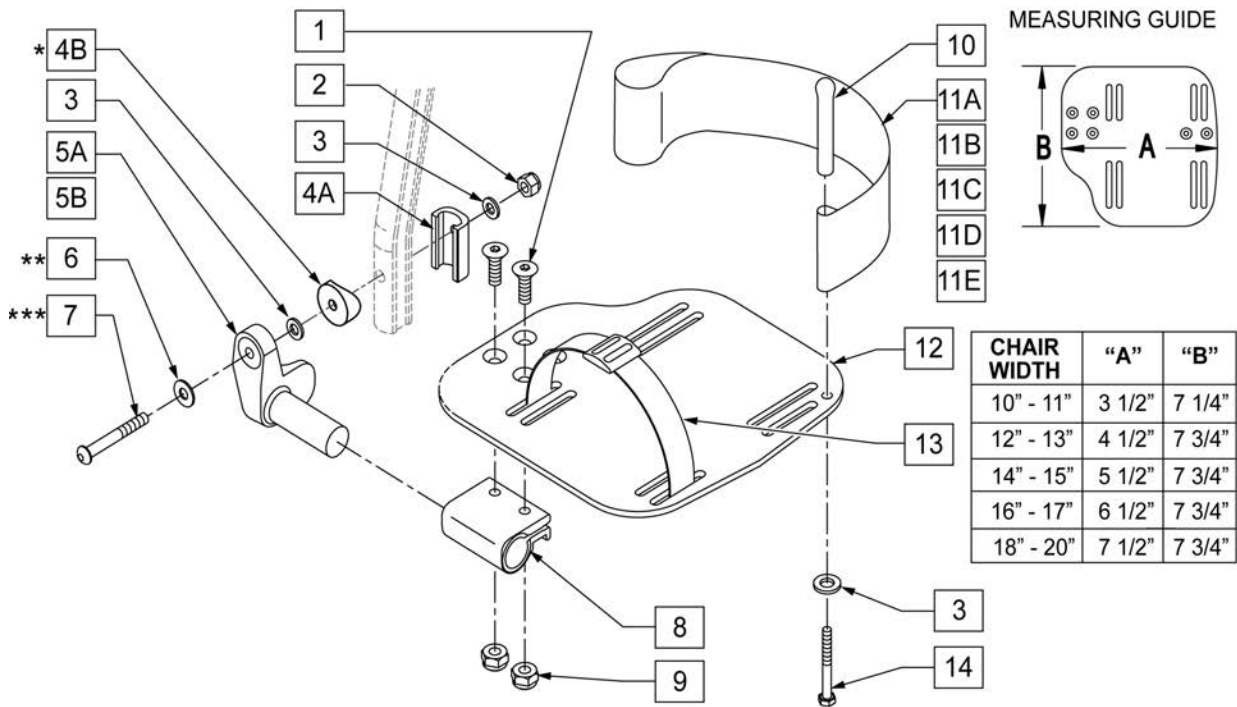
NOTE: FOR HIGH-MOUNT ADULT ANGLE-ADJUSTABLE FOOTPLATE, SEE "HIGH-MOUNT EXTENSION TUBE" PAGE.

NOTE: ORDER ITEM 4B FOR CHAIRS PRIOR TO 8/13/01.

NOTE: ONLY 1 WASHER PRIOR TO 8/13/01.

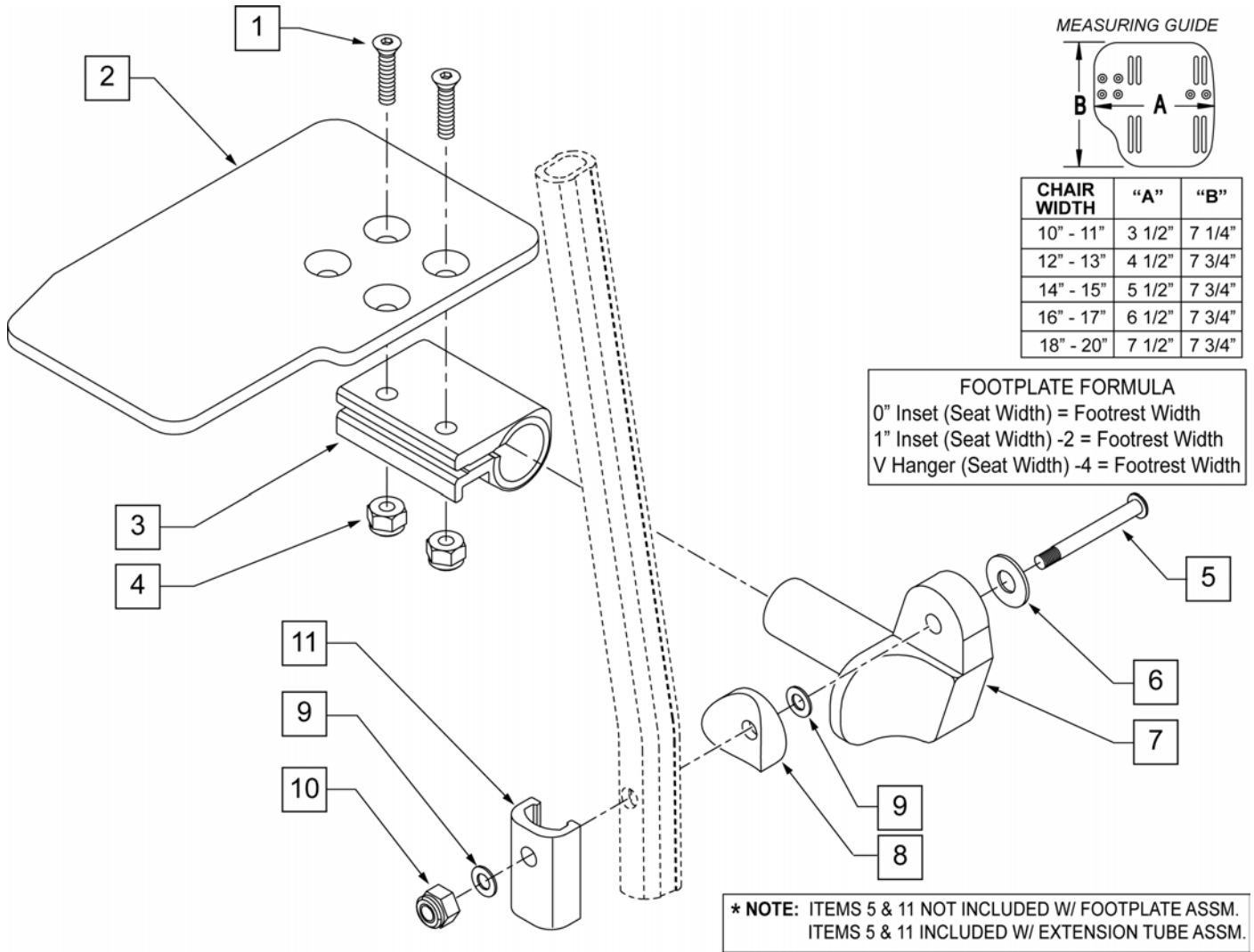
NOTE: ORDER PART 226167 PRIOR TO 8/13/01.

NOTE: See attached REFERENCE GUIDE.



Pos.	Item Number	Description	Remarks
1	106978	1/4-28 x 7/8 FH C/S	
2	106941	1/4-28 AUTOMATION NUT	
3	106943	WASHER FLAT AN 1/4 ROHS	

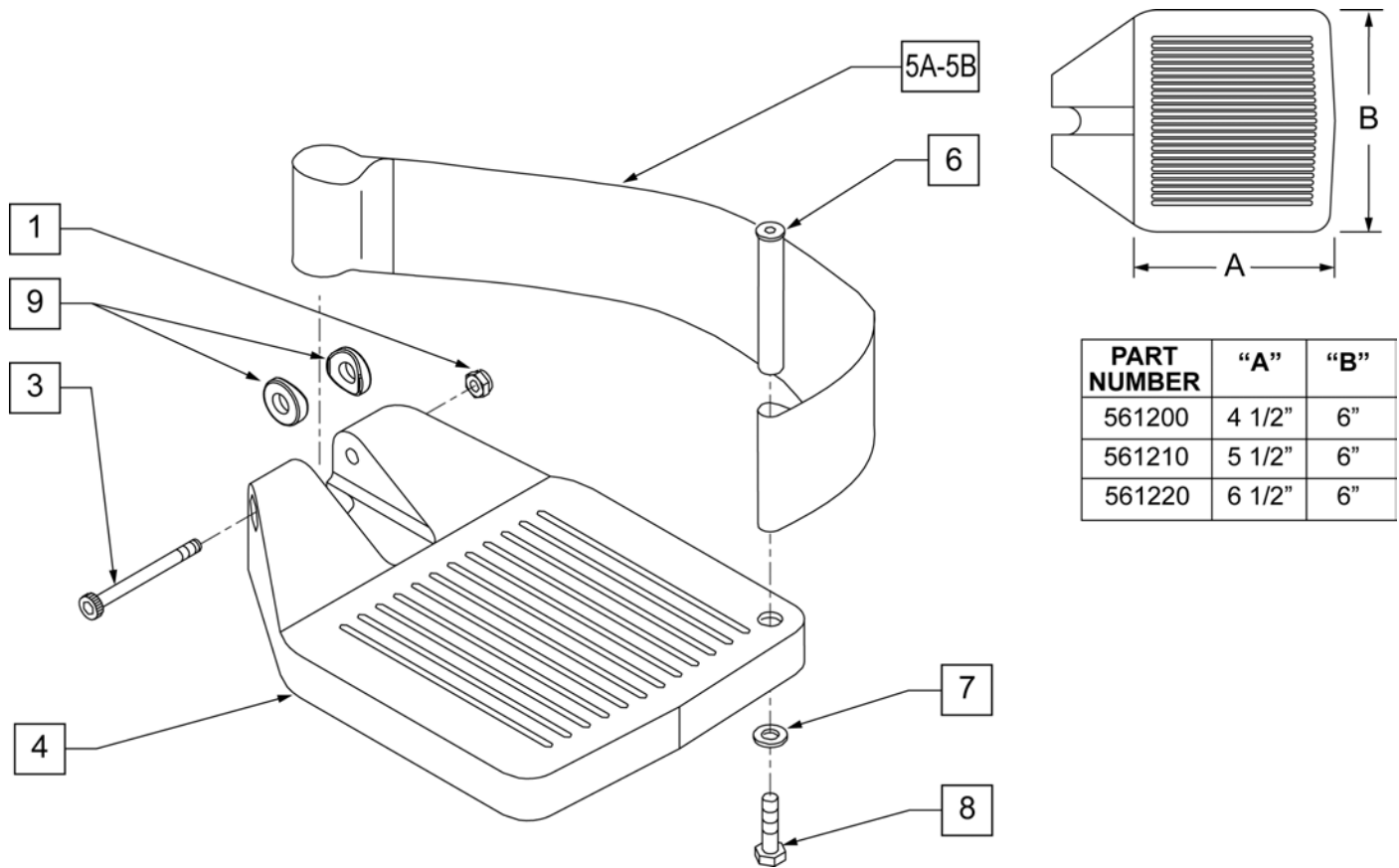
Pos.	Item Number	Description	Remarks
4A	483720	HANGER EXTENSION SADDLE LONG	USE W/ DOUBLE D EXT TUBE
4B	561055	3/4" SADDLE 1" OD	USE W/ ROUND EXT TUBE
5	541002	FTRST MOUNTING BRKT-3/8 RAD R	RIGHT
5	541003	FTRST MOUNTING BRKT-3/8 RAD L	LEFT
6	106945	WASHER FLAT SAE 1/4 ROHS	
7A	106962	BHCS 1/4-28 X 1-3/4 ROHS	USE W/ DOUBLE D EXT TUBE
7B	226167	1/4-28 x 1.625 BH C/S BLK	USE W/ ROUND EXT TUBE
8	550350	3/4" CLMP ADJ FT PLT	
9	106935	NUT NYLOCK THIN 1/4-28 ROHS	
10	561040	HEEL LOOP PEG	
11A	741154	HEEL LOOP 14-15 CMPST HEMI	USED W/ 10-11" ADULT ANG ADJ FTPLTS
11B	741155	HEEL LOOP 16-17 CMPST HEMI	USED W/ 12 -13" ADULT ANG ADJ FTPLTS
11C	741153	H/L 18-20 CMPST/14-15 ANG ADJ	USED W/ 14-15"/16-17" ADULT ANG ADJ FTPLTS
11D	741253	HEEL LOOP ADLT ADJ F/PLT 18-20	USED W/ 18 -20" ADULT ANG ADJ FTPLTS
12	500656	ADLT ANGL ADJ F/PLT 10/11" R	RIGHT
12	500657	ADLT ANGL ADJ F/PLT 10/11" L	LEFT
12	500658	ADLT ANGL ADJ F/PLT 12/13" R	RIGHT
12	500659	ADLT ANGL ADJ F/PLT 12/13" L	LEFT
12	500660	ADLT ANGL ADJ F/PLT 14/15	RIGHT
12	500661	ADLT ANGL ADJ F/PLT 14/15	LEFT
12	500662	ADLT ANGL ADJ F/PLT 16/17	RIGHT
12	500663	ADLT ANGL ADJ F/PLT 16/17	LEFT
12	500664	ADLT ANGL ADJ F/PLT 18-20	RIGHT
12	500665	ADLT ANGL ADJ F/PLT 18-20	LEFT
13	740260	TOE/ANKLE STRAP ADJ ADLT F/PLT	
14	106958	1/4-20 x 1 HEX C/S	
1-3,5,6,8,9,12	820526	AD ANG ADJ F/PLT R 12"/13" OMIT HL	RIGHT
1-3,5,6,8,9,12	820536	AD ANG ADJ F/PLT L 12"/13" OMT HL	LEFT
1-3,5,6,8,9,12	820460	FP ADLT ADJ 14/15 OMIT HL	RIGHT
1-3,5,6,8,9,12	820462	FP ADLT ADJ 14/15 OMIT HL	LEFT
1-3,5,6,8,9,12	820464	FP ADLT ADJ 16/17 OMIT HL	RIGHT
1-3,5,6,8,9,12	820466	FP ADLT ADJ 16/17 OMIT HL	LEFT
1-3,5,6,8,9,12	820468	FP ADLT ADJ 18-20 OMIT HL	RIGHT
1-3,5,6,8,9,12	820470	FP ADLT ADJ 18-20 OMIT HL	LEFT
1-3,5,6,8,9,12	921466	ADLT ANGL ADJ F/PLT 12"/13" OMIT HL	PAIR
1-3,5,6,8,9,12	921320	FP ADLT ADJ 14/15 OMIT HL	PAIR
1-3,5,6,8,9,12	921322	FP ADLT ADJ 16/17 OMIT HL	PAIR
1-3,5,6,8,9,12	921324	FP ADLT ADJ 18-20 OMIT HL	PAIR
1-3,5,6,8,9,12	820522	AD ANGL ADJ F/PLT R 12/13" H/L	RIGHT
1-3,5,6,8,9,12	820532	AD ANGL ADJ F/PLT L 12/13" H/L	LEFT
1-3,5,6,8-10,11C, 12,14	820461	FP ADLT ADJ 14/15 HL	RIGHT
1-3,5,6,8-10,11C, 12,14	820463	FP ADLT ADJ 14/15 HL	LEFT
1-3,5,6,8-10,11C, 12,14	820465	FP ADLT ADJ 16/17 HL	RIGHT
1-3,5,6,8-10,11C, 12,14	820467	FP ADLT ADJ 16/17 HL	LEFT
1-3,5,6,8-10,11D, 12,14	820469	FP ADLT ADJ 18-20 HL	RIGHT
1-3,5,6,8-10,11D, 12,14	820471	FP ADLT ADJ 18-20 HL	LEFT
1-3,5,6,8-10,11B, 12,14	921462	ADLT ANGL ADJ F/PLATE 12"/13" HL	PAIR
1-3,5,6,8-10,11C, 12,14	921321	FP ADLT ADJ 14/15 HL	PAIR
1-3,5,6,8-10,11C, 12,14	921323	FP ADLT ADJ 16/17 HL	PAIR
1-3,5,6,8-10,11D, 12,14	921325	FP ADLT ADJ 18-20 HL	PAIR
1-3,6,7A,9-10,14	101533	ADLT ANG ADJ FP D2 HDWR KIT	FOR DOUBLE D EXT TUBES
1-3B,4B,6,7B,9,10,14	101534	ADLT ANG ADJ FP RND HDWR KIT	FOR ROUND EXT TUBES (Q2 HP ONLY)



Pos.	Item Number	Description	Remarks
1	106978	FHCS 1/4 -28 x 7/8 ROHS	
2	500635	KIDS ANGL ADJ F/PLT 10" R	Right
2	500636	KIDS ANGL ADJ F/PLT 10" L	Left
2	500637	KIDS ANGL ADJ F/PLT 11" R	Right
2	500638	KIDS ANGL ADJ F/PLT 11" L	Left
2	500639	KIDS ANGL ADJ F/PLT 12" R	Right
2	500640	KIDS ANGL ADJ F/PLT 12" L	Left
2	500641	KIDS ANGL ADJ F/PLT 13" R	Right
2	500642	KIDS ANGL ADJ F/PLT 13" L	Left
2	500643	KIDS ANGL ADJ F/PLT 14" R	Right
2	500644	KIDS ANGL ADJ F/PLT 14" L	Left
2	500645	KIDS ANGL ADJ F/PLT 15" R	Right
2	500646	KIDS ANGL ADJ F/PLT 15" L	Left
2	500647	KIDS ANGL ADJ F/PLT 16" R	Right
2	500648	KIDS ANGL ADJ F/PLT 16" L	Left
3	550350	3/4" CLAMP ADJ FOOTPLATE	
4	106935	NUT NYLOCK THIN 1/4 -28 ROHS	
5	106962	1/4-28 x 1 3/4 BH C/S BLK ZN (D2 EXTENSION TUBES)	
5	226167	1/4-28 x 1.625 BH C/S BLK (ROUND EXTENSION TUBES)	

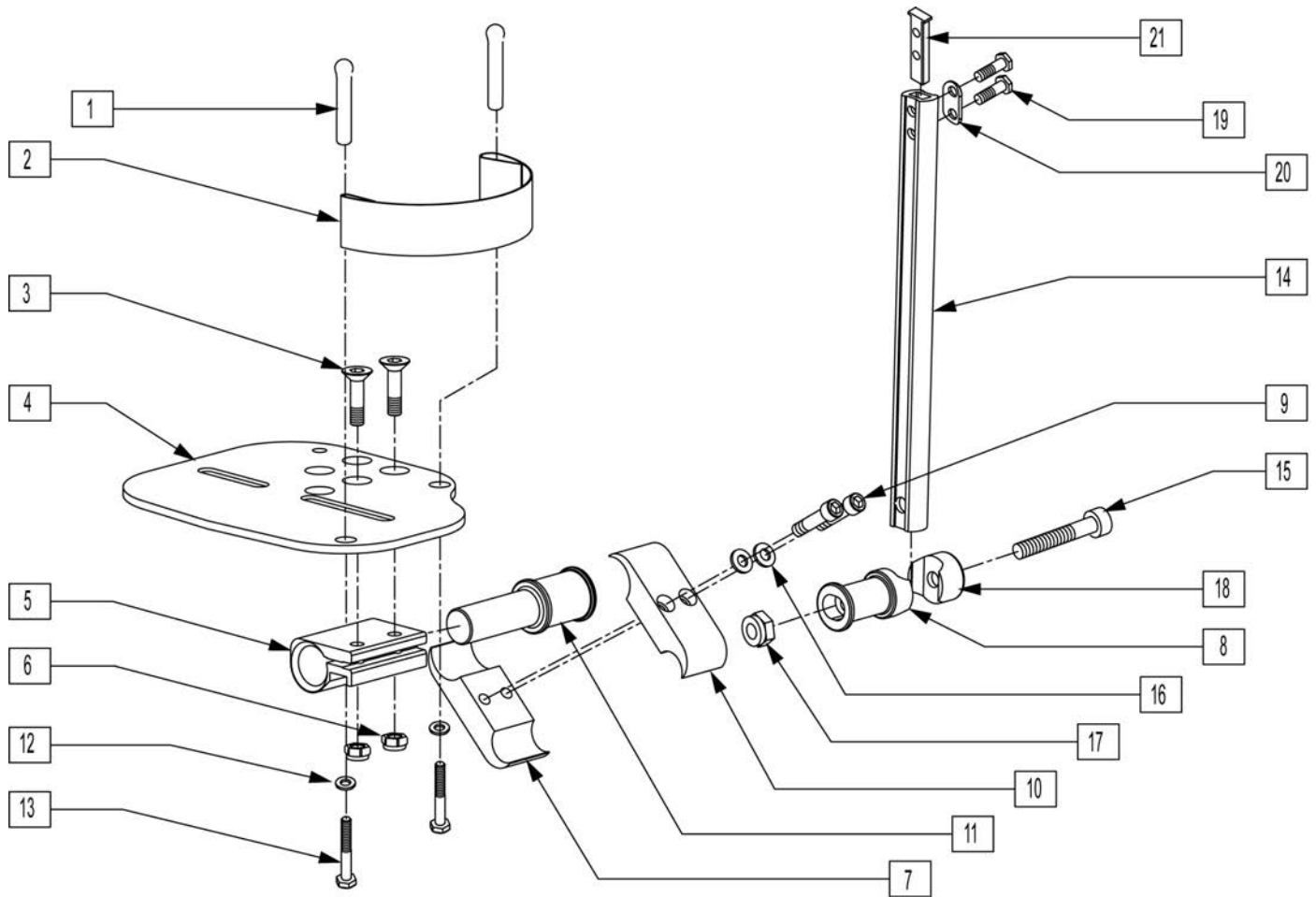
Pos.	Item Number	Description	Remarks
6	106945	1/4 SAE WASHER	
7	541002	FTRST MOUNTING BRKT-3/8 RAD R	
7	541003	FTRST MOUNTING BRKT-3/8 RAD L	
8	561055	3/4" SADDLE 1" OD	
9	106944	WASHER FLAT THIN AN 1/4 ROHS	
10	106941	NUT AUTOMATION 1/4 -28 ROHS	
1-7,9,10	828850	KIDS ANG ADJ F/PLT EXT-MNT 10"R	Right
1-7,9,10	828851	KIDS ANG ADJ F/PLT EXT-MNT 10"L	Left
1-7,9,10	828852	KIDS ANG ADJ F/PLT EXT-MNT 11"R	Right
1-7,9,10	828853	KIDS ANG ADJ F/PLT EXT-MNT 11"L	Left
1-7,9,10	828854	KIDS ANG ADJ F/PLT EXT-MNT 12"R	Right
1-7,9,10	828855	KIDS ANG ADJ F/PLT EXT-MNT 12"L	Left
1-7,9,10	828856	KIDS ANG ADJ F/PLT EXT-MNT 13"R	Right
1-7,9,10	828857	KIDS ANG ADJ F/PLT EXT-MNT 13"L	Left
1-7,9,10	828858	KIDS ANG ADJ F/PLT EXT-MNT 14"R	Right
1-7,9,10	828859	KIDS ANG ADJ F/PLT EXT-MNT 14"L	Left
1-7,9,10	828860	KIDS ANG ADJ F/PLT EXT-MNT 15"R	Right
1-7,9,10	828861	KIDS ANG ADJ F/PLT EXT-MNT 15"L	Left
1-7,9,10	828862	KIDS ANG ADJ F/PLT EXT-MNT 16"R	Right
1-7,9,10	828863	KIDS ANG ADJ F/PLT EXT-MNT 16"L	Left
1-7,9,10	921280	KIDS ANG ADJ F/PLT EXT-MNT 10"	Pair
1-7,9,10	921281	KIDS ANG ADJ F/PLT EXT-MNT 11"	Pair
1-7,9,10	921282	KIDS ANG ADJ F/PLT EXT-MNT 12"	Pair
1-7,9,10	921283	KIDS ANG ADJ F/PLT EXT-MNT 13"	Pair
1-7,9,10	921284	KIDS ANG ADJ F/PLT EXT-MNT 14"	Pair
1-7,9,10	921285	KIDS ANG ADJ F/PLT EXT-MNT 15"	Pair
1-7,9,10	921286	KIDS ANG ADJ F/PLT EXT-MNT 16"	Pair

COMPOSITE FOOTPLATE



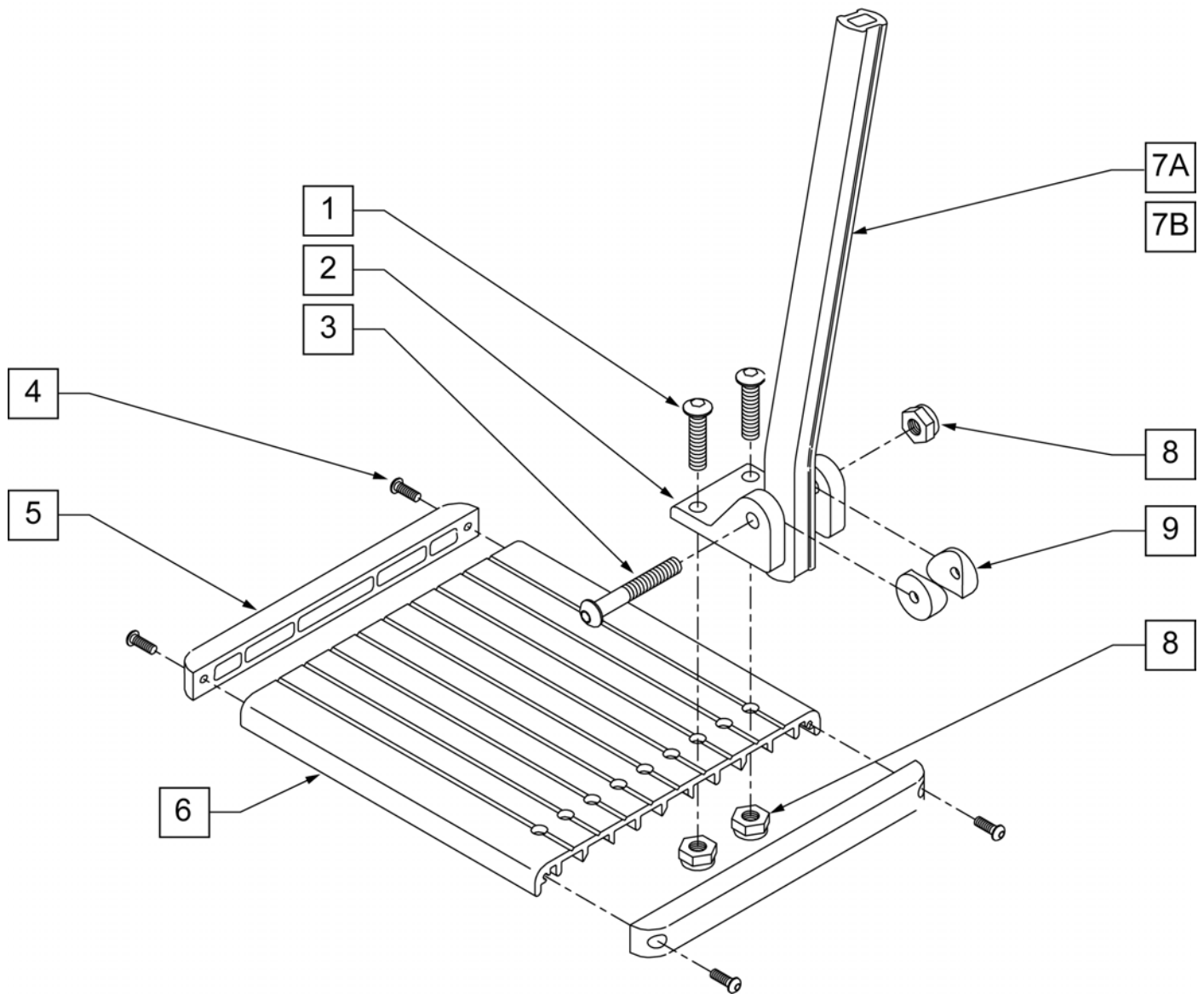
Pos.	Item Number	Description	Remarks
1	106935	1/4 - 28 NYLOCK NUT	
3	226165	1/4 - 28 x 2 1/2 SOC C/S	
4	561200	COMPOSITE FOOTPLATE 14 -15 (16 -18 V)	14 -15 OR 16 -18V
4	561210	COMPOSITE FOOTPLATE 16 -17 (19 -20 V)	16 -17 OR 19 -20V
4	561220	COMPOSITE FOOTPLATE 18 -20	18 -20
5A	741151	HEEL LOOP 14-15 COMPOSITE (14 -15 or 16 -18V)	14 -15 OR 16 -18V
5A	741156	HEEL LOOP 16 -17 or 19 -20V	16 -17 OR 19 -20V
5A	741153	HEEL LOOP 18-20 COMPOSITE/14-15 ANG ADJ	18 -20
5A	902270	HEEL LOOP COMPOSITE FT 14-15	PAIR 14 -15 OR 16 -18V
5A	902271	HEEL LOOP COMPOSITE FT 16-17	PAIR 16 -17 OR 19 -20V
5A	902272	HEEL LOOP COMPOSITE FT 18-20	PAIR 18 -20
5B	741154	HEEL LOOP 14-15 COMPOSITE HEMI	14 -15 HEMI
5B	741155	HEEL LOOP 16-17 COMPOSITE HEMI	16 -17 HEMI
5B	741153	HEEL LOOP 18-20 COMPOSITE HEMI	18 -10 HEMI
5B	902260	HEEL LOOPS HEMI COMPOSITE 14-15	PAIR 14 -15 HEMI
5B	902261	HEEL LOOPS HEMI COMPOSITE 16-17	PAIR 16 -17 HEMI
5B	902262	HEEL LOOPS HEMI COMPOSITE 18-20	PAIR 18 -20 HEMI
6	561040	HEEL LOOP PEG	
7	106944	1/4 AN WASHER FLAT THIN	
8	106958	HHCS 1/4-20 X 1 ROHS	
9	561003	3/4" SADDLE THIN	USED W/ ROUND EXT TUBES ONLY
1,3,4	921180	COMPOSITE FOOTPLATE ASSM 14-15	RIGHT (14 -15 OR 16 -18V) W/O HEEL LOOP
1,3,4	921181	COMPOSITE FOOTPLATE ASSM 14-15	LEFT (14 -15 OR 16 -18V) W/O HEEL LOOP
1,3,4	921182	COMPOSITE FOOTPLATE ASSM 16-17	RIGHT (16 -17 OR 19 -20V) W/O HEEL LOOP
1,3,4	921183	COMPOSITE FOOTPLATE ASSM 16-17	LEFT (16 -17 OR 19 -20V) W/O HEEL LOOP

Pos.	Item Number	Description	Remarks
1,3,4	921184	COMPOSITE FOOTPLATE ASSM 18-20	RIGHT (18 -20) W/O HEEL LOOP
1,3,4	921185	COMPOSITE FOOTPLATE ASSM 18-20	LEFT (18 -20) W/O HEEL LOOP
1,3,4	921151	COMPOSITE FOOTPLATE ASSM 14-15/16-18V	PAIR (14 -15 OR 16 -18V) W/O HEEL LOOP
1,3,4	921152	COMPOSITE FOOTPLATE ASSM 16-17/19-20V	PAIR (16 -17 OR 19 -20V) W/O HEEL LOOP
1,3,4	921153	COMPOSITE FOOTPLATE ASSM 18-20	PAIR (18 -20) W/O HEEL LOOP
1,3,4A-8	921190	COMPOSITE FOOTPLATE ASSM HL LP 14-15	RIGHT (14 -15 OR 16 -18V) W/ HEEL LOOP
1,3,4A-8	921191	COMPOSITE FOOTPLATE ASSM HL LP 14-15	LEFT (14 -15 OR 16 -18V) W/ HEEL LOOP
1,3,4A-8	921192	COMPOSITE FOOTPLATE ASSM HL LP 16-17	RIGHT (16 -17 OR 19 -20V) W/ HEEL LOOP
1,3,4A-8	921193	COMPOSITE FOOTPLATE ASSM HL LP 16-17	LEFT (16 -17 OR 19 -20V) W/ HEEL LOOP
1,3,4A-8	921194	COMPOSITE FOOTPLATE ASSM HL LP 18-20	RIGHT (18 -20) W/ HEEL LOOP
1,3,4A-8	921195	COMPOSITE FOOTPLATE ASSM HL LP 18-20	LEFT (18 -20) W/ HEEL LOOP
1,3,4A-8	921161	COMPOSITE FOOTPLATE ASSM HL 14-15/16-18V	PAIR (14 -15 OR 16 -18V) W/ HEEL LOOP
1,3,4A-8	921162	COMPOSITE FOOTPLATE ASSM HL 16-17/19-20V	PAIR (16 -17 OR 19 -20V) W/ HEEL LOOP
1,3,4A-8	921163	COMPOSITE FOOTPLATE ASSM HL 18-20	PAIR (18 -20) W/ HEEL LOOP
1,3,4B-8	921140	COMPOSITE FOOTPLATE ASSM HEMI HL LP 14-15	RIGHT (14 -15) W/ HEEL LOOP
1,3,4B-8	921141	COMPOSITE FOOTPLATE ASSM HEMI HL LP 14-15	LEFT (14 -15) W/ HEEL LOOP
1,3,4B-8	921142	COMPOSITE FOOTPLATE ASSM HEMI HL LP 16-17	RIGHT (16 -17) W/ HEEL LOOP
1,3,4B-8	921143	COMPOSITE FOOTPLATE ASSM HEMI HL LP 16-17	LEFT (16 -17) W/ HEEL LOOP
1,3,4B-8	921144	COMPOSITE FOOTPLATE ASSM HEMI HL LP 18-20	RIGHT (18 -20) W/ HEEL LOOP
1,3,4B-8	921145	COMPOSITE FOOTPLATE ASSM HEMI HL LP 18-20	LEFT (18 -20) W/ HEEL LOOP
1,3,4B-8	921167	COMPOSITE FOOTPLATE ASSM HEMI HL LPS 14-15	PAIR (14 -15) W/ HEEL LOOP
1,3,4B-8	921168	COMPOSITE FOOTPLATE ASSM HEMI HL LPS 16-17	PAIR (16 -17) W/ HEEL LOOP
1,3,4B-8	921169	COMPOSITE FOOTPLATE ASSM HEMI HL LPS 18-20	PAIR (18 -20) W/ HEEL LOOP

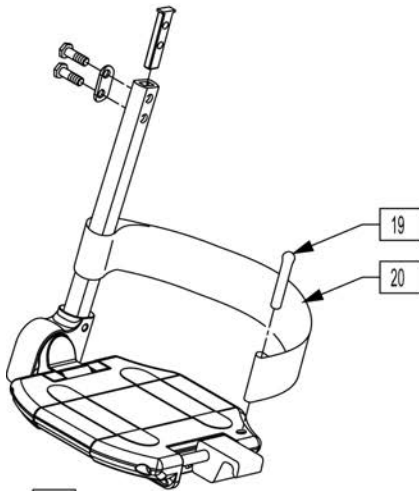


Pos.	Item Number	Description
1	561040	HEEL LOOP PEG
2	741130	HEEL LOOP 14-15 MULTI PSTN
2	741131	HEEL LOOP 16-17 MULTI PSTN
2	741132	HEEL LOOP 18-20 MULTI PSTN
2	741151	HEEL LOOP 14-15 CMPST
2	741170	HEEL LOOP P300
3	106978	1/4-28 X 7/8 FH C/S
4	500658	ADLT ANGL ADJ F/PLT 12/13" R
4	500659	ADLT ANGL ADJ F/PLT 12/13" L
4	500660	ADLT ANGL ADJ F/PLT 14/15" R
4	500661	ADLT ANGL ADJ F/PLT 14/15" L
4	500662	ADLT ANGL ADJ F/PLT 16/17" R
4	500663	ADLT ANGL ADJ F/PLT 16/17" L
4	500664	ADLT ANGL ADJ F/PLT 18-20" R
4	500665	ADLT ANGL ADJ F/PLT 18-20" L
5	550350	3/4" CLMP ADJ FT PLT
6	106935	NUT NYLOCK THIN 1/4-28 ROHS
7	550576	CLAMP 2 1/4" THREADED BLK
8	483278	FOOTREST EXT PIVOT ADJ FT/PLT
9	117032	1/4-28 x 1 SOC C/S BLK
10	550477	CLAMP 2 1/4" RECESS BLK
11	483279	FOOTPLATE PIVOT 1" CLAMP

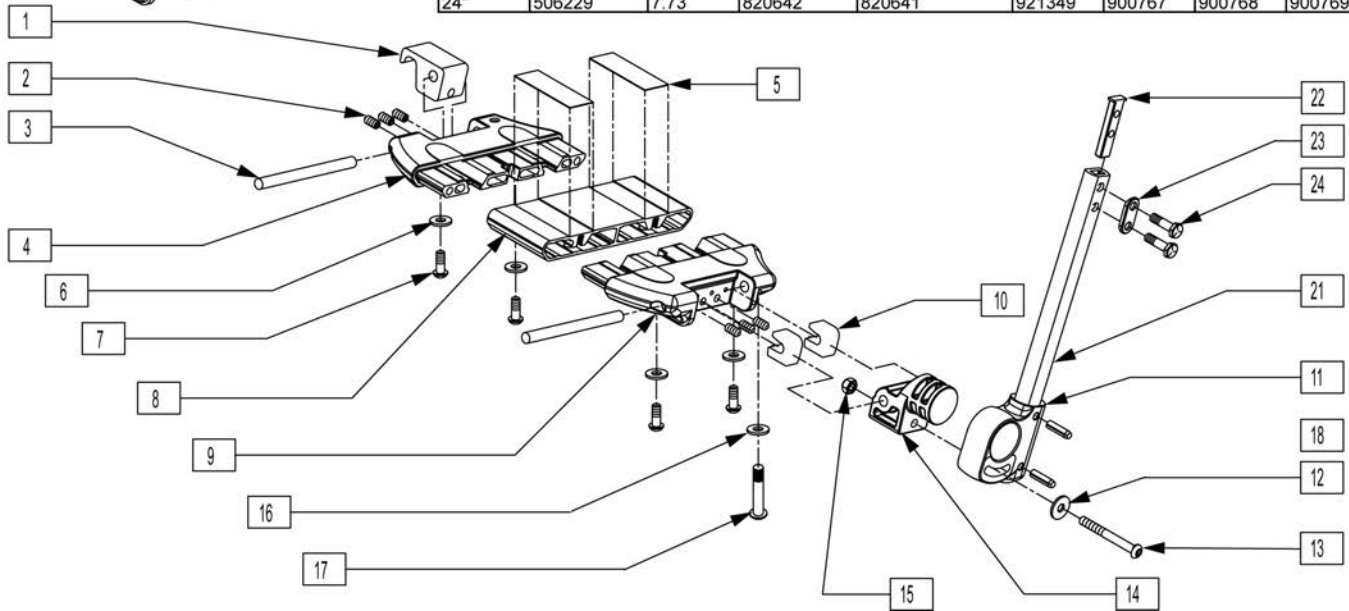
Pos.	Item Number	Description
12	106944	1/4 AN WASHER FLAT THIN
13	106958	1/4-20 x 1 HEX C/S
14	550823	EXT TBE MULTI-ADJ ONLY SHORT
14	550824	EXT TBE MULTI-ADJ ONLY LONG
15	222207	5/16-24 x 2 1/4 SH C/S BLK ZNC
16	262114	1/4 WASHER HI COLLAR LOCK ZN
17	202111	5/16-24 NYLOCK NUT THICK BLK
18	550786	FOOTREST PIVOT CLAMP
19	107016	1/4-28 x 3/4 HEX HEAD C/S BLK W/PTCH
20	483717	HANGER SADDLE
21	500078	INSERT D2 EXT TUBE
3-7,9-11,16	820560	MLT ADJ F/PLT 14-15 R STR
3-7,9-11,16	820561	MLT ADJ F/PLT 14-15 L STR
3-7,9-11,16	820562	MLT ADJ F/PLT 16-17 R STR
3-7,9-11,16	820563	MLT ADJ F/PLT 16-17 L STR
3-7,9-11,16	820564	MLT ADJ F/PLT 18-20 R STR
3-7,9-11,16	820565	MLT ADJ F/PLT 18-20 L STR
3-7,9-11,16	820566	MLT ADJ F/PLT 21-24 R STR
3-7,9-11,16	820567	MLT ADJ F/PLT 21-24 L STR
1-7,9-13,16	820568	MLT ADJ F/PLT 14-15 R STR W/HL
1-7,9-13,16	820569	MLT ADJ F/PLT 14-15 L STR W/HL
1-7,9-13,16	820570	MLT ADJ F/PLT 16-17 R STR W/HL
1-7,9-13,16	820571	MLT ADJ F/PLT 16-17 L STR W/HL
1-7,9-13,16	820572	MLT ADJ F/PLT 18-20 R STR W/HL
1-7,9-13,16	820573	MLT ADJ F/PLT 18-20 L STR W/HL
1-7,9-13,16	820574	MLT ADJ F/PLT 21-24 R STR W/HL
1-7,9-13,16	820575	MLT ADJ F/PLT 21-24 L STR W/HL
3,4,7,9-11,16	820576	MLT ADJ F/PLT 14-15 R FLR
3,4,7,9-11,16	820577	MLT ADJ F/PLT 14-15 L FLR
3,4,7,9-11,16	820578	MLT ADJ F/PLT 16-17 R FLR
3,4,7,9-11,16	820579	MLT ADJ F/PLT 16-17 L FLR
3,4,7,9-11,16	820580	MLT ADJ F/PLT 18-24 R FLR
3,4,7,9-11,16	820581	MLT ADJ F/PLT 18-24 L FLR
1-7,9-13,16	820582	MLT ADJ F/PLT 14-15 R FLR W/HL
1-7,9-13,16	820583	MLT ADJ F/PLT 14-15 L FLR W/HL
1-7,9-13,16	820584	MLT ADJ F/PLT 16-17 R FLR W/HL
1-7,9-13,16	820585	MLT ADJ F/PLT 16-17 L FLR W/HL
1-7,9-13,16	820586	MLT ADJ F/PLT 18-24 R FLR W/HL
1-7,9-13,16	820587	MLT ADJ F/PLT 18-24 L FLR W/HL
3-7,9-11,16	921560	MULTI ADJ F/PLT ASSM STR 14-15
3-7,9-11,16	921561	MULTI ADJ F/PLT ASSM STR 16-17
3-7,9-11,16	921562	MULTI ADJ F/PLT ASSM STR 18-20
3-7,9-11,16	921563	MULTI ADJ F/PLT ASSM STR 21-24
1-7,9-13,16	921564	MLT ADJ F/P ASM STR 14-15 W/HL
1-7,9-13,16	921565	MLT ADJ F/P ASM STR 16-17 W/HL
1-7,9-13,16	921566	MLT ADJ F/P ASM STR 18-20 W/HL
1-7,9-13,16	921567	MLT ADJ F/P ASM STR 21-24 W/HL
3-7,9-11,16	921568	MULTI ADJ F/PLT ASSM FLR 14-15
3-7,9-11,16	921569	MULTI ADJ F/PLT ASSM FLR 16-17
3-7,9-11,16	921570	MULTI ADJ F/PLT ASSM FLR 18-24
1-7,9-13,16	921571	MLT ADJ F/P ASM FLR 14-15 W/HL
1-7,9-13,16	921572	MLT ADJ F/P ASM FLR 16-17 W/HL
1-7,9-13,16	921573	MLT ADJ F/P ASM FLR 18-24 W/HL
8,14,15,17-21	921740	EXT TB MULTI-ADJ SHT ASSM PCKT
8,14,15,17-21	921741	EXT TB MULTI-ADJ LNG ASSM PCKT



Pos.	Item Number	Description
1	106959	1/4-28 x 5/8 BH C/S
2	550739	FOOTPLATE MNT BRKT
3	226147	1/4-28 x 1.85 BH C/S
4	281043	#4 x 5/8 PH PHIL S/TAP
5	560101	END CAPS FOOTREST
7A	550764	S/A HANGER EXT D2 SHORT BLK
7B	550766	S/A HANGER EXT D2 LONG BLK
8	106935	NUT NYLOCK THIN 1/4-28 ROHS
9	561003	3/4" SADDLE THIN
4-6	883157	ELR FOOTPLATE 22 -30"
1-6,8,9	921407	ELR FOOTPLATE KIT 22 -30"
1,3,4,8	101562	ELR FOOTPLATE HDWR KIT

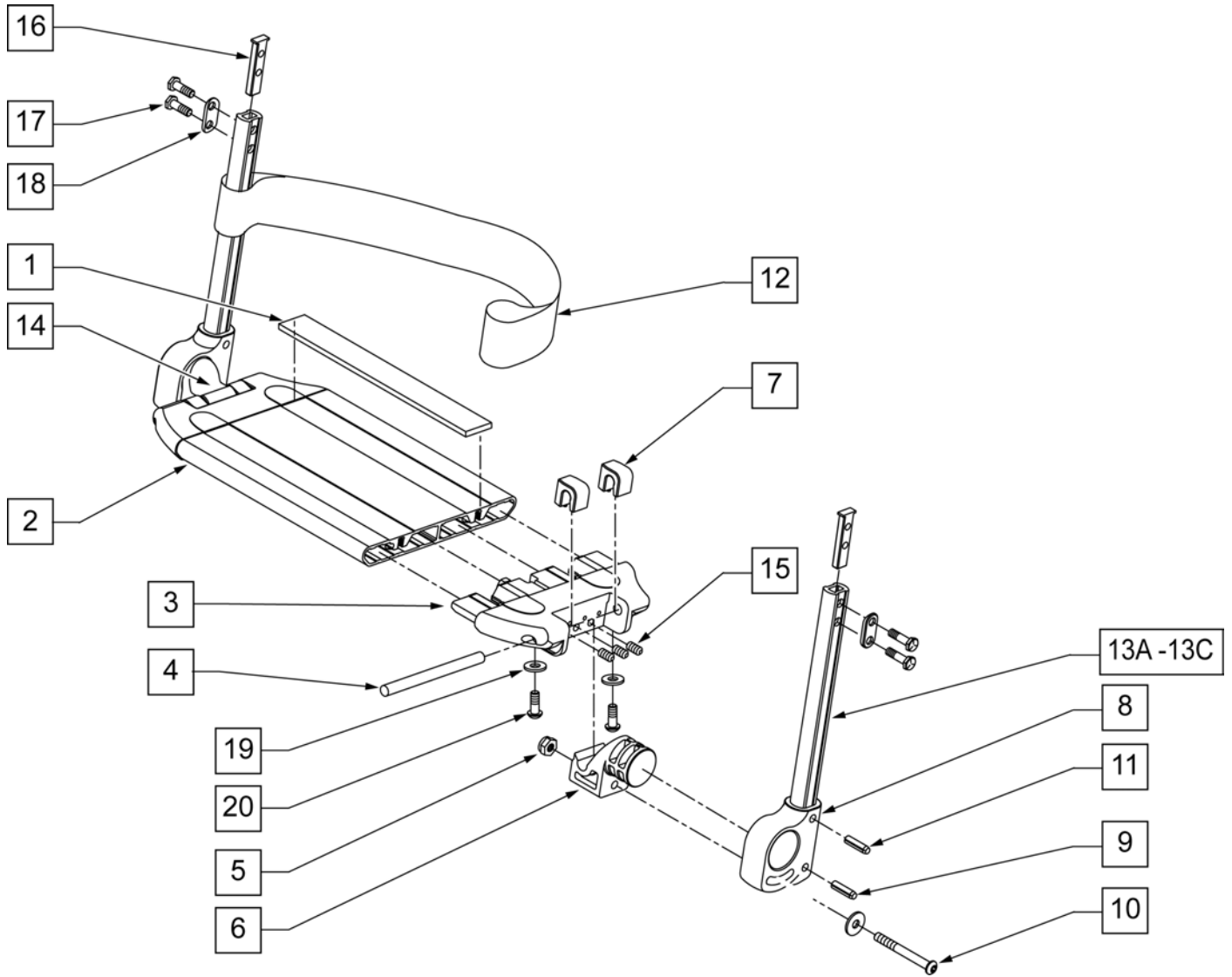


STRAIGHT FRAME									
FRAME WIDTH	FOOTPLATE	LENGTH	RIGHT FOOTPLATE		LEFT FOOTPLATE		ASSEMBLIES W/EXT TUBES		
			ASSEM	SHORT	MED	LONG			
14"	N/A	N/A	N/A	N/A	N/A	N/A	N/A	N/A	N/A
15"	506230	2.23	820621	820620	921350	900280	900290	900172	
16"	506231	2.73	820623	820622	921351	900281	900291	900173	
17"	506232	3.23	820625	820624	921352	900282	900292	900174	
18"	506233	3.73	820627	820626	921353	900283	900293	900175	
19"	506234	4.23	820629	820628	921354	900284	900294	900176	
20"	506235	4.73	820631	820630	921355	900285	900295	900177	
22"	506236	5.73	820633	820632	921356	900286	900296	900178	
24"	506237	6.73	820635	820634	921357	900287	900297	900179	
FLARED FRAME									
14"	506230	2.73	820621	820620	921350	900280	900290	900172	
15"	506231	3.73	820623	820622	921351	900281	900291	900173	
16"	506232	3.73	820625	820624	921352	900282	900292	900174	
17"	506233	4.73	820627	820626	921353	900283	900293	900175	
18"	506234	4.73	820629	820628	921354	900284	900294	900176	
19"	506235	5.73	820631	820630	921355	900285	900295	900177	
20"	506238	5.73	820638	820637	921358	900763	900762	900761	
22"	506228	6.73	820640	820639	921348	900764	900765	900766	
24"	506229	7.73	820642	820641	921349	900767	900768	900769	



Pos.	Item Number	Description
1	560034	FOOT BOARD LOCKING SUPPORT
2	230030	M6 x 12 SET SCREW CUP POINT
3	481283	PIN 8mm x 100mm
5	360010	FOOT BOARD SKID TAPE
6	106943	1/4 AN WASHER FLAT
7	230032	M6 x 16 B/H CAP SCREW
9	560019	FOOT BOARD HOLDER R
9	560020	FOOT BOARD HOLDER L
10	560021	FOOT BOARD SHIM ALIGNMENT
11	560024	FOOT YOKE
12	250070	METRIC WASHER
13	210000	M6 x 55 8.8 BUTTON HD CAP SCRW
14	560023	FOOT BOARD BEARING SUPPORT
15	200113	NUT HEX NYLOCK M6 X 1 NUT
16	106944	1/4 AN WASHER FLAT THIN
17	106958	1/4-20 x 1 HEX C/S
18	349583	6 x 25mm GROOVED PIN
19	561040	HEEL LOOP PEG

Pos.	Item Number	Description
20	741151	HEEL LOOP 14-15 CMPST
20	741153	H/L 18-20 CMPST/14-15 ANG ADJ
20	741156	HEEL LOOP 18-20 CMPST HEMI
20	741253	HEEL LOOP ADLT ADJ F/PLT 18-20
21	550831	EXT TBE PLTFRM ONLY SHT
21	550832	EXT TBE PLTFRM ONLY MED
21	550833	EXT TBE PLTFRM ONLY LNG
22	500078	INSERT D2 EXT TUBE
23	483717	HANGER SADDLE
24	221102	1/4-28 x 3/4 HEX HEAD C/S BLK W/PTCH
11,18,21-24	921748	EXT TBE PLTFRM SHT ASSM PCKT
11,18,21-24	921749	EXT TBE PLTFRM MED ASSM PCKT
11,18,21-24	921750	EXT TBE PLTFRM LNG ASSM PCKT
1-10,12-16,19,20	820620	LOCKING FTPLT 15 W LEFT
1-10,12-16,19,20	820621	LOCKING FTPLT 15 W RIGHT
1-10,12-16,19,20	820622	LOCKING FTPLT 16 W LEFT
1-10,12-16,19,20	820623	LOCKING FTPLT 16 W
1-10,12-16,19,20	820624	LOCKING FTPLT 17 W LEFT
1-10,12-16,19,20	820625	LOCKING FTPLT 17 W RIGHT
1-10,12-16,19,20	820626	LOCKING FTPLT 18 W LEFT
1-10,12-16,19,20	820627	LOCKING FTPLT 18 W RIGHT
1-10,12-16,19,20	820628	LOCKING FTPLT 19 W LEFT
1-10,12-16,19,20	820629	LOCKING FTPLT 19 W RIGHT
1-10,12-16,19,20	820630	LOCKING FTPLT 20 W LEFT
1-10,12-16,19,20	820631	LOCKING FTPLT 20 W RIGHT
1-10,12-16,19,20	820632	LOCKING FTPLT 22 W LEFT
1-10,12-16,19,20	820633	LOCKING FTPLT 22 W RIGHT
1-10,12-16,19,20	820634	LOCKING FTPLT 24 W LEFT
1-10,12-16,19,20	820635	LOCKING FTPLT 24 W RIGHT
1-24	900280	LCKNG FTPLT 15" W/SHT EXT ASSM
1-24	900281	LCKNG FTPLT 16" W/SHT EXT ASSM
1-24	900282	LCKNG FTPLT 17" W/SHT EXT ASSM
1-24	900283	LCKNG FTPLT 18" W/SHT EXT ASSM
1-24	900284	LCKNG FTPLT 19" W/SHT EXT ASSM
1-24	900285	LCKNG FTPLT 20" W/SHT EXT ASSM
1-24	900286	LCKNG FTPLT 22" W/SHT EXT ASSM
1-24	900287	LCKNG FTPLT 24" W/SHT EXT ASSM
1-24	900290	LCKNG FTPLT 15" W/MED EXT ASSM
1-24	900291	LCKNG FTPLT 16" W/MED EXT ASSM
1-24	900292	LCKNG FTPLT 17" W/MED EXT ASSM
1-24	900293	LCKNG FTPLT 18" W/MED EXT ASSM
1-24	900294	LCKNG FTPLT 19" W/MED EXT ASSM
1-24	900295	LCKNG FTPLT 20" W/MED EXT ASSM
1-24	900296	LCKNG FTPLT 22" W/MED EXT ASSM
1-24	900297	LCKNG FTPLT 24" W/MED EXT ASSM
1-24	900172	LCKNG FTPLT 15" W/LNG EXT ASSM
1-24	900173	LCKNG FTPLT 16" W/LNG EXT ASSM
1-24	900174	LCKNG FTPLT 17" W/LNG EXT ASSM
1-24	900175	LCKNG FTPLT 18 W/LNG EXT ASSM
1-24	900176	LCKNG FTPLT 19 W/LNG EXT ASSM
1-24	900177	LCKNG FTPLT 20 W/LNG EXT ASSM
1-24	900178	LCKNG FTPLT 22"W/LNG EXT ASSM
1-24	900179	LCKNG FTPLT 24"W/LNG EXT ASSM



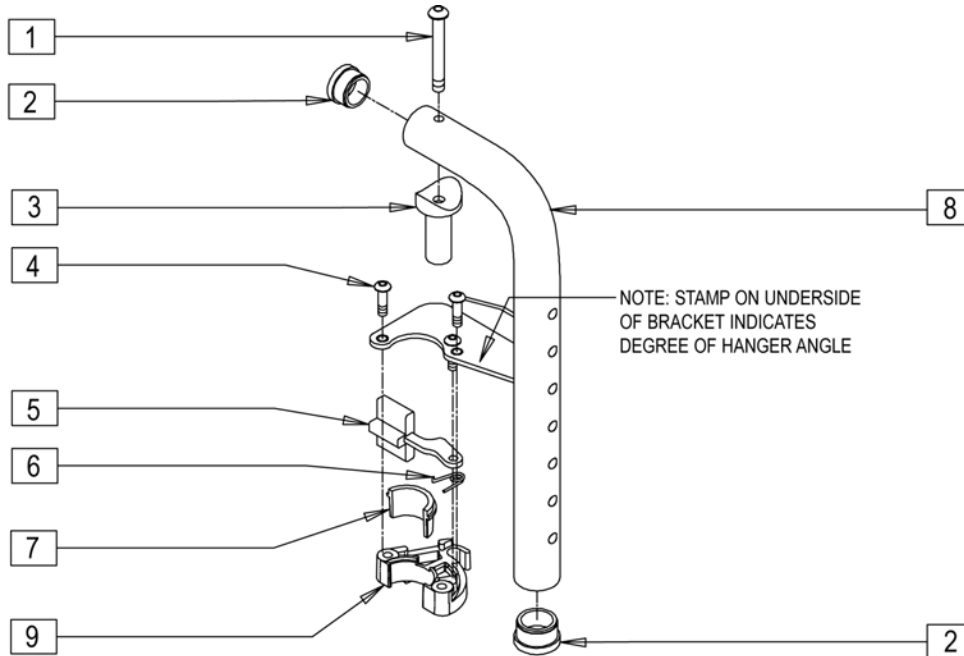
Pos.	Item Number	Description	Remarks
1	360010	FOOT BOARD SKID TAPE	
3	560019	FOOT BOARD HOLDER R	
3	560020	FOOT BOARD HOLDER L	
4	481283	PIN 8mm x 100mm	
5	200113	NUT HEX NYLOCK M6 X 1 NUT	
6	560022	FOOT BOARD SUPPORT	
7	560021	FOOT BOARD SHIM ALIGNMENT	
9	250070	METRIC WASHER	
10	210000	M6 x 55 8.8 BUTTON HD CAP SCRW	
12	740130	LEG STRAP 10"-14" BLK	
12	740131	LEG STRAP 15"-17" BLK	
12	740132	LEG STRAP 18"-20" BLK	
14	560023	FOOT BOARD BEARING SUPPORT	
15	230030	M6 x 12 SET SCREW CUP POINT	
16	500078	INSERT D2 EXT TUBE	
17	221102	1/4-28 x 3/4 HEX HEAD C/S BLK W/PTCH	
18	483717	HANGER SADDLE	

Pos.	Item Number	Description	Remarks
19	106943	WASHER FLAT AN 1/4 ROHS	
20	230032	M6 x 16 B/H CAP SCREW	
8,11,13,	921748	EXT TBE PLTFRM SHT ASSM PCKT	
16-18	921749	EXT TBE PLTFRM MED ASSM PCKT	
1-7,9,10,16-18	900190	SLD 1-PC FOOTREST 14 WIDE	
1-7,9,10,16-18	900191	SLD 1-PC FOOTREST 15 WIDE	
1-7,9,10,16-18	900192	SLD 1-PC FOOTREST 16 WIDE	
1-7,9,10,16-18	900193	SLD 1-PC FOOTREST 17 WIDE	
1-7,9,10,16-18	900194	SLD 1-PC FTRST 18W TAP/14W ST	
1-7,9,10,16-18	900195	SLD 1-PC FTRST 19W TAP/15W ST	
1-7,9,10,16-18	900196	SLD 1-PC FTRST 20W TAP/16W ST	
1-7,9,10,16-18	900211	SLD 1-PC FTRST 17W STRT	
1-7,9,10,16-18	900197	SLD 1-PC FTRST 22W TAP/18W ST	
1-7,9,10,16-18	900209	SLD 1-PC FTRST 19W STRT	
1-7,9,10,16-18	900198	SLD 1-PC FTRST 24W TAP/20W ST	
1-7,9,10,16-18	900212	SLD 1-PC FTRST 22INW STRT	
1-7,9,10,16-18	900210	SLD 1-PC FTRST 24INW STRT	
>>>>		SOLID FOOTREST W/ SHORT EXT	
1-20	921700	SLD 1PC FTRST 14W/SHRT EXT	FITS 14" SEAT WIDTH W/ TAPPED HANGERS
1-20	921701	SLD 1PC FTRST 15W W/SHRT EXT	FITS 15" SEAT WIDTH W/ TAPPED HANGERS
1-20	921702	SLD 1PC FTRST 16W W/SHRT EXT	FITS 16" SEAT WIDTH W/ TAPPED HANGERS
1-20	921703	SLD 1PC FTRST 17W W/SHRT EXT	FITS 17" SEAT WIDTH W/ TAPPED HANGERS
1-20	921704	SLD 1PC FR 18INTAP/14INSTR	FITS 18" SEAT WIDTH W/ TAPPED HANGERS OR 14" SEAT WIDTH STRAIGHT HANGERS
1-20	921705	SLD 1PC FR 19INTAP/15INSTR	FITS 19" SEAT WIDTH W/ TAPPED HANGERS OR 15" SEAT WIDTH STRAIGHT HANGERS

Pos.	Item Number	Description	Remarks
1-20	921706	SLD 1PC FR 20INTAP/16INSTR	FITS 20" SEAT WIDTH W/ TAPPERED HANGERS OR 16" SEAT WIDTH STRAIGHT HANGERS
1-20	921721	SLD 1PC FTRST 17W/SH EXT STRT	FITS 17" SEAT WIDTH STRAIGHT HANGERS
1-20	921707	SLD 1PC FR 22INTAP/18INSTR	FITS 22" SEAT WIDTH W/ TAPPERED HANGERS OR 18" SEAT WIDTH STRAIGHT HANGERS
1-20	921698	SLD 1PC FTRST 19W/SH EXT STRT	FITS 19" SEAT WIDTH STRAIGHT HANGERS
1-20	921708	SLD 1PC FR 24INTAP/20INSTR	FITS 24" SEAT WIDTH W/ TAPPERED HANGERS OR 20" SEAT WIDTH STRAIGHT HANGERS
1-20	921723	SLD 1PC FTRST 22W/SH EXT STRT	FIITS 22" SEAT WIDTH STRAIGHT HANGERS
1-20	921709	SLD 1PC FTRST 24W/SH EXT STRT	FITS 24" SEAT WIDTH STRAIGHT HANGERS
>>>>		SOLID FOOTREST W/ MED EXT	
1-20	921710	SLD 1PC FTRST 14W/MED EXT	FITS 14" SEAT WIDTH W/ TAPPERED HANGERS
1-20	921711	SLD 1PC FTRST 15W/MED EXT	FITS 15" SEAT WIDTH W/ TAPPERED HANGERS

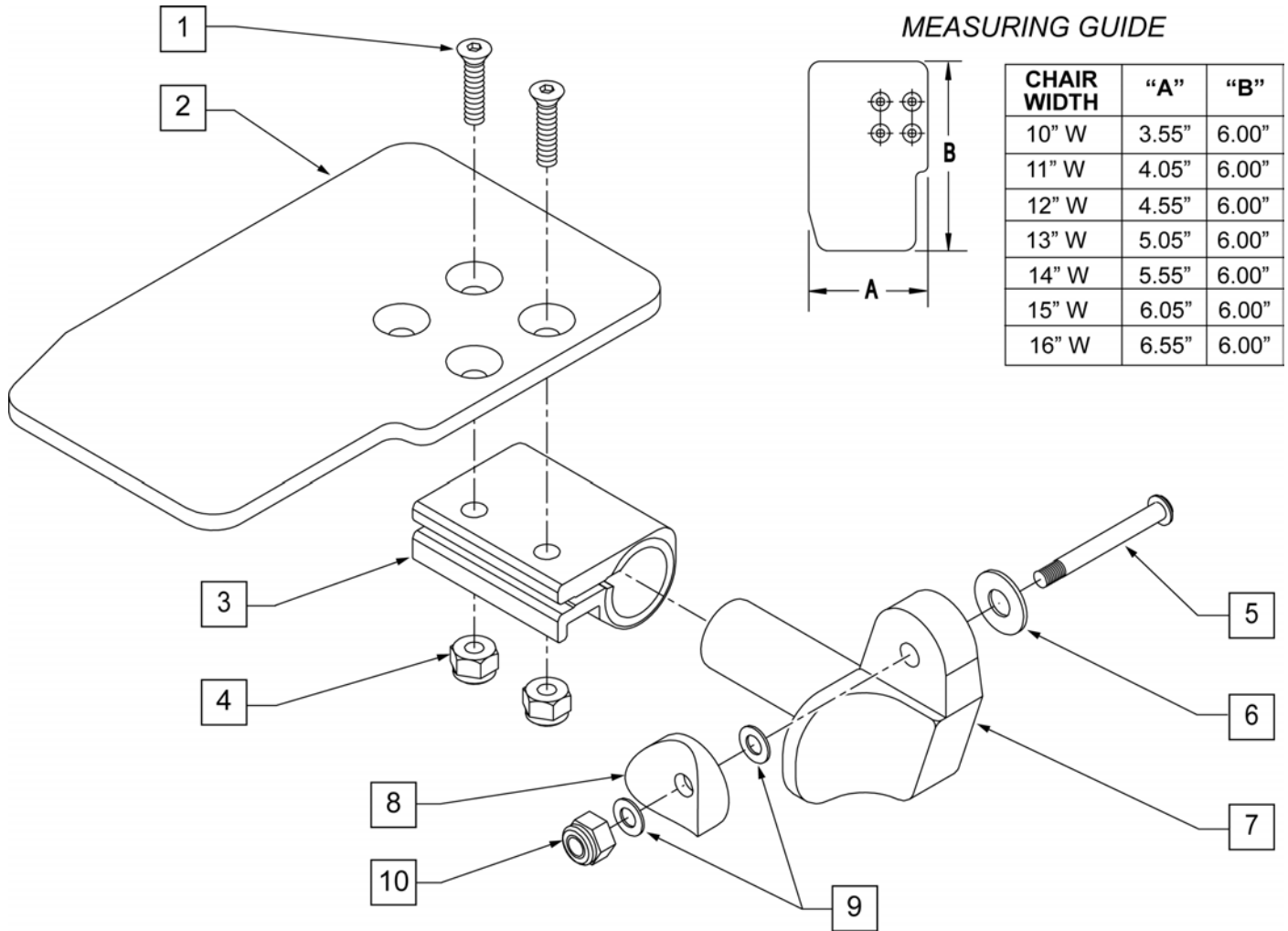
Pos.	Item Number	Description	Remarks
1-20	921712	SLD 1PC FTRST 16W/MED EXT	FITS 16" SEAT WIDTH W/ TAPPERED HANGERS
1-20	921713	SLD 1PC FTRST 17W/MED EXT	FITS 17" SEAT WIDTH W/ TAPPERED HANGERS
1-20	921714	SLD 1PC FR 18 TAP/14 STR W/M.E	FITS 18" SEAT WIDTH W/ TAPPERED HANGERS OR 14" SEAT WIDTH STRAIGHT HANGERS
1-20	921715	SLD 1PC FR 19 TAP/15 STR W/M.E	FITS 19" SEAT WIDTH W/ TAPPERED HANGERS OR 15" SEAT WIDTH STRAIGHT HANGERS
1-20	921716	SLD 1PC FR 20 TAP/16 STR W/M.E	FITS 20" SEAT WIDTH W/ TAPPERED HANGERS OR 16" SEAT WIDTH STRAIGHT HANGERS
1-20	921722	SLD 1PC FTRST 17W/MD EXT STRT	FITS 17" SEAT WIDTH STRAIGHT HANGERS
1-20	921717	SLD 1PC FR 22 TAP/18 STR W/M.E	FITS 22" SEAT WIDTH W/ TAPPERED HANGERS OR 18" SEAT WIDTH STRAIGHT HANGERS
1-20	921699	SLD 1PC FTRST 19W/MD EXT STRT	FITS 19" SEAT WIDTH STRAIGHT HANGERS

Pos.	Item Number	Description	Remarks
1-20	921718	SLD 1PC FR 24 TAP/20 STR W/M.E	FITS 24" SEAT WIDTH W/ TAPPERED HANGERS OR 20" SEAT WIDTH STRAIGHT HANGERS
1-20	921719	SLD 1PC FTRST 24W/MD EXT STRT	FIITS 22" SEAT WIDTH STRAIGHT HANGERS
1-20	921724	SLD 1PC FTRST 22W/MD EXT STRT	FITS 24" SEAT WIDTH STRAIGHT HANGERS



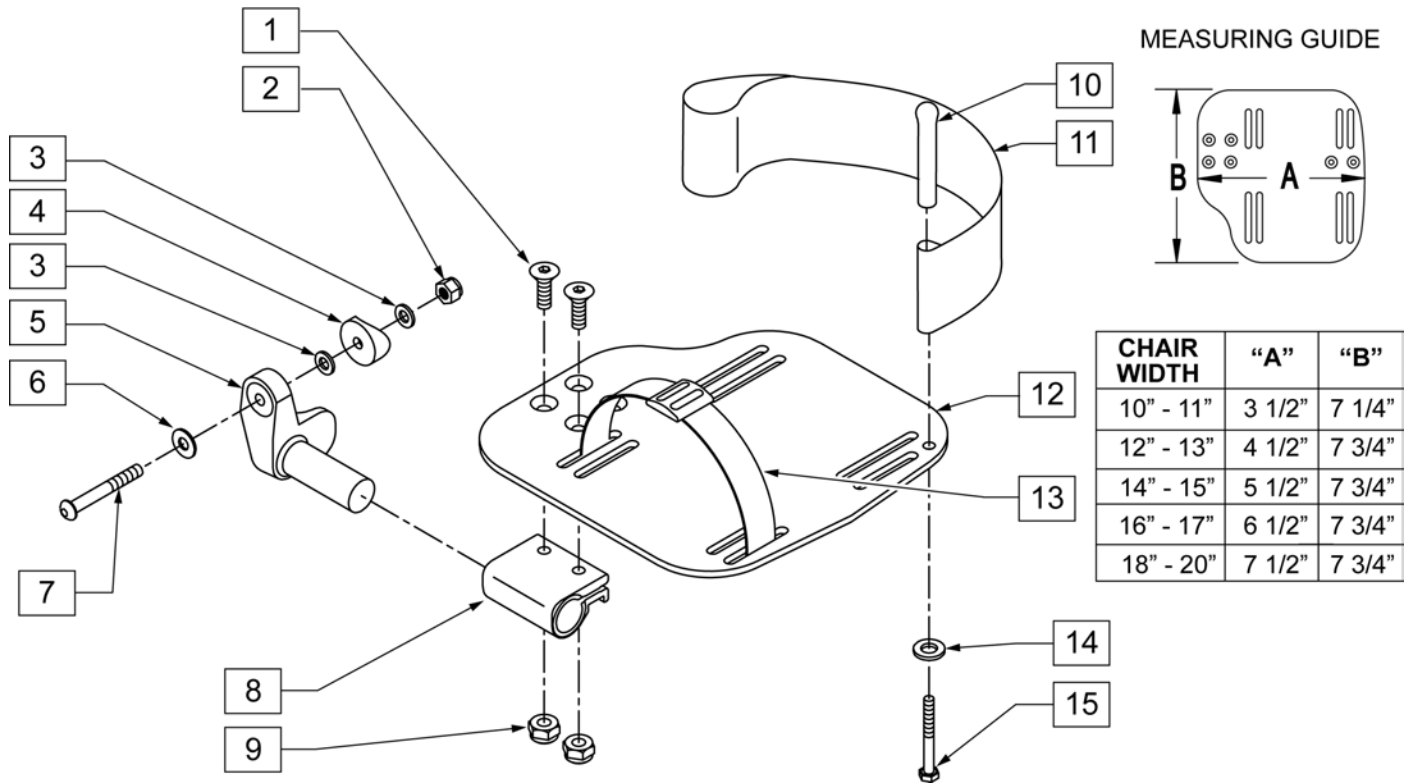
Drawing shows left side

Pos.	Item Number	Description	Remarks
1	226291	5/16-18 x 1-1/2 BHCS BK W/PTCH	
2	561002	1" INSERT PLUG .083	
3	483603	PIVOT SADDLE MANUAL/POWER	
4	226057	10/24 x .725 BTTN HD SOC BZ	
5	561079	S/A LATCH LEVER	
6	321136	S/A SPRING L RED	Left
6	321137	S/A SPRING R CLEAR	Right
7,9	881500	LATCH BLOCK ASSM R	Right
7,9	881501	LATCH BLOCK ASSM L	Left
8	505039S	S/A HANGER ONLY L 90D	(SPECIFY COLOR)
8	505040S	S/A HANGER ONLY R 90D	(SPECIFY COLOR)
1-9	641148S	HANGER 90D PNTD S/A R PWR	(SPECIFY COLOR)
1-9	641149S	HANGER 90D PNTD S/A L PWR	(SPECIFY COLOR)



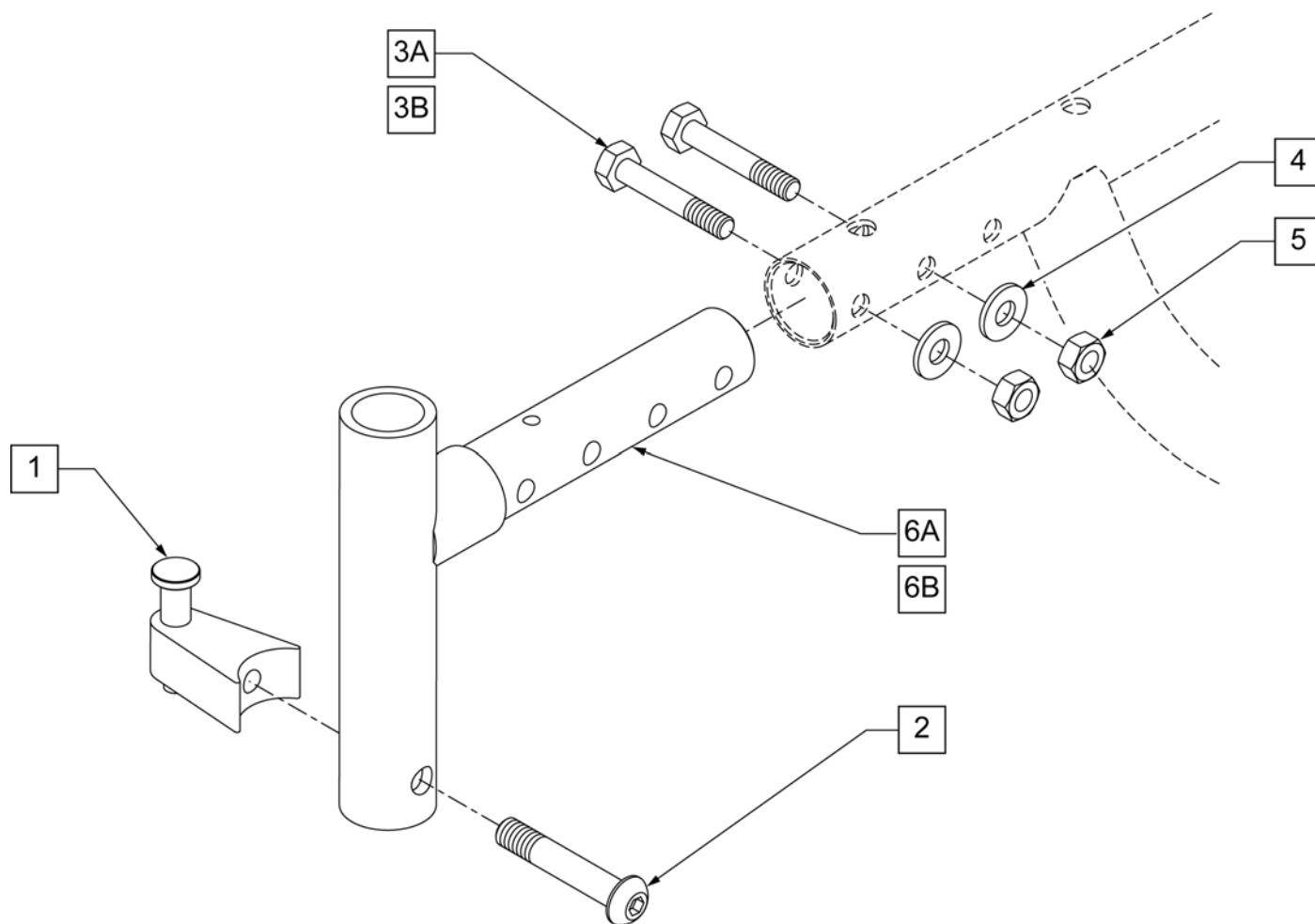
Pos.	Item Number	Description	Remarks	Pos.	Item Number	Description	Remarks
1	106978	FHCS 1/4-28 X 7/8 ROHS		8	561004	1 SADDLE 1/4 HOLE	
2	500635	KIDS ANGL ADJ F/PLT 10	RIGHT	9	106943	WASHER FLAT THIN AN 1/4	
2	500636	KIDS ANGL ADJ F/PLT 10	LEFT	10	106941	NUT AUTOMATION 1/4-28 ROHS	
2	500637	KIDS ANGL ADJ F/PLT 11	RIGHT	1-10	828821	KIDS ANG ADJ F/PLT ASSM 10	RIGHT
2	500638	KIDS ANGL ADJ F/PLT 11	LEFT	1-10	828822	KIDS ANG ADJ F/PLT ASSM 10	LEFT
2	500639	KIDS ANGL ADJ F/PLT 12	RIGHT	1-10	828823	KIDS ANG ADJ F/PLT ASSM 11	RIGHT
2	500640	KIDS ANGL ADJ F/PLT 12	LEFT	1-10	828824	KIDS ANG ADJ F/PLT ASSM 11	LEFT
2	500641	KIDS ANGL ADJ F/PLT 13	RIGHT	1-10	828825	KIDS ANG ADJ F/PLT ASSM 12	RIGHT
2	500642	KIDS ANGL ADJ F/PLT 13	LEFT	1-10	828826	KIDS ANG ADJ F/PLT ASSM 12	LEFT
2	500643	KIDS ANGL ADJ F/PLT 14	RIGHT	1-10	828827	KIDS ANG ADJ F/PLT ASSM 13	RIGHT
2	500644	KIDS ANGL ADJ F/PLT 14	LEFT	1-10	828828	KIDS ANG ADJ F/PLT ASSM 13	LEFT
2	500645	KIDS ANGL ADJ F/PLT 15	RIGHT	1-10	828829	KIDS ANG ADJ F/PLT ASSM 14	RIGHT
2	500646	KIDS ANGL ADJ F/PLT 15	LEFT	1-10	828830	KIDS ANG ADJ F/PLT ASSM 14	LEFT
2	500647	KIDS ANGL ADJ F/PLT 16	RIGHT	1-10	828831	KIDS ANG ADJ F/PLT ASSM 15	RIGHT
2	500648	KIDS ANGL ADJ F/PLT 16	LEFT	1-10	828832	KIDS ANG ADJ F/PLT ASSM 15	LEFT
3	550350	3/4 CLAMP ADJ FOOTPLATE		1-10	828833	KIDS ANG ADJ F/PLT ASSM 16	RIGHT
4	106935	NUT NYLOCK THIN 1/4-28 ROHS		1-10	828834	KIDS ANG ADJ F/PLT ASSM 16	LEFT
5	226147	1/4-28 X 1.85 BH C/S BLK ZN		1-10	921226	KIDS ANG ADJ F/PLT ASSM 10	PAIR
6	106945	WASHER FLAT SAE 1/4 ROHS		1-10	921227	KIDS ANG ADJ F/PLT ASSM 11	PAIR
7	541000	FTRST MOUNTING BRKT 1 RAD	RIGHT	1-10	921228	KIDS ANG ADJ F/PLT ASSM 12	PAIR
7	541001	FTRST MOUNTING BRKT 1 RAD	LEFT	1-10	921229	KIDS ANG ADJ F/PLT ASSM 13	PAIR

Pos.	Item Number	Description	Remarks	Pos.	Item Number	Description	Remarks
1-10	921230	KIDS ANG ADJ F/PLT ASSM 14	PAIR	1-10	921232	KIDS ANG ADJ F/PLT ASSM 16	PAIR
1-10	921231	KIDS ANG ADJ F/PLT ASSM 15	PAIR				

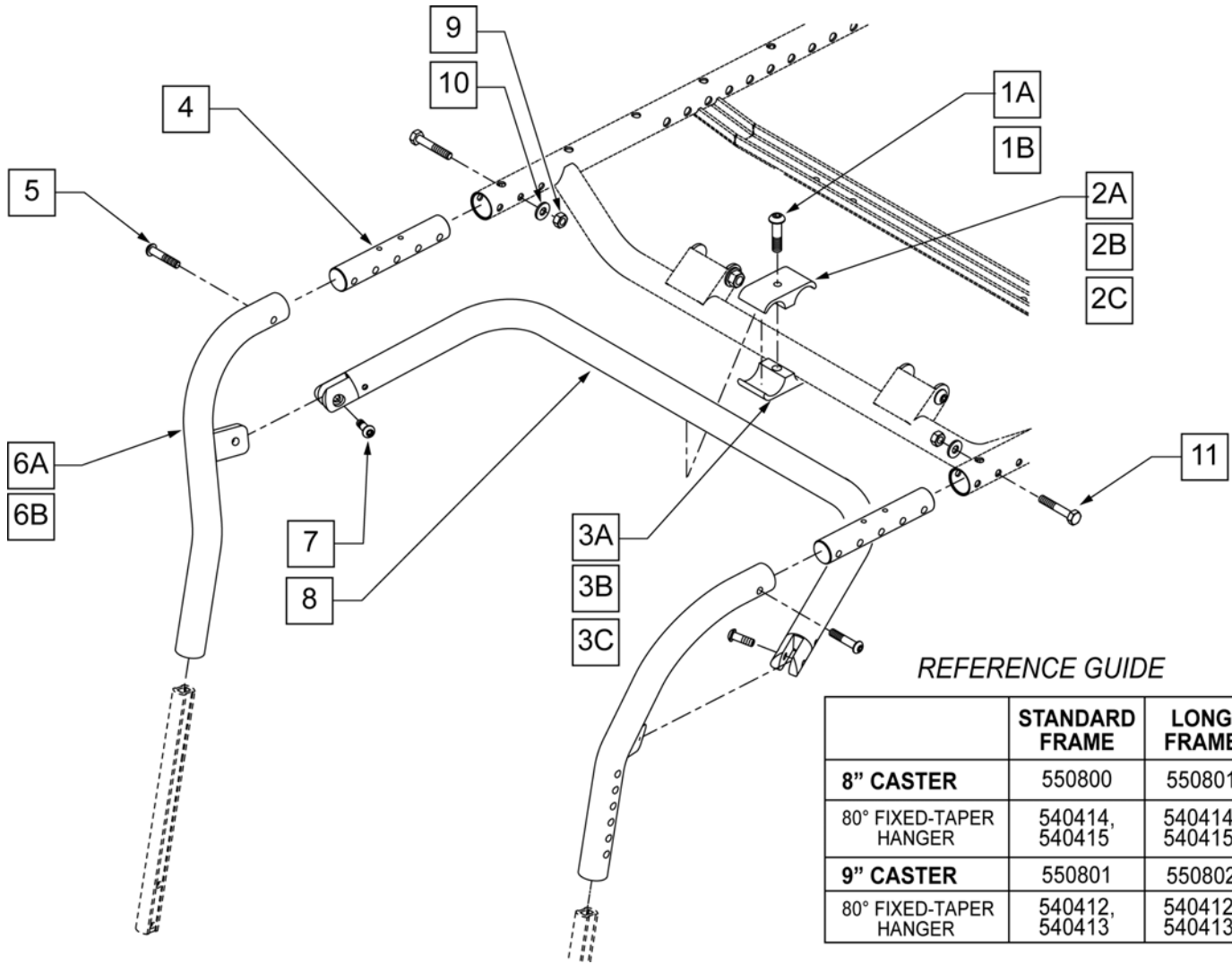


Pos.	Item Number	Description	Remarks
1	106978	FHCS 1/4-28 X 7/8 ROHS	
2	106941	NUT AUTOMATION 1/4-28 ROHS	
3	106943	WASHER FLAT AN 1/4 ROHS	
4	561004	1" SADDLE 1/4" HOLE	
5	541000	FOOTREST MOUNTING BRKT-1" RAD	RIGHT
5	541001	FOOTREST MOUNTING BRKT-1" RAD	LEFT
6	106945	WASHER FLAT SAE 1/4 ROHS	
7	226147	1/4-28 X 1.85 BH C/S BLK ZN	
8	550350	3/4" CLAMP ADJ FOOTPLATE	
9	106935	NUT NYLOCK THIN 1/4-28 ROHS	
10	561040	HEEL LOOP PEG	
11	741153	HEEL LOOP 18-20 CMPST/14-15 ANG ADJ	USED W/ 14-15"/16-17" ADULT ANG ADJ FTPLTS
11	741253	HEEL LOOP ADLT ADJ F/PLT 18-20	USED W/ 18 -20" ADULT ANG ADJ FTPLTS
12	500656	ADULT ANGL ADJ F/PLT 10/11	RIGHT
12	500657	ADULT ANGL ADJ F/PLT 10/11	LEFT
12	500658	ADULT ANGL ADJ F/PLT 12/13	RIGHT
12	500659	ADULT ANGL ADJ F/PLT 12/13	LEFT
12	500660	ADULT ANGL ADJ F/PLT 14/15	RIGHT
12	500661	ADULT ANGL ADJ F/PLT 14/15	LEFT
12	500662	ADULT ANGL ADJ F/PLT 16/17	RIGHT
12	500663	ADULT ANGL ADJ F/PLT 16/17	LEFT
12	500664	ADULT ANGL ADJ F/PLT 18-20	RIGHT
12	500665	ADULT ANGL ADJ F/PLT 18-20	LEFT
13	740260	TOE-ANKLE STRAP ADJ ADULT FOOTPLATE	
14	106943	WASHER FLAT AN 1/4 ROHS	
15	106958	HHCS 1/4-20 X 1 ROHS	

Pos.	Item Number	Description	Remarks
1-9,12	820544	FP ADULT ADJ 90D 10/11 R	RIGHT
1-9,12	820554	FP ADULT ADJ 90D 10/11 L	LEFT
1-9,12	820546	FP ADULT ADJ 90D 12/13 R	RIGHT
1-9,12	820556	FP ADULT ADJ 90D 12/13 L	LEFT
1-9,12	820472	FP ADULT ADJ 90D 14/15 R	RIGHT
1-9,12	820473	FP ADULT ADJ 90D 14/15 L	LEFT
1-9,12	820474	FP ADULT ADJ 90D 16/17 R	RIGHT
1-9,12	820475	FP ADULT ADJ 90D 16/17 L	LEFT
1-9,12	820476	FP ADULT ADJ 90D 18-20 R	RIGHT
1-9,12	820477	FP ADULT ADJ 90D 18-20 L	LEFT
1-9,12	921474	ADULT ANGL ADJ 90D 10/11 OMIT H/L	PAIR
1-9,12	921476	ADULT ANGL ADJ 90D 12/13 OMIT H/L	PAIR
1-9,12	921330	ADULT ANGL ADJ 90D 14/15 OMIT H/L	PAIR
1-9,12	921331	ADULT ANGL ADJ 90D 16/17 OMIT H/L	PAIR
1-9,12	921332	ADULT ANGL ADJ 90D 18-20 OMIT H/L	PAIR
1-12,14,15	820540	F/PLT ADULT ADJ 90D 10/11 R W/ HL	RIGHT
1-12,14,15	820550	F/PLT ADULT ADJ 90D 10/11 L W/ HL	LEFT
1-12,14,15	820542	F/PLT ADULT ADJ 90D 12/13 R W/ HL	RIGHT
1-12,14,15	820552	F/PLT ADULT ADJ 90D 12/13 L W/ HL	LEFT
1-12,14,15	820478	F/PLT ADULT ADJ 90D 14/15 R W/ HL	RIGHT
1-12,14,15	820479	F/PLT ADULT ADJ 90D 14/15 L W/ HL	LEFT
1-12,14,15	820480	F/PLT ADULT ADJ 90D 16/17 R W/ HL	RIGHT
1-12,14,15	820481	F/PLT ADULT ADJ 90D 16/17 L W/ HL	LEFT
1-12,14,15	820482	F/PLT ADULT ADJ 90D 18-20 R W/ HL	RIGHT
1-12,14,15	820483	F/PLT ADULT ADJ 90D 18-20 L W/ HL	LEFT
1-12,14,15	921470	F/PLT ADULT ADJ 90D 10/11 W/ HL	PAIR
1-12,14,15	921472	F/PLT ADULT ADJ 90D 12/13 W/ HL	PAIR
1-12,14,15	921333	F/PLT ADULT ADJ 90D 14/15 W/ HL	PAIR
1-12,14,15	921334	F/PLT ADULT ADJ 90D 16/17 W/ HL	PAIR
1-12,14,15	921335	F/PLT ADULT ADJ 90D 18-20 W/ HL	PAIR



Pos.	Item Number	Description	Remarks
1	105787	PRSD A/A LATCH BLOCK NUT ASSM	
2	226218	5/16-18 x 1 3/4" BH C/S BLK	
3A	226222	1/4-28 x 1 1/2" G8 HEX C/S BLK	(USE WITH SINGLE POST ARMREST)
3B	107015	HHCS 1/4-28 X 1-3/4 ROHS	(USE WITH DUAL-POST ARMREST)
4	106943	1/4 AN WASHER FLAT	
5	204110	1/4-28 NYLOCK NUT BLK ZN	
6A	540001S	S/A HANGER RECEIVER WELDMENT	STD REC (4-1/8" LONG)
6B	540004S	S/A HANGER RECEIVER WELDMENT +1"	LONG (+1) REC (5-1/8" LONG)
1,2	107491	S/A LATCH ASSEMBLY W/BLK BOLT	
1-3A-6A	540325S	S/A HANGER RECEIVER ASSM RIGHT	RIGHT STD
1-3A-6A	540326S	S/A HANGER RECEIVER ASSM LEFT	LEFT STD
1-3A-6B	540327S	S/A HANGER RECEIVER ASSM +1 RIGHT	RIGHT - LONG (+1)
1-3A-6B	540328S	S/A HANGER RECEIVER ASSM +1 LEFT	LEFT - LONG (+1)

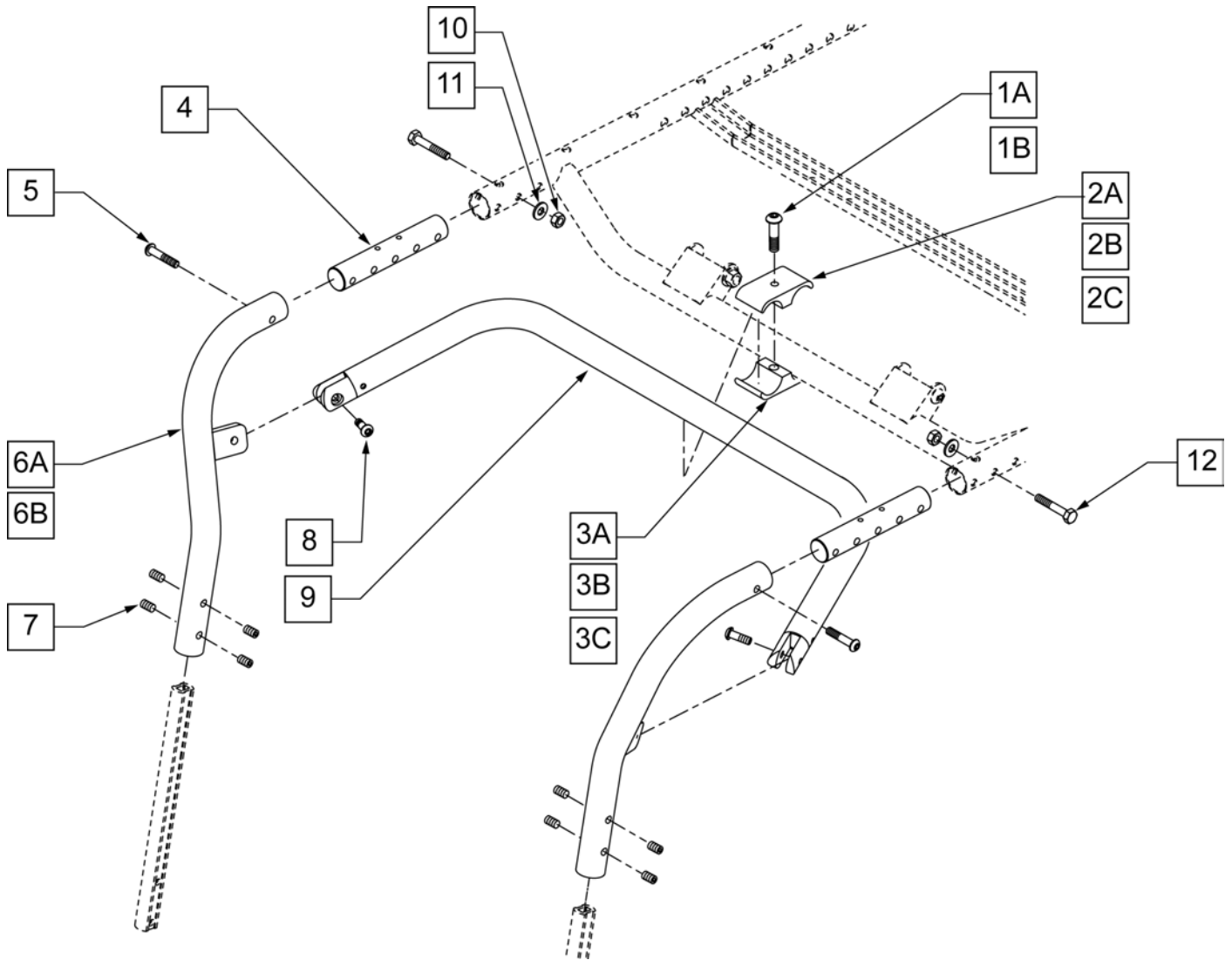


REFERENCE GUIDE

	STANDARD FRAME	LONG FRAME
8" CASTER	550800	550801
80° FIXED-TAPER HANGER	540414, 540415	540414, 540415
9" CASTER	550801	550802
80° FIXED-TAPER HANGER	540412, 540413	540412, 540413

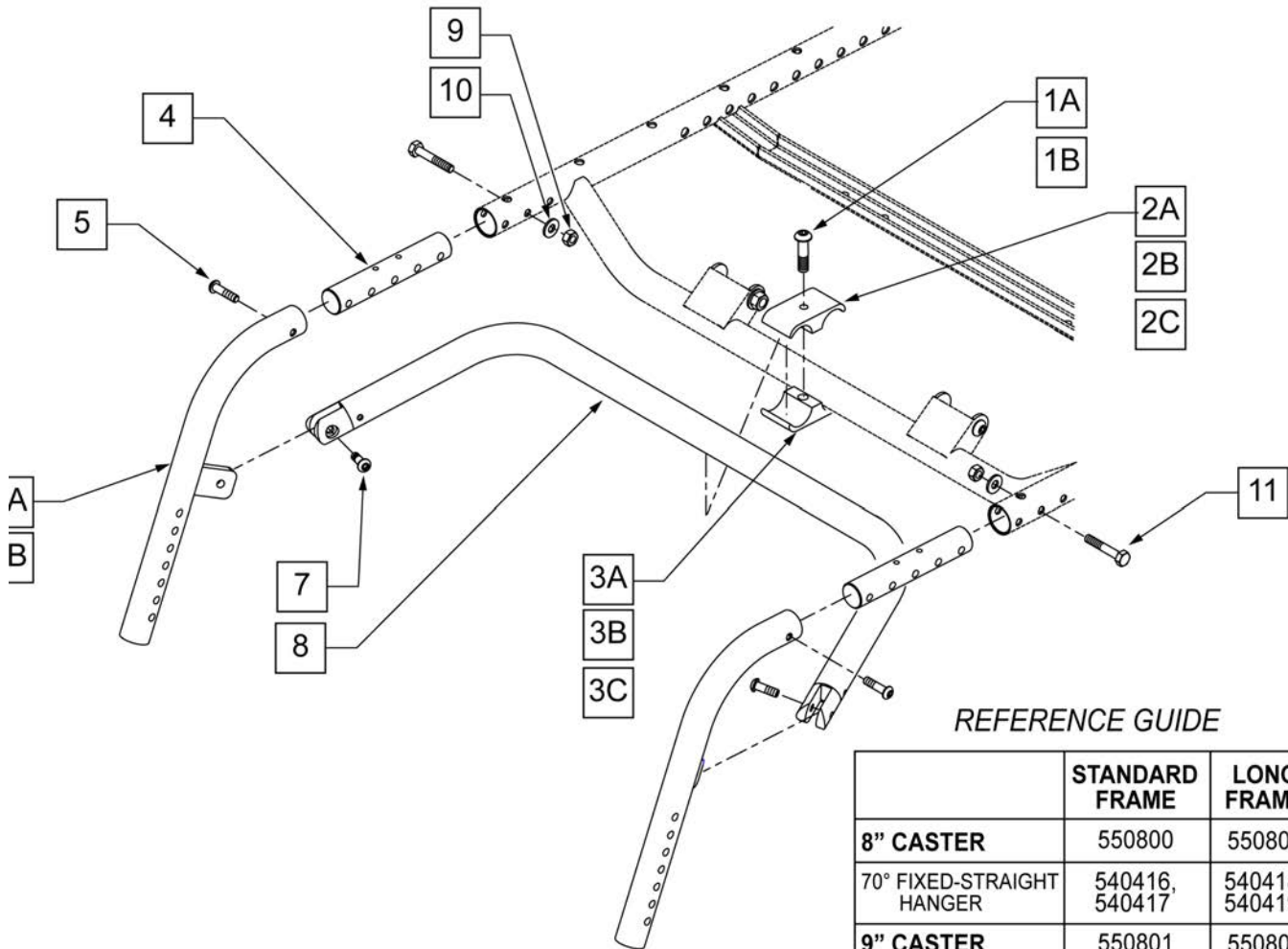
Pos.	Item Number	Description
1A	226286	5/16 -18 x 1 1/4 SOC C/S BLK
1B	222109	5/16 -18 x 1 1/4 BH C/S BLK ZN
2A	550003-QU	SEAT ANGLE CLAMP SHORT C.C
2B	550778	HANGER SUPPORT CLAMP +1" RECESS
2C	550791	HANGER SUPPORT CLAMP +2" RECESS
3A	550921	SEAT ANGLE CLAMP SHORT THRD C.C.
3B	550777	HANGER SUPPORT CLAMP +1" THRD
3C	550790	HANGER SUPPORT CLAMP +2" THRD
4	520901	FRAME HANGER INSERT P222
5	226061	1/4 -20 x 1 BH C/S W/ PATCH
6A	540414S	FRONT UPRIGHT WLDMNT RIGHT BT
6A	540415S	FRONT UPRIGHT WLDMNT LEFT BT
6B	540412S	FRONT UPRIGHT WLDMNT RT +1" BT
6B	540413S	FRONT UPRIGHT WLDMNT LT +1" BT
7	226064	1/4 -28 x 3/4 BH C/S BLK W/ PATCH
8	882384	TAPERED HANGER SUPPORT 14" SUB ASSM
8	882385	TAPERED HANGER SUPPORT 15" SUB ASSM
8	882386	TAPERED HANGER SUPPORT 16" SUB ASSM
8	882387	TAPERED HANGER SUPPORT 17" SUB ASSM

Pos.	Item Number	Description
8	882388	TAPERED HANGER SUPPORT 18" SUB ASSM
8	882389	TAPERED HANGER SUPPORT 19" SUB ASSM
8	882390	TAPERED HANGER SUPPORT 20" SUB ASSM
8	882391	TAPERED HANGER SUPPORT 22" SUB ASSM
8	882392	TAPERED HANGER SUPPORT 24" SUB ASSM
9	204110	1/4 -28 NYLOCK NUT BLK ZN
10	106943	WASHER FLAT AN 1/4 ROHS
11	226222	1/4 -28 x 1 1/2 BG HEX C/S BLK
1B,2,3	550800	HANGER SUPPORT CLAMP ASSM
1A,2B,3B	550801	HANGER SUPPORT CLAMP +1 ASSM
1A,2C,3C	550802	HANGER SUPPORT CLAMP +1 20 DP ASSM
4-11	641354S	FIXED TAPERED HANGER 14" ASSM
4-11	641355S	FIXED TAPERED HANGER 15" ASSM
4-11	641356S	FIXED TAPERED HANGER 16" ASSM
4-11	641357S	FIXED TAPERED HANGER 17" ASSM
4-11	641358S	FIXED TAPERED HANGER 18" ASSM
4-11	641359S	FIXED TAPERED HANGER 19" ASSM
4-11	641360S	FIXED TAPERED HANGER 20" ASSM
4-11	641361S	FIXED TAPERED HANGER 22" ASSM
4-11	641362S	FIXED TAPERED HANGER 24" ASSM
4,5,6B,7-11	641364S	FIXED TAPERED HANGER +1 14" ASSM
4,5,6B,7-11	641365S	FIXED TAPERED HANGER +1 15" ASSM
4,5,6B,7-11	641366S	FIXED TAPERED HANGER +1 16" ASSM
4,5,6B,7-11	641367S	FIXED TAPERED HANGER +1 17" ASSM
4,5,6B,7-11	641368S	FIXED TAPERED HANGER +1 18" ASSM
4,5,6B,7-11	641369S	FIXED TAPERED HANGER +1 19" ASSM
4,5,6B,7-11	641370S	FIXED TAPERED HANGER +1 20" ASSM
4,5,6B,7-11	641371S	FIXED TAPERED HANGER +1 22" ASSM
4,5,6B,7-11	641372S	FIXED TAPERED HANGER +1 24" ASSM



Pos.	Item Number	Description
1A	226286	5/16 -18 x 1 1/4 SOC C/S BLK
1B	222109	5/16 -18 x 1 1/4 BH C/S BLK ZN
2A	550003-QU	SEAT ANGLE CLAMP SHORT C.C
2B	550778	HANGER SUPPORT CLAMP +1" RECESS
2C	550791	HANGER SUPPORT CLAMP +2" RECESS
3A	550921	SEAT ANGLE CLAMP SHORT THRD C.C.
3B	550777	HANGER SUPPORT CLAMP +1" THRD
3C	550790	HANGER SUPPORT CLAMP +2" THRD
4	520901	FRAME HANGER INSERT P222
5	226061	1/4 -20 x 1 BH C/S W/ PATCH
6A	540083S	FRONT UPRIGHT WLDMNT RIGHT
6A	540084S	FRONT UPRIGHT WLDMNT LEFT
6B	540081S	FRONT UPRIGHT WLDMNT RT +1"
6B	540082S	FRONT UPRIGHT WLDMNT LT +1"
7	225112	1/4 -20 x 1 1/4 SS KNRLD CP W/ PATCH
8	226064	1/4 -28 x 3/4 BH C/S BLK W/ PATCH
9	882384	TAPERED HANGER SUPPORT 14" SUB ASSM
9	882385	TAPERED HANGER SUPPORT 15" SUB ASSM

Pos.	Item Number	Description
9	882386	TAPERED HANGER SUPPORT 16" SUB ASSM
9	882387	TAPERED HANGER SUPPORT 17" SUB ASSM
9	882388	TAPERED HANGER SUPPORT 18" SUB ASSM
9	882389	TAPERED HANGER SUPPORT 19" SUB ASSM
9	882390	TAPERED HANGER SUPPORT 20" SUB ASSM
9	882391	TAPERED HANGER SUPPORT 22" SUB ASSM
9	882392	TAPERED HANGER SUPPORT 24" SUB ASSM
10	204110	1/4 -28 NYLOCK NUT BLK ZN
11	262100-QU	1/4 AN WASHER FLAT
12	226222	1/4 -28 x 1 1/2 BG HEX C/S BLK
1B,2,3	550800	HANGER SUPPORT CLAMP ASSM
1A,2B,3B	550801	HANGER SUPPORT CLAMP +1 ASSM
1A,2C,3C	550802	HANGER SUPPORT CLAMP +1 20 DP ASSM

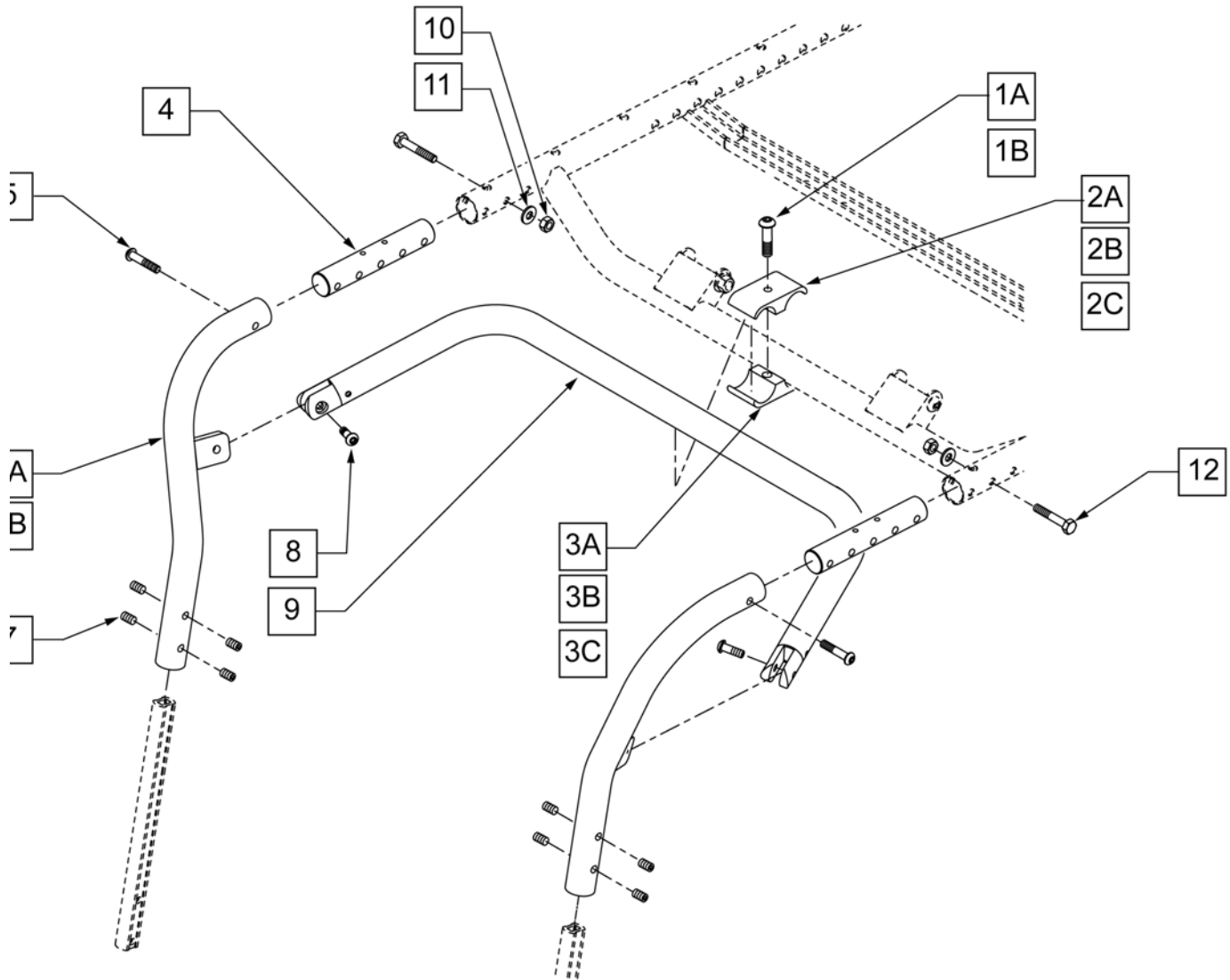


REFERENCE GUIDE

	STANDARD FRAME	LONG FRAME
8" CASTER	550800	550801
70° FIXED-STRAIGHT HANGER	540416, 540417	540418, 540419
9" CASTER	550801	550802
70° FIXED-STRAIGHT HANGER	540418, 540419	540418, 540419

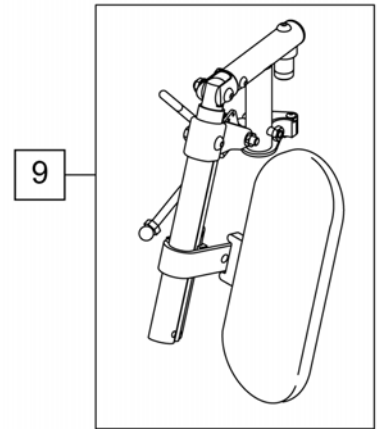
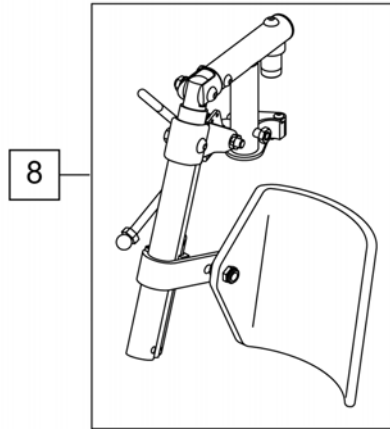
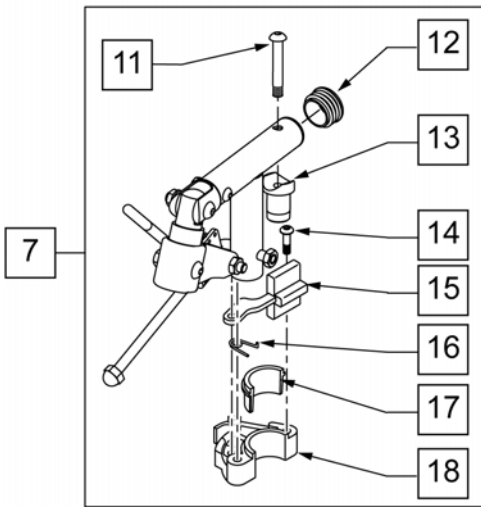
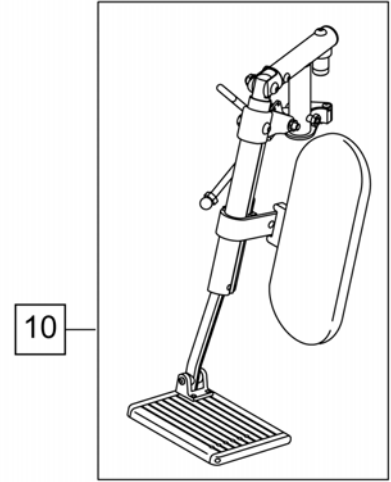
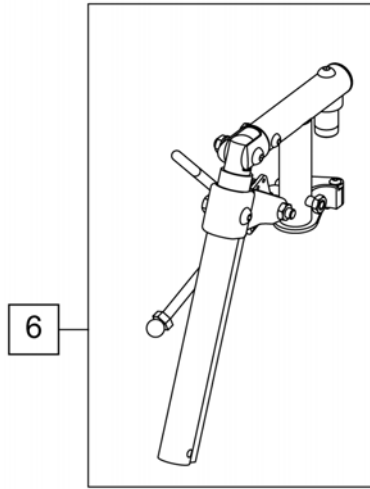
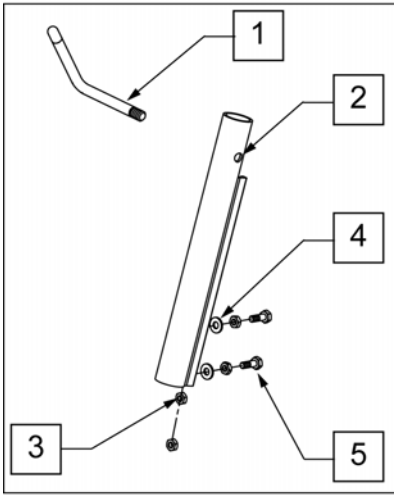
Pos.	Item Number	Description
1A	226286	5/16 -18 x 1 1/4 SOC C/S BLK
1B	222109	5/16 -18 x 1 1/4 BH C/S BLK ZN
2A	550003-QU	SEAT ANGLE CLAMP SHORT C.C
2B	550778	HANGER SUPPORT CLAMP +1" RECESS
2C	550791	HANGER SUPPORT CLAMP +2" RECESS
3A	550921	SEAT ANGLE CLAMP SHORT THRD C.C.
3B	550777	HANGER SUPPORT CLAMP +1" THRD
3C	550790	HANGER SUPPORT CLAMP +2" THRD
4	520901	FRAME HANGER INSERT P222
5	226061	1/4 -20 x 1 BH C/S W/ PATCH
6A	540416S	FRONT STRAIGHT WLDMNT RIGHT
6A	540417S	FRONT STRAIGHT WLDMNT LEFT
6B	540418S	FRONT STRAIGHT WLDMNT RT +1"
6B	540419S	FRONT STRAIGHT WLDMNT LT +1"
7	226064	1/4 -28 x 3/4 BH C/S BLK W/ PATCH
8	882375	STRAIGHT HANGER SUPPORT 15" SUB ASSM
8	882376	STRAIGHT HANGER SUPPORT 16" SUB ASSM

Pos.	Item Number	Description
8	882377	STRAIGHT HANGER SUPPORT 17" SUB ASSM
8	882378	STRAIGHT HANGER SUPPORT 18" SUB ASSM
8	882379	STRAIGHT HANGER SUPPORT 19" SUB ASSM
8	882380	STRAIGHT HANGER SUPPORT 20" SUB ASSM
8	882381	STRAIGHT HANGER SUPPORT 22" SUB ASSM
8	882382	STRAIGHT HANGER SUPPORT 24" SUB ASSM
9	204110	1/4 -28 NYLOCK NUT BLK ZN
10	106943	WASHER FLAT AN 1/4 ROHS
11	226222	1/4 -28 x 1 1/2 BG HEX C/S BLK
1B,2,3	550800	HANGER SUPPORT CLAMP ASSM
1A,2B,3B	550801	HANGER SUPPORT CLAMP +1 ASSM
1A,2C,3C	550802	HANGER SUPPORT CLAMP +1 20 DP ASSM
4-11	641324S	FIXED STRAIGHT HANGER 14" ASSM
4-11	641325S	FIXED STRAIGHT HANGER 15" ASSM
4-11	641326S	FIXED STRAIGHT HANGER 16" ASSM
4-11	641327S	FIXED STRAIGHT HANGER 17" ASSM
4-11	641328S	FIXED STRAIGHT HANGER 18" ASSM
4-11	641329S	FIXED STRAIGHT HANGER 19" ASSM
4-11	641330S	FIXED STRAIGHT HANGER 20" ASSM
4-11	641331S	FIXED STRAIGHT HANGER 22" ASSM
4-11	641332S	FIXED STRAIGHT HANGER 24" ASSM
4,5,6B,7-11	641334	FIXED STRAIGHT HANGER +1 14" ASSM
4,5,6B,7-11	641335S	FIXED STRAIGHT HANGER +1 15" ASSM
4,5,6B,7-11	641336S	FIXED STRAIGHT HANGER +1 16" ASSM
4,5,6B,7-11	641337S	FIXED STRAIGHT HANGER +1 17" ASSM
4,5,6B,7-11	641338S	FIXED STRAIGHT HANGER +1 18" ASSM
4,5,6B,7-11	641339S	FIXED STRAIGHT HANGER +1 19" ASSM
4,5,6B,7-11	641340S	FIXED STRAIGHT HANGER +1 20" ASSM
4,5,6B,7-11	641341S	FIXED STRAIGHT HANGER +1 22" ASSM
4,5,6B,7-11	641342S	FIXED STRAIGHT HANGER +1 24" ASSM



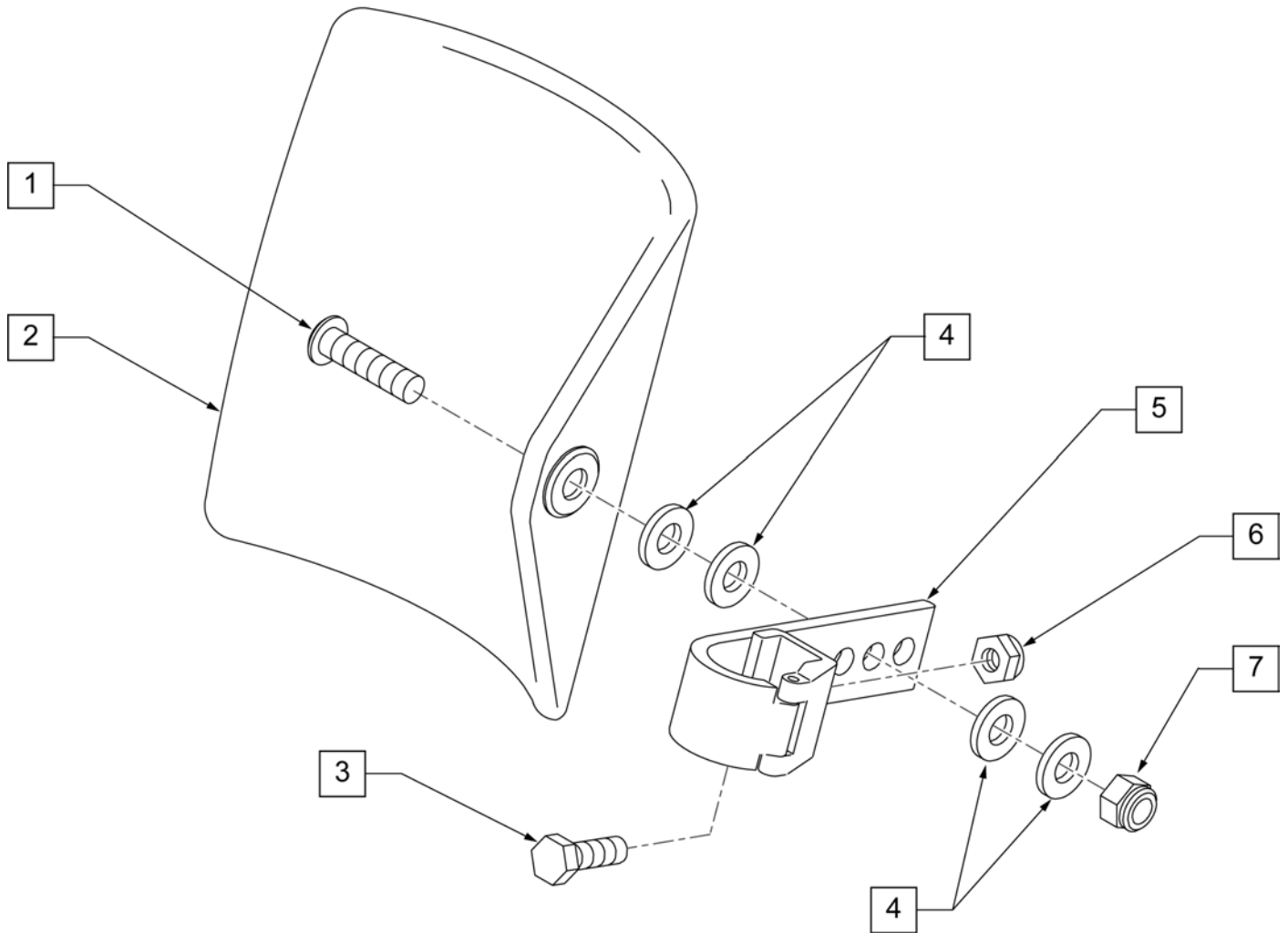
Pos.	Item Number	Description
1A	226286	5/16 -18 x 1 1/4 SOC C/S BLK
1B	222109	5/16 -18 x 1 1/4 BH C/S BLK ZN
2A	550003-QU	SEAT ANGLE CLAMP SHORT C.C
2B	550778	HANGER SUPPORT CLAMP +1" RECESS
2C	550791	HANGER SUPPORT CLAMP +2" RECESS
3A	550921	SEAT ANGLE CLAMP SHORT THRD C.C.
3B	550777	HANGER SUPPORT CLAMP +1" THRD
3C	550790	HANGER SUPPORT CLAMP +2" THRD
4	520901	FRAME HANGER INSERT P222
5	226061	1/4 -20 x 1 BH C/S W/ PATCH
6A	540145S	FRONT STRAIGHT WLDMNT RIGHT
6A	540146S	FRONT STRAIGHT WLDMNT LEFT
6B	540147S	FRONT STRAIGHT WLDMNT RT +1"
6B	540148S	FRONT STRAIGHT WLDMNT LT +1"
7	225112	1/4 -20 x 1/4 SS KNRLD CP W/ PATCH
8	226064	1/4 -28 x 3/4 BH C/S BLK W/ PATCH

Pos.	Item Number	Description
9	882375	STRAIGHT HANGER SUPPORT 15" SUB ASSM
9	882376	STRAIGHT HANGER SUPPORT 16" SUB ASSM
9	882377	STRAIGHT HANGER SUPPORT 17" SUB ASSM
9	882378	STRAIGHT HANGER SUPPORT 18" SUB ASSM
9	882379	STRAIGHT HANGER SUPPORT 19" SUB ASSM
9	882380	STRAIGHT HANGER SUPPORT 20" SUB ASSM
9	882381	STRAIGHT HANGER SUPPORT 22" SUB ASSM
9	882382	STRAIGHT HANGER SUPPORT 24" SUB ASSM
10	204110	1/4 -28 NYLOCK NUT BLK ZN
11	106943	WASHER FLAT AN 1/4 ROHS
12	226222	1/4 -28 x 1 1/2 BG HEX C/S BLK
1B,2,3	550800	HANGER SUPPORT CLAMP ASSM
1A,2B,3B	550801	HANGER SUPPORT CLAMP +1 ASSM
1A,2C,3C	550802	HANGER SUPPORT CLAMP +1 20 DP ASSM

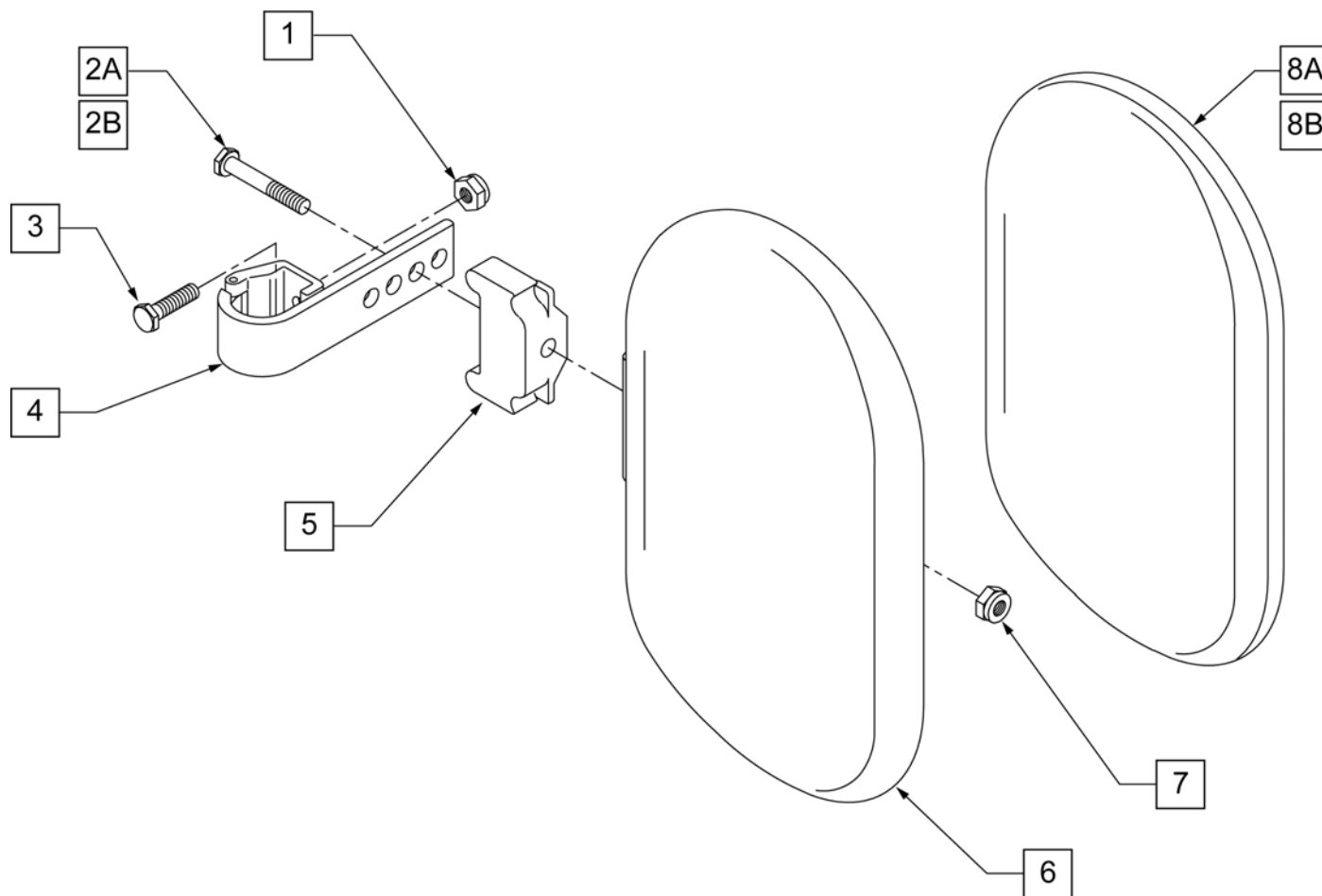


Pos.	Item Number	Description	Remarks
1	550722S	ELR ADJUSTMENT TUBE	
2	201112	1/4-28 NUT THIN	
3	106944	1/4 AN WASHER FLAT THIN	
4	107014	1/4-28 x 3/4 HEX C/S	
5	882409	ELR ACTUATION ARM ASSM S525	
6	641454S	ELR HNGR W/O PAD PNTD R PWR	
6	641455S	ELR HNGR W/O PAD PNTD L PWR	
7	882232	PWR ELR RIGHT W/O EXT TBE ASSM	
7	882231	PWR ELR LFT W/O EXT TBE ASSM	
8	923096S	ELR HNGR ASSM 14-15" W/PD G424	
9	923097S	ELR HNGR ASSM 16-17" W/PD G424	
9	923098S	ELR HNGR ASSM 18-24" W/PD G424	
10	923147S	ELR 16" MED EXT (PR)	(ELR WITH CALF PAD,EXTENSION TUBE AND FOOTPLATE)
10	923148S	ELR 18-20 MED EXT (PR)	(ELR WITH CALF PAD,EXTENSION TUBE AND FOOTPLATE)
11	226217	5/16 -18 X 2 BH C/S BLK	
12	561062	1" INSERT PLUG .065 RIBS	
13	561197	PLASTIC PIVOT SADDLE	
14	226057	10/24 x .725 BTTN HD SOC BZ	
15	561079	S/A LATCH LEVER	

Pos.	Item Number	Description	Remarks
16	321136	S/A SPRING L RED	LEFT
16	321137	S/A SPRING R CLR	RIGHT
17,18	881500	LATCH BLOCK ASSM R	RIGHT
17,18	881501	LATCH BLOCK ASSM L	LEFT

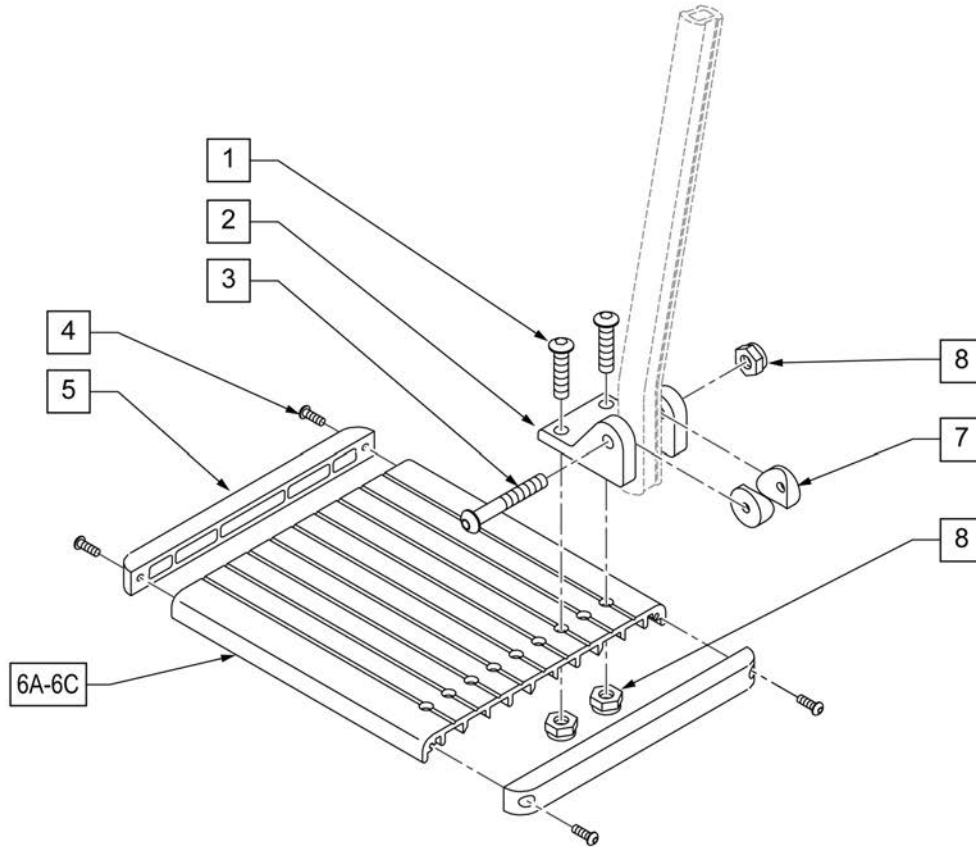


Pos.	Item Number	Description
1	106980	BHCS 5/16-18 X 1-1/4 ROHS
2	755014	CALF PAD TROUGH STYLE 14"/16"
3	107013	HHCS 1/4-28 X 5/8 ROHS
4	561016	1" WASHER 5/16" HOLE
5	881413	CALF PAD BRACKET ASSEMBLY
6	106934	NUT NYLOCK 1/4-28 ROHS
7	202117	5/16-18 NYLOCK NUT THICK BLK
1-7	881414	CALF PAD J-HOOK 14"-15" ASSEMBLY

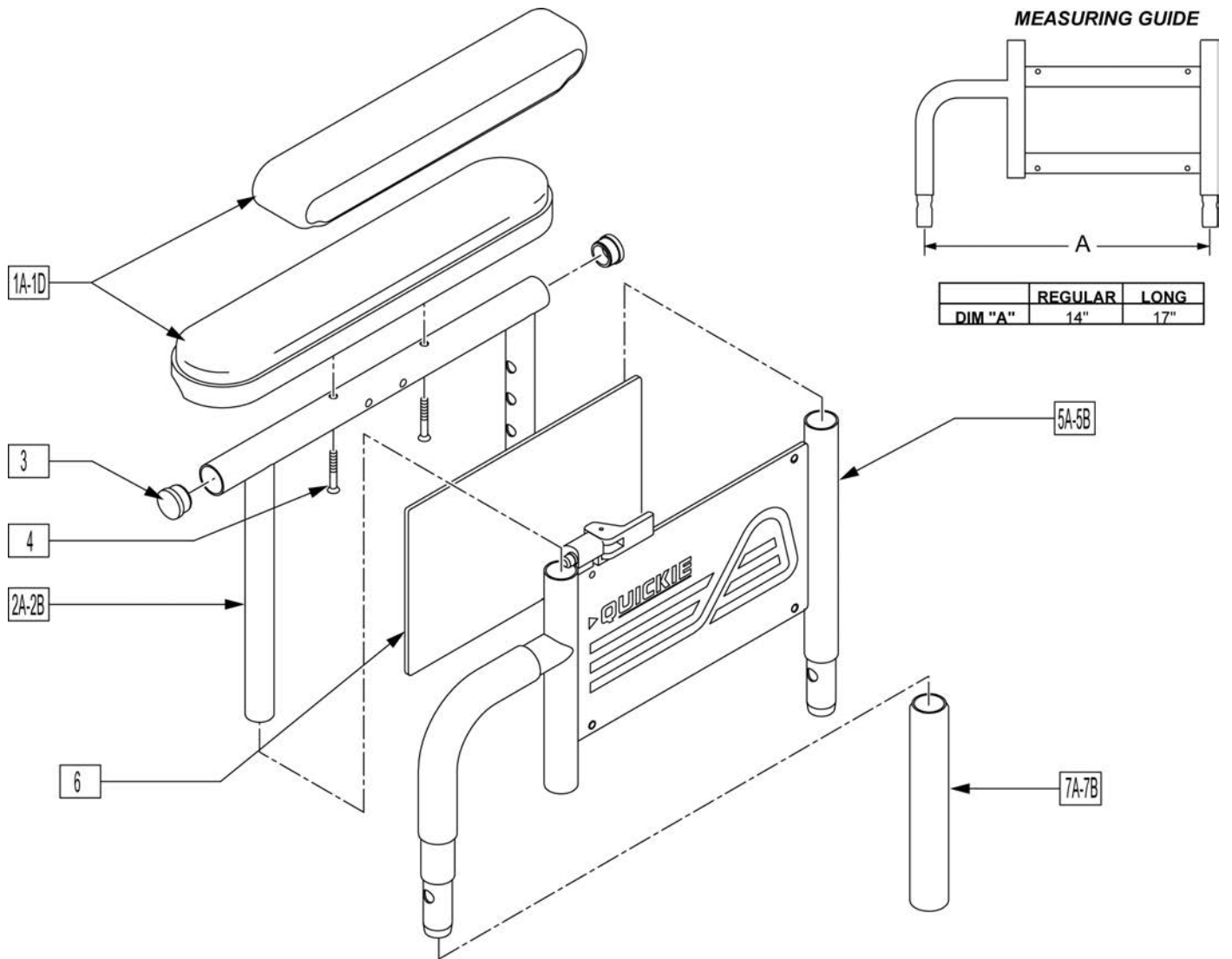


Pos.	Item Number	Description	Remarks
1	106934	NUT NYLOCK 1/4-28 ROHS	
2A	107018	HHCS 5/16-18 X 2-1/2 ROHS	16"-17" wide only
2B	107019	HHCS 5/16-18 X 3-1/2 ROHS	18"-20" wide only
3	107013	HHCS 1/4-28 X 5/8 ROHS	
4	881413	CALF PAD BRACKET ASSEMBLY	
5	560199	ELR CALF HINGE SPACER	18"-20" wide only
6	560108	CALF PAD MOLDED 16"-20"	
7	106936	NUT NYLOCK 5/16-18 ROHS	
8A	751045	CALF PAD COVER	
8B	751046	CALF PAD COVER (BREEZY)	
1,2A,3,4,6,7	881416	CALF MOLDED 16"-17" ASSEMBLY	
1,2B,3-7	881412	CALF PAD MOLDED 18"-20" ASSEMBLY	

NOTE: Left Side Shown

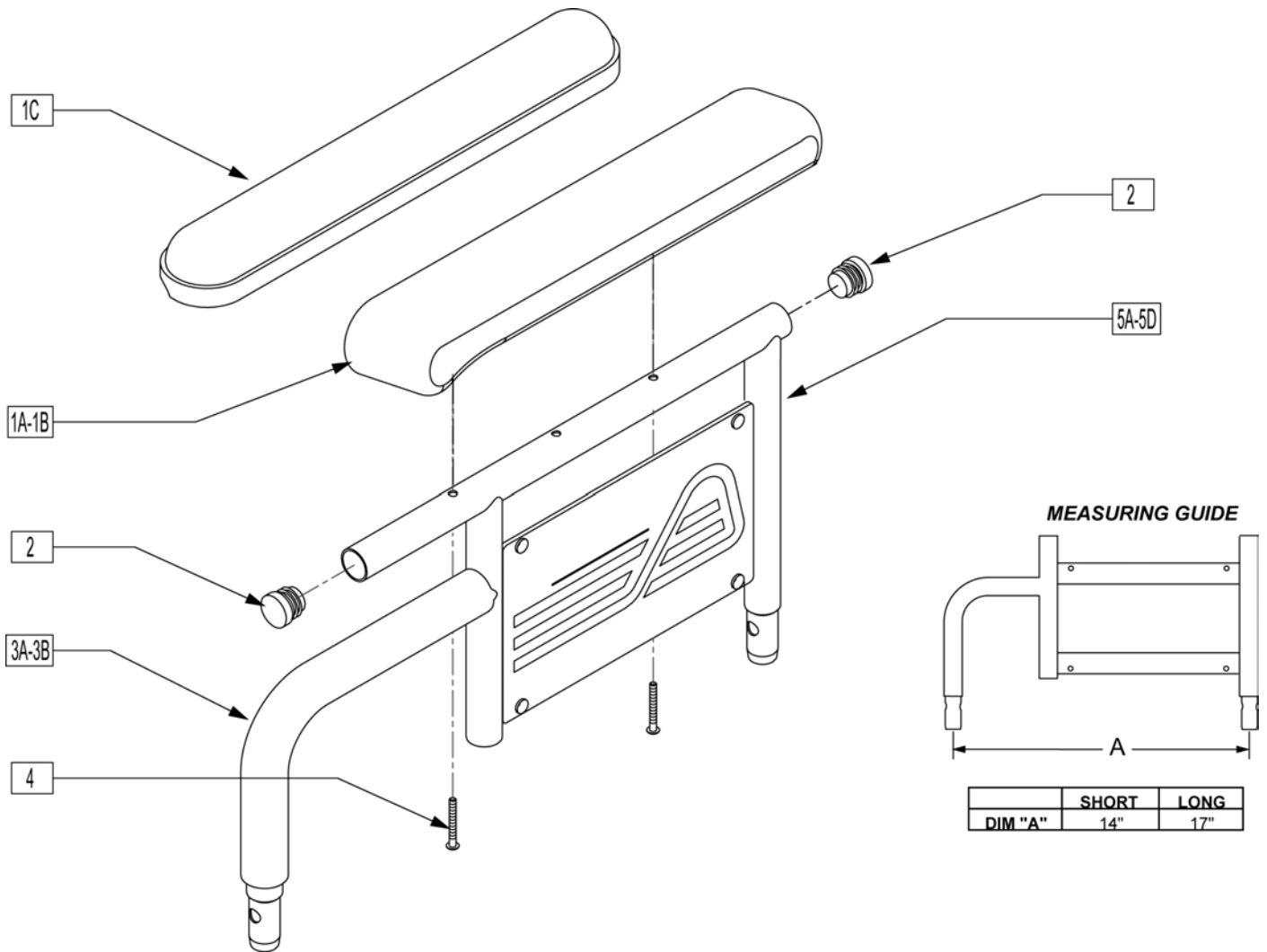


Pos.	Item Number	Description	Remarks
1	106959	1/4-28 x 5/8 BH C/S	
2	550739	FOOTPLATE MOUNTING BRACKET	
3	226147	1/4-28 x 1.85 BH C/S	
4	281043	#4 x 5/8 PAN PHIL S/TAP	
5	560101	END CAPS FOOTREST	
7	561003	3/4" SADDLE THIN	
8	106935	1/4-28 NYLOCK NUT THIN	
4,5,6A	882337	ELR FOOTPLATE ASSEMBLY 14 -15"	
4,5,6B	882338	ELR FOOTPLATE ASSEMBLY 16 -17"	
4,5,6C	882339	ELR FOOTPLATE ASSEMBLY 18 -20"	
1-5,6A-8	921400S	ELR FOOTPLATE KIT 14 -15"	Does not include Extension
1-5,6B-8	921401S	ELR FOOTPLATE KIT 16 -17"	Does not include Extension
1-5,6C-8	921402S	ELR FOOTPLATE KIT 18 -20"	Does not include Extension



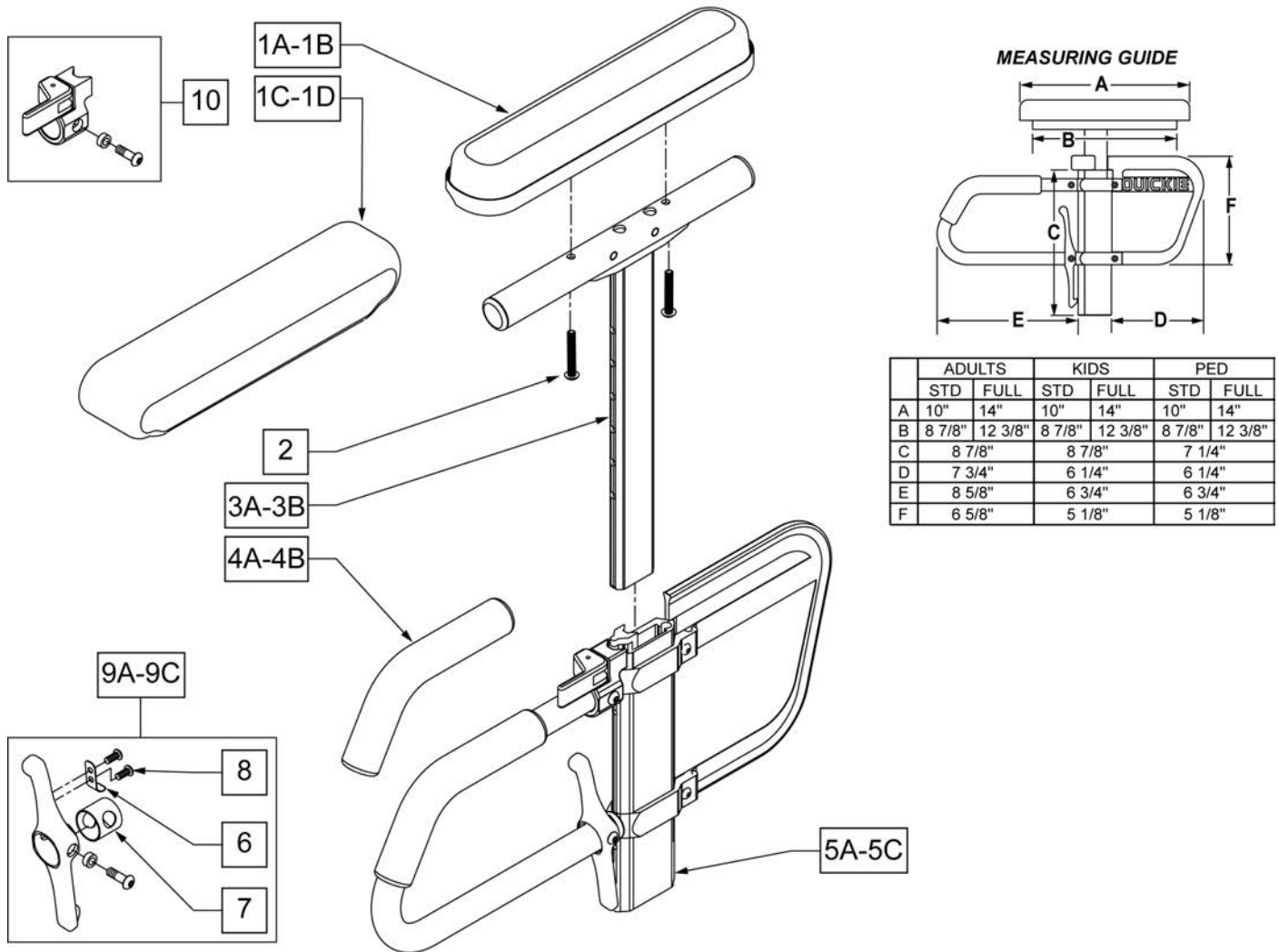
Pos.	Item Number	Description	Remarks
1A	561280	ARMREST PAD 10" LEFT W/F	Left,Desk,Waterfall
1A	561281	ARMREST PAD 10" RIGHT W/F	Right,Desk,Waterfall
1B	561284	ARMREST PAD 14" LEFT W/F	Left,Full,Waterfall
1B	561285	ARMREST PAD 14" RIGHT W/F	Right,Full,Waterfall
1C	561024	ARMREST PAD 10" DESK	Desk Pad
1D	561031	ARMREST PAD 14" FULL	Full Pad
2A	521841	DUAL PST ADJ UPPR ARM DESK PW	Desk
2B	521843	DUAL PST ADJ UPPR ARM FULL PW	Full
3	560735	7/8" ROUND TUBE PLUG	
4	226038	10-32 x 1 3/8 BH C/S BLK	
5A	881556	DUAL POST LOWER ARM ASSM SHT	Regular
5A	881557	DUAL POST LOWER ARM ASSM SHT	Regular
5B	881558	DUAL POST ADJ LOWER ARM LONG R	Long
5B	881559	DUAL POST ADJ LOWER ARM LONG L	Long
6	750009	INSIDE ARMREST PAD (P-222/S-626)	
7A	560514	FOAM 8" x .840 TUBE	Regular
7B	560614	11" x .840 FOAM TUBE	Long
1C,2A,3,4	881446	DUALPOST UHA ARMREST RH INC DESK	

Pos.	Item Number	Description	Remarks
1C,2A,3,4	881447	DUALPOST UHA AREST LH INC DESK	
1D,2A,3,4	881448	DUALPOST UHA AREST RH INC FULL	
1D,2A,3,4	881449	DUALPOST UHA AREST LH INC FULL	
1A,2A,3,4	881240	D-POST UPPR L ARM ASSM DSK W/F	
1A,2A,3,4	881241	D-POST UPPR R ARM ASSM DSK W/F	
1B,2B,3,4	881242	D-POST UPPR L ARM ASSM FL W/F	
1B,2B,3,4	881243	D-POST UPPR R ARM ASSM FL W/F	
1A,2A,3,4,5A,6	881308	D-POST SHT L W/DSK W/F PAD	
1A,2A,3,4,5A,6	881309	D-POST SHT R W/DSK W/F PAD	
1B,2B,3,4,5A,6	881310	D-POST SHT L W/FL W/F PAD	
1B,2B,3,4,5A,6	881311	D-POST SHT R W/FL W/F PAD	
1A,2A,3,4,5B,6	881312	D-PST LNG ADJ L W/DSK W/F PAD	
1A,2A,3,4,5B,6	881313	D-PST LNG ADJ R W/DSK W/F PAD	
1B,2B,3,4,5B,6	881314	D-POST LNG ADJ L W/FL W/F PAD	
1B,2B,3,4,5B,6	881315	D-POST LNG ADJ R W/FL W/F PAD	
1C,2A,3,4,5A,6	881572	DUAL POST ADJ SHT W/DSK R PWR	
1C,2A,3,4,5A,6	881573	DUAL POST ADJ SHT W/DSK L PWR	
1D,2B,3,4,5B,6	881574	DUAL POST ADJ LONG W/FL R PWR	
1D,2B,3,4,5B,6	881575	DUAL POST ADJ LONG W/FL L PWR	
1C,2A,3,4,5B,6	881576	DUAL POST ADJ LONG W/DSK R PWR	
1C,2A,3,4,5B,6	881577	DUAL POST ADJ LONG W/DSK L PWR	
1D,2B,3,4,5A,6	881578	DUAL POST ADJ SHT W/FL R PWR	
1D,2B,3,4,5A,6	881579	DUAL POST ADJ SHT W/FL L PWR	



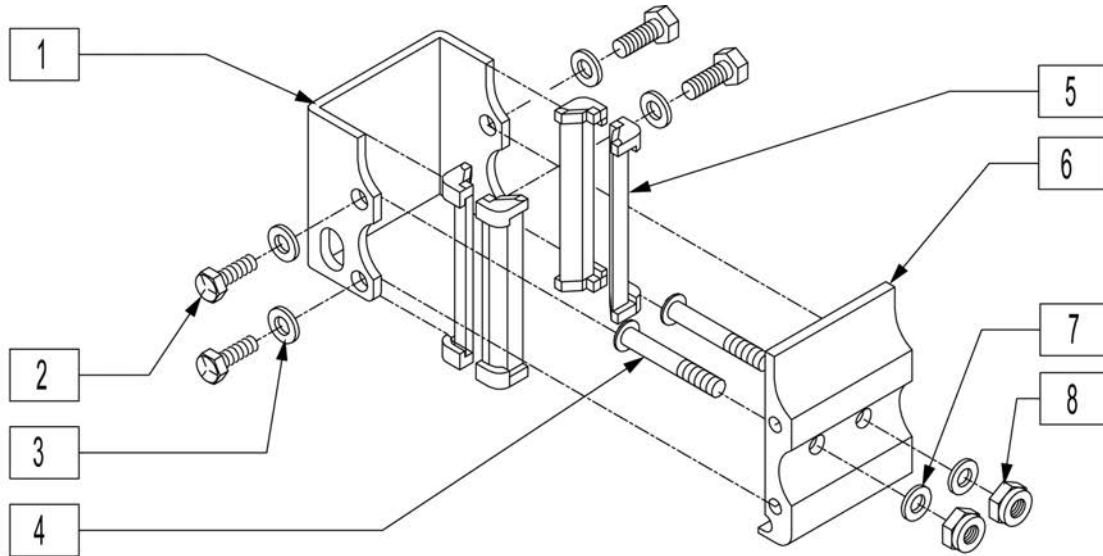
Pos.	Item Number	Description	Remarks
1A	561280	ARMREST PAD 10" LEFT W/F	
1A	561281	ARMREST PAD 10" RIGHT W/F	
1B	561284	ARMREST PAD 14" LEFT W/F	
1B	561285	ARMREST PAD 14" RIGHT W/F	
1C	561024	ARMREST PAD 10" DESK	
1D	561031	ARMREST PAD 14" FULL	
2	560735	7/8" ROUND TUBE PLUG	
3A	560514	FOAM 8" x .840 TUBE	
3B	560614	11" x .840 FOAM TUBE	
4	226038	10-32 x 1 3/8 BH C/S BLK	
5A	540124	FIXED HT SHT ARM DESK PAD PWR	
5B	540125	FIXED HT SHT ARM FULL PAD PWR	
5C	540126	FIXED HGT LONG ARM DSK PAD PW	
5D	540127	FIXED HT LONG ARM FULL PAD PWR	
6	240155	RIVET 3/16 x 3/8 TUBULAR ALUM	
7	562744	ARMREST FRAME PANEL FIXED R	Right
7	562745	ARMREST FRAME PANEL FIXED L	Left
1A,2-4,5A,6,7	881730	D-POST ARM SHT R W/DSK W/F PAD	Right
1A,2-4,5A,6,7	881731	D-POST ARM SHT L W/DSK W/F PAD	Left

Pos.	Item Number	Description	Remarks
1B,2-4,5B,6,7	881732	D-POST ARM SHT R W/FL W/F PAD	Right
1B,2-4,5B,6,7	881733	D-POST ARM SHT L W/FL W/F PAD	Left
1C,2,3A,4,5C,6,7	881734	D-POST ARM LNG R W/DSK W/F PAD	Right
1C,2,3A,4,5C,6,7	881735	D-POST ARM LNG L W/DSK W/F PAD	Left
1B,2-4,5D,6,7	881736	D-POST ARM LNG R W/FL W/F PAD	Right
1B,2-4,5D,6,7	881737	D-POST ARM LNG L W/FL W/F PAD	Left
1C,2-4,5A,6,7	881580	DUAL POST ARM SHT W/DSK R PWR	Right
1C,2-4,5A,6,7	881581	DUAL POST ARM SHT W/DSK L PWR	Left
1D,2-4,5B,6,7	881582	DUAL POST ARM SHT W/FL R PWR	Right
1D,2-4,5B,6,7	881583	DUAL POST ARM SHT W/FL L PWR	Left
1C,2-4,5C,6,7	881584	DUAL POST ARM LNG W/DSK R PWR	Right
1C,2-4,5C,6,7	881585	DUAL POST ARM LNG W/DSK L PWR	Left
1D,2-4,5D,6,7	881586	DUAL POST ARM LNG W/FL R PWR	Right
1D,2-4,5D,6,7	881587	DUAL POST ARM LNG W/FL L PWR	Left



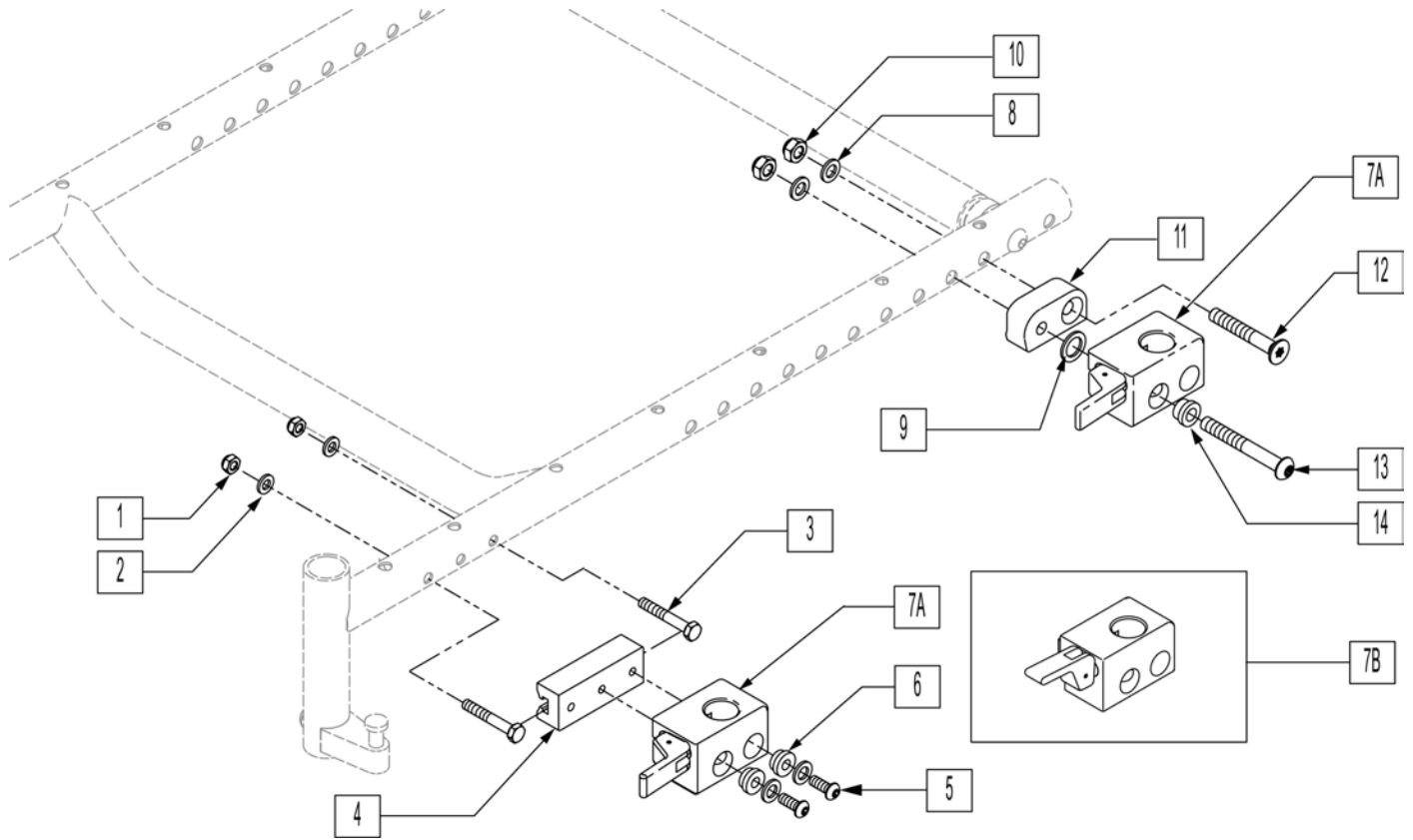
Pos.	Item Number	Description	Remarks
1A	561024	ARMREST PAD 10" DESK	DESK PAD
1B	561031	ARMREST PAD 14" FULL	FULL PAD
1C	561280	ARMREST PAD 10" L W/F	LEFT - DESK WATERFALL PAD
1C	561281	ARMREST PAD 10" R W/F	RIGHT - DESK WATERFALL PAD
1D	561284	ARMREST PAD 14" L W/F	LEFT - FULL WATERFALL PAD
1D	561285	ARMREST PAD 14" R W/F	RIGHT - FULL WATERFALL PAD
2	226038	10-32 x 1 3/8 BH C/S BLK	
4A	560610	5" x .705 x .125 FOAM TUBE	ADULT
4B	560627	7-1/2" x .705 x .125 FOAM TUBE	PEDS/KIDS
5A	882084	HT ADJ LOWER DC ARM ASSM STD R	RIGHT - STANDARD/ADULT
5A	882085	HT ADJ LOWER DC ARM ASSM STD L	LEFT - STANDARD/ADULT
5B	882082	HT ADJ LOWER DC ARM ASM KIDS R	RIGHT - KIDS
5B	882083	HT ADJ LOWER DC ARM ASM KIDS L	LEFT - KIDS
5C	882080	HT ADJ LOWER ARM ASSM PE D R	RIGHT - PEDIATRIC
5C	882081	HT ADJ LOWER ARM ASSM PE D L	LEFT - PEDIATRIC
6	321721	LEVER RETURN SPRING	
7	562825	RELEASE LEVER INNER SLEEVE	
8	281045	#6 x 1/4 PAN PHIL S/M/S	
9A	888000	HT ADJ REC REL LEVER ASSM STD	ADULT

Pos.	Item Number	Description	Remarks
9B	888001	HT ADJ REC REL LEVER ASSM KIDS	KIDS
9C	888002	HT ADJ REC REL LEVER ASSM PEDS	PEDS
10	888003	HT ADJ UPPER ARM REL ASSM R	RIGHT
10	888004	HT ADJ UPPER ARM REL ASSM L	LEFT
>>>>		ADULT UPPER ASSEMBLIES	
1A-3A	880192	HT ADJ UPPER ARM ASSM DESK R	RIGHT - ADULT DESK PAD
1A-3A	880198	HT ADJ UPPER ARM ASSM DESK L	LEFT - ADULT DESK PAD
1B-3A	880193	HT ADJ UPPER ARM ASSM FL R	RIGHT - ADULT FULL PAD
1B-3A	880199	HT ADJ UPPER ARM ASSM FL L	LEFT - ADULT FULL PAD
>>>>		ADULT UPPER ASSEMBLIES	
1C-3A	881230	HT ADJ UPPER L ARM ASSM DESK W/F	RIGHT - ADULT DESK WATER FALL PAD
1C-3A	881231	HT ADJ UPPER R ARM ASSM DESK W/F	LEFT - ADULT DESK WATER FALL PAD
1D-3A	881232	HT ADJ UPPER L ARM ASSM FL W/F	RIGHT - ADULT FULL WATER FALL PAD
1D-3A	881233	HT ADJ UPPER R ARM ASSM FL W/F	LEFT - ADULT FULL WATER FALL PAD
>>>>		PEDIATRIC AND KIDS UPPER ASSEMBLIES	
1A-3B	880174	HT ADJ UPPER ARM PED PWR DESK R	RIGHT - PED/KIDS DESK PAD
1A-3B	880175	HT ADJ UPPER ARM PED PWR DESK L	LEFT - PED/KIDS DESK PAD
1B-3B	880176	HT ADJ UPPER ARM PED PWR FULL R	RIGHT - PED/KIDS FULL PAD
1B-3B	880177	HT ADJ UPPER ARM PED PWR FULL L	LEFT - PED/KIDS FULL PAD
>>>>		PEDIATRIC AND KIDS UPPER ASSEMBLIES	
1C-3B	888341	HT ADJ PED UPPER R ARM ASSM D WF	RIGHT - PED/KIDS DESK WATER FALL PAD
1C-3B	888342	HT ADJ PED UPPER L ARM ASSM D WF	LEFT - PED/KIDS DESK WATER FALL PAD
1D-3B	888343	HT ADJ PED UPPER R ARM ASSM F WF	RIGHT - PED/KIDS FULL WATER FALL PAD
1D-3B	888344	HT ADJ PED UPPER L ARM ASSM F WF	LEFT - PED/KIDS FULL WATER FALL PAD
>>>>		COMPLETE ADULT ARMREST ASSEMBLY	
1A-3A-5A	880210	HT ADJ STD R W/DESK ARM PAD	RIGHT - ADULT - DESK PAD
1A-3A-5A	880211	HT ADJ STD L W/DESK ARM PAD	LEFT - ADULT - DESK PAD
1B-3A-5A	880212	HT ADJ STD R W/FULL ARM PAD	RIGHT - ADULT - FULL PAD
1B-3A-5A	880213	HT ADJ STD L W/FULL ARM PAD	LEFT - ADULT - FULL PAD
1C-3A-5A	881301	HT ADJ STD R W/DESK W/F PAD	RIGHT - ADULT - WATERFALL DESK PAD
1C-3A-5A	881300	HT ADJ STD L W/DESK W/F PAD	LEFT - ADULT - WATERFALL DESK PAD
1D-3A-5A	881305	HT ADJ STD R W/FULL W/F PAD	RIGHT - ADULT - WATERFALL FULL PAD
1D-3A-5A	881304	HT ADJ STD L W/FULL W/F PAD	LEFT - ADULT - WATERFALL FULL PAD
>>>>		COMPLETE KIDS ARMREST ASSEMBLY	
1A-3B-5B	880214	HT ADJ KIDS R W/DESK ARM PAD	RIGHT - KIDS - DESK PAD
1A-3B-5B	880215	HT ADJ KIDS L W/DESK ARM PAD	LEFT - KIDS - DESK PAD
1B-3B-5B	880216	HT ADJ KIDS R W/FULL ARM PAD	RIGHT - KIDS - FULL PAD
1B-3B-5B	880217	HT ADJ KIDS L W/FULL ARM PAD	LEFT - KIDS - FULL PAD
1C-3B-5B	881303	HT ADJ KIDS R W/DESK W/F PAD	RIGHT - KIDS - WATERFALL DESK PAD
1C-3B-5B	881302	HT ADJ KIDS L W/DESK W/F PAD	LEFT - KIDS - WATERFALL DESK PAD
1D-3B-5B	881307	HT ADJ KIDS R W/FULL W/F PAD	RIGHT - KIDS - WATERFALL FULL PAD
1D-3B-5B	881306	HT ADJ KIDS L W/FULL W/F PAD	LEFT - KIDS - WATERFALL FULL PAD
>>>>		COMPLETE PEDIATRIC ARMREST ASSEMBLY	
1A-3B-5C	880226	HT ADJ PED R W/DESK ARM PAD	RIGHT - PEDS - DESK PAD
1A-3B-5C	880227	HT ADJ PED L W/DESK ARM PAD	LEFT - PEDS - DESK PAD
1B-3B-5C	880228	HT ADJ PED R W/FULL ARM PAD	RIGHT - PEDS - FULL PAD
1B-3B-5C	880229	HT ADJ PED L W/FULL ARM PAD	LEFT - PEDS - FULL PAD
1C-3B-5C	888345	HT ADJ PED R W/DESK W/F PAD	RIGHT - PEDS - WATERFALL DESK PAD
1C-3B-5C	888346	HT ADJ PED L W/DESK W/F PAD	LEFT - PEDS - WATERFALL DESK PAD
1D-3B-5C	888347	HT ADJ PED R W/FULL W/F PAD	RIGHT - PEDS - WATERFALL FULL PAD
1D-3B-5C	888348	HT ADJ PED L W/FULL W/F PAD	LEFT - PEDS - WATERFALL FULL PAD



Pos.	Item Number	Description
1	550485	HT ADJ REC CHANNEL
2	221096	1/4-28 x 5/8 HEX C/S
3	106943	1/4 AN WASHER FLAT
4	226218	5/16-18 x 1 3/4" BH C/S BLK
5	561134	HT ADJ RECEIVER LINER
6	550497	HT ADJ REC STD S525 SEAT
7	263100	5/16 AN WASHER FLAT
8	202116	5/16-18 NYLOCK NUT THIN BLK
1-8	880239	HT ADJ REC W/HDWR STD S525

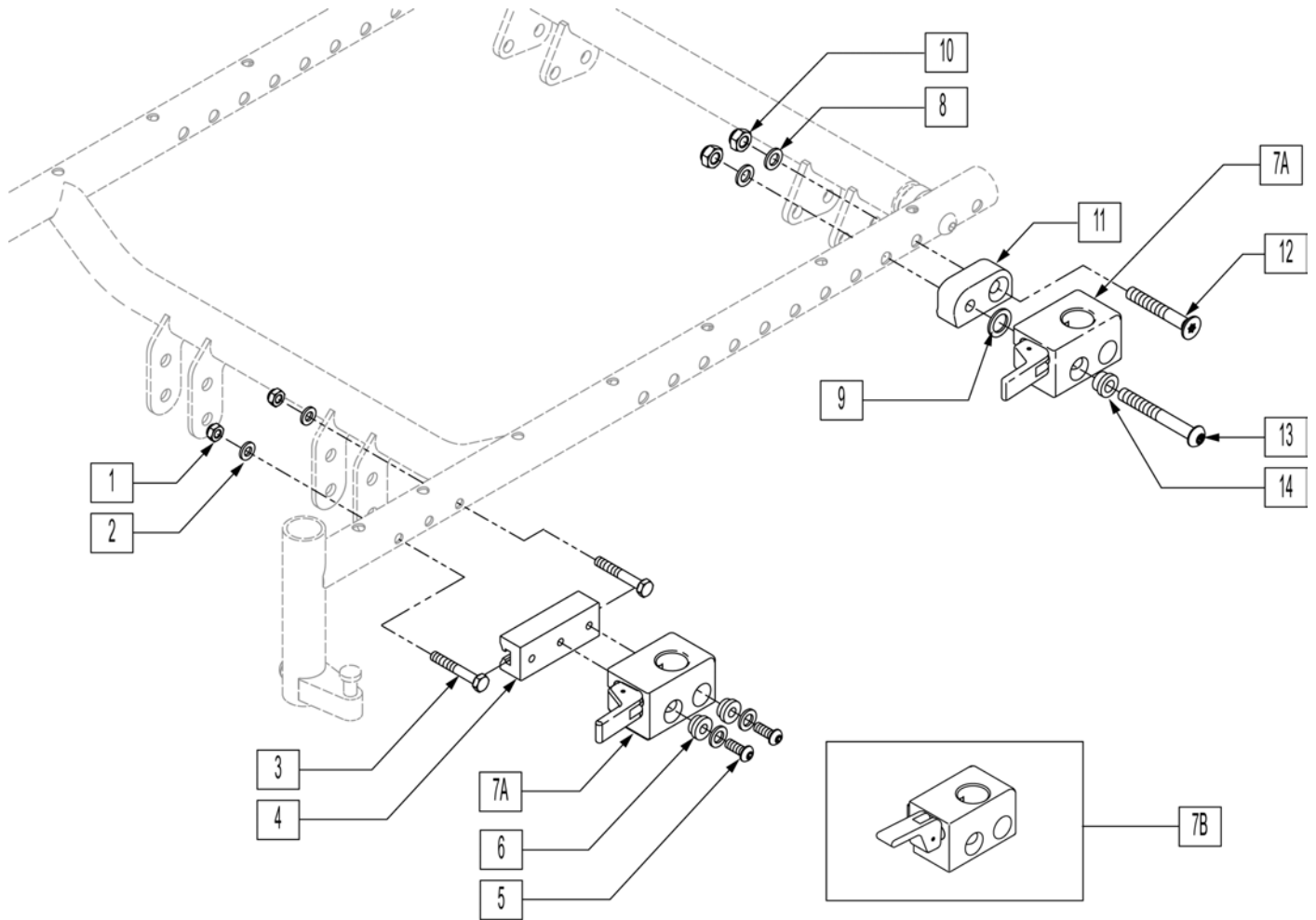
Note: If replacing on chairs prior to S/N P02-027090, assembly numbers with mounting hardware must be purchased.



Pos.	Item Number	Description	Remarks
1	201110-QU	1/4-28 NYLOCK NUT	
2	262100-QU	1/4 AN WASHER FLAT	
3	226222	1/4-28 X 1 1/2" G8 HEX C/S BLK	
4	506127	ADPTR FR UNI ARST RCR 1.13 OFF	
5	226100	1/4-28 X 3/4 BH C/S	
6	340143	BUSHING .257IDx.25LG SST	
7A	506366	UNIVRSL ARMRST RCVR ASSM RH	
7A	506367	UNIVRSL ARMRST RCVR ASSM LH	
7B	506368	UNIV ARMREST RCVR ASSM RV	Optional release position, not offered on chair
7B	506369	UNIV ARMREST RCVR ASSM LV	Optional release position, not offered on chair
8	263100	5/16 AN WASHER FLAT	
9	561273	1/2 X 3/4 X .060 NYLON WASHER	
10	202117	5/16-18 NYLOCK NUT THICK BLK	
11	506128	ADPTR PVT R UNI ARST RCVR P222	Right
11	506129	ADPTR PVT L UNI ARST RCVR P222	Left
12	222193	5/16-18 X 2 1/4 FH SOC CS BLK	
13	226208	5/16-18 X 2-3/4 BH C/S G8 BLK	
14	340142	BUSHING .325IDx.346LG SST	
1-7A	506364	UNI DP ARM RCVR ASSM RFH PWR	
1-7A	506365	UNI DP ARM RCVR ASSM LFH PWR	
1-7B	506400	UNI DP ARM RCVR ASSM RFV PWR	Optional release position, not offered on chair
1-7B	506401	UNI DP ARM RCVR ASSM LFV PWR	Optional release position, not offered on chair

Pos.	Item Number	Description	Remarks
7A-14	506360	UNI DP ARM RCVR ASSM RRH PWR	Right
7A-14	506361	UNI DP ARM RCVR ASSM LRH PWR	Left
7B-14	506362	UNI DP ARM RCVR ASSM RRV PWR	Right- Optional release position, not offered on chair
7B-14	506363	UNI DP ARM RCVR ASSM LRV PWR	Left- Optional release position, not offered on chair

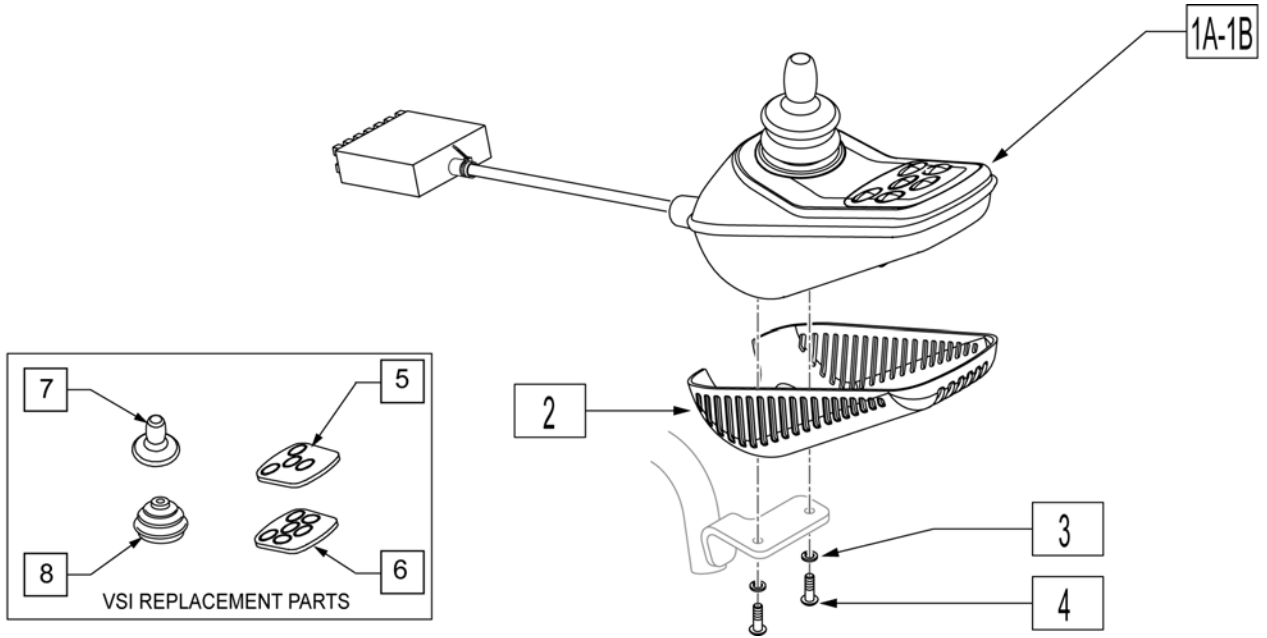
Note: If replacing on P220 chairs prior to S/N P02-027090 or P222SE chair prior to S/N P2x-017975, assembly numbers with mounting hardware must be purchased.



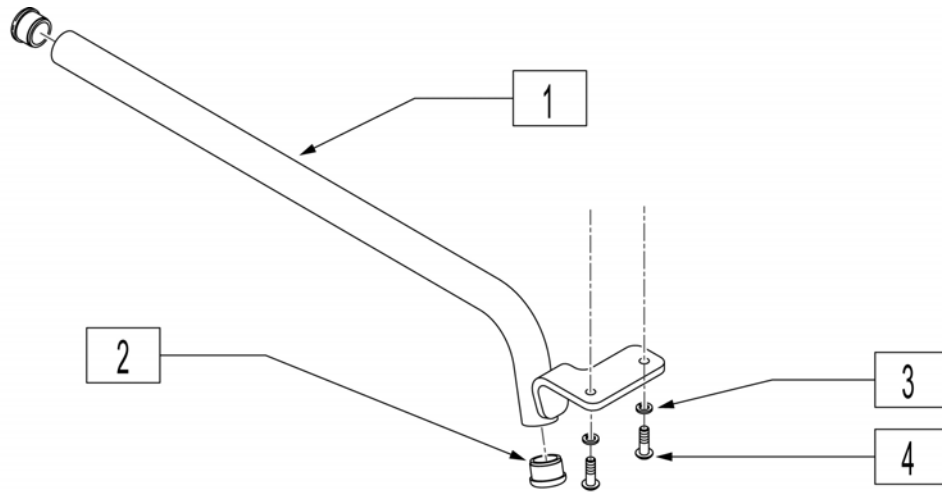
Pos.	Item Number	Description	Remarks
1	106934	1/4-28 NYLOCK NUT	
2	106943	1/4 AN WASHER FLAT	
3	226222	1/4-28 X 1 1/2" G8 HEX C/S BLK	
4	506127	ADPTR FR UNI ARST RCR 1.13 OFF	
5	226100	1/4-28 X 3/4 BH C/S	
6	340143	BUSHING .257IDx.25LG SST	
7A	506366	UNIVRSL ARMRST RCVR ASSM RH	
7A	506367	UNIVRSL ARMRST RCVR ASSM LH	
7B	506368	UNIV ARMREST RCVR ASSM RV	Optional release position, not offered on chair
7B	506369	UNIV ARMREST RCVR ASSM LV	Optional release position, not offered on chair
8	263100	5/16 AN WASHER FLAT	
9	561273	1/2 X 3/4 X .060 NYLON WASHER	
10	202117	5/16-18 NYLOCK NUT THICK BLK	
11	506128	ADPTR PVT R UNI ARST RCVR P222	Right
11	506129	ADPTR PVT L UNI ARST RCVR P222	Left
12	222193	5/16-18 X 2 1/4 FH SOC CS BLK	
13	226208	5/16-18 X 2-3/4 BH C/S G8 BLK	

Pos.	Item Number	Description	Remarks
14	340142	BUSHING .325IDx.346LG SST	
1-7A	506364	UNI DP ARM RCVR ASSM RFH PWR	
1-7A	506365	UNI DP ARM RCVR ASSM LFH PWR	
1-7B	506400	UNI DP ARM RCVR ASSM RFV PWR	
1-7B	506401	UNI DP ARM RCVR ASSM LFV PWR	
7A-14	506360	UNI DP ARM RCVR ASSM RRH PWR	Right
7A-14	506361	UNI DP ARM RCVR ASSM LRH PWR	Left
7B-14	506362	UNI DP ARM RCVR ASSM RRV PWR	Right
7B-14	506363	UNI DP ARM RCVR ASSM LRV PWR	Left

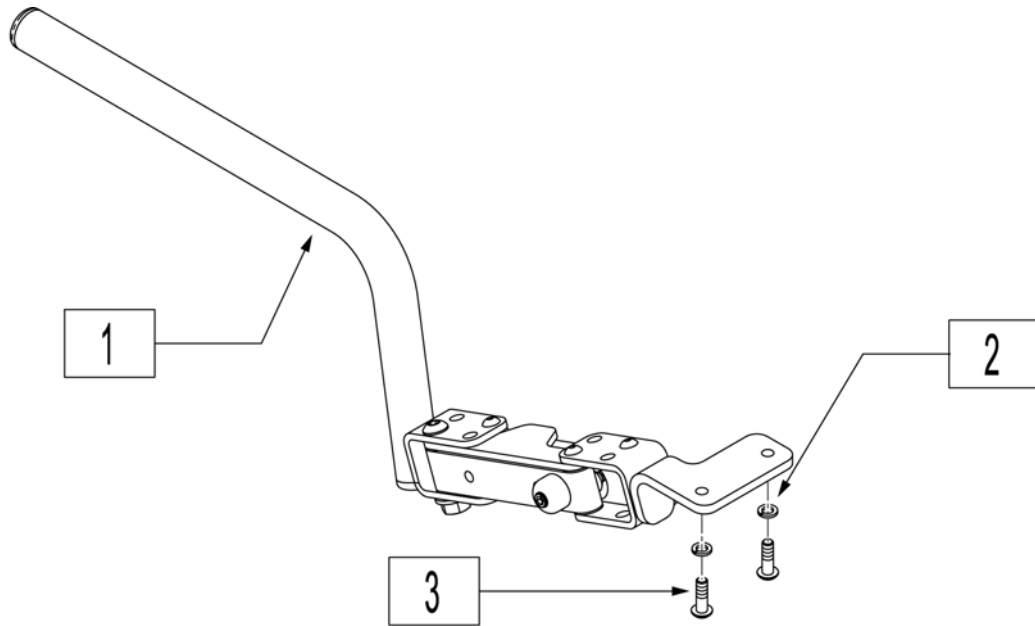
NOTE: EFFECTIVE AFTER SERIAL NUMBER S52-20012.



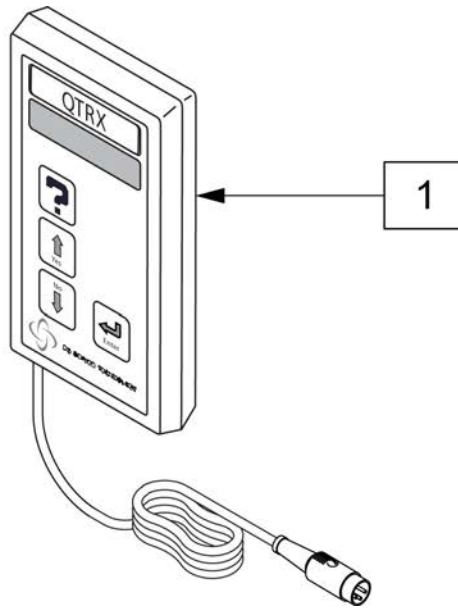
Pos.	Item Number	Description	Remarks
1A,2	910117	CNTRLR VSI 14PIN 7 MPH	
1B,2	910118	CNTRLR VSI 14PIN TILT 7 MPH	
3	261524	#10 WASHER LOCK SS	
4	455010-QU	10 -32 x 3/4 BH C/S BLK	
5	105689	VSI 4 BTN KEYPAD	
6	105690	VSI 6 BTN KEYPAD	
7	138169	VSI JOYSTICK HANDLE	
8	105930	JOYSTICK GAITER	Joystick Boot



Pos.	Item Number	Description	Remarks
1	542131	VSI FIX MNTNG BLK WLDMNT RT	Right- Fixed
1	542132	VSI FIX MNTNG BLK WLDMNT LEFT	Left-Fixed
2	560761	3/4" INSERT PLUG .049 (18GA)	
3	261524	#10 WASHER LOCK SS	
4	226024-QU	10-32 x 7/8 BH C/S BLK	



Pos.	Item Number	Description	Remarks
1	882496	S/A ARM VSI R ASSM	Right-Swing-away
1	882497	S/A ARM VSI L ASSM	Left-Swing-away
2	261524	#10 WASHER LOCK SS	
3	226024-QU	10-32 x 7/8 BH C/S BLK	

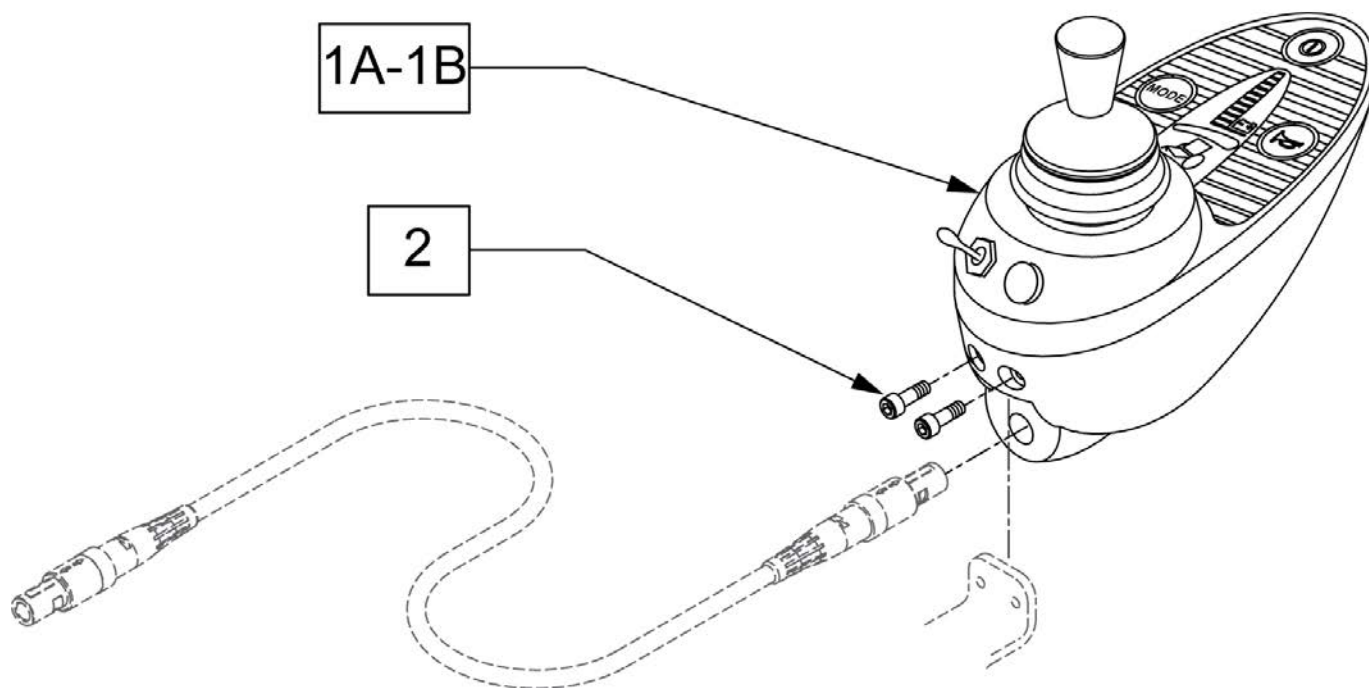


Pos.	Item Number	Description
1	QTRX	PROGRAMMING PAD QTRONIX

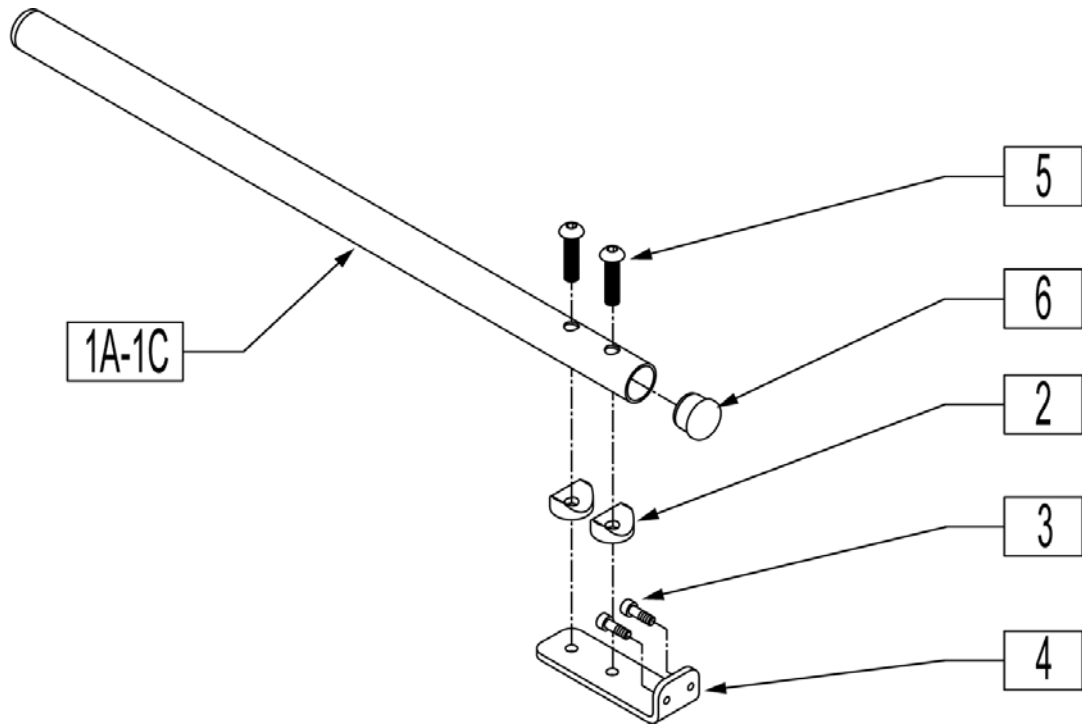
Note: If using the Pilot to replace a Qtonix Joystick a new joystick arm must be purchased and a longer cable may be required as well.

Note: Used on P222 beginning with S/N P2X-019421

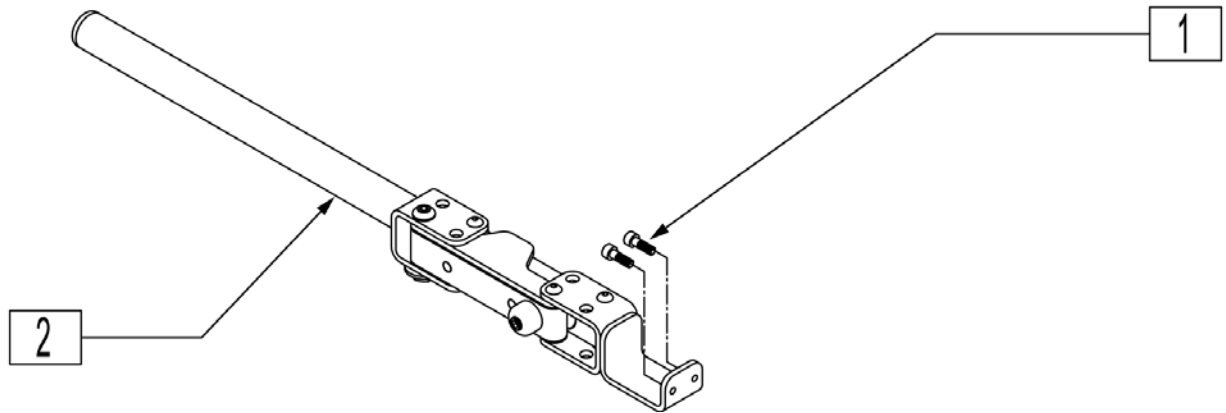
Note: Used on S646 beginning with S/N S64-042509



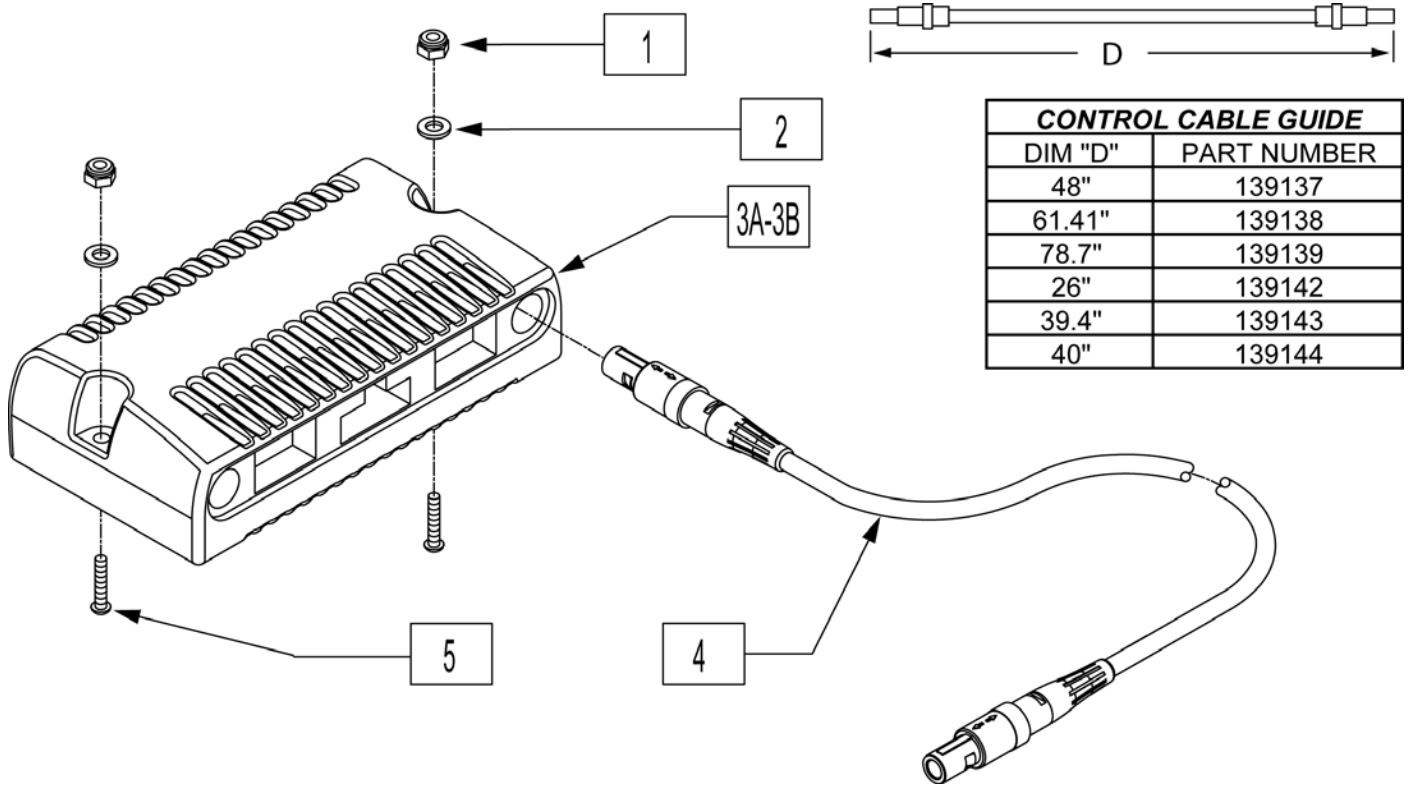
Pos.	Item Number	Description
1A	118788	JOYSTICK P+ POT/TOG NO JACKS
1B	118789	JOYSTICK P+ JACKS NO POT/TOG
2	220120	8-32 x 1/2 SOC C/S P/LK BLK



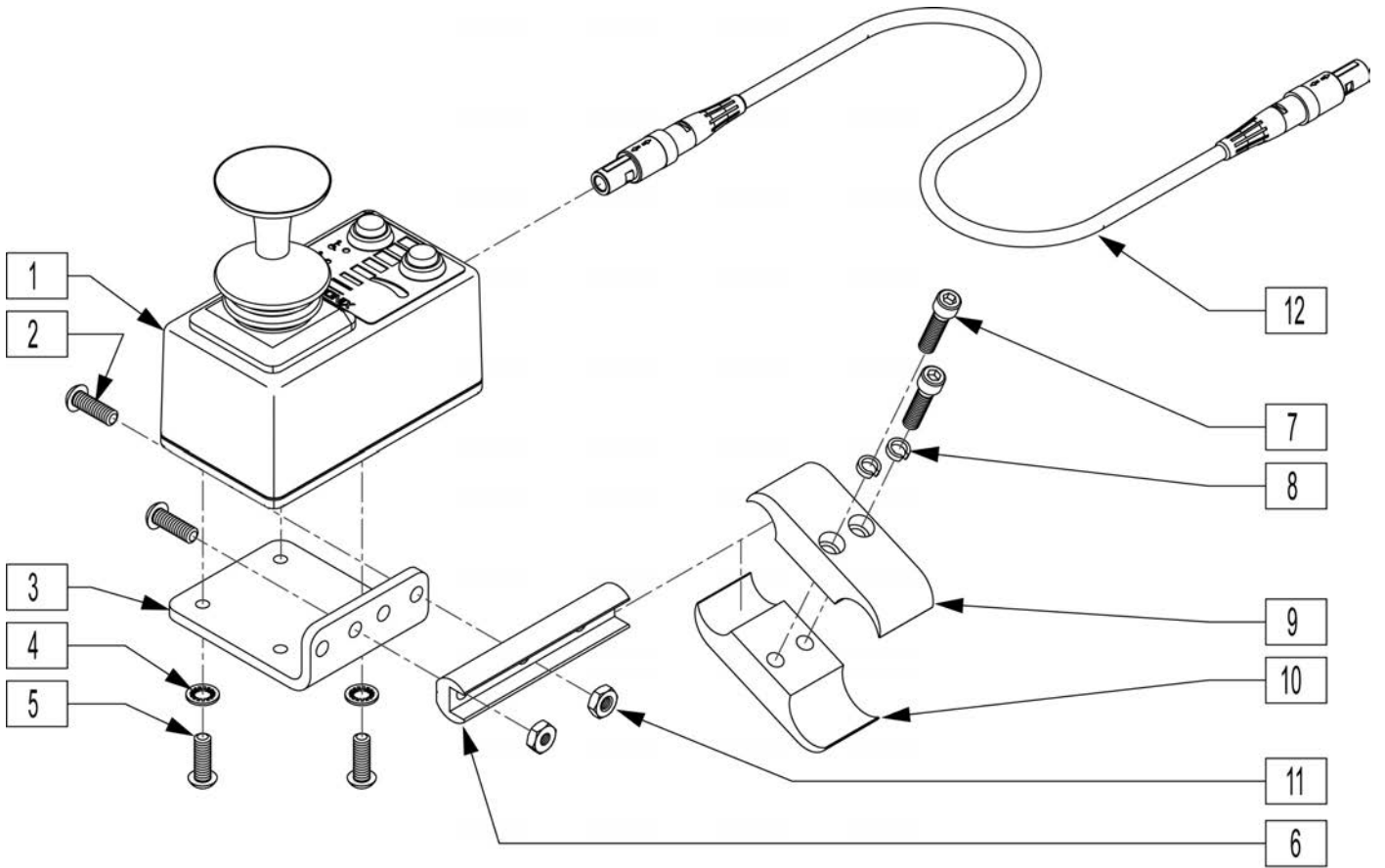
Pos.	Item Number	Description	Remarks
2	561003	3/4" SADDLE THIN	
3	220120	8-32 x 1/2 SOC C/S P/LK BLK	
4	481211	REMOTE MOUNT	
5	107355	BHCS 1/4-28 X 1 ROHS	
6	560761	3/4" INSERT PLUG .049 (18GA)	
1A-6	118842	JOYSTICK MOUNT RND 7.5	7.5" Long
1B-6	118844	JOYSTICK MOUNT RND 11	11" Long
1C-6	119726	JOYSTICK MOUNT RND 15	15" Long



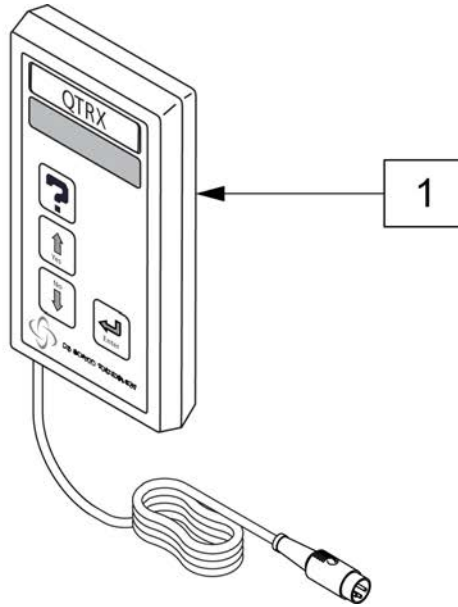
Pos.	Item Number	Description
1	220120	8-32 x 1/2 SOC C/S P/LK BLK
2	882498	S/A ARM PILOT+ R ASSM
2	882499	S/A ARM PILOT+ L ASSM



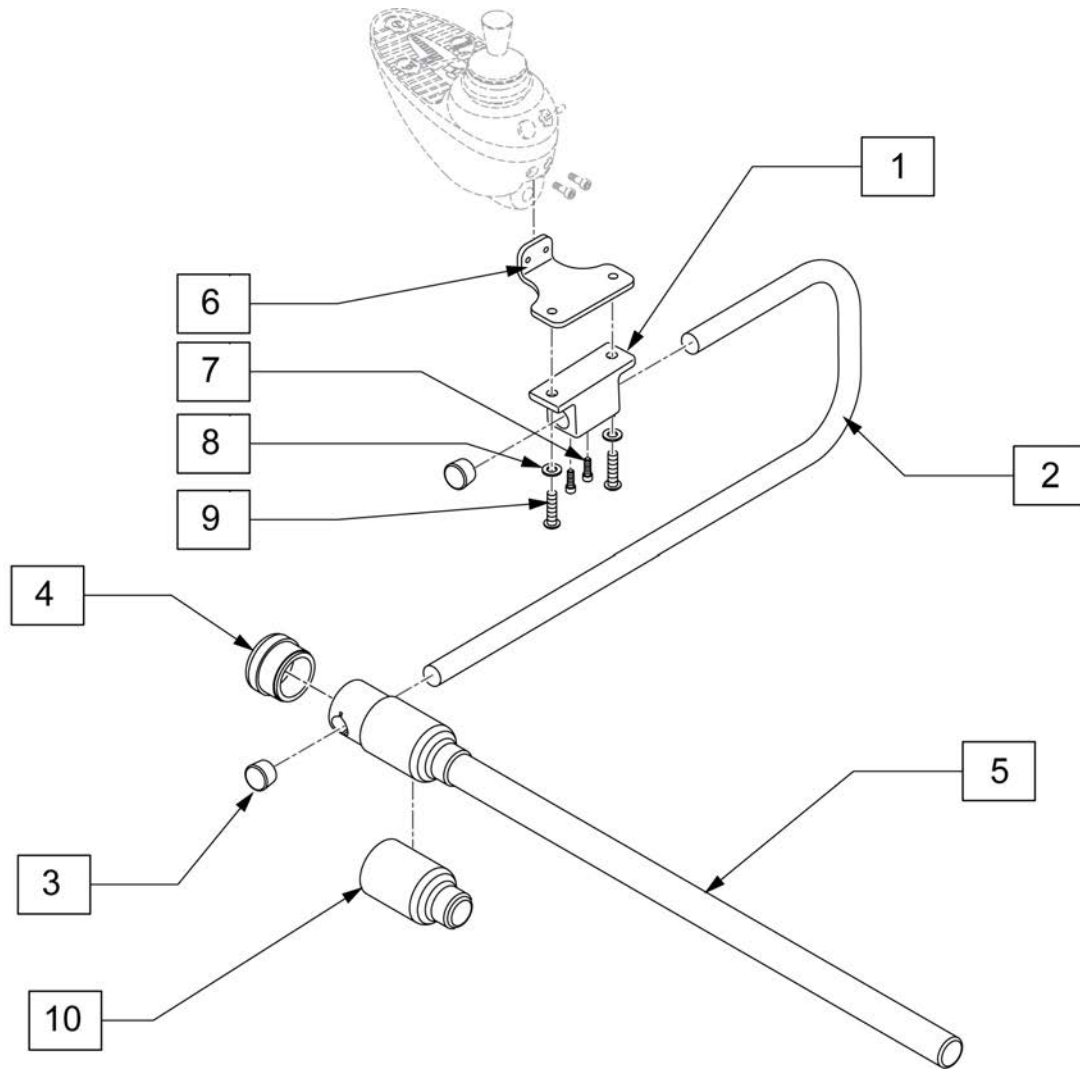
Pos.	Item Number	Description	Remarks
1	200100-QU	10-32 NYLOCK NUT	
2	455031-QU	#10 AN WASHER .032 SS	
3A	910215S	RMT PRG QTRONIX 80A RR P220	P220 - ONLY
3B	910062S	RMT PRG PILOT+ 80/100A S646	P222SE - ONLY
5	226069-QU	1/4-20 x 1/2 BH C/S BLK	
5	226034	10-32 x 1 3/4 BH C/S BLK	
4	139142	CONTROL CABLE FLYING LEAD SHT	(26")
4	139139	CONTROL CABLE SLIM X-LONG	(39")



Pos.	Item Number	Description	Remarks
2	226100	1/4-28 x 3/4 BH C/S	
3	505533	ATTENDANT CTRL MOUNT BRACKET	
4	267340	#10 WASHER INT LOCK ZN	
5	230495	M5-12 BUTTON HD C/S BLACK	
6	550374	WHL LCK SLIDE BLOCK 3 1/2" BLK	
7	107032	1/4-28 x 1 SOC C/S BLK	
8	262114	1/4 WASHER HI COLLAR LOCK ZN	
9	550477	CLAMP 2 1/4" RECESS BLK	
10	550576	CLAMP 2 1/4" THREADED BLK	
11	202300	1/4-28 NYLOCK NUT THIN BLK ZN	
1,6	885016	DUAL ATTENDANT CNTRL ASSM	
12	139138	CONTROL CABLE SLIM LONG	61.5" Long-not included in assm.
1-11	920900	ATTNDNT CNTRL MNT ASSM W/INSTR	

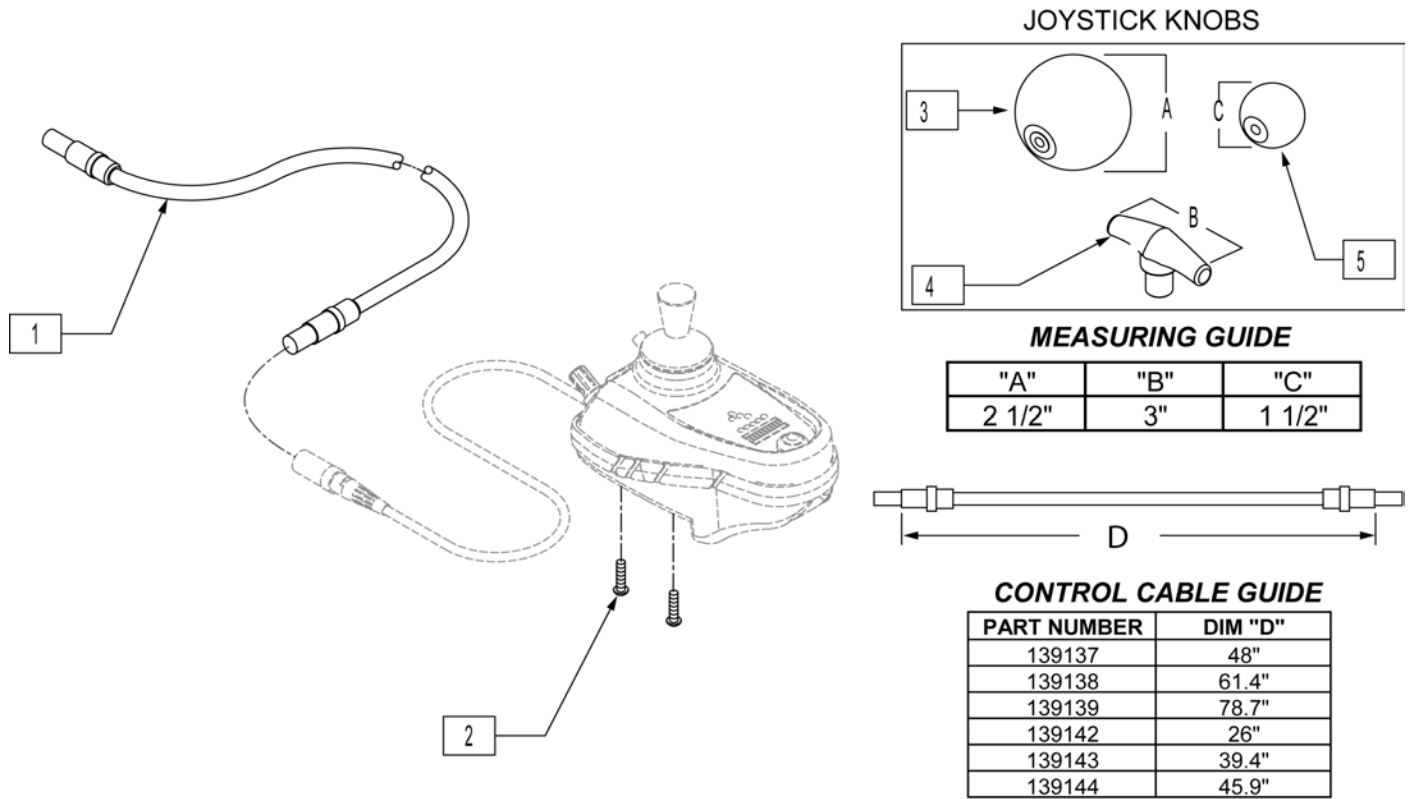


Pos.	Item Number	Description
1	QTRX	PROGRAMMING PAD QTRONIX



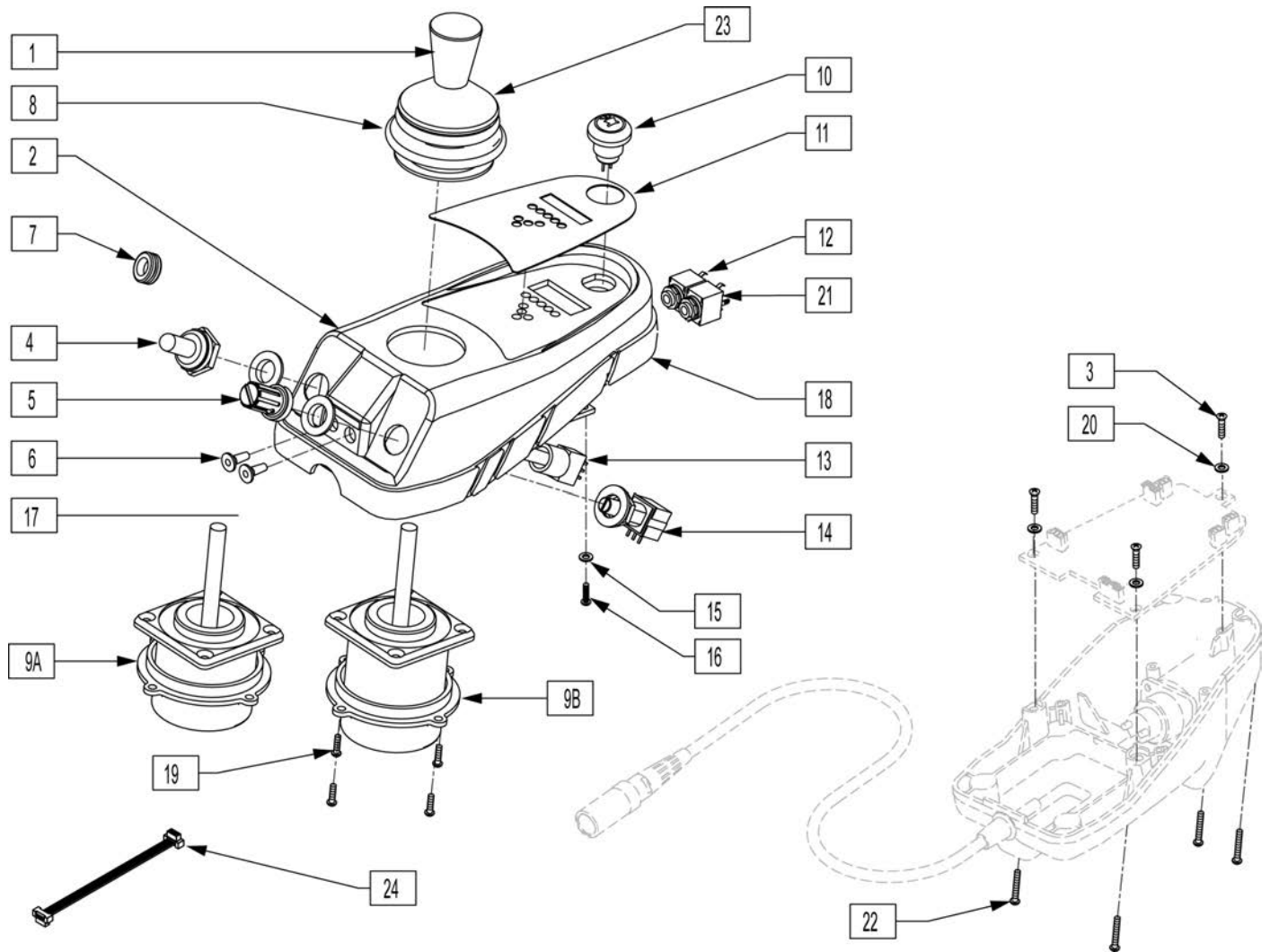
Pos.	Item Number	Description
1	500756	BASE CLAMP JOYSTICK MOUNT
2	521096	ADJ DISPLAY ARM "J" (USCM)
3	560307	ADJ DISPLAY ARM CAP (USCM)
4	560308	RECEIVER PLUG (USCM)
5	521095	SLIDING ARM TUBE (USCM)
6	481489	CENTER MOUNT ADAPTER
7	220120	8-32 x 1/2 SOC C/S P/LK BLK
8	106944	WASHER FLAT THIN AN 1/4 ROHS
9	226106	1/4-20 x 3/4 BH C/S BLK ZN
10	560122	RECEIVER SLEEVE (USCM)
4,5,10	886974	USCM DISPLAY ARM ASSEMBLY

Note: Qtronix Joystick has been discontinued, for replacement Joystick please see "Pilot Plus Joystick" page.



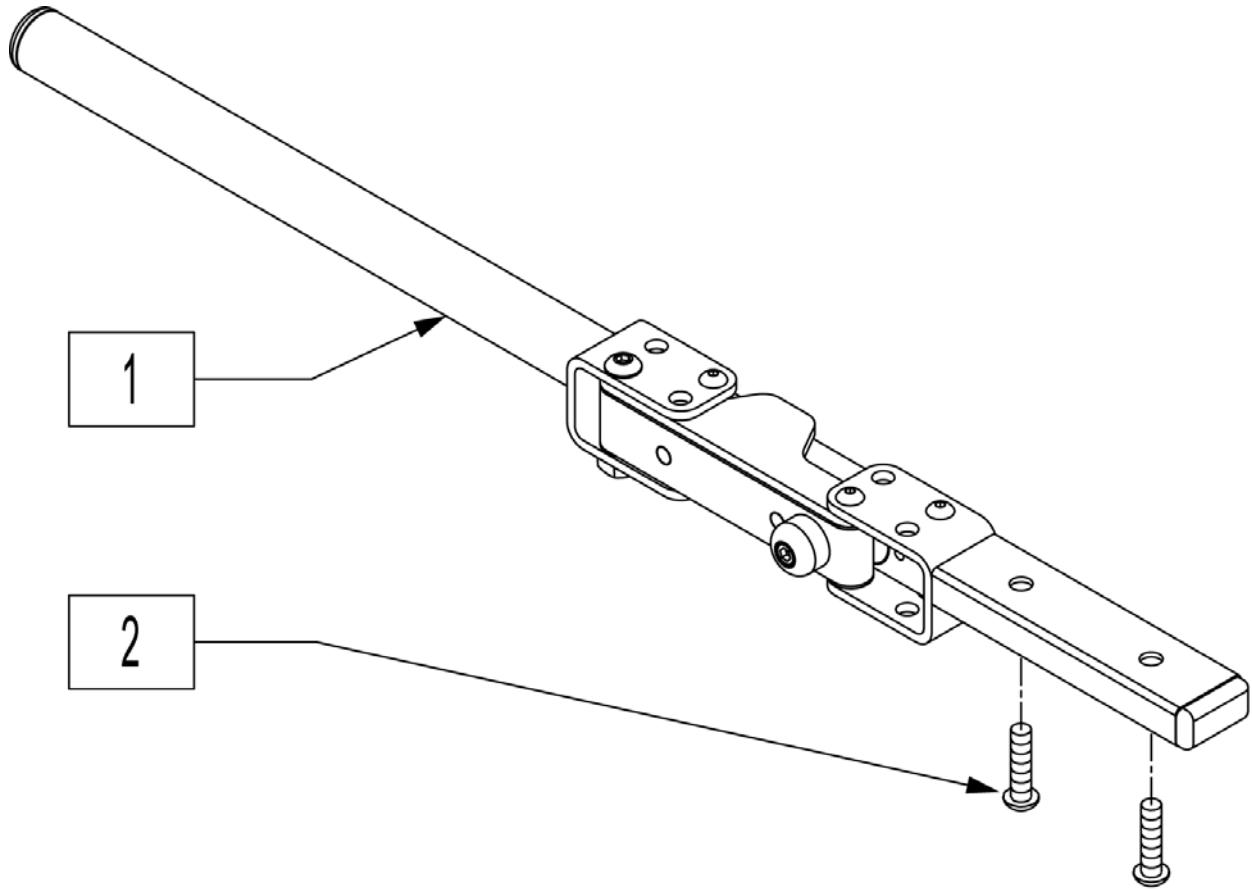
Pos.	Item Number	Description
1	139137	CONTROL CABLE 48"
1	139138	CONTROL CABLE 61 1/2"
1	139139	CONTROL CABLE 78 3/4"
1	139142	CONTROL CABLE 26"
1	139143	CONTROL CABLE 39 1/2"
1	139144	CONTROL CABLE, FLYING LEAD, X LNG
2	226106	1/4-20 x 3/4 BH C/S BLK ZN
3	138165	J/S KNOB BALL HANDLE (SOFT)
4	138167	J/S KNOB T-BAR
5	138166	J/S KNOB BALL HANDLE (SOLID)

NOTE: Item 7 goes where toggle and or speed switches are if customer removes them.

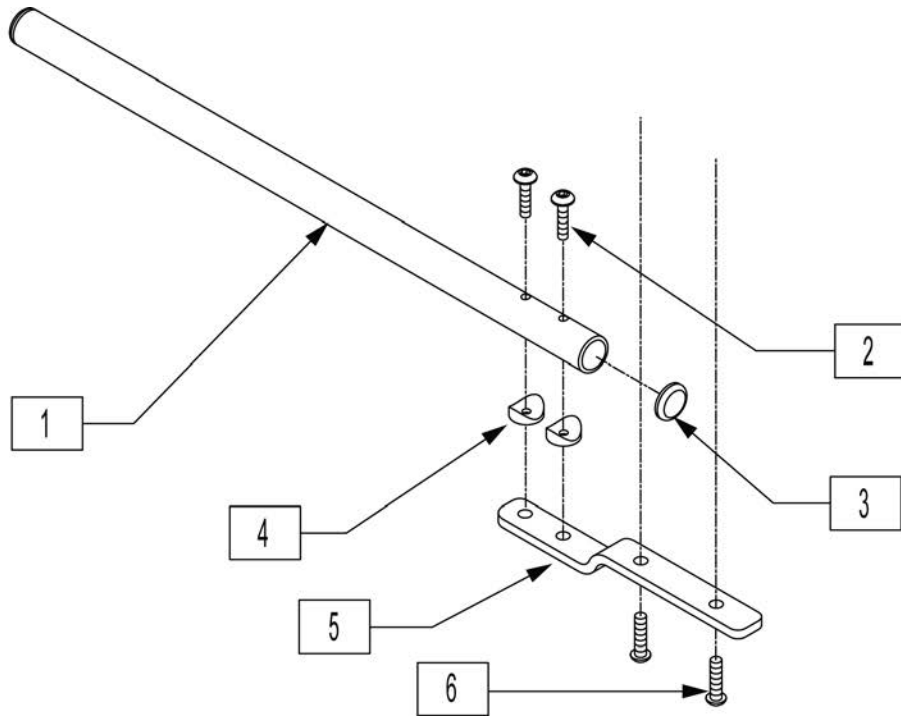


Pos.	Item Number	Description	Remarks
1	560224	JOYSTICK KNOB QTRONIX	
2	561251	REMOTE BOX TOP W/AUX HOLES	
3	281046	#4-24 x .25 PAN HD TAPPING SCREW	
4	138028	TOGGLE SWITCH BOOT 15/32"	
5	560226	POTENTIOMETER KNOB QTRONIX	
6	138045	REMOTE JACK STOPPER QTRONIX	
7	560109	INSERT PLUG .49 HOLE	
8	105930	JOYSTICK BOOT P&G CONTROLLER	
10	138179	HORN W/HARNESS QTRONIX	
11	150081	DECAL JOYSTICK OVERLAY	
12	139036	HARNESS REMOTE JACK (MODE)	
13	131122	TOGGLE SWITCH W/HARNESS 15/32"	
14	130527	POT W/HARNESS QTRONIX	
15	250103	M2.5 FLAT WASHER NYLON	
16	250150	M2.2 x .80 x 6.0 PAN HD SCREW	

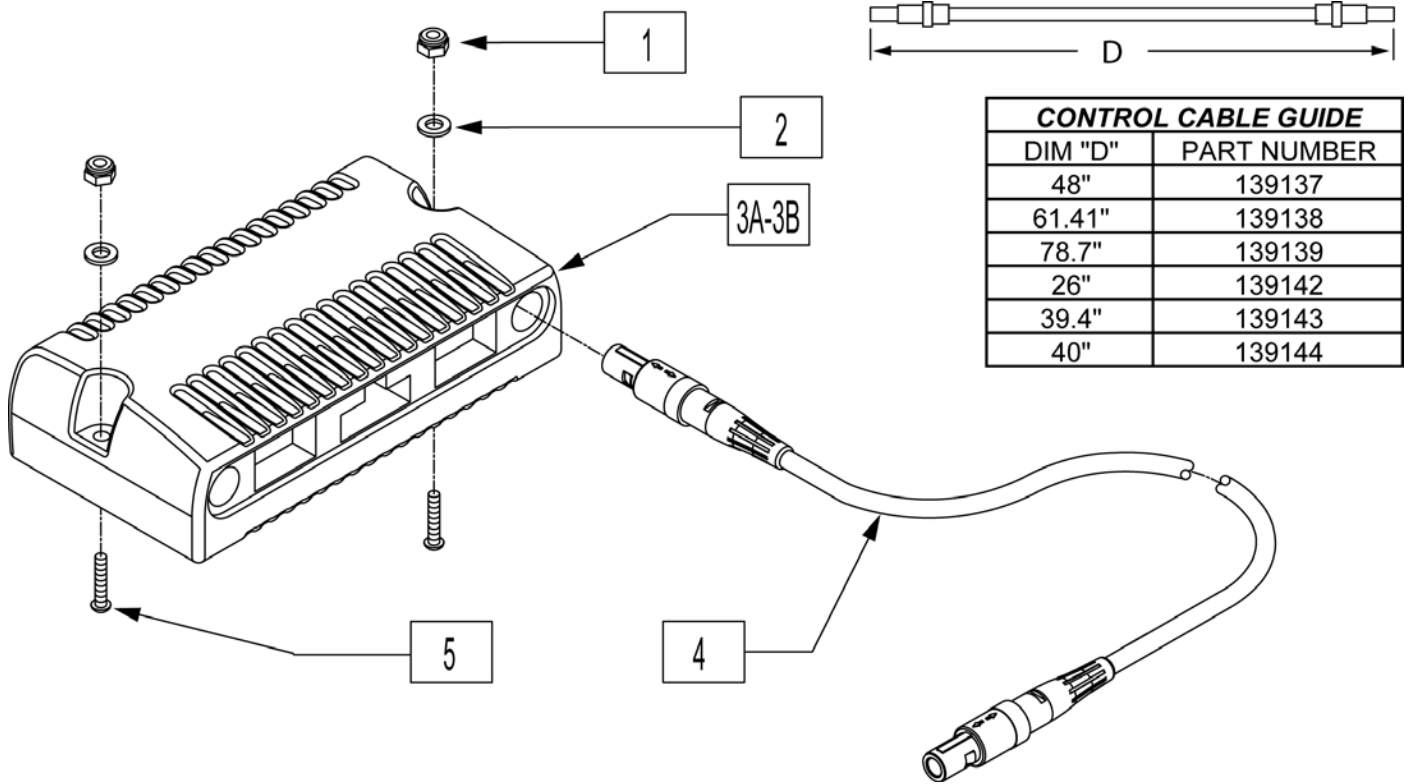
Pos.	Item Number	Description	Remarks
17	138041	LABEL REMOTE JACK	
18	561254	REMOTE BOX GASKET S525	
20	250102	M3.0 FLAT WASHER NYLON	
21	139037	HARNESS REMOTE JACK (ON/OFF)	
22	281047	#4-40 x .375 PAN HD PHLLPS M/S	
23	560229	JOYSTICK BOOT PROTECTOR	
24	104774	RIBBON CABLE 124MM	Used to turn Joystick 90deg in case.
1,8,9A,19,23	105706	JOYSTICK MAID P & G QTRONIX	
1,8,9B,19,23	139507	JOYSTICK JC200 P & G QTRONIX	



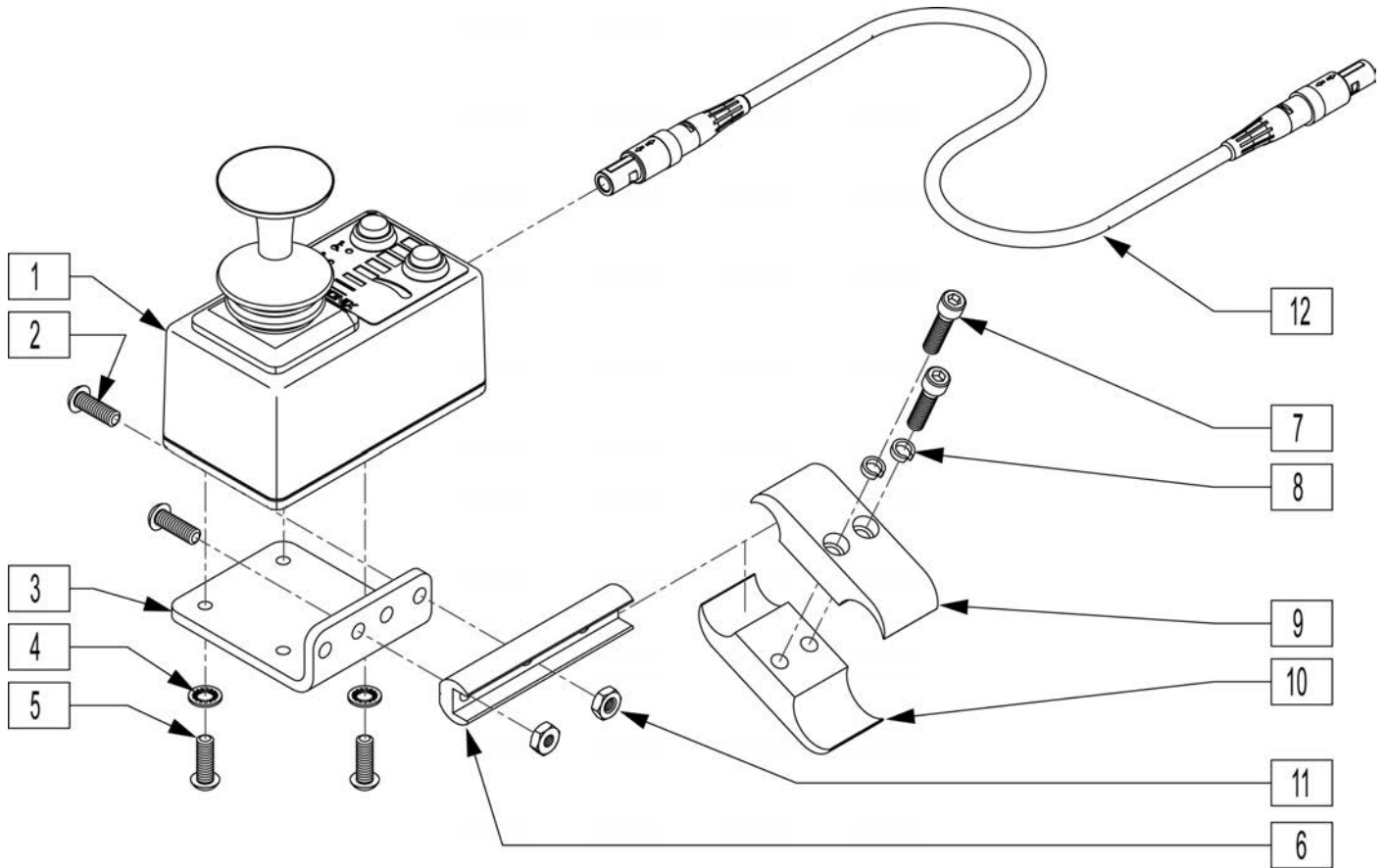
Pos.	Item Number	Description	Remarks
2	226069-QU	1/4-20 x 1/2 BH C/S BLK	
1,2	882696	RMT S/A R W/ARM MAG	Right
1,2	882697	RMT S/A L W/ARM MAG	Left



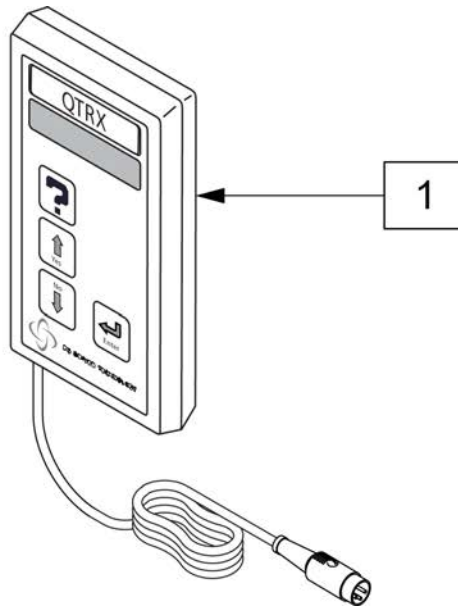
Pos.	Item Number	Description
1	520231	REMOTE BOX MOUNT TUBE Q-TRONIX
2	226066	1/4-28 x 1.1" BH C/S BLK
3	560761	3/4" INSERT PLUG .049 (18GA)
4	561003	3/4" SADDLE THIN
5	481196	REMOTE BOX BENT MOUNT S525
6	226069-QU	1/4-20 x 1/2 BH C/S BLK
1-6	882270	REMOTE CONTROL ARM ASSM QX



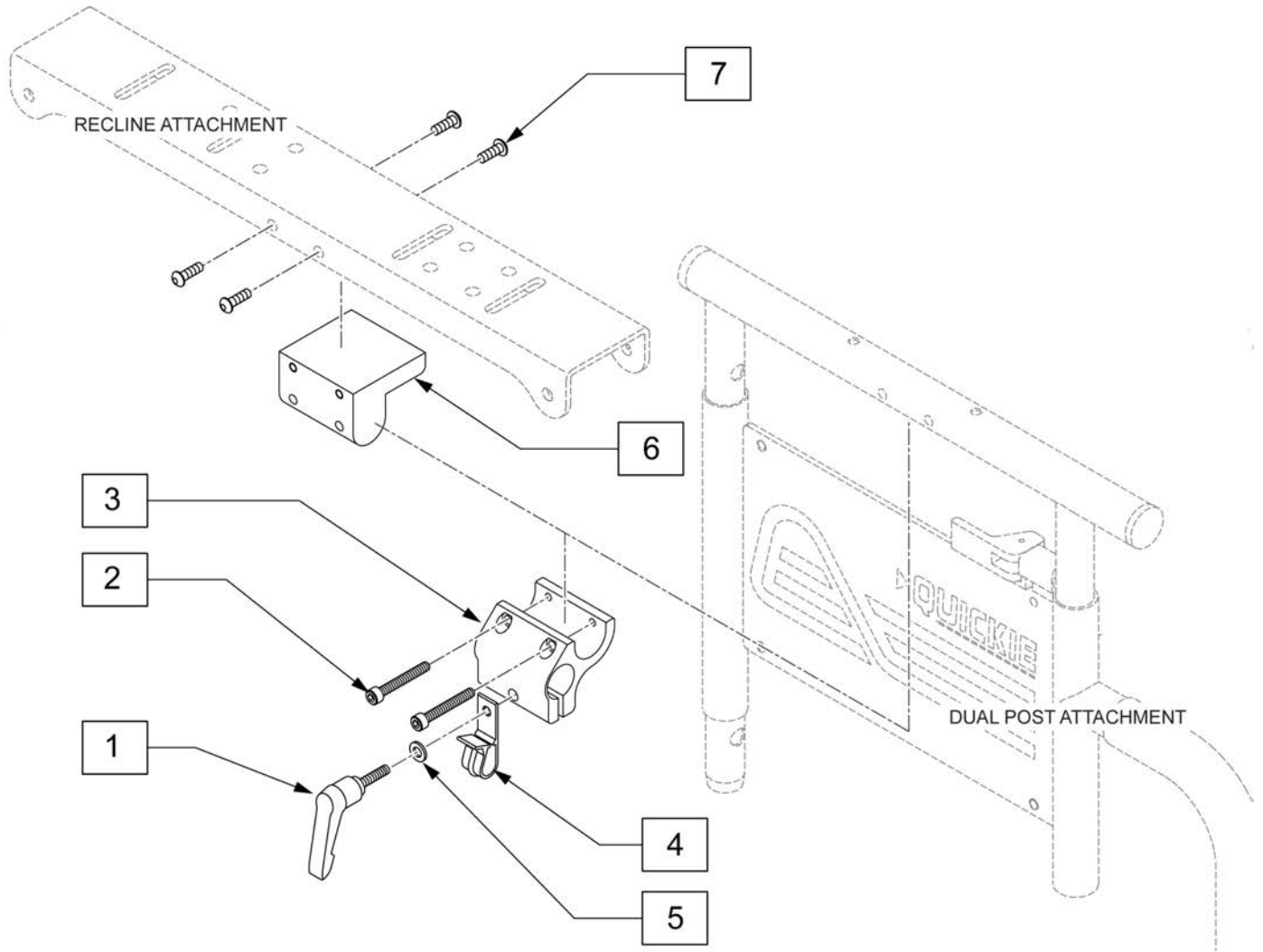
Pos.	Item Number	Description	Remarks
1	200100-QU	10-32 NYLOCK NUT	
2	455031-QU	#10 AN WASHER .032 SS	
3A	910215S	RMT PRG QTRONIX 80A RR P220	P220 - ONLY
3B	910062S	RMT PRG PILOT+ 80/100A S646	P222SE - ONLY
5	226069-QU	1/4-20 x 1/2 BH C/S BLK	
5	226034	10-32 x 1 3/4 BH C/S BLK	
4	139142	CONTROL CABLE FLYING LEAD SHT	(26")
4	139139	CONTROL CABLE SLIM X-LONG	(39")



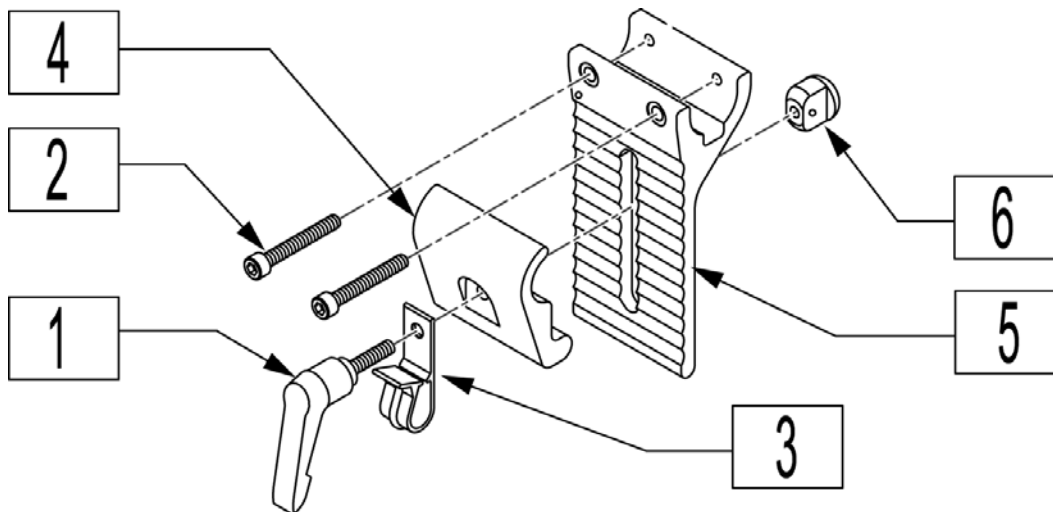
Pos.	Item Number	Description	Remarks
2	226100	1/4-28 x 3/4 BH C/S	
3	505533	ATTENDANT CTRL MOUNT BRACKET	
4	267340	#10 WASHER INT LOCK ZN	
5	230495	M5-12 BUTTON HD C/S BLACK	
6	550374	WHL LCK SLIDE BLOCK 3 1/2" BLK	
7	107032	1/4-28 x 1 SOC C/S BLK	
8	262114	1/4 WASHER HI COLLAR LOCK ZN	
9	550477	CLAMP 2 1/4" RECESS BLK	
10	550576	CLAMP 2 1/4" THREADED BLK	
11	202300	1/4-28 NYLOCK NUT THIN BLK ZN	
1,6	885016	DUAL ATTENDANT CNTRL ASSM	
12	139138	CONTROL CABLE SLIM LONG	61.5" Long-not included in assm.
1-11	920900	ATTNDNT CNTRL MNT ASSM W/INSTR	



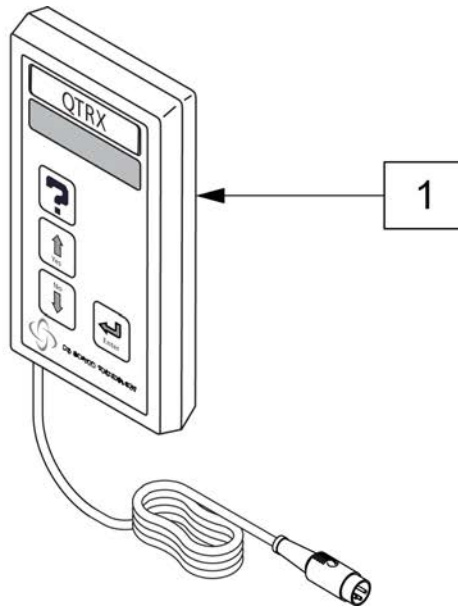
Pos.	Item Number	Description
1	QTRX	PROGRAMMING PAD QTRONIX



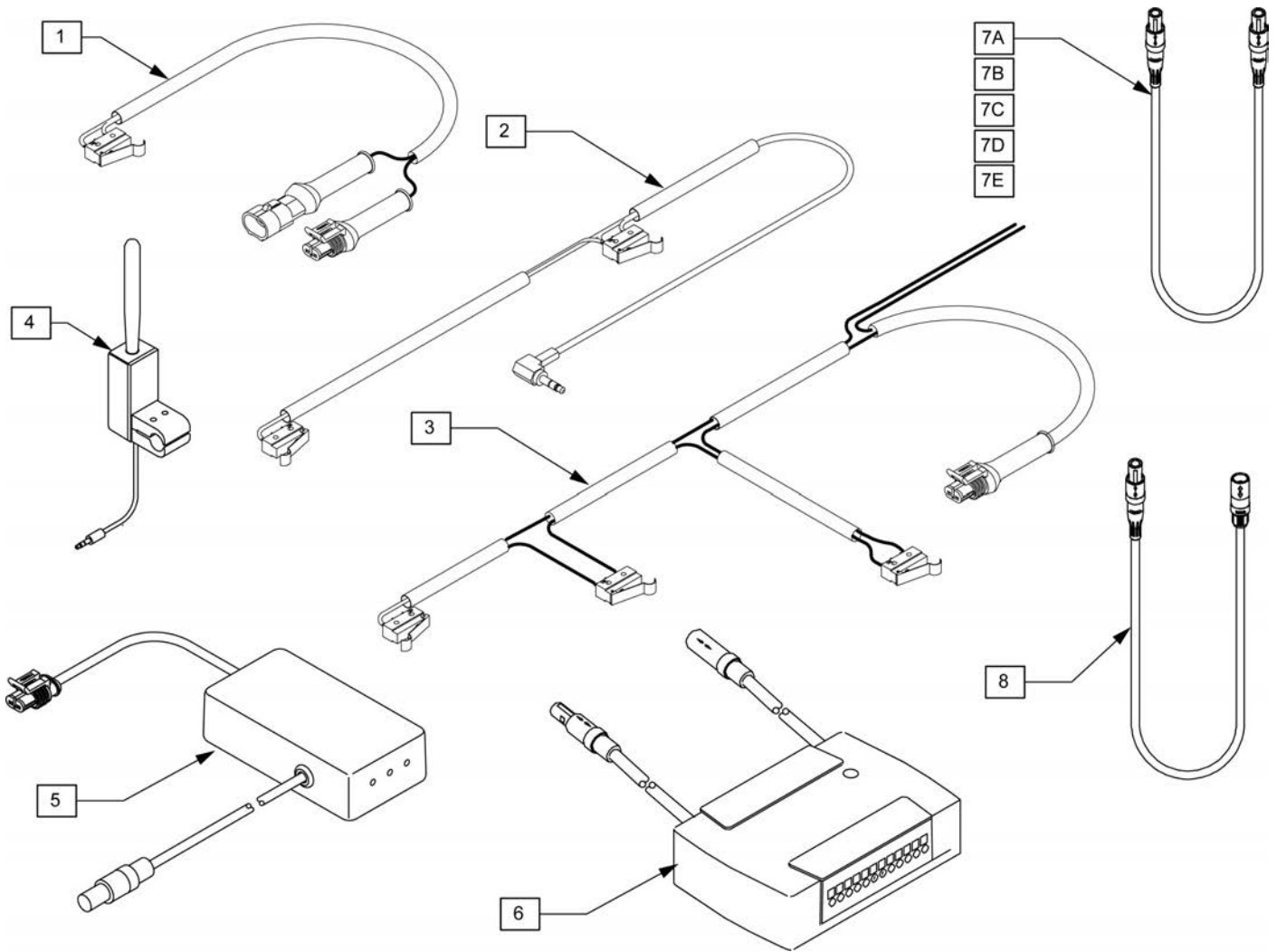
Pos.	Item Number	Description
1	349024	HNDL 10-32 x 3/4 C/A P1/P3/P5
2	226037	10-32 x 1 3/8 SOC C/S BLK
3	501750	CONTROL ARM CLAMP
4	560268	QUICK RELEASE CLIP
5	261204	#10 AN WASHER .063
6	551001	CONTROLLER MOUNT BLOCK
7	222297	10-24 X 3/8 SOC BH C/S W/PTCH
1-5	920713	CONTROL ARM CLAMP ASSM



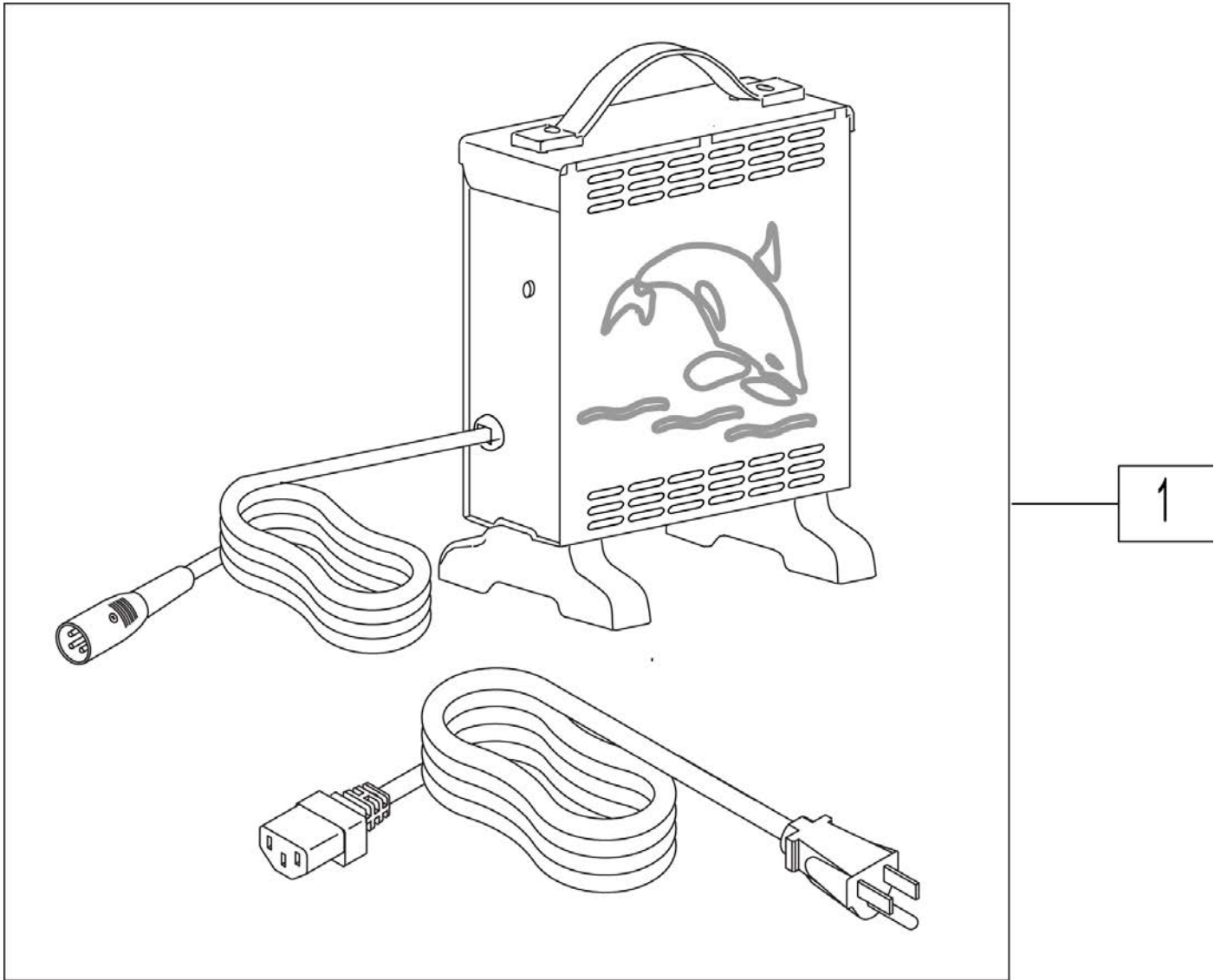
Pos.	Item Number	Description
1	349024	HNDL 10-32 x 3/4 C/A P1/P3/P5
2	226037	10-32 x 1 3/8 SOC C/S BLK
3	560268	QUICK RELEASE CLIP
4	505767	ADJUSTABLE REMOTE MOUNT
5	505766	ADJUSTABLE CLAMP OUTER
6	200139	SLIDING NUT
1-6	920738	HT ADJ MOUNT ASSM STD



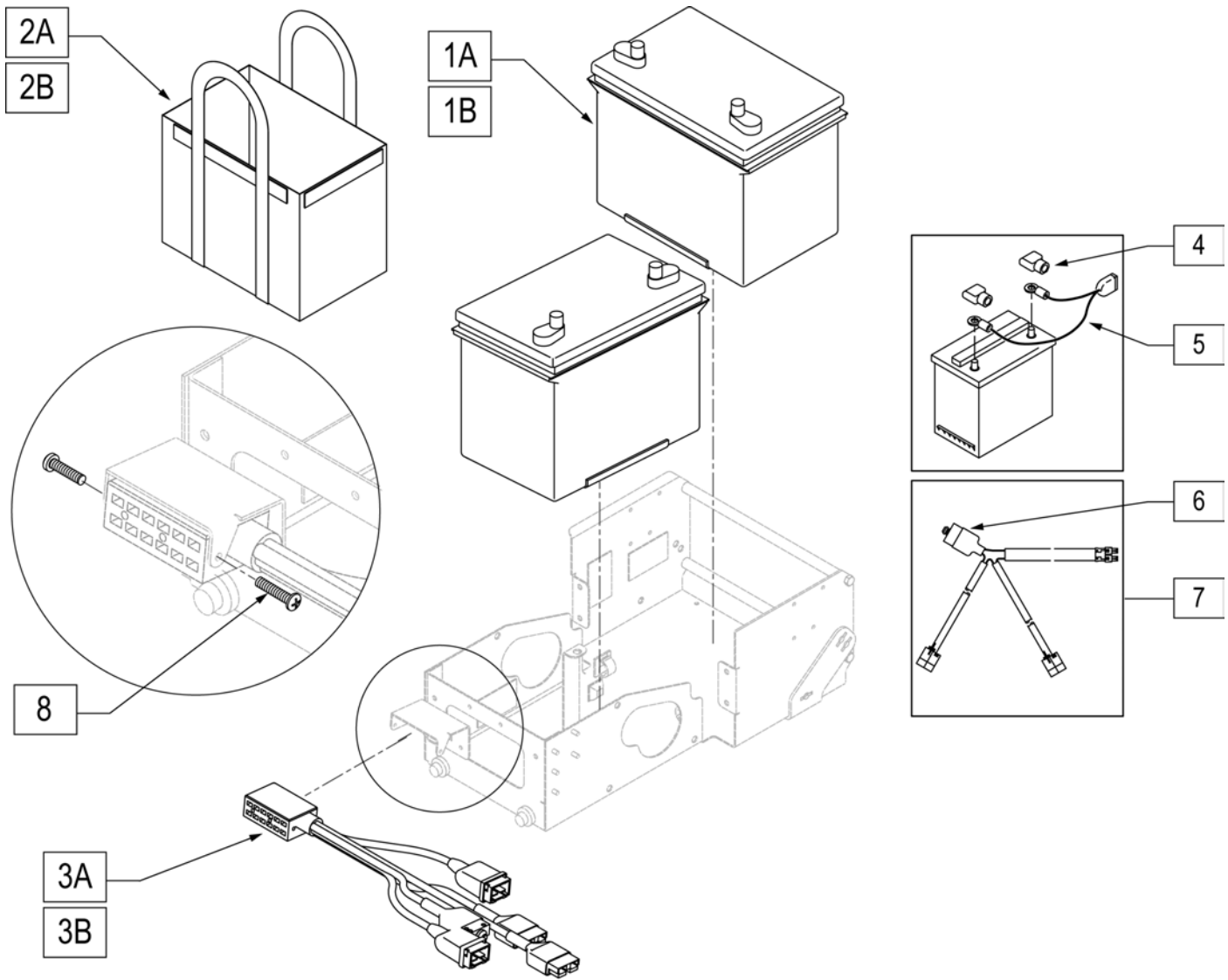
Pos.	Item Number	Description
1	QTRX	PROGRAMMING PAD QTRONIX



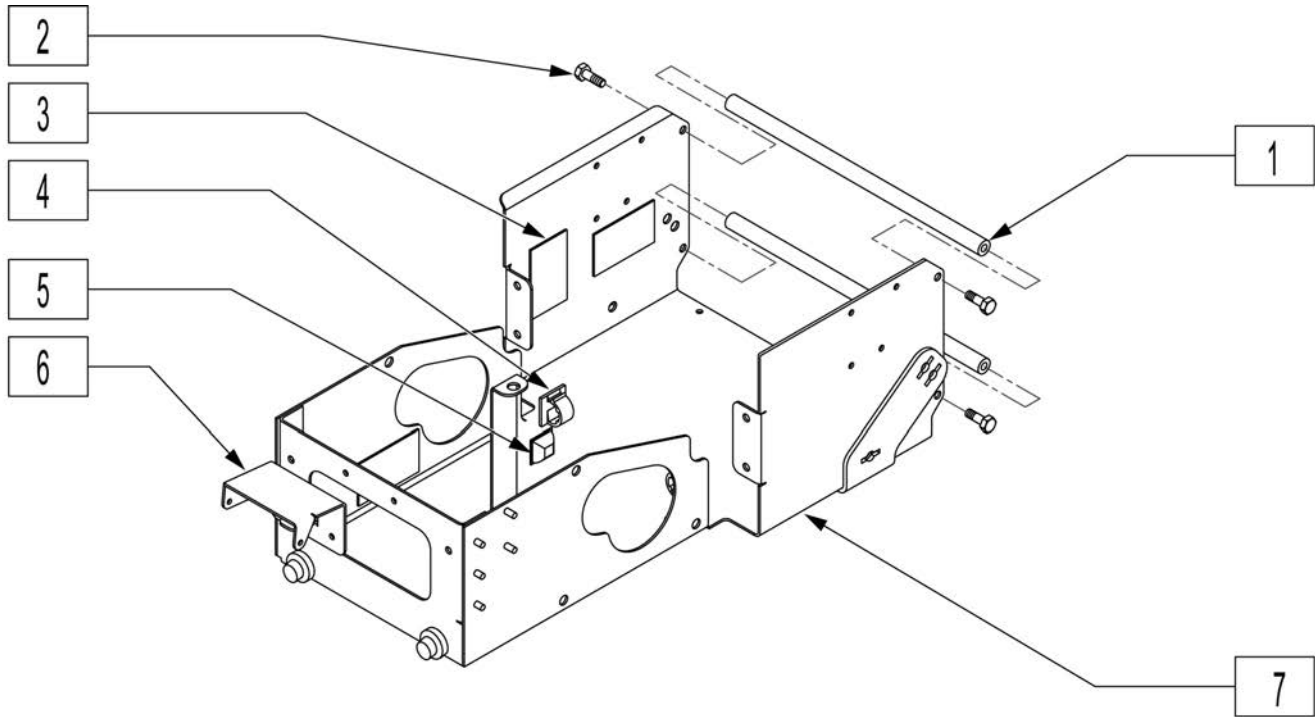
Pos.	Item Number	Description	Remarks
1	139395	HRNSS UPRGHT LIMIT M40	
2	139393	HRNSS RCLN LIMIT INHIBIT M40	
3	139472	HRNSS UPRIGHT LMT ALM RECT	
4	881338	TOGGLE SWITCH ASSY TILT R	For use w/ right hand toggle
4	881318	TOGGLE SWITCH ASSY TILT L	For use w/ left hand toggle
5	881379	AUTO STP TLT DR CNTRL TM40 ASM	
6	881342	PILOT + ALM W/VELCRO 6 AMP	For use w/ Thru Drive
6	882690	PILOT+ ALM 6AMP W/VLRO AX INP	For use w/ toggle or single switch
4,5	882692	TM40 & TOGGLE KIT R	
4,5	882693	TM40 & TOGGLE KIT L	



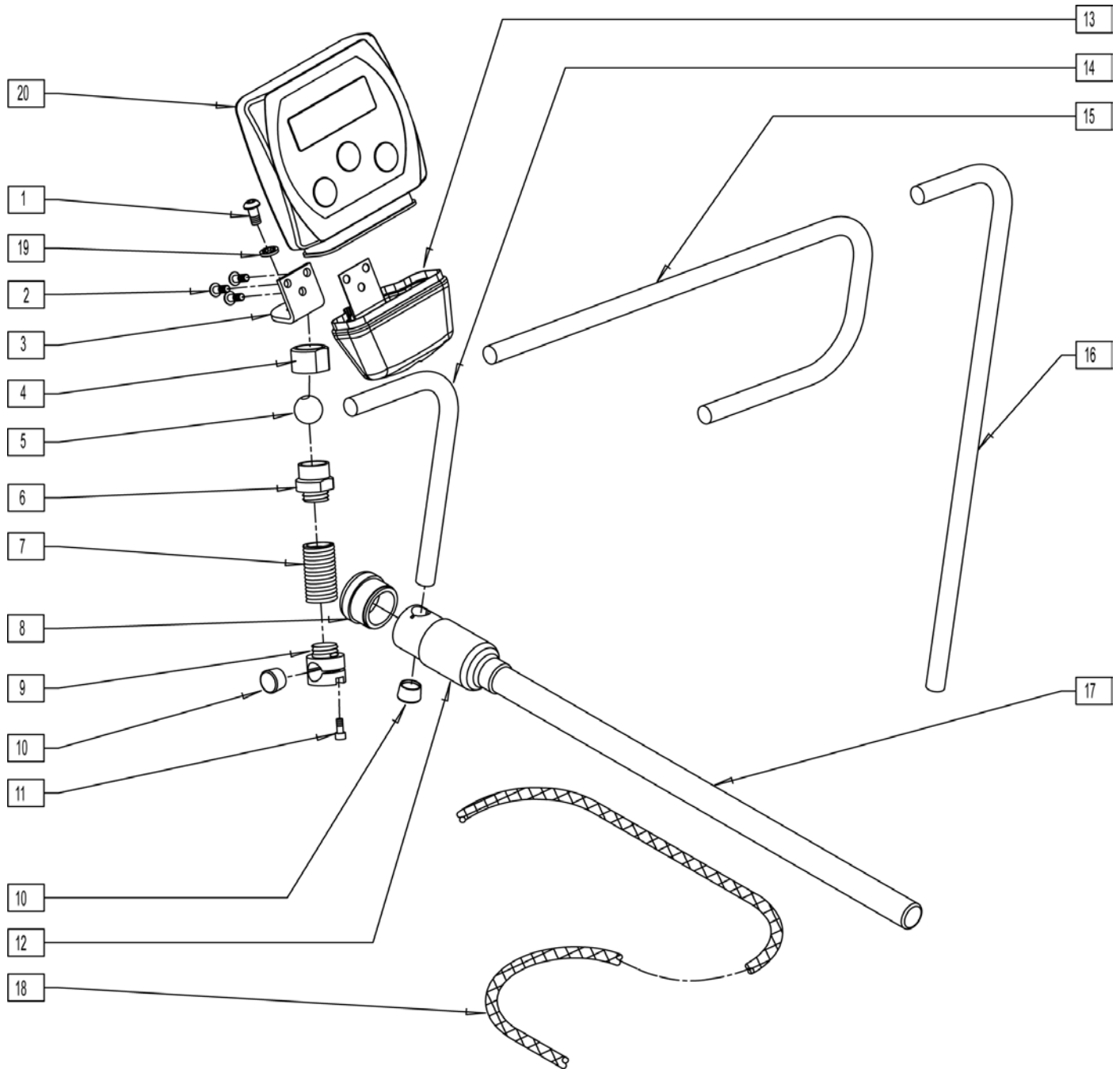
Pos.	Item Number	Description	HCPC
1	BATC8CT	CHARGER OFF BOARD 8A CTE	E2367



Pos.	Item Number	Description	Remarks
1A	BAT22	GP 22 BATTERY	
1B	BAT24	GP 24 BATTERY	
2A	750067	BATTERY BAG GROUP 22	
2B	750082	BATTERY BAG GROUP 24	
3A	139459	HARNESS PWR CONTROLLER VSI (P220)	USED W/ VSI CONTROLLER W/O TILT
3B	139460	HARNESS PWR CONTROLLER VSI TLT	USED W/ VSI CONTROLLER W/ TILT
4	138070	TERMINAL CAP SET (INTL)	
4,5	139033	BATTERY CNNCT HARNESS G424	
6	133015	CIRCUIT BREAKER 70 AMP	
7	139028	PWR HRNS W/70A BRCKR S626	USED W/ QTRONIX CONTROLLER
8	281066	6-32 X 1/2 PAN PHIL M/S ZN	

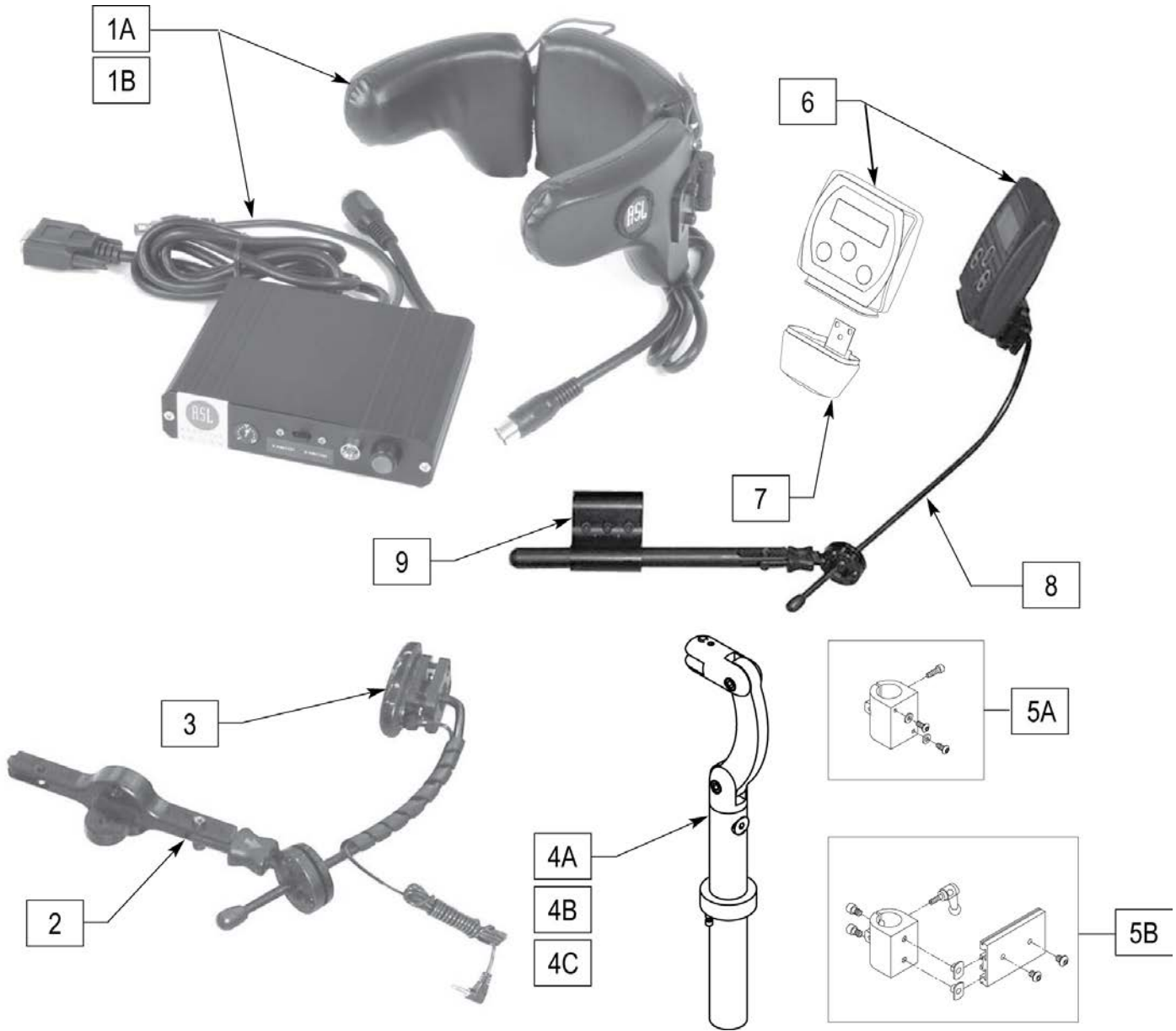


Pos.	Item Number	Description	Remarks
1	506168	BATTERY SUPPORT CROSS BAR P222	
2	221102	1/4-28 x 3/4 HEX C/S BLK W/PAT	
3	334000	DAMPING SHEET	
4	341220	BATTERY CABLE CLIP	
5	349578	RUBBER SUBBASE BUMPER	
6	501849	HARNESS MOUNT	
7	540011S	BATTERY SUPPORT WELDMENT	
1,2,7	884134	BATTERY SUPPORT SUB-ASSM P220	P220 ONLY (INCLUDES REAR SHROUD - NOT SHOWN)
1,2,7	884315	BATTERY SUPPRT SUB-ASSM P222SE	P222SE ONLY (INCLUDES REAR SHROUD - NOT SHOWN)



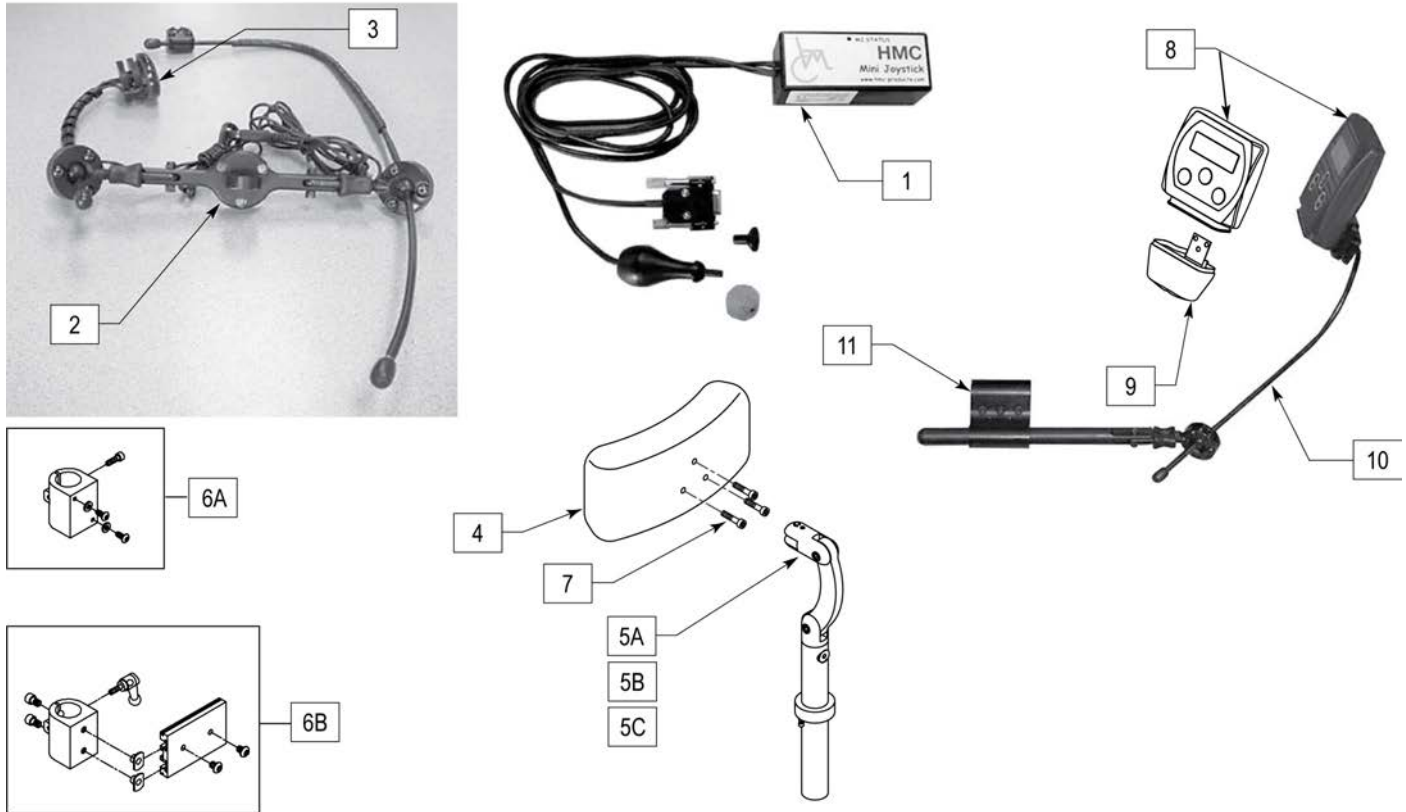
Pos.	Item Number	Description
1	221091	1/4-28 x 1/2 BH C/S BLK W/PATCH
2	226043	10-32 x 1/2 BH C/S BLK
4	481741	KNURLED NUT (USCM) MOUNT
5	481740	PIVOT BALL (USCM) MOUNT
8	560308	RECEIVER PLUG (USCM)
10	560307	ADJ DISPLAY ARM CAP (USCM)
11	227000	8-32 x 3/8 SOC C/S BLK
12	560122	RECEIVER SLEEVE (USCM)
13	560118	USCM BOOT
14	521098	ADJ DISPLAY ARM "L" SHORT (USCM)

Pos.	Item Number	Description
15	521096	ADJ DISPLAY ARM "J" (USCM)
16	521097	ADJ DISPLAY ARM "L" (USCM)
17	521095	SLIDING ARM TUBE (USCM)
18	180351	BRAIDED SLEEVING 24"
19	267350	1/4 WASHER INT LOCK ZN
20	910113	USCM W/USER INSTR
1-18	886970	USCM MOUNT ASSEMBLY
1-14,17,18	886971	USCM L/R MOUNT ASSEMBLY
1-13,15,17,18	886972	USCM CENTER TRAY MOUNT ASSEMBLY
1-13,16-18	886973	USCM CENTER MOUNT ASSEMBLY
8,12,17	886974	USCM DISPLAY ARM ASSEMBLY
1,3-11	886976	USCM SPRING MOUNT ASSEMBLY
8,10,12,15-17	886980	JOYSTICK CENTER MOUNT ASSM

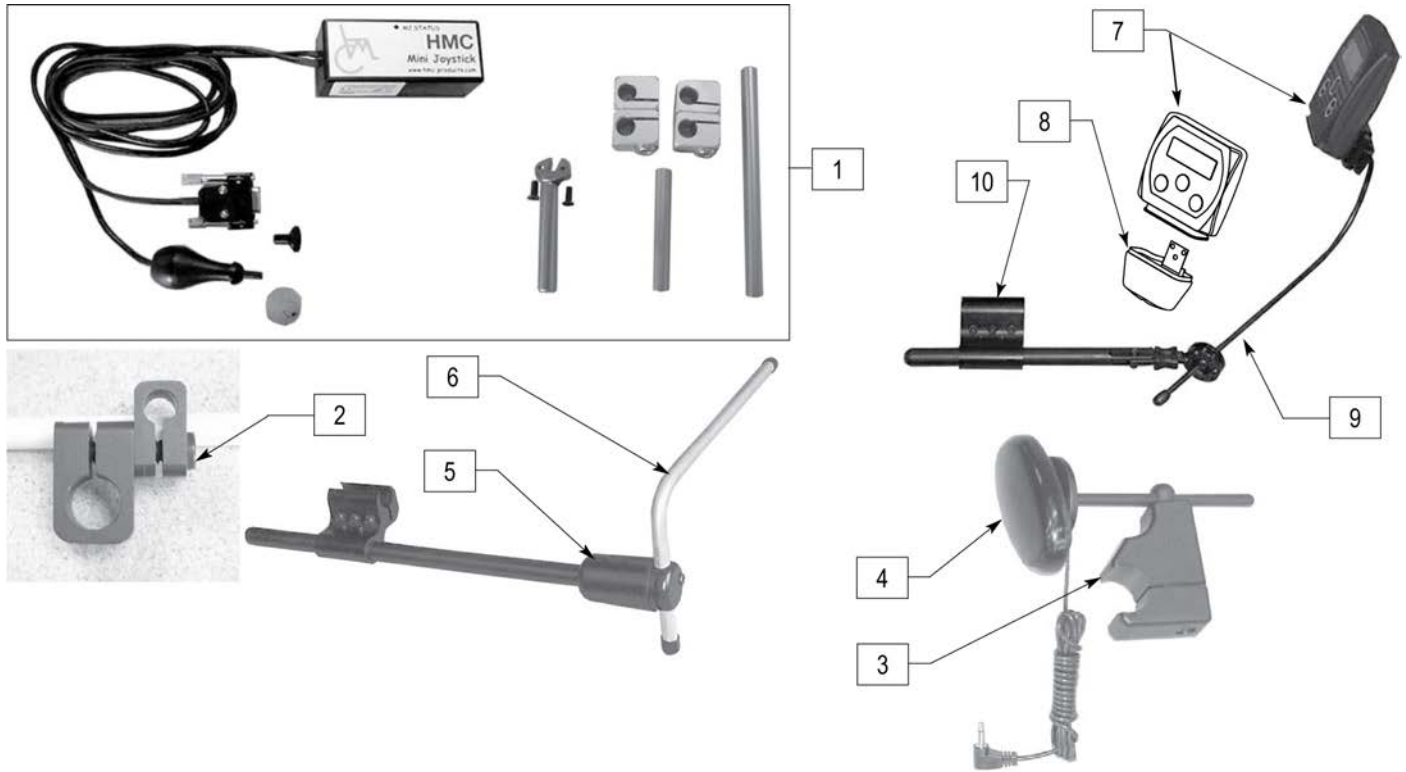


Pos.	Item Number	Description
1A	139940	HEAD ARRAY ADULT W INTERFACE
1B	139941	HEAD ARRAY PED W INTERFACE
3	139915	RESET SWITCH EGG SHAPED
2,3	882870	HEADREST MT W SWNG AWAY SWITCH
4A	888113	MOUNT HEADREST WO FLANGE 7 IN
4B	888114	MOUNT HEADREST WO FLANGE 9 IN
4C	888115	MOUNT HEADREST WO FLANGE 15 IN
5A	888100	CLAMP HEADREST SMART SEAT
5B	888101	CLAMP HEADREST RIGID BACK
6	910113	USCM W/USER INSTR
7	560118	USCM BOOT
8	521618	ARMREST MOUNT FOR USCM
9	920713	CONTROL ARM CLAMP ASSM
1A-3,4A,5A-9	888319	ASL HEAD ARRY PCKG ADL SMRT 7"

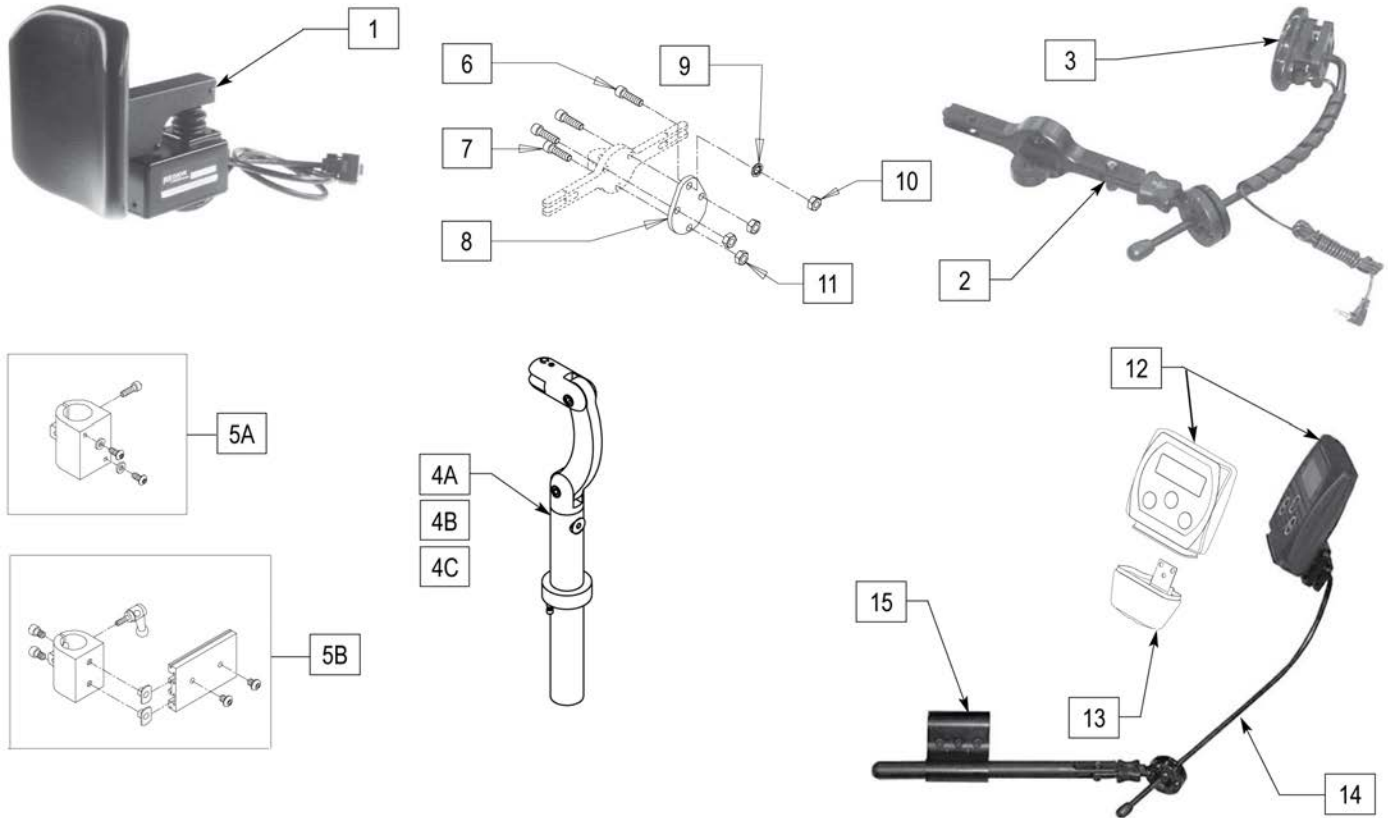
Pos.	Item Number	Description
1B-3,4A,5A-9	888316	ASL HEAD ARRY PCKG PED SMRT 7"
1A-3,4B,5A-9	888320	ASL HEAD ARRY PCKG ADL SMRT 9"
1B-3,4B,5A-9	888317	ASL HEAD ARRY PCKG PED SMRT 9"
1A-3,4C,5B-9	888318	ASL HEAD ARRY PCKG ADL STD (15")
1B-3,4C,5B-9	888315	ASL HEAD ARRY PCKG PED STD (15")



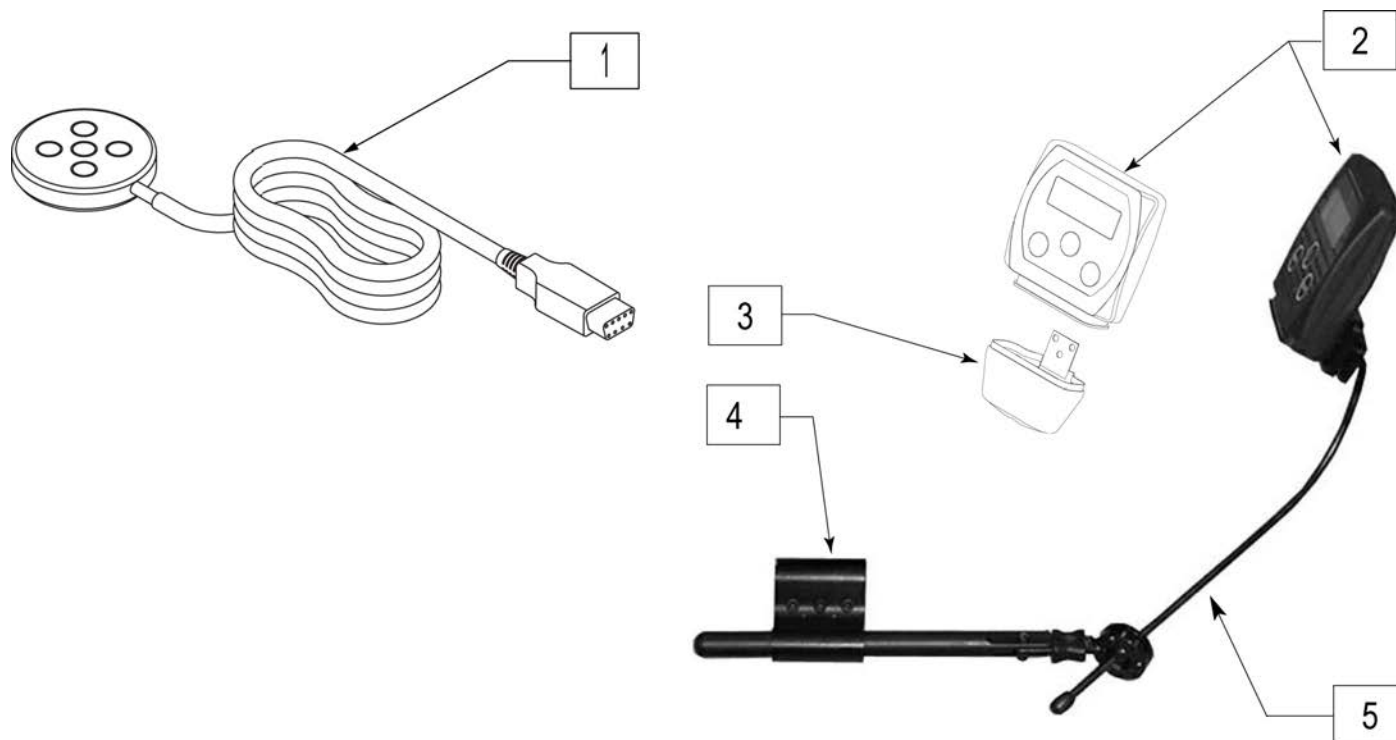
Pos.	Item Number	Description
1	139510	JOYSTICK MINI W INTERFACE
2	882872	HEADREST JOYSTK MOUNT W SA SW
3	139915	RESET SWITCH EGG SHAPED
4	750697	HEADREST W/ZIPPER LARGE CG
5A	888113	MOUNT HEADREST WO FLANGE 7"
5B	888114	MOUNT HEADREST WO FLANGE 9"
5C	888115	MOUNT HEADREST WO FLANGE 15"
6A	888100	CLAMP HEADREST SMART SEAT
6B	888101	CLAMP HEADREST RIGID BACK
7	226116	10-32 X 1" SOC C/S BLK
8	910113	USCM W/USER INSTR
9	560118	USCM BOOT
10	521618	ARMREST MOUNT FOR USCM
11	920713	CONTROL ARM CLAMP ASSM
1-5A,6A-11	888310	HMC MINI JYST CHIN ADL SMRT 7"
1-5B,6A-11	888311	HMC MINI JYST CHIN ADL SMRT 9"
1-5C,6B-11	888309	HMC MINI JYST CHIN ADL STD (15")



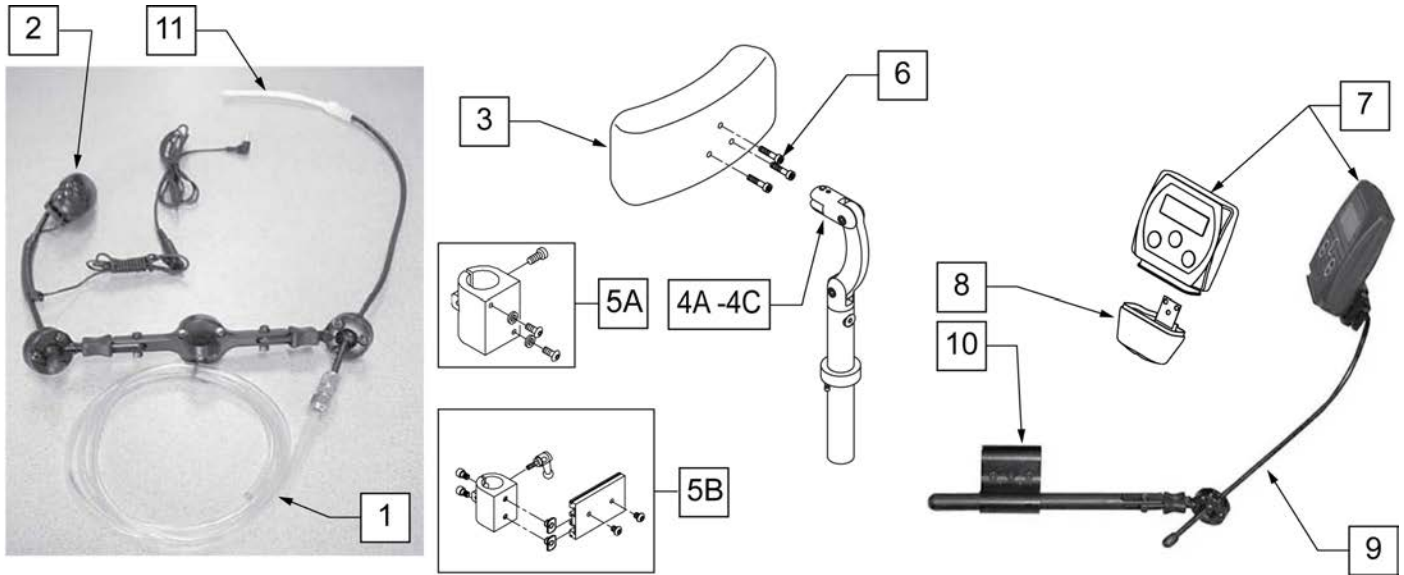
Pos.	Item Number	Description
1	139510	JOYSTICK MINI W INTERFACE
2	521617	MOUNT MINI JOYSTK TO 1/2" TUBE
3	920904	MOUNT RESET SW FOR 7/8 TUBE
3,4	521619	RESET SWITCH W BRACKET UNIV
4	139915	RESET SWITCH EGG SHAPED
5	886974	USCM DISPLAY ARM ASSY
6	521097	ADJ DISPLAY ARM "L" (USCM)
7	910113	USCM W/USER INSTR
8	560118	USCM BOOT
9	521618	ARMREST MOUNT FOR USCM
10	920713	CONTROL ARM CLAMP ASSM
1-11	888321	MINI J MIDLINE PACKAGE



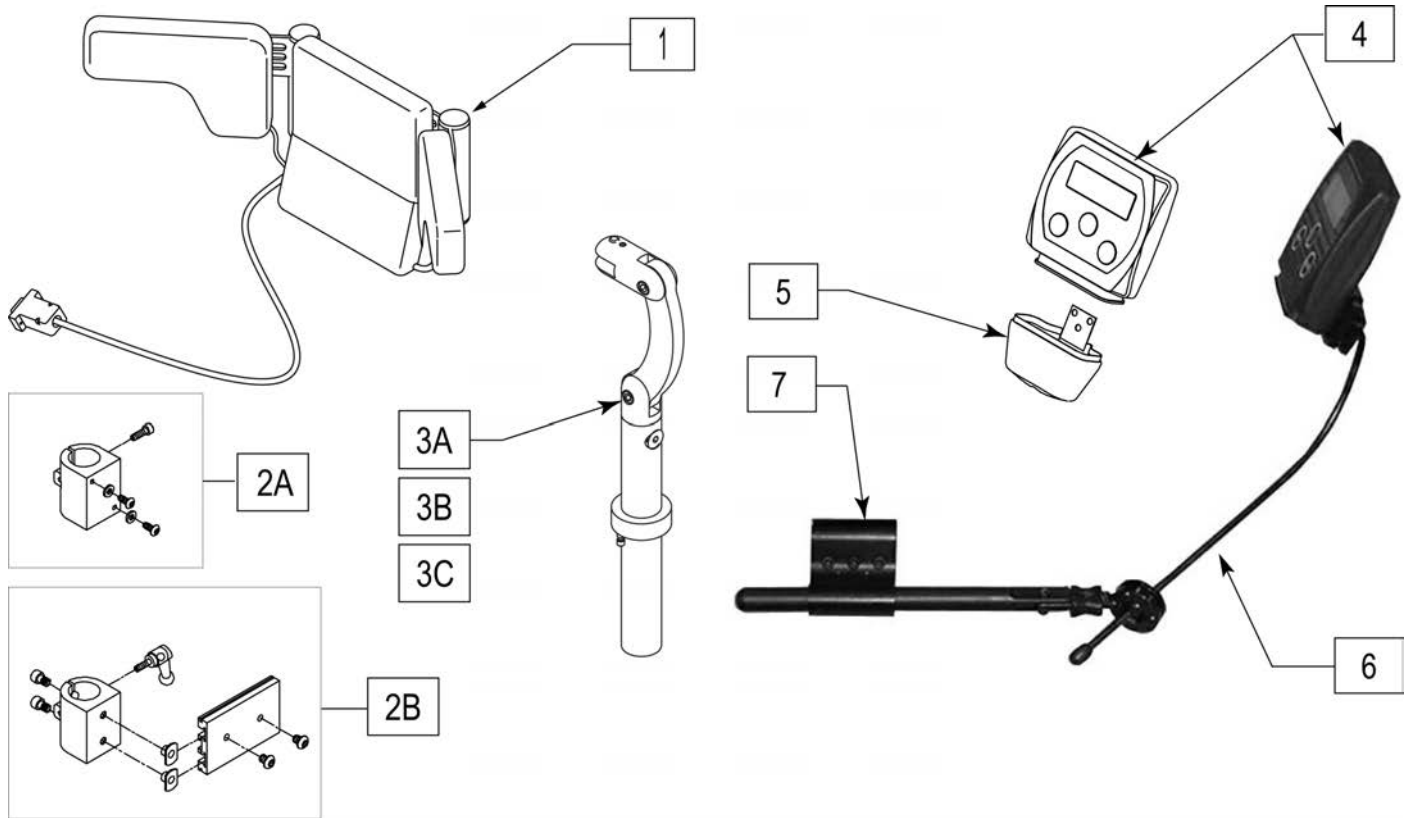
Pos.	Item Number	Description
1	888140	PROP HD CTRL QTRNX NO RESET SW
2,3	882868	HDREST MOUNT W LONG SW AWAY SW
3	139915	RESET SWITCH EGG SHAPED
4A	888113	MOUNT HEADREST WO FLANGE 7"
4B	888114	MOUNT HEADREST WO FLANGE 9"
4C	888115	MOUNT HEADREST WO FLANGE 15"
5A	888100	CLAMP HEADREST SMART SEAT
5B	888101	CLAMP HEADREST RIGID BACK
6	107032	1/4-28 X 1 SOC C/S BLK
7	226116	10-32 X 1" SOC C/S BLK
8	506212	HEADREST ADAPTER PLATE
9	267350	1/4 WASHER INT LOCK ZN
10	204110	1/4-28 NYLOCK NUT BLK ZN
11	200100-QU	10-32 NYLOCK NUT
12	910113	USCM W/USER INSTR
13	560118	USCM BOOT
14	521618	ARMREST MOUNT FOR USCM
15	920713	CONTROL ARM CLAMP ASSM
1-4A,5A-15	888313	PROPORTIONAL HEAD CNTR SMRT 7"
1-4B,5A-15	888314	PROPORTIONAL HEAD CNTR SMRT 9"
1-4C,5B-15	888312	PROPORTIONAL HEAD CNTRL STD (15")



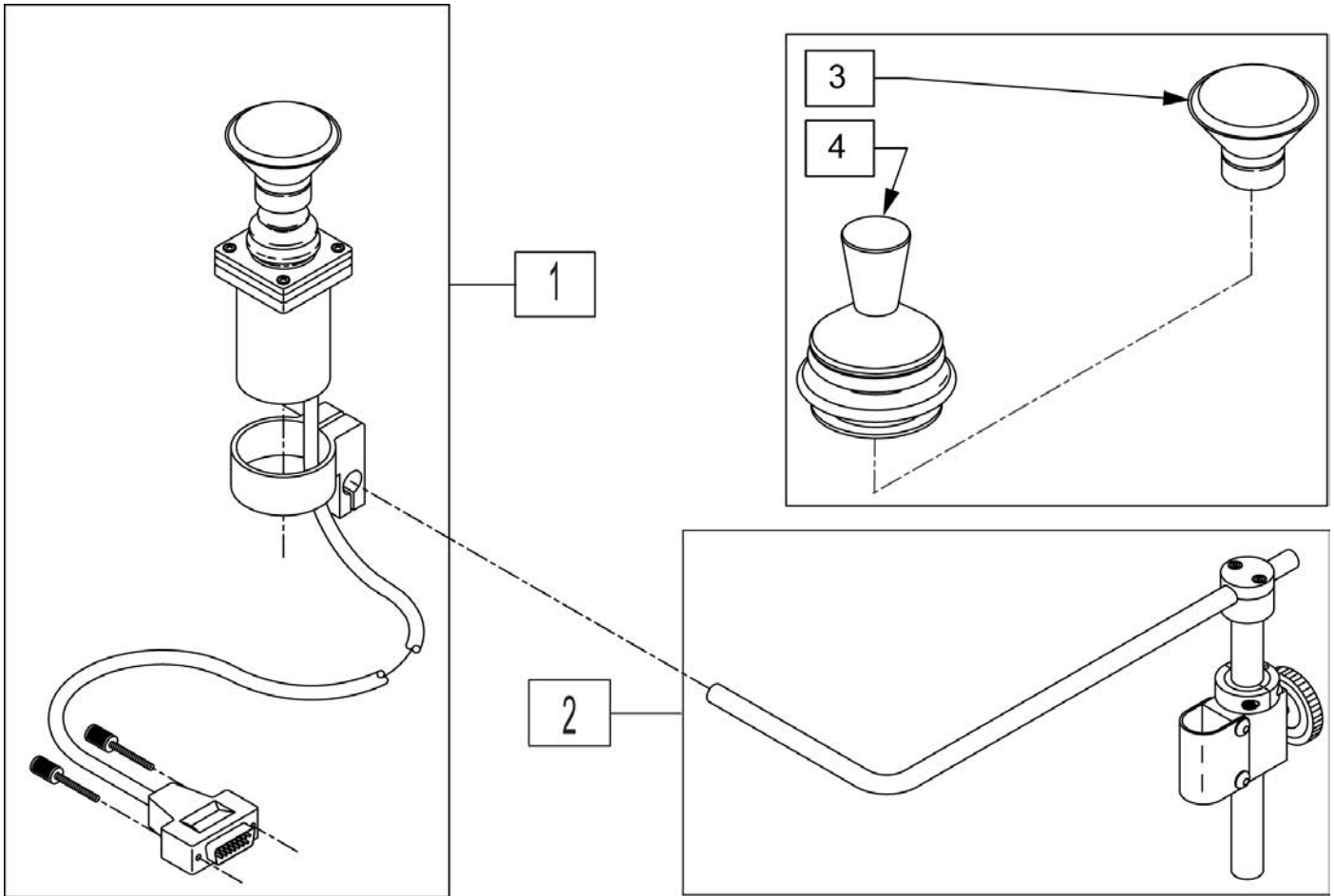
Pos.	Item Number	Description
1	discontinued	SWITCH PENTA
2	910113	USCM W/USER INSTR
3	560118	USCM BOOT
4	521618	ARMREST MOUNT FOR USCM
5	920713	CONTROL ARM CLAMP ASSM
1-5	discontinued	PENTA SWITCH PACKAGE



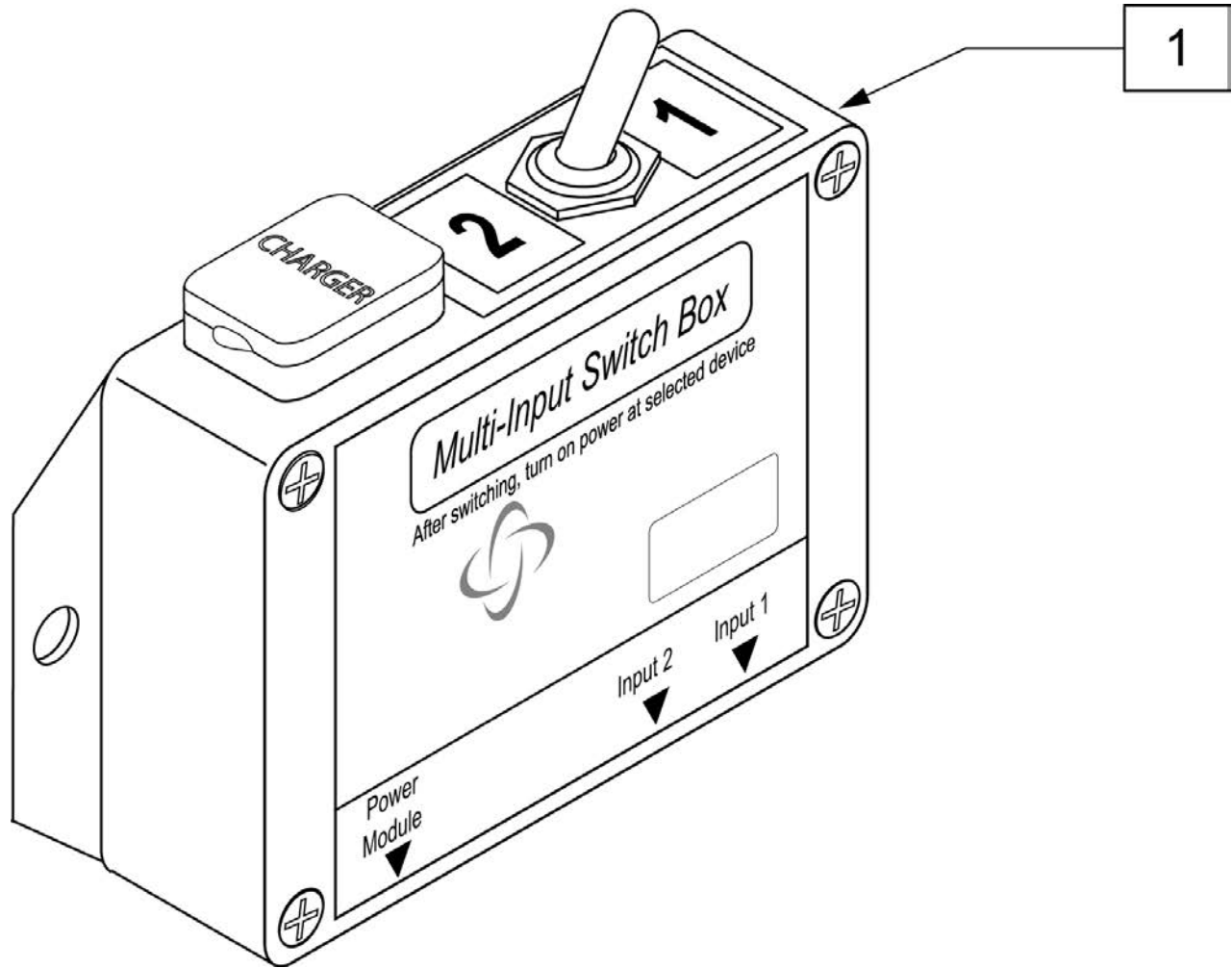
Pos.	Item Number	Description
1,2,11	882873	HEADREST SIPNPUFF W SW AWAY SW
2	139915	RESET SWITCH EGG SHAPED
3	750697	HEADREST W/ZIPPER LARGE CG
4A	888113	MOUNT HEADREST WO FLANGE 7"
4B	888114	MOUNT HEADREST WO FLANGE 9"
4C	888115	MOUNT HEADREST WO FLANGE 15"
5A	888100	CLAMP HEADREST SMART SEAT
5B	888101	CLAMP HEADREST RIGID BACK
6	226116	10-32 X 1" SOC C/S BLK
7	910113	USCM W/USER INSTR
8	560118	USCM BOOT
9	521618	ARMREST MOUNT FOR USCM
10	920713	CONTROL ARM CLAMP ASSM
11	101434	SIP N PUFF STRAW
1-3,4A,5A-11	888304	SIP N PUFF PCKG ADLT SMRT 7"
1-3,4B,5A-11	888305	SIP N PUFF PCK ADLT SMRT 9"
1-4C,5B-11	888303	SIP N PUFF PACKAGE ADLT STD (15")



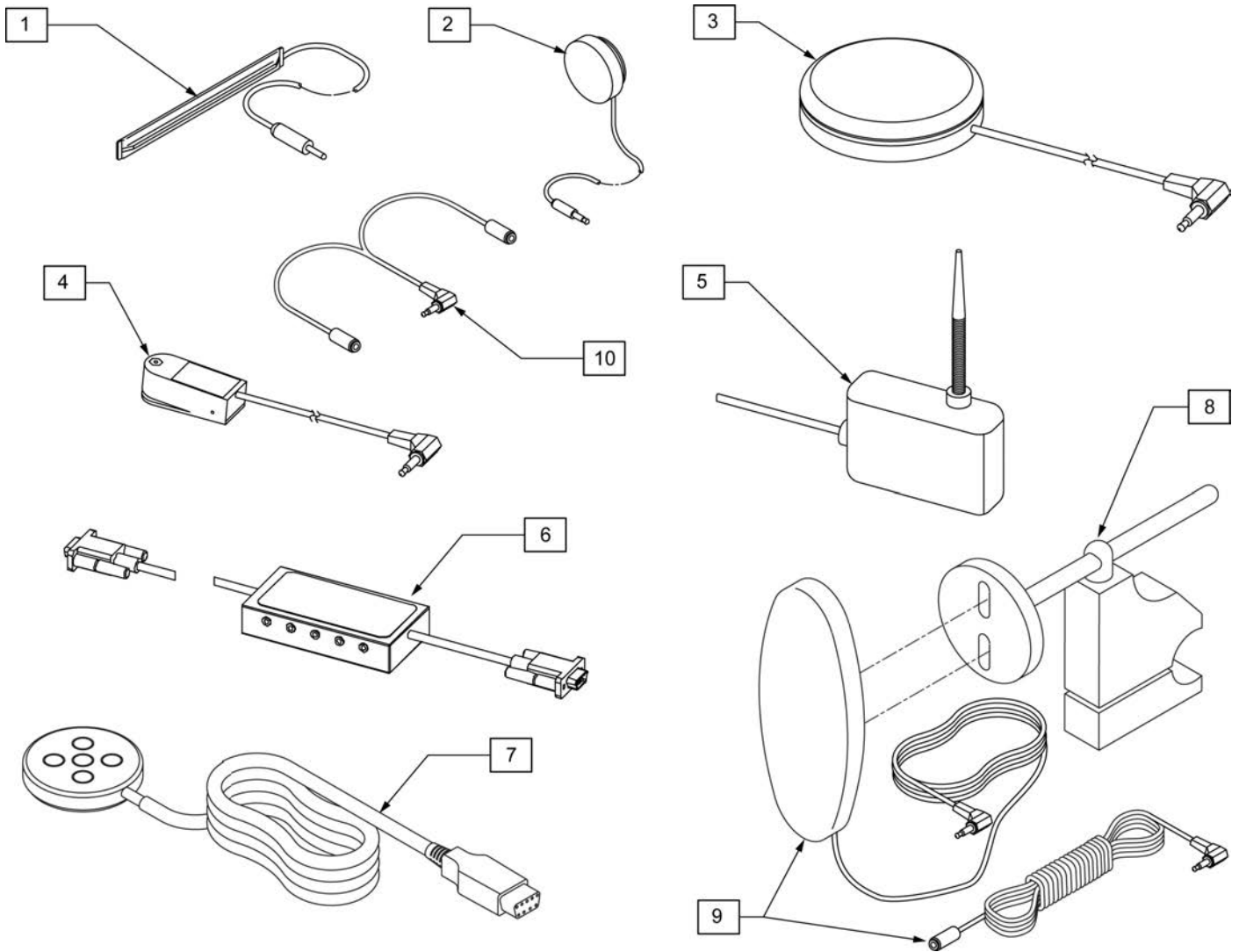
Pos.	Item Number	Description
1A	139897	HEAD ARRAY ADULT W INTERFACE
1B	139898	HEAD ARRAY PED W INTERFACE
2A	888100	CLAMP HEADREST SMART SEAT
2B	888101	CLAMP HEADREST RIGID BACK
3A	888113	MOUNT HEADREST WO FLANGE 7 IN
3B	888114	MOUNT HEADREST WO FLANGE 9 IN
3C	888115	MOUNT HEADREST WO FLANGE 15 IN
4	910113	USCM W/USER INSTR
5	560118	USCM BOOT
6	521618	ARMREST MOUNT FOR USCM
7	920713	CONTROL ARM CLAMP ASSM
1A,2A,3A-7	888324	SWTCH IT HD ARRY PCK PD SMRT 7
1A,2A,3B-7	888325	SWTCH IT HD ARRY PCK PD SMRT 9
1A,2B,3C-7	888323	SWITCH IT HD ARRY PCK PED STD
1B,2A,3A-7	888327	SWTCH IT HD ARRY PCK ADL SMT 7
1B,2A,3B-7	888328	SWTCH IT HD ARRY PCK ADL SMT 9
1B,2B,3C-7	888326	SWTCH IT HD ARRY PCK ADL STD



Pos.	Item Number	Description
1	139705	PROP CHIN CONTRO W/MINI JS
2	D3150-3	AMH S/A MNTG KIT B/R 1" 3185
4	138154	KNOB&PROTECTOR D10AB JOYSTICK
3	D4000	CHINCUP QTRONIX

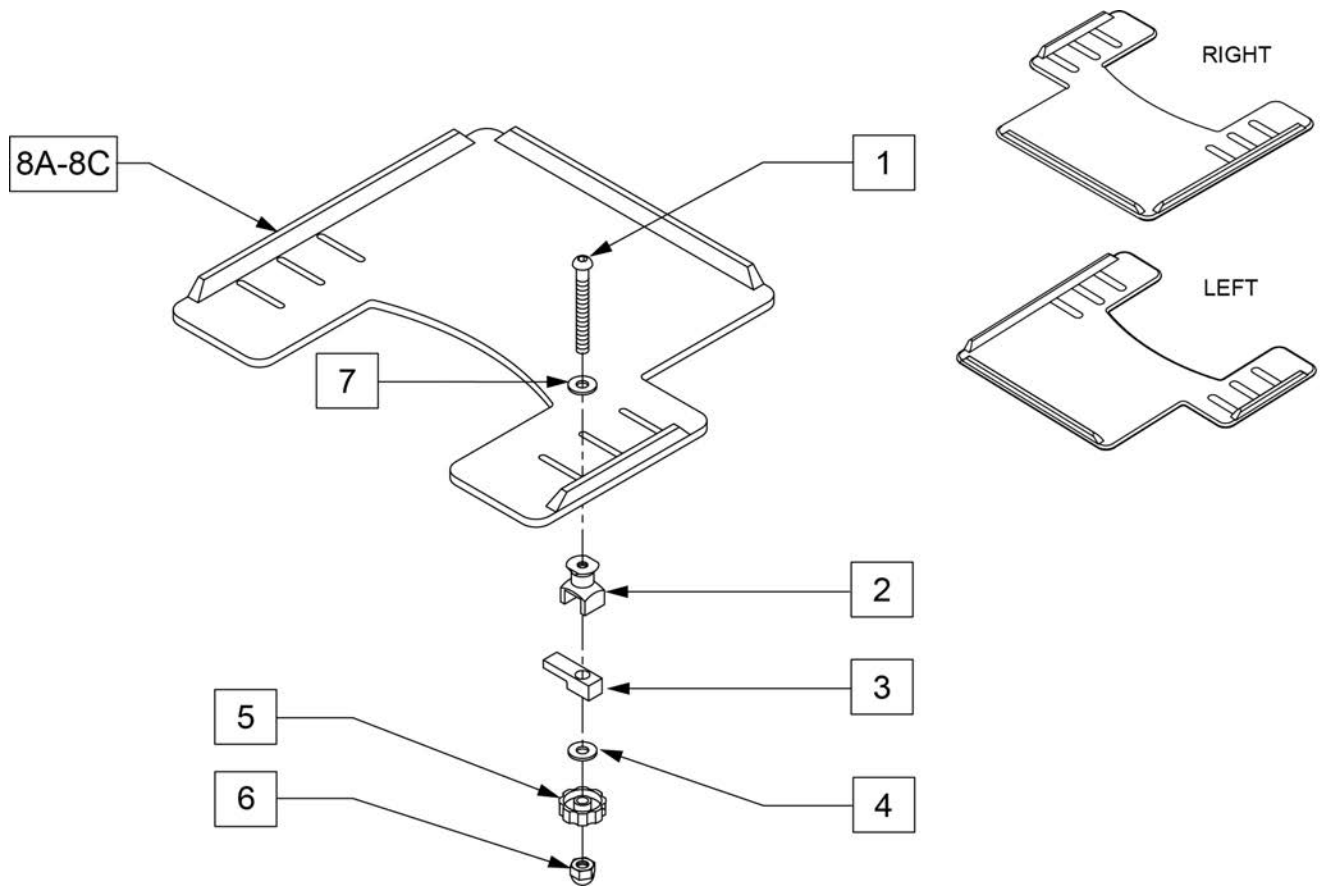


Pos.	Item Number	Description
1	910121	INPUT DEVICE SWITCH BOX

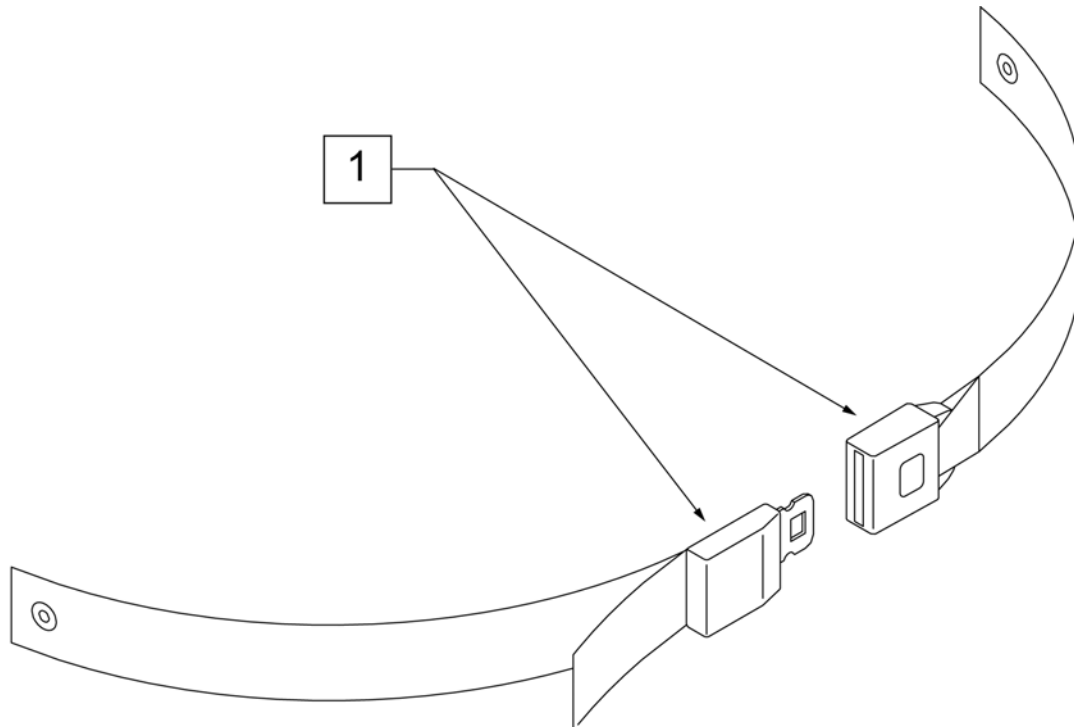


Pos.	Item Number	Description	Remarks
1	133721	SWITCH RIBBON	Cord length 63"
2	133722	SWITCH DISC	Cord length 69"
3	139920	SWITCH BUDDY BUTTON RED	Cord length 57"
4	139921	MICRO LIGHT	Cord length 58"
5	139910	SWITCH WOBBLE	Cord length 68"
6	139923	SWITCH CA-5 BOX	Cord length (female cable 63")(male cable 6")
7	Discontinued	SWITCH PENTA	Cord length 63"
8	920904	MOUNT RESET SW FOR 7/8 TUBE	Clamps to 7/8" tubing
9	139915	RESET SWITCH EGG SHAPED	Cord length 51"(Ext 71")
10	105417	STEREO TO 2 MONO SPLITTER	Cord length 6"

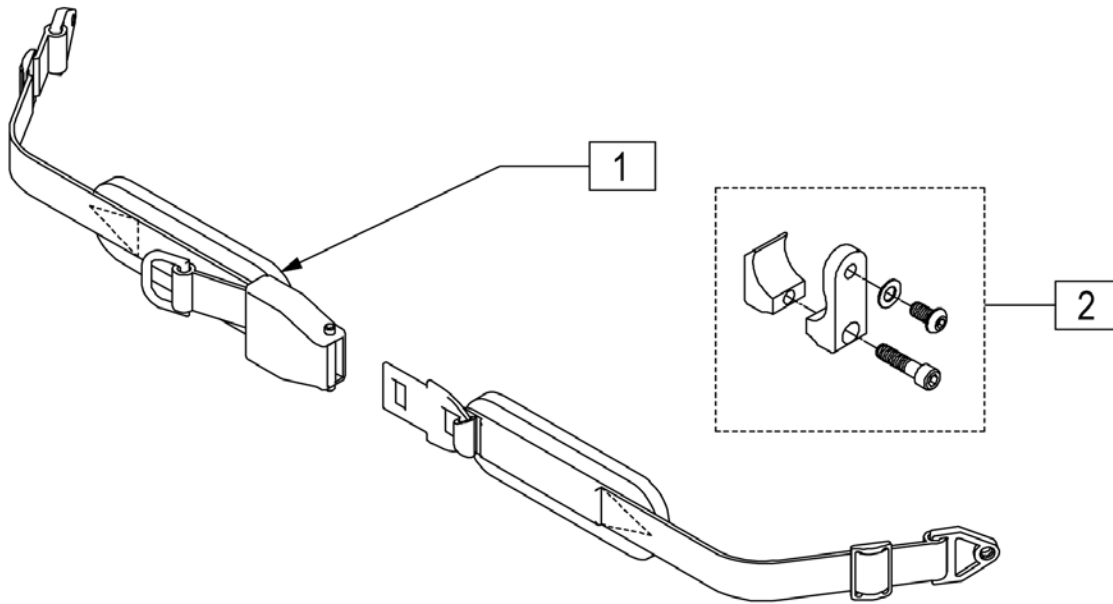
NOTE: WHEN ADDING A TRAY TO AN EXISTING CHAIR WITH DESK OR FULL LENGTH ARM PADS, ADD 1" TO CURRENT SEAT WIDTH TO ACHIEVE THE BEST TRAY SIZE.



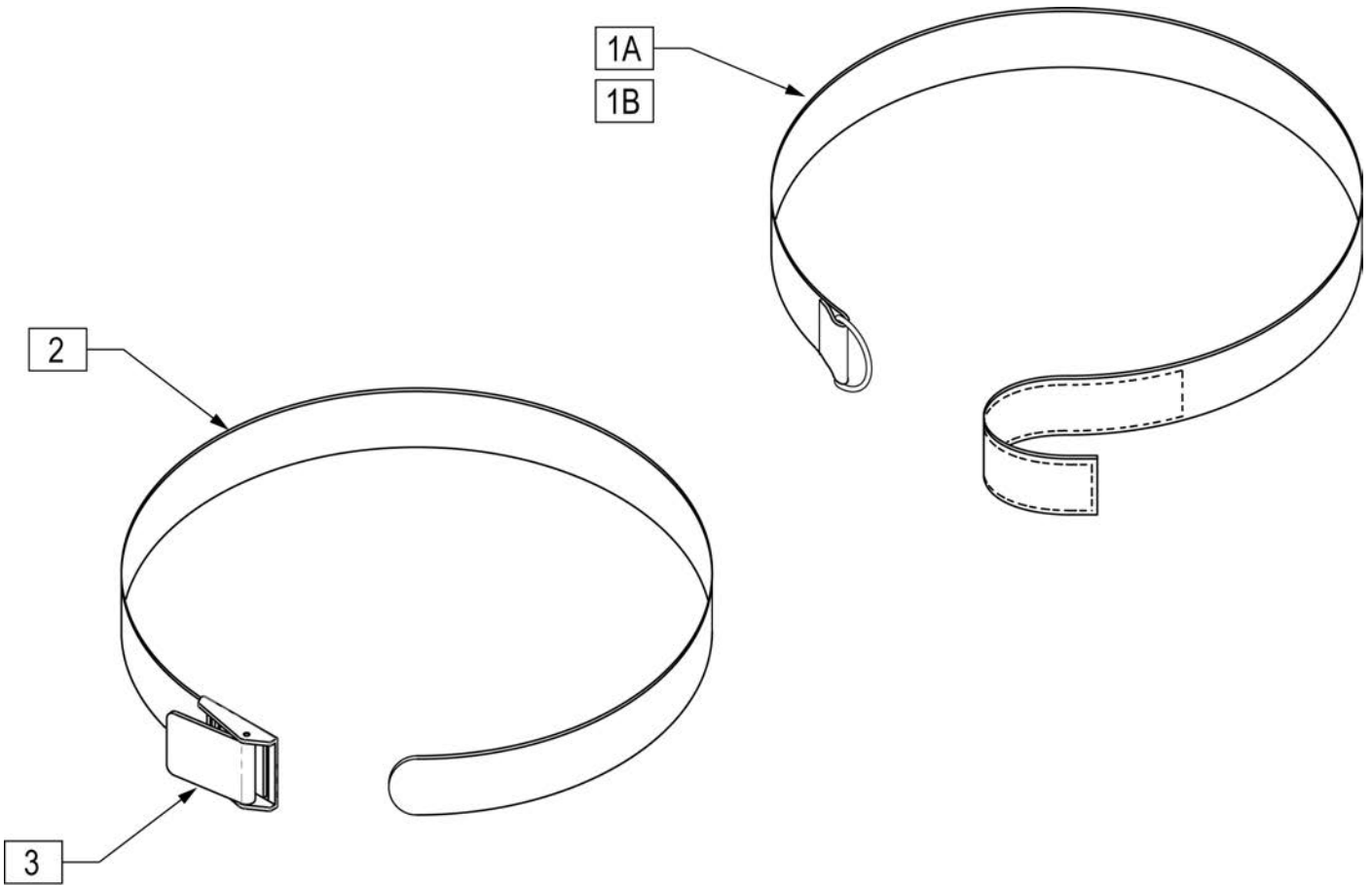
Pos.	Item Number	Description	Remarks
1	2021	5/16-18 x 2 3/4 BUTTON HD C/S	
2	14240	TRAY BUSHING	
3	14230	TRAY LOCK BAR	
4	2705	1/4" FLAT WASHER	
5	14220P	TRAY KNOB	
6	202114	5/16-18 ACORN LOCK NUT	
7	2709	.625X.315X.031 NYLON WASHER	
8A	562625S	TRAY TOP W/RAIL SM PWR (12"-13")	Right-Cutout fits 12"-13" wide chairs
8B	562626S	TRAY TOP W/RAIL MED PWR (14"-16")	Right-Cutout fits 14"-16" wide chairs
8C	562627S	TRAY TOP W/RAIL LRG PWR (17"-20")	Right-Cutout fits 17"-20" wide chairs
8A	118094	TRAY TOP W/RAIL SM PWR LH	Left-Cutout fits 12"-13" wide chairs
8B	118095	TRAY TOP W/RAIL MED PWR LH	Left-Cutout fits 14"-16" wide chairs
8C	118096	TRAY TOP W/RAIL LG PWR LH	Left-Cutout fits 17"-20" wide chairs
1-7	881053	TRAY HDWR ADJ ARM PWR	



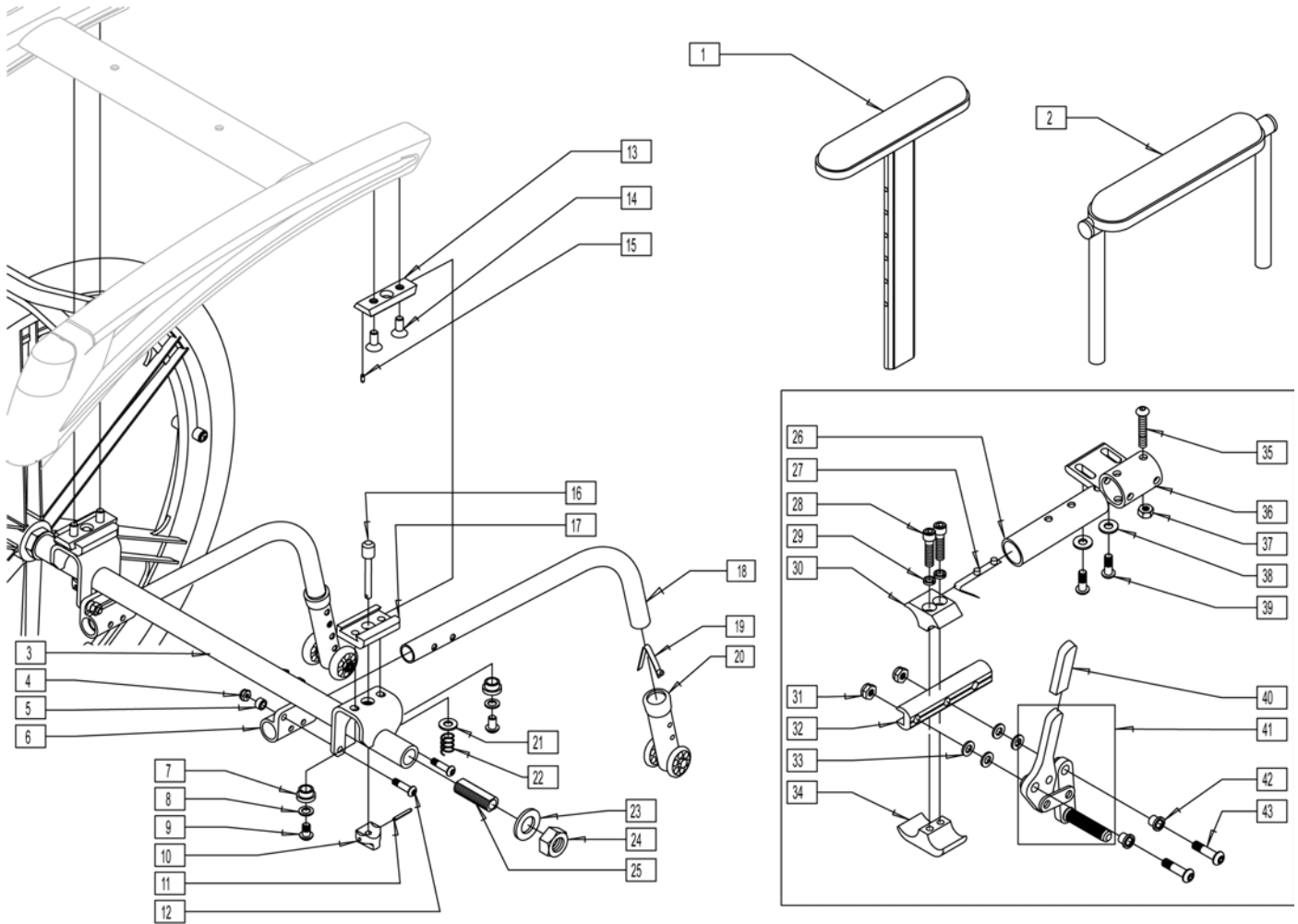
Pos.	Item Number	Description	Remarks
1	750276	1 1/2" POSITION BELT	AUTOSTYLE-64" Max length of belt.



Pos.	Item Number	Description
1	450418-QU	BELT 2" AIRCRAFT BUCKLE
1	450423-QU	BELT 2" AIRCRAFT BUCKLE W/PAD
1	450424	BELT 2" AIRCRAFT BKL LONG W/PAD
1	450425	BELT 2" AIRCRAFT BKL LONG
1	450419-QU	BELT 2" AIRCRAFT BKL W/QUAD LP
1	468419	BELT 2" AIRCRT BKL W/QD LPCZ
2	900116	POSITION BELT ATTACHMENT KIT
1,2	920918	POS BELT ATT KIT W/2" AIR BKL
1,2	920919	POS BELT ATT KIT W/2" AIR BKL PD



Pos.	Item Number	Description
1A	750200	POSITIONING BELT LONG VELCRO
1B	750204	POSITIONING BELT SHORT VELCRO
2,3	750210	POSITIONING BELT LONG BUCKLE
2,3	750214	POSITIONING BELT SHORT BUCKLE
3	560200	2" PLASTIC BUCKLE

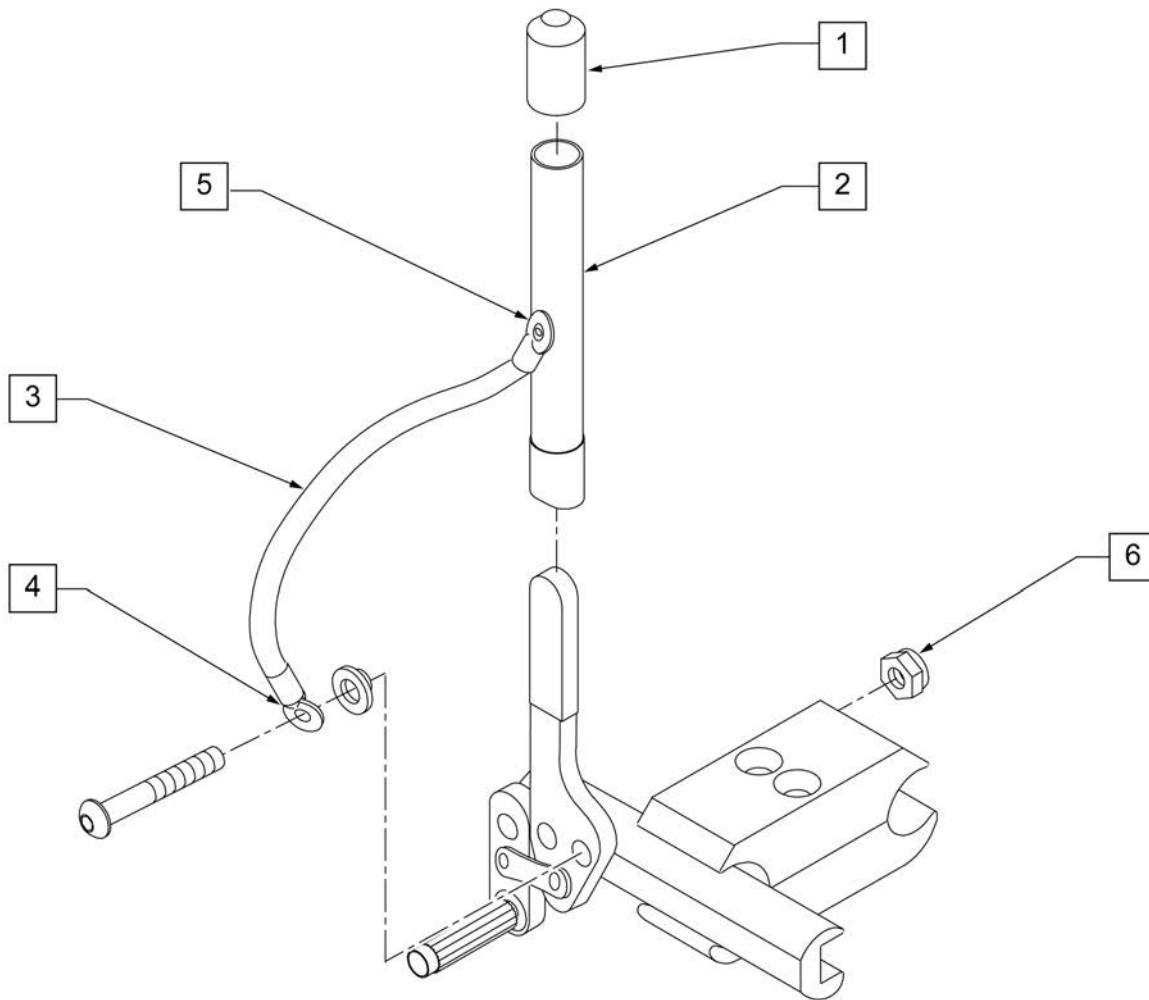


Pos.	Item Number	Description	Pos.	Item Number	Description
1	880192	HT ADJ UPPR ARM ASSM PWR DSK R	8	263100	5/16 AN WASHER FLAT
1	880198	HT ADJ UPPR ARM ASSM PWR DSK L	9	222231	5/16-18 x 5/8 BH CS BLK W/PTCH
1	880193	HT ADJ UPPR ARM ASSM PWR FL R	10	483756	PLUNGER KNOB
1	880199	HT ADJ UPPER ARM ASM PWR FL L	11	341149	1/8 x 1 ROLL PIN
2	881446	DUALPOST UHA AREST RH INC DESK	12	227110	1/4-28 x 1 BH C/S BLK ZN
2	881447	DUALPOST UHA AREST LH INC DESK	14	226311	5/16-18 x 3/4 FH C/S W/PATCH
2	881448	DUALPOST UHA AREST RH INC FULL	13,15	887247	MANUAL CONV DOVETAIL ASSEMBLY
2	881449	DUALPOST UHA AREST LH INC FULL	16	481282	MANUAL CONVERSION PLUNGER P222
2	881446	DUALPOST UHA AREST RH INC DESK	17	551006	MANUAL CONVERSION RECEIVER P222
2	881447	DUALPOST UHA AREST LH INC DESK	18	882974	ANTI-TIP TB EXTND REG R W/SNAP
2	881448	DUALPOST UHA AREST RH INC FULL	18	882975	ANTI-TIP TB EXTND REG L W/SNAP
2	881449	DUALPOST UHA AREST LH INC FULL	18-20	882922	A/T REG EXTND W/LNG SLV R BLK
3	540092	MANUAL CONV WLDMNT 18" FRAME	18-20	882923	A/T REG EXTND W/LNG SLV L BLK
3	540093	MANUAL CONV WLDMNT 20" FRAME	21	106943	1/4 AN WASHER FLAT
3	540094	MANUAL CONV WLDMNT 22" FRAME	22	321701	S/A HANGER SPRING P300
3	540099	MANUAL CONV WLDMNT 24"FRAME	23	116570	WASHER FLAT 3/4 X 1.25 BLK ZNC
3	540099	MANUAL CONV WLDMNT 24"FRAME	24	116569	NUT HEX 3/4-16 BLACK ZINC
4	204110	1/4-28 NYLOCK NUT BLK ZN	25	481065	AXLE SLEEVE SS
5	481380	ANTI-TIP SPACER XTR	26	521569	BRAKE MOUNT TUBE P2
6	540187	ANTI-TIP RECEIVER XTR	27	301109	SNAP BUTTON DUAL ONE SIDE
7	481477	MAN CONV BRKT BUSHING	28	107032	1/4-28 x 1 SOC C/S BLK

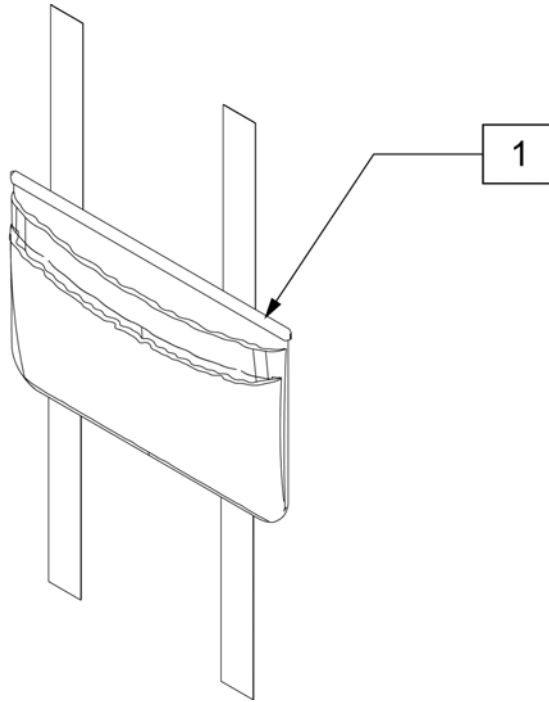
Pos.	Item Number	Description	Pos.	Item Number	Description
29	262114	1/4 WASHER HI COLLAR LOCK ZN	1-43	887591	CONV 16W HT ADJ DSK PAD L P222
30	550659	CLAMP 1 1/4" RECESS HALF BLK	1-43	887592	CONV 16W HT ADJ FLL PAD R P222
31	106935	NUT NYLOCK THIN 1/4-28 ROHS	1-43	887594	CONV 16W HT ADJ DSK W/F R P222
32	550374	WHL LCK SLIDE BLOCK 3 1/2" BLK	1-43	887595	CONV 16W HT ADJ DSK W/F L P222
33	561028	1/4" NYLON WASHER	1-43	887596	CONV 16W HT ADJ FLL W/F R P222
34	550658	CLAMP 1 1/4" THREADED BLK	1-43	887597	CONV 16W HT ADJ FLL W/F L P222
35	227130	1/4-28 x 1 1/2 BH C/S BLK ZN	1-43	887598	CONV 17W DP DESK PAD R P222
36	550493	BRAKE HOUSING P2	1-43	887599	CONV 17W DP DESK PAD L P222
37	202300	1/4-28 NYLOCK NUT THIN BLK ZN	1-43	887600	CONV 17W DP FULL PAD R P222
38	106943	1/4 AN WASHER FLAT	1-43	887601	CONV 17W DP FULL PAD L P222
39	226064	1/4-28 x 3/4 BH C/S BLK W/PTCH	1-43	887602	CONV 17W DP DSK W/F R P222
40	560500-QU	HB PLASTIC COVER	1-43	887603	CONV 17W DP DSK W/F L P222
40,41	881748	WHEEL LOCK ASSM R PUSH	1-43	887604	CONV 17W DP FLL W/F R P222
40,41	881749	WHEEL LOCK ASSM L PUSH	1-43	887605	CONV 17W DP FLL W/F L P222
42	560126	.250 ID .312 OD BUSHING PLST	1-43	887606	CONV 17W HT ADJ DSK PAD R P222
43	226110	1/4-28 x 1 BH C/S	1-43	887607	CONV 17W HT ADJ DSK PAD L P222
1-43	887550	CONV 14W DP DESK PAD R P222	1-43	887608	CONV 17W HT ADJ FLL PAD R P222
1-43	887551	CONV 14W DP DESK PAD L P222	1-43	887609	CONV 17W HT ADJ FLL PAD L P222
1-43	887552	CONV 14W DP FULL PAD R P222	1-43	887610	CONV 17W HT ADJ DSK W/F R P222
1-43	887553	CONV 14W DP FULL PAD L P222	1-43	887611	CONV 17W HT ADJ DSK W/F L P222
1-43	887554	CONV 14W DP DESK W/F PD R P222	1-43	887612	CONV 17W HT ADJ FLL W/F R P222
1-43	887555	CONV 14W DP DESK W/F PD L P222	1-43	887613	CONV 17W HT ADJ FLL W/F L P222
1-43	887556	CONV 14W DP FULL W/F PD R P222	1-43	887614	CONV 18W DP DESK PAD R P222
1-43	887557	CONV 14W DP FULL W/F PD L P222	1-43	887615	CONV 18W DP DESK PAD L P222
1-43	887558	CONV 14W HT ADJ DSK PAD R P222	1-43	887616	CONV 18W DP FULL PAD R P222
1-43	887559	CONV 14W HT ADJ DSK PAD L P222	1-43	887617	CONV 18W DP FULL PAD L P222
1-43	887560	CONV 14W HT ADJ FLL PAD R P222	1-43	887618	CONV 18W DP DSK W/F PAD R P222
1-43	887561	CONV 14W HT ADJ FLL PAD L P222	1-43	887619	CONV 18W DP DSK W/F PAD L P222
1-43	887562	CONV 14W HT ADJ DSK W/F R P222	1-43	887620	CONV 18W DP FLL W/F PAD R P222
1-43	887563	CONV 14W HT ADJ DSK W/F L P222	1-43	887621	CONV 18W DP FLL W/F PAD L P222
1-43	887564	CONV 14W HT ADJ FLL W/F R P222	1-43	887622	CONV 18W HT ADJ DSK PAD R P222
1-43	887565	CONV 14W HT ADJ FLL W/F L P222	1-43	887623	CONV 18W HT ADJ DSK PAD L P222
1-43	887566	CONV 15W DP DESK PAD R P222	1-43	887624	CONV 18W HT ADJ FLL PAD R P222
1-43	887567	CONV 15W DP DESK PAD L P222	1-43	887625	CONV 18W HT ADJ FLL PAD L P222
1-43	887568	CONV 15W DP FULL PAD R P222	1-43	887626	CONV 18W HT ADJ DSK W/F R P222
1-43	887569	CONV 15W DP FULL PAD L P222	1-43	887627	CONV 18W HT ADJ DSK W/F L P222
1-43	887570	CONV 15W DP DSK W/F PAD R P222	1-43	887628	CONV 18W HT ADJ FLL W/F R P222
1-43	887571	CONV 15W DP DSK W/F PAD L P222	1-43	887629	CONV 18W HT ADJ FLL W/F L P222
1-43	887572	CONV 15W DP FLL W/F PAD R P222	1-43	887630	CONV 19W DP DESK PAD R P222
1-43	887573	CONV 15W DP FLL W/F PAD L P222	1-43	887631	CONV 19W DP DESK PAD L P222
1-43	887574	CONV 15W HT ADJ DSK PAD R P222	1-43	887632	CONV 19W DP FULL PAD R P222
1-43	887575	CONV 15W HT ADJ DSK PAD L P222	1-43	887633	CONV 19W DP FULL PAD L P222
1-43	887576	CONV 15W HT ADJ FLL PAD R P222	1-43	887634	CONV 19W DP DSK W/F PAD R P222
1-43	887577	CONV 15W HT ADJ FLL PAD L P222	1-43	887635	CONV 19W DP DSK W/F PAD L P222
1-43	887578	CONV 15W HT ADJ DSK W/F R P222	1-43	887636	CONV 19W DP FLL W/F PAD R P222
1-43	887579	CONV 15W HT ADJ DSK W/F L P222	1-43	887637	CONV 19W DP FLL W/F PAD L P222
1-43	887580	CONV 15W HT ADJ FLL W/F R P222	1-43	887638	CONV 19W HT ADJ DSK PAD R P222
1-43	887581	CONV 15W HT ADJ FLL W/F L P222	1-43	887639	CONV 19W HT ADJ DSK PAD L P222
1-43	887582	CONV 16W DP DESK PAD R P222	1-43	887640	CONV 19W HT ADJ FLL PAD R P222
1-43	887583	CONV 16W DP DESK PAD L P222	1-43	887641	CONV 19W HT ADJ FLL PAD L P222
1-43	887584	CONV 16W DP FULL PAD R P222	1-43	887642	CONV 19W HT ADJ DSK W/F R P222
1-43	887585	CONV 16W DP FULL PAD L P222	1-43	887643	CONV 19W HT ADJ DSK W/F L P222
1-43	887586	CONV 16W DP DSK W/F PAD R P222	1-43	887644	CONV 19W HT ADJ FLL W/F R P222
1-43	887587	CONV 16W DP DSK W/F PAD L P222	1-43	887645	CONV 19W HT ADJ FLL W/F L P222
1-43	887588	CONV 16W DP FLL W/F PAD R P222	1-43	887646	CONV 20W DP DESK PAD R P222
1-43	887589	CONV 16W DP FLL W/F PAD L P222	1-43	887647	CONV 20W DP DESK PAD L P222
1-43	887590	CONV 16W HT ADJ DSK PAD R P222	1-43	887648	CONV 20W DP FULL PAD R P222

Pos.	Item Number	Description	Pos.	Item Number	Description
1-43	887649	CONV 20W DP FULL PAD L P222	1-43	887812	CONV 14W FXD LNG DP DESK W/F R
1-43	887650	CONV 20W DP DSK W/F PAD R P222	1-43	887813	CONV 14W FXD LNG DP DESK W/F L
1-43	887651	CONV 20W DP DSK W/F PAD L P222	1-43	887814	CONV 14W FXD LNG DP FULL W/F R
1-43	887652	CONV 20W DP FLL W/F PAD R P222	1-43	887815	CONV 14W FXD LNG DP FULL W/F L
1-43	887653	CONV 20W DP FLL W/F PAD L P222	1-43	887816	CONV 15W FXD SH DP DESK PAD R
1-43	887654	CONV 20W HT ADJ DSK PAD R P222	1-43	887817	CONV 15W FXD SH DP DESK PAD L
1-43	887655	CONV 20W HT ADJ DSK PAD L P222	1-43	887818	CONV 15W FXD SH DP FULL PAD R
1-43	887656	CONV 20W HT ADJ FLL PAD R P222	1-43	887819	CONV 15W FXD SH DP FULL PAD L
1-43	887657	CONV 20W HT ADJ FLL PAD L P222	1-43	887820	CONV 15W FXD LNG DP DESK PAD R
1-43	887658	CONV 20W HT ADJ DSK W/F R P222	1-43	887821	CONV 15W FXD LNG DP DESK PAD L
1-43	887659	CONV 20W HT ADJ DSK W/F L P222	1-43	887822	CONV 15W FXD LNG DP FULL PAD R
1-43	887660	CONV 20W HT ADJ FLL W/F R P222	1-43	887823	CONV 15W FXD LNG DP FULL PAD L
1-43	887661	CONV 20W HT ADJ FLL W/F L P222	1-43	887824	CONV 15W FXD SH DP DESK W/F R
1-43	887662	CONV 22W DP DESK PAD R P222	1-43	887825	CONV 15W FXD SH DP DESK W/F L
1-43	887663	CONV 22W DP DESK PAD L P222	1-43	887826	CONV 15W FXD SH DP FULL W/F R
1-43	887664	CONV 22W DP FULL PAD R P222	1-43	887827	CONV 15W FXD SH DP FULL W/F L
1-43	887665	CONV 22W DP FULL PAD L P222	1-43	887828	CONV 15W FXD LNG DP DESK W/F R
1-43	887666	CONV 22W DP DSK W/F PAD R P222	1-43	887829	CONV 15W FXD LNG DP DESK W/F L
1-43	887667	CONV 22W DP DSK W/F PAD L P222	1-43	887830	CONV 15W FXD LNG DP FULL W/F R
1-43	887668	CONV 22W DP FLL W/F PAD R P222	1-43	887831	CONV 15W FXD LNG DP FULL W/F L
1-43	887669	CONV 22W DP FLL W/F PAD L P222	1-43	887832	CONV 16W FXD SH DP DESK PAD R
1-43	887670	CONV 22W HT ADJ DSK PAD R P222	1-43	887833	CONV 16W FXD SH DP DESK PAD L
1-43	887671	CONV 22W HT ADJ DSK PAD L P222	1-43	887834	CONV 16W FXD SH DP FULL PAD R
1-43	887672	CONV 22W HT ADJ FLL PAD R P222	1-43	887835	CONV 16W FXD SH DP FULL PAD L
1-43	887673	CONV 22W HT ADJ FLL PAD L P222	1-43	887836	CONV 16W FXD LNG DP DESK PAD R
1-43	887674	CONV 22W HT ADJ DSK W/F R P222	1-43	887837	CONV 16W FXD LNG DP DESK PAD L
1-43	887675	CONV 22W HT ADJ DSK W/F L P222	1-43	887838	CONV 16W FXD LNG DP FULL PAD R
1-43	887676	CONV 22W HT ADJ FLL W/F R P222	1-43	887839	CONV 16W FXD LNG DP FULL PAD L
1-43	887677	CONV 22W HT ADJ FLL W/F L P222	1-43	887840	CONV 16W FXD SH DP DESK W/F R
1-43	887678	CONV 24W DP DESK PAD R P222	1-43	887841	CONV 16W FXD SH DP DESK W/F L
1-43	887679	CONV 24W DP DESK PAD L P222	1-43	887842	CONV 16W FXD SH DP FULL W/F R
1-43	887680	CONV 24W DP FULL PAD R P222	1-43	887843	CONV 16W FXD SH DP FULL W/F L
1-43	887681	CONV 24W DP FULL PAD L P222	1-43	887844	CONV 16W FXD LNG DP DESK W/F R
1-43	887682	CONV 24W DP DSK W/F PAD R P222	1-43	887845	CONV 16W FXD LNG DP DESK W/F L
1-43	887683	CONV 24W DP DSK W/F PAD L P222	1-43	887846	CONV 16W FXD LNG DP FULL W/F R
1-43	887684	CONV 24W DP FLL W/F PAD R P222	1-43	887847	CONV 16W FXD LNG DP FULL W/F L
1-43	887685	CONV 24W DP FLL W/F PAD L P222	1-43	887848	CONV 17W FXD SH DP DESK PAD R
1-43	887686	CONV 24W HT ADJ DSK PAD R P222	1-43	887849	CONV 17W FXD SH DP DESK PAD L
1-43	887687	CONV 24W HT ADJ DSK PAD L P222	1-43	887850	CONV 17W FXD SH DP FULL PAD R
1-43	887688	CONV 24W HT ADJ FLL PAD R P222	1-43	887851	CONV 17W FXD SH DP FULL PAD L
1-43	887689	CONV 24W HT ADJ FLL PAD L P222	1-43	887852	CONV 17W FXD LNG DP DESK PAD R
1-43	887690	CONV 24W HT ADJ DSK W/F R P222	1-43	887853	CONV 17W FXD LNG DP DESK PAD L
1-43	887691	CONV 24W HT ADJ DSK W/F L P222	1-43	887854	CONV 17W FXD LNG DP FULL PAD R
1-43	887692	CONV 24W HT ADJ FLL W/F R P222	1-43	887855	CONV 17W FXD LNG DP FULL PAD L
1-43	887693	CONV 24W HT ADJ FLL W/F L P222	1-43	887856	CONV 17W FXD SH DP DESK W/F R
1-43	887800	CONV 14W FXD SH DP DESK PAD R	1-43	887857	CONV 17W FXD SH DP DESK W/F L
1-43	887801	CONV 14W FXD SH DP DESK PAD L	1-43	887858	CONV 17W FXD SH DP FULL W/F R
1-43	887802	CONV 14W FXD SH DP FULL PAD R	1-43	887859	CONV 17W FXD SH DP FULL W/F L
1-43	887803	CONV 14W FXD SH DP FULL PAD L	1-43	887860	CONV 17W FXD LNG DP DESK W/F R
1-43	887804	CONV 14W FXD LNG DP DESK PAD R	1-43	887861	CONV 17W FXD LNG DP DESK W/F L
1-43	887805	CONV 14W FXD LNG DP DESK PAD L	1-43	887862	CONV 17W FXD LNG DP FULL W/F R
1-43	887806	CONV 14W FXD LNG DP FULL PAD R	1-43	887863	CONV 17W FXD LNG DP FULL W/F L
1-43	887807	CONV 14W FXD LNG DP FULL PAD L	1-43	887864	CONV 18W FXD SH DP DESK PAD R
1-43	887808	CONV 14W FXD SH DP DESK W/F R	1-43	887865	CONV 18W FXD SH DP DESK PAD L
1-43	887809	CONV 14W FXD SH DP DESK W/F L	1-43	887866	CONV 18W FXD SH DP FULL PAD R
1-43	887810	CONV 14W FXD SH DP FULL W/F R	1-43	887867	CONV 18W FXD SH DP FULL PAD L
1-43	887811	CONV 14W FXD SH DP FULL W/F L	1-43	887868	CONV 18W FXD LNG DP DESK PAD R

Pos.	Item Number	Description	Pos.	Item Number	Description
1-43	887869	CONV 18W FXD LNG DP DESK PAD L	1-43	887909	CONV 20W FXD LNG DP DESK W/F L
1-43	887870	CONV 18W FXD LNG DP FULL PAD R	1-43	887910	CONV 20W FXD LNG DP FULL W/F R
1-43	887871	CONV 18W FXD LNG DP FULL PAD L	1-43	887911	CONV 20W FXD LNG DP FULL W/F L
1-43	887872	CONV 18W FXD SH DP DESK W/F R	1-43	887912	CONV 22W FXD SH DP DESK PAD R
1-43	887873	CONV 18W FXD SH DP DESK W/F L	1-43	887913	CONV 22W FXD SH DP DESK PAD L
1-43	887874	CONV 18W FXD SH DP FULL W/F R	1-43	887914	CONV 22W FXD SH DP FULL PAD R
1-43	887875	CONV 18W FXD SH DP FULL W/F L	1-43	887915	CONV 22W FXD SH DP FULL PAD L
1-43	887876	CONV 18W FXD LNG DP DESK W/F R	1-43	887916	CONV 22W FXD LNG DP DESK PAD R
1-43	887877	CONV 18W FXD SH DP FULL W/F L	1-43	887917	CONV 22W FXD LNG DP DESK PAD L
1-43	887878	CONV 18W FXD LNG DP FULL W/F R	1-43	887918	CONV 22W FXD LNG DP FULL PAD R
1-43	887879	CONV 18W FXD LNG DP FULL W/F L	1-43	887919	CONV 22W FXD LNG DP FULL PAD L
1-43	887880	CONV 19W FXD SH DP DESK PAD R	1-43	887920	CONV 22W FXD SH DP DESK W/F R
1-43	887881	CONV 19W FXD SH DP DESK PAD L	1-43	887921	CONV 22W FXD SH DP DESK W/F L
1-43	887882	CONV 19W FXD SH DP FULL PAD R	1-43	887922	CONV 22W FXD SH DP FULL W/F R
1-43	887883	CONV 19W FXD SH DP FULL PAD L	1-43	887923	CONV 22W FXD SH DP FULL W/F L
1-43	887884	CONV 19W FXD LNG DP DESK PAD R	1-43	887924	CONV 22W FXD LNG DP DESK W/F R
1-43	887885	CONV 19W FXD LNG DP DESK PAD L	1-43	887925	CONV 22W FXD LNG DP DESK W/F L
1-43	887886	CONV 19W FXD LNG DP FULL PAD R	1-43	887926	CONV 22W FXD LNG DP FULL W/F R
1-43	887887	CONV 19W FXD LNG DP FULL PAD L	1-43	887927	CONV 22W FXD LNG DP FULL W/F L
1-43	887888	CONV 19W FXD SH DP DESK W/F R	1-43	887928	CONV 24W FXD SH DP DESK PAD R
1-43	887889	CONV 19W FXD SH DP DESK W/F L	1-43	887929	CONV 24W FXD SH DP DESK PAD L
1-43	887890	CONV 19W FXD SH DP FULL W/F R	1-43	887930	CONV 24W FXD SH DP FULL PAD R
1-43	887891	CONV 19W FXD SH DP FULL W/F L	1-43	887931	CONV 24W FXD SH DP FULL PAD L
1-43	887892	CONV 19W FXD LNG DP DESK W/F R	1-43	887932	CONV 24W FXD LNG DP DESK PAD R
1-43	887893	CONV 19W FXD LNG DP DESK W/F L	1-43	887933	CONV 24W FXD LNG DP DESK PAD L
1-43	887894	CONV 19W FXD LNG DP FULL W/F R	1-43	887934	CONV 24W FXD LNG DP FULL PAD R
1-43	887895	CONV 19W FXD LNG DP FULL W/F L	1-43	887935	CONV 24W FXD LNG DP FULL PAD L
1-43	887896	CONV 20W FXD SH DP DESK PAD R	1-43	887936	CONV 24W FXD SH DP DESK W/F R
1-43	887897	CONV 20W FXD SH DP DESK PAD L	1-43	887937	CONV 24W FXD SH DP DESK W/F L
1-43	887898	CONV 20W FXD SH DP FULL PAD R	1-43	887938	CONV 24W FXD SH DP FULL W/F R
1-43	887899	CONV 20W FXD SH DP FULL PAD L	1-43	887939	CONV 24W FXD SH DP FULL W/F L
1-43	887900	CONV 20W FXD LNG DP DESK PAD R	1-43	887940	CONV 24W FXD LNG DP DESK W/F R
1-43	887901	CONV 20W FXD LNG DP DESK PAD L	1-43	887941	CONV 24W FXD LNG DP DESK W/F L
1-43	887902	CONV 20W FXD LNG DP FULL PAD R	1-43	887942	CONV 24W FXD LNG DP FULL W/F R
1-43	887903	CONV 20W FXD LNG DP FULL PAD L	1-43	887943	CONV 24W FXD LNG DP FULL W/F L
1-43	887904	CONV 20W FXD SH DP DESK W/F R	31-33,40-43	883010	WHL LCK PUSH R W/O CLMP BLK
1-43	887905	CONV 20W FXD SH DP DESK W/F L	31-33,40-43	883011	WHL LCK PUSH L W/O CLMP BLK
1-43	887906	CONV 20W FXD SH DP FULL W/F R	26,35,37	880544	BRAKE MOUNT TUBE W/HDWR
1-43	887907	CONV 20W FXD SH DP FULL W/F L	36,38,39	900513	BRAKE HOUSING ASSM P222
1-43	887908	CONV 20W FXD LNG DP DESK W/F R			

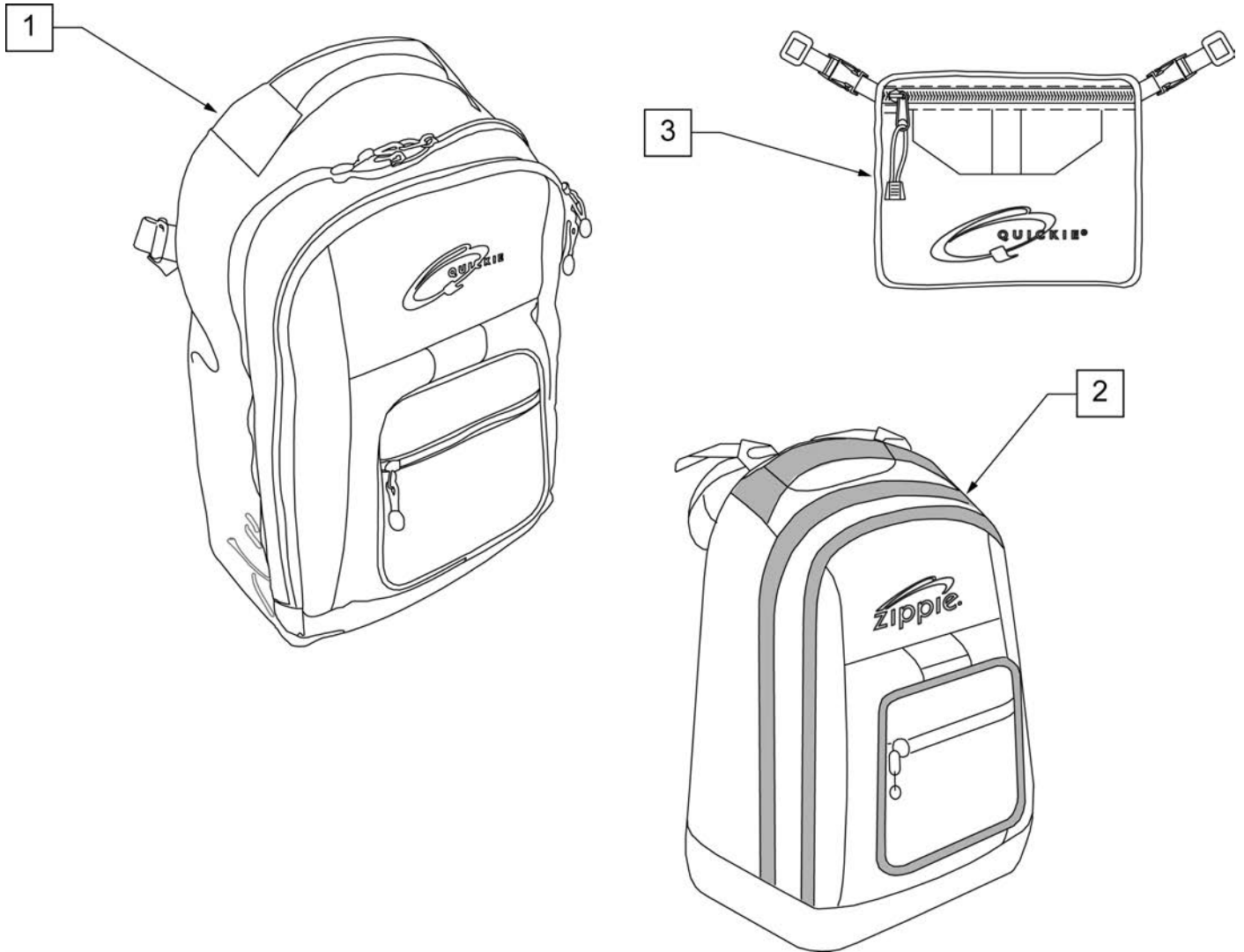


Pos.	Item Number	Description	Remarks
1	560600	1-1/2" x .705 x .187 FOAM GRIP	
5	240104	1 RIVET POP SD44BSLF BLK	
6	106935	NUT NYLOCK THIN 1/4-28 ROHS	
1-6	880825	WHEEL LOCK 6" EXT TUBE ASSM	
1-6	920032	WHEEL LOCK 6" EXT TUBES (PR)	PAIR

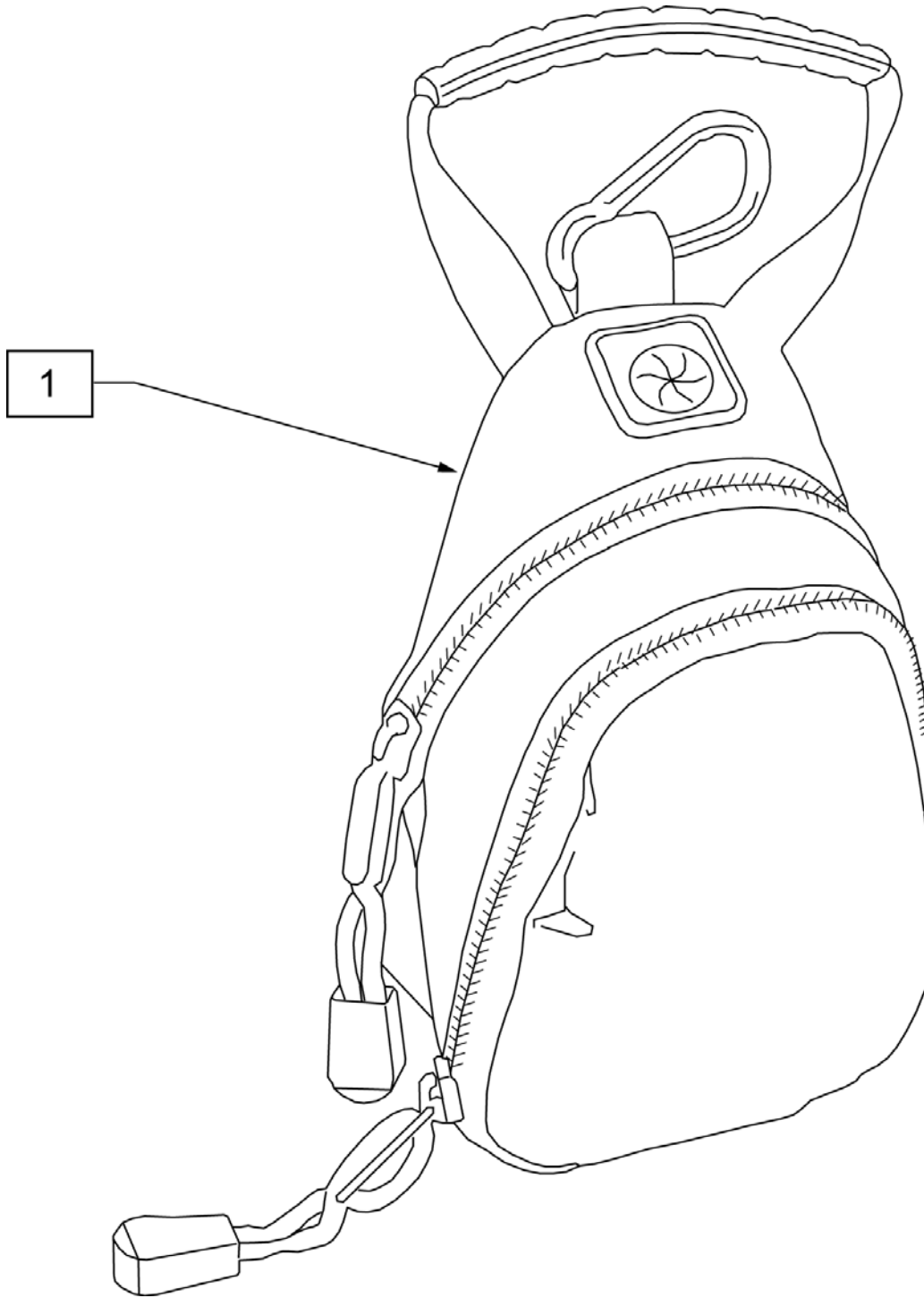


Pos.	Item Number	Description
1	011687	POWER CORD POUCH

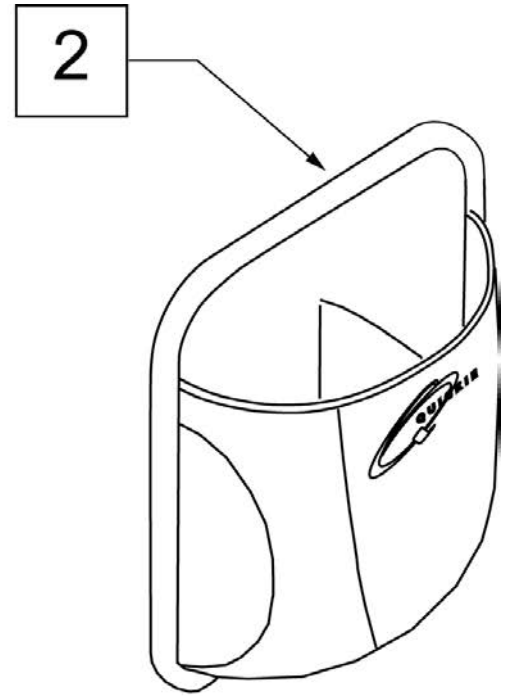
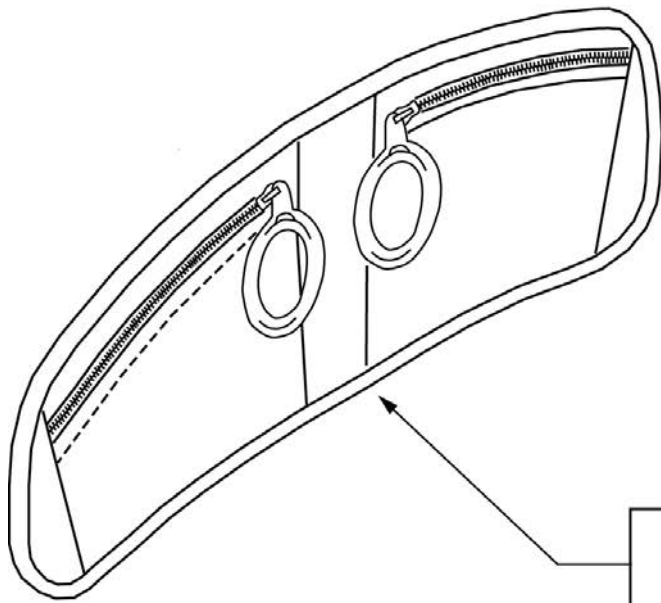
NOTE: KIDS BACKPACKS DO NOT HAVE ADJUSTABLE STRAPS W/ BUCKLES.



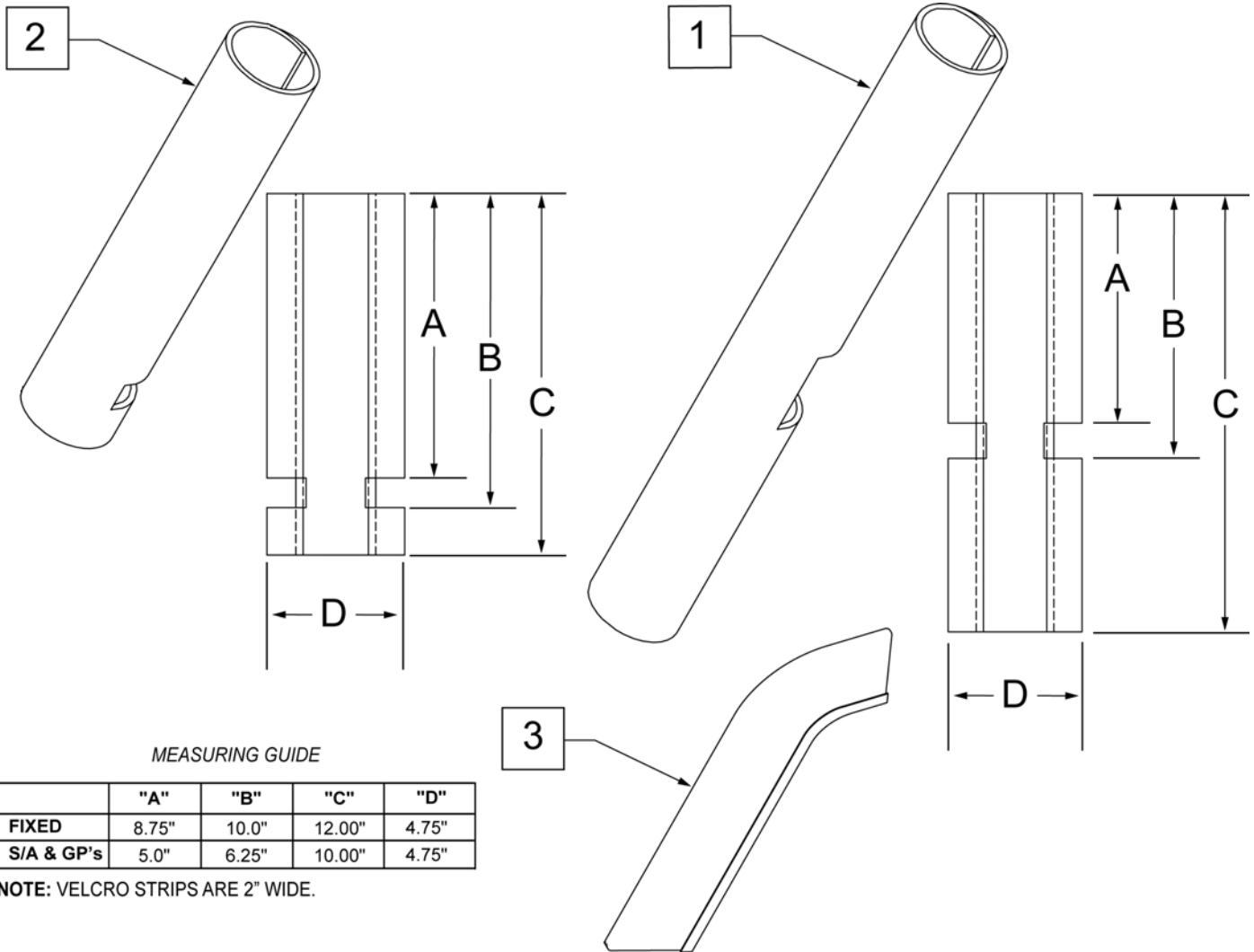
Pos.	Item Number	Description
1	750115	BACK PACK QUICKIE
2	104572	BACKPACK ZIPPIE
3	750307	SEAT POUCH QUICKIE



Pos.	Item Number	Description
1	109229	CELL PHONE PACK (ORANGE)



Pos.	Item Number	Description	Remarks
1	013477	LAP ORGANIZER	Size: 18.25"x 7.75"x .75"
2	013475	QUICKIE SIDE POCKET	Size: 6.5"x 6.5"x 2"

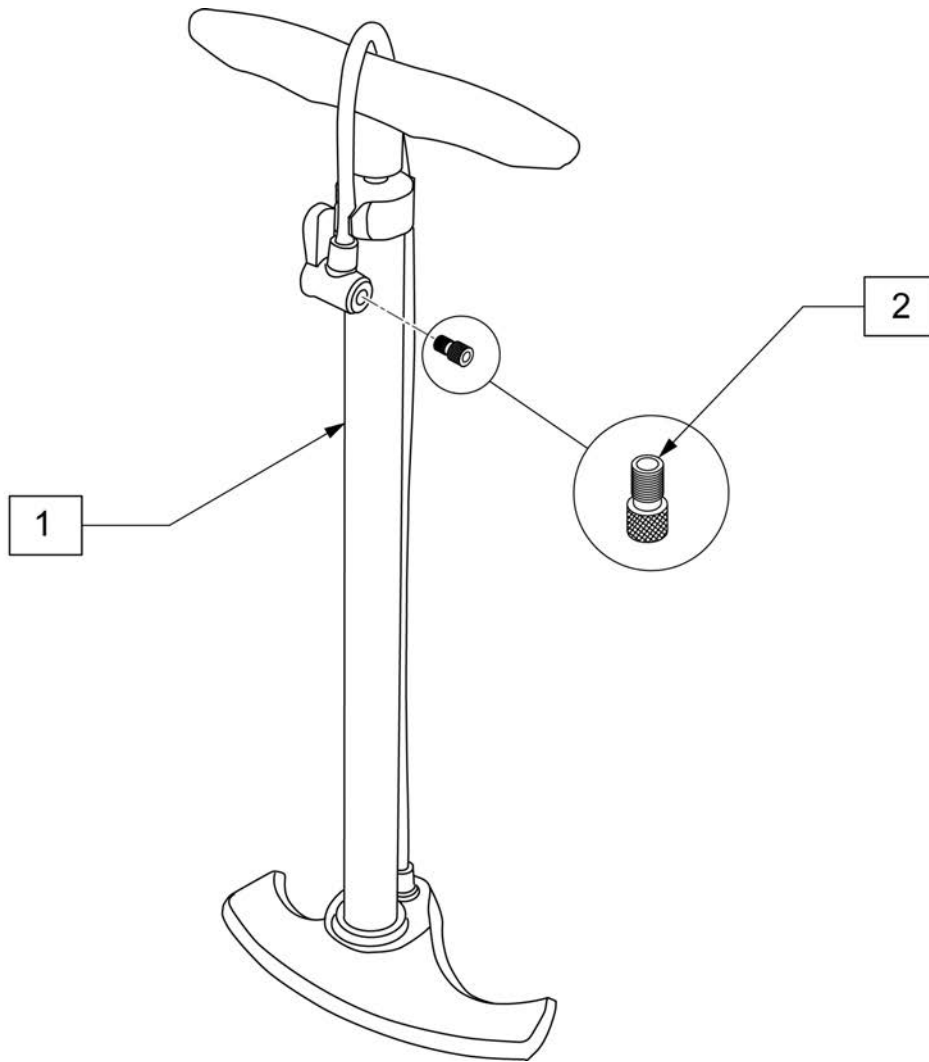


MEASURING GUIDE

	"A"	"B"	"C"	"D"
FIXED	8.75"	10.0"	12.00"	4.75"
S/A & GP's	5.0"	6.25"	10.00"	4.75"

NOTE: VELCRO STRIPS ARE 2" WIDE.

Pos.	Item Number	Description	Remarks
1	750316	IMPACT GUARDS NEOPRENE FIXED (PR)	PAIR-Fixed Front Frame
2	750317	IMPACT GUARDS NEOPRENE S/A	PAIR-S/A Footrest & Q7
3	109231	GEL VELCRO PAD HANGER/FRAME	PAIR- fits S/A & Fixed Front Frame



Pos.	Item Number	Description
1	389050	TIRE PUMP
2	381230	VALVE ADAPTER PRESTA

