



PARTS MANUAL

JANUARY 2017

Sunrise Medical appreciates your business. For your ordering convenience, our Customer Service Representatives can be contacted at:

**To place orders:
(800)333-4000**

Quickie Technical Assistance:

You can reach our Technical Support Team by choosing prompt 1 followed by the # sign, then prompt 2 for Technical Support. Choose option 1 for Quickie Technical Support.

**For Assistance with a Web Order,
or to sign up for sunrisemedical.com
(800) 333-4000 Option 5**

**FOR YOUR CONVENIENCE YOU MAY PLACE ORDERS THROUGH
OUR WEBSITE OR BY FAX 24 HOURS A DAY:**

www.sunrisemedical.com

Fax: (800)300-7502

For easy reference please fill in your Customer Number and Sunrise Account Manager's name.

Customer Account Number _____
Ship to Account Number _____
Sunrise Account Manager _____

*Part prices and configurations or specifications of products included in this Parts Manual are subject to change without prior notice.

| | |
|--|----|
| QUICKIE GTX | 6 |
| DISCONTINUED LETTER | 6 |
| QUICKIE GTX DISCONTINUED | 6 |
| BASE FRAME | 6 |
| FRAME | 6 |
| X BRACE ASSEMBLY | 7 |
| FIXED FRONT FRAME | 9 |
| SWING AWAY FRAME | 10 |
| SWING AWAY HEMI FRAME | 12 |
| AXLE PLATES & AXLES | 13 |
| AXLE PLATE AND EXTENSION ASSM | 14 |
| QUICK RELEASE AXLES MATRIX (GTX)..... | 16 |
| REAR SUSPENSION | 18 |
| CASTERS & FORKS..... | 18 |
| FORK ASSM..... | 19 |
| FROG LEG SUSPENSION FORK | 22 |
| CASTER PIN LOCK | 24 |
| MICRO CASTERS..... | 25 |
| 3 SPOKE CASTERS | 26 |
| SOFT ROLL CASTERS..... | 28 |
| ALUMINUM SOFT ROLL CASTERS | 29 |
| ANTI-TIPS | 29 |
| ANTI TIP..... | 30 |
| SWING-AWAY ANTI TIP..... | 31 |
| WHEEL LOCKS | 32 |
| ERGO WHEEL LOCK | 33 |
| WHEEL LOCK (PUSH TO LOCK)..... | 34 |
| WHEEL LOCK (PULL TO LOCK)..... | 36 |
| HIGH MOUNT SCISSOR WHEEL LOCK Discontinued..... | 38 |
| GRADE AID ASSEMBLY | 40 |
| UNILATERAL WHEEL LOCK..... | 41 |
| WHEELS & TIRES | 42 |
| WHEELS | 42 |
| TRADITIONAL 6 SPOKE MAG | 43 |
| QUICKIE SPOKE | 44 |
| NEW ULTRA LITE SPOKE | 45 |
| MOUNTAIN | 46 |
| QUICKIE PERFORMANCE HEAT TREATED BASKETBALL | 47 |
| QUICKIE PERFORMANCE HEAT TREATED TENNIS | 48 |
| SPINERGY SPOX (18 SPOKE)..... | 49 |
| SPINERGY LX (12 SPOKE)..... | 50 |
| TIRES..... | 50 |
| PNEUMATIC & PNEU. AIRLESS TIRE..... | 51 |
| MOUNTAIN TIRE | 52 |
| KEVLAR TIRE | 53 |
| FULL POLY TIRE | 54 |
| HIGH PRESSURE CLINCHER TIRE | 55 |
| QP TUBULAR TIRE | 56 |
| TURBO TIRE..... | 57 |
| SCHWALBE MARATHON PLUS TIRE | 58 |
| TUBES | 58 |
| TUBES AND AIRLESS INSERTS | 59 |
| SEATING & POSITIONING..... | 59 |
| SEAT | 59 |
| SEAT SLING | 60 |
| 2" SEAT CUSHION | 62 |
| BACK..... | 64 |
| BACK FRAME | 64 |
| NON- FOLDING BACKREST HARDWARE | 65 |
| FOLDING BACKREST HARDWARE | 67 |
| FOLDING PUSH HANDLES - HEIGHT ADJ..... | 69 |
| ADJUSTABLE BACKREST FRAME | 70 |
| BACKREST STABILIZER BAR | 72 |
| BACK UPHOLSTERY | 73 |
| STD BACK UPH USED W/ OMIT HANDLES..... | 74 |
| INTEGRAL PUSH HANDLE BACKREST UPHOLSTERY | 76 |
| ADJ BACK UPH USED W/ OMIT & INTEGRAL PUSH HANDLES..... | 77 |
| FOLDING PUSH HANDLE ADJUSTABLE BACKREST UPHOLSTERY | 79 |
| JAY PRECISION BACKREST..... | 80 |
| HANGERS & FOOTRESTS | 82 |

| | |
|---|-----|
| FIXED FRONT FRAME FOOTPLATES & EXTENSIONS..... | 82 |
| TUBULAR FLIP UP W COVER FOOTPLATE..... | 83 |
| PLATFORM ANGLE ADJ FLIP UP FOOTPLATE and HI MOUNT | 85 |
| SPLIT PLATFORM ANGLE ADJ FOOTPLATE ASSM | 87 |
| AUTOFOLD ANGLE ADJ FOOTPLATE..... | 89 |
| SWING AWAY FRONT FRAME HANGERS & FOOTPLATES..... | 90 |
| SWING AWAY EXT MOUNT HANGERS..... | 90 |
| HANGERS (DISCONTINUED)..... | 90 |
| HANGERS (DISC.4-21-15) | 90 |
| 60 DEG HANGER - SWING IN-OUT (DISC.4-21-15) | 91 |
| 70 DEG HANGER - SWING IN-OUT (DISC.4-21-15) | 93 |
| 70 DEG 'V' HANGER - SWING IN-OUT (DISC.4-21-15) | 95 |
| 70 DEG HEMI HANGER - SWING IN-OUT (DISC.4-21-15) | 96 |
| FOOTPLATES & EXTENSIONS (D2 "OLD STYLE")..... | 97 |
| COMPOSITE FOOTPLATE..... | 98 |
| FOAM FOOTPLATE..... | 100 |
| ADULT ANGLE-ADJUSTABLE FOOTPLATE EXT MOUNT..... | 102 |
| KIDS ANGLE ADJUSTABLE FOOTPLATE EXT MOUNT | 104 |
| PLATFORM FLIP-UP FOOTPLATE | 106 |
| LOCKING ANGLE ADJUSTABLE FOOTPLATE..... | 108 |
| DOUBLE D FOOTREST EXTENSION TUBE "OLD STYLE" | 110 |
| CLAMP STYLE SWING IN-OUT HANGERS | 111 |
| HANGERS..... | 111 |
| 60 DEG HANGER SWING IN-OUT..... | 112 |
| 70 DEG HANGER SWING IN-OUT..... | 113 |
| 70 DEG HANGER V SWING IN-OUT | 114 |
| 70 DEG HEMI HANGER SWING IN-OUT..... | 115 |
| CLAMP STYLE EXTENSION MOUNT FOOTPLATES & EXTENSIONS | 115 |
| COMPOSITE FOOTPLATE..... | 116 |
| FOAM FOOTPLATE..... | 120 |
| ADULT ANGLE-ADJ FOOTPLATE EXT MOUNT | 123 |
| KIDS ANGLE ADJ FOOTPLATE EXTENSION MOUNT | 126 |
| LOCKING ANGLE ADJ FOOTPLATE | 130 |
| PLATFORM FLIP-UP FOOTPLATE | 132 |
| HIGH MOUNT EXTENSION TUBE | 134 |
| SWING AWAY FRONT MOUNT HANGERS | 135 |
| HANGERS..... | 135 |
| 70 DEG FRONT MOUNT HANGER SWING IN-OUT | 136 |
| 80 DEG FRONT MOUNT HANGER SWING IN-OUT | 138 |
| 90 DEG FRONT MOUNT HANGER SWING IN-OUT | 140 |
| FOOTPLATES..... | 141 |
| KIDS ANGLE ADJ FOOTPLATE FRONT MOUNT | 142 |
| ADULT ANGLE-ADJ FOOTPLATE FRONT MOUNT..... | 145 |
| ELRS | 146 |
| EXT MOUNT ELR HANGERS..... | 146 |
| EXT MOUNT ELR HANGERS..... | 146 |
| ELEVATING HANGER | 147 |
| ELEVATING HEMI HANGER | 149 |
| ELEVATING HEMI HANGER KNEE PAD | 151 |
| ELEVATING HANGER CALF PAD 14 -15" | 152 |
| ELEVATING HANGER CALF PAD 16-20" | 153 |
| EXTENSION TUBES..... | 153 |
| DOUBLE D FOOTREST EXTENSION TUBE "OLD STYLE" | 154 |
| FOOTPLATES..... | 155 |
| ELR ALUMINUM FOOTPLATE | 156 |
| COMPOSITE FOOTPLATE..... | 157 |
| ADULT ANGLE-ADJUSTABLE FOOTPLATE EXT MOUNT..... | 159 |
| KIDS ANGLE ADJUSTABLE FOOTPLATE EXT MOUNT | 161 |
| FRONT MOUNT ELR HANGERS | 162 |
| FRONT MOUNT ELR HANGERS | 162 |
| 90 DEG ELEVATING HANGER | 163 |
| 90 DEG ELEVATING HEMI HANGER | 165 |
| 90 DEG ELEVATING CALF PAD | 167 |
| ELEVATING HEMI HANGER KNEE PAD | 168 |
| FOOTPLATES..... | 168 |
| KIDS ANGLE ADJ FOOTPLATE FRONT MOUNT | 169 |
| ADULT ANGLE-ADJ FOOTPLATE FRONT MOUNT..... | 172 |
| ALRS | 173 |
| EXT MOUNT ALR HANGERS..... | 173 |
| ARTICULATING HANGER | 173 |

| | |
|---|-----|
| ARTICULATING HANGER..... | 174 |
| ARTICULATING HANGER CALF PAD | 176 |
| EXTENSION TUBES..... | 176 |
| ROUND EXTENSION TUBE | 177 |
| FOOTPLATES..... | 179 |
| COMPOSITE FOOTPLATE..... | 179 |
| ADULT ANGLE-ADJUSTABLE FOOTPLATE EXT MOUNT..... | 181 |
| KIDS ANGLE ADJUSTABLE FOOTPLATE EXT MOUNT | 183 |
| FRONT MOUNT ALR HANGERS | 184 |
| FRONT MOUNT ALR HANGERS | 184 |
| 90 DEG ARTICULATING HANGER..... | 185 |
| 90 DEG ARTICULATING HANGER CALF PAD | 187 |
| FOOTPLATES..... | 187 |
| KIDS ANGLE ADJ FOOTPLATE FRONT MOUNT | 188 |
| ADULT ANGLE-ADJ FOOTPLATE FRONT MOUNT..... | 191 |
| ARMRESTS & RECEIVERS | 192 |
| SWING AWAY ARMREST-ANGLE ADJUST..... | 193 |
| 3-POINT HEIGHT ADJUSTABLE ARMREST | 195 |
| PADDED SWING-AWAY ARMREST & RECEIVER | 197 |
| SINGLE POST HEIGHT ADJ ARMREST-MANUAL | 199 |
| SINGLE POST HT ADJ ARMREST RECEIVER | 201 |
| ACCESSORIES | 201 |
| SPOKE GUARDS..... | 202 |
| SOFT FEEL LEG STRAP..... | 204 |
| ADJUSTABLE LEG STRAP | 205 |
| XTENDER | 205 |
| XTENDER AXLE PLATE (GTx)..... | 206 |
| XTENDER POWER DRIVE ASSM..... | 208 |
| XTENDER INTERNAL REPLACEMENT PARTS..... | 210 |
| SIDE GUARDS..... | 210 |
| ALUMINUM SIDE GUARD-PLATE MOUNT | 211 |
| ALUMINUM SIDE GUARD-SLOT RAIL MOUNT | 212 |
| PLASTIC SIDE GUARD | 214 |
| ALUMINUM & CARBON SIDE GUARD | 215 |
| FABRIC SIDE GUARDS..... | 217 |
| CRUTCH HOLDER ASSM | 218 |
| TRAVEL WHEEL..... | 219 |
| IMPACT GUARD NEOPRENE & GEL VELCRO PADS..... | 220 |
| FOOTREST COVER & WEAR PADS | 221 |
| BACKPACKS AND POUCHES..... | 221 |
| BACKPACKS AND SEAT POUCHES..... | 222 |
| CASE LOGIC BAGS..... | 223 |
| CELL PHONE PACK..... | 224 |
| TIRE PUMP..... | 225 |
| AIRCRAFT BUCKLE POSITIONING BELTS & ATTACHMENT KITS | 226 |
| AUTO BUCKLE POSITIONING BELT & ATTACHMENT KITS..... | 228 |
| back..... | 230 |

improving people's lives



Dear Valued Customer,

As of **1/15/2010**, the sale of **Quickie GTX** has been discontinued. In compliance with Sunrise Medical's policy, replacement parts will continue to be available until **1/14/2016**. Effective **1/14/2016**, replacement parts for the **Quickie GTX** will be obsolete and therefore no longer available for sale.

Sincerely,

Sunrise Medical

6899 Winchester Circle, Suite 200 • Boulder, CO 80301 • USA

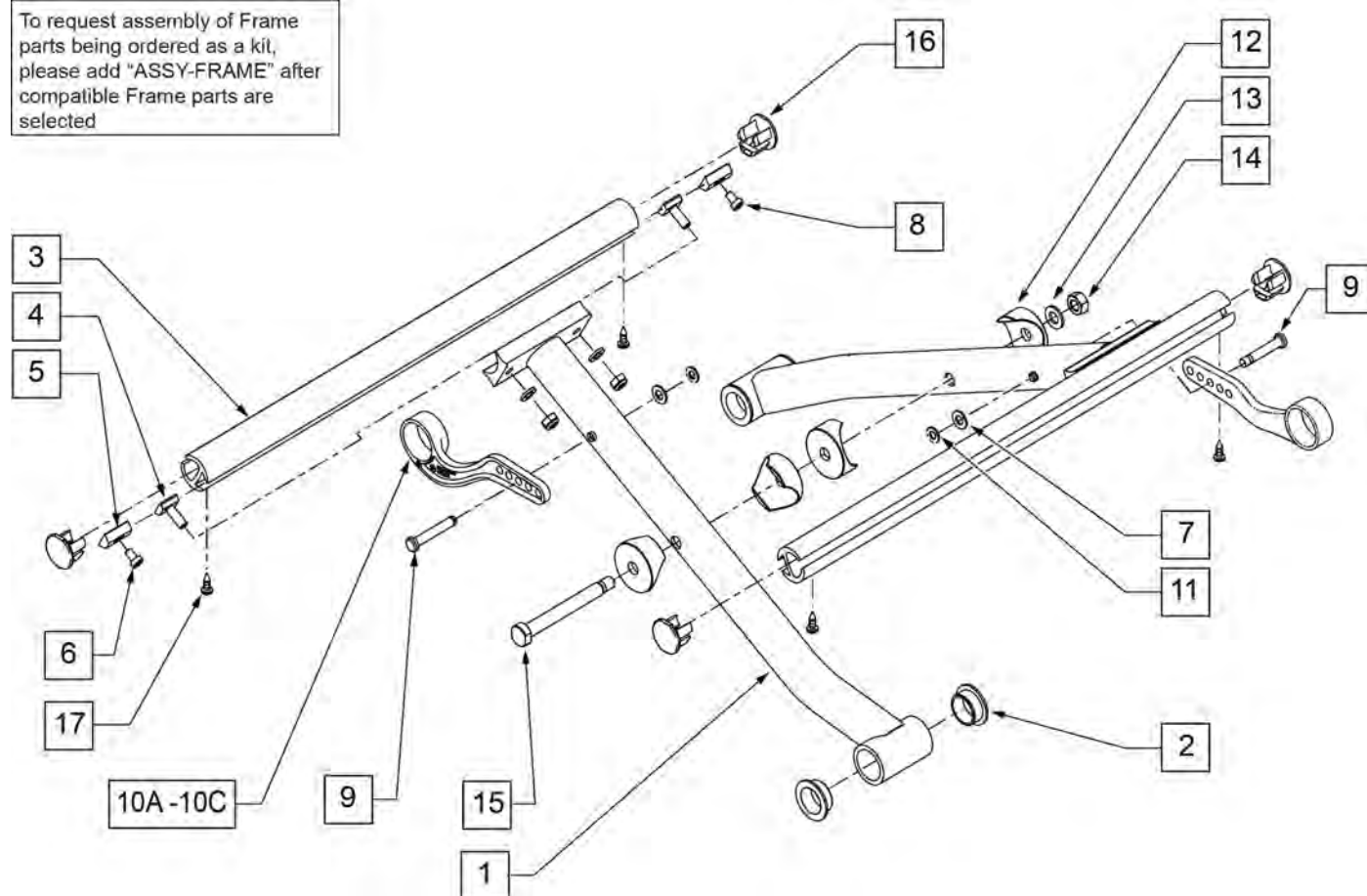
800.333.4000 www.SunriseMedical.com

Description

DISCONTINUED PRODUCT

NOTE: ITEM #101191, SEAT SLING TUBE HDWR KIT GTX, INCLUDES HARDWARE FOR (1) SIDE ONLY.

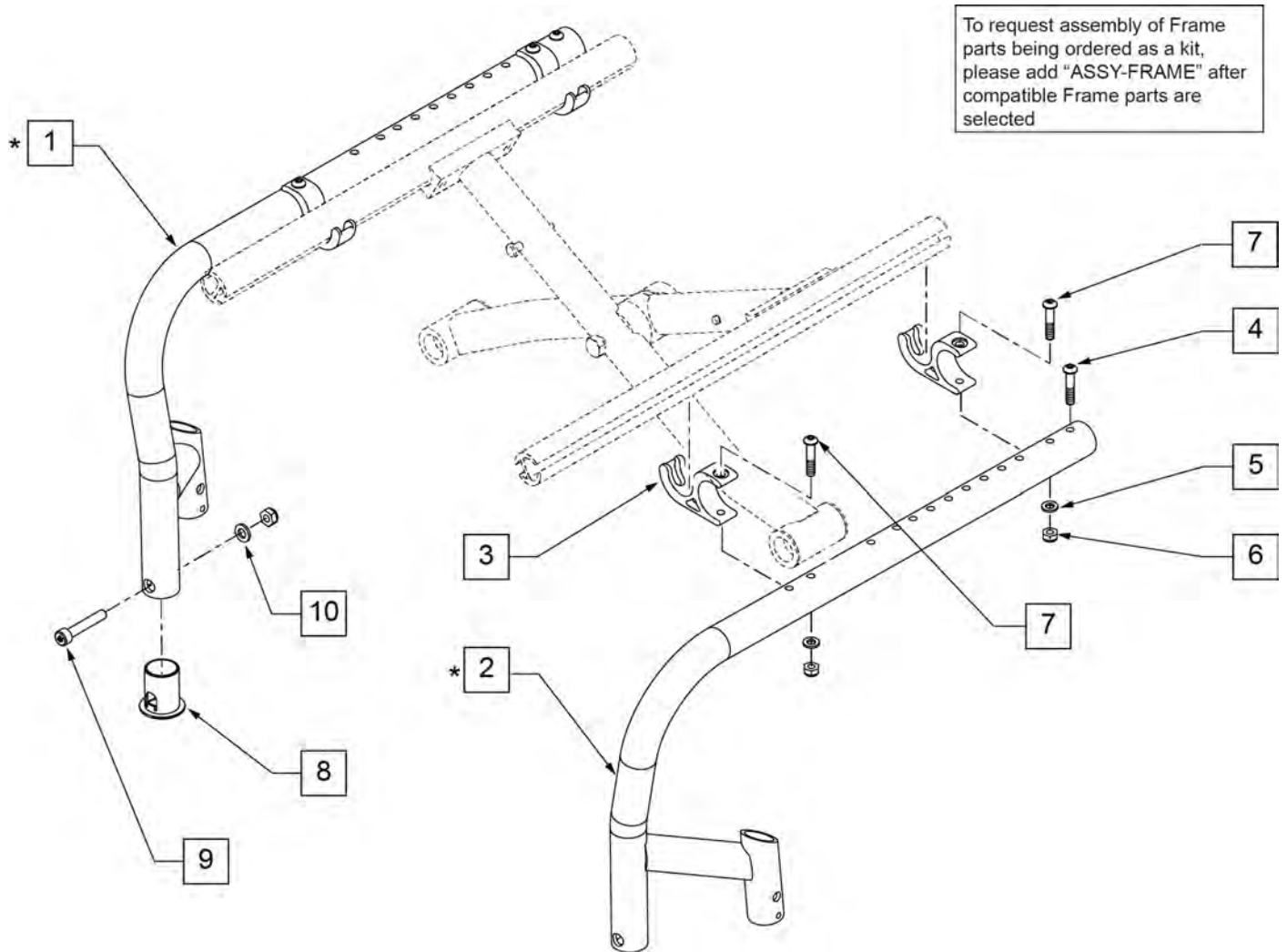
To request assembly of Frame parts being ordered as a kit, please add "ASSY-FRAME" after compatible Frame parts are selected



| Pos. | Item Number | Description | Remarks |
|------|-------------|-------------------------------|---------|
| 2 | 052056 | FLANGE BEARING .75ID X .875OD | |
| 3 | 052029-001 | TUBE SEAT SLING 12D BLK | |
| 3 | 052029-002 | TUBE SEAT SLING 13D BLK | |
| 3 | 052029-003 | TUBE SEAT SLING 14D BLK | |
| 3 | 052029-004 | TUBE SEAT SLING 15D BLK | |
| 3 | 052029-005 | TUBE SEAT SLING 16D BLK | |
| 3 | 052029-006 | TUBE SEAT SLING 17D BLK | |
| 3 | 052029-007 | TUBE SEAT SLING 18D BLK | |
| 3 | 052029-008 | TUBE SEAT SLING 19D BLK | |
| 3 | 052029-009 | TUBE SEAT SLING 20D BLK | |
| 3 | 052029-010 | TUBE SEAT SLING 21D BLK | |
| 3 | 052029-011 | TUBE SEAT SLING 22D BLK | |
| 4 | 052123-001 | CHANNEL STUD M6 X 17 | |
| 5 | 052118 | DOVETAIL RADIUS M5 | |
| 6 | 100547 | SHCS M5 X 8 LOW HEAD BLK | |
| 7 | 250104 | WASHER FLAT M6 | |
| 8 | 200113 | NUT HEX NYLOCK M6 X 1 | |
| 9 | 054313 | X-BRACE PIN | |
| 10A | 052095-001 | X HINGE 14 -16" | |

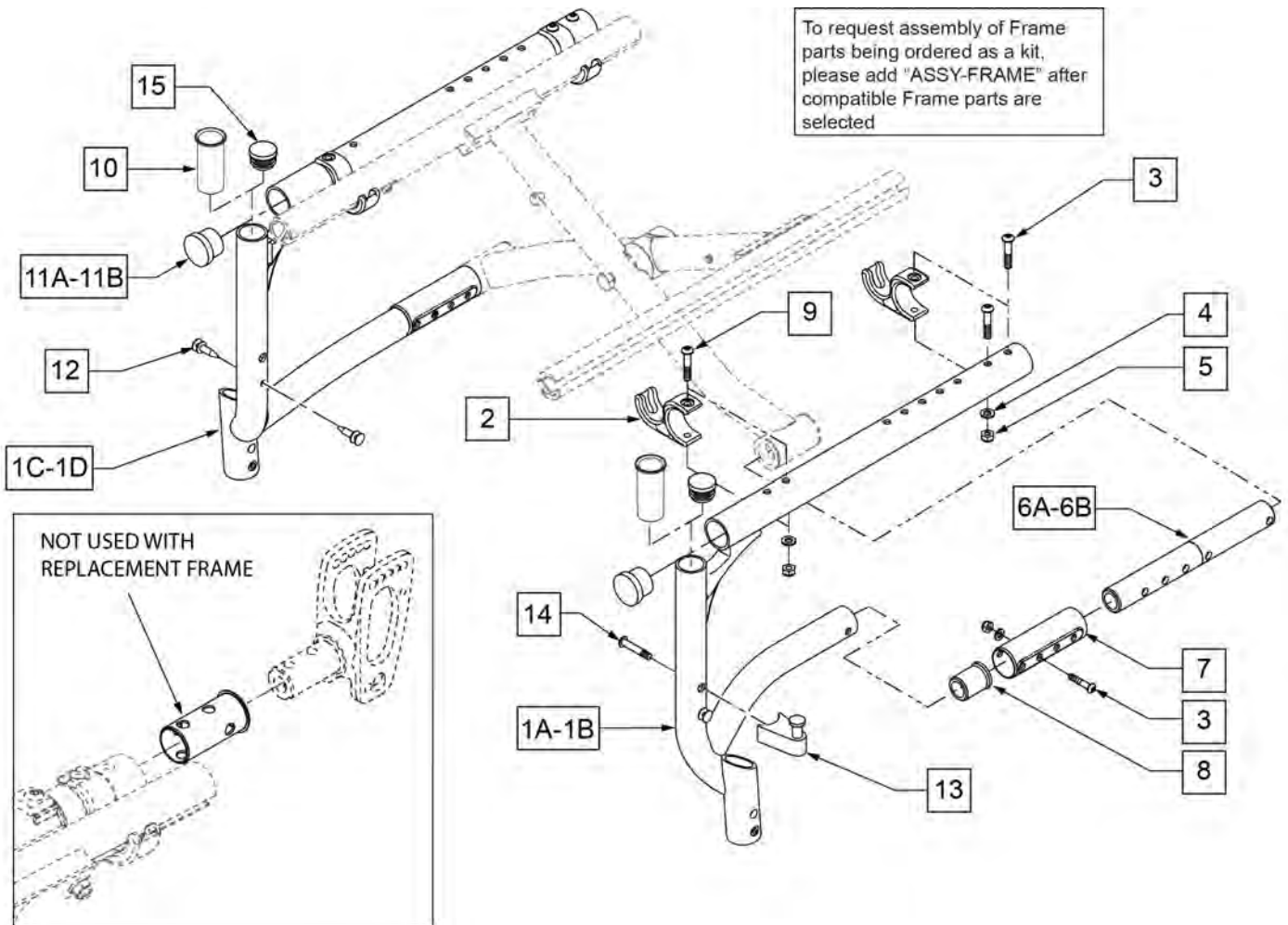
| Pos. | Item Number | Description | Remarks |
|----------------|-------------|---------------------------------|--|
| 10B | 052095-002 | X HINGE 12 -13" | |
| 10C | 052094 | X HINGE 17 -20" | |
| 11 | 342000 | 1/4" E-CLIP" | |
| 12 | 054306 | SADDLE D28-6 | |
| 13 | 011648 | WASHER FLAT M8 | |
| 14 | 210072 | M8 NYLOCK NUT | |
| 15 | 054312 | X BRACE AXLE | |
| 16 | 054316 | SEAT RAIL END PLUG | |
| 17 | 109819 | SCREW #6 x 1/4 SLF TP PHL PN HD | |
| 1,2,7,9,10A-15 | 052416-001 | GTX X-BRACE ASSM 12W | SEAT TUBE NOT INCLUDED, PLEASE ORDER SEPERATELY. |
| 1,2,7,9,10A-15 | 052416-002 | GTX X-BRACE ASSM 13W | SEAT TUBE NOT INCLUDED, PLEASE ORDER SEPERATELY. |
| 1,2,7,9,10A-15 | 052416-003 | GTX X-BRACE ASSM 14W | SEAT TUBE NOT INCLUDED, PLEASE ORDER SEPERATELY. |
| 1,2,7,9,10B-15 | 052416-004 | GTX X-BRACE ASSM 15W | SEAT TUBE NOT INCLUDED, PLEASE ORDER SEPERATELY. |
| 1,2,7,9,10B-15 | 052416-005 | GTX X-BRACE ASSM 16W | SEAT TUBE NOT INCLUDED, PLEASE ORDER SEPERATELY. |
| 1,2,7,9,10C-15 | 052416-006 | GTX X-BRACE ASSM 17W | SEAT TUBE NOT INCLUDED, PLEASE ORDER SEPERATELY. |
| 1,2,7,9,10C-15 | 052416-007 | GTX X-BRACE ASSM 18W | SEAT TUBE NOT INCLUDED, PLEASE ORDER SEPERATELY. |
| 1,2,7,9,10C-15 | 052416-008 | GTX X-BRACE ASSM 19W | SEAT TUBE NOT INCLUDED, PLEASE ORDER SEPERATELY. |
| 1,2,7,9,10C-15 | 052416-009 | GTX X-BRACE ASSM 20W | SEAT TUBE NOT INCLUDED, PLEASE ORDER SEPERATELY. |
| 4-8 | 101191 | SEAT SLING TUBE HDWR KIT GTX | |
| | | Ship assembled part # | Use with multiple assemblies |
| | ASSY-FRAME | FRAME ASSY REQUIRED | add with Frame kit |

NOTE: Frame COLOR, DEPTH, INSET, SQUEEZE, ANGLE and frame TYPE or (SERIAL NO.) are required when replacing the frame.



| Pos. | Item Number | Description | Remarks |
|------|-------------|-----------------------|------------------------------|
| 1* | 052285S | FRM ALUM FLDR R | |
| 2* | 052286S | FRM ALUM FLDR L | |
| 3 | 052032 | SADDLE SEAT TUBE | |
| 4 | 013252 | BHCS M6 X 1 X 35 BLK | |
| 5 | 250104 | WASHER FLAT M6 | |
| 6 | 200113 | NUT HEX NYLOCK M6x1 | |
| 7 | 230118 | BHCS M6 X 1 X 45 BLK | |
| 8 | 052010 | BUSHING FOOTREST | |
| 9 | 100846 | SHCS M6 X 1 X 30 BLK | |
| 10 | 262130 | 6MM WASHER WAVE | |
| | | Ship assembled part # | Use with multiple assemblies |
| | ASSY-FRAME | FRAME ASSY REQUIRED | add with Frame kit |

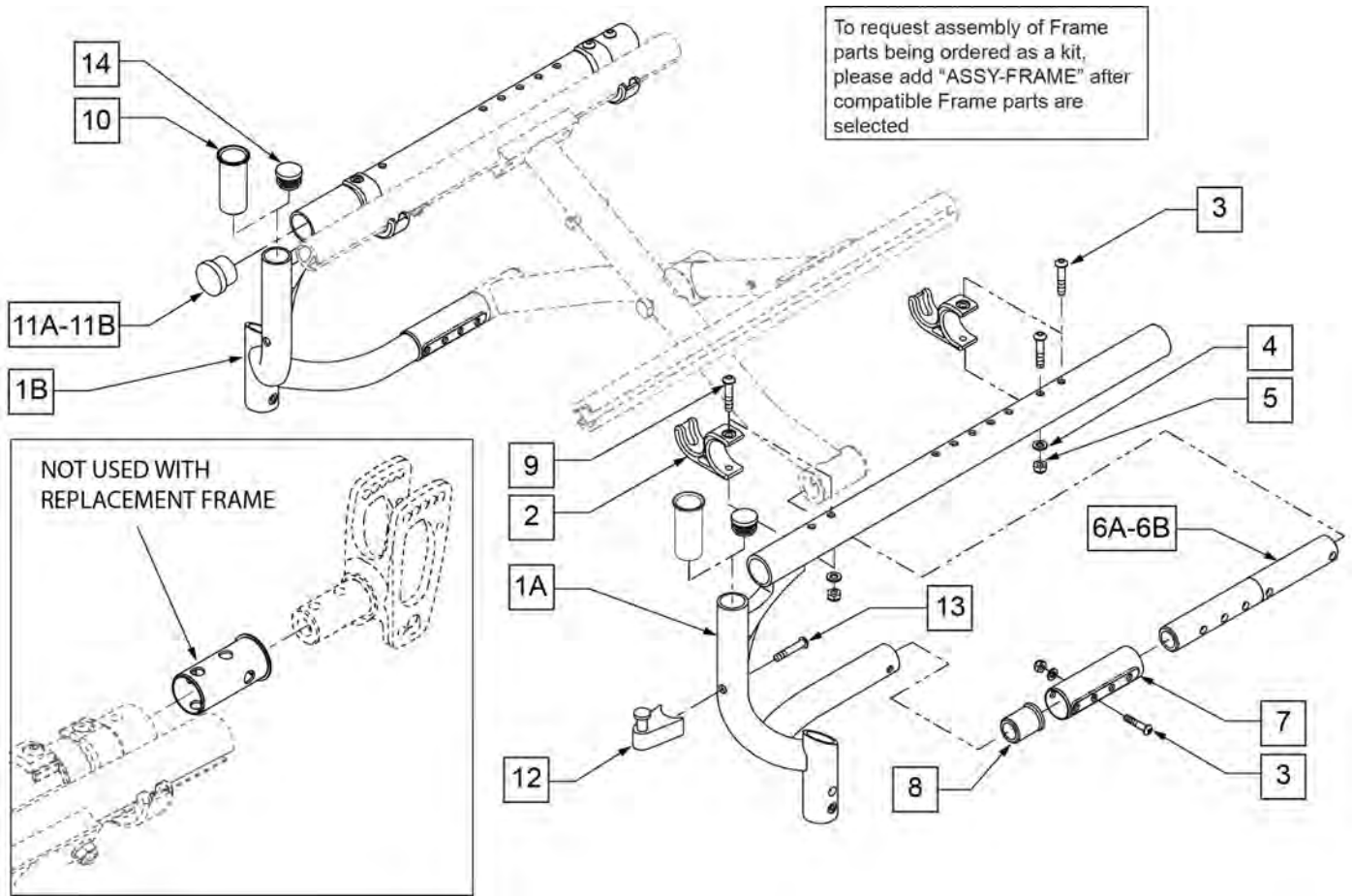
Note: All replacement frames ship with thicker tubing. If replacing standard tubing frame, the existing inserts are not needed.



| Pos. | Item Number | Description | Remarks |
|--------------|-------------|--------------------------------|--------------------|
| 2 | 052032 | SADDLE SEAT TUBE | |
| 3 | 013252 | BHCS M6 X 1 X 35 BLK | |
| 4 | 250104 | WASHER FLAT M6 | |
| 5 | 200113 | NUT HEX NYLOCK M6 X 1 | |
| 6A | 052159-001 | TUBE FRAME TELESCOPE SHT | 12 -14" SEAT DEPTH |
| 6B | 052159-002 | TUBE FRAME TELESCOPE LNG | 15 -22" SEAT DEPTH |
| 7 | 054120 | COVER TELESCOPE TUBE | |
| 8 | 054108 | BUSHING LOWER FRAME | |
| 9 | 230118 | BHCS M6 X 1 X 45 BLK | |
| 10 | 054222 | BUSHING FOOTREST QUICKIE | |
| 11A | 562761 | 1" PLUG UNIVERSAL STYLE | |
| 11B | 561062 | 1" INSERT PLUG .065 RIBS | |
| 14 | 106982 | BHCS 5/16-18 X 1-3/4 SHLD ROHS | |
| 1A,8,10, 11A | 103725S | FRM GTX 12-14" LEFT | 12 -14" SEAT DEPTH |
| 1A,8,10, 11A | 103726S | FRM GTX 15-16" LEFT | 15 -16" SEAT DEPTH |
| 1A,8,10, 11A | 103727S | FRM GTX 17-18" LEFT | 17 -18" SEAT DEPTH |
| 1A,8,10, 11A | 103810S | FRM GTX 19 -20" LEFT | 19 -20" SEAT DEPTH |

| Pos. | Item Number | Description | Remarks |
|--------------|-------------|-------------------------|------------------------------|
| 1B,8,10, 11B | 103818S | FRM GTX HD 21-22" LEFT | 21 -22" SEAT DEPTH |
| 1C,8,10, 11A | 103819S | FRM GTX 12 -14" RIGHT | 12 -14" SEAT DEPTH |
| 1C,8,10, 11A | 103820S | FRM GTX 15 -16" RIGHT | 15 -16" SEAT DEPTH |
| 1C,8,10, 11A | 103821S | FRM GTX 17 -18" RIGHT | 17 -18" SEAT DEPTH |
| 1C,8,10, 11A | 103822S | FRM GTX 19 -20" RIGHT | 19 -20" SEAT DEPTH |
| 1D,8,10, 11B | 103826S | FRM GTX HD 21-22" RIGHT | 21 -22" SEAT DEPTH |
| 13,14 | 107491 | LATCH STUD KIT | |
| 15 | 560735 | 7/8" ROUND TUBE PLUG | Use in Place of SA Hanger |
| | | Ship assembled part # | Use with multiple assemblies |
| | ASSY-FRAME | FRAME ASSY REQUIRED | add with Frame kit |

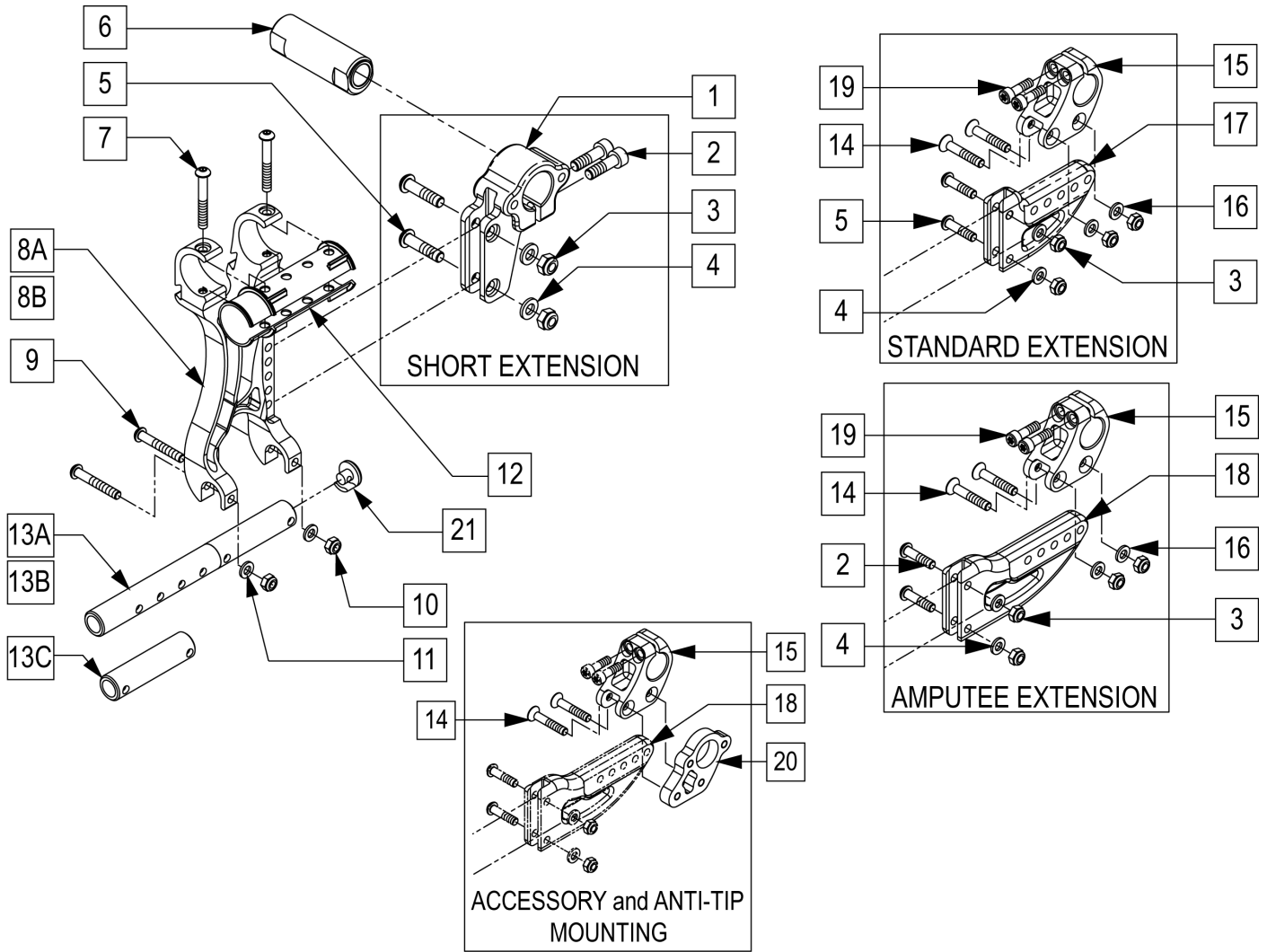
Note: All replacement frames ship with thicker tubing. If replacing standard tubing frame, the existing inserts are not needed.



| Pos. | Item Number | Description | Remarks |
|--------------|-------------|--------------------------------|--------------------|
| 2 | 052032 | SADDLE SEAT TUBE | |
| 3 | 013252 | BHCS M6 X 1 X 35 BLK | |
| 4 | 250104 | WASHER FLAT M6 | |
| 5 | 200113 | NUT HEX NYLOCK M6 X 1 | |
| 6A | 052159-001 | TUBE FRAME TELESCOPE SHT | 12 -14" SEAT DEPTH |
| 6B | 052159-002 | TUBE FRAME TELESCOPE LNG | 15 -20" SEAT DEPTH |
| 7 | 054120 | COVER TELESCOPE TUBE | |
| 8 | 054108 | BUSHING LOWER FRAME | |
| 9 | 230118 | BHCS M6 X 1 X 45 BLK | |
| 10 | 054222 | BUSHING FOOTREST QUICKIE | |
| 11A | 562761 | 1" PLUG UNIVERSAL STYLE | STD ONLY |
| 11B | 561062 | 1" INSERT PLUG .065 RIBS | HD ONLY |
| 13 | 106982 | BHCS 5/16-18 X 1-3/4 SHLD ROHS | |
| 1A,8,10, 11A | 103827S | FRM GTX HEMI 12"-14" L | 12 -14" SEAT DEPTH |
| 1A,8,10, 11A | 103828S | FRM GTX HEMI 15"-16" L | 15 -16" SEAT DEPTH |
| 1A,8,10, 11A | 103829S | FRM GTX HEMI 17"-18" L | 17 -18" SEAT DEPTH |
| 1B,8,10, 11B | 103830S | FRM GTX HD HEMI 12"-14" L | 19 -20" SEAT DEPTH |
| 1B,8,10, 11B | 103834S | FRM GTX HD HEMI 21"-22" L | 21 -22" SEAT DEPTH |
| 1C,8,10, 11A | 103835S | FRM GTX HEMI 12"-14" R | 12 -14" SEAT DEPTH |

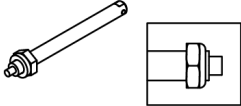
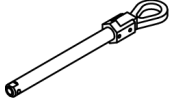
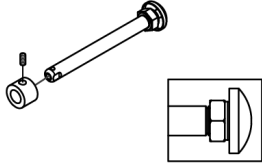
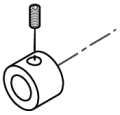
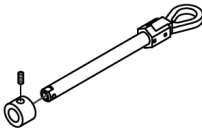
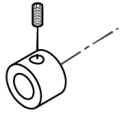
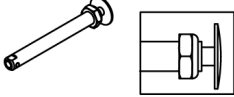
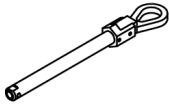
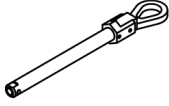
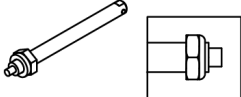
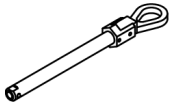
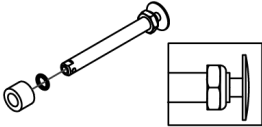

| Pos. | Item Number | Description | Remarks |
|--------------|--------------------|---------------------------|------------------------------|
| 1C,8,10, 11A | 103836S | FRM GTX HEMI 15"-16" R | 15 -16" SEAT DEPTH |
| 1C,8,10, 11A | 103837S | FRM GTX HEMI 17"-18" R | 17 -18" SEAT DEPTH |
| 1D,8,10, 11B | 103838S | FRM GTX HEMI 19"-20" R | 19 -20" SEAT DEPTH |
| 1D,8,10, 11B | 103842S | FRM GTX HD HEMI 21"-22" R | 21 -22" SEAT DEPTH |
| 12,13 | 107491 | LATCH STUD KIT | |
| 14 | 560735 | 7/8" ROUND TUBE PLUG | Use in Place of SA Hanger |
| | | Ship assembled part # | Use with multiple assemblies |
| | ASSY-FRAME | FRAME ASSY REQUIRED | add with Frame kit |

AXLE PLATE AND EXTENSION ASSM

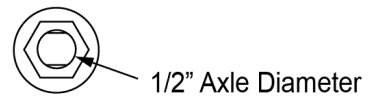
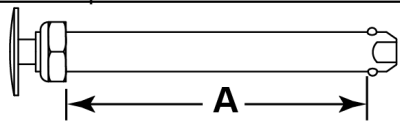


| Pos. | Item Number | Description | Remarks |
|------|-------------|------------------------------|---|
| 1 | 052300 | AXLE EXTENSION SHORT | |
| 2 | 102263-003 | SHCS M6 X 1 X 25 W/PL INORG | |
| 3 | 200113 | NUT HEX NYLOCK M6 X 1 | |
| 4 | 250104 | WASHER FLAT M6 | |
| 5 | 230043 | BHCS M6 X 25MM | |
| 6A | 052058-001 | ASSM AXLE SLEEVE SHORT 0 DEG | 0° OF CAMBER |
| 6B | 052058-002 | ASSM AXLE SLEEVE SHORT 2 DEG | 2° OF CAMBER |
| 6C | 052058-003 | ASSM AXLE SLEEVE SHORT 4 DEG | 4° OF CAMBER |
| 7 | 230118 | BHCS M6 X 1 X 45 BLK | |
| 8A | 052186 | AXLE PLATE, RIGHT | RIGHT |
| 8B | 052187 | AXLE PLATE, LEFT | LEFT |
| 9 | 102262-006 | BHCS M6 X 1 X 40 INORGANIC | |
| 10 | 200113 | NUT HEX NYLOCK M6 X 1 | |
| 11 | 250104 | WASHER FLAT M6 | |
| 12 | 052051 | SPACER AXLE PLATE | |
| 13A | 052159-001 | TUBE FRAME TELESCOPE SHT | USED FOR S/A FRONT FRAME CHAIRS W/ 12"-14" SEAT DEPTH |
| 13B | 052159-002 | TUBE FRAME TELESCOPE LNG | USED FOR S/A FRONT FRAME CHAIRS W/ 15"-22" SEAT DEPTH |

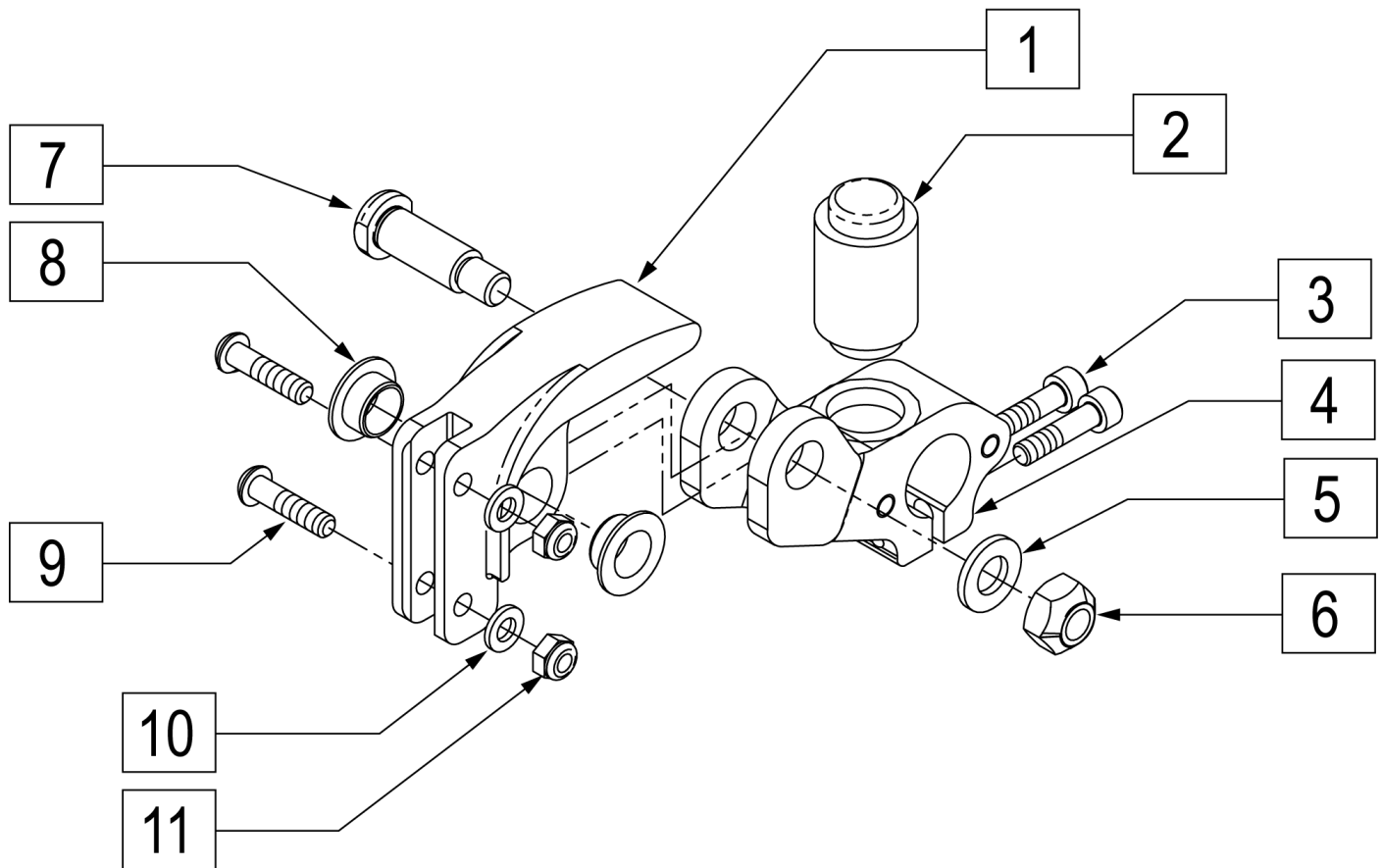
| Pos. | Item Number | Description | Remarks |
|--------------------|-------------|-----------------------------|---|
| 13C | 052059 | TUBE INNER LOWER PIVOT | USED FOR FIXED FRONT FRAME CHAIRS |
| 14 | 103500-010 | FHCS M6 X 1 X 35 BLK | |
| 15 | 052122 | CLAMP AXLE SLEEVE | |
| 16 | 052158 | WASHER CONE M6 | |
| 17 | 052413 | EXTENSION AXLE PLATE MED | STANDARD AXLE PLATE |
| 18 | 052414 | EXTENSION AXLE PLATE AMP | AMPUTEE AXLE PLATE |
| 19 | 102263-002 | SHCS M6 X 1 X 20MM BLK | |
| 20 | 052151 | PLATE ADAPTER ANTI TIP | Required on Std and Amputee if Anti-tips, Crutch Holder or Travel Wheels are used |
| 21 | 054114 | COVER AXLE PLATE | |
| 1-5 | 107109 | GTX AXLE PLATE SHT EXT ASSM | SHORT EXTENSION - 1 SIDE |
| 1-5 | 107110 | GTX AXLE PLATE SHT EXT KIT | SHORT EXTENSION - PAIR |
| 3-5,14-17,19 | 107111 | GTX AXLE PLATE STD EXT ASSM | STANDARD EXTENSION - 1 SIDE |
| 3-5,14-17,19 | 107112 | GTX AXLE PLATE STD EXT KIT | STANDARD EXTENSION - PAIR |
| 2-4,14-16,18,19 | 107113 | GTX AXLE PLATE AMP EXT ASSM | AMPUTEE EXTENSION - 1 SIDE |
| 2-4,14-16,18,19 | 107114 | GTX AXLE PLATE AMP EXT KIT | AMPUTEE EXTENSION - PAIR |
| 2,3,11,14,15,19,20 | 107115 | GTX AXLE PLT AMP W/ACS ASSM | AMPUTEE W/ ACCESSORY MOUNT - 1 SIDE |
| 2,3,11,14,15,19,20 | 107116 | GTX AXLE PLT AMP W/ACS KIT | AMPUTEE W/ ACCESSORY MOUNT - PAIR |
| 3-5,14,15,17,19,20 | 107117 | GTX AXLE PLT STD W/ACS ASSM | STANDARD W/ ACCESSORY MOUNT - 1 SIDE |
| 3-5,14,15,17,19,20 | 107118 | GTX AXLE PLT STD W/ACS KIT | STANDARD W/ ACCESSORY MOUNT - PAIR |

| Wheel Type | Axle Type | Axle P/N | Spacer P/N | |
|---|---|--|--|---|
| Mag Wheels (with 0,2, or 4 Camber & .75 or 1.00 Axle Spacing) (with 2 or 4 Camber & 1.25 Axle Spacing) | Quick Release | 1A  | 052303 "A" = 3 1/2" | N/A |
| | Quad Quick Release | 1B  | 107138 "A" = 3 1/2" | N/A |
| 6 Spoke Mags (with 0 Camber 1.50 or 1.75 Axle Spacing) | Quick Release | 1C  | 102063 "A" = 4 1/4" | 2A 920117  |
| 6 Spoke Mags (w/2 or 4 Camber 1.25, 1.50 or 1.75 Axle Spacing) | | 1D  | 920171 "A" = 4 1/4" | 2A 920117  |
| Standard Spoke Wheels & Spinergy Wheels | Quick Release | 1E  | 052008 "A" = 4" | N/A |
| | Quad Quick Release (N/A with Spinergy) | 1F  | 107138 "A" = 3 1/2" | N/A |
| Quickie Performance Wheels | Quad Quick Release (Steel) | 1G  | 922170 "A" = 4 1/2" | N/A |
| | Quick Release (Ti) | 1H  | 920912 "A" = 4 3/8" | N/A |
| | Quad Quick Release (Ti) | 1J  | 107139 "A" = 4 3/8" | N/A |
| Ultra Light Wheels (N/A with Quad Quick Release) | Quick Release | 1K  | 100793 Order Spacer "A" = 4 1/2" | 2C 103093  2B 100768-001 |

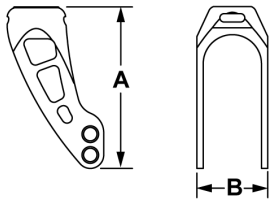
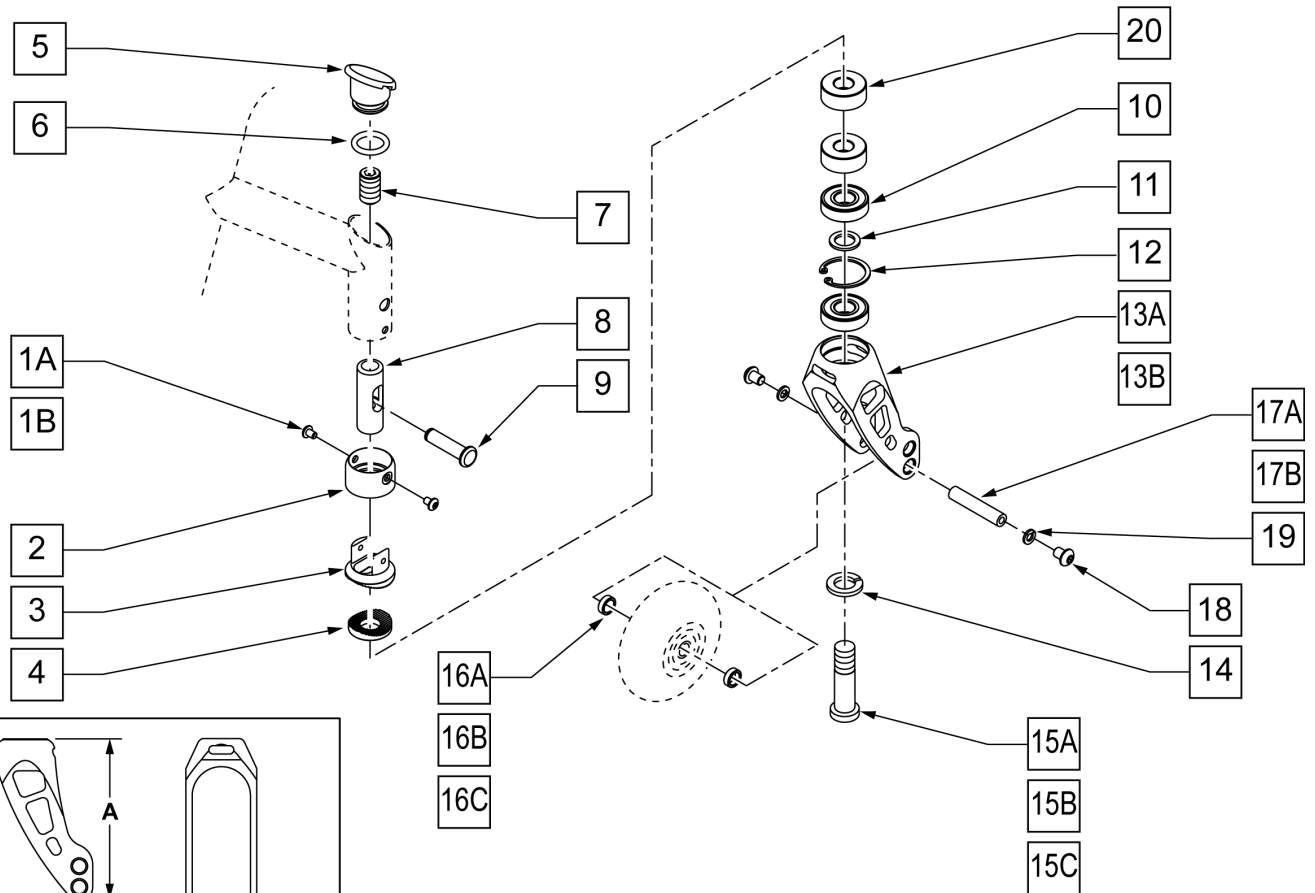
Quick Release Measuring Guide



| Pos. | Item Number | Description | Remarks |
|------|-------------|--------------------------------|-------------------|
| 1A | 052303 | QR AXLE MAG SHT W/NUT | |
| 1B | 107138 | QR AXLE MAG SHT W/QUAD | |
| 1C | 102063 | QR AXLE MAG W/M-12 NUT | |
| 1D | 920171 | QR AXLE MAG W/QUAD NUT | |
| 1E | 052008 | AXLE QUICK REL & NUT SHOR | |
| 1F | 107138 | QR AXLE MAG SHT W/QUAD | N/A with Spinergy |
| 1G | 922170 | QR AXLE W/QUAD NUT PUSH BUTTON | |
| 1H | 920912 | AXLE QR TI SHORT W/NUT | |
| 1j | 107139 | AXLE QR TI SHORT W/QUAD | |
| 1k | 100793 | AXLE QR SHORT ULTRALITE | |
| 2A | 920117 | MAG SPACER 6S W/SET SCREW | |
| 2B | 100768-001 | SPACER AXLE 220DX12.71DX7MM | |
| 2C | 103093 | O-RING 1/2"IDX11/16"OD BUNA-N | |



| Pos. | Item Number | Description | Pos. | Item Number | Description |
|------|-------------|-------------------------------|------|-------------|-----------------------------|
| 1 | 052180 | EXTENSION AXLE PLT SUSPENSION | 9 | 230043 | BHCS M6 X 25MM |
| 2 | 050098-001 | ELASTOMER SUSPENSION 55A | 10 | 250104 | WASHER FLAT M6 |
| 2 | 050098-002 | ELASTOMER SUSPENSION 65A | 11 | 200113 | NUT HEX NYLOCK M6 X 1 |
| 2 | 050098-003 | ELASTOMER SUSPENSION 75A | 1,8 | 101435 | ASSY AXLE PLATE EXT SUSP |
| 3 | 102263-003 | SHCS M6 X 1 X 25 W/PL INORG | 1-11 | 101436-001 | ASSY SUSPENSION R 0-100LB |
| 4 | 052181 | CLAMP PIVOT SUSPENSION | 1-11 | 101436-002 | ASSY SUSPENSION R 101-190LB |
| 5 | 101432 | WASHER FLAT M10 | 1-11 | 101436-003 | ASSY SUSPENSION R 191-250LB |
| 6 | 101429 | NUT STOVER M10 | 1-11 | 101437-001 | ASSY SUSPENSION L 0-100LB |
| 7 | 052182 | PIN PIVOT SUSPENSION | 1-11 | 101437-002 | ASSY SUSPENSION L 101-190LB |
| 8 | 101433 | BEARING IGUS FLG .500 X .312 | 1-11 | 101437-003 | ASSY SUSPENSION L 191-250LB |



FORK MEASURING GUIDE

| FORK | "A" | "B" | PART # |
|-------|--------|--------|--------|
| SHORT | 3 7/8" | 1 5/8" | 922111 |
| WIDE | 4 7/8" | 2 1/8" | 050150 |

NOTE: ITEM 1A, 230459 IS USED WITH ITEM 2 ON THE FIXED FRONT CHAIR.
 ITEM 1B, 230110 IS USED WITHOUT ITEM 2 ON THE SWING-AWAY CHAIR.

NOTE: PLEASE REFER TO THE ATTACHED MATRIX TO DETERMINE FRONT SEAT HEIGHT ON SWING-AWAY "STANDARD" OR "HEMI" FRAMES.

| Pos. | Item Number | Description | Remarks |
|------|-------------|----------------------------------|-----------------------------|
| 1A | 102257 | BHCS M4 x.7 x 8 INORG | FIXED FRAME ONLY |
| 1B | 230110 | BHCS M4 x .7 x 6 BLK W/PL | S/A FRAME ONLY |
| 2 | 050039 | CUP SPLINE ANG ADJ | NOT USED ON S/A FRONT FRAME |
| 3 | 502050 | SPLINE, CASTER, ANGLE ADJ, UPPER | |
| 4 | 502051 | SPLINE, CASTER, ANGLE ADJ, LOWER | |
| 5 | 050087 | CASTER CAP ANGLE ADJ | |
| 6 | 050074 | O-RING .625 ID X .125W | |
| 7 | 050134 | SET SCREW M12 X 20MM LG FLT PT | |
| 8 | 050041 | BARREL PIVOT ANG ADJ | |
| 9 | 050040 | PIN PIVOT ANG ADJ | |

| Pos. | Item Number | Description | Remarks |
|----------------------|-------------|---|---|
| 10 | 349104 | BEARING 28mm OD 12mm ID 8mm THK | |
| 11 | 265162 | WSHR FLT 18MM OD 12MM ID 1.5MM | |
| 12 | 342093 | RING SNAP INTERNAL 28MM | |
| 14 | 265161 | WASHER, LOCK, M12 | |
| 15A | 481398 | SHCS, M12 x 1.75, ANGLE ADJ | STD (S/A & FIXED FRT) |
| 15B | 481399 | SHCS M12 2.25 ANGLE ADJ-SWING AWAY | +5 (S/A FRT ONLY) SEE MATRIX TO DETERMINE CORRECT REPLACEMENT STEM |
| 15C | 481571 | SHCS M12X2.75 LONG ANGLE ADJ-SWING AWAY | + 1 (S/A FRT ONLY) SEE MATRIX TO DETERMINE CORRECT REPLACEMENT STEM |
| 16A | 481353 | SPACER, BEARING | STD FORK SPACERS |
| 16B | 050043-001 | SPCR BRNG CSTR 9.65MM | WIDE FORK SPACERS |
| 16C | 050043-002 | SPCR BRNG CSTR 2.20MM | WIDE FORK SPACERS W/ SOFT ROLL CASTERS |
| 17A | 481483 | AXLE, CASTER, 1.58 LG | USED W/ STD FORK, 1 1/2" LONG |
| 17B | 050042 | AXLE CASTER 52MM | USED W/ WIDE FORK, 2" LONG |
| 18 | 013143 | BHCS M5 X .8 X 14 BLK W/PL | |
| 19 | 262132 | WASHER, LOCK, M5 | |
| 20 | 483275 | SPACER, CASTER, ANGLER ADJ .50 | +0.5 CASTER STEM = 1 SPACER +1.0 CASTER STEM = 2 SPACERS |
| 1A-9,14,15A | 050224 | SPLINE CASTER HDWR KIT | FIXED FRONT ONLY |
| 10-12,13A,16A,17A-19 | 050222 | ASSM INTGRL FORK W/ AXLE SHORT BLK | |
| 10-12,13B,16B,17B-19 | 050223 | ASSM INTGRL FORK W/ AXLE WD BLK | |
| 10-12,13C,16C,17B-19 | 050231 | ASSM INTGRL FORK W/ AXLE WD SFT RL | |

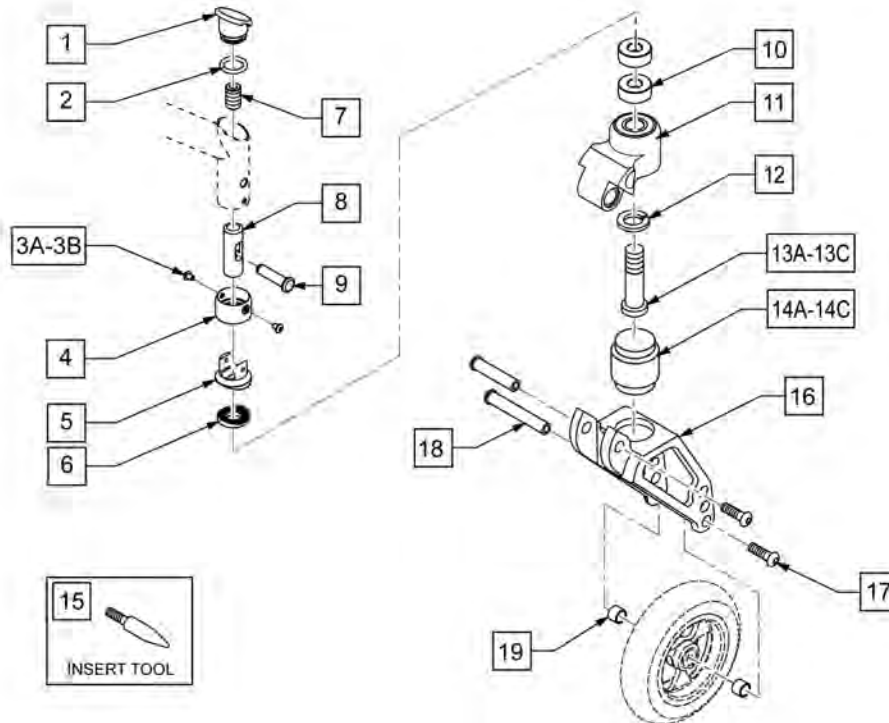
| Pos. | Item Number | Description | Remarks |
|---------------------|-------------|---------------------------------|----------------------------|
| 10-13A | 922111 | ASSM INTGRL BRNG FORK SHORT BLK | |
| 10-13B | 050150 | ASSM FORK INTGRL BEARING WIDE | |
| 1B, 3 -9,14,15A | 116087 | SPLINE CASTER HDWR KIT STD S/A | S/A FRONT STD STEM ONLY |
| 1B, 3 -9,14,15B, 20 | 116088 | SPLINE CASTER HDWR KIT +.5 S/A | S/A FRONT +.5 STEM ONLY |
| 1B, 3 -9,14,15C ,20 | 116089 | SPLINE CASTER HDWR KIT +1 S/A | S/A FRONT +1 STEM ONLY |

NOTE: Item 3A, 230459 is used w/ item 4 (050039) on the fixed front chair. Item 3B, 230110 is used without item 4 (050039) on the swing-away chair.

NOTE: Please refer to the attached matrix to determine front seat height on swing-away "Standard" or "Hemi" frames.

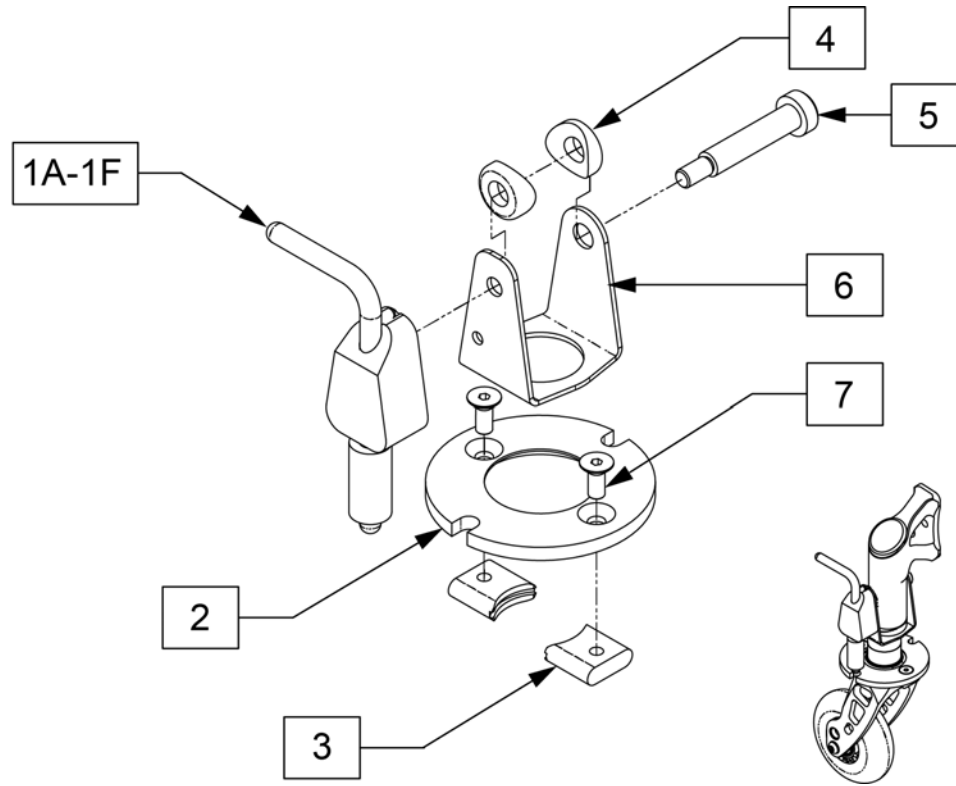
NOTE: Items 15 and 18 used to aid in aligning the upper and lower fork assembly during Frog Leg assembly and elastomer replacement. See instruction sheet for details.

NOTE: Frog Legs will ship unassembled to facilitate replacement of the Caster Stem.

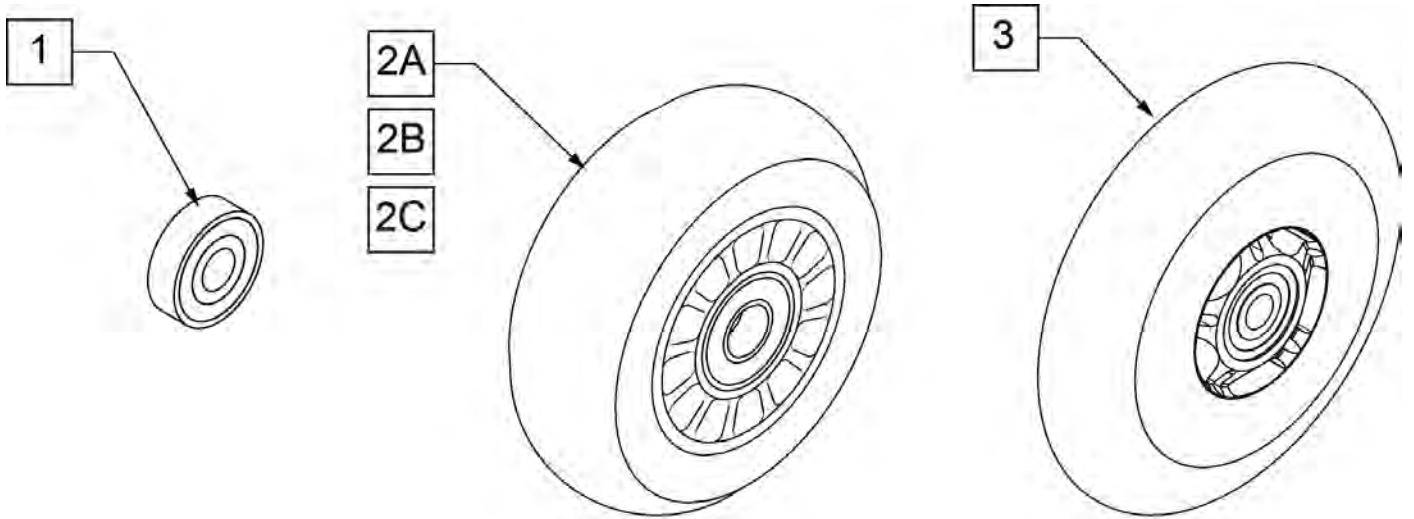


| Pos. | Item Number | Description | Remarks |
|----------|-------------|--------------------------------|---|
| 1 | 050087 | CASTER CAP ANGLE ADJ | |
| 2 | 050074 | O-RING .625 ID X .125W | |
| 3A | 102257 | BHCS M4 X .7 X 8 INORGANIC | Fixed Frame only |
| 3B | 230110 | BHCS M4 X .7 X 6 BLK W/PL | S/A Frame only |
| 4 | 050039 | CUP SPLINE ANG ADJ | not used on S/A Front frame |
| 5 | 502050 | SPLINE CSTR ANGLE ADJ UPPR | |
| 6 | 502051 | SPLINE CSTR ANGLE ADJ LWR | |
| 7 | 050134 | SET SCREW M12 X 20MM LG FLT PT | |
| 8 | 050041 | BARREL PIVOT ANG ADJ | |
| 9 | 050040 | PIN PIVOT ANG ADJ | |
| 10 | 483275 | SPACER, CSTR, ANGLER ADJ .50 | |
| 11,16-19 | 050155 | FORK FROG LEGS INT BRNG | |
| 12 | 107359 | WASHER SPLIT LOCK M12 ROHS | |
| 13A | 481398 | SHCS, M12 x 1.75, ANGLE ADJ | STD (S/A & Fixed frnt) |
| 13B | 481399 | SHCS M12 2.25 ANGLE ADJ | +5 (S/A Frnt only) See Matrix for Correct Replacement stem |
| 13C | 481571 | SHCS M12X2.75 LNG ANG ADJ-SA | + 1 (S/A Frnt only) See Matrix for Correct Replacement stem |
| 14A | 050156-001 | ELASTOMER FROGLEGS SOFT | User Weight 0 -100 Lbs |
| 14B | 050156-002 | ELASTOMER FROGLEGS MEDIUM | User Weight 101 -190 Lbs |

| Pos. | Item Number | Description | Remarks |
|--------------|--------------------|-------------------------------|--------------------------|
| 14C | 050156-003 | ELASTOMER FROGLEGS FIRM | User Weight 191 -265 Lbs |
| 15 | 116351 | FROG LEG FORK ASSEMBLY TOOL | |
| 11,14A,16-19 | 050225-001 | FORK FROGLEGS INT BRNG SOFT | User Weight 0 -100 Lbs |
| 11,14B,16-19 | 050225-002 | FORK FROGLEGS INT BRNG MEDIUM | User Weight 101 -190 Lbs |
| 11,14C,16-19 | 050225-003 | FORK FROGLEGS INT BRNG FIRM | User Weight 191 -265 Lbs |

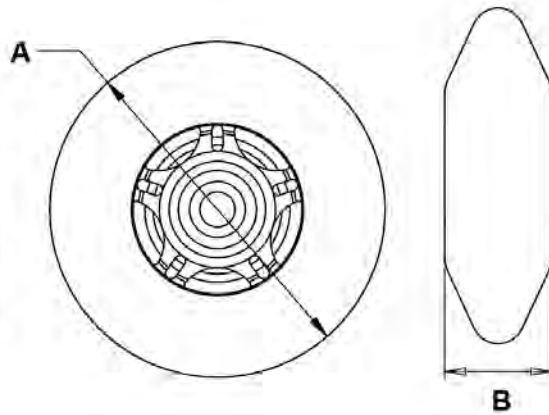


| Pos. | Item Number | Description | Remarks |
|--------|-------------|--------------------------------|--------------------|
| 1A | 052310-001 | BLOCK ASSY CSTR PIN LCK R STD | |
| 1B | 052311-001 | BLOCK ASSY CSTR PIN LCK L STD | |
| 1C | 052310-002 | BLOCK ASSY CSTR PIN LCK R+.5 | |
| 1D | 052311-002 | BLOCK ASSY CSTR PIN LCK L+.5 | |
| 1E | 052310-003 | BLOCK ASSY CSTR PIN LOCK R+1 | |
| 1F | 052311-003 | BLOCK ASSY CSTR PIN LCK +1 | |
| 2 | 132532 | PLATE, CASTER LOCK, 39MM DIA | |
| 3 | 050050 | KEY CASTER LOCK ANG ADJ | |
| 4 | 050053 | SADDLE 17.8MM OD 8MM HOLE | |
| 5 | 050133 | SHOULDER SCREW 8MMOD X 35MM LG | |
| 6 | 052172 | YOKE CASTER PIN LOCK | |
| 7 | 102261 | FHCS M5 X 12 INORGANIC | |
| 1A,2-7 | 102149-001 | ASSY CASTER PIN LOCK R STD | Right GT, GTi, GTX |
| 1B,2-7 | 102150-001 | ASSY CASTER PIN LOCK L STD | Left, GT, GTi, GTX |
| 1C,2-7 | 102149-002 | ASSY CASTER PIN LOCK R+.5 | Right, GTX only |
| 1D,2-7 | 102150-002 | ASSY CASTER PIN LOCK L+.5 | Left, GTX only |
| 1E,2-7 | 102149-003 | ASSY CASTER PIN LOCK R+1 | Right, GTX only |
| 1F,2-7 | 102150-003 | ASSY CASTER PIN LOCK L+1 | Left, GTX only |



**CASTER
MEASURING GUIDE**

| PART NUMBER | "A" TIRE DIAMETER | "B" HUB WIDTH |
|-------------|-------------------|---------------|
| 400108 | 4.0 | 1.0 |
| 400107 | 3.0 | 1.0 |
| 052129 | 4.7 | 1.0 |

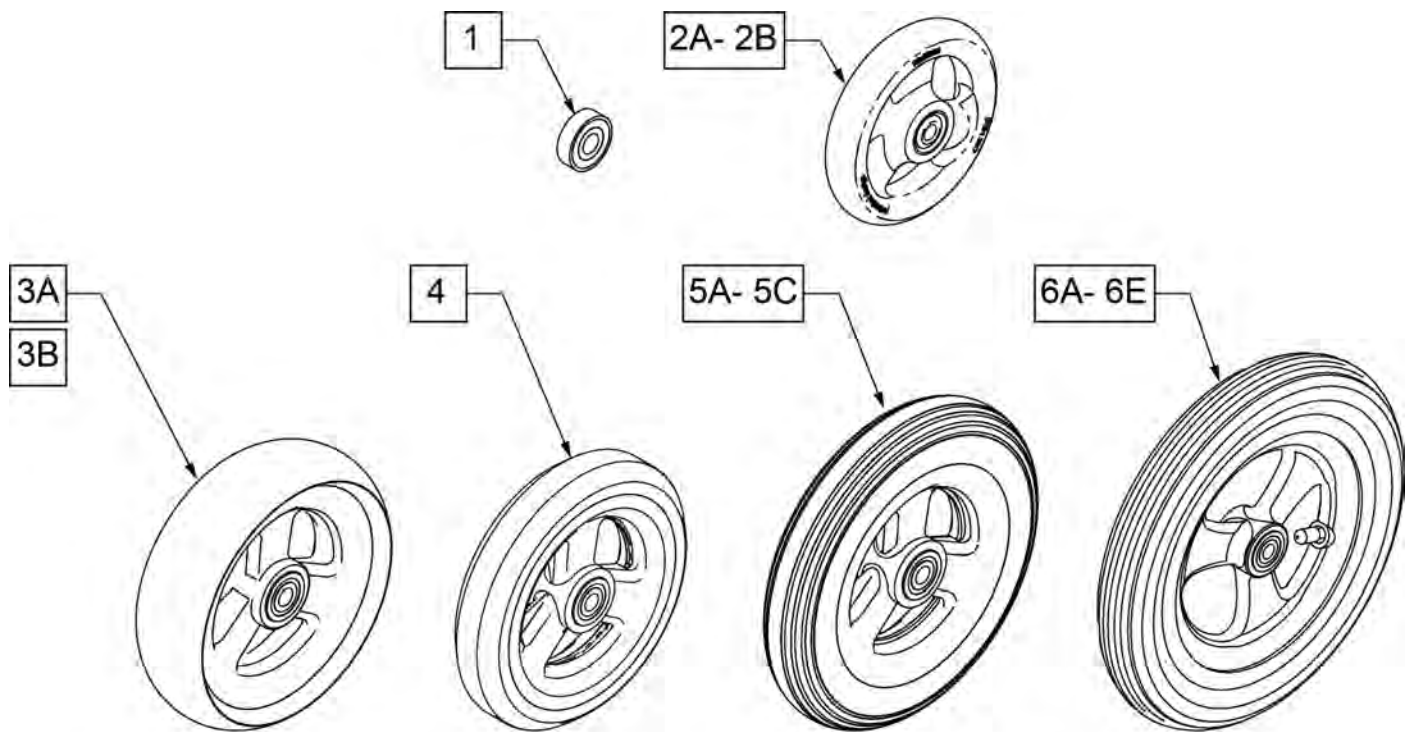


| Pos. | Item Number | Description | HCPC | Remarks |
|------|-------------|----------------------------------|-------|------------------|
| 1 | 349502 | 7/8"x 5/16" BEARING | | |
| 2A | 400108 | 4" MICRO CASTER LIGHTED | K0077 | 4" MICRO LIGHTED |
| 2B | 920025 | 3" MICRO CASTER W/ BEARING -PAIR | K0077 | PAIR 3" MICRO |
| 2C | 400107 | 3" MICRO CASTER LIGHTED | K0077 | 3" MICRO LIGHTED |
| 3 | 052129 | 5" MICRO CASTER LIGHTED | K0077 | 5" MICRO LIGHTED |

NOTE: 7" and 8" Casters are not available on the Q2 or the GT.

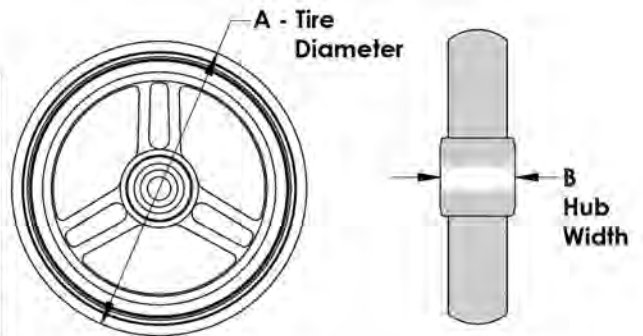
Note: If using 6" casters on Q7, Anti Flutter should be installed. See Standard Multi Position Fork page.

Note: Casters wider than 1" will not fit on Quickie Ti Titanium forks.

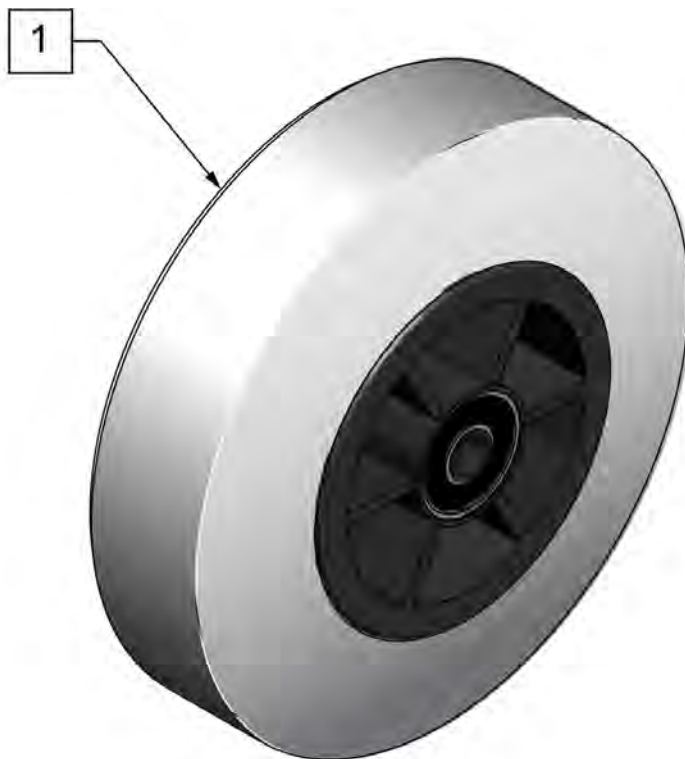
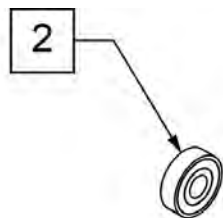


CASTER MEASURING GUIDE

| PART NUMBER | "A" TIRE DIAMETER | "B" HUB WIDTH | PART NUMBER | "A" TIRE DIAMETER | "B" HUB WIDTH |
|-------------|-------------------|---------------|-------------|-------------------|---------------|
| 101957 | 4.3 | 1.0 | 101256 | 5.75 | 1.0 |
| 101098 | 4.0 | 1.0 | 101257 | 5.9 | 1.0 |
| 101259 | 4.9 | 1.0 | 400212 | 8.0 | 1.0 |
| 101255 | 5.7 | 1.0 | 400213 | 7.8 | 1.0 |
| 101254 | 4.9 | 1.0 | 400214 | 6.9 | 1.0 |
| | | | 400215 | 7.25 | 1.0 |

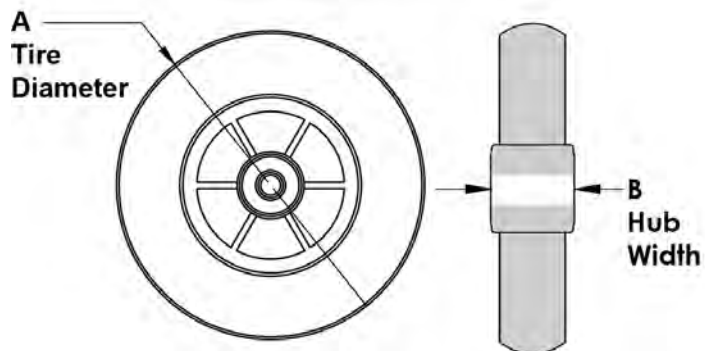


| Pos. | Item Number | Description | Remarks |
|------|-------------|--------------------------------|--------------------------|
| 1 | 349502 | 7/8"x 5/16" BEARING | |
| 2A | 101957 | 4"X1-1/4 POLY 3 SPOKE CSTR | 4" X 1.25 SEMI-PNEUMATIC |
| 2B | 101098 | CASTER 4" PLASTIC/POLY W/BRG | 4" LOW PROFILE POLY |
| 3A | 101259 | 5"X1-1/2" POLY 3 SPOKE CSTR | 5" x 1.5" SEMI-PNEUMATIC |
| 3B | 101255 | 6"X1-1/2" POLY 3 SPOKE CSTR | 6" x 1.5" SEMI-PNEUMATIC |
| 4 | 101254 | 5" LOW POLY 3 SPOKE CASTER | 5" LOW PROFILE POLY |
| 5A | 101256 | 6" SEMI PNEU 3 SPOKE CASTER | 6" POLY |
| 5B | 101257 | 6" PNEUMATIC 3 SPOKE CASTER | 6" PNEUMATIC |
| 5C | 383245 | 6" PNEUMATIC TIRE & TUBE | |
| 6A | 400212 | CASTER 8" PNEU 3 SPK ASSM | 8" PNEUMATIC |
| 6B | 400213 | CASTER 8" POLY 3 SPK ASSM | 8" POLY |
| 6C | 400214 | CASTER 8" LOW POLY 3 SPK ASSM | 7" x LOW PROFILE POLY |
| 6D | 383255 | 8" PNEUMATIC TIRE & TUBE | |
| 6E | 400215 | CASTER 8" WIDE POLY 3 SPK ASSM | 8" x 1.5" LOW POLY |



**CASTER
MEASURING GUIDE**

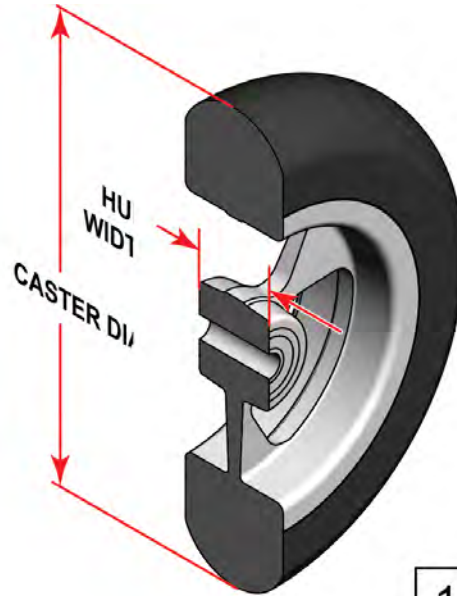
| "A" TIRE DIAMETER | "B" HUB WIDTH |
|-------------------------|---------------------|
| 4.9" | 1.5" |



| Pos. | Item Number | Description | HPCP | Remarks |
|------|-------------|-----------------------------|-------|-------------------------------|
| 1 | 400103 | CASTER 5" SOFT ROLL W/BRNGS | K0077 | 5" SOFT ROLL SEMI PNEU (GREY) |
| 2 | 349502 | 7/8"x 5/16" BEARING | | |

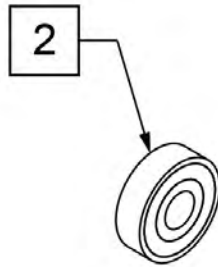


SIDE VIEW



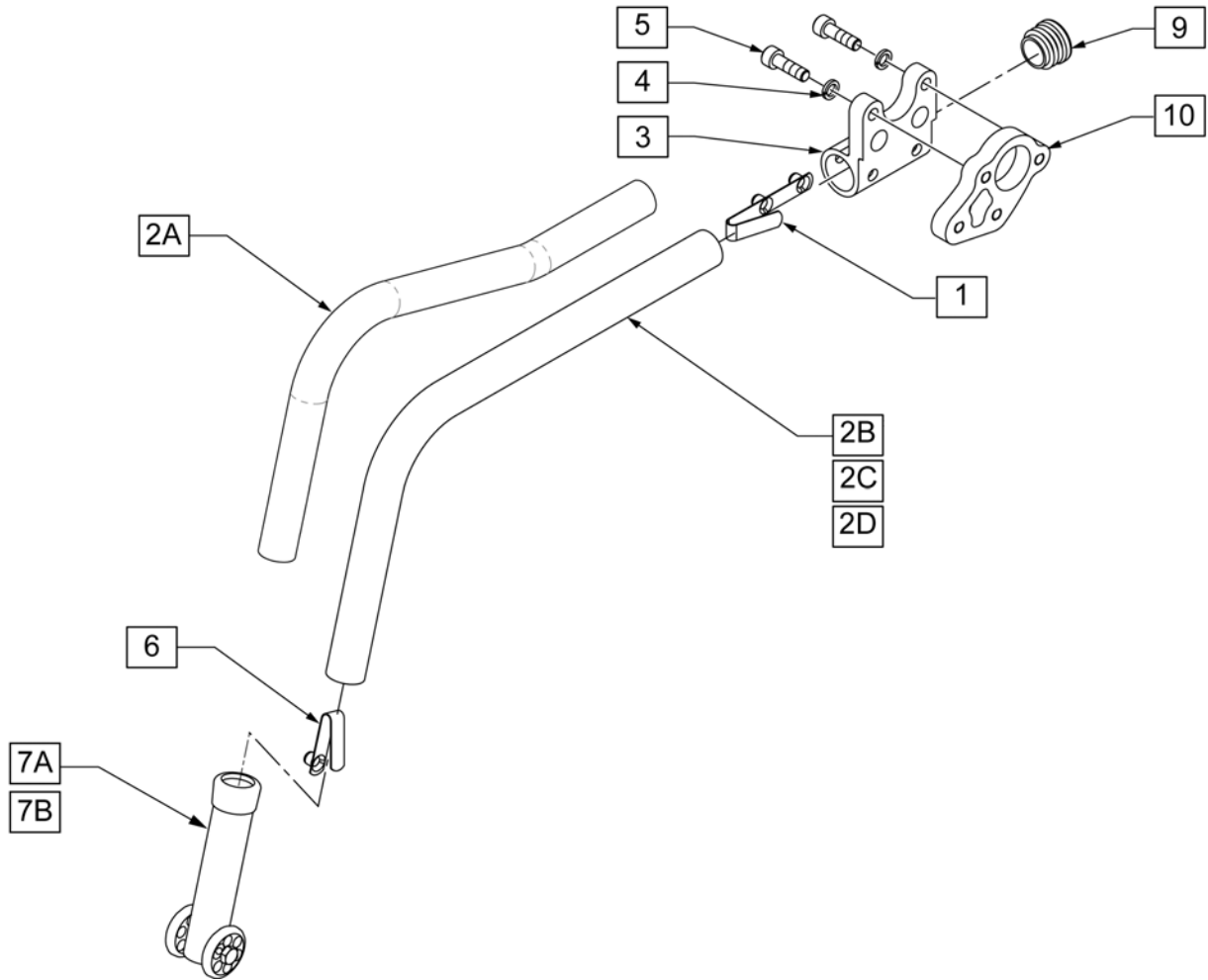
**CASTER
MEASURING GUIDE**

| TIRE DIAMETER | HUB WIDTH |
|---------------|-----------|
| 3 | 1 |
| 4 1/8 | 1 |
| 5 | 1 |
| 6 | 1 |

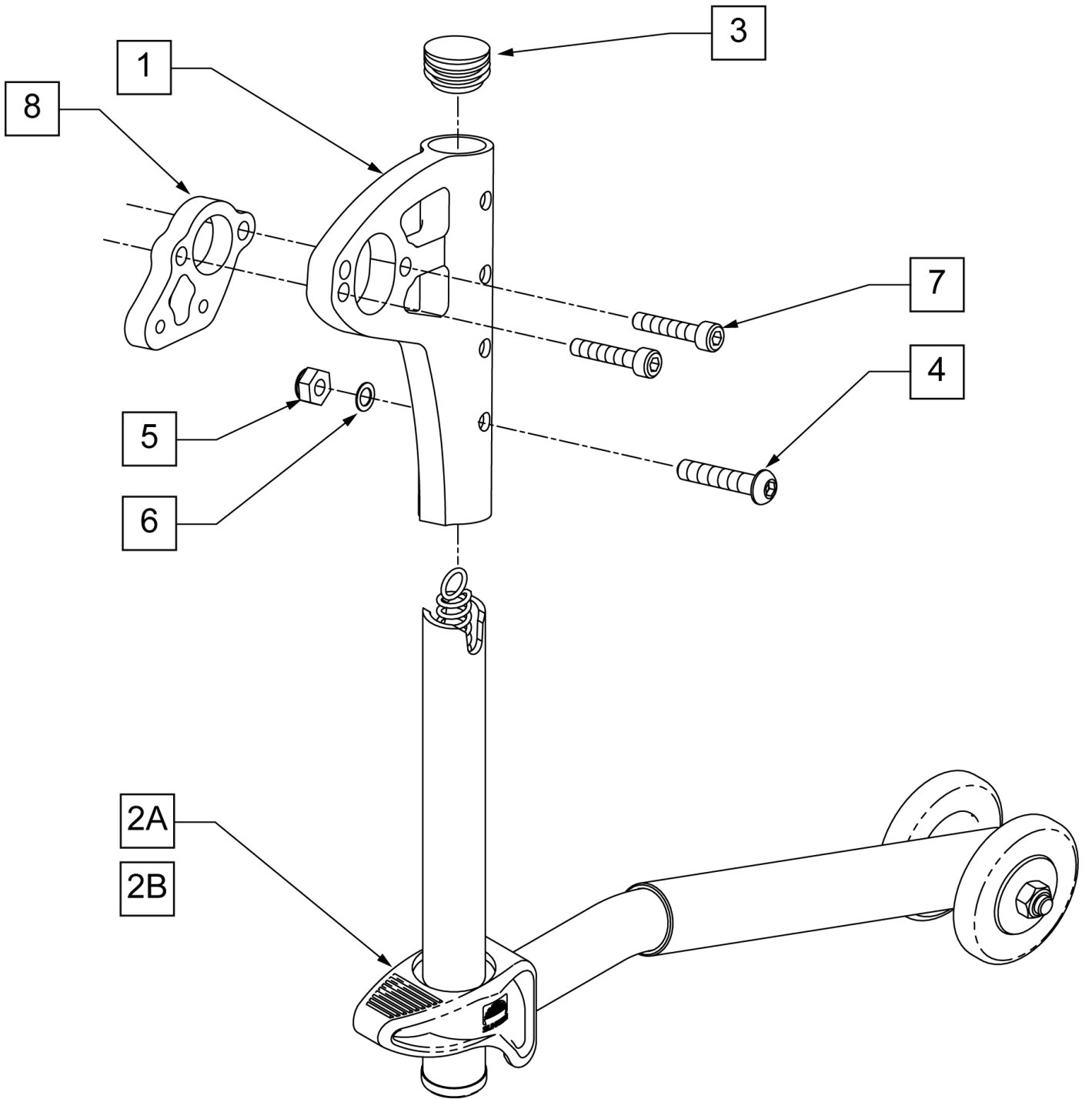


| Pos. | Item Number | Description | HCPC | Remarks |
|------|-------------|----------------------------------|-------|--|
| 1 | 113394 | WHEEL CASTER 3" ULTRALITE SFTRLL | K0077 | 3" x 1.5" Aluminum Soft Roll - Black Tire - Silver Hub |
| 1 | 113395 | WHEEL CASTER 4" ULTRALITE SFTRLL | K0077 | 4" x 1.5" Aluminum Soft Roll - Black Tire - Silver Hub |
| 1 | 113396 | WHEEL CASTER 5" ULTRALITE SFTRLL | K0077 | 5" x 1.5" Aluminum Soft Roll - Black Tire - Silver Hub |
| 1 | 113397 | WHEEL CASTER 6" ULTRALITE SFTRLL | K0077 | 6" x 1.5" Aluminum Soft Roll - Black Tire - Silver Hub |
| 2 | 349502 | 7/8" X 5/16" BEARING | | |

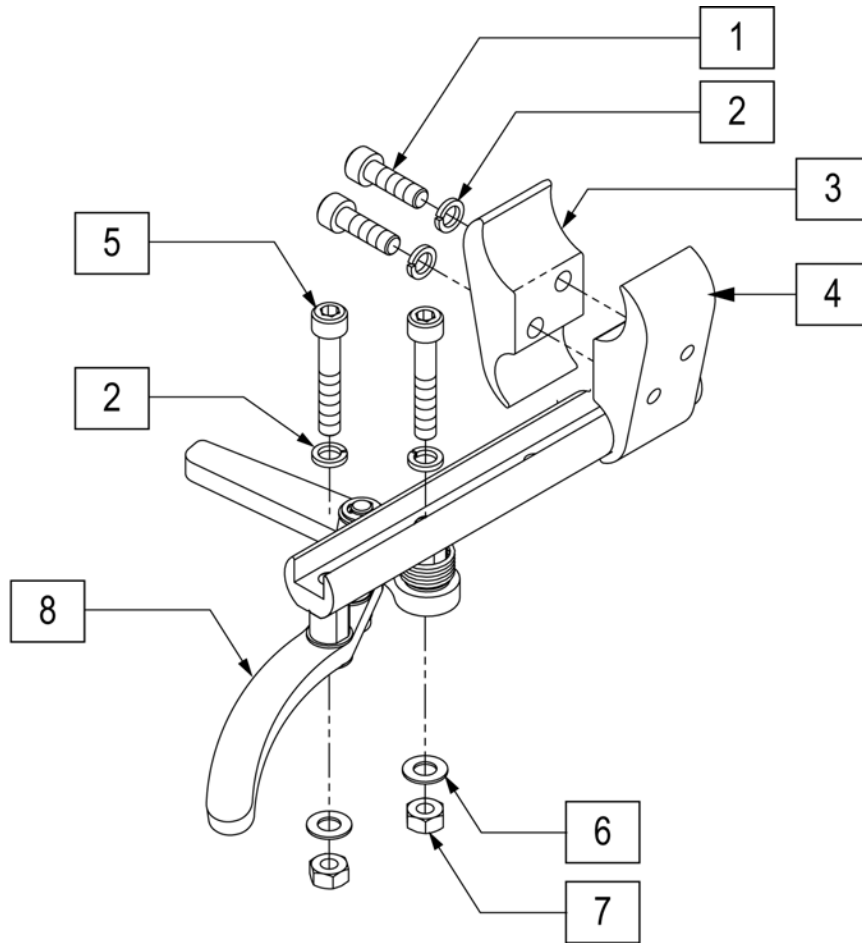
NOTE: ITEM 10 USED WHEN ADDING ANTI-TIPS ONTO A CHAIR WITH OUT ANTI-TIPS.



| Pos. | Item Number | Description | Remarks | Pos. | Item Number | Description | Remarks |
|--------|-------------|----------------------------|---------|-----------|-------------|------------------------------|---------|
| 1 | 301109 | SNAP BUTTON DUAL ONE SIDE | | 7A | 104157 | ANTI TIP ARM ADJUSTER | |
| 1,2A,6 | 104219-002 | ANTI TIP TUBE ASSY CRVD RH | RIGHT | 7B | 104639 | ANTI TIP ARM ADJ. MED | |
| 1,2A,6 | 104219-001 | ANTI TIP TUBE ASSY CRVD LH | LEFT | 9 | 560735 | 7/8" ROUND TUBE PLUG | |
| 1,2B,6 | 104221-002 | ANTI TIP ARM SML RGT | RIGHT | 10 | 052151 | PLATE ADAPTER ANTI-TIP | |
| 1,2B,6 | 104221-001 | ANTI TIP ARM SML LFT | LEFT | 1,2A,6,7A | 050172-001 | REAR ANTI TIP ASSM 20" RIGHT | |
| 1,2C,6 | 104221-004 | ANTI TIP ARM MED RGT | RIGHT | 1,2B,6,7A | 050172-002 | REAR ANTI TIP ASSM 22" RIGHT | |
| 1,2C,6 | 104221-003 | ANTI TIP ARM MED LFT | LEFT | 1,2C,6,7B | 050172-003 | REAR ANTI TIP ASSM 24" RIGHT | |
| 1,2D,6 | 104221-006 | ANTI TIP ARM LRG RGT | RIGHT | 1,2D,6,7B | 050172-004 | REAR ANTI TIP ASSM 26" RIGHT | |
| 1,2D,6 | 104221-005 | ANTI TIP ARM LRG LFT | LEFT | 1,2A,6,7A | 050173-001 | REAR ANTI TIP ASSM 20" LEFT | |
| 3 | 052116 | RECEIVER ANTI-TIP | | 1,2B,6,7A | 050173-002 | REAR ANTI TIP ASSM 22" LEFT | |
| 4 | 050129-001 | LOCKWASHER HIGH COLLAR M6 | | 1,2C,6,7B | 050173-003 | REAR ANTI TIP ASSM 24" LEFT | |
| 5 | 102263-002 | SHCS M6 X 1 X 20 BLK | | 1,2D,6,7B | 050173-004 | REAR ANTI TIP ASSM 26" LEFT | |
| 6 | 301100 | SNAP BUTTON 1/4IN SINGLE | | | | | |



| Pos. | Item Number | Description |
|-------------|--------------------|---------------------------------|
| 1 | 052185 | RECEIVER ANTI-TIP SWING-AWAY |
| 2A | 000 859 212 | ANTI-TIP TUBE S/A CMPLT 20 -22" |
| 2B | 000 859 202 | ANTI-TIP TUBE S/A CMPLT 24 -26" |
| 3 | 560735 | 7/8" ROUND TUBE PLUG |
| 4 | 102262-005 | BHCS M6 x 1 x 30 INORGANIC |
| 5 | 200113 | NUT HEX NYLOCK M6 |
| 6 | 262130 | 6mm WASHER WAVE |
| 7 | 102260-001 | SHCS M5 x .8 x 18 INORGANIC |
| 8 | 52151 | PLATE ADAPTER ANTI-TIP |
| 1,2A,3-7 | 104978 | ASSY ANTI-TIP S/A 20 -22" GTX |
| 1,2B,3-7 | 104979 | ASSY ANTI-TIP S/A 24 -26" GTX |

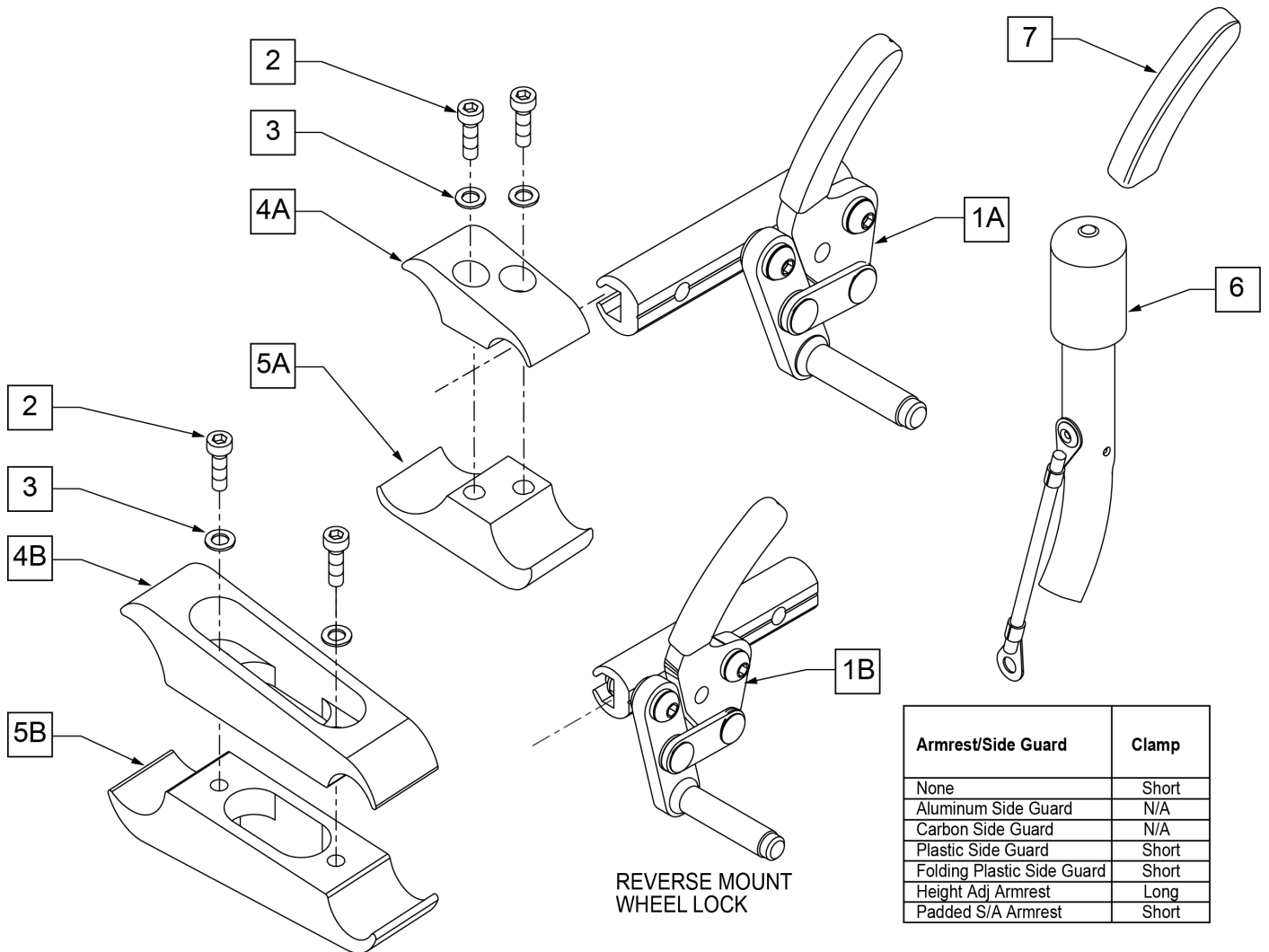


| Pos. | Item Number | Description |
|-------|-------------|------------------------------|
| 1 | 102263-002 | SHCS M6 X 1 X 20 BLK |
| 2 | 050129-001 | LOCKWASHER HIGH COLLAR M6 |
| 3 | 050120 | CLAMP WHL LCK MALE |
| 4 | 050121 | CLAMP WHL LCK FEMALE |
| 1-4 | 050229 | WHEEL LOCK CLAMP ASSM BLK |
| 2,5-8 | 104726-001 | ASSY WHL LOCK SCISSOR ERGO R |
| 2,5-8 | 104726-002 | ASSY WHL LOCK SCISSOR ERGO L |
| 2,5-8 | 050152-002 | ASSM WHL LCK SCSSR OFFSET R |
| 2,5-8 | 050153-002 | ASSM WHL LCK SCSSR OFFSET L |

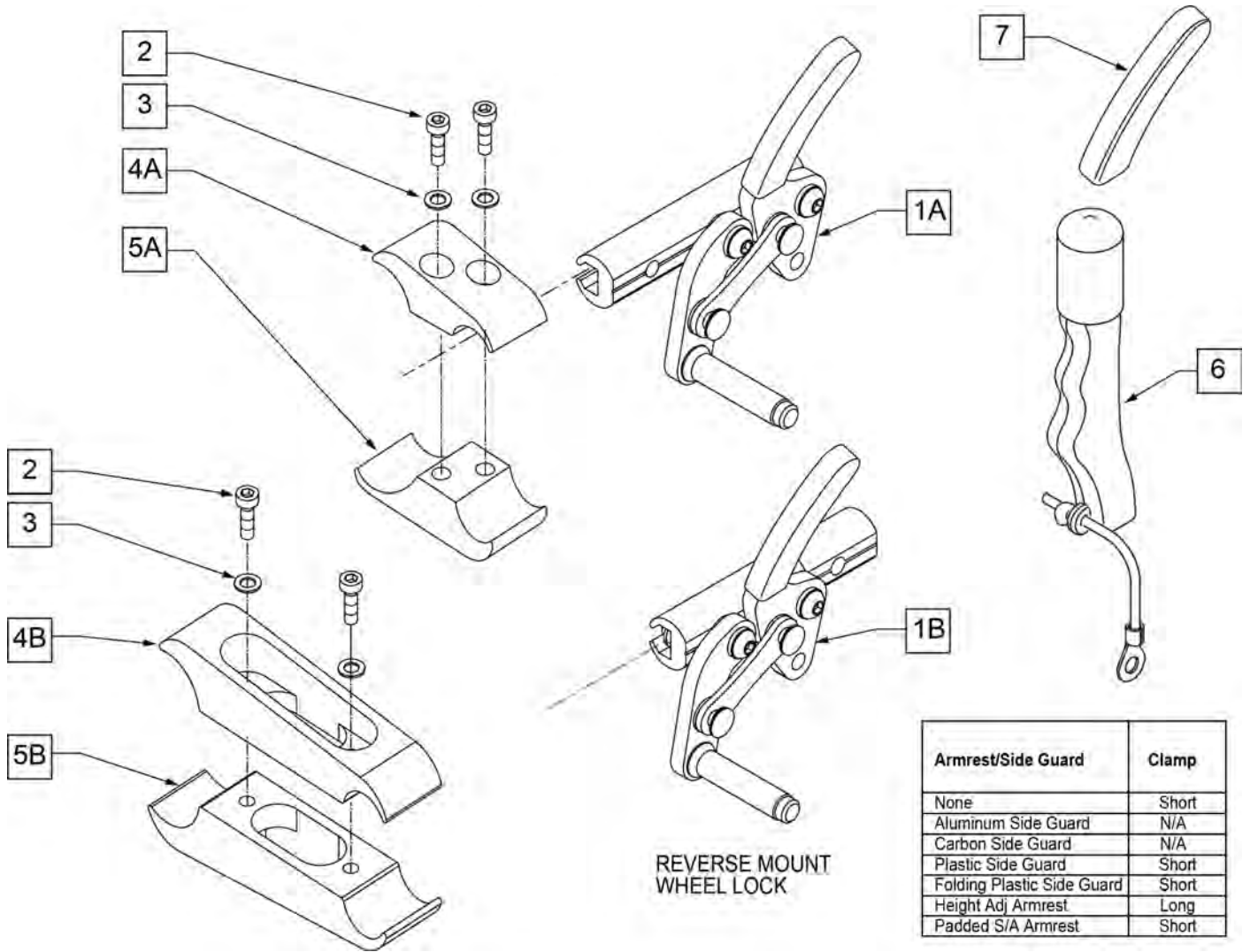
NOTE: ATTACHMENT CLAMP mounts to 1 1/8" diameter tubing.

NOTE: If replacing WHEEL LOCK on GT Chairs w/ S/N Prefix R3A, or GTI Chairs w/ S/N Prefix TYA, or GTX Chairs; you may want to replace both sides as the handle has changed from STRAIGHT to CURVED.

NOTE: if replacing WHEEL LOCKS on a GT with the XTR Suspension Frame Style, see Wheel Lock for Suspension Frame (Push to Lock) parts page.



| Pos. | Item Number | Description | Remarks |
|---------|-------------|----------------------------------|--|
| 1A | 104216-001 | WHEEL LOCK ASSEMBLY (PUSH) RIGHT | Right |
| 1A | 104216-002 | WHEEL LOCK ASSEMBLY (PUSH) LEFT | Left |
| 1B | 109643 | WHEEL LOCK HI PUSH REV R | Right |
| 1B | 109644 | WHEEL LOCK HI PUSH REV L | Left |
| 2 | 102263-002 | SHCS M6 X 1 X 20 | |
| 3 | 050129-001 | LOCKWASHER HIGH COLLAR M6 | |
| 6 | 118068 | WHEEL LOCK EXTENSION ASSY | each |
| 7 | 104141 | COVER CURVED WHEEL LOCK VINYL | |
| 1A,6 | 107637 | WHEEL LOCK ASSM (PUSH) R W/ EXT | Right |
| 1A,6 | 107638 | WHEEL LOCK ASSM (PUSH) L W/ EXT | Left |
| 1B,6 | 112623 | WHEEL LOCK HI PUSH REV R W/ EXT | Right |
| 1B,6 | 112624 | WHEEL LOCK HI PUSH REV L W/ EXT | Left |
| 2-4A,5A | 050229 | WHEEL LOCK CLAMP ASSM BLK | SEE CLAMP MATRIX FOR CORRECT USAGE-SHORT |
| 2-4B,5B | 050230 | WHEEL LOCK CLAMP LONG ASSM BLK | SEE CLAMP MATRIX FOR CORRECT USAGE-LONG |

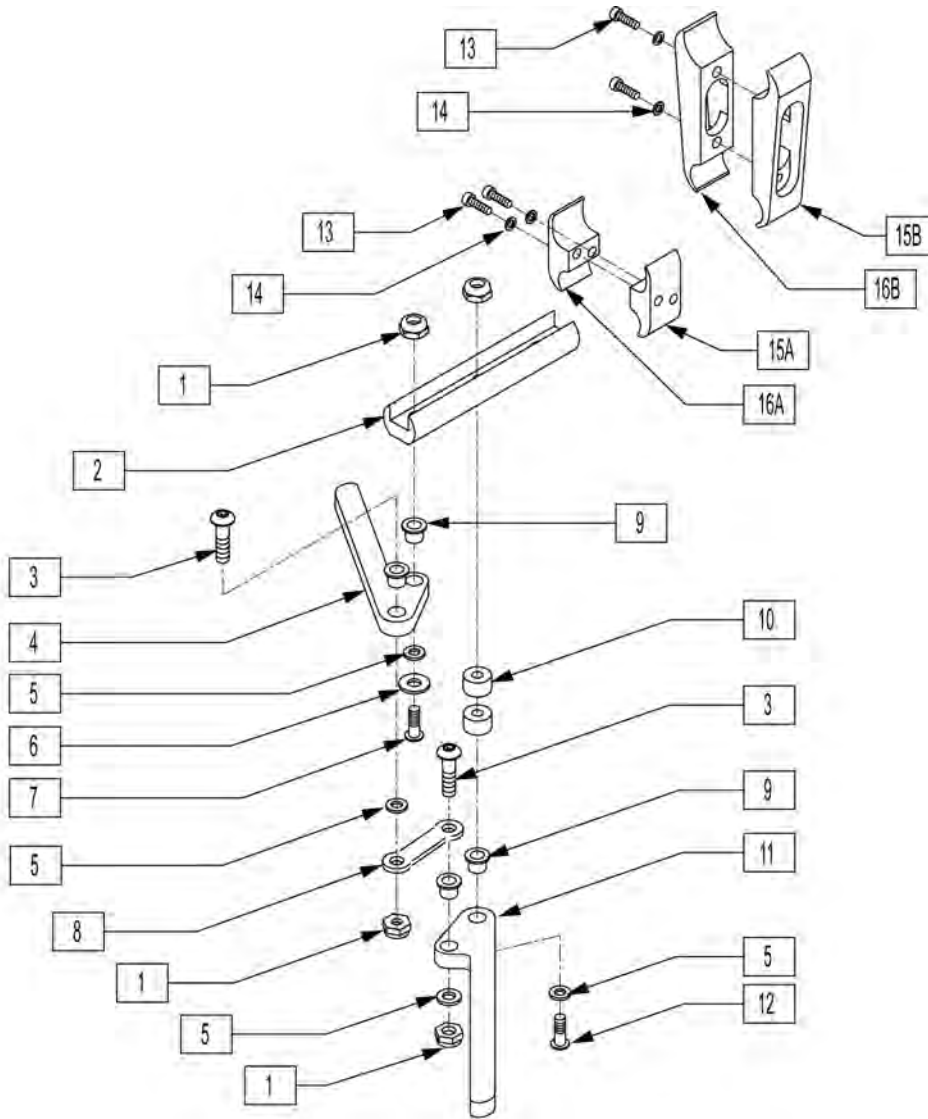


| Pos. | Item Number | Description | Remarks |
|----------|-------------|----------------------------------|--|
| 1A | 104227-001 | WHEEL LOCK ASSEMBLY (PULL) RIGHT | Right |
| 1A | 104227-002 | WHEEL LOCK ASSM (PULL) LEFT | Left |
| 1B | 109647 | WHEEL LOCK HI PULL REV R | Right |
| 1B | 109648 | WHEEL LOCK HI PULL REV L | Left |
| 2 | 107032 | SHCS 1/4-28 X 1 ROHS | |
| 3 | 107367 | 1/4 WASHER HI COLLAR LOCK BLK | |
| 6 | 118068 | WHEEL LOCK EXTENSION ASSY | each |
| 7 | 104141 | COVER CURVED WHEEL LOCK VINYL | |
| 1A,6 | 107640 | WHEEL LOCK ASSM (PULL) R W/ EXT | Right |
| 1A,6 | 107641 | WHEEL LOCK ASSM (PULL) L W/ EXT | Left |
| 1B,6 | 112625 | WHEEL LOCK HI PULL REV R W/ EXT | Right |
| 1B,6 | 112626 | WHEEL LOCK HI PULL REV L W/ EXT | Left |
| 2-4A, 5A | 050229 | WHEEL LOCK CLAMP ASM BLK | SEE CLAMP MATRIX FOR CORRECT USAGE-SHORT |
| 2-4B, 5B | 050230 | WHEEL LOCK CLAMP LONG ASSM BLK | SEE CLAMP MATRIX FOR CORRECT USAGE-LONG |

NOTE: ATTACHMENT CLAMP mounts to 1 1/8" diameter tubing.

NOTE: If replacing WHEEL LOCK on GT Chairs w/ S/N Prefix R3A, or GTI Chairs w/ S/N Prefix TYA, or GTX Chairs; you may want to replace both sides as the handle has changed from STRAIGHT to CURVED.

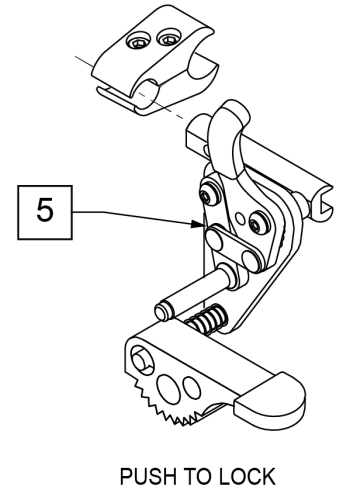
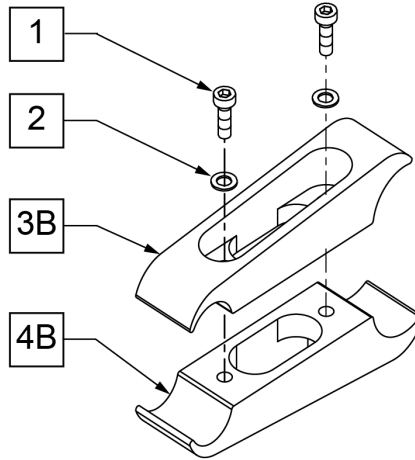
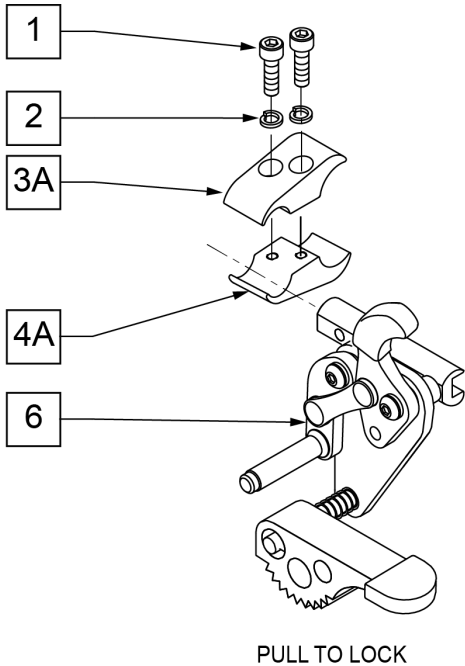
NOTE: Discontinued on GT chairs as of S/N R3-012700 & R3A-012765.



| Pos. | Item Number | Description | Remarks |
|------|-------------|--------------------------------|---------|
| 1 | 106935 | NUT NYLOCK THIN 1/4-28 ROHS | |
| 2 | 550374 | WHL LCK SLIDE BLOCK 3 1/2" BLK | |
| 3 | 226100 | 1/4-28 x 3/4 BH C/S | |
| 4 | 550232 | HI-MNT SCISSOR WHL LCK ARM BLK | |
| 5 | 561028 | 1/4" NYLON WASHER | |
| 6 | 106945 | 1/4" SAE WASHER | |
| 7 | 226122 | 1/4-28 x 1.10 BH C/S | |
| 8 | 504995 | TOGGLE LINK 1.125 | |
| 9 | 560126 | .250 ID .312 OD BUSHING PLST | |
| 10 | 483027 | 1/4 x 1/4 ALUM SPACER BLK | |
| 11 | 550231 | HI-MNT SCSSOR WHL LOCK ARM LNG | |
| 12 | 226130 | 1/4-28 x 1 1/2 BH C/S | |
| 13 | 102263-002 | SHCS M6 X 1 X 20 BLK | |

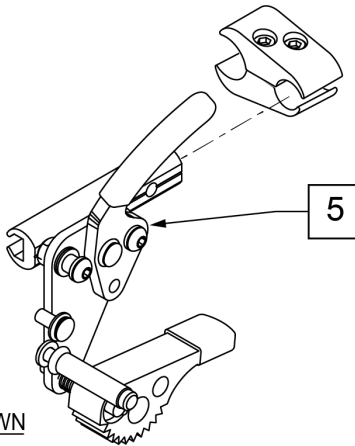
| Pos. | Item Number | Description | Remarks |
|---------------|--------------------|--------------------------------|----------------|
| 14 | 050129-001 | LOCKWASHER HIGH COLLAR M6 | |
| 15A | 050121 | CLAMP WHL LCK FEMALE | |
| 15B | 050161 | CLAMP WHL LCK LNG FEMALE | |
| 16A | 050120 | CLAMP WHL LCK MALE | |
| 16B | 050160 | CLAMP WHL LCK LNG MALE | |
| 13,14,15A,16A | 050229 | WHEEL LOCK CLAMP ASSM BLK | |
| 13,14,15B,16B | 050230 | WHEEL LOCK CLAMP LONG ASSM BLK | |
| 1-12 | 881438 | WHL LCK ASSM SCSSR HI MT T3 | RIGHT |
| 1-12 | 881439 | WHL LCK ASSM SCSSR HI MT T3 | LEFT |

NOTE: Refer to "WHEEL LOCK AVAILABILITY" Page for possible mount locations.

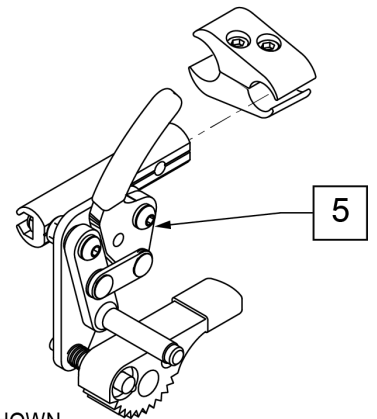


Camber Tube Width

| ARMREST/SIDE GUARD | CLAMP |
|----------------------------|-------|
| NONE | SHORT |
| ALUMINUM SIDE GUARDS | N/A |
| CARBON SIDE GUARD | N/A |
| PLASTIC SIDE GUARD | SHORT |
| FOLDING PLASTIC SIDE GUARD | SHORT |
| HEIGHT ADJ ARMREST | LONG |
| PADDED S/A ARMREST | SHORT |



RH SIDE SHOWN
 PULL TO LOCK
 REVERSE MOUNT WHEEL LOCK
 W/ GRADE AID



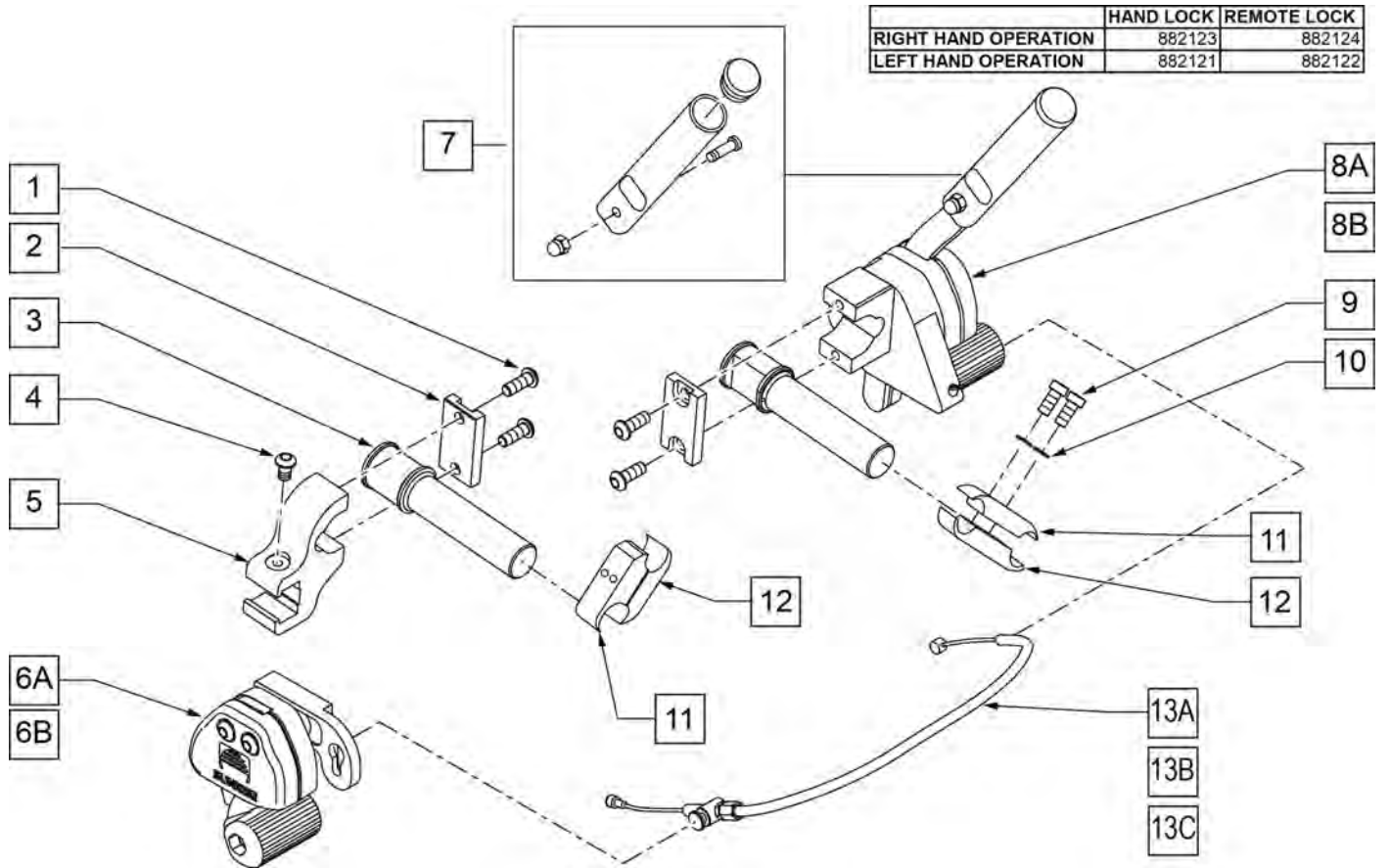
RH SIDE SHOWN
 PUSH TO LOCK
 REVERSE MOUNT WHEEL LOCK
 W/ GRADE AID

| Pos. | Item Number | Description | Remarks |
|---------|-------------|--------------------------------|--------------|
| 1 | 107032 | SHCS 1/4-28 X 1 ROHS | |
| 2 | 107367 | 1/4 WASHER HI COLLAR LOCK BLK | |
| 5 | 107665 | WHEEL LOCK PUSH GRADE AID L | LEFT (Push) |
| 5 | 107666 | WHEEL LOCK PUSH GRADE AID R | RIGHT (Push) |
| 6 | 107667 | WHEEL LOCK PULL GRADE AID L | LEFT (Pull) |
| 6 | 107668 | WHEEL LOCK PULL GRADE AID R | RIGHT (Pull) |
| 1-3A,4A | 050229 | WHEEL LOCK CLAMP ASSM BLK | |
| 1-3B,4A | 050230 | WHEEL LOCK CLAMP LONG ASSM BLK | |

UNILATERAL WHEEL LOCK

[09/2011]

NOTE: refer to "WHEEL LOCK AVAILABILITY" page for possible mount locations.
NOTE: ATTACHMENT CLAMP mounts to 1" diameter tubing.



| Pos. | Item Number | Description | Remarks |
|--------------------|-------------|-----------------------------------|-----------------------|
| 1 | 230032 | M6 x 16 B/H CAP SCREW | |
| 2 | 501032 | CLAMP CAP | |
| 3 | 501031 | WHEEL LOCK EXTENSION | |
| 4 | 230052 | M6 1 x 10 BH C/S BLK | |
| 5 | 501033 | REMOTE LOCK CLAMP | |
| 1-5,6A | 882124 | REMOTE LOCK ASSEMBLY RIGHT | Mounts on left side |
| 1-5,6B | 882122 | REMOTE LOCK ASSEMBLY LEFT | Mounts on right side |
| 7 | 883300 | 1-HAND WHLLCK RLCMNT HNDL KIT | 4 7/8" |
| 1,2,3,8A | 882123 | HAND LOCK ASSEMBLY RIGHT | Mounts on right side |
| 1,2,3,8B | 882121 | HAND LOCK ASSEMBLY LEFT | Mounts on left side |
| 9 | 107032 | 1/4-28 x 1 SOC C/S BLK | |
| 10 | 262114 | 1/4 WASHER HI COLLAR | |
| 13A | 341760 | WHEEL LOCK CABLE SHORT (11"-14") | 11 -14" WIDE CHAIRS |
| 13B | 341761 | WHEEL LOCK CABLE MEDIUM (15"-18") | 15 -18" WIDE CHAIRS |
| 13C | 341762 | WHEEL LOCK CABLE LONG (19"-22") | 19 -22" WIDE CHAIRS |
| 9-12 | 880422 | WHL LCK EXTND CLMP ASSM BLK | |
| 1-5,6A,8A,9-12,13A | 902184 | UNILTERAL 1HAND PSH LOCK SHT RH | RH SHOWN 11 -14" WIDE |
| 1-5,6A,8A,9-12,13B | 902186 | UNILTERAL 1HAND PSH LOCK MED RH | RH SHOWN 15 -18" WIDE |
| 1-5,6A,8A,9-12,13C | 902188 | UNILTERAL 1HAND PSH LOCK LONG RH | RH SHOWN 19 -22" WIDE |
| 1-5,6B,8B,9-12,13A | 902183 | UNILTERAL 1HAND PSH LOCK SHT LH | LH 11 -14" WIDE |

| Pos. | Item Number | Description | Remarks |
|--------------------|--------------------|-----------------------------------|-----------------|
| 1-5,6B,8B,9-12,13B | 902185 | UNILATERAL 1HAND PSH LOCK MED LH | LH 15 -18" WIDE |
| 1-5,6B,8B,9-12,13C | 902187 | UNILATERAL 1HAND PSH LOCK LONG LH | LH 19 -22" WIDE |

NOTE: THIS WHEEL UTILIZES SCREW MOUNT HANDRIMS - THE HANDRIM HAS A THREADED HOLE THAT MOUNTS THE HANDRIM TO THE WHEEL THROUGH A SPACER AND FASTENER.

NOTE: IF MAG WHEEL ASSEMBLY WAS ORDERED WITHOUT HANDRIM AND A HANDRIM IS ADDED TO THE WHEEL QTY 6 OF 561037 AND 281175 MUST BE ORDERED TO PROPERLY MOUNT THE HANDRIM.

NOTE: FOR ZIPPIE X'CAPE 6 SPOKE MAGS ARE ONLY AVAILABLE WITH THE ONE ARM DRIVE.



| Pos. | Item Number | Description | Remarks |
|------|-------------|------------------------------|---|
| 1-3 | 401094 | 20" MAG W/BRNG 6 SPOKE | 20" |
| 1-3 | 401093 | 22" MAG W/BRNG 6 SPOKE | 22"(501mm) |
| 1-3 | 401092 | 24" MAG W/BRNG 6 SPOKE | 24"(540mm) |
| 2 | 349500 | 1 1/8 X 1/2 BEARING | |
| 3 | 521564 | MAG BEARING SPACER | |
| 4 | 101932 | SPCR .194ID X .375 OD X .750 | Used when previously ordered with Omit handrims or Natural Fit Handrims |

NOTE: THIS WHEEL UTILIZES SCREW MOUNT HANDRIMS - THE HANDRIM HAS A THREADED HOLE THAT MOUNTS THE HANDRIM TO THE WHEEL THROUGH A SPACER AND FASTENER.



| Pos. | Item Number | Description | Remarks |
|------|-------------|----------------------------|------------|
| 1A | 401001 | WHEEL ASSM PUSH BUTTON 18" | 18" |
| 1B | 401070 | 20" RIM ASSM PUSH BUTTON | 20" |
| 1C | 401072 | 22" RIM ASSM PUSH BUTTON | 22"(501mm) |
| 1D | 401074 | 24" RIM ASSM PUSH BUTTON | 24"(540mm) |
| 1E | 401077 | 26IN RIM ASSM PUSH BUTTON | 26"(590mm) |
| 2 | 349500 | 1 1/8 X 1/2 BEARING | |
| 3A | 362247 | SPOKE 154MM X 2.0MM | |
| 3B | 362250 | QP SPOKE 201MM X 2.0MM | |
| 3C | 362275 | QP SPOKE 226MM X 2.0MM | |
| 3D | 362300 | QP SPOKE 244MM X 2.0MM | |
| 3E | 362325 | QP SPOKE 270MM X 2.0MM | |

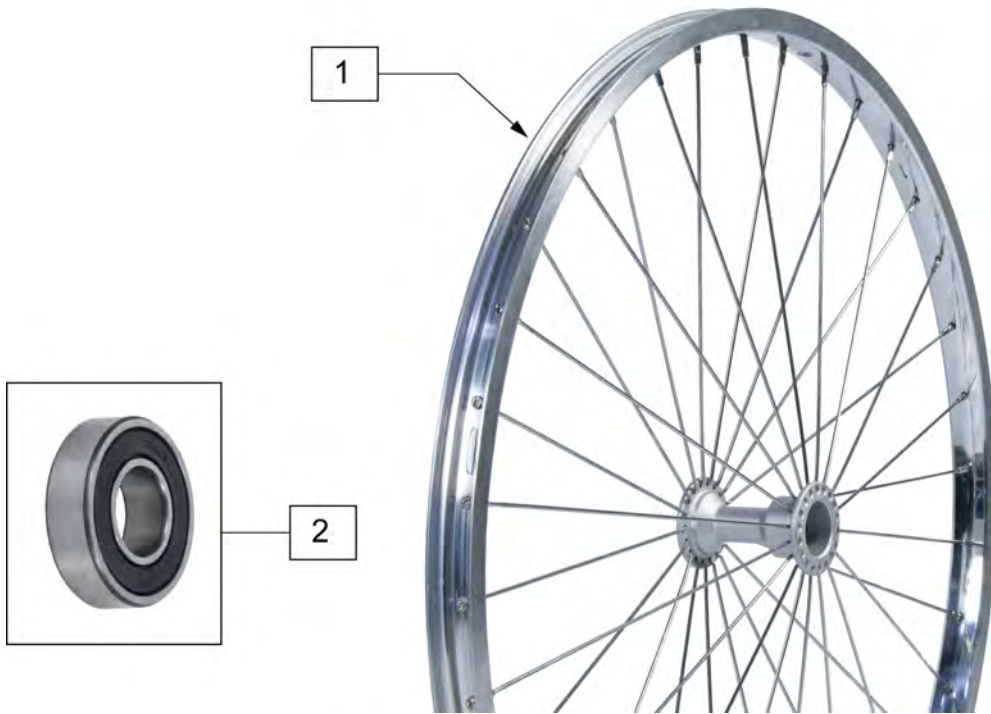
NOTE: THIS WHEEL UTILIZES TAB MOUNT HANDRIMS - THE HANDRIM HAS A STRAIGHT TAB THAT MOUNTS TO THE WHEEL THROUGH THE RIM.

NOTE: 20" WHEELS HAVE 18 SPOKES PER WHEEL; 22", 24" & 25" WHEELS HAVE 24 SPOKES PER WHEEL; SPOKES ARE BLACK.



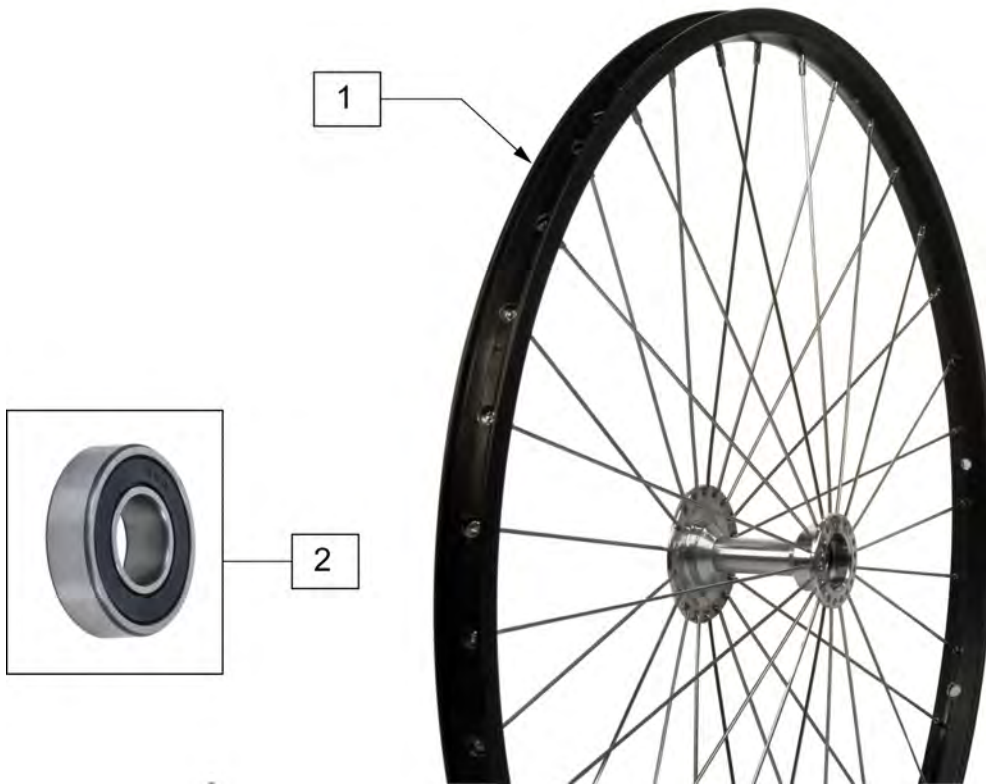
| Pos. | Item Number | Description | Remarks |
|------|-------------|--------------------------------|------------------------|
| 1A | 112857 | ULTRA LIGHTWEIGHT WHEEL 20" | 20" |
| 1B | 112858 | ULTRA LIGHT WHEEL 22" | 22"(501mm) |
| 1C | 112859 | ULTRA LIGHTWEIGHT WHEEL 24" | 24"(540mm) |
| 1D | 112860 | ULTRA LIGHTWEIGHT WHEEL 25" | 25"(559mm) |
| 2 | 349500 | 1 1/8 X 1/2 BEARING | |
| 3A | 118105 | ULTRA LT 20IN SPOKE RPLMNT KIT | Kit contains 12 spokes |
| 3B | 118106 | ULTRA LT 22IN SPOKE RPLMNT KIT | Kit contains 12 spokes |
| 3C | 118107 | ULTRA LT 24IN SPOKE RPLMNT KIT | Kit contains 12 spokes |
| 3D | 118108 | ULTRA LT 25IN SPOKE RPLMNT KIT | Kit contains 12 spokes |

NOTE: THIS WHEEL UTILIZES TAB MOUNT HANDRIMS - THE HANDRIM HAS A STRAIGHT TAB THAT MOUNTS TO THE WHEEL THROUGH THE RIM



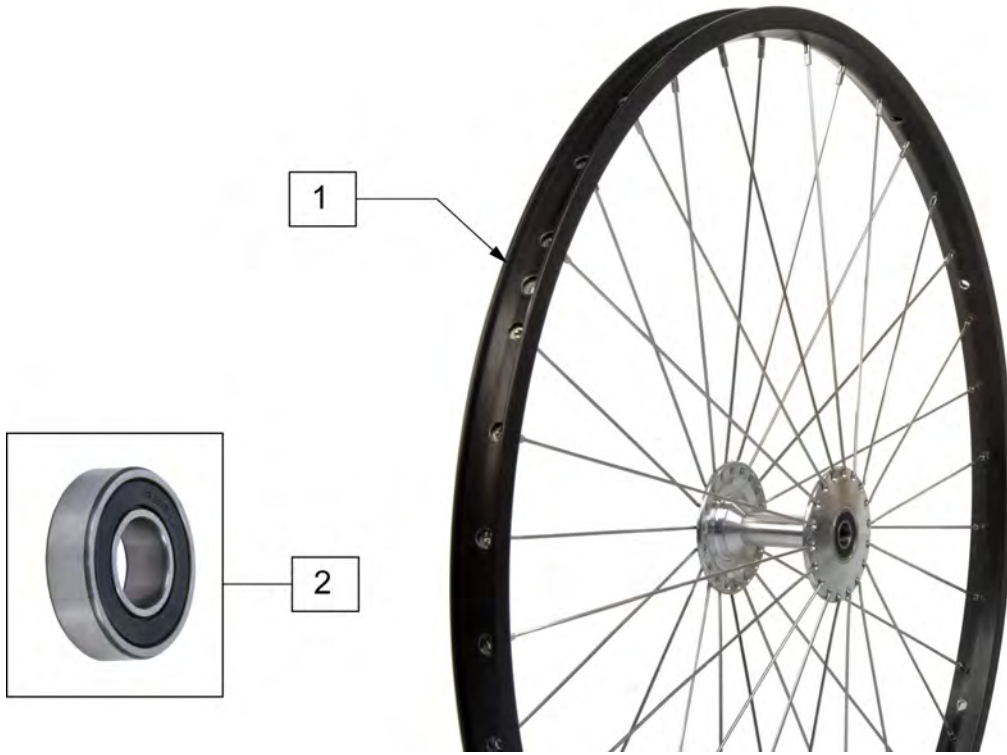
| Pos. | Item Number | Description | Remarks |
|------|-------------|--------------------------------|-------------|
| 1 | 401075 | 24 RIM ASSM X 1.5 SUN PSH BTTN | 22" (507MM) |
| 1 | 401076 | 24" HT RIM ASSM SUN PUSH BTTN | 25" (559MM) |
| 2 | 349500 | 1 1/8 X 1/2 BEARING | |

NOTE: THIS WHEEL UTILIZES TAB MOUNT HANDRIMS - THE HANDRIM HAS A STRAIGHT TAB THAT MOUNTS TO THE WHEEL THROUGH THE RIM.



| Pos. | Item Number | Description | Remarks |
|------|-------------|-----------------------|-------------|
| 1 | 761149 | QP 24" HT BB RIM ASSM | 25" (559mm) |
| 1 | 761188 | QP 26" HT BB RIM ASSM | 26" (590mm) |
| 2 | 349500 | 1 1/8 X 1/2 BEARING | |

NOTE: THIS WHEEL UTILIZES TAB MOUNT HANDRIMS - THE HANDRIM HAS A STRAIGHT TAB THAT MOUNTS TO THE WHEEL THROUGH THE RIM.



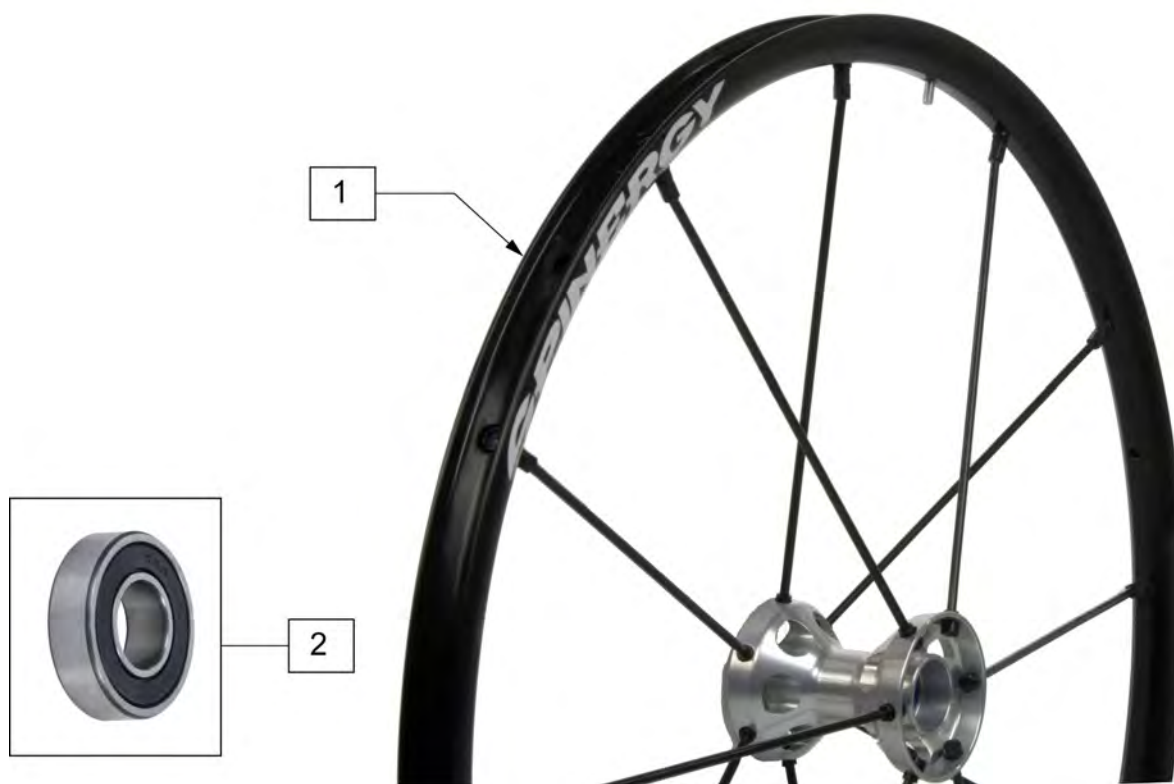
| Pos. | Item Number | Description | Remarks |
|------|-------------|-----------------------------|-----------------------------|
| 1 | 761128 | QP 24" HT TNNS RIM ASSM 32H | 559-32 spokes-25" (559mm) |
| 1 | 761139 | QP 24" HT TNNS RIM ASSM | 36 spokes-25" (559mm) |
| 1 | 761178 | QP 26" HT TNNS RIM ASSM | 36 hole spokes -26" (590mm) |
| 2 | 349500 | 1 1/8 X 1/2 BEARING | |

NOTE: THIS WHEEL UTILIZES TAB MOUNT HANDRIMS - THE HANDRIM HAS A STRAIGHT TAB THAT MOUNTS TO THE WHEEL THROUGH THE RIM.



| Pos. | Item Number | Description | Remarks |
|------|-------------|--------------------------------|------------|
| 1 | 762438 | SPINERGY STD WHEEL 540 BLK SPK | 24"(540mm) |
| 1 | 762441 | SPINERGY STD WHL 559 BLK SPK | 25"(559mm) |
| 1 | 762437 | SPINERGY STD WHEEL 590 BLK SPK | 26"(590mm) |
| 1 | 762442 | SPINERGY STD WHEEL 540 BLUE | 24"(540mm) |
| 1 | 762444 | SPINERGY STD WHEEL 559 BLU | 25"(559mm) |
| 1 | 762446 | SPINERGY STD WHEEL 590 BLUE | 26"(590mm) |
| 1 | 762443 | SPINERGY STD WHEEL 540 RED | 24"(540mm) |
| 1 | 762445 | SPINERGY STD WHEEL 559 RED | 25"(559mm) |
| 1 | 762447 | SPINERGY STD WHEEL 590 RED | 26"(590mm) |
| 1 | 762456 | SPINERGY STD WHEEL 540 WHT | 24"(540mm) |
| 1 | 762433 | SPINERGY STD WHEEL 540 YELLOW | 24"(540mm) |
| 1 | 762462 | SPINERGY STD WHL 559 YLW SPK | 25"(559mm) |
| 1 | 762431 | SPINERGY STD WHEEL 590 YELLOW | 26"(590mm) |
| 2 | 349500 | 1 1/8 X 1/2 BEARING | |

NOTE: THIS WHEEL UTILIZES TAB MOUNT HANDRIMS - THE HANDRIM HAS A STRAIGHT TAB THAT MOUNTS TO THE WHEEL THROUGH THE RIM.



| Pos. | Item Number | Description | Remarks |
|------|-------------|-------------------------------|------------|
| 1 | 101989-001 | SPINERGY LT EX WHEEL 540 BLK | 24"(540mm) |
| 1 | 101991-001 | SPINERGY LT EX WHEEL 559 BLK | 25"(559mm) |
| 1 | 101993-001 | SPINERGY LT EX WHEEL 590 BLK | 26"(590mm) |
| 1 | 101989-002 | SPINERGY LT EX WHEEL 540 BLU | 24"(540mm) |
| 1 | 101991-002 | SPINERGY LT EX WHEEL 559 BLU | 25"(559mm) |
| 1 | 101988-003 | SPINRGY SPT LT EX WHL 540 RED | 24"(540mm) |
| 1 | 101989-003 | SPINERGY LT EX WHEEL 540 RED | 24"(540mm) |
| 1 | 101991-003 | SPINERGY LT EX WHEEL 559 RED | 25"(559mm) |
| 1 | 101992-003 | SPINRGY SPT LT EX WHL 590 RED | 26"(590mm) |
| 1 | 101989-005 | SPINERGY LT EX WHEEL 540 WHT | 24"(540mm) |
| 1 | 101988-004 | SPINRGY SPT LT EX WHL 540 YLW | 24"(540mm) |
| 1 | 101989-004 | SPINERGY LT EX WHEEL 540 YLW | 24"(540mm) |
| 1 | 101991-004 | SPINERGY LT EX WHEEL 559 YLW | 25"(559mm) |
| 1 | 101992-004 | SPINRGY SPT LT EX WHL 590 YLW | 26"(590mm) |
| 1 | 101993-004 | SPINERGY LT EX WHEEL 590 YLW | 26"(590mm) |
| 2 | 349500 | 1 1/8 X 1/2 BEARING | |



| Pos. | Item Number | Description | Remarks |
|------|-------------|----------------------------|------------------------------|
| 1 | 385237 | 16" X 1.75" PNEU TIRE | |
| 1 | 385250 | 20" PNEUMATIC TIRE | |
| 1 | 385275 | 22" PNEUMATIC TIRE | 22" x 1 3/8 (501mm) |
| 1 | 385300 | 24" PNEUMATIC TIRE | 24" x 1 3/8 (540mm) |
| 1 | 385325 | 26" PNEUMATIC TIRE | 26" x 1 3/8 (590mm) |
| 1 | 384614 | 24" x 2.125 PNEUMATIC TIRE | 24"x2 1/8 (540mm) used w/ M6 |



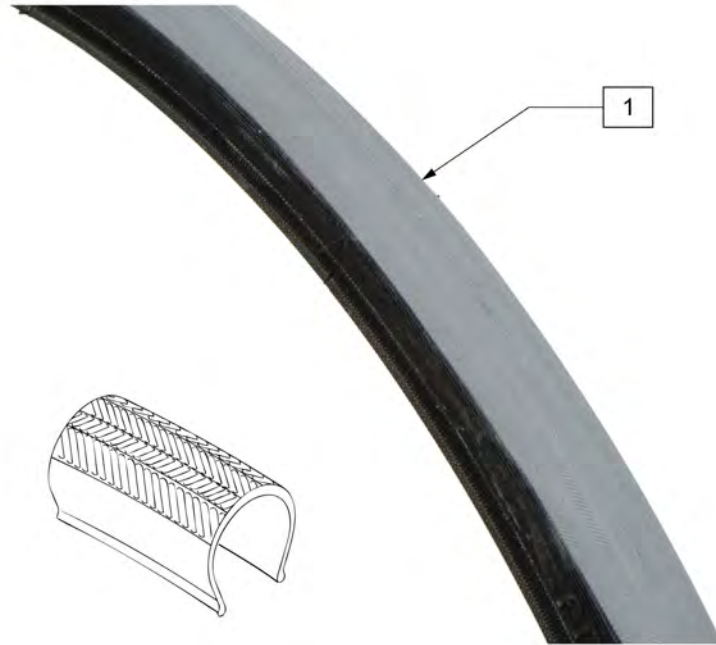
| Pos. | Item Number | Description | Remarks |
|------|-------------|-------------------------------|------------|
| 1 | 384604 | TIRE CS 24 X 2.1 SMOKER 507MM | 22"(501mm) |
| 1 | 384606 | TIRE CS 26 X 2.1 SMOKER 559MM | 25"(559mm) |



| Pos. | Item Number | Description |
|------|-------------|-----------------|
| 1 | 385350 | 24" KEVLAR TIRE |



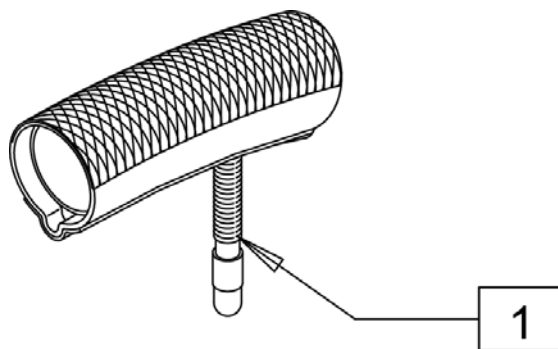
| Pos. | Item Number | Description | Remarks |
|------|-------------|-------------------|-------------|
| 1 | 386232 | 20" POLY TIRE STD | 20" |
| 1 | 386242 | 22" POLY TIRE STD | 22" (501mm) |
| 1 | 386252 | 24" POLY TIRE STD | 24" (540mm) |



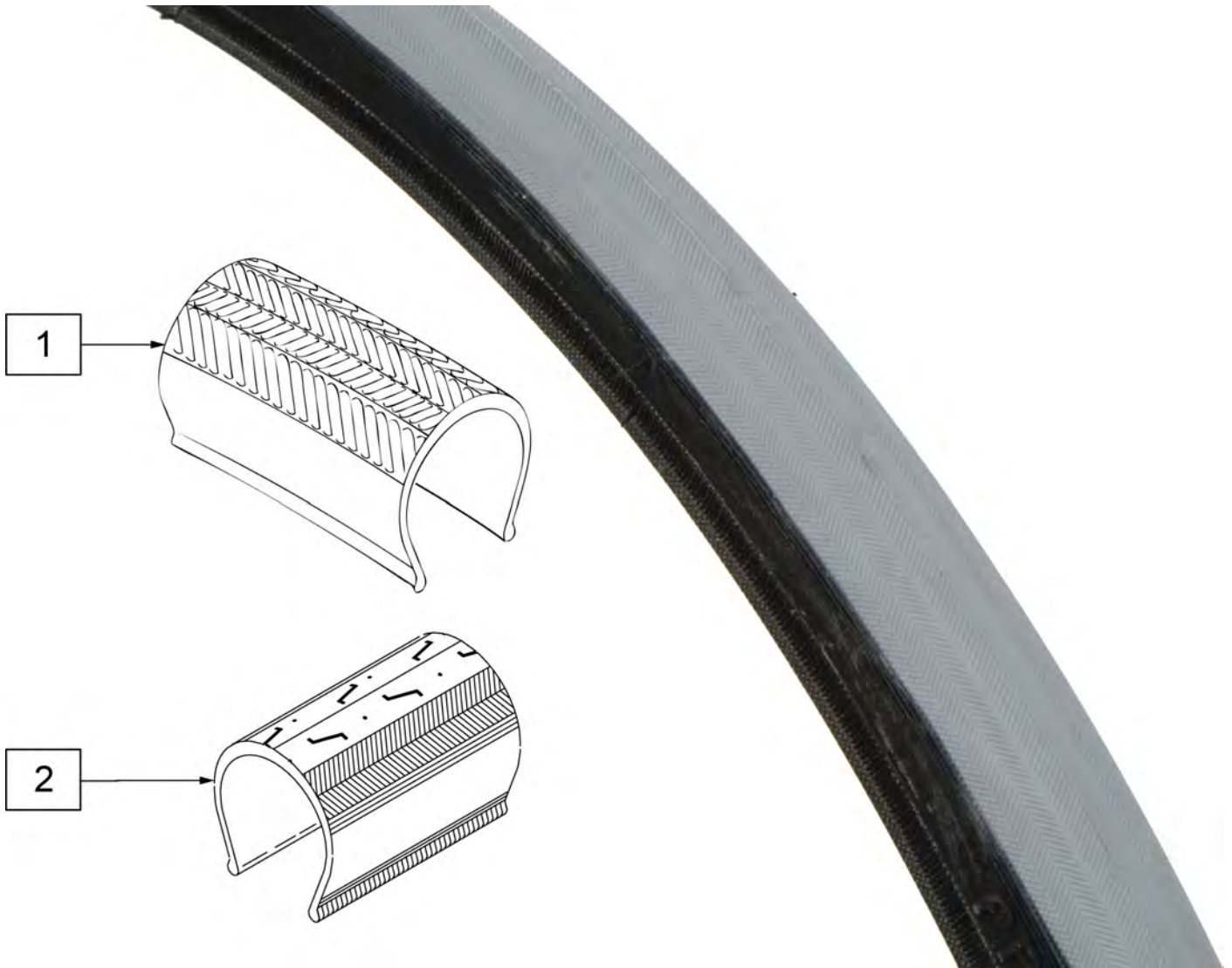
| Pos. | Item Number | Description | Remarks |
|------|-------------|-------------------------------------|-------------|
| 1 | 385280 | 22" x 1" HI PRES CLINCHER | 22" (501mm) |
| 1 | 389020 | 24" x 1" HI PRES CLNCHR TIRE | 24" (540mm) |
| 1 | 389012 | QP 24" x 1" HT TURB BLK WR/BD 559 | 25" (559mm) |
| 1 | 389030 | 26" x 1" HI PRES CLNCHR TIRE | 26" (590mm) |
| 1 | 105919 | 22" x 1" HI PRESS CLNCHR ULTRALIGHT | 22" (489mm) |

Note: QP Tubular Tires are discontinued. Please see HIGH PRESSURE CLINCHER TIRE parts page. Order 389020 (540), 389012 (559), 389030 (590) replacement tires.

Note: when replacing QP Tubular Tire with High Pressure Clincher Tire, a replacement inner tube is required.



| Pos. | Item Number | Description | Remarks |
|------|-------------|--------------------------|-------------------------|
| 1 | 389004 | QP 24" X 1" TUBULAR TIRE | DISCONTINUED - SEE NOTE |
| 1 | 389006 | QP 26" X 1" TUBULAR TIRE | DISCONTINUED - SEE NOTE |



| Pos. | Item Number | Description | Remarks |
|------|-------------|--------------------------------|------------|
| 1 | 389012 | QP 24"X1"HT TURB BLK WR/BD 559 | 25"(559mm) |
| 2 | 388999 | 26"X1" HT TIRE TURBO GY(700X23 | 27"(700mm) |

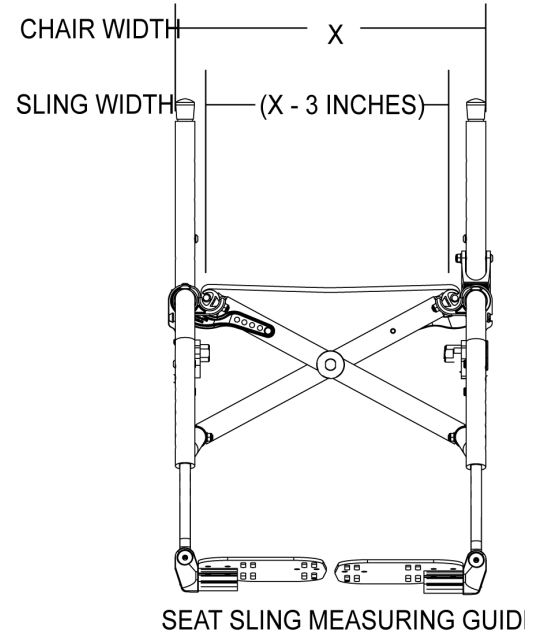
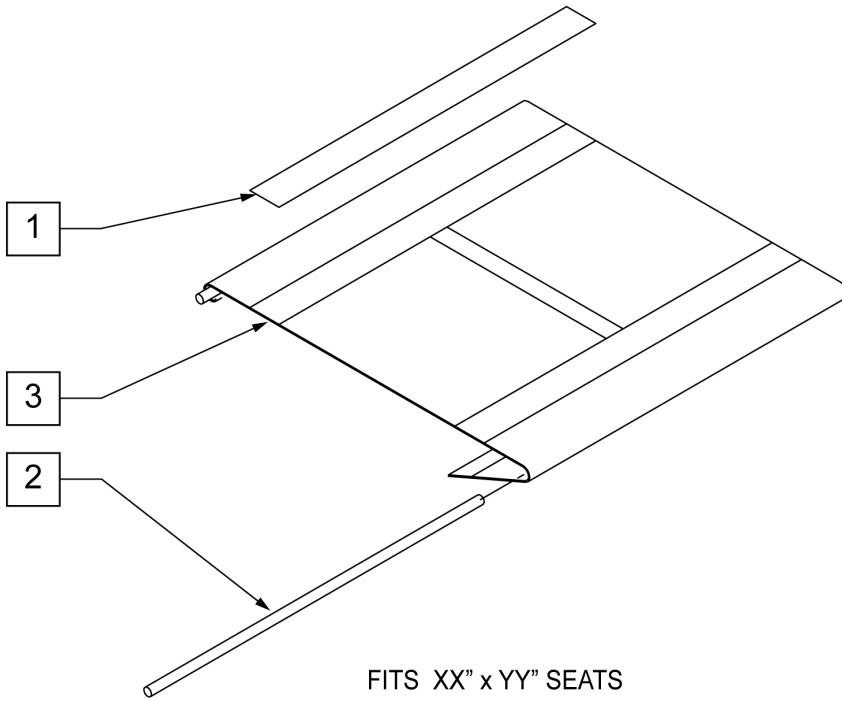


| Pos. | Item Number | Description | Remarks |
|------|-------------|--------------------------|-------------|
| 1 | 102066-004 | TIRE SCHWALBE MP 489 BLK | 22" (489mm) |
| 1 | 102066-001 | TIRE SCHWBL MPE 540 BLK | 24" (540mm) |
| 1 | 102066-002 | TIRE SCHWBL MPE 559 BLK | 25" (559mm) |
| 1 | 102066-003 | TIRE SCHWBL MPE 590 BLK | 26" (590mm) |



| Pos. | Item Number | Description | Remarks |
|------|--------------|------------------------------|-------------------|
| 1A | Discontinued | Presta Valves Discontinued | |
| 1A | 384736 | INNER TUBE 12-1/2" X 2-1/4" | |
| 1A | 384738 | 16" X 1.75" INNER TUBE | |
| 1A | 382255 | TUBE 18" TIRE | 18" X 1-3/4" TUBE |
| 1A | 382275 | 20" TUBE | 20" 1-3/8" TUBE |
| 1A | 382300 | 22" TUBE | 22" X 1-3/8" TUBE |
| 1A | 382336 | TUBE PRIMO 24" 25-540 SV | 24" X 1" TUBE |
| 1A | 382325 | 24 X 1.3/8IN TUBE REG | |
| 1A | 382334 | TUBE INLINE 24 X 1.75 | |
| 1A | 384551 | 26" X 1" TUBE SCHRADER | |
| 1A | 382350 | 26" TUBE | 26" X 1-3/8" TUBE |
| 1A | 382361 | TUBE 26 X 1.5/1.95/ S/V | |
| 1A | 382365 | 26 X 1.25/1.5 TUBE SHRADER | |
| 1A | 382375 | 24" x 2.125 TUBE | |
| 1B | 102972-001 | 12 1/2 IN AIRLESS INSERT | 12-1/2" X 2-1/4" |
| 1B | 102973-001 | 16IN AIRLESS INSERT | 16" X 1-3/4" |
| 1B | 102973-002 | 18IN AIRLESS INSERT | 18" X 1-3/4" |
| 1B | 102973-003 | 20IN AIRLESS INSERT | 20" X 1-3/8" |
| 1B | 102972-002 | AIRLESS INSERT 20 X 2-1/8 P3 | |
| 1B | 102973-004 | 22IN AIRLESS INSERT | 22" X 1-3/8" |
| 1B | 102973-005 | 24IN AIRLESS INSERT | 24" X 1-3/8" |
| 1B | 102972-003 | AIRLESS INSERT 24 X 2-1/8 | |
| 1B | 108259 | 26" AIRLESS INSERT | 26" X 1-3/8" |

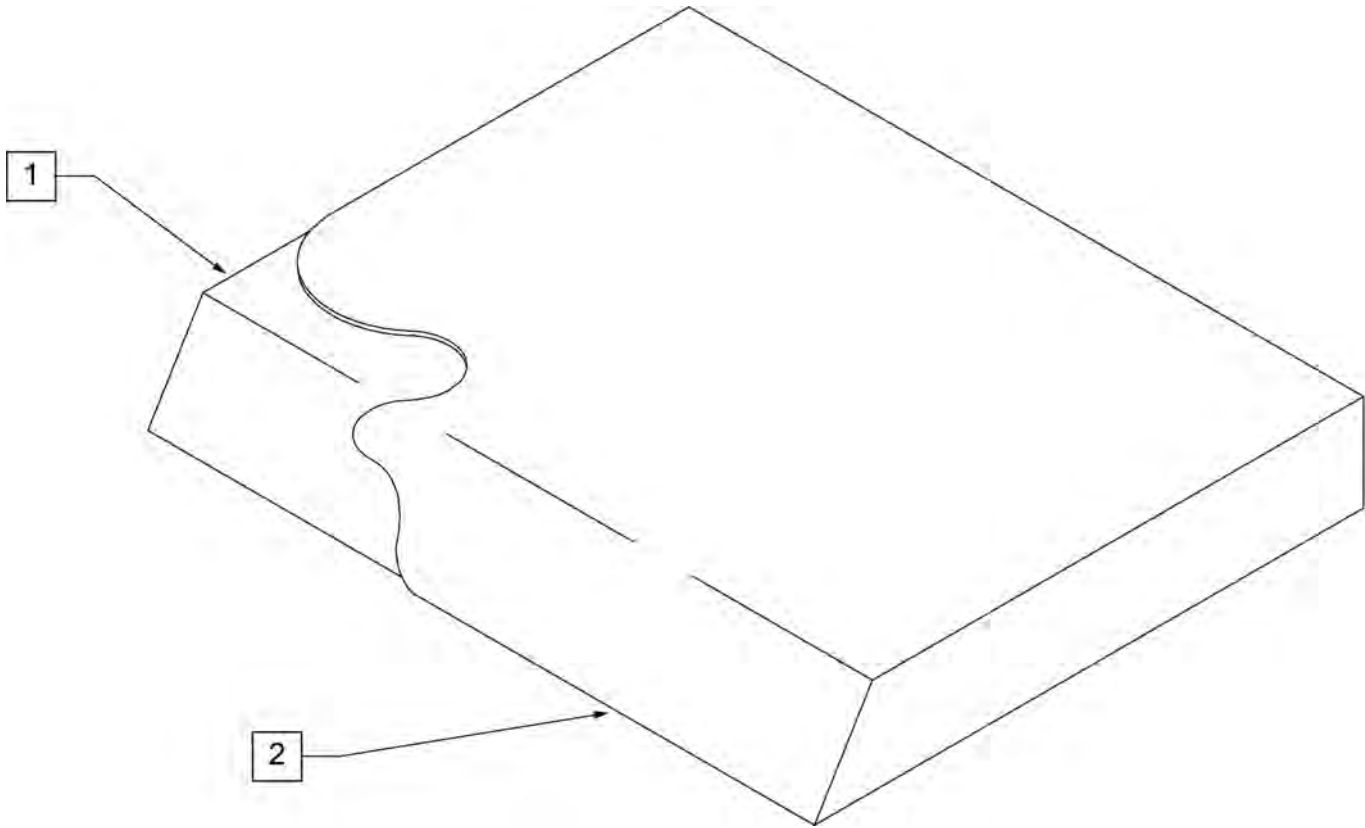
Note: Order Qty 2 of 100870 VELCRO 2 SIDED ADAPTER 6" to adapt cushion to seat sling.



| Pos. | Item Number | Description | Remarks |
|------|-------------|------------------------------|----------------------|
| 1 | 901169 | SEAT SLING VELCRO STRIP 2" | |
| 2 | 580228 | SEAT SLING RETAINING ROD 12" | Fits 12" Deep Chair |
| 2 | 580229 | SEAT SLING RETAINING ROD 13" | Fits 13" Deep Chair |
| 2 | 580230 | SEAT SLING RETAINING ROD 14" | Fits 14" Deep Chair |
| 2 | 580231 | SEAT SLING RETAINING ROD 15" | Fits 15" Deep Chair |
| 2 | 580232 | SEAT SLING RETAINING ROD 16" | Fits 16" Deep Chair |
| 2 | 580233 | SEAT SLING RETAINING ROD 17" | Fits 17" Deep Chair |
| 2 | 580234 | SEAT SLING RETAINING ROD 18" | Fits 18" Deep Chair |
| 2 | 580235 | SEAT SLING RETAINING ROD 19" | Fits 19" Deep Chair |
| 2 | 580236 | SEAT SLING RETAINING ROD 20" | Fits 20" Deep Chair |
| 2 | 580237 | SEAT SLING RETAINING ROD 21" | Fits 21" Deep Chair |
| 2 | 580238 | SEAT SLING RETAINING ROD 22" | Fits 22" Deep Chair |
| 3 | 722482 | SEAT SLING 9" x 12" CHNL | Fits 12" x 12" Chair |
| 3 | 722483 | SEAT SLING 9" x 13" CHNL | Fits 12" x 13" Chair |
| 3 | 722484 | SEAT SLING 9" x 14" CHNL | Fits 12" x 14" Chair |
| 3 | 722485 | SEAT SLING 9" x 15" CHNL | Fits 12" x 15" Chair |
| 3 | 722486 | SEAT SLING 9" x 16" CHNL | Fits 12" x 16" Chair |
| 3 | 722489 | SEAT SLING 10" x 12" CHNL | Fits 13" x 12" Chair |
| 3 | 722490 | SEAT SLING 10" x 13" CHNL | Fits 13" x 13" Chair |
| 3 | 722491 | SEAT SLING 10" x 14" CHNL | Fits 13" x 14" Chair |
| 3 | 722492 | SEAT SLING 10" x 15" CHNL | Fits 13" x 15" Chair |

| Pos. | Item Number | Description | Remarks |
|------|-------------|---------------------------|----------------------|
| 3 | 722493 | SEAT SLING 10" x 16" CHNL | Fits 13" x 16" Chair |
| 3 | 722582 | SEAT SLING 11" x 12" CHNL | Fits 14" x 12" Chair |
| 3 | 722583 | SEAT SLING 11" x 13" CHNL | Fits 14" x 13" Chair |
| 3 | 722584 | SEAT SLING 11" x 14" CHNL | Fits 14" x 14" Chair |
| 3 | 722585 | SEAT SLING 11" x 15" CHNL | Fits 14" x 15" Chair |
| 3 | 722586 | SEAT SLING 11" x 16" CHNL | Fits 14" x 16" Chair |
| 3 | 722587 | SEAT SLING 11" x 17" CHNL | Fits 14" x 17" Chair |
| 3 | 722592 | SEAT SLING 12" x 12" CHNL | Fits 15" x 12" Chair |
| 3 | 722593 | SEAT SLING 12" x 13" CHNL | Fits 15" x 13" Chair |
| 3 | 722594 | SEAT SLING 12" x 14" CHNL | Fits 15" x 14" Chair |
| 3 | 722595 | SEAT SLING 12" x 15" CHNL | Fits 15" x 15" Chair |
| 3 | 722596 | SEAT SLING 12" x 16" CHNL | Fits 15" x 16" Chair |
| 3 | 722597 | SEAT SLING 12" x 17" CHNL | Fits 15" x 17" Chair |
| 3 | 722598 | SEAT SLING 12" x 18" CHNL | Fits 15" x 18" Chair |
| 3 | 722603 | SEAT SLING 13" x 13" CHNL | Fits 16" x 13" Chair |
| 3 | 722604 | SEAT SLING 13" x 14" CHNL | Fits 16" x 14" Chair |
| 3 | 722605 | SEAT SLING 13" x 15" CHNL | Fits 16" x 15" Chair |
| 3 | 722606 | SEAT SLING 13" x 16" CHNL | Fits 16" x 16" Chair |
| 3 | 722607 | SEAT SLING 13" x 17" CHNL | Fits 16" x 17" Chair |
| 3 | 722608 | SEAT SLING 13" x 18" CHNL | Fits 16" x 18" Chair |
| 3 | 722609 | SEAT SLING 13" x 19" CHNL | Fits 16" x 19" Chair |
| 3 | 722610 | SEAT SLING 13" x 20" CHNL | Fits 16" x 20" Chair |
| 3 | 722611 | SEAT SLING 13" x 21" CHNL | Fits 16" x 21" Chair |
| 3 | 722612 | SEAT SLING 13" x 22" CHNL | Fits 16" x 22" Chair |
| 3 | 722620 | SEAT SLING 14" x 14" CHNL | Fits 17" x 14" Chair |
| 3 | 722621 | SEAT SLING 14" x 15" CHNL | Fits 17" x 15" Chair |
| 3 | 722622 | SEAT SLING 14" x 16" CHNL | Fits 17" x 16" Chair |
| 3 | 722623 | SEAT SLING 14" x 17" CHNL | Fits 17" x 17" Chair |
| 3 | 722624 | SEAT SLING 14" x 18" CHNL | Fits 17" x 18" Chair |
| 3 | 722625 | SEAT SLING 14" x 19" CHNL | Fits 17" x 19" Chair |
| 3 | 722626 | SEAT SLING 14" x 20" CHNL | Fits 17" x 20" Chair |
| 3 | 722627 | SEAT SLING 14" x 21" CHNL | Fits 17" x 21" Chair |
| 3 | 722628 | SEAT SLING 14" x 22" CHNL | Fits 17" x 22" Chair |
| 3 | 722631 | SEAT SLING 15" x 15" CHNL | Fits 18" x 15" Chair |
| 3 | 722632 | SEAT SLING 15" x 16" CHNL | Fits 18" x 16" Chair |
| 3 | 722633 | SEAT SLING 15" x 17" CHNL | Fits 18" x 17" Chair |
| 3 | 722634 | SEAT SLING 15" x 18" CHNL | Fits 18" x 18" Chair |
| 3 | 722635 | SEAT SLING 15" x 19" CHNL | Fits 18" x 19" Chair |
| 3 | 722636 | SEAT SLING 15" x 20" CHNL | Fits 18" x 20" Chair |
| 3 | 722637 | SEAT SLING 15" x 21" CHNL | Fits 18" x 21" Chair |
| 3 | 722638 | SEAT SLING 15" x 22" CHNL | Fits 18" x 22" Chair |
| 3 | 722642 | SEAT SLING 16" x 16" CHNL | Fits 19" x 16" Chair |
| 3 | 722643 | SEAT SLING 16" x 17" CHNL | Fits 19" x 17" Chair |
| 3 | 722644 | SEAT SLING 16" x 18" CHNL | Fits 19" x 18" Chair |
| 3 | 722645 | SEAT SLING 16" x 19" CHNL | Fits 19" x 19" Chair |
| 3 | 722646 | SEAT SLING 16" x 20" CHNL | Fits 19" x 20" Chair |
| 3 | 722647 | SEAT SLING 16" x 21" CHNL | Fits 19" x 21" Chair |
| 3 | 722648 | SEAT SLING 16" x 22" CHNL | Fits 19" x 22" Chair |
| 3 | 722652 | SEAT SLING 17" x 16" CHNL | Fits 20" x 16" Chair |
| 3 | 722653 | SEAT SLING 17" x 17" CHNL | Fits 20" x 17" Chair |
| 3 | 722654 | SEAT SLING 17" x 18" CHNL | Fits 20" x 18" Chair |
| 3 | 722655 | SEAT SLING 17" x 19" CHNL | Fits 20" x 19" Chair |
| 3 | 722656 | SEAT SLING 17" x 20" CHNL | Fits 20" x 20" Chair |
| 3 | 722657 | SEAT SLING 17" x 21" CHNL | Fits 20" x 21" Chair |
| 3 | 722658 | SEAT SLING 17" x 22" CHNL | Fits 20" x 22" Chair |

NOTE: On all Quickie 2 and GP Family of Chairs an inch deeper cushion is utilized on all seat depths.



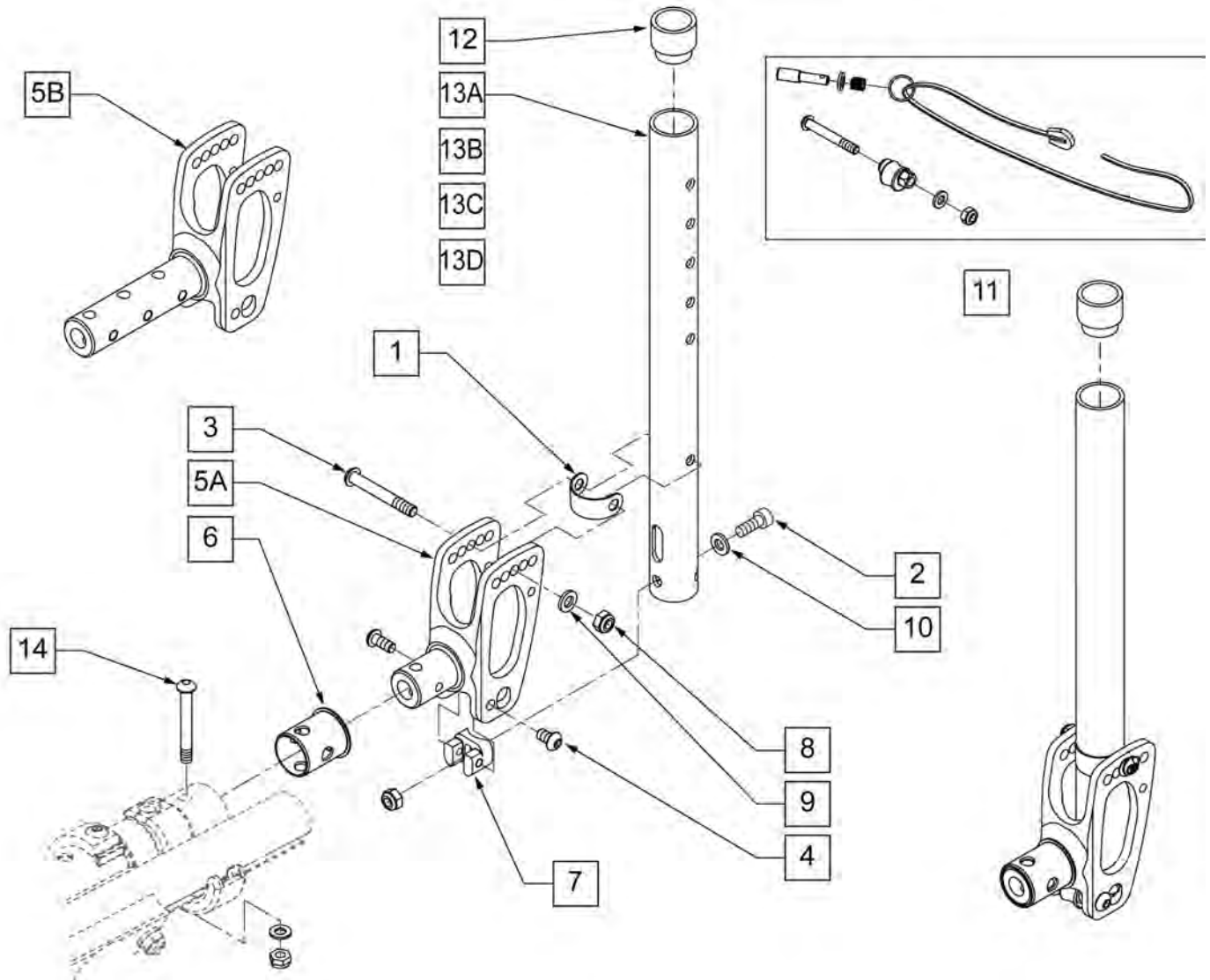
| Pos. | Item Number | Description | Pos. | Item Number | Description |
|------|-------------|-----------------------------|------|-------------|-----------------------------|
| >>>> | | 10" WIDE SEAT CUSHION | 1,2 | 700102 | SEAT CUSHION 12" X 10" X 2" |
| 1,2 | 700025 | SEAT CUSHION 10" X 8" X 2" | 1,2 | 700112 | SEAT CUSHION 12" X 11" X 2" |
| 1,2 | 700026 | SEAT CUSHION 10" X 9" X 2" | 1,2 | 700122 | SEAT CUSHION 12" X 12" X 2" |
| 1,2 | 700027 | SEAT CUSHION 10" X 10" X 2" | 1,2 | 700132 | SEAT CUSHION 12" X 13" X 2" |
| 1,2 | 700028 | SEAT CUSHION 10" X 11" X 2" | 1,2 | 700142 | SEAT CUSHION 12" X 14" X 2" |
| 1,2 | 700029 | SEAT CUSHION 10" X 12" X 2" | 1,2 | 700152 | SEAT CUSHION 12" X 15" X 2" |
| 1,2 | 700035 | SEAT CUSHION 10" X 13" X 2" | 1,2 | 700162 | SEAT CUSHION 12" X 16" X 2" |
| 1,2 | 700045 | SEAT CUSHION 10" X 14" X 2" | 1,2 | 700172 | SEAT CUSHION 12" X 17" X 2" |
| >>>> | | 11" WIDE SEAT CUSHION | 1,2 | 700182 | SEAT CUSHION 12" X 18" X 2" |
| 1,2 | 700055 | SEAT CUSHION 11" X 8" X 2" | 1,2 | 700192 | SEAT CUSHION 12" X 19" X 2" |
| 1,2 | 700056 | SEAT CUSHION 11" X 9" X 2" | >>>> | | 13" WIDE SEAT CUSHION |
| 1,2 | 700002 | SEAT CUSHION 11" X 10" X 2" | 1,2 | 700207 | SEAT CUSHION 13" X 8" X 2" |
| 1,2 | 700012 | SEAT CUSHION 11" X 11" X 2" | 1,2 | 700208 | SEAT CUSHION 13" X 9" X 2" |
| 1,2 | 700022 | SEAT CUSHION 11" X 12" X 2" | 1,2 | 700202 | SEAT CUSHION 13" X 10" X 2" |
| 1,2 | 700032 | SEAT CUSHION 11" X 13" X 2" | 1,2 | 700212 | SEAT CUSHION 13" X 11" X 2" |
| 1,2 | 700042 | SEAT CUSHION 11" X 14" X 2" | 1,2 | 700222 | SEAT CUSHION 13" X 12" X 2" |
| 1,2 | 700052 | SEAT CUSHION 11" X 15" X 2" | 1,2 | 700232 | SEAT CUSHION 13" X 13" X 2" |
| 1,2 | 700062 | SEAT CUSHION 11" X 16" X 2" | 1,2 | 700242 | SEAT CUSHION 13" X 14" X 2" |
| 1,2 | 700072 | SEAT CUSHION 11" X 17" X 2" | 1,2 | 700252 | SEAT CUSHION 13" X 15" X 2" |
| 1,2 | 700082 | SEAT CUSHION 11" X 18" X 2" | 1,2 | 700262 | SEAT CUSHION 13" X 16" X 2" |
| >>>> | | 12" WIDE SEAT CUSHION | 1,2 | 700272 | SEAT CUSHION 13" X 17" X 2" |
| 1,2 | 700107 | SEAT CUSHION 12" X 8" X 2" | 1,2 | 700277 | SEAT CUSHION 13" X 18" X 2" |
| 1,2 | 700108 | SEAT CUSHION 12" X 9" X 2" | 1,2 | 700267 | SEAT CUSHION 13" X 19" X 2" |

| Pos. | Item Number | Description | Pos. | Item Number | Description |
|------|-------------|-----------------------------|------|-------------|-----------------------------|
| >>>> | | 14" WIDE SEAT CUSHION | 1,2 | 700692 | SEAT CUSHION 18" X 13" X 2" |
| 1,2 | 700287 | SEAT CUSHION 14" X 8" X 2" | 1,2 | 700702 | SEAT CUSHION 18" X 14" X 2" |
| 1,2 | 700288 | SEAT CUSHION 14" X 9" X 2" | 1,2 | 700712 | SEAT CUSHION 18" X 15" X 2" |
| 1,2 | 700282 | SEAT CUSHION 14" X 10" X 2" | 1,2 | 700722 | SEAT CUSHION 18" X 16" X 2" |
| 1,2 | 700292 | SEAT CUSHION 14" X 11" X 2" | 1,2 | 700732 | SEAT CUSHION 18" X 17" X 2" |
| 1,2 | 700302 | SEAT CUSHION 14" X 12" X 2" | 1,2 | 700742 | SEAT CUSHION 18" X 18" X 2" |
| 1,2 | 700312 | SEAT CUSHION 14" X 13" X 2" | 1,2 | 700752 | SEAT CUSHION 18" X 19" X 2" |
| 1,2 | 700322 | SEAT CUSHION 14" X 14" X 2" | 1,2 | 700762 | SEAT CUSHION 18" X 20" X 2" |
| 1,2 | 700332 | SEAT CUSHION 14" X 15" X 2" | 1,2 | 700772 | SEAT CUSHION 18" X 21" X 2" |
| 1,2 | 700342 | SEAT CUSHION 14" X 16" X 2" | 1,2 | 702114 | SEAT CUSHION 18" X 22" X 2" |
| 1,2 | 700352 | SEAT CUSHION 14" X 17" X 2" | >>>> | | 19" WIDE SEAT CUSHION |
| 1,2 | 700362 | SEAT CUSHION 14" X 18" X 2" | 1,2 | 700782 | SEAT CUSHION 19" X 12" X 2" |
| 1,2 | 700372 | SEAT CUSHION 14" X 19" X 2" | 1,2 | 700792 | SEAT CUSHION 19" X 13" X 2" |
| 1,2 | 700382 | SEAT CUSHION 14" X 20" X 2" | 1,2 | 700802 | SEAT CUSHION 19" X 14" X 2" |
| 1,2 | 700392 | SEAT CUSHION 14" X 21" X 2" | 1,2 | 700812 | SEAT CUSHION 19" X 15" X 2" |
| 1,2 | 702110 | SEAT CUSHION 14" X 22" X 2" | 1,2 | 700822 | SEAT CUSHION 19" X 16" X 2" |
| >>>> | | 15" WIDE SEAT CUSHION | 1,2 | 700832 | SEAT CUSHION 19" X 17" X 2" |
| 1,2 | 700398 | SEAT CUSHION 15" X 11" X 2" | 1,2 | 700842 | SEAT CUSHION 19" X 18" X 2" |
| 1,2 | 700402 | SEAT CUSHION 15" X 12" X 2" | 1,2 | 700852 | SEAT CUSHION 19" X 19" X 2" |
| 1,2 | 700412 | SEAT CUSHION 15" X 13" X 2" | 1,2 | 700862 | SEAT CUSHION 19" X 20" X 2" |
| 1,2 | 700422 | SEAT CUSHION 15" X 14" X 2" | 1,2 | 700872 | SEAT CUSHION 19" X 21" X 2" |
| 1,2 | 700432 | SEAT CUSHION 15" X 15" X 2" | 1,2 | 702115 | SEAT CUSHION 19" X 22" X 2" |
| 1,2 | 700442 | SEAT CUSHION 15" X 16" X 2" | >>>> | | 20" WIDE SEAT CUSHION |
| 1,2 | 700452 | SEAT CUSHION 15" X 17" X 2" | 1,2 | 700882 | SEAT CUSHION 20" X 12" X 2" |
| 1,2 | 700462 | SEAT CUSHION 15" X 18" X 2" | 1,2 | 700892 | SEAT CUSHION 20" X 13" X 2" |
| 1,2 | 700472 | SEAT CUSHION 15" X 19" X 2" | 1,2 | 700902 | SEAT CUSHION 20" X 14" X 2" |
| 1,2 | 700482 | SEAT CUSHION 15" X 20" X 2" | 1,2 | 700912 | SEAT CUSHION 20" X 15" X 2" |
| 1,2 | 700492 | SEAT CUSHION 15" X 21" X 2" | 1,2 | 700922 | SEAT CUSHION 20" X 16" X 2" |
| 1,2 | 702111 | SEAT CUSHION 15" X 22" X 2" | 1,2 | 700932 | SEAT CUSHION 20" X 17" X 2" |
| >>>> | | 16" WIDE SEAT CUSHION | 1,2 | 700942 | SEAT CUSHION 20" X 18" X 2" |
| 1,2 | 700498 | SEAT CUSHION 16" X 11" X 2" | 1,2 | 700952 | SEAT CUSHION 20" X 19" X 2" |
| 1,2 | 700502 | SEAT CUSHION 16" X 12" X 2" | 1,2 | 700962 | SEAT CUSHION 20" X 20" X 2" |
| 1,2 | 700512 | SEAT CUSHION 16" X 13" X 2" | 1,2 | 700972 | SEAT CUSHION 20" X 21" X 2" |
| 1,2 | 700522 | SEAT CUSHION 16" X 14" X 2" | 1,2 | 702116 | SEAT CUSHION 20" X 22" X 2" |
| 1,2 | 700532 | SEAT CUSHION 16" X 15" X 2" | >>>> | | 21" WIDE SEAT CUSHION |
| 1,2 | 700542 | SEAT CUSHION 16" X 16" X 2" | 1,2 | 702080 | SEAT CUSHION 21" X 13" X 2" |
| 1,2 | 700552 | SEAT CUSHION 16" X 17" X 2" | 1,2 | 702081 | SEAT CUSHION 21" X 14" X 2" |
| 1,2 | 700562 | SEAT CUSHION 16" X 18" X 2" | 1,2 | 702082 | SEAT CUSHION 21" X 15" X 2" |
| 1,2 | 700572 | SEAT CUSHION 16" X 19" X 2" | 1,2 | 702083 | SEAT CUSHION 21" X 16" X 2" |
| 1,2 | 700582 | SEAT CUSHION 16" X 20" X 2" | 1,2 | 702084 | SEAT CUSHION 21" X 17" X 2" |
| 1,2 | 700592 | SEAT CUSHION 16" X 21" X 2" | 1,2 | 702085 | SEAT CUSHION 21" X 18" X 2" |
| 1,2 | 702112 | SEAT CUSHION 16" X 22" X 2" | 1,2 | 702086 | SEAT CUSHION 21" X 19" X 2" |
| >>>> | | 17" WIDE SEAT CUSHION | 1,2 | 702087 | SEAT CUSHION 21" X 20" X 2" |
| 1,2 | 700585 | SEAT CUSHION 17" X 11" X 2" | 1,2 | 702088 | SEAT CUSHION 21" X 21" X 2" |
| 1,2 | 700606 | SEAT CUSHION 17" X 12" X 2" | 1,2 | 702089 | SEAT CUSHION 21" X 22" X 2" |
| 1,2 | 700597 | SEAT CUSHION 17" X 13" X 2" | >>>> | | 22" WIDE SEAT CUSHION |
| 1,2 | 700602 | SEAT CUSHION 17" X 14" X 2" | 1,2 | 702090 | SEAT CUSHION 22" X 13" X 2" |
| 1,2 | 700612 | SEAT CUSHION 17" X 15" X 2" | 1,2 | 702091 | SEAT CUSHION 22" X 14" X 2" |
| 1,2 | 700622 | SEAT CUSHION 17" X 16" X 2" | 1,2 | 702092 | SEAT CUSHION 22" X 15" X 2" |
| 1,2 | 700632 | SEAT CUSHION 17" X 17" X 2" | 1,2 | 702093 | SEAT CUSHION 22" X 16" X 2" |
| 1,2 | 700642 | SEAT CUSHION 17" X 18" X 2" | 1,2 | 702094 | SEAT CUSHION 22" X 17" X 2" |
| 1,2 | 700652 | SEAT CUSHION 17" X 19" X 2" | 1,2 | 702095 | SEAT CUSHION 22" X 18" X 2" |
| 1,2 | 700662 | SEAT CUSHION 17" X 20" X 2" | 1,2 | 702096 | SEAT CUSHION 22" X 19" X 2" |
| 1,2 | 700672 | SEAT CUSHION 17" X 21" X 2" | 1,2 | 702097 | SEAT CUSHION 22" X 20" X 2" |
| 1,2 | 702113 | SEAT CUSHION 17" X 22" X 2" | 1,2 | 702098 | SEAT CUSHION 22" X 21" X 2" |
| >>>> | | 18" WIDE SEAT CUSHION | 1,2 | 702117 | SEAT CUSHION 22" X 22" X 2" |
| 1,2 | 700682 | SEAT CUSHION 18" X 12" X 2" | >>>> | | 24" WIDE SEAT CUSHION |

| Pos. | Item Number | Description | Pos. | Item Number | Description |
|------|-------------|-----------------------------|------|-------------|-----------------------------|
| 1,2 | 702099 | SEAT CUSHION 24" X 14" X 2 | 1,2 | 702224 | SEAT CUSHION 26" X 22" X 2" |
| 1,2 | 702100 | SEAT CUSHION 24" X 15" X 2 | >>>> | | 28" WIDE SEAT CUSHION |
| 1,2 | 702101 | SEAT CUSHION 24" X 16" X 2 | 1,2 | 702225 | SEAT CUSHION 28" X 18" X 2" |
| 1,2 | 702102 | SEAT CUSHION 24" X 17" X 2 | 1,2 | 702226 | SEAT CUSHION 28" X 19" X 2" |
| 1,2 | 702103 | SEAT CUSHION 24" X 18" X 2 | 1,2 | 702227 | SEAT CUSHION 28" X 20" X 2" |
| 1,2 | 702104 | SEAT CUSHION 24" X 19" X 2 | 1,2 | 702228 | SEAT CUSHION 28" X 21" X 2" |
| 1,2 | 702105 | SEAT CUSHION 24" X 20" X 2" | 1,2 | 702229 | SEAT CUSHION 28" X 22" X 2" |
| 1,2 | 702106 | SEAT CUSHION 24" X 21" X 2" | >>>> | | 30" WIDE SEAT CUSHION |
| 1,2 | 702118 | SEAT CUSHION 24" X 22" X 2" | 1,2 | 702230 | SEAT CUSHION 30" X 18" X 2" |
| >>>> | | 26" WIDE SEAT CUSHION | 1,2 | 702231 | SEAT CUSHION 30" X 19" X 2" |
| 1,2 | 702220 | SEAT CUSHION 26" X 18" X 2" | 1,2 | 702232 | SEAT CUSHION 30" X 20" X 2" |
| 1,2 | 702221 | SEAT CUSHION 26" X 19" X 2" | 1,2 | 702233 | SEAT CUSHION 30" X 21" X 2" |
| 1,2 | 702222 | SEAT CUSHION 26" X 20" X 2" | 1,2 | 702234 | SEAT CUSHION 30" X 22" X 2" |
| 1,2 | 702223 | SEAT CUSHION 26" X 21" X 2" | | | |

NOTE: FOR CHAIRS BUILT PRIOR TO JULY 20 2007 S/N F3-134556 YOU MUST REPLACE BOTH BACKREST BRACKETS BY ORDERING 103543-001 OR 103543-002.

NOTE: ITEM 6 (114503) REQUIRED ON FRAMES PURCHASED PRIOR TO 9/16/2011. IF FRAME WAS REPLACED AS A PART AFTER 9/16/2011 ITEM 6 (114503) IS NOT REQUIRED.

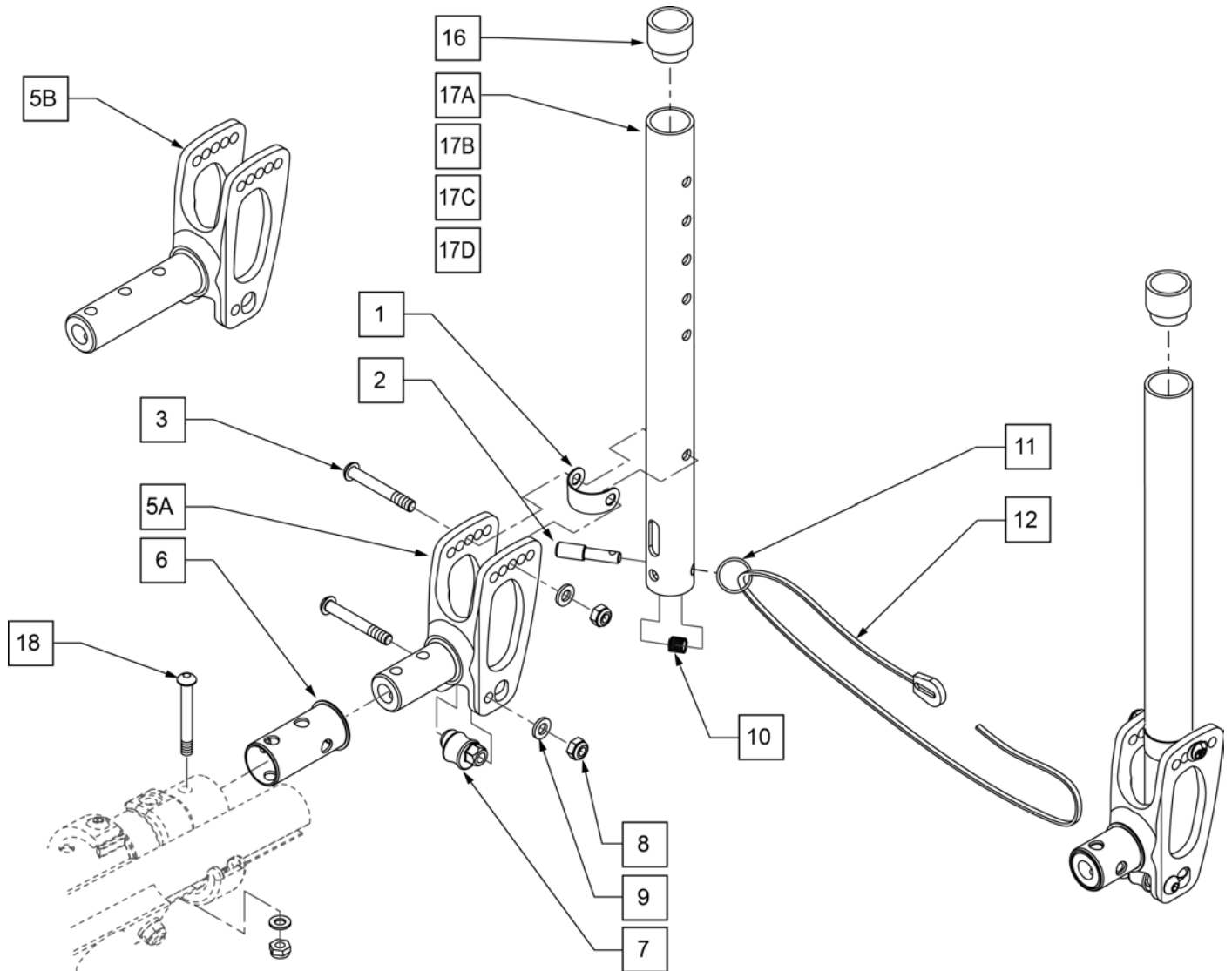


| Pos. | Item Number | Description | Remarks |
|------|-------------|-----------------------------|---------|
| 1 | 103470 | WASHER PIVOT BACKREST | |
| 2 | 102263-001 | SHCS M6 X 1 X 16 INORGANIC | |
| 3 | 102262-007 | BHCS M6 X 1 X 45 INORGANIC | |
| 4 | 102262-002 | BHCS M6 X 1 X 10 W/PL INORG | |
| 5A | 103490-003 | BRACKET BACKREST 23MM | |
| 5B | 103490-004 | BRACKET BACKREST 23MM EXT | |
| 6 | 114503 | GTX STEEL FRAME INSERT | |
| 7 | 103472 | SADDLE BACKREST NON-FOLD | |

| Pos. | Item Number | Description | Remarks |
|-----------|-------------|-------------------------------|-----------------------------------|
| 8 | 200113 | NUT HEX NYLOCK M6 X 1 NUT | |
| 9 | 250104 | WASHER FLAT M6 | |
| 10 | 262130 | 6MM WASHER WAVE | |
| 11 | 103537 | FOLDING BACK CONVERSION KIT | |
| 12 | 561082 | 1" TUBE END BUSHING THIN | |
| 13A | 101302-003 | TUBE BACKREST ALUM R STD BLK | 10 -14" & 12 -16" |
| 13A | 101303-003 | TUBE BACKREST ALUM L STD BLK | 10 -14" & 12 -16" |
| 13B | 101302-004 | TUBE BACKREST ALUM R TALL BLK | 14 -18" & 16 -20" |
| 13B | 101303-004 | TUBE BACKREST ALUM L TALL BLK | 14 -18" & 16 -20" |
| 13C | 100863-001 | TUBE BACKREST 3PT R STD | 10 -14" & 12 -16" |
| 13C | 100864-001 | TUBE BACKREST 3PT L STD | 10 -14" & 12 -16" |
| 13D | 100863-002 | TUBE BACKREST 3PT R TALL | 14 -18" & 16 -20" |
| 13D | 100864-002 | TUBE BACKREST 3PT L TALL | 14 -18" & 16 -20" |
| 14 | 013252 | BHCS M6 X 1 X 35 BLK | |
| 1-5A,7-10 | 103543-001 | BRKT GTX W/ HDWR FIXED STD | CONTAINS HARDWARE FOR BOTH SIDES. |
| 1-5B,7-10 | 103543-002 | BRKT GTX W/ HDWR FIXED EXT | CONTAINS HARDWARE FOR BOTH SIDES. |
| 12-13A | 104770 | FRM ALUM BKRST STD | PAIR |
| 12-13B | 104771 | FRM ALUM BKRST TALL | PAIR |

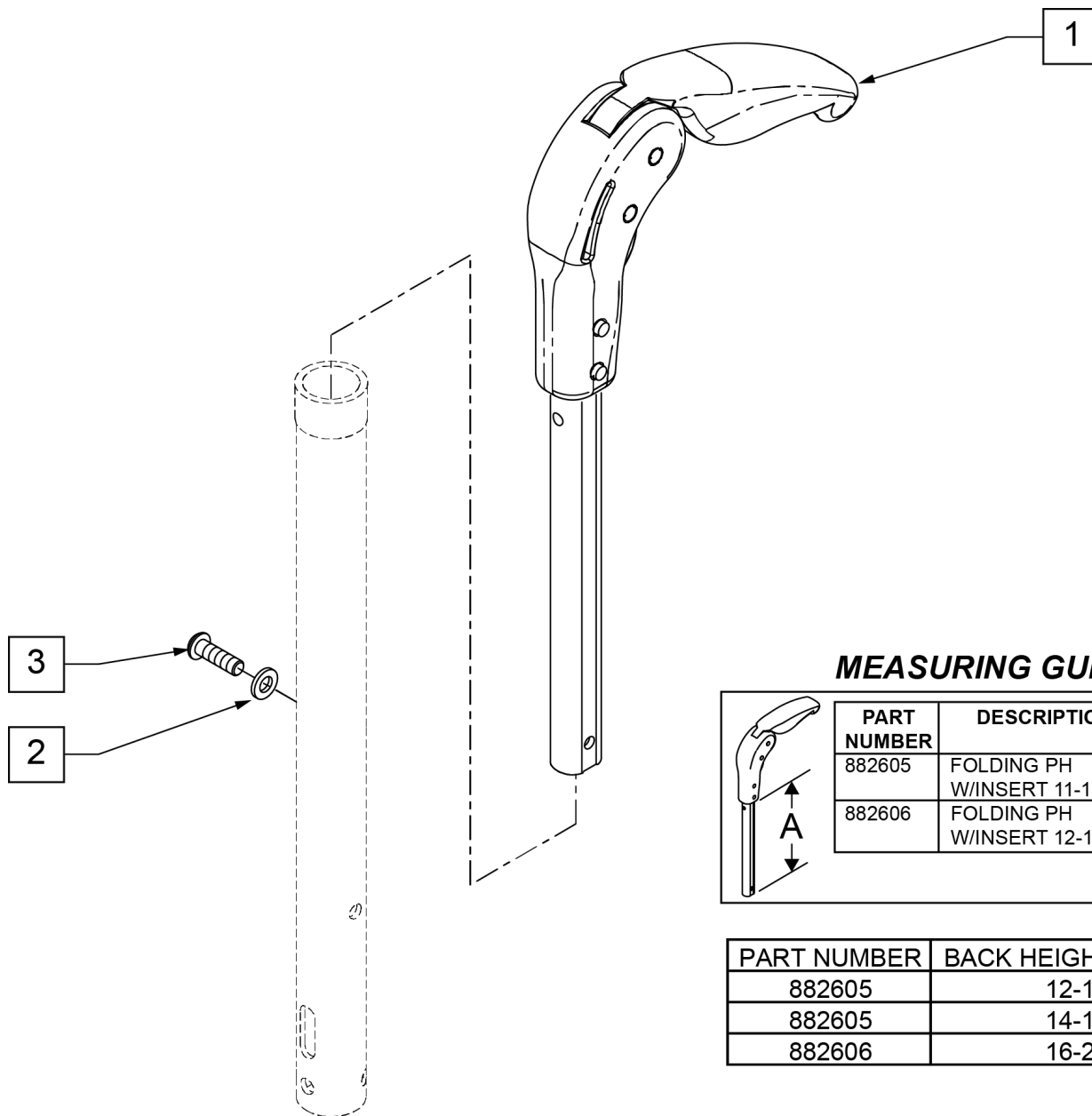
NOTE: for chairs built prior to July 20 2007 S/N F3-134556 you must replace both backrest brackets by ordering 103542-001 or 103542-002.
NOTE: ITEM 6 (114503) REQUIRED ON FRAMES PURCHASED PRIOR TO 9/16/2011. IF FRAME WAS REPLACED AS A PART AFTER 9/16/2011 ITEM 6 (114503) IS NOT REQUIRED.

NOTE: ITEM 6 (114503) REQUIRED ON FRAMES PURCHASED PRIOR TO 9/16/2011. IF FRAME WAS REPLACED AS A PART AFTER 9/16/2011 ITEM 6 (114503) IS NOT REQUIRED.



| Pos. | Item Number | Description | Remarks |
|------|-------------|-----------------------------|--------------------------------|
| 1 | 103470 | WASHER PIVOT BACKREST | |
| 2 | 050017 | PIN PLUNGER BACKREST | |
| 3 | 102262-007 | BHCS M6 X 1 X 45 INORGANIC | |
| 4 | 102262-002 | BHCS M6 X 1 X 10 W/PL INORG | |
| 5A | 103490-003 | BRACKET BACKREST 22MM | |
| 5B | 103490-004 | BRACKET BACKREST 22MM EXT | For use with solid back insert |
| 6 | 114503 | GTX STEEL FRAME INSERT | Used on non-heavy duty chairs |

| Pos. | Item Number | Description | Remarks |
|---------------|-------------|-------------------------------|-----------------------------------|
| 7 | 103238 | CAM STOP BACKREST | |
| 8 | 200113 | NUT HEX NYLOCK M6 X 1 NUT | |
| 9 | 250104 | WASHER FLAT M6 | |
| 10 | 050020 | SPRINGCOMP.312OD1.131G.025WSS | |
| 11 | 342015 | LANYARD ATTACH RING | |
| 12 | 750060 | BACK REL STRAP 12"-22" RIGID | |
| 12 | 560221 | BACK REL STRAP LOCK RIGID | |
| 13 | 102262-008 | BHCS M6 X 1 X 50 INORGANIC | |
| 16 | 561082 | 1" TUBE END BUSHING THIN | |
| 17A | 101302-003 | TUBE BACKREST ALUM R STD BLK | 10-14" & 12-16" |
| 17A | 101303-003 | TUBE BACKREST ALUM L STD BLK | 10-14" & 12-16" |
| 17B | 101302-004 | TUBE BACKREST ALUM R TALL BLK | 14-18" & 16-20" |
| 17B | 101303-004 | TUBE BACKREST ALUM L TALL BLK | 14-18" & 16-20" |
| 17C | 100863-001 | TUBE BACKREST 3PT R STD | 10-14" & 12-16" |
| 17C | 100864-001 | TUBE BACKREST 3PT L STD | 10-14" & 12-16" |
| 17D | 100863-002 | TUBE BACKREST 3PT R TALL | 14-18" & 16-20" |
| 17D | 100864-002 | TUBE BACKREST 3PT L TALL | 14-18" & 16-20" |
| 18 | 013252 | BHCS M6 X 1 X 35 BLK | |
| 1,3,4, 5A,7-9 | 103542-001 | BRKT GTX W/HDWR FLDG STD | CONTAINS HARDWARE FOR BOTH SIDES. |
| 1,3,4, 5B,7-9 | 103542-002 | BRKT GTX W/HDWR FLDG EXT | CONTAINS HARDWARE FOR BOTH SIDES. |
| 16,17A | 104770 | FRM ALUM BKREST STD | PAIR |
| 16,17B | 104771 | FRM ALUM BKREST TALL | PAIR |



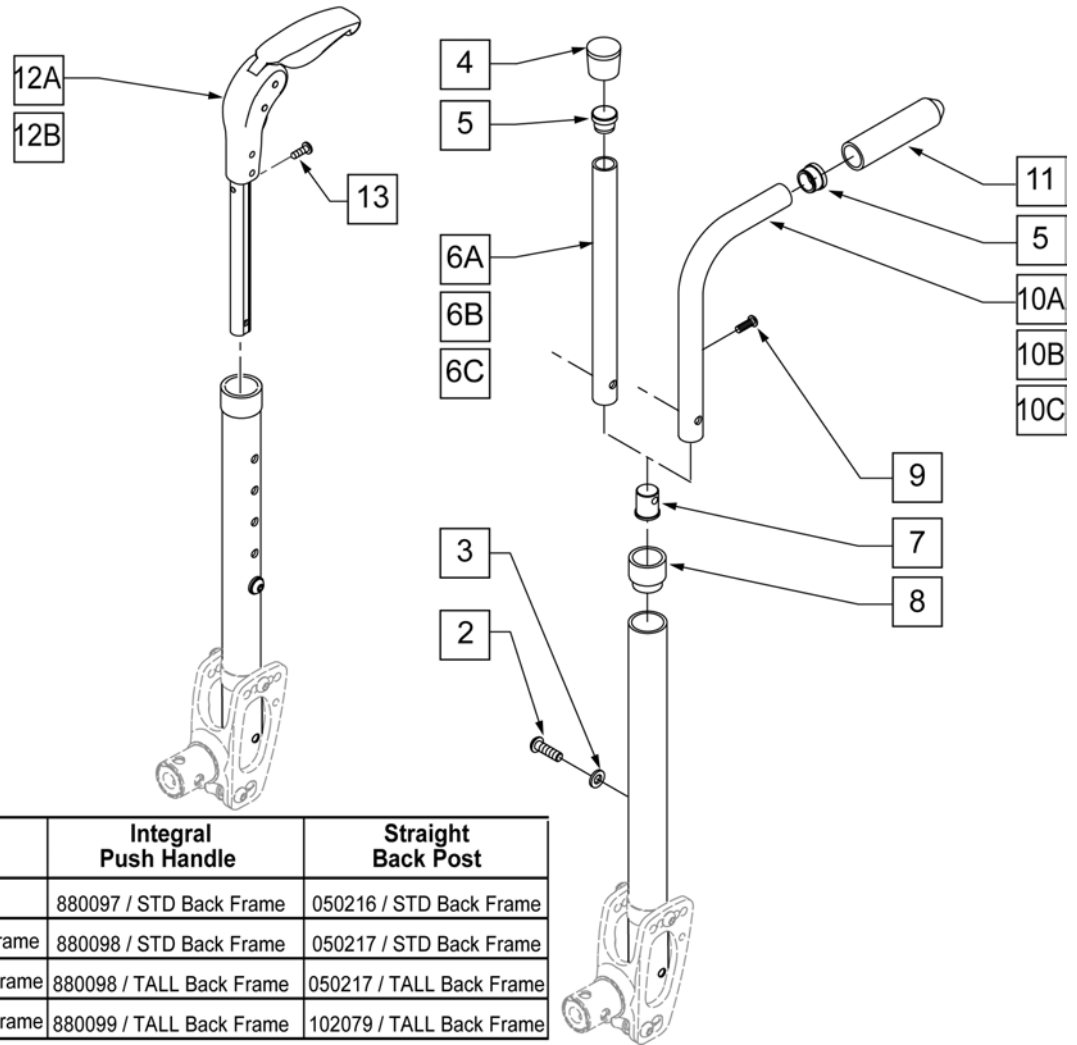
MEASURING GUIDE

| PART NUMBER | DESCRIPTION | DIM "A" |
|-------------|---------------------------|---------|
| 882605 | FOLDING PH W/INSERT 11-14 | 6.5" |
| 882606 | FOLDING PH W/INSERT 12-16 | 8.5" |

| PART NUMBER | BACK HEIGHT RANGE |
|-------------|-------------------|
| 882605 | 12-16 |
| 882605 | 14-18 |
| 882606 | 16-20 |

| Pos. | Item Number | Description | Remarks |
|------|-------------|--------------------------------|--|
| 1 | 882605 | FLDG PSH HNDL W/INSERT 11"-14" | USE WI/ 12" -16" & 14" -18" BACK HEIGHT RANGES |
| 1 | 882606 | FLDG PSH HNDL W/INSERT 12"-16" | USE WI/ 16" -20" BACK HEIGHT RANGES |
| 2 | 262130 | 6MM WASHER WAVE | |
| 3 | 102262-003 | BHCS M6 X 20 BLK CL 10.9 | |

NOTE: SEE ARMRESTS/"PADDED SWING AWAY ARMREST" PAGE TO GET REPLACEMENT BACK FRAME INSERT ASSEMBLY NUMBERS 104649-001 THRU -009.

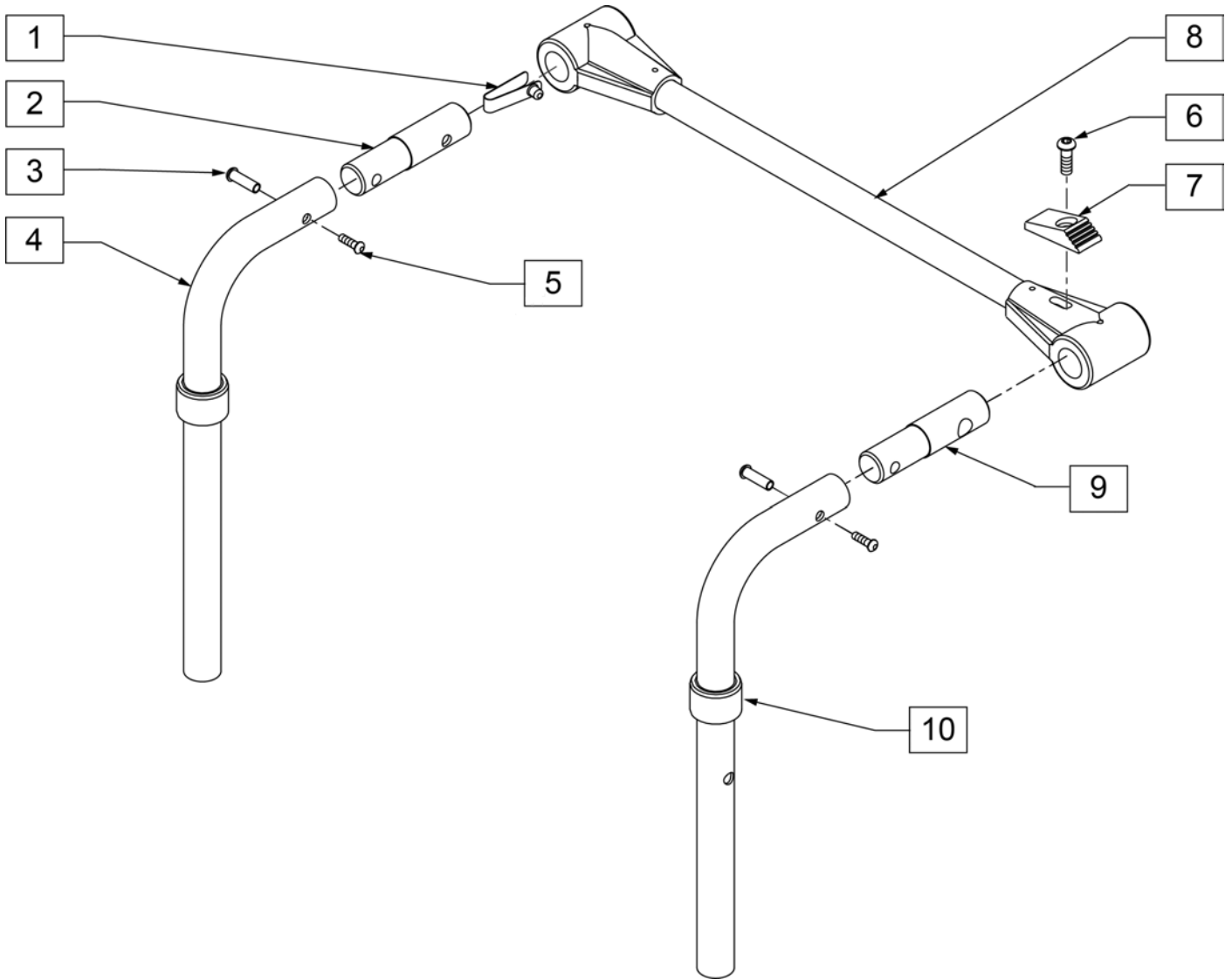


| | Folding Push Handle | Integral Push Handle | Straight Back Post |
|----------------------------|--------------------------|--------------------------|--------------------------|
| Back Height 10"-14" | N/A | 880097 / STD Back Frame | 050216 / STD Back Frame |
| 12"-16" | 882605 / STD Back Frame | 880098 / STD Back Frame | 050217 / STD Back Frame |
| 14"-18" | 882605 / TALL Back Frame | 880098 / TALL Back Frame | 050217 / TALL Back Frame |
| 16"-20" | 882606 / TALL Back Frame | 880099 / TALL Back Frame | 102079 / TALL Back Frame |

| Pos. | Item Number | Description | Remarks |
|----------|-------------|--|-------------------------------|
| 2 | 102262-003 | BHCS M6 x 20 BLK | |
| 3 | 262130 | M6 WASHER WAVE | |
| 4 | 561010 | 3/4" CAP | |
| 5 | 561000-QU | 3/4" INSERT PLUG .083 | |
| 7 | 050019 | PLUG BACKREST M6 | |
| 8 | 561082 | 1" TUBE END BUSHING THIN | |
| 9 | 281122 | 10 -32 x 3/4 PAN PHIL | |
| 11 | 920026 | QUIKIE GRIP 3/4" W/ INSTR SH | |
| 12A | 882605 | FOLDING PUSH HANDLE W/ INSERT 11 -14" | 12 -16" & 14 -18" BACK HEIGHT |
| 12B | 882606 | FOLDING PUSH HANDLE W/ INSERT 12 -16" | 16 -20" BACK HEIGHT |
| 13 | 281127 | #12 x 3/4" PAN HD PHIL S/ TAP | |
| 2-5,6A,7 | 050216 | BACK ADJ TUBE RIGID STD 10 -14" | 10 -14" BACK HEIGHT |
| 2-5,6B,7 | 050217 | BACK ADJ TUBE RIGID TALL 12 -16"/14 -18" | 12 -16" & 14 -18" BACK HEIGHT |

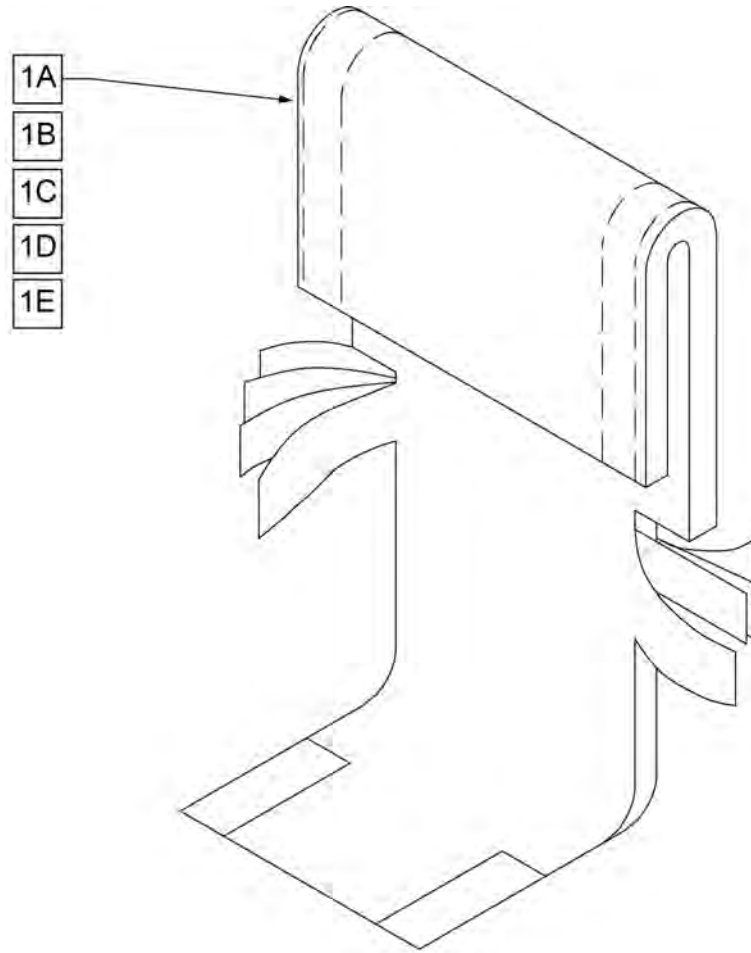
| Pos. | Item Number | Description | Remarks |
|----------------|--------------------|-----------------------------------|-------------------------------|
| 2-5,6C,7 | 102079 | BACK ADJ TUBE RIGID TALL 16 -20" | 16 -20" BACK HEIGHT |
| 2,3,5,7,10A,11 | 050253 | BACK ADJ PUSH HANDLE STANDARD | 10 -14" BACK HEIGHT |
| 2,3,5,7,10B,11 | 050254 | BACK ADJ PUSH HANDLE MEDIUM | 12 -16" & 14 -18" BACK HEIGHT |
| 2,3,5,7,10C,11 | 102093 | BACK ADJ PUSH HANDLE TALL | 16 -20" BACK HEIGHT |
| 5,10A,11 | 880097 | INTEGRAL PUSH HANDLE STD W/ GRIP | 10 -14" BACK HEIGHT |
| 5,10B,11 | 880098 | INTEGRAL PUSH HANDLE MED W/ GRIP | 12 -16" & 14 -18" BACK HEIGHT |
| 5,10C,11 | 880099 | INTEGRAL PUSH HANDLE TALL W/ GRIP | 16 -20" BACK HEIGHT |

NOTE: ITEMS 2 AND 9 ARE DIFFERENT AND BOTH ARE REQUIRED FOR ASSEMBLY.



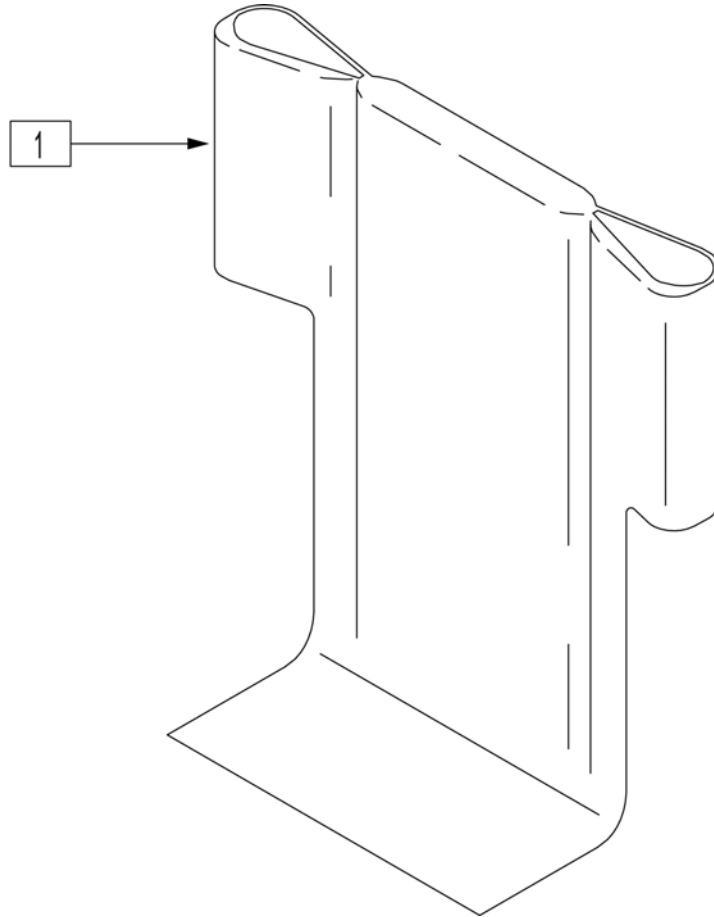
| Pos. | Item Number | Description | Remarks |
|------|-------------|-------------------------------|---------------------------------|
| 1 | 301100 | 1/4" SNAP BUTTON SINGLE | |
| 2 | 483533 | STABILIZER BAR PIVOT PIN Q2 | Used on LXi only |
| 3 | 226020 | 10-32 x 5/8 BH C/S BLK | |
| 4 | 109775 | LXI BACK TUBE 14-17 8D | Used on LXi |
| 4 | 109776 | LXI BACK TUBE 16-19 8D | Used on LXi |
| 4 | 109777 | LXI BACK TUBE 14-17 STRT | Used on LXi |
| 4 | 109778 | LXI BACK TUBE 16-19 STRT | Used on LXi |
| 4 | 100843-001 | ASSM TUBE BACK STAB SHORT | Used on GTX; 10-14" Back Height |
| 4 | 100843-002 | ASSM TUBE BACK STAB MEDIUM | Used on GTX; 12-16" Back Height |
| 4 | 100843-003 | ASSM TUBE BACK STAB TALL | Used on GTX; 16-20" Back Height |
| 5 | 221213 | 10-32 x 7/8 HEX SEX BOLT QTNT | |
| 6 | 560143 | STABILIZER LATCH RELEASE BR | |
| 9 | 483534 | STABILIZER BAR LOCKING PIN Q2 | Used on LXi only |

| Pos. | Item Number | Description | Remarks |
|---------|-------------|-------------------------------|---|
| 10 | 561083 | 1 1/8" TUBE END BUSHING THIN | Used on LXi |
| 10 | 561082 | 1" TUBE END BUSHING THIN | Used on GTX |
| 6-8 | 820693 | STABILIZER CROSS BAR ASSM 12" | |
| 6-8 | 820694 | STABILIZER CROSS BAR ASSM 13" | |
| 6-8 | 820695 | STABILIZER CROSS BAR ASSM 14" | |
| 6-8 | 820696 | STABILIZER CROSS BAR ASSM 15" | |
| 6-8 | 820697 | STABILIZER CROSS BAR ASSM 16" | |
| 6-8 | 820698 | STABILIZER CROSS BAR ASSM 17" | |
| 6-8 | 820700 | STABILIZER CROSS BAR ASSM 18" | |
| 6-8 | 820701 | STABILIZER CROSS BAR ASSM 19" | |
| 6-8 | 820702 | STABILIZER CROSS BAR ASSM 20" | |
| 6-8 | 109775 | LXI BK TBE 14-17 8D | MED 8Deg 14 -17" BACK HGT - USED W/ STABILIZER BAR |
| 6-8 | 109776 | LXI BK TBE 16-19 8D | TALL 8Deg 16 -19" BACK HGT - USED W/ STABILIZER BAR |
| 6-8 | 109777 | LXI BK TBE 16-19 STRT | MED STRAIGHT 14 -17" BACK HGT - USED W/ STABILIZER BAR |
| 6-8 | 109778 | LXI BK TBE 16-19 STRT | TALL STRAIGHT 16 -19" BACK HGT - USED W/ STABILIZER BAR |
| 1-3,5,9 | 885015 | STABILIZER PIN ASSM | |

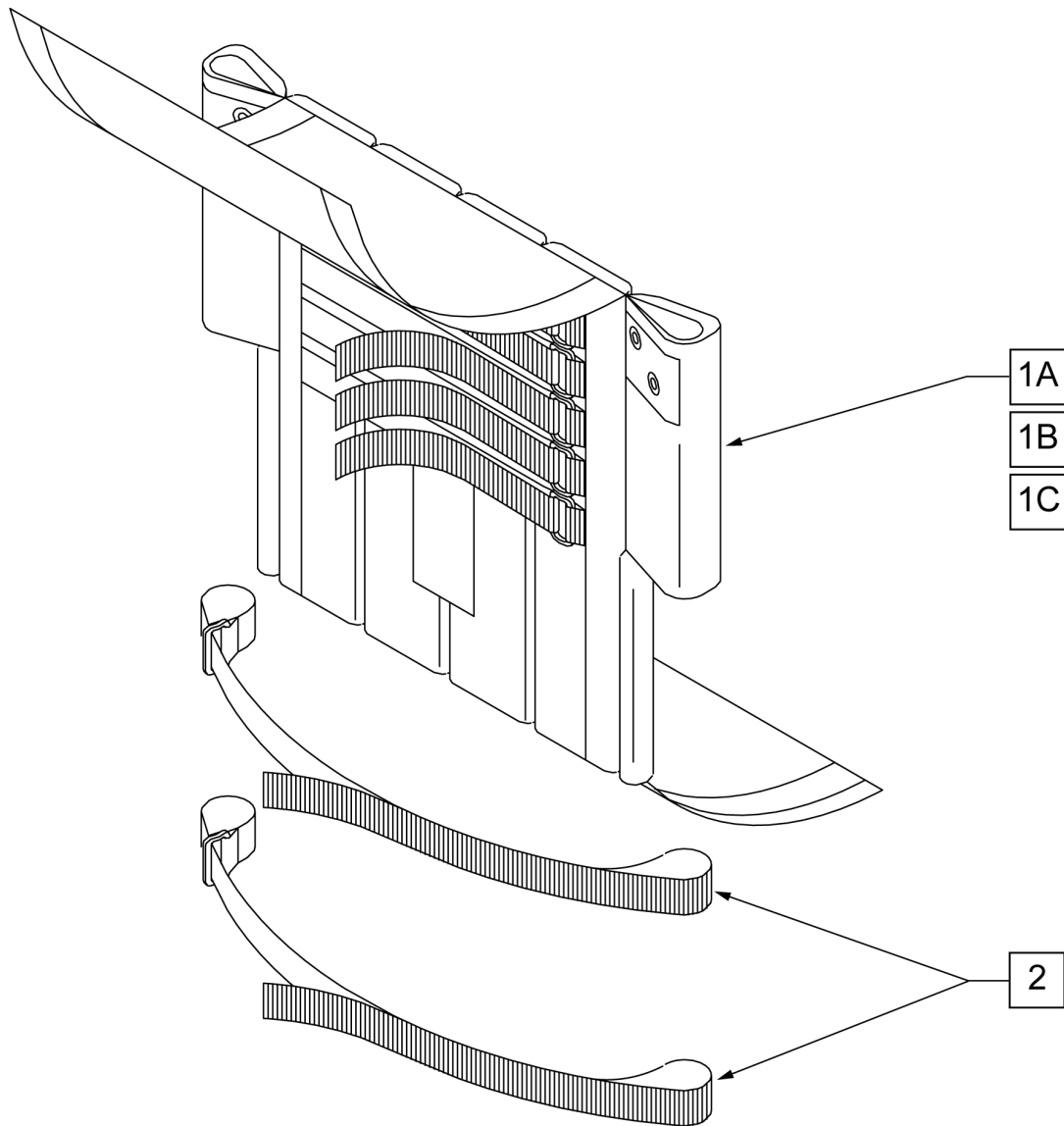


| Pos. | Item Number | Description | Remarks |
|------|-------------|-----------------------------|---|
| 1A | 680212 | BACK UPH 12" 8-12" W/TAIL | (12" WIDE) 8-12" for Ht Adj Back & 8,9,10" for Fixed Back Hts |
| 1A | 680213 | BACK UPH 13" 8-12" W/TAIL | (13" WIDE) 8-12" for Ht Adj Back & 8,9,10" for Fixed Back Hts |
| 1A | 680308 | BACK UPH 14" 8-12" W/TAIL | (14" WIDE) 8-12" for Ht Adj Back & 8,9,10" for Fixed Back Hts |
| 1A | 680408 | BACK UPH 15" 8-12" W/TAIL | (15" WIDE) 8-12" for Ht Adj Back & 8,9,10" for Fixed Back Hts |
| 1A | 680508 | BACK UPH 16" 8-12" W/TAIL | (16" WIDE) 8-12" for Ht Adj Back & 8,9,10" for Fixed Back Hts |
| 1A | 680608 | BACK UPH 17" 8-12" W/TAIL | (17" WIDE) 8-12" for Ht Adj Back & 8,9,10" for Fixed Back Hts |
| 1A | 680708 | BACK UPH 18" 8-12" W/TAIL | (18" WIDE) 8-12" for Ht Adj Back & 8,9,10" for Fixed Back Hts |
| 1A | 680808 | BACK UPH 19" 8-12" W/TAIL | (19" WIDE) 8-12" for Ht Adj Back & 8,9,10" for Fixed Back Hts |
| 1B | 680208 | BACK UPH 12" 11-15" W/ TAIL | (12" WIDE) 10-14" for Ht Adj Back & 11" for Fixed Back Hts |
| 1B | 680201 | BACK UPH 13" 11-15" W/ TAIL | (13" WIDE) 10-14" for Ht Adj Back & 11" for Fixed Back Hts |
| 1B | 680301 | BACK UPH 14" 11-15" W/ TAIL | (14" WIDE) 10-14" for Ht Adj Back & 11" for Fixed Back Hts |
| 1B | 680401 | BACK UPH 15" 11-15" W/ TAIL | (15" WIDE) 10-14" for Ht Adj Back & 11" for Fixed Back Hts |
| 1B | 680501 | BACK UPH 16" 11-15" W/ TAIL | (16" WIDE) 10-14" for Ht Adj Back & 11" for Fixed Back Hts |
| 1B | 680601 | BACK UPH 17" 11-15" W/ TAIL | (17" WIDE) 10-14" for Ht Adj Back & 11" for Fixed Back Hts |
| 1B | 680701 | BACK UPH 18" 11-15" W/ TAIL | (18" WIDE) 10-14" for Ht Adj Back & 11" for Fixed Back Hts |
| 1B | 680801 | BACK UPH 19" 11-15" W/ TAIL | (19" WIDE) 10-14" for Ht Adj Back & 11" for Fixed Back Hts |
| 1B | 680901 | BACK UPH 20" 11-15" W/ TAIL | (20" WIDE) 10-14" for Ht Adj Back & 11" for Fixed Back Hts |
| 1C | 680209 | BACK UPH 12" 12-16" W/ TAIL | (12" WIDE) 12 -16" for Ht Adj Back & 12"&13" for Fixed Back Hts |
| 1C | 680203 | BACK UPH 13" 12-16" W/ TAIL | (13" WIDE) 12 -16" for Ht Adj Back & 12"&13" for Fixed Back Hts |
| 1C | 680303 | BACK UPH 14" 12-16" W/ TAIL | (14" WIDE) 12 -16" for Ht Adj Back & 12"&13" for Fixed Back Hts |
| 1C | 680403 | BACK UPH 15" 12-16" W/ TAIL | (15" WIDE) 12 -16" for Ht Adj Back & 12"&13" for Fixed Back Hts |

| Pos. | Item Number | Description | Remarks |
|------|-------------|-----------------------------|---|
| 1C | 680503 | BACK UPH 16" 12-16" W/ TAIL | (16" WIDE) 12 -16" for Ht Adj Back & 12"&13" for Fixed Back Hts |
| 1C | 680603 | BACK UPH 17" 12-16" W/ TAIL | (17" WIDE) 12 -16" for Ht Adj Back & 12"&13" for Fixed Back Hts |
| 1C | 680703 | BACK UPH 18" 12-16" W/ TAIL | (18" WIDE) 12 -16" for Ht Adj Back & 12"&13" for Fixed Back Hts |
| 1C | 680803 | BACK UPH 19" 12-16" W/ TAIL | (19" WIDE) 12 -16" for Ht Adj Back & 12"&13" for Fixed Back Hts |
| 1C | 680903 | BACK UPH 20" 12-16" W/ TAIL | (20" WIDE) 12 -16" for Ht Adj Back & 12"&13" for Fixed Back Hts |
| 1D | 680210 | BACK UPH 12" 14-18" W/ TAIL | (12" WIDE) 14 -18" for Ht Adj Back & 14,15,16" for Fixed Back Hts |
| 1D | 680205 | BACK UPH 13" 14-18" W/ TAIL | (13" WIDE) 14 -18" for Ht Adj Back & 14,15,16" for Fixed Back Hts |
| 1D | 680305 | BACK UPH 14" 14-18" W/ TAIL | (14" WIDE) 14 -18" for Ht Adj Back & 14,15,16" for Fixed Back Hts |
| 1D | 680405 | BACK UPH 15" 14-18" W/ TAIL | (15" WIDE) 14 -18" for Ht Adj Back & 14,15,16" for Fixed Back Hts |
| 1D | 680505 | BACK UPH 16" 14-18" W/ TAIL | (16" WIDE) 14 -18" for Ht Adj Back & 14,15,16" for Fixed Back Hts |
| 1D | 680605 | BACK UPH 17" 14-18" W/ TAIL | (17" WIDE) 14 -18" for Ht Adj Back & 14,15,16" for Fixed Back Hts |
| 1D | 680705 | BACK UPH 18" 14-18" W/ TAIL | (18" WIDE) 14 -18" for Ht Adj Back & 14,15,16" for Fixed Back Hts |
| 1D | 680805 | BACK UPH 19" 14-18" W/ TAIL | (19" WIDE) 14 -18" for Ht Adj Back & 14,15,16" for Fixed Back Hts |
| 1D | 680905 | BACK UPH 20" 14-18" W/ TAIL | (20" WIDE) 14 -18" for Ht Adj Back & 14,15,16" for Fixed Back Hts |
| 1E | 680211 | BACK UPH 12" 16-20" W/ TAIL | (12" WIDE) 16 -20" for Ht Adj Back & 17,18,19" for Fixed Back Hts |
| 1E | 680207 | BACK UPH 13" 16-20" W/ TAIL | (13" WIDE) 16 -20" for Ht Adj Back & 17,18,19" for Fixed Back Hts |
| 1E | 680307 | BACK UPH 14" 16-20" W/ TAIL | (14" WIDE) 16 -20" for Ht Adj Back & 17,18,19" for Fixed Back Hts |
| 1E | 680407 | BACK UPH 15" 16-20" W/ TAIL | (15" WIDE) 16 -20" for Ht Adj Back & 17,18,19" for Fixed Back Hts |
| 1E | 680507 | BACK UPH 16" 16-20" W/ TAIL | (16" WIDE) 16 -20" for Ht Adj Back & 17,18,19" for Fixed Back Hts |
| 1E | 680607 | BACK UPH 17" 16-20" W/ TAIL | (17" WIDE) 16 -20" for Ht Adj Back & 17,18,19" for Fixed Back Hts |
| 1E | 680707 | BACK UPH 18" 16-20" W/ TAIL | (18" WIDE) 16 -20" for Ht Adj Back & 17,18,19" for Fixed Back Hts |
| 1E | 680807 | BACK UPH 19" 16-20" W/ TAIL | (19" WIDE) 16 -20" for Ht Adj Back & 17,18,19" for Fixed Back Hts |
| 1E | 680907S | BACK UPH CUSTOM Q1/GP F BCK | (20" WIDE) 16 -20" for Ht Adj Back & 17,18,19" for Fixed Back Hts |

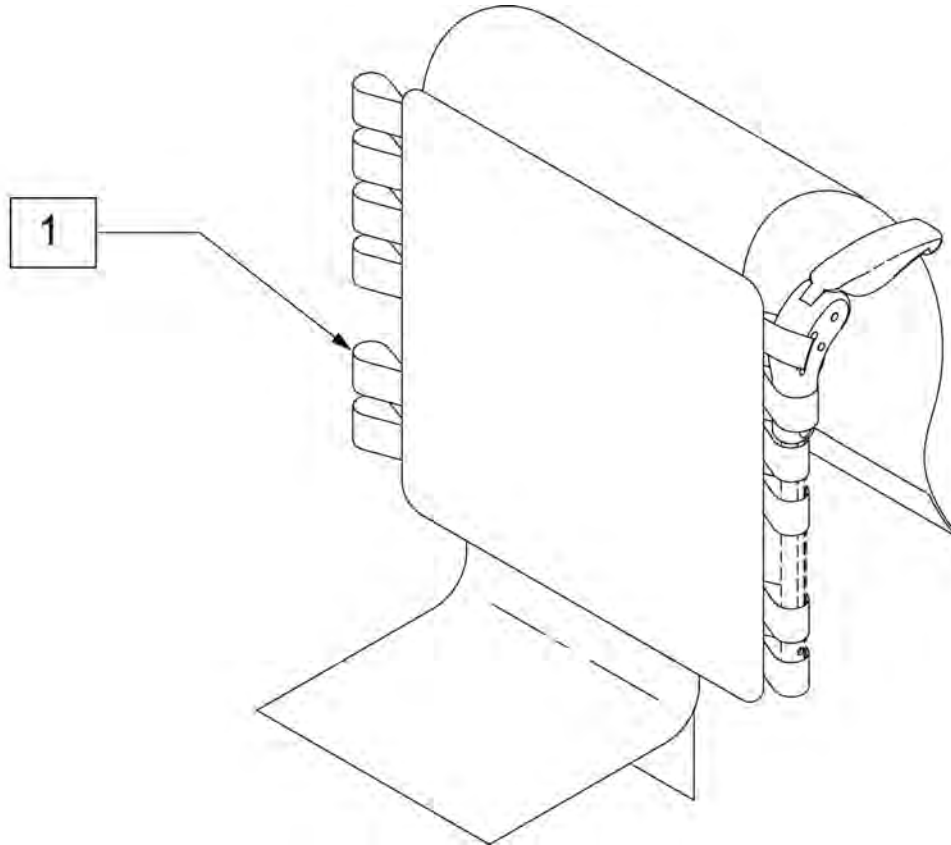


| Pos. | Item Number | Description | Remarks |
|------|-------------|------------------------------|---|
| 1 | 680454 | BACK UPH 14" 11-14/12-16 RDG | 14" Wide - Low Back Height |
| 1 | 680455 | BACK UPH 15" 11-14/12-16 RDG | 15" Wide - Low Back Height |
| 1 | 680456 | BACK UPH 16" 11-14/12-16 RDG | 16" Wide - Low Back Height |
| 1 | 680457 | BACK UPH 17" 11-14/12-16 RDG | 17" Wide - Low Back Height |
| 1 | 680458 | BACK UPH 18" 11-14/12-16 RDG | 18" Wide - Low Back Height |
| 1 | 680459 | BACK UPH 19" 11-14/12-16 RDG | 19" Wide - Low Back Height |
| 1 | 680460 | BACK UPH 20" 11-14/12-16 RDG | 20" Wide - Low Back Height |
| 1 | 680464 | BACK UPH 14" 14-18 RDG | 14" Wide - Med STD Back Ht/ Low Angle Adg Back |
| 1 | 680465 | BACK UPH 15" 14-18 RDG | 15" Wide - Med STD Back Ht/ Low Angle Adg Back |
| 1 | 680466 | BACK UPH 16" 14-18 RDG | 16" Wide - Med STD Back Ht/ Low Angle Adg Back |
| 1 | 680467 | BACK UPH 17" 14-18 RDG | 17" Wide - Med STD Back Ht/ Low Angle Adg Back |
| 1 | 680468 | BACK UPH 18" 14-18 RDG | 18" Wide - Med STD Back Ht/ Low Angle Adg Back |
| 1 | 680469 | BACK UPH 19" 14-18 RDG | 19" Wide - Med STD Back Ht/ Low Angle Adg Back |
| 1 | 680470 | BACK UPH 20" 14-18 RDG | 20" Wide - Med STD Back Ht/ Low Angle Adg Back |
| 1 | 680474 | BACK UPH 14" 16-20 RDG | 14" Wide - Tall STD Back Ht/ Med Angle Adg Back |
| 1 | 680475 | BACK UPH 15" 16-20 RDG | 15" Wide - Tall STD Back Ht/ Med Angle Adg Back |
| 1 | 680476 | BACK UPH 16" 16-20 RDG | 16" Wide - Tall STD Back Ht/ Med Angle Adg Back |
| 1 | 680477 | BACK UPH 17" 16-20 RDG | 17" Wide - Tall STD Back Ht/ Med Angle Adg Back |
| 1 | 680478 | BACK UPH 18" 16-20 RDG | 18" Wide - Tall STD Back Ht/ Med Angle Adg Back |
| 1 | 680479 | BACK UPH 19" 16-20 RDG | 19" Wide - Tall STD Back Ht/ Med Angle Adg Back |
| 1 | 680480 | BACK UPH 20" 16-20 RDG | 20" Wide - Tall STD Back Ht/ Med Angle Adg Back |



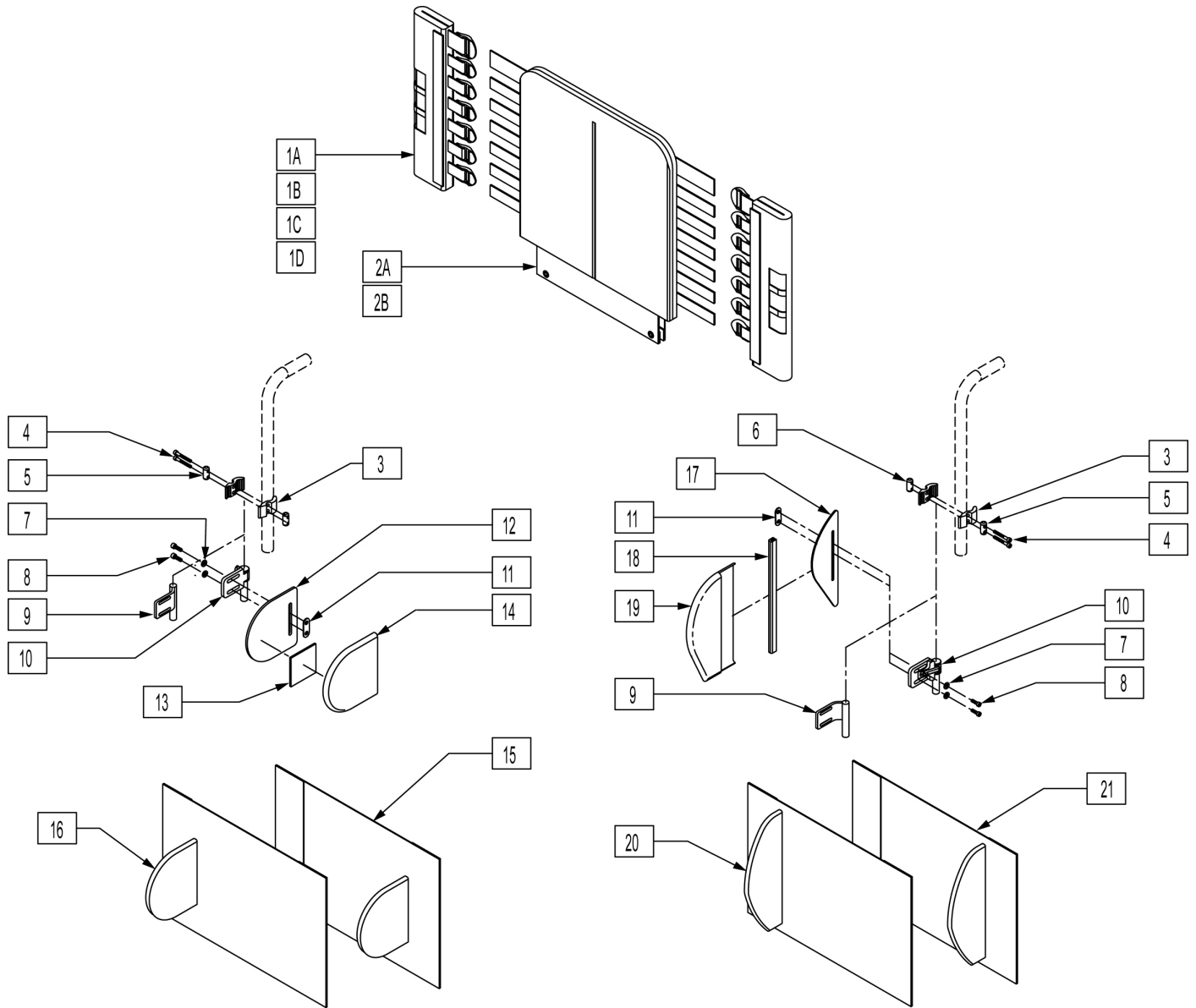
| Pos. | Item Number | Description | Remarks |
|------|-------------|----------------------|-------------------------------|
| 1A,2 | 684017 | ADJ BACK UPH 12" LOW | 10 -14" BACK HEIGHT |
| 1A,2 | 684027 | ADJ BACK UPH 13" LOW | 10 -14" BACK HEIGHT |
| 1A,2 | 684037 | ADJ BACK UPH 14" LOW | 10 -14" BACK HEIGHT |
| 1A,2 | 684047 | ADJ BACK UPH 15" LOW | 10 -14" BACK HEIGHT |
| 1A,2 | 684057 | ADJ BACK UPH 16" LOW | 10 -14" BACK HEIGHT |
| 1A,2 | 684067 | ADJ BACK UPH 17" LOW | 10 -14" BACK HEIGHT |
| 1A,2 | 684077 | ADJ BACK UPH 18" LOW | 10 -14" BACK HEIGHT |
| 1A,2 | 684087 | ADJ BACK UPH 19" LOW | 10 -14" BACK HEIGHT |
| 1A,2 | 684097 | ADJ BACK UPH 20" LOW | 10 -14" BACK HEIGHT |
| 1B,2 | 684018 | ADJ BACK UPH 12" MED | 12 -16" & 14 -18" BACK HEIGHT |
| 1B,2 | 684028 | ADJ BACK UPH 13" MED | 12 -16" & 14 -18" BACK HEIGHT |
| 1B,2 | 684038 | ADJ BACK UPH 14" MED | 12 -16" & 14 -18" BACK HEIGHT |
| 1B,2 | 684048 | ADJ BACK UPH 15" MED | 12 -16" & 14 -18" BACK HEIGHT |
| 1B,2 | 684058 | ADJ BACK UPH 16" MED | 12 -16" & 14 -18" BACK HEIGHT |
| 1B,2 | 684068 | ADJ BACK UPH 17" MED | 12 -16" & 14 -18" BACK HEIGHT |

| Pos. | Item Number | Description | Remarks |
|-------------|--------------------|-----------------------|-------------------------------|
| 1B,2 | 684078 | ADJ BACK UPH 18" MED | 12 -16" & 14 -18" BACK HEIGHT |
| 1B,2 | 684088 | ADJ BACK UPH 19" MED | 12 -16" & 14 -18" BACK HEIGHT |
| 1B,2 | 684098 | ADJ BACK UPH 20" MED | 12 -16" & 14 -18" BACK HEIGHT |
| 1C,2 | 684019 | ADJ BACK UPH 12" TALL | 16 -20" BACK HEIGHT |
| 1C,2 | 684029 | ADJ BACK UPH 13" TALL | 16 -20" BACK HEIGHT |
| 1C,2 | 684039 | ADJ BACK UPH 14" TALL | 16 -20" BACK HEIGHT |
| 1C,2 | 684049 | ADJ BACK UPH 15" TALL | 16 -20" BACK HEIGHT |
| 1C,2 | 684059 | ADJ BACK UPH 16" TALL | 16 -20" BACK HEIGHT |
| 1C,2 | 684069 | ADJ BACK UPH 17" TALL | 16 -20" BACK HEIGHT |
| 1C,2 | 684079 | ADJ BACK UPH 18" TALL | 16 -20" BACK HEIGHT |
| 1C,2 | 684089 | ADJ BACK UPH 19" TALL | 16 -20" BACK HEIGHT |
| 1C,2 | 684099 | ADJ BACK UPH 20" TALL | 16 -20" BACK HEIGHT |



| Pos. | Item Number | Description | Remarks |
|------|-------------|-------------------------------------|--|
| 1 | 687468 | Upholstery, FPH, Adj, CE, 14W X 12H | Med Std Back Frame |
| 1 | 687471 | Upholstery, FPH, Adj, CE, 14W X 16H | Tall Std Back Frame/Med Ang Adj Back Frame |
| 1 | 687474 | Upholstery, FPH, Adj, CE, 15W X 12H | Med Std Back Frame |
| 1 | 687477 | Upholstery, FPH, Adj, CE, 15W X 16H | Tall Std Back Frame/Med Ang Adj Back Frame |
| 1 | 687480 | Upholstery, FPH, Adj, CE, 16W X 12H | Med Std Back Frame |
| 1 | 687483 | Upholstery, FPH, Adj, CE, 16W X 16H | Tall Std Back Frame/Med Ang Adj Back Frame |
| 1 | 687486 | Upholstery, FPH, Adj, CE, 17W X 12H | Med Std Back Frame |
| 1 | 687489 | Upholstery, FPH, Adj, CE, 17W X 16H | Tall Std Back Frame/Med Ang Adj Back Frame |
| 1 | 687492 | Upholstery, FPH, Adj, CE, 18W X 12H | Med Std Back Frame |
| 1 | 687495 | Upholstery, FPH, Adj, CE, 18W X 16H | Tall Std Back Frame/Med Ang Adj Back Frame |
| 1 | 687541 | Upholstery, FPH, Adj, CE, 19W X 12H | Med Std Back Frame |
| 1 | 687543 | Upholstery, FPH, Adj, CE, 19W X 16H | Tall Std Back Frame/Med Ang Adj Back Frame |
| 1 | 687545 | Upholstery, FPH, Adj, CE, 20W X 12H | Med Std Back Frame |
| 1 | 687547 | Upholstery, FPH, Adj, CE, 20W X 16H | Tall Std Back Frame/Med Ang Adj Back Frame |

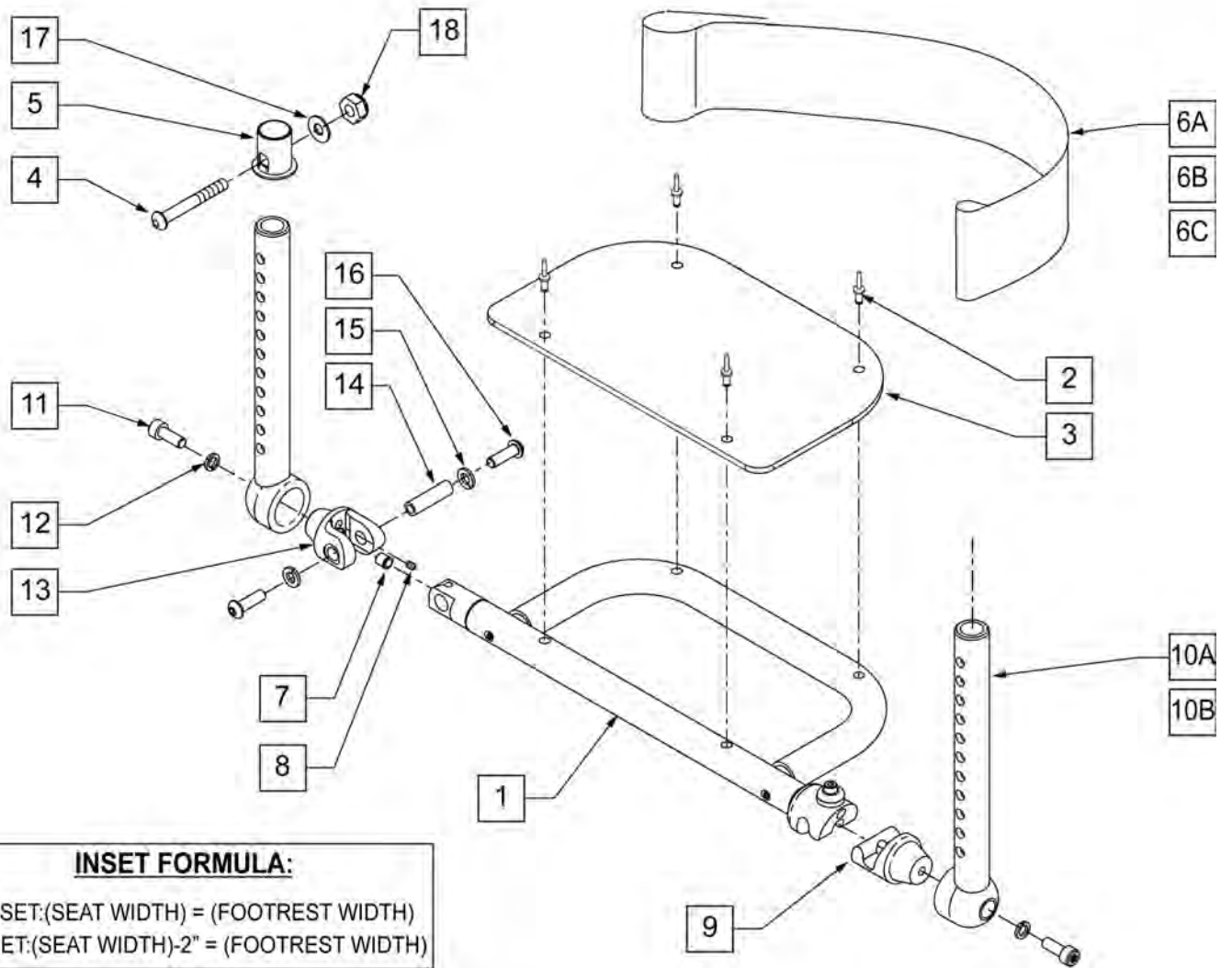
NOTE: IF MOUNTING LATERALS ONTO A SOLID BACK PLEASE REFER TO THE "LATERAL PAD ASSEMBLY" PARTS PAGE FOR MOUNTING HARDWARE.



| Pos. | Item Number | Description | Remarks |
|------|-------------|--|-------------------------|
| 1A | 683358 | JAY BACK UPH BACK CANE COVER MEDIUM | LEFT 10"-14" & 12"-16" |
| 1A | 683360 | JAY BACK UPH BACK CANE COVER MEDIUM | RIGHT 10"-14" & 12"-16" |
| 1B | 683357 | JAY BACK UPH BACK CANE COVER TALL | LEFT 14"-18" & 16"-20" |
| 1B | 683359 | JAY BACK UPH BACK CANE COVER TALL | RIGHT 14"-18" & 16"-20" |
| 1C | 683362 | JAY BACK UPH BACK CANE COVER NO LATERAL MEDIUM | LEFT 10"-14" & 12"-16" |
| 1C | 683364 | JAY BACK UPH BACK CANE COVER NO LATERAL MEDIUM | RIGHT 10"-14" & 12"-16" |
| 1D | 683361 | JAY BACK UPH BACK CANE COVER NO LATERAL TALL | LEFT 14"-18" & 16"-20" |
| 1D | 683363 | JAY BACK UPH BACK CANE COVER NO LATERAL TALL | RIGHT 14"-18" & 16"-20" |
| 2A | 683305 | JAY BACK UPH 14W MEDIUM | 10"-14" & 12"-16" |
| 2A | 683307 | JAY BACK UPH 15W MEDIUM | 10"-14" & 12"-16" |

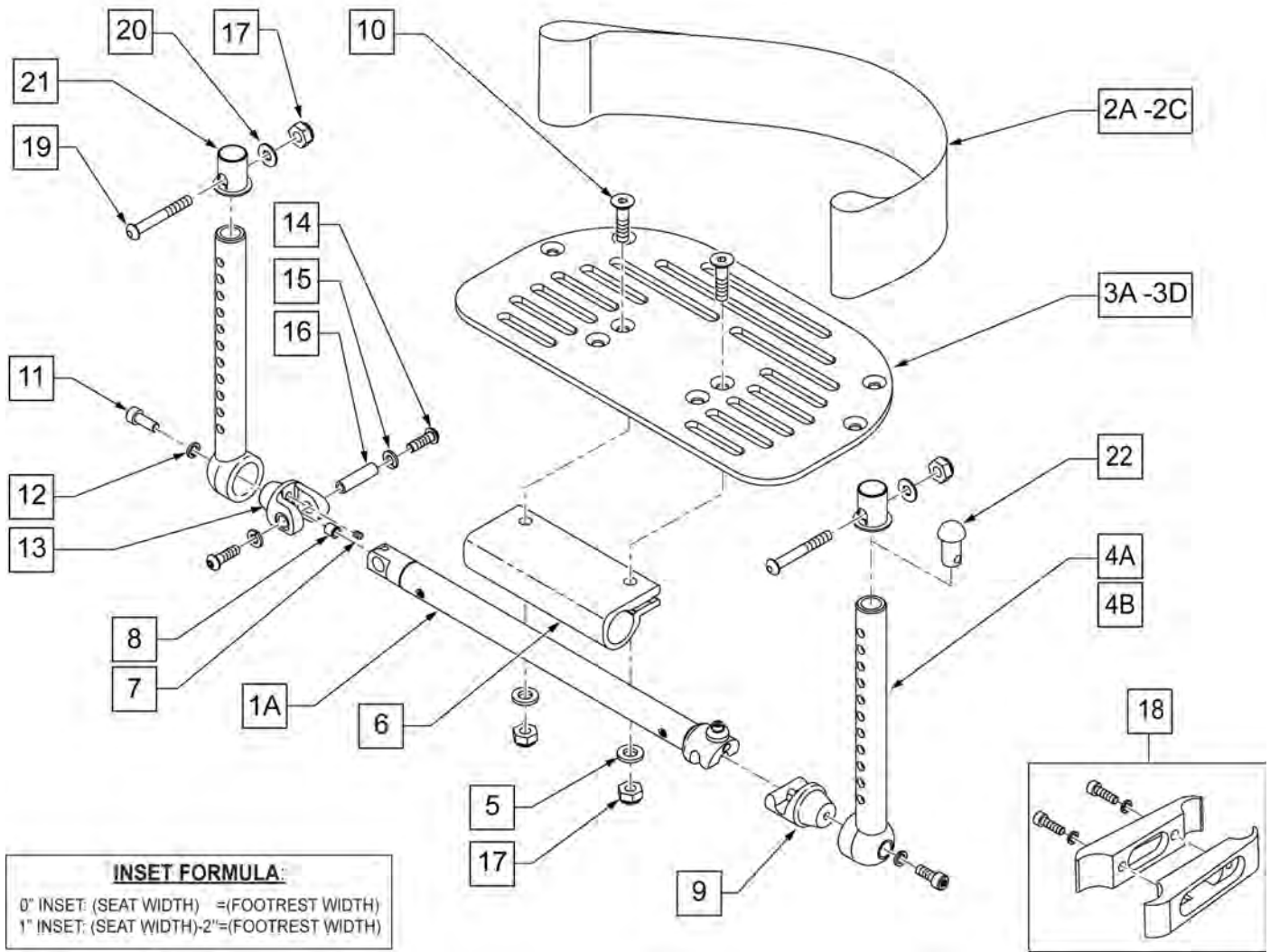
| Pos. | Item Number | Description | Remarks |
|-----------------|-------------|---|-------------------|
| 2A | 683309 | JAY BACK UPH 16W MEDIUM | 10"-14" & 12"-16" |
| 2A | 683311 | JAY BACK UPH 17W MEDIUM | 10"-14" & 12"-16" |
| 2A | 683313 | JAY BACK UPH 18W MEDIUM | 10"-14" & 12"-16" |
| 2A | 683315 | JAY BACK UPH 19W MEDIUM | 10"-14" & 12"-16" |
| 2A | 683317 | JAY BACK UPH 20W MEDIUM | 10"-14" & 12"-16" |
| 2B | 683306 | JAY BACK UPH 14W TALL | 14"-18" & 16"-20" |
| 2B | 683308 | JAY BACK UPH 15W TALL | 14"-18" & 16"-20" |
| 2B | 683310 | JAY BACK UPH 16W TALL | 14"-18" & 16"-20" |
| 2B | 683312 | JAY BACK UPH 17W TALL | 14"-18" & 16"-20" |
| 2B | 683314 | JAY BACK UPH 18W TALL | 14"-18" & 16"-20" |
| 2B | 683316 | JAY BACK UPH 19W TALL | 14"-18" & 16"-20" |
| 2B | 683318 | JAY BACK UPH 20W TALL | 14"-18" & 16"-20" |
| 3 | 481800 | UNI LATERAL BRKT JAY PRECISION | |
| 4 | 226353 | 10-32 X 1 1/2 SOC HD C/S W/PL | |
| 5 | 481810 | UNI LATERAL BRKT SCR ROLL PIN | |
| 6 | 481811 | LATERAL BRKT PREC THD-ROLL PIN | |
| 7 | 261204 | #10 AN WASHER .063 | |
| 8 | 226043 | 10-32 x 1/2 BH C/S BL | |
| 9 | 541144 | LATERAL BRKT 1.5 W WLDMNT | RIGHT |
| 9 | 541145 | LATERAL BRKT 1.5 W WLDMNT | LEFT |
| 10 | 881738 | S/A ASSM JAY PRECISION | RIGHT |
| 10 | 881739 | S/A ASSM JAY PRECISION | LEFT |
| 11 | 881109 | 1 NUT PLATE W/THREADED INSERT | |
| 12 | 500914 | SYMMETRIC LATERAL PANEL | Size 5"X5" |
| 13 | 751314 | 2 x 2 VELCRO LOOP | |
| 14 | B672 | BASE EXTENDED LATERAL | |
| 17 | 501140 | ASYMMETRIC LATERAL PANEL | Size 10"X3.25" |
| 18 | 697100 | ASYMMETRIC LATERAL PANEL EDGE TRIM | |
| 19 | 683319 | JAY BACK UPH INT LATERAL COVER ASYMMETRIC | LEFT |
| 19 | 683320 | JAY BACK UPH INT LATERAL COVER ASYMMETRIC | RIGHT |
| 3-6 | 880959 | UNI LATERAL CLAMP ASSM | |
| 20,21 | 923300 | JAY BACK EXTENSION LATERAL COVER ASYMMETRIC 14-16 | |
| 20,21 | 923301 | JAY BACK EXTENSION LATERAL COVER ASYMMETRIC 17-20 | |
| 15,16 | 923302 | JAY BACK EXTENSION LATERAL COVER SYMMETRIC 14-16 | |
| 15,16 | 923303 | JAY BACK EXTENSION LATERAL COVER SYMMETRIC 17-20 | |
| 1C,2 | 682520 | JAY MEDIUM BACK UPH 14 W/O LATERAL | |
| 1C,2 | 682521 | JAY MEDIUM BACK UPH 15 W/O LATERAL | |
| 1C,2 | 682522 | JAY MEDIUM BACK UPH 16 W/O LATERAL | |
| 1C,2 | 682523 | JAY MEDIUM BACK UPH 17 W/O LATERAL | |
| 1C,2 | 682524 | JAY MEDIUM BACK UPH 18 W/O LATERAL | |
| 1C,2 | 682525 | JAY MEDIUM BACK UPH 19 W/O LATERAL | |
| 1C,2 | 682526 | JAY MEDIUM BACK UPH 20 W/O LATERAL | |
| 1D,2B | 682527 | JAY TALL BACK UPH 14 W/O LATERAL | |
| 1D,2B | 682528 | JAY TALL BACK UPH 15 W/O LATERAL | |
| 1D,2B | 682529 | JAY TALL BACK UPH 16 W/O LATERAL | |
| 1D,2B | 682530 | JAY TALL BACK UPH 17 W/O LATERAL | |
| 1D,2B | 682531 | JAY TALL BACK UPH 18 W/O LATERAL | |
| 1D,2B | 682532 | JAY TALL BACK UPH 19 W/O LATERAL | |
| 1D,2B | 682533 | JAY TALL BACK UPH 20 W/O LATERAL | |
| 1A,2A,3-8,9-16 | 682534 | JAY MEDIUM BACK UPH 14 W/ FIX SYMMETRIC LATERAL | |
| 1A,2A,3-8,9-16 | 682535 | JAY MEDIUM BACK UPH 15 W/ FIX SYMMETRIC LATERAL | |
| 1A,2A,3-8,9-16 | 682536 | JAY MEDIUM BACK UPH 16 W/ FIX SYMMETRIC LATERAL | |
| 1A,2A,3-8,9-16 | 682537 | JAY MEDIUM BACK UPH 17 W/ FIX SYMMETRIC LATERAL | |
| 1A,2A,3-8,9-16 | 682538 | JAY MEDIUM BACK UPH 18 W/ FIX SYMMETRIC LATERAL | |
| 1A,2A,3-8,9-16 | 682539 | JAY MEDIUM BACK UPH 19 W/ FIX SYMMETRIC LATERAL | |
| 1A,2A,3-8,9-16 | 682540 | JAY MEDIUM BAC KUPH 20 W/ FIX SYMMETRIC LATERAL | |
| 1A,2A,3-8,10-16 | 682541 | JAY MEDIUM BACK UPH 14 W/ S/A SYMMETRIC LATERAL | |

| Pos. | Item Number | Description | Remarks |
|-----------------------|-------------|---|---------|
| 1A,2A,3-8,10-16 | 682542 | JAY MEDIUM BACK UPH 15 W/ S/A SYMMETRIC LATERAL | |
| 1A,2A,3-8,10-16 | 682543 | JAY MEDIUM BACK UPH 16 W/ S/A SYMMETRIC LATERAL | |
| 1A,2A,3-8,10-16 | 682544 | JAY MEDIUM BACK UPH 17 W/ S/A SYMMETRIC LATERAL | |
| 1A,2A,3-8,10-16 | 682545 | JAY MEDIUM BACK UPH 18 W/ S/A SYMMETRIC LATERAL | |
| 1A,2A,3-8,10-16 | 682546 | JAY MEDIUM BACK UPH 19 W/ S/A SYMMETRIC LATERAL | |
| 1A,2A,3-8,10-16 | 682547 | JAY MEDIUM BACK UPH 20 W/ S/A SYMMETRIC LATERAL | |
| 1B,2B,3-9,11-16 | 682562 | JAY TALL BACK UPH 14 W/ FIX SYMMETRIC LATERAL | |
| 1B,2B,3-9,11-16 | 682563 | JAY TALL BACK UPH 15 W/ FIX SYMMETRIC LATERAL | |
| 1B,2B,3-9,11-16 | 682564 | JAY TALL BACK UPH 16 W/ FIX SYMMETRIC LATERAL | |
| 1B,2B,3-9,11-16 | 682565 | JAY TALL BACK UPH 17 W/ FIX SYMMETRIC LATERAL | |
| 1B,2B,3-9,11-16 | 682566 | JAY TALL BACK UPH 18 W/ FIX SYMMETRIC LATERAL | |
| 1B,2B,3-9,11-16 | 682567 | JAY TALL BACK UPH 19 W/ FIX SYMMETRIC LATERAL | |
| 1B,2B,3-9,11-16 | 682568 | JAY TALL BACK UPH 20 W/ FIX SYMMETRIC LATERAL | |
| 1B,2B,3-8,10-16 | 682569 | JAY TALL BACK UPH 14 W/ S/A SYMMETRIC LATERAL | |
| 1B,2B,3-8,10-16 | 682570 | JAY TALL BACK UPH 15 W/ S/A SYMMETRIC LATERAL | |
| 1B,2B,3-8,10-16 | 682571 | JAY TALL BACK UPH 16 W/ S/A SYMMETRIC LATERAL | |
| 1B,2B,3-8,10-16 | 682572 | JAY TALL BACK UPH 17 W/ S/A SYMMETRIC LATERAL | |
| 1B,2B,3-8,10-16 | 682573 | JAY TALL BACK UPH 18 W/ S/A SYMMETRIC LATERAL | |
| 1B,2B,3-8,10-16 | 682574 | JAY TALL BACK UPH 19 W/ S/A SYMMETRIC LATERAL | |
| 1B,2B,3-8,10-16 | 682575 | JAY TALL BACK UPH 20 W/ S/A SYMMETRIC LATERAL | |
| 1A,2A,3-9,11,17-21 | 682576 | JAY TALL BACK UPH 14 W/ FIX ASYMMETRIC LATERAL | |
| 1A,2A,3-9,11,17-21 | 682577 | JAY TALL BACK UPH 15 W/ FIX ASYMMETRIC LATERAL | |
| 1A,2A,3-9,11,17-21 | 682578 | JAY TALL BACK UPH 16 W/ FIX ASYMMETRIC LATERAL | |
| 1A,2A,3-9,11,17-21 | 682579 | JAY TALL BACK UPH 17 W/ FIX ASYMMETRIC LATERAL | |
| 1A,2A,3-9,11,17-21 | 682580 | JAY TALL BACK UPH 18 W/ FIX ASYMMETRIC LATERAL | |
| 1A,2A,3-9,11,17-21 | 682581 | JAY TALL BACK UPH 19 W/ FIX ASYMMETRIC LATERAL | |
| 1A,2A,3-9,11,17-21 | 682582 | JAY TALL BACK UPH 20 W/ FIX ASYMMETRIC LATERAL | |
| 1A,2A,3-8,10,11,17-21 | 682583 | JAY TALL BACK UPH 14 W/ S/A ASYMMETRIC LATERAL | |
| 1A,2A,3-8,10,11,17-21 | 682584 | JAY TALL BACK UPH 15 W/ S/A ASYMMETRIC LATERAL | |
| 1A,2A,3-8,10,11,17-21 | 682585 | JAY TALL BACK UPH 16 W/ S/A ASYMMETRIC LATERAL | |
| 1A,2A,3-8,10,11,17-21 | 682586 | JAY TALL BACK UPH 17 W/ S/A ASYMMETRIC LATERAL | |
| 1A,2A,3-8,10,11,17-21 | 682587 | JAY TALL BACK UPH 18 W/ S/A ASYMMETRIC LATERAL | |
| 1A,2A,3-8,10,11,17-21 | 682588 | JAY TALL BACK UPH 19 W/ S/A ASYMMETRIC LATERAL | |
| 1A,2A,3-8,10,11,17-21 | 682589 | JAY TALL BACK UPH 20 W/ S/A ASYMMETRIC LATERAL | |



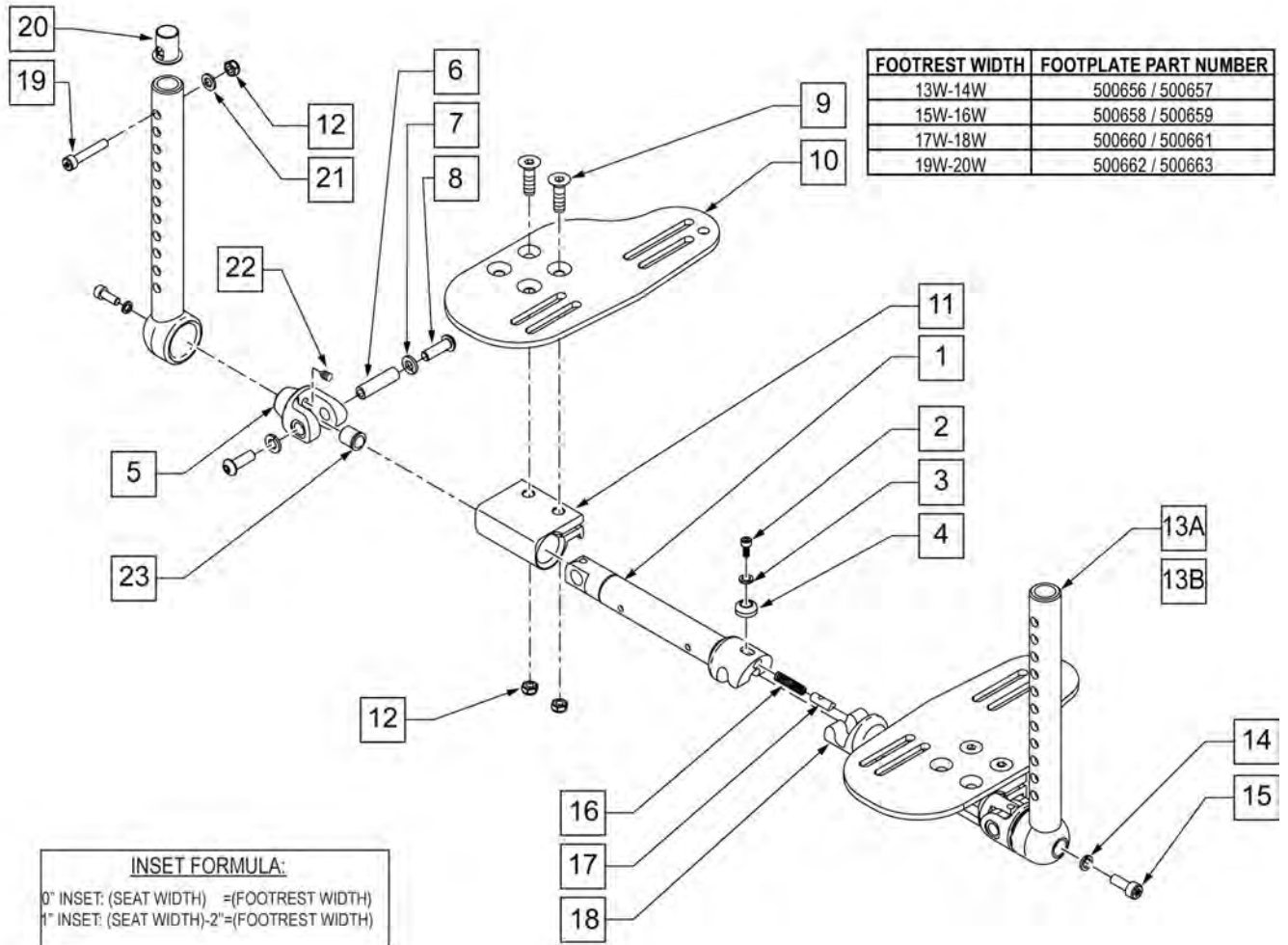
| Pos. | Item Number | Description | Remarks |
|------|-------------|-------------------------------|---------------|
| 1 | 100830-001 | ASSY TUBE FTRST TUBULAR 12" W | 12" WIDE |
| 1 | 100830-002 | ASSY TUBE FTRST TUBULAR 13" W | 13" WIDE |
| 1 | 100830-003 | ASSY TUBE FTRST TUBULAR 14" W | 14" WIDE |
| 1 | 100830-004 | ASSY TUBE FTRST TUBULAR 15" W | 15" WIDE |
| 1 | 100830-005 | ASSY TUBE FTRST TUBULAR 16" W | 16" WIDE |
| 1 | 100830-006 | ASSY TUBE FTRST TUBULAR 17" W | 17" WIDE |
| 1 | 100830-007 | ASSY TUBE FTRST TUBULAR 18" W | 18" WIDE |
| 1 | 100830-008 | ASSY TUBE FTRST TUBULAR 19" W | 19" WIDE |
| 1 | 100830-009 | ASSY TUBE FTRST TUBULAR 20" W | 20" WIDE |
| 2 | 240103 | RIVET POP AD54ABS-154 | |
| 3 | 560040 | PLATE FOOT HANGER 10W | 12" WIDE |
| 3 | 560041 | PLATE FOOT HANGER 11W | 13 & 14" WIDE |
| 3 | 560043 | PLATE FOOT HANGER 13W | 15 & 16" WIDE |
| 3 | 560045 | PLATE FOOT HANGER 15W | 17 & 18" WIDE |
| 3 | 560047 | PLATE FOOT HANGER 17W | 19 & 20" WIDE |
| 9 | 100842 | ASSY LATCH PIVOT FOOTREST | |
| 10A | 052021-001 | TUBE FOOTREST WLDMNT STD | |
| 10B | 052021-002 | TUBE FOOTREST WLDMNT LONG | |

| Pos. | Item Number | Description | Remarks |
|-------------------|-------------|------------------------------------|----------|
| 11 | 102263-001 | SHCS M6X 1 X 16 BLK | |
| 12 | 050129-001 | LOCKWASHER HIGH COLLAR M6 | |
| 13 | 052022 | CLEVIS PIVOT TUBE | |
| 14 | 052282 | PIN PIVOT FOOTREST | |
| 15 | 262133 | WASHER LOCK M6 | |
| 16 | 013147 | BHCS M6X1X12MM BLK | |
| 1-3 | 100830-010 | ASSY TUBE FRST TBLR W-CVR 12" W | 12" WIDE |
| 1-3 | 100830-011 | ASSY TUBE FRST TBLR W-CVR 13" W | 13" WIDE |
| 1-3 | 100830-012 | ASSY TUBE FRST TBLR W-CVR 14" W | 14" WIDE |
| 1-3 | 100830-013 | ASSY TUBE FRST TBLR W-CVR 15" W | 15" WIDE |
| 1-3 | 100830-014 | ASSY TUBE FRST TBLR W-CVR 16" W | 16" WIDE |
| 1-3 | 100830-015 | ASSY TUBE FRST TBLR W-CVR 17" W | 17" WIDE |
| 1-3 | 100830-016 | ASSY TUBE FRST TBLR W-CVR 18" W | 18" WIDE |
| 1-3 | 100830-017 | ASSY TUBE FRST TBLR W-CVR 19" W | 19" WIDE |
| 1-3 | 100830-018 | ASSY TUBE FRST TBLR W-CVR 20" W | 20" WIDE |
| 1,6-9,10A,11-16 | 108693 | TUBULAR FOOTREST ASSM SHORT 12" W | 12" WIDE |
| 1,6-9,10A,11-16 | 108694 | TUBULAR FOOTREST ASSM SHORT 13" W | 13" WIDE |
| 1,6-9,10A,11-16 | 108695 | TUBULAR FOOTREST ASSM SHORT 14" W | 14" WIDE |
| 1,6-9,10A,11-16 | 108696 | TUBULAR FOOTREST ASSM SHORT 15" W | 15" WIDE |
| 1,6-9,10A,11-16 | 108697 | TUBULAR FOOTREST ASSM SHORT 16" W | 16" WIDE |
| 1,6-9,10A,11-16 | 108698 | TUBULAR FOOTREST ASSM SHORT 17" W | 17" WIDE |
| 1,6-9,10A,11-16 | 108699 | TUBULAR FOOTREST ASSM SHORT 18" W | 18" WIDE |
| 1,6-9,10A,11-16 | 108700 | TUBULAR FOOTREST ASSM SHORT 19" W | 19" WIDE |
| 1,6-9,10A,11-16 | 108701 | TUBULAR FOOTREST ASSM SHORT 20" W | 20" WIDE |
| | | . | |
| 1,6-9,10B,11-16 | 108702 | TUBULAR FOOTREST ASSM LONG 12" W | 12" WIDE |
| 1,6-9,10B,11-16 | 108703 | TUBULAR FOOTREST ASSM LONG 13" W | 13" WIDE |
| 1,6-9,10B,11-16 | 108704 | TUBULAR FOOTREST ASSM LONG 14" W | 14" WIDE |
| 1,6-9,10B,11-16 | 108705 | TUBULAR FOOTREST ASSM LONG 15" W | 15" WIDE |
| 1,6-9,10B,11-16 | 108706 | TUBULAR FOOTREST ASSM LONG 16" W | 16" WIDE |
| 1,6-9,10B,11-16 | 108707 | TUBULAR FOOTREST ASSM LONG 17" W | 17" WIDE |
| 1,6-9,10B,11-16 | 108708 | TUBULAR FOOTREST ASSM LONG 18" W | 18" WIDE |
| 1,6-9,10B,11-16 | 108709 | TUBULAR FOOTREST ASSM LONG 19" W | 19" WIDE |
| 1,6-9,10B,11-16 | 108710 | TUBULAR FOOTREST ASSM LONG 20" W | 20" WIDE |
| | | . | |
| 1-3,6-9,10A,11-16 | 108711 | TBLR FT CVR SHT 12W ASM | 12" WIDE |
| 1-3,6-9,10A,11-16 | 108712 | TBLR FT CVR SHT 13W ASM | 13" WIDE |
| 1-3,6-9,10A,11-16 | 108713 | TBLR FT CVR SHT 14W ASM | 14" WIDE |
| 1-3,6-9,10A,11-16 | 108714 | TBLR FT CVR SHT 15W ASM | 15" WIDE |
| 1-3,6-9,10A,11-16 | 108715 | TBLR FT CVR SHT 16W ASM | 16" WIDE |
| 1-3,6-9,10A,11-16 | 108716 | TBLR FT CVR SHT 17W ASM | 17" WIDE |
| 1-3,6-9,10A,11-16 | 108717 | TBLR FT CVR SHT 18W ASM | 18" WIDE |
| 1-3,6-9,10A,11-16 | 108718 | TBLR FT CVR SHT 19W ASM | 19" WIDE |
| 1-3,6-9,10A,11-16 | 108719 | TBLR FT CVR SHT 20W ASM | 20" WIDE |
| | | . | |
| 1-3,6-9,10B,11-16 | 108720 | TUBULAR FOOT COVER ASSM LONG 12" W | 12" WIDE |
| 1-3,6-9,10B,11-16 | 108721 | TUBULAR FOOT COVER ASSM LONG 13" W | 13" WIDE |
| 1-3,6-9,10B,11-16 | 108722 | TUBULAR FOOT COVER ASSM LONG 14" W | 14" WIDE |
| 1-3,6-9,10B,11-16 | 108723 | TUBULAR FOOT COVER ASSM LONG 15" W | 15" WIDE |
| 1-3,6-9,10B,11-16 | 108724 | TUBULAR FOOT COVER ASSM LONG 16" W | 16" WIDE |
| 1-3,6-9,10B,11-16 | 108725 | TUBULAR FOOT COVER ASSM LONG 17" W | 17" WIDE |
| 1-3,6-9,10B,11-16 | 108726 | TUBULAR FOOT COVER ASSM LONG 18" W | 18" WIDE |
| 1-3,6-9,10B,11-16 | 108727 | TUBULAR FOOT COVER ASSM LONG 19" W | 19" WIDE |
| 1-3,6-9,10B,11-16 | 108728 | TUBULAR FOOT COVER ASSM LONG 20" W | 20" WIDE |



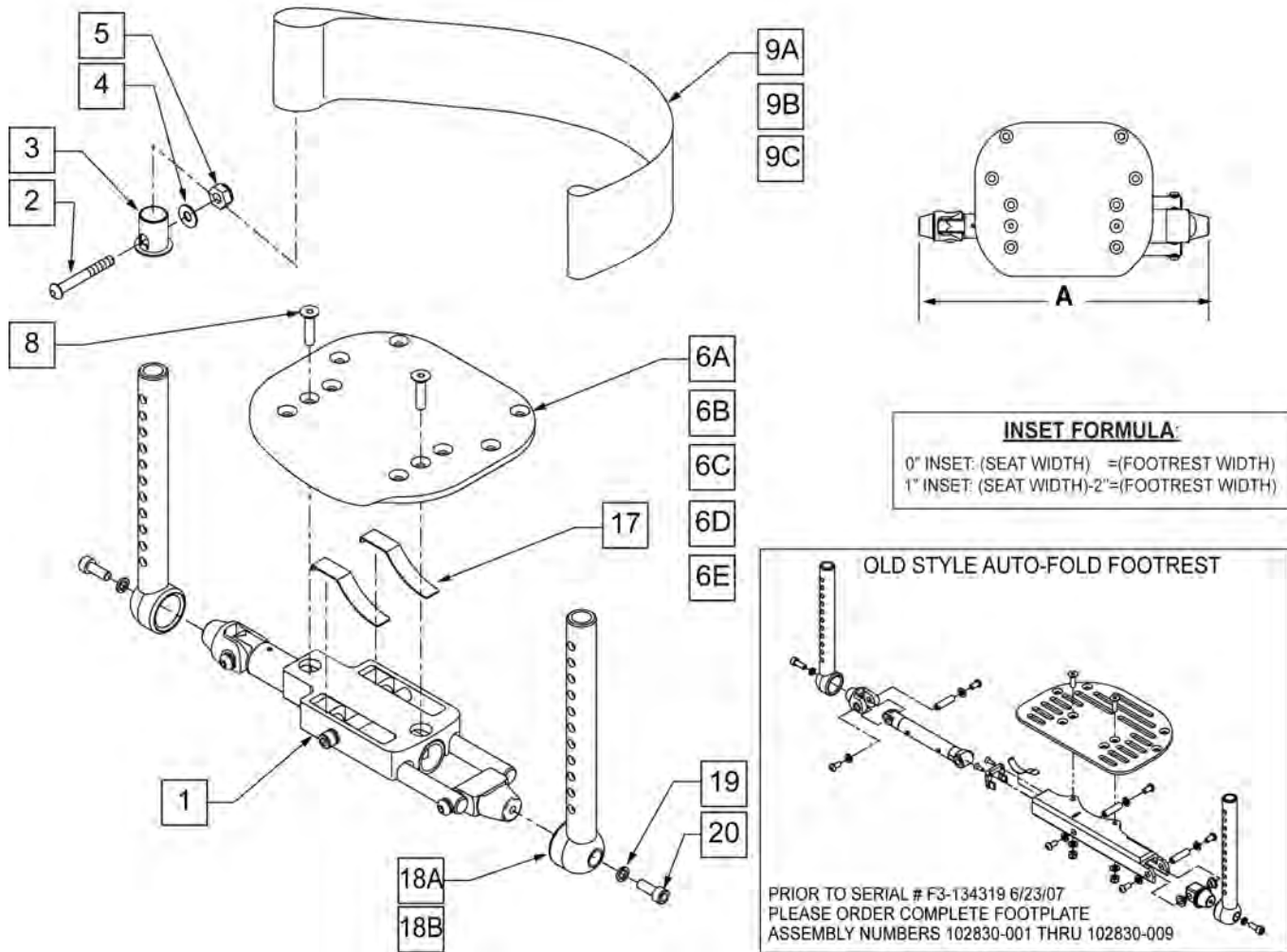
| Pos. | Item Number | Description | Remarks |
|------|-------------|------------------------------|------------------------|
| 1 | 100831-001 | ASSY TUBE FTRST PLTFRM 12" W | 12" Footrest Width |
| 1 | 100831-002 | ASSY TUBE FTRST PLTFRM 13" W | 13" Footrest Width |
| 1 | 100831-003 | ASSY TUBE FTRST PLTFRM 14" W | 14" Footrest Width |
| 1 | 100831-004 | ASSY TUBE FTRST PLTFRM 15" W | 15" Footrest Width |
| 1 | 100831-005 | ASSY TUBE FTRST PLTFRM 16" W | 16" Footrest Width |
| 1 | 100831-006 | ASSY TUBE FTRST PLTFRM 17" W | 17" Footrest Width |
| 1 | 100831-007 | ASSY TUBE FTRST PLTFRM 18" W | 18" Footrest Width |
| 1 | 100831-008 | ASSY TUBE FTRST PLTFRM 19" W | 19" Footrest Width |
| 1 | 100831-009 | ASSY TUBE FTRST PLTFRM 20" W | 20" Footrest Width |
| 2A | 740130 | LEG STRAP 10 -14" BLK | 12 -14" Footrest Width |
| 2B | 740131 | LEG STRAP 15 -17" BLK | 15 -17" Footrest Width |
| 2C | 740132 | LEG STRAP 18 -20" BLK | 18 -20" Footrest Width |
| 3A | 500690 | NEW PLTFORM F/PLT 6X5.5 | 12 -13" WIDE |
| 3B | 500691 | NEW PLTFORM F/PLT 8X5.5 | 14 -15" WIDE |
| 3C | 500692 | NEW PLTFORM F/PLT 10X5.5 | 16 -17" WIDE |
| 3D | 500693 | NEW PLTFORM F/PLT 12X5.5 | 18 -20" WIDE |
| 4A | 052021-001 | TUBE FOOTREST WELDMENT STD | |
| 4B | 052021-002 | TUBE FOOTREST WELDMENT LONG | |
| 5 | 250104 | WASHER FLAT M6 | |

| Pos. | Item Number | Description | Remarks |
|------------------|-------------|-----------------------------------|------------------------------------|
| 6 | 550351 | PLATFORM FOOTPLATE CLAMP | |
| 7 | 011825 | SET SCREW M6 x 8mm CUP TIP | |
| 8 | 100838 | BALL PLUNGER 8mm OD | |
| 9 | 100842 | ASSM LATCH PIVOT FOOTREST | |
| 10 | 102265-003 | M6-25 FH C/S BLK | |
| 11 | 102263-001 | SHCS M6 x 1 x 16 FULL NP | |
| 12 | 050129-001 | LOCKWASHER HIGH COLLAR M6 | |
| 13 | 052022 | CLEVIS PIVOT TUBE | |
| 14 | 052282 | PIN PIVOT FOOTREST | |
| 15 | 262133 | WASHER LOCK M6 | |
| 16 | 013147 | BHCS M6 x 1 x 12mm BLK | |
| 17 | 200113 | NUT HEX NYLOCK M6 X 1 NUT | |
| 18 | 050229 | WHEEL LOCK CLAMP ASSM BLK | High Mount Clamp Assm-Order Qty 2. |
| 19 | 100846 | SHCS M6 x 1 x 30 BLK | |
| 20 | 262130 | 6mm WAVE WASHER | |
| 21 | 052010 | BUSHING FOOTREST | |
| 22 | 482028 | 3/4" DOME PLUG .125 | Used for HI Mount only. |
| >>>> | | SHORT EXT - HI MOUNT PLATFORM | |
| 1,2A,3A,4A-18,22 | 108729 | PLATFORM ANGLE HI/MNT SHORT 12" W | |
| 1,2A,3A,4A-18,22 | 108730 | PLATFORM ANGLE HI/MNT SHORT 13" W | |
| 1,2A,3A,4A-18,22 | 108731 | PLATFORM ANGLE HI/MNT SHORT 14" W | |
| 1,2B,3B,4A-18,22 | 108732 | PLATFORM ANGLE HI/MNT SHORT 15" W | |
| 1,2B,3B,4A-18,22 | 108733 | PLATFORM ANGLE HI/MNT SHORT 16" W | |
| 1,2B,3C,4A-18,22 | 108734 | PLATFORM ANGLE HI/MNT SHORT 17" W | |
| 1,2C,3C,4A-18,22 | 108735 | PLATFORM ANGLE HI/MNT SHORT 18" W | |
| 1,2C,3D,4A-18,22 | 108736 | PLATFORM ANGLE HI/MNT SHORT 19" W | |
| 1,2C,3D,4A-18,22 | 108737 | PLATFORM ANGLE HI/MNT SHORT 20" W | |
| >>>> | | LONG EXT - HI MOUNT PLATFORM | |
| 1,2A,3A,4B-18,22 | 108738 | PLATFORM ANGLE HI/MNT LONG 12" W | |
| 1,2A,3A,4B-18,22 | 108739 | PLATFORM ANGLE HI/MNT LONG 13" W | |
| 1,2A,3A,4B-18,22 | 108740 | PLATFORM ANGLE HI/MNT LONG 14" W | |
| 1,2B,3B,4B-18,22 | 108741 | PLATFORM ANGLE HI/MNT LONG 15" W | |
| 1,2B,3B,4B-18,22 | 108742 | PLATFORM ANGLE HI/MNT LONG 16" W | |
| 1,2B,3C,4B-18,22 | 108723 | PLATFORM ANGLE HI/MNT LONG 17" W | |
| 1,2C,3C,4B-18,22 | 108744 | PLATFORM ANGLE HI/MNT LONG 18" W | |
| 1,2C,3D,4B-18,22 | 108745 | PLATFORM ANGLE HI/MNT LONG 19" W | |
| 1,2C,3D,4B-18,22 | 108746 | PLATFORM ANGLE HI/MNT LONG 20" W | |
| >>>> | | SHORT EXT - PLATFORM FOOTPLATE | |
| 1,2A,3A,4A-17 | 108747 | PLATFORM ANGLE SHORT 12" W | |
| 1,2A,3A,4A-17 | 108748 | PLATFORM ANGLE SHORT 13" W | |
| 1,2A,3A,4A-17 | 108749 | PLATFORM ANGLE SHORT 14" W | |
| 1,2B,3B,4A-17 | 108750 | PLATFORM ANGLE SHORT 15" W | |
| 1,2B,3B,4A-17 | 108751 | PLATFORM ANGLE SHORT 16" W | |
| 1,2B,3C,4A-17 | 108752 | PLATFORM ANGLE SHORT 17" W | |
| 1,2C,3C,4A-17 | 108753 | PLATFORM ANGLE SHORT 18" W | |
| 1,2C,3D,4A-17 | 108754 | PLATFORM ANGLE SHORT 19" W | |
| 1,2C,3D,4A-17 | 108755 | PLATFORM ANGLE SHORT 20" W | |
| >>>> | | LONG EXT - PLATFORM FOOTPLATE | |
| 1,2A,3A,4B-17 | 108756 | PLATFORM ANGLE LONG 12" W | |
| 1,2A,3A,4B-17 | 108757 | PLATFORM ANGLE LONG 13" W | |
| 1,2A,3A,4B-17 | 108758 | PLATFORM ANGLE LONG 14" W | |
| 1,2B,3B,4B-17 | 108759 | PLATFORM ANGLE LONG 15" W | |
| 1,2B,3B,4B-17 | 108760 | PLATFORM ANGLE LONG 16" W | |
| 1,2B,3C,4B-17 | 108761 | PLATFORM ANGLE LONG 17" W | |
| 1,2C,3C,4B-17 | 108762 | PLATFORM ANGLE LONG 18" W | |
| 1,2C,3D,4B-17 | 108763 | PLATFORM ANGLE LONG 19" W | |
| 1,2C,3D,4B-17 | 108764 | PLATFORM ANGLE LONG 20" W | |



| Pos. | Item Number | Description | Remarks |
|------|-------------|-------------------------------|----------|
| 2 | 230132 | SHCS M4 x .7 x 10 | |
| 3 | 050129-002 | LOCKWASHER HIGH COLLAR M4 | |
| 4 | 052289 | BUTTON LEVER LATCH | |
| 5 | 052022 | CLEVIS PIVOT TUBE | |
| 6 | 052282 | PIN PIVOT FOOTREST | |
| 7 | 262133 | WASHER LOCK M6 | |
| 8 | 013147 | BHCS M6 x 1 x 12 BLK | |
| 9 | 102265-003 | FHCS M6X1X25 FULL NP | |
| 10 | 500656 | ADULT ANGL ADJ F/PLT 10/11" R | RIGHT |
| 10 | 500657 | ADULT ANGL ADJ F/PLT 10/11" L | LEFT |
| 10 | 500658 | ADULT ANGL ADJ F/PLT 12/13" R | RIGHT |
| 10 | 500659 | ADULT ANGL ADJ F/PLT 12/13" L | LEFT |
| 10 | 500660 | ADULT ANGL ADJ F/PLT 14/15" R | RIGHT |
| 10 | 500661 | ADULT ANGL ADJ F/PLT 14/15" L | LEFT |
| 10 | 500662 | ADULT ANGL ADJ F/PLT 16/17" R | RIGHT |
| 10 | 500663 | ADULT ANGL ADJ F/PLT 16/17" L | LEFT |
| 11 | 550350 | 3/4" CLMP ADJ FT PLT | |
| 12 | 200113 | NUT HEX NYLOCK M6 x 1 | |
| 13A | 052021-001 | TUBE FTREST WLDMNT STD | STANDARD |
| 13B | 052021-002 | TUBE FTREST WLDMNT LNG | LONG |
| 14 | 050129-001 | LOCKWASHER HIGH COLLAR M6 | |

| Pos. | Item Number | Description | Remarks |
|-------------|-------------|--------------------------------|---------|
| 15 | 102263-001 | SHCS M6X1X16 FULL NP | |
| 16 | 100837 | SPRING COMP .25OD x 1.0LG | |
| 17 | 052103 | LATCH PLUNGER FOOTREST | |
| 18 | 100833-002 | ASSY TUBE FTRST SPLIT L 13W | |
| 18 | 100833-003 | ASSY TUBE FTRST SPLIT L 14W | |
| 18 | 100833-004 | ASSY TUBE FTRST SPLIT L 15W | |
| 18 | 100833-005 | ASSY TUBE FTRST SPLIT L 16W | |
| 18 | 100833-006 | ASSY TUBE FTRST SPLIT L 17W | |
| 18 | 100833-007 | ASSY TUBE FTRST SPLIT L 18W | |
| 18 | 100833-008 | ASSY TUBE FTRST SPLIT L 19W | |
| 18 | 100833-009 | ASSY TUBE FTRST SPLIT L 20W | |
| 19 | 100846 | SHCS M6 x 1 x 30 BLK | |
| 20 | 052010 | BUSHING FOOTREST | |
| 21 | 262130 | 6mm WAVE WASHER | |
| 22 | 011825 | SET SCREW M6 x 8mm CUP TIP | |
| 23 | 100838 | BALL PLUNGER 8mm OD | |
| 1-4,16,17 | 100832-002 | ASSY TUBE FTRST SPLIT R 13W | |
| 1-4,16,17 | 100832-003 | ASSY TUBE FTRST SPLIT R 14W | |
| 1-4,16,17 | 100832-004 | ASSY TUBE FTRST SPLIT R 15W | |
| 1-4,16,17 | 100832-005 | ASSY TUBE FTRST SPLIT R 16W | |
| 1-4,16,17 | 100832-006 | ASSY TUBE FTRST SPLIT R 17W | |
| 1-4,16,17 | 100832-007 | ASSY TUBE FTRST SPLIT R 18W | |
| 1-4,16,17 | 100832-008 | ASSY TUBE FTRST SPLIT R 19W | |
| 1-4,16,17 | 100832-009 | ASSY TUBE FTRST SPLIT R 20W | |
| 1-13A,14-18 | 106277 | SPLIT FOOTREST ASSM 13" W STD | |
| 1-13A,14-18 | 106278 | SPLIT FOOTREST ASSM 14" W STD | |
| 1-13A,14-18 | 106279 | SPLIT FOOTREST ASSM 15" W STD | |
| 1-13A,14-18 | 106280 | SPLIT FOOTREST ASSM 16" W STD | |
| 1-13A,14-18 | 106281 | SPLIT FOOTREST ASSM 17" W STD | |
| 1-13A,14-18 | 106282 | SPLIT FOOTREST ASSM 18" W STD | |
| 1-13A,14-18 | 106283 | SPLIT FOOTREST ASSM 19" W STD | |
| 1-13A,14-18 | 106284 | SPLIT FOOTREST ASSM 20" W STD | |
| 1-13B,14-18 | 106286 | SPLIT FOOTREST ASSM 13" W LONG | |
| 1-13B,14-18 | 106287 | SPLIT FOOTREST ASSM 14" W LONG | |
| 1-13B,14-18 | 106288 | SPLIT FOOTREST ASSM 15" W LONG | |
| 1-13B,14-18 | 106289 | SPLIT FOOTREST ASSM 16" W LONG | |
| 1-13B,14-18 | 106290 | SPLIT FOOTREST ASSM 17" W LONG | |
| 1-13B,14-18 | 106291 | SPLIT FOOTREST ASSM 18" W LONG | |
| 1-13B,14-18 | 106292 | SPLIT FOOTREST ASSM 19" W LONG | |
| 1-13B,14-18 | 106293 | SPLIT FOOTREST ASSM 20" W LONG | |

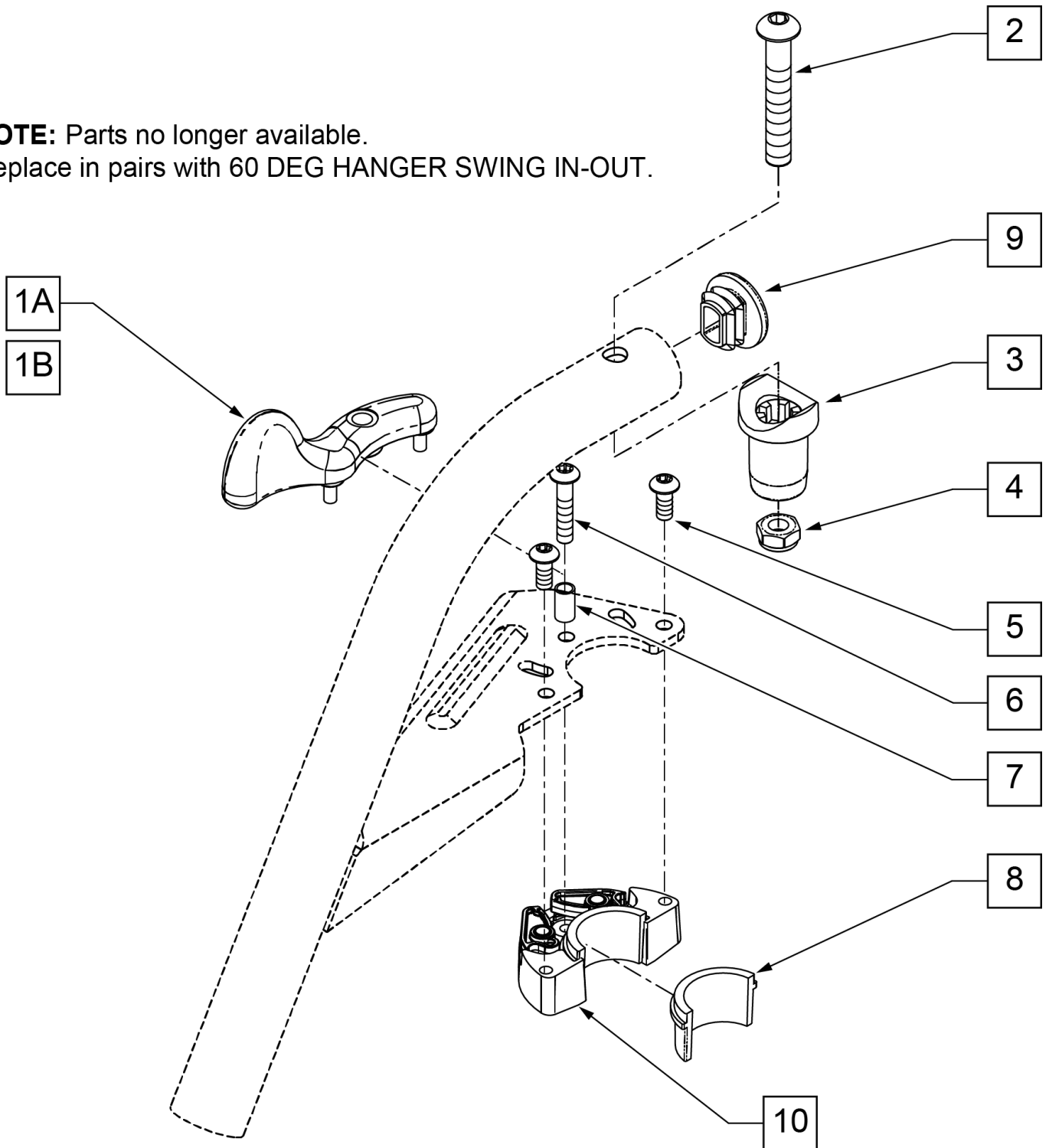


| Pos. | Item Number | Description | Remarks |
|------|-------------|---------------------------|------------------------|
| 2 | 100846 | SHCS M6 x 1 x 30 BLK | |
| 3 | 052010 | BUSHING FOOTREST | |
| 4 | 262130 | 6mm WASHER WAVE | |
| 5 | 200113 | NUT HEX NYLOCK M6x 1 NUT | |
| 6A | 054853-001 | FOOTPLATE SIZE 1 | 12" FOOTREST WIDTH |
| 6B | 054853-002 | FOOTPLATE SIZE 2 | 13"-14" FOOTREST WIDTH |
| 6C | 054853-003 | FOOTPLATE SIZE 3 | 15"-16" FOOTREST WIDTH |
| 6D | 054853-004 | FOOTPLATE SIZE 4 | 17"-18" FOOTRESTWIDTH |
| 6E | 054853-005 | FOOTPLATE SIZE 5 | 19"-20" FOOTREST WIDTH |
| 7 | 054852 | SPRING LEAF FOOTREST | |
| 8 | 102265-003 | FHCS M6X1X25 FULL NP | |
| 9A | 740130 | LEG STRAPS 10 -14" BLK | 12 -14" FOOTREST WIDTH |
| 9B | 740131 | LEG STRAPS 15 -17" BLK | 15 -17" FOOTREST WIDTH |
| 9C | 740132 | LEG STRAPS 18 -20" BLK | 18 -20" FOOTREST WIDTH |
| 17 | 054852 | SPRING LEAF FOOTREST | |
| 18A | 052021-001 | TUBE FOOTREST WLDMNT STD | |
| 18B | 052021-002 | TUBE FOOTREST WLDMNT LONG | |
| 19 | 050129-001 | LOCKWASHER HIGH COLLAR M6 | |
| 20 | 102263-001 | SHCS M6X1X16 FULL NP | |

| Pos. | Item Number | Description | Remarks |
|-----------------|-------------|--|--------------------------------|
| 1,6,7,8,9 | 102830-001 | ASSM FOOTPLATE AUTOFOLD 12" W | 12" FOOTREST WIDTH |
| 1,6,7,8,9 | 102830-002 | ASSM FOOTPLATE AUTOFOLD 13" W | 13" FOOTREST WIDTH |
| 1,6,7,8,9 | 102830-003 | ASSM FOOTPLATE AUTOFOLD 14" W | 14" FOOTREST WIDTH |
| 1,6,7,8,9 | 102830-004 | ASSM FOOTPLATE AUTOFOLD 15" W | 15" FOOTREST WIDTH |
| 1,6,7,8,9 | 102830-005 | ASSM FOOTPLATE AUTOFOLD 16" W | 16" FOOTREST WIDTH |
| 1,6,7,8,9 | 102830-006 | ASSM FOOTPLATE AUTOFOLD 17" W | 17" FOOTREST WIDTH |
| 1,6,7,8,9 | 102830-007 | ASSM FOOTPLATE AUTOFOLD 18" W | 18" FOOTREST WIDTH |
| 1,6,7,8,9 | 102830-008 | ASSM FOOTPLATE AUTOFOLD 19" W | 19" FOOTREST WIDTH |
| 1,6,7,8,9 | 102830-009 | ASSM FOOTPLATE AUTOFOLD 20" W | 20" FOOTREST WIDTH |
| >>>> | | COMPLETE AUTOFOLD ASSEMBLY - SHORT EXT | |
| 1,6-9,18A,19,20 | 108675 | AUTOFOLD FOOTREST ASSM SHORT 12" W | 12" FOOTREST WIDTH - SHORT EXT |
| 1,6-9,18A,19,20 | 108676 | AUTOFOLD FOOTREST ASSM SHORT 13" W | 13" FOOTREST WIDTH - SHORT EXT |
| 1,6-9,18A,19,20 | 108677 | AUTOFOLD FOOTREST ASSM SHORT 14" W | 14" FOOTREST WIDTH - SHORT EXT |
| 1,6-9,18A,19,20 | 108678 | AUTOFOLD FOOTREST ASSM SHORT 15" W | 15" FOOTREST WIDTH - SHORT EXT |
| 1,6-9,18A,19,20 | 108679 | AUTOFOLD FOOTREST ASSM SHORT 16" W | 16" FOOTREST WIDTH - SHORT EXT |
| 1,6-9,18A,19,20 | 108680 | AUTOFOLD FOOTREST ASSM SHORT 17" W | 17" FOOTREST WIDTH - SHORT EXT |
| 1,6-9,18A,19,20 | 108681 | AUTOFOLD FOOTREST ASSM SHORT 18" W | 18" FOOTREST WIDTH - SHORT EXT |
| 1,6-9,18A,19,20 | 108682 | AUTOFOLD FOOTREST ASSM SHORT 19" W | 19" FOOTREST WIDTH - SHORT EXT |
| 1,6-9,18A,19,20 | 108683 | AUTOFOLD FOOTREST ASSM SHORT 20" W | 20" FOOTREST WIDTH - SHORT EXT |
| >>>> | | COMPLETE AUTOFOLD ASSEMBLY - LONG EXT | |
| 1,6-9,18B,19,20 | 108684 | AUTOFOLD FOOTREST ASSM LONG 12" W | 12" FOOTREST WIDTH - LONG EXT |
| 1,6-9,18B,19,20 | 108685 | AUTOFOLD FOOTREST ASSM LONG 13" W | 13" FOOTREST WIDTH - LONG EXT |
| 1,6-9,18B,19,20 | 108686 | AUTOFOLD FOOTREST ASSM LONG 14" W | 14" FOOTREST WIDTH - LONG EXT |
| 1,6-9,18B,19,20 | 108687 | AUTOFOLD FOOTREST ASSM LONG 15" W | 15" FOOTREST WIDTH - LONG EXT |
| 1,6-9,18B,19,20 | 108688 | AUTOFOLD FOOTREST ASSM LONG 16" W | 16" FOOTREST WIDTH - LONG EXT |
| 1,6-9,18B,19,20 | 108689 | AUTOFOLD FOOTREST ASSM LONG 17" W | 17" FOOTREST WIDTH - LONG EXT |
| 1,6-9,18B,19,20 | 108690 | AUTOFOLD FOOTREST ASSM LONG 18" W | 18" FOOTREST WIDTH - LONG EXT |
| 1,6-9,18B,19,20 | 108691 | AUTOFOLD FOOTREST ASSM LONG 19" W | 19" FOOTREST WIDTH - LONG EXT |
| 1,6-9,18B,19,20 | 108692 | AUTOFOLD FOOTREST ASSM LONG 20" W | 20" FOOTREST WIDTH - LONG EXT |

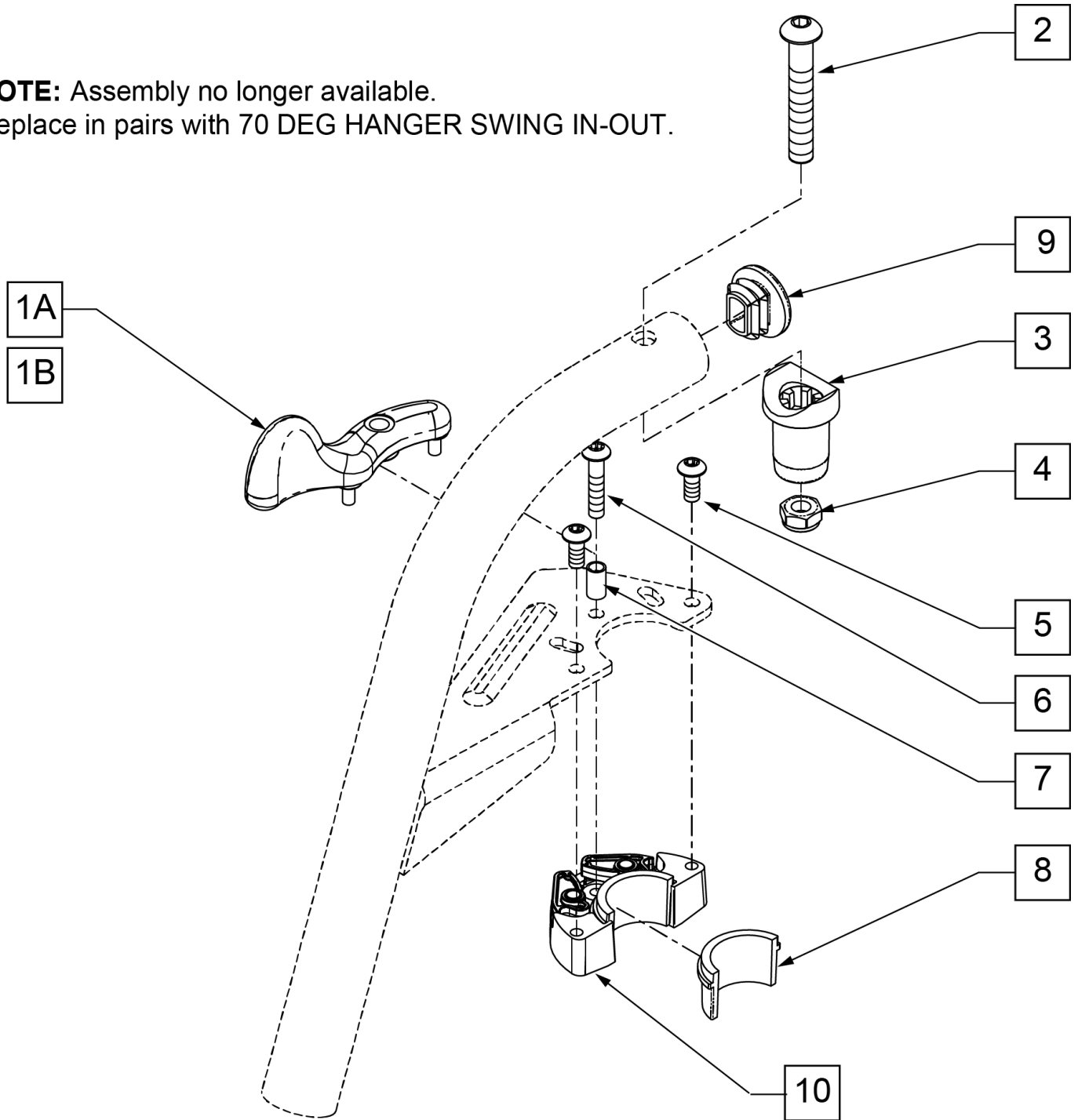
NOTE: Effective on LX/LXI as of 10/24/2008.

NOTE: Parts no longer available.
Replace in pairs with 60 DEG HANGER SWING IN-OUT.



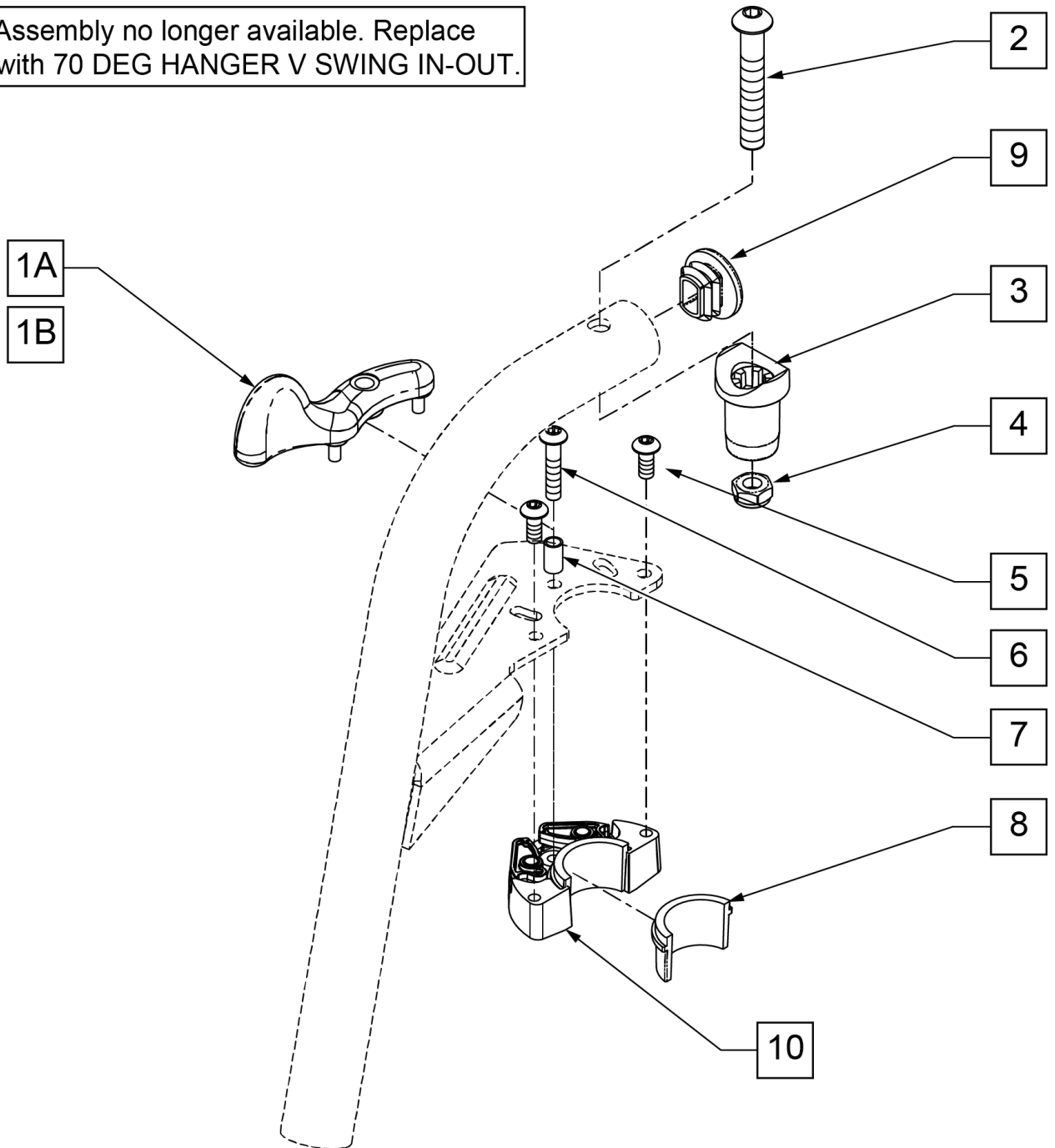
| Pos. | Item Number | Description |
|-------------|--------------------|--------------------------------|
| 1A | 052296 | SWING I/O LATCH LEVER R w/pins |
| 1B | 052297 | SWING I/O LATCH LEVER L w/pins |
| 2 | 106983 | 5/16-18 X 2 BH C/S SHT THREAD |
| 3,4 | 561197 | PLASTIC PIVOT SADDLE |
| 5 | 102259-001 | BHCS M5 x .8 x 12 W/PL INORG |
| 6 | 230494 | M5-30 BTTN HD SOC C/S BLK |
| 7 | 052054 | BUSHING PIVOT HANGER SWING I/O |
| 9 | 561378 | END PLUG DBL "D" S525 |
| 5,8,10 | 120976 | ASSY LATCH BLOCK ANTI LIFT |

NOTE: Assembly no longer available.
Replace in pairs with 70 DEG HANGER SWING IN-OUT.



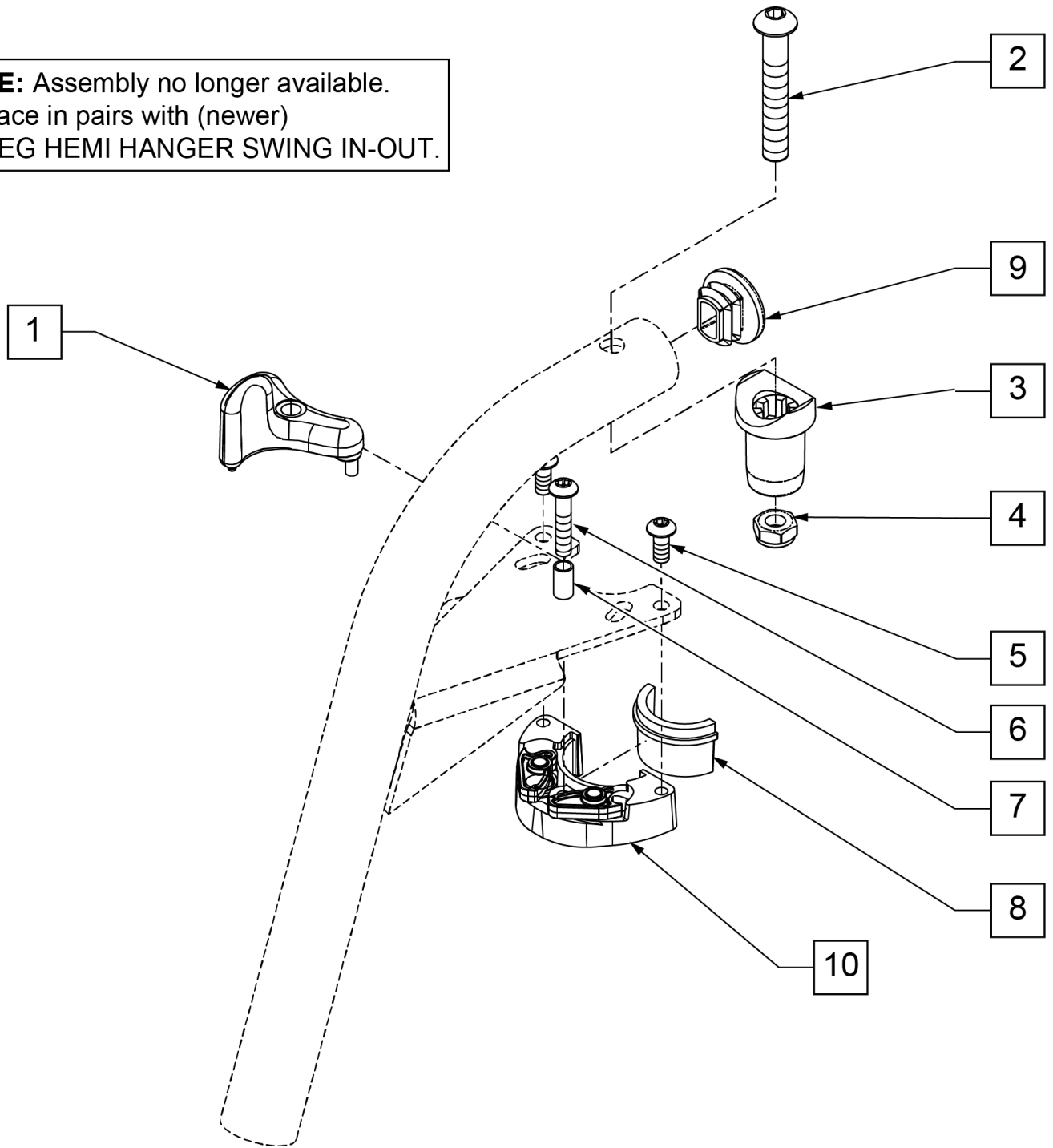
| Pos. | Item Number | Description |
|-------------|--------------------|--------------------------------|
| 1A | 052296 | SWING I/O LATCH LEVER R w/pins |
| 1B | 052297 | SWING I/O LATCH LEVER L w/pins |
| 2 | 106983 | 5/16-18 X 2 BH C/S SHT THREAD |
| 3,4 | 561197 | PLASTIC PIVOT SADDLE |
| 5 | 102259-001 | BHCS M5 x .8 x 12 W/PL INORG |
| 6 | 230494 | M5-30 BTTN HD SOC C/S BLK |
| 7 | 052054 | BUSHING PIVOT HANGER SWING I/O |
| 9 | 561378 | END PLUG DBL "D" S525 |
| 5,8,10 | 120976 | ASSY LATCH BLOCK ANTI LIFT |

NOTE: Assembly no longer available. Replace in pairs with 70 DEG HANGER V SWING IN-OUT.



| Pos. | Item Number | Description |
|--------|-------------|--------------------------------|
| 1A | 052296 | SWING I/O LATCH LEVER R w/pins |
| 1B | 052297 | SWING I/O LATCH LEVER L w/pins |
| 2 | 226198 | 5/16-18 X 2 BH C/S SHT THREAD |
| 3,4 | 561197 | PLASTIC PIVOT SADDLE |
| 5 | 102259-001 | BHCS M5 x .8 x 12 W/PL INORG |
| 6 | 230494 | M5-30 BTTN HD SOC C/S BLK |
| 7 | 052054 | BUSHING PIVOT HANGER SWING I/O |
| 9 | 561378 | END PLUG DBL "D" S525 |
| 5,8,10 | 120976 | ASSY LATCH BLOCK ANTI LIFT |

NOTE: Assembly no longer available.
Replace in pairs with (newer)
70 DEG HEMI HANGER SWING IN-OUT.

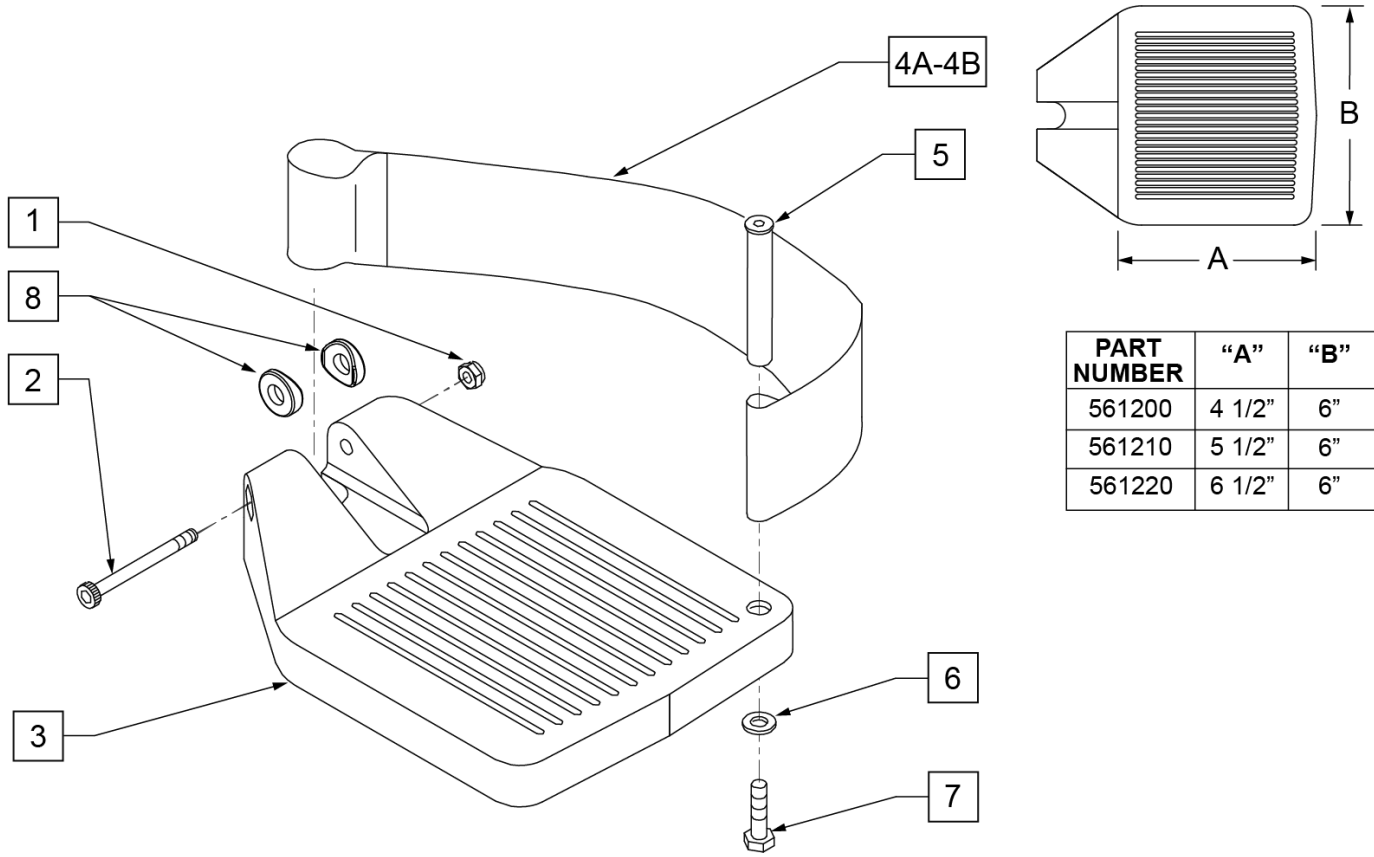


| Pos. | Item Number | Description |
|-------------|--------------------|-----------------------------------|
| 1 | 052234 | SWING I/O LATCH LEVER HEMI w/pins |
| 2 | 106983 | 5/16-18 X 2 BH C/S SHT THREAD |
| 3,4 | 561197 | PLASTIC PIVOT SADDLE |
| 4 | 106937 | 5/16-18 NYLOCK NUT THIN |
| 5 | 102259-001 | BHCS M5 x .8 x 12 W/PL INORG |
| 6 | 230494 | M5-30 BTTN HD SOC C/S BLK |
| 7 | 052054 | BUSHING PIVOT HANGER SWING I/O |
| 9 | 561378 | END PLUG DBL "D" S525 |
| 5,8,10 | 120976 | ASSY LATCH BLOCK ANTI LIFT |

COMPOSITE FOOTPLATE

To have complete Footrest ship assembled, choose compatible Hanger + Footplate part numbers and add "ASSY-HNG-FP" to order

INSET FORMULA
 0" Inset (Seat Width) = Footrest Width
 1" Inset (Seat Width) -2" = Footrest Width
 "V" Hanger (Seat Width) -4" = Footrest Width
 Offset Hanger Receiver (Seat Width) +2" = Footrest Width



| PART NUMBER | "A" | "B" |
|-------------|--------|-----|
| 561200 | 4 1/2" | 6" |
| 561210 | 5 1/2" | 6" |
| 561220 | 6 1/2" | 6" |

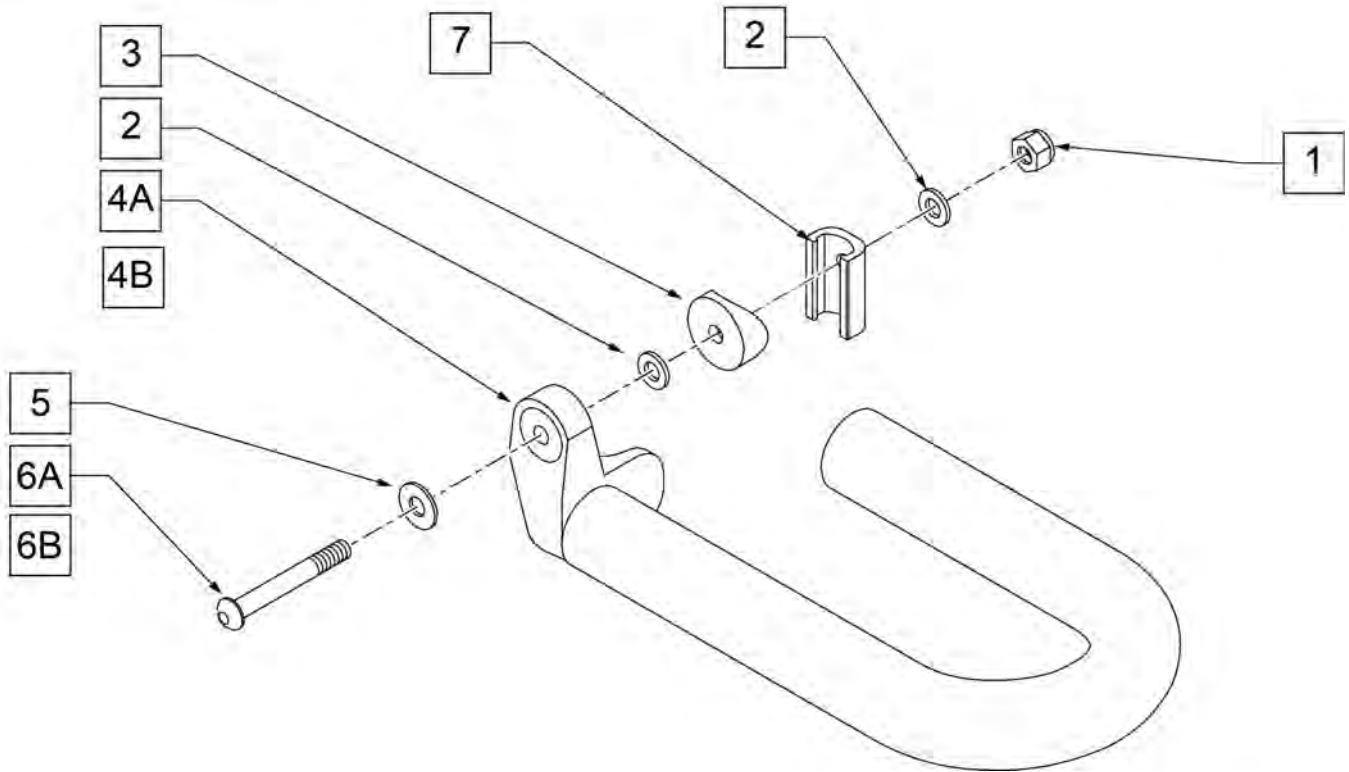
| Pos. | Item Number | Description | Remarks |
|------|-------------|---|------------------------|
| 1 | 106935 | 1/4 - 28 NYLOCK NUT | |
| 2 | 226165 | 1/4 - 28 x 2 1/2 SOC C/S | |
| 3 | 561200 | COMPOSITE FOOTPLATE 14 -15 (16 -18 V) | 14 -15 OR 16 -18V |
| 3 | 561210 | COMPOSITE FOOTPLATE 16 -17 (19 -20 V) | 16 -17 OR 19 -20V |
| 3 | 561220 | COMPOSITE FOOTPLATE 18 -20 | 18 -20 |
| 4A | 741151 | HEEL LOOP 14-15 COMPOSITE (14 -15 or 16 -18V) | 14 -15 OR 16 -18V |
| 4A | 741156 | HEEL LOOP 16 -17 or 19 -20V | 16 -17 OR 19 -20V |
| 4A | 741153 | HEEL LOOP 18 -20 COMPOSITE/14-15 ANG ADJ | 18 -20 |
| 4A | 902270 | HEEL LOOP COMPOSITE FT 14-15 | PAIR 14 -15 OR 16 -18V |
| 4A | 902271 | HEEL LOOP COMPOSITE FT 16-17 | PAIR 16 -17 OR 19 -20V |
| 4A | 902272 | HEEL LOOP COMPOSITE FT 18-20 | PAIR 18 -20 |
| 4B | 741154 | HEEL LOOP 14-15 COMPOSITE HEMI | 14 -15 HEMI |
| 4B | 741155 | HEEL LOOP 16-17 COMPOSITE HEMI | 16 -17 HEMI |
| 4B | 741153 | HEEL LOOP 18-20 COMPOSITE HEMI | 18 -10 HEMI |
| 4B | 902260 | HEEL LOOPS HEMI COMPOSITE 14-15 | PAIR 14 -15 HEMI |
| 4B | 902261 | HEEL LOOPS HEMI COMPOSITE 16-17 | PAIR 16 -17 HEMI |
| 4B | 902262 | HEEL LOOPS HEMI COMPOSITE 18-20 | PAIR 18 -20 HEMI |
| 5 | 561040 | HEEL LOOP PEG | |
| 6 | 106944 | 1/4 AN WASHER FLAT THIN | |

| Pos. | Item Number | Description | Remarks |
|------------|-------------|--|---|
| 7 | 106958 | HHCS 1/4-20 X 1 ROHS | |
| 8 | 561003 | 3/4" SADDLE THIN | USED W/ ROUND EXT TUBES ONLY |
| 1-3 | 921180 | COMPOSITE FOOTPLATE ASSM 14-15 | RIGHT (14 -15 OR 16 -18V) W/O HEEL LOOP |
| 1-3 | 921181 | COMPOSITE FOOTPLATE ASSM 14-15 | LEFT (14 -15 OR 16 -18V) W/O HEEL LOOP |
| 1-3 | 921182 | COMPOSITE FOOTPLATE ASSM 16-17 | RIGHT (16 -17 OR 19 -20V) W/O HEEL LOOP |
| 1-3 | 921183 | COMPOSITE FOOTPLATE ASSM 16-17 | LEFT (16 -17 OR 19 -20V) W/O HEEL LOOP |
| 1-3 | 921184 | COMPOSITE FOOTPLATE ASSM 18-20 | RIGHT (18 -20) W/O HEEL LOOP |
| 1-3 | 921185 | COMPOSITE FOOTPLATE ASSM 18-20 | LEFT (18 -20) W/O HEEL LOOP |
| 1-3 | 921151 | COMPOSITE FOOTPLATE ASSM 14-15/16-18V | PAIR (14 -15 OR 16 -18V) W/O HEEL LOOP |
| 1-3 | 921152 | COMPOSITE FOOTPLATE ASSM 16-17/19-20V | PAIR (16 -17 OR 19 -20V) W/O HEEL LOOP |
| 1-3 | 921153 | COMPOSITE FOOTPLATE ASSM 18-20 | PAIR (18 -20) W/O HEEL LOOP |
| 1,2,3A,4-7 | 921190 | COMPOSITE FOOTPLATE ASSM HL LP 14-15 | RIGHT (14 -15 OR 16 -18V) W/ HEEL LOOP |
| 1,2,3A,4-7 | 921191 | COMPOSITE FOOTPLATE ASSM HL LP 14-15 | LEFT (14 -15 OR 16 -18V) W/ HEEL LOOP |
| 1,2,3A,4-7 | 921192 | COMPOSITE FOOTPLATE ASSM HL LP 16-17 | RIGHT (16 -17 OR 19 -20V) W/ HEEL LOOP |
| 1,2,3A,4-7 | 921193 | COMPOSITE FOOTPLATE ASSM HL LP 16-17 | LEFT (16 -17 OR 19 -20V) W/ HEEL LOOP |
| 1,2,3A,4-7 | 921194 | COMPOSITE FOOTPLATE ASSM HL LP 18-20 | RIGHT (18 -20) W/ HEEL LOOP |
| 1,2,3A,4-7 | 921195 | COMPOSITE FOOTPLATE ASSM HL LP 18-20 | LEFT (18 -20) W/ HEEL LOOP |
| 1,2,3A,4-7 | 921161 | COMPOSITE FOOTPLATE ASSM HL 14-15/16-18V | PAIR (14 -15 OR 16 -18V) W/ HEEL LOOP |
| 1,2,3A,4-7 | 921162 | COMPOSITE FOOTPLATE ASSM HL 16-17/19-20V | PAIR (16 -17 OR 19 -20V) W/ HEEL LOOP |
| 1,2,3A,4-7 | 921163 | COMPOSITE FOOTPLATE ASSM HL 18-20 | PAIR (18 -20) W/ HEEL LOOP |
| 1,2,3B,4-7 | 921140 | COMPOSITE FOOTPLATE ASSM HEMI HL LP 14-15 | RIGHT (14 -15) W/ HEEL LOOP |
| 1,2,3B,4-7 | 921141 | COMPOSITE FOOTPLATE ASSM HEMI HL LP 14-15 | LEFT (14 -15) W/ HEEL LOOP |
| 1,2,3B,4-7 | 921142 | COMPOSITE FOOTPLATE ASSM HEMI HL LP 16-17 | RIGHT (16 -17) W/ HEEL LOOP |
| 1,2,3B,4-7 | 921143 | COMPOSITE FOOTPLATE ASSM HEMI HL LP 16-17 | LEFT (16 -17) W/ HEEL LOOP |
| 1,2,3B,4-7 | 921144 | COMPOSITE FOOTPLATE ASSM HEMI HL LP 18-20 | RIGHT (18 -20) W/ HEEL LOOP |
| 1,2,3B,4-7 | 921145 | COMPOSITE FOOTPLATE ASSM HEMI HL LP 18-20 | LEFT (18 -20) W/ HEEL LOOP |
| 1,2,3B,4-7 | 921167 | COMPOSITE FOOTPLATE ASSM HEMI HL LPS 14-15 | PAIR (14 -15) W/ HEEL LOOP |
| 1,2,3B,4-7 | 921168 | COMPOSITE FOOTPLATE ASSM HEMI HL LPS 16-17 | PAIR (16 -17) W/ HEEL LOOP |
| 1,2,3B,4-7 | 921169 | COMPOSITE FOOTPLATE ASSM HEMI HL LPS 18-20 | PAIR (18 -20) W/ HEEL LOOP |
| | | Ship assembled part # | Use with multiple assemblies |
| | ASSY-HNG-FP | HANGER/FOOTPLATE ASSY REQUIRED | add with Hanger & Footplate kit |

NOTE: * ORDER ITEM 3 PRIOR TO 8/13/01.** ONLY 1 WASHER PRIOR TO 8/13/01.*** ORDER PART 226167 PRIOR TO 8/13/01.

To have complete Footrest ship assembled, choose compatible Hanger + Footplate part numbers and add "ASSY-HNG-FP" to order

INSET FORMULA
 0" Inset (Seat Width) = Footrest Width
 1" Inset (Seat Width) -2" = Footrest Width
 "V" Hanger (Seat Width) -4" = Footrest Width
 Offset Hanger Receiver (Seat Width) +2" = Footrest Width



| Pos. | Item Number | Description | Remarks |
|------|-------------|------------------------------|--------------------------------|
| 1 | 106941 | 1/4-28 AUTOMATION NUT | |
| 2 | 106944 | 1/4 AN WASHER FLAT THIN | |
| 3 | 561055 | 3/4" SADDLE 1" OD | USED PRIOR TO 8/13/01 |
| 5 | 106945 | 1/4" SAE WASHER | 1 WASHER PRIOR TO 8/13/01 |
| 6A | 106962 | 1/4-28 x 1 3/4 BH C/S BLK ZN | 226167 USED PRIOR TO 8/13/01 |
| 4A | 820420 | FT REST LOOP 11 RIGHT | |
| 4B | 820421 | FT REST LOOP 11 LEFT | |
| 4A | 820422 | FT REST LOOP 12 RIGHT | |
| 4B | 820423 | FT REST LOOP 12 LEFT | |
| 4A | 820424 | FT REST LOOP 14 RIGHT | |
| 4B | 820425 | FT REST LOOP 14 LEFT | |
| 4A | 820426 | FT REST LOOP 16 RIGHT | |
| 4B | 820427 | FT REST LOOP 16 LEFT | |
| 4A | 820428 | FT REST LOOP 18 RIGHT | |
| 4B | 820429 | FT REST LOOP 18 LEFT | |
| 1-7 | 921300 | FT REST LOOP 11 | Pair, w/ all possible hardware |
| 1-7 | 921301 | FT REST LOOP 12 | Pair, w/ all possible hardware |
| 1-7 | 921302 | FT REST LOOP 14 | Pair, w/ all possible hardware |
| 1-7 | 921303 | FT REST LOOP 16 | Pair, w/ all possible hardware |

| Pos. | Item Number | Description | Remarks |
|-------------|--------------------|--------------------------------|--------------------------------|
| 1-7 | 921304 | FT REST LOOP 18 | Pair, w/ all possible hardware |
| | | Ship assembled part # | Use with multiple assemblies |
| | ASSY-HNG-FP | HANGER/FOOTPLATE ASSY REQUIRED | add with Hanger& Footplate kit |

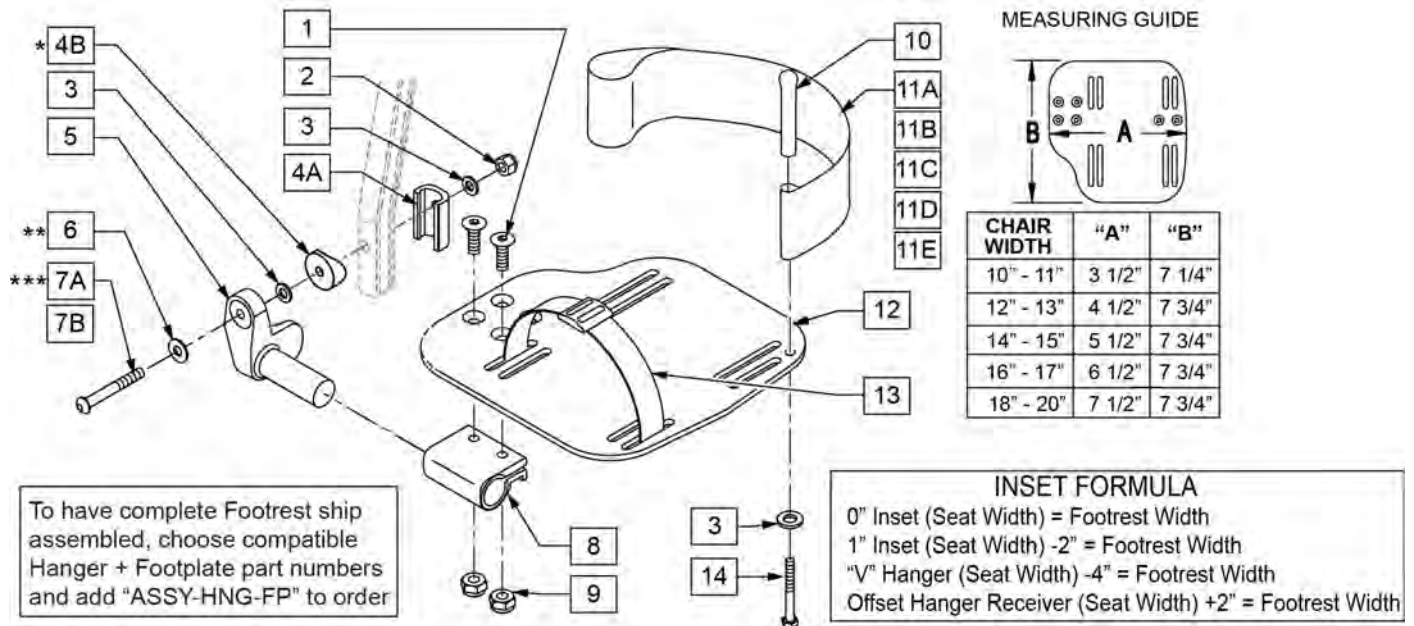
NOTE: FOR HIGH-MOUNT ADULT ANGLE-ADJUSTABLE FOOTPLATE, SEE "HIGH-MOUNT EXTENSION TUBE" PAGE.

NOTE: ORDER ITEM 4B FOR CHAIRS PRIOR TO 8/13/01.

NOTE: ONLY 1 WASHER PRIOR TO 8/13/01.

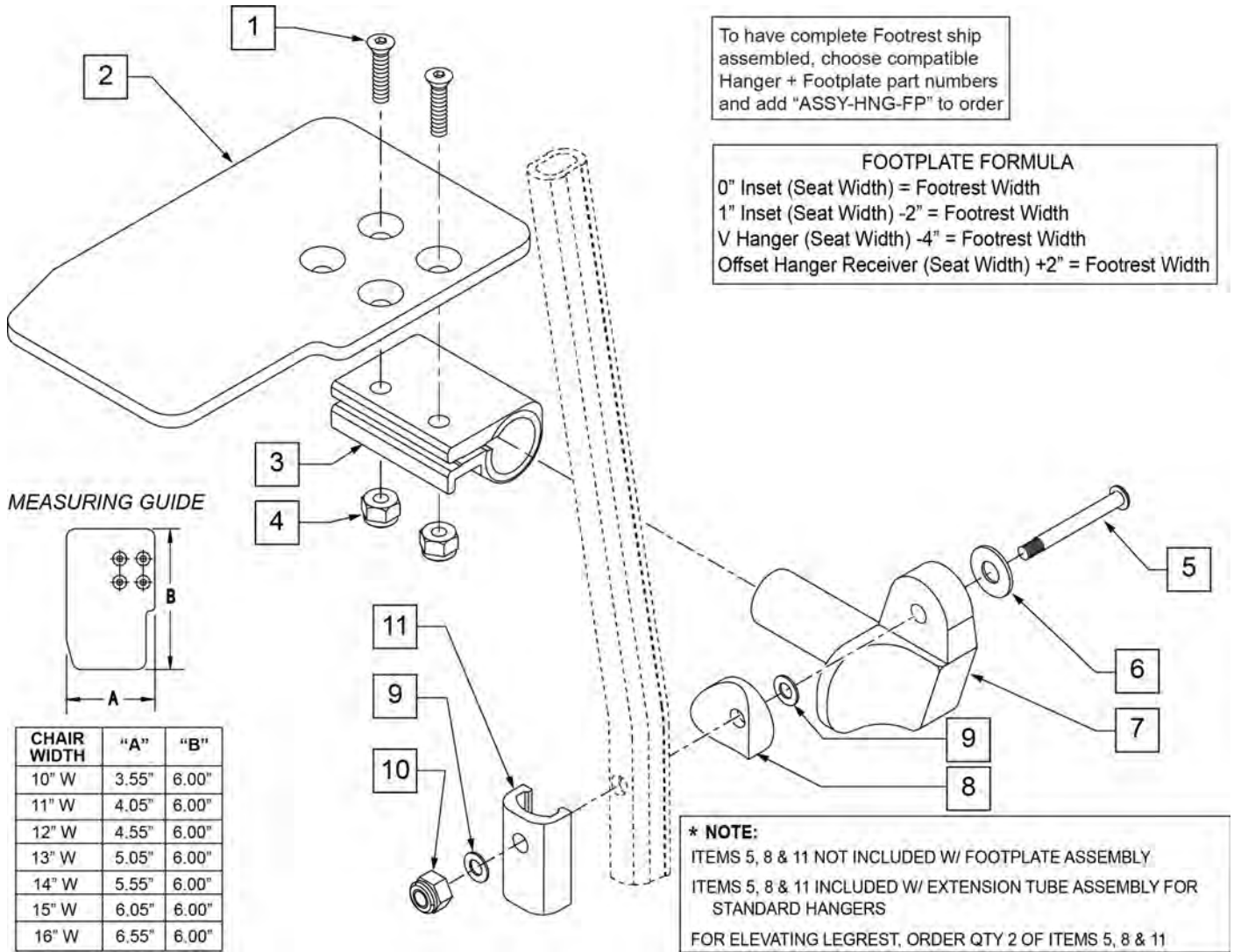
NOTE: ORDER PART 226167 PRIOR TO 8/13/01.

NOTE: See attached REFERENCE GUIDE.



| Pos. | Item Number | Description | Remarks |
|------|-------------|-------------------------------|--------------------------|
| 1 | 106978 | 1/4-28 x 7/8 FH C/S | |
| 2 | 106941 | 1/4-28 AUTOMATION NUT | |
| 3 | 106943 | WASHER FLAT AN 1/4 ROHS | |
| 4A | 483720 | HANGER EXTENSION SADDLE LONG | USE W/ DOUBLE D EXT TUBE |
| 4B | 561055 | 3/4" SADDLE 1" OD | USE W/ ROUND EXT TUBE |
| 5 | 541002 | FTRST MOUNTING BRKT-3/8 RAD R | RIGHT |
| 5 | 541003 | FTRST MOUNTING BRKT-3/8 RAD L | LEFT |
| 6 | 106945 | WASHER FLAT SAE 1/4 ROHS | |
| 7A | 106962 | BHCS 1/4-28 X 1-3/4 ROHS | USE W/ DOUBLE D EXT TUBE |
| 7B | 226167 | 1/4-28 x 1.625 BH C/S BLK | USE W/ ROUND EXT TUBE |
| 8 | 550350 | 3/4" CLMP ADJ FT PLT | |
| 9 | 106935 | NUT NYLOCK THIN 1/4-28 ROHS | |
| 10 | 561040 | HEEL LOOP PEG | |

| Pos. | Item Number | Description | Remarks |
|-------------------------|-------------|-------------------------------------|--|
| 11A | 741154 | HEEL LOOP 14-15 CMPST HEMI | USED W/ 10-11" ADULT ANG ADJ FTPLTS |
| 11B | 741155 | HEEL LOOP 16-17 CMPST HEMI | USED W/ 12 -13" ADULT ANG ADJ FTPLTS |
| 11C | 741153 | H/L 18-20 CMPST/14-15 ANG ADJ | USED W/ 14-15"/16-17" ADULT ANG ADJ FTPLTS |
| 11D | 741253 | HEEL LOOP ADLT ADJ F/PLT 18-20 | USED W/ 18 -20" ADULT ANG ADJ FTPLTS |
| 12 | 500656 | ADLT ANGL ADJ F/PLT 10/11" R | RIGHT |
| 12 | 500657 | ADLT ANGL ADJ F/PLT 10/11" L | LEFT |
| 12 | 500658 | ADLT ANGL ADJ F/PLT 12/13" R | RIGHT |
| 12 | 500659 | ADLT ANGL ADJ F/PLT 12/13" L | LEFT |
| 12 | 500660 | ADLT ANGL ADJ F/PLT 14/15 | RIGHT |
| 12 | 500661 | ADLT ANGL ADJ F/PLT 14/15 | LEFT |
| 12 | 500662 | ADLT ANGL ADJ F/PLT 16/17 | RIGHT |
| 12 | 500663 | ADLT ANGL ADJ F/PLT 16/17 | LEFT |
| 12 | 500664 | ADLT ANGL ADJ F/PLT 18-20 | RIGHT |
| 12 | 500665 | ADLT ANGL ADJ F/PLT 18-20 | LEFT |
| 13 | 740260 | TOE/ANKLE STRAP ADJ ADLT F/PLT | |
| 14 | 106958 | 1/4-20 x 1 HEX C/S | |
| 1-3,5,6,8,9,12 | 820526 | AD ANG ADJ F/PLT R 12"/13" OMIT HL | RIGHT |
| 1-3,5,6,8,9,12 | 820536 | AD ANG ADJ F/PLT L 12"/13" OMT HL | LEFT |
| 1-3,5,6,8,9,12 | 820460 | FP ADLT ADJ 14/15 OMIT HL | RIGHT |
| 1-3,5,6,8,9,12 | 820462 | FP ADLT ADJ 14/15 OMIT HL | LEFT |
| 1-3,5,6,8,9,12 | 820464 | FP ADLT ADJ 16/17 OMIT HL | RIGHT |
| 1-3,5,6,8,9,12 | 820466 | FP ADLT ADJ 16/17 OMIT HL | LEFT |
| 1-3,5,6,8,9,12 | 820468 | FP ADLT ADJ 18-20 OMIT HL | RIGHT |
| 1-3,5,6,8,9,12 | 820470 | FP ADLT ADJ 18-20 OMIT HL | LEFT |
| 1-3,5,6,8,9,12 | 921466 | ADLT ANGL ADJ F/PLT 12"/13" OMIT HL | PAIR |
| 1-3,5,6,8,9,12 | 921320 | FP ADLT ADJ 14/15 OMIT HL | PAIR |
| 1-3,5,6,8,9,12 | 921322 | FP ADLT ADJ 16/17 OMIT HL | PAIR |
| 1-3,5,6,8,9,12 | 921324 | FP ADLT ADJ 18-20 OMIT HL | PAIR |
| 1-3,5,6,8,9,11B,12 | 820522 | AD ANGL ADJ F/PLT R 12/13" H/L | RIGHT |
| 1-3,5,6,8,9,11B,12 | 820532 | AD ANGL ADJ F/PLT L 12/13" H/L | LEFT |
| 1-3,5,6,8-10,11C, 12,14 | 820461 | FP ADLT ADJ 14/15 HL | RIGHT |
| 1-3,5,6,8-10,11C, 12,14 | 820463 | FP ADLT ADJ 14/15 HL | LEFT |
| 1-3,5,6,8-10,11C, 12,14 | 820465 | FP ADLT ADJ 16/17 HL | RIGHT |
| 1-3,5,6,8-10,11C, 12,14 | 820467 | FP ADLT ADJ 16/17 HL | LEFT |
| 1-3,5,6,8-10,11D, 12,14 | 820469 | FP ADLT ADJ 18-20 HL | RIGHT |
| 1-3,5,6,8-10,11D, 12,14 | 820471 | FP ADLT ADJ 18-20 HL | LEFT |
| 1-3,5,6,8-10,11B, 12,14 | 921462 | ADLT ANGL ADJ F/PLATE 12"/13" HL | PAIR |
| 1-3,5,6,8-10,11C, 12,14 | 921321 | FP ADLT ADJ 14/15 HL | PAIR |
| 1-3,5,6,8-10,11C, 12,14 | 921323 | FP ADLT ADJ 16/17 HL | PAIR |
| 1-3,5,6,8-10,11D, 12,14 | 921325 | FP ADLT ADJ 18-20 HL | PAIR |
| 1-3,6,7A,9-10,14 | 101533 | ADLT ANG ADJ FP D2 HDWR KIT | FOR DOUBLE D EXT TUBES |
| 1-3B,4B,6,7B,9,10,14 | 101534 | ADLT ANG ADJ FP RND HDWR KIT | FOR ROUND EXT TUBES (Q2 HP ONLY) |
| | | Ship assembled part # | Use with multiple assemblies |
| | ASSY-HNG-FP | HANGER/FOOTPLATE ASSY REQUIRED | add with Hanger & Footplate kit |



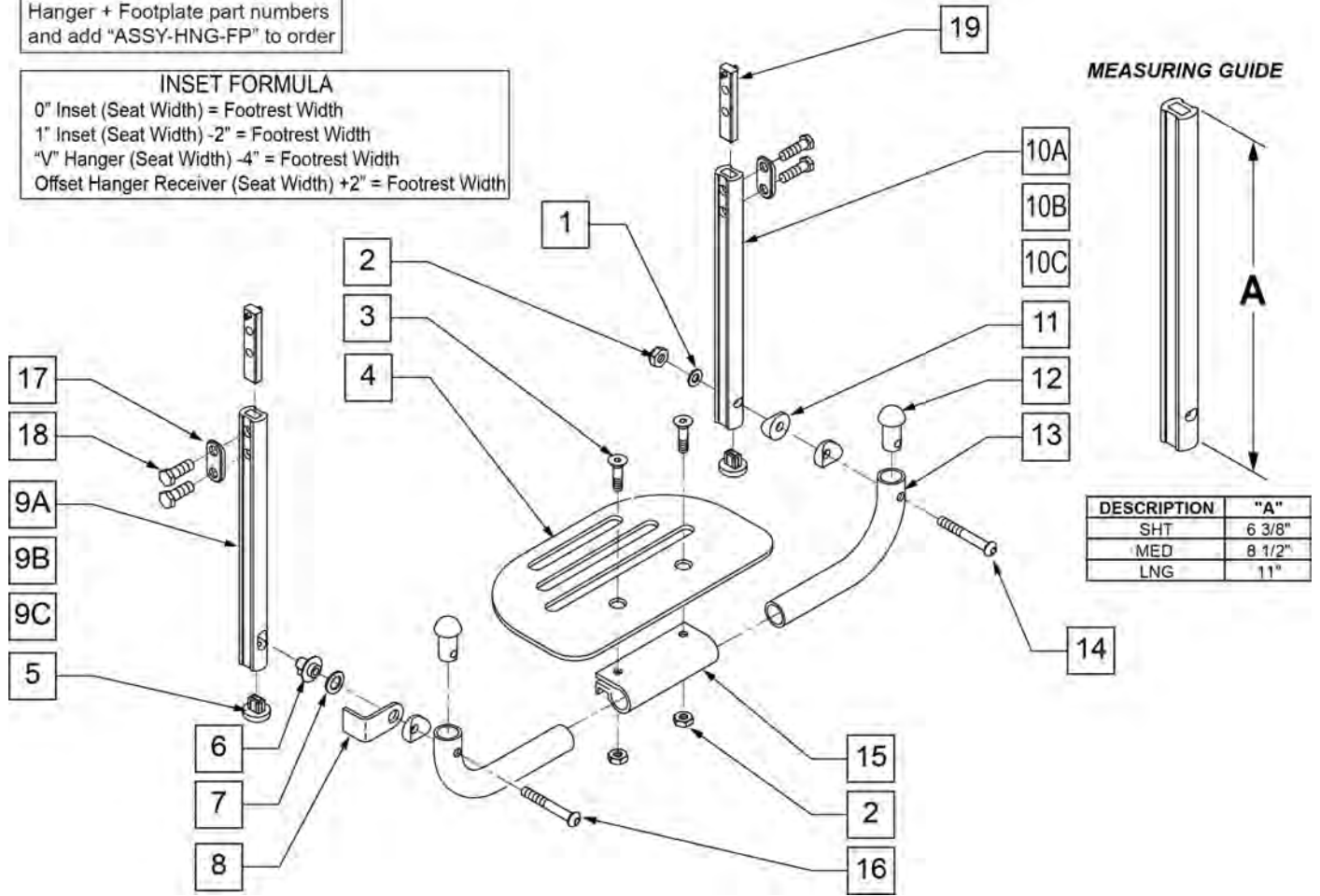
| Pos. | Item Number | Description | Remarks |
|------|-------------|---|---------|
| 1 | 106978 | FHCS 1/4 -28 x 7/8 ROHS | |
| 2 | 500635 | KIDS ANGL ADJ F/PLT 10" R | Right |
| 2 | 500636 | KIDS ANGL ADJ F/PLT 10" L | Left |
| 2 | 500637 | KIDS ANGL ADJ F/PLT 11" R | Right |
| 2 | 500638 | KIDS ANGL ADJ F/PLT 11" L | Left |
| 2 | 500639 | KIDS ANGL ADJ F/PLT 12" R | Right |
| 2 | 500640 | KIDS ANGL ADJ F/PLT 12" L | Left |
| 2 | 500641 | KIDS ANGL ADJ F/PLT 13" R | Right |
| 2 | 500642 | KIDS ANGL ADJ F/PLT 13" L | Left |
| 2 | 500643 | KIDS ANGL ADJ F/PLT 14" R | Right |
| 2 | 500644 | KIDS ANGL ADJ F/PLT 14" L | Left |
| 2 | 500645 | KIDS ANGL ADJ F/PLT 15" R | Right |
| 2 | 500646 | KIDS ANGL ADJ F/PLT 15" L | Left |
| 2 | 500647 | KIDS ANGL ADJ F/PLT 16" R | Right |
| 2 | 500648 | KIDS ANGL ADJ F/PLT 16" L | Left |
| 3 | 550350 | 3/4" CLAMP ADJ FOOTPLATE | |
| 4 | 106935 | NUT NYLOCK THIN 1/4 -28 ROHS | |
| 5 | 106962 | 1/4-28 x 1 3/4 BH C/S BLK ZN (D2 EXTENSION TUBES) | |

| Pos. | Item Number | Description | Remarks |
|--------------|-------------|---|---------------------------------|
| 5 | 226167 | 1/4-28 x 1.625 BH C/S BLK (ROUND EXTENSION TUBES) | |
| 6 | 106945 | 1/4 SAE WASHER | |
| 7 | 541002 | FTRST MOUNTING BRKT-3/8 RAD R | |
| 7 | 541003 | FTRST MOUNTING BRKT-3/8 RAD L | |
| 8 | 561055 | 3/4" SADDLE 1" OD | |
| 9 | 106944 | WASHER FLAT THIN AN 1/4 ROHS | |
| 10 | 106941 | NUT AUTOMATION 1/4 -28 ROHS | |
| 11 | 483720 | HANGER EXTENSION SADDLE LONG | Use with Double D Ext Tube |
| 1-4,6,7,9,10 | 828850 | KIDS ANG ADJ F/PLT EXT-MNT 10"R | Right |
| 1-4,6,7,9,10 | 828851 | KIDS ANG ADJ F/PLT EXT-MNT 10"L | Left |
| 1-4,6,7,9,10 | 828852 | KIDS ANG ADJ F/PLT EXT-MNT 11"R | Right |
| 1-4,6,7,9,10 | 828853 | KIDS ANG ADJ F/PLT EXT-MNT 11"L | Left |
| 1-4,6,7,9,10 | 828854 | KIDS ANG ADJ F/PLT EXT-MNT 12"R | Right |
| 1-4,6,7,9,10 | 828855 | KIDS ANG ADJ F/PLT EXT-MNT 12"L | Left |
| 1-4,6,7,9,10 | 828856 | KIDS ANG ADJ F/PLT EXT-MNT 13"R | Right |
| 1-4,6,7,9,10 | 828857 | KIDS ANG ADJ F/PLT EXT-MNT 13"L | Left |
| 1-4,6,7,9,10 | 828858 | KIDS ANG ADJ F/PLT EXT-MNT 14"R | Right |
| 1-4,6,7,9,10 | 828859 | KIDS ANG ADJ F/PLT EXT-MNT 14"L | Left |
| 1-4,6,7,9,10 | 828860 | KIDS ANG ADJ F/PLT EXT-MNT 15"R | Right |
| 1-4,6,7,9,10 | 828861 | KIDS ANG ADJ F/PLT EXT-MNT 15"L | Left |
| 1-4,6,7,9,10 | 828862 | KIDS ANG ADJ F/PLT EXT-MNT 16"R | Right |
| 1-4,6,7,9,10 | 828863 | KIDS ANG ADJ F/PLT EXT-MNT 16"L | Left |
| 1-4,6,7,9,10 | 921280 | KIDS ANG ADJ F/PLT EXT-MNT 10" | Pair |
| 1-4,6,7,9,10 | 921281 | KIDS ANG ADJ F/PLT EXT-MNT 11" | Pair |
| 1-4,6,7,9,10 | 921282 | KIDS ANG ADJ F/PLT EXT-MNT 12" | Pair |
| 1-4,6,7,9,10 | 921283 | KIDS ANG ADJ F/PLT EXT-MNT 13" | Pair |
| 1-4,6,7,9,10 | 921284 | KIDS ANG ADJ F/PLT EXT-MNT 14" | Pair |
| 1-4,6,7,9,10 | 921285 | KIDS ANG ADJ F/PLT EXT-MNT 15" | Pair |
| 1-4,6,7,9,10 | 921286 | KIDS ANG ADJ F/PLT EXT-MNT 16" | Pair |
| | | Ship assembled part # | Use with multiple assemblies |
| | ASSY-HNG-FP | HANGER/FOOTPLATE ASSY REQUIRED | add with Hanger & Footplate kit |

NOTE: * FOR ORDERING INFORMATION, PLEASE SEE "PLATFORM FLIP-UP FOOTREST REFERENCE GUIDE" ATTACHED.

To have complete Footrest ship assembled, choose compatible Hanger + Footplate part numbers and add "ASSY-HNG-FP" to order

INSET FORMULA
 0" Inset (Seat Width) = Footrest Width
 1" Inset (Seat Width) -2" = Footrest Width
 "V" Hanger (Seat Width) -4" = Footrest Width
 Offset Hanger Receiver (Seat Width) +2" = Footrest Width

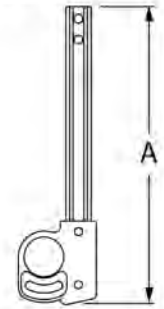
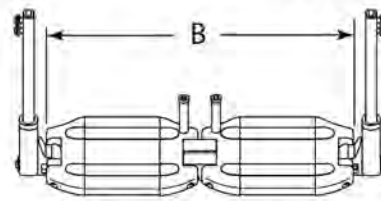


| Pos. | Item Number | Description | Remarks |
|------|-------------|------------------------------|---------|
| 1 | 106944 | 1/4 AN WASHER FLAT THIN | |
| 2 | 106941 | 1/4-28 AUTOMATION NUT | |
| 3 | 106978 | FHCS 1/4-28 X 7/8 ROHS | |
| 4 | 500650 | PLATFORM F/PLT 6" x 5 1/2" | |
| 4 | 500651 | PLATFORM F/PLT 8 x 5 1/2" | |
| 4 | 500652 | PLATFORM F/PLT 10" x 5 1/2" | |
| 4 | 500653 | PLATFORM F/PLT 12" x 5 1/2" | |
| 4 | 500654 | PLATFORM F/PLT 14" x 5 1/2" | |
| 5 | 113221 | PLUD DOUBLE D EXT TUBE | |
| 6 | 540410 | F/UP FOOTREST KEY STUD D2 | |
| 7 | 262137 | 3/8 WASHER CURVED | |
| 8 | 505078 | FOOTREST RETAINING BRACKET | |
| 9C | 550830 | EXT TUBE F/UP KEY ONLY LONG | |
| 9A | 550828 | EXT TUBE F/UP KEY ONLY SHORT | |
| 9B | 550829 | EXT TUBE F/UP KEY ONLY MED | |
| 10C | 550827 | EXT TUBE F/UP SLT ONLY LONG | |

| Pos. | Item Number | Description | Remarks |
|-----------------|-------------|----------------------------------|---------------------------------|
| 10A | 550825 | EXT TUBE F/UP SLT ONLY SHORT | |
| 10B | 550826 | EXT TUBE F/UP SLT ONLY MED | |
| 11 | 561003 | 3/4" SADDLE THIN | |
| 12 | 561034 | SHORT DOME PLUG | |
| 14 | 106964 | 1/4-28 x 2 BH C/S | |
| 15 | 550351 | PLATFORM FOOTPLATE CLAMP | |
| 16 | 226131 | 1/4-28 x 1 1/4 BH C/S SHLDR | |
| 17 | 483717 | HANGER SADDLE | |
| 18 | 221102 | 1/4-28 x 3/4 HEX C/S | |
| 19 | 500078 | INSERT D2 EXT TUBE | |
| 5,10A, 17-19 | 921742 | EXT TBE F/UP SLT SHT ASSM PCKT | Pivot side |
| 5,10B, 17-19 | 921743 | EXT TBE F/UP SLT MED ASSM PCKT | Pivot side |
| 5,10C, 17-19 | 921744 | EXT TBE F/UP SLT LNG ASSM PCKT | Pivot side |
| 5,9A, 17-19 | 921745 | EXT TBE F/UP KEY SHT ASSM PCKT | Release side |
| 5,9B, 17-19 | 921746 | EXT TBE F/UP KEY MED ASSM PCKT | Release side |
| 5,9C, 17-19 | 921747 | EXT TBE F/UP KEY LNG ASSM PCKT | Release side |
| 5,9A,10A, 17-19 | 921269 | S/A EXT TUBE D2 SHT PLTFRM BLK | Pivot and Release Ext Assm |
| 5,9B,10B, 17-19 | 921267 | S/A EXT TUBE D2 MED PLTFRM BLK | Pivot and Release Ext Assm |
| 5,9C,10C, 17-19 | 921268 | S/A EXT TUBE D2 LNG PLTFRM BLK | Pivot and Release Ext Assm |
| 1-4,6-8, 11-16 | 900304 | PLATFM F/P F/PLT BLK 10" ASSM D2 | |
| 1-4,6-8, 11-16 | 900305 | PLATFM F/P F/PLT BLK 11" ASSM D2 | |
| 1-4,6-8, 11-16 | 900306 | PLATFM F/P F/PLT BLK 12" ASSM D2 | |
| 1-4,6-8, 11-16 | 900307 | PLATFM F/P F/PLT BLK 13" ASSM D2 | |
| 1-4,6-8, 11-16 | 900308 | PLATFM F/P F/PLT BLK 14" ASSM D2 | |
| 1-4,6-8, 11-16 | 900309 | PLATFM F/P F/PLT BLK 15" ASSM D2 | |
| 1-4,6-8, 11-16 | 900310 | PLATFM F/P F/PLT BLK 16" ASSM D2 | |
| 1-4,6-8, 11-16 | 900311 | PLATFM F/P F/PLT BLK 17" ASSM D2 | |
| 1-4,6-8, 11-16 | 900312 | PLATFM F/P F/PLT BLK 18" ASSM D2 | |
| 1-4,6-8, 11-16 | 900313 | PLATFM F/P F/PLT BLK 19" ASSM D2 | |
| 1-4,6-8, 11-16 | 900314 | PLATFM F/P F/PLT BLK 20" ASSM D2 | |
| 1-4,6-8, 11-16 | 900315 | PLATFM F/P F/PLT BLK 21" ASSM D2 | |
| 1-4,6-8, 11-16 | 900316 | PLATFM F/P F/PLT BLK 22" ASSM D2 | |
| | | Ship assembled part # | Use with multiple assemblies |
| | ASSY-HNG-FP | HANGER/FOOTPLATE ASSY REQUIRED | add with Hanger & Footplate kit |

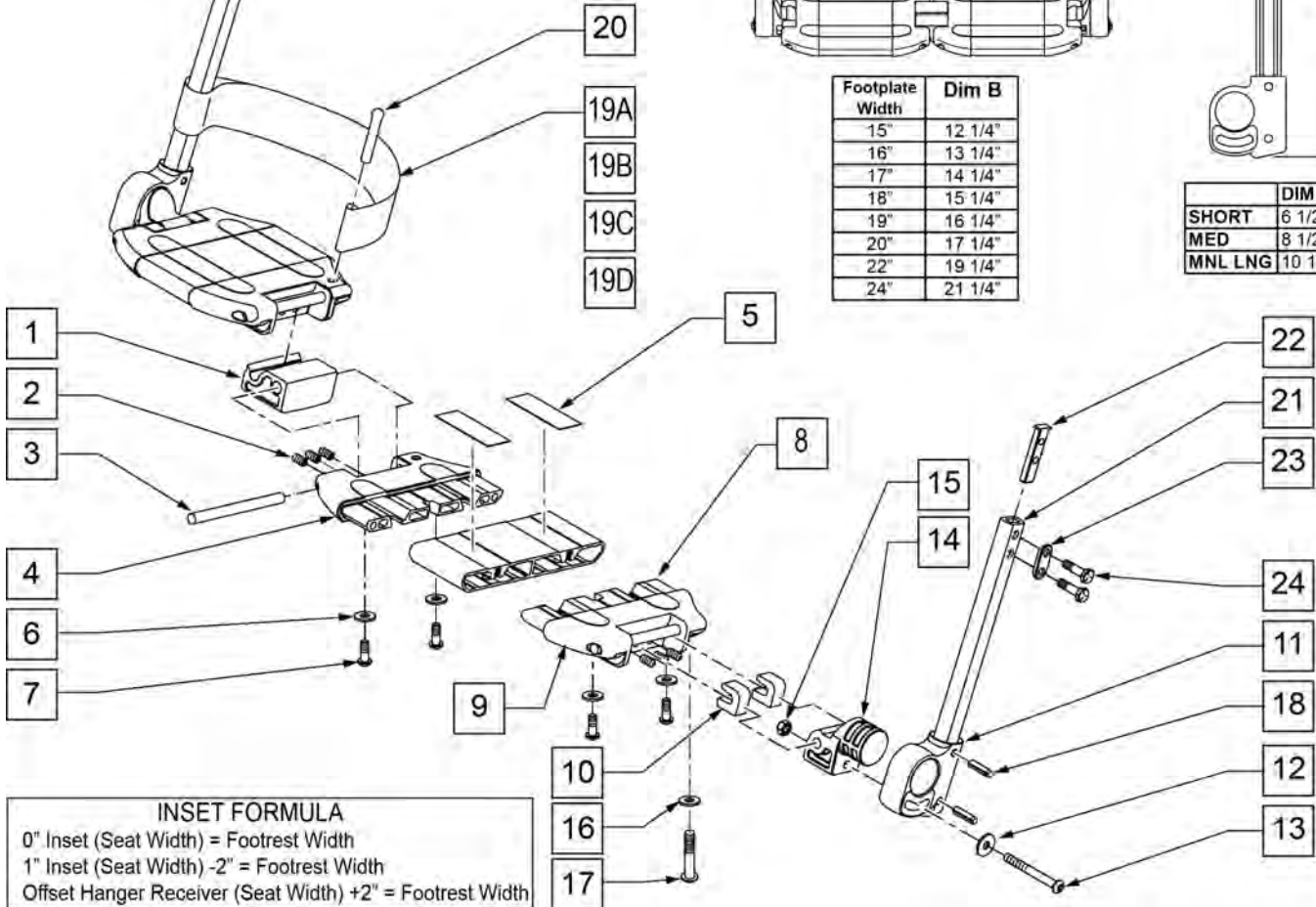
To have complete Footrest ship assembled, choose compatible Hanger + Footplate part numbers and add "ASSY-HNG-FP" to order

MEASURING GUIDE



| Footplate Width | Dim B |
|-----------------|---------|
| 15" | 12 1/4" |
| 16" | 13 1/4" |
| 17" | 14 1/4" |
| 18" | 15 1/4" |
| 19" | 16 1/4" |
| 20" | 17 1/4" |
| 22" | 19 1/4" |
| 24" | 21 1/4" |

| | DIM "A" |
|---------|---------|
| SHORT | 6 1/2" |
| MED | 8 1/2" |
| MNL LNG | 10 1/2" |



INSET FORMULA

0" Inset (Seat Width) = Footrest Width
 1" Inset (Seat Width) -2" = Footrest Width
 Offset Hanger Receiver (Seat Width) +2" = Footrest Width

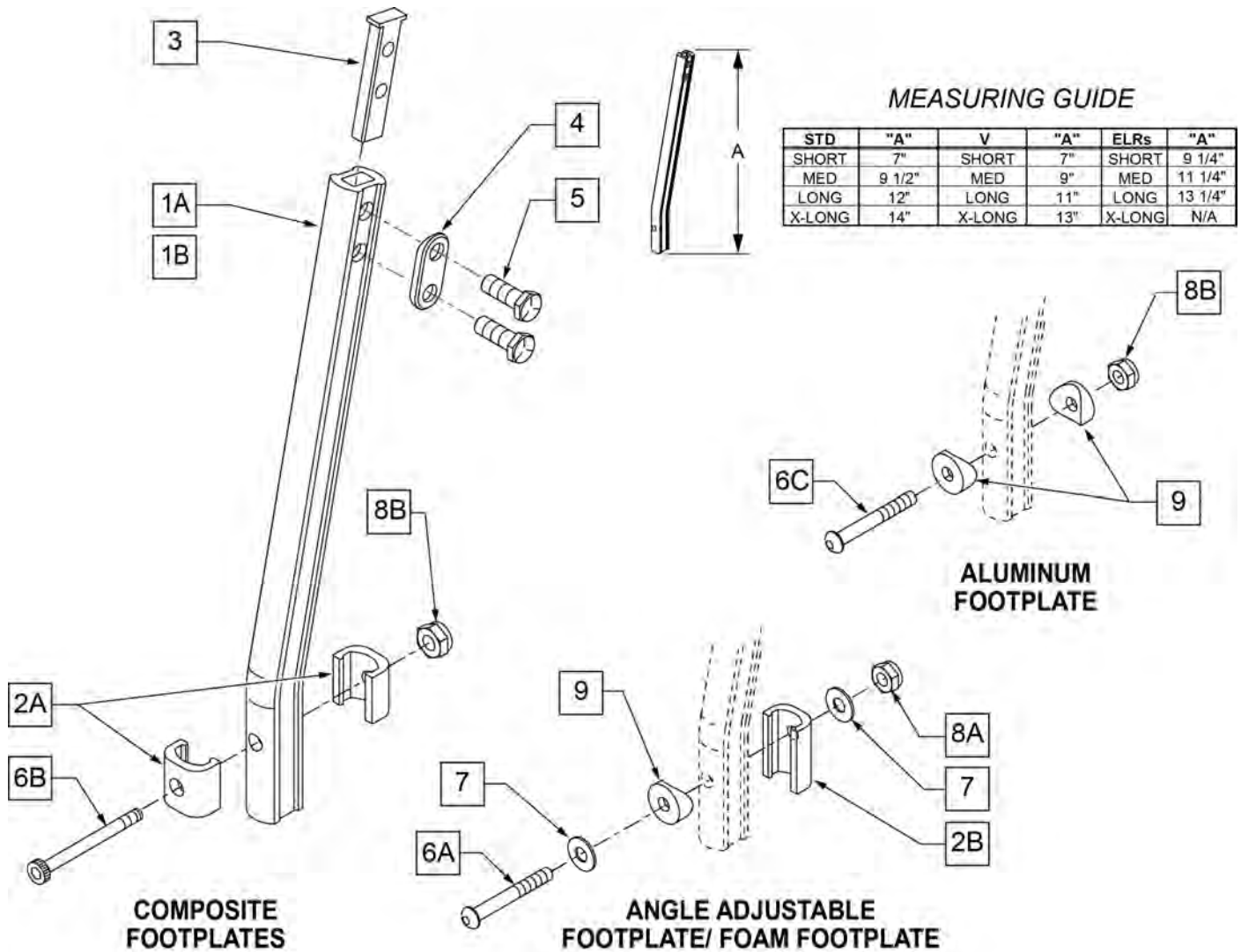
| Pos. | Item Number | Description | Remarks |
|------|-------------|-----------------------------------|---------|
| 2 | 230030 | M6 x 12 SET SCREW CUP POINT | |
| 3 | 481283 | PIN 8MM x 100 MM | |
| 5 | 360010 | FOOT BOARD SKID TAPE | |
| 6 | 106943 | 1/4 AN WASHER FLAT | |
| 7 | 230032 | M6 x 16 B/H CAP SCREW | |
| 9 | 560019 | FOOT BOARD HOLDER R | |
| 9 | 560020 | FOOT BOARD HOLDER L | |
| 10 | 560021 | FOOT BOARD SHIM ALIGNMENT | |
| 11 | 560024 | FOOT YOKE | |
| 12 | 250070 | M6 WASHER | |
| 13 | 210000 | M6 x 55 8.8 BUTTON HD CAP SCRW | |
| 14 | 560023 | FOOT BOARD BEARING SUPPORT | |
| 15 | 200113 | NUT HEX NYLOCK M6 X 1 NUT | |
| 16 | 106944 | 1/4 AN WASHER FLAT THIN | |
| 17 | 106958 | 1/4-20 x 1 HEX C/S | |
| 18 | 349583 | 6 x 25MM GROOVED PIN | |
| 19A | 741151 | HEEL LOOP 14-15 CMPST EA 13.24 44 | |

| Pos. | Item Number | Description | Remarks |
|------------------|-------------|--------------------------------------|---------------------------------|
| 19B | 741153 | HEEL LOOP 18-20 CMPST/14-15 ANG ADJ | |
| 19C | 741156 | HEEL LOOP 18-20 CMPST | |
| 19D | 741253 | HEEL LOOP ADLT ADJ F/PLT 18-20 | |
| 20 | 561040 | HEEL LOOP PEG | |
| 21A | 550831 | EXT TBE PLTFRM ONLY SHT | |
| 21B | 550832 | EXT TBE PLTFRM ONLY MED | |
| 21C | 550842 | EXT TBE PLTFRM ONLY MNL LNG | |
| 22 | 500078 | INSERT D2 EXT TUBE | |
| 23 | 483717 | HANGER SADDLE | |
| 24 | 221102 | 1/4-28 x 3/4 HEX HEAD C/S BLK W/PTCH | |
| 11,18,21-24 | 921748 | EXT TBE PLTFRM SHT ASSM PCKT | |
| 11,18,21-24 | 921749 | EXT TBE PLTFRM MED ASSM PCKT | |
| 11,18,21-24 | 900368 | EXT TBE PLTFRM MNL LNG PACKET | |
| 1-10,12-16,19,20 | 820620 | LOCKING FTPLT 15 W LEFT | |
| 1-10,12-16,19,20 | 820621 | LOCKING FTPLT 15 W RIGHT | |
| 1-10,12-16,19,20 | 820622 | LOCKING FTPLT 16 W LEFT | |
| 1-10,12-16,19,20 | 820623 | LOCKING FTPLT 16 W RIGHT | |
| 1-10,12-16,19,20 | 820624 | LOCKING FTPLT 17 W LEFT | |
| 1-10,12-16,19,20 | 820625 | LOCKING FTPLT 17 W RIGHT | |
| 1-10,12-16,19,20 | 820626 | LOCKING FTPLT 18 W LEFT | |
| 1-10,12-16,19,20 | 820627 | LOCKING FTPLT 18 W RIGHT | |
| 1-10,12-16,19,20 | 820628 | LOCKING FTPLT 19 W LEFT | |
| 1-10,12-16,19,20 | 820629 | LOCKING FTPLT 19 W RIGHT | |
| 1-10,12-16,19,20 | 820630 | LOCKING FTPLT 20 W LEFT | |
| 1-10,12-16,19,20 | 820631 | LOCKING FTPLT 20 W RIGHT | |
| 1-10,12-16,19,20 | 820632 | LOCKING FTPLT 22 W LEFT | |
| 1-10,12-16,19,20 | 820633 | LOCKING FTPLT 22 W RIGHT | |
| 1-24 | 900280 | LOCKING FTPLT 15" W/ SHT EXT ASSM | |
| 1-24 | 900281 | LOCKING FTPLT 16" W/ SHT EXT ASSM | |
| 1-24 | 900282 | LOCKING FTPLT 17" W/ SHT EXT ASSM | |
| 1-24 | 900283 | LOCKING FTPLT 18" W/ SHT EXT ASSM | |
| 1-24 | 900284 | LOCKING FTPLT 19" W/ SHT EXT ASSM | |
| 1-24 | 900285 | LOCKING FTPLT 20" W/ SHT EXT ASSM | |
| 1-24 | 900763 | LCKNG FTPLT 21" W/SHT EXT ASSM | |
| 1-24 | 900763 | LOCKING FTPLT 21" W/ SHT EXT ASSM | |
| 1-24 | 900286 | LOCKING FTPLT 22" W/ SHT EXT ASSM | |
| 1-24 | 900287 | LCKNG FTPLT 24" W/SHT EXT ASSM | |
| 1-24 | 900290 | LOCKING FTPLT 15" W/ MED EXT ASSM | |
| 1-24 | 900291 | LOCKING FTPLT 16" W/ MED EXT ASSM | |
| 1-24 | 900292 | LOCKING FTPLT 17" W/ MED EXT ASSM | |
| 1-24 | 900293 | LOCKING FTPLT 18" W/ MED EXT ASSM | |
| 1-24 | 900294 | LOCKING FTPLT 19" W/ MED EXT ASSM | |
| 1-24 | 900295 | LOCKING FTPLT 20" W/ MED EXT ASSM | |
| 1-24 | 900296 | LOCKING FTPLT 22" W/ MED EXT ASSM | |
| 1-24 | 900762 | LOCKING FTPLT 21" W /MED EXT ASSM | |
| 1-24 | 900297 | LCKNG FTPLT 24" W/MED EXT ASSM | |
| 1-24 | 900360 | LOCKING FTPLT 15" W/ MNL LONG EXT | |
| 1-24 | 900361 | LOCKING FTPLT 16" W/ MNL LONG EXT | |
| 1-24 | 900362 | LOCKING FTPLT 17" W/ MNL LONG EXT | |
| 1-24 | 900363 | LOCKING FTPLT 18" W/ MNL LONG EXT | |
| 1-24 | 900364 | LOCKING FTPLT 19" W/ MNL LONG EXT | |
| 1-24 | 900365 | LOCKING FTPLT 20" W/ MNL LONG EXT | |
| 1-24 | 900366 | LOCKING FTPLT 21" W/ MNL LONG EXT | |
| 1-24 | 900367 | LOCKING FTPLT 22" W/ MNL LONG EXT | |
| | | Ship assembled part # | Use with multiple assemblies |
| | ASSY-HNG-FP | HANGER/FOOTPLATE ASSY REQUIRED | add with Hanger & Footplate kit |

NOTE: DISCONTINUED - PARTS ONLY ON GP SWNG-AWAY BEGINNING 4/4/15 & S/N GP-95902, KIDS Q2 SE BEGINNING 4/16/15 & S/N QKE-003425, LX BEGINNING 10/24/2008 & S/N LX-034330, LXI BEGINNING 4/25/15 & S/N LXI-060868, QTS BEGINNING 5/15/15 & S/N QT-044951, QTS SE BEGINNING 5/15/15 & S/N QTE-002092

NOTE: IF REPLACING AN EXTENSION TUBE ON AN MANUAL ALR PLEASE REFER TO THE ROUND EXT TUBE PARTS MANUAL PAGE.

NOTE: WHEN ORDERING REPLACEMENT EXTENSION TUBES PLEASE VERIFY IF YOU HAVE THE OLD STYLE DOUBLE D EXTENSION TUBE OR THE NEW STYLE DOUBLE D EXTENSION TUBE. THIS CAN BE DONE BY REVIEWING THE HANGER THE EXTENSION TUBE IS USED ON. IF THE HANGER UTILIZES A SINGLE SET SCREW AT THE BOTTOM OF THE HANGER TUBE TO ATTACH THE EXTENSION TUBE TO THE HANGER, THEN THIS UTILIZES THE NEW STYLE DOUBLE D EXT TUBE. ALL OTHER HANGERS REQUIRING A DOUBLE D EXTENSION TUBE UTILIZE THE OLD STYLE.

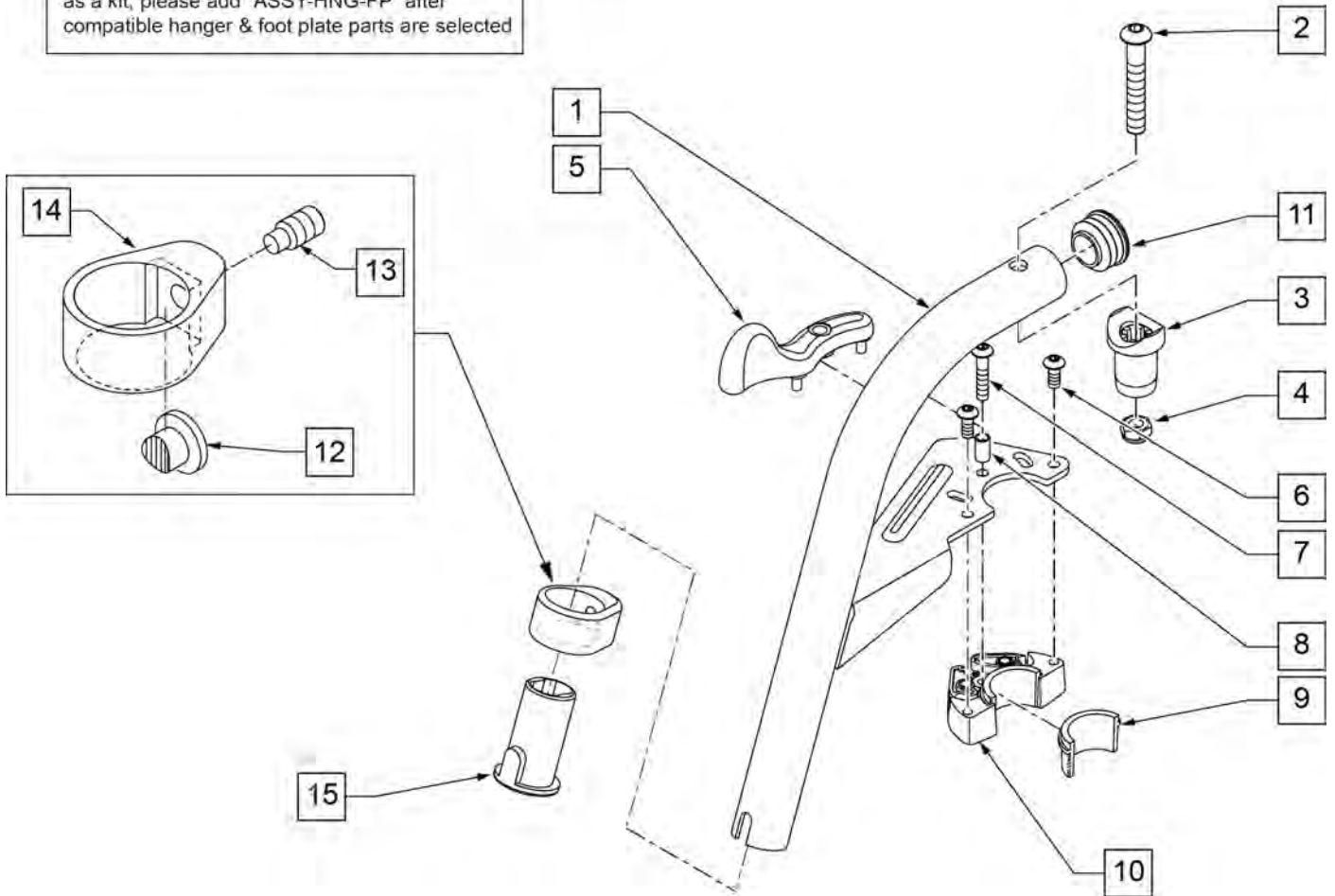


| Pos. | Item Number | Description | Remarks |
|------|-------------|-----------------------|-----------------------------|
| 1A | 550819 | EXT TUBE S/A ONLY SHT | Short Ext-Swing Away Hanger |

| Pos. | Item Number | Description | Remarks |
|-----------|-------------|--------------------------------------|---|
| 1A | 550820 | EXT TUBE S/A ONLY MED | Med Ext-Swing Away Hanger |
| 1A | 550821 | EXT TUBE S/A ONLY LONG | Long Ext-Swing Away Hanger |
| 1A | 550822 | EXT TUBE S/A ONLY X-LONG | X-Long Ext-Swing Away Hanger |
| 1B | 550834 | EXT TUBE V IN ONLY D2 SHT R | Right Short Ext-Swing Away Hanger |
| 1B | 550835 | EXT TUBE V IN ONLY D2 SHT L | Left Short Ext-Swing Away Hanger |
| 1B | 550836 | EXT TUBE V IN ONLY D2 MED R | Right Med Ext-Swing Away Hanger |
| 1B | 550837 | EXT TUBE V IN ONLY D2 MED L | Left Med Ext-Swing Away Hanger |
| 1B | 550838 | EXT TUBE V IN ONLY D2 LONG R | Right Long Ext-Swing Away Hanger |
| 1B | 550839 | EXT TUBE V IN ONLY D2 LONG L | Left Long Ext-Swing Away Hanger |
| 1B | 550840 | EXT TUBE V IN ONLY D2 X-LONG R | Right X-Long Ext-Swing Away Hanger |
| 1B | 550841 | EXT TUBE V IN ONLY D2 X-LONG L | Left X-Long Ext-Swing Away Hanger |
| 2A | 483718 | HANGER EXTENSION SADDLE | USE W/ COMPOSITE FTPLT |
| 2B | 483720 | HANGER EXTENSION SADDLE LONG | USE W/ ANGLE ADJ FTPLT |
| 1C | 550764 | S/A HANGER EXT D2 SHORT BLACK | Short Ext ELR Hangers |
| 1C | 550765 | S/A HANGER EXT D2 MED BLACK | Medium Ext ELR Hangers |
| 1C | 550766 | S/A HANGER EXT D2 LONG BLACK | Long Ext ELR Hangers |
| 3 | 500078 | INSERT D2 EXT TUBE | |
| 4 | 483717 | HANGER SADDLE | |
| 5 | 221102 | 1/4-28 x 3/4 HEX HEAD C/S BLK W/PTCH | |
| 6A | 106962 | 1/4-28 x 1 3/4 BH C/S BLK ZN | USE W/ ANGLE ADJ FTPLT |
| 6B | 226165 | 1/4 -28 x 2 1/2 SOC C/S | USE W/ COMPOSITE FTPLT |
| 6C | 226147 | 1/4 -28 X 1.85 BH C/S | |
| 7 | 106945 | 1/4" SAE WASHER | |
| 8A | 106941 | 1/4 -28 AUTOMATION NUT | USE W/ ANGLE ADJ FTPLT |
| 8B | 106935 | 1/4 -28 NYLOCK NUT THIN | USE W/ COMPOSITE FTPLT |
| 9 | 561055 | 3/4 SADDLE 1" OD | USE W/ ANGLE ADJ FTPLT |
| 1A,2A-5 | 921759 | EXT TUBE S/A SHT ASSM PCKT | USE W/ COMPOSITE FTPLT |
| 1A,2A-5 | 921760 | EXT TUBE S/A MED ASSM PCKT | USE W/ COMPOSITE FTPLT |
| 1A,2A-5 | 921761 | EXT TUBE S/A LONG ASSM PCKT | USE W/ COMPOSITE FTPLT |
| 1A,2A-5 | 921762 | EXT TUBE S/A X-LONG ASSM PCKT | USE W/ COMPOSITE FTPLT |
| 1B,2A-5 | 921751 | EXT TUBE "V" D2 SHT R ASSM PCKT | RIGHT - USE W/ COMPOSITE FTPLT V HANGER |
| 1B,2A-5 | 921752 | EXT TUBE "V" D2 SHT L ASSM PCKT | LEFT - USE W/ COMPOSITE FTPLT V HANGER |
| 1B,2A-5 | 921753 | EXT TUBE "V" D2 MED R ASSM PCKT | RIGHT - USE W/ COMPOSITE FTPLT V HANGER |
| 1B,2A-5 | 921754 | EXT TUBE "V" D2 MED L ASSM PCKT | LEFT - USE W/ COMPOSITE FTPLT V HANGER |
| 1B,2A-5 | 921755 | EXT TUBE "V" D2 LONG R ASSM PCKT | RIGHT - USE W/ COMPOSITE FTPLT V HANGER |
| 1B,2A-5 | 921756 | EXT TUBE "V" D2 LONG L ASSM PCKT | LEFT - USE W/ COMPOSITE FTPLT V HANGER |
| 1B,2A-5 | 921757 | EXT TUBE "V" D2 X-LONG R ASSM PCKT | RIGHT - USE W/ COMPOSITE FTPLT V HANGER |
| 1B,2A-5 | 921758 | EXT TUBE "V" D2 X-LONG L ASSM PCKT | LEFT - USE W/ COMPOSITE FTPLT V HANGER |
| 1A,2A-7,9 | 921772 | EXT TUBE S/A SHT ANG ADJ PCKT | USE W/ ANGLE ADJ FTPLT |
| 1A,2A-7,9 | 921773 | EXT TUBE S/A MED ANG ADJ PCKT | USE W/ ANGLE ADJ FTPLT |
| 1A,2A-7,9 | 921774 | EXT TUBE S/A LONG ANG ADJ PCKT | USE W/ ANGLE ADJ FTPLT |
| 1A,2A-7,9 | 921775 | EXT TUBE S/A X-LONG ANG ADJ PCKT | USE W/ ANGLE ADJ FTPLT |
| 1B,2A-7,9 | 921764 | EXT TUBE "V" D2 SHT R ANG ADJ PCKT | RIGHT - USE W/ ANGLE ADJ FTPLT V HANGER |
| 1B,2A-7,9 | 921765 | EXT TUBE "V" D2 SHT L ANG ADJ PCKT | LEFT - USE W/ ANGLE ADJ FTPLT V HANGER |
| 1B,2A-7,9 | 921766 | EXT TUBE "V" D2 MED R ANG ADJ PCKT | RIGHT - USE W/ ANGLE ADJ FTPLT V HANGER |
| 1B,2A-7,9 | 921767 | EXT TUBE "V" D2 MED L ANG ADJ PCKT | LEFT - USE W/ ANGLE ADJ FTPLT V HANGER |
| 1B,2A-7,9 | 921768 | EXT TUBE "V" D2 LONG R ANG ADJ PCKT | RIGHT - USE W/ ANGLE ADJ FTPLT V HANGER |
| 1B,2A-7,9 | 921769 | EXT TUBE "V" D2 LONG L ANG ADJ PCKT | LEFT - USE W/ ANGLE ADJ FTPLT V HANGER |
| 1B,2A-7,9 | 921770 | EXT TUBE "V" D2 X-LONG R ANG AD PCKT | RIGHT - USE W/ ANGLE ADJ FTPLT V HANGER |
| 1B,2A-7,9 | 921771 | EXT TUBE "V" D2 X-LONG L ANG AD PCKT | LEFT - USE W/ ANGLE ADJ FTPLT V HANGER |

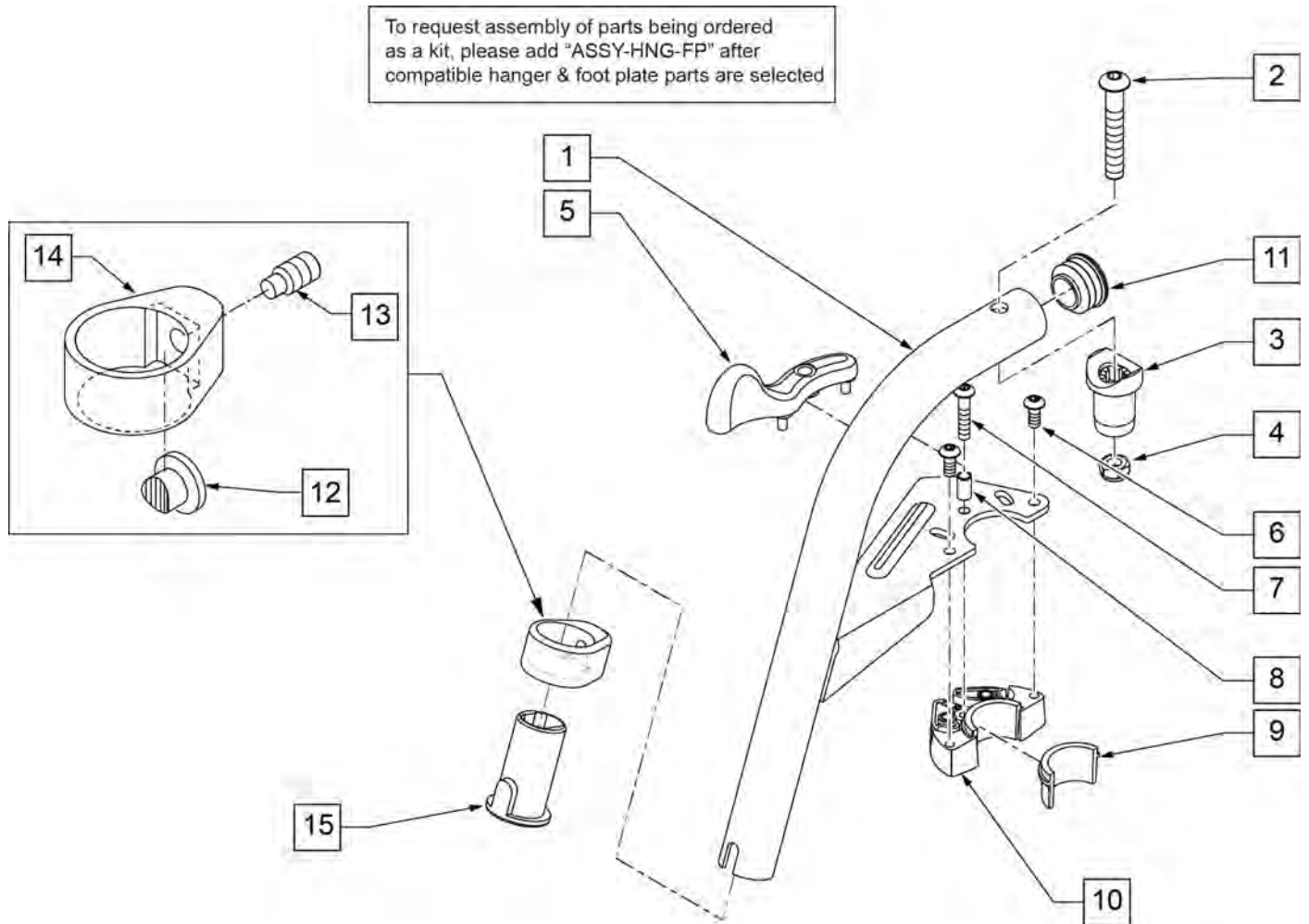
Note: Effective on GP SA beginning GP-95902, Kids Q2 SE beginning QKE-003425, LX/LXI beginning LXI-060868, Quickie TS beginning QT-044951 & QTE-002092.

To request assembly of parts being ordered as a kit, please add "ASSY-HNG-FP" after compatible hanger & foot plate parts are selected



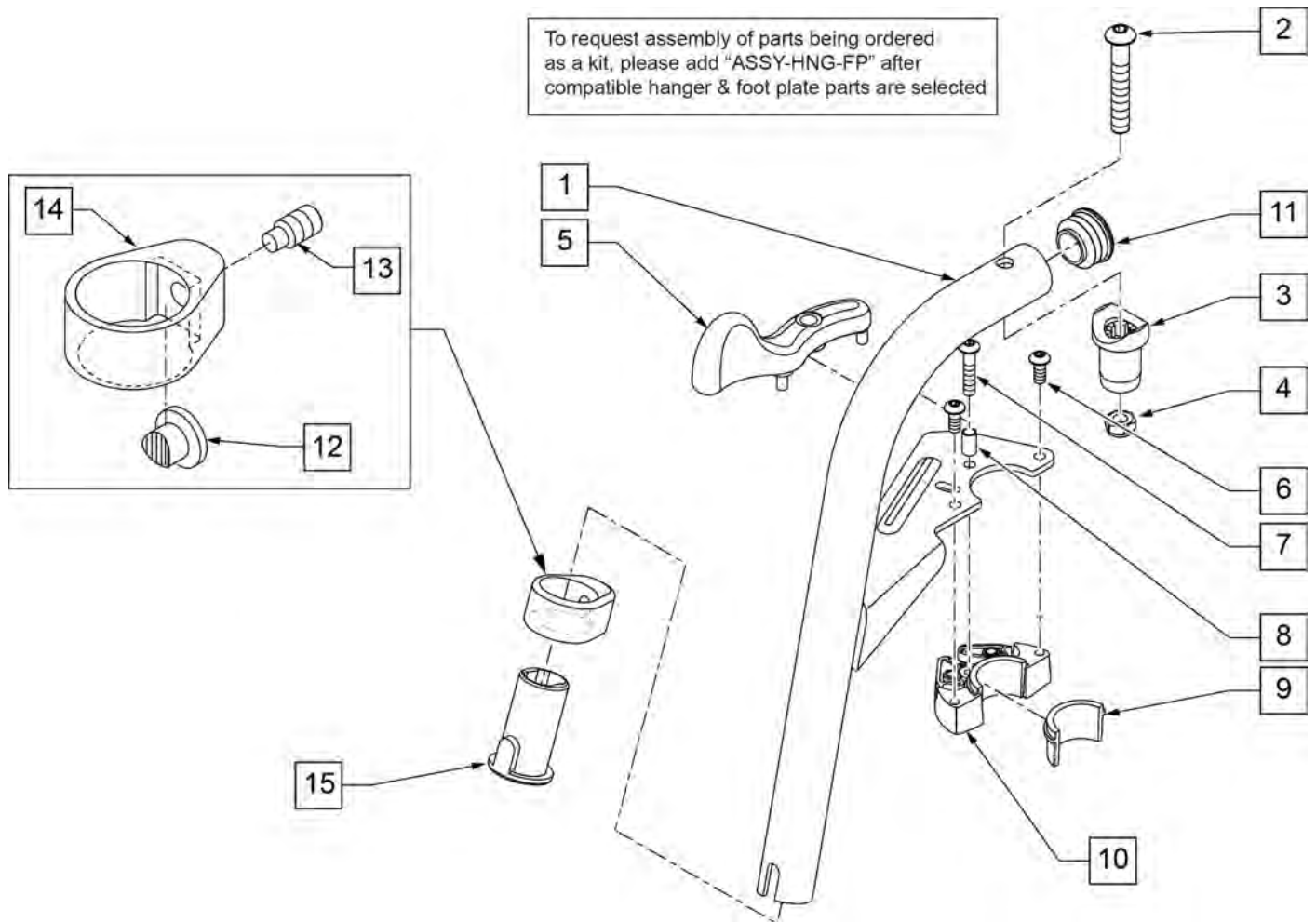
| Pos. | Item Number | Description | Remarks |
|--------|-------------|--------------------------------|---------------------------------|
| 2 | 106983 | 5/16-18 X 2 BH C/S SHT THREAD | |
| 3,4 | 561197 | PIVOT SADDLE PLASTIC | |
| 5 | 052296 | SWING I/O LATCH LEVER RIGHT | Right |
| 5 | 052297 | SWING I/O LATCH LEVER LEFT | Left |
| 6 | 102259-001 | BHCS M5 X .8 X 12 W/PL INORG | |
| 7 | 230494 | M5-30 BTTN HD SOC C/S BLK | |
| 8 | 052054 | BUSHING PIVOT HANGER SWING I/O | |
| 11 | 561062 | 1" INSERT PLUG .065 RIBS | |
| 15 | 104160 | BUSHING FOOTREST | |
| 1-15 | 111243S | HANGER 60 Deg S/A ASSM R | SPECIFY COLOR,RIGHT |
| 1-15 | 111242S | HANGER 60 Deg S/A ASSM L | SPECIFY COLOR,LEFT |
| 12-15 | 107485 | FOOTREST CLAMP ASSM | |
| 6,9,10 | 120976 | ASSY LATCH BLOCK ANTI LIFT | |
| | | Ship assembled part # | Use with multiple assemblies |
| | ASSY-HNG-FP | HANGER/FOOTPLATE ASSY REQUIRED | add with Hanger & Footplate kit |

Note: Effective on GP SA beginning GP-95902, Kids Q2 SE beginning QKE-003425, LX/LXI beginning LXI-060868, Quickie TS beginning QT-044951 & QTE-002092.



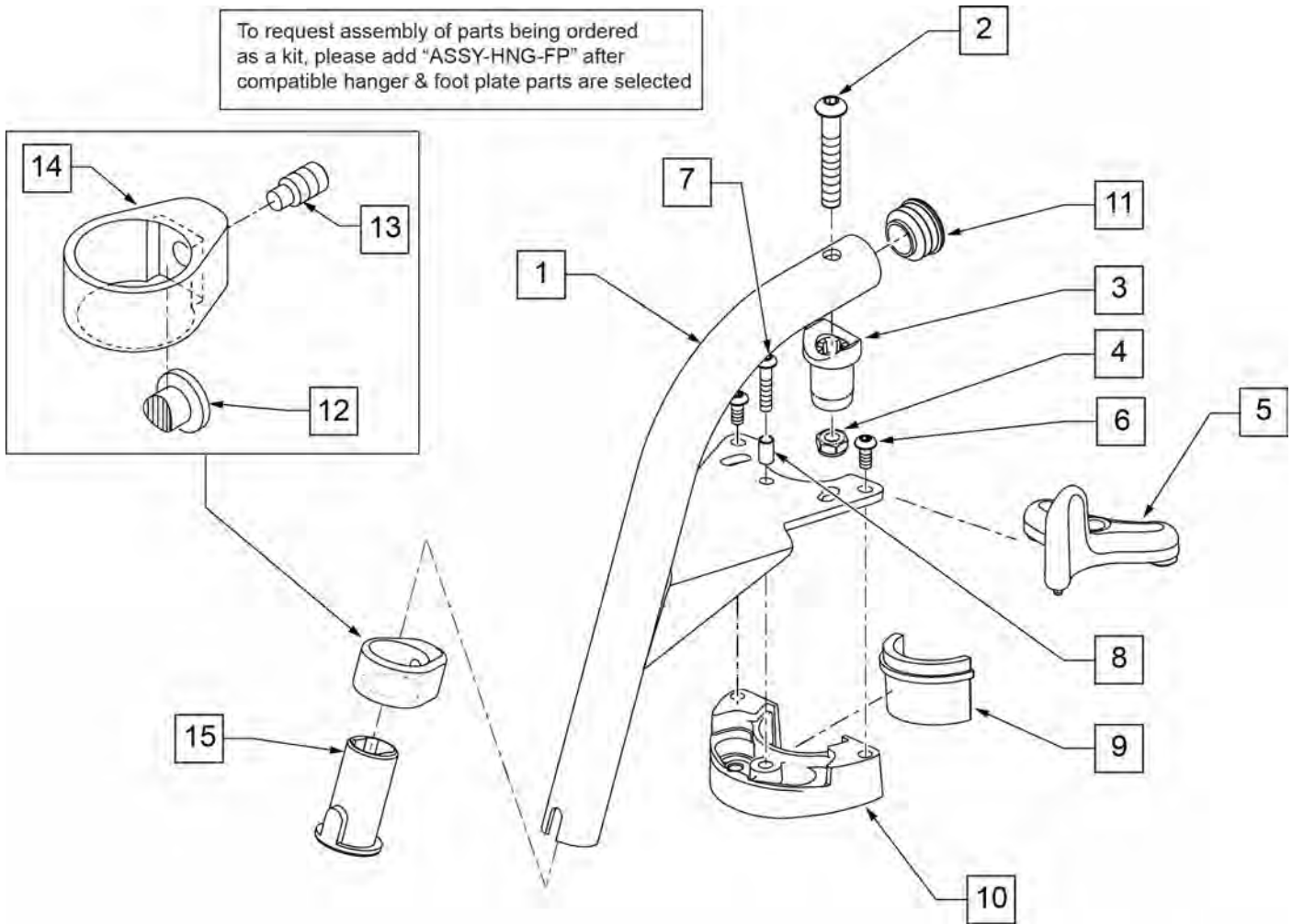
| Pos. | Item Number | Description | Remarks |
|--------|-------------|---|---------------------------------|
| 2 | 106983 | 5/16-18 X 2 BH C/S SHT THREAD | |
| 3,4 | 561197 | PIVOT SADDLE PLASTIC | |
| 5 | 052296 | SWING I/O LATCH LEVER RIGHT | Right |
| 5 | 052297 | SWING I/O LATCH LEVER LEFT | Left |
| 6 | 102259-001 | BHCS M5 X .8 X 12 W/PL INORG | |
| 7 | 230494 | M5-30 BTTN HD SOC C/S BLK | |
| 8 | 052054 | BUSHING PIVOT HANGER SWING I/O | |
| 11 | 561062 | 1" INSERT PLUG .065 RIBS | |
| 15 | 104160 | BUSHING FOOTREST | |
| 1-15 | 107671S | 70 DEG SWING IN/OUT HANGER ASSEMBLY LEFT | SPECIFY COLOR,LEFT |
| 1-15 | 107670S | 70 DEG SWING IN/OUT HANGER ASSEMBLY RIGHT | SPECIFY COLOR,RIGHT |
| 12-15 | 107485 | FOOTREST CLAMP ASSM | |
| 6,9,10 | 120976 | ASSY LATCH BLOCK ANTI LIFT | |
| | | Ship assembled part # | Use with multiple assemblies |
| | ASSY-HNG-FP | HANGER/FOOTPLATE ASSY REQUIRED | add with Hanger & Footplate kit |

Note: Effective on GP SA beginning GP-95902, Kids Q2 SE beginning QKE-003425, LX/LXI beginning LXI-060868, Quickie TS beginning QT-044951 & QTE-002092.



| Pos. | Item Number | Description | Remarks |
|--------|-------------|--------------------------------|---------------------------------|
| 2 | 106983 | 5/16-18 X 2 BH C/S SHT THREAD | |
| 3 | 561197 | PIVOT SADDLE PLASTIC | Includes nylock nut |
| 5 | 052296 | SWING I/O LATCH LEVER RIGHT | Right |
| 5 | 052297 | SWING I/O LATCH LEVER LEFT | Left |
| 7 | 230494 | M5-30 BTTN HD SOC C/S BLK | |
| 8 | 052054 | BUSHING PIVOT HANGER SWING I/O | |
| 11 | 561062 | 1" INSERT PLUG .065 RIBS | |
| 15 | 104160 | BUSHING FOOTREST | |
| 1-15 | 107675S | ASSEMBLY LEFT | SPECIFY COLOR,LEFT |
| 1-15 | 107674S | ASSEMBLY RIGHT | SPECIFY COLOR,RIGHT |
| 12-15 | 107485 | FOOTREST CLAMP ASSM | |
| 6,9,10 | 120976 | ASSY LATCH BLOCK ANTI LIFT | |
| | | Ship assembled part # | Use with multiple assemblies |
| | ASSY-HNG-FP | HANGER/FOOTPLATE ASSY REQUIRED | add with Hanger & Footplate kit |

To request assembly of parts being ordered as a kit, please add "ASSY-HNG-FP" after compatible hanger & foot plate parts are selected



| Pos. | Item Number | Description | Remarks |
|--------|-------------|--------------------------------|---------------------------------|
| 2 | 106983 | 5/16-18 X 2 BH C/S SHT THREAD | |
| 3,4 | 561197 | PIVOT SADDLE PLASTIC | |
| 5 | 052296 | SWING I/O LATCH LEVER RIGHT | RIGHT |
| 5 | 052297 | SWING I/O LATCH LEVER LEFT | LEFT |
| 5 | 052234 | SWING I/O LATCH LEVER HEMI | |
| 7 | 230494 | M5-30 BTTN HD SOC C/S BLK | |
| 8 | 052054 | BUSHING PIVOT HANGER SWING I/O | |
| 11 | 561062 | 1" INSERT PLUG .065 RIBS | |
| 15 | 104160 | BUSHING FOOTREST | |
| 1-15 | 111244S | HANGER 70 Deg HEMI WELDMNT R | SPECIFY COLOR-RIGHT |
| 1-15 | 111245S | HANGER 70 Deg HEMI WELDMNT L | SPECIFY COLOR-LEFT |
| 12-15 | 107485 | FOOTREST CLAMP ASSM | |
| 6,9,10 | 120976 | ASSY LATCH BLOCK ANTI LIFT | |
| | | Ship assembled part # | Use with multiple assemblies |
| | ASSY-HNG-FP | HANGER/FOOTPLATE ASSY REQUIRED | add with Hanger & Footplate kit |

NOTE: FOOTPLATE ASSEMBLIES ARE SET TO FOOTREST WIDTH. PLEASE SEE "FOOTPLATE FORMULA" TABLE FOR SEAT WIDTH CONVERSION.

To have complete Footrest ship assembled, choose compatible Hanger + Footplate part numbers and add "ASSY-HNG-FP" to order

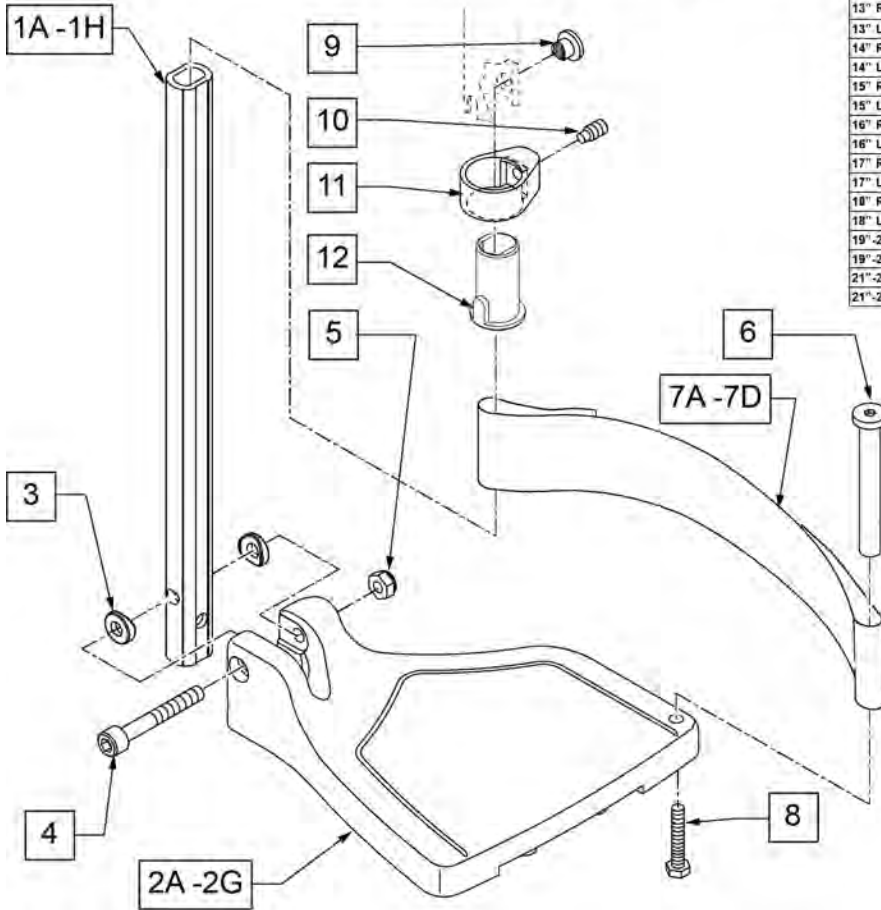
INSET FORMULA

0" Inset (Seat Width) = Footrest Width
 1" Inset (Seat Width) -2" = Footrest Width
 "V" Hanger (Seat Width) -4" = Footrest Width
 Offset Hanger Receiver (Seat Width) +2" = Footrest Width

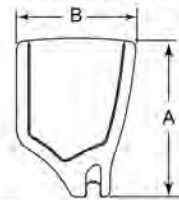
Composite Footplates w/ Ext & HL for Swing I/O Hangers

(Order 1 each)

| Ext. Tube | Hemi Short Hanger | 60°, 70° & 70° Hemi Style, ELR & ALR Hangers (Bent Extension) | | | | 80° Style hanger (Straight Extension) | | |
|------------|-------------------|---|--------|--------|--------|---------------------------------------|--------|------|
| | | Bent | Short | Medium | Long | Short | Medium | Long |
| 13" Right | 129724 | 107746 | 107760 | 107774 | 107704 | 107718 | 107732 | |
| 13" Left | 129725 | 107753 | 107767 | 107781 | 107711 | 107725 | 107739 | |
| 14" Right | 129726 | 107747 | 107761 | 107775 | 107705 | 107719 | 107733 | |
| 14" Left | 129727 | 107754 | 107768 | 107782 | 107712 | 107726 | 107740 | |
| 15" Right | 129728 | 107748 | 107762 | 107776 | 107706 | 107720 | 107734 | |
| 15" Left | 129729 | 107755 | 107769 | 107783 | 107713 | 107727 | 107741 | |
| 16" Right | 129730 | 107749 | 107763 | 107777 | 107707 | 107721 | 107735 | |
| 16" Left | 129731 | 107756 | 107770 | 107784 | 107714 | 107728 | 107742 | |
| 17" Right | 129732 | 107750 | 107764 | 107778 | 107708 | 107722 | 107736 | |
| 17" Left | 129733 | 107757 | 107771 | 107785 | 107715 | 107729 | 107743 | |
| 18" Right | 129734 | 107751 | 107765 | 107779 | 107709 | 107723 | 107737 | |
| 18" Left | 129735 | 107758 | 107772 | 107786 | 107716 | 107730 | 107744 | |
| 19"-20" Rt | 129736 | 107752 | 107766 | 107780 | 107710 | 107724 | 107738 | |
| 19"-20" Lt | 129737 | 107759 | 107773 | 107787 | 107717 | 107731 | 107745 | |
| 21"-22" Rt | 129738 | 111528 | 111530 | 111532 | 111522 | 111524 | 111526 | |
| 21"-22" Lt | 129739 | 111528 | 111531 | 111533 | 111523 | 111525 | 111527 | |



FOOTPLATE MEASURING GUIDE



| PART NO | DESCRIPTION | DIM -A- | DIM -B- |
|------------|---------------------------|---------|---------|
| 063216-006 | FOOTPLATE COMPOSITE 157 R | 6 1/8" | 6" |
| 063216-012 | FOOTPLATE COMPOSITE 157 L | 6 1/8" | 6" |
| 063216-015 | FOOTPLATE COMPOSITE 170 R | 6 5/8" | 6" |
| 063216-018 | FOOTPLATE COMPOSITE 170 L | 6 5/8" | 6" |
| 063216-005 | FOOTPLATE COMPOSITE 182 R | 7 1/8" | 6" |
| 063216-011 | FOOTPLATE COMPOSITE 182 L | 7 1/8" | 6" |
| 063216-014 | FOOTPLATE COMPOSITE 195 R | 7 5/8" | 6" |
| 063216-017 | FOOTPLATE COMPOSITE 195 L | 7 5/8" | 6" |
| 063216-004 | FOOTPLATE COMPOSITE 207 R | 8 1/8" | 6" |
| 063216-010 | FOOTPLATE COMPOSITE 207 L | 8 1/8" | 6" |
| 063216-013 | FOOTPLATE COMPOSITE 220 R | 8 5/8" | 6 1/4" |
| 063216-016 | FOOTPLATE COMPOSITE 220 L | 8 5/8" | 6 1/4" |
| 063216-003 | FOOTPLATE COMPOSITE 232 R | 9 1/8" | 6 1/4" |
| 063216-009 | FOOTPLATE COMPOSITE 232 L | 9 1/8" | 6 1/4" |
| 063216-002 | FOOTPLATE COMPOSITE 257 R | 10 1/8" | 6 1/4" |
| 063216-008 | FOOTPLATE COMPOSITE 257 L | 10 1/8" | 6 1/4" |
| 063216-001 | FOOTPLATE COMPOSITE 282 R | 11 1/8" | 6 1/4" |
| 063216-007 | FOOTPLATE COMPOSITE 282 L | 11 1/8" | 6 1/4" |

| Pos. | Item Number | Description | Remarks |
|--------|-------------|---------------------------|-----------------------------|
| 1A,3-5 | 120660 | SHT STRT EXT COMP HDWR | 80 deg hangers + ELR only |
| 1B,3-5 | 120661 | MED STRT EXT COMP HDWR | 80 deg hangers + ELR only |
| 1C,3-5 | 120662 | LNG STRT EXT COMP HDWR | 80 deg hangers + ELR only |
| 1D,3-5 | 120663 | SHT BNT EXT COMP HDWR | 60,70,70 Hemi Hangers |
| 1E,3-5 | 120664 | MED BNT EXT COMP HDWR | 60,70,70 Hemi Hangers |
| 1F,3-5 | 120665 | LNG BNT EXT COMP HDWR | 60,70,70 Hemi Hangers |
| 1G,3-5 | 120666 | SHT V EXT R COMP HDWR | 70 deg V hangers only-LEFT |
| 1G,3-5 | 120667 | SHT V EXT L COMP HDWR | 70 deg V hangers only-RIGHT |
| 1H,3-5 | 120668 | LNG V EXT R COMP HDWR | 70 deg V hangers only-LEFT |
| 1H,3-5 | 120669 | LNG V EXT L COMP HDWR | 70 deg V hangers only-RIGHT |
| 2A | 063216-006 | COMPOSITE FOOTPLATE RIGHT | RIGHT 13" Footrest Width |
| 2A | 063216-012 | COMPOSITE FOOTPLATE LEFT | LEFT 13" Footrest Width |
| 2B | 063216-015 | FOOTPLATE COMPOSITE RIGHT | RIGHT 14" Footrest Width |
| 2B | 063216-018 | FOOTPLATE COMPOSITE LEFT | LEFT 14" Footrest Width |

| Pos. | Item Number | Description | Remarks |
|----------------|-------------|--|----------------------------------|
| 2C | 063216-005 | COMPOSITE FOOTPLATE RIGHT | RIGHT 15" Footrest Width |
| 2C | 063216-011 | COMPOSITE FOOTPLATE LEFT | LEFT 15" Footrest Width |
| 2D | 063216-014 | FOOTPLATE COMPOSITE RIGHT | RIGHT 16" Footrest Width |
| 2D | 063216-017 | FOOTPLATE COMPOSITE LEFT | LEFT 16" Footrest Width |
| 2E | 063216-004 | COMPOSITE FOOTPLATE RIGHT | RIGHT 17" Footrest Width |
| 2E | 063216-010 | COMPOSITE FOOTPLATE LEFT | LEFT 17" Footrest Width |
| 2F | 063216-013 | FOOTPLATE COMPOSITE RIGHT | RIGHT 18" Footrest Width |
| 2F | 063216-016 | FOOTPLATE COMPOSITE LEFT | LEFT 18" Footrest Width |
| 2G | 063216-003 | COMPOSITE FOOTPLATE RIGHT | RIGHT 19" & 20" Footrest Width |
| 2G | 063216-009 | COMPOSITE FOOTPLATE LEFT | LEFT 19" & 20" Footrest Width |
| 2H | 063216-002 | FOOTPLATE COMPOSITE RIGHT | RIGHT 21" & 22" Footrest Width |
| 2H | 063216-008 | FOOTPLATE COMPOSITE LEFT | LEFT 21" & 22" Footrest Width |
| 3 | 104377 | 3/4" SADDLE THIN | |
| 4 | 103175 | SHCS M6 X 1 X 40 INORG | |
| 5 | 132626 | NUT AUTOMATION M6 X 1.0 | Inserted in bottom of footplate. |
| 6 | 104328 | HEEL LOOP PEG | |
| 7A | 104380-001 | ADJUSTABLE FOOT REST STRAP | 14" wide |
| 7B | 104380-002 | ADJUSTABLE FOOT REST STRAP | 15-16" wide |
| 7C | 104380-003 | ADJUSTABLE FOOT REST STRAP | 17-18" wide |
| 7D | 104380-004 | ADJUSTABLE FOOT REST STRAP | 19-22" wide |
| 8 | 102268-001 | HHCS M6 X 1 X 25 | |
| 12 | 104160 | BUSHING FOOTREST | |
| 9-12 | 107485 | FOOTREST CLAMP ASSM | |
| | | Ship assembled part # | Use with multiple assemblies |
| | ASSY-HNG-FP | HANGER/FOOTPLATE ASSY REQUIRED | add with Hanger & Footplate kit |
| >>>> | | 60°,70°,70° HEMI HANGERS - SHORT EXT - RIGHT | |
| 1D,2A,3-6,7A,8 | 107746 | COMP BNT SHT EXT ASM 13" W R | Right- 70D- 13" W- SHORT |
| 1D,2B,3-6,7A,8 | 107747 | COMP BNT SHT EXT ASM 14" W R | Right- 70D- 14" W- SHORT |
| 1D,2C,3-6,7B,8 | 107748 | COMP BNT SHT EXT ASM 15" W R | Right- 70D- 15" W- SHORT |
| 1D,2D,3-6,7B,8 | 107749 | COMP BNT SHT EXT ASM 16" W R | Right- 70D- 16" W- SHORT |
| 1D,2E,3-6,7C,8 | 107750 | COMP BNT SHT EXT ASM 17" W R | Right- 70D- 17" W- SHORT |
| 1D,2F,3-6,7C,8 | 107751 | COMP BNT SHT EXT ASM 18" W R | Right- 70D- 18" W- SHORT |
| 1D,2G,3-6,7D,8 | 107752 | COMP BNT SHT EXT ASM 19 & 20"W R | Right- 70D- 19 & 20" W- SHORT |
| 1D,2H,3-6,7D,8 | 111528 | COMP BNT SHT EXT ASM 21 & 22"W R | Right- 70D- 21 & 22" W- SHORT |
| >>>> | | 60°,70°,70° HEMI HANGERS - SHORT EXT - LEFT | |
| 1D,2A,3-6,7A,8 | 107753 | COMP BNT SHT EXT ASM 13" W L | Left- 70D- 13 W- SHORT |
| 1D,2B,3-6,7A,8 | 107754 | COMP BNT SHT EXT ASM 14" W L | Left- 70D- 14 W- SHORT |
| 1D,2C,3-6,7B,8 | 107755 | COMP BNT SHT EXT ASM 15" W L | Left- 70D- 15 W- SHORT |
| 1D,2D,3-6,7B,8 | 107756 | COMP BNT SHT EXT ASM 16" W L | Left- 70D- 16 W- SHORT |
| 1D,2E,3-6,7C,8 | 107757 | COMP BNT SHT EXT ASM 17" W L | Left- 70D- 17 W- SHORT |
| 1D,2F,3-6,7C,8 | 107758 | COMP BNT SHT EXT ASM 18" W L | Left- 70D- 18 W- SHORT |
| 1D,2G,3-6,7D,8 | 107759 | COMP BNT SHT EXT ASM 19 & 20"W L | Left- 70D- 19 & 20" W- SHORT |
| 1D,2H,3-6,7D,8 | 111529 | COMP BNT SHT EXT ASM 21 & 22"W L | Left- 70D- 21 & 22" W- SHORT |
| >>>> | | 60°,70°,70° HEMI HANGERS - MED EXT - RIGHT | |
| 1E,2A,3-6,7A,8 | 107760 | COMP BNT MED EXT ASM 13" W R | Right- 70D- 13" W- MED |
| 1E,2B,3-6,7A,8 | 107761 | COMP BNT MED EXT ASM 14" W R | Right- 70D- 14" W- MED |
| 1E,2C,3-6,7B,8 | 107762 | COMP BNT MED EXT ASM 15" W R | Right- 70D- 15" W- MED |
| 1E,2D,3-6,7B,8 | 107763 | COMP BNT MED EXT ASM 16" W R | Right- 70D- 16" W- MED |
| 1E,2E,3-6,7C,8 | 107764 | COMP BNT MED EXT ASM 17" W R | Right- 70D- 17" W- MED |
| 1E,2F,3-6,7C,8 | 107765 | COMP BNT MED EXT ASM 18" W R | Right- 70D- 18" W- MED |
| 1E,2G,3-6,7D,8 | 107766 | COMP BNT MED EXT ASM 19 & 20"W R | Right- 70D- 19 & 20" W- MED |
| 1E,2H,3-6,7D,8 | 111530 | COMP BNT MED EXT ASM 21 & 22"W R | Right- 70D- 21 & 22" W- MED |
| >>>> | | 60°,70°,70° HEMI HANGERS - MED EXT - LEFT | |
| 1E,2A,3-6,7A,8 | 107767 | COMP BNT MED EXT ASM 13" W L | Left- 70D- 13 W- MED |
| 1E,2B,3-6,7A,8 | 107768 | COMP BNT MED EXT ASM 14" W L | Left- 70D- 14 W- MED |
| 1E,2C,3-6,7B,8 | 107769 | COMP BNT MED EXT ASM 15" W L | Left- 70D- 15 W- MED |
| 1E,2D,3-6,7B,8 | 107770 | COMP BNT MED EXT ASM 16" W L | Left- 70D- 16 W- MED |

| Pos. | Item Number | Description | Remarks |
|----------------|-------------|---|--------------------------------------|
| 1E,2E,3-6,7C,8 | 107771 | COMP BNT MED EXT ASM 17" W L | Left- 70D- 17 W- MED |
| 1E,2F,3-6,7C,8 | 107772 | COMP BNT MED EXT ASM 18" W L | Left- 70D- 18 W- MED |
| 1E,2G,3-6,7D,8 | 107773 | COMP BNT MED EXT ASM 19 & 20"W L | Left- 70D- 19 & 20" W- MED |
| 1E,2H,3-6,7D,8 | 111531 | COMP BNT MED EXT ASM 21 & 22"W L | Left- 70D- 21 & 22" W- MED |
| >>>> | | 60°,70°,70° HEMI HANGERS - LONG EXT - RIGHT | |
| 1F,2A,3-6,7A,8 | 107774 | COMP BNT LONG EXT ASM 13" W R | Right- 70D- 13" W- LONG |
| 1F,2B,3-6,7A,8 | 107775 | COMP BNT LONG EXT ASM 14" W R | Right- 70D- 14" W- LONG |
| 1F,2C,3-6,7B,8 | 107776 | COMP BNT LONG EXT ASM 15" W R | Right- 70D- 15" W- LONG |
| 1F,2D,3-6,7B,8 | 107777 | COMP BNT LONG EXT ASM 16" W R | Right- 70D- 16" W- LONG |
| 1F,2E,3-6,7C,8 | 107778 | COMP BNT LONG EXT ASM 17" W R | Right- 70D- 17" W- LONG |
| 1F,2F,3-6,7C,8 | 107779 | COMP BNT LONG EXT ASM 18" W R | Right- 70D- 18" W- LONG |
| 1F,2G,3-6,7D,8 | 107780 | COMP BNT LONG EXT ASM 19 & 20"W R | Right- 70D- 19 & 20" W- LONG |
| 1F,2H,3-6,7D,8 | 111532 | COMP BNT LONG EXT ASM 21 & 22"W R | Right- 70D- 21 & 22" W- LONG |
| >>>> | | 60°,70°,70° HEMI HANGERS - LONG EXT - LEFT | |
| 1F,2A,3-6,7A,8 | 107781 | COMP BNT LONG EXT ASM 13" W L | Left- 70D- 13 W- LONG |
| 1F,2B,3-6,7A,8 | 107782 | COMP BNT LONG EXT ASM 14" W L | Left- 70D- 14 W- LONG |
| 1F,2C,3-6,7B,8 | 107783 | COMP BNT LONG EXT ASM 15" W L | Left- 70D- 15 W- LONG |
| 1F,2D,3-6,7B,8 | 107784 | COMP BNT LONG EXT ASM 16" W L | Left- 70D- 16 W- LONG |
| 1F,2E,3-6,7C,8 | 107785 | COMP BNT LONG EXT ASM 17" W L | Left- 70D- 17 W- LONG |
| 1F,2F,3-6,7C,8 | 107786 | COMP BNT LONG EXT ASM 18" W L | Left- 70D- 18 W- LONG |
| 1F,2G,3-6,7D,8 | 107787 | COMP BNT LONG EXT ASM 19 & 20"W L | Left- 70D- 19 & 20" W- LONG |
| 1F,2H,3-6,7D,8 | 111533 | COMP BNT LONG EXT ASM 21 & 22"W L | Left- 70D- 21 & 22" W- LONG |
| >>>> | | 70 DEGREE "V" HANGERS - MED EXT - RIGHT | |
| 1G,2A,3-8 | 107788 | COMP V MED EXT ASM 13W R | Right- 70D V hangers only 13 W- MED |
| 1G,2B,3-8 | 107789 | COMP V MED EXT ASM 14W R | Right- 70D V hangers only 14 W- MED |
| 1G,2C,3-8 | 107790 | COMP V MED EXT ASM 15W R | Right- 70D V hangers only 15 W- MED |
| 1G,2D,3-8 | 107791 | COMP V MED EXT ASM 16W R | Right- 70D V hangers only 16 W- MED |
| 1G,2E,3-8 | 107792 | COMP V MED EXT ASM 17W R | Right- 70D V hangers only 17 W- MED |
| 1G,2F,3-8 | 107793 | COMP V MED EXT ASM 18W R | Right- 70D V hangers only 18 W- MED |
| >>>> | | 70 DEGREE "V" HANGERS - MED EXT - LEFT | |
| 1G,2A,3-8 | 107795 | COMP V MED EXT ASM 13W L | Left- 70D V hangers only 13 W- MED |
| 1G,2B,3-8 | 107796 | COMP V MED EXT ASM 14W L | Left- 70D V hangers only 14 W- MED |
| 1G,2C,3-8 | 107797 | COMP V MED EXT ASM 15W L | Left- 70D V hangers only 15 W- MED |
| 1G,2D,3-8 | 107798 | COMP V MED EXT ASM 16W L | Left- 70D V hangers only 16 W- MED |
| 1G,2E,3-8 | 107799 | COMP V MED EXT ASM 17W L | Left- 70D V hangers only 17 W- MED |
| 1G,2F,3-8 | 107800 | COMP V MED EXT ASM 18W L | Left- 70D V hangers only 18 W- MED |
| >>>> | | 70 DEGREE "V" HANGERS - LONG EXT - RIGHT | |
| 1H,2A,3-8 | 107802 | COMP V LNG EXT ASM 13W R | Right- 70D V hangers only 13 W- LONG |
| 1H,2B,3-8 | 107803 | COMP V LNG EXT ASM 14W R | Right- 70D V hangers only 14 W- LONG |
| 1H,2C,3-8 | 107804 | COMP V LNG EXT ASM 15W R | Right- 70D V hangers only 15 W- LONG |
| 1H,2D,3-8 | 107805 | COMP V LNG EXT ASM 16W R | Right- 70D V hangers only 16 W- LONG |
| 1H,2E,3-8 | 107806 | COMP V LNG EXT ASM 17W R | Right- 70D V hangers only 17 W- LONG |
| 1H,2F,3-8 | 107807 | COMP V LNG EXT ASM 18W R | Right- 70D V hangers only 18 W- LONG |
| >>>> | | 70 DEGREE "V" HANGERS - LONG EXT - LEFT | |
| 1H,2A,3-8 | 107809 | COMP V LNG EXT ASM 13W L | Left- 70D V hangers only 13 W- LONG |
| 1H,2B,3-8 | 107810 | COMP V LNG EXT ASM 14W L | Left- 70D V hangers only 14 W- LONG |
| 1H,2C,3-8 | 107811 | COMP V LNG EXT ASM 15W L | Left- 70D V hangers only 15 W- LONG |
| 1H,2D,3-8 | 107812 | COMP V LNG EXT ASM 16W L | Left- 70D V hangers only 16 W- LONG |
| 1H,2E,3-8 | 107813 | COMP V LNG EXT ASM 17W L | Left- 70D V hangers only 17 W- LONG |
| 1H,2F,3-8 | 107814 | COMP V LNG EXT ASM 18W L | Left- 70D V hangers only 18 W- LONG |
| >>>> | | 80 DEGREE HANGERS - SHORT EXT - RIGHT | |
| 1A,2A,3-6,7A,8 | 107704 | COMP STRT SHT EXT ASM 13"W R | Right- 80D- 13" W- SHORT |
| 1A,2B,3-6,7A,8 | 107705 | COMP STRT SHT EXT ASM 14"W R | Right- 80D- 14" W- SHORT |
| 1A,2C,3-6,7B,8 | 107706 | COMP STRT SHT EXT ASM 15"W R | Right- 80D- 15" W- SHORT |
| 1A,2D,3-6,7B,8 | 107707 | COMP STRT SHT EXT ASM 16"W R | Right- 80D- 16" W- SHORT |
| 1A,2E,3-6,7C,8 | 107708 | COMP STRT SHT EXT ASM 17"W R | Right- 80D- 17" W- SHORT |
| 1A,2F,3-6,7C,8 | 107709 | COMP STRT SHT EXT ASM 18"W R | Right- 80D- 18" W- SHORT |

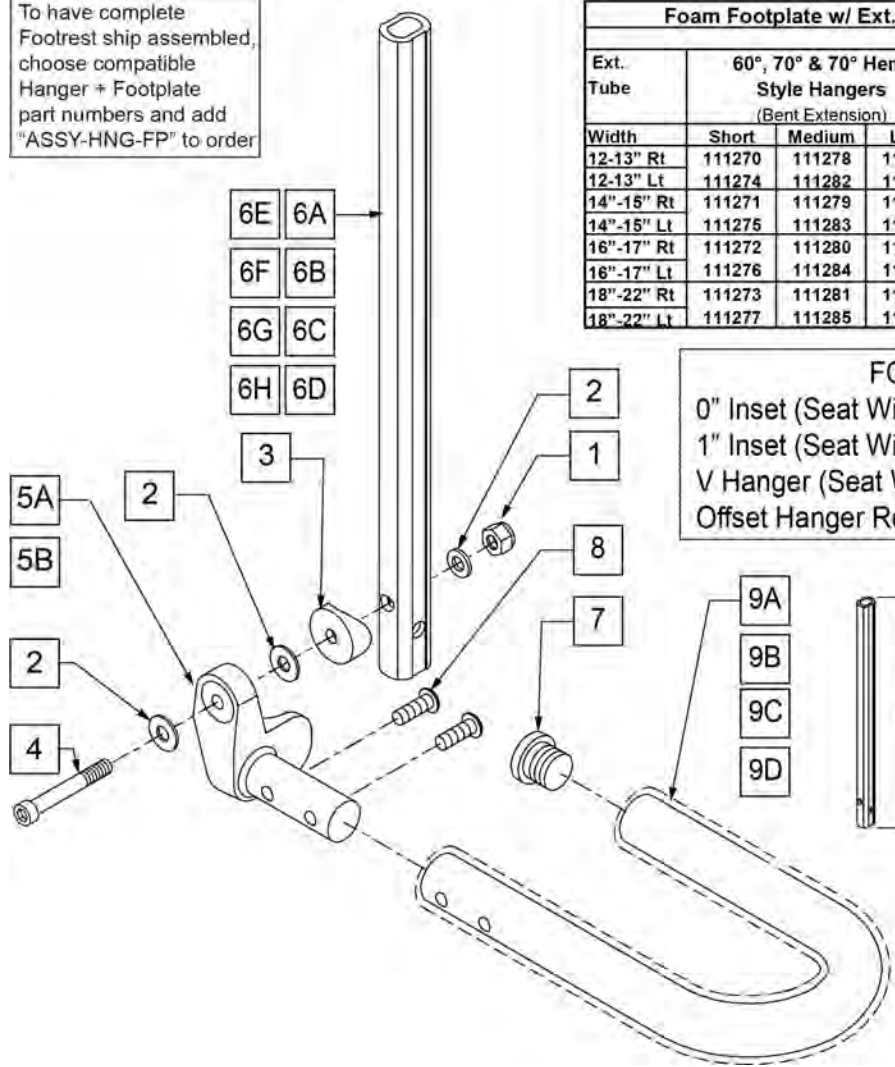
| Pos. | Item Number | Description | Remarks |
|----------------|-------------|--------------------------------------|-------------------------------|
| 1A,2G,3-6,7D,8 | 107710 | COMP STRT SHT EXT ASM 19 & 20"W R | Right- 80D- 19 & 20" W- SHORT |
| 1A,2H,3-6,7D,8 | 111522 | COMP STRT SHT EXT ASM 21 & 22"W R | Right- 80D- 21 & 22" W- SHORT |
| >>>> | | 80 DEGREE HANGERS - SHORT EXT - LEFT | |
| 1A,2A,3-6,7A,8 | 107711 | COMP STRT SHT EXT ASM 13"W L | LEFT- 80D- 13" W- SHORT |
| 1A,2B,3-6,7A,8 | 107712 | COMP STRT SHT EXT ASM 14"W L | LEFT- 80D- 14" W- SHORT |
| 1A,2C,3-6,7B,8 | 107713 | COMP STRT SHT EXT ASM 15"W L | LEFT- 80D- 15" W- SHORT |
| 1A,2D,3-6,7B,8 | 107714 | COMP STRT SHT EXT ASM 16"W L | LEFT- 80D- 16" W- SHORT |
| 1A,2E,3-6,7C,8 | 107715 | COMP STRT SHT EXT ASM 17"W L | LEFT- 80D- 17" W- SHORT |
| 1A,2F,3-6,7C,8 | 107716 | COMP STRT SHT EXT ASM 18"W L | LEFT- 80D- 18" W- SHORT |
| 1A,2G,3-6,7D,8 | 107717 | COMP STRT SHT EXT ASM 19 & 20"W L | LEFT- 80D- 19 & 20" W- SHORT |
| 1A,2H,3-6,7D,8 | 111523 | COMP STRT SHT EXT ASM 21 & 22"W L | LEFT- 80D- 21 & 22" W- SHORT |
| >>>> | | 80 DEGREE HANGERS - MED EXT - RIGHT | |
| 1B,2A,3-6,7A,8 | 107718 | COMP STRT MED EXT ASM 13"W R | Right- 80D- 13" W- MED |
| 1B,2B,3-6,7A,8 | 107719 | COMP STRT MED EXT ASM 14"W R | Right- 80D- 14" W- MED |
| 1B,2C,3-6,7B,8 | 107720 | COMP STRT MED EXT ASM 15"W R | Right- 80D- 15" W- MED |
| 1B,2D,3-6,7B,8 | 107721 | COMP STRT MED EXT ASM 16"W R | Right- 80D- 16" W- MED |
| 1B,2E,3-6,7C,8 | 107722 | COMP STRT MED EXT ASM 17"W R | Right- 80D- 17" W- MED |
| 1B,2F,3-6,7C,8 | 107723 | COMP STRT MED EXT ASM 18"W R | Right- 80D- 18" W- MED |
| 1B,2G,3-6,7D,8 | 107724 | COMP STRT MED EXT ASM 19 & 20"W R | Right- 80D- 19 & 20" W- MED |
| 1B,2H,3-6,7D,8 | 111524 | COMP STRT MED EXT ASM 21 & 22"W R | Right- 80D- 21 & 22" W- MED |
| >>>> | | 80 DEGREE HANGERS - MED EXT - LEFT | |
| 1B,2A,3-6,7A,8 | 107725 | COMP STRT MED EXT ASM 13"W L | LEFT- 80D- 13" W- MED |
| 1B,2B,3-6,7A,8 | 107726 | COMP STRT MED EXT ASM 14"W L | LEFT- 80D- 14" W- MED |
| 1B,2C,3-6,7B,8 | 107727 | COMP STRT MED EXT ASM 15"W L | LEFT- 80D- 15" W- MED |
| 1B,2D,3-6,7B,8 | 107728 | COMP STRT MED EXT ASM 16"W L | LEFT- 80D- 16" W- MED |
| 1B,2E,3-6,7C,8 | 107729 | COMP STRT MED EXT ASM 17"W L | LEFT- 80D- 17" W- MED |
| 1B,2F,3-6,7C,8 | 107730 | COMP STRT MED EXT ASM 18"W L | LEFT- 80D- 18" W- MED |
| 1B,2G,3-6,7D,8 | 107731 | COMP STRT MED EXT ASM 19 & 20"W L | LEFT- 80D- 19 & 20" W- MED |
| 1B,2H,3-6,7D,8 | 111525 | COMP STRT MED EXT ASM 21 & 22"W L | LEFT- 80D- 21 & 22" W- MED |
| >>>> | | 80 DEGREE HANGERS - LONG EXT - RIGHT | |
| 1C,2A,3-6,7A,8 | 107732 | COMP STRT LONG EXT ASM 13"W R | Right- 80D- 13" W- LONG |
| 1C,2B,3-6,7A,8 | 107733 | COMP STRT LONG EXT ASM 14"W R | Right- 80D- 14" W- LONG |
| 1C,2C,3-6,7B,8 | 107734 | COMP STRT LONG EXT ASM 15"W R | Right- 80D- 15" W- LONG |
| 1C,2D,3-6,7B,8 | 107735 | COMP STRT LONG EXT ASM 16"W R | Right- 80D- 16" W- LONG |
| 1C,2E,3-6,7C,8 | 107736 | COMP STRT LONG EXT ASM 17"W R | Right- 80D- 17" W- LONG |
| 1C,2F,3-6,7C,8 | 107737 | COMP STRT LONG EXT ASM 18"W R | Right- 80D- 18" W- LONG |
| 1C,2G,3-6,7D,8 | 107738 | COMP STRT LONG EXT ASM 19 & 20"W R | Right- 80D- 19 & 20" W- LONG |
| 1C,2H,3-6,7D,8 | 111526 | COMP STRT LONG EXT ASM 21 & 22"W R | Right- 80D- 21 & 22" W- LONG |
| >>>> | | 80 DEGREE HANGERS - LONG EXT - LEFT | |
| 1C,2A,3-6,7A,8 | 107739 | COMP STRT LONG EXT ASM 13"W L | LEFT- 80D- 13" W- LONG |
| 1C,2B,3-6,7A,8 | 107740 | COMP STRT LONG EXT ASM 14"W L | LEFT- 80D- 14" W- LONG |
| 1C,2C,3-6,7B,8 | 107741 | COMP STRT LONG EXT ASM 15"W L | LEFT- 80D- 15" W- LONG |
| 1C,2D,3-6,7B,8 | 107742 | COMP STRT LONG EXT ASM 16"W L | LEFT- 80D- 16" W- LONG |
| 1C,2E,3-6,7C,8 | 107743 | COMP STRT LONG EXT ASM 17"W L | LEFT- 80D- 17" W- LONG |
| 1C,2F,3-6,7C,8 | 107744 | COMP STRT LONG EXT ASM 18"W L | LEFT- 80D- 18" W- LONG |
| 1C,2G,3-6,7D,8 | 107745 | COMP STRT LONG EXT ASM 19 & 20"W L | LEFT- 80D- 19 & 20" W- LONG |
| 1C,2H,3-6,7D,8 | 111527 | COMP STRT LONG EXT ASM 21 & 22"W L | LEFT- 80D- 21 & 22" W- LONG |

NOTE: FOOTPLATE ASSEMBLIES ARE SET TO FOOTREST WIDTH. PLEASE SEE "FOOTPLATE FORMULA" TABLE FOR SEAT WIDTH CONVERSION.

To have complete Footrest ship assembled, choose compatible Hanger + Footplate part numbers and add "ASSY-HNG-FP" to order

| Foam Footplate w/ Ext. for Swing I/O Hangers -leg strap not included | | | | | | | | |
|--|--|--------|--------|---------------------------------------|--------|--------|---------------------|--------|
| (Order 1 each) | | | | | | | | |
| Ext. Tube | 60°, 70° & 70° Hemi Style Hangers (Bent Extension) | | | 80° Style hanger (Straight Extension) | | | 70° V Style Hangers | |
| | Short | Medium | Long | Short | Medium | Long | Medium | Long |
| 12-13" Rt | 111270 | 111278 | 111286 | 111246 | 111254 | 111262 | 111294 | 111302 |
| 12-13" Lt | 111274 | 111282 | 111290 | 111250 | 111258 | 111266 | 111298 | 111306 |
| 14"-15" Rt | 111271 | 111279 | 111287 | 111247 | 111255 | 111263 | 111295 | 111303 |
| 14"-15" Lt | 111275 | 111283 | 111291 | 111251 | 111259 | 111267 | 111299 | 111307 |
| 16"-17" Rt | 111272 | 111280 | 111288 | 111248 | 111256 | 111264 | 111296 | 111304 |
| 16"-17" Lt | 111276 | 111284 | 111292 | 111252 | 111260 | 111268 | 111300 | 111308 |
| 18"-22" Rt | 111273 | 111281 | 111289 | 111249 | 111257 | 111265 | 111297 | 111305 |
| 18"-22" Lt | 111277 | 111285 | 111293 | 111253 | 111261 | 111269 | 111301 | 111309 |

FOOTPLATE FORMULA
 0" Inset (Seat Width) = Footrest Width
 1" Inset (Seat Width) -2 = Footrest Width
 V Hanger (Seat Width) -4 = Footrest Width
 Offset Hanger Receiver (Seat Width) +2" = Footrest Width



MEASURING GUIDE

| | PART NUMBER | "A" STRAIGHT |
|-------|-------------|--------------|
| SHORT | 107119 | 7 1/4" |
| MED | 107120 | 9 1/4" |
| LONG | 107121 | 11 1/4" |

| | PART NUMBER | "B" BENT |
|-------|-------------|----------|
| SHORT | 107126 | 8 1/4" |
| MED | 107127 | 10 1/4" |
| LONG | 107128 | 12 1/4" |

| | PART NUMBER | "V" V STYLE |
|--------|---------------------------|-------------|
| MED | 106907 (L), 106908 (R) | 9" |
| X-LONG | 106909 (L), 106910 (R) | 13" |

| Pos. | Item Number | Description | Remarks |
|------|-------------|-------------------------------|-----------------------------|
| 1 | 132626 | NUT AUTOMATION M6 X 1.0 | |
| 2 | 107383 | WASHER FLAT M6 ROHS | |
| 3 | 561055 | 3/4" SADDLE 1" OD | |
| 4 | 104399 | SHCS M6X1X45 12 MM PART THD | |
| 5 | 541002 | FTRST MOUNTING BRKT-3/8 RAD R | RIGHT |
| 5 | 541003 | FTRST MOUNTING BRKT-3/8 RAD L | LEFT |
| 6A | 107119 | SHORT STRAIGHT | 80 deg Hangers only |
| 6B | 107120 | MED STRAIGHT | 80 deg Hangers only |
| 6C | 107121 | LONG STRAIGHT | 80 deg Hangers only |
| 6D | 107126 | SHORT BENT | 60,70,70 Hemi Hangers |
| 6E | 107127 | MED BENT | 60,70,70 Hemi Hangers |
| 6F | 107128 | LONG BENT | 60,70,70 Hemi Hangers |
| 6G | 106907 | EXT TUBE V ONLY D2 MED L | 70 deg V Hangers only-LEFT |
| 6G | 106908 | EXT TUBE V ONLY D2 MED R | 70 deg V Hangers only-RIGHT |

| Pos. | Item Number | Description | Remarks |
|---------------|-------------|-----------------------------|------------------------------|
| 6H | 106909 | EXT TUBE V ONLY D2 X-LONG L | 70 deg V Hangers only-LEFT |
| 6H | 106910 | EXT TUBE V ONLY D2 X-LONG R | 70 deg V Hangers only-RIGHT |
| 7 | 560735 | 7/8" ROUND TUBE PLUG | |
| 8 | 226168 | 1/4-28 X .875 BH C/S | |
| 5,7-9A | 820422 | FT REST LOOP 12 RIGHT | RIGHT 12-13" Footrest Width |
| 5,7-9A | 820423 | FT REST LOOP 12 LEFT | LEFT 12-13" Footrest Width |
| 5,7-9B | 820424 | FT REST LOOP 14 RIGHT | RIGHT 14-15" Footrest Width |
| 5,7-9B | 820425 | FT REST LOOP 14 LEFT | LEFT 14-15" Footrest Width |
| 5,7-9C | 820426 | FT REST LOOP 16 RIGHT | RIGHT 16-17" Footrest Width |
| 5,7-9C | 820427 | FT REST LOOP 16 LEFT | LEFT 16-17" Footrest Width |
| 5,7-9D | 820428 | FT REST LOOP 18 RIGHT | RIGHT 18-19" Footrest Width |
| 5,7-9D | 820429 | FT REST LOOP 18 LEFT | LEFT 16-19" Footrest Width |
| 1-5,6A,7-8,9A | 111246 | FOAM STRT SHT EXT ASM 12W R | RIGHT- 80D- 12"-13" W- SHORT |
| 1-5,6A,7-8,9B | 111247 | FOAM STRT SHT EXT ASM 14W R | RIGHT- 80D- 14"-15" W- SHORT |
| 1-5,6A,7-8,9C | 111248 | FOAM STRT SHT EXT ASM 16W R | RIGHT- 80D- 16"-17" W- SHORT |
| 1-5,6A,7-8,9D | 111249 | FOAM STRT SHT EXT ASM 18W R | RIGHT- 80D- 18"-22" W- SHORT |
| 1-5,6A,7-8,9A | 111250 | FOAM STRT SHT EXT ASM 12W L | LEFT- 80D- 12"-13" W- SHORT |
| 1-5,6A,7-8,9B | 111251 | FOAM STRT SHT EXT ASM 14W L | LEFT- 80D- 14"-15" W- SHORT |
| 1-5,6A,7-8,9C | 111252 | FOAM STRT SHT EXT ASM 16W L | LEFT- 80D- 16"-17" W- SHORT |
| 1-5,6A,7-8,9D | 111253 | FOAM STRT SHT EXT ASM 18W L | LEFT- 80D- 18"-22" W- SHORT |
| 1-5,6B,7-8,9A | 111254 | FOAM STRT MED EXT ASM 12W R | RIGHT- 80D- 12"-13" W- MED |
| 1-5,6B,7-8,9B | 111255 | FOAM STRT MED EXT ASM 14W R | RIGHT- 80D- 14"-15" W- MED |
| 1-5,6B,7-8,9C | 111256 | FOAM STRT MED EXT ASM 16W R | RIGHT- 80D- 16"-17" W- MED |
| 1-5,6B,7-8,9D | 111257 | FOAM STRT MED EXT ASM 18W R | RIGHT- 80D- 18"-22" W- MED |
| 1-5,6B,7-8,9A | 111258 | FOAM STRT MED EXT ASM 12W L | LEFT- 80D- 12"-13" W- MED |
| 1-5,6B,7-8,9B | 111259 | FOAM STRT MED EXT ASM 14W L | LEFT- 80D- 14"-15" W- MED |
| 1-5,6B,7-8,9C | 111260 | FOAM STRT MED EXT ASM 16W L | LEFT- 80D- 16"-17" W- MED |
| 1-5,6B,7-8,9D | 111261 | FOAM STRT MED EXT ASM 18W L | LEFT- 80D- 18"-22" W- MED |
| 1-5,6C,7-8,9A | 111262 | FOAM STRT LNG EXT ASM 12W R | RIGHT- 80D- 12"-13" W- LONG |
| 1-5,6C,7-8,9B | 111263 | FOAM STRT LNG EXT ASM 14W R | RIGHT- 80D- 14"-15" W- LONG |
| 1-5,6C,7-8,9C | 111264 | FOAM STRT LNG EXT ASM 16W R | RIGHT- 80D- 16"-17" W- LONG |
| 1-5,6C,7-8,9D | 111265 | FOAM STRT LNG EXT ASM 18W R | RIGHT- 80D- 18"-22" W- LONG |
| 1-5,6C,7-8,9A | 111266 | FOAM STRT LNG EXT ASM 12W L | LEFT- 80D- 12"-13" W- LONG |
| 1-5,6C,7-8,9B | 111267 | FOAM STRT LNG EXT ASM 14W L | LEFT- 80D- 14"-15" W- LONG |
| 1-5,6C,7-8,9C | 111268 | FOAM STRT LNG EXT ASM 16W L | LEFT- 80D- 16"-17" W- LONG |
| 1-5,6C,7-8,9D | 111269 | FOAM STRT LNG EXT ASM 18W L | LEFT- 80D- 18"-22" W- LONG |
| 1-5,6D,7-8,9A | 111270 | FOAM BNT SHT EXT ASM 12W R | RIGHT- 70D- 12"-13" W- SHORT |
| 1-5,6D,7-8,9B | 111271 | FOAM BNT SHT EXT ASM 14W R | RIGHT- 70D- 14"-15" W- SHORT |
| 1-5,6D,7-8,9C | 111272 | FOAM BNT SHT EXT ASM 16W R | RIGHT- 70D- 16"-17" W- SHORT |
| 1-5,6D,7-8,9D | 111273 | FOAM BNT SHT EXT ASM 18W R | RIGHT- 70D- 18"-22" W- SHORT |
| 1-5,6D,7-8,9A | 111274 | FOAM BNT SHT EXT ASM 12W L | LEFT- 70D- 12"-13" W- SHORT |
| 1-5,6D,7-8,9B | 111275 | FOAM BNT SHT EXT ASM 14W L | LEFT- 70D- 14"-15" W- SHORT |
| 1-5,6D,7-8,9C | 111276 | FOAM BNT SHT EXT ASM 16W L | LEFT- 70D- 16"-17" W- SHORT |
| 1-5,6D,7-8,9D | 111277 | FOAM BNT SHT EXT ASM 18W L | LEFT- 70D- 18"-22" W- SHORT |
| 1-5,6E,7-8,9A | 111278 | FOAM BNT MED EXT ASM 12W R | RIGHT- 70D- 12"-13" W- MED |
| 1-5,6E,7-8,9B | 111279 | FOAM BNT MED EXT ASM 14W R | RIGHT- 70D- 14"-15" W- MED |
| 1-5,6E,7-8,9C | 111280 | FOAM BNT MED EXT ASM 16W R | RIGHT- 70D- 16"-17" W- MED |
| 1-5,6E,7-8,9D | 111281 | FOAM BNT MED EXT ASM 18W R | RIGHT- 70D- 18"-22" W- MED |
| 1-5,6E,7-8,9A | 111282 | FOAM BNT MED EXT ASM 12W L | LEFT- 70D- 12"-13" W- MED |
| 1-5,6E,7-8,9B | 111283 | FOAM BNT MED EXT ASM 14W L | LEFT- 70D- 14"-15" W- MED |
| 1-5,6E,7-8,9C | 111284 | FOAM BNT MED EXT ASM 16W L | LEFT- 70D- 16"-17" W- MED |
| 1-5,6E,7-8,9D | 111285 | FOAM BNT MED EXT ASM 18W L | LEFT- 70D- 18"-22" W- MED |
| 1-5,6F,7-8,9A | 111286 | FOAM BNT LNG EXT ASM 12W R | RIGHT- 70D- 12"-13" W- LONG |
| 1-5,6F,7-8,9B | 111287 | FOAM BNT LNG EXT ASM 14W R | RIGHT- 70D- 14"-15" W- LONG |
| 1-5,6F,7-8,9C | 111288 | FOAM BNT LNG EXT ASM 16W R | RIGHT- 70D- 16"-17" W- LONG |
| 1-5,6F,7-8,9D | 111289 | FOAM BNT LNG EXT ASM 18W R | RIGHT- 70D- 18"-22" W- LONG |
| 1-5,6F,7-8,9A | 111290 | FOAM BNT LNG EXT ASM 12W L | LEFT- 70D- 12"-13" W- LONG |

| Pos. | Item Number | Description | Remarks |
|---------------|-------------|--------------------------------|---|
| 1-5,6F,7-8,9B | 111291 | FOAM BNT LNG EXT ASM 14W L | LEFT- 70D- 14"-15" W- LONG |
| 1-5,6F,7-8,9C | 111292 | FOAM BNT LNG EXT ASM 16W L | LEFT- 70D- 16"-17" W- LONG |
| 1-5,6F,7-8,9D | 111293 | FOAM BNT LNG EXT ASM 18W L | LEFT- 70D- 18"-22" W- LONG |
| 1-5,6G,7-8,9A | 111294 | FOAM V MED EXT ASM 12W R | RIGHT- 70D V Hangers only 12"-13" W- MED |
| 1-5,6G,7-8,9B | 111295 | FOAM V MED EXT ASM 14W R | RIGHT- 70D V Hangers only 14"-15" W- MED |
| 1-5,6G,7-8,9C | 111296 | FOAM V MED EXT ASM 16W R | RIGHT- 70D V Hangers only 16"-17" W- MED |
| 1-5,6G,7-8,9D | 111297 | FOAM V MED EXT ASM 18W R | RIGHT- 70D V Hangers only 18"-22" W- MED |
| 1-5,6G,7-8,9A | 111298 | FOAM V MED EXT ASM 12W L | LEFT- 70D V Hangers only 12"-13" W- MED |
| 1-5,6G,7-8,9B | 111299 | FOAM V MED EXT ASM 14W L | LEFT- 70D V Hangers only 14"-15" W- MED |
| 1-5,6G,7-8,9C | 111300 | FOAM V MED EXT ASM 16W L | LEFT- 70D V Hangers only 16"-17" W- MED |
| 1-5,6G,7-8,9D | 111301 | FOAM V MED EXT ASM 18W L | LEFT- 70D V Hangers only 18"-22" W- MED |
| 1-5,6H,7-8,9A | 111302 | FOAM V LNG EXT ASM 12W R | RIGHT- 70D V Hangers only 12"-13" W- LONG |
| 1-5,6H,7-8,9B | 111303 | FOAM V LNG EXT ASM 14W R | RIGHT- 70D V Hangers only 14"-15" W- LONG |
| 1-5,6H,7-8,9C | 111304 | FOAM V LNG EXT ASM 16W R | RIGHT- 70D V Hangers only 16"-17" W- LONG |
| 1-5,6H,7-8,9D | 111305 | FOAM V LNG EXT ASM 18W R | RIGHT- 70D V Hangers only 18"-22" W- LONG |
| 1-5,6H,7-8,9A | 111306 | FOAM V LNG EXT ASM 12W L | LEFT- 70D V Hangers only 12"-13" W- LONG |
| 1-5,6H,7-8,9B | 111307 | FOAM V LNG EXT ASM 14W L | LEFT- 70D V Hangers only 14"-15" W- LONG |
| 1-5,6H,7-8,9C | 111308 | FOAM V LNG EXT ASM 16W L | LEFT- 70D V Hangers only 16"-17" W- LONG |
| 1-5,6H,7-8,9D | 111309 | FOAM V LNG EXT ASM 18W L | LEFT- 70D V Hangers only 18"-22" W- LONG |
| | | Ship assembled part # | Use with multiple assemblies |
| | ASSY-HNG-FP | HANGER/FOOTPLATE ASSY REQUIRED | add with Hanger & Footplate kit |

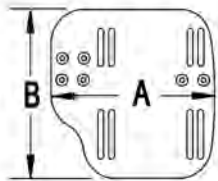
NOTE: FOOTPLATE ASSEMBLIES ARE SET TO FOOTREST WIDTH. PLEASE SEE "FOOTPLATE FORMULA" TABLE FOR SEAT WIDTH CONVERSION.

| Adult Angle Adjustable "AAA" Footplates w/ Ext & HL for Swing I/O Hangers | | | | | | | | |
|---|--|--------|--------|---------------------------------------|--------|--------|---------------------|--------|
| (Order 1 each) | | | | | | | | |
| Ext. Tube | 60°, 70° & 70° Hemi Style Hangers (Bent Extension) | | | 80° Style hanger (Straight Extension) | | | 70° V Style Hangers | |
| | Short | Med | Long | Short | Med | Long | Med | Long |
| 10"-11" Rt | NOT AVAILABLE IN THIS WIDTH | | | NOT AVAILABLE IN THIS WIDTH | | | 111546 | 111550 |
| 10"-11" Lt | NOT AVAILABLE IN THIS WIDTH | | | NOT AVAILABLE IN THIS WIDTH | | | 111547 | 111551 |
| 12-13" Rt | 111540 | 111542 | 111544 | 111534 | 111536 | 111538 | 111548 | 111552 |
| 12-13" Lt | 111541 | 111543 | 111545 | 111535 | 111537 | 111539 | 111549 | 111553 |
| 14"-15" Rt | 107973 | 107987 | 108001 | 107928 | 107942 | 107956 | 108015 | 108029 |
| 14"-15" Lt | 107980 | 107994 | 108008 | 107935 | 107949 | 107963 | 108022 | 108036 |
| 16"-17" Rt | 107975 | 107989 | 108003 | 107930 | 107944 | 107958 | 108017 | 108031 |
| 16"-17" Lt | 107982 | 107996 | 108010 | 107937 | 107951 | 107965 | 108024 | 108038 |
| 18"-22" Rt | 107977 | 107991 | 108005 | 107932 | 107946 | 107960 | 108019 | 108033 |
| 18"-22" Lt | 107984 | 107998 | 108012 | 107939 | 107953 | 107968 | 108026 | 108040 |

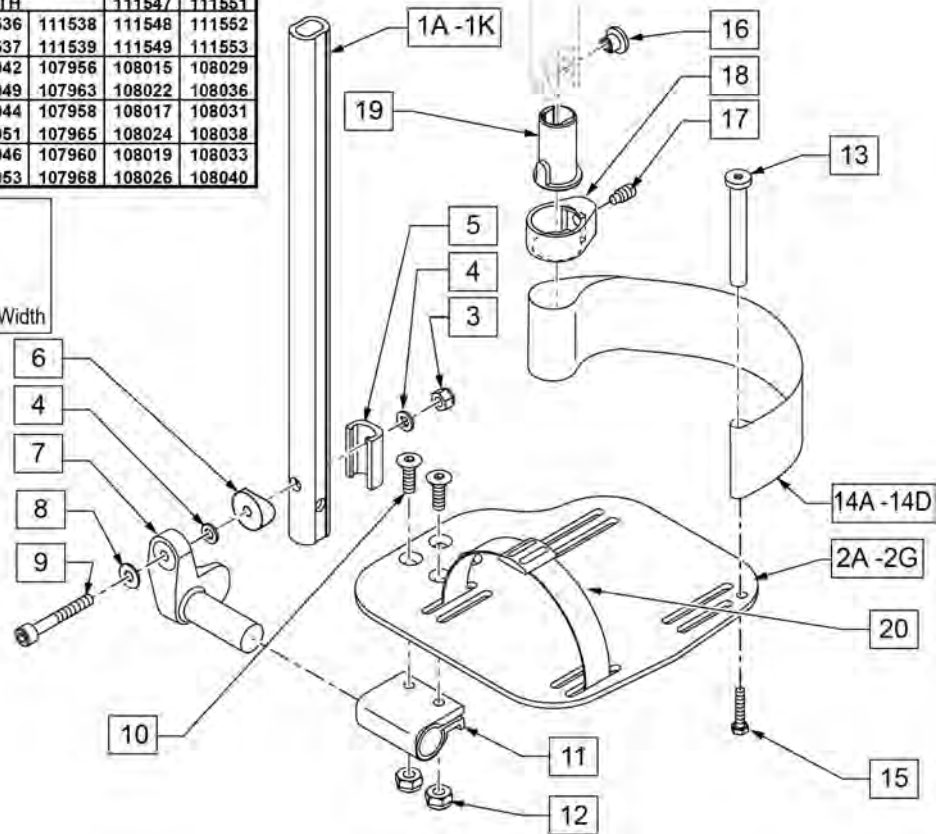
To have complete Footrest ship assembled, choose compatible Hanger + Footplate part numbers and add "ASSY-HNG-FP" to order

INSET FORMULA
 0" Inset (Seat Width) = Footrest Width
 1" Inset (Seat Width) -2" = Footrest Width
 "V" Hanger (Seat Width) -4" = Footrest Width
 Offset Hanger Receiver (Seat Width) +2" = Footrest Width

MEASURING GUIDE



| CHAIR WIDTH | "A" | "B" |
|-------------|--------|--------|
| 10" - 11" | 3 1/2" | 7 1/4" |
| 12" - 13" | 4 1/2" | 7 3/4" |
| 14" - 15" | 5 1/2" | 7 3/4" |
| 16" - 17" | 6 1/2" | 7 3/4" |
| 18" - 20" | 7 1/2" | 7 3/4" |



| Pos. | Item Number | Description | Remarks |
|------------|-------------|------------------------------|-------------------------------|
| 1A,3-6,8,9 | 120670 | SHT STRT EXT AAA HDWR | 80 deg Hangers Only |
| 1B,3-6,8,9 | 120671 | MED STRT EXT AAA HDWR | 80 deg Hangers Only |
| 1C,3-6,8,9 | 120672 | LNG STRT EXT AAA HDWR | 80 deg Hangers Only |
| 1D,3-6,8,9 | 120673 | SHT BNT EXT AAA HDWR | 60,70,70 Hemi Hangers |
| 1E,3-6,8,9 | 120674 | MED BNT EXT AAA HDWR | 60,70,70 Hemi Hangers |
| 1F,3-6,8,9 | 120675 | LNG BNT EXT AAA HDWR | 60,70,70 Hemi Hangers |
| 1G,3-6,8,9 | 120676 | SHT V EXT R AAA HDWR | Left - 70 deg V Hangers Only |
| 1H,3-6,8,9 | 120677 | SHT V EXT L AAA HDWR | Right - 70 deg V Hangers Only |
| 1I,3-6,8,9 | 120678 | LNG V EXT R AAA HDWR | Left - 70 deg V Hangers Only |
| 1J,3-6,8,9 | 120679 | LNG V EXT L AAA HDWR | Right - 70 deg V Hangers Only |
| 2A | 500656 | ADULT ANG ADJ F/PLT 10/11" R | RIGHT 10-11" Footrest Width |
| 2A | 500657 | ADULT ANG ADJ F/PLT 10/11" L | LEFT 10-11" Footrest Width |
| 2B | 500658 | ADULT ANG ADJ F/PLT 12/13" R | RIGHT 12-13" Footrest Width |
| 2B | 500659 | ADULT ANG ADJ F/PLT 12/13" L | LEFT 12-13" Footrest Width |

| Pos. | Item Number | Description | Remarks |
|----------------|-------------|-------------------------------------|-----------------------------|
| 2C | 500660 | ADLT ANGL ADJ F/PLT 14/15 | RIGHT 14-15" Footrest Width |
| 2C | 500661 | ADLT ANGL ADJ F/PLT 14/15 | LEFT 14-15" Footrest Width |
| 2D | 500662 | ADLT ANGL ADJ F/PLT 16/17 | RIGHT 16-17" Footrest Width |
| 2D | 500663 | ADLT ANGL ADJ F/PLT 16/17 | LEFT 16-17" Footrest Width |
| 2E | 500664 | ADLT ANGL ADJ F/PLT 18-20 | RIGHT 18-22" Footrest Width |
| 2E | 500665 | ADLT ANGL ADJ F/PLT 18-20 | LEFT 18-22" Footrest Width |
| 3 | 132626 | NUT AUTOMATION M6 X 1.0 | |
| 4 | 106944 | WASHER FLAT THIN AN 1/4 ROHS | |
| 5 | 107199 | HANGER EXTENSION SADDLE | |
| 6 | 104377 | 3/4" SADDLE THIN | |
| 7 | 541002 | FTRST MOUNTING BRKT-3/8 RAD R | RIGHT |
| 7 | 541003 | FTRST MOUNTING BRKT-3/8 RAD L | LEFT |
| 8 | 106945 | WASHER FLAT SAE 1/4 ROHS | |
| 9 | 104399 | SHCS M6X1X45 12 MM PART THD | |
| 10 | 106978 | FHCS 1/4-28 X 7/8 ROHS | |
| 11 | 550350 | 3/4" CLMP ADJ FT PLT | |
| 12 | 106935 | NUT NYLOCK THIN 1/4-28 ROHS | |
| 13 | 104328 | POST HEEL LOOP | |
| 14A | 104380-001 | ADJUSTABLE FOOT REST STRAP | 12 - 14" WIDE |
| 14B | 104380-002 | ADJUSTABLE FOOT REST STRAP | 15 - 16" WIDE |
| 14C | 104380-003 | ADJUSTABLE FOOT REST STRAP | 17 - 18" WIDE |
| 14D | 104380-004 | ADJUSTABLE FOOT REST STRAP | 19 - 20" WIDE |
| 15 | 102268-001 | HHCS M6 X 1 X 25 | |
| 3-6,8,9 | 120659 | EXT MNT HARDWARE 1 SIDE | |
| 16-19 | 107485 | FOOTREST CLAMP ASSM | |
| 20 | 740260 | TOE-ANKLE STRAP ADJ ADULT FOOTPLATE | |
| >>>> | | 80° HANGERS - SHORT EXT - RIGHT | |
| 1A,2B,3-14A,15 | 111534 | AAA STRT SHT EXT ASM 12-13" W R | Right- 80D- 12-13" W- SHORT |
| 1A,2C,3-14B,15 | 107928 | AAA STRT SHT EXT ASM 14-15" W R | Right- 80D- 14-15" W- SHORT |
| 1A,2D,3-14C,15 | 107930 | AAA STRT SHT EXT ASM 16-17" W R | Right- 80D- 16-17" W- SHORT |
| 1A,2E,3-14D,15 | 107932 | AAA STRT SHT EXT ASM 18-22" W R | Right- 80D- 18-22" W- SHORT |
| >>>> | | 80° HANGERS - SHORT EXT - LEFT | |
| 1A,2B,3-14A,15 | 111535 | AAA STRT SHT EXT ASM 12-13" W L | Left- 80D- 12-13" W- SHORT |
| 1A,2C,3-14B,15 | 107935 | AAA STRT SHT EXT ASM 14" W L | Left- 80D- 14-15" W- SHORT |
| 1A,2D,3-14C,15 | 107937 | AAA STRT SHT EXT ASM 16" W L | Left- 80D- 16-17" W- SHORT |
| 1A,2E,3-14D,15 | 107939 | AAA STRT SHT EXT ASM 18" W L | Left- 80D- 18-22" W- SHORT |
| >>>> | | 80° HANGERS - MED EXT - RIGHT | |
| 1B,2B,3-14A,15 | 111536 | AAA STRT MED EXT ASM 12-13" W R | Right- 80D- 12-13" W- MED |
| 1B,2C,3-14B,15 | 107942 | AAA STRT MED EXT ASM 14-15" W R | Right- 80D- 14-15" W- MED |
| 1B,2D,3-14C,15 | 107944 | AAA STRT MED EXT ASM 16-17" W R | Right- 80D- 16-17" W- MED |
| 1B,2E,3-14D,15 | 107946 | AAA STRT MED EXT ASM 18-22" W R | Right- 80D- 18-22" W- MED |
| >>>> | | 80° HANGERS - MED EXT - LEFT | |
| 1B,2B,3-14A,15 | 111537 | AAA STRT MED EXT ASM 12-13" W L | Left- 80D- 12-13" W- MED |
| 1B,2C,3-14B,15 | 107949 | AAA STRT MED EXT ASM 14" W L | Left- 80D- 14-15" W- MED |
| 1B,2D,3-14C,15 | 107951 | AAA STRT MED EXT ASM 16" W L | Left- 80D- 16-17" W- MED |
| 1B,2E,3-14D,15 | 107953 | AAA STRT MED EXT ASM 18" W L | Left- 80D- 18-22" W- MED |
| >>>> | | 80° HANGERS - LONG EXT - RIGHT | |
| 1C,2B,3-14A,15 | 111538 | AAA STRT LNG EXT ASM 12-13" W R | Right- 80D- 12-13" W- LONG |
| 1C,2C,3-14B,15 | 107956 | AAA STRT LNG EXT ASM 14 -15" W R | Right- 80D- 14-15" W- LONG |
| 1C,2D,3-14C,15 | 107958 | AAA STRT LNG EXT ASM 16 -17" W R | Right- 80D- 16-17" W- LONG |
| 1C,2E,3-14D,15 | 107960 | AAA STRT LNG EXT ASM 18 -22" W R | Right- 80D- 18-22" W- LONG |
| >>>> | | 80° HANGERS - LONG EXT - LEFT | |
| 1C,2B,3-14A,15 | 111539 | AAA STRT LNG EXT ASM 12-13" W L | Left- 80D- 12-13" W- LONG |
| 1C,2C,3-14B,15 | 107963 | AAA STRT LNG EXT ASM 14W L | Left- 80D- 14-15" W- LONG |
| 1C,2D,3-14C,15 | 107965 | AAA STRT LNG EXT ASM 16W L | Left- 80D- 16-17" W- LONG |
| 1C,2E,3-14D,15 | 107968 | AAA STRT LNG EXT ASM 18W L | Left- 80D- 18-22" W- LONG |
| >>>> | | 70° HANGERS - SHORT EXT - RIGHT | |

| Pos. | Item Number | Description | Remarks |
|----------------|-------------|------------------------------------|---|
| 1D,2B,3-14A,15 | 111540 | AAA BNT SHT EXT ASM 12-13" W R | Right- 60D,70D,70D HEMI - 12-13" W- SHORT |
| 1D,2C,3-14B,15 | 107973 | AAA BNT SHT EXT ASM 14 -15" W R | Right- 60D,70D,70D HEMI - 14-15" W- SHORT |
| 1D,2D,3-14C,15 | 107975 | AAA BNT SHT EXT ASM 16 -17" W R | Right- 60D,70D,70D HEMI - 16-17" W- SHORT |
| 1D,2E,3-14D,15 | 107977 | AAA BNT SHT EXT ASM 18 -22" W R | Right- 60D,70D,70D HEMI - 18-22" W- SHORT |
| >>>> | | 70° HANGERS - SHORT EXT - LEFT | |
| 1D,2B,3-14A,15 | 111541 | AAA BNT SHT EXT ASM 12-13" W L | Left- 60D,70D,70D HEMI - 12-13" W- SHORT |
| 1D,2C,3-14B,15 | 107980 | AAA BNT SHT EXT ASM 14 -15" W L | Left- 60D,70D,70D HEMI - 14-15" W- SHORT |
| 1D,2D,3-14C,15 | 107982 | AAA BNT SHT EXT ASM 16 -17" W L | Left- 60D,70D,70D HEMI - 16-17" W- SHORT |
| 1D,2E,3-14D,15 | 107984 | AAA BNT SHT EXT ASM 18 -22" W L | Left- 60D,70D,70D HEMI - 18-22" W- SHORT |
| >>>> | | 70° HANGERS - MED EXT - RIGHT | |
| 1E,2B,3-14A,15 | 111542 | AAA BNT MED EXT ASM 12-13" W R | Right- 60D,70D,70D HEMI - 12-13" W- MED |
| 1E,2C,3-14B,15 | 107987 | AAA BNT MED EXT ASM 14 -15" W R | Right- 60D,70D,70D HEMI - 14-15" W- MED |
| 1E,2D,3-14C,15 | 107989 | AAA BNT MED EXT ASM 16 -17" W R | Right- 60D,70D,70D HEMI - 16-17" W- MED |
| 1E,2E,3-14D,15 | 107991 | AAA BNT MED EXT ASM 18 -22" W R | Right- 60D,70D,70D HEMI - 18-22" W- MED |
| >>>> | | 70° HANGERS - MED EXT - LEFT | |
| 1E,2B,3-14A,15 | 111543 | AAA BNT MED EXT ASM 12-13" W L | Left- 60D,70D,70D HEMI - 12-13" W- MED |
| 1E,2C,3-14B,15 | 107994 | AAA BNT MED EXT ASM 14 -15" W L | Left- 60D,70D,70D HEMI - 14-15" W- MED |
| 1E,2D,3-14C,15 | 107996 | AAA BNT MED EXT ASM 16 -17" W L | Left- 60D,70D,70D HEMI - 16-17" W- MED |
| 1E,2E,3-14D,15 | 107998 | AAA BNT MED EXT ASM 18 -22" W L | Left- 60D,70D,70D HEMI - 18-22" W- MED |
| >>>> | | 70° HANGERS - LONG EXT - RIGHT | |
| 1F,2B,3-14A,15 | 111544 | AAA BNT LONG EXT ASM 12-13" W R | Right- 60D,70D,70D HEMI - 12-13" W- LONG |
| 1F,2C,3-14B,15 | 108001 | AAA BNT LONG EXT ASM 14 -15" W R | Right- 60D,70D,70D HEMI - 14-15" W- LONG |
| 1F,2D,3-14C,15 | 108003 | AAA BNT LONG EXT ASM 16 -17" W R | Right- 60D,70D,70D HEMI - 16-17" W- LONG |
| 1F,2E,3-14D,15 | 108005 | AAA BNT LONG EXT ASM 18 -22" W R | Right- 60D,70D,70D HEMI - 18-22" W- LONG |
| >>>> | | 70° HANGERS - LONG EXT - LEFT | |
| 1F,2B,3-14A,15 | 111545 | AAA BNT LONG EXT ASM 12-13" W L | Left- 60D,70D,70D HEMI - 12-13" W- LONG |
| 1F,2C,3-14B,15 | 108008 | AAA BNT LONG EXT ASM 14 -15" W L | Left- 60D,70D,70D HEMI - 14-15" W- LONG |
| 1F,2D,3-14C,15 | 108010 | AAA BNT LONG EXT ASM 16 -17" W L | Left- 60D,70D,70D HEMI - 16-17" W- LONG |
| 1F,2E,3-14D,15 | 108012 | AAA BNT LONG EXT ASM 18 -22" W L | Left- 60D,70D,70D HEMI - 18-22" W- LONG |
| >>>> | | 70° "V" HANGERS - MED EXT - RIGHT | |
| 1G,2A,3-15 | 111546 | AAA V MED EXT ASM 10-11" W R | Right- 70D V hangers only 10-11" W- MED |
| 1G,2B,3-15 | 111548 | AAA V MED EXT ASM 12-13" W R | Right- 70D V hangers only 12-13" W- MED |
| 1G,2C,3-15 | 108015 | AAA V MED EXT ASM 14 -15" W R | Right- 70D V hangers only 14-15" W- MED |
| 1G,2D,3-15 | 108017 | AAA V MED EXT ASM 16 -17" W R | Right- 70D V hangers only 16-18" W- MED |
| 1G,2E,3-15 | 108019 | AAA V MED EXT ASM 18 -18" W R | Right- 70D V hangers only 18-22" W- MED |
| >>>> | | 70° "V" HANGERS - MED EXT - LEFT | |
| 1G,2A,3-15 | 111547 | AAA V MED EXT ASM 10-11" W L | Left- 70D V hangers only 10-11" W- MED |
| 1G,2B,3-15 | 111549 | AAA V MED EXT ASM 12-13" W L | Left- 70D V hangers only 12-13" W- MED |
| 1G,2C,3-15 | 108022 | AAA V MED EXT ASM 14 -15"W L | Left- 70D V hangers only 14-15" W- MED |
| 1G,2D,3-15 | 108024 | AAA V MED EXT ASM 16 -17" W L | Left- 70D V hangers only 16-18" W- MED |
| 1G,2E,3-15 | 108026 | AAA V MED EXT ASM 18 -22: W L | Left- 70D V hangers only 18-22" W- MED |
| >>>> | | 70° "V" HANGERS - LONG EXT - RIGHT | |
| 1H,2A,3-15 | 111550 | AAA V LONG EXT ASM 10-11" W R | Right- 70D V hangers only 10-11" W- LONG |
| 1H,2B,3-15 | 111552 | AAA V LONG EXT ASM 12-13" W R | Right- 70D V hangers only 12-13" W- LONG |
| 1H,2C,3-15 | 108029 | AAA V LONG EXT ASM 14 -15" W R | Right- 70D V hangers only 14-15" W- LONG |
| 1H,2D,3-15 | 108031 | AAA V LONG EXT ASM 16 -17" W R | Right- 70D V hangers only 16-18" W- LONG |
| 1H,2E,3-15 | 108033 | AAA V LONG EXT ASM 18 -22: W R | Right- 70D V hangers only 18-22" W- LONG |
| >>>> | | 70° "V" HANGERS - LONG EXT - LEFT | |
| 1H,2A,3-15 | 111551 | AAA V LONG EXT ASM 10-11" W L | Left- 70D V hangers only 10-11" W- LONG |
| 1H,2B,3-15 | 111553 | AAA V LONG EXT ASM 12-13" W L | Left- 70D V hangers only 12-13" W- LONG |
| 1H,2C,3-15 | 108036 | AAA V LONG EXT ASM 14 -15" W L | Left- 70D V hangers only 14-15" W- LONG |
| 1H,2D,3-15 | 108038 | AAA V LONG EXT ASM 16 -17" W L | Left- 70D V hangers only 16-18" W- LONG |
| 1H,2E,3-15 | 108040 | AAA V LONG EXT ASM 18 -22" W L | Left- 70D V hangers only 18-22" W- LONG |
| | | Ship assembled part # | Use with multiple assemblies |
| | ASSY-HNG-FP | HANGER/FOOTPLATE ASSY REQUIRED | add with Hanger & Footplate kit |

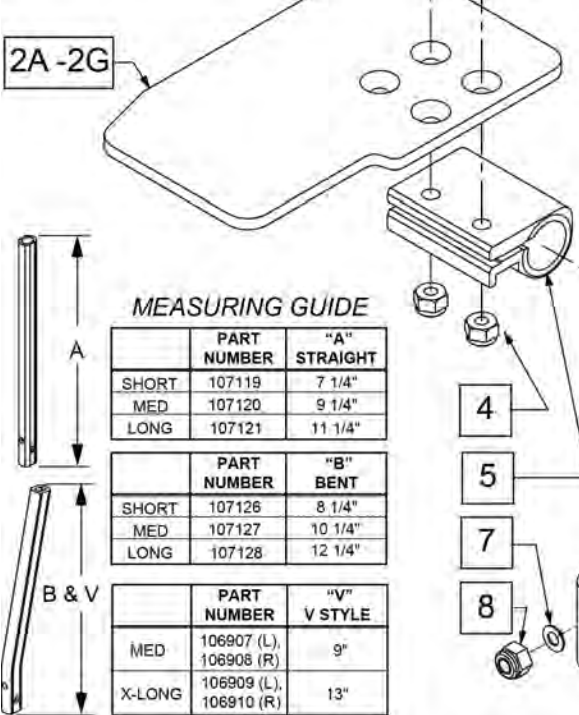
NOTE: FOOTPLATE ASSEMBLIES ARE SET TO FOOTREST WIDTH. PLEASE SEE "FOOTPLATE FORMULA" TABLE FOR SEAT WIDTH CONVERSION.

NOTE: ZIPPIE IRIS (ZRS&ZRSE) AND ZIPPIE TS (Z1A&Z1SE) ONLY USE STRAIGHT EXTENSION TUBE.

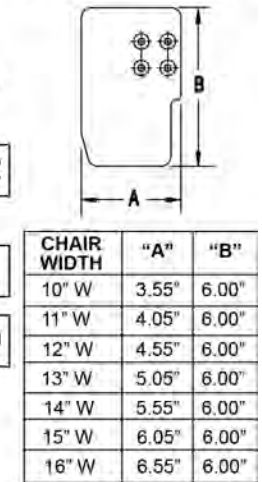
FOOTPLATE FORMULA
 0" Inset (Seat Width) = Footrest Width
 1" Inset (Seat Width) -2 = Footrest Width
 V Hanger (Seat Width) -4 = Footrest Width
 Offset Hanger Receiver (Seat Width) +2" = Footrest Width

To have complete Footrest ship assembled, choose compatible Hanger + Footplate part numbers and add "ASSY-HNG-FP" to order

| Kids Angle Adjustable "KAA" Footplates w/ Ext. for Swing I/O Hangers -leg strap not included | | | | | | | | | |
|--|--|--------|--------|---------------------------------------|--------|--------|---------------------|--------|--|
| (Order 1 each) | | | | | | | | | |
| Ext. Tube | 60°, 70° & 70° Hemi Style Hangers (Bent Extension) | | | 80° Style Hanger (Straight Extension) | | | 70° V Style Hangers | | |
| | Short | Med | Long | Short | Med | Long | Med | Long | |
| 10" Right | NOT AVAILABLE IN THESE WIDTHS | | | NOT AVAILABLE IN THESE WIDTHS | | | 111370 | 111384 | |
| 10" Left | NOT AVAILABLE IN THESE WIDTHS | | | NOT AVAILABLE IN THESE WIDTHS | | | 111377 | 111391 | |
| 11" Right | | | | | | | 111371 | 111385 | |
| 11" Left | | | | | | | 111378 | 111392 | |
| 12" Right | 111340 | 111350 | 111360 | 111310 | 111320 | 111330 | 111372 | 111386 | |
| 12" Left | 111345 | 111355 | 111365 | 111315 | 111325 | 111335 | 111379 | 111393 | |
| 13" Right | 111341 | 111351 | 111361 | 111311 | 111321 | 111331 | 111373 | 111387 | |
| 13" Left | 111346 | 111356 | 111366 | 111316 | 111326 | 111336 | 111380 | 111394 | |
| 14" Right | 111342 | 111352 | 111362 | 111312 | 111322 | 111332 | 111374 | 111388 | |
| 14" Left | 111347 | 111357 | 111367 | 111317 | 111327 | 111337 | 111381 | 111395 | |
| 15" Right | 111343 | 111353 | 111363 | 111313 | 111323 | 111333 | 111375 | 111389 | |
| 15" Left | 111348 | 111358 | 111368 | 111318 | 111328 | 111338 | 111382 | 111396 | |
| 16" Right | 111344 | 111354 | 111364 | 111314 | 111324 | 111334 | 111376 | 111390 | |
| 16" Left | 111349 | 111359 | 111369 | 111319 | 111329 | 111339 | 111383 | 111397 | |



MEASURING GUIDE

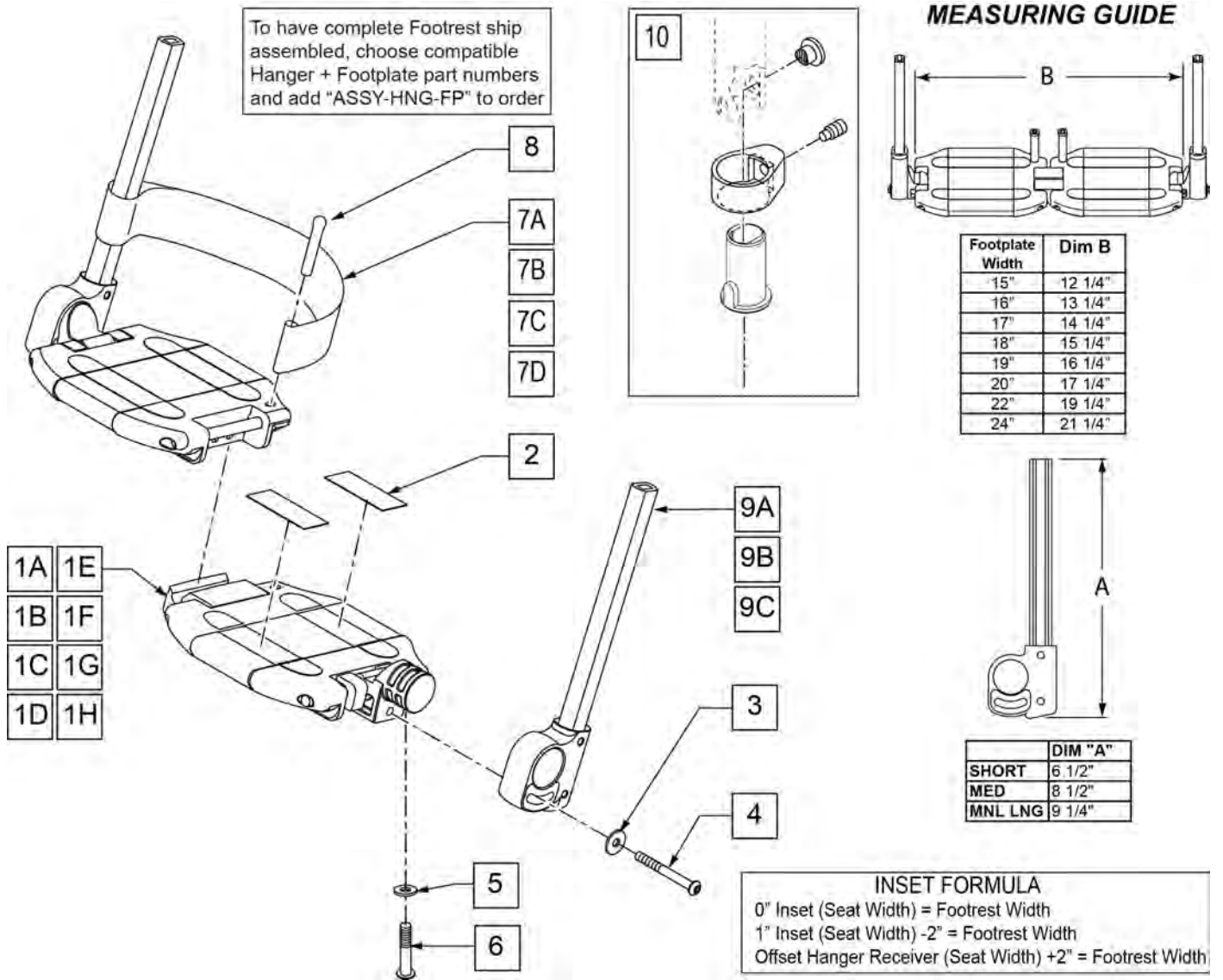


| Pos. | Item Number | Description | Remarks |
|------|-------------|----------------------------------|-----------------------------|
| 1A | 107119 | TUBE FOOTREST EXT STRAIGHT SHORT | 80 deg hangers only |
| 1B | 107120 | TUBE FOOTREST EXT STRAIGHT MED | 80 deg hangers only |
| 1C | 107121 | TUBE FOOTREST EXT STRAIGHT LONG | 80 deg hangers only |
| 1D | 107126 | TUBE FOOTREST EXT SHORT | 60,70,70 Hemi Hangers |
| 1E | 107127 | TUBE FOOTREST EXT MED | 60,70,70 Hemi Hangers |
| 1F | 107128 | TUBE FOOTREST EXT LONG | 60,70,70 Hemi Hangers |
| 1G | 106907 | EXT TUBE V ONLY D2 MED LEFT | 70 deg V hangers only-LEFT |
| 1G | 106908 | EXT TUBE V ONLY D2 MED RIGHT | 70 deg V hangers only-RIGHT |
| 1H | 106909 | EXT TUBE V ONLY D2 X-LONG LEFT | 70 deg V hangers only-LEFT |
| 1H | 106910 | EXT TUBE V ONLY D2 X-LONG RIGHT | 70 deg V hangers only-RIGHT |

| Pos. | Item Number | Description | Remarks |
|------------|-------------|----------------------------------|------------------------------|
| 2A | 500635 | KIDS ANGL ADJ F/PLT 10" R | RIGHT -10" Footrest Width |
| 2A | 500636 | KIDS ANGL ADJ F/PLT 10" L | LEFT -10" Footrest Width |
| 2B | 500637 | KIDS ANGL ADJ F/PLT 11" R | RIGHT -11" Footrest Width |
| 2B | 500638 | KIDS ANGL ADJ F/PLT 11" L | LEFT -11" Footrest Width |
| 2C | 500639 | KIDS ANGL ADJ F/PLT 12" R | RIGHT -12" Footrest Width |
| 2C | 500640 | KIDS ANGL ADJ F/PLT 12" L | LEFT -12" Footrest Width |
| 2D | 500641 | KIDS ANGL ADJ F/PLT 13" R | RIGHT -13" Footrest Width |
| 2D | 500642 | KIDS ANGL ADJ F/PLT 13" L | LEFT -13" Footrest Width |
| 2E | 500643 | KIDS ANGL ADJ F/PLT 14" R | RIGHT -14" Footrest Width |
| 2E | 500644 | KIDS ANGL ADJ F/PLT 14" L | LEFT -14" Footrest Width |
| 2F | 500645 | KIDS ANGL ADJ F/PLT 15" R | RIGHT -15" Footrest Width |
| 2F | 500646 | KIDS ANGL ADJ F/PLT 15" L | LEFT -15" Footrest Width |
| 2G | 500647 | KIDS ANGL ADJ F/PLT 16" R | RIGHT -16" Footrest Width |
| 2G | 500648 | KIDS ANGL ADJ F/PLT 16" L | LEFT -16" Footrest Width |
| 3 | 106978 | FHCS 1/4 -28 x 7/8 ROHS | |
| 4 | 106935 | NUT NYLOCK THIN 1/4-28 ROHS | |
| 5 | 550350 | 3/4" CLAMP ADJ FT PLT | |
| 6 | 107199 | HANGER EXTENSION SADDLE | |
| 7 | 106944 | WASHER FLAT THIN AN 1/4 ROHS | |
| 8 | 132626 | NUT AUTOMATION M6 x 1.0 | |
| 9 | 104377 | 3/4" SADDLE THIN | |
| 10 | 541002 | FOOTREST MOUNTING BRKT 3/8 RAD R | RIGHT |
| 10 | 541003 | FOOTREST MOUNTING BRKT 3/8 RAD L | LEFT |
| 11 | 106945 | WASHER FLAT SAE 1/4 ROHS | |
| 12 | 104399 | SHCS M6 x 1 x 45 12mm PART THD | |
| 1A,2C,3-12 | 111310 | KAA STRT SHT EXT ASM 12W R | RIGHT- 80D- 12 W- SHORT |
| 1A,2D,3-12 | 111311 | KAA STRT SHT EXT ASM 13W R | RIGHT- 80D- 13 W- SHORT |
| 1A,2E,3-12 | 111312 | KAA STRT SHT EXT ASM 14W R | RIGHT- 80D- 14 W- SHORT |
| 1A,2F,3-12 | 111313 | KAA STRT SHT EXT ASM 15W R | RIGHT- 80D- 15 W- SHORT |
| 1A,2G,3-12 | 111314 | KAA STRT SHT EXT ASM 16W R | RIGHT- 80D- 16 W- SHORT |
| 1A,2C,3-12 | 111315 | KAA STRT SHT EXT ASM 12W L | LEFT- 80D- 12 W- SHORT |
| 1A,2D,3-12 | 111316 | KAA STRT SHT EXT ASM 13W L | LEFT- 80D- 13 W- SHORT |
| 1A,2E,3-12 | 111317 | KAA STRT SHT EXT ASM 14W L | LEFT- 80D- 14 W- SHORT |
| 1A,2F,3-12 | 111318 | KAA STRT SHT EXT ASM 15W L | LEFT- 80D- 15 W- SHORT |
| 1A,2G,3-12 | 111319 | KAA STRT SHT EXT ASM 16W L | LEFT- 80D- 16 W- SHORT |
| 1B,2C,3-12 | 111320 | KAA STRT MED EXT ASM 12W R | RIGHT- 80D- 12 W- MED |
| 1B,2D,3-12 | 111321 | KAA STRT MED EXT ASM 13W R | RIGHT- 80D- 13 W- MED |
| 1B,2E,3-12 | 111322 | KAA STRT MED EXT ASM 14W R | RIGHT- 80D- 14 W- MED |
| 1B,2F,3-12 | 111323 | KAA STRT MED EXT ASM 15W R | RIGHT- 80D- 15 W- MED |
| 1B,2G,3-12 | 111324 | KAA STRT MED EXT ASM 16W R | RIGHT- 80D- 16 W- MED |
| 1B,2C,3-12 | 111325 | KAA STRT MED EXT ASM 12W L | LEFT- 80D- 12 W- MED |
| 1B,2D,3-12 | 111326 | KAA STRT MED EXT ASM 13W L | LEFT- 80D- 13 W- MED |
| 1B,2E,3-12 | 111327 | KAA STRT MED EXT ASM 14W L | LEFT- 80D- 14 W- MED |
| 1B,2F,3-12 | 111328 | KAA STRT MED EXT ASM 15W L | LEFT- 80D- 15 W- MED |
| 1B,2G,3-12 | 111329 | KAA STRT MED EXT ASM 16W L | LEFT- 80D- 16 W- MED |
| 1C,2C,3-12 | 111330 | KAA STRT LNG EXT ASM 12W R | RIGHT- 80D- 12 W- LONG |
| 1C,2D,3-12 | 111331 | KAA STRT LNG EXT ASM 13W R | RIGHT- 80D- 13 W- LONG |
| 1C,2E,3-12 | 111332 | KAA STRT LNG EXT ASM 14W R | RIGHT- 80D- 14 W- LONG |
| 1C,2F,3-12 | 111333 | KAA STRT LNG EXT ASM 15W R | RIGHT- 80D- 15 W- LONG |
| 1C,2G,3-12 | 111334 | KAA STRT LNG EXT ASM 16W R | RIGHT- 80D- 16 W- LONG |
| 1C,2C,3-12 | 111335 | KAA STRT LNG EXT ASM 12W L | LEFT- 80D- 12 W- LONG |
| 1C,2D,3-12 | 111336 | KAA STRT LNG EXT ASM 13W L | LEFT- 80D- 13 W- LONG |
| 1C,2E,3-12 | 111337 | KAA STRT LNG EXT ASM 14W L | LEFT- 80D- 14 W- LONG |
| 1C,2F,3-12 | 111338 | KAA STRT LNG EXT ASM 15W L | LEFT- 80D- 15 W- LONG |
| 1C,2G,3-12 | 111339 | KAA STRT LNG EXT ASM 16W L | LEFT- 80D- 16 W- LONG |
| 1D,2C,3-12 | 111340 | KAA BNT SHT EXT ASM 12W R | RIGHT- 60 & 70D- 12 W- SHORT |
| 1D,2D,3-12 | 111341 | KAA BNT SHT EXT ASM 13W R | RIGHT- 60 & 70D- 13 W- SHORT |

| Pos. | Item Number | Description | Remarks |
|------------|-------------|---------------------------|--------------------------------------|
| 1D,2E,3-12 | 111342 | KAA BNT SHT EXT ASM 14W R | RIGHT- 60 & 70D- 14 W- SHORT |
| 1D,2F,3-12 | 111343 | KAA BNT SHT EXT ASM 15W R | RIGHT- 60 & 70D- 15 W- SHORT |
| 1D,2G,3-12 | 111344 | KAA BNT SHT EXT ASM 16W R | RIGHT- 60 & 70D- 16 W- SHORT |
| 1D,2C,3-12 | 111345 | KAA BNT SHT EXT ASM 12W L | LEFT- 70D- 12 W- SHORT |
| 1D,2D,3-12 | 111346 | KAA BNT SHT EXT ASM 13W L | LEFT- 70D- 13 W- SHORT |
| 1D,2E,3-12 | 111347 | KAA BNT SHT EXT ASM 14W L | LEFT- 70D- 14 W- SHORT |
| 1D,2F,3-12 | 111348 | KAA BNT SHT EXT ASM 15W L | LEFT- 70D- 15 W- SHORT |
| 1D,2G,3-12 | 111349 | KAA BNT SHT EXT ASM 16W L | LEFT- 70D- 16 W- SHORT |
| 1E,2C,3-12 | 111350 | KAA BNT MED EXT ASM 12W R | RIGHT- 70D- 12 W- MED |
| 1E,2D,3-12 | 111351 | KAA BNT MED EXT ASM 13W R | RIGHT- 70D- 13 W- MED |
| 1E,2E,3-12 | 111352 | KAA BNT MED EXT ASM 14W R | RIGHT- 60 & 70D- 14 W- MED |
| 1E,2F,3-12 | 111353 | KAA BNT MED EXT ASM 15W R | RIGHT- 60 & 70D- 15 W- MED |
| 1E,2G,3-12 | 111354 | KAA BNT MED EXT ASM 16W R | RIGHT- 60 & 70D- 16 W- MED |
| 1E,2C,3-12 | 111355 | KAA BNT MED EXT ASM 12W L | LEFT- 60 & 70D- 12 W- MED |
| 1E,2D,3-12 | 111356 | KAA BNT MED EXT ASM 13W L | LEFT- 60 & 70D- 13 W- MED |
| 1E,2E,3-12 | 111357 | KAA BNT MED EXT ASM 14W L | LEFT- 60 & 70D- 14 W- MED |
| 1E,2F,3-12 | 111358 | KAA BNT MED EXT ASM 15W L | LEFT- 60 & 70D- 15 W- MED |
| 1E,2G,3-12 | 111359 | KAA BNT MED EXT ASM 16W L | LEFT- 60 & 70D- 16 W- MED |
| 1F,2C,3-12 | 111360 | KAA BNT LNG EXT ASM 12W R | RIGHT- 60 & 70D- 12 W- LONG |
| 1F,2D,3-12 | 111361 | KAA BNT LNG EXT ASM 13W R | RIGHT- 60 & 70D- 13 W- LONG |
| 1F,2E,3-12 | 111362 | KAA BNT LNG EXT ASM 14W R | RIGHT- 60 & 70D- 14 W- LONG |
| 1F,2F,3-12 | 111363 | KAA BNT LNG EXT ASM 15W R | RIGHT- 60 & 70D- 15 W- LONG |
| 1F,2G,3-12 | 111364 | KAA BNT LNG EXT ASM 16W R | RIGHT- 60 & 70D- 16 W- LONG |
| 1F,2C,3-12 | 111365 | KAA BNT LNG EXT ASM 12W L | LEFT- 60 & 70D- 12 W- LONG |
| 1F,2D,3-12 | 111366 | KAA BNT LNG EXT ASM 13W L | LEFT- 60 & 70D- 13 W- LONG |
| 1F,2E,3-12 | 111367 | KAA BNT LNG EXT ASM 14W L | LEFT- 60 & 70D- 14 W- LONG |
| 1F,2F,3-12 | 111368 | KAA BNT LNG EXT ASM 15W L | LEFT- 60 & 70D- 15 W- LONG |
| 1F,2G,3-12 | 111369 | KAA BNT LNG EXT ASM 16W L | LEFT- 60 & 70D- 16 W- LONG |
| 1G,2A,3-12 | 111370 | KAA V MED EXT ASM 10W R | RIGHT- 70D V hangers only 10 W- MED |
| 1G,2B,3-12 | 111371 | KAA V MED EXT ASM 11W R | RIGHT- 70D V hangers only 11 W- MED |
| 1G,2C,3-12 | 111372 | KAA V MED EXT ASM 12W R | RIGHT- 70D V hangers only 12 W- MED |
| 1G,2D,3-12 | 111373 | KAA V MED EXT ASM 13W R | RIGHT- 70D V hangers only 13 W- MED |
| 1G,2E,3-12 | 111374 | KAA V MED EXT ASM 14W R | RIGHT- 70D V hangers only 14 W- MED |
| 1G,2F,3-12 | 111375 | KAA V MED EXT ASM 15W R | RIGHT- 70D V hangers only 15 W- MED |
| 1G,2G,3-12 | 111376 | KAA V MED EXT ASM 16W R | RIGHT- 70D V hangers only 16 W- MED |
| 1G,2A,3-12 | 111377 | KAA V MED EXT ASM 10W L | LEFT- 70D V hangers only 10 W- MED |
| 1G,2B,3-12 | 111378 | KAA V MED EXT ASM 11W L | LEFT- 70D V hangers only 11 W- MED |
| 1G,2C,3-12 | 111379 | KAA V MED EXT ASM 12W L | LEFT- 70D V hangers only 12 W- MED |
| 1G,2D,3-12 | 111380 | KAA V MED EXT ASM 13W L | LEFT- 70D V hangers only 13 W- MED |
| 1G,2E,3-12 | 111381 | KAA V MED EXT ASM 14W L | LEFT- 70D V hangers only 14 W- MED |
| 1G,2F,3-12 | 111382 | KAA V MED EXT ASM 15W L | LEFT- 70D V hangers only 15 W- MED |
| 1G,2G,3-12 | 111383 | KAA V MED EXT ASM 16W L | LEFT- 70D V hangers only 16 W- MED |
| 1H,2A,3-12 | 111384 | KAA V LNG EXT ASM 10W R | RIGHT- 70D V hangers only 10 W- LONG |
| 1H,2B,3-12 | 111385 | KAA V LNG EXT ASM 11W R | RIGHT- 70D V hangers only 11 W- LONG |
| 1H,2C,3-12 | 111386 | KAA V LNG EXT ASM 12W R | RIGHT- 70D V hangers only 12 W- LONG |
| 1H,2D,3-12 | 111387 | KAA V LNG EXT ASM 13W R | RIGHT- 70D V hangers only 13 W- LONG |
| 1H,2E,3-12 | 111388 | KAA V LNG EXT ASM 14W R | RIGHT- 70D V hangers only 14 W- LONG |
| 1H,2F,3-12 | 111389 | KAA V LNG EXT ASM 15W R | RIGHT- 70D V hangers only 15 W- LONG |
| 1H,2G,3-12 | 111390 | KAA V LNG EXT ASM 16W R | RIGHT- 70D V hangers only 16 W- LONG |
| 1H,2A,3-12 | 111391 | KAA V LNG EXT ASM 10W L | LEFT- 70D V hangers only 10 W- LONG |
| 1H,2B,3-12 | 111392 | KAA V LNG EXT ASM 11W L | LEFT- 70D V hangers only 11 W- LONG |
| 1H,2C,3-12 | 111393 | KAA V LNG EXT ASM 12W L | LEFT- 70D V hangers only 12 W- LONG |
| 1H,2D,3-12 | 111394 | KAA V LNG EXT ASM 13W L | LEFT- 70D V hangers only 13 W- LONG |
| 1H,2E,3-12 | 111395 | KAA V LNG EXT ASM 14W L | LEFT- 70D V hangers only 14 W- LONG |
| 1H,2F,3-12 | 111396 | KAA V LNG EXT ASM 15W L | LEFT- 70D V hangers only 15 W- LONG |
| 1H,2G,3-12 | 111397 | KAA V LNG EXT ASM 16W L | LEFT- 70D V hangers only 16 W- LONG |
| | | Ship assembled part # | Use with multiple assemblies |

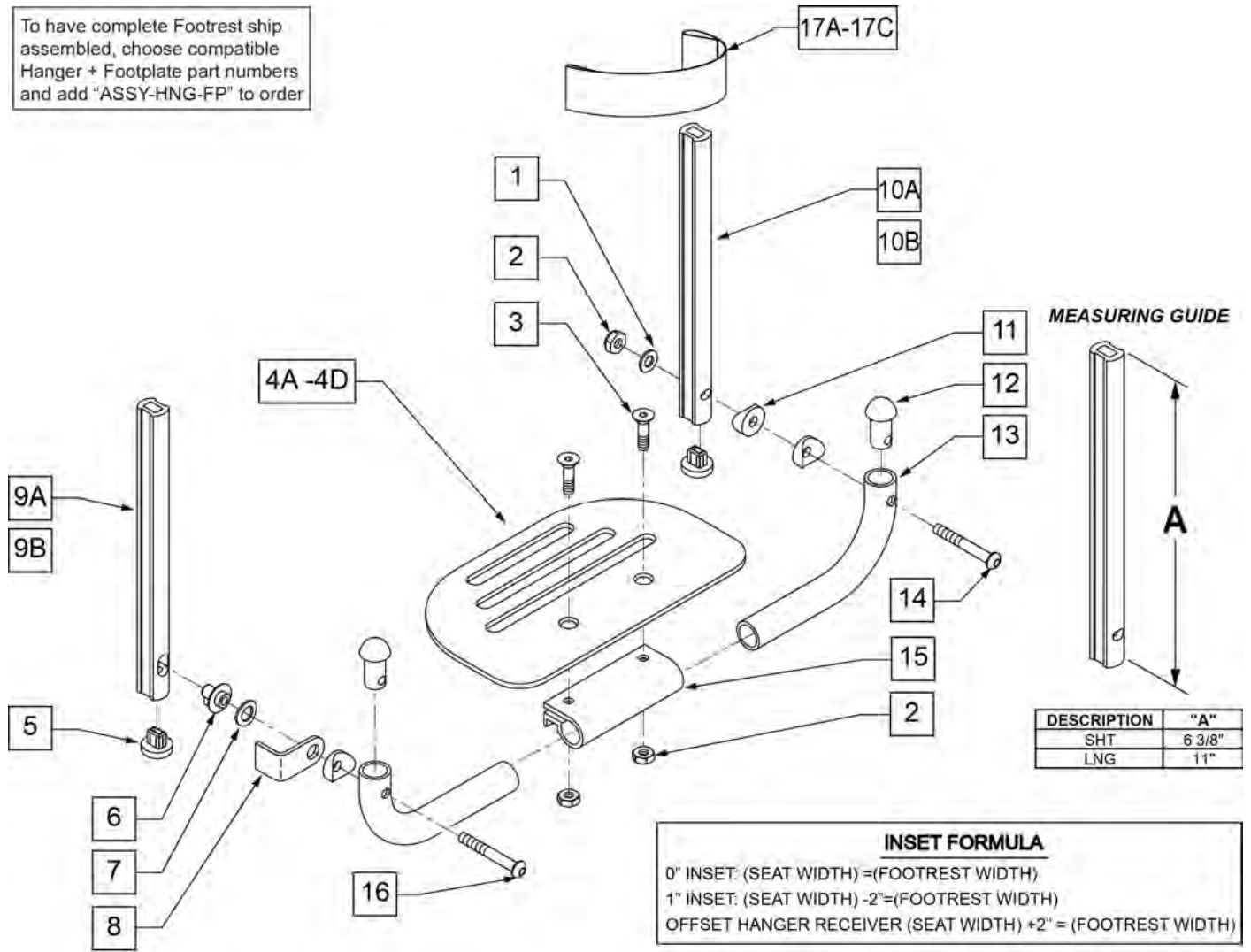
| Pos. | Item Number | Description | Remarks |
|------|-------------|--------------------------------|---------------------------------|
| | ASSY-HNG-FP | HANGER/FOOTPLATE ASSY REQUIRED | add with Hanger & Footplate kit |



| Pos. | Item Number | Description | Remarks |
|-----------|-------------|-------------------------------------|---------------------------|
| 2 | 360010 | FOOT BOARD SKID TAPE | |
| 3 | 250070 | M6 WASHER | |
| 4 | 210000 | M6 x 55 8.8 BUTTON HD CAP SCRW | |
| 5 | 106944 | 1/4 AN WASHER FLAT THIN | |
| 6 | 106958 | 1/4-20 x 1 HEX C/S | |
| 7A | 741151 | HEEL LOOP 14-15 CMPST EA 13.24 44 | 15" Footrest Width |
| 7B | 741156 | HEEL LOOP 18-20 CMPST HEMI | 16 -17" Footrest Width |
| 7C | 741153 | HEEL LOOP 18-20 CMPST/14-15 ANG ADJ | 18 -20" Footrest Width |
| 7D | 741253 | HEEL LOOP ADLT ADJ F/PLT 18-20 | 21 & 22" Footrest Width |
| 8 | 561040 | HEEL LOOP PEG | |
| 9A | 109780 | EXT TUBE PLTFRM SMALL ASSM | SMALL EXT |
| 9B | 109781 | EXT TUBE PLTFRM MEDIUM ASSM | MEDIUM EXT |
| 9C | 109782 | EXT TUBE PLTFRM LONG ASSM | LONG EXT |
| 10 | 107485 | FOOTREST CLAMP ASSM | |
| 1A,2-7A,8 | 820620 | LOCKING FTPLT 15" W LEFT | Left -15" Footrest Width |
| 1A,2-7A,8 | 820621 | LOCKING FTPLT 15" W RIGHT | Right -15" Footrest Width |
| 1B,2-7B,8 | 820622 | LOCKING FTPLT 16" W LEFT | Left -16" Footrest Width |

| Pos. | Item Number | Description | Remarks |
|--------------|-------------|----------------------------------|---------------------------------|
| 1B,2-7B,8 | 820623 | LOCKING FTPLT 16" W RIGHT | Right -16" Footrest Width |
| 1C,2-7B,8 | 820624 | LOCKING FTPLT 17" W LEFT | Left -17" Footrest Width |
| 1C,2-7B,8 | 820625 | LOCKING FTPLT 17" W RIGHT | Right -17" Footrest Width |
| 1D,2-7C,8 | 820626 | LOCKING FTPLT 18" W LEFT | Left -18" Footrest Width |
| 1D,2-7C,8 | 820627 | LOCKING FTPLT 18" W RIGHT | Right -18" Footrest Width |
| 1E,2-7C,8 | 820628 | LOCKING FTPLT 19" W LEFT | Left -19" Footrest Width |
| 1E,2-7C,8 | 820629 | LOCKING FTPLT 19" W RIGHT | Right -19" Footrest Width |
| 1F,2-7C,8 | 820630 | LOCKING FTPLT 20" W LEFT | Left -20" Footrest Width |
| 1F,2-7C,8 | 820631 | LOCKING FTPLT 20" W RIGHT | Right -20" Footrest Width |
| 1H,2-7D,8 | 820632 | LOCKING FTPLT 22" W LEFT | Left -22" Footrest Width |
| 1H,2-7D,8 | 820633 | LOCKING FTPLT 22" W RIGHT | Right -22" Footrest Width |
| | | FOOTPLATE W/ SMALL EXT | |
| 1A,2-7A,8,9A | 109783 | 15" W LOCKING F/PLT SMALL EXT HL | Small Ext 15" Footrest Width |
| 1B,2-7B,8,9A | 109787 | 16" W LOCKING F/PLT SMALL EXT HL | Small Ext 16" Footrest Width |
| 1C,2-7B,8,9A | 109790 | 17" W LOCKING F/PLT SMALL EXT HL | Small Ext 17" Footrest Width |
| 1D,2-7C,8,9A | 109793 | 18" W LOCKING F/PLT SMALL EXT HL | Small Ext 18" Footrest Width |
| 1E,2-7C,8,9A | 109796 | 19" W LOCKING F/PLT SMALL EXT HL | Small Ext 19" Footrest Width |
| 1F,2-7C,8,9A | 109799 | 20" W LOCKING F/PLT SMALL EXT HL | Small Ext 20" Footrest Width |
| 1G,2-7D,8,9A | 109802 | 21" W LOCKING F/PLT SMALL EXT HL | Small Ext 21" Footrest Width |
| 1H,2-7D,8,9A | 109805 | 22" W LOCKING F/PLT SMALL EXT HL | Small Ext 22" Footrest Width |
| | | FOOTPLATE W/ MED EXT | |
| 1A,2-7A,8,9B | 109784 | 15" W LOCKING F/PLT MED EXT HL | Med Ext 15" Footrest Width |
| 1B,2-7B,8,9B | 109788 | 16" W LOCKING F/PLT MED EXT HL | Med Ext 16" Footrest Width |
| 1C,2-7B,8,9B | 109791 | 17" W LOCKING F/PLT MED EXT HL | Med Ext 17" Footrest Width |
| 1D,2-7C,8,9B | 109794 | 18" W LOCKING F/PLT MED EXT HL | Med Ext 18" Footrest Width |
| 1E,2-7C,8,9B | 109797 | 19" W LOCKING F/PLT MED EXT HL | Med Ext 19" Footrest Width |
| 1F,2-7C,8,9B | 109800 | 20" W LOCKING F/PLT MED EXT HL | Med Ext 20" Footrest Width |
| 1G,2-7D,8,9B | 109803 | 21" W LOCKING F/PLT MED EXT HL | Med Ext 21" Footrest Width |
| 1H,2-7D,8,9B | 109806 | 22" W LOCKING F/PLT MED EXT HL | Med Ext 22" Footrest Width |
| | | FOOTPLATE W/ LONG EXT | |
| 1A,2-7A,8,9C | 109786 | 15" W LOCKING F/PLT LONG EXT HL | Long Ext 15" Footrest Width |
| 1B,2-7B,8,9C | 109789 | 16" W LOCKING F/PLT LONG EXT HL | Long Ext 16" Footrest Width |
| 1C,2-7B,8,9C | 109792 | 17" W LOCKING F/PLT LONG EXT HL | Long Ext 17" Footrest Width |
| 1D,2-7C,8,9C | 109795 | 18" W LOCKING F/PLT LONG EXT HL | Long Ext 18" Footrest Width |
| 1E,2-7C,8,9C | 109798 | 19" W LOCKING F/PLT LONG EXT HL | Long Ext 19" Footrest Width |
| 1F,2-7C,8,9C | 109801 | 20" W LOCKING F/PLT LONG EXT HL | Long Ext 20" Footrest Width |
| 1G,2-7D,8,9C | 109804 | 21" W LOCKING F/PLT LONG EXT HL | Long Ext 21" Footrest Width |
| 1H,2-7D,8,9C | 109807 | 22" W LOCKING F/PLT LONG EXT HL | Long Ext 22" Footrest Width |
| | | Ship assembled part # | Use with multiple assemblies |
| | ASSY-HNG-FP | HANGER/FOOTPLATE ASSY REQUIRED | add with Hanger & Footplate kit |

To have complete Footrest ship assembled, choose compatible Hanger + Footplate part numbers and add "ASSY-HNG-FP" to order



INSET FORMULA
 0" INSET: (SEAT WIDTH) =(FOOTREST WIDTH)
 1" INSET: (SEAT WIDTH) -2"=(FOOTREST WIDTH)
 OFFSET HANGER RECEIVER (SEAT WIDTH) +2" = (FOOTREST WIDTH)

| Pos. | Item Number | Description | Remarks |
|------|-------------|------------------------------|------------------------|
| 1 | 106944 | WASHER FLAT THIN AN 1/4 ROHS | |
| 2 | 106941 | NUT AUTOMATION 1/4-28 ROHS | |
| 3 | 106978 | FHCS 1/4-28 X 7/8 ROHS | |
| 4A | 500651 | PLATFORM F/PLT 8 x 5 1/2" | 12 -14" Footrest Width |
| 4B | 500652 | PLATFORM F/PLT 10" x 5 1/2" | 15 -17" Footrest Width |
| 4C | 500653 | PLATFORM F/PLT 12" x 5 1/2" | 18 -20" Footrest Width |
| 4D | 500654 | PLATFORM F/PLT 14" x 5 1/2" | 21 -22" Footrest Width |
| 5 | 113221 | PLUG DOUBLE D EXT TUBE | |
| 6 | 540410 | F/UP FOOTREST KEY STUD D2 | |
| 7 | 107385 | WASHER CURVED 3/8 ROHS | |
| 8 | 505078 | FOOTREST RETAINING BRACKET | |
| 9A | 106875 | EXT TBE F/UP KEY SHT | Short -Latch Side |
| 9B | 106876 | EXT TBE F/UP KEY LNG | Long -Latch Side |
| 10A | 106873 | EXT TBE F/UP SLT SHT | Short -Pivot Side |
| 10B | 106874 | EXT TBE F/UP SLT LNG | Long -Pivot Side |
| 11 | 561003 | 3/4" SADDLE THIN | |
| 12 | 561034 | SHORT DOME PLUG | |
| 14 | 106964 | BHCS 1/4-28 X 2 ROHS | |

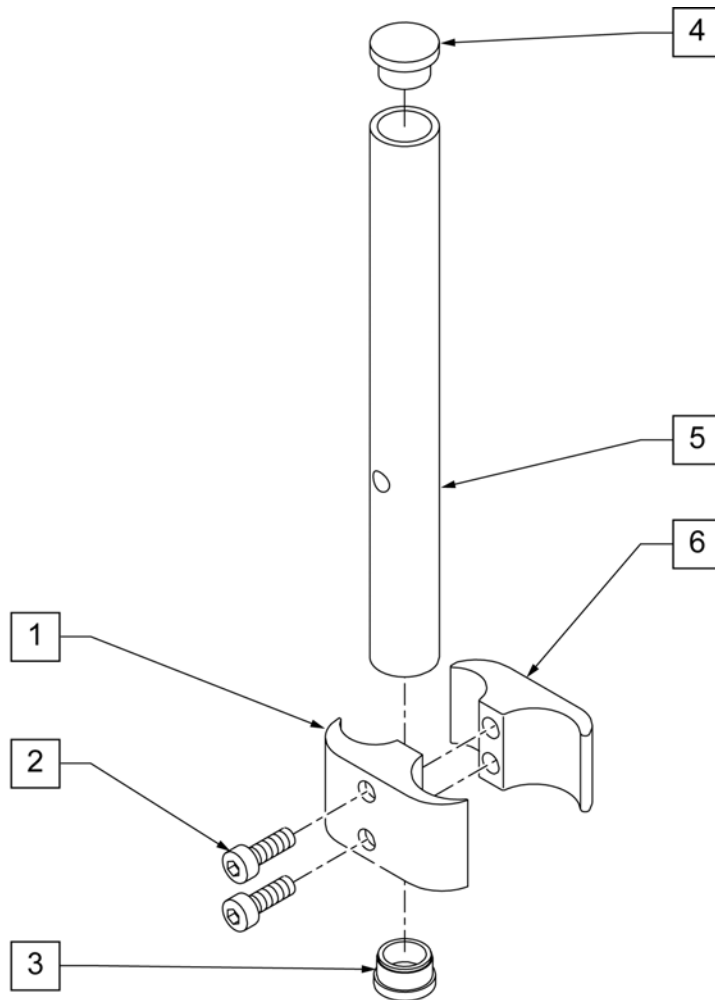
| Pos. | Item Number | Description | Remarks |
|-----------------------------|-------------|-----------------------------------|---------------------------------|
| 15 | 550351 | PLATFORM FOOTPLATE CLAMP | |
| 16 | 107027 | BHCS 1/4-28 X 1-1/4 SHLDR ROHS | |
| 17A | 740130 | LEG STRAP 10"-14" BLK | 12-14" Footrest Width |
| 17B | 740131 | LEG STRAP 15"-17" BLK | 15-17" Footrest Width |
| 17C | 740132 | LEG STRAP 18"-20" BLK | 18-20" Footrest Width |
| 1-4A,6-8,11-16 | 900306 | PLTFM F/P PLT BLK 12" D2 W/ INSTR | 12" Footrest Width |
| 1-4A,6-8,11-16 | 900307 | PLTFM F/P PLT BLK 13" D2 W/ INSTR | 13" Footrest Width |
| 1-4A,6-8,11-16 | 900308 | PLTFM F/P PLT BLK 14" D2 W /INSTR | 14" Footrest Width |
| 1-4B,6-8,11-16 | 900309 | PLTFM F/P PLT BLK 15" D2 W /INSTR | 15" Footrest Width |
| 1-4B,6-8,11-16 | 900310 | PLTFM F/P PLT BLK 16" D2 W /INSTR | 16" Footrest Width |
| 1-4B,6-8,11-16 | 900311 | PLTFM F/P PLT BLK 17" D2 W /INSTR | 17" Footrest Width |
| 1-4C,6-8,11-16 | 900312 | PLTFM F/P PLT BLK 18" D2 W /INSTR | 18" Footrest Width |
| 1-4C,6-8,11-16 | 900313 | PLTFM F/P PLT BLK 19" D2 W /INSTR | 19" Footrest Width |
| 1-4C,6-8,11-16 | 900314 | PLTFM F/P PLT BLK 20" D2 W/ INSTR | 20" Footrest Width |
| 1-4D,6-8,11-16 | 900315 | PLTFM F/P PLT BLK 21" D2 W/ INSTR | 21" Footrest Width |
| 1-4D,6-8,11-16 | 900316 | PLTFM F/P PLT BLK 22" D2 W/ INSTR | 22" Footrest Width |
| SHORT EXT ASSEMBLIES | | | |
| 1-3,4A,5-8,9A,10B,11-16,17A | 108043 | PLTFRM FLIP FTRST SHT 12W | 12" wide (Short) |
| 1-3,4A,5-8,9A,10B,11-16,17A | 108044 | PLTFRM FLIP FTRST SHT 13W | 13" wide (Short) |
| 1-3,4A,5-8,9A,10B,11-16,17A | 108045 | PLTFRM FLIP FTRST SHT 14W | 14" wide (Short) |
| 1-3,4B,5-8,9A,10B,11-16,17B | 108046 | PLTFRM FLIP FTRST SHT 15W | 15" wide (Short) |
| 1-3,4B,5-8,9A,10B,11-16,17B | 108047 | PLTFRM FLIP FTRST SHT 16W | 16" wide (Short) |
| 1-3,4B,5-8,9A,10B,11-16,17B | 108048 | PLTFRM FLIP FTRST SHT 17W | 17" wide (Short) |
| 1-3,4C,5-8,9A,10B,11-16,17C | 108049 | PLTFRM FLIP FTRST SHT 18W | 18" wide (Short) |
| 1-3,4C,5-8,9A,10B,11-16,17C | 108051 | PLTFRM FLIP FTRST SHT 19W | 19" wide (Short) |
| 1-3,4C,5-8,9A,10B,11-16,17C | 108052 | PLTFRM FLIP FTRST SHT 20W | 20" wide (Short) |
| 1-3,4D,5-8,9A,10B,11-16,17C | 111554 | PLTFRM FLIP FTRST SHT 21W | 21" wide (Short) |
| 1-3,4D,5-8,9A,10B,11-16,17C | 111555 | PLTFRM FLIP FTRST SHT 22W | 22" wide (Short) |
| LONG EXT ASSEMBLIES | | | |
| 1-3,4A,5-8,9B,10A,11-16,17A | 108053 | PLTFRM FLIP FTRST LONG 12W | 12" wide (Long) |
| 1-3,4A,5-8,9B,10A,11-16,17A | 108054 | PLTFRM FLIP FTRST LONG 13W | 13" wide (Long) |
| 1-3,4A,5-8,9B,10A,11-16,17A | 108055 | PLTFRM FLIP FTRST LONG 14W | 14" wide (Long) |
| 1-3,4B,5-8,9B,10A,11-16,17B | 108056 | PLTFRM FLIP FTRST LONG 15W | 15" wide (Long) |
| 1-3,4B,5-8,9B,10A,11-16,17B | 108057 | PLTFRM FLIP FTRST LONG 16W | 16" wide (Long) |
| 1-3,4B,5-8,9B,10A,11-16,17B | 108058 | PLTFRM FLIP FTRST LONG 17W | 17" wide (Long) |
| 1-3,4C,5-8,9B,10A,11-16,17C | 108059 | PLTFRM FLIP FTRST LONG 18W | 18" wide (Long) |
| 1-3,4C,5-8,9B,10A,11-16,17C | 108060 | PLTFRM FLIP FTRST LONG 19W | 19" wide (Long) |
| 1-3,4C,5-8,9B,10A,11-16,17C | 108061 | PLTFRM FLIP FTRST LONG 20W | 20" wide (Long) |
| 1-3,4D,5-8,9B,10A,11-16,17C | 111556 | PLTFRM FLIP FTRST LONG 21W | 21" wide (Long) |
| 1-3,4D,5-8,9B,10A,11-16,17C | 111557 | PLTFRM FLIP FTRST LONG 22W | 22" wide (Long) |
| | | Ship assembled part # | Use with multiple assemblies |
| | ASSY-HNG-FP | HANGER/FOOTPLATE ASSY REQUIRED | add with Hanger & Footplate kit |

NOTE: only available with Adult Angle Adjustable (AAA) or Kids Angle Adjustable (KAA) Footplates.

NOTE: if retrofitting to an existing chair with Front Mount Hangers, new Adult Angle Adjustable (AAA) or Kids Angle Adjustable (KAA) Footplates with High Mount Extension Tubes are required. See Footplate Ordering Guide.

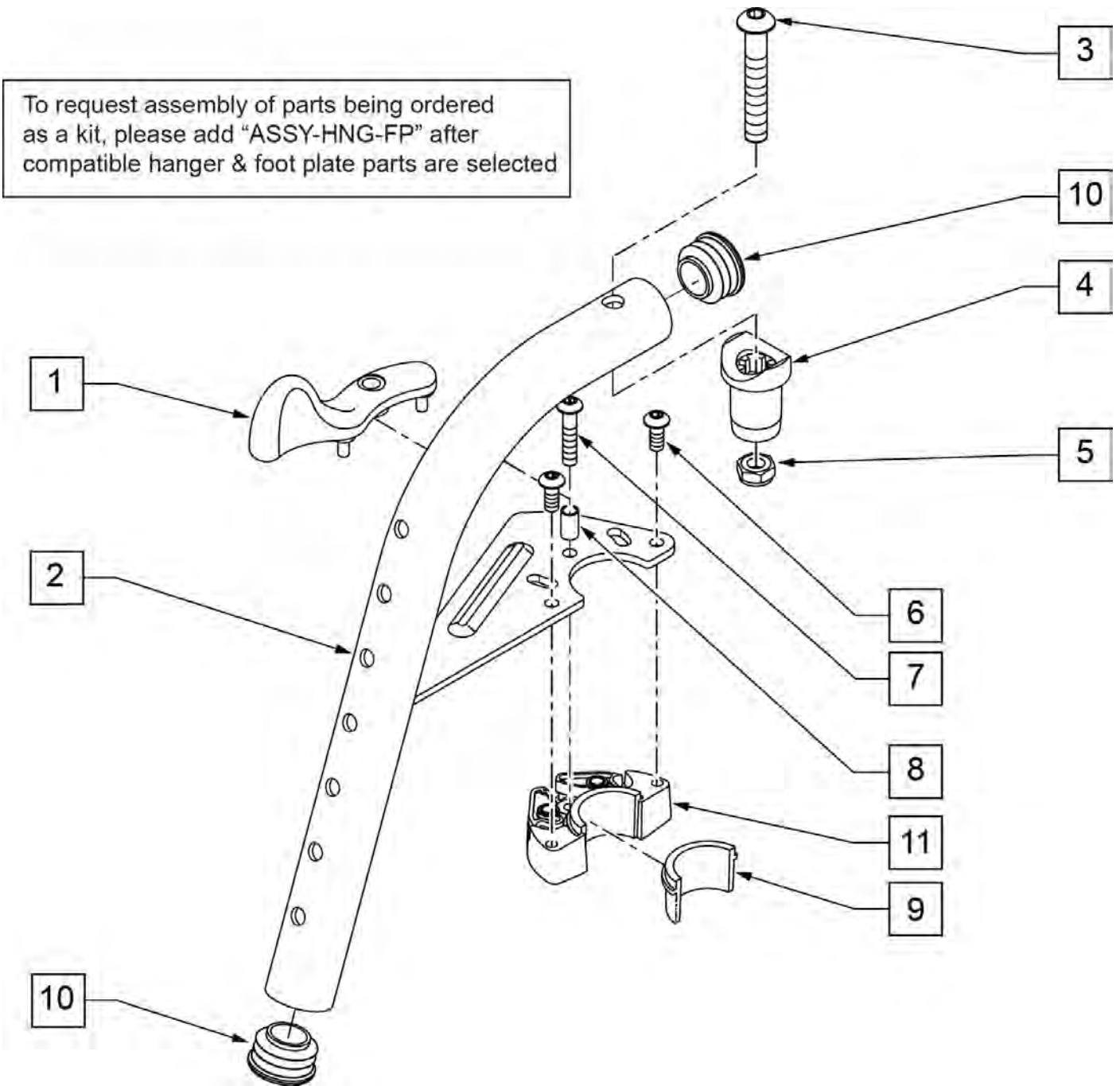
NOTE: if retrofitting to an existing chair with extension tube mounted hangers (D2 extension tubes) with Adult Angle Adjustable (AAA) or Kids Angle Adjustable (KAA) Footplates, order 2 each of 226167 and 561055 to mount the footplates onto the round high-mount extension tubes.

NOTE: if retrofitting on a chair with extension tube mounted hangers with Composite, Composite Angle Adjustable, Foam, Locking Angle Adjustable, Platform Flip-Up, or Platform Flip-Up Locking Footplates, then new Adult Angle Adjustable (AAA) or Kids Angle Adjustable (KAA) Footplates with High Mount Extension Tubes are required. See Footplate Ordering Guide.



| Pos. | Item Number | Description | Remarks |
|-------|-------------|---------------------------------|---------|
| 1 | 550657 | CLAMP 1 1/4" RECESS FULL BLK | |
| 2 | 107032 | SHCS 1/4-28 X 1 ROHS | |
| 3 | 561000-QU | 3/4" INSERT PLUG .083 | |
| 4 | 482016 | HIGH-MOUNT FL FT TUBE PLUG | |
| 5 | 524100 | H/M FL FT EXT TUBE BLK | |
| 6 | 550658 | CLAMP 1 1/4" THREADED BLK | |
| 1,2,6 | 880538 | HI-MOUNT FR CLAMP ASSEMBLY BLK | |
| 1-6 | 921550S | H/M FL FT CLAMPS AND TUBES (PR) | Pair |

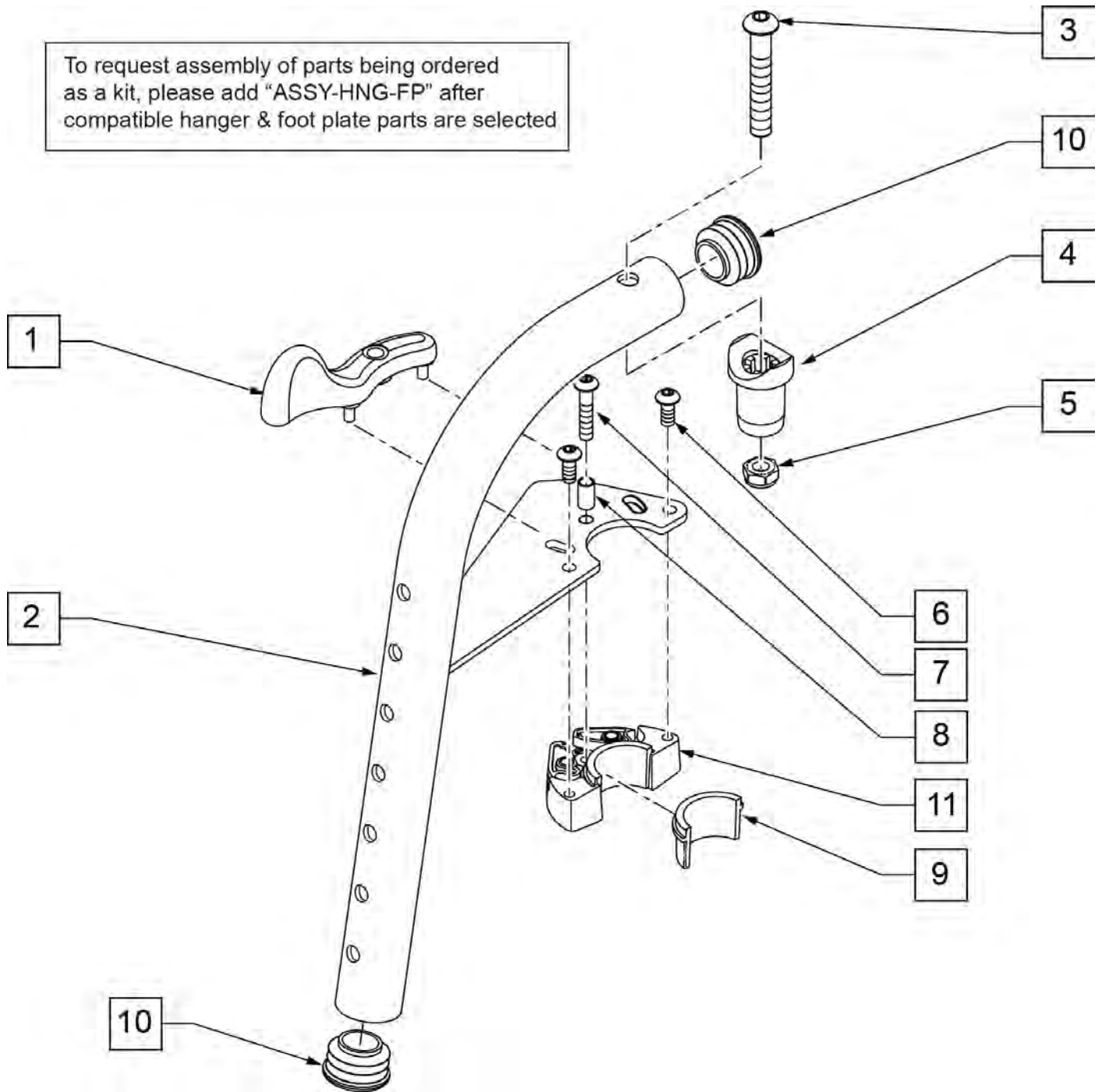
Note: Effective on GP SA beginning GP-95902, Kids Q2 SE beginning QKE-003425, LX/LXI beginning LXI-060868, Quickie TS beginning QT-044951 & GTE-002092.



| Pos. | Item Number | Description | Remarks |
|--------|-------------|---------------------------------|---------------------------------|
| 1 | 052296 | SWING I/O LATCH LEVER R W/ PINS | RIGHT |
| 1 | 052297 | SWING I/O LATCH LEVER L W/ PINS | LEFT |
| 3 | 106983 | BHCS 5/16 -18 x 2 SHLDR ROHS | |
| 4 | 561197 | PLASTIC PIVOT SADDLE | Includes nylock nut |
| 5 | 202117 | 5/16-18 NYLOCK NUT THICK BLK | |
| 6 | 102259-001 | BHCS M5 X .8 X 12 BLK W/ PL | |
| 7 | 230494 | M5-30 BTTN HD SOC C/S BLK | |
| 8 | 052054 | BUSHING PIVOT HANGER SWING I/O | |
| 10 | 561062 | 1" INSERT PLUG .065 RIBS | |
| 6,9,11 | 120976 | ASSY LATCH BLOCK ANTI LIFT | |
| 1-11 | 101153S | 70D FM SWING I/O HNDR ASSY R | RIGHT |
| 1-11 | 101154S | 70D FM SWING I/O HNDR ASSY L | LEFT |
| | | Ship assembled part # | Use with multiple assemblies |
| | ASSY-HNG-FP | HANGER/FOOTPLATE ASSY REQUIRED | add with Hanger & Footplate kit |

Note: Effective on GP SA beginning GP-95902, Kids Q2 SE beginning QKE-003425, LX/LXI beginning LXI-060868, Quickie TS beginning QT-044951 & GTE-002092.

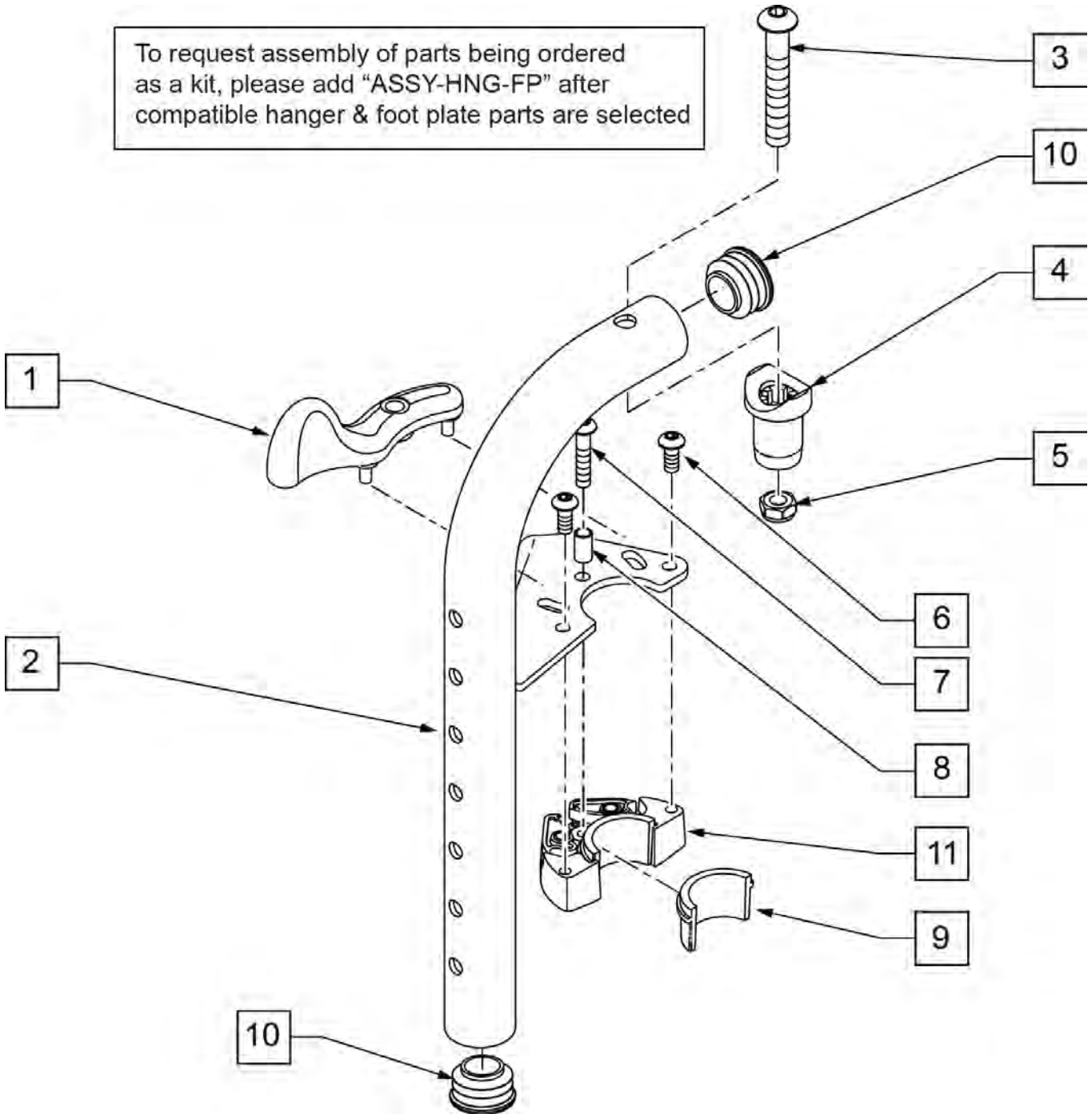
To request assembly of parts being ordered as a kit, please add "ASSY-HNG-FP" after compatible hanger & foot plate parts are selected



| Pos. | Item Number | Description | Remarks |
|------------|-------------|---------------------------------|---------------------------------|
| 1 | 052296 | SWING I/O LATCH LEVER R w/ PINS | RIGHT |
| 1 | 052297 | SWING I/O LATCH LEVER L w/ PINS | LEFT |
| 3 | 106983 | BHCS 5/16 -18 x 2 SHLDR ROHS | |
| 4 | 561197 | PLASTIC PIVOT SADDLE | Includes nylock nut |
| 5 | 202117 | 5/16-18 NYLOCK NUT THICK BLK | |
| 6 | 102259-001 | BHCS M5 X .8 X 12 BLK W/PL | |
| 7 | 230494 | M5-30 BTTN HD SOC C/S BLK | |
| 8 | 052054 | BUSHING PIVOT HANGER SWING I/O | |
| 10 | 561062 | 1" INSERT PLUG .065 RIBS | |
| 6,9,11 | 120976 | ASSY LATCH BLOCK ANTI LIFT | |
| 1A,2A,3-11 | 101155S | 80D FM SWNG I/O HNGR ASSY R | RIGHT |
| 1B,2B,3-11 | 101156S | 80D FM SWNG I/O HNGR ASSY L | LEFT |
| | | Ship assembled part # | Use with multiple assemblies |
| | ASSY-HNG-FP | HANGER/FOOTPLATE ASSY REQUIRED | add with Hanger & Footplate kit |

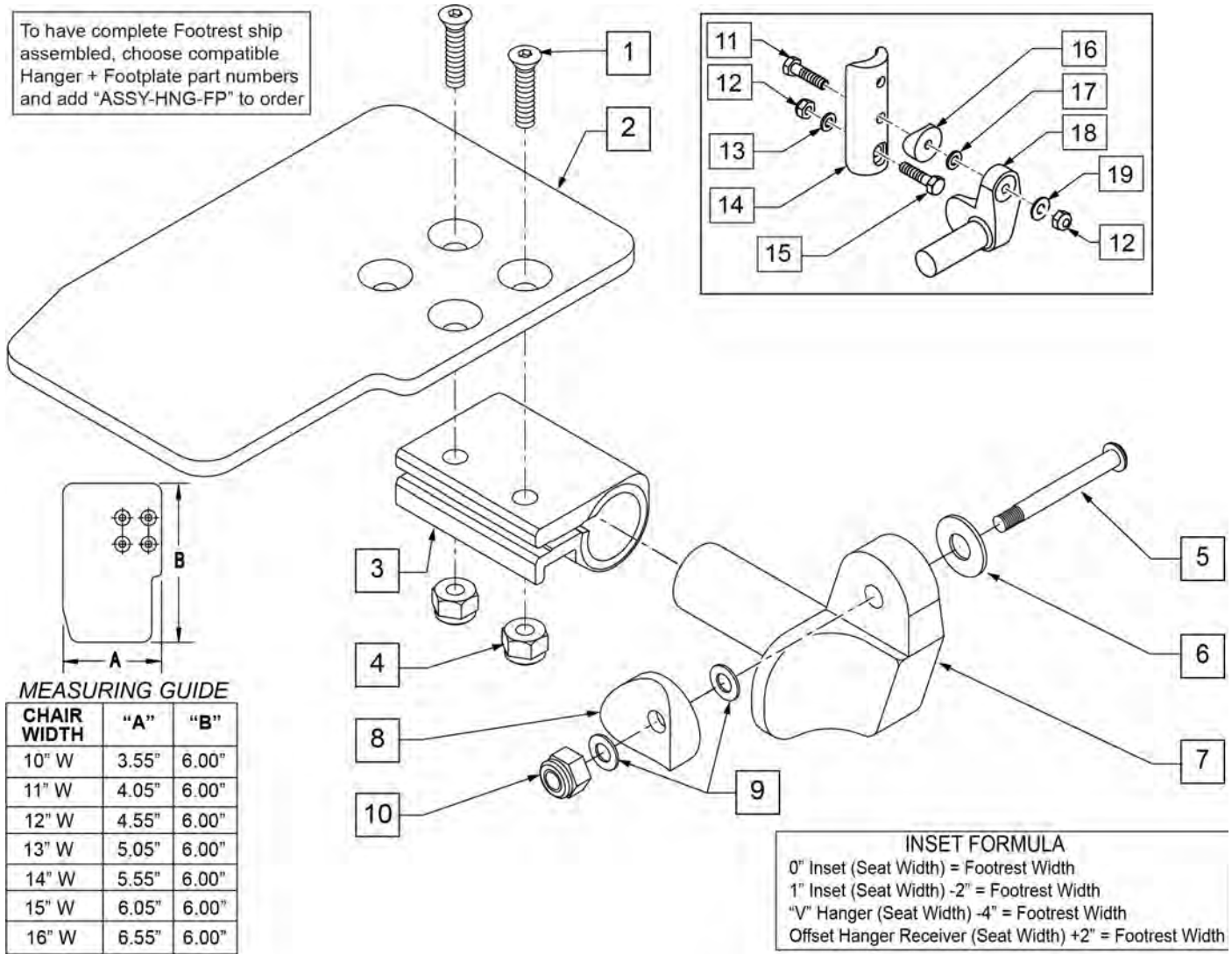
NOTE: Effective on LX/LXI as of 10/24/2008.

Note: if retrofitting 90 Deg Hangers on a S636/S646 or P222SE the following are needed: qty 2 of 483603 and qty 2 of 226291(this is to replace Power Style Hangers with Manual Style Hangers).



| Pos. | Item Number | Description | Remarks |
|------------|-------------|---------------------------------|---------------------------------|
| 1 | 052296 | SWING I/O LATCH LEVER R w/ PINS | RIGHT |
| 1 | 052297 | SWING I/O LATCH LEVER L w/ PINS | LEFT |
| 3 | 106983 | BHCS 5/16 -18 x 2 SHLDR ROHS | |
| 4 | 561197 | PLASTIC PIVOT SADDLE | |
| 5 | 202117 | 5/16-18 NYLOCK NUT THICK BLK | |
| 6 | 102259-001 | BHCS M5 x .8 x 12 W /PL INORG | |
| 7 | 230494 | M5-30 BTTN HD SOC C/S BLK | |
| 8 | 052054 | BUSHING PIVOT HANGER SWING I/O | |
| 10 | 561062 | 1" INSERT PLUG .065 RIBS | |
| 6,9,11 | 120976 | ASSY LATCH BLOCK ANTI LIFT | |
| 1A,2A,3-11 | 101157S | 90D FM SWNG I/O HNGR ASSY R | RIGHT |
| 1B,2B,3-11 | 101158S | 90D FM SWNG I/O HNGR ASSY L | LEFT |
| | | Ship assembled part # | Use with multiple assemblies |
| | ASSY-HNG-FP | HANGER/FOOTPLATE ASSY REQUIRED | add with Hanger & Footplate kit |

To have complete Footrest ship assembled, choose compatible Hanger + Footplate part numbers and add "ASSY-HNG-FP" to order



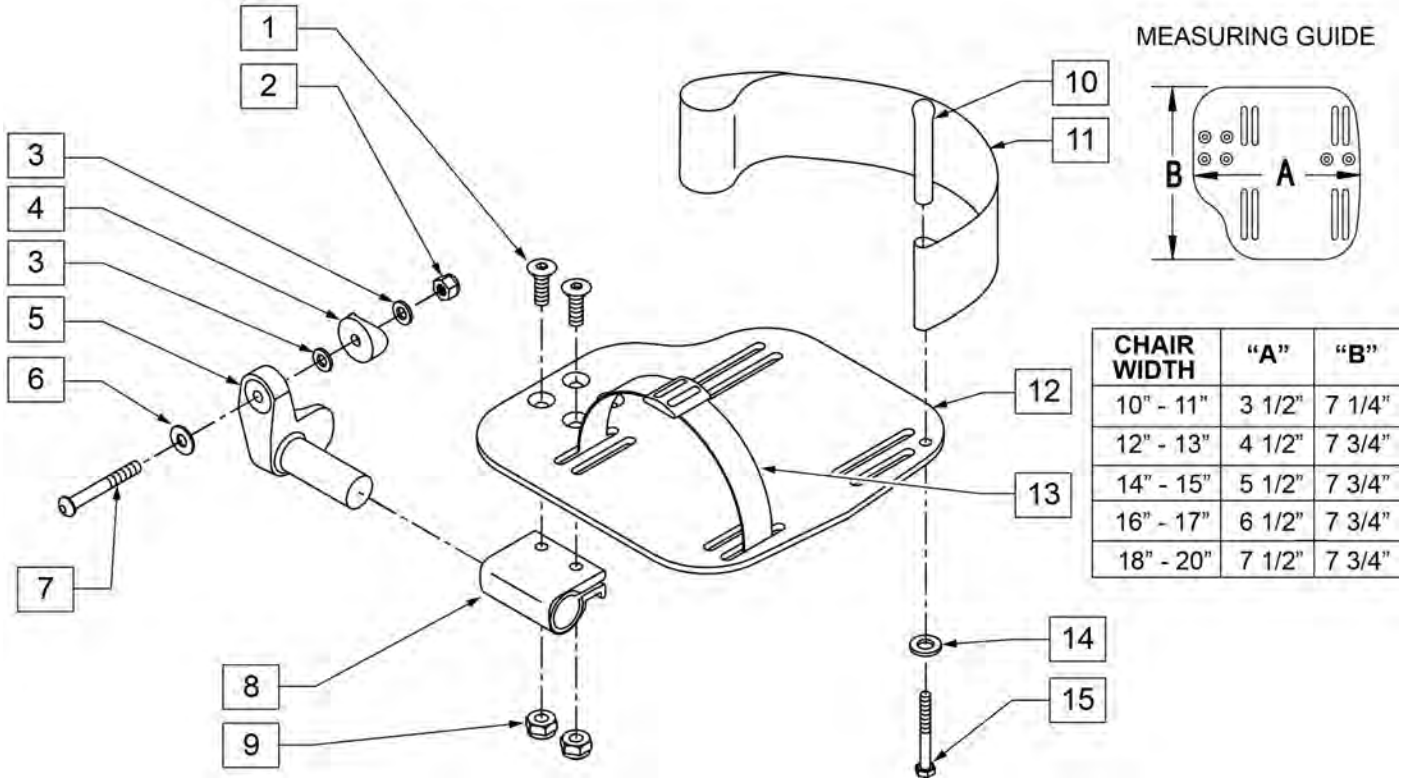
| Pos. | Item Number | Description | Remarks |
|------|-------------|-----------------------------|---------|
| 1 | 106978 | FHCS 1/4-28 X 7/8 ROHS | |
| 2 | 500635 | KIDS ANGL ADJ F/PLT 10 | RIGHT |
| 2 | 500636 | KIDS ANGL ADJ F/PLT 10 | LEFT |
| 2 | 500637 | KIDS ANGL ADJ F/PLT 11 | RIGHT |
| 2 | 500638 | KIDS ANGL ADJ F/PLT 11 | LEFT |
| 2 | 500639 | KIDS ANGL ADJ F/PLT 12 | RIGHT |
| 2 | 500640 | KIDS ANGL ADJ F/PLT 12 | LEFT |
| 2 | 500641 | KIDS ANGL ADJ F/PLT 13 | RIGHT |
| 2 | 500642 | KIDS ANGL ADJ F/PLT 13 | LEFT |
| 2 | 500643 | KIDS ANGL ADJ F/PLT 14 | RIGHT |
| 2 | 500644 | KIDS ANGL ADJ F/PLT 14 | LEFT |
| 2 | 500645 | KIDS ANGL ADJ F/PLT 15 | RIGHT |
| 2 | 500646 | KIDS ANGL ADJ F/PLT 15 | LEFT |
| 2 | 500647 | KIDS ANGL ADJ F/PLT 16 | RIGHT |
| 2 | 500648 | KIDS ANGL ADJ F/PLT 16 | LEFT |
| 3 | 550350 | 3/4 CLAMP ADJ FOOTPLATE | |
| 4 | 106935 | NUT NYLOCK THIN 1/4-28 ROHS | |
| 5 | 226147 | 1/4-28 X 1.85 BH C/S BLK ZN | |

| Pos. | Item Number | Description | Remarks |
|------|-------------|--------------------------------|--|
| 6 | 106945 | WASHER FLAT SAE 1/4 ROHS | |
| 7 | 541000 | FTRST MOUNTING BRKT 1/2" RAD R | RIGHT |
| 7 | 541001 | FTRST MOUNTING BRKT 1/2" RAD L | LEFT |
| 8 | 561004 | 1 SADDLE 1/4 HOLE | |
| 9 | 106943 | WASHER FLAT THIN AN 1/4 | |
| 10 | 106941 | NUT AUTOMATION 1/4-28 ROHS | |
| 11 | 102268-001 | HHCS M6 X 1 X 25 | |
| 12 | 104381 | NUT HEX NYLOCK M6 X 1 | |
| 13 | 107383 | WASHER FLAT M6 ROHS | |
| 15 | 118198 | HHCS M6 X 1 X 40 PART NP | |
| 16 | 561004 | 1" SADDLE 1/4" HOLE | |
| 17 | 106943 | WASHER FLAT AN 1/4 ROHS | |
| 19 | 106945 | WASHER FLAT SAE 1/4 ROHS | |
| 1-4 | 158632 | CAA F/PLT KIT 10 RT | RIGHT; used with Front Mount Adapter Kit on Plunger-Style Swing In/Out Hangers |
| 1-4 | 158633 | CAA F/PLT KIT 10 LT | LEFT; used with Front Mount Adapter Kit on Plunger-Style Swing In/Out Hangers |
| 1-4 | 158634 | CAA F/PLT KIT 11 RT | RIGHT; used with Front Mount Adapter Kit on Plunger-Style Swing In/Out Hangers |
| 1-4 | 158635 | CAA F/PLT KIT 11 LT | LEFT; used with Front Mount Adapter Kit on Plunger-Style Swing In/Out Hangers |
| 1-4 | 158636 | CAA F/PLT KIT 12 RT | RIGHT; used with Front Mount Adapter Kit on Plunger-Style Swing In/Out Hangers |
| 1-4 | 158637 | CAA F/PLT KIT 12 LT | LEFT; used with Front Mount Adapter Kit on Plunger-Style Swing In/Out Hangers |
| 1-4 | 158638 | CAA F/PLT KIT 13 RT | RIGHT; used with Front Mount Adapter Kit on Plunger-Style Swing In/Out Hangers |
| 1-4 | 158639 | CAA F/PLT KIT 13 LT | LEFT; used with Front Mount Adapter Kit on Plunger-Style Swing In/Out Hangers |
| 1-4 | 158640 | CAA F/PLT KIT 14 RT | RIGHT; used with Front Mount Adapter Kit on Plunger-Style Swing In/Out Hangers |
| 1-4 | 158641 | CAA F/PLT KIT 14 LT | LEFT; used with Front Mount Adapter Kit on Plunger-Style Swing In/Out Hangers |
| 1-4 | 158642 | CAA F/PLT KIT 15 RT | RIGHT; used with Front Mount Adapter Kit on Plunger-Style Swing In/Out Hangers |
| 1-4 | 158643 | CAA F/PLT KIT 15 LT | LEFT; used with Front Mount Adapter Kit on Plunger-Style Swing In/Out Hangers |
| 1-4 | 158644 | CAA F/PLT KIT 16 RT | RIGHT; used with Front Mount Adapter Kit on Plunger-Style Swing In/Out Hangers |
| 1-4 | 158645 | CAA F/PLT KIT 16 LT | LEFT; used with Front Mount Adapter Kit on Plunger-Style Swing In/Out Hangers |
| 1-10 | 828821 | KIDS ANG ADJ F/PLT ASSM 10 | RIGHT; used with Old-Style Latch Block Swing In/Out & S/A Hangers |
| 1-10 | 828822 | KIDS ANG ADJ F/PLT ASSM 10 | LEFT; used with Old-Style Latch Block Swing In/Out & S/A Hangers |
| 1-10 | 828823 | KIDS ANG ADJ F/PLT ASSM 11 | RIGHT; used with Old-Style Latch Block Swing In/Out & S/A Hangers |
| 1-10 | 828824 | KIDS ANG ADJ F/PLT ASSM 11 | LEFT; used with Old-Style Latch Block Swing In/Out & S/A Hangers |
| 1-10 | 828825 | KIDS ANG ADJ F/PLT ASSM 12 | RIGHT; used with Old-Style Latch Block Swing In/Out & S/A Hangers |
| 1-10 | 828826 | KIDS ANG ADJ F/PLT ASSM 12 | LEFT; used with Old-Style Latch Block Swing In/Out & S/A Hangers |
| 1-10 | 828827 | KIDS ANG ADJ F/PLT ASSM 13 | RIGHT; used with Old-Style Latch Block Swing In/Out & S/A Hangers |
| 1-10 | 828828 | KIDS ANG ADJ F/PLT ASSM 13 | LEFT; used with Old-Style Latch Block Swing In/Out & S/A Hangers |
| 1-10 | 828829 | KIDS ANG ADJ F/PLT ASSM 14 | RIGHT; used with Old-Style Latch Block Swing In/Out & S/A Hangers |
| 1-10 | 828830 | KIDS ANG ADJ F/PLT ASSM 14 | LEFT; used with Old-Style Latch Block Swing In/Out & S/A Hangers |
| 1-10 | 828831 | KIDS ANG ADJ F/PLT ASSM 15 | RIGHT; used with Old-Style Latch Block Swing In/Out & S/A Hangers |
| 1-10 | 828832 | KIDS ANG ADJ F/PLT ASSM 15 | LEFT; used with Old-Style Latch Block Swing In/Out & S/A Hangers |

| Pos. | Item Number | Description | Remarks |
|-------|-------------|--------------------------------|---|
| 1-10 | 828833 | KIDS ANG ADJ F/PLT ASSM 16 | RIGHT; used with Old-Style Latch Block Swing In/Out & S/A Hangers |
| 1-10 | 828834 | KIDS ANG ADJ F/PLT ASSM 16 | LEFT; used with Old-Style Latch Block Swing In/Out & S/A Hangers |
| 1-10 | 921226 | KIDS ANG ADJ F/PLT ASSM 10 | PAIR; used with Old-Style Latch Block Swing In/Out & S/A Hangers |
| 1-10 | 921227 | KIDS ANG ADJ F/PLT ASSM 11 | PAIR; used with Old-Style Latch Block Swing In/Out & S/A Hangers |
| 1-10 | 921228 | KIDS ANG ADJ F/PLT ASSM 12 | PAIR; used with Old-Style Latch Block Swing In/Out & S/A Hangers |
| 1-10 | 921229 | KIDS ANG ADJ F/PLT ASSM 13 | PAIR; used with Old-Style Latch Block Swing In/Out & S/A Hangers |
| 1-10 | 921230 | KIDS ANG ADJ F/PLT ASSM 14 | PAIR; used with Old-Style Latch Block Swing In/Out & S/A Hangers |
| 1-10 | 921231 | KIDS ANG ADJ F/PLT ASSM 15 | PAIR; used with Old-Style Latch Block Swing In/Out & S/A Hangers |
| 1-10 | 921232 | KIDS ANG ADJ F/PLT ASSM 16 | PAIR; used with Old-Style Latch Block Swing In/Out & S/A Hangers |
| 11-19 | 158646 | KAA FRNT MNT ADAPTER KIT PR | PAIR; used on Plunger-Style Swing In/Out Hangers |
| | | Ship assembled part # | Use with multiple assemblies |
| | ASSY-HNG-FP | HANGER/FOOTPLATE ASSY REQUIRED | add with Hanger & Footplate kit |

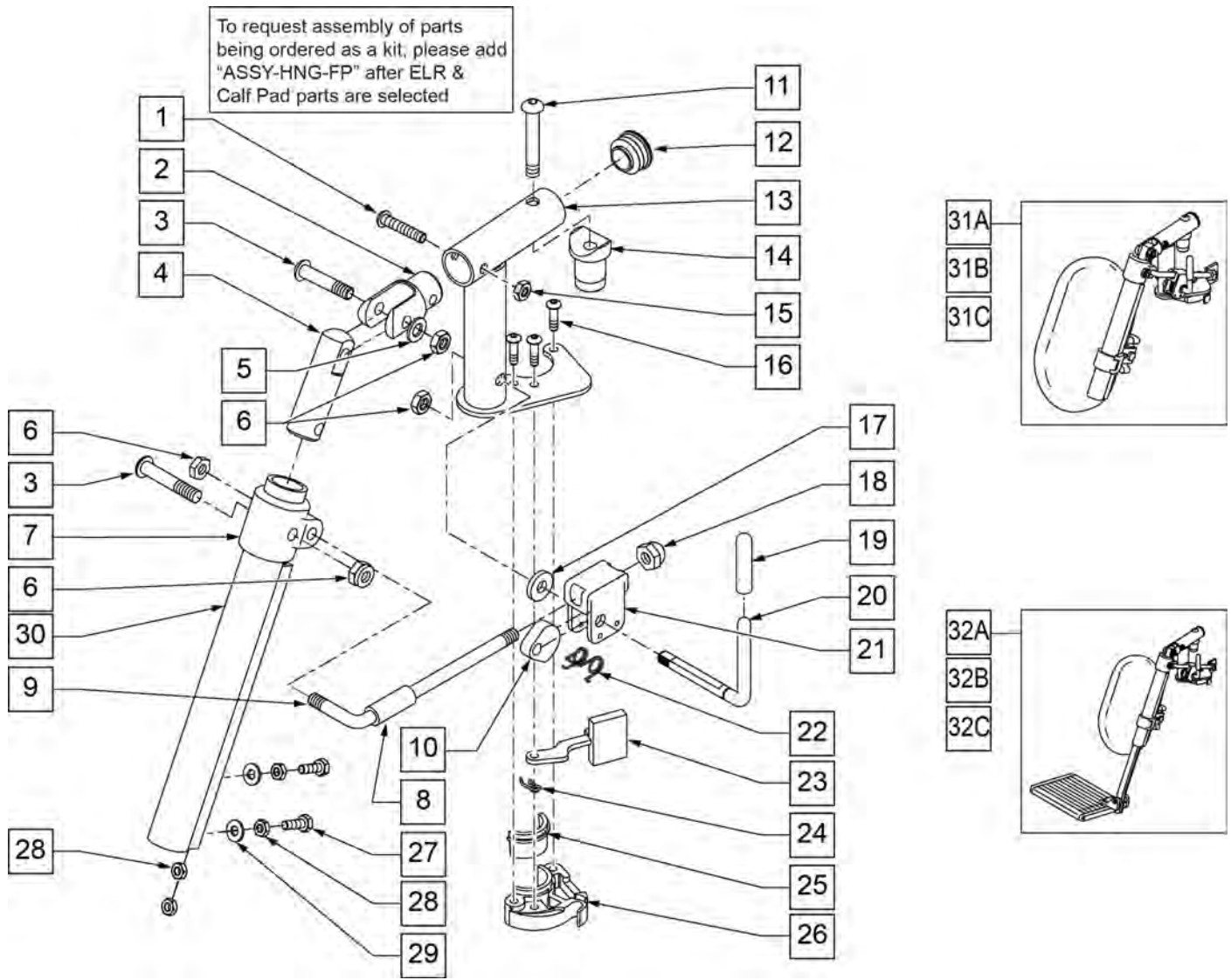
To have complete Footrest ship assembled, choose compatible Hanger + Footplate part numbers and add "ASSY-HNG-FP" to order

INSET FORMULA
 0" Inset (Seat Width) = Footrest Width
 1" Inset (Seat Width) - 2" = Footrest Width
 "V" Hanger (Seat Width) - 4" = Footrest Width
 Offset Hanger Receiver (Seat Width) + 2" = Footrest Width



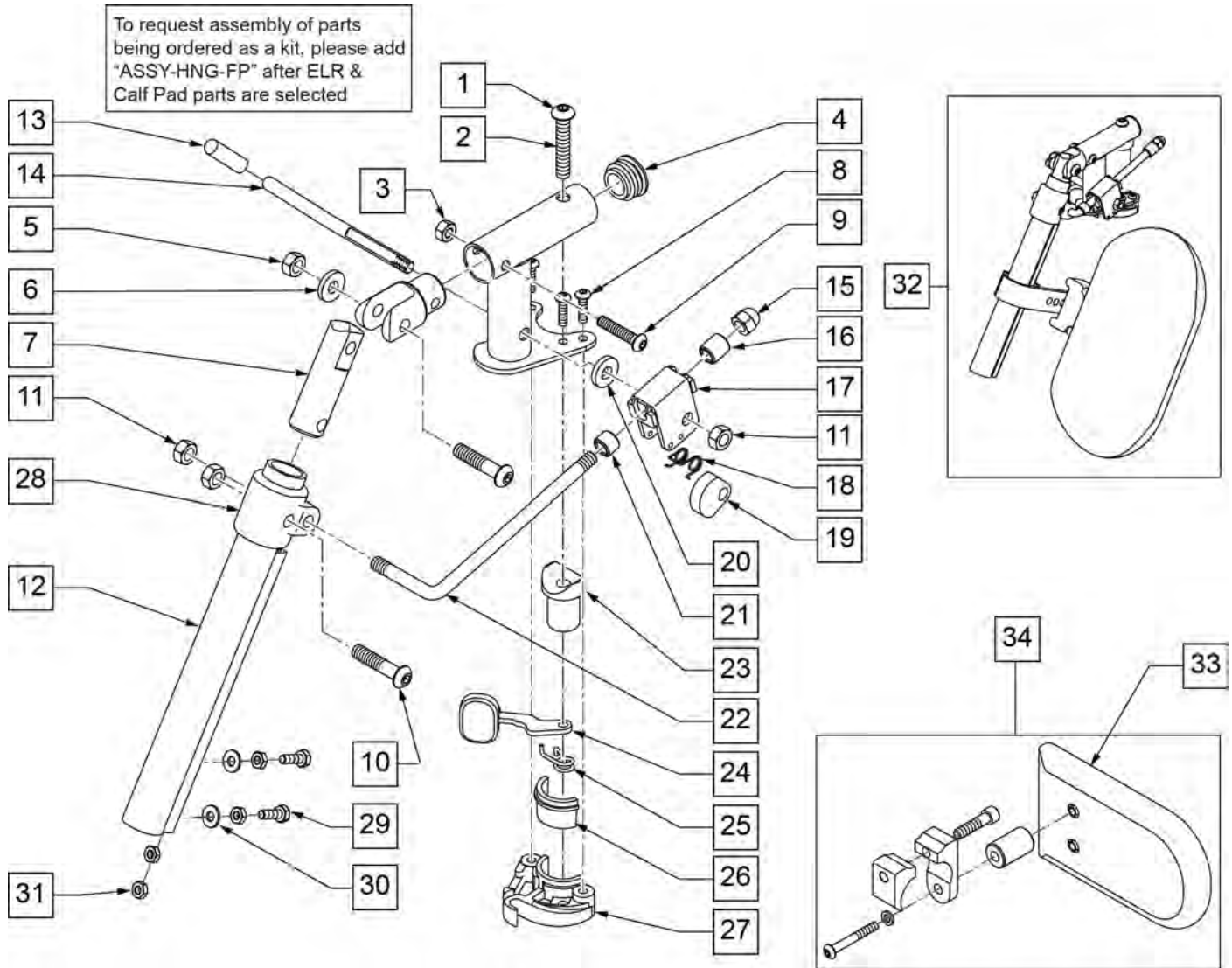
| Pos. | Item Number | Description | Remarks |
|------|-------------|-------------------------------------|--|
| 1 | 106978 | FHCS 1/4-28 X 7/8 ROHS | |
| 2 | 106941 | NUT AUTOMATION 1/4-28 ROHS | |
| 3 | 106943 | WASHER FLAT AN 1/4 ROHS | |
| 4 | 561004 | 1" SADDLE 1/4" HOLE | |
| 5 | 541000 | FOOTREST MOUNTING BRKT 1/2" RAD R | RIGHT |
| 5 | 541001 | FOOTREST MOUNTING BRKT 1/2" RAD L | LEFT |
| 6 | 106945 | WASHER FLAT SAE 1/4 ROHS | |
| 7 | 106964 | BHCS 1/4-28 X 2 | |
| 8 | 550350 | 3/4" CLAMP ADJ FOOTPLATE | |
| 9 | 106935 | NUT NYLOCK THIN 1/4-28 ROHS | |
| 10 | 561040 | HEEL LOOP PEG | |
| 11 | 741153 | HEEL LOOP 18-20 CMPST/14-15 ANG ADJ | USED W/ 14-15"/16-17" ADULT ANG ADJ FTPLTS |
| 11 | 741253 | HEEL LOOP ADLT ADJ F/PLT 18-20 | USED W/ 18 - 20" ADULT ANG ADJ FTPLTS |
| 12 | 500656 | ADULT ANGL ADJ F/PLT 10/11 | RIGHT |
| 12 | 500657 | ADULT ANGL ADJ F/PLT 10/11 | LEFT |
| 12 | 500658 | ADULT ANGL ADJ F/PLT 12/13 | RIGHT |
| 12 | 500659 | ADULT ANGL ADJ F/PLT 12/13 | LEFT |
| 12 | 500660 | ADULT ANGL ADJ F/PLT 14/15 | RIGHT |
| 12 | 500661 | ADULT ANGL ADJ F/PLT 14/15 | LEFT |
| 12 | 500662 | ADULT ANGL ADJ F/PLT 16/17 | RIGHT |
| 12 | 500663 | ADULT ANGL ADJ F/PLT 16/17 | LEFT |
| 12 | 500664 | ADULT ANGL ADJ F/PLT 18-20 | RIGHT |

| Pos. | Item Number | Description | Remarks |
|------------|-------------|-------------------------------------|---------------------------------|
| 12 | 500665 | ADULT ANGL ADJ F/PLT 18-20 | LEFT |
| 13 | 740260 | TOE-ANKLE STRAP ADJ ADULT FOOTPLATE | |
| 14 | 106943 | WASHER FLAT AN 1/4 ROHS | |
| 15 | 106958 | HHCS 1/4-20 X 1 ROHS | |
| 1-9,12 | 820544 | FP ADULT ADJ 90D 10/11 R | RIGHT |
| 1-9,12 | 820554 | FP ADULT ADJ 90D 10/11 L | LEFT |
| 1-9,12 | 820546 | FP ADULT ADJ 90D 12/13 R | RIGHT |
| 1-9,12 | 820556 | FP ADULT ADJ 90D 12/13 L | LEFT |
| 1-9,12 | 820472 | FP ADULT ADJ 90D 14/15 R | RIGHT |
| 1-9,12 | 820473 | FP ADULT ADJ 90D 14/15 L | LEFT |
| 1-9,12 | 820474 | FP ADULT ADJ 90D 16/17 R | RIGHT |
| 1-9,12 | 820475 | FP ADULT ADJ 90D 16/17 L | LEFT |
| 1-9,12 | 820476 | FP ADULT ADJ 90D 18-20 R | RIGHT |
| 1-9,12 | 820477 | FP ADULT ADJ 90D 18-20 L | LEFT |
| 1-9,12 | 921474 | ADULT ANGL ADJ 90D 10/11 OMIT H/L | PAIR |
| 1-9,12 | 921476 | ADULT ANGL ADJ 90D 12/13 OMIT H/L | PAIR |
| 1-9,12 | 921330 | ADULT ANGL ADJ 90D 14/15 OMIT H/L | PAIR |
| 1-9,12 | 921331 | ADULT ANGL ADJ 90D 16/17 OMIT H/L | PAIR |
| 1-9,12 | 921332 | ADULT ANGL ADJ 90D 18-20 OMIT H/L | PAIR |
| 1-12,14,15 | 820540 | F/PLT ADULT ADJ 90D 10/11 R W/ HL | RIGHT |
| 1-12,14,15 | 820550 | F/PLT ADULT ADJ 90D 10/11 L W/ HL | LEFT |
| 1-12,14,15 | 820542 | F/PLT ADULT ADJ 90D 12/13 R W/ HL | RIGHT |
| 1-12,14,15 | 820552 | F/PLT ADULT ADJ 90D 12/13 L W/ HL | LEFT |
| 1-12,14,15 | 820478 | F/PLT ADULT ADJ 90D 14/15 R W/ HL | RIGHT |
| 1-12,14,15 | 820479 | F/PLT ADULT ADJ 90D 14/15 L W/ HL | LEFT |
| 1-12,14,15 | 820480 | F/PLT ADULT ADJ 90D 16/17 R W/ HL | RIGHT |
| 1-12,14,15 | 820481 | F/PLT ADULT ADJ 90D 16/17 L W/ HL | LEFT |
| 1-12,14,15 | 820482 | F/PLT ADULT ADJ 90D 18-20 R W/ HL | RIGHT |
| 1-12,14,15 | 820483 | F/PLT ADULT ADJ 90D 18-20 L W/ HL | LEFT |
| 1-12,14,15 | 921470 | F/PLT ADULT ADJ 90D 10/11 W/ HL | PAIR |
| 1-12,14,15 | 921472 | F/PLT ADULT ADJ 90D 12/13 W/ HL | PAIR |
| 1-12,14,15 | 921333 | F/PLT ADULT ADJ 90D 14/15 W/ HL | PAIR |
| 1-12,14,15 | 921334 | F/PLT ADULT ADJ 90D 16/17 W/ HL | PAIR |
| 1-12,14,15 | 921335 | F/PLT ADULT ADJ 90D 18-20 W/ HL | PAIR |
| | | Ship assembled part # | Use with multiple assemblies |
| | ASSY-HNG-FP | HANGER/FOOTPLATE ASSY REQUIRED | add with Hanger & Footplate kit |



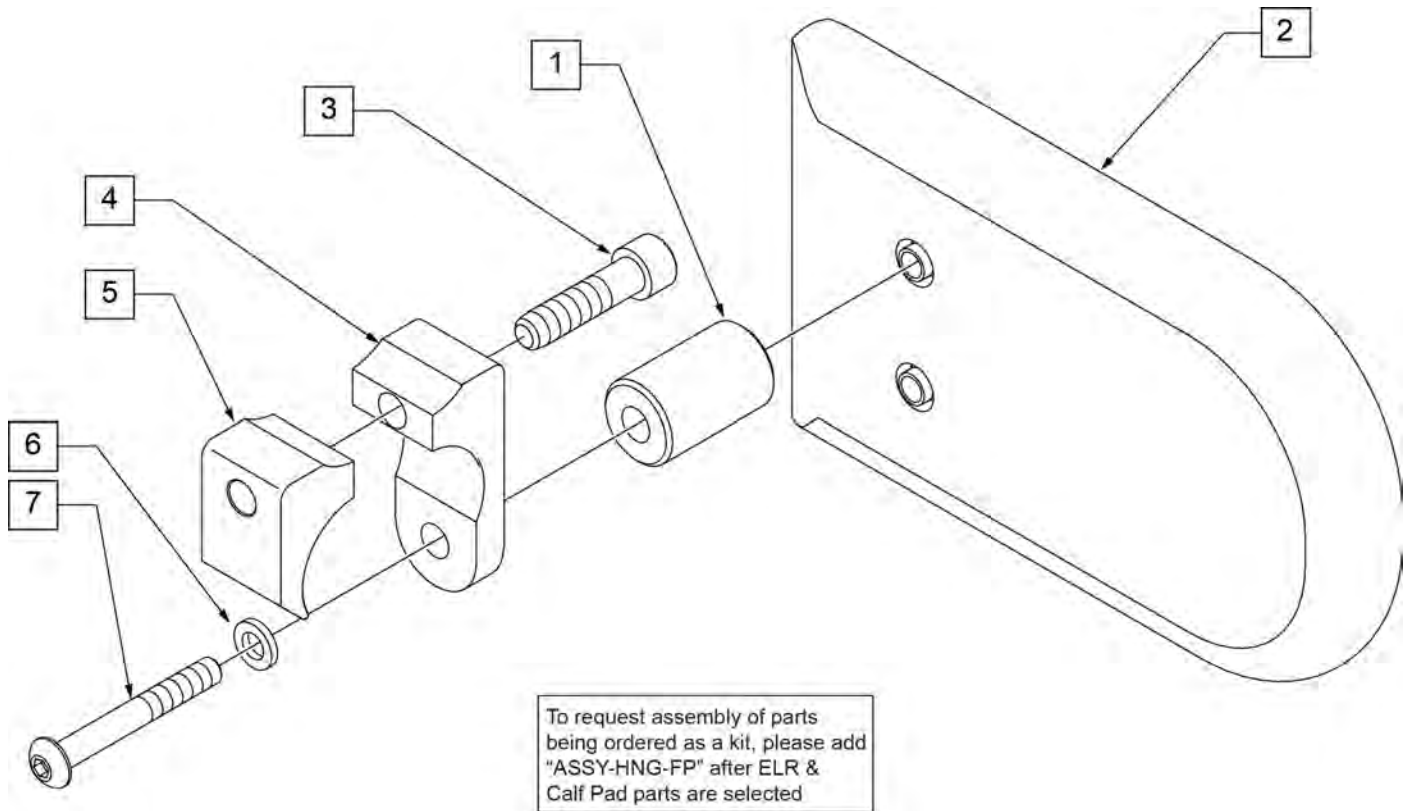
| Pos. | Item Number | Description | Remarks |
|------|-------------|---------------------------------|---------|
| 1 | 106961 | 1/4-28 X 1 1/4 BH C/S | |
| 2 | 505281 | ELR CLEVIS | |
| 3 | 107037 | BHCS 5/16-24 X 1-1/2 SHLD ROHS | |
| 4 | 540252 | ELR PIVOT PRS | |
| 5 | 106946 | WASHER FLAT AN 5/16 ROHS | |
| 6 | 106939 | NUT NYLOCK THIN 5/16-24 ROHS | |
| 7 | 560420 | ELR UPPER PIVOT PLST | |
| 8 | 560784 | ELR ADJUSTMENT STOP | |
| 9 | 481117 | ELR LOCK ROD | |
| 10 | 481119 | ELR CAM LOCKING POWDERED METAL | |
| 11 | 106982 | BHCS 5/16 -18 x 1 3/4 SHLD ROHS | |
| 12 | 561062 | 1" INSERT PLUG .065 RIBS | |
| 14 | 122729 | ELR ALUM PIVOT SADDLE | |
| 15 | 106935 | NUT NYLOCK THIN 1/4-28 ROHS | |
| 16 | 107035 | BHCS 10-24 X .725 PL ROHS | |
| 17 | 561059 | 3/4 OD x .318 ID WASHER | |
| 18 | 202109 | 5/16-24 ACORN NUT HEX | |

| Pos. | Item Number | Description | Remarks |
|-----------------|-------------|---------------------------------|---|
| 19 | 561049 | ELR RELEASE ROD COVER | |
| 19,20 | 882410S | ELR ACTUATION ARM ASSEMBLY | |
| 21 | 880990 | ELR LOCK HOUSING W/PIN | |
| 22 | 321106 | ELR TORSION SPRING | |
| 23 | 561079 | S/A LATCH LEVER | |
| 24 | 321136 | S/A SPRING L RED | LEFT |
| 24 | 321137 | S/A SPRING R CLEAR | RIGHT |
| 27 | 107014 | 1/4-28 x 3/4 HEX C/S | |
| 28 | 107249 | NUT HEX THIN 1/4-28 ROHS | |
| 29 | 106944 | WASHER FLAT THIN AN 1/4 ROHS | |
| 30 | 550722S | ELR ADJUSTMENT TUBE | |
| 6,8-10,17-22 | 881077S | ELR LOCK ROD/ARM ASSEMBLY | |
| 25,26 | 881500 | LATCH BLOCK ASSM | RIGHT |
| 25,26 | 881501 | LATCH BLOCK ASSM | LEFT |
| 1-6,11-16,20-24 | 882413 | ELR PIVOT BLOCK ASSM | RIGHT |
| 1-6,11-16,20-24 | 882414 | ELR PIVOT BLOCK ASSM | LEFT |
| 1-26 | 881422 | ELR PIVOT ASSM RIGHT | RIGHT |
| 1-26 | 881423 | ELR PIVOT ASSM LEFT | LEFT |
| 1-30 | 641452S | ELR HNGR W/O PAD PNTD MNL | RIGHT |
| 1-30 | 641453S | ELR HNGR W/O PAD PNTD MNL | LEFT |
| 31A | 923082S | ELR HNGR ASSM 14-15 W /PAD (PR) | PAIR |
| 31B | 923041S | ELR HNGR ASSM W/PAD 16-17" | PAIR |
| 31C | 923061S | ELR HNGR ASSM W/PAD 18-20" | PAIR |
| 32A | 923088S | ELR HNGR REG EXT 14 15" F/PLT | Pair-includes short extensions, 11.5" - 15.5" |
| 32B | 923084S | ELR HNGR REG EXT 16 17" F/PLT | Pair-includes short extensions, 11.5" - 15.5" |
| 32C | 923085S | ELR HNGR REG EXT 18-20" F/PLT | Pair-includes short extensions, 11.5" - 15.5" |
| 16,23-26 | 881521 | S/A LATCH KIT CASTING RIGHT | RIGHT |
| 16,23-26 | 881522 | S/A LATCH KIT CASTING LEFT | LEFT |
| | | Ship assembled part # | Use with multiple assemblies |
| | ASSY-HNG-FP | HANGER/FOOTPLATE ASSY REQUIRED | add with Hanger & Footplate kit |

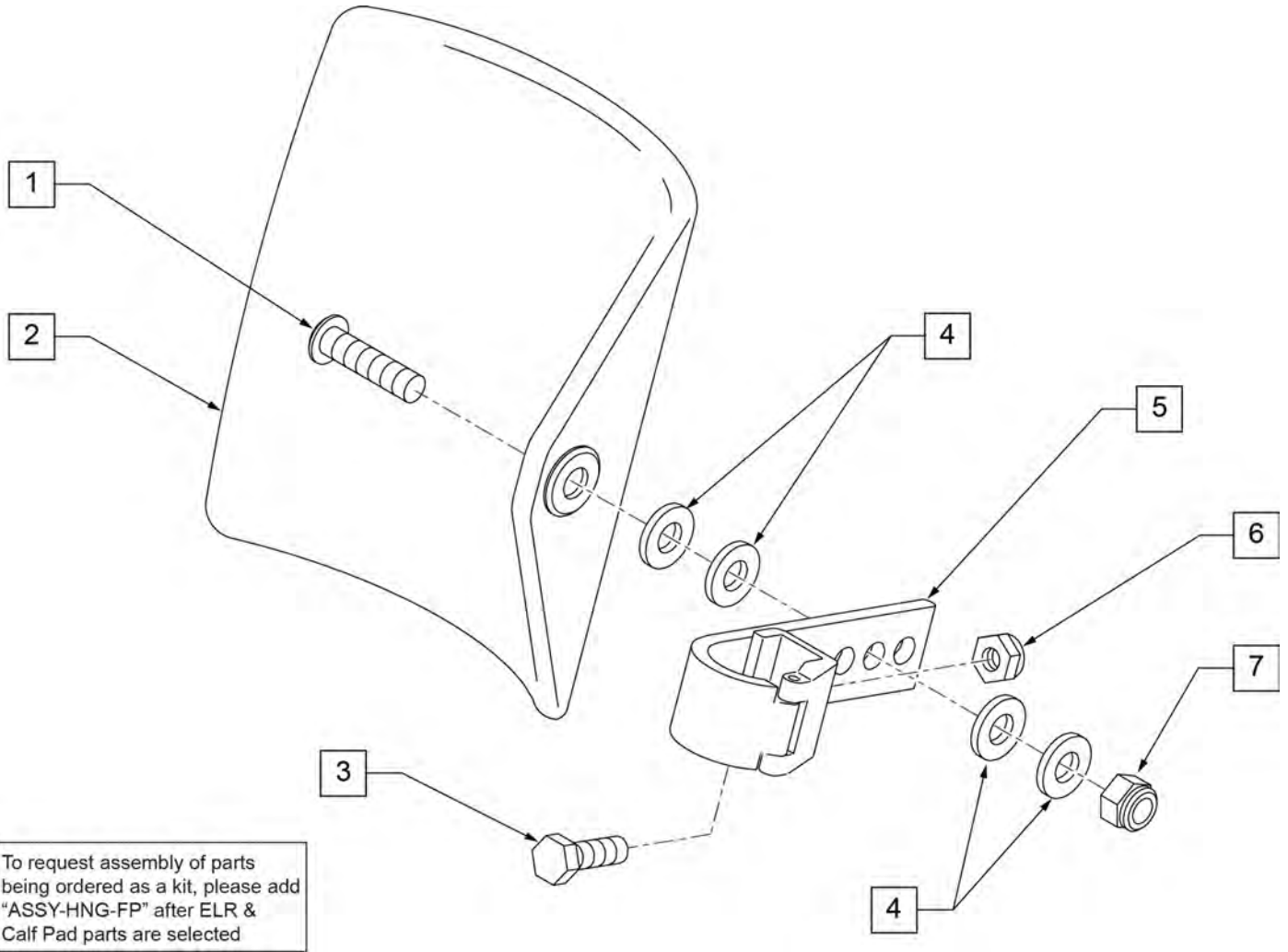


| Pos. | Item Number | Description | Remarks |
|------|-------------|--------------------------------|---------|
| 1 | 226217 | 5/16-18 x 2" BH C/S BLK | |
| 3 | 106935 | NUT NYLOCK THIN 1/4-28 ROHS | |
| 4 | 561062 | 1" INSERT PLUG .065 RIBS | |
| 5 | 505281 | ELR CLEVIS | |
| 6 | 263100 | 5/16 AN WASHER FLAT | |
| 7 | 540252 | ELR PIVOT PRS | |
| 8 | 226057 | 10/24 x .725 BTTN HD SOC BZ | |
| 9 | 106961 | BHCS 1/4-28 X 1-1/4 ROHS | |
| 10 | 226138 | 5/16-24 x 1 1/2 BH C/S | |
| 11 | 106939 | 5/16-24 NYLOCK NUT THIN | |
| 12 | 550722S | ELR ADJUSTMENT TUBE | |
| 13 | 561049 | ELR RELEASE ROD COVER | |
| 14 | 481123 | ELR ACTUATION ARM 90 DEG KDS | |
| 15 | 202109 | 5/16-24 ACORN NUT HEX | |
| 16 | 560815 | HEMI ELR ADJ STOP BACK LG | |
| 17 | 880990 | ELR LOCK HOUSING W/PIN | |
| 18 | 321106 | ELR TORSION SPRING | |
| 19 | 481119 | ELR CAM LOCKING POWDERED METAL | |

| Pos. | Item Number | Description | Remarks |
|-----------------|-------------|--------------------------------|---------------------------------|
| 20 | 561059 | 3/4 OD x .318 ID WASHER | |
| 21 | 500806 | HEMI ELR ADJ STOP FRONT SMALL | |
| 22 | 481117 | ELR LOCK ROD | |
| 23 | 561197 | PLASTIC PIVOT SADDLE | |
| 24 | 561079 | S/A LATCH LEVER | |
| 25 | 321136 | S/A SPRING L RED | |
| 25 | 321137 | S/A SPRING R CLEAR | |
| 28 | 560420 | ELR UPPER PIVOT PLST | |
| 29 | 107014 | 1/4-28 X 3/4 HEX C/S | |
| 30 | 106944 | 1/4 AN WASHER FLAT THIN | |
| 31 | 201112 | 1/4-28 NUT THIN | |
| 32 | 922324S | HEMI ELR HNGR ASSM 14-15 W/PA | |
| 32 | 922325S | HEMI ELR HNGR ASSM 16-17 W/PAD | |
| 32 | 922326S | HEMI ELR HNGR ASSM 18-20 W/PAD | |
| 33 | 750226 | KNEE PAD FLAT 3H X 5L W/COVER | |
| 34 | 922328 | ELR HEMI KNEE PAD ASSM | |
| 26,27 | 881500 | LATCH BLOCK ASSM R | |
| 26,27 | 881501 | LATCH BLOCK ASSM L | |
| 13,14 | 882411 | ELR 90D ACTUATION ARM ASSM | |
| 1-9,23-27 | 921826 | ELR PIVOT BLOCK ASSM R | |
| 1-9,23-27 | 921827 | ELR PIVOT BLOCK ASSM L | |
| 11,13-19, 21,22 | 922323S | HEMI ELR LOCK ROD/ARM ASSM | |
| 1-31 | 921828S | HEMI ELR HANGER W/O PAD R | |
| 1-31 | 921829S | HEMI ELR HANGER W/O PAD L | |
| | | Ship assembled part # | Use with multiple assemblies |
| | ASSY-HNG-FP | HANGER/FOOTPLATE ASSY REQUIRED | add with Hanger & Footplate kit |

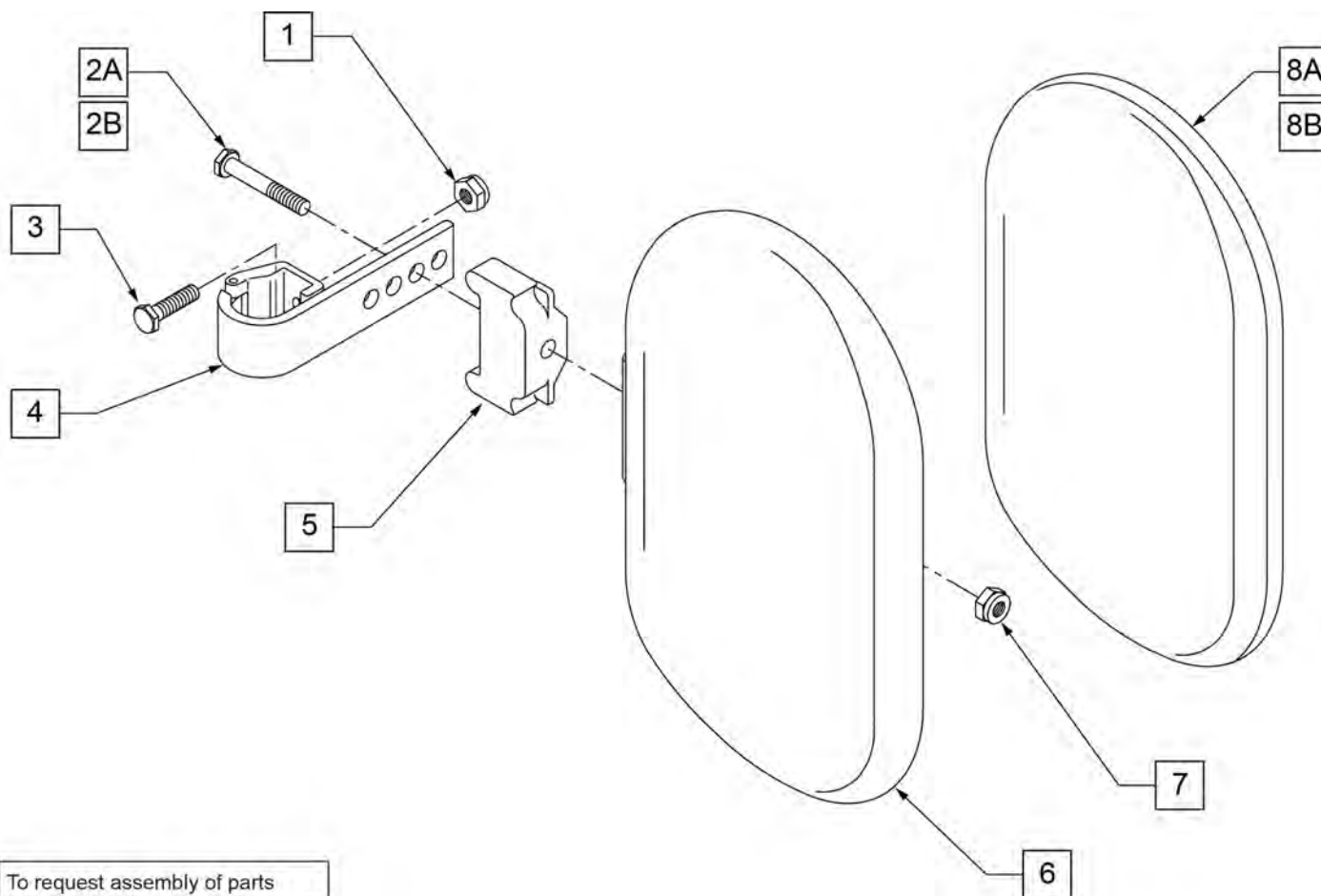


| Pos. | Item Number | Description | Remarks |
|------|-------------|--------------------------------|---------------------------------|
| 2 | 750226 | KNEE PAD FLAT 3H X 5L W/COVER | |
| 1-7 | 922328 | ELR HEMI KNEE PAD ASSM | |
| | | Ship assembled part # | Use with multiple assemblies |
| | ASSY-HNG-FP | HANGER/FOOTPLATE ASSY REQUIRED | add with Hanger & Footplate kit |



To request assembly of parts being ordered as a kit, please add "ASSY-HNG-FP" after ELR & Calf Pad parts are selected

| Pos. | Item Number | Description | Remarks |
|------|-------------|----------------------------------|---------------------------------|
| 1 | 106980 | BHCS 5/16-18 X 1-1/4 ROHS | |
| 2 | 755014 | CALF PAD TROUGH STYLE 14"/16" | |
| 3 | 221097 | 1/4-28 X 5/8 HEX C/S BZ | |
| 4 | 561016 | 1" WASHER 5/16" HOLE | |
| 5 | 881413 | CALF PAD BRACKET ASSEMBLY | |
| 6 | 106934 | NUT NYLOCK 1/4-28 ROHS | |
| 7 | 106937 | NUT NYLOCK THIN 5/16-18 | |
| 1-7 | 881414 | CALF PAD J-HOOK 14"-15" ASSEMBLY | |
| | | Ship assembled part # | Use with multiple assemblies |
| | ASSY-HNG-FP | HANGER/FOOTPLATE ASSY REQUIRED | add with Hanger & Footplate kit |



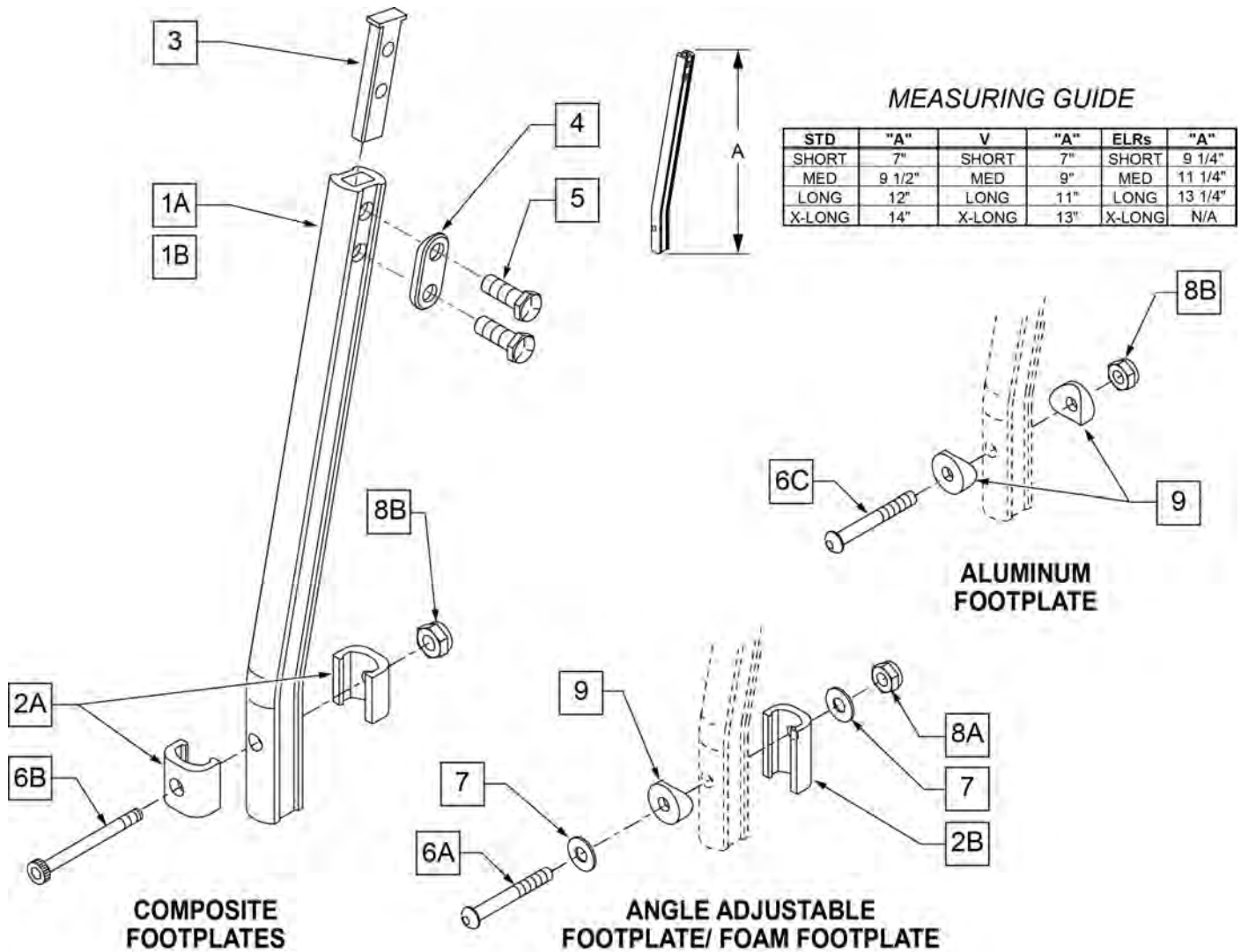
To request assembly of parts being ordered as a kit, please add "ASSY-HNG-FP" after ELR & Calf Pad parts are selected

| Pos. | Item Number | Description | Remarks |
|-----------------|-------------|----------------------------------|---------------------------------|
| 1 | 106934 | NUT NYLOCK 1/4-28 ROHS | |
| 2A | 107018 | HHCS 5/16-18 X 2-1/2 ROHS | 16"-17" wide only |
| 2B | 107019 | HHCS 5/16-18 X 3-1/2 ROHS | 18"-20" wide only |
| 3 | 107013 | HHCS 1/4-28 X 5/8 ROHS | |
| 4 | 881413 | CALF PAD BRACKET ASSEMBLY | |
| 5 | 560199 | ELR CALF HINGE SPACER | 18"-20" wide only |
| 6 | 560108 | CALF PAD MOLDED 16"-20" | |
| 7 | 106936 | NUT NYLOCK 5/16-18 ROHS | |
| 8A | 751045 | CALF PAD COVER | |
| 8B | 751046 | CALF PAD COVER (BREEZY) | |
| 1,2A,3,4,6,7,8A | 881416 | CALF MOLDED 16"-17" ASSEMBLY | |
| 1,2B,3-7,8A | 881412 | CALF PAD MOLDED 18"-20" ASSEMBLY | |
| | | Ship assembled part # | Use with multiple assemblies |
| | ASSY-HNG-FP | HANGER/FOOTPLATE ASSY REQUIRED | add with Hanger & Footplate kit |

NOTE: DISCONTINUED - PARTS ONLY ON GP SWNG-AWAY BEGINNING 4/4/15 & S/N GP-95902, KIDS Q2 SE BEGINNING 4/16/15 & S/N QKE-003425, LX BEGINNING 10/24/2008 & S/N LX-034330, LXI BEGINNING 4/25/15 & S/N LXI-060868, QTS BEGINNING 5/15/15 & S/N QT-044951, QTS SE BEGINNING 5/15/15 & S/N QTE-002092

NOTE: IF REPLACING AN EXTENSION TUBE ON AN MANUAL ALR PLEASE REFER TO THE ROUND EXT TUBE PARTS MANUAL PAGE.

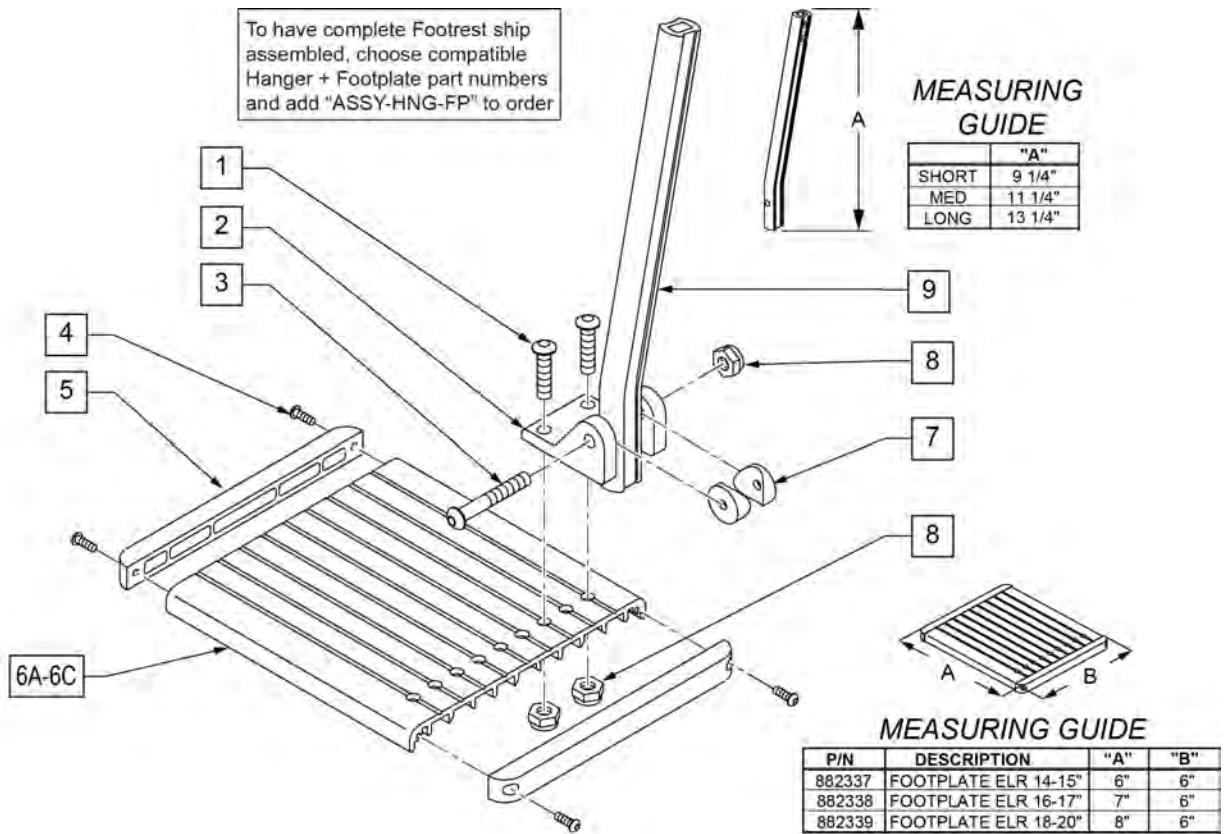
NOTE: WHEN ORDERING REPLACEMENT EXTENSION TUBES PLEASE VERIFY IF YOU HAVE THE OLD STYLE DOUBLE D EXTENSION TUBE OR THE NEW STYLE DOUBLE D EXTENSION TUBE. THIS CAN BE DONE BY REVIEWING THE HANGER THE EXTENSION TUBE IS USED ON. IF THE HANGER UTILIZES A SINGLE SET SCREW AT THE BOTTOM OF THE HANGER TUBE TO ATTACH THE EXTENSION TUBE TO THE HANGER, THEN THIS UTILIZES THE NEW STYLE DOUBLE D EXT TUBE. ALL OTHER HANGERS REQUIRING A DOUBLE D EXTENSION TUBE UTILIZE THE OLD STYLE.



| Pos. | Item Number | Description | Remarks |
|------|-------------|-----------------------|-----------------------------|
| 1A | 550819 | EXT TUBE S/A ONLY SHT | Short Ext-Swing Away Hanger |

| Pos. | Item Number | Description | Remarks |
|-----------|-------------|--------------------------------------|---|
| 1A | 550820 | EXT TUBE S/A ONLY MED | Med Ext-Swing Away Hanger |
| 1A | 550821 | EXT TUBE S/A ONLY LONG | Long Ext-Swing Away Hanger |
| 1A | 550822 | EXT TUBE S/A ONLY X-LONG | X-Long Ext-Swing Away Hanger |
| 1B | 550834 | EXT TUBE V IN ONLY D2 SHT R | Right Short Ext-Swing Away Hanger |
| 1B | 550835 | EXT TUBE V IN ONLY D2 SHT L | Left Short Ext-Swing Away Hanger |
| 1B | 550836 | EXT TUBE V IN ONLY D2 MED R | Right Med Ext-Swing Away Hanger |
| 1B | 550837 | EXT TUBE V IN ONLY D2 MED L | Left Med Ext-Swing Away Hanger |
| 1B | 550838 | EXT TUBE V IN ONLY D2 LONG R | Right Long Ext-Swing Away Hanger |
| 1B | 550839 | EXT TUBE V IN ONLY D2 LONG L | Left Long Ext-Swing Away Hanger |
| 1B | 550840 | EXT TUBE V IN ONLY D2 X-LONG R | Right X-Long Ext-Swing Away Hanger |
| 1B | 550841 | EXT TUBE V IN ONLY D2 X-LONG L | Left X-Long Ext-Swing Away Hanger |
| 2A | 483718 | HANGER EXTENSION SADDLE | USE W/ COMPOSITE FTPLT |
| 2B | 483720 | HANGER EXTENSION SADDLE LONG | USE W/ ANGLE ADJ FTPLT |
| 1C | 550764 | S/A HANGER EXT D2 SHORT BLACK | Short Ext ELR Hangers |
| 1C | 550765 | S/A HANGER EXT D2 MED BLACK | Medium Ext ELR Hangers |
| 1C | 550766 | S/A HANGER EXT D2 LONG BLACK | Long Ext ELR Hangers |
| 3 | 500078 | INSERT D2 EXT TUBE | |
| 4 | 483717 | HANGER SADDLE | |
| 5 | 221102 | 1/4-28 x 3/4 HEX HEAD C/S BLK W/PTCH | |
| 6A | 106962 | 1/4-28 x 1 3/4 BH C/S BLK ZN | USE W/ ANGLE ADJ FTPLT |
| 6B | 226165 | 1/4 -28 x 2 1/2 SOC C/S | USE W/ COMPOSITE FTPLT |
| 6C | 226147 | 1/4 -28 X 1.85 BH C/S | |
| 7 | 106945 | 1/4" SAE WASHER | |
| 8A | 106941 | 1/4 -28 AUTOMATION NUT | USE W/ ANGLE ADJ FTPLT |
| 8B | 106935 | 1/4 -28 NYLOCK NUT THIN | USE W/ COMPOSITE FTPLT |
| 9 | 561055 | 3/4 SADDLE 1" OD | USE W/ ANGLE ADJ FTPLT |
| 1A,2A-5 | 921759 | EXT TUBE S/A SHT ASSM PCKT | USE W/ COMPOSITE FTPLT |
| 1A,2A-5 | 921760 | EXT TUBE S/A MED ASSM PCKT | USE W/ COMPOSITE FTPLT |
| 1A,2A-5 | 921761 | EXT TUBE S/A LONG ASSM PCKT | USE W/ COMPOSITE FTPLT |
| 1A,2A-5 | 921762 | EXT TUBE S/A X-LONG ASSM PCKT | USE W/ COMPOSITE FTPLT |
| 1B,2A-5 | 921751 | EXT TUBE "V" D2 SHT R ASSM PCKT | RIGHT - USE W/ COMPOSITE FTPLT V HANGER |
| 1B,2A-5 | 921752 | EXT TUBE "V" D2 SHT L ASSM PCKT | LEFT - USE W/ COMPOSITE FTPLT V HANGER |
| 1B,2A-5 | 921753 | EXT TUBE "V" D2 MED R ASSM PCKT | RIGHT - USE W/ COMPOSITE FTPLT V HANGER |
| 1B,2A-5 | 921754 | EXT TUBE "V" D2 MED L ASSM PCKT | LEFT - USE W/ COMPOSITE FTPLT V HANGER |
| 1B,2A-5 | 921755 | EXT TUBE "V" D2 LONG R ASSM PCKT | RIGHT - USE W/ COMPOSITE FTPLT V HANGER |
| 1B,2A-5 | 921756 | EXT TUBE "V" D2 LONG L ASSM PCKT | LEFT - USE W/ COMPOSITE FTPLT V HANGER |
| 1B,2A-5 | 921757 | EXT TUBE "V" D2 X-LONG R ASSM PCKT | RIGHT - USE W/ COMPOSITE FTPLT V HANGER |
| 1B,2A-5 | 921758 | EXT TUBE "V" D2 X-LONG L ASSM PCKT | LEFT - USE W/ COMPOSITE FTPLT V HANGER |
| 1A,2A-7,9 | 921772 | EXT TUBE S/A SHT ANG ADJ PCKT | USE W/ ANGLE ADJ FTPLT |
| 1A,2A-7,9 | 921773 | EXT TUBE S/A MED ANG ADJ PCKT | USE W/ ANGLE ADJ FTPLT |
| 1A,2A-7,9 | 921774 | EXT TUBE S/A LONG ANG ADJ PCKT | USE W/ ANGLE ADJ FTPLT |
| 1A,2A-7,9 | 921775 | EXT TUBE S/A X-LONG ANG ADJ PCKT | USE W/ ANGLE ADJ FTPLT |
| 1B,2A-7,9 | 921764 | EXT TUBE "V" D2 SHT R ANG ADJ PCKT | RIGHT - USE W/ ANGLE ADJ FTPLT V HANGER |
| 1B,2A-7,9 | 921765 | EXT TUBE "V" D2 SHT L ANG ADJ PCKT | LEFT - USE W/ ANGLE ADJ FTPLT V HANGER |
| 1B,2A-7,9 | 921766 | EXT TUBE "V" D2 MED R ANG ADJ PCKT | RIGHT - USE W/ ANGLE ADJ FTPLT V HANGER |
| 1B,2A-7,9 | 921767 | EXT TUBE "V" D2 MED L ANG ADJ PCKT | LEFT - USE W/ ANGLE ADJ FTPLT V HANGER |
| 1B,2A-7,9 | 921768 | EXT TUBE "V" D2 LONG R ANG ADJ PCKT | RIGHT - USE W/ ANGLE ADJ FTPLT V HANGER |
| 1B,2A-7,9 | 921769 | EXT TUBE "V" D2 LONG L ANG ADJ PCKT | LEFT - USE W/ ANGLE ADJ FTPLT V HANGER |
| 1B,2A-7,9 | 921770 | EXT TUBE "V" D2 X-LONG R ANG AD PCKT | RIGHT - USE W/ ANGLE ADJ FTPLT V HANGER |
| 1B,2A-7,9 | 921771 | EXT TUBE "V" D2 X-LONG L ANG AD PCKT | LEFT - USE W/ ANGLE ADJ FTPLT V HANGER |

NOTE: Left Side Shown



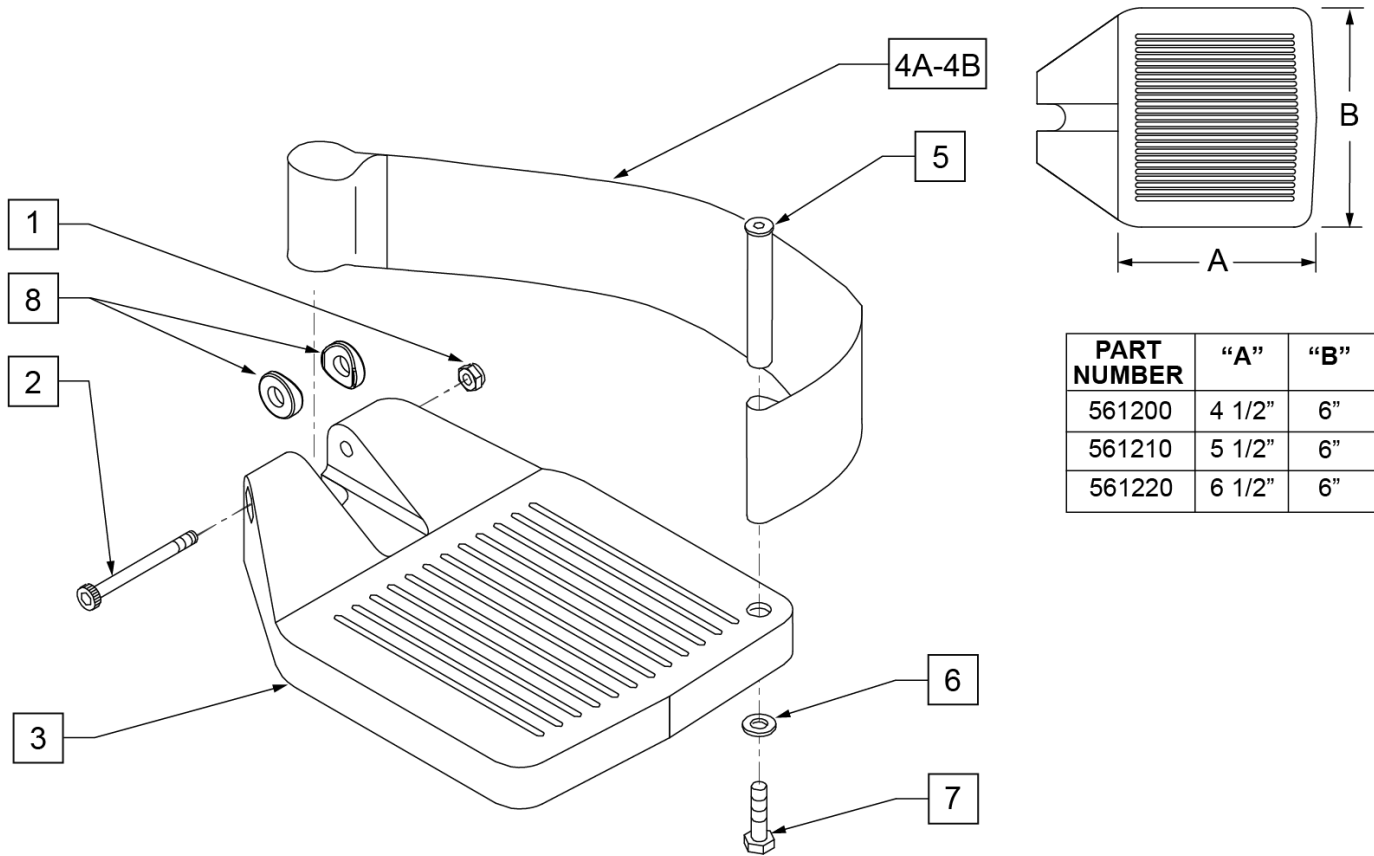
| Pos. | Item Number | Description | Remarks |
|----------|-------------|--------------------------------|---------------------------------|
| 1 | 106959 | 1/4-28 x 5/8 BH C/S | |
| 2 | 550739 | FOOTPLATE MOUNTING BRACKET | |
| 3 | 226147 | 1/4-28 x 1.85 BH C/S | |
| 4 | 281043 | #4 x 5/8 PAN PHIL S/TAP | |
| 5 | 560101 | END CAPS FOOTREST | |
| 7 | 561003 | 3/4" SADDLE THIN | |
| 8 | 106935 | 1/4-28 NYLOCK NUT THIN | |
| 9 | 550764 | S/A HANGER EXT D2 SHORT BLACK | |
| 9 | 550765 | S/A HANGER EXT D2 MED BLK | |
| 9 | 550766 | S/A HANGER EXT D2 LONG BLACK | |
| 4,5,6A | 882337 | ELR FOOTPLATE ASSEMBLY 14 -15" | |
| 4,5,6B | 882338 | ELR FOOTPLATE ASSEMBLY 16 -17" | |
| 4,5,6C | 882339 | ELR FOOTPLATE ASSEMBLY 18 -20" | |
| 1-5,6A-8 | 921400S | ELR FOOTPLATE KIT 14 -15" | Does not include Extension |
| 1-5,6B-8 | 921401S | ELR FOOTPLATE KIT 16 -17" | Does not include Extension |
| 1-5,6C-8 | 921402S | ELR FOOTPLATE KIT 18 -20" | Does not include Extension |
| | | Ship assembled part # | Use with multiple assemblies |
| | ASSY-HNG-FP | HANGER/FOOTPLATE ASSY REQUIRED | add with Hanger & Footplate kit |

COMPOSITE FOOTPLATE

[10/2011]

To have complete Footrest ship assembled, choose compatible Hanger + Footplate part numbers and add "ASSY-HNG-FP" to order

INSET FORMULA
 0" Inset (Seat Width) = Footrest Width
 1" Inset (Seat Width) -2" = Footrest Width
 "V" Hanger (Seat Width) -4" = Footrest Width
 Offset Hanger Receiver (Seat Width) +2" = Footrest Width



| PART NUMBER | "A" | "B" |
|-------------|--------|-----|
| 561200 | 4 1/2" | 6" |
| 561210 | 5 1/2" | 6" |
| 561220 | 6 1/2" | 6" |

| Pos. | Item Number | Description | Remarks |
|------|-------------|---|------------------------|
| 1 | 106935 | 1/4 - 28 NYLOCK NUT | |
| 2 | 226165 | 1/4 - 28 x 2 1/2 SOC C/S | |
| 3 | 561200 | COMPOSITE FOOTPLATE 14 -15 (16 -18 V) | 14 -15 OR 16 -18V |
| 3 | 561210 | COMPOSITE FOOTPLATE 16 -17 (19 -20 V) | 16 -17 OR 19 -20V |
| 3 | 561220 | COMPOSITE FOOTPLATE 18 -20 | 18 -20 |
| 4A | 741151 | HEEL LOOP 14-15 COMPOSITE (14 -15 or 16 -18V) | 14 -15 OR 16 -18V |
| 4A | 741156 | HEEL LOOP 16 -17 or 19 -20V | 16 -17 OR 19 -20V |
| 4A | 741153 | HEEL LOOP 18 -20 COMPOSITE/14-15 ANG ADJ | 18 -20 |
| 4A | 902270 | HEEL LOOP COMPOSITE FT 14-15 | PAIR 14 -15 OR 16 -18V |
| 4A | 902271 | HEEL LOOP COMPOSITE FT 16-17 | PAIR 16 -17 OR 19 -20V |
| 4A | 902272 | HEEL LOOP COMPOSITE FT 18-20 | PAIR 18 -20 |
| 4B | 741154 | HEEL LOOP 14-15 COMPOSITE HEMI | 14 -15 HEMI |
| 4B | 741155 | HEEL LOOP 16-17 COMPOSITE HEMI | 16 -17 HEMI |
| 4B | 741153 | HEEL LOOP 18-20 COMPOSITE HEMI | 18 -10 HEMI |
| 4B | 902260 | HEEL LOOPS HEMI COMPOSITE 14-15 | PAIR 14 -15 HEMI |
| 4B | 902261 | HEEL LOOPS HEMI COMPOSITE 16-17 | PAIR 16 -17 HEMI |
| 4B | 902262 | HEEL LOOPS HEMI COMPOSITE 18-20 | PAIR 18 -20 HEMI |
| 5 | 561040 | HEEL LOOP PEG | |
| 6 | 106944 | 1/4 AN WASHER FLAT THIN | |

| Pos. | Item Number | Description | Remarks |
|------------|-------------|--|---|
| 7 | 106958 | HHCS 1/4-20 X 1 ROHS | |
| 8 | 561003 | 3/4" SADDLE THIN | USED W/ ROUND EXT TUBES ONLY |
| 1-3 | 921180 | COMPOSITE FOOTPLATE ASSM 14-15 | RIGHT (14 -15 OR 16 -18V) W/O HEEL LOOP |
| 1-3 | 921181 | COMPOSITE FOOTPLATE ASSM 14-15 | LEFT (14 -15 OR 16 -18V) W/O HEEL LOOP |
| 1-3 | 921182 | COMPOSITE FOOTPLATE ASSM 16-17 | RIGHT (16 -17 OR 19 -20V) W/O HEEL LOOP |
| 1-3 | 921183 | COMPOSITE FOOTPLATE ASSM 16-17 | LEFT (16 -17 OR 19 -20V) W/O HEEL LOOP |
| 1-3 | 921184 | COMPOSITE FOOTPLATE ASSM 18-20 | RIGHT (18 -20) W/O HEEL LOOP |
| 1-3 | 921185 | COMPOSITE FOOTPLATE ASSM 18-20 | LEFT (18 -20) W/O HEEL LOOP |
| 1-3 | 921151 | COMPOSITE FOOTPLATE ASSM 14-15/16-18V | PAIR (14 -15 OR 16 -18V) W/O HEEL LOOP |
| 1-3 | 921152 | COMPOSITE FOOTPLATE ASSM 16-17/19-20V | PAIR (16 -17 OR 19 -20V) W/O HEEL LOOP |
| 1-3 | 921153 | COMPOSITE FOOTPLATE ASSM 18-20 | PAIR (18 -20) W/O HEEL LOOP |
| 1,2,3A,4-7 | 921190 | COMPOSITE FOOTPLATE ASSM HL LP 14-15 | RIGHT (14 -15 OR 16 -18V) W/ HEEL LOOP |
| 1,2,3A,4-7 | 921191 | COMPOSITE FOOTPLATE ASSM HL LP 14-15 | LEFT (14 -15 OR 16 -18V) W/ HEEL LOOP |
| 1,2,3A,4-7 | 921192 | COMPOSITE FOOTPLATE ASSM HL LP 16-17 | RIGHT (16 -17 OR 19 -20V) W/ HEEL LOOP |
| 1,2,3A,4-7 | 921193 | COMPOSITE FOOTPLATE ASSM HL LP 16-17 | LEFT (16 -17 OR 19 -20V) W/ HEEL LOOP |
| 1,2,3A,4-7 | 921194 | COMPOSITE FOOTPLATE ASSM HL LP 18-20 | RIGHT (18 -20) W/ HEEL LOOP |
| 1,2,3A,4-7 | 921195 | COMPOSITE FOOTPLATE ASSM HL LP 18-20 | LEFT (18 -20) W/ HEEL LOOP |
| 1,2,3A,4-7 | 921161 | COMPOSITE FOOTPLATE ASSM HL 14-15/16-18V | PAIR (14 -15 OR 16 -18V) W/ HEEL LOOP |
| 1,2,3A,4-7 | 921162 | COMPOSITE FOOTPLATE ASSM HL 16-17/19-20V | PAIR (16 -17 OR 19 -20V) W/ HEEL LOOP |
| 1,2,3A,4-7 | 921163 | COMPOSITE FOOTPLATE ASSM HL 18-20 | PAIR (18 -20) W/ HEEL LOOP |
| 1,2,3B,4-7 | 921140 | COMPOSITE FOOTPLATE ASSM HEMI HL LP 14-15 | RIGHT (14 -15) W/ HEEL LOOP |
| 1,2,3B,4-7 | 921141 | COMPOSITE FOOTPLATE ASSM HEMI HL LP 14-15 | LEFT (14 -15) W/ HEEL LOOP |
| 1,2,3B,4-7 | 921142 | COMPOSITE FOOTPLATE ASSM HEMI HL LP 16-17 | RIGHT (16 -17) W/ HEEL LOOP |
| 1,2,3B,4-7 | 921143 | COMPOSITE FOOTPLATE ASSM HEMI HL LP 16-17 | LEFT (16 -17) W/ HEEL LOOP |
| 1,2,3B,4-7 | 921144 | COMPOSITE FOOTPLATE ASSM HEMI HL LP 18-20 | RIGHT (18 -20) W/ HEEL LOOP |
| 1,2,3B,4-7 | 921145 | COMPOSITE FOOTPLATE ASSM HEMI HL LP 18-20 | LEFT (18 -20) W/ HEEL LOOP |
| 1,2,3B,4-7 | 921167 | COMPOSITE FOOTPLATE ASSM HEMI HL LPS 14-15 | PAIR (14 -15) W/ HEEL LOOP |
| 1,2,3B,4-7 | 921168 | COMPOSITE FOOTPLATE ASSM HEMI HL LPS 16-17 | PAIR (16 -17) W/ HEEL LOOP |
| 1,2,3B,4-7 | 921169 | COMPOSITE FOOTPLATE ASSM HEMI HL LPS 18-20 | PAIR (18 -20) W/ HEEL LOOP |
| | | Ship assembled part # | Use with multiple assemblies |
| | ASSY-HNG-FP | HANGER/FOOTPLATE ASSY REQUIRED | add with Hanger & Footplate kit |

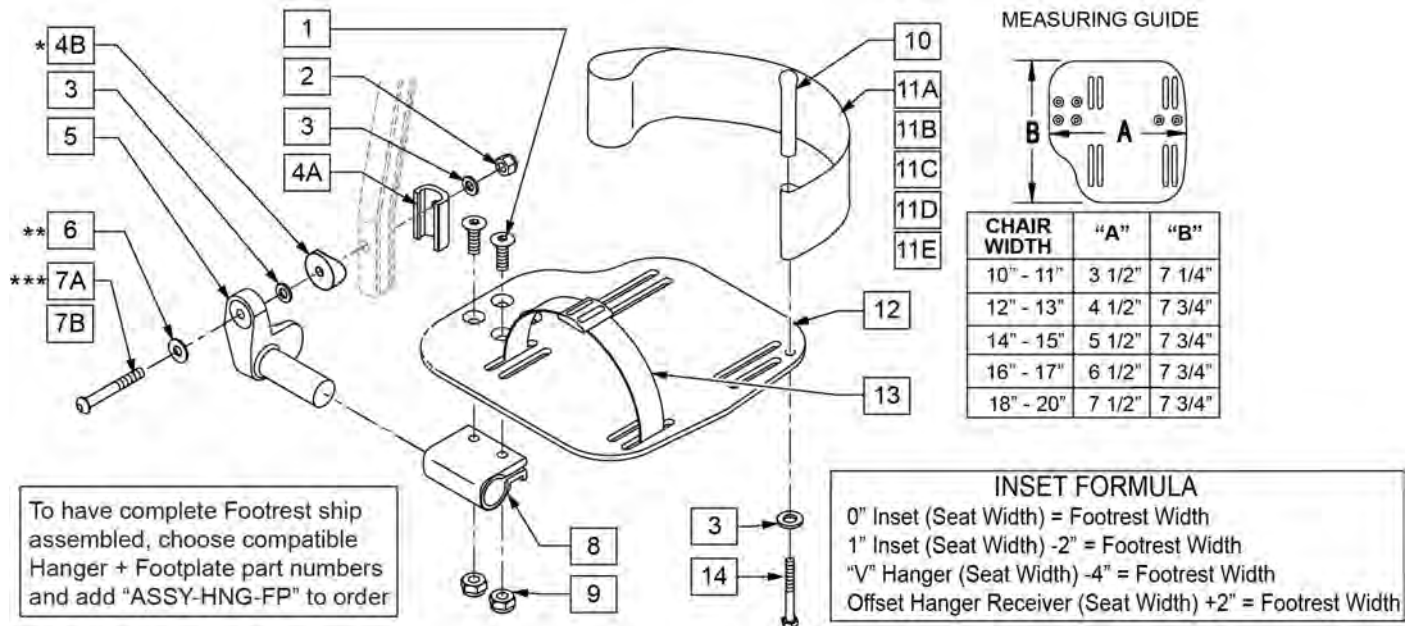
NOTE: FOR HIGH-MOUNT ADULT ANGLE-ADJUSTABLE FOOTPLATE, SEE "HIGH-MOUNT EXTENSION TUBE" PAGE.

NOTE: ORDER ITEM 4B FOR CHAIRS PRIOR TO 8/13/01.

NOTE: ONLY 1 WASHER PRIOR TO 8/13/01.

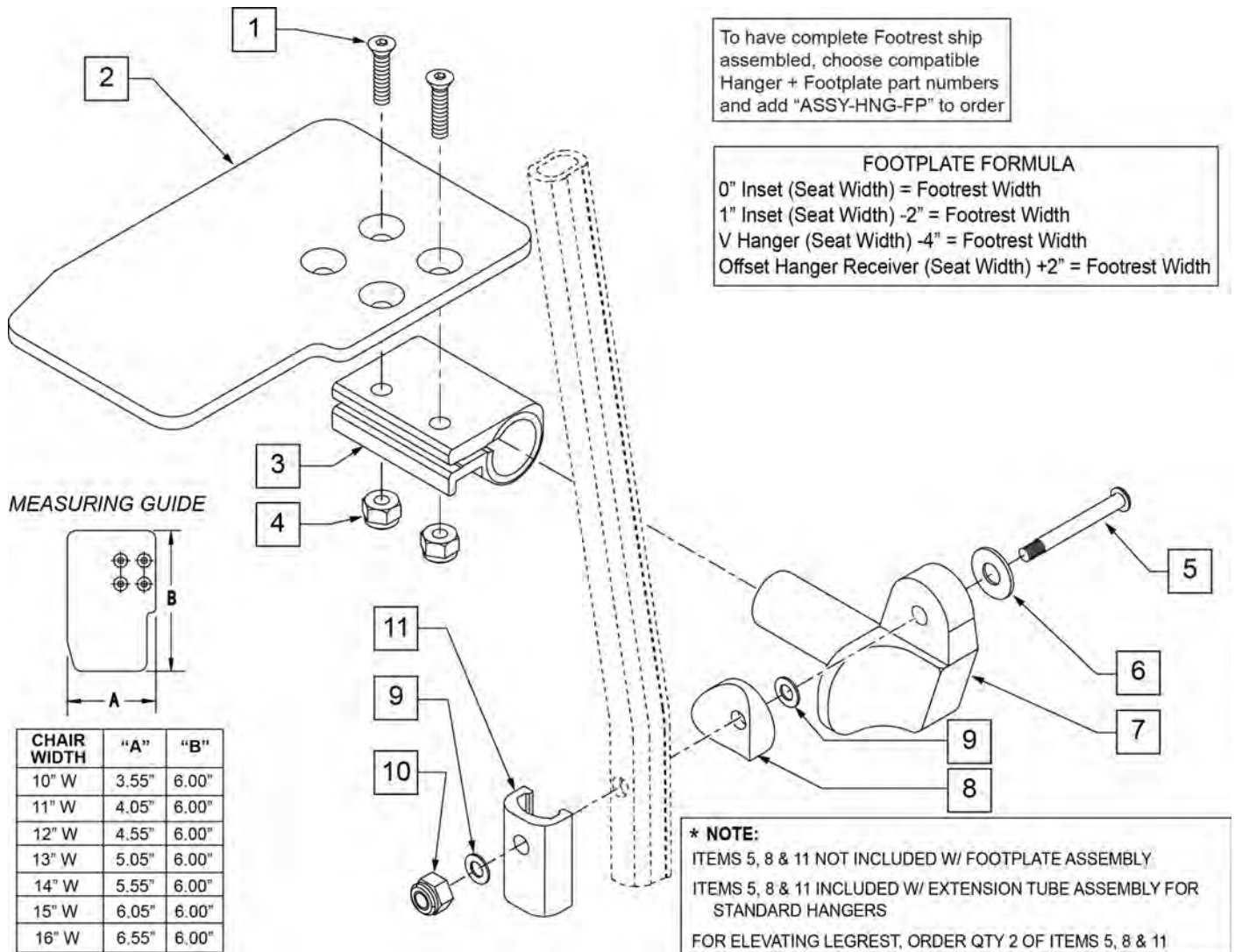
NOTE: ORDER PART 226167 PRIOR TO 8/13/01.

NOTE: See attached REFERENCE GUIDE.



| Pos. | Item Number | Description | Remarks |
|------|-------------|-------------------------------|--------------------------|
| 1 | 106978 | 1/4-28 x 7/8 FH C/S | |
| 2 | 106941 | 1/4-28 AUTOMATION NUT | |
| 3 | 106943 | WASHER FLAT AN 1/4 ROHS | |
| 4A | 483720 | HANGER EXTENSION SADDLE LONG | USE W/ DOUBLE D EXT TUBE |
| 4B | 561055 | 3/4" SADDLE 1" OD | USE W/ ROUND EXT TUBE |
| 5 | 541002 | FTRST MOUNTING BRKT-3/8 RAD R | RIGHT |
| 5 | 541003 | FTRST MOUNTING BRKT-3/8 RAD L | LEFT |
| 6 | 106945 | WASHER FLAT SAE 1/4 ROHS | |
| 7A | 106962 | BHCS 1/4-28 X 1-3/4 ROHS | USE W/ DOUBLE D EXT TUBE |
| 7B | 226167 | 1/4-28 x 1.625 BH C/S BLK | USE W/ ROUND EXT TUBE |
| 8 | 550350 | 3/4" CLMP ADJ FT PLT | |
| 9 | 106935 | NUT NYLOCK THIN 1/4-28 ROHS | |
| 10 | 561040 | HEEL LOOP PEG | |

| Pos. | Item Number | Description | Remarks |
|-------------------------|-------------|-------------------------------------|--|
| 11A | 741154 | HEEL LOOP 14-15 CMPST HEMI | USED W/ 10-11" ADULT ANG ADJ FTPLTS |
| 11B | 741155 | HEEL LOOP 16-17 CMPST HEMI | USED W/ 12 -13" ADULT ANG ADJ FTPLTS |
| 11C | 741153 | H/L 18-20 CMPST/14-15 ANG ADJ | USED W/ 14-15"/16-17" ADULT ANG ADJ FTPLTS |
| 11D | 741253 | HEEL LOOP ADLT ADJ F/PLT 18-20 | USED W/ 18 -20" ADULT ANG ADJ FTPLTS |
| 12 | 500656 | ADLT ANGL ADJ F/PLT 10/11" R | RIGHT |
| 12 | 500657 | ADLT ANGL ADJ F/PLT 10/11" L | LEFT |
| 12 | 500658 | ADLT ANGL ADJ F/PLT 12/13" R | RIGHT |
| 12 | 500659 | ADLT ANGL ADJ F/PLT 12/13" L | LEFT |
| 12 | 500660 | ADLT ANGL ADJ F/PLT 14/15 | RIGHT |
| 12 | 500661 | ADLT ANGL ADJ F/PLT 14/15 | LEFT |
| 12 | 500662 | ADLT ANGL ADJ F/PLT 16/17 | RIGHT |
| 12 | 500663 | ADLT ANGL ADJ F/PLT 16/17 | LEFT |
| 12 | 500664 | ADLT ANGL ADJ F/PLT 18-20 | RIGHT |
| 12 | 500665 | ADLT ANGL ADJ F/PLT 18-20 | LEFT |
| 13 | 740260 | TOE/ANKLE STRAP ADJ ADLT F/PLT | |
| 14 | 106958 | 1/4-20 x 1 HEX C/S | |
| 1-3,5,6,8,9,12 | 820526 | AD ANG ADJ F/PLT R 12"/13" OMIT HL | RIGHT |
| 1-3,5,6,8,9,12 | 820536 | AD ANG ADJ F/PLT L 12"/13" OMT HL | LEFT |
| 1-3,5,6,8,9,12 | 820460 | FP ADLT ADJ 14/15 OMIT HL | RIGHT |
| 1-3,5,6,8,9,12 | 820462 | FP ADLT ADJ 14/15 OMIT HL | LEFT |
| 1-3,5,6,8,9,12 | 820464 | FP ADLT ADJ 16/17 OMIT HL | RIGHT |
| 1-3,5,6,8,9,12 | 820466 | FP ADLT ADJ 16/17 OMIT HL | LEFT |
| 1-3,5,6,8,9,12 | 820468 | FP ADLT ADJ 18-20 OMIT HL | RIGHT |
| 1-3,5,6,8,9,12 | 820470 | FP ADLT ADJ 18-20 OMIT HL | LEFT |
| 1-3,5,6,8,9,12 | 921466 | ADLT ANGL ADJ F/PLT 12"/13" OMIT HL | PAIR |
| 1-3,5,6,8,9,12 | 921320 | FP ADLT ADJ 14/15 OMIT HL | PAIR |
| 1-3,5,6,8,9,12 | 921322 | FP ADLT ADJ 16/17 OMIT HL | PAIR |
| 1-3,5,6,8,9,12 | 921324 | FP ADLT ADJ 18-20 OMIT HL | PAIR |
| 1-3,5,6,8,9,11B,12 | 820522 | AD ANGL ADJ F/PLT R 12/13" H/L | RIGHT |
| 1-3,5,6,8,9,11B,12 | 820532 | AD ANGL ADJ F/PLT L 12/13" H/L | LEFT |
| 1-3,5,6,8-10,11C, 12,14 | 820461 | FP ADLT ADJ 14/15 HL | RIGHT |
| 1-3,5,6,8-10,11C, 12,14 | 820463 | FP ADLT ADJ 14/15 HL | LEFT |
| 1-3,5,6,8-10,11C, 12,14 | 820465 | FP ADLT ADJ 16/17 HL | RIGHT |
| 1-3,5,6,8-10,11C, 12,14 | 820467 | FP ADLT ADJ 16/17 HL | LEFT |
| 1-3,5,6,8-10,11D, 12,14 | 820469 | FP ADLT ADJ 18-20 HL | RIGHT |
| 1-3,5,6,8-10,11D, 12,14 | 820471 | FP ADLT ADJ 18-20 HL | LEFT |
| 1-3,5,6,8-10,11B, 12,14 | 921462 | ADLT ANGL ADJ F/PLATE 12"/13" HL | PAIR |
| 1-3,5,6,8-10,11C, 12,14 | 921321 | FP ADLT ADJ 14/15 HL | PAIR |
| 1-3,5,6,8-10,11C, 12,14 | 921323 | FP ADLT ADJ 16/17 HL | PAIR |
| 1-3,5,6,8-10,11D, 12,14 | 921325 | FP ADLT ADJ 18-20 HL | PAIR |
| 1-3,6,7A,9-10,14 | 101533 | ADLT ANG ADJ FP D2 HDWR KIT | FOR DOUBLE D EXT TUBES |
| 1-3B,4B,6,7B,9,10,14 | 101534 | ADLT ANG ADJ FP RND HDWR KIT | FOR ROUND EXT TUBES (Q2 HP ONLY) |
| | | Ship assembled part # | Use with multiple assemblies |
| | ASSY-HNG-FP | HANGER/FOOTPLATE ASSY REQUIRED | add with Hanger & Footplate kit |



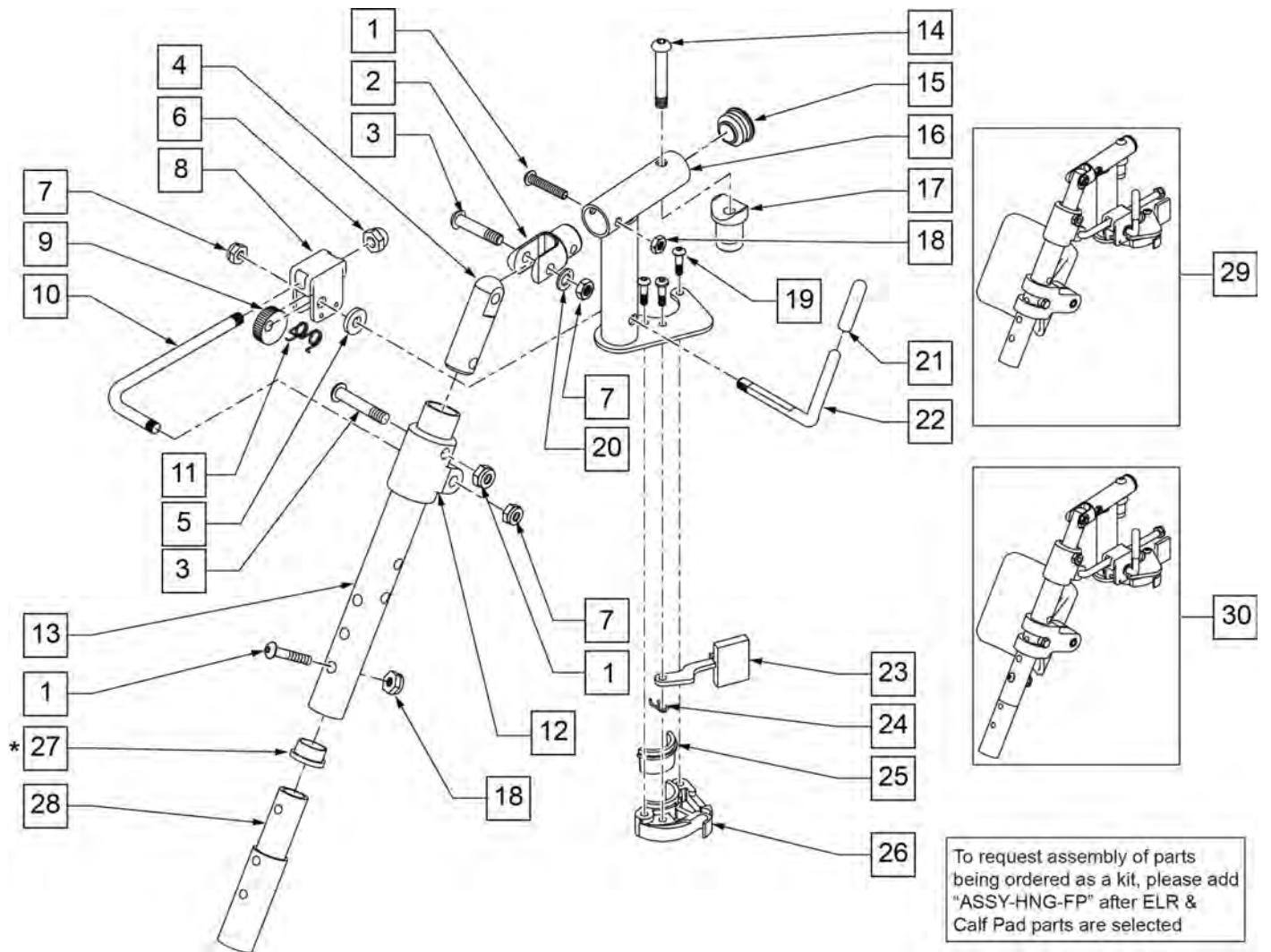
| Pos. | Item Number | Description | Remarks |
|------|-------------|---|---------|
| 1 | 106978 | FHCS 1/4 -28 x 7/8 ROHS | |
| 2 | 500635 | KIDS ANGL ADJ F/PLT 10" R | Right |
| 2 | 500636 | KIDS ANGL ADJ F/PLT 10" L | Left |
| 2 | 500637 | KIDS ANGL ADJ F/PLT 11" R | Right |
| 2 | 500638 | KIDS ANGL ADJ F/PLT 11" L | Left |
| 2 | 500639 | KIDS ANGL ADJ F/PLT 12" R | Right |
| 2 | 500640 | KIDS ANGL ADJ F/PLT 12" L | Left |
| 2 | 500641 | KIDS ANGL ADJ F/PLT 13" R | Right |
| 2 | 500642 | KIDS ANGL ADJ F/PLT 13" L | Left |
| 2 | 500643 | KIDS ANGL ADJ F/PLT 14" R | Right |
| 2 | 500644 | KIDS ANGL ADJ F/PLT 14" L | Left |
| 2 | 500645 | KIDS ANGL ADJ F/PLT 15" R | Right |
| 2 | 500646 | KIDS ANGL ADJ F/PLT 15" L | Left |
| 2 | 500647 | KIDS ANGL ADJ F/PLT 16" R | Right |
| 2 | 500648 | KIDS ANGL ADJ F/PLT 16" L | Left |
| 3 | 550350 | 3/4" CLAMP ADJ FOOTPLATE | |
| 4 | 106935 | NUT NYLOCK THIN 1/4 -28 ROHS | |
| 5 | 106962 | 1/4-28 x 1 3/4 BH C/S BLK ZN (D2 EXTENSION TUBES) | |

| Pos. | Item Number | Description | Remarks |
|--------------|-------------|---|---------------------------------|
| 5 | 226167 | 1/4-28 x 1.625 BH C/S BLK (ROUND EXTENSION TUBES) | |
| 6 | 106945 | 1/4 SAE WASHER | |
| 7 | 541002 | FTRST MOUNTING BRKT-3/8 RAD R | |
| 7 | 541003 | FTRST MOUNTING BRKT-3/8 RAD L | |
| 8 | 561055 | 3/4" SADDLE 1" OD | |
| 9 | 106944 | WASHER FLAT THIN AN 1/4 ROHS | |
| 10 | 106941 | NUT AUTOMATION 1/4 -28 ROHS | |
| 11 | 483720 | HANGER EXTENSION SADDLE LONG | Use with Double D Ext Tube |
| 1-4,6,7,9,10 | 828850 | KIDS ANG ADJ F/PLT EXT-MNT 10"R | Right |
| 1-4,6,7,9,10 | 828851 | KIDS ANG ADJ F/PLT EXT-MNT 10"L | Left |
| 1-4,6,7,9,10 | 828852 | KIDS ANG ADJ F/PLT EXT-MNT 11"R | Right |
| 1-4,6,7,9,10 | 828853 | KIDS ANG ADJ F/PLT EXT-MNT 11"L | Left |
| 1-4,6,7,9,10 | 828854 | KIDS ANG ADJ F/PLT EXT-MNT 12"R | Right |
| 1-4,6,7,9,10 | 828855 | KIDS ANG ADJ F/PLT EXT-MNT 12"L | Left |
| 1-4,6,7,9,10 | 828856 | KIDS ANG ADJ F/PLT EXT-MNT 13"R | Right |
| 1-4,6,7,9,10 | 828857 | KIDS ANG ADJ F/PLT EXT-MNT 13"L | Left |
| 1-4,6,7,9,10 | 828858 | KIDS ANG ADJ F/PLT EXT-MNT 14"R | Right |
| 1-4,6,7,9,10 | 828859 | KIDS ANG ADJ F/PLT EXT-MNT 14"L | Left |
| 1-4,6,7,9,10 | 828860 | KIDS ANG ADJ F/PLT EXT-MNT 15"R | Right |
| 1-4,6,7,9,10 | 828861 | KIDS ANG ADJ F/PLT EXT-MNT 15"L | Left |
| 1-4,6,7,9,10 | 828862 | KIDS ANG ADJ F/PLT EXT-MNT 16"R | Right |
| 1-4,6,7,9,10 | 828863 | KIDS ANG ADJ F/PLT EXT-MNT 16"L | Left |
| 1-4,6,7,9,10 | 921280 | KIDS ANG ADJ F/PLT EXT-MNT 10" | Pair |
| 1-4,6,7,9,10 | 921281 | KIDS ANG ADJ F/PLT EXT-MNT 11" | Pair |
| 1-4,6,7,9,10 | 921282 | KIDS ANG ADJ F/PLT EXT-MNT 12" | Pair |
| 1-4,6,7,9,10 | 921283 | KIDS ANG ADJ F/PLT EXT-MNT 13" | Pair |
| 1-4,6,7,9,10 | 921284 | KIDS ANG ADJ F/PLT EXT-MNT 14" | Pair |
| 1-4,6,7,9,10 | 921285 | KIDS ANG ADJ F/PLT EXT-MNT 15" | Pair |
| 1-4,6,7,9,10 | 921286 | KIDS ANG ADJ F/PLT EXT-MNT 16" | Pair |
| | | Ship assembled part # | Use with multiple assemblies |
| | ASSY-HNG-FP | HANGER/FOOTPLATE ASSY REQUIRED | add with Hanger & Footplate kit |

90 DEG ELEVATING HANGER

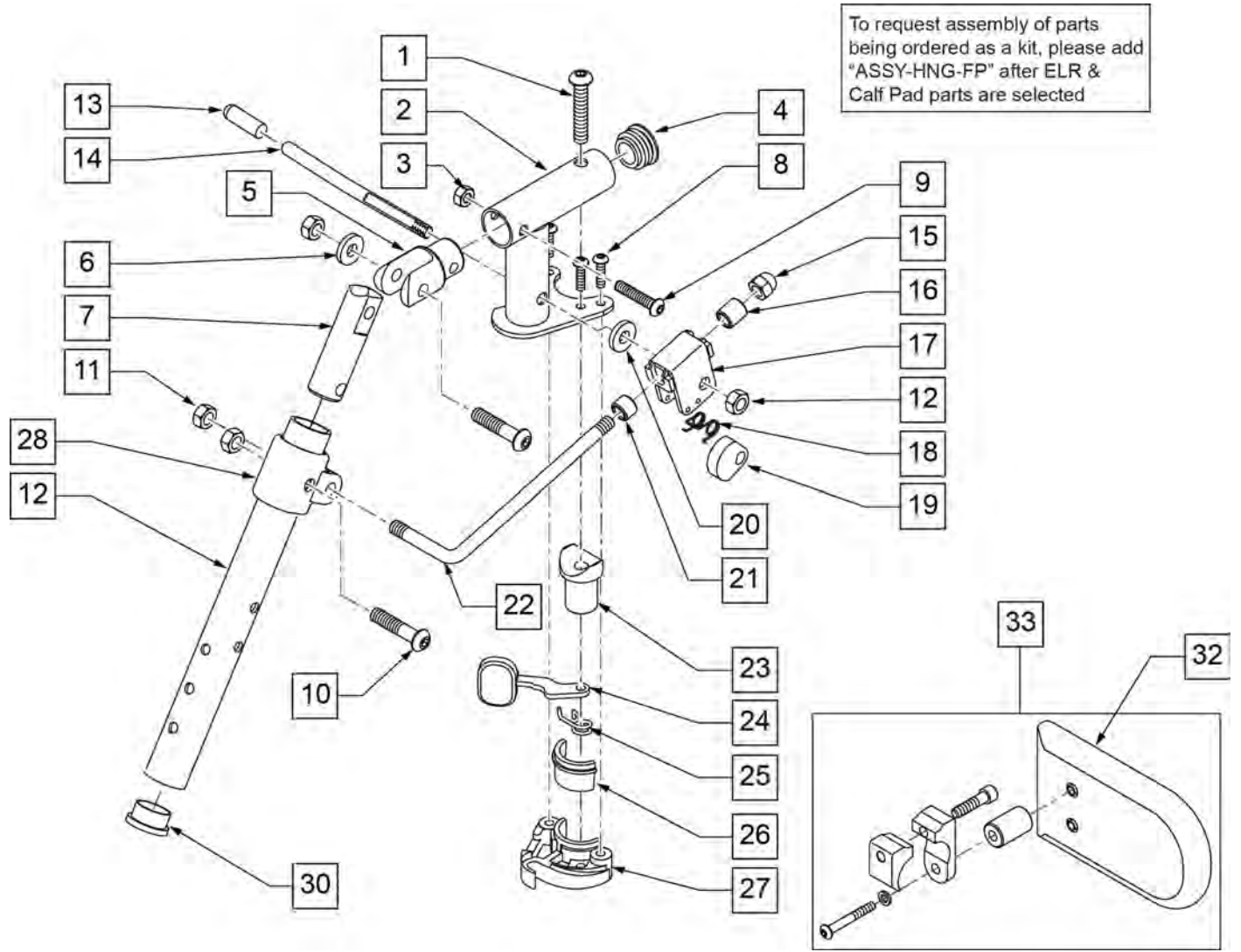
[11/2009]

NOTE: Order Item 27 (561002) when NOT using Footrest Extension.



| Pos. | Item Number | Description | Remarks |
|------|-------------|--------------------------------|---------------|
| 1 | 107027 | BHCS 1/4-28 X 1-1/4 SHLDR ROHS | |
| 2 | 505281 | ELR CLEVIS | |
| 3 | 107037 | BHCS 5/16-24 X 1-1/2 SHLD ROHS | |
| 4 | 540252 | ELR PIVOT PRS | |
| 5 | 561059 | 3/4 OD x .318 ID WASHER | |
| 6 | 202109 | 5/16-24 ACORN NUT HEX | |
| 7 | 106939 | NUT NYLOCK THIN 5/16-24 ROHS | |
| 8 | 880990 | ELR LOCK HOUSING W/PIN | |
| 9 | 481119 | ELR CAM LOCKING POWDERED METAL | |
| 10 | 481505 | ELR LOCK ROD 90D | |
| 11 | 321106 | ELR TORSION SPRING | |
| 12 | 560430 | ELR ROD UPPER PIVOT | |
| 13 | 505097S | ELR KIDS TUBE | SPECIFY COLOR |
| 14 | 106983 | BHCS 5/16-18 X 2 SHLDR ROHS | |
| 15 | 561062 | 1" INSERT PLUG .065 RIBS | |

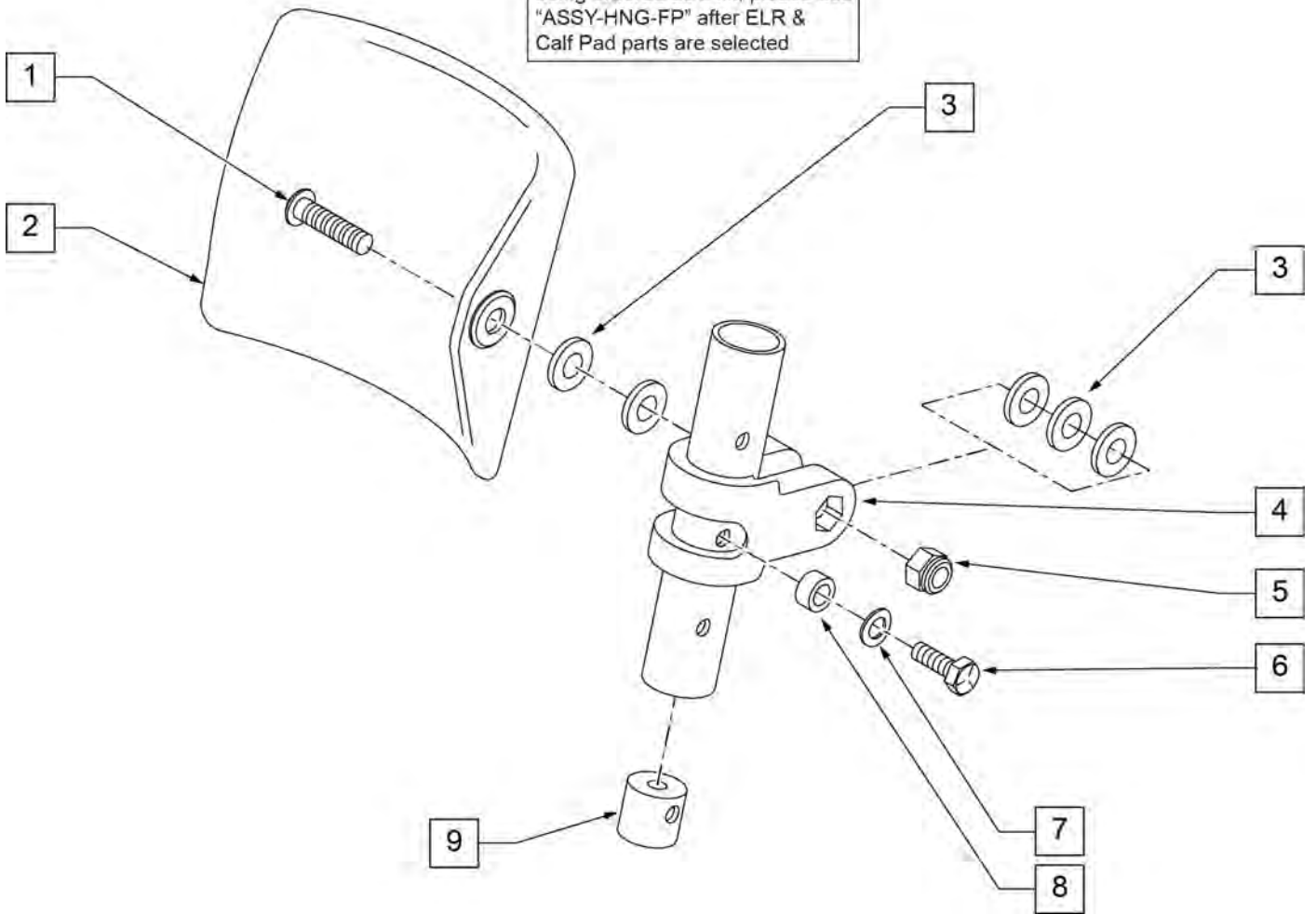
| Pos. | Item Number | Description | Remarks |
|-------------------|-------------|--------------------------------|---------------------------------|
| 17 | 561197 | PLASTIC PIVOT SADDLE | |
| 18 | 106935 | NUT NYLOCK THIN 1/4-28 ROHS | |
| 19 | 107035 | BHCS 10-24 X .725 PL ROHS | |
| 20 | 263100 | 5/16 AN WASHER FLAT | |
| 21 | 561049 | ELR RELEASE ROD COVER | |
| 23 | 561079 | S/A LATCH LEVER | |
| 24 | 321136 | S/A SPRING L RED | |
| 24 | 321137 | S/A SPRING R CLEAR | |
| 27 | 561002 | 1" INSERT PLUG .083 | |
| 29 | 923067S | ELR HNGR ASSM 90D W/PAD | PAIR |
| 30 | 923068S | ELR HNGR ASSM 90D W/PAD 2" EXT | PAIR |
| 1,18,28 | 111505 | 2" FTREST EXT W/ HDWR | |
| 25,26 | 881500 | LATCH BLOCK ASSM R | RIGHT |
| 25,26 | 881501 | LATCH BLOCK ASSM L | LEFT |
| 21,22 | 882411 | ELR 90D ACTUATION ARM ASSM | |
| 1-4,7,14-20,23-28 | 882413 | ELR PIVOT BLOCK ASSM R | RIGHT |
| 1-4,7,14-20,23-28 | 882414 | ELR PIVOT BLOCK ASSM L | LEFT |
| 1-26 | 641458S | ELR HNGR 90D W/O PAD PNTD R | RIGHT |
| 1-26 | 641459S | ELR HNGR 90D W/O PAD PNTD L | LEFT |
| 1-26,28 | 641468S | HANGER ELR 90 W/O PAD R 2" EXT | RIGHT |
| 1-26,28 | 641469S | HANGER ELR 90 W/O PAD L 2" EXT | LEFT |
| 19,23-26 | 881521 | S/A LATCH KIT CASTING RIGHT | RIGHT |
| 19,23-26 | 881522 | S/A LATCH KIT CASTING LEFT | LEFT |
| | | Ship assembled part # | Use with multiple assemblies |
| | ASSY-HNG-FP | HANGER/FOOTPLATE ASSY REQUIRED | add with Hanger & Footplate kit |



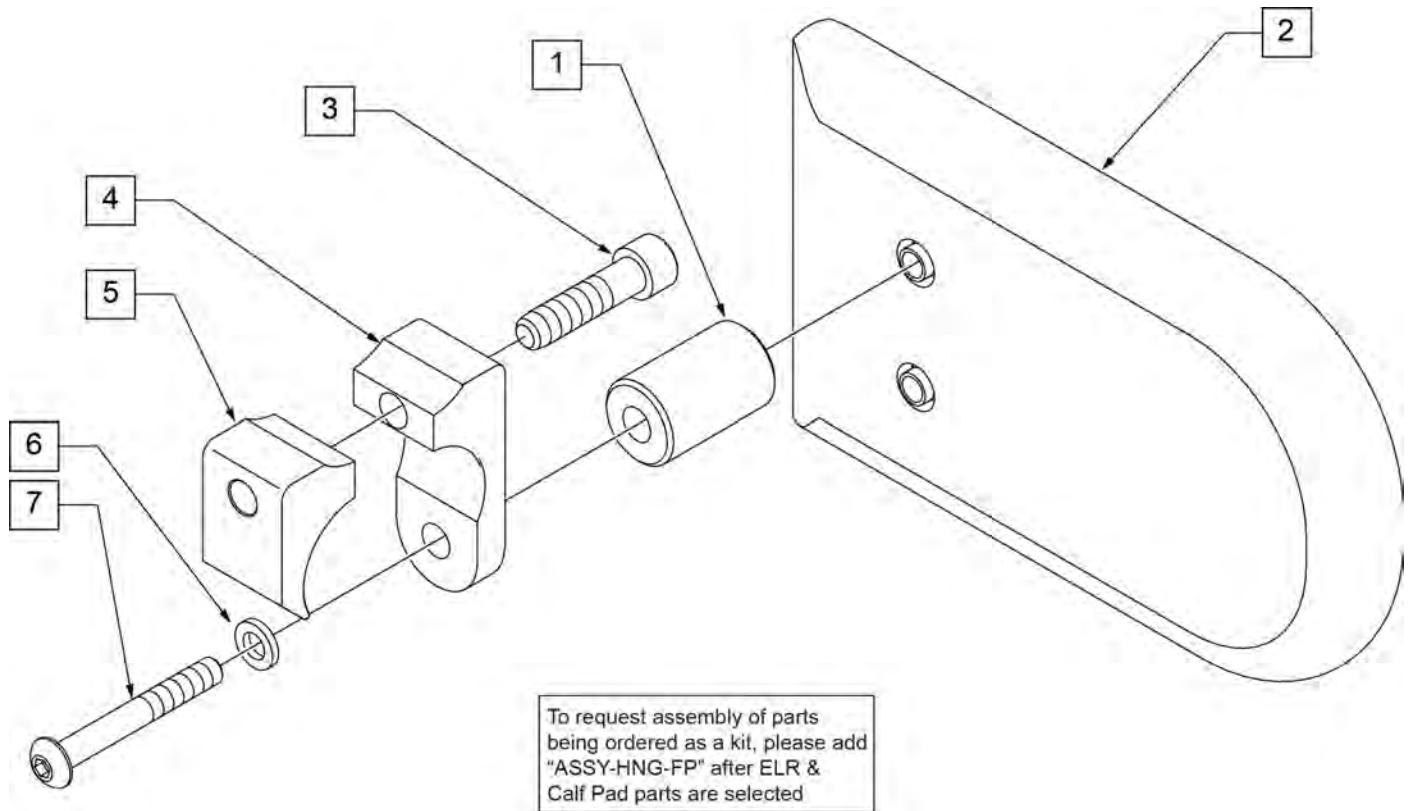
| Pos. | Item Number | Description | Remarks |
|------|-------------|--------------------------------|---------|
| 1 | 226217 | 5/16-18 x 2" BH C/S BLK | |
| 3 | 106935 | NUT NYLOCK THIN 1/4-28 ROHS | |
| 4 | 561062 | 1" INSERT PLUG .065 RIBS | |
| 5 | 505281 | ELR CLEVIS | |
| 6 | 263100 | 5/16 AN WASHER FLAT | |
| 7 | 540252 | ELR PIVOT PRS | |
| 8 | 226057 | 10/24 x .725 BTTN HD SOC BZ | |
| 9 | 106961 | 1/4-28 x 1 1/4 BH C/S | |
| 10 | 226138 | 5/16-24 x 1 1/2 BH C/S | |
| 11 | 106939 | 5/16-24 NYLOCK NUT THIN | |
| 12 | 505097S | ELR KIDS TUBE (SPECIFY COLOR) | |
| 15 | 202109 | 5/16-24 ACORN NUT HEX | |
| 16 | 560815 | HEMI ELR ADJ STOP BACK LG | |
| 17 | 880990 | ELR LOCK HOUSING W/PIN | |
| 18 | 321106 | ELR TORSION SPRING | |
| 19 | 481119 | ELR CAM LOCKING POWDERED METAL | |
| 20 | 561059 | 3/4 OD x .318 ID WASHER | |
| 21 | 500806 | HEMI ELR ADJ STOP FRONT SMALL | |

| Pos. | Item Number | Description | Remarks |
|-----------------|-------------|--------------------------------|---------------------------------|
| 22 | 481117 | ELR LOCK ROD | |
| 23 | 561197 | PLASTIC PIVOT SADDLE | |
| 24 | 561079 | S/A LATCH LEVER | |
| 25 | 321136 | S/A SPRING L RED | |
| 25 | 321137 | S/A SPRING R CLEAR | |
| 28 | 560420 | ELR UPPER PIVOT PLST | |
| 30 | 561002 | 1" INSERT PLUG .083 | |
| 32 | 750226 | KNEE PAD FLAT 3H X 5L W/COVER | |
| 33 | 922328 | ELR HEMI KNEE PAD ASSM | |
| 26,27 | 881500 | LATCH BLOCK ASSM R | |
| 26,27 | 881501 | LATCH BLOCK ASSM L | |
| 13,14 | 882411 | ELR 90D ACTUATION ARM ASSM | |
| 1-11,23-27 | 921826 | ELR PIVOT BLOCK ASSM R | RIGHT |
| 1-11,23-27 | 921827 | ELR PIVOT BLOCK ASSM L | LEFT |
| 1-11,13-28 | 921888 | HEMI ELR PIVOT ASSEMBLY RIGHT | RIGHT |
| 1-11,13-28 | 921889 | HEMI ELR PIVOT ASSEMBLY LEFT | LEFT |
| 11,13-19, 21,22 | 922323S | HEMI ELR LOCK ROD/ARM ASSM | |
| 1-28 | 921894S | HEMI ELR HANGER 90 D W/O PAD R | RIGHT |
| 1-28 | 921895S | HEMI ELR HANGER 90 D W/O PAD L | LEFT |
| | | Ship assembled part # | Use with multiple assemblies |
| | ASSY-HNG-FP | HANGER/FOOTPLATE ASSY REQUIRED | add with Hanger & Footplate kit |

To request assembly of parts being ordered as a kit, please add "ASSY-HNG-FP" after ELR & Calf Pad parts are selected

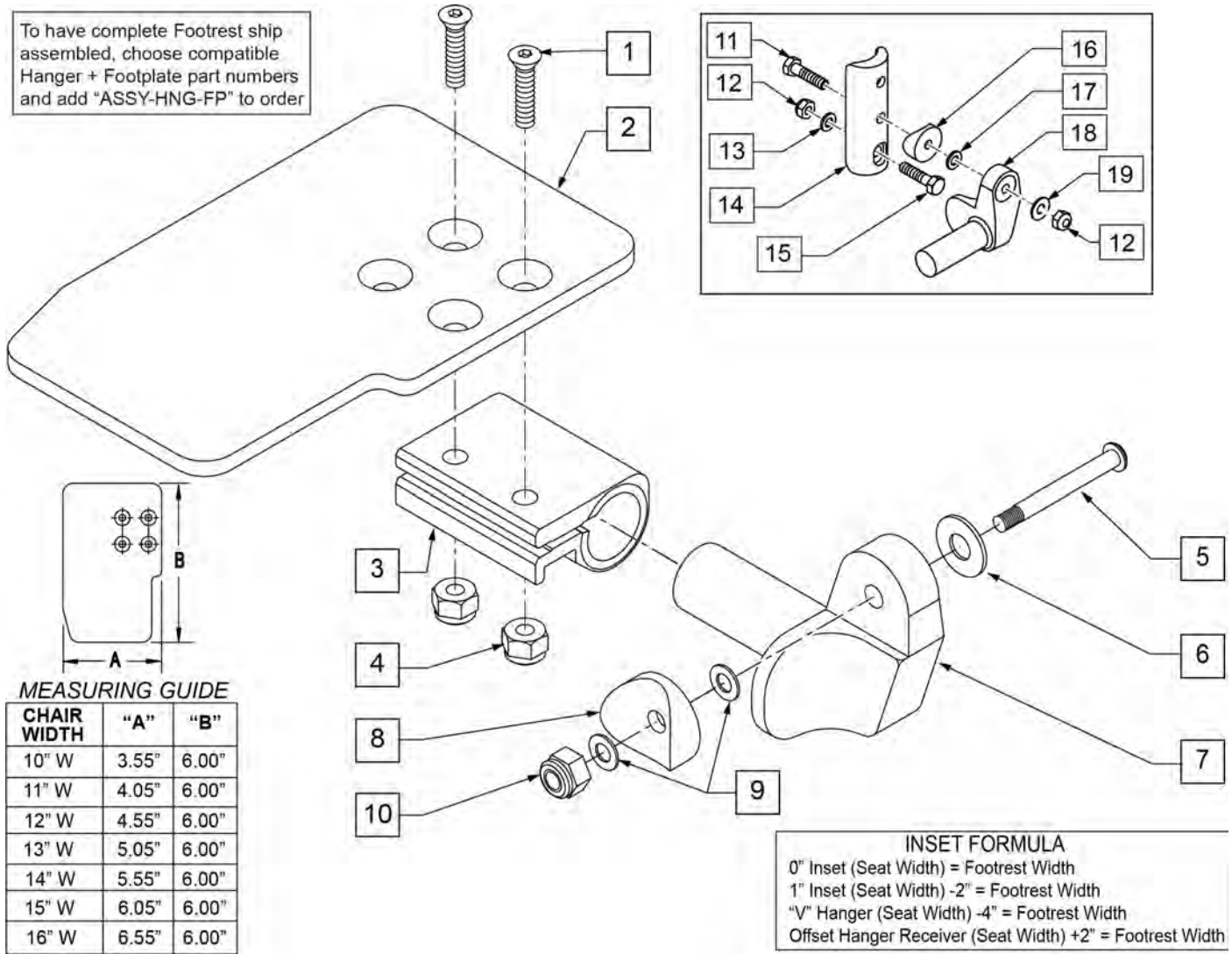


| Pos. | Item Number | Description | Remarks |
|------|-------------|--------------------------------|---------------------------------|
| 1 | 226217 | 5/16-18 x 2" BH C/S BLK | |
| 2 | 755013 | CALF PAD TROUGH STYLE KIDS | |
| 3 | 561016 | 1" WASHER 5/16" HOLE | |
| 4 | 561097 | ELR ELEVATING TUBE CLAMP | |
| 5 | 106937 | 5/16 -18 NYLOCK NUT THIN | |
| 6 | 106958 | HHCS 1/4-20 X 1 ROHS | |
| 7 | 262130 | 6mm WASHER WAVE | |
| 8 | 483027 | 1/4 x 1/4 ALUMINUM SPACER | |
| 9 | 500151 | KIDS ALR RETAINING PLUG | |
| 1-9 | 880533 | ELR TROUGH PAD ASSM KIDS | |
| | | Ship assembled part # | Use with multiple assemblies |
| | ASSY-HNG-FP | HANGER/FOOTPLATE ASSY REQUIRED | add with Hanger & Footplate kit |



| Pos. | Item Number | Description | Remarks |
|------|-------------|--------------------------------|---------------------------------|
| 2 | 750226 | KNEE PAD FLAT 3H X 5L W/COVER | |
| 1-7 | 922328 | ELR HEMI KNEE PAD ASSM | |
| | | Ship assembled part # | Use with multiple assemblies |
| | ASSY-HNG-FP | HANGER/FOOTPLATE ASSY REQUIRED | add with Hanger & Footplate kit |

To have complete Footrest ship assembled, choose compatible Hanger + Footplate part numbers and add "ASSY-HNG-FP" to order



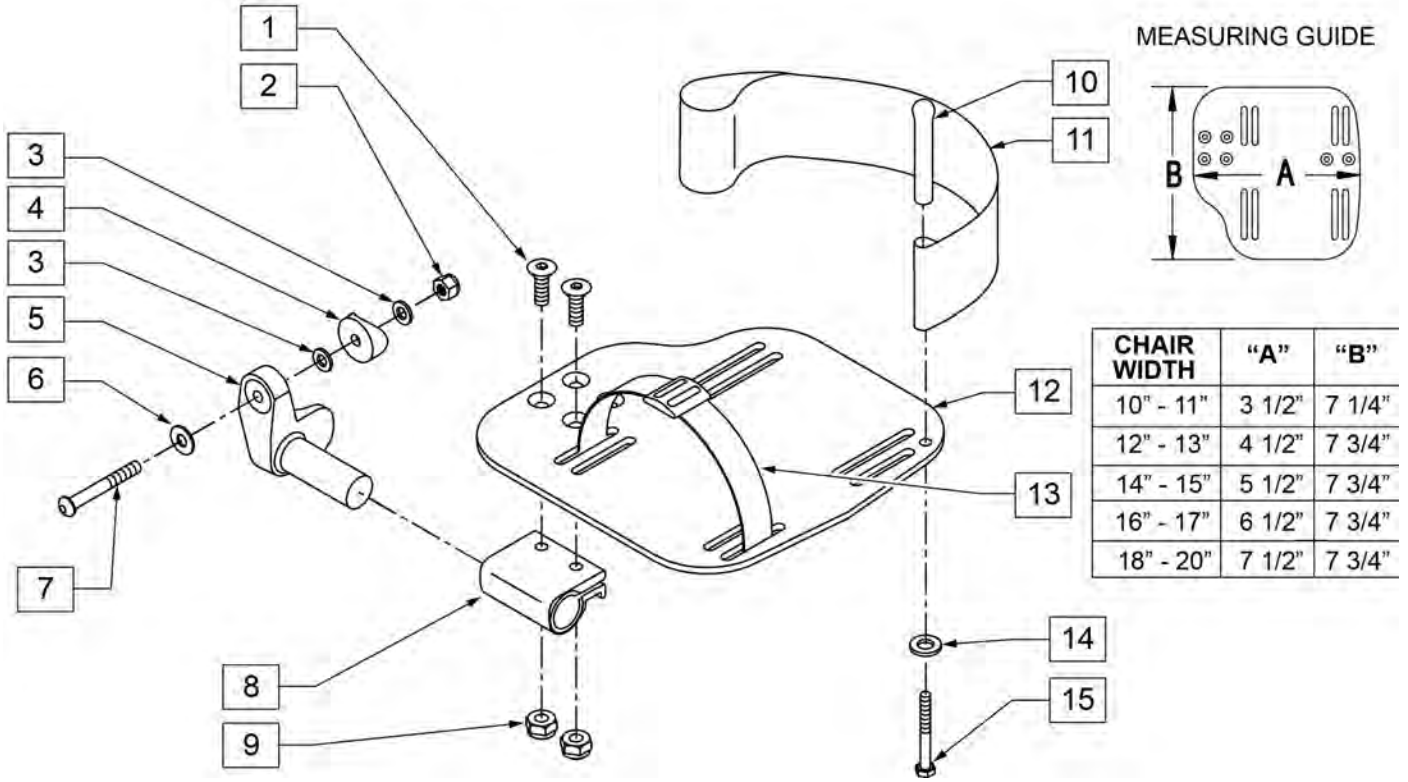
| Pos. | Item Number | Description | Remarks |
|------|-------------|-----------------------------|---------|
| 1 | 106978 | FHCS 1/4-28 X 7/8 ROHS | |
| 2 | 500635 | KIDS ANGL ADJ F/PLT 10 | RIGHT |
| 2 | 500636 | KIDS ANGL ADJ F/PLT 10 | LEFT |
| 2 | 500637 | KIDS ANGL ADJ F/PLT 11 | RIGHT |
| 2 | 500638 | KIDS ANGL ADJ F/PLT 11 | LEFT |
| 2 | 500639 | KIDS ANGL ADJ F/PLT 12 | RIGHT |
| 2 | 500640 | KIDS ANGL ADJ F/PLT 12 | LEFT |
| 2 | 500641 | KIDS ANGL ADJ F/PLT 13 | RIGHT |
| 2 | 500642 | KIDS ANGL ADJ F/PLT 13 | LEFT |
| 2 | 500643 | KIDS ANGL ADJ F/PLT 14 | RIGHT |
| 2 | 500644 | KIDS ANGL ADJ F/PLT 14 | LEFT |
| 2 | 500645 | KIDS ANGL ADJ F/PLT 15 | RIGHT |
| 2 | 500646 | KIDS ANGL ADJ F/PLT 15 | LEFT |
| 2 | 500647 | KIDS ANGL ADJ F/PLT 16 | RIGHT |
| 2 | 500648 | KIDS ANGL ADJ F/PLT 16 | LEFT |
| 3 | 550350 | 3/4 CLAMP ADJ FOOTPLATE | |
| 4 | 106935 | NUT NYLOCK THIN 1/4-28 ROHS | |
| 5 | 226147 | 1/4-28 X 1.85 BH C/S BLK ZN | |

| Pos. | Item Number | Description | Remarks |
|------|-------------|--------------------------------|--|
| 6 | 106945 | WASHER FLAT SAE 1/4 ROHS | |
| 7 | 541000 | FTRST MOUNTING BRKT 1/2" RAD R | RIGHT |
| 7 | 541001 | FTRST MOUNTING BRKT 1/2" RAD L | LEFT |
| 8 | 561004 | 1 SADDLE 1/4 HOLE | |
| 9 | 106943 | WASHER FLAT THIN AN 1/4 | |
| 10 | 106941 | NUT AUTOMATION 1/4-28 ROHS | |
| 11 | 102268-001 | HHCS M6 X 1 X 25 | |
| 12 | 104381 | NUT HEX NYLOCK M6 X 1 | |
| 13 | 107383 | WASHER FLAT M6 ROHS | |
| 15 | 118198 | HHCS M6 X 1 X 40 PART NP | |
| 16 | 561004 | 1" SADDLE 1/4" HOLE | |
| 17 | 106943 | WASHER FLAT AN 1/4 ROHS | |
| 19 | 106945 | WASHER FLAT SAE 1/4 ROHS | |
| 1-4 | 158632 | CAA F/PLT KIT 10 RT | RIGHT; used with Front Mount Adapter Kit on Plunger-Style Swing In/Out Hangers |
| 1-4 | 158633 | CAA F/PLT KIT 10 LT | LEFT; used with Front Mount Adapter Kit on Plunger-Style Swing In/Out Hangers |
| 1-4 | 158634 | CAA F/PLT KIT 11 RT | RIGHT; used with Front Mount Adapter Kit on Plunger-Style Swing In/Out Hangers |
| 1-4 | 158635 | CAA F/PLT KIT 11 LT | LEFT; used with Front Mount Adapter Kit on Plunger-Style Swing In/Out Hangers |
| 1-4 | 158636 | CAA F/PLT KIT 12 RT | RIGHT; used with Front Mount Adapter Kit on Plunger-Style Swing In/Out Hangers |
| 1-4 | 158637 | CAA F/PLT KIT 12 LT | LEFT; used with Front Mount Adapter Kit on Plunger-Style Swing In/Out Hangers |
| 1-4 | 158638 | CAA F/PLT KIT 13 RT | RIGHT; used with Front Mount Adapter Kit on Plunger-Style Swing In/Out Hangers |
| 1-4 | 158639 | CAA F/PLT KIT 13 LT | LEFT; used with Front Mount Adapter Kit on Plunger-Style Swing In/Out Hangers |
| 1-4 | 158640 | CAA F/PLT KIT 14 RT | RIGHT; used with Front Mount Adapter Kit on Plunger-Style Swing In/Out Hangers |
| 1-4 | 158641 | CAA F/PLT KIT 14 LT | LEFT; used with Front Mount Adapter Kit on Plunger-Style Swing In/Out Hangers |
| 1-4 | 158642 | CAA F/PLT KIT 15 RT | RIGHT; used with Front Mount Adapter Kit on Plunger-Style Swing In/Out Hangers |
| 1-4 | 158643 | CAA F/PLT KIT 15 LT | LEFT; used with Front Mount Adapter Kit on Plunger-Style Swing In/Out Hangers |
| 1-4 | 158644 | CAA F/PLT KIT 16 RT | RIGHT; used with Front Mount Adapter Kit on Plunger-Style Swing In/Out Hangers |
| 1-4 | 158645 | CAA F/PLT KIT 16 LT | LEFT; used with Front Mount Adapter Kit on Plunger-Style Swing In/Out Hangers |
| 1-10 | 828821 | KIDS ANG ADJ F/PLT ASSM 10 | RIGHT; used with Old-Style Latch Block Swing In/Out & S/A Hangers |
| 1-10 | 828822 | KIDS ANG ADJ F/PLT ASSM 10 | LEFT; used with Old-Style Latch Block Swing In/Out & S/A Hangers |
| 1-10 | 828823 | KIDS ANG ADJ F/PLT ASSM 11 | RIGHT; used with Old-Style Latch Block Swing In/Out & S/A Hangers |
| 1-10 | 828824 | KIDS ANG ADJ F/PLT ASSM 11 | LEFT; used with Old-Style Latch Block Swing In/Out & S/A Hangers |
| 1-10 | 828825 | KIDS ANG ADJ F/PLT ASSM 12 | RIGHT; used with Old-Style Latch Block Swing In/Out & S/A Hangers |
| 1-10 | 828826 | KIDS ANG ADJ F/PLT ASSM 12 | LEFT; used with Old-Style Latch Block Swing In/Out & S/A Hangers |
| 1-10 | 828827 | KIDS ANG ADJ F/PLT ASSM 13 | RIGHT; used with Old-Style Latch Block Swing In/Out & S/A Hangers |
| 1-10 | 828828 | KIDS ANG ADJ F/PLT ASSM 13 | LEFT; used with Old-Style Latch Block Swing In/Out & S/A Hangers |
| 1-10 | 828829 | KIDS ANG ADJ F/PLT ASSM 14 | RIGHT; used with Old-Style Latch Block Swing In/Out & S/A Hangers |
| 1-10 | 828830 | KIDS ANG ADJ F/PLT ASSM 14 | LEFT; used with Old-Style Latch Block Swing In/Out & S/A Hangers |
| 1-10 | 828831 | KIDS ANG ADJ F/PLT ASSM 15 | RIGHT; used with Old-Style Latch Block Swing In/Out & S/A Hangers |
| 1-10 | 828832 | KIDS ANG ADJ F/PLT ASSM 15 | LEFT; used with Old-Style Latch Block Swing In/Out & S/A Hangers |

| Pos. | Item Number | Description | Remarks |
|-------|-------------|--------------------------------|---|
| 1-10 | 828833 | KIDS ANG ADJ F/PLT ASSM 16 | RIGHT; used with Old-Style Latch Block Swing In/Out & S/A Hangers |
| 1-10 | 828834 | KIDS ANG ADJ F/PLT ASSM 16 | LEFT; used with Old-Style Latch Block Swing In/Out & S/A Hangers |
| 1-10 | 921226 | KIDS ANG ADJ F/PLT ASSM 10 | PAIR; used with Old-Style Latch Block Swing In/Out & S/A Hangers |
| 1-10 | 921227 | KIDS ANG ADJ F/PLT ASSM 11 | PAIR; used with Old-Style Latch Block Swing In/Out & S/A Hangers |
| 1-10 | 921228 | KIDS ANG ADJ F/PLT ASSM 12 | PAIR; used with Old-Style Latch Block Swing In/Out & S/A Hangers |
| 1-10 | 921229 | KIDS ANG ADJ F/PLT ASSM 13 | PAIR; used with Old-Style Latch Block Swing In/Out & S/A Hangers |
| 1-10 | 921230 | KIDS ANG ADJ F/PLT ASSM 14 | PAIR; used with Old-Style Latch Block Swing In/Out & S/A Hangers |
| 1-10 | 921231 | KIDS ANG ADJ F/PLT ASSM 15 | PAIR; used with Old-Style Latch Block Swing In/Out & S/A Hangers |
| 1-10 | 921232 | KIDS ANG ADJ F/PLT ASSM 16 | PAIR; used with Old-Style Latch Block Swing In/Out & S/A Hangers |
| 11-19 | 158646 | KAA FRNT MNT ADAPTER KIT PR | PAIR; used on Plunger-Style Swing In/Out Hangers |
| | | Ship assembled part # | Use with multiple assemblies |
| | ASSY-HNG-FP | HANGER/FOOTPLATE ASSY REQUIRED | add with Hanger & Footplate kit |

To have complete Footrest ship assembled, choose compatible Hanger + Footplate part numbers and add "ASSY-HNG-FP" to order

INSET FORMULA
 0" Inset (Seat Width) = Footrest Width
 1" Inset (Seat Width) - 2" = Footrest Width
 "V" Hanger (Seat Width) - 4" = Footrest Width
 Offset Hanger Receiver (Seat Width) + 2" = Footrest Width

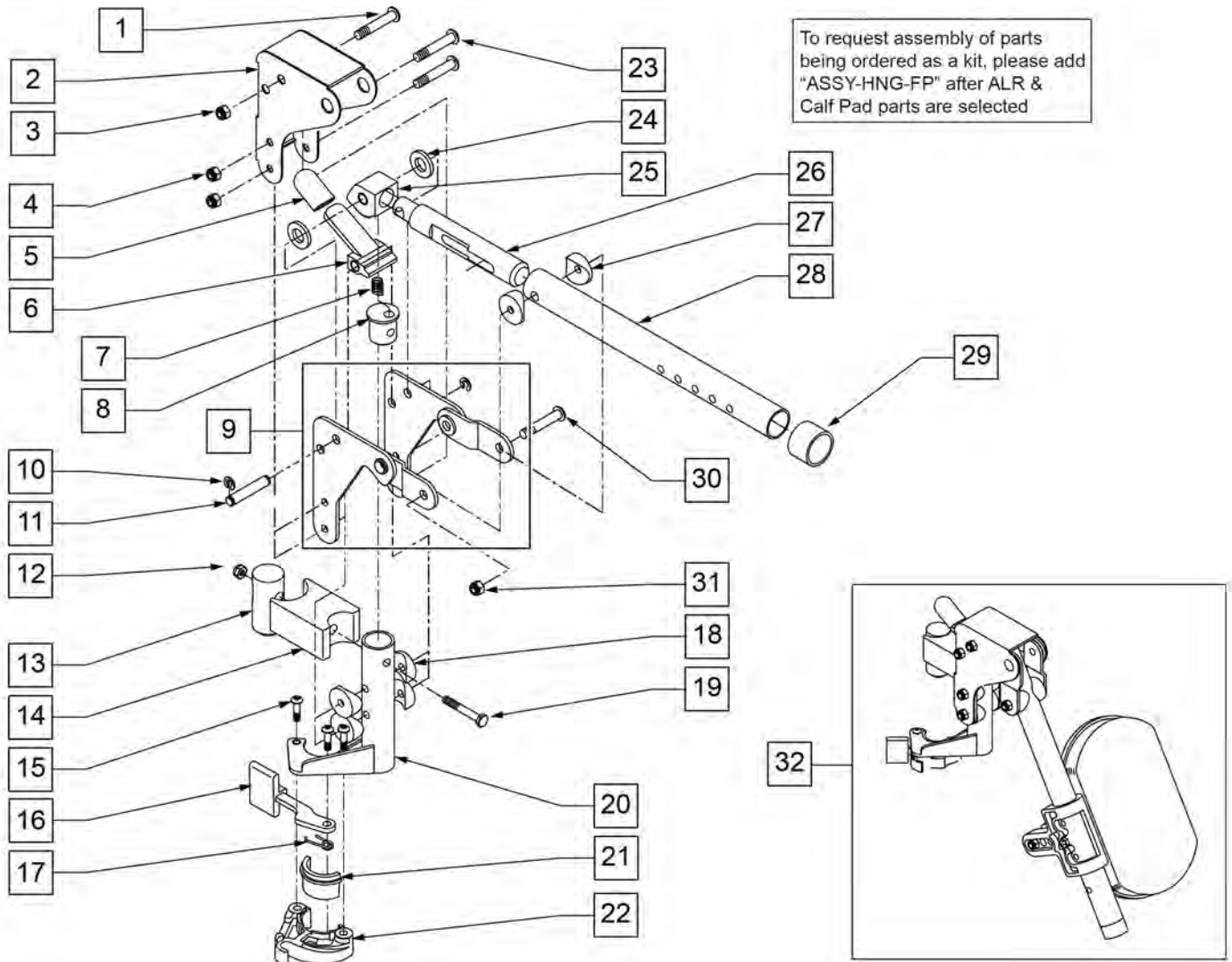


| CHAIR WIDTH | "A" | "B" |
|-------------|--------|--------|
| 10" - 11" | 3 1/2" | 7 1/4" |
| 12" - 13" | 4 1/2" | 7 3/4" |
| 14" - 15" | 5 1/2" | 7 3/4" |
| 16" - 17" | 6 1/2" | 7 3/4" |
| 18" - 20" | 7 1/2" | 7 3/4" |

| Pos. | Item Number | Description | Remarks |
|------|-------------|-------------------------------------|--|
| 1 | 106978 | FHCS 1/4-28 X 7/8 ROHS | |
| 2 | 106941 | NUT AUTOMATION 1/4-28 ROHS | |
| 3 | 106943 | WASHER FLAT AN 1/4 ROHS | |
| 4 | 561004 | 1" SADDLE 1/4" HOLE | |
| 5 | 541000 | FOOTREST MOUNTING BRKT 1/2" RAD R | RIGHT |
| 5 | 541001 | FOOTREST MOUNTING BRKT 1/2" RAD L | LEFT |
| 6 | 106945 | WASHER FLAT SAE 1/4 ROHS | |
| 7 | 106964 | BHCS 1/4-28 X 2 | |
| 8 | 550350 | 3/4" CLAMP ADJ FOOTPLATE | |
| 9 | 106935 | NUT NYLOCK THIN 1/4-28 ROHS | |
| 10 | 561040 | HEEL LOOP PEG | |
| 11 | 741153 | HEEL LOOP 18-20 CMPST/14-15 ANG ADJ | USED W/ 14-15"/16-17" ADULT ANG ADJ FTPLTS |
| 11 | 741253 | HEEL LOOP ADLT ADJ F/PLT 18-20 | USED W/ 18 - 20" ADULT ANG ADJ FTPLTS |
| 12 | 500656 | ADULT ANGL ADJ F/PLT 10/11 | RIGHT |
| 12 | 500657 | ADULT ANGL ADJ F/PLT 10/11 | LEFT |
| 12 | 500658 | ADULT ANGL ADJ F/PLT 12/13 | RIGHT |
| 12 | 500659 | ADULT ANGL ADJ F/PLT 12/13 | LEFT |
| 12 | 500660 | ADULT ANGL ADJ F/PLT 14/15 | RIGHT |
| 12 | 500661 | ADULT ANGL ADJ F/PLT 14/15 | LEFT |
| 12 | 500662 | ADULT ANGL ADJ F/PLT 16/17 | RIGHT |
| 12 | 500663 | ADULT ANGL ADJ F/PLT 16/17 | LEFT |
| 12 | 500664 | ADULT ANGL ADJ F/PLT 18-20 | RIGHT |

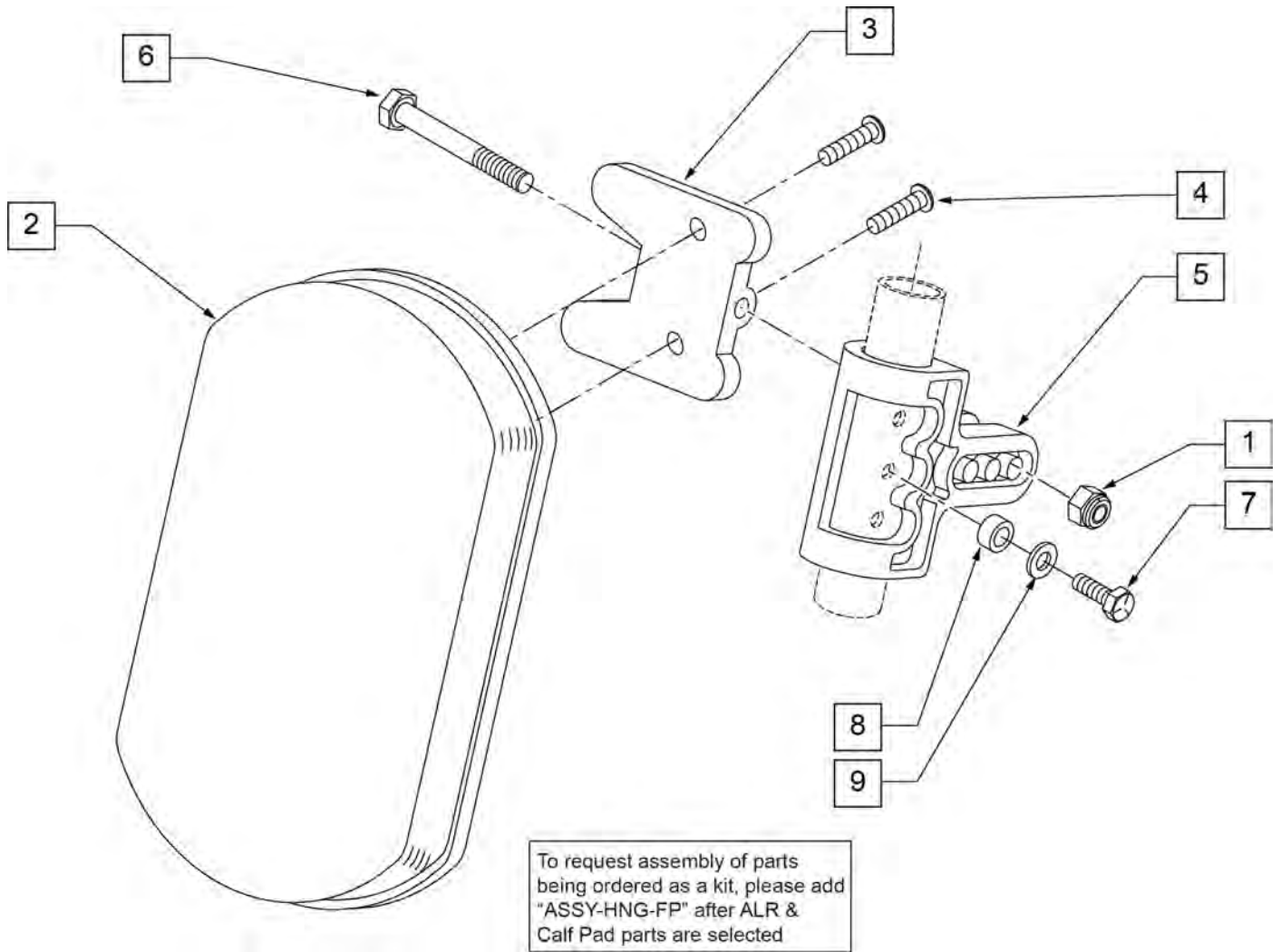
| Pos. | Item Number | Description | Remarks |
|------------|-------------|-------------------------------------|---------------------------------|
| 12 | 500665 | ADULT ANGL ADJ F/PLT 18-20 | LEFT |
| 13 | 740260 | TOE-ANKLE STRAP ADJ ADULT FOOTPLATE | |
| 14 | 106943 | WASHER FLAT AN 1/4 ROHS | |
| 15 | 106958 | HHCS 1/4-20 X 1 ROHS | |
| 1-9,12 | 820544 | FP ADULT ADJ 90D 10/11 R | RIGHT |
| 1-9,12 | 820554 | FP ADULT ADJ 90D 10/11 L | LEFT |
| 1-9,12 | 820546 | FP ADULT ADJ 90D 12/13 R | RIGHT |
| 1-9,12 | 820556 | FP ADULT ADJ 90D 12/13 L | LEFT |
| 1-9,12 | 820472 | FP ADULT ADJ 90D 14/15 R | RIGHT |
| 1-9,12 | 820473 | FP ADULT ADJ 90D 14/15 L | LEFT |
| 1-9,12 | 820474 | FP ADULT ADJ 90D 16/17 R | RIGHT |
| 1-9,12 | 820475 | FP ADULT ADJ 90D 16/17 L | LEFT |
| 1-9,12 | 820476 | FP ADULT ADJ 90D 18-20 R | RIGHT |
| 1-9,12 | 820477 | FP ADULT ADJ 90D 18-20 L | LEFT |
| 1-9,12 | 921474 | ADULT ANGL ADJ 90D 10/11 OMIT H/L | PAIR |
| 1-9,12 | 921476 | ADULT ANGL ADJ 90D 12/13 OMIT H/L | PAIR |
| 1-9,12 | 921330 | ADULT ANGL ADJ 90D 14/15 OMIT H/L | PAIR |
| 1-9,12 | 921331 | ADULT ANGL ADJ 90D 16/17 OMIT H/L | PAIR |
| 1-9,12 | 921332 | ADULT ANGL ADJ 90D 18-20 OMIT H/L | PAIR |
| 1-12,14,15 | 820540 | F/PLT ADULT ADJ 90D 10/11 R W/ HL | RIGHT |
| 1-12,14,15 | 820550 | F/PLT ADULT ADJ 90D 10/11 L W/ HL | LEFT |
| 1-12,14,15 | 820542 | F/PLT ADULT ADJ 90D 12/13 R W/ HL | RIGHT |
| 1-12,14,15 | 820552 | F/PLT ADULT ADJ 90D 12/13 L W/ HL | LEFT |
| 1-12,14,15 | 820478 | F/PLT ADULT ADJ 90D 14/15 R W/ HL | RIGHT |
| 1-12,14,15 | 820479 | F/PLT ADULT ADJ 90D 14/15 L W/ HL | LEFT |
| 1-12,14,15 | 820480 | F/PLT ADULT ADJ 90D 16/17 R W/ HL | RIGHT |
| 1-12,14,15 | 820481 | F/PLT ADULT ADJ 90D 16/17 L W/ HL | LEFT |
| 1-12,14,15 | 820482 | F/PLT ADULT ADJ 90D 18-20 R W/ HL | RIGHT |
| 1-12,14,15 | 820483 | F/PLT ADULT ADJ 90D 18-20 L W/ HL | LEFT |
| 1-12,14,15 | 921470 | F/PLT ADULT ADJ 90D 10/11 W/ HL | PAIR |
| 1-12,14,15 | 921472 | F/PLT ADULT ADJ 90D 12/13 W/ HL | PAIR |
| 1-12,14,15 | 921333 | F/PLT ADULT ADJ 90D 14/15 W/ HL | PAIR |
| 1-12,14,15 | 921334 | F/PLT ADULT ADJ 90D 16/17 W/ HL | PAIR |
| 1-12,14,15 | 921335 | F/PLT ADULT ADJ 90D 18-20 W/ HL | PAIR |
| | | Ship assembled part # | Use with multiple assemblies |
| | ASSY-HNG-FP | HANGER/FOOTPLATE ASSY REQUIRED | add with Hanger & Footplate kit |

NOTE: WHEN USING AN ARTICULATING LEGREST ASSEMBLY, THE PULL-TO-LOCK WHEEL LOCK MUST BE USED.



| Pos. | Item Number | Description | Remarks |
|------|-------------|--------------------------------|---------|
| 1 | 106983 | 5/16-18 x 2 BH C/S SHT THREAD | |
| 2 | 562720 | ALR COVER STD | |
| 3 | 106937 | 5/16-18 NYLOCK NUT THIN | |
| 4 | 106935 | 1/4-28 NYLOCK NUT THIN | |
| 5 | 560501 | ALR RELEASE LEVER COVER | |
| 6 | 505902 | ALR RELEASE LEVER | |
| 7 | 321141 | 650L x 6 COIL SPRING | |
| 8 | 483060 | ALR SPRING PLUG | |
| 9 | 880526 | ALR BRACKET W/LINK R | RIGHT |
| 9 | 880527 | ALR BRACKET W/LINK L | LEFT |
| 10 | 342000 | 1/4" E-CLIP | |
| 11 | 481052 | ALR RETAINING STUD | |
| 12 | 106934 | 1/4-28 NYLOCK NUT | |
| 13 | 122991 | ALR PIVOT SADDLE WITH LEDGE | |
| 14 | 122992 | ALR PIVOT SADDLE BLOCK W/NOTCH | |

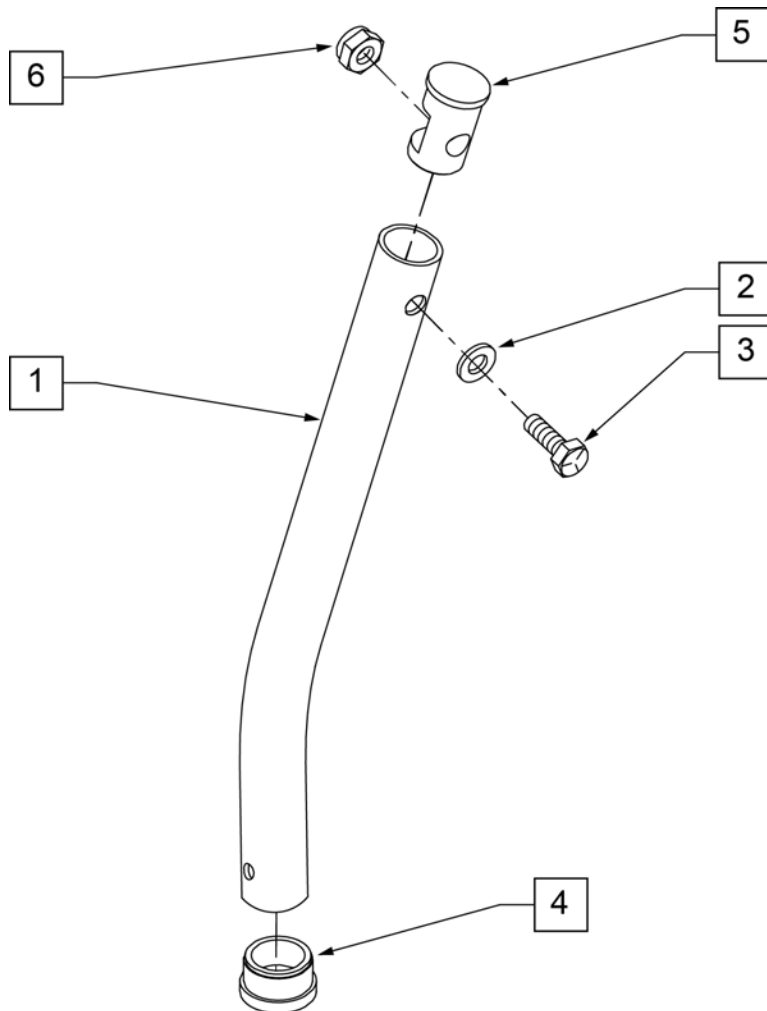
| Pos. | Item Number | Description | Remarks |
|-------------|-------------|--------------------------------|---------------------------------|
| 15 | 226057 | 10/24 x .725 BTTN HD SOC BZ | |
| 16 | 561079 | S/A LATCH LEVER | |
| 17 | 321136 | S/A SPRING L RED | |
| 17 | 321137 | S/A SPRING R CLEAR | |
| 18 | 561004 | 1" SADDLE 1/4" HOLE | |
| 19 | 107016 | 1/4-28 x 3 G8 HEX C/S | |
| 20 | 882466 | ALR S/A TUBE ASSM L | LEFT |
| 20 | 882467 | ALR S/A TUBE ASSM R | RIGHT |
| 23 | 106964 | 1/4-28 x 2 BH C/S | |
| 24 | 561016 | 1" WASHER 5/16" HOLE | |
| 25 | 505900 | ALR RATCHET BLOCK | |
| 26 | 483062 | ALR RATCHET ROD | |
| 27 | 561006 | 1" SADDLE 5/16" HOLE | |
| 28 | 505026S | ALR TUBE ONLY | |
| 29 | 561082 | 1" TUBE END BUSHING THIN | |
| 30 | 226195 | 5/16-18 x 1.82 BH C/S | |
| 31 | 106937 | NUT NYLOCK THIN 5/16-18 ROHS | |
| 21,22 | 881500 | LATCH BLOCK ASSM R | RIGHT |
| 21,22 | 881501 | LATCH BLOCK ASSM L | LEFT |
| 1-26 | 880092 | HANGER ALR SUB ASSM R | RIGHT |
| 1-26 | 880093 | HANGER ALR SUB ASSM L | LEFT |
| 1-31 | 641464S | HANGER ALR W/O PAD PNTD R | RIGHT |
| 1-31 | 641465S | HANGER ALR W/O PAD PNTD L | LEFT |
| 32 | 923051S | ALR HANGER ASSM W/PAD ALUM LB | PAIR |
| 15-17,21,22 | 881521 | S/A LATCH KIT CASTING RIGHT | |
| 15-17,21,22 | 881522 | S/A LATCH KIT CASTING LEFT | |
| | | Ship assembled part # | Use with multiple assemblies |
| | ASSY-HNG-FP | HANGER/FOOTPLATE ASSY REQUIRED | add with Hanger & Footplate kit |



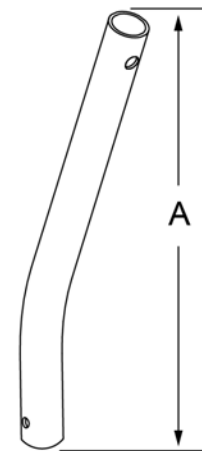
| Pos. | Item Number | Description | Remarks |
|-------|-------------|--------------------------------|---------------------------------|
| 1 | 106936 | 5/16-18 NYLOCK NUT THICK | |
| 2 | 755010 | ALR/ELR PAD | |
| 3 | 561096 | ALR/ELR CALF PAD BRACKET | |
| 4 | 281182 | 1/4-20 x 5/8 PAN PHIL | |
| 5 | 561099 | CALF CLAMP ALR | |
| 6 | 107019 | HHCS 5/16-18 X 3-1/2 ROHS | |
| 7 | 107017 | 1/4-20 x 1 1/4 G8 HEX C/S | |
| 8 | 483027 | 1/4 x 1/4 ALUMINUM SPACER BLK | |
| 9 | 104414 | WAVE WASHER 6 MM | |
| 1-6 | 881399 | ALR CALF PAD W/BRACKET | |
| 1,3-9 | 881398 | ALR CALF CLAMP ASSM W/O PAD | |
| 1-9 | 881400 | ALR CALF PAD ASSEMBLY (EA) | |
| | | Ship assembled part # | Use with multiple assemblies |
| | ASSY-HNG-FP | HANGER/FOOTPLATE ASSY REQUIRED | add with Hanger & Footplate kit |

NOTE: (Discontinued on Quickie 2 for 60° and 70° Hangers 10/23/99- Parts only).

NOTE: Used on Articulating Hanger Assemblies.



MEASURING GUIDE



| | "A" |
|--------|---------|
| SHORT | 6 5/8" |
| MED | 9" |
| LONG | 11 5/8" |
| X-LONG | 13 1/2" |

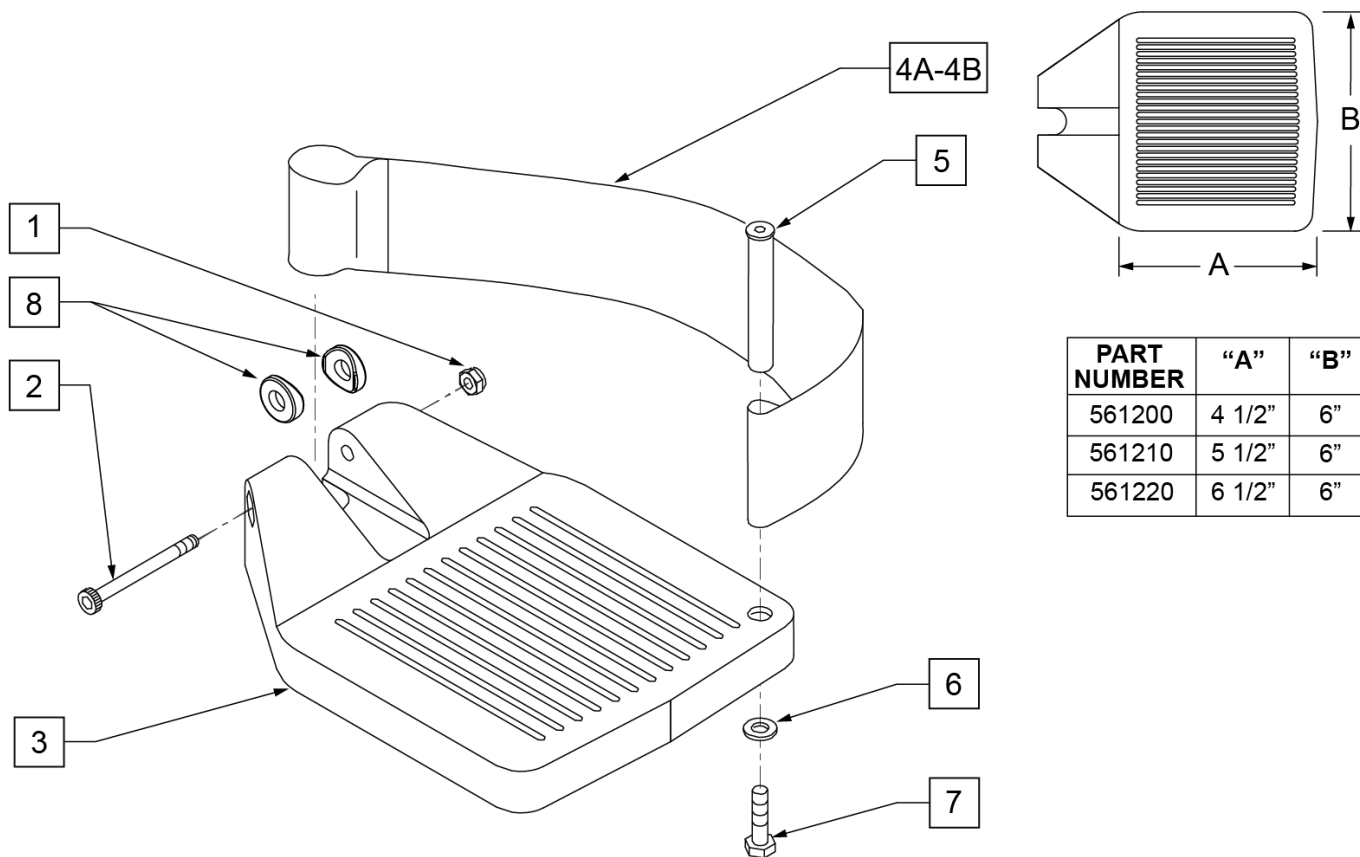
| Pos. | Item Number | Description |
|------|-------------|---------------------------------------|
| 1 | 521010 | FOOTREST EXT TUBE ONLY SHT BLK |
| 1 | 521011 | FOOTREST EXT TUBE ONLY MED BLK |
| 1 | 521012 | FOOTREST EXT TUBE ONLY LNG BLK |
| 1 | 521013 | FOOTREST EXT TUBE ONLY X-LNG BLK |
| 2 | 104414 | WAVE WASHER 6 MM |
| 3 | 106958 | HHCS 1/4-20 X 1 ROHS |
| 4 | 561000-QU | 3/4" INSERT PLUG .083 |
| 5 | 483553 | FOOTREST INSERT PLUG Q2 |
| 6 | 106932 | NUT NYLOCK 1/4-20 ROHS |
| 1-6 | 921221 | FOOTREST EXT TUBE SHT ASSM BLK (EA) |
| 1-6 | 921222 | FOOTREST EXT TUBE MED ASSM BLK (EA) |
| 1-6 | 921223 | FOOTREST EXT TUBE LNG ASSM BLK (EA) |
| 1-6 | 921224 | FOOTREST EXT TUBE X-LNG ASSM BLK (EA) |

COMPOSITE FOOTPLATE

[10/2011]

To have complete Footrest ship assembled, choose compatible Hanger + Footplate part numbers and add "ASSY-HNG-FP" to order

INSET FORMULA
 0" Inset (Seat Width) = Footrest Width
 1" Inset (Seat Width) -2" = Footrest Width
 "V" Hanger (Seat Width) -4" = Footrest Width
 Offset Hanger Receiver (Seat Width) +2" = Footrest Width



| PART NUMBER | "A" | "B" |
|-------------|--------|-----|
| 561200 | 4 1/2" | 6" |
| 561210 | 5 1/2" | 6" |
| 561220 | 6 1/2" | 6" |

| Pos. | Item Number | Description | Remarks |
|------|-------------|---|------------------------|
| 1 | 106935 | 1/4 - 28 NYLOCK NUT | |
| 2 | 226165 | 1/4 - 28 x 2 1/2 SOC C/S | |
| 3 | 561200 | COMPOSITE FOOTPLATE 14 -15 (16 -18 V) | 14 -15 OR 16 -18V |
| 3 | 561210 | COMPOSITE FOOTPLATE 16 -17 (19 -20 V) | 16 -17 OR 19 -20V |
| 3 | 561220 | COMPOSITE FOOTPLATE 18 -20 | 18 -20 |
| 4A | 741151 | HEEL LOOP 14-15 COMPOSITE (14 -15 or 16 -18V) | 14 -15 OR 16 -18V |
| 4A | 741156 | HEEL LOOP 16 -17 or 19 -20V | 16 -17 OR 19 -20V |
| 4A | 741153 | HEEL LOOP 18 -20 COMPOSITE/14-15 ANG ADJ | 18 -20 |
| 4A | 902270 | HEEL LOOP COMPOSITE FT 14-15 | PAIR 14 -15 OR 16 -18V |
| 4A | 902271 | HEEL LOOP COMPOSITE FT 16-17 | PAIR 16 -17 OR 19 -20V |
| 4A | 902272 | HEEL LOOP COMPOSITE FT 18-20 | PAIR 18 -20 |
| 4B | 741154 | HEEL LOOP 14-15 COMPOSITE HEMI | 14 -15 HEMI |
| 4B | 741155 | HEEL LOOP 16-17 COMPOSITE HEMI | 16 -17 HEMI |
| 4B | 741153 | HEEL LOOP 18-20 COMPOSITE HEMI | 18 -10 HEMI |
| 4B | 902260 | HEEL LOOPS HEMI COMPOSITE 14-15 | PAIR 14 -15 HEMI |
| 4B | 902261 | HEEL LOOPS HEMI COMPOSITE 16-17 | PAIR 16 -17 HEMI |
| 4B | 902262 | HEEL LOOPS HEMI COMPOSITE 18-20 | PAIR 18 -20 HEMI |
| 5 | 561040 | HEEL LOOP PEG | |
| 6 | 106944 | 1/4 AN WASHER FLAT THIN | |

| Pos. | Item Number | Description | Remarks |
|------------|-------------|--|---|
| 7 | 106958 | HHCS 1/4-20 X 1 ROHS | |
| 8 | 561003 | 3/4" SADDLE THIN | USED W/ ROUND EXT TUBES ONLY |
| 1-3 | 921180 | COMPOSITE FOOTPLATE ASSM 14-15 | RIGHT (14 -15 OR 16 -18V) W/O HEEL LOOP |
| 1-3 | 921181 | COMPOSITE FOOTPLATE ASSM 14-15 | LEFT (14 -15 OR 16 -18V) W/O HEEL LOOP |
| 1-3 | 921182 | COMPOSITE FOOTPLATE ASSM 16-17 | RIGHT (16 -17 OR 19 -20V) W/O HEEL LOOP |
| 1-3 | 921183 | COMPOSITE FOOTPLATE ASSM 16-17 | LEFT (16 -17 OR 19 -20V) W/O HEEL LOOP |
| 1-3 | 921184 | COMPOSITE FOOTPLATE ASSM 18-20 | RIGHT (18 -20) W/O HEEL LOOP |
| 1-3 | 921185 | COMPOSITE FOOTPLATE ASSM 18-20 | LEFT (18 -20) W/O HEEL LOOP |
| 1-3 | 921151 | COMPOSITE FOOTPLATE ASSM 14-15/16-18V | PAIR (14 -15 OR 16 -18V) W/O HEEL LOOP |
| 1-3 | 921152 | COMPOSITE FOOTPLATE ASSM 16-17/19-20V | PAIR (16 -17 OR 19 -20V) W/O HEEL LOOP |
| 1-3 | 921153 | COMPOSITE FOOTPLATE ASSM 18-20 | PAIR (18 -20) W/O HEEL LOOP |
| 1,2,3A,4-7 | 921190 | COMPOSITE FOOTPLATE ASSM HL LP 14-15 | RIGHT (14 -15 OR 16 -18V) W/ HEEL LOOP |
| 1,2,3A,4-7 | 921191 | COMPOSITE FOOTPLATE ASSM HL LP 14-15 | LEFT (14 -15 OR 16 -18V) W/ HEEL LOOP |
| 1,2,3A,4-7 | 921192 | COMPOSITE FOOTPLATE ASSM HL LP 16-17 | RIGHT (16 -17 OR 19 -20V) W/ HEEL LOOP |
| 1,2,3A,4-7 | 921193 | COMPOSITE FOOTPLATE ASSM HL LP 16-17 | LEFT (16 -17 OR 19 -20V) W/ HEEL LOOP |
| 1,2,3A,4-7 | 921194 | COMPOSITE FOOTPLATE ASSM HL LP 18-20 | RIGHT (18 -20) W/ HEEL LOOP |
| 1,2,3A,4-7 | 921195 | COMPOSITE FOOTPLATE ASSM HL LP 18-20 | LEFT (18 -20) W/ HEEL LOOP |
| 1,2,3A,4-7 | 921161 | COMPOSITE FOOTPLATE ASSM HL 14-15/16-18V | PAIR (14 -15 OR 16 -18V) W/ HEEL LOOP |
| 1,2,3A,4-7 | 921162 | COMPOSITE FOOTPLATE ASSM HL 16-17/19-20V | PAIR (16 -17 OR 19 -20V) W/ HEEL LOOP |
| 1,2,3A,4-7 | 921163 | COMPOSITE FOOTPLATE ASSM HL 18-20 | PAIR (18 -20) W/ HEEL LOOP |
| 1,2,3B,4-7 | 921140 | COMPOSITE FOOTPLATE ASSM HEMI HL LP 14-15 | RIGHT (14 -15) W/ HEEL LOOP |
| 1,2,3B,4-7 | 921141 | COMPOSITE FOOTPLATE ASSM HEMI HL LP 14-15 | LEFT (14 -15) W/ HEEL LOOP |
| 1,2,3B,4-7 | 921142 | COMPOSITE FOOTPLATE ASSM HEMI HL LP 16-17 | RIGHT (16 -17) W/ HEEL LOOP |
| 1,2,3B,4-7 | 921143 | COMPOSITE FOOTPLATE ASSM HEMI HL LP 16-17 | LEFT (16 -17) W/ HEEL LOOP |
| 1,2,3B,4-7 | 921144 | COMPOSITE FOOTPLATE ASSM HEMI HL LP 18-20 | RIGHT (18 -20) W/ HEEL LOOP |
| 1,2,3B,4-7 | 921145 | COMPOSITE FOOTPLATE ASSM HEMI HL LP 18-20 | LEFT (18 -20) W/ HEEL LOOP |
| 1,2,3B,4-7 | 921167 | COMPOSITE FOOTPLATE ASSM HEMI HL LPS 14-15 | PAIR (14 -15) W/ HEEL LOOP |
| 1,2,3B,4-7 | 921168 | COMPOSITE FOOTPLATE ASSM HEMI HL LPS 16-17 | PAIR (16 -17) W/ HEEL LOOP |
| 1,2,3B,4-7 | 921169 | COMPOSITE FOOTPLATE ASSM HEMI HL LPS 18-20 | PAIR (18 -20) W/ HEEL LOOP |
| | | Ship assembled part # | Use with multiple assemblies |
| | ASSY-HNG-FP | HANGER/FOOTPLATE ASSY REQUIRED | add with Hanger & Footplate kit |

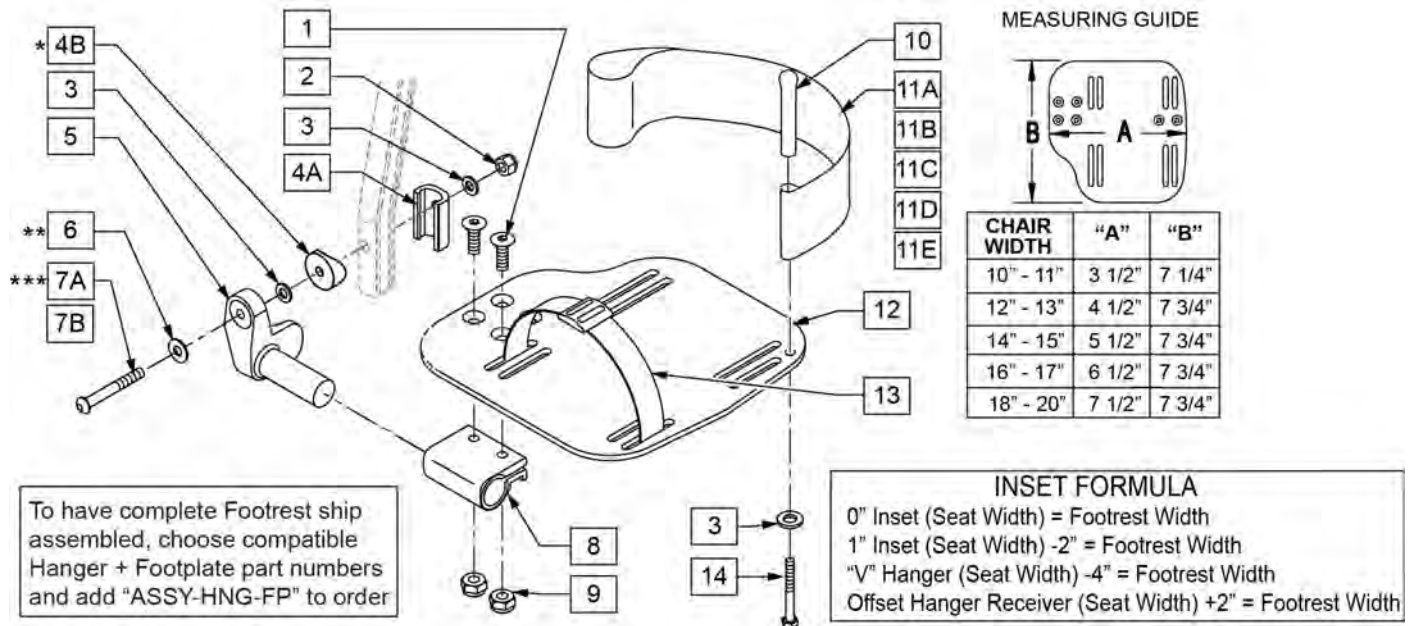
NOTE: FOR HIGH-MOUNT ADULT ANGLE-ADJUSTABLE FOOTPLATE, SEE "HIGH-MOUNT EXTENSION TUBE" PAGE.

NOTE: ORDER ITEM 4B FOR CHAIRS PRIOR TO 8/13/01.

NOTE: ONLY 1 WASHER PRIOR TO 8/13/01.

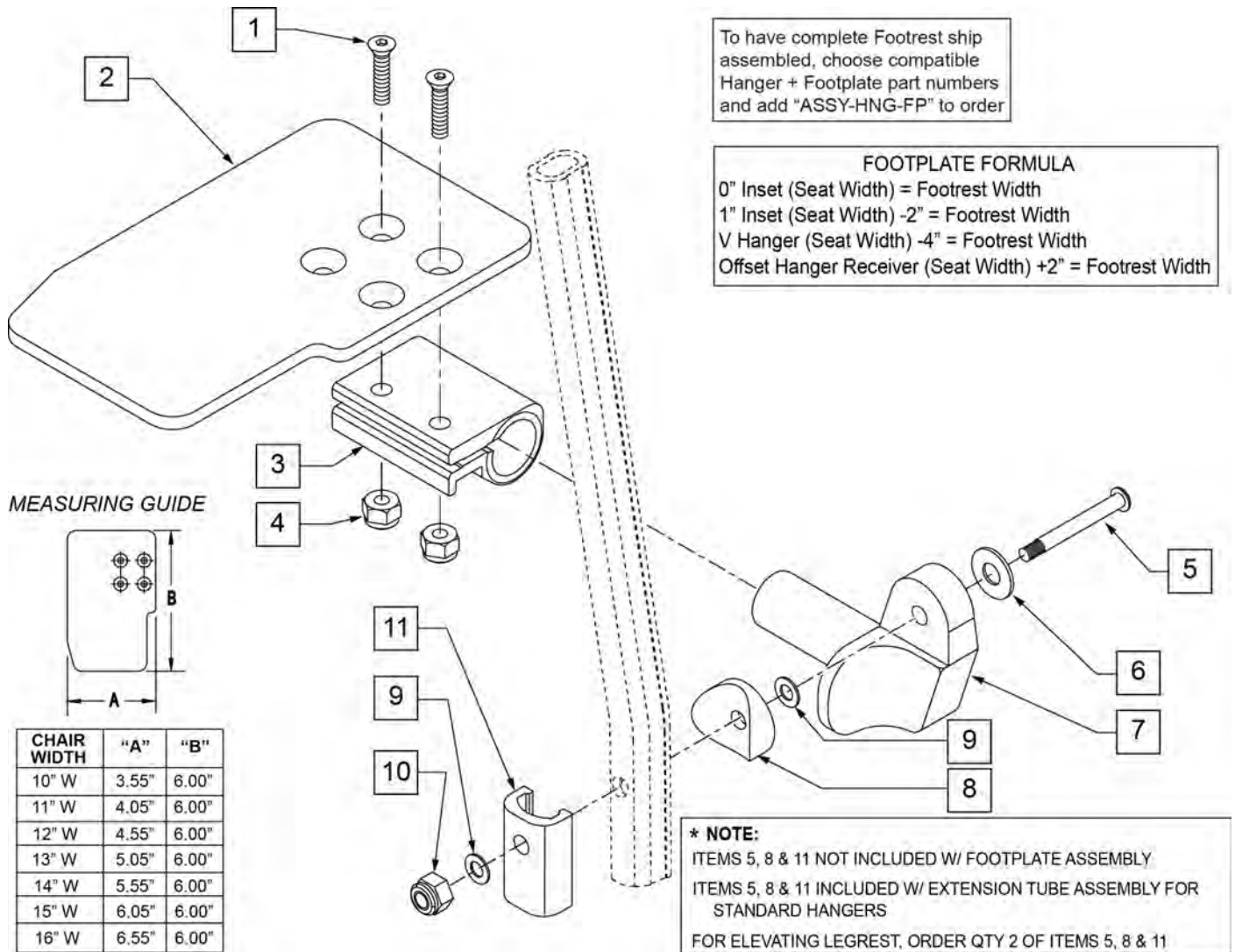
NOTE: ORDER PART 226167 PRIOR TO 8/13/01.

NOTE: See attached REFERENCE GUIDE.



| Pos. | Item Number | Description | Remarks |
|------|-------------|-------------------------------|--------------------------|
| 1 | 106978 | 1/4-28 x 7/8 FH C/S | |
| 2 | 106941 | 1/4-28 AUTOMATION NUT | |
| 3 | 106943 | WASHER FLAT AN 1/4 ROHS | |
| 4A | 483720 | HANGER EXTENSION SADDLE LONG | USE W/ DOUBLE D EXT TUBE |
| 4B | 561055 | 3/4" SADDLE 1" OD | USE W/ ROUND EXT TUBE |
| 5 | 541002 | FTRST MOUNTING BRKT-3/8 RAD R | RIGHT |
| 5 | 541003 | FTRST MOUNTING BRKT-3/8 RAD L | LEFT |
| 6 | 106945 | WASHER FLAT SAE 1/4 ROHS | |
| 7A | 106962 | BHCS 1/4-28 X 1-3/4 ROHS | USE W/ DOUBLE D EXT TUBE |
| 7B | 226167 | 1/4-28 x 1.625 BH C/S BLK | USE W/ ROUND EXT TUBE |
| 8 | 550350 | 3/4" CLMP ADJ FT PLT | |
| 9 | 106935 | NUT NYLOCK THIN 1/4-28 ROHS | |
| 10 | 561040 | HEEL LOOP PEG | |

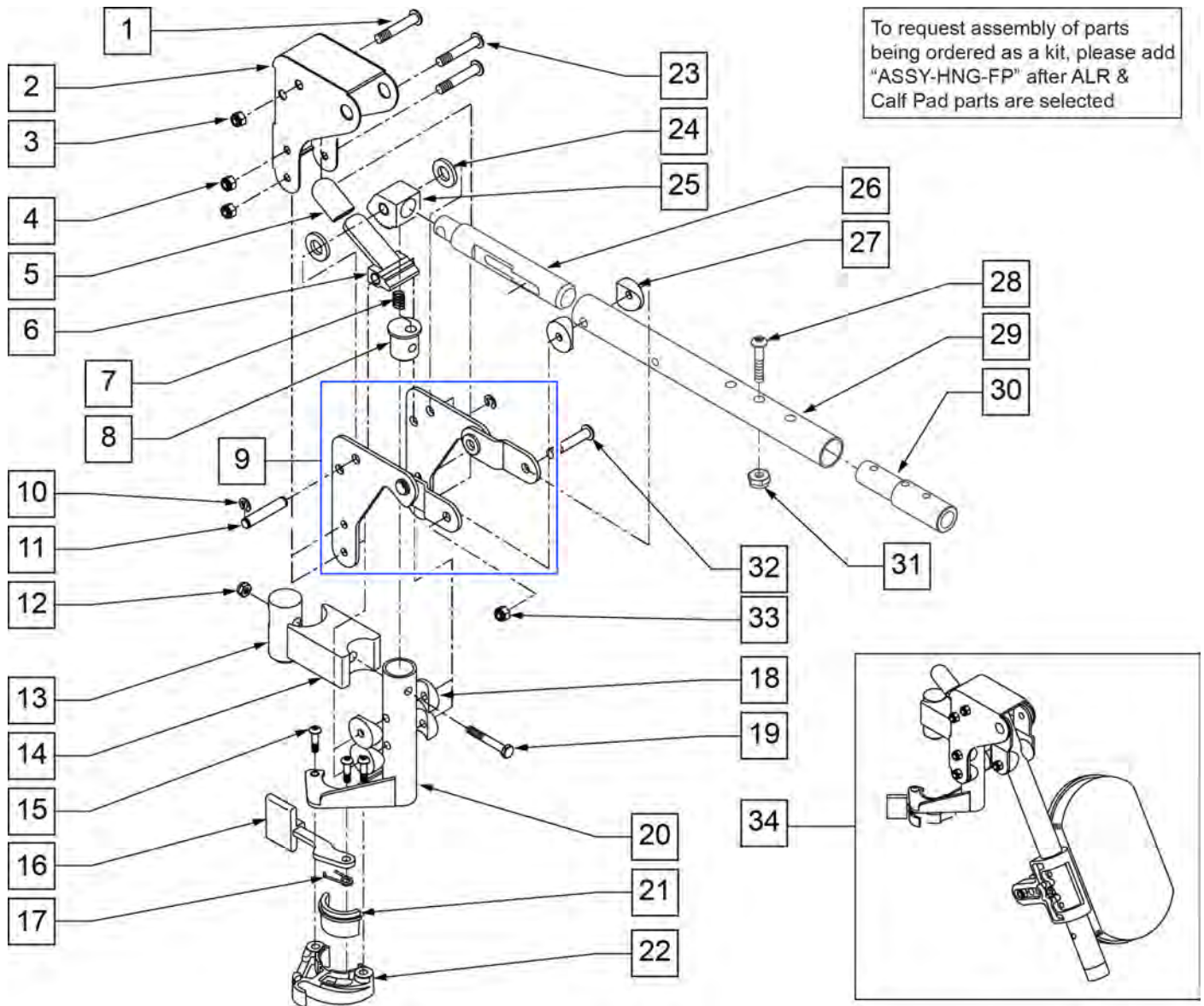
| Pos. | Item Number | Description | Remarks |
|-------------------------|-------------|-------------------------------------|--|
| 11A | 741154 | HEEL LOOP 14-15 CMPST HEMI | USED W/ 10-11" ADULT ANG ADJ FTPLTS |
| 11B | 741155 | HEEL LOOP 16-17 CMPST HEMI | USED W/ 12 -13" ADULT ANG ADJ FTPLTS |
| 11C | 741153 | H/L 18-20 CMPST/14-15 ANG ADJ | USED W/ 14-15"/16-17" ADULT ANG ADJ FTPLTS |
| 11D | 741253 | HEEL LOOP ADLT ADJ F/PLT 18-20 | USED W/ 18 -20" ADULT ANG ADJ FTPLTS |
| 12 | 500656 | ADLT ANGL ADJ F/PLT 10/11" R | RIGHT |
| 12 | 500657 | ADLT ANGL ADJ F/PLT 10/11" L | LEFT |
| 12 | 500658 | ADLT ANGL ADJ F/PLT 12/13" R | RIGHT |
| 12 | 500659 | ADLT ANGL ADJ F/PLT 12/13" L | LEFT |
| 12 | 500660 | ADLT ANGL ADJ F/PLT 14/15 | RIGHT |
| 12 | 500661 | ADLT ANGL ADJ F/PLT 14/15 | LEFT |
| 12 | 500662 | ADLT ANGL ADJ F/PLT 16/17 | RIGHT |
| 12 | 500663 | ADLT ANGL ADJ F/PLT 16/17 | LEFT |
| 12 | 500664 | ADLT ANGL ADJ F/PLT 18-20 | RIGHT |
| 12 | 500665 | ADLT ANGL ADJ F/PLT 18-20 | LEFT |
| 13 | 740260 | TOE/ANKLE STRAP ADJ ADLT F/PLT | |
| 14 | 106958 | 1/4-20 x 1 HEX C/S | |
| 1-3,5,6,8,9,12 | 820526 | AD ANG ADJ F/PLT R 12"/13" OMIT HL | RIGHT |
| 1-3,5,6,8,9,12 | 820536 | AD ANG ADJ F/PLT L 12"/13" OMT HL | LEFT |
| 1-3,5,6,8,9,12 | 820460 | FP ADLT ADJ 14/15 OMIT HL | RIGHT |
| 1-3,5,6,8,9,12 | 820462 | FP ADLT ADJ 14/15 OMIT HL | LEFT |
| 1-3,5,6,8,9,12 | 820464 | FP ADLT ADJ 16/17 OMIT HL | RIGHT |
| 1-3,5,6,8,9,12 | 820466 | FP ADLT ADJ 16/17 OMIT HL | LEFT |
| 1-3,5,6,8,9,12 | 820468 | FP ADLT ADJ 18-20 OMIT HL | RIGHT |
| 1-3,5,6,8,9,12 | 820470 | FP ADLT ADJ 18-20 OMIT HL | LEFT |
| 1-3,5,6,8,9,12 | 921466 | ADLT ANGL ADJ F/PLT 12"/13" OMIT HL | PAIR |
| 1-3,5,6,8,9,12 | 921320 | FP ADLT ADJ 14/15 OMIT HL | PAIR |
| 1-3,5,6,8,9,12 | 921322 | FP ADLT ADJ 16/17 OMIT HL | PAIR |
| 1-3,5,6,8,9,12 | 921324 | FP ADLT ADJ 18-20 OMIT HL | PAIR |
| 1-3,5,6,8,9,11B,12 | 820522 | AD ANGL ADJ F/PLT R 12/13" H/L | RIGHT |
| 1-3,5,6,8,9,11B,12 | 820532 | AD ANGL ADJ F/PLT L 12/13" H/L | LEFT |
| 1-3,5,6,8-10,11C, 12,14 | 820461 | FP ADLT ADJ 14/15 HL | RIGHT |
| 1-3,5,6,8-10,11C, 12,14 | 820463 | FP ADLT ADJ 14/15 HL | LEFT |
| 1-3,5,6,8-10,11C, 12,14 | 820465 | FP ADLT ADJ 16/17 HL | RIGHT |
| 1-3,5,6,8-10,11C, 12,14 | 820467 | FP ADLT ADJ 16/17 HL | LEFT |
| 1-3,5,6,8-10,11D, 12,14 | 820469 | FP ADLT ADJ 18-20 HL | RIGHT |
| 1-3,5,6,8-10,11D, 12,14 | 820471 | FP ADLT ADJ 18-20 HL | LEFT |
| 1-3,5,6,8-10,11B, 12,14 | 921462 | ADLT ANGL ADJ F/PLATE 12"/13" HL | PAIR |
| 1-3,5,6,8-10,11C, 12,14 | 921321 | FP ADLT ADJ 14/15 HL | PAIR |
| 1-3,5,6,8-10,11C, 12,14 | 921323 | FP ADLT ADJ 16/17 HL | PAIR |
| 1-3,5,6,8-10,11D, 12,14 | 921325 | FP ADLT ADJ 18-20 HL | PAIR |
| 1-3,6,7A,9-10,14 | 101533 | ADLT ANG ADJ FP D2 HDWR KIT | FOR DOUBLE D EXT TUBES |
| 1-3B,4B,6,7B,9,10,14 | 101534 | ADLT ANG ADJ FP RND HDWR KIT | FOR ROUND EXT TUBES (Q2 HP ONLY) |
| | | Ship assembled part # | Use with multiple assemblies |
| | ASSY-HNG-FP | HANGER/FOOTPLATE ASSY REQUIRED | add with Hanger & Footplate kit |



| Pos. | Item Number | Description | Remarks |
|------|-------------|---|---------|
| 1 | 106978 | FHCS 1/4 -28 x 7/8 ROHS | |
| 2 | 500635 | KIDS ANGL ADJ F/PLT 10" R | Right |
| 2 | 500636 | KIDS ANGL ADJ F/PLT 10" L | Left |
| 2 | 500637 | KIDS ANGL ADJ F/PLT 11" R | Right |
| 2 | 500638 | KIDS ANGL ADJ F/PLT 11" L | Left |
| 2 | 500639 | KIDS ANGL ADJ F/PLT 12" R | Right |
| 2 | 500640 | KIDS ANGL ADJ F/PLT 12" L | Left |
| 2 | 500641 | KIDS ANGL ADJ F/PLT 13" R | Right |
| 2 | 500642 | KIDS ANGL ADJ F/PLT 13" L | Left |
| 2 | 500643 | KIDS ANGL ADJ F/PLT 14" R | Right |
| 2 | 500644 | KIDS ANGL ADJ F/PLT 14" L | Left |
| 2 | 500645 | KIDS ANGL ADJ F/PLT 15" R | Right |
| 2 | 500646 | KIDS ANGL ADJ F/PLT 15" L | Left |
| 2 | 500647 | KIDS ANGL ADJ F/PLT 16" R | Right |
| 2 | 500648 | KIDS ANGL ADJ F/PLT 16" L | Left |
| 3 | 550350 | 3/4" CLAMP ADJ FOOTPLATE | |
| 4 | 106935 | NUT NYLOCK THIN 1/4 -28 ROHS | |
| 5 | 106962 | 1/4-28 x 1 3/4 BH C/S BLK ZN (D2 EXTENSION TUBES) | |

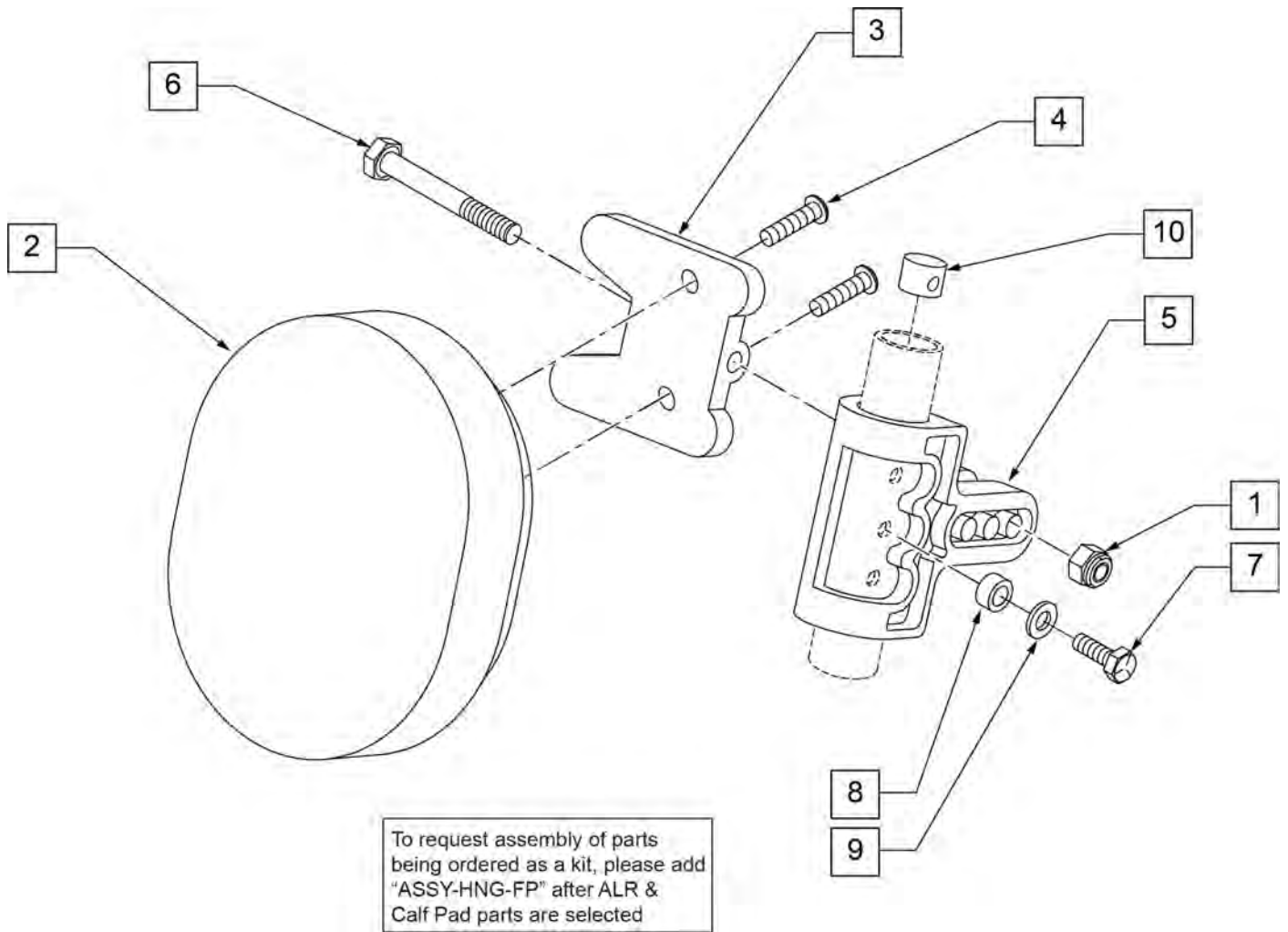
| Pos. | Item Number | Description | Remarks |
|--------------|-------------|---|---------------------------------|
| 5 | 226167 | 1/4-28 x 1.625 BH C/S BLK (ROUND EXTENSION TUBES) | |
| 6 | 106945 | 1/4 SAE WASHER | |
| 7 | 541002 | FTRST MOUNTING BRKT-3/8 RAD R | |
| 7 | 541003 | FTRST MOUNTING BRKT-3/8 RAD L | |
| 8 | 561055 | 3/4" SADDLE 1" OD | |
| 9 | 106944 | WASHER FLAT THIN AN 1/4 ROHS | |
| 10 | 106941 | NUT AUTOMATION 1/4 -28 ROHS | |
| 11 | 483720 | HANGER EXTENSION SADDLE LONG | Use with Double D Ext Tube |
| 1-4,6,7,9,10 | 828850 | KIDS ANG ADJ F/PLT EXT-MNT 10"R | Right |
| 1-4,6,7,9,10 | 828851 | KIDS ANG ADJ F/PLT EXT-MNT 10"L | Left |
| 1-4,6,7,9,10 | 828852 | KIDS ANG ADJ F/PLT EXT-MNT 11"R | Right |
| 1-4,6,7,9,10 | 828853 | KIDS ANG ADJ F/PLT EXT-MNT 11"L | Left |
| 1-4,6,7,9,10 | 828854 | KIDS ANG ADJ F/PLT EXT-MNT 12"R | Right |
| 1-4,6,7,9,10 | 828855 | KIDS ANG ADJ F/PLT EXT-MNT 12"L | Left |
| 1-4,6,7,9,10 | 828856 | KIDS ANG ADJ F/PLT EXT-MNT 13"R | Right |
| 1-4,6,7,9,10 | 828857 | KIDS ANG ADJ F/PLT EXT-MNT 13"L | Left |
| 1-4,6,7,9,10 | 828858 | KIDS ANG ADJ F/PLT EXT-MNT 14"R | Right |
| 1-4,6,7,9,10 | 828859 | KIDS ANG ADJ F/PLT EXT-MNT 14"L | Left |
| 1-4,6,7,9,10 | 828860 | KIDS ANG ADJ F/PLT EXT-MNT 15"R | Right |
| 1-4,6,7,9,10 | 828861 | KIDS ANG ADJ F/PLT EXT-MNT 15"L | Left |
| 1-4,6,7,9,10 | 828862 | KIDS ANG ADJ F/PLT EXT-MNT 16"R | Right |
| 1-4,6,7,9,10 | 828863 | KIDS ANG ADJ F/PLT EXT-MNT 16"L | Left |
| 1-4,6,7,9,10 | 921280 | KIDS ANG ADJ F/PLT EXT-MNT 10" | Pair |
| 1-4,6,7,9,10 | 921281 | KIDS ANG ADJ F/PLT EXT-MNT 11" | Pair |
| 1-4,6,7,9,10 | 921282 | KIDS ANG ADJ F/PLT EXT-MNT 12" | Pair |
| 1-4,6,7,9,10 | 921283 | KIDS ANG ADJ F/PLT EXT-MNT 13" | Pair |
| 1-4,6,7,9,10 | 921284 | KIDS ANG ADJ F/PLT EXT-MNT 14" | Pair |
| 1-4,6,7,9,10 | 921285 | KIDS ANG ADJ F/PLT EXT-MNT 15" | Pair |
| 1-4,6,7,9,10 | 921286 | KIDS ANG ADJ F/PLT EXT-MNT 16" | Pair |
| | | Ship assembled part # | Use with multiple assemblies |
| | ASSY-HNG-FP | HANGER/FOOTPLATE ASSY REQUIRED | add with Hanger & Footplate kit |

NOTE: WHEN USING AN ARTICULATING LEGREST ASSEMBLY, THE PULL-TO-LOCK WHEEL LOCK MUST BE USED.



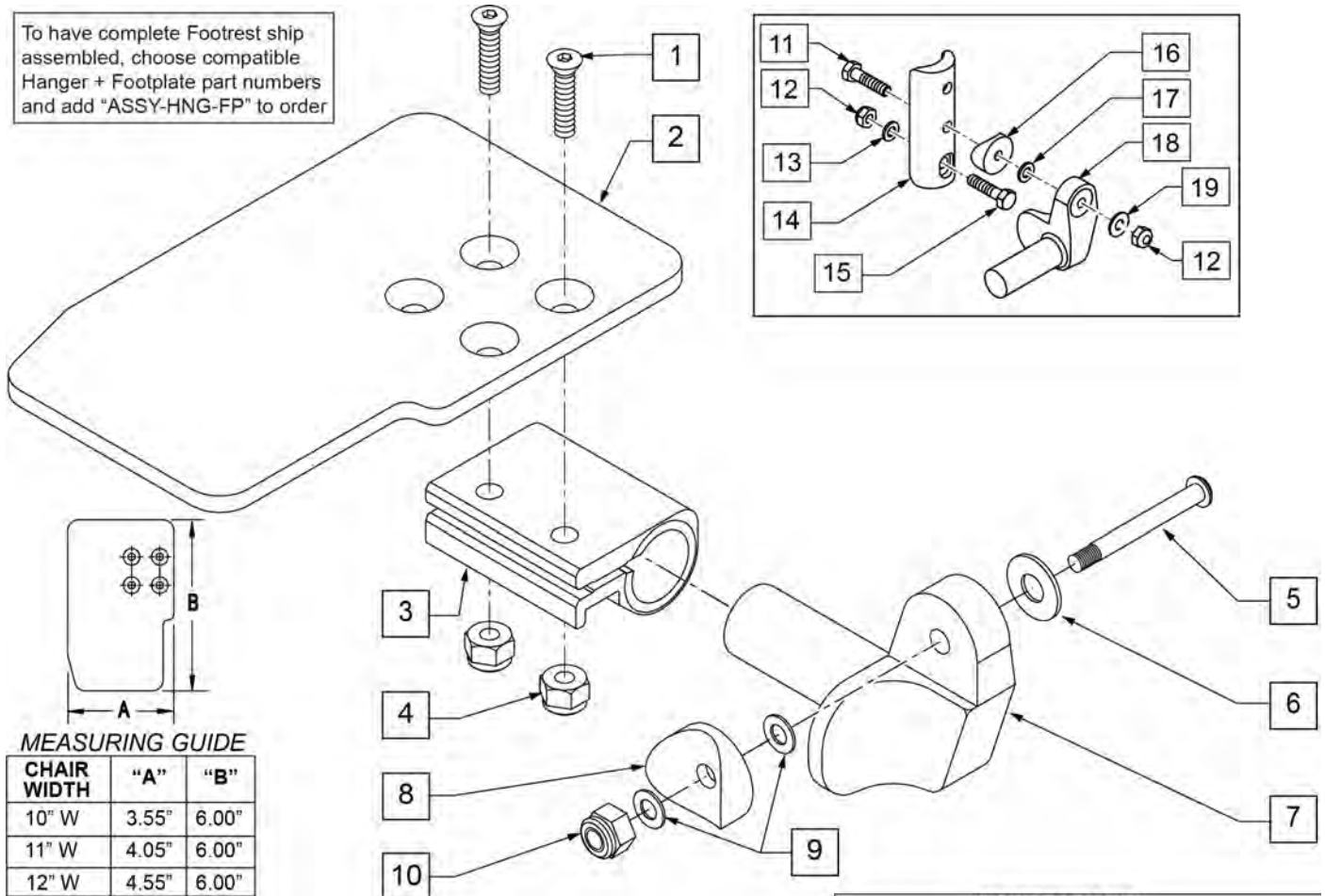
| Pos. | Item Number | Description | Remarks |
|------|-------------|-------------------------------|---------|
| 1 | 106983 | 5/16-18 x 2 BH C/S SHT THREAD | |
| 2 | 562720 | ALR COVER STD | |
| 3 | 106937 | 5/16-18 NYLOCK NUT THIN | |
| 4 | 106935 | NUT NYLOCK THIN 1/4-28 ROHS | |
| 5 | 560501 | ALR RELEASE LEVER COVER | |
| 6 | 505902 | ALR RELEASE LEVER | |
| 7 | 321141 | 650L x 6 COIL SPRING | |
| 8 | 483060 | ALR SPRING PLUG | |
| 9 | 880526 | ALR BRACKET W/LINK R | |
| 9 | 880527 | ALR BRACKET W/LINK L | |
| 10 | 342000 | 1/4" E-CLIP | |
| 11 | 481052 | ALR RETAINING STUD | |

| Pos. | Item Number | Description | Remarks |
|----------|-------------|--------------------------------|---------------------------------|
| 12 | 106934 | 1/4-28 NYLOCK NUT | |
| 13 | 500177 | ALR PIVOT SADDLE .125 | |
| 14 | 500178 | ALR PIVOT SADDLE BLOCK | |
| 15 | 226057 | 10/24 x .725 BTTN HD SOC BZ | |
| 16 | 561079 | S/A LATCH LEVER | |
| 17 | 321136 | S/A SPRING R CLEAR | |
| 17 | 321137 | S/A SPRING R | |
| 18 | 561004 | 1" SADDLE 1/4 HOLE | |
| 19 | 107016 | 1/4-28 x 3 G8 HEX C/S | |
| 20 | 882466 | ALR S/A TUBE ASSM L | |
| 20 | 882467 | ALR S/A TUBE ASSM R | |
| 23 | 106964 | 1/4-28 x 2 BH C/S | |
| 24 | 561016 | 1" WASHER 5/16 HOLE | |
| 25 | 505900 | ALR RATCHET BLOCK | |
| 26 | 483062 | ALR RATCHET ROD | |
| 27 | 561006 | 1" SADDLE 5/16" HOLE | |
| 28 | 106961 | 1/4-28 x 1 1/4 BH C/S | |
| 29 | 505025S | KIDS ALR LEGREST TUBE 11-13" | |
| 30 | 500150 | 2" FOOTREST EXT TUBE | |
| 31 | 106935 | NUT NYLOCK THIN 1/4-28 ROHS | |
| 32 | 226195 | 5/16-18 x 1.82 BH C/S | |
| 33 | 106937 | 5/16-18 NYLOCK NUT THIN | |
| 34 | 923053S | KIDS ALR HANGER ASSEM W/PAD | (PR) (SPECIFY COLOR) |
| 28,30,31 | 111505 | 2" FTREST EXT W/ HDWR | |
| 21,22 | 881500 | LATCH BLOCK ASSM R | |
| 21,22 | 881501 | LATCH BLOCK ASSM L | |
| 1-31 | 641432S | KIDS ALR HNGR W/O PAD R 2" EXT | |
| 1-31 | 641433S | KIDS ALR HNGR W/O PAD L 2" EXT | |
| | | Ship assembled part # | Use with multiple assemblies |
| | ASSY-HNG-FP | HANGER/FOOTPLATE ASSY REQUIRED | add with Hanger & Footplate kit |



| Pos. | Item Number | Description | Remarks |
|------|-------------|---------------------------------|---------------------------------|
| 1 | 106936 | 5/16-18 NYLOCK NUT THICK | |
| 2 | 755020 | 4 x 5 OVAL PAD | |
| 3 | 561096 | ALR/ELR CALF PAD BRACKET | |
| 4 | 281181 | 1/4-20 x 3/4 PAN PHIL | |
| 5 | 561099 | CALF CLAMP ALR | |
| 6 | 107019 | HHCS 5/16-18 X 3-1/2 ROHS | |
| 7 | 107017 | 1/4-20 x 1 1/4 G8 HEX C/S | |
| 8 | 483027 | 1/4 x 1/4 ALUMINUM SPACER | |
| 9 | 262130 | 6mm WASHER WAVE | |
| 10 | 500151 | KIDS ALR RETAINING PLUG | |
| 1-6 | 881401 | KIDS ALR OVAL PAD W/BRACKET | |
| 1-10 | 881402 | KIDS ALR OVAL PAD ASSEMBLY (EA) | |
| | | Ship assembled part # | Use with multiple assemblies |
| | ASSY-HNG-FP | HANGER/FOOTPLATE ASSY REQUIRED | add with Hanger & Footplate kit |

To have complete Footrest ship assembled, choose compatible Hanger + Footplate part numbers and add "ASSY-HNG-FP" to order



MEASURING GUIDE

| CHAIR WIDTH | "A" | "B" |
|-------------|-------|-------|
| 10" W | 3.55" | 6.00" |
| 11" W | 4.05" | 6.00" |
| 12" W | 4.55" | 6.00" |
| 13" W | 5.05" | 6.00" |
| 14" W | 5.55" | 6.00" |
| 15" W | 6.05" | 6.00" |
| 16" W | 6.55" | 6.00" |

INSET FORMULA
 0" Inset (Seat Width) = Footrest Width
 1" Inset (Seat Width) -2" = Footrest Width
 "V" Hanger (Seat Width) -4" = Footrest Width
 Offset Hanger Receiver (Seat Width) +2" = Footrest Width

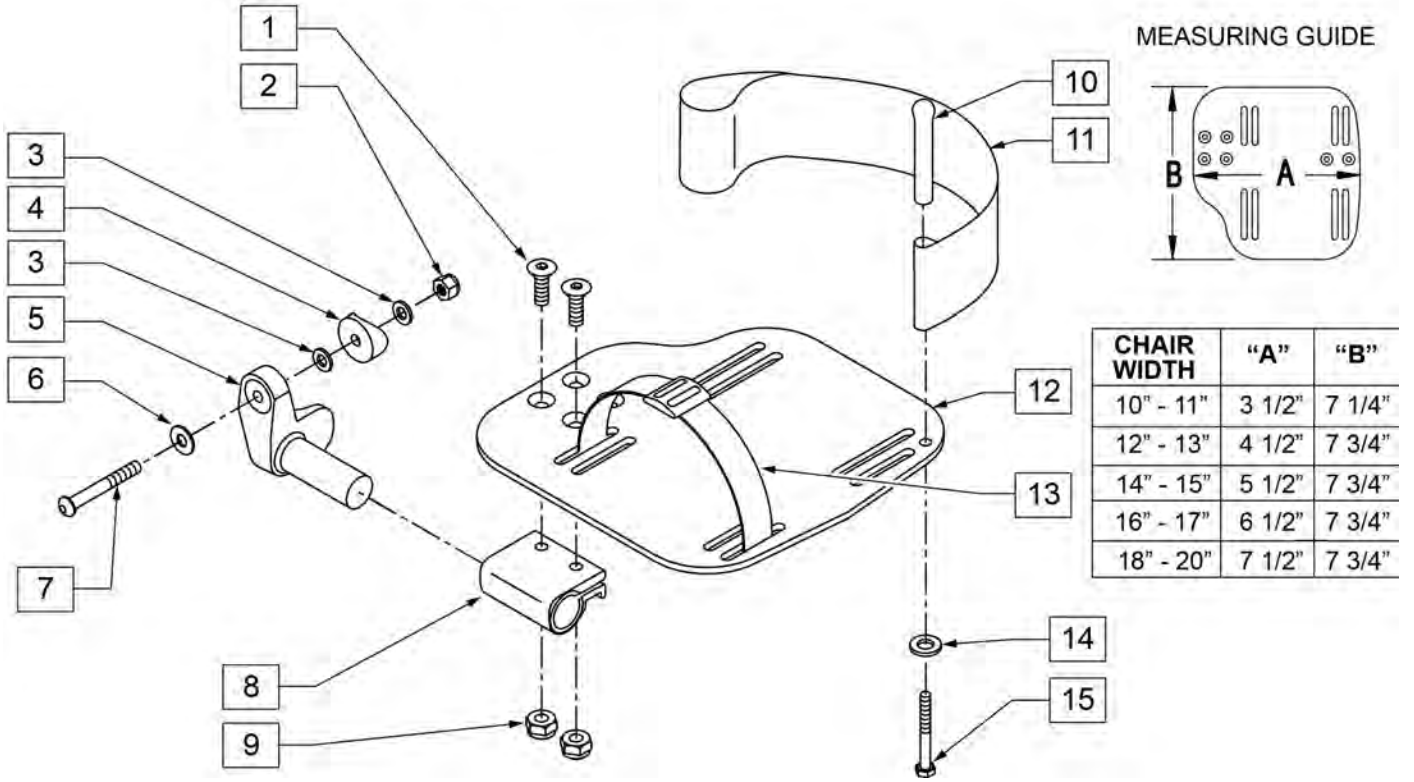
| Pos. | Item Number | Description | Remarks |
|------|-------------|-----------------------------|---------|
| 1 | 106978 | FHCS 1/4-28 X 7/8 ROHS | |
| 2 | 500635 | KIDS ANGL ADJ F/PLT 10 | RIGHT |
| 2 | 500636 | KIDS ANGL ADJ F/PLT 10 | LEFT |
| 2 | 500637 | KIDS ANGL ADJ F/PLT 11 | RIGHT |
| 2 | 500638 | KIDS ANGL ADJ F/PLT 11 | LEFT |
| 2 | 500639 | KIDS ANGL ADJ F/PLT 12 | RIGHT |
| 2 | 500640 | KIDS ANGL ADJ F/PLT 12 | LEFT |
| 2 | 500641 | KIDS ANGL ADJ F/PLT 13 | RIGHT |
| 2 | 500642 | KIDS ANGL ADJ F/PLT 13 | LEFT |
| 2 | 500643 | KIDS ANGL ADJ F/PLT 14 | RIGHT |
| 2 | 500644 | KIDS ANGL ADJ F/PLT 14 | LEFT |
| 2 | 500645 | KIDS ANGL ADJ F/PLT 15 | RIGHT |
| 2 | 500646 | KIDS ANGL ADJ F/PLT 15 | LEFT |
| 2 | 500647 | KIDS ANGL ADJ F/PLT 16 | RIGHT |
| 2 | 500648 | KIDS ANGL ADJ F/PLT 16 | LEFT |
| 3 | 550350 | 3/4 CLAMP ADJ FOOTPLATE | |
| 4 | 106935 | NUT NYLOCK THIN 1/4-28 ROHS | |
| 5 | 226147 | 1/4-28 X 1.85 BH C/S BLK ZN | |

| Pos. | Item Number | Description | Remarks |
|------|-------------|--------------------------------|--|
| 6 | 106945 | WASHER FLAT SAE 1/4 ROHS | |
| 7 | 541000 | FTRST MOUNTING BRKT 1/2" RAD R | RIGHT |
| 7 | 541001 | FTRST MOUNTING BRKT 1/2" RAD L | LEFT |
| 8 | 561004 | 1 SADDLE 1/4 HOLE | |
| 9 | 106943 | WASHER FLAT THIN AN 1/4 | |
| 10 | 106941 | NUT AUTOMATION 1/4-28 ROHS | |
| 11 | 102268-001 | HHCS M6 X 1 X 25 | |
| 12 | 104381 | NUT HEX NYLOCK M6 X 1 | |
| 13 | 107383 | WASHER FLAT M6 ROHS | |
| 15 | 118198 | HHCS M6 X 1 X 40 PART NP | |
| 16 | 561004 | 1" SADDLE 1/4" HOLE | |
| 17 | 106943 | WASHER FLAT AN 1/4 ROHS | |
| 19 | 106945 | WASHER FLAT SAE 1/4 ROHS | |
| 1-4 | 158632 | CAA F/PLT KIT 10 RT | RIGHT; used with Front Mount Adapter Kit on Plunger-Style Swing In/Out Hangers |
| 1-4 | 158633 | CAA F/PLT KIT 10 LT | LEFT; used with Front Mount Adapter Kit on Plunger-Style Swing In/Out Hangers |
| 1-4 | 158634 | CAA F/PLT KIT 11 RT | RIGHT; used with Front Mount Adapter Kit on Plunger-Style Swing In/Out Hangers |
| 1-4 | 158635 | CAA F/PLT KIT 11 LT | LEFT; used with Front Mount Adapter Kit on Plunger-Style Swing In/Out Hangers |
| 1-4 | 158636 | CAA F/PLT KIT 12 RT | RIGHT; used with Front Mount Adapter Kit on Plunger-Style Swing In/Out Hangers |
| 1-4 | 158637 | CAA F/PLT KIT 12 LT | LEFT; used with Front Mount Adapter Kit on Plunger-Style Swing In/Out Hangers |
| 1-4 | 158638 | CAA F/PLT KIT 13 RT | RIGHT; used with Front Mount Adapter Kit on Plunger-Style Swing In/Out Hangers |
| 1-4 | 158639 | CAA F/PLT KIT 13 LT | LEFT; used with Front Mount Adapter Kit on Plunger-Style Swing In/Out Hangers |
| 1-4 | 158640 | CAA F/PLT KIT 14 RT | RIGHT; used with Front Mount Adapter Kit on Plunger-Style Swing In/Out Hangers |
| 1-4 | 158641 | CAA F/PLT KIT 14 LT | LEFT; used with Front Mount Adapter Kit on Plunger-Style Swing In/Out Hangers |
| 1-4 | 158642 | CAA F/PLT KIT 15 RT | RIGHT; used with Front Mount Adapter Kit on Plunger-Style Swing In/Out Hangers |
| 1-4 | 158643 | CAA F/PLT KIT 15 LT | LEFT; used with Front Mount Adapter Kit on Plunger-Style Swing In/Out Hangers |
| 1-4 | 158644 | CAA F/PLT KIT 16 RT | RIGHT; used with Front Mount Adapter Kit on Plunger-Style Swing In/Out Hangers |
| 1-4 | 158645 | CAA F/PLT KIT 16 LT | LEFT; used with Front Mount Adapter Kit on Plunger-Style Swing In/Out Hangers |
| 1-10 | 828821 | KIDS ANG ADJ F/PLT ASSM 10 | RIGHT; used with Old-Style Latch Block Swing In/Out & S/A Hangers |
| 1-10 | 828822 | KIDS ANG ADJ F/PLT ASSM 10 | LEFT; used with Old-Style Latch Block Swing In/Out & S/A Hangers |
| 1-10 | 828823 | KIDS ANG ADJ F/PLT ASSM 11 | RIGHT; used with Old-Style Latch Block Swing In/Out & S/A Hangers |
| 1-10 | 828824 | KIDS ANG ADJ F/PLT ASSM 11 | LEFT; used with Old-Style Latch Block Swing In/Out & S/A Hangers |
| 1-10 | 828825 | KIDS ANG ADJ F/PLT ASSM 12 | RIGHT; used with Old-Style Latch Block Swing In/Out & S/A Hangers |
| 1-10 | 828826 | KIDS ANG ADJ F/PLT ASSM 12 | LEFT; used with Old-Style Latch Block Swing In/Out & S/A Hangers |
| 1-10 | 828827 | KIDS ANG ADJ F/PLT ASSM 13 | RIGHT; used with Old-Style Latch Block Swing In/Out & S/A Hangers |
| 1-10 | 828828 | KIDS ANG ADJ F/PLT ASSM 13 | LEFT; used with Old-Style Latch Block Swing In/Out & S/A Hangers |
| 1-10 | 828829 | KIDS ANG ADJ F/PLT ASSM 14 | RIGHT; used with Old-Style Latch Block Swing In/Out & S/A Hangers |
| 1-10 | 828830 | KIDS ANG ADJ F/PLT ASSM 14 | LEFT; used with Old-Style Latch Block Swing In/Out & S/A Hangers |
| 1-10 | 828831 | KIDS ANG ADJ F/PLT ASSM 15 | RIGHT; used with Old-Style Latch Block Swing In/Out & S/A Hangers |
| 1-10 | 828832 | KIDS ANG ADJ F/PLT ASSM 15 | LEFT; used with Old-Style Latch Block Swing In/Out & S/A Hangers |

| Pos. | Item Number | Description | Remarks |
|-------|-------------|--------------------------------|---|
| 1-10 | 828833 | KIDS ANG ADJ F/PLT ASSM 16 | RIGHT; used with Old-Style Latch Block Swing In/Out & S/A Hangers |
| 1-10 | 828834 | KIDS ANG ADJ F/PLT ASSM 16 | LEFT; used with Old-Style Latch Block Swing In/Out & S/A Hangers |
| 1-10 | 921226 | KIDS ANG ADJ F/PLT ASSM 10 | PAIR; used with Old-Style Latch Block Swing In/Out & S/A Hangers |
| 1-10 | 921227 | KIDS ANG ADJ F/PLT ASSM 11 | PAIR; used with Old-Style Latch Block Swing In/Out & S/A Hangers |
| 1-10 | 921228 | KIDS ANG ADJ F/PLT ASSM 12 | PAIR; used with Old-Style Latch Block Swing In/Out & S/A Hangers |
| 1-10 | 921229 | KIDS ANG ADJ F/PLT ASSM 13 | PAIR; used with Old-Style Latch Block Swing In/Out & S/A Hangers |
| 1-10 | 921230 | KIDS ANG ADJ F/PLT ASSM 14 | PAIR; used with Old-Style Latch Block Swing In/Out & S/A Hangers |
| 1-10 | 921231 | KIDS ANG ADJ F/PLT ASSM 15 | PAIR; used with Old-Style Latch Block Swing In/Out & S/A Hangers |
| 1-10 | 921232 | KIDS ANG ADJ F/PLT ASSM 16 | PAIR; used with Old-Style Latch Block Swing In/Out & S/A Hangers |
| 11-19 | 158646 | KAA FRNT MNT ADAPTER KIT PR | PAIR; used on Plunger-Style Swing In/Out Hangers |
| | | Ship assembled part # | Use with multiple assemblies |
| | ASSY-HNG-FP | HANGER/FOOTPLATE ASSY REQUIRED | add with Hanger & Footplate kit |

To have complete Footrest ship assembled, choose compatible Hanger + Footplate part numbers and add "ASSY-HNG-FP" to order

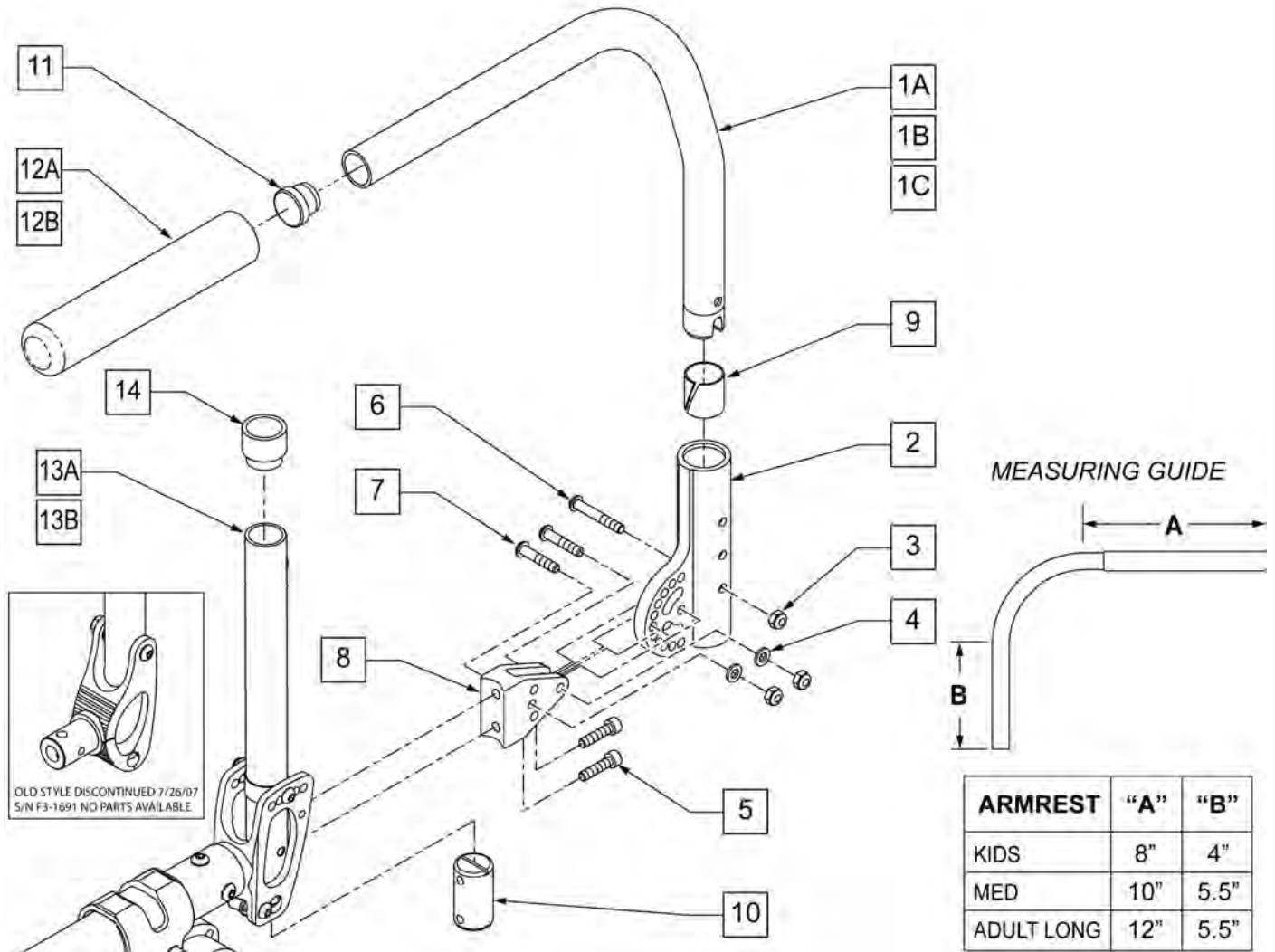
INSET FORMULA
 0" Inset (Seat Width) = Footrest Width
 1" Inset (Seat Width) - 2" = Footrest Width
 "V" Hanger (Seat Width) - 4" = Footrest Width
 Offset Hanger Receiver (Seat Width) + 2" = Footrest Width



| Pos. | Item Number | Description | Remarks |
|------|-------------|-------------------------------------|--|
| 1 | 106978 | FHCS 1/4-28 X 7/8 ROHS | |
| 2 | 106941 | NUT AUTOMATION 1/4-28 ROHS | |
| 3 | 106943 | WASHER FLAT AN 1/4 ROHS | |
| 4 | 561004 | 1" SADDLE 1/4" HOLE | |
| 5 | 541000 | FOOTREST MOUNTING BRKT 1/2" RAD R | RIGHT |
| 5 | 541001 | FOOTREST MOUNTING BRKT 1/2" RAD L | LEFT |
| 6 | 106945 | WASHER FLAT SAE 1/4 ROHS | |
| 7 | 106964 | BHCS 1/4-28 X 2 | |
| 8 | 550350 | 3/4" CLAMP ADJ FOOTPLATE | |
| 9 | 106935 | NUT NYLOCK THIN 1/4-28 ROHS | |
| 10 | 561040 | HEEL LOOP PEG | |
| 11 | 741153 | HEEL LOOP 18-20 CMPST/14-15 ANG ADJ | USED W/ 14-15"/16-17" ADULT ANG ADJ FTPLTS |
| 11 | 741253 | HEEL LOOP ADLT ADJ F/PLT 18-20 | USED W/ 18-20" ADULT ANG ADJ FTPLTS |
| 12 | 500656 | ADULT ANGL ADJ F/PLT 10/11 | RIGHT |
| 12 | 500657 | ADULT ANGL ADJ F/PLT 10/11 | LEFT |
| 12 | 500658 | ADULT ANGL ADJ F/PLT 12/13 | RIGHT |
| 12 | 500659 | ADULT ANGL ADJ F/PLT 12/13 | LEFT |
| 12 | 500660 | ADULT ANGL ADJ F/PLT 14/15 | RIGHT |
| 12 | 500661 | ADULT ANGL ADJ F/PLT 14/15 | LEFT |
| 12 | 500662 | ADULT ANGL ADJ F/PLT 16/17 | RIGHT |
| 12 | 500663 | ADULT ANGL ADJ F/PLT 16/17 | LEFT |
| 12 | 500664 | ADULT ANGL ADJ F/PLT 18-20 | RIGHT |

| Pos. | Item Number | Description | Remarks |
|------------|-------------|-------------------------------------|---------------------------------|
| 12 | 500665 | ADULT ANGL ADJ F/PLT 18-20 | LEFT |
| 13 | 740260 | TOE-ANKLE STRAP ADJ ADULT FOOTPLATE | |
| 14 | 106943 | WASHER FLAT AN 1/4 ROHS | |
| 15 | 106958 | HHCS 1/4-20 X 1 ROHS | |
| 1-9,12 | 820544 | FP ADULT ADJ 90D 10/11 R | RIGHT |
| 1-9,12 | 820554 | FP ADULT ADJ 90D 10/11 L | LEFT |
| 1-9,12 | 820546 | FP ADULT ADJ 90D 12/13 R | RIGHT |
| 1-9,12 | 820556 | FP ADULT ADJ 90D 12/13 L | LEFT |
| 1-9,12 | 820472 | FP ADULT ADJ 90D 14/15 R | RIGHT |
| 1-9,12 | 820473 | FP ADULT ADJ 90D 14/15 L | LEFT |
| 1-9,12 | 820474 | FP ADULT ADJ 90D 16/17 R | RIGHT |
| 1-9,12 | 820475 | FP ADULT ADJ 90D 16/17 L | LEFT |
| 1-9,12 | 820476 | FP ADULT ADJ 90D 18-20 R | RIGHT |
| 1-9,12 | 820477 | FP ADULT ADJ 90D 18-20 L | LEFT |
| 1-9,12 | 921474 | ADULT ANGL ADJ 90D 10/11 OMIT H/L | PAIR |
| 1-9,12 | 921476 | ADULT ANGL ADJ 90D 12/13 OMIT H/L | PAIR |
| 1-9,12 | 921330 | ADULT ANGL ADJ 90D 14/15 OMIT H/L | PAIR |
| 1-9,12 | 921331 | ADULT ANGL ADJ 90D 16/17 OMIT H/L | PAIR |
| 1-9,12 | 921332 | ADULT ANGL ADJ 90D 18-20 OMIT H/L | PAIR |
| 1-12,14,15 | 820540 | F/PLT ADULT ADJ 90D 10/11 R W/ HL | RIGHT |
| 1-12,14,15 | 820550 | F/PLT ADULT ADJ 90D 10/11 L W/ HL | LEFT |
| 1-12,14,15 | 820542 | F/PLT ADULT ADJ 90D 12/13 R W/ HL | RIGHT |
| 1-12,14,15 | 820552 | F/PLT ADULT ADJ 90D 12/13 L W/ HL | LEFT |
| 1-12,14,15 | 820478 | F/PLT ADULT ADJ 90D 14/15 R W/ HL | RIGHT |
| 1-12,14,15 | 820479 | F/PLT ADULT ADJ 90D 14/15 L W/ HL | LEFT |
| 1-12,14,15 | 820480 | F/PLT ADULT ADJ 90D 16/17 R W/ HL | RIGHT |
| 1-12,14,15 | 820481 | F/PLT ADULT ADJ 90D 16/17 L W/ HL | LEFT |
| 1-12,14,15 | 820482 | F/PLT ADULT ADJ 90D 18-20 R W/ HL | RIGHT |
| 1-12,14,15 | 820483 | F/PLT ADULT ADJ 90D 18-20 L W/ HL | LEFT |
| 1-12,14,15 | 921470 | F/PLT ADULT ADJ 90D 10/11 W/ HL | PAIR |
| 1-12,14,15 | 921472 | F/PLT ADULT ADJ 90D 12/13 W/ HL | PAIR |
| 1-12,14,15 | 921333 | F/PLT ADULT ADJ 90D 14/15 W/ HL | PAIR |
| 1-12,14,15 | 921334 | F/PLT ADULT ADJ 90D 16/17 W/ HL | PAIR |
| 1-12,14,15 | 921335 | F/PLT ADULT ADJ 90D 18-20 W/ HL | PAIR |
| | | Ship assembled part # | Use with multiple assemblies |
| | ASSY-HNG-FP | HANGER/FOOTPLATE ASSY REQUIRED | add with Hanger & Footplate kit |

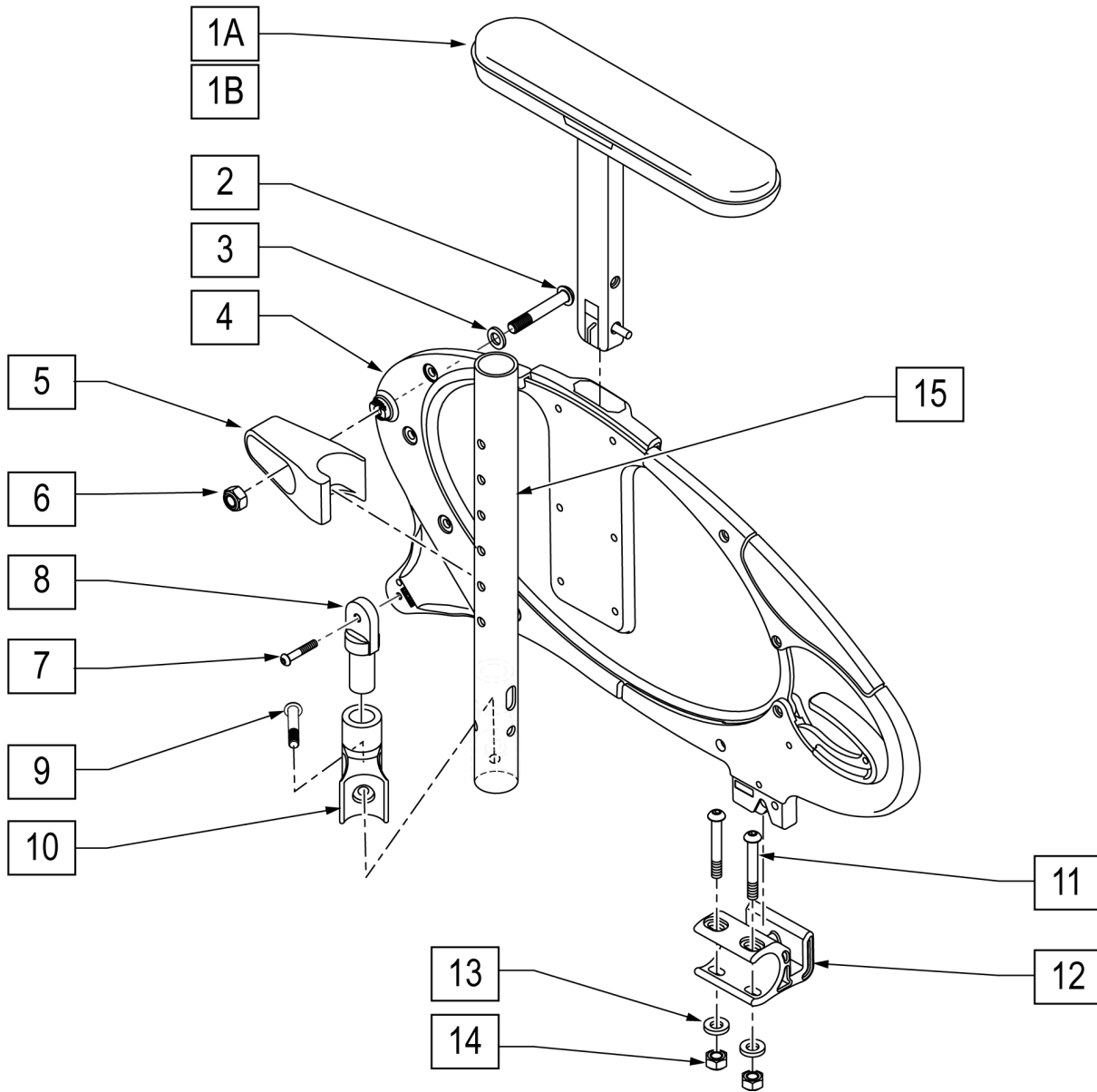
NOTE: If adding SWING AWAY ARMREST to chair built prior to 7/26/07, serial no. F3-1692, you must order part number 104772 or 104773.
 * Required with DEPTH EXTENSION.



| Pos. | Item Number | Description | Remarks |
|-----------|-------------|--------------------------------------|---------|
| 2 | 052166 | RECEIVER ANG ADJ SA ARMREST | |
| 3 | 200113 | NUT HEX NYLOCK M6 X 1 | |
| 4 | 250104 | WASHER FLAT M6 | |
| 5 | 102263-003 | SHCS M6 X 1 X 25 W/PL INORG | |
| 6 | 102262-006 | BHCS M6 X 1 X 40 INORGANIC | |
| 7 | 102262-005 | BHCS M6 X 1 X 30 INORGANIC | |
| 8 | 052165 | BRACKET ANG ADJ SA ARMREST | |
| 9 | 560400 | 1" I.D. NY-LINER | |
| 10 | 101301-001 | INSERT BACKREST 20.90 OD | |
| 11 | 561002 | 1" INSERT PLUG .083 | |
| 12A | 920070 | 9x .940 x .200 FOAM GRIP | |
| 12B | 560299 | FOAM GRIP 7 X .940 X .20 (PEDIATRIC) | |
| 10,13A,14 | 104772 | FRM ALUM BKREST STD PAD ARM | PAIR |
| 10,13B,14 | 104773 | FRM ALUM BKREST TALL PAD ARM | PAIR |

| Pos. | Item Number | Description | Remarks |
|-------------|--------------------|--------------------------------|------------------|
| 1A,11,12A* | 101508 | PADDED ARMREST S/A LONG R | RIGHT-ADULT LONG |
| 1A,11,12A* | 101509 | PADDED ARMREST S/A LONG L | LEFT-ADULT LONG |
| 1B,11,12A | 881254 | PADDED ARMREST RIGHTHAND QTNT | RIGHT-ADULT |
| 1B,11,12A | 881255 | PADDED ARMREST LEFTHAND QTNT | LEFT-ADULT |
| 1C,11,12B | 050264 | PADDED ARM S/A RIGHT PEDIATRIC | RIGHT-KIDS/PED |
| 1C,11,12B | 050265 | PADDED ARM S/A LEFT PEDIATRIC | LEFT-KIDS/PED |

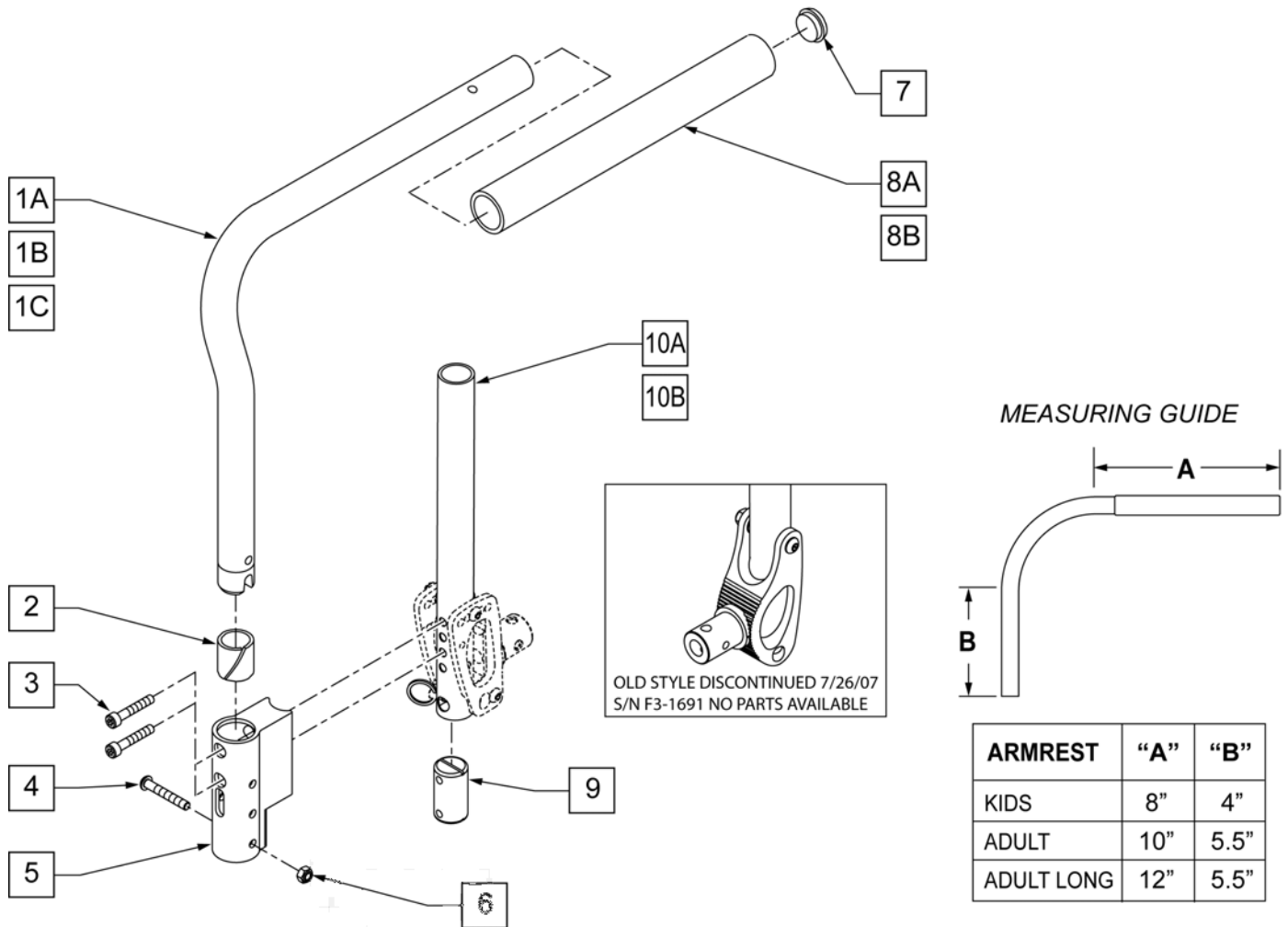
NOTE: If adding the Three Point Armrest to chair you must order Three Point Backrest Tube.



| Pos. | Item Number | Description | Remarks |
|-----------|-------------|-----------------------------|--------------------------------------|
| 1A | 054449 | SHORT ARMPAD HEIGHT ADJ | 10" ARMPAD LENGTH |
| 1B | 054449-003 | LONG ARM PAD HGT ADJ | RIGHT 12 1/4" ARMPAD LENGTH |
| 1B | 054449-004 | LONG ARM PAD HGT ADJ | LEFT 12 1/4" ARMPAD LENGTH |
| 9 | 013252 | BHCS M6 X 1 X 35 BLK | |
| 11 | 230118 | BHCS M6 X 1 X 45 BLK | |
| 13 | 250104 | WASHER FLAT M6 | |
| 14 | 200113 | NUT HEX NYLOCK M6 X 1 NUT | |
| 2-15 | 102540-001 | DESK S/G 3-PT ASSM RT | RIGHT 10 -14" & 12 -16" BACK HEIGHTS |
| 2-15 | 102540-002 | DESK S/G 3-PT ASSM LT | LEFT 10 -14" & 12 -16" BACK HEIGHTS |
| 2-15 | 103087-001 | 3 PT ASSM R 14-18 AND 16-20 | RIGHT 14 -18" & 16 -20" BACK HEIGHTS |
| 2-15 | 103087-002 | 3 PT ASSM L 14-18 AND 16-20 | LEFT 14 -18" & 16 -20" BACK HEIGHTS |
| 2-8,10,12 | 054493-002 | DESK SIDEGUARD RIGHT | |
| 2-8,10,12 | 054493-003 | DESK SIDEGUARD LEFT | |

NOTE: IF ADDING SWING-AWAY ARMREST TO CHAIR BUILT PRIOR TO 7/26/07, SERIAL NUMBER F3-1692, YOU MUST ORDER PART NUMBER 104772 or 104773.

NOTE: THESE PARTS REQUIRED WITH 'DEPTH EXTENSION'.

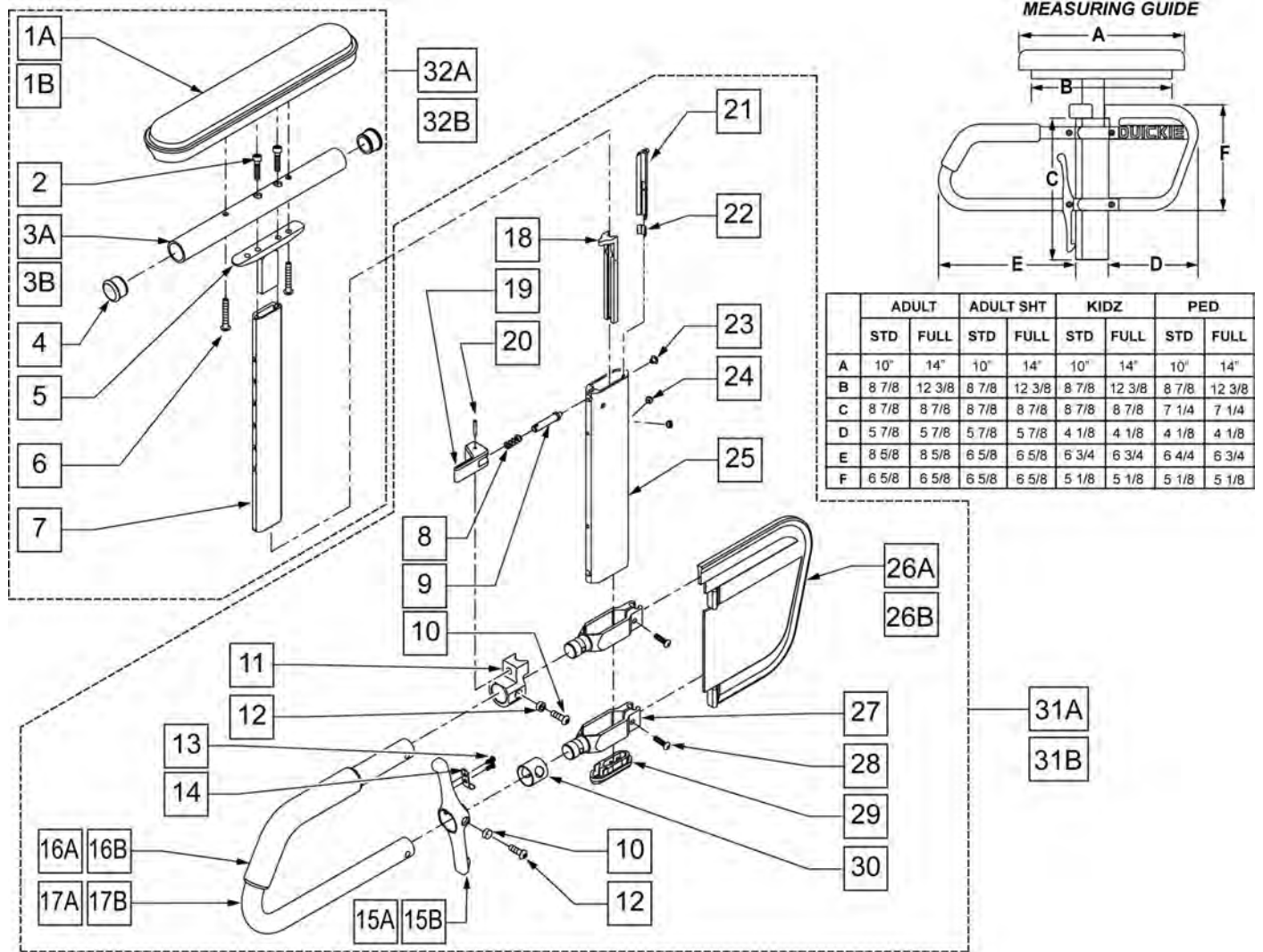


| Pos. | Item Number | Description | Remarks |
|----------|-------------|--------------------------------------|------------------|
| 2 | 560400 | 1" I.D. NY-LINER | |
| 3 | 102263-004 | SHCS M6 X 1 X 35 INORGANIC | |
| 4 | 102262-006 | BHCS M6 X 1 X 40 INORGANIC | |
| 6 | 200113 | NUT HEX NYLOCK M6 X 1 | |
| 7 | 561002 | 1" INSERT PLUG .083 | |
| 8A | 920070 | 9 x .940 x .200 FOAM GRIP | |
| 8B | 560299 | FOAM GRIP 7 X .940 X .20 (PEDIATRIC) | |
| 9 | 101301-001 | INSERT BACKREST 20.90 OD | |
| 1A,7,8A | 881254 | PADDED ARMREST RIGHTHAND QTNT | RIGHT-ADULT |
| 1A,7,8A | 881255 | PADDED ARMREST LEFTHAND QTNT | LEFT-ADULT |
| 1B,7,8B | 050264 | PADDED ARM S/A RIGHT PEDIATRIC | RIGHT-KIDS/PED |
| 1B,7,8B | 050265 | PADDED ARM S/A LEFT PEDIATRIC | LEFT-KIDS/PED |
| 1C,7,8A* | 101508 | PADDED ARMREST S/A LONG R | RIGHT-ADULT LONG |
| 1C,7,8A* | 101509 | PADDED ARMREST S/A LONG L | LEFT-ADULT LONG |
| 2-6,9 | 103108-001 | RECEIVER W/ HDWR | |
| 9,10A | 104772 | FRM ALUM BKREST STD PAD ARM | PAIR |
| 9,10B | 104773 | FRM ALUM BKREST TALL PAD ARM | PAIR |

NOTE: Discontinued on GT chairs prior to S/N R3-012700 & R3A-012762.

NOTE: Discontinued on GTi chairs prior to S/N T4-505800 & T4A-505900.

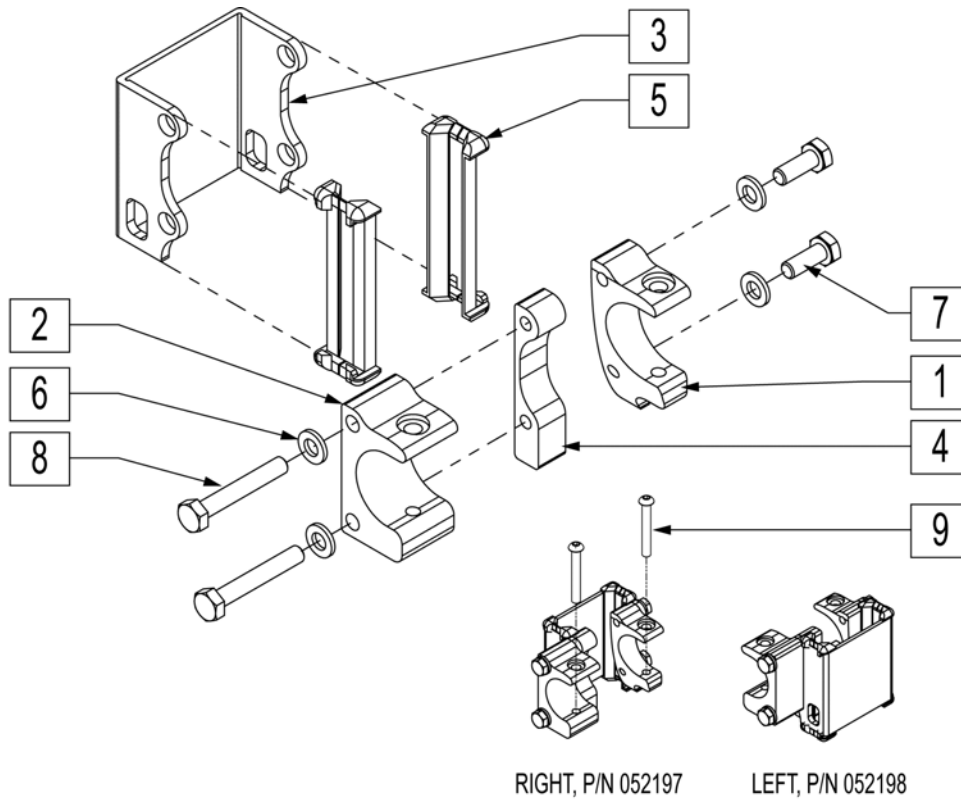
NOTE: If ordering for pediatric chair with 20" or 22" wheels, you must order the left armrest pad for the right side and the right armrest for the left side.



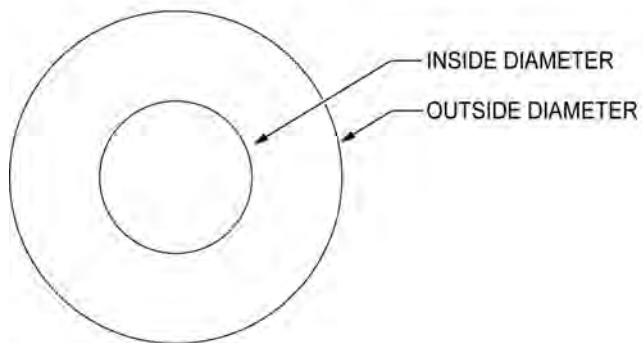
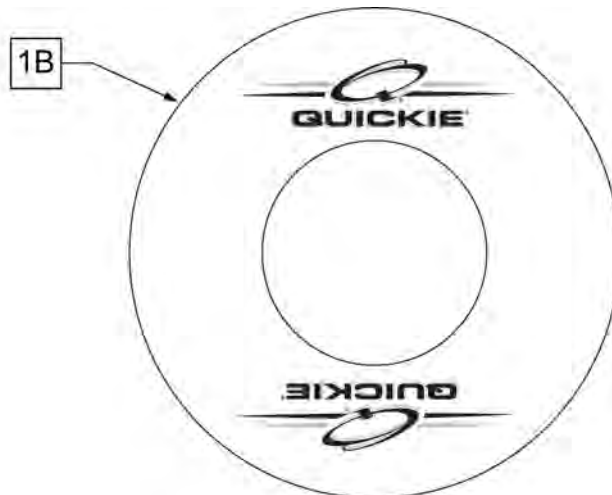
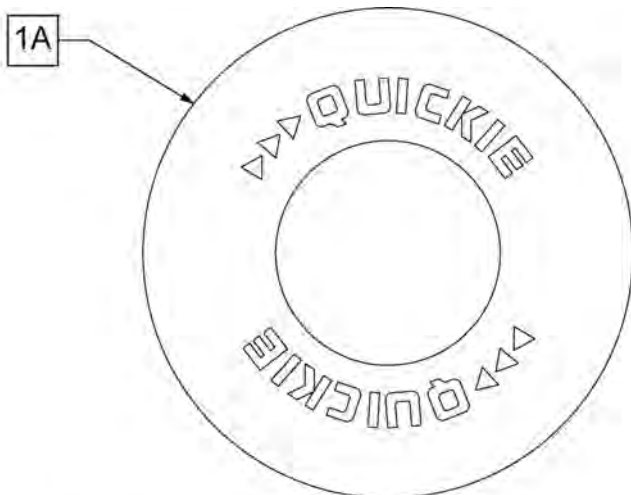
| Pos. | Item Number | Description | Remarks |
|------|-------------|--------------------------------|---------|
| 1A | 561024 | ARMREST PAD 10" DESK | DESK |
| 1B | 561031 | ARMREST PAD 14" FULL | FULL |
| 2 | 108534 | 10-32 x 1 1/4 SOC C/S BLK | |
| 3A | 521812 | HT ADJ PAD TUBE 10" DESK POWER | |
| 3B | 521813 | HT ADJ PAD TUBE 14" FULL POWER | |
| 4 | 560735 | 7/8" ROUND TUBE PLUG | |

| Pos. | Item Number | Description | Remarks |
|--------------|-------------|---------------------------------|------------------|
| 5 | 505084 | HT ADJ ARMREST GUSSET | |
| 6 | 226038 | 10-32 x 1 3/8 BH C/S BLK | |
| 10 | 226056 | 10-32 x 1/2 BH C/S BLK W/PATCH | |
| 12 | 481257 | RECEIVER RELEASE LEVER BUSHING | |
| 16A | 560610 | 5" x .705 x .125 FOAM TUBE | KIDS |
| 16B | 560627 | 7 1/2" x .705 x .125 FOAM TUBE | ADULT |
| 18 | 561132 | HT ADJ ARM FRONT LINER | |
| 21 | 561133 | HT ADJ ARM REAR LINER | |
| 22 | 321151 | HT ADJ LINER SPRING | |
| 23 | 330092 | #4 x 5/32 STICK SCREW | |
| 24 | 225098 | 10-32 x 1/8 SET SCR W/PATCH B | |
| 26A | 561140 | HT ADJ SKIRT GUARD STD | ADULT |
| 26B | 561141 | HT ADJ SKIRT GUARD KIDS | KIDS |
| 27 | 550482 | HT ADJ SKIRT CLAMP | |
| 28 | 107022 | 10-32 x 5/8 BH C/S BLK | |
| 29 | 561135 | HT ADJ ARM BOTTOM PLUG | |
| 30 | 562825 | RELEASE LEVER INNER SLEEVE | |
| 32A | 880192 | HT ADJ UPPR ARM ASSM PWR DSK R | DESK-Right |
| 32A | 880198 | HT ADJ UPPR ARM ASSM PWR DSK L | DESK-Left |
| 32B | 880193 | HT ADJ UPPR ARM ASSM PWR FL R | FULL-Right |
| 32B | 880199 | HT ADJ UPPER ARM ASM PWR FL L | FULL-Left |
| 8,9,11,19,20 | 888003 | HT ADJ UPPER ARM REL ASSM R | RIGHT |
| 8,9,11,19,20 | 888004 | HT ADJ UPPER ARM REL ASSM L | LEFT |
| 13-15A | 888000 | HT ADJ REC REL LEVER ASSM STD | ADULT |
| 13-15B | 888001 | HT ADJ REC REL LEVER ASSM KIDS | KIDS |
| 31A | 882082 | HT ADJ LOWER DC ARM ASSM KIDS R | KIDS-Right |
| 31A | 882083 | HT ADJ LOWER DC ARM ASM KIDS L | KIDS-Left |
| 31B | 882084 | HT ADJ LOWER DC ARM ASSM STD R | ADULT |
| 31B | 882085 | HT ADJ LOWER DC ARM ASSM STD L | ADULT |
| 31B,32A | 880210 | HT ADJ STD R W/DSK ARM PAD PWR | RIGHT/ADULT/DESK |
| 31B,32A | 880211 | HT ADJ STD L W/DSK ARM PAD PWR | LEFT/ADULT/DESK |
| 31B,32B | 880212 | HT ADJ STD R W/FULL ARM PD PWR | RIGHT/ADULT/FULL |
| 31B,32B | 880213 | HT ADJ STD L W/FULL ARM PD PWR | LEFT/ADULT/FULL |
| 31A,32A | 880214 | HT ADJ KDS R W/DSK ARM PAD PWR | RIGHT/KIDS/DESK |
| 31A,32A | 880215 | HT ADJ KDS L W/DSK ARM PAD PWR | LEFT/KIDS/DESK |
| 31A,32B | 880216 | HT ADJ KDS R W/FULL ARM PD PWR | RIGHT/KIDS/FULL |
| 31A,32B | 880217 | HT ADJ KDS L W/FULL ARM PD PWR | LEFT/KIDS/FULL |

NOTE: SINGLE POST HEIGHT ADJUSTABLE ARMREST ON 12"-14" SEAT DEPTHS WILL ONLY WORK IF AXLE PLATE IS IN REAR MOST POSITION.



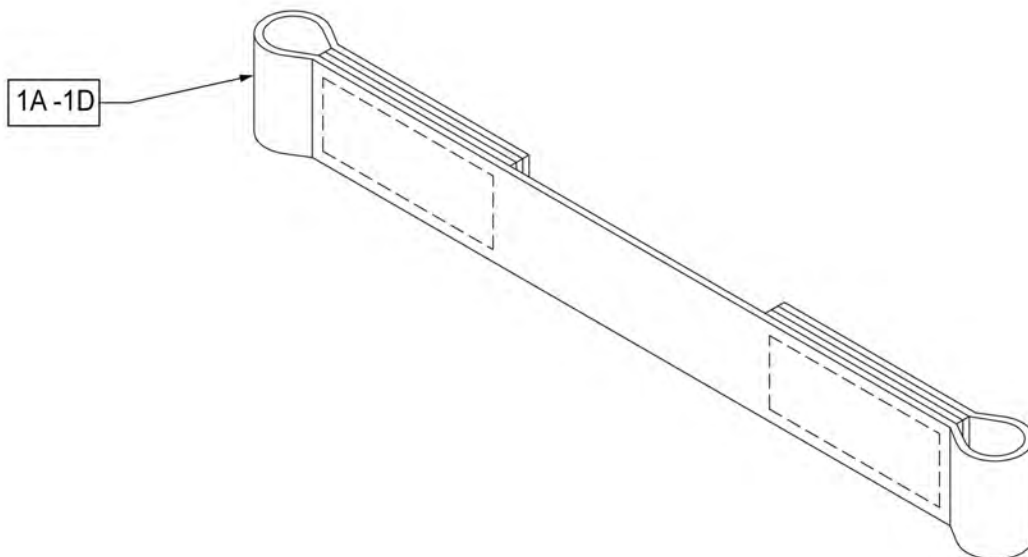
| Pos. | Item Number | Description | Remarks |
|------|-------------|-----------------------------|---------------------|
| 1 | 052188 | CLAMP INNER ARM HT ADJ R | RIGHT |
| 1 | 052189 | CLAMP INNER ARM HT ADJ L | LEFT |
| 2 | 052190 | CLAMP OUTER ARM HT ADJ | |
| 3 | 052191 | CHANNEL RECEIVER ARM HT ADJ | |
| 4 | 052192 | PLATE NUT ARM HT ADJ | |
| 5 | 561134 | HT ADJ RECEIVER LINER | |
| 6 | 250104 | WASHER FLAT M6 | |
| 7 | 230038 | M6 X 16 HEX C/S | |
| 8 | 234892 | M6 X 40 HEX C/S | |
| 9 | 230118 | BHCS M6 X 1 X 45 BLK | |
| 1-8 | 052197 | RECEIVER ARMREST HT ADJ R | RIGHT |
| 1-8 | 052198 | RECEIVER ARMREST HT ADJ L | LEFT |
| 1-9 | 112258 | RCVR ARM HTADJ W/HDWR R | RIGHT - W/ HARDWARE |
| 1-9 | 112259 | RCVR ARM HTADJ W/HDWR L | LEFT - W/ HARDWARE |



SPOKE GUARD MEASURING GUIDE

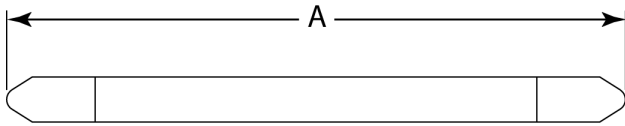
| PART NUMBER | INSIDE DIAMETER | OUTSIDE DIAMETER |
|-------------|-----------------|------------------|
| 902001 | 8 1/4 | 15 7/8 |
| 902011 | 8 1/4 | 18 1/8 |
| 902021 | 10 1/4 | 19 5/8 |
| 902025 | 10 1/4 | 20 3/8 |
| 902037 | 10 1/4 | 21 7/8 |
| 902038 | 10 1/4 | 23 3/8 |
| 103660-001 | 8 1/4 | 16 |
| 103660-002 | 8 1/4 | 18 |
| 103663-001 | 10 1/4 | 20 1/2 |
| 103663-002 | 10 1/4 | 23 1/2 |
| 103734-001 | 10 1/4 | 19 1/4 |
| 103734-002 | 10 1/4 | 22 |
| 119336 | 10 1/4 | 19 1/4 |

| Pos. | Item Number | Description | Remarks |
|------|-------------|--------------------------------|--|
| >>>> | | BLACK SPOKE GUARDS | |
| 1A | 902001 | SPK GRDS 20" QUICKIE BLK | Pair-BLACK-FITS 20" WHEELS |
| 1A | 902011 | SPK GRDS 22" QUICKIE BLK | Pair-BLACK-FITS 22" WHLS or 24" (540) WHLS W/ PROJECTION HANDRIMS or 24" MOUNTAIN SPOKE WHLS |
| 1A | 902021 | SPK GRD 24" QUICKIE SCR MT BLK | Pair-BLACK-FITS 24" (540) MAG & SPOKE WHEELS |
| 1A | 902025 | SPK GRD 24" QUICKIE TAB MT BLK | Pair-BLACK-FITS 25" (559) SPOKE WHEELS or 26" MOUNTAIN SPOKE WHEELS |
| 1A | 902037 | SPK GRD 26" QUICKIE TAB MT BLK | Pair-BLACK-FITS 26" (590) WHEELS |
| 1A | 902038 | SPK GRD 26" QUICKIE HT BLK | Pair-BLACK-FITS 27" (700) WHEELS |
| >>>> | | CLEAR SPOKE GUARDS | |
| 1B | 103660-001 | CLEAR SPOKE GUARD 20" | Pair-CLEAR-FITS 20" WHEELS |
| 1B | 103660-002 | CLEAR SPOKE GUARD 22" | Pair-CLEAR-FITS 22" WHLS or 24" (540) WHLS W/ PROJECTION HANDRIMS or 24" MOUNTAIN SPOKE WHLS |
| 1B | 103734-001 | SPOKE GUARD 24" CLR | Pair-CLEAR-FITS 24" (540) SPOKE WHEELS |
| 1B | 119336 | SPOKE GUARD 24" CLR | Pair-CLEAR-FITS 24" (540) MAG WHEELS |

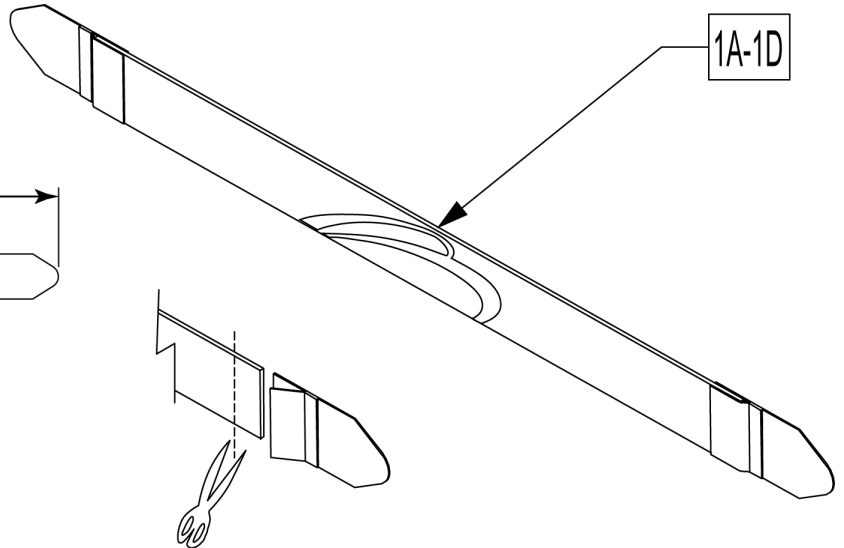


| Pos. | Item Number | Description |
|------|-------------|-------------------------------|
| 1A | 109356 | LEG STRAP SOFT FEEL Q 11 -12" |
| 1B | 109357 | LEG STRAP SOFT FEEL Q 13 -15" |
| 1C | 109366 | LEG STRAP SOFT FEEL Q 16 -18" |
| 1D | 111487 | LEG STRAP SOFT FEEL Q 19 -20" |

MEASURING GUIDE



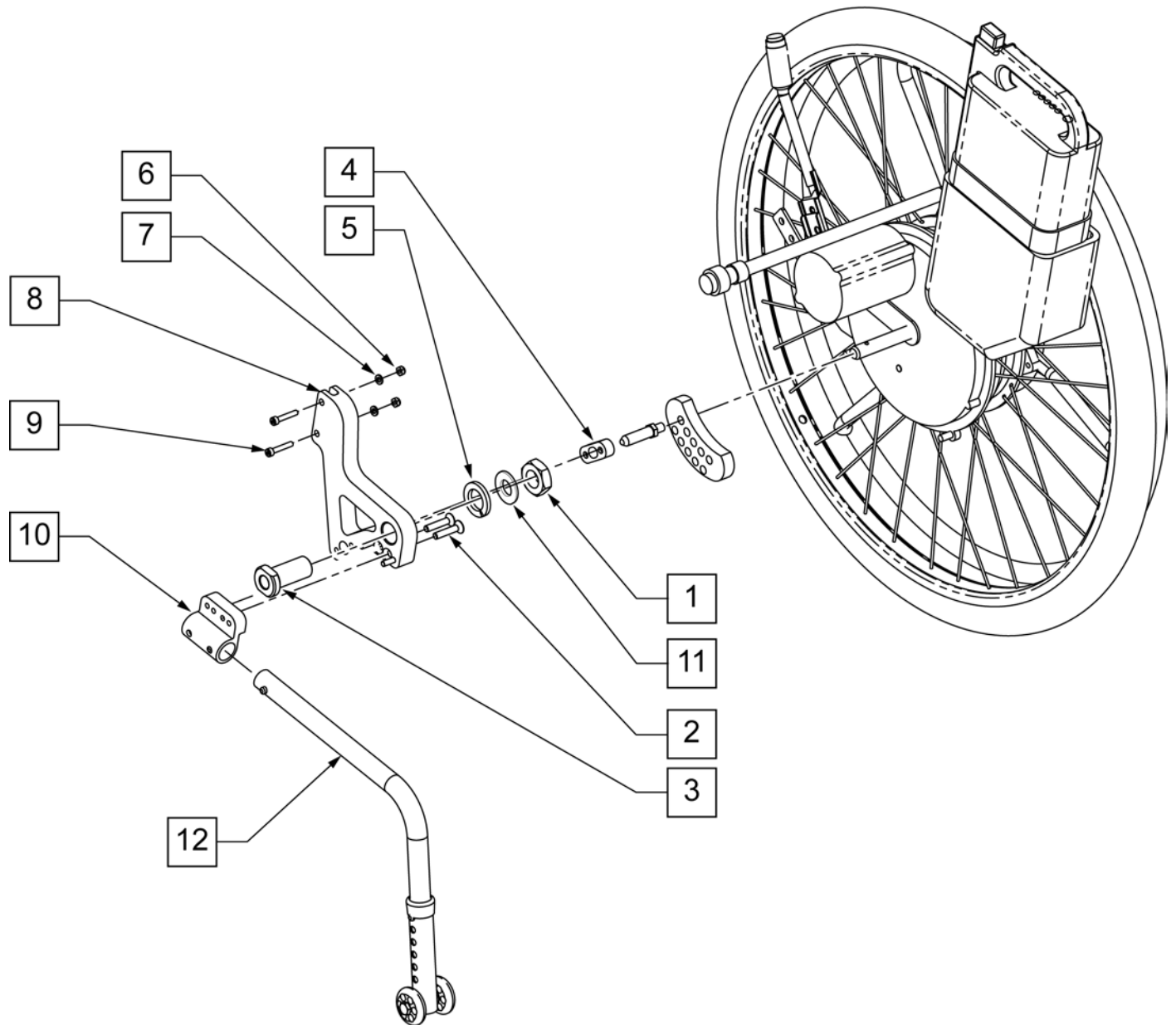
| DESCRIPTION | DIM "A" |
|-----------------------|---------|
| LEG STRAP 11"-12" BLK | 27 1/2 |
| LEG STRAP 13"-15" BLK | 32 1/2 |
| LEG STRAP 16"-18" BLK | 39 1/2 |
| LEG STRAP 19"-20" BLK | 45 1/2 |



Leg Straps may be custom cut to a smaller size

| Pos. | Item Number | Description |
|------|-------------|-----------------------|
| 1A | 113255 | LEG STRAP 11"-12" BLK |
| 1B | 113256 | LEG STRAP 13"-15" BLK |
| 1C | 113257 | LEG STRAP 16"-18" BLK |
| 1D | 113258 | LEG STRAP 19"-20" BLK |

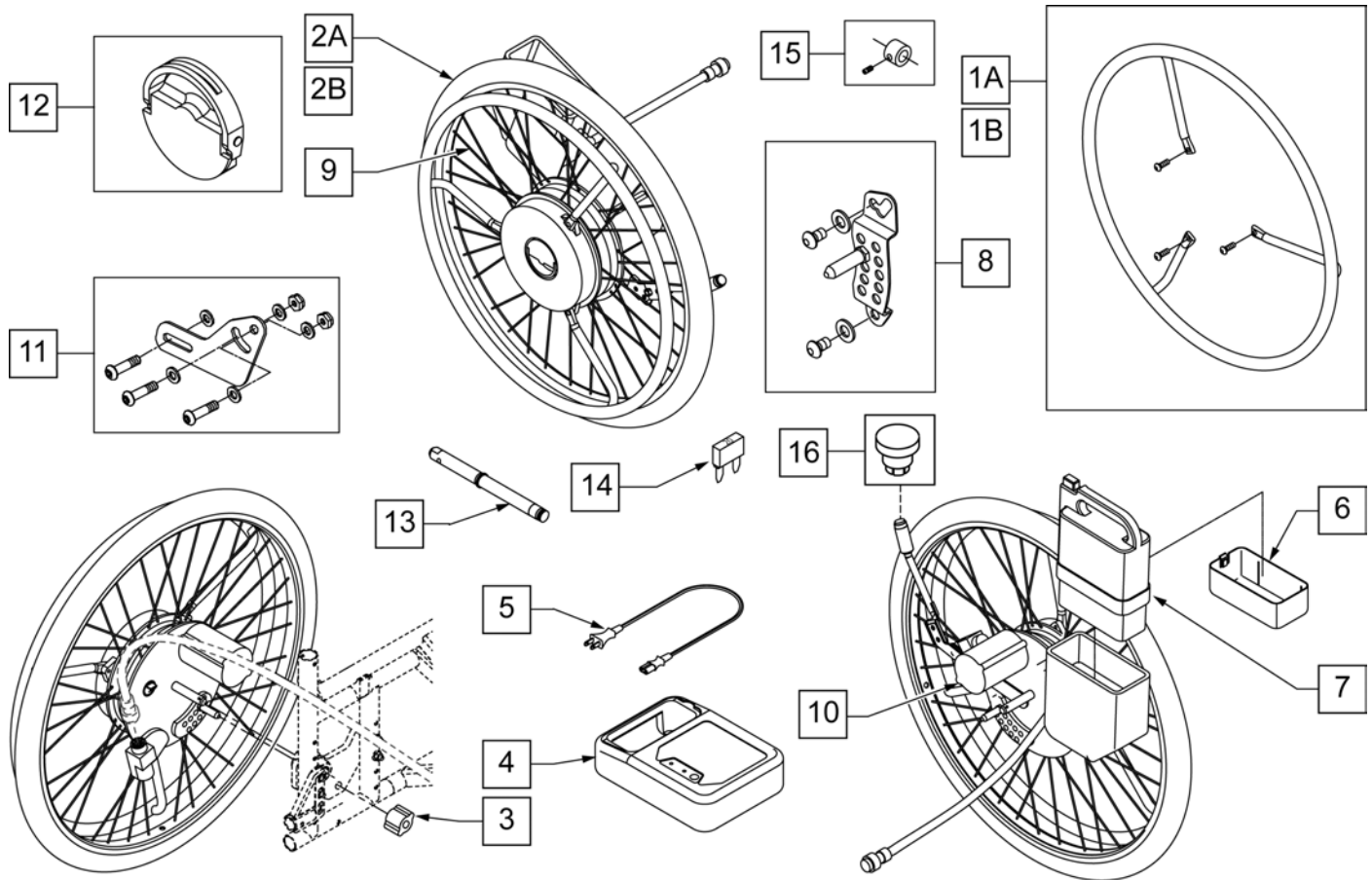
NOTE: TO DETERMINE CHAIR WIDTH ONCE XTENDER IS ADDED, ADD 9" TO SEAT WIDTH.



| Pos. | Item Number | Description | Remarks |
|------|-------------|------------------------------|---------|
| 1 | 050137 | NUT THIN M20 | |
| 2 | 100801 | FHCS M6 x 1 x 30 BLK | |
| 3 | 052130 | AXLE SLEEVE XTENDER | |
| 4 | 052150 | SPACER PIN XTENDER | |
| 5 | 050130 | LOCKWASHER M20 | |
| 6 | 200113 | NUT HEX NYLOCK M6 x 1 | |
| 7 | 250104 | WASHER FLAT M6 | |
| 8 | 052131 | AXLE EXTENSION XTENDER | |
| 9 | 102263-003 | SHCS M6 x 1 x 25 W/ PL INORG | |
| 10 | 052179 | RECEIVER ANTI TIP XTENDER | |
| 11 | 050131 | WASHER FLAT M20 | |
| 12 | 050172-003 | REAR ANTI TIP ASSM 24" | RIGHT |
| 12 | 050173-003 | REAR ANTI TIP ASSM 24" | LEFT |
| 1-12 | 112787 | XTENDER AXLE PLATE W/ AT KIT | |

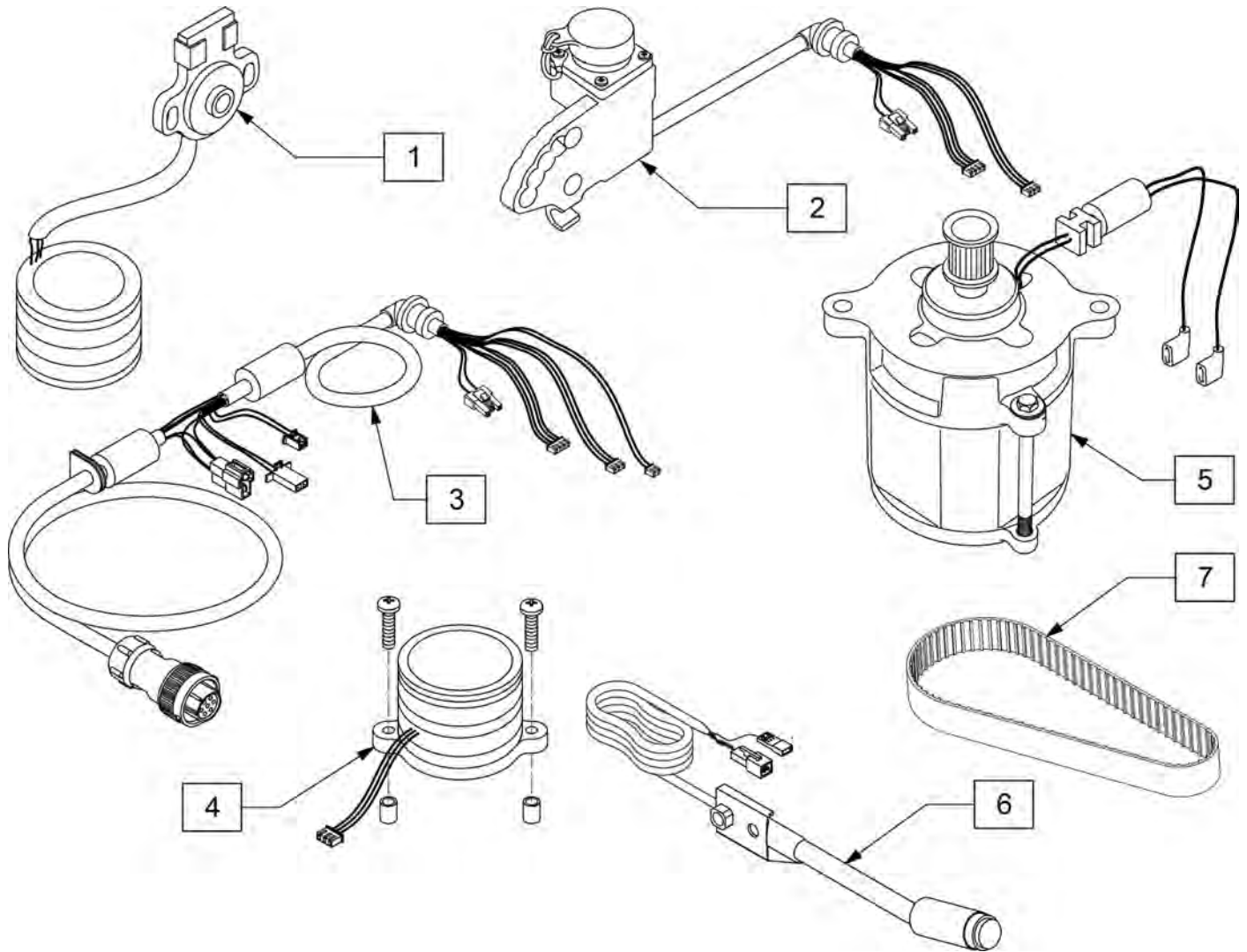
Note: If adding Xtender to existing chair please refer to the appropriate "Xtender Axle Plate" parts manual page for mounting components.

Note: Battery Type :NiMH- Nickel Metal Hydride, Capacity: 24V x 6.7Ah , Weight 2.9 [kg], Fuse: 20A.

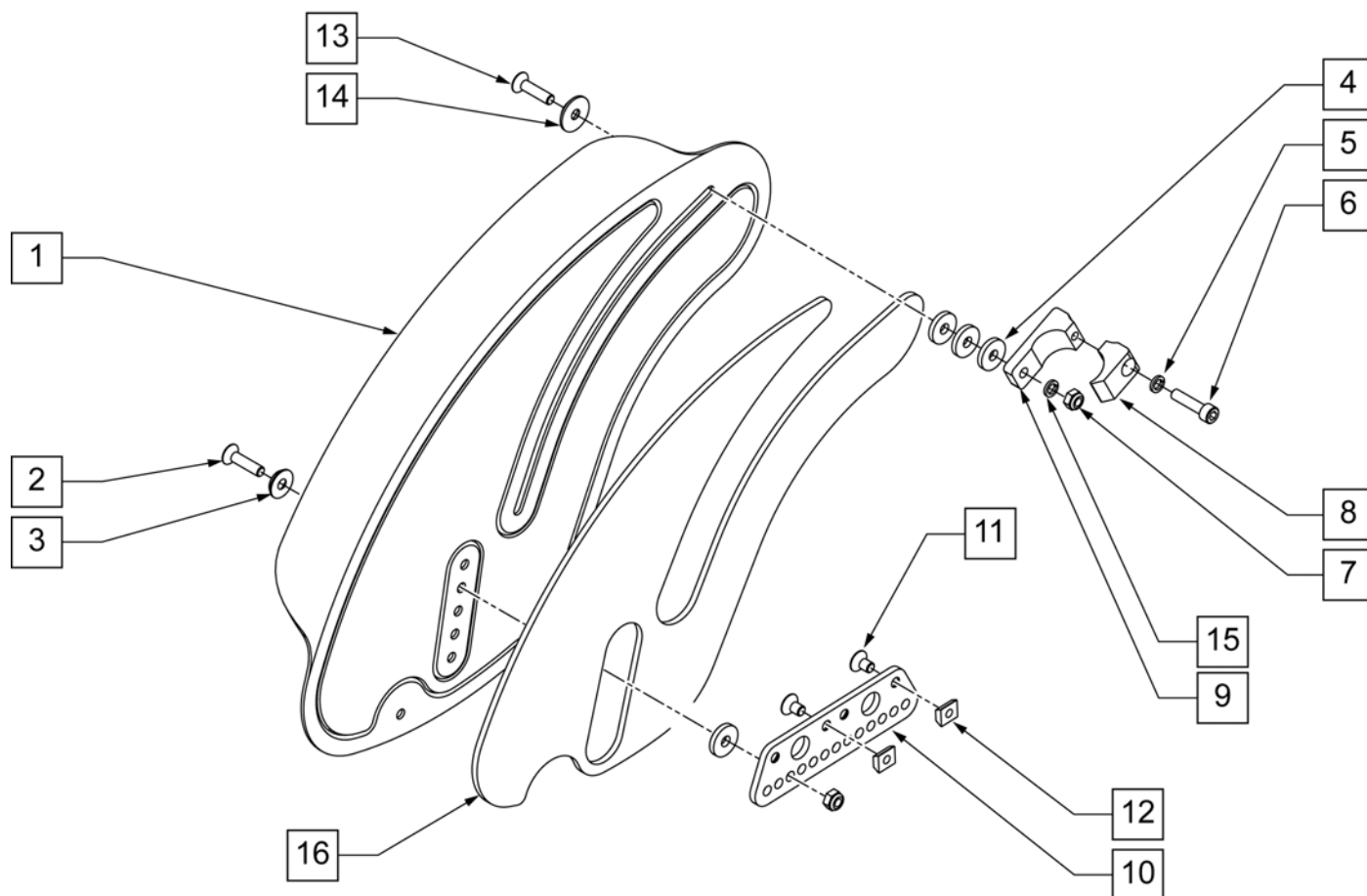


| Pos. | Item Number | Description | Remarks |
|--------|-------------|--------------------------------|--|
| 1A | 425060 | 24" XTENDER HANDRIM SS W/HDWR | 1.5X Multiplier - Stainless Handrim |
| 1B | 425061 | 24"XTENDER HANDRIM PLST W/HDWR | 3X Multiplier - Plastic Coated Handrim |
| 2A | 385300 | 24" PNEUMATIC TIRE | |
| 2B | 382325 | 24" TUBE | |
| 3 | 541011 | BRACKET ENGINE 1 | |
| 4,5 | 114474 | CHARGER YAMAHA W/ ADDRESS LBL | |
| 5 | 134121 | PWR CORD BATT CHARGER YAMAHA | |
| 6,7,14 | 134000 | JWX-2 NICKEL BATTERY BLACK | |
| 8 | 133109 | PLATE+ STOPPER 1 L YAMAHA | Left |
| 8 | 133110 | PLATE+ STOPPER 1 R YAMAHA | Right |
| 9 | 133108 | SPOKE SET 24" YAMAHA | Includes 36 spokes |
| 10 | 490013 | MOTOR COVER YAMAHA | |
| 11 | 921763 | XTNDR ADJ BRCKT KIT (W/HDWR) | |
| 12 | 107011 | YAMAHA PLATE ASSM KIT | |
| 13 | 541155 | XTNDR QUICK RELEASE AXLE | |
| 14 | 138219 | FUSE 20A BLADE | |

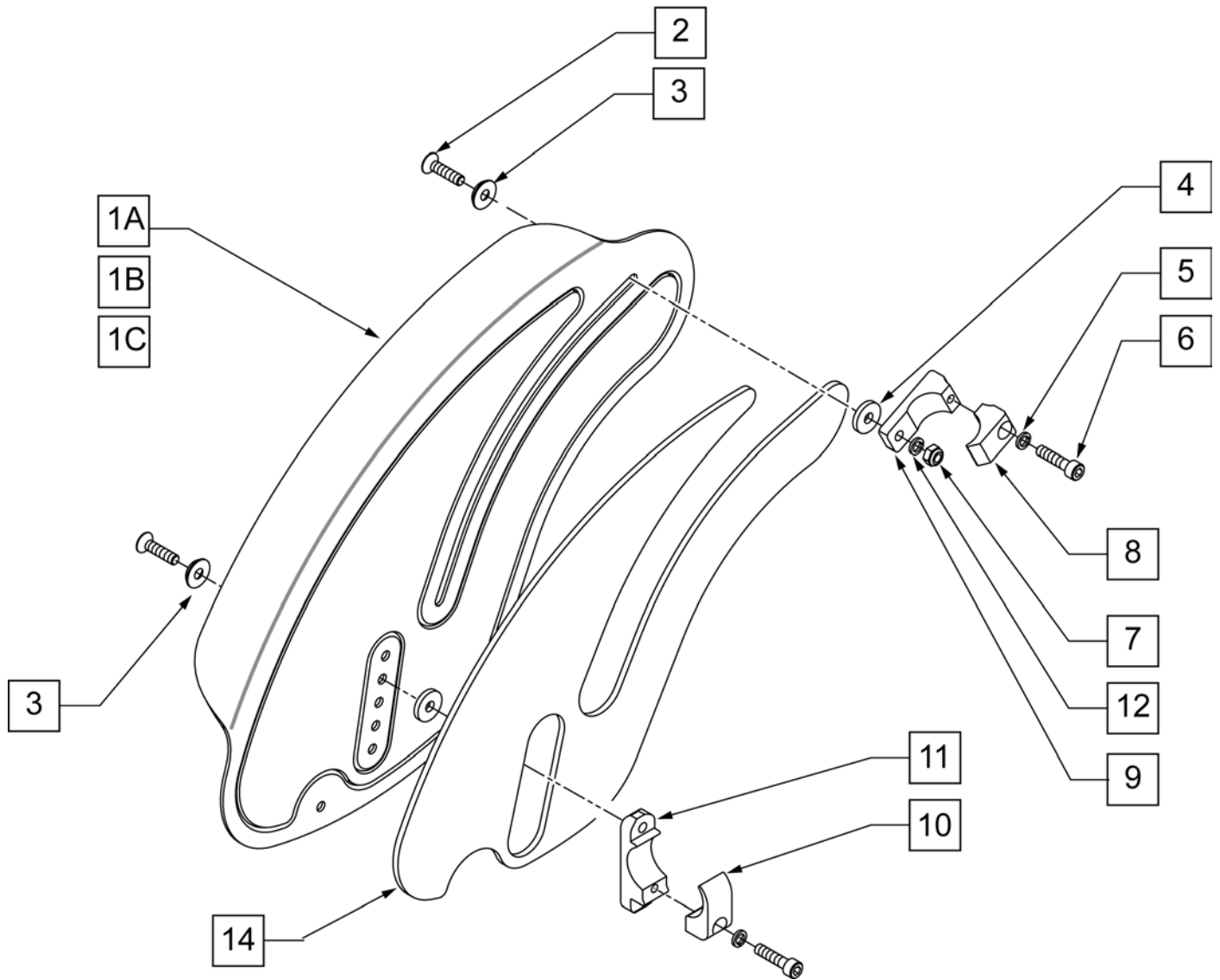
| Pos. | Item Number | Description | Remarks |
|------------------|--------------------|-------------------------------|--|
| 15 | 920514 | XTNDR AXLE SLVE W/SET SCREW | For use w/ Manual Wheels w/ Xtender Axle Plate |
| 16 | 108273 | PWR BUTTON SWITCH | |
| 1A,2A,2B,3-14,16 | 925102 | 24" TYPE A-1.5X KIT W/PNEU | 1.5X Multiplier Stainless Handrim |
| 1B,2A,2B,3-14,16 | 925103 | 24" TYPE B-3X KIT W/PN BLK HR | 3X Multiplier Plastic Coated Handrim |



| Pos. | Item Number | Description |
|------|-------------|------------------------------|
| 1 | 107008 | YAMAHA SENSOR KIT |
| 2 | 107005 | YAMAHA RECEPTICAL KIT |
| 3 | 107010 | YAMAHA COUPLER HRNS |
| 4 | 107007 | YAMAHA ROTARY TRANS KIT |
| 5 | 107009 | YAMAHA MOTOR REPLACEMENT KIT |
| 6 | 107012 | YAMAHA SWITCH KIT |
| 7 | 107006 | YAMAHA DRIVE BELT KIT |

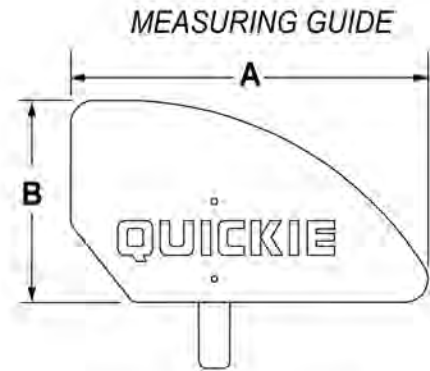
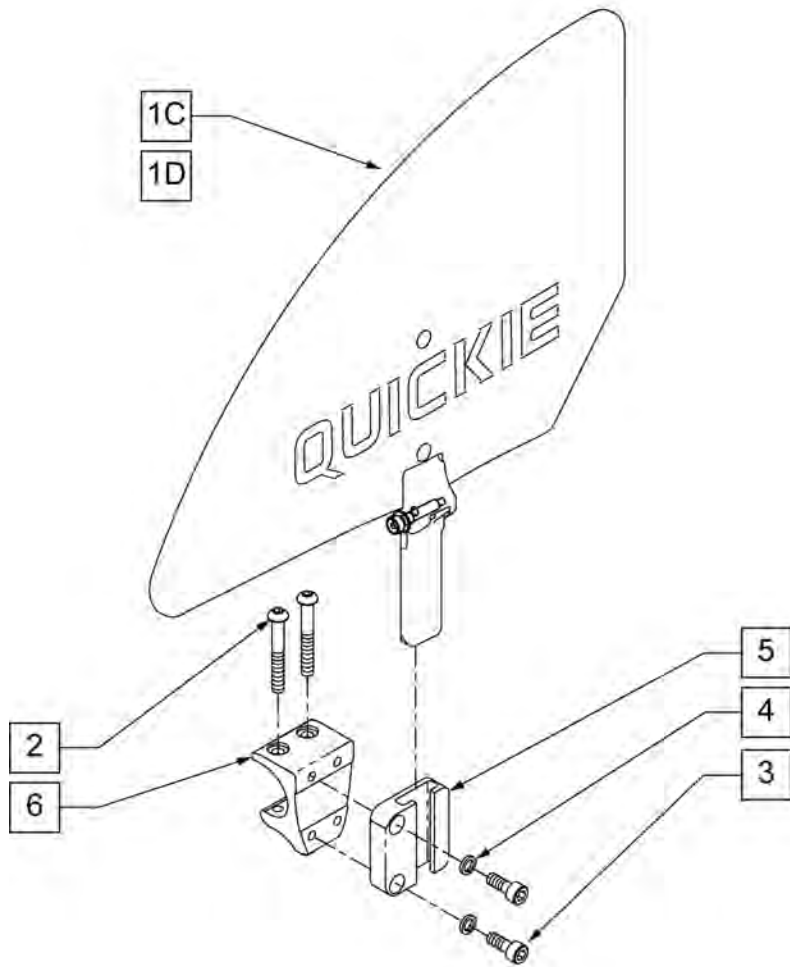


| Pos. | Item Number | Description | Pos. | Item Number | Description |
|------|-------------|--------------------------------|------|-------------|-----------------------------|
| 1 | 051302 | SIDEGUARD ALU LEFT | 7 | 200113 | NUT HEX NYLOCK M6 X 1 |
| 1 | 051303 | SIDEGUARD ALU RIGHT | 8 | 052176 | CLAMP BACK SIDEGUARD |
| 1 | 051304 | SIDEGUARD ALU W/FENDER LEFT | 9 | 052177 | CLAMP BACK TAB SIDEGUARD |
| 1 | 051305 | SIDEGUARD ALU W/FENDER RIGHT | 10 | 052178 | PLATE SLIDE MOUNT SIDEGUARD |
| 1 | 051308 | SIDEGARD CARBON WITH FNDR LEFT | 11 | 100800 | FHCS M6 X 1 X 10 BLK |
| 1 | 051309 | SIDEGARD CARBON WITH FNDR RT | 12 | 010065 | M6 CHANNEL NUT |
| 2 | 102265-003 | FHCS M6X1X25 FULL NP | 13 | 100801 | FHCS M6 X 1 X 30 BLK |
| 3 | 000 138 017 | ROSETTE FOR M6 STEEL | 14 | 000 138 014 | ROSETTE FOR M6 PLASTIC |
| 4 | 561026 | 3/4" WASHER 1/4" HOLE | 15 | 250104 | WASHER FLAT M6 |
| 5 | 050129-001 | LOCKWASHER HIGH COLLAR M6 | 16 | 051446-001 | SIDEGUARD PROTECTION RIGHT |
| 6 | 102263-003 | SHCS M6 X 1 X 25 W/PL INORG | 16 | 051446-002 | SIDEGUARD PROTECTION LEFT |



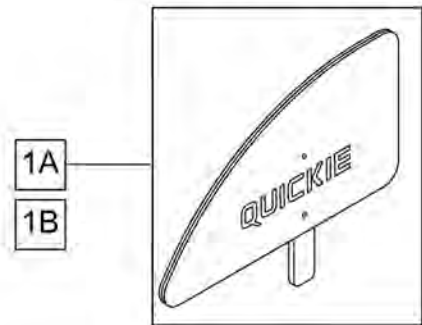
| Pos. | Item Number | Description | Remarks |
|------|-------------|--------------------------------|------------|
| 1A | 051302 | SIDEGUARD ALU LEFT | W/O FENDER |
| 1A | 051303 | SIDEGUARD ALU RIGHT | W/O FENDER |
| 1B | 051304 | SIDEGUARD ALU W/FENDER LEFT | |
| 1B | 051305 | SIDEGUARD ALU W/FENDER RIGHT | |
| 1C | 051308 | SIDEGARD CARBON WITH FNDR LEFT | |
| 1C | 051309 | SIDEGARD CARBON WITH FNDR RT | |
| 2 | 102265-003 | FHCS M6 x 1 x 25 FULL NP | |
| 3 | 000 138 017 | ROSETTE FOR M6 STEEL | |
| 4 | 561026 | 3/4" WASHER 1/4" HOLE | |
| 5 | 050129-001 | LOCKWASHER HIGH COLLAR M6 | |
| 6 | 102263-003 | SHCS M6 x 1 x 25 BLK W/PL | |
| 7 | 200113 | NUT HEX NYLOCK M6 x 1 | |
| 8 | 052176 | CLAMP BACK SIDEGUARD | |
| 9 | 052177 | CLAMP BACK TAB SIDEGUARD | |

| Pos. | Item Number | Description | Remarks |
|-------------|--------------------|-------------------------------|----------------|
| 10 | 052174 | CLAMP SEAT SIDEGUARD | |
| 11 | 101914 | CLAMP SIDEGUARD | |
| 12 | 250104 | WASHER FLAT M6 | |
| 14 | 051446-001 | SIDEGUARD PROTECTION RIGHT | |
| 14 | 051446-002 | SIDEGUARD PROTECTION LEFT | |
| 1A-14 | 102112 | ASSM SIDE GUARD ALUM | PAIR |
| 1B-14 | 102113 | ASSM SIDE GUARD ALUM/FENDER | PAIR |
| 1C-14 | 102114 | ASSM SIDE GUARD CARBON/FENDER | PAIR |



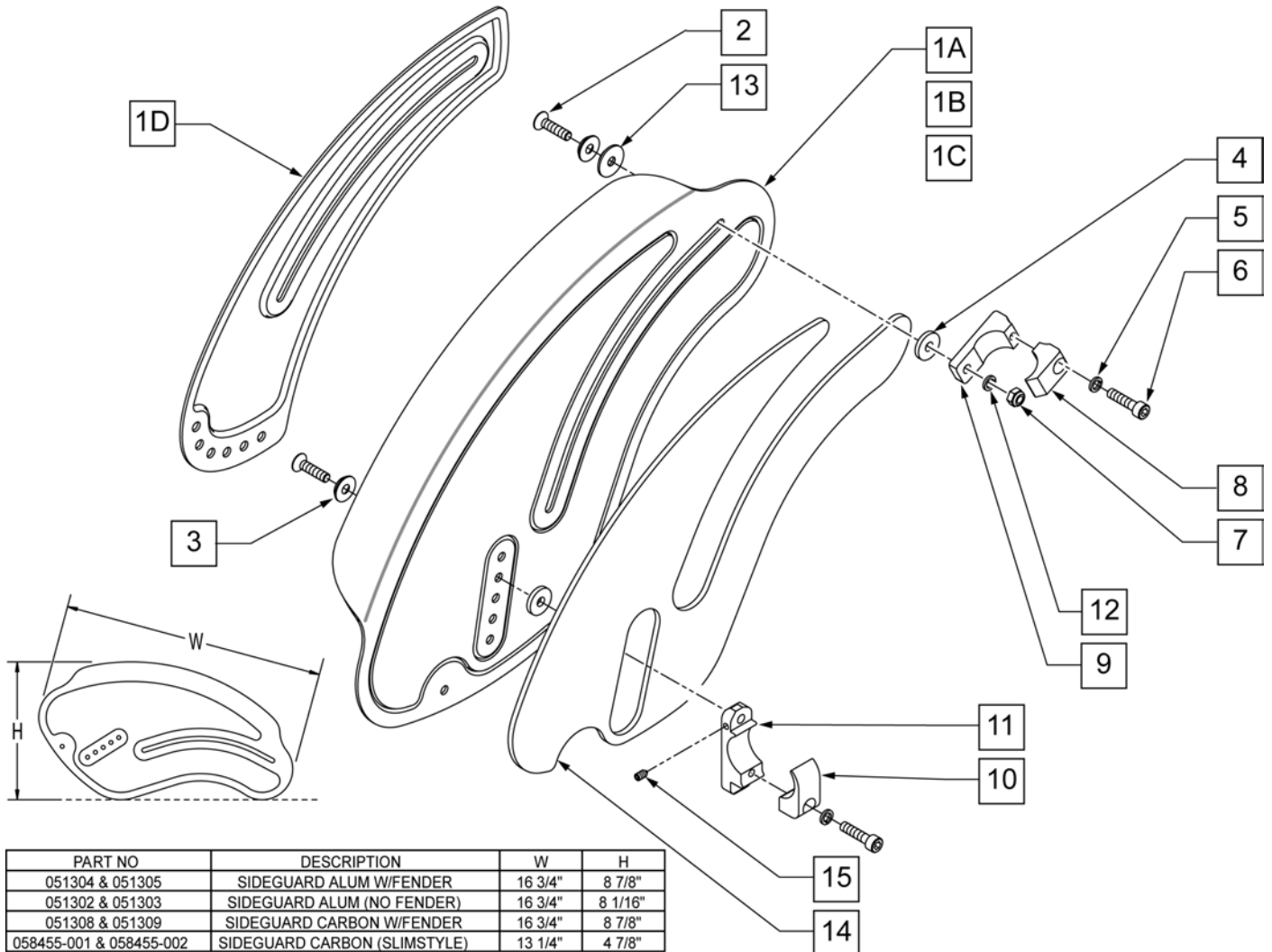
| | "A" | "B" |
|-------|---------|--------|
| ADULT | 12 3/4" | 8 5/8" |
| KIDS | 11 1/2" | 6 1/2" |

NOTE: STANDARD (ADULT) SIDE GUARD FITS 14-20" DEPTHS, KIDS SIDE GUARD FITS 10-13" DEPTHS.



| Pos. | Item Number | Description | Remarks |
|------|-------------|----------------------------------|-------------|
| 1A | 881150 | PLST SIDE GUARD KDS R | |
| 1A | 881151 | PLST SIDE GUARD KDS L | |
| 1B | 881152 | PLST SIDE GUARD STD R | |
| 1B | 881153 | PLST SIDE GUARD STD L | |
| 1C | 102796-001 | FOLDING SIDE GUARD ASSM ADULT RH | RIGHT ADULT |
| 1C | 102796-002 | FOLDING SIDE GUARD ASSM ADULT LH | LEFT ADULT |
| 1D | 102796-003 | FOLDING SIDE GUARD ASSM KIDS RH | RIGHT KIDS |
| 1D | 102796-004 | FOLDING SIDE GUARD ASSM KIDS LH | LEFT KIDS |
| 2 | 230118 | BHCS M6 X 1 X 45 BLK | |
| 3 | 102263-001 | SHCS M6X1X16 FULL NP | |
| 4 | 050129-001 | LOCKWASHER HIGH COLLAR M6 | |
| 5 | 052183 | RECEIVER SIDEGUARD | |
| 6 | 052184 | MOUNT RECEIVER SIDEGUARD | |
| 2-6 | 101971 | ASSY RECEIVER SIDEGUARD | |

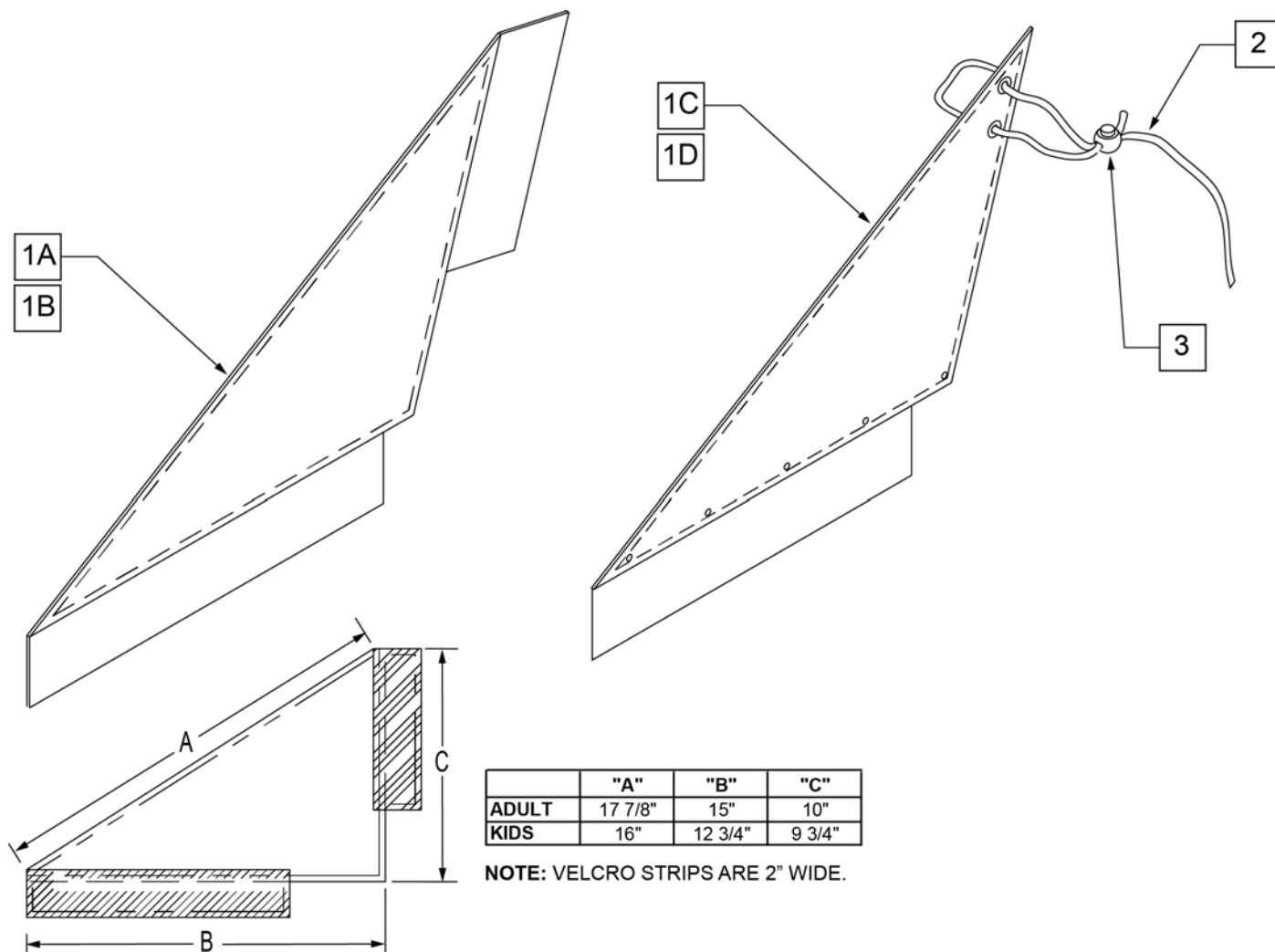
NOTE: ITEMS 1A, 1B, & 1C WILL NOT WORK WITH GT or GTI 'with FOLDING BACKREST' CHAIRS AS OF S/N R3-012700 & R3A-012762 (GT), T4-505800 & T4A-505900 (GTi).



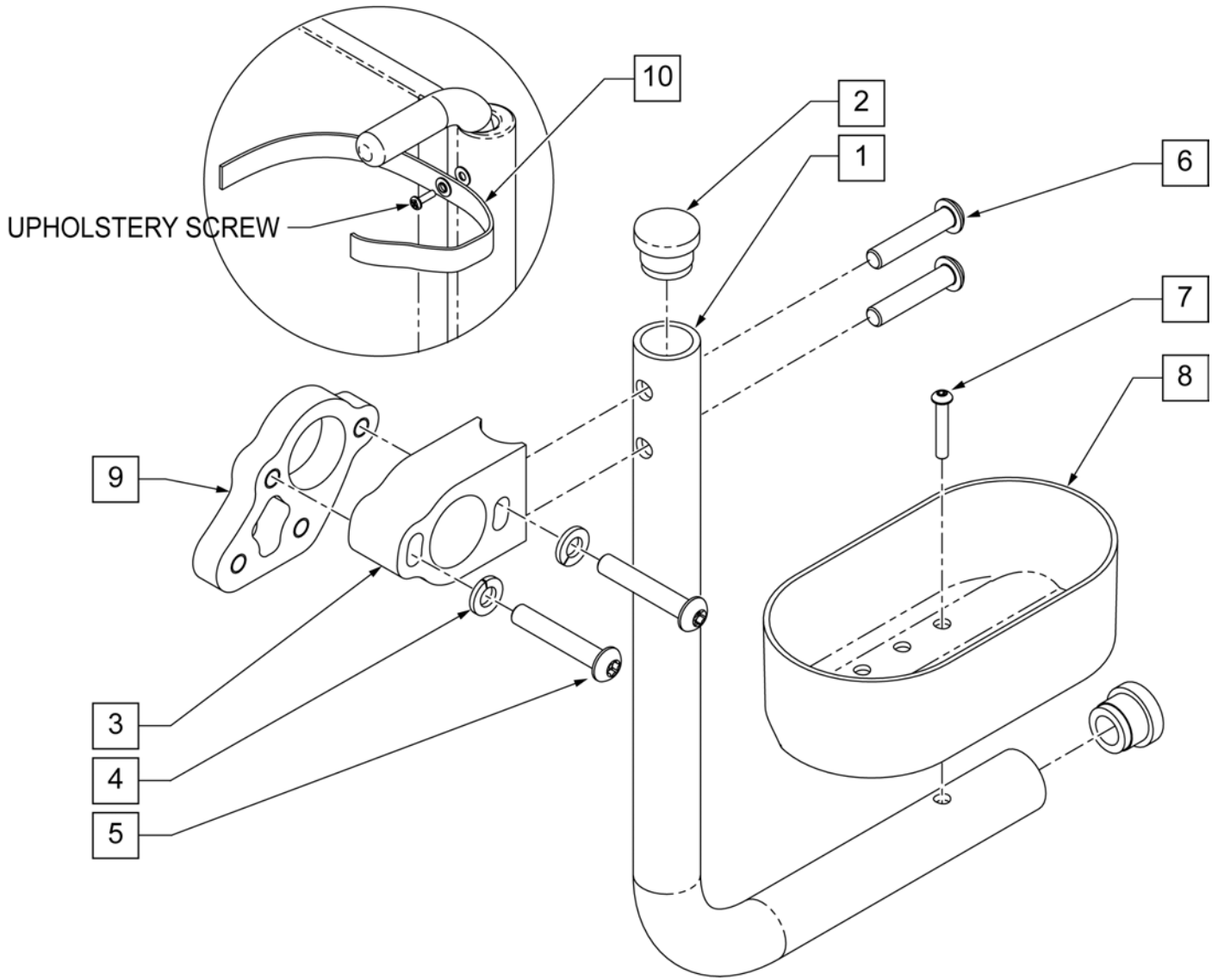
| PART NO | DESCRIPTION | W | H |
|-------------------------|------------------------------|---------|---------|
| 051304 & 051305 | SIDEGUARD ALUM W/FENDER | 16 3/4" | 8 7/8" |
| 051302 & 051303 | SIDEGUARD ALUM (NO FENDER) | 16 3/4" | 8 1/16" |
| 051308 & 051309 | SIDEGUARD CARBON W/FENDER | 16 3/4" | 8 7/8" |
| 058455-001 & 058455-002 | SIDEGUARD CARBON (SLIMSTYLE) | 13 1/4" | 4 7/8" |

| Pos. | Item Number | Description | Remarks |
|------|-------------|------------------------------|---------|
| 1A | 051302 | SIDEGUARD ALUMINUM | LEFT |
| 1A | 051303 | SIDEGUARD ALUMINUM | RIGHT |
| 1B | 051304 | SIDEGUARD ALUMINUM W/ FENDER | LEFT |
| 1B | 051305 | SIDEGUARD ALUMINUM W/ FENDER | RIGHT |
| 1C | 051308 | SIDEGARD CARBON W/ FENDER | LEFT |
| 1C | 051309 | SIDEGARD CARBON W/ FENDER | RIGHT |
| 1D | 058455-001 | SIDEGUARD CARBON | LEFT |
| 1D | 058455-002 | SIDEGUARD CARBON | RIGHT |
| 2 | 102265-003 | FHCS M6 X 1 X 25 INORGANIC | |
| 3 | 000 138 017 | ROSETTE FOR M6 STEEL | |
| 4 | 561026 | 3/4" WASHER 1/4" HOLE | |
| 5 | 050129-001 | LOCKWASHER HIGH COLLAR M6 | |
| 6 | 102263-003 | SHCS M6 X 1 X 25 W/PL INORG | |

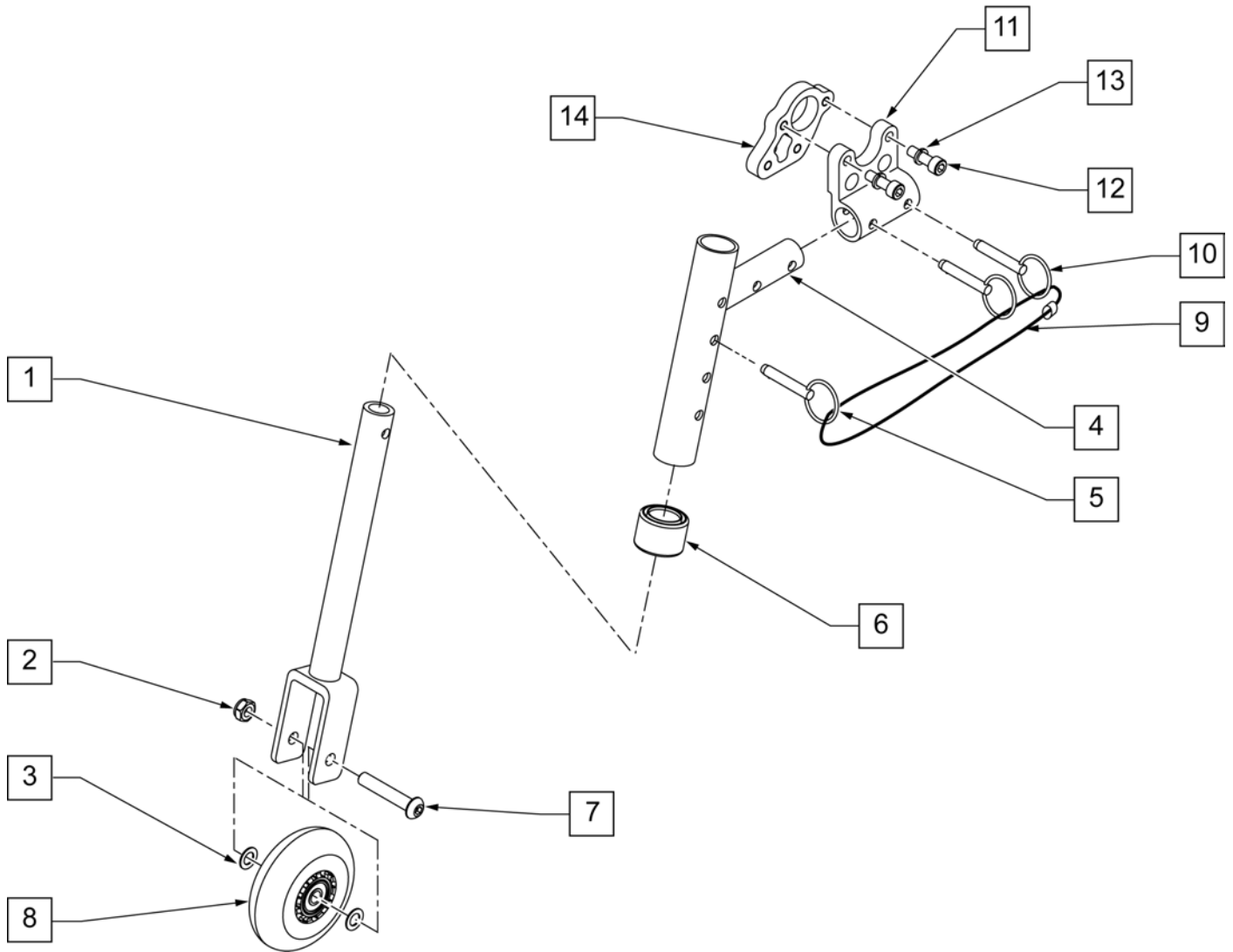
| Pos. | Item Number | Description | Remarks |
|----------|-------------|--------------------------------|---------|
| 7 | 200113 | NUT HEX NYLOCK M6 X 1 | |
| 8 | 052176 | CLAMP BACK SIDEGUARD | |
| 9 | 052177 | CLAMP BACK TAB SIDEGUARD | |
| 10 | 052174 | CLAMP SEAT SIDEGUARD | |
| 11 | 101914 | CLAMP SIDE GUARD | |
| 12 | 250104 | WASHER FLAT M6 | |
| 13 | 051469 | PTFE WASHER D20 | |
| 14 | 051446-001 | SIDEGUARD PROTECTION RIGHT | |
| 14 | 051446-002 | SIDEGUARD PROTECTION LEFT | |
| 15 | 102109 | SET SCREW M4X.7X6 NYLON PT | |
| 1A-15 | 102112 | ASSY SIDEGUARD ALUMINUM | PAIR |
| 1B-15 | 102113 | ASSY SIDEGUARD ALUMINUM/FENDER | PAIR |
| 1C-15 | 102114 | ASSY SIDEGUARD CARBON/FENDER | PAIR |
| 1D-13,15 | 102115 | ASSY SIDEGUARD CARBON | PAIR |



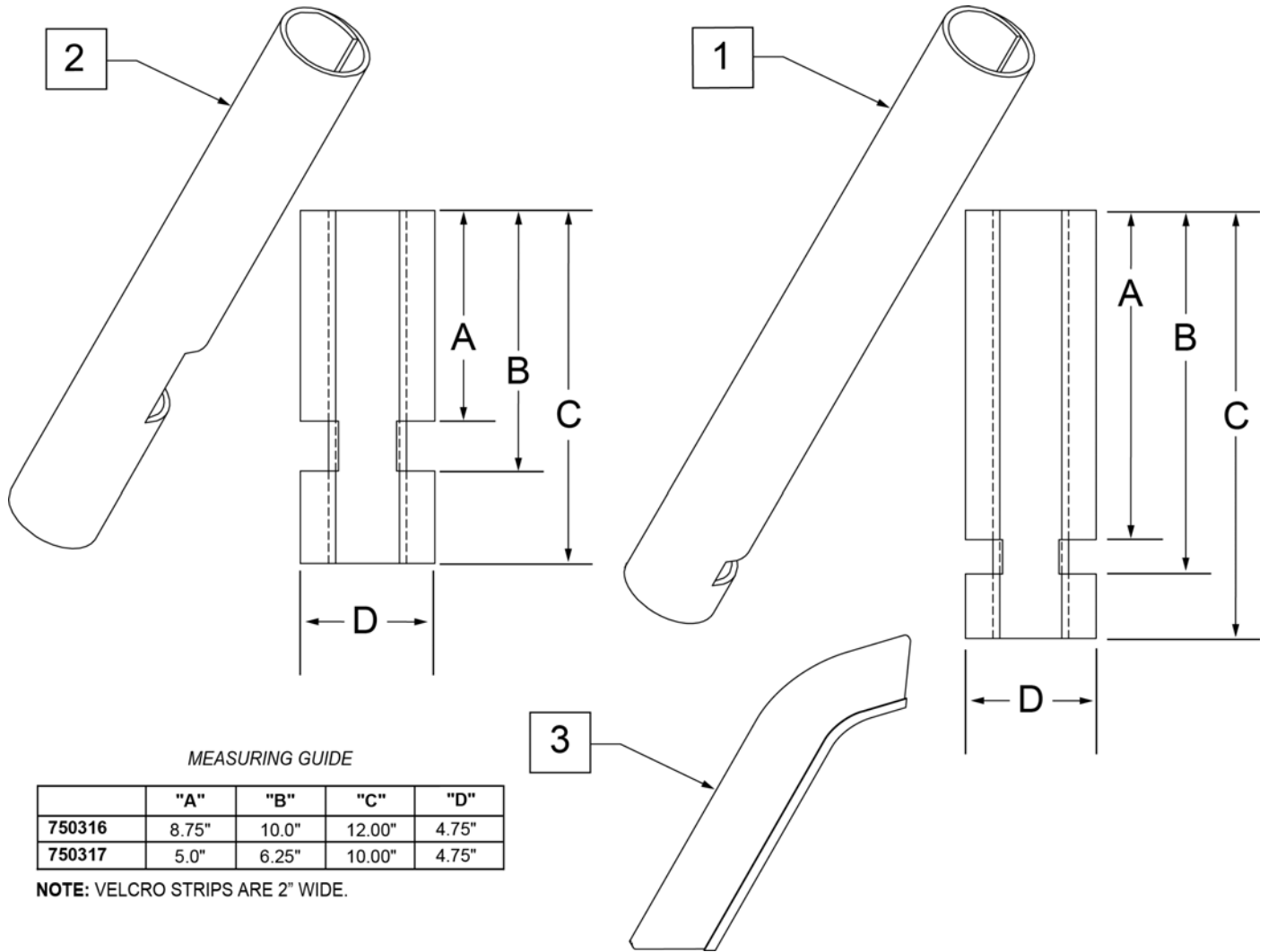
| Pos. | Item Number | Description | Remarks |
|--------|-------------|--------------------------------|--|
| 1A | 750400 | SIDE GUARD REG Q1 R | RIGHT-ADULT-Used w/ Straight Back |
| 1A | 750401 | SIDE GUARD REG Q1 L | LEFT-ADULT-Used w/ Straight Back |
| 1A | 901102 | SIDE GUARDS REG NF | PAIR-ADULT-Used w/ Straight Back |
| 1B | 901100 | SIDE GUARDS KIDS NF | PAIR-KIDS-Used w/ Straight Back |
| 1C | 750240 | SIDE GUARD FABRIC SHORT Q2 R | RIGHT-KIDS-Used w/ Integral Push Handle |
| 1C | 750241 | SIDE GUARD FABRIC SHORT Q2 L | LEFT-KIDS-Used w/ Integral Push Handle |
| 1D | 750434 | SIDE GUARD REG W/VELCRO R | RIGHT-ADULT-Used w/ Integral Push Handle |
| 1D | 750435 | SIDE GUARD REG W/VELCRO L | LEFT-ADULT-Used w/ Integral Push Handle |
| 2 | 750050 | SIDE GUARD LACE Q2 | |
| 3 | 560220 | B-LOCK | |
| 1C,2,3 | 901121 | SIDE GUARDS KIDS FABRIC Q2 NEW | PAIR-KIDS-Used w/ Integral Push Handle |
| 1D,2,3 | 901109 | SIDE GUARDS REG EX/RV | PAIR-ADULT-Used w/ Integral Push Handle |



| Pos. | Item Number | Description | Remarks |
|---------|-------------|----------------------------|---------------------------------------|
| 2 | 561000-QU | 3/4" INSERT PLUG .083 | |
| 3 | 052415 | RECEIVER CRUTCH HOLDER | |
| 4 | 250104 | WASHER FLAT M6 | |
| 5 | 230116 | BHCS M6 X 1 X 30 BLK W/PL | |
| 5 | 013270 | SHCS M6 X 1 X 40 BLK | |
| 6 | 102262-004 | BHCS M6 X 1 X 25 W/PL | |
| 7 | 240108 | RIVET POP SSD64SSBS | |
| 8 | 562501 | CRUTCH HOLDER CUP | |
| 9 | 052151 | PLATE ADAPTER ANTI TIP | Required if Retro fitting onto chair. |
| 10 | 750495 | CRUTCH HOLDER STRAP F | |
| 1,2,7,8 | 050168 | ASSM TUBE CRUTCH HOLDER | |
| 1-10 | 102154 | CRUTCH HOLDER ASSEMBLY GTX | |

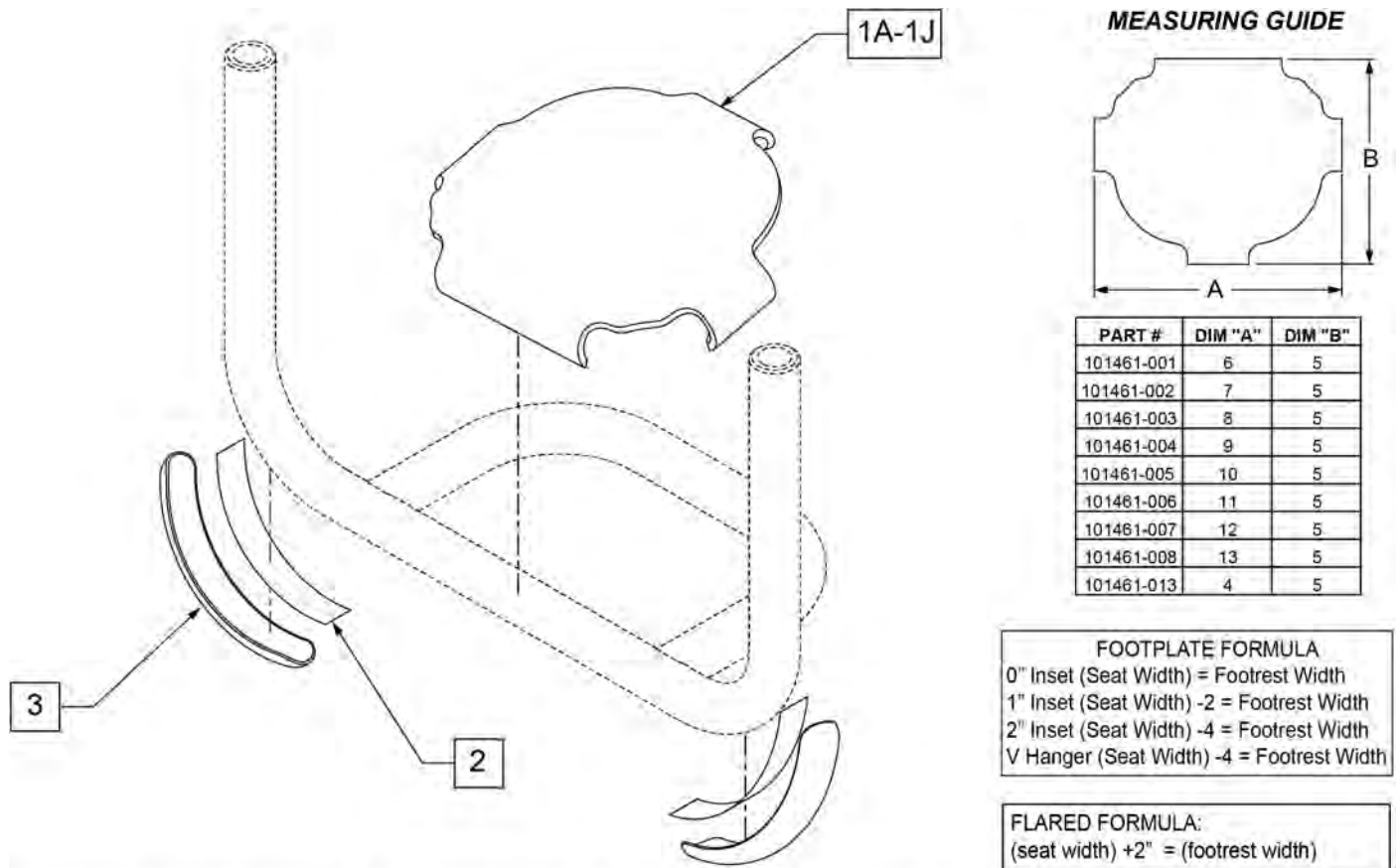


| Pos. | Item Number | Description | Remarks |
|---------|-------------|--------------------------------|---------------------------------------|
| 1 | 542160 | FORK EXT WLDMT TRVL WHEEL Q2 | |
| 2 | 106937 | 5/16-18 NYLOCK NUT THIN | |
| 3 | 263100 | 5/16 AN WASHER FLAT | |
| 4 | 052071 | TRAVEL WHEEL UPPER WELD ASSM | |
| 5 | 330027 | QUICK RELEASE PIN 1/4" | |
| 6 | 561018 | 1" TUBE END BUSHING THICK | |
| 7 | 106982 | BHCS 5/16-18 X 1-3/4 SHLD ROHS | |
| 8 | 920025 | 3" MICRO CASTER W/BRNG (PR) | |
| 9 | XM2138 | CABLE STEEL BLK PV COATED | |
| 10 | XM2139 | TERMINAL ALUM OVAL SLEEVE | |
| 11 | 052116 | RECEIVER ANTI-TIP | |
| 12 | 102263-002 | SHCS M6 X 1 X 20 BLK | |
| 13 | 050129-001 | LOCKWASHER HIGH COLLAR M6 | |
| 14 | 052151 | PLATE ADAPTER ANTI TIP | Required if Retro fitting onto chair. |
| 1-3,7,8 | 100849 | ASSY FORK EXT TRAVEL WHEEL | |
| 1-14 | 102156 | TRAVEL WHL ASSM W/RECEIVERS | |



| Pos. | Item Number | Description | Remarks |
|------|-------------|-----------------------------------|------------------------------------|
| 1 | 750316 | IMPACT GUARDS NEOPRENE FIXED (PR) | PAIR-Fixed Front Frame |
| 2 | 750317 | IMPACT GUARDS NEOPRENE S/A | PAIR-S/A Footrest & Q7 |
| 3 | 109231 | GEL VELCRO PAD HANGER/FRAME | PAIR- fits S/A & Fixed Front Frame |
| 4 | 108315 | GEL PAD SA ARM | Single, fits Padded SA Armrest |

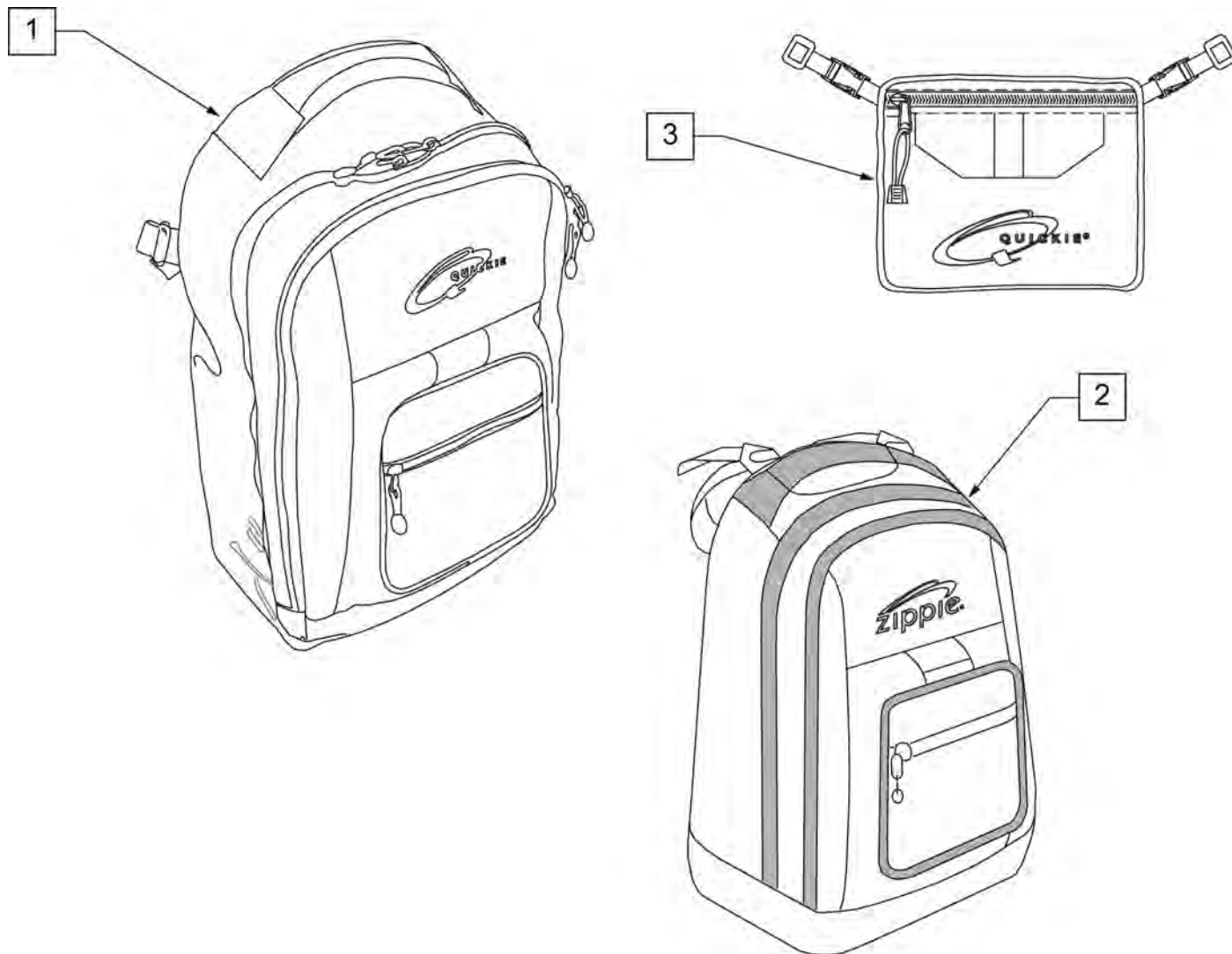
Note: in order for wear pads to properly bond to the footrest tubes, secure with cable ties for 24 hours after adhering.



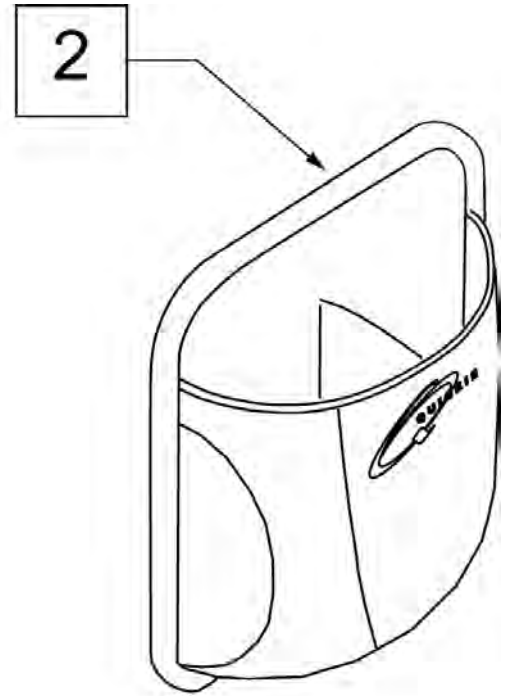
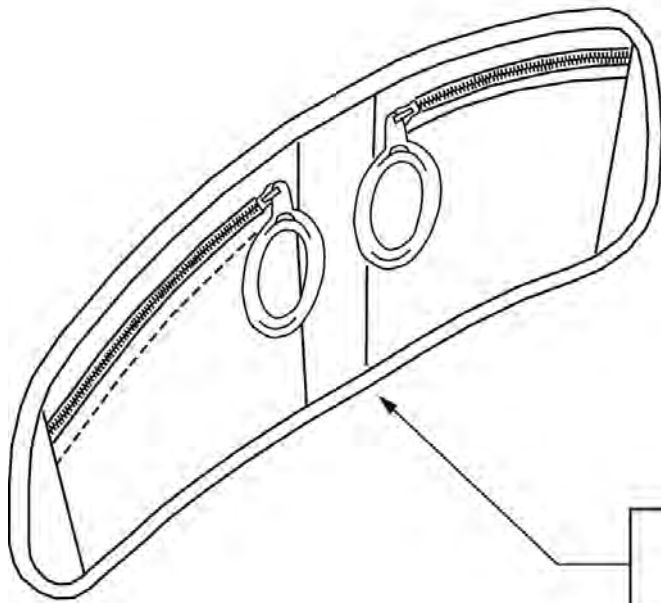
| | DIM A | 8 5/8 | 10 5/8 | 11 5/8 | 12 5/8 | 13 5/8 | 14 5/8 | 15 5/8 | 16 5/8 | 17 5/8 | 18 5/8 | 19 5/8 |
|-------------|-------|------------|------------|------------|------------|------------|------------|------------|------------|------------|------------|------------|
| CHAIR SIZE | | 8w & 9w | 10 & 11 w | 12 w | 13 w | 14 w | 15 w | 16 w | 17 w | 18 w | 19 w | 20 w |
| GT | | N/A | 101461-002 | 101461-002 | 101461-002 | 101461-004 | 101461-004 | 101461-006 | 101461-006 | 101461-008 | 101461-008 | 101461-008 |
| GTX | | N/A | N/A | 101461-002 | 101461-002 | 101461-002 | 101461-004 | 101461-004 | 101461-006 | 101461-006 | 101461-008 | 101461-008 |
| GTL | | N/A | 101461-001 | 101461-002 | 101461-003 | 101461-004 | 101461-005 | 101461-006 | 101461-007 | 101461-008 | 101461-008 | 101461-008 |
| Q7 | | N/A | 101461-001 | 101461-002 | 101461-003 | 101461-004 | 101461-005 | 101461-006 | 101461-007 | 101461-008 | 101461-008 | 101461-008 |
| ZIPPIE ZONE | | 101461-013 | 101461-001 | 101461-002 | 101461-003 | 101461-004 | 101461-005 | 101461-006 | 101461-007 | 101461-008 | N/A | N/A |

| Pos. | Item Number | Description | Remarks |
|------|-------------|------------------------------|---------------------|
| 1A | 101461-013 | COVER FOOTREST SNAP ON 9W | |
| 1B | 101461-001 | COVER FOOTREST SNAP-ON 11" W | |
| 1C | 101461-002 | COVER FOOTREST SNAP-ON 12" W | |
| 1D | 101461-003 | COVER FOOTREST SNAP-ON 13" W | |
| 1E | 101461-004 | COVER FOOTREST SNAP-ON 14" W | |
| 1F | 101461-005 | COVER FOOTREST SNAP-ON 15" W | |
| 1G | 101461-006 | COVER FOOTREST SNAP-ON 16" W | |
| 1H | 101461-007 | COVER FOOTREST SNAP-ON 17" W | |
| 1J | 101461-008 | COVER FOOTREST SNAP-ON 18" W | |
| 2,3 | 103107 | WEAR PAD W/ ADHESIVE | Includes cable ties |

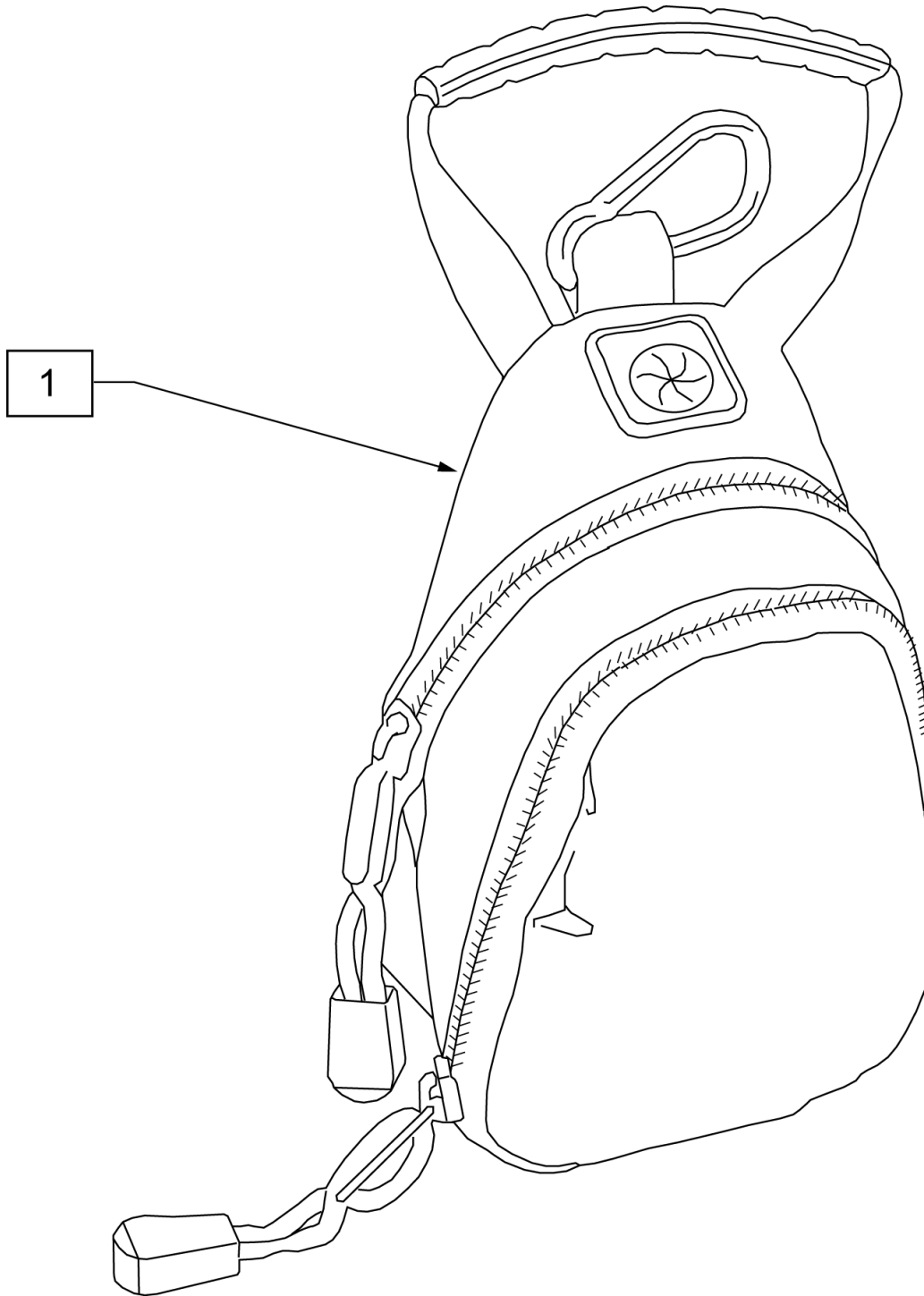
NOTE: KIDS BACKPACKS DO NOT HAVE ADJUSTABLE STRAPS W/ BUCKLES.



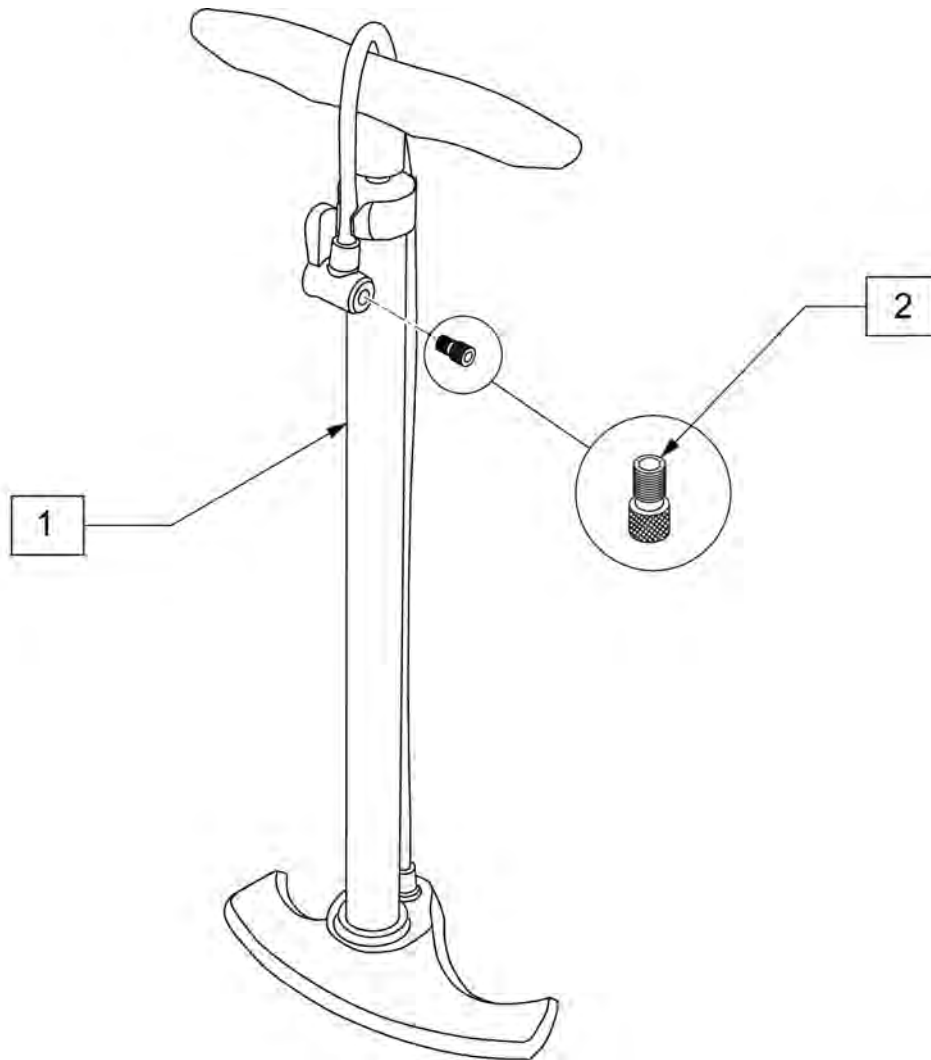
| Pos. | Item Number | Description |
|------|-------------|--------------------|
| 1 | 750115 | BACK PACK QUICKIE |
| 2 | 104572 | BACKPACK ZIPPIE |
| 3 | 750307 | SEAT POUCH QUICKIE |



| Pos. | Item Number | Description | Remarks |
|------|-------------|---------------------|----------------------|
| 1 | | discontinued | |
| 2 | 013475 | QUICKIE SIDE POCKET | Size: 6.5"x 6.5"x 2" |



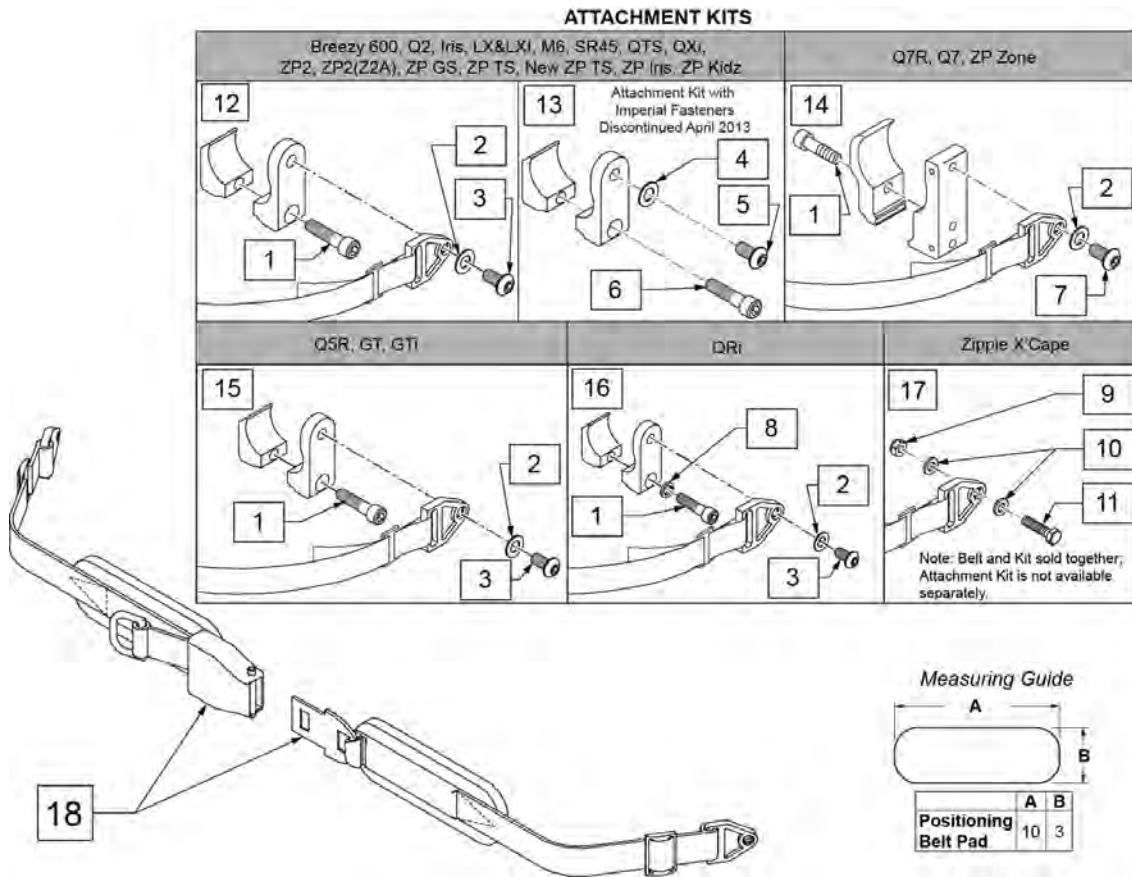
| Pos. | Item Number | Description |
|------|-------------|--------------------------|
| 1 | 109229 | CELL PHONE PACK (ORANGE) |



| Pos. | Item Number | Description |
|------|-------------|----------------------|
| 1 | 389050 | TIRE PUMP |
| 2 | 381230 | VALVE ADAPTER PRESTA |

Note: some items listed may not be available with every chair model or in conjunction with another chair feature.

NOTE: when mounting Positioning Belts to the 5R, GT or GTI, it is recommended to attach the belt by using the Backrest Support Bracket Hardware.

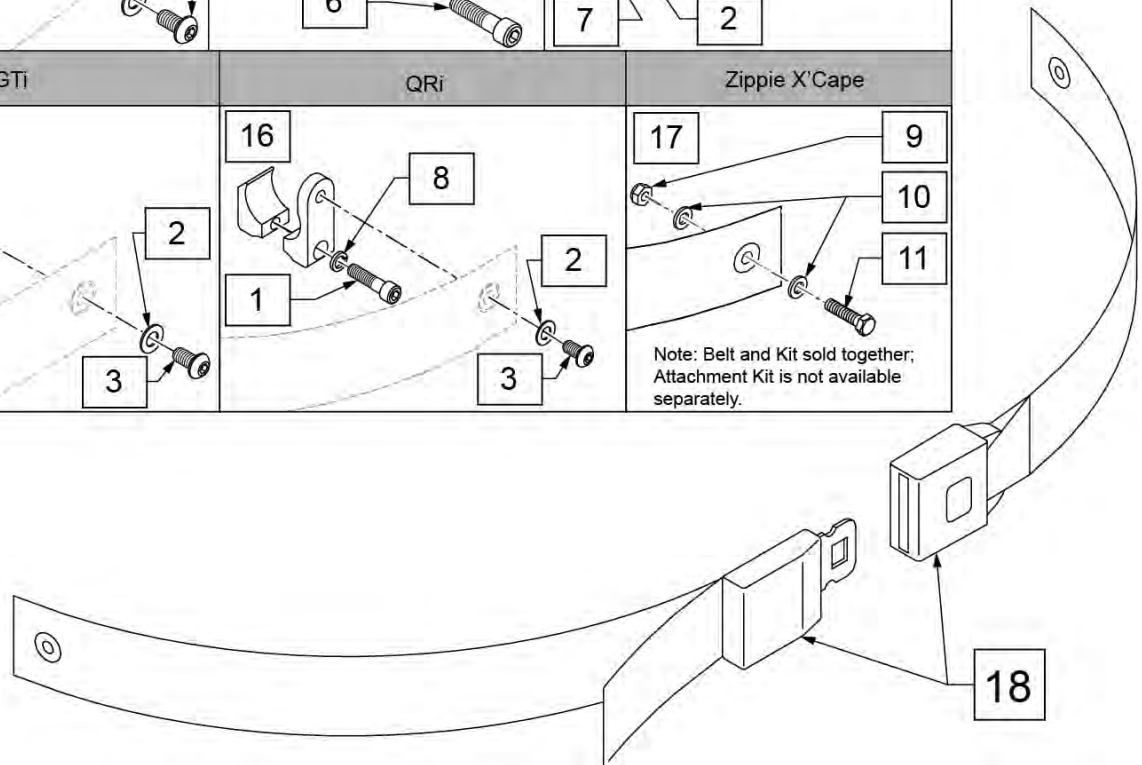
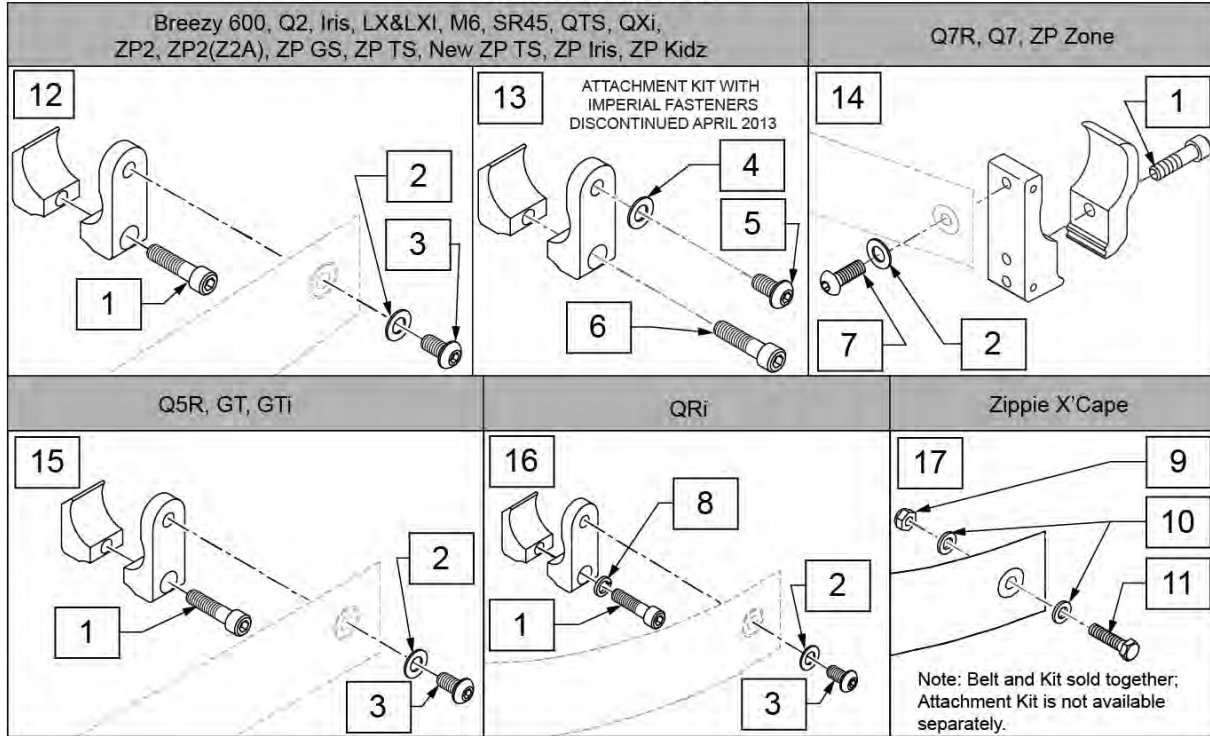


| Pos. | Item Number | Description | Remarks |
|------|-------------|------------------------------|-------------------------------|
| 1 | 102263-003 | SHCS M6 X 1 X 25 W/PL INORG | Metric |
| 2 | 250104 | WASHER FLAT M6 | Metric |
| 3 | 103185-005 | BHCS M6 X 1 X 12 FULL PL | Metric |
| 4 | 106943 | WASHER FLAT AN 1/4 ROHS | Imperial (standard) |
| 5 | 226154 | 1/4-20 X 1/2 BH C/S W/PATCH | Imperial (standard) |
| 6 | 221116 | 1/4-20 X 1 SOC HD BLK | Imperial (standard) |
| 7 | 230113 | BHCS M6 X 1 X 12 | |
| 8 | 050129-001 | LOCKWASHER HIGH COLLAR M6 | |
| 9 | 104381 | NUT HEX NYLOCK M6 X 1.0 | |
| 10 | 107383 | WASHER FLAT M6 | |
| 11 | 102268-002 | HHCS M6 X 1 X 35 BLK | |
| 12 | 120750 | PSTN BELT CLAMP ASSM PR | Metric; Pair |
| 13 | 900116 | POSITION BELT ATTACHMENT KIT | Set of 2; Imperial (standard) |
| 14 | 116268 | OVAL CLAMP ASSM KIT | Kit contains 1 Clamp |
| 15 | 159122 | POSITIONING BELT CLAMPS PR | Pair |
| 16 | 123534 | POS BELT CLAMP KIT RPO | Set of 2 |

| Pos. | Item Number | Description | Remarks |
|-------------|--------------------|---------------------------------|--|
| 18 | 450418-QU | BELT 2" AIRCRAFT BUCKLE | Max length of belt 64" |
| 18 | 450423-QU | BELT 2" AIRCRAFT BUCKLE W/PAD | Max length of belt 64" |
| 18 | 450424 | BELT 2" AIRCRAFT BKL LONG W/PAD | Max length of belt 72" |
| 18 | 450425 | BELT 2" AIRCRAFT BKL LONG | Max length of belt 72" |
| 18 | 450419-QU | BELT 2" AIRCRAFT BKL W/QUAD LP | Max length of belt 64" |
| 18 | 468419 | BELT 2" AIRCRAFT BKL W/QD LPCZ | Max length of belt 64" |
| 17,18 | 136464 | AIRCRAFT HIP BELT 2" KIT | ZP Xcape: includes Belt & Attachment Kit |
| 17,18 | 136465 | AIRCRAFT HIP BELT 2" PAD KIT | ZP Xcape: includes Belt & Attachment Kit |

NOTE: when mounting Positioning Belts to the 5R, GT or GTI, it is recommended to attach the belt by using the Backrest Support Bracket Hardware.

ATTACHMENT KITS



| Pos. | Item Number | Description | Remarks |
|------|-------------|-----------------------------|---------------------|
| 1 | 102263-003 | SHCS M6 X 1 X 25 W/PL INORG | Metric |
| 2 | 250104 | WASHER FLAT M6 | Metric |
| 3 | 103185-005 | BHCS M6 X 1 X 12 FULL PL | Metric |
| 4 | 106943 | WASHER FLAT AN 1/4 ROHS | Imperial (standard) |
| 5 | 226154 | 1/4-20 X 1/2 BH C/S W/PATCH | Imperial (standard) |
| 6 | 221116 | 1/4-20 X 1 SOC HD BLK | Imperial (standard) |
| 7 | 230113 | BHCS M6 X 1 X 12 | |
| 8 | 050129-001 | LOCKWASHER HIGH COLLAR M6 | |
| 9 | 104381 | NUT HEX NYLOCK M6 X 1.0 | |
| 10 | 107383 | WASHER FLAT M6 | |
| 11 | 102268-002 | HHCS M6 X 1 X 35 BLK | |
| 12 | 120750 | PSTN BELT CLAMP ASSM PR | Metric; Pair |

| Pos. | Item Number | Description | Remarks |
|-------------|--------------------|------------------------------|--|
| 13 | 900116 | POSITION BELT ATTACHMENT KIT | Set of 2; Imperial (standard) |
| 14 | 116268 | OVAL CLAMP ASSM KIT | Kit contains 1 Clamp |
| 15 | 159122 | POSITIONING BELT CLAMPS PR | |
| 16 | 123534 | POS BELT CLAMP KIT RPO | Set of 2 |
| 18 | 750276 | 1 1/2" POSITION BELT | AUTOSTYLE-64" Max length of belt. |
| 16,18 | 124269 | AUTO POS BELT W/CLAMPS RPO | QRI: includes Belt & Attachment Kit |
| 17,18 | 136463 | AUTO HIP BELT 1.5" KIT | ZP Xcape: includes Belt & Attachment Kit |



**QUICKIE
GTX**