



PARTS MANUAL

(GTI)
JANUARY 2017

Sunrise Medical appreciates your business. For your ordering convenience, our Customer Service Representatives can be contacted at:

**To place orders:
(800)333-4000**

Quickie Technical Assistance:

You can reach our Technical Support Team by choosing prompt 1 followed by the # sign, then prompt 2 for Technical Support. Choose option 1 for Quickie Technical Support.

**For Assistance with a Web Order,
or to sign up for sunrisemedical.com
(800) 333-4000 Option 5**

**FOR YOUR CONVENIENCE YOU MAY PLACE ORDERS THROUGH
OUR WEBSITE OR BY FAX 24 HOURS A DAY:**

www.sunrisemedical.com

Fax: (800)300-7502

For easy reference please fill in your Customer Number and Sunrise Account Manager's name.

Customer Account Number _____
Ship to Account Number _____
Sunrise Account Manager _____

*Part prices and configurations or specifications of products included in this Parts Manual are subject to change without prior notice.

QUICKIE GTI.....	5
DISCONTINUED LETTER	5
QUICKIE GTI DISCONTINUED	5
BASE FRAME	5
FRAME	5
FRAME	6
FRAME -DISC	9
AXLE PLATES & AXLES	10
AXLE PLATE ASSEMBLY.....	11
SUSPENSION AXLE PLATE ASSEMBLY	13
AMPUTEE AXLE PLATE.....	15
QUICK RELEASE AXLES MATRIX	16
CAMBER TUBES	17
CAMBER TUBE ASSEMBLY	18
CASTERS & FORKS.....	20
FORK STEM ASSM	21
CASTER PIN LOCK	23
FROG LEG SUSPENSION FORK	24
SINGLE SIDED FORK	26
MICRO CASTERS.....	28
3 SPOKE CASTERS	29
SOFT ROLL CASTERS.....	31
ALUMINUM CASTERS	32
ALUMINUM SOFT ROLL CASTERS	33
ANTI-TIPS	33
ANTI-TIP	34
SWING-AWAY ANTI-TIP.....	36
WHEEL LOCKS	37
GRADE AID ASSEMBLY	38
UNILATERAL WHEEL LOCK.....	39
HIGH MOUNT ERGO (SCISSOR) WHEEL LOCK.....	41
COMPACT WHEEL LOCK.....	42
WHEEL LOCK (PULL TO LOCK).....	43
WHEEL LOCK (PUSH TO LOCK).....	45
WHEELS & TIRES	46
WHEELS	46
M6	47
LITE SPOKE.....	48
NEW ULTRA LITE SPOKE	49
SPINERGY SPOX (18 SPOKE)	50
SPINERGY LX (12 SPOKE).....	51
MOUNTAIN	52
TIRES.....	52
PNEUMATIC & PNEU. AIRLESS TIRE.....	53
FULL POLY TIRE	54
HIGH PRESSURE CLINCHER TIRE	55
QP TUBULAR TIRE	56
KNOBBY V-TRACK TIRE.....	57
SCHWALBE MARATHON PLUS TIRE	58
MOUNTAIN TIRE	59
TUBES	59
TUBES AND AIRLESS INSERTS	60
SEATING & POSITIONING.....	60
SEAT	60
SEAT SLING AND CUSHION	61
BACK.....	64
BACK FRAME AFTER S/N T4-505800 & T4A-505900.....	64
FOLDING BACKREST HARDWARE GTI ONLY	65
NON-FOLDING BACKREST HARDWARE GTI ONLY	90
PUSH HANDLE & BACK POST OPTIONS.....	115
BOLT ON PUSH HANDLES.....	117
BACK FRAME BEFORE S/N T4-505800 & T4A-505900.....	117
FOLDING BACKREST HARDWARE DISCONTINUED.....	118
NON-FOLDING BACKREST HARDWARE DISCONTINUED.....	120
FIXED HEIGHT TITANIUM BACKREST DISCONTINUED.....	121
PUSH HANDLE & BACK POST OPTIONS DISCONTINUED	123
BOLT ON PUSH HANDLES.....	125
BACK UPHOLSTERY	125
STD BACK UPH USED W/ OMIT HANDLES.....	126
STD BACK UPH USED W/ INTEGRAL PUSH HANDLES.....	128

ADJ BACK UPH USED W/ OMIT & INTEGRAL PUSH HANDLES.....	130
ADJ BACK UPH USED W/ FOLDING PUSH HANDLES.....	132
VENTED ADJ BACK UPH.....	134
FOOTRESTS.....	138
TUBULAR FOOTREST.....	139
FOOTREST COVER & WEAR PADS.....	141
TUBULAR FOOTREST WITH COVER.....	142
TUBULAR FOOTREST WITH FLARED COVER.....	144
HIGH MOUNT PLATFORM FOOTREST.....	146
PLATFORM FOOTREST.....	148
ARMRESTS & RECEIVERS.....	149
ARMRESTS.....	149
PADDED SWING AWAY ARMREST.....	149
PADDED SWING-AWAY ARMREST.....	150
PADDED SWING-AWAY ARMREST RECEIVER.....	151
PADDED SWING AWAY ARMREST DISCONTINUED.....	152
ANGLE ADJUSTABLE SWING AWAY ARMREST DISCONTINUED.....	154
SINGLE POST ARMREST.....	155
DISCONTINUED SINGLE POST HT ADJ ARMREST.....	155
SINGLE POST HEIGHT ADJUSTABLE ARMREST (MANUAL PRODUCTS).....	156
SINGLE POST HEIGHT ADJUSTABLE ARMREST.....	158
RECEIVERS.....	159
SINGLE POST ARMREST RECEIVER.....	160
SINGLE POST ARMREST RECEIVER DISCONTINUED.....	161
ACCESSORIES.....	161
SPOKE GUARDS.....	162
SOFT FEEL LEG STRAP.....	164
ADJUSTABLE LEG STRAP.....	165
XTENDER.....	165
XTENDER AXLE PLATE (GT & GTi).....	166
XTENDER POWER DRIVE ASSM.....	168
XTENDER INTERNAL REPLACEMENT PARTS.....	170
XTENDER CONVERSION KIT (GT & GTi).....	171
SIDE GUARDS.....	171
PLASTIC SIDE GUARDS 1 1/8" CLAMP.....	172
PLASTIC SIDE GUARDS 1 1/8" CLAMP DISCONTINUED.....	173
FOLDING SIDE GUARD.....	175
ALUMINUM & CARBON SIDE GUARD.....	176
FABRIC SIDE GUARDS.....	178
BAGS & POUCHES.....	178
BACKPACKS AND SEAT POUCHES.....	179
CASE LOGIC BAGS.....	180
CELL PHONE PACK.....	181
TRAVEL WHEEL.....	182
CRUTCH HOLDER (RIGID CHAIRS).....	184
AIRCRAFT BUCKLE POSITIONING BELTS & ATTACHMENT KITS.....	185
AUTO BUCKLE POSITIONING BELT & ATTACHMENT KITS.....	187
IMPACT GUARD NEOPRENE & GEL VELCRO PADS.....	189
TOOL KIT.....	190
TIRE PUMP.....	191

improving people's lives



Dear Valued Customer,

As of **1/1/2011**, the sale of **Quickie GTi** has been discontinued. In compliance with Sunrise Medical's policy, replacement parts will continue to be available until **1/1/2016**. Effective **1/1/2016**, replacement parts for the **Quickie GTi** will be obsolete and therefore no longer available for sale.

Sincerely,

Sunrise Medical

6899 Winchester Circle, Suite 200 • Boulder, CO 80301 • USA

800.333.4000 www.SunriseMedical.com

Description

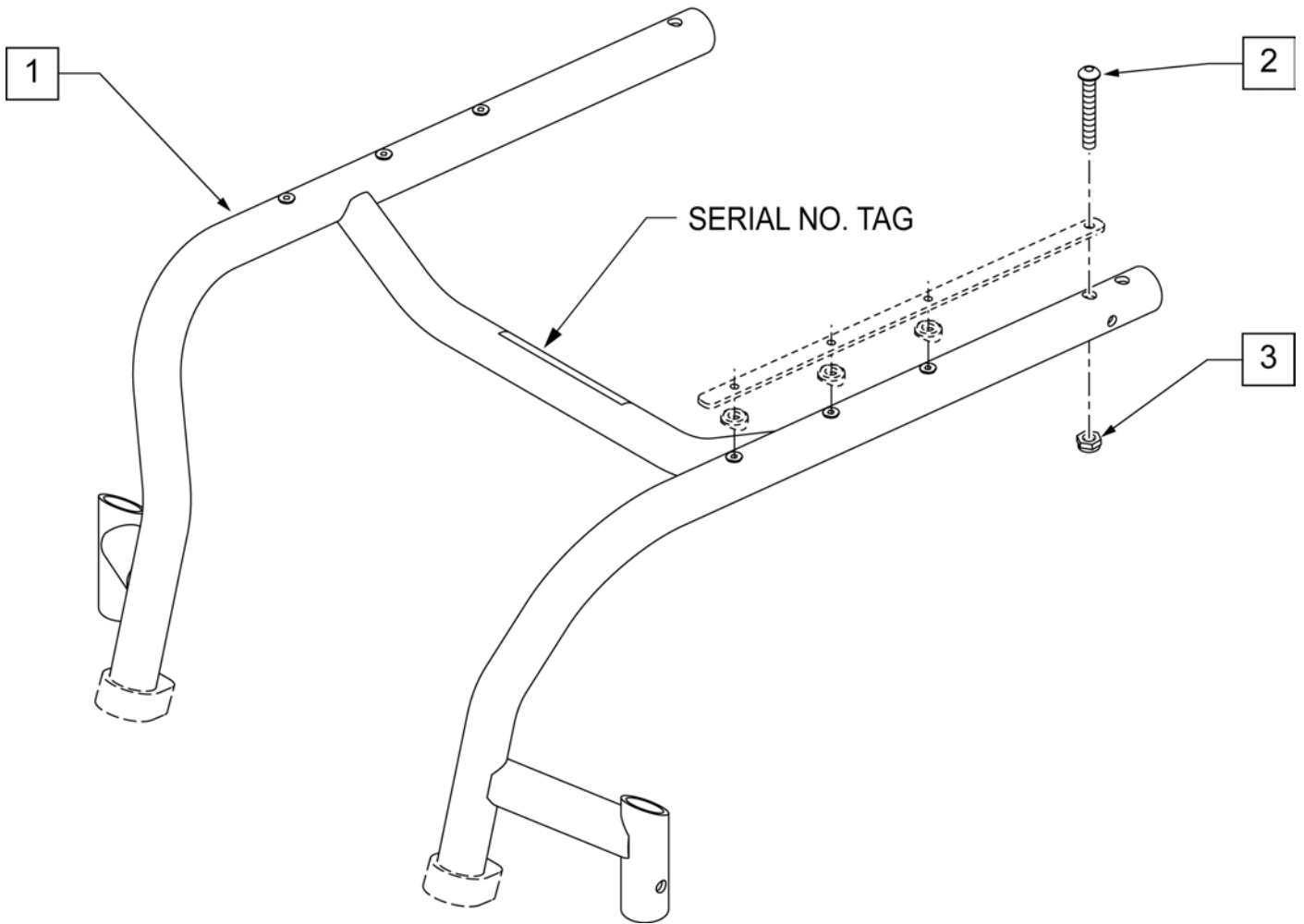
DISCONTINUED PRODUCT

NOTE: Effective on GTi chairs after S/N T4-505800 & T4A-505900.

NOTE: When ordering replacement frames you must provide the frame color, frame style, frame angle, frame inset, FS dim, front squeeze, the serial number and if the chair was equipped with Depth Adjustable Back.

NOTE: See Back Frame pages for Depth Adjustable Back or Padded Swing-Away Armrest inserts.

NOTE: New style Backrest Brackets and Frame (after S/N T4-505800 & T4A-505900) are not compatible with the old style Backrest Brackets and Frame .

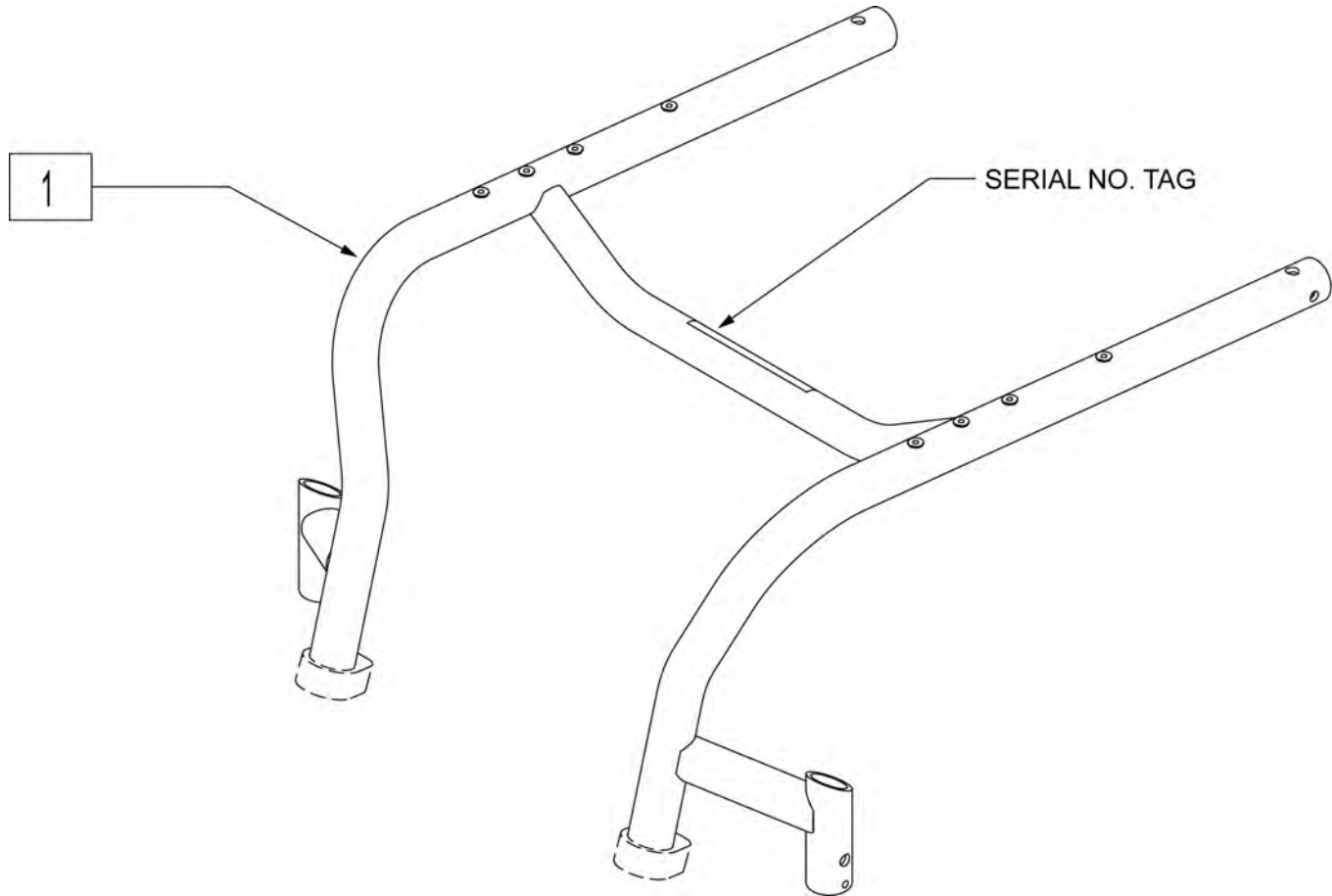


Pos.	Item Number	Description	Pos.	Item Number	Description
1	111982S	FRAME RIGID TI 12W x 12D	1	111998S	FRAME RIGID TI 14W x 12D
1	111983S	FRAME RIGID TI 12W x 13D	1	111999S	FRAME RIGID TI 14W x 13D
1	111984S	FRAME RIGID TI 12W x 14D	1	112000S	FRAME RIGID TI 14W x 14D
1	111985S	FRAME RIGID TI 12W x 15D	1	112001S	FRAME RIGID TI 14W x 15D
1	111986S	FRAME RIGID TI 12W x 16D	1	112002S	FRAME RIGID TI 14W x 16D
1	111987S	FRAME RIGID TI 12W x 17D	1	112003S	FRAME RIGID TI 14W x 17D
1	111988S	FRAME RIGID TI 12W x 18D	1	112004S	FRAME RIGID TI 14W x 18D
1	111989S	FRAME RIGID TI 12W x 19D	1	112005S	FRAME RIGID TI 14W x 19D
1	111990S	FRAME RIGID TI 13W x 12D	1	112006S	FRAME RIGID TI 14W x 20D
1	111991S	FRAME RIGID TI 13W x 13D	1	112007S	FRAME RIGID TI 15W x 12D
1	111992S	FRAME RIGID TI 13W x 14D	1	112008S	FRAME RIGID TI 15W x 13D
1	111993S	FRAME RIGID TI 13W x 15D	1	112009S	FRAME RIGID TI 15W x 14D
1	111994S	FRAME RIGID TI 13W x 16D	1	112010S	FRAME RIGID TI 15W x 15D
1	111995S	FRAME RIGID TI 13W x 17D	1	112011S	FRAME RIGID TI 15W x 16D
1	111996S	FRAME RIGID TI 13W x 18D	1	112012S	FRAME RIGID TI 15W x 17D
1	111997S	FRAME RIGID TI 13W x 19D	1	112013S	FRAME RIGID TI 15W x 18D

Pos.	Item Number	Description	Pos.	Item Number	Description
1	112014S	FRAME RIGID TI 15W x 19D	1	112039S	FRAME RIGID TI 18W x 17D
1	112015S	FRAME RIGID TI 15W x 20D	1	112040S	FRAME RIGID TI 18W x 18D
1	112016S	FRAME RIGID TI 16W x 12D	1	112041S	FRAME RIGID TI 18W x 19D
1	112017S	FRAME RIGID TI 16W x 13D	1	112042S	FRAME RIGID TI 18W x 20D
1	112018S	FRAME RIGID TI 16W x 14D	1	112043S	FRAME RIGID TI 19W x 12D
1	112019S	FRAME RIGID TI 16W x 15D	1	112044S	FRAME RIGID TI 19W x 13D
1	112020S	FRAME RIGID TI 16W x 16D	1	112045S	FRAME RIGID TI 19W x 14D
1	112021S	FRAME RIGID TI 16W x 17D	1	112046S	FRAME RIGID TI 19W x 15D
1	112022S	FRAME RIGID TI 16W x 18D	1	112047S	FRAME RIGID TI 19W x 16D
1	112023S	FRAME RIGID TI 16W x 19D	1	112048S	FRAME RIGID TI 19W x 17D
1	112024S	FRAME RIGID TI 16W x 20D	1	112049S	FRAME RIGID TI 19W x 18D
1	112025S	FRAME RIGID TI 17W x 12D	1	112050S	FRAME RIGID TI 19W x 19D
1	112026S	FRAME RIGID TI 17W x 13D	1	112051S	FRAME RIGID TI 19W x 20D
1	112027S	FRAME RIGID TI 17W x 14D	1	112052S	FRAME RIGID TI 20W x 12D
1	112028S	FRAME RIGID TI 17W x 15D	1	112053S	FRAME RIGID TI 20W x 13D
1	112029S	FRAME RIGID TI 17W x 16D	1	112054S	FRAME RIGID TI 20W x 14D
1	112030S	FRAME RIGID TI 17W x 17D	1	112055S	FRAME RIGID TI 20W x 15D
1	112031S	FRAME RIGID TI 17W x 18D	1	112056S	FRAME RIGID TI 20W x 16D
1	112032S	FRAME RIGID TI 17W x 19D	1	112057S	FRAME RIGID TI 20W x 17D
1	112033S	FRAME RIGID TI 17W x 20D	1	112058S	FRAME RIGID TI 20W x 18D
1	112034S	FRAME RIGID TI 18W x 12D	1	112059S	FRAME RIGID TI 20W x 19D
1	112035S	FRAME RIGID TI 18W x 13D	1	112060S	FRAME RIGID TI 20W x 20D
1	112036S	FRAME RIGID TI 18W x 14D	2	102262-007	BHCS M6 x 1 x 45 INORG
1	112037S	FRAME RIGID TI 18W x 15D	3	200113	NUT HEX NYLOCK M6 X 1 NUT
1	112038S	FRAME RIGID TI 18W x 16D			

NOTE: DISCONTINUED on GTi Chairs as of S/N T4-505800 & T4A-505900.

NOTE: New style Backrest Brackets and Frame (after S/N T4-505800 & T4A-505900) are not compatible with the old style Backrest Brackets and Frame .



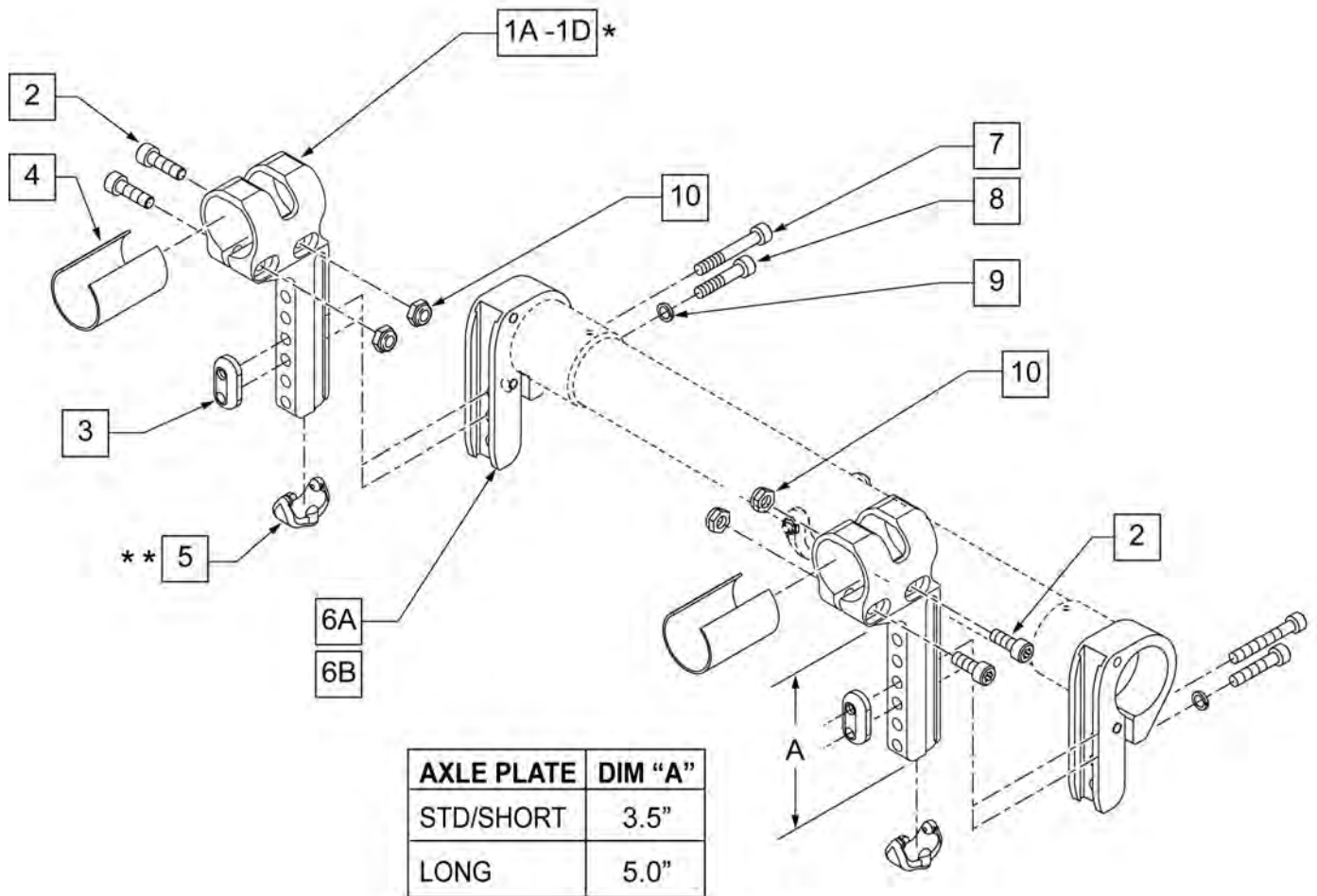
Pos.	Item Number	Description	Pos.	Item Number	Description
1	102069-001S	ASSY FRAME RIGID TI 12W X 12D	1	102070-008S	ASSY FRAME RIGID TI 13W X 19D
1	102069-002S	ASSY FRAME RIGID TI 12W X 13D	1	102071-001S	ASSY FRAME RIGID TI 14W X 12D
1	102069-003S	ASSY FRAME RIGID TI 12W X 14D	1	102071-002S	ASSY FRAME RIGID TI 14W X 13D
1	102069-004S	ASSY FRAME RIGID TI 12W X 15D	1	102071-003S	ASSY FRAME RIGID TI 14W X 14D
1	102069-005S	ASSY FRAME RIGID TI 12W X 16D	1	102071-004S	ASSY FRAME RIGID TI 14W X 15D
1	102069-006S	ASSY FRAME RIGID TI 12W X 17D	1	102071-005S	ASSY FRAME RIGID TI 14W X 16D
1	102069-007S	ASSY FRAME RIGID TI 12W X 18D	1	102071-006S	ASSY FRAME RIGID TI 14W X 17D
1	102069-008S	ASSY FRAME RIGID TI 12W X 19D	1	102071-007S	ASSY FRAME RIGID TI 14W X 18D
1	102070-001S	ASSY FRAME RIGID TI 13W X 12D	1	102071-008S	ASSY FRAME RIGID TI 14W X 19D
1	102070-002S	ASSY FRAME RIGID TI 13W X 13D	1	102071-009S	ASSY FRAME RIGID TI 14W X 20D
1	102070-003S	ASSY FRAME RIGID TI 13W X 14D	1	102072-001S	ASSY FRAME RIGID TI 15W X 12D
1	102070-004S	ASSY FRAME RIGID TI 13W X 15D	1	102072-002S	ASSY FRAME RIGID TI 15W X 13D
1	102070-005S	ASSY FRAME RIGID TI 13W X 16D	1	102072-003S	ASSY FRAME RIGID TI 15W X 14D
1	102070-006S	ASSY FRAME RIGID TI 13W X 17D	1	102072-004S	ASSY FRAME RIGID TI 15W X 15D
1	102070-007S	ASSY FRAME RIGID TI 13W X 18D	1	102072-005S	ASSY FRAME RIGID TI 15W X 16D

Pos.	Item Number	Description	Pos.	Item Number	Description
1	102072-006S	ASSY FRAME RIGID TI 15W X 17D	1	102075-004S	ASSY FRAME RIGID TI 18W X 15D
1	102072-007S	ASSY FRAME RIGID TI 15W X 18D	1	102075-005S	ASSY FRAME RIGID TI 18W X 16D
1	102072-008S	ASSY FRAME RIGID TI 15W X 19D	1	102075-006S	ASSY FRAME RIGID TI 18W X 17D
1	102072-009S	ASSY FRAME RIGID TI 15W X 20D	1	102075-007S	ASSY FRAME RIGID TI 18W X 18D
1	102073-001S	ASSY FRAME RIGID TI 16W X 12D	1	102075-008S	ASSY FRAME RIGID TI 18W X 19D
1	102073-002S	ASSY FRAME RIGID TI 16W X 13D	1	102075-009S	ASSY FRAME RIGID TI 18W X 20D
1	102073-003S	ASSY FRAME RIGID TI 16W X 14D	1	102076-001S	ASSY FRAME RIGID TI 19W X 12D
1	102073-004S	ASSY FRAME RIGID TI 16W X 15D	1	102076-002S	ASSY FRAME RIGID TI 19W X 13D
1	102073-005S	ASSY FRAME RIGID TI 16W X 16D	1	102076-003S	ASSY FRAME RIGID TI 19W X 14D
1	102073-006S	ASSY FRAME RIGID TI 16W X 17D	1	102076-004S	ASSY FRAME RIGID TI 19W X 15D
1	102073-007S	ASSY FRAME RIGID TI 16W X 18D	1	102076-005S	ASSY FRAME RIGID TI 19W X 16D
1	102073-008S	ASSY FRAME RIGID TI 16W X 19D	1	102076-006S	ASSY FRAME RIGID TI 19W X 17D
1	102073-009S	ASSY FRAME RIGID TI 16W X 20D	1	102076-007S	ASSY FRAME RIGID TI 19W X 18D
1	102074-001S	ASSY FRAME RIGID TI 17W X 12D	1	102076-008S	ASSY FRAME RIGID TI 19W X 19D
1	102074-002S	ASSY FRAME RIGID TI 17W X 13D	1	102076-009S	ASSY FRAME RIGID TI 19W X 20D
1	102074-003S	ASSY FRAME RIGID TI 17W X 14D	1	102077-001S	ASSY FRAME RIGID TI 20W X 12D
1	102074-004S	ASSY FRAME RIGID TI 17W X 15D	1	102077-002S	ASSY FRAME RIGID TI 20W X 13D
1	102074-005S	ASSY FRAME RIGID TI 17W X 16D	1	102077-003S	ASSY FRAME RIGID TI 20W X 14D
1	102074-006S	ASSY FRAME RIGID TI 17W X 17D	1	102077-004S	ASSY FRAME RIGID TI 20W X 15D
1	102074-007S	ASSY FRAME RIGID TI 17W X 18D	1	102077-005S	ASSY FRAME RIGID TI 20W X 16D
1	102074-008S	ASSY FRAME RIGID TI 17W X 19D	1	102077-006S	ASSY FRAME RIGID TI 20W X 17D
1	102074-009S	ASSY FRAME RIGID TI 17W X 20D	1	102077-007S	ASSY FRAME RIGID TI 20W X 18D
1	102075-001S	ASSY FRAME RIGID TI 18W X 12D	1	102077-008S	ASSY FRAME RIGID TI 20W X 19D
1	102075-002S	ASSY FRAME RIGID TI 18W X 13D	1	102077-009S	ASSY FRAME RIGID TI 20W X 20D
1	102075-003S	ASSY FRAME RIGID TI 18W X 14D			

NOTE: Used on GT chairs after serial number R3-010580. Axle Plates can be retro-fitted onto chairs prior to Serial No. R3-010580 but both sides must be replaced.

NOTE: Right Axle Plate (102138-XXX) is used on RIGHT side of chair for 0 & 3 DEG Camber and on LEFT side for 6 & 9 DEG camber. LEFT Axle plate (102139-XXX) is used on LEFT side of chair for 0 & 3 DEG camber and on RIGHT side for 6 & 9 DEG camber.

NOTE: Item 5 is very difficult to remove. If the part has to be replaced, suggested tool is VISE GRIPS. PLEASE USE CAUTION TO AVOID POSSIBLE INJURY.

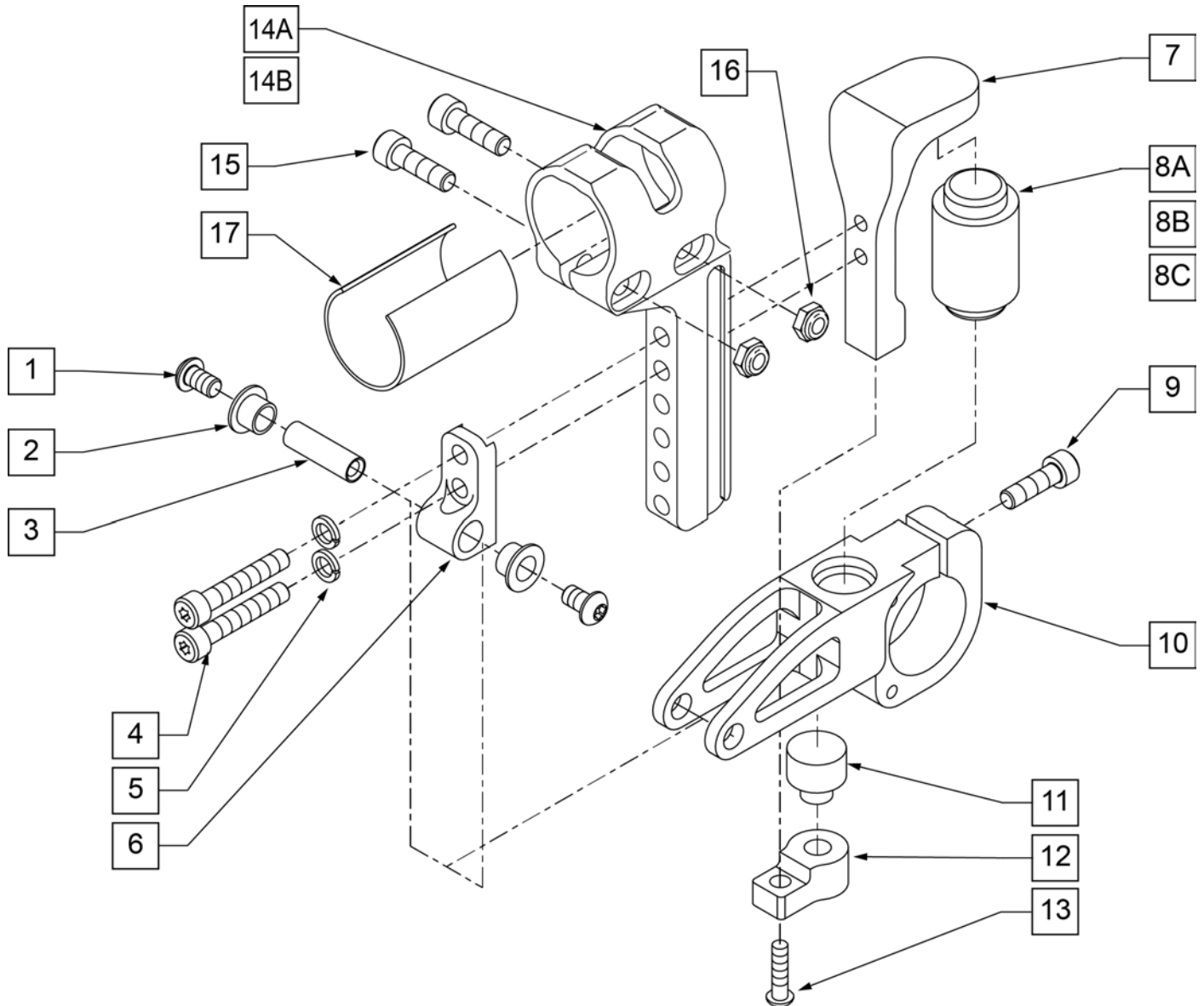


Pos.	Item Number	Description	Remarks
1A	102138-001	AXLE PLATE W/DECAL R GRY LNG	Right Long Gray -GTi
1A	102139-001	AXLE PLATE W/DECAL L GRY LNG	Left Long Gray -GTi
1B	102138-002	AXLE PLATE W/DECAL R GRY SHT	Right Standard Gray -GTi
1B	102139-002	AXLE PLATE W/DECAL L GRY SHT	Left Standard Gray -GTi
1C	102138-003	AXLE PLATE W/DECAL R BLK LNG	Right Long Black -GT
1C	102139-003	AXLE PLATE W/DECAL L BLK LNG	Left Long Black -GT

Pos.	Item Number	Description	Remarks
1D	102138-004	AXLE PLATE W/DECAL R BLK SHT	Right Standard Black -GT
1D	102139-004	AXLE PLATE W/DECAL L BLK SHT	Left Standard Black -GT
2	102263-003	SHCS M6 X 1 X 25 W/PL INORG	
3	050054	PLATE NUT AXLE	
4	050101	SLEEVE AXLE PLATE	
5	050107	BUMPER AXLE PLATE	
6A	058504-001	AXLE CLAMP BLACK	Black -GT
6B	058504-002	AXLE CLAMP GRAY	Gray -GT
7	102263-002	SHCS M6 X 1 X 20 INORGANIC	
8	102263-004	SHCS M6 X 1 X 35 INORGANIC	
9	050129-001	LOCKWASHER HIGH COLLAR M6	
10	200113	NUT HEX NYLOCK M6 X 1	
1A,5,7-10	102140-001	AXLE PLATE W/HDWR R GRY LNG	Right Long Gray -GTi
1A-5,7-10	102141-001	AXLE PLATE W/HDWR L GRY LNG	Left Long Gray -GTi
1B-5,7-10	102140-002	AXLE PLATE W/HDWR R GRY SH	Right Standard Gray -GTI
1B-5,7-10	102141-002	AXLE PLATE W/HDWR L GRY SHT	Left Standard Gray -GTI
1C-5,7-10	102140-003	AXLE PLATE W/HDWR R BLK LNG	Right Long Black -GT
1C-5,7-10	102141-003	AXLE PLATE W/HDWR L BLK LNG	Left Long Black -GT
1D-5,7-10	102140-004	AXLE PLATE W/HDWR R BLK SHT	Right Standard Black -GT
1D-5,7-10	102141-004	AXLE PLATE W/HDWR L BLK SHT	Left Standard Black -GT
1A-10	102142-001	AXLE PLATE W/CLAMPS GRY LNG	Pair - Long Gray -GTI
1B-10	102142-002	AXLE PLATE W/CLAMPS GRY SHT	Pair - Standard Gray -GTI
1C-10	102142-003	AXLE PLATE W/CLAMPS BLK LNG	Pair - Long Black -GT
1D-10	102142-004	AXLE PLATE W/CLAMPS BLK SHT	Pair - Standard Black -GT

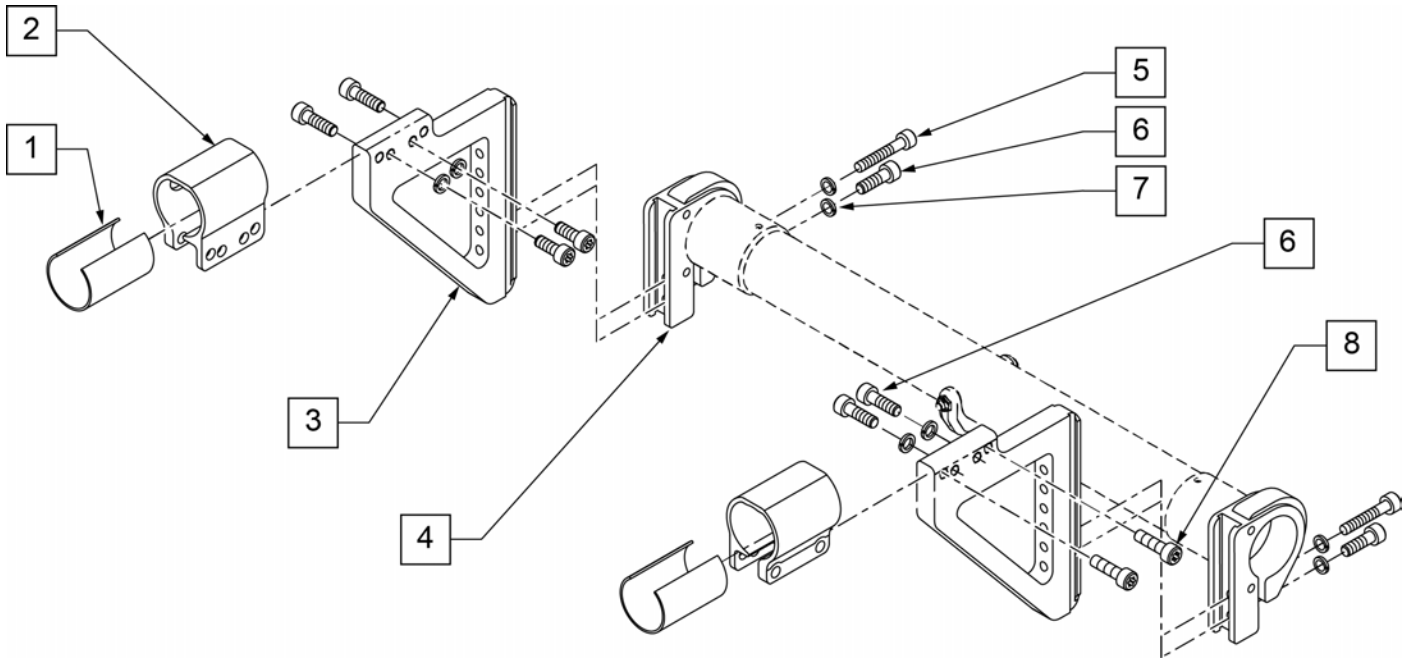
NOTE: ITEM 14 USED ON GT CHAIRS AFTER S/N R3-010580.

Note: Not compatible with XTR Suspension Frame.

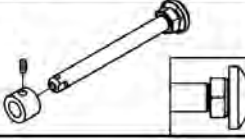




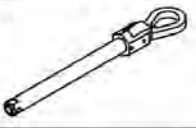
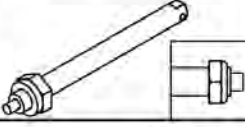
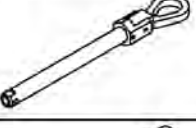
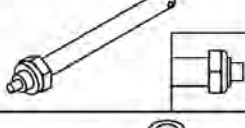
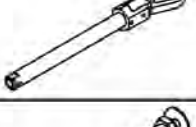
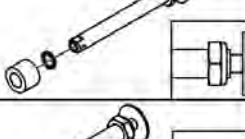
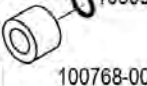
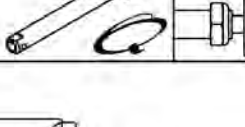


Pos.	Item Number	Description	Remarks
1	102262-001	BHCS M6 X 1 X 8 W/PL INORG	
2	050139	BEARING FLANGE 8MMIDX7.5MM LG	
3	050102	PIVOT SUSPENSION	
4	102263-004	SHCS M6 X 1 X 35 INORGANIC	
5	050129-001	LOCKWASHER HIGH COLLAR M6	
6	050096	MOUNT PIVOT SUSPENSION	
7	050095	MOUNT ELASTOMER SUSPENSION	

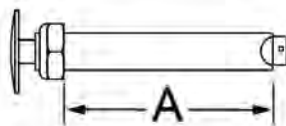
Pos.	Item Number	Description	Remarks
8A	050098-001	ELASTOMER SUSPENSION 55A (YEL)	User weight of 0-100 Lbs
8B	050098-002	ELASTOMER SUSPENSION 65A (RED)	User weight of 101-190 Lbs
8C	050098-003	ELASTOMER SUSPENSION 75A (BLUE)	User weight of 191-265 Lbs
9	102263-002	SHCS M6 X 1 X 20 INORGANIC	
10	050094	SWINGARM SUSPENSION	
11	050099	ELASTOMER REBOUND SUSP	
12	050097	BLOCK REBOUND SUSPENSION	
13	102263-001	SHCS M6 X 1 X 16 INORGANIC	
14A	102138-003	AXLE PLATE W/ DECAL R BLK LNG	GTI RIGHT
14A	102139-003	AXLE PLATE W/ DECAL L BLK LNG	GTI LEFT
14B	102138-001	AXLE PLATE W/ DECAL R GRAY LONG	GT RIGHT
14B	102139-001	AXLE PLATE W/ DECAL L GRAY LONG	GT LEFT
15	102263-003	SHCS M6 X 1 X 25 W/PL INORG	
16	104381	NUT HEX NYLOCK M6 x 1.0	
17	050101	SLEEVE AXLE PLATE	
1-7, 8A, 9-13	050191	SUSPENSION KIT YELLOW 0-100 Lbs	
1-7, 8B, 9-13	050192	SUSPENSION KIT RED 101-190 Lbs	
1-7, 8C, 9-13	050202	SUSPENSION KIT BLUE 191-265 Lbs	



Pos.	Item Number	Description	Remarks
1	050101	SLEEVE AXLE PLATE	
2	050057	CLAMP AXLE PLATE	
3	050210	PLATE AXLE OFFSET W/DECAL	
4	058504-001	AXLE CLAMP BLACK	Replace in pairs
5	102263-004	SHCS M6 X 1 X 35 INORGANIC	
6	102263-002	SHCS M6 X 1 X 20 INORGANIC	
7	050129-001	LOCKWASHER HIGH COLLAR M6	
8	102264	SCHS M8 X1.25 X 20 INORGANIC	
3,4,5-7	050198	AMPUTEE AXLE PLATE RGD W/HDWR	Kit for 1 side only
1,2,7-8	050199	AMP AXLE PLT CLMP RGD W/HDWR	Kit for 1 side only
1-8	050200	AMP AXLE PLATE ASSM RIGID	Kit for 1 side only

Wheel Type	Axle Type	Axle P/N	Spacer P/N
6 Spoke Mag Wheels	Quick Release 1A 	922356 Includes Spacer A=4 3/4"	2A  920117
	Quad Quick Release 1B 	116390 A=4 3/4"	2A  920117
Standard Spoke Wheels, 5 Spoke Mag Wheels Spinergy Wheels & Mountain Wheels	Quick Release 1C 	109385 A=4 1/2"	N/A
	Quad Quick Release (N/A with Spinergy) 1D 	922170 A=4 1/2"	N/A
Quickie Performance Wheels	Quick Release (Steel) 1E 	920130 A=5 1/4"	N/A
	Quad Quick Release (Steel) 1F 	920174 A=5 1/4"	N/A
	Quick Release (Ti) 1G 	920137 A=5 1/4"	N/A
	Quad Quick Release (Ti) 1H 	920173 A=5 1/4"	N/A
Ultra Light Wheels (N/A with Quad Quick Release)	Quick Release 1C 	109385 Order Spacer A=4 1/2"	2C  103093 2B 100768-003
Lite Spoke	Quick Release 1J 	107268 A=4 1/4"	N/A

Quick Release
Measuring Guide



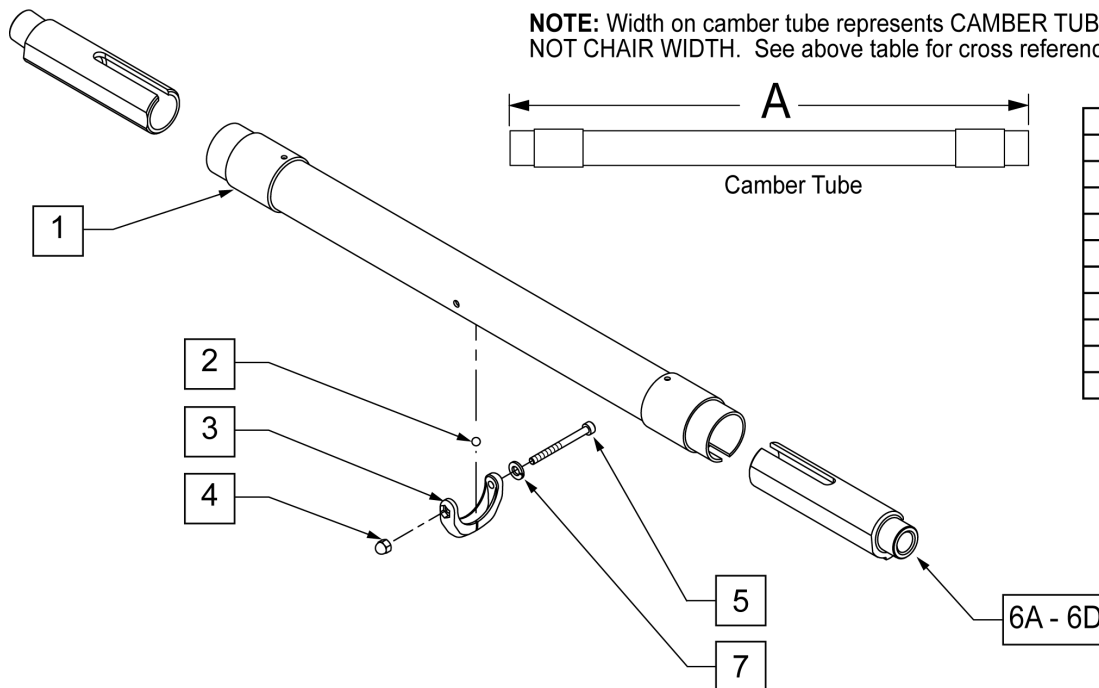
Pos.	Item Number	Description	Remarks
1A	922356	QR AXLE BIG BUTTON W/ SPACER	Includes spacer
1B	116390	QR AXLE W/SPACER FOR 6S MAG	
1C	109385	QR AXLE M12 NUT CLR BIG BUTTON	
1D	922170	QR AXLE W/ QUAD NUT PUSH BUTTON	Not available with spinergy
1E	920130	QR AXLE NON-RECESSED HUB W/ NUT	
1F	920174	QR AXLE NON-RECESSED W/ QUAD NUT	
1G	920137	QR AXLE W/ NUT TI	
1H	920173	QR AXLE TI W/ QUAD NUT	
1J	107268	QR AXLE AND NUT SHORT BIG BTTN	
2A	920117	MAG SPACER 6S W/SET SCREW	
2B	100768-003	SPACER AXLE 220DX12.71X12MM	
2C	103093	O-RING 1/2"IDX11/16"OD BUNA-N	

NOTE: When changing camber from (0 -3 Deg) to (6 -9 Deg) or the reverse, it is necessary to change camber tubes, and for the axle plates and clamps to be swapped left & right. Please refer to linked instruction sheet.

NOTE: When re-assembling camber plugs, verify that the final pin location is lined up inside of the camber tube clamp.

CHAIR WIDTH	CAMBER TUBE PART NUMBER			
	0 CAMBER	3 CAMBER	6 CAMBER	9 CAMBER
12"	11W CAMBER TUBE	11W CAMBER TUBE	12W CAMBER TUBE	12W CAMBER TUBE
13"	12W CAMBER TUBE	12W CAMBER TUBE	13W CAMBER TUBE	13W CAMBER TUBE
14"	13W CAMBER TUBE	13W CAMBER TUBE	14W CAMBER TUBE	14W CAMBER TUBE </td
15"	14W CAMBER TUBE	14W CAMBER TUBE	15W CAMBER TUBE	15W CAMBER TUBE
16"	15W CAMBER TUBE	15W CAMBER TUBE	16W CAMBER TUBE	16W CAMBER TUBE
17"	16W CAMBER TUBE	16W CAMBER TUBE	17W CAMBER TUBE	17W CAMBER TUBE
18"	17W CAMBER TUBE	17W CAMBER TUBE	18W CAMBER TUBE	18W CAMBER TUBE
19"	18W CAMBER TUBE	18W CAMBER TUBE	19W CAMBER TUBE	19W CAMBER TUBE
20"	19W CAMBER TUBE	19W CAMBER TUBE	20W CAMBER TUBE	20W CAMBER TUBE

NOTE: Width on camber tube represents CAMBER TUBE WIDTH, NOT CHAIR WIDTH. See above table for cross reference.



Camber Tube Width

DIM "A"	DESCRIPTION
11 "	11 W
12 "	12 W
13 "	13 W
14 "	14 W
15 "	15 W
16 "	16 W
17 "	17 W
18 "	18 W
19 "	19 W
20 "	20 W

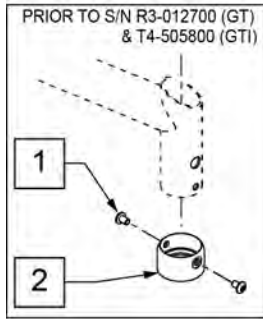
Pos.	Item Number	Description	Remarks
2	050091	BEARING LEVEL CAMBER TUBE	
3	050090	LEVEL CAMBER TUBE	
4	115918	M4 NUT ACORN PLASTIC BLACK	
5	102258	SHCS M4X.7X45 BLK W/PL ORG	
6A	103926-001	PLUG CAMBER AXLE 0 DEGREE BLK	
6B	103926-002	PLUG CAMBER AXLE 3 DEGREE BLK	
6C	103926-003	PLUG CAMBER AXLE 6 DEGREE BLK	
6D	103926-004	PLUG CAMBER AXLE 9 DEGREE BLK	
7	050129-002	LOCKWASHER HIGH COLLAR M4	
2-5	050190	CAMBER TUBE LEVEL ASSEMBLY	

Pos.	Item Number	Description	Remarks
1-5	104906-001	ASSY TUBE CAMBER GRY 11W GRY GTI	11W GRAY CAMBER TUBE W/ GRAY DECAL
1-5	104906-002	ASSY TUBE CAMBER GRY 12W GRY GTI	12W GRAY CAMBER TUBE W/ GRAY DECAL
1-5	104906-003	ASSY TUBE CAMBER GRY 13W GRY GTI	13W GRAY CAMBER TUBE W/ GRAY DECAL
1-5	104906-004	ASSY TUBE CAMBER GRY 14W GRY GTI	14W GRAY CAMBER TUBE W/ GRAY DECAL
1-5	104906-005	ASSY TUBE CAMBER GRY 15W GRY GTI	15W GRAY CAMBER TUBE W/ GRAY DECAL
1-5	104906-006	ASSY TUBE CAMBER GRY 16W GRY GTI	16W GRAY CAMBER TUBE W/ GRAY DECAL
1-5	104906-007	ASSY TUBE CAMBER GRY 17W GRY GTI	17W GRAY CAMBER TUBE W/ GRAY DECAL
1-5	104906-008	ASSY TUBE CAMBER GRY 18W GRY GTI	18W GRAY CAMBER TUBE W/ GRAY DECAL
1-5	104906-009	ASSY TUBE CAMBER GRY 19W GRY GTI	19W GRAY CAMBER TUBE W/ GRAY DECAL
1-5	104906-010	ASSY TUBE CAMBER GRY 20W GRY GTI	20W GRAY CAMBER TUBE W/ GRAY DECAL
1-5	104909-001	ASSY TUBE CAMBER GRY 11W PRPL GTI	11W GRAY CAMBER TUBE W/ PURPLE DECAL
1-5	104909-002	ASSY TUBE CAMBER GRY 12W PRPL GTI	12W GRAY CAMBER TUBE W/ PURPLE DECAL
1-5	104909-003	ASSY TUBE CAMBER GRY 13W PRPL GTI	13W GRAY CAMBER TUBE W/ PURPLE DECAL
1-5	104909-004	ASSY TUBE CAMBER GRY 14W PRPL GTI	14W GRAY CAMBER TUBE W/ PURPLE DECAL
1-5	104909-005	ASSY TUBE CAMBER GRY 15W PRPL GTI	15W GRAY CAMBER TUBE W/ PURPLE DECAL
1-5	104909-006	ASSY TUBE CAMBER GRY 16W PRPL GTI	16W GRAY CAMBER TUBE W/ PURPLE DECAL
1-5	104909-007	ASSY TUBE CAMBER GRY 17W PRPL GTI	17W GRAY CAMBER TUBE W/ PURPLE DECAL
1-5	104909-008	ASSY TUBE CAMBER GRY 18W PRPL GTI	18W GRAY CAMBER TUBE W/ PURPLE DECAL
1-5	104909-009	ASSY TUBE CAMBER GRY 19W PRPL GTI	19W GRAY CAMBER TUBE W/ PURPLE DECAL
1-5	104909-010	ASSY TUBE CAMBER GRY 20W PRPL GTI	20W GRAY CAMBER TUBE W/ PURPLE DECAL
1-5	104910-001	ASSY TUBE CAMBER GRY 11W GRN GTI	11W GRAY CAMBER TUBE W/ GREEN DECAL
1-5	104910-002	ASSY TUBE CAMBER GRY 12W GRN GTI	12W GRAY CAMBER TUBE W/ GREEN DECAL
1-5	104910-003	ASSY TUBE CAMBER GRY 13W GRN GTI	13W GRAY CAMBER TUBE W/ GREEN DECAL
1-5	104910-004	ASSY TUBE CAMBER GRY 14W GRN GTI	14W GRAY CAMBER TUBE W/ GREEN DECAL
1-5	104910-005	ASSY TUBE CAMBER GRY 15W GRN GTI	15W GRAY CAMBER TUBE W/ GREEN DECAL
1-5	104910-006	ASSY TUBE CAMBER GRY 16W GRN GTI	16W GRAY CAMBER TUBE W/ GREEN DECAL
1-5	104910-007	ASSY TUBE CAMBER GRY 17W GRN GTI	17W GRAY CAMBER TUBE W/ GREEN DECAL
1-5	104910-008	ASSY TUBE CAMBER GRY 18W GRN GTI	18W GRAY CAMBER TUBE W/ GREEN DECAL
1-5	104910-009	ASSY TUBE CAMBER GRY 19W GRN GTI	19W GRAY CAMBER TUBE W/ GREEN DECAL
1-5	104910-010	ASSY TUBE CAMBER GRY 20W GRN GTI	20W GRAY CAMBER TUBE W/ GREEN DECAL
1-5	104911-001	ASSY TUBE CAMBER GRY 11W BLU GTI	11W GRAY CAMBER TUBE W/ BLUE DECAL
1-5	104911-002	ASSY TUBE CAMBER GRY 12W BLU GTI	12W GRAY CAMBER TUBE W/ BLUE DECAL
1-5	104911-003	ASSY TUBE CAMBER GRY 13W BLU GTI	13W GRAY CAMBER TUBE W/ BLUE DECAL
1-5	104911-004	ASSY TUBE CAMBER GRY 14W BLU GTI	14W GRAY CAMBER TUBE W/ BLUE DECAL
1-5	104911-005	ASSY TUBE CAMBER GRY 15W BLU GTI	15W GRAY CAMBER TUBE W/ BLUE DECAL
1-5	104911-006	ASSY TUBE CAMBER GRY 16W BLU GTI	16W GRAY CAMBER TUBE W/ BLUE DECAL
1-5	104911-007	ASSY TUBE CAMBER GRY 17W BLU GTI	17W GRAY CAMBER TUBE W/ BLUE DECAL
1-5	104911-008	ASSY TUBE CAMBER GRY 18W BLU GTI	18W GRAY CAMBER TUBE W/ BLUE DECAL
1-5	104911-009	ASSY TUBE CAMBER GRY 19W BLU GTI	19W GRAY CAMBER TUBE W/ BLUE DECAL
1-5	104911-010	ASSY TUBE CAMBER GRY 20W BLU GTI	20W GRAY CAMBER TUBE W/ BLUE DECAL
1-5	104913-001	ASSY TUBE CAMBER GRY 11W RED GTI	11W GRAY CAMBER TUBE W/ RED DECAL
1-5	104913-002	ASSY TUBE CAMBER GRY 12W RED GTI	12W GRAY CAMBER TUBE W/ RED DECAL
1-5	104913-003	ASSY TUBE CAMBER GRY 13W RED GTI	13W GRAY CAMBER TUBE W/ RED DECAL
1-5	104913-004	ASSY TUBE CAMBER GRY 14W RED GTI	14W GRAY CAMBER TUBE W/ RED DECAL
1-5	104913-005	ASSY TUBE CAMBER GRY 15W RED GTI	15W GRAY CAMBER TUBE W/ RED DECAL
1-5	104913-006	ASSY TUBE CAMBER GRY 16W RED GTI	16W GRAY CAMBER TUBE W/ RED DECAL
1-5	104913-007	ASSY TUBE CAMBER GRY 17W RED GTI	17W GRAY CAMBER TUBE W/ RED DECAL
1-5	104913-008	ASSY TUBE CAMBER GRY 18W RED GTI	18W GRAY CAMBER TUBE W/ RED DECAL
1-5	104913-009	ASSY TUBE CAMBER GRY 19W RED GTI	19W GRAY CAMBER TUBE W/ RED DECAL
1-5	104913-010	ASSY TUBE CAMBER GRY 20W RED GTI	20W GRAY CAMBER TUBE W/ RED DECAL
1-5	104914-001	ASSY TUBE CAMBER BLK 11W BLK GTI	11W BLACK CAMBER TUBE W/ BLACK DECAL
1-5	104914-002	ASSY TUBE CAMBER BLK 12W BLK GTI	12W BLACK CAMBER TUBE W/ BLACK DECAL
1-5	104914-003	ASSY TUBE CAMBER BLK 13W BLK GTI	13W BLACK CAMBER TUBE W/ BLACK DECAL
1-5	104914-004	ASSY TUBE CAMBER BLK 14W BLK GTI	14W BLACK CAMBER TUBE W/ BLACK DECAL
1-5	104914-005	ASSY TUBE CAMBER BLK 15W BLK GTI	15W BLACK CAMBER TUBE W/ BLACK DECAL
1-5	104914-006	ASSY TUBE CAMBER BLK 16W BLK GTI	16W BLACK CAMBER TUBE W/ BLACK DECAL
1-5	104914-007	ASSY TUBE CAMBER BLK 17W BLK GTI	17W BLACK CAMBER TUBE W/ BLACK DECAL

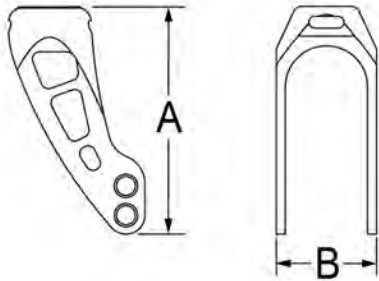
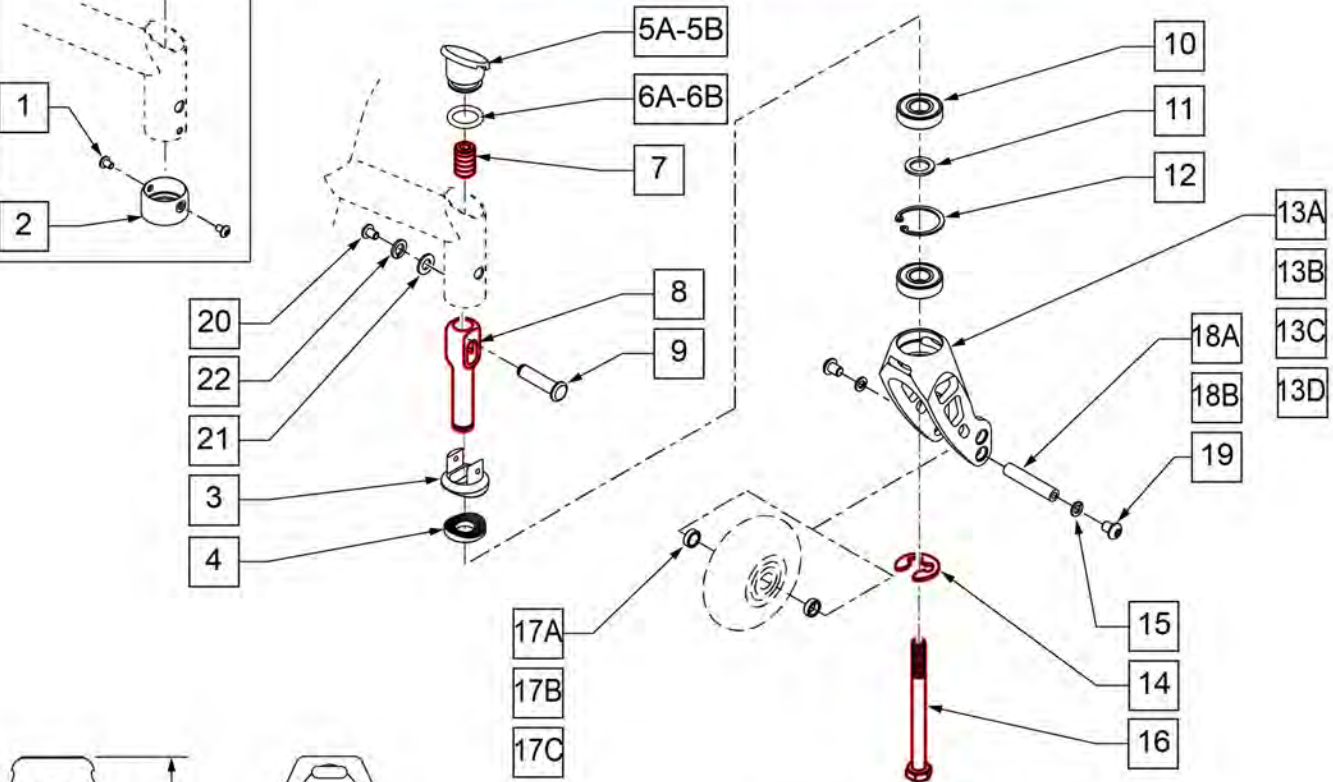
Pos.	Item Number	Description	Remarks
1-5	104914-008	ASSY TUBE CAMBER BLK 18W BLK GTI	18W BLACK CAMBER TUBE W/ BLACK DECAL
1-5	104914-009	ASSY TUBE CAMBER BLK 19W BLK GTI	19W BLACK CAMBER TUBE W/ BLACK DECAL
1-5	104914-010	ASSY TUBE CAMBER BLK 20W BLK GTI	20W BLACK CAMBER TUBE W/ BLACK DECAL

Note: For Purple, Blue ,Red, & Green Anodized Forks contact "Built 4 Me".

Note: As of S/N GT-018425 Stem Assembly has changed.If replacing stem components on chairs prior to S/N GT-018425, replace complete Stem Assembly in pairs.



Part Changes, please see notes/remarks for important information

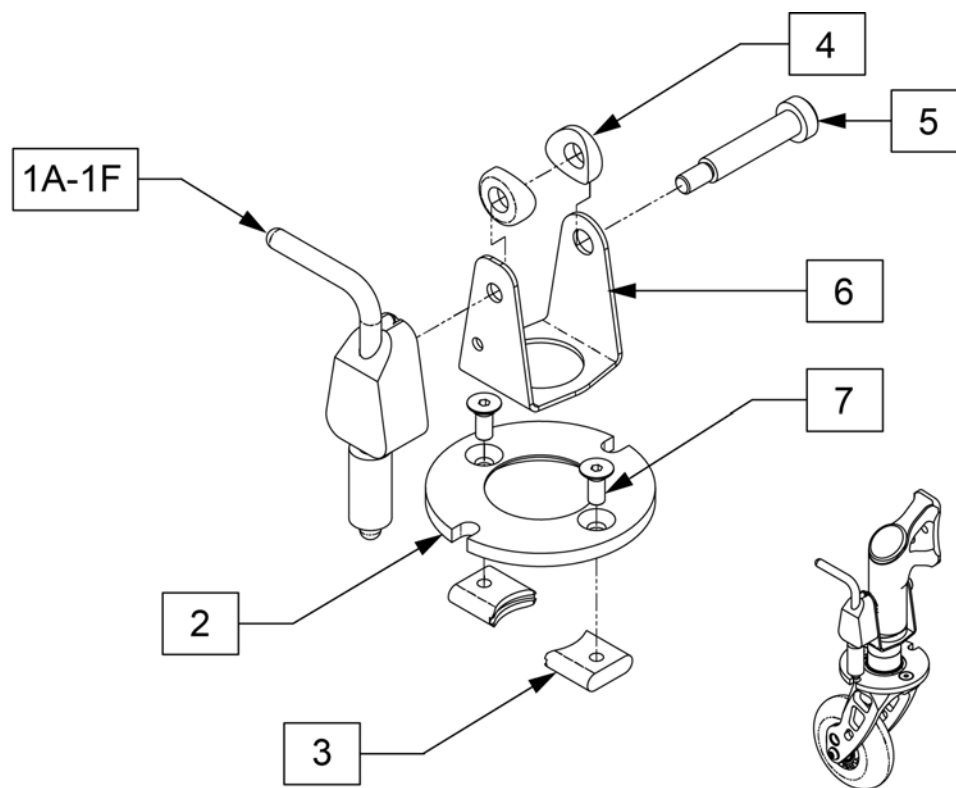


FORK MEASURING GUIDE

FORK	DIM A	DIM B	BLACK PART #	GREY PART #
SHORT NARROW	3 7/8"	1 5/8"	922111	922109
TALL NARROW	4 3/8"	1 5/8"		922110
SHORT WIDE	4 3/8"	2 1/8"	108771	
TALL WIDE	4 7/8"	2 1/8"	050150	050350

Pos.	Item Number	Description	Remarks
1	102257	BHCS M4 X .7 X 8 INORGANIC	
2	050039	CUP SPLINE ANG ADJ	
3	502050	SPLINE CASTER ANGLE ADJ UPPER	
4	502051	SPLINE CASTER ANGLE ADJ LOWER	
5A	050087	CAP CASTER ANG ADJ	Used w/ GT chairs
5B	101438	CAP CASTER ANG ADJ .061 WALL	Used w/ GTi chairs
6A	050074	O-RING .625 ID x .125W	Used w/ GT chairs
6B	052080	O-RING .75" ID X .125" W	Used w/ GTi chairs
7	106684	SH SET SCREW 1/2-20X3/4 FLT PT	

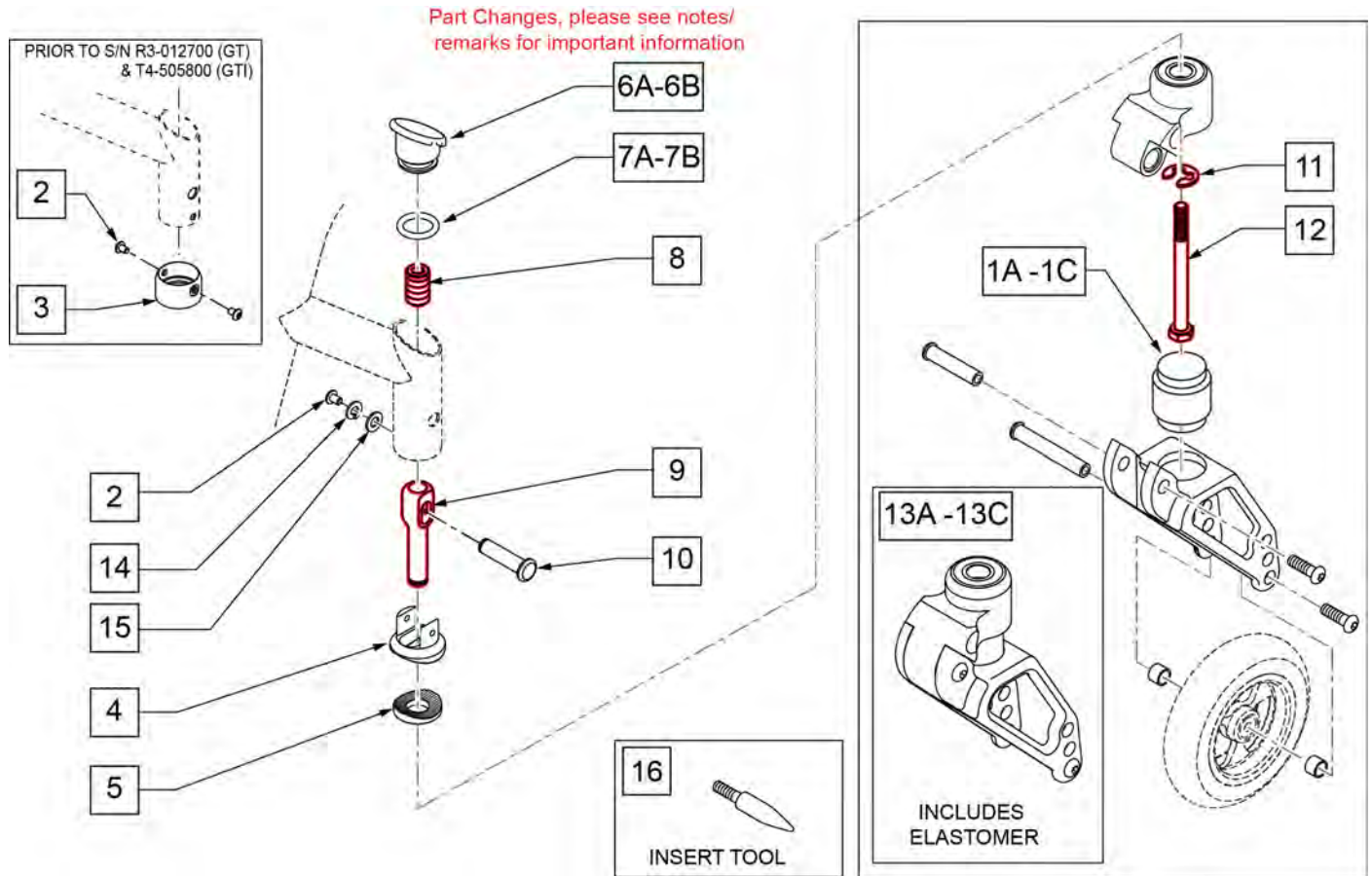
Pos.	Item Number	Description	Remarks
8	122989	CASTER STEM ADJUSTABLE SHORT	
9	050040	PIN PIVOT ANG ADJ	
10	349104	BRNG 28MM OD 12MM ID 8MM THK	
11	265162	WSHR FLT 18MM OD 12MM ID 1.5MM	
12	342093	RING SNAP INTERNAL 28MM	
14	114479	E-STYLE BOWED CLIP	
15	262132	WASHER LOCK M5	
10-12,13C,15,17C,18B	117833	ASSM INT FRK W/AXLE S WD SFTRL	
16	230063	HHCS M6 x 1.0 x 70	
17A	481353	SPACER, BEARING	USED W/ SHORT FORK
17B	050043-001	SPCR BRNG CSTR 9.65MM	USED W/ WIDE FORK
17C	050043-002	SPCR BRNG CSTR 2.20MM	USED W/ 5" SOFT ROLL CASTER
18A	481483	AXLE, CASTER, 1.58 LG	USED W/ STD FORKS, 1 1/2" WIDE
18B	050042	AXLE CASTER 52MM	USED W/ WIDE FORKS, 2 " WIDE
19	102259-001	BHCS M5 x .8 x 12 W/ PL INORG	
20	102257	BHCS M4 x .7 x 8 INORGANIC	
21	109774	WASHER FLAT M4 BLACK INORG	
22	050129-002	LOCKWASHER HI COLLAR M4	
1-5A,6A-9,14,21,22	050224	SPLINE CASTER HDWR KIT	Used w/ GT
10-12,13A,15,18A,19	050222	ASSM INTGRL FRK W/AXLE SHT BLK	
10-12,13D,15,17B,18B	050223	ASSM INTGRL FRK W/AXLE WD BLK	
10-12,13D,15,17C,18B	050231	ASSM INTGRL FRK W/AXL WD SFT RL	
10-12,13A,15,18A,19	102126-001	INTGRL FORK W/AXLE GRY SHT	
10-12,13D,15,17B,18B	102126-002	INTGRL FORK W/AXLE GRY WD	
10-12,13D,15,17C,18B	102126-003	INTGRL FORK W/AXLE GRY SFT RL	
10-13A	922111	ASSM INTGRL BRNG FORK SHRT BLK	Short Narrow -BLACK
10-13A	922109	ASSM INTGRL BRNGS FORK SHORT(GRY)	Short Narrow -GRAY
10-13B	922110	ASSM INTGRL BRNGS FORK TALL	Tall Narrow -GRAY
10-13C	108771	FORK SHORT WIDE ASSM	Short Wide -BLACK
10-13D	050350	ASSY FORK INT BRG WIDE GRY	Tall Wide -GRAY
10-13D	050150	ASSM FORK INTGRL BEARING WIDE	Tall Wide -BLACK
10-12,13B,15,18A,19	117831	ASSM INTGRL FRK W/AXLE TAL GRY	
10-12,13C,15,17B,18B	117832	ASSM INT FRK W/AXLE S WD BLK	



Pos.	Item Number	Description	Remarks
1A	052310-001	BLOCK ASSY CSTR PIN LCK R STD	
1B	052311-001	BLOCK ASSY CSTR PIN LCK L STD	
1C	052310-002	BLOCK ASSY CSTR PIN LCK R+.5	
1D	052311-002	BLOCK ASSY CSTR PIN LCK L+.5	
1E	052310-003	BLOCK ASSY CSTR PIN LOCK R+1	
1F	052311-003	BLOCK ASSY CSTR PIN LCK +1	
2	132532	PLATE, CASTER LOCK, 39MM DIA	
3	050050	KEY CASTER LOCK ANG ADJ	
4	050053	SADDLE 17.8MM OD 8MM HOLE	
5	050133	SHOULDER SCREW 8MMOD X 35MM LG	
6	052172	YOKE CASTER PIN LOCK	
7	102261	FHCS M5 X 12 INORGANIC	
1A,2-7	102149-001	ASSY CASTER PIN LOCK R STD	Right GT, GTi, GTX
1B,2-7	102150-001	ASSY CASTER PIN LOCK L STD	Left, GT, GTi, GTX
1C,2-7	102149-002	ASSY CASTER PIN LOCK R+.5	Right, GTX only
1D,2-7	102150-002	ASSY CASTER PIN LOCK L+.5	Left, GTX only
1E,2-7	102149-003	ASSY CASTER PIN LOCK R+1	Right, GTX only
1F,2-7	102150-003	ASSY CASTER PIN LOCK L+1	Left, GTX only

Note: Item 16 is used to aid in aligning the upper and lower fork assembly during Frog Leg assembly and elastomer replacement. See instruction sheet for details.

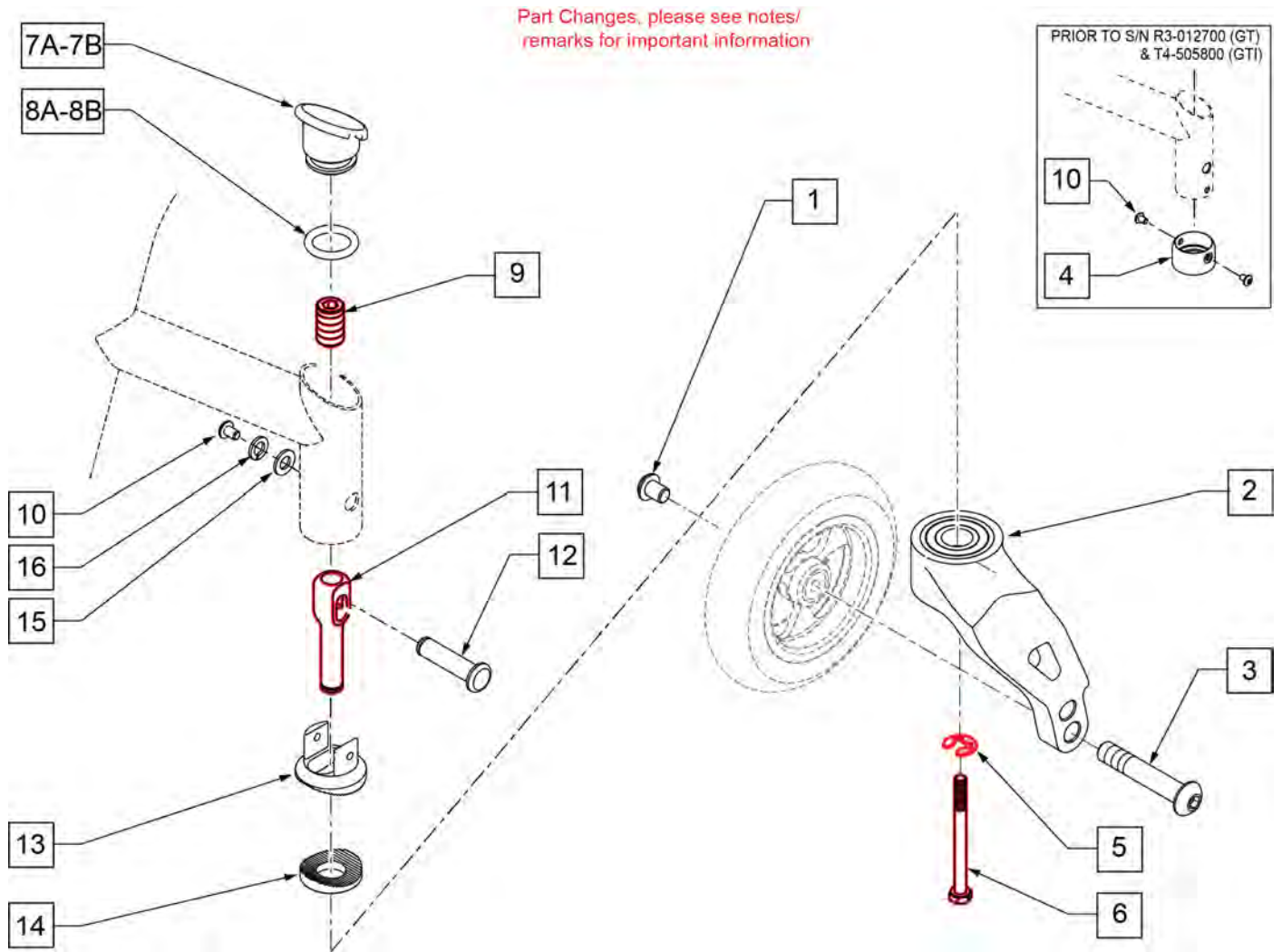
Note: Frog Legs will ship unassembled to facilitate replacement of the Caster Stem.



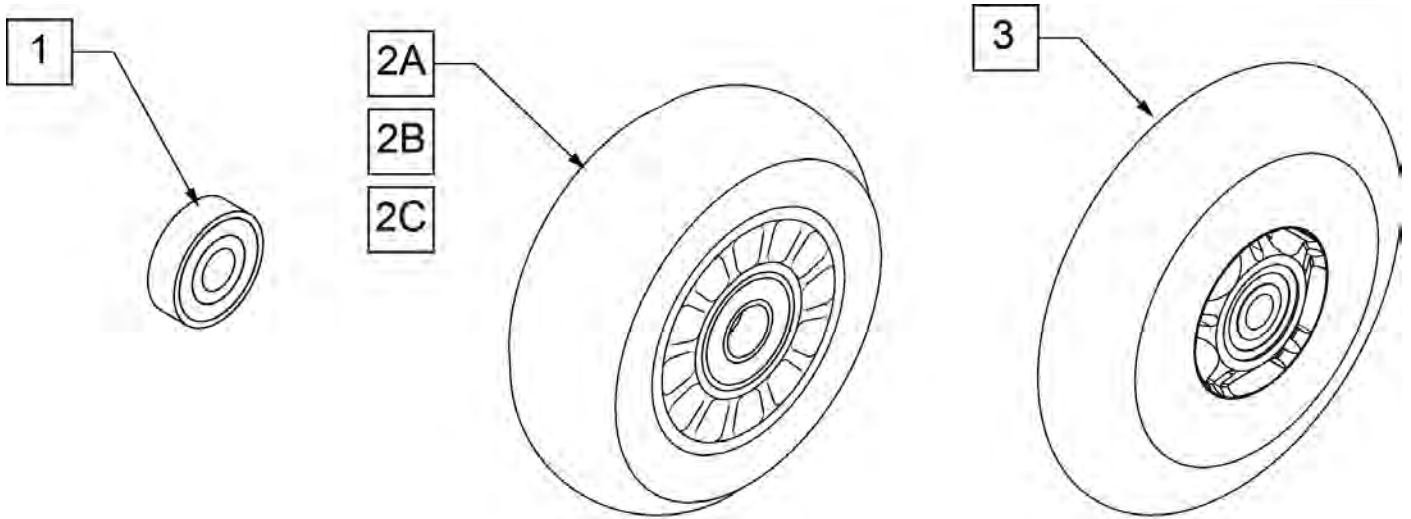
Pos.	Item Number	Description	Remarks
1A	050156-001	ELASTOMER FROGLEGS SOFT	0 -100 Lbs
1B	050156-002	ELASTOMER FROGLEGS MEDIUM	101 -190 Lbs
1C	050156-003	ELASTOMER FROGLEGS FIRM	191 -265 Lbs
2	102257	BHCS M4 x .7 x 8 INORGANIC	
3	050039	CUP SPLINE ANG ADJ	
4	502050	SPLINE, CASTER, ANGLE ADJ, UPPER	
5	502051	SPLINE, CASTER, ANGLE ADJ, LOWER	
6A	050087	CASTER CAP ANGLE ADJ	Used w/ GT chairs
6B	101438	CAP CASTER ANG ADJ .061 WALL	Used w/ GTi chairs
7A	050074	O-RING .625 ID x .125W	Used w/ GT chairs
7B	052080	O-RING .75" ID X .125" W	Used w/ GTi chairs
8	106684	SH SET SCREW 1/2-20X3/4 FLT PT	
9	122989	CASTER STEM ADJUSTABLE SHORT	
10	050040	PIN PIVOT ANG ADJ	
11	114479	E-STYLE BOWED CLIP	

Pos.	Item Number	Description	Remarks
12	230063	HHCS M6 X 1.0 X 70	
13A	050225-001	FORK FROGLEGS INT BRNG SOFT	
13B	050225-002	FORK FROGLEGS INT BRNG MED	
13C	050225-003	FORK FROGLEGS INT BRNG FIRM	
14	050129-002	LOCKWASHER HIGH COLLAR M4	
15	109774	WASHER FLAT M4 BLACK INORG	
16	116351	FROG LEG FORK ASSEMBLY TOOL	
2-6A,7A-11,14,15	050224	SPLINE CASTER HDWR KIT	Includes hdwr for GT & GTi

Note: As of S/N GT-018425 Stem Assembly has changed. If replacing stem components on chairs prior to S/N GT-018425, replace complete Stem Assembly in pairs.

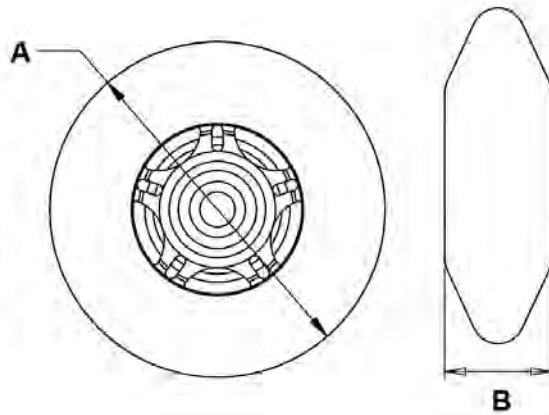


Pos.	Item Number	Description	Remarks
1-3	109266	FROG LEGS UNI-TINE, BLK (W/12MM BRG)	
1-3	109267	FROG LEGS UNI-TINE, SLV (W/12MM BRG)	
4	050039	CUP SPLINE ANG ADJ	
5	114479	WASHER LOCK M12	
6	230063	SHCS, M12 x 1.75, ANGLE ADJ	
7A	050087	CASTER CAP ANGLE ADJ	Used w/ GT chairs
7B	101438	CAP CASTER ANG ADJ .061 WALL	Used w/ GTi chairs
8A	050074	O-RING .625 ID X .125W	Used w/ GT chairs
8B	052080	O-RING .75" ID X .125" W	Used w/ GTi chairs
9	050134	SET SCREW M12 X 20MM LG FLT PT	
10	102257	BHCS M4 X .7 X 8 INORGANIC	
11	122989	BARREL PIVOT ANG ADJ	
12	050040	PIN PIVOT ANG ADJ	
13	502050	SPLINE, CASTER, ANGLE ADJ, UPPER	
14	502051	SPLINE, CASTER, ANGLE ADJ, LOWER	
15	109774	WASHER FLAT M4 BLACK INORG	
16	050129-002	LOCK WASHER HIGH COLLAR M4	
5,7-16	050224	SPLINE CASTER HDWR KIT	



**CASTER
MEASURING GUIDE**

PART NUMBER	"A" TIRE DIAMETER	"B" HUB WIDTH
400108	4.0	1.0
400107	3.0	1.0
052129	4.7	1.0

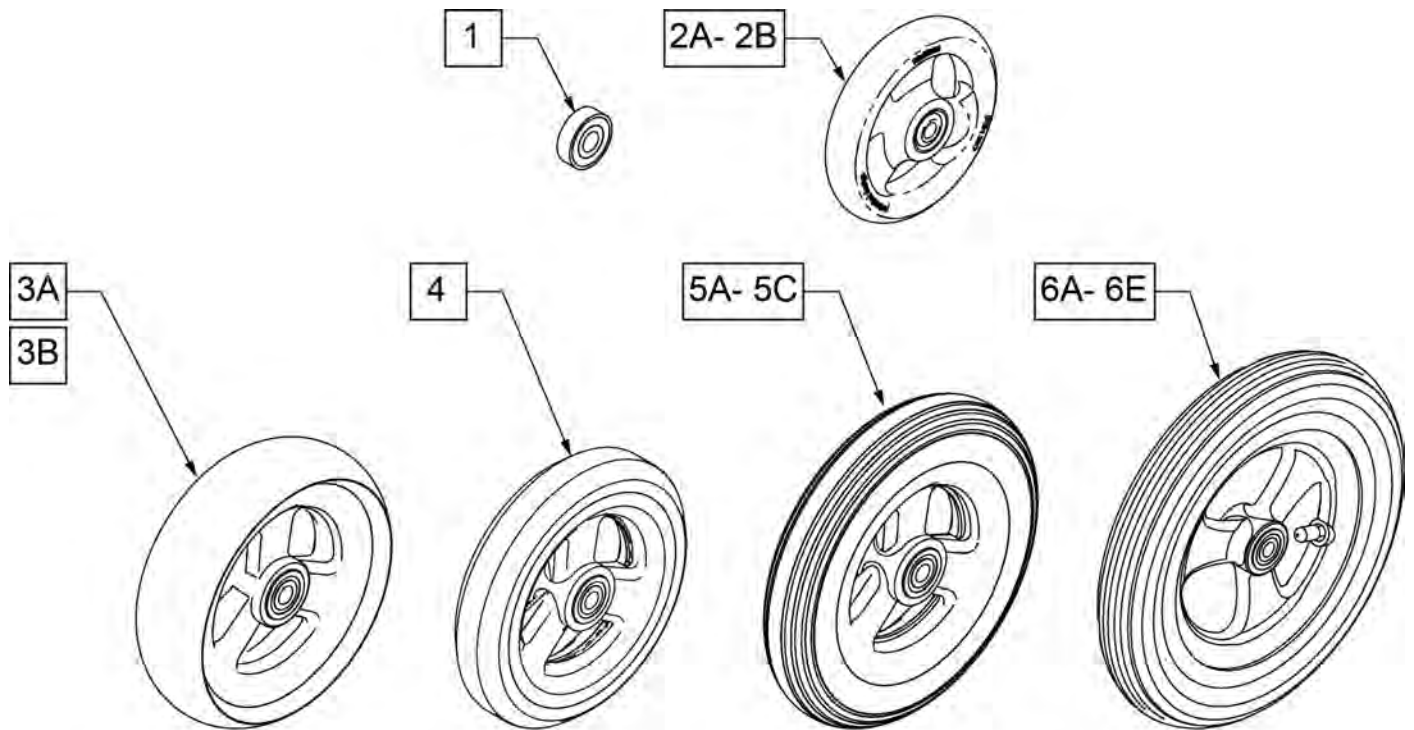


Pos.	Item Number	Description	HCPC	Remarks
1	349502	7/8"x 5/16" BEARING		
2A	400108	4" MICRO CASTER LIGHTED	K0077	4" MICRO LIGHTED
2B	920025	3" MICRO CASTER W/ BEARING -PAIR	K0077	PAIR 3" MICRO
2C	400107	3" MICRO CASTER LIGHTED	K0077	3" MICRO LIGHTED
3	052129	5" MICRO CASTER LIGHTED	K0077	5" MICRO LIGHTED

NOTE: 7" and 8" Casters are not available on the Q2 or the GT.

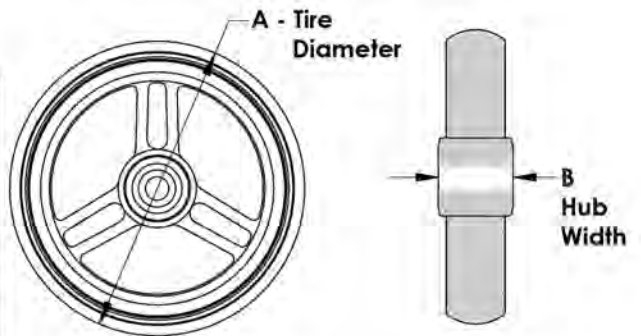
Note: If using 6" casters on Q7, Anti Flutter should be installed. See Standard Multi Position Fork page.

Note: Casters wider than 1" will not fit on Quickie Ti Titanium forks.

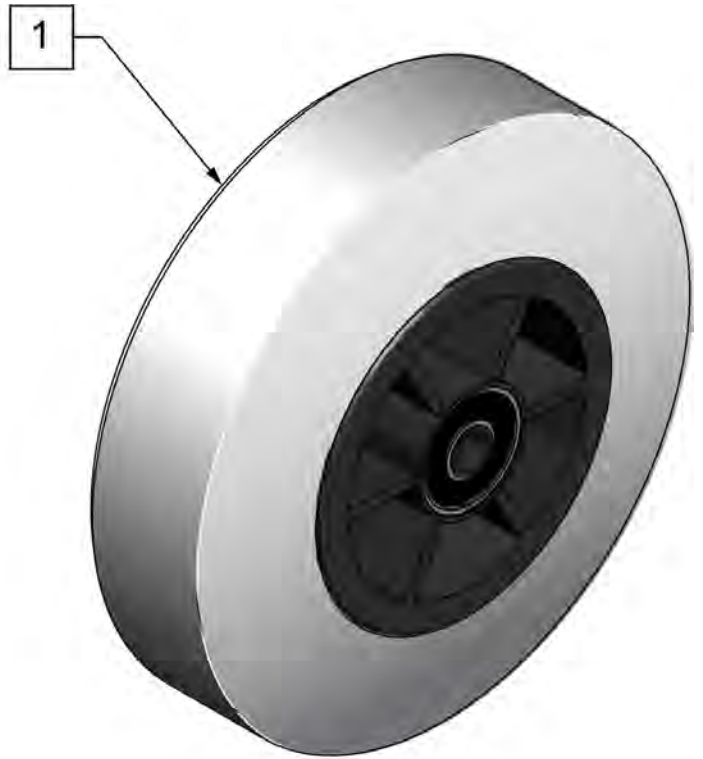
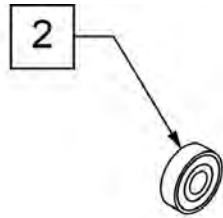


**CASTER
MEASURING GUIDE**

PART NUMBER	"A" TIRE DIAMETER	"B" HUB WIDTH	PART NUMBER	"A" TIRE DIAMETER	"B" HUB WIDTH
101957	4.3	1.0	101256	5.75	1.0
101098	4.0	1.0	101257	5.9	1.0
101259	4.9	1.0	400212	8.0	1.0
101255	5.7	1.0	400213	7.8	1.0
101254	4.9	1.0	400214	6.9	1.0
			400215	7.25	1.0

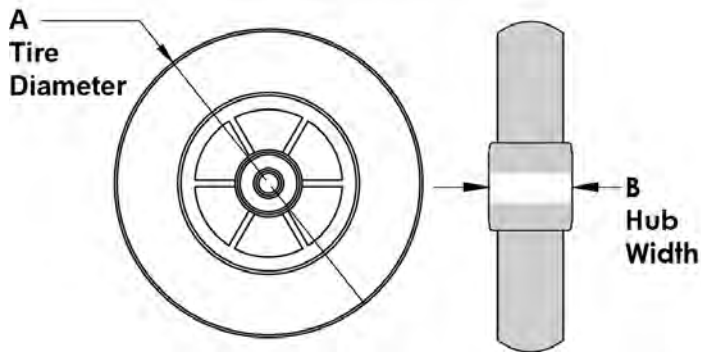


Pos.	Item Number	Description	Remarks
1	349502	7/8"x 5/16" BEARING	
2A	101957	4"X1-1/4 POLY 3 SPOKE CSTR	4" X 1.25 SEMI-PNEUMATIC
2B	101098	CASTER 4" PLASTIC/POLY W/BRG	4" LOW PROFILE POLY
3A	101259	5"X1-1/2" POLY 3 SPOKE CSTR	5" x 1.5" SEMI-PNEUMATIC
3B	101255	6"X1-1/2" POLY 3 SPOKE CSTR	6" x 1.5" SEMI-PNEUMATIC
4	101254	5" LOW POLY 3 SPOKE CASTER	5" LOW PROFILE POLY
5A	101256	6" SEMI PNEU 3 SPOKE CASTER	6" POLY
5B	101257	6" PNEUMATIC 3 SPOKE CASTER	6" PNEUMATIC
5C	383245	6" PNEUMATIC TIRE & TUBE	
6A	400212	CASTER 8" PNEU 3 SPK ASSM	8" PNEUMATIC
6B	400213	CASTER 8" POLY 3 SPK ASSM	8" POLY
6C	400214	CASTER 8" LOW POLY 3 SPK ASSM	7" x LOW PROFILE POLY
6D	383255	8" PNEUMATIC TIRE & TUBE	
6E	400215	CASTER 8" WIDE POLY 3 SPK ASSM	8" x 1.5" LOW POLY

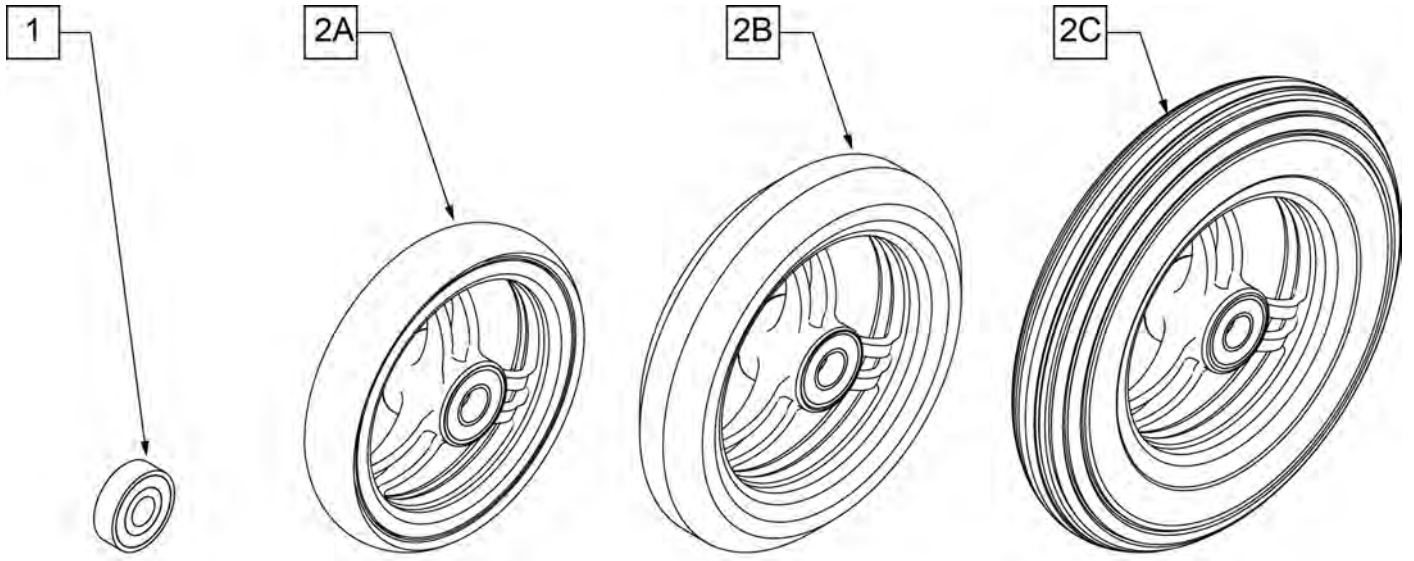


**CASTER
MEASURING GUIDE**

"A" TIRE DIAMETER	"B" HUB WIDTH
4.9"	1.5"

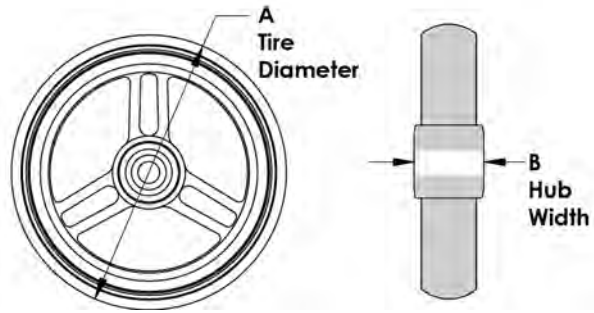


Pos.	Item Number	Description	HPCP	Remarks
1	400103	CASTER 5" SOFT ROLL W/BRNGS	K0077	5" SOFT ROLL SEMI PNEU (GREY)
2	349502	7/8"x 5/16" BEARING		



CASTER MEASURING GUIDE

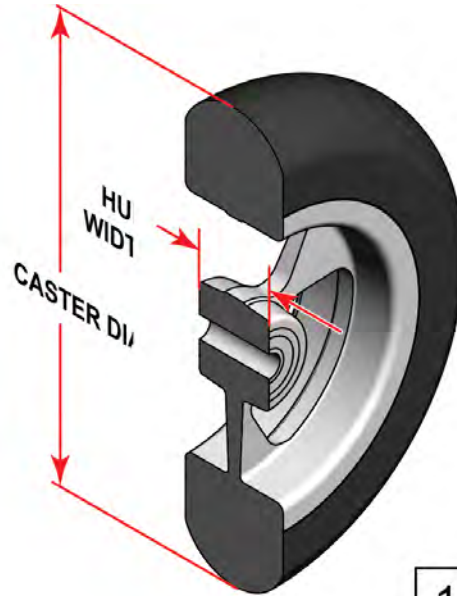
"A" TIRE DIAMETER	"B" HUB WIDTH
4"	1"
5"	1"
6"	1"



Pos.	Item Number	Description	HCPC	Remarks
1	349502	7/8"x 5/16" BEARING		
2A	101946-001	CASTR 4X1 ALUM/POLY W/BRG CLR	K0077	4" x 1" ALUMINUM POLY
2B	101946-002	CASTR 5X1 ALUM/POLY W/BRG CLR	K0077	5" x 1" ALUMINUM POLY
2C	101946-003	CASTR 6X1 ALUM/POLY W/BRG CLR	K0077	6" x 1" ALUMINUM POLY

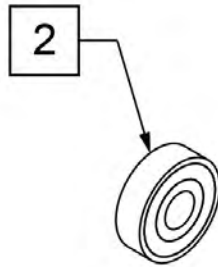


SIDE VIEW

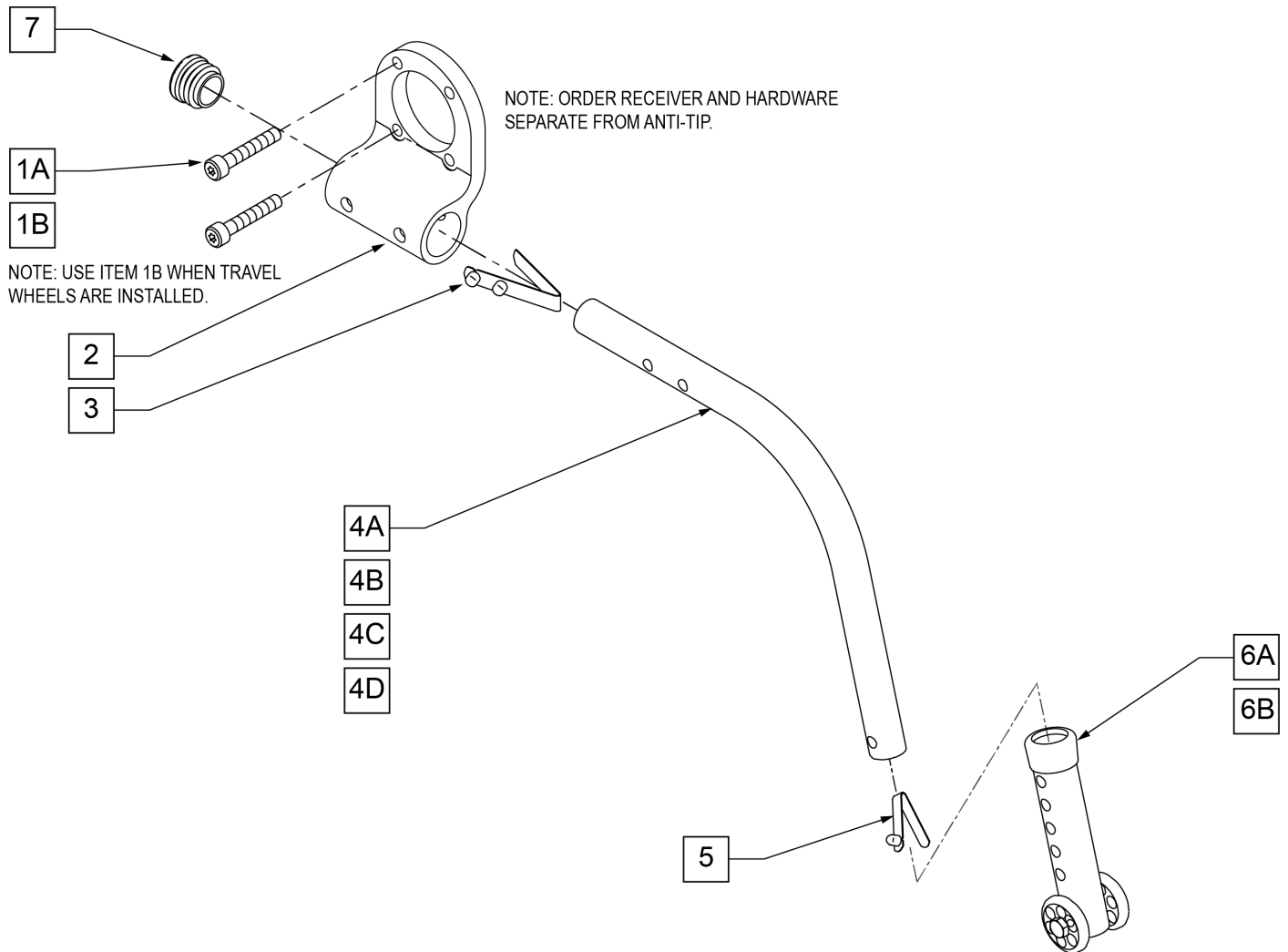


**CASTER
MEASURING GUIDE**

TIRE DIAMETER	HUB WIDTH
3	1
4 1/8	1
5	1
6	1

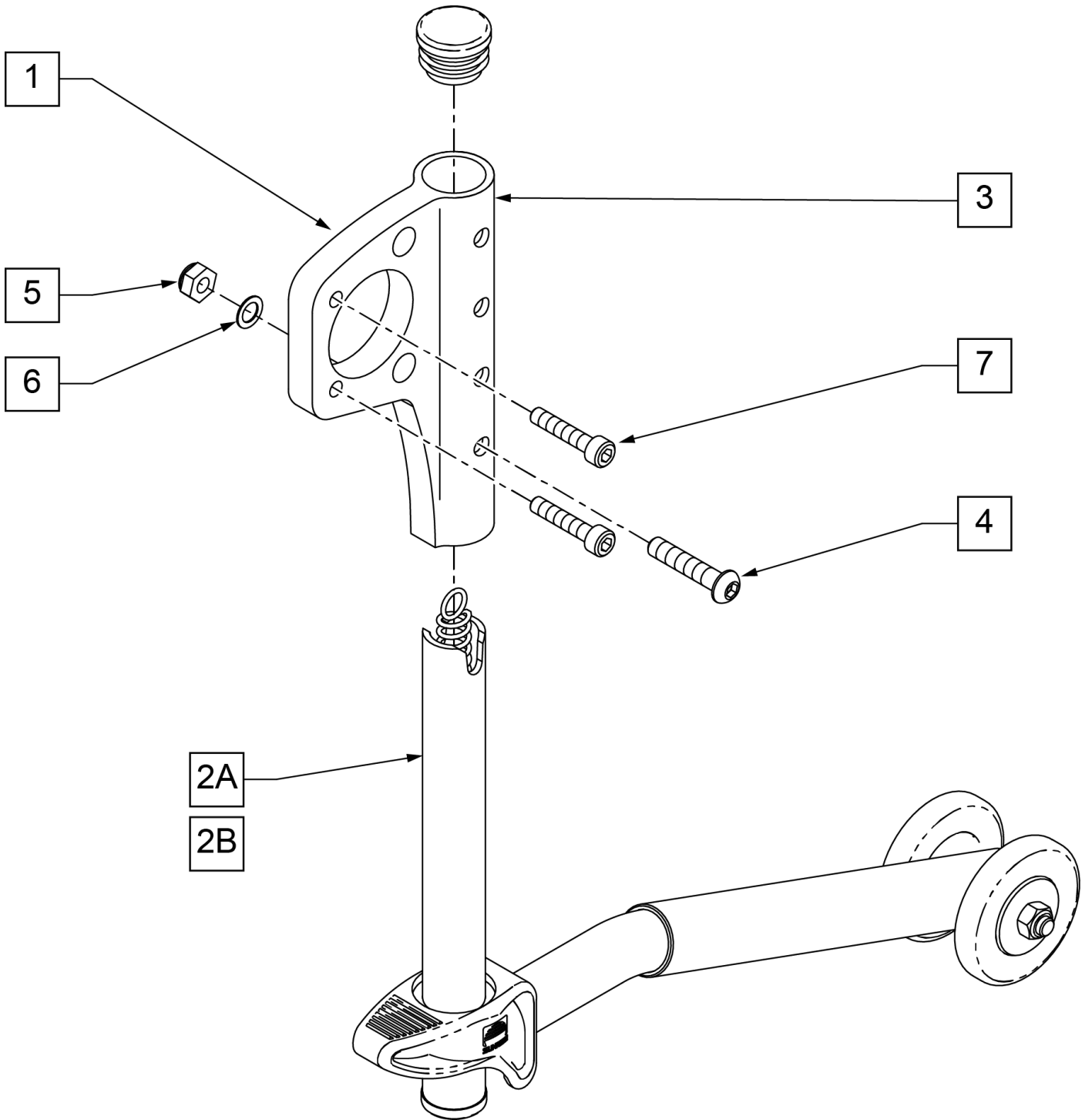


Pos.	Item Number	Description	HCPC	Remarks
1	113394	WHEEL CASTER 3" ULTRALITE SFTRLL	K0077	3" x 1.5" Aluminum Soft Roll - Black Tire - Silver Hub
1	113395	WHEEL CASTER 4" ULTRALITE SFTRLL	K0077	4" x 1.5" Aluminum Soft Roll - Black Tire - Silver Hub
1	113396	WHEEL CASTER 5" ULTRALITE SFTRLL	K0077	5" x 1.5" Aluminum Soft Roll - Black Tire - Silver Hub
1	113397	WHEEL CASTER 6" ULTRALITE SFTRLL	K0077	6" x 1.5" Aluminum Soft Roll - Black Tire - Silver Hub
2	349502	7/8" X 5/16" BEARING		



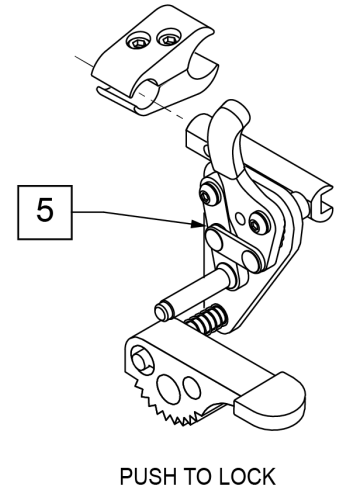
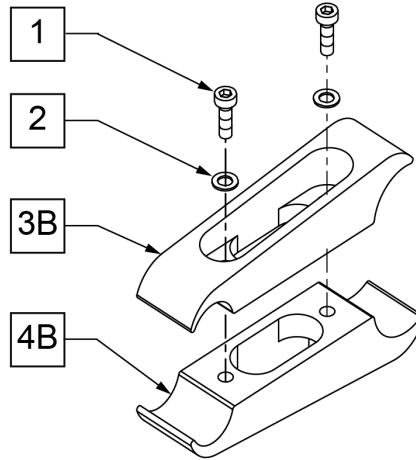
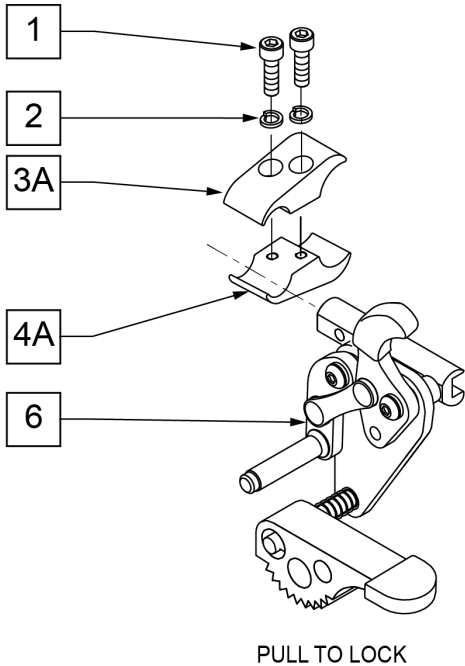
Pos.	Item Number	Description	Remarks
1A	102260-001	SHCS M5 X .8 X 18 INORGANIC	ORDER SEPARATELY
1B	102260-003	SHCS M5 X .8 X 35 INORGANIC	ORDER SEPARATELY
2	050203	RECEIVER ANTI TIP GT	ORDER SEPARATELY
3	301109	SNAP BUTTON DUAL ONE SIDE	
5	301100	1/4" SNAP BTTN SINGLE	
7	560735	7/8 ROUND TUBE PLUG	
3,4A,5	104221-002	ANTI TIP ARM SML RGT	RIGHT-22" WHEELS
3,4A,5	104221-001	ANTI TIP ARM SML LFT	LEFT-22" WHEELS
3,4B,5	104221-004	ANTI TIP ARM MED RGT	RIGHT-24"&25" WHEELS
3,4B,5	104221-003	ANTI TIP ARM MED LFT	LEFT-24"&25" WHEELS
3,4C,5	104221-006	ANTI TIP ARM LRG RGT	RIGHT-26" WHEELS
3,4C,5	104221-005	ANTI TIP ARM LRG LFT	LEFT-26" WHEELS
3,4D,5	104219-002	ANTI TIP TUBE ASSM CRVD RH	RIGHT-20" WHEELS
3,4D,5	104219-001	ANTI TIP TUBE ASSM CRVD LH	LEFT-20" WHEELS
6A	104157	ANTI TIP ARM ADJUSTER	20"&22"WHEELS
6B	104639	ANTI TIP ARM ADJ. MED	24",25"&26"WHEELS
3,4B,5,6B	050172-003	REAR ANTI TIP ASSM 24" RIGHT	RIGHT-24"&25"WHEELS
3,4B,5,6B	050173-003	REAR ANTI TIP ASSM 24" LEFT	LEFT-24"&25"WHEELS
3,4C,5,6B	050172-004	REAR ANTI TIP ASSM 26" RIGHT	RIGHT-26" WHEELS
3,4C,5,6B	050173-004	REAR ANTI TIP ASSM 26" LEFT	LEFT-26" WHEELS

Pos.	Item Number	Description	Remarks
3,4D,5,6A	050172-001	REAR ANTI TIP ASSM 20" RIGHT	RIGHT-20" WHEELS
3,4D,5,6A	050173-001	REAR ANTI TIP ASSM 20" LEFT	LEFT-20" WHEELS
3,4A,5,6A	050172-002	REAR ANTI TIP ASSM 22" RIGHT	RIGHT-22" WHEELS
3,4A,5,6A	050173-002	REAR ANTI TIP ASSM 22" LEFT	LEFT-22" WHEELS



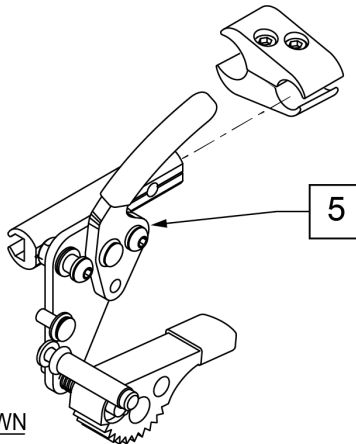
Pos.	Item Number	Description	Remarks
1	101977	RECEIVER ANTI TIP SWING AWAY	
2A	000 859 212	ANTI-TIP TUBE S/A CMLPT 20 -22"	20 & 22" Wheels
2B	000 859 202	ANTI-TIP TUBE S/A CMLPT 24 -26"	24" 25" & 26" Wheels
3	560735	7/8" ROUND TUBE PLUG	
4	102262-005	BHCS M6 x 1 x 30 INORGANIC	
5	200113	NUT HEX NYLON M6	
6	262130	6mm WASHER WAVE	
7	102260-001	SHCS M5 x .8 x 18 INORGANIC	
1,2A,3-7	103104-001	ASSY ANTI-TIP S/A 20-22	20&22" Wheels
1,2B,3-7	103104-002	ASSY ANTI-TIP S/A 24-26	24" 25" & 26" Wheels

NOTE: Refer to "WHEEL LOCK AVAILABILITY" Page for possible mount locations.

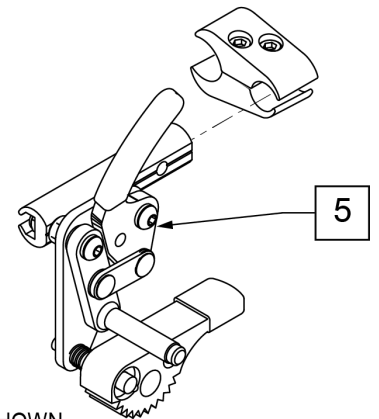


Camber Tube Width

ARMREST/SIDE GUARD	CLAMP
NONE	SHORT
ALUMINUM SIDE GUARDS	N/A
CARBON SIDE GUARD	N/A
PLASTIC SIDE GUARD	SHORT
FOLDING PLASTIC SIDE GUARD	SHORT
HEIGHT ADJ ARMREST	LONG
PADDED S/A ARMREST	SHORT



RH SIDE SHOWN
 PULL TO LOCK
 REVERSE MOUNT WHEEL LOCK
 W/ GRADE AID



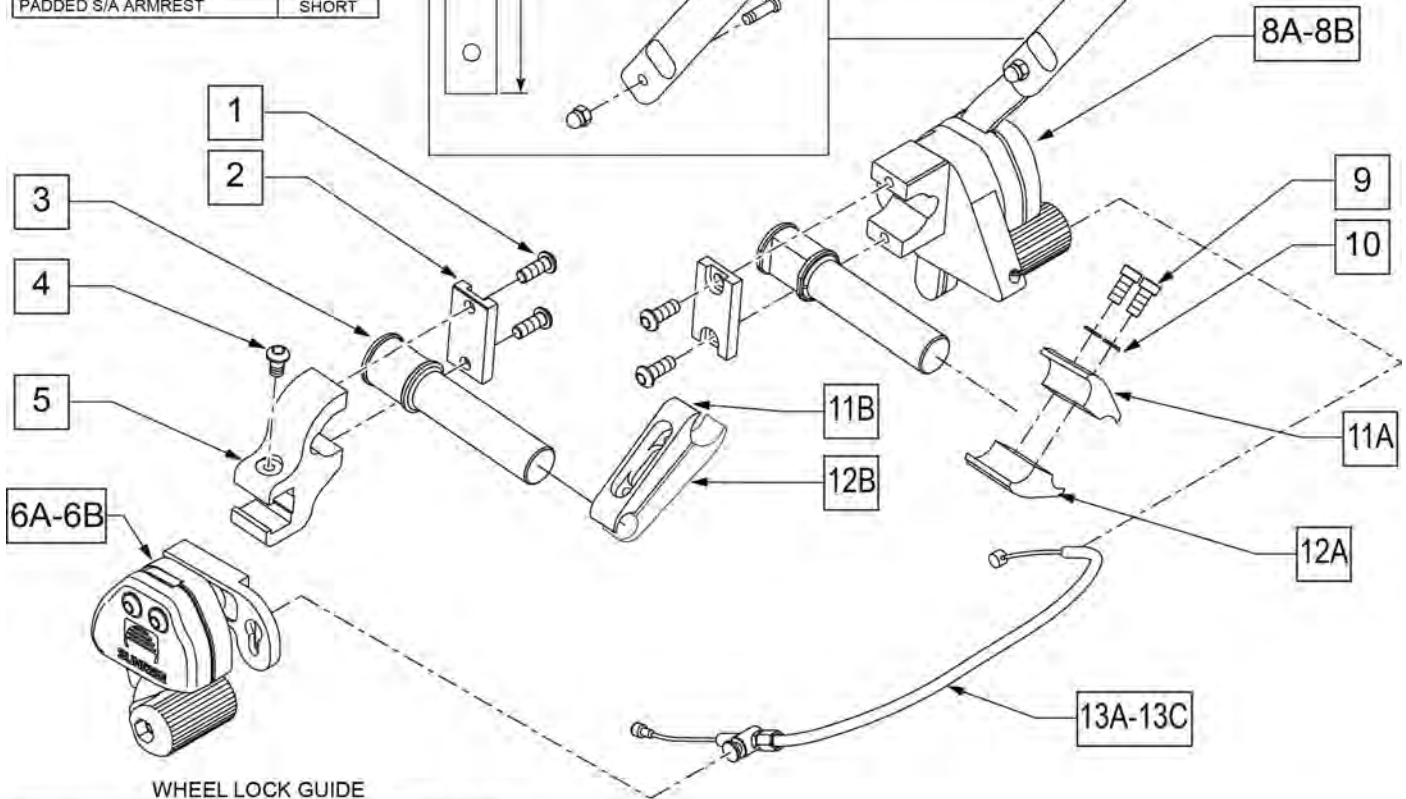
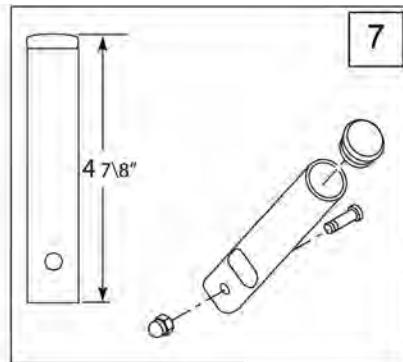
RH SIDE SHOWN
 PUSH TO LOCK
 REVERSE MOUNT WHEEL LOCK
 W/ GRADE AID

Pos.	Item Number	Description	Remarks
1	107032	SHCS 1/4-28 X 1 ROHS	
2	107367	1/4 WASHER HI COLLAR LOCK BLK	
5	107665	WHEEL LOCK PUSH GRADE AID L	LEFT (Push)
5	107666	WHEEL LOCK PUSH GRADE AID R	RIGHT (Push)
6	107667	WHEEL LOCK PULL GRADE AID L	LEFT (Pull)
6	107668	WHEEL LOCK PULL GRADE AID R	RIGHT (Pull)
1-3A,4A	050229	WHEEL LOCK CLAMP ASSM BLK	
1-3B,4A	050230	WHEEL LOCK CLAMP LONG ASSM BLK	

NOTE: Attachment Clamp mounts to 1 1/8" diameter tubing.

Camber Tube Width

ARMREST/SIDE GUARD	CLAMP
NONE	SHORT
ALUMINUM SIDE GUARDS	N/A
CARBON SIDE GUARD	N/A
PLASTIC SIDE GUARD	SHORT
FOLDING PLASTIC SIDE GUARD	SHORT
HEIGHT ADJ ARMREST	LONG
PADDED S/A ARMREST	SHORT



WHEEL LOCK GUIDE

	HAND LOCK	REMOTE LOCK
RIGHT HAND OPERATION	882123	882124
LEFT HAND OPERATION	882121	882122

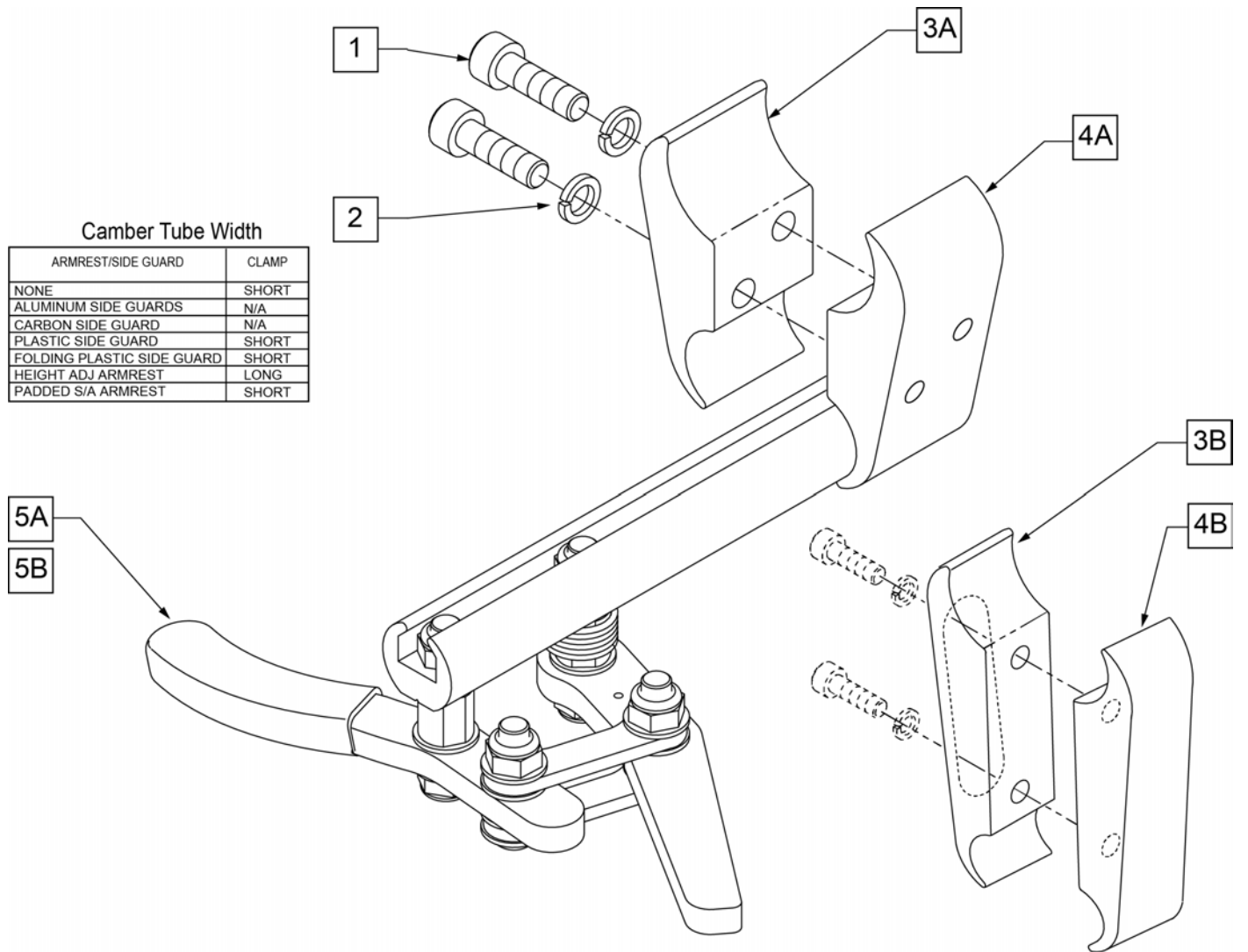
Pos.	Item Number	Description	Remarks
1	230032	M6 x 16 B/H CAP SCREW	
2	501032	CLAMP CAP	
3	501031	WHEEL LOCK EXTENSION	
4	102262-002	BHCS M6 X 1 X 10 W/PL INORG	
5	501033	REMOTE LOCK CLAMP	
7	883300	1-HAND WHLLCK RLCMNT HNDL KIT	4 7/8" LONG
9	102263-002	1/4-28 x 1 SOC C/S BLK	
10	050129-001	1/4 WASHER HI COLLAR	
13A	341760	WHEEL LOCK CABLE SHORT	12 -14" WIDE CHAIRS
13B	341761	WHEEL LOCK CABLE MEDIUM	15 -17" WIDE CHAIRS
13C	341762	WHEEL LOCK CABLE LONG	18 -20" WIDE CHAIRS
9-11A,12A	050229	WHEEL LOCK CLAMP ASSM BLK	SHORT
9-11B,12B	050230	WHEEL LOCK CLAMP LONG ASSM BLK	LONG
1-3,8A	882123	HND LOCK SUB-ASSM RIGHT	Mounts on right side

Pos.	Item Number	Description	Remarks
1-3,8B	882121	HND LOCK SUB-ASSM LEFT	Mounts on left side
1-6A	882124	RMT LOCK SUB-ASSM RIGHT	Mounts on left side
1-6B	882122	RMT LOCK SUB-ASSM LEFT	Mounts on right side
1-6A,8A,13A	102110-001	UNILATERAL PUSH ASSY R SHORT	12 -14" WIDE CHAIRS
1-6A,8A,13B	102110-002	UNILATERAL PUSH ASSY R MED	15 -17" WIDE CHAIRS
1-6A,8A,13C	102110-003	UNILATERAL PUSH ASSY R LONG	18 -20" WIDE CHAIRS
1-6B,8B,13A	102111-001	UNILATERAL PUSH ASSY L SHORT	12 -14" WIDE CHAIRS
1-6B,8B,13B	102111-002	UNILATERAL PUSH ASSY L MED	15 -17" WIDE CHAIRS
1-6B,8B,13C	102111-003	UNILATERAL PUSH ASSY L LONG	18 -20" WIDE CHAIRS

[click here for gt-gti unilateral wheel lock guide with classic frame.xls](#)

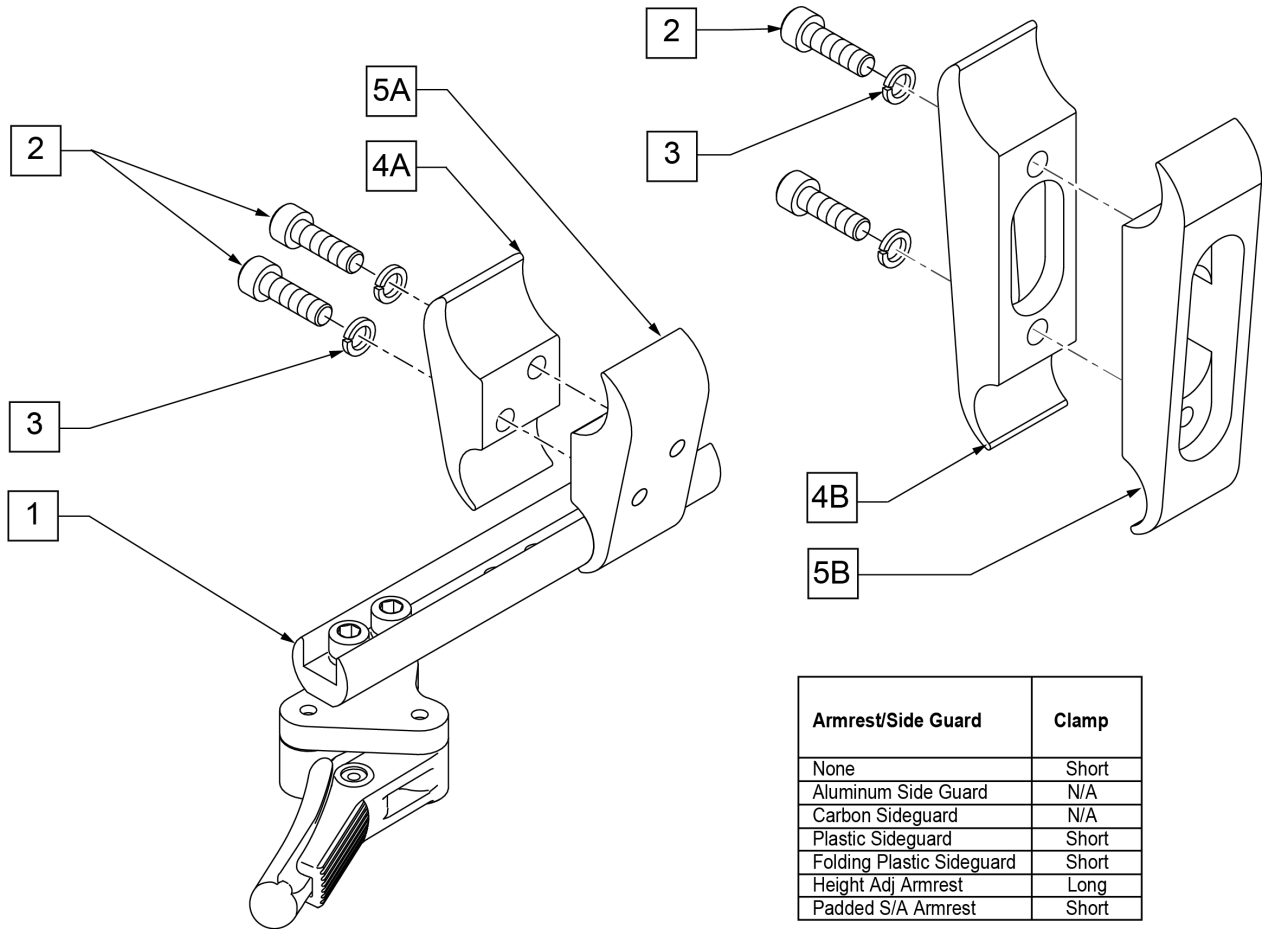
[Click here for GT-GTI Unilateral wheel lock guide with performance frame.xls](#)

NOTE: Attachment Clamp mounts to 1 1/8" diameter tubing.

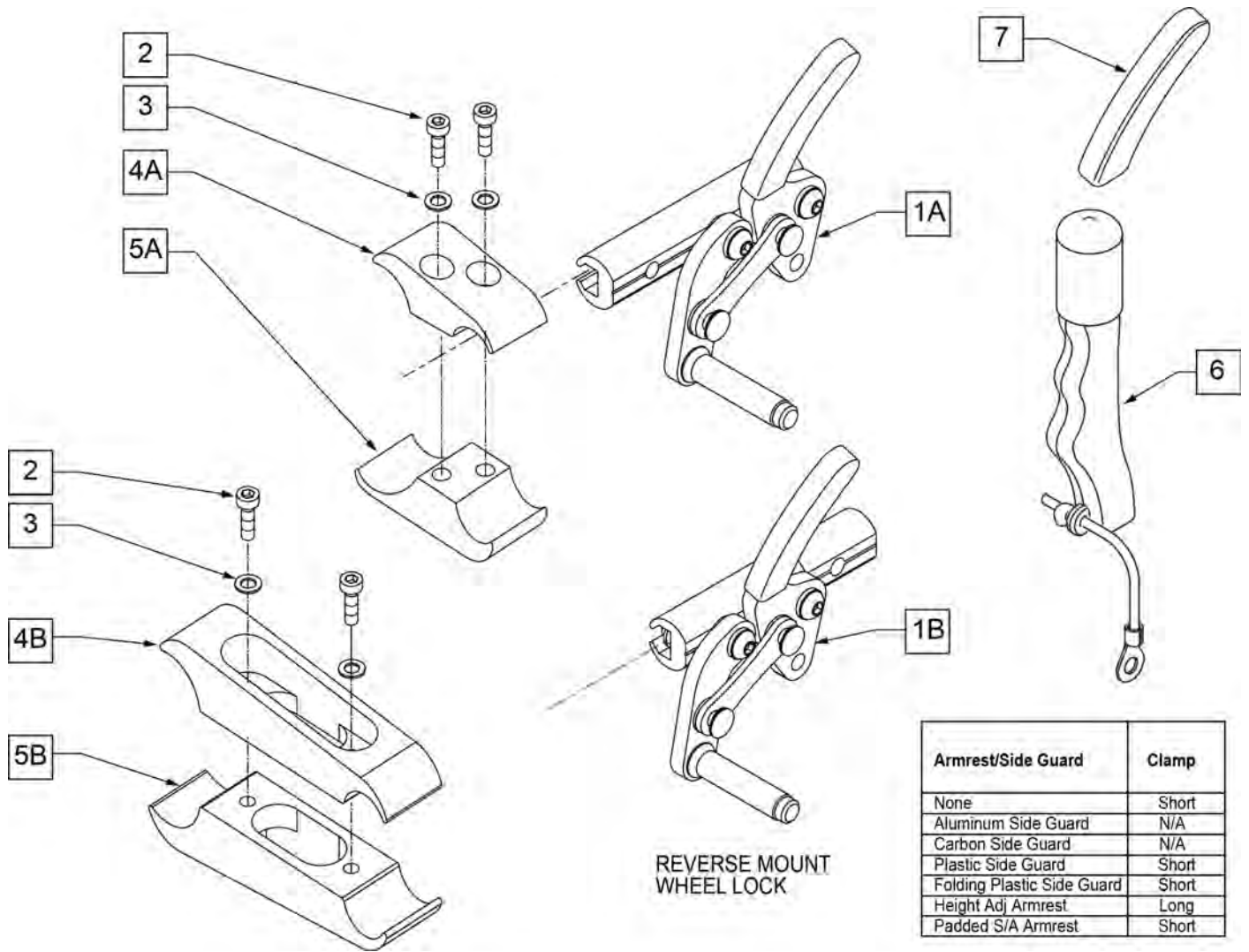


Pos.	Item Number	Description	Remarks
1	102263-002	SHCS M6 X 1 X 20 INORGANIC	
2	050129-001	LOCKWASHER HIGH COLLAR M6	
3A	050120	CLAMP WHL LCK MALE	
3B	050160	CLAMP WHL LCK LONG MALE	
4A	050121	CLAMP WHL LCK FEMALE	
4B	050161	CLAMP WHL LCK LONG FEMALE	
5A	104726-001	ASSY WHL LOCK SCISSOR ERGO R	RIGHT - STANDARD
5B	104726-002	ASSY WHL LOCK SCISSOR ERGO L	LEFT - STANDARD
1-2,3A,4A	050229	WHEEL LOCK CLAMP ASSM BLK	SHORT
1-2,3B,4B	050230	WHEEL LOCK CLAMP LONG ASSM BLK	LONG

NOTE: Attachment Clamp mounts to 1 1/8" diameter tubing.



Pos.	Item Number	Description	Remarks
1	066608-001	CMPCT WHLLCK STD ASSY LEFT	
1	066608-002	CMPCT WHLLCK STD ASSY RIGHT	
2	102263-002	SHCS M6 X 1 X 20 INORGANIC	
3	050129-001	LOCKWASHER HIGH COLLAR M6	
2,3,4A,5A	050229	WHEEL LOCK CLAMP ASSM BLK	SHORT
2,3,4B,5B	050230	WHEEL LOCK CLAMP LONG ASSM BLK	LONG



Pos.	Item Number	Description	Remarks
1A	104227-001	WHEEL LOCK ASSEMBLY (PULL) RIGHT	Right
1A	104227-002	WHEEL LOCK ASSM (PULL) LEFT	Left
1B	109647	WHEEL LOCK HI PULL REV R	Right
1B	109648	WHEEL LOCK HI PULL REV L	Left
2	107032	SHCS 1/4-28 X 1 ROHS	
3	107367	1/4 WASHER HI COLLAR LOCK BLK	
6	118068	WHEEL LOCK EXTENSION ASSY	each
7	104141	COVER CURVED WHEEL LOCK VINYL	
1A,6	107640	WHEEL LOCK ASSM (PULL) R W/ EXT	Right
1A,6	107641	WHEEL LOCK ASSM (PULL) L W/ EXT	Left
1B,6	112625	WHEEL LOCK HI PULL REV R W/ EXT	Right
1B,6	112626	WHEEL LOCK HI PULL REV L W/ EXT	Left
2-4A, 5A	050229	WHEEL LOCK CLAMP ASM BLK	SEE CLAMP MATRIX FOR CORRECT USAGE-SHORT
2-4B, 5B	050230	WHEEL LOCK CLAMP LONG ASSM BLK	SEE CLAMP MATRIX FOR CORRECT USAGE-LONG

[05/2009]

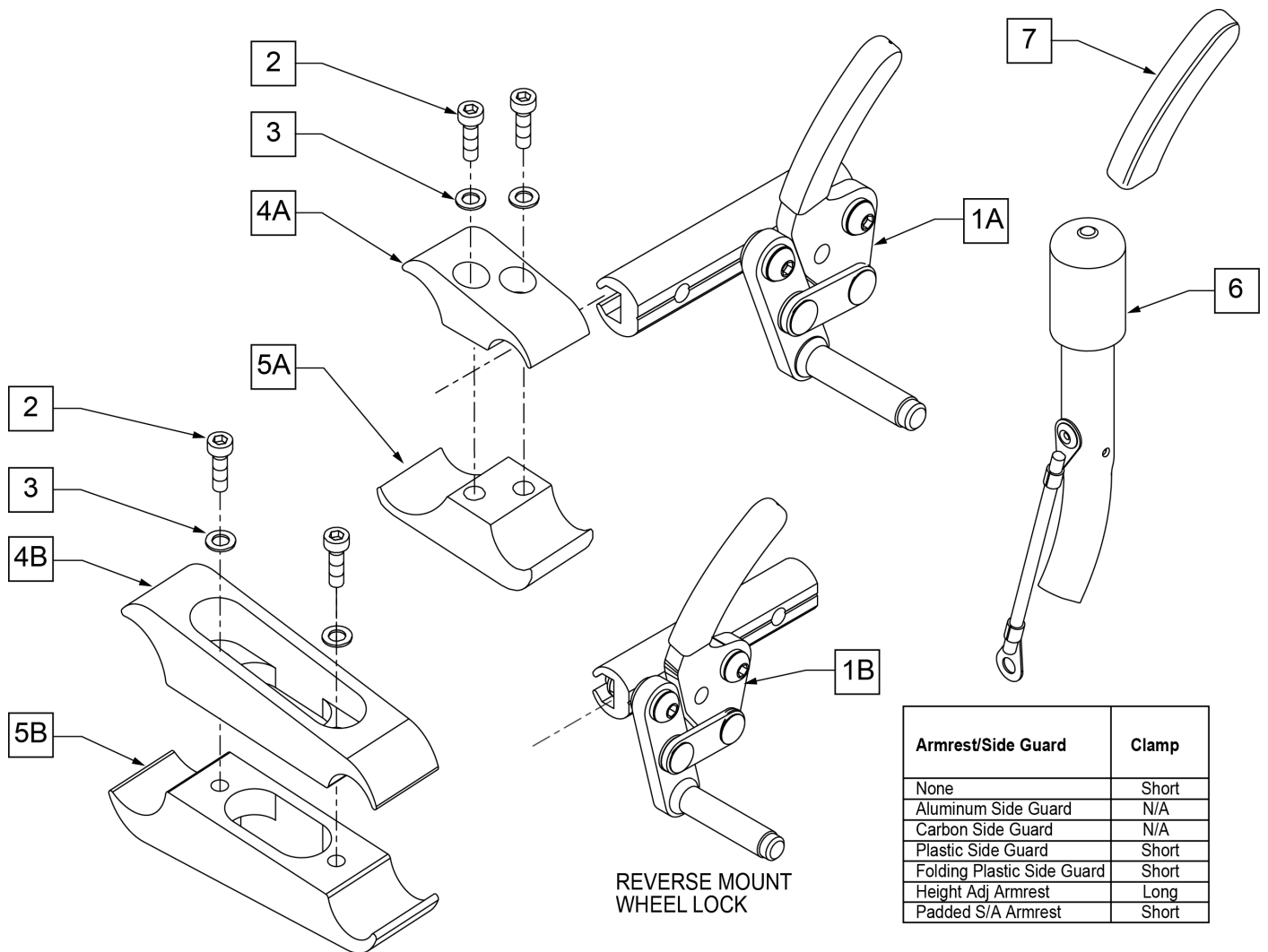
NOTE: ATTACHMENT CLAMP mounts to 1 1/8" diameter tubing.

NOTE: If replacing WHEEL LOCK on GT Chairs w/ S/N Prefix R3A, or GTI Chairs w/ S/N Prefix TYA, or GTX Chairs; you may want to replace both sides as the handle has changed from STRAIGHT to CURVED.

NOTE: ATTACHMENT CLAMP mounts to 1 1/8" diameter tubing.

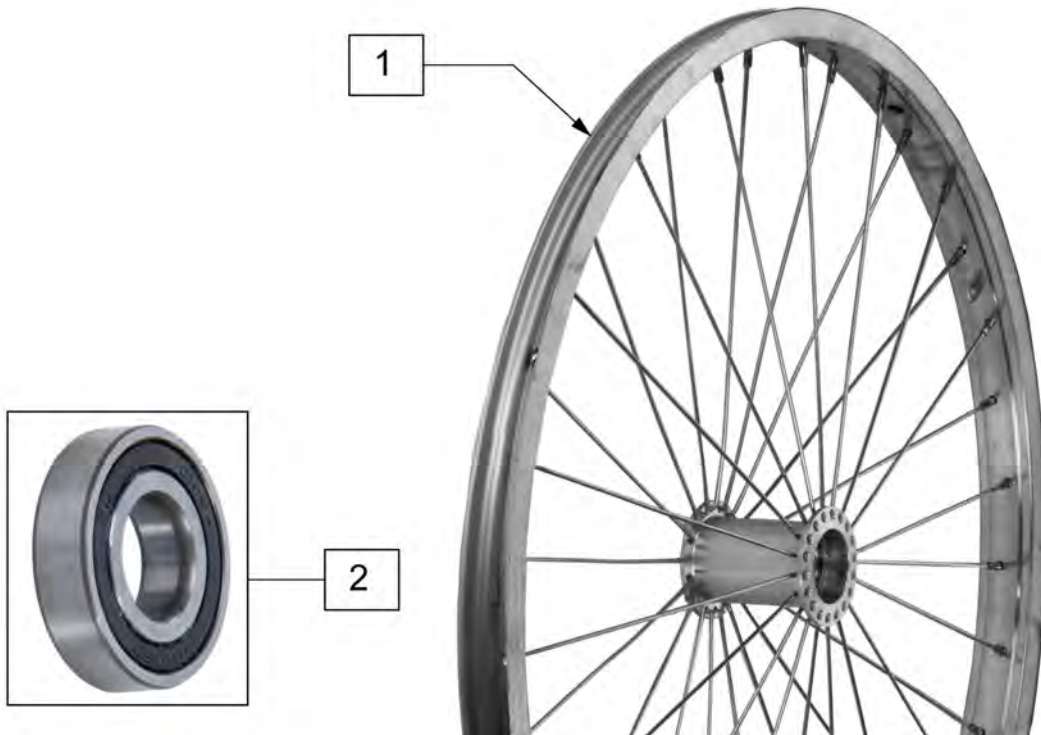
NOTE: If replacing WHEEL LOCK on GT Chairs w/ S/N Prefix R3A, or GTI Chairs w/ S/N Prefix TYA, or GTX Chairs; you may want to replace both sides as the handle has changed from STRAIGHT to CURVED.

NOTE: if replacing WHEEL LOCKS on a GT with the XTR Suspension Frame Style, see Wheel Lock for Suspension Frame (Push to Lock) parts page.



Pos.	Item Number	Description	Remarks
1A	104216-001	WHEEL LOCK ASSEMBLY (PUSH) RIGHT	Right
1A	104216-002	WHEEL LOCK ASSEMBLY (PUSH) LEFT	Left
1B	109643	WHEEL LOCK HI PUSH REV R	Right
1B	109644	WHEEL LOCK HI PUSH REV L	Left
2	102263-002	SHCS M6 X 1 X 20	
3	050129-001	LOCKWASHER HIGH COLLAR M6	
6	118068	WHEEL LOCK EXTENSION ASSY	each
7	104141	COVER CURVED WHEEL LOCK VINYL	
1A,6	107637	WHEEL LOCK ASSM (PUSH) R W/ EXT	Right
1A,6	107638	WHEEL LOCK ASSM (PUSH) L W/ EXT	Left
1B,6	112623	WHEEL LOCK HI PUSH REV R W/ EXT	Right
1B,6	112624	WHEEL LOCK HI PUSH REV L W/ EXT	Left
2-4A,5A	050229	WHEEL LOCK CLAMP ASSM BLK	SEE CLAMP MATRIX FOR CORRECT USAGE-SHORT
2-4B,5B	050230	WHEEL LOCK CLAMP LONG ASSM BLK	SEE CLAMP MATRIX FOR CORRECT USAGE-LONG

NOTE: THIS WHEEL UTILIZES SCREW MOUNT HANDRIMS - THE HANDRIM HAS A THREADED HOLE THAT MOUNTS THE HANDRIM TO THE WHEEL THROUGH A SPACER AND FASTENER.



Pos.	Item Number	Description	Remarks
1	401023	24" X 2.125 RIM ASSEMBLY	24" (540)
2	349538	BEARING BALL 5/8" ID	

NOTE: THIS WHEEL UTILIZES SCREW MOUNT HANDRIMS - THE HANDRIM HAS A THREADED HOLE THAT MOUNTS THE HANDRIM TO THE WHEEL THROUGH A SPACER AND FASTENER.

NOTE: THE LITE SPOKE WHEEL HAS A TOTAL OF 30 SPOKES.



Pos.	Item Number	Description	Remarks
1A	118755	WHEEL ASSM GALLOP 20IN	20" (451)
1B	118756	WHEEL ASSM GALLOP 22IN	22" (501)
1C	118757	WHEEL ASSY GALLOP 24"	24" (540)
1D	118764	25 LT SPK W-HNDRM ANO ASSM GLP	25" (559)
1E	118760	WHEEL ASSM GALLOP 26IN	26" (590)
2	114097	BEARING, REPLACEMENT, MBL	12.7mm i.d. - 28mm o.d. - 8mm wide
3A	118100	MBL LT 20IN SPOKE RPLMNT KIT	Kit contains 6 inner and 6 outer spokes
3B	118101	MBL LT 22IN SPOKE RPLMNT KIT	Kit contains 6 inner and 6 outer spokes
3C	118102	MBL LT 24IN SPOKE RPLMNT KIT	Kit contains 6 inner and 6 outer spokes
3D	118103	MBL LT 25IN SPOKE RPLMNT KIT	Kit contains 6 inner and 6 outer spokes
3E	118104	MBL LT 26IN SPOKE RPLMNT KIT	Kit contains 6 inner and 6 outer spokes

NOTE: THIS WHEEL UTILIZES TAB MOUNT HANDRIMS - THE HANDRIM HAS A STRAIGHT TAB THAT MOUNTS TO THE WHEEL THROUGH THE RIM.

NOTE: 20" WHEELS HAVE 18 SPOKES PER WHEEL; 22", 24" & 25" WHEELS HAVE 24 SPOKES PER WHEEL; SPOKES ARE BLACK.



Pos.	Item Number	Description	Remarks
1A	112857	ULTRA LIGHTWEIGHT WHEEL 20"	20"
1B	112858	ULTRA LIGHT WHEEL 22"	22"(501mm)
1C	112859	ULTRA LIGHTWEIGHT WHEEL 24"	24"(540mm)
1D	112860	ULTRA LIGHTWEIGHT WHEEL 25"	25"(559mm)
2	349500	1 1/8 X 1/2 BEARING	
3A	118105	ULTRA LT 20IN SPOKE RPLMNT KIT	Kit contains 12 spokes
3B	118106	ULTRA LT 22IN SPOKE RPLMNT KIT	Kit contains 12 spokes
3C	118107	ULTRA LT 24IN SPOKE RPLMNT KIT	Kit contains 12 spokes
3D	118108	ULTRA LT 25IN SPOKE RPLMNT KIT	Kit contains 12 spokes

NOTE: THIS WHEEL UTILIZES TAB MOUNT HANDRIMS - THE HANDRIM HAS A STRAIGHT TAB THAT MOUNTS TO THE WHEEL THROUGH THE RIM.



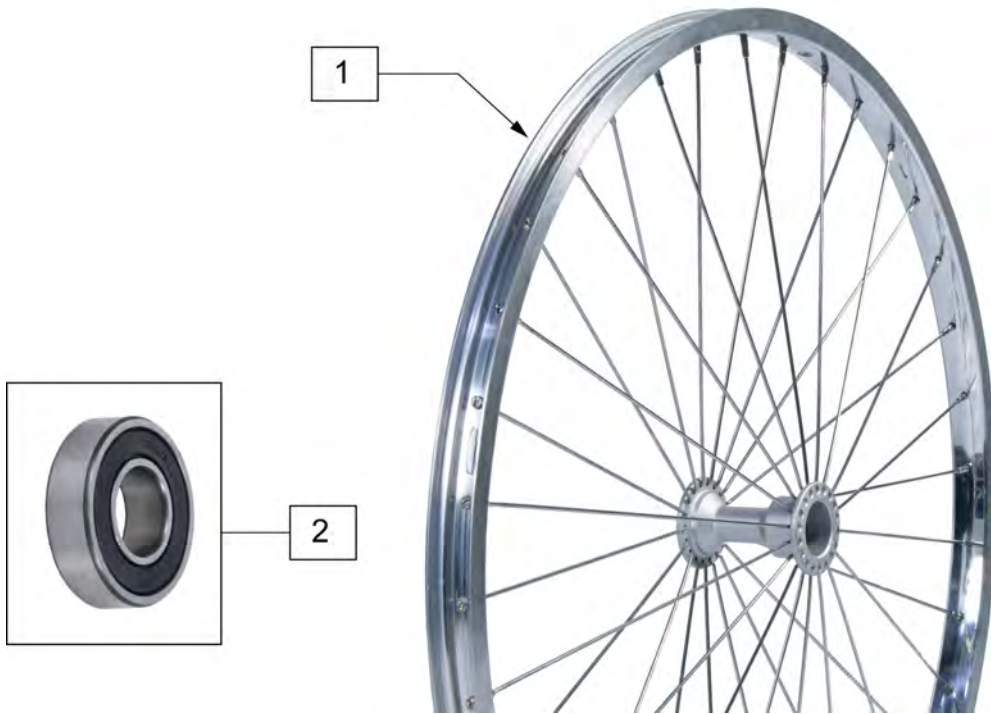
Pos.	Item Number	Description	Remarks
1	762438	SPINERGY STD WHEEL 540 BLK SPK	24"(540mm)
1	762441	SPINERGY STD WHL 559 BLK SPK	25"(559mm)
1	762437	SPINERGY STD WHEEL 590 BLK SPK	26"(590mm)
1	762442	SPINERGY STD WHEEL 540 BLUE	24"(540mm)
1	762444	SPINERGY STD WHEEL 559 BLU	25"(559mm)
1	762446	SPINERGY STD WHEEL 590 BLUE	26"(590mm)
1	762443	SPINERGY STD WHEEL 540 RED	24"(540mm)
1	762445	SPINERGY STD WHEEL 559 RED	25"(559mm)
1	762447	SPINERGY STD WHEEL 590 RED	26"(590mm)
1	762456	SPINERGY STD WHEEL 540 WHT	24"(540mm)
1	762433	SPINERGY STD WHEEL 540 YELLOW	24"(540mm)
1	762462	SPINERGY STD WHL 559 YLW SPK	25"(559mm)
1	762431	SPINERGY STD WHEEL 590 YELLOW	26"(590mm)
2	349500	1 1/8 X 1/2 BEARING	

NOTE: THIS WHEEL UTILIZES TAB MOUNT HANDRIMS - THE HANDRIM HAS A STRAIGHT TAB THAT MOUNTS TO THE WHEEL THROUGH THE RIM.



Pos.	Item Number	Description	Remarks
1	101989-001	SPINERGY LT EX WHEEL 540 BLK	24"(540mm)
1	101991-001	SPINERGY LT EX WHEEL 559 BLK	25"(559mm)
1	101993-001	SPINERGY LT EX WHEEL 590 BLK	26"(590mm)
1	101989-002	SPINERGY LT EX WHEEL 540 BLU	24"(540mm)
1	101991-002	SPINERGY LT EX WHEEL 559 BLU	25"(559mm)
1	101988-003	SPINRGY SPT LT EX WHL 540 RED	24"(540mm)
1	101989-003	SPINERGY LT EX WHEEL 540 RED	24"(540mm)
1	101991-003	SPINERGY LT EX WHEEL 559 RED	25"(559mm)
1	101992-003	SPINRGY SPT LT EX WHL 590 RED	26"(590mm)
1	101989-005	SPINERGY LT EX WHEEL 540 WHT	24"(540mm)
1	101988-004	SPINRGY SPT LT EX WHL 540 YLW	24"(540mm)
1	101989-004	SPINERGY LT EX WHEEL 540 YLW	24"(540mm)
1	101991-004	SPINERGY LT EX WHEEL 559 YLW	25"(559mm)
1	101992-004	SPINRGY SPT LT EX WHL 590 YLW	26"(590mm)
1	101993-004	SPINERGY LT EX WHEEL 590 YLW	26"(590mm)
2	349500	1 1/8 X 1/2 BEARING	

NOTE: THIS WHEEL UTILIZES TAB MOUNT HANDRIMS - THE HANDRIM HAS A STRAIGHT TAB THAT MOUNTS TO THE WHEEL THROUGH THE RIM



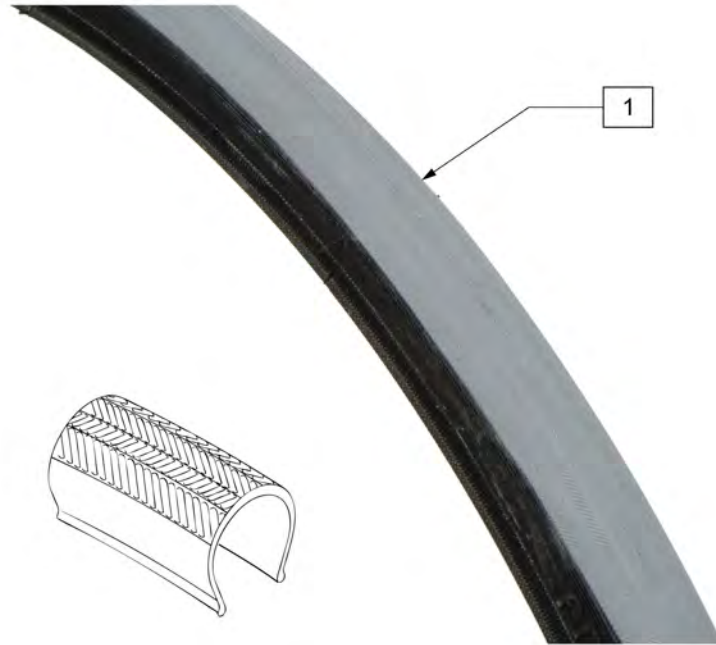
Pos.	Item Number	Description	Remarks
1	401075	24 RIM ASSM X 1.5 SUN PSH BTTN	22" (507MM)
1	401076	24" HT RIM ASSM SUN PUSH BTTN	25" (559MM)
2	349500	1 1/8 X 1/2 BEARING	



Pos.	Item Number	Description	Remarks
1	385237	16" X 1.75" PNEU TIRE	
1	385250	20" PNEUMATIC TIRE	
1	385275	22" PNEUMATIC TIRE	22" x 1 3/8 (501mm)
1	385300	24" PNEUMATIC TIRE	24" x 1 3/8 (540mm)
1	385325	26" PNEUMATIC TIRE	26" x 1 3/8 (590mm)
1	384614	24" x 2.125 PNEUMATIC TIRE	24"x2 1/8 (540mm) used w/ M6



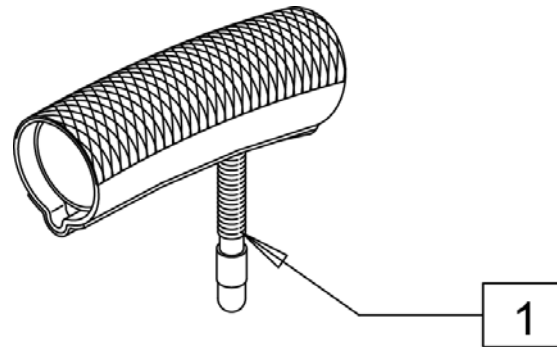
Pos.	Item Number	Description	Remarks
1	386232	20" POLY TIRE STD	20"
1	386242	22" POLY TIRE STD	22" (501mm)
1	386252	24" POLY TIRE STD	24" (540mm)



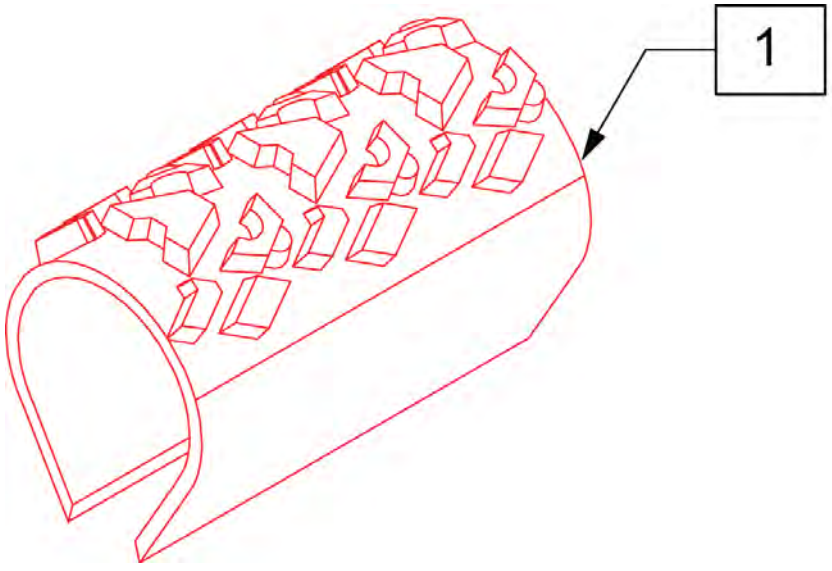
Pos.	Item Number	Description	Remarks
1	385280	22" x 1" HI PRES CLINCHER	22" (501mm)
1	389020	24" x 1" HI PRES CLNCHR TIRE	24" (540mm)
1	389012	QP 24" x 1" HT TURB BLK WR/BD 559	25" (559mm)
1	389030	26" x 1" HI PRES CLNCHR TIRE	26" (590mm)
1	105919	22" x 1" HI PRESS CLNCHR ULTRALIGHT	22" (489mm)

Note: QP Tubular Tires are discontinued. Please see HIGH PRESSURE CLINCHER TIRE parts page. Order 389020 (540), 389012 (559), 389030 (590) replacement tires.

Note: when replacing QP Tubular Tire with High Pressure Clincher Tire, a replacement inner tube is required.



Pos.	Item Number	Description	Remarks
1	389004	QP 24" X 1" TUBULAR TIRE	DISCONTINUED - SEE NOTE
1	389006	QP 26" X 1" TUBULAR TIRE	DISCONTINUED - SEE NOTE



Pos.	Item Number	Description	Remarks
1	385354	24" X 1-3/8" KNOBBIE TIRE	24"(540mm)



Pos.	Item Number	Description	Remarks
1	102066-004	TIRE SCHWALBE MP 489 BLK	22" (489mm)
1	102066-001	TIRE SCHWBL MPE 540 BLK	24" (540mm)
1	102066-002	TIRE SCHWBL MPE 559 BLK	25" (559mm)
1	102066-003	TIRE SCHWBL MPE 590 BLK	26" (590mm)

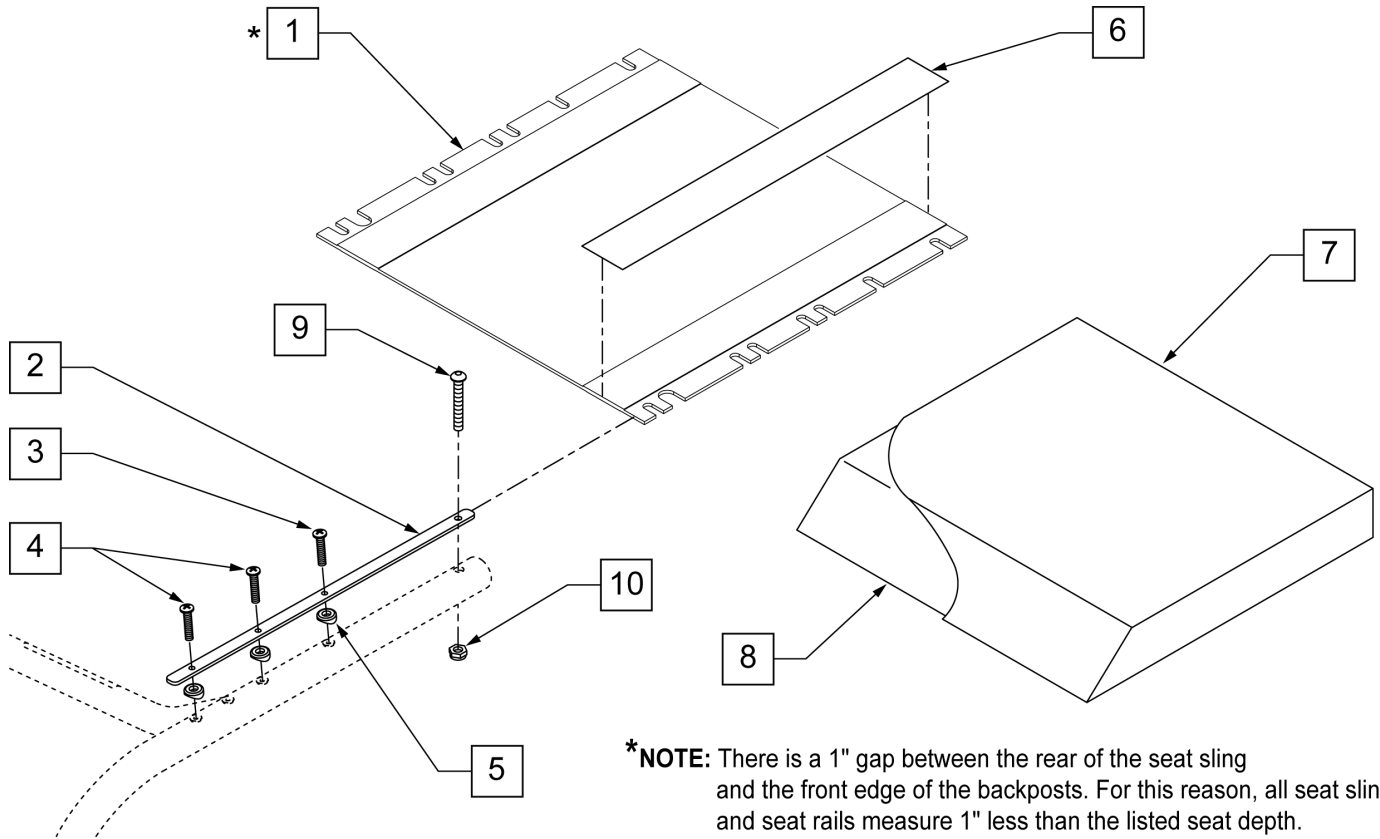


Pos.	Item Number	Description	Remarks
1	384604	TIRE CS 24 X 2.1 SMOKER 507MM	22"(501mm)
1	384606	TIRE CS 26 X 2.1 SMOKER 559MM	25"(559mm)



Pos.	Item Number	Description	Remarks
1A	Discontinued	Presta Valves Discontinued	
1A	384736	INNER TUBE 12-1/2" X 2-1/4"	
1A	384738	16" X 1.75" INNER TUBE	
1A	382255	TUBE 18" TIRE	18" X 1-3/4" TUBE
1A	382275	20" TUBE	20" 1-3/8" TUBE
1A	382300	22" TUBE	22" X 1-3/8" TUBE
1A	382336	TUBE PRIMO 24" 25-540 SV	24" X 1" TUBE
1A	382325	24 X 1.3/8IN TUBE REG	
1A	382334	TUBE INLINE 24 X 1.75	
1A	384551	26" X 1" TUBE SCHRADER	
1A	382350	26" TUBE	26" X 1-3/8" TUBE
1A	382361	TUBE 26 X 1.5/1.95/ S/V	
1A	382365	26 X 1.25/1.5 TUBE SHRADER	
1A	382375	24" x 2.125 TUBE	
1B	102972-001	12 1/2 IN AIRLESS INSERT	12-1/2" X 2-1/4"
1B	102973-001	16IN AIRLESS INSERT	16" X 1-3/4"
1B	102973-002	18IN AIRLESS INSERT	18" X 1-3/4"
1B	102973-003	20IN AIRLESS INSERT	20" X 1-3/8"
1B	102972-002	AIRLESS INSERT 20 X 2-1/8 P3	
1B	102973-004	22IN AIRLESS INSERT	22" X 1-3/8"
1B	102973-005	24IN AIRLESS INSERT	24" X 1-3/8"
1B	102972-003	AIRLESS INSERT 24 X 2-1/8	
1B	108259	26" AIRLESS INSERT	26" X 1-3/8"

NOTE: FOR CHAIRS PRIOR TO R3-012700 & T4-505900 THE SEAT SLING WILL HAVE LESS SLOTS. WHEN REPLACING THE SLING THE NEW STYLE SLING SHOWN BELOW WILL BE A DIRECT REPLACEMENT.



***NOTE:** There is a 1" gap between the rear of the seat sling and the front edge of the backposts. For this reason, all seat slings and seat rails measure 1" less than the listed seat depth.

Pos.	Item Number	Description	Remarks
1	109466	SEAT SLING 12"W X 11"D	FOR 12" x 12"
1	109467	SEAT SLING 12"W X 12"D	FOR 12" x 13"
1	109468	SEAT SLING 12"W X 13"D	FOR 12" x 14"
1	109469	SEAT SLING 12"W X 14"D	FOR 12" x 15"
1	109470	SEAT SLING 12"W X 15"D	FOR 12" x 16"
1	109471	SEAT SLING 12"W X 16"D	FOR 12" x 17"
1	109472	SEAT SLING 12"W X 17"D	FOR 12" x 18"
1	109473	SEAT SLING 12"W X 18"D	FOR 12" x 19"
1	109474	SEAT SLING 13"W X 11"D	FOR 13" x 12"
1	109475	SEAT SLING 13"W X 12"D	FOR 13" x 13"
1	109476	SEAT SLING 13"W X 13"D	FOR 13" x 14"
1	109477	SEAT SLING 13"W X 14"D	FOR 13" x 15"
1	109478	SEAT SLING 13"W X 15"D	FOR 13" x 16"
1	109479	SEAT SLING 13"W X 16"D	FOR 13" x 17"
1	109480	SEAT SLING 13"W X 17"D	FOR 13" x 18"
1	109481	SEAT SLING 13"W X 18"D	FOR 13" x 19"
1	109482	SEAT SLING 14"W X 11"D	FOR 14" x 12"
1	109483	SEAT SLING 14"W X 12"D	FOR 14" x 13"
1	109484	SEAT SLING 14"W X 13"D	FOR 14" x 14"
1	109485	SEAT SLING 14"W X 14"D	FOR 14" x 15"
1	109486	SEAT SLING 14"W X 15"D	FOR 14" x 16"

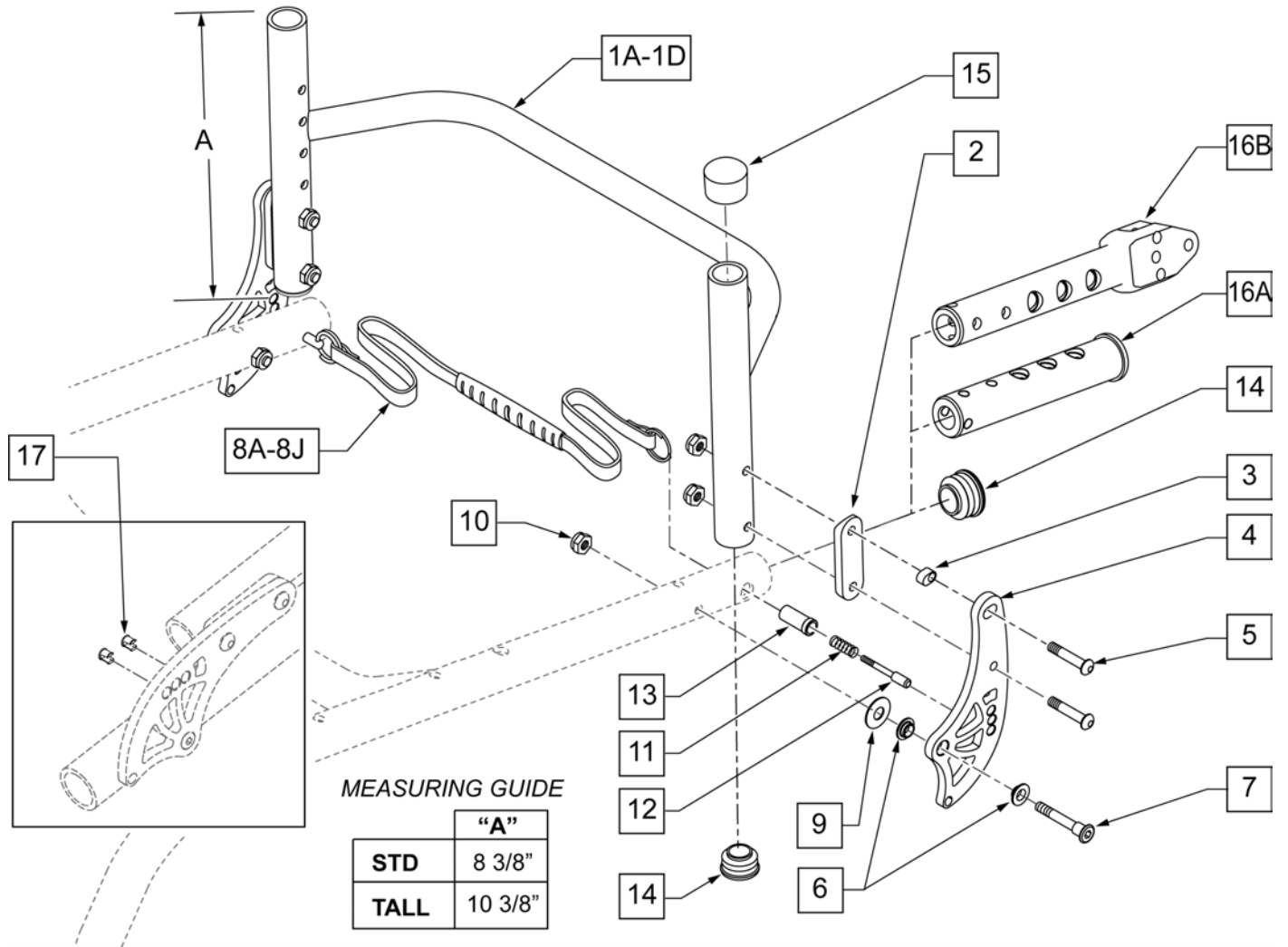
Pos.	Item Number	Description	Remarks
1	109487	SEAT SLING 14"W X 16"D	FOR 14" x 17"
1	109488	SEAT SLING 14"W X 17"D	FOR 14" x 18"
1	109489	SEAT SLING 14"W X 18"D	FOR 14" x 19"
1	109490	SEAT SLING 14"W X 19"D	FOR 14" x 20"
1	109491	SEAT SLING 15"W X 11"D	FOR 15" x 12"
1	109492	SEAT SLING 15"W X 12"D	FOR 15" x 13"
1	109493	SEAT SLING 15"W X 13"D	FOR 15" x 14"
1	109494	SEAT SLING 15"W X 14"D	FOR 15" x 15"
1	109495	SEAT SLING 15"W X 15"D	FOR 15" x 16"
1	109496	SEAT SLING 15"W X 16"D	FOR 15" x 17"
1	109497	SEAT SLING 15"W X 17"D	FOR 15" x 18"
1	109498	SEAT SLING 15"W X 18"D	FOR 15" x 19"
1	109499	SEAT SLING 15"W X 19"D	FOR 15" x 20"
1	109500	SEAT SLING 16"W X 11"D	FOR 16" x 12"
1	109501	SEAT SLING 16"W X 12"D	FOR 16" x 13"
1	109502	SEAT SLING 16"W X 13"D	FOR 16" x 14"
1	109503	SEAT SLING 16"W X 14"D	FOR 16" x 15"
1	109504	SEAT SLING 16"W X 15"D	FOR 16" x 16"
1	109505	SEAT SLING 16"W X 16"D	FOR 16" x 17"
1	109506	SEAT SLING 16"W X 17"D	FOR 16" x 18"
1	109507	SEAT SLING 16"W X 18"D	FOR 16" x 19"
1	109508	SEAT SLING 16"W X 19"D	FOR 16" x 20"
1	109509	SEAT SLING 17"W X 11"D	FOR 17" x 12"
1	109510	SEAT SLING 17"W X 12"D	FOR 17" x 13"
1	109511	SEAT SLING 17"W X 13"D	FOR 17" x 14"
1	109512	SEAT SLING 17"W X 14"D	FOR 17" x 15"
1	109513	SEAT SLING 17"W X 15"D	FOR 17" x 16"
1	109514	SEAT SLING 17"W X 16"D	FOR 17" x 17"
1	109515	SEAT SLING 17"W X 17"D	FOR 17" x 18"
1	109516	SEAT SLING 17"W X 18"D	FOR 17" x 19"
1	109517	SEAT SLING 17"W X 19"D	FOR 17" x 20"
1	109518	SEAT SLING 18"W X 11"D	FOR 18" x 12"
1	109519	SEAT SLING 18"W X 12"D	FOR 18" x 13"
1	109520	SEAT SLING 18"W X 13"D	FOR 18" x 14"
1	109521	SEAT SLING 18"W X 14"D	FOR 18" x 15"
1	109522	SEAT SLING 18"W X 15"D	FOR 18" x 16"
1	109523	SEAT SLING 18"W X 16"D	FOR 18" x 17"
1	109524	SEAT SLING 18"W X 17"D	FOR 18" x 18"
1	109525	SEAT SLING 18"W X 18"D	FOR 18" x 19"
1	109526	SEAT SLING 18"W X 19"D	FOR 18" x 20"
1	109527	SEAT SLING 19"W X 11"D	FOR 19" x 12"
1	109528	SEAT SLING 19"W X 12"D	FOR 19" x 13"
1	109529	SEAT SLING 19"W X 13"D	FOR 19" x 14"
1	109530	SEAT SLING 19"W X 14"D	FOR 19" x 15"
1	109531	SEAT SLING 19"W X 15"D	FOR 19" x 16"
1	109532	SEAT SLING 19"W X 16"D	FOR 19" x 17"
1	109533	SEAT SLING 19"W X 17"D	FOR 19" x 18"
1	109534	SEAT SLING 19"W X 18"D	FOR 19" x 19"
1	109535	SEAT SLING 19"W X 19"D	FOR 19" x 20"
1	109536	SEAT SLING 20"W X 11"D	FOR 20" x 12"
1	109537	SEAT SLING 20"W X 12"D	FOR 20" x 13"
1	109538	SEAT SLING 20"W X 13"D	FOR 20" x 14"
1	109539	SEAT SLING 20"W X 14"D	FOR 20" x 15"
1	109540	SEAT SLING 20"W X 15"D	FOR 20" x 16"
1	109541	SEAT SLING 20"W X 16"D	FOR 20" x 17"
1	109542	SEAT SLING 20"W X 17"D	FOR 20" x 18"
1	109543	SEAT SLING 20"W X 18"D	FOR 20" x 19"

Pos.	Item Number	Description	Remarks
1	109544	SEAT SLING 20"W X 19"D	FOR 20" x 20"
2	109457	SEAT RAIL ALUM RIGID 11"	FOR 12" DEEP
2	109458	SEAT RAIL ALUM RIGID 12"	FOR 13" DEEP
2	109459	SEAT RAIL ALUM RIGID 13"	FOR 14" DEEP
2	109460	SEAT RAIL ALUM RIGID 14"	FOR 15" DEEP
2	109461	SEAT RAIL ALUM RIGID 15"	FOR 16" DEEP
2	109462	SEAT RAIL ALUM RIGID 16"	FOR 17" DEEP
2	109463	SEAT RAIL ALUM RIGID 17"	FOR 18" DEEP
2	109464	SEAT RAIL ALUM RIGID 18"	FOR 19" DEEP
2	109465	SEAT RAIL ALUM RIGID 19"	FOR 20" DEEP
3	102262-004	BHCS M6 X 1 X 25 W/PL INORG	
4	102259-002	BHCS M5 x .8 x 20 INORG	
5	482000	SADDLE SMALL 1.00 TUBE.25 HOLE	
6	901169	SEAT SLING VELCRO STRIP @ 2"	
9	102262-007	BHCS M6 x 1 x 45 INORG	
10	104381	NUT HEX NYLOCK M6 x 1.0	
7,8	700122	SEAT CUSHION 12" x 12" x 2"	
7,8	700132	SEAT CUSHION 12" x 13" x 2"	
7,8	700142	SEAT CUSHION 12" x 14" x 2"	
7,8	700152	SEAT CUSHION 12" x 15" x 2"	
7,8	700162	SEAT CUSHION 12" x 16" x 2"	
7,8	700172	SEAT CUSHION 12" x 17" x 2"	
7,8	700182	SEAT CUSHION 12" x 18" x 2"	
7,8	700192	SEAT CUSHION 12" x 19" x 2"	
7,8	700222	SEAT CUSHION 13" x 12" x 2"	
7,8	700232	SEAT CUSHION 13" x 13" x 2"	
7,8	700242	SEAT CUSHION 13" x 14" x 2"	
7,8	700252	SEAT CUSHION 13" x 15" x 2"	
7,8	700262	SEAT CUSHION 13" x 16" x 2"	
7,8	700272	SEAT CUSHION 13" x 17" x 2"	
7,8	700277	SEAT CUSHION 13" x 18" x 2"	
7,8	700267	SEAT CUSHION 13" x 19" x 2"	
7,8	700302	SEAT CUSHION 14" x 12" x 2"	
7,8	700312	SEAT CUSHION 14" x 13" x 2"	
7,8	700322	SEAT CUSHION 14" x 14" x 2"	
7,8	700332	SEAT CUSHION 14" x 15" x 2"	
7,8	700342	SEAT CUSHION 14" x 16" x 2"	
7,8	700352	SEAT CUSHION 14" x 17" x 2"	
7,8	700362	SEAT CUSHION 14" x 18" x 2"	
7,8	700372	SEAT CUSHION 14" x 19" x 2"	
7,8	700382	SEAT CUSHION 14" x 20" x 2"	
7,8	700402	SEAT CUSHION 15" x 12" x 2"	
7,8	700412	SEAT CUSHION 15" x 13" x 2"	
7,8	700422	SEAT CUSHION 15" x 14" x 2"	
7,8	700432	SEAT CUSHION 15" x 15" x 2"	
7,8	700442	SEAT CUSHION 15" x 16" x 2"	
7,8	700452	SEAT CUSHION 15" x 17" x 2"	
7,8	700462	SEAT CUSHION 15" x 18" x 2"	
7,8	700472	SEAT CUSHION 15" x 19" x 2"	
7,8	700502	SEAT CUSHION 16" x 12" x 2"	
7,8	700512	SEAT CUSHION 16" x 13" x 2"	
7,8	700522	SEAT CUSHION 16" x 14" x 2"	
7,8	700532	SEAT CUSHION 16" x 15" x 2"	
7,8	700542	SEAT CUSHION 16" x 16" x 2"	
7,8	700552	SEAT CUSHION 16" x 17" x 2"	
7,8	700562	SEAT CUSHION 16" x 18" x 2"	
7,8	700572	SEAT CUSHION 16" x 19" x 2"	

Pos.	Item Number	Description	Remarks
7,8	700582	SEAT CUSHION 16" x 20" x 2"	
7,8	700606	SEAT CUSHION 17" x 12" x 2"	
7,8	700597	SEAT CUSHION 17" x 13" x 2"	
7,8	700602	SEAT CUSHION 17" x 14" x 2"	
7,8	700612	SEAT CUSHION 17" x 15" x 2"	
7,8	700622	SEAT CUSHION 17" x 16" x 2"	
7,8	700632	SEAT CUSHION 17" x 17" x 2"	
7,8	700642	SEAT CUSHION 17" x 18" x 2"	
7,8	700652	SEAT CUSHION 17" x 19" x 2"	
7,8	700662	SEAT CUSHION 17" x 20" x 2"	
7,8	700682	SEAT CUSHION 18" x 12" x 2"	
7,8	700692	SEAT CUSHION 18" x 13" x 2"	
7,8	700702	SEAT CUSHION 18" x 14" x 2"	
7,8	700712	SEAT CUSHION 18" x 15" x 2"	
7,8	700722	SEAT CUSHION 18" x 16" x 2"	
7,8	700732	SEAT CUSHION 18" x 17" x 2"	
7,8	700742	SEAT CUSHION 18" x 18" x 2"	
7,8	700752	SEAT CUSHION 18" x 19" x 2"	
7,8	700762	SEAT CUSHION 18" x 20" x 2"	
7,8	700782	SEAT CUSHION 19" x 12" x 2"	
7,8	700792	SEAT CUSHION 19" x 13" x 2"	
7,8	700802	SEAT CUSHION 19" x 14" x 2"	
7,8	700812	SEAT CUSHION 19" x 15" x 2"	
7,8	700822	SEAT CUSHION 19" x 16" x 2"	
7,8	700832	SEAT CUSHION 19" x 17" x 2"	
7,8	700842	SEAT CUSHION 19" x 18" x 2"	
7,8	700852	SEAT CUSHION 19" x 19" x 2"	
7,8	700862	SEAT CUSHION 19" x 20" x 2"	
7,8	700882	SEAT CUSHION 20" x 12" x 2"	
7,8	700892	SEAT CUSHION 20" x 13" x 2"	
7,8	700902	SEAT CUSHION 20" x 14" x 2"	
7,8	700912	SEAT CUSHION 20" x 15" x 2"	
7,8	700922	SEAT CUSHION 20" x 16" x 2"	
7,8	700932	SEAT CUSHION 20" x 17" x 2"	
7,8	700942	SEAT CUSHION 20" x 18" x 2"	
7,8	700952	SEAT CUSHION 20" x 19" x 2"	
7,8	700962	SEAT CUSHION 20" x 20" x 2"	

NOTE: Effective on GTi chairs after S/N T4-505800 & T4A-505900.

NOTE: New style Backrest Brackets and Frame (after S/N T4-505800 & T4A-505900) are not compatible with the old style Backrest Brackets and Frame .



Pos.	Item Number	Description	Remarks
>>>>		STANDARD BACK FRAMES ONLY	
1A	109303	FRM ALUM BKRST ADJ 12" STD	STANDARD - 12" WIDE - HGT ADJUSTABLE
1A	109304	FRM ALUM BKRST ADJ 13" STD	STANDARD - 13" WIDE - HGT ADJUSTABLE

Pos.	Item Number	Description	Remarks
1A	109305	FRM ALUM BKRST ADJ 14" STD	STANDARD - 14" WIDE - HGT ADJUSTABLE
1A	109306	FRM ALUM BKRST ADJ 15" STD	STANDARD - 15" WIDE - HGT ADJUSTABLE
1A	109307	FRM ALUM BKRST ADJ 16" STD	STANDARD - 16" WIDE - HGT ADJUSTABLE
1A	109308	FRM ALUM BKRST ADJ 17" STD	STANDARD - 17" WIDE - HGT ADJUSTABLE
1A	109309	FRM ALUM BKRST ADJ 18" STD	STANDARD - 18" WIDE - HGT ADJUSTABLE
1A	109310	FRM ALUM BKRST ADJ 19" STD	STANDARD - 19" WIDE - HGT ADJUSTABLE
1A	109311	FRM ALUM BKRST ADJ 20" STD	STANDARD - 20" WIDE - HGT ADJUSTABLE
>>>>		TALL BACK FRAMES ONLY	
1A	109312	FRM ALUM BKRST ADJ 12" TALL	TALL - 12" WIDE -HGT ADJUSTABLE
1A	109313	FRM ALUM BKRST ADJ 13" TALL	TALL - 13" WIDE -HGT ADJUSTABLE
1A	109314	FRM ALUM BKRST ADJ 14" TALL	TALL - 14" WIDE -HGT ADJUSTABLE
1A	109315	FRM ALUM BKRST ADJ 15" TALL	TALL - 15" WIDE -HGT ADJUSTABLE
1A	109316	FRM ALUM BKRST ADJ 16" TALL	TALL - 16" WIDE -HGT ADJUSTABLE
1A	109317	FRM ALUM BKRST ADJ 17" TALL	TALL - 17" WIDE -HGT ADJUSTABLE
1A	109318	FRM ALUM BKRST ADJ 18" TALL	TALL - 18" WIDE -HGT ADJUSTABLE
1A	109319	FRM ALUM BKRST ADJ 19" TALL	TALL - 19" WIDE -HGT ADJUSTABLE
1A	109320	FRM ALUM BKRST ADJ 20" TALL	TALL - 20" WIDE -HGT ADJUSTABLE
>>>>		FIXED HEIGHT BACK FRAMES ONLY	

Pos.	Item Number	Description	Remarks
>>>>		12 WIDE FIXED HEIGHT BACK FRAMES	
1B	109665	FRAME BACKREST TI 12" W 10" T	12" WIDE 10" TALL FIXED BACK HEIGHT OR 13" TALL W/ FOLDING PUSH HANDLES
1B	109666	FRAME BACKREST TI 12" W 11" T	12" WIDE 11" TALL FIXED BACK HEIGHT OR 14" TALL W/ FOLDING PUSH HANDLES
1B	109667	FRAME BACKREST TI 12" W 12" T	12" WIDE 12" TALL FIXED BACK HEIGHT OR 15" TALL W/ FOLDING PUSH HANDLES
1B	109668	FRAME BACKREST TI 12" W 13" T	12" WIDE 13" TALL FIXED BACK HEIGHT OR 16" TALL W/ FOLDING PUSH HANDLES
1B	109669	FRAME BACKREST TI 12" W 14" T	12" WIDE 14" TALL FIXED BACK HEIGHT OR 17" TALL W/ FOLDING PUSH HANDLES
1B	109670	FRAME BACKREST TI 12" W 15" T	12" WIDE 15" TALL FIXED BACK HEIGHT OR 18" TALL W/ FOLDING PUSH HANDLES

Pos.	Item Number	Description	Remarks
1B	109671	FRAME BACKREST TI 12" W 16" T	12" WIDE 16" TALL FIXED BACK HEIGHT OR 19" TALL W/ FOLDING PUSH HANDLES
>>>>		13 WIDE FIXED HEIGHT BACK FRAMES	
1B	109672	FRAME BACKREST TI 13" W 10" T	13" WIDE 10" TALL FIXED BACK HEIGHT OR 13" TALL W/ FOLDING PUSH HANDLES
1B	109673	FRAME BACKREST TI 13" W 11" T	13" WIDE 11" TALL FIXED BACK HEIGHT OR 14" TALL W/ FOLDING PUSH HANDLES
1B	109674	FRAME BACKREST TI 13" W 12" T	13" WIDE 12" TALL FIXED BACK HEIGHT OR 15" TALL W/ FOLDING PUSH HANDLES
1B	109675	FRAME BACKREST TI 13" W 13" T	13" WIDE 13" TALL FIXED BACK HEIGHT OR 16" TALL W/ FOLDING PUSH HANDLES
1B	109676	FRAME BACKREST TI 13" W 14" T	13" WIDE 14" TALL FIXED BACK HEIGHT OR 17" TALL W/ FOLDING PUSH HANDLES

Pos.	Item Number	Description	Remarks
1B	109677	FRAME BACKREST TI 13" W 15" T	13" WIDE 15" TALL FIXED BACK HEIGHT OR 18" TALL W/ FOLDING PUSH HANDLES
1B	109678	FRAME BACKREST TI 13" W 16" T	13" WIDE 16" TALL FIXED BACK HEIGHT OR 19" TALL W/ FOLDING PUSH HANDLES
>>>>		14 WIDE FIXED HEIGHT BACK FRAMES	
1B	109679	FRAME BACKREST TI 14" W 10" T	14" WIDE 10" TALL FIXED BACK HEIGHT OR 13" TALL W/ FOLDING PUSH HANDLES
1B	109680	FRAME BACKREST TI 14" W 11" T	14" WIDE 11" TALL FIXED BACK HEIGHT OR 14" TALL W/ FOLDING PUSH HANDLES
1B	109681	FRAME BACKREST TI 14" W 12" T	14" WIDE 12" TALL FIXED BACK HEIGHT OR 15" TALL W/ FOLDING PUSH HANDLES
1B	109682	FRAME BACKREST TI 14" W 13" T	14" WIDE 13" TALL FIXED BACK HEIGHT OR 16" TALL W/ FOLDING PUSH HANDLES

Pos.	Item Number	Description	Remarks
1B	109683	FRAME BACKREST TI 14" W 14" T	14" WIDE 14" TALL FIXED BACK HEIGHT OR 17" TALL W/ FOLDING PUSH HANDLES
1B	109684	FRAME BACKREST TI 14" W 15" T	14" WIDE 15" TALL FIXED BACK HEIGHT OR 18" TALL W/ FOLDING PUSH HANDLES
1B	109685	FRAME BACKREST TI 14" W 16" T	14" WIDE 16" TALL FIXED BACK HEIGHT OR 19" TALL W/ FOLDING PUSH HANDLES
>>>>		15 WIDE FIXED HEIGHT BACK FRAMES	
1B	109686	FRAME BACKREST TI 15" W 10" T	15" WIDE 10" TALL FIXED BACK HEIGHT OR 13" TALL W/ FOLDING PUSH HANDLES
1B	109687	FRAME BACKREST TI 15" W 11" T	15" WIDE 11" TALL FIXED BACK HEIGHT OR 14" TALL W/ FOLDING PUSH HANDLES
1B	109688	FRAME BACKREST TI 15" W 12" T	15" WIDE 12" TALL FIXED BACK HEIGHT OR 15" TALL W/ FOLDING PUSH HANDLES

Pos.	Item Number	Description	Remarks
1B	109689	FRAME BACKREST TI 15" W 13" T	15" WIDE 13" TALL FIXED BACK HEIGHT OR 16" TALL W/ FOLDING PUSH HANDLES
1B	109690	FRAME BACKREST TI 15" W 14" T	15" WIDE 14" TALL FIXED BACK HEIGHT OR 17" TALL W/ FOLDING PUSH HANDLES
1B	109691	FRAME BACKREST TI 15" W 15" T	15" WIDE 15" TALL FIXED BACK HEIGHT OR 18" TALL W/ FOLDING PUSH HANDLES
1B	109692	FRAME BACKREST TI 15" W 16" T	15" WIDE 16" TALL FIXED BACK HEIGHT OR 19" TALL W/ FOLDING PUSH HANDLES
>>>>		16 WIDE FIXED HEIGHT BACK FRAMES	
1B	109693	FRAME BACKREST TI 16" W 10" T	16" WIDE 10" TALL FIXED BACK HEIGHT OR 13" TALL W/ FOLDING PUSH HANDLES
1B	109694	FRAME BACKREST TI 16" W 11" T	16" WIDE 11" TALL FIXED BACK HEIGHT OR 14" TALL W/ FOLDING PUSH HANDLES

Pos.	Item Number	Description	Remarks
1B	109695	FRAME BACKREST TI 16" W 12" T	16" WIDE 12" TALL FIXED BACK HEIGHT OR 15" TALL W/ FOLDING PUSH HANDLES
1B	109696	FRAME BACKREST TI 16" W 13" T	16" WIDE 13" TALL FIXED BACK HEIGHT OR 16" TALL W/ FOLDING PUSH HANDLES
1B	109697	FRAME BACKREST TI 16" W 14" T	16" WIDE 14" TALL FIXED BACK HEIGHT OR 17" TALL W/ FOLDING PUSH HANDLES
1B	109698	FRAME BACKREST TI 16" W 15" T	16" WIDE 15" TALL FIXED BACK HEIGHT OR 18" TALL W/ FOLDING PUSH HANDLES
1B	109699	FRAME BACKREST TI 16" W 16" T	16" WIDE 16" TALL FIXED BACK HEIGHT OR 19" TALL W/ FOLDING PUSH HANDLES
>>>>		17 WIDE FIXED HEIGHT BACK FRAMES	
1B	109700	FRAME BACKREST TI 17" W 10" T	17" WIDE 10" TALL FIXED BACK HEIGHT OR 13" TALL W/ FOLDING PUSH HANDLES

Pos.	Item Number	Description	Remarks
1B	109701	FRAME BACKREST TI 17" W 11" T	17" WIDE 11" TALL FIXED BACK HEIGHT OR 14" TALL W/ FOLDING PUSH HANDLES
1B	109702	FRAME BACKREST TI 17" W 12" T	17" WIDE 12" TALL FIXED BACK HEIGHT OR 15" TALL W/ FOLDING PUSH HANDLES
1B	109703	FRAME BACKREST TI 17" W 13" T	17" WIDE 13" TALL FIXED BACK HEIGHT OR 16" TALL W/ FOLDING PUSH HANDLES
1B	109704	FRAME BACKREST TI 17" W 14" T	17" WIDE 14" TALL FIXED BACK HEIGHT OR 17" TALL W/ FOLDING PUSH HANDLES
1B	109705	FRAME BACKREST TI 17" W 15" T	17" WIDE 15" TALL FIXED BACK HEIGHT OR 18" TALL W/ FOLDING PUSH HANDLES
1B	109706	FRAME BACKREST TI 17" W 16" T	17" WIDE 16" TALL FIXED BACK HEIGHT OR 19" TALL W/ FOLDING PUSH HANDLES
>>>>		18 WIDE FIXED HEIGHT BACK FRAMES	

Pos.	Item Number	Description	Remarks
1B	109707	FRAME BACKREST TI 18" W 10" T	18" WIDE 10" TALL FIXED BACK HEIGHT OR 13" TALL W/ FOLDING PUSH HANDLES
1B	109708	FRAME BACKREST TI 18" W 11" T	18" WIDE 11" TALL FIXED BACK HEIGHT OR 14" TALL W/ FOLDING PUSH HANDLES
1B	109709	FRAME BACKREST TI 18" W 12" T	18" WIDE 12" TALL FIXED BACK HEIGHT OR 15" TALL W/ FOLDING PUSH HANDLES
1B	109710	FRAME BACKREST TI 18" W 13" T	18" WIDE 13" TALL FIXED BACK HEIGHT OR 16" TALL W/ FOLDING PUSH HANDLES
1B	109711	FRAME BACKREST TI 18" W 14" T	18" WIDE 14" TALL FIXED BACK HEIGHT OR 17" TALL W/ FOLDING PUSH HANDLES
1B	109712	FRAME BACKREST TI 18" W 15" T	18" WIDE 15" TALL FIXED BACK HEIGHT OR 18" TALL W/ FOLDING PUSH HANDLES

Pos.	Item Number	Description	Remarks
1B	109713	FRAME BACKREST TI 18" W 16" T	18" WIDE 16" TALL FIXED BACK HEIGHT OR 19" TALL W/ FOLDING PUSH HANDLES
>>>>		19 WIDE FIXED HEIGHT BACK FRAMES	
1B	109714	FRAME BACKREST TI 19" W 10" T	19" WIDE 10" TALL FIXED BACK HEIGHT OR 13" TALL W/ FOLDING PUSH HANDLES
1B	109715	FRAME BACKREST TI 19" W 11" T	19" WIDE 11" TALL FIXED BACK HEIGHT OR 14" TALL W/ FOLDING PUSH HANDLES
1B	109716	FRAME BACKREST TI 19" W 12" T	19" WIDE 12" TALL FIXED BACK HEIGHT OR 15" TALL W/ FOLDING PUSH HANDLES
1B	109717	FRAME BACKREST TI 19" W 13" T	19" WIDE 13" TALL FIXED BACK HEIGHT OR 16" TALL W/ FOLDING PUSH HANDLES
1B	109718	FRAME BACKREST TI 19" W 14" T	19" WIDE 14" TALL FIXED BACK HEIGHT OR 17" TALL W/ FOLDING PUSH HANDLES

Pos.	Item Number	Description	Remarks
1B	109719	FRAME BACKREST TI 19" W 15" T	19" WIDE 15" TALL FIXED BACK HEIGHT OR 18" TALL W/ FOLDING PUSH HANDLES
1B	109720	FRAME BACKREST TI 19" W 16" T	19" WIDE 16" TALL FIXED BACK HEIGHT OR 19" TALL W/ FOLDING PUSH HANDLES
>>>>		20 WIDE FIXED HEIGHT BACK FRAMES	
1B	109721	FRAME BACKREST TI 20" W 10" T	20" WIDE 10" TALL FIXED BACK HEIGHT OR 13" TALL W/ FOLDING PUSH HANDLES
1B	109722	FRAME BACKREST TI 20" W 11" T	20" WIDE 11" TALL FIXED BACK HEIGHT OR 14" TALL W/ FOLDING PUSH HANDLES
1B	109723	FRAME BACKREST TI 20" W 12" T	20" WIDE 12" TALL FIXED BACK HEIGHT OR 15" TALL W/ FOLDING PUSH HANDLES
1B	109724	FRAME BACKREST TI 20" W 13" T	20" WIDE 13" TALL FIXED BACK HEIGHT OR 16" TALL W/ FOLDING PUSH HANDLES

Pos.	Item Number	Description	Remarks
1B	109725	FRAME BACKREST TI 20" W 14" T	20" WIDE 14" TALL FIXED BACK HEIGHT OR 17" TALL W/ FOLDING PUSH HANDLES
1B	109726	FRAME BACKREST TI 20" W 15" T	20" WIDE 15" TALL FIXED BACK HEIGHT OR 18" TALL W/ FOLDING PUSH HANDLES
1B	109727	FRAME BACKREST TI 20" W 16" T	20" WIDE 16" TALL FIXED BACK HEIGHT OR 19" TALL W/ FOLDING PUSH HANDLES
2	109199	SADDLE BACKREST TUBE	
3	109197	ADJUSTER BACKREST INSERT	
4	109196	BRACKET BACKREST DBL LOCK	
5	102262-007	BHCS M6 x 1 x 4 INORG	
6	109198	IGUS BEARING GFM-0810-04	
7	109204	PIVOT BOLT BACKREST	
8A	109765	LANYARD THERMO-PRESS 12"	12" W CHAIRS
8B	109766	LANYARD THERMO-PRESS 13"	13" W CHAIRS
8C	109767	LANYARD THERMO-PRESS 14"	14" W CHAIRS
8D	109768	LANYARD THERMO-PRESS 15"	15" W CHAIRS
8E	109769	LANYARD THERMO-PRESS 16"	16" W CHAIRS
8F	109770	LANYARD THERMO-PRESS 17"	17" W CHAIRS
8G	109771	LANYARD THERMO-PRESS 18"	18" W CHAIRS
8H	109772	LANYARD THERMO-PRESS 19"	19" W CHAIRS
8J	109773	LANYARD THERMO-PRESS 20"	20" W CHAIRS
10	104381	NUT HEX NYLOCK M6 x 1.0	
11	109202	PIN SPRING BACKREST ADJ	
12	109200	PIN BACKREST ADJUST	
13	109619	PIN GUIDE BACKREST ADJ TI	

Pos.	Item Number	Description	Remarks
14	561062	1" INSERT PLUG .065 RIBS	
15	561014	1" MED CAP	
16A	111562	FRAME INSERT D.A.B.	DEPTH ADJUSTABLE BACK FRAME REQUIRED
16B	111560	MOUNT ANGLE ADJ D.A.B.	DEPTH ADJUSTABLE BACK FRAME REQUIRED
17	109822	BACKREST ADJ DELETE PLUG	PKG of 8
>>>>		STANDARD BACK FRAME ASSEMBLIES	
1A -14	112061	FOLD TI BACK STD 12" ASSM	STANDARD - 12" WIDE
1A -14	112062	FOLD TI BACK STD 13" ASSM	STANDARD - 13" WIDE
1A -14	112063	FOLD TI BACK STD 14" ASSM	STANDARD - 14" WIDE
1A -14	112064	FOLD TI BACK STD 15" ASSM	STANDARD - 15" WIDE
1A -14	112065	FOLD TI BACK STD 16" ASSM	STANDARD - 16" WIDE
1A -14	112066	FOLD TI BACK STD 17" ASSM	STANDARD - 17" WIDE
1A -14	112067	FOLD TI BACK STD 18" ASSM	STANDARD - 18" WIDE
1A -14	112068	FOLD TI BACK STD 19" ASSM	STANDARD - 19" WIDE
1A -14	112069	FOLD TI BACK STD 20" ASSM	STANDARD - 20" WIDE
>>>>		TALL BACK FRAME ASSEMBLIES	
1A -14	112070	FOLD TI BACK TALL 12" ASSM	TALL - 12" WIDE
1A -14	112071	FOLD TI BACK TALL 13" ASSM	TALL - 13" WIDE
1A -14	112072	FOLD TI BACK TALL 14" ASSM	TALL - 14" WIDE
1A -14	112073	FOLD TI BACK TALL 15" ASSM	TALL - 15" WIDE
1A -14	112074	FOLD TI BACK TALL 16" ASSM	TALL - 16" WIDE
1A -14	112075	FOLD TI BACK TALL 17" ASSM	TALL - 17" WIDE
1A -14	112076	FOLD TI BACK TALL 18" ASSM	TALL - 18" WIDE
1A -14	112077	FOLD TI BACK TALL 19" ASSM	TALL - 19" WIDE
1A -14	112078	FOLD TI BACK TALL 20" ASSM	TALL - 20" WIDE
>>>>		FIXED HEIGHT BACK FRAME ASSEMBLIES	
>>>>		12 WIDE FIXED BACK FRAME	

Pos.	Item Number	Description	Remarks
1B -15	112098	FOLD FIX BACK 12" W x 10" T	12" WIDE 10" TALL FIXED BACK HEIGHT OR 13" TALL W/ FOLDING PUSH HANDLES
1B -15	112099	FOLD FIX BACK 12" W x 11" T	12" WIDE 11" TALL FIXED BACK HEIGHT OR 14" TALL W/ FOLDING PUSH HANDLES
1B -15	112100	FOLD FIX BACK 12" W x 12" T	12" WIDE 12" TALL FIXED BACK HEIGHT OR 15" TALL W/ FOLDING PUSH HANDLES
1B -15	112101	FOLD FIX BACK 12" W x 13" T	12" WIDE 13" TALL FIXED BACK HEIGHT OR 16" TALL W/ FOLDING PUSH HANDLES
1B -15	112102	FOLD FIX BACK 12" W x 14" T	12" WIDE 14" TALL FIXED BACK HEIGHT OR 17" TALL W/ FOLDING PUSH HANDLES
1B -15	112103	FOLD FIX BACK 12" W x 15" T	12" WIDE 15" TALL FIXED BACK HEIGHT OR 18" TALL W/ FOLDING PUSH HANDLES

Pos.	Item Number	Description	Remarks
1B -15	112104	FOLD FIX BACK 12" W x 16" T	12" WIDE 16" TALL FIXED BACK HEIGHT OR 19" TALL W/ FOLDING PUSH HANDLES
>>>>		13 WIDE FIXED BACK FRAME	
1C -15	112105	FOLD FIX BACK 13" W x 10" T	13" WIDE 10" TALL FIXED BACK HEIGHT OR 13" TALL W/ FOLDING PUSH HANDLES
1C -15	112106	FOLD FIX BACK 13" W x 11" T	13" WIDE 11" TALL FIXED BACK HEIGHT OR 14" TALL W/ FOLDING PUSH HANDLES
1C -15	112107	FOLD FIX BACK 13" W x 12" T	13" WIDE 12" TALL FIXED BACK HEIGHT OR 15" TALL W/ FOLDING PUSH HANDLES
1C -15	112108	FOLD FIX BACK 13" W x 13" T	13" WIDE 13" TALL FIXED BACK HEIGHT OR 16" TALL W/ FOLDING PUSH HANDLES
1C -15	112109	FOLD FIX BACK 13" W x 14" T	13" WIDE 14" TALL FIXED BACK HEIGHT OR 17" TALL W/ FOLDING PUSH HANDLES

Pos.	Item Number	Description	Remarks
1C -15	112110	FOLD FIX BACK 13" W x 15" T	13" WIDE 15" TALL FIXED BACK HEIGHT OR 18" TALL W/ FOLDING PUSH HANDLES
1C -15	112111	FOLD FIX BACK 13" W x 16" T	13" WIDE 16" TALL FIXED BACK HEIGHT OR 19" TALL W/ FOLDING PUSH HANDLES
>>>>		14 WIDE FIXED BACK FRAME	
1D -15	112112	FOLD FIX BACK 14" W x 10" T	14" WIDE 10" TALL FIXED BACK HEIGHT OR 13" TALL W/ FOLDING PUSH HANDLES
1D -15	112113	FOLD FIX BACK 14" W x 11" T	14" WIDE 11" TALL FIXED BACK HEIGHT OR 14" TALL W/ FOLDING PUSH HANDLES
1D -15	112114	FOLD FIX BACK 14" W x 12" T	14" WIDE 12" TALL FIXED BACK HEIGHT OR 15" TALL W/ FOLDING PUSH HANDLES
1D -15	112115	FOLD FIX BACK 14" W x 13" T	14" WIDE 13" TALL FIXED BACK HEIGHT OR 16" TALL W/ FOLDING PUSH HANDLES

Pos.	Item Number	Description	Remarks
1D -15	112116	FOLD FIX BACK 14" W x 14" T	14" WIDE 14" TALL FIXED BACK HEIGHT OR 17" TALL W/ FOLDING PUSH HANDLES
1D -15	112117	FOLD FIX BACK 14" W x 15" T	14" WIDE 15" TALL FIXED BACK HEIGHT OR 18" TALL W/ FOLDING PUSH HANDLES
1D -15	112118	FOLD FIX BACK 14" W x 16" T	14" WIDE 16" TALL FIXED BACK HEIGHT OR 19" TALL W/ FOLDING PUSH HANDLES
>>>>		15 WIDE FIXED BACK FRAME	
1E -15	112119	FOLD FIX BACK 15" W x 10" T	15" WIDE 10" TALL FIXED BACK HEIGHT OR 13" TALL W/ FOLDING PUSH HANDLES
1E -15	112120	FOLD FIX BACK 15" W x 11" T	15" WIDE 11" TALL FIXED BACK HEIGHT OR 14" TALL W/ FOLDING PUSH HANDLES
1E -15	112121	FOLD FIX BACK 15" W x 12" T	15" WIDE 12" TALL FIXED BACK HEIGHT OR 15" TALL W/ FOLDING PUSH HANDLES

Pos.	Item Number	Description	Remarks
1E -15	112122	FOLD FIX BACK 15" W x 13" T	15" WIDE 13" TALL FIXED BACK HEIGHT OR 16" TALL W/ FOLDING PUSH HANDLES
1E -15	112123	FOLD FIX BACK 15" W x 14" T	15" WIDE 14" TALL FIXED BACK HEIGHT OR 17" TALL W/ FOLDING PUSH HANDLES
1E -15	112124	FOLD FIX BACK 15" W x 15" T	15" WIDE 15" TALL FIXED BACK HEIGHT OR 18" TALL W/ FOLDING PUSH HANDLES
1E -15	112125	FOLD FIX BACK 15" W x 16" T	15" WIDE 16" TALL FIXED BACK HEIGHT OR 19" TALL W/ FOLDING PUSH HANDLES
>>>>		16 WIDE FIXED BACK FRAME	
1F -15	112126	FOLD FIX BACK 16" W x 10" T	16" WIDE 10" TALL FIXED BACK HEIGHT OR 13" TALL W/ FOLDING PUSH HANDLES
1F -15	112127	FOLD FIX BACK 16" W x 11" T	16" WIDE 11" TALL FIXED BACK HEIGHT OR 14" TALL W/ FOLDING PUSH HANDLES

Pos.	Item Number	Description	Remarks
1F -15	112128	FOLD FIX BACK 16" W x 12" T	16" WIDE 12" TALL FIXED BACK HEIGHT OR 15" TALL W/ FOLDING PUSH HANDLES
1F -15	112129	FOLD FIX BACK 16" W x 13" T	16" WIDE 13" TALL FIXED BACK HEIGHT OR 16" TALL W/ FOLDING PUSH HANDLES
1F -15	112130	FOLD FIX BACK 16" W x 14" T	16" WIDE 14" TALL FIXED BACK HEIGHT OR 17" TALL W/ FOLDING PUSH HANDLES
1F -15	112131	FOLD FIX BACK 16" W x 15" T	16" WIDE 15" TALL FIXED BACK HEIGHT OR 18" TALL W/ FOLDING PUSH HANDLES
1F -15	112132	FOLD FIX BACK 16" W x 16" T	16" WIDE 16" TALL FIXED BACK HEIGHT OR 19" TALL W/ FOLDING PUSH HANDLES
>>>>		17 WIDE FIXED BACK FRAME	
1G -15	112133	FOLD FIX BACK 17" W x 10" T	17" WIDE 10" TALL FIXED BACK HEIGHT OR 13" TALL W/ FOLDING PUSH HANDLES

Pos.	Item Number	Description	Remarks
1G -15	112134	FOLD FIX BACK 17" W x 11" T	17" WIDE 11" TALL FIXED BACK HEIGHT OR 14" TALL W/ FOLDING PUSH HANDLES
1G -15	112135	FOLD FIX BACK 17" W x 12" T	17" WIDE 12" TALL FIXED BACK HEIGHT OR 15" TALL W/ FOLDING PUSH HANDLES
1G -15	112136	FOLD FIX BACK 17" W x 13" T	17" WIDE 13" TALL FIXED BACK HEIGHT OR 16" TALL W/ FOLDING PUSH HANDLES
1G -15	112137	FOLD FIX BACK 17" W x 14" T	17" WIDE 14" TALL FIXED BACK HEIGHT OR 17" TALL W/ FOLDING PUSH HANDLES
1G -15	112138	FOLD FIX BACK 17" W x 15" T	17" WIDE 15" TALL FIXED BACK HEIGHT OR 18" TALL W/ FOLDING PUSH HANDLES
1G -15	112139	FOLD FIX BACK 17" W x 16" T	17" WIDE 16" TALL FIXED BACK HEIGHT OR 19" TALL W/ FOLDING PUSH HANDLES
>>>>		18 WIDE FIXED BACK FRAME	

Pos.	Item Number	Description	Remarks
1H -15	112140	FOLD FIX BACK 18" W x 10" T	18" WIDE 10" TALL FIXED BACK HEIGHT OR 13" TALL W/ FOLDING PUSH HANDLES
1H -15	112141	FOLD FIX BACK 18" W x 11" T	18" WIDE 11" TALL FIXED BACK HEIGHT OR 14" TALL W/ FOLDING PUSH HANDLES
1H -15	112142	FOLD FIX BACK 18" W x 12" T	18" WIDE 12" TALL FIXED BACK HEIGHT OR 15" TALL W/ FOLDING PUSH HANDLES
1H -15	112143	FOLD FIX BACK 18" W x 13" T	18" WIDE 13" TALL FIXED BACK HEIGHT OR 16" TALL W/ FOLDING PUSH HANDLES
1H -15	112144	FOLD FIX BACK 18" W x 14" T	18" WIDE 14" TALL FIXED BACK HEIGHT OR 17" TALL W/ FOLDING PUSH HANDLES
1H -15	112145	FOLD FIX BACK 18" W x 15" T	18" WIDE 15" TALL FIXED BACK HEIGHT OR 18" TALL W/ FOLDING PUSH HANDLES

Pos.	Item Number	Description	Remarks
1H -15	112146	FOLD FIX BACK 18" W x 16" T	18" WIDE 16" TALL FIXED BACK HEIGHT OR 19" TALL W/ FOLDING PUSH HANDLES
>>>>		19 WIDE FIXED BACK FRAME	
1J -15	112147	FOLD FIX BACK 19" W x 10" T	19" WIDE 10" TALL FIXED BACK HEIGHT OR 13" TALL W/ FOLDING PUSH HANDLES
1J -15	112148	FOLD FIX BACK 19" W x 11" T	19" WIDE 11" TALL FIXED BACK HEIGHT OR 14" TALL W/ FOLDING PUSH HANDLES
1J -15	112149	FOLD FIX BACK 19" W x 12" T	19" WIDE 12" TALL FIXED BACK HEIGHT OR 15" TALL W/ FOLDING PUSH HANDLES
1J -15	112150	FOLD FIX BACK 19" W x 13" T	19" WIDE 13" TALL FIXED BACK HEIGHT OR 16" TALL W/ FOLDING PUSH HANDLES
1J -15	112151	FOLD FIX BACK 19" W x 14" T	19" WIDE 14" TALL FIXED BACK HEIGHT OR 17" TALL W/ FOLDING PUSH HANDLES

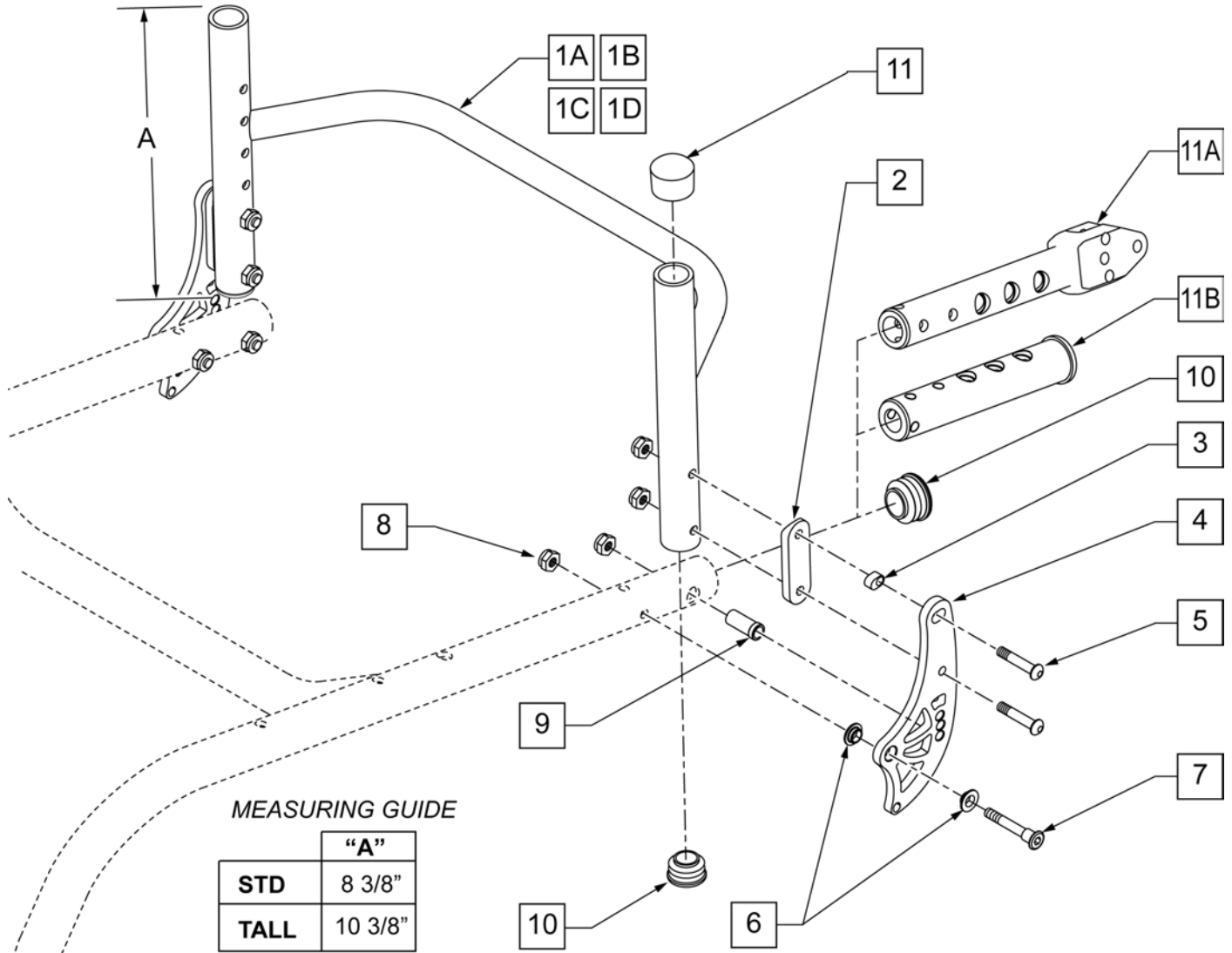
Pos.	Item Number	Description	Remarks
1J -15	112152	FOLD FIX BACK 19" W x 15" T	19" WIDE 15" TALL FIXED BACK HEIGHT OR 18" TALL W/ FOLDING PUSH HANDLES
1J -15	112153	FOLD FIX BACK 19" W x 16" T	19" WIDE 16" TALL FIXED BACK HEIGHT OR 19" TALL W/ FOLDING PUSH HANDLES
>>>>		20 WIDE FIXED BACK FRAME	
1K -15	112154	FOLD FIX BACK 20" W x 10" T	20" WIDE 10" TALL FIXED BACK HEIGHT OR 13" TALL W/ FOLDING PUSH HANDLES
1K -15	112155	FOLD FIX BACK 20" W x 11" T	20" WIDE 11" TALL FIXED BACK HEIGHT OR 14" TALL W/ FOLDING PUSH HANDLES
1K -15	112156	FOLD FIX BACK 20" W x 12" T	20" WIDE 12" TALL FIXED BACK HEIGHT OR 15" TALL W/ FOLDING PUSH HANDLES
1K -15	112157	FOLD FIX BACK 20" W x 13" T	20" WIDE 13" TALL FIXED BACK HEIGHT OR 16" TALL W/ FOLDING PUSH HANDLES

Pos.	Item Number	Description	Remarks
1K -15	112159	FOLD FIX BACK 20" W x 14" T	20" WIDE 14" TALL FIXED BACK HEIGHT OR 17" TALL W/ FOLDING PUSH HANDLES
1K -15	112160	FOLD FIX BACK 20" W x 15" T	20" WIDE 15" TALL FIXED BACK HEIGHT OR 18" TALL W/ FOLDING PUSH HANDLES
1K -15	112161	FOLD FIX BACK 20" W x 16" T	20" WIDE 16" TALL FIXED BACK HEIGHT OR 19" TALL W/ FOLDING PUSH HANDLES

NOTE: Effective on GTi chairs after S/N T4-505800 & T4A-505900.

NOTE: Effective on GTi chairs after S/N T4-505800 & T4A-505900.

NOTE: New style Backrest Brackets and Frame (after S/N T4-505800 & T4A-505900) are not compatible with the old style Backrest Brackets and Frame .



Pos.	Item Number	Description	Remarks
>>>>		STANDARD BACK FRAMES ONLY	
1A	109303	FRM ALUM BKRST ADJ 12" STD	STANDARD - 12" WIDE - HGT ADJUSTABLE
1A	109304	FRM ALUM BKRST ADJ 13" STD	STANDARD - 13" WIDE - HGT ADJUSTABLE

Pos.	Item Number	Description	Remarks
1A	109305	FRM ALUM BKRST ADJ 14" STD	STANDARD - 14" WIDE - HGT ADJUSTABLE
1A	109306	FRM ALUM BKRST ADJ 15" STD	STANDARD - 15" WIDE - HGT ADJUSTABLE
1A	109307	FRM ALUM BKRST ADJ 16" STD	STANDARD - 16" WIDE - HGT ADJUSTABLE
1A	109308	FRM ALUM BKRST ADJ 17" STD	STANDARD - 17" WIDE - HGT ADJUSTABLE
1A	109309	FRM ALUM BKRST ADJ 18" STD	STANDARD - 18" WIDE - HGT ADJUSTABLE
1A	109310	FRM ALUM BKRST ADJ 19" STD	STANDARD - 19" WIDE - HGT ADJUSTABLE
1A	109311	FRM ALUM BKRST ADJ 20" STD	STANDARD - 20" WIDE - HGT ADJUSTABLE
>>>>		TALL BACK FRAMES ONLY	
1B	109312	FRM ALUM BKRST ADJ 12" TALL	TALL - 12" WIDE -HGT ADJUSTABLE
1B	109313	FRM ALUM BKRST ADJ 13" TALL	TALL - 13" WIDE -HGT ADJUSTABLE
1B	109314	FRM ALUM BKRST ADJ 14" TALL	TALL - 14" WIDE -HGT ADJUSTABLE
1B	109315	FRM ALUM BKRST ADJ 15" TALL	TALL - 15" WIDE -HGT ADJUSTABLE
1B	109316	FRM ALUM BKRST ADJ 16" TALL	TALL - 16" WIDE -HGT ADJUSTABLE
1B	109317	FRM ALUM BKRST ADJ 17" TALL	TALL - 17" WIDE -HGT ADJUSTABLE
1B	109318	FRM ALUM BKRST ADJ 18" TALL	TALL - 18" WIDE -HGT ADJUSTABLE
1B	109319	FRM ALUM BKRST ADJ 19" TALL	TALL - 19" WIDE -HGT ADJUSTABLE
1B	109320	FRM ALUM BKRST ADJ 20" TALL	TALL - 20" WIDE -HGT ADJUSTABLE
>>>>		FIXED HEIGHT BACK FRAMES ONLY	

Pos.	Item Number	Description	Remarks
>>>>		12 WIDE FIXED HEIGHT BACK FRAMES	
1C	109665	FRAME BACKREST TI 12" W 10" TALL	12" WIDE 10" TALL FIXED BACK HEIGHT OR 13" TALL W/ FOLDING PUSH HANDLES
1C	109666	FRAME BACKREST TI 12" W 11" TALL	12" WIDE 11" TALL FIXED BACK HEIGHT OR 14" TALL W/ FOLDING PUSH HANDLES
1C	109667	FRAME BACKREST TI 12" W 12" TALL	12" WIDE 12" TALL FIXED BACK HEIGHT OR 15" TALL W/ FOLDING PUSH HANDLES
1C	109668	FRAME BACKREST TI 12" W 13" TALL	12" WIDE 13" TALL FIXED BACK HEIGHT OR 16" TALL W/ FOLDING PUSH HANDLES
1C	109669	FRAME BACKREST TI 12" W 14" TALL	12" WIDE 14" TALL FIXED BACK HEIGHT OR 17" TALL W/ FOLDING PUSH HANDLES
1C	109670	FRAME BACKREST TI 12" W 15" TALL	12" WIDE 15" TALL FIXED BACK HEIGHT OR 18" TALL W/ FOLDING PUSH HANDLES

Pos.	Item Number	Description	Remarks
1C	109671	FRAME BACKREST TI 12" W 16" TALL	12" WIDE 16" TALL FIXED BACK HEIGHT OR 19" TALL W/ FOLDING PUSH HANDLES
>>>>		13 WIDE FIXED HEIGHT BACK FRAMES	
1C	109672	FRAME BACKREST TI 13" W 10" TALL	13" WIDE 10" TALL FIXED BACK HEIGHT OR 13" TALL W/ FOLDING PUSH HANDLES
1C	109673	FRAME BACKREST TI 13" W 11" TALL	13" WIDE 11" TALL FIXED BACK HEIGHT OR 14" TALL W/ FOLDING PUSH HANDLES
1C	109674	FRAME BACKREST TI 13" W 12" TALL	13" WIDE 12" TALL FIXED BACK HEIGHT OR 15" TALL W/ FOLDING PUSH HANDLES
1C	109675	FRAME BACKREST TI 13" W 13" TALL	13" WIDE 13" TALL FIXED BACK HEIGHT OR 16" TALL W/ FOLDING PUSH HANDLES
1C	109676	FRAME BACKREST TI 13" W 14" TALL	13" WIDE 14" TALL FIXED BACK HEIGHT OR 17" TALL W/ FOLDING PUSH HANDLES

Pos.	Item Number	Description	Remarks
1C	109677	FRAME BACKREST TI 13" W 15" TALL	13" WIDE 15" TALL FIXED BACK HEIGHT OR 18" TALL W/ FOLDING PUSH HANDLES
1C	109678	FRAME BACKREST TI 13" W 16" TALL	13" WIDE 16" TALL FIXED BACK HEIGHT OR 19" TALL W/ FOLDING PUSH HANDLES
>>>>		14 WIDE FIXED HEIGHT BACK FRAMES	
1C	109679	FRAME BACKREST TI 14" W 10" TALL	14" WIDE 10" TALL FIXED BACK HEIGHT OR 13" TALL W/ FOLDING PUSH HANDLES
1C	109680	FRAME BACKREST TI 14" W 11" TALL	14" WIDE 11" TALL FIXED BACK HEIGHT OR 14" TALL W/ FOLDING PUSH HANDLES
1C	109681	FRAME BACKREST TI 14" W 12" TALL	14" WIDE 12" TALL FIXED BACK HEIGHT OR 15" TALL W/ FOLDING PUSH HANDLES
1C	109682	FRAME BACKREST TI 14" W 13" TALL	14" WIDE 13" TALL FIXED BACK HEIGHT OR 16" TALL W/ FOLDING PUSH HANDLES

Pos.	Item Number	Description	Remarks
1C	109683	FRAME BACKREST TI 14" W 14" TALL	14" WIDE 14" TALL FIXED BACK HEIGHT OR 17" TALL W/ FOLDING PUSH HANDLES
1C	109684	FRAME BACKREST TI 14" W 15" TALL	14" WIDE 15" TALL FIXED BACK HEIGHT OR 18" TALL W/ FOLDING PUSH HANDLES
1C	109685	FRAME BACKREST TI 14" W 16" TALL	14" WIDE 16" TALL FIXED BACK HEIGHT OR 19" TALL W/ FOLDING PUSH HANDLES
>>>>		15 WIDE FIXED HEIGHT BACK FRAMES	
1C	109686	FRAME BACKREST TI 15" W 10" TALL	15" WIDE 10" TALL FIXED BACK HEIGHT OR 13" TALL W/ FOLDING PUSH HANDLES
1C	109687	FRAME BACKREST TI 15" W 11" TALL	15" WIDE 11" TALL FIXED BACK HEIGHT OR 14" TALL W/ FOLDING PUSH HANDLES
1C	109688	FRAME BACKREST TI 15" W 12" TALL	15" WIDE 12" TALL FIXED BACK HEIGHT OR 15" TALL W/ FOLDING PUSH HANDLES

Pos.	Item Number	Description	Remarks
1C	109689	FRAME BACKREST TI 15" W 13" TALL	15" WIDE 13" TALL FIXED BACK HEIGHT OR 16" TALL W/ FOLDING PUSH HANDLES
1C	109690	FRAME BACKREST TI 15" W 14" TALL	15" WIDE 14" TALL FIXED BACK HEIGHT OR 17" TALL W/ FOLDING PUSH HANDLES
1C	109691	FRAME BACKREST TI 15" W 15" TALL	15" WIDE 15" TALL FIXED BACK HEIGHT OR 18" TALL W/ FOLDING PUSH HANDLES
1C	109692	FRAME BACKREST TI 15" W 16" TALL	15" WIDE 16" TALL FIXED BACK HEIGHT OR 19" TALL W/ FOLDING PUSH HANDLES
>>>>		16 WIDE FIXED HEIGHT BACK FRAMES	
1C	109693	FRAME BACKREST TI 16" W 10" TALL	16" WIDE 10" TALL FIXED BACK HEIGHT OR 13" TALL W/ FOLDING PUSH HANDLES
1C	109694	FRAME BACKREST TI 16" W 11" TALL	16" WIDE 11" TALL FIXED BACK HEIGHT OR 14" TALL W/ FOLDING PUSH HANDLES

Pos.	Item Number	Description	Remarks
1C	109695	FRAME BACKREST TI 16" W 12" TALL	16" WIDE 12" TALL FIXED BACK HEIGHT OR 15" TALL W/ FOLDING PUSH HANDLES
1C	109696	FRAME BACKREST TI 16" W 13" TALL	16" WIDE 13" TALL FIXED BACK HEIGHT OR 16" TALL W/ FOLDING PUSH HANDLES
1C	109697	FRAME BACKREST TI 16" W 14" TALL	16" WIDE 14" TALL FIXED BACK HEIGHT OR 17" TALL W/ FOLDING PUSH HANDLES
1C	109698	FRAME BACKREST TI 16" W 15" TALL	16" WIDE 15" TALL FIXED BACK HEIGHT OR 18" TALL W/ FOLDING PUSH HANDLES
1C	109699	FRAME BACKREST TI 16" W 16" TALL	16" WIDE 16" TALL FIXED BACK HEIGHT OR 19" TALL W/ FOLDING PUSH HANDLES
>>>>		17 WIDE FIXED HEIGHT BACK FRAMES	
1C	109700	FRAME BACKREST TI 17" W 10" TALL	17" WIDE 10" TALL FIXED BACK HEIGHT OR 13" TALL W/ FOLDING PUSH HANDLES

Pos.	Item Number	Description	Remarks
1C	109701	FRAME BACKREST TI 17" W 11" TALL	17" WIDE 11" TALL FIXED BACK HEIGHT OR 14" TALL W/ FOLDING PUSH HANDLES
1C	109702	FRAME BACKREST TI 17" W 12" TALL	17" WIDE 12" TALL FIXED BACK HEIGHT OR 15" TALL W/ FOLDING PUSH HANDLES
1C	109703	FRAME BACKREST TI 17" W 13" TALL	17" WIDE 13" TALL FIXED BACK HEIGHT OR 16" TALL W/ FOLDING PUSH HANDLES
1C	109704	FRAME BACKREST TI 17" W 14" TALL	17" WIDE 14" TALL FIXED BACK HEIGHT OR 17" TALL W/ FOLDING PUSH HANDLES
1C	109705	FRAME BACKREST TI 17" W 15" TALL	17" WIDE 15" TALL FIXED BACK HEIGHT OR 18" TALL W/ FOLDING PUSH HANDLES
1C	109706	FRAME BACKREST TI 17" W 16" TALL	17" WIDE 16" TALL FIXED BACK HEIGHT OR 19" TALL W/ FOLDING PUSH HANDLES
>>>>		18 WIDE FIXED HEIGHT BACK FRAMES	

Pos.	Item Number	Description	Remarks
1C	109707	FRAME BACKREST TI 18" W 10" TALL	18" WIDE 10" TALL FIXED BACK HEIGHT OR 13" TALL W/ FOLDING PUSH HANDLES
1C	109708	FRAME BACKREST TI 18" W 11" TALL	18" WIDE 11" TALL FIXED BACK HEIGHT OR 14" TALL W/ FOLDING PUSH HANDLES
1C	109709	FRAME BACKREST TI 18" W 12" TALL	18" WIDE 12" TALL FIXED BACK HEIGHT OR 15" TALL W/ FOLDING PUSH HANDLES
1C	109710	FRAME BACKREST TI 18" W 13" TALL	18" WIDE 13" TALL FIXED BACK HEIGHT OR 16" TALL W/ FOLDING PUSH HANDLES
1C	109711	FRAME BACKREST TI 18" W 14" TALL	18" WIDE 14" TALL FIXED BACK HEIGHT OR 17" TALL W/ FOLDING PUSH HANDLES
1C	109712	FRAME BACKREST TI 18" W 15" TALL	18" WIDE 15" TALL FIXED BACK HEIGHT OR 18" TALL W/ FOLDING PUSH HANDLES

Pos.	Item Number	Description	Remarks
1C	109713	FRAME BACKREST TI 18" W 16" TALL	18" WIDE 16" TALL FIXED BACK HEIGHT OR 19" TALL W/ FOLDING PUSH HANDLES
>>>>		19 WIDE FIXED HEIGHT BACK FRAMES	
1C	109714	FRAME BACKREST TI 19" W 10" TALL	19" WIDE 10" TALL FIXED BACK HEIGHT OR 13" TALL W/ FOLDING PUSH HANDLES
1C	109715	FRAME BACKREST TI 19" W 11" TALL	19" WIDE 11" TALL FIXED BACK HEIGHT OR 14" TALL W/ FOLDING PUSH HANDLES
1C	109716	FRAME BACKREST TI 19" W 12" TALL	19" WIDE 12" TALL FIXED BACK HEIGHT OR 15" TALL W/ FOLDING PUSH HANDLES
1C	109717	FRAME BACKREST TI 19" W 13" TALL	19" WIDE 13" TALL FIXED BACK HEIGHT OR 16" TALL W/ FOLDING PUSH HANDLES
1C	109718	FRAME BACKREST TI 19" W 14" TALL	19" WIDE 14" TALL FIXED BACK HEIGHT OR 17" TALL W/ FOLDING PUSH HANDLES

Pos.	Item Number	Description	Remarks
1C	109719	FRAME BACKREST TI 19" W 15" TALL	19" WIDE 15" TALL FIXED BACK HEIGHT OR 18" TALL W/ FOLDING PUSH HANDLES
1C	109720	FRAME BACKREST TI 19" W 16" TALL	19" WIDE 16" TALL FIXED BACK HEIGHT OR 19" TALL W/ FOLDING PUSH HANDLES
>>>>		20 WIDE FIXED HEIGHT BACK FRAMES	
1C	109721	FRAME BACKREST TI 20" W 10" TALL	20" WIDE 10" TALL FIXED BACK HEIGHT OR 13" TALL W/ FOLDING PUSH HANDLES
1C	109722	FRAME BACKREST TI 20" W 11" TALL	20" WIDE 11" TALL FIXED BACK HEIGHT OR 14" TALL W/ FOLDING PUSH HANDLES
1C	109723	FRAME BACKREST TI 20" W 12" TALL	20" WIDE 12" TALL FIXED BACK HEIGHT OR 15" TALL W/ FOLDING PUSH HANDLES
1C	109724	FRAME BACKREST TI 20" W 13" TALL	20" WIDE 13" TALL FIXED BACK HEIGHT OR 16" TALL W/ FOLDING PUSH HANDLES

Pos.	Item Number	Description	Remarks
1C	109725	FRAME BACKREST TI 20" W 14" TALL	20" WIDE 14" TALL FIXED BACK HEIGHT OR 17" TALL W/ FOLDING PUSH HANDLES
1C	109726	FRAME BACKREST TI 20" W 15" TALL	20" WIDE 15" TALL FIXED BACK HEIGHT OR 18" TALL W/ FOLDING PUSH HANDLES
1C	109727	FRAME BACKREST TI 20" W 16" TALL	20" WIDE 16" TALL FIXED BACK HEIGHT OR 19" TALL W/ FOLDING PUSH HANDLES
2	109199	SADDLE BACKREST TUBE	
3	109197	ADJUSTER BACKREST INSERT	
4	109196	BRACKET BACKREST DBL LOCK	
5	102262-007	BHCS M6 x 1 x 4 INORG	
6	109198	IGUS BEARING GFM-0810-04	
7	109204	PIVOT BOLT BACKREST	
8	104381	NUT HEX NYLOCK M6 x 1.0	
9	109731	PIN GUIDE BACKREST FIXED TI	
10	561062	1" INSERT PLUG .065 RIBS	
>>>>		STANDARD BACK FRAME ASSEMBLIES	
1A -10	112079	NON-FOLD BACK STD 12" ASSM	STANDARD - 12" WIDE - HGT ADJUSTABLE
1A -10	112080	NON-FOLD BACK STD 13" ASSM	STANDARD - 13" WIDE - HGT ADJUSTABLE
1A -10	112081	NON-FOLD BACK STD 14" ASSM	STANDARD - 14" WIDE - HGT ADJUSTABLE
1A -10	112083	NON-FOLD BACK STD 15" ASSM	STANDARD - 15" WIDE - HGT ADJUSTABLE
1A -10	112084	NON-FOLD BACK STD 16" ASSM	STANDARD - 16" WIDE - HGT ADJUSTABLE
1A -10	112085	NON-FOLD BACK STD 17" ASSM	STANDARD - 17" WIDE - HGT ADJUSTABLE
1A -10	112086	NON-FOLD BACK STD 18" ASSM	STANDARD - 18" WIDE - HGT ADJUSTABLE

Pos.	Item Number	Description	Remarks
1A -10	112087	NON-FOLD BACK STD 19" ASSM	STANDARD - 19" WIDE - HGT ADJUSTABLE
1A -10	112088	NON-FOLD BACK STD 20" ASSM	STANDARD - 20" WIDE - HGT ADJUSTABLE
>>>>		TALL BACK FRAME ASSEMBLIES	
1A -10	112089	NON-FOLD BACK TALL 12" ASSM	TALL - 12" WIDE -HGT ADJUSTABLE
1A -10	112090	NON-FOLD BACK TALL 13" ASSM	TALL - 13" WIDE -HGT ADJUSTABLE
1A -10	112091	NON-FOLD BACK TALL 14" ASSM	TALL - 14" WIDE -HGT ADJUSTABLE
1A -10	112092	NON-FOLD BACK TALL 15" ASSM	TALL - 15" WIDE -HGT ADJUSTABLE
1A -10	112093	NON-FOLD BACK TALL 16" ASSM	TALL - 16" WIDE -HGT ADJUSTABLE
1A -10	112094	NON-FOLD BACK TALL 17" ASSM	TALL - 17" WIDE -HGT ADJUSTABLE
1A -10	112095	NON-FOLD BACK TALL 18" ASSM	TALL - 18" WIDE -HGT ADJUSTABLE
1A -10	112096	NON-FOLD BACK TALL 19" ASSM	TALL - 19" WIDE -HGT ADJUSTABLE
1A -10	112097	NON-FOLD BACK TALL 20" ASSM	TALL - 20" WIDE -HGT ADJUSTABLE
>>>>		FIXED HEIGHT BACK FRAME ASSEMBLIES	
>>>>		12 WIDE FIXED BACK FRAME	
1C-10	112162	NOFLD FIX BCK 12W10T ASSM	12" WIDE 10" TALL FIXED BACK HEIGHT OR 13" TALL W/ FOLDING PUSH HANDLES

Pos.	Item Number	Description	Remarks
1C-10	112163	NOFLD FIX BCK 12W 11T ASSM	12" WIDE 11" TALL FIXED BACK HEIGHT OR 14" TALL W/ FOLDING PUSH HANDLES
1C-10	112164	NOFLD FIX BCK 12W 12T ASSM	12" WIDE 12" TALL FIXED BACK HEIGHT OR 15" TALL W/ FOLDING PUSH HANDLES
1C-10	112165	NOFLD FIX BCK 12W 13T ASSM	12" WIDE 13" TALL FIXED BACK HEIGHT OR 16" TALL W/ FOLDING PUSH HANDLES
1C-10	112166	NOFLD FIX BCK 12W 14T ASSM	12" WIDE 14" TALL FIXED BACK HEIGHT OR 17" TALL W/ FOLDING PUSH HANDLES
1C-10	112167	NOFLD FIX BCK 12W 15T ASSM	12" WIDE 15" TALL FIXED BACK HEIGHT OR 18" TALL W/ FOLDING PUSH HANDLES
1C-10	112168	NOFLD FIX BCK 12W 16T ASSM	12" WIDE 16" TALL FIXED BACK HEIGHT OR 19" TALL W/ FOLDING PUSH HANDLES
>>>>		13 WIDE FIXED BACK FRAME	

Pos.	Item Number	Description	Remarks
1C-10	112169	NOFLD FIX BCK 13W 10T ASSM	13" WIDE 10" TALL FIXED BACK HEIGHT OR 13" TALL W/ FOLDING PUSH HANDLES
1C-10	112170	NOFLD FIX BCK 13W 11T ASSM	13" WIDE 11" TALL FIXED BACK HEIGHT OR 14" TALL W/ FOLDING PUSH HANDLES
1C-10	112171	NOFLD FIX BCK 13W 12T ASSM	13" WIDE 12" TALL FIXED BACK HEIGHT OR 15" TALL W/ FOLDING PUSH HANDLES
1C-10	112172	NOFLD FIX BCK 13W 13T ASSM	13" WIDE 13" TALL FIXED BACK HEIGHT OR 16" TALL W/ FOLDING PUSH HANDLES
1C-10	112173	NOFLD FIX BCK 13W 14T ASSM	13" WIDE 14" TALL FIXED BACK HEIGHT OR 17" TALL W/ FOLDING PUSH HANDLES
1C-10	112174	NOFLD FIX BCK 13W 15T ASSM	13" WIDE 15" TALL FIXED BACK HEIGHT OR 18" TALL W/ FOLDING PUSH HANDLES

Pos.	Item Number	Description	Remarks
1C-10	112175	NOFLD FIX BCK 13W 16T ASSM	13" WIDE 16" TALL FIXED BACK HEIGHT OR 19" TALL W/ FOLDING PUSH HANDLES
>>>>		14 WIDE FIXED BACK FRAME	
1C-10	112176	NOFLD FIX BCK 14W 10T ASSM	14" WIDE 10" TALL FIXED BACK HEIGHT OR 13" TALL W/ FOLDING PUSH HANDLES
1C-10	112177	NOFLD FIX BCK 14W 11T ASSM	14" WIDE 11" TALL FIXED BACK HEIGHT OR 14" TALL W/ FOLDING PUSH HANDLES
1C-10	112178	NOFLD FIX BCK 14W 12T ASSM	14" WIDE 12" TALL FIXED BACK HEIGHT OR 15" TALL W/ FOLDING PUSH HANDLES
1C-10	112179	NOFLD FIX BCK 14W 13T ASSM	14" WIDE 13" TALL FIXED BACK HEIGHT OR 16" TALL W/ FOLDING PUSH HANDLES
1C-10	112180	NOFLD FIX BCK 14W 14T ASSM	14" WIDE 14" TALL FIXED BACK HEIGHT OR 17" TALL W/ FOLDING PUSH HANDLES

Pos.	Item Number	Description	Remarks
1C-10	112181	NOFLD FIX BCK 14W 15T ASSM	14" WIDE 15" TALL FIXED BACK HEIGHT OR 18" TALL W/ FOLDING PUSH HANDLES
1C-10	112182	NOFLD FIX BCK 14W 16T ASSM	14" WIDE 16" TALL FIXED BACK HEIGHT OR 19" TALL W/ FOLDING PUSH HANDLES
>>>>		15 WIDE FIXED BACK FRAME	
1C-10	112183	NOFLD FIX BCK 15W 10T ASSM	15" WIDE 10" TALL FIXED BACK HEIGHT OR 13" TALL W/ FOLDING PUSH HANDLES
1C-10	112184	NOFLD FIX BCK 15W 11T ASSM	15" WIDE 11" TALL FIXED BACK HEIGHT OR 14" TALL W/ FOLDING PUSH HANDLES
1C-10	112185	NOFLD FIX BCK 15W 12T ASSM	15" WIDE 12" TALL FIXED BACK HEIGHT OR 15" TALL W/ FOLDING PUSH HANDLES
1C-10	112186	NOFLD FIX BCK 15W 13T ASSM	15" WIDE 13" TALL FIXED BACK HEIGHT OR 16" TALL W/ FOLDING PUSH HANDLES

Pos.	Item Number	Description	Remarks
1C-10	112187	NOFLD FIX BCK 15W 14T ASSM	15" WIDE 14" TALL FIXED BACK HEIGHT OR 17" TALL W/ FOLDING PUSH HANDLES
1C-10	112188	NOFLD FIX BCK 15W 15T ASSM	15" WIDE 15" TALL FIXED BACK HEIGHT OR 18" TALL W/ FOLDING PUSH HANDLES
1C-10	112189	NOFLD FIX BCK 15W 16T ASSM	15" WIDE 16" TALL FIXED BACK HEIGHT OR 19" TALL W/ FOLDING PUSH HANDLES
>>>>		16 WIDE FIXED BACK FRAME	
1C-10	112190	NOFLD FIX BCK 16W 10T ASSM	16" WIDE 10" TALL FIXED BACK HEIGHT OR 13" TALL W/ FOLDING PUSH HANDLES
1C-10	112191	NOFLD FIX BCK 16W 11T ASSM	16" WIDE 11" TALL FIXED BACK HEIGHT OR 14" TALL W/ FOLDING PUSH HANDLES
1C-10	112192	NOFLD FIX BCK 16W 12T ASSM	16" WIDE 12" TALL FIXED BACK HEIGHT OR 15" TALL W/ FOLDING PUSH HANDLES

Pos.	Item Number	Description	Remarks
1C-10	112193	NOFLD FIX BCK 16W 13T ASSM	16" WIDE 13" TALL FIXED BACK HEIGHT OR 16" TALL W/ FOLDING PUSH HANDLES
1C-10	112194	NOFLD FIX BCK 16W 14T ASSM	16" WIDE 14" TALL FIXED BACK HEIGHT OR 17" TALL W/ FOLDING PUSH HANDLES
1C-10	112195	NOFLD FIX BCK 16W 15T ASSM	16" WIDE 15" TALL FIXED BACK HEIGHT OR 18" TALL W/ FOLDING PUSH HANDLES
1C-10	112196	NOFLD FIX BCK 16W 16T ASSM	16" WIDE 16" TALL FIXED BACK HEIGHT OR 19" TALL W/ FOLDING PUSH HANDLES
>>>>		17 WIDE FIXED BACK FRAME	
1C-10	112197	NOFLD FIX BCK 17W 10T ASSM	17" WIDE 10" TALL FIXED BACK HEIGHT OR 13" TALL W/ FOLDING PUSH HANDLES
1C-10	112198	NOFLD FIX BCK 17W 11T ASSM	17" WIDE 11" TALL FIXED BACK HEIGHT OR 14" TALL W/ FOLDING PUSH HANDLES

Pos.	Item Number	Description	Remarks
1C-10	112199	NOFLD FIX BCK 17W 12T ASSM	17" WIDE 12" TALL FIXED BACK HEIGHT OR 15" TALL W/ FOLDING PUSH HANDLES
1C-10	112200	NOFLD FIX BCK 17W 13T ASSM	17" WIDE 13" TALL FIXED BACK HEIGHT OR 16" TALL W/ FOLDING PUSH HANDLES
1C-10	112201	NOFLD FIX BCK 17W 14T ASSM	17" WIDE 14" TALL FIXED BACK HEIGHT OR 17" TALL W/ FOLDING PUSH HANDLES
1C-10	112202	NOFLD FIX BCK 17W 15T ASSM	17" WIDE 15" TALL FIXED BACK HEIGHT OR 18" TALL W/ FOLDING PUSH HANDLES
1C-10	112203	NOFLD FIX BCK 17W 16T ASSM	17" WIDE 16" TALL FIXED BACK HEIGHT OR 19" TALL W/ FOLDING PUSH HANDLES
>>>>		18 WIDE FIXED BACK FRAME	
1C-10	112204	NOFLD FIX BCK 18W 10T ASSM	18" WIDE 10" TALL FIXED BACK HEIGHT OR 13" TALL W/ FOLDING PUSH HANDLES

Pos.	Item Number	Description	Remarks
1C-10	112205	NOFLD FIX BCK 18W 11T ASSM	18" WIDE 11" TALL FIXED BACK HEIGHT OR 14" TALL W/ FOLDING PUSH HANDLES
1C-10	112206	NOFLD FIX BCK 18W 12T ASSM	18" WIDE 12" TALL FIXED BACK HEIGHT OR 15" TALL W/ FOLDING PUSH HANDLES
1C-10	112207	NOFLD FIX BCK 18W 13T ASSM	18" WIDE 13" TALL FIXED BACK HEIGHT OR 16" TALL W/ FOLDING PUSH HANDLES
1C-10	112208	NOFLD FIX BCK 18W 14T ASSM	18" WIDE 14" TALL FIXED BACK HEIGHT OR 17" TALL W/ FOLDING PUSH HANDLES
1C-10	112209	NOFLD FIX BCK 18W 15T ASSM	18" WIDE 15" TALL FIXED BACK HEIGHT OR 18" TALL W/ FOLDING PUSH HANDLES
1C-10	112210	NOFLD FIX BCK 18W 16T ASSM	18" WIDE 16" TALL FIXED BACK HEIGHT OR 19" TALL W/ FOLDING PUSH HANDLES
>>>>		19 WIDE FIXED BACK FRAME	

Pos.	Item Number	Description	Remarks
1C-10	112211	NOFLD FIX BCK 19W 10T ASSM	19" WIDE 10" TALL FIXED BACK HEIGHT OR 13" TALL W/ FOLDING PUSH HANDLES
1C-10	112212	NOFLD FIX BCK 19W 11T ASSM	19" WIDE 11" TALL FIXED BACK HEIGHT OR 14" TALL W/ FOLDING PUSH HANDLES
1C-10	112213	NOFLD FIX BCK 19W 12T ASSM	19" WIDE 12" TALL FIXED BACK HEIGHT OR 15" TALL W/ FOLDING PUSH HANDLES
1C-10	112214	NOFLD FIX BCK 19W 13T ASSM	19" WIDE 13" TALL FIXED BACK HEIGHT OR 16" TALL W/ FOLDING PUSH HANDLES
1C-10	112215	NOFLD FIX BCK 19W 14T ASSM	19" WIDE 14" TALL FIXED BACK HEIGHT OR 17" TALL W/ FOLDING PUSH HANDLES
1C-10	112216	NOFLD FIX BCK 19W 15T ASSM	19" WIDE 15" TALL FIXED BACK HEIGHT OR 18" TALL W/ FOLDING PUSH HANDLES

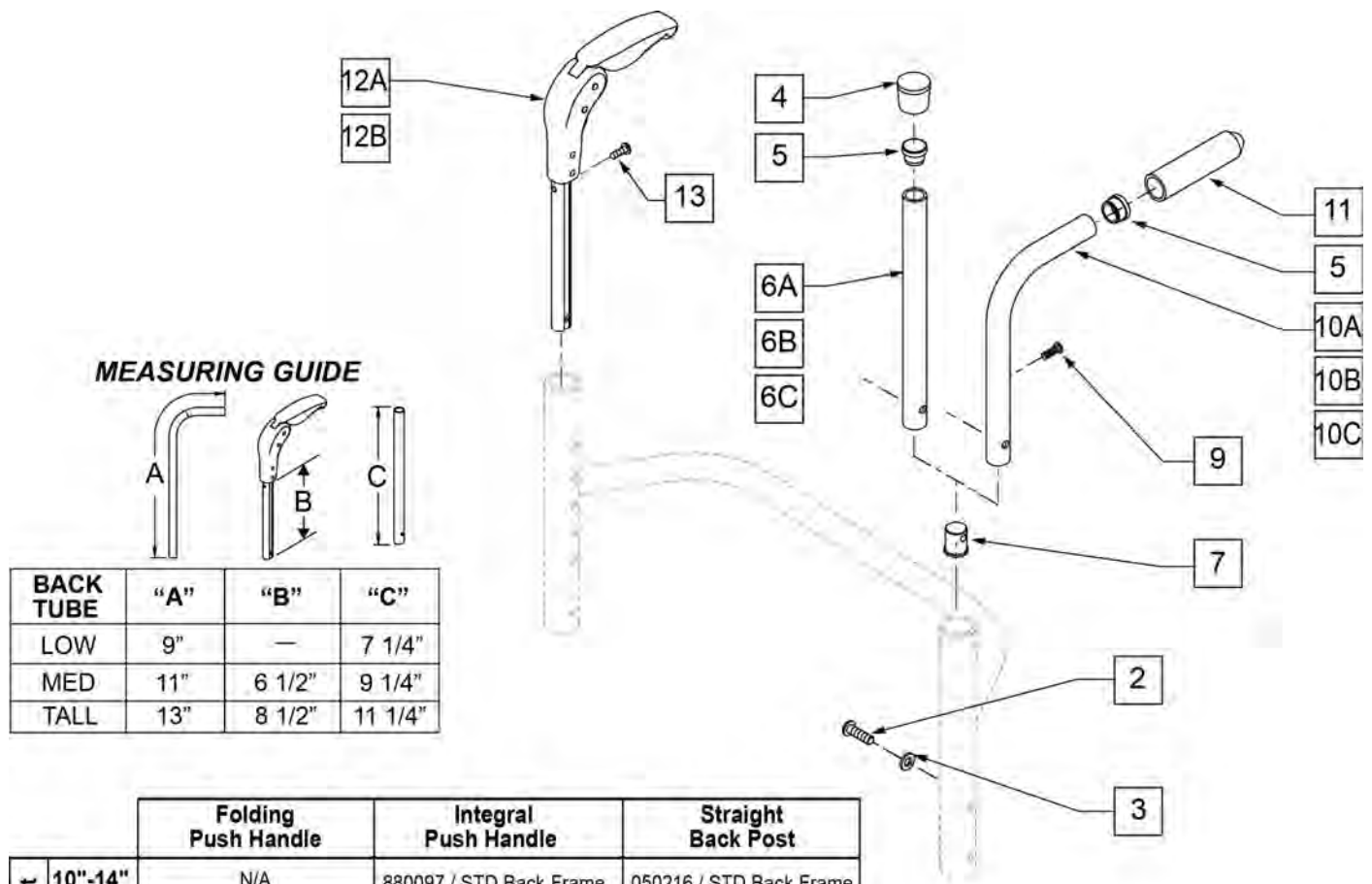
Pos.	Item Number	Description	Remarks
1C-10	112217	NOFLD FIX BCK 19W 16T ASSM	19" WIDE 16" TALL FIXED BACK HEIGHT OR 19" TALL W/ FOLDING PUSH HANDLES
>>>>		20 WIDE FIXED BACK FRAME	
1C-10	112218	NOFLD FIX BCK 20W 10T ASSM	20" WIDE 10" TALL FIXED BACK HEIGHT OR 13" TALL W/ FOLDING PUSH HANDLES
1C-10	112219	NOFLD FIX BCK 20W 11T ASSM	20" WIDE 11" TALL FIXED BACK HEIGHT OR 14" TALL W/ FOLDING PUSH HANDLES
1C-10	112220	NOFLD FIX BCK 20W 12T ASSM	20" WIDE 12" TALL FIXED BACK HEIGHT OR 15" TALL W/ FOLDING PUSH HANDLES
1C-10	112221	NOFLD FIX BCK 20W 13T ASSM	20" WIDE 13" TALL FIXED BACK HEIGHT OR 16" TALL W/ FOLDING PUSH HANDLES
1C-10	112222	NOFLD FIX BCK 20W 14T ASSM	20" WIDE 14" TALL FIXED BACK HEIGHT OR 17" TALL W/ FOLDING PUSH HANDLES

Pos.	Item Number	Description	Remarks
1C-10	112223	NOFLD FIX BCK 20W 15T ASSM	20" WIDE 15" TALL FIXED BACK HEIGHT OR 18" TALL W/ FOLDING PUSH HANDLES
1C-10	112224	NOFLD FIX BCK 20W 16T ASSM	20" WIDE 16" TALL FIXED BACK HEIGHT OR 19" TALL W/ FOLDING PUSH HANDLES

NOTE: Effective for GT chairs after S/N R3-012700 & R3A-012762.

NOTE: Effective for GTi chairs after S/N T4-505800 & T4A-505900.

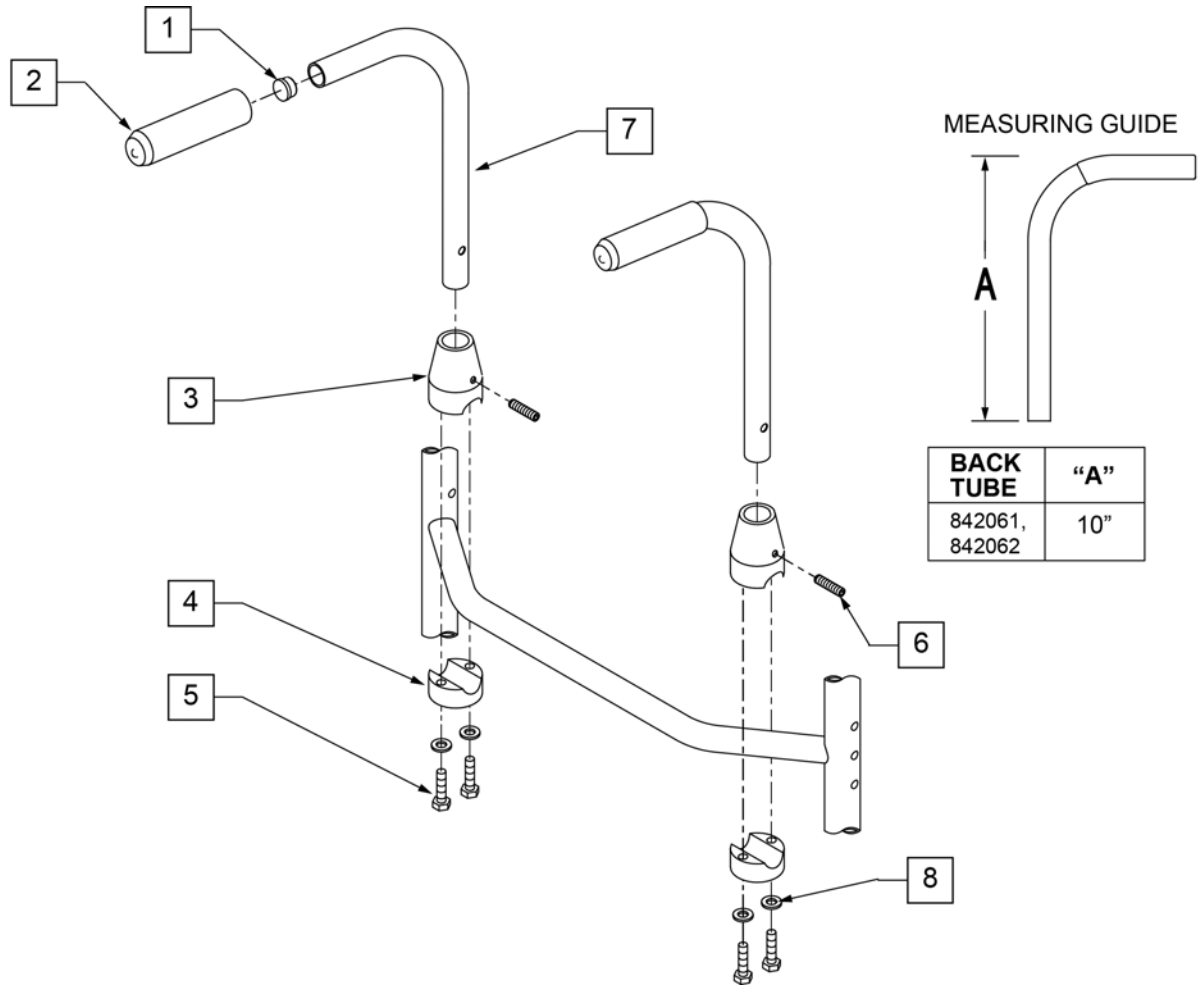
NOTE: SEE "FOLDING & NON FOLDING BACKREST HARDWARE" PARTS MANUAL PAGES FOR BACKREST FRAME PART NUMBERS.



BACK TUBE	"A"	"B"	"C"
LOW	9"	—	7 1/4"
MED	11"	6 1/2"	9 1/4"
TALL	13"	8 1/2"	11 1/4"

	Folding Push Handle	Integral Push Handle	Straight Back Post
Back Height 10"-14"	N/A	880097 / STD Back Frame	050216 / STD Back Frame
12"-16"	882605 / STD Back Frame	880098 / STD Back Frame	050217 / STD Back Frame
14"-18"	882605 / TALL Back Frame	880098 / TALL Back Frame	050217 / TALL Back Frame
16"-20"	882606 / TALL Back Frame	880099 / TALL Back Frame	102079 / TALL Back Frame

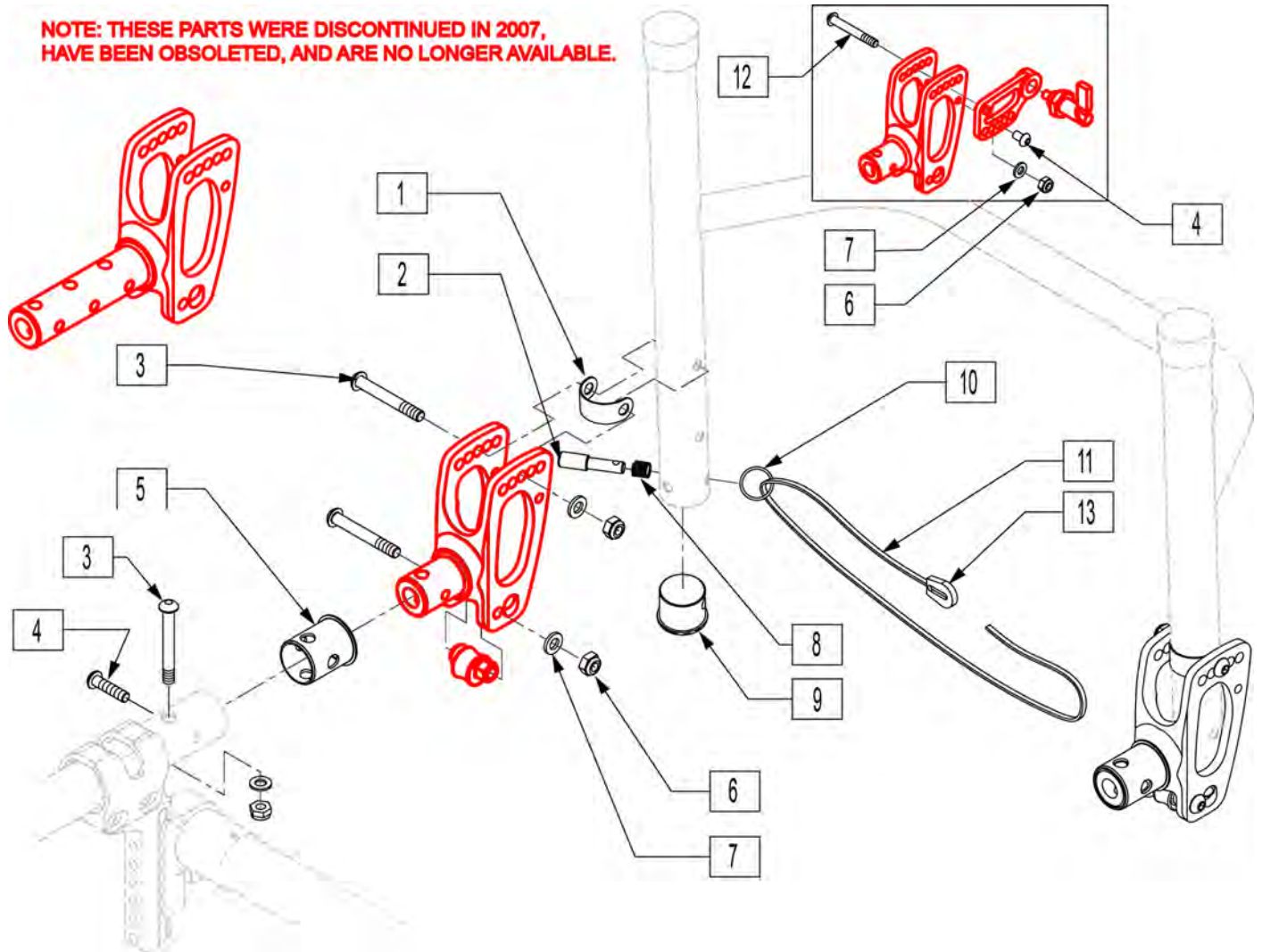
Pos.	Item Number	Description	Remarks
2	102262-003	BHCS M6 x 20 BLK	
3	262130	M6 WASHER WAVE	
4	561010	3/4" CAP	
5	561000-QU	3/4" INSERT PLUG .083	
7	050019	PLUG BACKREST M6	
9	281122	10 -32 x 3/4 PAN PHIL	
11	920026	QUIKIE GRIP 3/4" W/ INSTR SH	
12A	882605	FOLDING PUSH HANDLE W/ INSERT 11 -14"	12 -16" & 14 -18" BACK HEIGHT
12B	882606	FOLDING PUSH HANDLE W/ INSERT 12 -16"	16 -20" BACK HEIGHT
2-5,6A,7	050216	STRAIGHT BACK POST STD 10 -14"	10 -14" BACK HEIGHT
2-5,6B,7	050217	STRAIGHT BACK POST MED 12 -16"/14 -18"	12 -16" & 14 -18" BACK HEIGHT
2-5,6C,7	102079	STRAIGHT BACK POST TALL 16 -20"	16 -20" BACK HEIGHT
2,3,5,7,10A,11	050253	INTEGRAL PUSH HANDLE STANDARD	10 -14" BACK HEIGHT
2,3,5,7,10B,11	050254	INTEGRAL PUSH HANDLE MEDIUM	12 -16" & 14 -18" BACK HEIGHT
2,3,5,7,10C,11	102093	INTEGRAL PUSH HANDLE TALL	16 -20" BACK HEIGHT
5,10A,11	880097	INTEGRAL PUSH HANDLE STD W/ GRIP	10 -14" BACK HEIGHT
5,10B,11	880098	INTEGRALPUSH HANDLE MED W/ GRIP	12 -16" & 14 -18" BACK HEIGHT



Pos.	Item Number	Description	Remarks
1	561000-QU	3/4 INSERT PLUG .083	
2	920026	QUICKIE GRIP 3/4" W/INSTR SH.	
3	483015	PUSH BACK RECEIVER TOP RIGID BLK	
4	483016	PUSH BACK RECEIVER BOTTOM RIGID BLK	
5	107017	1/4-20 x 1 1/4 G8 HEX C/S	
6	225200	1/4-20 x 1 SET SCREW	
8	106943	1/4 AN WASHER FLAT	
1,2,7	842061	PUSH HNDL TUBE R W/F RIGID BLK	
1,2,7	842062	PUSH HNDL TUBE L W/F RIGID BLK	
1-8	900300	PUSH HANDLE ASSM RIGID BLK	Pair

NOTE: Discontinued on GTi chairs as of S/N T4-505800 & T4A-505900..

NOTE: New style Backrest Brackets and Frame (after S/N T4-505800 & T4A-505900) are not compatible with the old style Backrest Brackets and Frame.

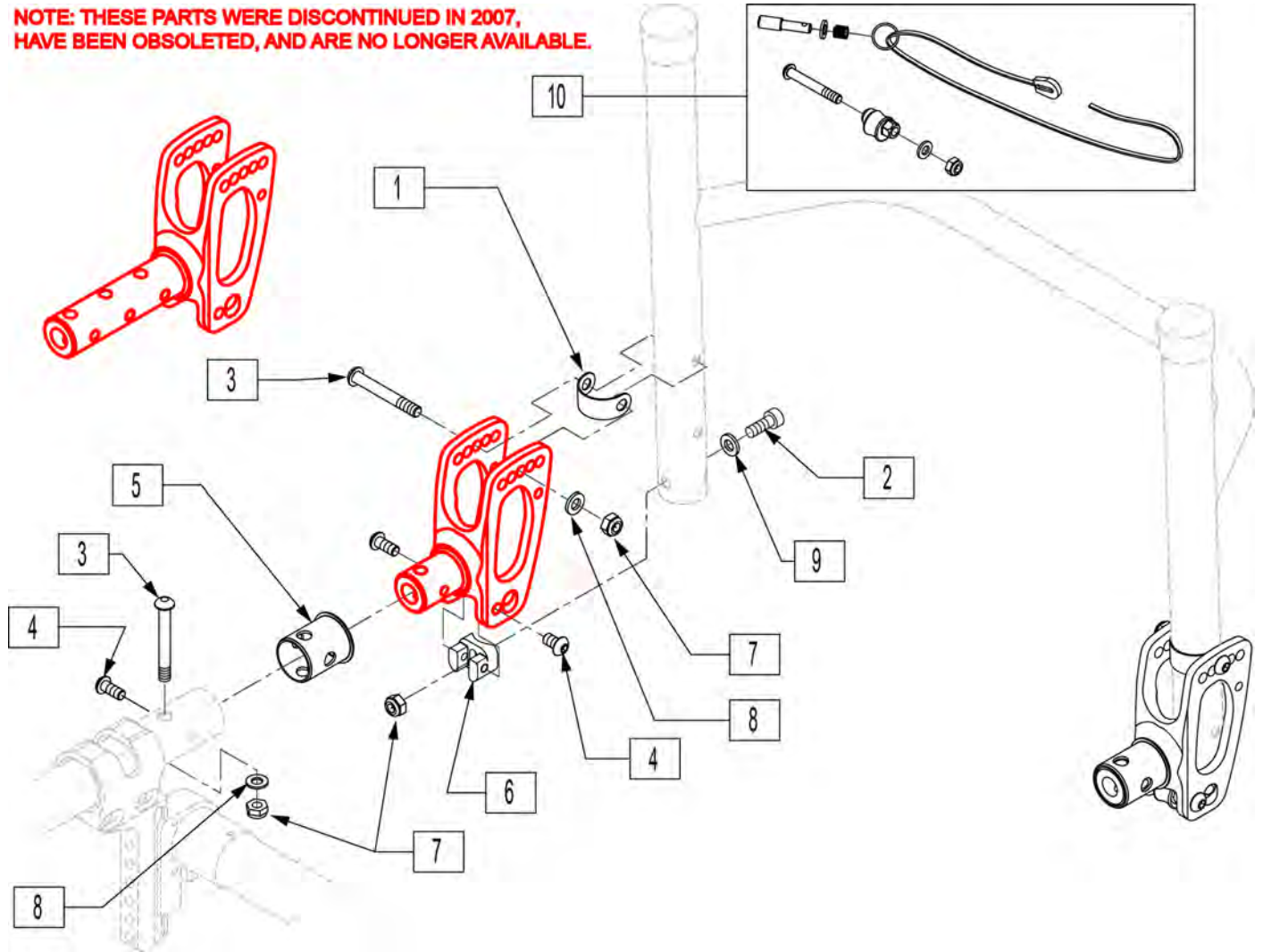


Pos.	Item Number	Description	Remarks
1	103470	WASHER PIVOT BACKREST	
2	050017	PIN PLUNGER BACKREST	
3	102262-007	BHCS M6 X 1 X 45 INORGANIC	
4	102262-002	BHCS M6 X 1 X 10 W/PL INORG	
5	103678	SLEEVE BRACKET BACKREST .061	
6	200113	NUT HEX NYLOCK M6 X 1 NUT	
7	250104	WASHER FLAT M6	
8	050020	SPRINGCOMP.312OD1.131G.025WSS	
9	103471	INSERT BACKREST LATCH PIN	GTI Titanium Backrest only
10	342015	LANYARD ATTACH RING	
11	750060	BACK REL STRAP 12"-22" RIGID	
12	102262-008	BHCS M6 X 1 X 50 INORGANIC	
13	560221	BACK REL STRAP LOCK RIGID	

NOTE: Discontinued on GTi chairs as of S/N T4-505800 & T4A-505900.

NOTE: New style Backrest Brackets and Frame (after S/N T4-505800 & T4A-505900) are not compatible with the old style Backrest Brackets and Frame.

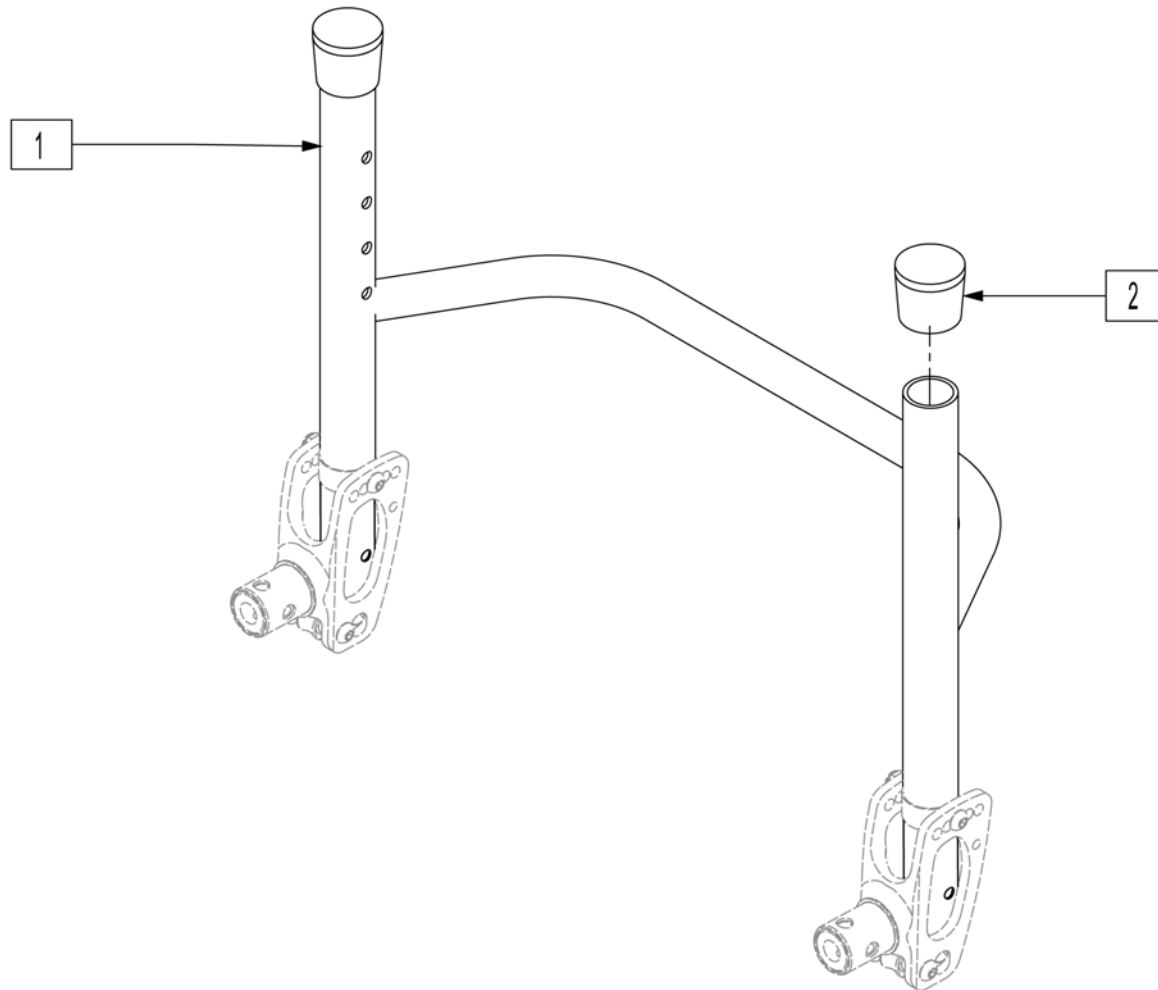
NOTE: THESE PARTS WERE DISCONTINUED IN 2007, HAVE BEEN OBSOLETE, AND ARE NO LONGER AVAILABLE.



Pos.	Item Number	Description
1	103470	WASHER PIVOT BACKREST
2	102263-001	SHCS M6 X 1 X 16 INORGANIC
3	102262-007	BHCS M6 X 1 X 45 INORGANIC
4	102262-002	BHCS M6 X 1 X 10 W/PL INORG
5	103678	SLEEVE BRACKET BACKREST .061
6	103472	SADDLE BACKREST NON-FOLD
7	200113	NUT HEX NYLOCK M6 X 1 NUT
8	250104	WASHER FLAT M6
9	262130	6MM WASHER WAVE
10	103537	FOLDING BACK CONVERSION KIT

NOTE: Discontinued on GTi chairs after S/N T4-505800 & T4A-505900.

NOTE: If replacing backrest please order quantity 2 of 101301-002 if padded swing-away arms are being used.



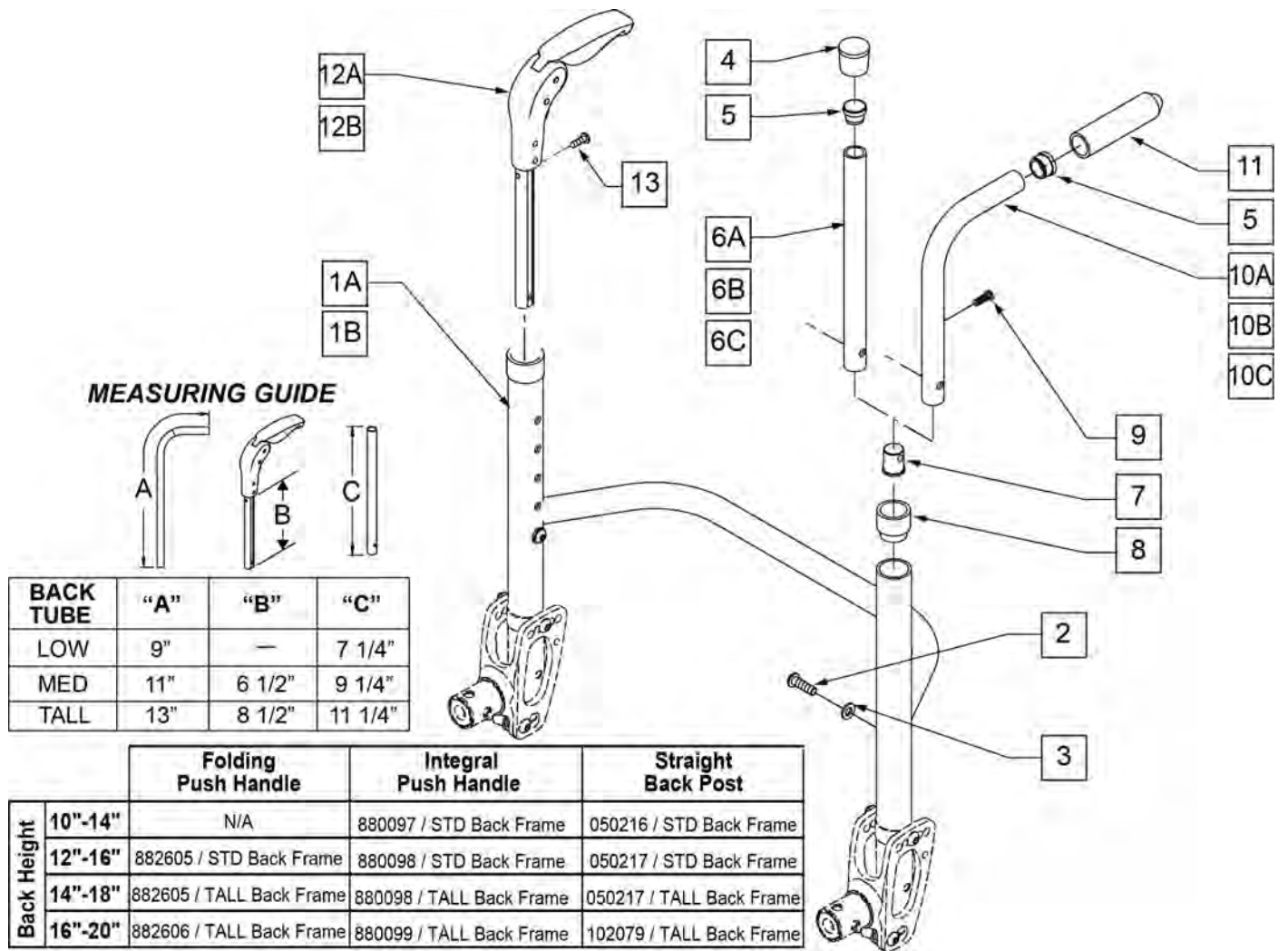
Pos.	Item Number	Description	Pos.	Item Number	Description
1	101356-001	FRAME BACKREST TI 12W 10T	1	101356-013	FRAME BACKREST TI 13W 15T
1	101356-002	FRAME BACKREST TI 12W 11T	1	101356-014	FRAME BACKREST TI 13W 16T
1	101356-003	FRAME BACKREST TI 12W 12T	1	101356-015	FRAME BACKREST TI 14W 10T
1	101356-004	FRAME BACKREST TI 12W 13T	1	101356-016	FRAME BACKREST TI 14W 11T
1	101356-005	FRAME BACKREST TI 12W 14T	1	101356-017	FRAME BACKREST TI 14W 12T
1	101356-006	FRAME BACKREST TI 12W 15T	1	101356-018	FRAME BACKREST TI 14W 13T
1	101356-007	FRAME BACKREST TI 12W 16T	1	101356-019	FRAME BACKREST TI 14W 14T
1	101356-008	FRAME BACKREST TI 13W 10T	1	101356-020	FRAME BACKREST TI 14W 15T
1	101356-009	FRAME BACKREST TI 13W 11T	1	101356-021	FRAME BACKREST TI 14W 16T
1	101356-010	FRAME BACKREST TI 13W 12T	1	101356-022	FRAME BACKREST TI 15W 10T
1	101356-011	FRAME BACKREST TI 13W 13T	1	101356-023	FRAME BACKREST TI 15W 11T
1	101356-012	FRAME BACKREST TI 13W 14T	1	101356-024	FRAME BACKREST TI 15W 12T

Pos.	Item Number	Description	Pos.	Item Number	Description
1	101356-025	FRAME BACKREST TI 15W 13T	1	101356-045	FRAME BACKREST TI 18W 12T
1	101356-026	FRAME BACKREST TI 15W 14T	1	101356-046	FRAME BACKREST TI 18W 13T
1	101356-027	FRAME BACKREST TI 15W 15T	1	101356-047	FRAME BACKREST TI 18W 14T
1	101356-028	FRAME BACKREST TI 15W 16T	1	101356-048	FRAME BACKREST TI 18W 15T
1	101356-029	FRAME BACKREST TI 16W 10T	1	101356-049	FRAME BACKREST TI 18W 16T
1	101356-030	FRAME BACKREST TI 16W 11T	1	101356-050	FRAME BACKREST TI 19W 10T
1	101356-031	FRAME BACKREST TI 16W 12T	1	101356-051	FRAME BACKREST TI 19W 11T
1	101356-032	FRAME BACKREST TI 16W 13T	1	101356-052	FRAME BACKREST TI 19W 12T
1	101356-033	FRAME BACKREST TI 16W 14T	1	101356-053	FRAME BACKREST TI 19W 13T
1	101356-034	FRAME BACKREST TI 16W 15T	1	101356-054	FRAME BACKREST TI 19W 14T
1	101356-035	FRAME BACKREST TI 16W 16T	1	101356-055	FRAME BACKREST TI 19W 15T
1	101356-036	FRAME BACKREST TI 17W 10T	1	101356-056	FRAME BACKREST TI 19W 16T
1	101356-037	FRAME BACKREST TI 17W 11T	1	101356-057	FRAME BACKREST TI 20W 10T
1	101356-038	FRAME BACKREST TI 17W 12T	1	101356-058	FRAME BACKREST TI 20W 11T
1	101356-039	FRAME BACKREST TI 17W 13T	1	101356-059	FRAME BACKREST TI 20W 12T
1	101356-040	FRAME BACKREST TI 17W 14T	1	101356-060	FRAME BACKREST TI 20W 13T
1	101356-041	FRAME BACKREST TI 17W 15T	1	101356-061	FRAME BACKREST TI 20W 14T
1	101356-042	FRAME BACKREST TI 17W 16T	1	101356-062	FRAME BACKREST TI 20W 15T
1	101356-043	FRAME BACKREST TI 18W 10T	1	101356-063	FRAME BACKREST TI 20W 16T
1	101356-044	FRAME BACKREST TI 18W 11T	2	561014	1" MED CAP

NOTE: Discontinued on GT chairs as of S/N R3-012700 & R3A-012762.

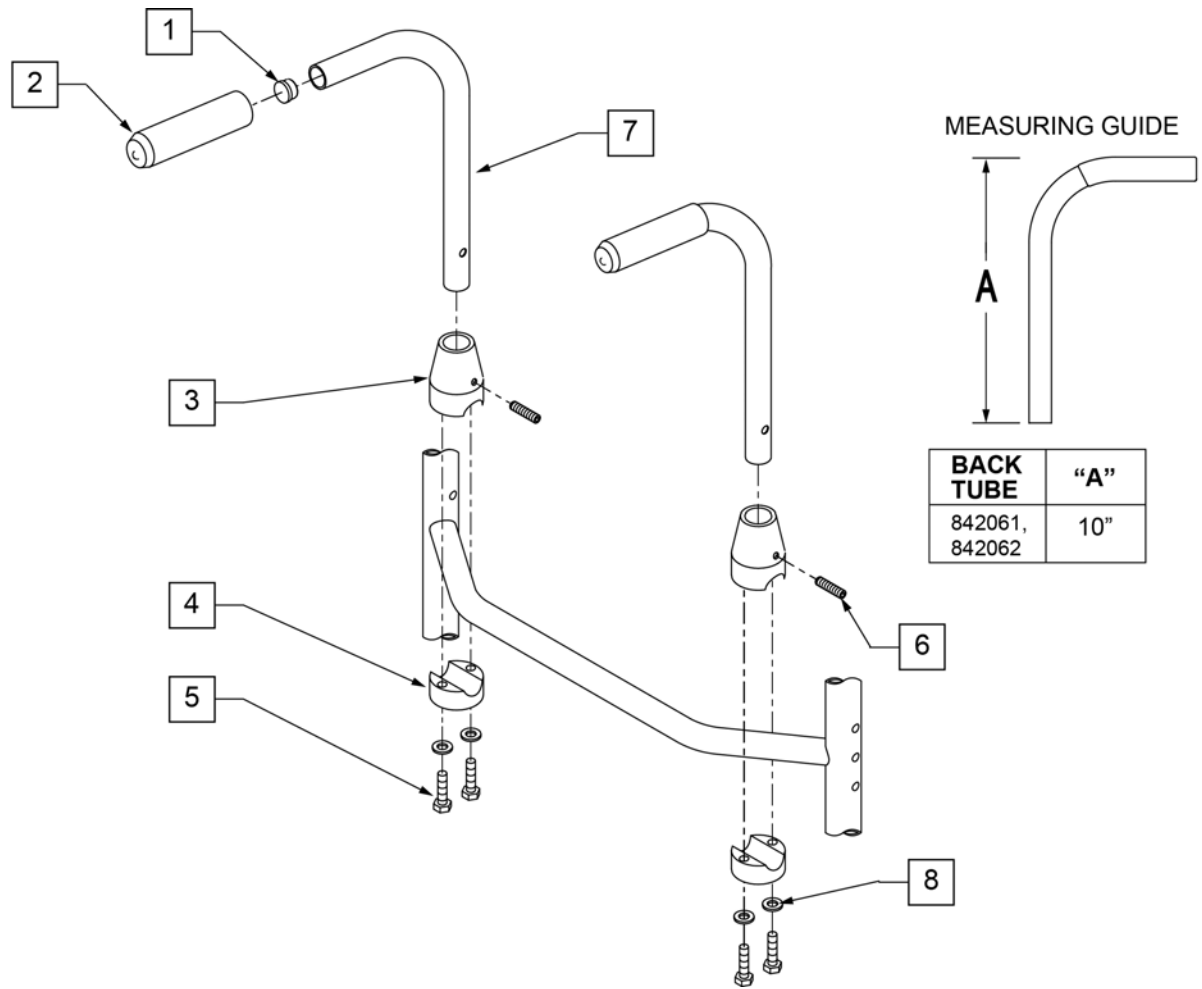
NOTE: Discontinued on GTi chairs as of S/N T4-505800 & T4A-505900.

NOTE: If replacing backrest please order quantity 2 of 101301-001 if padded swing-away arms are being used.

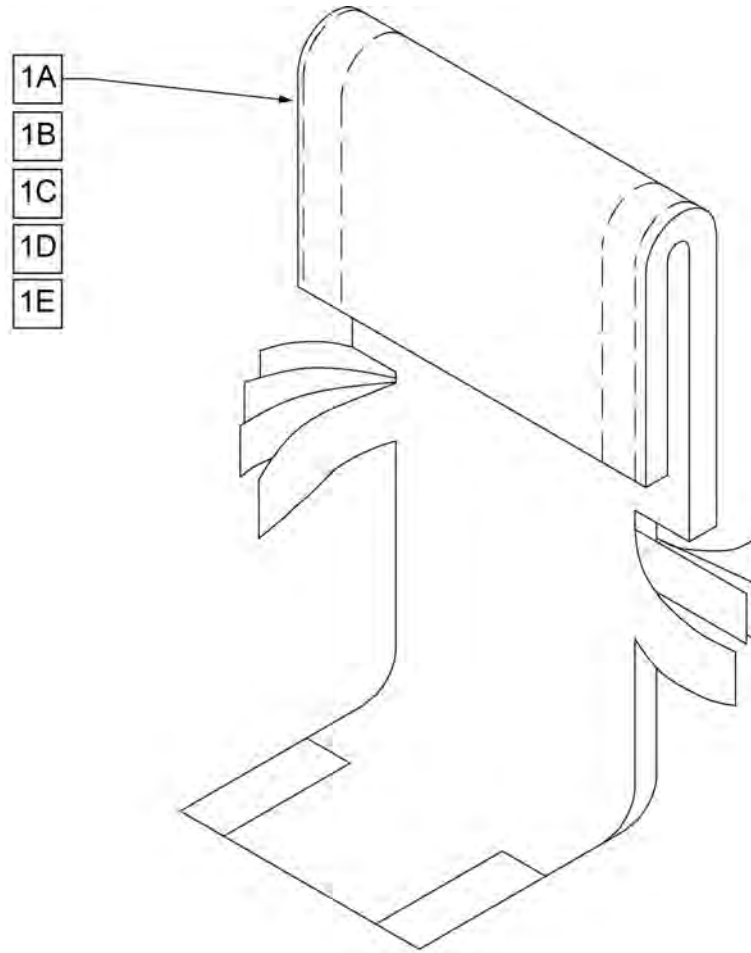


Pos.	Item Number	Description	Remarks
1A	050220-001	FRM ALUM BKRST HGT ADJ 12" STD	USED WITH OUT PADDED S/A ARMS
1A	050220-002	FRM ALUM BKRST HGT ADJ 13" STD	USED WITH OUT PADDED S/A ARMS
1A	050220-003	FRM ALUM BKRST HGT ADJ 14" STD	USED WITH OUT PADDED S/A ARMS
1A	050220-004	FRM ALUM BKRST HGT ADJ 15" STD	USED WITH OUT PADDED S/A ARMS
1A	050220-005	FRM ALUM BKRST HGT ADJ 16" STD	USED WITH OUT PADDED S/A ARMS
1A	050220-006	FRM ALUM BKRST HGT ADJ 17" STD	USED WITH OUT PADDED S/A ARMS
1A	050220-007	FRM ALUM BKRST HGT ADJ 18" STD	USED WITH OUT PADDED S/A ARMS
1A	050220-008	FRM ALUM BKRST HGT ADJ 19" STD	USED WITH OUT PADDED S/A ARMS

Pos.	Item Number	Description	Remarks
1A	050220-009	FRM ALUM BKRST HGT ADJ 20" STD	USED WITH OUT PADDED S/A ARMS
1B	050221-001	FRM ALUM BKRST HGT ADJ 12" TALL	USED WITH OUT PADDED S/A ARMS
1B	050221-002	FRM ALUM BKRST HGT ADJ 13" TALL	USED WITH OUT PADDED S/A ARMS
1B	050221-003	FRM ALUM BKRST HGT ADJ 14" TALL	USED WITH OUT PADDED S/A ARMS
1B	050221-004	FRM ALUM BKRST HGT ADJ 15" TALL	USED WITH OUT PADDED S/A ARMS
1B	050221-005	FRM ALUM BKRST HGT ADJ 16" TALL	USED WITH OUT PADDED S/A ARMS
1B	050221-006	FRM ALUM BKRST HGT ADJ 17" TALL	USED WITH OUT PADDED S/A ARMS
1B	050221-007	FRM ALUM BKRST HGT ADJ 18" TALL	USED WITH OUT PADDED S/A ARMS
1B	050221-008	FRM ALUM BKRST HGT ADJ 19" TALL	USED WITH OUT PADDED S/A ARMS
1B	050221-009	FRM ALUM BKRST HGT ADJ 20" TALL	USED WITH OUT PADDED S/A ARMS
1A	104769-001	FRAME ALUM BACKREST 12 STD PAD ARM	USED WITH PADDED S/A ARMS
1A	104769-002	FRAME ALUM BACKREST 13 STD PAD ARM	USED WITH PADDED S/A ARMS
1A	104769-003	FRAME ALUM BACKREST 14 STD PAD ARM	USED WITH PADDED S/A ARMS
1A	104769-004	FRAME ALUM BACKREST 15 STD PAD ARM	USED WITH PADDED S/A ARMS
1A	104769-005	FRAME ALUM BACKREST 16 STD PAD ARM	USED WITH PADDED S/A ARMS
1A	104769-006	FRAME ALUM BACKREST 17 STD PAD ARM	USED WITH PADDED S/A ARMS
1A	104769-007	FRAME ALUM BACKREST 18 STD PAD ARM	USED WITH PADDED S/A ARMS
1A	104769-008	FRAME ALUM BACKREST 19 STD PAD ARM	USED WITH PADDED S/A ARMS
1A	104769-009	FRAME ALUM BACKREST 20 STD PAD ARM	USED WITH PADDED S/A ARMS
1B	104750-001	FRAME ALUM BACKREST 12 TALL PAD ARM	USED WITH PADDED S/A ARMS
1B	104750-002	FRAME ALUM BACKREST 13 TALL PAD ARM	USED WITH PADDED S/A ARMS
1B	104750-003	FRAME ALUM BACKREST 14 TALL PAD ARM	USED WITH PADDED S/A ARMS
1B	104750-004	FRAME ALUM BACKREST 15 TALL PAD ARM	USED WITH PADDED S/A ARMS
1B	104750-005	FRAME ALUM BACKREST 16 TALL PAD ARM	USED WITH PADDED S/A ARMS
1B	104750-006	FRAME ALUM BACKREST 17 TALL PAD ARM	USED WITH PADDED S/A ARMS
1B	104750-007	FRAME ALUM BACKREST 18 TALL PAD ARM	USED WITH PADDED S/A ARMS
1B	104750-008	FRAME ALUM BACKREST 19 TALL PAD ARM	USED WITH PADDED S/A ARMS
1B	104750-009	FRAME ALUM BACKREST 20 TALL PAD ARM	USED WITH PADDED S/A ARMS
2	102262-003	BHCS M6 x 20 BLK	
3	262130	M6 WASHER WAVE	
4	561010	3/4" CAP	
5	561000-QU	3/4" INSERT PLUG .083	
7	050019	PLUG BACKREST M6	
8	561082	1" TUBE END BUSHING THIN	
9	281122	10 -32 x 3/4 PAN PHIL	
11	920026	QUIKIE GRIP 3/4" W/ INSTR SH	
12A	882605	FOLDING PUSH HANDLE W/ INSERT 11 -14"	12 -16" & 14 -18" BACK HEIGHT
12B	882606	FOLDING PUSH HANDLE W/ INSERT 12 -16"	16 -20" BACK HEIGHT
13	281127	#12 x 3/4" PAN HD PHIL S/ TAP	
2-5,6A,7	050216	BACK ADJ TUBE RIGID STD 10 -14"	10 -14" BACK HEIGHT
2-5,6B,7	050217	BACK ADJ TUBE RIGID TALL 12 -16"/14 -18"	12 -16" & 14 -18" BACK HEIGHT
2-5,6C,7	102079	BACK ADJ TUBE RIGID TALL 16 -20"	16 -20" BACK HEIGHT
2,3,5,7,10A,11	050253	BACK ADJ PUSH HANDLE STANDARD	10 -14" BACK HEIGHT
2,3,5,7,10B,11	050254	BACK ADJ PUSH HANDLE MEDIUM	12 -16" & 14 -18" BACK HEIGHT
2,3,5,7,10C,11	102093	BACK ADJ PUSH HANDLE TALL	16 -20" BACK HEIGHT
5,10A,11	880097	HGT ADJ STROLLER HANDLE STD W/ GRIP	10 -14" BACK HEIGHT
5,10B,11	880098	HGT ADJ STROLLER HANDLE MED W/ GRIP	12 -16" & 14 -18" BACK HEIGHT
5,10C,11	880099	HGT ADJ STROLLER HANDLE TALL W/ GRIP	16 -20" BACK HEIGHT

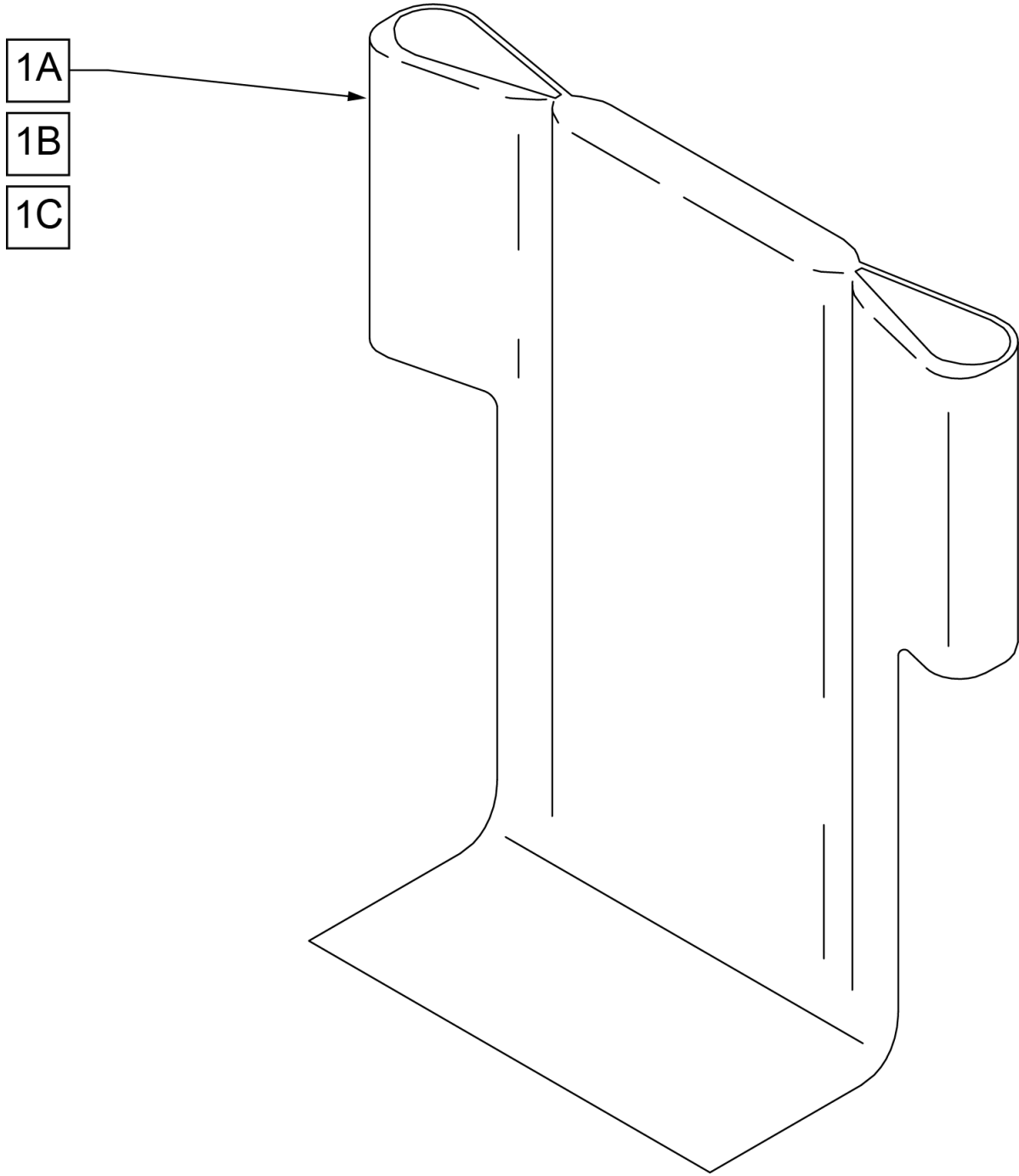


Pos.	Item Number	Description	Remarks
1	561000-QU	3/4 INSERT PLUG .083	
2	920026	QUICKIE GRIP 3/4" W/INSTR SH.	
3	483015	PUSH BACK RECEIVER TOP RIGID BLK	
4	483016	PUSH BACK RECEIVER BOTTOM RIGID BLK	
5	107017	1/4-20 x 1 1/4 G8 HEX C/S	
6	225200	1/4-20 x 1 SET SCREW	
8	106943	1/4 AN WASHER FLAT	
1,2,7	842061	PUSH HNDL TUBE R W/F RIGID BLK	
1,2,7	842062	PUSH HNDL TUBE L W/F RIGID BLK	
1-8	900300	PUSH HANDLE ASSM RIGID BLK	Pair



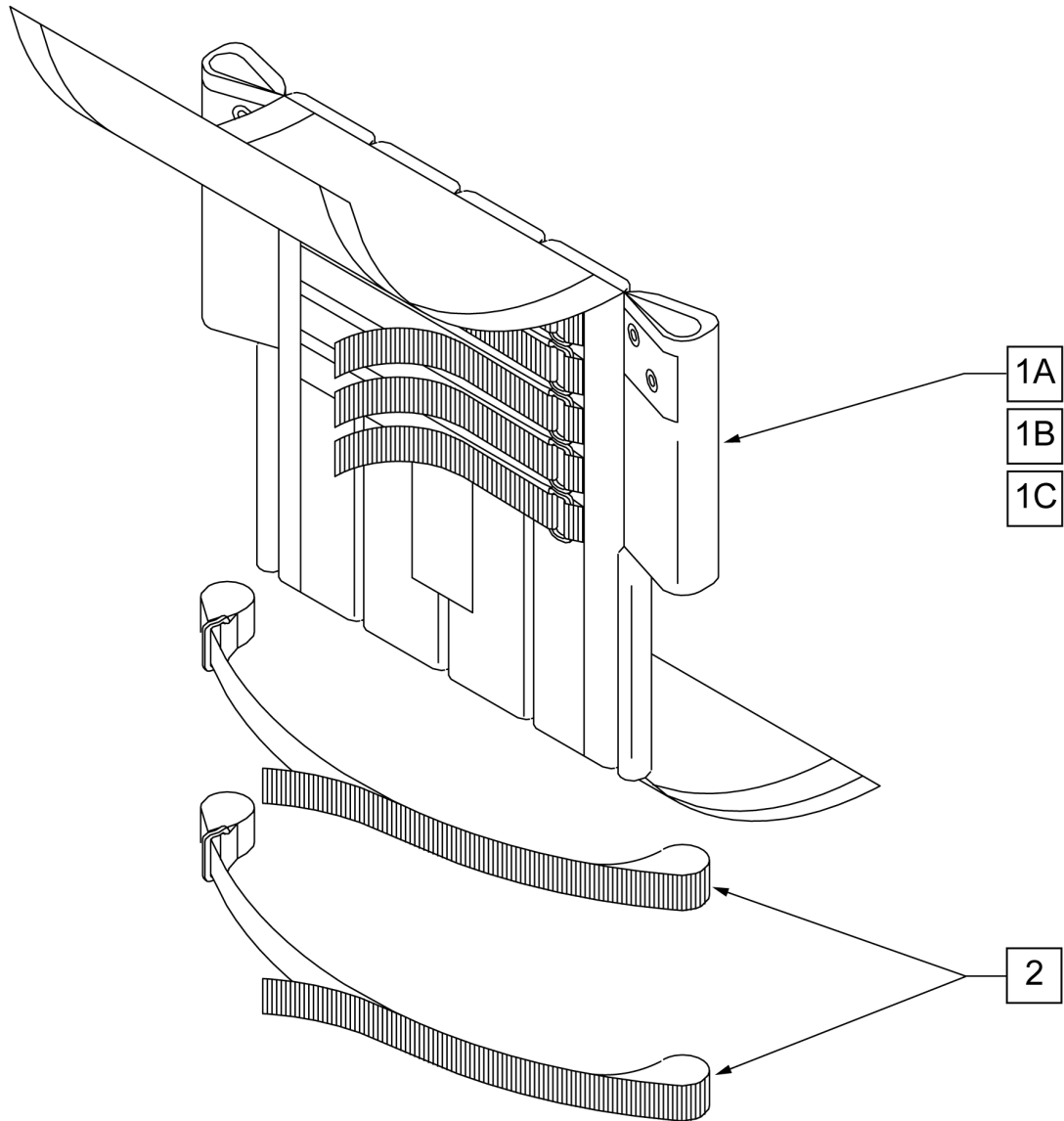
Pos.	Item Number	Description	Remarks
1A	680212	BACK UPH 12" 8-12" W/TAIL	(12" WIDE) 8-12" for Ht Adj Back & 8,9,10" for Fixed Back Hts
1A	680213	BACK UPH 13" 8-12" W/TAIL	(13" WIDE) 8-12" for Ht Adj Back & 8,9,10" for Fixed Back Hts
1A	680308	BACK UPH 14" 8-12" W/TAIL	(14" WIDE) 8-12" for Ht Adj Back & 8,9,10" for Fixed Back Hts
1A	680408	BACK UPH 15" 8-12" W/TAIL	(15" WIDE) 8-12" for Ht Adj Back & 8,9,10" for Fixed Back Hts
1A	680508	BACK UPH 16" 8-12" W/TAIL	(16" WIDE) 8-12" for Ht Adj Back & 8,9,10" for Fixed Back Hts
1A	680608	BACK UPH 17" 8-12" W/TAIL	(17" WIDE) 8-12" for Ht Adj Back & 8,9,10" for Fixed Back Hts
1A	680708	BACK UPH 18" 8-12" W/TAIL	(18" WIDE) 8-12" for Ht Adj Back & 8,9,10" for Fixed Back Hts
1A	680808	BACK UPH 19" 8-12" W/TAIL	(19" WIDE) 8-12" for Ht Adj Back & 8,9,10" for Fixed Back Hts
1B	680208	BACK UPH 12" 11-15" W/ TAIL	(12" WIDE) 10-14" for Ht Adj Back & 11" for Fixed Back Hts
1B	680201	BACK UPH 13" 11-15" W/ TAIL	(13" WIDE) 10-14" for Ht Adj Back & 11" for Fixed Back Hts
1B	680301	BACK UPH 14" 11-15" W/ TAIL	(14" WIDE) 10-14" for Ht Adj Back & 11" for Fixed Back Hts
1B	680401	BACK UPH 15" 11-15" W/ TAIL	(15" WIDE) 10-14" for Ht Adj Back & 11" for Fixed Back Hts
1B	680501	BACK UPH 16" 11-15" W/ TAIL	(16" WIDE) 10-14" for Ht Adj Back & 11" for Fixed Back Hts
1B	680601	BACK UPH 17" 11-15" W/ TAIL	(17" WIDE) 10-14" for Ht Adj Back & 11" for Fixed Back Hts
1B	680701	BACK UPH 18" 11-15" W/ TAIL	(18" WIDE) 10-14" for Ht Adj Back & 11" for Fixed Back Hts
1B	680801	BACK UPH 19" 11-15" W/ TAIL	(19" WIDE) 10-14" for Ht Adj Back & 11" for Fixed Back Hts
1B	680901	BACK UPH 20" 11-15" W/ TAIL	(20" WIDE) 10-14" for Ht Adj Back & 11" for Fixed Back Hts
1C	680209	BACK UPH 12" 12-16" W/ TAIL	(12" WIDE) 12 -16" for Ht Adj Back & 12"&13" for Fixed Back Hts
1C	680203	BACK UPH 13" 12-16" W/ TAIL	(13" WIDE) 12 -16" for Ht Adj Back & 12"&13" for Fixed Back Hts
1C	680303	BACK UPH 14" 12-16" W/ TAIL	(14" WIDE) 12 -16" for Ht Adj Back & 12"&13" for Fixed Back Hts
1C	680403	BACK UPH 15" 12-16" W/ TAIL	(15" WIDE) 12 -16" for Ht Adj Back & 12"&13" for Fixed Back Hts

Pos.	Item Number	Description	Remarks
1C	680503	BACK UPH 16" 12-16" W/ TAIL	(16" WIDE) 12 -16" for Ht Adj Back & 12"&13" for Fixed Back Hts
1C	680603	BACK UPH 17" 12-16" W/ TAIL	(17" WIDE) 12 -16" for Ht Adj Back & 12"&13" for Fixed Back Hts
1C	680703	BACK UPH 18" 12-16" W/ TAIL	(18" WIDE) 12 -16" for Ht Adj Back & 12"&13" for Fixed Back Hts
1C	680803	BACK UPH 19" 12-16" W/ TAIL	(19" WIDE) 12 -16" for Ht Adj Back & 12"&13" for Fixed Back Hts
1C	680903	BACK UPH 20" 12-16" W/ TAIL	(20" WIDE) 12 -16" for Ht Adj Back & 12"&13" for Fixed Back Hts
1D	680210	BACK UPH 12" 14-18" W/ TAIL	(12" WIDE) 14 -18" for Ht Adj Back & 14,15,16" for Fixed Back Hts
1D	680205	BACK UPH 13" 14-18" W/ TAIL	(13" WIDE) 14 -18" for Ht Adj Back & 14,15,16" for Fixed Back Hts
1D	680305	BACK UPH 14" 14-18" W/ TAIL	(14" WIDE) 14 -18" for Ht Adj Back & 14,15,16" for Fixed Back Hts
1D	680405	BACK UPH 15" 14-18" W/ TAIL	(15" WIDE) 14 -18" for Ht Adj Back & 14,15,16" for Fixed Back Hts
1D	680505	BACK UPH 16" 14-18" W/ TAIL	(16" WIDE) 14 -18" for Ht Adj Back & 14,15,16" for Fixed Back Hts
1D	680605	BACK UPH 17" 14-18" W/ TAIL	(17" WIDE) 14 -18" for Ht Adj Back & 14,15,16" for Fixed Back Hts
1D	680705	BACK UPH 18" 14-18" W/ TAIL	(18" WIDE) 14 -18" for Ht Adj Back & 14,15,16" for Fixed Back Hts
1D	680805	BACK UPH 19" 14-18" W/ TAIL	(19" WIDE) 14 -18" for Ht Adj Back & 14,15,16" for Fixed Back Hts
1D	680905	BACK UPH 20" 14-18" W/ TAIL	(20" WIDE) 14 -18" for Ht Adj Back & 14,15,16" for Fixed Back Hts
1E	680211	BACK UPH 12" 16-20" W/ TAIL	(12" WIDE) 16 -20" for Ht Adj Back & 17,18,19" for Fixed Back Hts
1E	680207	BACK UPH 13" 16-20" W/ TAIL	(13" WIDE) 16 -20" for Ht Adj Back & 17,18,19" for Fixed Back Hts
1E	680307	BACK UPH 14" 16-20" W/ TAIL	(14" WIDE) 16 -20" for Ht Adj Back & 17,18,19" for Fixed Back Hts
1E	680407	BACK UPH 15" 16-20" W/ TAIL	(15" WIDE) 16 -20" for Ht Adj Back & 17,18,19" for Fixed Back Hts
1E	680507	BACK UPH 16" 16-20" W/ TAIL	(16" WIDE) 16 -20" for Ht Adj Back & 17,18,19" for Fixed Back Hts
1E	680607	BACK UPH 17" 16-20" W/ TAIL	(17" WIDE) 16 -20" for Ht Adj Back & 17,18,19" for Fixed Back Hts
1E	680707	BACK UPH 18" 16-20" W/ TAIL	(18" WIDE) 16 -20" for Ht Adj Back & 17,18,19" for Fixed Back Hts
1E	680807	BACK UPH 19" 16-20" W/ TAIL	(19" WIDE) 16 -20" for Ht Adj Back & 17,18,19" for Fixed Back Hts
1E	680907S	BACK UPH CUSTOM Q1/GP F BCK	(20" WIDE) 16 -20" for Ht Adj Back & 17,18,19" for Fixed Back Hts



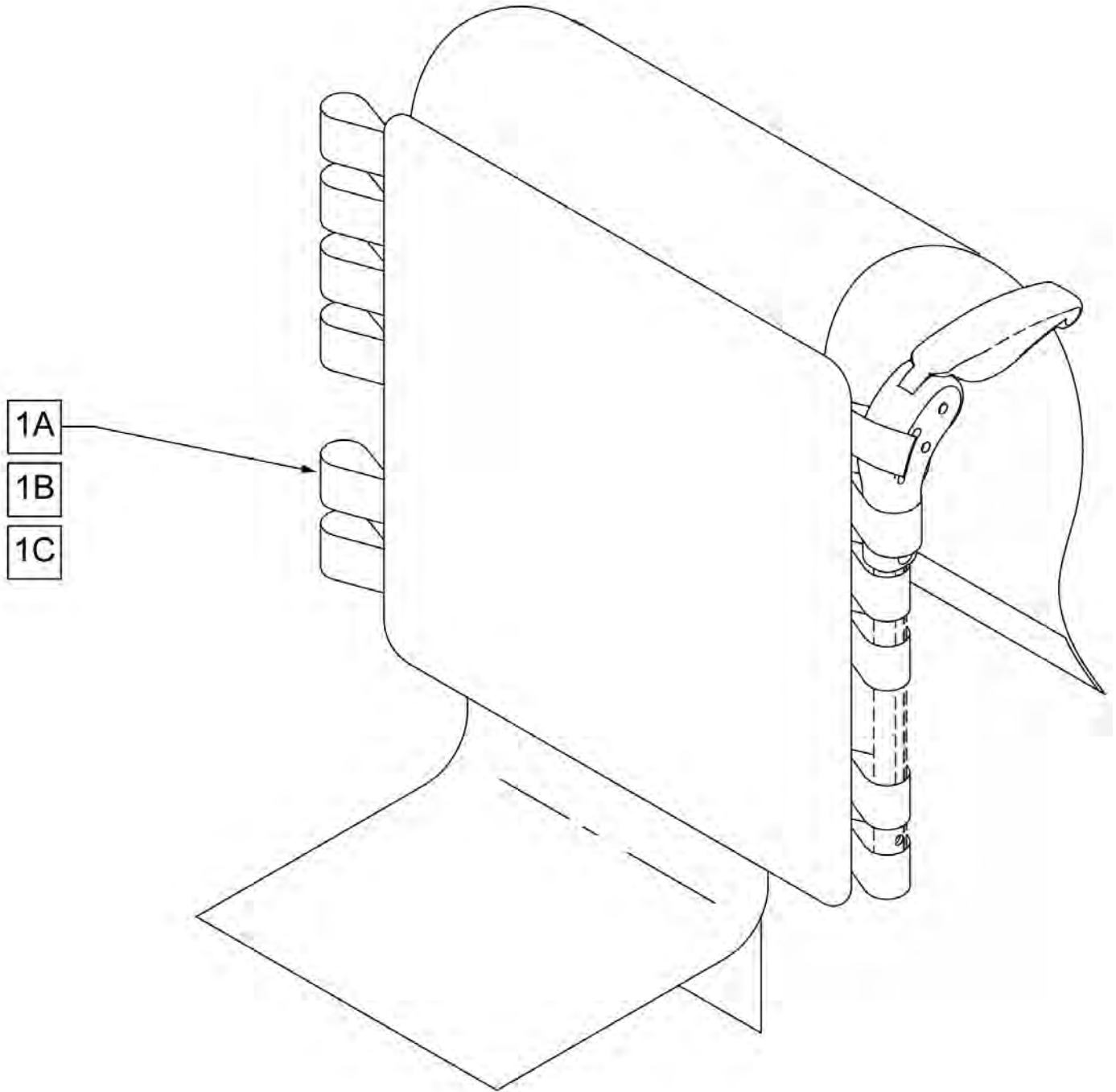
Pos.	Item Number	Description	Remarks
1A	680442	BACK UPH 12" 11-14/12-16 RDG	10 -14" & 12 -16" BACK HEIGHT
1A	680443	BACK UPH 13" 11-14/12-16 RDG	10 -14" & 12 -16" BACK HEIGHT
1A	680454	BACK UPH 14" 11-14/12-16 RDG	10 -14" & 12 -16" BACK HEIGHT
1A	680455	BACK UPH 15" 11-14/12-16 RDG	10 -14" & 12 -16" BACK HEIGHT
1A	680456	BACK UPH 16" 11-14/12-16 RDG	10 -14" & 12 -16" BACK HEIGHT
1A	680457	BACK UPH 17" 11-14/12-16 RDG	10 -14" & 12 -16" BACK HEIGHT
1A	680458	BACK UPH 18" 11-14/12-16 RDG	10 -14" & 12 -16" BACK HEIGHT
1A	680459	BACK UPH 19" 11-14/12-16 RDG	10 -14" & 12 -16" BACK HEIGHT
1A	680460	BACK UPH 20" 11-14/12-16 RDG	10 -14" & 12 -16" BACK HEIGHT

Pos.	Item Number	Description	Remarks
1B	680462	BACK UPH 12" 14-18 RDG	14 -18" BACK HEIGHT
1B	680463	BACK UPH 13" 14-18 RDG	14 -18" BACK HEIGHT
1B	680464	BACK UPH 14" 14-18 RDG	14 -18" BACK HEIGHT
1B	680465	BACK UPH 15" 14-18 RDG	14 -18" BACK HEIGHT
1B	680466	BACK UPH 16" 14-18 RDG	14 -18" BACK HEIGHT
1B	680467	BACK UPH 17" 14-18 RDG	14 -18" BACK HEIGHT
1B	680468	BACK UPH 18" 14-18 RDG	14 -18" BACK HEIGHT
1B	680469	BACK UPH 19" 14-18 RDG	14 -18" BACK HEIGHT
1B	680470	BACK UPH 20" 14-18 RDG	14 -18" BACK HEIGHT
1C	680472	BACK UPH 12" 16-20 RDG	16 -20" BACK HEIGHT
1C	680473	BACK UPH 13" 16-20 RDG	16 -20" BACK HEIGHT
1C	680474	BACK UPH 14" 16-20 RDG	16 -20" BACK HEIGHT
1C	680475	BACK UPH 15" 16-20 RDG	16 -20" BACK HEIGHT
1C	680476	BACK UPH 16" 16-20 RDG	16 -20" BACK HEIGHT
1C	680477	BACK UPH 17" 16-20 RDG	16 -20" BACK HEIGHT
1C	680478	BACK UPH 18" 16-20 RDG	16 -20" BACK HEIGHT
1C	680479	BACK UPH 19" 16-20 RDG	16 -20" BACK HEIGHT
1C	680480	BACK UPH 20" 16-20 RDG	16 -20" BACK HEIGHT



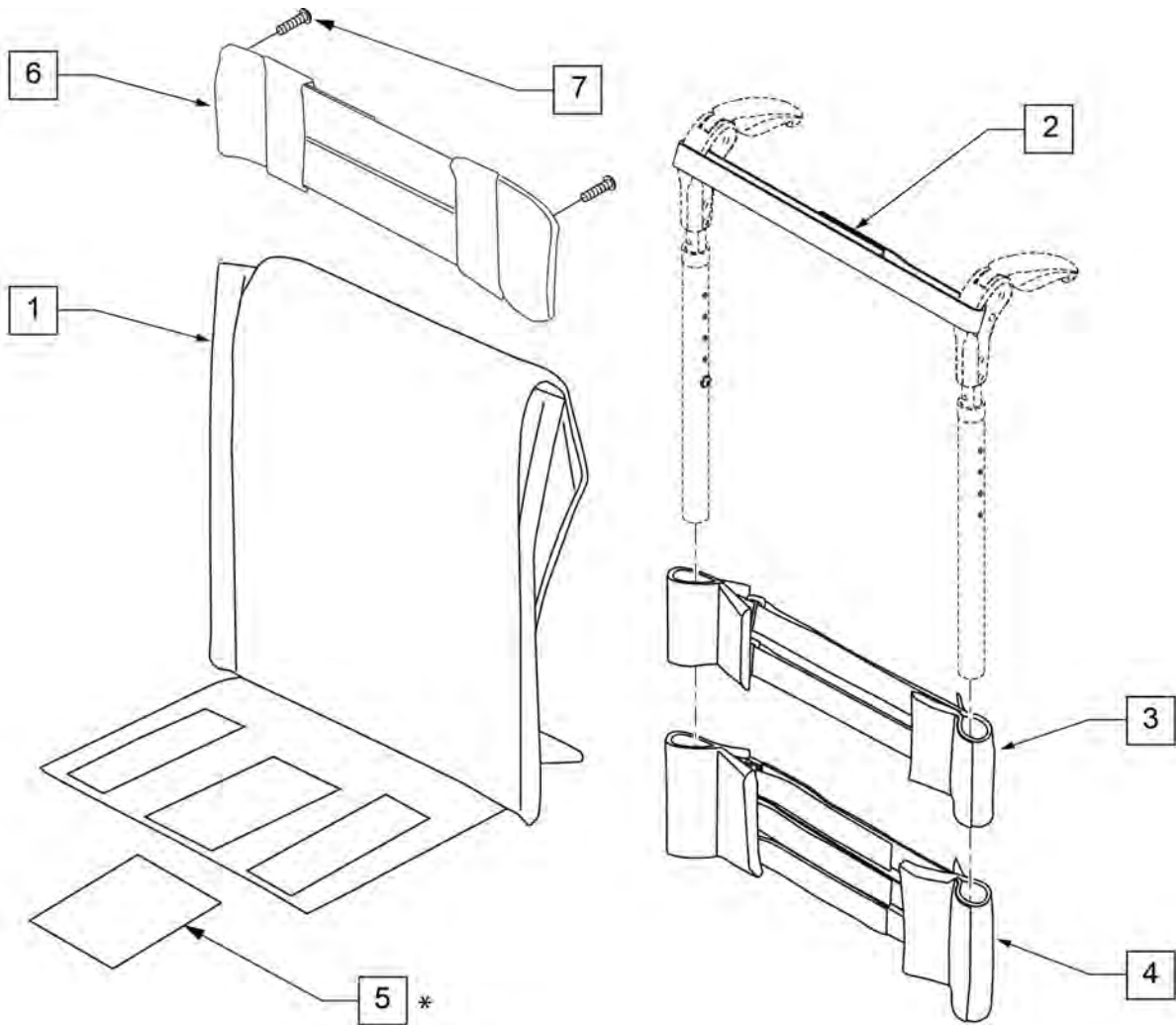
Pos.	Item Number	Description	Remarks
1A,2	684017	ADJ BACK UPH 12" LOW	10 -14" BACK HEIGHT
1A,2	684027	ADJ BACK UPH 13" LOW	10 -14" BACK HEIGHT
1A,2	684037	ADJ BACK UPH 14" LOW	10 -14" BACK HEIGHT
1A,2	684047	ADJ BACK UPH 15" LOW	10 -14" BACK HEIGHT
1A,2	684057	ADJ BACK UPH 16" LOW	10 -14" BACK HEIGHT
1A,2	684067	ADJ BACK UPH 17" LOW	10 -14" BACK HEIGHT
1A,2	684077	ADJ BACK UPH 18" LOW	10 -14" BACK HEIGHT
1A,2	684087	ADJ BACK UPH 19" LOW	10 -14" BACK HEIGHT
1A,2	684097	ADJ BACK UPH 20" LOW	10 -14" BACK HEIGHT
1B,2	684018	ADJ BACK UPH 12" MED	12 -16" & 14 -18" BACK HEIGHT
1B,2	684028	ADJ BACK UPH 13" MED	12 -16" & 14 -18" BACK HEIGHT
1B,2	684038	ADJ BACK UPH 14" MED	12 -16" & 14 -18" BACK HEIGHT
1B,2	684048	ADJ BACK UPH 15" MED	12 -16" & 14 -18" BACK HEIGHT
1B,2	684058	ADJ BACK UPH 16" MED	12 -16" & 14 -18" BACK HEIGHT
1B,2	684068	ADJ BACK UPH 17" MED	12 -16" & 14 -18" BACK HEIGHT

Pos.	Item Number	Description	Remarks
1B,2	684078	ADJ BACK UPH 18" MED	12 -16" & 14 -18" BACK HEIGHT
1B,2	684088	ADJ BACK UPH 19" MED	12 -16" & 14 -18" BACK HEIGHT
1B,2	684098	ADJ BACK UPH 20" MED	12 -16" & 14 -18" BACK HEIGHT
1C,2	684019	ADJ BACK UPH 12" TALL	16 -20" BACK HEIGHT
1C,2	684029	ADJ BACK UPH 13" TALL	16 -20" BACK HEIGHT
1C,2	684039	ADJ BACK UPH 14" TALL	16 -20" BACK HEIGHT
1C,2	684049	ADJ BACK UPH 15" TALL	16 -20" BACK HEIGHT
1C,2	684059	ADJ BACK UPH 16" TALL	16 -20" BACK HEIGHT
1C,2	684069	ADJ BACK UPH 17" TALL	16 -20" BACK HEIGHT
1C,2	684079	ADJ BACK UPH 18" TALL	16 -20" BACK HEIGHT
1C,2	684089	ADJ BACK UPH 19" TALL	16 -20" BACK HEIGHT
1C,2	684099	ADJ BACK UPH 20" TALL	16 -20" BACK HEIGHT



Pos.	Item Number	Description	Remarks
1A	687457	Upholstery, FPH, Adj, CE, 12W X 12H	12-16" Back Ht
1A	687462	Upholstery, FPH, Adj, CE, 13W X 12H	12-16" Back Ht
1A	687468	Upholstery, FPH, Adj, CE, 14W X 12H	12-16" Back Ht
1A	687474	Upholstery, FPH, Adj, CE, 15W X 12H	12-16" Back Ht
1A	687480	Upholstery, FPH, Adj, CE, 16W X 12H	12-16" Back Ht
1A	687486	Upholstery, FPH, Adj, CE, 17W X 12H	12-16" Back Ht

Pos.	Item Number	Description	Remarks
1A	687492	Upholstery, FPH, Adj, CE, 18W X 12H	12-16" Back Ht
1A	687541	Upholstery, FPH, Adj, CE, 19W X 12H	12-16" Back Ht
1A	687545	Upholstery, FPH, Adj, CE, 20W X 12H	12-16" Back Ht
1B	687458	Upholstery, FPH, Adj, CE, 12W X 14H	14-18" Back Ht
1B	687464	Upholstery, FPH, Adj, CE, 13W X 14H	14-18" Back Ht
1B	687470	Upholstery, FPH, Adj, CE, 14W X 14H	14-18" Back Ht
1B	687476	Upholstery, FPH, Adj, CE, 15W X 14H	14-18" Back Ht
1B	687482	Upholstery, FPH, Adj, CE, 16W X 14H	14-18" Back Ht
1B	687488	Upholstery, FPH, Adj, CE, 17W X 14H	14-18" Back Ht
1B	687494	Upholstery, FPH, Adj, CE, 18W X 14H	14-18" Back Ht
1B	687542	Upholstery, FPH, Adj, CE, 19W X 14H	14-18" Back Ht
1B	687546	Upholstery, FPH, Adj, CE, 20W X 14H	14-18" Back Ht
1C	687459	Upholstery, FPH, Adj, CE, 12W X 16H	16-20" Back Ht
1C	687465	Upholstery, FPH, Adj, CE, 13W X 16H	16-20" Back Ht
1C	687471	Upholstery, FPH, Adj, CE, 14W X 16H	16-20" Back Ht
1C	687477	Upholstery, FPH, Adj, CE, 15W X 16H	16-20" Back Ht
1C	687483	Upholstery, FPH, Adj, CE, 16W X 16H	16-20" Back Ht
1C	687489	Upholstery, FPH, Adj, CE, 17W X 16H	16-20" Back Ht
1C	687495	Upholstery, FPH, Adj, CE, 18W X 16H	16-20" Back Ht
1C	687543	Upholstery, FPH, Adj, CE, 19W X 16H	16-20" Back Ht
1C	687547	Upholstery, FPH, Adj, CE, 20W X 16H	16-20" Back Ht



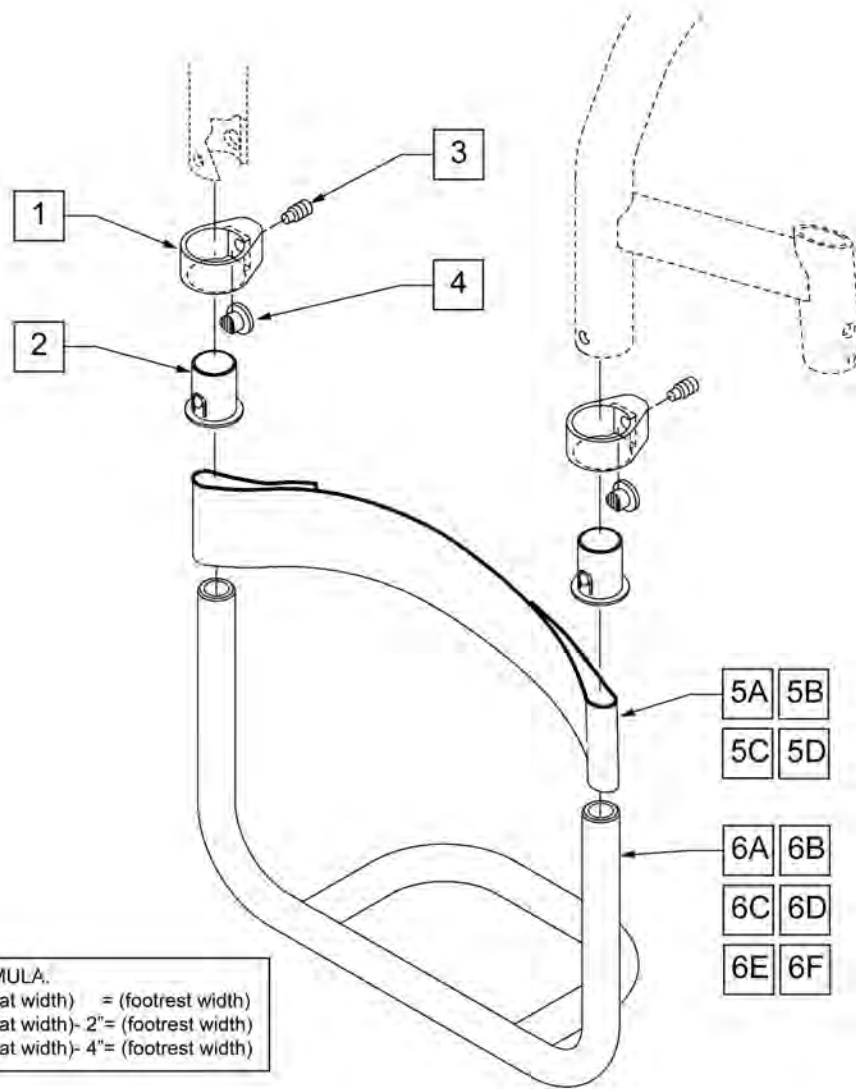
Pos.	Item Number	Description	Remarks
1	052430-001	UPH, VNTD ADJ.,BP,12W x 10"-14"H	
1	052430-002	UPH, VNTD ADJ.,BP,12W x 12"-16"H	
1	052430-003	UPH, VNTD ADJ.,BP,12W x 14"-18"H	
1	052430-004	UPH, VNTD ADJ.,BP,12W x 16"-20"H	
1	052430-005	UPH, VNTD ADJ.,BP,13W x 10"-14"H	
1	052430-006	UPH, VNTD ADJ.,BP,13W x 12"-16"H	
1	052430-007	UPH, VNTD ADJ.,BP,13W x 14"-18"H	
1	052430-008	UPH, VNTD ADJ.,BP,13W x 16"-20"H	
1	052430-009	UPH, VNTD ADJ.,BP,14W x 10"-14"H	
1	052430-010	UPH, VNTD ADJ.,BP,14W x 12"-16"H	
1	052430-011	UPH, VNTD ADJ.,BP,14W x 14"-18"H	
1	052430-012	UPH, VNTD ADJ.,BP,14W x 16"-20"H	
1	052430-013	UPH, VNTD ADJ.,BP,15W x 10"-14"H	
1	052430-014	UPH, VNTD ADJ.,BP,15W x 12"-16"H	
1	052430-015	UPH, VNTD ADJ.,BP,15W x 14"-18"H	
1	052430-016	UPH, VNTD ADJ.,BP,15W x 16"-20"H	
1	052430-017	UPH, VNTD ADJ.,BP,16W x 10"-14"H	
1	052430-018	UPH, VNTD ADJ.,BP,16W x 12"-16"H	
1	052430-019	UPH, VNTD ADJ.,BP,16W x 14"-18"H	
1	052430-020	UPH, VNTD ADJ.,BP,16W x 16"-20"H	

Pos.	Item Number	Description	Remarks
1	052430-021	UPH, VNTD ADJ.,BP,17W x 10"-14"H	
1	052430-022	UPH, VNTD ADJ.,BP,17W x 12"-16"H	
1	052430-023	UPH, VNTD ADJ.,BP,17W x 14"-18"H	
1	052430-024	UPH, VNTD ADJ.,BP,17W x 16"-20"H	
1	052430-025	UPH, VNTD ADJ.,BP,18W x 10"-14"H	
1	052430-026	UPH, VNTD ADJ.,BP,18W x 12"-16"H	
1	052430-027	UPH, VNTD ADJ.,BP,18W x 14"-18"H	
1	052430-028	UPH, VNTD ADJ.,BP,18W x 16"-20"H	
1	052430-029	UPH, VNTD ADJ.,BP,19W x 10"-14"H	
1	052430-030	UPH, VNTD ADJ.,BP,19W x 12"-16"H	
1	052430-031	UPH, VNTD ADJ.,BP,19W x 14"-18"H	
1	052430-032	UPH, VNTD ADJ.,BP,19W x 16"-20"H	
1	052430-033	UPH, VNTD ADJ.,BP,20W x 10"-14"H	
1	052430-034	UPH, VNTD ADJ.,BP,20W x 12"-16"H	
1	052430-035	UPH, VNTD ADJ.,BP,20W x 14"-18"H	
1	052430-036	UPH, VNTD ADJ.,BP,20W x 16"-20"H	
2	052435-001	UPH, VNTD ADJ.,FHP STRP,12-13" W	
2	052435-002	UPH, VNTD ADJ.,FHP STRP,14-15" W	
2	052435-003	UPH, VNTD ADJ.,FHP STRP,16-17" W	
2	052435-004	UPH, VNTD ADJ.,FHP STRP,18-20" W	
3	052433-001	UPH, VNTD ADJ.,2S,W/G,12-13" W	
3	052433-002	UPH, VNTD ADJ.,2S,W/G,14-15" W	
3	052433-003	UPH, VNTD ADJ.,2S,W/G,16-17" W	
3	052433-004	UPH, VNTD ADJ.,2S,W/G,18-20" W	
4	052431-001	UPH, VNTD ADJ.,3S,W/G,12-13" W	
4	052431-002	UPH, VNTD ADJ.,3S,W/G,14-15" W	
4	052431-003	UPH, VNTD ADJ.,3S,W/G,16-17" W	
4	052431-004	UPH, VNTD ADJ.,3S,W/G,18-20" W	
5*	100870	VELCRO, 2 SIDDED ADAPTER, 6'	
6	115285	TOP CAP, STD, 9-10	Used for omit push handle & Integral Push Handle only
6	113712	TOP CAP, STD, 11-12	Used for omit push handle & Integral Push Handle only
6	113713	TOP CAP, STD, 13-14	Used for omit push handle & Integral Push Handle only
6	113714	TOP CAP, STD, 15-16	Used for omit push handle & Integral Push Handle only
7	107384	PAN HEAD PHIL 10-32 X 5/8 ROHS	Used for omit push handle & Integral Push Handle only
1-4	103473-001	VENTED UPH INT/NO PH 12" W 10 -14" TALL	
1-4	103473-002	VENTED UPH INT/NO PH 13" W 10 -14" TALL	
1-4	103473-003	VENTED UPH INT/NO PH 14" W 10 -14" TALL	
1-4	103473-004	VENTED UPH INT/NO PH 15" W 10 -14" TALL	
1-4	103473-005	VENTED UPH INT/NO PH 16" W 10 -14" TALL	
1-4	103473-006	VENTED UPH INT/NO PH 17" W 10 -14" TALL	
1-4	103473-007	VENTED UPH INT/NO PH 18" W 10 -14" TALL	
1-4	103473-008	VENTED UPH INT/NO PH 19" W 10 -14" TALL	
1-4	103473-009	VENTED UPH INT/NO PH 20" W 10 -14" TALL	
1-4	103473-010	VENTED UPH INT/NO PH 12" W 12 -16" TALL	
1-4	103473-011	VENTED UPH INT/NO PH 13" W 12 -16" TALL	
1-4	103473-012	VENTED UPH INT/NO PH 14" W 12 -16" TALL	
1-4	103473-013	VENTED UPH INT/NO PH 15" W 12 -16" TALL	
1-4	103473-014	VENTED UPH INT/NO PH 16" W 12 -16" TALL	
1-4	103473-015	VENTED UPH INT/NO PH 17" W 12 -16" TALL	
1-4	103473-016	VENTED UPH INT/NO PH 18" W 12 -16" TALL	
1-4	103473-017	VENTED UPH INT/NO PH 19" W 12 -16" TALL	
1-4	103473-018	VENTED UPH INT/NO PH 20" W 12 -16" TALL	
1-4	103473-019	VENTED UPH INT/NO PH 12" W 14 -18" TALL	
1-4	103473-020	VENTED UPH INT/NO PH 13" W 14 -18" TALL	
1-4	103473-021	VENTED UPH INT/NO PH 14" W 14 -18" TALL	
1-4	103473-022	VENTED UPH INT/NO PH 15" W 14 -18" TALL	
1-4	103473-023	VENTED UPH INT/NO PH 16" W 14 -18" TALL	

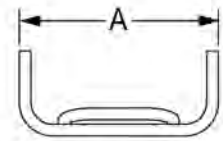
Pos.	Item Number	Description	Remarks
1-4	103473-024	VENTED UPH INT/NO PH 17" W 14 -18" TALL	
1-4	103473-025	VENTED UPH INT/NO PH 18" W 14 -18" TALL	
1-4	103473-026	VENTED UPH INT/NO PH 19" W 14 -18" TALL	
1-4	103473-027	VENTED UPH INT/NO PH 20" W 14 -18" TALL	
1-4	103473-028	VENTED UPH INT/NO PH 12" W 16 -20" TALL	
1-4	103473-029	VENTED UPH INT/NO PH 13" W 16 -20" TALL	
1-4	103473-030	VENTED UPH INT/NO PH 14" W 16 -20" TALL	
1-4	103473-031	VENTED UPH INT/NO PH 15" W 16 -20" TALL	
1-4	103473-032	VENTED UPH INT/NO PH 16" W 16 -20" TALL	
1-4	103473-033	VENTED UPH INT/NO PH 17" W 16 -20" TALL	
1-4	103473-034	VENTED UPH INT/NO PH 18" W 16 -20" TALL	
1-4	103473-035	VENTED UPH INT/NO PH 19" W 16 -20" TALL	
1-4	103473-036	VENTED UPH INT/NO PH 20" W 16 -20" TALL	
1-4	103476-001	VNTUPH FOLDING PH 12W 12-16T	
1-4	103476-002	VNTUPH FOLDING PH 13W 12-16T	
1-4	103476-003	VNTUPH FOLDING PH 14W 12-16T	
1-4	103476-004	VNTUPH FOLDING PH 15W 12-16T	
1-4	103476-005	VNTUPH FOLDING PH 16W 12-16T	
1-4	103476-006	VNTUPH FOLDING PH 17W 12-16T	
1-4	103476-007	VNTUPH FOLDING PH 18W 12-16T	
1-4	103476-008	VNTUPH FOLDING PH 19W 12-16T	
1-4	103476-009	VNTUPH FOLDING PH 20W 12-16T	
1-4	103476-010	VNTUPH FOLDING PH 12W 14-18T	
1-4	103476-011	VNTUPH FOLDING PH 13W 14-18T	
1-4	103476-012	VNTUPH FOLDING PH 14W 14-18T	
1-4	103476-013	VNTUPH FOLDING PH 15W 14-18T	
1-4	103476-014	VNTUPH FOLDING PH 16W 14-18T	
1-4	103476-015	VNTUPH FOLDING PH 17W 14-18T	
1-4	103476-016	VNTUPH FOLDING PH 18W 14-18T	
1-4	103476-017	VNTUPH FOLDING PH 19W 14-18T	
1-4	103476-018	VNTUPH FOLDING PH 20W 14-18T	
1-4	103476-019	VNTUPH FOLDING PH 12W 16-20T	
1-4	103476-020	VNTUPH FOLDING PH 13W 16-20T	
1-4	103476-021	VNTUPH FOLDING PH 14W 16-20T	
1-4	103476-022	VNTUPH FOLDING PH 15W 16-20T	
1-4	103476-023	VNTUPH FOLDING PH 16W 16-20T	
1-4	103476-024	VNTUPH FOLDING PH 17W 16-20T	
1-4	103476-025	VNTUPH FOLDING PH 18W 16-20T	
1-4	103476-026	VNTUPH FOLDING PH 19W 16-20T	
1-4	103478-001	VNTUPH FXD BK FLDG PH 12W 13T	
1-4	103478-002	VNTUPH FXD BK FLDG PH 13W 13T	
1-4	103478-003	VNTUPH FXD BK FLDG PH 14W 13T	
1-4	103478-004	VNTUPH FXD BK FLDG PH 15W 13T	
1-4	103478-005	VNTUPH FXD BK FLDG PH 16W 13T	
1-4	103478-006	VNTUPH FXD BK FLDG PH 17W 13T	
1-4	103478-007	VNTUPH FXD BK FLDG PH 18W 13T	
1-4	103478-008	VNTUPH FXD BK FLDG PH 19W 13T	
1-4	103478-009	VNTUPH FXD BK FLDG PH 20W 13T	
1-4	103478-010	VNTUPH FXD BK FLDG PH 12W 14T	
1-4	103478-011	VNTUPH FXD BK FLDG PH 13W 14T	
1-4	103478-012	VNTUPH FXD BK FLDG PH 14W 14T	
1-4	103478-013	VNTUPH FXD BK FLDG PH 15W 14T	
1-4	103478-014	VNTUPH FXD BK FLDG PH 16W 14T	
1-4	103478-015	VNTUPH FXD BK FLDG PH 17W 14T	
1-4	103478-016	VNTUPH FXD BK FLDG PH 18W 14T	
1-4	103478-017	VNTUPH FXD BK FLDG PH 19W 14T	
1-4	103478-018	VNTUPH FXD BK FLDG PH 20W 14T	

Pos.	Item Number	Description	Remarks
1-4	103478-019	VNTUPH FXD BK FLDG PH 12W 15T	
1-4	103478-020	VNTUPH FXD BK FLDG PH 13W 15T	
1-4	103478-021	VNTUPH FXD BK FLDG PH 14W 15T	
1-4	103478-022	VNTUPH FXD BK FLDG PH 15W 15T	
1-4	103478-023	VNTUPH FXD BK FLDG PH 16W 15T	
1-4	103478-024	VNTUPH FXD BK FLDG PH 17W 15T	
1-4	103478-025	VNTUPH FXD BK FLDG PH 18W 15T	
1-4	103478-026	VNTUPH FXD BK FLDG PH 19W 15T	
1-4	103478-027	VNTUPH FXD BK FLDG PH 20W 15T	
1-4	103478-028	VNTUPH FXD BK FLDG PH 12W 16T	
1-4	103478-029	VNTUPH FXD BK FLDG PH 13W 16T	
1-4	103478-030	VNTUPH FXD BK FLDG PH 14W 16T	
1-4	103478-031	VNTUPH FXD BK FLDG PH 15W 16T	
1-4	103478-032	VNTUPH FXD BK FLDG PH 16W 16T	
1-4	103478-033	VNTUPH FXD BK FLDG PH 17W 16T	
1-4	103478-034	VNTUPH FXD BK FLDG PH 18W 16T	
1-4	103478-035	VNTUPH FXD BK FLDG PH 19W 16T	
1-4	103478-036	VNTUPH FXD BK FLDG PH 20W 16T	
1-4	103478-037	VNTUPH FXD BK FLDG PH 12W 17T	
1-4	103478-038	VNTUPH FXD BK FLDG PH 13W 17T	
1-4	103478-039	VNTUPH FXD BK FLDG PH 14W 17T	
1-4	103478-040	VNTUPH FXD BK FLDG PH 15W 17T	
1-4	103478-041	VNTUPH FXD BK FLDG PH 16W 17T	
1-4	103478-042	VNTUPH FXD BK FLDG PH 17W 17T	
1-4	103478-043	VNTUPH FXD BK FLDG PH 18W 17T	
1-4	103478-044	VNTUPH FXD BK FLDG PH 19W 17T	
1-4	103478-045	VNTUPH FXD BK FLDG PH 20W 17T	
1-4	103478-046	VNTUPH FXD BK FLDG PH 12W 18T	
1-4	103478-047	VNTUPH FXD BK FLDG PH 13W 18T	
1-4	103478-048	VNTUPH FXD BK FLDG PH 14W 18T	
1-4	103478-049	VNTUPH FXD BK FLDG PH 15W 18T	
1-4	103478-050	VNTUPH FXD BK FLDG PH 16W 18T	
1-4	103478-051	VNTUPH FXD BK FLDG PH 17W 18T	
1-4	103478-052	VNTUPH FXD BK FLDG PH 18W 18T	
1-4	103478-053	VNTUPH FXD BK FLDG PH 19W 18T	
1-4	103478-054	VNTUPH FXD BK FLDG PH 20W 18T	
1-4	103478-055	VNTUPH FXD BK FLDG PH 12W 19T	
1-4	103478-056	VNTUPH FXD BK FLDG PH 13W 19T	
1-4	103478-057	VNTUPH FXD BK FLDG PH 14W 19T	
1-4	103478-058	VNTUPH FXD BK FLDG PH 15W 19T	
1-4	103478-059	VNTUPH FXD BK FLDG PH 16W 19T	
1-4	103478-060	VNTUPH FXD BK FLDG PH 17W 19T	
1-4	103478-061	VNTUPH FXD BK FLDG PH 18W 19T	
1-4	103478-062	VNTUPH FXD BK FLDG PH 19W 19T	
1-4	103478-063	VNTUPH FXD BK FLDG PH 20W 19T	
1-4	103476-027	VNTUPH FOLDING PH 20W 16-20T	
1-7	103477-001	VNTUPH FXD BK NO PH 12W 10T	
1-7	103477-002	VNTUPH FXD BK NO PH 13W 10T	
1-7	103477-003	VNTUPH FXD BK NO PH 14W 10T	
1-7	103477-004	VNTUPH FXD BK NO PH 15W 10T	
1-7	103477-005	VNTUPH FXD BK NO PH 16W 10T	
1-7	103477-006	VNTUPH FXD BK NO PH 17W 10T	
1-7	103477-007	VNTUPH FXD BK NO PH 18W 10T	
1-7	103477-008	VNTUPH FXD BK NO PH 19W 10T	
1-7	103477-009	VNTUPH FXD BK NO PH 20W 10T	
1-7	103477-010	VNTUPH FXD BK NO PH 12W 11T	
1-7	103477-011	VNTUPH FXD BK NO PH 13W 11T	

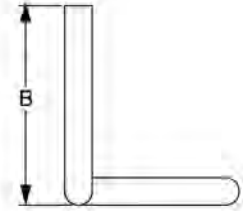
Pos.	Item Number	Description	Remarks
1-7	103477-012	VNTUPH FXD BK NO PH 14W 11T	
1-7	103477-013	VNTUPH FXD BK NO PH 15W 11T	
1-7	103477-014	VNTUPH FXD BK NO PH 16W 11T	
1-7	103477-015	VNTUPH FXD BK NO PH 17W 11T	
1-7	103477-016	VNTUPH FXD BK NO PH 18W 11T	
1-7	103477-017	VNTUPH FXD BK NO PH 19W 11T	
1-7	103477-018	VNTUPH FXD BK NO PH 20W 11T	
1-7	103477-019	VNTUPH FXD BK NO PH 12W 12T	
1-7	103477-020	VNTUPH FXD BK NO PH 13W 12T	
1-7	103477-021	VNTUPH FXD BK NO PH 14W 12T	
1-7	103477-022	VNTUPH FXD BK NO PH 15W 12T	
1-7	103477-023	VNTUPH FXD BK NO PH 16W 12T	
1-7	103477-024	VNTUPH FXD BK NO PH 17W 12T	
1-7	103477-025	VNTUPH FXD BK NO PH 18W 12T	
1-7	103477-026	VNTUPH FXD BK NO PH 19W 12T	
1-7	103477-027	VNTUPH FXD BK NO PH 20W 12T	
1-7	103477-028	VNTUPH FXD BK NO PH 12W 13T	
1-7	103477-029	VNTUPH FXD BK NO PH 13W 13T	
1-7	103477-030	VNTUPH FXD BK NO PH 14W 13T	
1-7	103477-031	VNTUPH FXD BK NO PH 15W 13T	
1-7	103477-032	VNTUPH FXD BK NO PH 16W 13T	
1-7	103477-033	VNTUPH FXD BK NO PH 17W 13T	
1-7	103477-034	VNTUPH FXD BK NO PH 18W 13T	
1-7	103477-035	VNTUPH FXD BK NO PH 19W 13T	
1-7	103477-036	VNTUPH FXD BK NO PH 20W 13T	
1-7	103477-037	VNTUPH FXD BK NO PH 12W 14T	
1-7	103477-038	VNTUPH FXD BK NO PH 13W 14T	
1-7	103477-039	VNTUPH FXD BK NO PH 14W 14T	
1-7	103477-040	VNTUPH FXD BK NO PH 15W 14T	
1-7	103477-041	VNTUPH FXD BK NO PH 16W 14T	
1-7	103477-042	VNTUPH FXD BK NO PH 17W 14T	
1-7	103477-043	VNTUPH FXD BK NO PH 18W 14T	
1-7	103477-044	VNTUPH FXD BK NO PH 19W 14T	
1-7	103477-045	VNTUPH FXD BK NO PH 20W 14T	
1-7	103477-046	VNTUPH FXD BK NO PH 12W 15T	
1-7	103477-047	VNTUPH FXD BK NO PH 13W 15T	
1-7	103477-048	VNTUPH FXD BK NO PH 14W 15T	
1-7	103477-049	VNTUPH FXD BK NO PH 15W 15T	
1-7	103477-050	VNTUPH FXD BK NO PH 16W 15T	
1-7	103477-051	VNTUPH FXD BK NO PH 17W 15T	
1-7	103477-052	VNTUPH FXD BK NO PH 18W 15T	
1-7	103477-053	VNTUPH FXD BK NO PH 19W 15T	
1-7	103477-054	VNTUPH FXD BK NO PH 20W 15T	
1-7	103477-055	VNTUPH FXD BK NO PH 12W 16T	
1-7	103477-056	VNTUPH FXD BK NO PH 13W 16T	
1-7	103477-057	VNTUPH FXD BK NO PH 14W 16T	
1-7	103477-058	VNTUPH FXD BK NO PH 15W 16T	
1-7	103477-059	VNTUPH FXD BK NO PH 16W 16T	
1-7	103477-060	VNTUPH FXD BK NO PH 17W 16T	
1-7	103477-061	VNTUPH FXD BK NO PH 18W 16T	
1-7	103477-062	VNTUPH FXD BK NO PH 19W 16T	
1-7	103477-063	VNTUPH FXD BK NO PH 20W 16T	



Measuring Guide



DIM "A"	DESCRIPTION	LEG STRAP
10 5/8"	11W	740130
11 5/8"	12W	740130
12 5/8"	13W	740131
13 5/8"	14W	740131
14 5/8"	15W	740131
15 5/8"	16W	740132
16 5/8"	17W	740132
17 5/8"	18W	740132
18 5/8"	19W	740135
19 5/8"	20W	740135



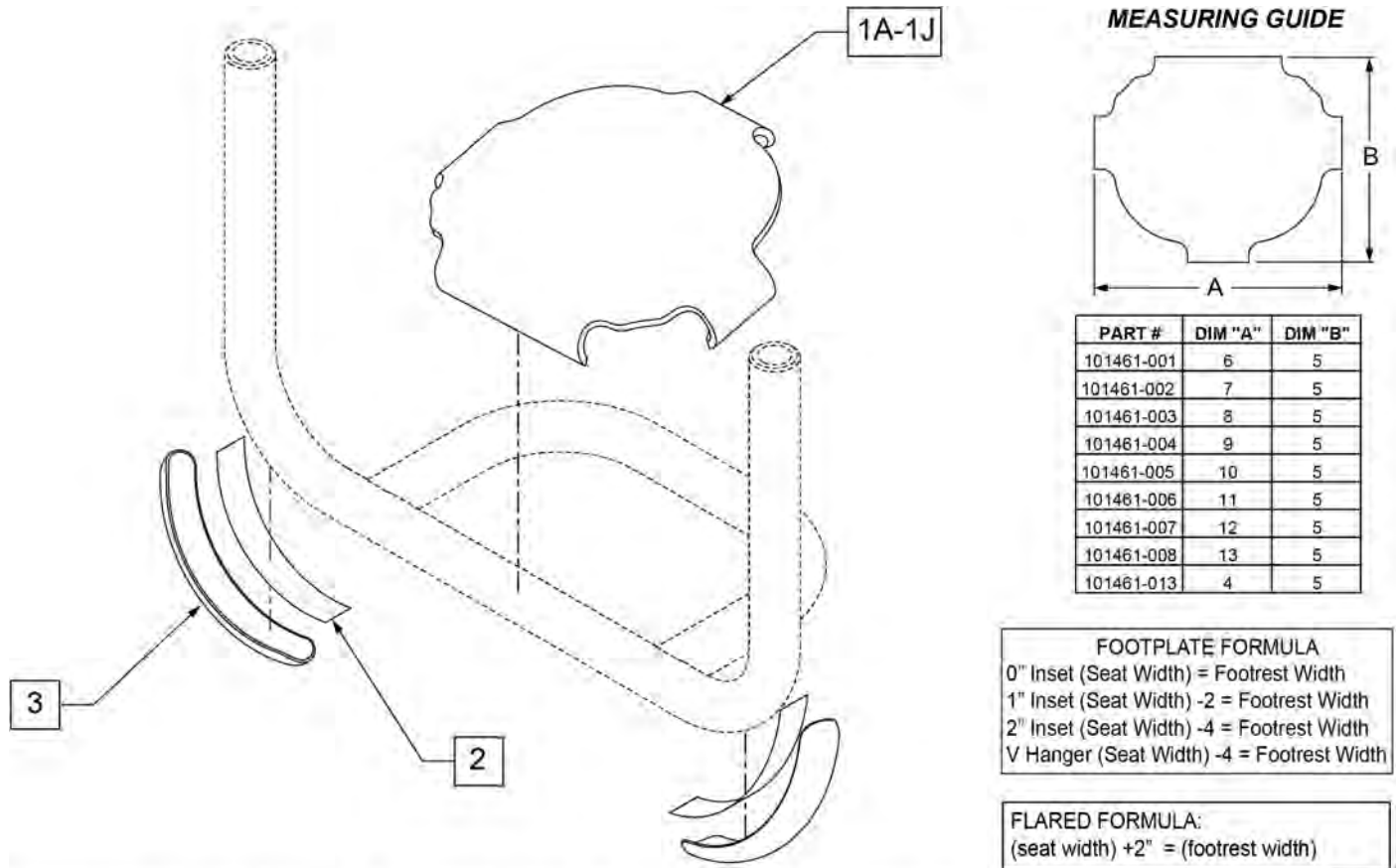
DESCRIPTION	DIM "B"
STD	6 5/8"
LONG	8 7/8"

INSET FORMULA.
 0" inset: (seat width) = (footrest width)
 1" inset: (seat width) - 2" = (footrest width)
 2" inset: (seat width) - 4" = (footrest width)

Pos.	Item Number	Description	Pos.	Item Number	Description
1	050025	CLAMP FOOTREST	6A	101369-019	FOOTREST TBLR TI 75FA 20W STD
2	058201-001	BUSHING FOOTREST (.061 Ti)	6B	101369-002	FOOTREST TBLR TI 75FA 11W LNG
3	102267	SET SCREW M8 X 16 DOG PT	6B	101369-004	FOOTREST TBLR TI 75FA 12W LNG
4	050052	KEY CLAMP FOOTREST	6B	101369-006	FOOTREST TBLR TI 75FA 13W LNG
5A	109356	LEG STRAP 11 -12" BLK	6B	101369-008	FOOTREST TBLR TI 75FA 14W LNG
5B	109357	LEG STRAP 13 -15" BLK	6B	101369-010	FOOTREST TBLR TI 75FA 15W LNG
5C	109366	LEG STRAP 16 -18" BLK	6B	101369-012	FOOTREST TBLR TI 75FA 16W LNG
5D	109487	LEG STRAP 19 -20" BLK	6B	101369-014	FOOTREST TBLR TI 75FA 17W LNG
6A	101369-001	FOOTREST TBLR TI 75FA 11W STD	6B	101369-016	FOOTREST TBLR TI 75FA 18W LNG
6A	101369-003	FOOTREST TBLR TI 75FA 12W STD	6B	101369-018	FOOTREST TBLR TI 75FA 19W LNG
6A	101369-005	FOOTREST TBLR TI 75FA 13W STD	6B	101369-020	FOOTREST TBLR TI 75FA 20W LNG
6A	101369-007	FOOTREST TBLR TI 75FA 14W STD	6C	101369-021	FOOTREST TBLR TI 80FA 11W STD
6A	101369-009	FOOTREST TBLR TI 75FA 15W STD	6C	101369-023	FOOTREST TBLR TI 80FA 12W STD
6A	101369-011	FOOTREST TBLR TI 75FA 16W STD	6C	101369-025	FOOTREST TBLR TI 80FA 13W STD
6A	101369-013	FOOTREST TBLR TI 75FA 17W STD	6C	101369-027	FOOTREST TBLR TI 80FA 14W STD
6A	101369-015	FOOTREST TBLR TI 75FA 18W STD	6C	101369-029	FOOTREST TBLR TI 80FA 15W STD
6A	101369-017	FOOTREST TBLR TI 75FA 19W STD	6C	101369-031	FOOTREST TBLR TI 80FA 16W STD

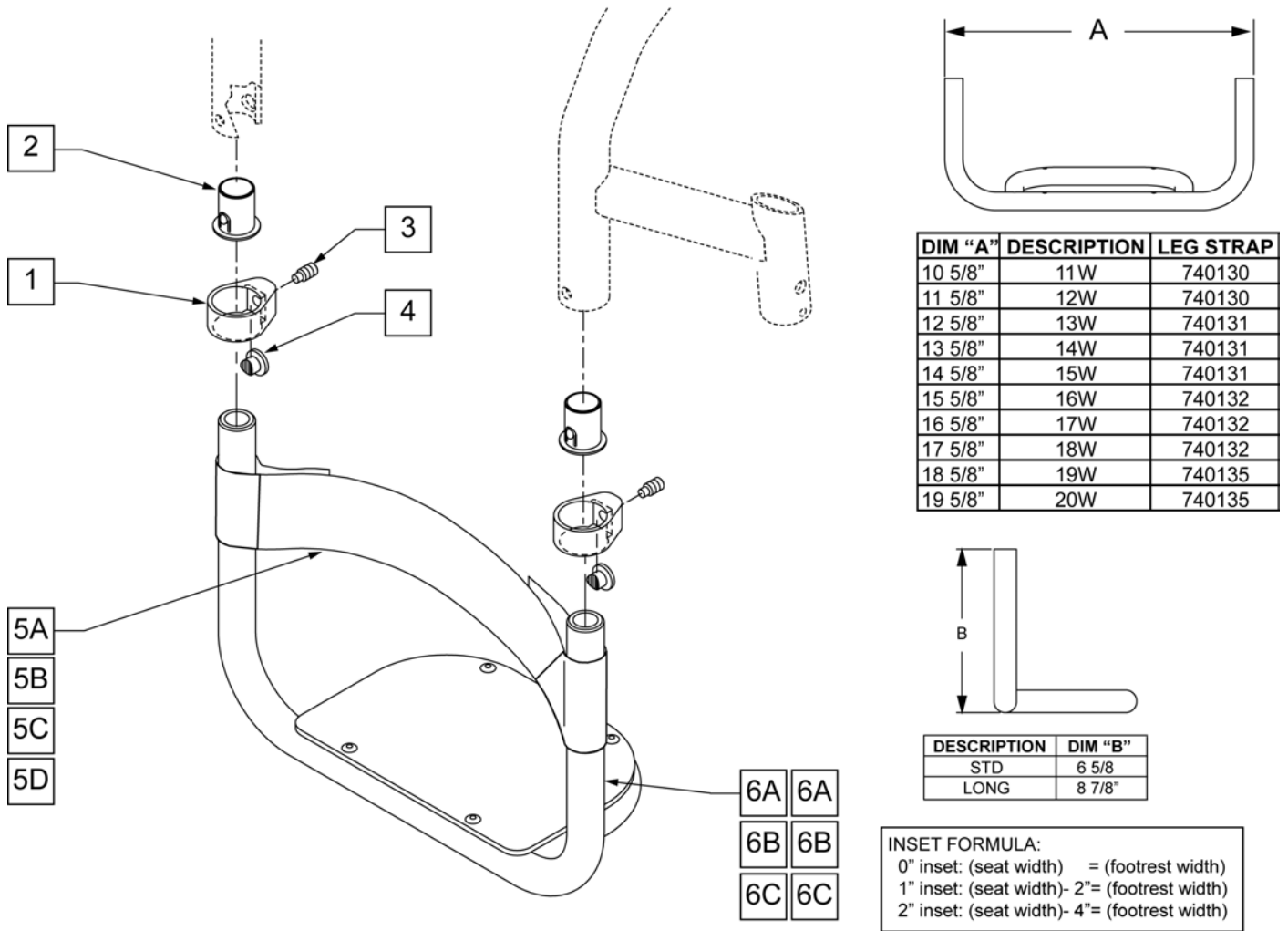
Pos.	Item Number	Description	Pos.	Item Number	Description
6C	101369-035	FOOTREST TBLR TI 80FA 18W STD	6E	101369-047	FOOTREST TBLR TI 85FA 14W STD
6C	101369-037	FOOTREST TBLR TI 80FA 19W STD	6E	101369-049	FOOTREST TBLR TI 85FA 15W STD
6C	101369-039	FOOTREST TBLR TI 80FA 20W STD	6E	101369-051	FOOTREST TBLR TI 85FA 16W STD
6D	101369-022	FOOTREST TBLR TI 80FA 11W LNG	6E	101369-053	FOOTREST TBLR TI 85FA 17W STD
6D	101369-024	FOOTREST TBLR TI 80FA 12W LNG	6E	101369-055	FOOTREST TBLR TI 85FA 18W STD
6D	101369-026	FOOTREST TBLR TI 80FA 13W LNG	6E	101369-057	FOOTREST TBLR TI 85FA 19W STD
6D	101369-028	FOOTREST TBLR TI 80FA 14W LNG	6E	101369-059	FOOTREST TBLR TI 85FA 20W STD
6D	101369-030	FOOTREST TBLR TI 80FA 15W LNG	6F	101369-042	FOOTREST TBLR TI 85FA 11W LNG
6D	101369-032	FOOTREST TBLR TI 80FA 16W LNG	6F	101369-044	FOOTREST TBLR TI 85FA 12W LNG
6D	101369-034	FOOTREST TBLR TI 80FA 17W LNG	6F	101369-046	FOOTREST TBLR TI 85FA 13W LNG
6D	101369-036	FOOTREST TBLR TI 80FA 18W LNG	6F	101369-048	FOOTREST TBLR TI 85FA 14W LNG
6D	101369-038	FOOTREST TBLR TI 80FA 19W LNG	6F	101369-050	FOOTREST TBLR TI 85FA 15W LNG
6D	101369-040	FOOTREST TBLR TI 80FA 20W LNG	6F	101369-052	FOOTREST TBLR TI 85FA 16W LNG
6D	101369-033	FOOTREST TBLR TI 80FA 17W STD	6F	101369-054	FOOTREST TBLR TI 85FA 17W LNG
6E	101369-041	FOOTREST TBLR TI 85FA 11W STD	6F	101369-056	FOOTREST TBLR TI 85FA 18W LNG
6E	101369-043	FOOTREST TBLR TI 85FA 12W STD	6F	101369-058	FOOTREST TBLR TI 85FA 19W LNG
6E	101369-045	FOOTREST TBLR TI 85FA 13W STD	6F	101369-060	FOOTREST TBLR TI 85FA 20W LNG

Note: in order for wear pads to properly bond to the footrest tubes, secure with cable ties for 24 hours after adhering.



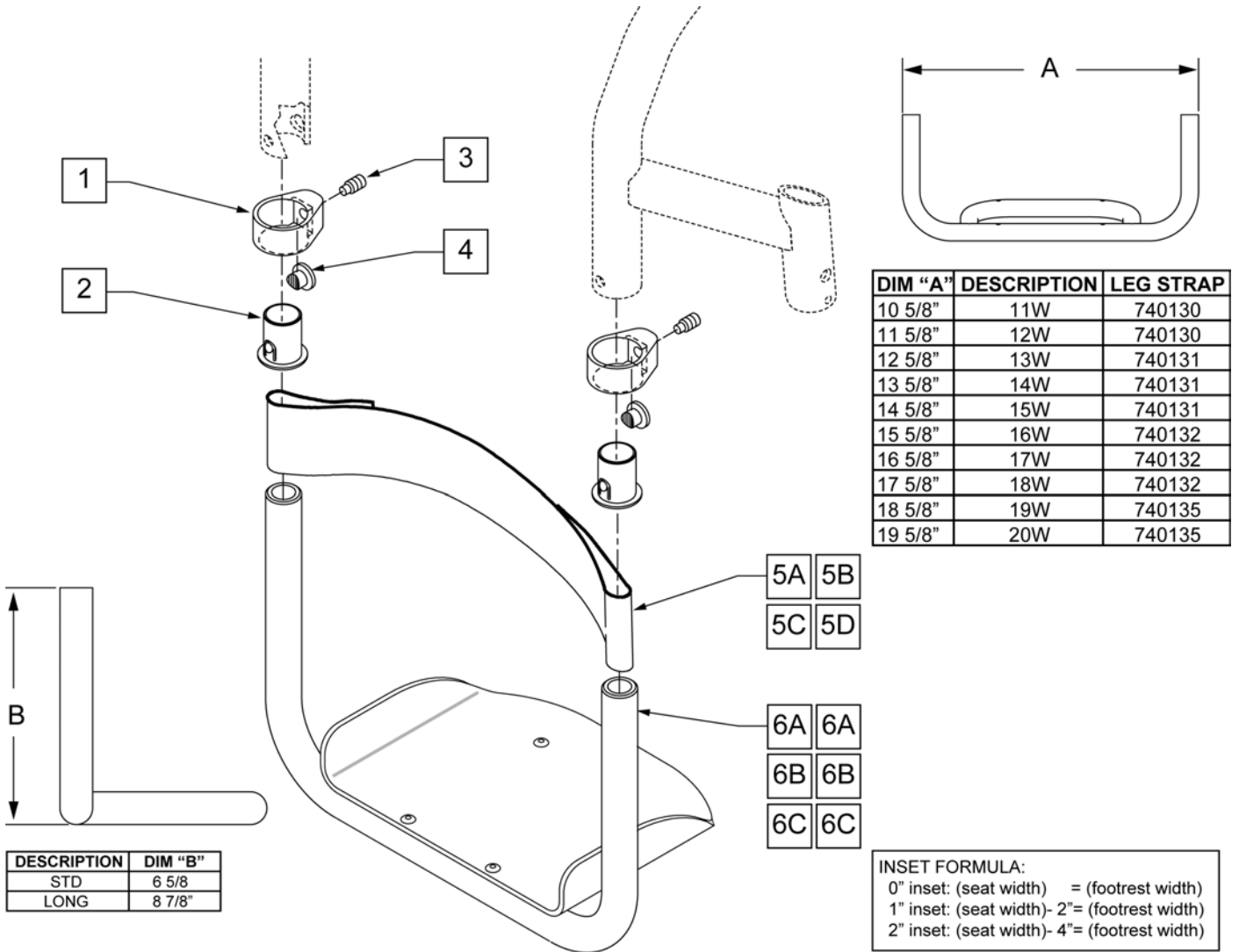
	DIM A	8 5/8	10 5/8	11 5/8	12 5/8	13 5/8	14 5/8	15 5/8	16 5/8	17 5/8	18 5/8	19 5/8
CHAIR SIZE		8w & 9w	10 & 11 w	12 w	13 w	14 w	15 w	16 w	17 w	18 w	19 w	20 w
GT		N/A	101461-002	101461-002	101461-002	101461-004	101461-004	101461-006	101461-006	101461-008	101461-008	101461-008
GTX		N/A	N/A	101461-002	101461-002	101461-002	101461-004	101461-004	101461-006	101461-006	101461-008	101461-008
GTI		N/A	101461-001	101461-002	101461-003	101461-004	101461-005	101461-006	101461-007	101461-008	101461-008	101461-008
Q7		N/A	101461-001	101461-002	101461-003	101461-004	101461-005	101461-006	101461-007	101461-008	101461-008	101461-008
ZIPPIE ZONE		101461-013	101461-001	101461-002	101461-003	101461-004	101461-005	101461-006	101461-007	101461-008	N/A	N/A

Pos.	Item Number	Description	Remarks
1A	101461-013	COVER FOOTREST SNAP ON 9W	
1B	101461-001	COVER FOOTREST SNAP-ON 11" W	
1C	101461-002	COVER FOOTREST SNAP-ON 12" W	
1D	101461-003	COVER FOOTREST SNAP-ON 13" W	
1E	101461-004	COVER FOOTREST SNAP-ON 14" W	
1F	101461-005	COVER FOOTREST SNAP-ON 15" W	
1G	101461-006	COVER FOOTREST SNAP-ON 16" W	
1H	101461-007	COVER FOOTREST SNAP-ON 17" W	
1J	101461-008	COVER FOOTREST SNAP-ON 18" W	
2,3	103107	WEAR PAD W/ ADHESIVE	Includes cable ties



Pos.	Item Number	Description	Pos.	Item Number	Description
1	050025	CLAMP FOOTREST	6C	101371-021	FTRST FLAT CVR TI 80FA 11W STD
2	058201-001	BUSHING FOOTREST (.061 Ti)	6C	101371-023	FTRST FLAT CVR TI 80FA 12W STD
3	102267	SET SCREW M8 X 16 DOG PT	6C	101371-025	FTRST FLAT CVR TI 80FA 13W STD
4	050052	KEY CLAMP FOOTREST	6C	101371-027	FTRST FLAT CVR TI 80FA 14W STD
5A	109356	LEG STRAP 11 -12" BLK	6C	101371-029	FTRST FLAT CVR TI 80FA 15W STD
5B	109357	LEG STRAP 13 -15" BLK	6C	101371-031	FTRST FLAT CVR TI 80FA 16W STD
5C	109366	LEG STRAP 16 -18" BLK	6C	101371-033	FTRST FLAT CVR TI 80FA 17W STD
5D	109487	LEG STRAP 19 -20" BLK	6C	101371-035	FTRST FLAT CVR TI 80FA 18W STD
6B	101371-002	FTRST FLAT CVR TI 75FA 11W LNG	6C	101371-037	FTRST FLAT CVR TI 80FA 19W STD
6B	101371-004	FTRST FLAT CVR TI 75FA 12W LNG	6C	101371-039	FTRST FLAT CVR TI 80FA 20W STD
6B	101371-006	FTRST FLAT CVR TI 75FA 13W LNG	6A	101371-001	FTRST FLAT CVR TI 75FA 11W STD
6B	101371-008	FTRST FLAT CVR TI 75FA 14W LNG	6A	101371-003	FTRST FLAT CVR TI 75FA 12W STD
6B	101371-010	FTRST FLAT CVR TI 75FA 15W LNG	6A	101371-005	FTRST FLAT CVR TI 75FA 13W STD
6B	101371-012	FTRST FLAT CVR TI 75FA 16W LNG	6A	101371-007	FTRST FLAT CVR TI 75FA 14W STD
6B	101371-014	FTRST FLAT CVR TI 75FA 17W LNG	6A	101371-009	FTRST FLAT CVR TI 75FA 15W STD
6B	101371-016	FTRST FLAT CVR TI 75FA 18W LNG	6A	101371-011	FTRST FLAT CVR TI 75FA 16W STD
6B	101371-018	FTRST FLAT CVR TI 75FA 19W LNG	6A	101371-013	FTRST FLAT CVR TI 75FA 17W STD
6B	101371-020	FTRST FLAT CVR TI 75FA 20W LNG	6A	101371-015	FTRST FLAT CVR TI 75FA 18W STD

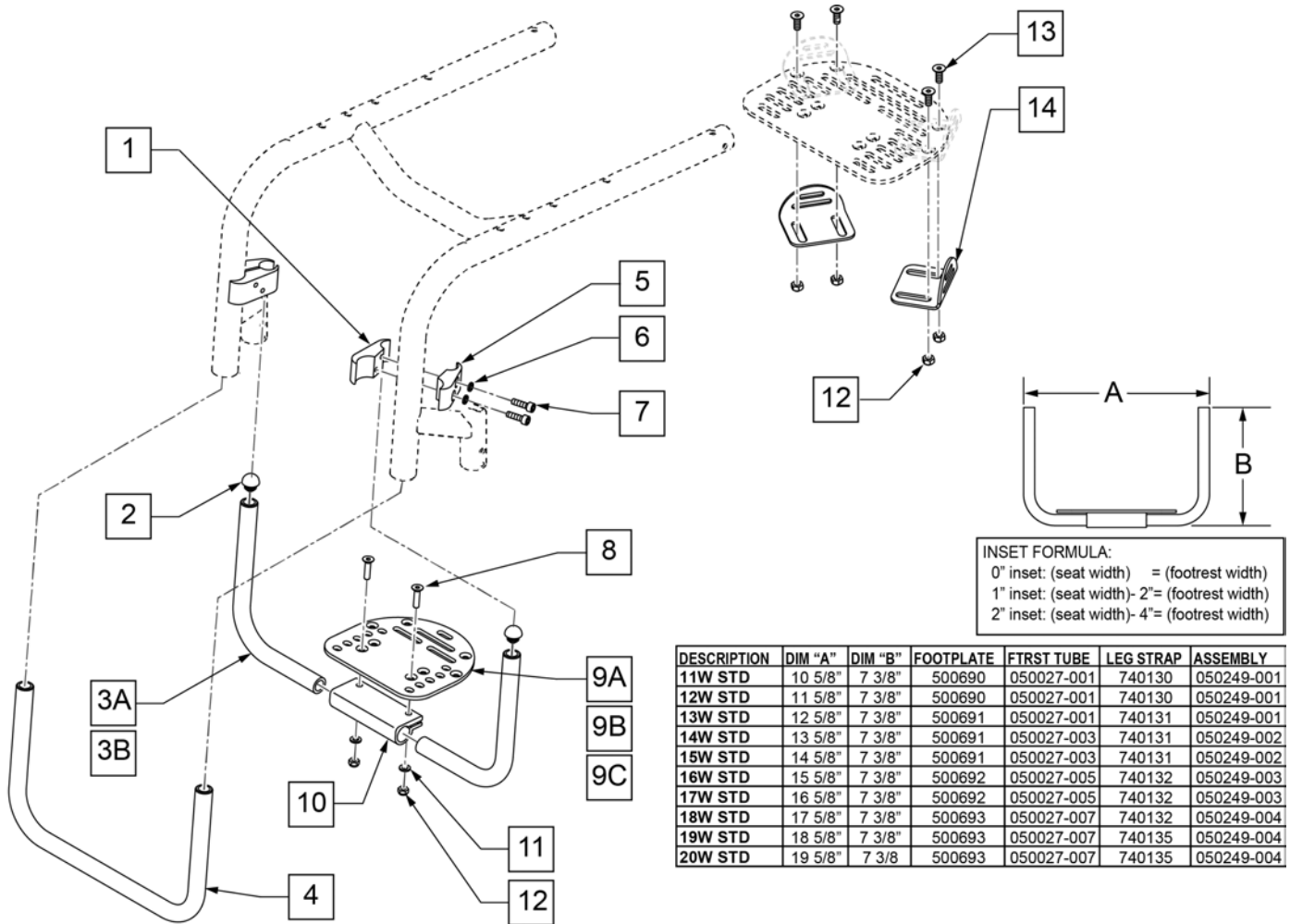
Pos.	Item Number	Description	Pos.	Item Number	Description
6A	101371-017	FTRST FLAT CVR TI 75FA 19W STD	6F	101371-050	FTRST FLAT CVR TI 85FA 15W LNG
6A	101371-019	FTRST FLAT CVR TI 75FA 20W STD	6F	101371-052	FTRST FLAT CVR TI 85FA 16W LNG
6E	101371-041	FTRST FLAT CVR TI 85FA 11W STD	6F	101371-054	FTRST FLAT CVR TI 85FA 17W LNG
6E	101371-043	FTRST FLAT CVR TI 85FA 12W STD	6F	101371-056	FTRST FLAT CVR TI 85FA 18W LNG
6E	101371-045	FTRST FLAT CVR TI 85FA 13W STD	6F	101371-058	FTRST FLAT CVR TI 85FA 19W LNG
6E	101371-047	FTRST FLAT CVR TI 85FA 14W STD	6F	101371-060	FTRST FLAT CVR TI 85FA 20W LNG
6E	101371-049	FTRST FLAT CVR TI 85FA 15W STD	6D	101371-022	FTRST FLAT CVR TI 80FA 11W LNG
6E	101371-051	FTRST FLAT CVR TI 85FA 16W STD	6D	101371-024	FTRST FLAT CVR TI 80FA 12W LNG
6E	101371-053	FTRST FLAT CVR TI 85FA 17W STD	6D	101371-026	FTRST FLAT CVR TI 80FA 13W LNG
6E	101371-055	FTRST FLAT CVR TI 85FA 18W STD	6D	101371-028	FTRST FLAT CVR TI 80FA 14W LNG
6E	101371-057	FTRST FLAT CVR TI 85FA 19W STD	6D	101371-030	FTRST FLAT CVR TI 80FA 15W LNG
6E	101371-059	FTRST FLAT CVR TI 85FA 20W STD	6D	101371-032	FTRST FLAT CVR TI 80FA 16W LNG
6F	101371-042	FTRST FLAT CVR TI 85FA 11W LNG	6D	101371-034	FTRST FLAT CVR TI 80FA 17W LNG
6F	101371-044	FTRST FLAT CVR TI 85FA 12W LNG	6D	101371-036	FTRST FLAT CVR TI 80FA 18W LNG
6F	101371-046	FTRST FLAT CVR TI 85FA 13W LNG	6D	101371-038	FTRST FLAT CVR TI 80FA 19W LNG
6F	101371-048	FTRST FLAT CVR TI 85FA 14W LNG	6D	101371-040	FTRST FLAT CVR TI 80FA 20W LNG



Pos.	Item Number	Description	Pos.	Item Number	Description
1	050025	CLAMP FOOTREST	6C	101372-023	FTRST FLARED TI 80FA 12W STD
2	058201-001	BUSHING FOOTREST (.061 Ti)	6C	101372-025	FTRST FLARED TI 80FA 13W STD
3	102267	SET SCREW M8 X 16 DOG PT	6C	101372-027	FTRST FLARED TI 80FA 14W STD
4	050052	KEY CLAMP FOOTREST	6C	101372-029	FTRST FLARED TI 80FA 15W STD
5A	109356	LEG STRAP 11 -12" BLK	6C	101372-031	FTRST FLARED TI 80FA 16W STD
5B	109357	LEG STRAP 13 -15" BLK	6C	101372-033	FTRST FLARED TI 80FA 17W STD
5C	109366	LEG STRAP 16 -18" BLK	6C	101372-035	FTRST FLARED TI 80FA 18W STD
5D	109487	LEG STRAP 19 -20" BLK	6C	101372-037	FTRST FLARED TI 80FA 19W STD
6B	101372-002	FTRST FLARED TI 75FA 11W LNG	6C	101372-039	FTRST FLARED TI 80FA 20W STD
6B	101372-004	FTRST FLARED TI 75FA 12W LNG	6A	101372-001	FTRST FLARED TI 75FA 11W STD
6B	101372-006	FTRST FLARED TI 75FA 13W LNG	6A	101372-003	FTRST FLARED TI 75FA 12W STD
6B	101372-008	FTRST FLARED TI 75FA 14W LNG	6A	101372-005	FTRST FLARED TI 75FA 13W STD
6B	101372-010	FTRST FLARED TI 75FA 15W LNG	6A	101372-007	FTRST FLARED TI 75FA 14W STD
6B	101372-012	FTRST FLARED TI 75FA 16W LNG	6A	101372-009	FTRST FLARED TI 75FA 15W STD
6B	101372-014	FTRST FLARED TI 75FA 17W LNG	6A	101372-011	FTRST FLARED TI 75FA 16W STD
6B	101372-016	FTRST FLARED TI 75FA 18W LNG	6A	101372-013	FTRST FLARED TI 75FA 17W STD
6B	101372-018	FTRST FLARED TI 75FA 19W LNG	6A	101372-015	FTRST FLARED TI 75FA 18W STD
6B	101372-020	FTRST FLARED TI 75FA 20W LNG	6A	101372-017	FTRST FLARED TI 75FA 19W STD
6C	101372-021	FTRST FLARED TI 80FA 11W STD	6A	101372-019	FTRST FLARED TI 75FA 20W STD

Pos.	Item Number	Description	Pos.	Item Number	Description
6E	101372-041	FTRST FLARED TI 85FA 11W STD	6F	101372-052	FTRST FLARED TI 85FA 16W LNG
6E	101372-043	FTRST FLARED TI 85FA 12W STD	6F	101372-054	FTRST FLARED TI 85FA 17W LNG
6E	101372-045	FTRST FLARED TI 85FA 13W STD	6F	101372-056	FTRST FLARED TI 85FA 18W LNG
6E	101372-047	FTRST FLARED TI 85FA 14W STD	6F	101372-058	FTRST FLARED TI 85FA 19W LNG
6E	101372-049	FTRST FLARED TI 85FA 15W STD	6F	101372-060	FTRST FLARED TI 85FA 20W LNG
6E	101372-051	FTRST FLARED TI 85FA 16W STD	6D	101372-022	FTRST FLARED TI 80FA 11W LNG
6E	101372-053	FTRST FLARED TI 85FA 17W STD	6D	101372-024	FTRST FLARED TI 80FA 12W LNG
6E	101372-055	FTRST FLARED TI 85FA 18W STD	6D	101372-026	FTRST FLARED TI 80FA 13W LNG
6E	101372-057	FTRST FLARED TI 85FA 19W STD	6D	101372-028	FTRST FLARED TI 80FA 14W LNG
6E	101372-059	FTRST FLARED TI 85FA 20W STD	6D	101372-030	FTRST FLARED TI 80FA 15W LNG
6F	101372-042	FTRST FLARED TI 85FA 11W LNG	6D	101372-032	FTRST FLARED TI 80FA 16W LNG
6F	101372-044	FTRST FLARED TI 85FA 12W LNG	6D	101372-034	FTRST FLARED TI 80FA 17W LNG
6F	101372-046	FTRST FLARED TI 85FA 13W LNG	6D	101372-036	FTRST FLARED TI 80FA 18W LNG
6F	101372-048	FTRST FLARED TI 85FA 14W LNG	6D	101372-038	FTRST FLARED TI 80FA 19W LNG
6F	101372-050	FTRST FLARED TI 85FA 15W LNG	6D	101372-040	FTRST FLARED TI 80FA 20W LNG

HIGH MOUNT PLATFORM FOOTREST

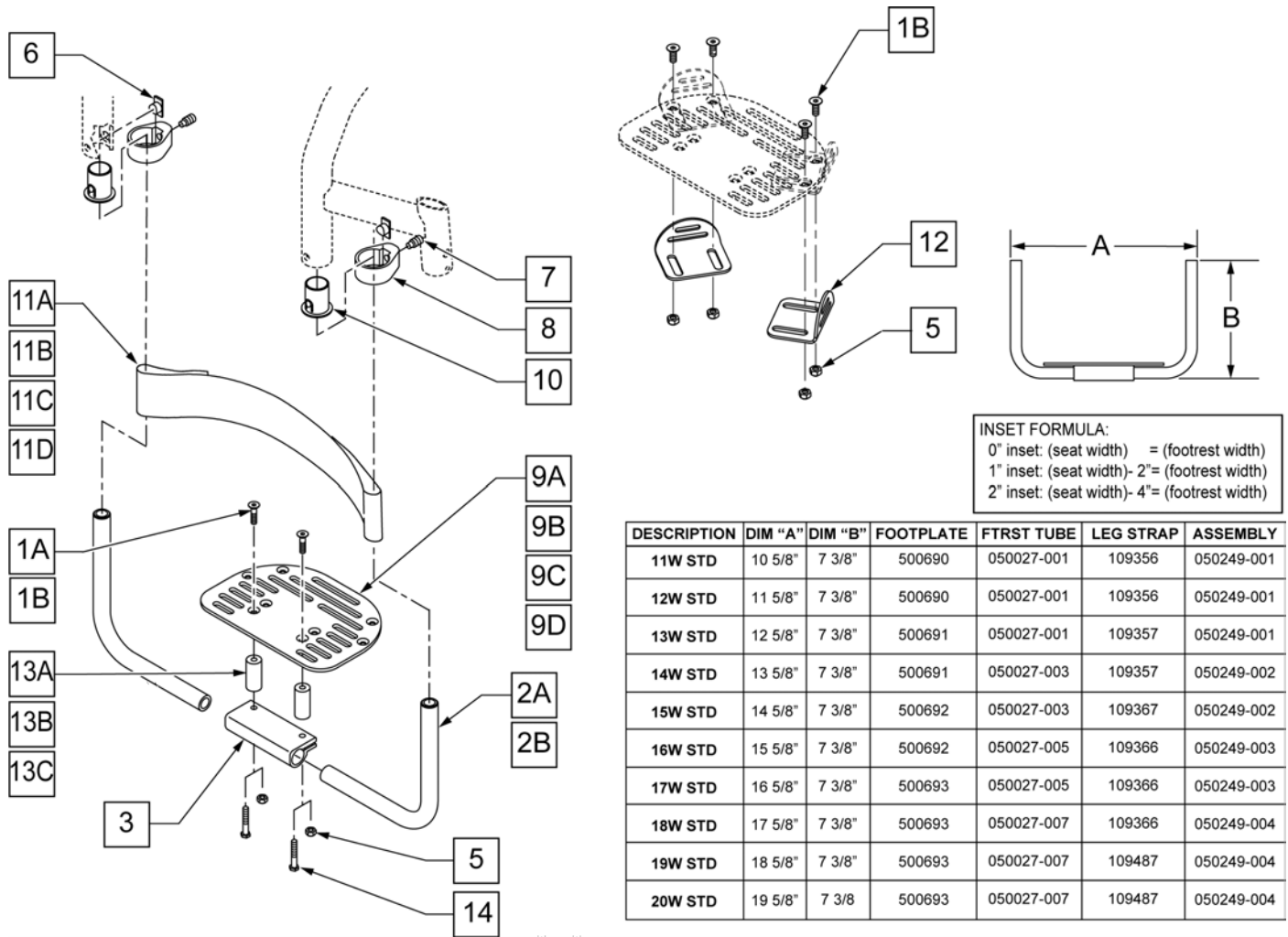


DESCRIPTION	DIM "A"	DIM "B"	FOOTPLATE	FTRST TUBE	LEG STRAP	ASSEMBLY
11W STD	10 5/8"	7 3/8"	500690	050027-001	740130	050249-001
12W STD	11 5/8"	7 3/8"	500690	050027-001	740130	050249-001
13W STD	12 5/8"	7 3/8"	500691	050027-001	740131	050249-001
14W STD	13 5/8"	7 3/8"	500691	050027-003	740131	050249-002
15W STD	14 5/8"	7 3/8"	500691	050027-003	740131	050249-002
16W STD	15 5/8"	7 3/8"	500692	050027-005	740132	050249-003
17W STD	16 5/8"	7 3/8"	500692	050027-005	740132	050249-003
18W STD	17 5/8"	7 3/8"	500693	050027-007	740132	050249-004
19W STD	18 5/8"	7 3/8"	500693	050027-007	740135	050249-004
20W STD	19 5/8"	7 3/8"	500693	050027-007	740135	050249-004

Pos.	Item Number	Description	Remarks
1	050121	CLAMP WHL LCK FEMALE	
2	482028	3/4" DOME PLUG .125	
3A	050027-001	TUBE FTRST PLTFRM 11 -13" STD	STANDARD
3A	050027-003	TUBE FTRST PLTFRM 14 -16" STD	STANDARD
3A	050027-005	TUBE FTRST PLTFRM 16 -18" STD	STANDARD
3A	050027-007	TUBE FTRST PLTFRM 18 -20" STD	STANDARD
3B	050027-002	TUBE FTRST PLTFRM 11 -13" LNG	LONG
3B	050027-004	TUBE FTRST PLTFRM 14 -16" LNG	LONG
3B	050027-006	TUBE FTRST PLTFRM 16 -18" LNG	LONG
3B	050027-008	TUBE FTRST PLTFRM 18 -20" LNG	LONG
4	050022-022	TUBE TOE FTRST ALM 12W STD BLK	
4	050022-023	TUBE TOE FTRST ALM 13W STD BLK	
4	050022-024	TUBE TOE FTRST ALM 14W STD BLK	
4	050022-025	TUBE TOE FTRST ALM 15W STD BLK	
4	050022-026	TUBE TOE FTRST ALM 16W STD BLK	
4	050022-027	TUBE TOE FTRST ALM 17W STD BLK	
4	050022-028	TUBE TOE FTRST ALM 18W STD BLK	
4	050022-029	TUBE TOE FTRST ALM 19W STD BLK	
4	050022-030	TUBE TOE FTRST ALM 20W STD BLK	
5	050120	CLAMP WHL LOCK MALE	
6	050129-001	LOCKWASHER HIGH COLLAR M6	

Pos.	Item Number	Description	Remarks
7	102263-002	SHCS M6X1X20 FULL NP	
8	102265-003	FHCS M6X1X25 FULL NP	
9A	500690	NEW PLTFORM F/PLT 6 x 5.5	USED W/ 11'-12' FOOTREST WIDTHS
9B	500691	NEW PLTFORM F/PLT 8 x 5.5	USED W/ 13'-14' FOOTREST WIDTHS
9C	500692	NEW PLTFORM F/PLT 10 x 5.5	USED W/ 15'-16' FOOTREST WIDTHS
9D	500693	NEW PLTFORM F/PLT 12 x 5.5	USED W/ 17'-20' FOOTREST WIDTHS
10	550351	CLAMP FOOTPLATE	
11	250104	WASHER FLAT M6	
12	200113	NUT HEX NYLOCK M6 x 1	
13	102265-001	FHCS M6 X 1 X 16 INORGANIC	
14	050073	PLATE POSITIONING FOOT	
1-3A-9A-12	050266-001	11" W HI MOUNT PLATFORM ASSM	
1-3A-9A-12	050266-002	12" W HI MOUNT PLATFORM ASSM	
1-3A-9B-12	050266-003	13" W HI MOUNT PLATFORM ASSM	
1-3A-9B-12	050266-004	14" W HI MOUNT PLATFORM ASSM	
1-3A-9C-12	050266-005	15" W HI MOUNT PLATFORM ASSM	
1-3A-9C-12	050266-006	16" W HI MOUNT PLATFORM ASSM	
1-3A-9D-12	050266-007	17" W HI MOUNT PLATFORM ASSM	
1-3A-9D-12	050266-008	18" W HI MOUNT PLATFORM ASSM	
1-3A-9D-12	050266-009	19" W HI MOUNT PLATFORM ASSM	
12-14	050228	PLATE POSITIONING FOOT W/ HDWR	
12-14	050228	PLATE POSITIONING FOOT W/ HDWR	
		Ship assembled part #	Use with multiple assemblies
	ASSY-HNG-FP	HANGER/FOOTPLATE ASSY REQUIRED	add with Hanger & Footplate kit

Note: Bushing Footrest and Footplates are not included in Footrest Assemblies and must be ordered seperately.



Pos.	Item Number	Description	Remarks
1A	230150	FHCS M6 X 1 X 25	USED W/O ADAPTER SPACER
1B	102265-001	FHCS M6 X 1 X 16 INORGANIC	USED W/ ADAPTER SPACER
2A	050027-001	TUBE FTRST PLTFRM 11-13 STD	
2A	050027-003	TUBE FTRST PLTFRM 14-16 STD	
2A	050027-005	TUBE FTRST PLTFRM 16-18 STD	
2A	050027-007	TUBE FTRST PLTFRM 18-20 STD	
2B	050027-002	TUBE FTRST PLTFRM 11-13 LNG	
2B	050027-004	TUBE FTRST PLTFRM 14-16 LNG	
2B	050027-006	TUBE FTRST PLTFRM 16-18 LNG	
2B	050027-007	TUBE FTRST PLTFRM 18-20 STD	
3	550351	PLATFORM FOOTPLATE CLAMP	
5	200113	NUT HEX NYLOCK M6 X 1	USED W/O ADAPTER SPACER
6	050052	KEY CLAMP FOOTREST	
7	102267	SET SCREW M8 X 16 DOG PT	
8	050025	CLAMP FOOTREST	
9A	500690	NEW PLTFORM F/PLT 6X5.5	

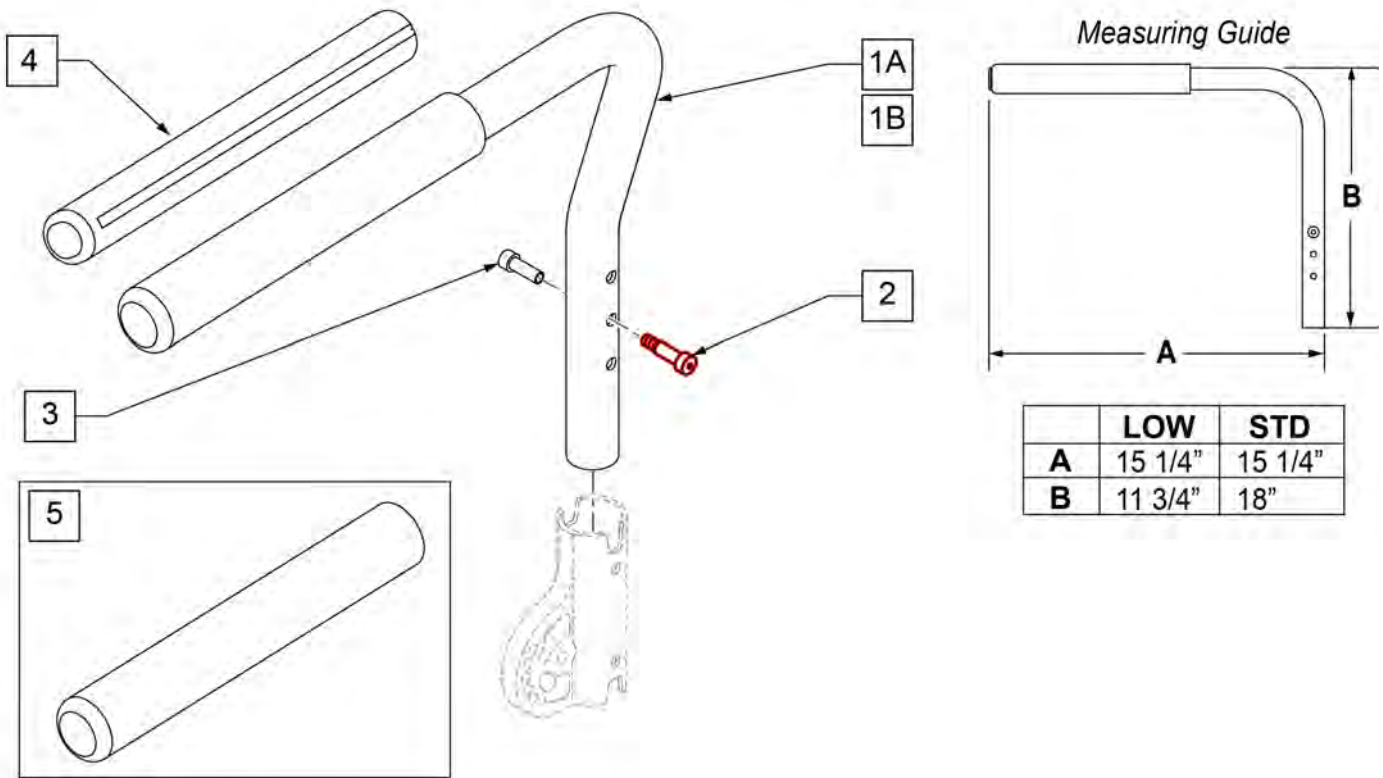
Pos.	Item Number	Description	Remarks
9B	500691	NEW PLTFORM F/PLT 8X5.5	
9C	500692	NEW PLTFORM F/PLT 10X5.5	
9D	500693	NEW PLTFORM F/PLT 12X5.5	
10	050026	BUSHING FOOTREST	
11A	109356	LEG STRAP 11 -12" BLK	
11B	109357	LEG STRAP 13 -15" BLK	
11C	109366	LEG STRAP 16 -18" BLK	
11D	111487	LEG STRAP SOFT FEEL Q 19 -20"	
12	050073	PLATE POSITIONING FOOT	
13A	050075-001	ADAPTIVE FT/RST SPCR 2" P/FRM	
13B	050075-002	ADAPTIVE FT/RST SPCR 4" P/FRM	
13C	050075-003	ADAPTIVE FT/RST SPCR 6" P/FRM	
14	102268-001	HHCS M6 X 1 X 25	USED W/ ADAPTER SPACER
1B,5,12	050228	PLATE POSITIONING FOOT W/HDWR	
1,2A,3-8	050249-001	ASSM TUBE FTRST PLTFRM 11-13S	ORDER FOOTPLATE SEPARATELY
1,2B,3-8	050250-001	ASSM TUBE FTRST PLTFRM 11-13T	ORDER FOOTPLATE SEPARATELY
1,2C,3-8	050249-002	ASSM TUBE FTRST PLTFRM 14/15S	ORDER FOOTPLATE SEPARATELY
1,2D,3-8	050250-002	ASSM TUBE FTRST PLTFRM 14/15T	ORDER FOOTPLATE SEPARATELY
1,2E,3-8	050249-003	ASSM TUBE FTRST PLTFRM 16/17S	ORDER FOOTPLATE SEPARATELY
1,2F,3-8	050250-003	ASSM TUBE FTRST PLTFRM 16/17T	ORDER FOOTPLATE SEPARATELY
1,2G,3-8	050249-004	ASSM TUBE FTRST PLTFRM 18-20S	ORDER FOOTPLATE SEPARATELY
1,2H,3-8	050250-004	ASSM TUBE FTRST PLTFRM 18-20T	ORDER FOOTPLATE SEPARATELY

NOTE: Effective on GTi chairs after S/N T4-505800 & T4A-505900.

NOTE: Armrest heights that can be achieved are; 7, 8, & 9 with the RECEIVER IN THE DOWN position, and 10, 11, & 12 with RECEIVER IN THE UP position.

NOTE: GT,GTi & Q2 Lite chair uses Low Armrest only.

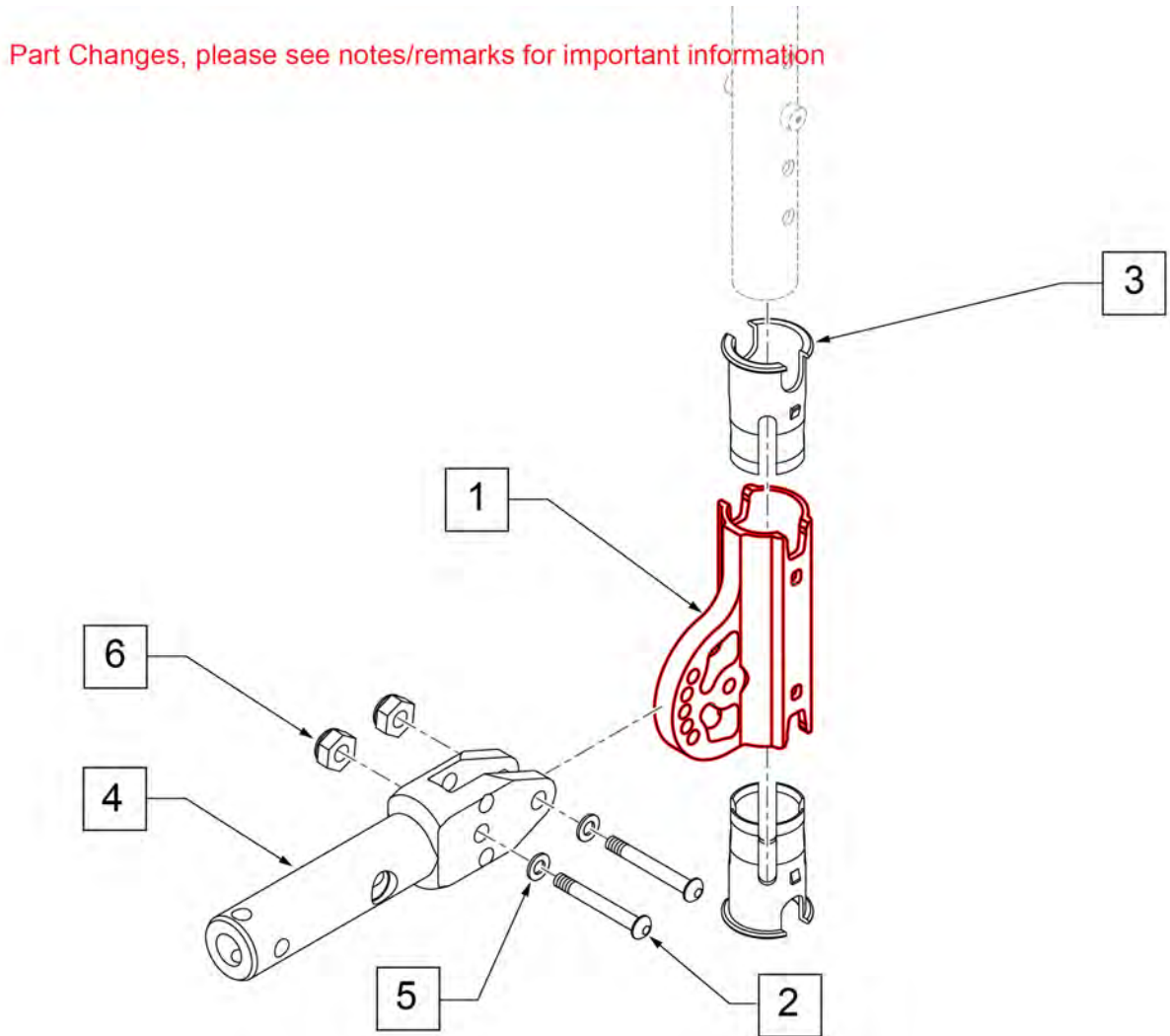
Part Changes, please see notes/remarks for important information



Pos.	Item Number	Description	Remarks
1A,2,3	111153	SWING-AWAY ARMREST LOW W/ BOLT R	RIGHT-LOW
1A,2,3	111154	SWING-AWAY ARMREST LOW W/ BOLT L	LEFT -LOW
1B,2,3	111155	SWING-AWAY ARMREST STD W/ BOLT R	RIGHT-STD
1B,2,3	111156	SWING-AWAY ARMREST STD W/ BOLT L	LEFT -STD
2,3	108118	SEXBOL TSA ARMREST KIT	
4	108315	GEL PAD S/ ARM	PAIR
5	560640	9X.93X.155 FOAM GRIP	Single replacement grip

NOTE: Effective on GTi chairs after S/N T4-505800 & T4A-505900.

NOTE: THE PADDED SWING AWAY RECEIVER HAS BUILT IN ANGLE ADJUSTABILITY OF +60°, +42°, +36°, +24°, +18°, +12°, +6°, 0°, -6°, -12°, -18°, -24°, -36°, -42°, & -60°.



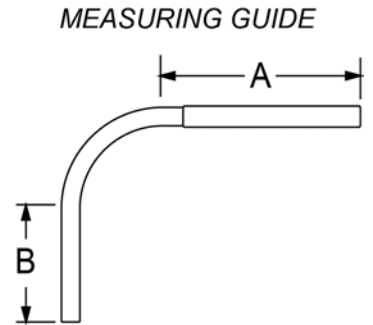
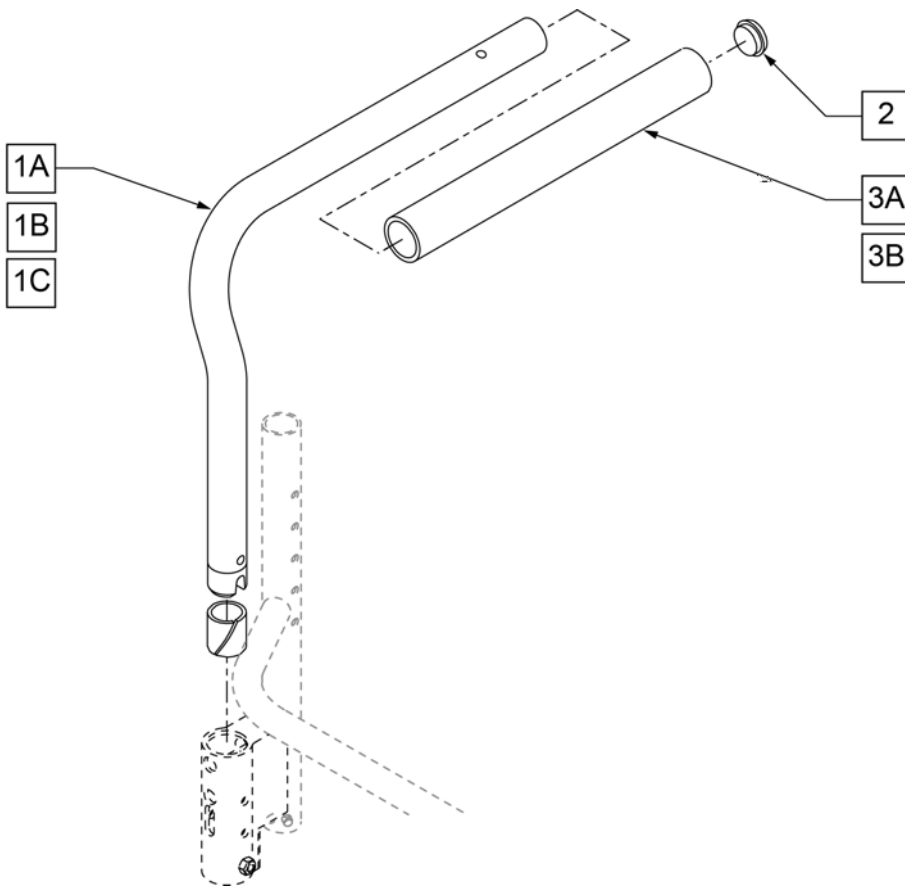
Pos.	Item Number	Description	Remarks
1	121916	RECIEVER MOUNT HD	Replace in pairs
2	106505	SLEEVE SWING AWAY ARMREST	
3	102262-005	BHCS M6 x 1 x 30 INORG	
4	109850	MOUNT ANGLE ADJ TI	
5	250104	WASHER FLAT M6	
6	104381	NUT HEX NYLOCK M6 x 1.0	
1-6	112225	PAD S/A ARMREST MOUNT RECEIVER KIT	
1-3,5,6	124255	PAD S/A ARMRST MNT REC KIT (2)	Pair

NOTE: Effective on GT chairs prior to S/N R3-012700 & R3A-012762.

NOTE: Discontinued on GTi chairs as of S/N T4-505800 & T4A-505900.

NOTE: WHEN REPLACING BACK FRAME IT IS SUGGESTED TO REPLACE THE INSERTS AS THEY MAY BECOME STUCK IN THE BACK FRAME.

NOTE: IF ADDING SWING-AWAY ARMREST TO CHAIR BUILT PRIOR TO 6/14/2006, YOU MUST ORDER BACKREST FRAME.



ARMREST	"A"	"B"
KIDS	8"	4"
ADULT	10"	5.5"
ADULT LONG	12"	5.5"

Pos.	Item Number	Description	Remarks
2	561002	1" INSERT PLUG .083	
3A	920070	9X.940X.200 FOAM GRIP	
3B	560299	FOAM GRIP 7 X .940 X .20 (PEDIATRIC)	
1A,2,3A	881254	PADDED ARMREST RIGHTHAND QTNT	RIGHT-ADULT
1A,2,3A	881255	PADDED ARMREST LEFTHAND QTNT	LEFT-ADULT
1B,2,3B	050264	PADDED ARM S/A RIGHT PEDIATRIC	RIGHT-KIDS/PED
1B,2,3B	050265	PADDED ARM S/A LEFT PEDIATRIC	LEFT-KIDS/PED
1C,2,3A	101508	PADDED ARMREST S/A LONG R	RIGHT-ADULT LONG
1C,2,3A	101509	PADDED ARMREST S/A LONG L	LEFT-ADULT LONG

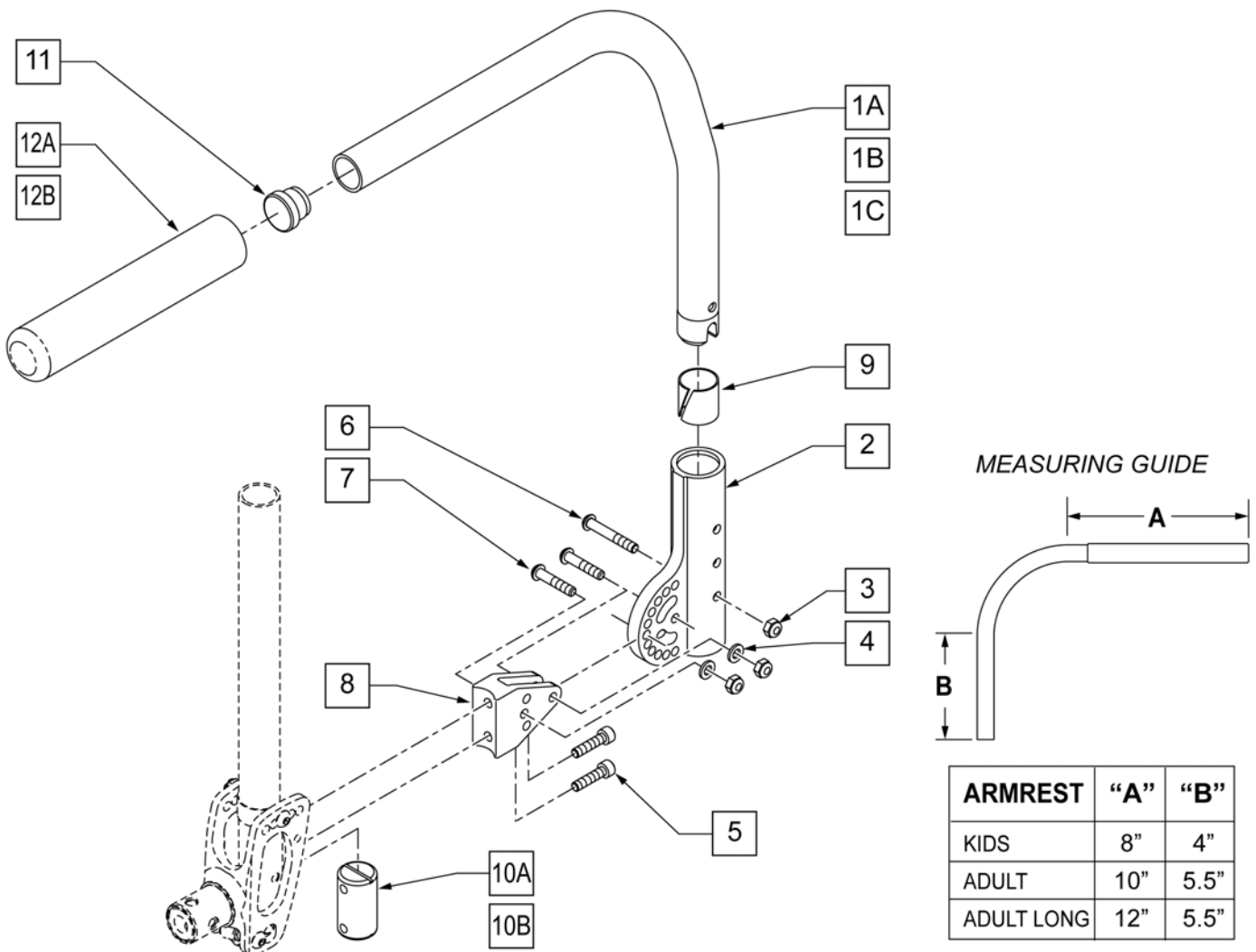
NOTE: Discontinued on GT chairs as of S/N R3-012700 & R3A-012762.

NOTE: Discontinued on GTi chairs as of S/N T4-505800 & T4A-505900.

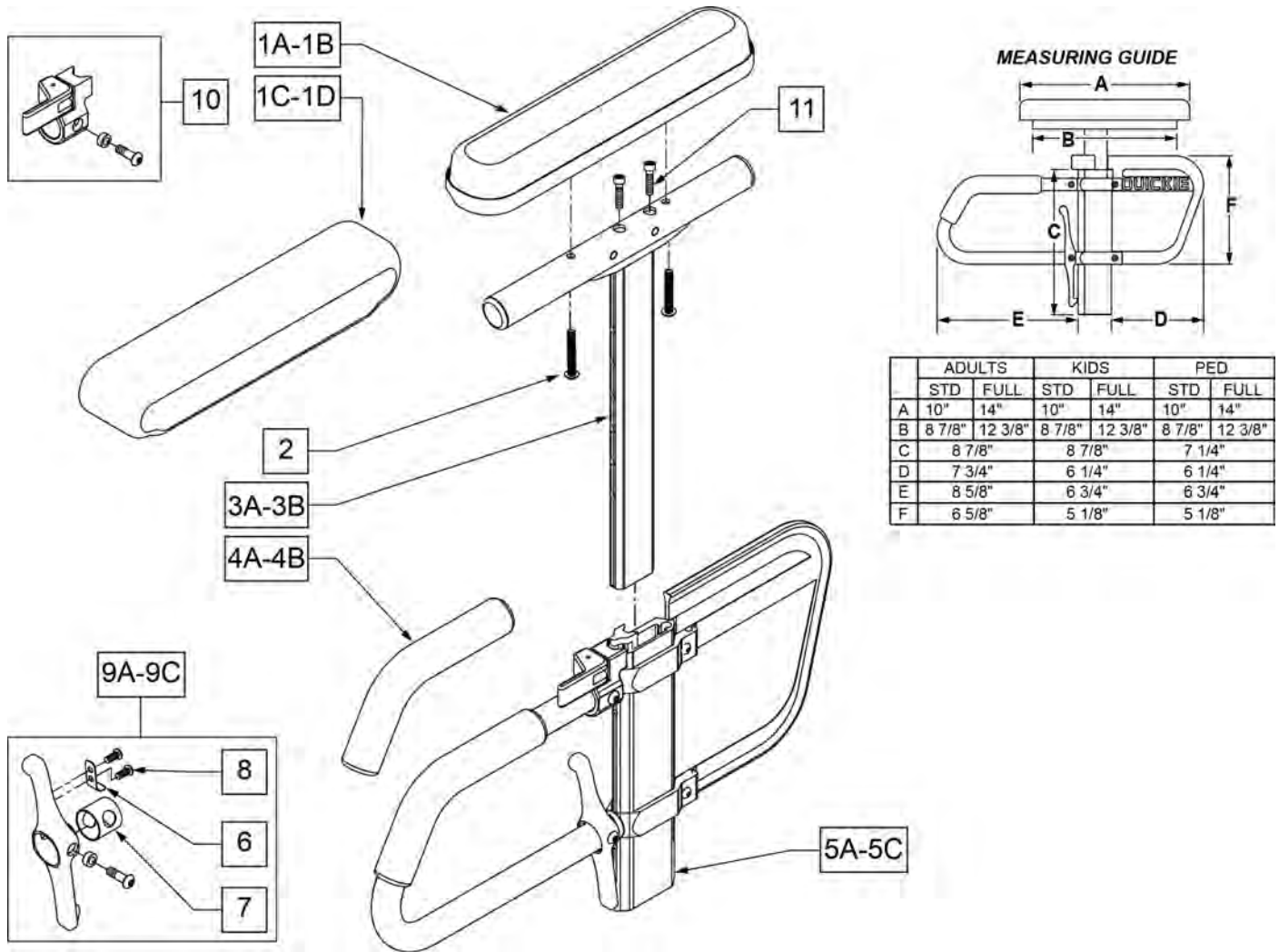
NOTE: ITEM 10A USED FOR ALUMINUM BACKREST, ITEM 10B USED FOR TITANIUM BACKREST.

NOTE: IF ADDING SWING-AWAY ARMREST TO CHAIR BUILT PRIOR TO 6/14/2006, YOU MUST ORDER BACKREST FRAME.

NOTE: WHEN REPLACING BACK FRAME IT IS SUGGESTED TO REPLACE THE INSERTS AS THEY MAY BECOME STUCK IN THE BACK FRAME.



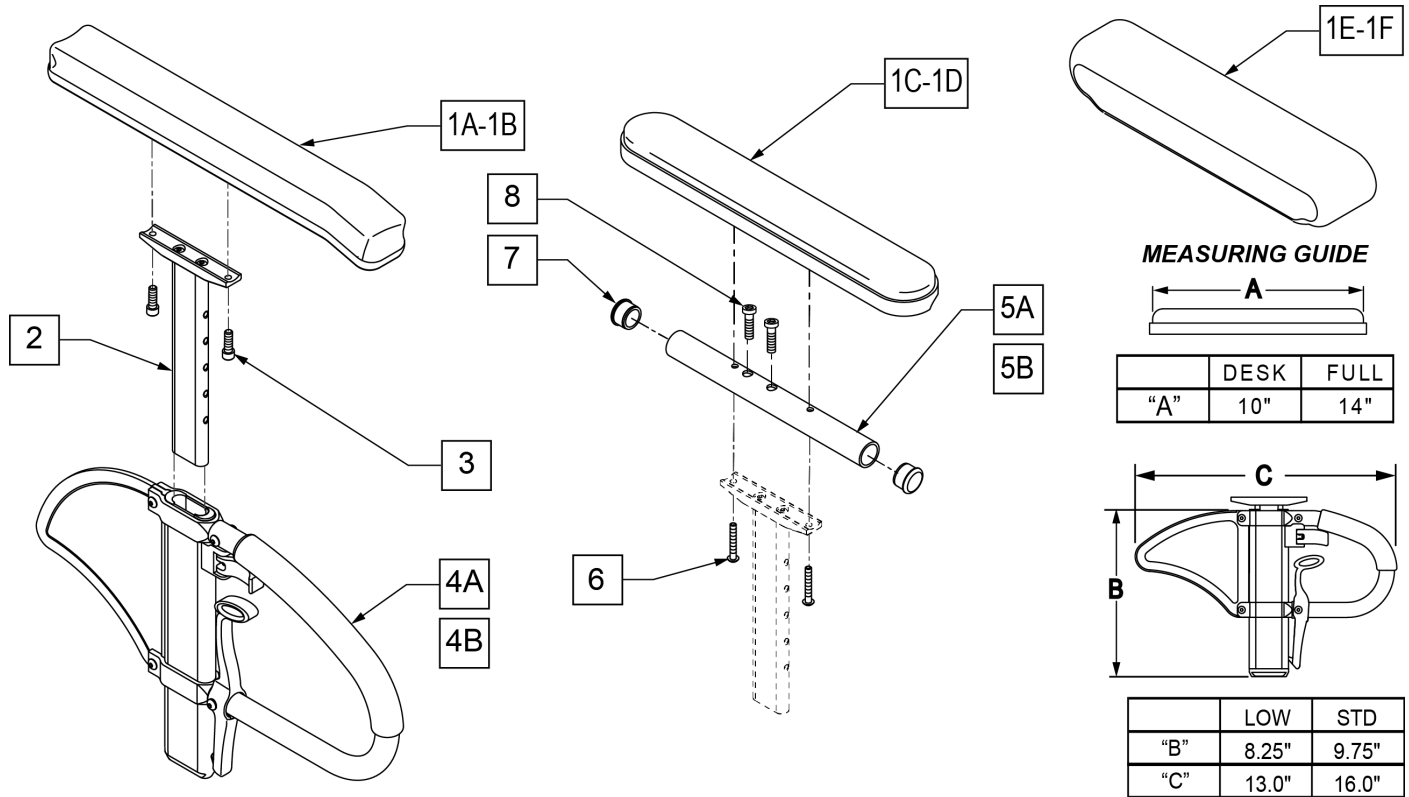
Pos.	Item Number	Description	Remarks
2	052166	RECEIVER ANG ADJ SA ARMREST	
3	200113	NUT HEX NYLOCK M6 X 1	
4	250104	WASHER FLAT M6	
5	102263-003	SHCS M6 X 1 X 25 W/PL INORG	
6	102262-006	BHCS M6 X 1 X 40 INORGANIC	
7	102262-005	BHCS M6 X 1 X 30 INORGANIC	
8	052165	BRACKET ANG ADJ SA ARMREST	
9	560400	1" I.D. NY-LINER	
10A	101301-001	INSERT BACKREST 20.90 OD	For Aluminum Backrest
10B	101301-002	INSERT BACKREST 23.30 OD	For Titanium Backrest
11	561002	1" INSERT PLUG .083	
12A	920070	9X.940X.200 FOAM GRIP	
12B	560299	FOAM GRIP 7 X .940 X .20 (PEDIATRIC)	
1A,11,12A	101508	PADDED ARMREST S/A LONG R	RIGHT-LONG
1A,11,12A	101509	PADDED ARMREST S/A LONG L	LEFT-LONG
1B,11,12A	881254	PADDED ARMREST RIGHTHAND QTNT	RIGHT-ADULT
1B,11,12A	881255	PADDED ARMREST LEFTHAND QTNT	LEFT-ADULT
1C,11,12B	050264	PADDED ARM S/A RIGHT PEDIATRIC	RIGHT-KIDS/PEDS
1C,11,12B	050265	PADDED ARM S/A LEFT PEDIATRIC	LEFT-KIDS/PEDS
2-10A	102207-001	RECEIVER W/HDWR ANG ADJ AL	
2-10B	102207-002	RECEIVER W/HDWR ANG ADJ TI	



Pos.	Item Number	Description	Remarks
1A	561024	ARMREST PAD 10" DESK	DESK PAD
1B	561031	ARMREST PAD 14" FULL	FULL PAD
1C	561280	ARMREST PAD 10" L W/F	LEFT - DESK WATERFALL PAD
1C	561281	ARMREST PAD 10" R W/F	RIGHT - DESK WATERFALL PAD
1D	561284	ARMREST PAD 14" L W/F	LEFT - FULL WATERFALL PAD
1D	561285	ARMREST PAD 14" R W/F	RIGHT - FULL WATERFALL PAD
2	226038	10-32 x 1 3/8 BH C/S BLK	
4A	560610	5" x .705 x .125 FOAM TUBE	ADULT
4B	560627	7-1/2" x .705 x .125 FOAM TUBE	PEDS/KIDS
5A	882084	HT ADJ LOWER DC ARM ASSM STD R	RIGHT - STANDARD/ADULT
5A	882085	HT ADJ LOWER DC ARM ASSM STD L	LEFT - STANDARD/ADULT
5B	882082	HT ADJ LOWER DC ARM ASM KIDS R	RIGHT - KIDS
5B	882083	HT ADJ LOWER DC ARM ASM KIDS L	LEFT - KIDS
5C	882080	HT ADJ LOWER ARM ASSM PE D R	RIGHT - PEDIATRIC
5C	882081	HT ADJ LOWER ARM ASSM PE D L	LEFT - PEDIATRIC
6	321721	LEVER RETURN SPRING	
7	562825	RELEASE LEVER INNER SLEEVE	
8	281045	#6 x 1/4 PAN PHIL S/M/S	
9A	888000	HT ADJ REC REL LEVER ASSM STD	ADULT
9B	888001	HT ADJ REC REL LEVER ASSM KIDS	KIDS

Pos.	Item Number	Description	Remarks
9C	888002	HT ADJ REC REL LEVER ASSM PEDS	PEDS
10	888003	HT ADJ UPPER ARM REL ASSM R	RIGHT
10	888004	HT ADJ UPPER ARM REL ASSM L	LEFT
11	108534	SHCS 10-32 X 1-1/4 PL	Used with Classic Full only
>>>>		ADULT UPPER ASSEMBLIES	
1A-3A	880192	HT ADJ UPPER ARM ASSM DESK R	RIGHT - ADULT DESK PAD
1A-3A	880198	HT ADJ UPPER ARM ASSM DESK L	LEFT - ADULT DESK PAD
1B-3A,11	880193	HT ADJ UPPER ARM ASSM FL R	RIGHT - ADULT FULL PAD
1B-3A,11	880199	HT ADJ UPPER ARM ASSM FL L	LEFT - ADULT FULL PAD
>>>>		ADULT UPPER ASSEMBLIES	
1C-3A	881230	HT ADJ UPPER L ARM ASSM DESK W/F	RIGHT - ADULT DESK WATER FALL PAD
1C-3A	881231	HT ADJ UPPER R ARM ASSM DESK W/F	LEFT - ADULT DESK WATER FALL PAD
1D-3A	881232	HT ADJ UPPER L ARM ASSM FL W/F	RIGHT - ADULT FULL WATER FALL PAD
1D-3A	881233	HT ADJ UPPER R ARM ASSM FL W/F	LEFT - ADULT FULL WATER FALL PAD
>>>>		PEDIATRIC AND KIDS UPPER ASSEMBLIES	
1A-3B	880174	HT ADJ UPPER ARM PED PWR DESK R	RIGHT - PED/KIDS DESK PAD
1A-3B	880175	HT ADJ UPPER ARM PED PWR DESK L	LEFT - PED/KIDS DESK PAD
1B-3B,11	880176	HT ADJ UPPER ARM PED PWR FULL R	RIGHT - PED/KIDS FULL PAD
1B-3B,11	880177	HT ADJ UPPER ARM PED PWR FULL L	LEFT - PED/KIDS FULL PAD
>>>>		PEDIATRIC AND KIDS UPPER ASSEMBLIES	
1C-3B	888341	HT ADJ PED UPPER R ARM ASSM D WF	RIGHT - PED/KIDS DESK WATER FALL PAD
1C-3B	888342	HT ADJ PED UPPER L ARM ASSM D WF	LEFT - PED/KIDS DESK WATER FALL PAD
1D-3B	888343	HT ADJ PED UPPER R ARM ASSM F WF	RIGHT - PED/KIDS FULL WATER FALL PAD
1D-3B	888344	HT ADJ PED UPPER L ARM ASSM F WF	LEFT - PED/KIDS FULL WATER FALL PAD
>>>>		COMPLETE ADULT ARMREST ASSEMBLY	
1A-3A-5A	880210	HT ADJ STD R W/DESK ARM PAD	RIGHT - ADULT - DESK PAD
1A-3A-5A	880211	HT ADJ STD L W/DESK ARM PAD	LEFT - ADULT - DESK PAD
1B-3A-5A,11	880212	HT ADJ STD R W/FULL ARM PAD	RIGHT - ADULT - FULL PAD
1B-3A-5A,11	880213	HT ADJ STD L W/FULL ARM PAD	LEFT - ADULT - FULL PAD
1C-3A-5A	881301	HT ADJ STD R W/DESK W/F PAD	RIGHT - ADULT - WATERFALL DESK PAD
1C-3A-5A	881300	HT ADJ STD L W/DESK W/F PAD	LEFT - ADULT - WATERFALL DESK PAD
1D-3A-5A	881305	HT ADJ STD R W/FULL W/F PAD	RIGHT - ADULT - WATERFALL FULL PAD
1D-3A-5A	881304	HT ADJ STD L W/FULL W/F PAD	LEFT - ADULT - WATERFALL FULL PAD
>>>>		COMPLETE KIDS ARMREST ASSEMBLY	
1A-3B-5B	880214	HT ADJ KIDS R W/DESK ARM PAD	RIGHT - KIDS - DESK PAD
1A-3B-5B	880215	HT ADJ KIDS L W/DESK ARM PAD	LEFT - KIDS - DESK PAD
1B-3B-5B,11	880216	HT ADJ KIDS R W/FULL ARM PAD	RIGHT - KIDS - FULL PAD
1B-3B-5B,11	880217	HT ADJ KIDS L W/FULL ARM PAD	LEFT - KIDS - FULL PAD
1C-3B-5B	881303	HT ADJ KIDS R W/DESK W/F PAD	RIGHT - KIDS - WATERFALL DESK PAD
1C-3B-5B	881302	HT ADJ KIDS L W/DESK W/F PAD	LEFT - KIDS - WATERFALL DESK PAD
1D-3B-5B	881307	HT ADJ KIDS R W/FULL W/F PAD	RIGHT - KIDS - WATERFALL FULL PAD
1D-3B-5B	881306	HT ADJ KIDS L W/FULL W/F PAD	LEFT - KIDS - WATERFALL FULL PAD
>>>>		COMPLETE PEDIATRIC ARMREST ASSEMBLY	
1A-3B-5C	880226	HT ADJ PED R W/DESK ARM PAD	RIGHT - PEDS - DESK PAD
1A-3B-5C	880227	HT ADJ PED L W/DESK ARM PAD	LEFT - PEDS - DESK PAD
1B-3B-5C,11	880228	HT ADJ PED R W/FULL ARM PAD	RIGHT - PEDS - FULL PAD
1B-3B-5C,11	880229	HT ADJ PED L W/FULL ARM PAD	LEFT - PEDS - FULL PAD
1C-3B-5C	888345	HT ADJ PED R W/DESK W/F PAD	RIGHT - PEDS - WATERFALL DESK PAD
1C-3B-5C	888346	HT ADJ PED L W/DESK W/F PAD	LEFT - PEDS - WATERFALL DESK PAD
1D-3B-5C	888347	HT ADJ PED R W/FULL W/F PAD	RIGHT - PEDS - WATERFALL FULL PAD
1D-3B-5C	888348	HT ADJ PED L W/FULL W/F PAD	LEFT - PEDS - WATERFALL FULL PAD

Note: Fits most Manual Products, not all Armrest Pads are offered on all chairs, consult product order form for compatibility.

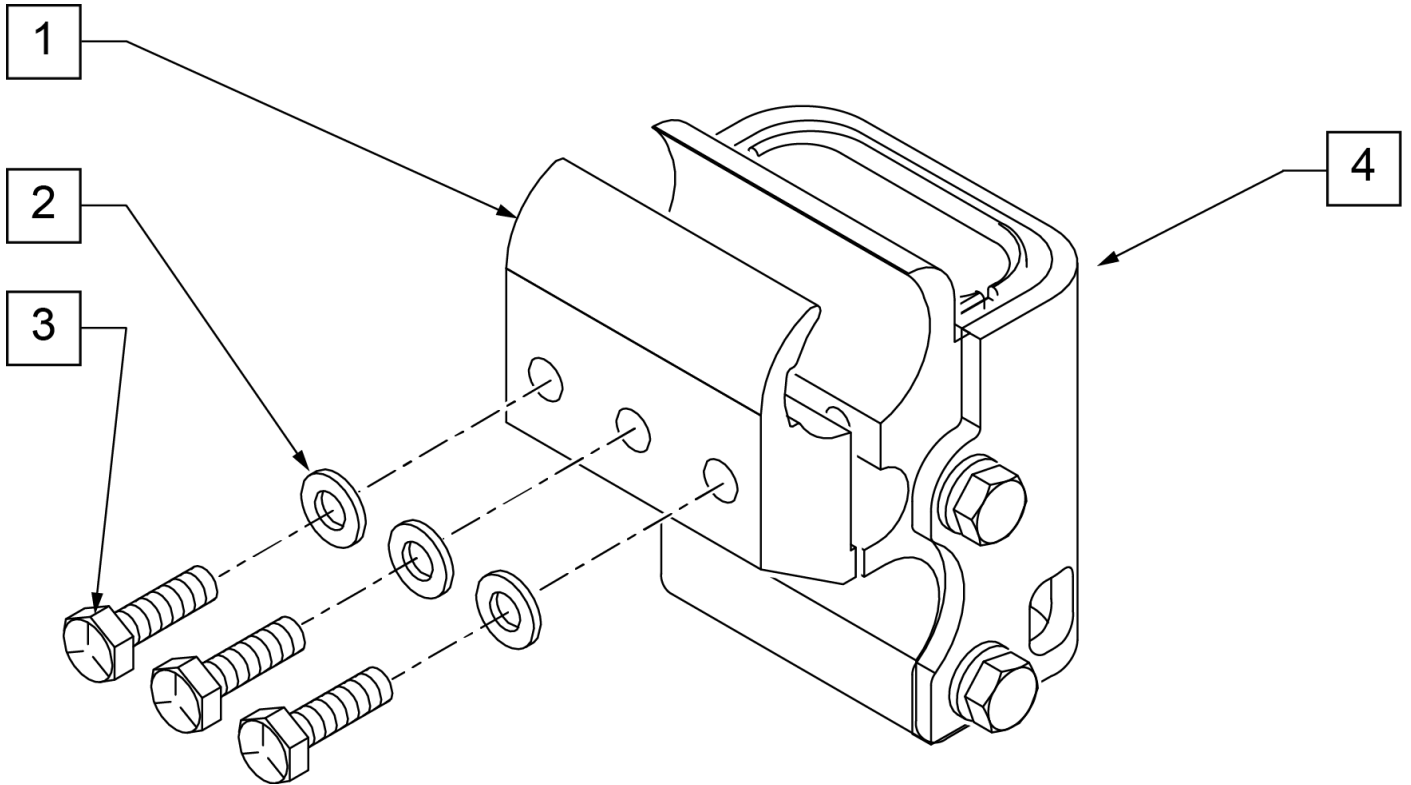


Pos.	Item Number	Description	Remarks
1A	104568-001	SPHA PAD DESK	CONTOUR DESK
1B	104568-002	SPHA PAD FULL	CONTOUR FULL
1C	561024	ARMREST PAD 10" DESK	CLASSIC DESK
1D	561031	ARMREST PAD 14" FULL	CLASSIC FULL
1E	561280	ARMREST PAD 10" LEFT W/F	Left-Waterfall Desk
1E	561281	ARMREST PAD 10" RIGHT W/F	Rightt-Waterfall Desk
1F	561284	ARMREST PAD 14" LEFT W/F	Leftt-Waterfall Full
1F	561285	ARMREST PAD 14" RIGHT W/F	Rightt-Waterfall Full
2	116312	SNGL POST UPPR ASSM LOW	LOW/SMALL
2	116313	SNGL POST UPPR ASSM STD	STANDARD
3	106956	SHCS 10-32 X 3/4 ROHS	
2,4A	104509-001	SPHA ARMREST ASSY STD	STANDARD
2,4B	104509-002	SPHA ARMREST ASSY LOW	LOW/SMALL
5A	521812	HT ADJ PD TUBE 10IN DESK POWE	Desk
5B	521813	HT ADJ PD TUBE 14IN FULL POWE	Full
6	107024	BHCS 10-32 X 1 1/2 ROHS	
7	560735	7/8" ROUND TUBE PLUG	
8	108534	SHCS 10-32 X 1-1/4 PL	Used with Full Length & Waterfall
1C,2,3,4A,5A,6,7	108599	SPHA STD CLASIC DESK PAD R	Right
1C,2,3,4A,5A,6,7	108603	SPHA STD CLASIC DESK PAD L	Left
1D,2,3,4A,5B,6-8	108601	SPHA STD CLASIC FULL PAD R	Right
1D,2,3,4A,5B,6-8	108605	SPHA STD CLASIC FULL PAD L	Left
1A,2,3,4A	108595	SPHA STD CNTUR DESK PAD	

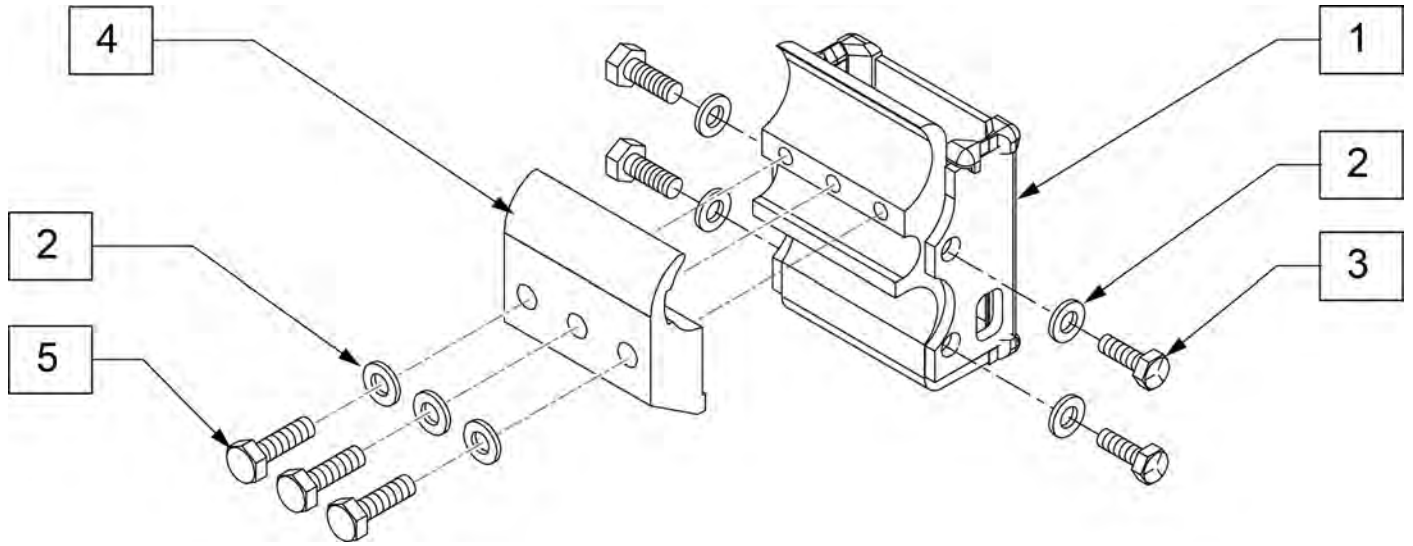
Pos.	Item Number	Description	Remarks
1B,2,3,4A	108597	SPHA STD CNTUR FULL PAD	
1C,2,3,4B,5A,6,7	108600	SPHA LOW CLASIC DESK PAD R	Right
1C,2,3,4B,5A,6,7	108604	SPHA LOW CLASIC DESK PAD L	Left
1D,2,3,4B,5B,6-8	108602	SPHA LOW CLASIC FULL PAD R	Right
1D,2,3,4B,5B,6-8	108606	SPHA LOW CLASIC FULL PAD L	Left
1A,2,3,4B	108596	SPHA LOW CNTUR DESK PAD	
1B,2,3,4B	108598	SPHA LOW CNTUR FULL PAD	
1C,2,5A,6,7	115221	HGT ADJ ARM UPPER CLSC DESK	CLASSIC DESK
1D,2,5B,6-8	115222	HGT ADJ ARM UPPER CLSC FULL	CLASSIC FULL

NOTE: CLAMP MOUNTS TO 1-1/8" TUBING.

NOTE: USED ON QUICKIE GTI CHAIRS AFTER S/N T4-505800 & T4A-505900.



Pos.	Item Number	Description
1	550495	HT ADJ REV
2	250104	WASHER FLAT M6
3	102268-002	HHCS M6 x 1 x 35
4	109387	RECEIVER SPHA 1 1/8" OD ASSM
1-4	111157	SPHA REC ASSM COMPLETE



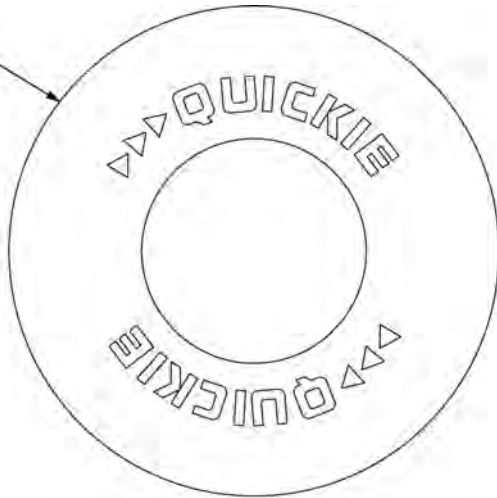
Pos.	Item Number	Description
1	102658	HT ADJ ARMREST RECEIVER
2	250104	WASHER FLAT M6
3	102268-001	HHCS M6 X 1 X 25
4	550495	HT ADJ REC CLAMP LOW 1 1/8"
5	102268-002	HHCS M6 X 1 X 35
1-5	103106	REC ARMREST HT ADJ 1-1/8"

NOTE: CLAMP MOUNTS TO 1-1/8" TUBING.

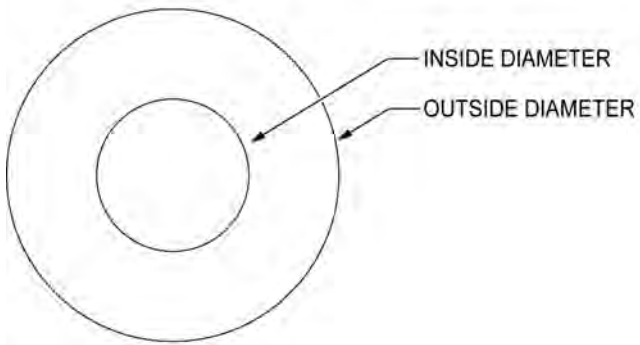
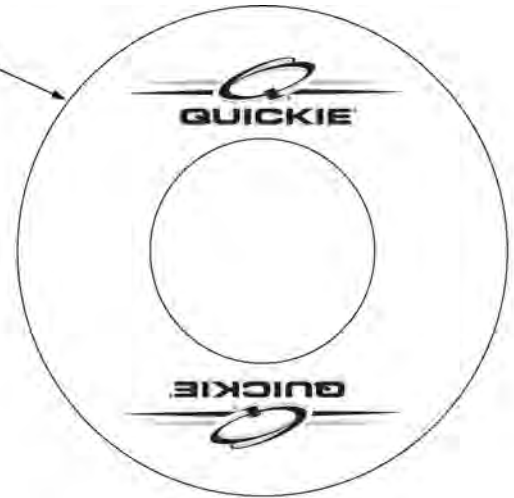
NOTE: Used on Quickie GT Chairs before S/N R3-012700 & R3A-012762.

NOTE: Used on Quickie GTi Chairs before S/N T4-505800 & T4A-505900.

1A



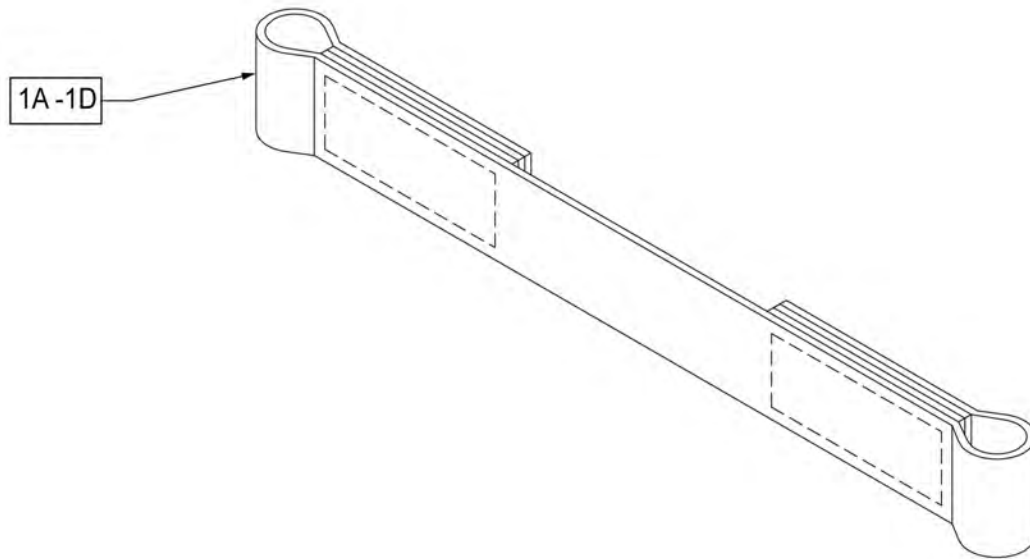
1B



SPOKE GUARD MEASURING GUIDE

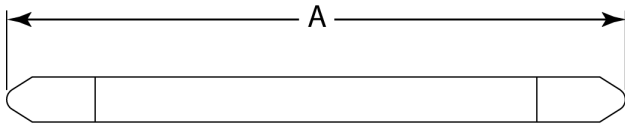
PART NUMBER	INSIDE DIAMETER	OUTSIDE DIAMETER
902001	8 1/4	15 7/8
902011	8 1/4	18 1/8
902021	10 1/4	19 5/8
902025	10 1/4	20 3/8
902037	10 1/4	21 7/8
902038	10 1/4	23 3/8
103660-001	8 1/4	16
103660-002	8 1/4	18
103663-001	10 1/4	20 1/2
103663-002	10 1/4	23 1/2
103734-001	10 1/4	19 1/4
103734-002	10 1/4	22
119336	10 1/4	19 1/4

Pos.	Item Number	Description	Remarks
>>>>		BLACK SPOKE GUARDS	
1A	902001	SPK GRDS 20" QUICKIE BLK	Pair-BLACK-FITS 20" WHEELS
1A	902011	SPK GRDS 22" QUICKIE BLK	Pair-BLACK-FITS 22" WHLS or 24" (540) WHLS W/ PROJECTION HANDRIMS or 24" MOUNTAIN SPOKE WHLS
1A	902021	SPK GRD 24" QUICKIE SCR MT BLK	Pair-BLACK-FITS 24" (540) MAG & SPOKE WHEELS
1A	902025	SPK GRD 24" QUICKIE TAB MT BLK	Pair-BLACK-FITS 25" (559) SPOKE WHEELS or 26" MOUNTAIN SPOKE WHEELS
1A	902037	SPK GRD 26" QUICKIE TAB MT BLK	Pair-BLACK-FITS 26" (590) WHEELS
1A	902038	SPK GRD 26" QUICKIE HT BLK	Pair-BLACK-FITS 27" (700) WHEELS
>>>>		CLEAR SPOKE GUARDS	
1B	103660-001	CLEAR SPOKE GUARD 20"	Pair-CLEAR-FITS 20" WHEELS
1B	103660-002	CLEAR SPOKE GUARD 22"	Pair-CLEAR-FITS 22" WHLS or 24" (540) WHLS W/ PROJECTION HANDRIMS or 24" MOUNTAIN SPOKE WHLS
1B	103734-001	SPOKE GUARD 24" CLR	Pair-CLEAR-FITS 24" (540) SPOKE WHEELS
1B	119336	SPOKE GUARD 24" CLR	Pair-CLEAR-FITS 24" (540) MAG WHEELS

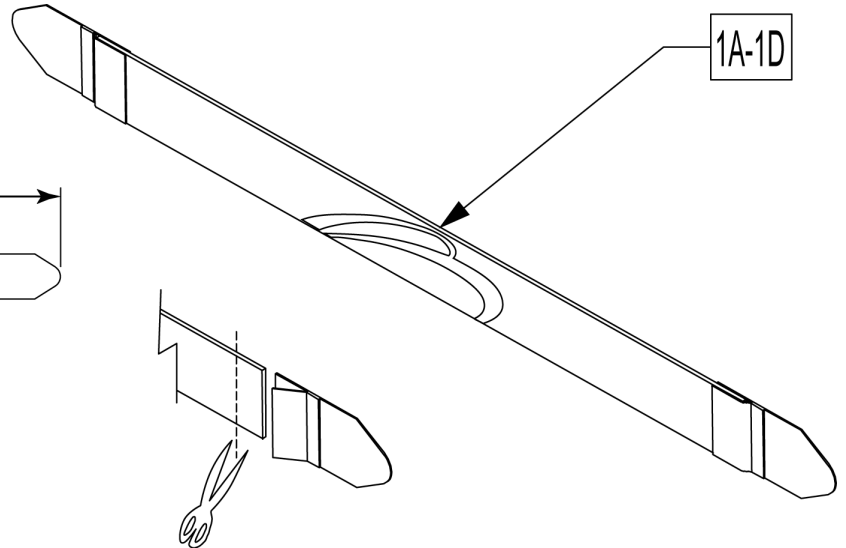


Pos.	Item Number	Description
1A	109356	LEG STRAP SOFT FEEL Q 11 -12"
1B	109357	LEG STRAP SOFT FEEL Q 13 -15"
1C	109366	LEG STRAP SOFT FEEL Q 16 -18"
1D	111487	LEG STRAP SOFT FEEL Q 19 -20"

MEASURING GUIDE



DESCRIPTION	DIM "A"
LEG STRAP 11"-12" BLK	27 1/2
LEG STRAP 13"-15" BLK	32 1/2
LEG STRAP 16"-18" BLK	39 1/2
LEG STRAP 19"-20" BLK	45 1/2

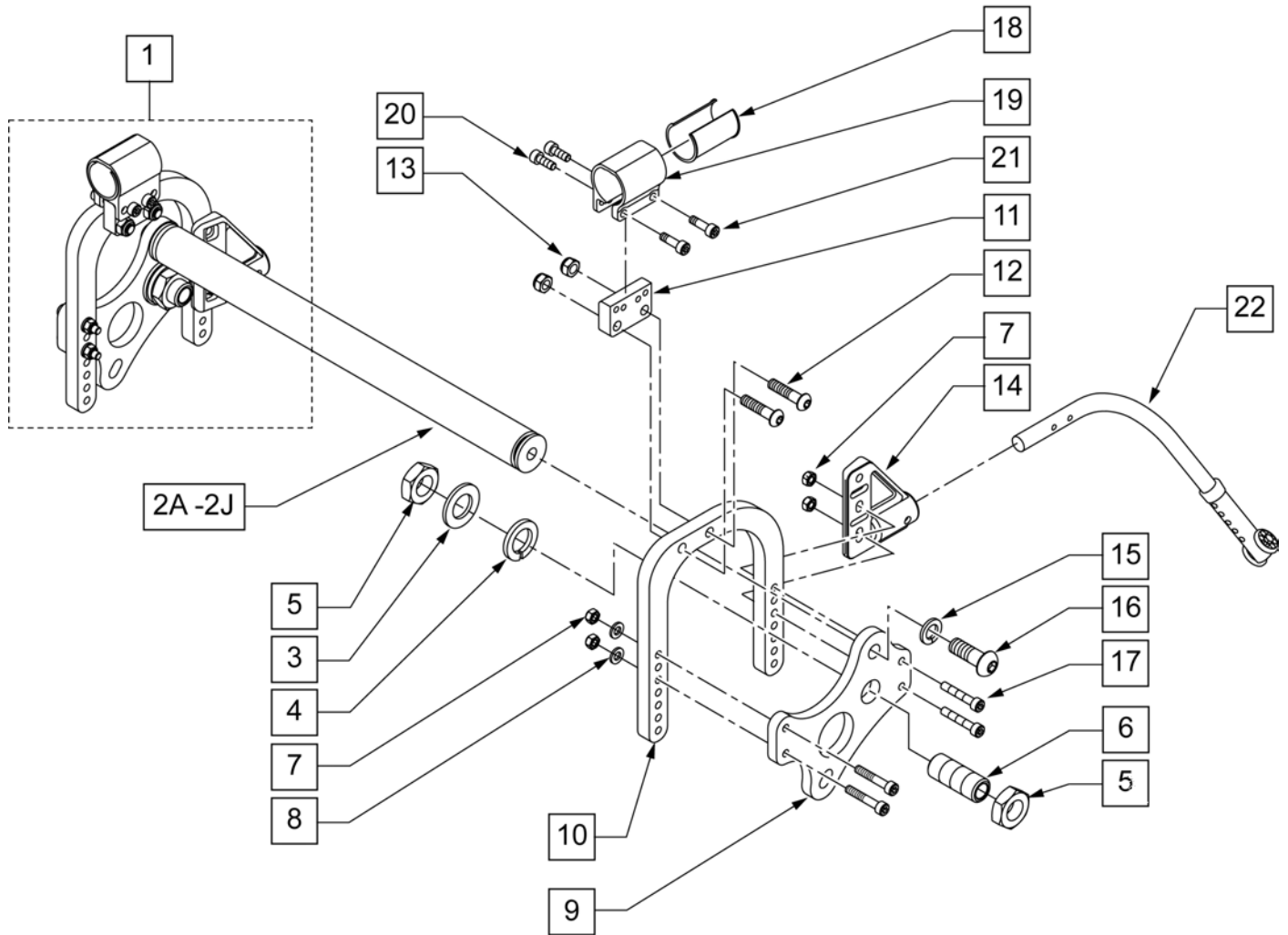


Leg Straps may be custom cut to a smaller size

Pos.	Item Number	Description
1A	113255	LEG STRAP 11"-12" BLK
1B	113256	LEG STRAP 13"-15" BLK
1C	113257	LEG STRAP 16"-18" BLK
1D	113258	LEG STRAP 19"-20" BLK

Note: discontinued 8/12/13, fits chairs 5/2/08 to 8/12/13.

Note: Chairs Built after S/N R3-010580 must order P/N 050195, new Axle Clamps will not work with Xtender.

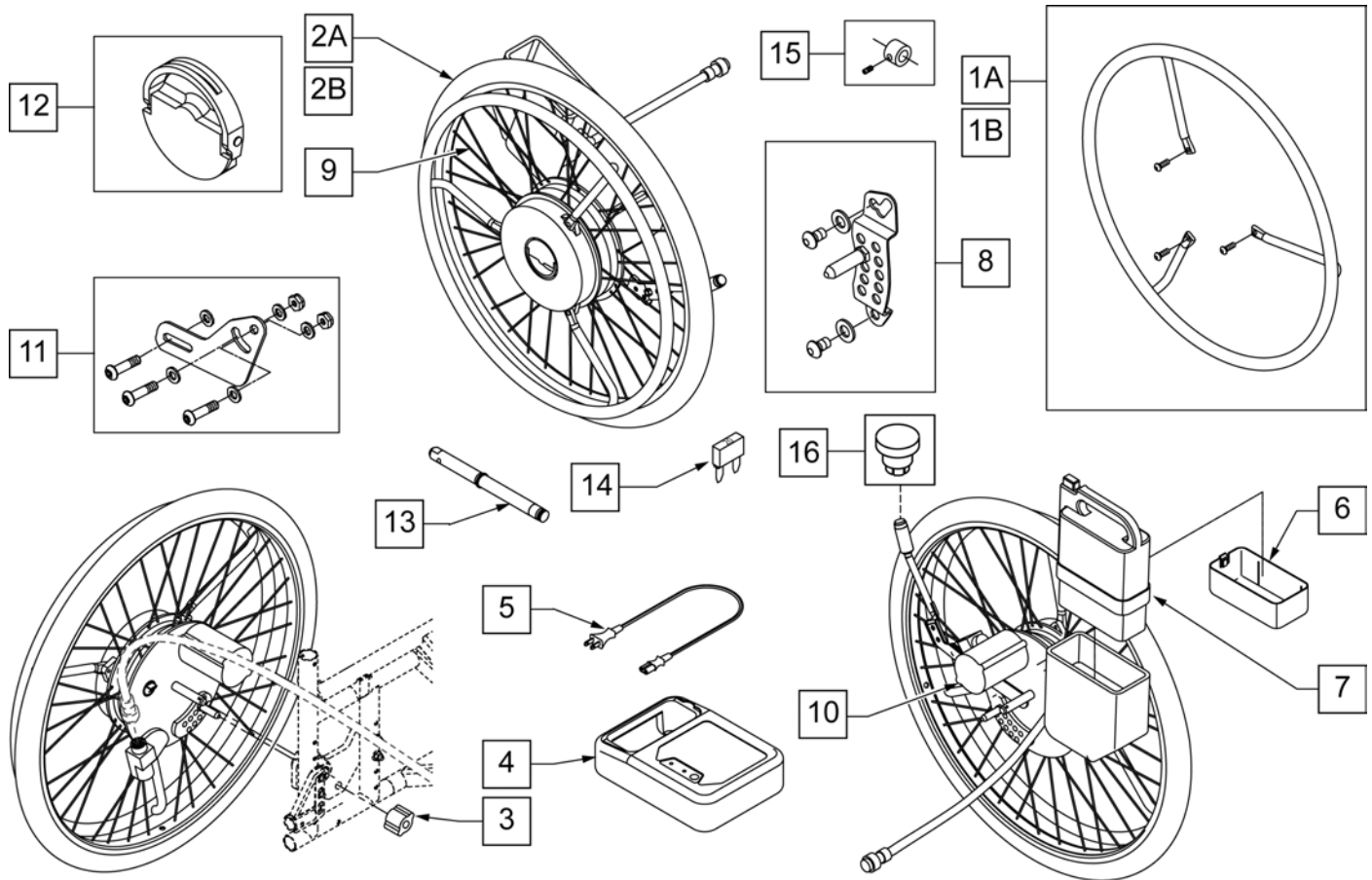


Pos.	Item Number	Description	Remarks
2A	050235-001	STRUT XTENDER W/ DECAL 12W	
2B	050235-002	STRUT XTENDER W/ DECAL 13W	
2C	050235-003	STRUT XTENDER W/ DECAL 14W	
2D	050235-004	STRUT XTENDER W/ DECAL 15W	
2E	050235-005	STRUT XTENDER W/ DECAL 16W	
2F	050235-006	STRUT XTENDER W/ DECAL 17W	
2G	050235-007	STRUT XTENDER W/ DECAL 18W	
2H	050235-008	STRUT XTENDER W/ DECAL 19W	
2J	050235-009	STRUT XTENDER W/ DECAL 20W	
3	050131	WASHER FLAT M20	

Pos.	Item Number	Description	Remarks
4	050130	LOCKWASHER M20	
5	050137	NUT THIN M20	
6	050069	SLEEVE AXLE M20 x 51MM	
7	200113	NUT HEX NYLOCK M6 x 1	
8	250104	WASHER FLAT M6	
9	050067	BRACKET AXLE XTENDER	
10	050232	PLATE AXLE XTENDER W/DECAL	
11	102266	BHCS M8 X 1.25 X 35 INORGANIC	
12	210072	M8 NYLOCK NUT	
13	050068	MOUNT AXLE PLATE XTENDER	
14	920407	ANTI-TIP RECEIVERS	Pair
15	265161	WASHER LOCK M12	
16	050128-001	BHCS M12 x 1.75 x 35MM	
17	102263-004	SHCS M6 X 1 X 35 INORGANIC	
18	050101	SLEEVE AXLE PLATE	
19	050057	CLAMP AXLE PLATE	
20	102263-002	SHCS M6 x 1 x 20 BLK	
21	102264	SCHS M8 X1.25 X 20 INORGANIC	
22	882912	ANTI-TIP ASSM REG LONG SLEEVE BLK	RIGHT
22	882913	ANTI-TIP ASSM REG LONG SLEEVE BLK	LEFT
1,14,22	050233	XTENDER AXLE PLT ASSY W/ ANTI-TIP	RIGHT
1,14,22	050234	XTENDER AXLE PLT ASSY W/ ANTI-TIP	LEFT
3-13,15-17	050251	XTENDER AXLE PLATE ASSM	RIGHT
3-13,15-17	050252	XTENDER AXLE PLATE ASSM	LEFT
18 -21	050195	STD AXLE PLATE CLMP RIGID W/ HDWR	

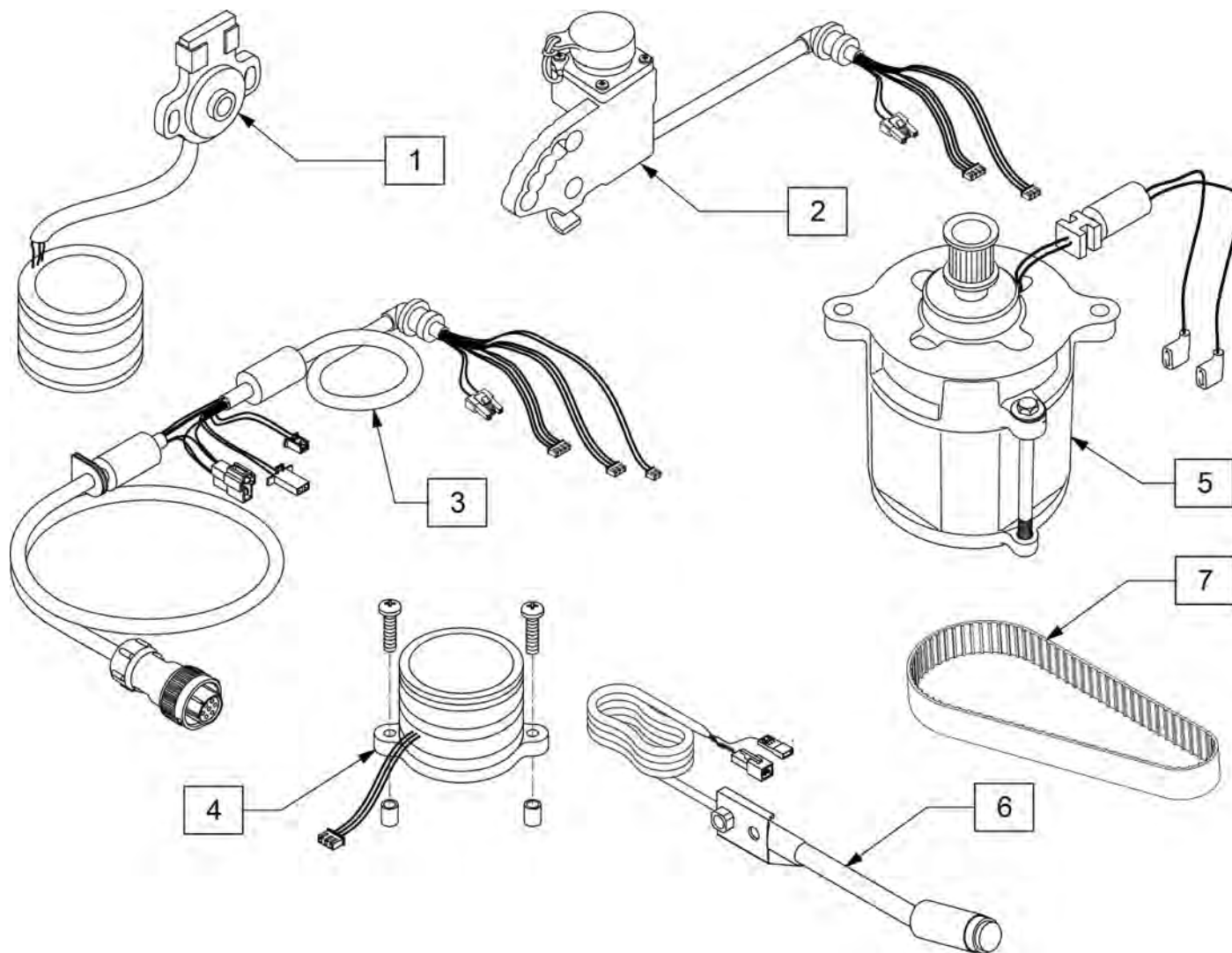
Note: If adding Xtender to existing chair please refer to the appropriate "Xtender Axle Plate" parts manual page for mounting components.

Note: Battery Type :NiMH- Nickel Metal Hydride, Capacity: 24V x 6.7Ah , Weight 2.9 [kg], Fuse: 20A.



Pos.	Item Number	Description	Remarks
1A	425060	24" XTENDER HANDRIM SS W/HDWR	1.5X Multiplier - Stainless Handrim
1B	425061	24"XTENDER HANDRIM PLST W/HDWR	3X Multiplier - Plastic Coated Handrim
2A	385300	24" PNEUMATIC TIRE	
2B	382325	24" TUBE	
3	541011	BRACKET ENGINE 1	
4,5	114474	CHARGER YAMAHA W/ ADDRESS LBL	
5	134121	PWR CORD BATT CHARGER YAMAHA	
6,7,14	134000	JWX-2 NICKEL BATTERY BLACK	
8	133109	PLATE+ STOPPER 1 L YAMAHA	Left
8	133110	PLATE+ STOPPER 1 R YAMAHA	Right
9	133108	SPOKE SET 24" YAMAHA	Includes 36 spokes
10	490013	MOTOR COVER YAMAHA	
11	921763	XTNDR ADJ BRCKT KIT (W/HDWR)	
12	107011	YAMAHA PLATE ASSM KIT	
13	541155	XTNDR QUICK RELEASE AXLE	
14	138219	FUSE 20A BLADE	

Pos.	Item Number	Description	Remarks
15	920514	XTNDR AXLE SLVE W/SET SCREW	For use w/ Manual Wheels w/ Xtender Axle Plate
16	108273	PWR BUTTON SWITCH	
1A,2A,2B,3-14,16	925102	24" TYPE A-1.5X KIT W/PNEU	1.5X Multiplier Stainless Handrim
1B,2A,2B,3-14,16	925103	24" TYPE B-3X KIT W/PN BLK HR	3X Multiplier Plastic Coated Handrim



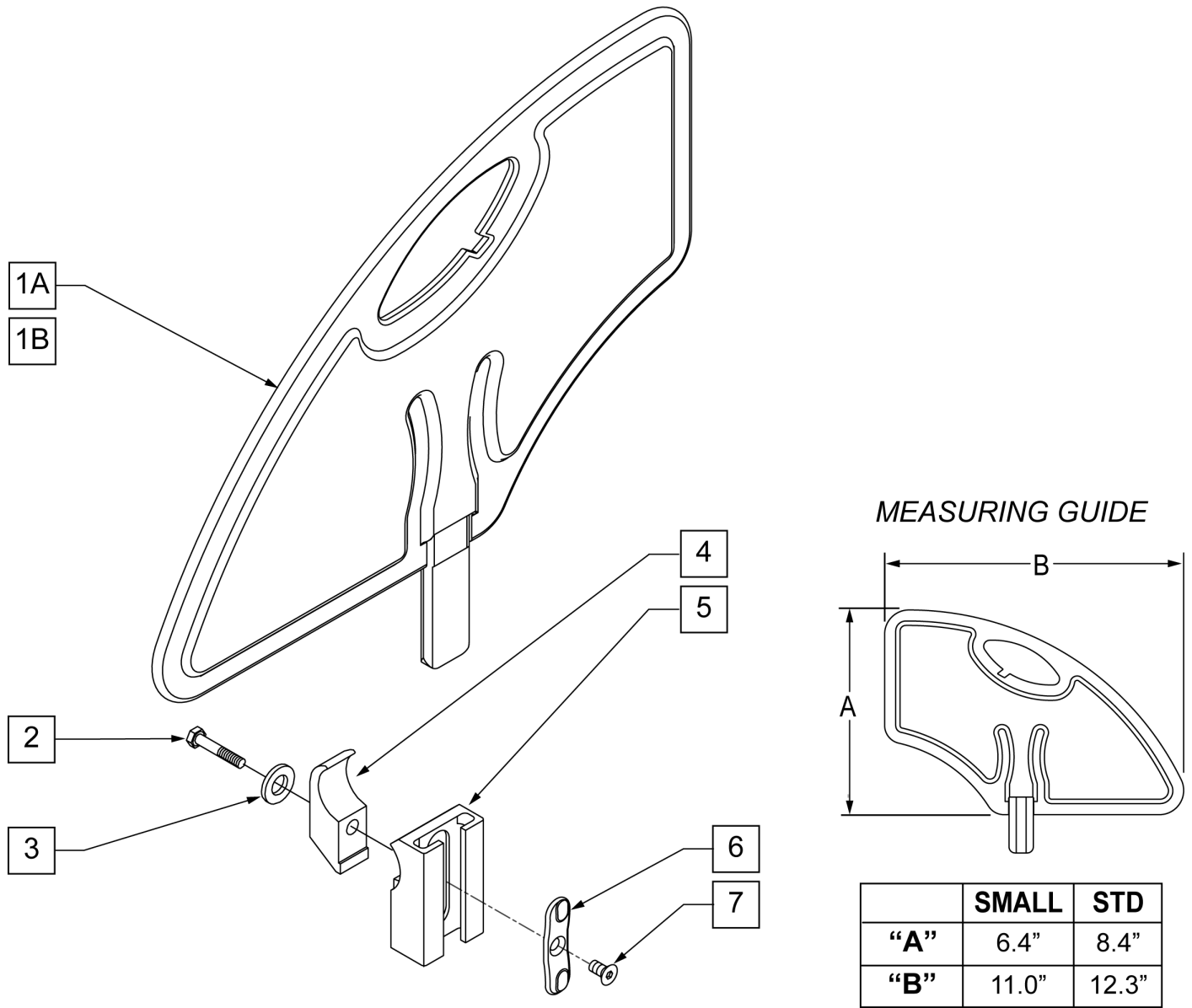
Pos.	Item Number	Description
1	107008	YAMAHA SENSOR KIT
2	107005	YAMAHA RECEPTICAL KIT
3	107010	YAMAHA COUPLER HRNS
4	107007	YAMAHA ROTARY TRANS KIT
5	107009	YAMAHA MOTOR REPLACEMENT KIT
6	107012	YAMAHA SWITCH KIT
7	107006	YAMAHA DRIVE BELT KIT

XTENDER CONVERSION KIT (GT & GTi)

[10/2013]

Pos.	Description
1A	CONVERSION KIT DISCONTINUED

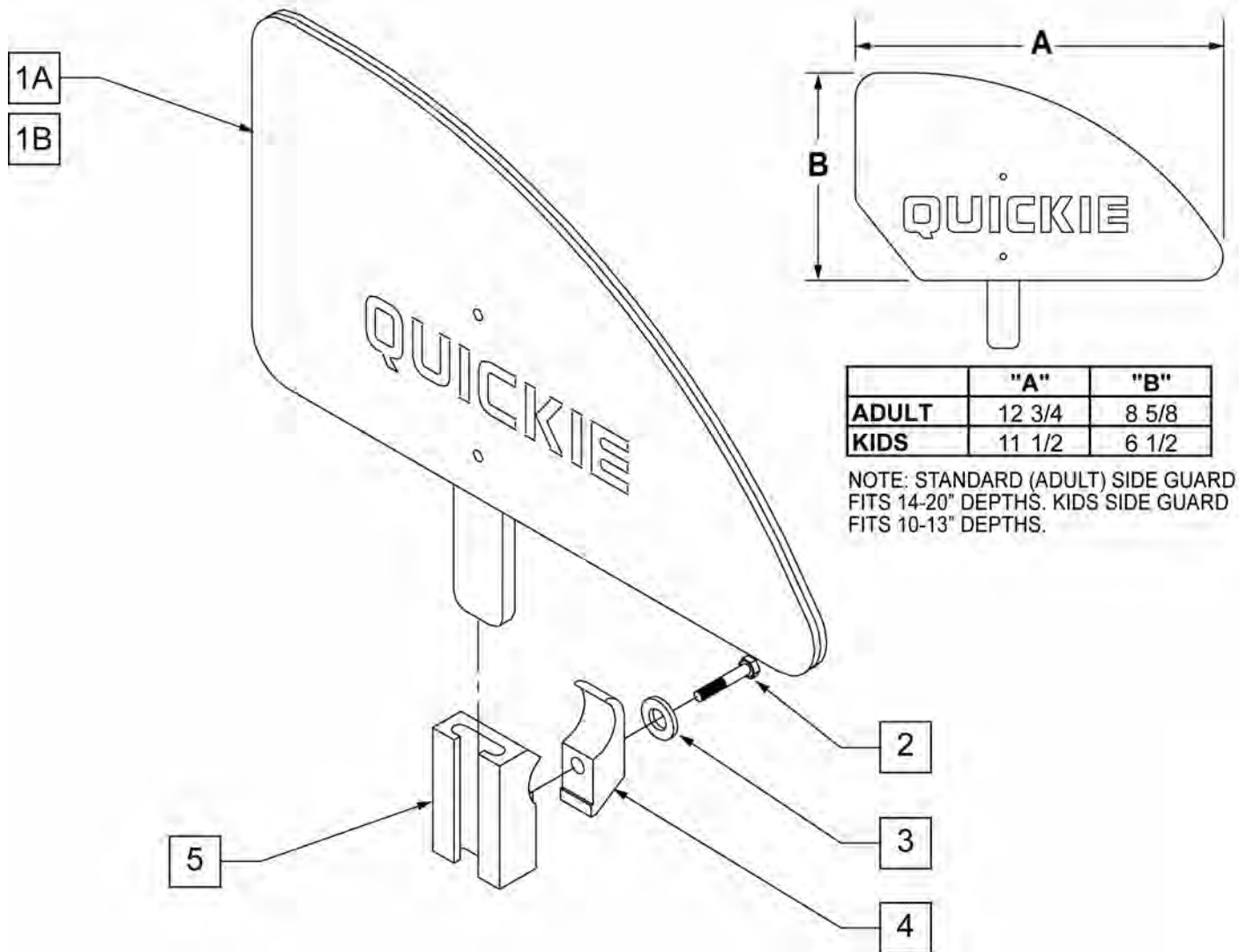
NOTE: Effective on GTi chairs after S/N T4-505800 & T4A-505900.



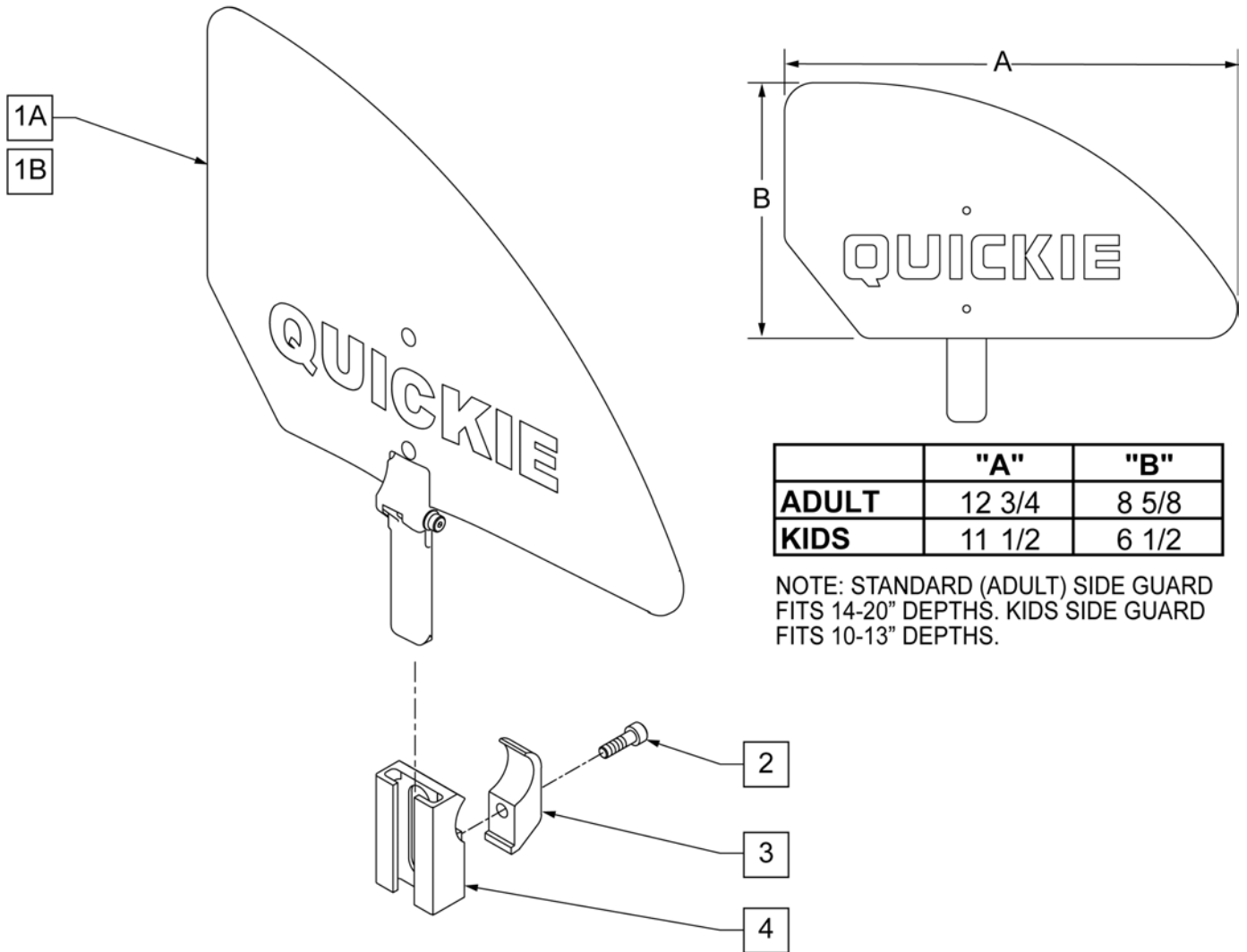
Pos.	Item Number	Description	Remarks
1A	104164-001	SIDE GUARD ASSY STD	STANDARD
1B	104164-002	SIDE GUARD ASSY SMALL	SMALL
2	102268-002	HHCS M6 x 1 x 35	
3	250104	WASHER FLAT M6	
4	550063	REC SIDE GRD CLMP THREADED	
6	108780	RECEIVER SG PLASTIC INSERT	
7	107135	FHCS #6-32 X 1/4 BLK	
2-7	111172	SIDEGUARD RECEIVER 1 1/8" ASSM	
5-7	109388	RCVR SIDE GUARD LOW 1 1/8" OD ASM	
1A-7	111170	SIDEGUARD STD W/ RECEIVER 1 1/8" ASSM	STANDARD
1B-7	111171	SIDEGUARD SMALL W/ RECEIVER 1 1/8" ASSM	SMALL

NOTE: Discontinued on GT chairs as of S/N R3-012700 & R3A-012762

NOTE: Discontinued on GTi chairs as of S/N T4-505800 & T4A-505900.

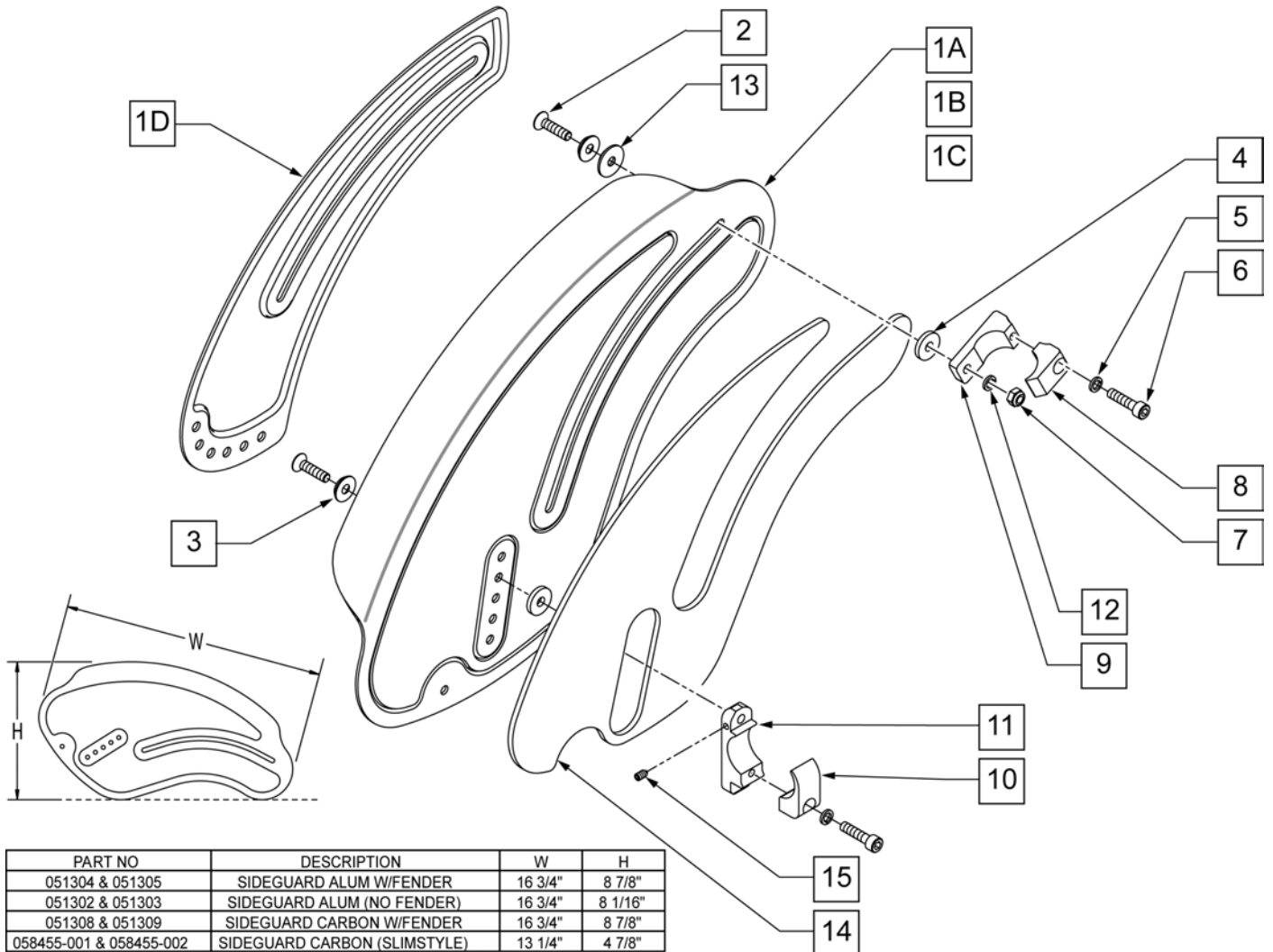


Pos.	Item Number	Description	Remarks
1A	881150	PLASTIC SIDE GUARD KIDS R	RIGHT-KIDS
1A	881151	PLASTIC SIDE GUARD KIDS L	LEFT-KIDS
1B	881152	PLASTIC SIDE GUARD STD R	RIGHT-ADULT
1B	881153	PLASTIC SIDE GUARD STD L	LEFT-ADULT FOLDING
2	106971	1/4-28 x 1 3/8 HEX C/S	
3	106944	1/4 AN WASHER FLAT THIN	
4	550063	PLST SIDE GURD CLAMP XTR	
5	550062	PLST SIDE GURD REC 1-1/8" XTR	
2-5	881207	SIDE GUARD RECEIVER W/ CLAMP XTR	
1A,1B-5	901090	PLST SIDE GUARD KDS ASSM XT	Pair - Kids
1C,1D-5	901091	PLST SIDE GUARD STD ASSM XTR	Pair - Adult



Pos.	Item Number	Description
1A	102796-001	FOLDING SIDE GUARD ASSM ADULT RH
1A	102796-002	FOLDING SIDE GUARD ASSM ADULT LH
1B	102796-003	FOLDING SIDE GUARD ASSM KIDS RH
1B	102796-004	FOLDING SIDE GUARD ASSM KIDS LH
2	102268-002	HHCS M6 X 1 X 35
3	550063	REC SIDE GUARD CLAMP THREADED
4	109383	RECEIVER SIDE GUARD LOW MOUNT
2-4	881207	SIDE GUARD RECEIVER W/ CLAMP XTR

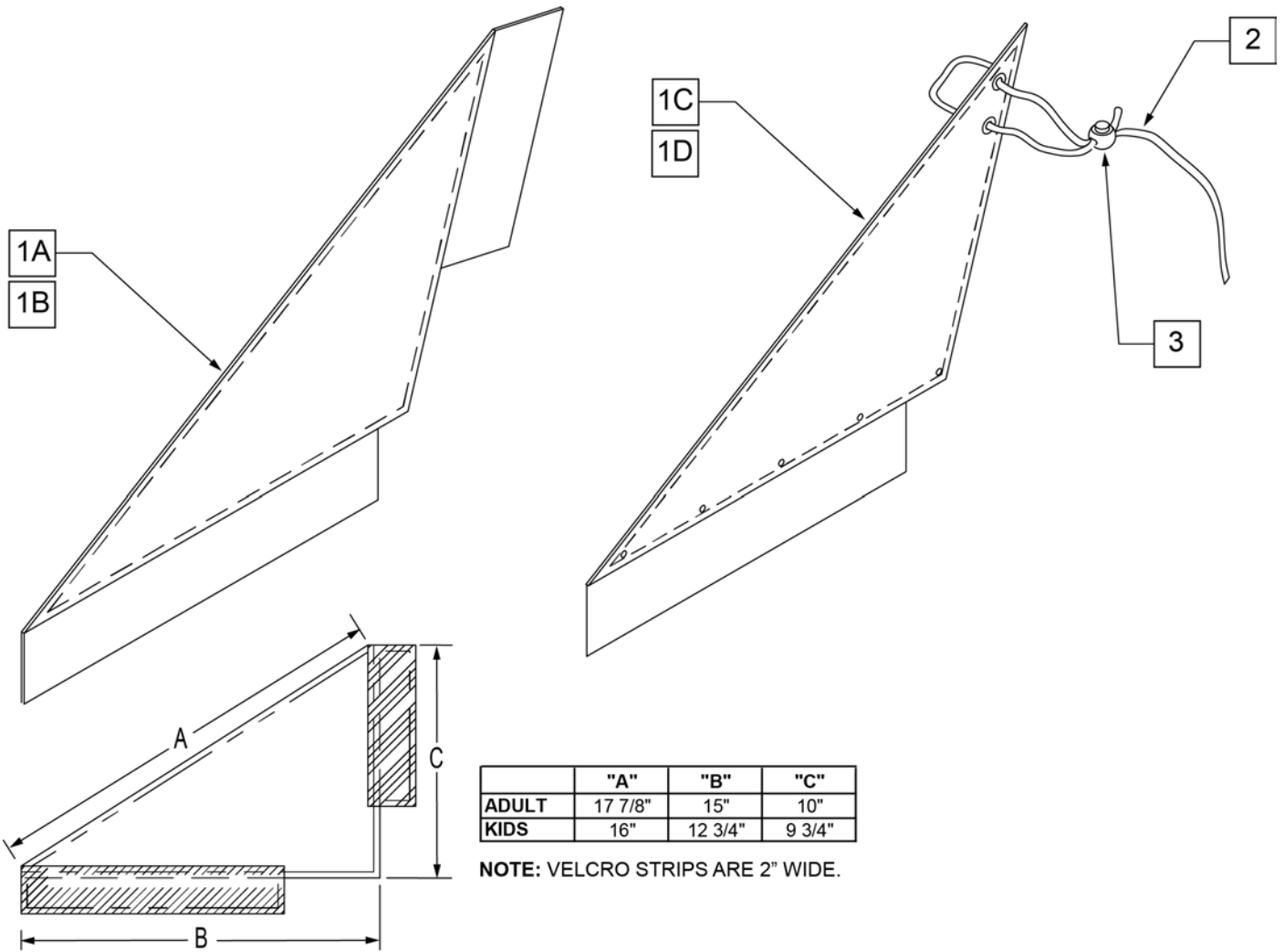
NOTE: ITEMS 1A, 1B, & 1C WILL NOT WORK WITH GT or GTI 'with FOLDING BACKREST' CHAIRS AS OF S/N R3-012700 & R3A-012762 (GT), T4-505800 & T4A-505900 (GTi).



PART NO	DESCRIPTION	W	H
051304 & 051305	SIDEGUARD ALUM W/FENDER	16 3/4"	8 7/8"
051302 & 051303	SIDEGUARD ALUM (NO FENDER)	16 3/4"	8 1/16"
051308 & 051309	SIDEGUARD CARBON W/FENDER	16 3/4"	8 7/8"
058455-001 & 058455-002	SIDEGUARD CARBON (SLIMSTYLE)	13 1/4"	4 7/8"

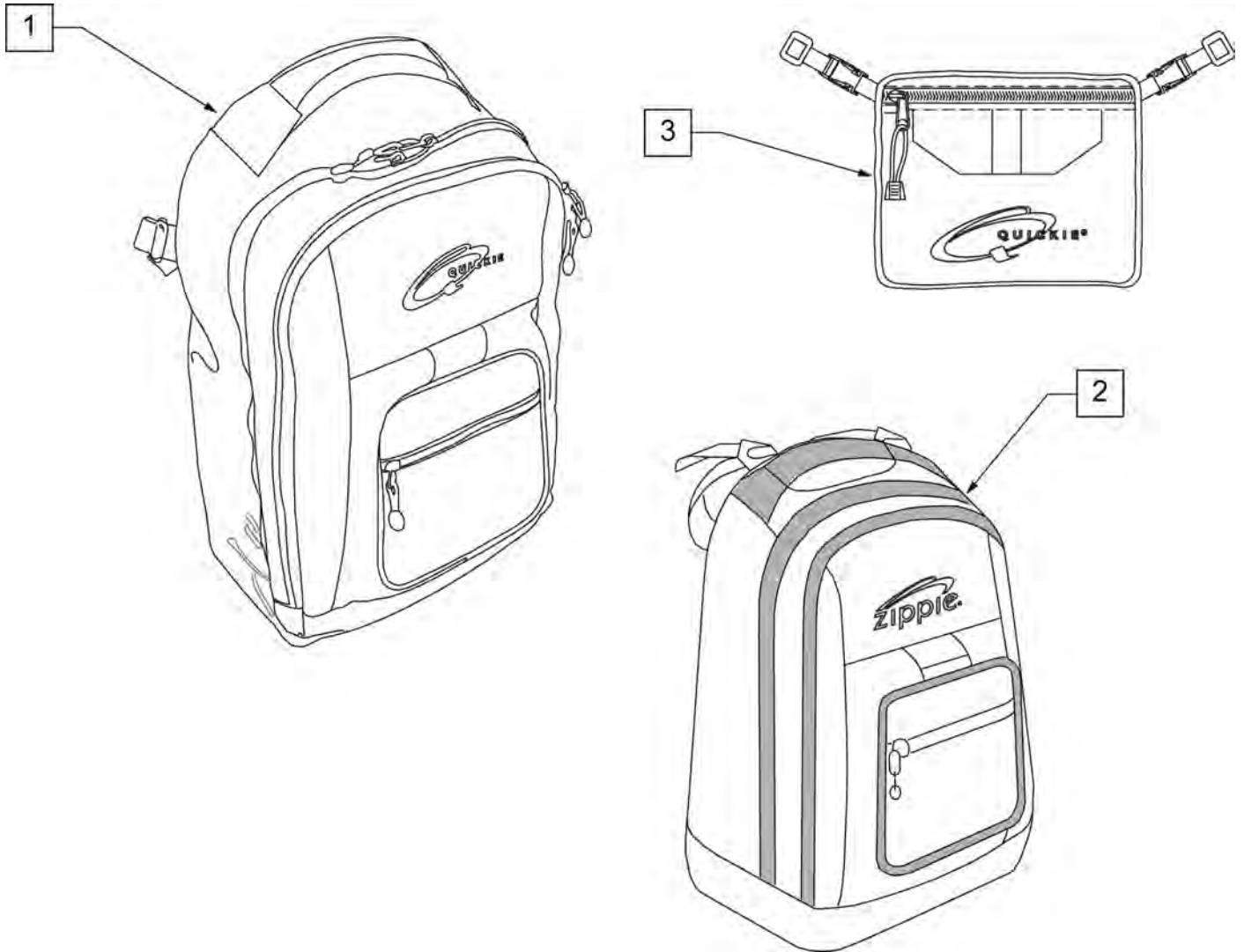
Pos.	Item Number	Description	Remarks
1A	051302	SIDEGUARD ALUMINUM	LEFT
1A	051303	SIDEGUARD ALUMINUM	RIGHT
1B	051304	SIDEGUARD ALUMINUM W/ FENDER	LEFT
1B	051305	SIDEGUARD ALUMINUM W/ FENDER	RIGHT
1C	051308	SIDEGARD CARBON W/ FENDER	LEFT
1C	051309	SIDEGARD CARBON W/ FENDER	RIGHT
1D	058455-001	SIDEGUARD CARBON	LEFT
1D	058455-002	SIDEGUARD CARBON	RIGHT
2	102265-003	FHCS M6 X 1 X 25 INORGANIC	
3	000 138 017	ROSETTE FOR M6 STEEL	
4	561026	3/4" WASHER 1/4" HOLE	
5	050129-001	LOCKWASHER HIGH COLLAR M6	
6	102263-003	SHCS M6 X 1 X 25 W/PL INORG	

Pos.	Item Number	Description	Remarks
7	200113	NUT HEX NYLOCK M6 X 1	
8	052176	CLAMP BACK SIDEGUARD	
9	052177	CLAMP BACK TAB SIDEGUARD	
10	052174	CLAMP SEAT SIDEGUARD	
11	101914	CLAMP SIDE GUARD	
12	250104	WASHER FLAT M6	
13	051469	PTFE WASHER D20	
14	051446-001	SIDEGUARD PROTECTION RIGHT	
14	051446-002	SIDEGUARD PROTECTION LEFT	
15	102109	SET SCREW M4X.7X6 NYLON PT	
1A-15	102112	ASSY SIDEGUARD ALUMINUM	PAIR
1B-15	102113	ASSY SIDEGUARD ALUMINUM/FENDER	PAIR
1C-15	102114	ASSY SIDEGUARD CARBON/FENDER	PAIR
1D-13,15	102115	ASSY SIDEGUARD CARBON	PAIR

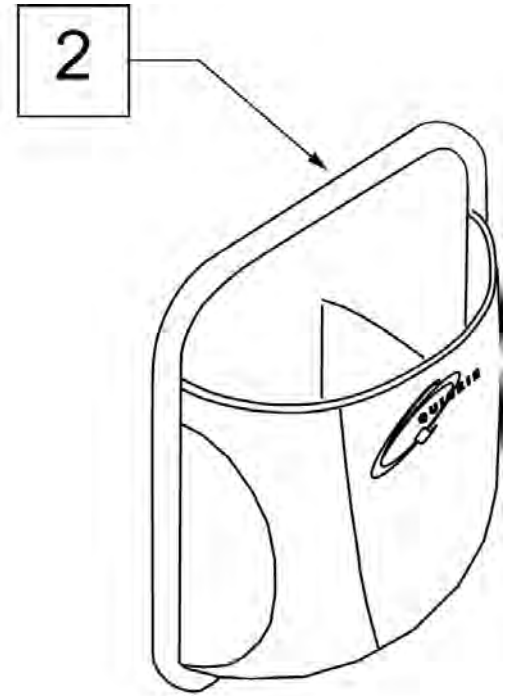
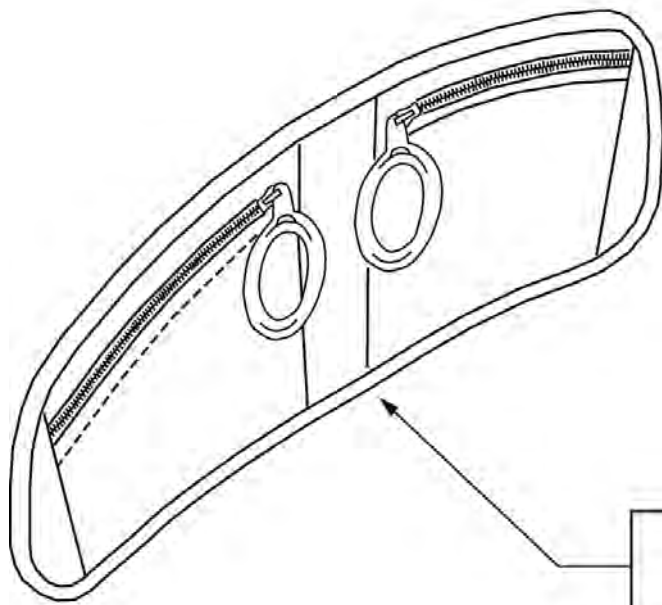


Pos.	Item Number	Description	Remarks
1A	750400	SIDE GUARD REG Q1 R	RIGHT-ADULT-Used w/ Straight Back
1A	750401	SIDE GUARD REG Q1 L	LEFT-ADULT-Used w/ Straight Back
1A	901102	SIDE GUARDS REG NF	PAIR-ADULT-Used w/ Straight Back
1B	901100	SIDE GUARDS KIDS NF	PAIR-KIDS-Used w/ Straight Back
1C	750240	SIDE GUARD FABRIC SHORT Q2 R	RIGHT-KIDS-Used w/ Integral Push Handle
1C	750241	SIDE GUARD FABRIC SHORT Q2 L	LEFT-KIDS-Used w/ Integral Push Handle
1D	750434	SIDE GUARD REG W/VELCRO R	RIGHT-ADULT-Used w/ Integral Push Handle
1D	750435	SIDE GUARD REG W/VELCRO L	LEFT-ADULT-Used w/ Integral Push Handle
2	750050	SIDE GUARD LACE Q2	
3	560220	B-LOCK	
1C,2,3	901121	SIDE GUARDS KIDS FABRIC Q2 NEW	PAIR-KIDS-Used w/ Integral Push Handle
1D,2,3	901109	SIDE GUARDS REG EX/RV	PAIR-ADULT-Used w/ Integral Push Handle

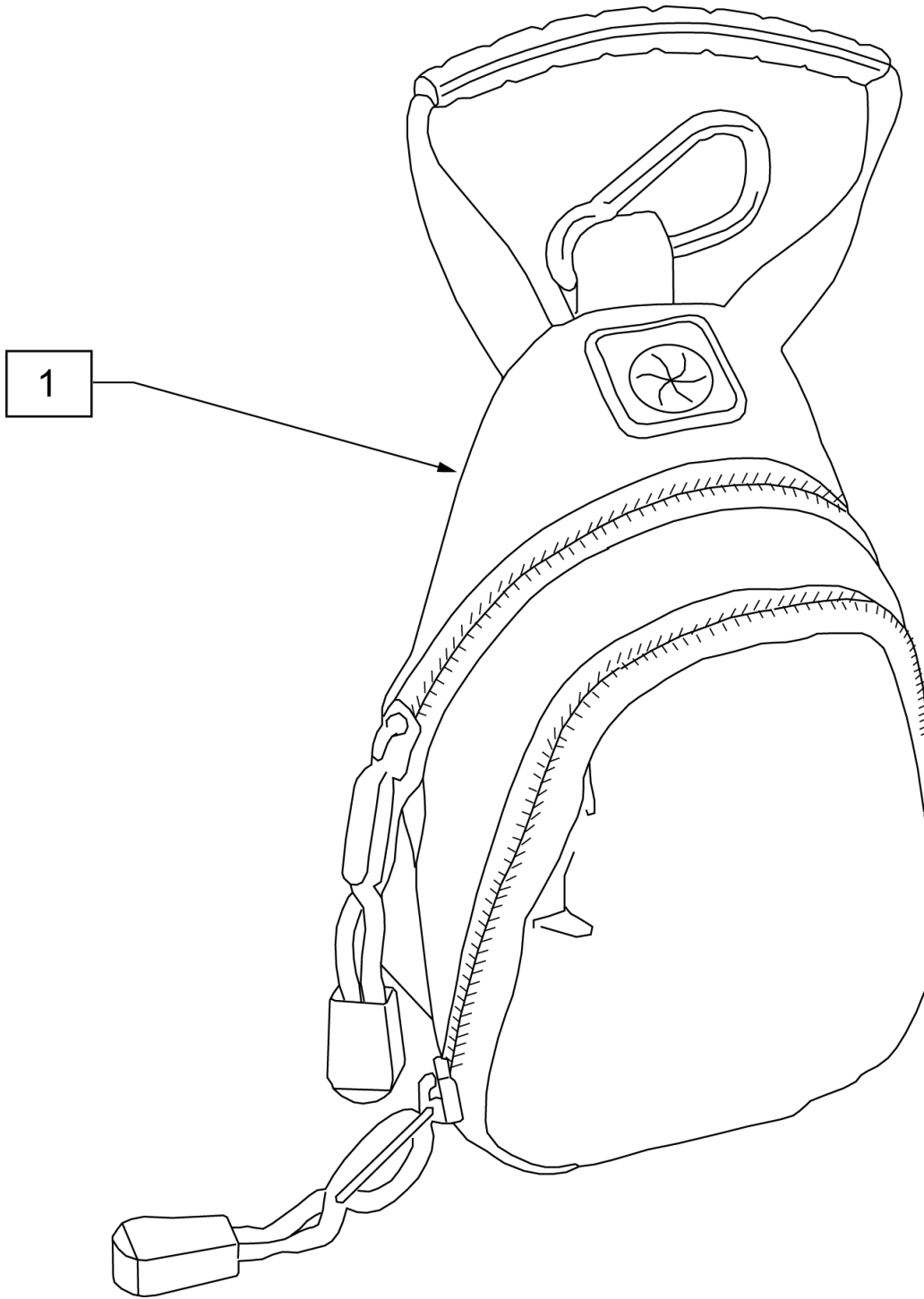
NOTE: KIDS BACKPACKS DO NOT HAVE ADJUSTABLE STRAPS W/ BUCKLES.



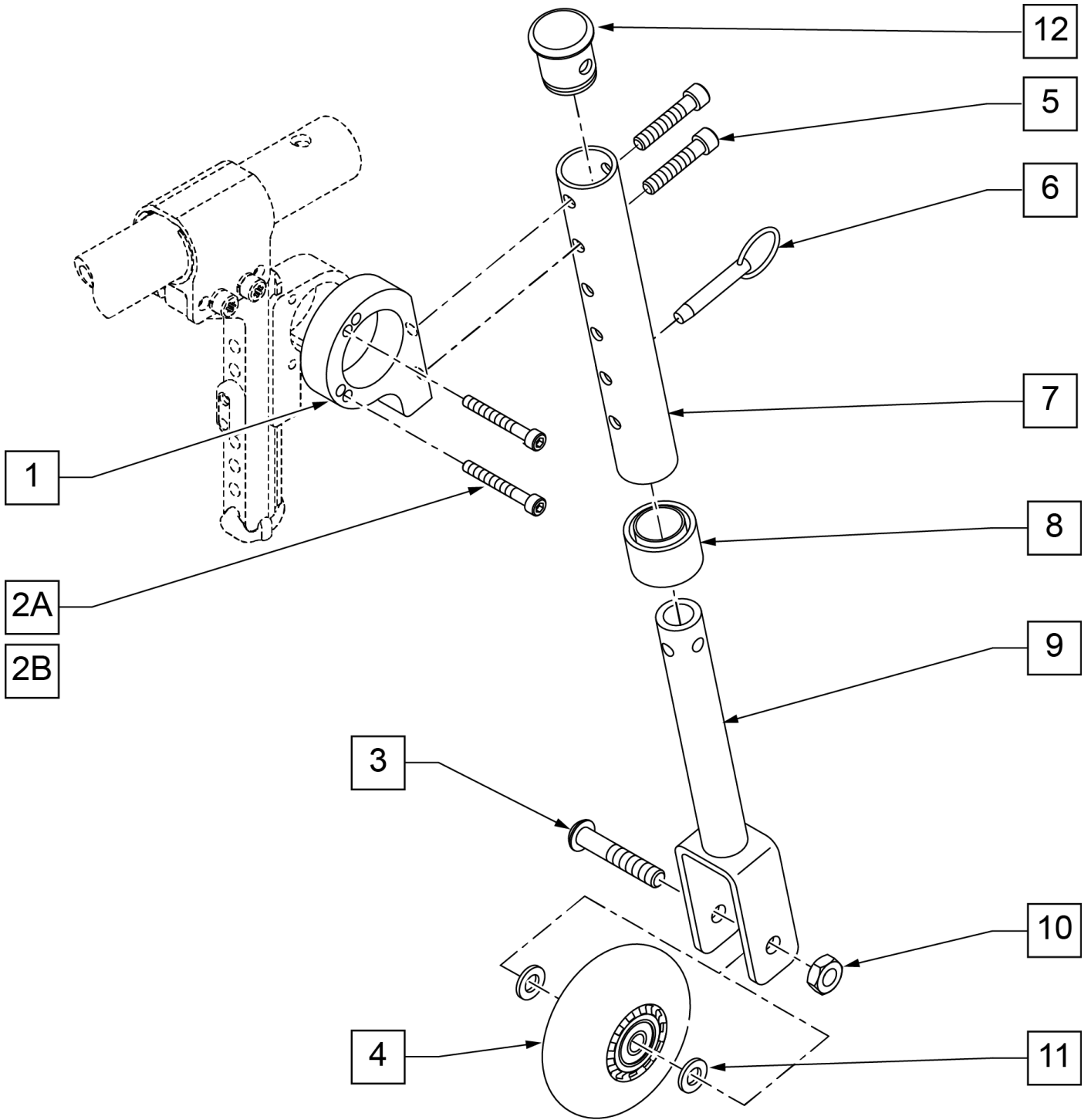
Pos.	Item Number	Description
1	750115	BACK PACK QUICKIE
2	104572	BACKPACK ZIPPIE
3	750307	SEAT POUCH QUICKIE



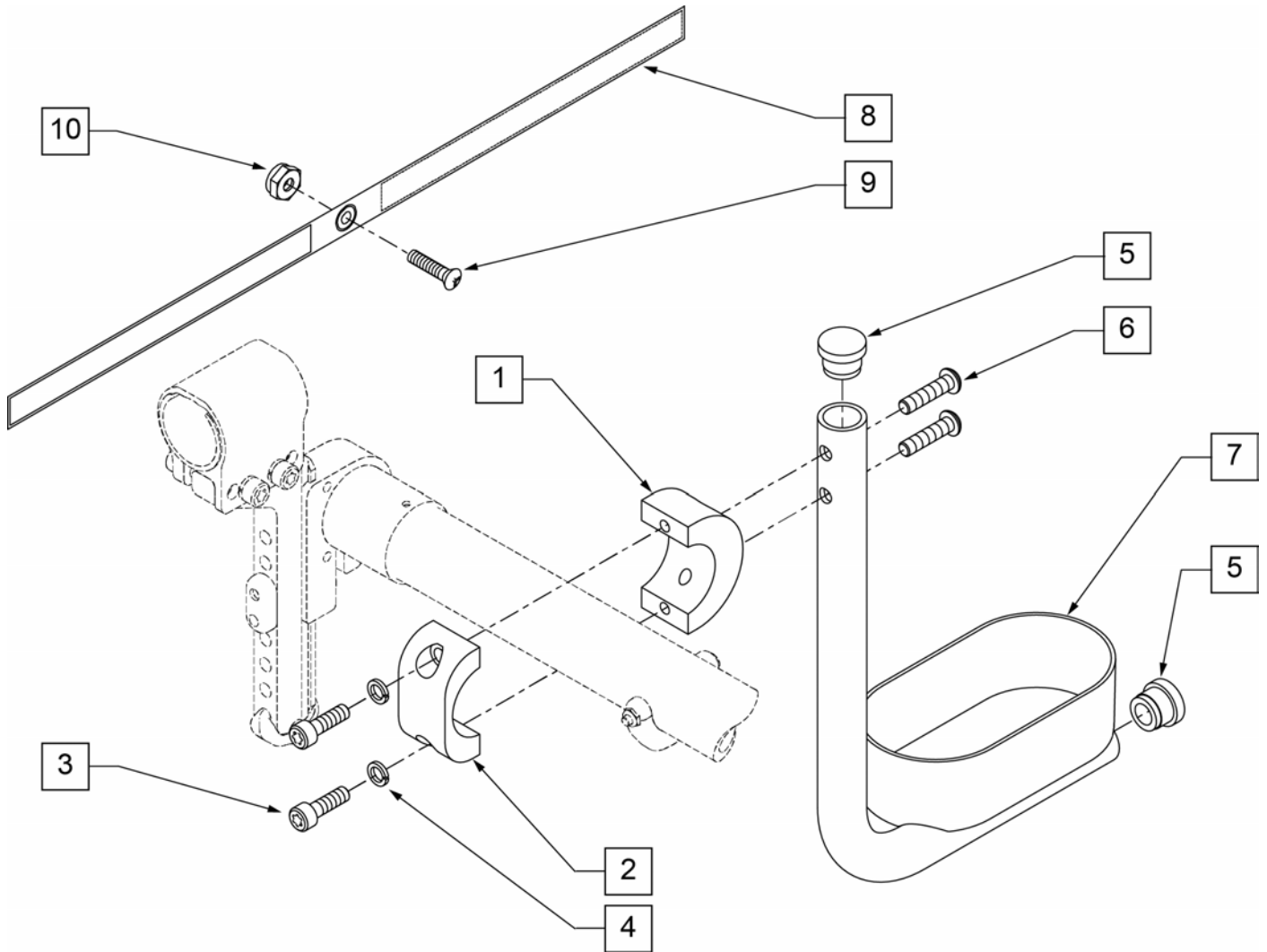
Pos.	Item Number	Description	Remarks
1		discontinued	
2	013475	QUICKIE SIDE POCKET	Size: 6.5"x 6.5"x 2"



Pos.	Item Number	Description
1	109229	CELL PHONE PACK (ORANGE)



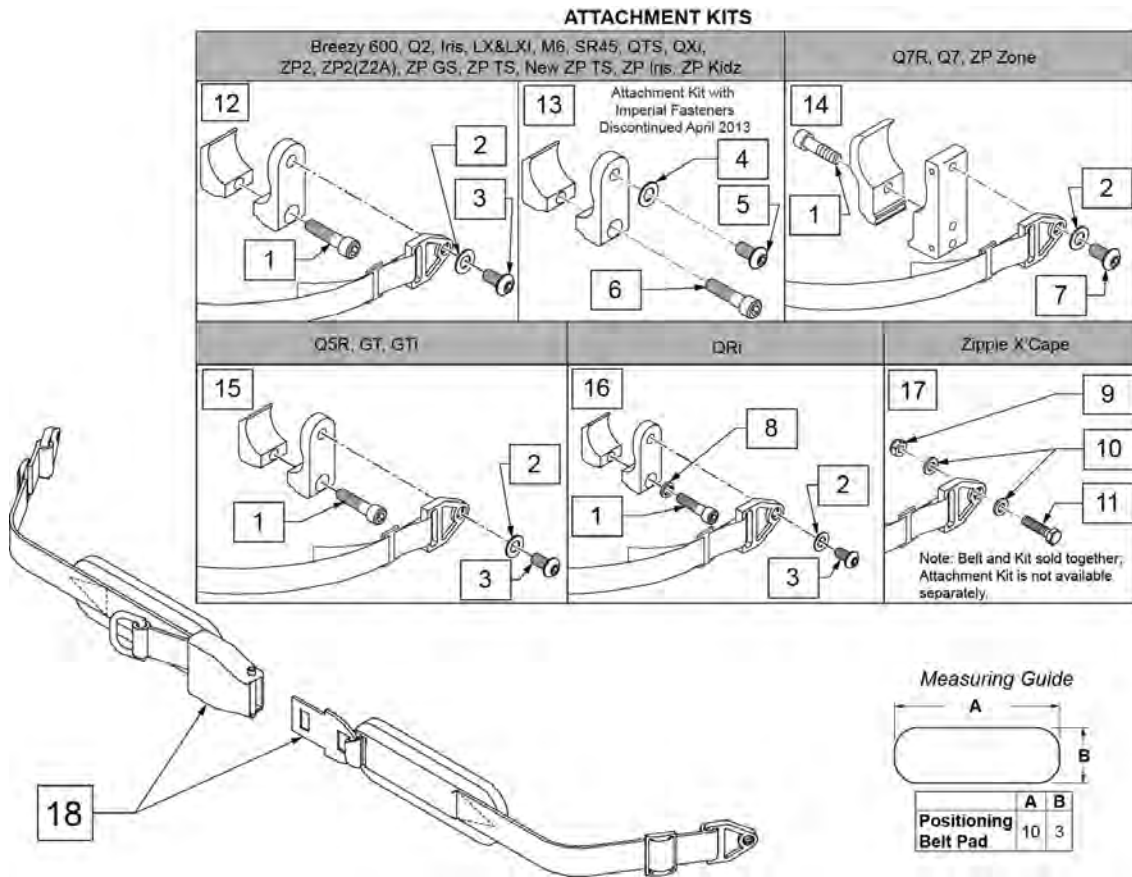
Pos.	Item Number	Description	Remarks
1	050145	MOUNT TRAVEL WHEEL	
2A	102260-002	SHCS M5 X .8 X 25 INORGANIC	USED W/ ANTI-TIP
2B	102260-003	SHCS M5 X .8 X 35 INORGANIC	USED W/O ANTI-TIP
3	106982	BHCS 5/16-18 X 1-3/4 SHLD ROHS	
4	400092	3" MICRO CASTER W/BRNG (PR)	
5	102263-004	SHCS M6 X 1 X 35 INORGANIC	
6	330027	QUICK RELEASE PIN 1/4"	
7	528031	TRAVEL WHEEL MOUNT TUBE Q2	
8	561018	1" TUBE END BUSHING THICK	
9	542160	FORK EXT WLDMT TRVL WHEEL Q2	
10	106937	5/16-18 NYLOCK NUT THIN	
11	263100	5/16 AN WASHER FLAT	
12	560999	1" INSERT PLUG .083 W/1/4 HOLE	
1,2A,5	050247	ASSM MNT TRVL WHL W/O ANTI-TIP	USED W/O ANTI-TIP
1,2B,5	050246	ASSM MNT TRVL WHL W/ANTI-TIP	USED W/ ANTI-TIP
3,4,6-12	050171	TRAVEL WHEEL ASSM GT	



Pos.	Item Number	Description
1	050076	CLAMP SADDLE CRUTCH HOLDER
2	050077	CLAMP CRUTCH HOLDER
3	102263-001	SHCS M6 x 1 x 16 FULL NP
4	050129-001	LOCKWASHER HIGH COLLAR M6
5	561000-QU	3/4" INSERT PLUG .083
6	102262-004	BHCS M6 X 1 X 25 W/PL INORG
8	750495	CRUTCH HOLDER STRAP F
9	281110	10-32 X 1/2 PAN PHIL
10	200100-QU	10-32 NYLOCK NUT
1-10	050169	ASSM CRUTCH HOLDER GT W/HDWR

Note: some items listed may not be available with every chair model or in conjunction with another chair feature.

NOTE: when mounting Positioning Belts to the 5R, GT or GTI, it is recommended to attach the belt by using the Backrest Support Bracket Hardware.

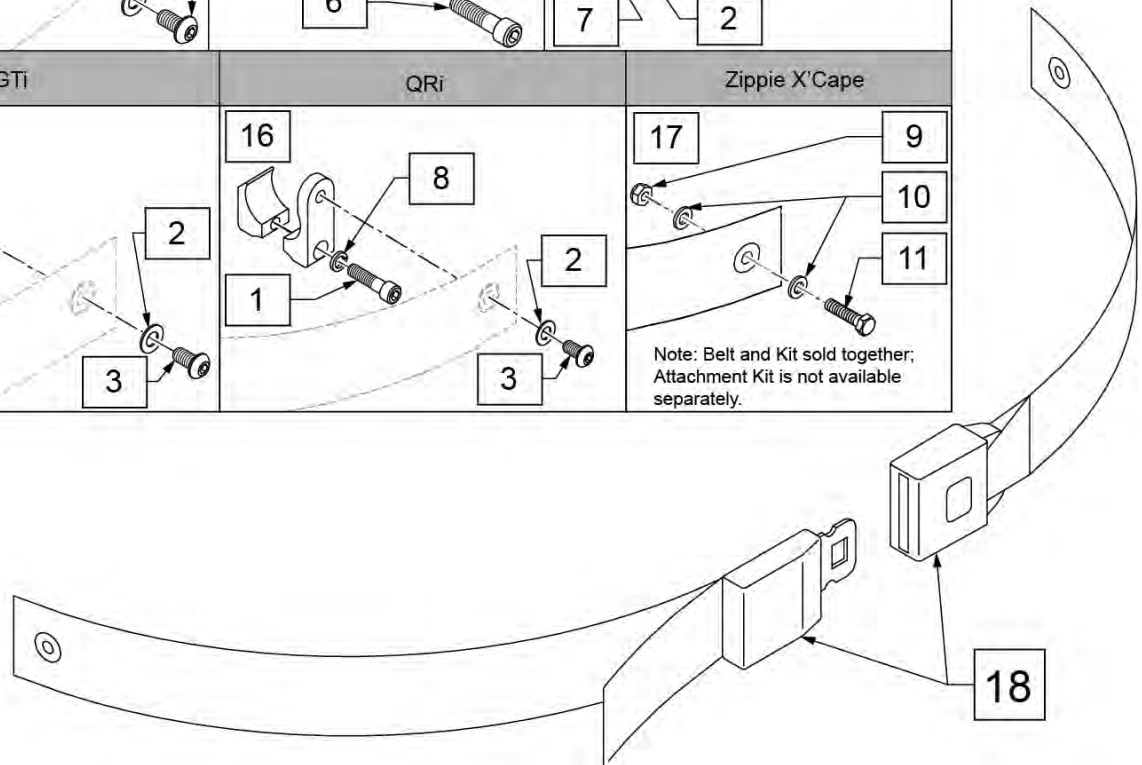
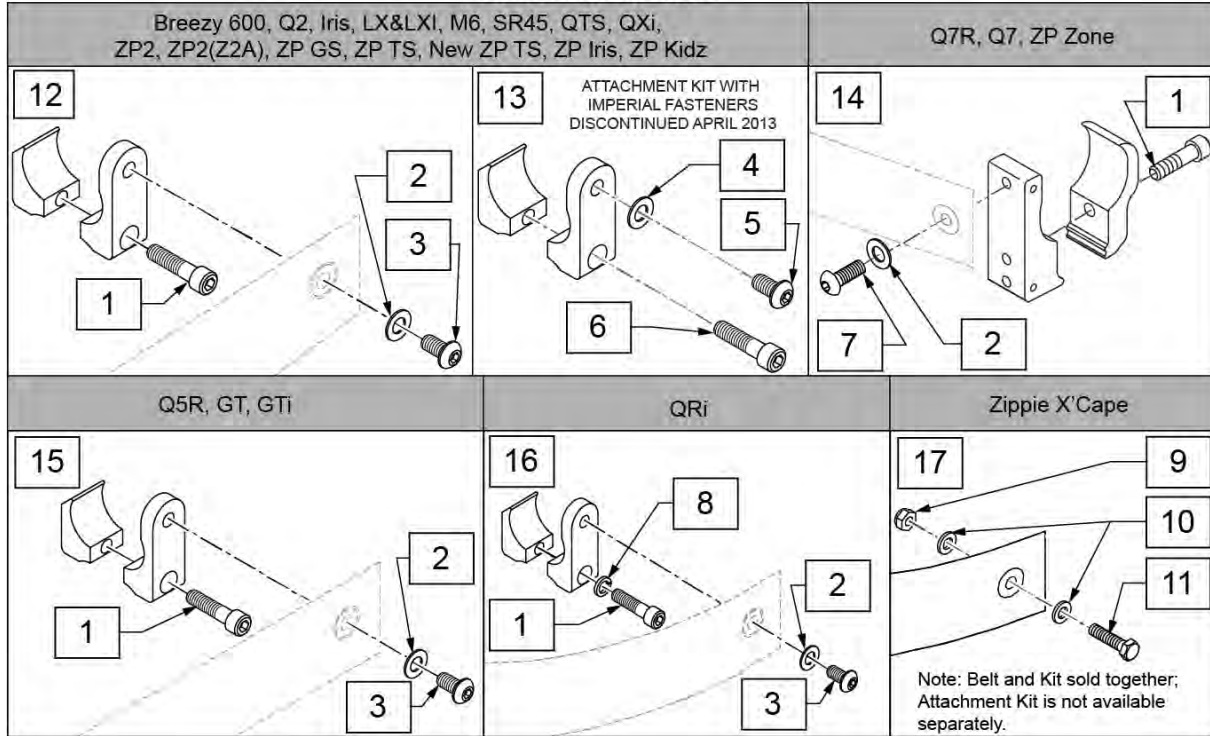


Pos.	Item Number	Description	Remarks
1	102263-003	SHCS M6 X 1 X 25 W/PL INORG	Metric
2	250104	WASHER FLAT M6	Metric
3	103185-005	BHCS M6 X 1 X 12 FULL PL	Metric
4	106943	WASHER FLAT AN 1/4 ROHS	Imperial (standard)
5	226154	1/4-20 X 1/2 BH C/S W/PATCH	Imperial (standard)
6	221116	1/4-20 X 1 SOC HD BLK	Imperial (standard)
7	230113	BHCS M6 X 1 X 12	
8	050129-001	LOCKWASHER HIGH COLLAR M6	
9	104381	NUT HEX NYLOCK M6 X 1.0	
10	107383	WASHER FLAT M6	
11	102268-002	HHCS M6 X 1 X 35 BLK	
12	120750	PSTN BELT CLAMP ASSM PR	Metric; Pair
13	900116	POSITION BELT ATTACHMENT KIT	Set of 2; Imperial (standard)
14	116268	OVAL CLAMP ASSM KIT	Kit contains 1 Clamp
15	159122	POSITIONING BELT CLAMPS PR	Pair
16	123534	POS BELT CLAMP KIT RPO	Set of 2

Pos.	Item Number	Description	Remarks
18	450418-QU	BELT 2" AIRCRAFT BUCKLE	Max length of belt 64"
18	450423-QU	BELT 2" AIRCRAFT BUCKLE W/PAD	Max length of belt 64"
18	450424	BELT 2" AIRCRAFT BKL LONG W/PAD	Max length of belt 72"
18	450425	BELT 2" AIRCRAFT BKL LONG	Max length of belt 72"
18	450419-QU	BELT 2" AIRCRAFT BKL W/QUAD LP	Max length of belt 64"
18	468419	BELT 2" AIRCRAFT BKL W/QD LPCZ	Max length of belt 64"
17,18	136464	AIRCRAFT HIP BELT 2" KIT	ZP Xcape: includes Belt & Attachment Kit
17,18	136465	AIRCRAFT HIP BELT 2" PAD KIT	ZP Xcape: includes Belt & Attachment Kit

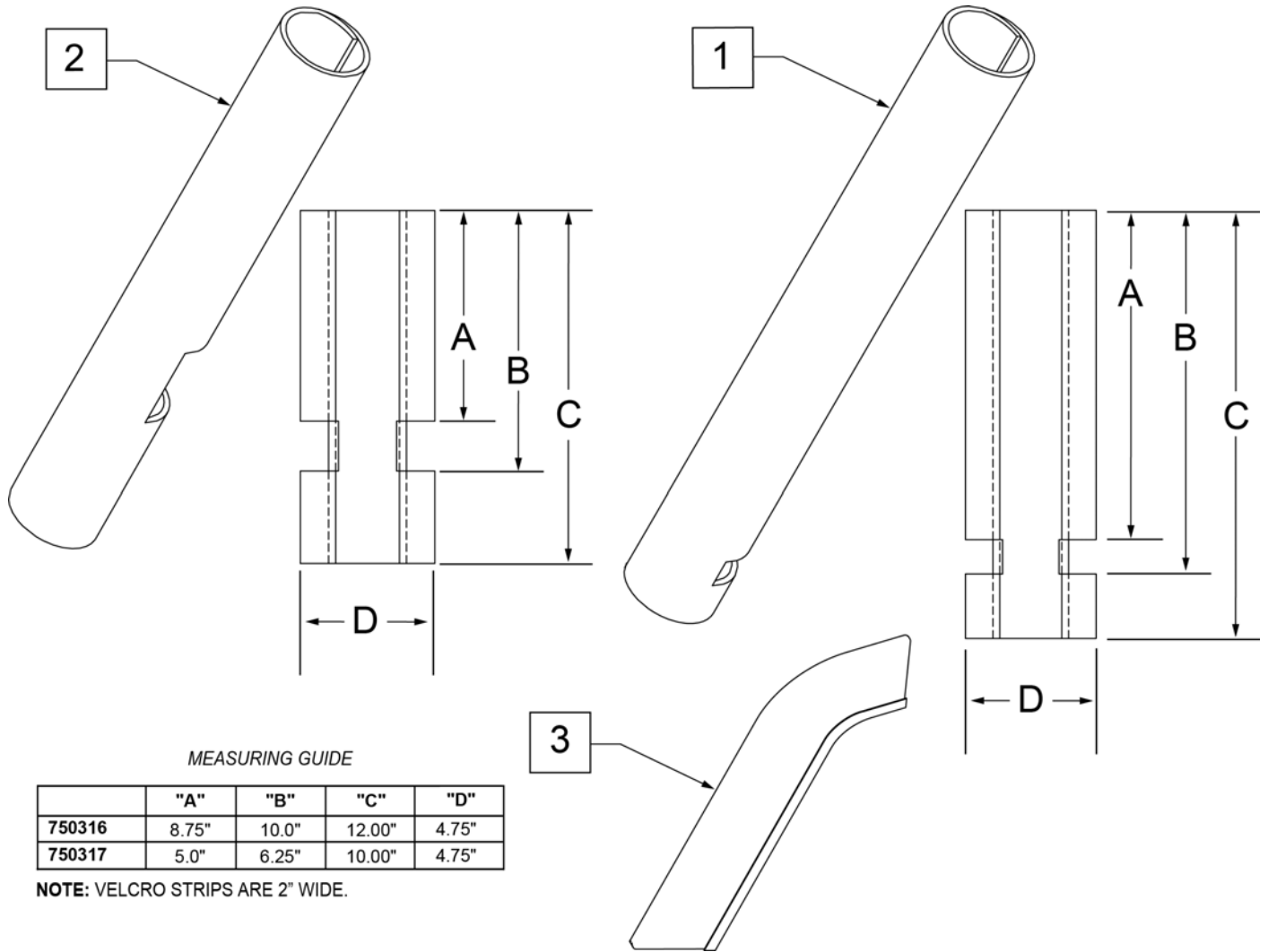
NOTE: when mounting Positioning Belts to the 5R, GT or GTI, it is recommended to attach the belt by using the Backrest Support Bracket Hardware.

ATTACHMENT KITS

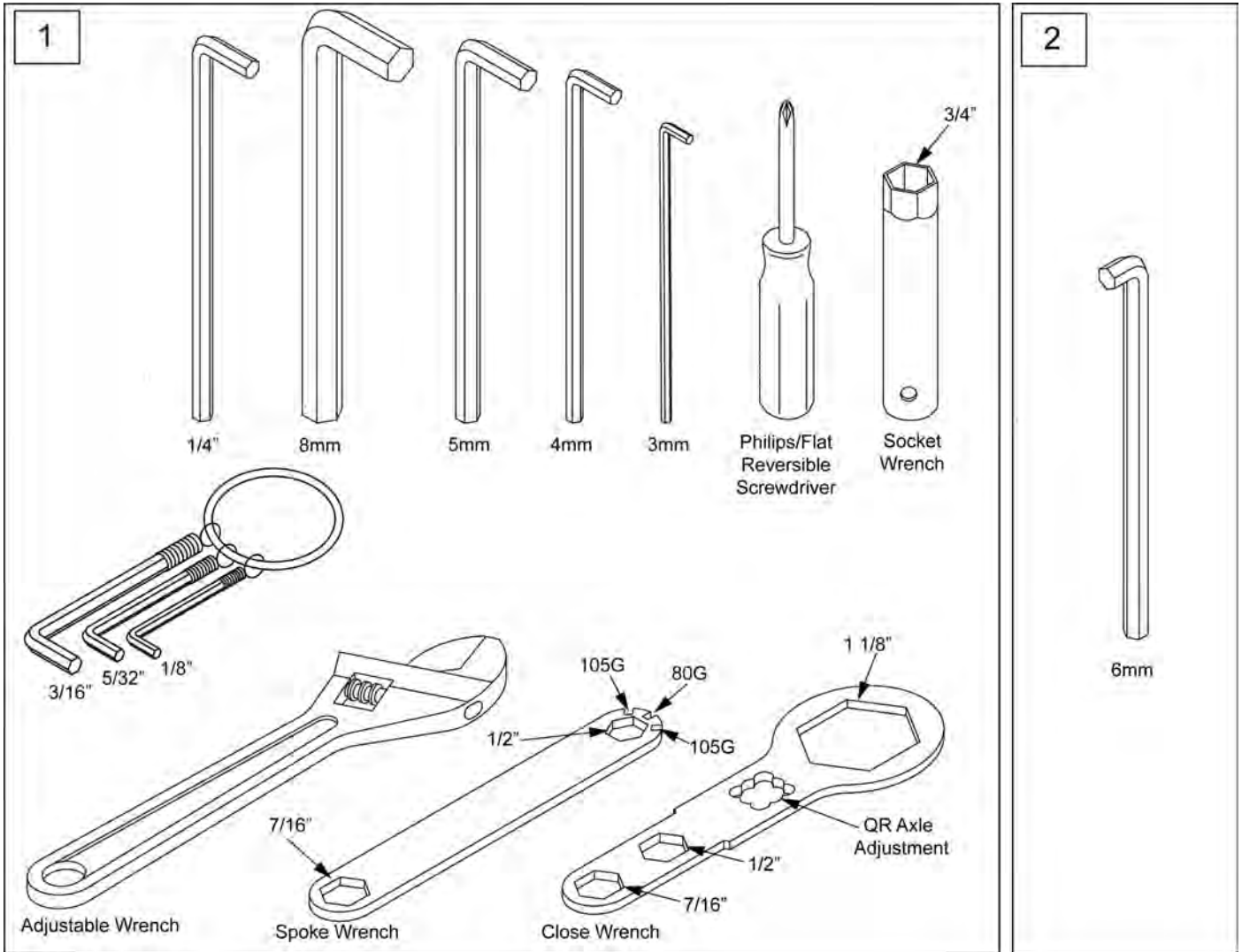


Pos.	Item Number	Description	Remarks
1	102263-003	SHCS M6 X 1 X 25 W/PL INORG	Metric
2	250104	WASHER FLAT M6	Metric
3	103185-005	BHCS M6 X 1 X 12 FULL PL	Metric
4	106943	WASHER FLAT AN 1/4 ROHS	Imperial (standard)
5	226154	1/4-20 X 1/2 BH C/S W/PATCH	Imperial (standard)
6	221116	1/4-20 X 1 SOC HD BLK	Imperial (standard)
7	230113	BHCS M6 X 1 X 12	
8	050129-001	LOCKWASHER HIGH COLLAR M6	
9	104381	NUT HEX NYLOCK M6 X 1.0	
10	107383	WASHER FLAT M6	
11	102268-002	HHCS M6 X 1 X 35 BLK	
12	120750	PSTN BELT CLAMP ASSM PR	Metric; Pair

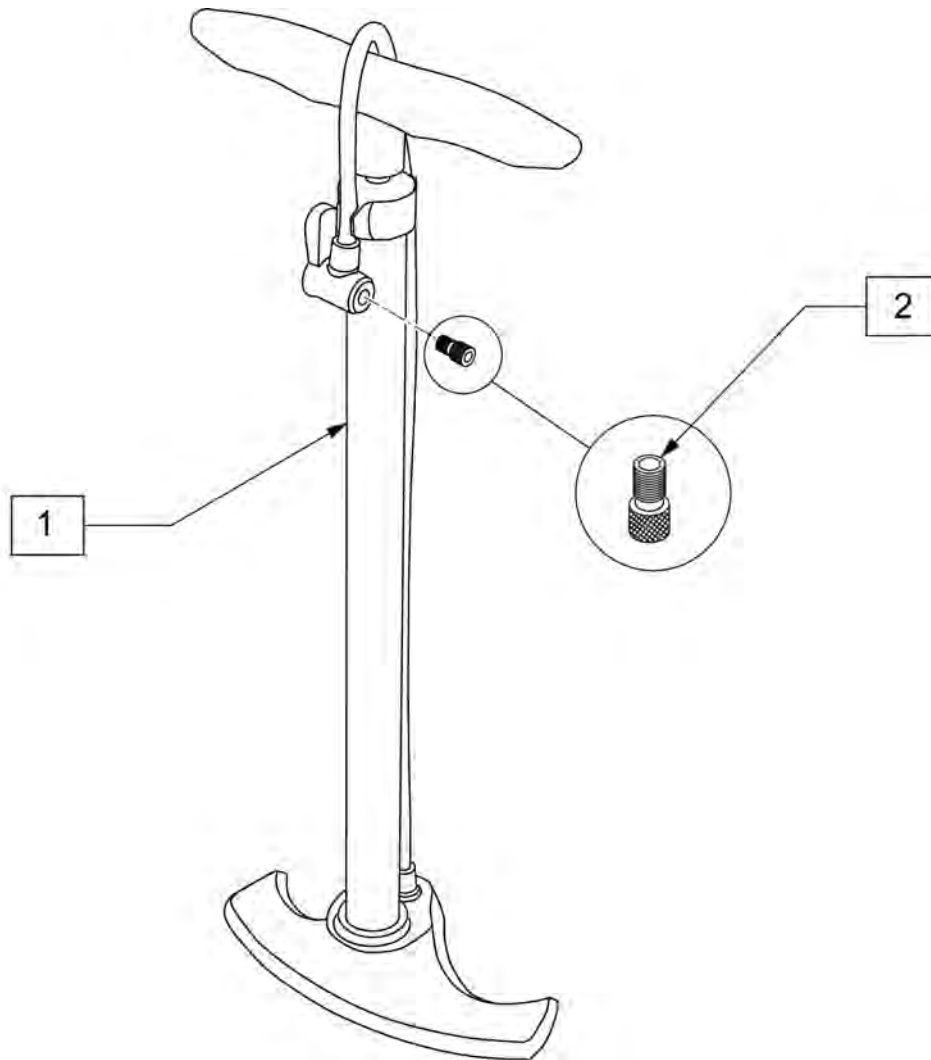
Pos.	Item Number	Description	Remarks
13	900116	POSITION BELT ATTACHMENT KIT	Set of 2; Imperial (standard)
14	116268	OVAL CLAMP ASSM KIT	Kit contains 1 Clamp
15	159122	POSITIONING BELT CLAMPS PR	
16	123534	POS BELT CLAMP KIT RPO	Set of 2
18	750276	1 1/2" POSITION BELT	AUTOSTYLE-64" Max length of belt.
16,18	124269	AUTO POS BELT W/CLAMPS RPO	QRI: includes Belt & Attachment Kit
17,18	136463	AUTO HIP BELT 1.5" KIT	ZP Xcape: includes Belt & Attachment Kit



Pos.	Item Number	Description	Remarks
1	750316	IMPACT GUARDS NEOPRENE FIXED (PR)	PAIR-Fixed Front Frame
2	750317	IMPACT GUARDS NEOPRENE S/A	PAIR-S/A Footrest & Q7
3	109231	GEL VELCRO PAD HANGER/FRAME	PAIR- fits S/A & Fixed Front Frame
4	108315	GEL PAD SA ARM	Single, fits Padded SA Armrest



Pos.	Item Number	Description	Remarks
1	108314	QUICKIE COMBO TOOL KIT	Includes pouch
2	113403	6MM ALLEN WRENCH L, 7MM SHORT	caster spline chairs only



Pos.	Item Number	Description
1	389050	TIRE PUMP
2	381230	VALVE ADAPTER PRESTA

