



# PARTS MANUAL

(GP)  
JANUARY 2023

QUICKIE GP/GPV/GPSA/GP Ti.....	7
GLOSSARY OF ABBREVIATIONS.....	7
BASE FRAME.....	7
FRAME.....	7
FRAME (GP).....	8
FRAME (GP SWING-AWAY) prior to S/N GP-96451.....	9
GPSA FRAME (GP SWING-AWAY) after S/N GP-96451.....	10
FRAME (GPV TI).....	12
FRAME (GPV & GPV COMP).....	13
AXLE PLATES & AXLES.....	13
AXLE PLATE STANDARD.....	14
AXLE PLATE DOUBLE SLOTTED.....	16
AXLE PLATE DOUBLE SLOTTED AMPUTEE.....	17
QUICK RELEASE AXLES.....	18
QUICK RELEASE AXLE WRENCH.....	19
CASTERS & FORKS.....	19
FORK AND STEM ASSEMBLIES.....	20
CASTER STEMS.....	23
CASTER PIN LOCKS.....	24
QUICK-RELEASE CASTER STEM & FORK ASSM.....	26
CASTER PLATES.....	28
HP CASTER PLATE.....	30
MICRO CASTERS.....	32
SOFT ROLL CASTERS.....	33
3 SPOKE CASTERS.....	34
8" x 2" CASTERS.....	36
ANTI-TIPS.....	36
ANTI TIPS.....	37
WHEEL LOCKS.....	38
WHEEL LOCK PUSH TO LOCK (QUICKIE STYLE).....	39
WHEEL LOCK PULL TO LOCK (QUICKIE STYLE).....	41
HIGH MOUNT SCISSOR WHEEL LOCK.....	43
GRADE AID ONLY ASSEMBLY.....	45
WHEELS & TIRES.....	46
WHEELS.....	46
TRADITIONAL 6 SPOKE MAG.....	47
QUICKIE SPOKE.....	49
SPINERGY SPORT (24 SPOKE).....	50
TIRES.....	51
PNEUMATIC & PNEU. AIRLESS TIRE.....	52
FULL POLY TIRE.....	53
HIGH PRESSURE CLINCHER TIRE.....	54
QP TUBULAR TIRE.....	55
TURBO TIRE.....	56
HANDRIMS.....	56
ALUMINUM ANODIZED (SCREW MOUNT).....	57
ULTRA LITE ANODIZED (TAB MOUNT).....	58
ALUMINUM ANODIZED (TAB MOUNT).....	59
PLASTIC COATED (SCREW MOUNT).....	60
PLASTIC COATED (REG TAB MOUNT).....	61
NATURAL FIT (SCREW MOUNT).....	62
NATURAL FIT (TAB MOUNT).....	64
PROJECTION.....	66
PAINTED (CROSS SPOKE WHEELS ONLY).....	68
CHROME (MAG WHEELS ONLY).....	69
STAINLESS STEEL (QP WHEELS ONLY).....	70
TITANIUM (QP WHEELS ONLY).....	71
COMPOSITE (SCREW MOUNT).....	72
PAINTED (SCREW MOUNT).....	73
PLASTIC COATED 5 SPOKE MAG (SCREW MOUNT).....	74
ALUMINUM ANODIZED 5 SPOKE MAG (SCREW MOUNT).....	75
Q-GRIP (TAB MOUNT).....	76
Q-GRIP (SCREW MOUNT).....	77
THE SURGE (TAB MOUNT).....	78
THE SURGE (SCREW MOUNT).....	79
NATURAL FIT 5 SPOKE MAG (SCREW MOUNT).....	80
ALUMINUM POWDER COATED (SCREW MOUNT).....	81
ULTRA LITE POWDER COATED (TAB MOUNT).....	83
ALUMINUM POWDER COATED (TAB MOUNT).....	84
PLASTIC AND ALUMINUM ANODIZED TAB MOUNT M6.....	86

HANDRIM RUBBER COVER.....	87
TUBES .....	87
TUBES AND AIRLESS INSERTS .....	88
SEATING & POSITIONING.....	88
SEAT.....	88
SEAT CUSHION.....	88
2" SEAT CUSHION .....	89
SEAT SLING .....	91
SEAT SLING .....	92
BACK.....	96
BACK FRAME .....	96
FOLDING BACKREST .....	96
FOLDING BACKREST-DISC .....	99
FOLDING BACKREST TUBES-DISC .....	101
NON-FOLDING BACKREST .....	103
REMOVABLE STROLLER HANDLE.....	104
INTEGRAL PUSH HANDLE BACKREST-RIGID .....	106
BOLT ON PUSH HANDLES.....	108
BACK UPHOLSTERY .....	108
STD BACK UPH USED W/ OMIT HANDLES.....	109
STD BACK UPH USED W/ INTEGRAL PUSH HANDLES.....	111
ADJ BACK UPH USED W/ OMIT & INTEGRAL PUSH HANDLES.....	113
TENSION ADJUSTABLE BACK UPHOLSTERY-FIXED .....	115
JAY PRECISION BACKREST.....	116
SPORT ADJUSTABLE BACKREST UPHOLSTERY .....	119
HANGERS & FOOTPLATES.....	120
GP/GPV FIXED FRONT FOOTPLATES & EXTENSIONS .....	120
EXTENSIONS .....	120
ROUND EXTENSION TUBE .....	121
HIGH MOUNT EXTENSION TUBE .....	123
FOOTPLATES.....	124
RIGID FOOTREST GP.....	125
RIGID FOOTREST GPV .....	126
PLATFORM FOOTREST GP .....	127
PLATFORM FOOTREST GPV.....	129
PLATFORM FLIP UP FOOTREST GPV/Q2HP .....	131
COMPOSITE FOOTPLATE.....	133
ADULT ANGLE-ADJUSTABLE FOOTPLATE EXT MOUNT.....	135
FOAM FOOTPLATE.....	137
90 DEG FOOTBOARD.....	139
GP SWING AWAY FRONT HANGERS & FOOTPLATES .....	140
GP SWING AWAY EXT MOUNT HANGERS prior to S/N GP-96451 .....	140
HANGERS.....	140
HANGERS (DISCONTINUED).....	140
60 DEG S/A HANGER (DISC 4-21-15) .....	141
60 DEG S/A HANGER (DISC.8-13-01) .....	143
60 DEG S/A HANGER (DISC.10-23-99) .....	144
70 DEG S/A HANGER (DISC 4-21-15) .....	145
70 DEG S/A HANGER (DISC.8-13-01) .....	146
70 DEG S/A HANGER (DISC.10-23-99) .....	147
70 DEG V S/A HANGER (DISC 4-21-15).....	148
FOOTPLATES & EXTENSIONS (D2 "OLD STYLE").....	149
COMPOSITE FOOTPLATE.....	150
FOAM FOOTPLATE .....	152
ADULT ANGLE-ADJUSTABLE FOOTPLATE EXT MOUNT.....	154
KIDS ANGLE ADJUSTABLE FOOTPLATE EXT MOUNT .....	156
PLATFORM FLIP-UP FOOTPLATE .....	158
DOUBLE D FOOTREST EXTENSION TUBE "OLD STYLE" .....	160
HIGH MOUNT EXTENSION TUBE .....	162
CLAMP STYLE SWING IN-OUT HANGERS .....	163
60 DEG HANGER SWING IN-OUT.....	164
70 DEG HANGER SWING IN-OUT.....	165
70 DEG HANGER V SWING IN-OUT .....	166
FOOTPLATES & EXTENSIONS .....	166
COMPOSITE FOOTPLATE.....	167
COMPOSITE ANGLE ADJUSTABLE FOOTPLATE .....	172
ADULT ANGLE-ADJ FOOTPLATE EXT MOUNT .....	176
KIDS ANGLE ADJ FOOTPLATE EXTENSION MOUNT.....	180
FOAM FOOTPLATE.....	184
LOCKING ANGLE ADJ FOOTPLATE .....	187

PLATFORM FLIP-UP FOOTPLATE.....	189
HIGH MOUNT EXTENSION TUBE.....	191
GP SWING AWAY EXT MOUNT HANGERS after S/N GP-96451.....	192
EXTENSION MOUNT HANGERS.....	192
60 DEG SWING IN/OUT HANGER.....	193
70 DEG SWING IN/OUT HANGER.....	194
80 DEG SWING IN/OUT HANGER.....	195
EXTENSION MOUNT HEMI HANGERS.....	195
60 DEG SWING IN/OUT HEMI HANGER.....	196
70 DEG SWING IN/OUT HEMI HANGER.....	197
EXTENSION MOUNT FOOTPLATES & EXTENSION TUBES.....	197
COMPOSITE FOOTPLATE.....	198
COMPOSITE ANGLE ADJUSTABLE FOOT PLATE.....	202
ADULT ALUMINUM ANGLE-ADJ FOOTPLATE EXT MOUNT.....	205
KIDS ANGLE ADJUSTABLE FOOTPLATE EXT MOUNT.....	209
PLATFORM FLIP-UP FOOTPLATE.....	211
HIGH MOUNT EXTENSION TUBE.....	213
GP SWING AWAY FRONT MOUNT HANGERS prior to S/N GP-96451.....	214
FRONT MOUNT HANGERS.....	214
SWING AWAY FRONT MOUNT HANGERS.....	214
70 DEG FRONT MOUNT HANGER SWING IN-OUT.....	215
80 DEG FRONT MOUNT HANGER SWING IN-OUT.....	217
90 DEG FRONT MOUNT HANGER SWING IN-OUT.....	219
HANGERS (DISCONTINUED).....	220
70 DEG S/A FRONT MOUNT HANGER.....	221
80 DEG S/A FRONT MOUNT HANGER.....	222
90 DEG S/A FRONT MOUNT HANGER.....	224
LIFT OFF FRONT MOUNT HANGERS.....	225
70 DEG LIFT-OFF HANGER.....	226
80 DEG LIFT-OFF HANGER.....	228
90 DEG LIFT-OFF HANGER.....	230
EXTENSIONS.....	231
FRONT MOUNT HANGER EXT.....	232
FOOTPLATES.....	232
KIDS ANGLE ADJ FOOTPLATE FRONT MOUNT.....	233
ADULT ANGLE-ADJ FOOTPLATE FRONT MOUNT.....	236
90 DEG FOOTBOARD.....	238
GP SWING AWAY FRONT MOUNT HANGERS after S/N GP-96451.....	239
70 DEG FRONT MOUNT SWING IN/OUT HANGER.....	240
80 DEG FRONT MOUNT SWING IN/OUT HANGER.....	242
90 DEG FRONT MOUNT SWING IN/OUT HANGER.....	244
FRONT MOUNT HANGER EXT.....	246
ADULT ANGLE-ADJ FOOTPLATE FRONT MOUNT.....	247
ELRS prior to S/N GP-96451.....	250
EXT MOUNT ELR HANGERS.....	250
EXT MOUNT ELR HANGERS.....	250
ELEVATING HANGER.....	250
ELR & ALR CALF PAD 14 -15".....	252
ELR & ALR CALF PAD 16-20".....	253
EXTENSION TUBES.....	253
DOUBLE D FOOTREST EXTENSION TUBE "OLD STYLE".....	254
FOOTPLATES.....	255
ELR ALUMINUM FOOTPLATE.....	256
COMPOSITE FOOTPLATE.....	258
ADULT ANGLE-ADJUSTABLE FOOTPLATE EXT MOUNT.....	260
KIDS ANGLE ADJUSTABLE FOOTPLATE EXT MOUNT.....	262
FRONT MOUNT ELR HANGERS.....	263
FRONT MOUNT ELR HANGERS.....	263
90 DEG ELEVATING HANGER.....	264
90 DEG ELEVATING CALF PAD.....	266
FOOTPLATES.....	266
KIDS ANGLE ADJ FOOTPLATE FRONT MOUNT.....	267
ADULT ANGLE-ADJ FOOTPLATE FRONT MOUNT.....	270
ELRS after S/N GP-96451.....	271
EXTENSION MOUNT ELR RETROFIT (LATCH STUD STYLE) (DISC. 2/6/17).....	272
EXTENSION MOUNT ELR REPLACEMENT PARTS (LATCH STUD STYLE) (DISC. 2/6/17).....	273
ELR & ALR CALF PAD 14 -15".....	275
ELR & ALR CALF PAD 16-20".....	276
ELR/ALR ALUMINUM FOOTPLATE.....	277
FRONT MOUNT ELR.....	278

FRONT MOUNT ELR (LATCH STUD STYLE) (DISC. 2/6/17).....	279
90 DEG ELEVATING CALF PAD.....	281
ADULT ANGLE-ADJ FOOTPLATE FRONT MOUNT.....	282
ALRS.....	285
EXT MOUNT ALR HANGERS.....	285
EXT MOUNT ALR HANGERS prior to S/N GP-96451.....	285
ARTICULATING HANGER.....	285
ARTICULATING HANGER CALF PAD.....	287
EXTENSION TUBES.....	287
ROUND EXTENSION TUBE.....	288
FOOTPLATES.....	289
COMPOSITE FOOTPLATE.....	290
ADULT ANGLE-ADJUSTABLE FOOTPLATE EXT MOUNT.....	292
KIDS ANGLE ADJUSTABLE FOOTPLATE EXT MOUNT.....	294
EXT MOUNT ALR HANGERS after S/N GP-96451.....	295
ALR (LATCH STUD STYLE) (DISC. 2/6/17).....	296
ELR & ALR CALF PAD 14 -15".....	298
ELR & ALR CALF PAD 16-20".....	299
ELR/ALR ALUMINUM FOOTPLATE.....	300
FRONT MOUNT ALR HANGERS.....	301
FRONT MOUNT ALR HANGERS.....	301
90 DEG ARTICULATING HANGER.....	302
90 DEG ARTICULATING HANGER CALF PAD.....	304
FOOTPLATES.....	304
KIDS ANGLE ADJ FOOTPLATE FRONT MOUNT.....	305
ADULT ANGLE-ADJ FOOTPLATE FRONT MOUNT.....	308
SWING IN-OUT ELR & ALR (PLUNGER STYLE) (EFFECTIVE 2/6/17).....	309
FRONT MOUNT ELR (PLUNGER STYLE) (EFFECTIVE 2/6/17).....	309
SWING IN-OUT FRONT MOUNT ELR RETRO KITS (PLUNGER STYLE) (EFFECTIVE 2/6/17).....	310
SWING IN-OUT FRONT MOUNT ELR REPLACEMENT PARTS (PLUNGER STYLE) (EFFECTIVE 2/6/17) ...	311
90 DEG ELEVATING CALF PAD.....	313
FRONT MOUNT HANGER EXT.....	314
ADULT ANGLE-ADJ FOOTPLATE FRONT MOUNT.....	315
KIDS ANGLE ADJ FOOTPLATE FRONT MOUNT.....	317
EXTENSION MOUNT ELR & ALR (PLUNGER STYLE) (EFFECTIVE 2/6/17).....	319
SWING IN-OUT EXT MOUNT ELR & ALR RETROFIT (PLUNGER STYLE) (EFFECTIVE 2/6/17).....	320
SWING IN-OUT EXT MOUNT ELR REPLACEMENT PARTS (PLUNGER STYLE) (EFFECTIVE 2/6/17).....	321
SWING IN-OUT ALR EXT MNT REPLACEMENT PARTS (PLUNGER STYLE)(EFFECTIVE 2/6/17).....	323
ELR & ALR CALF PAD 14 -15".....	325
ELR & ALR CALF PAD 16-20".....	326
EXTENSION MOUNT FOOTPLATES.....	326
COMPOSITE FOOTPLATE.....	327
COMPOSITE ANGLE ADJUSTABLE FOOT PLATE.....	331
ADULT ALUMINUM ANGLE-ADJ FOOTPLATE EXT MOUNT.....	334
KIDS ANGLE ADJUSTABLE FOOTPLATE EXT MOUNT.....	338
ELR/ALR ALUMINUM FOOTPLATE.....	340
ELR ALR KNUCKLE COVERS.....	342
ARMREST & RECEIVERS.....	342
ARMRESTS.....	342
PADDED SWING-AWAY ARMREST.....	343
SINGLE POST HEIGHT ADJUSTABLE ARMREST (MANUAL PRODUCTS).....	344
ARMREST RECEIVERS.....	346
PADDED SWING-AWAY ARMREST RECEIVER.....	347
HEIGHT ADJUSTABLE ARMREST RECEIVER-RIGID.....	348
KIDS SINGLE POST ARMREST RECEIVER.....	349
ACCESSORIES.....	349
SPOKE GUARDS QUICKIE (Black & Clear).....	350
XTENDER.....	353
4X XTENDER- discontinued.....	353
XTENDER FORKS.....	353
XTENDER INTERNAL REPLACEMENT PARTS.....	355
4X XTENDER AXLE PLATE & RETRO KIT.....	356
XTENDER POWER ASSIST 4X PARTS.....	358
JWX-2 XTENDER.....	359
GEN 2 XTENDER AXLE PLATE & RETRO KIT GP.....	360
XTENDER GEN 2 WHEEL PARTS.....	362
DRIVE UNIT INTERNAL PARTS.....	363
XTENDER RIGHT HAND CONTROL SPARE PARTS.....	364
BATTERY AND CHARGER.....	365
BATTERY BACKPACK PARTS.....	366

XTENDER SPOKE GUARD .....	367
BAGS AND POUCHES .....	367
QUICKIE SIDE POCKET.....	368
BACKPACKS AND SEAT POUCHES.....	369
CELL PHONE PACK.....	370
POSITIONING BELTS .....	370
AIRCRAFT BUCKLE POSITIONING BELTS & ATTACHMENT KITS .....	371
AUTO BUCKLE POSITIONING BELT & ATTACHMENT KITS.....	373
SIDE GUARDS.....	374
FABRIC SIDE GUARDS.....	375
PLASTIC SIDE GUARD .....	376
TRAYS .....	376
TUFFAK TRAY (MANUAL & PEDIATRIC CHAIRS) .....	377
TRAY RIBS TUFFAK.....	379
TRAY HARDWARE .....	380
PADDED STOMACH CUTOUT.....	381
PROTRACTOR PAD.....	382
HINGED OVERLAY NON-REMOVABLE .....	383
HINGED OVERLAY REMOVABLE .....	384
BASKETBALL ROLLER .....	386
PLATFORM FOOTPLATE BASKETBALL ROLLER .....	387
CRUTCH HOLDER .....	388
SOFT FEEL LEG STRAP .....	389
QUICKIE CADDY .....	390
IMPACT GUARD NEOPRENE & GEL VELCRO PADS.....	391
JAY LOWER EXTREMITY S/A SUPPORT .....	392
TOOL KIT .....	393
TIRE PUMP .....	394
WATER BOTTLE AND CAGE.....	395

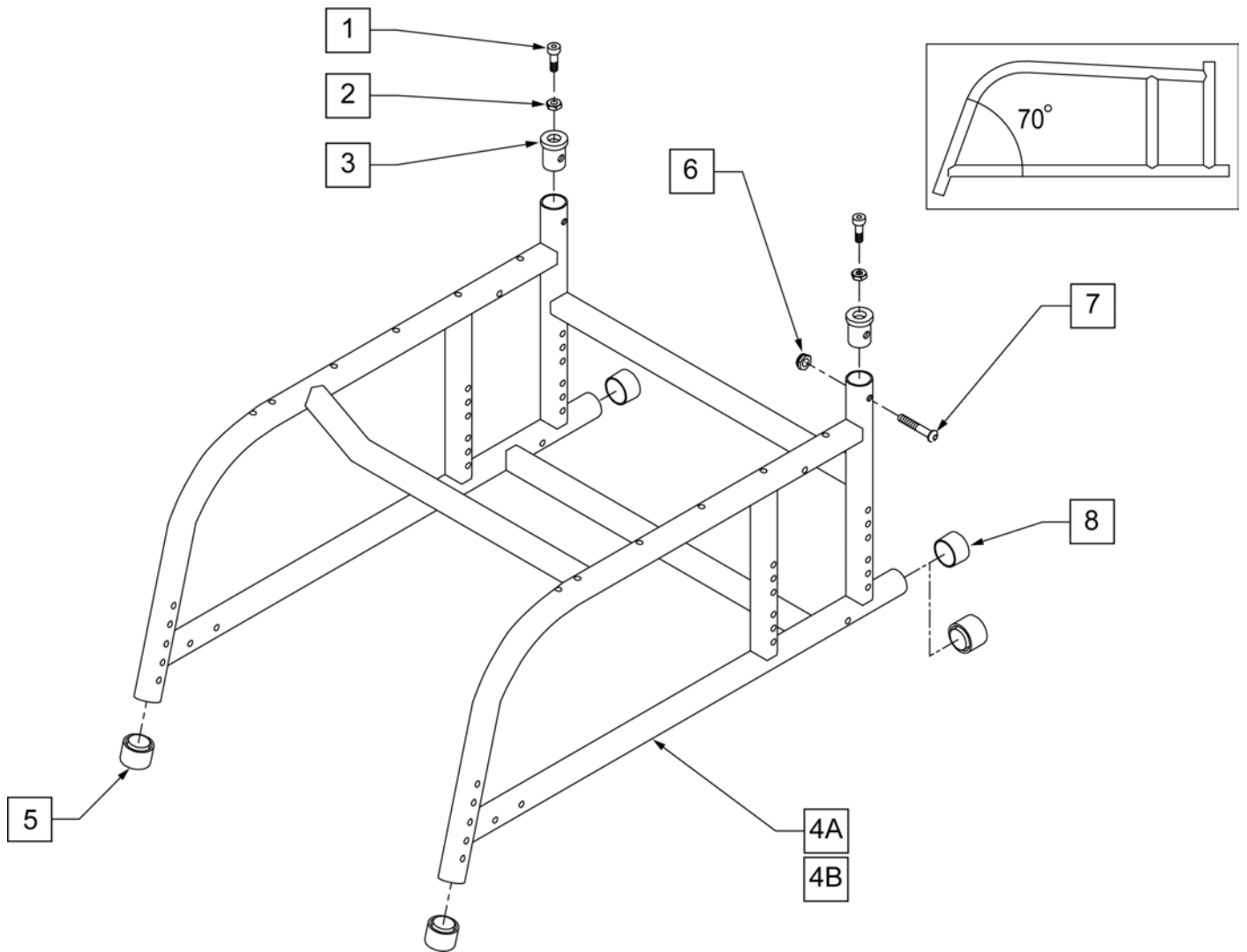
**GLOSSARY OF ABBREVIATIONS**

[12/10/2019]

Note: see Informations Panel for file.

1AD One Arm Drive	CZ Cozy	INH Inhibit	PCB Pediatric Center of Gravity (AKA: Zippie Iris)	S/A Swing Away
3DCR 3DX Microclimatic cover for Cryo style inserts	DAB Depth-adjustable Back	INORG Inorganic coating	PCM Power Center Mount	S/F Side Frame
AAA Adult Angle Adjustable	DB Dynamic Back	INSRT Insert	PED Pediatric	SCW Screw
AACM Angle Adjustable Center Mount	DBL Double	I/O Swing In Out	PEL Pelvic	SDLE Saddle
ABD Abductor	DC Deep Contour	IRIS Intelligent Rotation in Space	PH Push Handle	SG Side Guard
AC All Court	DL Desk Length	ISM Intelligent Seating Module	PHIL Phillips	SGTG Super Grip Thumb Guard
AD Arm Drive	DP Dual Post Armrest	JA Jay Active	PL Pin Lock	SHCS Socket Head Cap Screw
ADJ Adjustable	D-Post Dual Post Armrest	JNR Junior	PL Plated	SHSS Socket Head Set Screw
ADPT Adapter	D-PST Dual Post Armrest	KAA Kids Angle Adjustable	PLL Pull	SHLDR Shoulder
AE Air Exchange	DRV Drive	KDS Kids	PLT Plate	SHT Short
AHAB ASAP II	DTT Diagnostic Test Tool	KT Kit (usually consists of all mounting hardware for one side)	PLST Plastic	SLD Solid
ANG Angle	DY Dynamic Back	KVLR Kevlar	PLY Plywood	SLNG Sling
ALR Articulating Legrest	EA Each	KZ Quickie Kidz/Zippie Kidz	PNEU Pneumatic	SLTD Stotted
ALUM Aluminum	ELR Elevating Legrest	L Left	PNK Pink	SLV Sleeve
AMH Adjustable Mounting Hardware	EXT Extension	LAT Lateral	PNT Paint	SM Small
ANO Anodized	EXTND Extended	LCK Lock	PNTD Painted	SNGL Single
ASAP Adjustable Seating and Positioning	F Folding Frame	LFH Left Front Horizontal	POLY Polyurethane	SOC Socket
ASL Adaptive Switch Labratones	FHCS Flat Head Cap Screw	LFT Left	POST Posterior	SPCR Spacer
ASM Assembly (includes other parts)	FL Full Length	LFV Left Front Vertical	PR Pressure Relieving	SPEC CLR Specify Color
ASSM Assembly	FLD Folding	LH Left Hand	PR Power Recline	SPIA Single Post Height Adjustable
ASSMLY Assembly	FL FT Flip-up Footrest	LH Left Horizontal	PR Pair	SPK Spoke
ASSY Assembly	FLP Flip	LK Lock	PR (PR) Pair	SPR Super Grip Handrim
AT Anti-tip	FLRD Flared	LNG Long	PRCR Premium Leatherette cover for Cryo style inserts	SQZ Squeeze
ATT Attachment	FM Foam	LO Lift Off	PRE-ISC Pre-Ischial	SS Stainless Steel
BB Basketball	FM Front Mount	L/O Lift Off	PREM Premium Leatherette cover material	ST Seat
BC Breezy Chrome	FNDR Fender	LP Loop	PROJ Projection	ST/AP Self Tapping
BCK Back	FPH Folding Push Handle	LPS Loops	PRPL Purple	STCR Stretch Cover for Cryo Style inserts
BCKBRD Backboard	FT Foot	LRG Large	PTL Partial	STD Standard
BH Bulton Head	F/REST Footrest	LRH Left Rear Horizontal	PSH Push	STL Style
BHCS Bulton Head Cap Screw	FRNT Front	LRV Left Rear Vertical	PT Point	STR Stretch cover material
BKL Buckle	FT PLT Footplate	LS Low Sheer	PTRN Pattern	STRLR Stroller
BKRST Backrest	FTRST Footrest	LT Long Tab	PWR Power	STRT Straight
B-LOCK Back Lock	F/UP Flip-up	LT Natural Fit Lite Handrims	Q1 Quickie 1	SUP Support
BLD Build Up	FWD Front Wheel Drive	LTRL Lateral	Q2 Quickie 2	SYS System
BLK Black	FXT Fixed	LUMB Lumber	Q2HIP Quickie 2 High Performance	T Tab
BLU Blue	GP Grade 8 higher grade = stronger	LV Left Vertical	QC Quickie Carbon	TG Thumb Guard (std)
BR Breezy	GP Quickie GP	LW Low	QR Quick Release	THRD Threaded
BRD Board	GPS Quickie GPS	LX Quickie LX	QRx Quickie RX	Ti Titanium
BRNG Bearing	GPV Quickie GPV	LXI Quickie LXi	QTI Quickie Titanium	TL Tall
BRKT Bracket	GNRC Generic	MACH Machine	QT/QTs Quickie Tilt & Space	TLC Tilt Lift Comb
BSHNG Bushing	H Hole	MECH Mechanism	QUAD Quadrant Pad	TLT Tilt
BT TN Bulton	HB High Brake	MED Medium	R Right	TNNS Tennis
BTTRY Battery	HD Head or Heavy Duty	mm Millimeter	RCLNR Recliner	TIS Tilt-in-Space
BZ Breezy	HVD Heavy Duty	MNT Mount	REC Receiver	TTS Tilt-in-Space
CAA Composite Angle Adjustable	HDRST Headrest	MNTG Mounting	REG Regular	UNIV Universal
CG Center of Gravity	HDWR Hardware	MOD Modify or Modification	REL Release	UNTHRD Unthreaded
CGT Center of Gravity Tilt (AKA: IRIS)	HEX Hexagon	M/S Machine Screw	REV Reverse	UPH Upholstery
CHRGR Charger	HH Hemi-Height or Hex Head	MWD Mid Wheel Drive	RH Right Hand	VERT Vertical
CJSM Color Joystick Module	HK Hook	Nat.Fit Natural Fit Handrim	RH Right Horizontal	W With
CLMP Clamp	HL Heel Loops	NAUG Naugahyde	RFH Right Front Horizontal	W/ With
CLNCHR Cincher	HM High Mount	NF Non-folding	RFV Right Front Vertical	WD Wide
CLR Clear	HNDL Handle	NF Natural Fit Handrim	RNUT(S) Rivnut(s)	W/F Water Fall
COMP Complete	HNGR Hanger	NFLT Natural Fit Lite Handrim	RoHS Restriction of Hazardous Substances	WO Without
CMPST Composite	HP High Pressure	NR Non-recessed	RR Rear	WHL Wheel
CRM Chrome	HR Handrim	OBLIQ Obliquity	RRH Right Rear Horizontal	WLDMNT Weldment
C/S Cap Screw	HRDWR Hardware	OD Oblique	RRV Right Rear Vertical	XS Cross Spoke
C-S Countersunk	HRNSS Harness	OD Outer/Outside Dimension	RT Right	YLW Yellow
CSTR Caster	HS High Speed	O/S Old Style	RV Right Vertical	Z2 Zippie 2
CUSH Cushion	HT Height or Heat Treated	OUTBRD Outboard	RV Quickie Revolution	ZN Zinc
CV Conventional	ID Inner/Inside Dimension Diameter	P1 Quickie P100	RWD Rear Wheel Drive	ZP Zippie
CVR Cover	IN In/Out (for swing in/out hangers)	P2 Quickie P200	SA Swing Away	ZP2 Zippie 2
CVRS Covers	INBRD Inboard	P3 Quickie P300		
CYL Cylinder	INC Incontinent	P5 Quickie/Zippie P500		

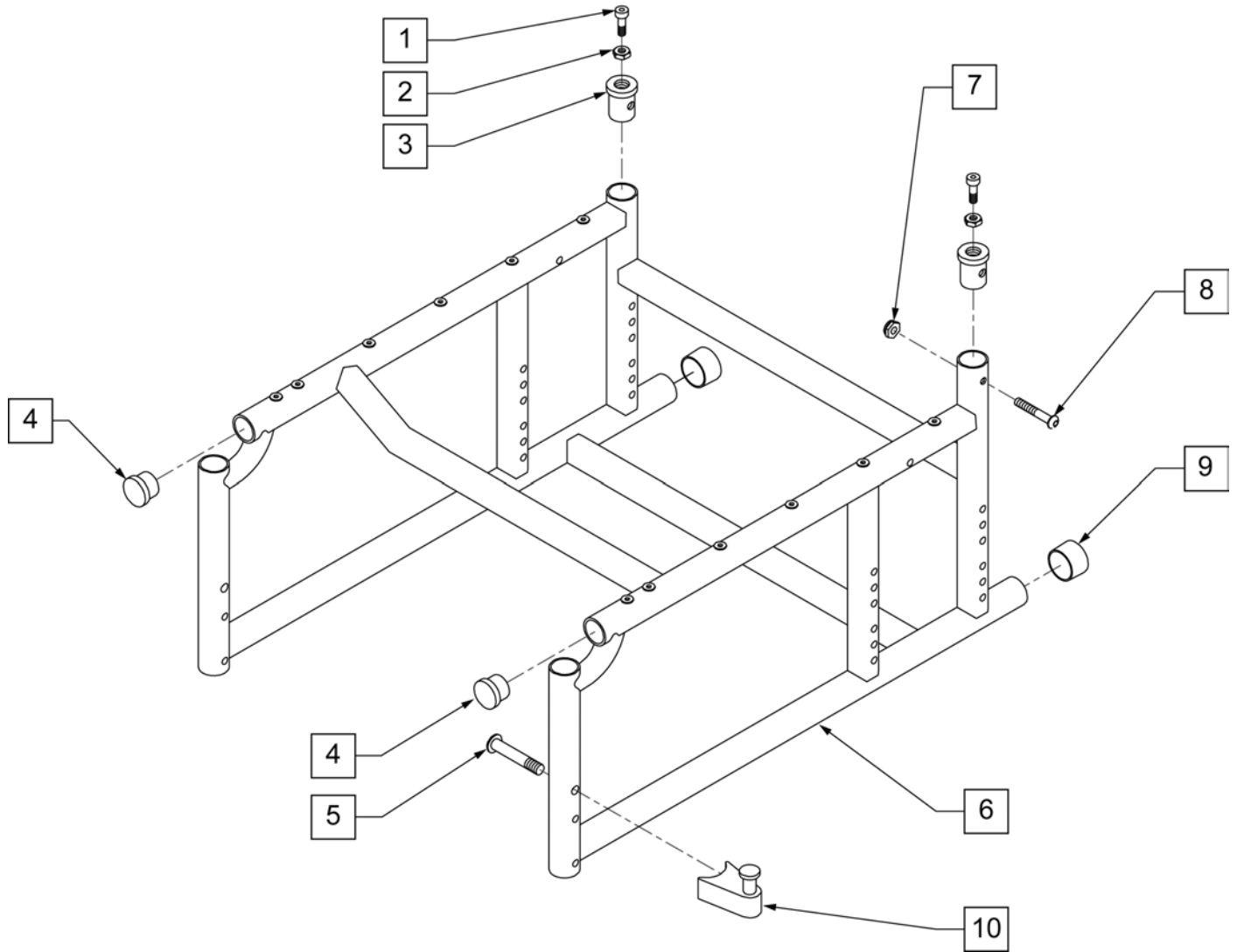
Pos.	Item Number	Description	Remarks
		GLOSSARY OF ABBREVIATIONS	see attachment in Informations Panel



Pos.	Item Number	Description	Remarks
1	226058	1/4-20 x 3/4 SOC C/S	
2	201121	1/4-20 NUT THIN	
3	483010	Q1/GP BACK REL ANGLE PLUG	
5	561082	1" TUBE END BUSHING THIN	
6	106935	NUT NYLOCK THIN 1/4-28 ROHS	
7	226130	1/4-28 x 1 1/2 BH C/S	
8	561014	1" MED CAP	
1-4A-8	601998S	FRAME STD GP 70° PAINTED (SPECIFY SIZE & COLOR)	
1-4A-8	602000-QUS	FRAME CUSTOM PAINTED GP 70° (SPECIFY SIZE & COLOR)	Used for 60D, 70D, 75D, 80D or 85D frame angles/bends
1-4B-8	600998S	FRAME STD GP60 PAINTED (SPECIFY SIZE & COLOR)	

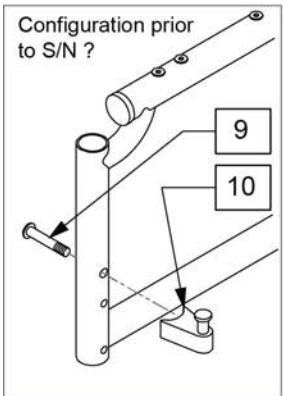
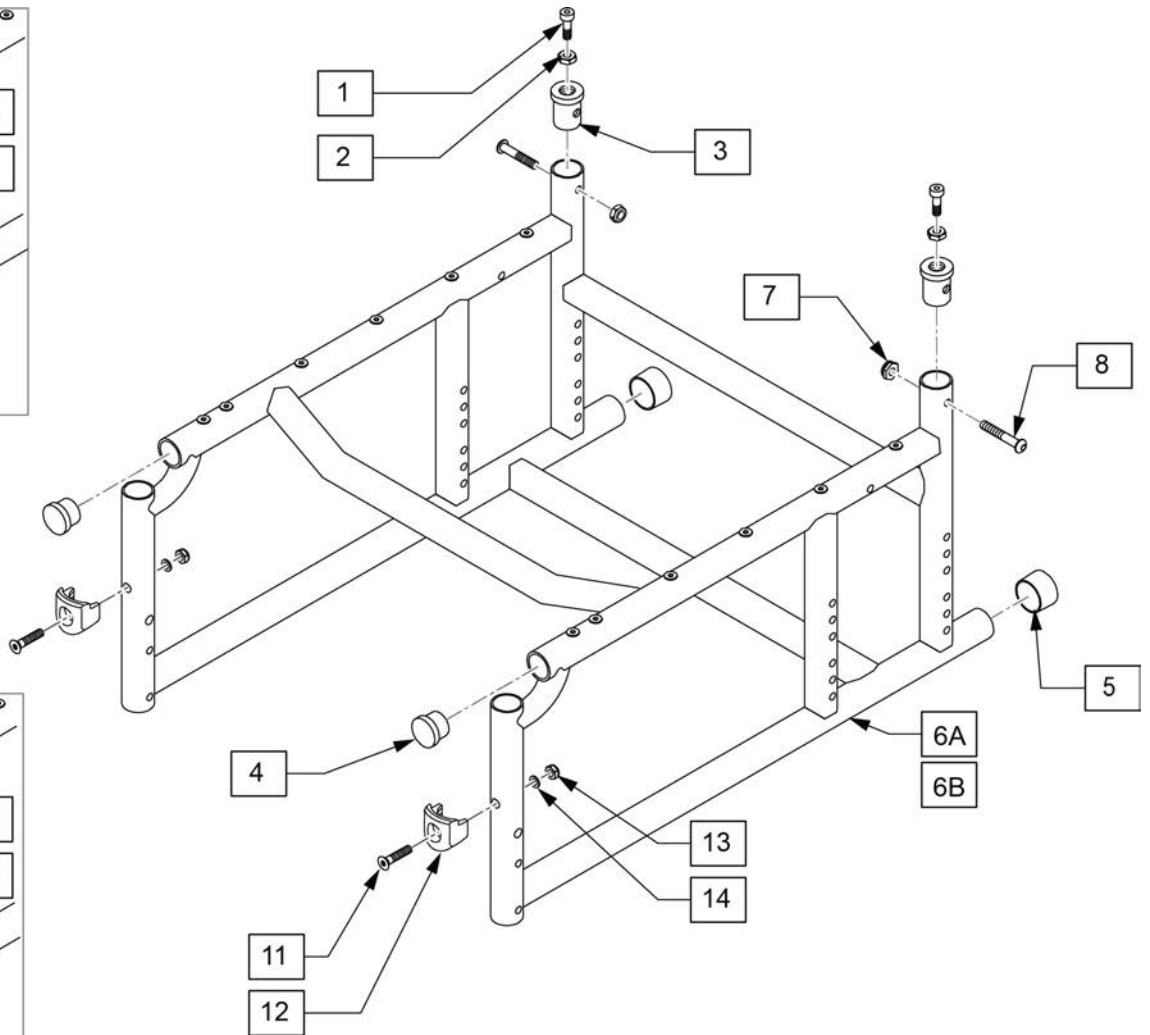
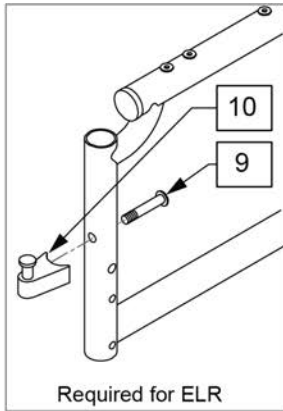


**Note:** contact Built 4 Me for Custom Options not listed under the standard replacement frame; Custom Options include Front Frame Height, Rear Frame Height, and Frame Lengths which are available on the GP/GPV but are not standard on the GP Swing Away.



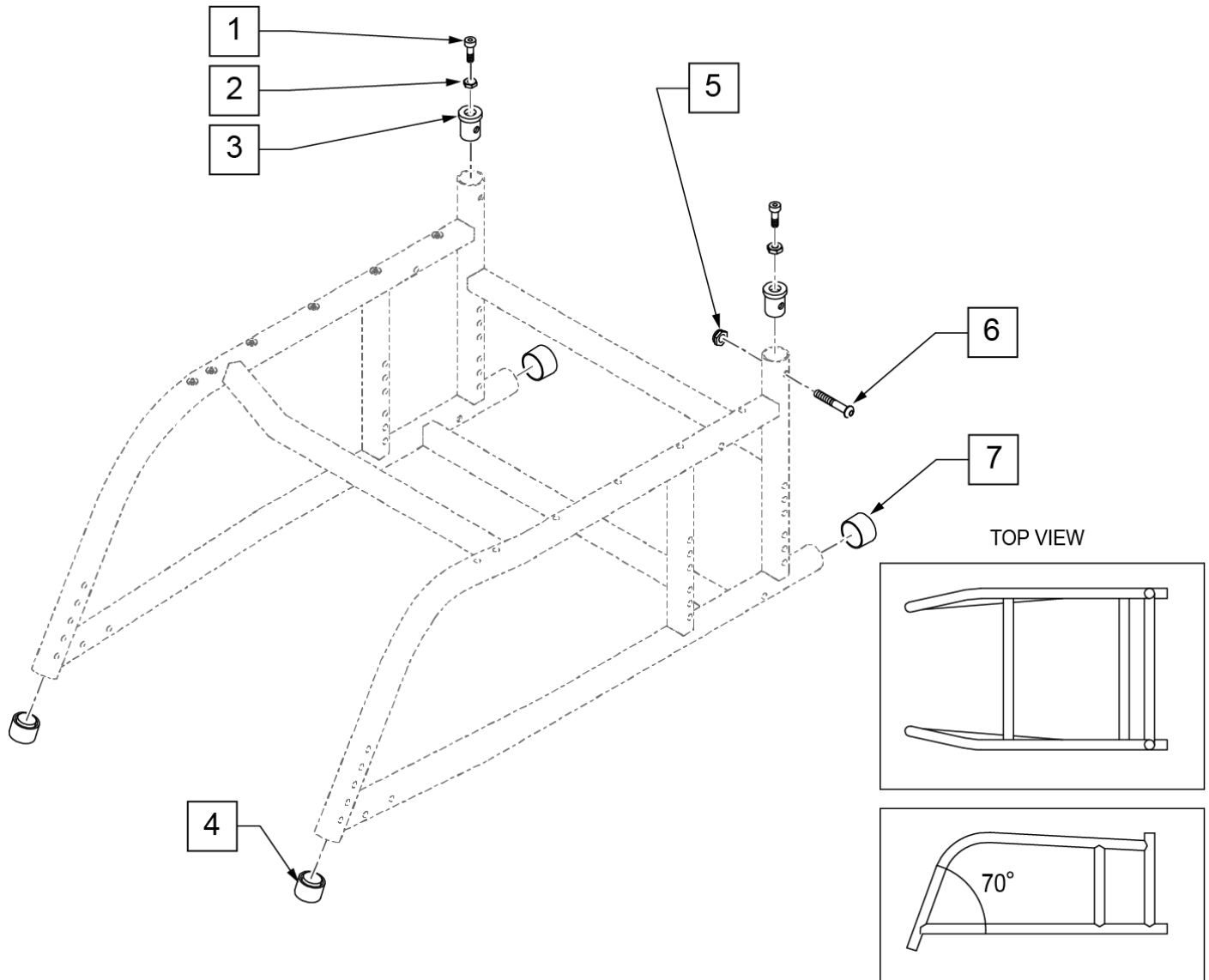
Pos.	Item Number	Description	Remarks
1	226058	1/4-20 x 3/4 SOC C/S	
2	201121	1/4-20 NUT THIN	
3	483010	Q1/GP BACK REL ANGLE PLUG	
4	561002	1" INSERT PLUG .083	
5	106982	BHCS 5/16-18 X 1-3/4 SHLD ROHS	
7	106935	NUT NYLOCK THIN 1/4-28 ROHS	
8	226130	1/4-28 x 1 1/2 BH C/S	
9	561014	1" MED CAP	
5,10	107491	S/A LATCH ASSEMBLY W/BOLT	
1-4,6-9	603898S	FRAME STD GP S/A PAINTED (SPECIFY SIZE & COLOR)	Please see note at top of page

**Note:** contact Built 4 Me for Custom Options not listed under the standard replacement frame; Custom Options include Front Frame Height, Rear Frame Height, and Frame Lengths which are available on the GP/GPV but are not standard on the GP Swing Away.



Pos.	Item Number	Description	Remarks
1	226058	1/4-20 x 3/4 SOC C/S	
2	201121	1/4-20 NUT THIN	
3	483010	Q1/GP BACK REL ANGLE PLUG	
4	561002	1" INSERT PLUG .083	
5	561014	1" MED CAP	
7	106935	NUT NYLOCK THIN 1/4-28 ROHS	
8	226130	1/4-28 x 1 1/2 BH C/S	
9	106982	BHCS 5/16-18 X 1-3/4 SHLD ROHS	
11	103500-010	FHCS M6 x 1 x 35 FULL NP	
12	118696	HANGER LATCH RECEIVER	
13	104381	NUT HEX NYLOCK M6 x 1.0	
14	104414	WAVE WASHER 6mm	
9,10	107491	S/A LATCH ASSEMBLY W/BOLT	
1-5,6A,7,8	603898S	FRAME STD GP S/A PAINTED (SPECIFY SIZE & COLOR)	Please see note at top of page
1-5,6B,7,8	603900S	FRAME CUSTOM PAINTED GP S/A (SPECIFY SIZE & COLOR)	No longer available; please contact Built 4 Me
11-14	119514	LATCH RECEIVER KIT	Use with SA Hanger

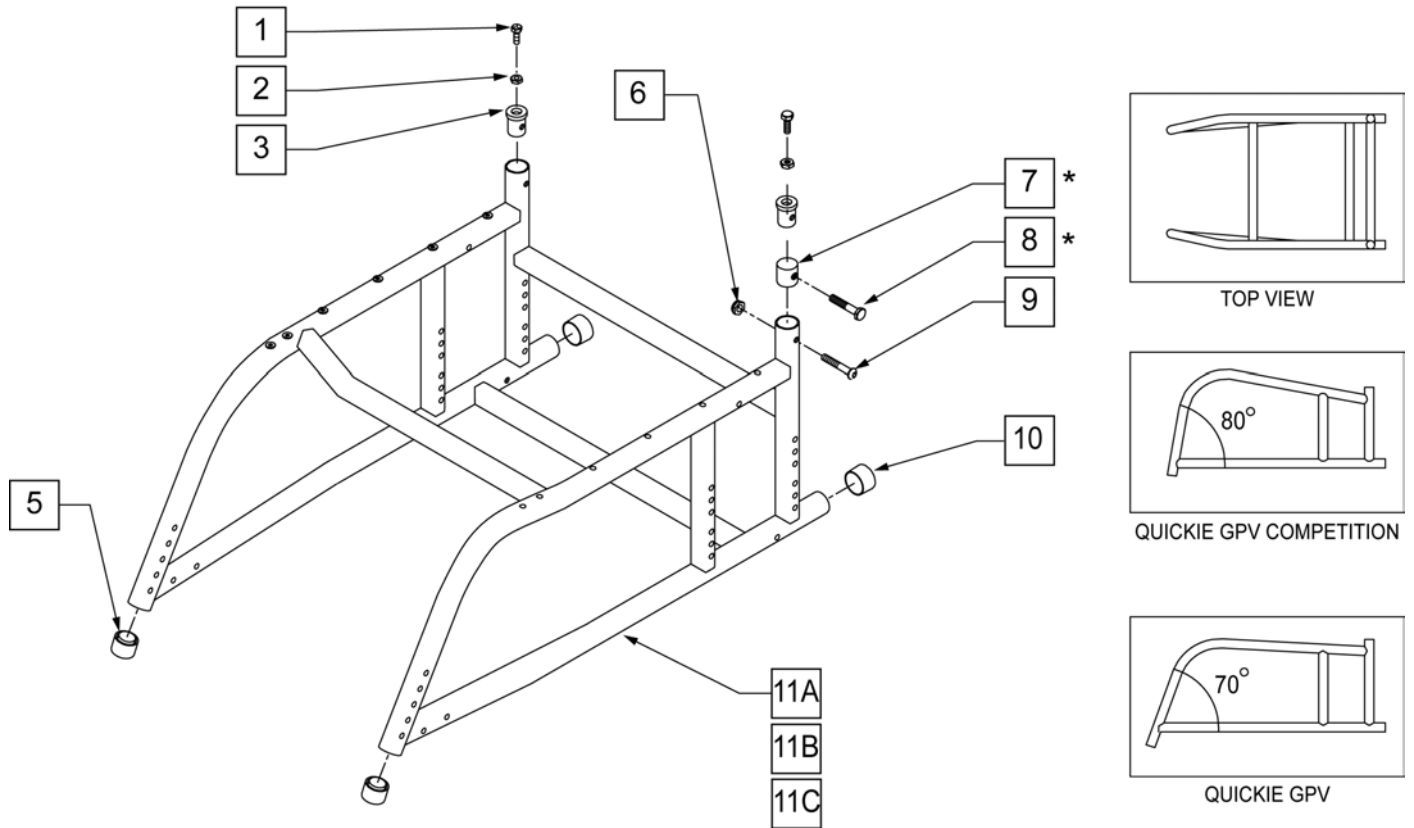
Note: GPV Ti Frame discontinued; for replacement frame 602498S refer to FRAME (GPV & GPV COMP) parts page.



Pos.	Item Number	Description
1	226058	1/4-20 x 3/4 SOC C/S
2	201121	1/4-20 NUT THIN
3	483055	PLUG BACK REL Ti GPV
4	561018	1" TUBE END BUSHING THICK
5	106935	NUT NYLOCK THIN 1/4-28 ROHS
6	226130	1/4-28 x 1 1/2 BH C/S
7	561014	1" MED CAP
1-3,5,6	920192	TI BACK REL PLUG W/HDWR

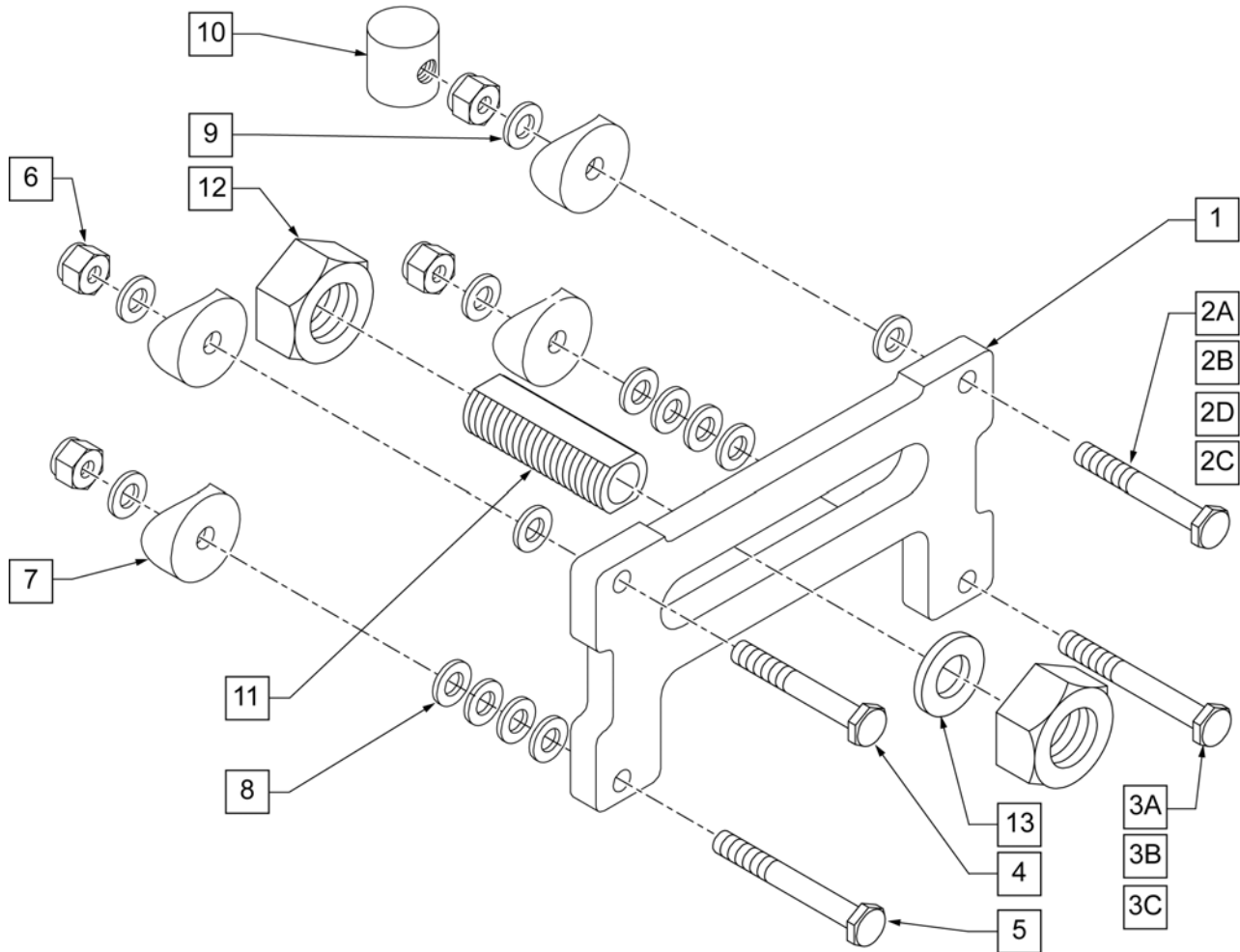
Note: items 7 & 8 are only used when more than 3" of squeeze is utilized.

Note: if ordering p/n 602498S and option not available in the features of this part, order p/n 602500S instead.



Pos.	Item Number	Description	Remarks
1	226058	1/4-20 x 3/4 SOC C/S	
2	201121	1/4-20 NUT THIN	
3	483010	Q1/GP BACK REL ANGLE PLUG	
5	561082	1" TUBE END BUSHING THIN	
6	106935	NUT NYLOCK THIN 1/4-28 ROHS	
7*	483007	H/M CASTER/GPV COMP INSERT	
8*	106972	1/4-28 X 1 1/2 G8 HEX C/S	
9	226130	1/4-28 x 1 1/2 BH C/S	
10	561014	1" MED CAP	
1-6, 9-11A	602498S	FRAME STD GPV 70° PAINTED	see note; Specify Size & Color
1-6,9,10,11B	602499S	FRAME GPV 80° COMPET PAINTED	Specify Size & Color
1-6,9,10,11C	602500S	FRAME CUSTOM PAINTED GPV	Specify Size & Color

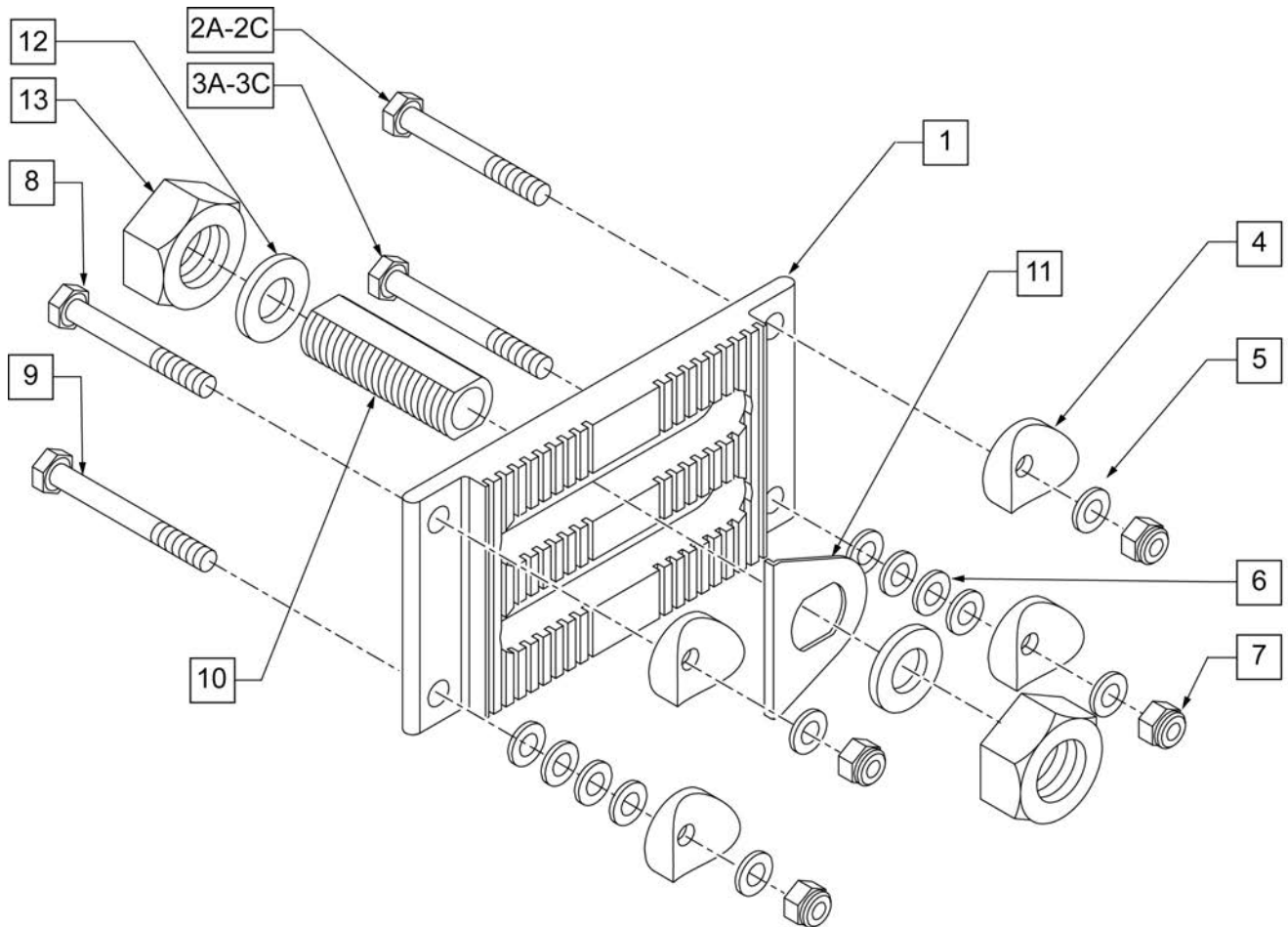
NOTE: ITEM 8 IS USED TO ACHIEVE CAMBER. 0 to 4 WASHERS CAN BE USED.  
NOTE: LEFT SIDE SHOWN



Pos.	Item Number	Description	Remarks
1	501004	GP AXLE PLATE	
2A	106973	HHCS 1/4-28 X 2 ROHS	
2B	106972	HHCS 1/4-28 X 1-1/2 ROHS	GP COMP ONLY
2C	109265	HHCS 1/4-28 X 2-1/2 ROHS	USE W PADDED ARMREST OR ANTI TIPS.
2D	221193	1/4-28 x 2 3/4 G8 HEX C/S	USE W PADDED ARMREST & ANTI TIPS.
3A	107351	HHCS 1/4-28 X 2 1/4 ROHS	
3B	221193	1/4-28 X 2 3/4 G8 HEX C/S	USE WITH PADDED ARMREST OR ANTI TIPS
3C	107016	HHCS 1/4-28 X 3 ROHS	USE WITH PADDED ARMREST AND ANTI TIPS
4	106973	HHCS 1/4-28 X 2 ROHS	
5	107351	HHCS 1/4-28 X 2 1/4 ROHS	
6	106934	NUT NYLOCK 1/4-28 ROHS	
7	561004	1" SADDLE 1/4" HOLE	
8	106943	WASHER FLAT AN 1/4 ROHS	
9	106944	WASHER FLAT THIN AN 1/4 ROHS	
10	483007	H/M CASTER/GPV COMP INSERT	GP COMP ONLY
11	481065	AXLE SLEEVE SS	

Pos.	Item Number	Description	Remarks
12	116569	NUT HEX 3/4-16 BLACK ZINC	
13	116570	WASHER FLAT 3/4 X 1.25 BLK ZNC	
4-9	117852	GP AXLE PLATE HARDWARE KIT	

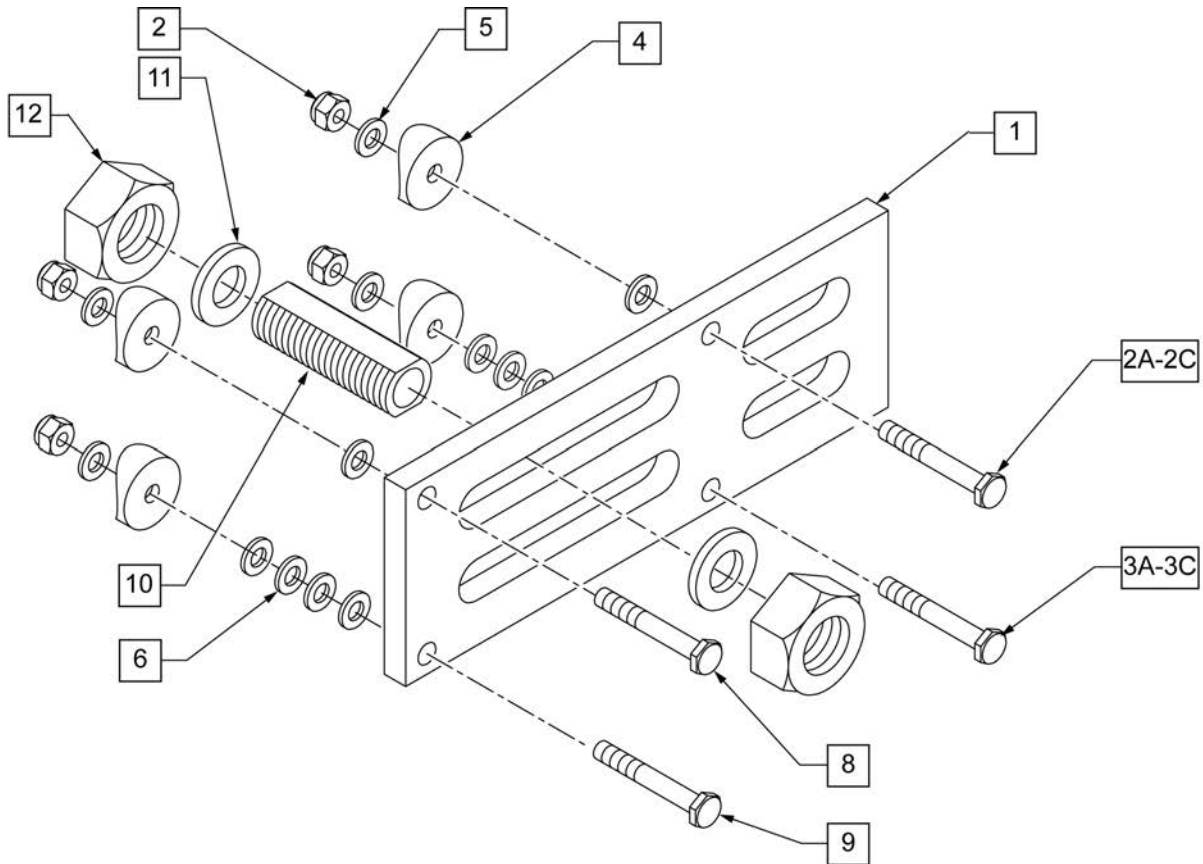
**NOTE:** ITEM 6 IS USED TO ACHIEVE CAMBER. 0 to 4 WASHERS CAN BE USED.



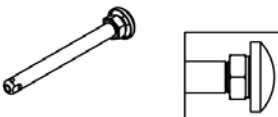
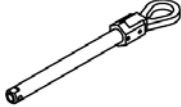
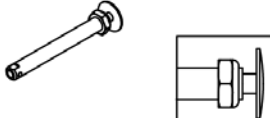
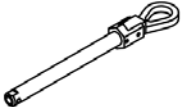
Pos.	Item Number	Description	Pos.	Item Number	Description
1	501002	AXLE PLATE Q1/GP INDEX	7	106944	WASHER FLAT THIN AN 1/4 ROHS
2A	106973	HHCS 1/4-28 X 2 ROHS	8	106973	HHCS 1/4-28 X 2 ROHS
2B	109265	HHCS 1/4-28 X 2-1/2 ROHS	9	107351	HHCS 1/4-28 X 2 1/4 ROHS
2C	221193	1/4-28 x 2 3/4 G8 HEX C/S	12	116570	WASHER FLAT 3/4 X 1.25 BLK ZNC
3A	107351	HHCS 1/4-28 X 2 1/4 ROHS	13	116569	NUT HEX 3/4-16 BLACK ZINC
3B	221193	1/4-28 x 2 3/4 G8 HEX C/S	10	481065	AXLE SLEEVE SS
3C	107016	1/4-28 X 3 G8 HEX C/S	11	505015	INDEX ANGLE WASHER
4	561004	1" SADDLE 1/4" HOLE	2-7	117852	GP AXLE PLATE HARDWARE KIT
5	106934	NUT NYLOCK 1/4-28 ROHS	8-11	920120	AXLE SLEEVE W/HDWR INDEX
6	106943	WASHER FLAT AN 1/4 ROHS			



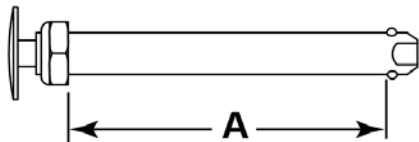
NOTE: ITEM 3 IS USED TO ACHIEVE CAMBER. 0 to 4 WASHERS CAN BE USED.



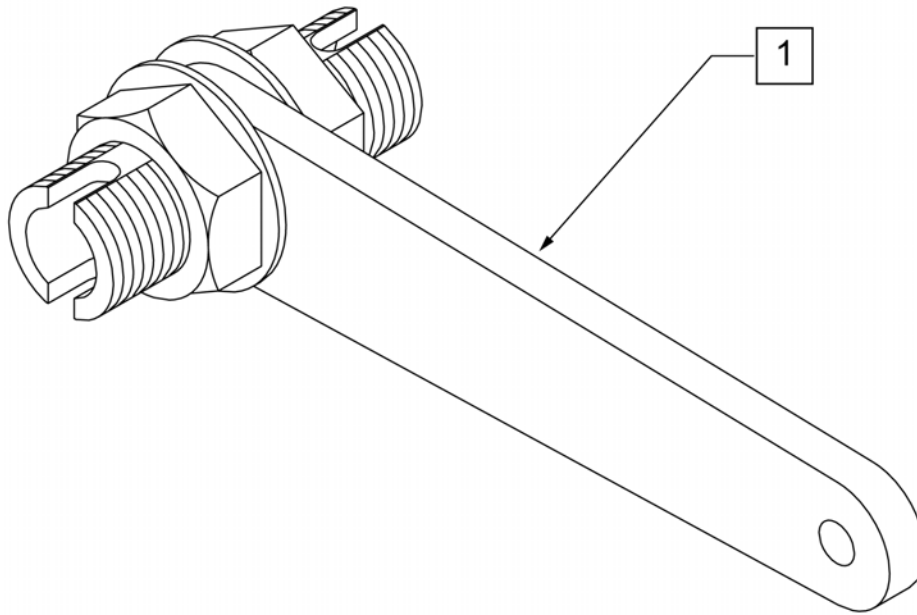
Pos.	Item Number	Description
1	501001	AXLE PLATE AMPUTEE Q1
2A	106973	HHCS 1/4-28 X 2 ROHS
2B	109265	HHCS 1/4-28 X 2-1/2 ROHS
2C	221193	1/4-28 X 2 3/4 G8 HEX C/S
3A	107351	HHCS 1/4-28 X 2 1/4 ROHS
3B	221193	1/4-28 X 2 3/4 G8 HEX C/S
3C	107016	1/4-28 X 3 G8 HEX C/S
4	561004	1" SADDLE 1/4" HOLE
5	106944	WASHER FLAT THIN AN 1/4 ROHS
6	106943	WASHER FLAT AN 1/4 ROHS
7	106934	NUT NYLOCK 1/4-28 ROHS
8	106973	HHCS 1/4-28 X 2 ROHS
9	107351	HHCS 1/4-28 X 2 1/4 ROHS
10	481065	AXLE SLEEVE SS
11	116570	WASHER FLAT 3/4 X 1.25 BLK ZNC
12	116569	NUT HEX 3/4-16 BLACK ZINC
2-9	117852	GP AXLE PLATE HARDWARE KIT
10-12	920121	AXLE SLEEVE W/HDWR (NON-INDEX)

Wheel Type	Axle Type		Axle P/N	Spacer P/N
<b>6 Spoke Mag Wheels</b>	Quick Release	1A 	102063 "A" = 4 1/8"	N/A
	Quad Quick Release	1B 	920171 "A" = 4 1/8"	N/A
<b>Standard Spoke Wheels &amp; Spinergy Wheels</b>	Quick Release	1C 	102064 "A" = 4 1/2"	N/A
	Quad Quick Release (N/A with Spinergy)	1D 	922170 "A" = 4 1/2"	N/A

*Quick Release Measuring Guide*



Pos.	Item Number	Description	Remarks
1A	102063	QR AXLE MAG W/M-12 NUT	
1B	920171	QR AXLE MAG W/QUAD NUT	
1C	109385	QR AXLE/NUT LONG BG BTTN	
1D	922170	QR AXLE W/QUAD NUT PUSH BUTTON	Not available with spinergy

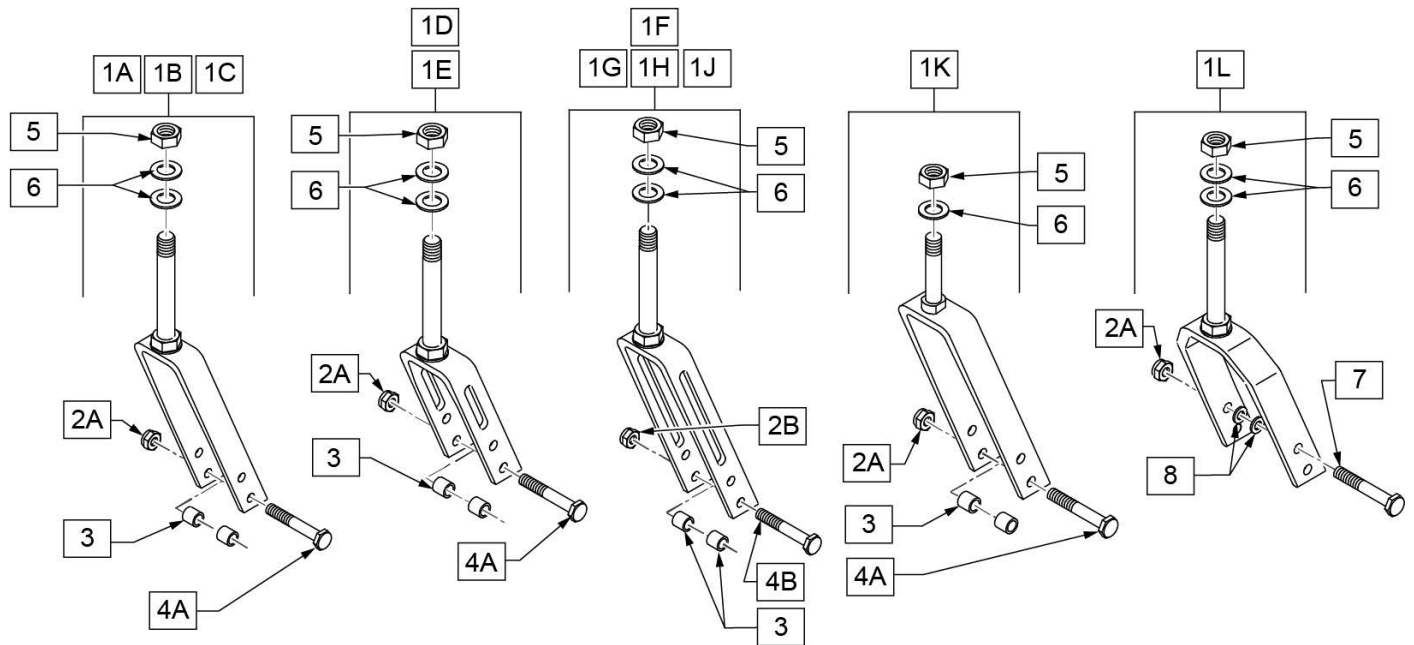


Pos.	Item Number	Description
1	920115	QR AXLE WRENCH

Note: discontinued on LX/LXI as of 10/24/2008 -- parts only for chairs built prior to S/N LX-034330.

Note: some assemblies include Caster Pin Locks, not shown; please refer to CASTER PIN LOCKS parts page.

Note: some assemblies include Caster Stem Spacers, not shown; please refer to CASTER STEMS parts page.



Pos.	Item Number	Description	Remarks
1A	780800	5 1/4 STD STEM W/ HDWR BLK	
1A	780802	5 1/4 STD STEM PL W/ HDWR BLK	Right; w/ Caster Pin Lock
1A	780803	5 1/4 STD STEM PL W/ HDWR BLK	Left; w/ Caster Pin Lock
1A	780804	5 1/4 + 3/4 STEM W/ HDWR BLK	
1A	780806	5 1/4 + 3/4 STEM PL W/ HDWR BLK	Right; w/ Caster Pin Lock
1A	780807	5 1/4 + 3/4 STEM PL W/ HDWR BLK	Left; w/ Caster Pin Lock
1A	780808	5 1/4 + 1 1/2 STEM W/ HDWR BLK	
1A	780810	5 1/4 + 1 1/2 STEM PL W/ HDWR BLK	Right; w/ Caster Pin Lock
1A	780811	5 1/4 + 1 1/2 STEM PL W/ HDWR BLK	Left; w/ Caster Pin Lock
1A	780812	5 1/4 QR W/ HDWR O/S	
1A	780813	5 1/4 QR PL W/ HDWR O/S	
1B	780640	6 1 1/2 STEM BLK	
1B	780840	6 STD STEM W/ HDWR BLK	
1B	780842	6 STD STEM PL W/ HDWR BLK	Right; w/ Caster Pin Lock
1B	780843	6 STD STEM PL W/ HDWR BLK	Left; w/ Caster Pin Lock
1B	780844	6 + 3/4 STEM W/ HDWR BLK	
1B	780846	6 + 3/4 STEM PL W/ HDWR BLK	Right; w/ Caster Pin Lock
1B	780847	6 + 3/4 STEM PL W/ HDWR BLK	Left; w/ Caster Pin Lock
1B	780848	6 + 1 1/2 STEM W/ HDWR BLK	
1B	780850	6 + 1 1/2 STEM PL W/ HDWR BLK	Right; w/ Caster Pin Lock

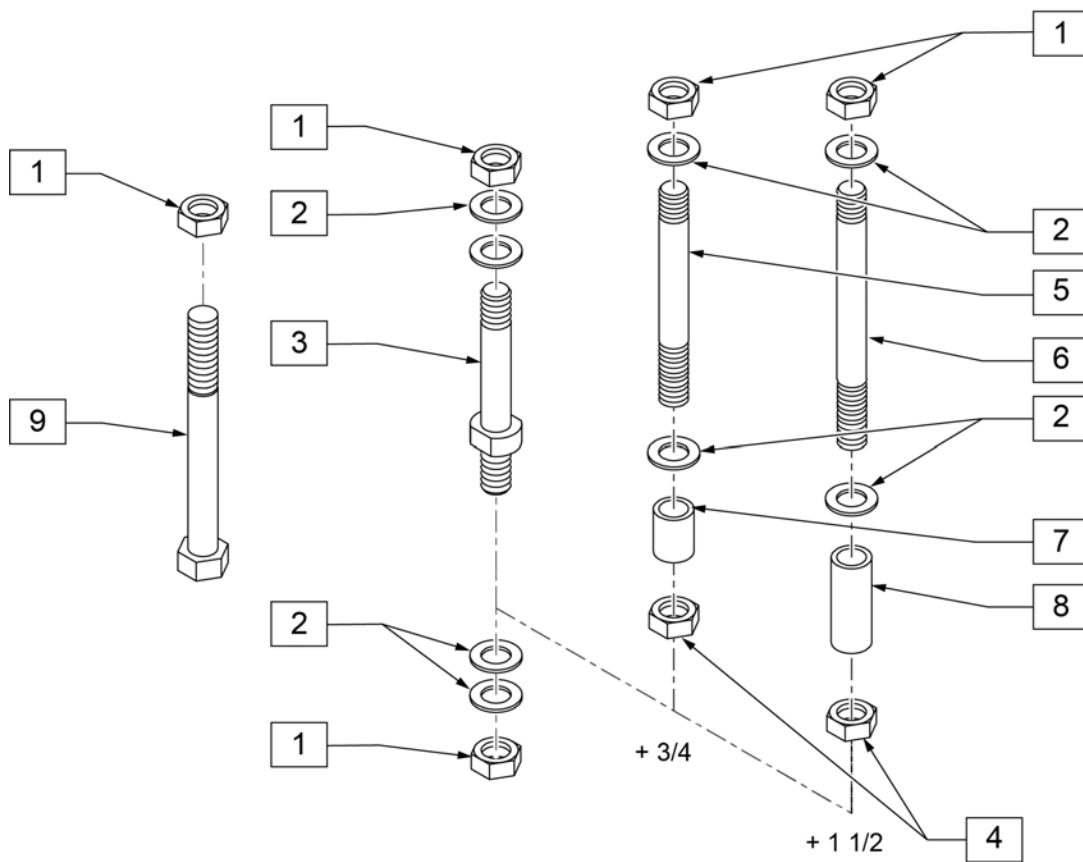
Pos.	Item Number	Description	Remarks
1B	780851	6 + 1 1/2 STEM PL W/ HDWR BLK	Left; w/ Caster Pin Lock
1B	780852	6 QR W/ HDWR O/S	w/ Quick Release Stem
1B	780853	6 QR PL W/ HDWR O/S	w/ Quick Release Stem
1C	780880	7 STD STEM W/ HDWR BLK	
1C	780882	7" STD STEM PL R W/HDWR BLK	Right; w/ Caster Pin Lock
1C	780883	7" STD STEM PL L W/HDWR BLK	Left; w/ Caster Pin Lock
1C	780884	7"+3/4 STEM W/HDWR BLK	
1C	780886	7"+3/4 STEM PL R W/HDWR BLK	Right; w/ Caster Pin Lock
1C	780887	7"+3/4 STEM PL L W/HDWR BLK	Left; w/ Caster Pin Lock
1C	780888	7"+1 1/2 STEM W/HDWR BLK	
1C	780890	7"+ 1 1/2 STEM PL R W/HDWR BLK	Right; w/ Caster Pin Lock
1C	780891	7"+ 1 1/2 STEM PL L W/HDWR BLK	Left; w/ Caster Pin Lock
1D	780950	3 1/4 GP STD STEM W/ STD HDWR	Slotted Fork
1E	780400	4 1/4 GP STD STEM W/ HDWR	Slotted Fork
1F	780814	5 1/4 GP STD STEM W/ HDWR	Slotted Fork
1F	780815	5 1/4 GP + 3/4 STEM W/ HDWR	Slotted Fork
1F	780816	5 1/4 GP + 1 1/2 STEM W/ HDWR	Slotted Fork
1F	780817	5 1/4 GP QR W/ HDWR O/S	Slotted Fork w/ Quick Release
1F	780819	5 1/4 GP STD STEM PL W/ HDWR	Right; Slotted Fork w/Caster Pin Lock
1F	780820	5 1/4 GP STD STEM PL W/ HDWR	Left; Slotted Fork w/Caster Pin Lock
1F	780822	5 1/4 GP + 3/4 STEM PL W/ HDWR	Right; Slotted Fork w/Caster Pin Lock
1F	780823	5 1/4 GP + 3/4 STEM PL W/ HDWR	Left; Slotted Fork w/Caster Pin Lock
1F	780825	5 1/4 GP + 1 1/2 STEM PL W/ HDWR	Right; Slotted Fork w/Caster Pin Lock
1F	780826	5 1/4 GP + 1 1/2 STEM PL W/ HDWR	Left; Slotted Fork w/Caster Pin Lock
1F	780827	5 1/4 GP QR	Slotted Fork w/ Quick Release Stem
1G	780852	6 QR W/ HDWR O/S	Slotted Fork w/ Quick Release Stem
1G	780853	6 QR PL W/ HDWR O/S	w/ Caster Pin Lock
1G	780854	6 GP STD STEM W/ HDWR	Slotted Fork
1G	780855	6 GP + 3/4 STEM W/ HDWR	Slotted Fork
1G	780856	6 GP + 1 1/2 STEM W/ HDWR	Slotted Fork
1G	780857	6 GP QR W/ HDWR O/S	Slotted Fork w/ Quick Release
1G	780859	6 GP STD STEM PL W/ HDWR	Right; Slotted Fork w/Caster Pin Lock
1G	780860	6 GP STD STEM PL W/ HDWR	Left; Slotted Fork w/Caster Pin Lock
1G	780862	6 GP + 3/4 STEM PL W/ HDWR	Right; Slotted Fork w/Caster Pin Lock
1G	780863	6 GP + 3/4 STEM PL W/ HDWR	Left; Slotted Fork w/Caster Pin Lock
1G	780865	6 GP + 1 1/2 STEM PL W/ HDWR	Right; Slotted Fork w/Caster Pin Lock
1G	780866	6 GP + 1 1/2 STEM PL W/ HDWR	Left; Slotted Fork w/Caster Pin Lock
1G	780867	6 GP QR PL W/ HDWR O/S	Slotted Fork w/ Quick Release
1H	780894	7 GP STD STEM W/ HDWR	Slotted Fork
1H	780895	7 GP + 3/4 STEM W/ HDWR	Slotted Fork
1H	780896	7 GP + 1 1/2 STEM W/ HDWR	Slotted Fork
1H	780897	7 GP QR W/ HDWR O/S	Slotted Fork w/ Quick Release
1H	780899	7 GP STD STEM PL W/ HDWR	Right; Slotted Fork w/Caster Pin Lock
1H	780900	7 GP STD STEM PL W/ HDWR	Left; Slotted Fork w/Caster Pin Lock
1H	780902	7 GP + 3/4 STEM PL W/ HDWR	Right; Slotted Fork w/Caster Pin Lock
1H	780903	7 GP + 3/4 STEM PL W/ HDWR	Left; Slotted Fork w/Caster Pin Lock
1H	780905	7 GP + 1 1/2 STEM PL W/ HDWR	Right; Slotted Fork w/Caster Pin Lock
1H	780906	7 GP + 1 1/2 STEM PL W/ HDWR	Left; Slotted Fork w/Caster Pin Lock
1H	780907	7 GP QR PL W/ HDWR O/S	Slotted Fork w/ Quick Release
1J	780951	3 1/4 GP STD STEM W/ HDWR	Slotted Fork
1J	780953	3 1/4 GP STD STEM PL W/ HDWR	Right
1J	780954	3 1/4 GP STD STEM PL W/ HDWR	Left
1J	780955	3 1/4 GP + 3/4 STEM W/ HDWR	Slotted Fork
1J	780957	3 1/4 GP + 3/4 STEM PL W/ HDWR	Right; Slotted Fork w/Caster Pin Lock
1J	780958	3 1/4 GP + 3/4 STEM PL W/ HDWR	Left; Slotted Fork w/Caster Pin Lock
1J	780959	3 1/4 GP 3D STEM W/ HDWR TI	Note: TI

Pos.	Item Number	Description	Remarks
1J	780960	3 1/4 GP + 1 1/2 STEM W/ HDWR	Slotted Fork
1J	780962	3 1/4 GP + 1 1/2 STEM PL W/ HDWR	Right; Slotted Fork w/Caster Pin Lock
1J	780963	3 1/4 GP + 1 1/2 STEM PL W/ HDWR	Left; Slotted Fork w/Caster Pin Lock
1K	780980	4 3/4" FRK STD STEM W/HDWR BLK	
1K	780981	4 3/4 STD STEM PL W/ HDWR BLK	Right
1K	780982	4 3/4 + 3/4 STEM W/ HDWR BLK	
1K	780983	4 3/4 + 3/4 STEM PL W/ HDWR BLK	Right
1K	780986	4 3/4 STD STEM PL W/ HDWR BLK	Left
1K	780987	4 3/4 + 3/4 STEM PL W/ HDWR BLK	Left
1K	780984	4 + 1 1/2 STEM W/ HDWR BLK	
1K	780985	4 + 1 1/2 STEM PL W/ HDWR BLK	Right
1K	780988	4 + 1 1/2 STEM W/ HDWR BLK	Left
1L	787111	8 x 2 FORK STANDARD STEM W/ HDWR	Fits 8" X 2" Casters only
1L	787112	8 x 2 + 3/4 STEM W/ HDWR	Fits 8" X 2" Casters only
1L	787113	8 x 2 + 1 1/2 STEM W/ HDWR	Fits 8" X 2" Casters only
2A	106939	5/16 - 24 NYLOCK NUT THIN	
2B	330005	5/16 - 24 NYLOCK NUT ALUMINUM	
3	481113	SPACER 5/16 x .380	
4A	106987	5/16 -24 x 2 1/2 HEX C/S	
4B	330110	5/16 - 24 x 2 1/2 HEX C/S TI	
5	106940	NUT NYLOCK THIN 1/2-20	
6	106949	1/2 AN WASHER FLAT	
7	222253	5/16 -24 x 3 1/4 HEX C/S	
8	106947	5/16 AN WASHER FLAT	

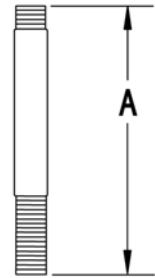
# CASTER STEMS

[10/2011]

**NOTE:** DISCONTINUED 10/24/2008 -PARTS ONLY FOR CHAIRS PRIOR TO SERIAL NUMBER LX-xxxxxx.



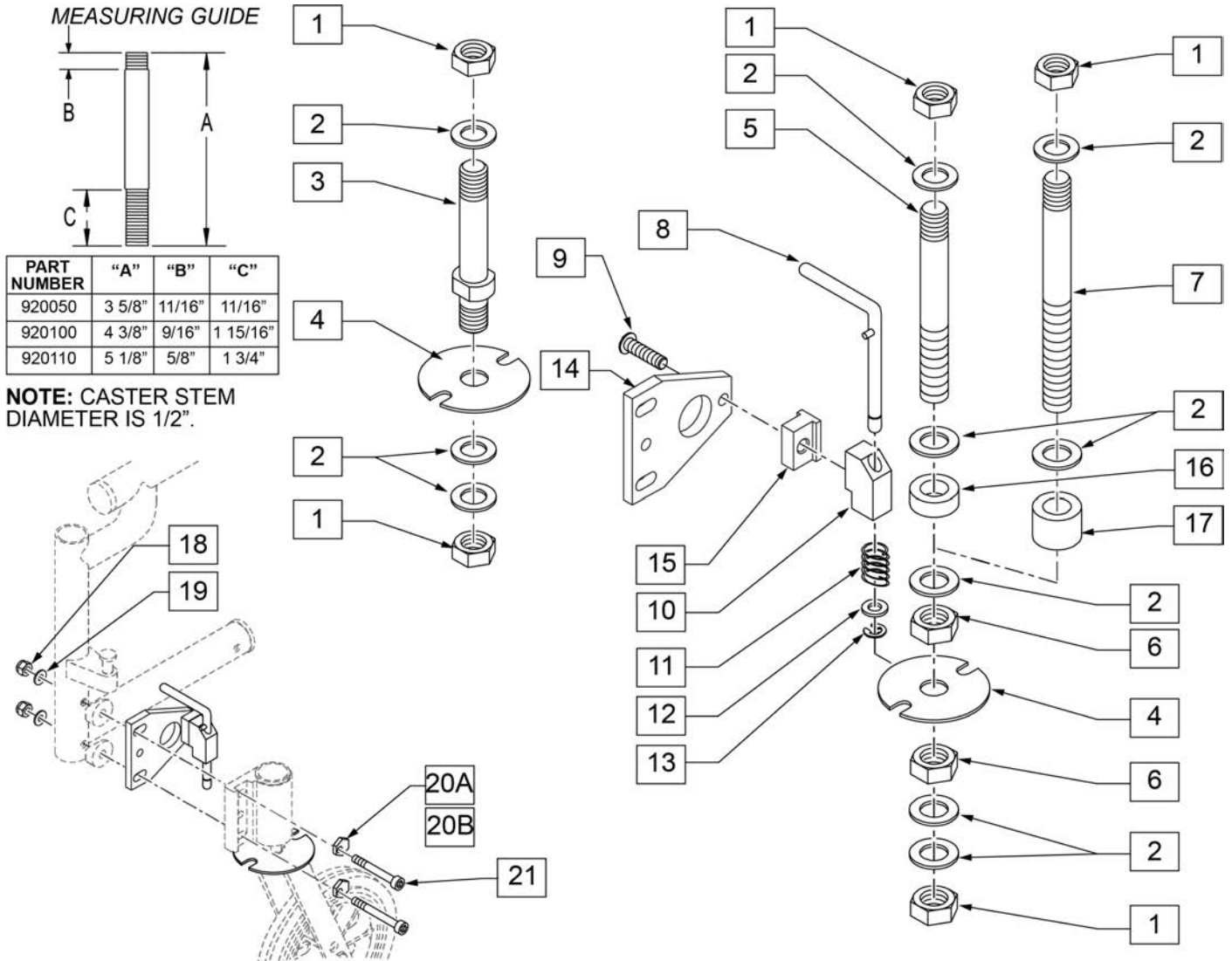
### MEASURING GUIDE



PART NUMBER	"A"
920050	3 5/8"
920100	4 3/8"
920110	5 1/8"

**NOTE:** CASTER STEM DIAMETER IS 1/2".

Pos.	Item Number	Description
1	106940	1/2 - 20 NYLOCK NUT
2	106949	1/2 AN WASHER FLAT
4	203110	1/2 - 20 JAM NUT
7	521560	+ 3/4" CASTER STEM SPACER BLK
8	521562	+ 1 1/2" CASTER STEM SPACER BLK
9	222292	1/2 - 20 x 4" GR 8 HEX C/S
1-3	920050	REG CASTER STEM W/ HARDWARE
1, 2, 4, 5, 7	920100	+ 3/4" CASTER STEM W/ HARDWARE BLK
1, 2, 4, 6, 8	920110	+ 1 1/2" CASTER STEM W/ HARDWARE BLK
1, 2, 9	920056	BL CASTER STEM W/ HARDWARE

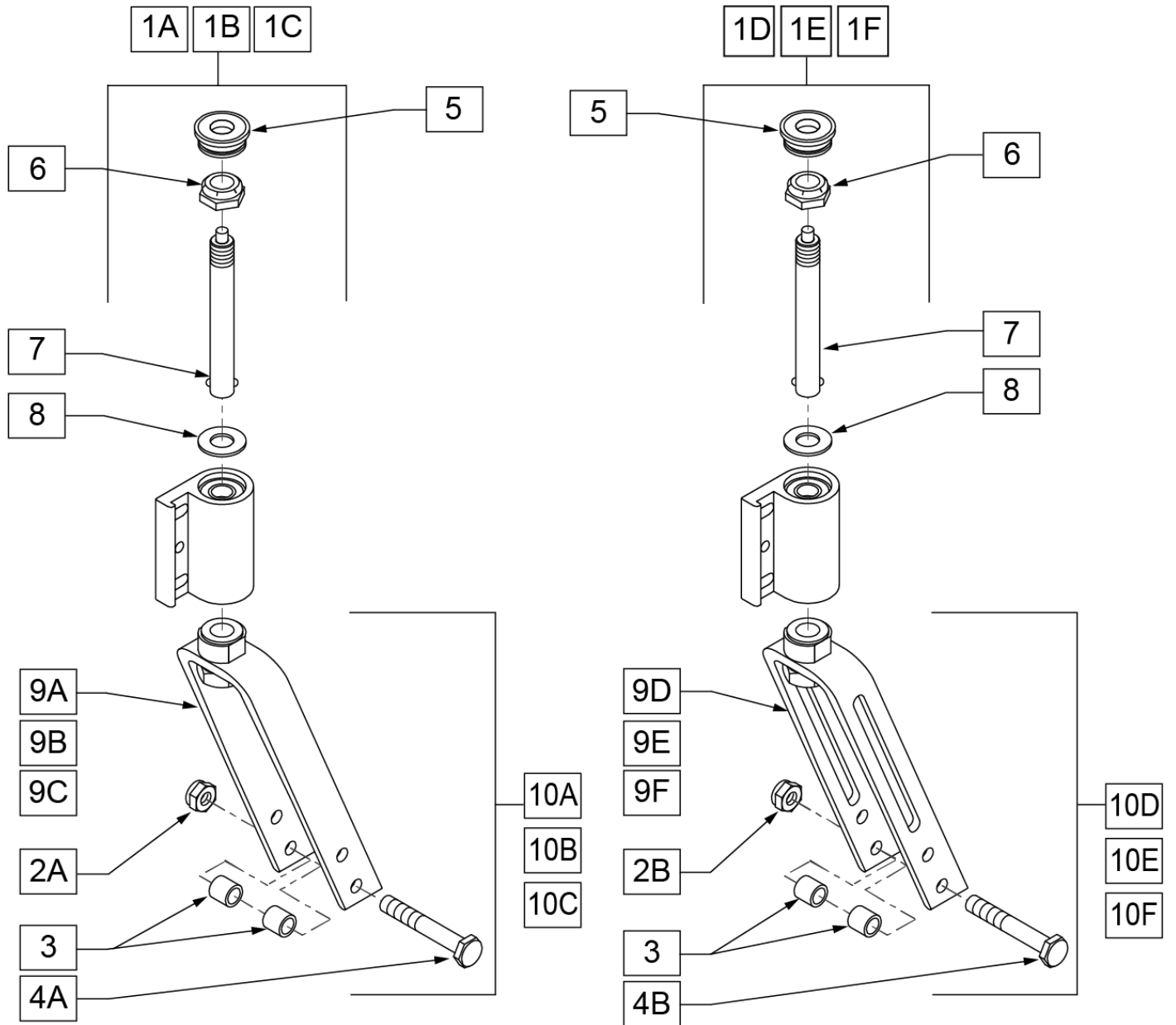


Pos.	Item Number	Description	Remarks
1	106940	1/2 - 20 NYLOCK NUT	
2	106949	1/2 AN WASHER FLAT	
4	505012	CASTER PIN LOCK PLATE	
6	203110	1/2 - 20 JAM NUT	
8	880761	PIN LOCK ARM W/ PIN S/A	Right
8	880762	PIN LOCK ARM W/ PIN S/A	Left
9	226168	1/4-28 x .875 BH C/S	
10	500262	CASTER PIN LOCK BLOCK S/A BLK	
11	321141	.650L x 6 COIL SPRING	
12	106943	1/4 AN WASHER FLAT	
13	342000	1/4" E-CLIP	
14	505667	PIN LOCK PLATE HI-ANGLE CASTER	
15	505666	PIN LOCK BLOCK HI-ANGLE CASTER	
16	521560	+3/4" CASTER STEM SPACER BLK	
17	521562	+1 1/2" CASTER STEM SPACER BLK	
1-4	920051	REG CASTER STEM P/L W/ HARDWARE	
1, 2, 4, 5, 6	920101	3/4" CASTER STEM P/L W/ HARDWARE	



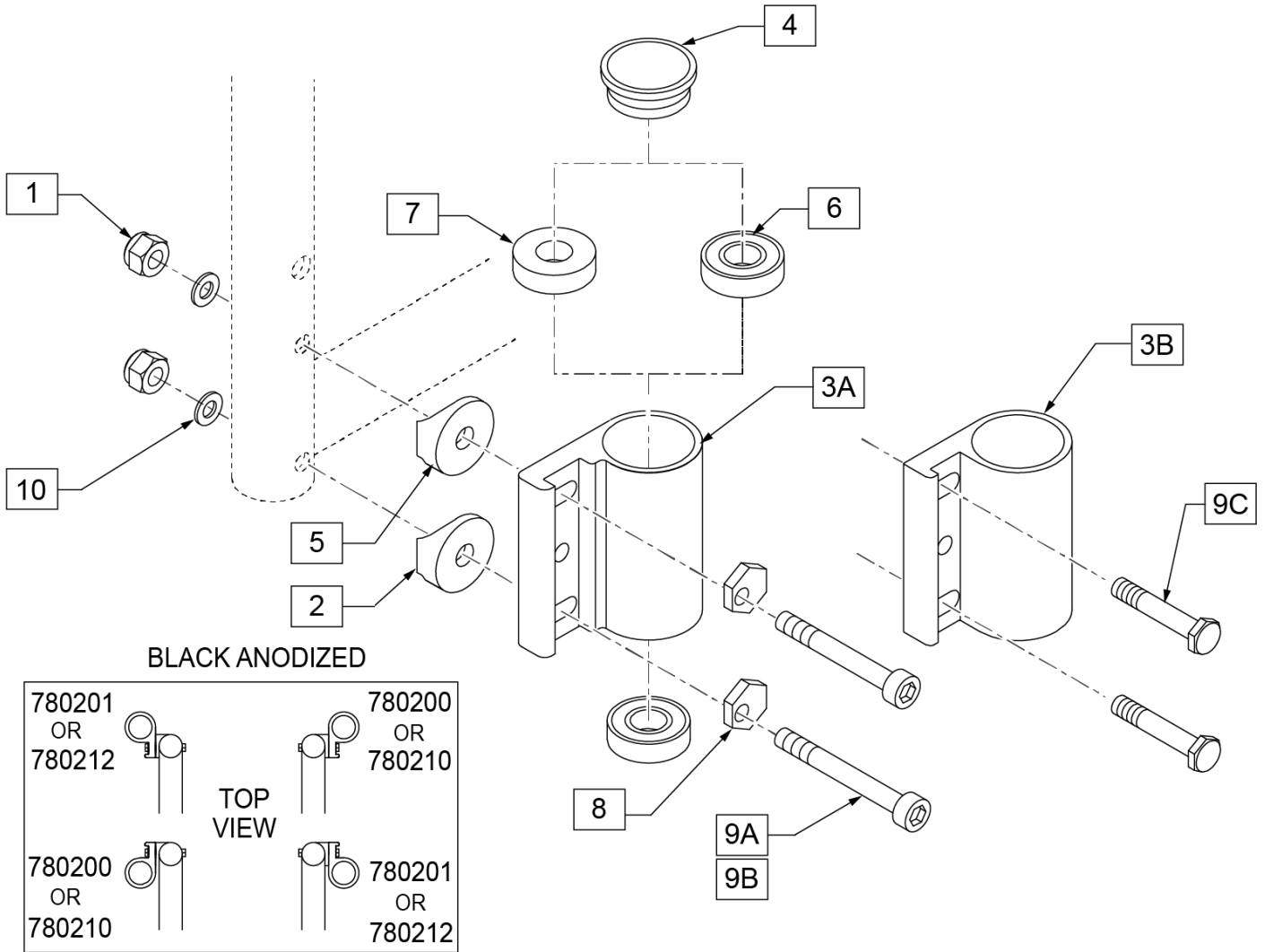
Pos.	Item Number	Description	Remarks
1, 2, 4, 6, 7	920111	1 1/2" CASTER STEM P/L W/ HARDWARE	
1, 2, 4-6, 8-13,16	900800	CASTER PIN LOCK W/ 3/4 STEM ASSM	
1, 2, 4, 6-13,17	900802	CASTER PIN LOCK W/ 1 1/2 STEM ASSM	
8,10-13	880750	CASTER PIN LOCK S/A	Right
8,10-13	880751	CASTER PIN LOCK S/A	Left
3,4,8,10-13	900806	CASTER PIN LOCK ASSM S/A OFF CHAIR	Pair
4,8,10-13	900807	CSTR PIN LOCK ASSM GP/GPV	Pair
		To Retro-fit Caster Pin Locks order 4 each of the following	
18	106941	NUT AUTOMATION 1/4 -28 ROHS	
19	106943	WASHER FLAT AN 1/4 ROHS	
20A	262128	WASHER ECCENTRIC HD 1/4 HOLE	
20B	481430	ECCENTRIC WASHER TRANSPORT	For High Angle Caster Plate
21	108791	SHCS 1/4-28 X 2-1/4" SHLDR (black)	

NOTE: Discontinued for LX/LXI as of 10/24/2008.



Pos.	Item Number	Description	Remarks
1A	780798	5 1/4" FORK AND STEM ASSM QR	
1B	780838	6" FORK AND STEM ASSM QR	
1C	780878	7" FORK AND STEM ASSM QR	
1D	780829	5 1/4" SLOTTED FORK AND STEM ASSM QR	
1E	780869	6" SLOTTED FORK AND STEM ASSM QR	
1F	780909	7" SLOTTED FORK AND STEM ASSM QR	
2A	106939	5/16 - 24 NYLOCK NUT THIN	
2B	330005	5/16 - 24 NYLOCK NUT ALUMINUM	
3	481113	SPACER 5/16 x .380	

Pos.	Item Number	Description	Remarks
4A	106987	5/16 - 24 x 2 1/2 HEX CS	
4B	330110	5/16 - 24 x 2 1/2 HEX CS TI	
5	561170	CASTER CAP PLASTIC WHOLE	
5	901021	CASTER HOUSING CAP W/HOLE	PAIR
6	106940	NUT NYLOCK THIN 1/2-20	
7	349006	QUICK RELEASE CASTER STEM	
8	106949	1/2 " AN WASHER FLAT	
6-8	920123	CASTER STEM W/ HARDWARE QR	
6-8	920127	CASTER STEM W/ HARDWARE SLOTTED QR	
9A	780592	5 1/4" FORK AND ADAPTER QU	
9B	780692	6" FORK AND ADAPTER QU	
9C	780792S	7" FORK AND ADAPTER QU	
9D	780593	5 1/4" SLOTTED FORK AND ADAPTER QU	
9E	780693	6" SLOTTED FORK AND ADAPTER QU	
9F	780793S	7" SLOTTED FORK AND ADAPTER QU	
10A	780797	5 1/4" FORK W/ HARDWARE QU	
10B	780837	6" FORK W/ HARDWARE QU	
10C	780877	7" FORK W/ HARDWARE QU	
10D	780828	5 1/4" SLOTTED FORK W/ HARDWARE QR	
10E	780868	6" SLOTTED FORK W/ HARDWARE QR	
10F	780908	7" SLOTTED FORK W/ HARDWARE QR	

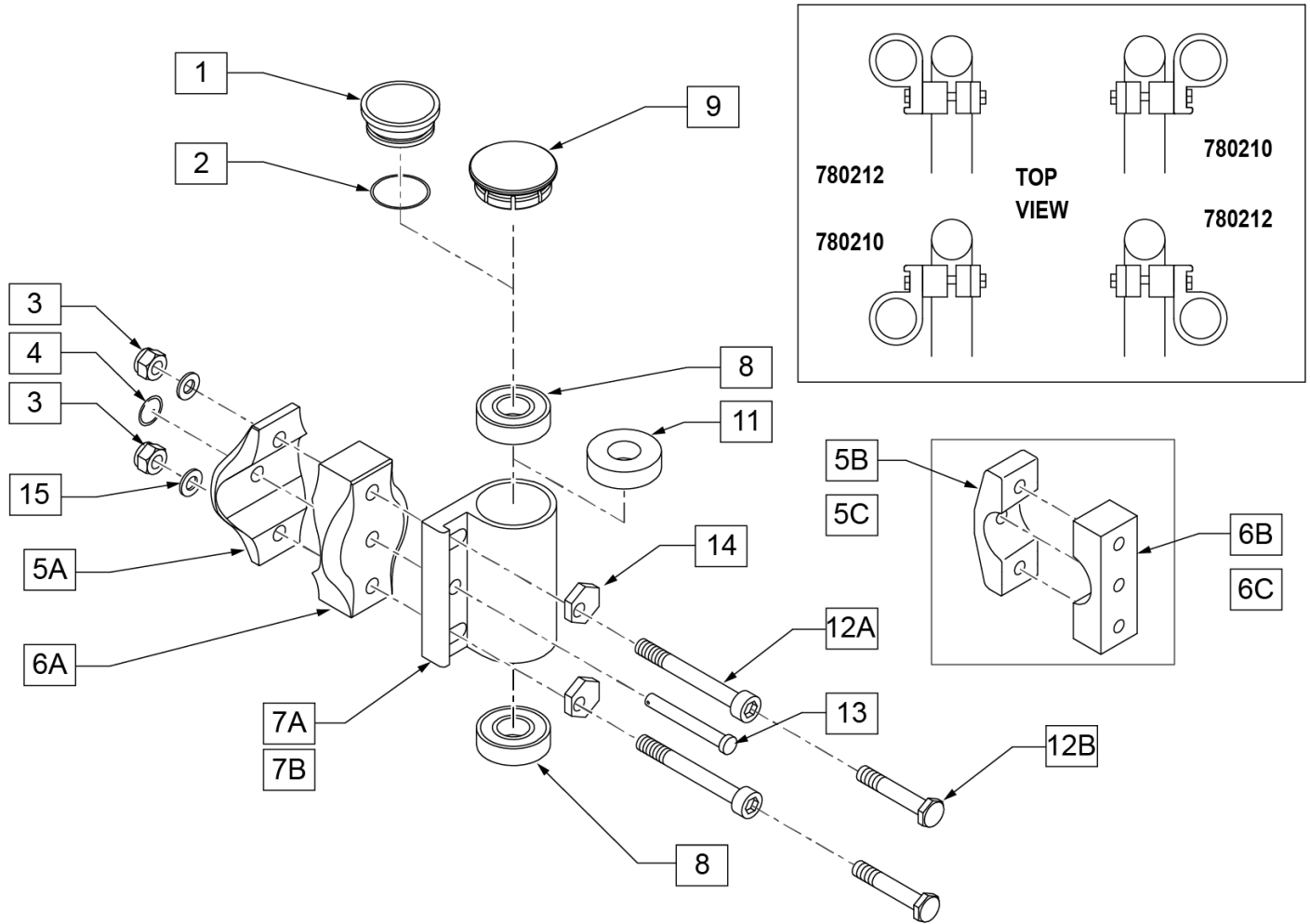


Pos.	Item Number	Description	Remarks
1	106941	NUT AUTOMATION 1/4 -28 ROHS	
2	561086	1" HALF SADDLE 1/4" HOLE	
4	561070	CASTER CAP PLASTIC	
4	920028	CASTER CAP PLASTIC	PAIR
5	561004	1" SADDLE 1/4" HOLE	
6	349500	1 1/8 x 1/2 BEARING	
7	561050	ANTI-FLUTTER BUSHING	USED W/ 8" CASTERS
8	262128	WASHER ECCENTRIC HD 1/4 HOLE	
9A	109809	SHCS 1/4 -28 x 2 ROHS	USED W/ NON-TRANSIT on Q2
9B	108791	SHCS 1/4 -28 x 2 1/4 SHLDR ROHS	USED W/ TRANSIT BRACKETS
9C	481017	1/4 -28 x 1.688 ECCENTRIC BOLT	USED W/ NON-TRANSIT on LX/LXI
10	106943	WASHER FLAT AN 1/4 ROHS	
1, 2, 4, 5, 8,9ABC,10	920474	CASTER PLATE HI ANGLE HARDWARE KIT	Includes bolts for standard and transit
3A, 6	780204	CASTER PLATE HI ANGLE DOUBLE BEARING	RIGHT - Effective on Q2 after 8/1/02; on LX/LXI TRANSIT 10/24/08.
3A, 6	780205	CASTER PLATE HI ANGLE DOUBLE BEARING	LEFT - Effective on Q2 after 8/1/02; on LX/LXI TRANSIT 10/24/08.

Pos.	Item Number	Description	Remarks
3A, 6, 7	780206	CASTER PLATE HI ANG R SNG BEARING	RIGHT- Effective on Q2 after 8/1/02; on LX/LXI TRANSIT 10/24/08.
3A, 6, 7	780207	CASTER PLATE HI ANG L SNG BEARING	LEFT - Effective on Q2 after 8/1/02; on LX/LXI TRANSIT 10/24/08.
3B,6	780210	CASTER PLATE R DBL BEARING BLK	RIGHT-Discontinued on Q2 chair 8/1/02
3B,6	780212	CASTER PLATE L DBL BEARING BLK	LEFT -Discontinued on Q2 chair 8/1/02
3B,6,7	780200	CASTER PLATE R SINGLE BEARING	RIGHT-Discontinued on Q2 chair 8/1/02
3B,6,7	780201	CASTER PLATE L SINGLE BEARING BLK	LEFT -Discontinued on Q2 chair 8/1/02

NOTE: Discontinued on Q2HP as of 08/01/2002.

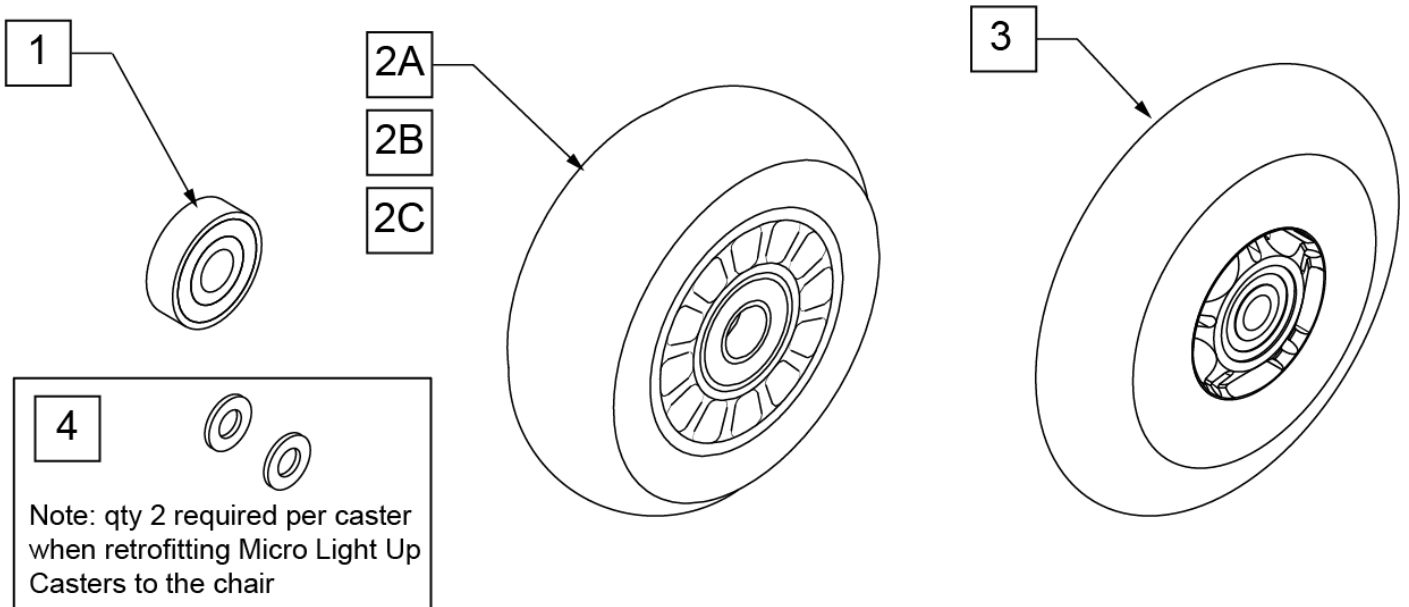
Note: 12A, 14 & 15 are used on Q2HP as of 8/1/02



Pos.	Item Number	Description	Remarks
1, 2	880554	CASTER CAP W/O RING ALUMINUM CLEAR	Item 2 used on Chairs prior to 4/99
2	342006	CASTER CAP O-RING RUBBER	Item 2 used on Chairs prior to 4/99
3	106941	1/4 - 28 AUTOMATION NUT	
4	349034	SAFETY COTTER	
5A	500306	INNER CLAMP HALF	
5B	550762	CASTER CLAMP LXJ RECESS	RIGHT
5C	550763	CASTER CLAMP LXJ RECESS	LEFT
6A	500307	OUTER CLAMP HALF	
6B	550760	CASTER CLAMP LXJ	RIGHT
6C	550761	CASTER CLAMP LXJ	LEFT
8	349500	1 1/8 x 1/2 BEARING	
9	561070	CASTER CAP PLASTIC	

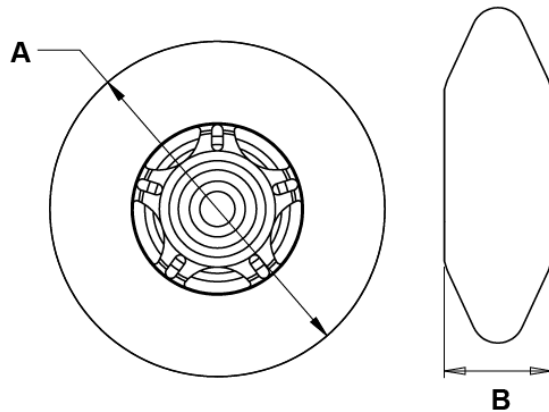
Pos.	Item Number	Description	Remarks
9	920028	CASTER CAP PLASTIC	PAIR
11	561050	ANTI-FLUTTER BUSHING	USED WITH 8" CASTERS
12A	225204	1/4-28 X 2 SOC HD C/S	Used on High Angle Caster Plate
12B	481017	1/4 - 28 x 1.688 ECCENTRIC BOLT	Discontinued on chair 8/1/02
13	349027	1/4 x 2 CLEVIS PIN	
14	262128	WASHER ECCENTRIC HD 1/4IN HOLE	Used on High Angle Caster Plate
15	106943	WASHER FLAT AN 1/4 ROHS	Used on High Angle Caster Plate
7A, 8	780210	CASTER PLATE DOUBLE BEARING BLK	RIGHT-Discontinued on chair 8/1/02
7A, 8	780212	CASTER PLATE DOUBLE BEARING BLK	LEFT-Discontinued on chair 8/1/02
7A, 8, 11	780200	CASTER PLATE SINGLE BEARING BLK	RIGHT-Discontinued on chair 8/1/02
7A, 8, 11	780201	CASTER PLATE SINGLE BEARING BLK	LEFT-Discontinued on chair 8/1/02
7B,8	780204	CASTER PLATE HI ANG R DBL BRNG	RIGHT-Effective on chair 8/1/02
7B,8	780205	CASTER PLATE HI ANG L DBL BRNG	LEFT-Effective on chair 8/1/02
7B,7,11	780206	CASTER PLATE HI ANG R SNG BRNG	RIGHT-Effective on chair 8/1/02
7B,7,11	780207	CASTER PLATE HI ANG L SNG BRNG	LEFT-Effective on chair 8/1/02
3-9, 12B, 13	780060	CASTER PLATE GP COMPLETE BLK	RIGHT-Discontinued on chair 8/1/02
3-9, 12B, 13	780061	CASTER PLATE GP COMPLETE BLK	LEFT-Discontinued on chair 8/1/02

**Note:** to ensure that the lights will function in the Micro Light Up Caster, qty 2 each of p/n 106947 will be required per caster when retrofitting Micro Light Up Casters to the chair.



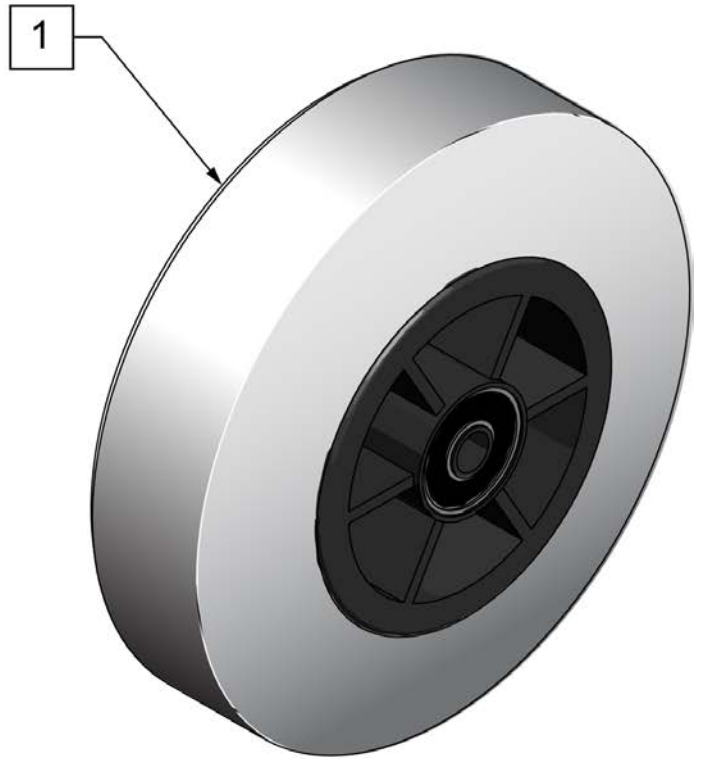
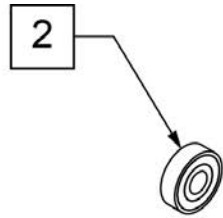
**CASTER MEASURING GUIDE**

PART NUMBER	"A" TIRE DIAMETER	"B" HUB WIDTH
400108	4.0	1.0
400107	3.0	1.0
052129	4.7	1.0



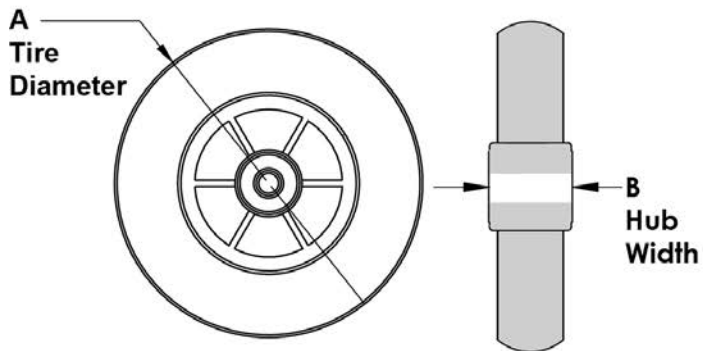
Pos.	Item Number	Description	HPCP	Remarks
1	349502	7/8"x 5/16" BEARING		
2A	400108	4" MICRO CASTER LIGHTED	K0077	4" MICRO LIGHTED
2B	920025	3" MICRO CASTER W/ BEARING -PAIR	K0077	PAIR 3" MICRO
2C	400107	3" MICRO CASTER LIGHTED	K0077	3" MICRO LIGHTED
3	052129	5" MICRO CASTER LIGHTED	K0077	5" MICRO LIGHTED
4	106947	WASHER FLAT THIN AN 5/16 ROH		





**CASTER  
MEASURING GUIDE**

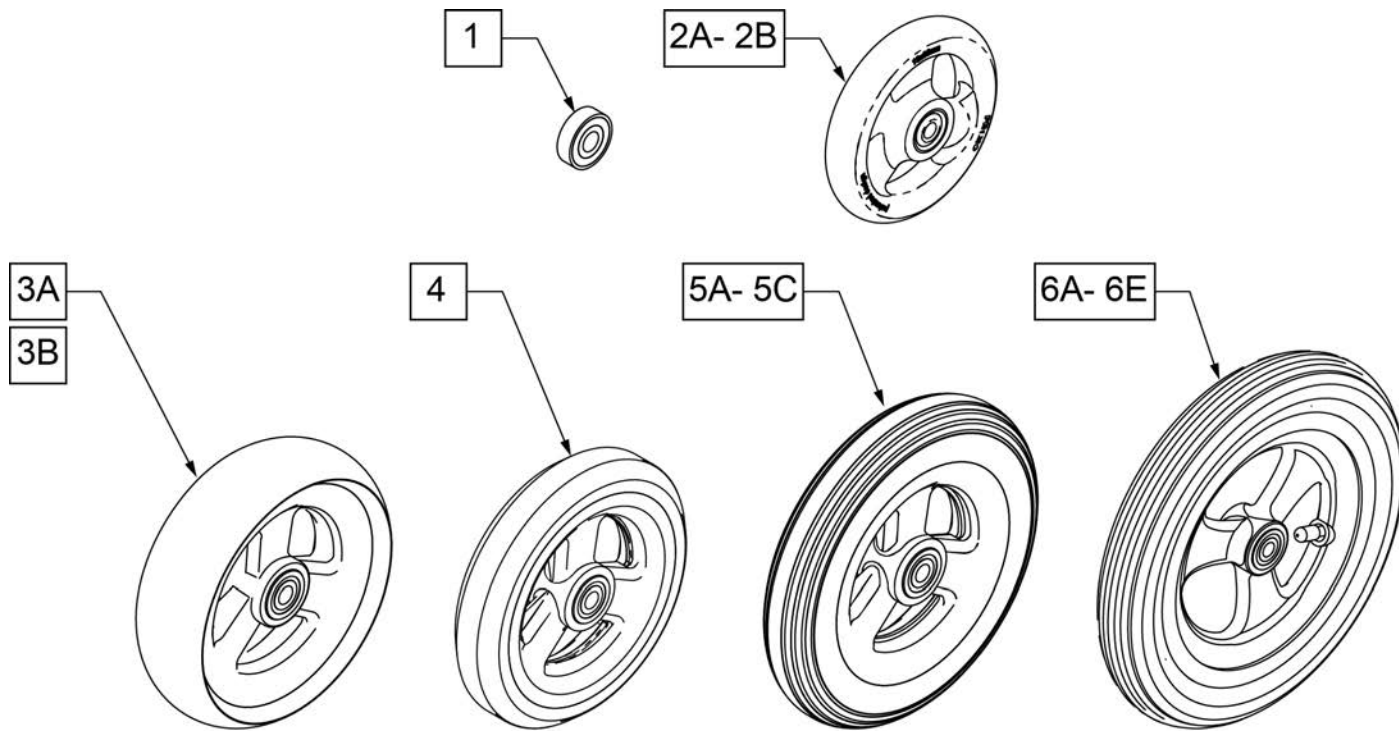
"A" TIRE DIAMETER	"B" HUB WIDTH
4.9"	1.5"



Pos.	Item Number	Description	HPCP	Remarks
1	400103	CASTER 5" SOFT ROLL W/BRNGS	K0077	5" SOFT ROLL SEMI PNEU (GREY)
2	349502	7/8"x 5/16" BEARING		

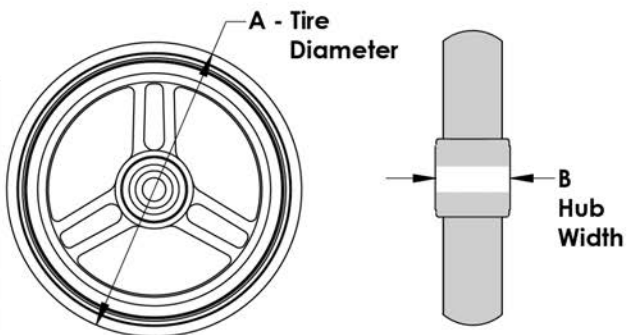
NOTE: 7" and 8" Casters are not available with Integral Bearing Forks.

Note: When 6" casters or larger casters are used, Anti Flutter Kit must be installed. See Standard Multi Position Fork page.

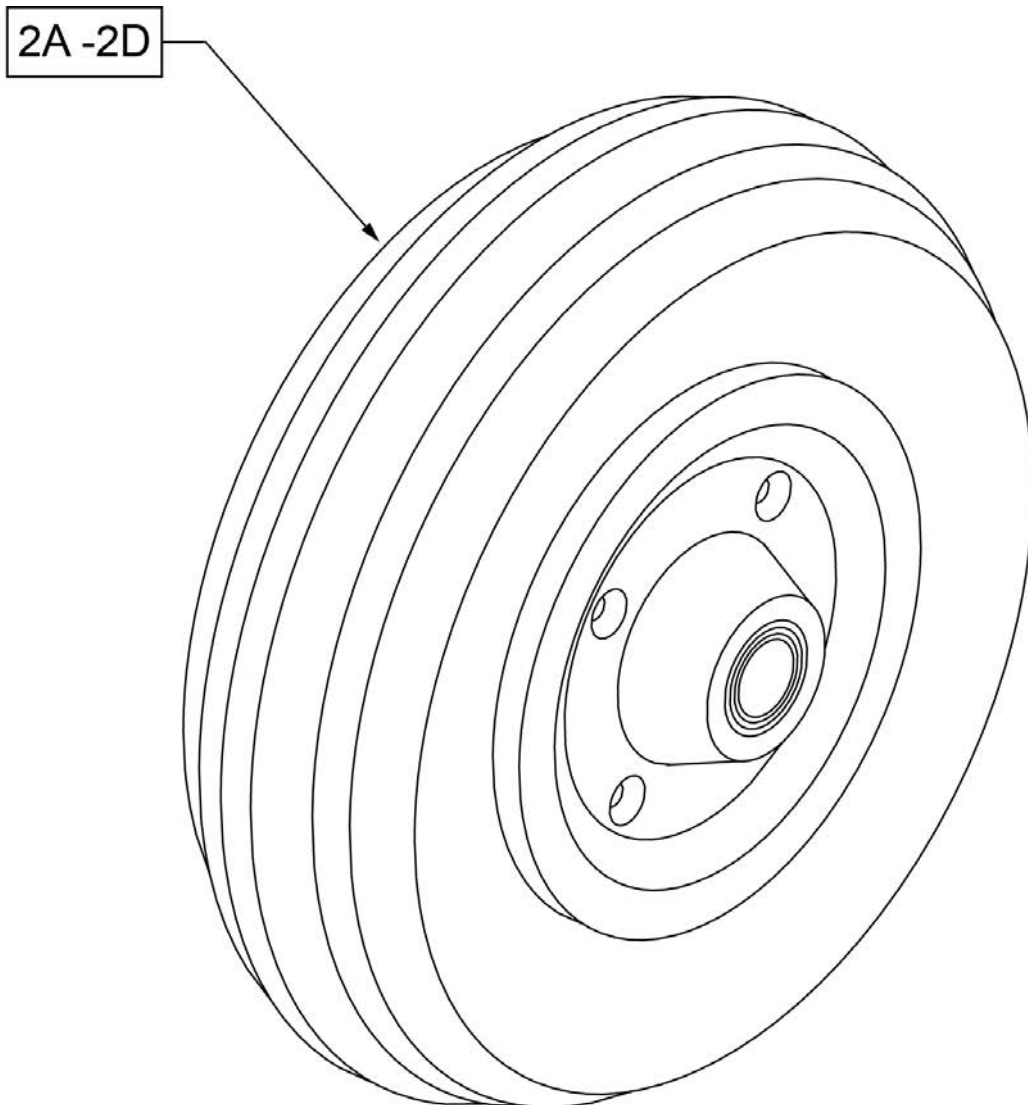
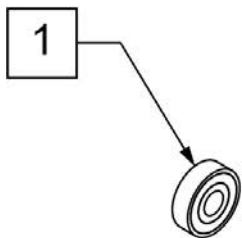


**CASTER  
MEASURING GUIDE**

PART NUMBER	"A" TIRE DIAMETER	"B" HUB WIDTH	PART NUMBER	"A" TIRE DIAMETER	"B" HUB WIDTH
101957	4.3	1.0	101256	5.75	1.0
101098	4.0	1.0	101257	5.9	1.0
101259	4.9	1.0	400212	8.0	1.0
101255	5.7	1.0	400213	7.8	1.0
101254	4.9	1.0	400214	6.9	1.0
			400215	7.25	1.0



Pos.	Item Number	Description	Remarks
1	349502	7/8"x 5/16" BEARING	
2A	101957	4"X1-1/4 POLY 3 SPOKE CSTR	4" X 1.25 SEMI-PNEUMATIC
2B	101098	CASTER 4" PLASTIC/POLY W/BRG	4" LOW PROFILE POLY
3A	101259	5"X1-1/2" POLY 3 SPOKE CSTR	5" x 1.5" SEMI-PNEUMATIC
3B	101255	6"X1-1/2" POLY 3 SPOKE CSTR	6" x 1.5" SEMI-PNEUMATIC
4	101254	5" LOW POLY 3 SPOKE CASTER	5" LOW PROFILE POLY
5A	101256	6" SEMI PNEU 3 SPOKE CASTER	6" POLY
5B	101257	6" PNEUMATIC 3 SPOKE CASTER	6" PNEUMATIC
5C	383245	6" PNEUMATIC TIRE & TUBE	
6A	400212	CASTER 8" PNEU 3 SPK ASSM	8" PNEUMATIC
6B	400213	CASTER 8" POLY 3 SPK ASSM	8" POLY
6C	400214	CASTER 7" LOW POLY 3 SPK ASSM	7" x LOW PROFILE POLY
6D	383255	8" PNEUMATIC TIRE & TUBE	
6E	400215	CASTER 8" WIDE POLY 3 SPK ASSM	8" x 1.5" LOW POLY

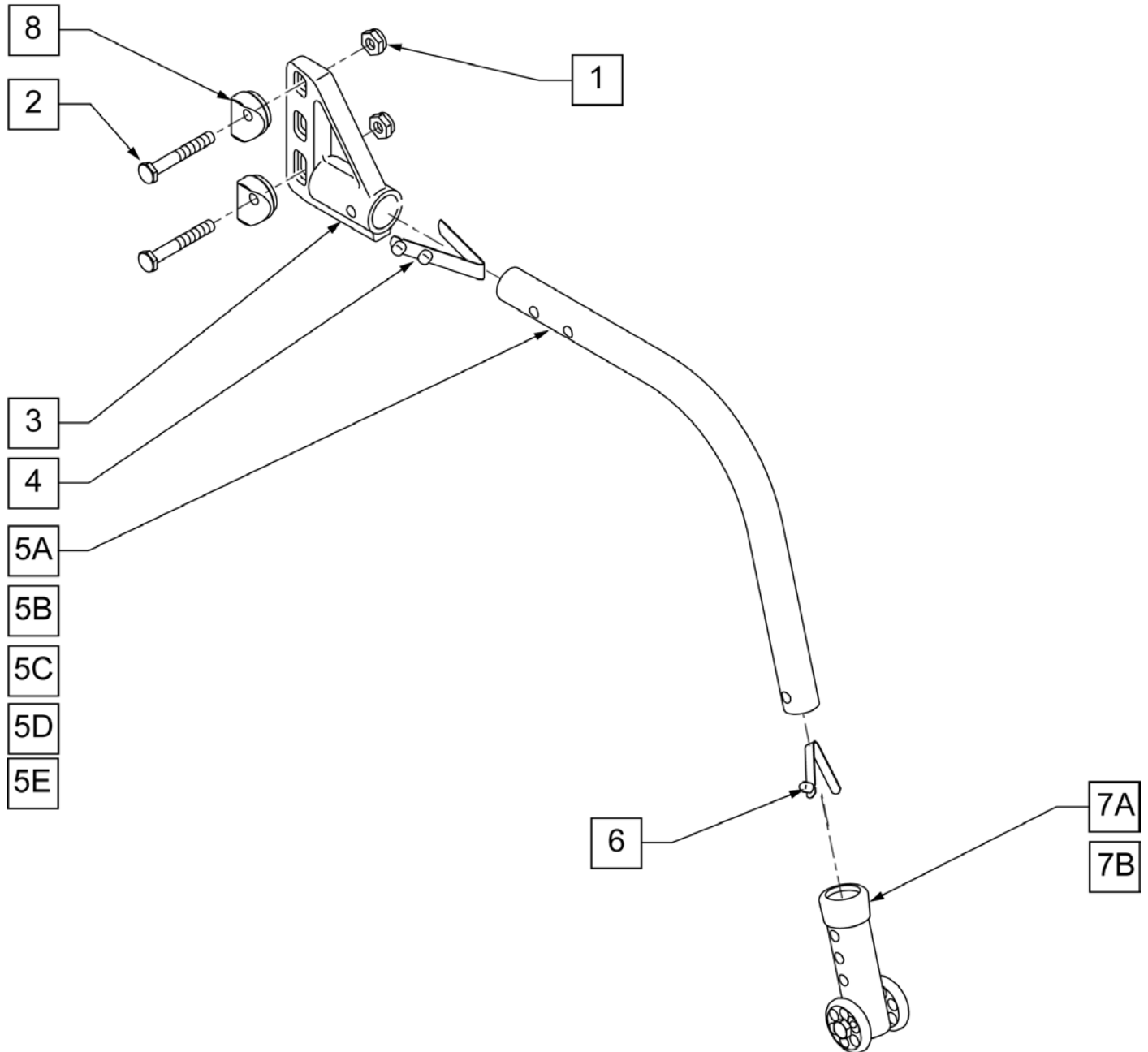


**CASTER  
MEASURING GUIDE**

TIRE DIAMETER	HUB WIDTH
8"	2.6"

Pos.	Item Number	Description	Remarks
1	349502	7/8"x 5/16" BEARING	
2A	400700	8" X 2" CMPST W/PNEU & BEARING	8" x 2" PNEUMATIC
2B	400702	8" X 2" CMPST W/PNEU INSRT&BRG	8" x 2" PNEUMATIC W/ INSERT
2C	384700	TIRE PNEUMATIC 8" x 2"	
2D	384730	INNER TUBE CASTER 8" x 2"	

NOTE: WHEN ANTI TIPS ARE COMBINED WITH PADDED SWING AWAY ARMS, THE ANTI TIP RECEIVER MUST BE MOUNTED TO THE OUTSIDE OF THE AXLE PLATE. WITH OUT PADDED SWING AWAY ARMS THE ANTI TIP RECEIVER SHOULD BE MOUNTED TO THE INSIDE OF THE FRAME RAIL.



Pos.	Item Number	Description	Remarks
1	106934	1/4-28 NYLOCK NUT	
2	109265	1/4-28 x 2 1/2 G8 HEX C/S	
3	920407	ANTI-TIP RECEIVERS	PAIR
4	301109	SNAP BUTTON DUAL ONE SIDE	

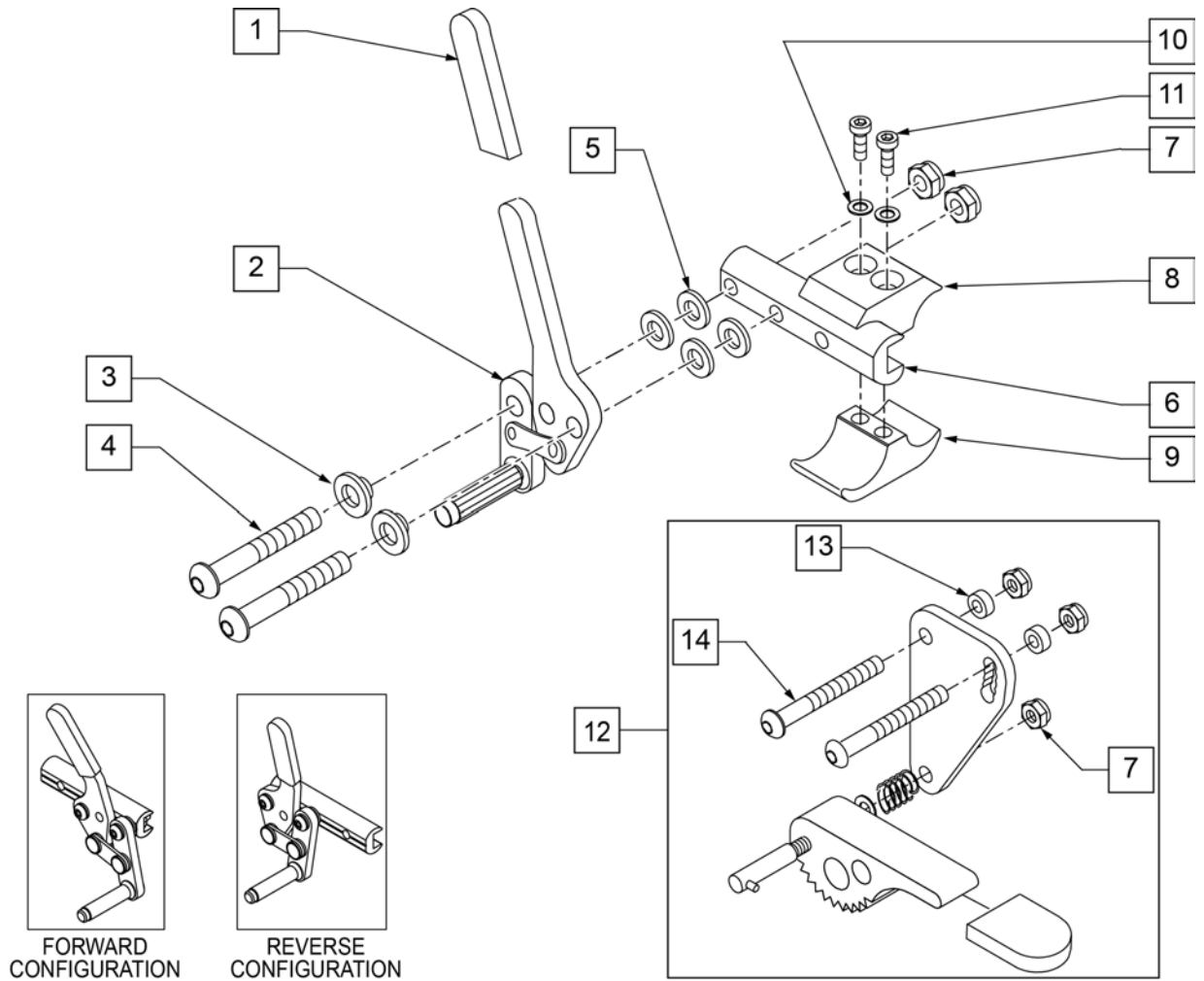
Pos.	Item Number	Description	Remarks
4,5A,6	882964	ANTI-TIP TUBE SMALL BLACK	RIGHT
4,5A,6	882965	ANTI-TIP TUBE SMALL BLACK	LEFT
4,5B,6	882896	ANTI-TIP TUBE REGULAR BLACK	RIGHT
4,5B,6	882897	ANTI-TIP TUBE REGULAR BLACK	LEFT
4,5C,6	882966	ANTI-TIP TUBE EXTENDER SMALL BLACK	RIGHT
4,5C,6	882967	ANTI-TIP TUBE EXTENDER SMALL BLACK	LEFT
4,5D,6	882974	ANTI-TIP TUBE EXTENDER REGULAR BLACK	RIGHT
4,5D,6	882975	ANTI-TIP TUBE EXTENDER REGULAR BLACK	LEFT
6	301100	SNAP BUTTON 1/4" SINGLE	
7A	881512	ANTI-TIP SLEEVE W/WHEELS BLK (4H)	
7B	881513	ANTI-TIP SLEEVE W/WHEELS BLK (5H)	
8	561001	1 1/8" SADDLE 1/4" HOLE	N/A W/ XTENDER
4,5A,6,7A	882906	ANTI-TIP ASSM SMALL BLACK	RIGHT- 20",22" (STD or DOUBLE AXLE PLATE)
4,5A,6,7A	882907	ANTI-TIP ASSM SMALL BLACK	LEFT- 20",22" (STD or DOUBLE AXLE PLATE)
4,5B,6,7A	882900	ANTI-TIP ASSM REGULAR BLACK	RIGHT- 24",25" (STD or DOUBLE AXLE PLATE)
4,5B,6,7A	882901	ANTI-TIP ASSM REGULAR BLACK	LEFT- 24",25" (STD or DOUBLE AXLE PLATE)
4,5C,6,7A	882908	ANTI-TIP ASSM SMALL EXTENDER BLACK	RIGHT- 20",22" (AMPUTEE AXLE PLATE)
4,5C,6,7A	882909	ANTI-TIP ASSM SMALL EXTENDER BLACK	LEFT- 20",22" (AMPUTEE AXLE PLATE)
4,5D,6,7A	882910	ANTI-TIP ASSM REGULAR EXTENDER BLACK	RIGHT- 24",25" (AMPUTEE AXLE PLATE)
4,5D,6,7A	882911	ANTI-TIP ASSM REGULAR EXTENDER BLACK	LEFT- 24",25" (AMPUTEE AXLE PLATE)
4,5D,6,7B	882922	ANTI-TIP ASSM REG XTENDER W/ LONG SLEEVE BLACK	RIGHT- 24"-26" (AMPUTEE AXLE PLATE)
4,5D,6,7B	882923	ANTI-TIP ASSM REG XTENDER W/ LONG SLEEVE BLACK	LEFT- 24"-26" (AMPUTEE AXLE PLATE)
4,5E,6,7B	881128	ANTI-TIP ASSM MED RT BLK	RIGHT XTENDER ONLY
4,5E,6,7B	881129	ANTI-TIP ASSM MED LT BLK	LEFT XTENDER ONLY
4,5A,6,7A	900701	ANTI-TIP ASSM SMALL	PAIR
4,5B,6,7A	900703	ANTI-TIP ASSM REGULAR	PAIR
4,5C,6,7A	900696	ANTI-TIP ASSM SMALL EXTEND	PAIR
4,5D,6,7A	900697	ANTI-TIP ASSM REGULAR EXTEND	PAIR
1-4,5A,6,7A	900830	ANTI-TIP ASSM SMALL W/ RECEIVER BLACK	PAIR
1-4,5B,6,7A	900832	ANTI-TIP ASSM REGULAR W/ RECEIVER BLACK	PAIR
1-4,5C,6,7A	900831	ANTI-TIP ASSM SMALL EXTENDER W/ RECEIVER BLACK	PAIR
1-4,5D,6,7A	900833	ANTI-TIP ASSM REGULAR EXTENDER W/ RECEIVER BLACK	PAIR
4,5A,6,7B	900241	ANTI TIP ASSM 5-HOLE HEMI BR	PAIR
4,5B,6,7B	900709	ANTI-TIP ASSM REG W/LNG SLEEVE	PAIR
1-4,5A,6,7B	900791	A/T ASSM 5-HOLE W/REC HEMI BR	PAIR
1-4,5B,6,7B	900714	ANTI-TIP LONG SLEEVE W/ RECEIVER	PAIR
1-4,5D,6,7B	900835	ANTI-TIP REGULAR EXTENDER W/ LONG SLEEVE BLACK	PAIR

# WHEEL LOCK PUSH TO LOCK (QUICKIE STYLE)

[03/18/2020]

**Note:** Quickie Style Wheel Locks are not offered on the Breezy 600 but will mount directly using the Wheel Lock Clamp.

**Note:** the Wheel Locks for Chair or Replacement Part orders shipped on or after 6/27/17 have upgraded mounting hardware; please replace in pairs for chairs ordered prior to 6/27/17.



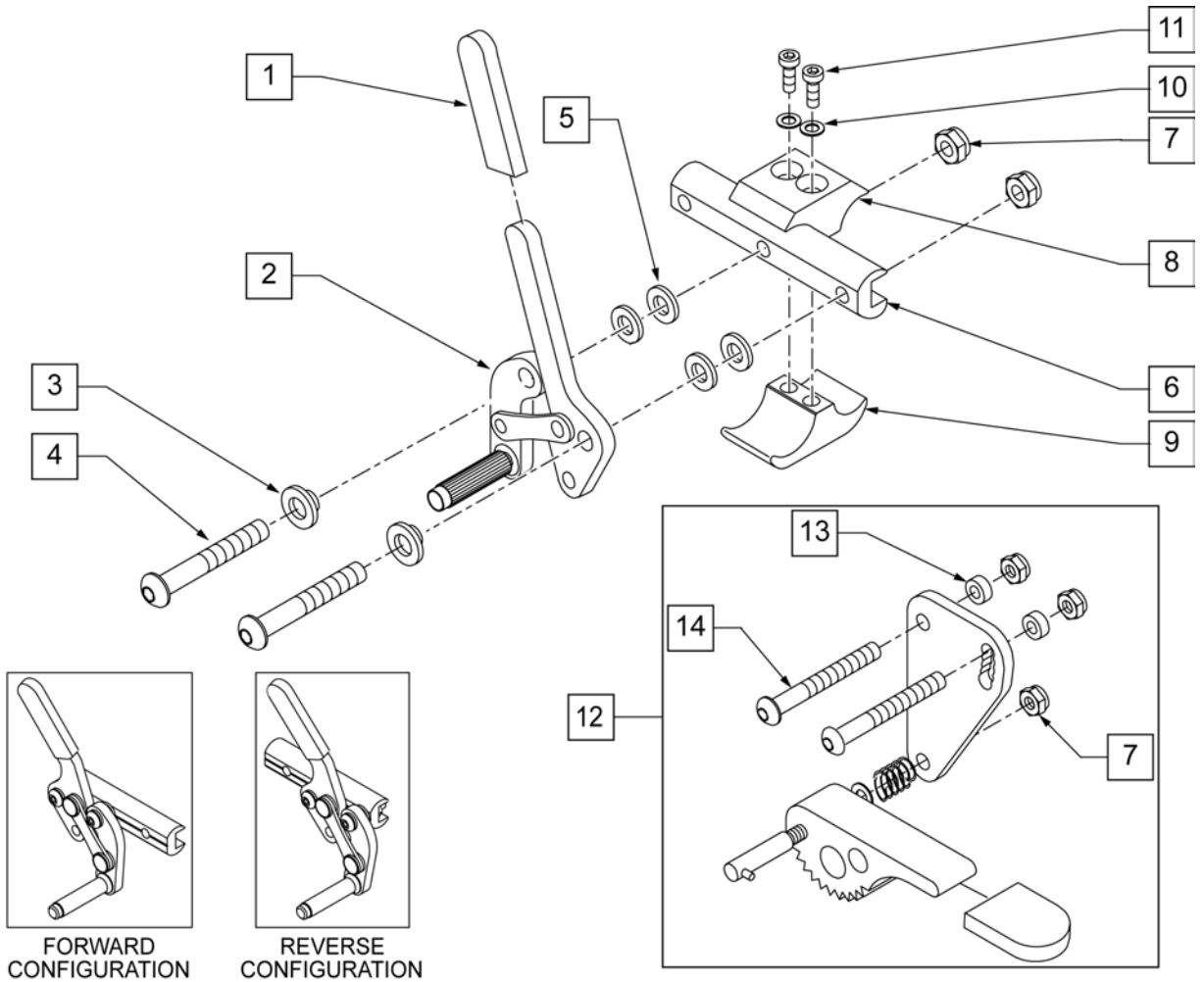
Pos.	Item Number	Description	Remarks
1	560500-QU	HB PLASTIC COVER	
1,2	881748	WHEEL LOCK ASSM R PUSH	
1,2	881749	WHEEL LOCK ASSM L PUSH	
3	560126	.250 ID .312 OD BUSHING PLASTIC	
4	226125	1/4-28 X 1 1/8 BH C/S	
5	561028	1/4" NYLON WASHER	
6	550374	WHEEL LOCK SLIDE BLOCK 3 1/2" BLK	3.5" long
7	106941	1/4-28 AUTOMATION NUT	
8	550659	CLAMP 1 1/4" RECESS HALF BLK	
9	550658	CLAMP 1 1/4" THREADED BLK	
10	107367	WASHER LOCK HI COLLAR 1/4 ROHS	

Pos.	Item Number	Description	Remarks
11	107032	SHCS 1/4-28 X 1 ROHS	
12	880916	GRADE AID PLATE W/WHL & HDWR R	
12	880917	GRADE AID PLATE W/WHL & HDWR L	
6,12	880912	GRADE AID ASSM BLK R N/CLAMP	
6,12	880913	GRADE AID ASSM BLK L N/CLAMP	
13	483027	1/4 x 1/4 ALUMINUM SPACER BLK	
14	226130	1/4-28 x 1 1/2 BH C/S	
8-11	107639	WHL LCK CLMP ASM	
8-12	880914	GRADE AID ASSM BLK R W/CLAMP	
8-12	880915	GRADE AID ASSM BLK L W/CLAMP	
1-7	883010	WHL LOCK PUSH R W/O CLMP BLK	FORWARD CONFIG.
1-7	883011	WHL LOCK PUSH L W/O CLMP BLK	FORWARD CONFIG.
1-7	881762	WHL LOCK PUSH R REV N/ CLMP BLK	REVERSE CONFIG.
1-7	881763	WHL LOCK L PUSH REV N/ CLMP BLK	REVERSE CONFIG.
1-11	881965	WHL LOCK PUSH R W/ CLMP BLK	FORWARD CONFIG.
1-11	881966	WHL LOCK PUSH L W/ CLMP BLK	FORWARD CONFIG.
1-11	881973	WHL LOCK PUSH R REV W/CLMP BLK	REVERSE CONFIG.
1-11	881974	WHL LOCK PUSH L REV W/CLMP BLK	REVERSE CONFIG.
1-11	901551	WHEEL LOCK PUSH W/CLAMP BLK	PAIR, FORWARD CONFIG.
1-11	901542	WHEEL LOCK PUSH REV W/CLAMP BLK	PAIR, REVERSE CONFIG.
1-11,12	901557	WHEEL LOCK PUSH W/GRADE AID W/CLAMP BLK	PAIR
1-11,12	881969	WHL LOCK R PUSH W/ G.A. W/CLMP BLK	
1-11,12	881970	WHL LOCK L PUSH W/ G.A. W/CLMP BLK	
1-7,12	881754	WHL LOCK R PUSH W/G.A. N/ CLMP BLK	
1-7,12	881755	WHL LOCK L PUSH W/G.A. N/ CLMP BLK	



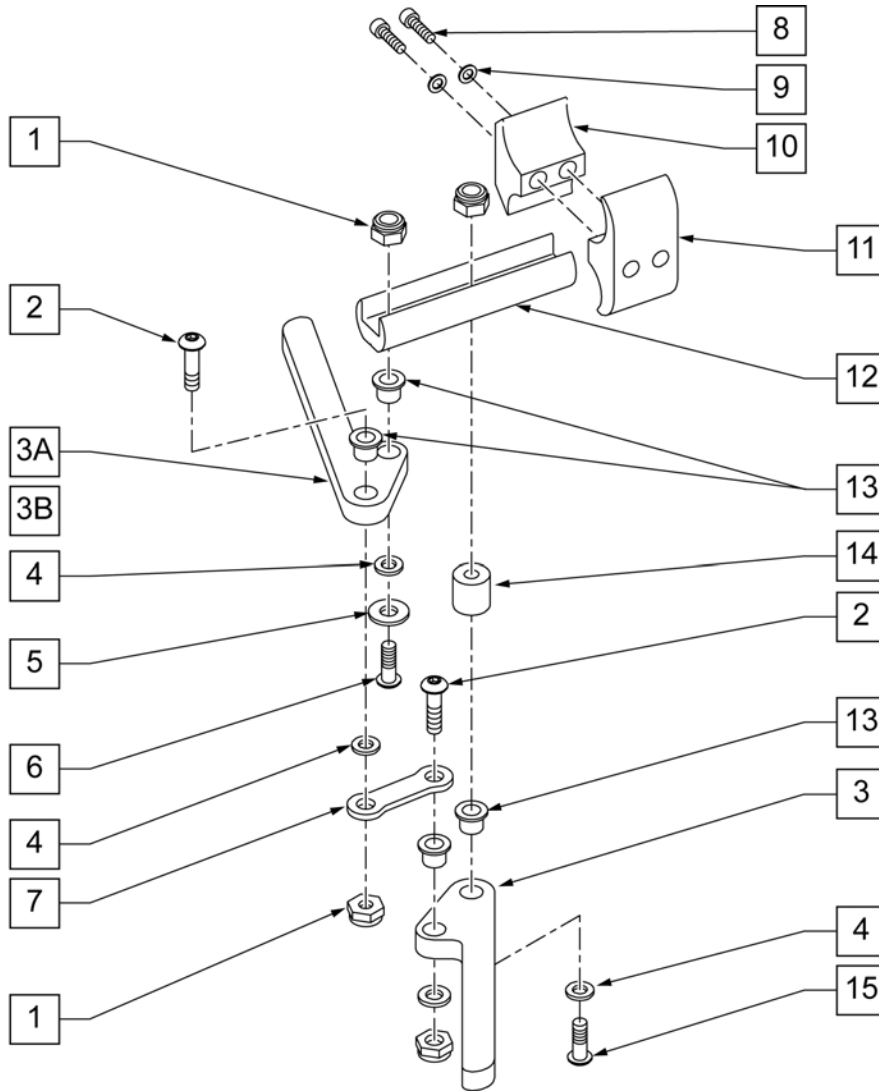
**Note:** Quickie Style Wheel Locks are not offered on the Breezy 600 but will mount directly using the Wheel Lock Clamp.

**Note:** the Wheel Locks for Chair or Replacement Part orders shipped on or after 6/27/17 have upgraded mounting hardware; please replace in pairs for chairs ordered prior to 6/27/17.



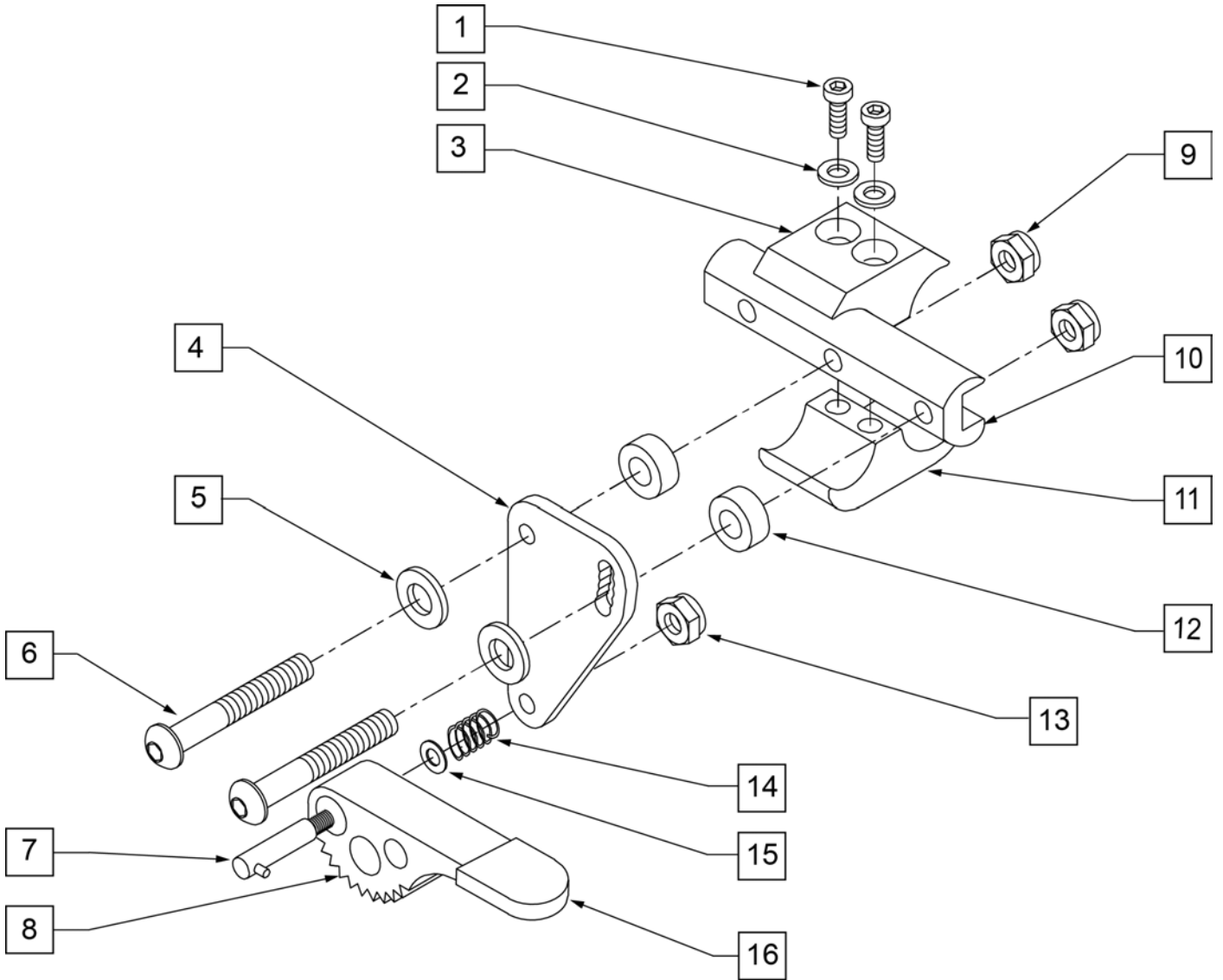
Pos.	Item Number	Description	Remarks
1	560500-QU	HB PLASTIC COVER	
3	560126	.250 ID .312 OD BUSHING PLASTIC	
4	226125	1/4-28 X 1 1/8 BH C/S	
5	561028	1/4" NYLON WASHER	
6	550374	WHEEL LOCK SLIDE BLOCK 3 1/2" BLK	3.5" long
7	106941	1/4-28 AUTOMATION NUT	
8	550659	CLAMP 1 1/4" RECESS HALF BLK	
9	550658	CLAMP 1 1/4" THREADED BLK	
10	107367	WASHER LOCK HI COLLAR 1/4 ROHS	
11	107032	SHCS 1/4-28 X 1 ROHS	
12	880916	GRADE AID PLATE W/WHL & HDWR R	
12	880917	GRADE AID PLATE W/WHL & HDWR L	

Pos.	Item Number	Description	Remarks
6,12	880912	GRADE AID ASSM BLK R N/CLAMP	
6,12	880913	GRADE AID ASSM BLK L N/CLAMP	
13	483027	1/4 x 1/4 ALUMINUM SPACER BLK	
14	226130	1/4-28 x 1 1/2 BH C/S	
8-11	107639	WHL LCK CLMP ASM	
8-12	880914	GRADE AID ASSM BLK R W/CLAMP	
8-12	880915	GRADE AID ASSM BLK L W/CLAMP	
1-7	883012	WHL LOCK PULL R W/O CLMP BLK	FORWARD CONFIG.
1-7	883013	WHL LOCK PULL L W/O CLMP BLK	FORWARD CONFIG.
1-7	881764	WHL LOCK PULL R REV N/ CLMP BLK	REVERSE CONFIG.
1-7	881765	WHL LOCK L PULL REV N/ CLMP BLK	REVERSE CONFIG.
1-11	881967	WHL LOCK PULL R W/ CLMP BLK	FORWARD CONFIG.
1-11	881968	WHL LOCK PULL L W/ CLMP BLK	FORWARD CONFIG.
1-11	881975	WHL LOCK PULL R REV W/CLMP BLK	REVERSE CONFIG.
1-11	881976	WHL LOCK PULL L REV W/CLMP BLK	REVERSE CONFIG.
1-11	901555	WHEEL LOCK PULL W/CLAMP BLK	PAIR, FORWARD CONFIG.
1-11	901543	WHEEL LOCK PULL REV W/CLAMP BLK	PAIR, REVERSE CONFIG.
1-7,12	881756	WHL LOCK R PULL W/G.A. N/ CLMP BLK	
1-7,12	881757	WHL LOCK L PULL W/G.A. N/ CLMP BLK	
1-11,12	881971	WHL LOCK R PULL W/ G.A. W/CLMP BLK	
1-11,12	881972	WHL LOCK L PULL W/ G.A. W/CLMP BLK	
1-11,12	901558	WHEEL LOCK PULL W/GRADE AID W/CLAMP BLK	PAIR



Pos.	Item Number	Description	Remarks
1	106935	NUT NYLOCK THIN 1/4-28 ROHS	
2	226100	1/4-28 x 3/4 BH C/S	
3A	550232	HI-MOUNT SCISSOR WHEEL LOCK ARM	
3B	550231	HI-MOUNT SCISSOR WHL LOCK ARM LONG	
4	561028	1/4 NYLON WASHER	
5	106945	1/4 SAE WASHER	
6	226122	1/4-28 x 1.10 BH C/S	
7	504995	TOGGLE LINK 1.125	
8	107032	1/4-28 x 1 SOC C/S BLK	
9	262114	1/4 WASHER HI COLLAR LOCK ZN	
10	550659	CLAMP 1 1/4" RECESS HALF BLK	
11	550658	CLAMP 1 1/4" THREADED BLK	
12	550374	WHEEL LOCK SLIDE BLOCK 3 1/2" BLK	
13	560126	.250 ID .312 OD BUSHING PLASTIC	
14	483027	1/4 x 1/4 ALUMINUM SPACER BLK	
15	226130	1/4-28 x 1 1/2 BH C/S	
8-11	107639	WHL LCK CLMP ASM	
1,2,3A,4-7,12-15	880608	WHL LOCK R SCISSOR HI-MNT BLK	

Pos.	Item Number	Description	Remarks
1,2,3A,4-7,12-15	880609	WHL LOCK L SCISSOR HI-MNT BLK	
1,2,3A,4-15	901501	WHL LOCK SCISSOR R W/CLMP BLK	
1,2,3A,4-15	901503	WHL LOCK SCISSOR L W/CLMP BLK	
1,2,3A,4-15	901505	WHEEL LOCK SCISSOR W/CLAMP	PAIR
1-2,3B,4-7,12-15	880612	WHLLCK R SCISOR HI-MNT LNG BLK	
1-2,3B,4-7,12-15	880613	WHLLCK L SCISOR HI-MNT LNG BLK	
1,2,3B,4-15	901507	WHLLCK SCSR R LONG W/CLMP BLK	
1,2,3B,4-15	901509	WHLLCK SCSR L LONG W/CLMP BLK	
1,2,3B,4-15	901510	WHEEL LOCK SCISSOR LONG W/CLAMP	PAIR



Pos.	Item Number	Description	Remarks
1	107032	1/4-28 x 1 SOC C/S BLK	
2	262114	1/4 WASHER HI COLLAR LOCK ZN	
3	550659	CLAMP 1 1/4" RECESS HALF BLK	
4	500274	GRADE AID PLATE BLK	
5	561028	1/4" NYLON WASHER	
6	226122	1/4-28 x 1.10 BH C/S	
7	481021	GRADE AID ROD W/PIN WHEEL LOCK	
8	561090	GRADE AID WHEEL R NEW	RIGHT
8	561091	GRADE AID WHEEL L NEW	LEFT
9	106935	NUT NYLOCK THIN 1/4-28 ROHS	
10	550374	WHEEL LOCK SLIDE BLOCK 3 1/2" BLACK	3.5" long
11	550658	CLAMP 1 1/4" THREADED BLACK	
12	483027	1/4 x 1/4 ALUM SPACER BLK	
13	106935	NUT NYLOCK THIN 1/4-28 ROHS	
14	321130	GRADE AID SPRING	
15	106947	WASHER FLAT THIN AN 5/16 ROHS	

Pos.	Item Number	Description	Remarks
16	560503	GRADE AID HANDLE COVER	
1-3,11	107639	WHL LCK CLMP ASM	
4,7,8,13-16	880904	GRADE AID PLATE W/ WHEEL BLACK	RIGHT
4,7,8,13-16	880905	GRADE AID PLATE W/ WHEEL BLACK	LEFT
4-10,12-16	880912	GRADE AID ASSM BLACK NO CLAMP	RIGHT
4-10,12-16	880913	GRADE AID ASSM BLACK NO CLAMP	LEFT
1-16	880914	GRADE AID ASSM BLACK W/ CLAMP	RIGHT
1-16	880915	GRADE AID ASSM BLACK W/ CLAMP	LEFT

Note: this wheel utilizes Screw Mount Handrims - the handrim has a threaded hole that mounts the handrim to the wheel through a spacer and fastener.

Note: if Mag Wheel Assembly was ordered without Handrim and a Handrim is added to the wheel, qty 6 of 101932 and 281175 ARE REQUIRED to properly mount the handrim.

Note: if changing the Rear Wheel Size on a chair with Anti-tips, new size Anti-tip Assemblies ARE REQUIRED to accommodate the new Rear Wheel Size.

Note: for Zippie X'Cape 6 Spoke Mags are only available with the One Arm Drive.



Pos.	Item Number	Description	Remarks
1-3	401094	20" MAG W/BRNG 6 SPOKE	20"
1-3	401093	22" MAG W/BRNG 6 SPOKE	22"(501mm)
1-3	401092	24" MAG W/BRNG 6 SPOKE	24"(540mm)
2	349500	1 1/8 X 1/2 BEARING	
3	521564	MAG BEARING SPACER	
4	101932	SPCR .194ID X .375 OD X .750	Used when previously ordered with Omit handrims or Natural Fit Handrims



Note: this wheel utilizes Screw Mount Handrims - the handrim has a threaded hole that mounts to the wheel through a spacer and fastener.

Note: if changing the Rear Wheel Size on a chair with Anti-tips, new size Anti-tip Assemblies ARE REQUIRED to accommodate the new Rear Wheel Size.

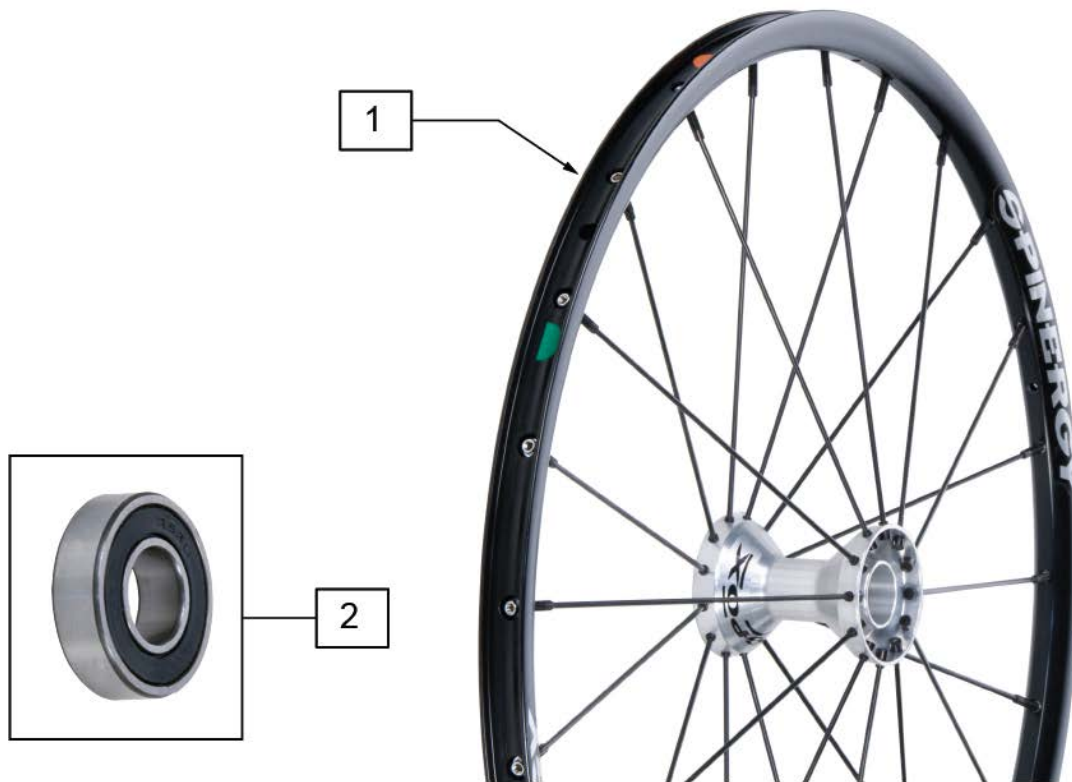


Pos.	Item Number	Description	Remarks
1A	401001	WHEEL ASSM PUSH BUTTON 18"	18"
1B	401070	20" RIM ASSM PUSH BUTTON	20"
1C	401072	22" RIM ASSM PUSH BUTTON	22"(501mm)
1D	401074	24" RIM ASSM PUSH BUTTON	24"(540mm)
1E	401077	26IN RIM ASSM PUSH BUTTON	26"(590mm)
2	349500	1 1/8 X 1/2 BEARING	
3A	362247	SPOKE 154MM X 2.0MM	
3B	362250	QP SPOKE 201MM X 2.0MM	
3C	362275	QP SPOKE 226MM X 2.0MM	
3D	362300	QP SPOKE 244MM X 2.0MM	
3E	362325	QP SPOKE 270MM X 2.0MM	

**Note:** this wheel utilizes tab mount handrims - the handrim has a straight tab that mounts to the wheel through the rim.

**Note:** please see the Rear Wheel Finder for the complete Wheel Assembly with the Flex Rim.

Note: if changing the Rear Wheel Size on a chair with Anti-tips, new size Anti-tip Assemblies ARE REQUIRED to accommodate the new Rear Wheel Size.



Pos.	Item Number	Description	Remarks
1	762434	SPINERGY SPORT WHEEL 540 BLK	24"(540mm)
1	762436	SPINERGY SPORT WHEEL 559 BLK	25"(559mm)
1	762435	SPINERGY SPORT WHEEL 590 BLK	26"(590mm)
1	762453	SPINERGY SPORT WHEEL 540 BLU	24"(540mm)
1	762457	SPINERGY SPORT WHEEL 559 BLU	25"(559mm)
1	762464	SPINERGY SPORT WHEEL 590 BLU	26"(590mm)
1	762454	SPINERGY SPORT WHEEL 540 RED	24"(540mm)
1	762458	SPINERGY SPORT WHEEL 559 RED	25"(559mm)
1	762465	SPINERGY SPORT WHEEL 590 RED	26"(590mm)
1	762429	SPINERGY SPORT WHEEL 540 WHT	24"(540mm)
1	762432	SPINERGY SPORT WHEEL 559 WHT	25"(559mm)
1	762430	SPINERGY SPORT WHEEL 590 WHT	26"(590mm)
1	762455	SPINERGY SPORT WHEEL 540 YLW	24"(540mm)
1	762459	SPINERGY SPORT WHEEL 559 YLW	25"(559mm)
1	762466	SPINERGY SPORT WHEEL 590 YLW	26"(590mm)
2	349500	1 1/8 X 1/2 BEARING	



Pos.	Item Number	Description	Remarks
1	385237	16" X 1.75" PNEU TIRE	
1	385250	20" PNEUMATIC TIRE	
1	385275	22" PNEUMATIC TIRE	22" x 1 3/8 (501mm)
1	385300	24" PNEUMATIC TIRE	24" x 1 3/8 (540mm)
1	385325	26" PNEUMATIC TIRE	26" x 1 3/8 (590mm)
1	384614	24" x 2.125 PNEUMATIC TIRE	24"x2 1/8 (540mm) used w/ M6



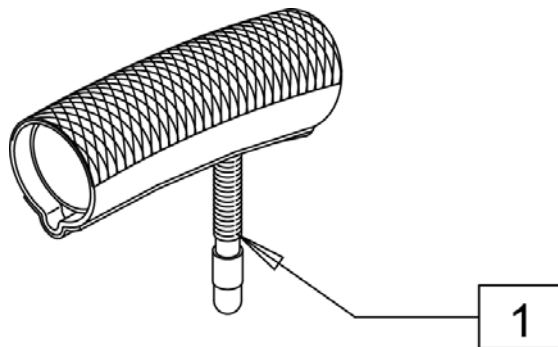
Pos.	Item Number	Description	Remarks
1	386232	20" POLY TIRE STD	20"
1	386242	22" POLY TIRE STD	22" (501mm)
1	386252	24" POLY TIRE STD	24" (540mm)



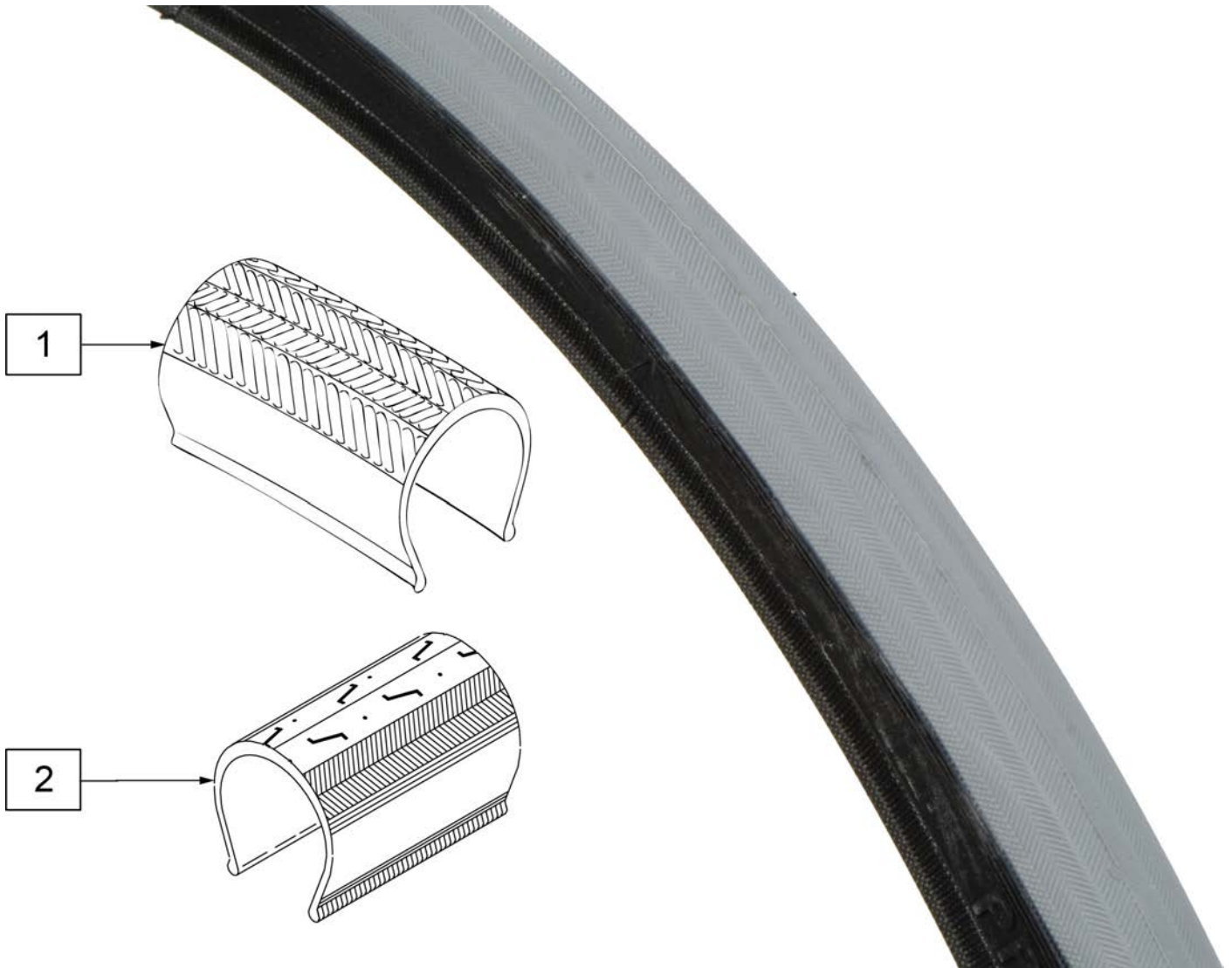
Pos.	Item Number	Description	Remarks
1	385280	22" x 1" HI PRES CLINCHER	22" (501mm)
1	389020	24" x 1" HI PRES CLNCHR TIRE	24" (540mm)
1	389012	QP 24" x 1" HT TURB BLK WR/BD 559	25" (559mm)
1	389030	26" x 1" HI PRES CLNCHR TIRE	26" (590mm)
1	105919	22" x 1" HI PRESS CLNCHR ULTRALIGHT	22" (489mm)

**Note:** QP Tubular Tires are discontinued. Please see HIGH PRESSURE CLINCHER TIRE parts page. Order 389020 (540), 389012 (559), 389030 (590) replacement tires.

**Note:** when replacing QP Tubular Tire with High Pressure Clincher Tire, a replacement inner tube is required.

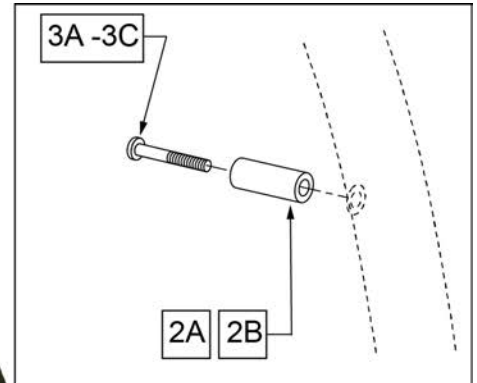


Pos.	Item Number	Description	Remarks
1	389004	QP 24" X 1" TUBULAR TIRE	DISCONTINUED - SEE NOTE
1	389006	QP 26" X 1" TUBULAR TIRE	DISCONTINUED - SEE NOTE

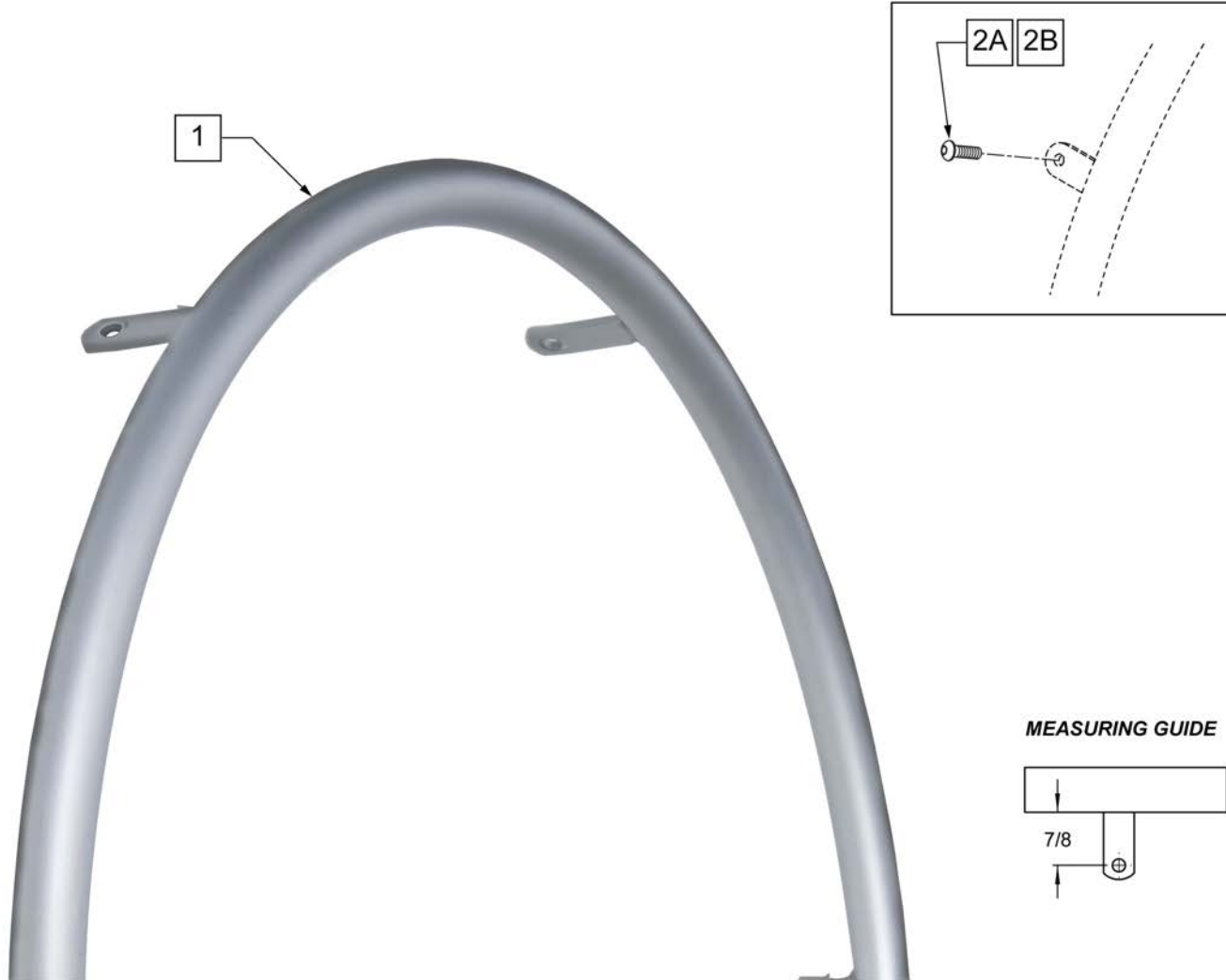


Pos.	Item Number	Description	Remarks
1	389012	QP 24"X1"HT TURB BLK WR/BD 559	25"(559mm), black sidewall
2	388999	26"X1" HT TIRE TURBO GY(700X23	27"(700mm), tan sidewall

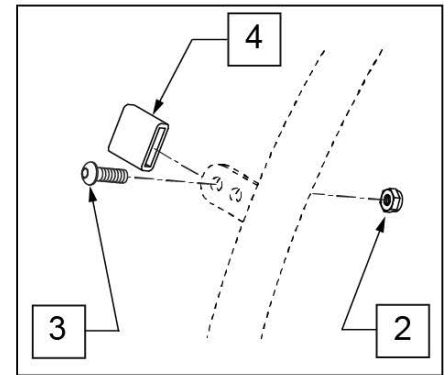
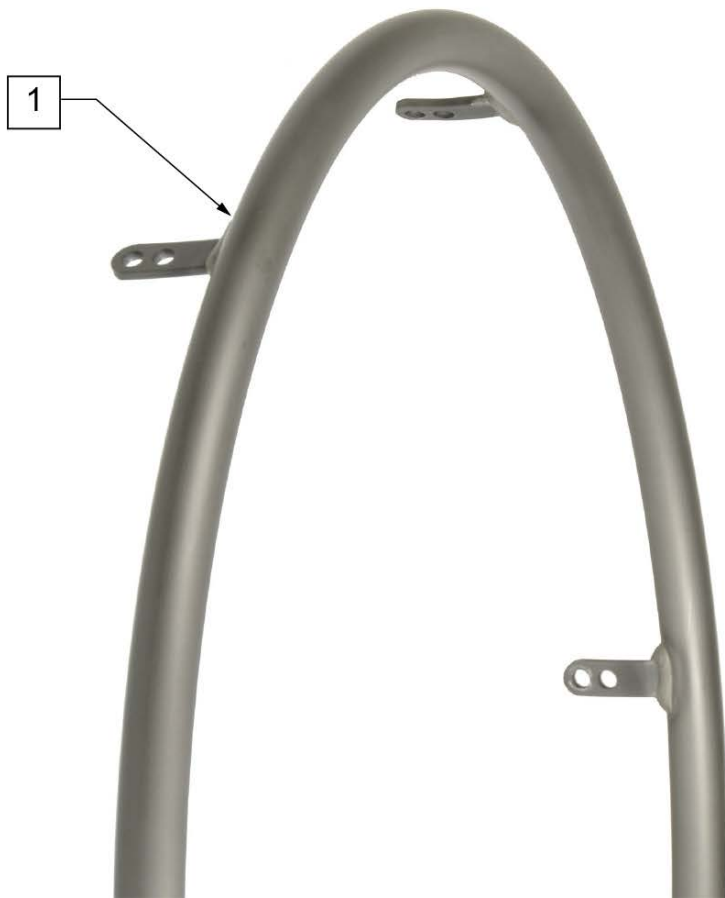




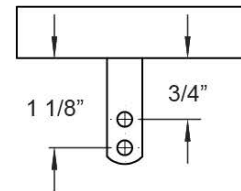
Pos.	Item Number	Description	Remarks
>>>>>	>>>>>>>>>	LITE SPOKE	>>>>>
1,2A,3A	159508	20IN LT SPK AA HNDRIM W/HDWR	20" LITE SPOKE
1,2A,3A	159509	22IN LT SPK AA HNDRIM W/HDWR	22" (501) LITE SPOKE
1,2A,3A	159510	24IN LT SPK AA HNDRIM W/HDWR	24" (540) LITE SPOKE
1,2A,3A	159511	25IN LT SPK AA HNDRIM W/HDWR	25" (559) LITE SPOKE
1,2A,3A	159512	26IN LT SPK AA HNDRIM W/HDWR	26" (590) LITE SPOKE
2A,3A	159513	LT SPK AL AN HNDRIM HDWR	LITE SPOKE, SET OF 6
>>>>>	>>>>>>>>>	SPOKE	>>>>>
1,2B,3B	425931	20" HR 6SMT W/HDWR	20" SPOKE
1,2B,3B	425941	22" HR 6SMT W/HDWR	22" (501) SPOKE
1,2B,3B	426000	24" HR 6SMT W/ HDWR	24" (540) SPOKE
2B,3B	159514	SPK AL AN HNDRIM HDWR	SPOKE, SET OF 6
>>>>>	>>>>>>>>>	MAG	>>>>>
1,3C	425934	20" HR 6SMT 6MAG W/HDWR	20" MAG
1,3C	425951	22" HR 6SMT 6MAG W/HDWR	22" (501) MAG
1,3C	426009	24" HR 6SMT 6MAG W/HDWR	24" (540) MAG
3C	281175	10-32 X 2 1/8 PAN PHIL SS	MAG
>>>>>	>>>>>>>>>	M6 SPOKE	>>>>>
1,2B,3B	425941	22" HR 6SMT W/HDWR	24" (540) SPOKE



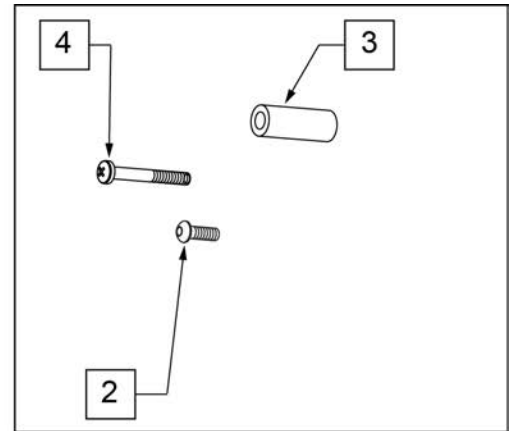
Pos.	Item Number	Description	Remarks
>>>>>	>>>>>>>>>	ULTRA LITE SPOKE	>>>>>
1	100739-001	HANDRIM 22" WHL MBL 1260	22" (489)
1	100739-002	HANDRIM 24" WHL MBL 1260	24" (540)
1	100739-003	HANDRIM 26" WHL MBL 1260	26" (590)
2A	102259-001	BHCS M5 X .8 X 12 W/PL INORG	QTY 6 REG
>>>>>	>>>>>>>>>	NEW ULTRA LITE SPOKE	>>>>>
1	066516-002	LIGHTWEIGHT HANDRIM 22"	22" (489)
1	066516-003	LIGHTWEIGHT HANDRIM 24"	24" (540)
1	066516-004	LIGHTWEIGHT HANDRIM 25"	26" (559)
2B	012931	BHCS M5 X 10 W/PL BLK CL 10.9	QTY 6 REG



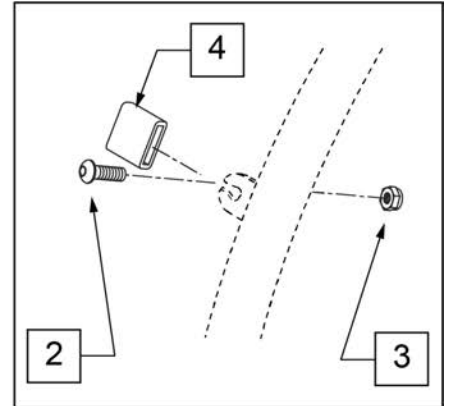
MEASURING GUIDE



Pos.	Item Number	Description	Remarks
>>>>>	>>>>>>>>>>	CROSS SPOKE & SPOKE	>>>>>
1 -4	425095	HANDRIM 18" 4T W/HDWR ANO	18" SPOKE
1	529529	QP 24" HR .065 (6) TAB ANO	24" (540) CROSS SPOKE -SHORT & REG TAB
1 -4	425030	24" HR 6T BB/HTBB W/HDWR	25" (590) CROSS SPOKE
>>>>>	>>>>>>>>>>	CROSS SPOKE QP (QUICKIE PERFORMANCE)	>>>>>
1 -4	425050	26" HR 6T BB/TN W/HDWR	26" (590) CROSS SPOKE TENNIS & BBALL
1 -4	425045	24" HR SHT(6T)ANO W/X/S HDWR	25" (590) CROSS SPOKE TENNIS & BBALL-SHORT TAB
1 -4	425048	26" HR (6T)ANO W/X/S HDWR	26" (700) CROSS SPOKE TENNIS & BBALL -REG TAB
1 -4	425055	26" HR SHT(6T)ANO W/X/S HDWR	26" (700) CROSS SPOKE TENNIS & BBALL-SHORT TAB
1 -4	426015	QP 24" HR .049 W/HDWR SMT	24" (540) TENNIS
1 -4	425030	24" HR 6T BB/HTBB W/HDWR	25" (559) TENNIS & BASKETBALL
1 -4	426050	QP 26" HR .065 W/HDWR (6T)	26" (700) TENNIS & BASKETBALL
1 -4	425050	26" HR 6T BB/TN W/HDWR	26" (590) TENNIS & BASKETBALL
>>>>>	>>>>>>>>>>	SPINERGY & PROTON	>>>>>
1	529529	QP 24" HR .065 (6) TAB ANO	24" (540) SPINERGY
1 -4	425038	QP 24" HR .049 W/HDWR (6T)	25" (559) SPINERGY
1 -4	425050	26" HR 6T BB/TN W/HDWR	26" (590) SPINERGY
>>>>>	>>>>>>>>>>	MOUNTAIN	>>>>>
1 -4	425020	22" HR 4T W/HDWR	24" (540) MOUNTAIN
1 -4	425030	24" HR 6T BB/HTBB W/HDWR	26" (590) MOUNTAIN
2-4	159515	AA TAB MOUNT HANDRIM HARDWARE	SET OF 6

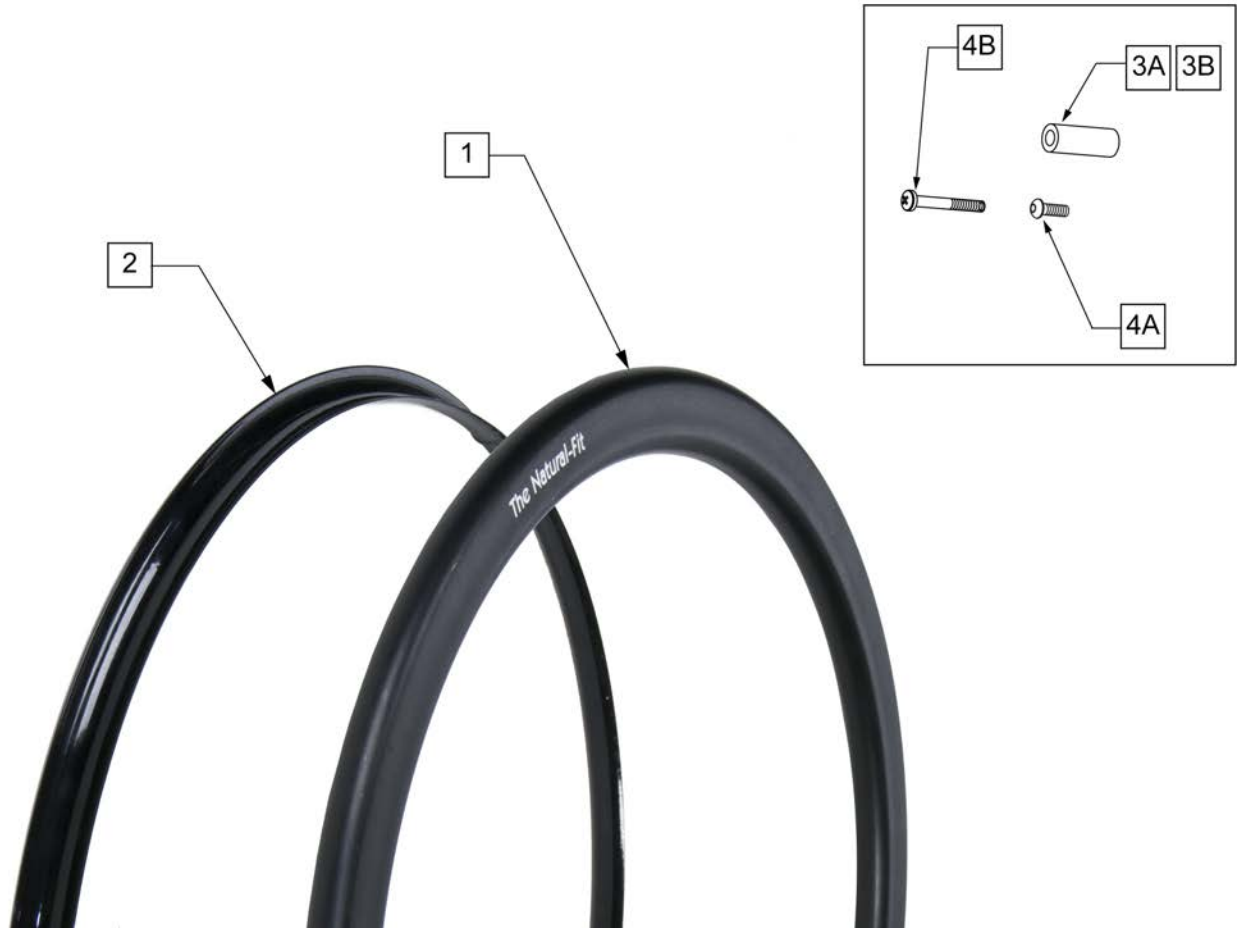


Pos.	Item Number	Description	Remarks
>>>>>	>>>>>>>>>>	SPOKE & LITE SPOKE	>>>>>
1-3	425933	20" HR 6SMT PLST W/HDWR	20" SPOKE
1-3	425943	22" HR 6SMT PLST W/HDWR	22" (501) SPOKE
1-3	426004	24" HR 6SMT PLST W/HDWR	24" (540) SPOKE
>>>>>	>>>>>>>>>>	MAG	>>>>>
1,4	425935	20" HR 6SMT 6MAG PLST W/HDWR	20" MAG
1,4	425953	22" HR 6SMT 6MAG PLST W/HDWR	22" (501) MAG
1,4	426013	24" HR 6SMT 6MAG PLST W/HDWR	24" (540) MAG
>>>>>	>>>>>>>>>>	M6 SPOKE	>>>>>
1-3	425943	22" HR 6SMT 6 MAG PLST W/ HDWR	24" (540) M6 SPOKE
2,3	159534	PLST COATED HNDRM HARDWARE	SPOKE; SET OF 6
4	281175	10 -32 x 2 1/8 PAN PHIL SS	6 SPOKE MAG



Pos.	Item Number	Description	Remarks
>>>>>	>>>>>>>>>	MOUNTAIN	>>>>>
1,2	425022	22" HR 4T PLST W/ HDWR	24" (540)
>>>>>	>>>>>>>>>	SPINERGY & PROTON	>>>>>
1,2	425039	24"HR 6T BLK PLST W/HDWR	24" (540)
1,2	425052	26" HR 6T PLST BB/TN W/HDWR	26" (590)
>>>>>	>>>>>>>>>	QP (QUICKIE PERFORMANCE)	>>>>>
1,2	425052	26" HR 6T PLST BB/TN W/HDWR	26" (590)
1,2	426060	QP 26" HR W/ HDWR (6T) PLASTIC	26" (700)
2	159535	PLST COATED TAB HNDRM HDWR	

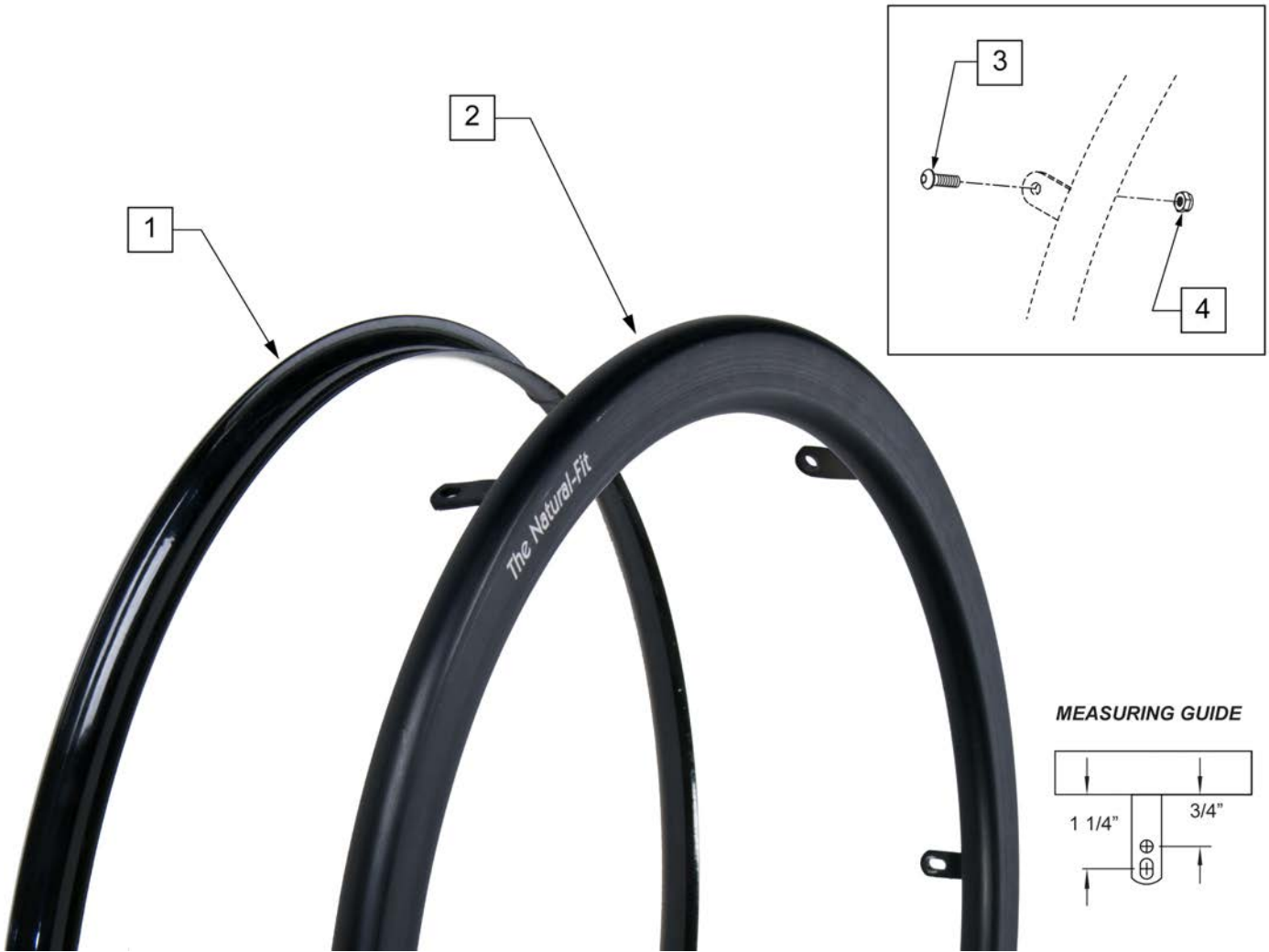
Note: Screw Mount Handrims are utilized with Lite Spoke, Spoke and 6 Spoke Mag Wheels.



Pos.	Item Number	Description	Remarks
>>>>>	>>>>>>>>>	STD GRIP THUMB GUARD	>>>>>
2	102168-001	GUARD THUMB NAT FIT 22 PC BLK	22" (501)- Std Grip Thumb Guard
2	102168-003	GUARD THUMB NAT FIT 24 PC BLK	24" (540)- Std Grip Thumb Guard
2	102168-005	GUARD THUMB NAT FIT 25 PC BLK	25" (559)- Std Grip Thumb Guard
2	102168-007	GUARD THUMB NAT FIT 26 PC BLK	26" (590)- Std Grip Thumb Guard
>>>>>	>>>>>>>>>	SUPER GRIP THUMB GUARD	>>>>>
2	102168-002	GUARD THUMB NAT FIT 22 SG BLK	22" (501)- Super Grip Thumb Guard
2	102168-004	GUARD THUMB NAT FIT 24 SG BLK	24" (540)- Super Grip Thumb Guard
2	102168-006	GUARD THUMB NAT FIT 25 SG BLK	25" (559)- Super Grip Thumb Guard
2	102168-008	THUMB GUARD NAT FIT 26 SG BLK	26" (590)- Super Grip Thumb Guard
>>>>>	>>>>>>>>>	NATURAL FIT LITE HANDRIM	>>>>>
1,3A,4A	159516	22 NAT-FIT LT HNDRIM W/HDWR	22" (501)
1,3A,4A	159517	24 NAT-FIT LT HNDRIM W/HDWR	24" (540)
1,3A,4A	159518	25 NAT-FIT LT HNDRIM W/HDWR	25" (559)
1,3A,4A	159519	26 NAT-FIT LT HNDRIM W/HDWR	26" (590)
>>>>>	>>>>>>>>>	NATURAL FIT HANDRIM	>>>>>
1,3A,4A	159520	22 NAT-FIT HNDRIM W/HDWR	22" (501)

<b>Pos.</b>	<b>Item Number</b>	<b>Description</b>	<b>Remarks</b>
1,3A,4A	159521	24 NAT-FIT HNDRIM W/HDWR	24" (540)
1,3A,4A	159522	25 NAT-FIT HNDRIM W/HDWR	25" (559)
1,3A,4A	159523	26 NAT-FIT HNDRIM W/HDWR	26" (590)
3A,4A	159524	NAT-FIT HNDRIM LT HDWR SET 6	USED W/ LITE SPOKE & SPOKE; SET OF 6
3B	101932	SPCR .194ID X .375 OD X .750	USED W/ MAG
4B	281175	10-32 X 2 1/8 PAN PHIL SS	USED W/ MAG

Note: Tab Mount Hand Rims are utilized with Spinergy & Toplino Wheels.



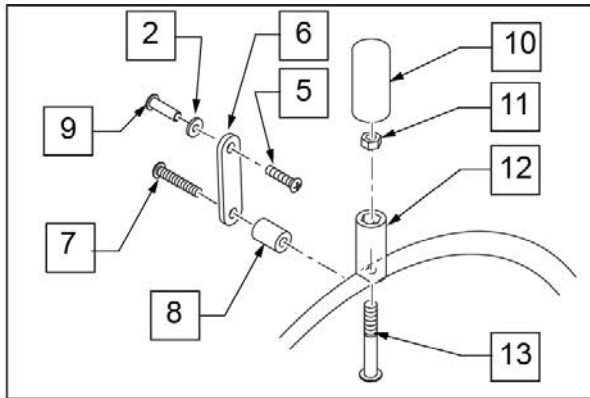
Pos.	Item Number	Description	Remarks
>>>>>	>>>>>>>>>	STD GRIP THUMB GRIP	>>>>>
1	102168-001	GUARD THUMB NAT FIT 22 PC BLK	22" (501)
1	102168-003	GUARD THUMB NAT FIT 24 PC BLK	24" (540)
1	102168-005	GUARD THUMB NAT FIT 25 PC BLK	25" (559)
1	102168-007	GUARD THUMB NAT FIT 26 PC BLK	26" (590)
>>>>>	>>>>>>>>>	SUPER GRIP THUMB GUARD	>>>>>
1	102168-002	GUARD THUMB NAT FIT 22 SG BLK	22" (501)
1	102168-004	GUARD THUMB NAT FIT 24 SG BLK	24" (540)
1	102168-006	GUARD THUMB NAT FIT 25 SG BLK	25" (559)
1	102168-008	THUMB GUARD NAT FIT 26 SG BLK	26" (590)
>>>>>	>>>>>>>>>	NATURAL FIT LITE HANDRIM	>>>>>
2-4	159525	22 NAT-FIT LT TB HNDRIM W/HDWR	22" (501)
2-4	159526	24 NAT-FIT LT TB HNDRIM W/HDWR	24" (540)
2-4	159527	25 NAT-FIT LT TB HNDRIM W/HDWR	25" (559)



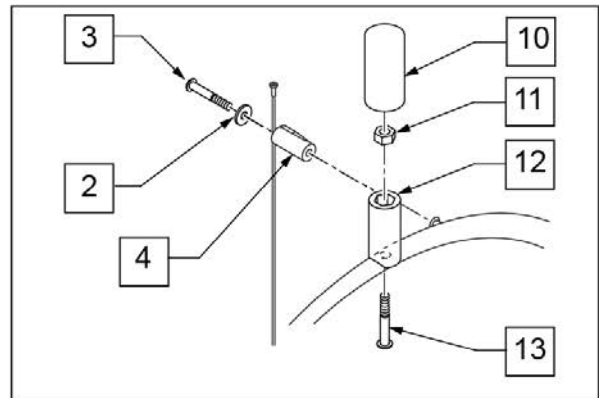
Pos.	Item Number	Description	Remarks
2-4	159528	26 NAT-FIT LT TB HNDRIM W/HDWR	26" (590)
>>>>>	>>>>>>>>>>	NATURAL FIT -W/O THUMB GRIP	>>>>>
2-4	159529	22 NAT-FIT TB HNDRIM W/HDWR	22" (501)
2-4	159530	24 NAT-FIT TB HNDRIM W/HDWR	24" (540)
2-4	159531	25 NAT-FIT TB HNDRIM W/HDWR	25" (559)
2-4	159532	26 NAT-FIT TB HNDRIM W/HDWR	26" (590)
3,4	159533	NAT-FIT TAB MNT HARDWARE	SET OF 6

**NOTE:** Not all Projection Handrims are offered on all chairs, check the order form for compatibility.

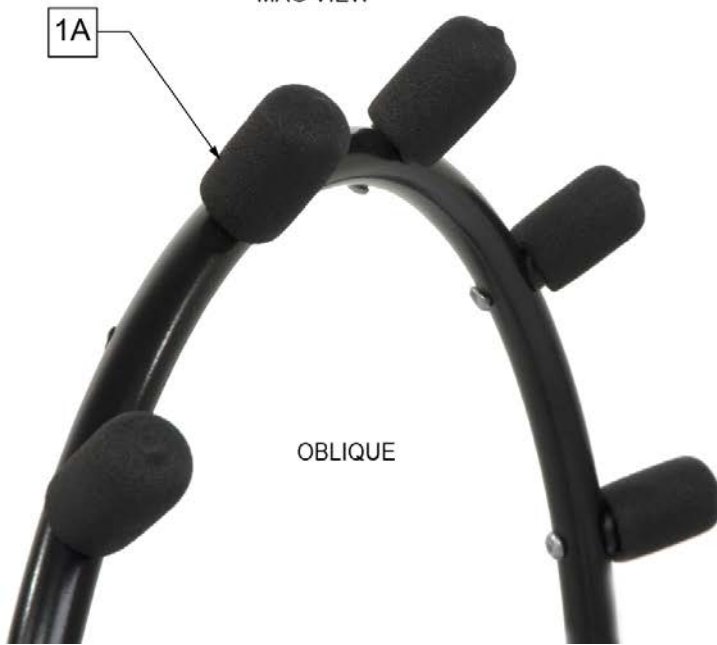
**NOTE:** Projection Handrims are only available with the Traditional 6 Spoke Mag and Quickie Spoke Wheels.



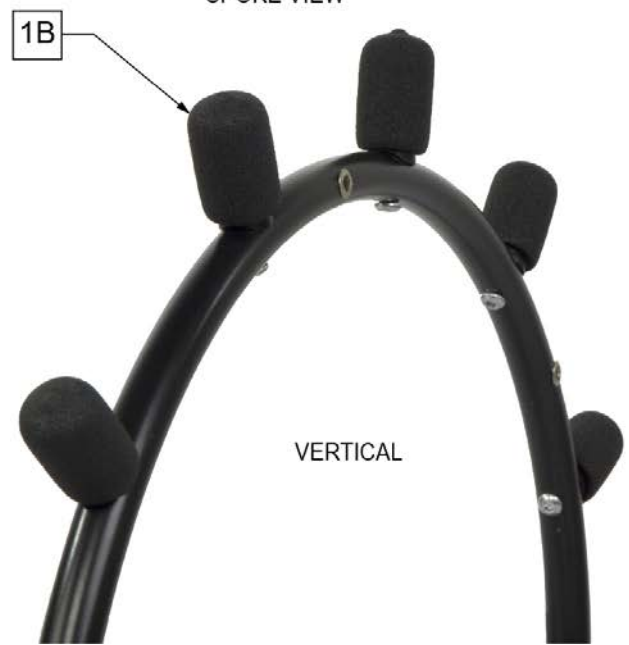
MAG VIEW



SPOKE VIEW



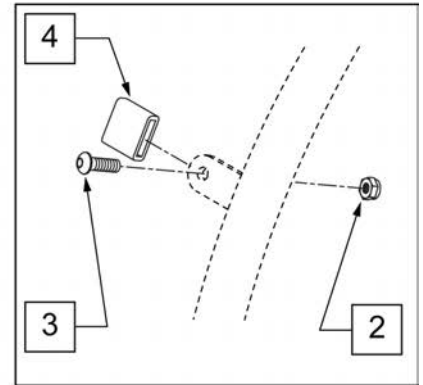
OBLIQUE



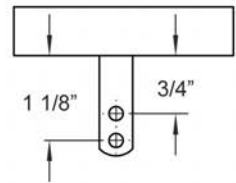
VERTICAL

Pos.	Item Number	Description	Remarks
>>>>>	>>>>>>>>>	8" OBLIQUE	>>>>>
1A,2-4,10-13	427003	PROJ 24/26" HR 8OBLQ W/HDWR	24" (540), 25" (559), 26" (590) SPOKE
1A,2,3-13	427511	PROJ 24" HR 6MAG 8OBLQ W/HDWR	24" (540) MAG
>>>>>	>>>>>>>>>	12" OBLIQUE	>>>>>
1A,2-4,10-13	427007	PROJ 24/26" HR 12OBLQ W/HDWR	24" (540), 25" (559), 26" (590) SPOKE
1A,2,5-13	427515	PROJ 24" HR 6MAG 12OBLQ W/HDWR	24" (540) MAG
>>>>>	>>>>>>>>>	8" VERTICAL	>>>>>
1B,4,10-13	427002	PROJ 24/26" HR 8VERT W/HDWR	24" (540), 25" (559), 26" (590) SPOKE
1B,2,5-13	427510	PROJ 24" HR 6 MAG 8 VERT W/ HDWR	24" (540) MAG
>>>>>	>>>>>>>>>	12" VERTICAL	>>>>>

Pos.	Item Number	Description	Remarks
1B,4,10-13	427006	PROJ 24/26" HR 12VERT W/HDWR	24" (540), 25" (559), 26" (590) SPOKE
1B,2,5-13	427514	PROJ 24" HR 6MAG 12VERT W/HDWR	24" (540) MAG
2	261300	3/16 WASHER FLAT	
3	281170	10-32 X 1 5/8 PAN PHIL SS	SPOKE ONLY
4	561046	PROJECTION SPOKE MOUNT	SPOKE ONLY
5	281120	10/32 X 5/8 PAN HD PHIL	MAG ONLY
6	505004	TOGGLE 2 - HOLE	MAG ONLY
7	281147	10-32 X 1 1/4 PAN PHIL	MAG ONLY
8	561037	HANDRIM SPACER MAG	MAG ONLY
10	560600	1 1/2 x .705 x .187 FOAM GRIP	
11	106935	NUT NYLOCK THIN 1/4-28 ROHS	
12	561044	PROJECTION PEG	
13	226155	1 1/4 -28 x 2 1/4 BH C/S	

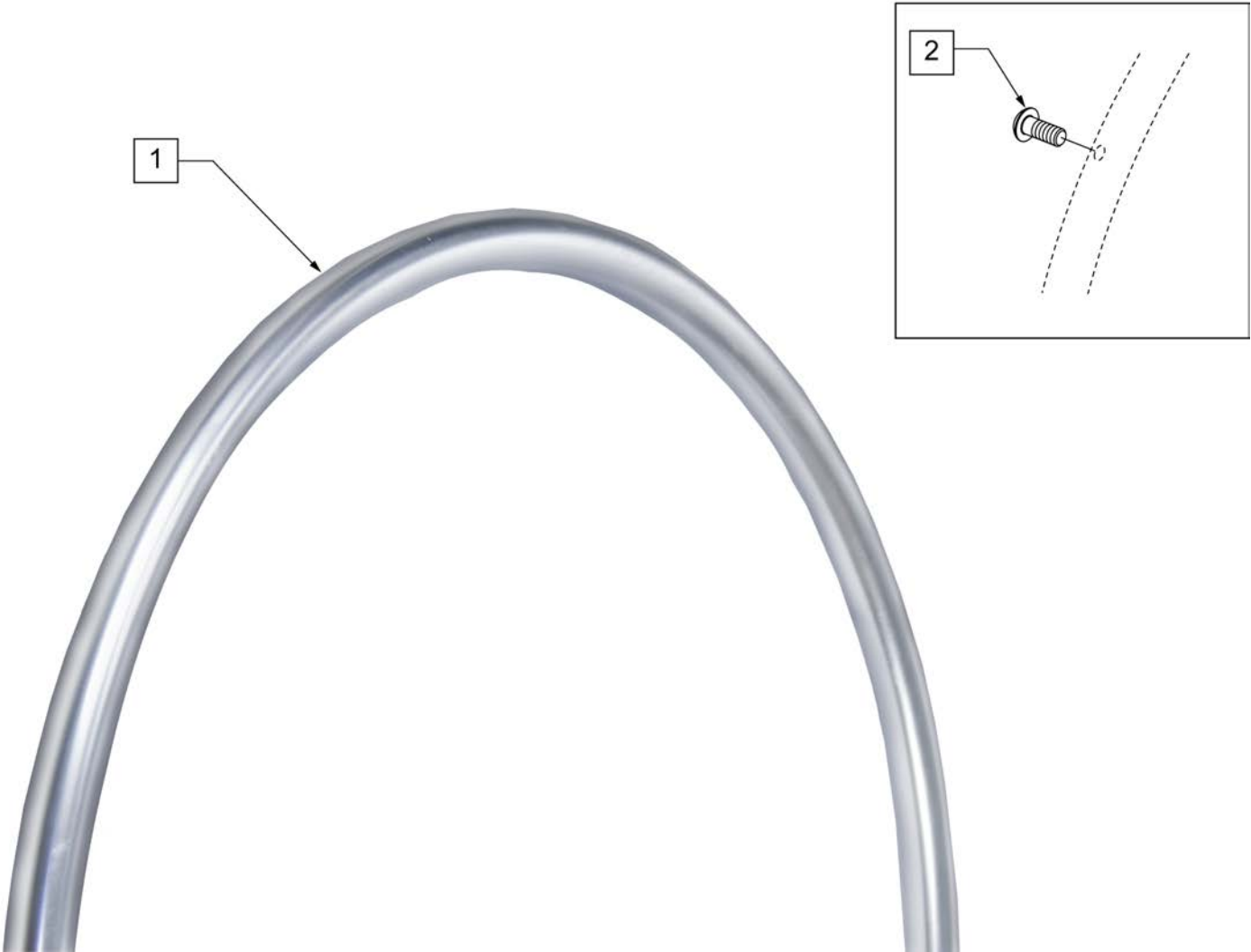


MEASURING GUIDE

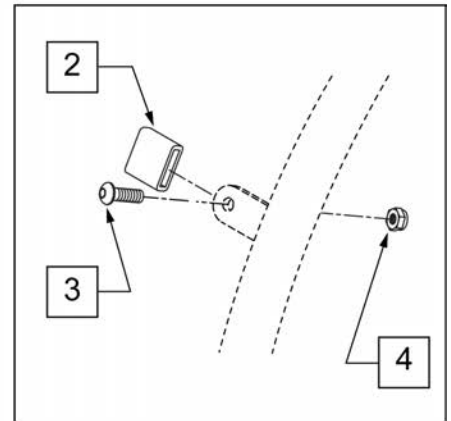


Pos.	Item Number	Description	Remarks
>>>>>	>>>>>>>>>>	PAINTED REG TAB	>>>>>
1	529528	QP 24" HR .065 (6)TAB BLK PNTD	24" (540)
1-4	425041	24" HR (6T)BLK W/X/S HDWR	25" (559)
1	529527	QP 26" HR .065 (6)TAB BLK PNTD	26" (590)
1-4	425047	26" HR (6T)BLK W/X/S HDWR	26" (700)
>>>>>	>>>>>>>>>>	PAINTED SHORT TAB	>>>>>
1	529528	QP 24" HR .065 (6)TAB BLK PNTD	24" (540)
1-4	425044	24" HR SHT(6T)BLK W/X/S HDWR	25" (559)
1	529527	QP 26" HR .065 (6)TAB BLK PNTD	26" (590)
1-4	425053	26" HR SHT(6T)BLK W/X/S HDWR	26" (700)
2	200100-QU	10-32 NYLOCK NUT	
3	281110	10-32 X 1/2 PAN PHIL	
4	580301	HR TAB COVER BLK	

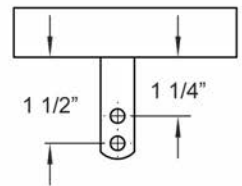
NOTE: IF MAG WHEEL ASSEMBLY WAS ORDERED WITHOUT HANDRIM AND THIS HANDRIM IS ADDED TO THE WHEEL QTY 6 OF 101932 AND 281175 MUST BE ORDERED TO PROPERLY MOUNT THE HANDRIM.



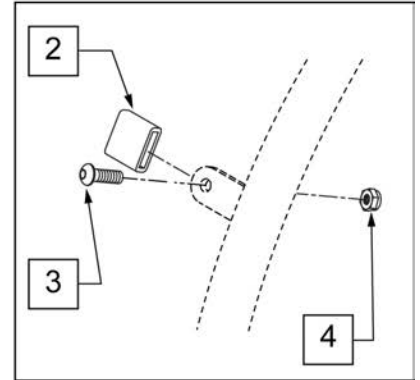
Pos.	Item Number	Description	Remarks
1,2	426026	20" SCW MT HR CHRM 6S W/HDWR	20"
1,2	426024	22" SCW MT HR CHRM 6S W/HDWR	22" (501)
1,2	426011	24 IN SCW MT HR CHRM 6S W/HDWR	24" (540)
2	281175	10-32 X 2 1/8 PAN PHIL SS	QTY 6 REG



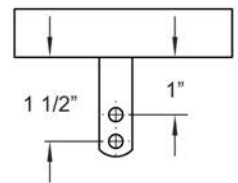
**MEASURING GUIDE**



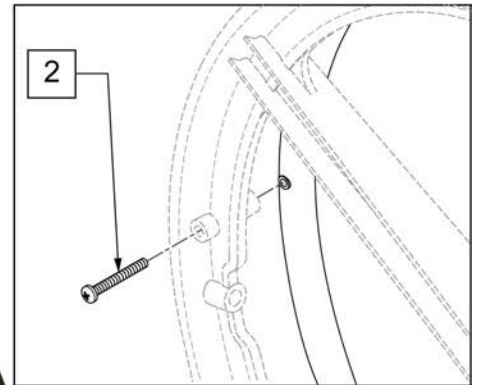
Pos.	Item Number	Description
1 -4		Assembly Obsolete
2	580301	HR TAB COVER BLK
3	281110	10-32 X 1/2 PAN PHIL
4	200100-QU	10-32 NYLOCK NUT



**MEASURING GUIDE**

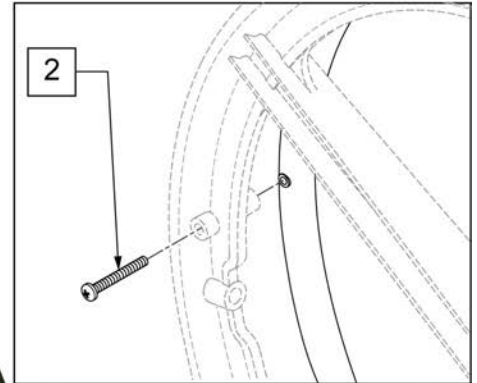


Pos.	Item Number	Description
1		handrim no longer available
2	580301	HR TAB COVER BLK
3	281110	10-32 X 1/2 PAN PHIL
4	200100-QU	10-32 NYLOCK NUT

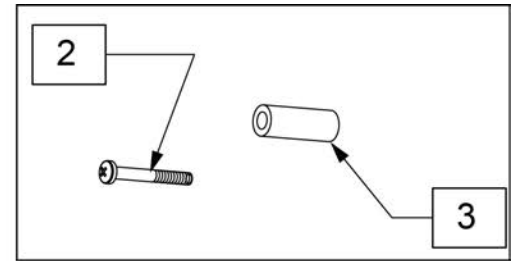


Pos.	Item Number	Description
1,2	426020	24IN HR 6SMT COMPOSITE W/HDWR
1,2	426021	22" HR 6SMT COMPOSITE W/HDWR
1,2	426022	20" HR 6SMT COMPOSITE W/HDWR
2	220100	#10 X 2 1/4" SELF TAPPNG SCREW

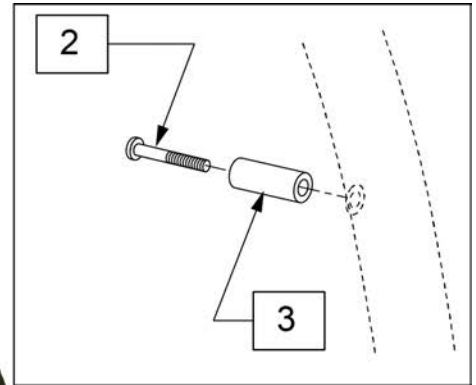




Pos.	Item Number	Description
1,2	425016	20" SCW MT HR PNTD 6S W/HDWR
1,2	425026	22" HR 6SMT PNTD 6MAG W/HDWR
1,2	426005	24" SCW MT HR PNTD 6S W/HDWR
2	220100	#10 X 2 1/4" SELF TAPPNG SCREW



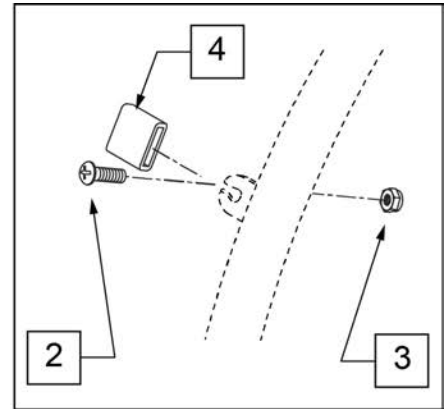
Pos.	Item Number	Description
2,3	159507	5 SPK HNDRM HDWR
1-3	136155	20" PLSTC COATED HND RIM KIT
1-3	136154	22" PLSTC COATED HND RIM KIT
1-3	136153	24" PLSTC COATED HND RIM KIT



Pos.	Item Number	Description	Remarks
1-3	136158	20" ALU ANO HND RIM KIT	
1-3	136157	22" ALU ANO HND RIM KIT	
1-3	136156	24" ALU ANO HND RIM KIT	
2,3	159507	5 SPK HNDRM HDWR	set of 5

Note: Handrim is Latex free.

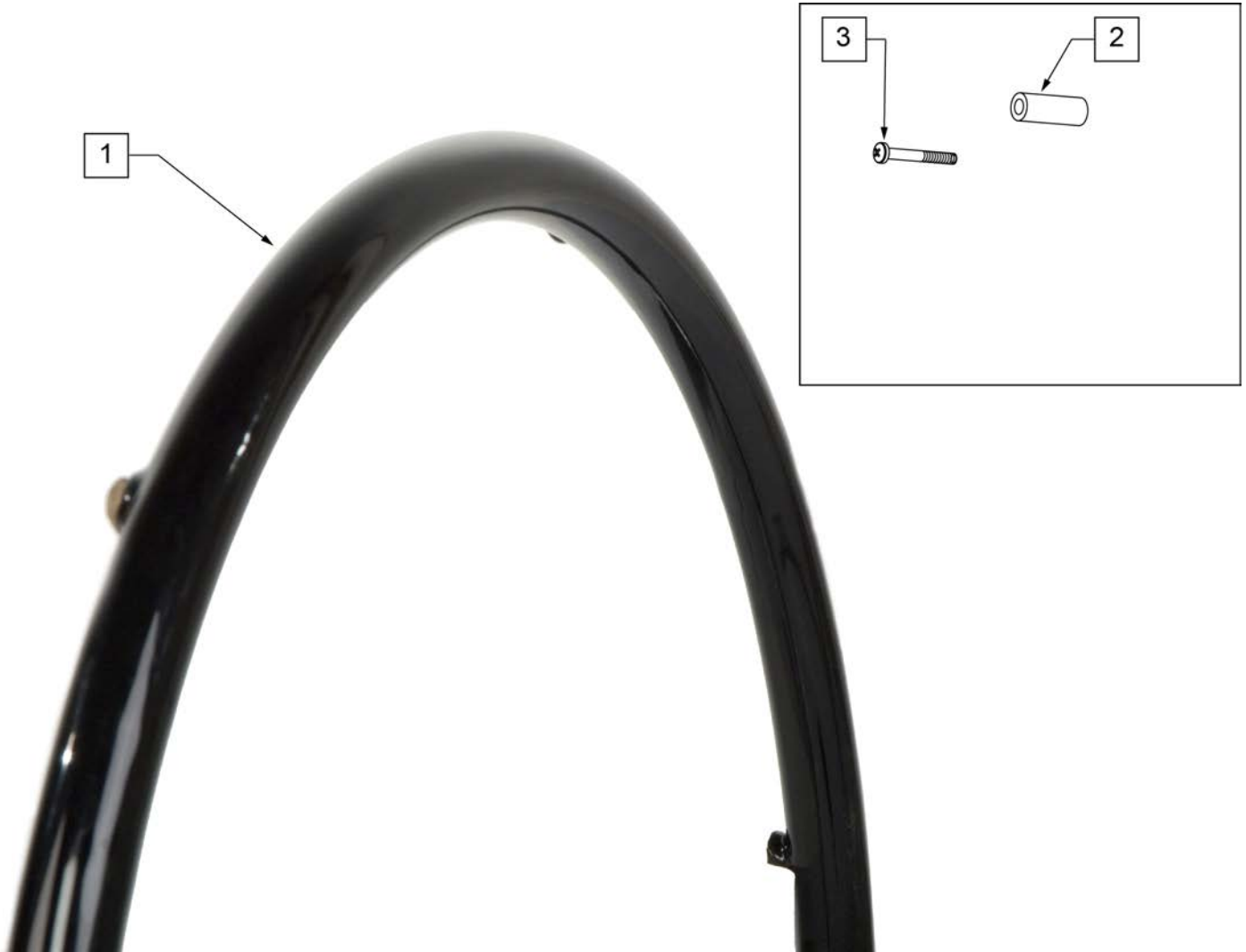
Note: used on Spinergy SPOX and LX wheels.



Pos.	Item Number	Description	Remarks
1-4	159501	24IN HANDRIM TAB Q-GRIP W/HDWR	
1-4	159502	25IN HANDRIM TAB Q-GRIP W/HDWR	
2-4	159503	HANDRIM TAB Q-GRIP HARDWARE	set of 6

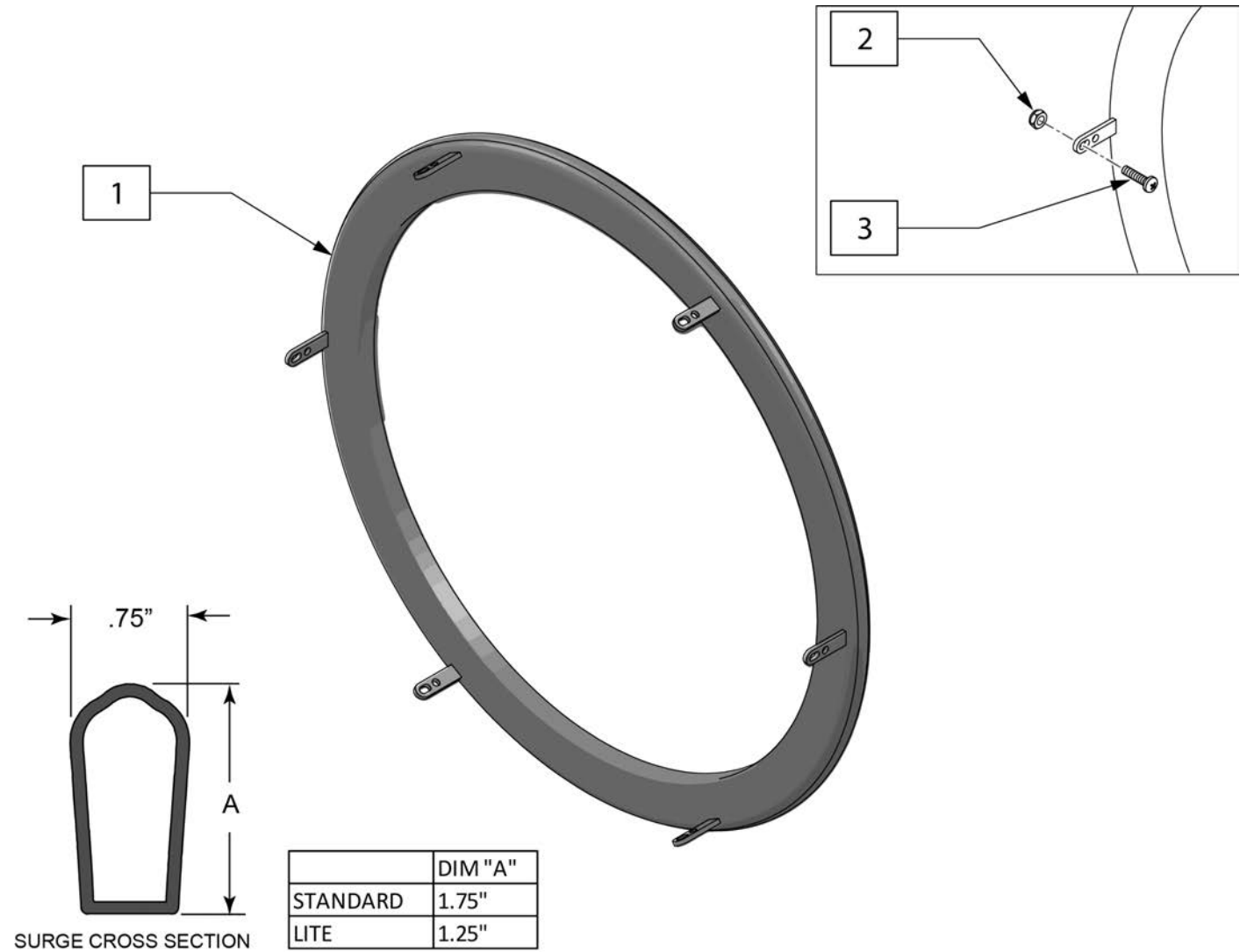
Note: Handrim is Latex free.

Note: used on Lite Spoke Wheels.



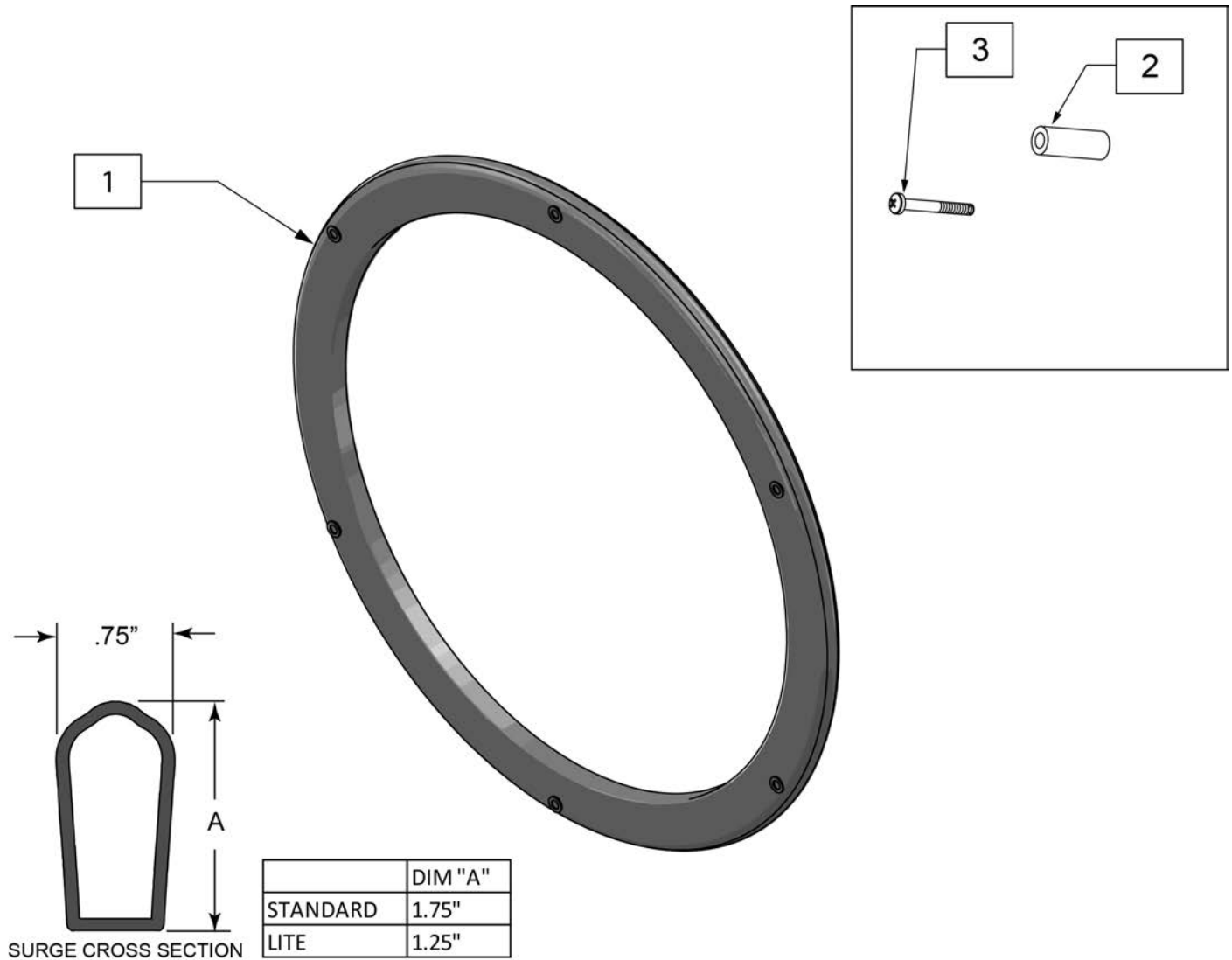
Pos.	Item Number	Description	Remarks
1-3	159504	24 HNDRIM RVNUT Q-GRIP W/HDWR	
1-3	159505	25 HNDRIM RVNUT Q-GRIP W/HDWR	
2,3	159506	Q-GRIP HARDWARE	set of 6

Note: used on Spinergy SPOX and LX wheels.



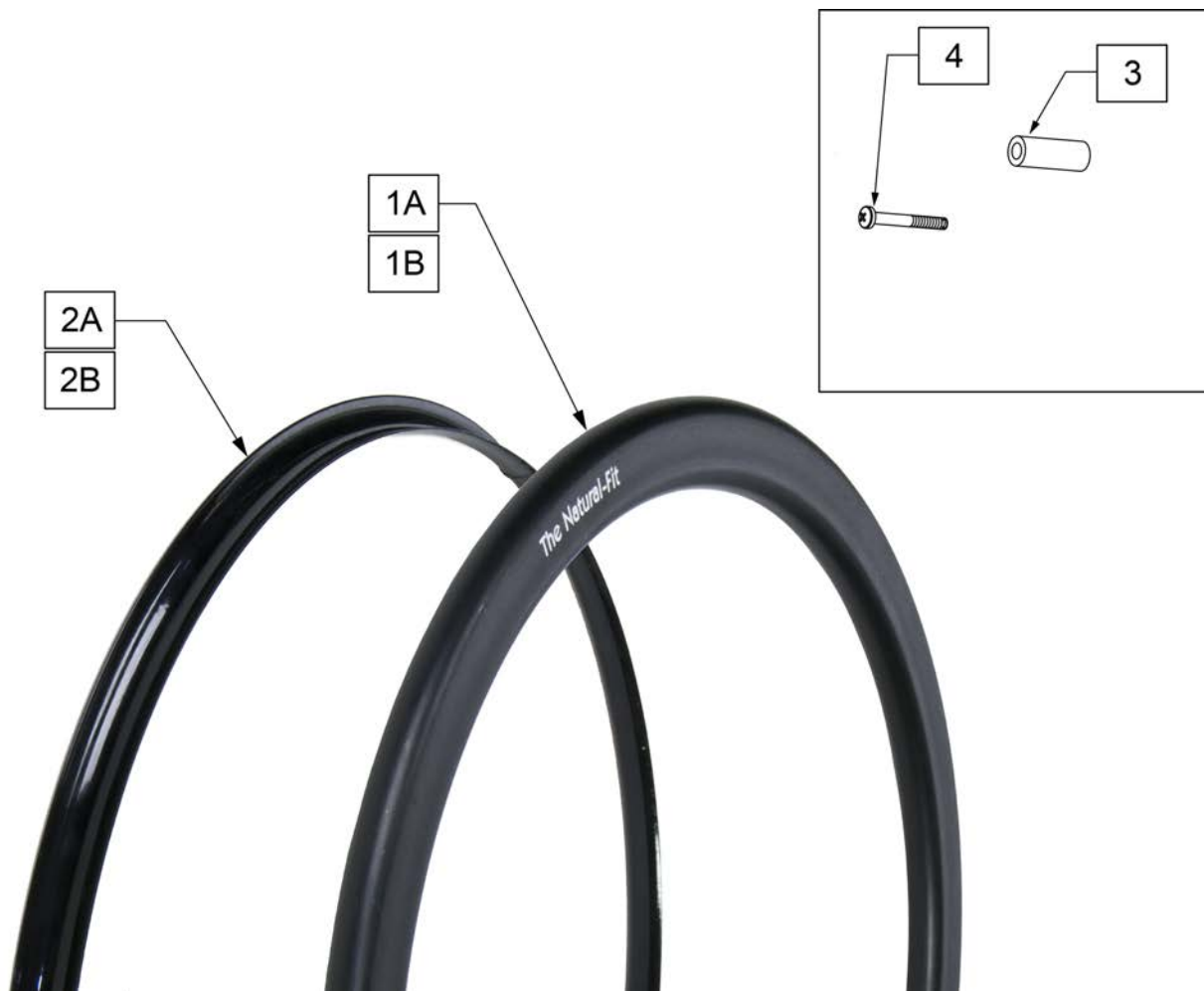
Pos.	Item Number	Description
1-3	159492	22IN TAB SURGE HANDRIM W/HDWR
1-3	159493	24IN TAB SURGE HANDRIM W/HDWR
1-3	159494	25IN TAB SURGE HANDRIM W/HDWR
1-3	159495	26IN TAB SURGE HANDRIM W/HDWR
1-3	159496	22IN TAB SURGE HANDRIM LT W/HDWR
1-3	159497	24IN TAB SURGE HANDRIM LT W/HDWR
1-3	159498	25IN TAB SURGE HANDRIM LT W/HDWR
1-3	159499	26IN TAB SURGE HANDRIM LT W/HDWR
2,3	159500	SURGE HARDWARE TAB MNT

Note: used on Lite Spoke wheels.



Pos.	Item Number	Description	Remarks
1-3	159483	22IN HANDRIM SURGE W/HDWR	
1-3	159484	24IN HANDRIM SURGE W/HDWR	
1-3	159485	25IN HANDRIM SURGE W/HDWR	
1-3	159486	26IN HANDRIM SURGE W/HDWR	
1-3	159487	22IN HANDRIM LT SURGE W/HDWR	
1-3	159488	24IN HANDRIM LT SURGE W/HDWR	
1-3	159489	25IN HANDRIM LT SURGE W/HDWR	
1-3	159490	26IN HANDRIM LT SURGE W/HDWR	
2,3	159491	SURGE HARDWARE	set of 6

NOTE: fits 24" 5 Spoke Wheel only.



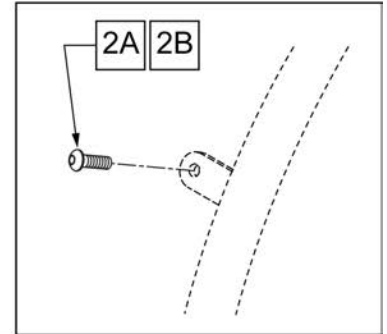
Pos.	Item Number	Description	Remarks
1A	126558	HNDRM NAT FIT LT OVAL 5 RVT	24" Light
1B	126559	HNDRM NATURAL FIT OVAL 5 RVT	24" Standard
2A	102168-004	GUARD THUMB NAT FIT 24 SG BLK	24" (540)- Super Grip Thumb Guard
2B	102168-003	GUARD THUMB NAT FIT 24 PC BLK	24" (540)- Standard Grip Thumb Guard
3	101932	SPCR .194ID X .375 OD X .750	
4	281175	10-32 X 2 1/8 PAN PHIL SS	



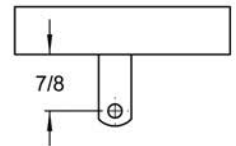


Pos.	Item Number	Description	Remarks
>>>>>	>>>>>>>>>>	LITE SPOKE	>>>>>
1,2A,3A	163434S	20IN LT SPK AA PWDR CT HNDRIM	20" LITE SPOKE
1,2A,3A	163435S	22IN LT SPK AA PWDR CT HNDRIM	22" (501) LITE SPOKE
1,2A,3A	163436S	24IN LT SPK AA PWDR CT HNDRIM	24" (540) LITE SPOKE
1,2A,3A	163437S	25IN LT SPK AA PWDR CT HNDRIM	25" (559) LITE SPOKE
1,2A,3A	163438S	26IN LT SPK AA PWDR CT HNDRIM	26" (590) LITE SPOKE
2A,3A	159513	LT SPK AL AN HNDRIM HDWR	LITE SPOKE, SET OF 6
>>>>>	>>>>>>>>>>	SPOKE	>>>>>
1,2B,3B	425931S	20" HR 6SMT W/HDWR	20" SPOKE
1,2B,3B	425941S	22" HR 6SMT W/HDWR	22" (501) SPOKE
1,2B,3B	426000S	24" HR 6SMT W/ HDWR	24" (540) SPOKE
2B,3B	159514	SPK AL AN HNDRIM HDWR	SPOKE, SET OF 6
>>>>>	>>>>>>>>>>	MAG	>>>>>
1,3C	425934S	20" HR 6SMT 6MAG W/HDWR	20" MAG
1,3C	425951S	22" HR 6SMT 6MAG W/HDWR	22" (501) MAG
1,3C	426009S	24" HR 6SMT 6MAG W/HDWR	24" (540) MAG
3C	281175	10-32 X 2 1/8 PAN PHIL SS	MAG
>>>>>	>>>>>>>>>>	M6 SPOKE	>>>>>

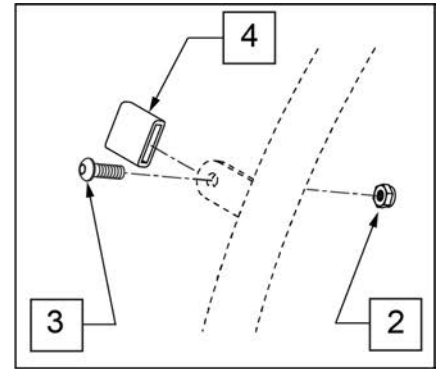
Pos.	Item Number	Description	Remarks
1,2B,3B	425941S	22" HR 6SMT W/HDWR	24" (540) SPOKE



**MEASURING GUIDE**

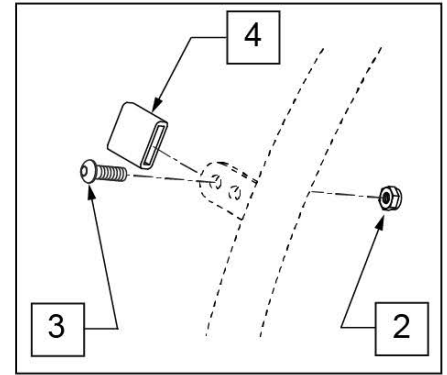


Pos.	Item Number	Description	Remarks
>>>>>	>>>>>>>>>>	NEW ULTRA LITE SPOKE	>>>>>
1	163444S	24IN ULT LT SPK PWDRCT HDRM	24" (540)
1	163445S	25IN ULT LT SPK PWDRCT HDRM	26" (559)
2B	012931	BHCS M5 X 10 W/PL BLK CL 10.9	QTY 6 REG

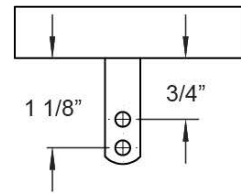


Pos.	Item Number	Description	Remarks
>>>>>	>>>>>>>>>>	CROSS SPOKE & SPOKE	>>>>>
1 -4	425095S	HANDRIM 18" 4T W/HDWR ANO	18" SPOKE
1	529529S	QP 24" HR .065 (6) TAB ANO	24" (540) CROSS SPOKE -SHORT & REG TAB
1 -4	425030S	24" HR 6T BB/HTBB W/HDWR	25" (590) CROSS SPOKE
>>>>>	>>>>>>>>>>	CROSS SPOKE QP (QUICKIE PERFORMANCE)	>>>>>
1 -4	425050S	26" HR 6T BB/TN W/HDWR	26" (590) CROSS SPOKE TENNIS & BBALL
1 -4	425045S	24" HR SHT(6T)ANO W/X/S HDWR	25" (590) CROSS SPOKE TENNIS & BBALL-SHORT TAB
1 -4	425048S	26" HR (6T)ANO W/X/S HDWR	26" (700) CROSS SPOKE TENNIS & BBALL -REG TAB
1 -4	425055S	26" HR SHT(6T)ANO W/X/S HDWR	26" (700) CROSS SPOKE TENNIS & BBALL-SHORT TAB
1 -4	426015S	QP 24" HR .049 W/HDWR SMT	24" (540) TENNIS
1 -4	425030S	24" HR 6T BB/HTBB W/HDWR	25" (559) TENNIS & BASKETBALL
1 -4	426050S	QP 26" HR .065 W/HDWR (6T)	26" (700) TENNIS & BASKETBALL
1 -4	425050S	26" HR 6T BB/TN W/HDWR	26" (590) TENNIS & BASKETBALL
>>>>>	>>>>>>>>>>	SPINERGY	>>>>>
1	529529S	QP 24" HR .065 (6) TAB ANO	24" (540) SPINERGY
1 -4	425038S	QP 24" HR .049 W/HDWR (6T)	25" (559) SPINERGY
1 -4	425050S	26" HR 6T BB/TN W/HDWR	26" (590) SPINERGY
>>>>>	>>>>>>>>>>	MOUNTAIN	>>>>>

<b>Pos.</b>	<b>Item Number</b>	<b>Description</b>	<b>Remarks</b>
1 -4	425020S	22" HR 4T W/HDWR	24" (540) MOUNTAIN
1 -4	425030S	24" HR 6T BB/HTBB W/HDWR	26" (590) MOUNTAIN
2-4	159515	AA TAB MOUNT HANDRIM HARDWARE	SET OF 6

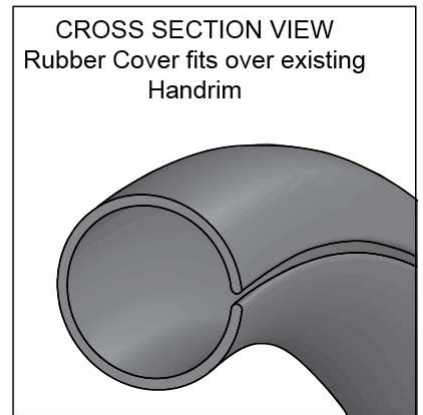
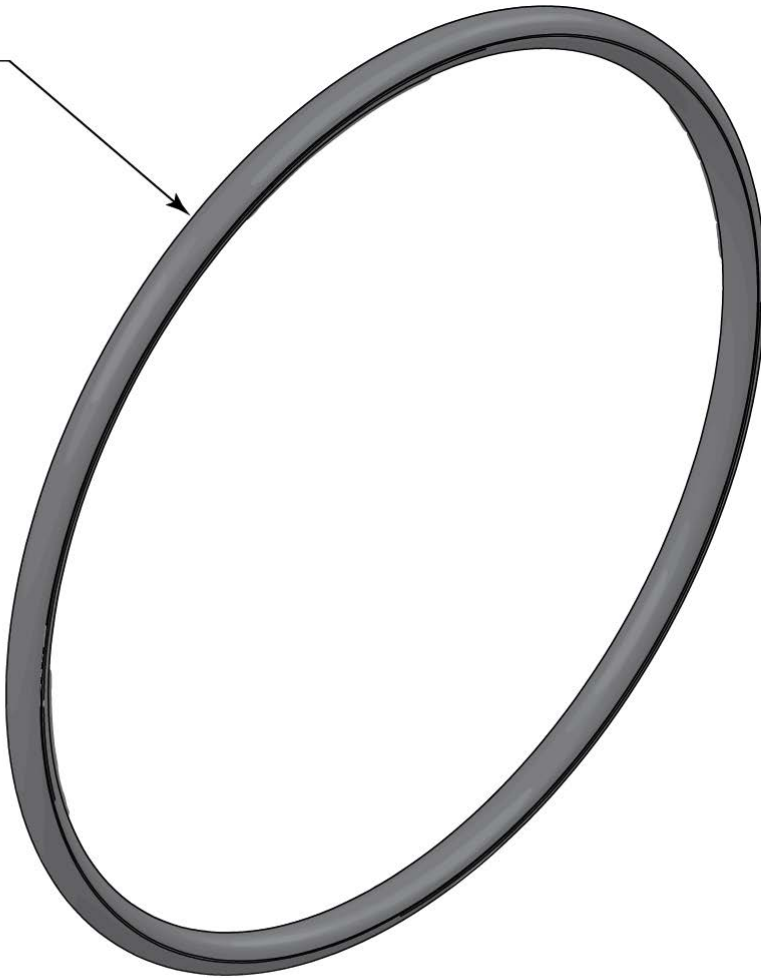


**MEASURING GUIDE**



Pos.	Item Number	Description	Remarks
>>>>>	>>>>>>>>>>	CROSS SPOKE & SPOKE	>>>>>
1 -4	425095	HANDRIM 18" 4T W/HDWR ANO	18" SPOKE
1	529529	QP 24" HR .065 (6) TAB ANO	24" (540) CROSS SPOKE -SHORT & REG TAB
1 -4	425030	24" HR 6T BB/HTBB W/HDWR	25" (590) CROSS SPOKE
>>>>>	>>>>>>>>>>	CROSS SPOKE QP (QUICKIE PERFORMANCE)	>>>>>
1 -4	425050	26" HR 6T BB/TN W/HDWR	26" (590) CROSS SPOKE TENNIS & BBALL
1 -4	425045	24" HR SHT(6T)ANO W/X/S HDWR	25" (590) CROSS SPOKE TENNIS & BBALL-SHORT TAB
1 -4	425048	26" HR (6T)ANO W/X/S HDWR	26" (700) CROSS SPOKE TENNIS & BBALL -REG TAB
1 -4	425055	26" HR SHT(6T)ANO W/X/S HDWR	26" (700) CROSS SPOKE TENNIS & BBALL-SHORT TAB
1 -4	426015	QP 24" HR .049 W/HDWR SMT	24" (540) TENNIS
1 -4	425030	24" HR 6T BB/HTBB W/HDWR	25" (559) TENNIS & BASKETBALL
1 -4	426050	QP 26" HR .065 W/HDWR (6T)	26" (700) TENNIS & BASKETBALL
1 -4	425050	26" HR 6T BB/TN W/HDWR	26" (590) TENNIS & BASKETBALL
>>>>>	>>>>>>>>>>	SPINERGY	>>>>>
1	529529	QP 24" HR .065 (6) TAB ANO	24" (540) SPINERGY
1 -4	425038	QP 24" HR .049 W/HDWR (6T)	25" (559) SPINERGY
1 -4	425050	26" HR 6T BB/TN W/HDWR	26" (590) SPINERGY
>>>>>	>>>>>>>>>>	MOUNTAIN	>>>>>
1 -4	425020	22" HR 4T W/HDWR	24" (540) MOUNTAIN
1 -4	425030	24" HR 6T BB/HTBB W/HDWR	26" (590) MOUNTAIN
2-4	159515	AA TAB MOUNT HANDRIM HARDWARE	SET OF 6

1



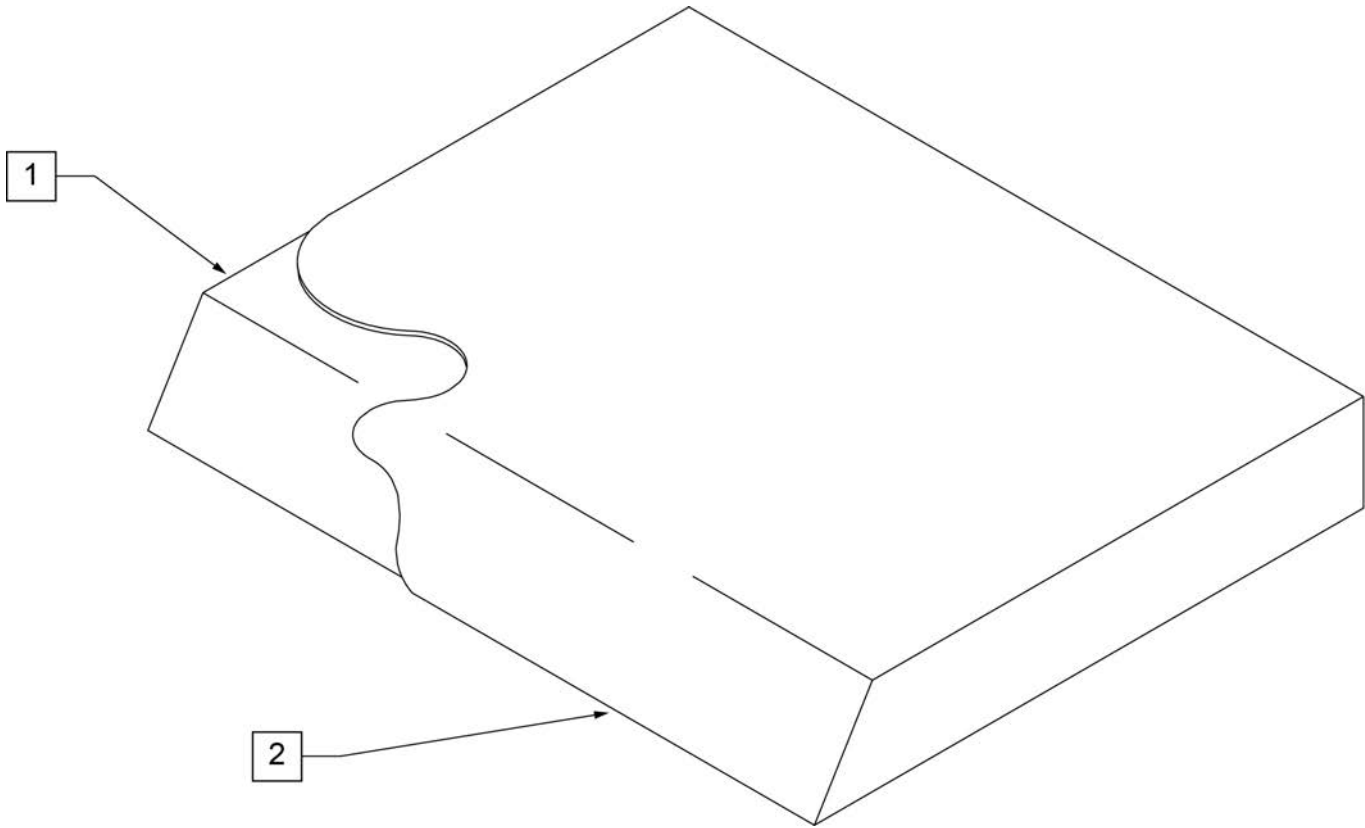
Pos.	Item Number	Description
1	000854514	24" HANDRIM RUBBER COVER



Pos.	Item Number	Description	Remarks
1A	Discontinued	Presta Valves Discontinued	
1A	384736	INNER TUBE 12-1/2" X 2-1/4"	
1A	384738	16" X 1.75" INNER TUBE	
1A	382255	TUBE 18" TIRE	18" X 1-3/4" TUBE
1A	382275	20" TUBE	20" 1-3/8" TUBE
1A	382300	22" TUBE	22" X 1-3/8" TUBE
1A	382336	TUBE PRIMO 24" 25-540 SV	24" X 1" TUBE
1A	382325	24 X 1.3/8IN TUBE REG	
1A	382334	TUBE INLINE 24 X 1.75	
1A	384551	26" X 1" TUBE SCHRADER	
1A	382350	26" TUBE	26" X 1-3/8" TUBE
1A	382361	TUBE 26 X 1.5/1.95/ S/V	
1A	382365	26 X 1.25/1.5 TUBE SHRADER	
1A	382375	24" x 2.125 TUBE	
1B	102972-001	12 1/2 IN AIRLESS INSERT	12-1/2" X 2-1/4"
1B	102973-001	16IN AIRLESS INSERT	16" X 1-3/4"
1B	102973-002	18IN AIRLESS INSERT	18" X 1-3/4"
1B	102973-003	20IN AIRLESS INSERT	20" X 1-3/8"
1B	102972-002	AIRLESS INSERT 20 X 2-1/8 P3	
1B	102973-004	22IN AIRLESS INSERT	22" X 1-3/8"
1B	102973-005	24IN AIRLESS INSERT	24" X 1-3/8"
1B	102972-003	AIRLESS INSERT 24 X 2-1/8	
1B	108259	26" AIRLESS INSERT	26" X 1-3/8"



**NOTE:** On all Quickie 2 and GP Family of Chairs an inch deeper cushion is utilized on all seat depths.



Pos.	Item Number	Description	Pos.	Item Number	Description
>>>>		10" WIDE SEAT CUSHION	1,2	700108	SEAT CUSHION 12" X 9" X 2"
1,2	700025	SEAT CUSHION 10" X 8" X 2"	1,2	700102	SEAT CUSHION 12" X 10" X 2"
1,2	700026	SEAT CUSHION 10" X 9" X 2"	1,2	700112	SEAT CUSHION 12" X 11" X 2"
1,2	700027	SEAT CUSHION 10" X 10" X 2"	1,2	700122	SEAT CUSHION 12" X 12" X 2"
1,2	700028	SEAT CUSHION 10" X 11" X 2"	1,2	700132	SEAT CUSHION 12" X 13" X 2"
1,2	700029	SEAT CUSHION 10" X 12" X 2"	1,2	700142	SEAT CUSHION 12" X 14" X 2"
1,2	700035	SEAT CUSHION 10" X 13" X 2"	1,2	700152	SEAT CUSHION 12" X 15" X 2"
1,2	700045	SEAT CUSHION 10" X 14" X 2"	1,2	700162	SEAT CUSHION 12" X 16" X 2"
>>>>		11" WIDE SEAT CUSHION	1,2	700172	SEAT CUSHION 12" X 17" X 2"
1,2	700055	SEAT CUSHION 11" X 8" X 2"	1,2	700182	SEAT CUSHION 12" X 18" X 2"
1,2	700056	SEAT CUSHION 11" X 9" X 2"	1,2	700192	SEAT CUSHION 12" X 19" X 2"
1,2	700002	SEAT CUSHION 11" X 10" X 2"	>>>>		13" WIDE SEAT CUSHION
1,2	700012	SEAT CUSHION 11" X 11" X 2"	1,2	700207	SEAT CUSHION 13" X 8" X 2"
1,2	700022	SEAT CUSHION 11" X 12" X 2"	1,2	700208	SEAT CUSHION 13" X 9" X 2"
1,2	700032	SEAT CUSHION 11" X 13" X 2"	1,2	700202	SEAT CUSHION 13" X 10" X 2"
1,2	700042	SEAT CUSHION 11" X 14" X 2"	1,2	700212	SEAT CUSHION 13" X 11" X 2"
1,2	700052	SEAT CUSHION 11" X 15" X 2"	1,2	700222	SEAT CUSHION 13" X 12" X 2"
1,2	700062	SEAT CUSHION 11" X 16" X 2"	1,2	700232	SEAT CUSHION 13" X 13" X 2"
1,2	700072	SEAT CUSHION 11" X 17" X 2"	1,2	700242	SEAT CUSHION 13" X 14" X 2"
1,2	700082	SEAT CUSHION 11" X 18" X 2"	1,2	700252	SEAT CUSHION 13" X 15" X 2"
>>>>		12" WIDE SEAT CUSHION	1,2	700262	SEAT CUSHION 13" X 16" X 2"
1,2	700107	SEAT CUSHION 12" X 8" X 2"	1,2	700272	SEAT CUSHION 13" X 17" X 2"

Pos.	Item Number	Description	Pos.	Item Number	Description
1,2	700277	SEAT CUSHION 13" X 18" X 2"	1,2	702113	SEAT CUSHION 17" X 22" X 2"
1,2	700267	SEAT CUSHION 13" X 19" X 2"	>>>>		18" WIDE SEAT CUSHION
>>>>		14" WIDE SEAT CUSHION	1,2	700682	SEAT CUSHION 18" X 12" X 2"
1,2	700287	SEAT CUSHION 14" X 8" X 2"	1,2	700692	SEAT CUSHION 18" X 13" X 2"
1,2	700288	SEAT CUSHION 14" X 9" X 2"	1,2	700702	SEAT CUSHION 18" X 14" X 2"
1,2	700282	SEAT CUSHION 14" X 10" X 2"	1,2	700712	SEAT CUSHION 18" X 15" X 2"
1,2	700292	SEAT CUSHION 14" X 11" X 2"	1,2	700722	SEAT CUSHION 18" X 16" X 2"
1,2	700302	SEAT CUSHION 14" X 12" X 2"	1,2	700732	SEAT CUSHION 18" X 17" X 2"
1,2	700312	SEAT CUSHION 14" X 13" X 2"	1,2	700742	SEAT CUSHION 18" X 18" X 2"
1,2	700322	SEAT CUSHION 14" X 14" X 2"	1,2	700752	SEAT CUSHION 18" X 19" X 2"
1,2	700332	SEAT CUSHION 14" X 15" X 2"	1,2	700762	SEAT CUSHION 18" X 20" X 2"
1,2	700342	SEAT CUSHION 14" X 16" X 2"	1,2	700772	SEAT CUSHION 18" X 21" X 2"
1,2	700352	SEAT CUSHION 14" X 17" X 2"	1,2	702114	SEAT CUSHION 18" X 22" X 2"
1,2	700362	SEAT CUSHION 14" X 18" X 2"	>>>>		19" WIDE SEAT CUSHION
1,2	700372	SEAT CUSHION 14" X 19" X 2"	1,2	700782	SEAT CUSHION 19" X 12" X 2"
1,2	700382	SEAT CUSHION 14" X 20" X 2"	1,2	700792	SEAT CUSHION 19" X 13" X 2"
1,2	700392	SEAT CUSHION 14" X 21" X 2"	1,2	700802	SEAT CUSHION 19" X 14" X 2"
1,2	702110	SEAT CUSHION 14" X 22" X 2"	1,2	700812	SEAT CUSHION 19" X 15" X 2"
>>>>		15" WIDE SEAT CUSHION	1,2	700822	SEAT CUSHION 19" X 16" X 2"
1,2	700398	SEAT CUSHION 15" X 11" X 2"	1,2	700832	SEAT CUSHION 19" X 17" X 2"
1,2	700402	SEAT CUSHION 15" X 12" X 2"	1,2	700842	SEAT CUSHION 19" X 18" X 2"
1,2	700412	SEAT CUSHION 15" X 13" X 2"	1,2	700852	SEAT CUSHION 19" X 19" X 2"
1,2	700422	SEAT CUSHION 15" X 14" X 2"	1,2	700862	SEAT CUSHION 19" X 20" X 2"
1,2	700432	SEAT CUSHION 15" X 15" X 2"	1,2	700872	SEAT CUSHION 19" X 21" X 2"
1,2	700442	SEAT CUSHION 15" X 16" X 2"	1,2	702115	SEAT CUSHION 19" X 22" X 2"
1,2	700452	SEAT CUSHION 15" X 17" X 2"	>>>>		20" WIDE SEAT CUSHION
1,2	700462	SEAT CUSHION 15" X 18" X 2"	1,2	700882	SEAT CUSHION 20" X 12" X 2"
1,2	700472	SEAT CUSHION 15" X 19" X 2"	1,2	700892	SEAT CUSHION 20" X 13" X 2"
1,2	700482	SEAT CUSHION 15" X 20" X 2"	1,2	700902	SEAT CUSHION 20" X 14" X 2"
1,2	700492	SEAT CUSHION 15" X 21" X 2"	1,2	700912	SEAT CUSHION 20" X 15" X 2"
1,2	702111	SEAT CUSHION 15" X 22" X 2"	1,2	700922	SEAT CUSHION 20" X 16" X 2"
>>>>		16" WIDE SEAT CUSHION	1,2	700932	SEAT CUSHION 20" X 17" X 2"
1,2	700498	SEAT CUSHION 16" X 11" X 2"	1,2	700942	SEAT CUSHION 20" X 18" X 2"
1,2	700502	SEAT CUSHION 16" X 12" X 2"	1,2	700952	SEAT CUSHION 20" X 19" X 2"
1,2	700512	SEAT CUSHION 16" X 13" X 2"	1,2	700962	SEAT CUSHION 20" X 20" X 2"
1,2	700522	SEAT CUSHION 16" X 14" X 2"	1,2	700972	SEAT CUSHION 20" X 21" X 2"
1,2	700532	SEAT CUSHION 16" X 15" X 2"	1,2	702116	SEAT CUSHION 20" X 22" X 2"
1,2	700542	SEAT CUSHION 16" X 16" X 2"	>>>>		21" WIDE SEAT CUSHION
1,2	700552	SEAT CUSHION 16" X 17" X 2"	1,2	702080	SEAT CUSHION 21" X 13" X 2"
1,2	700562	SEAT CUSHION 16" X 18" X 2"	1,2	702081	SEAT CUSHION 21" X 14" X 2"
1,2	700572	SEAT CUSHION 16" X 19" X 2"	1,2	702082	SEAT CUSHION 21" X 15" X 2"
1,2	700582	SEAT CUSHION 16" X 20" X 2"	1,2	702083	SEAT CUSHION 21" X 16" X 2"
1,2	700592	SEAT CUSHION 16" X 21" X 2"	1,2	702084	SEAT CUSHION 21" X 17" X 2"
1,2	702112	SEAT CUSHION 16" X 22" X 2"	1,2	702085	SEAT CUSHION 21" X 18" X 2"
>>>>		17" WIDE SEAT CUSHION	1,2	702086	SEAT CUSHION 21" X 19" X 2"
1,2	700585	SEAT CUSHION 17" X 11" X 2"	1,2	702087	SEAT CUSHION 21" X 20" X 2"
1,2	700606	SEAT CUSHION 17" X 12" X 2"	1,2	702088	SEAT CUSHION 21" X 21" X 2"
1,2	700597	SEAT CUSHION 17" X 13" X 2"	1,2	702089	SEAT CUSHION 21" X 22" X 2"
1,2	700602	SEAT CUSHION 17" X 14" X 2"	>>>>		22" WIDE SEAT CUSHION
1,2	700612	SEAT CUSHION 17" X 15" X 2"	1,2	702090	SEAT CUSHION 22" X 13" X 2"
1,2	700622	SEAT CUSHION 17" X 16" X 2"	1,2	702091	SEAT CUSHION 22" X 14" X 2"
1,2	700632	SEAT CUSHION 17" X 17" X 2"	1,2	702092	SEAT CUSHION 22" X 15" X 2"
1,2	700642	SEAT CUSHION 17" X 18" X 2"	1,2	702093	SEAT CUSHION 22" X 16" X 2"
1,2	700652	SEAT CUSHION 17" X 19" X 2"	1,2	702094	SEAT CUSHION 22" X 17" X 2"
1,2	700662	SEAT CUSHION 17" X 20" X 2"	1,2	702095	SEAT CUSHION 22" X 18" X 2"
1,2	700672	SEAT CUSHION 17" X 21" X 2"	1,2	702096	SEAT CUSHION 22" X 19" X 2"

Pos.	Item Number	Description	Pos.	Item Number	Description
1,2	702097	SEAT CUSHION 22" X 20" X 2"	1,2	702222	SEAT CUSHION 26" X 20" X 2"
1,2	702098	SEAT CUSHION 22" X 21" X 2"	1,2	702223	SEAT CUSHION 26" X 21" X 2"
1,2	702117	SEAT CUSHION 22" X 22" X 2"	1,2	702224	SEAT CUSHION 26" X 22" X 2"
>>>>		24" WIDE SEAT CUSHION	>>>>		28" WIDE SEAT CUSHION
1,2	702099	SEAT CUSHION 24" X 14" X 2	1,2	702225	SEAT CUSHION 28" X 18" X 2"
1,2	702100	SEAT CUSHION 24" X 15" X 2	1,2	702226	SEAT CUSHION 28" X 19" X 2"
1,2	702101	SEAT CUSHION 24" X 16" X 2	1,2	702227	SEAT CUSHION 28" X 20" X 2"
1,2	702102	SEAT CUSHION 24" X 17" X 2	1,2	702228	SEAT CUSHION 28" X 21" X 2"
1,2	702103	SEAT CUSHION 24" X 18" X 2	1,2	702229	SEAT CUSHION 28" X 22" X 2"
1,2	702104	SEAT CUSHION 24" X 19" X 2	>>>>		30" WIDE SEAT CUSHION
1,2	702105	SEAT CUSHION 24" X 20" X 2"	1,2	702230	SEAT CUSHION 30" X 18" X 2"
1,2	702106	SEAT CUSHION 24" X 21" X 2"	1,2	702231	SEAT CUSHION 30" X 19" X 2"
1,2	702118	SEAT CUSHION 24" X 22" X 2"	1,2	702232	SEAT CUSHION 30" X 20" X 2"
>>>>		26" WIDE SEAT CUSHION	1,2	702233	SEAT CUSHION 30" X 21" X 2"
1,2	702220	SEAT CUSHION 26" X 18" X 2"	1,2	702234	SEAT CUSHION 30" X 22" X 2"
1,2	702221	SEAT CUSHION 26" X 19" X 2"			

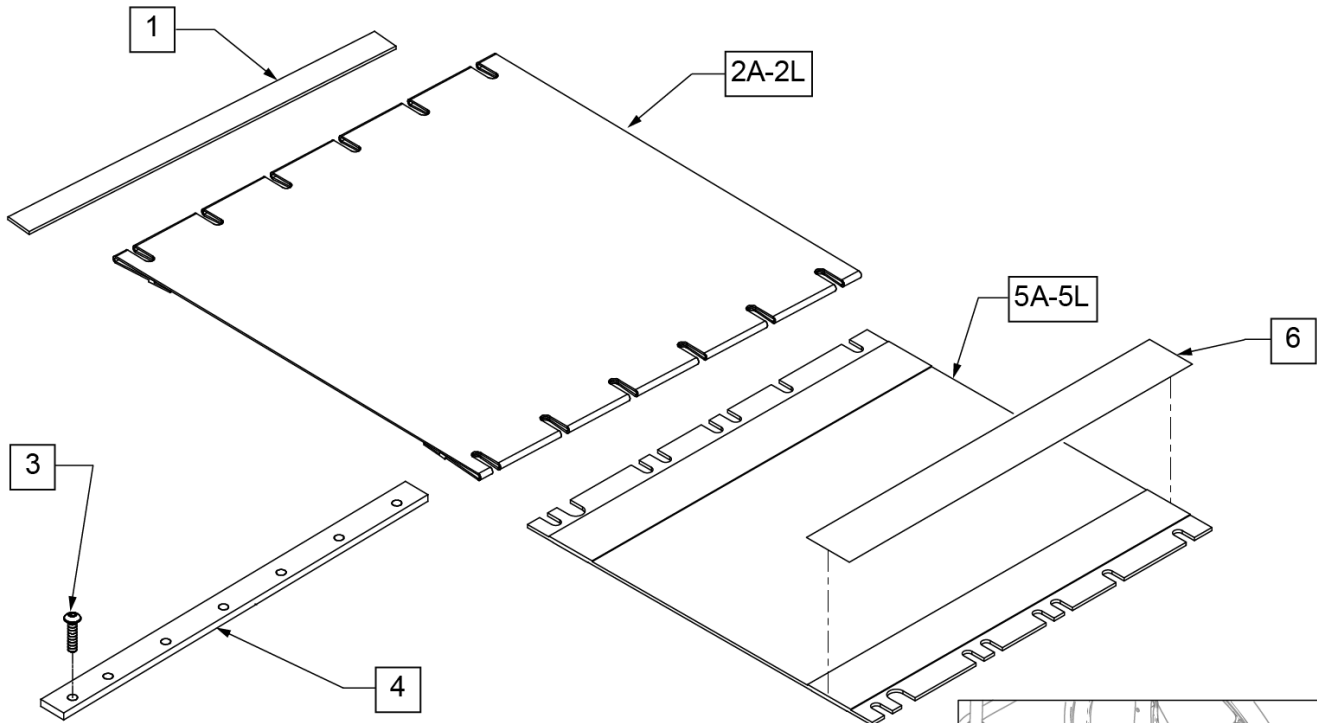
**NOTE:** Discontinued on QUICKIE 2 chairs as of S/N Q2-242050 (10/23/99).

**NOTE:** Discontinued on LX/LXI chairs as of S/N LX-034330 (10/24/08).

**NOTE:** As stock is depleted, pos5 & 6 are being utilized as a direct replacement for Quickie 2 prior to 10/23/1999 S/N Q2-242050.

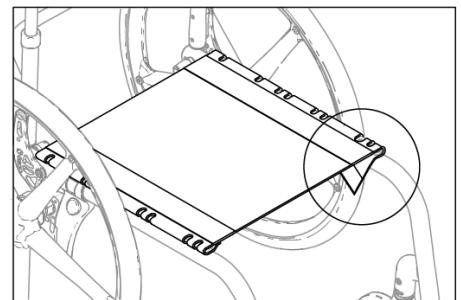
Note: 11" seat depth not offered on GP Series.

**NOTE:** if switching from old style screw-mounted sling to channel-style seat sling for Q2 or Kids Q2 SE chairs shipped on or prior to 10/23/99, order complete Cross Tube Assembly Retrofit Kit (672210S - 673031S) located on Q2 Cross Tube & Seat Sling and Kids Q2 SE Cross Tube & Seat Sling parts pages; kit will include Cross Tube Assembly, Sling, Retaining Rods and all mounting hardware and will be assembled prior to shipping.



**MEASURING GUIDE**

CHAIR WIDTH	"A" SLING WIDTH (UNFOLDED)	"B" SLING WIDTH (FOLDED)
10"	12"	9"
11"	13"	10"
12"	14"	11"
13"	15"	12"
14"	16"	13"
15"	17"	14"
16"	18"	15"
17"	19"	16"
18"	20"	17"
19"	21"	18"
20"	22"	19"
21"	23"	20"
22"	24"	21"
24"	26"	23"



FOR PROPER FIT OPEN THE VELCRO FLAP ON THE UNDER SIDE OF THE SLING FOR INSTALLATION. THE SLING MAY MEASURE SHORT, BUT BY OPENING THE FLAP IT WILL ADJUST TO FIT THE FRAME.

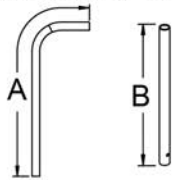
Pos.	Item Number	Description	Pos.	Item Number	Description
1	901170	SEAT SLING VELCRO STRIP	2G	720498	SEAT SLING 16" x 10"
2A	720000	SEAT SLING 11 x 10	2G	720508	SEAT SLING 16" x 20"
2A	720001	SEAT SLING 11 x 11	2G	720509	SEAT SLING 16" X 21"
2A	720002	SEAT SLING 11 x 12	2G	720510	SEAT SLING 16" X 22"
2A	720003	SEAT SLING 11 x 13	2H	720607	SEAT SLING 17" x 20"
2A	720004	SEAT SLING 11 x 14	2H	720608	SEAT SLING 17" X 21"
2A	720005	SEAT SLING 11 x 15	2H	720609	SEAT SLING 17" X 22"
2A	720006	SEAT SLING 11 x 16	2J	720706	SEAT SLING 18" x 20"
2A	720007	SEAT SLING 11 x 17"	2J	720707	SEAT SLING 18" x 21"
2B	720010	SEAT SLING 10 x 10	2J	720708	SEAT SLING 18" X 22"
2B	720014	SEAT SLING 10 x 14	2K	720806	SEAT SLING 19" x 20"
2C	720100	SEAT SLING 12" x 10"	2K	720807	SEAT SLING 19" X 21"
2C	720101	SEAT SLING 12" x 11"	2K	720808	SEAT SLING 19" X 22"
2D	720200	SEAT SLING 13" x 10"	2L	720907	SEAT SLING 20" x 20"
2D	720209	SEAT SLING 13" x 19"	2L	720894	SEAT SLING 20" X 21"
2E	720298	SEAT SLING 14" x 10"	2L	720895	SEAT SLING 20" X 22"
2E	720308	SEAT SLING 14" x 20"	3	281122	10-32 x 3/4 PAN HD PHIL
2F	720398	SEAT SLING 15" x 10"	4	505112	SEAT RAIL 10"
2F	720408	SEAT SLING 15" x 20"	4	505114	SEAT RAIL 11"

Pos.	Item Number	Description	Pos.	Item Number	Description
4	505100	SEAT RAIL 12"	5F	109509	SEAT SLING 17"W X 11"D
4	505101	SEAT RAIL 13"	5F	109510	SEAT SLING 17"W X 12"D
4	505102	SEAT RAIL 14"	5F	109511	SEAT SLING 17"W X 13"D
4	505104	SEAT RAIL 15"	5F	109512	SEAT SLING 17"W X 14"D
4	505106	SEAT RAIL 16"	5F	109513	SEAT SLING 17"W X 15"D
4	505108	SEAT RAIL 17"	5F	109514	SEAT SLING 17"W X 16"D
4	505110	SEAT RAIL 18"	5F	109515	SEAT SLING 17"W X 17"D
4	505115	SEAT RAIL 19"	5F	109516	SEAT SLING 17"W X 18"D
4	505116	SEAT RAIL 20"	5F	109517	SEAT SLING 17"W X 19"D
4	505118	SEAT RAIL 21"	5G	109518	SEAT SLING 18"W X 11"D
4	505117	SEAT RAIL 22"	5G	109519	SEAT SLING 18"W X 12"D
4	505119	SEAT RAIL 23"	5G	109520	SEAT SLING 18"W X 13"D
4	505133	SEAT RAIL 24"	5G	109521	SEAT SLING 18"W X 14"D
5A	109466	SEAT SLING 12"W X 11"D	5G	109522	SEAT SLING 18"W X 15"D
5A	109467	SEAT SLING 12"W X 12"D	5G	109523	SEAT SLING 18"W X 16"D
5A	109468	SEAT SLING 12"W X 13"D	5G	109524	SEAT SLING 18"W X 17"D
5A	109469	SEAT SLING 12"W X 14"D	5G	109525	SEAT SLING 18"W X 18"D
5A	109470	SEAT SLING 12"W X 15"D	5G	109526	SEAT SLING 18"W X 19"D
5A	109471	SEAT SLING 12"W X 16"D	5H	109527	SEAT SLING 19"W X 11"D
5A	109472	SEAT SLING 12"W X 17"D	5H	109528	SEAT SLING 19"W X 12"D
5A	109473	SEAT SLING 12"W X 18"D	5H	109529	SEAT SLING 19"W X 13"D
5B	109475	SEAT SLING 13"W X 12"D	5H	109530	SEAT SLING 19"W X 14"D
5B	109476	SEAT SLING 13"W X 13"D	5H	109531	SEAT SLING 19"W X 15"D
5B	109477	SEAT SLING 13"W X 14"D	5H	109532	SEAT SLING 19"W X 16"D
5B	109478	SEAT SLING 13"W X 15"D	5H	109533	SEAT SLING 19"W X 17"D
5B	109479	SEAT SLING 13"W X 16"D	5H	109534	SEAT SLING 19"W X 18"D
5B	109480	SEAT SLING 13"W X 17"D	5H	109535	SEAT SLING 19"W X 19"D
5B	109481	SEAT SLING 13"W X 18"D	5J	109536	SEAT SLING 20"W X 11"D
5C	109482	SEAT SLING 14"W X 11"D	5J	109537	SEAT SLING 20"W X 12"D
5C	109483	SEAT SLING 14"W X 12"D	5J	109538	SEAT SLING 20"W X 13"D
5C	109484	SEAT SLING 14"W X 13"D	5J	109539	SEAT SLING 20"W X 14"D
5C	109485	SEAT SLING 14"W X 14"D	5J	109540	SEAT SLING 20"W X 15"D
5C	109486	SEAT SLING 14"W X 15"D	5J	109541	SEAT SLING 20"W X 16"D
5C	109487	SEAT SLING 14"W X 16"D	5J	109542	SEAT SLING 20"W X 17"D
5C	109488	SEAT SLING 14"W X 17"D	5J	109543	SEAT SLING 20"W X 18"D
5C	109489	SEAT SLING 14"W X 18"D	5J	109544	SEAT SLING 20"W X 19"D
5C	109490	SEAT SLING 14"W X 19"D	5K	721250	SEAT SLING 21"W X 14"D
5D	109491	SEAT SLING 15"W X 11"D	5K	721251	SEAT SLING 21"W X 15"D
5D	109492	SEAT SLING 15"W X 12"D	5K	721252	SEAT SLING 21"W X 16"D
5D	109493	SEAT SLING 15"W X 13"D	5K	721253	SEAT SLING 21"W X 17"D
5D	109494	SEAT SLING 15"W X 14"D	5K	721254	SEAT SLING 21"W X 18"D
5D	109495	SEAT SLING 15"W X 15"D	5K	721255	SEAT SLING 21"W X 19"D
5D	109496	SEAT SLING 15"W X 16"D	5K	721256	SEAT SLING 21"W X 20"D
5D	109497	SEAT SLING 15"W X 17"D	5K	721257	SEAT SLING 21"W X 21"D
5D	109498	SEAT SLING 15"W X 18"D	5K	721258	SEAT SLING 21"W X 22"D
5D	109499	SEAT SLING 15"W X 19"D	5L	721259	SEAT SLING 22"W X 14"D
5E	109500	SEAT SLING 16"W X 11"D	5L	721260	SEAT SLING 22"W X 15"D
5E	109501	SEAT SLING 16"W X 12"D	5L	721261	SEAT SLING 22"W X 16"D
5E	109502	SEAT SLING 16"W X 13"D	5L	721262	SEAT SLING 22"W X 17"D
5E	109503	SEAT SLING 16"W X 14"D	5L	721263	SEAT SLING 22"W X 18"D
5E	109504	SEAT SLING 16"W X 15"D	5L	721264	SEAT SLING 22"W X 19"D
5E	109505	SEAT SLING 16"W X 16"D	5L	721265	SEAT SLING 22"W X 20"D
5E	109506	SEAT SLING 16"W X 17"D	5L	721266	SEAT SLING 22"W X 21"D
5E	109507	SEAT SLING 16"W X 18"D	5L	721267	SEAT SLING 22"W X 22"D
5E	109508	SEAT SLING 16"W X 19"D	6	901169	SEAT SLING VELCRO STRIP ® 2"

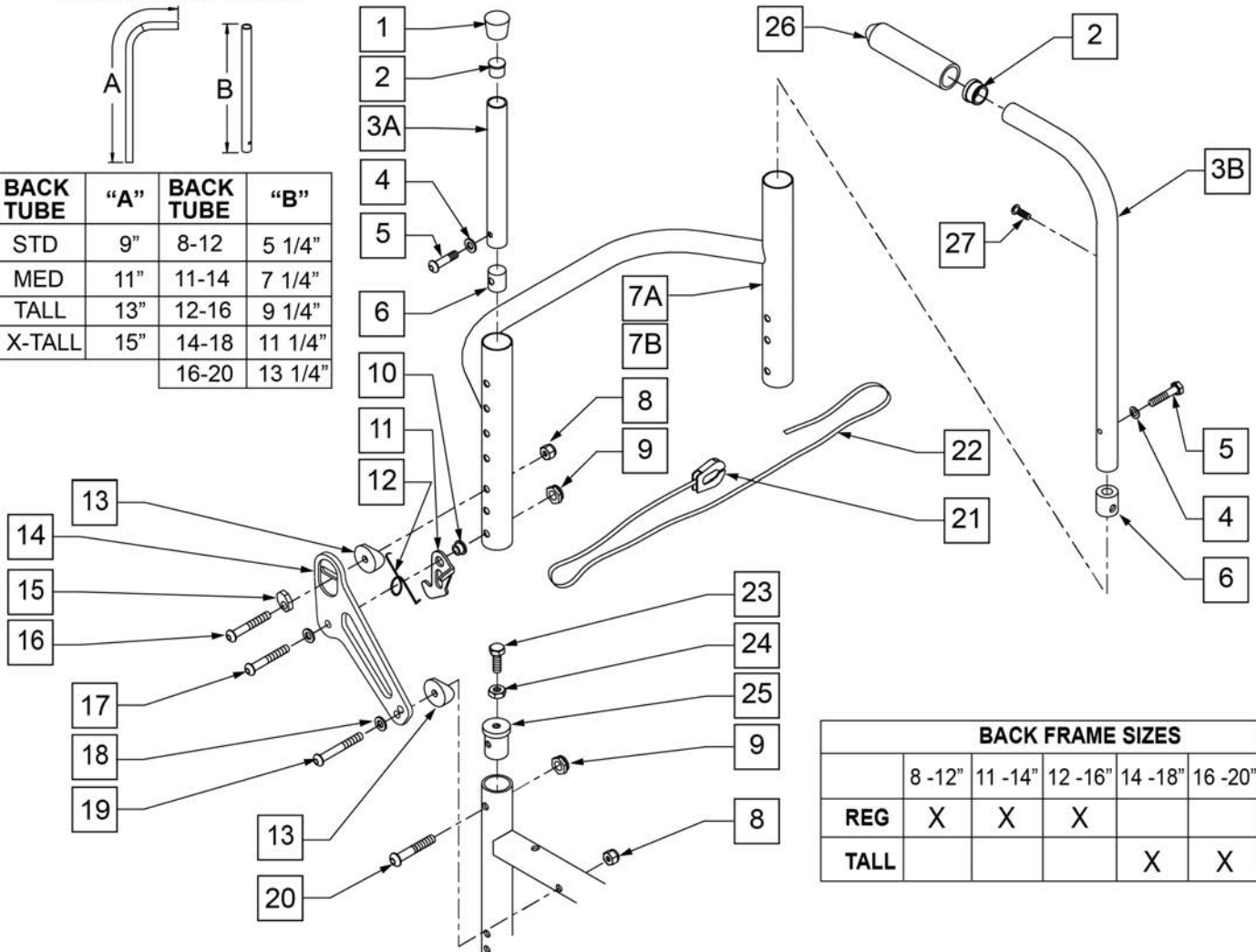


NOTE: EFFECTIVE ON GP/GPV's as of 9/18/1998.

MEASURING GUIDE



BACK TUBE	"A"	BACK TUBE	"B"
STD	9"	8-12	5 1/4"
MED	11"	11-14	7 1/4"
TALL	13"	12-16	9 1/4"
X-TALL	15"	14-18	11 1/4"
		16-20	13 1/4"



BACK FRAME SIZES					
	8 -12"	11 -14"	12 -16"	14 -18"	16 -20"
REG	X	X	X		
TALL				X	X

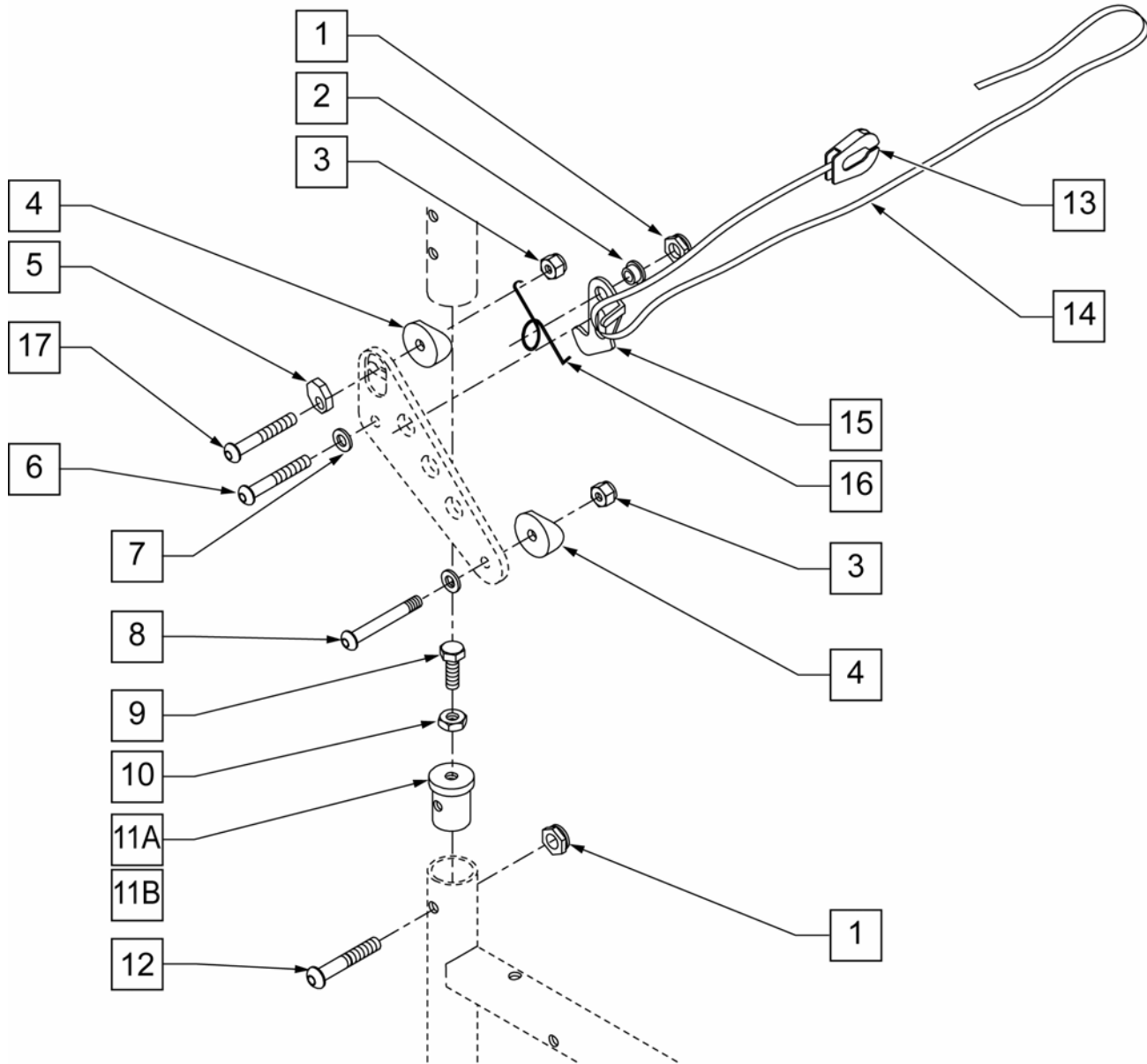
Pos.	Item Number	Description	Remarks
1	561010	3/4" CAP	
2	561000-QU	3/4" INSERT PLUG .083	
4	262130	6mm WASHER WAVE	
5	226101	1/4-20 x 3/4 BH C/S	
6	483001	Q2 FRAME/FOOT RETAINING PLUG	
7A	520440	BACK FRM 12" REG RGD BLK	
7A	520441	BACK FRM 13" REG RGD BLK	
7A	520442	BACK FRM 14" REG RGD BLK	
7A	520443	BACK FRM 15" REG RGD BLK	
7A	520444	BACK FRM 16" REG RGD BLK	
7A	520445	BACK FRM 17" REG RGD BLK	
7A	520446	BACK FRM 18" REG RGD BLK	
7A	520447	BACK FRM 19" REG RGD BLK	
7A	520448	BACK FRM 20" REG RGD BLK	



Pos.	Item Number	Description	Remarks
7A	520450	BCK FRM 20"RG RGD DBLE BLK	
7B	520540	BACK FRM 12" TALL RGD BLK	
7B	520541	BACK FRM 13" TALL RGD BLK	
7B	520542	BACK FRM 14" TALL RGD BLK	
7B	520543	BACK FRM 15" TALL RGD BLK	
7B	520544	BACK FRM 16" TALL RGD BLK	
7B	520545	BACK FRM 17" TALL RGD BLK	
7B	520546	BACK FRM 18" TALL RGD BLK	
7B	520547	BACK FRM 19" TALL RGD BLK	
7B	520548	BACK FRM 20" TALL RGD BLK	
7B	520550	BCK FRM 20" TALL RG DBL BLK	
8	106934	1/4-28 NYLOCK NUT	
9	106935	NUT NYLOCK THIN 1/4-28 ROHS	
10	481039	BACK RELEASE BUSHING RIGID	
11	505033	Q1/GP BACK REL BRACKET R	RIGHT
11	505034	Q1/GP BACK REL BRACKET L	LEFT
12	321153	BACK REL SPRING L RIGID (NEW)	LEFT
12	321154	BACK REL SPRING R RIGID (NEW)	RIGHT
13	561087	BACK RELEASE SADDLE RIGID	
14	500170	BACK RELEASE PIVOT PLATE R RIGID BLK (NEW)	RIGHT
14	500171	BACK RELEASE PIVOT PLATE L RIGID BLK (NEW)	LEFT
15	341018	WASHER ECCENTRIC LARGE	
16	226147	1/4-28 x 1.85 BH C/S BLK	
17	226140	1/4-28 x 1 3/4 BH C/S BLK	
18	106943	WASHER FLAT AN 1/4 ROHS	
19	106964	1/4-28 x 2 BH C/S	
20	226130	1/4-28 x 1 1/2 BH C/S	
21	560221	BACK RELEASE STRAP LOCK RIGID	
22	750060	BACK RELEASE STRAP 12"-20" RIGID	
23	226058	1/4-20 x 3/4 SOC C/S	
24	201121	1/4-20 NUT THIN	
25	483010	Q1/GP BACK RELEASE ANGLE PLUG	
26	920026	QUICKIE GRIP 3/4" W/INSTR SH.	
27	281120	10 - 32 X 5/8 PAN HD PHIL	
1-3A-6	840100	BACK ADJ TUBE 8-12 RIGID	
1-3A-6	840101	BACK ADJ TUBE 11-14" RIGID	
1-3A-6	840102	BACK ADJ TUBE 12-16" RIGID	
1-3A-6	840103	BACK ADJ TUBE 14-18" RIGID	
1-3A-6	840104	BACK ADJ TUBE 16-20" RIGID	
7A-22	840320	BACK FRM .115 REG 12" W/BCK REL	
7A-22	840321	BACK FRM .115 REG 13" W/BCK REL	
7A-22	840322	BACK FRM .115 REG 14" W/BCK REL	
7A-22	840323	BACK FRM .115 REG 15" W/BCK REL	
7A-22	840324	BACK FRM .115 REG 16" W/BCK REL	
7A-22	840325	BACK FRM .115 REG 17" W/BCK REL	
7A-22	840326	BACK FRM .115 REG 18" W/BCK REL	
7A-22	840327	BACK FRM .115 REG 19" W/BCK REL	
7A-22	840328	BACK FRM .115 REG 20" W/BCK REL	
7A-22	840329	BACK FRM .115 RG 20 DBL W/BCKRL	
7B,8-22	840330	BACK FRAME .115 TALL 12" W/BACK RELEASE	
7B,8-22	840331	BACK FRAME .115 TLL 13" W/ BACK RELEASE	
7B,8-22	840332	BACK FRAME .115 TLL 14" W/ BACK RELEASE	
7B,8-22	840333	BACK FRAME .115 TLL 15" W/ BACK RELEASE	
7B,8-22	840334	BACK FRAME .115 TLL 16" W/ BACK RELEASE	
7B,8-22	840335	BACK FRAME .115 TLL 17" W/ BACK RELEASE	
7B,8-22	840336	BACK FRAME .115 TLL 18" W/ BACK RELEASE	

Pos.	Item Number	Description	Remarks
7B,8-22	840337	BACK FRAME .115 TLL 19" W/ BACK RELEASE	
7B,8-22	840338	BACK FRAME .115 TLL 20" W/ BACK RELEASE	
7B,8-22	840339	BACK FRAME .115 TL 20 DBL W/ BACK RELEASE	
2,3B,26	880097	HGT ADJ STRLLR HNDL STD W/ GRIP	11 -14" BACK HEIGHT
2,3B,26	880098	HGT ADJ STRLLR HNDL MED W/ GRIP	12 -16" BACK HEIGHT
2,3B,26	880099	HGT ADJ STRLLR HNDL TALL W/ GRIP	14 -18" BACK HEIGHT
2,3B,26	880096	HGT ADJ STRLLR HNDL XTALL W/ GRIP	16 -20" BACK HEIGHT

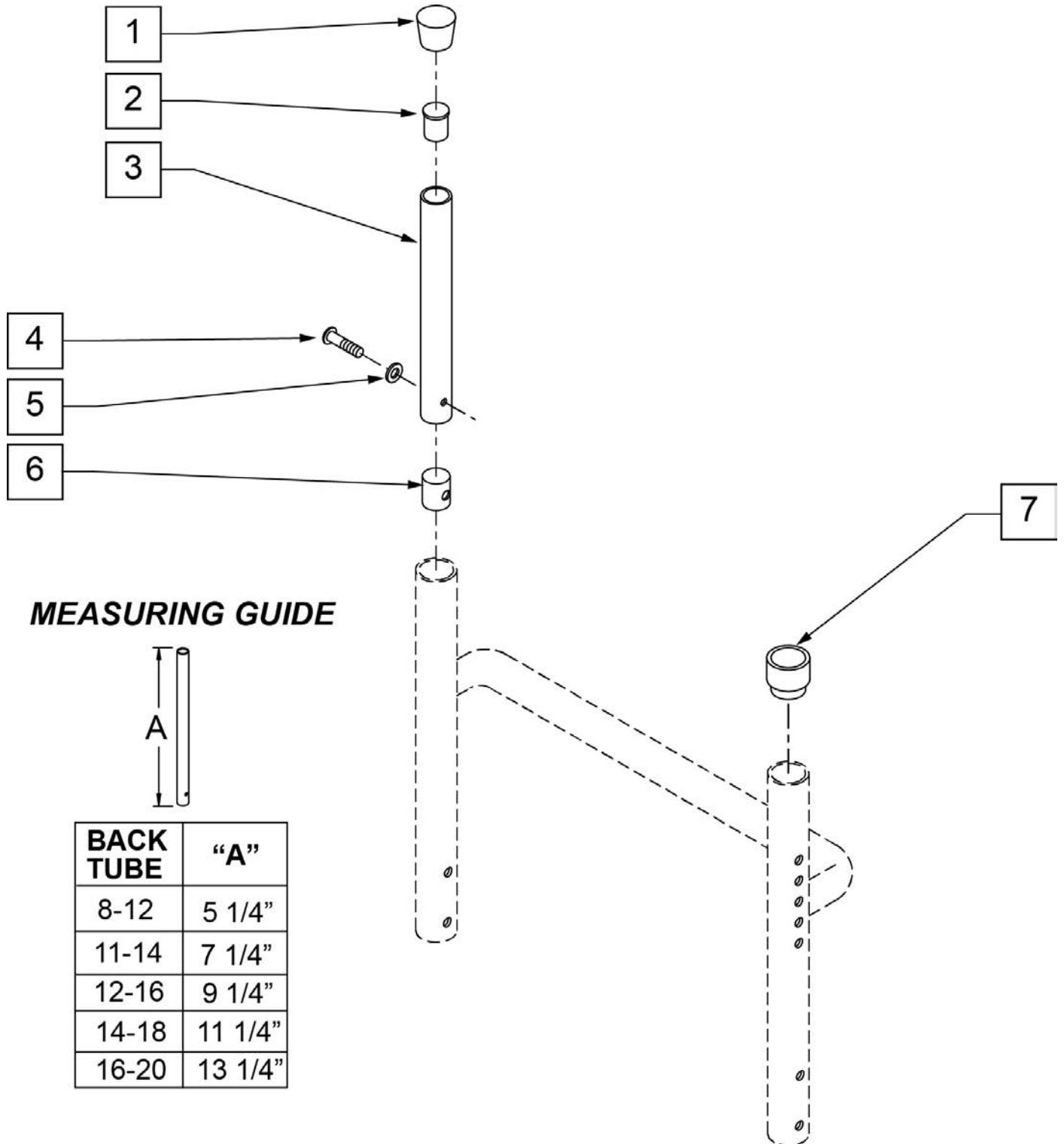
NOTE: DISCONTINUED AS OF 9/8/1998.



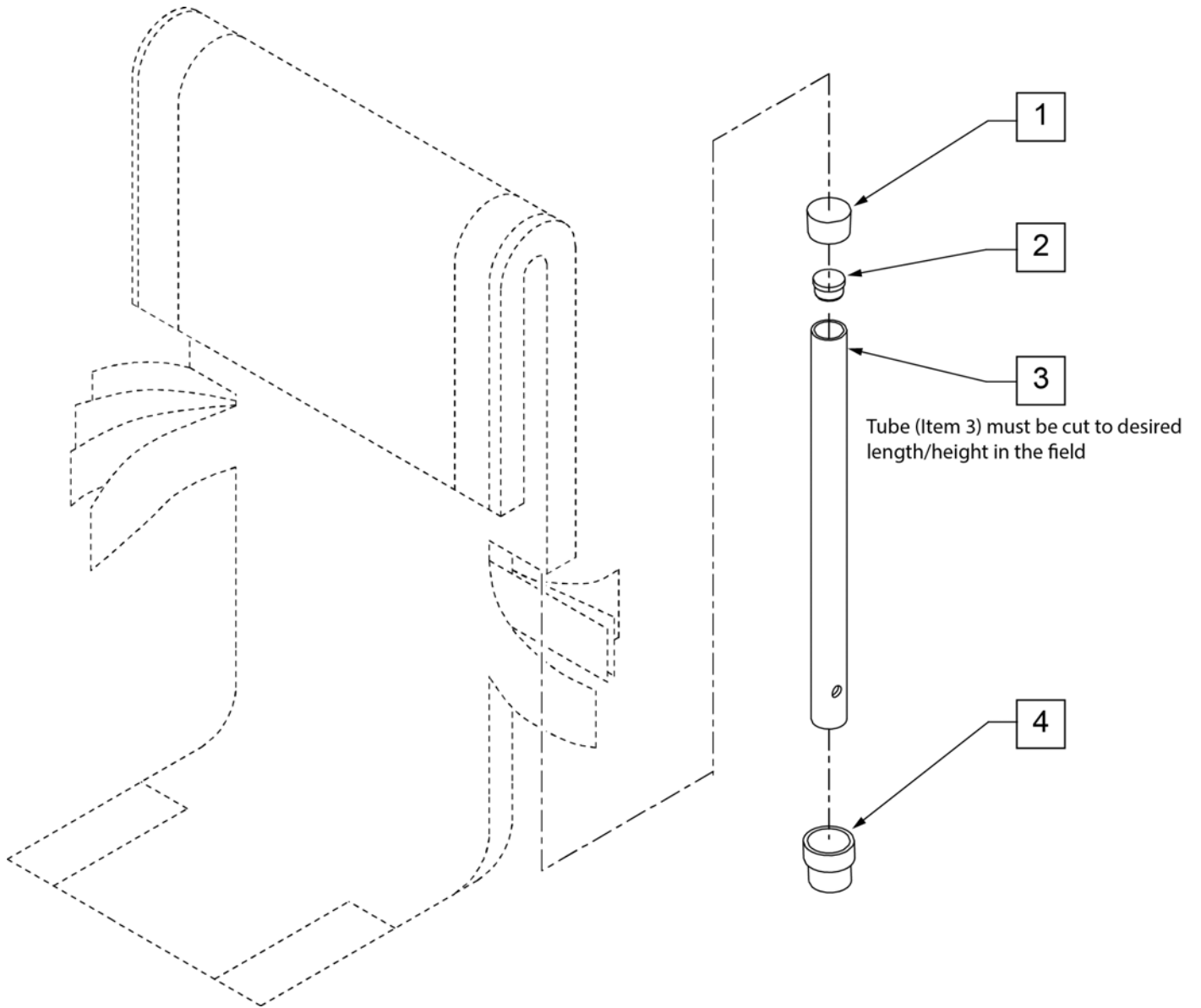
Pos.	Item Number	Description	Remarks
1	106935	NUT NYLOCK THIN 1/4-28 ROHS	
2	481039	BACK RELEASE BUSHING RIGID	
3	106934	1/4-28 NYLOCK NUT	
4	561087	BACK RELEASE SADDLE RIGID	
5	341017	WASHER ECCENTRIC	
6	226140	1/4-28 x 1 3/4 BH C/S	
7	106943	1/4 AN WASHER FLAT	
8	226058	1/4-20 x 3/4 SOC C/S	

Pos.	Item Number	Description	Remarks
9	221105	1/4-20 x 3/4 HEX C/S	
10	201121	1/4-20 NUT THIN	
11A	483010	Q1/GP BACK REL ANGLE PLUG	
11B	483055	PLUG BACK REL Ti GPV	
12	226130	1/4-28 x 1 1/2 BH C/S	
13	560221	BACK RELEASE STRAP LOCK RIGID	
14	750060	BACK RELEASE STRAP 12"-20" RIGID	
15	505033	Q1/GP BACK RELEASE BRACKET R	RIGHT
15	505034	Q1/GP BACK RELEASE BRACKET L	LEFT
16	321121	BACK RELEASE SPRING L RIGID	LEFT
16	321125	BACK RELEASE SPRING R RIGID	RIGHT
17	226147	1/4-28 x 1.85 BH C/S	
1,9,10-12	920191	GP BACK REL PLUG W/HDWR	
1,9,10,11A,12	920192	Ti BACK REL PLUG W/HDWR	

NOTE: DISCONTINUED AS OF 8/17/1998-PARTS ONLY.

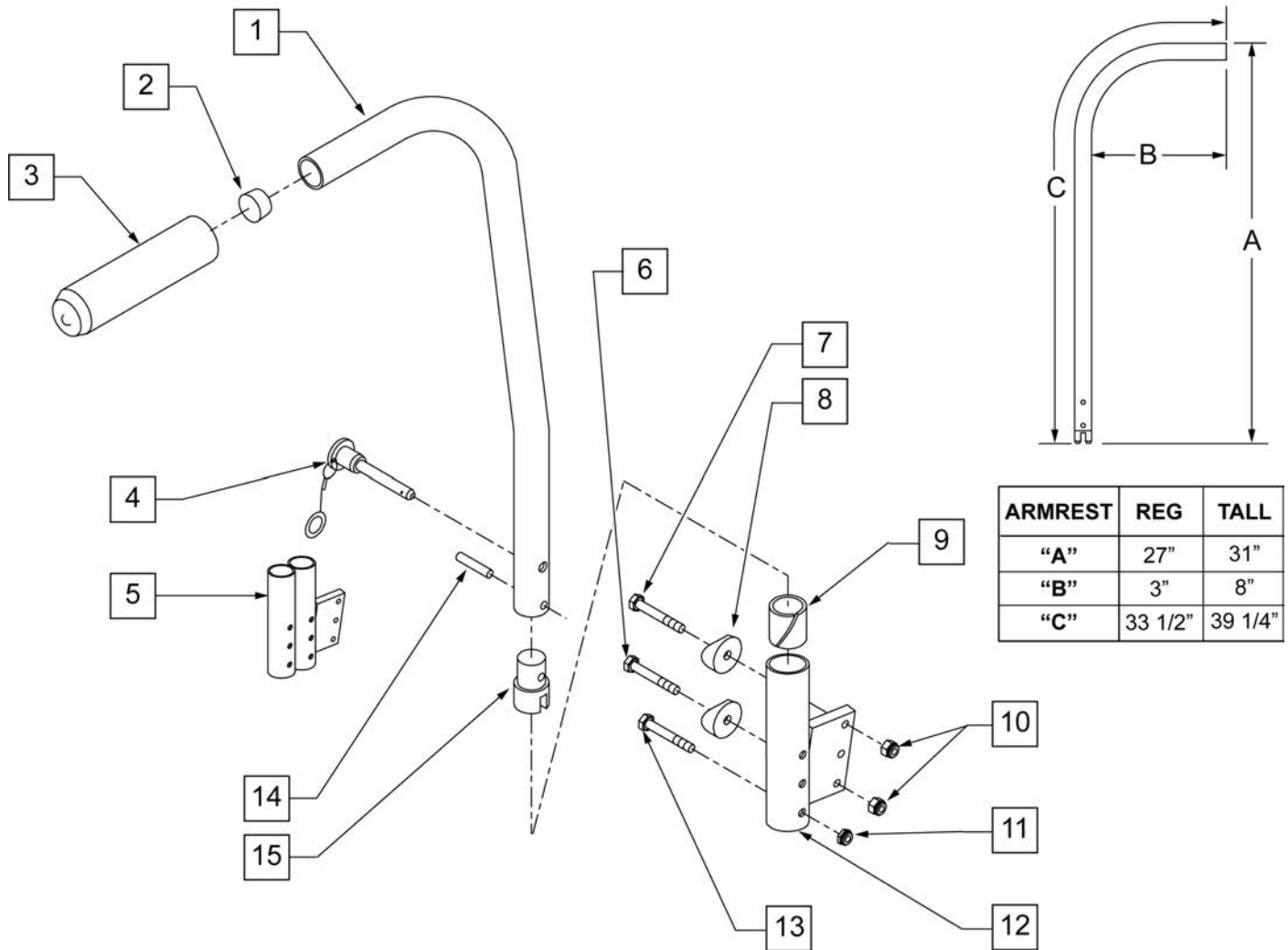


Pos.	Item Number	Description
1	561010	3/4" CAP
2	561000-QU	3/4" INSERT PLUG .083
4	226101	1/4-20 x 3/4 BH C/S
5	262130	6mm WASHER WAVE
6	483001	Q2 FRAME/FOOT RETAINING PLUG
7	561082	1" TUBE END BUSHING THIN
1-7	840100	BACK ADJUSTABLE TUBE 8 -12" RIGID
1-7	840101	BACK ADJUSTABLE TUBE 11 -14" RIGID
1-7	840102	BACK ADJUSTABLE TUBE 12 -16" RIGID
1-7	840103	BACK ADJUSTABLE TUBE 14 -18" RIGID
1-7	840104	BACK ADJUSTABLE TUBE 16 -20" RIGID



Pos.	Item Number	Description
1	561010	3/4" CAP
2	561000-QU	3/4" INSERT PLUG .083
3	842006	Q2 BACK TUBE TALL 3/4"
4	561018	1" TUBE END BUSHING THICK

REMOVABLE STROLLER HANDLE

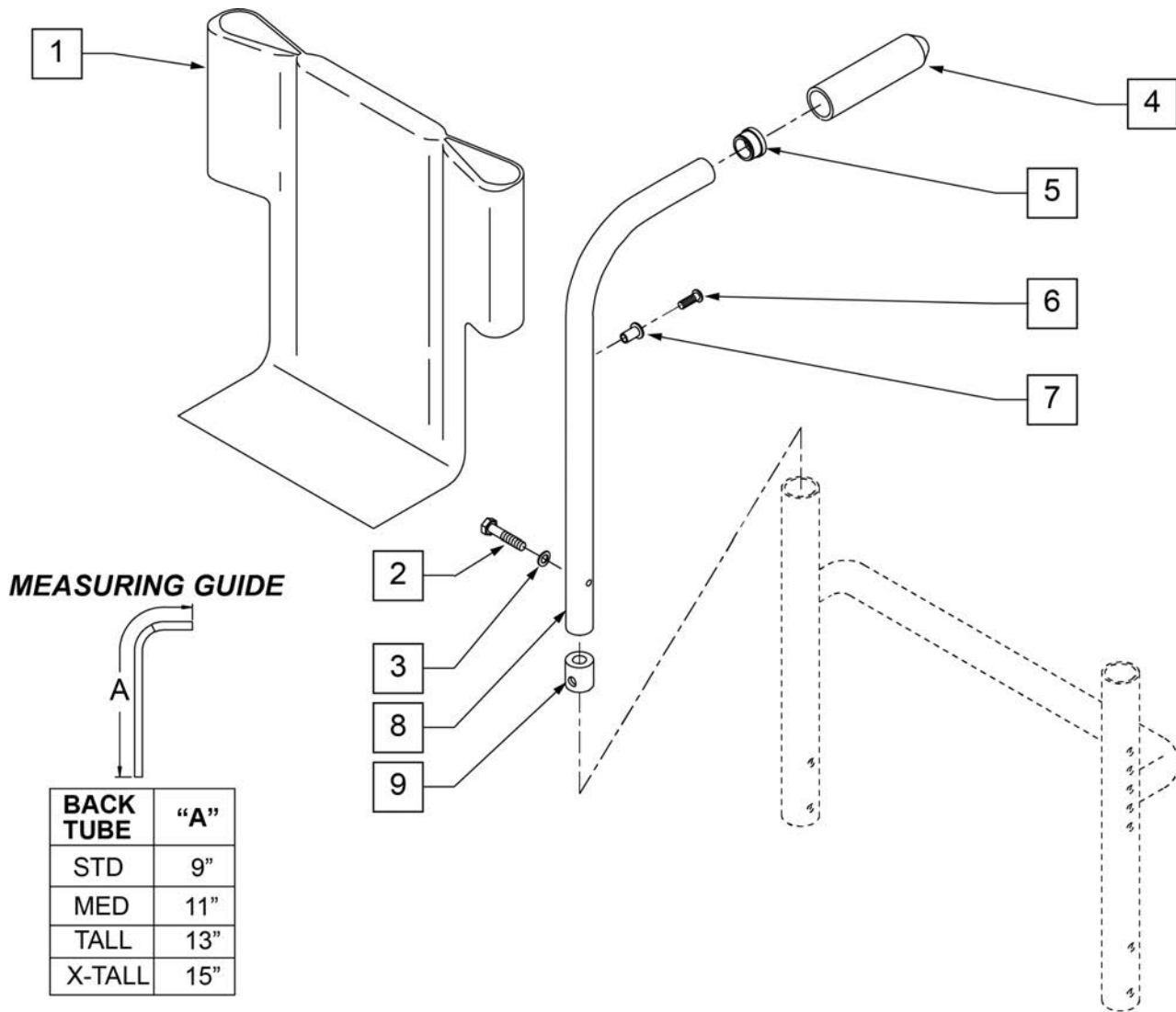


ARMREST	REG	TALL
"A"	27"	31"
"B"	3"	8"
"C"	33 1/2"	39 1/4"

Pos.	Item Number	Description	Remarks
2	561002	1" INSERT PLUG .083	
3	920070	9 x .940 x .200 FOAM GRIP	
4	349020	STROLLER HANDLE RELEASE PIN	
5	540140	PADDED ARM RECEIVER ANGLE R DBL	RIGHT
5	540142	PADDED ARM RECEIVER ANGLE L DBL	LEFT
6	221181	1/4-28 x 2 1/2 G8 HEX C/S	
7	221193	1/4-28 x 2 3/4 G8 HEX C/S	
8	561004	1" SADDLE 1/4" HOLE	
9	560400	1" ID NY-LINER	
10	106934	1/4-28 NYLOCK NUT	
11	106935	NUT NYLOCK THIN 1/4-28 ROHS	
12	540120	PADDED ARM RECEIVER ANGLE R NF	RIGHT
12	540122	PADDED ARM RECEIVER ANGLE L NF	LEFT
13	106972	1/4-28 x 1 1/2 G8 HEX C/S	
14	341200	1/4 x 1 ROLL PIN	
15	483029	PUSH HANDLE PLUG	
1-3,14,15	880354	STROLLER HANDLE TALL BENT R NF	RIGHT
1-3,14,15	880356	STROLLER HANDLE TALL BENT L NF	LEFT

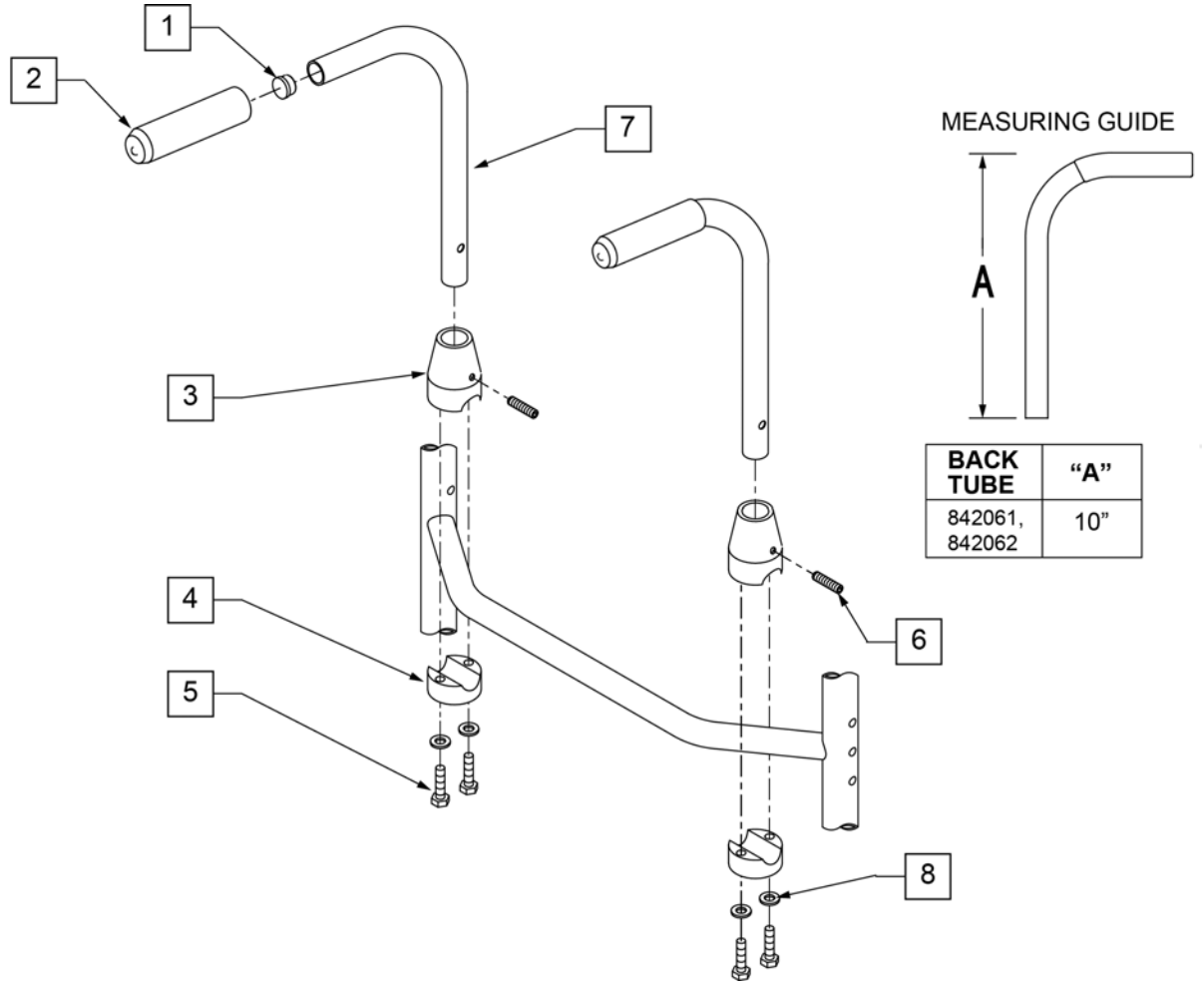


<b>Pos.</b>	<b>Item Number</b>	<b>Description</b>	<b>Remarks</b>
1-3,14,15	880350	STROLLER HANDLE REG BENT R NF	RIGHT
1-3,14,15	880352	STROLLER HANDLE REG BENT L NF	LEFT
1-3,14,15	900460	STROLLER HANDLES REG NF (PR)	PAIR
1-3,14,15	900462	STROLLER HANDLES TALL NF (PR)	PAIR
4,6-13	900520	STROLLER RECEIVER SINGLE CYL NF (PR)	PAIR
4-11,13	900521	STROLLER RECEIVER DOUBLE CYL NF (PR)	PAIR

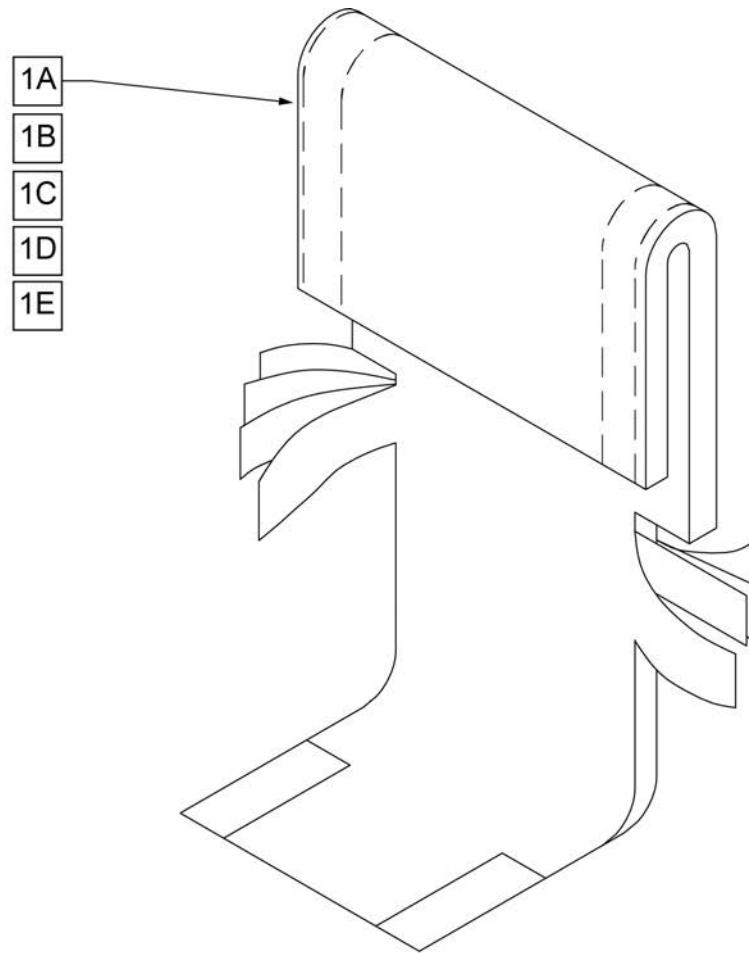


Pos.	Item Number	Description	Remarks
1	680442	BACK UPH 12" 11-14/12-16 RDG	
1	680443	BACK UPH 13" 11-14/12-16 RDG	
1	680454	BACK UPH 14" 11-14/12-16 RDG	
1	680455	BACK UPH 15" 11-14/12-16 RDG	
1	680456	BACK UPH 16" 11-14/12-16 RDG	
1	680457	BACK UPH 17" 11-14/12-16 RDG	
1	680458	BACK UPH 18" 11-14/12-16 RDG	
1	680459	BACK UPH 19" 11-14/12-16 RDG	
1	680460	BACK UPH 20" 11-14/12-16 RDG	
1	680462	BACK UPH 12" 14-18 RDG	
1	680463	BACK UPH 13" 14-18 RDG	
1	680464	BACK UPH 14" 14-18 RDG	
1	680465	BACK UPH 15" 14-18 RDG	
1	680466	BACK UPH 16" 14-18 RDG	
1	680467	BACK UPH 17" 14-18 RDG	
1	680468	BACK UPH 18" 14-18 RDG	

Pos.	Item Number	Description	Remarks
1	680469	BACK UPH 19" 14-18 RDG	
1	680470	BACK UPH 20" 14-18 RDG	
1	680472	BACK UPH 12" 16-20 RDG	
1	680473	BACK UPH 13" 16-20 RDG	
1	680474	BACK UPH 14" 16-20 RDG	
1	680475	BACK UPH 15" 16-20 RDG	
1	680476	BACK UPH 16" 16-20 RDG	
1	680477	BACK UPH 17" 16-20 RDG	
1	680478	BACK UPH 18" 16-20 RDG	
1	680479	BACK UPH 19" 16-20 RDG	
1	680480	BACK UPH 20" 16-20 RDG	
2	226101	1/4-20 x 3/4 BH C/S	
3	262130	6mm WASHER WAVE	
4	920026	QUICKIE GRIP 3/4" W/INSTR SH.	
5	561000-QU	3/4" INSERT PLUG .083	
6	281120	10/32 x 5/8 PAN HD PHIL	
7	341497	10-32 x .020-.130 RIVNUT GOLD	Rivnut tool required for installation of this part
9	483001	Q2 FRAME/FOOT RETAINING PLUG	
4,5,7,8	880096	HGT ADJ STRLLR HNDL XTL W/GRI	
4,5,7,8	880097	HGT ADJ STRLLR HNDL STD W/GRI	
4,5,7,8	880098	HGT ADJ STRLLR HNDL MED W/GRI	
4,5,7,8	880099	HGT ADJ STRLLR HNDL TALL W/GR	
2-5,7-9	882196	BACK ADJ PUSH HANDLE 11-14"	
2-5,7-9	882197	BACK ADJ PUSH HANDLE 12-16"	
2-5,7-9	882198	BACK ADJ PUSH HANDLE 14-18"	
2-5,7-9	882199	BACK ADJ PUSH HANDLE 16-20"	

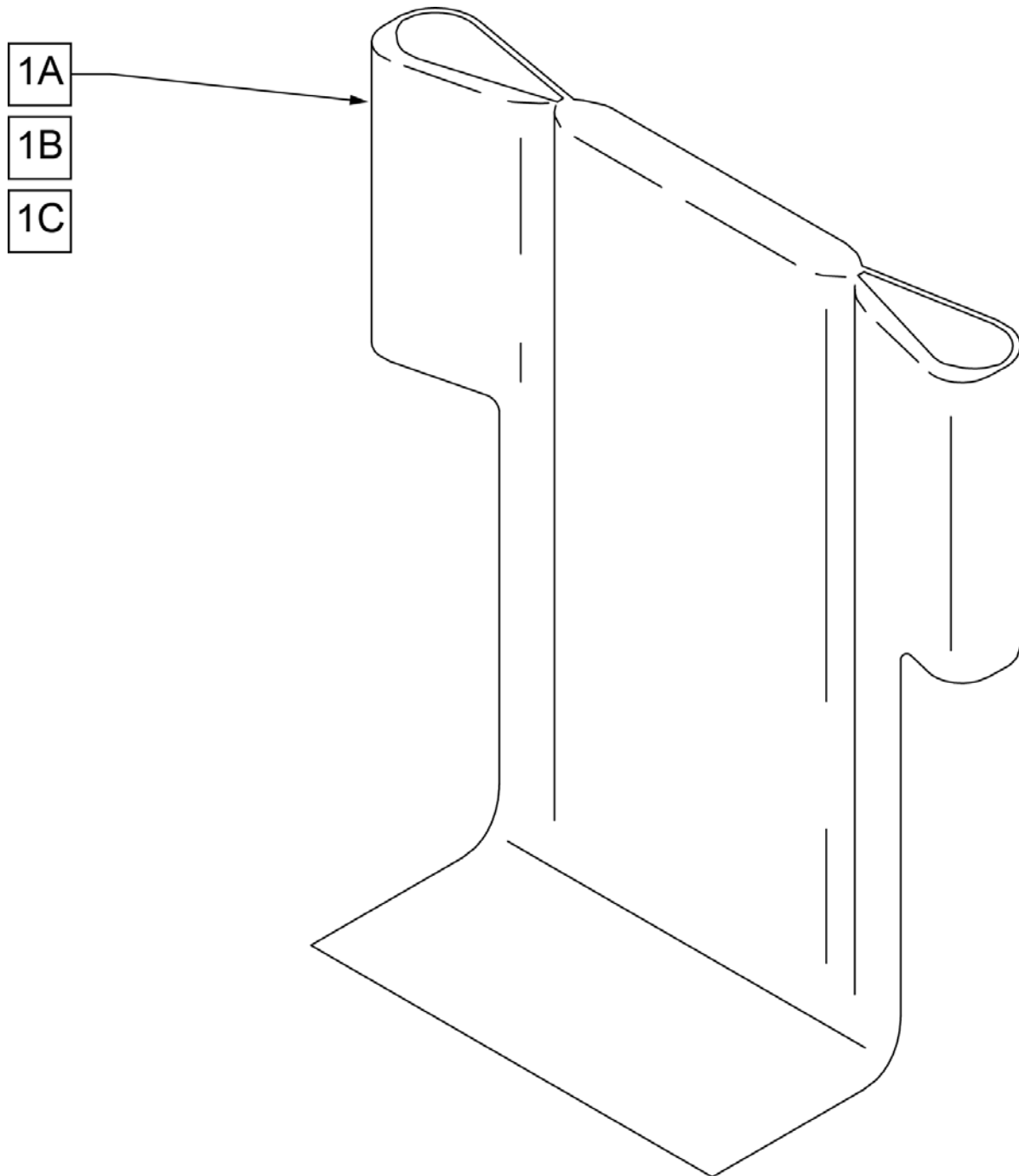


Pos.	Item Number	Description	Remarks
1	561000-QU	3/4 INSERT PLUG .083	
2	920026	QUICKIE GRIP 3/4" W/INSTR SH.	
3	483015	PUSH BACK RECEIVER TOP RIGID BLK	
4	483016	PUSH BACK RECEIVER BOTTOM RIGID BLK	
5	107017	1/4-20 x 1 1/4 G8 HEX C/S	
6	225200	1/4-20 x 1 SET SCREW	
8	106943	1/4 AN WASHER FLAT	
1,2,7	842061	PUSH HNDL TUBE R W/F RIGID BLK	
1,2,7	842062	PUSH HNDL TUBE L W/F RIGID BLK	
1-8	900300	PUSH HANDLE ASSM RIGID BLK	Pair



Pos.	Item Number	Description	Remarks
1A	680212	BACK UPH 12" 8-12" W/TAIL	(12" WIDE) 8-12" for Ht Adj Back & 8,9,10" for Fixed Back Hts
1A	680213	BACK UPH 13" 8-12" W/TAIL	(13" WIDE) 8-12" for Ht Adj Back & 8,9,10" for Fixed Back Hts
1A	680308	BACK UPH 14" 8-12" W/TAIL	(14" WIDE) 8-12" for Ht Adj Back & 8,9,10" for Fixed Back Hts
1A	680408	BACK UPH 15" 8-12" W/TAIL	(15" WIDE) 8-12" for Ht Adj Back & 8,9,10" for Fixed Back Hts
1A	680508	BACK UPH 16" 8-12" W/TAIL	(16" WIDE) 8-12" for Ht Adj Back & 8,9,10" for Fixed Back Hts
1A	680608	BACK UPH 17" 8-12" W/TAIL	(17" WIDE) 8-12" for Ht Adj Back & 8,9,10" for Fixed Back Hts
1A	680708	BACK UPH 18" 8-12" W/TAIL	(18" WIDE) 8-12" for Ht Adj Back & 8,9,10" for Fixed Back Hts
1A	680808	BACK UPH 19" 8-12" W/TAIL	(19" WIDE) 8-12" for Ht Adj Back & 8,9,10" for Fixed Back Hts
1B	680208	BACK UPH 12" 11-15" W/ TAIL	(12" WIDE) 10-14" for Ht Adj Back & 11" for Fixed Back Hts
1B	680201	BACK UPH 13" 11-15" W/ TAIL	(13" WIDE) 10-14" for Ht Adj Back & 11" for Fixed Back Hts
1B	680301	BACK UPH 14" 11-15" W/ TAIL	(14" WIDE) 10-14" for Ht Adj Back & 11" for Fixed Back Hts
1B	680401	BACK UPH 15" 11-15" W/ TAIL	(15" WIDE) 10-14" for Ht Adj Back & 11" for Fixed Back Hts
1B	680501	BACK UPH 16" 11-15" W/ TAIL	(16" WIDE) 10-14" for Ht Adj Back & 11" for Fixed Back Hts
1B	680601	BACK UPH 17" 11-15" W/ TAIL	(17" WIDE) 10-14" for Ht Adj Back & 11" for Fixed Back Hts
1B	680701	BACK UPH 18" 11-15" W/ TAIL	(18" WIDE) 10-14" for Ht Adj Back & 11" for Fixed Back Hts
1B	680801	BACK UPH 19" 11-15" W/ TAIL	(19" WIDE) 10-14" for Ht Adj Back & 11" for Fixed Back Hts
1B	680901	BACK UPH 20" 11-15" W/ TAIL	(20" WIDE) 10-14" for Ht Adj Back & 11" for Fixed Back Hts
1C	680209	BACK UPH 12" 12-16" W/ TAIL	(12" WIDE) 12 -16" for Ht Adj Back & 12"&13" for Fixed Back Hts
1C	680203	BACK UPH 13" 12-16" W/ TAIL	(13" WIDE) 12 -16" for Ht Adj Back & 12"&13" for Fixed Back Hts
1C	680303	BACK UPH 14" 12-16" W/ TAIL	(14" WIDE) 12 -16" for Ht Adj Back & 12"&13" for Fixed Back Hts
1C	680403	BACK UPH 15" 12-16" W/ TAIL	(15" WIDE) 12 -16" for Ht Adj Back & 12"&13" for Fixed Back Hts

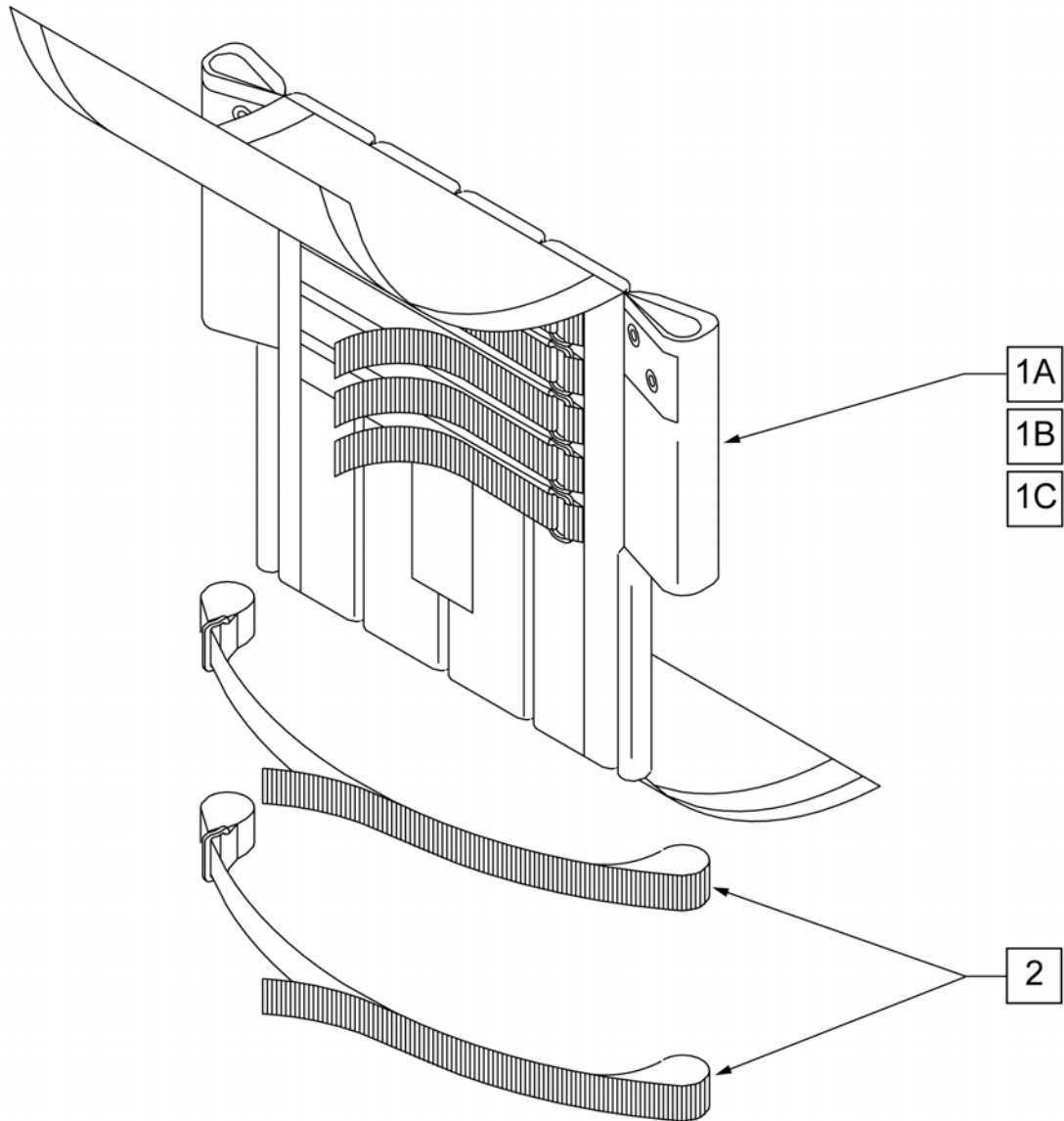
Pos.	Item Number	Description	Remarks
1C	680503	BACK UPH 16" 12-16" W/ TAIL	(16" WIDE) 12 -16" for Ht Adj Back & 12"&13" for Fixed Back Hts
1C	680603	BACK UPH 17" 12-16" W/ TAIL	(17" WIDE) 12 -16" for Ht Adj Back & 12"&13" for Fixed Back Hts
1C	680703	BACK UPH 18" 12-16" W/ TAIL	(18" WIDE) 12 -16" for Ht Adj Back & 12"&13" for Fixed Back Hts
1C	680803	BACK UPH 19" 12-16" W/ TAIL	(19" WIDE) 12 -16" for Ht Adj Back & 12"&13" for Fixed Back Hts
1C	680903	BACK UPH 20" 12-16" W/ TAIL	(20" WIDE) 12 -16" for Ht Adj Back & 12"&13" for Fixed Back Hts
1D	680210	BACK UPH 12" 14-18" W/ TAIL	(12" WIDE) 14 -18" for Ht Adj Back & 14,15,16" for Fixed Back Hts
1D	680205	BACK UPH 13" 14-18" W/ TAIL	(13" WIDE) 14 -18" for Ht Adj Back & 14,15,16" for Fixed Back Hts
1D	680305	BACK UPH 14" 14-18" W/ TAIL	(14" WIDE) 14 -18" for Ht Adj Back & 14,15,16" for Fixed Back Hts
1D	680405	BACK UPH 15" 14-18" W/ TAIL	(15" WIDE) 14 -18" for Ht Adj Back & 14,15,16" for Fixed Back Hts
1D	680505	BACK UPH 16" 14-18" W/ TAIL	(16" WIDE) 14 -18" for Ht Adj Back & 14,15,16" for Fixed Back Hts
1D	680605	BACK UPH 17" 14-18" W/ TAIL	(17" WIDE) 14 -18" for Ht Adj Back & 14,15,16" for Fixed Back Hts
1D	680705	BACK UPH 18" 14-18" W/ TAIL	(18" WIDE) 14 -18" for Ht Adj Back & 14,15,16" for Fixed Back Hts
1D	680805	BACK UPH 19" 14-18" W/ TAIL	(19" WIDE) 14 -18" for Ht Adj Back & 14,15,16" for Fixed Back Hts
1D	680905	BACK UPH 20" 14-18" W/ TAIL	(20" WIDE) 14 -18" for Ht Adj Back & 14,15,16" for Fixed Back Hts
1E	680211	BACK UPH 12" 16-20" W/ TAIL	(12" WIDE) 16 -20" for Ht Adj Back & 17,18,19" for Fixed Back Hts
1E	680207	BACK UPH 13" 16-20" W/ TAIL	(13" WIDE) 16 -20" for Ht Adj Back & 17,18,19" for Fixed Back Hts
1E	680307	BACK UPH 14" 16-20" W/ TAIL	(14" WIDE) 16 -20" for Ht Adj Back & 17,18,19" for Fixed Back Hts
1E	680407	BACK UPH 15" 16-20" W/ TAIL	(15" WIDE) 16 -20" for Ht Adj Back & 17,18,19" for Fixed Back Hts
1E	680507	BACK UPH 16" 16-20" W/ TAIL	(16" WIDE) 16 -20" for Ht Adj Back & 17,18,19" for Fixed Back Hts
1E	680607	BACK UPH 17" 16-20" W/ TAIL	(17" WIDE) 16 -20" for Ht Adj Back & 17,18,19" for Fixed Back Hts
1E	680707	BACK UPH 18" 16-20" W/ TAIL	(18" WIDE) 16 -20" for Ht Adj Back & 17,18,19" for Fixed Back Hts
1E	680807	BACK UPH 19" 16-20" W/ TAIL	(19" WIDE) 16 -20" for Ht Adj Back & 17,18,19" for Fixed Back Hts
1E	680907S	BACK UPH CUSTOM Q1/GP F BCK	(20" WIDE) 16 -20" for Ht Adj Back & 17,18,19" for Fixed Back Hts



Pos.	Item Number	Description	Remarks
1A	680442	BACK UPH 12" 11-14/12-16 RDG	10 -14" & 12 -16" BACK HEIGHT
1A	680443	BACK UPH 13" 11-14/12-16 RDG	10 -14" & 12 -16" BACK HEIGHT
1A	680454	BACK UPH 14" 11-14/12-16 RDG	10 -14" & 12 -16" BACK HEIGHT
1A	680455	BACK UPH 15" 11-14/12-16 RDG	10 -14" & 12 -16" BACK HEIGHT
1A	680456	BACK UPH 16" 11-14/12-16 RDG	10 -14" & 12 -16" BACK HEIGHT
1A	680457	BACK UPH 17" 11-14/12-16 RDG	10 -14" & 12 -16" BACK HEIGHT
1A	680458	BACK UPH 18" 11-14/12-16 RDG	10 -14" & 12 -16" BACK HEIGHT
1A	680459	BACK UPH 19" 11-14/12-16 RDG	10 -14" & 12 -16" BACK HEIGHT
1A	680460	BACK UPH 20" 11-14/12-16 RDG	10 -14" & 12 -16" BACK HEIGHT

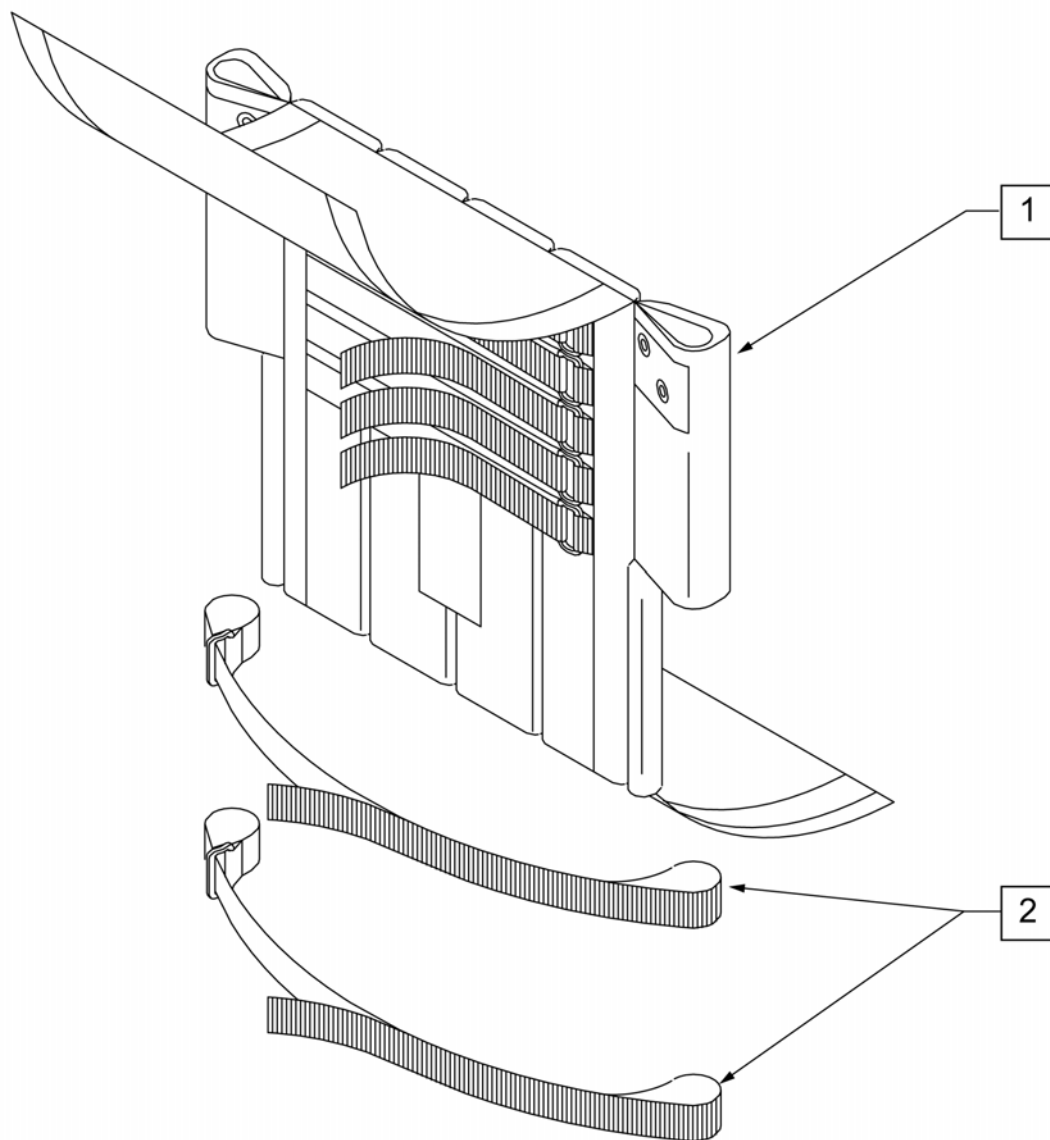
Pos.	Item Number	Description	Remarks
1B	680462	BACK UPH 12" 14-18 RDG	14 -18" BACK HEIGHT
1B	680463	BACK UPH 13" 14-18 RDG	14 -18" BACK HEIGHT
1B	680464	BACK UPH 14" 14-18 RDG	14 -18" BACK HEIGHT
1B	680465	BACK UPH 15" 14-18 RDG	14 -18" BACK HEIGHT
1B	680466	BACK UPH 16" 14-18 RDG	14 -18" BACK HEIGHT
1B	680467	BACK UPH 17" 14-18 RDG	14 -18" BACK HEIGHT
1B	680468	BACK UPH 18" 14-18 RDG	14 -18" BACK HEIGHT
1B	680469	BACK UPH 19" 14-18 RDG	14 -18" BACK HEIGHT
1B	680470	BACK UPH 20" 14-18 RDG	14 -18" BACK HEIGHT
1C	680472	BACK UPH 12" 16-20 RDG	16 -20" BACK HEIGHT
1C	680473	BACK UPH 13" 16-20 RDG	16 -20" BACK HEIGHT
1C	680474	BACK UPH 14" 16-20 RDG	16 -20" BACK HEIGHT
1C	680475	BACK UPH 15" 16-20 RDG	16 -20" BACK HEIGHT
1C	680476	BACK UPH 16" 16-20 RDG	16 -20" BACK HEIGHT
1C	680477	BACK UPH 17" 16-20 RDG	16 -20" BACK HEIGHT
1C	680478	BACK UPH 18" 16-20 RDG	16 -20" BACK HEIGHT
1C	680479	BACK UPH 19" 16-20 RDG	16 -20" BACK HEIGHT
1C	680480	BACK UPH 20" 16-20 RDG	16 -20" BACK HEIGHT





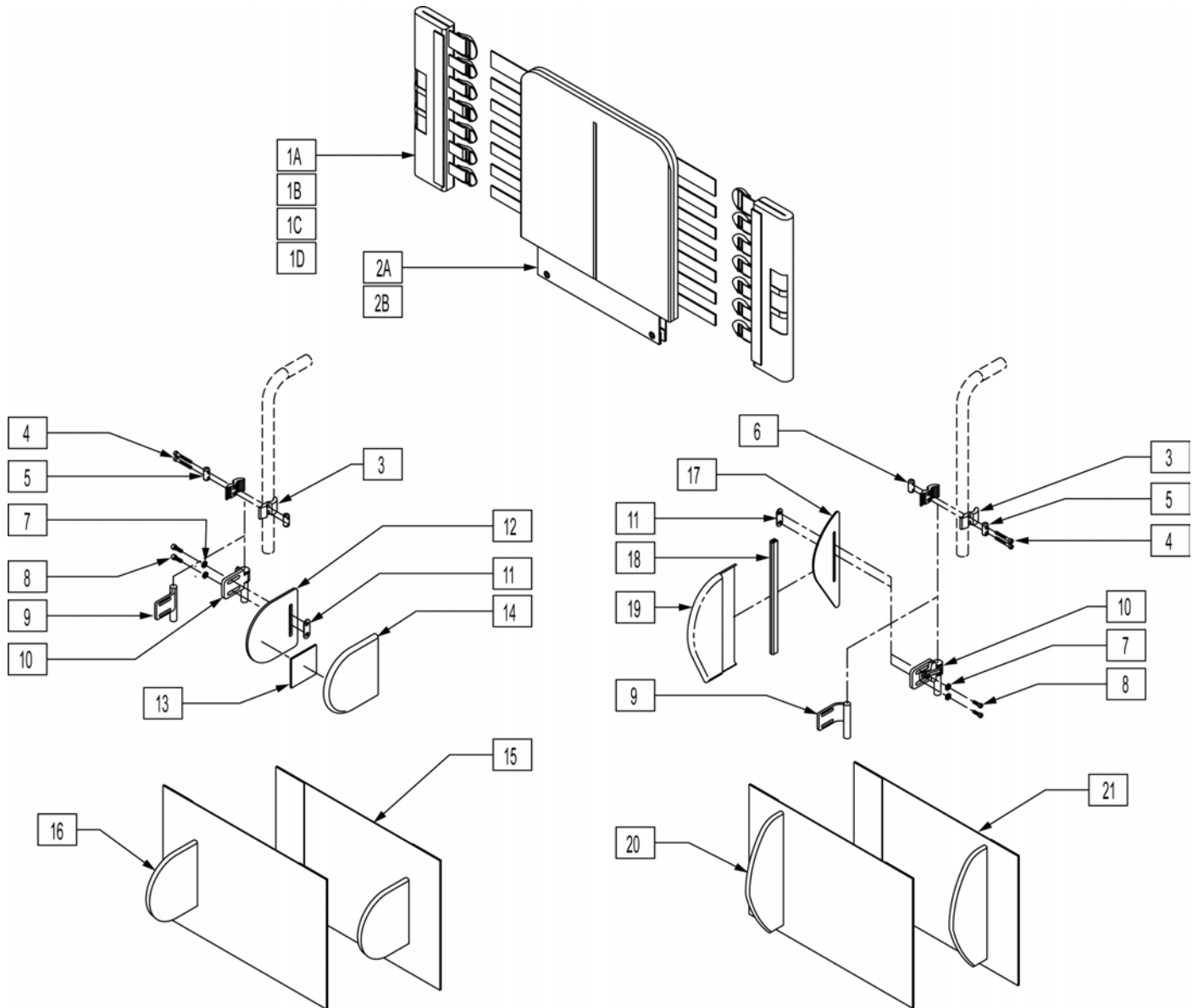
Pos.	Item Number	Description	Remarks
1A,2	684017	ADJ BACK UPH 12" LOW	10 -14" BACK HEIGHT
1A,2	684027	ADJ BACK UPH 13" LOW	10 -14" BACK HEIGHT
1A,2	684037	ADJ BACK UPH 14" LOW	10 -14" BACK HEIGHT
1A,2	684047	ADJ BACK UPH 15" LOW	10 -14" BACK HEIGHT
1A,2	684057	ADJ BACK UPH 16" LOW	10 -14" BACK HEIGHT
1A,2	684067	ADJ BACK UPH 17" LOW	10 -14" BACK HEIGHT
1A,2	684077	ADJ BACK UPH 18" LOW	10 -14" BACK HEIGHT
1A,2	684087	ADJ BACK UPH 19" LOW	10 -14" BACK HEIGHT
1A,2	684097	ADJ BACK UPH 20" LOW	10 -14" BACK HEIGHT
1B,2	684018	ADJ BACK UPH 12" MED	12 -16" & 14 -18" BACK HEIGHT
1B,2	684028	ADJ BACK UPH 13" MED	12 -16" & 14 -18" BACK HEIGHT
1B,2	684038	ADJ BACK UPH 14" MED	12 -16" & 14 -18" BACK HEIGHT
1B,2	684048	ADJ BACK UPH 15" MED	12 -16" & 14 -18" BACK HEIGHT
1B,2	684058	ADJ BACK UPH 16" MED	12 -16" & 14 -18" BACK HEIGHT
1B,2	684068	ADJ BACK UPH 17" MED	12 -16" & 14 -18" BACK HEIGHT

Pos.	Item Number	Description	Remarks
1B,2	684078	ADJ BACK UPH 18" MED	12 -16" & 14 -18" BACK HEIGHT
1B,2	684088	ADJ BACK UPH 19" MED	12 -16" & 14 -18" BACK HEIGHT
1B,2	684098	ADJ BACK UPH 20" MED	12 -16" & 14 -18" BACK HEIGHT
1C,2	684019	ADJ BACK UPH 12" TALL	16 -20" BACK HEIGHT
1C,2	684029	ADJ BACK UPH 13" TALL	16 -20" BACK HEIGHT
1C,2	684039	ADJ BACK UPH 14" TALL	16 -20" BACK HEIGHT
1C,2	684049	ADJ BACK UPH 15" TALL	16 -20" BACK HEIGHT
1C,2	684059	ADJ BACK UPH 16" TALL	16 -20" BACK HEIGHT
1C,2	684069	ADJ BACK UPH 17" TALL	16 -20" BACK HEIGHT
1C,2	684079	ADJ BACK UPH 18" TALL	16 -20" BACK HEIGHT
1C,2	684089	ADJ BACK UPH 19" TALL	16 -20" BACK HEIGHT
1C,2	684099	ADJ BACK UPH 20" TALL	16 -20" BACK HEIGHT



Pos.	Item Number	Description	Pos.	Item Number	Description	Pos.	Item Number	Description
1,2	684037	ADJ BACK UPH 14" LOW	1,2	684058	ADJ BACK UPH 16" MED	1,2	684079	ADJ BACK UPH 18" TALL
1,2	684038	ADJ BACK UPH 14" MED	1,2	684059	ADJ BACK UPH 16" TALL	1,2	684087	ADJ BACK UPH 19" LOW
1,2	684039	ADJ BACK UPH 14" TALL	1,2	684067	ADJ BACK UPH 17" LOW	1,2	684088	ADJ BACK UPH 19" MED
1,2	684047	ADJ BACK UPH 15" LOW	1,2	684068	ADJ BACK UPH 17" MED	1,2	684089	ADJ BACK UPH 19" TALL
1,2	684048	ADJ BACK UPH 15" MED	1,2	684069	ADJ BACK UPH 17" TALL	1,2	684097	ADJ BACK UPH 20" LOW
1,2	684049	ADJ BACK UPH 15" TALL	1,2	684077	ADJ BACK UPH 18" LOW	1,2	684098	ADJ BACK UPH 20" MED
1,2	684057	ADJ BACK UPH 16" LOW	1,2	684078	ADJ BACK UPH 18" MED	1,2	684099	ADJ BACK UPH 20" TALL

**NOTE:** IF MOUNTING LATERALS ONTO A SOLID BACK PLEASE REFER TO THE "LATERAL PAD ASSEMBLY" PARTS PAGE FOR MOUNTING HARDWARE.



Pos.	Item Number	Description	Remarks
1A	683358	JAY BACK UPH BACK CANE COVER MEDIUM	LEFT 10"-14" & 12"-16"
1A	683360	JAY BACK UPH BACK CANE COVER MEDIUM	RIGHT 10"-14" & 12"-16"
1B	683357	JAY BACK UPH BACK CANE COVER TALL	LEFT 14"-18" & 16"-20"
1B	683359	JAY BACK UPH BACK CANE COVER TALL	RIGHT 14"-18" & 16"-20"
1C	683362	JAY BACK UPH BACK CANE COVER NO LATERAL MEDIUM	LEFT 10"-14" & 12"-16"
1C	683364	JAY BACK UPH BACK CANE COVER NO LATERAL MEDIUM	RIGHT 10"-14" & 12"-16"
1D	683361	JAY BACK UPH BACK CANE COVER NO LATERAL TALL	LEFT 14"-18" & 16"-20"
1D	683363	JAY BACK UPH BACK CANE COVER NO LATERAL TALL	RIGHT 14"-18" & 16"-20"
2A	683305	JAY BACK UPH 14W MEDIUM	10"-14" & 12"-16"
2A	683307	JAY BACK UPH 15W MEDIUM	10"-14" & 12"-16"

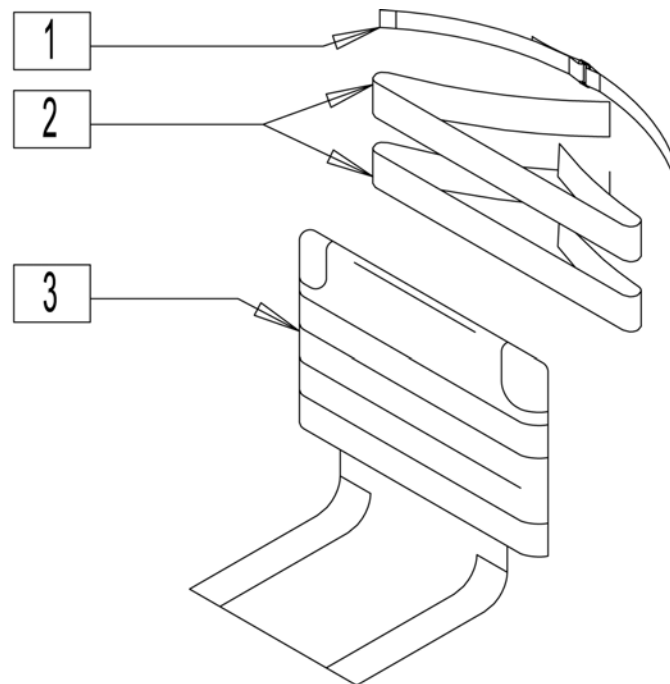
Pos.	Item Number	Description	Remarks
2A	683309	JAY BACK UPH 16W MEDIUM	10"-14" & 12"-16"
2A	683311	JAY BACK UPH 17W MEDIUM	10"-14" & 12"-16"
2A	683313	JAY BACK UPH 18W MEDIUM	10"-14" & 12"-16"
2A	683315	JAY BACK UPH 19W MEDIUM	10"-14" & 12"-16"
2A	683317	JAY BACK UPH 20W MEDIUM	10"-14" & 12"-16"
2B	683306	JAY BACK UPH 14W TALL	14"-18" & 16"-20"
2B	683308	JAY BACK UPH 15W TALL	14"-18" & 16"-20"
2B	683310	JAY BACK UPH 16W TALL	14"-18" & 16"-20"
2B	683312	JAY BACK UPH 17W TALL	14"-18" & 16"-20"
2B	683314	JAY BACK UPH 18W TALL	14"-18" & 16"-20"
2B	683316	JAY BACK UPH 19W TALL	14"-18" & 16"-20"
2B	683318	JAY BACK UPH 20W TALL	14"-18" & 16"-20"
3	481800	UNI LATERAL BRKT JAY PRECISION	
4	226353	10-32 X 1 1/2 SOC HD C/S W/PL	
5	481810	UNI LATERAL BRKT SCR ROLL PIN	
6	481811	LATERAL BRKT PREC THD-ROLL PIN	
7	261204	#10 AN WASHER .063	
8	226043	10-32 x 1/2 BH C/S BL	
9	541144	LATERAL BRKT 1.5 W WLDMNT	RIGHT
9	541145	LATERAL BRKT 1.5 W WLDMNT	LEFT
10	881738	S/A ASSM JAY PRECISION	RIGHT
10	881739	S/A ASSM JAY PRECISION	LEFT
11	881109	1 NUT PLATE W/THREADED INSERT	
12	500914	SYMMETRIC LATERAL PANEL	Size 5"X5"
13	751314	2 x 2 VELCRO LOOP	
14	B672	BASE EXTENDED LATERAL	
17	501140	ASYMMETRIC LATERAL PANEL	Size 10"X3.25"
18	697100	ASYMMETRIC LATERAL PANEL EDGE TRIM	
19	683319	JAY BACK UPH INT LATERAL COVER ASYMMETRIC	LEFT
19	683320	JAY BACK UPH INT LATERAL COVER ASYMMETRIC	RIGHT
3-6	880959	UNI LATERAL CLAMP ASSM	
20,21	923300	JAY BACK EXTENSION LATERAL COVER ASYMMETRIC 14-16	
20,21	923301	JAY BACK EXTENSION LATERAL COVER ASYMMETRIC 17-20	
15,16	923302	JAY BACK EXTENSION LATERAL COVER SYMMETRIC 14-16	
15,16	923303	JAY BACK EXTENSION LATERAL COVER SYMMETRIC 17-20	
1C,2	682520	JAY MEDIUM BACK UPH 14 W/O LATERAL	
1C,2	682521	JAY MEDIUM BACK UPH 15 W/O LATERAL	
1C,2	682522	JAY MEDIUM BACK UPH 16 W/O LATERAL	
1C,2	682523	JAY MEDIUM BACK UPH 17 W/O LATERAL	
1C,2	682524	JAY MEDIUM BACK UPH 18 W/O LATERAL	
1C,2	682525	JAY MEDIUM BACK UPH 19 W/O LATERAL	
1C,2	682526	JAY MEDIUM BACK UPH 20 W/O LATERAL	
1D,2B	682527	JAY TALL BACK UPH 14 W/O LATERAL	
1D,2B	682528	JAY TALL BACK UPH 15 W/O LATERAL	
1D,2B	682529	JAY TALL BACK UPH 16 W/O LATERAL	
1D,2B	682530	JAY TALL BACK UPH 17 W/O LATERAL	
1D,2B	682531	JAY TALL BACK UPH 18 W/O LATERAL	
1D,2B	682532	JAY TALL BACK UPH 19 W/O LATERAL	
1D,2B	682533	JAY TALL BACK UPH 20 W/O LATERAL	
1A,2A,3-8,9-16	682534	JAY MEDIUM BACK UPH 14 W/ FIX SYMMETRIC LATERAL	
1A,2A,3-8,9-16	682535	JAY MEDIUM BACK UPH 15 W/ FIX SYMMETRIC LATERAL	
1A,2A,3-8,9-16	682536	JAY MEDIUM BACK UPH 16 W/ FIX SYMMETRIC LATERAL	
1A,2A,3-8,9-16	682537	JAY MEDIUM BACK UPH 17 W/ FIX SYMMETRIC LATERAL	
1A,2A,3-8,9-16	682538	JAY MEDIUM BACK UPH 18 W/ FIX SYMMETRIC LATERAL	
1A,2A,3-8,9-16	682539	JAY MEDIUM BACK UPH 19 W/ FIX SYMMETRIC LATERAL	
1A,2A,3-8,9-16	682540	JAY MEDIUM BAC KUPH 20 W/ FIX SYMMETRIC LATERAL	

Pos.	Item Number	Description	Remarks
1A,2A,3-8,10-16	682541	JAY MEDIUM BACK UPH 14 W/ S/A SYMMETRIC LATERAL	
1A,2A,3-8,10-16	682542	JAY MEDIUM BACK UPH 15 W/ S/A SYMMETRIC LATERAL	
1A,2A,3-8,10-16	682543	JAY MEDIUM BACK UPH 16 W/ S/A SYMMETRIC LATERAL	
1A,2A,3-8,10-16	682544	JAY MEDIUM BACK UPH 17 W/ S/A SYMMETRIC LATERAL	
1A,2A,3-8,10-16	682545	JAY MEDIUM BACK UPH 18 W/ S/A SYMMETRIC LATERAL	
1A,2A,3-8,10-16	682546	JAY MEDIUM BACK UPH 19 W/ S/A SYMMETRIC LATERAL	
1A,2A,3-8,10-16	682547	JAY MEDIUM BACK UPH 20 W/ S/A SYMMETRIC LATERAL	
1B,2B,3-9,11-16	682562	JAY TALL BACK UPH 14 W/ FIX SYMMETRIC LATERAL	
1B,2B,3-9,11-16	682563	JAY TALL BACK UPH 15 W/ FIX SYMMETRIC LATERAL	
1B,2B,3-9,11-16	682564	JAY TALL BACK UPH 16 W/ FIX SYMMETRIC LATERAL	
1B,2B,3-9,11-16	682565	JAY TALL BACK UPH 17 W/ FIX SYMMETRIC LATERAL	
1B,2B,3-9,11-16	682566	JAY TALL BACK UPH 18 W/ FIX SYMMETRIC LATERAL	
1B,2B,3-9,11-16	682567	JAY TALL BACK UPH 19 W/ FIX SYMMETRIC LATERAL	
1B,2B,3-9,11-16	682568	JAY TALL BACK UPH 20 W/ FIX SYMMETRIC LATERAL	
1B,2B,3-8,10-16	682569	JAY TALL BACK UPH 14 W/ S/A SYMMETRIC LATERAL	
1B,2B,3-8,10-16	682570	JAY TALL BACK UPH 15 W/ S/A SYMMETRIC LATERAL	
1B,2B,3-8,10-16	682571	JAY TALL BACK UPH 16 W/ S/A SYMMETRIC LATERAL	
1B,2B,3-8,10-16	682572	JAY TALL BACK UPH 17 W/ S/A SYMMETRIC LATERAL	
1B,2B,3-8,10-16	682573	JAY TALL BACK UPH 18 W/ S/A SYMMETRIC LATERAL	
1B,2B,3-8,10-16	682574	JAY TALL BACK UPH 19 W/ S/A SYMMETRIC LATERAL	
1B,2B,3-8,10-16	682575	JAY TALL BACK UPH 20 W/ S/A SYMMETRIC LATERAL	
1A,2A,3-9,11,17-21	682576	JAY TALL BACK UPH 14 W/ FIX ASYMMETRIC LATERAL	
1A,2A,3-9,11,17-21	682577	JAY TALL BACK UPH 15 W/ FIX ASYMMETRIC LATERAL	
1A,2A,3-9,11,17-21	682578	JAY TALL BACK UPH 16 W/ FIX ASYMMETRIC LATERAL	
1A,2A,3-9,11,17-21	682579	JAY TALL BACK UPH 17 W/ FIX ASYMMETRIC LATERAL	
1A,2A,3-9,11,17-21	682580	JAY TALL BACK UPH 18 W/ FIX ASYMMETRIC LATERAL	
1A,2A,3-9,11,17-21	682581	JAY TALL BACK UPH 19 W/ FIX ASYMMETRIC LATERAL	
1A,2A,3-9,11,17-21	682582	JAY TALL BACK UPH 20 W/ FIX ASYMMETRIC LATERAL	
1A,2A,3-8,10,11,17-21	682583	JAY TALL BACK UPH 14 W/ S/A ASYMMETRIC LATERAL	
1A,2A,3-8,10,11,17-21	682584	JAY TALL BACK UPH 15 W/ S/A ASYMMETRIC LATERAL	
1A,2A,3-8,10,11,17-21	682585	JAY TALL BACK UPH 16 W/ S/A ASYMMETRIC LATERAL	
1A,2A,3-8,10,11,17-21	682586	JAY TALL BACK UPH 17 W/ S/A ASYMMETRIC LATERAL	
1A,2A,3-8,10,11,17-21	682587	JAY TALL BACK UPH 18 W/ S/A ASYMMETRIC LATERAL	
1A,2A,3-8,10,11,17-21	682588	JAY TALL BACK UPH 19 W/ S/A ASYMMETRIC LATERAL	
1A,2A,3-8,10,11,17-21	682589	JAY TALL BACK UPH 20 W/ S/A ASYMMETRIC LATERAL	

Note: used with GPV Competition Wheelchair.

Note: for All Court & Match Point chairs the upholstery is 1" wider than the chair seat width.

Note: items 1, 2 & 3 are required for complete back upholstery replacement.



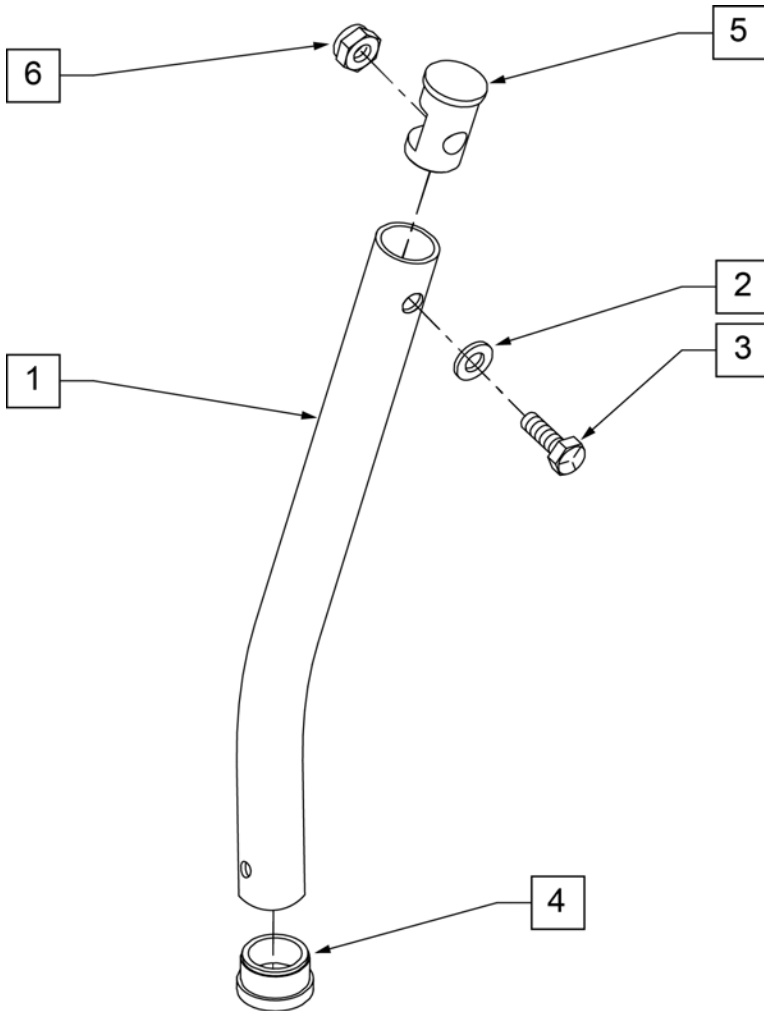
Pos.	Item Number	Description	Remarks
1	750096S	SIDE GRD STRP BACK 12-14" WIDE	
1	750116	SIDE GRD STRP BACK 15-17" WIDE	
1	750117	SIDE GRD STRP BACK 18-20" WIDE	
2	741500	ANKLE/BACK STRAP 2"W X 43"L	used for 13"-14" wide
2	741501	ANKLE/BACK STRAP 2"W X 45"L	used for 15"-17" wide
2	741502	ANKLE/BACK STRAP 2"W X 48"L	used for 18"-20" wide
2	741503	ANKLE/BACK STRAP 2" X 51"L	used for 21" wide
>>>>		SHORT ADJUSTABLE UPH	
3	685903	BACK UPH QUICKIE ADJUSTABLE 13" SA	Short Uph - 9"-13" Back Ht's; items 2&3 not included
3	685904	BACK UPH QUICKIE ADJUSTABLE 14" SA	Short Uph - 9"-13" Back Ht's; items 2&3 not included
3	685905	BACK UPH QUICKIE ADJUSTABLE 15" SA	Short Uph - 9"-13" Back Ht's; items 2&3 not included
3	685906	BACK UPH QUICKIE ADJUSTABLE 16" SA	Short Uph - 9"-13" Back Ht's; items 2&3 not included
3	685907	BACK UPH QUICKIE ADJUSTABLE 17" SA	Short Uph - 9"-13" Back Ht's; items 2&3 not included
3	685908	BACK UPH QUICKIE ADJUSTABLE 18" SA	Short Uph - 9"-13" Back Ht's; items 2&3 not included
3	685909	BACK UPH QUICKIE ADJUSTABLE 19" SA	Short Uph - 9"-13" Back Ht's; items 2&3 not included
3	685910	BACK UPH QUICKIE ADJUSTABLE 20" SA	Short Uph - 9"-13" Back Ht's; items 2&3 not included
3	685911	BACK UPH QUICKIE ADJUSTABLE 21" SA	Short Uph - 9"-13" Back Ht's; items 2&3 not included
>>>>		MEDIUM ADJUSTABLE BACK UPH	

Pos.	Item Number	Description	Remarks
3	685913	BACK UPH QUICKIE ADJUSTABLE 13" MA	Med Uph - 12"-18" Back Ht's; items 2&3 not included
3	685914	BACK UPH QUICKIE ADJUSTABLE 14" MA	Med Uph - 12"-18" Back Ht's; items 2&3 not included
3	685915	BACK UPH QUICKIE ADJUSTABLE 15" MA	Med Uph - 12"-18" Back Ht's; items 2&3 not included
3	685916	BACK UPH QUICKIE ADJUSTABLE 16" MA	Med Uph - 12"-18" Back Ht's; items 2&3 not included
3	685917	BACK UPH QUICKIE ADJUSTABLE 17" MA	Med Uph - 12"-18" Back Ht's; items 2&3 not included
3	685918	BACK UPH QUICKIE ADJUSTABLE 18" MA	Med Uph - 12"-18" Back Ht's; items 2&3 not included
3	685919	BACK UPH QUICKIE ADJUSTABLE 19" MA	Med Uph - 12"-18" Back Ht's; items 2&3 not included
3	685920	BACK UPH QUICKIE ADJUSTABLE 20" MA	Med Uph - 12"-18" Back Ht's; items 2&3 not included
3	685921	BACK UPH QUICKIE ADJUSTABLE 21" MA	Med Uph - 12"-18" Back Ht's; items 2&3 not included
>>>>		LARGE ADJUSTABLE BACK UPH	
3	685923	BACK UPH QUICKIE ADJUSTABLE 13" LA	Large Uph - 17"-20" Back Ht's; items 2&3 not included
3	685924	BACK UPH QUICKIE ADJUSTABLE 14" LA	Large Uph - 17"-20" Back Ht's; items 2&3 not included
3	685925	BACK UPH QUICKIE ADJUSTABLE 15" LA	Large Uph - 17"-20" Back Ht's; items 2&3 not included
3	685926	BACK UPH QUICKIE ADJUSTABLE 16" LA	Large Uph - 17"-20" Back Ht's; items 2&3 not included
3	685927	BACK UPH QUICKIE ADJUSTABLE 17" LA	Large Uph - 17"-20" Back Ht's; items 2&3 not included
3	685928	BACK UPH QUICKIE ADJUSTABLE 18" LA	Large Uph - 17"-20" Back Ht's; items 2&3 not included
3	685929	BACK UPH QUICKIE ADJUSTABLE 19" LA	Large Uph - 17"-20" Back Ht's; items 2&3 not included
3	685930	BACK UPH QUICKIE ADJUSTABLE 20" LA	Large Uph - 17"-20" Back Ht's; items 2&3 not included

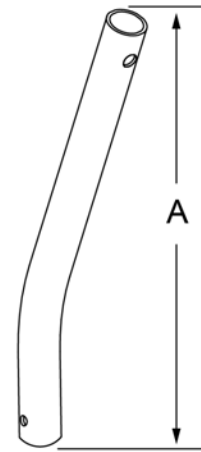


**NOTE:** (Discontinued on Quickie 2 for 60° and 70° Hangers 10/23/99- Parts only).

**NOTE:** Used on Articulating Hanger Assemblies.



MEASURING GUIDE



	"A"
SHORT	6 5/8"
MED	9"
LONG	11 5/8"
X-LONG	13 1/2"

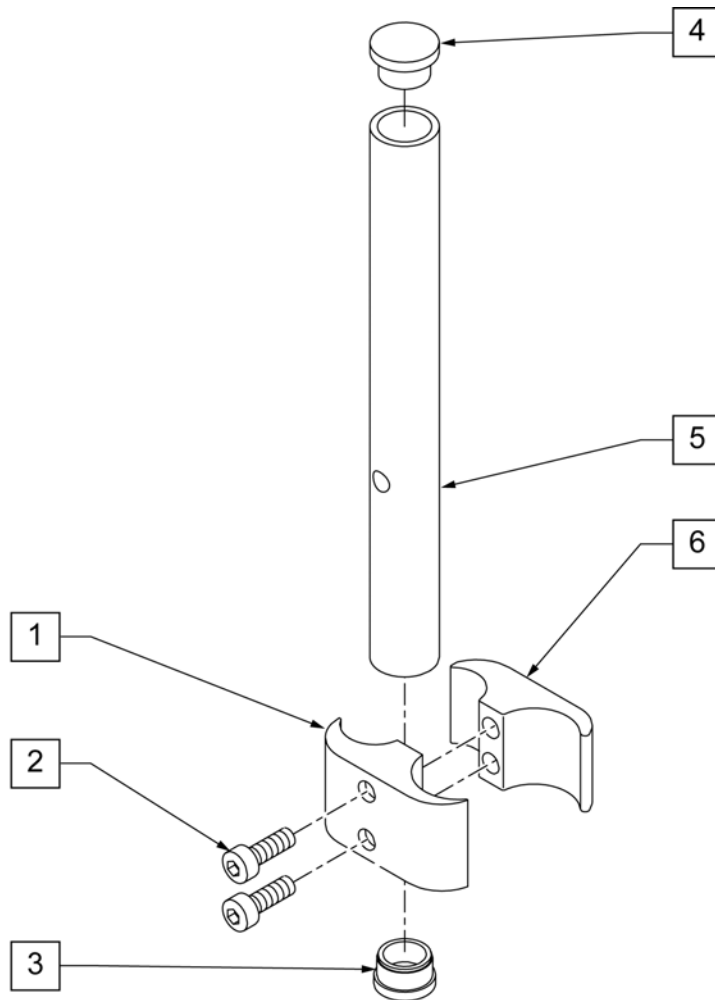
<b>Pos.</b>	<b>Item Number</b>	<b>Description</b>
1	521010	FOOTREST EXT TUBE ONLY SHT BLK
1	521011	FOOTREST EXT TUBE ONLY MED BLK
1	521012	FOOTREST EXT TUBE ONLY LNG BLK
1	521013	FOOTREST EXT TUBE ONLY X-LNG BLK
2	104414	WAVE WASHER 6 MM
3	106958	HHCS 1/4-20 X 1 ROHS
4	561000-QU	3/4" INSERT PLUG .083
5	483553	FOOTREST INSERT PLUG Q2
6	106932	NUT NYLOCK 1/4-20 ROHS
1-6	921221	FOOTREST EXT TUBE SHT ASSM BLK (EA)
1-6	921222	FOOTREST EXT TUBE MED ASSM BLK (EA)
1-6	921223	FOOTREST EXT TUBE LNG ASSM BLK (EA)
1-6	921224	FOOTREST EXT TUBE X-LNG ASSM BLK (EA)

**NOTE:** only available with Adult Angle Adjustable (AAA) or Kids Angle Adjustable (KAA) Footplates.

**NOTE:** if retrofitting to an existing chair with Front Mount Hangers, new Adult Angle Adjustable (AAA) or Kids Angle Adjustable (KAA) Footplates with High Mount Extension Tubes are required. See Footplate Ordering Guide.

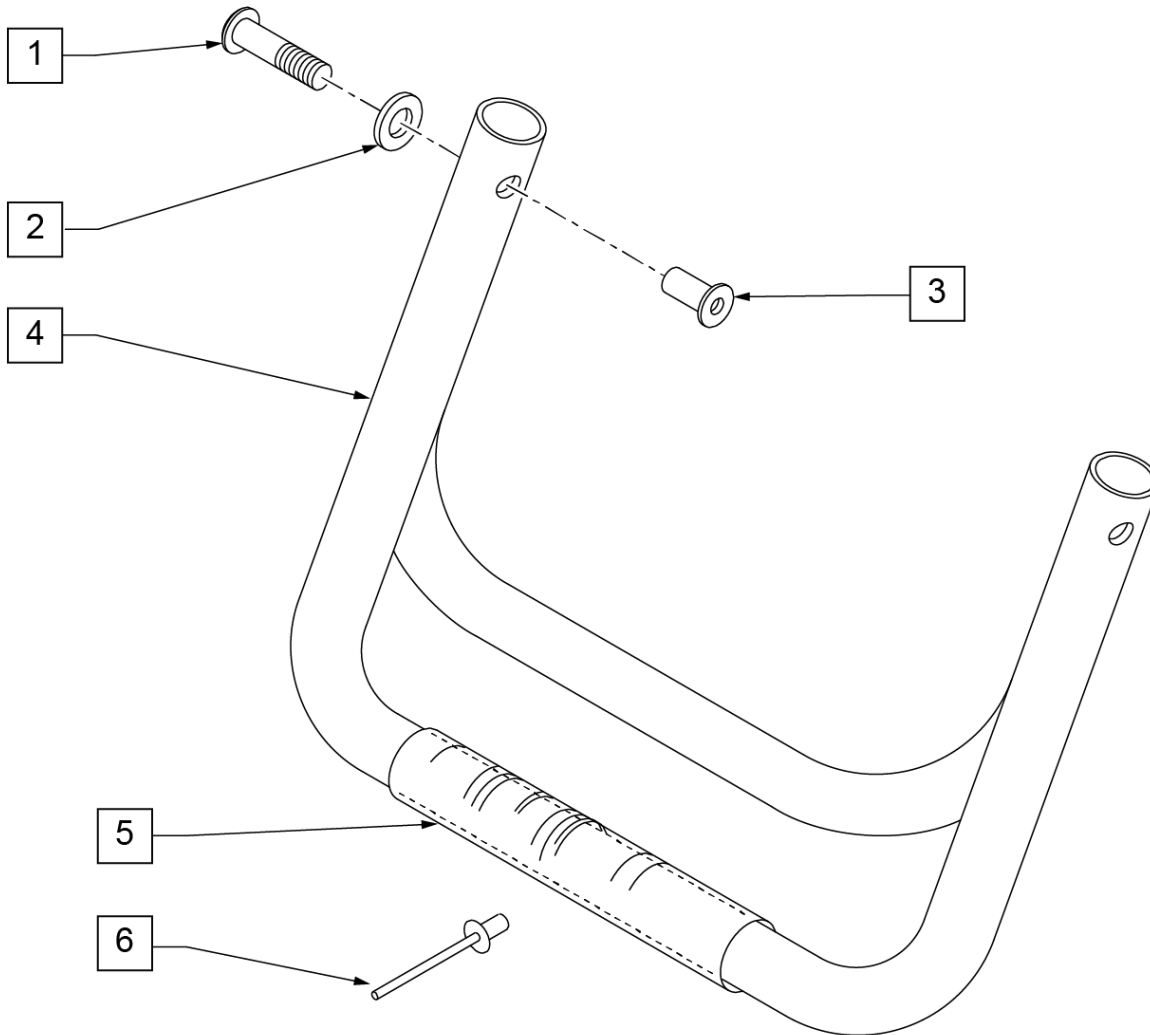
**NOTE:** if retrofitting to an existing chair with extension tube mounted hangers (D2 extension tubes) with Adult Angle Adjustable (AAA) or Kids Angle Adjustable (KAA) Footplates, order 2 each of 226167 and 561055 to mount the footplates onto the round high-mount extension tubes.

**NOTE:** if retrofitting on a chair with extension tube mounted hangers with Composite, Composite Angle Adjustable, Foam, Locking Angle Adjustable, Platform Flip-Up, or Platform Flip-Up Locking Footplates, then new Adult Angle Adjustable (AAA) or Kids Angle Adjustable (KAA) Footplates with High Mount Extension Tubes are required. See Footplate Ordering Guide.



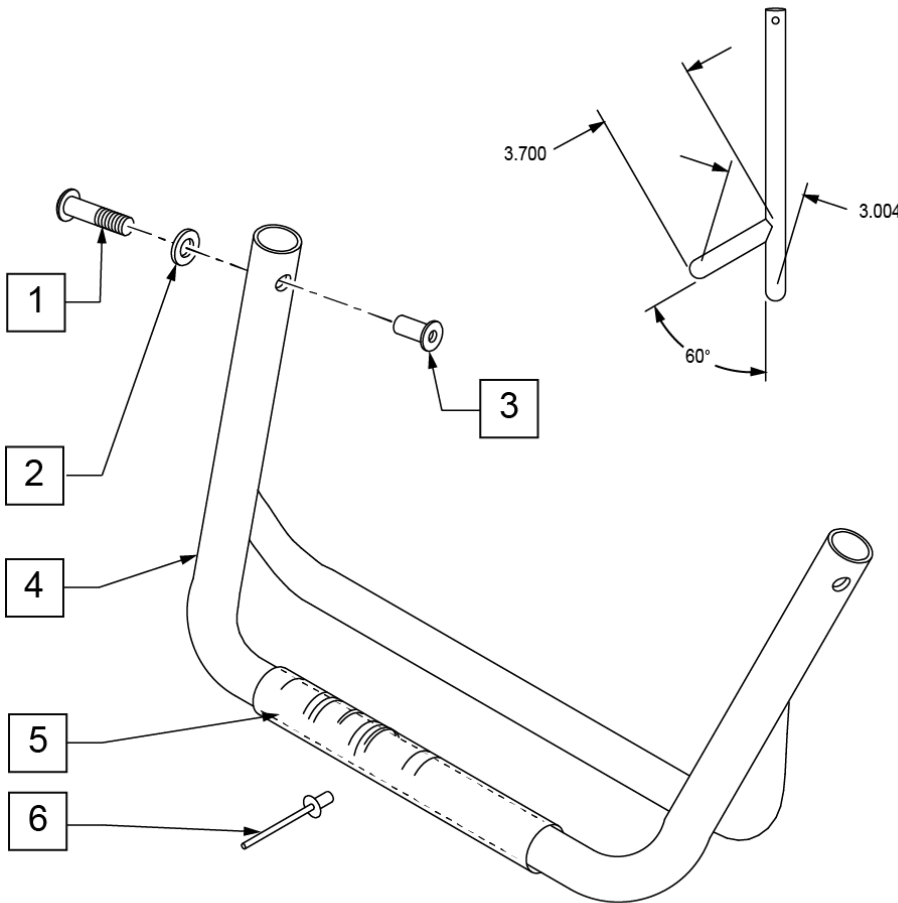
Pos.	Item Number	Description	Remarks
1	550657	CLAMP 1 1/4" RECESS FULL BLK	
2	107032	SHCS 1/4-28 X 1 ROHS	
3	561000-QU	3/4" INSERT PLUG .083	
4	482016	HIGH-MOUNT FL FT TUBE PLUG	
5	524100	H/M FL FT EXT TUBE BLK	
6	550658	CLAMP 1 1/4" THREADED BLK	
1,2,6	880538	HI-MOUNT FR CLAMP ASSEMBLY BLK	
1-6	921550S	H/M FL FT CLAMPS AND TUBES (PR)	Pair

Note: order Footrest based on Seat Width.

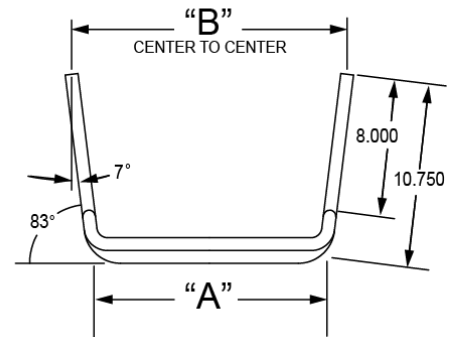


Pos.	Item Number	Description	Pos.	Item Number	Description
1	281140	10-32 x 1 PAN PHIL	4-6	800107	RIGID FOOTREST 19"
2	261204	#10 AN WASHER .063	4-6	800108	RIGID FOOTREST 20"
3	341500	10-32 x .010-.080 RIVNUT	5	562400	IMPACT GUARD GP 12" GPV 14"
4-6	800095	RIGID FOOTREST 21"	5	562402	IMPACT GUARD GP 13" GPV 15"
4-6	800096	RIGID FOOTREST 22"	5	562404	IMPACT GUARD GP/QC 14" GPV 16"
4-6	800100	RIGID FOOTREST 12"	5	562406	IMPACT GUARD GP/QC 15" GPV 17"
4-6	800101	RIGID FOOTREST 13"	5	562408	IMPACT GUARD GP/QC 16" GPV 18"
4-6	800102	RIGID FOOTREST 14"	5	562410	IMPACT GUARD GP/QC 17" GPV 19"
4-6	800103	RIGID FOOTREST 15"	5	562412	IMPACT GUARD GP/QC 18" GPV 20"
4-6	800104	RIGID FOOTREST 16"	5	562414	IMPACT GUARD GP 19" EA 5.41 44
4-6	800105	RIGID FOOTREST 17"	5	562416	IMPACT GUARD GP 20"
4-6	800106	RIGID FOOTREST 18"	6	240112	RIVET POP SD46BS BLK

Note: order Footrest based on Seat Width.



MEASURING GUIDE

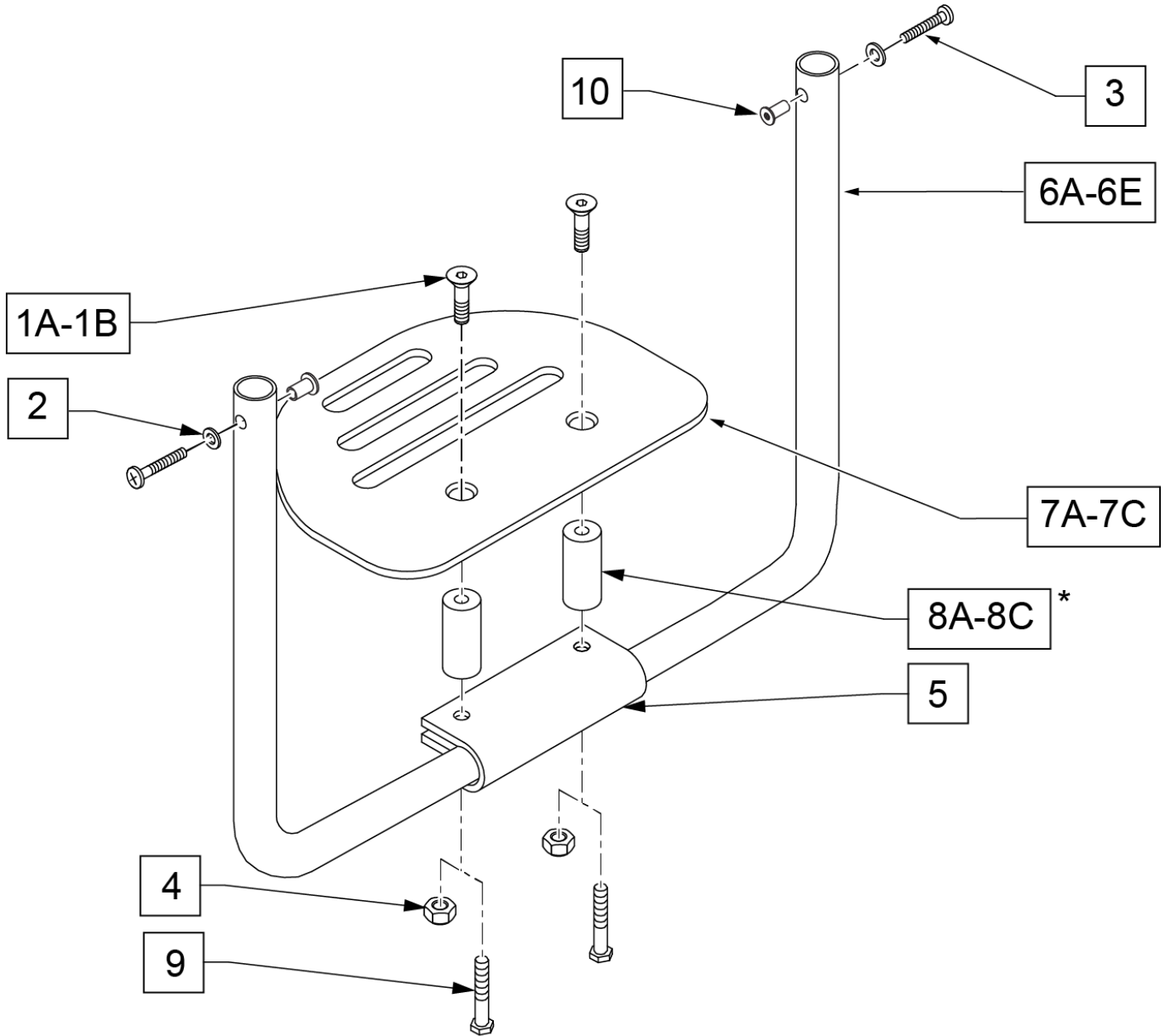


FRAME WIDTH	"A"	"B"
14"	8.5"	11.125"
15"	9.5"	12.125"
16"	10.5"	13.125"
17"	11.5"	14.125"
18"	12.5"	15.125"
19"	13.5"	16.125"
20"	14.5"	17.125"

Pos.	Item Number	Description	Pos.	Item Number	Description
1	281140	10-32 x 1 PAN PHIL	4,5,6	800127	GPV 1 PC CUSTOM FOOTREST
2	261204	#10 AN WASHER .063	4,5,6	800128	GPV 1 PC FOOTREST 21"
3	341500	10-32 x .010 - .180 RIVNUT	5	562400	IMPACT GUARD GP 12" GPV 14"
4,5,6	800120	GPV 1 PC FOOTREST 14"	5	562402	IMPACT GUARD GP 13" GPV 15"
4,5,6	800121	GPV 1 PC FOOTREST 15"	5	562404	IMPACT GUARD GP/QC 14" GPV 16"
4,5,6	800122	GPV 1 PC FOOTREST 16"	5	562406	IMPACT GUARD GP/QC 15" GPV 17"
4,5,6	800123	GPV 1 PC FOOTREST 17"	5	562408	IMPACT GUARD GP/QC 16" GPV 18"
4,5,6	800124	GPV 1 PC FOOTREST 18"	5	562410	IMPACT GUARD GP/QC 17" GPV 19"
4,5,6	800125	GPV 1 PC FOOTREST 19"	5	562412	IMPACT GUARD GP/QC 18" GPV 20"
4,5,6	800126	GPV 1 PC FOOTREST 20"	6	240112	RIVET POP SD46BS BLK

NOTE: \* Adaptive Spacer and designated Hardware is sold separately

Note: order Footrest based on Seat Width.



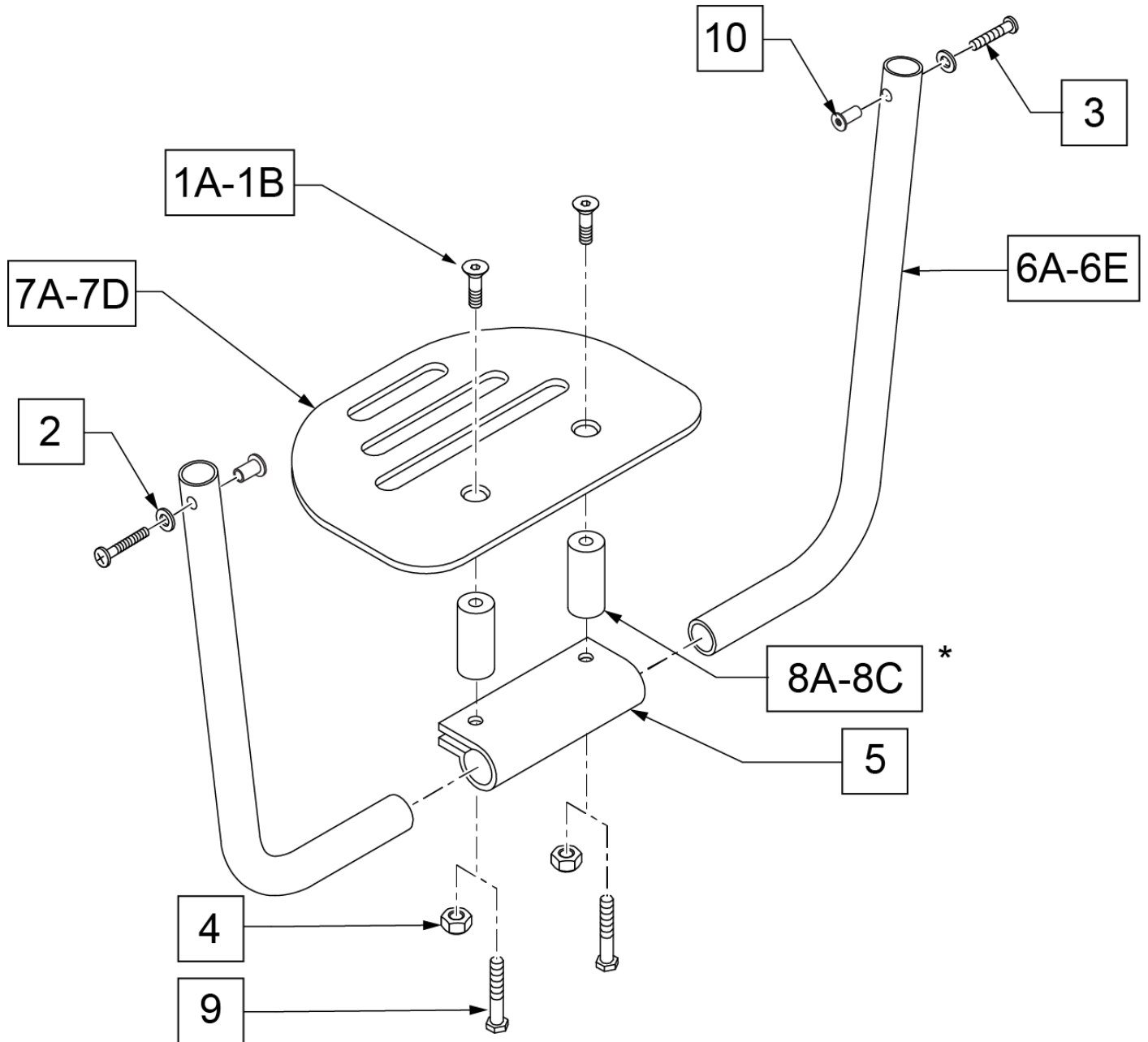
Pos.	Item Number	Description	Remarks
1A	106978	1/4-28 X 7/8 FH C/S	Used w/o adaptive spacer
1B	102265-003	FHCS M6 x 1x 16 INORGANIC	Used w/adaptive spacer
2	261204	#10 AN WASHER .063	
3	281140	10 -32 x 1 PAN PHIL	

Pos.	Item Number	Description	Remarks
4	106941	1/4 -28 AUTOMATION NUT	
5	550351	PLATFORM FOOTPLATE CLAMP	
6A	522128	GP PLATFORM FOOTREST TUBE 12 -13"	
6B	522130	GP PLATFORM FOOTREST TUBE 14 -15"	
6C	522132	GP PLATFORM FOOTREST TUBE 16 -17"	
6D	522134	GP PLATFORM FOOTREST TUBE 18 -19"	
6E	522136	GP PLATFORM FOOTREST TUBE 20"	
7A	500650	PLATFORM FOOTPLATE 6" x 5 1/2"	
7B	500651	PLATFORM FOOTPLATE 8" x 5 1/2"	
7C	500652	PLATFORM FOOTPLATE 10" x 5 1/2"	
8A	050075-001	ADAPTIVE FT/RST SPCR 2" P/FRM	Order separately
8B	050075-002	ADAPTIVE FT/RST SPCR 4" P/FRM	Order separately
8C	050075-003	ADAPTIVE FT/RST SPCR 6" P/FRM	Order separately
9	102268-001	HHCS M6 X 1 X 25	Used with adaptive spacer
10	341500	10-32 X .010-.080 RIVNUT	
1A-5,6A,7A,10	800130	GP PLATFORM FOOTREST ASSM 12"	
1A-5,6A,7A,10	800131	GP PLATFORM FOOTREST ASSM 13"	
1A-5,6B,7B,10	800132	GP PLATFORM FOOTREST ASSM 14"	
1A-5,6B,7B,10	800133	GP PLATFORM FOOTREST ASSM 15"	
1A-5,6C,7B,10	800134	GP PLATFORM FOOTREST ASSM 16"	
1A-5,6C,7C,10	800135	GP PLATFORM FOOTREST ASSM 17"	
1A-5,6D,7C,10	800136	GP PLATFORM FOOTREST ASSM 18"	
1A-5,6D,7C,10	800137	GP PLATFORM FOOTREST ASSM 19"	
1A-5,6E,7C,10	800138	GP PLATFORM FOOTREST ASSM 20"	



NOTE: \* Adaptive Spacer and designated Hardware is sold separately

Note: order Footrest based on Seat Width.

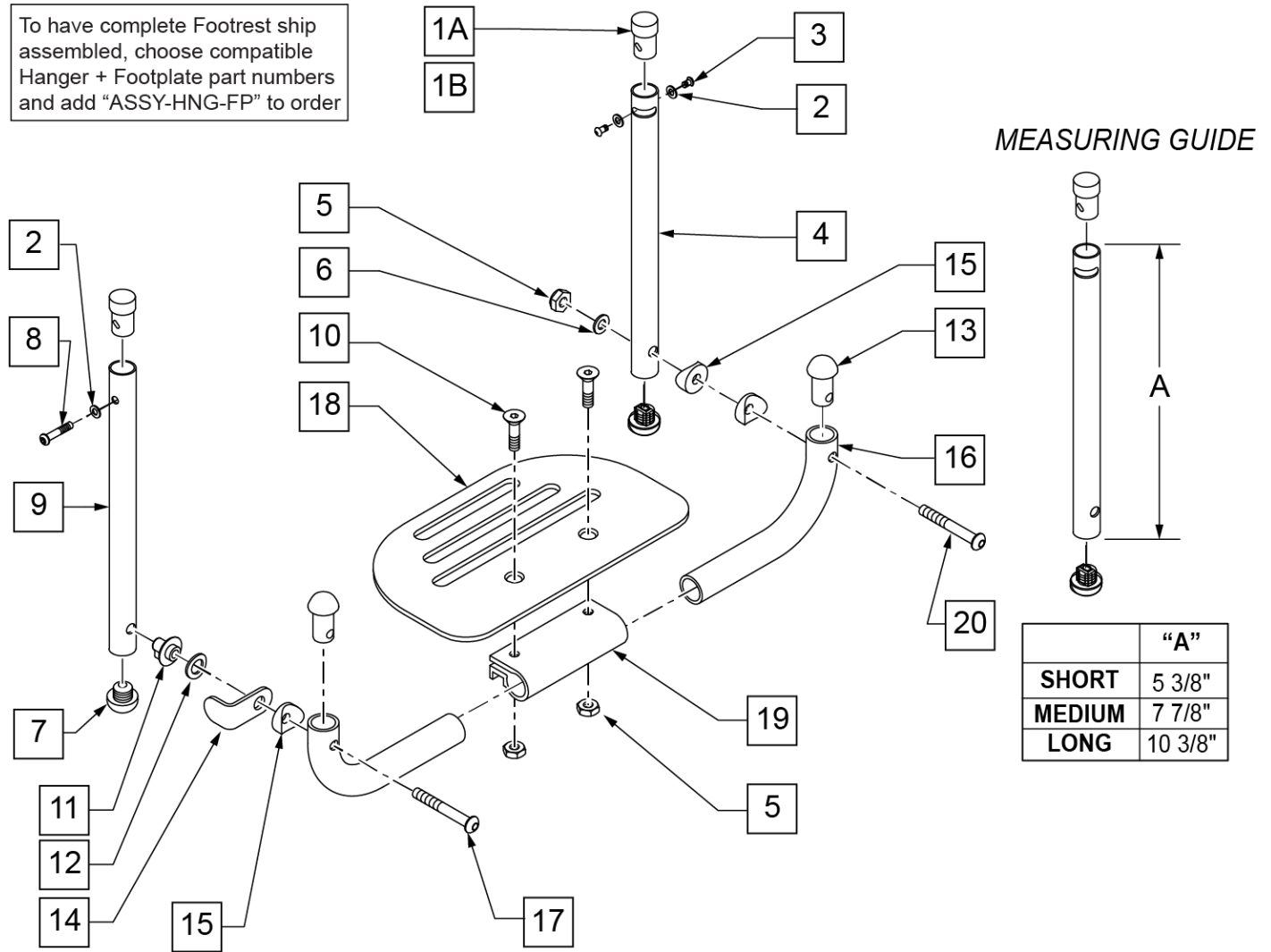


Pos.	Item Number	Description	Remarks
1A	106978	1/4-28 X 7/8 FH C/S	Used w/o adaptive spacer
1B	102265-003	FHCS M6X1X16 INORGANIC	Used w/adaptive spacer
2	261204	#10 AN WASHER .063	

Pos.	Item Number	Description	Remarks
3	281140	10-32 x 1 PAN PHIL	
4	201120	1/4-28 AUTOMATION NUT	
5	550351	PLATFORM FOOTPLATE CLAMP	
6A	522120	GPV PLATFORM FOOTREST TUBE 14"-15"	
6B	522122	GPV PLATFORM FOOTREST TUBE 16"-17"	
6C	522124	GPV PLATFORM FOOTREST TUBE 18"-19"	
6D	522126	GPV PLATFORM FOOTREST TUBE 20"	Used for 20"-21" widths
6E	522127	GPV PLATFORM FOOTREST TUBE 22"	
7A	500650	PLATFORM FOOTPLATE 6" x 5 1/2"	
7B	500651	PLATFORM FOOTPLATE 8" x 5 1/2"	
7C	500652	PLATFORM FOOTPLATE 10" x 5 1/2"	
7D	500653	PLATFORM F/PLT 12" X 5 1/2"	
8A	050075-001	ADAPTIVE FT/RST SPCR 2" P/FRM	Order separately
8B	050075-002	ADAPTIVE FT/RST SPCR 4" P/FRM	Order separately
8C	050075-003	ADAPTIVE FT/RST SPCR 6" P/FRM	Order separately
9	102268-001	HHCS M6 X 1 X 25	Use with adaptive spacer
10	341500	10-32 X .010-.080 RIVNUT	
1A-5,6A,7A,10	800140	GPV PLATFORM FOOTREST ASSM 14"	
1A-5,6A,7A,10	800141	GPV PLATFORM FOOTREST ASSM 15"	
1A-5,6B,7B,10	800142	GPV PLATFORM FOOTREST ASSM 16"	
1A-5,6B,7B,10	800143	GPV PLATFORM FOOTREST ASSM 17"	
1A-5,6C,7C,10	800144	GPV PLATFORM FOOTREST ASSM 18"	
1A-5,6C,7C,10	800145	GPV PLATFORM FOOTREST ASSM 19"	
1A-5,6D,7C,10	800146	GPV PLATFORM FOOTREST ASSM 20"	
1A-5,6D,7D,10	800147	GPV PLATFORM FOOTREST ASSM 21"	
1A-5,6E,7D,10	800148	GPV PLATFORM FOOTREST ASSM 22"	

Note: For width reference see "Platform Flip-Up Reference Guide" in the Information panel.

To have complete Footrest ship assembled, choose compatible Hanger + Footplate part numbers and add "ASSY-HNG-FP" to order



Pos.	Item Number	Description	Remarks
1A	483065	THREADED EXT TUBE PLUG	
1B	483066	THREADED EXT TUBE PLUG Ti	
2	262130	6mm WASHER WAVE	
3	221060	1/4-28 x 1/2 BH C/S	
4	521075	FOOTPLATE EXT TUBE SLOT L SHT 1-PC	
4	521076	FOOTPLATE EXT TUBE SLOT L MED 1-PC	
4	521077	FOOTPLATE EXT TUBE SLOT L LONG 1-PC	
5	106941	1/4-28 AUTOMATION NUT	
6	106944	1/4 AN WASHER FLAT THIN	
7	482028	3/4" DOME PLUG .125	
8	226110	1/4-28 x 1 BH C/S	
9	521054	FOOTPLATE EXT TUBE KEYHOLED SHT 1-PC	
9	521055	FOOTPLATE EXT TUBE KEYHOLED MED 1-PC	
9	521056	FOOTPLATE EXT TUBE KEYHOLED LONG 1-PC	

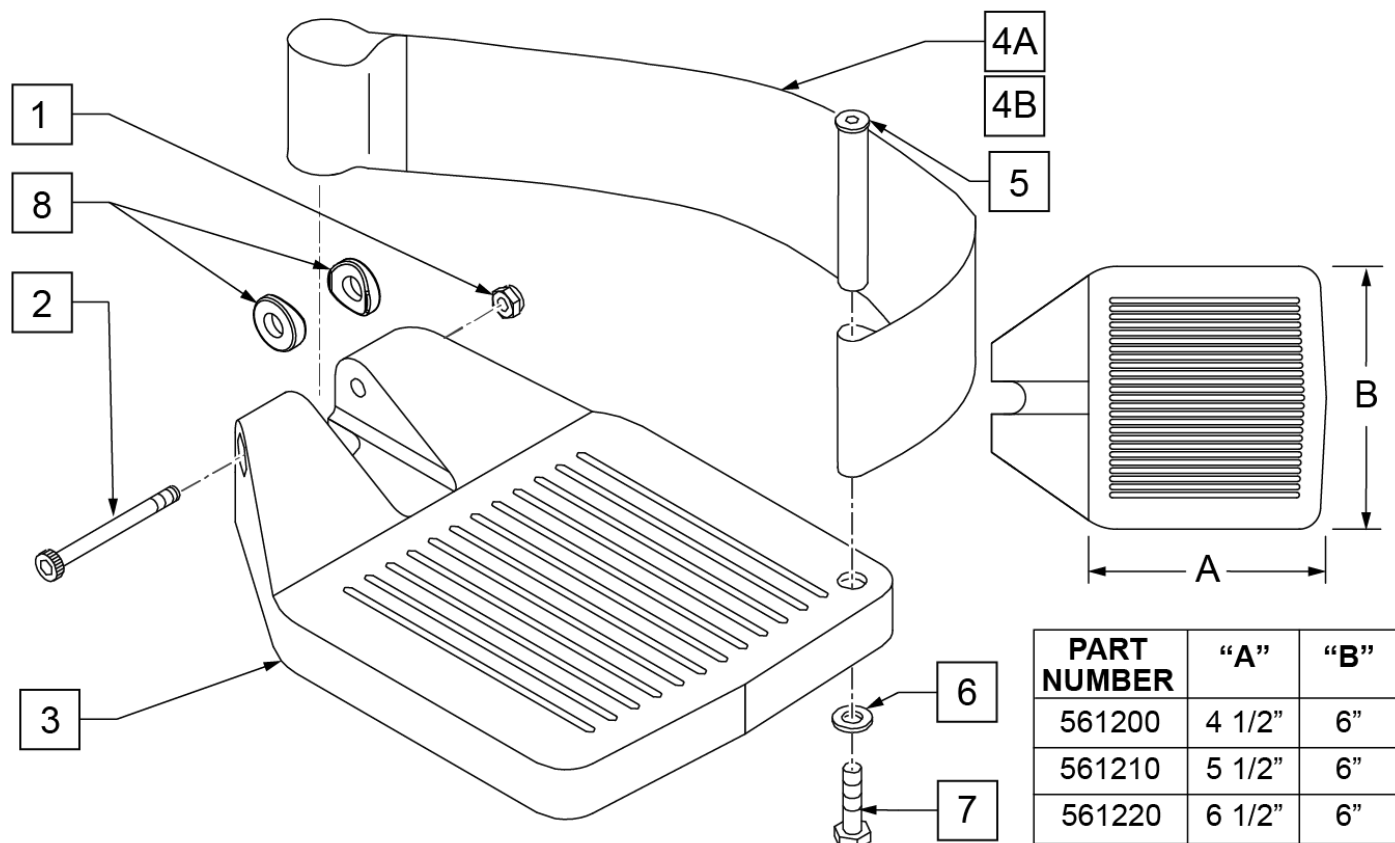
Pos.	Item Number	Description	Remarks
10	106978	FHCS 1/4-28 X 7/8 ROHS	
11	481148	KEYHOLED STUD	
12	262137	3/8 WASHER CURVED	
13	561034	SHORT DOME PLUG	
14	505078	FOOTREST RETAINING BRACKET	
15	561003	3/4" SADDLE THIN	
17	226131	1/4-28 x 1 1/4 BH C/S SHLDR	
18*	500650	PLATFORM F/PLT 6" X 5 1/2"	
18	500651	PLATFORM F/PLT 8" X 5 1/2"	
18	500652	PLATFORM F/PLT 10" X 5 1/2"	
18	500653	PLATFORM F/PLT 12" X 5 1/2"	
18	500654	PLATFORM F/PLT 14 X 5 1/2"	
19	550351	PLATFORM FOOTPLATE CLAMP	
20	106964	1/4-28 x 2 BH C/S	
1A,2-4,7	900105	PLATFORM FLIP-UP EXT L SHORT ASSM	
1A,2-4,7	900106	PLATFORM FLIP-UP EXT L MED ASSM	
1A,2-4,7	900107	PLATFORM FLIP-UP EXT L LONG ASSM	
1B,2-4,7	900125	PLATFORM FLIP-UP EXT L SHORT TI ASSM	
1B,2-4,7	900126	PLATFORM FLIP-UP EXT L MED TI ASSM	
1B,2-4,7	900127	PLATFORM FLIP-UP EXT L LONG TI ASSM	
1A,2,7-9	900111	PLATFORM FLIP-UP EXT KEYHOLED SHORT	
1A,2,7-9	900112	PLATFORM FLIP-UP EXT KEYHOLED MED	
1A,2,7-9	900113	PLATFORM FLIP-UP EXT KEYHOLED LONG	
1B,2,7-9	900131	PLATFORM FLIP-UP EXT KEYHOLED SHORT TI	
1B,2,7-9	900132	PLATFORM FLIP-UP EXT KEYHOLED MED TI	
1B,2,7-9	900133	PLATFORM FLIP-UP EXT KEYHOLED LONG TI	
1A-4,7-9	921242	PLATFORM FLIP-UP EXT TUBE SHORT ASSM	PAIR
1A-4,7-9	921243	PLATFORM FLIP-UP EXT TUBE MED ASSM	PAIR
1A-4,7-9	921244	PLATFORM FLIP-UP EXT TUBE LONG ASSM	PAIR
1A-4,7-9	921246	PLATFORM FLIP-UP EXT TUBE SHORT TI ASSM	PAIR
1A-4,7-9	921247	PLATFORM FLIP-UP EXT TUBE MED TI ASSM	PAIR
1A-4,7-9	921248	PLATFORM FLIP-UP EXT TUBE LONG TI ASSM	PAIR
5,6,10-20*	900150	PLATFORM F/UP F/PLT 10" ASSM	
5,6,10-20*	900151	PLATFORM F/UP F/PLT 11" ASSM	
5,6,10-20*	900152	PLATFORM F/UP F/PLT 12" ASSM	
5,6,10-20*	900153	PLATFORM F/UP F/PLT 13" ASSM	
5,6,10-20*	900154	PLATFORM F/UP F/PLT BLK 14" ASSM	
5,6,10-20*	900155	PLATFORM F/UP F/PLT BLK 15" ASSM	
5,6,10-20*	900156	PLATFORM F/UP F/PLT 16" ASSM	
5,6,10-20*	900157	PLATFORM F/UP F/PLT BLK 17" ASSM	
5,6,10-20*	900158	PLATFORM F/UP F/PLT BLK 18" ASSM	
5,6,10-20*	900159	PLATFORM F/UP F/PLT BLK 19" ASSM	
5,6,10-20*	900160	PLATFORM F/UP F/PLT BLK 20" ASSM	
5,6,10-20*	900161	PLATFORM F/UP F/PLT BLK 21" ASSM	
5,6,10-20*	900162	PLATFORM F/UP F/PLT BLK 22" ASSM	
		Ship assembled part #	Use with multiple assemblies
	ASSY-HNG-FP	HANGER/FOOTPLATE ASSY REQUIRED	add with Hanger & Footplate kit

# COMPOSITE FOOTPLATE

[12/2017]

To have complete Footrest ship assembled, choose compatible Hanger + Footplate part numbers and add "ASSY-HNG-FP" to order

**INSET FORMULA**  
 0" Inset (Seat Width) = Footrest Width  
 1" Inset (Seat Width) -2" = Footrest Width  
 "V" Hanger (Seat Width) -4" = Footrest Width  
 Offset Hanger Receiver (Seat Width) +2" = Footrest Width



Pos.	Item Number	Description	Remarks
1	106935	1/4 - 28 NYLOCK NUT	
2	226165	1/4 - 28 x 2 1/2 SOC C/S	
3	561200	COMPOSITE FOOTPLATE 14 -15 (16 -18 V )	14 -15 OR 16 -18V
3	561210	COMPOSITE FOOTPLATE 16 -17 (19 -20 V )	16 -17 OR 19 -20V
3	561220	COMPOSITE FOOTPLATE 18 -20	18 -20
4A	741151	HEEL LOOP 14-15 COMPOSITE (14 -15 or 16 -18V)	14 -15 OR 16 -18V
4A	741156	HEEL LOOP 16 -17 or 19 -20V	16 -17 OR 19 -20V
4A	741153	HEEL LOOP 18 -20 COMPOSITE/14-15 ANG ADJ	18 -20
4A	902270	HEEL LOOP COMPOSITE FT 14-15	PAIR 14 -15 OR 16 -18V
4A	902271	HEEL LOOP COMPOSITE FT 16-17	PAIR 16 -17 OR 19 -20V
4A	902272	HEEL LOOP COMPOSITE FT 18-20	PAIR 18 -20
4B	741154	HEEL LOOP 14-15 COMPOSITE HEMI	14 -15 HEMI
4B	741155	HEEL LOOP 16-17 COMPOSITE HEMI	16 -17 HEMI
4B	741153	HEEL LOOP 18-20 COMPOSITE HEMI	18 -10 HEMI
4B	902260	HEEL LOOPS HEMI COMPOSITE 14-15	PAIR 14 -15 HEMI
4B	902261	HEEL LOOPS HEMI COMPOSITE 16-17	PAIR 16 -17 HEMI
4B	902262	HEEL LOOPS HEMI COMPOSITE 18-20	PAIR 18 -20 HEMI
5	561040	HEEL LOOP PEG	
6	106944	1/4 AN WASHER FLAT THIN	

Pos.	Item Number	Description	Remarks
7	106958	HHCS 1/4-20 X 1 ROHS	
8	561003	3/4" SADDLE THIN	USED W/ ROUND EXT TUBES ONLY
1-3	921180	COMPOSITE FOOTPLATE ASSM 14-15	RIGHT (14 -15 OR 16 -18V) W/O HEEL LOOP
1-3	921181	COMPOSITE FOOTPLATE ASSM 14-15	LEFT (14 -15 OR 16 -18V) W/O HEEL LOOP
1-3	921182	COMPOSITE FOOTPLATE ASSM 16-17	RIGHT (16 -17 OR 19 -20V) W/O HEEL LOOP
1-3	921183	COMPOSITE FOOTPLATE ASSM 16-17	LEFT (16 -17 OR 19 -20V) W/O HEEL LOOP
1-3	921184	COMPOSITE FOOTPLATE ASSM 18-20	RIGHT (18 -20) W/O HEEL LOOP
1-3	921185	COMPOSITE FOOTPLATE ASSM 18-20	LEFT (18 -20) W/O HEEL LOOP
1-3	921151	COMPOSITE FOOTPLATE ASSM 14-15/16-18V	PAIR (14 -15 OR 16 -18V) W/O HEEL LOOP
1-3	921152	COMPOSITE FOOTPLATE ASSM 16-17/19-20V	PAIR (16 -17 OR 19 -20V) W/O HEEL LOOP
1-3	921153	COMPOSITE FOOTPLATE ASSM 18-20	PAIR (18 -20) W/O HEEL LOOP
1,2,3A,4-7	921190	COMPOSITE FOOTPLATE ASSM HL LP 14-15	RIGHT (14 -15 OR 16 -18V) W/ HEEL LOOP
1,2,3A,4-7	921191	COMPOSITE FOOTPLATE ASSM HL LP 14-15	LEFT (14 -15 OR 16 -18V) W/ HEEL LOOP
1,2,3A,4-7	921192	COMPOSITE FOOTPLATE ASSM HL LP 16-17	RIGHT (16 -17 OR 19 -20V) W/ HEEL LOOP
1,2,3A,4-7	921193	COMPOSITE FOOTPLATE ASSM HL LP 16-17	LEFT (16 -17 OR 19 -20V) W/ HEEL LOOP
1,2,3A,4-7	921194	COMPOSITE FOOTPLATE ASSM HL LP 18-20	RIGHT (18 -20) W/ HEEL LOOP
1,2,3A,4-7	921195	COMPOSITE FOOTPLATE ASSM HL LP 18-20	LEFT (18 -20) W/ HEEL LOOP
1,2,3A,4-7	921161	COMPOSITE FOOTPLATE ASSM HL 14-15/16-18V	PAIR (14 -15 OR 16 -18V) W/ HEEL LOOP
1,2,3A,4-7	921162	COMPOSITE FOOTPLATE ASSM HL 16-17/19-20V	PAIR (16 -17 OR 19 -20V) W/ HEEL LOOP
1,2,3A,4-7	921163	COMPOSITE FOOTPLATE ASSM HL 18-20	PAIR (18 -20) W/ HEEL LOOP
1,2,3B,4-7	921140	COMPOSITE FOOTPLATE ASSM HEMI HL LP 14-15	RIGHT (14 -15) W/ HEEL LOOP
1,2,3B,4-7	921141	COMPOSITE FOOTPLATE ASSM HEMI HL LP 14-15	LEFT (14 -15) W/ HEEL LOOP
1,2,3B,4-7	921142	COMPOSITE FOOTPLATE ASSM HEMI HL LP 16-17	RIGHT (16 -17) W/ HEEL LOOP
1,2,3B,4-7	921143	COMPOSITE FOOTPLATE ASSM HEMI HL LP 16-17	LEFT (16 -17) W/ HEEL LOOP
1,2,3B,4-7	921144	COMPOSITE FOOTPLATE ASSM HEMI HL LP 18-20	RIGHT (18 -20) W/ HEEL LOOP
1,2,3B,4-7	921145	COMPOSITE FOOTPLATE ASSM HEMI HL LP 18-20	LEFT (18 -20) W/ HEEL LOOP
1,2,3B,4-7	921167	COMPOSITE FOOTPLATE ASSM HEMI HL LPS 14-15	PAIR (14 -15) W/ HEEL LOOP
1,2,3B,4-7	921168	COMPOSITE FOOTPLATE ASSM HEMI HL LPS 16-17	PAIR (16 -17) W/ HEEL LOOP
1,2,3B,4-7	921169	COMPOSITE FOOTPLATE ASSM HEMI HL LPS 18-20	PAIR (18 -20) W/ HEEL LOOP
		Ship assembled part #	Use with multiple assemblies
	ASSY-HNG-FP	HANGER/FOOTPLATE ASSY REQUIRED	add with Hanger & Footplate kit

NOTE: FOR HIGH-MOUNT ADULT ANGLE-ADJUSTABLE FOOTPLATE, SEE "HIGH-MOUNT EXTENSION TUBE" PAGE.

NOTE: ORDER ITEMS 4B AND 7B FOR CHAIRS PRIOR TO 8/13/01.

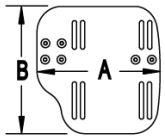
NOTE: ONLY 1 WASHER PRIOR TO 8/13/01.

NOTE: See attached REFERENCE GUIDE.

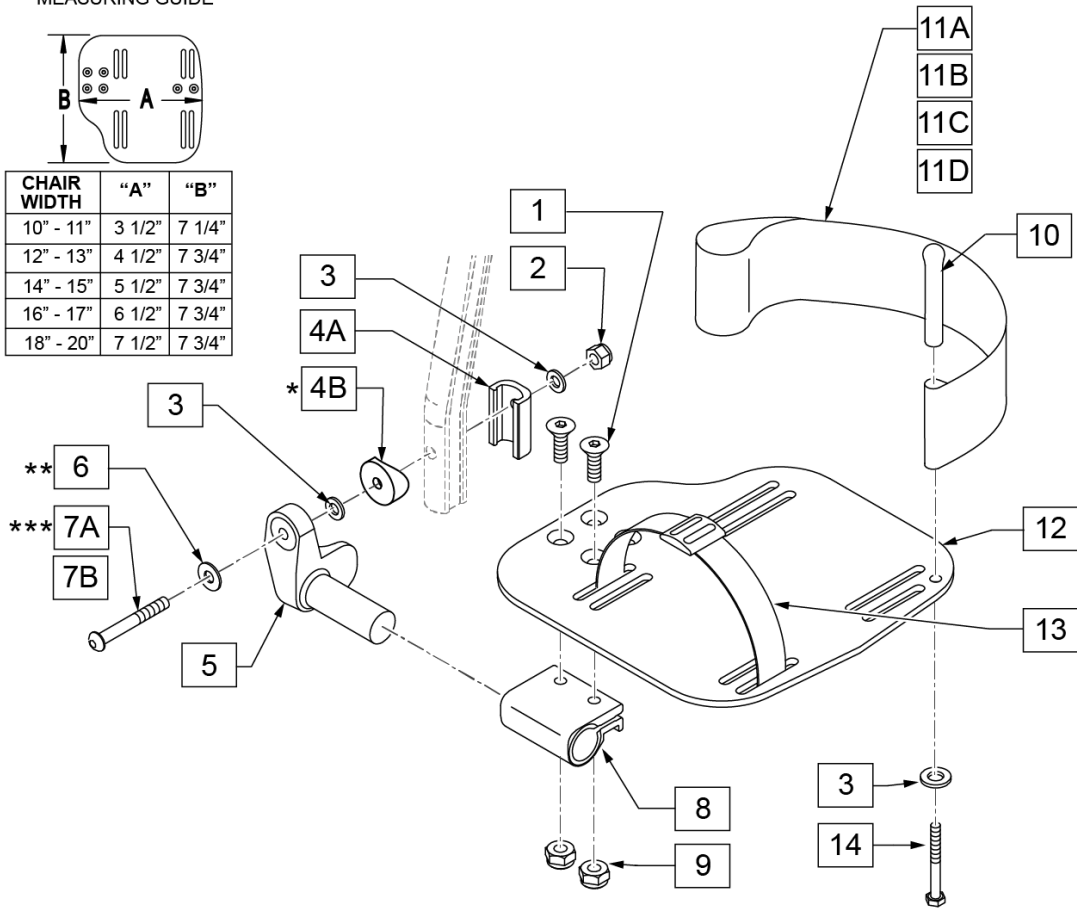
To have complete Footrest ship assembled, choose compatible Hanger + Footplate part numbers and add "ASSY-HNG-FP" to order

**INSET FORMULA**  
 0" Inset (Seat Width) = Footrest Width  
 1" Inset (Seat Width) -2" = Footrest Width  
 "V" Hanger (Seat Width) -4" = Footrest Width  
 Offset Hanger Receiver (Seat Width) +2" = Footrest Width

MEASURING GUIDE



CHAIR WIDTH	"A"	"B"
10" - 11"	3 1/2"	7 1/4"
12" - 13"	4 1/2"	7 3/4"
14" - 15"	5 1/2"	7 3/4"
16" - 17"	6 1/2"	7 3/4"
18" - 20"	7 1/2"	7 3/4"



15 ADLT ANG ADJ FP D2 HDWR KIT			
ITEM #	ILLUSTRATION	DESCRIPTION	QTY
1		1/4-28 X 7/8 FH C/S	2
2		1/4-28 AUTOMATION NUT	1
3		WASHER FLAT THIN AN 1/4	3
6		1/4" SAE WASHER	1
7A		BHCS 1/4-28 X 1-3/4	1
9		NUT NYLOCK THIN 1/4-28	2
10		HEEL LOOP PEG	1
14		1/4-20 X 1 HEX C/S	1

16 ADLT ANG ADJ FP RND HDWR KIT			
ITEM #	ILLUSTRATION	DESCRIPTION	QTY
1		1/4-28 X 7/8 FH C/S	2
2		1/4-28 AUTOMATION NUT	1
3		WASHER FLAT THIN AN 1/4	3
4B		3/4" SADDLE 1" OD	1
6		1/4" SAE WASHER	1
7B		1/4-28 X 1.625 BH C/S BLK	1
9		NUT NYLOCK THIN 1/4-28	2
10		HEEL LOOP PEG	1
14		1/4-20 X 1 HEX C/S	1

Pos.	Item Number	Description	Remarks
1	106978	1/4-28 x 7/8 FH C/S	
2	106941	1/4-28 AUTOMATION NUT	

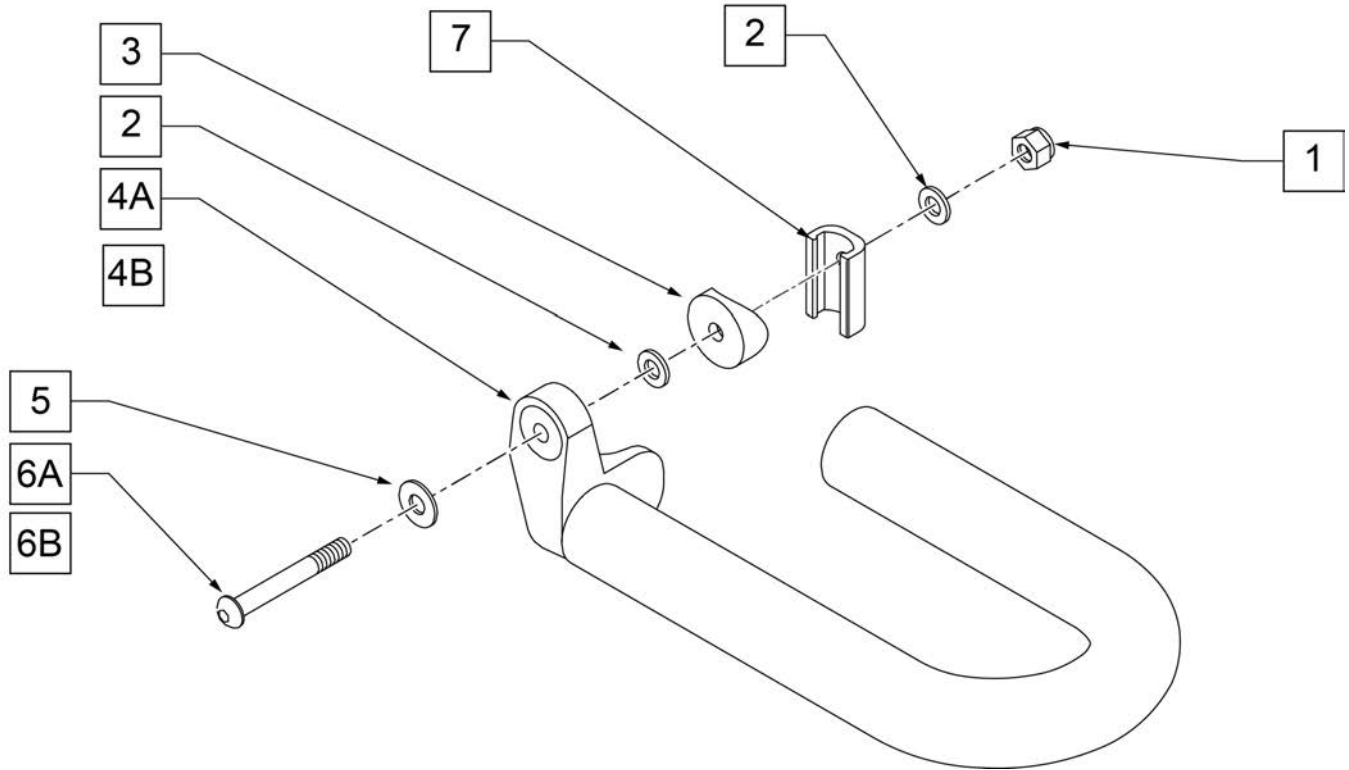
Pos.	Item Number	Description	Remarks
3	106944	WASHER FLAT THIN AN 1/4	
4A	483720	HANGER EXTENSION SADDLE LONG	USE W/ DOUBLE D EXT TUBE
4B	561055	3/4" SADDLE 1" OD	USE W/ ROUND EXT TUBE
5	541002	FTRST MOUNTING BRKT-3/8 RAD R	RIGHT
5	541003	FTRST MOUNTING BRKT-3/8 RAD L	LEFT
6	106945	WASHER FLAT SAE 1/4 ROHS	
7A	106962	BHCS 1/4-28 X 1-3/4 ROHS	use w/ Double D Ext Tube
7B	226167	1/4-28 x 1.625 BH C/S BLK	use w/ Round Ext Tube
8	550350	3/4" CLMP ADJ FT PLT	
9	106935	NUT NYLOCK THIN 1/4-28 ROHS	
10	561040	HEEL LOOP PEG	
11A	741154	HEEL LOOP 14-15 CMPST HEMI	used w/ 10-11" Adult Ang Adj Ftplts
11B	741155	HEEL LOOP 16-17 CMPST HEMI	used w/ 12 -13" Adult Ang Adj Ftplts
11C	741153	H/L 18-20 CMPST/14-15 ANG ADJ	used w/ 14-15"/16-17" Adult Ang Adj Ftplts
11D	741253	HEEL LOOP ADLT ADJ F/PLT 18-20	used w/ 18 -20" Adult Ang Adj Ftplts
12	500656	ADLT ANGL ADJ F/PLT 10/11" R	RIGHT
12	500657	ADLT ANGL ADJ F/PLT 10/11" L	LEFT
12	500658	ADLT ANGL ADJ F/PLT 12/13" R	RIGHT
12	500659	ADLT ANGL ADJ F/PLT 12/13" L	LEFT
12	500660	ADLT ANGL ADJ F/PLT 14/15	RIGHT
12	500661	ADLT ANGL ADJ F/PLT 14/15	LEFT
12	500662	ADLT ANGL ADJ F/PLT 16/17	RIGHT
12	500663	ADLT ANGL ADJ F/PLT 16/17	LEFT
12	500664	ADLT ANGL ADJ F/PLT 18-20	RIGHT
12	500665	ADLT ANGL ADJ F/PLT 18-20	LEFT
13	740260	TOE/ANKLE STRAP ADJ ADLT F/PLT	
14	106958	1/4-20 x 1 HEX C/S	
15	101533	ADLT ANG ADJ FP D2 HDWR KIT	for Double D Ext Tubes; Kit for one side
16	101534	ADLT ANG ADJ FP RND HDWR KIT	for Round Ext Tubes (Q2 HP only); Kit for one side
1-3,5,6,8,9,12	820526	AD ANG ADJ F/PLT R 12"/13" OMIT HL	RIGHT
1-3,5,6,8,9,12	820536	AD ANG ADJ F/PLT L 12"/13" OMT HL	LEFT
1-3,5,6,8,9,12	820460	FP ADLT ADJ 14/15 OMIT HL	RIGHT
1-3,5,6,8,9,12	820462	FP ADLT ADJ 14/15 OMIT HL	LEFT
1-3,5,6,8,9,12	820464	FP ADLT ADJ 16/17 OMIT HL	RIGHT
1-3,5,6,8,9,12	820466	FP ADLT ADJ 16/17 OMIT HL	LEFT
1-3,5,6,8,9,12	820468	FP ADLT ADJ 18-20 OMIT HL	RIGHT
1-3,5,6,8,9,12	820470	FP ADLT ADJ 18-20 OMIT HL	LEFT
1-3,5,6,8,9,12	921466	ADLT ANGL ADJ F/PLT 12"/13" OMIT HL	PAIR
1-3,5,6,8,9,12	921320	FP ADLT ADJ 14/15 OMIT HL	PAIR
1-3,5,6,8,9,12	921322	FP ADLT ADJ 16/17 OMIT HL	PAIR
1-3,5,6,8,9,12	921324	FP ADLT ADJ 18-20 OMIT HL	PAIR
1-3,5,6,8,9,11B,12	820522	AD ANGL ADJ F/PLT R 12/13" H/L	RIGHT
1-3,5,6,8,9,11B,12	820532	AD ANGL ADJ F/PLT L 12/13" H/L	LEFT
1-3,5,6,8-10,11C, 12,14	820461	FP ADLT ADJ 14/15 HL	RIGHT
1-3,5,6,8-10,11C, 12,14	820463	FP ADLT ADJ 14/15 HL	LEFT
1-3,5,6,8-10,11C, 12,14	820465	FP ADLT ADJ 16/17 HL	RIGHT
1-3,5,6,8-10,11C, 12,14	820467	FP ADLT ADJ 16/17 HL	LEFT
1-3,5,6,8-10,11D, 12,14	820469	FP ADLT ADJ 18-20 HL	RIGHT
1-3,5,6,8-10,11D, 12,14	820471	FP ADLT ADJ 18-20 HL	LEFT
1-3,5,6,8-10,11B, 12,14	921462	ADLT ANGL ADJ F/PLATE 12"/13" HL	PAIR
1-3,5,6,8-10,11C, 12,14	921321	FP ADLT ADJ 14/15 HL	PAIR
1-3,5,6,8-10,11C, 12,14	921323	FP ADLT ADJ 16/17 HL	PAIR
1-3,5,6,8-10,11D, 12,14	921325	FP ADLT ADJ 18-20 HL	PAIR
		Ship assembled part #	Use with multiple assemblies
	ASSY-HNG-FP	HANGER/FOOTPLATE ASSY REQUIRED	add with Hanger & Footplate kit



NOTE: \* ORDER ITEM 3 PRIOR TO 8/13/01.\*\* ONLY 1 WASHER PRIOR TO 8/13/01.\*\*\* ORDER PART 226167 PRIOR TO 8/13/01.

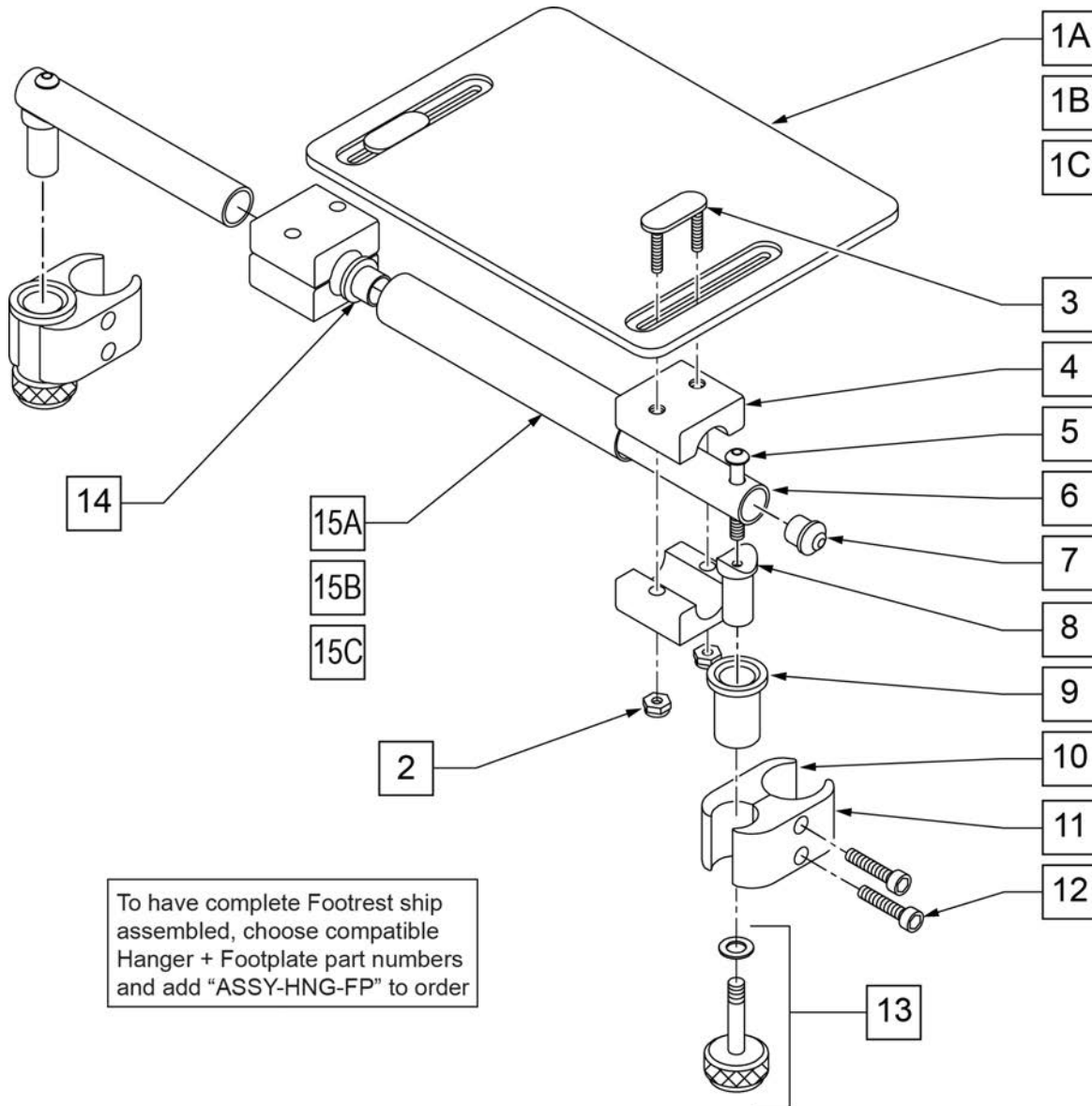
To have complete Footrest ship assembled, choose compatible Hanger + Footplate part numbers and add "ASSY-HNG-FP" to order

**INSET FORMULA**  
 0" Inset (Seat Width) = Footrest Width  
 1" Inset (Seat Width) -2" = Footrest Width  
 "V" Hanger (Seat Width) -4" = Footrest Width  
 Offset Hanger Receiver (Seat Width) +2" = Footrest Width



Pos.	Item Number	Description	Remarks
1	106941	1/4-28 AUTOMATION NUT	
2	106944	1/4 AN WASHER FLAT THIN	
3	561055	3/4" SADDLE 1" OD	USED PRIOR TO 8/13/01
5	106945	1/4" SAE WASHER	1 WASHER PRIOR TO 8/13/01
6A	106962	1/4-28 x 1 3/4 BH C/S BLK ZN	226167 USED PRIOR TO 8/13/01
4A	820420	FT REST LOOP 11 RIGHT	
4B	820421	FT REST LOOP 11 LEFT	
4A	820422	FT REST LOOP 12 RIGHT	
4B	820423	FT REST LOOP 12 LEFT	
4A	820424	FT REST LOOP 14 RIGHT	
4B	820425	FT REST LOOP 14 LEFT	
4A	820426	FT REST LOOP 16 RIGHT	
4B	820427	FT REST LOOP 16 LEFT	
4A	820428	FT REST LOOP 18 RIGHT	
4B	820429	FT REST LOOP 18 LEFT	
1-7	921300	FT REST LOOP 11	Pair, w/ all possible hardware
1-7	921301	FT REST LOOP 12	Pair, w/ all possible hardware
1-7	921302	FT REST LOOP 14	Pair, w/ all possible hardware

<b>Pos.</b>	<b>Item Number</b>	<b>Description</b>	<b>Remarks</b>
1-7	921303	FT REST LOOP 16	Pair, w/ all possible hardware
1-7	921304	FT REST LOOP 18	Pair, w/ all possible hardware
		Ship assembled part #	Use with multiple assemblies
	ASSY-HNG-FP	HANGER/FOOTPLATE ASSY REQUIRED	add with Hanger& Footplate kit

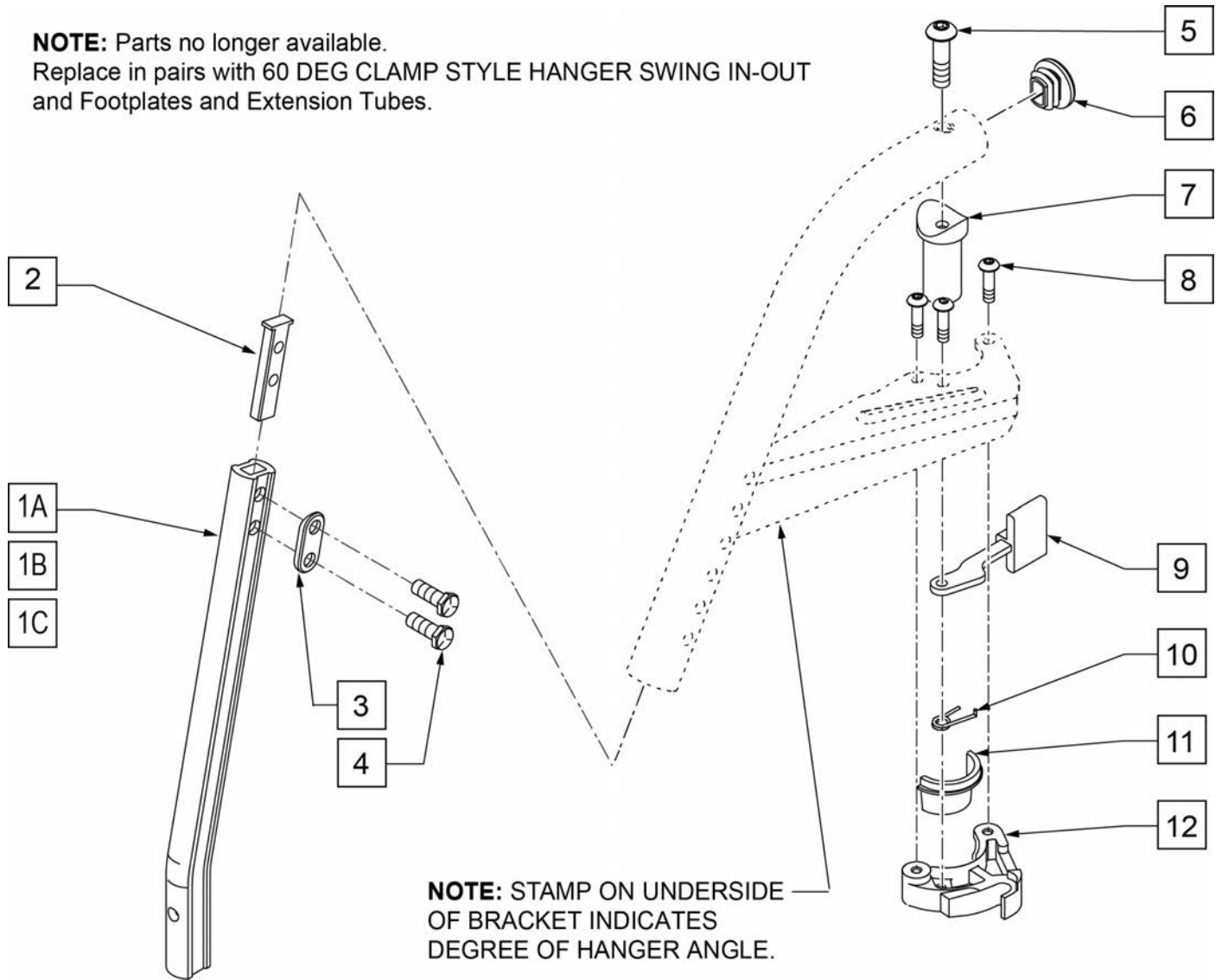


Pos.	Item Number	Description	Remarks
1A	562610	SLD FOOTPLATE ONLY 8" x 8" (10"-12" W)	10 -12" WIDE
1B	562612	SLD FOOTPLATE ONLY 10" x 8" (13"-14" W)	13 -14" WIDE
1C	500709	SLD FT PLT ALUM ONLY 12" x 8" (15"-16" W)	15 -16" WIDE
2	106933	NUT NYLOCK THIN 1/4-20 ROHS	
3	330120	SLD FT/ANGLE ADJ DOUBLE T BOLT	
4	550444	SOLID FOOT/ANG ADJ CLAMP BLK	
5	107028	BHCS 1/4-28 X 1-1/2 ROHS	
7	561034	SHORT DOME PLUG	
8	483236	SOLID FOOT INSERT SADDLE BLK	
10	550658	CLAMP 1 1/4" THREADED BLK	
11	550657	CLAMP 1 1/4" RECESS FULL BLK	
12	107032	SHCS 1/4-28 X 1 ROHS	
9,13	880559	SOLID FOOT LOCK KNOB ASSEMBLY	
14	560402	3/4" ID NY-LINER	
15A	521621	SLD FOOT SUPPORT TUBE BLK 10"-12"	10 -12" WIDE

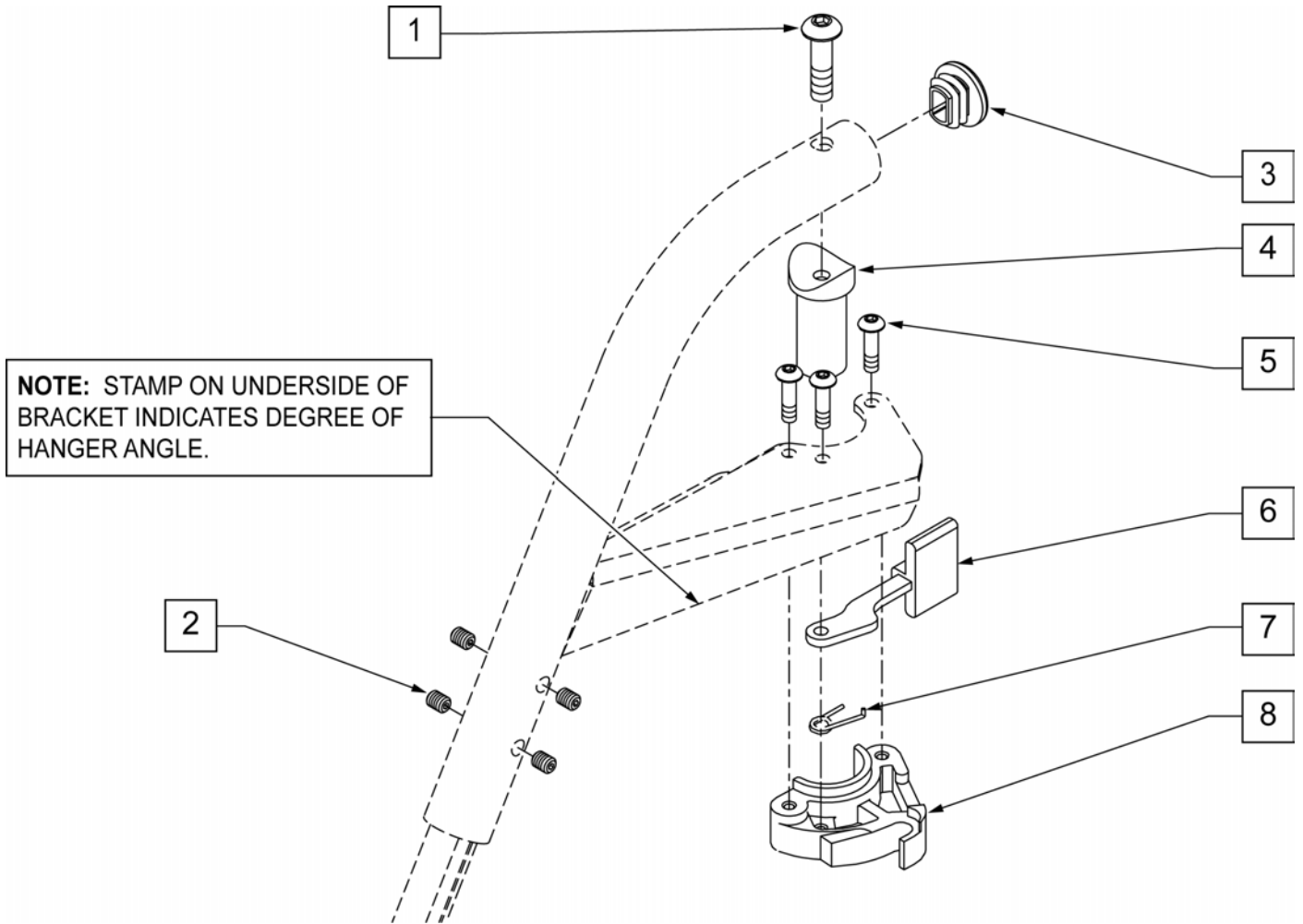
Pos.	Item Number	Description	Remarks
15B	521622	SLD FOOT SUPPORT TUBE BLK 13"-14"	13 -14" WIDE
15C	521624	SLD FOOT SUPPORT TUBE BLK 15"-16"	15 -16" WIDE
5-8	880183	SLD FT PLT PIVOT TUBE SUB-ASSM	
1A,2-14, 15A	921801	SLD FT PLT ASSEMBLY 8" x 8" (10"-12" W)	10 -12" WIDE
1B,2-14, 15B	921803	SOLID FOOTPLATE ASSEMBLY 10" x 8" (13"-14" W)	13 -14" WIDE
1C,2-14, 15C	921805	SOLID FOOTPLATE ASSEMBLY 12" x 8" (15"-16" W)	15 -16" WIDE
		Ship assembled part #	Use with multiple assemblies
	ASSY-HNG-FP	HANGER/FOOTPLATE ASSY REQUIRED	add with Hanger & Footplate kit

NOTE: DISCONTINUED - PARTS ONLY ON GP SWNG-AWAY BEGINNING 4/4/15 & S/N GP-95902, KIDS Q2 SE BEGINNING 4/16/15 & S/N QKE-003425, LX BEGINNING 10/24/2008 & S/N LX-034330, LXI BEGINNING 4/25/15 & S/N LXI-060868, QTS BEGINNING 5/15/15 & S/N QT-044951, QTS SE BEGINNING 5/15/15 & S/N QTE-002092

**NOTE:** Parts no longer available.  
 Replace in pairs with 60 DEG CLAMP STYLE HANGER SWING IN-OUT  
 and Footplates and Extension Tubes.

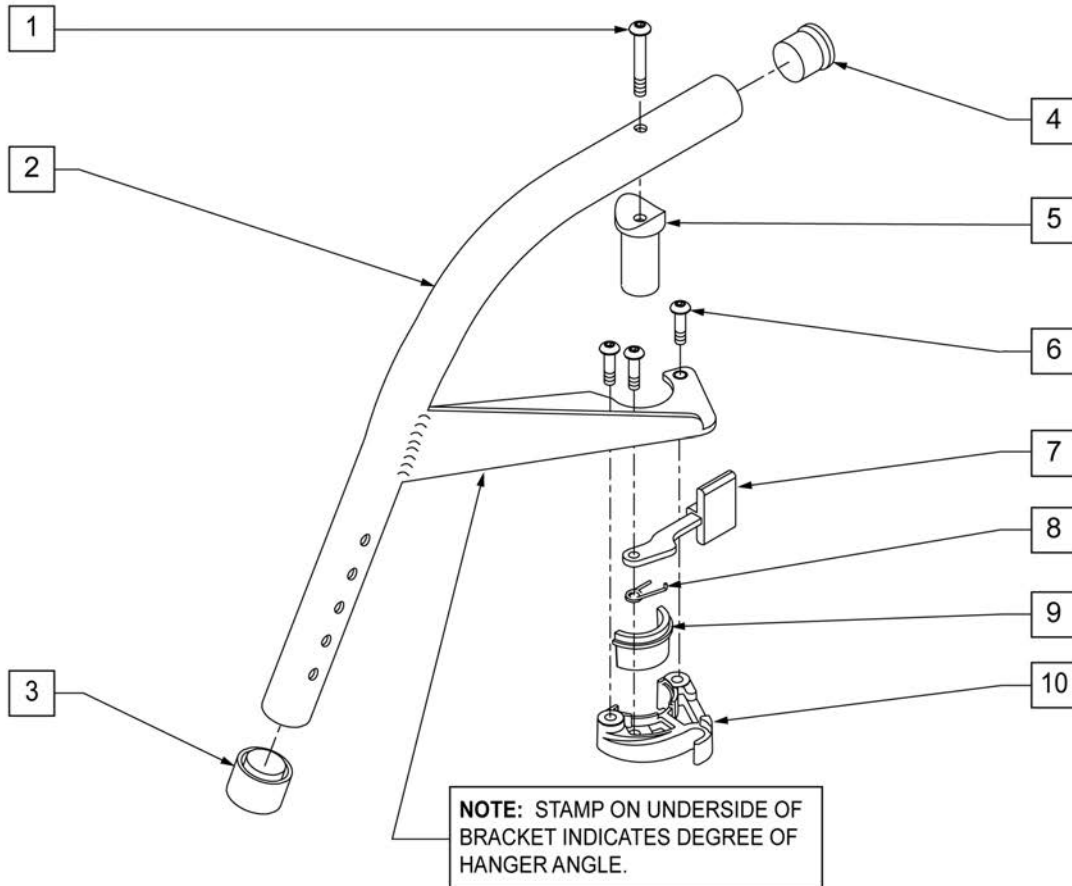


Pos.	Item Number	Description	Remarks
1A	550819	EXT TBE S/A ONLY SHT	SHORT
1B	550820	EXT TBE S/A ONLY MED	MEDIUM
1C	550821	EXT TBE S/A ONLY LONG	LONG
2	500078	INSERT D2 EXT TUBE	
3	483717	HANGER SADDLE	
4	221102	1/4-28 x 3/4 HEX HEAD C/S BLK W/PTCH	
5	226217	5/16-18 X 2" BH C/S BLK	
6	561378	END PLUG DBL "D" S525	
7	561197	PLASTIC PIVOT SADDLE	
8	226057	10/24 X .725 BTTN HD SOC BZ	
9	561079	S/A LATCH LEVER	
10	321136	S/A SPRING L RED	
10	321137	S/A SPRING R CLEAR	
11,12	881500	LATCH BLOCK ASSM R	
11,12	881501	LATCH BLOCK ASSM L	
8-12	881521	S/A LATCH KIT CASTING RIGHT	
8-12	881522	S/A LATCH KIT CASTING LEFT	



Pos.	Item Number	Description	Remarks
1	106983	5/16-18 x 2 BH C/S SHT THREAD	
2	225112	1/4-20 x 1/4 SS KNRLD CP W/PTCH	
3	561378	END PLUG DBL "D" S525	
4	561197	PLASTIC PIVOT SADDLE	
5	226057	10-24 x .725 BH SOC BZ	
6	561079	S/A LATCH LEVER	
7	321136	S/A SPRING L RED	LEFT
7	321137	S/A SPRING R CLEAR	RIGHT
8	881500	S/A LATCH BLOCK	RIGHT
8	881501	S/A LATCH BLOCK	LEFT
5-8	881521	S/A LATCH KIT	RIGHT
5-8	881522	S/A LATCH KIT	LEFT

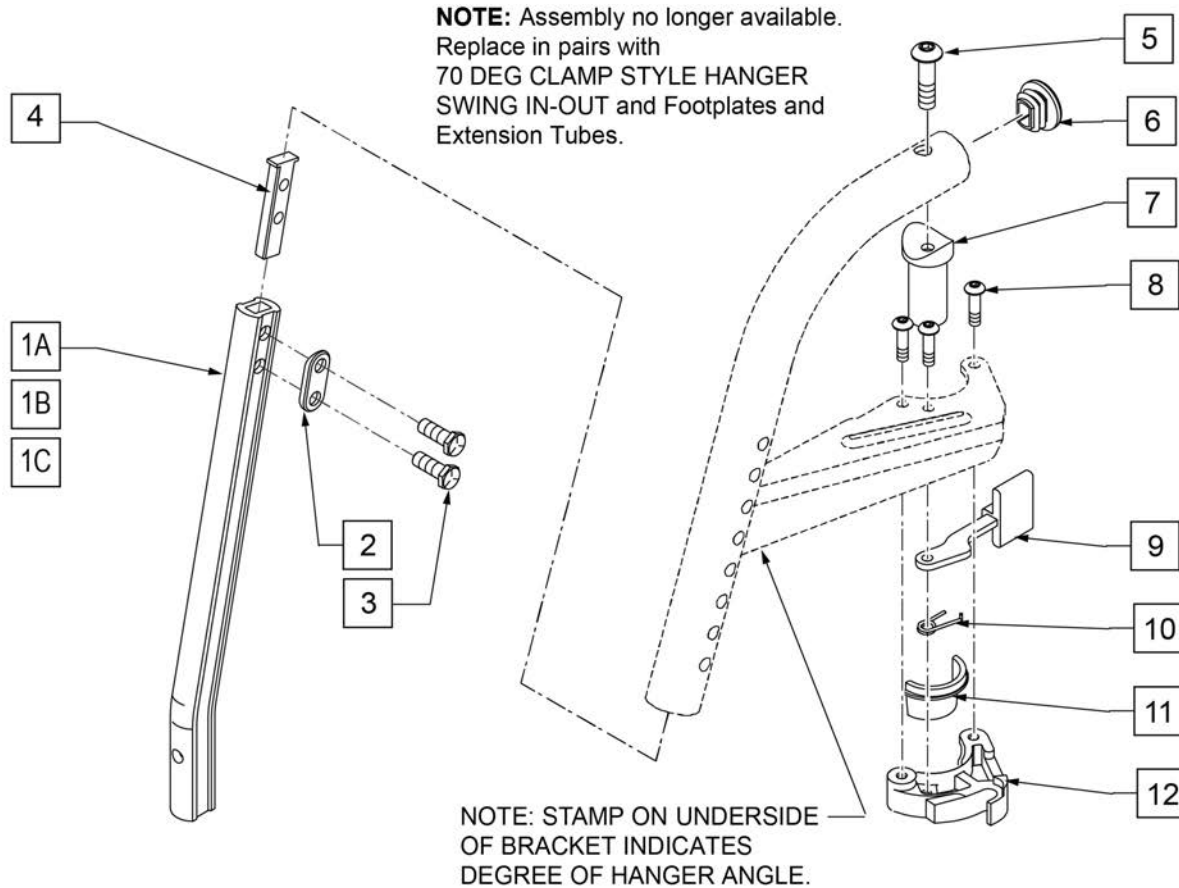
NOTE: THIS HANGER UTILIZES A ROUND EXTENSION TUBE NOT A DOUBLE "D".



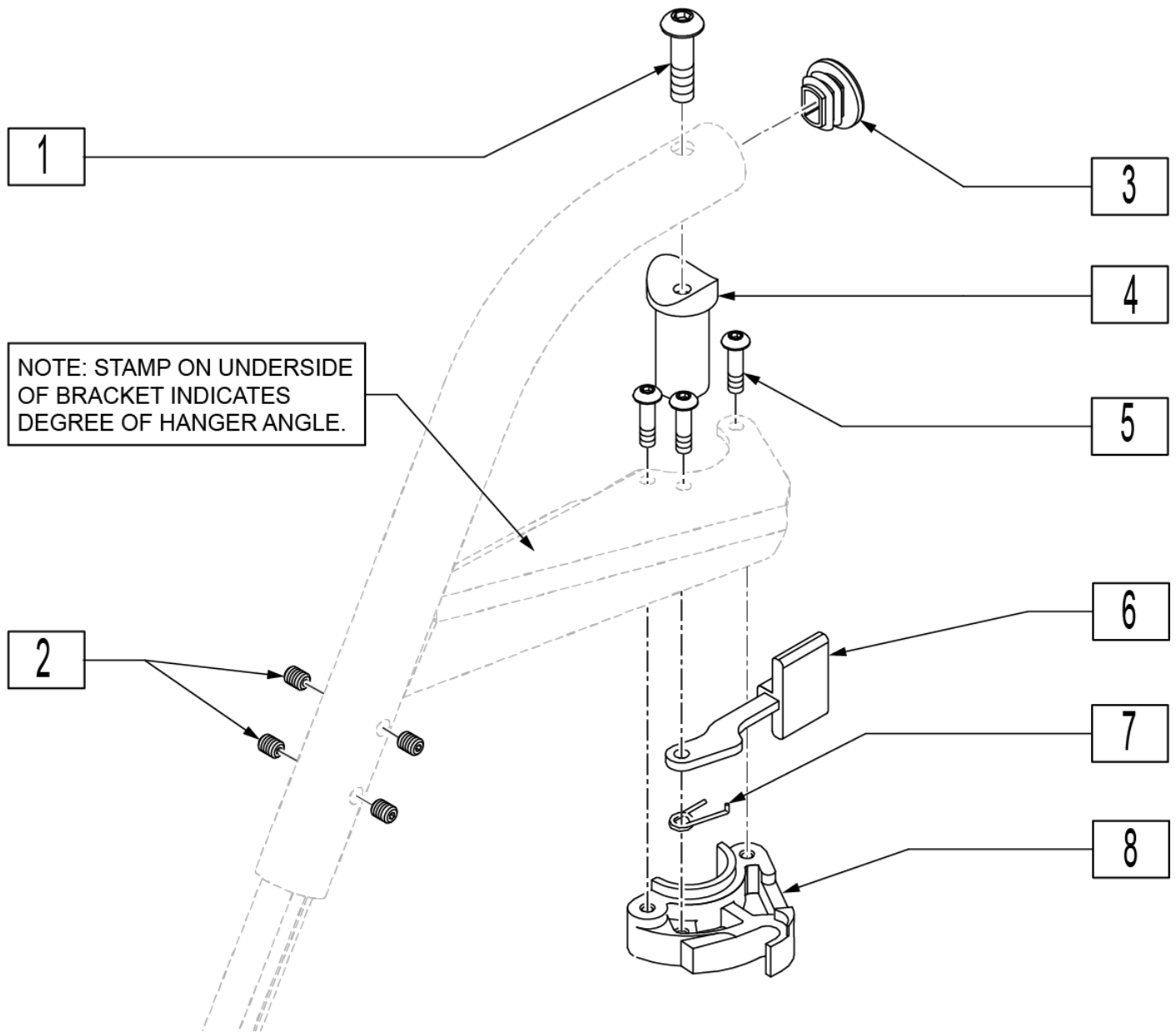
Pos.	Item Number	Description	Remarks
1	106983	5/16-18 x 2 BH C/S SHT THREAD	
3	561082	1" TUBE END BUSHING THIN	
4	561002	1" INSERT PLUG .083	
5	561197	PLASTIC PIVOT SADDLE	
1,5	880545	PIVOT SADDLE .125 W/SCREW	
6	226010	10-24 x .725 BH C/S W/PATCH	
7	561079	S/A LATCH LEVER	
8	321137	S/A SPRING R CLEAR	RIGHT
8	321136	S/A SPRING L RED	LEFT
9,10	881500	S/A LATCH BLOCK	RIGHT
9,10	881501	S/A LATCH BLOCK	LEFT
6-10	881521	S/A LATCH KIT CASTING RIGHT	RIGHT
6-10	881522	S/A LATCH KIT CASTING LEFT	LEFT
1-10	641170S	HANGER 60D L PNTD S/A	RIGHT
1-10	641150S	HANGER 60D R PNTD S/A	LEFT



NOTE: DISCONTINUED - PARTS ONLY ON GP SWNG-AWAY BEGINNING 4/4/15 & S/N GP-95902, KIDS Q2 SE BEGINNING 4/16/15 & S/N QKE-003425, LX BEGINNING 10/24/2008 & S/N LX-034330, LXI BEGINNING 4/25/15 & S/N LXI-060868, QTS BEGINNING 5/15/15 & S/N QT-044951, QTS SE BEGINNING 5/15/15 & S/N QTE-002092

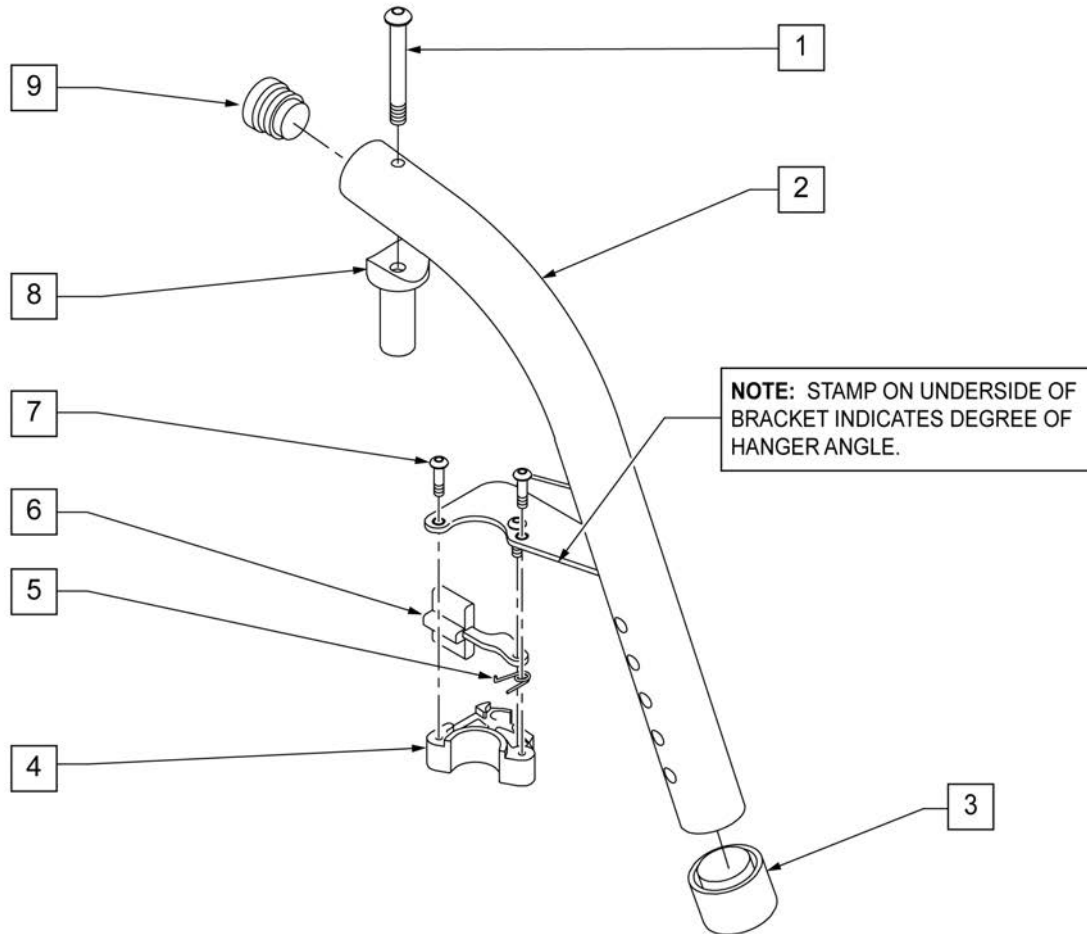


Pos.	Item Number	Description	Remarks
1A	550819	EXT TBE S/A ONLY SHT	SHORT
1B	550820	EXT TBE S/A ONLY MED	MEDIUM
1C	550821	EXT TBE S/A ONLY LONG	LONG
2	483717	HANGER SADDLE	
3	221102	1/4-28 x 3/4 HEX HEAD C/S BLK W/PTCH	
4	500078	INSERT D2 EXT TUBE	
5	226217	5/16-18 X 2" BH C/S BLK	
6	561378	END PLUG DBL "D" S525	
7	561197	PLASTIC PIVOT SADDLE	
8	226057	10/24 X .725 BTTN HD SOC BZ	
9	561079	S/A LATCH LEVER	
10	321136	S/A SPRING L RED	
10	321137	S/A SPRING R CLEAR	
11,12	881500	LATCH BLOCK ASSM R	
11,12	881501	LATCH BLOCK ASSM L	
8-12	881521	S/A LATCH KIT CASTING RIGHT	
8-12	881522	S/A LATCH KIT CASTING LEFT	



Pos.	Item Number	Description	Remarks
1	106983	5/16-18 x 2 BH C/S SHT THREAD	
2	225112	1/4-20 x 1/4 SS KNRLD CP W/PTCH	
3	561378	END PLUG DBL "D" S525	
4	561197	PLASTIC PIVOT SADDLE	
5	226057	10-24 x .725 BH SOC BZ	
6	561079	S/A LATCH LEVER	
7	321136	S/A SPRING L RED	LEFT
7	321137	S/A SPRING R CLEAR	RIGHT
8	561076	S/A LATCH BLOCK	RIGHT
8	561078	S/A LATCH BLOCK	LEFT
5-8	881521	S/A LATCH KIT CASTING RIGHT	RIGHT
5-8	881522	S/A LATCH KIT CASTING LEFT	LEFT

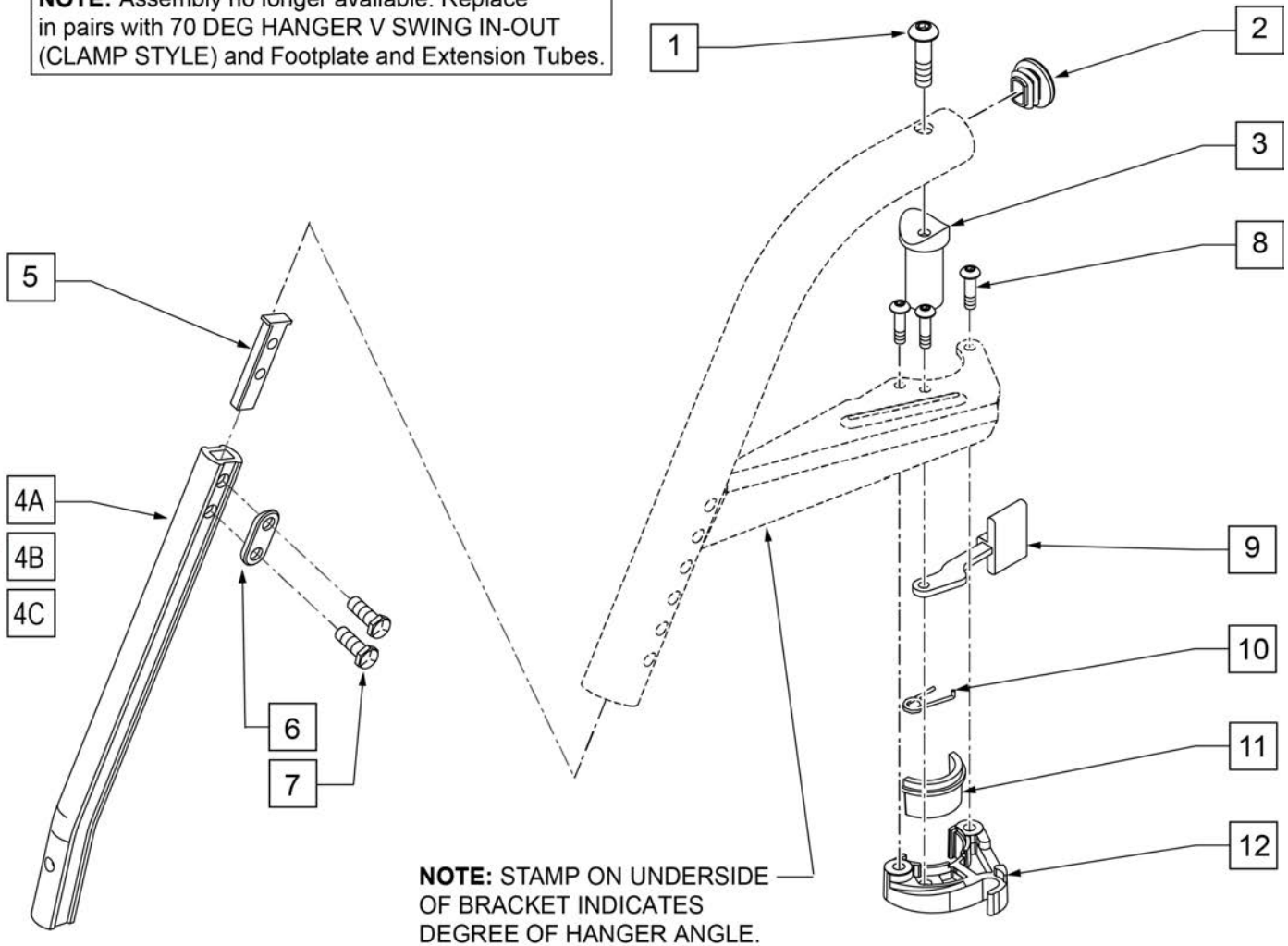
NOTE: THIS HANGER UTILIZES A ROUND EXTENSION TUBE NOT A DOUBLE "D".



Pos.	Item Number	Description	Remarks
1	106983	5/16-18 x 2 BH C/S SHT THREAD	
3	561082	1" TUBE END BUSHING THIN	
5	321136	S/A SPRING L RED	LEFT
5	321137	S/A SPRING R CLEAR	RIGHT
6	561079	S/A LATCH LEVER	
7	226057	10-24 x .725 BTTN HD SOC BZ	
8	561197	PLASTIC PIVOT SADDLE	
1,8	880545	PIVOT SADDLE .125 W/SCREW	
9	561002	1" INSERT PLUG .083	
4	881500	S/A LATCH BLOCK	RIGHT
4	881501	S/A LATCH BLOCK	LEFT
4-7	881521	S/A LATCH KIT	RIGHT
4-7	881522	S/A LATCH KIT	LEFT
1-9	641180S	HANGER 70° PAINTED S/A (SPECIFY COLOR)	RIGHT
1-9	641182S	HANGER 70° PAINTED S/A (SPECIFY COLOR)	LEFT

NOTE: DISCONTINUED - PARTS ONLY ON GP SWNG-AWAY BEGINNING 4/4/15 & S/N GP-95902, KIDS Q2 SE BEGINNING 4/16/15 & S/N QKE-003425, LX BEGINNING 10/24/2008 & S/N LX-034330, LXI BEGINNING 4/25/15 & S/N LXI-060868, QTS BEGINNING 5/15/15 & S/N QT-044951, QTS SE BEGINNING 5/15/15 & S/N QTE-002092

**NOTE:** Assembly no longer available. Replace in pairs with 70 DEG HANGER V SWING IN-OUT (CLAMP STYLE) and Footplate and Extension Tubes.

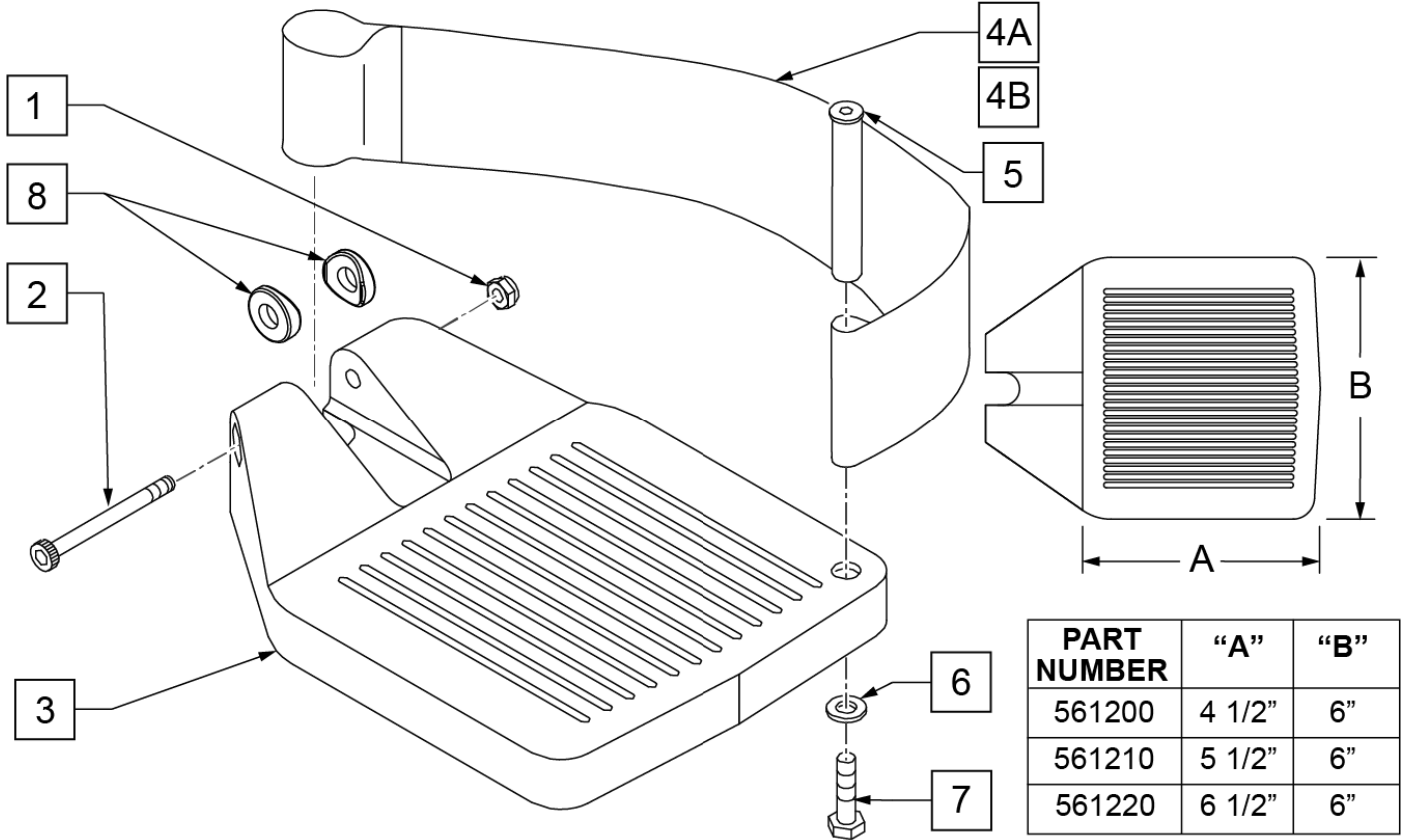


Pos.	Item Number	Description	Remarks
1	226217	5/16-18 x 2 BH C/S BLK	
2	561378	END PLUG DBL-D S525	
3	561197	PLASTIC PIVOT SADDLE	
4A	550834	EXT TBE INVIN ONLY D2 SHT R	RIGHT
4A	550835	EXT TBE INVIN ONLY D2 SHT L	LEFT
4B	550836	EXT TBE INVIN ONLY D2 MED R	RIGHT
4B	550837	EXT TBE INVIN ONLY D2 MED L	LEFT
4C	550838	EXT TBE INVIN ONLY D2 LNG R	RIGHT
4C	550839	EXT TBE INVIN ONLY D2 LNG L	LEFT
5	500078	INSERT D2 EXT TUBE	
6	483717	HANGER SADDLE	
7	221102	1/4-28 x 3/4 HEX HEAD C/S BLK W/PTCH	
8	226057	10/24 X .725 BTTN HD SOC BZ	

<b>Pos.</b>	<b>Item Number</b>	<b>Description</b>	<b>Remarks</b>
9	561079	S/A LATCH LEVER	
10	321136	S/A SPRING L RED	
10	321137	S/A SPRING R CLEAR	
11,12	881500	LATCH BLOCK ASSM R	
11,12	881501	LATCH BLOCK ASSM L	
8-12	881521	S/A LATCH KIT CASTING RIGHT	
8-12	881522	S/A LATCH KIT CASTING LEFT	

To have complete Footrest ship assembled, choose compatible Hanger + Footplate part numbers and add "ASSY-HNG-FP" to order

**INSET FORMULA**  
 0" Inset (Seat Width) = Footrest Width  
 1" Inset (Seat Width) -2" = Footrest Width  
 "V" Hanger (Seat Width) -4" = Footrest Width  
 Offset Hanger Receiver (Seat Width) +2" = Footrest Width



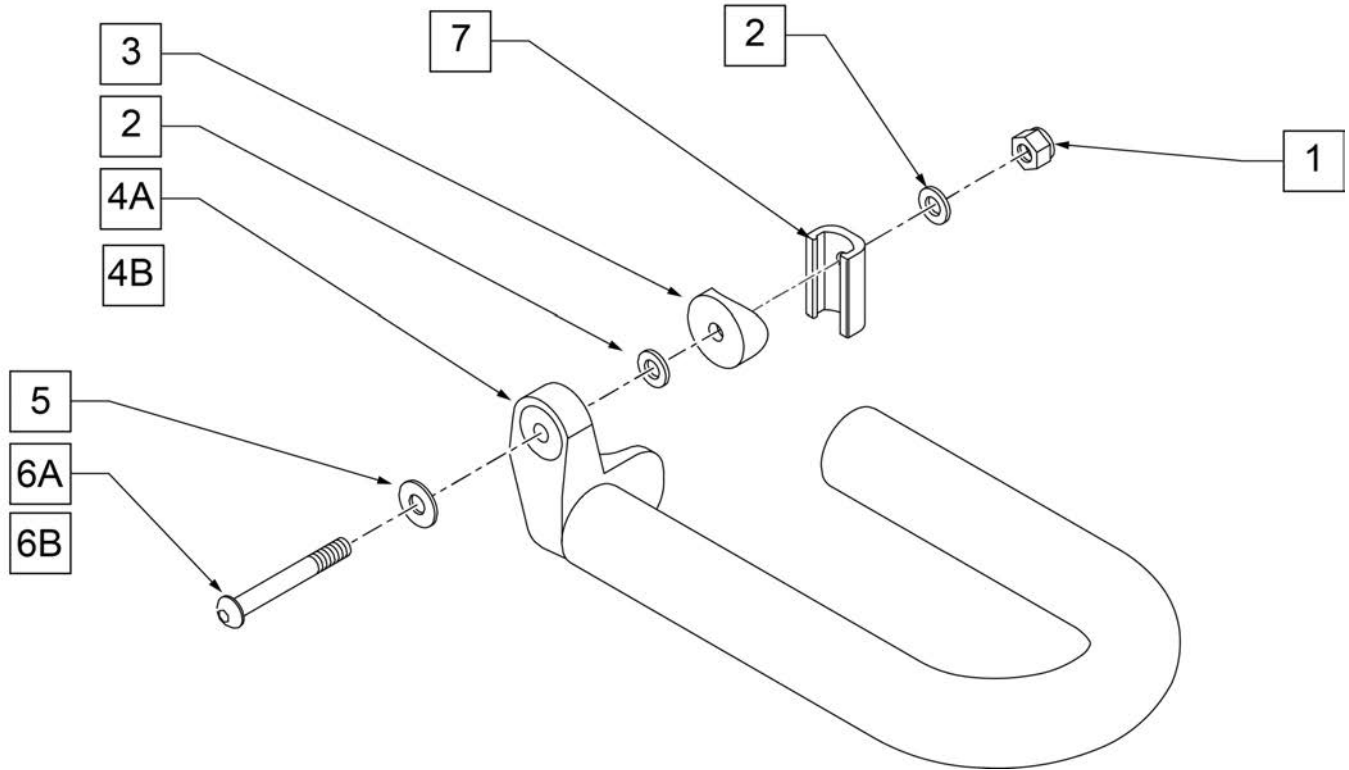
Pos.	Item Number	Description	Remarks
1	106935	1/4 - 28 NYLOCK NUT	
2	226165	1/4 - 28 x 2 1/2 SOC C/S	
3	561200	COMPOSITE FOOTPLATE 14 -15 (16 -18 V )	14 -15 OR 16 -18V
3	561210	COMPOSITE FOOTPLATE 16 -17 (19 -20 V )	16 -17 OR 19 -20V
3	561220	COMPOSITE FOOTPLATE 18 -20	18 -20
4A	741151	HEEL LOOP 14-15 COMPOSITE (14 -15 or 16 -18V)	14 -15 OR 16 -18V
4A	741156	HEEL LOOP 16 -17 or 19 -20V	16 -17 OR 19 -20V
4A	741153	HEEL LOOP 18 -20 COMPOSITE/14-15 ANG ADJ	18 -20
4A	902270	HEEL LOOP COMPOSITE FT 14-15	PAIR 14 -15 OR 16 -18V
4A	902271	HEEL LOOP COMPOSITE FT 16-17	PAIR 16 -17 OR 19 -20V
4A	902272	HEEL LOOP COMPOSITE FT 18-20	PAIR 18 -20
4B	741154	HEEL LOOP 14-15 COMPOSITE HEMI	14 -15 HEMI
4B	741155	HEEL LOOP 16-17 COMPOSITE HEMI	16 -17 HEMI
4B	741153	HEEL LOOP 18-20 COMPOSITE HEMI	18 -10 HEMI
4B	902260	HEEL LOOPS HEMI COMPOSITE 14-15	PAIR 14 -15 HEMI
4B	902261	HEEL LOOPS HEMI COMPOSITE 16-17	PAIR 16 -17 HEMI
4B	902262	HEEL LOOPS HEMI COMPOSITE 18-20	PAIR 18 -20 HEMI
5	561040	HEEL LOOP PEG	
6	106944	1/4 AN WASHER FLAT THIN	

Pos.	Item Number	Description	Remarks
7	106958	HHCS 1/4-20 X 1 ROHS	
8	561003	3/4" SADDLE THIN	USED W/ ROUND EXT TUBES ONLY
1-3	921180	COMPOSITE FOOTPLATE ASSM 14-15	RIGHT (14 -15 OR 16 -18V) W/O HEEL LOOP
1-3	921181	COMPOSITE FOOTPLATE ASSM 14-15	LEFT (14 -15 OR 16 -18V) W/O HEEL LOOP
1-3	921182	COMPOSITE FOOTPLATE ASSM 16-17	RIGHT (16 -17 OR 19 -20V) W/O HEEL LOOP
1-3	921183	COMPOSITE FOOTPLATE ASSM 16-17	LEFT (16 -17 OR 19 -20V) W/O HEEL LOOP
1-3	921184	COMPOSITE FOOTPLATE ASSM 18-20	RIGHT (18 -20) W/O HEEL LOOP
1-3	921185	COMPOSITE FOOTPLATE ASSM 18-20	LEFT (18 -20) W/O HEEL LOOP
1-3	921151	COMPOSITE FOOTPLATE ASSM 14-15/16-18V	PAIR (14 -15 OR 16 -18V) W/O HEEL LOOP
1-3	921152	COMPOSITE FOOTPLATE ASSM 16-17/19-20V	PAIR (16 -17 OR 19 -20V) W/O HEEL LOOP
1-3	921153	COMPOSITE FOOTPLATE ASSM 18-20	PAIR (18 -20) W/O HEEL LOOP
1,2,3A,4-7	921190	COMPOSITE FOOTPLATE ASSM HL LP 14-15	RIGHT (14 -15 OR 16 -18V) W/ HEEL LOOP
1,2,3A,4-7	921191	COMPOSITE FOOTPLATE ASSM HL LP 14-15	LEFT (14 -15 OR 16 -18V) W/ HEEL LOOP
1,2,3A,4-7	921192	COMPOSITE FOOTPLATE ASSM HL LP 16-17	RIGHT (16 -17 OR 19 -20V) W/ HEEL LOOP
1,2,3A,4-7	921193	COMPOSITE FOOTPLATE ASSM HL LP 16-17	LEFT (16 -17 OR 19 -20V) W/ HEEL LOOP
1,2,3A,4-7	921194	COMPOSITE FOOTPLATE ASSM HL LP 18-20	RIGHT (18 -20) W/ HEEL LOOP
1,2,3A,4-7	921195	COMPOSITE FOOTPLATE ASSM HL LP 18-20	LEFT (18 -20) W/ HEEL LOOP
1,2,3A,4-7	921161	COMPOSITE FOOTPLATE ASSM HL 14-15/16-18V	PAIR (14 -15 OR 16 -18V) W/ HEEL LOOP
1,2,3A,4-7	921162	COMPOSITE FOOTPLATE ASSM HL 16-17/19-20V	PAIR (16 -17 OR 19 -20V) W/ HEEL LOOP
1,2,3A,4-7	921163	COMPOSITE FOOTPLATE ASSM HL 18-20	PAIR (18 -20) W/ HEEL LOOP
1,2,3B,4-7	921140	COMPOSITE FOOTPLATE ASSM HEMI HL LP 14-15	RIGHT (14 -15) W/ HEEL LOOP
1,2,3B,4-7	921141	COMPOSITE FOOTPLATE ASSM HEMI HL LP 14-15	LEFT (14 -15) W/ HEEL LOOP
1,2,3B,4-7	921142	COMPOSITE FOOTPLATE ASSM HEMI HL LP 16-17	RIGHT (16 -17) W/ HEEL LOOP
1,2,3B,4-7	921143	COMPOSITE FOOTPLATE ASSM HEMI HL LP 16-17	LEFT (16 -17) W/ HEEL LOOP
1,2,3B,4-7	921144	COMPOSITE FOOTPLATE ASSM HEMI HL LP 18-20	RIGHT (18 -20) W/ HEEL LOOP
1,2,3B,4-7	921145	COMPOSITE FOOTPLATE ASSM HEMI HL LP 18-20	LEFT (18 -20) W/ HEEL LOOP
1,2,3B,4-7	921167	COMPOSITE FOOTPLATE ASSM HEMI HL LPS 14-15	PAIR (14 -15) W/ HEEL LOOP
1,2,3B,4-7	921168	COMPOSITE FOOTPLATE ASSM HEMI HL LPS 16-17	PAIR (16 -17) W/ HEEL LOOP
1,2,3B,4-7	921169	COMPOSITE FOOTPLATE ASSM HEMI HL LPS 18-20	PAIR (18 -20) W/ HEEL LOOP
		Ship assembled part #	Use with multiple assemblies
	ASSY-HNG-FP	HANGER/FOOTPLATE ASSY REQUIRED	add with Hanger & Footplate kit

NOTE: \* ORDER ITEM 3 PRIOR TO 8/13/01.\*\* ONLY 1 WASHER PRIOR TO 8/13/01.\*\*\* ORDER PART 226167 PRIOR TO 8/13/01.

To have complete Footrest ship assembled, choose compatible Hanger + Footplate part numbers and add "ASSY-HNG-FP" to order

**INSET FORMULA**  
 0" Inset (Seat Width) = Footrest Width  
 1" Inset (Seat Width) -2" = Footrest Width  
 "V" Hanger (Seat Width) -4" = Footrest Width  
 Offset Hanger Receiver (Seat Width) +2" = Footrest Width



Pos.	Item Number	Description	Remarks
1	106941	1/4-28 AUTOMATION NUT	
2	106944	1/4 AN WASHER FLAT THIN	
3	561055	3/4" SADDLE 1" OD	USED PRIOR TO 8/13/01
5	106945	1/4" SAE WASHER	1 WASHER PRIOR TO 8/13/01
6A	106962	1/4-28 x 1 3/4 BH C/S BLK ZN	226167 USED PRIOR TO 8/13/01
4A	820420	FT REST LOOP 11 RIGHT	
4B	820421	FT REST LOOP 11 LEFT	
4A	820422	FT REST LOOP 12 RIGHT	
4B	820423	FT REST LOOP 12 LEFT	
4A	820424	FT REST LOOP 14 RIGHT	
4B	820425	FT REST LOOP 14 LEFT	
4A	820426	FT REST LOOP 16 RIGHT	
4B	820427	FT REST LOOP 16 LEFT	
4A	820428	FT REST LOOP 18 RIGHT	
4B	820429	FT REST LOOP 18 LEFT	
1-7	921300	FT REST LOOP 11	Pair, w/ all possible hardware
1-7	921301	FT REST LOOP 12	Pair, w/ all possible hardware
1-7	921302	FT REST LOOP 14	Pair, w/ all possible hardware



<b>Pos.</b>	<b>Item Number</b>	<b>Description</b>	<b>Remarks</b>
1-7	921303	FT REST LOOP 16	Pair, w/ all possible hardware
1-7	921304	FT REST LOOP 18	Pair, w/ all possible hardware
		Ship assembled part #	Use with multiple assemblies
	ASSY-HNG-FP	HANGER/FOOTPLATE ASSY REQUIRED	add with Hanger& Footplate kit

**NOTE:** FOR HIGH-MOUNT ADULT ANGLE-ADJUSTABLE FOOTPLATE, SEE "HIGH-MOUNT EXTENSION TUBE" PAGE.

**NOTE:** ORDER ITEMS 4B AND 7B FOR CHAIRS PRIOR TO 8/13/01.

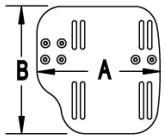
**NOTE:** ONLY 1 WASHER PRIOR TO 8/13/01.

**NOTE:** See attached REFERENCE GUIDE.

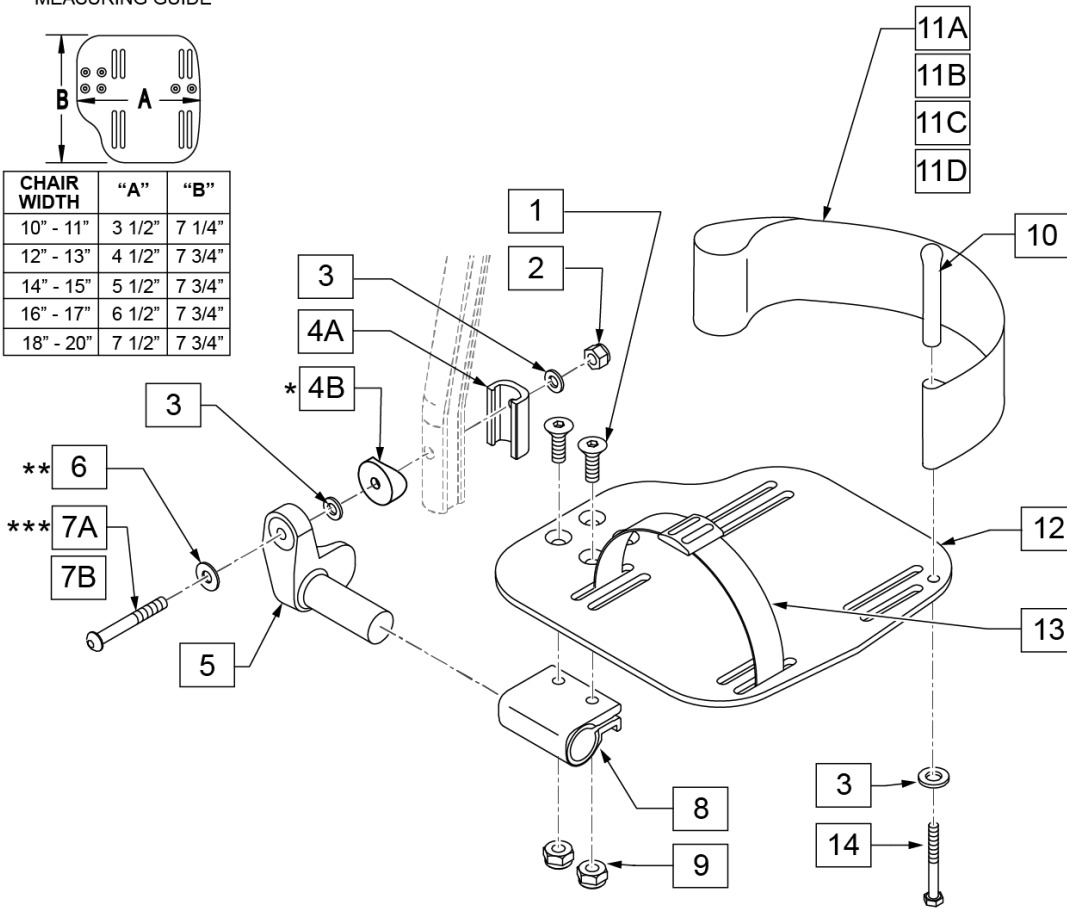
To have complete Footrest ship assembled, choose compatible Hanger + Footplate part numbers and add "ASSY-HNG-FP" to order

**INSET FORMULA**  
 0" Inset (Seat Width) = Footrest Width  
 1" Inset (Seat Width) -2" = Footrest Width  
 "V" Hanger (Seat Width) -4" = Footrest Width  
 Offset Hanger Receiver (Seat Width) +2" = Footrest Width

**MEASURING GUIDE**



CHAIR WIDTH	"A"	"B"
10" - 11"	3 1/2"	7 1/4"
12" - 13"	4 1/2"	7 3/4"
14" - 15"	5 1/2"	7 3/4"
16" - 17"	6 1/2"	7 3/4"
18" - 20"	7 1/2"	7 3/4"



15 ADLT ANG ADJ FP D2 HDWR KIT			
ITEM #	ILLUSTRATION	DESCRIPTION	QTY
1		1/4-28 X 7/8 FH C/S	2
2		1/4-28 AUTOMATION NUT	1
3		WASHER FLAT THIN AN 1/4	3
6		1/4" SAE WASHER	1
7A		BHCS 1/4-28 X 1-3/4	1
9		NUT NYLOCK THIN 1/4-28	2
10		HEEL LOOP PEG	1
14		1/4-20 X 1 HEX C/S	1

16 ADLT ANG ADJ FP RND HDWR KIT			
ITEM #	ILLUSTRATION	DESCRIPTION	QTY
1		1/4-28 X 7/8 FH C/S	2
2		1/4-28 AUTOMATION NUT	1
3		WASHER FLAT THIN AN 1/4	3
4B		3/4" SADDLE 1" OD	1
6		1/4" SAE WASHER	1
7B		1/4-28 X 1.625 BH C/S BLK	1
9		NUT NYLOCK THIN 1/4-28	2
10		HEEL LOOP PEG	1
14		1/4-20 X 1 HEX C/S	1

Pos.	Item Number	Description	Remarks
1	106978	1/4-28 x 7/8 FH C/S	
2	106941	1/4-28 AUTOMATION NUT	

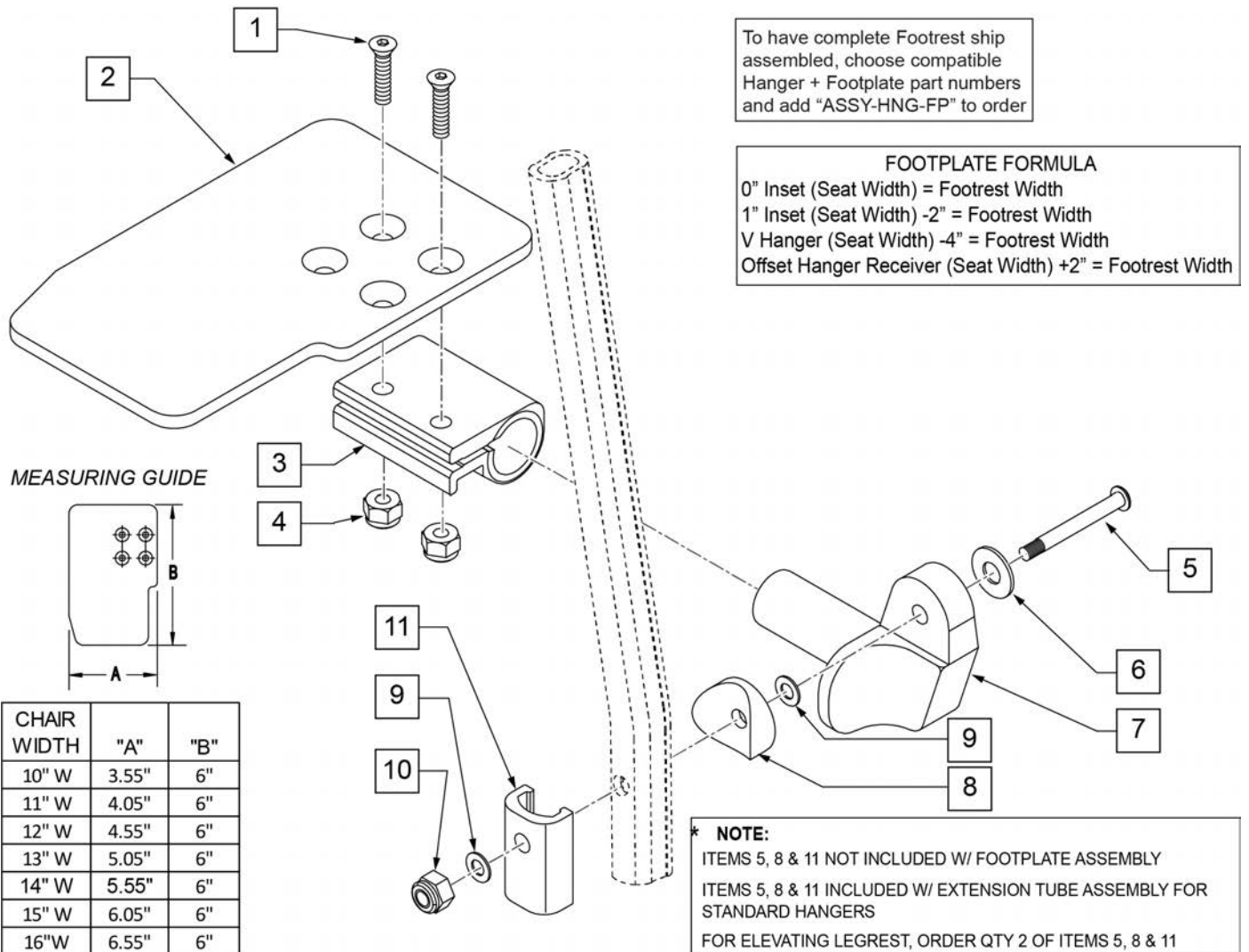
Pos.	Item Number	Description	Remarks
3	106944	WASHER FLAT THIN AN 1/4	
4A	483720	HANGER EXTENSION SADDLE LONG	USE W/ DOUBLE D EXT TUBE
4B	561055	3/4" SADDLE 1" OD	USE W/ ROUND EXT TUBE
5	541002	FTRST MOUNTING BRKT-3/8 RAD R	RIGHT
5	541003	FTRST MOUNTING BRKT-3/8 RAD L	LEFT
6	106945	WASHER FLAT SAE 1/4 ROHS	
7A	106962	BHCS 1/4-28 X 1-3/4 ROHS	use w/ Double D Ext Tube
7B	226167	1/4-28 x 1.625 BH C/S BLK	use w/ Round Ext Tube
8	550350	3/4" CLMP ADJ FT PLT	
9	106935	NUT NYLOCK THIN 1/4-28 ROHS	
10	561040	HEEL LOOP PEG	
11A	741154	HEEL LOOP 14-15 CMPST HEMI	used w/ 10-11" Adult Ang Adj Ftplts
11B	741155	HEEL LOOP 16-17 CMPST HEMI	used w/ 12 -13" Adult Ang Adj Ftplts
11C	741153	H/L 18-20 CMPST/14-15 ANG ADJ	used w/ 14-15"/16-17" Adult Ang Adj Ftplts
11D	741253	HEEL LOOP ADLT ADJ F/PLT 18-20	used w/ 18 -20" Adult Ang Adj Ftplts
12	500656	ADLT ANGL ADJ F/PLT 10/11" R	RIGHT
12	500657	ADLT ANGL ADJ F/PLT 10/11" L	LEFT
12	500658	ADLT ANGL ADJ F/PLT 12/13" R	RIGHT
12	500659	ADLT ANGL ADJ F/PLT 12/13" L	LEFT
12	500660	ADLT ANGL ADJ F/PLT 14/15	RIGHT
12	500661	ADLT ANGL ADJ F/PLT 14/15	LEFT
12	500662	ADLT ANGL ADJ F/PLT 16/17	RIGHT
12	500663	ADLT ANGL ADJ F/PLT 16/17	LEFT
12	500664	ADLT ANGL ADJ F/PLT 18-20	RIGHT
12	500665	ADLT ANGL ADJ F/PLT 18-20	LEFT
13	740260	TOE/ANKLE STRAP ADJ ADLT F/PLT	
14	106958	1/4-20 x 1 HEX C/S	
15	101533	ADLT ANG ADJ FP D2 HDWR KIT	for Double D Ext Tubes; Kit for one side
16	101534	ADLT ANG ADJ FP RND HDWR KIT	for Round Ext Tubes (Q2 HP only); Kit for one side
1-3,5,6,8,9,12	820526	AD ANG ADJ F/PLT R 12"/13" OMIT HL	RIGHT
1-3,5,6,8,9,12	820536	AD ANG ADJ F/PLT L 12"/13" OMT HL	LEFT
1-3,5,6,8,9,12	820460	FP ADLT ADJ 14/15 OMIT HL	RIGHT
1-3,5,6,8,9,12	820462	FP ADLT ADJ 14/15 OMIT HL	LEFT
1-3,5,6,8,9,12	820464	FP ADLT ADJ 16/17 OMIT HL	RIGHT
1-3,5,6,8,9,12	820466	FP ADLT ADJ 16/17 OMIT HL	LEFT
1-3,5,6,8,9,12	820468	FP ADLT ADJ 18-20 OMIT HL	RIGHT
1-3,5,6,8,9,12	820470	FP ADLT ADJ 18-20 OMIT HL	LEFT
1-3,5,6,8,9,12	921466	ADLT ANGL ADJ F/PLT 12"/13" OMIT HL	PAIR
1-3,5,6,8,9,12	921320	FP ADLT ADJ 14/15 OMIT HL	PAIR
1-3,5,6,8,9,12	921322	FP ADLT ADJ 16/17 OMIT HL	PAIR
1-3,5,6,8,9,12	921324	FP ADLT ADJ 18-20 OMIT HL	PAIR
1-3,5,6,8,9,11B,12	820522	AD ANGL ADJ F/PLT R 12/13" H/L	RIGHT
1-3,5,6,8,9,11B,12	820532	AD ANGL ADJ F/PLT L 12/13" H/L	LEFT
1-3,5,6,8-10,11C, 12,14	820461	FP ADLT ADJ 14/15 HL	RIGHT
1-3,5,6,8-10,11C, 12,14	820463	FP ADLT ADJ 14/15 HL	LEFT
1-3,5,6,8-10,11C, 12,14	820465	FP ADLT ADJ 16/17 HL	RIGHT
1-3,5,6,8-10,11C, 12,14	820467	FP ADLT ADJ 16/17 HL	LEFT
1-3,5,6,8-10,11D, 12,14	820469	FP ADLT ADJ 18-20 HL	RIGHT
1-3,5,6,8-10,11D, 12,14	820471	FP ADLT ADJ 18-20 HL	LEFT
1-3,5,6,8-10,11B, 12,14	921462	ADLT ANGL ADJ F/PLATE 12"/13" HL	PAIR
1-3,5,6,8-10,11C, 12,14	921321	FP ADLT ADJ 14/15 HL	PAIR
1-3,5,6,8-10,11C, 12,14	921323	FP ADLT ADJ 16/17 HL	PAIR
1-3,5,6,8-10,11D, 12,14	921325	FP ADLT ADJ 18-20 HL	PAIR
		Ship assembled part #	Use with multiple assemblies
	ASSY-HNG-FP	HANGER/FOOTPLATE ASSY REQUIRED	add with Hanger & Footplate kit

**Note:** Footplate Assemblies are set to footrest width; please see "Footplate Formula" table for seat width conversion.

Note: V Style Hangers are not available on Swing Away Style chairs effective 7/14/14; see the "Prior To" ordering guide for V Style footplate assemblies.

**Note:** Zippie Iris (ZRS&ZRSE) and Zippie TS (Z1A&Z1SE) only use Straight Extension Tube.

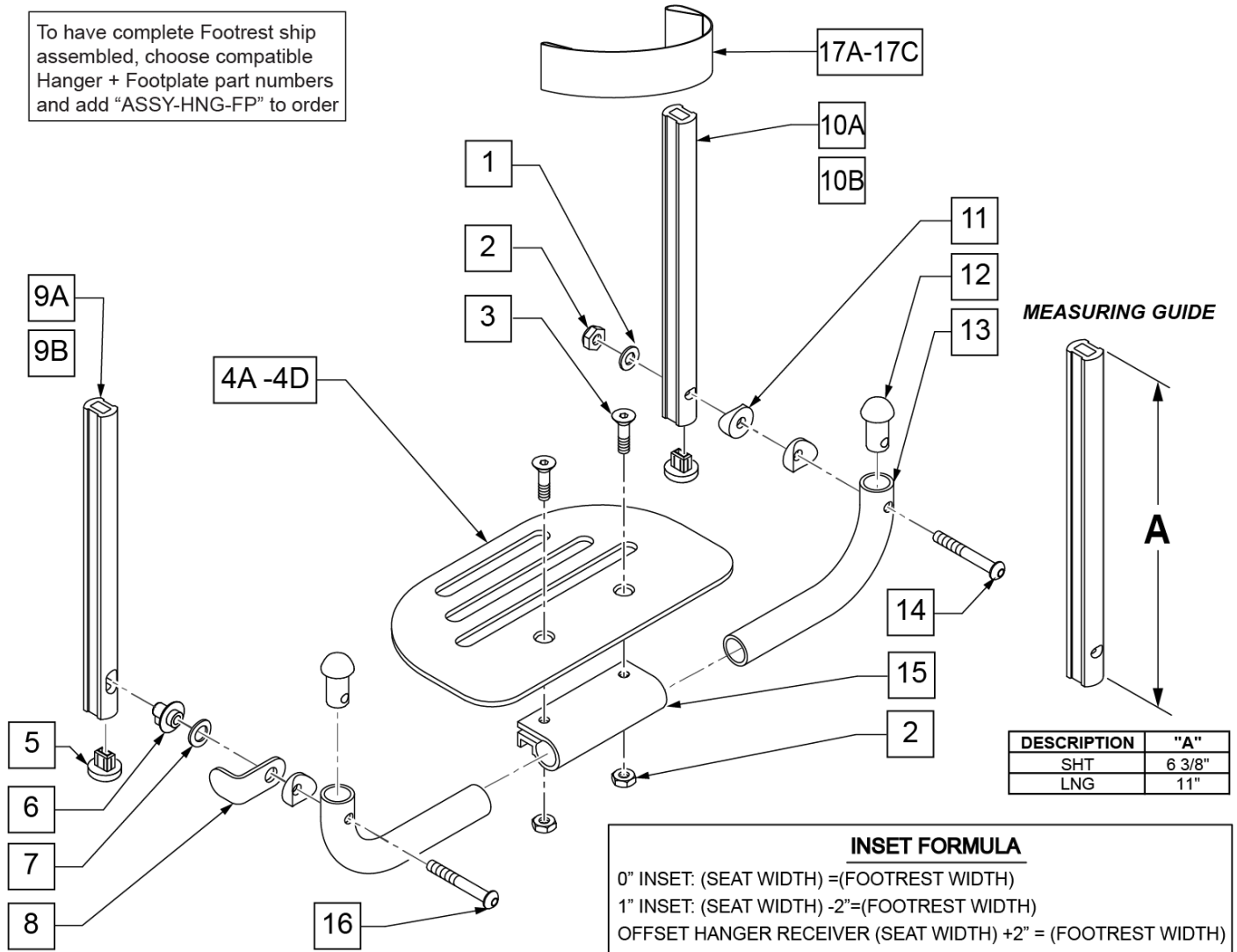
Note: if chair has High Mount Ext Tubes or if switching to High Mount Ext Tubes, see KAA Footplate w/ High Mount Extension Ordering Guide.



Pos.	Item Number	Description	Remarks
1	106978	FHCS 1/4 -28 x 7/8 ROHS	

Pos.	Item Number	Description	Remarks
2	500635	KIDS ANGL ADJ F/PLT 10" R	Right
2	500636	KIDS ANGL ADJ F/PLT 10" L	Left
2	500637	KIDS ANGL ADJ F/PLT 11" R	Right
2	500638	KIDS ANGL ADJ F/PLT 11" L	Left
2	500639	KIDS ANGL ADJ F/PLT 12" R	Right
2	500640	KIDS ANGL ADJ F/PLT 12" L	Left
2	500641	KIDS ANGL ADJ F/PLT 13" R	Right
2	500642	KIDS ANGL ADJ F/PLT 13" L	Left
2	500643	KIDS ANGL ADJ F/PLT 14" R	Right
2	500644	KIDS ANGL ADJ F/PLT 14" L	Left
2	500645	KIDS ANGL ADJ F/PLT 15" R	Right
2	500646	KIDS ANGL ADJ F/PLT 15" L	Left
2	500647	KIDS ANGL ADJ F/PLT 16" R	Right
2	500648	KIDS ANGL ADJ F/PLT 16" L	Left
3	550350	3/4" CLAMP ADJ FOOTPLATE	
4	106935	NUT NYLOCK THIN 1/4 -28 ROHS	
5	106962	1/4-28 x 1 3/4 BH C/S BLK ZN (D2 EXTENSION TUBES)	
5	226167	1/4-28 x 1.625 BH C/S BLK (ROUND EXTENSION TUBES)	
6	106945	1/4 SAE WASHER	
7	541002	FTRST MOUNTING BRKT-3/8 RAD R	
7	541003	FTRST MOUNTING BRKT-3/8 RAD L	
8	561055	3/4" SADDLE 1" OD	
9	106944	WASHER FLAT THIN AN 1/4 ROHS	
10	106941	NUT AUTOMATION 1/4 -28 ROHS	
11	483720	HANGER EXTENSION SADDLE LONG	Use with Double D Ext Tube
1-4,6,7,9,10	828850	KIDS ANG ADJ F/PLT EXT-MNT 10"R	Right
1-4,6,7,9,10	828851	KIDS ANG ADJ F/PLT EXT-MNT 10"L	Left
1-4,6,7,9,10	828852	KIDS ANG ADJ F/PLT EXT-MNT 11"R	Right
1-4,6,7,9,10	828853	KIDS ANG ADJ F/PLT EXT-MNT 11"L	Left
1-4,6,7,9,10	828854	KIDS ANG ADJ F/PLT EXT-MNT 12"R	Right
1-4,6,7,9,10	828855	KIDS ANG ADJ F/PLT EXT-MNT 12"L	Left
1-4,6,7,9,10	828856	KIDS ANG ADJ F/PLT EXT-MNT 13"R	Right
1-4,6,7,9,10	828857	KIDS ANG ADJ F/PLT EXT-MNT 13"L	Left
1-4,6,7,9,10	828858	KIDS ANG ADJ F/PLT EXT-MNT 14"R	Right
1-4,6,7,9,10	828859	KIDS ANG ADJ F/PLT EXT-MNT 14"L	Left
1-4,6,7,9,10	828860	KIDS ANG ADJ F/PLT EXT-MNT 15"R	Right
1-4,6,7,9,10	828861	KIDS ANG ADJ F/PLT EXT-MNT 15"L	Left
1-4,6,7,9,10	828862	KIDS ANG ADJ F/PLT EXT-MNT 16"R	Right
1-4,6,7,9,10	828863	KIDS ANG ADJ F/PLT EXT-MNT 16"L	Left
1-4,6,7,9,10	921280	KIDS ANG ADJ F/PLT EXT-MNT 10"	Pair
1-4,6,7,9,10	921281	KIDS ANG ADJ F/PLT EXT-MNT 11"	Pair
1-4,6,7,9,10	921282	KIDS ANG ADJ F/PLT EXT-MNT 12"	Pair
1-4,6,7,9,10	921283	KIDS ANG ADJ F/PLT EXT-MNT 13"	Pair
1-4,6,7,9,10	921284	KIDS ANG ADJ F/PLT EXT-MNT 14"	Pair
1-4,6,7,9,10	921285	KIDS ANG ADJ F/PLT EXT-MNT 15"	Pair
1-4,6,7,9,10	921286	KIDS ANG ADJ F/PLT EXT-MNT 16"	Pair
		Ship assembled part #	Use with multiple assemblies
	ASSY-HNG-FP	HANGER/FOOTPLATE ASSY REQUIRED	add with Hanger & Footplate kit

To have complete Footrest ship assembled, choose compatible Hanger + Footplate part numbers and add "ASSY-HNG-FP" to order



**INSET FORMULA**

0" INSET: (SEAT WIDTH) =(FOOTREST WIDTH)  
 1" INSET: (SEAT WIDTH) -2"=(FOOTREST WIDTH)  
 OFFSET HANGER RECEIVER (SEAT WIDTH) +2" = (FOOTREST WIDTH)

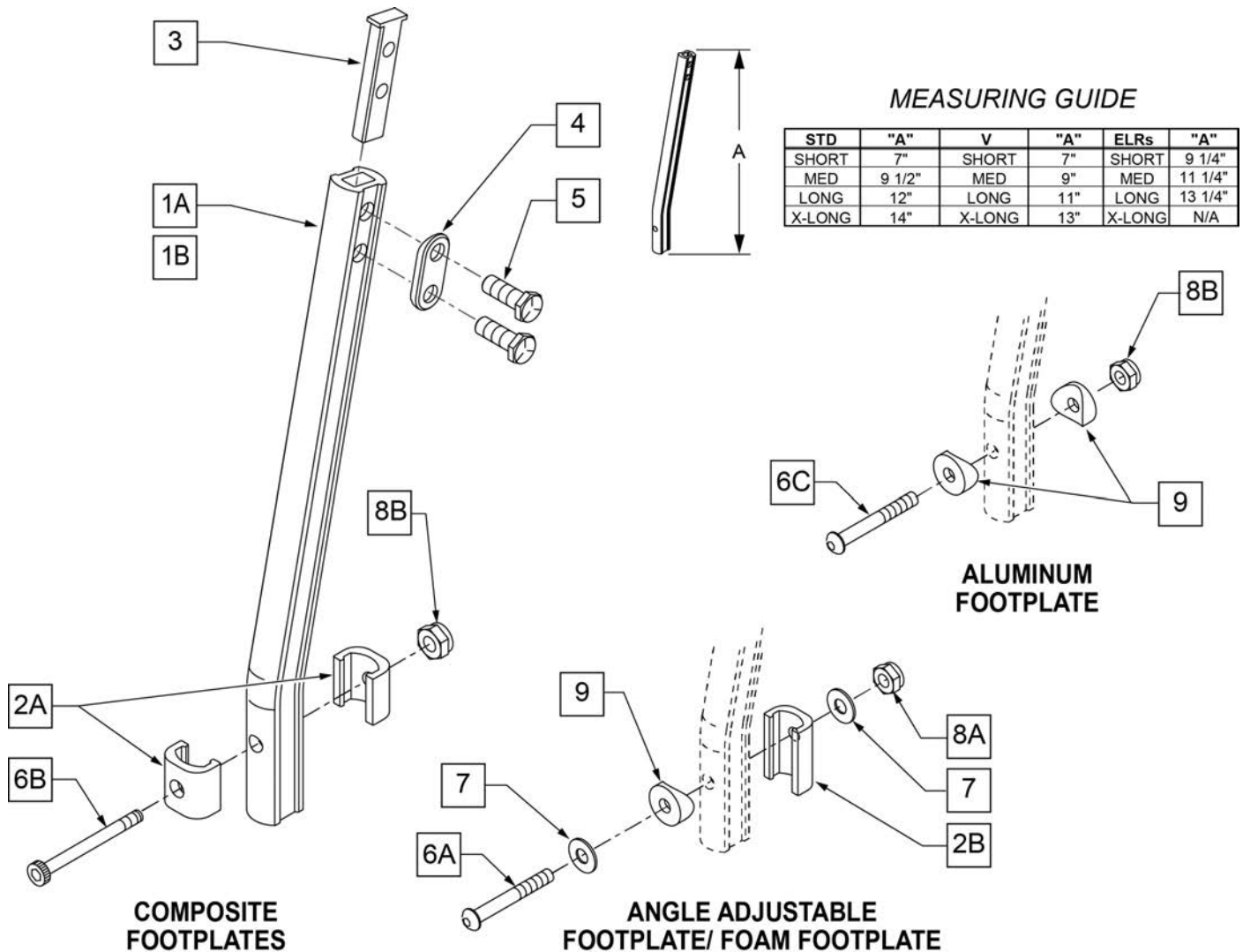
Pos.	Item Number	Description	Remarks
1	106944	WASHER FLAT THIN AN 1/4 ROHS	
2	106941	NUT AUTOMATION 1/4-28 ROHS	
3	106978	FHCS 1/4-28 X 7/8 ROHS	
4A	500651	PLATFORM F/PLT 8 x 5 1/2"	12 -14" Footrest Width
4B	500652	PLATFORM F/PLT 10" x 5 1/2"	15 -17" Footrest Width
4C	500653	PLATFORM F/PLT 12" x 5 1/2"	18 -20" Footrest Width
4D	500654	PLATFORM F/PLT 14" x 5 1/2"	21 -22" Footrest Width
5	113221	PLUG DOUBLE D EXT TUBE	
6	540410	F/UP FOOTREST KEY STUD D2	
7	107385	WASHER CURVED 3/8 ROHS	
8	505078	FOOTREST RETAINING BRACKET	
9A	106875	EXT TBE F/UP KEY SHT	Short -Latch Side
9B	106876	EXT TBE F/UP KEY LNG	Long -Latch Side
10A	106873	EXT TBE F/UP SLT SHT	Short -Pivot Side
10B	106874	EXT TBE F/UP SLT LNG	Long -Pivot Side
11	561003	3/4" SADDLE THIN	
12	561034	SHORT DOME PLUG	

Pos.	Item Number	Description	Remarks
14	106964	BHCS 1/4-28 X 2 ROHS	
15	550351	PLATFORM FOOTPLATE CLAMP	
16	107027	BHCS 1/4-28 X 1-1/4 SHLDR ROHS	
17A	740130	LEG STRAP 10"-14" BLK	12-14" Footrest Width
17B	740131	LEG STRAP 15"-17" BLK	15-17" Footrest Width
17C	740132	LEG STRAP 18"-20" BLK	18-20" Footrest Width
1-4A,6-8,11-16	900306	PLTFM F/P PLT BLK 12" D2 W/ INSTR	12" Footrest Width
1-4A,6-8,11-16	900307	PLTFM F/P PLT BLK 13" D2 W/ INSTR	13" Footrest Width
1-4A,6-8,11-16	900308	PLTFM F/P PLT BLK 14" D2 W /INSTR	14" Footrest Width
1-4B,6-8,11-16	900309	PLTFM F/P PLT BLK 15" D2 W /INSTR	15" Footrest Width
1-4B,6-8,11-16	900310	PLTFM F/P PLT BLK 16" D2 W /INSTR	16" Footrest Width
1-4B,6-8,11-16	900311	PLTFM F/P PLT BLK 17" D2 W /INSTR	17" Footrest Width
1-4C,6-8,11-16	900312	PLTFM F/P PLT BLK 18" D2 W /INSTR	18" Footrest Width
1-4C,6-8,11-16	900313	PLTFM F/P PLT BLK 19" D2 W /INSTR	19" Footrest Width
1-4C,6-8,11-16	900314	PLTFM F/P PLT BLK 20" D2 W/ INSTR	20" Footrest Width
1-4D,6-8,11-16	900315	PLTFM F/P PLT BLK 21" D2 W/ INSTR	21" Footrest Width
1-4D,6-8,11-16	900316	PLTFM F/P PLT BLK 22" D2 W/ INSTR	22" Footrest Width
		SHORT EXT ASSEMBLIES	
1-3,4A,5-8,9A,10B,11-16,17A	108043	PLTFRM FLIP FTRST SHT 12W	12" wide (Short)
1-3,4A,5-8,9A,10B,11-16,17A	108044	PLTFRM FLIP FTRST SHT 13W	13" wide (Short)
1-3,4A,5-8,9A,10B,11-16,17A	108045	PLTFRM FLIP FTRST SHT 14W	14" wide (Short)
1-3,4B,5-8,9A,10B,11-16,17B	108046	PLTFRM FLIP FTRST SHT 15W	15" wide (Short)
1-3,4B,5-8,9A,10B,11-16,17B	108047	PLTFRM FLIP FTRST SHT 16W	16" wide (Short)
1-3,4B,5-8,9A,10B,11-16,17B	108048	PLTFRM FLIP FTRST SHT 17W	17" wide (Short)
1-3,4C,5-8,9A,10B,11-16,17C	108049	PLTFRM FLIP FTRST SHT 18W	18" wide (Short)
1-3,4C,5-8,9A,10B,11-16,17C	108051	PLTFRM FLIP FTRST SHT 19W	19" wide (Short)
1-3,4C,5-8,9A,10B,11-16,17C	108052	PLTFRM FLIP FTRST SHT 20W	20" wide (Short)
1-3,4D,5-8,9A,10B,11-16,17C	111554	PLTFRM FLIP FTRST SHT 21W	21" wide (Short)
1-3,4D,5-8,9A,10B,11-16,17C	111555	PLTFRM FLIP FTRST SHT 22W	22" wide (Short)
		LONG EXT ASSEMBLIES	
1-3,4A,5-8,9B,10A,11-16,17A	108053	PLTFRM FLIP FTRST LONG 12W	12" wide (Long)
1-3,4A,5-8,9B,10A,11-16,17A	108054	PLTFRM FLIP FTRST LONG 13W	13" wide (Long)
1-3,4A,5-8,9B,10A,11-16,17A	108055	PLTFRM FLIP FTRST LONG 14W	14" wide (Long)
1-3,4B,5-8,9B,10A,11-16,17B	108056	PLTFRM FLIP FTRST LONG 15W	15" wide (Long)
1-3,4B,5-8,9B,10A,11-16,17B	108057	PLTFRM FLIP FTRST LONG 16W	16" wide (Long)
1-3,4B,5-8,9B,10A,11-16,17B	108058	PLTFRM FLIP FTRST LONG 17W	17" wide (Long)
1-3,4C,5-8,9B,10A,11-16,17C	108059	PLTFRM FLIP FTRST LONG 18W	18" wide (Long)
1-3,4C,5-8,9B,10A,11-16,17C	108060	PLTFRM FLIP FTRST LONG 19W	19" wide (Long)
1-3,4C,5-8,9B,10A,11-16,17C	108061	PLTFRM FLIP FTRST LONG 20W	20" wide (Long)
1-3,4D,5-8,9B,10A,11-16,17C	111556	PLTFRM FLIP FTRST LONG 21W	21" wide (Long)
1-3,4D,5-8,9B,10A,11-16,17C	111557	PLTFRM FLIP FTRST LONG 22W	22" wide (Long)
		Ship assembled part #	Use with multiple assemblies
	ASSY-HNG-FP	HANGER/FOOTPLATE ASSY REQUIRED	add with Hanger & Footplate kit

NOTE: DISCONTINUED - PARTS ONLY ON GP SWNG-AWAY BEGINNING 4/4/15 & S/N GP-95902, KIDS Q2 SE BEGINNING 4/16/15 & S/N QKE-003425, LX BEGINNING 10/24/2008 & S/N LX-034330, LXI BEGINNING 4/25/15 & S/N LXI-060868, QTS BEGINNING 5/15/15 & S/N QT-044951, QTS SE BEGINNING 5/15/15 & S/N QTE-002092

**NOTE:** IF REPLACING AN EXTENSION TUBE ON AN MANUAL ALR PLEASE REFER TO THE ROUND EXT TUBE PARTS MANUAL PAGE.

**NOTE:** WHEN ORDERING REPLACEMENT EXTENSION TUBES PLEASE VERIFY IF YOU HAVE THE OLD STYLE DOUBLE D EXTENSION TUBE OR THE NEW STYLE DOUBLE D EXTENSION TUBE. THIS CAN BE DONE BY REVIEWING THE HANGER THE EXTENSION TUBE IS USED ON. IF THE HANGER UTILIZES A SINGLE SET SCREW AT THE BOTTOM OF THE HANGER TUBE TO ATTACH THE EXTENSION TUBE TO THE HANGER, THEN THIS UTILIZES THE NEW STYLE DOUBLE D EXT TUBE. ALL OTHER HANGERS REQUIRING A DOUBLE D EXTENSION TUBE UTILIZE THE OLD STYLE.



Pos.	Item Number	Description	Remarks
1A	550819	EXT TUBE S/A ONLY SHT	Short Ext-Swing Away Hanger



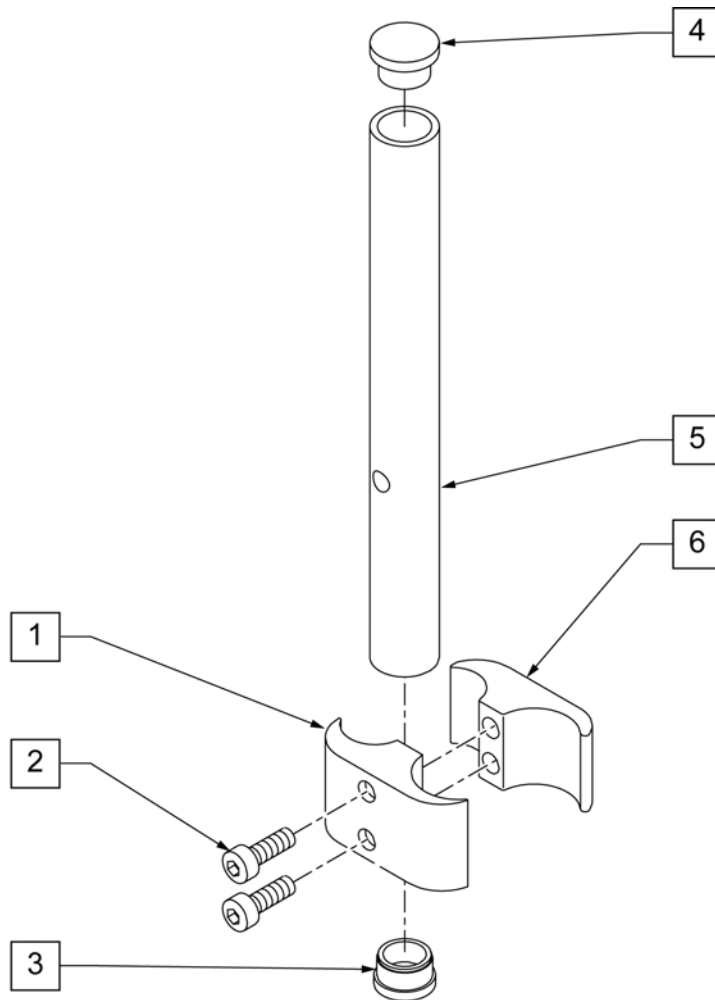
Pos.	Item Number	Description	Remarks
1A	550820	EXT TUBE S/A ONLY MED	Med Ext-Swing Away Hanger
1A	550821	EXT TUBE S/A ONLY LONG	Long Ext-Swing Away Hanger
1A	550822	EXT TUBE S/A ONLY X-LONG	X-Long Ext-Swing Away Hanger
1B	550834	EXT TUBE V IN ONLY D2 SHT R	Right Short Ext-Swing Away Hanger
1B	550835	EXT TUBE V IN ONLY D2 SHT L	Left Short Ext-Swing Away Hanger
1B	550836	EXT TUBE V IN ONLY D2 MED R	Right Med Ext-Swing Away Hanger
1B	550837	EXT TUBE V IN ONLY D2 MED L	Left Med Ext-Swing Away Hanger
1B	550838	EXT TUBE V IN ONLY D2 LONG R	Right Long Ext-Swing Away Hanger
1B	550839	EXT TUBE V IN ONLY D2 LONG L	Left Long Ext-Swing Away Hanger
1B	550840	EXT TUBE V IN ONLY D2 X-LONG R	Right X-Long Ext-Swing Away Hanger
1B	550841	EXT TUBE V IN ONLY D2 X-LONG L	Left X-Long Ext-Swing Away Hanger
2A	483718	HANGER EXTENSION SADDLE	USE W/ COMPOSITE FTPLT
2B	483720	HANGER EXTENSION SADDLE LONG	USE W/ ANGLE ADJ FTPLT
3	500078	INSERT D2 EXT TUBE	
4	483717	HANGER SADDLE	
5	221102	1/4-28 x 3/4 HEX HEAD C/S BLK W/PTCH	
6A	106962	1/4-28 x 1 3/4 BH C/S BLK ZN	USE W/ ANGLE ADJ FTPLT
6B	226165	1/4 -28 x 2 1/2 SOC C/S	USE W/ COMPOSITE FTPLT
6C	226147	1/4 -28 X 1.85 BH C/S	
7	106945	1/4" SAE WASHER	
8A	106941	1/4 -28 AUTOMATION NUT	USE W/ ANGLE ADJ FTPLT
8B	106935	1/4 -28 NYLOCK NUT THIN	USE W/ COMPOSITE FTPLT
9	561055	3/4 SADDLE 1" OD	USE W/ ANGLE ADJ FTPLT
1A,2A-5	921759	EXT TUBE S/A SHT ASSM PCKT	USE W/ COMPOSITE FTPLT
1A,2A-5	921760	EXT TUBE S/A MED ASSM PCKT	USE W/ COMPOSITE FTPLT
1A,2A-5	921761	EXT TUBE S/A LONG ASSM PCKT	USE W/ COMPOSITE FTPLT
1A,2A-5	921762	EXT TUBE S/A X-LONG ASSM PCKT	USE W/ COMPOSITE FTPLT
1B,2A-5	921751	EXT TUBE "V" D2 SHT R ASSM PCKT	RIGHT - USE W/ COMPOSITE FTPLT V HANGER
1B,2A-5	921752	EXT TUBE "V" D2 SHT L ASSM PCKT	LEFT - USE W/ COMPOSITE FTPLT V HANGER
1B,2A-5	921753	EXT TUBE "V" D2 MED R ASSM PCKT	RIGHT - USE W/ COMPOSITE FTPLT V HANGER
1B,2A-5	921754	EXT TUBE "V" D2 MED L ASSM PCKT	LEFT - USE W/ COMPOSITE FTPLT V HANGER
1B,2A-5	921755	EXT TUBE "V" D2 LONG R ASSM PCKT	RIGHT - USE W/ COMPOSITE FTPLT V HANGER
1B,2A-5	921756	EXT TUBE "V" D2 LONG L ASSM PCKT	LEFT - USE W/ COMPOSITE FTPLT V HANGER
1B,2A-5	921757	EXT TUBE "V" D2 X-LONG R ASSM PCKT	RIGHT - USE W/ COMPOSITE FTPLT V HANGER
1B,2A-5	921758	EXT TUBE "V" D2 X-LONG L ASSM PCKT	LEFT - USE W/ COMPOSITE FTPLT V HANGER
1A,2A-7,9	921772	EXT TUBE S/A SHT ANG ADJ PCKT	USE W/ ANGLE ADJ FTPLT
1A,2A-7,9	921773	EXT TUBE S/A MED ANG ADJ PCKT	USE W/ ANGLE ADJ FTPLT
1A,2A-7,9	921774	EXT TUBE S/A LONG ANG ADJ PCKT	USE W/ ANGLE ADJ FTPLT
1A,2A-7,9	921775	EXT TUBE S/A X-LONG ANG ADJ PCKT	USE W/ ANGLE ADJ FTPLT
1B,2A-7,9	921764	EXT TUBE "V" D2 SHT R ANG ADJ PCKT	RIGHT - USE W/ ANGLE ADJ FTPLT V HANGER
1B,2A-7,9	921765	EXT TUBE "V" D2 SHT L ANG ADJ PCKT	LEFT - USE W/ ANGLE ADJ FTPLT V HANGER
1B,2A-7,9	921766	EXT TUBE "V" D2 MED R ANG ADJ PCKT	RIGHT - USE W/ ANGLE ADJ FTPLT V HANGER
1B,2A-7,9	921767	EXT TUBE "V" D2 MED L ANG ADJ PCKT	LEFT - USE W/ ANGLE ADJ FTPLT V HANGER
1B,2A-7,9	921768	EXT TUBE "V" D2 LONG R ANG ADJ PCKT	RIGHT - USE W/ ANGLE ADJ FTPLT V HANGER
1B,2A-7,9	921769	EXT TUBE "V" D2 LONG L ANG ADJ PCKT	LEFT - USE W/ ANGLE ADJ FTPLT V HANGER
1B,2A-7,9	921770	EXT TUBE "V" D2 X-LONG R ANG AD PCKT	RIGHT - USE W/ ANGLE ADJ FTPLT V HANGER
1B,2A-7,9	921771	EXT TUBE "V" D2 X-LONG L ANG AD PCKT	LEFT - USE W/ ANGLE ADJ FTPLT V HANGER

**NOTE:** only available with Adult Angle Adjustable (AAA) or Kids Angle Adjustable (KAA) Footplates.

**NOTE:** if retrofitting to an existing chair with Front Mount Hangers, new Adult Angle Adjustable (AAA) or Kids Angle Adjustable (KAA) Footplates with High Mount Extension Tubes are required. See Footplate Ordering Guide.

**NOTE:** if retrofitting to an existing chair with extension tube mounted hangers (D2 extension tubes) with Adult Angle Adjustable (AAA) or Kids Angle Adjustable (KAA) Footplates, order 2 each of 226167 and 561055 to mount the footplates onto the round high-mount extension tubes.

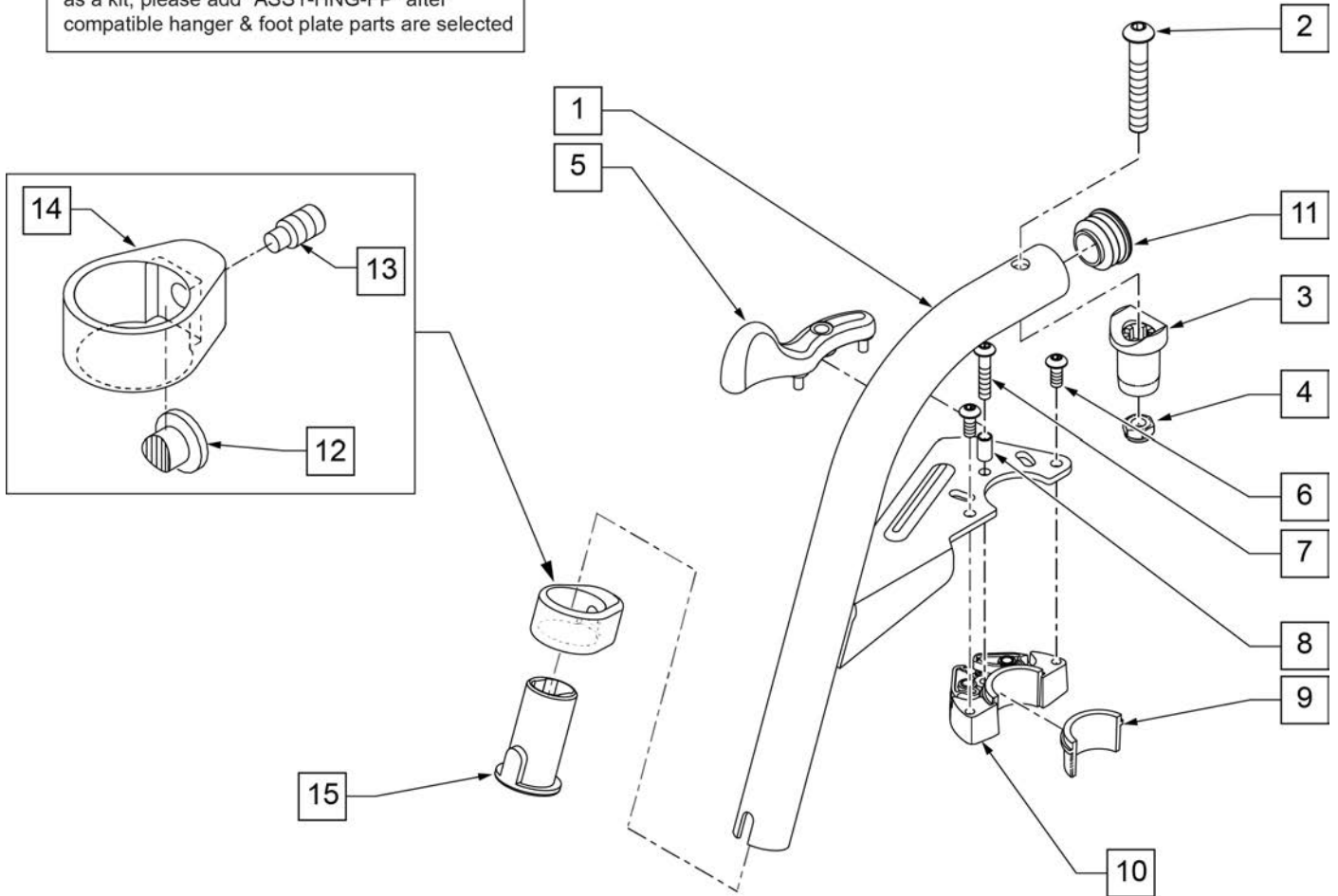
**NOTE:** if retrofitting on a chair with extension tube mounted hangers with Composite, Composite Angle Adjustable, Foam, Locking Angle Adjustable, Platform Flip-Up, or Platform Flip-Up Locking Footplates, then new Adult Angle Adjustable (AAA) or Kids Angle Adjustable (KAA) Footplates with High Mount Extension Tubes are required. See Footplate Ordering Guide.



Pos.	Item Number	Description	Remarks
1	550657	CLAMP 1 1/4" RECESS FULL BLK	
2	107032	SHCS 1/4-28 X 1 ROHS	
3	561000-QU	3/4" INSERT PLUG .083	
4	482016	HIGH-MOUNT FL FT TUBE PLUG	
5	524100	H/M FL FT EXT TUBE BLK	
6	550658	CLAMP 1 1/4" THREADED BLK	
1,2,6	880538	HI-MOUNT FR CLAMP ASSEMBLY BLK	
1-6	921550S	H/M FL FT CLAMPS AND TUBES (PR)	Pair

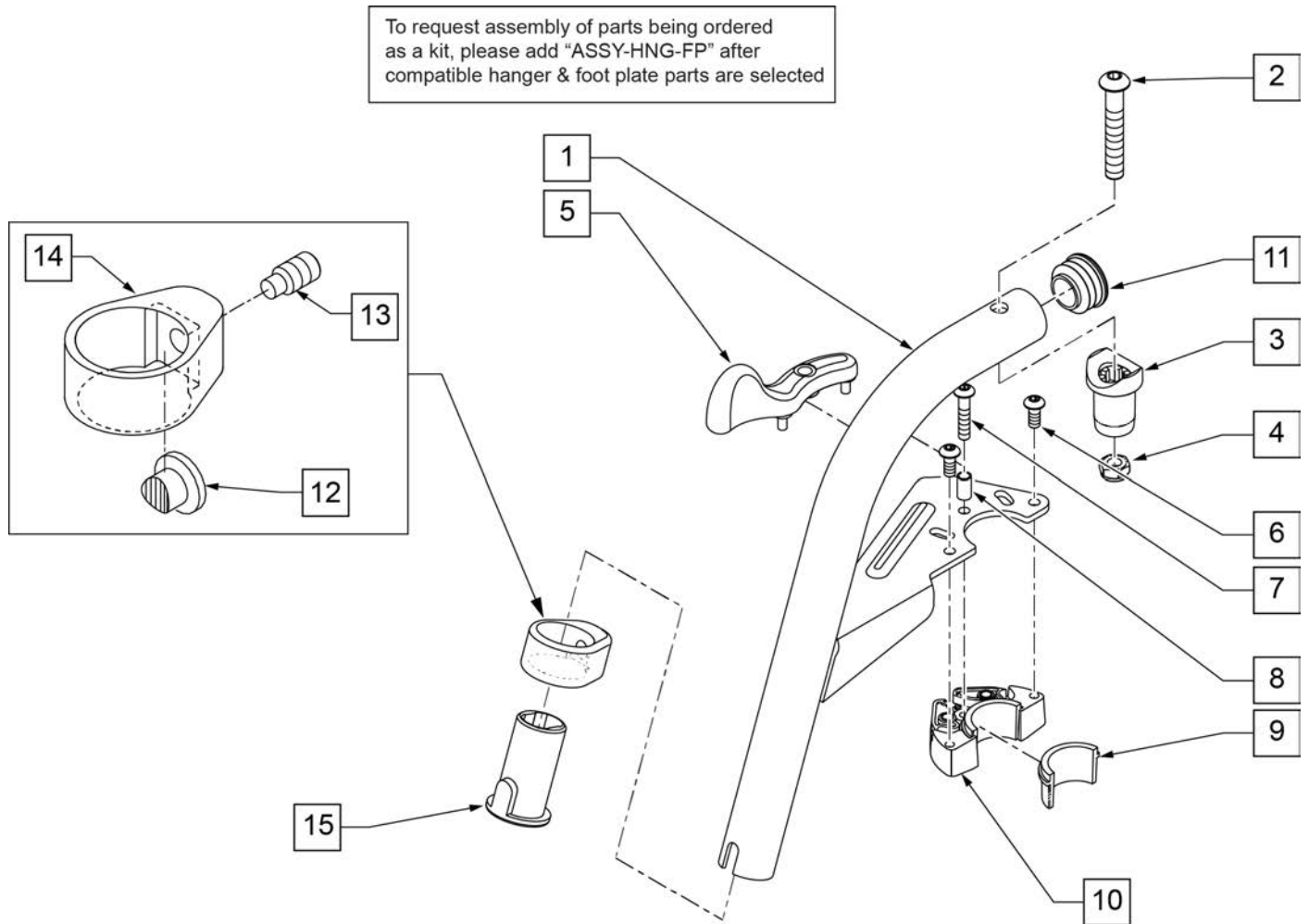
**Note:** Effective on GP SA beginning GP-95902, Kids Q2 SE beginning QKE-003425, LX/LXI beginning LXI-060868, Quickie TS beginning QT-044951 & QTE-002092.

To request assembly of parts being ordered as a kit, please add "ASSY-HNG-FP" after compatible hanger & foot plate parts are selected



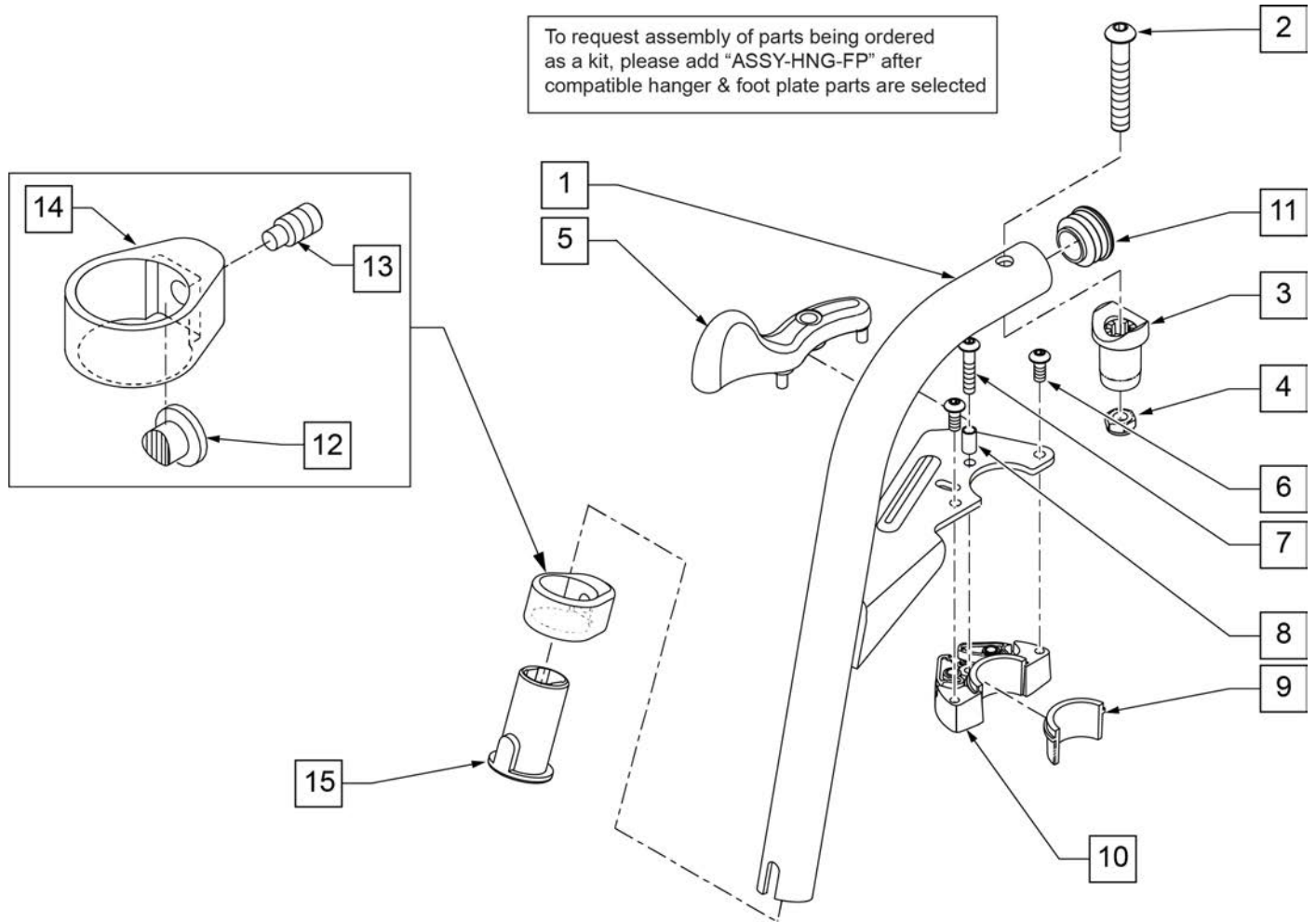
Pos.	Item Number	Description	Remarks
2	106983	5/16-18 X 2 BH C/S SHT THREAD	
3,4	561197	PIVOT SADDLE PLASTIC	
5	052296	SWING I/O LATCH LEVER RIGHT	Right
5	052297	SWING I/O LATCH LEVER LEFT	Left
6	102259-001	BHCS M5 X .8 X 12 W/PL INORG	
7	230494	M5-30 BTTN HD SOC C/S BLK	
8	052054	BUSHING PIVOT HANGER SWING I/O	
11	561062	1" INSERT PLUG .065 RIBS	
15	104160	BUSHING FOOTREST	
1-15	111243S	HANGER 60 Deg S/A ASSM R	SPECIFY COLOR,RIGHT
1-15	111242S	HANGER 60 Deg S/A ASSM L	SPECIFY COLOR,LEFT
12-15	107485	FOOTREST CLAMP ASSM	
6,9,10	120976	ASSY LATCH BLOCK ANTI LIFT	
		Ship assembled part #	Use with multiple assemblies
	ASSY-HNG-FP	HANGER/FOOTPLATE ASSY REQUIRED	add with Hanger & Footplate kit

**Note:** Effective on GP SA beginning GP-95902, Kids Q2 SE beginning QKE-003425, LX/LXI beginning LXI-060868, Quickie TS beginning QT-044951 & QTE-002092.



Pos.	Item Number	Description	Remarks
2	106983	5/16-18 X 2 BH C/S SHT THREAD	
3,4	561197	PIVOT SADDLE PLASTIC	
5	052296	SWING I/O LATCH LEVER RIGHT	Right
5	052297	SWING I/O LATCH LEVER LEFT	Left
6	102259-001	BHCS M5 X .8 X 12 W/PL INORG	
7	230494	M5-30 BTTN HD SOC C/S BLK	
8	052054	BUSHING PIVOT HANGER SWING I/O	
11	561062	1" INSERT PLUG .065 RIBS	
15	104160	BUSHING FOOTREST	
1-15	107671S	70 DEG SWING IN/OUT HANGER ASSEMBLY LEFT	SPECIFY COLOR,LEFT
1-15	107670S	70 DEG SWING IN/OUT HANGER ASSEMBLY RIGHT	SPECIFY COLOR,RIGHT
12-15	107485	FOOTREST CLAMP ASSM	
6,9,10	120976	ASSY LATCH BLOCK ANTI LIFT	
		Ship assembled part #	Use with multiple assemblies
	ASSY-HNG-FP	HANGER/FOOTPLATE ASSY REQUIRED	add with Hanger & Footplate kit

**Note:** Effective on GP SA beginning GP-95902, Kids Q2 SE beginning QKE-003425, LX/LXI beginning LXI-060868, Quickie TS beginning QT-044951 & QTE-002092.



Pos.	Item Number	Description	Remarks
2	106983	5/16-18 X 2 BH C/S SHT THREAD	
3	561197	PIVOT SADDLE PLASTIC	Includes nylock nut
5	052296	SWING I/O LATCH LEVER RIGHT	Right
5	052297	SWING I/O LATCH LEVER LEFT	Left
7	230494	M5-30 BTTN HD SOC C/S BLK	
8	052054	BUSHING PIVOT HANGER SWING I/O	
11	561062	1" INSERT PLUG .065 RIBS	
15	104160	BUSHING FOOTREST	
1-15	107675S	70D V HNGR SWNG I/O ASSM L	SPECIFY COLOR,LEFT
1-15	107674S	70D V HNGR SWNG I/O ASSM R	SPECIFY COLOR,RIGHT
12-15	107485	FOOTREST CLAMP ASSM	
6,9,10	120976	ASSY LATCH BLOCK ANTI LIFT	
		Ship assembled part #	Use with multiple assemblies
	ASSY-HNG-FP	HANGER/FOOTPLATE ASSY REQUIRED	add with Hanger & Footplate kit

**Note:** Footplate Assemblies are set to footrest width; please see "Footplate Formula" table for seat width conversion.

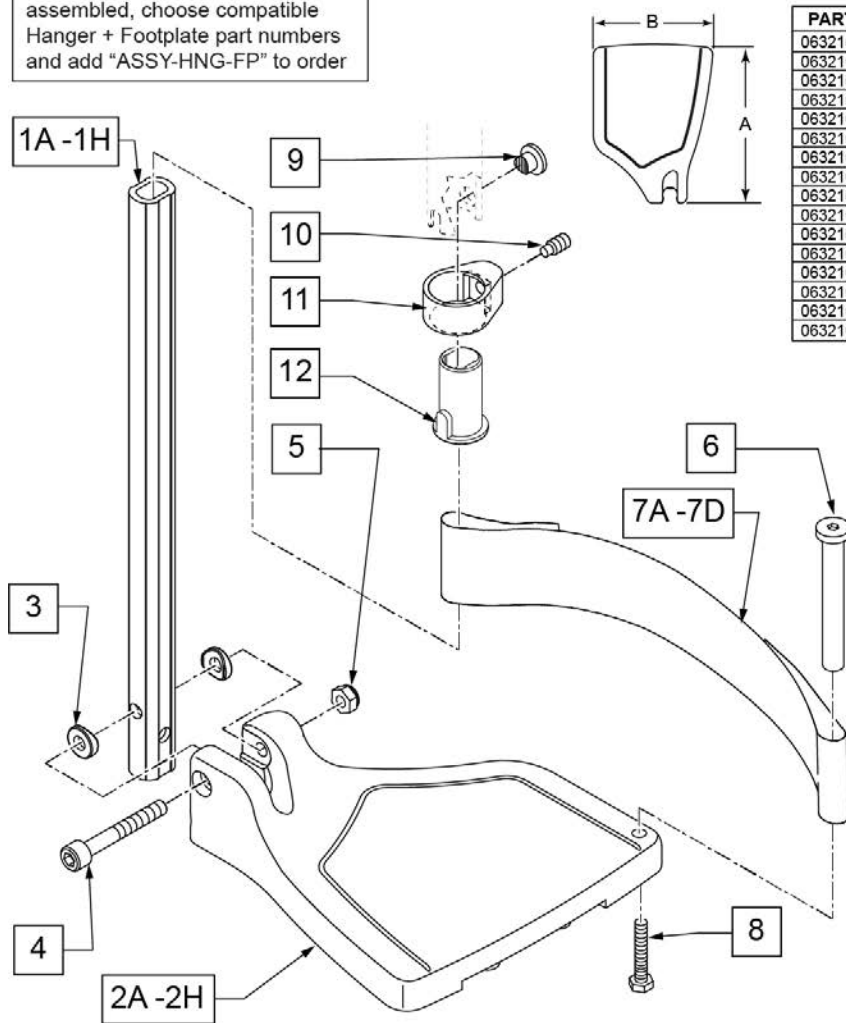
Note: V Style Hangers are not available on Swing Away Style chairs effective 7/14/14; see the "Prior To" ordering guide for V Style footplate assemblies.

Note: for QX Series or SR45 footplate replacement parts see the ordering guide marked specifically for these two models in the informations panel.

**FOOTPLATE MEASURING GUIDE**

PART NO	DESCRIPTION	"A"	"B"
063216-006	FOOTPLATE COMPOSITE 157 R (13"W)	6 1/8"	6"
063216-012	FOOTPLATE COMPOSITE 157 L (13"W)	6 1/8"	6"
063216-015	FOOTPLATE COMPOSITE 170 R (14"W)	6 5/8"	6"
063216-018	FOOTPLATE COMPOSITE 170 L (14"W)	6 5/8"	6"
063216-005	FOOTPLATE COMPOSITE 182 R (15"W)	7 1/8"	6"
063216-011	FOOTPLATE COMPOSITE 182 L (15"W)	7 1/8"	6"
063216-014	FOOTPLATE COMPOSITE 195 R (16"W)	7 5/8"	6"
063216-017	FOOTPLATE COMPOSITE 195 L (16"W)	7 5/8"	6"
063216-004	FOOTPLATE COMPOSITE 207 R (17"W)	8 1/8"	6"
063216-010	FOOTPLATE COMPOSITE 207 L (17"W)	8 1/8"	6"
063216-013	FOOTPLATE COMPOSITE 220 R (18"W)	8 5/8"	6 1/4"
063216-016	FOOTPLATE COMPOSITE 220 L (18"W)	8 5/8"	6 1/4"
063216-003	FOOTPLATE COMPOSITE 232 R (19-20"W)	9 1/8"	6 1/4"
063216-009	FOOTPLATE COMPOSITE 232 L (19-20"W)	9 1/8"	6 1/4"
063216-002	FOOTPLATE COMPOSITE 257 R (21-22"W)	10 1/8"	6 1/4"
063216-008	FOOTPLATE COMPOSITE 257 L (21-22"W)	10 1/8"	6 1/4"

To have complete Footrest ship assembled, choose compatible Hanger + Footplate part numbers and add "ASSY-HNG-FP" to order



**INSET FORMULA**  
 0" Inset (Seat Width) = Footrest Width  
 1" Inset (Seat Width) -2" = Footrest Width  
 "V" Hanger (Seat Width) -4" = Footrest Width  
 Offset Hanger Receiver (Seat Width) +2" = Footrest Width

Pos.	Item Number	Description	Remarks
1A,3-5	120660	SHT STRT EXT COMP HDWR	80 deg hangers + ELR only
1B,3-5	120661	MED STRT EXT COMP HDWR	80 deg hangers + ELR only
1C,3-5	120662	LNG STRT EXT COMP HDWR	80 deg hangers + ELR only
1D,3-5	120663	SHT BNT EXT COMP HDWR	60,70,70 Hemi Hangers
1E,3-5	120664	MED BNT EXT COMP HDWR	60,70,70 Hemi Hangers

Pos.	Item Number	Description	Remarks
1F,3-5	120665	LNG BNT EXT COMP HDWR	60,70,70 Hemi Hangers
1G,3-5	120666	SHT V EXT R COMP HDWR	70 deg V hangers only-LEFT
1G,3-5	120667	SHT V EXT L COMP HDWR	70 deg V hangers only-RIGHT
1H,3-5	120668	LNG V EXT R COMP HDWR	70 deg V hangers only-LEFT
1H,3-5	120669	LNG V EXT L COMP HDWR	70 deg V hangers only-RIGHT
2A	063216-006	FOOTPLATE COMPOSITE 157 R	RIGHT 13" Footrest Width
2A	063216-012	FOOTPLATE COMPOSITE 157 L	LEFT 13" Footrest Width
2B	063216-015	FOOTPLATE COMPOSITE 170 R	RIGHT 14" Footrest Width
2B	063216-018	FOOTPLATE COMPOSITE 170 L	LEFT 14" Footrest Width
2C	063216-005	COMPOSITE FOOTPLATE 182 R	RIGHT 15" Footrest Width
2C	063216-011	COMPOSITE FOOTPLATE 182 L	LEFT 15" Footrest Width
2D	063216-014	FOOTPLATE COMPOSITE 195 R	RIGHT 16" Footrest Width
2D	063216-017	FOOTPLATE COMPOSITE 195 L	LEFT 16" Footrest Width
2E	063216-004	COMPOSITE FOOTPLATE 207 R	RIGHT 17" Footrest Width
2E	063216-010	COMPOSITE FOOTPLATE 207 L	LEFT 17" Footrest Width
2F	063216-013	FOOTPLATE COMPOSITE 220 R	RIGHT 18" Footrest Width
2F	063216-016	FOOTPLATE COMPOSITE 220 L	LEFT 18" Footrest Width
2G	063216-003	COMPOSITE FOOTPLATE 232 R	RIGHT 19" & 20" Footrest Width
2G	063216-009	COMPOSITE FOOTPLATE 232 L	LEFT 19" & 20" Footrest Width
2H	063216-002	FOOTPLATE COMPOSITE 257 R	RIGHT 21" & 22" Footrest Width
2H	063216-008	FOOTPLATE COMPOSITE 257 L	LEFT 21" & 22" Footrest Width
3	104377	3/4" SADDLE THIN	
4	103175	SHCS M6 X 1 X 40 INORG	
5	132626	NUT AUTOMATION M6 X 1.0	Inserted in bottom of footplate.
6	104328	HEEL LOOP PEG	
7A	104380-001	ADJUSTABLE FOOT REST STRAP	14" wide
7B	104380-002	ADJUSTABLE FOOT REST STRAP	15-16" wide
7C	104380-003	ADJUSTABLE FOOT REST STRAP	17-18" wide
7D	104380-004	ADJUSTABLE FOOT REST STRAP	19-22" wide
8	102268-001	HHCS M6 X 1 X 25	
12	104160	BUSHING FOOTREST	
9-12	107485	FOOTREST CLAMP ASSM	
		Ship assembled part #	Use with multiple assemblies
	ASSY-HNG-FP	HANGER/FOOTPLATE ASSY REQUIRED	add with Hanger & Footplate kit
>>>>		60°,70°,70° HEMI HANGERS - SHORT EXT - RIGHT	
1D,2A,3-6,7A,8	107746	COMP BNT SHT EXT ASM 13" W R	Right- 70D- 13" W- SHORT
1D,2B,3-6,7A,8	107747	COMP BNT SHT EXT ASM 14" W R	Right- 70D- 14" W- SHORT
1D,2C,3-6,7B,8	107748	COMP BNT SHT EXT ASM 15" W R	Right- 70D- 15" W- SHORT
1D,2D,3-6,7B,8	107749	COMP BNT SHT EXT ASM 16" W R	Right- 70D- 16" W- SHORT
1D,2E,3-6,7C,8	107750	COMP BNT SHT EXT ASM 17" W R	Right- 70D- 17" W- SHORT
1D,2F,3-6,7C,8	107751	COMP BNT SHT EXT ASM 18" W R	Right- 70D- 18" W- SHORT
1D,2G,3-6,7D,8	107752	COMP BNT SHT EXT ASM 19 & 20"W R	Right- 70D- 19 & 20" W- SHORT
1D,2H,3-6,7D,8	111528	COMP BNT SHT EXT ASM 21 & 22"W R	Right- 70D- 21 & 22" W- SHORT
>>>>		60°,70°,70° HEMI HANGERS - SHORT EXT - LEFT	
1D,2A,3-6,7A,8	107753	COMP BNT SHT EXT ASM 13" W L	Left- 70D- 13 W- SHORT
1D,2B,3-6,7A,8	107754	COMP BNT SHT EXT ASM 14" W L	Left- 70D- 14 W- SHORT
1D,2C,3-6,7B,8	107755	COMP BNT SHT EXT ASM 15" W L	Left- 70D- 15 W- SHORT
1D,2D,3-6,7B,8	107756	COMP BNT SHT EXT ASM 16" W L	Left- 70D- 16 W- SHORT
1D,2E,3-6,7C,8	107757	COMP BNT SHT EXT ASM 17" W L	Left- 70D- 17 W- SHORT
1D,2F,3-6,7C,8	107758	COMP BNT SHT EXT ASM 18" W L	Left- 70D- 18 W- SHORT
1D,2G,3-6,7D,8	107759	COMP BNT SHT EXT ASM 19 & 20"W L	Left- 70D- 19 & 20" W- SHORT
1D,2H,3-6,7D,8	111529	COMP BNT SHT EXT ASM 21 & 22"W L	Left- 70D- 21 & 22" W- SHORT
>>>>		60°,70°,70° HEMI HANGERS - MED EXT - RIGHT	
1E,2A,3-6,7A,8	107760	COMP BNT MED EXT ASM 13" W R	Right- 70D- 13" W- MED
1E,2B,3-6,7A,8	107761	COMP BNT MED EXT ASM 14" W R	Right- 70D- 14" W- MED
1E,2C,3-6,7B,8	107762	COMP BNT MED EXT ASM 15" W R	Right- 70D- 15" W- MED



Pos.	Item Number	Description	Remarks
1E,2D,3-6,7B,8	107763	COMP BNT MED EXT ASM 16" W R	Right- 70D- 16" W- MED
1E,2E,3-6,7C,8	107764	COMP BNT MED EXT ASM 17" W R	Right- 70D- 17" W- MED
1E,2F,3-6,7C,8	107765	COMP BNT MED EXT ASM 18" W R	Right- 70D- 18" W- MED
1E,2G,3-6,7D,8	107766	COMP BNT MED EXT ASM 19 & 20"W R	Right- 70D- 19 & 20" W- MED
1E,2H,3-6,7D,8	111530	COMP BNT MED EXT ASM 21 & 22"W R	Right- 70D- 21 & 22" W- MED
>>>>		60°,70°,70° HEMI HANGERS - MED EXT - LEFT	
1E,2A,3-6,7A,8	107767	COMP BNT MED EXT ASM 13" W L	Left- 70D- 13 W- MED
1E,2B,3-6,7A,8	107768	COMP BNT MED EXT ASM 14" W L	Left- 70D- 14 W- MED
1E,2C,3-6,7B,8	107769	COMP BNT MED EXT ASM 15" W L	Left- 70D- 15 W- MED
1E,2D,3-6,7B,8	107770	COMP BNT MED EXT ASM 16" W L	Left- 70D- 16 W- MED
1E,2E,3-6,7C,8	107771	COMP BNT MED EXT ASM 17" W L	Left- 70D- 17 W- MED
1E,2F,3-6,7C,8	107772	COMP BNT MED EXT ASM 18" W L	Left- 70D- 18 W- MED
1E,2G,3-6,7D,8	107773	COMP BNT MED EXT ASM 19 & 20"W L	Left- 70D- 19 & 20" W- MED
1E,2H,3-6,7D,8	111531	COMP BNT MED EXT ASM 21 & 22"W L	Left- 70D- 21 & 22" W- MED
>>>>		60°,70°,70° HEMI HANGERS - LONG EXT - RIGHT	
1F,2A,3-6,7A,8	107774	COMP BNT LONG EXT ASM 13" W R	Right- 70D- 13" W- LONG
1F,2B,3-6,7A,8	107775	COMP BNT LONG EXT ASM 14" W R	Right- 70D- 14" W- LONG
1F,2C,3-6,7B,8	107776	COMP BNT LONG EXT ASM 15" W R	Right- 70D- 15" W- LONG
1F,2D,3-6,7B,8	107777	COMP BNT LONG EXT ASM 16" W R	Right- 70D- 16" W- LONG
1F,2E,3-6,7C,8	107778	COMP BNT LONG EXT ASM 17" W R	Right- 70D- 17" W- LONG
1F,2F,3-6,7C,8	107779	COMP BNT LONG EXT ASM 18" W R	Right- 70D- 18" W- LONG
1F,2G,3-6,7D,8	107780	COMP BNT LONG EXT ASM 19 & 20"W R	Right- 70D- 19 & 20" W- LONG
1F,2H,3-6,7D,8	111532	COMP BNT LONG EXT ASM 21 & 22"W R	Right- 70D- 21 & 22" W- LONG
>>>>		60°,70°,70° HEMI HANGERS - LONG EXT - LEFT	
1F,2A,3-6,7A,8	107781	COMP BNT LONG EXT ASM 13" W L	Left- 70D- 13 W- LONG
1F,2B,3-6,7A,8	107782	COMP BNT LONG EXT ASM 14" W L	Left- 70D- 14 W- LONG
1F,2C,3-6,7B,8	107783	COMP BNT LONG EXT ASM 15" W L	Left- 70D- 15 W- LONG
1F,2D,3-6,7B,8	107784	COMP BNT LONG EXT ASM 16" W L	Left- 70D- 16 W- LONG
1F,2E,3-6,7C,8	107785	COMP BNT LONG EXT ASM 17" W L	Left- 70D- 17 W- LONG
1F,2F,3-6,7C,8	107786	COMP BNT LONG EXT ASM 18" W L	Left- 70D- 18 W- LONG
1F,2G,3-6,7D,8	107787	COMP BNT LONG EXT ASM 19 & 20"W L	Left- 70D- 19 & 20" W- LONG
1F,2H,3-6,7D,8	111533	COMP BNT LONG EXT ASM 21 & 22"W L	Left- 70D- 21 & 22" W- LONG
>>>>		70 DEGREE "V" HANGERS - MED EXT - RIGHT	
1G,2A,3-8	107788	COMP V MED EXT ASM 13W R	Right- 70D V hangers only 13 W- MED
1G,2B,3-8	107789	COMP V MED EXT ASM 14W R	Right- 70D V hangers only 14 W- MED
1G,2C,3-8	107790	COMP V MED EXT ASM 15W R	Right- 70D V hangers only 15 W- MED
1G,2D,3-8	107791	COMP V MED EXT ASM 16W R	Right- 70D V hangers only 16 W- MED
1G,2E,3-8	107792	COMP V MED EXT ASM 17W R	Right- 70D V hangers only 17 W- MED
1G,2F,3-8	107793	COMP V MED EXT ASM 18W R	Right- 70D V hangers only 18 W- MED
>>>>		70 DEGREE "V" HANGERS - MED EXT - LEFT	
1G,2A,3-8	107795	COMP V MED EXT ASM 13W L	Left- 70D V hangers only 13 W- MED
1G,2B,3-8	107796	COMP V MED EXT ASM 14W L	Left- 70D V hangers only 14 W- MED
1G,2C,3-8	107797	COMP V MED EXT ASM 15W L	Left- 70D V hangers only 15 W- MED
1G,2D,3-8	107798	COMP V MED EXT ASM 16W L	Left- 70D V hangers only 16 W- MED
1G,2E,3-8	107799	COMP V MED EXT ASM 17W L	Left- 70D V hangers only 17 W- MED
1G,2F,3-8	107800	COMP V MED EXT ASM 18W L	Left- 70D V hangers only 18 W- MED
>>>>		70 DEGREE "V" HANGERS - LONG EXT - RIGHT	
1H,2A,3-8	107802	COMP V LNG EXT ASM 13W R	Right- 70D V hangers only 13 W- LONG
1H,2B,3-8	107803	COMP V LNG EXT ASM 14W R	Right- 70D V hangers only 14 W- LONG
1H,2C,3-8	107804	COMP V LNG EXT ASM 15W R	Right- 70D V hangers only 15 W- LONG
1H,2D,3-8	107805	COMP V LNG EXT ASM 16W R	Right- 70D V hangers only 16 W- LONG
1H,2E,3-8	107806	COMP V LNG EXT ASM 17W R	Right- 70D V hangers only 17 W- LONG
1H,2F,3-8	107807	COMP V LNG EXT ASM 18W R	Right- 70D V hangers only 18 W- LONG
>>>>		70 DEGREE "V" HANGERS - LONG EXT - LEFT	
1H,2A,3-8	107809	COMP V LNG EXT ASM 13W L	Left- 70D V hangers only 13 W- LONG
1H,2B,3-8	107810	COMP V LNG EXT ASM 14W L	Left- 70D V hangers only 14 W- LONG

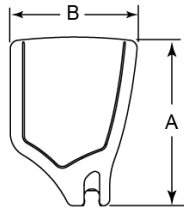
Pos.	Item Number	Description	Remarks
1H,2C,3-8	107811	COMP V LNG EXT ASM 15W L	Left- 70D V hangers only 15 W- LONG
1H,2D,3-8	107812	COMP V LNG EXT ASM 16W L	Left- 70D V hangers only 16 W- LONG
1H,2E,3-8	107813	COMP V LNG EXT ASM 17W L	Left- 70D V hangers only 17 W- LONG
1H,2F,3-8	107814	COMP V LNG EXT ASM 18W L	Left- 70D V hangers only 18 W- LONG
>>>>		80 DEGREE HANGERS - SHORT EXT - RIGHT	
1A,2A,3-6,7A,8	107704	COMP STRT SHT EXT ASM 13"W R	Right- 80D- 13" W- SHORT
1A,2B,3-6,7A,8	107705	COMP STRT SHT EXT ASM 14"W R	Right- 80D- 14" W- SHORT
1A,2C,3-6,7B,8	107706	COMP STRT SHT EXT ASM 15"W R	Right- 80D- 15" W- SHORT
1A,2D,3-6,7B,8	107707	COMP STRT SHT EXT ASM 16"W R	Right- 80D- 16" W- SHORT
1A,2E,3-6,7C,8	107708	COMP STRT SHT EXT ASM 17"W R	Right- 80D- 17" W- SHORT
1A,2F,3-6,7C,8	107709	COMP STRT SHT EXT ASM 18"W R	Right- 80D- 18" W- SHORT
1A,2G,3-6,7D,8	107710	COMP STRT SHT EXT ASM 19 & 20"W R	Right- 80D- 19 & 20" W- SHORT
1A,2H,3-6,7D,8	111522	COMP STRT SHT EXT ASM 21 & 22"W R	Right- 80D- 21 & 22" W- SHORT
>>>>		80 DEGREE HANGERS - SHORT EXT - LEFT	
1A,2A,3-6,7A,8	107711	COMP STRT SHT EXT ASM 13"W L	LEFT- 80D- 13" W- SHORT
1A,2B,3-6,7A,8	107712	COMP STRT SHT EXT ASM 14"W L	LEFT- 80D- 14" W- SHORT
1A,2C,3-6,7B,8	107713	COMP STRT SHT EXT ASM 15"W L	LEFT- 80D- 15" W- SHORT
1A,2D,3-6,7B,8	107714	COMP STRT SHT EXT ASM 16"W L	LEFT- 80D- 16" W- SHORT
1A,2E,3-6,7C,8	107715	COMP STRT SHT EXT ASM 17"W L	LEFT- 80D- 17" W- SHORT
1A,2F,3-6,7C,8	107716	COMP STRT SHT EXT ASM 18"W L	LEFT- 80D- 18" W- SHORT
1A,2G,3-6,7D,8	107717	COMP STRT SHT EXT ASM 19 & 20"W L	LEFT- 80D- 19 & 20" W- SHORT
1A,2H,3-6,7D,8	111523	COMP STRT SHT EXT ASM 21 & 22"W L	LEFT- 80D- 21 & 22" W- SHORT
>>>>		80 DEGREE HANGERS - MED EXT - RIGHT	
1B,2A,3-6,7A,8	107718	COMP STRT MED EXT ASM 13"W R	Right- 80D- 13" W- MED
1B,2B,3-6,7A,8	107719	COMP STRT MED EXT ASM 14"W R	Right- 80D- 14" W- MED
1B,2C,3-6,7B,8	107720	COMP STRT MED EXT ASM 15"W R	Right- 80D- 15" W- MED
1B,2D,3-6,7B,8	107721	COMP STRT MED EXT ASM 16"W R	Right- 80D- 16" W- MED
1B,2E,3-6,7C,8	107722	COMP STRT MED EXT ASM 17"W R	Right- 80D- 17" W- MED
1B,2F,3-6,7C,8	107723	COMP STRT MED EXT ASM 18"W R	Right- 80D- 18" W- MED
1B,2G,3-6,7D,8	107724	COMP STRT MED EXT ASM 19 & 20"W R	Right- 80D- 19 & 20" W- MED
1B,2H,3-6,7D,8	111524	COMP STRT MED EXT ASM 21 & 22"W R	Right- 80D- 21 & 22" W- MED
>>>>		80 DEGREE HANGERS - MED EXT - LEFT	
1B,2A,3-6,7A,8	107725	COMP STRT MED EXT ASM 13"W L	LEFT- 80D- 13" W- MED
1B,2B,3-6,7A,8	107726	COMP STRT MED EXT ASM 14"W L	LEFT- 80D- 14" W- MED
1B,2C,3-6,7B,8	107727	COMP STRT MED EXT ASM 15"W L	LEFT- 80D- 15" W- MED
1B,2D,3-6,7B,8	107728	COMP STRT MED EXT ASM 16"W L	LEFT- 80D- 16" W- MED
1B,2E,3-6,7C,8	107729	COMP STRT MED EXT ASM 17"W L	LEFT- 80D- 17" W- MED
1B,2F,3-6,7C,8	107730	COMP STRT MED EXT ASM 18"W L	LEFT- 80D- 18" W- MED
1B,2G,3-6,7D,8	107731	COMP STRT MED EXT ASM 19 & 20"W L	LEFT- 80D- 19 & 20" W- MED
1B,2H,3-6,7D,8	111525	COMP STRT MED EXT ASM 21 & 22"W L	LEFT- 80D- 21 & 22" W- MED
>>>>		80 DEGREE HANGERS - LONG EXT - RIGHT	
1C,2A,3-6,7A,8	107732	COMP STRT LONG EXT ASM 13"W R	Right- 80D- 13" W- LONG
1C,2B,3-6,7A,8	107733	COMP STRT LONG EXT ASM 14"W R	Right- 80D- 14" W- LONG
1C,2C,3-6,7B,8	107734	COMP STRT LONG EXT ASM 15"W R	Right- 80D- 15" W- LONG
1C,2D,3-6,7B,8	107735	COMP STRT LONG EXT ASM 16"W R	Right- 80D- 16" W- LONG
1C,2E,3-6,7C,8	107736	COMP STRT LONG EXT ASM 17"W R	Right- 80D- 17" W- LONG
1C,2F,3-6,7C,8	107737	COMP STRT LONG EXT ASM 18"W R	Right- 80D- 18" W- LONG
1C,2G,3-6,7D,8	107738	COMP STRT LONG EXT ASM 19 & 20"W R	Right- 80D- 19 & 20" W- LONG
1C,2H,3-6,7D,8	111526	COMP STRT LONG EXT ASM 21 & 22"W R	Right- 80D- 21 & 22" W- LONG
>>>>		80 DEGREE HANGERS - LONG EXT - LEFT	
1C,2A,3-6,7A,8	107739	COMP STRT LONG EXT ASM 13"W L	LEFT- 80D- 13" W- LONG
1C,2B,3-6,7A,8	107740	COMP STRT LONG EXT ASM 14"W L	LEFT- 80D- 14" W- LONG
1C,2C,3-6,7B,8	107741	COMP STRT LONG EXT ASM 15"W L	LEFT- 80D- 15" W- LONG
1C,2D,3-6,7B,8	107742	COMP STRT LONG EXT ASM 16"W L	LEFT- 80D- 16" W- LONG
1C,2E,3-6,7C,8	107743	COMP STRT LONG EXT ASM 17"W L	LEFT- 80D- 17" W- LONG
1C,2F,3-6,7C,8	107744	COMP STRT LONG EXT ASM 18"W L	LEFT- 80D- 18" W- LONG

<b>Pos.</b>	<b>Item Number</b>	<b>Description</b>	<b>Remarks</b>
1C,2G,3-6,7D,8	107745	COMP STRT LONG EXT ASM 19 & 20"W L	LEFT- 80D- 19 & 20" W- LONG
1C,2H,3-6,7D,8	111527	COMP STRT LONG EXT ASM 21 & 22"W L	LEFT- 80D- 21 & 22" W- LONG

**Note:** Footplate Assemblies are set to footrest width; please see "Footplate Formula" table for seat width conversion.

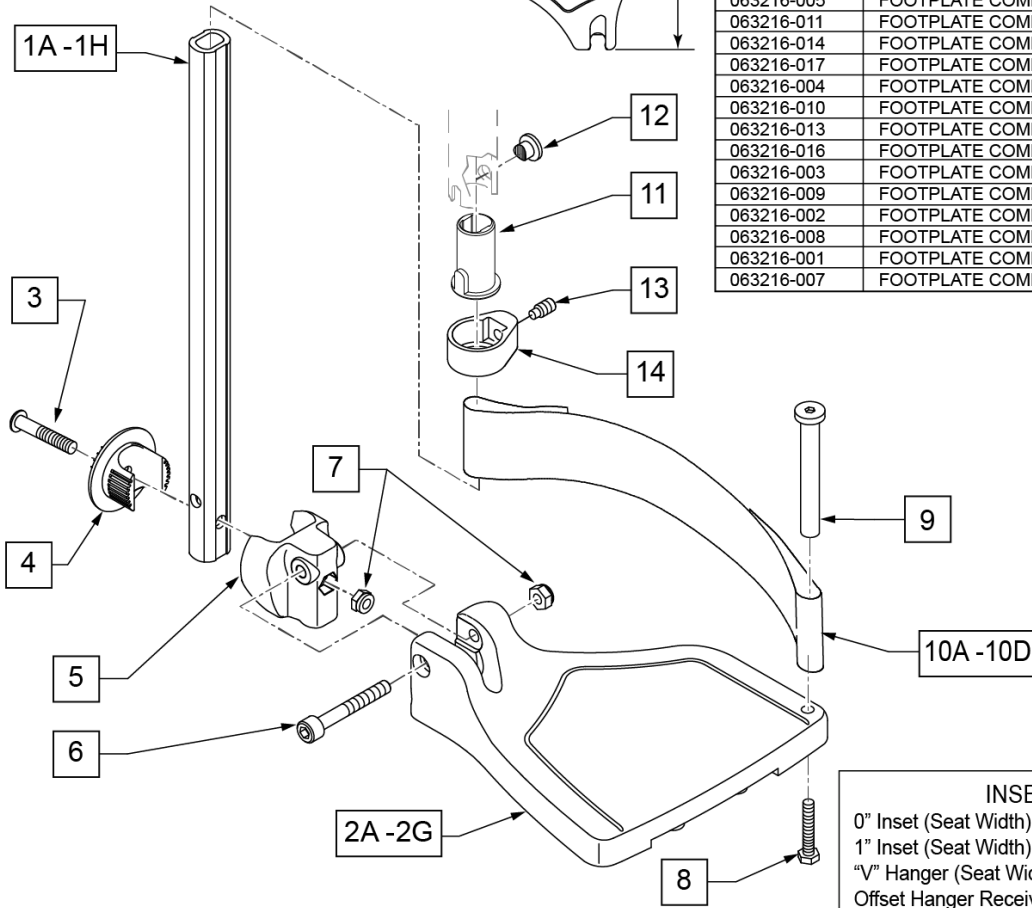
Note: V Style Hangers are not available on Swing Away Style chairs effective 7/14/14; see the "Prior To" ordering guide for V Style footplate assemblies.

To have complete Footrest ship assembled, choose compatible Hanger + Footplate part numbers and add "ASSY-HNG-FP" to order



**FOOTPLATE MEASURING GUIDE**

PART NO	DESCRIPTION	"A"	"B"
063216-006	FOOTPLATE COMPOSITE 157 R	6 1/8"	6"
063216-012	FOOTPLATE COMPOSITE 157 L	6 1/8"	6"
063216-015	FOOTPLATE COMPOSITE 170 R	6 5/8"	6"
063216-018	FOOTPLATE COMPOSITE 170 L	6 5/8"	6"
063216-005	FOOTPLATE COMPOSITE 182 R	7 1/8"	6"
063216-011	FOOTPLATE COMPOSITE 182 L	7 1/8"	6"
063216-014	FOOTPLATE COMPOSITE 195 R	7 5/8"	6"
063216-017	FOOTPLATE COMPOSITE 195 L	7 5/8"	6"
063216-004	FOOTPLATE COMPOSITE 207 R	8 1/8"	6"
063216-010	FOOTPLATE COMPOSITE 207 L	8 1/8"	6"
063216-013	FOOTPLATE COMPOSITE 220 R	8 5/8"	6 1/4"
063216-016	FOOTPLATE COMPOSITE 220 L	8 5/8"	6 1/4"
063216-003	FOOTPLATE COMPOSITE 232 R	9 1/8"	6 1/4"
063216-009	FOOTPLATE COMPOSITE 232 L	9 1/8"	6 1/4"
063216-002	FOOTPLATE COMPOSITE 257 R	10 1/8"	6 1/4"
063216-008	FOOTPLATE COMPOSITE 257 L	10 1/8"	6 1/4"
063216-001	FOOTPLATE COMPOSITE 282 R	11 1/8"	6 1/4"
063216-007	FOOTPLATE COMPOSITE 282 L	11 1/8"	6 1/4"



**INSET FORMULA**  
 0" Inset (Seat Width) = Footrest Width  
 1" Inset (Seat Width) -2" = Footrest Width  
 "V" Hanger (Seat Width) -4" = Footrest Width  
 Offset Hanger Receiver (Seat Width) +2" = Footrest Width

Pos.	Item Number	Description	Remarks
1A,6,7	120660	SHT STRT EXT COMP HDWR	80 deg hangers only
1B,6,7	120661	MED STRT EXT COMP HDWR	80 deg hangers only
1C,6,7	120662	LNG STRT EXT COMP HDWR	80 deg hangers only
1D,6,7	120663	SHT BNT EXT COMP HDWR	60,70,70 Hemi Hangers
1E,6,7	120664	MED BNT EXT COMP HDWR	60,70,70 Hemi Hangers
1F,6,7	120665	LNG BNT EXT COMP HDWR	60,70,70 Hemi Hangers
1G,6,7	120666	SHT V EXT R COMP HDWR	70 deg V hangers only-LEFT
1G,6,7	120667	SHT V EXT L COMP HDWR	70 deg V hangers only-RIGHT
1H,6,7	120668	LNG V EXT R COMP HDWR	70 deg V hangers only-LEFT

Pos.	Item Number	Description	Remarks
1H,6,7	120669	LNG V EXT L COMP HDWR	70 deg V hangers only-RIGHT
2A	063216-006	COMPOSITE FOOTPLATE RIGHT	RIGHT 15" Footrest Width
2A	063216-012	COMPOSITE FOOTPLATE LEFT	LEFT 15" Footrest Width
2B	063216-015	COMPOSITE FOOTPLATE RIGHT	RIGHT 16" Footrest Width
2B	063216-018	COMPOSITE FOOTPLATE LEFT	LEFT 16" Footrest Width
2C	063216-005	COMPOSITE FOOTPLATE RIGHT	RIGHT 17" Footrest Width
2C	063216-011	COMPOSITE FOOTPLATE LEFT	LEFT 17" Footrest Width
2D	063216-014	COMPOSITE FOOTPLATE RIGHT	RIGHT 18" Footrest Width
2D	063216-017	COMPOSITE FOOTPLATE LEFT	LEFT 18" Footrest Width
2E	063216-004	COMPOSITE FOOTPLATE RIGHT	RIGHT 19" Footrest Width
2E	063216-010	COMPOSITE FOOTPLATE LEFT	LEFT 19" Footrest Width
2F	063216-013	COMPOSITE FOOTPLATE RIGHT	RIGHT 20" Footrest Width
2F	063216-016	COMPOSITE FOOTPLATE LEFT	LEFT 20" Footrest Width
2G	063216-003	COMPOSITE FOOTPLATE RIGHT	RIGHT 21" & 22" Footrest Width
2G	063216-009	COMPOSITE FOOTPLATE LEFT	LEFT 21" & 22" Footrest Width
3	108233	BHCS M6 X 1 X 40	
4	054242	ANGLE COVER	
5	054241	ANGLE SEGMENT	
6	103175	SHCS M6 X 1 X 40 INORG	
7	132626	NUT AUTOMATION M6 X 1.0	
8	102268-001	HHCS M6X1X25	Inserted in bottom of footplate.
9	104328	HEEL LOOP PEG	
10A	104380-001	ADJUSTABLE FOOT REST STRAP	15" Footrest Width
10B	104380-002	ADJUSTABLE FOOT REST STRAP	16" Footrest Width
10C	104380-003	ADJUSTABLE FOOT REST STRAP	17-18" Footrest Width
10D	104380-004	ADJUSTABLE FOOT REST STRAP	19-22" Footrest Width
11	104160	BUSHING FOOTREST	
11-14	107485	FOOTREST CLAMP ASSM	
>>>>		60°,70°,70° HEMI HANGERS - SHORT EXT - RIGHT	
1D,2A,3-10A	107858	CAA BNT SHT EXT ASM 15W R	Right- 60° & 60° & 70° 15 W- SHORT
1D,2B,3-10B	107859	CAA BNT SHT EXT ASM 16W R	Right- 60° & 70° 16 W- SHORT
1D,2C,3-10B	107860	CAA BNT SHT EXT ASM 17W R	Right- 60° & 70° 17 W- SHORT
1D,2D,3-10C	107861	CAA BNT SHT EXT ASM 18W R	Right- 60° & 70° 18 W- SHORT
1D,2E,3-10C	107862	CAA BNT SHT EXT ASM 19W R	Right- 60° & 70° 19 W- SHORT
1D,2F,3-10D	107863	CAA BNT SHT EXT ASM 20W R	Right- 60° & 70° 20 W- SHORT
1D,2G,3-10D	107864	CAA BNT SHT EXT ASM 21&22W R	Right- 60° & 70° 21&22 W- SHORT
>>>>		60°,70°,70° HEMI HANGERS - SHORT EXT - LEFT	
1D,2A,3-10A	107865	CAA BNT SHT EXT ASM 15W L	Left- 60° & 70° 15 W- SHORT
1D,2B,3-10B	107866	CAA BNT SHT EXT ASM 16W L	Left- 60° & 70° 16 W- SHORT
1D,2C,3-10B	107867	CAA BNT SHT EXT ASM 17W L	Left- 60° & 70° 17 W- SHORT
1D,2D,3-10C	107868	CAA BNT SHT EXT ASM 18W L	Left- 60° & 70° 18 W- SHORT
1D,2E,3-10C	107869	CAA BNT SHT EXT ASM 19W L	Left- 60° & 70° 19 W- SHORT
1D,2F,3-10D	107870	CAA BNT SHT EXT ASM 20W L	Left- 60° & 70° 20 W- SHORT
1D,2G,3-10D	107871	CAA BNT SHT EXT ASM 21&22W L	Left- 60° & 70° 21&22 W- SHORT
>>>>		60°,70°,70° HEMI HANGERS - MED EXT - RIGHT	
1E,2A,3-10A	107872	CAA BNT MED EXT ASM 15W R	Right- 60° & 70° 15 W- MED
1E,2B,3-10B	107873	CAA BNT MED EXT ASM 16W R	Right- 60° & 70° 16 W- MED
1E,2C,3-10B	107874	CAA BNT MED EXT ASM 17W R	Right- 60° & 70° 17 W- MED
1E,2D,3-10C	107875	CAA BNT MED EXT ASM 18W R	Right- 60° & 70° 18 W- MED
1E,2E,3-10C	107876	CAA BNT MED EXT ASM 19W R	Right- 60° & 70° 19 W- MED
1E,2F,3-10D	107877	CAA BNT MED EXT ASM 20W R	Right- 60° & 70° 20 W- MED
1E,2G,3-10D	107878	CAA BNT MED EXT ASM 21&22W R	Right- 60° & 70° 21&22 W- MED
>>>>		60°,70°,70° HEMI HANGERS - MED EXT - LEFT	
1E,2A,3-10A	107879	CAA BNT MED EXT ASM 15W L	Left- 60° & 70° 15 W- MED
1E,2B,3-10B	107880	CAA BNT MED EXT ASM 16W L	Left- 60° & 70° 16 W- MED
1E,2C,3-10B	107881	CAA BNT MED EXT ASM 17W L	Left- 60° & 70° 17 W- MED

Pos.	Item Number	Description	Remarks
1E,2D,3-10C	107882	CAA BNT MED EXT ASM 18W L	Left- 60° & 70° 18 W- MED
1E,2E,3-10C	107883	CAA BNT MED EXT ASM 19W L	Left- 60° & 70° 19 W- MED
1E,2F,3-10D	107884	CAA BNT MED EXT ASM 20W L	Left- 60° & 70° 20 W- MED
1E,2G,3-10D	107885	CAA BNT MED EXT ASM 21&22W L	Left- 60° & 70° 21&22 W- MED
>>>>		60°,70°,70° HEMI HANGERS - LONG EXT - RIGHT	
1F,2A,3-10A	107886	CAA BNT LNG EXT ASM 15W R	Right- 60° & 70° 15 W- LONG
1F,2B,3-10B	107887	CAA BNT LNG EXT ASM 16W R	Right- 60° & 70° 16 W- LONG
1F,2C,3-10B	107888	CAA BNT LNG EXT ASM 17W R	Right- 60° & 70° 17 W- LONG
1F,2D,3-10C	107889	CAA BNT LNG EXT ASM 18W R	Right- 60° & 70° 18 W- LONG
1F,2E,3-10C	107890	CAA BNT LNG EXT ASM 19W R	Right- 60° & 70° 19 W- LONG
1F,2F,3-10D	107891	CAA BNT LNG EXT ASM 20W R	Right- 60° & 70° 20 W- LONG
1F,2G,3-10D	107892	CAA BNT LNG EXT ASM 21&22W R	Right- 60° & 70° 21&22 W- LONG
>>>>		60°,70°,70° HEMI HANGERS - LONG EXT - LEFT	
1F,2A,3-10A	107893	CAA BNT LNG EXT ASM 15W L	Left- 60° & 70° 15 W- LONG
1F,2B,3-10B	107894	CAA BNT LNG EXT ASM 16W L	Left- 60° & 70° 16 W- LONG
1F,2C,3-10B	107895	CAA BNT LNG EXT ASM 17W L	Left- 60° & 70° 17 W- LONG
1F,2D,3-10C	107896	CAA BNT LNG EXT ASM 18W L	Left- 60° & 70° 18 W- LONG
1F,2E,3-10C	107897	CAA BNT LNG EXT ASM 19W L	Left- 60° & 70° 19 W- LONG
1F,2F,3-10D	107898	CAA BNT LNG EXT ASM 20W L	Left- 60° & 70° 20 W- LONG
1F,2G,3-10D	107899	CAA BNT LNG EXT ASM 21&22W L	Left- 60° & 70° 21&22 W- LONG
>>>>		70° "V" HANGERS - MED EXT - RIGHT	
1G,2A,3-10A	107900	CAA V MED EXT ASM 15W R	Right- 70° V hangers only 15 W- MED
1G,2B,3-10B	107901	CAA V MED EXT ASM 16W R	Right- 70° V hangers only 16 W- MED
1G,2C,3-10B	107902	CAA V MED EXT ASM 17W R	Right- 70° V hangers only 17 W- MED
1G,2D,3-10C	107903	CAA V MED EXT ASM 18W R	Right- 70° V hangers only 18 W- MED
>>>>		70° "V" HANGERS - MED EXT - LEFT	
1G,2A,3-10A	107907	CAA V MED EXT ASM 15W L	Left- 70° V hangers only 15 W- MED
1G,2B,3-10B	107908	CAA V MED EXT ASM 16W L	Left- 70° V hangers only 16 W- MED
1G,2C,3-10B	107909	CAA V MED EXT ASM 17W L	Left- 70° V hangers only 17 W- MED
1G,2D,3-10C	107910	CAA V MED EXT ASM 18W L	Left- 70° V hangers only 18 W- MED
>>>>		70° "V" HANGERS - LONG EXT - RIGHT	
1H,2A,3-10A	107914	CAA V LNG EXT ASM 15W R	Right- 70° V hangers only 15 W- LONG
1H,2B,3-10B	107915	CAA V LNG EXT ASM 16W R	Right- 70° V hangers only 16 W- LONG
1H,2C,3-10B	107916	CAA V LNG EXT ASM 17W R	Right- 70° V hangers only 17 W- LONG
1H,2D,3-10C	107917	CAA V LNG EXT ASM 18W R	Right- 70° V hangers only 18 W- LONG
>>>>		70° "V" HANGERS - LONG EXT - LEFT	
1H,2A,3-10A	107921	CAA V LNG EXT ASM 15W L	Left- 70° V hangers only 15 W- LONG
1H,2B,3-10B	107922	CAA V LNG EXT ASM 16W L	Left- 70° V hangers only 16 W- LONG
1H,2C,3-10B	107923	CAA V LNG EXT ASM 17W L	Left- 70° V hangers only 17 W- LONG
1H,2D,3-10C	107924	CAA V LNG EXT ASM 18W L	Left- 70° V hangers only 18 W- LONG
>>>>		80° HANGERS - SHORT EXT - RIGHT	
1A,2A,3-10A	107816	CAA STRT SHT EXT ASM 15W R	Right- 80° 15 W- SHORT
1A,2B,3-10B	107817	CAA STRT SHT EXT ASM 16W R	Right- 80° 16 W- SHORT
1A,2C,3-10B	107818	CAA STRT SHT EXT ASM 17W R	Right- 80° 17 W- SHORT
1A,2D,3-10C	107819	CAA STRT SHT EXT ASM 18W R	Right- 80° 18 W- SHORT
1A,2E,3-10C	107820	CAA STRT SHT EXT ASM 19W R	Right- 80° 19 W- SHORT
1A,2F,3-10D	107821	CAA STRT SHT EXT ASM 20W R	Right- 80° 20 W- SHORT
1A,2G,3-10D	107822	CAA STRT SHT EXT ASM 21&22W R	Right- 80° 21&22 W- SHORT
>>>>		80° HANGERS - SHORT EXT - LEFT	
1A,2A,3-10A	107823	CAA STRT SHT EXT ASM 15W L	Left- 80° 15 W- SHORT
1A,2B,3-10B	107824	CAA STRT SHT EXT ASM 16W L	Left- 80° 16 W- SHORT
1A,2C,3-10B	107825	CAA STRT SHT EXT ASM 17W L	Left- 80° 17 W- SHORT
1A,2D,3-10C	107826	CAA STRT SHT EXT ASM 18W L	Left- 80° 18 W- SHORT
1A,2E,3-10C	107827	CAA STRT SHT EXT ASM 19W L	Left- 80° 19 W- SHORT
1A,2F,3-10D	107828	CAA STRT SHT EXT ASM 20W L	Left- 80° 20 W- SHORT
1A,2G,3-10D	107829	CAA STRT SHT EXT ASM 21&22W L	Left- 80° 21&22 W- SHORT

Pos.	Item Number	Description	Remarks
>>>>		80° HANGERS - MED EXT - RIGHT	
1B,2A,3-10A	107830	CAA STRT MED EXT ASM 15W R	Right- 80° 15 W- MED
1B,2B,3-10B	107831	CAA STRT MED EXT ASM 16W R	Right- 80° 16 W- MED
1B,2C,3-10B	107832	CAA STRT MED EXT ASM 17W R	Right- 80° 17 W- MED
1B,2D,3-10C	107833	CAA STRT MED EXT ASM 18W R	Right- 80° 18 W- MED
1B,2E,3-10C	107834	CAA STRT MED EXT ASM 19W R	Right- 80° 19 W- MED
1B,2F,3-10D	107835	CAA STRT MED EXT ASM 20W R	Right- 80° 20 W- MED
1B,2G,3-10D	107836	CAA STRT MED EXT ASM 21&22W R	Right- 80° 21&22 W- MED
>>>>		80° HANGERS - MED EXT - LEFT	
1B,2A,3-10A	107837	CAA STRT MED EXT ASM 15W L	Left- 80° 15 W- MED
1B,2B,3-10B	107838	CAA STRT MED EXT ASM 16W L	Left- 80° 16 W- MED
1B,2C,3-10B	107839	CAA STRT MED EXT ASM 17W L	Left- 80° 17 W- MED
1B,2D,3-10C	107840	CAA STRT MED EXT ASM 18W L	Left- 80° 18 W- MED
1B,2E,3-10C	107841	CAA STRT MED EXT ASM 19W L	Left- 80° 19 W- MED
1B,2F,3-10D	107842	CAA STRT MED EXT ASM 20W L	Left- 80° 20 W- MED
1B,2G,3-10D	107843	CAA STRT MED EXT ASM 21&22W L	Left- 80° 21&22 W- MED
>>>>		80° HANGERS - LONG EXT - RIGHT	
1C,2A,3-10A	107844	CAA STRT LNG EXT ASM 15W R	Right- 80° 15 W- LONG
1C,2B,3-10B	107845	CAA STRT LNG EXT ASM 16W R	Right- 80° 16 W- LONG
1C,2C,3-10B	107846	CAA STRT LNG EXT ASM 17W R	Right- 80° 17 W- LONG
1C,2D,3-10C	107847	CAA STRT LNG EXT ASM 18W R	Right- 80° 18 W- LONG
1C,2E,3-10C	107848	CAA STRT LNG EXT ASM 19W R	Right- 80° 19 W- LONG
1C,2F,3-10D	107849	CAA STRT LNG EXT ASM 20W R	Right- 80° 20 W- LONG
1C,2G,3-10D	107850	CAA STRT LNG EXT ASM 21&22W R	Right- 80° 21&22 W- LONG
>>>>		80° HANGERS - LONG EXT - LEFT	
1C,2A,3-10A	107851	CAA STRT LNG EXT ASM 15W L	Left- 80° 15 W- LONG
1C,2B,3-10B	107852	CAA STRT LNG EXT ASM 16W L	Left- 80° 16 W- LONG
1C,2C,3-10B	107853	CAA STRT LNG EXT ASM 17W L	Left- 80° 17 W- LONG
1C,2D,3-10C	107854	CAA STRT LNG EXT ASM 18W L	Left- 80° 18 W- LONG
1C,2E,3-10C	107855	CAA STRT LNG EXT ASM 19W L	Left- 80° 19 W- LONG
1C,2F,3-10D	107856	CAA STRT LNG EXT ASM 20W L	Left- 80° 20 W- LONG
1C,2G,3-10D	107857	CAA STRT LNG EXT ASM 21&22W L	Left- 80° 21&22 W- LONG
		Ship assembled part #	Use with multiple assemblies
	ASSY-HNG-FP	HANGER/FOOTPLATE ASSY REQUIRED	add with Hanger & Footplate kit

**Note:** Footplate Assemblies are set to footrest width; please see "Footplate Formula" table for seat width conversion.

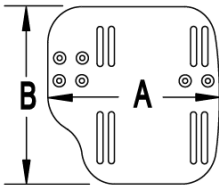
Note: V Style Hangers are not available on Swing Away Style chairs effective 7/14/14; see the "Prior To" ordering guide for V Style footplate assemblies.

Note: for QX Series or SR45 footplate replacement parts see the ordering guide marked specifically for these two models in the informations panel.

To have complete Footrest ship assembled, choose compatible Hanger + Footplate part numbers and add "ASSY-HNG-FP" to order

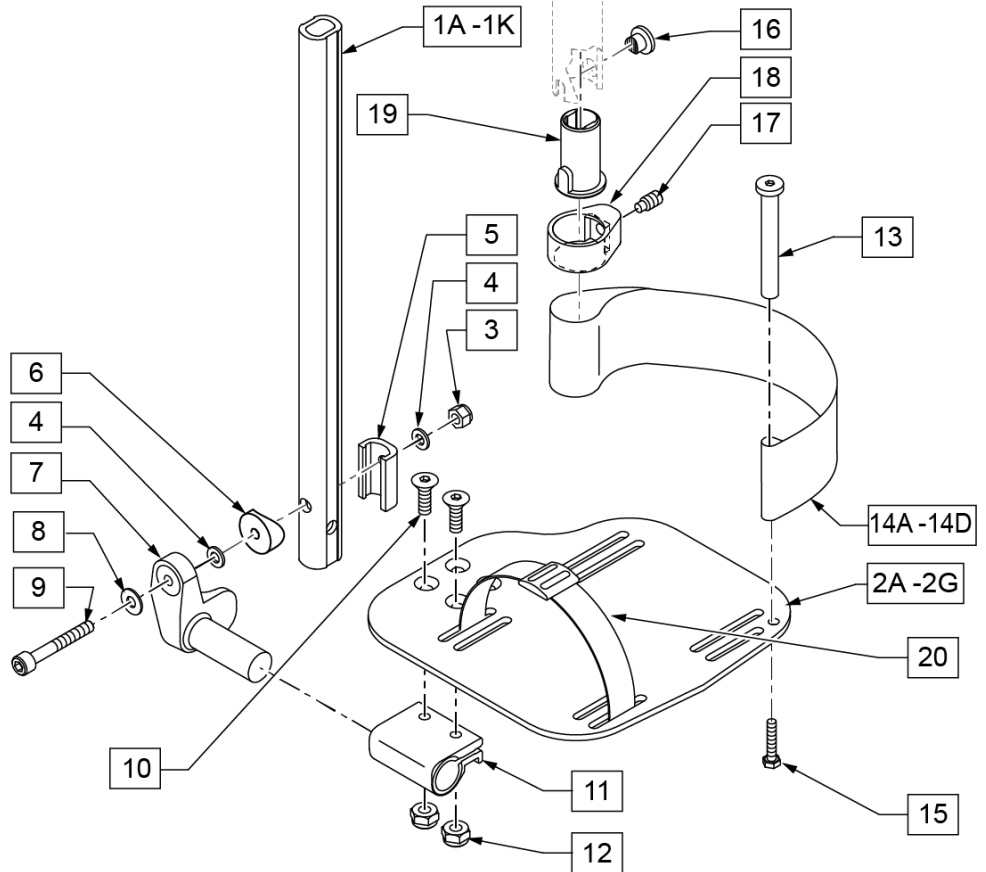
**INSET FORMULA**  
 0" Inset (Seat Width) = Footrest Width  
 1" Inset (Seat Width) -2" = Footrest Width  
 "V" Hanger (Seat Width) -4" = Footrest Width  
 Offset Hanger Receiver (Seat Width) +2" = Footrest Width

**MEASURING GUIDE**



CHAIR WIDTH	"A"	"B"
10" - 11"	3 1/2"	7 1/4"
12" - 13"	4 1/2"	7 3/4"
14" - 15"	5 1/2"	7 3/4"
16" - 17"	6 1/2"	7 3/4"
18" - 20"	7 1/2"	7 3/4"

21 EXT MNT HARDWARE 1 SIDE			
ITEM #	ILLUSTRATION	DESCRIPTION	QTY
3		NUT AUTOMATION M6 X 1.0 ROHS	1
4		WASHER FLAT THIN AN 1/4	2
5		HANGER EXTENSION SADDLE	1
6		3/4" SADDLE 1" OD	1
8		WASHER FLAT SAE 1/4 ROHS	1
9		SHCS M6 X 1 X 45 12MM PART THD	1



Pos.	Item Number	Description	Remarks
1A,3-6,8,9	120670	SHT STRT EXT AAA HDWR	80 deg Hangers Only
1B,3-6,8,9	120671	MED STRT EXT AAA HDWR	80 deg Hangers Only
1C,3-6,8,9	120672	LNG STRT EXT AAA HDWR	80 deg Hangers Only
1D,3-6,8,9	120673	SHT BNT EXT AAA HDWR	60,70,70 Hemi Hangers
1E,3-6,8,9	120674	MED BNT EXT AAA HDWR	60,70,70 Hemi Hangers



Pos.	Item Number	Description	Remarks
1F,3-6,8,9	120675	LNG BNT EXT AAA HDWR	60,70,70 Hemi Hangers
1G,3-6,8,9	120676	SHT V EXT R AAA HDWR	Left - 70 deg V Hangers Only
1H,3-6,8,9	120677	SHT V EXT L AAA HDWR	Right - 70 deg V Hangers Only
1I,3-6,8,9	120678	LNG V EXT R AAA HDWR	Left - 70 deg V Hangers Only
1J,3-6,8,9	120679	LNG V EXT L AAA HDWR	Right - 70 deg V Hangers Only
2A	500656	ADULT ANG ADJ F/PLT 10/11" R	RIGHT 10-11" Footrest Width
2A	500657	ADULT ANG ADJ F/PLT 10/11" L	LEFT 10-11" Footrest Width
2B	500658	ADULT ANG ADJ F/PLT 12/13" R	RIGHT 12-13" Footrest Width
2B	500659	ADULT ANG ADJ F/PLT 12/13" L	LEFT 12-13" Footrest Width
2C	500660	ADLT ANGL ADJ F/PLT 14/15	RIGHT 14-15" Footrest Width
2C	500661	ADLT ANGL ADJ F/PLT 14/15	LEFT 14-15" Footrest Width
2D	500662	ADLT ANGL ADJ F/PLT 16/17	RIGHT 16-17" Footrest Width
2D	500663	ADLT ANGL ADJ F/PLT 16/17	LEFT 16-17" Footrest Width
2E	500664	ADLT ANGL ADJ F/PLT 18-20	RIGHT 18-22" Footrest Width
2E	500665	ADLT ANGL ADJ F/PLT 18-20	LEFT 18-22" Footrest Width
3	132626	NUT AUTOMATION M6 X 1.0	
4	106944	WASHER FLAT THIN AN 1/4 ROHS	
5	107199	HANGER EXTENSION SADDLE	
6	104377	3/4" SADDLE THIN	
7	541002	FTRST MOUNTING BRKT-3/8 RAD R	RIGHT
7	541003	FTRST MOUNTING BRKT-3/8 RAD L	LEFT
8	106945	WASHER FLAT SAE 1/4 ROHS	
9	104399	SHCS M6X1X45 12 MM PART THD	
10	106978	FHCS 1/4-28 X 7/8 ROHS	
11	550350	3/4" CLMP ADJ FT PLT	
12	106935	NUT NYLOCK THIN 1/4-28 ROHS	
13	104328	POST HEEL LOOP	
14A	104380-001	ADJUSTABLE FOOT REST STRAP	12 - 14" WIDE
14B	104380-002	ADJUSTABLE FOOT REST STRAP	15 - 16" WIDE
14C	104380-003	ADJUSTABLE FOOT REST STRAP	17 - 18" WIDE
14D	104380-004	ADJUSTABLE FOOT REST STRAP	19 - 20" WIDE
15	102268-001	HHCS M6 X 1 X 25	
16-19	107485	FOOTREST CLAMP ASSM	
20	740260	TOE-ANKLE STRAP ADJ ADULT FOOTPLATE	
21	120659	EXT MNT HARDWARE 1 SIDE	
>>>>		80° HANGERS - SHORT EXT - RIGHT	
1A,2B,3-14A,15	111534	AAA STRT SHT EXT ASM 12-13" W R	Right- 80D- 12-13" W- SHORT
1A,2C,3-14B,15	107928	AAA STRT SHT EXT ASM 14-15" W R	Right- 80D- 14-15" W- SHORT
1A,2D,3-14C,15	107930	AAA STRT SHT EXT ASM 16-17" W R	Right- 80D- 16-17" W- SHORT
1A,2E,3-14D,15	107932	AAA STRT SHT EXT ASM 18-22" W R	Right- 80D- 18-22" W- SHORT
>>>>		80° HANGERS - SHORT EXT - LEFT	
1A,2B,3-14A,15	111535	AAA STRT SHT EXT ASM 12-13" W L	Left- 80D- 12-13" W- SHORT
1A,2C,3-14B,15	107935	AAA STRT SHT EXT ASM 14" W L	Left- 80D- 14-15" W- SHORT
1A,2D,3-14C,15	107937	AAA STRT SHT EXT ASM 16" W L	Left- 80D- 16-17" W- SHORT
1A,2E,3-14D,15	107939	AAA STRT SHT EXT ASM 18" W L	Left- 80D- 18-22" W- SHORT
>>>>		80° HANGERS - MED EXT - RIGHT	
1B,2B,3-14A,15	111536	AAA STRT MED EXT ASM 12-13" W R	Right- 80D- 12-13" W- MED
1B,2C,3-14B,15	107942	AAA STRT MED EXT ASM 14-15" W R	Right- 80D- 14-15" W- MED
1B,2D,3-14C,15	107944	AAA STRT MED EXT ASM 16-17" W R	Right- 80D- 16-17" W- MED
1B,2E,3-14D,15	107946	AAA STRT MED EXT ASM 18-22" W R	Right- 80D- 18-22" W- MED
>>>>		80° HANGERS - MED EXT - LEFT	
1B,2B,3-14A,15	111537	AAA STRT MED EXT ASM 12-13" W L	Left- 80D- 12-13" W- MED
1B,2C,3-14B,15	107949	AAA STRT MED EXT ASM 14" W L	Left- 80D- 14-15" W- MED
1B,2D,3-14C,15	107951	AAA STRT MED EXT ASM 16" W L	Left- 80D- 16-17" W- MED
1B,2E,3-14D,15	107953	AAA STRT MED EXT ASM 18" W L	Left- 80D- 18-22" W- MED
>>>>		80° HANGERS - LONG EXT - RIGHT	

Pos.	Item Number	Description	Remarks
1C,2B,3-14A,15	111538	AAA STRT LNG EXT ASM 12-13" W R	Right- 80D- 12-13" W- LONG
1C,2C,3-14B,15	107956	AAA STRT LNG EXT ASM 14 -15" W R	Right- 80D- 14-15" W- LONG
1C,2D,3-14C,15	107958	AAA STRT LNG EXT ASM 16 -17" W R	Right- 80D- 16-17" W- LONG
1C,2E,3-14D,15	107960	AAA STRT LNG EXT ASM 18 -22" W R	Right- 80D- 18-22" W- LONG
>>>>		80° HANGERS - LONG EXT - LEFT	
1C,2B,3-14A,15	111539	AAA STRT LNG EXT ASM 12-13" W L	Left- 80D- 12-13" W- LONG
1C,2C,3-14B,15	107963	AAA STRT LNG EXT ASM 14W L	Left- 80D- 14-15" W- LONG
1C,2D,3-14C,15	107965	AAA STRT LNG EXT ASM 16W L	Left- 80D- 16-17" W- LONG
1C,2E,3-14D,15	107968	AAA STRT LNG EXT ASM 18W L	Left- 80D- 18-22" W- LONG
>>>>		70° HANGERS - SHORT EXT - RIGHT	
1D,2B,3-14A,15	111540	AAA BNT SHT EXT ASM 12-13" W R	Right- 60D,70D,70D HEMI - 12-13" W- SHORT
1D,2C,3-14B,15	107973	AAA BNT SHT EXT ASM 14 -15" W R	Right- 60D,70D,70D HEMI - 14-15" W- SHORT
1D,2D,3-14C,15	107975	AAA BNT SHT EXT ASM 16 -17" W R	Right- 60D,70D,70D HEMI - 16-17" W- SHORT
1D,2E,3-14D,15	107977	AAA BNT SHT EXT ASM 18 -22" W R	Right- 60D,70D,70D HEMI - 18-22" W- SHORT
>>>>		70° HANGERS - SHORT EXT - LEFT	
1D,2B,3-14A,15	111541	AAA BNT SHT EXT ASM 12-13" W L	Left- 60D,70D,70D HEMI - 12-13" W- SHORT
1D,2C,3-14B,15	107980	AAA BNT SHT EXT ASM 14 -15" W L	Left- 60D,70D,70D HEMI - 14-15" W- SHORT
1D,2D,3-14C,15	107982	AAA BNT SHT EXT ASM 16 -17" W L	Left- 60D,70D,70D HEMI - 16-17" W- SHORT
1D,2E,3-14D,15	107984	AAA BNT SHT EXT ASM 18 -22" W L	Left- 60D,70D,70D HEMI - 18-22" W- SHORT
>>>>		70° HANGERS - MED EXT - RIGHT	
1E,2B,3-14A,15	111542	AAA BNT MED EXT ASM 12-13" W R	Right- 60D,70D,70D HEMI - 12-13" W- MED
1E,2C,3-14B,15	107987	AAA BNT MED EXT ASM 14 -15" W R	Right- 60D,70D,70D HEMI - 14-15" W- MED
1E,2D,3-14C,15	107989	AAA BNT MED EXT ASM 16 -17" W R	Right- 60D,70D,70D HEMI - 16-17" W- MED
1E,2E,3-14D,15	107991	AAA BNT MED EXT ASM 18 -22" W R	Right- 60D,70D,70D HEMI - 18-22" W- MED
>>>>		70° HANGERS - MED EXT - LEFT	
1E,2B,3-14A,15	111543	AAA BNT MED EXT ASM 12-13" W L	Left- 60D,70D,70D HEMI - 12-13" W- MED
1E,2C,3-14B,15	107994	AAA BNT MED EXT ASM 14 -15" W L	Left- 60D,70D,70D HEMI - 14-15" W- MED
1E,2D,3-14C,15	107996	AAA BNT MED EXT ASM 16 -17" W L	Left- 60D,70D,70D HEMI - 16-17" W- MED
1E,2E,3-14D,15	107998	AAA BNT MED EXT ASM 18 -22" W L	Left- 60D,70D,70D HEMI - 18-22" W- MED
>>>>		70° HANGERS - LONG EXT - RIGHT	
1F,2B,3-14A,15	111544	AAA BNT LONG EXT ASM 12-13" W R	Right- 60D,70D,70D HEMI - 12-13" W- LONG
1F,2C,3-14B,15	108001	AAA BNT LONG EXT ASM 14 -15" W R	Right- 60D,70D,70D HEMI - 14-15" W- LONG
1F,2D,3-14C,15	108003	AAA BNT LONG EXT ASM 16 -17" W R	Right- 60D,70D,70D HEMI - 16-17" W- LONG
1F,2E,3-14D,15	108005	AAA BNT LONG EXT ASM 18 -22" W R	Right- 60D,70D,70D HEMI - 18-22" W- LONG
>>>>		70° HANGERS - LONG EXT - LEFT	
1F,2B,3-14A,15	111545	AAA BNT LONG EXT ASM 12-13" W L	Left- 60D,70D,70D HEMI - 12-13" W- LONG
1F,2C,3-14B,15	108008	AAA BNT LONG EXT ASM 14 -15" W L	Left- 60D,70D,70D HEMI - 14-15" W- LONG
1F,2D,3-14C,15	108010	AAA BNT LONG EXT ASM 16 -17" W L	Left- 60D,70D,70D HEMI - 16-17" W- LONG
1F,2E,3-14D,15	108012	AAA BNT LONG EXT ASM 18 -22" W L	Left- 60D,70D,70D HEMI - 18-22" W- LONG
>>>>		70° "V" HANGERS - MED EXT - RIGHT	
1G,2A,3-15	111546	AAA V MED EXT ASM 10-11" W R	Right- 70D V hangers only 10-11" W- MED
1G,2B,3-15	111548	AAA V MED EXT ASM 12-13" W R	Right- 70D V hangers only 12-13" W- MED
1G,2C,3-15	108015	AAA V MED EXT ASM 14 -15" W R	Right- 70D V hangers only 14-15" W- MED
1G,2D,3-15	108017	AAA V MED EXT ASM 16 -17" W R	Right- 70D V hangers only 16-18" W- MED
1G,2E,3-15	108019	AAA V MED EXT ASM 18 -18" W R	Right- 70D V hangers only 18-22" W- MED
>>>>		70° "V" HANGERS - MED EXT - LEFT	
1G,2A,3-15	111547	AAA V MED EXT ASM 10-11" W L	Left- 70D V hangers only 10-11" W- MED
1G,2B,3-15	111549	AAA V MED EXT ASM 12-13" W L	Left- 70D V hangers only 12-13" W- MED
1G,2C,3-15	108022	AAA V MED EXT ASM 14 -15" W L	Left- 70D V hangers only 14-15" W- MED
1G,2D,3-15	108024	AAA V MED EXT ASM 16 -17" W L	Left- 70D V hangers only 16-18" W- MED
1G,2E,3-15	108026	AAA V MED EXT ASM 18 -22" W L	Left- 70D V hangers only 18-22" W- MED
>>>>		70° "V" HANGERS - LONG EXT - RIGHT	
1H,2A,3-15	111550	AAA V LONG EXT ASM 10-11" W R	Right- 70D V hangers only 10-11" W- LONG
1H,2B,3-15	111552	AAA V LONG EXT ASM 12-13" W R	Right- 70D V hangers only 12-13" W- LONG
1H,2C,3-15	108029	AAA V LONG EXT ASM 14 -15" W R	Right- 70D V hangers only 14-15" W- LONG
1H,2D,3-15	108031	AAA V LONG EXT ASM 16 -17" W R	Right- 70D V hangers only 16-18" W- LONG

Pos.	Item Number	Description	Remarks
1H,2E,3-15	108033	AAA V LONG EXT ASM 18 -22: W R	Right- 70D V hangers only 18-22" W- LONG
>>>>		70° "V" HANGERS - LONG EXT - LEFT	
1H,2A,3-15	111551	AAA V LONG EXT ASM 10-11" W L	Left- 70D V hangers only 10-11" W- LONG
1H,2B,3-15	111553	AAA V LONG EXT ASM 12-13" W L	Left- 70D V hangers only 12-13" W- LONG
1H,2C,3-15	108036	AAA V LONG EXT ASM 14 -15" W L	Left- 70D V hangers only 14-15" W- LONG
1H,2D,3-15	108038	AAA V LONG EXT ASM 16 -17" W L	Left- 70D V hangers only 16-18" W- LONG
1H,2E,3-15	108040	AAA V LONG EXT ASM 18 -22" W L	Left- 70D V hangers only 18-22" W- LONG
		Ship assembled part #	Use with multiple assemblies
	ASSY-HNG-FP	HANGER/FOOTPLATE ASSY REQUIRED	add with Hanger & Footplate kit

**Note:** Footplate Assemblies are set to footrest width; please see "Footplate Formula" table for seat width conversion.

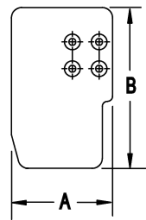
**Note:** Zippie Iris (ZRS&ZRSE) and Zippie TS (Z1A&Z1SE) only use Straight Extension Tube.

Note: V Style Hangers are not available on Swing Away Style chairs effective 7/14/14; see the "Prior To" ordering guide for V Style footplate assemblies.

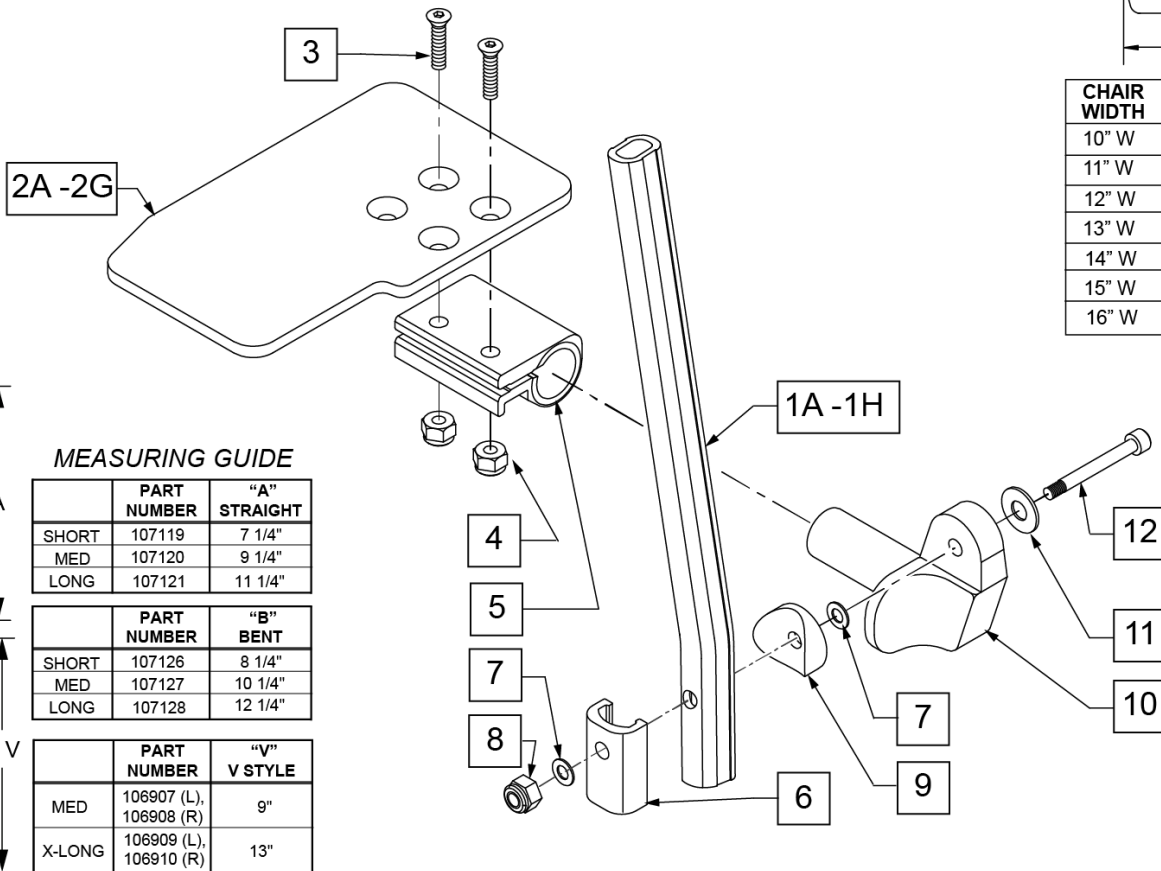
To have complete Footrest ship assembled, choose compatible Hanger + Footplate part numbers and add "ASSY-HNG-FP" to order

**FOOTPLATE FORMULA**  
 0" Inset (Seat Width) = Footrest Width  
 1" Inset (Seat Width) - 2 = Footrest Width  
 V Hanger (Seat Width) - 4 = Footrest Width  
 Offset Hanger Receiver (Seat Width) + 2" = Footrest Width

**MEASURING GUIDE**



CHAIR WIDTH	"A"	"B"
10" W	3.55"	6.00"
11" W	4.05"	6.00"
12" W	4.55"	6.00"
13" W	5.05"	6.00"
14" W	5.55"	6.00"
15" W	6.05"	6.00"
16" W	6.55"	6.00"



**MEASURING GUIDE**

	PART NUMBER	"A" STRAIGHT
SHORT	107119	7 1/4"
MED	107120	9 1/4"
LONG	107121	11 1/4"

	PART NUMBER	"B" BENT
SHORT	107126	8 1/4"
MED	107127	10 1/4"
LONG	107128	12 1/4"

	PART NUMBER	"V" V STYLE
MED	106907 (L), 106908 (R)	9"
X-LONG	106909 (L), 106910 (R)	13"

Pos.	Item Number	Description	Remarks
1A	107119	TUBE FOOTREST EXT STRAIGHT SHORT	80 deg hangers only
1B	107120	TUBE FOOTREST EXT STRAIGHT MED	80 deg hangers only
1C	107121	TUBE FOOTREST EXT STRAIGHT LONG	80 deg hangers only
1D	107126	TUBE FOOTREST EXT SHORT	60,70,70 Hemi Hangers
1E	107127	TUBE FOOTREST EXT MED	60,70,70 Hemi Hangers

Pos.	Item Number	Description	Remarks
1F	107128	TUBE FOOTREST EXT LONG	60,70,70 Hemi Hangers
1G	106907	EXT TUBE V ONLY D2 MED LEFT	70 deg V hangers only-LEFT
1G	106908	EXT TUBE V ONLY D2 MED RIGHT	70 deg V hangers only-RIGHT
1H	106909	EXT TUBE V ONLY D2 X-LONG LEFT	70 deg V hangers only-LEFT
1H	106910	EXT TUBE V ONLY D2 X-LONG RIGHT	70 deg V hangers only-RIGHT
2A	500635	KIDS ANGL ADJ F/PLT 10" R	RIGHT -10" Footrest Width
2A	500636	KIDS ANGL ADJ F/PLT 10" L	LEFT -10" Footrest Width
2B	500637	KIDS ANGL ADJ F/PLT 11" R	RIGHT -11" Footrest Width
2B	500638	KIDS ANGL ADJ F/PLT 11" L	LEFT -11" Footrest Width
2C	500639	KIDS ANGL ADJ F/PLT 12" R	RIGHT -12" Footrest Width
2C	500640	KIDS ANGL ADJ F/PLT 12" L	LEFT -12" Footrest Width
2D	500641	KIDS ANGL ADJ F/PLT 13" R	RIGHT -13" Footrest Width
2D	500642	KIDS ANGL ADJ F/PLT 13" L	LEFT -13" Footrest Width
2E	500643	KIDS ANGL ADJ F/PLT 14" R	RIGHT -14" Footrest Width
2E	500644	KIDS ANGL ADJ F/PLT 14" L	LEFT -14" Footrest Width
2F	500645	KIDS ANGL ADJ F/PLT 15" R	RIGHT -15" Footrest Width
2F	500646	KIDS ANGL ADJ F/PLT 15" L	LEFT -15" Footrest Width
2G	500647	KIDS ANGL ADJ F/PLT 16" R	RIGHT -16" Footrest Width
2G	500648	KIDS ANGL ADJ F/PLT 16" L	LEFT -16" Footrest Width
3	106978	FHCS 1/4 -28 x 7/8 ROHS	
4	106935	NUT NYLOCK THIN 1/4-28 ROHS	
5	550350	3/4" CLAMP ADJ FT PLT	
6	107199	HANGER EXTENSION SADDLE	
7	106944	WASHER FLAT THIN AN 1/4 ROHS	
8	132626	NUT AUTOMATION M6 x 1.0	
9	104377	3/4" SADDLE THIN	
10	541002	FOOTREST MOUNTING BRKT 3/8 RAD R	RIGHT
10	541003	FOOTREST MOUNTING BRKT 3/8 RAD L	LEFT
11	106945	WASHER FLAT SAE 1/4 ROHS	
12	104399	SHCS M6 x 1 x 45 12mm PART THD	
1A,2C,3-12	111310	KAA STRT SHT EXT ASM 12W R	RIGHT- 80D- 12 W- SHORT
1A,2D,3-12	111311	KAA STRT SHT EXT ASM 13W R	RIGHT- 80D- 13 W- SHORT
1A,2E,3-12	111312	KAA STRT SHT EXT ASM 14W R	RIGHT- 80D- 14 W- SHORT
1A,2F,3-12	111313	KAA STRT SHT EXT ASM 15W R	RIGHT- 80D- 15 W- SHORT
1A,2G,3-12	111314	KAA STRT SHT EXT ASM 16W R	RIGHT- 80D- 16 W- SHORT
1A,2C,3-12	111315	KAA STRT SHT EXT ASM 12W L	LEFT- 80D- 12 W- SHORT
1A,2D,3-12	111316	KAA STRT SHT EXT ASM 13W L	LEFT- 80D- 13 W- SHORT
1A,2E,3-12	111317	KAA STRT SHT EXT ASM 14W L	LEFT- 80D- 14 W- SHORT
1A,2F,3-12	111318	KAA STRT SHT EXT ASM 15W L	LEFT- 80D- 15 W- SHORT
1A,2G,3-12	111319	KAA STRT SHT EXT ASM 16W L	LEFT- 80D- 16 W- SHORT
1B,2C,3-12	111320	KAA STRT MED EXT ASM 12W R	RIGHT- 80D- 12 W- MED
1B,2D,3-12	111321	KAA STRT MED EXT ASM 13W R	RIGHT- 80D- 13 W- MED
1B,2E,3-12	111322	KAA STRT MED EXT ASM 14W R	RIGHT- 80D- 14 W- MED
1B,2F,3-12	111323	KAA STRT MED EXT ASM 15W R	RIGHT- 80D- 15 W- MED
1B,2G,3-12	111324	KAA STRT MED EXT ASM 16W R	RIGHT- 80D- 16 W- MED
1B,2C,3-12	111325	KAA STRT MED EXT ASM 12W L	LEFT- 80D- 12 W- MED
1B,2D,3-12	111326	KAA STRT MED EXT ASM 13W L	LEFT- 80D- 13 W- MED
1B,2E,3-12	111327	KAA STRT MED EXT ASM 14W L	LEFT- 80D- 14 W- MED
1B,2F,3-12	111328	KAA STRT MED EXT ASM 15W L	LEFT- 80D- 15 W- MED
1B,2G,3-12	111329	KAA STRT MED EXT ASM 16W L	LEFT- 80D- 16 W- MED
1C,2C,3-12	111330	KAA STRT LNG EXT ASM 12W R	RIGHT- 80D- 12 W- LONG
1C,2D,3-12	111331	KAA STRT LNG EXT ASM 13W R	RIGHT- 80D- 13 W- LONG
1C,2E,3-12	111332	KAA STRT LNG EXT ASM 14W R	RIGHT- 80D- 14 W- LONG
1C,2F,3-12	111333	KAA STRT LNG EXT ASM 15W R	RIGHT- 80D- 15 W- LONG
1C,2G,3-12	111334	KAA STRT LNG EXT ASM 16W R	RIGHT- 80D- 16 W- LONG
1C,2C,3-12	111335	KAA STRT LNG EXT ASM 12W L	LEFT- 80D- 12 W- LONG

Pos.	Item Number	Description	Remarks
1C,2D,3-12	111336	KAA STRT LNG EXT ASM 13W L	LEFT- 80D- 13 W- LONG
1C,2E,3-12	111337	KAA STRT LNG EXT ASM 14W L	LEFT- 80D- 14 W- LONG
1C,2F,3-12	111338	KAA STRT LNG EXT ASM 15W L	LEFT- 80D- 15 W- LONG
1C,2G,3-12	111339	KAA STRT LNG EXT ASM 16W L	LEFT- 80D- 16 W- LONG
1D,2C,3-12	111340	KAA BNT SHT EXT ASM 12W R	RIGHT- 60 & 70D- 12 W- SHORT
1D,2D,3-12	111341	KAA BNT SHT EXT ASM 13W R	RIGHT- 60 & 70D- 13 W- SHORT
1D,2E,3-12	111342	KAA BNT SHT EXT ASM 14W R	RIGHT- 60 & 70D- 14 W- SHORT
1D,2F,3-12	111343	KAA BNT SHT EXT ASM 15W R	RIGHT- 60 & 70D- 15 W- SHORT
1D,2G,3-12	111344	KAA BNT SHT EXT ASM 16W R	RIGHT- 60 & 70D- 16 W- SHORT
1D,2C,3-12	111345	KAA BNT SHT EXT ASM 12W L	LEFT- 70D- 12 W- SHORT
1D,2D,3-12	111346	KAA BNT SHT EXT ASM 13W L	LEFT- 70D- 13 W- SHORT
1D,2E,3-12	111347	KAA BNT SHT EXT ASM 14W L	LEFT- 70D- 14 W- SHORT
1D,2F,3-12	111348	KAA BNT SHT EXT ASM 15W L	LEFT- 70D- 15 W- SHORT
1D,2G,3-12	111349	KAA BNT SHT EXT ASM 16W L	LEFT- 70D- 16 W- SHORT
1E,2C,3-12	111350	KAA BNT MED EXT ASM 12W R	RIGHT- 70D- 12 W- MED
1E,2D,3-12	111351	KAA BNT MED EXT ASM 13W R	RIGHT- 70D- 13 W- MED
1E,2E,3-12	111352	KAA BNT MED EXT ASM 14W R	RIGHT- 60 & 70D- 14 W- MED
1E,2F,3-12	111353	KAA BNT MED EXT ASM 15W R	RIGHT- 60 & 70D- 15 W- MED
1E,2G,3-12	111354	KAA BNT MED EXT ASM 16W R	RIGHT- 60 & 70D- 16 W- MED
1E,2C,3-12	111355	KAA BNT MED EXT ASM 12W L	LEFT- 60 & 70D- 12 W- MED
1E,2D,3-12	111356	KAA BNT MED EXT ASM 13W L	LEFT- 60 & 70D- 13 W- MED
1E,2E,3-12	111357	KAA BNT MED EXT ASM 14W L	LEFT- 60 & 70D- 14 W- MED
1E,2F,3-12	111358	KAA BNT MED EXT ASM 15W L	LEFT- 60 & 70D- 15 W- MED
1E,2G,3-12	111359	KAA BNT MED EXT ASM 16W L	LEFT- 60 & 70D- 16 W- MED
1F,2C,3-12	111360	KAA BNT LNG EXT ASM 12W R	RIGHT- 60 & 70D- 12 W- LONG
1F,2D,3-12	111361	KAA BNT LNG EXT ASM 13W R	RIGHT- 60 & 70D- 13 W- LONG
1F,2E,3-12	111362	KAA BNT LNG EXT ASM 14W R	RIGHT- 60 & 70D- 14 W- LONG
1F,2F,3-12	111363	KAA BNT LNG EXT ASM 15W R	RIGHT- 60 & 70D- 15 W- LONG
1F,2G,3-12	111364	KAA BNT LNG EXT ASM 16W R	RIGHT- 60 & 70D- 16 W- LONG
1F,2C,3-12	111365	KAA BNT LNG EXT ASM 12W L	LEFT- 60 & 70D- 12 W- LONG
1F,2D,3-12	111366	KAA BNT LNG EXT ASM 13W L	LEFT- 60 & 70D- 13 W- LONG
1F,2E,3-12	111367	KAA BNT LNG EXT ASM 14W L	LEFT- 60 & 70D- 14 W- LONG
1F,2F,3-12	111368	KAA BNT LNG EXT ASM 15W L	LEFT- 60 & 70D- 15 W- LONG
1F,2G,3-12	111369	KAA BNT LNG EXT ASM 16W L	LEFT- 60 & 70D- 16 W- LONG
1G,2A,3-12	111370	KAA V MED EXT ASM 10W R	RIGHT- 70D V hangers only 10 W- MED
1G,2B,3-12	111371	KAA V MED EXT ASM 11W R	RIGHT- 70D V hangers only 11 W- MED
1G,2C,3-12	111372	KAA V MED EXT ASM 12W R	RIGHT- 70D V hangers only 12 W- MED
1G,2D,3-12	111373	KAA V MED EXT ASM 13W R	RIGHT- 70D V hangers only 13 W- MED
1G,2E,3-12	111374	KAA V MED EXT ASM 14W R	RIGHT- 70D V hangers only 14 W- MED
1G,2F,3-12	111375	KAA V MED EXT ASM 15W R	RIGHT- 70D V hangers only 15 W- MED
1G,2G,3-12	111376	KAA V MED EXT ASM 16W R	RIGHT- 70D V hangers only 16 W- MED
1G,2A,3-12	111377	KAA V MED EXT ASM 10W L	LEFT- 70D V hangers only 10 W- MED
1G,2B,3-12	111378	KAA V MED EXT ASM 11W L	LEFT- 70D V hangers only 11 W- MED
1G,2C,3-12	111379	KAA V MED EXT ASM 12W L	LEFT- 70D V hangers only 12 W- MED
1G,2D,3-12	111380	KAA V MED EXT ASM 13W L	LEFT- 70D V hangers only 13 W- MED
1G,2E,3-12	111381	KAA V MED EXT ASM 14W L	LEFT- 70D V hangers only 14 W- MED
1G,2F,3-12	111382	KAA V MED EXT ASM 15W L	LEFT- 70D V hangers only 15 W- MED
1G,2G,3-12	111383	KAA V MED EXT ASM 16W L	LEFT- 70D V hangers only 16 W- MED
1H,2A,3-12	111384	KAA V LNG EXT ASM 10W R	RIGHT- 70D V hangers only 10 W- LONG
1H,2B,3-12	111385	KAA V LNG EXT ASM 11W R	RIGHT- 70D V hangers only 11 W- LONG
1H,2C,3-12	111386	KAA V LNG EXT ASM 12W R	RIGHT- 70D V hangers only 12 W- LONG
1H,2D,3-12	111387	KAA V LNG EXT ASM 13W R	RIGHT- 70D V hangers only 13 W- LONG
1H,2E,3-12	111388	KAA V LNG EXT ASM 14W R	RIGHT- 70D V hangers only 14 W- LONG
1H,2F,3-12	111389	KAA V LNG EXT ASM 15W R	RIGHT- 70D V hangers only 15 W- LONG
1H,2G,3-12	111390	KAA V LNG EXT ASM 16W R	RIGHT- 70D V hangers only 16 W- LONG
1H,2A,3-12	111391	KAA V LNG EXT ASM 10W L	LEFT- 70D V hangers only 10 W- LONG

Pos.	Item Number	Description	Remarks
1H,2B,3-12	111392	KAA V LNG EXT ASM 11W L	LEFT- 70D V hangers only 11 W- LONG
1H,2C,3-12	111393	KAA V LNG EXT ASM 12W L	LEFT- 70D V hangers only 12 W- LONG
1H,2D,3-12	111394	KAA V LNG EXT ASM 13W L	LEFT- 70D V hangers only 13 W- LONG
1H,2E,3-12	111395	KAA V LNG EXT ASM 14W L	LEFT- 70D V hangers only 14 W- LONG
1H,2F,3-12	111396	KAA V LNG EXT ASM 15W L	LEFT- 70D V hangers only 15 W- LONG
1H,2G,3-12	111397	KAA V LNG EXT ASM 16W L	LEFT- 70D V hangers only 16 W- LONG
		Ship assembled part #	Use with multiple assemblies
	ASSY-HNG-FP	HANGER/FOOTPLATE ASSY REQUIRED	add with Hanger & Footplate kit

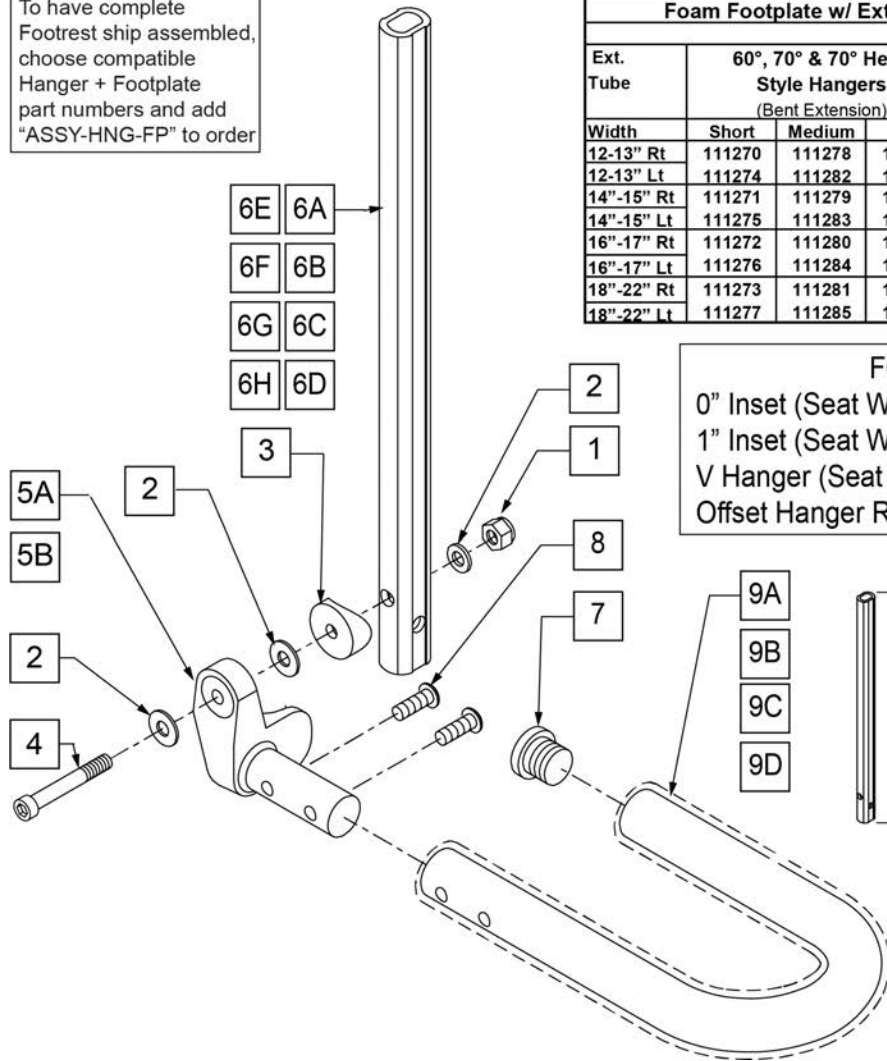
**Note:** Footplate Assemblies are set to footrest width; please see "Footplate Formula" table for seat width conversion.

Note: V Style Hangers are not available on Swing Away Style chairs effective 7/14/14; see the "Prior To" ordering guide for V Style footplate assemblies.

To have complete Footrest ship assembled, choose compatible Hanger + Footplate part numbers and add "ASSY-HNG-FP" to order

Foam Footplate w/ Ext. for Swing I/O Hangers -leg strap not included								
(Order 1 each)								
Ext. Tube	60°, 70° & 70° Hemi Style Hangers (Bent Extension)			80° Style hanger (Straight Extension)			70° V Style Hangers	
	Short	Medium	Long	Short	Medium	Long	Medium	Long
12-13" Rt	111270	111278	111286	111246	111254	111262	111294	111302
12-13" Lt	111274	111282	111290	111250	111258	111266	111298	111306
14"-15" Rt	111271	111279	111287	111247	111255	111263	111295	111303
14"-15" Lt	111275	111283	111291	111251	111259	111267	111299	111307
16"-17" Rt	111272	111280	111288	111248	111256	111264	111296	111304
16"-17" Lt	111276	111284	111292	111252	111260	111268	111300	111308
18"-22" Rt	111273	111281	111289	111249	111257	111265	111297	111305
18"-22" Lt	111277	111285	111293	111253	111261	111269	111301	111309

**FOOTPLATE FORMULA**  
 0" Inset (Seat Width) = Footrest Width  
 1" Inset (Seat Width) -2 = Footrest Width  
 V Hanger (Seat Width) -4 = Footrest Width  
 Offset Hanger Receiver (Seat Width) +2" = Footrest Width



**MEASURING GUIDE**

	PART NUMBER	"A" STRAIGHT
SHORT	107119	7 1/4"
MED	107120	9 1/4"
LONG	107121	11 1/4"

	PART NUMBER	"B" BENT
SHORT	107126	8 1/4"
MED	107127	10 1/4"
LONG	107128	12 1/4"

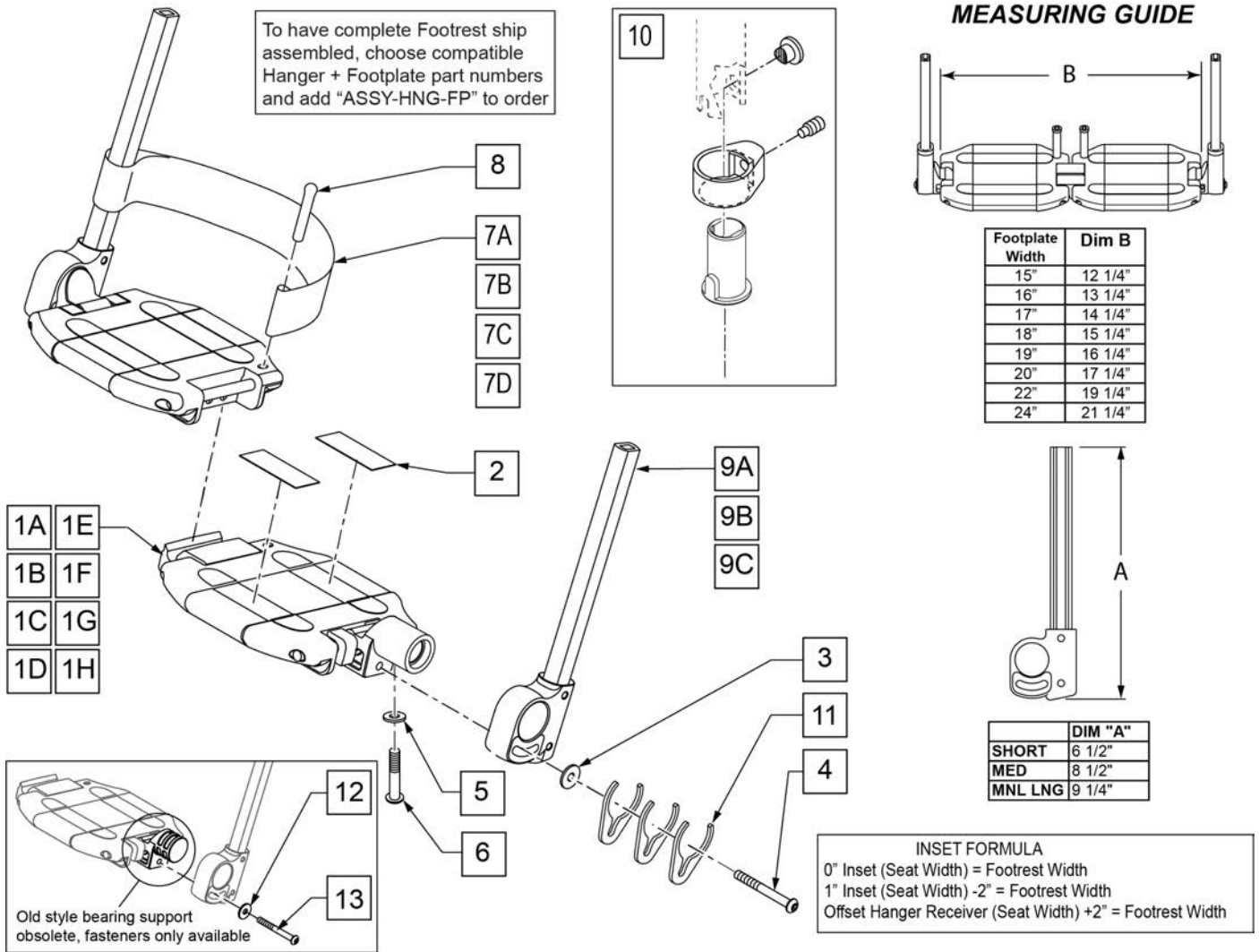
	PART NUMBER	"V" V STYLE
MED	106907 (L), 106908 (R)	9"
X-LONG	106909 (L), 106910 (R)	13"

Pos.	Item Number	Description	Remarks
1	132626	NUT AUTOMATION M6 X 1.0	
2	107383	WASHER FLAT M6 ROHS	
3	561055	3/4" SADDLE 1" OD	
4	104399	SHCS M6X1X45 12 MM PART THD	
5	541002	FTRST MOUNTING BRKT-3/8 RAD R	RIGHT
5	541003	FTRST MOUNTING BRKT-3/8 RAD L	LEFT
6A	107119	SHORT STRAIGHT	80 deg Hangers only
6B	107120	MED STRAIGHT	80 deg Hangers only
6C	107121	LONG STRAIGHT	80 deg Hangers only



Pos.	Item Number	Description	Remarks
6D	107126	SHORT BENT	60,70,70 Hemi Hangers
6E	107127	MED BENT	60,70,70 Hemi Hangers
6F	107128	LONG BENT	60,70,70 Hemi Hangers
6G	106907	EXT TUBE V ONLY D2 MED L	70 deg V Hangers only-LEFT
6G	106908	EXT TUBE V ONLY D2 MED R	70 deg V Hangers only-RIGHT
6H	106909	EXT TUBE V ONLY D2 X-LONG L	70 deg V Hangers only-LEFT
6H	106910	EXT TUBE V ONLY D2 X-LONG R	70 deg V Hangers only-RIGHT
7	560735	7/8" ROUND TUBE PLUG	
8	226168	1/4-28 X .875 BH C/S	
5,7-9A	820422	FT REST LOOP 12 RIGHT	RIGHT 12-13" Footrest Width
5,7-9A	820423	FT REST LOOP 12 LEFT	LEFT 12-13" Footrest Width
5,7-9B	820424	FT REST LOOP 14 RIGHT	RIGHT 14-15" Footrest Width
5,7-9B	820425	FT REST LOOP 14 LEFT	LEFT 14-15" Footrest Width
5,7-9C	820426	FT REST LOOP 16 RIGHT	RIGHT 16-17" Footrest Width
5,7-9C	820427	FT REST LOOP 16 LEFT	LEFT 16-17" Footrest Width
5,7-9D	820428	FT REST LOOP 18 RIGHT	RIGHT 18-19" Footrest Width
5,7-9D	820429	FT REST LOOP 18 LEFT	LEFT 16-19" Footrest Width
1-5,6A,7-8,9A	111246	FOAM STRT SHT EXT ASM 12W R	RIGHT- 80D- 12"-13" W- SHORT
1-5,6A,7-8,9B	111247	FOAM STRT SHT EXT ASM 14W R	RIGHT- 80D- 14"-15" W- SHORT
1-5,6A,7-8,9C	111248	FOAM STRT SHT EXT ASM 16W R	RIGHT- 80D- 16"-17" W- SHORT
1-5,6A,7-8,9D	111249	FOAM STRT SHT EXT ASM 18W R	RIGHT- 80D- 18"-22" W- SHORT
1-5,6A,7-8,9A	111250	FOAM STRT SHT EXT ASM 12W L	LEFT- 80D- 12"-13" W- SHORT
1-5,6A,7-8,9B	111251	FOAM STRT SHT EXT ASM 14W L	LEFT- 80D- 14"-15" W- SHORT
1-5,6A,7-8,9C	111252	FOAM STRT SHT EXT ASM 16W L	LEFT- 80D- 16"-17" W- SHORT
1-5,6A,7-8,9D	111253	FOAM STRT SHT EXT ASM 18W L	LEFT- 80D- 18"-22" W- SHORT
1-5,6B,7-8,9A	111254	FOAM STRT MED EXT ASM 12W R	RIGHT- 80D- 12"-13" W- MED
1-5,6B,7-8,9B	111255	FOAM STRT MED EXT ASM 14W R	RIGHT- 80D- 14"-15" W- MED
1-5,6B,7-8,9C	111256	FOAM STRT MED EXT ASM 16W R	RIGHT- 80D- 16"-17" W- MED
1-5,6B,7-8,9D	111257	FOAM STRT MED EXT ASM 18W R	RIGHT- 80D- 18"-22" W- MED
1-5,6B,7-8,9A	111258	FOAM STRT MED EXT ASM 12W L	LEFT- 80D- 12"-13" W- MED
1-5,6B,7-8,9B	111259	FOAM STRT MED EXT ASM 14W L	LEFT- 80D- 14"-15" W- MED
1-5,6B,7-8,9C	111260	FOAM STRT MED EXT ASM 16W L	LEFT- 80D- 16"-17" W- MED
1-5,6B,7-8,9D	111261	FOAM STRT MED EXT ASM 18W L	LEFT- 80D- 18"-22" W- MED
1-5,6C,7-8,9A	111262	FOAM STRT LNG EXT ASM 12W R	RIGHT- 80D- 12"-13" W- LONG
1-5,6C,7-8,9B	111263	FOAM STRT LNG EXT ASM 14W R	RIGHT- 80D- 14"-15" W- LONG
1-5,6C,7-8,9C	111264	FOAM STRT LNG EXT ASM 16W R	RIGHT- 80D- 16"-17" W- LONG
1-5,6C,7-8,9D	111265	FOAM STRT LNG EXT ASM 18W R	RIGHT- 80D- 18"-22" W- LONG
1-5,6C,7-8,9A	111266	FOAM STRT LNG EXT ASM 12W L	LEFT- 80D- 12"-13" W- LONG
1-5,6C,7-8,9B	111267	FOAM STRT LNG EXT ASM 14W L	LEFT- 80D- 14"-15" W- LONG
1-5,6C,7-8,9C	111268	FOAM STRT LNG EXT ASM 16W L	LEFT- 80D- 16"-17" W- LONG
1-5,6C,7-8,9D	111269	FOAM STRT LNG EXT ASM 18W L	LEFT- 80D- 18"-22" W- LONG
1-5,6D,7-8,9A	111270	FOAM BNT SHT EXT ASM 12W R	RIGHT- 70D- 12"-13" W- SHORT
1-5,6D,7-8,9B	111271	FOAM BNT SHT EXT ASM 14W R	RIGHT- 70D- 14"-15" W- SHORT
1-5,6D,7-8,9C	111272	FOAM BNT SHT EXT ASM 16W R	RIGHT- 70D- 16"-17" W- SHORT
1-5,6D,7-8,9D	111273	FOAM BNT SHT EXT ASM 18W R	RIGHT- 70D- 18"-22" W- SHORT
1-5,6D,7-8,9A	111274	FOAM BNT SHT EXT ASM 12W L	LEFT- 70D- 12"-13" W- SHORT
1-5,6D,7-8,9B	111275	FOAM BNT SHT EXT ASM 14W L	LEFT- 70D- 14"-15" W- SHORT
1-5,6D,7-8,9C	111276	FOAM BNT SHT EXT ASM 16W L	LEFT- 70D- 16"-17" W- SHORT
1-5,6D,7-8,9D	111277	FOAM BNT SHT EXT ASM 18W L	LEFT- 70D- 18"-22" W- SHORT
1-5,6E,7-8,9A	111278	FOAM BNT MED EXT ASM 12W R	RIGHT- 70D- 12"-13" W- MED
1-5,6E,7-8,9B	111279	FOAM BNT MED EXT ASM 14W R	RIGHT- 70D- 14"-15" W- MED
1-5,6E,7-8,9C	111280	FOAM BNT MED EXT ASM 16W R	RIGHT- 70D- 16"-17" W- MED
1-5,6E,7-8,9D	111281	FOAM BNT MED EXT ASM 18W R	RIGHT- 70D- 18"-22" W- MED
1-5,6E,7-8,9A	111282	FOAM BNT MED EXT ASM 12W L	LEFT- 70D- 12"-13" W- MED
1-5,6E,7-8,9B	111283	FOAM BNT MED EXT ASM 14W L	LEFT- 70D- 14"-15" W- MED
1-5,6E,7-8,9C	111284	FOAM BNT MED EXT ASM 16W L	LEFT- 70D- 16"-17" W- MED

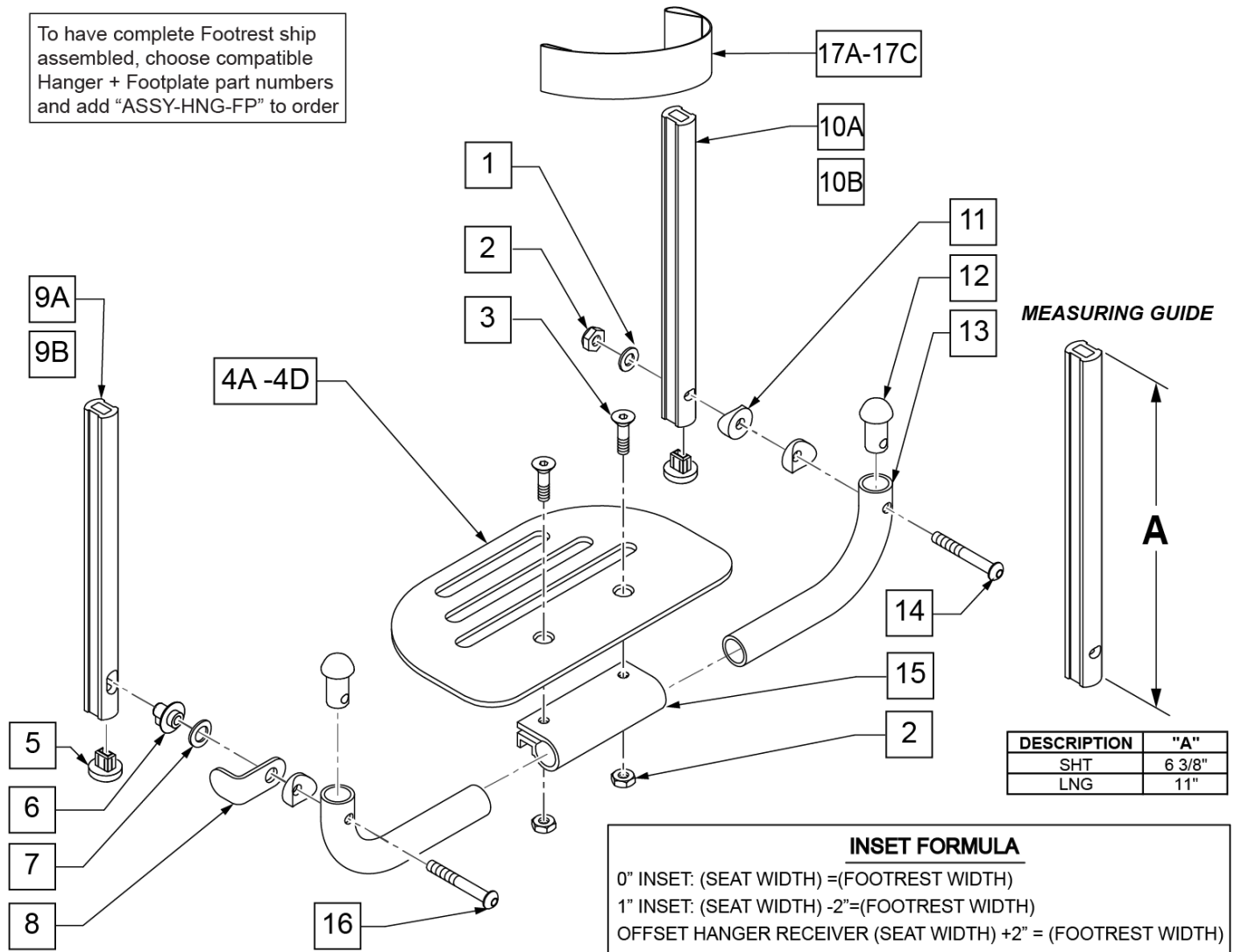
Pos.	Item Number	Description	Remarks
1-5,6E,7-8,9D	111285	FOAM BNT MED EXT ASM 18W L	LEFT- 70D- 18"-22" W- MED
1-5,6F,7-8,9A	111286	FOAM BNT LNG EXT ASM 12W R	RIGHT- 70D- 12"-13" W- LONG
1-5,6F,7-8,9B	111287	FOAM BNT LNG EXT ASM 14W R	RIGHT- 70D- 14"-15" W- LONG
1-5,6F,7-8,9C	111288	FOAM BNT LNG EXT ASM 16W R	RIGHT- 70D- 16"-17" W- LONG
1-5,6F,7-8,9D	111289	FOAM BNT LNG EXT ASM 18W R	RIGHT- 70D- 18"-22" W- LONG
1-5,6F,7-8,9A	111290	FOAM BNT LNG EXT ASM 12W L	LEFT- 70D- 12"-13" W- LONG
1-5,6F,7-8,9B	111291	FOAM BNT LNG EXT ASM 14W L	LEFT- 70D- 14"-15" W- LONG
1-5,6F,7-8,9C	111292	FOAM BNT LNG EXT ASM 16W L	LEFT- 70D- 16"-17" W- LONG
1-5,6F,7-8,9D	111293	FOAM BNT LNG EXT ASM 18W L	LEFT- 70D- 18"-22" W- LONG
1-5,6G,7-8,9A	111294	FOAM V MED EXT ASM 12W R	RIGHT- 70D V Hangers only 12"-13" W- MED
1-5,6G,7-8,9B	111295	FOAM V MED EXT ASM 14W R	RIGHT- 70D V Hangers only 14"-15" W- MED
1-5,6G,7-8,9C	111296	FOAM V MED EXT ASM 16W R	RIGHT- 70D V Hangers only 16"-17" W- MED
1-5,6G,7-8,9D	111297	FOAM V MED EXT ASM 18W R	RIGHT- 70D V Hangers only 18"-22" W- MED
1-5,6G,7-8,9A	111298	FOAM V MED EXT ASM 12W L	LEFT- 70D V Hangers only 12"-13" W- MED
1-5,6G,7-8,9B	111299	FOAM V MED EXT ASM 14W L	LEFT- 70D V Hangers only 14"-15" W- MED
1-5,6G,7-8,9C	111300	FOAM V MED EXT ASM 16W L	LEFT- 70D V Hangers only 16"-17" W- MED
1-5,6G,7-8,9D	111301	FOAM V MED EXT ASM 18W L	LEFT- 70D V Hangers only 18"-22" W- MED
1-5,6H,7-8,9A	111302	FOAM V LNG EXT ASM 12W R	RIGHT- 70D V Hangers only 12"-13" W- LONG
1-5,6H,7-8,9B	111303	FOAM V LNG EXT ASM 14W R	RIGHT- 70D V Hangers only 14"-15" W- LONG
1-5,6H,7-8,9C	111304	FOAM V LNG EXT ASM 16W R	RIGHT- 70D V Hangers only 16"-17" W- LONG
1-5,6H,7-8,9D	111305	FOAM V LNG EXT ASM 18W R	RIGHT- 70D V Hangers only 18"-22" W- LONG
1-5,6H,7-8,9A	111306	FOAM V LNG EXT ASM 12W L	LEFT- 70D V Hangers only 12"-13" W- LONG
1-5,6H,7-8,9B	111307	FOAM V LNG EXT ASM 14W L	LEFT- 70D V Hangers only 14"-15" W- LONG
1-5,6H,7-8,9C	111308	FOAM V LNG EXT ASM 16W L	LEFT- 70D V Hangers only 16"-17" W- LONG
1-5,6H,7-8,9D	111309	FOAM V LNG EXT ASM 18W L	LEFT- 70D V Hangers only 18"-22" W- LONG
		Ship assembled part #	Use with multiple assemblies
	ASSY-HNG-FP	HANGER/FOOTPLATE ASSY REQUIRED	add with Hanger & Footplate kit



Pos.	Item Number	Description	Remarks
2	360010	FOOT BOARD SKID TAPE	
3	250070	M6 WASHER	
4	210000	M6 x 55 8.8 BUTTON HD CAP SCRW	
5	106944	1/4 AN WASHER FLAT THIN	
6	106958	1/4-20 x 1 HEX C/S	
7A	741151	HEEL LOOP 14-15 CMPST EA 13.24 44	15" Footrest Width
7B	741156	HEEL LOOP 18-20 CMPST HEMI	16 -17" Footrest Width
7C	741153	HEEL LOOP 18-20 CMPST/14-15 ANG ADJ	18 -20" Footrest Width
7D	741253	HEEL LOOP ADLT ADJ F/PLT 18-20	21 & 22" Footrest Width
8	561040	HEEL LOOP PEG	
9A	109780	EXT TUBE PLTFRM SMALL ASSM	SMALL EXT
9B	109781	EXT TUBE PLTFRM MEDIUM ASSM	MEDIUM EXT
9C	109782	EXT TUBE PLTFRM LONG ASSM	LONG EXT
10	107485	FOOTREST CLAMP ASSM	
1A,2-7A,8,11	820620	LOCKING FTPLT 15" W LEFT	Left -15" Footrest Width
1A,2-7A,8,11	820621	LOCKING FTPLT 15" W RIGHT	Right -15" Footrest Width
1B,2-7B,8,11	820622	LOCKING FTPLT 16" W LEFT	Left -16" Footrest Width
1B,2-7B,8,11	820623	LOCKING FTPLT 16" W RIGHT	Right -16" Footrest Width

Pos.	Item Number	Description	Remarks
1C,2-7B,8,11	820624	LOCKING FTPLT 17" W LEFT	Left -17" Footrest Width
1C,2-7B,8,11	820625	LOCKING FTPLT 17" W RIGHT	Right -17" Footrest Width
1D,2-7C,8,11	820626	LOCKING FTPLT 18" W LEFT	Left -18" Footrest Width
1D,2-7C,8,11	820627	LOCKING FTPLT 18" W RIGHT	Right -18" Footrest Width
1E,2-7C,8,11	820628	LOCKING FTPLT 19" W LEFT	Left -19" Footrest Width
1E,2-7C,8,11	820629	LOCKING FTPLT 19" W RIGHT	Right -19" Footrest Width
1F,2-7C,8,11	820630	LOCKING FTPLT 20" W LEFT	Left -20" Footrest Width
1F,2-7C,8,11	820631	LOCKING FTPLT 20" W RIGHT	Right -20" Footrest Width
1H,2-7D,8,11	820632	LOCKING FTPLT 22" W LEFT	Left -22" Footrest Width
1H,2-7D,8,11	820633	LOCKING FTPLT 22" W RIGHT	Right -22" Footrest Width
		FOOTPLATE W/ SMALL EXT	
1A,2-7A,8,9A,11	109783	15" W LOCKING F/PLT SMALL EXT HL	Small Ext 15" Footrest Width
1B,2-7B,8,9A,11	109787	16" W LOCKING F/PLT SMALL EXT HL	Small Ext 16" Footrest Width
1C,2-7B,8,9A,11	109790	17" W LOCKING F/PLT SMALL EXT HL	Small Ext 17" Footrest Width
1D,2-7C,8,9A,11	109793	18" W LOCKING F/PLT SMALL EXT HL	Small Ext 18" Footrest Width
1E,2-7C,8,9A,11	109796	19" W LOCKING F/PLT SMALL EXT HL	Small Ext 19" Footrest Width
1F,2-7C,8,9A,11	109799	20" W LOCKING F/PLT SMALL EXT HL	Small Ext 20" Footrest Width
1G,2-7D,8,9A,11	109802	21" W LOCKING F/PLT SMALL EXT HL	Small Ext 21" Footrest Width
1H,2-7D,8,9A,11	109805	22" W LOCKING F/PLT SMALL EXT HL	Small Ext 22" Footrest Width
		FOOTPLATE W/ MED EXT	
1A,2-7A,8,9B,11	109784	15" W LOCKING F/PLT MED EXT HL	Med Ext 15" Footrest Width
1B,2-7B,8,9B,11	109788	16" W LOCKING F/PLT MED EXT HL	Med Ext 16" Footrest Width
1C,2-7B,8,9B,11	109791	17" W LOCKING F/PLT MED EXT HL	Med Ext 17" Footrest Width
1D,2-7C,8,9B,11	109794	18" W LOCKING F/PLT MED EXT HL	Med Ext 18" Footrest Width
1E,2-7C,8,9B,11	109797	19" W LOCKING F/PLT MED EXT HL	Med Ext 19" Footrest Width
1F,2-7C,8,9B,11	109800	20" W LOCKING F/PLT MED EXT HL	Med Ext 20" Footrest Width
1G,2-7D,8,9B,11	109803	21" W LOCKING F/PLT MED EXT HL	Med Ext 21" Footrest Width
1H,2-7D,8,9B,11	109806	22" W LOCKING F/PLT MED EXT HL	Med Ext 22" Footrest Width
		FOOTPLATE W/ LONG EXT	
1A,2-7A,8,9C,11	109786	15" W LOCKING F/PLT LONG EXT HL	Long Ext 15" Footrest Width
1B,2-7B,8,9C,11	109789	16" W LOCKING F/PLT LONG EXT HL	Long Ext 16" Footrest Width
1C,2-7B,8,9C,11	109792	17" W LOCKING F/PLT LONG EXT HL	Long Ext 17" Footrest Width
1D,2-7C,8,9C,11	109795	18" W LOCKING F/PLT LONG EXT HL	Long Ext 18" Footrest Width
1E,2-7C,8,9C,11	109798	19" W LOCKING F/PLT LONG EXT HL	Long Ext 19" Footrest Width
1F,2-7C,8,9C,11	109801	20" W LOCKING F/PLT LONG EXT HL	Long Ext 20" Footrest Width
1G,2-7D,8,9C,11	109804	21" W LOCKING F/PLT LONG EXT HL	Long Ext 21" Footrest Width
1H,2-7D,8,9C,11	109807	22" W LOCKING F/PLT LONG EXT HL	Long Ext 22" Footrest Width
		Ship assembled part #	Use with multiple assemblies
	ASSY-HNG-FP	HANGER/FOOTPLATE ASSY REQUIRED	add with Hanger & Footplate kit
12	250070	M6 WASHER	
13	210000	M6 x 55 8.8 BUTTON HD CAP SCRW	

To have complete Footrest ship assembled, choose compatible Hanger + Footplate part numbers and add "ASSY-HNG-FP" to order



Pos.	Item Number	Description	Remarks
1	106944	WASHER FLAT THIN AN 1/4 ROHS	
2	106941	NUT AUTOMATION 1/4-28 ROHS	
3	106978	FHCS 1/4-28 X 7/8 ROHS	
4A	500651	PLATFORM F/PLT 8 x 5 1/2"	12 -14" Footrest Width
4B	500652	PLATFORM F/PLT 10" x 5 1/2"	15 -17" Footrest Width
4C	500653	PLATFORM F/PLT 12" x 5 1/2"	18 -20" Footrest Width
4D	500654	PLATFORM F/PLT 14" x 5 1/2"	21 -22" Footrest Width
5	113221	PLUG DOUBLE D EXT TUBE	
6	540410	F/UP FOOTREST KEY STUD D2	
7	107385	WASHER CURVED 3/8 ROHS	
8	505078	FOOTREST RETAINING BRACKET	
9A	106875	EXT TBE F/UP KEY SHT	Short -Latch Side
9B	106876	EXT TBE F/UP KEY LNG	Long -Latch Side
10A	106873	EXT TBE F/UP SLT SHT	Short -Pivot Side
10B	106874	EXT TBE F/UP SLT LNG	Long -Pivot Side
11	561003	3/4" SADDLE THIN	
12	561034	SHORT DOME PLUG	

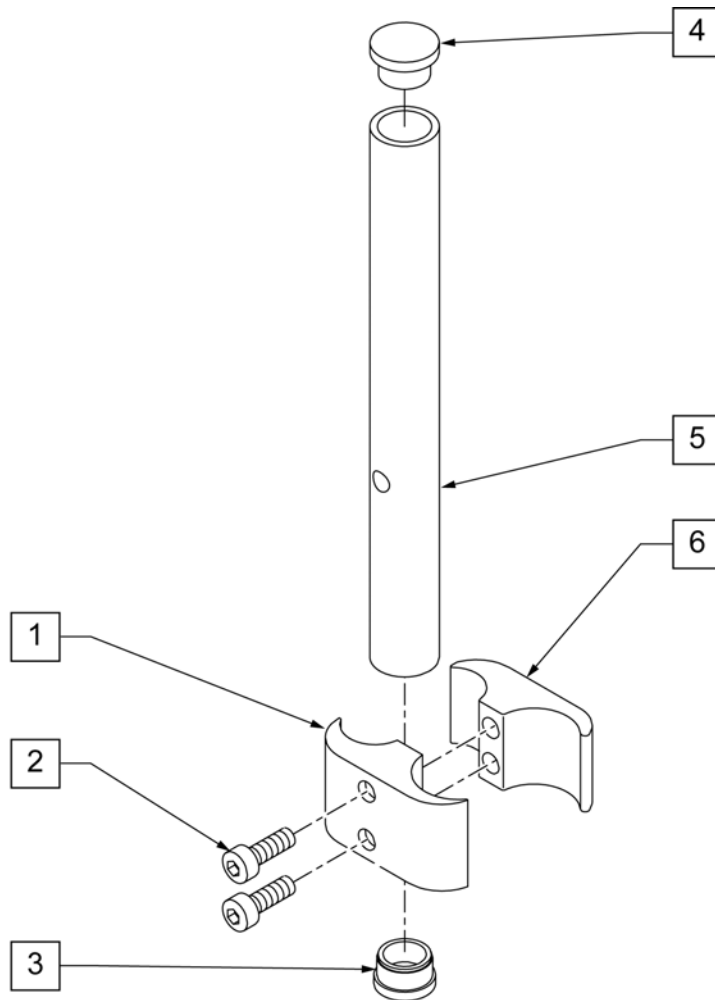
Pos.	Item Number	Description	Remarks
14	106964	BHCS 1/4-28 X 2 ROHS	
15	550351	PLATFORM FOOTPLATE CLAMP	
16	107027	BHCS 1/4-28 X 1-1/4 SHLDR ROHS	
17A	740130	LEG STRAP 10"-14" BLK	12-14" Footrest Width
17B	740131	LEG STRAP 15"-17" BLK	15-17" Footrest Width
17C	740132	LEG STRAP 18"-20" BLK	18-20" Footrest Width
1-4A,6-8,11-16	900306	PLTFM F/P PLT BLK 12" D2 W/ INSTR	12" Footrest Width
1-4A,6-8,11-16	900307	PLTFM F/P PLT BLK 13" D2 W/ INSTR	13" Footrest Width
1-4A,6-8,11-16	900308	PLTFM F/P PLT BLK 14" D2 W /INSTR	14" Footrest Width
1-4B,6-8,11-16	900309	PLTFM F/P PLT BLK 15" D2 W /INSTR	15" Footrest Width
1-4B,6-8,11-16	900310	PLTFM F/P PLT BLK 16" D2 W /INSTR	16" Footrest Width
1-4B,6-8,11-16	900311	PLTFM F/P PLT BLK 17" D2 W /INSTR	17" Footrest Width
1-4C,6-8,11-16	900312	PLTFM F/P PLT BLK 18" D2 W /INSTR	18" Footrest Width
1-4C,6-8,11-16	900313	PLTFM F/P PLT BLK 19" D2 W /INSTR	19" Footrest Width
1-4C,6-8,11-16	900314	PLTFM F/P PLT BLK 20" D2 W/ INSTR	20" Footrest Width
1-4D,6-8,11-16	900315	PLTFM F/P PLT BLK 21" D2 W/ INSTR	21" Footrest Width
1-4D,6-8,11-16	900316	PLTFM F/P PLT BLK 22" D2 W/ INSTR	22" Footrest Width
		SHORT EXT ASSEMBLIES	
1-3,4A,5-8,9A,10B,11-16,17A	108043	PLTFRM FLIP FTRST SHT 12W	12" wide (Short)
1-3,4A,5-8,9A,10B,11-16,17A	108044	PLTFRM FLIP FTRST SHT 13W	13" wide (Short)
1-3,4A,5-8,9A,10B,11-16,17A	108045	PLTFRM FLIP FTRST SHT 14W	14" wide (Short)
1-3,4B,5-8,9A,10B,11-16,17B	108046	PLTFRM FLIP FTRST SHT 15W	15" wide (Short)
1-3,4B,5-8,9A,10B,11-16,17B	108047	PLTFRM FLIP FTRST SHT 16W	16" wide (Short)
1-3,4B,5-8,9A,10B,11-16,17B	108048	PLTFRM FLIP FTRST SHT 17W	17" wide (Short)
1-3,4C,5-8,9A,10B,11-16,17C	108049	PLTFRM FLIP FTRST SHT 18W	18" wide (Short)
1-3,4C,5-8,9A,10B,11-16,17C	108051	PLTFRM FLIP FTRST SHT 19W	19" wide (Short)
1-3,4C,5-8,9A,10B,11-16,17C	108052	PLTFRM FLIP FTRST SHT 20W	20" wide (Short)
1-3,4D,5-8,9A,10B,11-16,17C	111554	PLTFRM FLIP FTRST SHT 21W	21" wide (Short)
1-3,4D,5-8,9A,10B,11-16,17C	111555	PLTFRM FLIP FTRST SHT 22W	22" wide (Short)
		LONG EXT ASSEMBLIES	
1-3,4A,5-8,9B,10A,11-16,17A	108053	PLTFRM FLIP FTRST LONG 12W	12" wide (Long)
1-3,4A,5-8,9B,10A,11-16,17A	108054	PLTFRM FLIP FTRST LONG 13W	13" wide (Long)
1-3,4A,5-8,9B,10A,11-16,17A	108055	PLTFRM FLIP FTRST LONG 14W	14" wide (Long)
1-3,4B,5-8,9B,10A,11-16,17B	108056	PLTFRM FLIP FTRST LONG 15W	15" wide (Long)
1-3,4B,5-8,9B,10A,11-16,17B	108057	PLTFRM FLIP FTRST LONG 16W	16" wide (Long)
1-3,4B,5-8,9B,10A,11-16,17B	108058	PLTFRM FLIP FTRST LONG 17W	17" wide (Long)
1-3,4C,5-8,9B,10A,11-16,17C	108059	PLTFRM FLIP FTRST LONG 18W	18" wide (Long)
1-3,4C,5-8,9B,10A,11-16,17C	108060	PLTFRM FLIP FTRST LONG 19W	19" wide (Long)
1-3,4C,5-8,9B,10A,11-16,17C	108061	PLTFRM FLIP FTRST LONG 20W	20" wide (Long)
1-3,4D,5-8,9B,10A,11-16,17C	111556	PLTFRM FLIP FTRST LONG 21W	21" wide (Long)
1-3,4D,5-8,9B,10A,11-16,17C	111557	PLTFRM FLIP FTRST LONG 22W	22" wide (Long)
		Ship assembled part #	Use with multiple assemblies
	ASSY-HNG-FP	HANGER/FOOTPLATE ASSY REQUIRED	add with Hanger & Footplate kit

**NOTE:** only available with Adult Angle Adjustable (AAA) or Kids Angle Adjustable (KAA) Footplates.

**NOTE:** if retrofitting to an existing chair with Front Mount Hangers, new Adult Angle Adjustable (AAA) or Kids Angle Adjustable (KAA) Footplates with High Mount Extension Tubes are required. See Footplate Ordering Guide.

**NOTE:** if retrofitting to an existing chair with extension tube mounted hangers (D2 extension tubes) with Adult Angle Adjustable (AAA) or Kids Angle Adjustable (KAA) Footplates, order 2 each of 226167 and 561055 to mount the footplates onto the round high-mount extension tubes.

**NOTE:** if retrofitting on a chair with extension tube mounted hangers with Composite, Composite Angle Adjustable, Foam, Locking Angle Adjustable, Platform Flip-Up, or Platform Flip-Up Locking Footplates, then new Adult Angle Adjustable (AAA) or Kids Angle Adjustable (KAA) Footplates with High Mount Extension Tubes are required. See Footplate Ordering Guide.

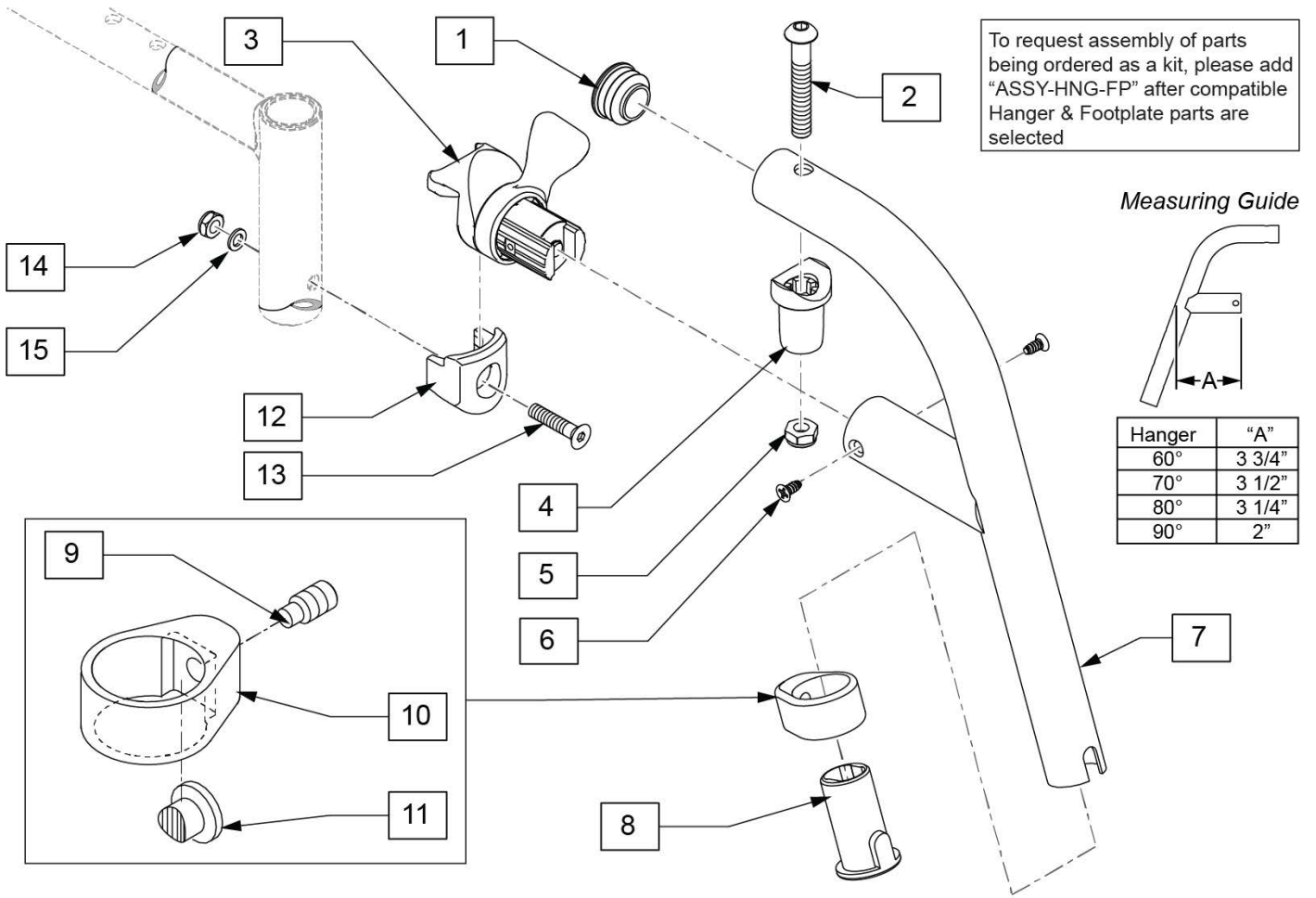


Pos.	Item Number	Description	Remarks
1	550657	CLAMP 1 1/4" RECESS FULL BLK	
2	107032	SHCS 1/4-28 X 1 ROHS	
3	561000-QU	3/4" INSERT PLUG .083	
4	482016	HIGH-MOUNT FL FT TUBE PLUG	
5	524100	H/M FL FT EXT TUBE BLK	
6	550658	CLAMP 1 1/4" THREADED BLK	
1,2,6	880538	HI-MOUNT FR CLAMP ASSEMBLY BLK	
1-6	921550S	H/M FL FT CLAMPS AND TUBES (PR)	Pair



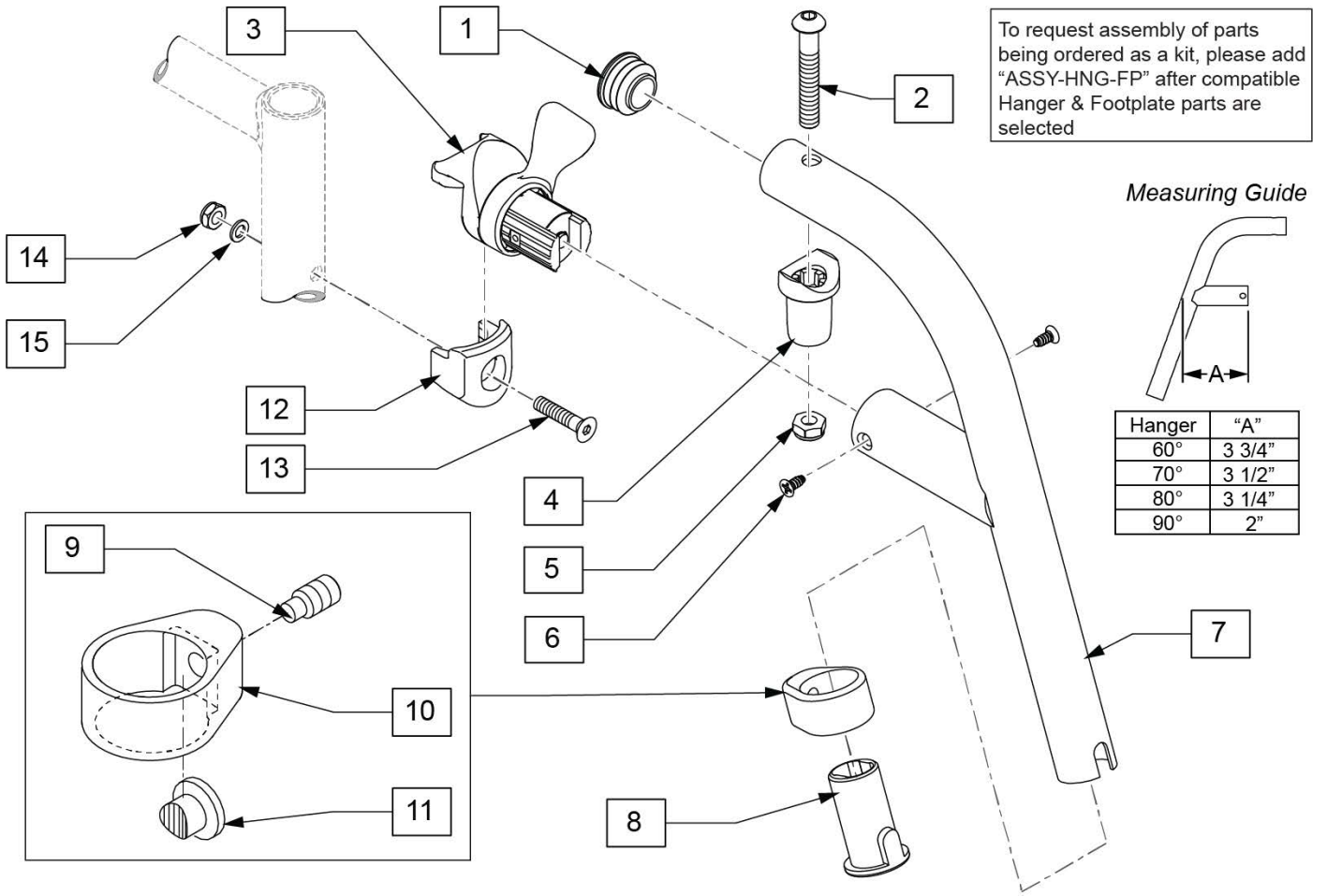
60 DEG SWING IN/OUT HANGER

[08/20/2019]

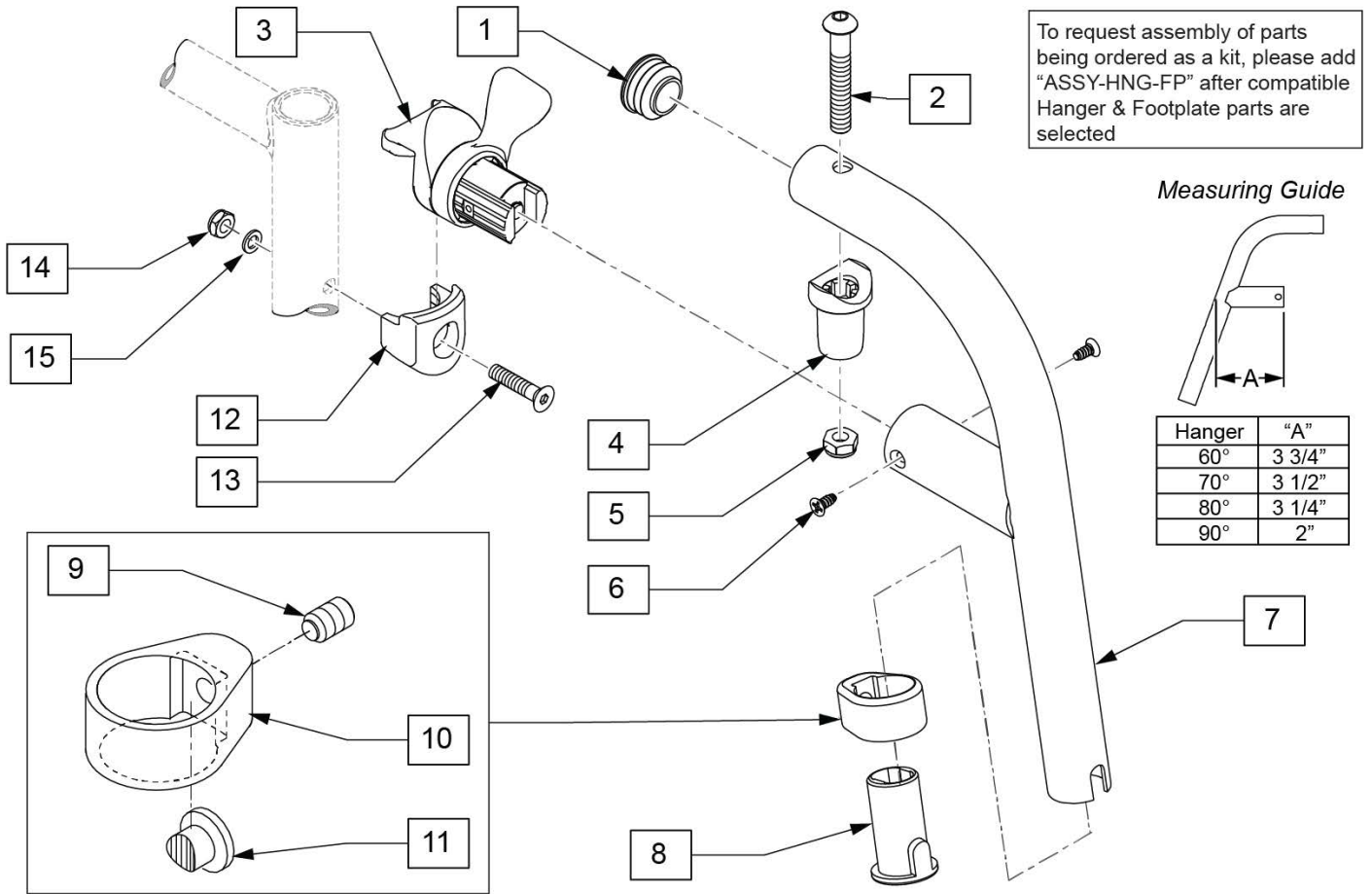


Pos.	Item Number	Description	Remarks
1	561062	1" INSERT PLUG .065 RIBS	
8	104160	BUSHING FOOTREST	
13	103500-010	FHCSM6X1X35FULLNP	
14	104381	NUT HEX NYLOCK M6X1.0	
15	104414	WAVE WASHER 6 MM	
1,2,4,5	119518	PIVOT SADDLE KIT	
3,6	119509	HANGER LATCH ASSM W/HDWR L	Left
3,6	119510	HANGER LATCH ASSM W/HDWR R	Right
1-11	122699S	60 D SWING I/O HNGR PNTD L	
1-11	122700S	60 D SWING I/O HNGR PNTD R	
8-11	107485	FOOTREST CLAMP ASSM	
12-15	119514	LATCH RECEIVER KIT	
		Ship assembled part #	Use with multiple assemblies
	ASSY-HNG-FP	HANGER/FOOTPLATE ASSY REQUIRED	add with Hanger & Footplate kit

**70 DEG SWING IN/OUT HANGER**

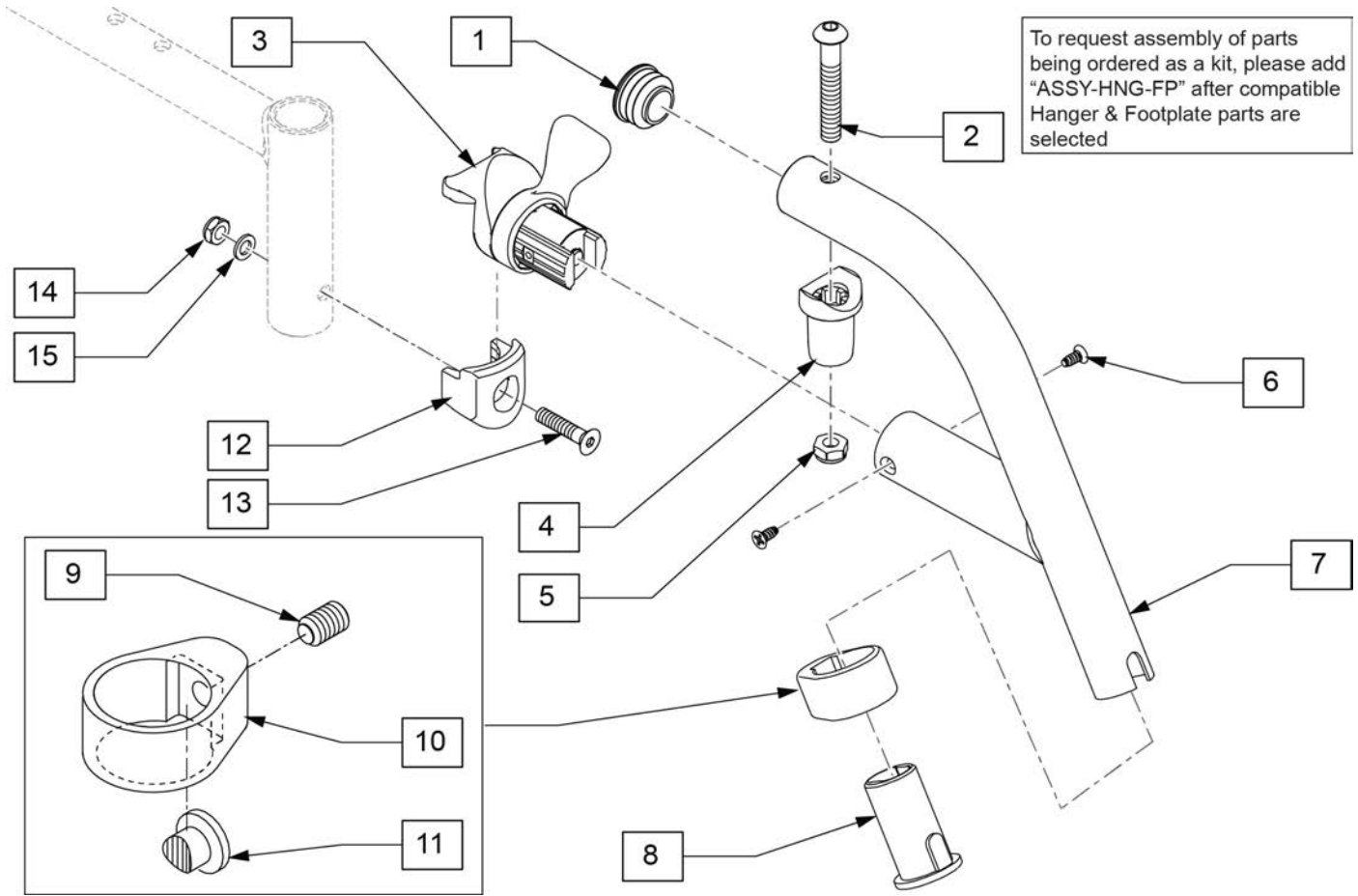


Pos.	Item Number	Description	Remarks
1	561062	1" INSERT PLUG .065 RIBS	
8	104160	BUSHING FOOTREST	
13	103500-010	FHCSM6X1X35FULLNP	
14	104381	NUT HEX NYLOCK M6X1.0	
15	104414	WAVE WASHER 6 MM	
1,2,4,5	119518	PIVOT SADDLE KIT	
3,6	119509	HANGER LATCH ASSM W/HDWR L	Left
3,6	119510	HANGER LATCH ASSM W/HDWR R	Right
1-11	119458S	70 D SWING I/O HNGR PNTD L	Left
1-11	119459S	70 D SWING I/O HNGR PNTD R	Right
8-11	107485	FOOTREST CLAMP ASSM	
12-15	119514	LATCH RECEIVER KIT	
		Ship assembled part #	Use with multiple assemblies
	ASSY-HNG-FP	HANGER/FOOTPLATE ASSY REQUIRED	add with Hanger & Footplate kit



Pos.	Item Number	Description	Remarks
1	561062	1" INSERT PLUG .065 RIBS	
8	104160	BUSHING FOOTREST	
13	103500-010	FHCSM6X1X35FULLNP	
14	104381	NUT HEX NYLOCK M6X1.0	
15	104414	WAVE WASHER 6 MM	
1,2,4,5	119518	PIVOT SADDLE KIT	
3,6	119509	HANGER LATCH ASSM W/HDWR L	Left
3,6	119510	HANGER LATCH ASSM W/HDWR R	Right
1-11	119466S	80 D SWING I/O HNGR PNTD L	Left
1-11	119467S	80 D SWING I/O HNGR PNTD R	Right
8-11	107485	FOOTREST CLAMP ASSM	
12-15	119514	LATCH RECEIVER KIT	
		Ship assembled part #	Use with multiple assemblies
	ASSY-HNG-FP	HANGER/FOOTPLATE ASSY REQUIRED	add with Hanger & Footplate kit

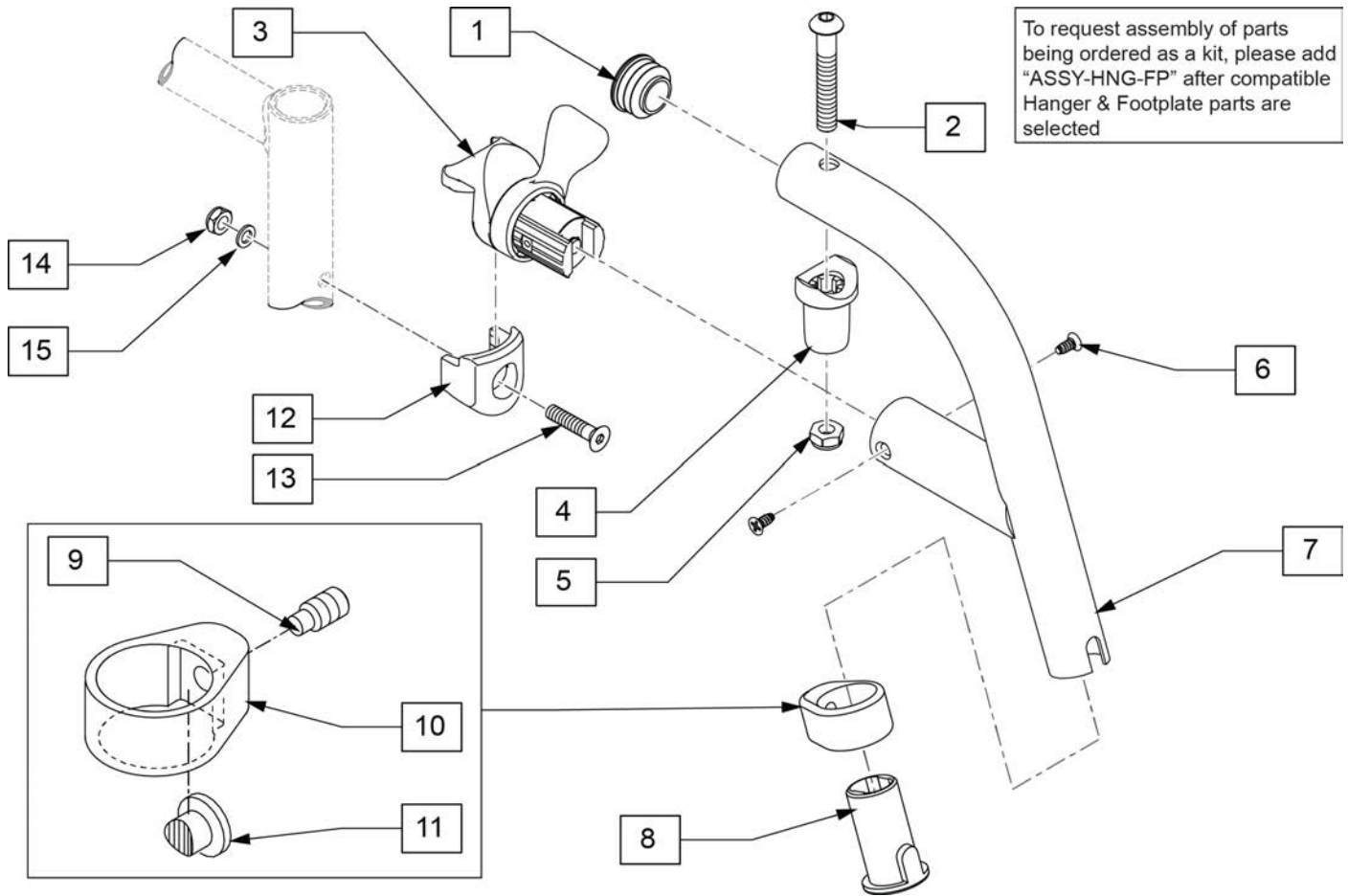
60 DEG SWING IN/OUT HEMI HANGER



Pos.	Item Number	Description	Remarks
1	561062	1" INSERT PLUG .065 RIBS	
2	226217	5/16-18 X 2" BH C/S BLK	
4	561197	PLASTIC PIVOT SADDLE	
5	202102	5/16-18 NYLOCK NUT THIN	
6	118695	#8 LOW FLT HD TAP SCREW	
8	104160	BUSHING FOOTREST	
13	103500-010	FHCSM6X1X35FULLNP	
14	104381	NUT HEX NYLOCK M6X1.0	
15	104414	WAVE WASHER 6 MM	
1,2,4,5	119518	PIVOT SADDLE KIT	
3,6	119510	HANGER LATCH ASSM W/HDWR R	Right
3,6	119509	HANGER LATCH ASSM W/HDWR L	Left
1-11	129702S	60 D SWING HANGER HEMI R	Right
1-11	129703S	60 D SWING HANGER HEMI L	Left
8-11	107485	FOOTREST CLAMP ASSM	
12-15	119514	LATCH RECEIVER KIT	
		Ship assembled part #	Use with multiple assemblies
	ASSY-HNG-FP	HANGER/FOOTPLATE ASSY REQUIRED	add with Hanger & Footplate kit

70 DEG SWING IN/OUT HEMI HANGER

[07/2014]



Pos.	Item Number	Description	Remarks
1	561062	1" INSERT PLUG .065 RIBS	
2	226217	5/16-18 X 2" BH C/S BLK	
4	561197	PLASTIC PIVOT SADDLE	
5	202102	5/16-18 NYLOCK NUT THIN	
6	118695	#8 LOW FLT HD TAP SCREW	
8	104160	BUSHING FOOTREST	
13	103500-010	FHCSM6X1X35FULLNP	
14	104381	NUT HEX NYLOCK M6X1.0	
15	104414	WAVE WASHER 6 MM	
1,2,4,5	119518	PIVOT SADDLE KIT	
3,6	119510	HANGER LATCH ASSM W/HDWR R	Right
3,6	119509	HANGER LATCH ASSM W/HDWR L	Left
1-11	129704S	70 D SWING HANGER HEMI R	Right
1-11	129705S	70 D SWING HANGER HEMI L	Left
8-11	107485	FOOTREST CLAMP ASSM	
12-15	119514	LATCH RECEIVER KIT	
		Ship assembled part #	Use with multiple assemblies
	ASSY-HNG-FP	HANGER/FOOTPLATE ASSY REQUIRED	add with Hanger & Footplate kit

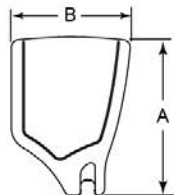
**Note:** Footplate Assemblies are set to footrest width; please see "Footplate Formula" table for seat width conversion.

Note: If using Short Ext Tube & Hemi Hanger with Composite Footplate use 1G (bent) .

Note: V Style Hangers are not available on Swing Away Style chairs effective 7/14/14; see the "Prior To" ordering guide for V Style footplate assemblies.

Note: see Informations Panel for appropriate ordering guide; for QX Series or SR45 footplate replacement parts see ordering guide marked specifically for these two models.

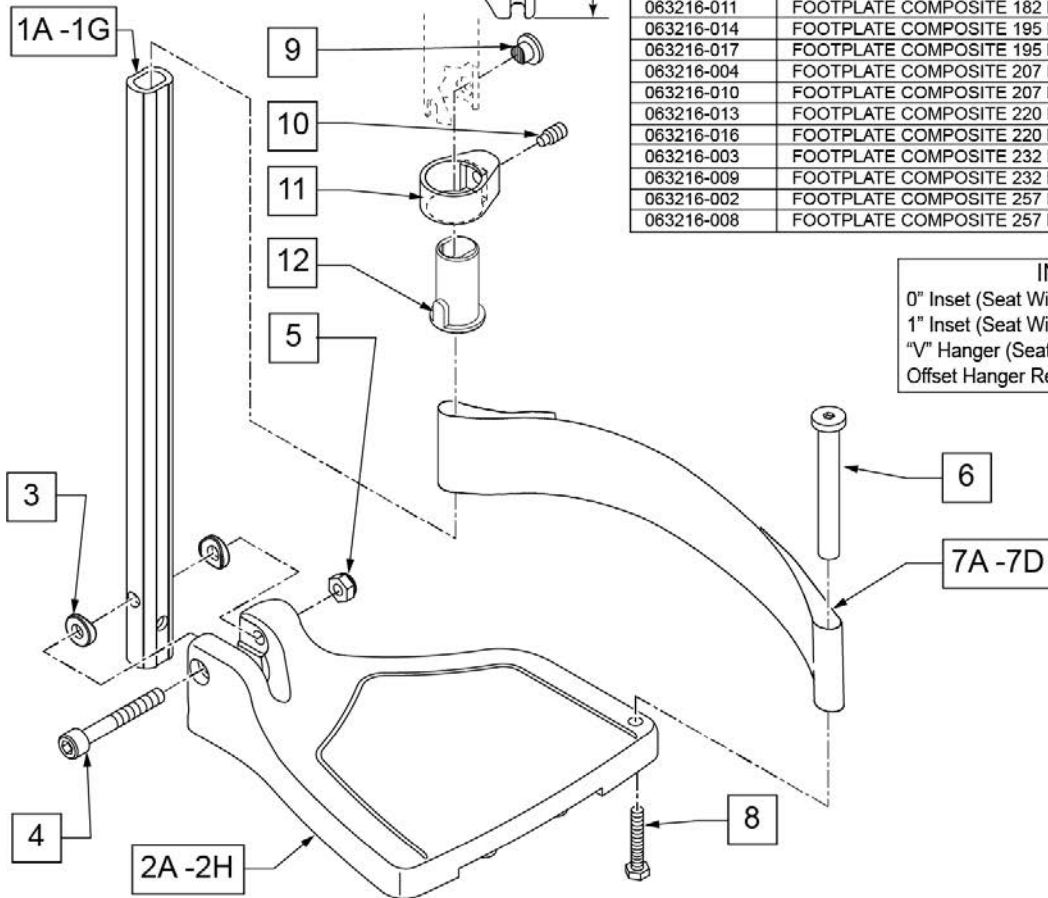
To have complete Footrest ship assembled, choose compatible Hanger + Footplate part numbers and add "ASSY-HNG-FP" to order



**FOOTPLATE MEASURING GUIDE**

PART NO	DESCRIPTION	"A"	"B"
063216-006	FOOTPLATE COMPOSITE 157 R (13"W)	6 1/8"	6"
063216-012	FOOTPLATE COMPOSITE 157 L (13"W)	6 1/8"	6"
063216-015	FOOTPLATE COMPOSITE 170 R (14"W)	6 5/8"	6"
063216-018	FOOTPLATE COMPOSITE 170 L (14"W)	6 5/8"	6"
063216-005	FOOTPLATE COMPOSITE 182 R (15"W)	7 1/8"	6"
063216-011	FOOTPLATE COMPOSITE 182 L (15"W)	7 1/8"	6"
063216-014	FOOTPLATE COMPOSITE 195 R (16"W)	7 5/8"	6"
063216-017	FOOTPLATE COMPOSITE 195 L (16"W)	7 5/8"	6"
063216-004	FOOTPLATE COMPOSITE 207 R (17"W)	8 1/8"	6"
063216-010	FOOTPLATE COMPOSITE 207 L (17"W)	8 1/8"	6"
063216-013	FOOTPLATE COMPOSITE 220 R (18"W)	8 5/8"	6 1/4"
063216-016	FOOTPLATE COMPOSITE 220 L (18"W)	8 5/8"	6 1/4"
063216-003	FOOTPLATE COMPOSITE 232 R (19-20"W)	9 1/8"	6 1/4"
063216-009	FOOTPLATE COMPOSITE 232 L (19-20"W)	9 1/8"	6 1/4"
063216-002	FOOTPLATE COMPOSITE 257 R (21-22"W)	10 1/8"	6 1/4"
063216-008	FOOTPLATE COMPOSITE 257 L (21-22"W)	10 1/8"	6 1/4"

**INSET FORMULA**  
 0" Inset (Seat Width) = Footrest Width  
 1" Inset (Seat Width) -2" = Footrest Width  
 "V" Hanger (Seat Width) -4" = Footrest Width  
 Offset Hanger Receiver (Seat Width) +2" = Footrest Width



Pos.	Item Number	Description	Remarks
1A,3-5	120660	SHT STRT EXT COMP HDWR	80 deg hangers + ELR only
1B,3-5	120661	MED STRT EXT COMP HDWR	80 deg hangers + ELR only
1C,3-5	120662	LNG STRT EXT COMP HDWR	80 deg hangers + ELR only
1D,3-5	120663	SHT BNT EXT COMP HDWR	60,70,70 Hemi Hangers
1E,3-5	120664	MED BNT EXT COMP HDWR	60,70,70 Hemi Hangers
1F,3-5	120665	LNG BNT EXT COMP HDWR	60,70,70 Hemi Hangers
1G	128078	TUBE FOOTREST EXT SHT HEMI	use for Hemi Ext Tube option
2A	063216-006	COMPOSITE FOOTPLATE RIGHT	RIGHT 13" Footrest Width
2A	063216-012	COMPOSITE FOOTPLATE LEFT	LEFT 13" Footrest Width
2B	063216-015	FOOTPLATE COMPOSITE RIGHT	RIGHT 14" Footrest Width
2B	063216-018	FOOTPLATE COMPOSITE LEFT	LEFT 14" Footrest Width
2C	063216-005	COMPOSITE FOOTPLATE RIGHT	RIGHT 15" Footrest Width
2C	063216-011	COMPOSITE FOOTPLATE LEFT	LEFT 15" Footrest Width
2D	063216-014	FOOTPLATE COMPOSITE RIGHT	RIGHT 16" Footrest Width
2D	063216-017	FOOTPLATE COMPOSITE LEFT	LEFT 16" Footrest Width
2E	063216-004	COMPOSITE FOOTPLATE RIGHT	RIGHT 17" Footrest Width
2E	063216-010	COMPOSITE FOOTPLATE LEFT	LEFT 17" Footrest Width
2F	063216-013	FOOTPLATE COMPOSITE RIGHT	RIGHT 18" Footrest Width
2F	063216-016	FOOTPLATE COMPOSITE LEFT	LEFT 18" Footrest Width
2G	063216-003	COMPOSITE FOOTPLATE RIGHT	RIGHT 19" & 20" Footrest Width
2G	063216-009	COMPOSITE FOOTPLATE LEFT	LEFT 19" & 20" Footrest Width
2H	063216-002	FOOTPLATE COMPOSITE RIGHT	RIGHT 21" & 22" Footrest Width
2H	063216-008	FOOTPLATE COMPOSITE LEFT	LEFT 21" & 22" Footrest Width
3	104377	3/4" SADDLE THIN	
4	103175	SHCS M6 X 1 X 40 INORG	
5	132626	NUT AUTOMATION M6 X 1.0	Inserted in bottom of footplate.
6	104328	HEEL LOOP PEG	
7A	104380-001	ADJUSTABLE FOOT REST STRAP	14" wide
7B	104380-002	ADJUSTABLE FOOT REST STRAP	15-16" wide
7C	104380-003	ADJUSTABLE FOOT REST STRAP	17-18" wide
7D	104380-004	ADJUSTABLE FOOT REST STRAP	19-22" wide
8	102268-001	HHCS M6 X 1 X 25	
12	104160	BUSHING FOOTREST	
9-12	107485	FOOTREST CLAMP ASSM	
>>>>		80 DEGREE HANGERS - SHORT EXT - RIGHT	
1A,2A,3-6,7A,8	107704	COMP STRT SHT EXT ASM 13"W R	Right- 80D- 13" W- SHORT
1A,2B,3-6,7A,8	107705	COMP STRT SHT EXT ASM 14"W R	Right- 80D- 14" W- SHORT
1A,2C,3-6,7B,8	107706	COMP STRT SHT EXT ASM 15"W R	Right- 80D- 15" W- SHORT
1A,2D,3-6,7B,8	107707	COMP STRT SHT EXT ASM 16"W R	Right- 80D- 16" W- SHORT
1A,2E,3-6,7C,8	107708	COMP STRT SHT EXT ASM 17"W R	Right- 80D- 17" W- SHORT
1A,2F,3-6,7C,8	107709	COMP STRT SHT EXT ASM 18"W R	Right- 80D- 18" W- SHORT
1A,2G,3-6,7D,8	107710	COMP STRT SHT EXT ASM 19 & 20"W R	Right- 80D- 19 & 20" W- SHORT
1A,2H,3-6,7D,8	111522	COMP STRT SHT EXT ASM 21 & 22"W R	Right- 80D- 21 & 22" W- SHORT
>>>>		80 DEGREE HANGERS - SHORT EXT - LEFT	
1A,2A,3-6,7A,8	107711	COMP STRT SHT EXT ASM 13"W L	LEFT- 80D- 13" W- SHORT
1A,2B,3-6,7A,8	107712	COMP STRT SHT EXT ASM 14"W L	LEFT- 80D- 14" W- SHORT
1A,2C,3-6,7B,8	107713	COMP STRT SHT EXT ASM 15"W L	LEFT- 80D- 15" W- SHORT
1A,2D,3-6,7B,8	107714	COMP STRT SHT EXT ASM 16"W L	LEFT- 80D- 16" W- SHORT
1A,2E,3-6,7C,8	107715	COMP STRT SHT EXT ASM 17"W L	LEFT- 80D- 17" W- SHORT
1A,2F,3-6,7C,8	107716	COMP STRT SHT EXT ASM 18"W L	LEFT- 80D- 18" W- SHORT
1A,2G,3-6,7D,8	107717	COMP STRT SHT EXT ASM 19 & 20"W L	LEFT- 80D- 19 & 20" W- SHORT
1A,2H,3-6,7D,8	111523	COMP STRT SHT EXT ASM 21 & 22"W L	LEFT- 80D- 21 & 22" W- SHORT
>>>>		80 DEGREE HANGERS - MED EXT - RIGHT	
1B,2A,3-6,7A,8	107718	COMP STRT MED EXT ASM 13"W R	Right- 80D- 13" W- MED
1B,2B,3-6,7A,8	107719	COMP STRT MED EXT ASM 14"W R	Right- 80D- 14" W- MED
1B,2C,3-6,7B,8	107720	COMP STRT MED EXT ASM 15"W R	Right- 80D- 15" W- MED

Pos.	Item Number	Description	Remarks
1B,2D,3-6,7B,8	107721	COMP STRT MED EXT ASM 16"W R	Right- 80D- 16" W- MED
1B,2E,3-6,7C,8	107722	COMP STRT MED EXT ASM 17"W R	Right- 80D- 17" W- MED
1B,2F,3-6,7C,8	107723	COMP STRT MED EXT ASM 18"W R	Right- 80D- 18" W- MED
1B,2G,3-6,7D,8	107724	COMP STRT MED EXT ASM 19 & 20"W R	Right- 80D- 19 & 20" W- MED
1B,2H,3-6,7D,8	111524	COMP STRT MED EXT ASM 21 & 22"W R	Right- 80D- 21 & 22" W- MED
>>>>		80 DEGREE HANGERS - MED EXT - LEFT	
1B,2A,3-6,7A,8	107725	COMP STRT MED EXT ASM 13"W L	LEFT- 80D- 13" W- MED
1B,2B,3-6,7A,8	107726	COMP STRT MED EXT ASM 14"W L	LEFT- 80D- 14" W- MED
1B,2C,3-6,7B,8	107727	COMP STRT MED EXT ASM 15"W L	LEFT- 80D- 15" W- MED
1B,2D,3-6,7B,8	107728	COMP STRT MED EXT ASM 16"W L	LEFT- 80D- 16" W- MED
1B,2E,3-6,7C,8	107729	COMP STRT MED EXT ASM 17"W L	LEFT- 80D- 17" W- MED
1B,2F,3-6,7C,8	107730	COMP STRT MED EXT ASM 18"W L	LEFT- 80D- 18" W- MED
1B,2G,3-6,7D,8	107731	COMP STRT MED EXT ASM 19 & 20"W L	LEFT- 80D- 19 & 20" W- MED
1B,2H,3-6,7D,8	111525	COMP STRT MED EXT ASM 21 & 22"W L	LEFT- 80D- 21 & 22" W- MED
>>>>		80 DEGREE HANGERS - LONG EXT - RIGHT	
1C,2A,3-6,7A,8	107732	COMP STRT LONG EXT ASM 13"W R	Right- 80D- 13" W- LONG
1C,2B,3-6,7A,8	107733	COMP STRT LONG EXT ASM 14"W R	Right- 80D- 14" W- LONG
1C,2C,3-6,7B,8	107734	COMP STRT LONG EXT ASM 15"W R	Right- 80D- 15" W- LONG
1C,2D,3-6,7B,8	107735	COMP STRT LONG EXT ASM 16"W R	Right- 80D- 16" W- LONG
1C,2E,3-6,7C,8	107736	COMP STRT LONG EXT ASM 17"W R	Right- 80D- 17" W- LONG
1C,2F,3-6,7C,8	107737	COMP STRT LONG EXT ASM 18"W R	Right- 80D- 18" W- LONG
1C,2G,3-6,7D,8	107738	COMP STRT LONG EXT ASM 19 & 20"W R	Right- 80D- 19 & 20" W- LONG
1C,2H,3-6,7D,8	111526	COMP STRT LONG EXT ASM 21 & 22"W R	Right- 80D- 21 & 22" W- LONG
>>>>		80 DEGREE HANGERS - LONG EXT - LEFT	
1C,2A,3-6,7A,8	107739	COMP STRT LONG EXT ASM 13"W L	LEFT- 80D- 13" W- LONG
1C,2B,3-6,7A,8	107740	COMP STRT LONG EXT ASM 14"W L	LEFT- 80D- 14" W- LONG
1C,2C,3-6,7B,8	107741	COMP STRT LONG EXT ASM 15"W L	LEFT- 80D- 15" W- LONG
1C,2D,3-6,7B,8	107742	COMP STRT LONG EXT ASM 16"W L	LEFT- 80D- 16" W- LONG
1C,2E,3-6,7C,8	107743	COMP STRT LONG EXT ASM 17"W L	LEFT- 80D- 17" W- LONG
1C,2F,3-6,7C,8	107744	COMP STRT LONG EXT ASM 18"W L	LEFT- 80D- 18" W- LONG
1C,2G,3-6,7D,8	107745	COMP STRT LONG EXT ASM 19 & 20"W L	LEFT- 80D- 19 & 20" W- LONG
1C,2H,3-6,7D,8	111527	COMP STRT LONG EXT ASM 21 & 22"W L	LEFT- 80D- 21 & 22" W- LONG
>>>>		60°,70° SHORT EXT - RIGHT	
1D,2A,3-6,7A,8	107746	COMP BNT SHT EXT ASM 13" W R	Right- 70D- 13" W- SHORT
1D,2B,3-6,7A,8	107747	COMP BNT SHT EXT ASM 14" W R	Right- 70D- 14" W- SHORT
1D,2C,3-6,7B,8	107748	COMP BNT SHT EXT ASM 15" W R	Right- 70D- 15" W- SHORT
1D,2D,3-6,7B,8	107749	COMP BNT SHT EXT ASM 16" W R	Right- 70D- 16" W- SHORT
1D,2E,3-6,7C,8	107750	COMP BNT SHT EXT ASM 17" W R	Right- 70D- 17" W- SHORT
1D,2F,3-6,7C,8	107751	COMP BNT SHT EXT ASM 18" W R	Right- 70D- 18" W- SHORT
1D,2G,3-6,7D,8	107752	COMP BNT SHT EXT ASM 19 & 20"W R	Right- 70D- 19 & 20" W- SHORT
1D,2H,3-6,7D,8	111528	COMP BNT SHT EXT ASM 21 & 22"W R	Right- 70D- 21 & 22" W- SHORT
>>>>		60°,70° - SHORT EXT - LEFT	
1D,2A,3-6,7A,8	107753	COMP BNT SHT EXT ASM 13" W L	Left- 70D- 13 W- SHORT
1D,2B,3-6,7A,8	107754	COMP BNT SHT EXT ASM 14" W L	Left- 70D- 14 W- SHORT
1D,2C,3-6,7B,8	107755	COMP BNT SHT EXT ASM 15" W L	Left- 70D- 15 W- SHORT
1D,2D,3-6,7B,8	107756	COMP BNT SHT EXT ASM 16" W L	Left- 70D- 16 W- SHORT
1D,2E,3-6,7C,8	107757	COMP BNT SHT EXT ASM 17" W L	Left- 70D- 17 W- SHORT
1D,2F,3-6,7C,8	107758	COMP BNT SHT EXT ASM 18" W L	Left- 70D- 18 W- SHORT
1D,2G,3-6,7D,8	107759	COMP BNT SHT EXT ASM 19 & 20"W L	Left- 70D- 19 & 20" W- SHORT
1D,2H,3-6,7D,8	111529	COMP BNT SHT EXT ASM 21 & 22"W L	Left- 70D- 21 & 22" W- SHORT
>>>>		60°,70°,60°&70° HEMI HANGERS - MED EXT - RIGHT	
1E,2A,3-6,7A,8	107760	COMP BNT MED EXT ASM 13" W R	Right- 70D- 13" W- MED
1E,2B,3-6,7A,8	107761	COMP BNT MED EXT ASM 14" W R	Right- 70D- 14" W- MED
1E,2C,3-6,7B,8	107762	COMP BNT MED EXT ASM 15" W R	Right- 70D- 15" W- MED
1E,2D,3-6,7B,8	107763	COMP BNT MED EXT ASM 16" W R	Right- 70D- 16" W- MED
1E,2E,3-6,7C,8	107764	COMP BNT MED EXT ASM 17" W R	Right- 70D- 17" W- MED



Pos.	Item Number	Description	Remarks
1E,2F,3-6,7C,8	107765	COMP BNT MED EXT ASM 18" W R	Right- 70D- 18" W- MED
1E,2G,3-6,7D,8	107766	COMP BNT MED EXT ASM 19 & 20"W R	Right- 70D- 19 & 20" W- MED
1E,2H,3-6,7D,8	111530	COMP BNT MED EXT ASM 21 & 22"W R	Right- 70D- 21 & 22" W- MED
>>>>		60°,70°,60°&70° HEMI HANGERS - MED EXT - LEFT	
1E,2A,3-6,7A,8	107767	COMP BNT MED EXT ASM 13" W L	Left- 70D- 13 W- MED
1E,2B,3-6,7A,8	107768	COMP BNT MED EXT ASM 14" W L	Left- 70D- 14 W- MED
1E,2C,3-6,7B,8	107769	COMP BNT MED EXT ASM 15" W L	Left- 70D- 15 W- MED
1E,2D,3-6,7B,8	107770	COMP BNT MED EXT ASM 16" W L	Left- 70D- 16 W- MED
1E,2E,3-6,7C,8	107771	COMP BNT MED EXT ASM 17" W L	Left- 70D- 17 W- MED
1E,2F,3-6,7C,8	107772	COMP BNT MED EXT ASM 18" W L	Left- 70D- 18 W- MED
1E,2G,3-6,7D,8	107773	COMP BNT MED EXT ASM 19 & 20"W L	Left- 70D- 19 & 20" W- MED
1E,2H,3-6,7D,8	111531	COMP BNT MED EXT ASM 21 & 22"W L	Left- 70D- 21 & 22" W- MED
>>>>		60°,70°,60°&70° HEMI HANGERS - LONG EXT - RIGHT	
1F,2A,3-6,7A,8	107774	COMP BNT LONG EXT ASM 13" W R	Right- 70D- 13" W- LONG
1F,2B,3-6,7A,8	107775	COMP BNT LONG EXT ASM 14" W R	Right- 70D- 14" W- LONG
1F,2C,3-6,7B,8	107776	COMP BNT LONG EXT ASM 15" W R	Right- 70D- 15" W- LONG
1F,2D,3-6,7B,8	107777	COMP BNT LONG EXT ASM 16" W R	Right- 70D- 16" W- LONG
1F,2E,3-6,7C,8	107778	COMP BNT LONG EXT ASM 17" W R	Right- 70D- 17" W- LONG
1F,2F,3-6,7C,8	107779	COMP BNT LONG EXT ASM 18" W R	Right- 70D- 18" W- LONG
1F,2G,3-6,7D,8	107780	COMP BNT LONG EXT ASM 19 & 20"W R	Right- 70D- 19 & 20" W- LONG
1F,2H,3-6,7D,8	111532	COMP BNT LONG EXT ASM 21 & 22"W R	Right- 70D- 21 & 22" W- LONG
>>>>		60°,70°,60°&70° HEMI HANGERS - LONG EXT - LEFT	
1F,2A,3-6,7A,8	107781	COMP BNT LONG EXT ASM 13" W L	Left- 70D- 13 W- LONG
1F,2B,3-6,7A,8	107782	COMP BNT LONG EXT ASM 14" W L	Left- 70D- 14 W- LONG
1F,2C,3-6,7B,8	107783	COMP BNT LONG EXT ASM 15" W L	Left- 70D- 15 W- LONG
1F,2D,3-6,7B,8	107784	COMP BNT LONG EXT ASM 16" W L	Left- 70D- 16 W- LONG
1F,2E,3-6,7C,8	107785	COMP BNT LONG EXT ASM 17" W L	Left- 70D- 17 W- LONG
1F,2F,3-6,7C,8	107786	COMP BNT LONG EXT ASM 18" W L	Left- 70D- 18 W- LONG
1F,2G,3-6,7D,8	107787	COMP BNT LONG EXT ASM 19 & 20"W L	Left- 70D- 19 & 20" W- LONG
1F,2H,3-6,7D,8	111533	COMP BNT LONG EXT ASM 21 & 22"W L	Left- 70D- 21 & 22" W- LONG
>>>>		60°&70° HEMI HANGER SHORT EXT- RIGHT	
1G,2A,3-6,7A,8	129724	CMP FT BNT KIT SHT HNGR 13W R	Right-Hemi-13W; add Ext behind the Hemi
1G,2B,3-6,7A,8	129726	CMP FT BNT KIT SHT HNGR 14W R	Right-Hemi-14W; add Ext behind the Hemi
1G,2C,3-6,7B,8	129728	CMP FT BNT KIT SHT HNGR 15W R	Right-Hemi-15W; add Ext behind the Hemi
1G,2D,3-6,7B,8	129730	CMP FT BNT KIT SHT HNGR 16W R	Right-Hemi-16W; add Ext behind the Hemi
1G,2E,3-6,7C,8	129732	CMP FT BNT KIT SHT HNGR 17W R	Right-Hemi-17W; add Ext behind the Hemi
1G,2F,3-6,7C,8	129734	CMP FT BNT KIT SHT HNGR 18W R	Right-Hemi-18W; add Ext behind the Hemi
1G,2G,3-6,7D,8	129736	CMP FT BNT KIT SHT HNGR 19-20W R	Right-Hemi-19-20W; add Ext behind the Hemi
1G,2H,3-6,7D,8	129738	CMP FT BNT KIT SHT HNGR 21-22W R	Right-Hemi-21-22W; add Ext behind the Hemi
>>>>		60°&70° HEMI HANGER SHORT EXT- LEFT	
1G,2A,3-6,7A,8	129725	CMP FT BNT KIT SHT HNGR 13W L	Left-Hemi-13W; add Ext behind the Hemi
1G,2B,3-6,7A,8	129727	CMP FT BNT KIT SHT HNGR 14W L	Left-Hemi-14W; add Ext behind the Hemi
1G,2C,3-6,7B,8	129729	CMP FT BNT KIT SHT HNGR 15W L	Left-Hemi-15W; add Ext behind the Hemi
1G,2D,3-6,7B,8	129731	CMP FT BNT KIT SHT HNGR 16W L	Left-Hemi-16W; add Ext behind the Hemi
1G,2E,3-6,7C,8	129733	CMP FT BNT KIT SHT HNGR 17W L	Left-Hemi-17W; add Ext behind the Hemi
1G,2F,3-6,7C,8	129735	CMP FT BNT KIT SHT HNGR 18W L	Left-Hemi-18W; add Ext behind the Hemi
1G,2G,3-6,7D,8	129737	CMP FT BNT KIT SHT HNGR 19-20W L	Left-Hemi-19-20W; add Ext behind the Hemi
1G,2H,3-6,7D,8	129739	CMP FT BNT KIT SHT HNGR 21-22W L	Left-Hemi-21-22W; add Ext behind the Hemi
		Ship assembled part #	Use with multiple assemblies
	ASSY-HNG-FP	HANGER/FOOTPLATE ASSY REQUIRED	add with Hanger & Footplate kit

**Note:** Footplate Assemblies are set to footrest width; please see "Footplate Formula" table for seat width conversion.

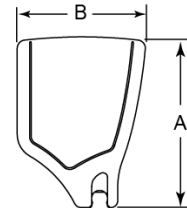
Note: If using Short Ext Tube & Hemi Hanger with Composite Angle Adjustable Footplate use 1D (straight) .

Note: V Style Hangers are not available on Swing Away Style chairs effective 7/14/14; see the "Prior To" ordering guide for V Style footplate assemblies.

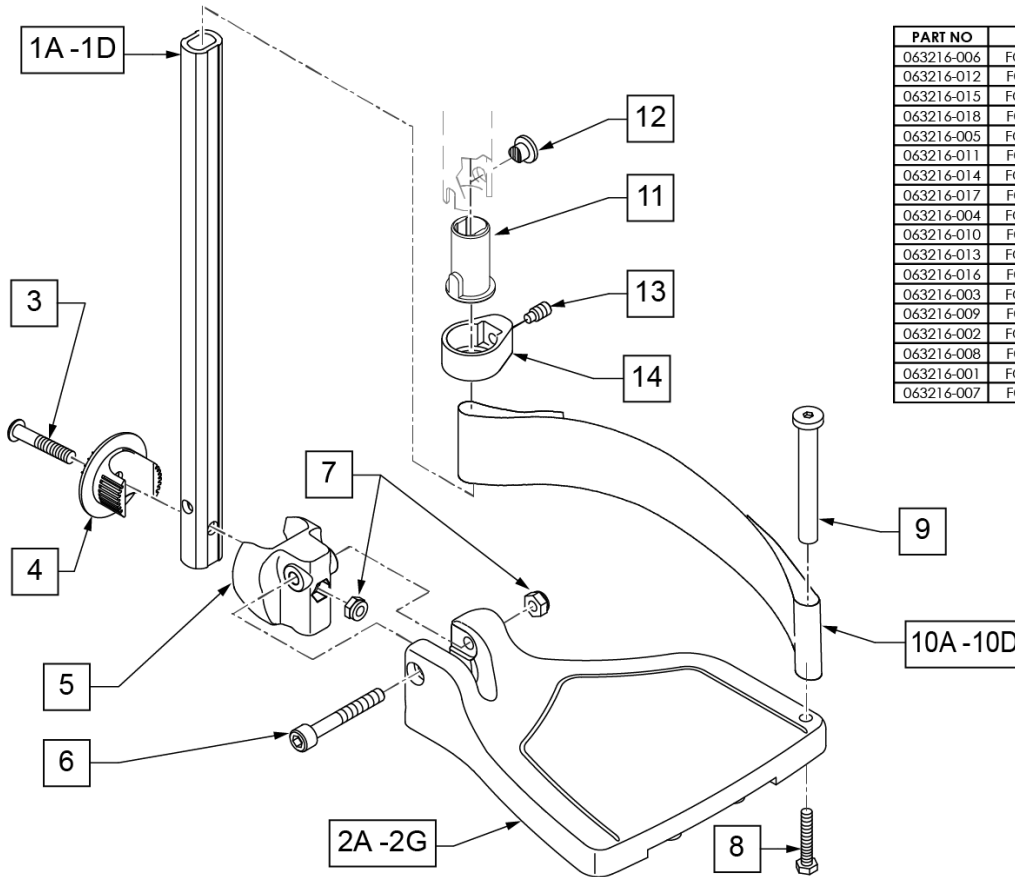
To have complete Footrest ship assembled, choose compatible Hanger + Footplate part numbers and add "ASSY-HNG-FP" to order

**ADD INSET FORMULA**  
 0" Inset (Seat Width) = Footrest Width  
 1" Inset (Seat Width) -2" = Footrest Width  
 2" Inset (Seat Width) -4" = Footrest Width  
 "V" Hanger (Seat Width) -4" = Footrest Width  
 Offset Hanger Receiver (Seat Width) +2" = Footrest Width  
 Flared Frame (Seat Width) = 2" = Footrest Width

**FOOTPLATE MEASURING GUIDE**



PART NO	DESCRIPTION	DIM -A-	DIM -B-
063216-006	FOOTPLATE COMPOSITE 157 R	6 1/8"	6"
063216-012	FOOTPLATE COMPOSITE 157 L	6 1/8"	6"
063216-015	FOOTPLATE COMPOSITE 170 R	6 5/8"	6"
063216-018	FOOTPLATE COMPOSITE 170 L	6 5/8"	6"
063216-005	FOOTPLATE COMPOSITE 182 R	7 1/8"	6"
063216-011	FOOTPLATE COMPOSITE 182 L	7 1/8"	6"
063216-014	FOOTPLATE COMPOSITE 195 R	7 5/8"	6"
063216-017	FOOTPLATE COMPOSITE 195 L	7 5/8"	6"
063216-004	FOOTPLATE COMPOSITE 207 R	8 1/8"	6"
063216-010	FOOTPLATE COMPOSITE 207 L	8 1/8"	6"
063216-013	FOOTPLATE COMPOSITE 220 R	8 5/8"	6 1/4"
063216-016	FOOTPLATE COMPOSITE 220 L	8 5/8"	6 1/4"
063216-003	FOOTPLATE COMPOSITE 232 R	9 1/8"	6 1/4"
063216-009	FOOTPLATE COMPOSITE 232 L	9 1/8"	6 1/4"
063216-002	FOOTPLATE COMPOSITE 257 R	10 1/8"	6 1/4"
063216-008	FOOTPLATE COMPOSITE 257 L	10 1/8"	6 1/4"
063216-001	FOOTPLATE COMPOSITE 282 R	11 1/8"	6 1/4"
063216-007	FOOTPLATE COMPOSITE 282 L	11 1/8"	6 1/4"



Pos.	Item Number	Description	Remarks
1A,6,7	120660	SHT STRT EXT COMP HDWR	
1B,6,7	120661	MED STRT EXT COMP HDWR	
1C,6,7	120662	LNG STRT EXT COMP HDWR	
1D	128079	TUBE FTRST EXT STRGHT SHT HEMI	Use for Hemi Ext Tube option
2A	063216-006	COMPOSITE FOOTPLATE RIGHT	RIGHT 15" Footrest Width

Pos.	Item Number	Description	Remarks
2A	063216-012	COMPOSITE FOOTPLATE LEFT	LEFT 15" Footrest Width
2B	063216-015	COMPOSITE FOOTPLATE RIGHT	RIGHT 16" Footrest Width
2B	063216-018	COMPOSITE FOOTPLATE LEFT	LEFT 16" Footrest Width
2C	063216-005	COMPOSITE FOOTPLATE RIGHT	RIGHT 17" Footrest Width
2C	063216-011	COMPOSITE FOOTPLATE LEFT	LEFT 17" Footrest Width
2D	063216-014	COMPOSITE FOOTPLATE RIGHT	RIGHT 18" Footrest Width
2D	063216-017	COMPOSITE FOOTPLATE LEFT	LEFT 18" Footrest Width
2E	063216-004	COMPOSITE FOOTPLATE RIGHT	RIGHT 19" Footrest Width
2E	063216-010	COMPOSITE FOOTPLATE LEFT	LEFT 19" Footrest Width
2F	063216-013	COMPOSITE FOOTPLATE RIGHT	RIGHT 20" Footrest Width
2F	063216-016	COMPOSITE FOOTPLATE LEFT	LEFT 20" Footrest Width
2G	063216-003	COMPOSITE FOOTPLATE RIGHT	RIGHT 21" & 22" Footrest Width
2G	063216-009	COMPOSITE FOOTPLATE LEFT	LEFT 21" & 22" Footrest Width
3	108233	BHCS M6 X 1 X 40	
4	054242	ANGLE COVER	
5	054241	ANGLE SEGMENT	
6	103175	SHCS M6 X 1 X 40 INORG	
7	132626	NUT AUTOMATION M6 X 1.0	
8	102268-001	HHCS M6X1X25	Inserted in bottom of footplate.
9	104328	HEEL LOOP PEG	
10A	104380-001	ADJUSTABLE FOOT REST STRAP	15" Footrest Width
10B	104380-002	ADJUSTABLE FOOT REST STRAP	16" Footrest Width
10C	104380-003	ADJUSTABLE FOOT REST STRAP	17-18" Footrest Width
10D	104380-004	ADJUSTABLE FOOT REST STRAP	19-22" Footrest Width
11	104160	BUSHING FOOTREST	
11-14	107485	FOOTREST CLAMP ASSM	
>>>>		60,70,80 HANGERS - SHORT EXT - RIGHT	
1A,2A,3-10A	107816	CAA STRT SHT EXT ASM 15W R	Right- 15 W- SHORT
1A,2B,3-10B	107817	CAA STRT SHT EXT ASM 16W R	Right- 16 W- SHORT
1A,2C,3-10B	107818	CAA STRT SHT EXT ASM 17W R	Right- 17 W- SHORT
1A,2D,3-10C	107819	CAA STRT SHT EXT ASM 18W R	Right- 18 W- SHORT
1A,2E,3-10C	107820	CAA STRT SHT EXT ASM 19W R	Right- 19 W- SHORT
1A,2F,3-10D	107821	CAA STRT SHT EXT ASM 20W R	Right- 20 W- SHORT
1A,2G,3-10D	107822	CAA STRT SHT EXT ASM 21&22W R	Right- 21&22 W- SHORT
>>>>		60,70,80 HANGERS - SHORT EXT - LEFT	
1A,2A,3-10A	107823	CAA STRT SHT EXT ASM 15W L	Left- 15 W- SHORT
1A,2B,3-10B	107824	CAA STRT SHT EXT ASM 16W L	Left- 16 W- SHORT
1A,2C,3-10B	107825	CAA STRT SHT EXT ASM 17W L	Left- 17 W- SHORT
1A,2D,3-10C	107826	CAA STRT SHT EXT ASM 18W L	Left- 18 W- SHORT
1A,2E,3-10C	107827	CAA STRT SHT EXT ASM 19W L	Left- 19 W- SHORT
1A,2F,3-10D	107828	CAA STRT SHT EXT ASM 20W L	Left- 20 W- SHORT
1A,2G,3-10D	107829	CAA STRT SHT EXT ASM 21&22W L	Left- 21&22 W- SHORT
>>>>		60,70,80& 60,70 HEMI HANGER- RIGHT	
1B,2A,3-10A	107830	CAA STRT MED EXT ASM 15W R	Right- 15 W- MED
1B,2B,3-10B	107831	CAA STRT MED EXT ASM 16W R	Right- 16 W- MED
1B,2C,3-10B	107832	CAA STRT MED EXT ASM 17W R	Right- 17 W- MED
1B,2D,3-10C	107833	CAA STRT MED EXT ASM 18W R	Right- 18 W- MED
1B,2E,3-10C	107834	CAA STRT MED EXT ASM 19W R	Right- 19 W- MED
1B,2F,3-10D	107835	CAA STRT MED EXT ASM 20W R	Right- 20 W- MED
1B,2G,3-10D	107836	CAA STRT MED EXT ASM 21&22W R	Right- 21&22 W- MED
>>>>		60,70,80& 60,70 HEMI HANGER- LEFT	
1B,2A,3-10A	107837	CAA STRT MED EXT ASM 15W L	Left- 15 W- MED
1B,2B,3-10B	107838	CAA STRT MED EXT ASM 16W L	Left- 16 W- MED
1B,2C,3-10B	107839	CAA STRT MED EXT ASM 17W L	Left- 17 W- MED
1B,2D,3-10C	107840	CAA STRT MED EXT ASM 18W L	Left- 18 W- MED
1B,2E,3-10C	107841	CAA STRT MED EXT ASM 19W L	Left- 19 W- MED

Pos.	Item Number	Description	Remarks
1B,2F,3-10D	107842	CAA STRT MED EXT ASM 20W L	Left- 20 W- MED
1B,2G,3-10D	107843	CAA STRT MED EXT ASM 21&22W L	Left- 21&22 W- MED
>>>>		60,70,80& 60,70 HEMI HANGER- RIGHT	
1C,2A,3-10A	107844	CAA STRT LNG EXT ASM 15W R	Right- 15 W- LONG
1C,2B,3-10B	107845	CAA STRT LNG EXT ASM 16W R	Right- 16 W- LONG
1C,2C,3-10B	107846	CAA STRT LNG EXT ASM 17W R	Right- 17 W- LONG
1C,2D,3-10C	107847	CAA STRT LNG EXT ASM 18W R	Right- 18 W- LONG
1C,2E,3-10C	107848	CAA STRT LNG EXT ASM 19W R	Right- 19 W- LONG
1C,2F,3-10D	107849	CAA STRT LNG EXT ASM 20W R	Right- 20 W- LONG
1C,2G,3-10D	107850	CAA STRT LNG EXT ASM 21&22W R	Right- 21&22 W- LONG
>>>>		60,70,80& 60,70 HEMI HANGER- LEFT	
1C,2A,3-10A	107851	CAA STRT LNG EXT ASM 15W L	Left- 15 W- LONG
1C,2B,3-10B	107852	CAA STRT LNG EXT ASM 16W L	Left- 16 W- LONG
1C,2C,3-10B	107853	CAA STRT LNG EXT ASM 17W L	Left- 17 W- LONG
1C,2D,3-10C	107854	CAA STRT LNG EXT ASM 18W L	Left- 18 W- LONG
1C,2E,3-10C	107855	CAA STRT LNG EXT ASM 19W L	Left- 19 W- LONG
1C,2F,3-10D	107856	CAA STRT LNG EXT ASM 20W L	Left- 20 W- LONG
1C,2G,3-10D	107857	CAA STRT LNG EXT ASM 21&22W L	Left- 21&22 W- LONG
>>>>		60&70 HEMI HANGERS- SHORT EXT- RIGHT	
1D,2A,3-10A	129710	CAA FOOT KIT SHT HNGR 15W R	Right-Hemi-15W; add Ext behind the Hemi
1D,2B,3-10B	129712	CAA FOOT KIT SHT HNGR 16W R	Right-Hemi-16W; add Ext behind the Hemi
1D,2C,3-10B	129714	CAA FOOT KIT SHT HNGR 17W R	Right-Hemi-17W; add Ext behind the Hemi
1D,2D,3-10C	129716	CAA FOOT KIT SHT HNGR 18W R	Right-Hemi-18W; add Ext behind the Hemi
1D,2E,3-10C	129718	CAA FOOT KIT SHT HNGR 19W R	Right-Hemi-19W; add Ext behind the Hemi
1D,2F,3-10D	129720	CAA FOOT KIT SHT HNGR 20W R	Right-Hemi-20W; add Ext behind the Hemi
1D,2G,3-10D	129722	CAA FOOT KIT SHT HNGR 22W R	Right-Hemi-21&22W; add Ext behind the Hemi
>>>>		60&70 HEMI HANGERS- SHORT EXT - LEFT	
1D,2A,3-10A	129711	CAA FOOT KIT SHT HNGR 15W L	Left-Hemi-15W; add Ext behind the Hemi
1D,2B,3-10B	129713	CAA FOOT KIT SHT HNGR 16W L	Left-Hemi-16W; add Ext behind the Hemi
1D,2C,3-10B	129715	CAA FOOT KIT SHT HNGR 17W L	Left-Hemi-17W; add Ext behind the Hemi
1D,2D,3-10C	129717	CAA FOOT KIT SHT HNGR 18W L	Left-Hemi-18W; add Ext behind the Hemi
1D,2E,3-10C	129719	CAA FOOT KIT SHT HNGR 19W L	Left-Hemi-19W; add Ext behind the Hemi
1D,2F,3-10D	129721	CAA FOOT KIT SHT HNGR 20W L	Left-Hemi-20W; add Ext behind the Hemi
1D,2G,3-10D	129723	CAA FOOT KIT SHT HNGR 22W L	Left-Hemi-21&22W; add Ext behind the Hemi
		Ship assembled part #	Use with multiple assemblies
	ASSY-HNG-FP	HANGER/FOOTPLATE ASSY REQUIRED	add with Hanger & Footplate kit

**Note:** Footplate Assemblies are set to footrest width; please see "Footplate Formula" table for seat width conversion.

Note: If using Short Ext Tube & Hemi Hanger with Adult Angle Adjustable Footplate use 1D (straight) .

Note: V Style Hangers are not available on Swing Away Style chairs effective 7/14/14; see the "Prior To" ordering guide for V Style footplate assemblies.

Note: for QX Series or SR45 footplate replacement parts see the ordering guide marked specifically for these two models in the informations panel.

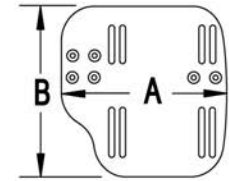
Note: if chair has High Mount Ext Tubes or if switching to High Mount Ext Tubes, see AAA Footplate w/ High Mount Extension Ordering Guide.

[02/19/2020]

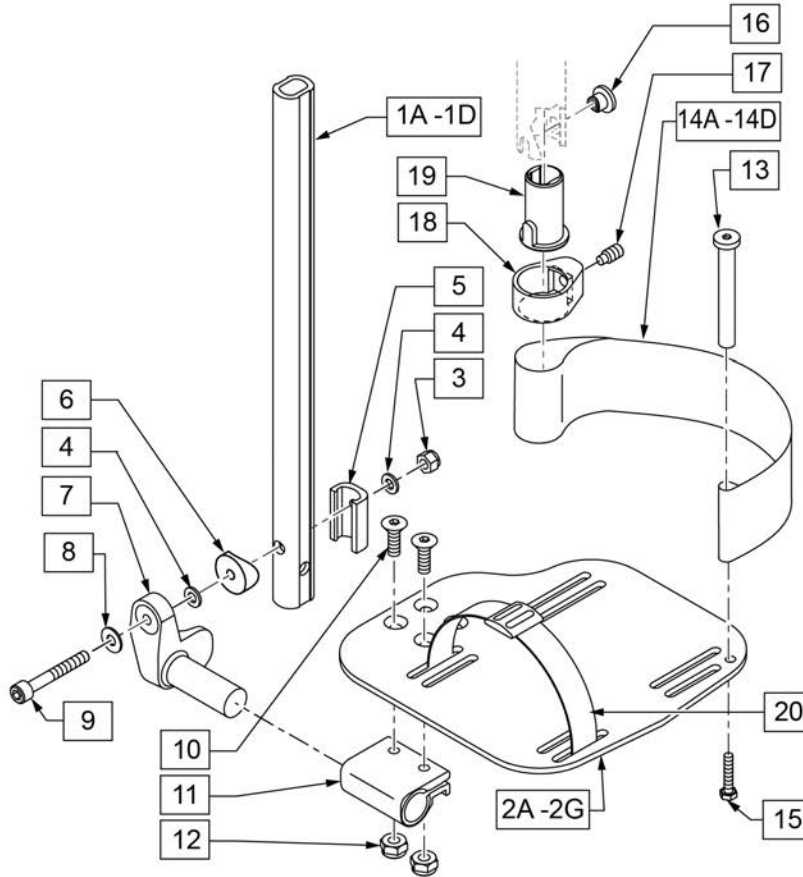
To have complete Footrest ship assembled, choose compatible Hanger + Footplate part numbers and add "ASSY-HNG-FP" to order

**ADD INSET FORMULA**  
 0" Inset (Seat Width) = Footrest Width  
 1" Inset (Seat Width) -2" = Footrest Width  
 2" Inset (Seat Width) -4" = Footrest Width  
 "V" Hanger (Seat Width) -4" = Footrest Width  
 Offset Hanger Receiver (Seat Width) +2" = Footrest Width  
 Flared Frame (Seat Width) = 2" = Footrest Width

**MEASURING GUIDE**



CHAIR WIDTH	"A"	"B"
10" - 11"	3 1/2"	7 1/4"
12" - 13"	4 1/2"	7 3/4"
14" - 15"	5 1/2"	7 3/4"
16" - 17"	6 1/2"	7 3/4"
18" - 20"	7 1/2"	7 3/4"



21 EXT MNT HARDWARE 1 SIDE			
ITEM #	ILLUSTRATION	DESCRIPTION	QTY
3		NUT AUTOMATION M6 X 1.0 ROHS	1
4		WASHER FLAT THIN AN 1/4	2
5		HANGER EXTENSION SADDLE	1
6		3/4" SADDLE 1" OD	1
8		WASHER FLAT SAE 1/4 ROHS	1
9		SHCS M6X1X45 12MM PART THD	1

Pos.	Item Number	Description	Remarks
1A,3-6,8,9	120670	SHT STRT EXT AAA HDWR	
1B,3-6,8,9	120671	MED STRT EXT AAA HDWR	
1C,3-6,8,9	120672	LNG STRT EXT AAA HDWR	
1D	128079	TUBE FTRST EXT STRGHT SHT HEMI	Use for Hemi Ext Tube option
2A	500656	ADULT ANGL ADJ F/PLT 10/11" R	RIGHT 10-11" Footrest Width
2A	500657	ADULT ANGL ADJ F/PLT 10/11" L	LEFT 10-11" Footrest Width
2B	500658	ADULT ANGL ADJ F/PLT 12/13" R	RIGHT 12-13" Footrest Width
2B	500659	ADULT ANGL ADJ F/PLT 12/13" L	LEFT 12-13" Footrest Width
2C	500660	ADLT ANGL ADJ F/PLT 14/15	RIGHT 14-15" Footrest Width
2C	500661	ADLT ANGL ADJ F/PLT 14/15	LEFT 14-15" Footrest Width
2D	500662	ADLT ANGL ADJ F/PLT 16/17	RIGHT 16-17" Footrest Width
2D	500663	ADLT ANGL ADJ F/PLT 16/17	LEFT 16-17" Footrest Width
2E	500664	ADLT ANGL ADJ F/PLT 18-20	RIGHT 18-22" Footrest Width
2E	500665	ADLT ANGL ADJ F/PLT 18-20	LEFT 18-22" Footrest Width
3	132626	NUT AUTOMATION M6 X 1.0	
4	106944	WASHER FLAT THIN AN 1/4 ROHS	
5	107199	HANGER EXTENSION SADDLE	
6	561055	3/4" SADDLE 1" OD	
7	541002	FTRST MOUNTING BRKT-3/8 RAD R	RIGHT

Pos.	Item Number	Description	Remarks
7	541003	FTRST MOUNTING BRKT-3/8 RAD L	LEFT
8	106945	WASHER FLAT SAE 1/4 ROHS	
9	104399	SHCS M6X1X45 12 MM PART THD	
10	106978	FHCS 1/4-28 X 7/8 ROHS	
11	550350	3/4" CLMP ADJ FT PLT	
12	106935	NUT NYLOCK THIN 1/4-28 ROHS	
13	104328	POST HEEL LOOP	
14A	104380-001	ADJUSTABLE FOOT REST STRAP	12 - 14" WIDE
14B	104380-002	ADJUSTABLE FOOT REST STRAP	15 - 16" WIDE
14C	104380-003	ADJUSTABLE FOOT REST STRAP	17 - 18" WIDE
14D	104380-004	ADJUSTABLE FOOT REST STRAP	19 - 20" WIDE
15	102268-001	HHCS M6 X 1 X 25	
16-19	107485	FOOTREST CLAMP ASSM	
20	740260	TOE-ANKLE STRAP ADJ ADULT FOOTPLATE	
21	120659	EXT MNT HARDWARE 1 SIDE	
>>>>		60,70,80 STD HANGERS - RIGHT	
1A,2B,3-14A,15	111534	AAA STRT SHT EXT ASM 12-13" W R	Right- 12-13" W- SHORT
1A,2C,3-14B,15	107928	AAA STRT SHT EXT ASM 14-15" W R	Right- 14-15" W- SHORT
1A,2D,3-14C,15	107930	AAA STRT SHT EXT ASM 16-17" W R	Right- 16-17" W- SHORT
1A,2E,3-14D,15	107932	AAA STRT SHT EXT ASM 18-22" W R	Right- 18-22" W- SHORT
>>>>		60,70,80 STD HANGERS - LEFT	
1A,2B,3-14A,15	111535	AAA STRT SHT EXT ASM 12-13" W L	Left- 12-13" W- SHORT
1A,2C,3-14B,15	107935	AAA STRT SHT EXT ASM 14" W L	Left- 14-15" W- SHORT
1A,2D,3-14C,15	107937	AAA STRT SHT EXT ASM 16" W L	Left- 16-17" W- SHORT
1A,2E,3-14D,15	107939	AAA STRT SHT EXT ASM 18" W L	Left- 18-22" W- SHORT
>>>>		60,70,80 & 60,70 HEMI HANGERS - RIGHT	
1B,2B,3-14A,15	111536	AAA STRT MED EXT ASM 12-13" W R	Right- 12-13" W- MED
1B,2C,3-14B,15	107942	AAA STRT MED EXT ASM 14-15" W R	Right- 14-15" W- MED
1B,2D,3-14C,15	107944	AAA STRT MED EXT ASM 16-17" W R	Right- 16-17" W- MED
1B,2E,3-14D,15	107946	AAA STRT MED EXT ASM 18-22" W R	Right- 18-22" W- MED
>>>>		60,70,80 & 60,70 HEMI HANGERS - LEFT	
1B,2B,3-14A,15	111537	AAA STRT MED EXT ASM 12-13" W L	Left- 12-13" W- MED
1B,2C,3-14B,15	107949	AAA STRT MED EXT ASM 14" W L	Left- 14-15" W- MED
1B,2D,3-14C,15	107951	AAA STRT MED EXT ASM 16" W L	Left- 16-17" W- MED
1B,2E,3-14D,15	107953	AAA STRT MED EXT ASM 18" W L	Left- 18-22" W- MED
>>>>		60,70,80 & 60,70 HEMI HANGERS - RIGHT	
1C,2B,3-14A,15	111538	AAA STRT LNG EXT ASM 12-13" W R	Right- 12-13" W- LONG
1C,2C,3-14B,15	107956	AAA STRT LNG EXT ASM 14 -15" W R	Right- 14-15" W- LONG
1C,2D,3-14C,15	107958	AAA STRT LNG EXT ASM 16 -17" W R	Right- 16-17" W- LONG
1C,2E,3-14D,15	107960	AAA STRT LNG EXT ASM 18 -22" W R	Right- 18-22" W- LONG
>>>>		60,70,80 & 60,70 HEMI HANGERS - LEFT	
1C,2B,3-14A,15	111539	AAA STRT LNG EXT ASM 12-13" W L	Left- 12-13" W- LONG
1C,2C,3-14B,15	107963	AAA STRT LNG EXT ASM 14W L	Left- 14-15" W- LONG
1C,2D,3-14C,15	107965	AAA STRT LNG EXT ASM 16W L	Left- 16-17" W- LONG
1C,2E,3-14D,15	107968	AAA STRT LNG EXT ASM 18W L	Left- 18-22" W- LONG
>>>>		60&70 HEMI HANGERS - SHORT EXT - RIGHT	
1D,2B,3-14A,15	129756	AAA FOOT KIT SHT HNGR 12W R	Right- 12-13" W- SHORT; add Ext behind the Hemi
1D,2C,3-14B,15	129758	AAA FOOT KIT SHT HNGR 14W R	Right- 14-15" W- SHORT; add Ext behind the Hemi
1D,2D,3-14C,15	129760	AAA FOOT KIT SHT HNGR 16W R	Right- 16-17" W- SHORT; add Ext behind the Hemi
1D,2E,3-14D,15	129762	AAA FOOT KIT SHT HNGR 18W R	Right- 18-22" W- SHORT; add Ext behind the Hemi
>>>>		60&70 HEMI HANGERS - SHORT EXT -LEFT	
1D,2B,3-14A,15	129757	AAA FOOT KIT SHT HNGR 12W L	Left- 12-13" W-SHORT; add Ext behind the Hemi
1D,2C,3-14B,15	129759	AAA FOOT KIT SHT HNGR 14W L	Left- 14-15" W- SHORT; add Ext behind the Hemi
1D,2D,3-14C,15	129761	AAA FOOT KIT SHT HNGR 16W L	Left- 16-17" W- SHORT; add Ext behind the Hemi
1D,2E,3-14D,15	129763	AAA FOOT KIT SHT HNGR 18W L	Left- 18-22" W- SHORT; add Ext behind the Hemi
		Ship assembled part #	Use with multiple assemblies

Pos.	Item Number	Description	Remarks
	ASSY-HNG-FP	HANGER/FOOTPLATE ASSY REQUIRED	add with Hanger & Footplate kit

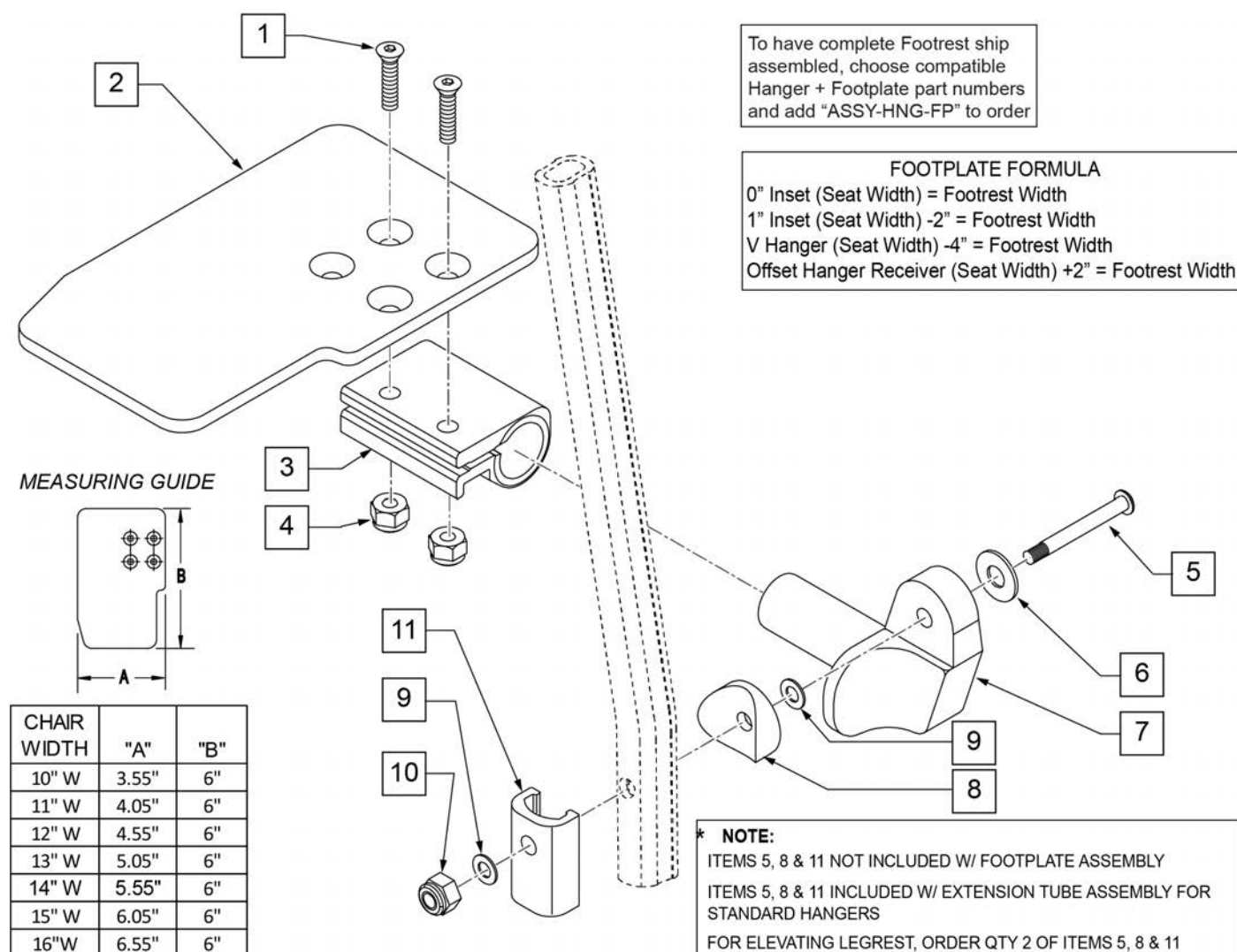


**Note:** Footplate Assemblies are set to footrest width; please see "Footplate Formula" table for seat width conversion.

Note: V Style Hangers are not available on Swing Away Style chairs effective 7/14/14; see the "Prior To" ordering guide for V Style footplate assemblies.

**Note:** Zippie Iris (ZRS&ZRSE) and Zippie TS (Z1A&Z1SE) only use Straight Extension Tube.

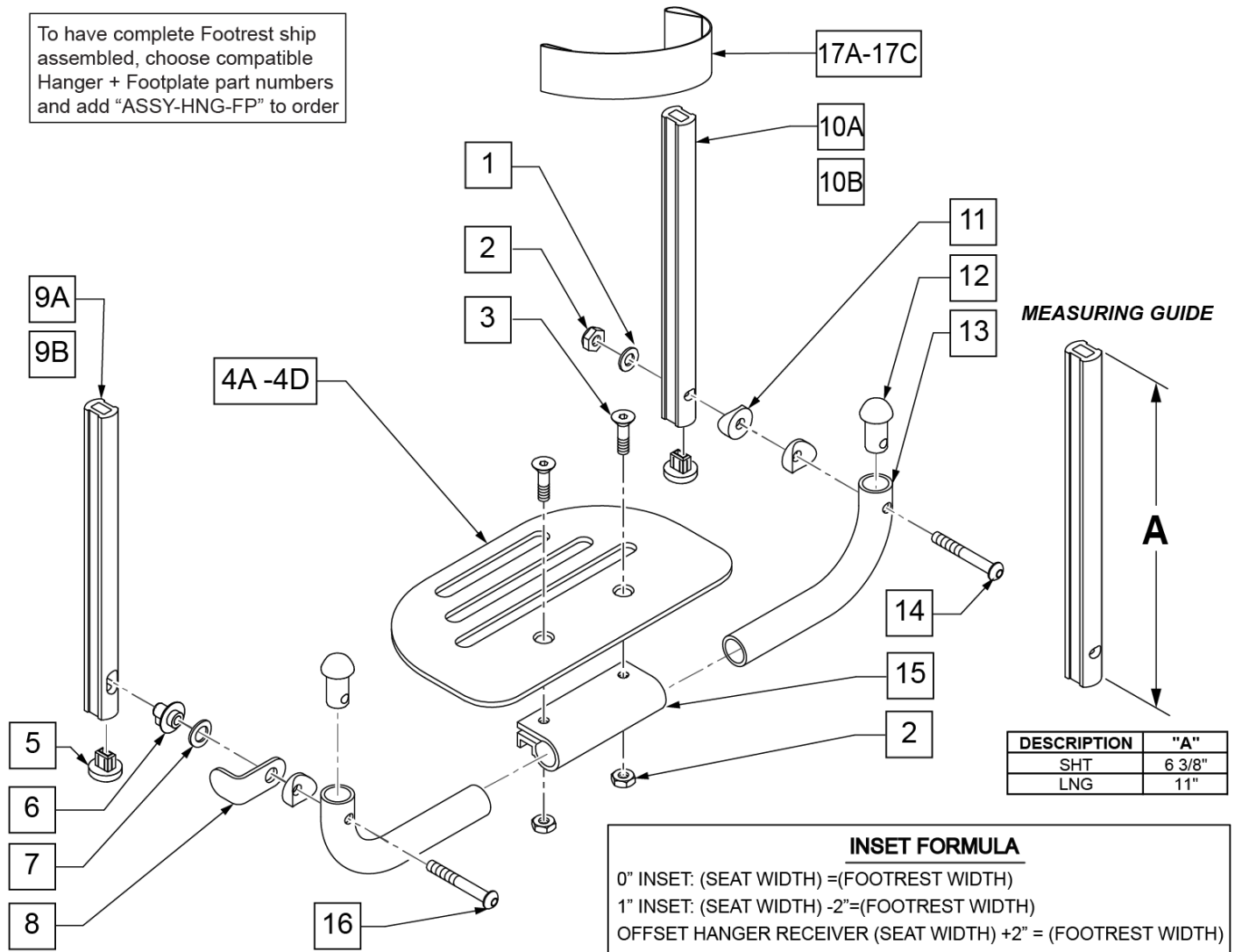
Note: if chair has High Mount Ext Tubes or if switching to High Mount Ext Tubes, see KAA Footplate w/ High Mount Extension Ordering Guide.



Pos.	Item Number	Description	Remarks
1	106978	FHCS 1/4 -28 x 7/8 ROHS	

Pos.	Item Number	Description	Remarks
2	500635	KIDS ANGL ADJ F/PLT 10" R	Right
2	500636	KIDS ANGL ADJ F/PLT 10" L	Left
2	500637	KIDS ANGL ADJ F/PLT 11" R	Right
2	500638	KIDS ANGL ADJ F/PLT 11" L	Left
2	500639	KIDS ANGL ADJ F/PLT 12" R	Right
2	500640	KIDS ANGL ADJ F/PLT 12" L	Left
2	500641	KIDS ANGL ADJ F/PLT 13" R	Right
2	500642	KIDS ANGL ADJ F/PLT 13" L	Left
2	500643	KIDS ANGL ADJ F/PLT 14" R	Right
2	500644	KIDS ANGL ADJ F/PLT 14" L	Left
2	500645	KIDS ANGL ADJ F/PLT 15" R	Right
2	500646	KIDS ANGL ADJ F/PLT 15" L	Left
2	500647	KIDS ANGL ADJ F/PLT 16" R	Right
2	500648	KIDS ANGL ADJ F/PLT 16" L	Left
3	550350	3/4" CLAMP ADJ FOOTPLATE	
4	106935	NUT NYLOCK THIN 1/4 -28 ROHS	
5	106962	1/4-28 x 1 3/4 BH C/S BLK ZN (D2 EXTENSION TUBES)	
5	226167	1/4-28 x 1.625 BH C/S BLK (ROUND EXTENSION TUBES)	
6	106945	1/4 SAE WASHER	
7	541002	FTRST MOUNTING BRKT-3/8 RAD R	
7	541003	FTRST MOUNTING BRKT-3/8 RAD L	
8	561055	3/4" SADDLE 1" OD	
9	106944	WASHER FLAT THIN AN 1/4 ROHS	
10	106941	NUT AUTOMATION 1/4 -28 ROHS	
11	483720	HANGER EXTENSION SADDLE LONG	Use with Double D Ext Tube
1-4,6,7,9,10	828850	KIDS ANG ADJ F/PLT EXT-MNT 10"R	Right
1-4,6,7,9,10	828851	KIDS ANG ADJ F/PLT EXT-MNT 10"L	Left
1-4,6,7,9,10	828852	KIDS ANG ADJ F/PLT EXT-MNT 11"R	Right
1-4,6,7,9,10	828853	KIDS ANG ADJ F/PLT EXT-MNT 11"L	Left
1-4,6,7,9,10	828854	KIDS ANG ADJ F/PLT EXT-MNT 12"R	Right
1-4,6,7,9,10	828855	KIDS ANG ADJ F/PLT EXT-MNT 12"L	Left
1-4,6,7,9,10	828856	KIDS ANG ADJ F/PLT EXT-MNT 13"R	Right
1-4,6,7,9,10	828857	KIDS ANG ADJ F/PLT EXT-MNT 13"L	Left
1-4,6,7,9,10	828858	KIDS ANG ADJ F/PLT EXT-MNT 14"R	Right
1-4,6,7,9,10	828859	KIDS ANG ADJ F/PLT EXT-MNT 14"L	Left
1-4,6,7,9,10	828860	KIDS ANG ADJ F/PLT EXT-MNT 15"R	Right
1-4,6,7,9,10	828861	KIDS ANG ADJ F/PLT EXT-MNT 15"L	Left
1-4,6,7,9,10	828862	KIDS ANG ADJ F/PLT EXT-MNT 16"R	Right
1-4,6,7,9,10	828863	KIDS ANG ADJ F/PLT EXT-MNT 16"L	Left
1-4,6,7,9,10	921280	KIDS ANG ADJ F/PLT EXT-MNT 10"	Pair
1-4,6,7,9,10	921281	KIDS ANG ADJ F/PLT EXT-MNT 11"	Pair
1-4,6,7,9,10	921282	KIDS ANG ADJ F/PLT EXT-MNT 12"	Pair
1-4,6,7,9,10	921283	KIDS ANG ADJ F/PLT EXT-MNT 13"	Pair
1-4,6,7,9,10	921284	KIDS ANG ADJ F/PLT EXT-MNT 14"	Pair
1-4,6,7,9,10	921285	KIDS ANG ADJ F/PLT EXT-MNT 15"	Pair
1-4,6,7,9,10	921286	KIDS ANG ADJ F/PLT EXT-MNT 16"	Pair
		Ship assembled part #	Use with multiple assemblies
	ASSY-HNG-FP	HANGER/FOOTPLATE ASSY REQUIRED	add with Hanger & Footplate kit

To have complete Footrest ship assembled, choose compatible Hanger + Footplate part numbers and add "ASSY-HNG-FP" to order



Pos.	Item Number	Description	Remarks
1	106944	WASHER FLAT THIN AN 1/4 ROHS	
2	106941	NUT AUTOMATION 1/4-28 ROHS	
3	106978	FHCS 1/4-28 X 7/8 ROHS	
4A	500651	PLATFORM F/PLT 8 x 5 1/2"	12 -14" Footrest Width
4B	500652	PLATFORM F/PLT 10" x 5 1/2"	15 -17" Footrest Width
4C	500653	PLATFORM F/PLT 12" x 5 1/2"	18 -20" Footrest Width
4D	500654	PLATFORM F/PLT 14" x 5 1/2"	21 -22" Footrest Width
5	113221	PLUG DOUBLE D EXT TUBE	
6	540410	F/UP FOOTREST KEY STUD D2	
7	107385	WASHER CURVED 3/8 ROHS	
8	505078	FOOTREST RETAINING BRACKET	
9A	106875	EXT TBE F/UP KEY SHT	Short -Latch Side
9B	106876	EXT TBE F/UP KEY LNG	Long -Latch Side
10A	106873	EXT TBE F/UP SLT SHT	Short -Pivot Side
10B	106874	EXT TBE F/UP SLT LNG	Long -Pivot Side
11	561003	3/4" SADDLE THIN	
12	561034	SHORT DOME PLUG	

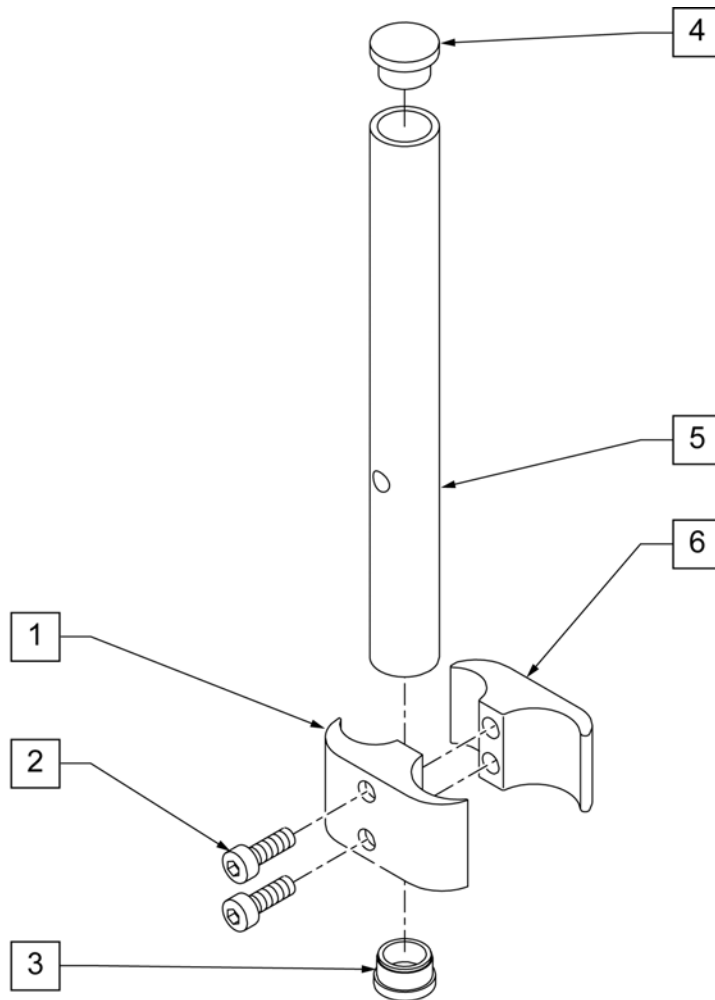
Pos.	Item Number	Description	Remarks
14	106964	BHCS 1/4-28 X 2 ROHS	
15	550351	PLATFORM FOOTPLATE CLAMP	
16	107027	BHCS 1/4-28 X 1-1/4 SHLDR ROHS	
17A	740130	LEG STRAP 10"-14" BLK	12-14" Footrest Width
17B	740131	LEG STRAP 15"-17" BLK	15-17" Footrest Width
17C	740132	LEG STRAP 18"-20" BLK	18-20" Footrest Width
1-4A,6-8,11-16	900306	PLTFM F/P PLT BLK 12" D2 W/ INSTR	12" Footrest Width
1-4A,6-8,11-16	900307	PLTFM F/P PLT BLK 13" D2 W/ INSTR	13" Footrest Width
1-4A,6-8,11-16	900308	PLTFM F/P PLT BLK 14" D2 W /INSTR	14" Footrest Width
1-4B,6-8,11-16	900309	PLTFM F/P PLT BLK 15" D2 W /INSTR	15" Footrest Width
1-4B,6-8,11-16	900310	PLTFM F/P PLT BLK 16" D2 W /INSTR	16" Footrest Width
1-4B,6-8,11-16	900311	PLTFM F/P PLT BLK 17" D2 W /INSTR	17" Footrest Width
1-4C,6-8,11-16	900312	PLTFM F/P PLT BLK 18" D2 W /INSTR	18" Footrest Width
1-4C,6-8,11-16	900313	PLTFM F/P PLT BLK 19" D2 W /INSTR	19" Footrest Width
1-4C,6-8,11-16	900314	PLTFM F/P PLT BLK 20" D2 W/ INSTR	20" Footrest Width
1-4D,6-8,11-16	900315	PLTFM F/P PLT BLK 21" D2 W/ INSTR	21" Footrest Width
1-4D,6-8,11-16	900316	PLTFM F/P PLT BLK 22" D2 W/ INSTR	22" Footrest Width
		SHORT EXT ASSEMBLIES	
1-3,4A,5-8,9A,10B,11-16,17A	108043	PLTFRM FLIP FTRST SHT 12W	12" wide (Short)
1-3,4A,5-8,9A,10B,11-16,17A	108044	PLTFRM FLIP FTRST SHT 13W	13" wide (Short)
1-3,4A,5-8,9A,10B,11-16,17A	108045	PLTFRM FLIP FTRST SHT 14W	14" wide (Short)
1-3,4B,5-8,9A,10B,11-16,17B	108046	PLTFRM FLIP FTRST SHT 15W	15" wide (Short)
1-3,4B,5-8,9A,10B,11-16,17B	108047	PLTFRM FLIP FTRST SHT 16W	16" wide (Short)
1-3,4B,5-8,9A,10B,11-16,17B	108048	PLTFRM FLIP FTRST SHT 17W	17" wide (Short)
1-3,4C,5-8,9A,10B,11-16,17C	108049	PLTFRM FLIP FTRST SHT 18W	18" wide (Short)
1-3,4C,5-8,9A,10B,11-16,17C	108051	PLTFRM FLIP FTRST SHT 19W	19" wide (Short)
1-3,4C,5-8,9A,10B,11-16,17C	108052	PLTFRM FLIP FTRST SHT 20W	20" wide (Short)
1-3,4D,5-8,9A,10B,11-16,17C	111554	PLTFRM FLIP FTRST SHT 21W	21" wide (Short)
1-3,4D,5-8,9A,10B,11-16,17C	111555	PLTFRM FLIP FTRST SHT 22W	22" wide (Short)
		LONG EXT ASSEMBLIES	
1-3,4A,5-8,9B,10A,11-16,17A	108053	PLTFRM FLIP FTRST LONG 12W	12" wide (Long)
1-3,4A,5-8,9B,10A,11-16,17A	108054	PLTFRM FLIP FTRST LONG 13W	13" wide (Long)
1-3,4A,5-8,9B,10A,11-16,17A	108055	PLTFRM FLIP FTRST LONG 14W	14" wide (Long)
1-3,4B,5-8,9B,10A,11-16,17B	108056	PLTFRM FLIP FTRST LONG 15W	15" wide (Long)
1-3,4B,5-8,9B,10A,11-16,17B	108057	PLTFRM FLIP FTRST LONG 16W	16" wide (Long)
1-3,4B,5-8,9B,10A,11-16,17B	108058	PLTFRM FLIP FTRST LONG 17W	17" wide (Long)
1-3,4C,5-8,9B,10A,11-16,17C	108059	PLTFRM FLIP FTRST LONG 18W	18" wide (Long)
1-3,4C,5-8,9B,10A,11-16,17C	108060	PLTFRM FLIP FTRST LONG 19W	19" wide (Long)
1-3,4C,5-8,9B,10A,11-16,17C	108061	PLTFRM FLIP FTRST LONG 20W	20" wide (Long)
1-3,4D,5-8,9B,10A,11-16,17C	111556	PLTFRM FLIP FTRST LONG 21W	21" wide (Long)
1-3,4D,5-8,9B,10A,11-16,17C	111557	PLTFRM FLIP FTRST LONG 22W	22" wide (Long)
		Ship assembled part #	Use with multiple assemblies
	ASSY-HNG-FP	HANGER/FOOTPLATE ASSY REQUIRED	add with Hanger & Footplate kit

**NOTE:** only available with Adult Angle Adjustable (AAA) or Kids Angle Adjustable (KAA) Footplates.

**NOTE:** if retrofitting to an existing chair with Front Mount Hangers, new Adult Angle Adjustable (AAA) or Kids Angle Adjustable (KAA) Footplates with High Mount Extension Tubes are required. See Footplate Ordering Guide.

**NOTE:** if retrofitting to an existing chair with extension tube mounted hangers (D2 extension tubes) with Adult Angle Adjustable (AAA) or Kids Angle Adjustable (KAA) Footplates, order 2 each of 226167 and 561055 to mount the footplates onto the round high-mount extension tubes.

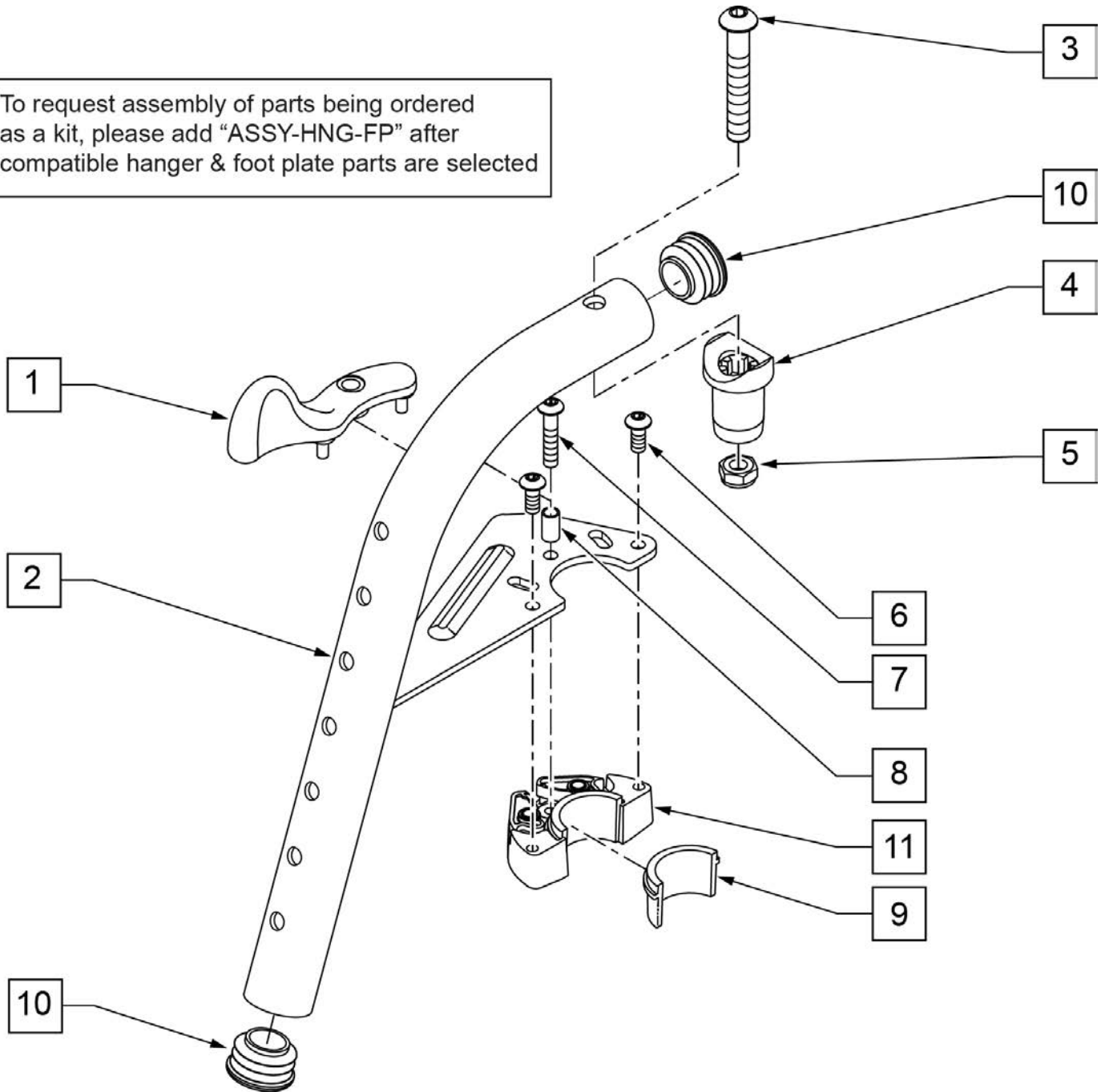
**NOTE:** if retrofitting on a chair with extension tube mounted hangers with Composite, Composite Angle Adjustable, Foam, Locking Angle Adjustable, Platform Flip-Up, or Platform Flip-Up Locking Footplates, then new Adult Angle Adjustable (AAA) or Kids Angle Adjustable (KAA) Footplates with High Mount Extension Tubes are required. See Footplate Ordering Guide.



Pos.	Item Number	Description	Remarks
1	550657	CLAMP 1 1/4" RECESS FULL BLK	
2	107032	SHCS 1/4-28 X 1 ROHS	
3	561000-QU	3/4" INSERT PLUG .083	
4	482016	HIGH-MOUNT FL FT TUBE PLUG	
5	524100	H/M FL FT EXT TUBE BLK	
6	550658	CLAMP 1 1/4" THREADED BLK	
1,2,6	880538	HI-MOUNT FR CLAMP ASSEMBLY BLK	
1-6	921550S	H/M FL FT CLAMPS AND TUBES (PR)	Pair

**Note:** Effective on GP SA beginning GP-95902, Kids Q2 SE beginning QKE-003425, LX/LXI beginning LXI-060868, Quickie TS beginning QT-044951 & GTE-002092.

To request assembly of parts being ordered as a kit, please add "ASSY-HNG-FP" after compatible hanger & foot plate parts are selected

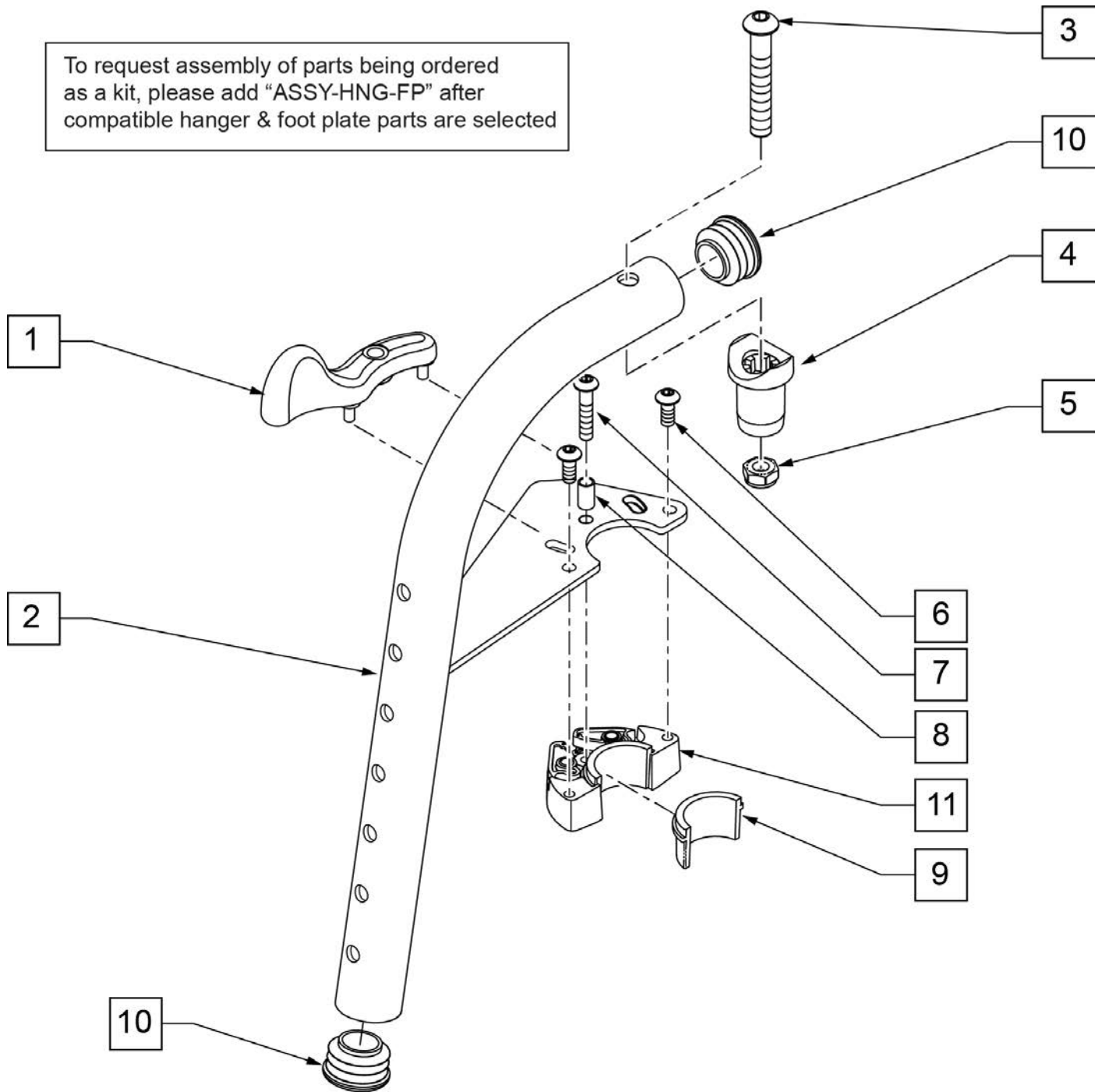


Pos.	Item Number	Description	Remarks
1	052296	SWING I/O LATCH LEVER R W/ PINS	RIGHT
1	052297	SWING I/O LATCH LEVER L W/ PINS	LEFT
3	106983	BHCS 5/16 -18 x 2 SHLDR ROHS	
4	561197	PLASTIC PIVOT SADDLE	Includes nylock nut
5	202117	5/16-18 NYLOCK NUT THICK BLK	
6	102259-001	BHCS M5 X .8 X 12 BLK W/ PL	
7	230494	M5-30 BTTN HD SOC C/S BLK	
8	052054	BUSHING PIVOT HANGER SWING I/O	
10	561062	1" INSERT PLUG .065 RIBS	
6,9,11	120976	ASSY LATCH BLOCK ANTI LIFT	
1-11	101153S	70D FM SWING I/O HNDR ASSY R	RIGHT
1-11	101154S	70D FM SWING I/O HNDR ASSY L	LEFT
		Ship assembled part #	Use with multiple assemblies
	ASSY-HNG-FP	HANGER/FOOTPLATE ASSY REQUIRED	add with Hanger & Footplate kit



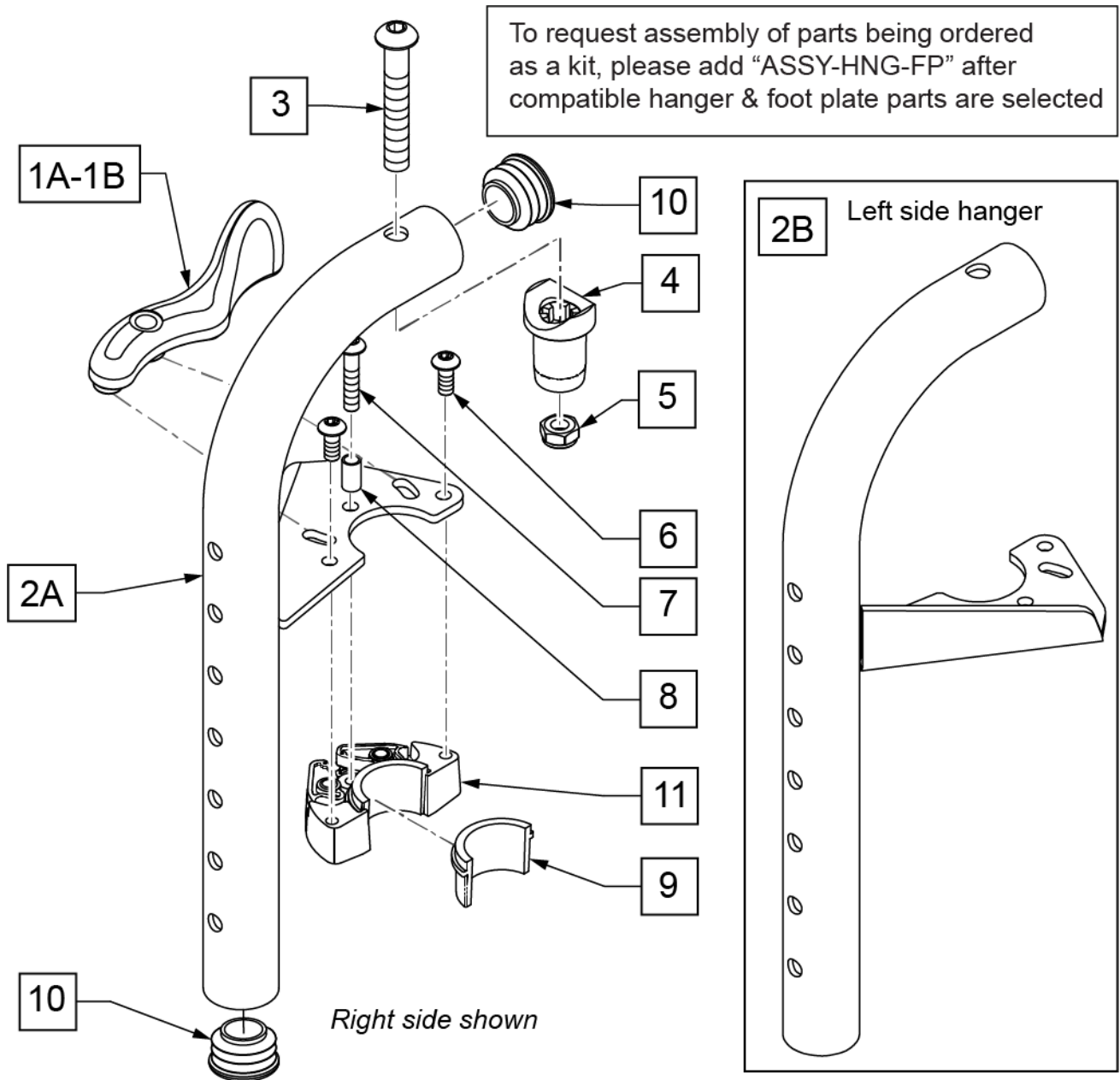
**Note:** Effective on GP SA beginning GP-95902, Kids Q2 SE beginning QKE-003425, LX/LXI beginning LXI-060868, Quickie TS beginning QT-044951 & GTE-002092.

To request assembly of parts being ordered as a kit, please add "ASSY-HNG-FP" after compatible hanger & foot plate parts are selected



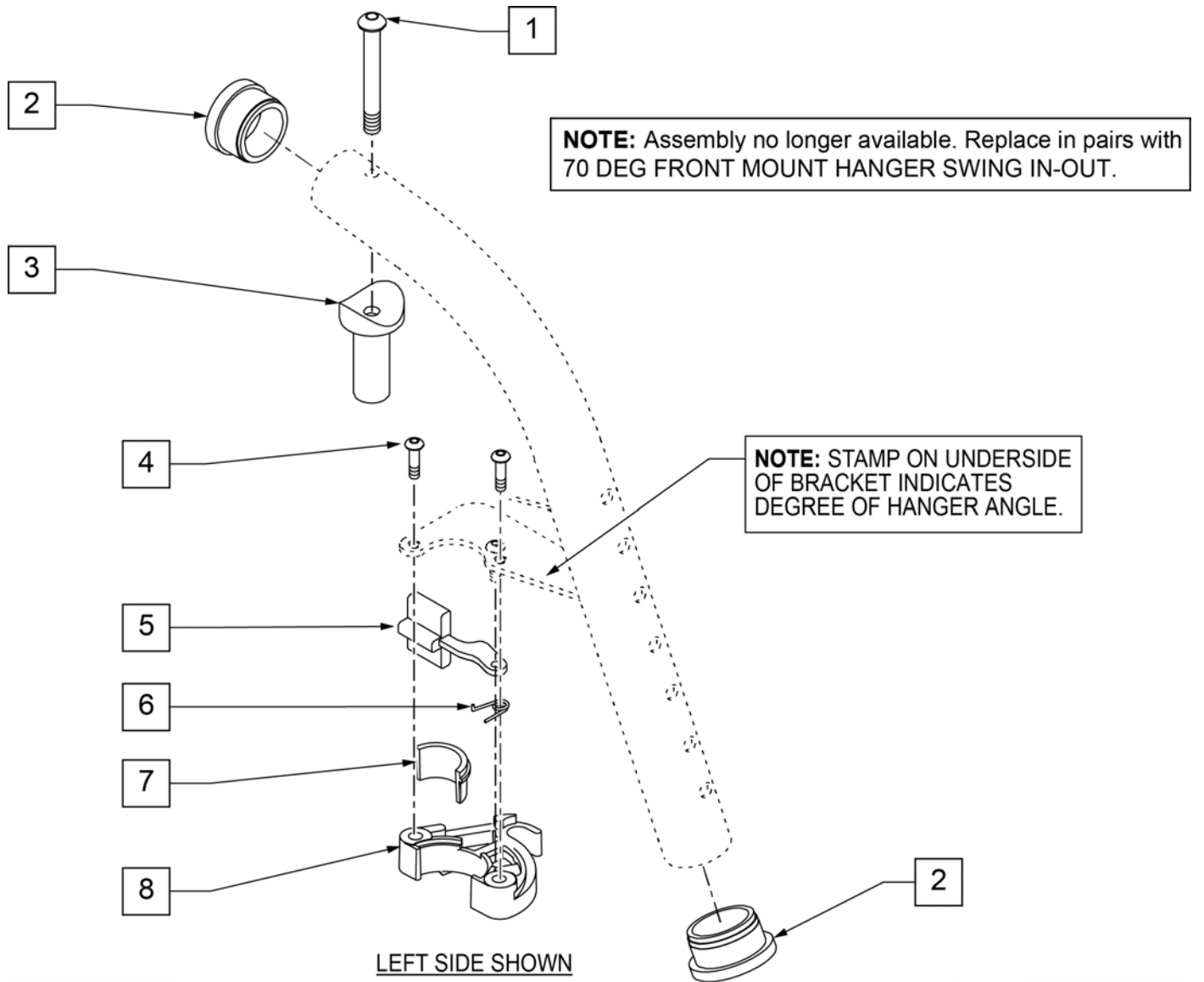
Pos.	Item Number	Description	Remarks
1	052296	SWING I/O LATCH LEVER R w/ PINS	RIGHT
1	052297	SWING I/O LATCH LEVER L w/ PINS	LEFT
3	106983	BHCS 5/16 -18 x 2 SHLDR ROHS	
4	561197	PLASTIC PIVOT SADDLE	Includes nylock nut
5	202117	5/16-18 NYLOCK NUT THICK BLK	
6	102259-001	BHCS M5 X .8 X 12 BLK W/PL	
7	230494	M5-30 BTTN HD SOC C/S BLK	
8	052054	BUSHING PIVOT HANGER SWING I/O	
10	561062	1" INSERT PLUG .065 RIBS	
6,9,11	120976	ASSY LATCH BLOCK ANTI LIFT	
1A,2A,3-11	101155S	80D FM SWNG I/O HNGR ASSY R	RIGHT
1B,2B,3-11	101156S	80D FM SWNG I/O HNGR ASSY L	LEFT
		Ship assembled part #	Use with multiple assemblies
	ASSY-HNG-FP	HANGER/FOOTPLATE ASSY REQUIRED	add with Hanger & Footplate kit

NOTE: Effective on LX/LXI as of 10/24/2008.



Pos.	Item Number	Description	Remarks
1A	052297	SWING I/O LATCH LEVER L w/ PINS	Used on Right Side 90D Swing I/O Hanger only
1B	052296	SWING I/O LATCH LEVER R w/ PINS	Used on Left Side 90D Swing I/O Hanger only
3	106983	BHCS 5/16 -18 x 2 SHLDR ROHS	
4	561197	PLASTIC PIVOT SADDLE	
5	202117	5/16-18 NYLOCK NUT THICK BLK	
6	102259-001	BHCS M5 x .8 x 12 W /PL INORG	
7	230494	M5-30 BTTN HD SOC C/S BLK	
8	052054	BUSHING PIVOT HANGER SWING I/O	
10	561062	1" INSERT PLUG .065 RIBS	
6,9,11	120976	ASSY LATCH BLOCK ANTI LIFT	
1A,2A,3-11	101157S	90D FM SWNG I/O HNGR ASSY R	RIGHT
1B,2B,3-11	101158S	90D FM SWNG I/O HNGR ASSY L	LEFT
		Ship assembled part #	Use with multiple assemblies
	ASSY-HNG-FP	HANGER/FOOTPLATE ASSY REQUIRED	add with Hanger & Footplate kit

**Note:** Discontinued on LX/LXI prior to LXI-060868, Kids Q2 SE prior to QKE-003425, Quickie TS prior to QT-044951 & QTE-002092, GP S/A prior to GP-95902

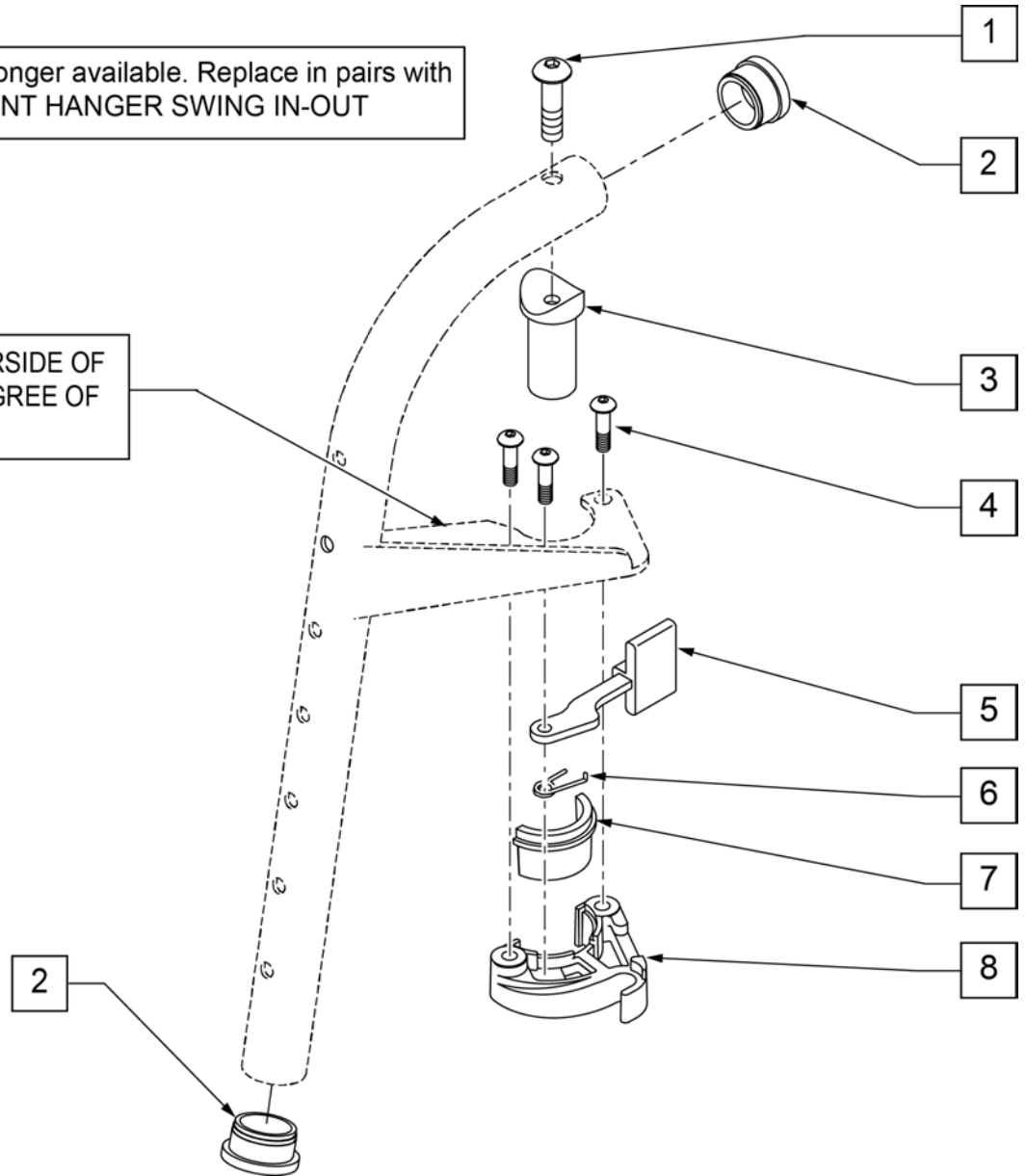


Pos.	Item Number	Description	Remarks
1	226217	5/16-18 x 2 BH C/S BLK	
2	561002	1" INSERT PLUG .083	
3	561197	PLASTIC PIVOT SADDLE	
4	226057	10/24 x .725 BTTN HD SOC BZ	
5	561079	S/A LATCH LEVER	
6	321136	S/A SPRING L RED	LEFT
6	321137	S/A SPRING R CLEAR	RIGHT
7,8	881500	LATCH BLOCK ASSM R	RIGHT
7,8	881501	LATCH BLOCK ASSM L	LEFT
4-8	881521	S/A LATCH KIT CASTING	RIGHT
4-8	881522	S/A LATCH KIT CASTING	LEFT

**Note:** Discontinued on LX/LXI prior to LXI-060868, Kids Q2 SE prior to QKE-003425, Quickie TS prior to QT-044951 & QTE-002092, GP S/A prior to GP-95902

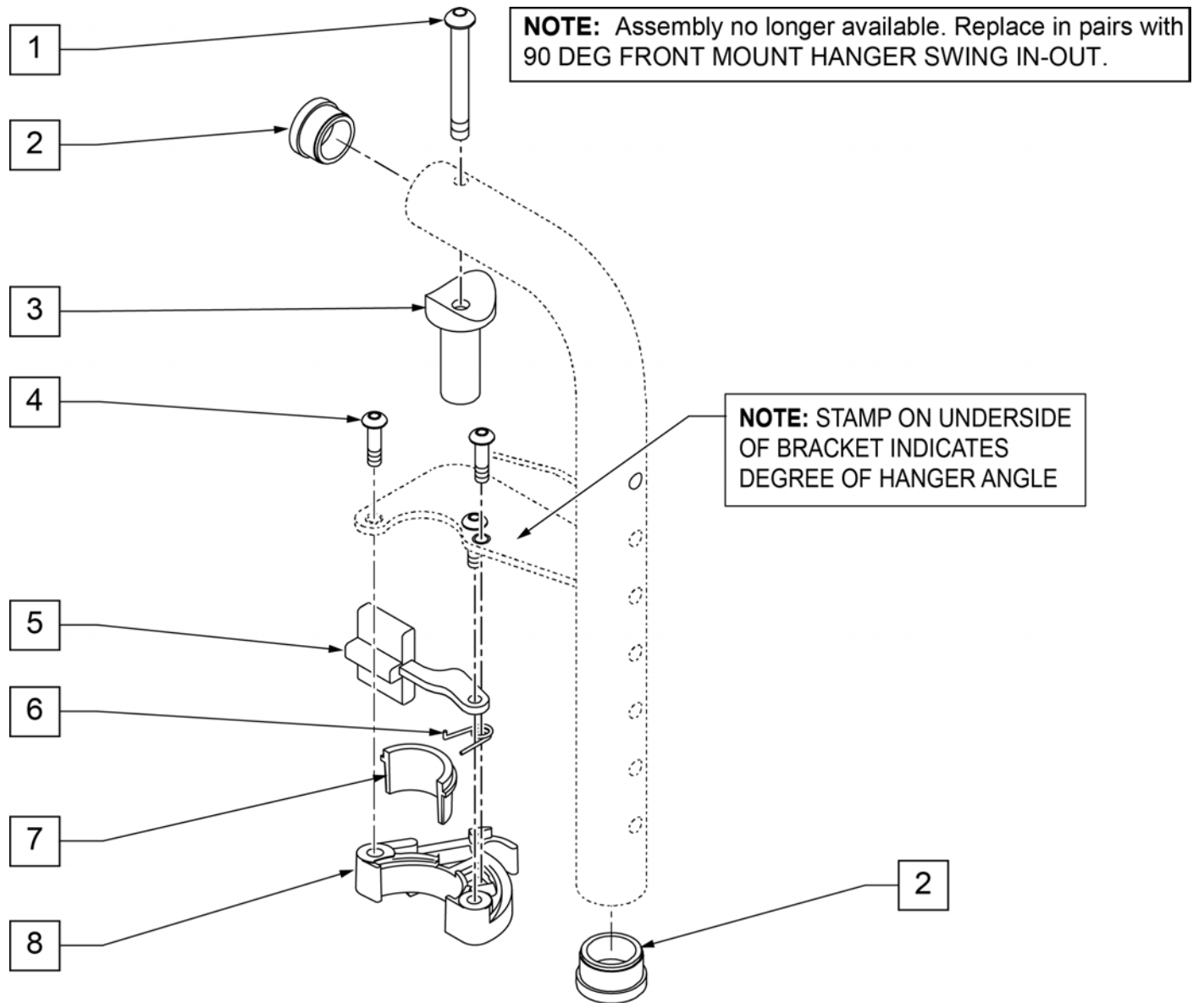
**NOTE:** Assembly no longer available. Replace in pairs with 80 DEG FRONT MOUNT HANGER SWING IN-OUT

**NOTE:** STAMP ON UNDERSIDE OF BRACKET INDICATES DEGREE OF HANGER ANGLE.



Pos.	Item Number	Description	Remarks
1	226217	5/16-18 x 2 BH C/S BLK	
2	561002	1" INSERT PLUG .083	
3	561197	PLASTIC PIVOT SADDLE	
4	226057	10/24 x .725 BTTN HD SOC BZ	
5	561079	S/A LATCH LEVER	
6	321136	S/A SPRING L RED	LEFT
6	321137	S/A SPRING R CLEAR	RIGHT
7,8	881500	LATCH BLOCK ASSM R	RIGHT
7,8	881501	LATCH BLOCK ASSM L	LEFT
4-8	881521	S/A LATCH KIT CASTING	RIGHT
4-8	881522	S/A LATCH KIT CASTING	LEFT

**Note:** Discontinued on LX/LXI prior to LXI-060868, Kids Q2 SE prior to QKE-003425, Quickie TS prior to QT-044951 & QTE-002092, GP S/A prior to GP-95902



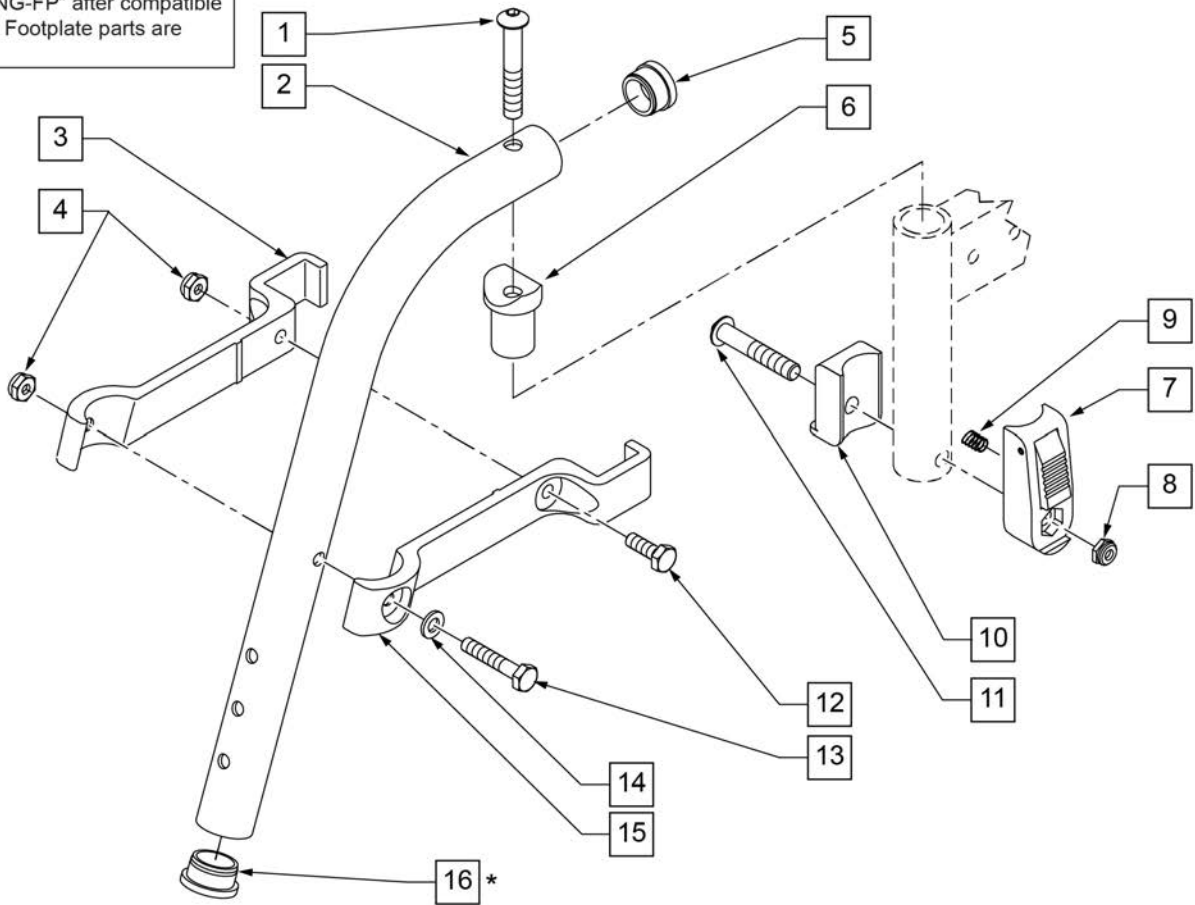


Pos.	Item Number	Description	Remarks
1	226217	5/16-18 x 2 BH C/S BLK	
2	561002	1" INSERT PLUG .083	
3	561197	PLASTIC PIVOT SADDLE	
4	226057	10/24 x .725 BTTN HD SOC BZ	
5	561079	S/A LATCH LEVER	
6	321136	S/A SPRING L RED	LEFT
6	321137	S/A SPRING R CLEAR	RIGHT
1,3	880545	PIVOT SADDLE .125 W/SCREW	
7,8	881500	LATCH BLOCK ASSM R	RIGHT
7,8	881501	LATCH BLOCK ASSM L	LEFT
5-8	881521	S/A LATCH KIT CASTING	RIGHT
5-8	881522	S/A LATCH KIT CASTING	LEFT

**NOTE:** \* ORDER ITEM 16 WHEN NOT USING FOOTREST EXTENSION.

**NOTE:** IF RETROFITTING LIFT OFF HANGERS TO A CURRENT STYLE Q2, S/A Q2 LITE, LX/LXI, OR ZIPPIE TS, THE OLD-STYLE FRAME COMPONENTS WILL BE REQUIRED. REFER TO PARTS PAGES FOR FRONT SIDE FRAMES FOR Q2 (PRIOR TO Q2V-091821 & Q2H-009882), Q2 LITE (PRIOR TO Q2L-152965), LX/LXI (PRIOR TO LX-061888), AND ZIPPIE TS (PRIOR TO Z1A-038633 & Z1SE-013380).

To request assembly of parts being ordered as a kit, please add "ASSY-HNG-FP" after compatible Hanger & Footplate parts are selected

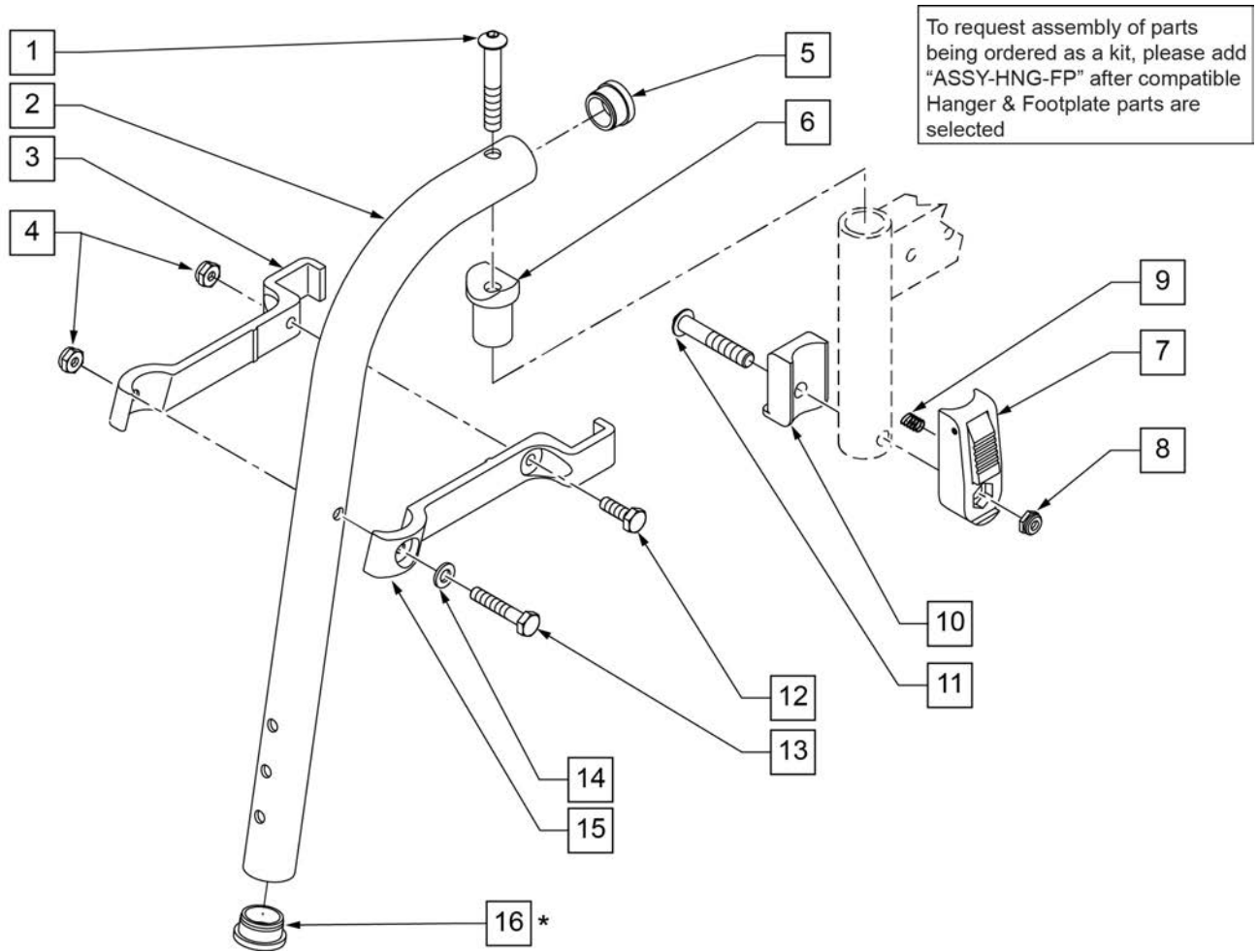


Pos.	Item Number	Description	Remarks
1	106983	BHCS 5/16 -18 x 2 SHLDR ROHS	
3	550152	T45 HANGER BRACKET 70° R	length of bracket: 6 3/4"
4	106935	NUT NYLOCK THIN 1/4 -28 ROHS	
5	561002	1" INSERT PLUG .083	
6	561197	PLASTIC PIVOT SADDLE	
7	880053	FOOTREST BLOCK T45	
8	202117	5/16-18 NYLOCK NUT THICK BLK	
9	321141	.650 x 6 COIL SPRING	
10	560684	T45 FOOTREST BLOCK RECESSED	
11	107029	BHCS 5/16 -18 x 1 5/8 SHLD ROHS	
12	107014	HHCS 1/4 -28 x 3/4 ROHS	

Pos.	Item Number	Description	Remarks
13	106971	HHCS 1/4 -28 x 1 3/8 ROHS	
14	106943	WASHER FLAT AN 1/4 ROHS	
15	550153	T45 HANGER BRACKET 70ø L	length of bracket: 6 3/4"
16	561002	1" INSERT PLUG .083	ORDER WHEN NOT USING FOOTREST EXTENSION
7-11	920720	FOOTREST BLOCK ASSEMBLY W/BOLT HD	required when retrofitting HD Lift Off Hangers to chair
1-6,12-15	641210S	HANGER 70D PNTD R HD	
1-6,12-15	641211S	HANGER 70D PNTD L HD	
		Ship assembled part #	Use with multiple assemblies
	ASSY-HNG-FP	HANGER/FOOTPLATE ASSY REQUIRED	add with Hanger & Footplate kit

**NOTE:** \* ORDER ITEM 16 WHEN NOT USING FOOTREST EXTENSION.

**NOTE:** IF RETROFITTING LIFT OFF HANGERS TO A CURRENT STYLE Q2, S/A Q2 LITE, LX/LXI, OR ZIPPIE TS, THE OLD-STYLE FRAME COMPONENTS WILL BE REQUIRED. REFER TO PARTS PAGES FOR FRONT SIDE FRAMES FOR Q2 (PRIOR TO Q2V-091821 & Q2H-009882), Q2 LITE (PRIOR TO Q2L-152965), LX/LXI (PRIOR TO LX-061888), AND ZIPPIE TS (PRIOR TO Z1A-038633 & Z1SE-013380).

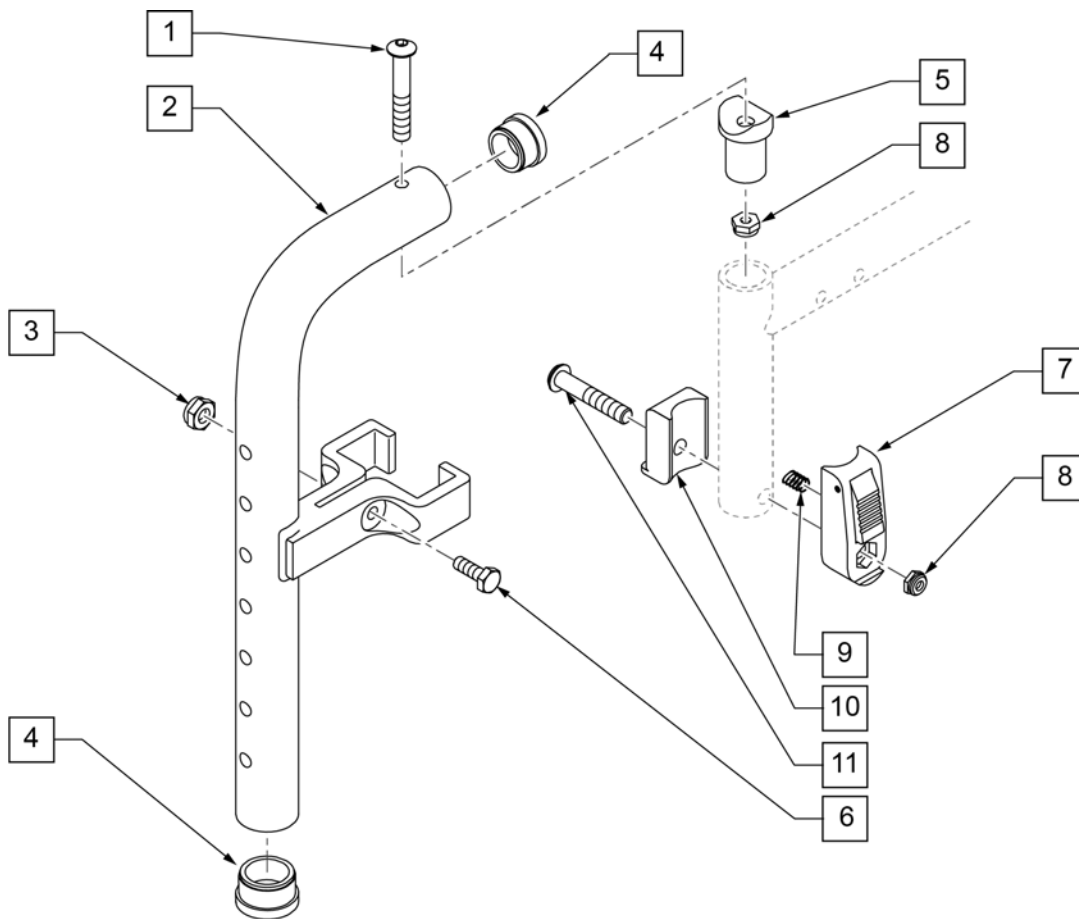


Pos.	Item Number	Description	Remarks
1	106983	BHCS 5/16 -18 x 2 SHLDR ROHS	
3	550154	T45 HANGER BRACKET 80ø R	length of bracket: 6"
4	106935	NUT NYLOCK THIN 1/4 -28 ROHS	
5	561002	1" INSERT PLUG .083	
6	561197	PLASTIC PIVOT SADDLE	
7	880053	FOOTREST BLOCK T45	
8	202117	5/16-18 NYLOCK NUT THICK BLK	
9	321141	.650L x 6 COIL SPRING	
10	560684	T45 FOOTREST BLOCK RECESSED	
11	107029	BHCS 5/16 -18 x 1 5/8 SHLD ROHS	
12	107014	HHCS 1/4 -28 x 3/4 ROHS	

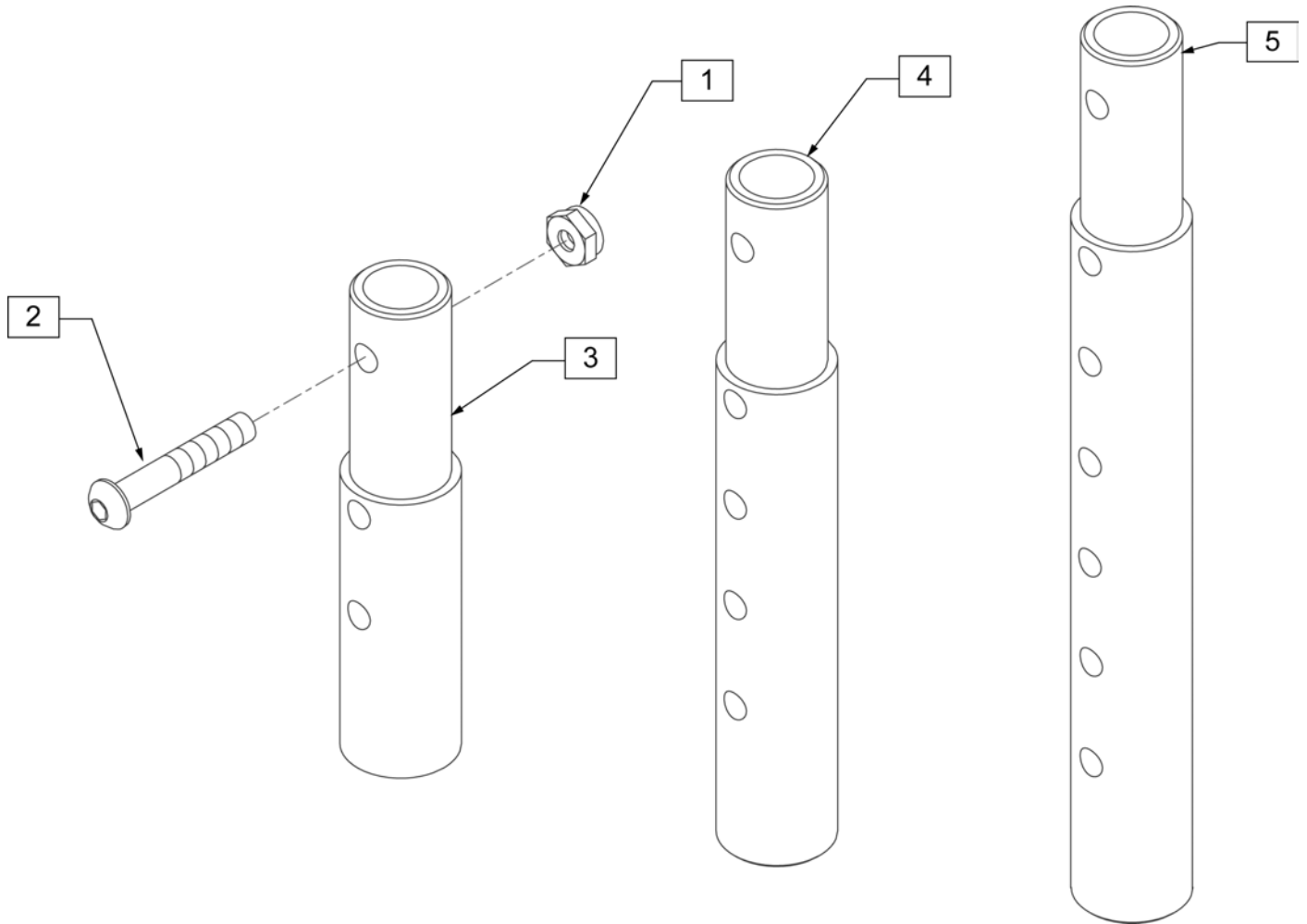
Pos.	Item Number	Description	Remarks
13	106971	HHCS 1/4 -28 x 1 3/8 ROHS	
14	106943	WASHER FLAT AN 1/4 ROHS	
15	550155	T45 HANGER BRACKET 80ø L	length of bracket: 6"
16	561002	1" INSERT PLUG .083	ORDER WHEN NOT USING FOOTREST EXTENSION
7-11	920720	FOOTREST BLOCK ASSEMBLY W/BOLT HD	required when retrofitting HD Lift Off Hangers to chair
1-6,12-15	641200S	HANGER 80D PNTD R HD	
1-6,12-15	641201S	HANGER 80D PNTD L HD	
		Ship assembled part #	Use with multiple assemblies
	ASSY-HNG-FP	HANGER/FOOTPLATE ASSY REQUIRED	add with Hanger & Footplate kit

NOTE: THIS HANGER HAS BEEN TESTED AND APPROVED FOR OCCUPANTS THAT WEIGH LESS THAN 150 POUNDS.

**NOTE:** IF RETROFITTING LIFT OFF HANGERS TO A CURRENT STYLE Q2, S/A Q2 LITE, LX/LXI, OR ZIPPIE TS, THE OLD-STYLE FRAME COMPONENTS WILL BE REQUIRED. REFER TO PARTS PAGES FOR FRONT SIDE FRAMES FOR Q2 (PRIOR TO Q2V-091821 & Q2H-009882), Q2 LITE (PRIOR TO Q2L-152965), LX/LXI (PRIOR TO LX-061888), AND ZIPPIE TS (PRIOR TO Z1A-038633 & Z1SE-013380).



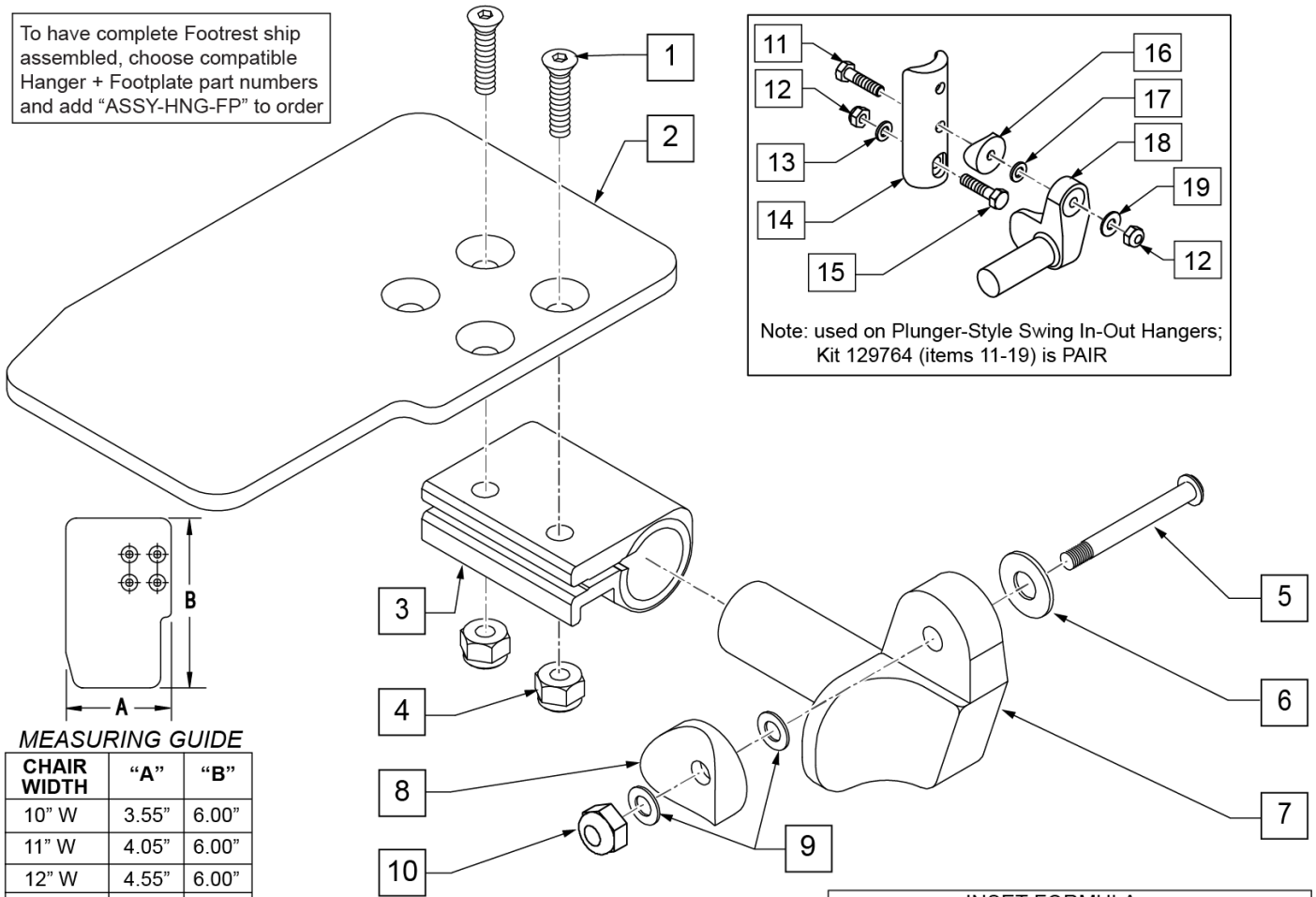
Pos.	Item Number	Description	Remarks
1	106983	BHCS 5/16 -18 x 2 SHLDR ROHS	
3	106935	NUT NYLOCK THIN 1/4 -28 ROHS	
4	561002	1" INSERT PLUG .083	
5	561197	PLASTIC PIVOT SADDLE	Includes nylock nut
6	107013	HHCS 1/4 -28 x 5/8 ROHS	
7	880053	FOOTREST BLOCK T45	
8	202117	5/16-18 NYLOCK NUT THICK BLK	
9	321141	.650L x 6 COIL SPRING	
10	560684	T45 FOOTREST BLOCK RECESSED	
11	107029	BHCS 5/16 -18 x 1 5/8 SHLD ROHS	
7-11	920720	FOOTREST BLOCK ASSM W/BOLT HD	
1-7	885005S	90 DEG F/D H/D L/O HNGR ASSM PNTD	
		Ship assembled part #	Use with multiple assemblies
	ASSY-HNG-FP	HANGER/FOOTPLATE ASSY REQUIRED	add with Hanger & Footplate kit



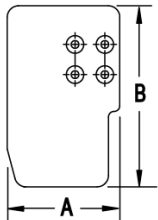
Pos.	Item Number	Description	Remarks
1	106935	NUT NYLOCK THIN 1/4 -28 ROHS	
2	106961	BHCS 1/4 -28 x 1 1/4 ROHS	
1-3	111505	2" FOOTREST EXTENSION TUBE W/ HDWR ASSM	2" EXT (PAIR)
1, 2, 4	111506	4" FOOTREST EXTENSION TUBE W/ HDWR ASSM	4" EXT (PAIR)
1, 2, 5	111507	6" FOOTREST EXTENSION TUBE W/ HDWR ASSM	6" EXT (PAIR)



To have complete Footrest ship assembled, choose compatible Hanger + Footplate part numbers and add "ASSY-HNG-FP" to order



Note: used on Plunger-Style Swing In-Out Hangers; Kit 129764 (items 11-19) is PAIR



MEASURING GUIDE

CHAIR WIDTH	"A"	"B"
10" W	3.55"	6.00"
11" W	4.05"	6.00"
12" W	4.55"	6.00"
13" W	5.05"	6.00"
14" W	5.55"	6.00"
15" W	6.05"	6.00"
16" W	6.55"	6.00"

INSET FORMULA

0" Inset (Seat Width) = Footrest Width  
 1" Inset (Seat Width) -2" = Footrest Width  
 "V" Hanger (Seat Width) -4" = Footrest Width  
 Offset Hanger Receiver (Seat Width) +2" = Footrest Width

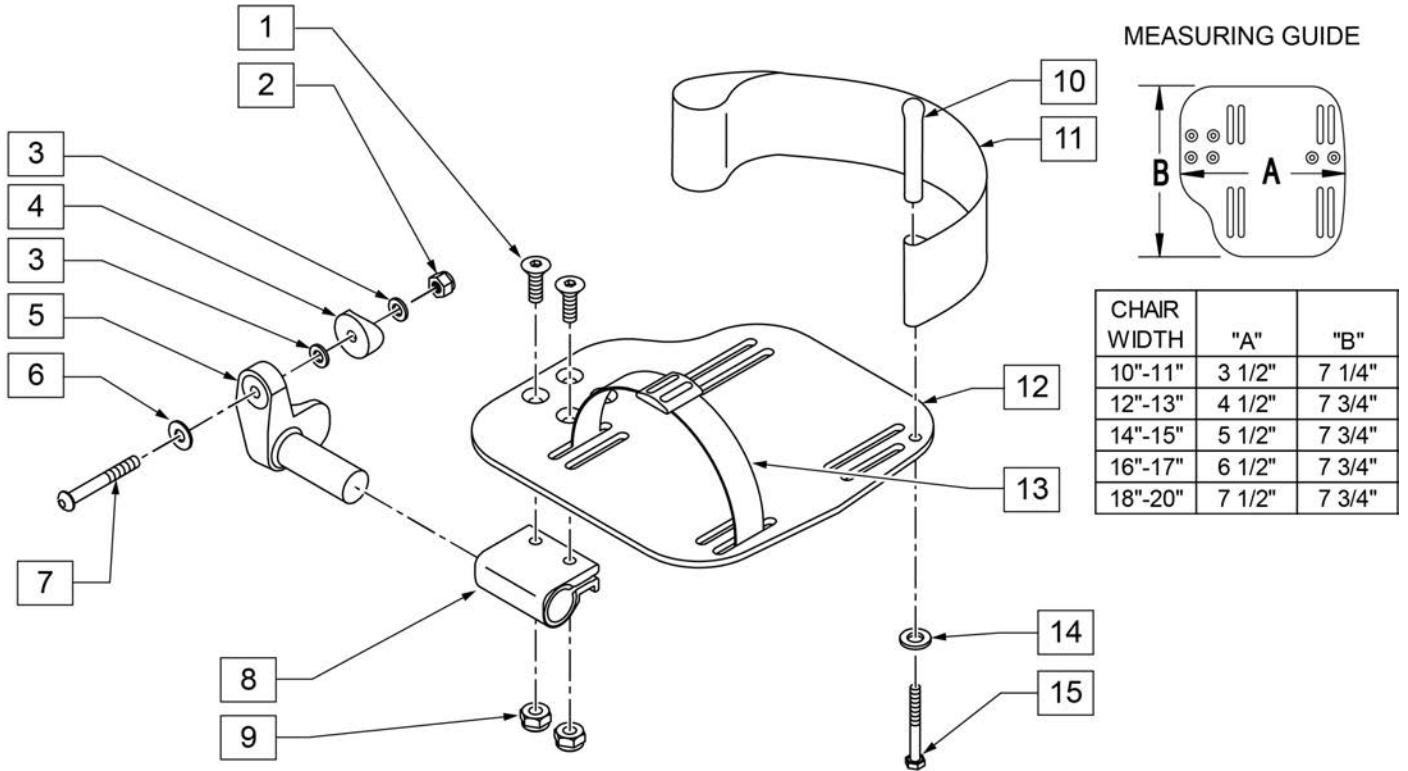
Pos.	Item Number	Description	Remarks
1	106978	FHCS 1/4-28 X 7/8 ROHS	
2	500635	KIDS ANGL ADJ F/PLT 10	RIGHT
2	500636	KIDS ANGL ADJ F/PLT 10	LEFT
2	500637	KIDS ANGL ADJ F/PLT 11	RIGHT
2	500638	KIDS ANGL ADJ F/PLT 11	LEFT
2	500639	KIDS ANGL ADJ F/PLT 12	RIGHT
2	500640	KIDS ANGL ADJ F/PLT 12	LEFT
2	500641	KIDS ANGL ADJ F/PLT 13	RIGHT
2	500642	KIDS ANGL ADJ F/PLT 13	LEFT
2	500643	KIDS ANGL ADJ F/PLT 14	RIGHT
2	500644	KIDS ANGL ADJ F/PLT 14	LEFT
2	500645	KIDS ANGL ADJ F/PLT 15	RIGHT
2	500646	KIDS ANGL ADJ F/PLT 15	LEFT
2	500647	KIDS ANGL ADJ F/PLT 16	RIGHT
2	500648	KIDS ANGL ADJ F/PLT 16	LEFT
3	550350	3/4 CLAMP ADJ FOOTPLATE	
4	106935	NUT NYLOCK THIN 1/4-28 ROHS	
5	226147	1/4-28 X 1.85 BH C/S BLK ZN	

Pos.	Item Number	Description	Remarks
6	106945	WASHER FLAT SAE 1/4 ROHS	
7	541000	FTRST MOUNTING BRKT 1/2" RAD R	RIGHT
7	541001	FTRST MOUNTING BRKT 1/2" RAD L	LEFT
8	561004	1 SADDLE 1/4 HOLE	
9	106943	WASHER FLAT THIN AN 1/4	
10	106941	NUT AUTOMATION 1/4-28 ROHS	
11	102268-001	HHCS M6 X 1 X 25	
12	132626	NUT AUTOMATION M6 X 1.0 ROHS	
13	107383	WASHER FLAT M6 ROHS	
15	118198	HHCS M6 X 1 X 40 PART NP	
16	561004	1" SADDLE 1/4" HOLE	
17	106943	WASHER FLAT AN 1/4 ROHS	
19	106945	WASHER FLAT SAE 1/4 ROHS	
1-4	158632	CAA F/PLT KIT 10 RT	RIGHT; used with Front Mount Adapter Kit on Plunger-Style Swing In/Out Hangers
1-4	158633	CAA F/PLT KIT 10 LT	LEFT; used with Front Mount Adapter Kit on Plunger-Style Swing In/Out Hangers
1-4	158634	CAA F/PLT KIT 11 RT	RIGHT; used with Front Mount Adapter Kit on Plunger-Style Swing In/Out Hangers
1-4	158635	CAA F/PLT KIT 11 LT	LEFT; used with Front Mount Adapter Kit on Plunger-Style Swing In/Out Hangers
1-4	158636	CAA F/PLT KIT 12 RT	RIGHT; used with Front Mount Adapter Kit on Plunger-Style Swing In/Out Hangers
1-4	158637	CAA F/PLT KIT 12 LT	LEFT; used with Front Mount Adapter Kit on Plunger-Style Swing In/Out Hangers
1-4	158638	CAA F/PLT KIT 13 RT	RIGHT; used with Front Mount Adapter Kit on Plunger-Style Swing In/Out Hangers
1-4	158639	CAA F/PLT KIT 13 LT	LEFT; used with Front Mount Adapter Kit on Plunger-Style Swing In/Out Hangers
1-4	158640	CAA F/PLT KIT 14 RT	RIGHT; used with Front Mount Adapter Kit on Plunger-Style Swing In/Out Hangers
1-4	158641	CAA F/PLT KIT 14 LT	LEFT; used with Front Mount Adapter Kit on Plunger-Style Swing In/Out Hangers
1-4	158642	CAA F/PLT KIT 15 RT	RIGHT; used with Front Mount Adapter Kit on Plunger-Style Swing In/Out Hangers
1-4	158643	CAA F/PLT KIT 15 LT	LEFT; used with Front Mount Adapter Kit on Plunger-Style Swing In/Out Hangers
1-4	158644	CAA F/PLT KIT 16 RT	RIGHT; used with Front Mount Adapter Kit on Plunger-Style Swing In/Out Hangers
1-4	158645	CAA F/PLT KIT 16 LT	LEFT; used with Front Mount Adapter Kit on Plunger-Style Swing In/Out Hangers
1-10	828821	KIDS ANG ADJ F/PLT ASSM 10	RIGHT; used with Old-Style Latch Block Swing In/Out & S/A Hangers
1-10	828822	KIDS ANG ADJ F/PLT ASSM 10	LEFT; used with Old-Style Latch Block Swing In/Out & S/A Hangers
1-10	828823	KIDS ANG ADJ F/PLT ASSM 11	RIGHT; used with Old-Style Latch Block Swing In/Out & S/A Hangers
1-10	828824	KIDS ANG ADJ F/PLT ASSM 11	LEFT; used with Old-Style Latch Block Swing In/Out & S/A Hangers
1-10	828825	KIDS ANG ADJ F/PLT ASSM 12	RIGHT; used with Old-Style Latch Block Swing In/Out & S/A Hangers
1-10	828826	KIDS ANG ADJ F/PLT ASSM 12	LEFT; used with Old-Style Latch Block Swing In/Out & S/A Hangers
1-10	828827	KIDS ANG ADJ F/PLT ASSM 13	RIGHT; used with Old-Style Latch Block Swing In/Out & S/A Hangers
1-10	828828	KIDS ANG ADJ F/PLT ASSM 13	LEFT; used with Old-Style Latch Block Swing In/Out & S/A Hangers
1-10	828829	KIDS ANG ADJ F/PLT ASSM 14	RIGHT; used with Old-Style Latch Block Swing In/Out & S/A Hangers
1-10	828830	KIDS ANG ADJ F/PLT ASSM 14	LEFT; used with Old-Style Latch Block Swing In/Out & S/A Hangers
1-10	828831	KIDS ANG ADJ F/PLT ASSM 15	RIGHT; used with Old-Style Latch Block Swing In/Out & S/A Hangers
1-10	828832	KIDS ANG ADJ F/PLT ASSM 15	LEFT; used with Old-Style Latch Block Swing In/Out & S/A Hangers

Pos.	Item Number	Description	Remarks
1-10	828833	KIDS ANG ADJ F/PLT ASSM 16	RIGHT; used with Old-Style Latch Block Swing In/Out & S/A Hangers
1-10	828834	KIDS ANG ADJ F/PLT ASSM 16	LEFT; used with Old-Style Latch Block Swing In/Out & S/A Hangers
1-10	921226	KIDS ANG ADJ F/PLT ASSM 10	PAIR; used with Old-Style Latch Block Swing In/Out & S/A Hangers
1-10	921227	KIDS ANG ADJ F/PLT ASSM 11	PAIR; used with Old-Style Latch Block Swing In/Out & S/A Hangers
1-10	921228	KIDS ANG ADJ F/PLT ASSM 12	PAIR; used with Old-Style Latch Block Swing In/Out & S/A Hangers
1-10	921229	KIDS ANG ADJ F/PLT ASSM 13	PAIR; used with Old-Style Latch Block Swing In/Out & S/A Hangers
1-10	921230	KIDS ANG ADJ F/PLT ASSM 14	PAIR; used with Old-Style Latch Block Swing In/Out & S/A Hangers
1-10	921231	KIDS ANG ADJ F/PLT ASSM 15	PAIR; used with Old-Style Latch Block Swing In/Out & S/A Hangers
1-10	921232	KIDS ANG ADJ F/PLT ASSM 16	PAIR; used with Old-Style Latch Block Swing In/Out & S/A Hangers
11-19	129764	AAA FRNT MNT ADAPTER KIT PR	AAA FRNT MNT fits both Kids and Adult Angle Adjustable Footplates
		Ship assembled part #	Use with multiple assemblies
	ASSY-HNG-FP	HANGER/FOOTPLATE ASSY REQUIRED	add with Hanger & Footplate kit

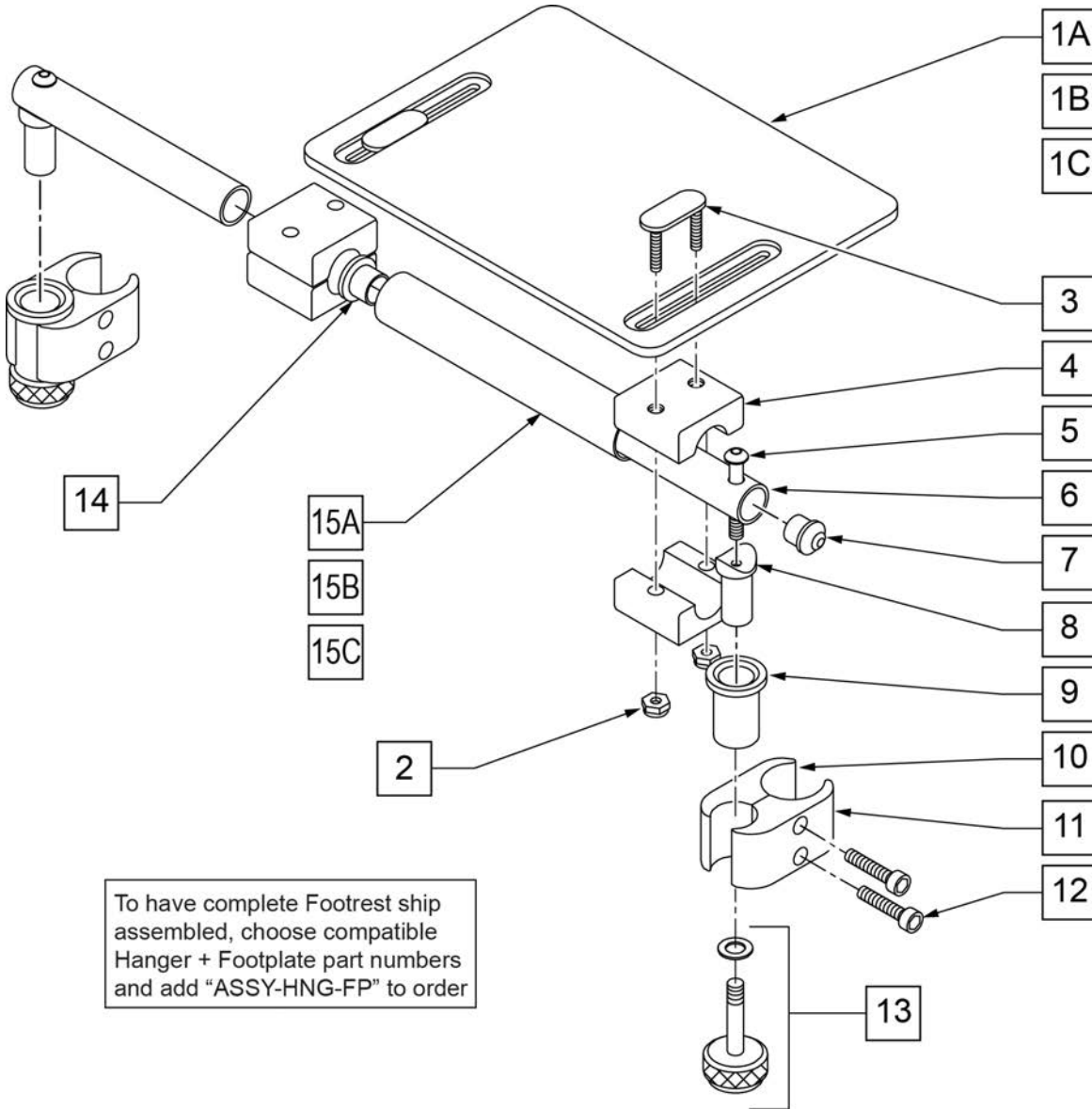
To have complete Footrest ship assembled, choose compatible Hanger + Footplate part numbers and add "ASSY-HNG-FP" to order

**INSET FORMULA**  
 0" Inset (Seat Width) = Footrest Width  
 1" Inset (Seat Width) - 2" = Footrest Width  
 "V" Hanger (Seat Width) - 4" = Footrest Width  
 Offset Hanger Receiver (Seat Width) + 2" = Footrest Width



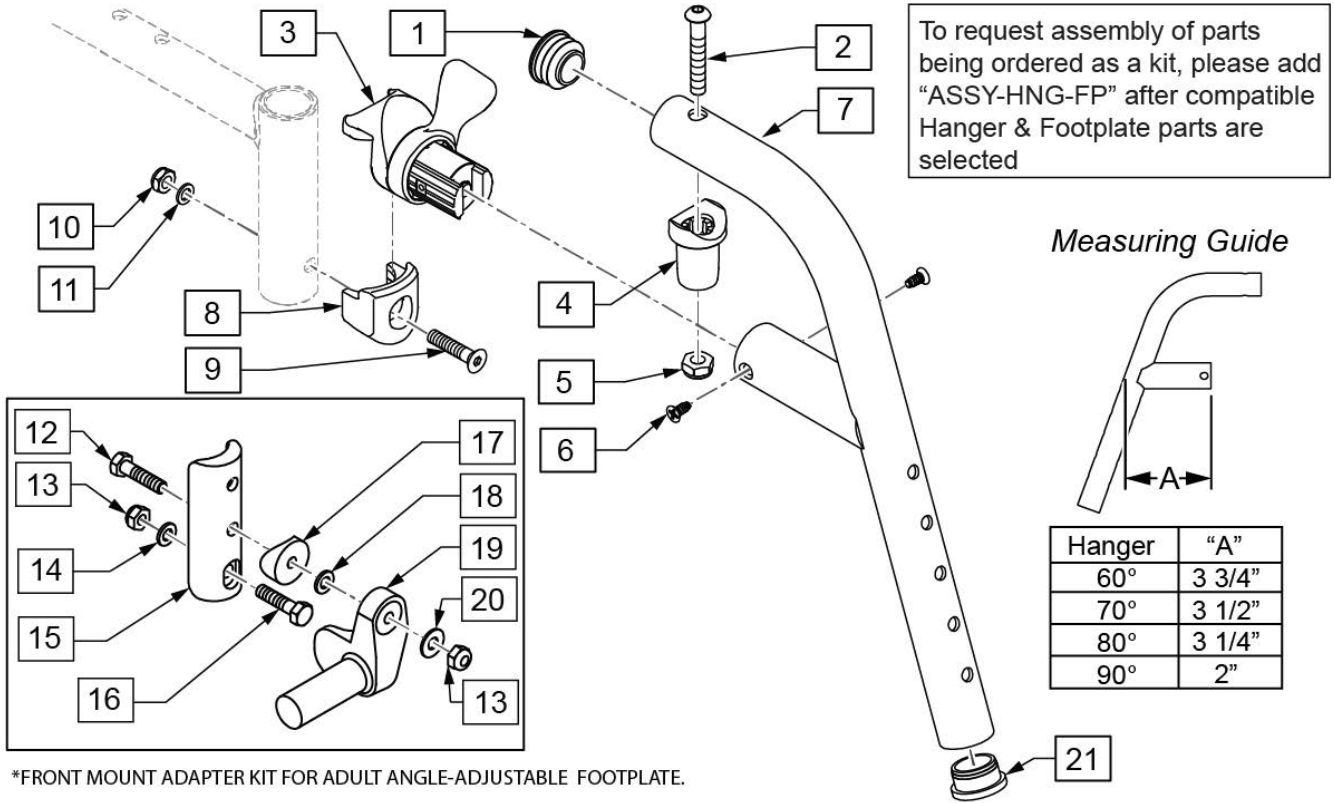
Pos.	Item Number	Description	Remarks
1	106978	FHCS 1/4-28 X 7/8 ROHS	
2	106941	NUT AUTOMATION 1/4-28 ROHS	
3	106943	WASHER FLAT AN 1/4 ROHS	
4	561004	1" SADDLE 1/4" HOLE	
5	541000	FOOTREST MOUNTING BRKT 1/2" RAD R	RIGHT
5	541001	FOOTREST MOUNTING BRKT 1/2" RAD L	LEFT
6	106945	WASHER FLAT SAE 1/4 ROHS	
7	106964	BHCS 1/4-28 X 2	
8	550350	3/4" CLAMP ADJ FOOTPLATE	
9	106935	NUT NYLOCK THIN 1/4-28 ROHS	
10	561040	HEEL LOOP PEG	
11	741153	HEEL LOOP 18-20 CMPST/14-15 ANG ADJ	USED W/ 14-15"/16-17" ADULT ANG ADJ FTPLTS
11	741253	HEEL LOOP ADLT ADJ F/PLT 18-20	USED W/ 18 -20" ADULT ANG ADJ FTPLTS
12	500656	ADULT ANGL ADJ F/PLT 10/11	RIGHT
12	500657	ADULT ANGL ADJ F/PLT 10/11	LEFT
12	500658	ADULT ANGL ADJ F/PLT 12/13	RIGHT
12	500659	ADULT ANGL ADJ F/PLT 12/13	LEFT
12	500660	ADULT ANGL ADJ F/PLT 14/15	RIGHT
12	500661	ADULT ANGL ADJ F/PLT 14/15	LEFT
12	500662	ADULT ANGL ADJ F/PLT 16/17	RIGHT
12	500663	ADULT ANGL ADJ F/PLT 16/17	LEFT
12	500664	ADULT ANGL ADJ F/PLT 18-20	RIGHT

Pos.	Item Number	Description	Remarks
12	500665	ADULT ANGL ADJ F/PLT 18-20	LEFT
13	740260	TOE-ANKLE STRAP ADJ ADULT FOOTPLATE	
14	106943	WASHER FLAT AN 1/4 ROHS	
15	106958	HHCS 1/4-20 X 1 ROHS	
1-9,12	820544	FP ADULT ADJ 90D 10/11 R	RIGHT
1-9,12	820554	FP ADULT ADJ 90D 10/11 L	LEFT
1-9,12	820546	FP ADULT ADJ 90D 12/13 R	RIGHT
1-9,12	820556	FP ADULT ADJ 90D 12/13 L	LEFT
1-9,12	820472	FP ADULT ADJ 90D 14/15 R	RIGHT
1-9,12	820473	FP ADULT ADJ 90D 14/15 L	LEFT
1-9,12	820474	FP ADULT ADJ 90D 16/17 R	RIGHT
1-9,12	820475	FP ADULT ADJ 90D 16/17 L	LEFT
1-9,12	820476	FP ADULT ADJ 90D 18-20 R	RIGHT
1-9,12	820477	FP ADULT ADJ 90D 18-20 L	LEFT
1-9,12	921474	ADULT ANGL ADJ 90D 10/11 OMIT H/L	PAIR
1-9,12	921476	ADULT ANGL ADJ 90D 12/13 OMIT H/L	PAIR
1-9,12	921330	ADULT ANGL ADJ 90D 14/15 OMIT H/L	PAIR
1-9,12	921331	ADULT ANGL ADJ 90D 16/17 OMIT H/L	PAIR
1-9,12	921332	ADULT ANGL ADJ 90D 18-20 OMIT H/L	PAIR
1-12,14,15	820540	F/PLT ADULT ADJ 90D 10/11 R W/ HL	RIGHT
1-12,14,15	820550	F/PLT ADULT ADJ 90D 10/11 L W/ HL	LEFT
1-12,14,15	820542	F/PLT ADULT ADJ 90D 12/13 R W/ HL	RIGHT
1-12,14,15	820552	F/PLT ADULT ADJ 90D 12/13 L W/ HL	LEFT
1-12,14,15	820478	F/PLT ADULT ADJ 90D 14/15 R W/ HL	RIGHT
1-12,14,15	820479	F/PLT ADULT ADJ 90D 14/15 L W/ HL	LEFT
1-12,14,15	820480	F/PLT ADULT ADJ 90D 16/17 R W/ HL	RIGHT
1-12,14,15	820481	F/PLT ADULT ADJ 90D 16/17 L W/ HL	LEFT
1-12,14,15	820482	F/PLT ADULT ADJ 90D 18-20 R W/ HL	RIGHT
1-12,14,15	820483	F/PLT ADULT ADJ 90D 18-20 L W/ HL	LEFT
1-12,14,15	921470	F/PLT ADULT ADJ 90D 10/11 W/ HL	PAIR
1-12,14,15	921472	F/PLT ADULT ADJ 90D 12/13 W/ HL	PAIR
1-12,14,15	921333	F/PLT ADULT ADJ 90D 14/15 W/ HL	PAIR
1-12,14,15	921334	F/PLT ADULT ADJ 90D 16/17 W/ HL	PAIR
1-12,14,15	921335	F/PLT ADULT ADJ 90D 18-20 W/ HL	PAIR
		Ship assembled part #	Use with multiple assemblies
	ASSY-HNG-FP	HANGER/FOOTPLATE ASSY REQUIRED	add with Hanger & Footplate kit



Pos.	Item Number	Description	Remarks
1A	562610	SLD FOOTPLATE ONLY 8" x 8" (10"-12" W)	10 -12" WIDE
1B	562612	SLD FOOTPLATE ONLY 10" x 8" (13"-14" W)	13 -14" WIDE
1C	500709	SLD FT PLT ALUM ONLY 12" x 8" (15"-16" W)	15 -16" WIDE
2	106933	NUT NYLOCK THIN 1/4-20 ROHS	
3	330120	SLD FT/ANGLE ADJ DOUBLE T BOLT	
4	550444	SOLID FOOT/ANG ADJ CLAMP BLK	
5	107028	BHCS 1/4-28 X 1-1/2 ROHS	
7	561034	SHORT DOME PLUG	
8	483236	SOLID FOOT INSERT SADDLE BLK	
10	550658	CLAMP 1 1/4" THREADED BLK	
11	550657	CLAMP 1 1/4" RECESS FULL BLK	
12	107032	SHCS 1/4-28 X 1 ROHS	
9,13	880559	SOLID FOOT LOCK KNOB ASSEMBLY	
14	560402	3/4" ID NY-LINER	
15A	521621	SLD FOOT SUPPORT TUBE BLK 10"-12"	10 -12" WIDE

<b>Pos.</b>	<b>Item Number</b>	<b>Description</b>	<b>Remarks</b>
15B	521622	SLD FOOT SUPPORT TUBE BLK 13"-14"	13 -14" WIDE
15C	521624	SLD FOOT SUPPORT TUBE BLK 15"-16"	15 -16" WIDE
5-8	880183	SLD FT PLT PIVOT TUBE SUB-ASSM	
1A,2-14, 15A	921801	SLD FT PLT ASSEMBLY 8" x 8" (10"-12" W)	10 -12" WIDE
1B,2-14, 15B	921803	SOLID FOOTPLATE ASSEMBLY 10" x 8" (13"-14" W)	13 -14" WIDE
1C,2-14, 15C	921805	SOLID FOOTPLATE ASSEMBLY 12" x 8" (15"-16" W)	15 -16" WIDE
		Ship assembled part #	Use with multiple assemblies
	ASSY-HNG-FP	HANGER/FOOTPLATE ASSY REQUIRED	add with Hanger & Footplate kit

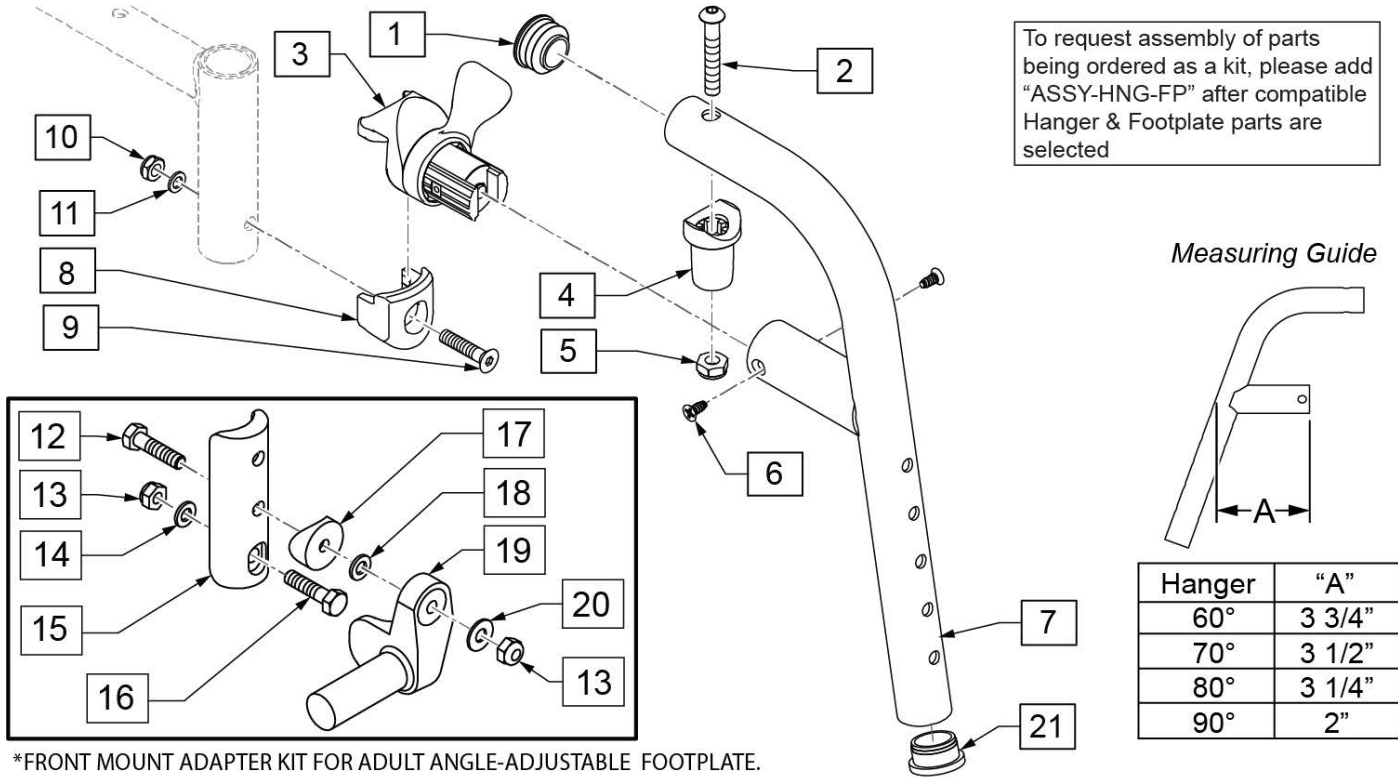


Pos.	Item Number	Description	Remarks
1	561062	1" INSERT PLUG .065 RIBS	
2	226217	5/16-18 X 2" BH C/S BLK	
4	561197	PLASTIC PIVOT SADDLE	
5	202102	5/16-18 NYLOCK NUT THIN	
6	118695	#8 LOW FLT HD TAP SCREW	
9	103500-010	FHCSM6X1X35FULLNP	
10	104381	NUT HEX NYLOCK M6X1.0	
11	104414	WAVE WASHER 6 MM	
12	102268-001	HHCS M6 X 1 X 25	
13	104381	NUT HEX NYLOCK M6 X 1	
14	107383	WASHER FLAT M6 ROHS	
15	119240	FOOTPLATE ADAPTER FM	3" tall
16	118198	HHCS M6X1X40 PART NP	
17	561004	1" SADDLE 1/4" HOLE	
18	106943	WASHER FLAT AN 1/4 ROHS	
19	541000	FOOTREST MOUNTING BRKT 1/2" RAD R	Right
19	541001	FOOTREST MOUNTING BRKT 1/2" RAD L	Left
20	106945	WASHER FLAT SAE 1/4 ROHS	
1,2,4,5	119518	PIVOT SADDLE KIT	
1-7	119456S	70 D FRNT MNT SWING IN/OUT HANGER L	Left
1-7	119457S	70 D FRNT MNT SWING IN/OUT HANGER R	Right
8-11	119514	LATCH RECEIVER KIT	
3,6	119509	HANGER LATCH ASSM W/HDWR L	Left
3,6	119510	HANGER LATCH ASSM W/HDWR R	Right
12-20	129764	AAA FRNT MNT ADAPTER KIT PR	Pair
21	561002	1" INSERT PLUG .083	



Pos.	Item Number	Description	Remarks
		Ship assembled part #	Use with multiple assemblies
	ASSY-HNG-FP	HANGER/FOOTPLATE ASSY REQUIRED	add with Hanger & Footplate kit

**80 DEG FRONT MOUNT SWING IN/OUT HANGER**

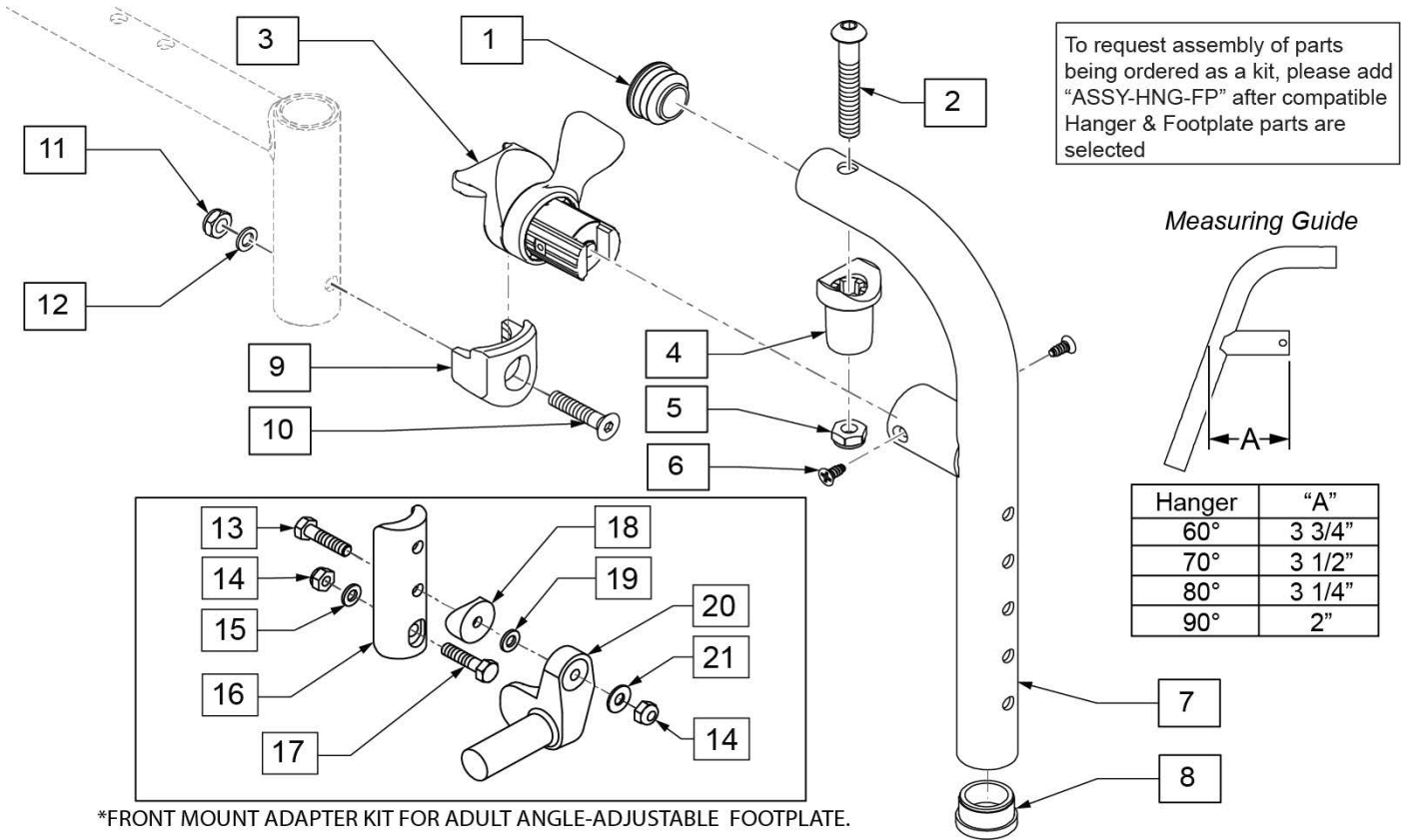


\*FRONT MOUNT ADAPTER KIT FOR ADULT ANGLE-ADJUSTABLE FOOTPLATE.

Pos.	Item Number	Description	Remarks
1	561062	1" INSERT PLUG .065 RIBS	
2	226217	5/16-18 X 2" BH C/S BLK	
4	561197	PLASTIC PIVOT SADDLE	
5	202102	5/16-18 NYLOCK NUT THIN	
6	118695	#8 LOW FLT HD TAP SCREW	
9	103500-010	FHCSM6X1X35FULLNP	
10	104381	NUT HEX NYLOCK M6X1.0	
11	104414	WAVE WASHER 6 MM	
12	102268-001	HHCS M6 X 1 X 25	
13	104381	NUT HEX NYLOCK M6 X 1	
14	107383	WASHER FLAT M6 ROHS	
15	119240	FOOTPLATE ADAPTER FM	3" tall
16	118198	HHCS M6X1X40 PART NP	
17	561004	1" SADDLE 1/4" HOLE	
18	106944	WASHER FLAT AN 1/4 ROHS	
19	541000	FOOTREST MOUNTING BRKT 1/2" RAD R	Right
19	541001	FOOTREST MOUNTING BRKT 1/2" RAD L	Left
20	106944	WASHER FLAT SAE 1/4 ROHS	
1,2,4,5	119518	PIVOT SADDLE KIT	
1-7	119464S	80 D FRNT MNT SWING IN/OUT HANGER L	Left
1-7	119465S	80 D FRNT MNT SWING IN/OUT HANGER R	Right
8-11	119514	LATCH RECEIVER KIT	
3,6	119509	HANGER LATCH ASSM W/HDWR L	Left
3,6	119510	HANGER LATCH ASSM W/HDWR R	Right
21	561002	1" INSERT PLUG .083	
12-20	129764	AAA FRNT MNT ADAPTER KIT PR	Pair
21	561002	1" INSERT PLUG .083	

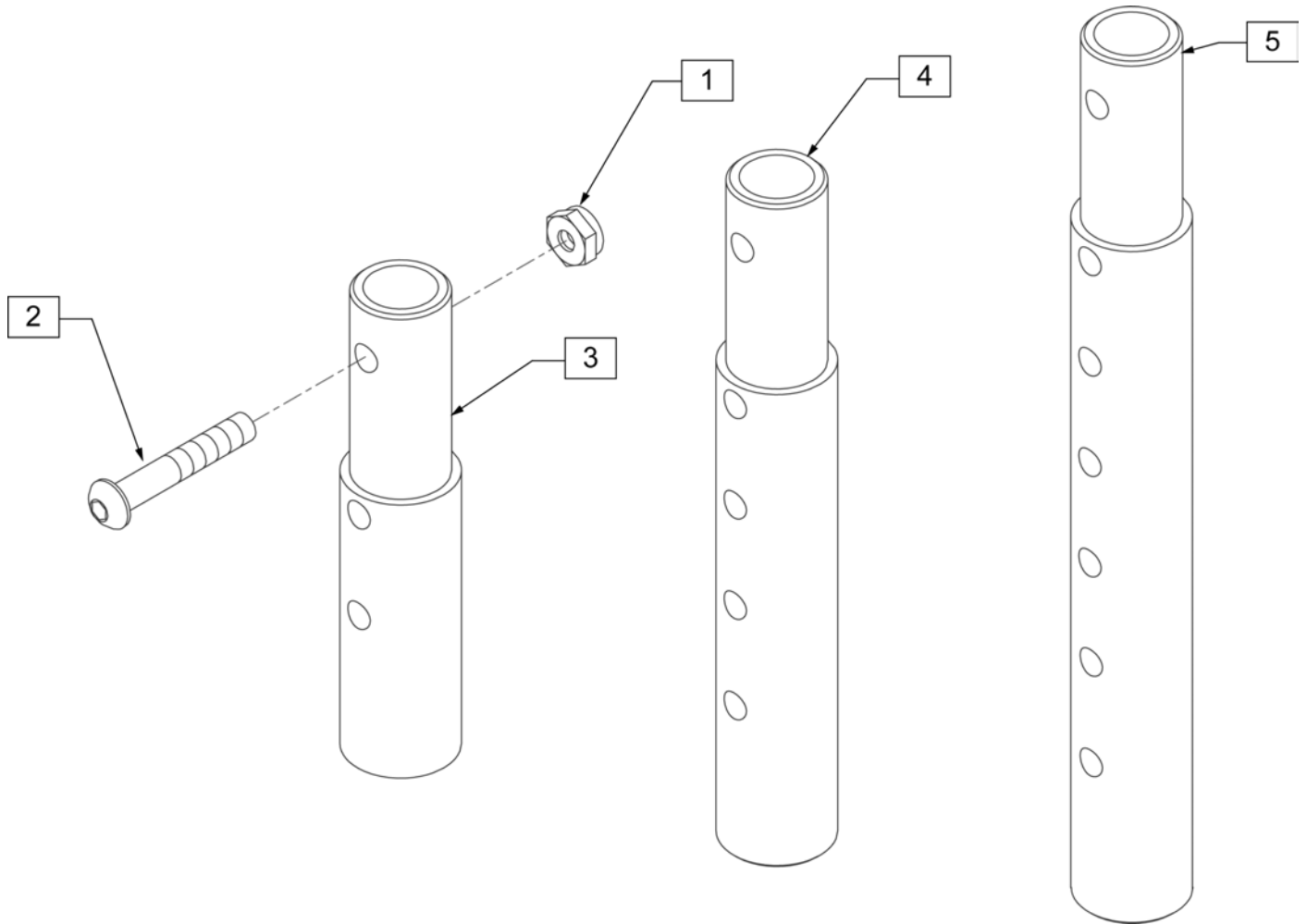
<b>Pos.</b>	<b>Item Number</b>	<b>Description</b>	<b>Remarks</b>
		Ship assembled part #	Use with multiple assemblies
	ASSY-HNG-FP	HANGER/FOOTPLATE ASSY REQUIRED	add with Hanger & Footplate kit

**90 DEG FRONT MOUNT SWING IN/OUT HANGER**



Pos.	Item Number	Description	Remarks
1	561062	1" INSERT PLUG .065 RIBS	
2	226217	5/16-18 X 2" BH C/S BLK	
4	561197	PLASTIC PIVOT SADDLE	
5	202102	5/16-18 NYLOCK NUT THIN	
6	118695	#8 LOW FLT HD TAP SCREW	
8	561002	1" INSERT PLUG .083	
10	103500-010	FHCSM6X1X35FULLNP	
11	104381	NUT HEX NYLOCK M6X1.0	
12	104414	WAVE WASHER 6 MM	
13	102268-001	HHCS M6 X 1 X 25	
14	104381	NUT HEX NYLOCK M6 X 1	
15	107383	WASHER FLAT M6 ROHS	
16	119240	FOOTPLATE ADAPTER FM	3" tall
17	118198	HHCS M6X1X40 PART NP	
18	561004	1" SADDLE 1/4" HOLE	
19	106943	WASHER FLAT AN 1/4 ROHS	
20	541000	FOOTREST MOUNTING BRKT 1/2" RAD R	Right
20	541001	FOOTREST MOUNTING BRKT 1/2" RAD L	Left
21	106945	WASHER FLAT SAE 1/4 ROHS	
1,2,4,5	119518	PIVOT SADDLE KIT	
1-7	129644S	90 D FRNT MNT SWING IN/OUT HANGER R	Right
1-7	129645S	90 D FRNT MNT SWING IN/OUT HANGER L	Left
9-12	119514	LATCH RECEIVER KIT	
3,6	119509	HANGER LATCH ASSM W/HDWR L	Left
3,6	119510	HANGER LATCH ASSM W/HDWR R	Right

<b>Pos.</b>	<b>Item Number</b>	<b>Description</b>	<b>Remarks</b>
13-21	129764	AAA FRNT MNT ADAPTER KIT PR	Pair
		Ship assembled part #	Use with multiple assemblies
	ASSY-HNG-FP	HANGER/FOOTPLATE ASSY REQUIRED	add with Hanger & Footplate kit

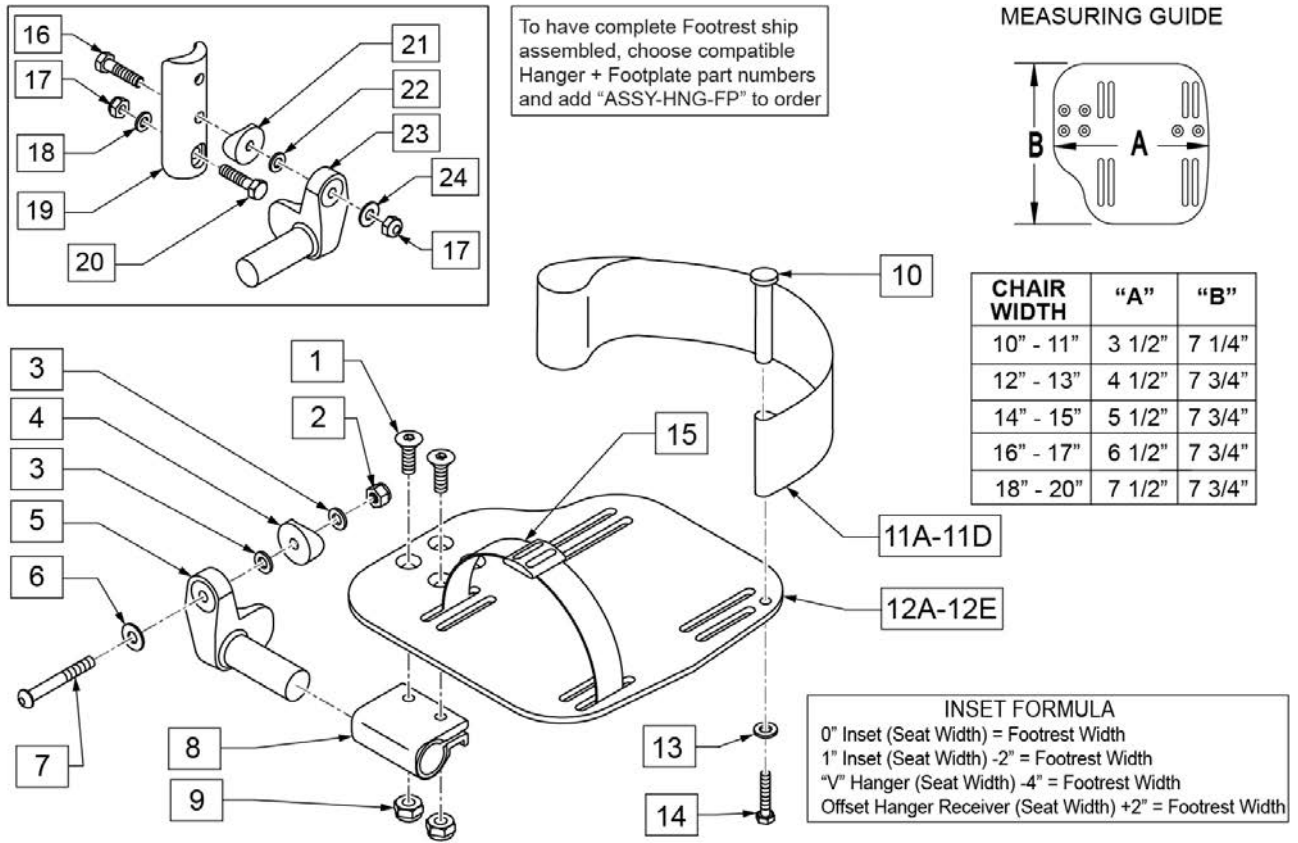


Pos.	Item Number	Description	Remarks
1	106935	NUT NYLOCK THIN 1/4 -28 ROHS	
2	106961	BHCS 1/4 -28 x 1 1/4 ROHS	
1-3	111505	2" FOOTREST EXTENSION TUBE W/ HDWR ASSM	2" EXT (PAIR)
1, 2, 4	111506	4" FOOTREST EXTENSION TUBE W/ HDWR ASSM	4" EXT (PAIR)
1, 2, 5	111507	6" FOOTREST EXTENSION TUBE W/ HDWR ASSM	6" EXT (PAIR)

**ADULT ANGLE-ADJ FOOTPLATE FRONT MOUNT**

[10/26/2018]

Note: for QX Series or SR45 footplate replacement parts see the ordering guide marked specifically for these two models in the informations panel.

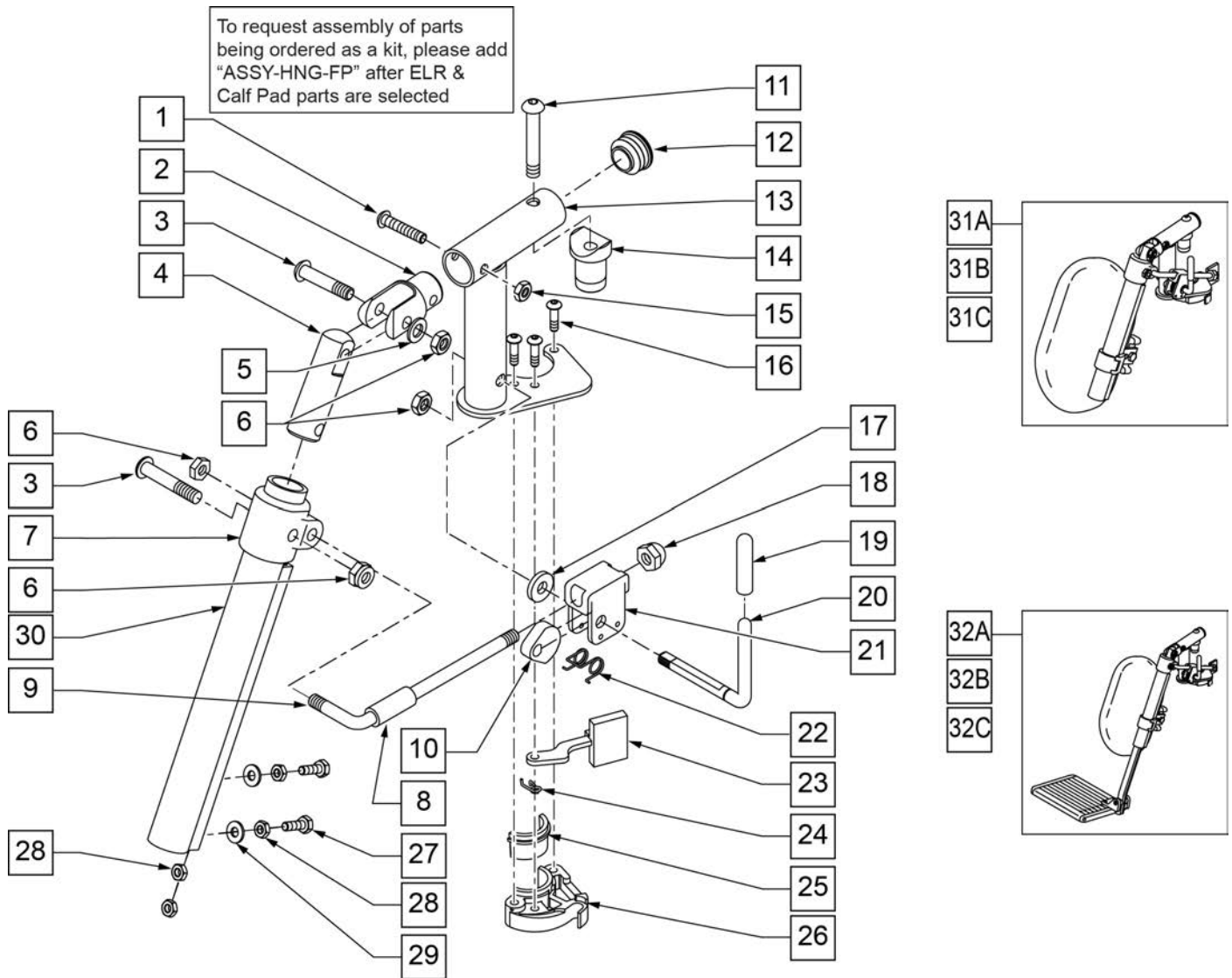


Pos.	Item Number	Description	Remarks
1	106978	FHCS 1/4-28 X 7/8	
2	106934	NUT NYLOCK 1/4-28	
3	106944	WASHER FLAT THIN AN 1/4	
4	561004	Q2 SADDLE	
5	541000	FTRST MOUNTING BRKT 1/2" RAD R	Right
5	541001	FTRST MOUNTING BRKT 1/2" RAD L	Left
6	106945	WASHER FLAT SAE 1/4 ROHS	
7	106964	BHCS 1/4-28 X 2	
8	550350	3/4 CLMP ADJ FT PLT	
9	106935	NUT NYLOCK THIN 1/4-28 ROHS	
10	561040	HEEL LOOP PEG	
11A	104380-001	ADJ FOOTREST STRAP 14W	Used on 10"-13" wide
11B	104380-002	ADJ FOOTREST STRAP 15-16W	Used on 14"-15" wide
11C	104380-003	ADJ FOOTREST STRAP 17-18W	Used on 16"-17" wide
11D	104380-004	ADJ FOOTREST STRAP 19-20W	Used on 18"-20" wide
12A	500656	ADULT ANGL ADJ F/PLT 10/11	Right; 10"-11" wide
12A	500657	ADULT ANGL ADJ F/PLT 10/11	Left; 10"-11" wide

Pos.	Item Number	Description	Remarks
12B	500658	ADULT ANGL ADJ F/PLT 12/13	Right; 12"-13" wide
12B	500659	ADULT ANGL ADJ F/PLT 12/13	Left; 12"-13" wide
12C	500660	ADULT ANGL ADJ F/PLT 14/15	Right; 14"-15" wide
12C	500661	ADULT ANGL ADJ F/PLT 14/15	Left; 14"-15" wide
12D	500662	ADULT ANGL ADJ F/PLT 16/17	Right; 16"-17" wide
12D	500663	ADULT ANGL ADJ F/PLT 16/17	Left; 16"-17" wide
12E	500664	ADULT ANGL ADJ F/PLT 18-20	Right; 18"-22" wide
12E	500665	ADULT ANGL ADJ F/PLT 18-20	Left; 18"-22" wide
13	107383	WASHER FLAT M6 ROHS	
14	102268-001	HHCS M6 X 1 X 25	
15	740260	TOE-ANKLE STRAP ADJ ADULT FOOTPLATE	
16	102268-001	HHCS M6 X 1 X 25	
17	132626	NUT AUTOMATION M6 X 1	
18	107383	WASHER FLAT M6 ROHS	
20	118198	HHCS M6X1X40 PART NP	
21	561004	Q2 SADDLE	
22	106943	WASHER FLAT AN 1/4 ROHS	
24	106945	WASHER FLAT SAE 1/4 ROHS	
16-24	129764	AAA FRNT MNT ADAPTER KIT PR	Pair; fits both Kids & Adult Angle Adj Footplates
1,8-10,11A,12A,13,14	129765	AAA F/PLT KIT 10-11 RT	Right; used w/ 129764 on Plunger-Style Swing In/Out Hangers
1,8-10,11A,12A,13,14	129766	AAA F/PLT KIT 10-11 LFT	Left; used w/ 129764 on Plunger-Style Swing In/Out Hangers
1,8-10,11A,12B,13,14	129767	AAA F/PLT KIT 12-13 RT	Right; used w/ 129764 on Plunger-Style Swing In/Out Hangers
1,8-10,11A,12B,13,14	129768	AAA F/PLT KIT 12-13 LFT	Left; used w/ 129764 on Plunger-Style Swing In/Out Hangers
1,8-10,11B,12C,13,14	129769	AAA F/PLT KIT 14-15 RT	Right; used w/ 129764 on Plunger-Style Swing In/Out Hangers
1,8-10,11B,12C,13,14	129770	AAA F/PLT KIT 14-15 LFT	Left; used w/ 129764 on Plunger-Style Swing In/Out Hangers
1,8-10,11C,12D,13,14	129771	AAA F/PLT KIT 16-17 RT	Right; used w/ 129764 on Plunger-Style Swing In/Out Hangers
1,8-10,11C,12D,13,14	129772	AAA F/PLT KIT 16-17 LFT	Left; used w/ 129764 on Plunger-Style Swing In/Out Hangers
1,8-10,11D,12E,13,14	129773	AAA F/PLT KIT 18-20 RT	Right; used w/ 129764 on Plunger-Style Swing In/Out Hangers
1,8-10,11D,12E,13,14	129774	AAA F/PLT KIT 18-20 LFT	Left; used w/ 129764 on Plunger-Style Swing In/Out Hangers
1-10,11A,12B	111514	AAA FTPLT 90D 12/13" R	Right; used w/ Old-Style Latch Block Swing In/Out & S/A Hngrs
1-10,11A,12B	111515	AAA FTPLT 90D 12/13" L	Left; used w/ Old-Style Latch Block Swing IO & S/A Hngrs
1-10,11B,12C	111516	AAA FTPLT 90D 14/15" R	Right; used w/ Old-Style Latch Block Swing In/Out & S/A Hngrs
1-10,11B,12C	111517	AAA FTPLT 90D 14/15" L	Left; used w/ Old-Style Latch Block Swing IO & S/A Hngrs
1-10,11C,12D	111518	AAA FTPLT 90D 16/17" R	Right; used w/ Old-Style Latch Block Swing In/Out & S/A Hngrs
1-10,11C,12D	111519	AAA FTPLT 90D 16/17" L	Left; used w/ Old-Style Latch Block Swing IO & S/A Hngrs
1-10,11D,12E	111520	AAA FTPLT 90D 18/20" R	Right; used w/ Old-Style Latch Block Swing In/Out & S/A Hngrs
1-10,11D,12E	111521	AAA FTPLT 90D 18/20" L	Left; used w/ Old-Style Latch Block Swing IO & S/A Hngrs
		Ship assembled part #	Use with multiple assemblies
	ASSY-HNG-FP	HANGER/FOOTPLATE ASSY REQUIRED	add with Hanger & Footplate kit

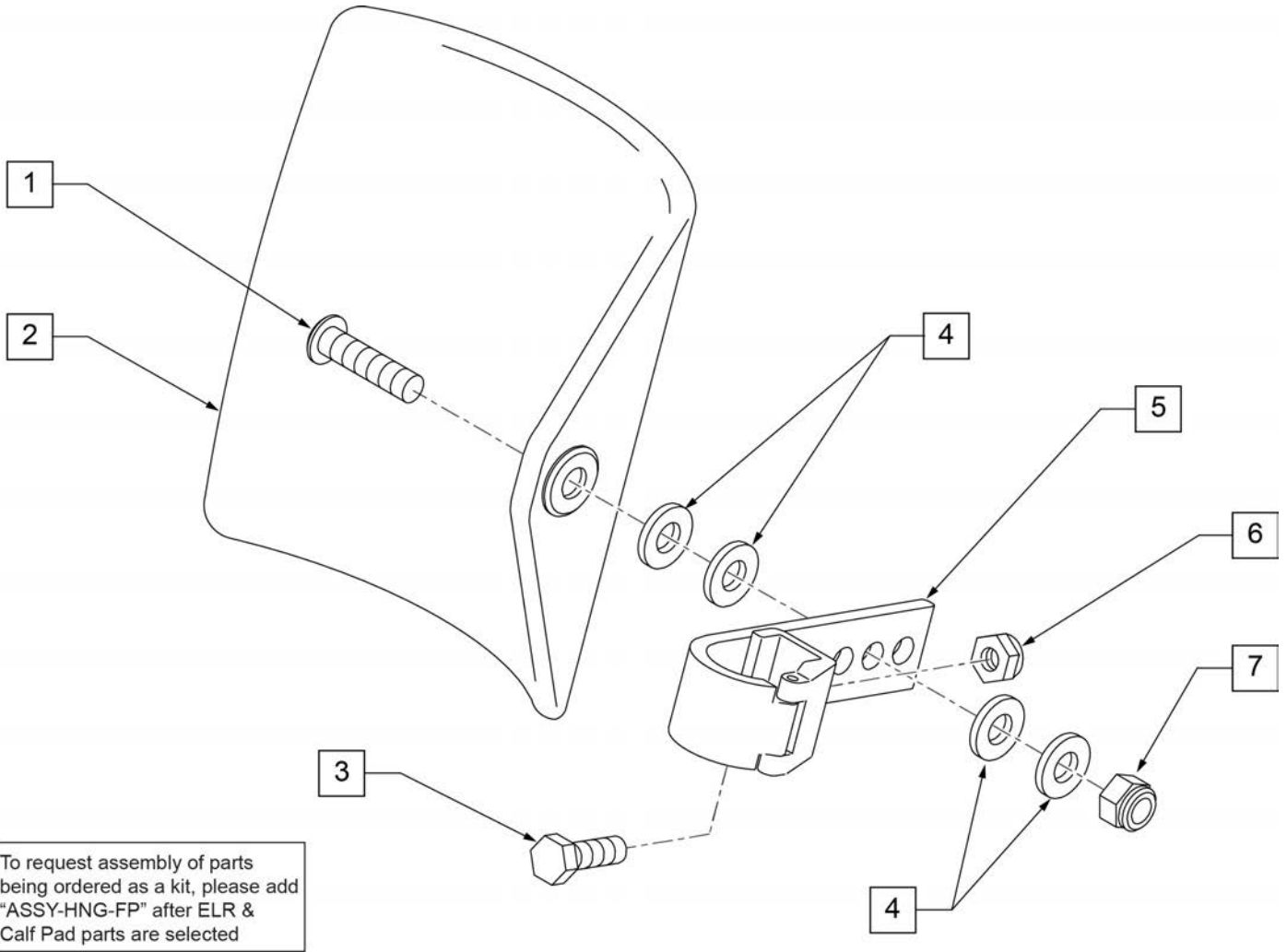




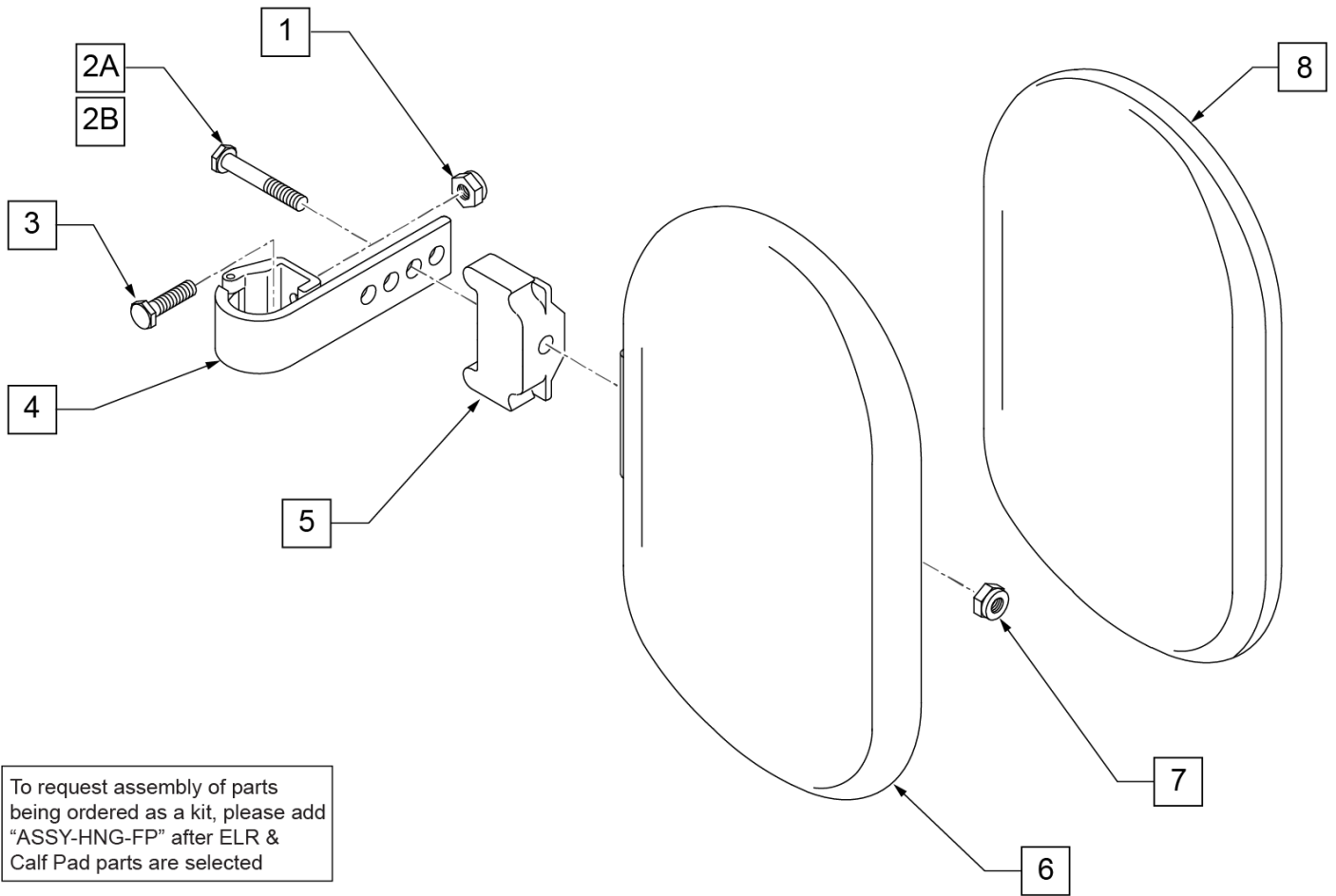


Pos.	Item Number	Description	Remarks
1	106961	1/4-28 X 1 1/4 BH C/S	
2	505281	ELR CLEVIS	
3	107037	BHCS 5/16-24 X 1-1/2 SHLD ROHS	
4	540252	ELR PIVOT PRS	
5	106946	WASHER FLAT AN 5/16 ROHS	
6	106939	NUT NYLOCK THIN 5/16-24 ROHS	
7	560420	ELR UPPER PIVOT PLST	
8	560784	ELR ADJUSTMENT STOP	
9	481117	ELR LOCK ROD	
10	481119	ELR CAM LOCKING POWDERED METAL	
11	106982	BHCS 5/16 -18 x 1 3/4 SHLD ROHS	
12	561062	1" INSERT PLUG .065 RIBS	
14	122729	ELR ALUM PIVOT SADDLE	
15	106935	NUT NYLOCK THIN 1/4-28 ROHS	
16	107035	BHCS 10-24 X .725 PL ROHS	
17	561059	3/4 OD x .318 ID WASHER	
18	202109	5/16-24 ACORN NUT HEX	

Pos.	Item Number	Description	Remarks
19	561049	ELR RELEASE ROD COVER	
19,20	882410S	ELR ACTUATION ARM ASSEMBLY	
21	880990	ELR LOCK HOUSING W/PIN	
22	321106	ELR TORSION SPRING	
23	561079	S/A LATCH LEVER	
24	321136	S/A SPRING L RED	LEFT
24	321137	S/A SPRING R CLEAR	RIGHT
27	107014	1/4-28 x 3/4 HEX C/S	
28	107249	NUT HEX THIN 1/4-28 ROHS	
29	106944	WASHER FLAT THIN AN 1/4 ROHS	
30	550722S	ELR ADJUSTMENT TUBE	
6,8-10,17-22	881077S	ELR LOCK ROD/ARM ASSEMBLY	
25,26	881500	LATCH BLOCK ASSM	RIGHT
25,26	881501	LATCH BLOCK ASSM	LEFT
1-6,11-16,20-24	882413	ELR PIVOT BLOCK ASSM	RIGHT
1-6,11-16,20-24	882414	ELR PIVOT BLOCK ASSM	LEFT
1-26	881422	ELR PIVOT ASSM RIGHT	RIGHT
1-26	881423	ELR PIVOT ASSM LEFT	LEFT
1-30	641452S	ELR HNGR W/O PAD PNTD MNL	RIGHT
1-30	641453S	ELR HNGR W/O PAD PNTD MNL	LEFT
31A	923082S	ELR HNGR ASSM 14-15 W /PAD (PR)	PAIR
31B	923041S	ELR HNGR ASSM W/PAD 16-17"	PAIR
31C	923061S	ELR HNGR ASSM W/PAD 18-20"	PAIR
32A	923088S	ELR HNGR REG EXT 14 15" F/PLT	Pair-includes short extensions, 11.5" - 15.5"
32B	923084S	ELR HNGR REG EXT 16 17" F/PLT	Pair-includes short extensions, 11.5" - 15.5"
32C	923085S	ELR HNGR REG EXT 18-20" F/PLT	Pair-includes short extensions, 11.5" - 15.5"
16,23-26	881521	S/A LATCH KIT CASTING RIGHT	RIGHT
16,23-26	881522	S/A LATCH KIT CASTING LEFT	LEFT
		Ship assembled part #	Use with multiple assemblies
	ASSY-HNG-FP	HANGER/FOOTPLATE ASSY REQUIRED	add with Hanger & Footplate kit



Pos.	Item Number	Description	Remarks
1	106980	BHCS 5/16-18 X 1-1/4 ROHS	
2	755014	CALF PAD TROUGH STYLE 14"/16"	
3	221097	1/4-28 X 5/8 HEX C/S BZ	
4	561016	1" WASHER 5/16" HOLE	
5	881413	CALF PAD BRACKET ASSEMBLY	
6	106934	NUT NYLOCK 1/4-28 ROHS	
7	106937	NUT NYLOCK THIN 5/16-18	
1-7	881414	CALF PAD J-HOOK 14"-15" ASSEMBLY	
		Ship assembled part #	Use with multiple assemblies
	ASSY-HNG-FP	HANGER/FOOTPLATE ASSY REQUIRED	add with Hanger & Footplate kit



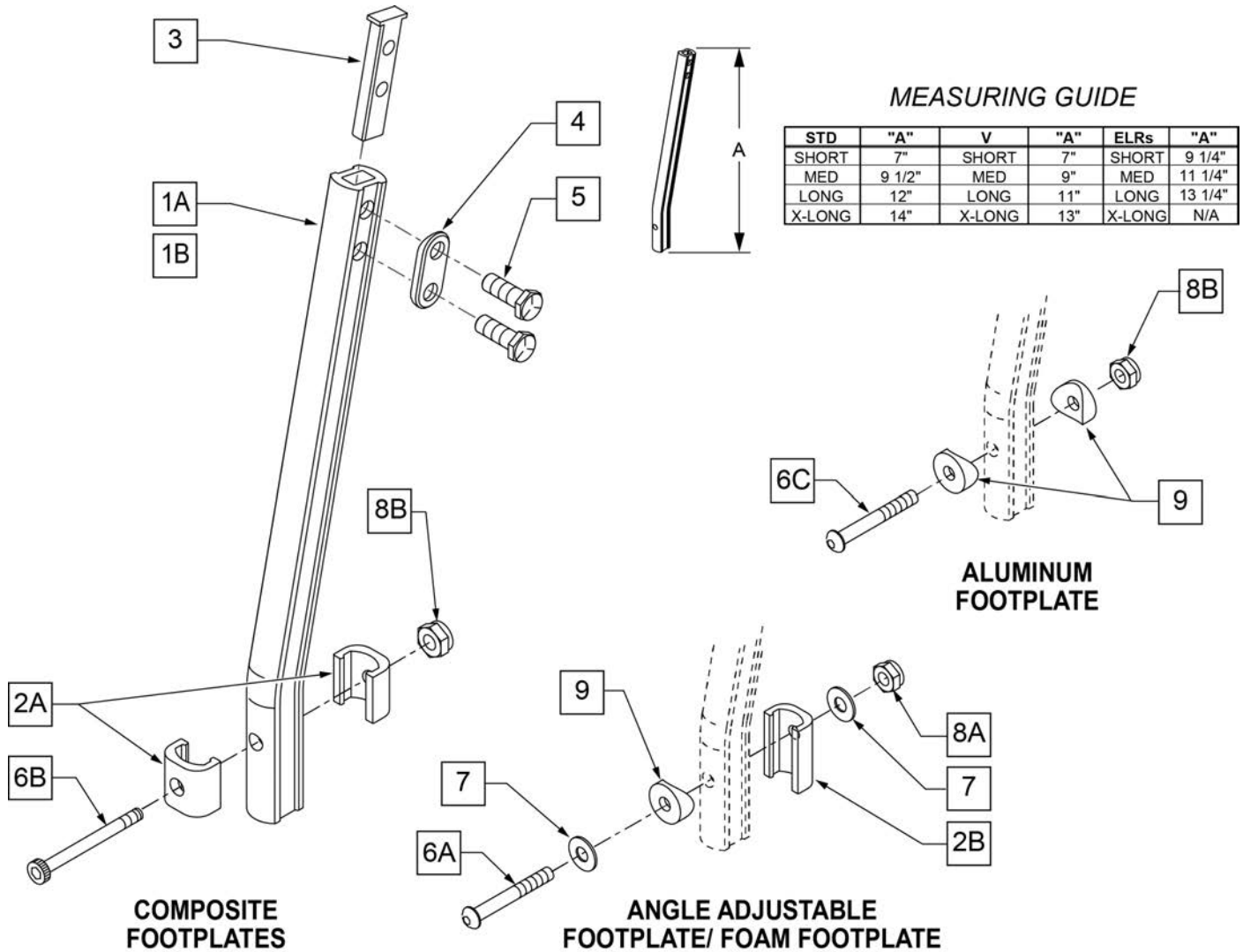
To request assembly of parts being ordered as a kit, please add "ASSY-HNG-FP" after ELR & Calf Pad parts are selected

Pos.	Item Number	Description	Remarks
1	106934	NUT NYLOCK 1/4-28 ROHS	
2A	107018	HHCS 5/16-18 X 2-1/2 ROHS	16"-17" wide only
2B	107019	HHCS 5/16-18 X 3-1/2 ROHS	18"-20" wide only
3	107013	HHCS 1/4-28 X 5/8 ROHS	
4	881413	CALF PAD BRACKET ASSEMBLY	
5	560199	ELR CALF HINGE SPACER	18"-20" wide only
6	560108	CALF PAD MOLDED 16"-20"	
7	106936	NUT NYLOCK 5/16-18 ROHS	
8	751045	CALF PAD COVER	
1,2A,3,4,6-8	881416	CALF MOLDED 16"-17" ASSEMBLY	
1,2B,3-7,8	881412	CALF PAD MOLDED 18"-20" ASSEMBLY	
		Ship assembled part #	Use with multiple assemblies
	ASSY-HNG-FP	HANGER/FOOTPLATE ASSY REQUIRED	add with Hanger & Footplate kit

NOTE: DISCONTINUED - PARTS ONLY ON GP SWNG-AWAY BEGINNING 4/4/15 & S/N GP-95902, KIDS Q2 SE BEGINNING 4/16/15 & S/N QKE-003425, LX BEGINNING 10/24/2008 & S/N LX-034330, LXI BEGINNING 4/25/15 & S/N LXI-060868, QTS BEGINNING 5/15/15 & S/N QT-044951, QTS SE BEGINNING 5/15/15 & S/N QTE-002092

**NOTE:** IF REPLACING AN EXTENSION TUBE ON AN MANUAL ALR PLEASE REFER TO THE ROUND EXT TUBE PARTS MANUAL PAGE.

**NOTE:** WHEN ORDERING REPLACEMENT EXTENSION TUBES PLEASE VERIFY IF YOU HAVE THE OLD STYLE DOUBLE D EXTENSION TUBE OR THE NEW STYLE DOUBLE D EXTENSION TUBE. THIS CAN BE DONE BY REVIEWING THE HANGER THE EXTENSION TUBE IS USED ON. IF THE HANGER UTILIZES A SINGLE SET SCREW AT THE BOTTOM OF THE HANGER TUBE TO ATTACH THE EXTENSION TUBE TO THE HANGER, THEN THIS UTILIZES THE NEW STYLE DOUBLE D EXT TUBE. ALL OTHER HANGERS REQUIRING A DOUBLE D EXTENSION TUBE UTILIZE THE OLD STYLE.



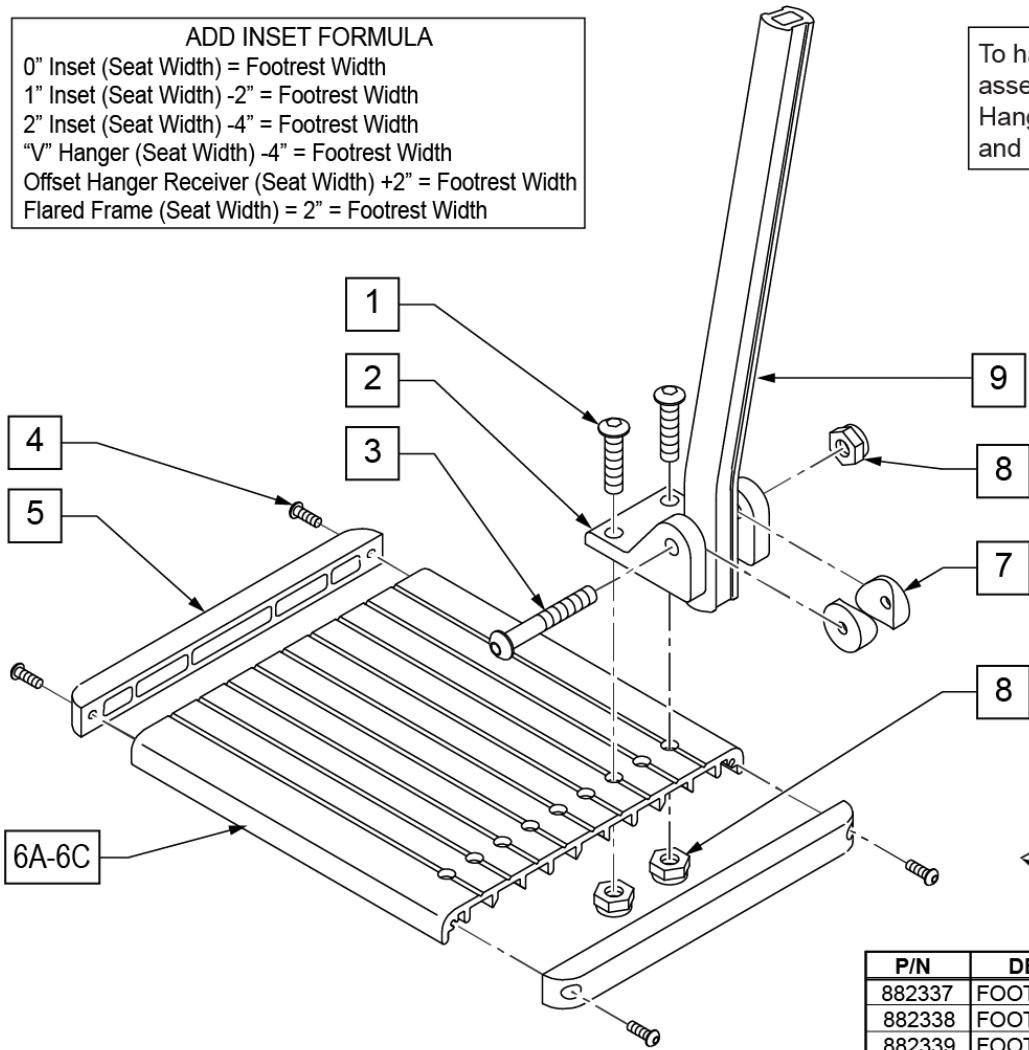
Pos.	Item Number	Description	Remarks
1A	550819	EXT TUBE S/A ONLY SHT	Short Ext-Swing Away Hanger

Pos.	Item Number	Description	Remarks
1A	550820	EXT TUBE S/A ONLY MED	Med Ext-Swing Away Hanger
1A	550821	EXT TUBE S/A ONLY LONG	Long Ext-Swing Away Hanger
1A	550822	EXT TUBE S/A ONLY X-LONG	X-Long Ext-Swing Away Hanger
1B	550834	EXT TUBE V IN ONLY D2 SHT R	Right Short Ext-Swing Away Hanger
1B	550835	EXT TUBE V IN ONLY D2 SHT L	Left Short Ext-Swing Away Hanger
1B	550836	EXT TUBE V IN ONLY D2 MED R	Right Med Ext-Swing Away Hanger
1B	550837	EXT TUBE V IN ONLY D2 MED L	Left Med Ext-Swing Away Hanger
1B	550838	EXT TUBE V IN ONLY D2 LONG R	Right Long Ext-Swing Away Hanger
1B	550839	EXT TUBE V IN ONLY D2 LONG L	Left Long Ext-Swing Away Hanger
1B	550840	EXT TUBE V IN ONLY D2 X-LONG R	Right X-Long Ext-Swing Away Hanger
1B	550841	EXT TUBE V IN ONLY D2 X-LONG L	Left X-Long Ext-Swing Away Hanger
2A	483718	HANGER EXTENSION SADDLE	USE W/ COMPOSITE FTPLT
2B	483720	HANGER EXTENSION SADDLE LONG	USE W/ ANGLE ADJ FTPLT
3	500078	INSERT D2 EXT TUBE	
4	483717	HANGER SADDLE	
5	221102	1/4-28 x 3/4 HEX HEAD C/S BLK W/PTCH	
6A	106962	1/4-28 x 1 3/4 BH C/S BLK ZN	USE W/ ANGLE ADJ FTPLT
6B	226165	1/4 -28 x 2 1/2 SOC C/S	USE W/ COMPOSITE FTPLT
6C	226147	1/4 -28 X 1.85 BH C/S	
7	106945	1/4" SAE WASHER	
8A	106941	1/4 -28 AUTOMATION NUT	USE W/ ANGLE ADJ FTPLT
8B	106935	1/4 -28 NYLOCK NUT THIN	USE W/ COMPOSITE FTPLT
9	561055	3/4 SADDLE 1" OD	USE W/ ANGLE ADJ FTPLT
1A,2A-5	921759	EXT TUBE S/A SHT ASSM PCKT	USE W/ COMPOSITE FTPLT
1A,2A-5	921760	EXT TUBE S/A MED ASSM PCKT	USE W/ COMPOSITE FTPLT
1A,2A-5	921761	EXT TUBE S/A LONG ASSM PCKT	USE W/ COMPOSITE FTPLT
1A,2A-5	921762	EXT TUBE S/A X-LONG ASSM PCKT	USE W/ COMPOSITE FTPLT
1B,2A-5	921751	EXT TUBE "V" D2 SHT R ASSM PCKT	RIGHT - USE W/ COMPOSITE FTPLT V HANGER
1B,2A-5	921752	EXT TUBE "V" D2 SHT L ASSM PCKT	LEFT - USE W/ COMPOSITE FTPLT V HANGER
1B,2A-5	921753	EXT TUBE "V" D2 MED R ASSM PCKT	RIGHT - USE W/ COMPOSITE FTPLT V HANGER
1B,2A-5	921754	EXT TUBE "V" D2 MED L ASSM PCKT	LEFT - USE W/ COMPOSITE FTPLT V HANGER
1B,2A-5	921755	EXT TUBE "V" D2 LONG R ASSM PCKT	RIGHT - USE W/ COMPOSITE FTPLT V HANGER
1B,2A-5	921756	EXT TUBE "V" D2 LONG L ASSM PCKT	LEFT - USE W/ COMPOSITE FTPLT V HANGER
1B,2A-5	921757	EXT TUBE "V" D2 X-LONG R ASSM PCKT	RIGHT - USE W/ COMPOSITE FTPLT V HANGER
1B,2A-5	921758	EXT TUBE "V" D2 X-LONG L ASSM PCKT	LEFT - USE W/ COMPOSITE FTPLT V HANGER
1A,2A-7,9	921772	EXT TUBE S/A SHT ANG ADJ PCKT	USE W/ ANGLE ADJ FTPLT
1A,2A-7,9	921773	EXT TUBE S/A MED ANG ADJ PCKT	USE W/ ANGLE ADJ FTPLT
1A,2A-7,9	921774	EXT TUBE S/A LONG ANG ADJ PCKT	USE W/ ANGLE ADJ FTPLT
1A,2A-7,9	921775	EXT TUBE S/A X-LONG ANG ADJ PCKT	USE W/ ANGLE ADJ FTPLT
1B,2A-7,9	921764	EXT TUBE "V" D2 SHT R ANG ADJ PCKT	RIGHT - USE W/ ANGLE ADJ FTPLT V HANGER
1B,2A-7,9	921765	EXT TUBE "V" D2 SHT L ANG ADJ PCKT	LEFT - USE W/ ANGLE ADJ FTPLT V HANGER
1B,2A-7,9	921766	EXT TUBE "V" D2 MED R ANG ADJ PCKT	RIGHT - USE W/ ANGLE ADJ FTPLT V HANGER
1B,2A-7,9	921767	EXT TUBE "V" D2 MED L ANG ADJ PCKT	LEFT - USE W/ ANGLE ADJ FTPLT V HANGER
1B,2A-7,9	921768	EXT TUBE "V" D2 LONG R ANG ADJ PCKT	RIGHT - USE W/ ANGLE ADJ FTPLT V HANGER
1B,2A-7,9	921769	EXT TUBE "V" D2 LONG L ANG ADJ PCKT	LEFT - USE W/ ANGLE ADJ FTPLT V HANGER
1B,2A-7,9	921770	EXT TUBE "V" D2 X-LONG R ANG AD PCKT	RIGHT - USE W/ ANGLE ADJ FTPLT V HANGER
1B,2A-7,9	921771	EXT TUBE "V" D2 X-LONG L ANG AD PCKT	LEFT - USE W/ ANGLE ADJ FTPLT V HANGER

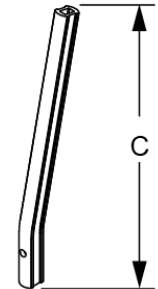
NOTE: Left Side Shown

**ADD INSET FORMULA**  
 0" Inset (Seat Width) = Footrest Width  
 1" Inset (Seat Width) - 2" = Footrest Width  
 2" Inset (Seat Width) - 4" = Footrest Width  
 "V" Hanger (Seat Width) - 4" = Footrest Width  
 Offset Hanger Receiver (Seat Width) + 2" = Footrest Width  
 Flared Frame (Seat Width) = 2" = Footrest Width

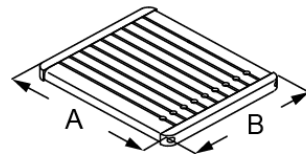
To have complete Footrest ship assembled, choose compatible Hanger + Footplate part numbers and add "ASSY-HNG-FP" to order



**MEASURING GUIDE**



	"C"
SHORT	9 1/4"
MED	11 1/4"
LONG	13 1/4"



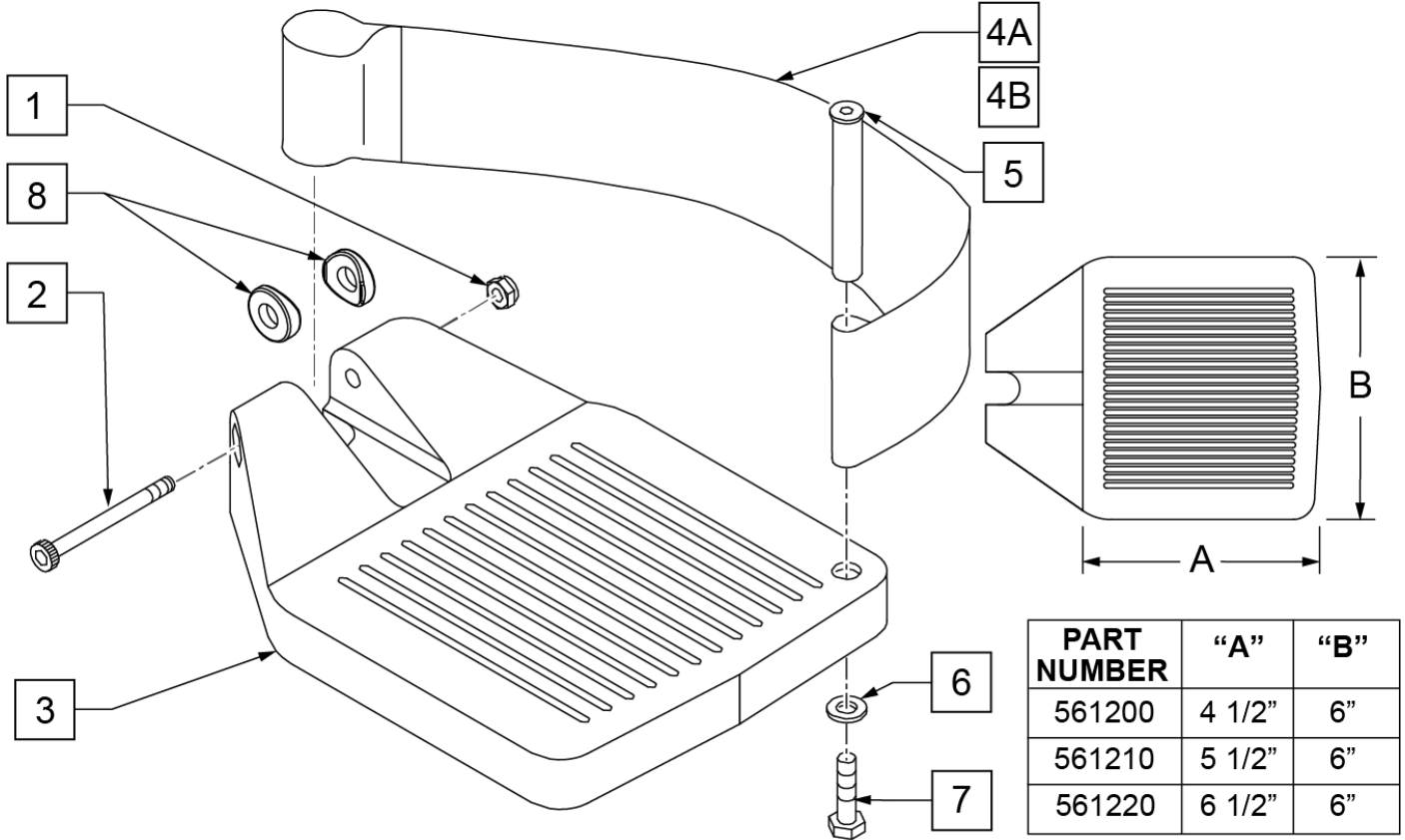
P/N	DESCRIPTION	"A"	"B"
882337	FOOTPLATE ELR 14-15"	6"	6"
882338	FOOTPLATE ELR 16-17"	7"	6"
882339	FOOTPLATE ELR 18-20"	8"	6"



Pos.	Item Number	Description	Remarks
1	106959	1/4-28 x 5/8 BH C/S	
2	550739	FOOTPLATE MOUNTING BRACKET	
3	226147	1/4-28 x 1.85 BH C/S	
4	281043	#4 x 5/8 PAN PHIL S/TAP	
5	560101	END CAPS FOOTREST	
7	561003	3/4" SADDLE THIN	
8	106935	1/4-28 NYLOCK NUT THIN	
9	550764	S/A HANGER EXT D2 SHORT BLACK	
9	550765	S/A HANGER EXT D2 MED BLK	
9	550766	S/A HANGER EXT D2 LONG BLACK	
4,5,6A	882337	ELR FOOTPLATE ASSEMBLY 14 -15"	
4,5,6B	882338	ELR FOOTPLATE ASSEMBLY 16 -17"	
4,5,6C	882339	ELR FOOTPLATE ASSEMBLY 18 -20"	
1-5,6A-8	921400S	ELR FOOTPLATE KIT 14 -15"	Does not include Extension
1-5,6B-8	921401S	ELR FOOTPLATE KIT 16 -17"	Does not include Extension
1-5,6C-8	921402S	ELR FOOTPLATE KIT 18 -20"	Does not include Extension
		Ship assembled part #	Use with multiple assemblies
	ASSY-HNG-FP	HANGER/FOOTPLATE ASSY REQUIRED	add with Hanger & Footplate kit

To have complete Footrest ship assembled, choose compatible Hanger + Footplate part numbers and add "ASSY-HNG-FP" to order

**INSET FORMULA**  
 0" Inset (Seat Width) = Footrest Width  
 1" Inset (Seat Width) -2" = Footrest Width  
 "V" Hanger (Seat Width) -4" = Footrest Width  
 Offset Hanger Receiver (Seat Width) +2" = Footrest Width



Pos.	Item Number	Description	Remarks
1	106935	1/4 - 28 NYLOCK NUT	
2	226165	1/4 - 28 x 2 1/2 SOC C/S	
3	561200	COMPOSITE FOOTPLATE 14 -15 (16 -18 V )	14 -15 OR 16 -18V
3	561210	COMPOSITE FOOTPLATE 16 -17 (19 -20 V )	16 -17 OR 19 -20V
3	561220	COMPOSITE FOOTPLATE 18 -20	18 -20
4A	741151	HEEL LOOP 14-15 COMPOSITE (14 -15 or 16 -18V)	14 -15 OR 16 -18V
4A	741156	HEEL LOOP 16 -17 or 19 -20V	16 -17 OR 19 -20V
4A	741153	HEEL LOOP 18 -20 COMPOSITE/14-15 ANG ADJ	18 -20
4A	902270	HEEL LOOP COMPOSITE FT 14-15	PAIR 14 -15 OR 16 -18V
4A	902271	HEEL LOOP COMPOSITE FT 16-17	PAIR 16 -17 OR 19 -20V
4A	902272	HEEL LOOP COMPOSITE FT 18-20	PAIR 18 -20
4B	741154	HEEL LOOP 14-15 COMPOSITE HEMI	14 -15 HEMI
4B	741155	HEEL LOOP 16-17 COMPOSITE HEMI	16 -17 HEMI
4B	741153	HEEL LOOP 18-20 COMPOSITE HEMI	18 -10 HEMI
4B	902260	HEEL LOOPS HEMI COMPOSITE 14-15	PAIR 14 -15 HEMI
4B	902261	HEEL LOOPS HEMI COMPOSITE 16-17	PAIR 16 -17 HEMI
4B	902262	HEEL LOOPS HEMI COMPOSITE 18-20	PAIR 18 -20 HEMI
5	561040	HEEL LOOP PEG	
6	106944	1/4 AN WASHER FLAT THIN	

Pos.	Item Number	Description	Remarks
7	106958	HHCS 1/4-20 X 1 ROHS	
8	561003	3/4" SADDLE THIN	USED W/ ROUND EXT TUBES ONLY
1-3	921180	COMPOSITE FOOTPLATE ASSM 14-15	RIGHT (14 -15 OR 16 -18V) W/O HEEL LOOP
1-3	921181	COMPOSITE FOOTPLATE ASSM 14-15	LEFT (14 -15 OR 16 -18V) W/O HEEL LOOP
1-3	921182	COMPOSITE FOOTPLATE ASSM 16-17	RIGHT (16 -17 OR 19 -20V) W/O HEEL LOOP
1-3	921183	COMPOSITE FOOTPLATE ASSM 16-17	LEFT (16 -17 OR 19 -20V) W/O HEEL LOOP
1-3	921184	COMPOSITE FOOTPLATE ASSM 18-20	RIGHT (18 -20) W/O HEEL LOOP
1-3	921185	COMPOSITE FOOTPLATE ASSM 18-20	LEFT (18 -20) W/O HEEL LOOP
1-3	921151	COMPOSITE FOOTPLATE ASSM 14-15/16-18V	PAIR (14 -15 OR 16 -18V) W/O HEEL LOOP
1-3	921152	COMPOSITE FOOTPLATE ASSM 16-17/19-20V	PAIR (16 -17 OR 19 -20V) W/O HEEL LOOP
1-3	921153	COMPOSITE FOOTPLATE ASSM 18-20	PAIR (18 -20) W/O HEEL LOOP
1,2,3A,4-7	921190	COMPOSITE FOOTPLATE ASSM HL LP 14-15	RIGHT (14 -15 OR 16 -18V) W/ HEEL LOOP
1,2,3A,4-7	921191	COMPOSITE FOOTPLATE ASSM HL LP 14-15	LEFT (14 -15 OR 16 -18V) W/ HEEL LOOP
1,2,3A,4-7	921192	COMPOSITE FOOTPLATE ASSM HL LP 16-17	RIGHT (16 -17 OR 19 -20V) W/ HEEL LOOP
1,2,3A,4-7	921193	COMPOSITE FOOTPLATE ASSM HL LP 16-17	LEFT (16 -17 OR 19 -20V) W/ HEEL LOOP
1,2,3A,4-7	921194	COMPOSITE FOOTPLATE ASSM HL LP 18-20	RIGHT (18 -20) W/ HEEL LOOP
1,2,3A,4-7	921195	COMPOSITE FOOTPLATE ASSM HL LP 18-20	LEFT (18 -20) W/ HEEL LOOP
1,2,3A,4-7	921161	COMPOSITE FOOTPLATE ASSM HL 14-15/16-18V	PAIR (14 -15 OR 16 -18V) W/ HEEL LOOP
1,2,3A,4-7	921162	COMPOSITE FOOTPLATE ASSM HL 16-17/19-20V	PAIR (16 -17 OR 19 -20V) W/ HEEL LOOP
1,2,3A,4-7	921163	COMPOSITE FOOTPLATE ASSM HL 18-20	PAIR (18 -20) W/ HEEL LOOP
1,2,3B,4-7	921140	COMPOSITE FOOTPLATE ASSM HEMI HL LP 14-15	RIGHT (14 -15) W/ HEEL LOOP
1,2,3B,4-7	921141	COMPOSITE FOOTPLATE ASSM HEMI HL LP 14-15	LEFT (14 -15) W/ HEEL LOOP
1,2,3B,4-7	921142	COMPOSITE FOOTPLATE ASSM HEMI HL LP 16-17	RIGHT (16 -17) W/ HEEL LOOP
1,2,3B,4-7	921143	COMPOSITE FOOTPLATE ASSM HEMI HL LP 16-17	LEFT (16 -17) W/ HEEL LOOP
1,2,3B,4-7	921144	COMPOSITE FOOTPLATE ASSM HEMI HL LP 18-20	RIGHT (18 -20) W/ HEEL LOOP
1,2,3B,4-7	921145	COMPOSITE FOOTPLATE ASSM HEMI HL LP 18-20	LEFT (18 -20) W/ HEEL LOOP
1,2,3B,4-7	921167	COMPOSITE FOOTPLATE ASSM HEMI HL LPS 14-15	PAIR (14 -15) W/ HEEL LOOP
1,2,3B,4-7	921168	COMPOSITE FOOTPLATE ASSM HEMI HL LPS 16-17	PAIR (16 -17) W/ HEEL LOOP
1,2,3B,4-7	921169	COMPOSITE FOOTPLATE ASSM HEMI HL LPS 18-20	PAIR (18 -20) W/ HEEL LOOP
		Ship assembled part #	Use with multiple assemblies
	ASSY-HNG-FP	HANGER/FOOTPLATE ASSY REQUIRED	add with Hanger & Footplate kit

**NOTE:** FOR HIGH-MOUNT ADULT ANGLE-ADJUSTABLE FOOTPLATE, SEE "HIGH-MOUNT EXTENSION TUBE" PAGE.

**NOTE:** ORDER ITEMS 4B AND 7B FOR CHAIRS PRIOR TO 8/13/01.

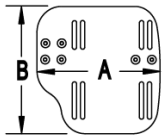
**NOTE:** ONLY 1 WASHER PRIOR TO 8/13/01.

**NOTE:** See attached REFERENCE GUIDE.

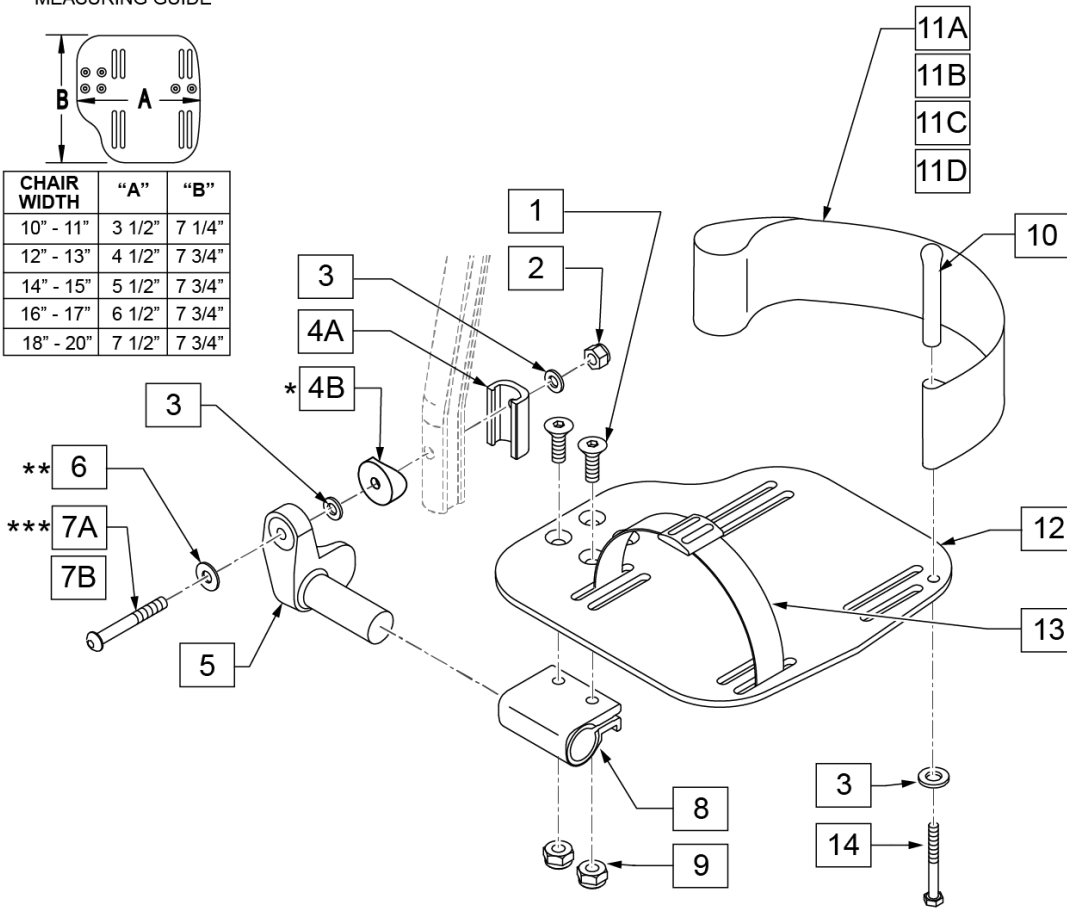
To have complete Footrest ship assembled, choose compatible Hanger + Footplate part numbers and add "ASSY-HNG-FP" to order

**INSET FORMULA**  
 0" Inset (Seat Width) = Footrest Width  
 1" Inset (Seat Width) -2" = Footrest Width  
 "V" Hanger (Seat Width) -4" = Footrest Width  
 Offset Hanger Receiver (Seat Width) +2" = Footrest Width

**MEASURING GUIDE**



CHAIR WIDTH	"A"	"B"
10" - 11"	3 1/2"	7 1/4"
12" - 13"	4 1/2"	7 3/4"
14" - 15"	5 1/2"	7 3/4"
16" - 17"	6 1/2"	7 3/4"
18" - 20"	7 1/2"	7 3/4"



15 ADLT ANG ADJ FP D2 HDWR KIT			
ITEM #	ILLUSTRATION	DESCRIPTION	QTY
1		1/4-28 X 7/8 FH C/S	2
2		1/4-28 AUTOMATION NUT	1
3		WASHER FLAT THIN AN 1/4	3
6		1/4" SAE WASHER	1
7A		BHCS 1/4-28 X 1-3/4	1
9		NUT NYLOCK THIN 1/4-28	2
10		HEEL LOOP PEG	1
14		1/4-20 X 1 HEX C/S	1

16 ADLT ANG ADJ FP RND HDWR KIT			
ITEM #	ILLUSTRATION	DESCRIPTION	QTY
1		1/4-28 X 7/8 FH C/S	2
2		1/4-28 AUTOMATION NUT	1
3		WASHER FLAT THIN AN 1/4	3
4B		3/4" SADDLE 1" OD	1
6		1/4" SAE WASHER	1
7B		1/4-28 X 1.625 BH C/S BLK	1
9		NUT NYLOCK THIN 1/4-28	2
10		HEEL LOOP PEG	1
14		1/4-20 X 1 HEX C/S	1

Pos.	Item Number	Description	Remarks
1	106978	1/4-28 x 7/8 FH C/S	
2	106941	1/4-28 AUTOMATION NUT	

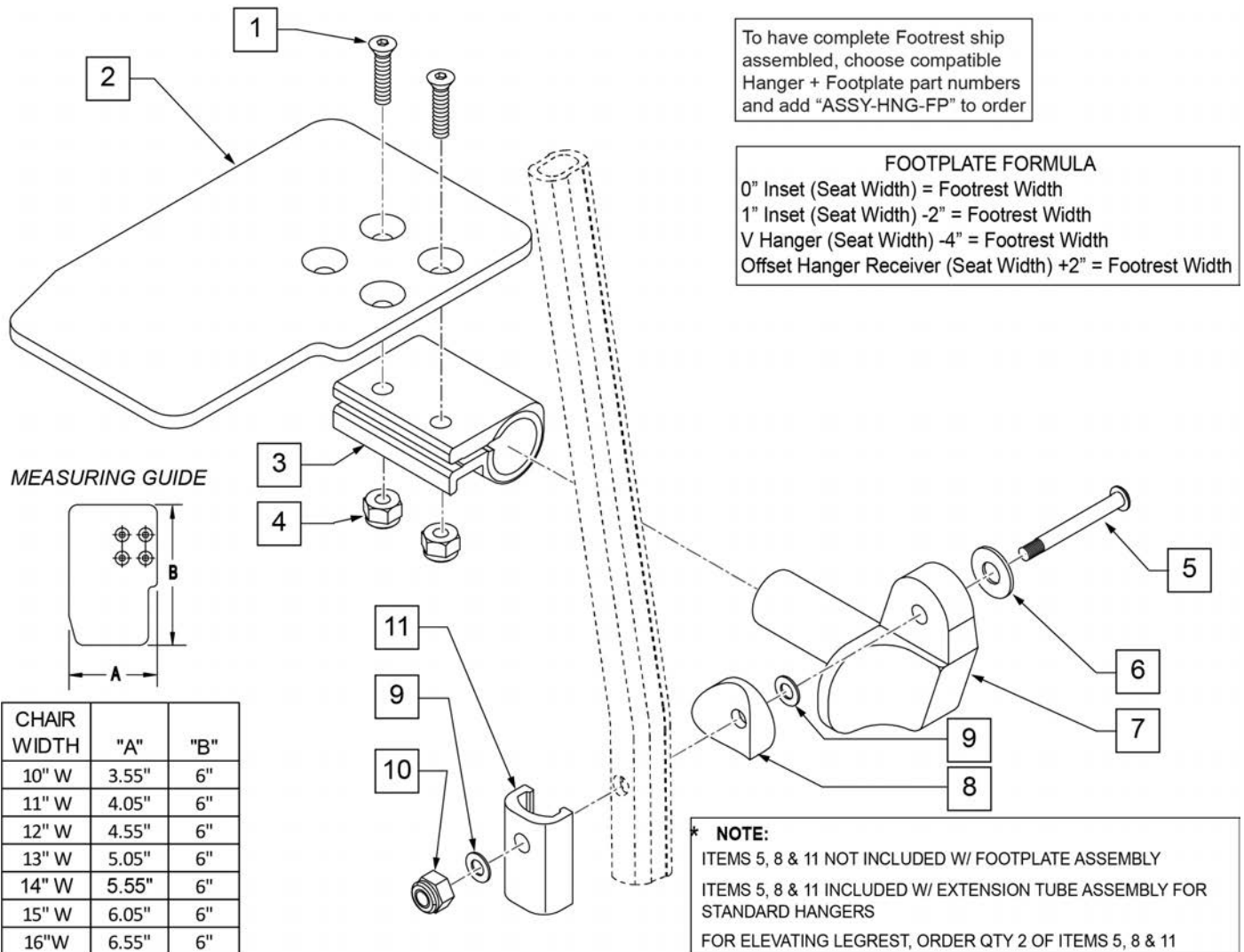
Pos.	Item Number	Description	Remarks
3	106944	WASHER FLAT THIN AN 1/4	
4A	483720	HANGER EXTENSION SADDLE LONG	USE W/ DOUBLE D EXT TUBE
4B	561055	3/4" SADDLE 1" OD	USE W/ ROUND EXT TUBE
5	541002	FTRST MOUNTING BRKT-3/8 RAD R	RIGHT
5	541003	FTRST MOUNTING BRKT-3/8 RAD L	LEFT
6	106945	WASHER FLAT SAE 1/4 ROHS	
7A	106962	BHCS 1/4-28 X 1-3/4 ROHS	use w/ Double D Ext Tube
7B	226167	1/4-28 x 1.625 BH C/S BLK	use w/ Round Ext Tube
8	550350	3/4" CLMP ADJ FT PLT	
9	106935	NUT NYLOCK THIN 1/4-28 ROHS	
10	561040	HEEL LOOP PEG	
11A	741154	HEEL LOOP 14-15 CMPST HEMI	used w/ 10-11" Adult Ang Adj Ftplts
11B	741155	HEEL LOOP 16-17 CMPST HEMI	used w/ 12 -13" Adult Ang Adj Ftplts
11C	741153	H/L 18-20 CMPST/14-15 ANG ADJ	used w/ 14-15"/16-17" Adult Ang Adj Ftplts
11D	741253	HEEL LOOP ADLT ADJ F/PLT 18-20	used w/ 18 -20" Adult Ang Adj Ftplts
12	500656	ADLT ANGL ADJ F/PLT 10/11" R	RIGHT
12	500657	ADLT ANGL ADJ F/PLT 10/11" L	LEFT
12	500658	ADLT ANGL ADJ F/PLT 12/13" R	RIGHT
12	500659	ADLT ANGL ADJ F/PLT 12/13" L	LEFT
12	500660	ADLT ANGL ADJ F/PLT 14/15	RIGHT
12	500661	ADLT ANGL ADJ F/PLT 14/15	LEFT
12	500662	ADLT ANGL ADJ F/PLT 16/17	RIGHT
12	500663	ADLT ANGL ADJ F/PLT 16/17	LEFT
12	500664	ADLT ANGL ADJ F/PLT 18-20	RIGHT
12	500665	ADLT ANGL ADJ F/PLT 18-20	LEFT
13	740260	TOE/ANKLE STRAP ADJ ADLT F/PLT	
14	106958	1/4-20 x 1 HEX C/S	
15	101533	ADLT ANG ADJ FP D2 HDWR KIT	for Double D Ext Tubes; Kit for one side
16	101534	ADLT ANG ADJ FP RND HDWR KIT	for Round Ext Tubes (Q2 HP only); Kit for one side
1-3,5,6,8,9,12	820526	AD ANG ADJ F/PLT R 12"/13" OMIT HL	RIGHT
1-3,5,6,8,9,12	820536	AD ANG ADJ F/PLT L 12"/13" OMT HL	LEFT
1-3,5,6,8,9,12	820460	FP ADLT ADJ 14/15 OMIT HL	RIGHT
1-3,5,6,8,9,12	820462	FP ADLT ADJ 14/15 OMIT HL	LEFT
1-3,5,6,8,9,12	820464	FP ADLT ADJ 16/17 OMIT HL	RIGHT
1-3,5,6,8,9,12	820466	FP ADLT ADJ 16/17 OMIT HL	LEFT
1-3,5,6,8,9,12	820468	FP ADLT ADJ 18-20 OMIT HL	RIGHT
1-3,5,6,8,9,12	820470	FP ADLT ADJ 18-20 OMIT HL	LEFT
1-3,5,6,8,9,12	921466	ADLT ANGL ADJ F/PLT 12"/13" OMIT HL	PAIR
1-3,5,6,8,9,12	921320	FP ADLT ADJ 14/15 OMIT HL	PAIR
1-3,5,6,8,9,12	921322	FP ADLT ADJ 16/17 OMIT HL	PAIR
1-3,5,6,8,9,12	921324	FP ADLT ADJ 18-20 OMIT HL	PAIR
1-3,5,6,8,9,11B,12	820522	AD ANGL ADJ F/PLT R 12/13" H/L	RIGHT
1-3,5,6,8,9,11B,12	820532	AD ANGL ADJ F/PLT L 12/13" H/L	LEFT
1-3,5,6,8-10,11C, 12,14	820461	FP ADLT ADJ 14/15 HL	RIGHT
1-3,5,6,8-10,11C, 12,14	820463	FP ADLT ADJ 14/15 HL	LEFT
1-3,5,6,8-10,11C, 12,14	820465	FP ADLT ADJ 16/17 HL	RIGHT
1-3,5,6,8-10,11C, 12,14	820467	FP ADLT ADJ 16/17 HL	LEFT
1-3,5,6,8-10,11D, 12,14	820469	FP ADLT ADJ 18-20 HL	RIGHT
1-3,5,6,8-10,11D, 12,14	820471	FP ADLT ADJ 18-20 HL	LEFT
1-3,5,6,8-10,11B, 12,14	921462	ADLT ANGL ADJ F/PLATE 12"/13" HL	PAIR
1-3,5,6,8-10,11C, 12,14	921321	FP ADLT ADJ 14/15 HL	PAIR
1-3,5,6,8-10,11C, 12,14	921323	FP ADLT ADJ 16/17 HL	PAIR
1-3,5,6,8-10,11D, 12,14	921325	FP ADLT ADJ 18-20 HL	PAIR
		Ship assembled part #	Use with multiple assemblies
	ASSY-HNG-FP	HANGER/FOOTPLATE ASSY REQUIRED	add with Hanger & Footplate kit

**Note:** Footplate Assemblies are set to footrest width; please see "Footplate Formula" table for seat width conversion.

Note: V Style Hangers are not available on Swing Away Style chairs effective 7/14/14; see the "Prior To" ordering guide for V Style footplate assemblies.

**Note:** Zippie Iris (ZRS&ZRSE) and Zippie TS (Z1A&Z1SE) only use Straight Extension Tube.

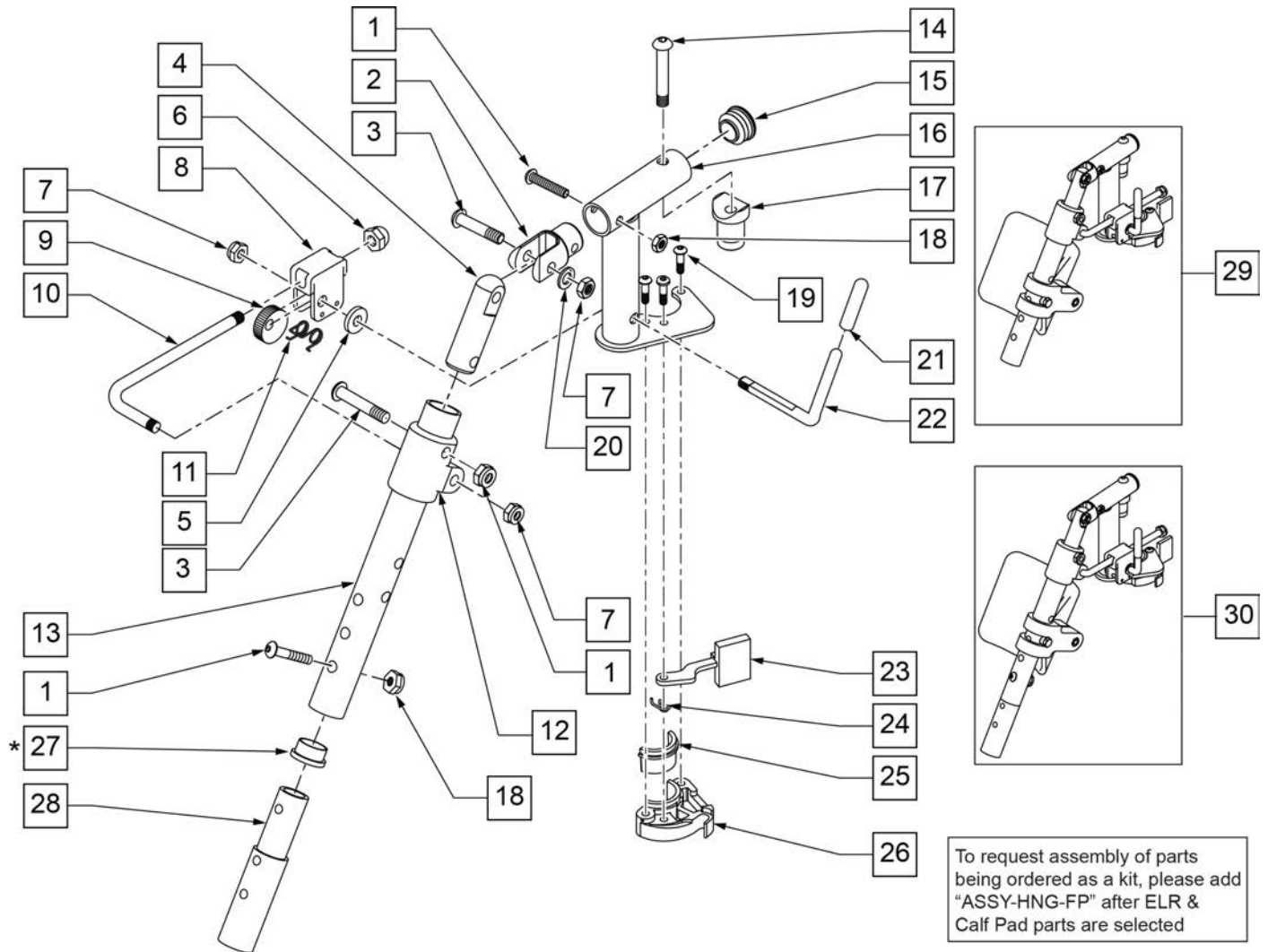
Note: if chair has High Mount Ext Tubes or if switching to High Mount Ext Tubes, see KAA Footplate w/ High Mount Extension Ordering Guide.



Pos.	Item Number	Description	Remarks
1	106978	FHCS 1/4 -28 x 7/8 ROHS	

Pos.	Item Number	Description	Remarks
2	500635	KIDS ANGL ADJ F/PLT 10" R	Right
2	500636	KIDS ANGL ADJ F/PLT 10" L	Left
2	500637	KIDS ANGL ADJ F/PLT 11" R	Right
2	500638	KIDS ANGL ADJ F/PLT 11" L	Left
2	500639	KIDS ANGL ADJ F/PLT 12" R	Right
2	500640	KIDS ANGL ADJ F/PLT 12" L	Left
2	500641	KIDS ANGL ADJ F/PLT 13" R	Right
2	500642	KIDS ANGL ADJ F/PLT 13" L	Left
2	500643	KIDS ANGL ADJ F/PLT 14" R	Right
2	500644	KIDS ANGL ADJ F/PLT 14" L	Left
2	500645	KIDS ANGL ADJ F/PLT 15" R	Right
2	500646	KIDS ANGL ADJ F/PLT 15" L	Left
2	500647	KIDS ANGL ADJ F/PLT 16" R	Right
2	500648	KIDS ANGL ADJ F/PLT 16" L	Left
3	550350	3/4" CLAMP ADJ FOOTPLATE	
4	106935	NUT NYLOCK THIN 1/4 -28 ROHS	
5	106962	1/4-28 x 1 3/4 BH C/S BLK ZN (D2 EXTENSION TUBES)	
5	226167	1/4-28 x 1.625 BH C/S BLK (ROUND EXTENSION TUBES)	
6	106945	1/4 SAE WASHER	
7	541002	FTRST MOUNTING BRKT-3/8 RAD R	
7	541003	FTRST MOUNTING BRKT-3/8 RAD L	
8	561055	3/4" SADDLE 1" OD	
9	106944	WASHER FLAT THIN AN 1/4 ROHS	
10	106941	NUT AUTOMATION 1/4 -28 ROHS	
11	483720	HANGER EXTENSION SADDLE LONG	Use with Double D Ext Tube
1-4,6,7,9,10	828850	KIDS ANG ADJ F/PLT EXT-MNT 10"R	Right
1-4,6,7,9,10	828851	KIDS ANG ADJ F/PLT EXT-MNT 10"L	Left
1-4,6,7,9,10	828852	KIDS ANG ADJ F/PLT EXT-MNT 11"R	Right
1-4,6,7,9,10	828853	KIDS ANG ADJ F/PLT EXT-MNT 11"L	Left
1-4,6,7,9,10	828854	KIDS ANG ADJ F/PLT EXT-MNT 12"R	Right
1-4,6,7,9,10	828855	KIDS ANG ADJ F/PLT EXT-MNT 12"L	Left
1-4,6,7,9,10	828856	KIDS ANG ADJ F/PLT EXT-MNT 13"R	Right
1-4,6,7,9,10	828857	KIDS ANG ADJ F/PLT EXT-MNT 13"L	Left
1-4,6,7,9,10	828858	KIDS ANG ADJ F/PLT EXT-MNT 14"R	Right
1-4,6,7,9,10	828859	KIDS ANG ADJ F/PLT EXT-MNT 14"L	Left
1-4,6,7,9,10	828860	KIDS ANG ADJ F/PLT EXT-MNT 15"R	Right
1-4,6,7,9,10	828861	KIDS ANG ADJ F/PLT EXT-MNT 15"L	Left
1-4,6,7,9,10	828862	KIDS ANG ADJ F/PLT EXT-MNT 16"R	Right
1-4,6,7,9,10	828863	KIDS ANG ADJ F/PLT EXT-MNT 16"L	Left
1-4,6,7,9,10	921280	KIDS ANG ADJ F/PLT EXT-MNT 10"	Pair
1-4,6,7,9,10	921281	KIDS ANG ADJ F/PLT EXT-MNT 11"	Pair
1-4,6,7,9,10	921282	KIDS ANG ADJ F/PLT EXT-MNT 12"	Pair
1-4,6,7,9,10	921283	KIDS ANG ADJ F/PLT EXT-MNT 13"	Pair
1-4,6,7,9,10	921284	KIDS ANG ADJ F/PLT EXT-MNT 14"	Pair
1-4,6,7,9,10	921285	KIDS ANG ADJ F/PLT EXT-MNT 15"	Pair
1-4,6,7,9,10	921286	KIDS ANG ADJ F/PLT EXT-MNT 16"	Pair
		Ship assembled part #	Use with multiple assemblies
	ASSY-HNG-FP	HANGER/FOOTPLATE ASSY REQUIRED	add with Hanger & Footplate kit

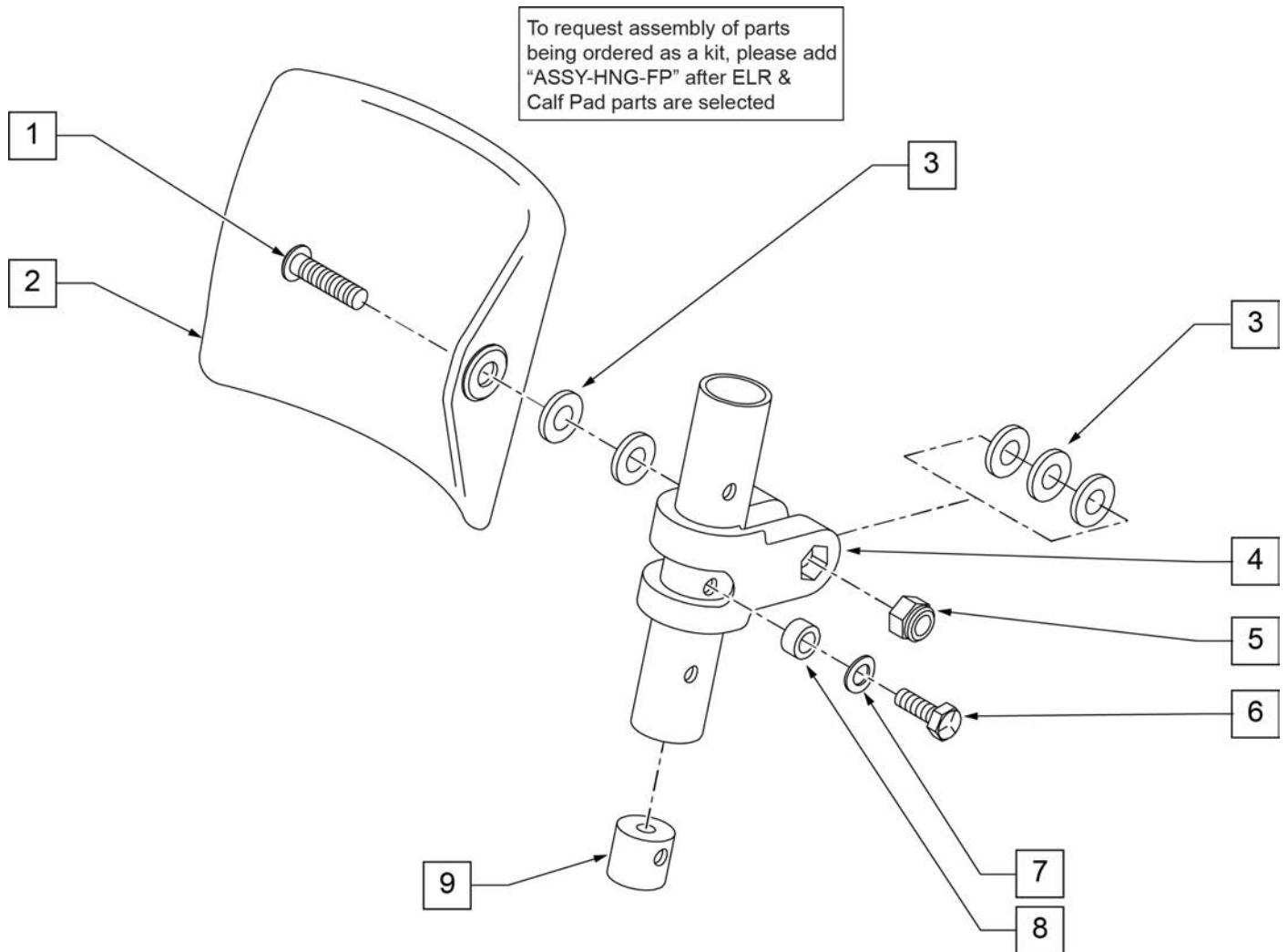
NOTE: Order Item 27 (561002 ) when NOT using Footrest Extension.



Pos.	Item Number	Description	Remarks
1	107027	BHCS 1/4-28 X 1-1/4 SHLDR ROHS	
2	505281	ELR CLEVIS	
3	107037	BHCS 5/16-24 X 1-1/2 SHLD ROHS	
4	540252	ELR PIVOT PRS	
5	561059	3/4 OD x .318 ID WASHER	
6	202109	5/16-24 ACORN NUT HEX	
7	106939	NUT NYLOCK THIN 5/16-24 ROHS	
8	880990	ELR LOCK HOUSING W/PIN	
9	481119	ELR CAM LOCKING POWDERED METAL	
10	481505	ELR LOCK ROD 90D	
11	321106	ELR TORSION SPRING	
12	560430	ELR ROD UPPER PIVOT	
13	505097S	ELR KIDS TUBE	SPECIFY COLOR
14	106983	BHCS 5/16-18 X 2 SHLDR ROHS	
15	561062	1" INSERT PLUG .065 RIBS	

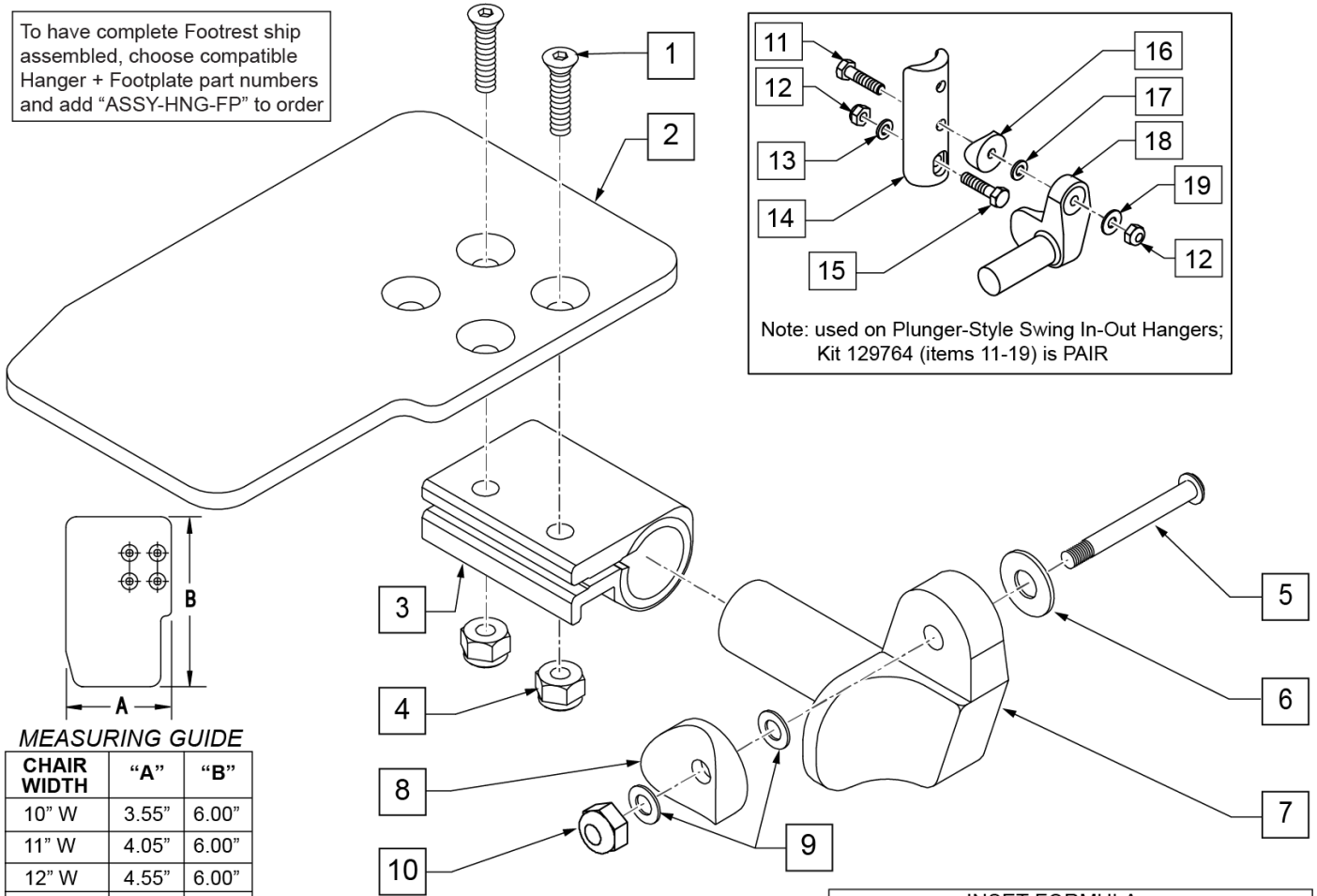


Pos.	Item Number	Description	Remarks
17	561197	PLASTIC PIVOT SADDLE	
18	106935	NUT NYLOCK THIN 1/4-28 ROHS	
19	107035	BHCS 10-24 X .725 PL ROHS	
20	263100	5/16 AN WASHER FLAT	
21	561049	ELR RELEASE ROD COVER	
23	561079	S/A LATCH LEVER	
24	321136	S/A SPRING L RED	
24	321137	S/A SPRING R CLEAR	
27	561002	1" INSERT PLUG .083	
29	923067S	ELR HNGR ASSM 90D W/PAD	PAIR
30	923068S	ELR HNGR ASSM 90D W/PAD 2" EXT	PAIR
1,18,28	111505	2" FTREST EXT W/ HDWR	
25,26	881500	LATCH BLOCK ASSM R	RIGHT
25,26	881501	LATCH BLOCK ASSM L	LEFT
21,22	882411	ELR 90D ACTUATION ARM ASSM	
1-4,7,14-20,23-28	882413	ELR PIVOT BLOCK ASSM R	RIGHT
1-4,7,14-20,23-28	882414	ELR PIVOT BLOCK ASSM L	LEFT
1-26	641458S	ELR HNGR 90D W/O PAD PNTD R	RIGHT
1-26	641459S	ELR HNGR 90D W/O PAD PNTD L	LEFT
1-26,28	641468S	HANGER ELR 90 W/O PAD R 2" EXT	RIGHT
1-26,28	641469S	HANGER ELR 90 W/O PAD L 2" EXT	LEFT
19,23-26	881521	S/A LATCH KIT CASTING RIGHT	RIGHT
19,23-26	881522	S/A LATCH KIT CASTING LEFT	LEFT
		Ship assembled part #	Use with multiple assemblies
	ASSY-HNG-FP	HANGER/FOOTPLATE ASSY REQUIRED	add with Hanger & Footplate kit



Pos.	Item Number	Description	Remarks
1	226217	5/16-18 x 2" BH C/S BLK	
2	755013	CALF PAD TROUGH STYLE KIDS	
3	561016	1" WASHER 5/16" HOLE	
4	561097	ELR ELEVATING TUBE CLAMP	
5	106937	5/16 -18 NYLOCK NUT THIN	
6	106958	HHCS 1/4-20 X 1 ROHS	
7	262130	6mm WASHER WAVE	
8	483027	1/4 x 1/4 ALUMINUM SPACER	
9	500151	KIDS ALR RETAINING PLUG	
1-9	880533	ELR TROUGH PAD ASSM KIDS	
		Ship assembled part #	Use with multiple assemblies
	ASSY-HNG-FP	HANGER/FOOTPLATE ASSY REQUIRED	add with Hanger & Footplate kit

To have complete Footrest ship assembled, choose compatible Hanger + Footplate part numbers and add "ASSY-HNG-FP" to order



MEASURING GUIDE

CHAIR WIDTH	"A"	"B"
10" W	3.55"	6.00"
11" W	4.05"	6.00"
12" W	4.55"	6.00"
13" W	5.05"	6.00"
14" W	5.55"	6.00"
15" W	6.05"	6.00"
16" W	6.55"	6.00"

INSET FORMULA

0" Inset (Seat Width) = Footrest Width  
 1" Inset (Seat Width) -2" = Footrest Width  
 "V" Hanger (Seat Width) -4" = Footrest Width  
 Offset Hanger Receiver (Seat Width) +2" = Footrest Width

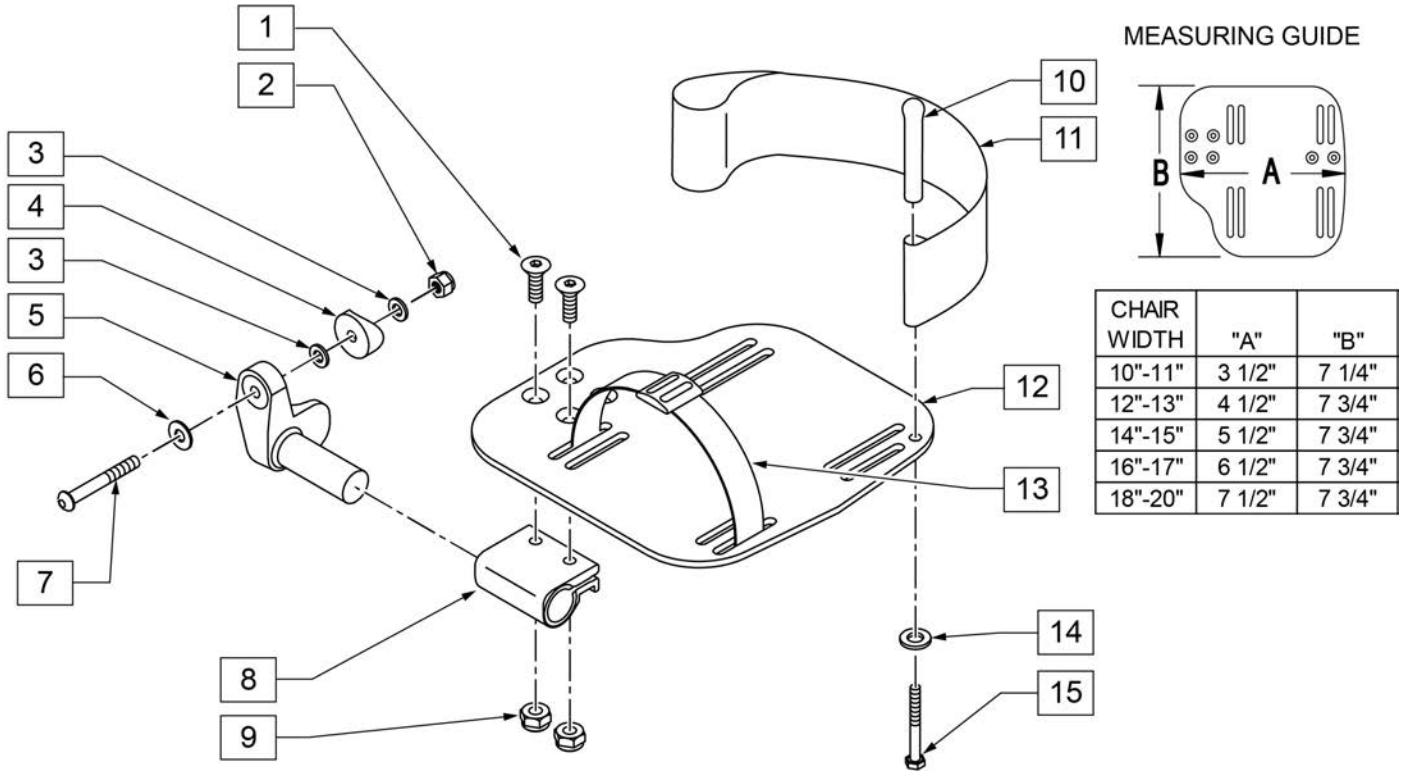
Pos.	Item Number	Description	Remarks
1	106978	FHCS 1/4-28 X 7/8 ROHS	
2	500635	KIDS ANGL ADJ F/PLT 10	RIGHT
2	500636	KIDS ANGL ADJ F/PLT 10	LEFT
2	500637	KIDS ANGL ADJ F/PLT 11	RIGHT
2	500638	KIDS ANGL ADJ F/PLT 11	LEFT
2	500639	KIDS ANGL ADJ F/PLT 12	RIGHT
2	500640	KIDS ANGL ADJ F/PLT 12	LEFT
2	500641	KIDS ANGL ADJ F/PLT 13	RIGHT
2	500642	KIDS ANGL ADJ F/PLT 13	LEFT
2	500643	KIDS ANGL ADJ F/PLT 14	RIGHT
2	500644	KIDS ANGL ADJ F/PLT 14	LEFT
2	500645	KIDS ANGL ADJ F/PLT 15	RIGHT
2	500646	KIDS ANGL ADJ F/PLT 15	LEFT
2	500647	KIDS ANGL ADJ F/PLT 16	RIGHT
2	500648	KIDS ANGL ADJ F/PLT 16	LEFT
3	550350	3/4 CLAMP ADJ FOOTPLATE	
4	106935	NUT NYLOCK THIN 1/4-28 ROHS	
5	226147	1/4-28 X 1.85 BH C/S BLK ZN	

Pos.	Item Number	Description	Remarks
6	106945	WASHER FLAT SAE 1/4 ROHS	
7	541000	FTRST MOUNTING BRKT 1/2" RAD R	RIGHT
7	541001	FTRST MOUNTING BRKT 1/2" RAD L	LEFT
8	561004	1 SADDLE 1/4 HOLE	
9	106943	WASHER FLAT THIN AN 1/4	
10	106941	NUT AUTOMATION 1/4-28 ROHS	
11	102268-001	HHCS M6 X 1 X 25	
12	132626	NUT AUTOMATION M6 X 1.0 ROHS	
13	107383	WASHER FLAT M6 ROHS	
15	118198	HHCS M6 X 1 X 40 PART NP	
16	561004	1" SADDLE 1/4" HOLE	
17	106943	WASHER FLAT AN 1/4 ROHS	
19	106945	WASHER FLAT SAE 1/4 ROHS	
1-4	158632	CAA F/PLT KIT 10 RT	RIGHT; used with Front Mount Adapter Kit on Plunger-Style Swing In/Out Hangers
1-4	158633	CAA F/PLT KIT 10 LT	LEFT; used with Front Mount Adapter Kit on Plunger-Style Swing In/Out Hangers
1-4	158634	CAA F/PLT KIT 11 RT	RIGHT; used with Front Mount Adapter Kit on Plunger-Style Swing In/Out Hangers
1-4	158635	CAA F/PLT KIT 11 LT	LEFT; used with Front Mount Adapter Kit on Plunger-Style Swing In/Out Hangers
1-4	158636	CAA F/PLT KIT 12 RT	RIGHT; used with Front Mount Adapter Kit on Plunger-Style Swing In/Out Hangers
1-4	158637	CAA F/PLT KIT 12 LT	LEFT; used with Front Mount Adapter Kit on Plunger-Style Swing In/Out Hangers
1-4	158638	CAA F/PLT KIT 13 RT	RIGHT; used with Front Mount Adapter Kit on Plunger-Style Swing In/Out Hangers
1-4	158639	CAA F/PLT KIT 13 LT	LEFT; used with Front Mount Adapter Kit on Plunger-Style Swing In/Out Hangers
1-4	158640	CAA F/PLT KIT 14 RT	RIGHT; used with Front Mount Adapter Kit on Plunger-Style Swing In/Out Hangers
1-4	158641	CAA F/PLT KIT 14 LT	LEFT; used with Front Mount Adapter Kit on Plunger-Style Swing In/Out Hangers
1-4	158642	CAA F/PLT KIT 15 RT	RIGHT; used with Front Mount Adapter Kit on Plunger-Style Swing In/Out Hangers
1-4	158643	CAA F/PLT KIT 15 LT	LEFT; used with Front Mount Adapter Kit on Plunger-Style Swing In/Out Hangers
1-4	158644	CAA F/PLT KIT 16 RT	RIGHT; used with Front Mount Adapter Kit on Plunger-Style Swing In/Out Hangers
1-4	158645	CAA F/PLT KIT 16 LT	LEFT; used with Front Mount Adapter Kit on Plunger-Style Swing In/Out Hangers
1-10	828821	KIDS ANG ADJ F/PLT ASSM 10	RIGHT; used with Old-Style Latch Block Swing In/Out & S/A Hangers
1-10	828822	KIDS ANG ADJ F/PLT ASSM 10	LEFT; used with Old-Style Latch Block Swing In/Out & S/A Hangers
1-10	828823	KIDS ANG ADJ F/PLT ASSM 11	RIGHT; used with Old-Style Latch Block Swing In/Out & S/A Hangers
1-10	828824	KIDS ANG ADJ F/PLT ASSM 11	LEFT; used with Old-Style Latch Block Swing In/Out & S/A Hangers
1-10	828825	KIDS ANG ADJ F/PLT ASSM 12	RIGHT; used with Old-Style Latch Block Swing In/Out & S/A Hangers
1-10	828826	KIDS ANG ADJ F/PLT ASSM 12	LEFT; used with Old-Style Latch Block Swing In/Out & S/A Hangers
1-10	828827	KIDS ANG ADJ F/PLT ASSM 13	RIGHT; used with Old-Style Latch Block Swing In/Out & S/A Hangers
1-10	828828	KIDS ANG ADJ F/PLT ASSM 13	LEFT; used with Old-Style Latch Block Swing In/Out & S/A Hangers
1-10	828829	KIDS ANG ADJ F/PLT ASSM 14	RIGHT; used with Old-Style Latch Block Swing In/Out & S/A Hangers
1-10	828830	KIDS ANG ADJ F/PLT ASSM 14	LEFT; used with Old-Style Latch Block Swing In/Out & S/A Hangers
1-10	828831	KIDS ANG ADJ F/PLT ASSM 15	RIGHT; used with Old-Style Latch Block Swing In/Out & S/A Hangers
1-10	828832	KIDS ANG ADJ F/PLT ASSM 15	LEFT; used with Old-Style Latch Block Swing In/Out & S/A Hangers

Pos.	Item Number	Description	Remarks
1-10	828833	KIDS ANG ADJ F/PLT ASSM 16	RIGHT; used with Old-Style Latch Block Swing In/Out & S/A Hangers
1-10	828834	KIDS ANG ADJ F/PLT ASSM 16	LEFT; used with Old-Style Latch Block Swing In/Out & S/A Hangers
1-10	921226	KIDS ANG ADJ F/PLT ASSM 10	PAIR; used with Old-Style Latch Block Swing In/Out & S/A Hangers
1-10	921227	KIDS ANG ADJ F/PLT ASSM 11	PAIR; used with Old-Style Latch Block Swing In/Out & S/A Hangers
1-10	921228	KIDS ANG ADJ F/PLT ASSM 12	PAIR; used with Old-Style Latch Block Swing In/Out & S/A Hangers
1-10	921229	KIDS ANG ADJ F/PLT ASSM 13	PAIR; used with Old-Style Latch Block Swing In/Out & S/A Hangers
1-10	921230	KIDS ANG ADJ F/PLT ASSM 14	PAIR; used with Old-Style Latch Block Swing In/Out & S/A Hangers
1-10	921231	KIDS ANG ADJ F/PLT ASSM 15	PAIR; used with Old-Style Latch Block Swing In/Out & S/A Hangers
1-10	921232	KIDS ANG ADJ F/PLT ASSM 16	PAIR; used with Old-Style Latch Block Swing In/Out & S/A Hangers
11-19	129764	AAA FRNT MNT ADAPTER KIT PR	AAA FRNT MNT fits both Kids and Adult Angle Adjustable Footplates
		Ship assembled part #	Use with multiple assemblies
	ASSY-HNG-FP	HANGER/FOOTPLATE ASSY REQUIRED	add with Hanger & Footplate kit

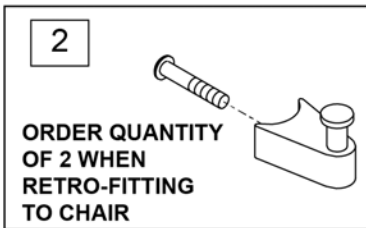
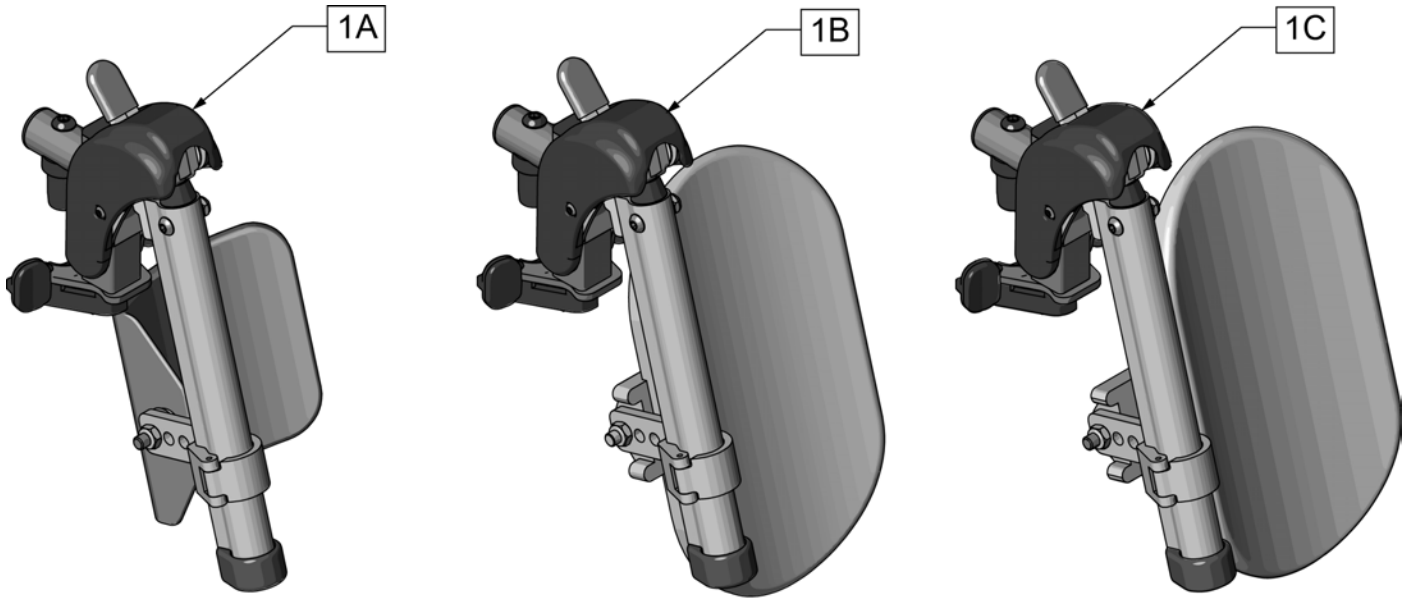
To have complete Footrest ship assembled, choose compatible Hanger + Footplate part numbers and add "ASSY-HNG-FP" to order

**INSET FORMULA**  
 0" Inset (Seat Width) = Footrest Width  
 1" Inset (Seat Width) - 2" = Footrest Width  
 "V" Hanger (Seat Width) - 4" = Footrest Width  
 Offset Hanger Receiver (Seat Width) + 2" = Footrest Width



Pos.	Item Number	Description	Remarks
1	106978	FHCS 1/4-28 X 7/8 ROHS	
2	106941	NUT AUTOMATION 1/4-28 ROHS	
3	106943	WASHER FLAT AN 1/4 ROHS	
4	561004	1" SADDLE 1/4" HOLE	
5	541000	FOOTREST MOUNTING BRKT 1/2" RAD R	RIGHT
5	541001	FOOTREST MOUNTING BRKT 1/2" RAD L	LEFT
6	106945	WASHER FLAT SAE 1/4 ROHS	
7	106964	BHCS 1/4-28 X 2	
8	550350	3/4" CLAMP ADJ FOOTPLATE	
9	106935	NUT NYLOCK THIN 1/4-28 ROHS	
10	561040	HEEL LOOP PEG	
11	741153	HEEL LOOP 18-20 CMPST/14-15 ANG ADJ	USED W/ 14-15"/16-17" ADULT ANG ADJ FTPLTS
11	741253	HEEL LOOP ADLT ADJ F/PLT 18-20	USED W/ 18 -20" ADULT ANG ADJ FTPLTS
12	500656	ADULT ANGL ADJ F/PLT 10/11	RIGHT
12	500657	ADULT ANGL ADJ F/PLT 10/11	LEFT
12	500658	ADULT ANGL ADJ F/PLT 12/13	RIGHT
12	500659	ADULT ANGL ADJ F/PLT 12/13	LEFT
12	500660	ADULT ANGL ADJ F/PLT 14/15	RIGHT
12	500661	ADULT ANGL ADJ F/PLT 14/15	LEFT
12	500662	ADULT ANGL ADJ F/PLT 16/17	RIGHT
12	500663	ADULT ANGL ADJ F/PLT 16/17	LEFT
12	500664	ADULT ANGL ADJ F/PLT 18-20	RIGHT

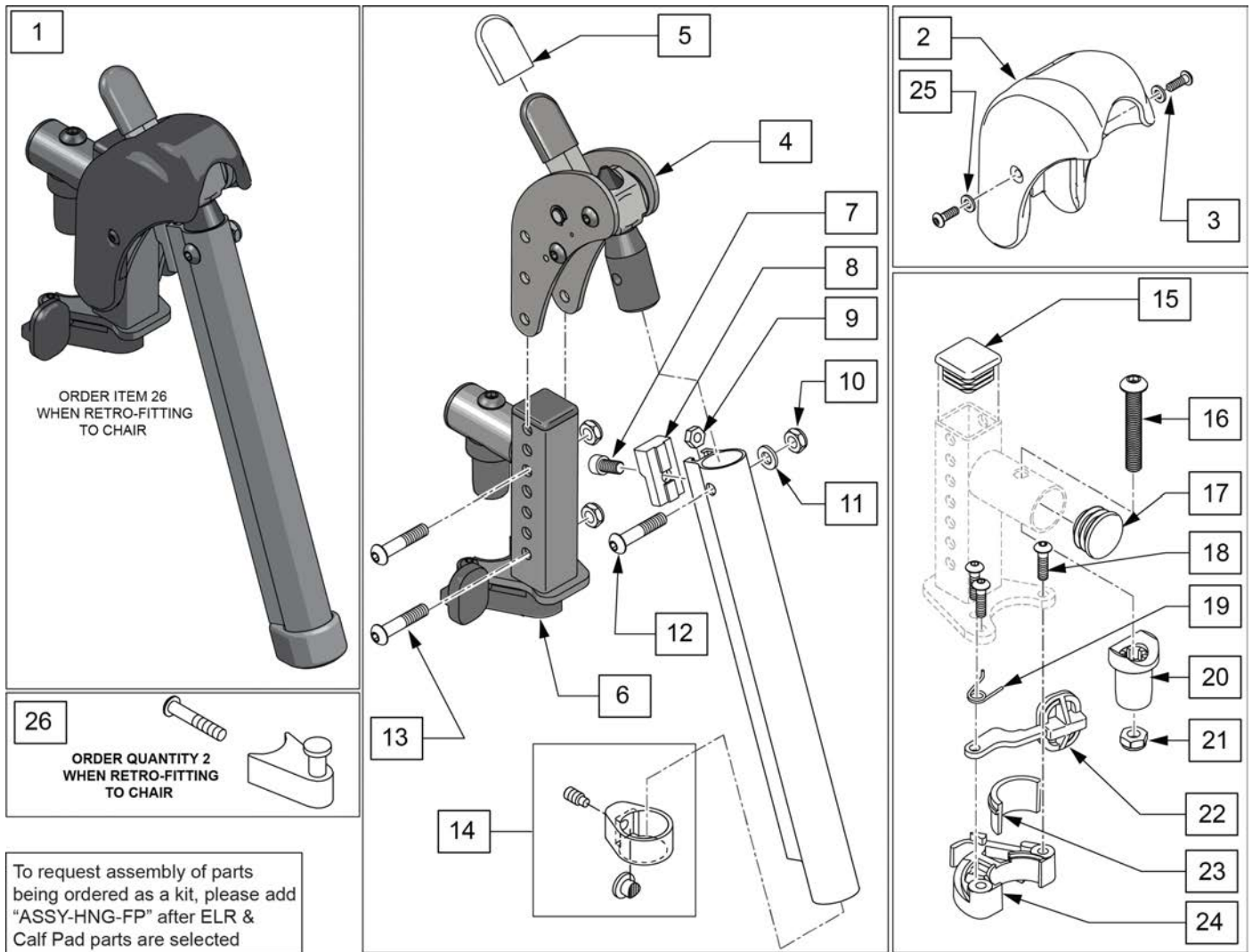
Pos.	Item Number	Description	Remarks
12	500665	ADULT ANGL ADJ F/PLT 18-20	LEFT
13	740260	TOE-ANKLE STRAP ADJ ADULT FOOTPLATE	
14	106943	WASHER FLAT AN 1/4 ROHS	
15	106958	HHCS 1/4-20 X 1 ROHS	
1-9,12	820544	FP ADULT ADJ 90D 10/11 R	RIGHT
1-9,12	820554	FP ADULT ADJ 90D 10/11 L	LEFT
1-9,12	820546	FP ADULT ADJ 90D 12/13 R	RIGHT
1-9,12	820556	FP ADULT ADJ 90D 12/13 L	LEFT
1-9,12	820472	FP ADULT ADJ 90D 14/15 R	RIGHT
1-9,12	820473	FP ADULT ADJ 90D 14/15 L	LEFT
1-9,12	820474	FP ADULT ADJ 90D 16/17 R	RIGHT
1-9,12	820475	FP ADULT ADJ 90D 16/17 L	LEFT
1-9,12	820476	FP ADULT ADJ 90D 18-20 R	RIGHT
1-9,12	820477	FP ADULT ADJ 90D 18-20 L	LEFT
1-9,12	921474	ADULT ANGL ADJ 90D 10/11 OMIT H/L	PAIR
1-9,12	921476	ADULT ANGL ADJ 90D 12/13 OMIT H/L	PAIR
1-9,12	921330	ADULT ANGL ADJ 90D 14/15 OMIT H/L	PAIR
1-9,12	921331	ADULT ANGL ADJ 90D 16/17 OMIT H/L	PAIR
1-9,12	921332	ADULT ANGL ADJ 90D 18-20 OMIT H/L	PAIR
1-12,14,15	820540	F/PLT ADULT ADJ 90D 10/11 R W/ HL	RIGHT
1-12,14,15	820550	F/PLT ADULT ADJ 90D 10/11 L W/ HL	LEFT
1-12,14,15	820542	F/PLT ADULT ADJ 90D 12/13 R W/ HL	RIGHT
1-12,14,15	820552	F/PLT ADULT ADJ 90D 12/13 L W/ HL	LEFT
1-12,14,15	820478	F/PLT ADULT ADJ 90D 14/15 R W/ HL	RIGHT
1-12,14,15	820479	F/PLT ADULT ADJ 90D 14/15 L W/ HL	LEFT
1-12,14,15	820480	F/PLT ADULT ADJ 90D 16/17 R W/ HL	RIGHT
1-12,14,15	820481	F/PLT ADULT ADJ 90D 16/17 L W/ HL	LEFT
1-12,14,15	820482	F/PLT ADULT ADJ 90D 18-20 R W/ HL	RIGHT
1-12,14,15	820483	F/PLT ADULT ADJ 90D 18-20 L W/ HL	LEFT
1-12,14,15	921470	F/PLT ADULT ADJ 90D 10/11 W/ HL	PAIR
1-12,14,15	921472	F/PLT ADULT ADJ 90D 12/13 W/ HL	PAIR
1-12,14,15	921333	F/PLT ADULT ADJ 90D 14/15 W/ HL	PAIR
1-12,14,15	921334	F/PLT ADULT ADJ 90D 16/17 W/ HL	PAIR
1-12,14,15	921335	F/PLT ADULT ADJ 90D 18-20 W/ HL	PAIR
		Ship assembled part #	Use with multiple assemblies
	ASSY-HNG-FP	HANGER/FOOTPLATE ASSY REQUIRED	add with Hanger & Footplate kit



Pos.	Item Number	Description	Remarks
1A	131774S	HEMI ELR HNGR ASM 14-15 W/PAD	
1B	131775S	HEMI ELR HNGR ASM 16-17 W/PAD	
1C	131776S	HEMI ELR HNGR ASM 18-20 W/PAD	
2	107491	LATCH STUD KIT	order qty 2 when retro-fitting to chair
		Ship assembled part #	Use with multiple assemblies
	ASSY-HNG-FP	HANGER/FOOTPLATE ASSY REQUIRED	add with Hanger & Footplate kit

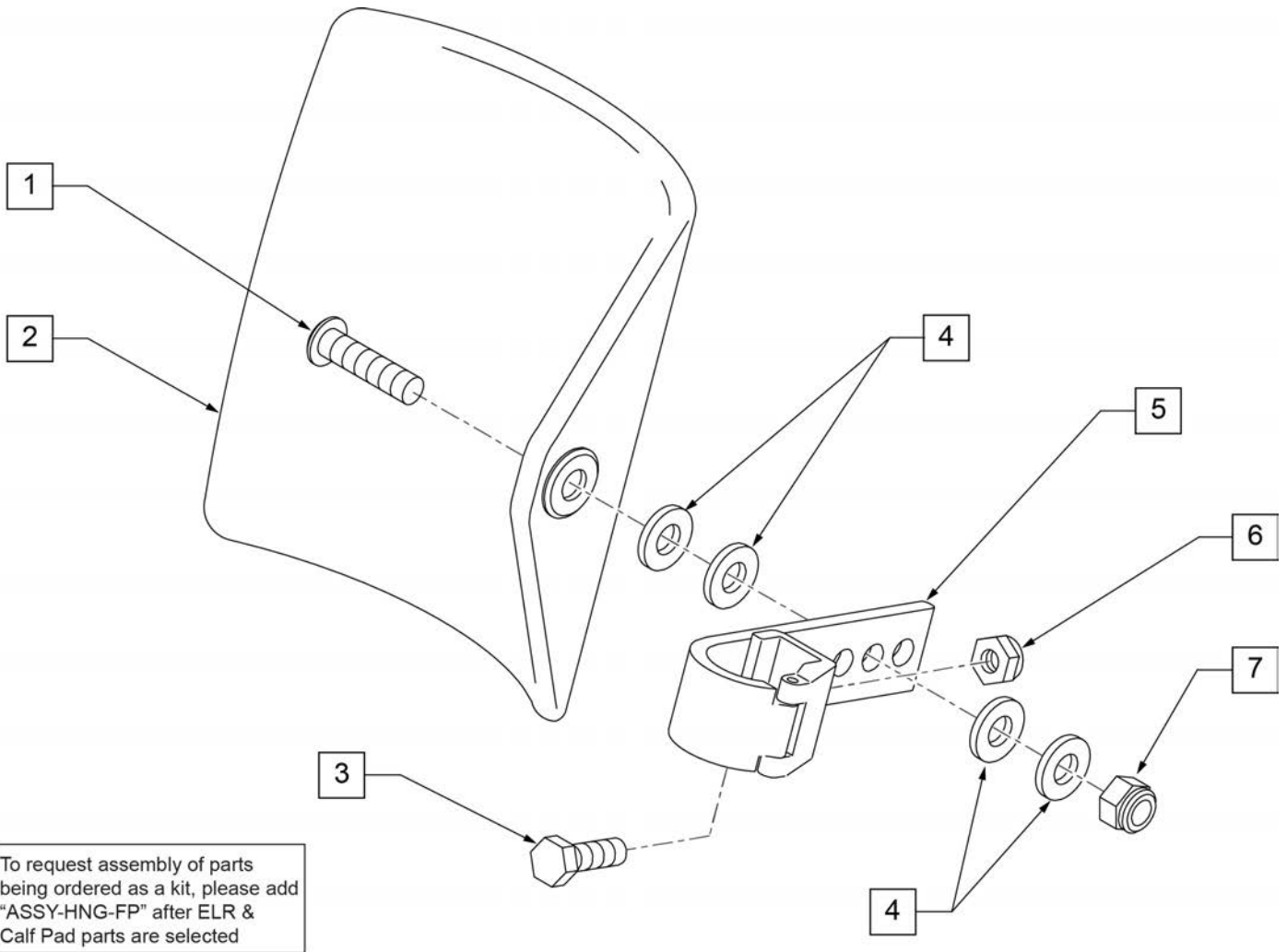


Note: When retrofitting existing chair with S/A Legrests please order Qty 2 of p/n 107491.(Item 26)

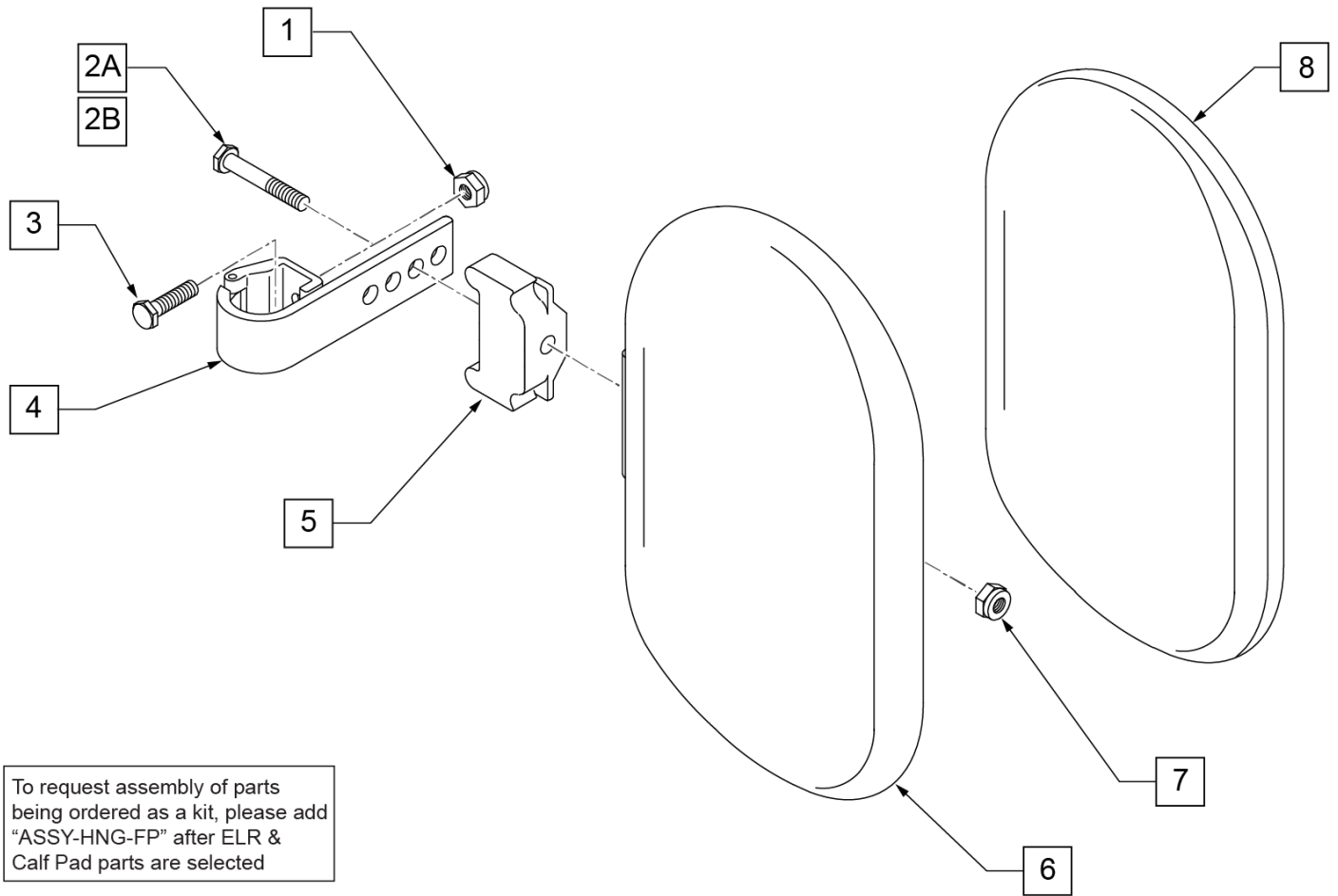


Pos.	Item Number	Description	Remarks
1	129638S	EXTENSION MOUNT ELR KIT R	Right-order item 26 when retro-fitting to chair
1	129639S	EXTENSION MOUNT ELR KIT L	Left-order item 26 when retro-fitting to chair
1	129637S	EXTENSION MOUNT ELR PAIR KIT	Pair-order item 26 when retro-fitting to chair
2,3,25	129640	ELR SHROUD KIT	Kit w/ 2 screws
3	127135	BHCS 8-32 X 1/2 BLK	
4	126992	HEMI ELR SUB ASSM	
5	560501	ALR REL LEVER COVER	
6	127114	HEMI RECEIVER ASSM ELR ALR R	Right
6	127115	HEMI RECEIVER ASSM ELR ALR L	Left
7	107350	SHCS 1/4-28 x 1/2	
8	127129	ANGLE STOP ELR	
9	107249	NUT HEX THIN 1/4-28	
10	106935	1/4-28 NYLOCK NUT THIN BLK ZN	
11	104414	WAVE WASHER 6 MM	

Pos.	Item Number	Description	Remarks
12	106961	BHCS 1/4 -28 x 1 1/4 ROHS	
13	108623	BHCS 1/4-28 x 1-1/2	
14	119495	EXTENSION CLAMP KIT	
15	010615	SQUARE END CAP CNTR LEG	
16	226217	5/16-18 X 2" BH C/S BLK	
17	561062	1" INSERT PLUG .065 RIBS	
18	226057	BHCS 10-24 X .725 PL	
20	561197	PLASTIC PIVOT SADDLE	
21	202102	5/16-18 NYLOCK NUT THIN	
23,24	881500	LATCH BLOCK ASSM R	Right
23,24	881501	LATCH BLOCK ASSM L	Left
25	113282	WASHER FLAT AN #10 ROHS	
18,19,22-24	881521	S/A LATCH KIT CASTING RIGHT	Right
18,19,22-24	881522	S/A LATCH KIT CASTING LEFT	Left
26	107491	LATCH STUD KIT	order qty 2 when retro-fitting to chair
		Ship assembled part #	Use with multiple assemblies
	ASSY-HNG-FP	HANGER/FOOTPLATE ASSY REQUIRED	add with Hanger & Footplate kit



Pos.	Item Number	Description	Remarks
1	106980	BHCS 5/16-18 X 1-1/4 ROHS	
2	755014	CALF PAD TROUGH STYLE 14"/16"	
3	221097	1/4-28 X 5/8 HEX C/S BZ	
4	561016	1" WASHER 5/16" HOLE	
5	881413	CALF PAD BRACKET ASSEMBLY	
6	106934	NUT NYLOCK 1/4-28 ROHS	
7	106937	NUT NYLOCK THIN 5/16-18	
1-7	881414	CALF PAD J-HOOK 14"-15" ASSEMBLY	
		Ship assembled part #	Use with multiple assemblies
	ASSY-HNG-FP	HANGER/FOOTPLATE ASSY REQUIRED	add with Hanger & Footplate kit



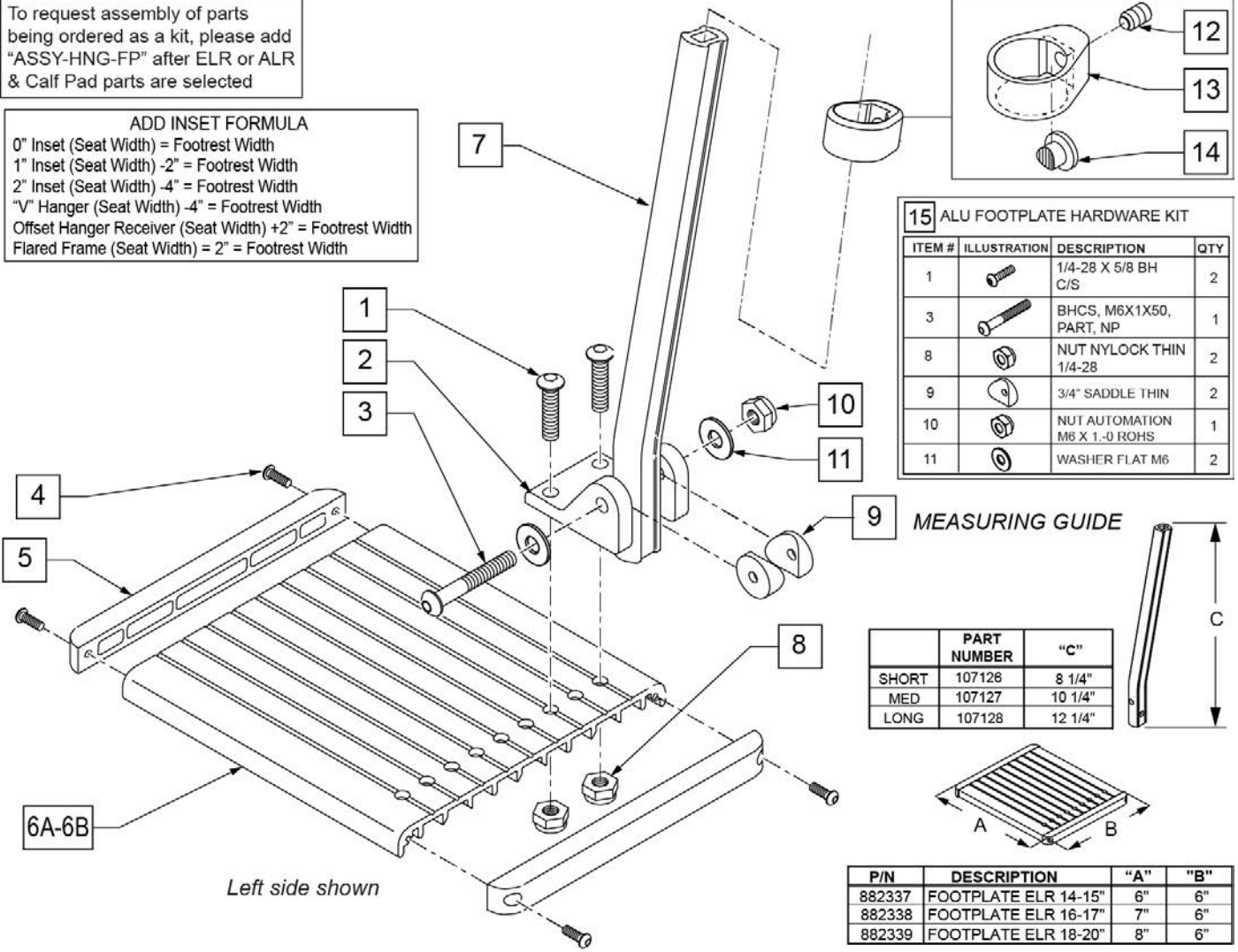
Pos.	Item Number	Description	Remarks
1	106934	NUT NYLOCK 1/4-28 ROHS	
2A	107018	HHCS 5/16-18 X 2-1/2 ROHS	16"-17" wide only
2B	107019	HHCS 5/16-18 X 3-1/2 ROHS	18"-20" wide only
3	107013	HHCS 1/4-28 X 5/8 ROHS	
4	881413	CALF PAD BRACKET ASSEMBLY	
5	560199	ELR CALF HINGE SPACER	18"-20" wide only
6	560108	CALF PAD MOLDED 16"-20"	
7	106936	NUT NYLOCK 5/16-18 ROHS	
8	751045	CALF PAD COVER	
1,2A,3,4,6-8	881416	CALF MOLDED 16"-17" ASSEMBLY	
1,2B,3-7,8	881412	CALF PAD MOLDED 18"-20" ASSEMBLY	
		Ship assembled part #	Use with multiple assemblies
	ASSY-HNG-FP	HANGER/FOOTPLATE ASSY REQUIRED	add with Hanger & Footplate kit

# ELR/ALR ALUMINUM FOOTPLATE

(02/11/2020)

To request assembly of parts being ordered as a kit, please add "ASSY-HNG-FP" after ELR or ALR & Calf Pad parts are selected

**ADD INSET FORMULA**  
 0" Inset (Seat Width) = Footrest Width  
 1" Inset (Seat Width) -2" = Footrest Width  
 2" Inset (Seat Width) -4" = Footrest Width  
 "V" Hanger (Seat Width) -4" = Footrest Width  
 Offset Hanger Receiver (Seat Width) +2" = Footrest Width  
 Flared Frame (Seat Width) = 2" = Footrest Width



**15 ALU FOOTPLATE HARDWARE KIT**

ITEM #	ILLUSTRATION	DESCRIPTION	QTY
1		1/4-28 X 5/8 BH C/S	2
3		BHCS, M6X1X50, PART, NP	1
8		NUT NYLOCK THIN 1/4-28	2
9		3/4" SADDLE THIN	2
10		NUT AUTOMATION M6 X 1-0 ROHS	1
11		WASHER FLAT M6	2

**MEASURING GUIDE**

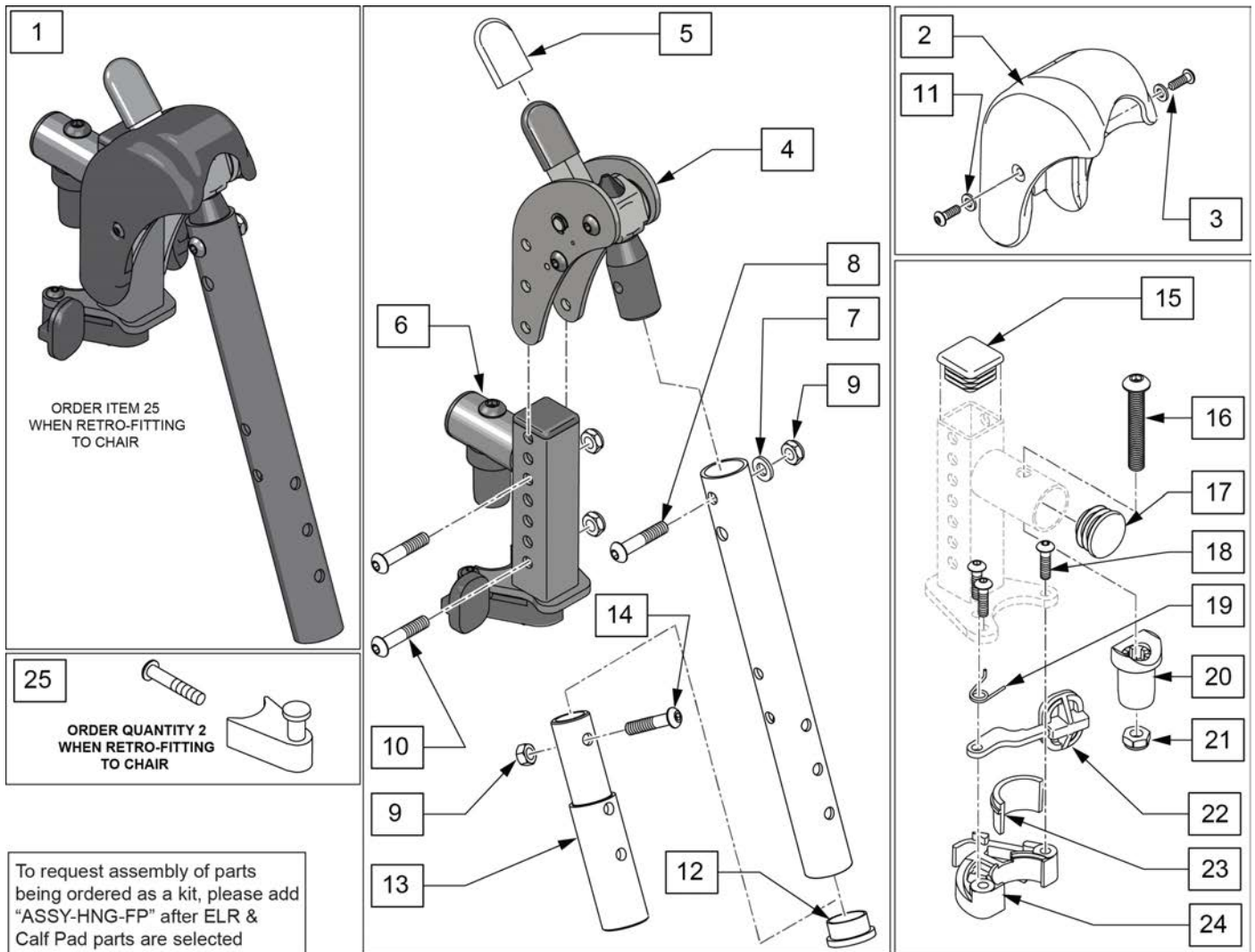
	PART NUMBER	"C"
SHORT	107126	8 1/4"
MED	107127	10 1/4"
LONG	107128	12 1/4"

P/N	DESCRIPTION	"A"	"B"
882337	FOOTPLATE ELR 14-15"	6"	6"
882338	FOOTPLATE ELR 16-17"	7"	6"
882339	FOOTPLATE ELR 18-20"	8"	6"

Pos.	Item Number	Description	Remarks
1	226090	1/4-28 x 5/8 BH C/S	
2	118093	BRACKET FOOTPLATE ALUM	
3	102262-008	BHCS M6 X 1 X 50 INORGANIC	
4	281043	#4 x 5/8 PAN PHIL S/TAP	
5	560101	END CAPS FOOTREST	
7	107126	SHORT BENT	
7	107127	MED BENT	
7	107128	LONG BENT	
7	128078	TUBE FOOTREST EXT SHT HEMI	Use for Hemi Extension option
8	106935	1/4-28 NYLOCK NUT THIN	
9	561003	3/4" SADDLE THIN	
10	132626	NUT AUTOMATION M6 X 1.0	
11	107383	WASHER FLAT M6 ROHS	
4,5,6A	882337	ELR FOOTPLATE ASSEMBLY 14 -15"	
4,5,6B	882338	ELR FOOTPLATE ASSEMBLY 16 -17"	
4,5,6C	882339	ELR FOOTPLATE ASSEMBLY 18 -20"	
12-14	119495	EXTENSION CLAMP KIT	
15	129775	ALU FOOTPLATE HDWARE KIT	Ext tube not included; bracket (118093) not included

Pos.	Item Number	Description	Remarks
		Ship assembled part #	Use with multiple assemblies
	ASSY-HNG-FP	HANGER/FOOTPLATE ASSY REQUIRED	add with Hanger & Footplate kit

Note: When retrofitting ELR to a chair with S/A Hangers please order Qty 2 of p/n 107491(Item 25).

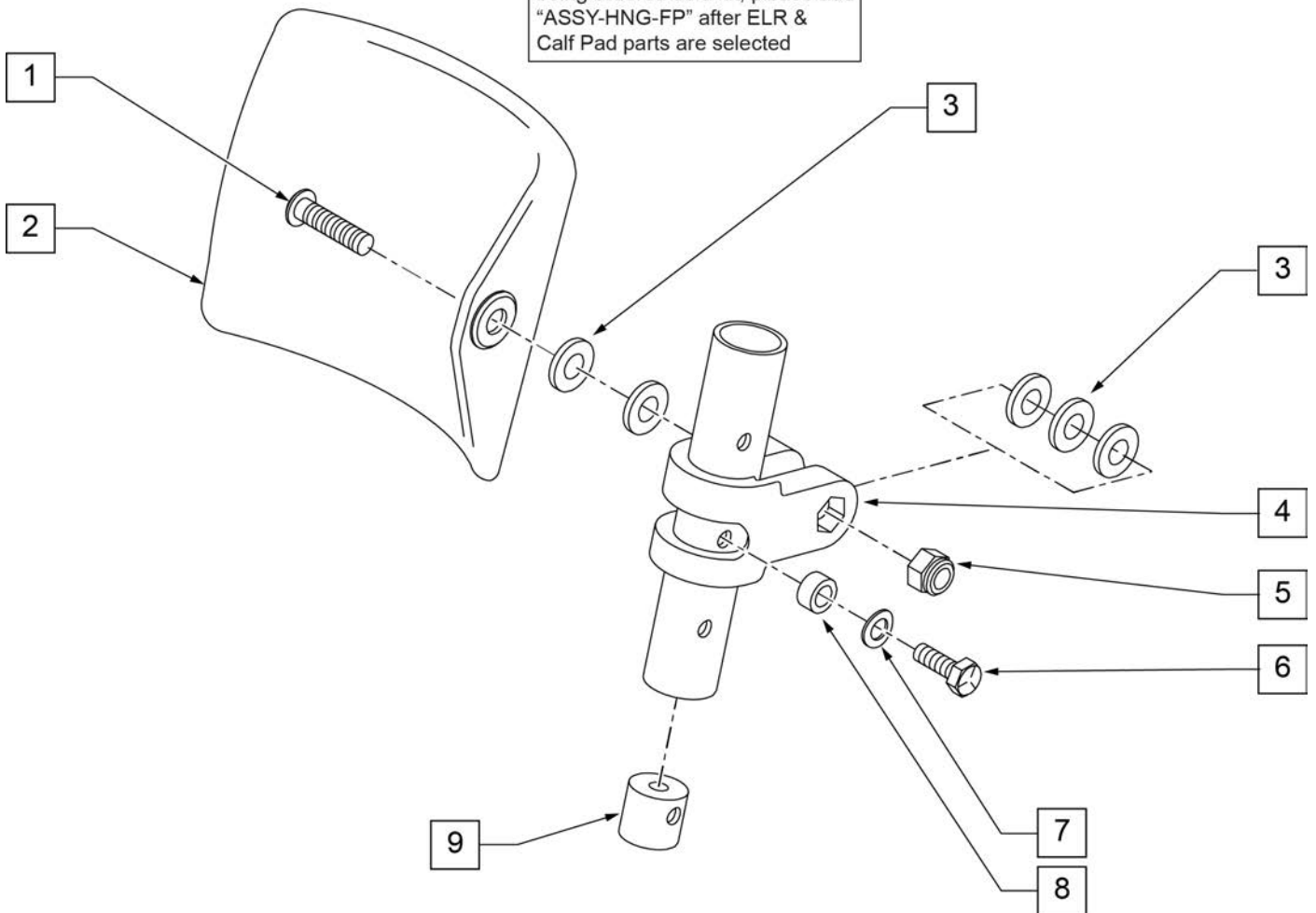


Pos.	Item Number	Description	Remarks
1	129635S	DIRECT MOUNT ELR KIT R	Right-order item 25 when retro-fitting to chair
1	129636S	DIRECT MOUNT ELR KIT L	Left-order item 25 when retro-fitting to chair
1	129634S	DIRECT MOUNT ELR PAIR KIT	Pair-order item 25 when retro-fitting to chair
2,3,25	129640	ELR SHROUD KIT	Kit w/ 2 screws
3	127135	BHCS 8-32 X 1/2 BLK	
4	126992	HEMI ELR SUB ASSM	
5	560501	ALR REL LEVER COVER	
6	127114	HEMI RECEIVER ASSM ELR ALR R	Right
6	127115	HEMI RECEIVER ASSM ELR ALR L	Left
7	104414	WAVE WASHER 6 MM	
8	106961	BHCS 1/4 -28 x 1 1/4 ROHS	
9	106935	1/4-28 NYLOCK NUT THIN BLK ZN	
10	108623	BHCS 1/4-28 x 1-1/2	
11	113282	WASHER FLAT AN #10 ROHS	

Pos.	Item Number	Description	Remarks
12	561002	1" INSERT PLUG .083	
13	500150	2" FOOTREST EXT TUBE	
14	106961	1/4-28 x 1 1/4 BH C/S	
15	010615	SQUARE END CAP CNTR LEG	
17	561062	1" INSERT PLUG .065 RIBS	
18	226057	BHCS 10-24 X .725 PL	
16,17,20,21	119518	PIVOT SADDLE KIT	
23,24	881500	LATCH BLOCK ASSM R	Right
23,24	881501	LATCH BLOCK ASSM L	Left
18,19,22-24	881521	S/A LATCH KIT CASTING RIGHT	Right
18,19,22-24	881522	S/A LATCH KIT CASTING LEFT	Left
25	107491	LATCH STUD KIT	order qty 2 when retro-fitting to chair
		Ship assembled part #	Use with multiple assemblies
	ASSY-HNG-FP	HANGER/FOOTPLATE ASSY REQUESTED	add with Hanger & Footplate kit

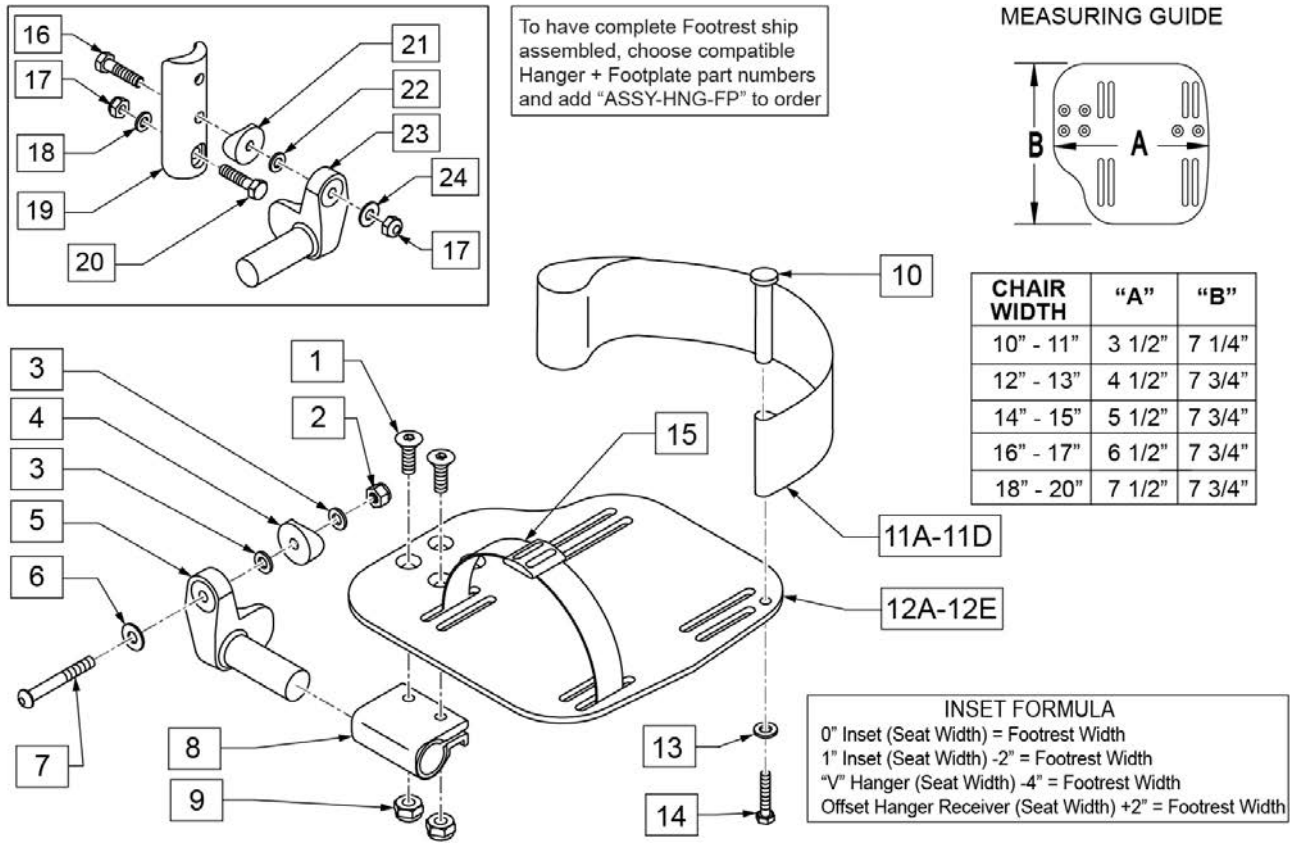


To request assembly of parts being ordered as a kit, please add "ASSY-HNG-FP" after ELR & Calf Pad parts are selected



Pos.	Item Number	Description	Remarks
1	226217	5/16-18 x 2" BH C/S BLK	
2	755013	CALF PAD TROUGH STYLE KIDS	
3	561016	1" WASHER 5/16" HOLE	
4	561097	ELR ELEVATING TUBE CLAMP	
5	106937	5/16 -18 NYLOCK NUT THIN	
6	106958	HHCS 1/4-20 X 1 ROHS	
7	262130	6mm WASHER WAVE	
8	483027	1/4 x 1/4 ALUMINUM SPACER	
9	500151	KIDS ALR RETAINING PLUG	
1-9	880533	ELR TROUGH PAD ASSM KIDS	
		Ship assembled part #	Use with multiple assemblies
	ASSY-HNG-FP	HANGER/FOOTPLATE ASSY REQUIRED	add with Hanger & Footplate kit

Note: for QX Series or SR45 footplate replacement parts see the ordering guide marked specifically for these two models in the informations panel.



Pos.	Item Number	Description	Remarks
1	106978	FHCS 1/4-28 X 7/8	
2	106934	NUT NYLOCK 1/4-28	
3	106944	WASHER FLAT THIN AN 1/4	
4	561004	Q2 SADDLE	
5	541000	FTRST MOUNTING BRKT 1/2" RAD R	Right
5	541001	FTRST MOUNTING BRKT 1/2" RAD L	Left
6	106945	WASHER FLAT SAE 1/4 ROHS	
7	106964	BHCS 1/4-28 X 2	
8	550350	3/4 CLMP ADJ FT PLT	
9	106935	NUT NYLOCK THIN 1/4-28 ROHS	
10	561040	HEEL LOOP PEG	
11A	104380-001	ADJ FOOTREST STRAP 14W	Used on 10"-13" wide
11B	104380-002	ADJ FOOTREST STRAP 15-16W	Used on 14"-15" wide
11C	104380-003	ADJ FOOTREST STRAP 17-18W	Used on 16"-17" wide
11D	104380-004	ADJ FOOTREST STRAP 19-20W	Used on 18"-20" wide
12A	500656	ADULT ANGL ADJ F/PLT 10/11	Right; 10"-11" wide
12A	500657	ADULT ANGL ADJ F/PLT 10/11	Left; 10"-11" wide

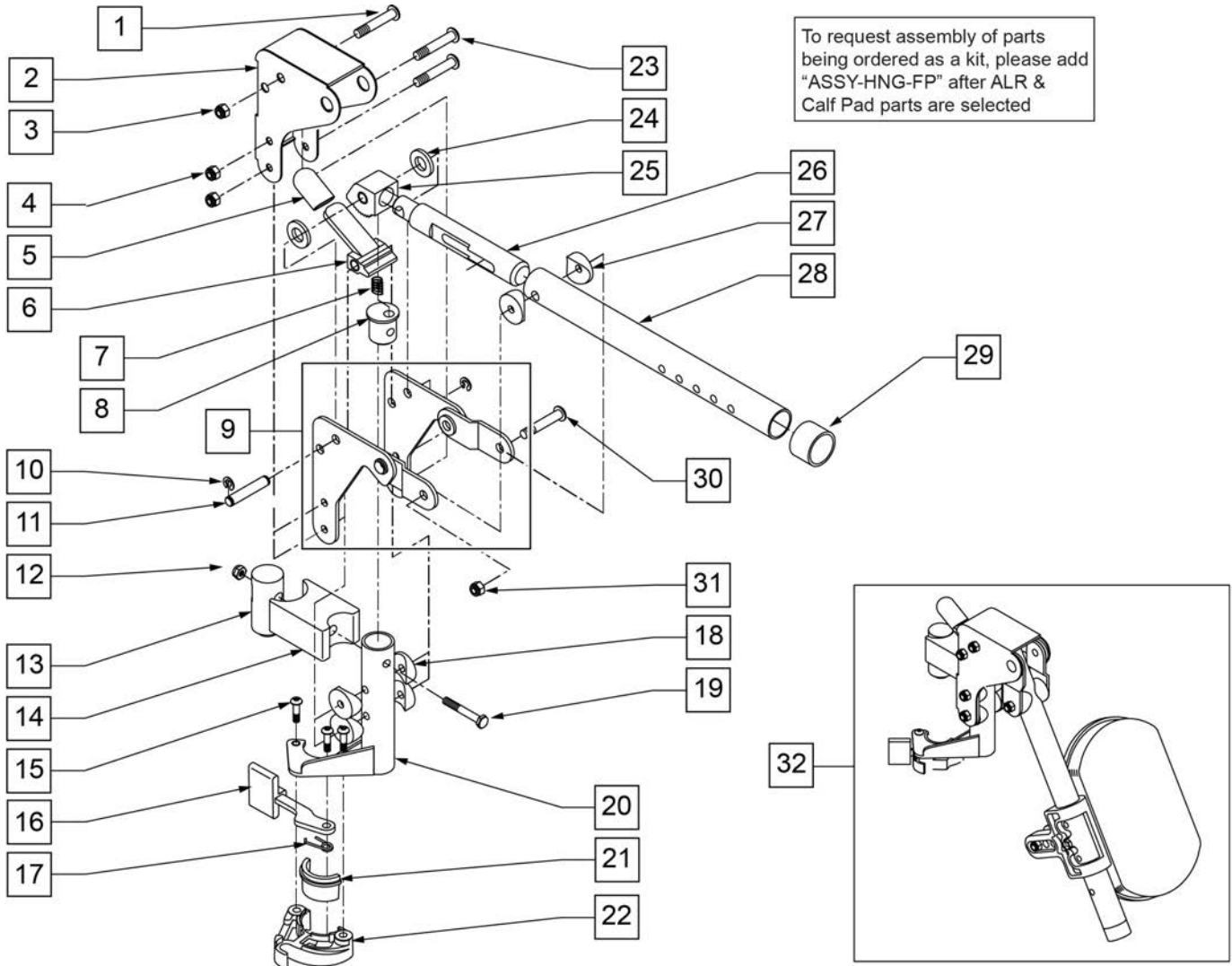
Pos.	Item Number	Description	Remarks
12B	500658	ADULT ANGL ADJ F/PLT 12/13	Right; 12"-13" wide
12B	500659	ADULT ANGL ADJ F/PLT 12/13	Left; 12"-13" wide
12C	500660	ADULT ANGL ADJ F/PLT 14/15	Right; 14"-15" wide
12C	500661	ADULT ANGL ADJ F/PLT 14/15	Left; 14"-15" wide
12D	500662	ADULT ANGL ADJ F/PLT 16/17	Right; 16"-17" wide
12D	500663	ADULT ANGL ADJ F/PLT 16/17	Left; 16"-17" wide
12E	500664	ADULT ANGL ADJ F/PLT 18-20	Right; 18"-22" wide
12E	500665	ADULT ANGL ADJ F/PLT 18-20	Left; 18"-22" wide
13	107383	WASHER FLAT M6 ROHS	
14	102268-001	HHCS M6 X 1 X 25	
15	740260	TOE-ANKLE STRAP ADJ ADULT FOOTPLATE	
16	102268-001	HHCS M6 X 1 X 25	
17	132626	NUT AUTOMATION M6 X 1	
18	107383	WASHER FLAT M6 ROHS	
20	118198	HHCS M6X1X40 PART NP	
21	561004	Q2 SADDLE	
22	106943	WASHER FLAT AN 1/4 ROHS	
24	106945	WASHER FLAT SAE 1/4 ROHS	
16-24	129764	AAA FRNT MNT ADAPTER KIT PR	Pair; fits both Kids & Adult Angle Adj Footplates
1,8-10,11A,12A,13,14	129765	AAA F/PLT KIT 10-11 RT	Right; used w/ 129764 on Plunger-Style Swing In/Out Hangers
1,8-10,11A,12A,13,14	129766	AAA F/PLT KIT 10-11 LFT	Left; used w/ 129764 on Plunger-Style Swing In/Out Hangers
1,8-10,11A,12B,13,14	129767	AAA F/PLT KIT 12-13 RT	Right; used w/ 129764 on Plunger-Style Swing In/Out Hangers
1,8-10,11A,12B,13,14	129768	AAA F/PLT KIT 12-13 LFT	Left; used w/ 129764 on Plunger-Style Swing In/Out Hangers
1,8-10,11B,12C,13,14	129769	AAA F/PLT KIT 14-15 RT	Right; used w/ 129764 on Plunger-Style Swing In/Out Hangers
1,8-10,11B,12C,13,14	129770	AAA F/PLT KIT 14-15 LFT	Left; used w/ 129764 on Plunger-Style Swing In/Out Hangers
1,8-10,11C,12D,13,14	129771	AAA F/PLT KIT 16-17 RT	Right; used w/ 129764 on Plunger-Style Swing In/Out Hangers
1,8-10,11C,12D,13,14	129772	AAA F/PLT KIT 16-17 LFT	Left; used w/ 129764 on Plunger-Style Swing In/Out Hangers
1,8-10,11D,12E,13,14	129773	AAA F/PLT KIT 18-20 RT	Right; used w/ 129764 on Plunger-Style Swing In/Out Hangers
1,8-10,11D,12E,13,14	129774	AAA F/PLT KIT 18-20 LFT	Left; used w/ 129764 on Plunger-Style Swing In/Out Hangers
1-10,11A,12B	111514	AAA FTPLT 90D 12/13" R	Right; used w/ Old-Style Latch Block Swing In/Out & S/A Hngrs
1-10,11A,12B	111515	AAA FTPLT 90D 12/13" L	Left; used w/ Old-Style Latch Block Swing IO & S/A Hngrs
1-10,11B,12C	111516	AAA FTPLT 90D 14/15" R	Right; used w/ Old-Style Latch Block Swing In/Out & S/A Hngrs
1-10,11B,12C	111517	AAA FTPLT 90D 14/15" L	Left; used w/ Old-Style Latch Block Swing IO & S/A Hngrs
1-10,11C,12D	111518	AAA FTPLT 90D 16/17" R	Right; used w/ Old-Style Latch Block Swing In/Out & S/A Hngrs
1-10,11C,12D	111519	AAA FTPLT 90D 16/17" L	Left; used w/ Old-Style Latch Block Swing IO & S/A Hngrs
1-10,11D,12E	111520	AAA FTPLT 90D 18/20" R	Right; used w/ Old-Style Latch Block Swing In/Out & S/A Hngrs
1-10,11D,12E	111521	AAA FTPLT 90D 18/20" L	Left; used w/ Old-Style Latch Block Swing IO & S/A Hngrs
		Ship assembled part #	Use with multiple assemblies
	ASSY-HNG-FP	HANGER/FOOTPLATE ASSY REQUIRED	add with Hanger & Footplate kit



# ARTICULATING HANGER

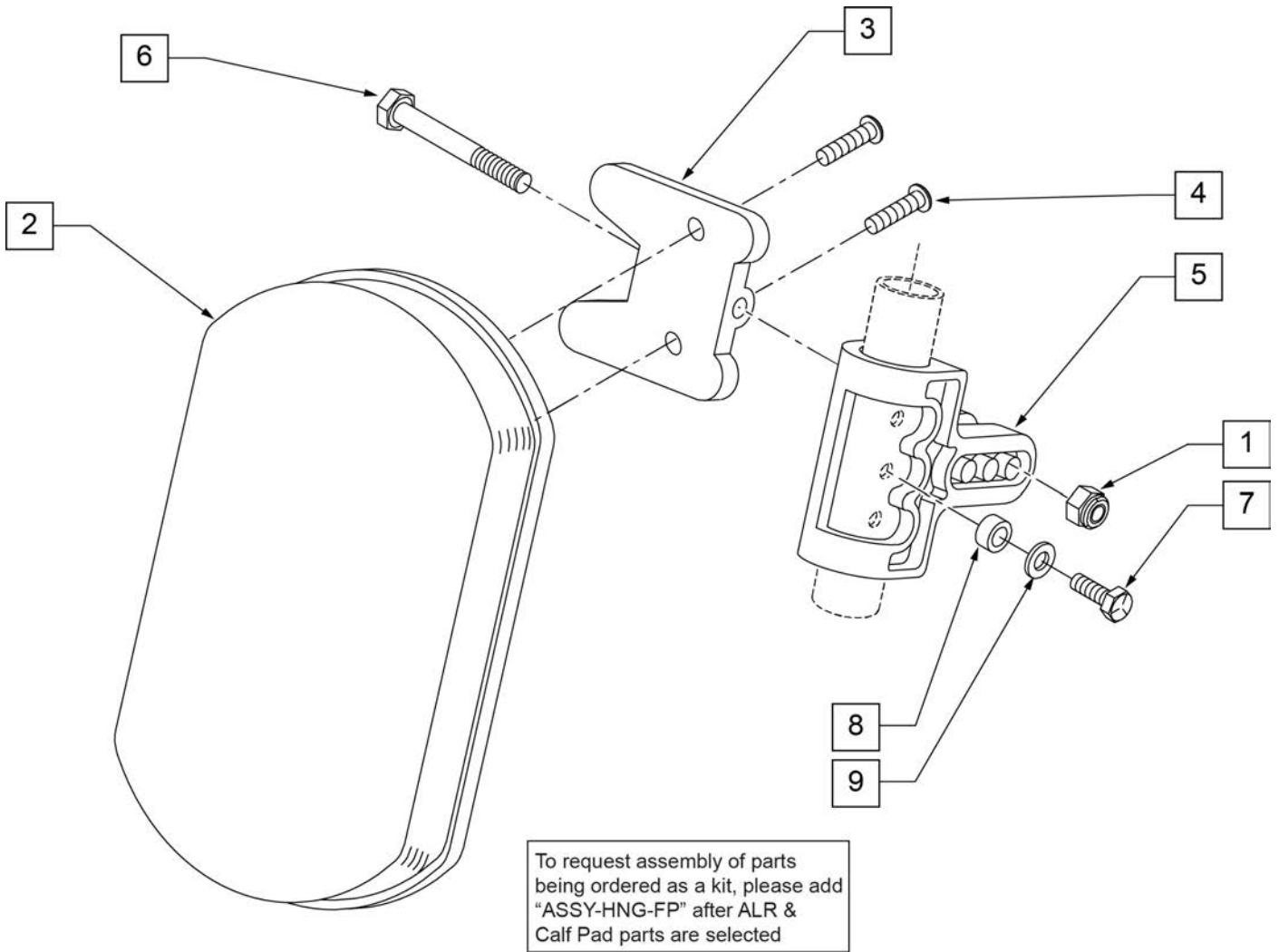
[10/2011]

**NOTE:** WHEN USING AN ARTICULATING LEGREST ASSEMBLY, THE PULL-TO-LOCK WHEEL LOCK MUST BE USED.



Pos.	Item Number	Description	Remarks
1	106983	5/16-18 x 2 BH C/S SHT THREAD	
2	562720	ALR COVER STD	
3	106937	5/16-18 NYLOCK NUT THIN	
4	106935	1/4-28 NYLOCK NUT THIN	
5	560501	ALR RELEASE LEVER COVER	
6	505902	ALR RELEASE LEVER	
7	321141	650L x 6 COIL SPRING	
8	483060	ALR SPRING PLUG	
9	880526	ALR BRACKET W/LINK R	RIGHT
9	880527	ALR BRACKET W/LINK L	LEFT
10	342000	1/4" E-CLIP	
11	481052	ALR RETAINING STUD	
12	106934	1/4-28 NYLOCK NUT	
13	122991	ALR PIVOT SADDLE WITH LEDGE	

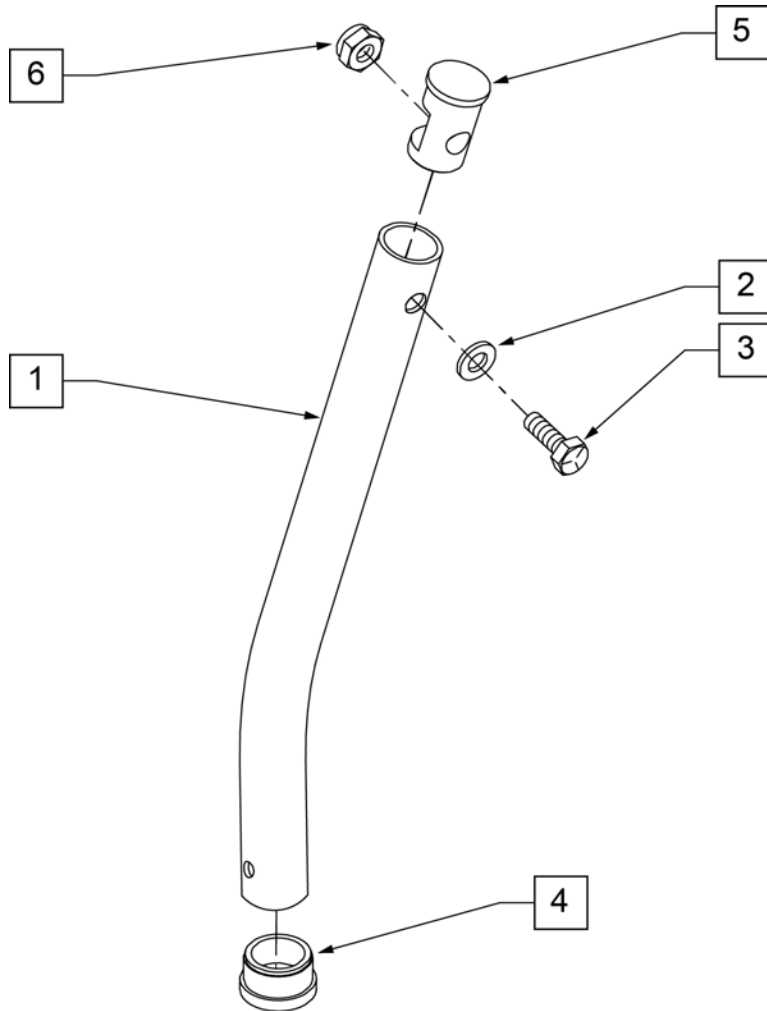
Pos.	Item Number	Description	Remarks
14	122992	ALR PIVOT SADDLE BLOCK W/NOTCH	
15	226057	10/24 x .725 BTTN HD SOC BZ	
16	561079	S/A LATCH LEVER	
17	321136	S/A SPRING L RED	
17	321137	S/A SPRING R CLEAR	
18	561004	1" SADDLE 1/4" HOLE	
19	107016	1/4-28 x 3 G8 HEX C/S	
20	882466	ALR S/A TUBE ASSM L	LEFT
20	882467	ALR S/A TUBE ASSM R	RIGHT
23	106964	1/4-28 x 2 BH C/S	
24	561016	1" WASHER 5/16" HOLE	
25	505900	ALR RATCHET BLOCK	
26	483062	ALR RATCHET ROD	
27	561006	1" SADDLE 5/16" HOLE	
28	505026S	ALR TUBE ONLY	
29	561082	1" TUBE END BUSHING THIN	
30	226195	5/16-18 x 1.82 BH C/S	
31	106937	NUT NYLOCK THIN 5/16-18 ROHS	
21,22	881500	LATCH BLOCK ASSM R	RIGHT
21,22	881501	LATCH BLOCK ASSM L	LEFT
1-26	880092	HANGER ALR SUB ASSM R	RIGHT
1-26	880093	HANGER ALR SUB ASSM L	LEFT
1-31	641464S	HANGER ALR W/O PAD PNTD R	RIGHT
1-31	641465S	HANGER ALR W/O PAD PNTD L	LEFT
32	923051S	ALR HANGER ASSM W/PAD ALUM LB	PAIR
15-17,21,22	881521	S/A LATCH KIT CASTING RIGHT	
15-17,21,22	881522	S/A LATCH KIT CASTING LEFT	
		Ship assembled part #	Use with multiple assemblies
	ASSY-HNG-FP	HANGER/FOOTPLATE ASSY REQUIRED	add with Hanger & Footplate kit



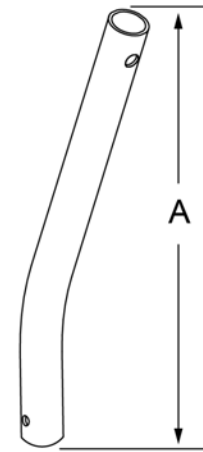
Pos.	Item Number	Description	Remarks
1	106936	5/16-18 NYLOCK NUT THICK	
2	755010	ALR/ELR PAD	
3	561096	ALR/ELR CALF PAD BRACKET	
4	281182	1/4-20 x 5/8 PAN PHIL	
5	561099	CALF CLAMP ALR	
6	107019	HHCS 5/16-18 X 3-1/2 ROHS	
7	107017	1/4-20 x 1 1/4 G8 HEX C/S	
8	483027	1/4 x 1/4 ALUMINUM SPACER BLK	
9	104414	WAVE WASHER 6 MM	
1-6	881399	ALR CALF PAD W/BRACKET	
1,3-9	881398	ALR CALF CLAMP ASSM W/O PAD	
1-9	881400	ALR CALF PAD ASSEMBLY (EA)	
		Ship assembled part #	Use with multiple assemblies
	ASSY-HNG-FP	HANGER/FOOTPLATE ASSY REQUIRED	add with Hanger & Footplate kit

**NOTE:** (Discontinued on Quickie 2 for 60° and 70° Hangers 10/23/99- Parts only).

**NOTE:** Used on Articulating Hanger Assemblies.



**MEASURING GUIDE**



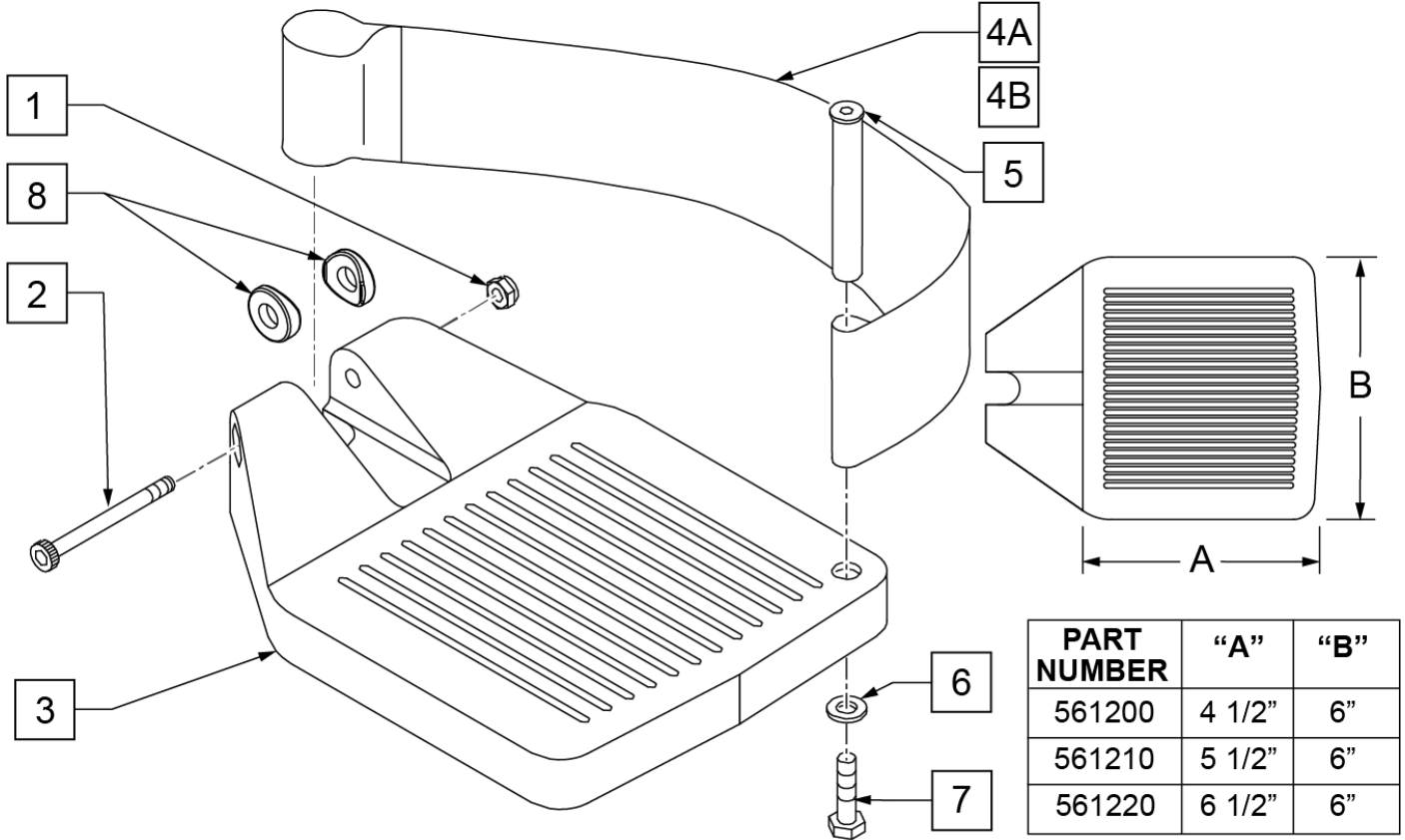
	"A"
SHORT	6 5/8"
MED	9"
LONG	11 5/8"
X-LONG	13 1/2"



<b>Pos.</b>	<b>Item Number</b>	<b>Description</b>
1	521010	FOOTREST EXT TUBE ONLY SHT BLK
1	521011	FOOTREST EXT TUBE ONLY MED BLK
1	521012	FOOTREST EXT TUBE ONLY LNG BLK
1	521013	FOOTREST EXT TUBE ONLY X-LNG BLK
2	104414	WAVE WASHER 6 MM
3	106958	HHCS 1/4-20 X 1 ROHS
4	561000-QU	3/4" INSERT PLUG .083
5	483553	FOOTREST INSERT PLUG Q2
6	106932	NUT NYLOCK 1/4-20 ROHS
1-6	921221	FOOTREST EXT TUBE SHT ASSM BLK (EA)
1-6	921222	FOOTREST EXT TUBE MED ASSM BLK (EA)
1-6	921223	FOOTREST EXT TUBE LNG ASSM BLK (EA)
1-6	921224	FOOTREST EXT TUBE X-LNG ASSM BLK (EA)

To have complete Footrest ship assembled, choose compatible Hanger + Footplate part numbers and add "ASSY-HNG-FP" to order

**INSET FORMULA**  
 0" Inset (Seat Width) = Footrest Width  
 1" Inset (Seat Width) -2" = Footrest Width  
 "V" Hanger (Seat Width) -4" = Footrest Width  
 Offset Hanger Receiver (Seat Width) +2" = Footrest Width



Pos.	Item Number	Description	Remarks
1	106935	1/4 - 28 NYLOCK NUT	
2	226165	1/4 - 28 x 2 1/2 SOC C/S	
3	561200	COMPOSITE FOOTPLATE 14 -15 (16 -18 V )	14 -15 OR 16 -18V
3	561210	COMPOSITE FOOTPLATE 16 -17 (19 -20 V )	16 -17 OR 19 -20V
3	561220	COMPOSITE FOOTPLATE 18 -20	18 -20
4A	741151	HEEL LOOP 14-15 COMPOSITE (14 -15 or 16 -18V)	14 -15 OR 16 -18V
4A	741156	HEEL LOOP 16 -17 or 19 -20V	16 -17 OR 19 -20V
4A	741153	HEEL LOOP 18 -20 COMPOSITE/14-15 ANG ADJ	18 -20
4A	902270	HEEL LOOP COMPOSITE FT 14-15	PAIR 14 -15 OR 16 -18V
4A	902271	HEEL LOOP COMPOSITE FT 16-17	PAIR 16 -17 OR 19 -20V
4A	902272	HEEL LOOP COMPOSITE FT 18-20	PAIR 18 -20
4B	741154	HEEL LOOP 14-15 COMPOSITE HEMI	14 -15 HEMI
4B	741155	HEEL LOOP 16-17 COMPOSITE HEMI	16 -17 HEMI
4B	741153	HEEL LOOP 18-20 COMPOSITE HEMI	18 -10 HEMI
4B	902260	HEEL LOOPS HEMI COMPOSITE 14-15	PAIR 14 -15 HEMI
4B	902261	HEEL LOOPS HEMI COMPOSITE 16-17	PAIR 16 -17 HEMI
4B	902262	HEEL LOOPS HEMI COMPOSITE 18-20	PAIR 18 -20 HEMI
5	561040	HEEL LOOP PEG	
6	106944	1/4 AN WASHER FLAT THIN	

Pos.	Item Number	Description	Remarks
7	106958	HHCS 1/4-20 X 1 ROHS	
8	561003	3/4" SADDLE THIN	USED W/ ROUND EXT TUBES ONLY
1-3	921180	COMPOSITE FOOTPLATE ASSM 14-15	RIGHT (14 -15 OR 16 -18V) W/O HEEL LOOP
1-3	921181	COMPOSITE FOOTPLATE ASSM 14-15	LEFT (14 -15 OR 16 -18V) W/O HEEL LOOP
1-3	921182	COMPOSITE FOOTPLATE ASSM 16-17	RIGHT (16 -17 OR 19 -20V) W/O HEEL LOOP
1-3	921183	COMPOSITE FOOTPLATE ASSM 16-17	LEFT (16 -17 OR 19 -20V) W/O HEEL LOOP
1-3	921184	COMPOSITE FOOTPLATE ASSM 18-20	RIGHT (18 -20) W/O HEEL LOOP
1-3	921185	COMPOSITE FOOTPLATE ASSM 18-20	LEFT (18 -20) W/O HEEL LOOP
1-3	921151	COMPOSITE FOOTPLATE ASSM 14-15/16-18V	PAIR (14 -15 OR 16 -18V) W/O HEEL LOOP
1-3	921152	COMPOSITE FOOTPLATE ASSM 16-17/19-20V	PAIR (16 -17 OR 19 -20V) W/O HEEL LOOP
1-3	921153	COMPOSITE FOOTPLATE ASSM 18-20	PAIR (18 -20) W/O HEEL LOOP
1,2,3A,4-7	921190	COMPOSITE FOOTPLATE ASSM HL LP 14-15	RIGHT (14 -15 OR 16 -18V) W/ HEEL LOOP
1,2,3A,4-7	921191	COMPOSITE FOOTPLATE ASSM HL LP 14-15	LEFT (14 -15 OR 16 -18V) W/ HEEL LOOP
1,2,3A,4-7	921192	COMPOSITE FOOTPLATE ASSM HL LP 16-17	RIGHT (16 -17 OR 19 -20V) W/ HEEL LOOP
1,2,3A,4-7	921193	COMPOSITE FOOTPLATE ASSM HL LP 16-17	LEFT (16 -17 OR 19 -20V) W/ HEEL LOOP
1,2,3A,4-7	921194	COMPOSITE FOOTPLATE ASSM HL LP 18-20	RIGHT (18 -20) W/ HEEL LOOP
1,2,3A,4-7	921195	COMPOSITE FOOTPLATE ASSM HL LP 18-20	LEFT (18 -20) W/ HEEL LOOP
1,2,3A,4-7	921161	COMPOSITE FOOTPLATE ASSM HL 14-15/16-18V	PAIR (14 -15 OR 16 -18V) W/ HEEL LOOP
1,2,3A,4-7	921162	COMPOSITE FOOTPLATE ASSM HL 16-17/19-20V	PAIR (16 -17 OR 19 -20V) W/ HEEL LOOP
1,2,3A,4-7	921163	COMPOSITE FOOTPLATE ASSM HL 18-20	PAIR (18 -20) W/ HEEL LOOP
1,2,3B,4-7	921140	COMPOSITE FOOTPLATE ASSM HEMI HL LP 14-15	RIGHT (14 -15) W/ HEEL LOOP
1,2,3B,4-7	921141	COMPOSITE FOOTPLATE ASSM HEMI HL LP 14-15	LEFT (14 -15) W/ HEEL LOOP
1,2,3B,4-7	921142	COMPOSITE FOOTPLATE ASSM HEMI HL LP 16-17	RIGHT (16 -17) W/ HEEL LOOP
1,2,3B,4-7	921143	COMPOSITE FOOTPLATE ASSM HEMI HL LP 16-17	LEFT (16 -17) W/ HEEL LOOP
1,2,3B,4-7	921144	COMPOSITE FOOTPLATE ASSM HEMI HL LP 18-20	RIGHT (18 -20) W/ HEEL LOOP
1,2,3B,4-7	921145	COMPOSITE FOOTPLATE ASSM HEMI HL LP 18-20	LEFT (18 -20) W/ HEEL LOOP
1,2,3B,4-7	921167	COMPOSITE FOOTPLATE ASSM HEMI HL LPS 14-15	PAIR (14 -15) W/ HEEL LOOP
1,2,3B,4-7	921168	COMPOSITE FOOTPLATE ASSM HEMI HL LPS 16-17	PAIR (16 -17) W/ HEEL LOOP
1,2,3B,4-7	921169	COMPOSITE FOOTPLATE ASSM HEMI HL LPS 18-20	PAIR (18 -20) W/ HEEL LOOP
		Ship assembled part #	Use with multiple assemblies
	ASSY-HNG-FP	HANGER/FOOTPLATE ASSY REQUIRED	add with Hanger & Footplate kit

**NOTE:** FOR HIGH-MOUNT ADULT ANGLE-ADJUSTABLE FOOTPLATE, SEE "HIGH-MOUNT EXTENSION TUBE" PAGE.

**NOTE:** ORDER ITEMS 4B AND 7B FOR CHAIRS PRIOR TO 8/13/01.

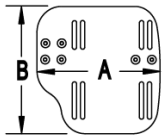
**NOTE:** ONLY 1 WASHER PRIOR TO 8/13/01.

**NOTE:** See attached REFERENCE GUIDE.

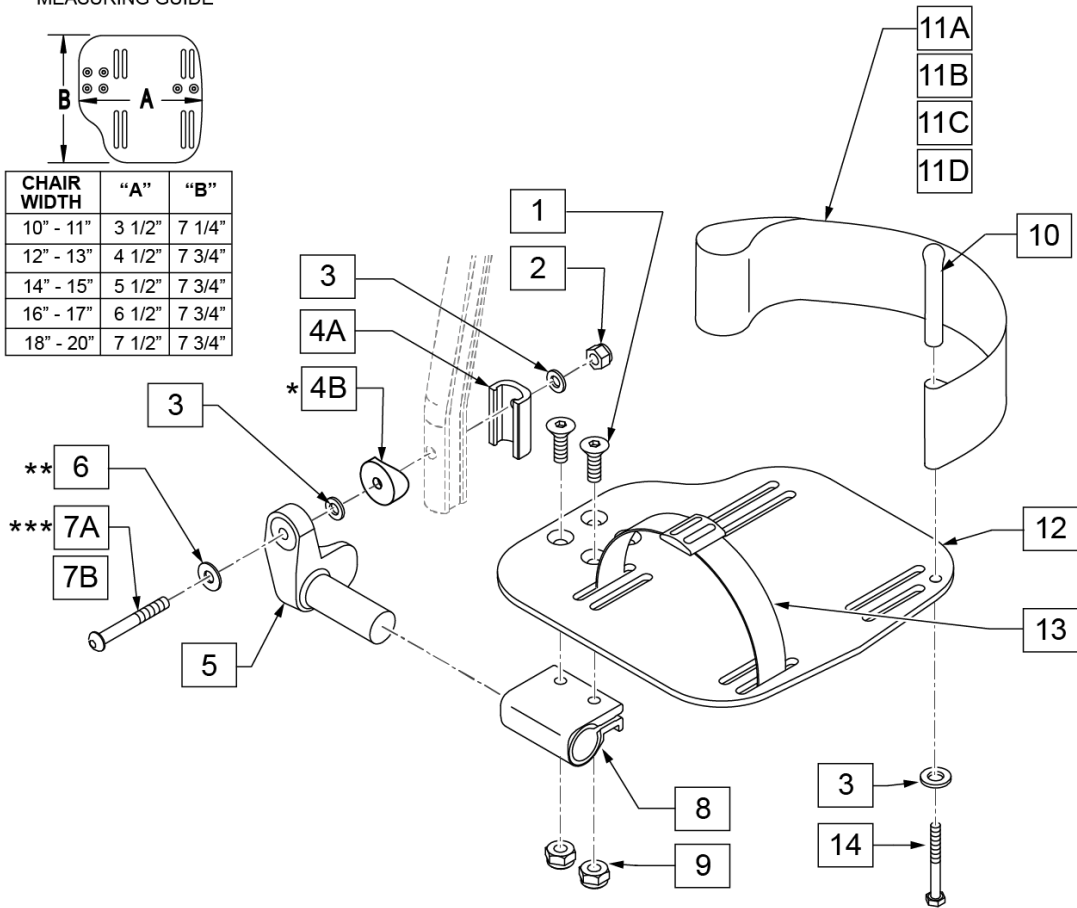
To have complete Footrest ship assembled, choose compatible Hanger + Footplate part numbers and add "ASSY-HNG-FP" to order

**INSET FORMULA**  
 0" Inset (Seat Width) = Footrest Width  
 1" Inset (Seat Width) -2" = Footrest Width  
 "V" Hanger (Seat Width) -4" = Footrest Width  
 Offset Hanger Receiver (Seat Width) +2" = Footrest Width

**MEASURING GUIDE**



CHAIR WIDTH	"A"	"B"
10" - 11"	3 1/2"	7 1/4"
12" - 13"	4 1/2"	7 3/4"
14" - 15"	5 1/2"	7 3/4"
16" - 17"	6 1/2"	7 3/4"
18" - 20"	7 1/2"	7 3/4"



15 ADLT ANG ADJ FP D2 HDWR KIT			
ITEM #	ILLUSTRATION	DESCRIPTION	QTY
1		1/4-28 X 7/8 FH C/S	2
2		1/4-28 AUTOMATION NUT	1
3		WASHER FLAT THIN AN 1/4	3
6		1/4" SAE WASHER	1
7A		BHCS 1/4-28 X 1-3/4	1
9		NUT NYLOCK THIN 1/4-28	2
10		HEEL LOOP PEG	1
14		1/4-20 X 1 HEX C/S	1

16 ADLT ANG ADJ FP RND HDWR KIT			
ITEM #	ILLUSTRATION	DESCRIPTION	QTY
1		1/4-28 X 7/8 FH C/S	2
2		1/4-28 AUTOMATION NUT	1
3		WASHER FLAT THIN AN 1/4	3
4B		3/4" SADDLE 1" OD	1
6		1/4" SAE WASHER	1
7B		1/4-28 X 1.625 BH C/S BLK	1
9		NUT NYLOCK THIN 1/4-28	2
10		HEEL LOOP PEG	1
14		1/4-20 X 1 HEX C/S	1

Pos.	Item Number	Description	Remarks
1	106978	1/4-28 x 7/8 FH C/S	
2	106941	1/4-28 AUTOMATION NUT	

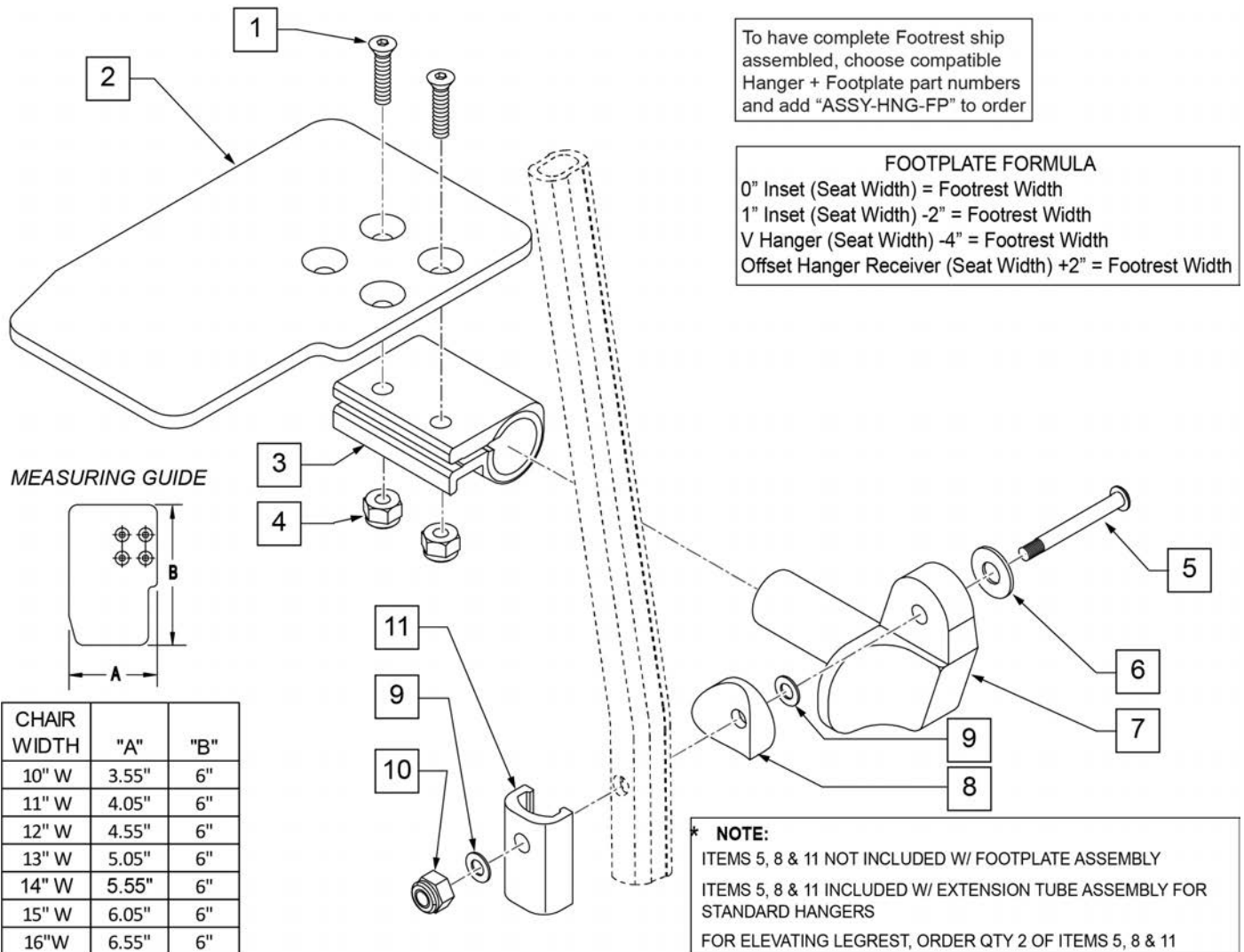
Pos.	Item Number	Description	Remarks
3	106944	WASHER FLAT THIN AN 1/4	
4A	483720	HANGER EXTENSION SADDLE LONG	USE W/ DOUBLE D EXT TUBE
4B	561055	3/4" SADDLE 1" OD	USE W/ ROUND EXT TUBE
5	541002	FTRST MOUNTING BRKT-3/8 RAD R	RIGHT
5	541003	FTRST MOUNTING BRKT-3/8 RAD L	LEFT
6	106945	WASHER FLAT SAE 1/4 ROHS	
7A	106962	BHCS 1/4-28 X 1-3/4 ROHS	use w/ Double D Ext Tube
7B	226167	1/4-28 x 1.625 BH C/S BLK	use w/ Round Ext Tube
8	550350	3/4" CLMP ADJ FT PLT	
9	106935	NUT NYLOCK THIN 1/4-28 ROHS	
10	561040	HEEL LOOP PEG	
11A	741154	HEEL LOOP 14-15 CMPST HEMI	used w/ 10-11" Adult Ang Adj Ftplts
11B	741155	HEEL LOOP 16-17 CMPST HEMI	used w/ 12 -13" Adult Ang Adj Ftplts
11C	741153	H/L 18-20 CMPST/14-15 ANG ADJ	used w/ 14-15"/16-17" Adult Ang Adj Ftplts
11D	741253	HEEL LOOP ADLT ADJ F/PLT 18-20	used w/ 18 -20" Adult Ang Adj Ftplts
12	500656	ADLT ANGL ADJ F/PLT 10/11" R	RIGHT
12	500657	ADLT ANGL ADJ F/PLT 10/11" L	LEFT
12	500658	ADLT ANGL ADJ F/PLT 12/13" R	RIGHT
12	500659	ADLT ANGL ADJ F/PLT 12/13" L	LEFT
12	500660	ADLT ANGL ADJ F/PLT 14/15	RIGHT
12	500661	ADLT ANGL ADJ F/PLT 14/15	LEFT
12	500662	ADLT ANGL ADJ F/PLT 16/17	RIGHT
12	500663	ADLT ANGL ADJ F/PLT 16/17	LEFT
12	500664	ADLT ANGL ADJ F/PLT 18-20	RIGHT
12	500665	ADLT ANGL ADJ F/PLT 18-20	LEFT
13	740260	TOE/ANKLE STRAP ADJ ADLT F/PLT	
14	106958	1/4-20 x 1 HEX C/S	
15	101533	ADLT ANG ADJ FP D2 HDWR KIT	for Double D Ext Tubes; Kit for one side
16	101534	ADLT ANG ADJ FP RND HDWR KIT	for Round Ext Tubes (Q2 HP only); Kit for one side
1-3,5,6,8,9,12	820526	AD ANG ADJ F/PLT R 12"/13" OMIT HL	RIGHT
1-3,5,6,8,9,12	820536	AD ANG ADJ F/PLT L 12"/13" OMT HL	LEFT
1-3,5,6,8,9,12	820460	FP ADLT ADJ 14/15 OMIT HL	RIGHT
1-3,5,6,8,9,12	820462	FP ADLT ADJ 14/15 OMIT HL	LEFT
1-3,5,6,8,9,12	820464	FP ADLT ADJ 16/17 OMIT HL	RIGHT
1-3,5,6,8,9,12	820466	FP ADLT ADJ 16/17 OMIT HL	LEFT
1-3,5,6,8,9,12	820468	FP ADLT ADJ 18-20 OMIT HL	RIGHT
1-3,5,6,8,9,12	820470	FP ADLT ADJ 18-20 OMIT HL	LEFT
1-3,5,6,8,9,12	921466	ADLT ANGL ADJ F/PLT 12"/13" OMIT HL	PAIR
1-3,5,6,8,9,12	921320	FP ADLT ADJ 14/15 OMIT HL	PAIR
1-3,5,6,8,9,12	921322	FP ADLT ADJ 16/17 OMIT HL	PAIR
1-3,5,6,8,9,12	921324	FP ADLT ADJ 18-20 OMIT HL	PAIR
1-3,5,6,8,9,11B,12	820522	AD ANGL ADJ F/PLT R 12/13" H/L	RIGHT
1-3,5,6,8,9,11B,12	820532	AD ANGL ADJ F/PLT L 12/13" H/L	LEFT
1-3,5,6,8-10,11C, 12,14	820461	FP ADLT ADJ 14/15 HL	RIGHT
1-3,5,6,8-10,11C, 12,14	820463	FP ADLT ADJ 14/15 HL	LEFT
1-3,5,6,8-10,11C, 12,14	820465	FP ADLT ADJ 16/17 HL	RIGHT
1-3,5,6,8-10,11C, 12,14	820467	FP ADLT ADJ 16/17 HL	LEFT
1-3,5,6,8-10,11D, 12,14	820469	FP ADLT ADJ 18-20 HL	RIGHT
1-3,5,6,8-10,11D, 12,14	820471	FP ADLT ADJ 18-20 HL	LEFT
1-3,5,6,8-10,11B, 12,14	921462	ADLT ANGL ADJ F/PLATE 12"/13" HL	PAIR
1-3,5,6,8-10,11C, 12,14	921321	FP ADLT ADJ 14/15 HL	PAIR
1-3,5,6,8-10,11C, 12,14	921323	FP ADLT ADJ 16/17 HL	PAIR
1-3,5,6,8-10,11D, 12,14	921325	FP ADLT ADJ 18-20 HL	PAIR
		Ship assembled part #	Use with multiple assemblies
	ASSY-HNG-FP	HANGER/FOOTPLATE ASSY REQUIRED	add with Hanger & Footplate kit

**Note:** Footplate Assemblies are set to footrest width; please see "Footplate Formula" table for seat width conversion.

Note: V Style Hangers are not available on Swing Away Style chairs effective 7/14/14; see the "Prior To" ordering guide for V Style footplate assemblies.

**Note:** Zippie Iris (ZRS&ZRSE) and Zippie TS (Z1A&Z1SE) only use Straight Extension Tube.

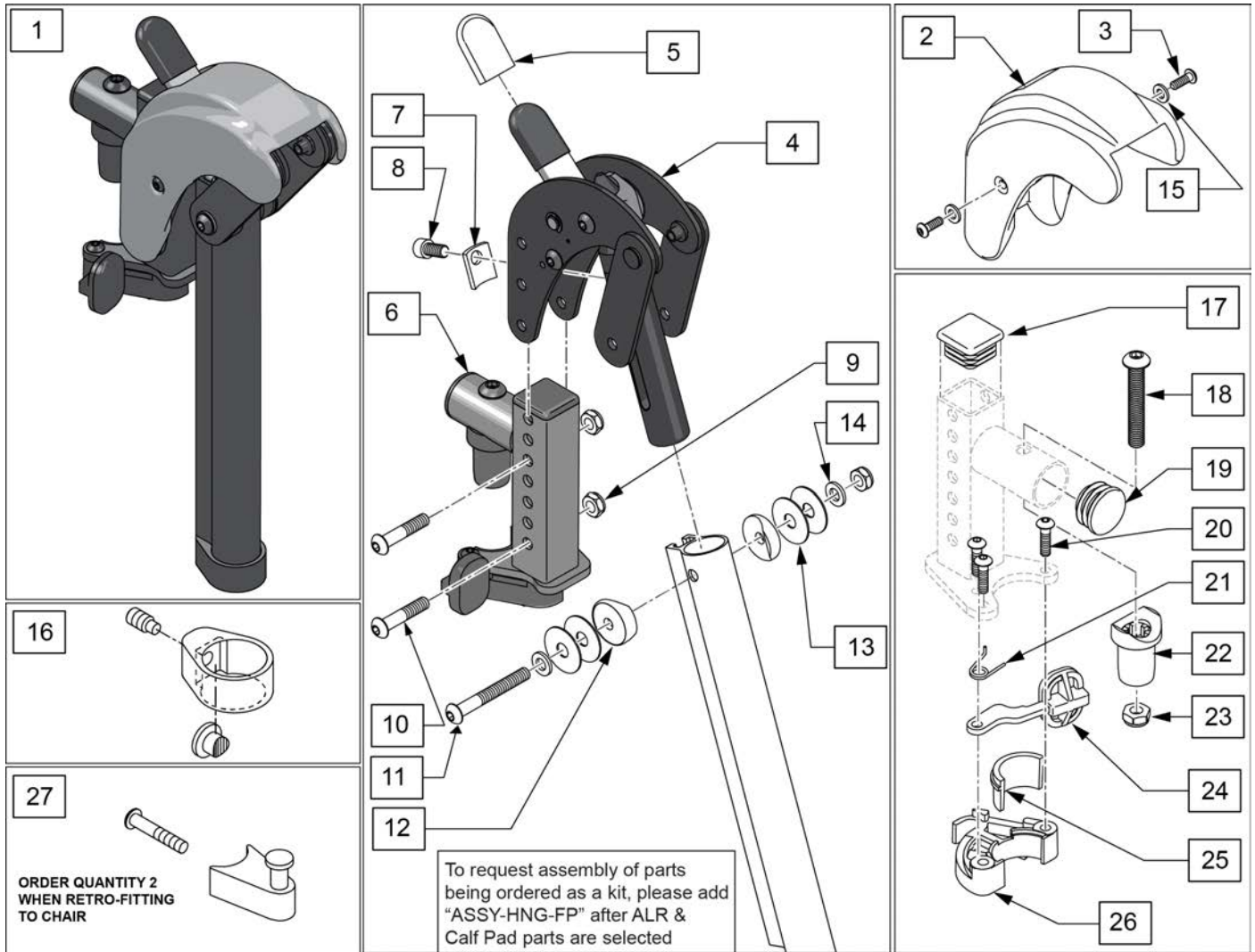
Note: if chair has High Mount Ext Tubes or if switching to High Mount Ext Tubes, see KAA Footplate w/ High Mount Extension Ordering Guide.



Pos.	Item Number	Description	Remarks
1	106978	FHCS 1/4 -28 x 7/8 ROHS	

Pos.	Item Number	Description	Remarks
2	500635	KIDS ANGL ADJ F/PLT 10" R	Right
2	500636	KIDS ANGL ADJ F/PLT 10" L	Left
2	500637	KIDS ANGL ADJ F/PLT 11" R	Right
2	500638	KIDS ANGL ADJ F/PLT 11" L	Left
2	500639	KIDS ANGL ADJ F/PLT 12" R	Right
2	500640	KIDS ANGL ADJ F/PLT 12" L	Left
2	500641	KIDS ANGL ADJ F/PLT 13" R	Right
2	500642	KIDS ANGL ADJ F/PLT 13" L	Left
2	500643	KIDS ANGL ADJ F/PLT 14" R	Right
2	500644	KIDS ANGL ADJ F/PLT 14" L	Left
2	500645	KIDS ANGL ADJ F/PLT 15" R	Right
2	500646	KIDS ANGL ADJ F/PLT 15" L	Left
2	500647	KIDS ANGL ADJ F/PLT 16" R	Right
2	500648	KIDS ANGL ADJ F/PLT 16" L	Left
3	550350	3/4" CLAMP ADJ FOOTPLATE	
4	106935	NUT NYLOCK THIN 1/4 -28 ROHS	
5	106962	1/4-28 x 1 3/4 BH C/S BLK ZN (D2 EXTENSION TUBES)	
5	226167	1/4-28 x 1.625 BH C/S BLK (ROUND EXTENSION TUBES)	
6	106945	1/4 SAE WASHER	
7	541002	FTRST MOUNTING BRKT-3/8 RAD R	
7	541003	FTRST MOUNTING BRKT-3/8 RAD L	
8	561055	3/4" SADDLE 1" OD	
9	106944	WASHER FLAT THIN AN 1/4 ROHS	
10	106941	NUT AUTOMATION 1/4 -28 ROHS	
11	483720	HANGER EXTENSION SADDLE LONG	Use with Double D Ext Tube
1-4,6,7,9,10	828850	KIDS ANG ADJ F/PLT EXT-MNT 10"R	Right
1-4,6,7,9,10	828851	KIDS ANG ADJ F/PLT EXT-MNT 10"L	Left
1-4,6,7,9,10	828852	KIDS ANG ADJ F/PLT EXT-MNT 11"R	Right
1-4,6,7,9,10	828853	KIDS ANG ADJ F/PLT EXT-MNT 11"L	Left
1-4,6,7,9,10	828854	KIDS ANG ADJ F/PLT EXT-MNT 12"R	Right
1-4,6,7,9,10	828855	KIDS ANG ADJ F/PLT EXT-MNT 12"L	Left
1-4,6,7,9,10	828856	KIDS ANG ADJ F/PLT EXT-MNT 13"R	Right
1-4,6,7,9,10	828857	KIDS ANG ADJ F/PLT EXT-MNT 13"L	Left
1-4,6,7,9,10	828858	KIDS ANG ADJ F/PLT EXT-MNT 14"R	Right
1-4,6,7,9,10	828859	KIDS ANG ADJ F/PLT EXT-MNT 14"L	Left
1-4,6,7,9,10	828860	KIDS ANG ADJ F/PLT EXT-MNT 15"R	Right
1-4,6,7,9,10	828861	KIDS ANG ADJ F/PLT EXT-MNT 15"L	Left
1-4,6,7,9,10	828862	KIDS ANG ADJ F/PLT EXT-MNT 16"R	Right
1-4,6,7,9,10	828863	KIDS ANG ADJ F/PLT EXT-MNT 16"L	Left
1-4,6,7,9,10	921280	KIDS ANG ADJ F/PLT EXT-MNT 10"	Pair
1-4,6,7,9,10	921281	KIDS ANG ADJ F/PLT EXT-MNT 11"	Pair
1-4,6,7,9,10	921282	KIDS ANG ADJ F/PLT EXT-MNT 12"	Pair
1-4,6,7,9,10	921283	KIDS ANG ADJ F/PLT EXT-MNT 13"	Pair
1-4,6,7,9,10	921284	KIDS ANG ADJ F/PLT EXT-MNT 14"	Pair
1-4,6,7,9,10	921285	KIDS ANG ADJ F/PLT EXT-MNT 15"	Pair
1-4,6,7,9,10	921286	KIDS ANG ADJ F/PLT EXT-MNT 16"	Pair
		Ship assembled part #	Use with multiple assemblies
	ASSY-HNG-FP	HANGER/FOOTPLATE ASSY REQUIRED	add with Hanger & Footplate kit

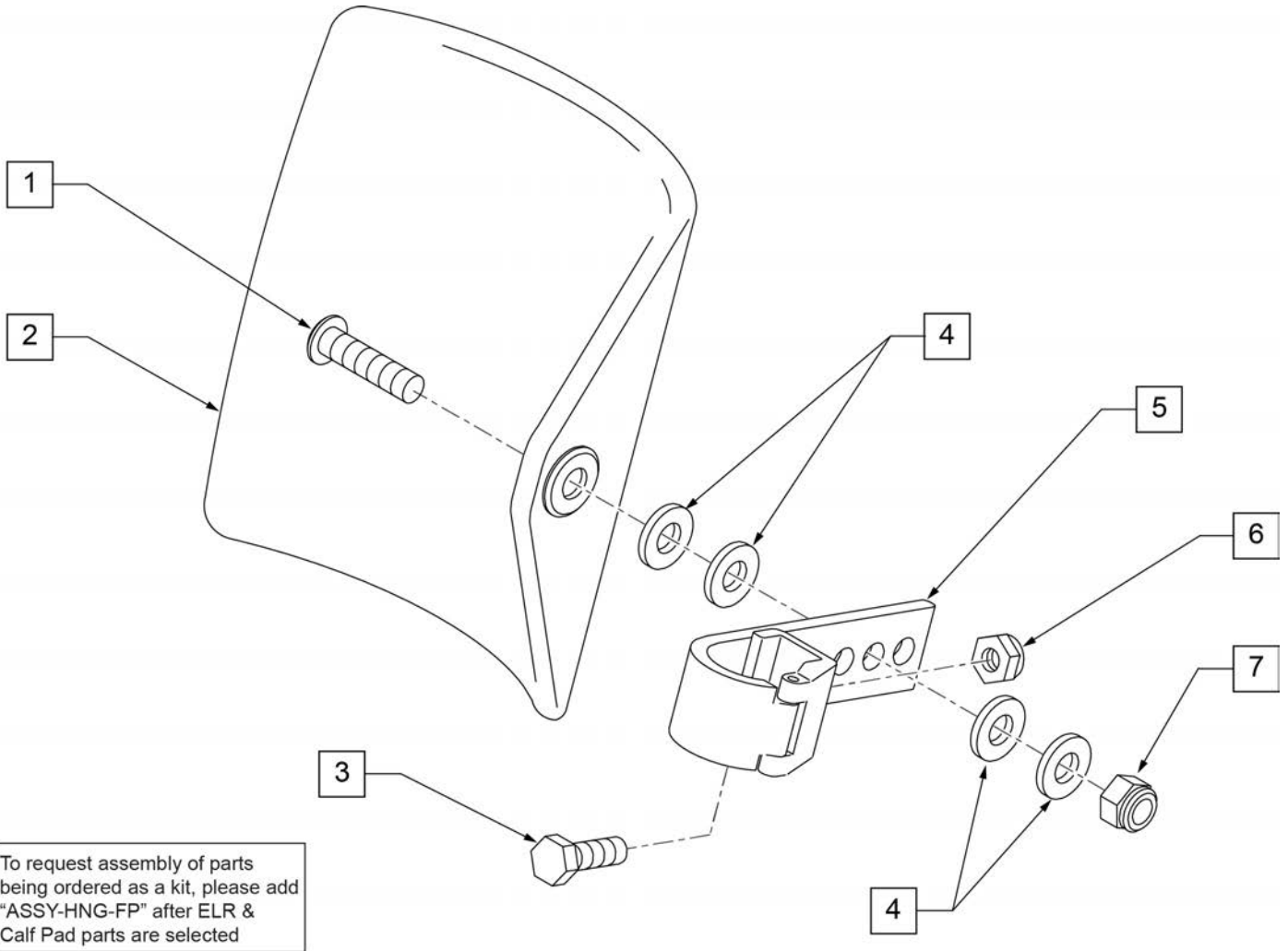
Note: When retrofitting ALR to a chair with S/A Hangers please order Qty 2 of p/n 107491 (Item 27).



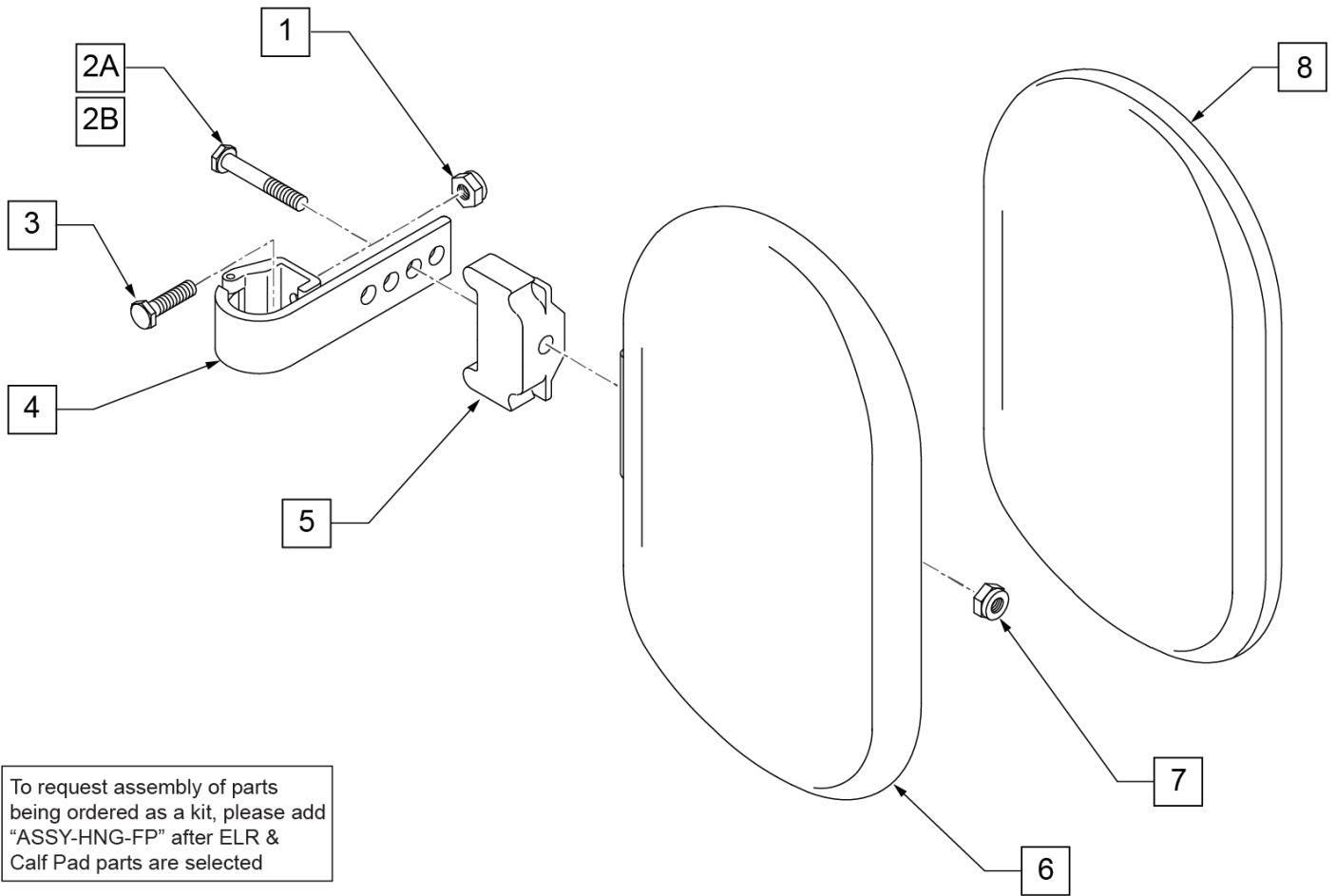
Pos.	Item Number	Description	Remarks
1	129631S	ALR KIT R	Right-order item 27 when retro-fitting to chair
1	129632S	ALR KIT L	Left-order item 27 when retro-fitting to chair
1	129630S	ALR PAIR KIT	Pair-order item 27 when retro-fitting to chair
2,3,15	129633	ALR SHROUD KIT	1 side
3	127135	BHCS 8-32 X 1/2 BLK	
4	127153	HEMI ALR SUB ASSM	
5	560501	ALR REL LEVER COVER	
6	127114	HEMI RECEIVER ASSM ELR ALR R	Right
6	127115	HEMI RECEIVER ASSM ELR ALR L	Left
7	127129	ANGLE STOP ELR	
8	107350	SHCS 1/4-28 x 1/2	
9	106935	1/4-28 NYLOCK NUT THIN BLK ZN	
10	108623	BHCS 1/4-28 x 1-1/2	
11	106964	BHCS 1/4-28 X 2	



Pos.	Item Number	Description	Remarks
12	561086	1" HALF SADDLE 1/4" HOLE	
13	113268	WASHER NYLON 1IN OD X .312 ID	
14	106943	WASHER FLAT AN 1/4 ROHS	
15	113282	WASHER FLAT AN #10 ROHS	
16	119495	EXTENSION CLAMP KIT	
17	010615	SQUARE END CAP CNTR LEG	
18	226217	5/16-18 X 2" BH C/S BLK	
19	561062	1" INSERT PLUG .065 RIBS	
20	226057	BHCS 10-24 X .725 PL	
22	561197	PLASTIC PIVOT SADDLE	
23	202102	5/16-18 NYLOCK NUT THIN	
25,26	881500	LATCH BLOCK ASSM R	Right
25,26	881501	LATCH BLOCK ASSM L	Left
20,21,24-26	881521	S/A LATCH KIT CASTING RIGHT	Right
20,21,24-26	881522	S/A LATCH KIT CASTING LEFT	Left
27	107491	LATCH STUD KIT	order qty 2 when retro-fitting to chair
		Ship assembled part #	Use with multiple assemblies
	ASSY-HNG-FP	HANGER/FOOTPLATE ASSY REQUIRED	add with Hanger & Footplate kit



Pos.	Item Number	Description	Remarks
1	106980	BHCS 5/16-18 X 1-1/4 ROHS	
2	755014	CALF PAD TROUGH STYLE 14"/16"	
3	221097	1/4-28 X 5/8 HEX C/S BZ	
4	561016	1" WASHER 5/16" HOLE	
5	881413	CALF PAD BRACKET ASSEMBLY	
6	106934	NUT NYLOCK 1/4-28 ROHS	
7	106937	NUT NYLOCK THIN 5/16-18	
1-7	881414	CALF PAD J-HOOK 14"-15" ASSEMBLY	
		Ship assembled part #	Use with multiple assemblies
	ASSY-HNG-FP	HANGER/FOOTPLATE ASSY REQUIRED	add with Hanger & Footplate kit

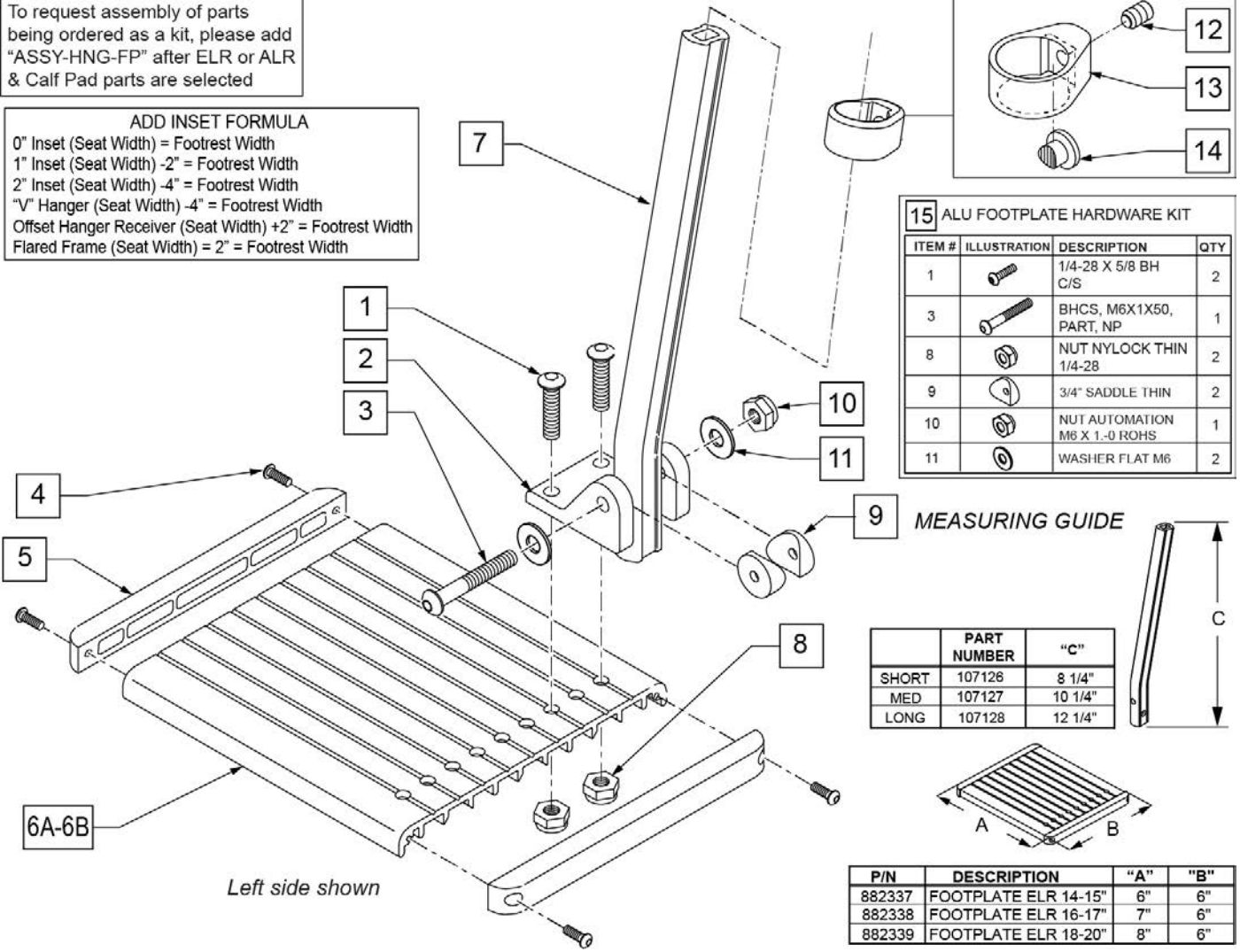


To request assembly of parts being ordered as a kit, please add "ASSY-HNG-FP" after ELR & Calf Pad parts are selected

Pos.	Item Number	Description	Remarks
1	106934	NUT NYLOCK 1/4-28 ROHS	
2A	107018	HHCS 5/16-18 X 2-1/2 ROHS	16"-17" wide only
2B	107019	HHCS 5/16-18 X 3-1/2 ROHS	18"-20" wide only
3	107013	HHCS 1/4-28 X 5/8 ROHS	
4	881413	CALF PAD BRACKET ASSEMBLY	
5	560199	ELR CALF HINGE SPACER	18"-20" wide only
6	560108	CALF PAD MOLDED 16"-20"	
7	106936	NUT NYLOCK 5/16-18 ROHS	
8	751045	CALF PAD COVER	
1,2A,3,4,6-8	881416	CALF MOLDED 16"-17" ASSEMBLY	
1,2B,3-7,8	881412	CALF PAD MOLDED 18"-20" ASSEMBLY	
		Ship assembled part #	Use with multiple assemblies
	ASSY-HNG-FP	HANGER/FOOTPLATE ASSY REQUIRED	add with Hanger & Footplate kit

To request assembly of parts being ordered as a kit, please add "ASSY-HNG-FP" after ELR or ALR & Calf Pad parts are selected

**ADD INSET FORMULA**  
 0" Inset (Seat Width) = Footrest Width  
 1" Inset (Seat Width) -2" = Footrest Width  
 2" Inset (Seat Width) -4" = Footrest Width  
 "V" Hanger (Seat Width) -4" = Footrest Width  
 Offset Hanger Receiver (Seat Width) +2" = Footrest Width  
 Flared Frame (Seat Width) = 2" = Footrest Width



**15 ALU FOOTPLATE HARDWARE KIT**

ITEM #	ILLUSTRATION	DESCRIPTION	QTY
1		1/4-28 X 5/8 BH C/S	2
3		BHCS, M6X1X50, PART, NP	1
8		NUT NYLOCK THIN 1/4-28	2
9		3/4" SADDLE THIN	2
10		NUT AUTOMATION M6 X 1-0 ROHS	1
11		WASHER FLAT M6	2

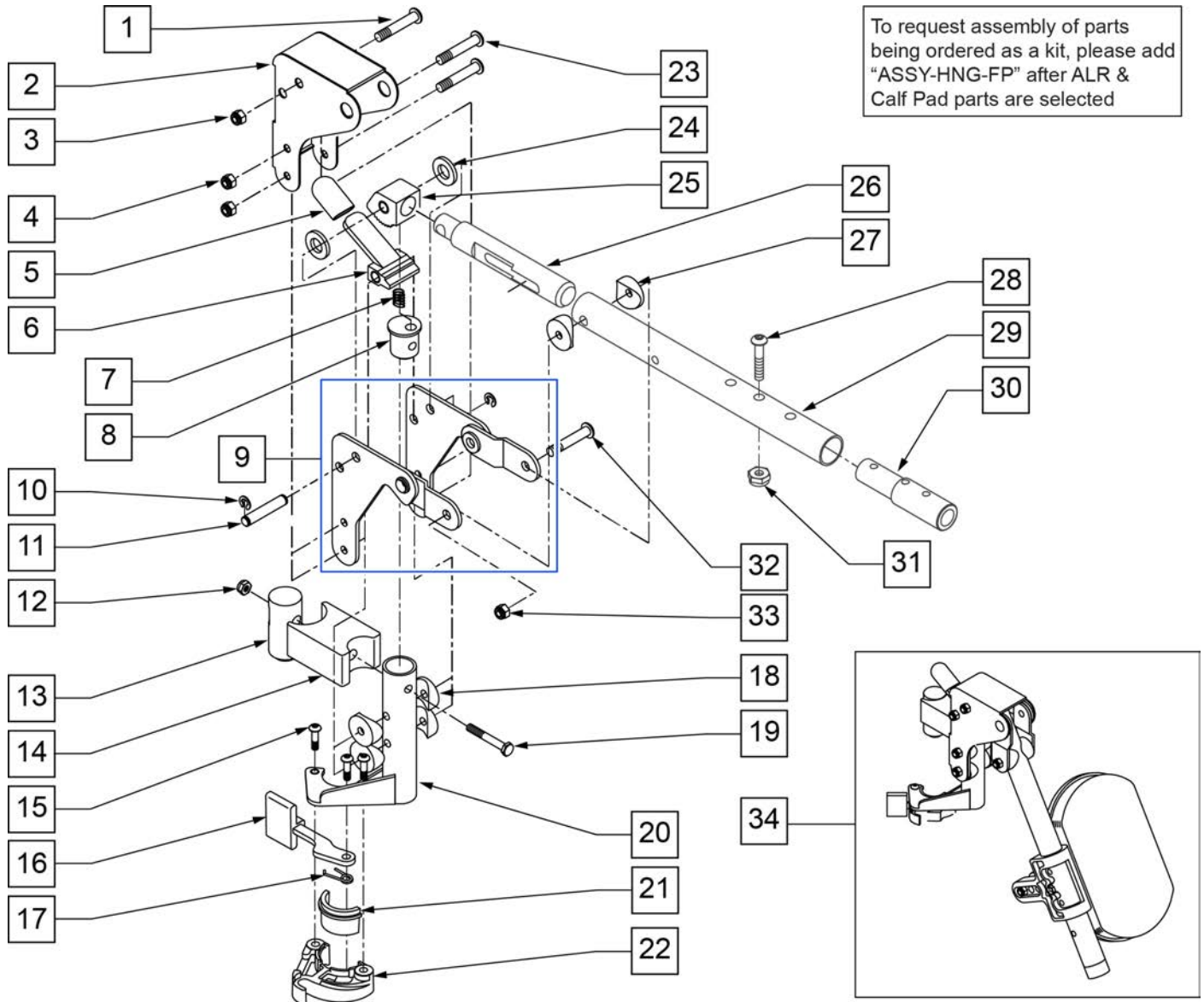
	PART NUMBER	"C"
SHORT	107126	8 1/4"
MED	107127	10 1/4"
LONG	107128	12 1/4"

P/N	DESCRIPTION	"A"	"B"
882337	FOOTPLATE ELR 14-15"	6"	6"
882338	FOOTPLATE ELR 16-17"	7"	6"
882339	FOOTPLATE ELR 18-20"	8"	6"

Pos.	Item Number	Description	Remarks
1	226090	1/4-28 x 5/8 BH C/S	
2	118093	BRACKET FOOTPLATE ALUM	
3	102262-008	BHCS M6 X 1 X 50 INORGANIC	
4	281043	#4 x 5/8 PAN PHIL S/TAP	
5	560101	END CAPS FOOTREST	
7	107126	SHORT BENT	
7	107127	MED BENT	
7	107128	LONG BENT	
7	128078	TUBE FOOTREST EXT SHT HEMI	Use for Hemi Extension option
8	106935	1/4-28 NYLOCK NUT THIN	
9	561003	3/4" SADDLE THIN	
10	132626	NUT AUTOMATION M6 X 1.0	
11	107383	WASHER FLAT M6 ROHS	
4,5,6A	882337	ELR FOOTPLATE ASSEMBLY 14 -15"	
4,5,6B	882338	ELR FOOTPLATE ASSEMBLY 16 -17"	
4,5,6C	882339	ELR FOOTPLATE ASSEMBLY 18 -20"	
12-14	119495	EXTENSION CLAMP KIT	
15	129775	ALU FOOTPLATE HDWARE KIT	Ext tube not included; bracket (118093) not included

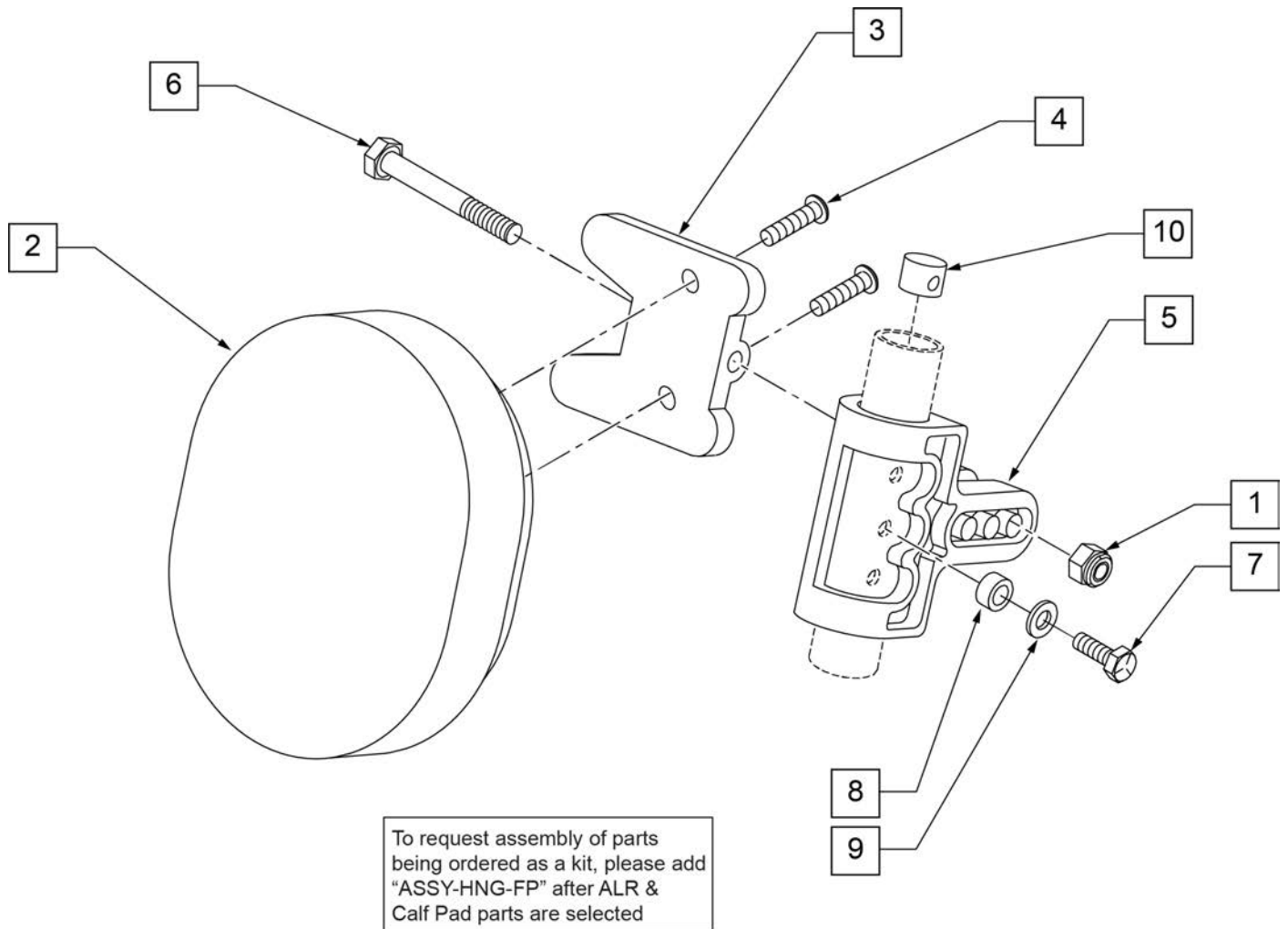
<b>Pos.</b>	<b>Item Number</b>	<b>Description</b>	<b>Remarks</b>
		Ship assembled part #	Use with multiple assemblies
	ASSY-HNG-FP	HANGER/FOOTPLATE ASSY REQUIRED	add with Hanger & Footplate kit

NOTE: WHEN USING AN ARTICULATING LEGREST ASSEMBLY, THE PULL-TO-LOCK WHEEL LOCK MUST BE USED.



Pos.	Item Number	Description	Remarks
1	106983	5/16-18 x 2 BH C/S SHT THREAD	
2	562720	ALR COVER STD	
3	106937	5/16-18 NYLOCK NUT THIN	
4	106935	NUT NYLOCK THIN 1/4-28 ROHS	
5	560501	ALR RELEASE LEVER COVER	
6	505902	ALR RELEASE LEVER	
7	321141	650L x 6 COIL SPRING	
8	483060	ALR SPRING PLUG	
9	880526	ALR BRACKET W/LINK R	
9	880527	ALR BRACKET W/LINK L	
10	342000	1/4" E-CLIP	

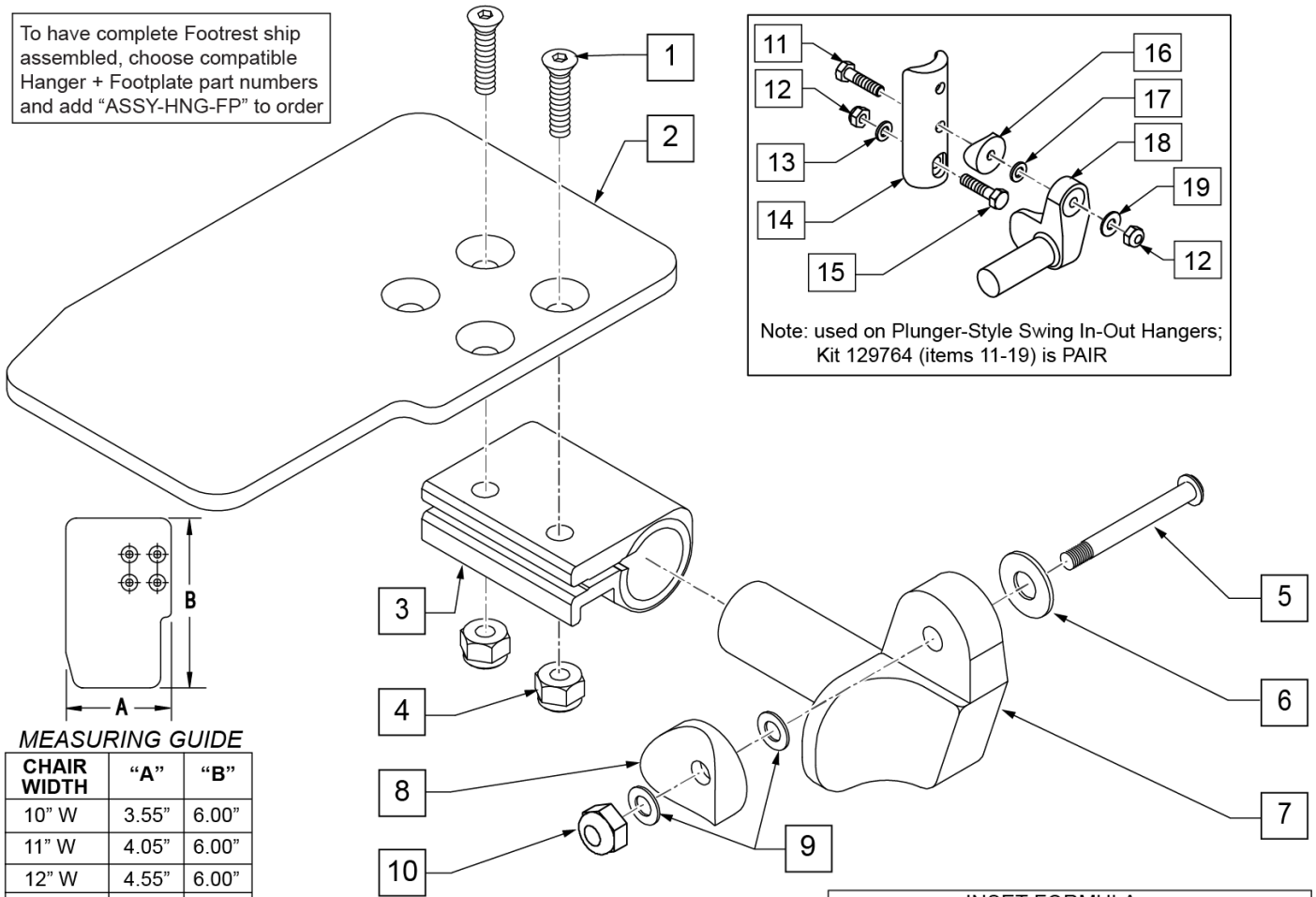
Pos.	Item Number	Description	Remarks
11	481052	ALR RETAINING STUD	
12	106934	1/4-28 NYLOCK NUT	
13	500177	ALR PIVOT SADDLE .125	
14	500178	ALR PIVOT SADDLE BLOCK	
15	226057	10/24 x .725 BTTN HD SOC BZ	
16	561079	S/A LATCH LEVER	
17	321136	S/A SPRING R CLEAR	
17	321137	S/A SPRING R	
18	561004	1" SADDLE 1/4 HOLE	
19	107016	1/4-28 x 3 G8 HEX C/S	
20	882466	ALR S/A TUBE ASSM L	
20	882467	ALR S/A TUBE ASSM R	
23	106964	1/4-28 x 2 BH C/S	
24	561016	1" WASHER 5/16 HOLE	
25	505900	ALR RATCHET BLOCK	
26	483062	ALR RATCHET ROD	
27	561006	1" SADDLE 5/16" HOLE	
28	106961	1/4-28 x 1 1/4 BH C/S	
29	505025S	KIDS ALR LEGREST TUBE 11-13"	
30	500150	2" FOOTREST EXT TUBE	
31	106935	NUT NYLOCK THIN 1/4-28 ROHS	
32	226195	5/16-18 x 1.82 BH C/S	
33	106937	5/16-18 NYLOCK NUT THIN	
34	923053S	KIDS ALR HANGER ASSEM W/PAD	(PR) (SPECIFY COLOR)
28,30,31	111505	2" FTREST EXT W/ HDWR	
21,22	881500	LATCH BLOCK ASSM R	
21,22	881501	LATCH BLOCK ASSM L	
1-31	641432S	KIDS ALR HNGR W/O PAD R 2" EXT	
1-31	641433S	KIDS ALR HNGR W/O PAD L 2" EXT	
		Ship assembled part #	Use with multiple assemblies
	ASSY-HNG-FP	HANGER/FOOTPLATE ASSY REQUIRED	add with Hanger & Footplate kit



Pos.	Item Number	Description	Remarks
1	106936	5/16-18 NYLOCK NUT THICK	
2	755020	4 x 5 OVAL PAD	
3	561096	ALR/ELR CALF PAD BRACKET	
4	281181	1/4-20 x 3/4 PAN PHIL	
5	561099	CALF CLAMP ALR	
6	107019	HHCS 5/16-18 X 3-1/2 ROHS	
7	107017	1/4-20 x 1 1/4 G8 HEX C/S	
8	483027	1/4 x 1/4 ALUMINUM SPACER	
9	262130	6mm WASHER WAVE	
10	500151	KIDS ALR RETAINING PLUG	
1-6	881401	KIDS ALR OVAL PAD W/BRACKET	
1-10	881402	KIDS ALR OVAL PAD ASSEMBLY (EA)	
		Ship assembled part #	Use with multiple assemblies
	ASSY-HNG-FP	HANGER/FOOTPLATE ASSY REQUIRED	add with Hanger & Footplate kit



To have complete Footrest ship assembled, choose compatible Hanger + Footplate part numbers and add "ASSY-HNG-FP" to order



MEASURING GUIDE

CHAIR WIDTH	"A"	"B"
10" W	3.55"	6.00"
11" W	4.05"	6.00"
12" W	4.55"	6.00"
13" W	5.05"	6.00"
14" W	5.55"	6.00"
15" W	6.05"	6.00"
16" W	6.55"	6.00"

INSET FORMULA

0" Inset (Seat Width) = Footrest Width  
 1" Inset (Seat Width) -2" = Footrest Width  
 "V" Hanger (Seat Width) -4" = Footrest Width  
 Offset Hanger Receiver (Seat Width) +2" = Footrest Width

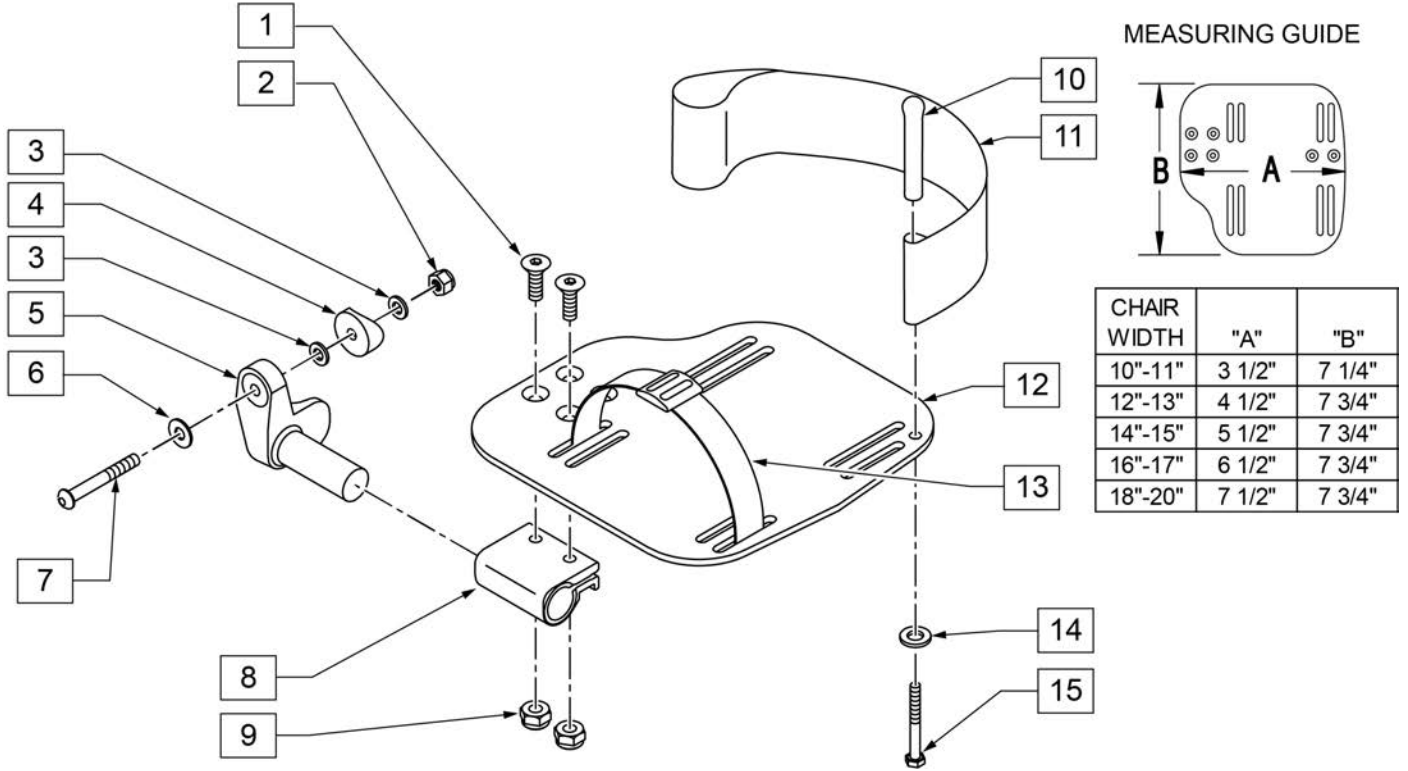
Pos.	Item Number	Description	Remarks
1	106978	FHCS 1/4-28 X 7/8 ROHS	
2	500635	KIDS ANGL ADJ F/PLT 10	RIGHT
2	500636	KIDS ANGL ADJ F/PLT 10	LEFT
2	500637	KIDS ANGL ADJ F/PLT 11	RIGHT
2	500638	KIDS ANGL ADJ F/PLT 11	LEFT
2	500639	KIDS ANGL ADJ F/PLT 12	RIGHT
2	500640	KIDS ANGL ADJ F/PLT 12	LEFT
2	500641	KIDS ANGL ADJ F/PLT 13	RIGHT
2	500642	KIDS ANGL ADJ F/PLT 13	LEFT
2	500643	KIDS ANGL ADJ F/PLT 14	RIGHT
2	500644	KIDS ANGL ADJ F/PLT 14	LEFT
2	500645	KIDS ANGL ADJ F/PLT 15	RIGHT
2	500646	KIDS ANGL ADJ F/PLT 15	LEFT
2	500647	KIDS ANGL ADJ F/PLT 16	RIGHT
2	500648	KIDS ANGL ADJ F/PLT 16	LEFT
3	550350	3/4 CLAMP ADJ FOOTPLATE	
4	106935	NUT NYLOCK THIN 1/4-28 ROHS	
5	226147	1/4-28 X 1.85 BH C/S BLK ZN	

Pos.	Item Number	Description	Remarks
6	106945	WASHER FLAT SAE 1/4 ROHS	
7	541000	FTRST MOUNTING BRKT 1/2" RAD R	RIGHT
7	541001	FTRST MOUNTING BRKT 1/2" RAD L	LEFT
8	561004	1 SADDLE 1/4 HOLE	
9	106943	WASHER FLAT THIN AN 1/4	
10	106941	NUT AUTOMATION 1/4-28 ROHS	
11	102268-001	HHCS M6 X 1 X 25	
12	132626	NUT AUTOMATION M6 X 1.0 ROHS	
13	107383	WASHER FLAT M6 ROHS	
15	118198	HHCS M6 X 1 X 40 PART NP	
16	561004	1" SADDLE 1/4" HOLE	
17	106943	WASHER FLAT AN 1/4 ROHS	
19	106945	WASHER FLAT SAE 1/4 ROHS	
1-4	158632	CAA F/PLT KIT 10 RT	RIGHT; used with Front Mount Adapter Kit on Plunger-Style Swing In/Out Hangers
1-4	158633	CAA F/PLT KIT 10 LT	LEFT; used with Front Mount Adapter Kit on Plunger-Style Swing In/Out Hangers
1-4	158634	CAA F/PLT KIT 11 RT	RIGHT; used with Front Mount Adapter Kit on Plunger-Style Swing In/Out Hangers
1-4	158635	CAA F/PLT KIT 11 LT	LEFT; used with Front Mount Adapter Kit on Plunger-Style Swing In/Out Hangers
1-4	158636	CAA F/PLT KIT 12 RT	RIGHT; used with Front Mount Adapter Kit on Plunger-Style Swing In/Out Hangers
1-4	158637	CAA F/PLT KIT 12 LT	LEFT; used with Front Mount Adapter Kit on Plunger-Style Swing In/Out Hangers
1-4	158638	CAA F/PLT KIT 13 RT	RIGHT; used with Front Mount Adapter Kit on Plunger-Style Swing In/Out Hangers
1-4	158639	CAA F/PLT KIT 13 LT	LEFT; used with Front Mount Adapter Kit on Plunger-Style Swing In/Out Hangers
1-4	158640	CAA F/PLT KIT 14 RT	RIGHT; used with Front Mount Adapter Kit on Plunger-Style Swing In/Out Hangers
1-4	158641	CAA F/PLT KIT 14 LT	LEFT; used with Front Mount Adapter Kit on Plunger-Style Swing In/Out Hangers
1-4	158642	CAA F/PLT KIT 15 RT	RIGHT; used with Front Mount Adapter Kit on Plunger-Style Swing In/Out Hangers
1-4	158643	CAA F/PLT KIT 15 LT	LEFT; used with Front Mount Adapter Kit on Plunger-Style Swing In/Out Hangers
1-4	158644	CAA F/PLT KIT 16 RT	RIGHT; used with Front Mount Adapter Kit on Plunger-Style Swing In/Out Hangers
1-4	158645	CAA F/PLT KIT 16 LT	LEFT; used with Front Mount Adapter Kit on Plunger-Style Swing In/Out Hangers
1-10	828821	KIDS ANG ADJ F/PLT ASSM 10	RIGHT; used with Old-Style Latch Block Swing In/Out & S/A Hangers
1-10	828822	KIDS ANG ADJ F/PLT ASSM 10	LEFT; used with Old-Style Latch Block Swing In/Out & S/A Hangers
1-10	828823	KIDS ANG ADJ F/PLT ASSM 11	RIGHT; used with Old-Style Latch Block Swing In/Out & S/A Hangers
1-10	828824	KIDS ANG ADJ F/PLT ASSM 11	LEFT; used with Old-Style Latch Block Swing In/Out & S/A Hangers
1-10	828825	KIDS ANG ADJ F/PLT ASSM 12	RIGHT; used with Old-Style Latch Block Swing In/Out & S/A Hangers
1-10	828826	KIDS ANG ADJ F/PLT ASSM 12	LEFT; used with Old-Style Latch Block Swing In/Out & S/A Hangers
1-10	828827	KIDS ANG ADJ F/PLT ASSM 13	RIGHT; used with Old-Style Latch Block Swing In/Out & S/A Hangers
1-10	828828	KIDS ANG ADJ F/PLT ASSM 13	LEFT; used with Old-Style Latch Block Swing In/Out & S/A Hangers
1-10	828829	KIDS ANG ADJ F/PLT ASSM 14	RIGHT; used with Old-Style Latch Block Swing In/Out & S/A Hangers
1-10	828830	KIDS ANG ADJ F/PLT ASSM 14	LEFT; used with Old-Style Latch Block Swing In/Out & S/A Hangers
1-10	828831	KIDS ANG ADJ F/PLT ASSM 15	RIGHT; used with Old-Style Latch Block Swing In/Out & S/A Hangers
1-10	828832	KIDS ANG ADJ F/PLT ASSM 15	LEFT; used with Old-Style Latch Block Swing In/Out & S/A Hangers

Pos.	Item Number	Description	Remarks
1-10	828833	KIDS ANG ADJ F/PLT ASSM 16	RIGHT; used with Old-Style Latch Block Swing In/Out & S/A Hangers
1-10	828834	KIDS ANG ADJ F/PLT ASSM 16	LEFT; used with Old-Style Latch Block Swing In/Out & S/A Hangers
1-10	921226	KIDS ANG ADJ F/PLT ASSM 10	PAIR; used with Old-Style Latch Block Swing In/Out & S/A Hangers
1-10	921227	KIDS ANG ADJ F/PLT ASSM 11	PAIR; used with Old-Style Latch Block Swing In/Out & S/A Hangers
1-10	921228	KIDS ANG ADJ F/PLT ASSM 12	PAIR; used with Old-Style Latch Block Swing In/Out & S/A Hangers
1-10	921229	KIDS ANG ADJ F/PLT ASSM 13	PAIR; used with Old-Style Latch Block Swing In/Out & S/A Hangers
1-10	921230	KIDS ANG ADJ F/PLT ASSM 14	PAIR; used with Old-Style Latch Block Swing In/Out & S/A Hangers
1-10	921231	KIDS ANG ADJ F/PLT ASSM 15	PAIR; used with Old-Style Latch Block Swing In/Out & S/A Hangers
1-10	921232	KIDS ANG ADJ F/PLT ASSM 16	PAIR; used with Old-Style Latch Block Swing In/Out & S/A Hangers
11-19	129764	AAA FRNT MNT ADAPTER KIT PR	AAA FRNT MNT fits both Kids and Adult Angle Adjustable Footplates
		Ship assembled part #	Use with multiple assemblies
	ASSY-HNG-FP	HANGER/FOOTPLATE ASSY REQUIRED	add with Hanger & Footplate kit

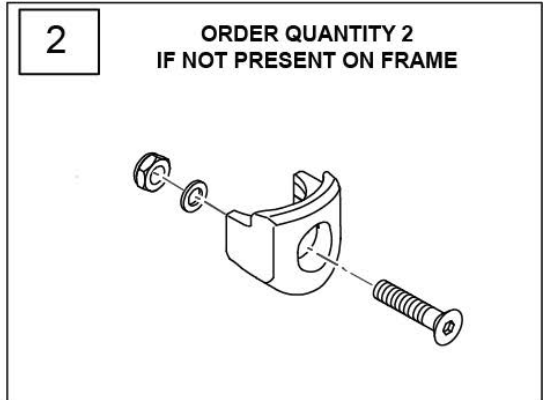
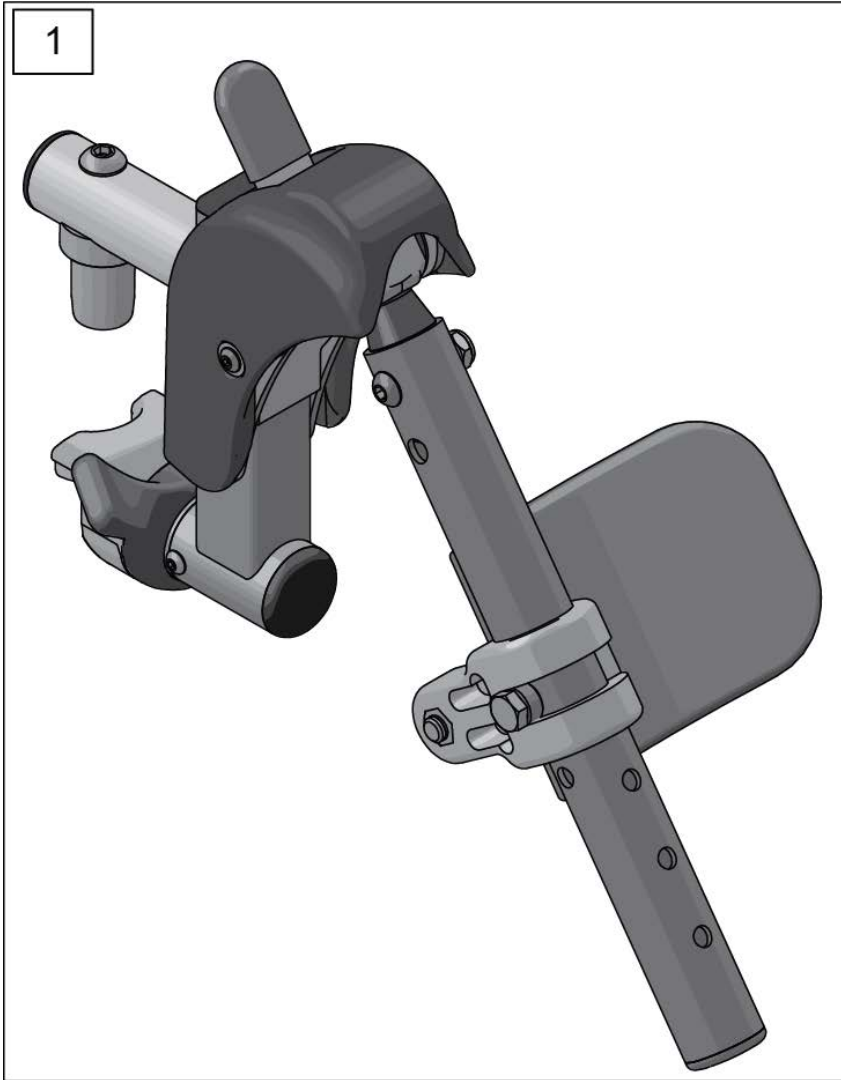
To have complete Footrest ship assembled, choose compatible Hanger + Footplate part numbers and add "ASSY-HNG-FP" to order

**INSET FORMULA**  
 0" Inset (Seat Width) = Footrest Width  
 1" Inset (Seat Width) - 2" = Footrest Width  
 "V" Hanger (Seat Width) - 4" = Footrest Width  
 Offset Hanger Receiver (Seat Width) + 2" = Footrest Width



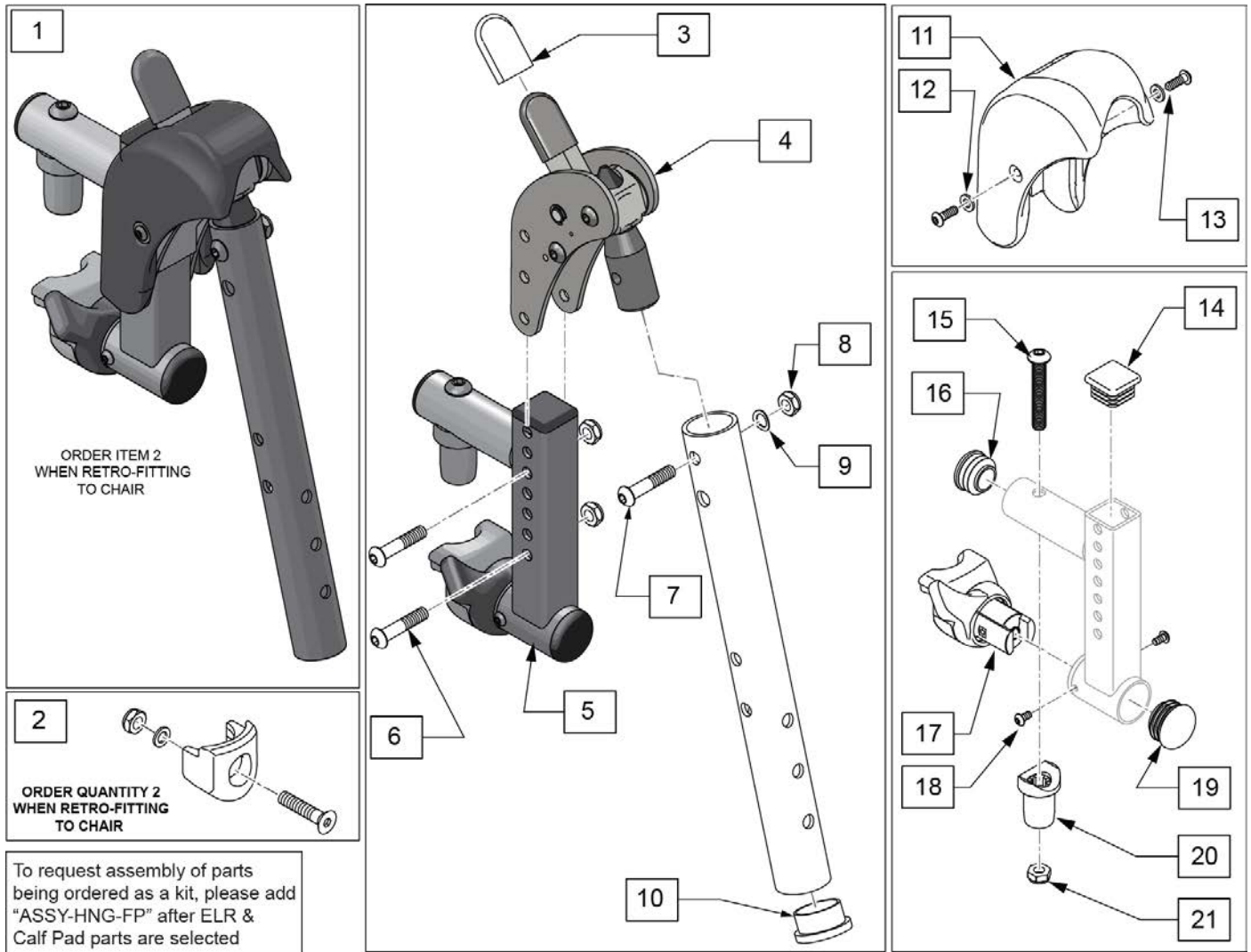
Pos.	Item Number	Description	Remarks
1	106978	FHCS 1/4-28 X 7/8 ROHS	
2	106941	NUT AUTOMATION 1/4-28 ROHS	
3	106943	WASHER FLAT AN 1/4 ROHS	
4	561004	1" SADDLE 1/4" HOLE	
5	541000	FOOTREST MOUNTING BRKT 1/2" RAD R	RIGHT
5	541001	FOOTREST MOUNTING BRKT 1/2" RAD L	LEFT
6	106945	WASHER FLAT SAE 1/4 ROHS	
7	106964	BHCS 1/4-28 X 2	
8	550350	3/4" CLAMP ADJ FOOTPLATE	
9	106935	NUT NYLOCK THIN 1/4-28 ROHS	
10	561040	HEEL LOOP PEG	
11	741153	HEEL LOOP 18-20 CMPST/14-15 ANG ADJ	USED W/ 14-15"/16-17" ADULT ANG ADJ FTPLTS
11	741253	HEEL LOOP ADLT ADJ F/PLT 18-20	USED W/ 18 -20" ADULT ANG ADJ FTPLTS
12	500656	ADULT ANGL ADJ F/PLT 10/11	RIGHT
12	500657	ADULT ANGL ADJ F/PLT 10/11	LEFT
12	500658	ADULT ANGL ADJ F/PLT 12/13	RIGHT
12	500659	ADULT ANGL ADJ F/PLT 12/13	LEFT
12	500660	ADULT ANGL ADJ F/PLT 14/15	RIGHT
12	500661	ADULT ANGL ADJ F/PLT 14/15	LEFT
12	500662	ADULT ANGL ADJ F/PLT 16/17	RIGHT
12	500663	ADULT ANGL ADJ F/PLT 16/17	LEFT
12	500664	ADULT ANGL ADJ F/PLT 18-20	RIGHT

Pos.	Item Number	Description	Remarks
12	500665	ADULT ANGL ADJ F/PLT 18-20	LEFT
13	740260	TOE-ANKLE STRAP ADJ ADULT FOOTPLATE	
14	106943	WASHER FLAT AN 1/4 ROHS	
15	106958	HHCS 1/4-20 X 1 ROHS	
1-9,12	820544	FP ADULT ADJ 90D 10/11 R	RIGHT
1-9,12	820554	FP ADULT ADJ 90D 10/11 L	LEFT
1-9,12	820546	FP ADULT ADJ 90D 12/13 R	RIGHT
1-9,12	820556	FP ADULT ADJ 90D 12/13 L	LEFT
1-9,12	820472	FP ADULT ADJ 90D 14/15 R	RIGHT
1-9,12	820473	FP ADULT ADJ 90D 14/15 L	LEFT
1-9,12	820474	FP ADULT ADJ 90D 16/17 R	RIGHT
1-9,12	820475	FP ADULT ADJ 90D 16/17 L	LEFT
1-9,12	820476	FP ADULT ADJ 90D 18-20 R	RIGHT
1-9,12	820477	FP ADULT ADJ 90D 18-20 L	LEFT
1-9,12	921474	ADULT ANGL ADJ 90D 10/11 OMIT H/L	PAIR
1-9,12	921476	ADULT ANGL ADJ 90D 12/13 OMIT H/L	PAIR
1-9,12	921330	ADULT ANGL ADJ 90D 14/15 OMIT H/L	PAIR
1-9,12	921331	ADULT ANGL ADJ 90D 16/17 OMIT H/L	PAIR
1-9,12	921332	ADULT ANGL ADJ 90D 18-20 OMIT H/L	PAIR
1-12,14,15	820540	F/PLT ADULT ADJ 90D 10/11 R W/ HL	RIGHT
1-12,14,15	820550	F/PLT ADULT ADJ 90D 10/11 L W/ HL	LEFT
1-12,14,15	820542	F/PLT ADULT ADJ 90D 12/13 R W/ HL	RIGHT
1-12,14,15	820552	F/PLT ADULT ADJ 90D 12/13 L W/ HL	LEFT
1-12,14,15	820478	F/PLT ADULT ADJ 90D 14/15 R W/ HL	RIGHT
1-12,14,15	820479	F/PLT ADULT ADJ 90D 14/15 L W/ HL	LEFT
1-12,14,15	820480	F/PLT ADULT ADJ 90D 16/17 R W/ HL	RIGHT
1-12,14,15	820481	F/PLT ADULT ADJ 90D 16/17 L W/ HL	LEFT
1-12,14,15	820482	F/PLT ADULT ADJ 90D 18-20 R W/ HL	RIGHT
1-12,14,15	820483	F/PLT ADULT ADJ 90D 18-20 L W/ HL	LEFT
1-12,14,15	921470	F/PLT ADULT ADJ 90D 10/11 W/ HL	PAIR
1-12,14,15	921472	F/PLT ADULT ADJ 90D 12/13 W/ HL	PAIR
1-12,14,15	921333	F/PLT ADULT ADJ 90D 14/15 W/ HL	PAIR
1-12,14,15	921334	F/PLT ADULT ADJ 90D 16/17 W/ HL	PAIR
1-12,14,15	921335	F/PLT ADULT ADJ 90D 18-20 W/ HL	PAIR
		Ship assembled part #	Use with multiple assemblies
	ASSY-HNG-FP	HANGER/FOOTPLATE ASSY REQUIRED	add with Hanger & Footplate kit



Pos.	Item Number	Description	Remarks
1	162048S	SWNG I/O ELR ASSM FM W/PAD	Kit includes both right & left sides with calf pads
2	119514	LATCH RECEIVER KIT	order qty 2 when retro-fitting to chair
		Ship assembled part #	Use with multiple assemblies
	ASSY-HNG-FP	HANGER/FOOTPLATE ASSY REQUIRED	add with Hanger & Footplate kit

**SWING IN-OUT FRONT MOUNT ELR REPLACEMENT PARTS (PLUNGER STYLE) (EFFECTIVE 2/6/17/2017)**

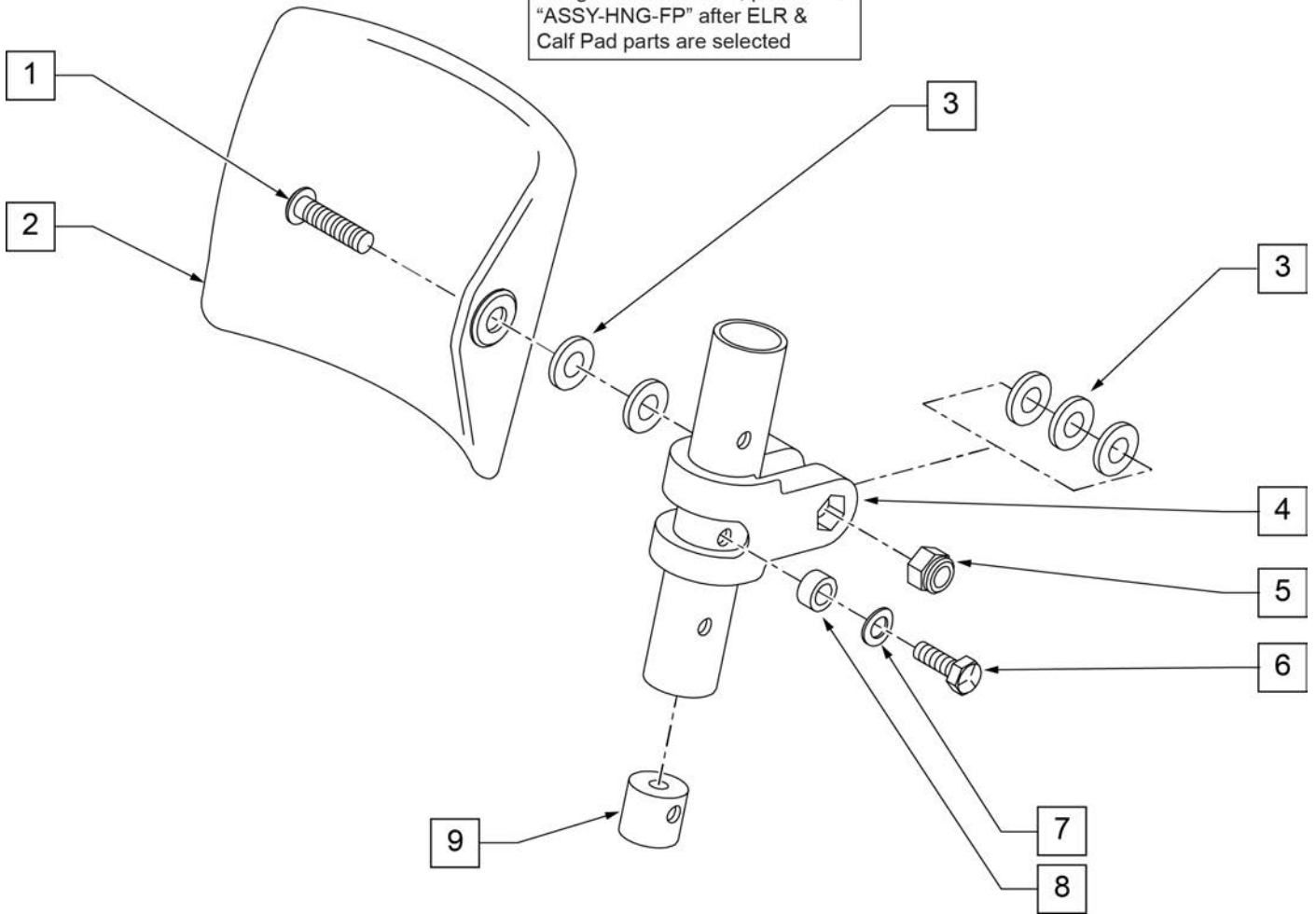


Pos.	Item Number	Description	Remarks
1	162049S	SWNG I/O ELR ASSM FM LH	Left
1	162050S	SWNG I/O ELR ASSM FM RH	Right
2	119514	LATCH RECEIVER KIT	order qty 2 when retro-fitting to chair
3	560501	ALR REL LEVER COVER	
4	126992	HEMI ELR SUB ASSM	
5	134188	RECEIVER ASSY ELR ALR RH	
5	134186	RECEIVER ASSY ELR ALR LH	
6	108623	BHCS 1/4-28 x 1-1/2	
7	106961	BHCS 1/4 -28 x 1 1/4 ROHS	
8	106935	1/4-28 NYLOCK NUT THIN BLK ZN	
9	104414	WAVE WASHER 6 MM	
10	561002	1" INSERT PLUG .083	
12	113282	WASHER FLAT AN #10 ROHS	
13	127135	BHCS 8-32 X 1/2 BLK	
11-13	129640	ELR SHROUD KIT	Kit w/ 2 screws
14	010615	SQUARE END CAP CNTR LEG	
15	226217	5/16-18 X 2" BH C/S BLK	
16	560110	ENDPLUG BACKREST TNT	

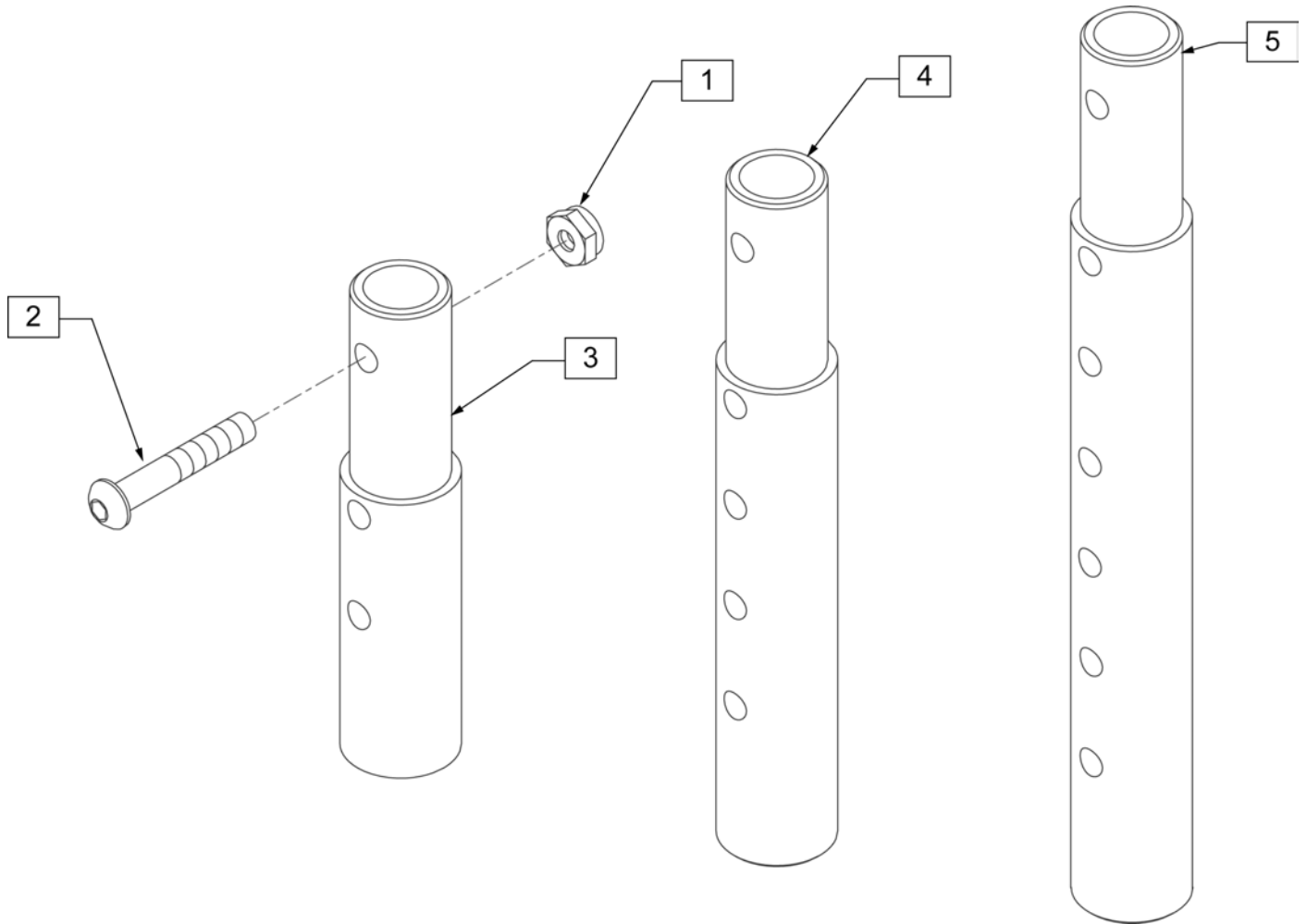
Pos.	Item Number	Description	Remarks
17,18	161243	ELR/ALR HANGER LATCH KIT LH	Left
17,18	161242	ELR/ALR HANGER LATCH KIT RH	Right
19	561062	1" INSERT PLUG .065 RIBS	
20	561197	PLASTIC PIVOT SADDLE	
21	202102	5/16-18 NYLOCK NUT THIN	
		Ship assembled part #	Use with multiple assemblies
	ASSY-HNG-FP	HANGER/FOOTPLATE ASSY REQUIRED	add with Hanger & Footplate kit



To request assembly of parts being ordered as a kit, please add "ASSY-HNG-FP" after ELR & Calf Pad parts are selected



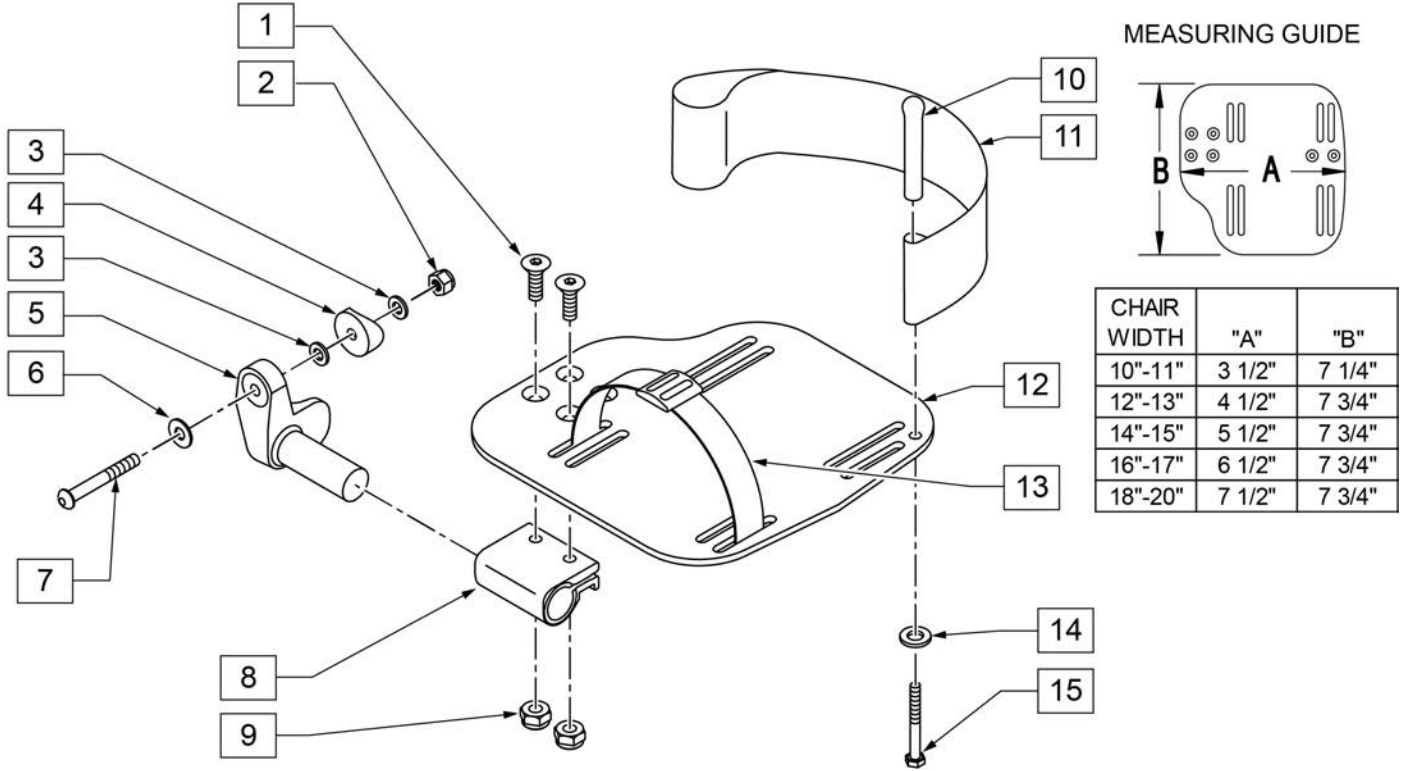
Pos.	Item Number	Description	Remarks
1	226217	5/16-18 x 2" BH C/S BLK	
2	755013	CALF PAD TROUGH STYLE KIDS	
3	561016	1" WASHER 5/16" HOLE	
4	561097	ELR ELEVATING TUBE CLAMP	
5	106937	5/16 -18 NYLOCK NUT THIN	
6	106958	HHCS 1/4-20 X 1 ROHS	
7	262130	6mm WASHER WAVE	
8	483027	1/4 x 1/4 ALUMINUM SPACER	
9	500151	KIDS ALR RETAINING PLUG	
1-9	880533	ELR TROUGH PAD ASSM KIDS	
		Ship assembled part #	Use with multiple assemblies
	ASSY-HNG-FP	HANGER/FOOTPLATE ASSY REQUIRED	add with Hanger & Footplate kit



Pos.	Item Number	Description	Remarks
1	106935	NUT NYLOCK THIN 1/4 -28 ROHS	
2	106961	BHCS 1/4 -28 x 1 1/4 ROHS	
1-3	111505	2" FOOTREST EXTENSION TUBE W/ HDWR ASSM	2" EXT (PAIR)
1, 2, 4	111506	4" FOOTREST EXTENSION TUBE W/ HDWR ASSM	4" EXT (PAIR)
1, 2, 5	111507	6" FOOTREST EXTENSION TUBE W/ HDWR ASSM	6" EXT (PAIR)

To have complete Footrest ship assembled, choose compatible Hanger + Footplate part numbers and add "ASSY-HNG-FP" to order

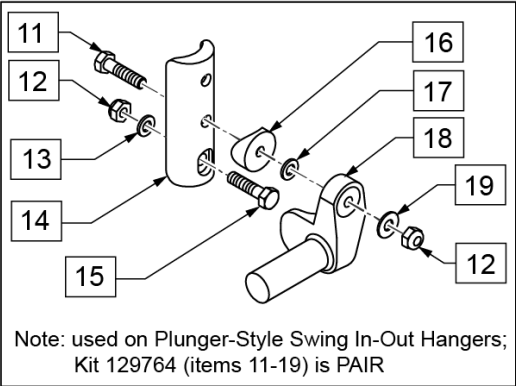
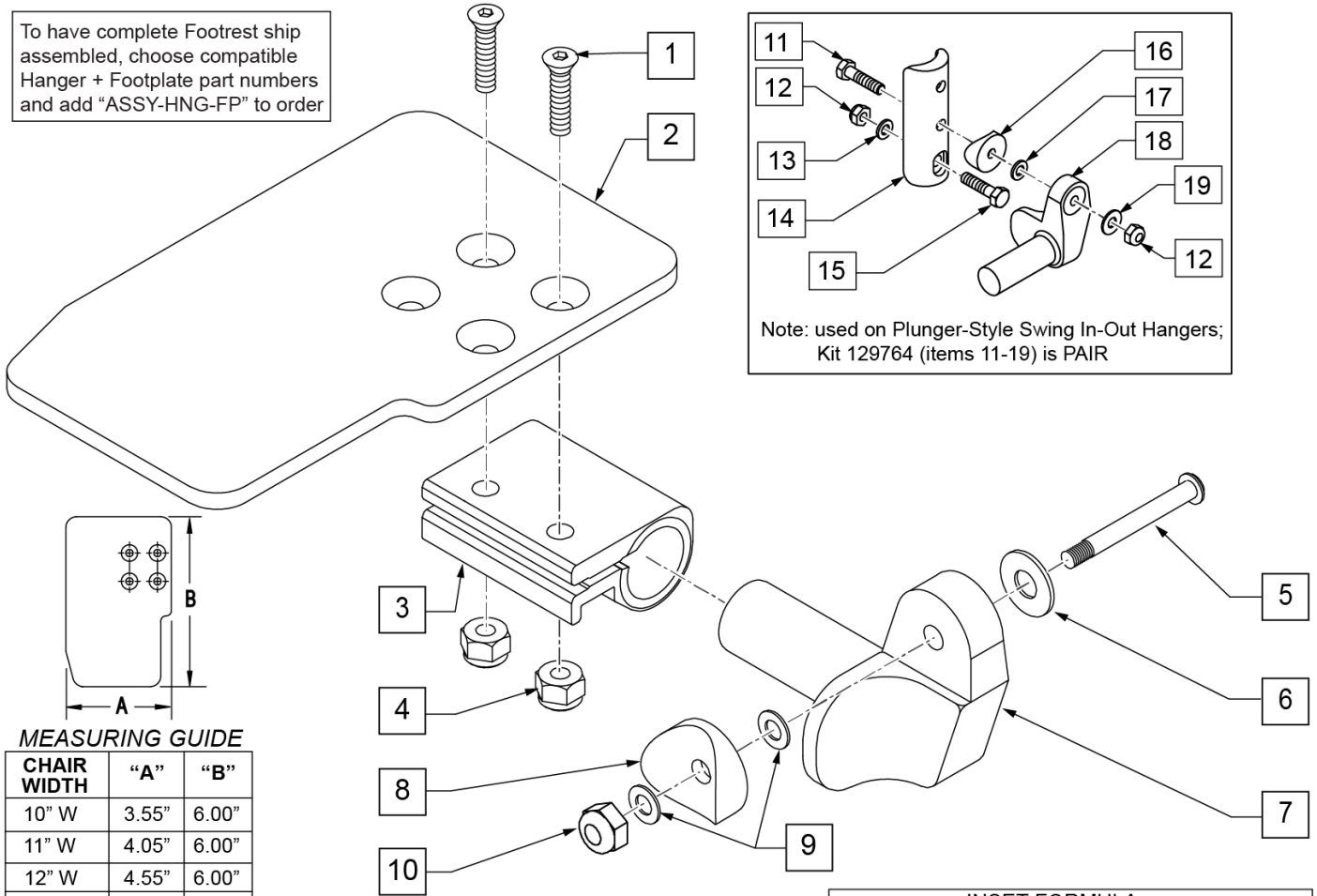
**INSET FORMULA**  
 0" Inset (Seat Width) = Footrest Width  
 1" Inset (Seat Width) - 2" = Footrest Width  
 "V" Hanger (Seat Width) - 4" = Footrest Width  
 Offset Hanger Receiver (Seat Width) + 2" = Footrest Width



Pos.	Item Number	Description	Remarks
1	106978	FHCS 1/4-28 X 7/8 ROHS	
2	106941	NUT AUTOMATION 1/4-28 ROHS	
3	106943	WASHER FLAT AN 1/4 ROHS	
4	561004	1" SADDLE 1/4" HOLE	
5	541000	FOOTREST MOUNTING BRKT 1/2" RAD R	RIGHT
5	541001	FOOTREST MOUNTING BRKT 1/2" RAD L	LEFT
6	106945	WASHER FLAT SAE 1/4 ROHS	
7	106964	BHCS 1/4-28 X 2	
8	550350	3/4" CLAMP ADJ FOOTPLATE	
9	106935	NUT NYLOCK THIN 1/4-28 ROHS	
10	561040	HEEL LOOP PEG	
11	741153	HEEL LOOP 18-20 CMPST/14-15 ANG ADJ	USED W/ 14-15"/16-17" ADULT ANG ADJ FTPLTS
11	741253	HEEL LOOP ADLT ADJ F/PLT 18-20	USED W/ 18 -20" ADULT ANG ADJ FTPLTS
12	500656	ADULT ANGL ADJ F/PLT 10/11	RIGHT
12	500657	ADULT ANGL ADJ F/PLT 10/11	LEFT
12	500658	ADULT ANGL ADJ F/PLT 12/13	RIGHT
12	500659	ADULT ANGL ADJ F/PLT 12/13	LEFT
12	500660	ADULT ANGL ADJ F/PLT 14/15	RIGHT
12	500661	ADULT ANGL ADJ F/PLT 14/15	LEFT
12	500662	ADULT ANGL ADJ F/PLT 16/17	RIGHT
12	500663	ADULT ANGL ADJ F/PLT 16/17	LEFT
12	500664	ADULT ANGL ADJ F/PLT 18-20	RIGHT

Pos.	Item Number	Description	Remarks
12	500665	ADULT ANGL ADJ F/PLT 18-20	LEFT
13	740260	TOE-ANKLE STRAP ADJ ADULT FOOTPLATE	
14	106943	WASHER FLAT AN 1/4 ROHS	
15	106958	HHCS 1/4-20 X 1 ROHS	
1-9,12	820544	FP ADULT ADJ 90D 10/11 R	RIGHT
1-9,12	820554	FP ADULT ADJ 90D 10/11 L	LEFT
1-9,12	820546	FP ADULT ADJ 90D 12/13 R	RIGHT
1-9,12	820556	FP ADULT ADJ 90D 12/13 L	LEFT
1-9,12	820472	FP ADULT ADJ 90D 14/15 R	RIGHT
1-9,12	820473	FP ADULT ADJ 90D 14/15 L	LEFT
1-9,12	820474	FP ADULT ADJ 90D 16/17 R	RIGHT
1-9,12	820475	FP ADULT ADJ 90D 16/17 L	LEFT
1-9,12	820476	FP ADULT ADJ 90D 18-20 R	RIGHT
1-9,12	820477	FP ADULT ADJ 90D 18-20 L	LEFT
1-9,12	921474	ADULT ANGL ADJ 90D 10/11 OMIT H/L	PAIR
1-9,12	921476	ADULT ANGL ADJ 90D 12/13 OMIT H/L	PAIR
1-9,12	921330	ADULT ANGL ADJ 90D 14/15 OMIT H/L	PAIR
1-9,12	921331	ADULT ANGL ADJ 90D 16/17 OMIT H/L	PAIR
1-9,12	921332	ADULT ANGL ADJ 90D 18-20 OMIT H/L	PAIR
1-12,14,15	820540	F/PLT ADULT ADJ 90D 10/11 R W/ HL	RIGHT
1-12,14,15	820550	F/PLT ADULT ADJ 90D 10/11 L W/ HL	LEFT
1-12,14,15	820542	F/PLT ADULT ADJ 90D 12/13 R W/ HL	RIGHT
1-12,14,15	820552	F/PLT ADULT ADJ 90D 12/13 L W/ HL	LEFT
1-12,14,15	820478	F/PLT ADULT ADJ 90D 14/15 R W/ HL	RIGHT
1-12,14,15	820479	F/PLT ADULT ADJ 90D 14/15 L W/ HL	LEFT
1-12,14,15	820480	F/PLT ADULT ADJ 90D 16/17 R W/ HL	RIGHT
1-12,14,15	820481	F/PLT ADULT ADJ 90D 16/17 L W/ HL	LEFT
1-12,14,15	820482	F/PLT ADULT ADJ 90D 18-20 R W/ HL	RIGHT
1-12,14,15	820483	F/PLT ADULT ADJ 90D 18-20 L W/ HL	LEFT
1-12,14,15	921470	F/PLT ADULT ADJ 90D 10/11 W/ HL	PAIR
1-12,14,15	921472	F/PLT ADULT ADJ 90D 12/13 W/ HL	PAIR
1-12,14,15	921333	F/PLT ADULT ADJ 90D 14/15 W/ HL	PAIR
1-12,14,15	921334	F/PLT ADULT ADJ 90D 16/17 W/ HL	PAIR
1-12,14,15	921335	F/PLT ADULT ADJ 90D 18-20 W/ HL	PAIR
		Ship assembled part #	Use with multiple assemblies
	ASSY-HNG-FP	HANGER/FOOTPLATE ASSY REQUIRED	add with Hanger & Footplate kit

To have complete Footrest ship assembled, choose compatible Hanger + Footplate part numbers and add "ASSY-HNG-FP" to order



MEASURING GUIDE

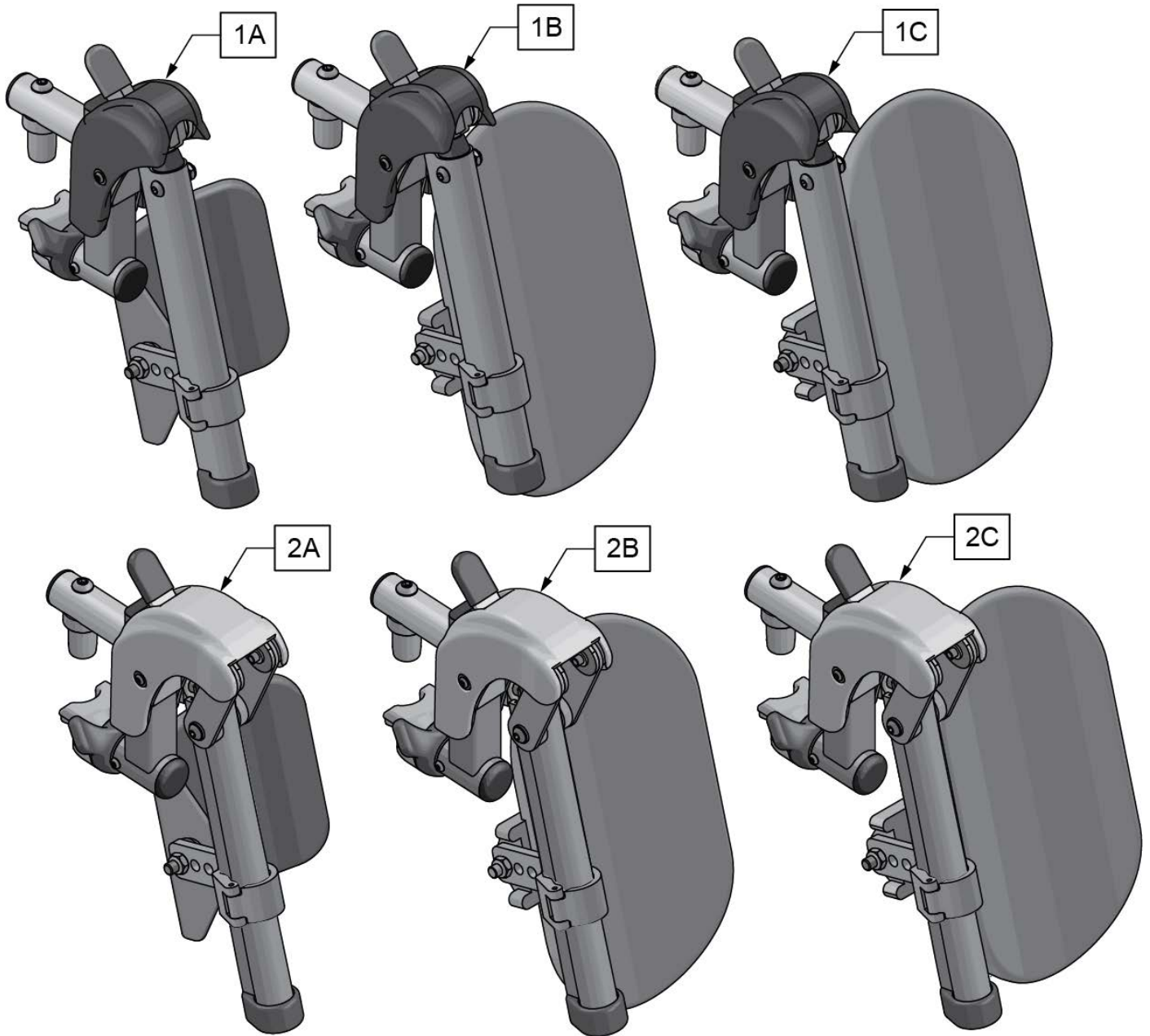
CHAIR WIDTH	"A"	"B"
10" W	3.55"	6.00"
11" W	4.05"	6.00"
12" W	4.55"	6.00"
13" W	5.05"	6.00"
14" W	5.55"	6.00"
15" W	6.05"	6.00"
16" W	6.55"	6.00"

**INSET FORMULA**  
 0" Inset (Seat Width) = Footrest Width  
 1" Inset (Seat Width) -2" = Footrest Width  
 "V" Hanger (Seat Width) -4" = Footrest Width  
 Offset Hanger Receiver (Seat Width) +2" = Footrest Width

Pos.	Item Number	Description	Remarks
1	106978	FHCS 1/4-28 X 7/8 ROHS	
2	500635	KIDS ANGL ADJ F/PLT 10	RIGHT
2	500636	KIDS ANGL ADJ F/PLT 10	LEFT
2	500637	KIDS ANGL ADJ F/PLT 11	RIGHT
2	500638	KIDS ANGL ADJ F/PLT 11	LEFT
2	500639	KIDS ANGL ADJ F/PLT 12	RIGHT
2	500640	KIDS ANGL ADJ F/PLT 12	LEFT
2	500641	KIDS ANGL ADJ F/PLT 13	RIGHT
2	500642	KIDS ANGL ADJ F/PLT 13	LEFT
2	500643	KIDS ANGL ADJ F/PLT 14	RIGHT
2	500644	KIDS ANGL ADJ F/PLT 14	LEFT
2	500645	KIDS ANGL ADJ F/PLT 15	RIGHT
2	500646	KIDS ANGL ADJ F/PLT 15	LEFT
2	500647	KIDS ANGL ADJ F/PLT 16	RIGHT
2	500648	KIDS ANGL ADJ F/PLT 16	LEFT
3	550350	3/4 CLAMP ADJ FOOTPLATE	
4	106935	NUT NYLOCK THIN 1/4-28 ROHS	
5	226147	1/4-28 X 1.85 BH C/S BLK ZN	

Pos.	Item Number	Description	Remarks
6	106945	WASHER FLAT SAE 1/4 ROHS	
7	541000	FTRST MOUNTING BRKT 1/2" RAD R	RIGHT
7	541001	FTRST MOUNTING BRKT 1/2" RAD L	LEFT
8	561004	1 SADDLE 1/4 HOLE	
9	106943	WASHER FLAT THIN AN 1/4	
10	106941	NUT AUTOMATION 1/4-28 ROHS	
11	102268-001	HHCS M6 X 1 X 25	
12	132626	NUT AUTOMATION M6 X 1.0 ROHS	
13	107383	WASHER FLAT M6 ROHS	
15	118198	HHCS M6 X 1 X 40 PART NP	
16	561004	1" SADDLE 1/4" HOLE	
17	106943	WASHER FLAT AN 1/4 ROHS	
19	106945	WASHER FLAT SAE 1/4 ROHS	
1-4	158632	CAA F/PLT KIT 10 RT	RIGHT; used with Front Mount Adapter Kit on Plunger-Style Swing In/Out Hangers
1-4	158633	CAA F/PLT KIT 10 LT	LEFT; used with Front Mount Adapter Kit on Plunger-Style Swing In/Out Hangers
1-4	158634	CAA F/PLT KIT 11 RT	RIGHT; used with Front Mount Adapter Kit on Plunger-Style Swing In/Out Hangers
1-4	158635	CAA F/PLT KIT 11 LT	LEFT; used with Front Mount Adapter Kit on Plunger-Style Swing In/Out Hangers
1-4	158636	CAA F/PLT KIT 12 RT	RIGHT; used with Front Mount Adapter Kit on Plunger-Style Swing In/Out Hangers
1-4	158637	CAA F/PLT KIT 12 LT	LEFT; used with Front Mount Adapter Kit on Plunger-Style Swing In/Out Hangers
1-4	158638	CAA F/PLT KIT 13 RT	RIGHT; used with Front Mount Adapter Kit on Plunger-Style Swing In/Out Hangers
1-4	158639	CAA F/PLT KIT 13 LT	LEFT; used with Front Mount Adapter Kit on Plunger-Style Swing In/Out Hangers
1-4	158640	CAA F/PLT KIT 14 RT	RIGHT; used with Front Mount Adapter Kit on Plunger-Style Swing In/Out Hangers
1-4	158641	CAA F/PLT KIT 14 LT	LEFT; used with Front Mount Adapter Kit on Plunger-Style Swing In/Out Hangers
1-4	158642	CAA F/PLT KIT 15 RT	RIGHT; used with Front Mount Adapter Kit on Plunger-Style Swing In/Out Hangers
1-4	158643	CAA F/PLT KIT 15 LT	LEFT; used with Front Mount Adapter Kit on Plunger-Style Swing In/Out Hangers
1-4	158644	CAA F/PLT KIT 16 RT	RIGHT; used with Front Mount Adapter Kit on Plunger-Style Swing In/Out Hangers
1-4	158645	CAA F/PLT KIT 16 LT	LEFT; used with Front Mount Adapter Kit on Plunger-Style Swing In/Out Hangers
1-10	828821	KIDS ANG ADJ F/PLT ASSM 10	RIGHT; used with Old-Style Latch Block Swing In/Out & S/A Hangers
1-10	828822	KIDS ANG ADJ F/PLT ASSM 10	LEFT; used with Old-Style Latch Block Swing In/Out & S/A Hangers
1-10	828823	KIDS ANG ADJ F/PLT ASSM 11	RIGHT; used with Old-Style Latch Block Swing In/Out & S/A Hangers
1-10	828824	KIDS ANG ADJ F/PLT ASSM 11	LEFT; used with Old-Style Latch Block Swing In/Out & S/A Hangers
1-10	828825	KIDS ANG ADJ F/PLT ASSM 12	RIGHT; used with Old-Style Latch Block Swing In/Out & S/A Hangers
1-10	828826	KIDS ANG ADJ F/PLT ASSM 12	LEFT; used with Old-Style Latch Block Swing In/Out & S/A Hangers
1-10	828827	KIDS ANG ADJ F/PLT ASSM 13	RIGHT; used with Old-Style Latch Block Swing In/Out & S/A Hangers
1-10	828828	KIDS ANG ADJ F/PLT ASSM 13	LEFT; used with Old-Style Latch Block Swing In/Out & S/A Hangers
1-10	828829	KIDS ANG ADJ F/PLT ASSM 14	RIGHT; used with Old-Style Latch Block Swing In/Out & S/A Hangers
1-10	828830	KIDS ANG ADJ F/PLT ASSM 14	LEFT; used with Old-Style Latch Block Swing In/Out & S/A Hangers
1-10	828831	KIDS ANG ADJ F/PLT ASSM 15	RIGHT; used with Old-Style Latch Block Swing In/Out & S/A Hangers
1-10	828832	KIDS ANG ADJ F/PLT ASSM 15	LEFT; used with Old-Style Latch Block Swing In/Out & S/A Hangers

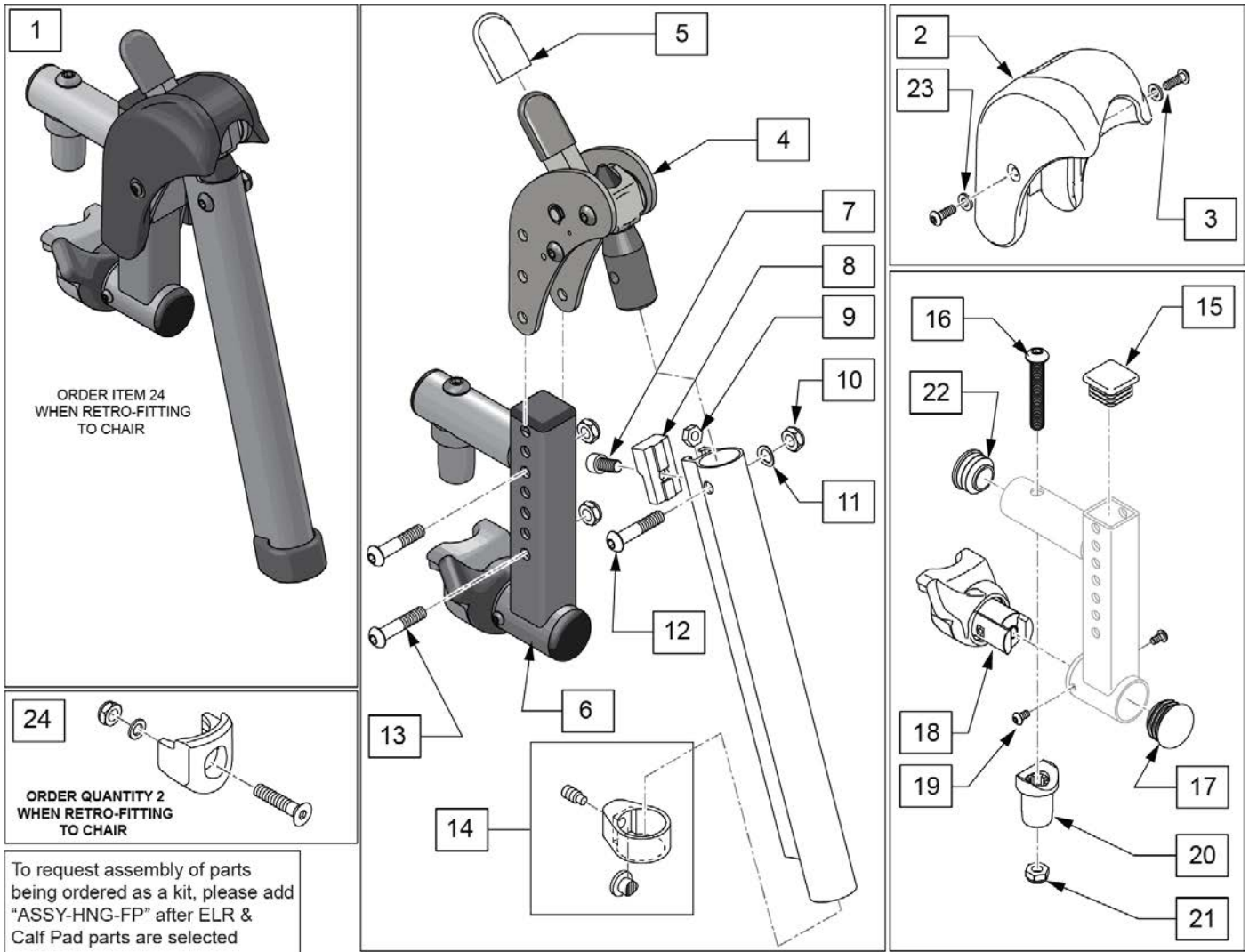
Pos.	Item Number	Description	Remarks
1-10	828833	KIDS ANG ADJ F/PLT ASSM 16	RIGHT; used with Old-Style Latch Block Swing In/Out & S/A Hangers
1-10	828834	KIDS ANG ADJ F/PLT ASSM 16	LEFT; used with Old-Style Latch Block Swing In/Out & S/A Hangers
1-10	921226	KIDS ANG ADJ F/PLT ASSM 10	PAIR; used with Old-Style Latch Block Swing In/Out & S/A Hangers
1-10	921227	KIDS ANG ADJ F/PLT ASSM 11	PAIR; used with Old-Style Latch Block Swing In/Out & S/A Hangers
1-10	921228	KIDS ANG ADJ F/PLT ASSM 12	PAIR; used with Old-Style Latch Block Swing In/Out & S/A Hangers
1-10	921229	KIDS ANG ADJ F/PLT ASSM 13	PAIR; used with Old-Style Latch Block Swing In/Out & S/A Hangers
1-10	921230	KIDS ANG ADJ F/PLT ASSM 14	PAIR; used with Old-Style Latch Block Swing In/Out & S/A Hangers
1-10	921231	KIDS ANG ADJ F/PLT ASSM 15	PAIR; used with Old-Style Latch Block Swing In/Out & S/A Hangers
1-10	921232	KIDS ANG ADJ F/PLT ASSM 16	PAIR; used with Old-Style Latch Block Swing In/Out & S/A Hangers
11-19	129764	AAA FRNT MNT ADAPTER KIT PR	AAA FRNT MNT fits both Kids and Adult Angle Adjustable Footplates
		Ship assembled part #	Use with multiple assemblies
	ASSY-HNG-FP	HANGER/FOOTPLATE ASSY REQUIRED	add with Hanger & Footplate kit



Pos.	Item Number	Description	Remarks
1A	161233S	SWNG I/O ELR ASM 14-15 W/PAD	Pair
1B	161234S	SWNG I/O ELR ASM 16-17 W/PAD	Pair
1C	161235S	SWNG I/O ELR ASM 18-20 W/PAD	Pair
2A	161236S	SWNG I/O ALR ASM 14-15 W/PAD	Pair
2B	161237S	SWNG I/O ALR ASM 16-17 W/PAD	Pair
2C	161238S	SWNG I/O ALR ASM 18-20 W/PAD	Pair
		Ship assembled part #	Use with multiple assemblies
	ASSY-HNG-FP	HANGER/FOOTPLATE ASSY REQUIRED	add with Hanger & Footplate kit



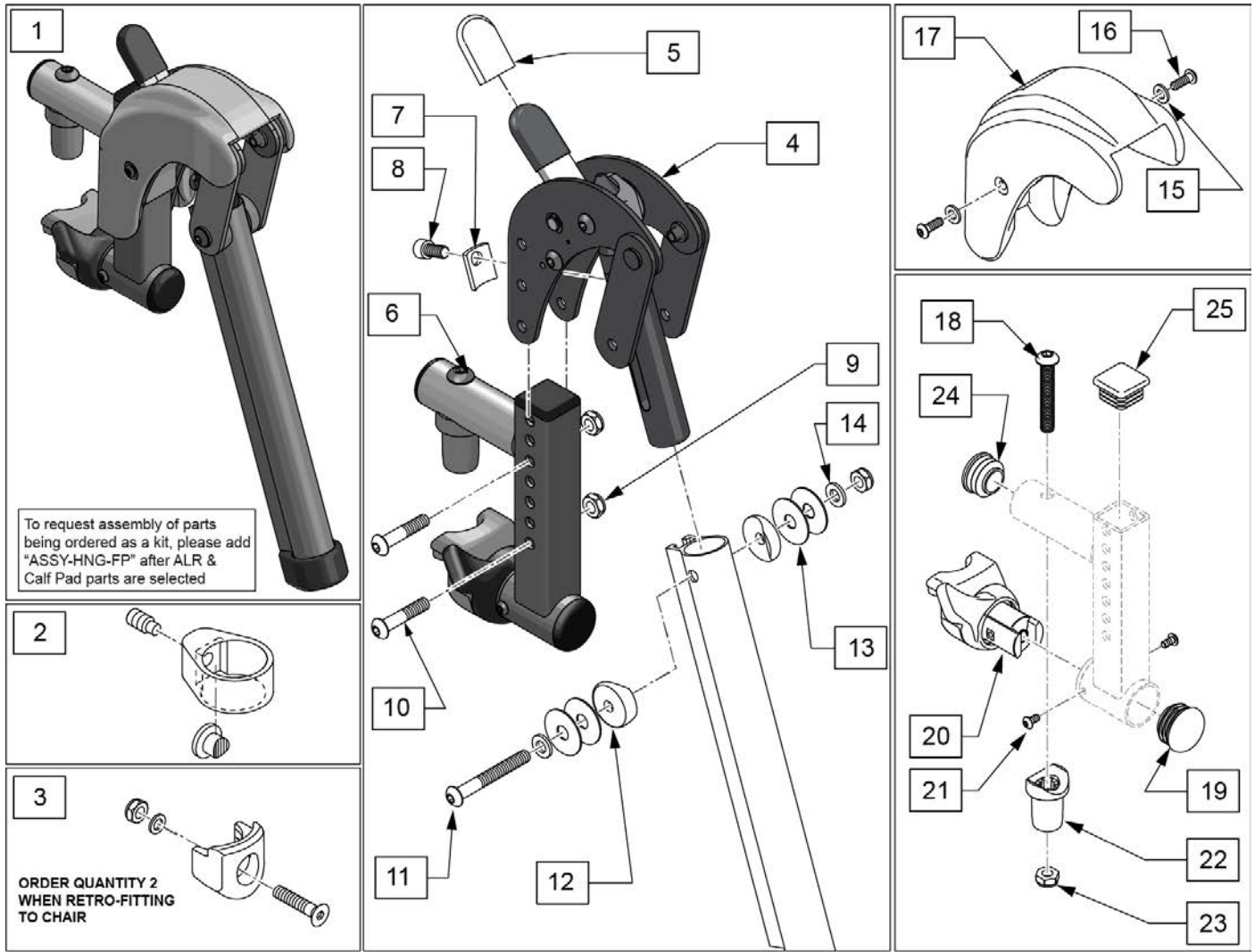
**SWING IN-OUT EXT MOUNT ELR REPLACEMENT PARTS (PLUNGER STYLE) (EFFECTIVE 2/6/17)[7/2016]**



Pos.	Item Number	Description	Remarks
1	161239S	SWNG I/O ELR ASSM RH	Right
1	161240S	SWNG I/O ELR ASSM LH	Left
1	161241S	SWNG I/O ELR ASSM PR	Pair
2,3,23	129640	ELR SHROUD KIT	Kit w/ 2 screws
3	127135	BHCS 8-32 X 1/2 BLK	
4	126992	HEMI ELR SUB ASSM	
5	560501	ALR REL LEVER COVER	
6	134188	RECEIVER ASSY ELR ALR RH	
6	134186	RECEIVER ASSY ELR ALR LH	
7	107350	SHCS 1/4-28 x 1/2	
8	127129	ANGLE STOP ELR	
9	107249	NUT HEX THIN 1/4-28	
10	106935	1/4-28 NYLOCK NUT THIN BLK ZN	
11	104414	WAVE WASHER 6 MM	
12	106961	BHCS 1/4 -28 x 1 1/4 ROHS	
13	108623	BHCS 1/4-28 x 1-1/2	
14	119495	EXTENSION CLAMP KIT	
15	010615	SQUARE END CAP CNTR LEG	

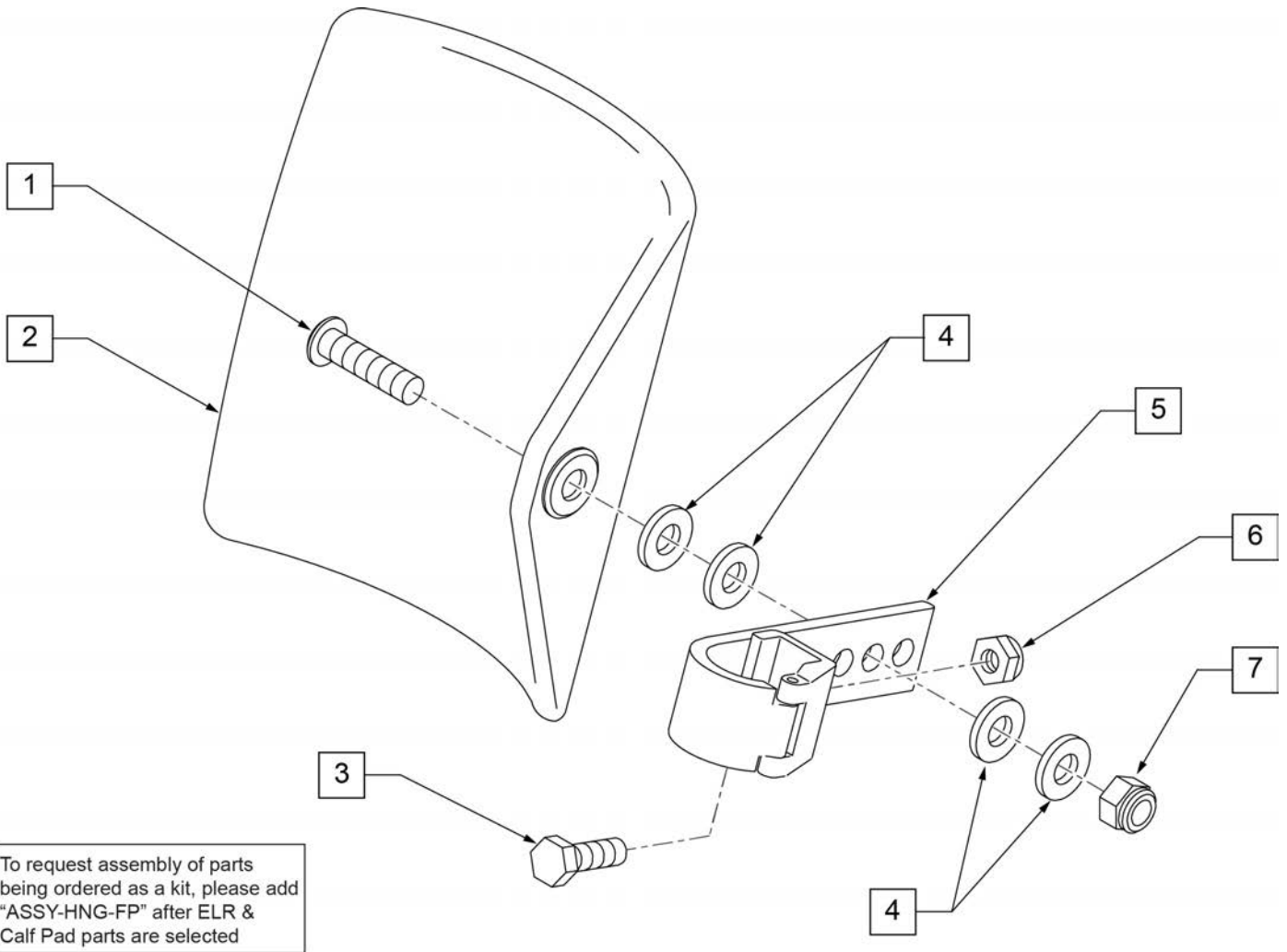
Pos.	Item Number	Description	Remarks
16	226217	5/16-18 X 2" BH C/S BLK	
17	561062	1" INSERT PLUG .065 RIBS	
18,19	161242	ELR/ALR HANGER LATCH KIT RH	Right
18,19	161243	ELR/ALR HANGER LATCH KIT LH	Left
20	561197	PLASTIC PIVOT SADDLE	
21	202102	5/16-18 NYLOCK NUT THIN	
22	560110	ENDPLUG BACKREST TNT	
23	113282	WASHER FLAT AN #10 ROHS	
24	119514	LATCH RECEIVER KIT	order qty 2 when retro-fitting to chair
		Ship assembled part #	Use with multiple assemblies
	ASSY-HNG-FP	HANGER/FOOTPLATE ASSY REQUIRED	add with Hanger & Footplate kit

**SWING IN-OUT ALR EXT MNT REPLACEMENT PARTS (PLUNGER STYLE)(EFFECTIVE 2/6/17)<sup>1/10/2020</sup>**

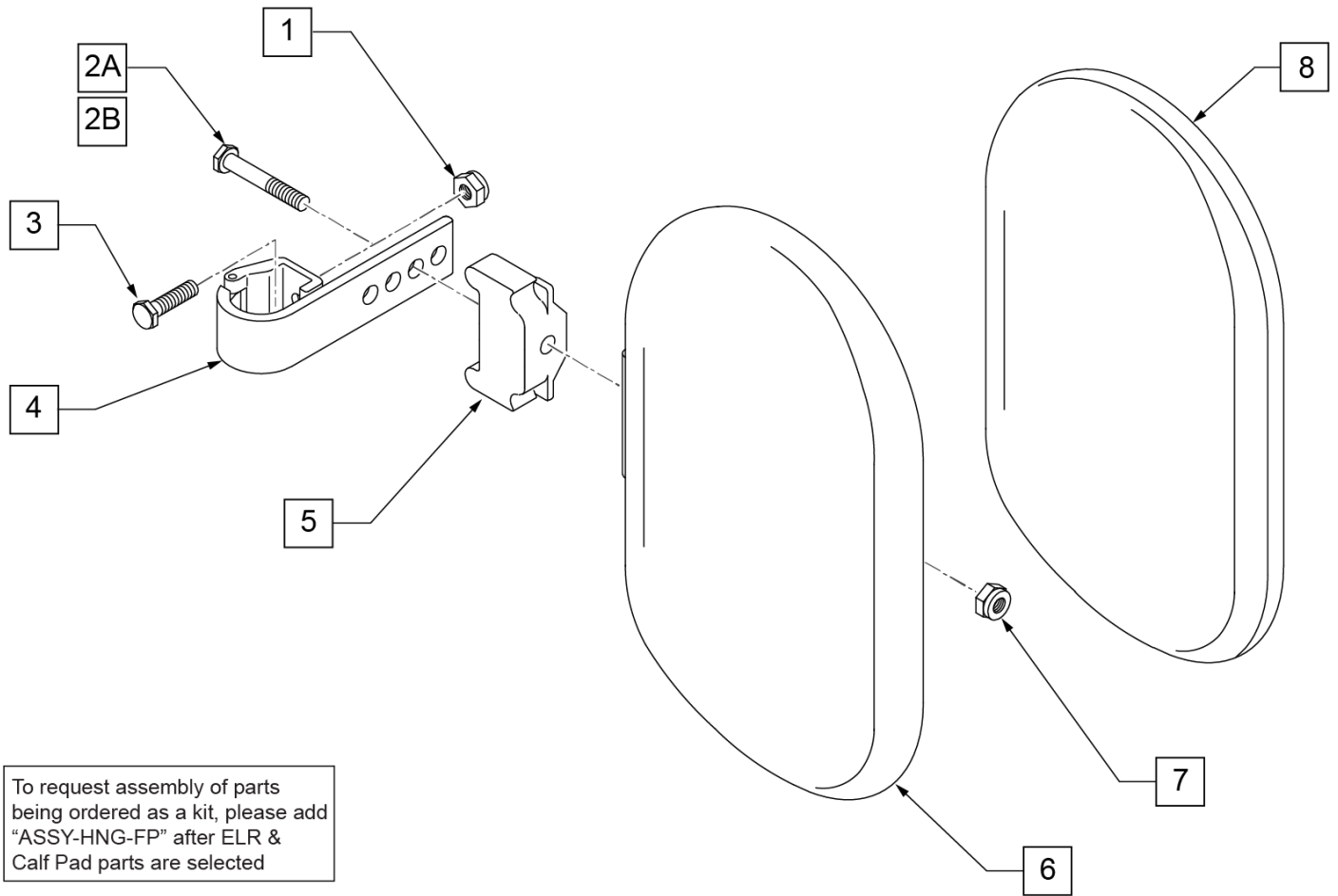


Pos.	Item Number	Description	Remarks
1	161244S	SWNG I/O ALR ASSM RH KIT	Right
1	161245S	SWNG I/O ALR ASSM LH KIT	Left
1	161246S	SWNG I/O ALR ASSM PR KIT	Pair
2	119495	EXTENSION CLAMP KIT	
3	119514	LATCH RECEIVER KIT	order qty 2 when retro-fitting to chair
4	127153	HEMI ALR SUB ASSM	
5	560501	ALR REL LEVER COVER	
6	134188	RECEIVER ASSY ELR ALR RH	
6	134186	RECEIVER ASSY ELR ALR LH	
7	127129	ANGLE STOP ELR	
8	107350	SHCS 1/4-28 x 1/2	
9	106935	1/4-28 NYLOCK NUT THIN BLK ZN	
10	108623	BHCS 1/4-28 x 1-1/2	
11	106964	BHCS 1/4-28 X 2	
12	561086	1" HALF SADDLE 1/4" HOLE	
13	113268	WASHER NYLON 1IN OD X .312 ID	
14	106943	WASHER FLAT AN 1/4 ROHS	
15	113282	WASHER FLAT AN #10 ROHS	

Pos.	Item Number	Description	Remarks
16	127135	BHCS 8-32 X 1/2 BLK	
15-17	129633	ALR SHROUD KIT	1 side
18	226217	5/16-18 X 2" BH C/S BLK	
19	560110	ENDPLUG BACKREST TNT	
20,21	161242	ELR/ALR HANGER LATCH KIT RH	Right
20,21	161243	ELR/ALR HANGER LATCH KIT LH	Left
22	561197	PLASTIC PIVOT SADDLE	
23	202102	5/16-18 NYLOCK NUT THIN	
24	561062	1" INSERT PLUG .065 RIBS	
25	010615	SQUARE END CAP CNTR LEG	
		Ship assembled part #	Use with multiple assemblies
	ASSY-HNG-FP	HANGER/FOOTPLATE ASSY REQUIRED	add with Hanger & Footplate kit



Pos.	Item Number	Description	Remarks
1	106980	BHCS 5/16-18 X 1-1/4 ROHS	
2	755014	CALF PAD TROUGH STYLE 14"/16"	
3	221097	1/4-28 X 5/8 HEX C/S BZ	
4	561016	1" WASHER 5/16" HOLE	
5	881413	CALF PAD BRACKET ASSEMBLY	
6	106934	NUT NYLOCK 1/4-28 ROHS	
7	106937	NUT NYLOCK THIN 5/16-18	
1-7	881414	CALF PAD J-HOOK 14"-15" ASSEMBLY	
		Ship assembled part #	Use with multiple assemblies
	ASSY-HNG-FP	HANGER/FOOTPLATE ASSY REQUIRED	add with Hanger & Footplate kit



To request assembly of parts being ordered as a kit, please add "ASSY-HNG-FP" after ELR & Calf Pad parts are selected

Pos.	Item Number	Description	Remarks
1	106934	NUT NYLOCK 1/4-28 ROHS	
2A	107018	HHCS 5/16-18 X 2-1/2 ROHS	16"-17" wide only
2B	107019	HHCS 5/16-18 X 3-1/2 ROHS	18"-20" wide only
3	107013	HHCS 1/4-28 X 5/8 ROHS	
4	881413	CALF PAD BRACKET ASSEMBLY	
5	560199	ELR CALF HINGE SPACER	18"-20" wide only
6	560108	CALF PAD MOLDED 16"-20"	
7	106936	NUT NYLOCK 5/16-18 ROHS	
8	751045	CALF PAD COVER	
1,2A,3,4,6-8	881416	CALF MOLDED 16"-17" ASSEMBLY	
1,2B,3-7,8	881412	CALF PAD MOLDED 18"-20" ASSEMBLY	
		Ship assembled part #	Use with multiple assemblies
	ASSY-HNG-FP	HANGER/FOOTPLATE ASSY REQUIRED	add with Hanger & Footplate kit

**Note:** Footplate Assemblies are set to footrest width; please see "Footplate Formula" table for seat width conversion.

Note: If using Short Ext Tube & Hemi Hanger with Composite Footplate use 1G (bent) .

Note: V Style Hangers are not available on Swing Away Style chairs effective 7/14/14; see the "Prior To" ordering guide for V Style footplate assemblies.

Note: see Informations Panel for appropriate ordering guide; for QX Series or SR45 footplate replacement parts see ordering guide marked specifically for these two models.

To have complete Footrest ship assembled, choose compatible Hanger + Footplate part numbers and add "ASSY-HNG-FP" to order

**FOOTPLATE MEASURING GUIDE**

PART NO	DESCRIPTION	"A"	"B"
063216-006	FOOTPLATE COMPOSITE 157 R (13"W)	6 1/8"	6"
063216-012	FOOTPLATE COMPOSITE 157 L (13"W)	6 1/8"	6"
063216-015	FOOTPLATE COMPOSITE 170 R (14"W)	6 5/8"	6"
063216-018	FOOTPLATE COMPOSITE 170 L (14"W)	6 5/8"	6"
063216-005	FOOTPLATE COMPOSITE 182 R (15"W)	7 1/8"	6"
063216-011	FOOTPLATE COMPOSITE 182 L (15"W)	7 1/8"	6"
063216-014	FOOTPLATE COMPOSITE 195 R (16"W)	7 5/8"	6"
063216-017	FOOTPLATE COMPOSITE 195 L (16"W)	7 5/8"	6"
063216-004	FOOTPLATE COMPOSITE 207 R (17"W)	8 1/8"	6"
063216-010	FOOTPLATE COMPOSITE 207 L (17"W)	8 1/8"	6"
063216-013	FOOTPLATE COMPOSITE 220 R (18"W)	8 5/8"	6 1/4"
063216-016	FOOTPLATE COMPOSITE 220 L (18"W)	8 5/8"	6 1/4"
063216-003	FOOTPLATE COMPOSITE 232 R (19-20"W)	9 1/8"	6 1/4"
063216-009	FOOTPLATE COMPOSITE 232 L (19-20"W)	9 1/8"	6 1/4"
063216-002	FOOTPLATE COMPOSITE 257 R (21-22"W)	10 1/8"	6 1/4"
063216-008	FOOTPLATE COMPOSITE 257 L (21-22"W)	10 1/8"	6 1/4"

**INSET FORMULA**  
 0" Inset (Seat Width) = Footrest Width  
 1" Inset (Seat Width) -2" = Footrest Width  
 "V" Hanger (Seat Width) -4" = Footrest Width  
 Offset Hanger Receiver (Seat Width) +2" = Footrest Width

Pos.	Item Number	Description	Remarks
1A,3-5	120660	SHT STRT EXT COMP HDWR	80 deg hangers + ELR only
1B,3-5	120661	MED STRT EXT COMP HDWR	80 deg hangers + ELR only
1C,3-5	120662	LNG STRT EXT COMP HDWR	80 deg hangers + ELR only
1D,3-5	120663	SHT BNT EXT COMP HDWR	60,70,70 Hemi Hangers
1E,3-5	120664	MED BNT EXT COMP HDWR	60,70,70 Hemi Hangers
1F,3-5	120665	LNG BNT EXT COMP HDWR	60,70,70 Hemi Hangers
1G	128078	TUBE FOOTREST EXT SHT HEMI	use for Hemi Ext Tube option
2A	063216-006	COMPOSITE FOOTPLATE RIGHT	RIGHT 13" Footrest Width
2A	063216-012	COMPOSITE FOOTPLATE LEFT	LEFT 13" Footrest Width
2B	063216-015	FOOTPLATE COMPOSITE RIGHT	RIGHT 14" Footrest Width
2B	063216-018	FOOTPLATE COMPOSITE LEFT	LEFT 14" Footrest Width
2C	063216-005	COMPOSITE FOOTPLATE RIGHT	RIGHT 15" Footrest Width
2C	063216-011	COMPOSITE FOOTPLATE LEFT	LEFT 15" Footrest Width
2D	063216-014	FOOTPLATE COMPOSITE RIGHT	RIGHT 16" Footrest Width
2D	063216-017	FOOTPLATE COMPOSITE LEFT	LEFT 16" Footrest Width
2E	063216-004	COMPOSITE FOOTPLATE RIGHT	RIGHT 17" Footrest Width
2E	063216-010	COMPOSITE FOOTPLATE LEFT	LEFT 17" Footrest Width
2F	063216-013	FOOTPLATE COMPOSITE RIGHT	RIGHT 18" Footrest Width
2F	063216-016	FOOTPLATE COMPOSITE LEFT	LEFT 18" Footrest Width
2G	063216-003	COMPOSITE FOOTPLATE RIGHT	RIGHT 19" & 20" Footrest Width
2G	063216-009	COMPOSITE FOOTPLATE LEFT	LEFT 19" & 20" Footrest Width
2H	063216-002	FOOTPLATE COMPOSITE RIGHT	RIGHT 21" & 22" Footrest Width
2H	063216-008	FOOTPLATE COMPOSITE LEFT	LEFT 21" & 22" Footrest Width
3	104377	3/4" SADDLE THIN	
4	103175	SHCS M6 X 1 X 40 INORG	
5	132626	NUT AUTOMATION M6 X 1.0	Inserted in bottom of footplate.
6	104328	HEEL LOOP PEG	
7A	104380-001	ADJUSTABLE FOOT REST STRAP	14" wide
7B	104380-002	ADJUSTABLE FOOT REST STRAP	15-16" wide
7C	104380-003	ADJUSTABLE FOOT REST STRAP	17-18" wide
7D	104380-004	ADJUSTABLE FOOT REST STRAP	19-22" wide
8	102268-001	HHCS M6 X 1 X 25	
12	104160	BUSHING FOOTREST	
9-12	107485	FOOTREST CLAMP ASSM	
>>>>		80 DEGREE HANGERS - SHORT EXT - RIGHT	
1A,2A,3-6,7A,8	107704	COMP STRT SHT EXT ASM 13"W R	Right- 80D- 13" W- SHORT
1A,2B,3-6,7A,8	107705	COMP STRT SHT EXT ASM 14"W R	Right- 80D- 14" W- SHORT
1A,2C,3-6,7B,8	107706	COMP STRT SHT EXT ASM 15"W R	Right- 80D- 15" W- SHORT
1A,2D,3-6,7B,8	107707	COMP STRT SHT EXT ASM 16"W R	Right- 80D- 16" W- SHORT
1A,2E,3-6,7C,8	107708	COMP STRT SHT EXT ASM 17"W R	Right- 80D- 17" W- SHORT
1A,2F,3-6,7C,8	107709	COMP STRT SHT EXT ASM 18"W R	Right- 80D- 18" W- SHORT
1A,2G,3-6,7D,8	107710	COMP STRT SHT EXT ASM 19 & 20"W R	Right- 80D- 19 & 20" W- SHORT
1A,2H,3-6,7D,8	111522	COMP STRT SHT EXT ASM 21 & 22"W R	Right- 80D- 21 & 22" W- SHORT
>>>>		80 DEGREE HANGERS - SHORT EXT - LEFT	
1A,2A,3-6,7A,8	107711	COMP STRT SHT EXT ASM 13"W L	LEFT- 80D- 13" W- SHORT
1A,2B,3-6,7A,8	107712	COMP STRT SHT EXT ASM 14"W L	LEFT- 80D- 14" W- SHORT
1A,2C,3-6,7B,8	107713	COMP STRT SHT EXT ASM 15"W L	LEFT- 80D- 15" W- SHORT
1A,2D,3-6,7B,8	107714	COMP STRT SHT EXT ASM 16"W L	LEFT- 80D- 16" W- SHORT
1A,2E,3-6,7C,8	107715	COMP STRT SHT EXT ASM 17"W L	LEFT- 80D- 17" W- SHORT
1A,2F,3-6,7C,8	107716	COMP STRT SHT EXT ASM 18"W L	LEFT- 80D- 18" W- SHORT
1A,2G,3-6,7D,8	107717	COMP STRT SHT EXT ASM 19 & 20"W L	LEFT- 80D- 19 & 20" W- SHORT
1A,2H,3-6,7D,8	111523	COMP STRT SHT EXT ASM 21 & 22"W L	LEFT- 80D- 21 & 22" W- SHORT
>>>>		80 DEGREE HANGERS - MED EXT - RIGHT	
1B,2A,3-6,7A,8	107718	COMP STRT MED EXT ASM 13"W R	Right- 80D- 13" W- MED
1B,2B,3-6,7A,8	107719	COMP STRT MED EXT ASM 14"W R	Right- 80D- 14" W- MED
1B,2C,3-6,7B,8	107720	COMP STRT MED EXT ASM 15"W R	Right- 80D- 15" W- MED



Pos.	Item Number	Description	Remarks
1B,2D,3-6,7B,8	107721	COMP STRT MED EXT ASM 16"W R	Right- 80D- 16" W- MED
1B,2E,3-6,7C,8	107722	COMP STRT MED EXT ASM 17"W R	Right- 80D- 17" W- MED
1B,2F,3-6,7C,8	107723	COMP STRT MED EXT ASM 18"W R	Right- 80D- 18" W- MED
1B,2G,3-6,7D,8	107724	COMP STRT MED EXT ASM 19 & 20"W R	Right- 80D- 19 & 20" W- MED
1B,2H,3-6,7D,8	111524	COMP STRT MED EXT ASM 21 & 22"W R	Right- 80D- 21 & 22" W- MED
>>>>		80 DEGREE HANGERS - MED EXT - LEFT	
1B,2A,3-6,7A,8	107725	COMP STRT MED EXT ASM 13"W L	LEFT- 80D- 13" W- MED
1B,2B,3-6,7A,8	107726	COMP STRT MED EXT ASM 14"W L	LEFT- 80D- 14" W- MED
1B,2C,3-6,7B,8	107727	COMP STRT MED EXT ASM 15"W L	LEFT- 80D- 15" W- MED
1B,2D,3-6,7B,8	107728	COMP STRT MED EXT ASM 16"W L	LEFT- 80D- 16" W- MED
1B,2E,3-6,7C,8	107729	COMP STRT MED EXT ASM 17"W L	LEFT- 80D- 17" W- MED
1B,2F,3-6,7C,8	107730	COMP STRT MED EXT ASM 18"W L	LEFT- 80D- 18" W- MED
1B,2G,3-6,7D,8	107731	COMP STRT MED EXT ASM 19 & 20"W L	LEFT- 80D- 19 & 20" W- MED
1B,2H,3-6,7D,8	111525	COMP STRT MED EXT ASM 21 & 22"W L	LEFT- 80D- 21 & 22" W- MED
>>>>		80 DEGREE HANGERS - LONG EXT - RIGHT	
1C,2A,3-6,7A,8	107732	COMP STRT LONG EXT ASM 13"W R	Right- 80D- 13" W- LONG
1C,2B,3-6,7A,8	107733	COMP STRT LONG EXT ASM 14"W R	Right- 80D- 14" W- LONG
1C,2C,3-6,7B,8	107734	COMP STRT LONG EXT ASM 15"W R	Right- 80D- 15" W- LONG
1C,2D,3-6,7B,8	107735	COMP STRT LONG EXT ASM 16"W R	Right- 80D- 16" W- LONG
1C,2E,3-6,7C,8	107736	COMP STRT LONG EXT ASM 17"W R	Right- 80D- 17" W- LONG
1C,2F,3-6,7C,8	107737	COMP STRT LONG EXT ASM 18"W R	Right- 80D- 18" W- LONG
1C,2G,3-6,7D,8	107738	COMP STRT LONG EXT ASM 19 & 20"W R	Right- 80D- 19 & 20" W- LONG
1C,2H,3-6,7D,8	111526	COMP STRT LONG EXT ASM 21 & 22"W R	Right- 80D- 21 & 22" W- LONG
>>>>		80 DEGREE HANGERS - LONG EXT - LEFT	
1C,2A,3-6,7A,8	107739	COMP STRT LONG EXT ASM 13"W L	LEFT- 80D- 13" W- LONG
1C,2B,3-6,7A,8	107740	COMP STRT LONG EXT ASM 14"W L	LEFT- 80D- 14" W- LONG
1C,2C,3-6,7B,8	107741	COMP STRT LONG EXT ASM 15"W L	LEFT- 80D- 15" W- LONG
1C,2D,3-6,7B,8	107742	COMP STRT LONG EXT ASM 16"W L	LEFT- 80D- 16" W- LONG
1C,2E,3-6,7C,8	107743	COMP STRT LONG EXT ASM 17"W L	LEFT- 80D- 17" W- LONG
1C,2F,3-6,7C,8	107744	COMP STRT LONG EXT ASM 18"W L	LEFT- 80D- 18" W- LONG
1C,2G,3-6,7D,8	107745	COMP STRT LONG EXT ASM 19 & 20"W L	LEFT- 80D- 19 & 20" W- LONG
1C,2H,3-6,7D,8	111527	COMP STRT LONG EXT ASM 21 & 22"W L	LEFT- 80D- 21 & 22" W- LONG
>>>>		60°,70° SHORT EXT - RIGHT	
1D,2A,3-6,7A,8	107746	COMP BNT SHT EXT ASM 13" W R	Right- 70D- 13" W- SHORT
1D,2B,3-6,7A,8	107747	COMP BNT SHT EXT ASM 14" W R	Right- 70D- 14" W- SHORT
1D,2C,3-6,7B,8	107748	COMP BNT SHT EXT ASM 15" W R	Right- 70D- 15" W- SHORT
1D,2D,3-6,7B,8	107749	COMP BNT SHT EXT ASM 16" W R	Right- 70D- 16" W- SHORT
1D,2E,3-6,7C,8	107750	COMP BNT SHT EXT ASM 17" W R	Right- 70D- 17" W- SHORT
1D,2F,3-6,7C,8	107751	COMP BNT SHT EXT ASM 18" W R	Right- 70D- 18" W- SHORT
1D,2G,3-6,7D,8	107752	COMP BNT SHT EXT ASM 19 & 20"W R	Right- 70D- 19 & 20" W- SHORT
1D,2H,3-6,7D,8	111528	COMP BNT SHT EXT ASM 21 & 22"W R	Right- 70D- 21 & 22" W- SHORT
>>>>		60°,70° - SHORT EXT - LEFT	
1D,2A,3-6,7A,8	107753	COMP BNT SHT EXT ASM 13" W L	Left- 70D- 13 W- SHORT
1D,2B,3-6,7A,8	107754	COMP BNT SHT EXT ASM 14" W L	Left- 70D- 14 W- SHORT
1D,2C,3-6,7B,8	107755	COMP BNT SHT EXT ASM 15" W L	Left- 70D- 15 W- SHORT
1D,2D,3-6,7B,8	107756	COMP BNT SHT EXT ASM 16" W L	Left- 70D- 16 W- SHORT
1D,2E,3-6,7C,8	107757	COMP BNT SHT EXT ASM 17" W L	Left- 70D- 17 W- SHORT
1D,2F,3-6,7C,8	107758	COMP BNT SHT EXT ASM 18" W L	Left- 70D- 18 W- SHORT
1D,2G,3-6,7D,8	107759	COMP BNT SHT EXT ASM 19 & 20"W L	Left- 70D- 19 & 20" W- SHORT
1D,2H,3-6,7D,8	111529	COMP BNT SHT EXT ASM 21 & 22"W L	Left- 70D- 21 & 22" W- SHORT
>>>>		60°,70°,60°&70° HEMI HANGERS - MED EXT - RIGHT	
1E,2A,3-6,7A,8	107760	COMP BNT MED EXT ASM 13" W R	Right- 70D- 13" W- MED
1E,2B,3-6,7A,8	107761	COMP BNT MED EXT ASM 14" W R	Right- 70D- 14" W- MED
1E,2C,3-6,7B,8	107762	COMP BNT MED EXT ASM 15" W R	Right- 70D- 15" W- MED
1E,2D,3-6,7B,8	107763	COMP BNT MED EXT ASM 16" W R	Right- 70D- 16" W- MED
1E,2E,3-6,7C,8	107764	COMP BNT MED EXT ASM 17" W R	Right- 70D- 17" W- MED

Pos.	Item Number	Description	Remarks
1E,2F,3-6,7C,8	107765	COMP BNT MED EXT ASM 18" W R	Right- 70D- 18" W- MED
1E,2G,3-6,7D,8	107766	COMP BNT MED EXT ASM 19 & 20"W R	Right- 70D- 19 & 20" W- MED
1E,2H,3-6,7D,8	111530	COMP BNT MED EXT ASM 21 & 22"W R	Right- 70D- 21 & 22" W- MED
>>>>		60°,70°,60°&70° HEMI HANGERS - MED EXT - LEFT	
1E,2A,3-6,7A,8	107767	COMP BNT MED EXT ASM 13" W L	Left- 70D- 13 W- MED
1E,2B,3-6,7A,8	107768	COMP BNT MED EXT ASM 14" W L	Left- 70D- 14 W- MED
1E,2C,3-6,7B,8	107769	COMP BNT MED EXT ASM 15" W L	Left- 70D- 15 W- MED
1E,2D,3-6,7B,8	107770	COMP BNT MED EXT ASM 16" W L	Left- 70D- 16 W- MED
1E,2E,3-6,7C,8	107771	COMP BNT MED EXT ASM 17" W L	Left- 70D- 17 W- MED
1E,2F,3-6,7C,8	107772	COMP BNT MED EXT ASM 18" W L	Left- 70D- 18 W- MED
1E,2G,3-6,7D,8	107773	COMP BNT MED EXT ASM 19 & 20"W L	Left- 70D- 19 & 20" W- MED
1E,2H,3-6,7D,8	111531	COMP BNT MED EXT ASM 21 & 22"W L	Left- 70D- 21 & 22" W- MED
>>>>		60°,70°,60°&70° HEMI HANGERS - LONG EXT - RIGHT	
1F,2A,3-6,7A,8	107774	COMP BNT LONG EXT ASM 13" W R	Right- 70D- 13" W- LONG
1F,2B,3-6,7A,8	107775	COMP BNT LONG EXT ASM 14" W R	Right- 70D- 14" W- LONG
1F,2C,3-6,7B,8	107776	COMP BNT LONG EXT ASM 15" W R	Right- 70D- 15" W- LONG
1F,2D,3-6,7B,8	107777	COMP BNT LONG EXT ASM 16" W R	Right- 70D- 16" W- LONG
1F,2E,3-6,7C,8	107778	COMP BNT LONG EXT ASM 17" W R	Right- 70D- 17" W- LONG
1F,2F,3-6,7C,8	107779	COMP BNT LONG EXT ASM 18" W R	Right- 70D- 18" W- LONG
1F,2G,3-6,7D,8	107780	COMP BNT LONG EXT ASM 19 & 20"W R	Right- 70D- 19 & 20" W- LONG
1F,2H,3-6,7D,8	111532	COMP BNT LONG EXT ASM 21 & 22"W R	Right- 70D- 21 & 22" W- LONG
>>>>		60°,70°,60°&70° HEMI HANGERS - LONG EXT - LEFT	
1F,2A,3-6,7A,8	107781	COMP BNT LONG EXT ASM 13" W L	Left- 70D- 13 W- LONG
1F,2B,3-6,7A,8	107782	COMP BNT LONG EXT ASM 14" W L	Left- 70D- 14 W- LONG
1F,2C,3-6,7B,8	107783	COMP BNT LONG EXT ASM 15" W L	Left- 70D- 15 W- LONG
1F,2D,3-6,7B,8	107784	COMP BNT LONG EXT ASM 16" W L	Left- 70D- 16 W- LONG
1F,2E,3-6,7C,8	107785	COMP BNT LONG EXT ASM 17" W L	Left- 70D- 17 W- LONG
1F,2F,3-6,7C,8	107786	COMP BNT LONG EXT ASM 18" W L	Left- 70D- 18 W- LONG
1F,2G,3-6,7D,8	107787	COMP BNT LONG EXT ASM 19 & 20"W L	Left- 70D- 19 & 20" W- LONG
1F,2H,3-6,7D,8	111533	COMP BNT LONG EXT ASM 21 & 22"W L	Left- 70D- 21 & 22" W- LONG
>>>>		60°&70° HEMI HANGER SHORT EXT- RIGHT	
1G,2A,3-6,7A,8	129724	CMP FT BNT KIT SHT HNGR 13W R	Right-Hemi-13W; add Ext behind the Hemi
1G,2B,3-6,7A,8	129726	CMP FT BNT KIT SHT HNGR 14W R	Right-Hemi-14W; add Ext behind the Hemi
1G,2C,3-6,7B,8	129728	CMP FT BNT KIT SHT HNGR 15W R	Right-Hemi-15W; add Ext behind the Hemi
1G,2D,3-6,7B,8	129730	CMP FT BNT KIT SHT HNGR 16W R	Right-Hemi-16W; add Ext behind the Hemi
1G,2E,3-6,7C,8	129732	CMP FT BNT KIT SHT HNGR 17W R	Right-Hemi-17W; add Ext behind the Hemi
1G,2F,3-6,7C,8	129734	CMP FT BNT KIT SHT HNGR 18W R	Right-Hemi-18W; add Ext behind the Hemi
1G,2G,3-6,7D,8	129736	CMP FT BNT KIT SHT HNGR 19-20W R	Right-Hemi-19-20W; add Ext behind the Hemi
1G,2H,3-6,7D,8	129738	CMP FT BNT KIT SHT HNGR 21-22W R	Right-Hemi-21-22W; add Ext behind the Hemi
>>>>		60°&70° HEMI HANGER SHORT EXT- LEFT	
1G,2A,3-6,7A,8	129725	CMP FT BNT KIT SHT HNGR 13W L	Left-Hemi-13W; add Ext behind the Hemi
1G,2B,3-6,7A,8	129727	CMP FT BNT KIT SHT HNGR 14W L	Left-Hemi-14W; add Ext behind the Hemi
1G,2C,3-6,7B,8	129729	CMP FT BNT KIT SHT HNGR 15W L	Left-Hemi-15W; add Ext behind the Hemi
1G,2D,3-6,7B,8	129731	CMP FT BNT KIT SHT HNGR 16W L	Left-Hemi-16W; add Ext behind the Hemi
1G,2E,3-6,7C,8	129733	CMP FT BNT KIT SHT HNGR 17W L	Left-Hemi-17W; add Ext behind the Hemi
1G,2F,3-6,7C,8	129735	CMP FT BNT KIT SHT HNGR 18W L	Left-Hemi-18W; add Ext behind the Hemi
1G,2G,3-6,7D,8	129737	CMP FT BNT KIT SHT HNGR 19-20W L	Left-Hemi-19-20W; add Ext behind the Hemi
1G,2H,3-6,7D,8	129739	CMP FT BNT KIT SHT HNGR 21-22W L	Left-Hemi-21-22W; add Ext behind the Hemi
		Ship assembled part #	Use with multiple assemblies
	ASSY-HNG-FP	HANGER/FOOTPLATE ASSY REQUIRED	add with Hanger & Footplate kit

**Note:** Footplate Assemblies are set to footrest width; please see "Footplate Formula" table for seat width conversion.

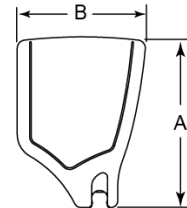
Note: If using Short Ext Tube & Hemi Hanger with Composite Angle Adjustable Footplate use 1D (straight) .

Note: V Style Hangers are not available on Swing Away Style chairs effective 7/14/14; see the "Prior To" ordering guide for V Style footplate assemblies.

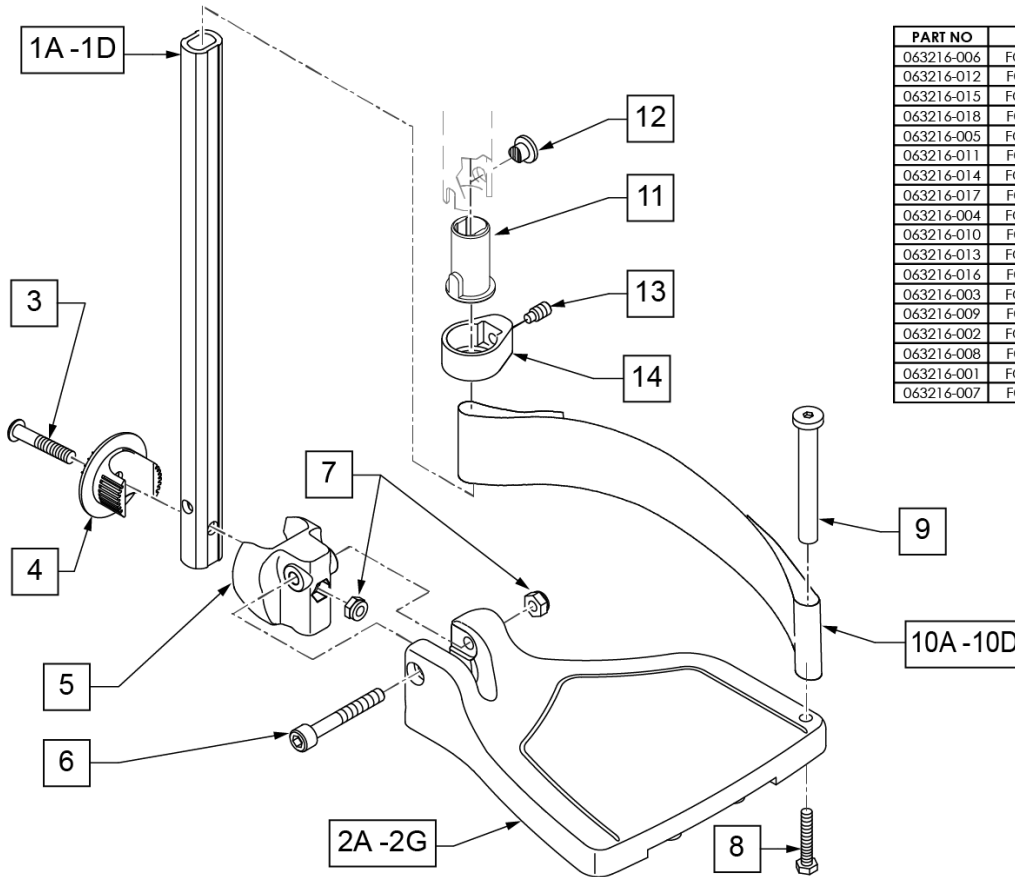
To have complete Footrest ship assembled, choose compatible Hanger + Footplate part numbers and add "ASSY-HNG-FP" to order

**ADD INSET FORMULA**  
 0" Inset (Seat Width) = Footrest Width  
 1" Inset (Seat Width) -2" = Footrest Width  
 2" Inset (Seat Width) -4" = Footrest Width  
 "V" Hanger (Seat Width) -4" = Footrest Width  
 Offset Hanger Receiver (Seat Width) +2" = Footrest Width  
 Flared Frame (Seat Width) = 2" = Footrest Width

**FOOTPLATE MEASURING GUIDE**



PART NO	DESCRIPTION	DIM -A-	DIM -B-
063216-006	FOOTPLATE COMPOSITE 157 R	6 1/8"	6"
063216-012	FOOTPLATE COMPOSITE 157 L	6 1/8"	6"
063216-015	FOOTPLATE COMPOSITE 170 R	6 5/8"	6"
063216-018	FOOTPLATE COMPOSITE 170 L	6 5/8"	6"
063216-005	FOOTPLATE COMPOSITE 182 R	7 1/8"	6"
063216-011	FOOTPLATE COMPOSITE 182 L	7 1/8"	6"
063216-014	FOOTPLATE COMPOSITE 195 R	7 5/8"	6"
063216-017	FOOTPLATE COMPOSITE 195 L	7 5/8"	6"
063216-004	FOOTPLATE COMPOSITE 207 R	8 1/8"	6"
063216-010	FOOTPLATE COMPOSITE 207 L	8 1/8"	6"
063216-013	FOOTPLATE COMPOSITE 220 R	8 5/8"	6 1/4"
063216-016	FOOTPLATE COMPOSITE 220 L	8 5/8"	6 1/4"
063216-003	FOOTPLATE COMPOSITE 232 R	9 1/8"	6 1/4"
063216-009	FOOTPLATE COMPOSITE 232 L	9 1/8"	6 1/4"
063216-002	FOOTPLATE COMPOSITE 257 R	10 1/8"	6 1/4"
063216-008	FOOTPLATE COMPOSITE 257 L	10 1/8"	6 1/4"
063216-001	FOOTPLATE COMPOSITE 282 R	11 1/8"	6 1/4"
063216-007	FOOTPLATE COMPOSITE 282 L	11 1/8"	6 1/4"



Pos.	Item Number	Description	Remarks
1A,6,7	120660	SHT STRT EXT COMP HDWR	
1B,6,7	120661	MED STRT EXT COMP HDWR	
1C,6,7	120662	LNG STRT EXT COMP HDWR	
1D	128079	TUBE FTRST EXT STRGHT SHT HEMI	Use for Hemi Ext Tube option
2A	063216-006	COMPOSITE FOOTPLATE RIGHT	RIGHT 15" Footrest Width

Pos.	Item Number	Description	Remarks
2A	063216-012	COMPOSITE FOOTPLATE LEFT	LEFT 15" Footrest Width
2B	063216-015	COMPOSITE FOOTPLATE RIGHT	RIGHT 16" Footrest Width
2B	063216-018	COMPOSITE FOOTPLATE LEFT	LEFT 16" Footrest Width
2C	063216-005	COMPOSITE FOOTPLATE RIGHT	RIGHT 17" Footrest Width
2C	063216-011	COMPOSITE FOOTPLATE LEFT	LEFT 17" Footrest Width
2D	063216-014	COMPOSITE FOOTPLATE RIGHT	RIGHT 18" Footrest Width
2D	063216-017	COMPOSITE FOOTPLATE LEFT	LEFT 18" Footrest Width
2E	063216-004	COMPOSITE FOOTPLATE RIGHT	RIGHT 19" Footrest Width
2E	063216-010	COMPOSITE FOOTPLATE LEFT	LEFT 19" Footrest Width
2F	063216-013	COMPOSITE FOOTPLATE RIGHT	RIGHT 20" Footrest Width
2F	063216-016	COMPOSITE FOOTPLATE LEFT	LEFT 20" Footrest Width
2G	063216-003	COMPOSITE FOOTPLATE RIGHT	RIGHT 21" & 22" Footrest Width
2G	063216-009	COMPOSITE FOOTPLATE LEFT	LEFT 21" & 22" Footrest Width
3	108233	BHCS M6 X 1 X 40	
4	054242	ANGLE COVER	
5	054241	ANGLE SEGMENT	
6	103175	SHCS M6 X 1 X 40 INORG	
7	132626	NUT AUTOMATION M6 X 1.0	
8	102268-001	HHCS M6X1X25	Inserted in bottom of footplate.
9	104328	HEEL LOOP PEG	
10A	104380-001	ADJUSTABLE FOOT REST STRAP	15" Footrest Width
10B	104380-002	ADJUSTABLE FOOT REST STRAP	16" Footrest Width
10C	104380-003	ADJUSTABLE FOOT REST STRAP	17-18" Footrest Width
10D	104380-004	ADJUSTABLE FOOT REST STRAP	19-22" Footrest Width
11	104160	BUSHING FOOTREST	
11-14	107485	FOOTREST CLAMP ASSM	
>>>>		60,70,80 HANGERS - SHORT EXT - RIGHT	
1A,2A,3-10A	107816	CAA STRT SHT EXT ASM 15W R	Right- 15 W- SHORT
1A,2B,3-10B	107817	CAA STRT SHT EXT ASM 16W R	Right- 16 W- SHORT
1A,2C,3-10B	107818	CAA STRT SHT EXT ASM 17W R	Right- 17 W- SHORT
1A,2D,3-10C	107819	CAA STRT SHT EXT ASM 18W R	Right- 18 W- SHORT
1A,2E,3-10C	107820	CAA STRT SHT EXT ASM 19W R	Right- 19 W- SHORT
1A,2F,3-10D	107821	CAA STRT SHT EXT ASM 20W R	Right- 20 W- SHORT
1A,2G,3-10D	107822	CAA STRT SHT EXT ASM 21&22W R	Right- 21&22 W- SHORT
>>>>		60,70,80 HANGERS - SHORT EXT - LEFT	
1A,2A,3-10A	107823	CAA STRT SHT EXT ASM 15W L	Left- 15 W- SHORT
1A,2B,3-10B	107824	CAA STRT SHT EXT ASM 16W L	Left- 16 W- SHORT
1A,2C,3-10B	107825	CAA STRT SHT EXT ASM 17W L	Left- 17 W- SHORT
1A,2D,3-10C	107826	CAA STRT SHT EXT ASM 18W L	Left- 18 W- SHORT
1A,2E,3-10C	107827	CAA STRT SHT EXT ASM 19W L	Left- 19 W- SHORT
1A,2F,3-10D	107828	CAA STRT SHT EXT ASM 20W L	Left- 20 W- SHORT
1A,2G,3-10D	107829	CAA STRT SHT EXT ASM 21&22W L	Left- 21&22 W- SHORT
>>>>		60,70,80& 60,70 HEMI HANGER- RIGHT	
1B,2A,3-10A	107830	CAA STRT MED EXT ASM 15W R	Right- 15 W- MED
1B,2B,3-10B	107831	CAA STRT MED EXT ASM 16W R	Right- 16 W- MED
1B,2C,3-10B	107832	CAA STRT MED EXT ASM 17W R	Right- 17 W- MED
1B,2D,3-10C	107833	CAA STRT MED EXT ASM 18W R	Right- 18 W- MED
1B,2E,3-10C	107834	CAA STRT MED EXT ASM 19W R	Right- 19 W- MED
1B,2F,3-10D	107835	CAA STRT MED EXT ASM 20W R	Right- 20 W- MED
1B,2G,3-10D	107836	CAA STRT MED EXT ASM 21&22W R	Right- 21&22 W- MED
>>>>		60,70,80& 60,70 HEMI HANGER- LEFT	
1B,2A,3-10A	107837	CAA STRT MED EXT ASM 15W L	Left- 15 W- MED
1B,2B,3-10B	107838	CAA STRT MED EXT ASM 16W L	Left- 16 W- MED
1B,2C,3-10B	107839	CAA STRT MED EXT ASM 17W L	Left- 17 W- MED
1B,2D,3-10C	107840	CAA STRT MED EXT ASM 18W L	Left- 18 W- MED
1B,2E,3-10C	107841	CAA STRT MED EXT ASM 19W L	Left- 19 W- MED

Pos.	Item Number	Description	Remarks
1B,2F,3-10D	107842	CAA STRT MED EXT ASM 20W L	Left- 20 W- MED
1B,2G,3-10D	107843	CAA STRT MED EXT ASM 21&22W L	Left- 21&22 W- MED
>>>>		60,70,80& 60,70 HEMI HANGER- RIGHT	
1C,2A,3-10A	107844	CAA STRT LNG EXT ASM 15W R	Right- 15 W- LONG
1C,2B,3-10B	107845	CAA STRT LNG EXT ASM 16W R	Right- 16 W- LONG
1C,2C,3-10B	107846	CAA STRT LNG EXT ASM 17W R	Right- 17 W- LONG
1C,2D,3-10C	107847	CAA STRT LNG EXT ASM 18W R	Right- 18 W- LONG
1C,2E,3-10C	107848	CAA STRT LNG EXT ASM 19W R	Right- 19 W- LONG
1C,2F,3-10D	107849	CAA STRT LNG EXT ASM 20W R	Right- 20 W- LONG
1C,2G,3-10D	107850	CAA STRT LNG EXT ASM 21&22W R	Right- 21&22 W- LONG
>>>>		60,70,80& 60,70 HEMI HANGER- LEFT	
1C,2A,3-10A	107851	CAA STRT LNG EXT ASM 15W L	Left- 15 W- LONG
1C,2B,3-10B	107852	CAA STRT LNG EXT ASM 16W L	Left- 16 W- LONG
1C,2C,3-10B	107853	CAA STRT LNG EXT ASM 17W L	Left- 17 W- LONG
1C,2D,3-10C	107854	CAA STRT LNG EXT ASM 18W L	Left- 18 W- LONG
1C,2E,3-10C	107855	CAA STRT LNG EXT ASM 19W L	Left- 19 W- LONG
1C,2F,3-10D	107856	CAA STRT LNG EXT ASM 20W L	Left- 20 W- LONG
1C,2G,3-10D	107857	CAA STRT LNG EXT ASM 21&22W L	Left- 21&22 W- LONG
>>>>		60&70 HEMI HANGERS- SHORT EXT- RIGHT	
1D,2A,3-10A	129710	CAA FOOT KIT SHT HNGR 15W R	Right-Hemi-15W; add Ext behind the Hemi
1D,2B,3-10B	129712	CAA FOOT KIT SHT HNGR 16W R	Right-Hemi-16W; add Ext behind the Hemi
1D,2C,3-10B	129714	CAA FOOT KIT SHT HNGR 17W R	Right-Hemi-17W; add Ext behind the Hemi
1D,2D,3-10C	129716	CAA FOOT KIT SHT HNGR 18W R	Right-Hemi-18W; add Ext behind the Hemi
1D,2E,3-10C	129718	CAA FOOT KIT SHT HNGR 19W R	Right-Hemi-19W; add Ext behind the Hemi
1D,2F,3-10D	129720	CAA FOOT KIT SHT HNGR 20W R	Right-Hemi-20W; add Ext behind the Hemi
1D,2G,3-10D	129722	CAA FOOT KIT SHT HNGR 22W R	Right-Hemi-21&22W; add Ext behind the Hemi
>>>>		60&70 HEMI HANGERS- SHORT EXT - LEFT	
1D,2A,3-10A	129711	CAA FOOT KIT SHT HNGR 15W L	Left-Hemi-15W; add Ext behind the Hemi
1D,2B,3-10B	129713	CAA FOOT KIT SHT HNGR 16W L	Left-Hemi-16W; add Ext behind the Hemi
1D,2C,3-10B	129715	CAA FOOT KIT SHT HNGR 17W L	Left-Hemi-17W; add Ext behind the Hemi
1D,2D,3-10C	129717	CAA FOOT KIT SHT HNGR 18W L	Left-Hemi-18W; add Ext behind the Hemi
1D,2E,3-10C	129719	CAA FOOT KIT SHT HNGR 19W L	Left-Hemi-19W; add Ext behind the Hemi
1D,2F,3-10D	129721	CAA FOOT KIT SHT HNGR 20W L	Left-Hemi-20W; add Ext behind the Hemi
1D,2G,3-10D	129723	CAA FOOT KIT SHT HNGR 22W L	Left-Hemi-21&22W; add Ext behind the Hemi
		Ship assembled part #	Use with multiple assemblies
	ASSY-HNG-FP	HANGER/FOOTPLATE ASSY REQUIRED	add with Hanger & Footplate kit

**Note:** Footplate Assemblies are set to footrest width; please see "Footplate Formula" table for seat width conversion.

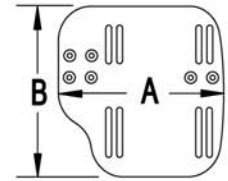
Note: If using Short Ext Tube & Hemi Hanger with Adult Angle Adjustable Footplate use 1D (straight) .

Note: V Style Hangers are not available on Swing Away Style chairs effective 7/14/14; see the "Prior To" ordering guide for V Style footplate assemblies.

Note: for QX Series or SR45 footplate replacement parts see the ordering guide marked specifically for these two models in the informations panel.

Note: if chair has High Mount Ext Tubes or if switching to High Mount Ext Tubes, see AAA Footplate w/ High Mount Extension Ordering Guide.

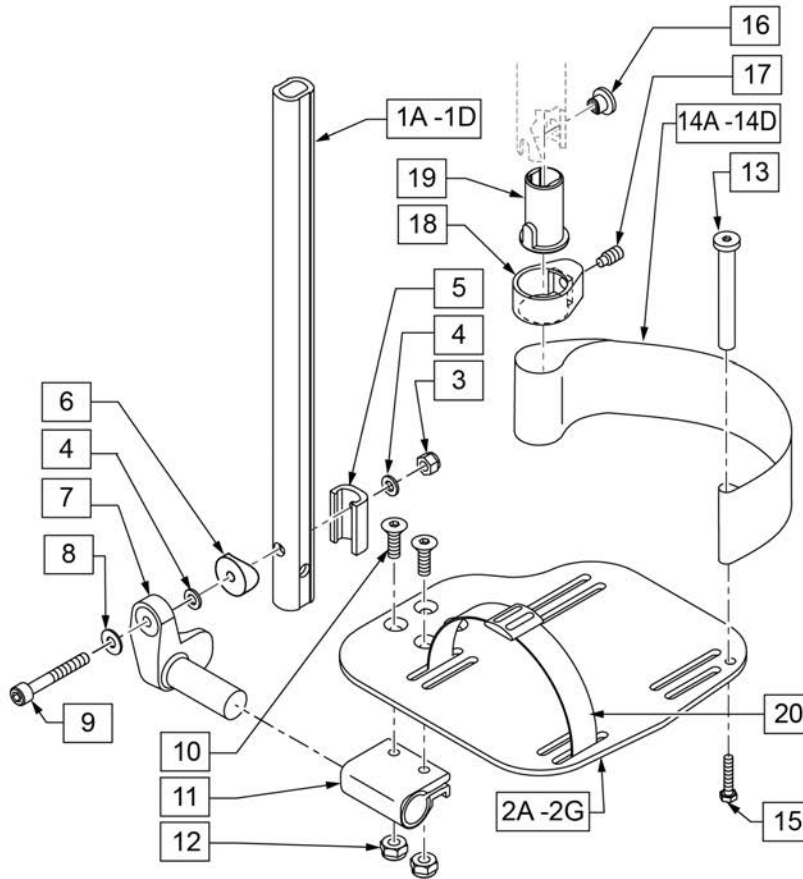
MEASURING GUIDE



CHAIR WIDTH	"A"	"B"
10" - 11"	3 1/2"	7 1/4"
12" - 13"	4 1/2"	7 3/4"
14" - 15"	5 1/2"	7 3/4"
16" - 17"	6 1/2"	7 3/4"
18" - 20"	7 1/2"	7 3/4"

To have complete Footrest ship assembled, choose compatible Hanger + Footplate part numbers and add "ASSY-HNG-FP" to order

**ADD INSET FORMULA**  
 0" Inset (Seat Width) = Footrest Width  
 1" Inset (Seat Width) -2" = Footrest Width  
 2" Inset (Seat Width) -4" = Footrest Width  
 "V" Hanger (Seat Width) -4" = Footrest Width  
 Offset Hanger Receiver (Seat Width) +2" = Footrest Width  
 Flared Frame (Seat Width) = 2" = Footrest Width



21 EXT MNT HARDWARE 1 SIDE			
ITEM #	ILLUSTRATION	DESCRIPTION	QTY
3		NUT AUTOMATION M6 X 1.0 ROHS	1
4		WASHER FLAT THIN AN 1/4	2
5		HANGER EXTENSION SADDLE	1
6		3/4" SADDLE 1" OD	1
8		WASHER FLAT SAE 1/4 ROHS	1
9		SHCS M6X1X45 12MM PART THD	1

Pos.	Item Number	Description	Remarks
1A,3-6,8,9	120670	SHT STRT EXT AAA HDWR	
1B,3-6,8,9	120671	MED STRT EXT AAA HDWR	
1C,3-6,8,9	120672	LNG STRT EXT AAA HDWR	
1D	128079	TUBE FTRST EXT STRGHT SHT HEMI	Use for Hemi Ext Tube option
2A	500656	ADULT ANG ADJ F/PLT 10/11" R	RIGHT 10-11" Footrest Width
2A	500657	ADULT ANG ADJ F/PLT 10/11" L	LEFT 10-11" Footrest Width
2B	500658	ADULT ANG ADJ F/PLT 12/13" R	RIGHT 12-13" Footrest Width
2B	500659	ADULT ANG ADJ F/PLT 12/13" L	LEFT 12-13" Footrest Width
2C	500660	ADLT ANGL ADJ F/PLT 14/15	RIGHT 14-15" Footrest Width
2C	500661	ADLT ANGL ADJ F/PLT 14/15	LEFT 14-15" Footrest Width
2D	500662	ADLT ANGL ADJ F/PLT 16/17	RIGHT 16-17" Footrest Width
2D	500663	ADLT ANGL ADJ F/PLT 16/17	LEFT 16-17" Footrest Width
2E	500664	ADLT ANGL ADJ F/PLT 18-20	RIGHT 18-22" Footrest Width
2E	500665	ADLT ANGL ADJ F/PLT 18-20	LEFT 18-22" Footrest Width
3	132626	NUT AUTOMATION M6 X 1.0	
4	106944	WASHER FLAT THIN AN 1/4 ROHS	
5	107199	HANGER EXTENSION SADDLE	
6	561055	3/4" SADDLE 1" OD	
7	541002	FTRST MOUNTING BRKT-3/8 RAD R	RIGHT

Pos.	Item Number	Description	Remarks
7	541003	FTRST MOUNTING BRKT-3/8 RAD L	LEFT
8	106945	WASHER FLAT SAE 1/4 ROHS	
9	104399	SHCS M6X1X45 12 MM PART THD	
10	106978	FHCS 1/4-28 X 7/8 ROHS	
11	550350	3/4" CLMP ADJ FT PLT	
12	106935	NUT NYLOCK THIN 1/4-28 ROHS	
13	104328	POST HEEL LOOP	
14A	104380-001	ADJUSTABLE FOOT REST STRAP	12 - 14" WIDE
14B	104380-002	ADJUSTABLE FOOT REST STRAP	15 - 16" WIDE
14C	104380-003	ADJUSTABLE FOOT REST STRAP	17 - 18" WIDE
14D	104380-004	ADJUSTABLE FOOT REST STRAP	19 - 20" WIDE
15	102268-001	HHCS M6 X 1 X 25	
16-19	107485	FOOTREST CLAMP ASSM	
20	740260	TOE-ANKLE STRAP ADJ ADULT FOOTPLATE	
21	120659	EXT MNT HARDWARE 1 SIDE	
>>>>		60,70,80 STD HANGERS - RIGHT	
1A,2B,3-14A,15	111534	AAA STRT SHT EXT ASM 12-13" W R	Right- 12-13" W- SHORT
1A,2C,3-14B,15	107928	AAA STRT SHT EXT ASM 14-15" W R	Right- 14-15" W- SHORT
1A,2D,3-14C,15	107930	AAA STRT SHT EXT ASM 16-17" W R	Right- 16-17" W- SHORT
1A,2E,3-14D,15	107932	AAA STRT SHT EXT ASM 18-22" W R	Right- 18-22" W- SHORT
>>>>		60,70,80 STD HANGERS - LEFT	
1A,2B,3-14A,15	111535	AAA STRT SHT EXT ASM 12-13" W L	Left- 12-13" W- SHORT
1A,2C,3-14B,15	107935	AAA STRT SHT EXT ASM 14" W L	Left- 14-15" W- SHORT
1A,2D,3-14C,15	107937	AAA STRT SHT EXT ASM 16" W L	Left- 16-17" W- SHORT
1A,2E,3-14D,15	107939	AAA STRT SHT EXT ASM 18" W L	Left- 18-22" W- SHORT
>>>>		60,70,80 & 60,70 HEMI HANGERS - RIGHT	
1B,2B,3-14A,15	111536	AAA STRT MED EXT ASM 12-13" W R	Right- 12-13" W- MED
1B,2C,3-14B,15	107942	AAA STRT MED EXT ASM 14-15" W R	Right- 14-15" W- MED
1B,2D,3-14C,15	107944	AAA STRT MED EXT ASM 16-17" W R	Right- 16-17" W- MED
1B,2E,3-14D,15	107946	AAA STRT MED EXT ASM 18-22" W R	Right- 18-22" W- MED
>>>>		60,70,80 & 60,70 HEMI HANGERS - LEFT	
1B,2B,3-14A,15	111537	AAA STRT MED EXT ASM 12-13" W L	Left- 12-13" W- MED
1B,2C,3-14B,15	107949	AAA STRT MED EXT ASM 14" W L	Left- 14-15" W- MED
1B,2D,3-14C,15	107951	AAA STRT MED EXT ASM 16" W L	Left- 16-17" W- MED
1B,2E,3-14D,15	107953	AAA STRT MED EXT ASM 18" W L	Left- 18-22" W- MED
>>>>		60,70,80 & 60,70 HEMI HANGERS - RIGHT	
1C,2B,3-14A,15	111538	AAA STRT LNG EXT ASM 12-13" W R	Right- 12-13" W- LONG
1C,2C,3-14B,15	107956	AAA STRT LNG EXT ASM 14 -15" W R	Right- 14-15" W- LONG
1C,2D,3-14C,15	107958	AAA STRT LNG EXT ASM 16 -17" W R	Right- 16-17" W- LONG
1C,2E,3-14D,15	107960	AAA STRT LNG EXT ASM 18 -22" W R	Right- 18-22" W- LONG
>>>>		60,70,80 & 60,70 HEMI HANGERS - LEFT	
1C,2B,3-14A,15	111539	AAA STRT LNG EXT ASM 12-13" W L	Left- 12-13" W- LONG
1C,2C,3-14B,15	107963	AAA STRT LNG EXT ASM 14W L	Left- 14-15" W- LONG
1C,2D,3-14C,15	107965	AAA STRT LNG EXT ASM 16W L	Left- 16-17" W- LONG
1C,2E,3-14D,15	107968	AAA STRT LNG EXT ASM 18W L	Left- 18-22" W- LONG
>>>>		60&70 HEMI HANGERS - SHORT EXT - RIGHT	
1D,2B,3-14A,15	129756	AAA FOOT KIT SHT HNGR 12W R	Right- 12-13" W- SHORT; add Ext behind the Hemi
1D,2C,3-14B,15	129758	AAA FOOT KIT SHT HNGR 14W R	Right- 14-15" W- SHORT; add Ext behind the Hemi
1D,2D,3-14C,15	129760	AAA FOOT KIT SHT HNGR 16W R	Right- 16-17" W- SHORT; add Ext behind the Hemi
1D,2E,3-14D,15	129762	AAA FOOT KIT SHT HNGR 18W R	Right- 18-22" W- SHORT; add Ext behind the Hemi
>>>>		60&70 HEMI HANGERS - SHORT EXT -LEFT	
1D,2B,3-14A,15	129757	AAA FOOT KIT SHT HNGR 12W L	Left- 12-13" W-SHORT; add Ext behind the Hemi
1D,2C,3-14B,15	129759	AAA FOOT KIT SHT HNGR 14W L	Left- 14-15" W- SHORT; add Ext behind the Hemi
1D,2D,3-14C,15	129761	AAA FOOT KIT SHT HNGR 16W L	Left- 16-17" W- SHORT; add Ext behind the Hemi
1D,2E,3-14D,15	129763	AAA FOOT KIT SHT HNGR 18W L	Left- 18-22" W- SHORT; add Ext behind the Hemi
		Ship assembled part #	Use with multiple assemblies



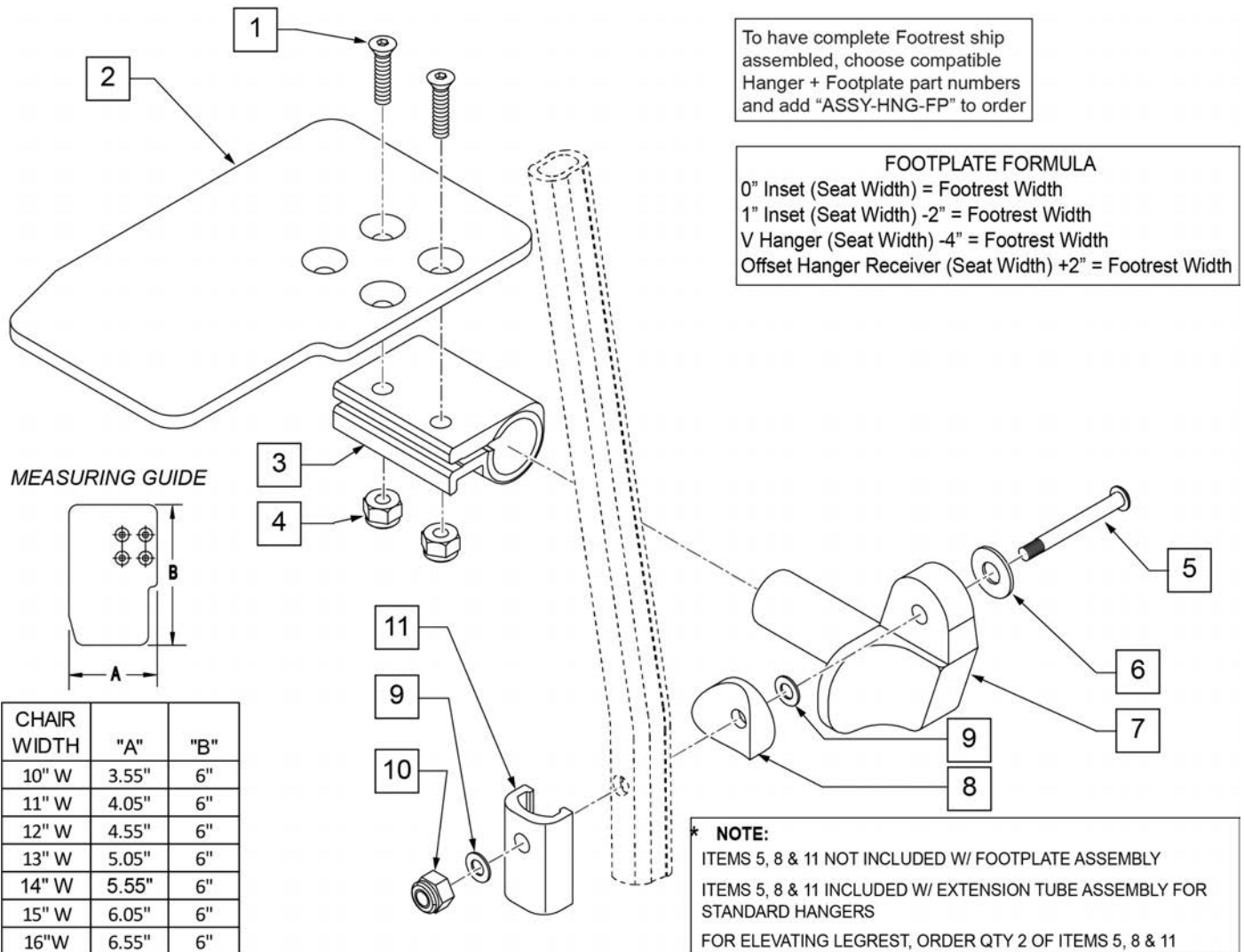
<b>Pos.</b>	<b>Item Number</b>	<b>Description</b>	<b>Remarks</b>
	ASSY-HNG-FP	HANGER/FOOTPLATE ASSY REQUIRED	add with Hanger & Footplate kit

**Note:** Footplate Assemblies are set to footrest width; please see "Footplate Formula" table for seat width conversion.

Note: V Style Hangers are not available on Swing Away Style chairs effective 7/14/14; see the "Prior To" ordering guide for V Style footplate assemblies.

**Note:** Zippie Iris (ZRS&ZRSE) and Zippie TS (Z1A&Z1SE) only use Straight Extension Tube.

Note: if chair has High Mount Ext Tubes or if switching to High Mount Ext Tubes, see KAA Footplate w/ High Mount Extension Ordering Guide.

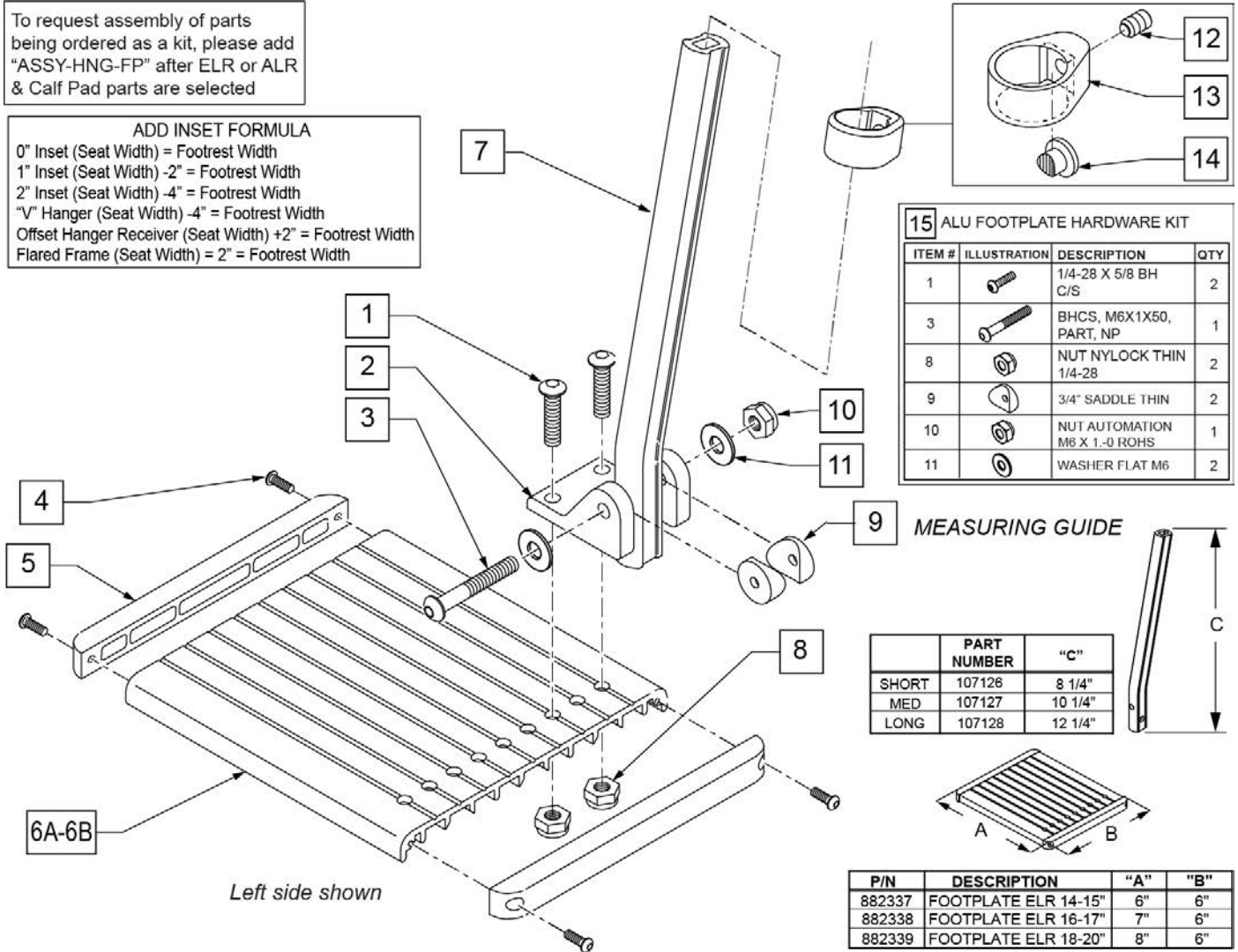


Pos.	Item Number	Description	Remarks
1	106978	FHCS 1/4 -28 x 7/8 ROHS	

Pos.	Item Number	Description	Remarks
2	500635	KIDS ANGL ADJ F/PLT 10" R	Right
2	500636	KIDS ANGL ADJ F/PLT 10" L	Left
2	500637	KIDS ANGL ADJ F/PLT 11" R	Right
2	500638	KIDS ANGL ADJ F/PLT 11" L	Left
2	500639	KIDS ANGL ADJ F/PLT 12" R	Right
2	500640	KIDS ANGL ADJ F/PLT 12" L	Left
2	500641	KIDS ANGL ADJ F/PLT 13" R	Right
2	500642	KIDS ANGL ADJ F/PLT 13" L	Left
2	500643	KIDS ANGL ADJ F/PLT 14" R	Right
2	500644	KIDS ANGL ADJ F/PLT 14" L	Left
2	500645	KIDS ANGL ADJ F/PLT 15" R	Right
2	500646	KIDS ANGL ADJ F/PLT 15" L	Left
2	500647	KIDS ANGL ADJ F/PLT 16" R	Right
2	500648	KIDS ANGL ADJ F/PLT 16" L	Left
3	550350	3/4" CLAMP ADJ FOOTPLATE	
4	106935	NUT NYLOCK THIN 1/4 -28 ROHS	
5	106962	1/4-28 x 1 3/4 BH C/S BLK ZN (D2 EXTENSION TUBES)	
5	226167	1/4-28 x 1.625 BH C/S BLK (ROUND EXTENSION TUBES)	
6	106945	1/4 SAE WASHER	
7	541002	FTRST MOUNTING BRKT-3/8 RAD R	
7	541003	FTRST MOUNTING BRKT-3/8 RAD L	
8	561055	3/4" SADDLE 1" OD	
9	106944	WASHER FLAT THIN AN 1/4 ROHS	
10	106941	NUT AUTOMATION 1/4 -28 ROHS	
11	483720	HANGER EXTENSION SADDLE LONG	Use with Double D Ext Tube
1-4,6,7,9,10	828850	KIDS ANG ADJ F/PLT EXT-MNT 10"R	Right
1-4,6,7,9,10	828851	KIDS ANG ADJ F/PLT EXT-MNT 10"L	Left
1-4,6,7,9,10	828852	KIDS ANG ADJ F/PLT EXT-MNT 11"R	Right
1-4,6,7,9,10	828853	KIDS ANG ADJ F/PLT EXT-MNT 11"L	Left
1-4,6,7,9,10	828854	KIDS ANG ADJ F/PLT EXT-MNT 12"R	Right
1-4,6,7,9,10	828855	KIDS ANG ADJ F/PLT EXT-MNT 12"L	Left
1-4,6,7,9,10	828856	KIDS ANG ADJ F/PLT EXT-MNT 13"R	Right
1-4,6,7,9,10	828857	KIDS ANG ADJ F/PLT EXT-MNT 13"L	Left
1-4,6,7,9,10	828858	KIDS ANG ADJ F/PLT EXT-MNT 14"R	Right
1-4,6,7,9,10	828859	KIDS ANG ADJ F/PLT EXT-MNT 14"L	Left
1-4,6,7,9,10	828860	KIDS ANG ADJ F/PLT EXT-MNT 15"R	Right
1-4,6,7,9,10	828861	KIDS ANG ADJ F/PLT EXT-MNT 15"L	Left
1-4,6,7,9,10	828862	KIDS ANG ADJ F/PLT EXT-MNT 16"R	Right
1-4,6,7,9,10	828863	KIDS ANG ADJ F/PLT EXT-MNT 16"L	Left
1-4,6,7,9,10	921280	KIDS ANG ADJ F/PLT EXT-MNT 10"	Pair
1-4,6,7,9,10	921281	KIDS ANG ADJ F/PLT EXT-MNT 11"	Pair
1-4,6,7,9,10	921282	KIDS ANG ADJ F/PLT EXT-MNT 12"	Pair
1-4,6,7,9,10	921283	KIDS ANG ADJ F/PLT EXT-MNT 13"	Pair
1-4,6,7,9,10	921284	KIDS ANG ADJ F/PLT EXT-MNT 14"	Pair
1-4,6,7,9,10	921285	KIDS ANG ADJ F/PLT EXT-MNT 15"	Pair
1-4,6,7,9,10	921286	KIDS ANG ADJ F/PLT EXT-MNT 16"	Pair
		Ship assembled part #	Use with multiple assemblies
	ASSY-HNG-FP	HANGER/FOOTPLATE ASSY REQUIRED	add with Hanger & Footplate kit

To request assembly of parts being ordered as a kit, please add "ASSY-HNG-FP" after ELR or ALR & Calf Pad parts are selected

**ADD INSET FORMULA**  
 0" Inset (Seat Width) = Footrest Width  
 1" Inset (Seat Width) -2" = Footrest Width  
 2" Inset (Seat Width) -4" = Footrest Width  
 "V" Hanger (Seat Width) -4" = Footrest Width  
 Offset Hanger Receiver (Seat Width) +2" = Footrest Width  
 Flared Frame (Seat Width) = 2" = Footrest Width



**15 ALU FOOTPLATE HARDWARE KIT**

ITEM #	ILLUSTRATION	DESCRIPTION	QTY
1		1/4-28 X 5/8 BH C/S	2
3		BHCS, M6X1X50, PART, NP	1
8		NUT NYLOCK THIN 1/4-28	2
9		3/4" SADDLE THIN	2
10		NUT AUTOMATION M6 X 1-0 ROHS	1
11		WASHER FLAT M6	2

**MEASURING GUIDE**

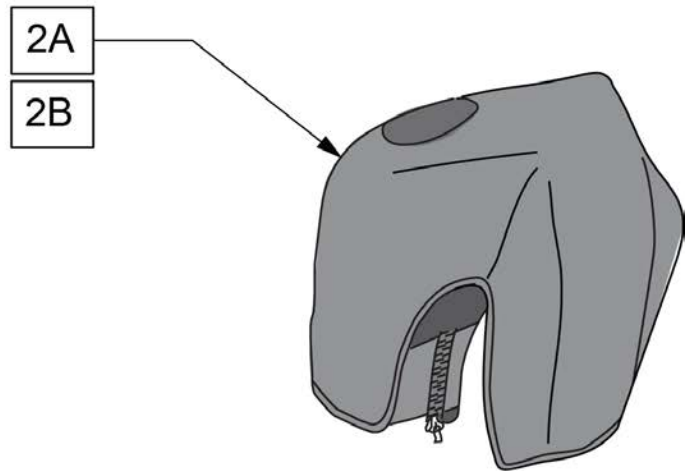
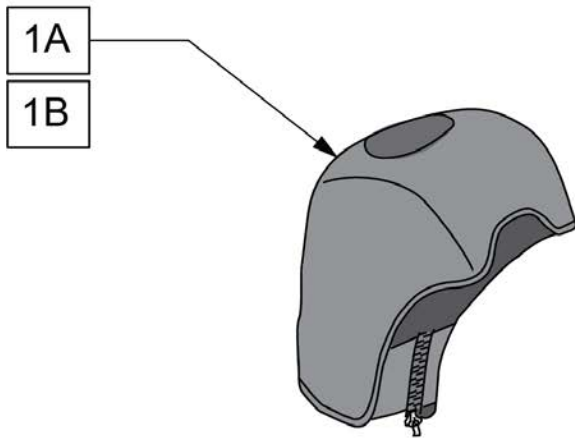
	PART NUMBER	"C"
SHORT	107126	8 1/4"
MED	107127	10 1/4"
LONG	107128	12 1/4"

P/N	DESCRIPTION	"A"	"B"
882337	FOOTPLATE ELR 14-15"	6"	6"
882338	FOOTPLATE ELR 16-17"	7"	6"
882339	FOOTPLATE ELR 18-20"	8"	6"

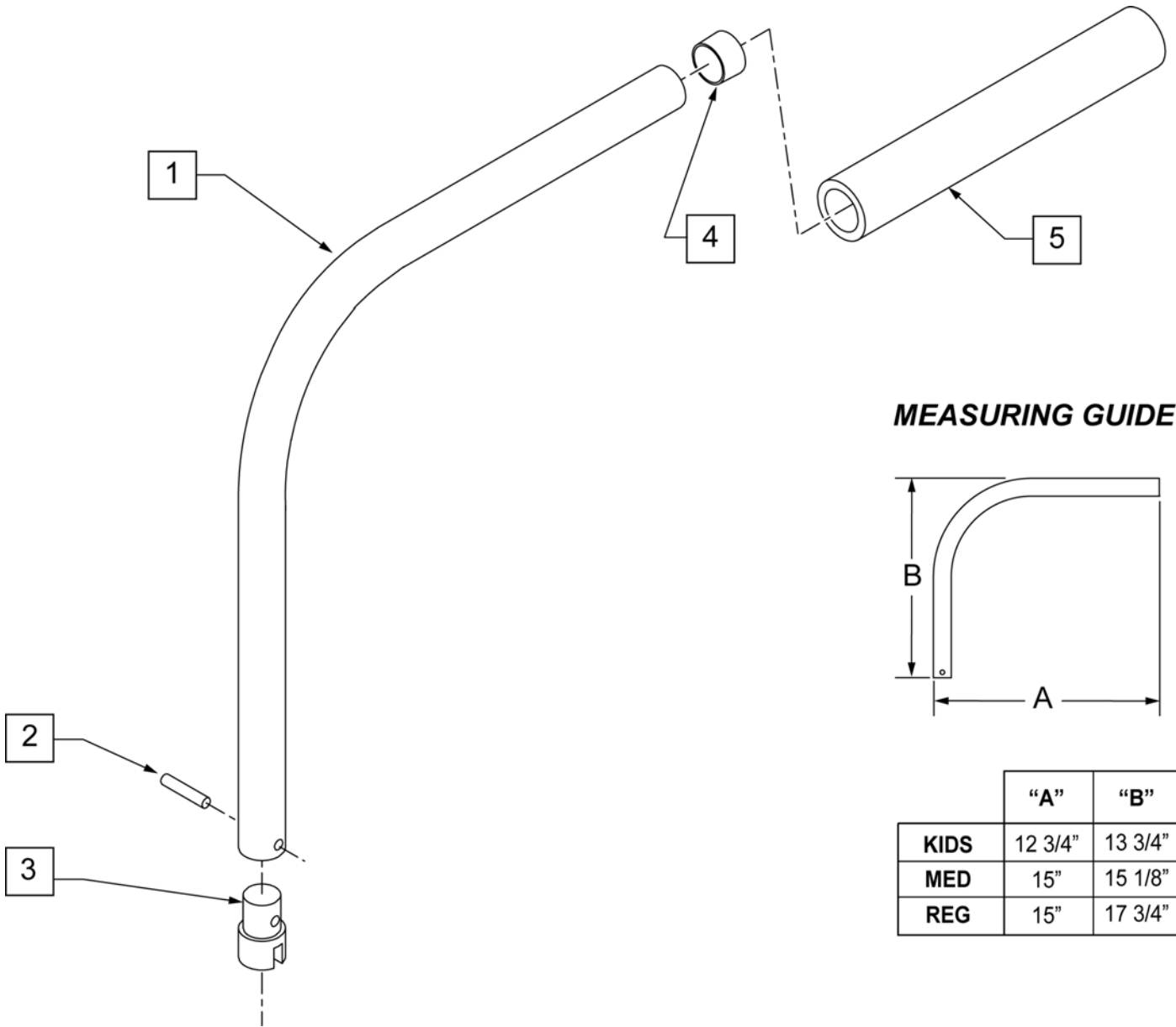
Pos.	Item Number	Description	Remarks
1	226090	1/4-28 x 5/8 BH C/S	
2	118093	BRACKET FOOTPLATE ALUM	
3	102262-008	BHCS M6 X 1 X 50 INORGANIC	
4	281043	#4 x 5/8 PAN PHIL S/TAP	
5	560101	END CAPS FOOTREST	
7	107126	SHORT BENT	
7	107127	MED BENT	
7	107128	LONG BENT	
7	128078	TUBE FOOTREST EXT SHT HEMI	Use for Hemi Extension option
8	106935	1/4-28 NYLOCK NUT THIN	
9	561003	3/4" SADDLE THIN	
10	132626	NUT AUTOMATION M6 X 1.0	
11	107383	WASHER FLAT M6 ROHS	
4,5,6A	882337	ELR FOOTPLATE ASSEMBLY 14 -15"	
4,5,6B	882338	ELR FOOTPLATE ASSEMBLY 16 -17"	
4,5,6C	882339	ELR FOOTPLATE ASSEMBLY 18 -20"	
12-14	119495	EXTENSION CLAMP KIT	
15	129775	ALU FOOTPLATE HDWARE KIT	Ext tube not included; bracket (118093) not included

<b>Pos.</b>	<b>Item Number</b>	<b>Description</b>	<b>Remarks</b>
		Ship assembled part #	Use with multiple assemblies
	ASSY-HNG-FP	HANGER/FOOTPLATE ASSY REQUIRED	add with Hanger & Footplate kit

Note: For installation instructions please see the informations section to the right of this parts page.

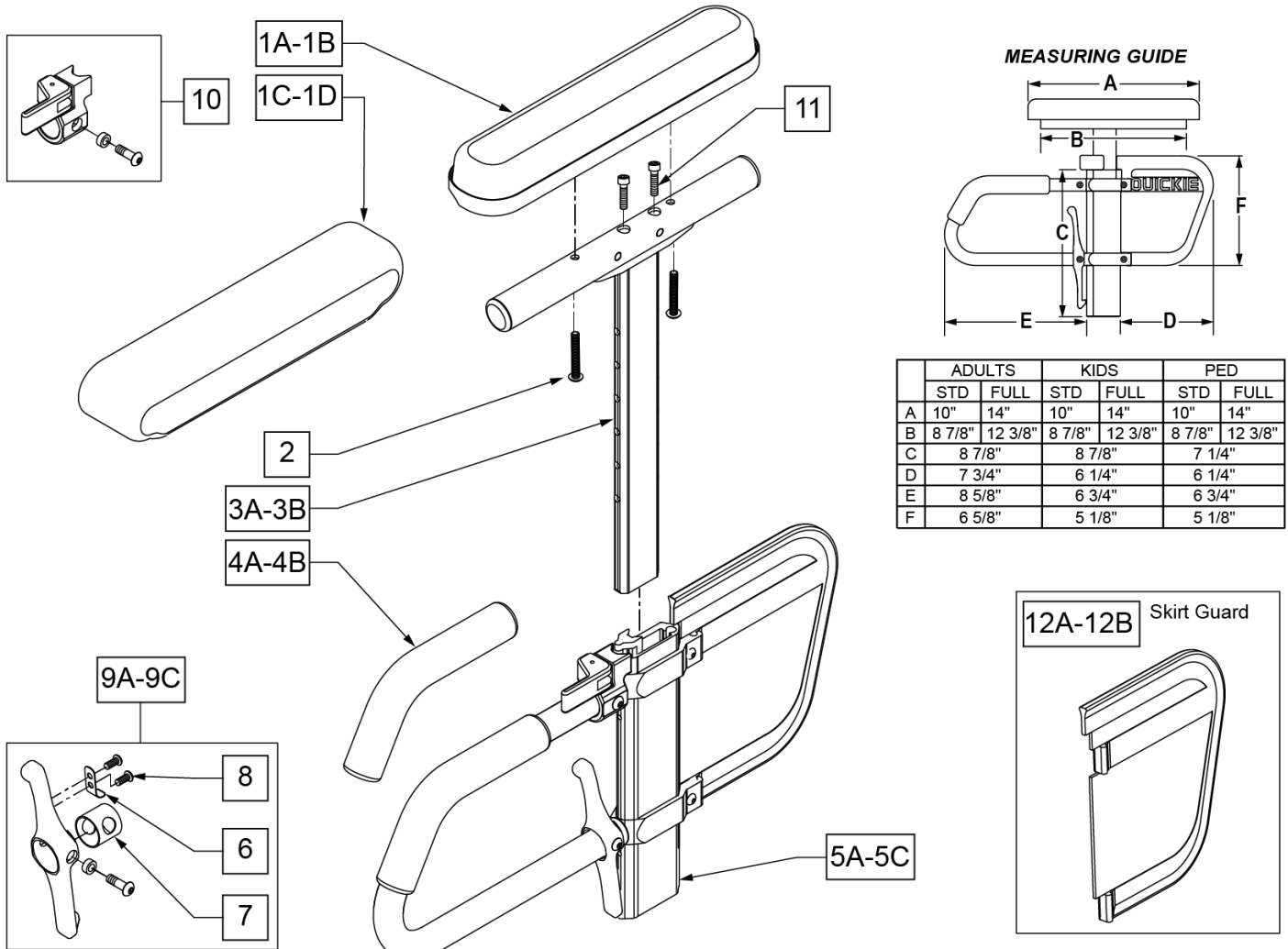


Pos.	Item Number	Description	Remarks
1A	163881	ELR NEOPRENE COVER PR	Pair
1B	163882	ELR GEL COVER PR	Pair
2A	163883	ALR NEOPRENE COVER PR	Pair
2B	163884	ALR GEL COVER PR	Pair



Pos.	Item Number	Description	Remarks
2	341200	1/4 x 1 ROLL PIN	
3	483006	ARMREST PLUG	
4	561002	1" INSERT PLUG .083	
5	920070	9 x .940 x .200 FOAM GRIP	
2,3	920351	S/A PADDED ARM PLUG KIT	
1-5	880300	PADDED ARMREST KIDS STRT NF	EACH
1-5	880302	PADDED ARMREST MED STRT NF	EACH
1-5	880304	PADDED ARMREST REG STRT NF	EACH
1-5	900440	PADDED ARMS KIDS NF (PR)	PAIR
1-5	900441	PADDED ARMS MED NF (PR)	PAIR
1-5	900442	PADDED ARMS REG NF (PR)	PAIR

Note: available on Quickie Iris chairs S/N prefix CGT and prior to IRS-007726 & IRSE-008701.

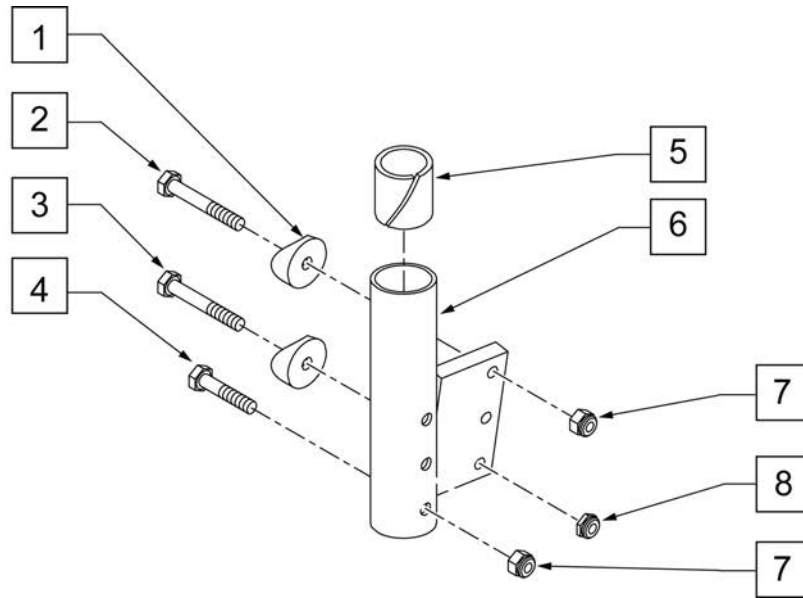


Pos.	Item Number	Description	Remarks
1A	561024	ARMREST PAD 10" DESK	DESK PAD
1B	561031	ARMREST PAD 14" FULL	FULL PAD
1C	561280	ARMREST PAD 10" L W/F	LEFT - DESK WATERFALL PAD
1C	561281	ARMREST PAD 10" R W/F	RIGHT - DESK WATERFALL PAD
1D	561284	ARMREST PAD 14" L W/F	LEFT - FULL WATERFALL PAD
1D	561285	ARMREST PAD 14" R W/F	RIGHT - FULL WATERFALL PAD
2	226038	10-32 x 1 3/8 BH C/S BLK	
4A	560610	5" x .705 x .125 FOAM TUBE	ADULT
4B	560627	7-1/2" x .705 x .125 FOAM TUBE	PEDS/KIDS
5A	882084	HT ADJ LOWER DC ARM ASSM STD R	RIGHT - STANDARD/ADULT
5A	882085	HT ADJ LOWER DC ARM ASSM STD L	LEFT - STANDARD/ADULT
5B	882082	HT ADJ LOWER DC ARM ASM KIDS R	RIGHT - KIDS
5B	882083	HT ADJ LOWER DC ARM ASM KIDS L	LEFT - KIDS
5C	882080	HT ADJ LOWER ARM ASSM PE D R	RIGHT - PEDIATRIC
5C	882081	HT ADJ LOWER ARM ASSM PE D L	LEFT - PEDIATRIC

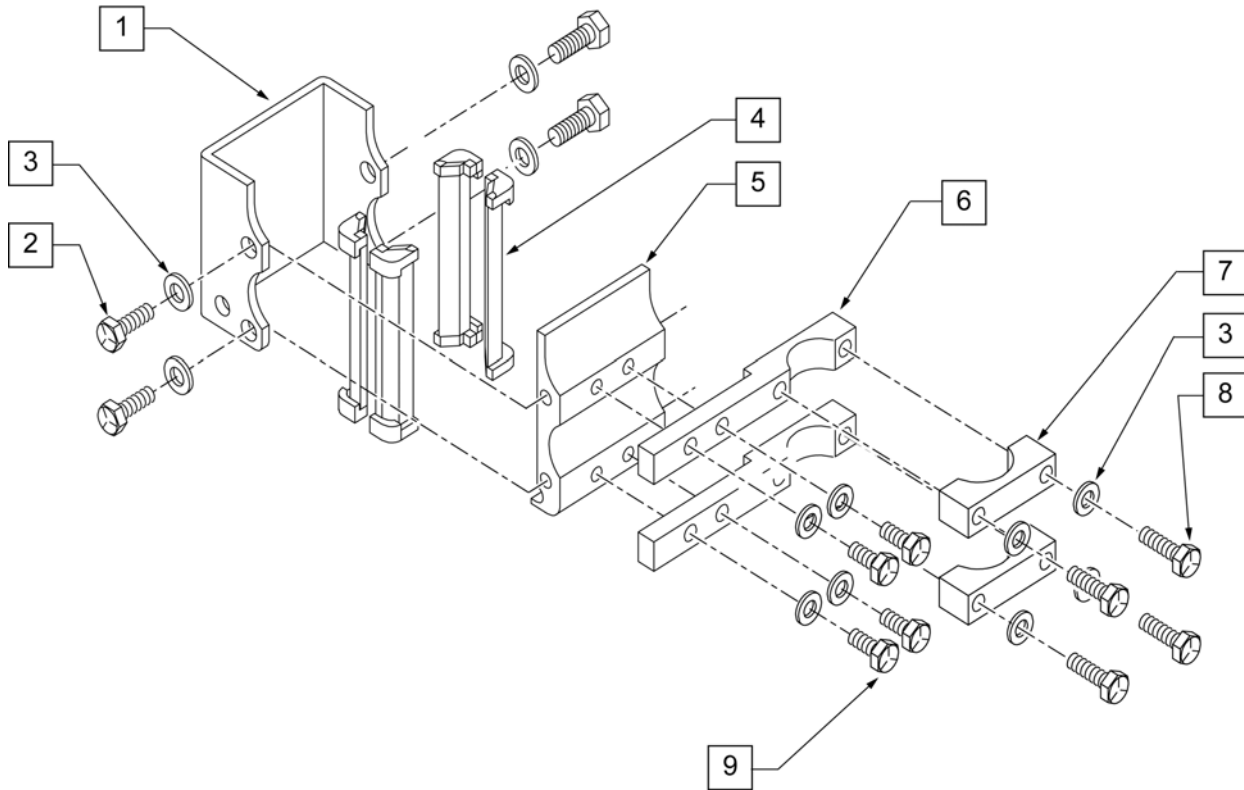


Pos.	Item Number	Description	Remarks
6	321721	LEVER RETURN SPRING	
7	562825	RELEASE LEVER INNER SLEEVE	
8	281045	#6 x 1/4 PAN PHIL S/M/S	
9A	888000	HT ADJ REC REL LEVER ASSM STD	ADULT
9B	888001	HT ADJ REC REL LEVER ASSM KIDS	KIDS
9C	888002	HT ADJ REC REL LEVER ASSM PEDS	PEDS
10	888003	HT ADJ UPPER ARM REL ASSM R	RIGHT
10	888004	HT ADJ UPPER ARM REL ASSM L	LEFT
11	108534	SHCS 10-32 X 1-1/4 PL	Used with Classic Full only
12A	561140	HT ADJ SKIRT GUARD STD	Standard
12B	561141	HT ADJ SKIRT GUARD KDS	Kids
>>>>		ADULT UPPER ASSEMBLIES	
1A-3A	880192	HT ADJ UPPER ARM ASSM DESK R	RIGHT - ADULT DESK PAD
1A-3A	880198	HT ADJ UPPER ARM ASSM DESK L	LEFT - ADULT DESK PAD
1B-3A,11	880193	HT ADJ UPPER ARM ASSM FL R	RIGHT - ADULT FULL PAD
1B-3A,11	880199	HT ADJ UPPER ARM ASSM FL L	LEFT - ADULT FULL PAD
>>>>		ADULT UPPER ASSEMBLIES	
1C-3A	881230	HT ADJ UPPER L ARM ASSM DESK W/F	RIGHT - ADULT DESK WATER FALL PAD
1C-3A	881231	HT ADJ UPPER R ARM ASSM DESK W/F	LEFT - ADULT DESK WATER FALL PAD
1D-3A	881232	HT ADJ UPPER L ARM ASSM FL W/F	RIGHT - ADULT FULL WATER FALL PAD
1D-3A	881233	HT ADJ UPPER R ARM ASSM FL W/F	LEFT - ADULT FULL WATER FALL PAD
>>>>		PEDIATRIC AND KIDS UPPER ASSEMBLIES	
1A-3B	880174	HT ADJ UPPER ARM PED PWR DESK R	RIGHT - PED/KIDS DESK PAD
1A-3B	880175	HT ADJ UPPER ARM PED PWR DESK L	LEFT - PED/KIDS DESK PAD
1B-3B,11	880176	HT ADJ UPPER ARM PED PWR FULL R	RIGHT - PED/KIDS FULL PAD
1B-3B,11	880177	HT ADJ UPPER ARM PED PWR FULL L	LEFT - PED/KIDS FULL PAD
>>>>		PEDIATRIC AND KIDS UPPER ASSEMBLIES	
1C-3B	888341	HT ADJ PED UPPER R ARM ASSM D WF	RIGHT - PED/KIDS DESK WATER FALL PAD
1C-3B	888342	HT ADJ PED UPPER L ARM ASSM D WF	LEFT - PED/KIDS DESK WATER FALL PAD
1D-3B	888343	HT ADJ PED UPPER R ARM ASSM F WF	RIGHT - PED/KIDS FULL WATER FALL PAD
1D-3B	888344	HT ADJ PED UPPER L ARM ASSM F WF	LEFT - PED/KIDS FULL WATER FALL PAD
>>>>		COMPLETE ADULT ARMREST ASSEMBLY	
1A-3A-5A	880210	HT ADJ STD R W/DESK ARM PAD	RIGHT - ADULT - DESK PAD
1A-3A-5A	880211	HT ADJ STD L W/DESK ARM PAD	LEFT - ADULT - DESK PAD
1B-3A-5A,11	880212	HT ADJ STD R W/FULL ARM PAD	RIGHT - ADULT - FULL PAD
1B-3A-5A,11	880213	HT ADJ STD L W/FULL ARM PAD	LEFT - ADULT - FULL PAD
1C-3A-5A	881301	HT ADJ STD R W/DESK W/F PAD	RIGHT - ADULT - WATERFALL DESK PAD
1C-3A-5A	881300	HT ADJ STD L W/DESK W/F PAD	LEFT - ADULT - WATERFALL DESK PAD
1D-3A-5A	881305	HT ADJ STD R W/FULL W/F PAD	RIGHT - ADULT - WATERFALL FULL PAD
1D-3A-5A	881304	HT ADJ STD L W/FULL W/F PAD	LEFT - ADULT - WATERFALL FULL PAD
>>>>		COMPLETE KIDS ARMREST ASSEMBLY	
1A-3B-5B	880214	HT ADJ KIDS R W/DESK ARM PAD	RIGHT - KIDS - DESK PAD
1A-3B-5B	880215	HT ADJ KIDS L W/DESK ARM PAD	LEFT - KIDS - DESK PAD
1B-3B-5B,11	880216	HT ADJ KIDS R W/FULL ARM PAD	RIGHT - KIDS - FULL PAD
1B-3B-5B,11	880217	HT ADJ KIDS L W/FULL ARM PAD	LEFT - KIDS - FULL PAD
1C-3B-5B	881303	HT ADJ KIDS R W/DESK W/F PAD	RIGHT - KIDS - WATERFALL DESK PAD
1C-3B-5B	881302	HT ADJ KIDS L W/DESK W/F PAD	LEFT - KIDS - WATERFALL DESK PAD
1D-3B-5B	881307	HT ADJ KIDS R W/FULL W/F PAD	RIGHT - KIDS - WATERFALL FULL PAD
1D-3B-5B	881306	HT ADJ KIDS L W/FULL W/F PAD	LEFT - KIDS - WATERFALL FULL PAD
>>>>		COMPLETE PEDIATRIC ARMREST ASSEMBLY	
1A-3B-5C	880226	HT ADJ PED R W/DESK ARM PAD	RIGHT - PEDS - DESK PAD
1A-3B-5C	880227	HT ADJ PED L W/DESK ARM PAD	LEFT - PEDS - DESK PAD
1B-3B-5C,11	880228	HT ADJ PED R W/FULL ARM PAD	RIGHT - PEDS - FULL PAD
1B-3B-5C,11	880229	HT ADJ PED L W/FULL ARM PAD	LEFT - PEDS - FULL PAD
1C-3B-5C	888345	HT ADJ PED R W/DESK W/F PAD	RIGHT - PEDS - WATERFALL DESK PAD
1C-3B-5C	888346	HT ADJ PED L W/DESK W/F PAD	LEFT - PEDS - WATERFALL DESK PAD

<b>Pos.</b>	<b>Item Number</b>	<b>Description</b>	<b>Remarks</b>
1D-3B-5C	888347	HT ADJ PED R W/FULL W/F PAD	RIGHT - PEDS - WATERFALL FULL PAD
1D-3B-5C	888348	HT ADJ PED L W/FULL W/F PAD	LEFT - PEDS - WATERFALL FULL PAD



Pos.	Item Number	Description	Remarks
1	561004	1" SADDLE 1/4" HOLE	
2	221181	1/4-28 x 2 1/2 G8 HEX C/S	
3	221193	1/4-28 x 2 3/4 G8 HEX C/S	
4	106972	1/4-28 x 1 1/2 G8 HEX C/S	
5	560400	1" ID NY-LINER	
6	540120	PADDED ARM REC ANGLE R NF	RIGHT
6	540122	PADDED ARM REC ANGLE L NF	LEFT
7	106934	1/4-28 NYLOCK NUT	
8	106935	NUT NYLOCK THIN 1/4-28 ROHS	
1-8	900530	ARM REC SINGLE CYL NF (PR)	PAIR

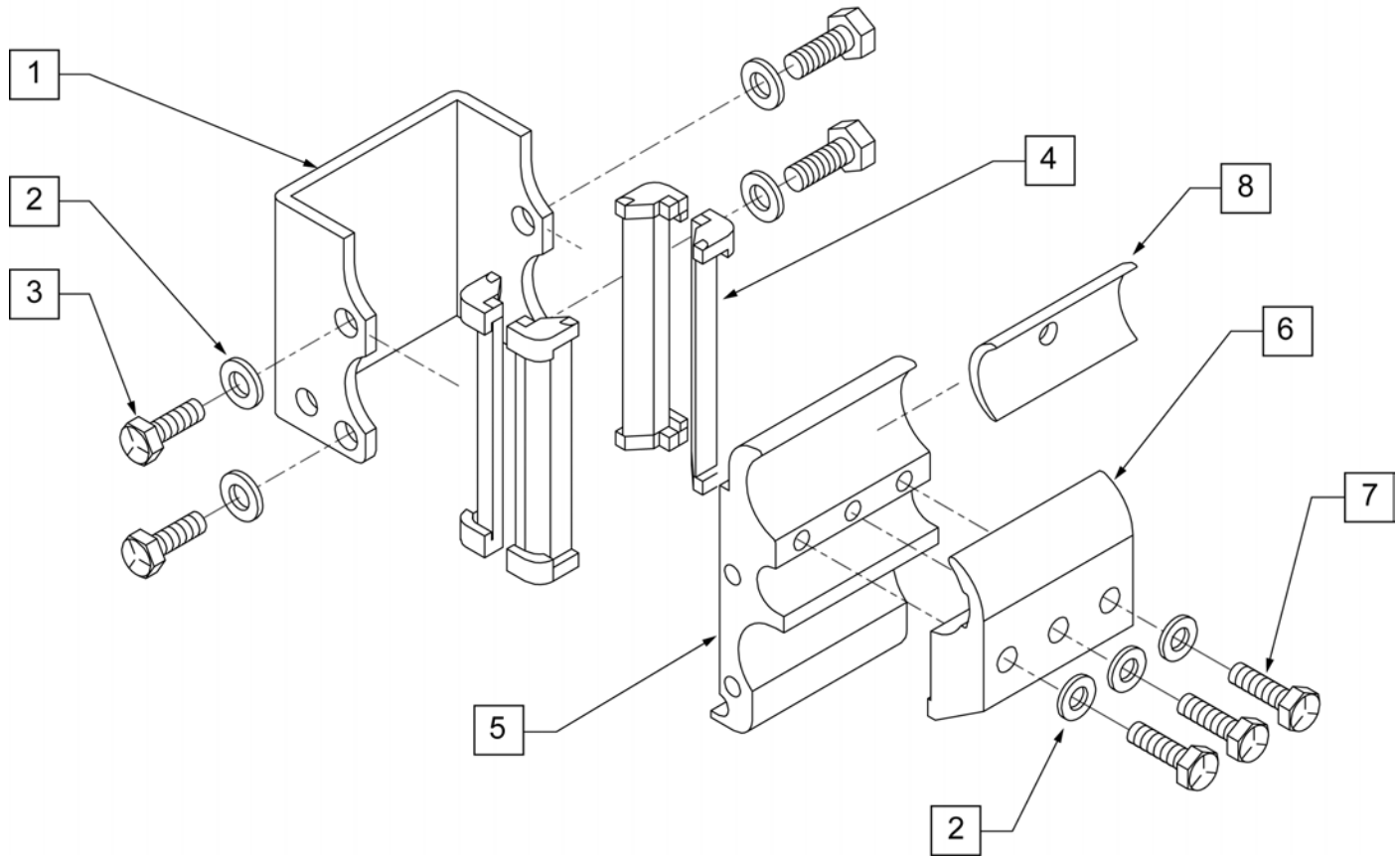


Pos.	Item Number	Description	Remarks
1	550485	HT ADJ REC CHANNEL	
2	221096	1/4-28 x 5/8 HEX C/S	
3	106943	1/4 AN WASHER FLAT	
4	561134	HT ADJ RECEIVER LINER	
5	550483	HT ADJ REC STD	
6	500755	HT ADJ REC ARM CLAMP RIGID	
7	550210	LOW LOCK CLAMP	
8	106971	1/4-28 x 1 3/8 HEX C/S	
9	107014	1/4-28 x 3/4 HEX C/S	
1-9	880242	HT ADJ REC NF R W/ CLAMP	RIGHT
1-9	880243	HT ADJ REC NF L W/ CLAMP	LEFT

# KIDS SINGLE POST ARMREST RECEIVER

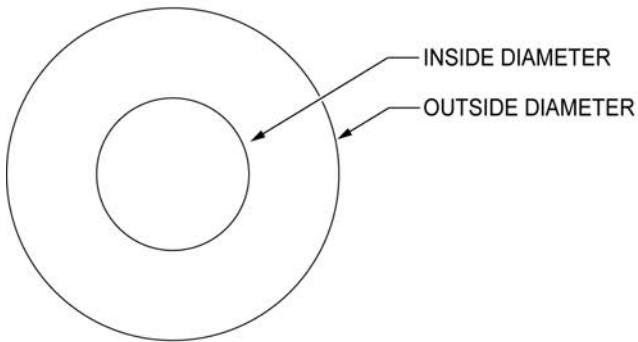
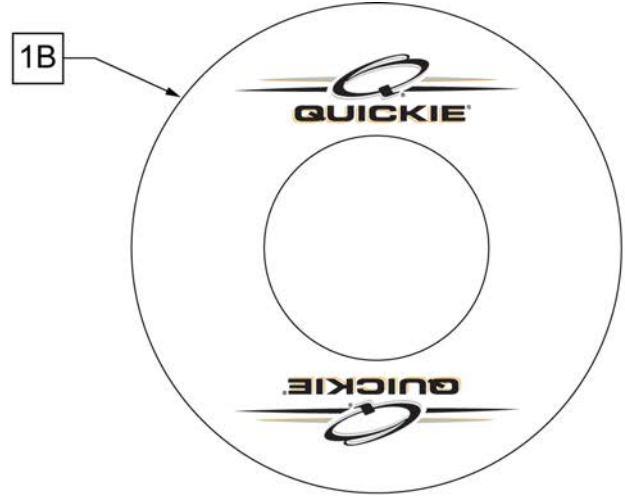
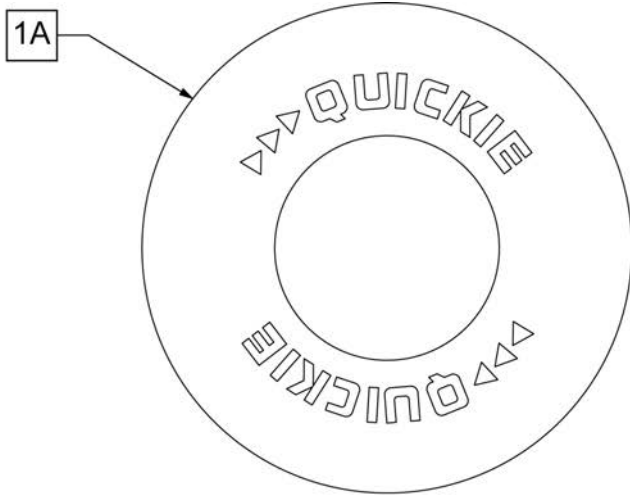
(12/23/2019)

Note: available on Quickie Iris S/N Prefix CGT & prior to IRS-007726 & IRSE-008701.



Pos.	Item Number	Description	Remarks
1	550485	HEIGHT ADJUSTABLE RECEIVER CHANNEL	
2	106943	WASHER FLAT AN 1/4 ROHS	
3	221096	1/4-28 x 5/8 HEX C/S	
4	561134	HEIGHT ADJUSTABLE RECEIVER LINER	
5	550484	HEIGHT ADJUSTABLE RECEIVER LOW	
6	550491	HEIGHT ADJUSTABLE RECEIVER CLAMP LOW	
7	221133	1/4-28 x 1 1/2 G8 HEX C/S	
8	550486	HEIGHT ADJUSTABLE RECEIVER SPACER	Used to space Armrest 1/8" from frame on each side
1-5	880231	HEIGHT ADJUSTABLE RECEIVER KIDS W/O CLAMP	
1-7	880241	HEIGHT ADJUSTABLE RECEIVER KIDS W/ CLAMP	
1-8	880249	HEIGHT ADJUSTABLE RECEIVER KIDS W/ CLAMP AND SPACER	

Note: Not available with 5 Spoke Mag or Xtender wheels. Not available with Projection style handrims.



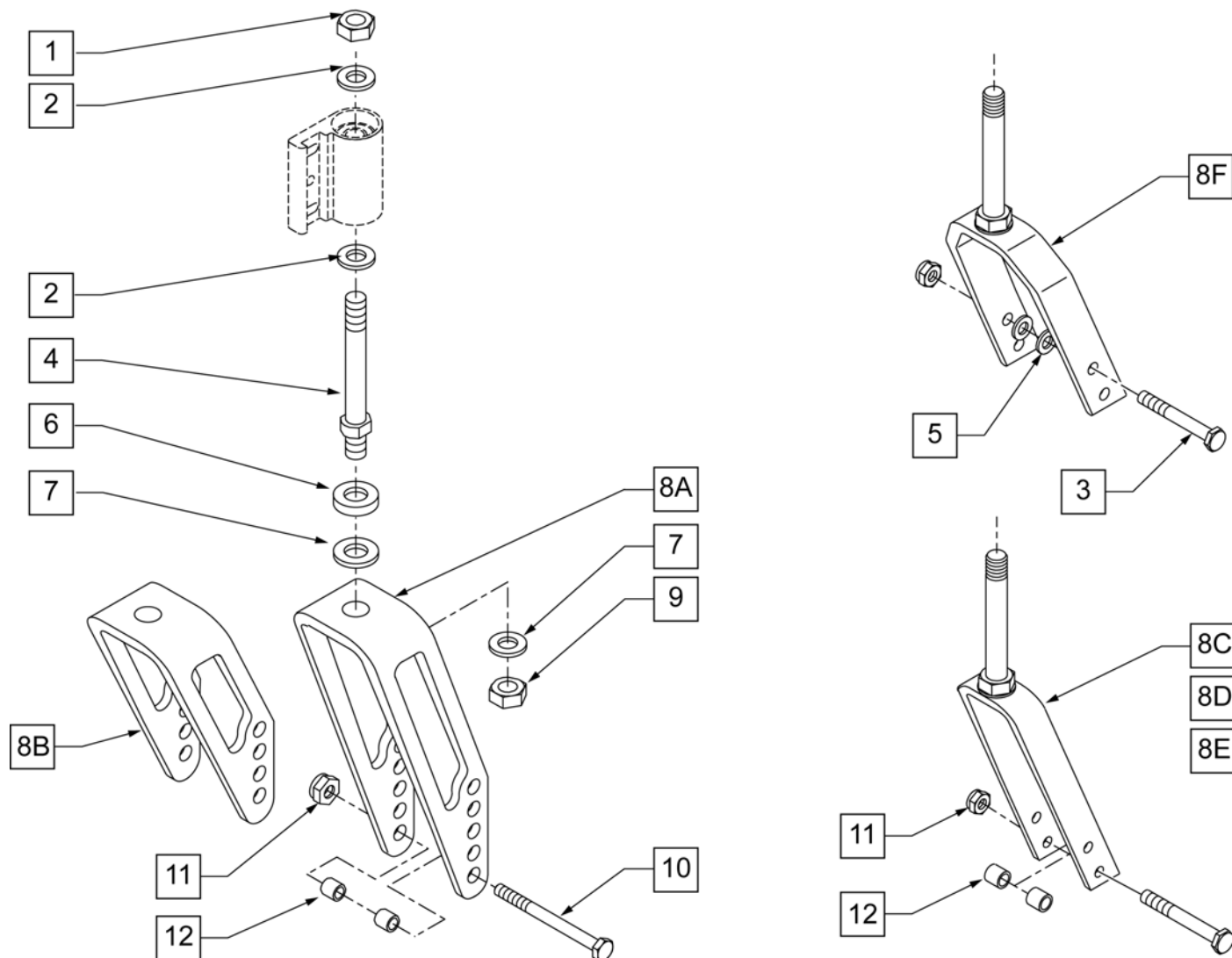
**SPOKE GUARD MEASURING GUIDE**

PART NUMBER	INSIDE DIAMETER	OUTSIDE DIAMETER
902001	8 1/4	15 7/8
902011	8 1/4	18 1/8
902021	10 1/4	19 5/8
902025	10 1/4	20 3/8
902037	10 1/4	21 7/8
902038	10 1/4	23 3/8
103660-001	8 1/4	16
103660-002	8 1/4	18
103663-001	10 1/4	20 1/2
103663-002	10 1/4	23 1/2
103734-001	10 1/4	19 1/4
103734-002	10 1/4	22
119336	10 1/4	19 1/4

Pos.	Item Number	Description	Remarks
>>>>		BLACK SPOKE GUARDS	
1A	902001	SPK GRDS 20" QUICKIE BLK	PR-Black-fits 20" Whls
1A	902011	SPK GRDS 22" QUICKIE BLK	PR-Black-fits 22" Whls, 24" (540) Whls w/ Proj HR, 24" Mountain Spoke Whls, M6 24" (540) Spoke Whls
1A	902021	SPK GRD 24" QUICKIE SCR MT BLK	PR-Black-fits 24" (540) Mag & Spoke Whls
1A	902025	SPK GRD 24" QUICKIE TAB MT BLK	PR-Black-fits 25" (559) Spk Whls & 26" Mountain Spoke Whls
1A	902037	SPK GRD 26" QUICKIE TAB MT BLK	PR-Black-fits 26" (590) Whls
1A	902038	SPK GRD 26" QUICKIE HT BLK	PR-Black-fits 27" (700) Whls
>>>>		CLEAR SPOKE GUARDS	
1B	103660-001	CLEAR SPOKE GUARD 20"	PR-Clear-fits 20" Whls
1B	103660-002	CLEAR SPOKE GUARD 22"	PR-Clear-fits 22" Whls, 24" (540) Whls w/ Proj HR, 24" Mountain Spoke Whls, M6 24" (540) Spoke Whls
QUICKIE GP/GPV/GPSA/GP Ti			
PAGE 351			
1B	103734-001	SPOKE GUARD 24" CLR	PR-Clear-fits 24" (540) Spoke Whls

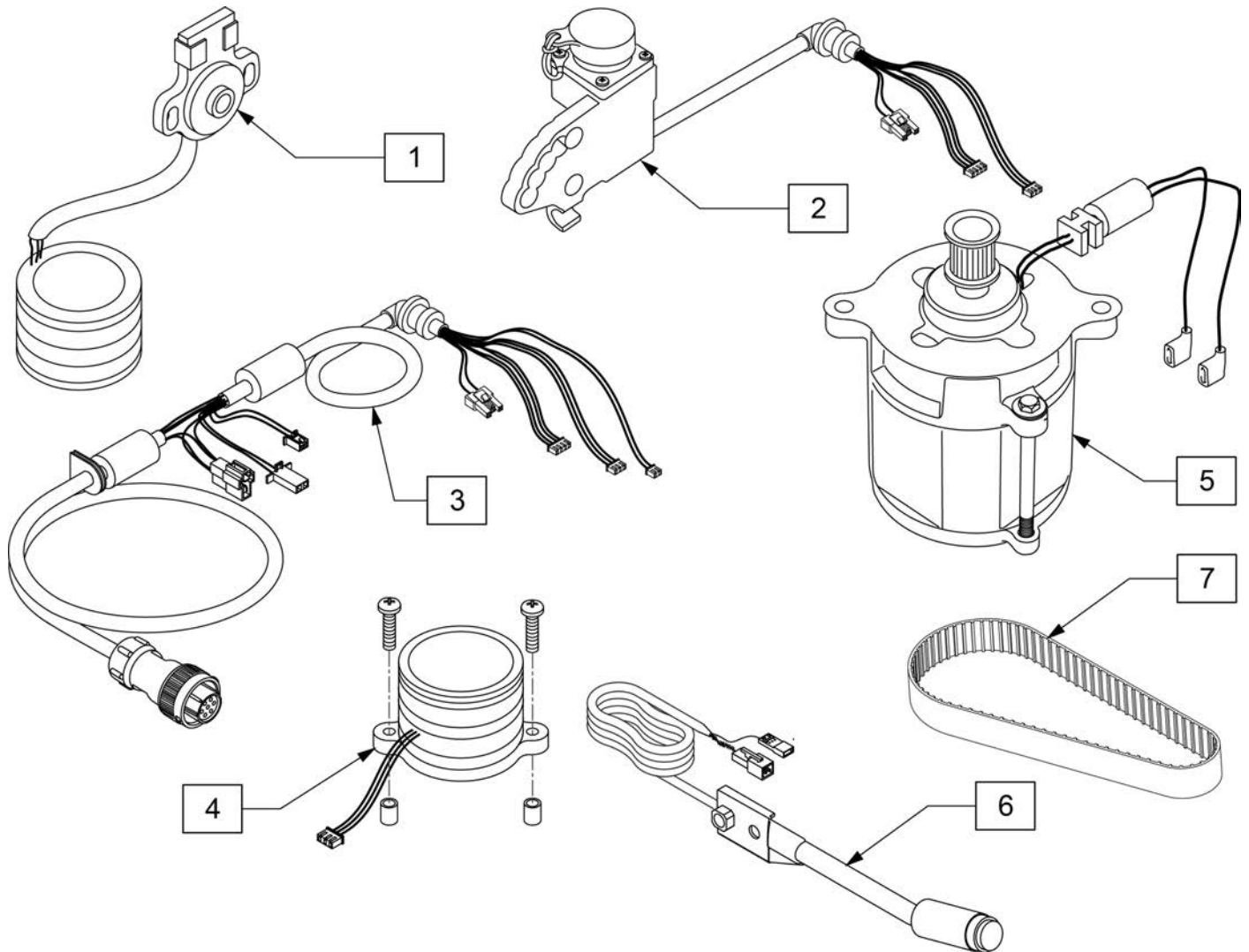






Pos.	Item Number	Description
1	106940	1/2-20 NYLOCK NUT
2	106949	1/2 AN WASHER FLAT
3	222253	5/16-24 x 3 1/4 HEX C/S
4	481712	CASTER STEM P1/P5
5	106947	5/16 AN WASHER FLAT THIN
6	483254	SPACER .5 ID x .88 OD x .125
7	106949	1/2 AN WASHER FLAT
8A	550644	MULTI-POSITION FORK TALL
8B	550646	MULTI-POSITION FORK SHORT
8C	550280	5-1/4 FORK ONLY BLK
8D	550290	6" FORK ONLY BLK
8E	550300	7" FORK ONLY BLK
8F	550730	8 x 2 FORK ONLY
9	106940	1/2-20 NYLOCK NUT
10	106987	5/16-24 x 2 1/2 HEX C/S
11	106939	5/16-24 NYLOCK NUT THIN
12	481113	SPACER 5/16 x .380

<b>Pos.</b>	<b>Item Number</b>	<b>Description</b>
4,6,7,8A,9	780236	MULTI POS FORK TALL STD STEM
4,6,7,8B,9	780239	MULTI POS FORK SHORT STD STEM
4,6,7,8C,9	785450	5-1/4 P1/P5 STEM BLK
4,6,7,8D,9	785451	6 P1/P5 STEM BLK
4,6,7,8E,9	785452	7 P1/P5 STEM BLK
4,6,7,8F,9	785453	8 x 2 P1/P5 STEM BLK
1,2,4,6,7,8A,9-12	780330	M/P FORK TALL STD STM W/HDWR
1,2,4,6,7,8B,9-12	780333	M/P FORK SHORT STD STM W/HDWR
1,2,4,6,7,8C,9-12	780830	5 1/4 P1/P5 STEM W/HDWR BLK
1,2,4,6,7,8D,9-12	780658	6 P1/P5 STEM W/HDWR BLK
1,2,4,6,7,8E,9-12	780876	7 P1/P5 STEM W/HDWR BLK
1-7,8F,9-12	780918	8 x 2 P1/P5 STEM W/HDWR BLK

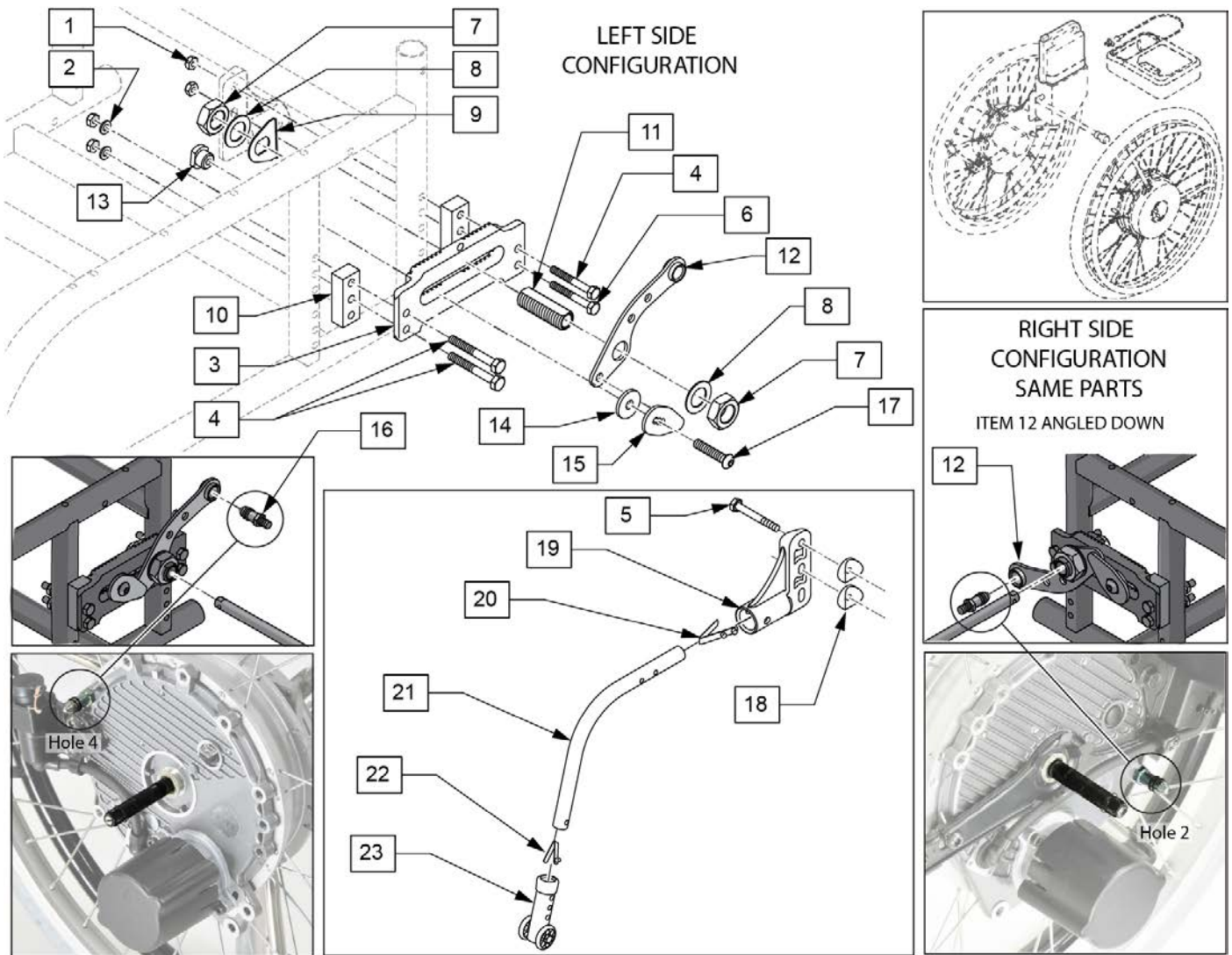


Pos.	Item Number	Description
1	107008	YAMAHA SENSOR KIT
2	107005	YAMAHA RECEPTICAL KIT
3	107010	YAMAHA COUPLER HRNS
4	107007	YAMAHA ROTARY TRANS KIT
5	107009	YAMAHA MOTOR REPLACEMENT KIT
6	107012	YAMAHA SWITCH KIT
7	107006	YAMAHA DRIVE BELT KIT

**Note:** The Yamaha Xtender is not transit approved and can not be added to a chair that is transit approved.

**Note:** If replacing or retrofitting an Xtender, please contact Customer Service to ensure compatibility.

**Note:** 4X Xtender Axle Plate & Retro Kit discontinued; for complete assembly, see GEN 2 XTENDER AXLE PLATE & RETRO KIT GP parts page.

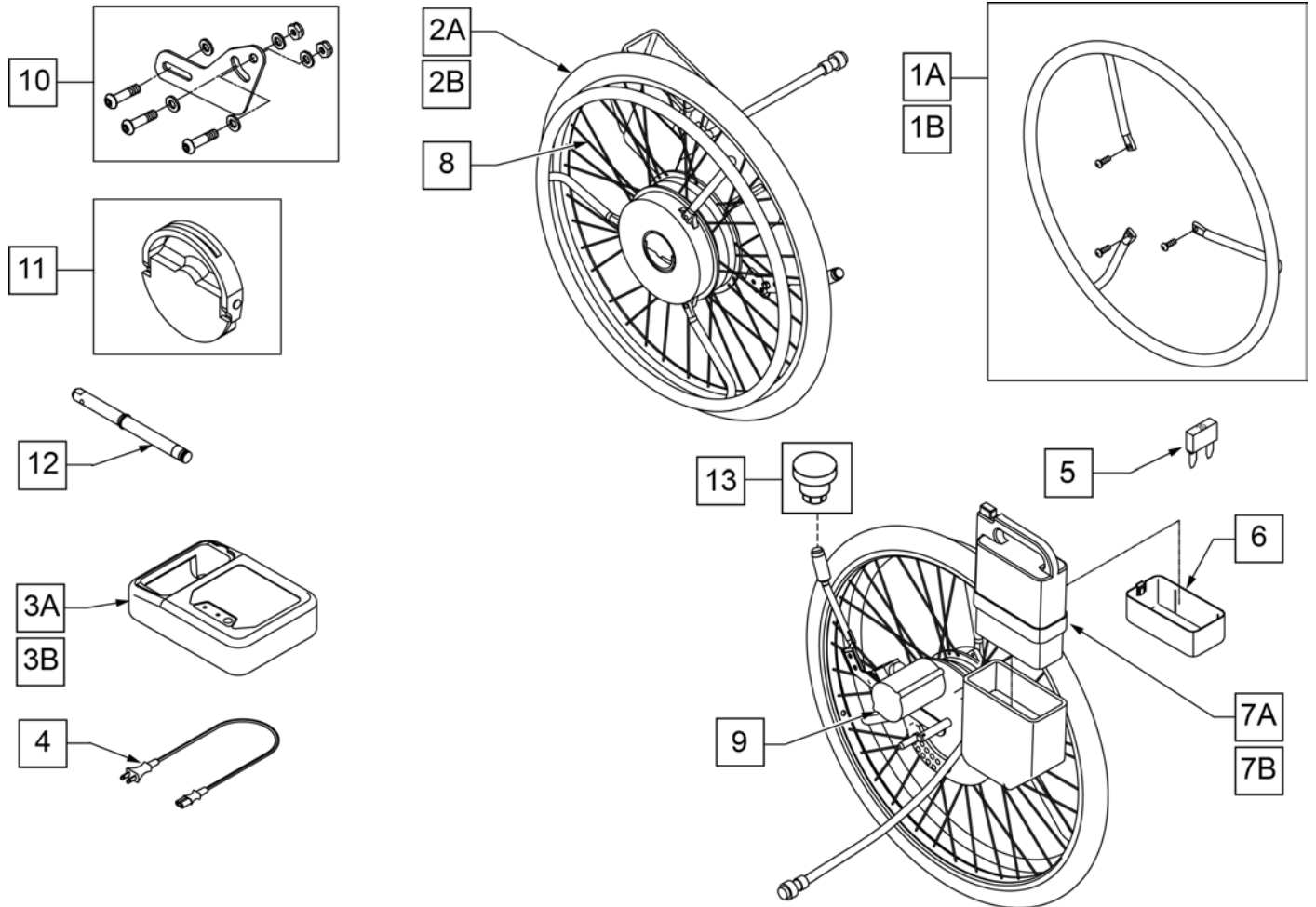


Pos.	Item Number	Description	Remarks
1	106934	1/4-28 NYLOCK NUT	
2	106943	WASHER FLAT AN 1/4 ROHS	
3	126086	GPV XTENDER AXLE PLATE	
4	109265	HHCS 1/4-28 X 2-1/2	
5	107015	HHCS 1/4-28 X 1-3/4 ROHS	
6	107264	HHCS 1/4-28 X 2-3/4 PL ROHS	

Pos.	Item Number	Description	Remarks
7	116569	NUT HEX 3/4-16 BLACK ZINC	
8	116570	WASHER FLAT 3/4 X 1.25 BLK ZNC	
9	505015	INDEX AXLE WASHER	
10	126085	GPV XTENDER AXLE PLATE SPACER	
11-17	125331	XTENDER UNIVERSAL BRACKET KIT	
18	561001	1 1/8" SADDLE 1/4" HOLE	
19	920407	ANTI-TIP RECEIVER PR	Pair
20	301109	SNAP BUTTON DUAL ONE SIDE	
22	301100	1/4" SNAP BTTN SINGLE	
23	881513	ANTI-TIP SLV W/WHLS BLK - 5H (EA)	
20-23	881128	MED ANTI TIP ASSM RT BLK	Right
20-23	881129	MED ANTI TIP ASSM LT B	Left
20-22	883008	MED ANTI TIP TUBE R W/ SNAP BUTTON	Right
20-22	883009	MED ANTI TIP TUBE L W/ SNAP BUTTON	Left
1-4,10	126398	GP XTNDR AXLE PLATE W/HDWR EA	

**Note:** If replacing or retrofitting an Xtender, please contact Customer Service to ensure compatibility.

**Note:** Battery Type :NiMH- Nickel Metal Hydride, Capacity: 24V x 6.7Ah , Weight 2.9 [kg], Fuse: 20A.

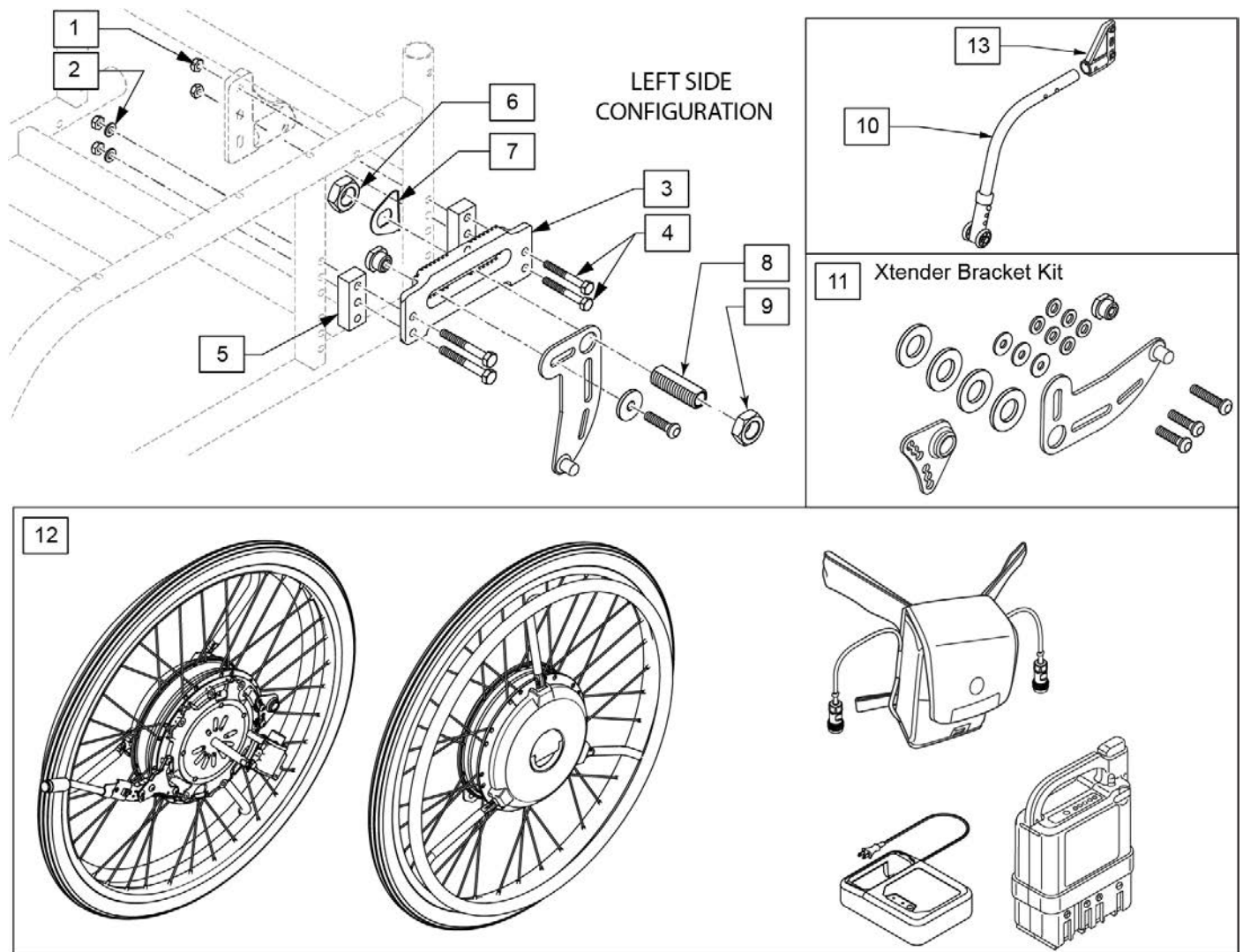


Pos.	Item Number	Description	Remarks
1A	242232	HNDRM W/O COATING 24", 21" DIA	24" Stainless Steel Handrim w/3 fixing bolts
1B	242234	HNDRM W/COATING 24", 21" DIA	24" Plastic Coated Handrim w/3 fixing bolts
2A	385300	24" PNEUMATIC TIRE	
2B	382325	24" TUBE	
3A,4	114474	CHARGER YAMAHA W/ ADDRESS LBL	Nickel Battery Charger
3B,4	120710	BATTERY CHARGER YAMAHA	Lithium Battery Charger
4	134121	PWR CORD BATT CHARGER YAMAHA	Used on Nickel Battery Charger only
5	138219	FUSE 20A BLADE	
5,6,7A	134000	JWX-2 NICKEL BATTERY BLACK	Nickel Battery
5,6,7B	134002	JWX-2 LI-ION BATTERY BLACK	Lithium Battery
8	133108	SPOKE SET 24" YAMAHA	Includes 36 spokes
9	490013	MOTOR COVER YAMAHA	
10	921763	XTNDR ADJ BRCKT KIT (W/HDWR)	
11	107011	YAMAHA PLATE ASSM KIT	
12	541155	XTNDR QUICK RELEASE AXLE	
13	108273	PWR BUTTON SWITCH	

**Note:** The Yamaha Xtender is not transit approved and can not be added to a chair that is transit approved.

**Note:** If replacing or retrofitting an Xtender, please contact Customer Service to ensure compatibility.

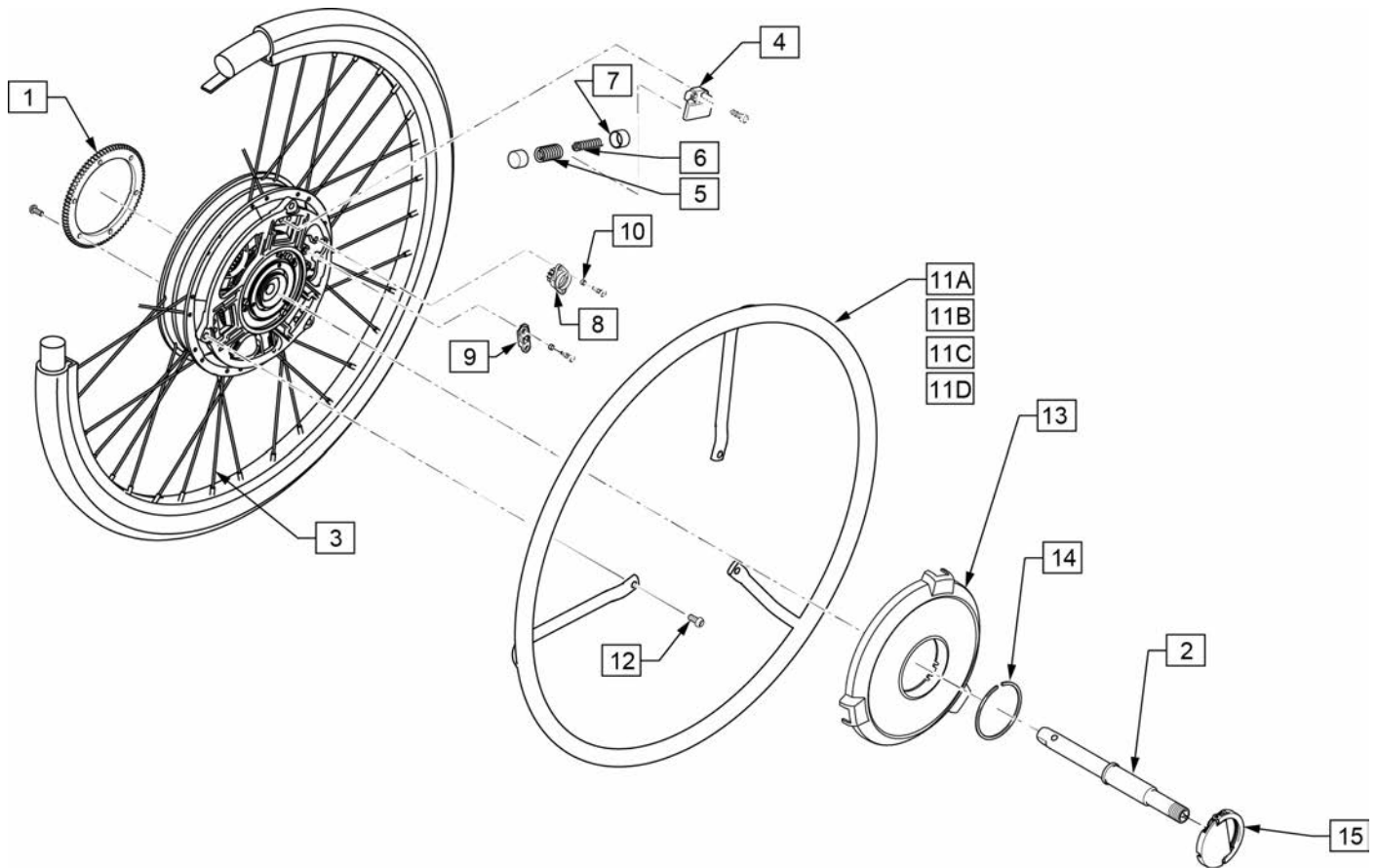
Note: the 22" Plastic hand rims with Li Ion Battery has been discontinued



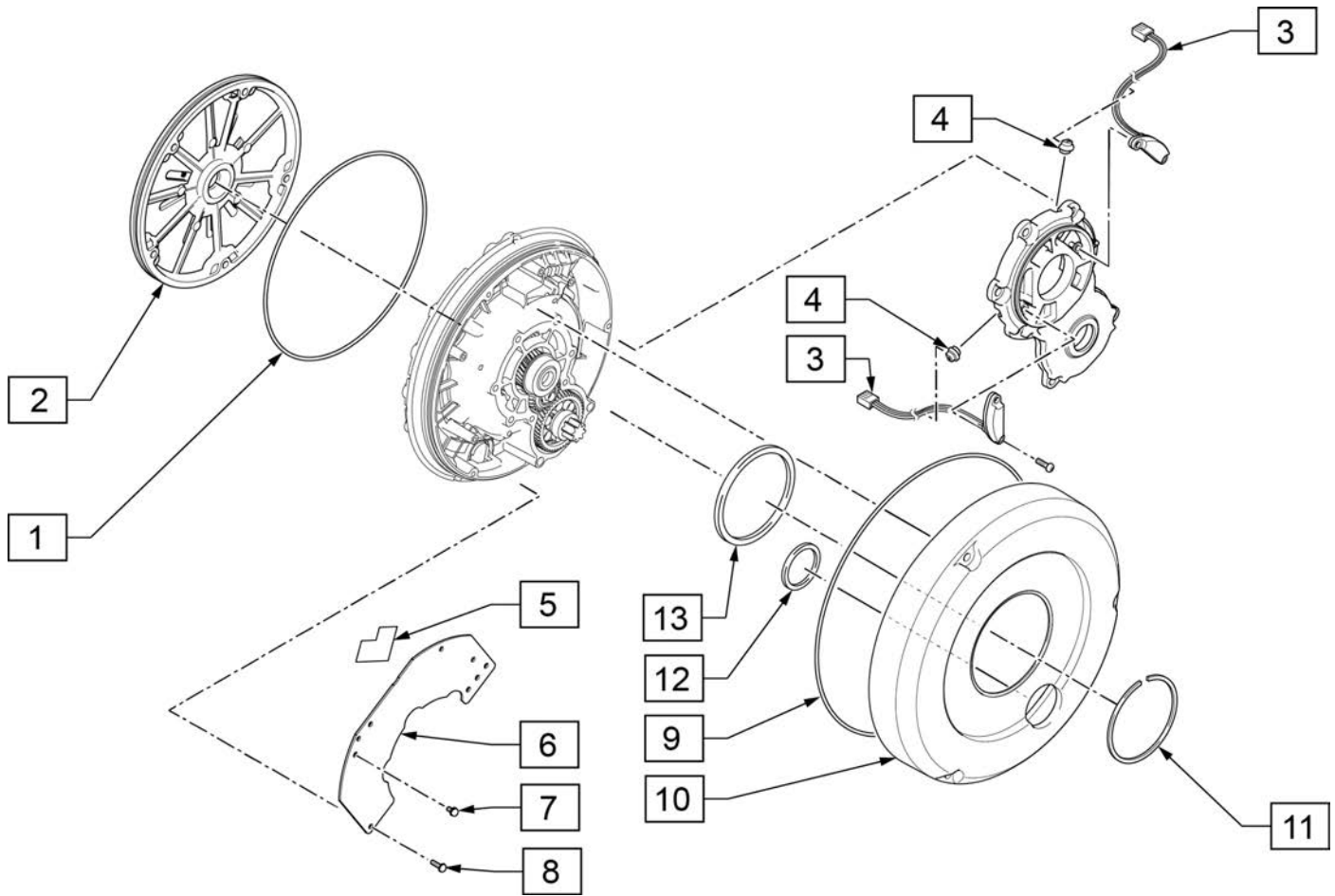
Pos.	Item Number	Description	Remarks
1	106934	1/4-28 NYLOCK NUT	
2	106943	WASHER FLAT AN 1/4 ROHS	
3	126086	GPV XTENDER AXLE PLATE	
4	109265	HHCS 1/4-28 X 2-1/2	
5	126085	GPV XTENDER AXLE PLATE SPACER	
6	116569	NUT HEX 3/4-16 BLACK ZINC	



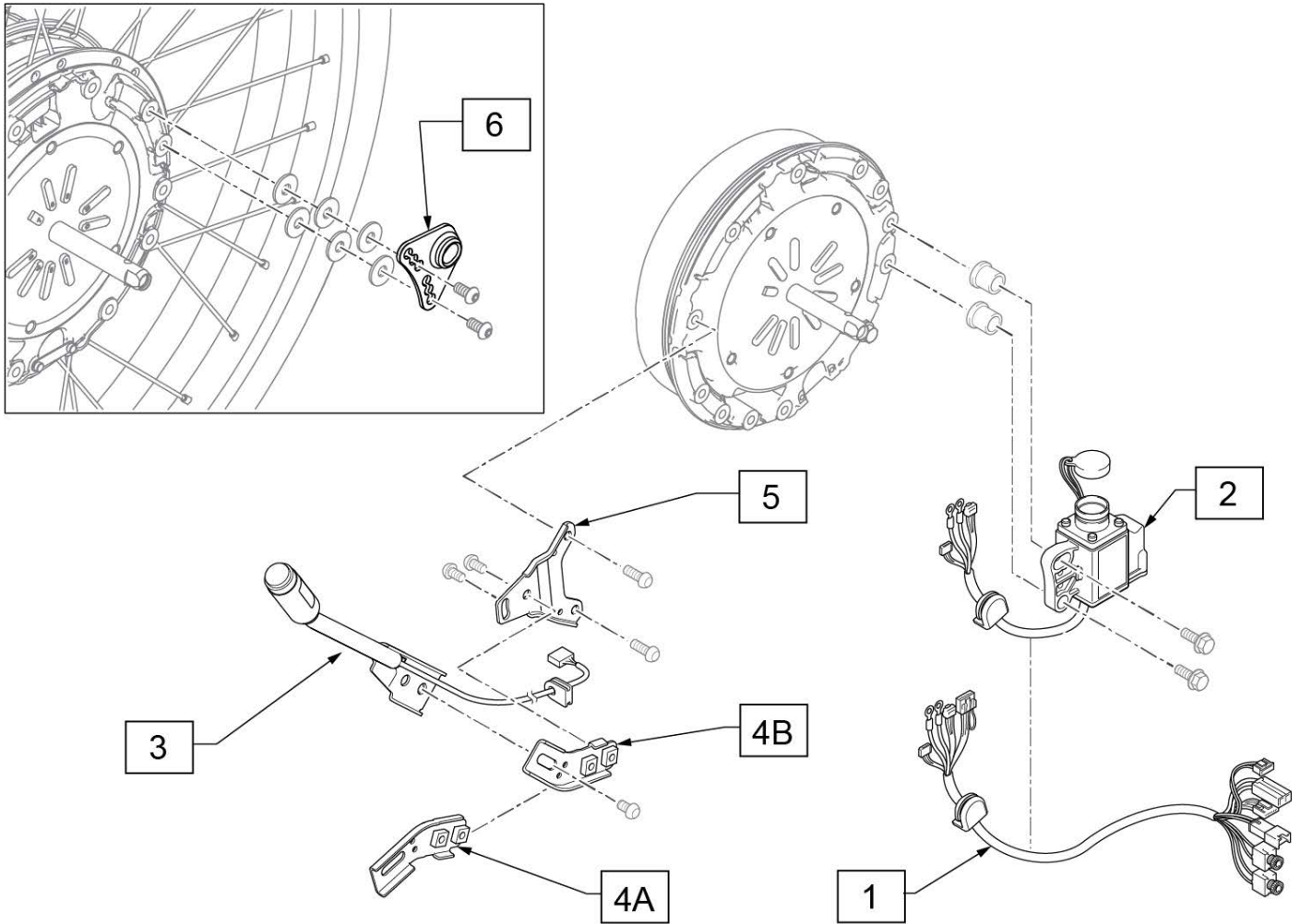
Pos.	Item Number	Description	Remarks
7	505015	INDEX AXLE WASHER	
8	481065	AXLE SLEEVE SS	
9	116569	NUT HEX 3/4-16 BLACK ZINC	
10	881128	MED ANTI TIP ASSM RT BLK	Right
10	881129	MED ANTI TIP ASSM LT B	Left
11	241917	JWX-2 BRACKET KIT RH	Right
11	241916	JWX-2 BRACKET KIT LH	Left
13	920407	ANTI-TIP RECEIVERS	Pair
11,12	133982	JWX-2 XTENDER KIT	24", Nickle Batt,SS Handrim
11,12	133983	JWX-2 24IN LI SS	24", Lith Ion Batt,SS Handrim
11,12	133984	JWX-2 24IN NI PLS	24", Nickle Batt, Plastic Handrim
11,12	133985	JWX-2 24IN LI PLS	24", Lith Ion Batt,Plastic Handrim
11,12	133986	JWX-2 22IN NI SS	22", Nickle Batt,SS Handrim
11,12	133987	JWX-2 22IN LI SS	22", Lith Ion Batt,SS Handrim
11,12	133988	JWX-2 22IN NI PLS	22", Nickle Batt, Plastic Handrim
1-12	161337	GP JW2 KIT 24 4X SS NI	24", Nickle Batt,SS Handrim
1-12	161338	GP JW2 KIT 24 4X SS LI	24", Lith Ion Batt,SS Handrim
1-12	161339	GP JW2 KIT 24 4X PLS NI	24", Nickle Batt, Plastic Handrim
1-12	161340	GP JW2 KIT 24 4X PLS LI	24", Lith Ion Batt,Plastic Handrim
1-12	161341	GP JW2 KIT 22 4X SS NI	22", Nickle Batt,SS Handrim
1-12	161342	GP JW2 KIT 22 4X SS LI	22", Lith Ion Batt,SS Handrim
1-12	161343	GP JW2 KIT 22 4X PLS NI	22", Nickle Batt, Plastic Handrim
1-12	161344	GP JW2 KIT 22 4X PLS LI	22", Lith Ion Batt,Plastic Handrim



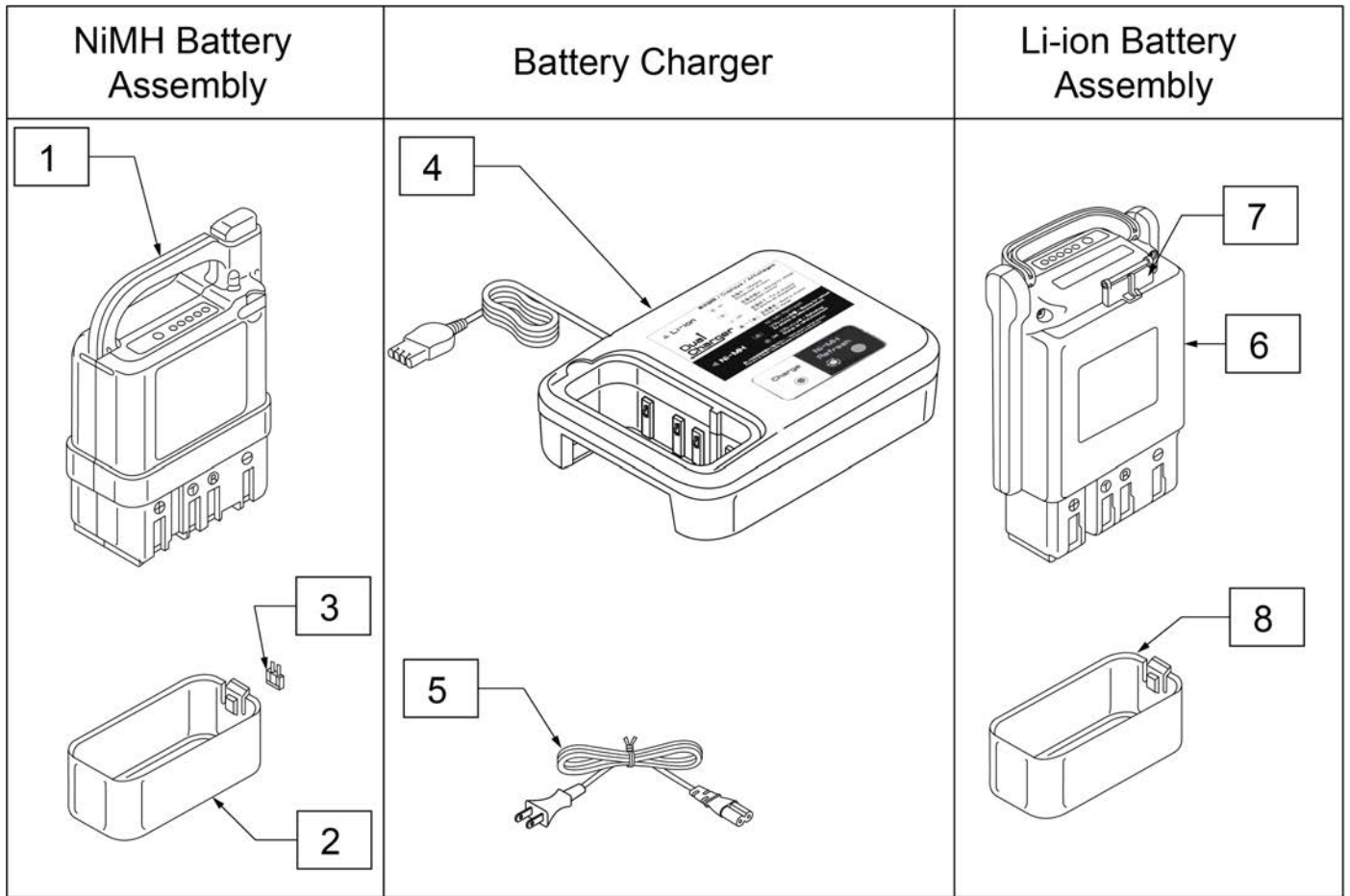
Pos.	Item Number	Description	Remarks
1	242261	GEAR, WHEEL 3	
2	242237	RR AXLE ASSY	
3	242235	RR SPOKE SET 22"	for 22" Wheel; 36 spokes & 36 nipples
3	242236	RR SPOKE SET 24"	for 24" Wheel; 36 spokes & 36 nipples
4	242255	RETAINER	
8	242252	DAMPER	
9	242270	ARM, MOVING	
10	242272	COLLAR	To fix Damper (item 8) & Arm (item 9)
11A,12	242231	HNDRM W/O COATING 22", 19" DIA	22" Stainless Steel Handrim w/3 fixing bolts
11B,12	242233	HNDRM W/ COATING 22", 19" DIA	22" Plastic Coated Handrim w/3 fixing bolts
11C,12	242232	HNDRM W/O COATING 24", 21" DIA	24" Stainless Steel Handrim w/3 fixing bolts
11D,12	242234	HNDRM W/ COATING 24", 21" DIA	24" Plastic Coated Handrim w/3 fixing bolts
13	134003	JWX-2 WHEEL CAP ASSEMBLY	Black, Hub cover w/decal
14	242256	SPRING CLIP 42MM	
15	242238	YAMAHA PLATE ASSY	Handle Plate for the unit detaching
5-9	242244	SPRING, LEVER RETURN E	



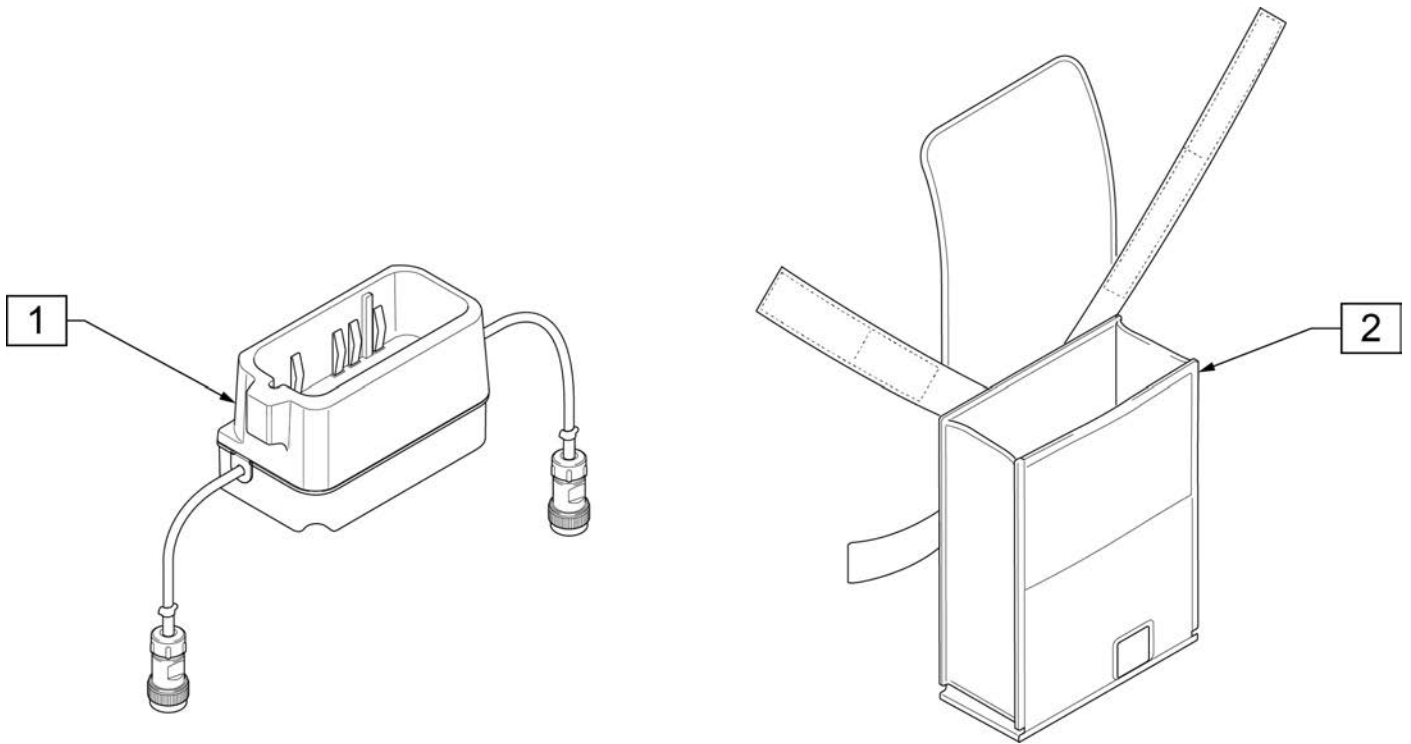
Pos.	Item Number	Description	Remarks
1	242250	JWX-2 O-RING 1	
2	242230	YAMAHA HSG ASSY	Unit Back Plate;
3,4	242242	SENSOR ASSY	
5-8	242273	PRINT BOARD ASSY 1	Pair, Main Electric Board
9	241969	JWX-2 SEAL 1	O-ring for Transparent Cover
10	242240	YAMAHA COVER, TRANSMISSION	Transparent Plastic Cover
11	242260	CLIP	C clip spring to fix Transparent Cover
12	242258	GASKET 1	urethane flat O-ring, small
13	242259	GASKET 2	urethane flat O-ring, large



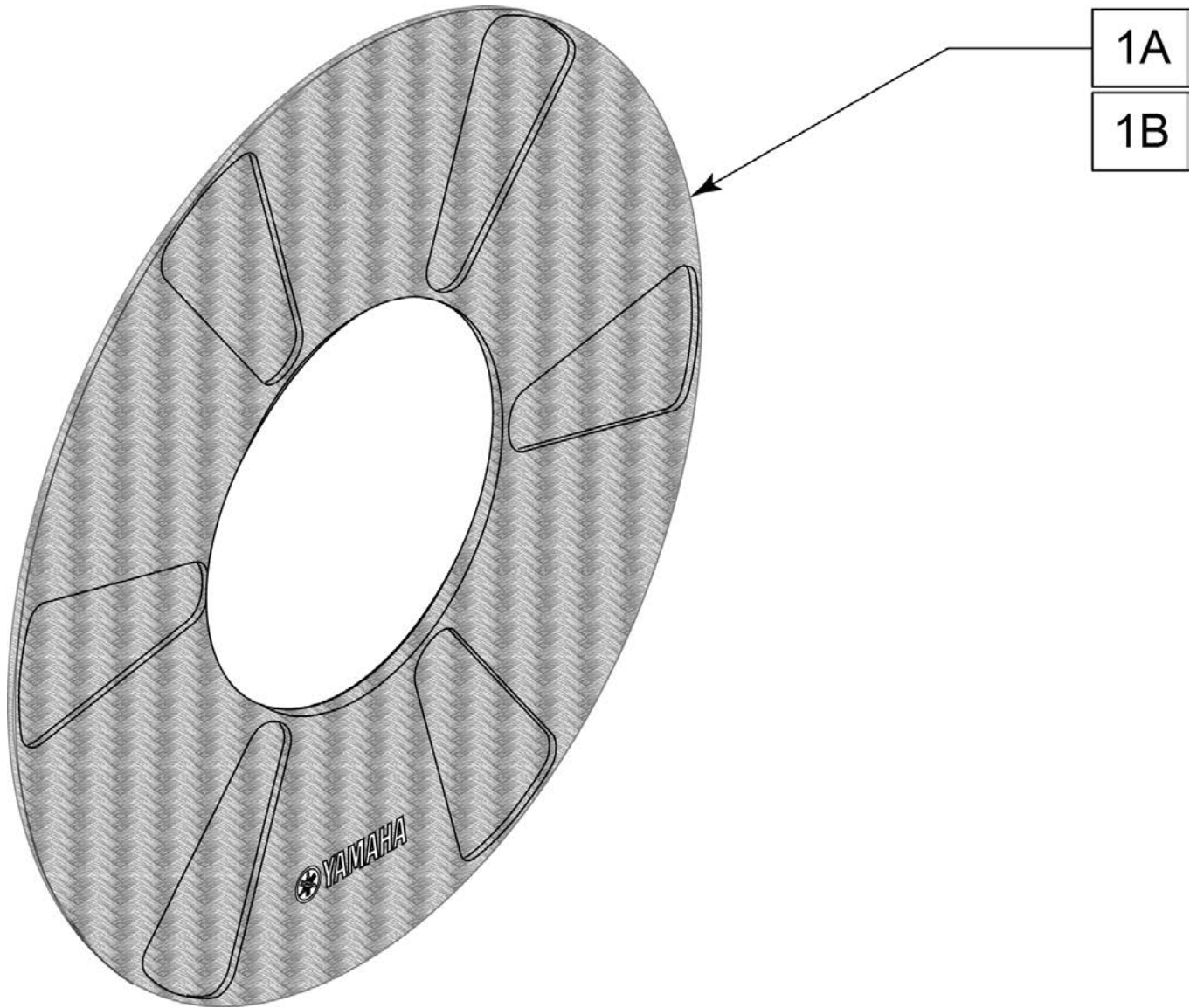
Pos.	Item Number	Description	Remarks
1	242271	WIRE 6	Connecting Wire from Battery Seat to Drive Unit
2	133999	JWX-2 WIRE HARNESS ASSY RH	Right Side Wheel
2	242245	JWX-2 WIRE HARNESS ASSY LH	Left Side Wheel
3	133995	JWX-2 MAIN SWITCH SUB ASSY	Power Switch Main Unit
4A	133993	JWX-2 POWER SWITCH ANGLE A	Angle Bracket (A)
4B	133994	JWX-2 POWER SWITCH ANGLE B	Angle Bracket (B)
5	133992	JWX-2 XTENDER "A" BRACKET	
6	241957	JWX-2 XTENDER PLATE LOCK	



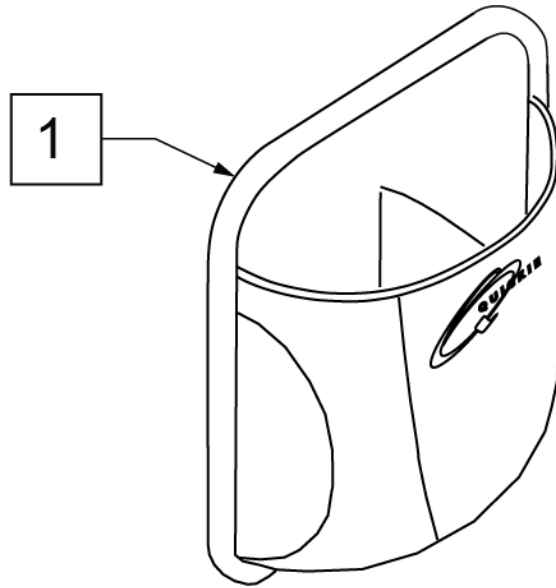
Pos.	Item Number	Description
1-3	134000	JWX-2 NICKEL BATTERY BLACK
4	134001	JWX-2 BATTERY CHARGER NI
5	134121	POWER CORD BATT CHARGER YAMAHA
6-8	134002	JWX-2 LI-ION BATTERY BLACK



Pos.	Item Number	Description	Remarks
1	241919	JWX-2 BATTERY BOX ASSEMBLY	
2	241918	JWX-2 HANGER BAG	Battery Bag



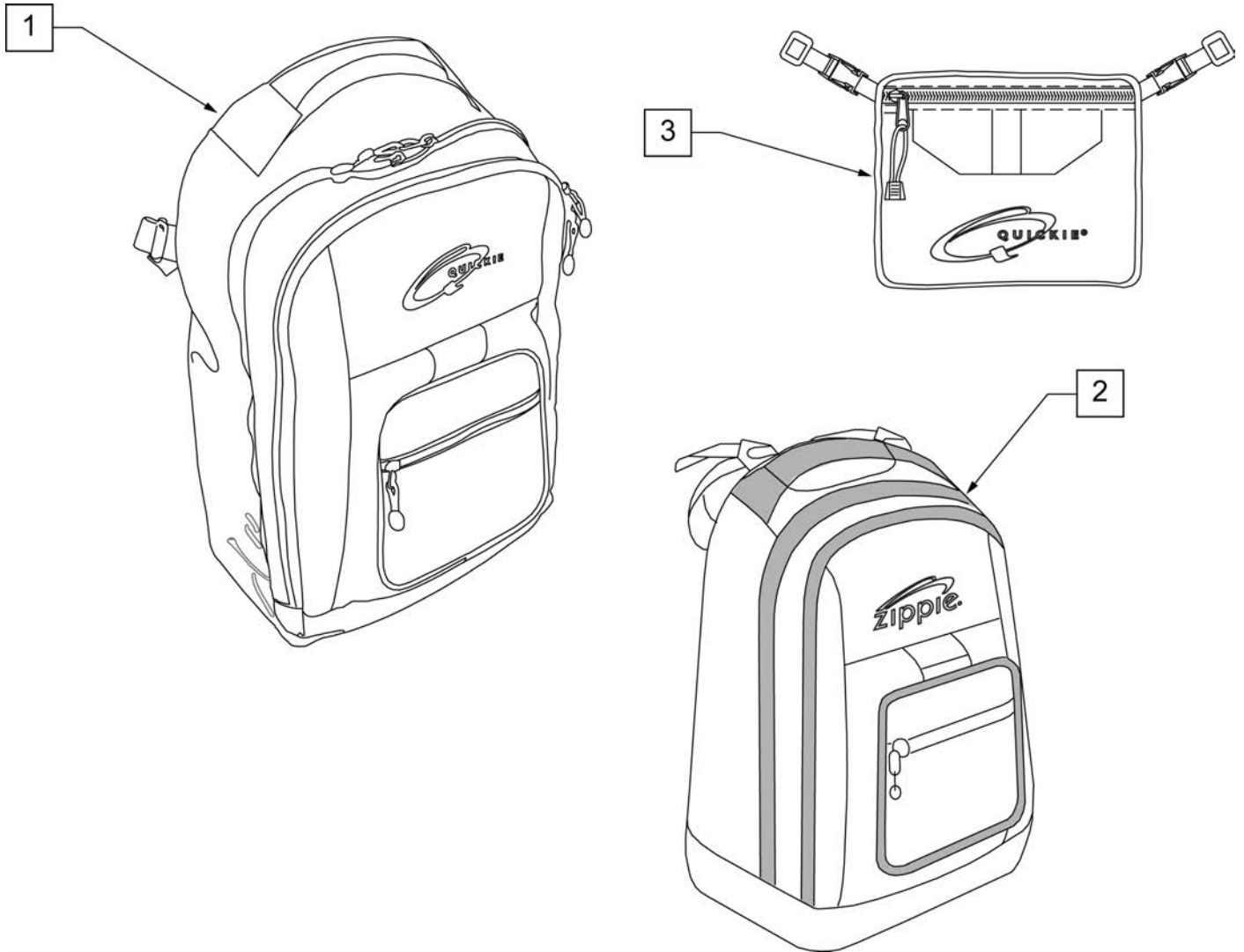
Pos.	Item Number	Description	Remarks
1A	243342	JWX-2 SPOKE GUARD 22 IN	Each; actual Outside Diameter is 18"
1B	243343	JWX-2 SPOKE GUARD 24 IN	Each; actual Outside Diameter is 20"



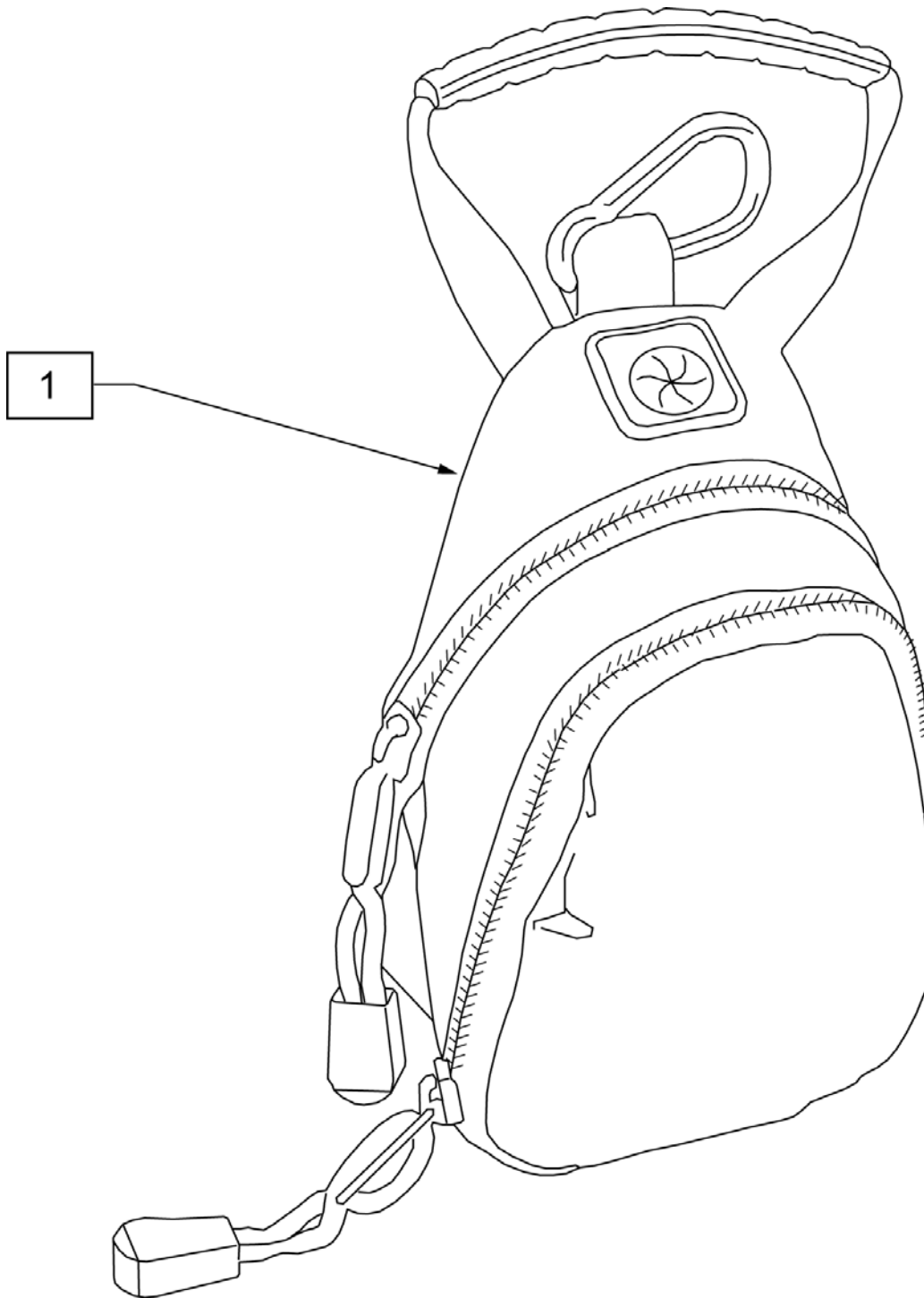
Pos.	Item Number	Description	Remarks
1	013475	QUICKIE SIDE POCKET	Size: 6.5"x 6.5"x 2"



NOTE: KIDS BACKPACKS DO NOT HAVE ADJUSTABLE STRAPS W/ BUCKLES.



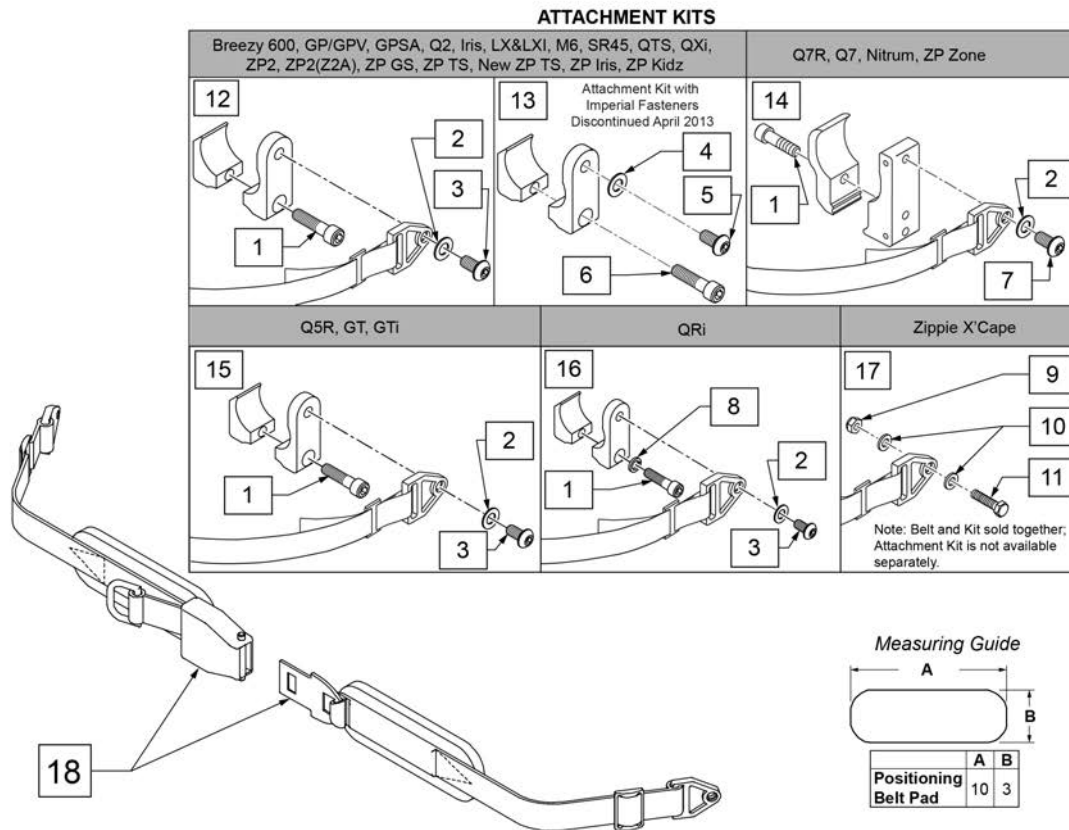
Pos.	Item Number	Description	Remarks
1	750115	BACK PACK QUICKIE	Overall dimensions:width 12.5", height 18.5", depth 6.5"
2	104572	BACKPACK ZIPPIE	Overall dimensions: width 12", height 16.5", depth 4.5"
3	750307	SEAT POUCH QUICKIE	Dimensions: width 8.5", height 6", depth top 2.5", depth bottom 3.5"



Pos.	Item Number	Description
1	109229	CELL PHONE PACK (ORANGE)

**Note:** some items listed may not be available with every chair model or in conjunction with another chair feature.

**NOTE:** when mounting Positioning Belts to the 5R, GT or GTi, it is recommended to attach the belt by using the Backrest Support Bracket Hardware.

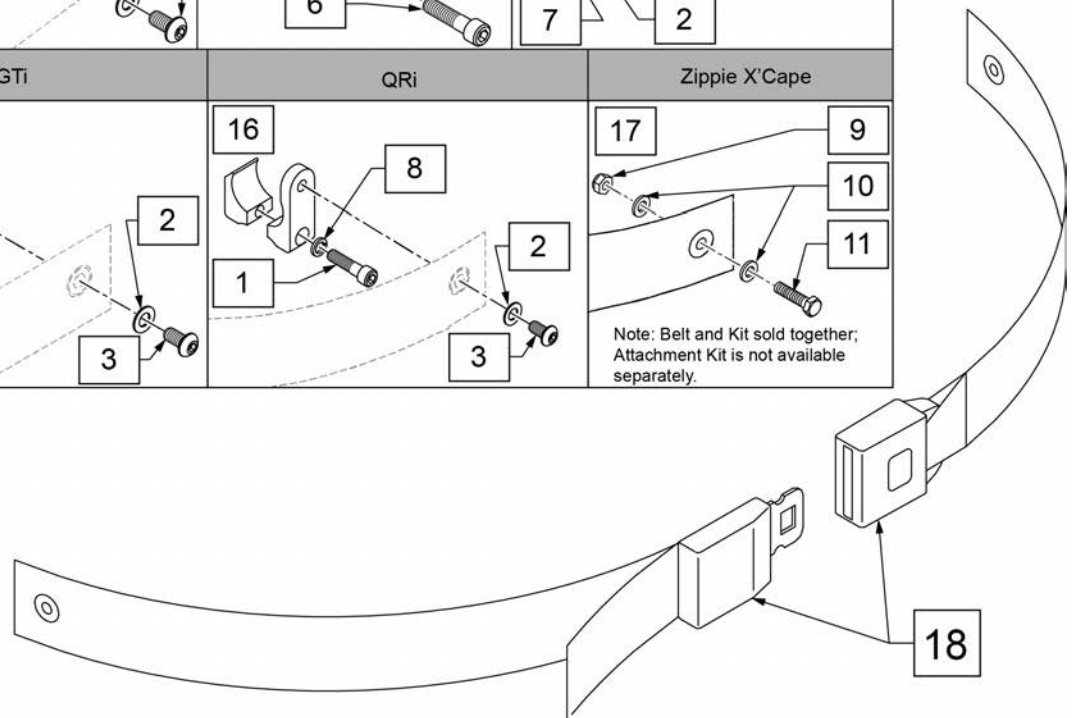
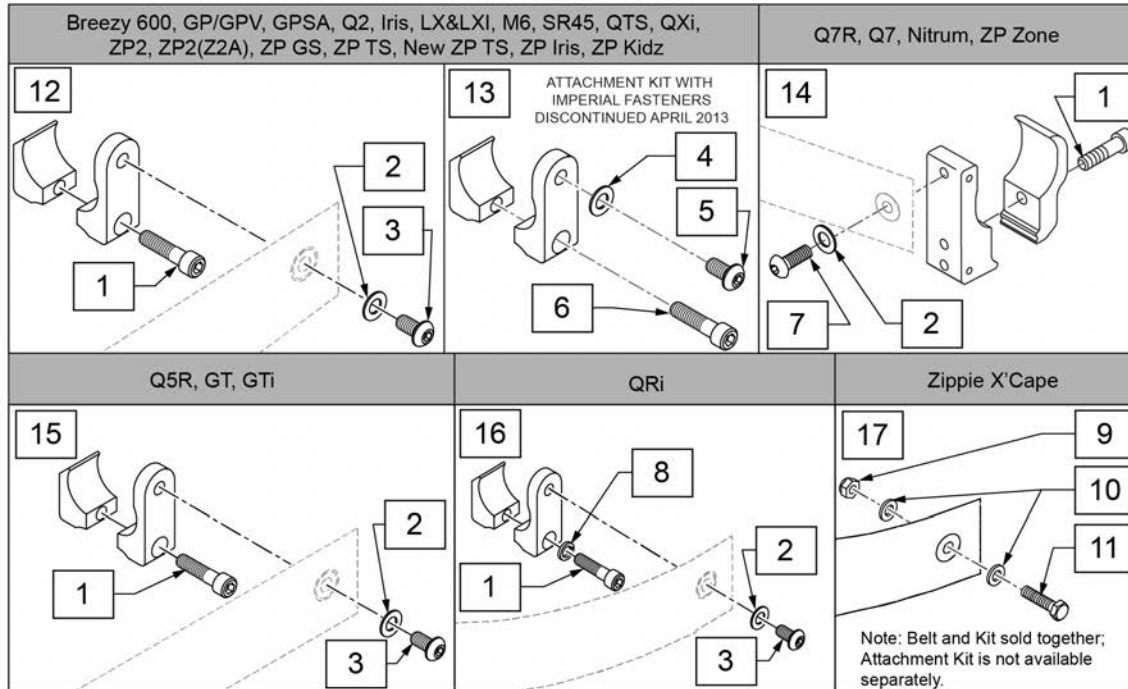


Pos.	Item Number	Description	Remarks
1	102263-003	SHCS M6 X 1 X 25 W/PL INORG	Metric
2	250104	WASHER FLAT M6	Metric
3	103185-005	BHCS M6 X 1 X 12 FULL PL	Metric
4	106943	WASHER FLAT AN 1/4 ROHS	Imperial (standard)
5	226154	1/4-20 X 1/2 BH C/S W/PATCH	Imperial (standard)
6	221116	1/4-20 X 1 SOC HD BLK	Imperial (standard)
7	230113	BHCS M6 X 1 X 12	
8	050129-001	LOCKWASHER HIGH COLLAR M6	
9	104381	NUT HEX NYLOCK M6 X 1.0	
10	107383	WASHER FLAT M6	
11	102268-002	HHCS M6 X 1 X 35 BLK	
12	120750	PSTN BELT CLAMP ASSM PR	Metric; Pair
13	900116	POSITION BELT ATTACHMENT KIT	Set of 2; Imperial (standard)

<b>Pos.</b>	<b>Item Number</b>	<b>Description</b>	<b>Remarks</b>
14	116268	OVAL CLAMP ASSM KIT	Kit contains 1 Clamp
15	159122	POSITIONING BELT CLAMPS PR	Pair
16	123534	POS BELT CLAMP KIT RPO	Set of 2
18	450418-QU	BELT 2" AIRCRAFT BUCKLE	Max length of belt 64"
18	450423-QU	BELT 2" AIRCRAFT BUCKLE W/PAD	Max length of belt 64"
18	450424	BELT 2" AIRCRAFT BKL LONG W/PAD	Max length of belt 72"
18	450425	BELT 2" AIRCRAFT BKL LONG	Max length of belt 72"
18	450419-QU	BELT 2" AIRCRAFT BKL W/QUAD LP	Max length of belt 64"
18	468419	BELT 2" AIRCRAFT BKL W/QD LPCZ	Max length of belt 64"
17,18	136464	AIRCRAFT HIP BELT 2" KIT	ZP Xcape: includes Belt & Attachment Kit
17,18	136465	AIRCRAFT HIP BELT 2" PAD KIT	ZP Xcape: includes Belt & Attachment Kit

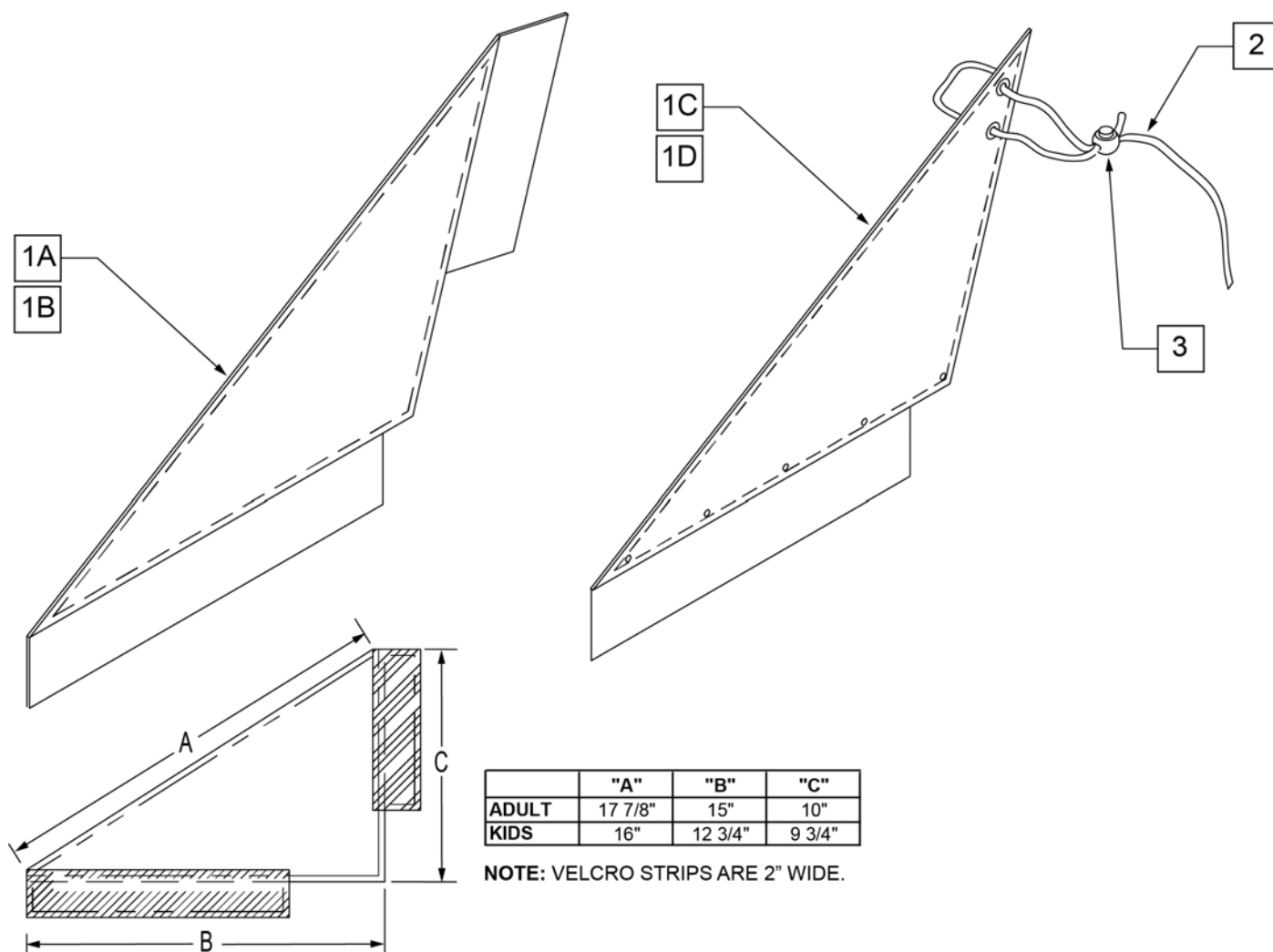
**NOTE:** when mounting Positioning Belts to the 5R, GT or GTi, it is recommended to attach the belt by using the Backrest Support Bracket Hardware.

**ATTACHMENT KITS**

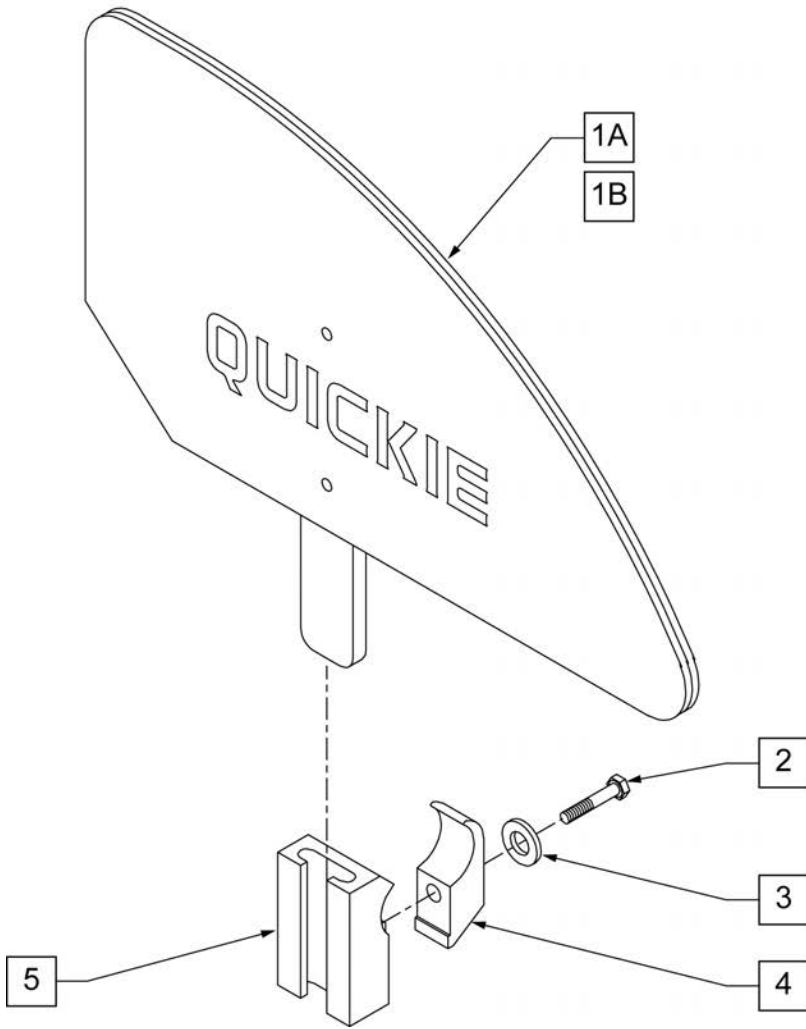


Pos.	Item Number	Description	Remarks
1	102263-003	SHCS M6 X 1 X 25 W/PL INORG	Metric
2	250104	WASHER FLAT M6	Metric
3	103185-005	BHCS M6 X 1 X 12 FULL PL	Metric
4	106943	WASHER FLAT AN 1/4 ROHS	Imperial (standard)
5	226154	1/4-20 X 1/2 BH C/S W/PATCH	Imperial (standard)
6	221116	1/4-20 X 1 SOC HD BLK	Imperial (standard)
7	230113	BHCS M6 X 1 X 12	
8	050129-001	LOCKWASHER HIGH COLLAR M6	
9	104381	NUT HEX NYLOCK M6 X 1.0	
10	107383	WASHER FLAT M6	
11	102268-002	HHCS M6 X 1 X 35 BLK	
12	120750	PSTN BELT CLAMP ASSM PR	Metric; Pair
13	900116	POSITION BELT ATTACHMENT KIT	Set of 2; Imperial (standard)
14	116268	OVAL CLAMP ASSM KIT	Kit contains 1 Clamp

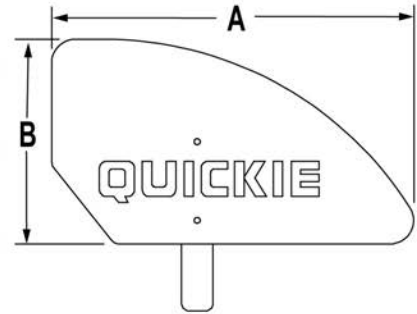
<b>Pos.</b>	<b>Item Number</b>	<b>Description</b>	<b>Remarks</b>
15	159122	POSITIONING BELT CLAMPS PR	
16	123534	POS BELT CLAMP KIT RPO	Set of 2
18	750276	1 1/2" POSITION BELT	AUTOSTYLE-64" Max length of belt.
16,18	124269	AUTO POS BELT W/CLAMPS RPO	QRI: includes Belt & Attachment Kit
17,18	136463	AUTO HIP BELT 1.5" KIT	ZP Xcape: includes Belt & Attachment Kit



Pos.	Item Number	Description	Remarks
1A	750400	SIDE GUARD REG Q1 R	RIGHT-ADULT-Used w/ Straight Back
1A	750401	SIDE GUARD REG Q1 L	LEFT-ADULT-Used w/ Straight Back
1A	901102	SIDE GUARDS REG NF	PAIR-ADULT-Used w/ Straight Back
1B	901100	SIDE GUARDS KIDS NF	PAIR-KIDS-Used w/ Straight Back
1C	750240	SIDE GUARD FABRIC SHORT Q2 R	RIGHT-KIDS-Used w/ Integral Push Handle
1C	750241	SIDE GUARD FABRIC SHORT Q2 L	LEFT-KIDS-Used w/ Integral Push Handle
1D	750434	SIDE GUARD REG W/VELCRO R	RIGHT-ADULT-Used w/ Integral Push Handle
1D	750435	SIDE GUARD REG W/VELCRO L	LEFT-ADULT-Used w/ Integral Push Handle
2	750050	SIDE GUARD LACE Q2	
3	560220	B-LOCK	
1C,2,3	901121	SIDE GUARDS KIDS FABRIC Q2 NEW	PAIR-KIDS-Used w/ Integral Push Handle
1D,2,3	901109	SIDE GUARDS REG EX/RV	PAIR-ADULT-Used w/ Integral Push Handle



MEASURING GUIDE



	"A"	"B"
ADULT	12 3/4"	8 5/8"
KIDS	11 1/2"	6 1/2"

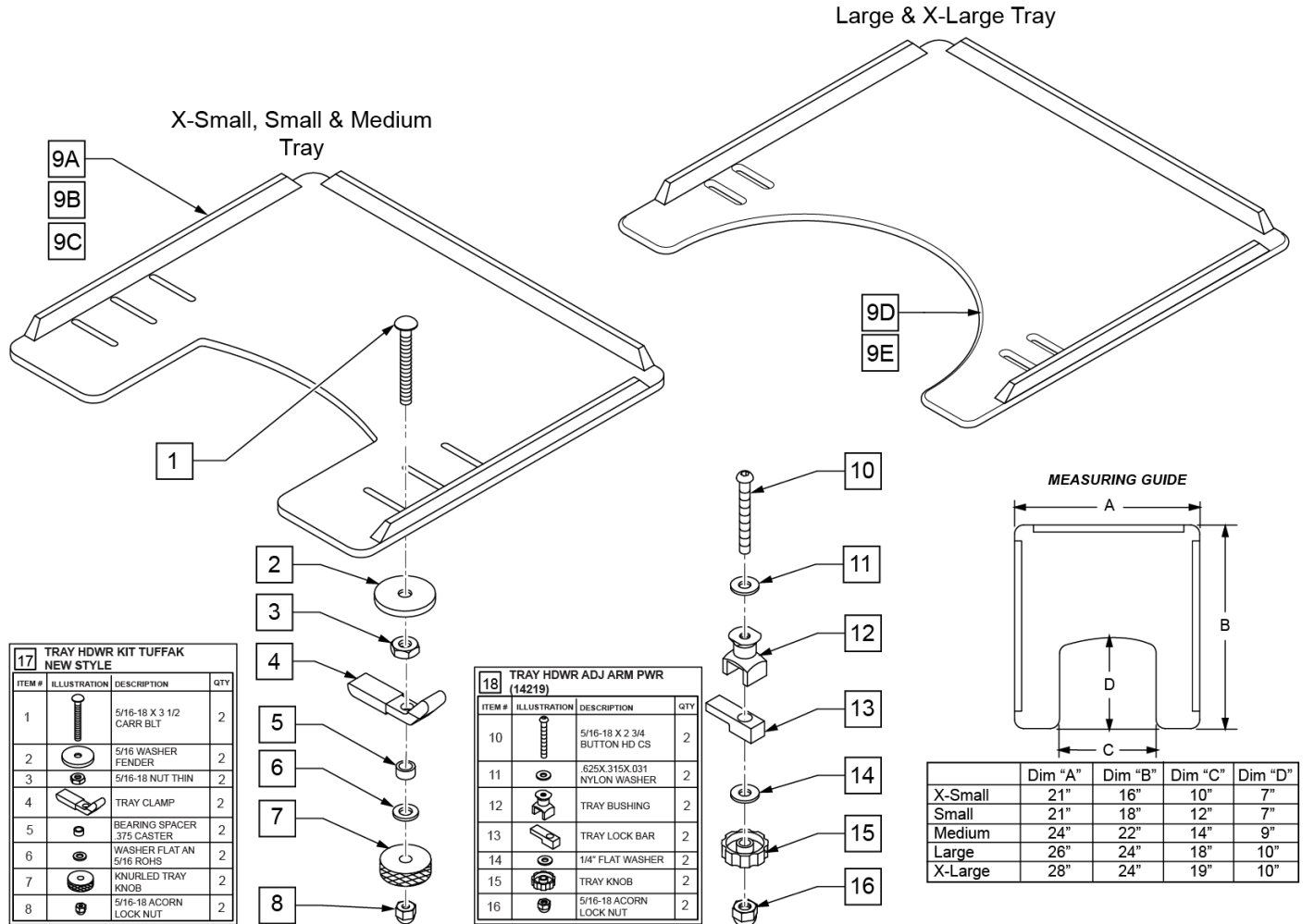
**NOTE:** STANDARD (ADULT) SIDE GUARD FITS 14-20" DEPTHS, KIDS SIDE GUARD FITS 10-13" DEPTHS.

Pos.	Item Number	Description	Remarks
1A	881150	PLASTIC SIDE GUARD KIDS R	
1A	881151	PLASTIC SIDE GUARD KIDS L	
1B	881152	PLASTIC SIDE GUARD STD R	
1B	881153	PLASTIC SIDE GUARD STD L	
2	106971	1/4-28 x 1 3/8 HEX C/S	
3	106944	1/4 AN WASHER FLAT THIN	
4	550251	CLAMP P300 CHARGING/ADJ FL KIDS	
5	550325	SIDE GUARD/KIDZ ARM RECEIVER	
2-5	881200	SIDE GUARD/KIDZ ARM RECEIVER W/CLAMP	
1A,2-5	901111	PLASTIC SIDE GUARD KIDS ASSM W/CLAMP	Pair
1B,2-5	901110	PLASTIC SIDE GUARD STD ASSM W/CLAMP	Pair



**Note:** when adding a Tray to an existing chair with Desk or Full Length Arm Pads, add 1" to current seat width to achieve the best tray size.

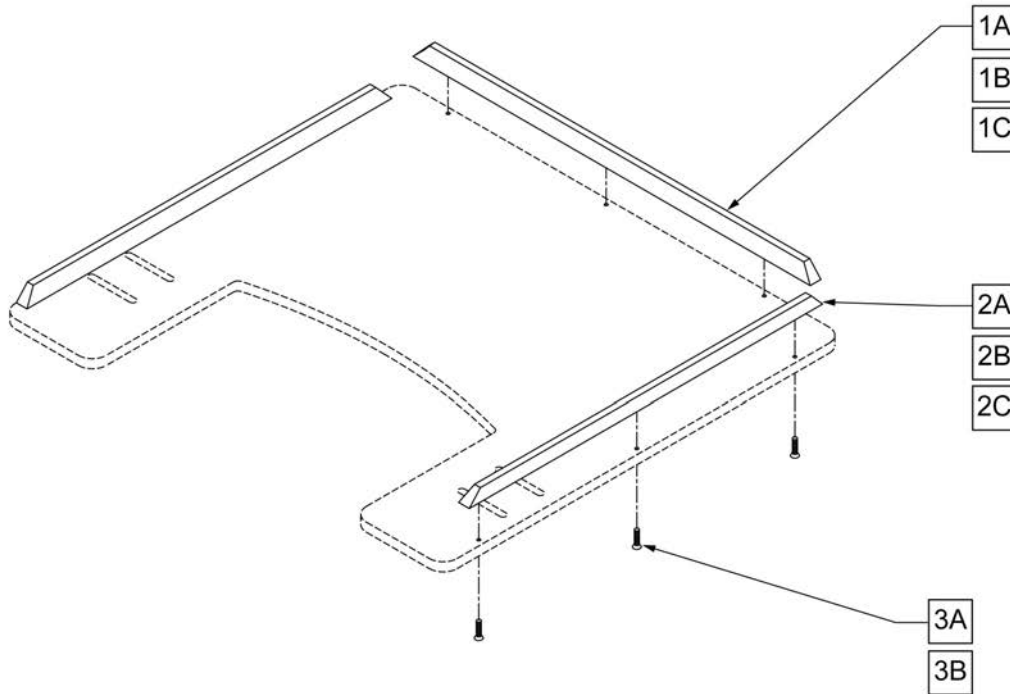
**Note:** Large and X-Large Trays have a round cut-out.



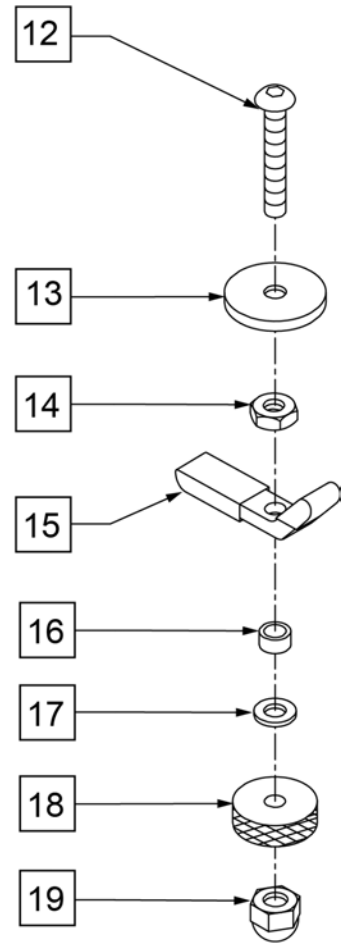
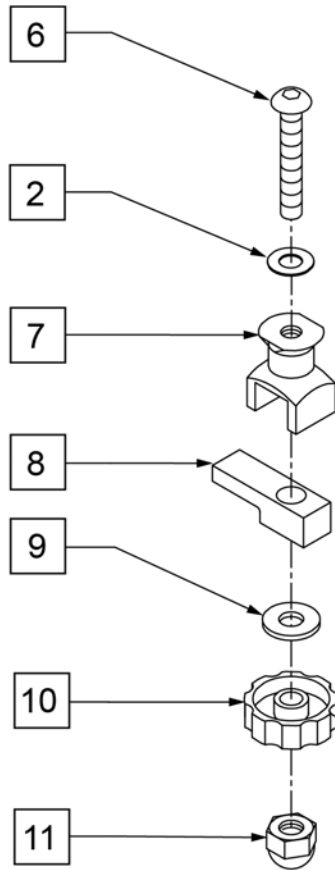
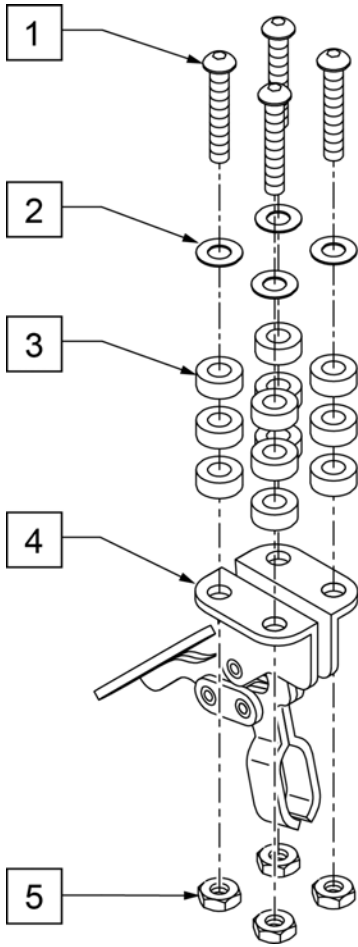
Pos.	Item Number	Description	Remarks
1	226199	5/16-18 x 3 1/2 CARR BOLT	
2	263112	5/16 WASHER FENDER	
3	202110	5/16-18 NUT THIN	
4	550400	TRAY CLAMP	
5	481113	SPACER 5/16 X .380	
6	263100	5/16 AN WASHER FLAT	
7	483026	KNURLED TRAY KNOB	
8	202114	5/16-18 ACORN LOCK NUT	
9A	562619	TRAY TOP EX-SM W/RAIL	
9B	562620	TRAY TOP SM W/RAIL	
9C	562621	TRAY TOP MED W/RAIL	
9D	562622	TRAY TOP LRG W/RAIL	

Pos.	Item Number	Description	Remarks
9E	562623	TRAY TOP X-LRG W/RAIL	
17	881051	TRAY HARDWARE KIT TUFFAK NEW STYLE	Pair
18	881053	TRAY HARDWARE ADJ ARM PWR (14219)	Pair
1-8,9A	902306	TRAY ASSEMBLY EX-SM TUFFAK (10 -12")	Fits 10"-12" wide chairs
1-8,9B	902303	TRAY ASSEMBLY SM TUFFAK (13 -14")	Fits 13"-14" wide chairs
1-8,9C	902304	TRAY ASSEMBLY MED TUFFAK (15 -17")	Fits 15"-17" wide chairs
1-8,9D	902305	TRAY ASSEMBLY LRG TUFFAK (18 -20")	Fits 18"-20" wide chairs
1-8,9E	902309	TRAY ASSEMBLY X-LRG TUFFAK (21 -22")	Fits 21"-22" wide chairs
9A,10-16	902330	TRAY ASSM X-SM TFK 10-12/CAM	Fits 10"-12" wide chairs
9B,10-16	902331	TRAY ASSM SM TUFFAK 13-14/CAM	Fits 13"-14" wide chairs
9C,10-16	902332	TRAY ASSM MED TUFFAK 15-17/CAM	Fits 15"-17" wide chairs
9D,10-16	902333	TRAY ASSM LRG TUFFAK 18-20/CAM	Fits 18"-20" wide chairs

**NOTE:** ONE 19" RIB AND TWO 15 1/2" RIBS FIT THE EXTRA-SMALL, SMALL, 9-0 AND 9-1 TRAY TABLES. ONE 21" RIB AND TWO 19" RIBS FIT THE MEDIUM AND 9-2 TRAY TABLES. ONE 23 1/2" RIB AND TWO 21" RIBS FIT THE LARGE, 9-2, 9-5, AND 9-6 TRAY TABLES.

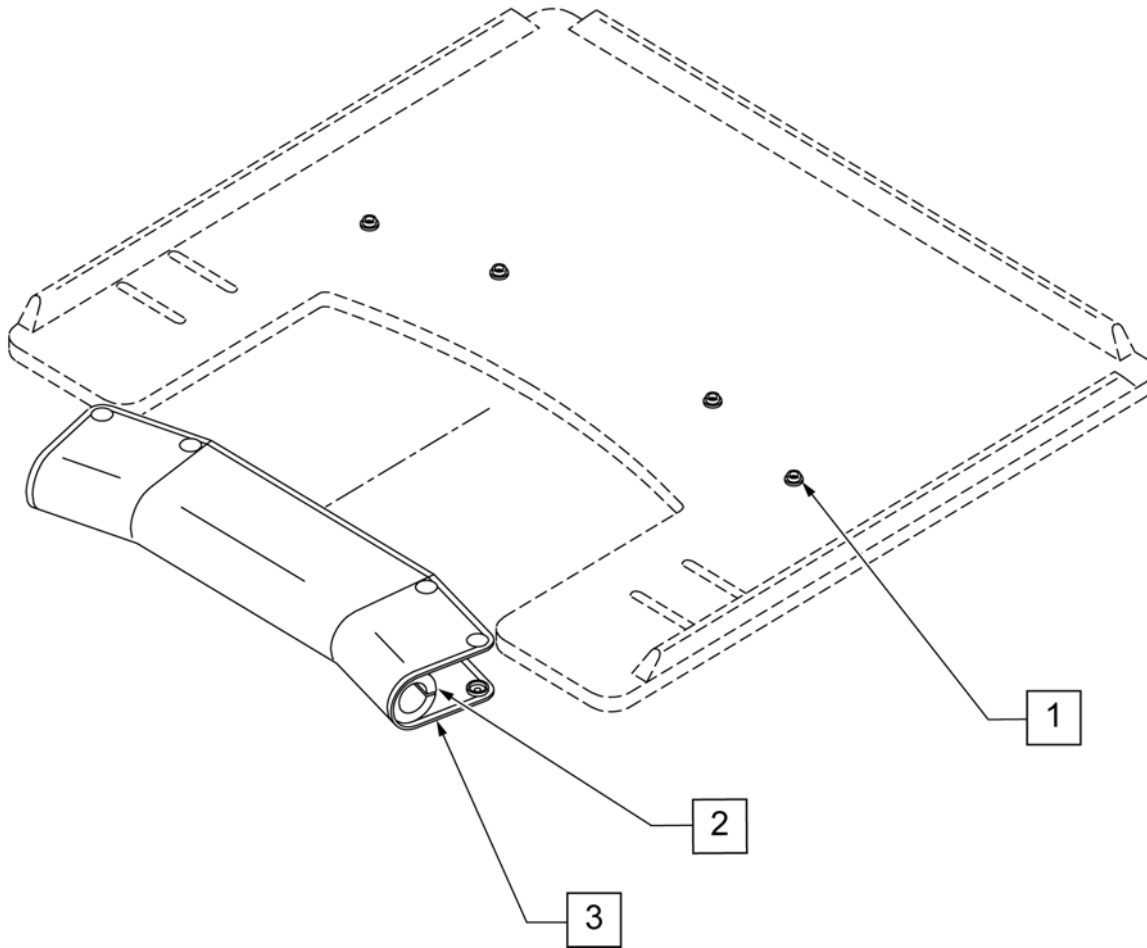


Pos.	Item Number	Description	Pos.	Item Number	Description
1A	9004	19" WOOD TRAY RIBS	2A	9004	19" WOOD TRAY RIBS
1A	9005	21" WOOD TRAY RIBS	2A	9005	21" WOOD TRAY RIBS
1A	9006-QU	23 1/2" WOOD TRAY RIBS	2B	9007-QU	15 1/2" HEAVY DUTY RIB FOR WOOD TRAY
1B	9010	19" HEAVY DUTY RIB FOR WOOD TRAY	2B	9010	19" HEAVY DUTY RIB FOR WOOD TRAY
1B	9013	21" HEAVY DUTY RIB FOR WOOD TRAY	2B	9013	21" HEAVY DUTY RIB FOR WOOD TRAY
1B	9016	23 1/2" HEAVY DUTY RIB FOR WOOD TRAY	2C	9008-QU	15 1/2" HEAVY DUTY RIB FOR 3/8" TUFFAK
1C	9011-QU	19" HEAVY DUTY RIB FOR 3/8" TUFFAK	2C	9011-QU	19" HEAVY DUTY RIB FOR 3/8" TUFFAK
1C	9014	21" HEAVY DUTY RIB FOR 3/8" TUFFAK	2C	9014	21" HEAVY DUTY RIB FOR 3/8" TUFFAK
1C	9017	23 1/2" HEAVY DUTY RIB FOR 3/8" TUFFAK	3A	2268	#6 x 5/8" OVAL PHILLIPS SCREW
2A	9003	15 1/2" WOOD TRAY RIBS	3B	230047	#6 x 3/4" FH PHIL S/M SCREW

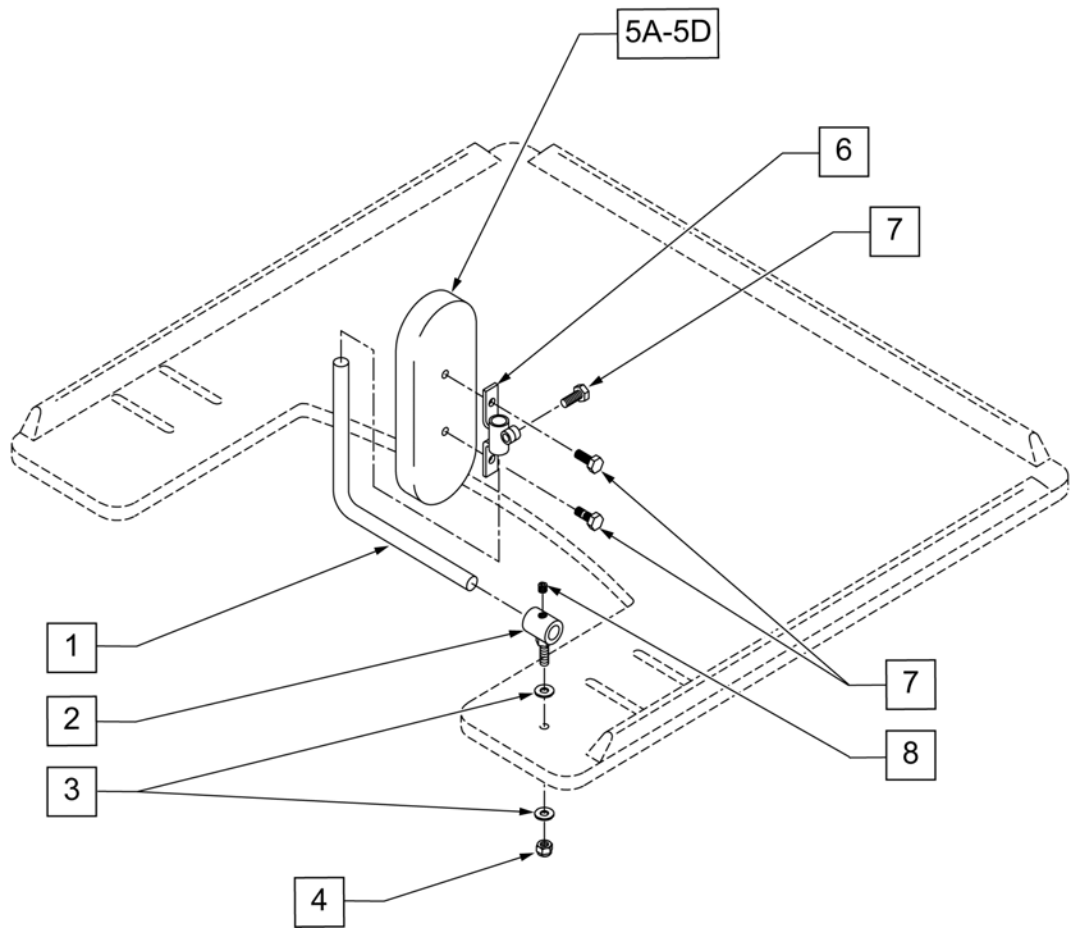


Pos.	Item Number	Description	Remarks
1	2249	5/16-18 x 1 1/2 BH C/S BLK	
2	2709	.625 x .135 x .031 NYLON WASHER	
3	2710	.609 x .250 x .250 NYLON SPACER	
5	202110	5/16-18" NUT THIN	
6	2021	5/16-18" x 2 3/4" BUTTON HD C/S	
7	14240	TRAY BUSHING	
8	14230	TRAY LOCK BAR	
9	2705	1/4" FLAT WASHER	
10	14220	TRAY KNOB	
11	202114	5/16-18" ACORN LOCK NUT	
12	226199	5/16-18" x 3 1/2" CARR BOLT	
13	263112	5/16 WASHER FENDER	
14	202110	5/16-18" NUT THIN	
15	550400	TRAY CLAMP	
16	481013	BEARING SPACER	
17	263100	5/16" AN WASHER FLAT	
18	483026	KNURLED TRAY KNOB	
19	202114	5/16-18" ACORN LOCK NUT	
1-5	4099	TOGGLE CLAMP - HIDEAWAY	
2,6-11	881053	TRAY HARDWARE ADJ ARM PWR (14219)	
12-19	881051	TRAY HDWR KIT TUFFAK NEW STYLE (9QH)	Pair

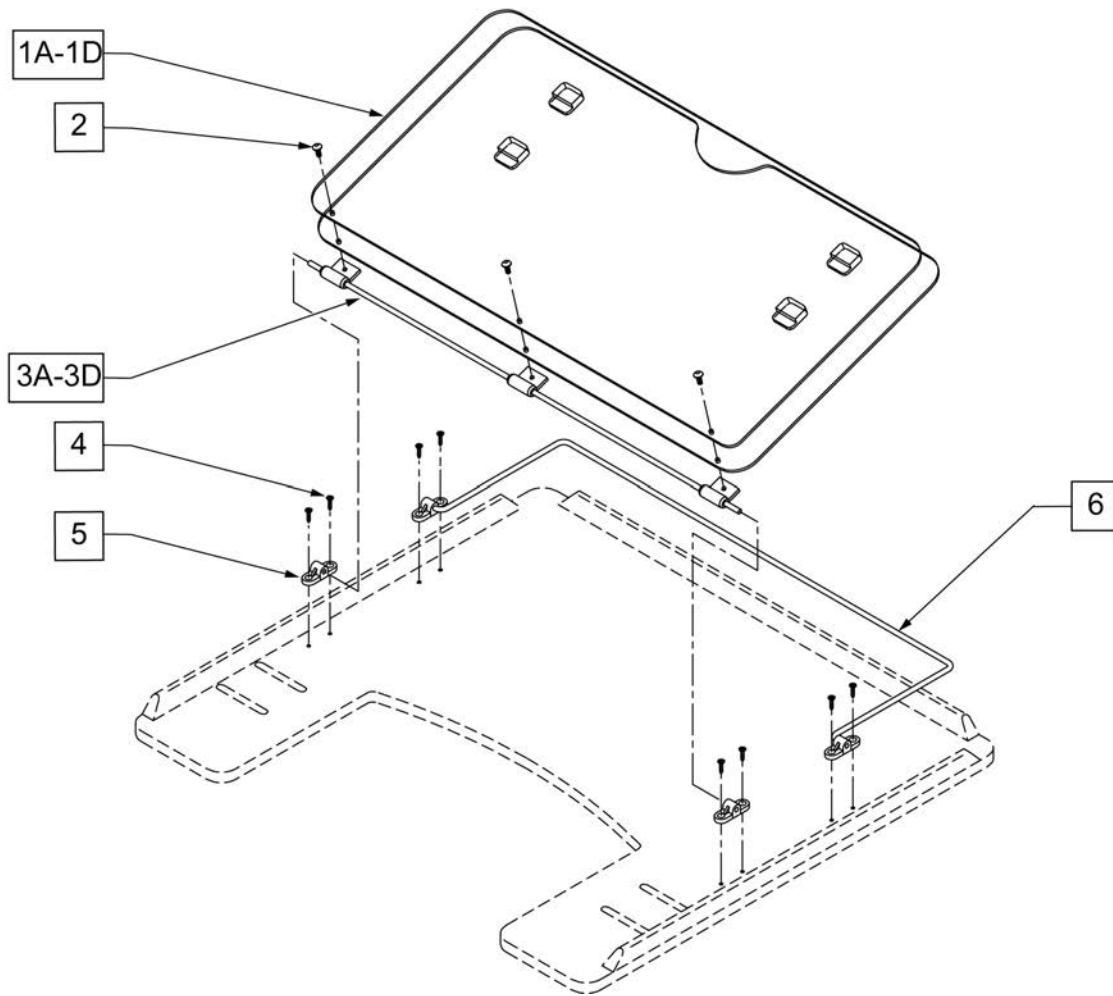
**Note:** Pad cannot be added to an existing tray as snaps must be installed at the factory to function correctly.



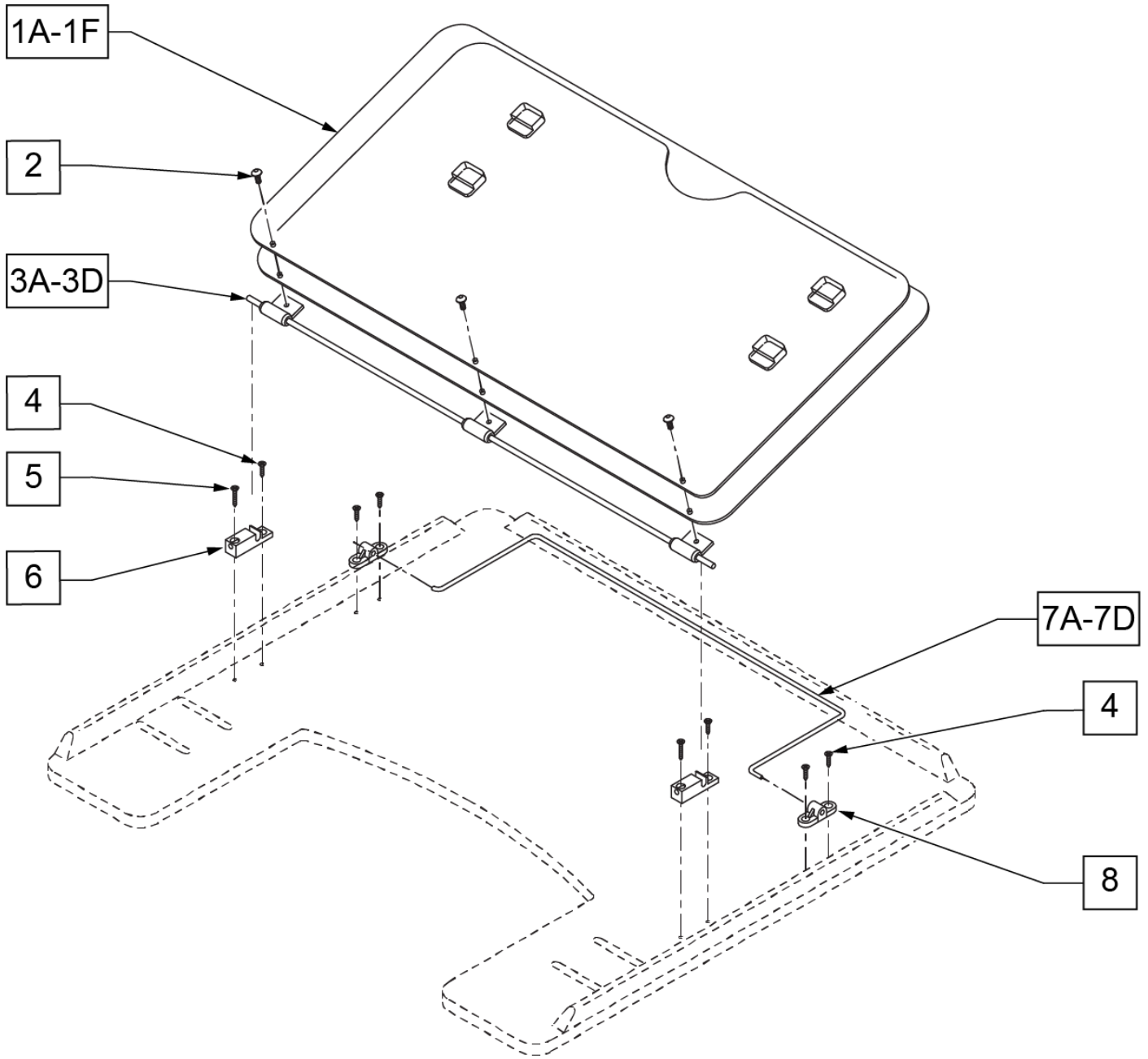
Pos.	Item Number	Description	Remarks
1-3	9PS	PADDED STOMACH CUT OUT	(SPECIFY COLOR)



Pos.	Item Number	Description	Remarks
1	450752	HEADREST ADJUSTMENT BAR	
2	450751	HEADREST PAD BUSHING	
3	2702	#10 SAE FLAT WASHER	
4	106932	1/4 -20 NYLOCK NUT HIGH	
5A	15022	4X6 RECTANGULAR PAD	
5B	15013	5 x 7 OVAL PAD	
5C	755020	4 x 5 OVAL PAD	
5D	15018	4 x 6 OVAL PAD	
6	450750	HEADREST PAD BRACKET	
7	221105-QU	1/4-20 x 3/4" HEX C/S	
8	2270	5/16-18 x 1/4" SOC SET SCREW	
1-4,5A,6-8	14980A	TRAY PROTRACTION ASSM-4X6 RECT	PAIR
1-4,5B,6-8	14980B	TRAY PROTRACTION ASSM-5X7 OVAL	PAIR
1-4,5C,6-8	14980D	TRAY PROTRACTION ASSM-4X5 OVAL	PAIR
1-4,5D,6-8	14980E	TRAY PROTRACTION ASSM-4X6 OVAL	PAIR



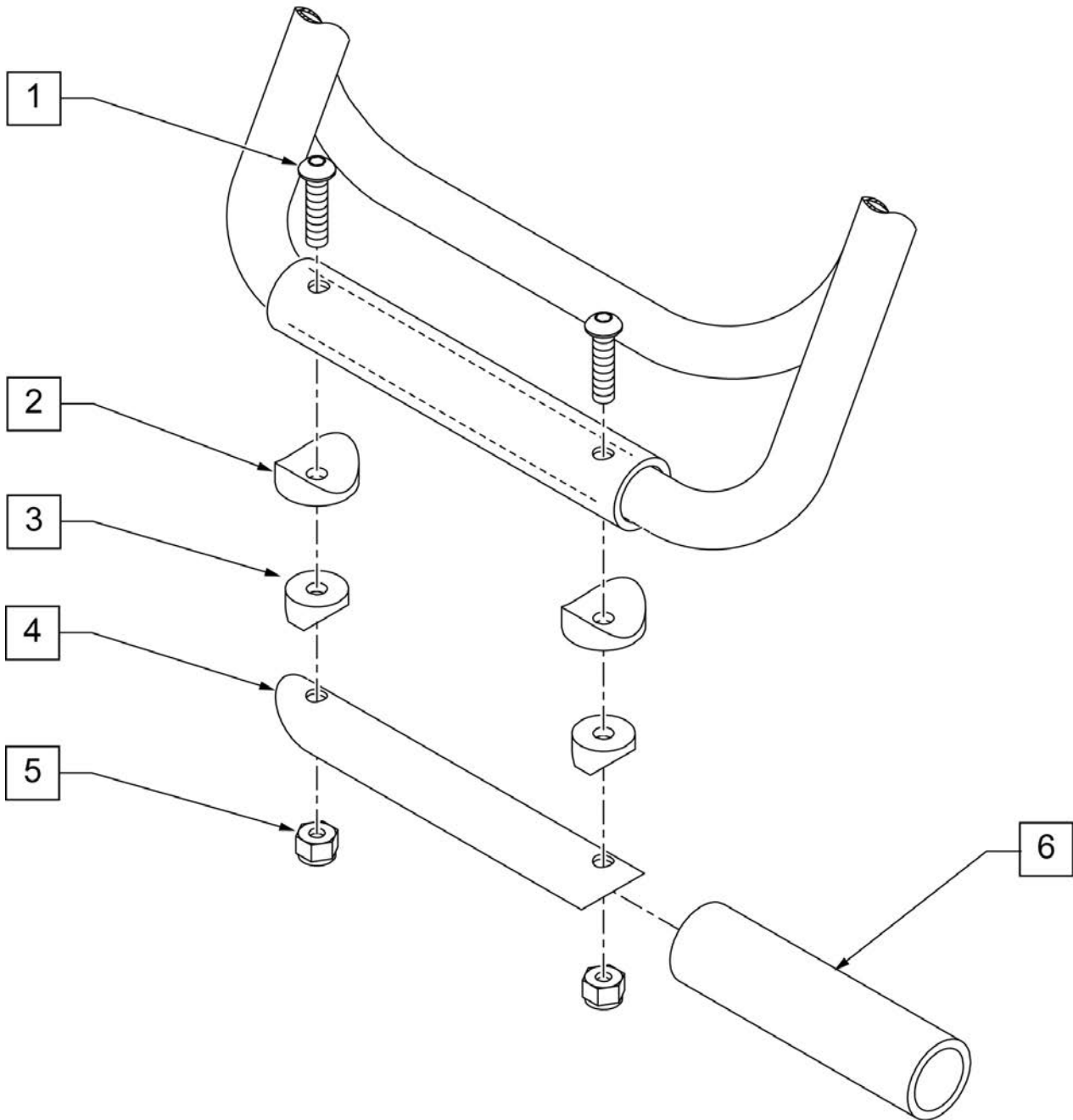
Pos.	Item Number	Description
1A,2	17916	9-1 STYLE 3 OVERLAY ONLY
1B,2	17917	9-2 STYLE 3 OVERLAY ONLY
1C,2	17918	9-5 STYLE 3 OVERLAY ONLY
1D,2	17939	9-6 STYLE 3 OVERLAY ONLY
2	226017	10-32 x 3/8 BH C/S BLK
3A	17922	9-1 HINGED OVERLAY PIVOT BAR
3B	17923	9-2 HINGED OVERLAY PIVOT BAR
3C	17924	9-5 HINGED OVERLAY PIVOT BAR
3D	17929	9-6 HINGED OVERLAY PIVOT BAR
4	2266	#6 x 1/2" FL DH PHL SCREW
5	4061	TRAY OVERLAY MOUNTING BRACKET
6A	17925	TRAY OVERLAY ROD
6B	17926	9-2 OVERLAY ROD
6C	17927	9-5 OVERLAY ROD
6D	17928	9-6 TRAY OVERLAY ROD
1A,2,3A,4,5,6A	17919	9-1 STYLE 3 OVERLAY ASSM
1B,2,3B,4,5,6B	17920	9-2 STYLE 3 OVERLAY ASSM
1C,2,3C,4,5,6C	17921	9-5 STYLE 3 OVERLAY ASSM
1D,2,3D,4,5,6D	17902	9-6 STYLE 3 OVERLAY ASSY



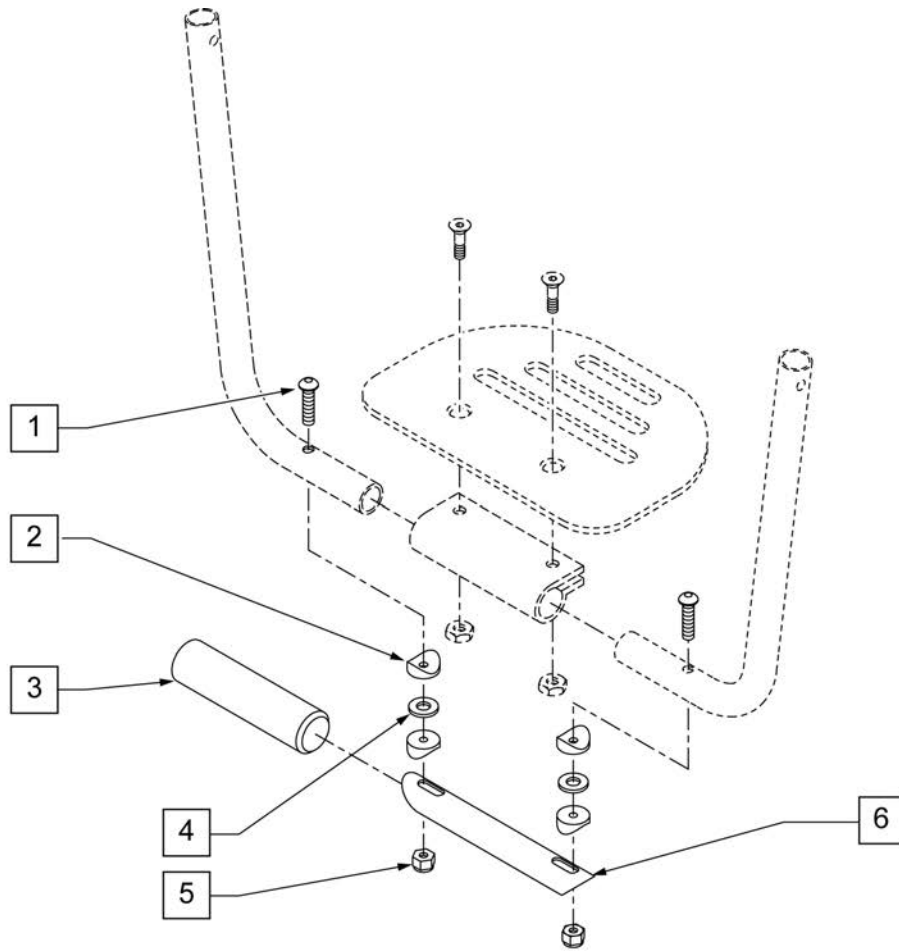
Pos.	Item Number	Description
1A	17935	9-1 STYLE 2 OVERLAY
1B	17936	9-2 STYLE 2 OVERLAY
1C	17937	9-5 STYLE 2 OVERLAY
1D	17938	9-6 STYLE 2 OVERLAY
1E	17930	STYLE #1 LEARNING BOARD
1F	17931	STYLE #1 FULL LEARNING BOARD
1A,2	17916	9-1 STYLE 3 OVERLAY ONLY
1B,2	17917	9-2 STYLE 3 OVERLAY ONLY
1C,2	17918	9-5 STYLE 3 OVERLAY ONLY
1D,2	17939	9-6 STYLE 3 OVERLAY ONLY
2	226017	10-32 x 3/8 BH C/S BLK



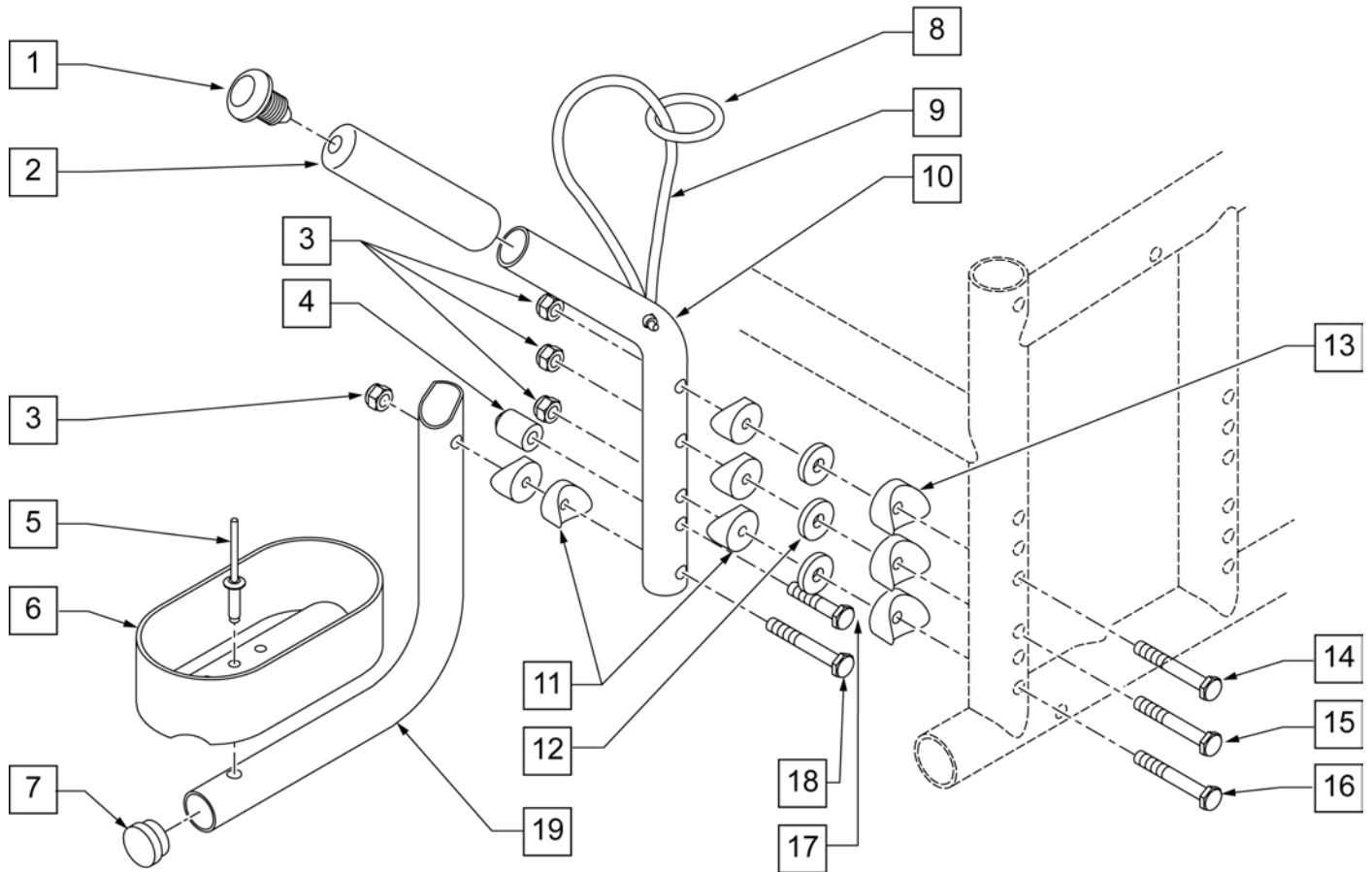
<b>Pos.</b>	<b>Item Number</b>	<b>Description</b>
3A	17922	9-1 HINGED OVERLAY PIVOT BAR
3B	17923	9-2 HINGED OVERLAY PIVOT BAR
3C	17924	9-5 HINGED OVERLAY PIVOT BAR
3D	17929	9-6 HINGED OVERLAY PIVOT BAR
4	2266	#6 x 1/2" FL DH PHL SCREW
5	230047	#6 x 3/4" FH PHIL S/M SCREW
6	14232	TRAY OVERLAY - QUICK RELEASE
7A	17925	TRAY OVERLAY ROD
7B	17926	9-2 OVERLAY ROD
7C	17927	9-5 OVERLAY ROD
7D	17928	9-6 TRAY OVERLAY ROD
8	4061	TRAY OVERLAY MOUNTING BRACKET
1A,2,3A,4-6,7A,8	17903	9-1 STYLE 3A OVERLAY ASSEMBLY
1B,2,3B,4-6,7B,8	17904	9-2 STYLE 3A OVERLAY ASSEMBLY
1,2,3C,4-6,7C,8	17905	9-5 STYLE 3A OVERLAY ASSEMBLY
1,2,3D,4-6,7D,8	17906	9-6 STYLE 3A OVERLAY ASSEMBLY



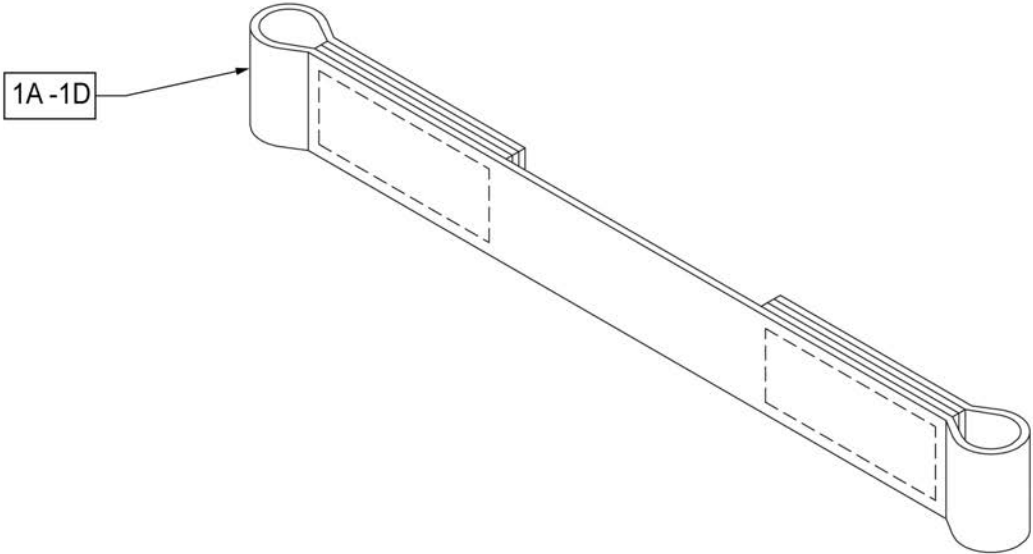
Pos.	Item Number	Description
1	226130	1/4-28 x 1 1/2 BH C/S
2	561004	1" SADDLE 1/4" HOLE
3	561003	3/4" SADDLE THIN
4	521520	BB ROLLER ALUMINUM TUBE
5	106934	1/4-28 NYLOCK NUT
6	580100	BB ROLLER PLASTIC TUBE
1-6	900100	BASKETBALL ROLLER Q1



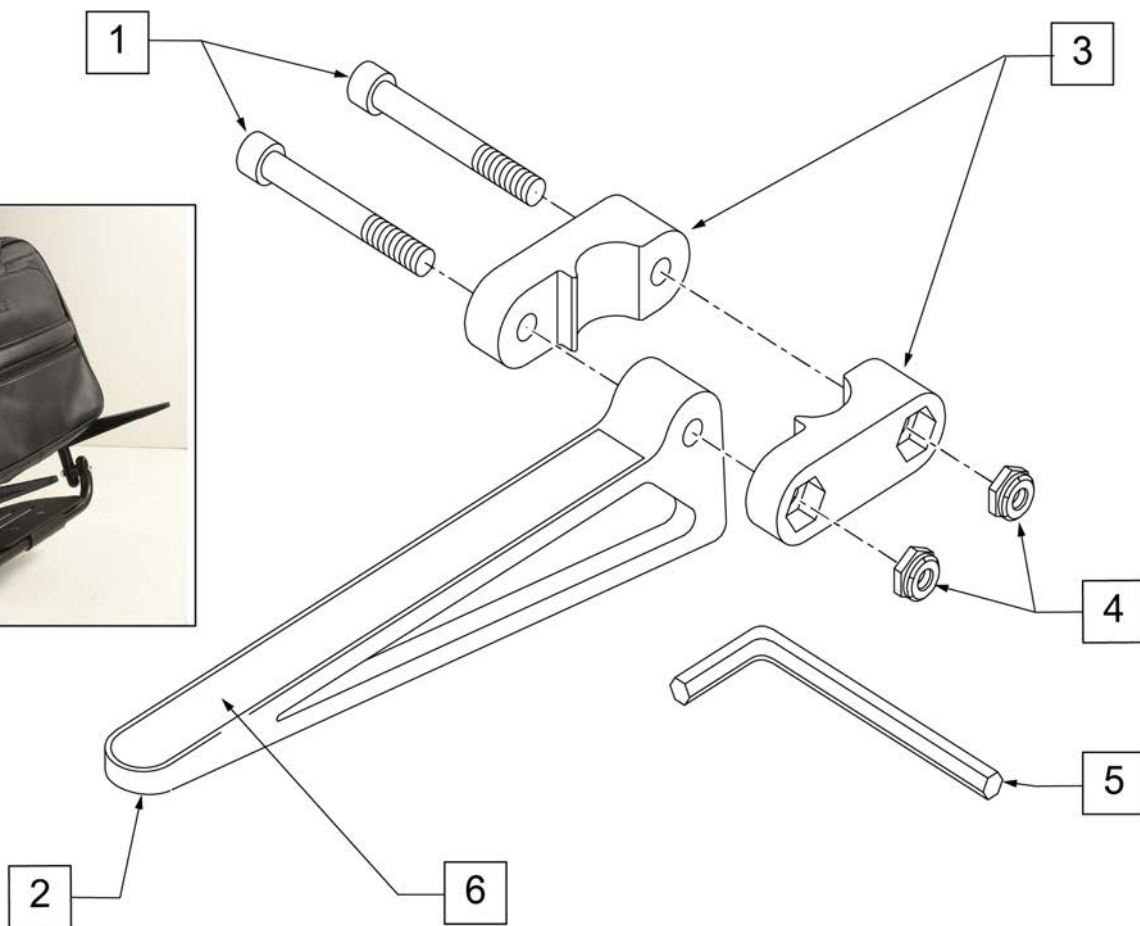
Pos.	Item Number	Description
1	226130	1/4-28 x 1 1/2 BH C/S
2	561003	3/4" SADDLE THIN
3	580100	BB ROLLER PLASTIC TUBE
4	561026	3/4" WASHER 1/4" HOLE
5	106934	1/4-28 NYLOCK NUT
6	521520	BB ROLLER ALUMINUM TUBE
1-6	900099	BASKETBALL ROLLER PLATFORM FT PLT



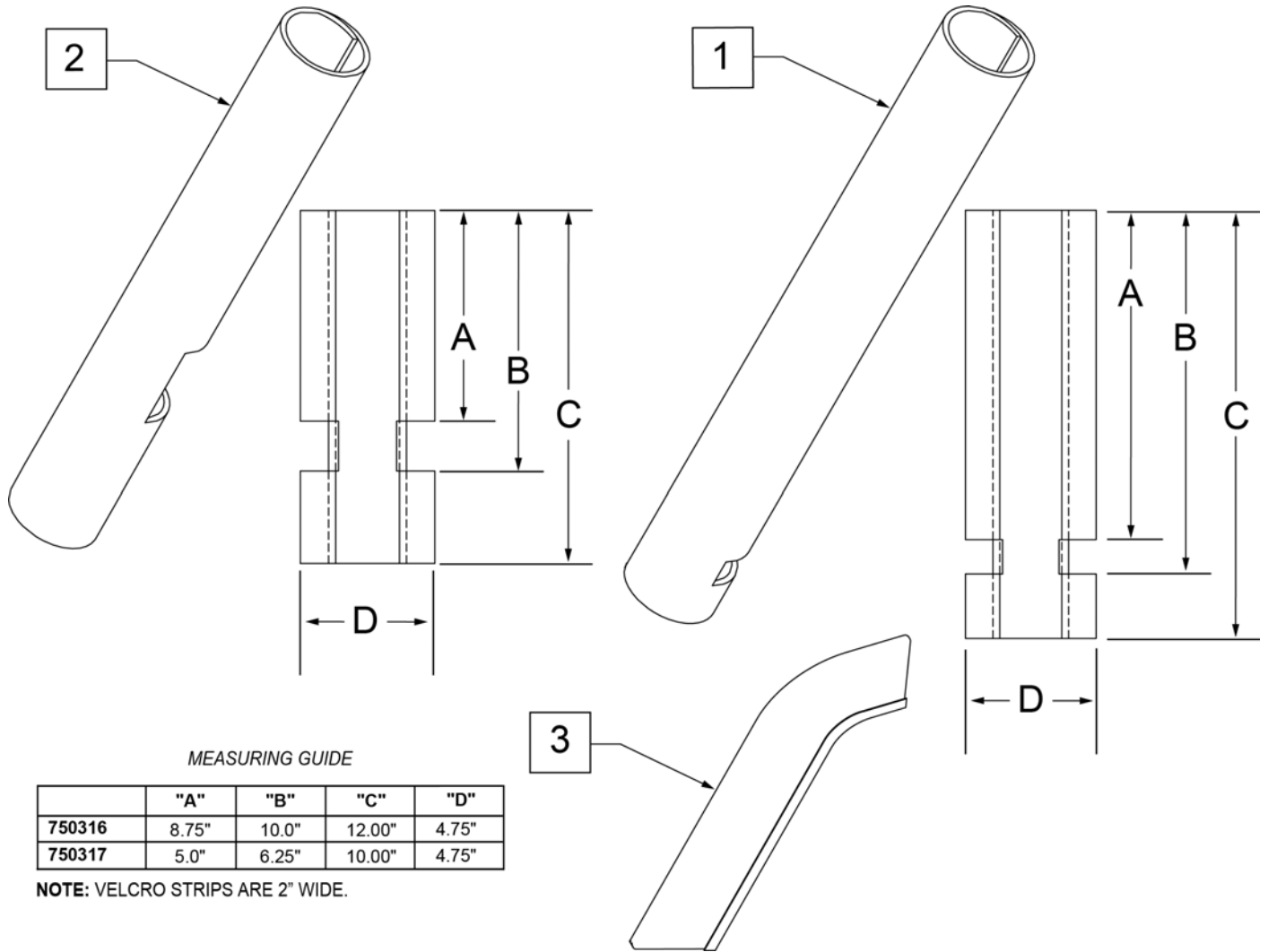
Pos.	Item Number	Description
1	560997	3/4" PLUG RIBBED .083
2	560606	4 1/2 x .705 x .125 FOAM GRIP
3	106934	1/4-28 NYLOCK NUT
4	482014	CRUTCH HOLDER STUD
5	240108	RIVET POP SSD64SSBS
6	562501	CRUTCH HOLDER CUP
7	561000-QU	3/4" INSERT PLUG .083
8	560225	1" PLASTIC O-RING
10	521500	CRUTCH HOLDER MAIN TUBE
11	561003	3/4" SADDLE THIN
12	561026	3/4" WASHER 1/4" HOLE
13	561004	1" SADDLE 1/4" HOLE
14	107016	1/4-28 x 3 G8 HEX C/S
15	221211	1/4-28 x 3 1/4 G8 HEX C/S
16	221193	1/4-28 x 2 3/4 G8 HEX C/S
17	107017	1/4-28 x 1 1/4 G8 HEX C/S
18	106973	1/4-28 x 2 G8 HEX C/S
19	521502	CRUTCH HOLDER CUP SUPPORT
1-19	901000	CRUTCH HOLDER R SIDE
1-19	901001	CRUTCH HOLDER L SIDE



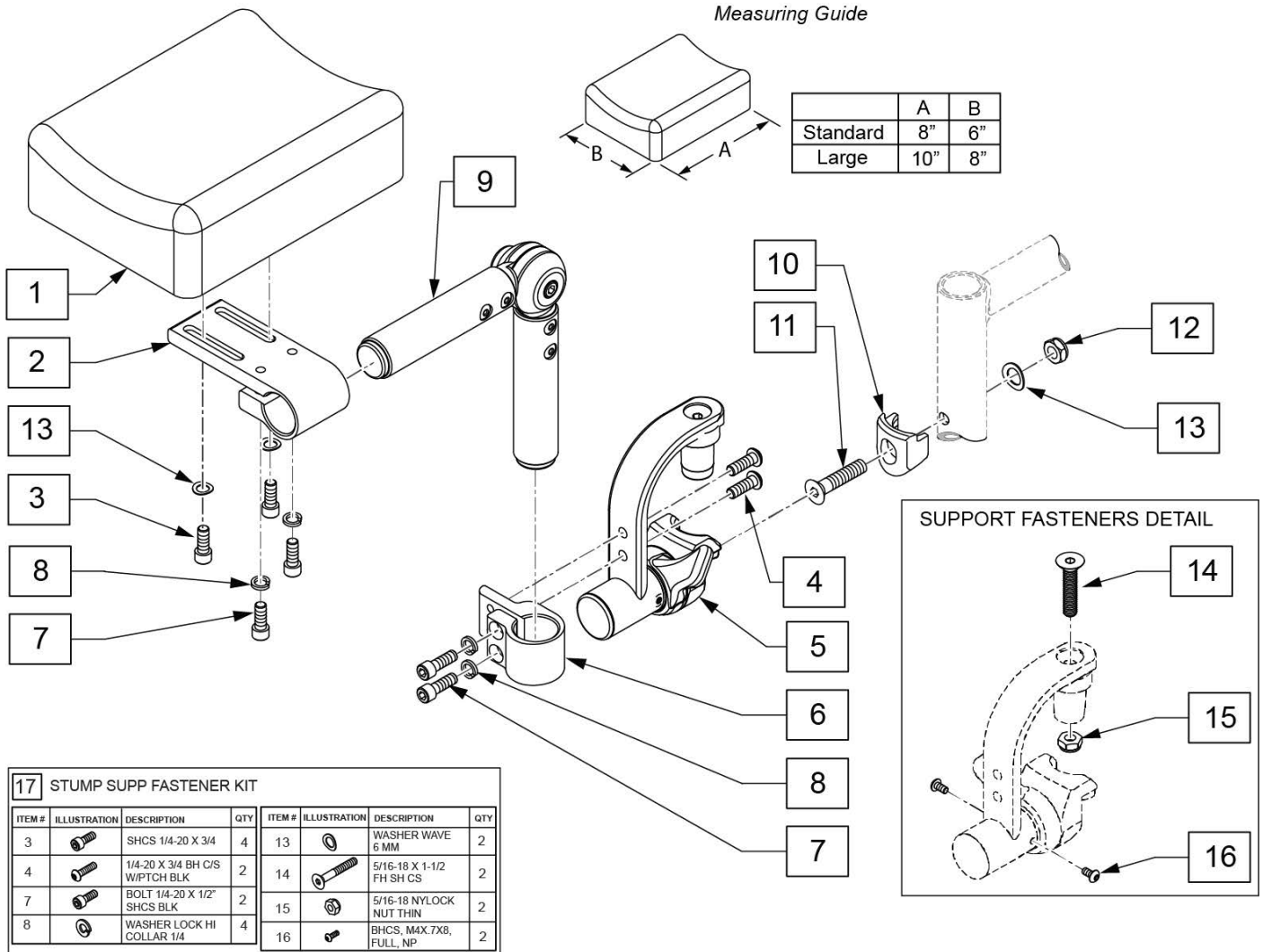
Pos.	Item Number	Description
1A	109356	LEG STRAP SOFT FEEL Q 11 -12"
1B	109357	LEG STRAP SOFT FEEL Q 13 -15"
1C	109366	LEG STRAP SOFT FEEL Q 16 -18"
1D	111487	LEG STRAP SOFT FEEL Q 19 -20"



Pos.	Item Number	Description	Remarks
1	106975	1/4-28 x 1 1/4 SOC C/S	
2	561105	CADDY ARM	Clamps on to Extension Tube (3/4" round and D2); Caddy Arm length is 7 1/2"
3	561104	CADDY CLAMP	Clamps on to Extension Tube (3/4" round and D2)
4	106935	1/4-28 NYLOCK NUT THIN	
5	349998	3/16" ALLEN WRENCH	
6	580050	CADDY TAPE	
1-6	902350	QUICKIE CADDY (PR)	

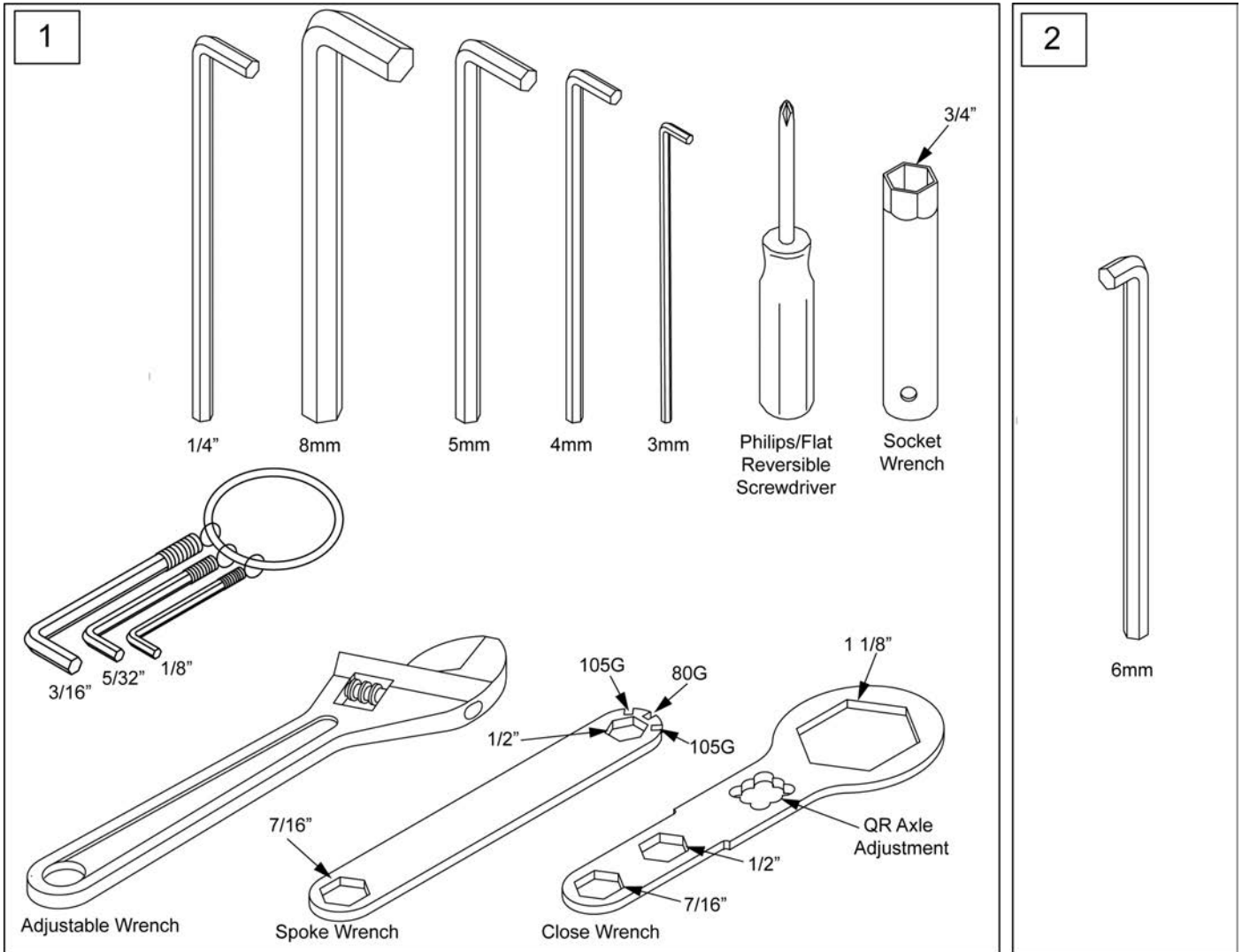


Pos.	Item Number	Description	Remarks
1	750316	IMPACT GUARDS NEOPRENE FIXED (PR)	PAIR-Fixed Front Frame
2	750317	IMPACT GUARDS NEOPRENE S/A	PAIR-S/A Footrest & Q7
3	109231	GEL VELCRO PAD HANGER/FRAME	PAIR- fits S/A & Fixed Front Frame
4	108315	GEL PAD SA ARM	Single, fits Padded SA Armrest

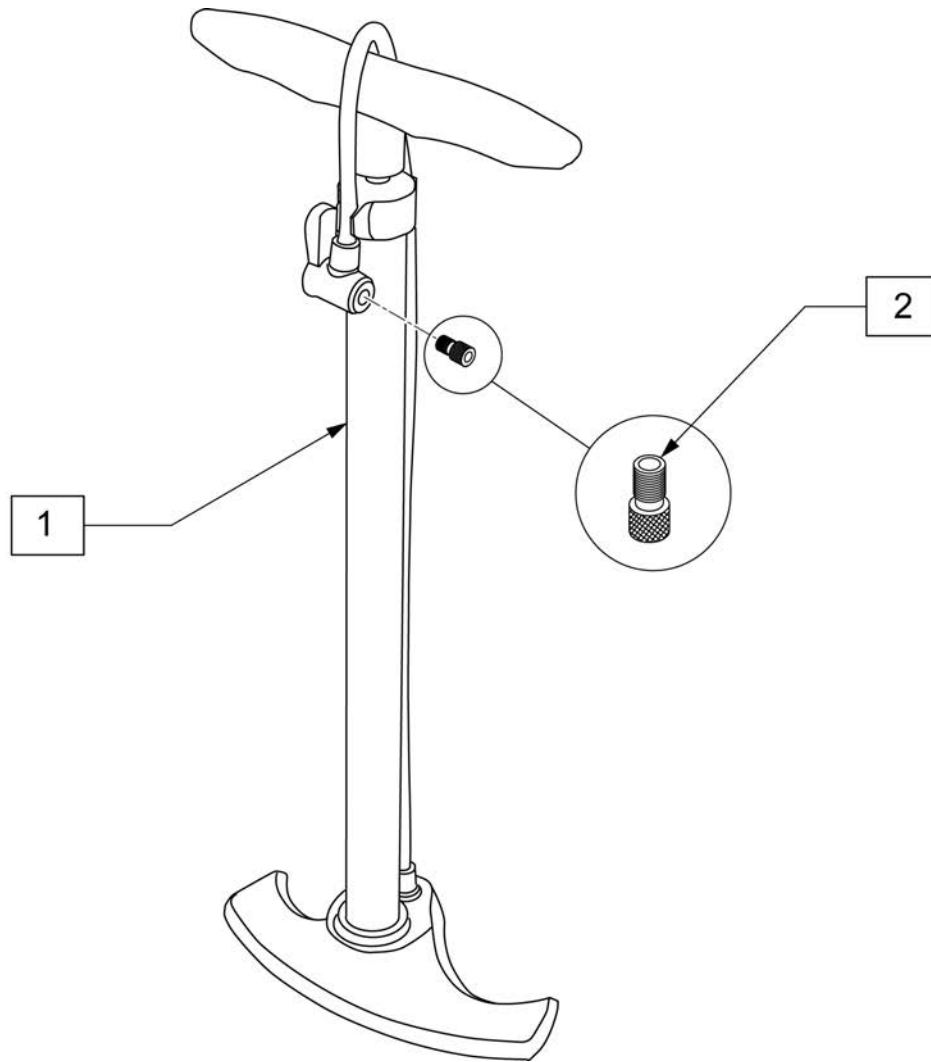


Pos.	Item Number	Description	Remarks
1,3,13	161563	PAD W/FASTENERS STD	Single Pad, 6X8
1,3,13	161564	PAD W/FASTENERS LRG	Single Pad, 8X10
1-9,13	161565	STUMP SUPP RETRO LRG PAD RH	Single Pad, 8X10
1-9,13	161566	STUMP SUPP RETRO LRG PAD LH	Single Pad, 8X10
1-9,13	161567	STUMP SUPP RETRO STD PAD RH	6X8
1-9,13	161568	STUMP SUPP RETRO STD PAD LH	6X8
2-9,13	162051	STUMP SUPPORT W/O PAD RH	No Pad
2-9,13	162052	STUMP SUPPORT W/O PAD LH	No Pad
10-13	119514	LATCH RECEIVER KIT	for 1 side
17	161569	STUMP SUPP FASTENER KIT	for 1 side





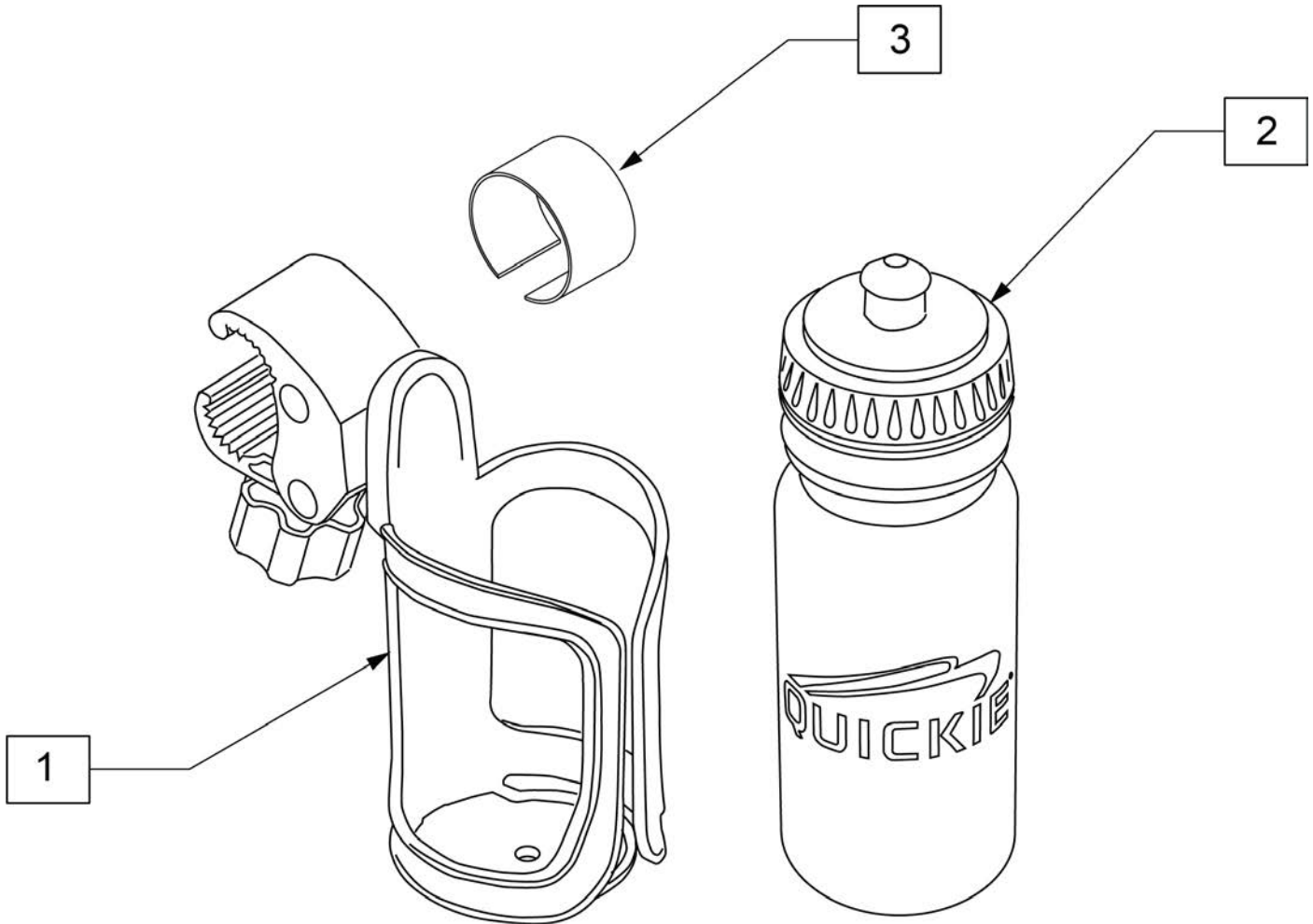
Pos.	Item Number	Description	Remarks
1	108314	QUICKIE COMBO TOOL KIT	Includes pouch
2	113403	6MM ALLEN WRENCH L, 7MM SHORT	caster spline chairs only



Pos.	Item Number	Description
1	389050	TIRE PUMP
2	381230	VALVE ADAPTER PRESTA

Note: Water Bottle Cage clamp fits 3/4" to 1 1/2" round tubing, 7R/Q7 and Xenon oval tubing as well as Double "D" tubing; Max bottle diameter is 3 3/4".

Note: Use rubbing alcohol to clean area of frame where adhesive rubber strip (item 3) is to be located prior to instalation to insure best adhesion.



Pos.	Item Number	Description	Remarks
1	252135	WATER BOTTLE CAGE W/ CLAMP	Black
2	252136	QUICKIE WATER BOTTLE	Black
3	123526	ADHESIVE RUBBER PAD	
1-3	163680	WATER BOTTLE W/ CAGE AND CLAMP	

