



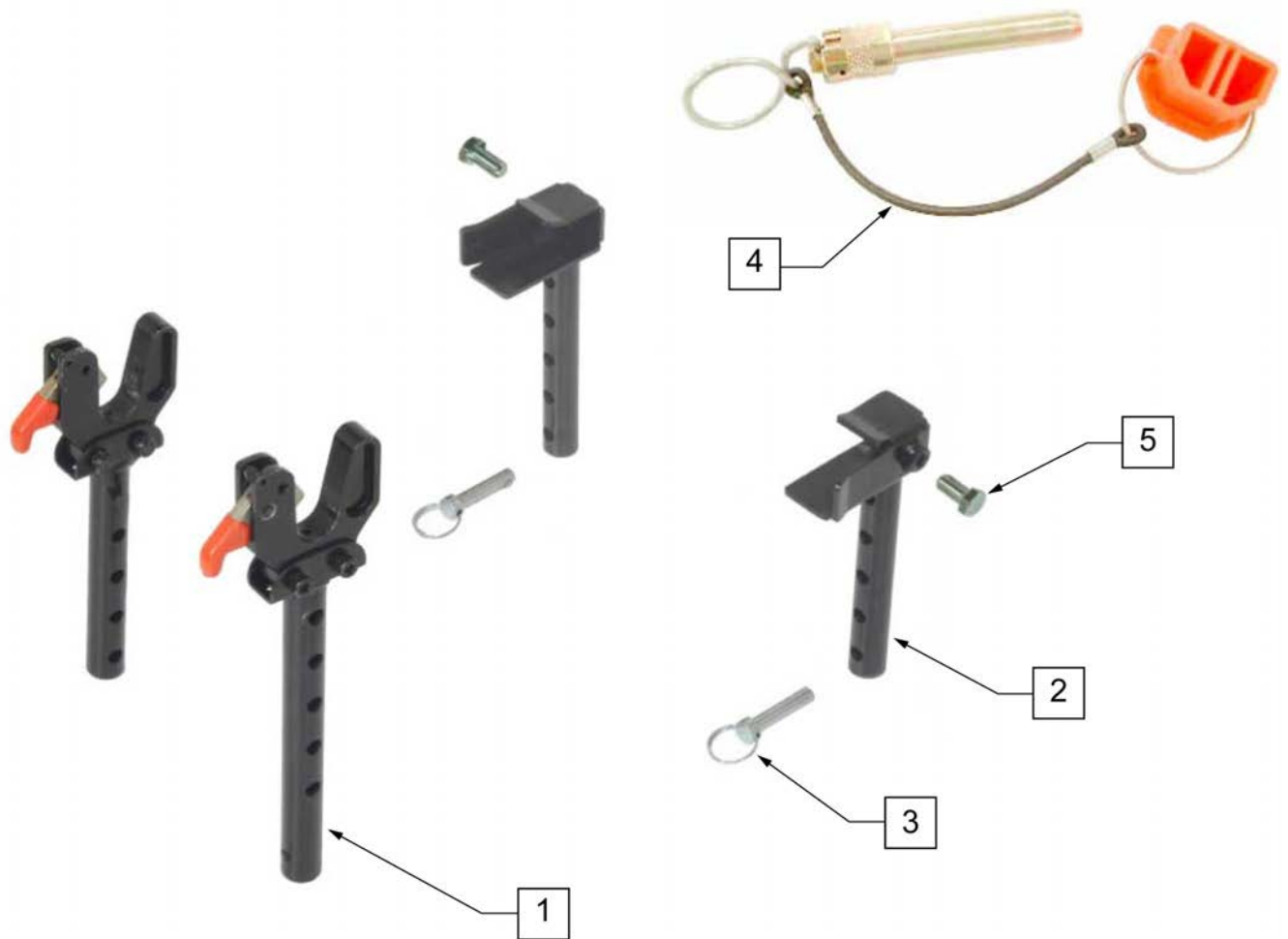
PARTS MANUAL

MAY 2013

QUICKIE FREESTYLE / ASPIRE	5
BASE.....	5
SEAT POSTS AND HARDWARE	5
FRONT COVER AND BRACKET HARDWARE.....	6
FRONT TRAILING ARM.....	7
READY ALIGN BUMPER.....	8
REAR TRAILING ARM.....	9
SUSPENSION STOPPER.....	10
FRAME.....	10
CAPTAINS SEAT FRAME.....	11
BASE FRAME	12
SHROUDS	12
SHROUDS FULL.....	13
SHROUDS MINI.....	14
MOTORS.....	14
MOTOR & MOTOR MOUNT	15
WHEELS	15
FULL DRIVE WHEEL.....	16
MINI DRIVE WHEEL.....	18
CASTERS & FORKS.....	18
REAR CASTER AND FORK	19
FRONT CASTER AND FORK.....	20
SEATING AND POSITIONING.....	20
SEAT.....	20
CAPTAINS SEAT AND HEADREST	21
CAPTAINS SEAT WITH SEAT PAN -DISCONTINUED.....	22
PERFECT FIT	24
PF SEAT PAN	24
PF SEAT TO BASE INTERFACE ASSM	26
PF SEAT INTERFACE ASSM.....	27
TRADITIONAL REHAB	27
REHAB SEAT FRAME	28
SEAT SLING	30
SEAT PAN.....	32
POWERED SEATING	32
TRADITIONAL REHAB	32
TRAD REHAB TILT SEAT FRAME	33
TRAD REHAB TILT ASSEMBLY.....	35
SEAT PAN.....	37
PERFECT FIT	37
PF MODULAR TILT ASSM	38
BACK.....	39
TRADITIONAL REHAB	39
TRAD REHAB FOLDING BACKREST.....	40
TRAD. REHAB NON-FOLDING BACKREST.....	45
JAY SOLID BACK (TRAD REHAB).....	50
PERFECT FIT	53
PF PUSH HANDLES.....	54
CONTOUR POSTERIOR ADJUSTABLE BACK CUSHION.....	55
CONTOUR POSTERIOR ADJUSTABLE BACK PAN.....	56
PF MANUAL RECLINE BACK BASE	57
POWERED RECLINE	58
PF SEAT BASE RECLINE	59
PF MANUAL RECLINE RETRO KIT	60
PF RECLINE BACK BASE.....	61
PF GAS SPRING ASSM	62
PERFECT FIT RECLINE RETRO KIT.....	63
HEADREST.....	63
CAPTAINS SEAT AND HEADREST	64
PERFECT FIT HEADREST.....	65
HEADREST	66
LATERALS.....	68
TRAD REHAB LATERAL PAD ASSEMBLY.....	68
PERFECT FIT	69
TRADITIONAL FIXED LATERAL	70
TRADITIONAL SWING AWAY LATERALS.....	71
PF WRAP-AROUND SWING-AWAY LATERALS.....	72
HANGERS & FOOTPLATES.....	73
CAPTAINS SEAT HANGERS	73
SOLID FOOTREST	74

CAPTAINS 70 FRONT FRAME HANGER	75
CAPTAINS ELEVATING LEGREST.....	76
CB (CAPTAINS SEAT) ELR.....	77
TRADITIONAL REHAB HANGERS.....	77
EXT MOUNT HANGERS.....	77
S/A HANGERS	77
TRAD REHAB 70 DEG FRONT FRAME HANGER	78
MANUAL ELR.....	78
POWER CHAIR ELR.....	79
ELEVATING HANGER CALF PAD 14 -15".....	81
ELEVATING HANGER CALF PAD 16-20".....	82
FIXED MOUNT HANGERS.....	82
TRAD REHAB FIXED 80 TAPERED HANGER ASSEMBLY.....	83
TRAD REHAB FIXED 70 STRAIGHT HANGER ASSEMBLY.....	84
EXTENSIONS.....	84
DOUBLE D FOOTREST EXTENSION TUBE "OLD STYLE".....	85
FOOTPLATES.....	86
COMPOSITE FOOTPLATE.....	87
ADULT ANGLE-ADJUSTABLE FOOTPLATE EXT MOUNT.....	89
KIDS ANGLE ADJUSTABLE FOOTPLATE EXT MOUNT.....	91
SOLID ONE PIECE FOOTREST.....	93
ELR ALUMINUM FOOTPLATE.....	98
DIRECT MOUNT HANGERS.....	98
HANGERS.....	98
90 DEGREE SWING-AWAY HANGER.....	99
FOOTPLATES.....	99
KIDS ANGLE ADJ FOOTPLATE FRONT MOUNT.....	100
ADULT ANGLE-ADJ FOOTPLATE FRONT MOUNT.....	102
HANGER RECEIVERS.....	103
TRAD REHAB SWING AWAY HANGER RECIEVER.....	104
CENTER MOUNT FOOTREST.....	104
SOLID FOOTREST.....	105
PERFECT FIT HANGERS.....	105
S/A HANGERS.....	105
HANGERS.....	105
PF 70 DEGREE FRAME HANGER.....	106
PF ELEVATING (ELR) LEGREST.....	108
EXTENSIONS.....	109
DOUBLE D FOOTREST EXTENSION TUBE "OLD STYLE".....	110
FOOTPLATES.....	111
COMPOSITE FOOTPLATE.....	112
ADULT ANGLE-ADJUSTABLE FOOTPLATE EXT MOUNT.....	114
KIDS ANGLE ADJUSTABLE FOOTPLATE EXT MOUNT.....	116
ALUMINUM FOOTPLATE & EXT - M6.....	118
HANGER RECIEVERS.....	120
PF LEGREST ADAPTER.....	120
POWER ELR/ALR.....	120
ELEVATING LEGREST (ELR)-ELECTRONICALLY ACTUATED.....	121
ARTICULATING LEGREST (ALR) -ELECTRONICALLY ACTUATED.....	123
LEGREST ACTUATOR.....	125
ELR/ALR CALF PAD-FOR ELECTRONICALLY ACTUATED LEGRESTS.....	126
ELR/ALR KNEE PAD.....	127
CENTER MOUNT FOOTREST.....	127
SOLID FOOTREST.....	128
PF CENTER MOUNT FOOTREST.....	129
ARMRESTS & RECEIVERS.....	130
ARMRESTS.....	130
CAPTAINS SEAT.....	130
HEIGHT ADJUSTABLE FLIP BACK ARMREST.....	131
FLIP-BACK ARMREST FOR CONTOUR SEATING.....	132
TRADITIONAL REHAB.....	132
FIXED DUAL-POST ARMREST.....	133
DUAL POST HEIGHT ADJUSTABLE FLIP-BACK ARMREST.....	135
SINGLE POST HEIGHT ADJUSTABLE ARMREST.....	137
PERFECT FIT.....	138
PF FLIP BACK ARMREST FREESTYLE.....	139
PF POWER RECLINE ARMREST FREESTYLE.....	141
RECEIVERS.....	142
DUAL-POST FLIP-BACK ARMREST RECEIVERS.....	143
SINGLE POST ARMREST RECEIVER.....	145

ELECTRONICS.....	145
CONTROL SYSTEMS & MOUNTS.....	145
PILOT PLUS.....	145
PILOT + JOYSTICK	146
SWING AWAY SQUARE ARM JOYSTICK MOUNT PILOT +	147
FIXED ROUND ARM JOYSTICK MOUNT PILOT +	148
SWING AWAY ROUND ARM JOYSTICK MOUNT PILOT +	149
CONTROLLER AND WIRING	150
VSI CONTROL SYSTEM.....	150
VSI INTEGRAL CONTROL JOYSTICK (M11 F11).....	151
CAPTAINS SWING-AWAY JOYSTICK MOUNT.....	152
CAPTAINS FIX JOYSTICK MOUNT	153
SWING AWAY ROUND ARM JOYSTICK MOUNT VSI/VR2/RNET	154
ROUND ARM JOYSTICK MOUNT VSI/VR2/RNET	155
QTRONIX CONTROL SYSTEM.....	155
QTRONIX REMOTE JOYSTICK.....	156
SWING AWAY ROUND ARM JOYSTICK MOUNT QTRONIX	157
ROUND ARM JOYSTICK MOUNT QTRONIX	158
HEIGHT ADJ CLAMP FOR ROUND ARM JOYSTICK MOUNT	159
CLAMP FOR ROUND ARM JOYSTICK MOUNT.....	160
WIRING	160
BASE WIRING.....	161
PIVOT SYSTEM HARNESSSES.....	162
PERFECT FIT WIRING.....	163
QTRONICS CONTROL THRU DRIVE WIRING HARNESSSES	164
QTRONICS CONTROL TOGGLE WIRING HARNESSSES	165
VSI CONTROL TOGGLE WIRING HARNESSSES.....	166
WIRING DIAGRAMS.....	166
VSI CONTROL TOGGLE WIRING DIAGRAM.....	167
QTRONICS CONTROL TOGGLE WIRING DIAGRAM.....	168
QTRONICS CONTROL THRU DRIVE WIRING DIAGRAM-1.....	169
QTRONICS CONTROL THRU DRIVE WIRING DIAGRAM-2.....	170
QTRONICS CONTROL THRU DRIVE WIRING DIAGRAM-3.....	171
QTRONICS CONTROL THRU DRIVE WIRING DIAGRAM-4.....	172
SPECIALTY CONTROLS.....	172
QTRONIX PROGRAMMER.....	173
QTRONICS ALM.....	174
SINGLE SWITCH DEVICES	175
BATTERIES	175
BATTERY ASSEMBLIES.....	176
BATTERY CHARGER.....	176
ON BOARD BATTERY CHARGERS	177
OFF BOARD BATTERY CHARGERS.....	178
ACCESSORIES	178
BACKPACKS AND SEAT POUCHES.....	178
BACKPACKS AND SEAT POUCHES.....	179
CELL PHONE PACK.....	180
CASE LOGIC BAGS.....	181
PF SWING AWAY KNEE SUPPORT.....	182
PF SIDE GUARD	184
ACCESSORY HOLDER (REHAB SEAT ONLY).....	185
OXYGEN HOLDER	186
CRUTCH HOLDER	187
WALKER HOLDER	188
BASKET AND MOUNT HARDWARE.....	189
POSITIONING BELT.....	190
QUICKIE CADDY	191
ARMREST POUCH.....	192
LEG STRAPS.....	193
TIRE PUMP.....	194



Pos.	Item Number	Description
1	883176	FRONT SEAT POST LEFT & RIGHT
2,3	883177	REAR SEAT POST LEFT & RIGHT
3	330070	ADJUSTMENT PIN M8 x 32
4	138139	AC CHARGER PLUG CAP
5	235005	M8-16 HEX C/S

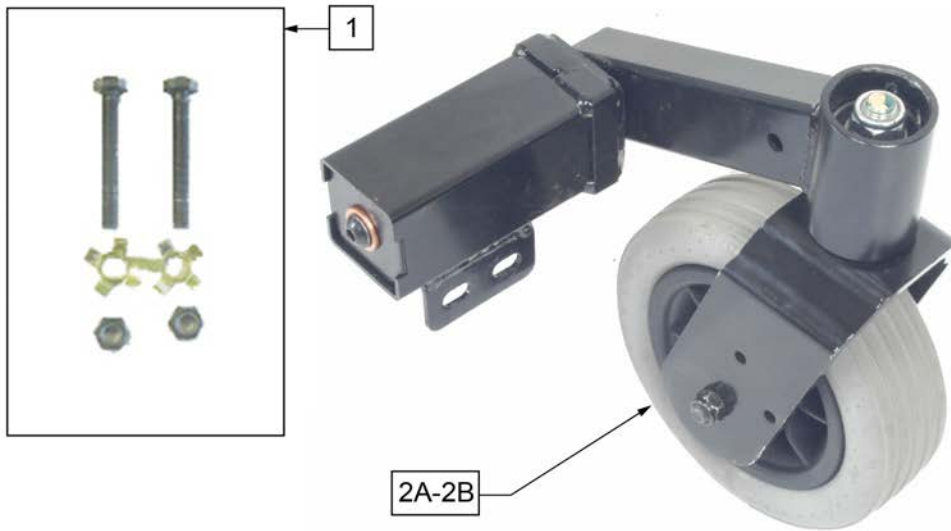


Pos.	Item Number	Description
1	561670	FRONT COVER AND BRACKET

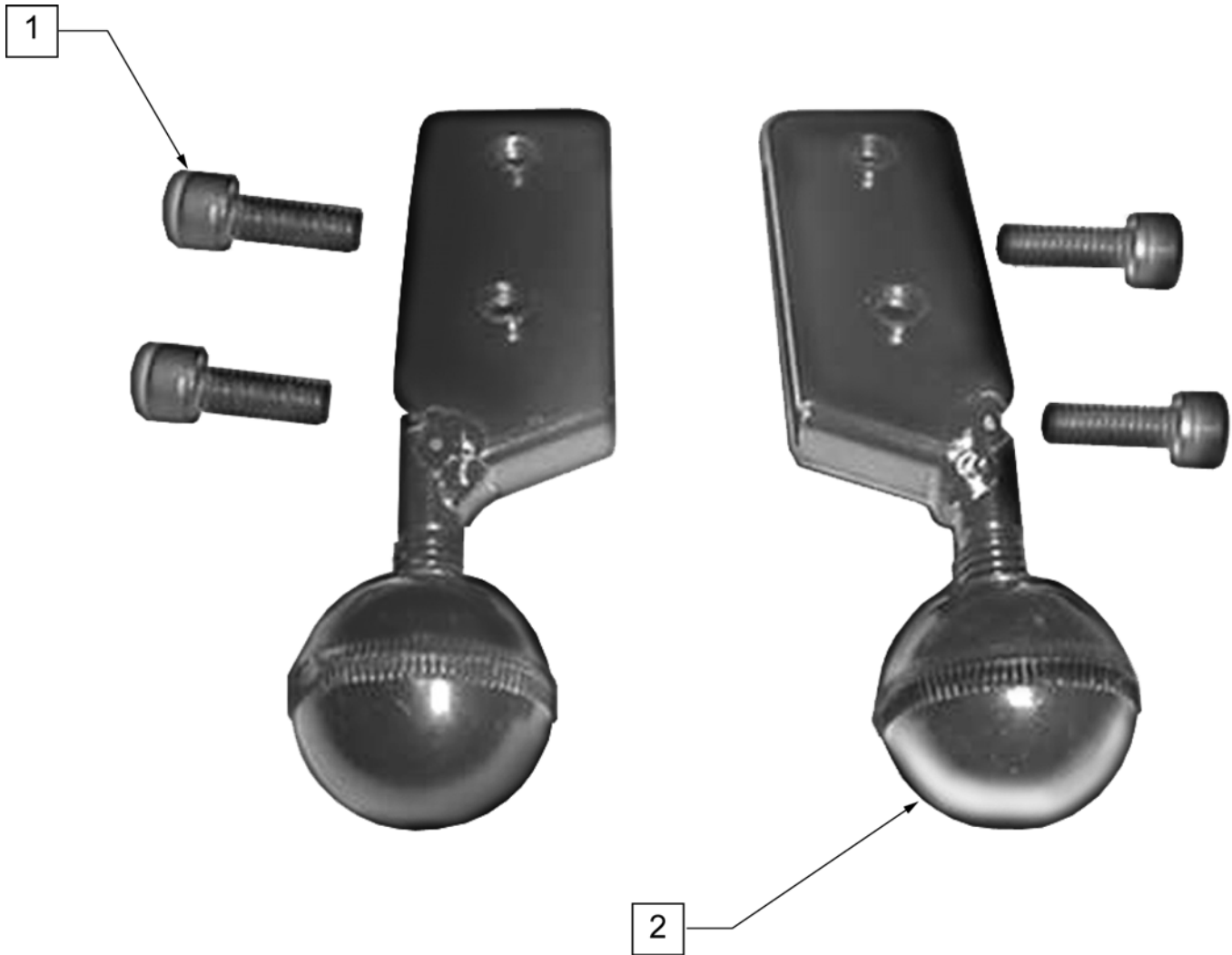
NOTE: FOR REPLACEMENT SUSPENSION CABLES SEE THE "MOTOR & MOTOR MOUNT" PARTS MANUAL PAGE.

NOTE: WHEN ORDERING A FRONT TRAILING ARM PLEASE ORDER THE APPROPRIATE SUSPENSION RETRO-FIT KIT FOUND ON THE MOTOR & MOTOR MOUNT PAGE.

NOTE: CASTER BEARING SIZE 35MM X 17MM X 10MM

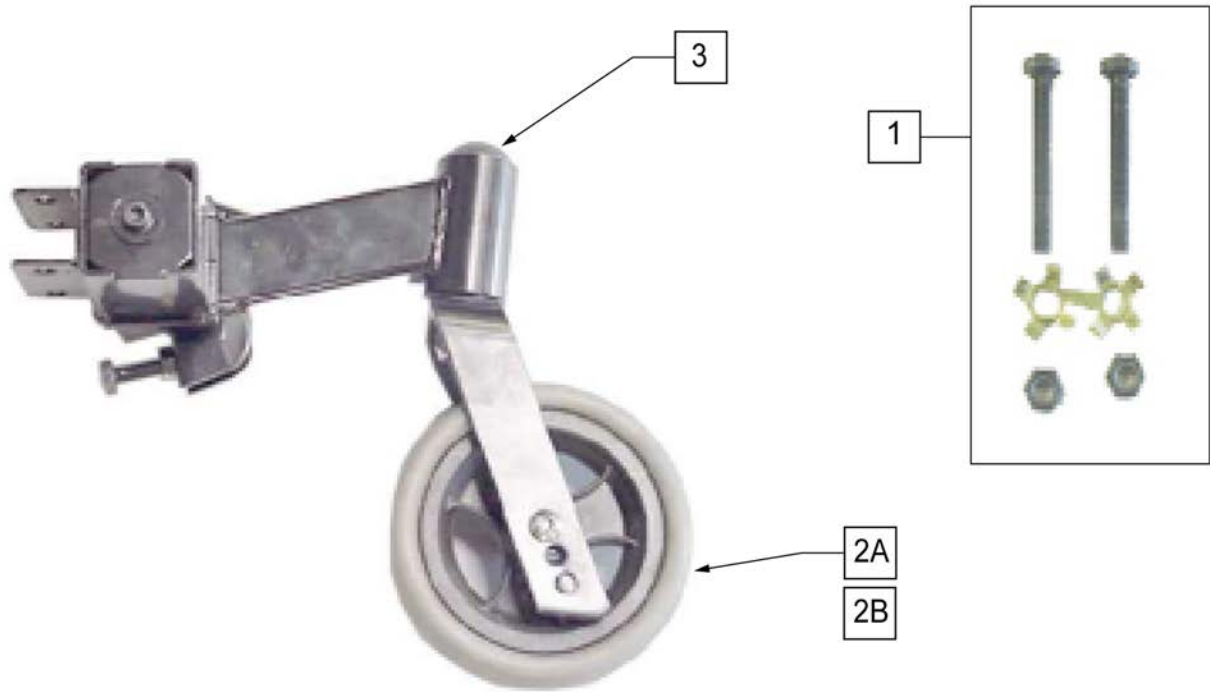


Pos.	Item Number	Description	Remarks
1	884371	FRONT TRAILING ARM MOUNTING HDWR	
1,2A	787281	FRONT CASTER ASSM MINI	LEFT
1,2A	787296	FRONT CASTER ASSM MINI	RIGHT
1,2B	787285	FRONT CASTER ASSM FULL	LEFT
1,2B	787286	FRONT CASTER ASSM FULL	RIGHT

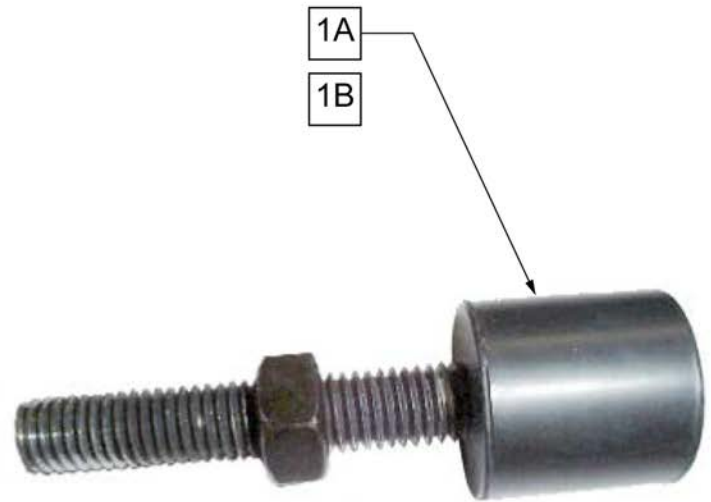


Pos.	Item Number	Description	Remarks
1,2	RAB	GUARDIAN ASP READY ALIGN BUMPER	RAB CONSISTS OF 4 BUMPERS PLUS HARDWARE.

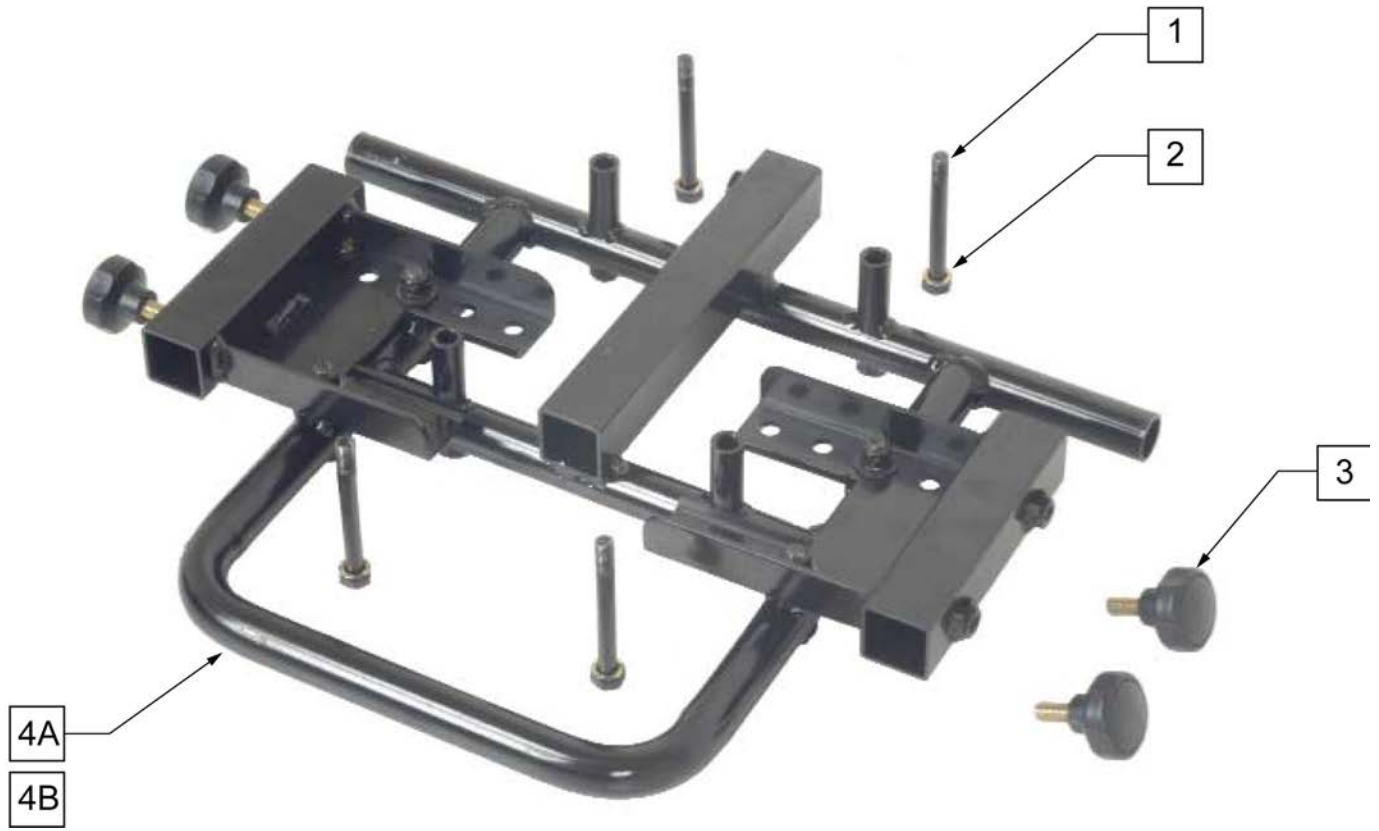
NOTE: CASTER FORK BEARING SIZE: 28MM X 12MM X 8MM



Pos.	Item Number	Description	Remarks
1	884372	REAR CASTER ASSM MOUNTING HDWR	
3	343081	REAR CASTER HOUSING CAP	
1,2A,3	787283	REAR CASTER ASSM MINI	LEFT
1,2A,3	787284	REAR CASTER ASSM MINI	RIGHT
1,2B,3	787287	REAR CASTER ASSM FULL	LEFT
1,2B,3	787288	REAR CASTER ASSM FULL	RIGHT

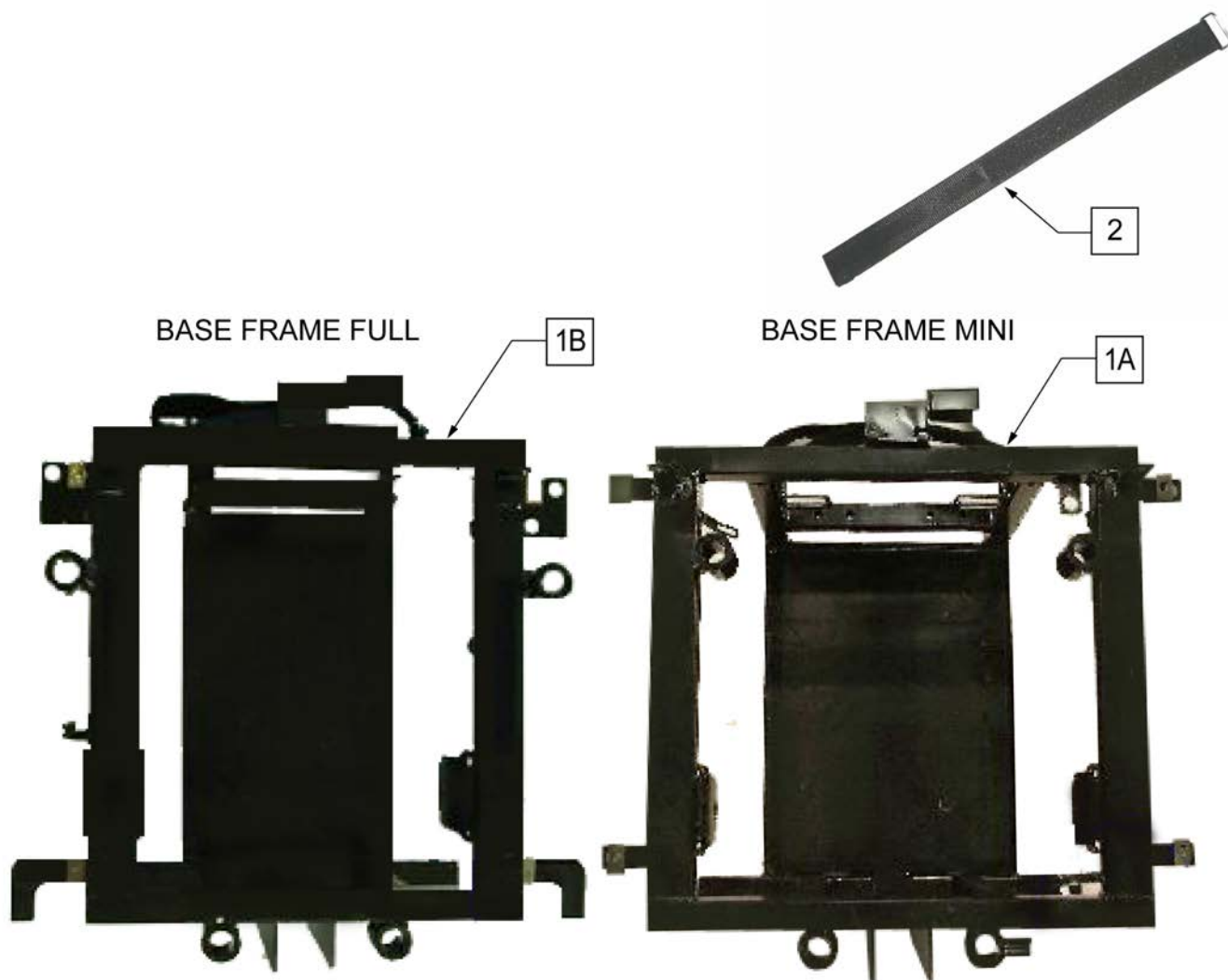


Pos.	Item Number	Description
1A	330187	SUSPENSION STOPPER MINI
1B	330188	SUSPENSION STOPPER FULL

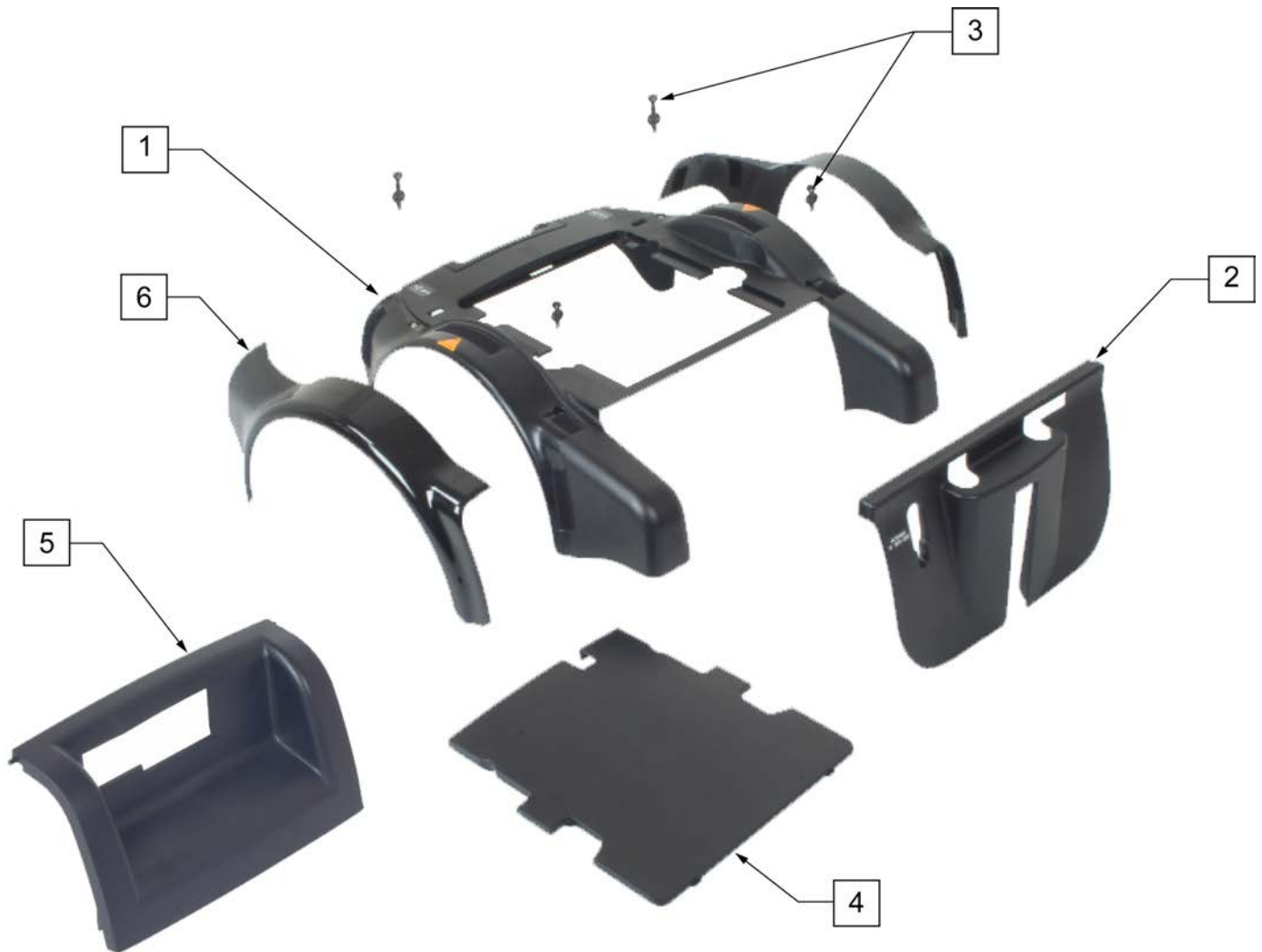


Pos.	Item Number	Description
1	210080	M8 x 1.25 x 75 HB SEAT MOUNTING
2	250106	M8 LOCK WASHER
3	349049	KNOB M8 x 1.25 x 18
4A	660175	SEAT FRAME INTERFACE MINI
4B	660176	SEAT FRAME INTERFACE FULL

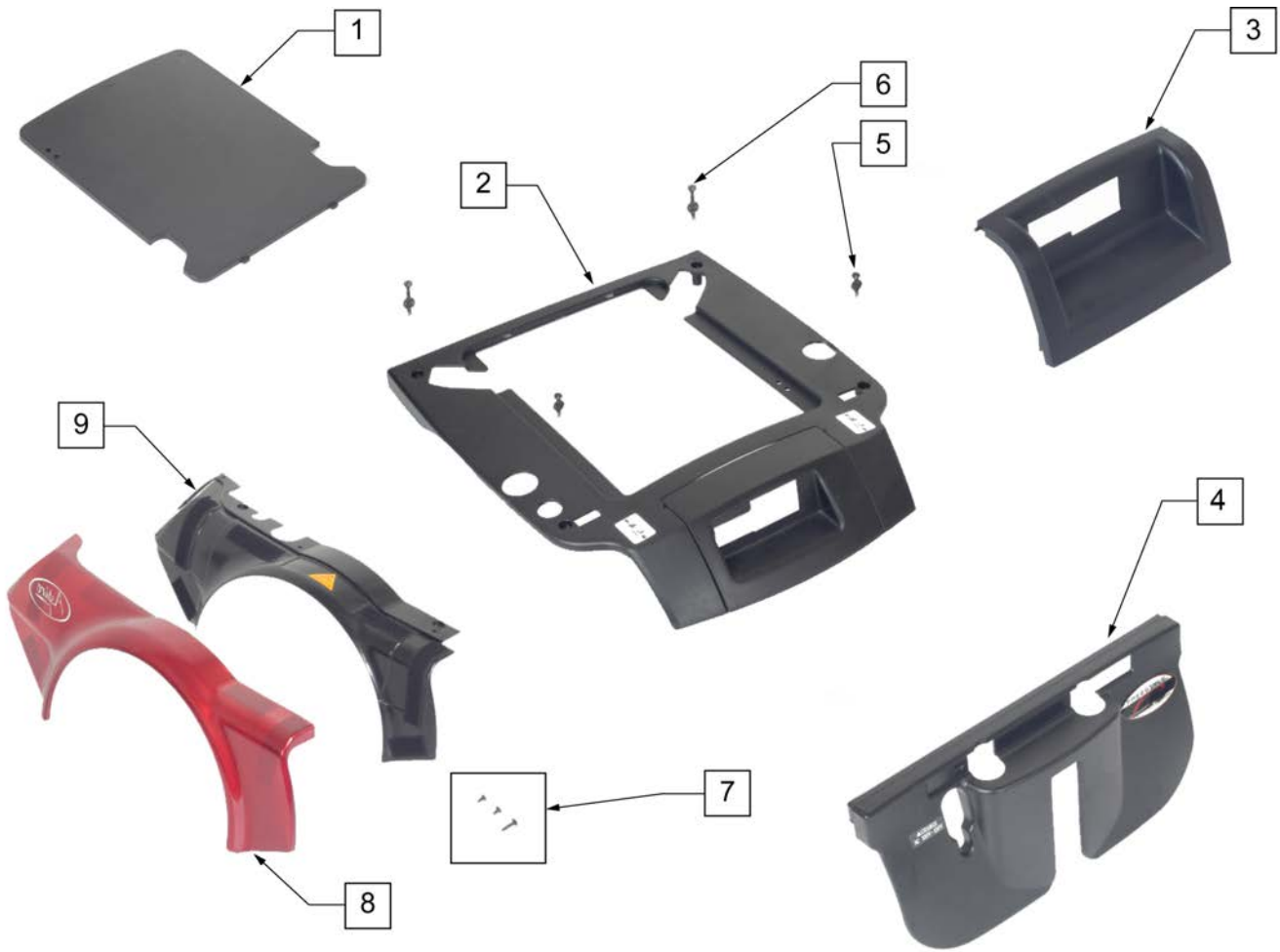
NOTE: INCLUDES CLIP-ON NUTS AND CHARGER STRAPS.



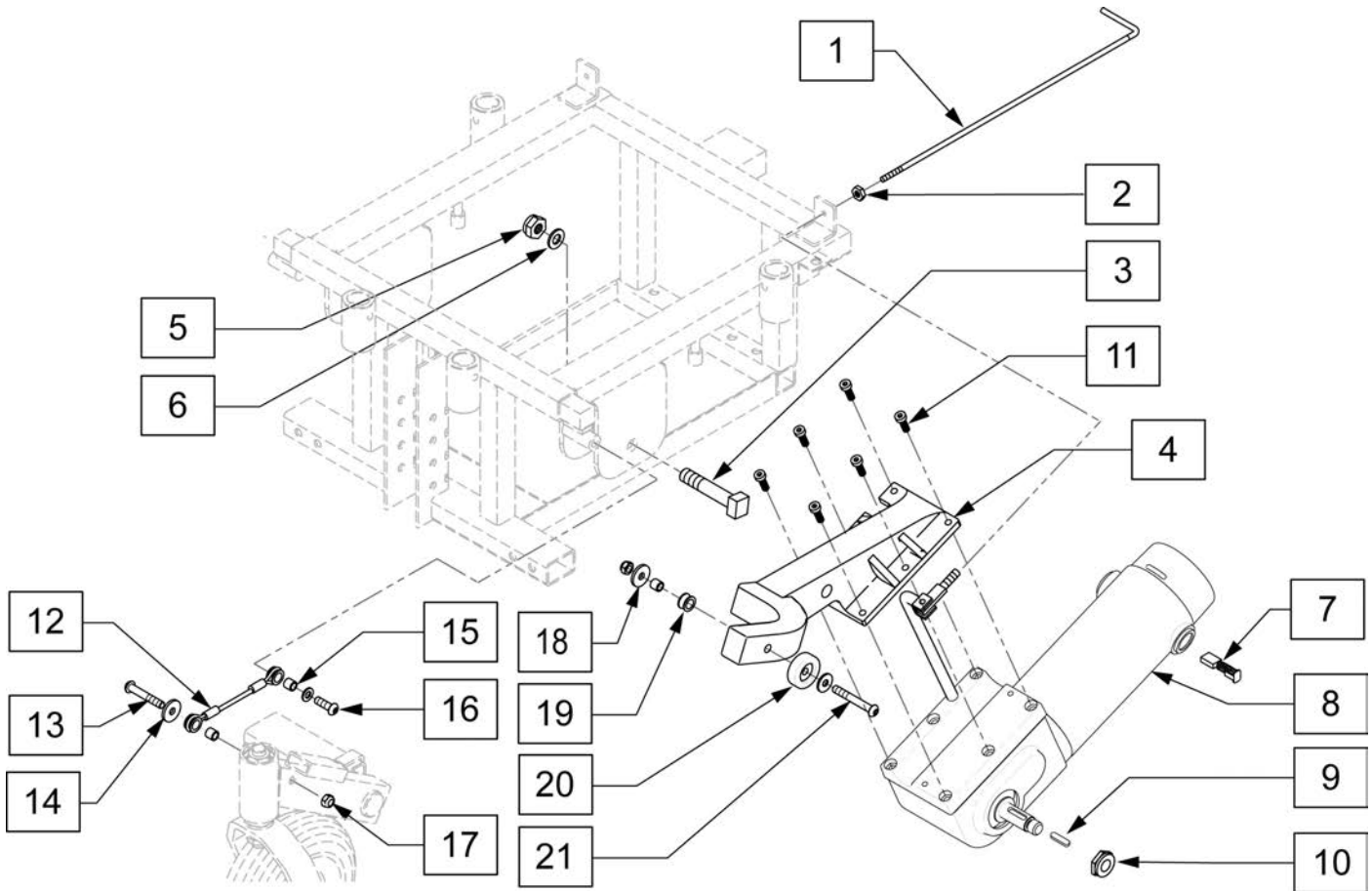
Pos.	Item Number	Description	Remarks
1A,2*	547010	BASE FRAME MINI	*SEE NOTE:
1B,2*	547011	BASE FRAME FULL	
2	901009	CHARGER STRAP	



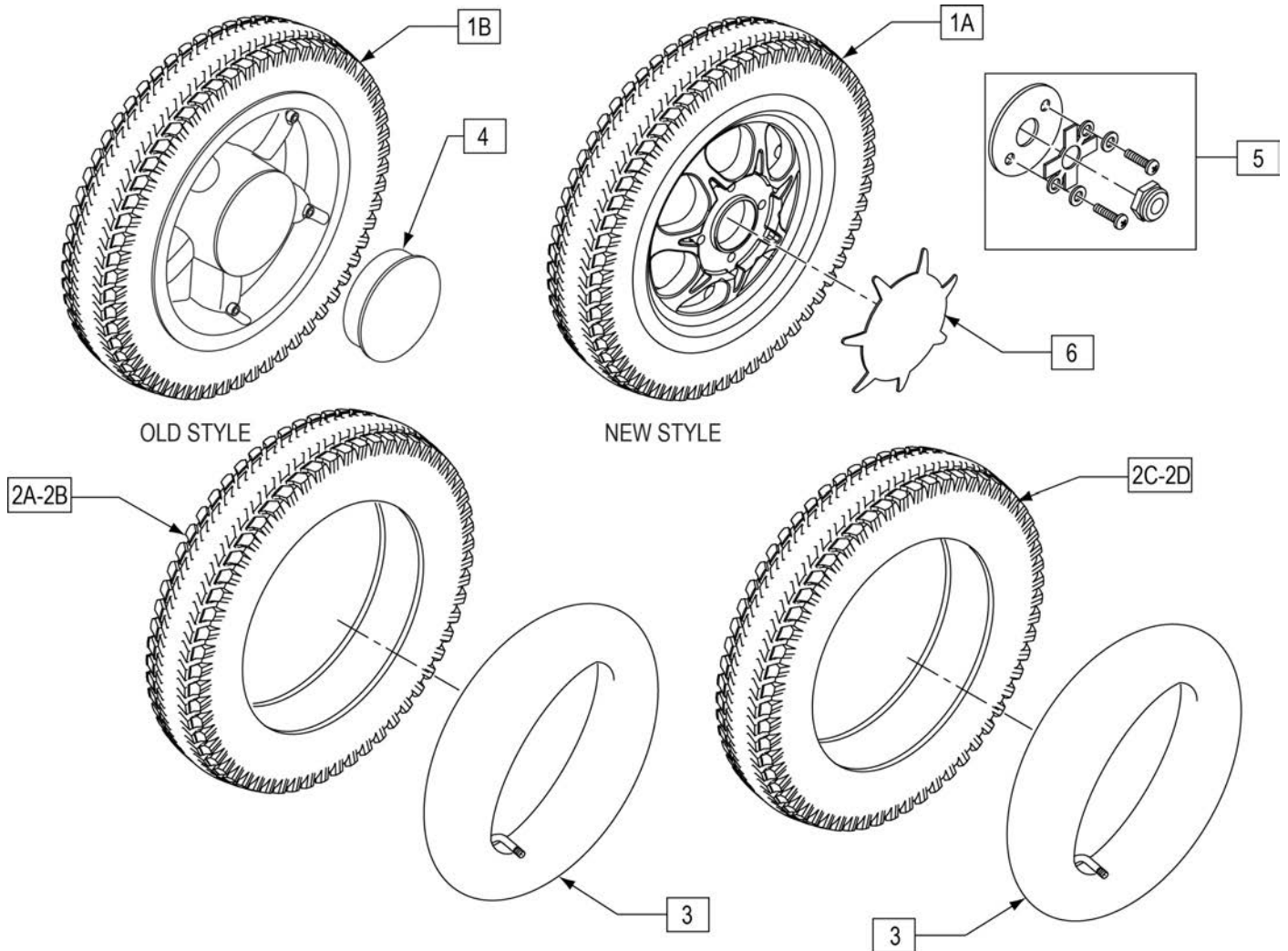
Pos.	Item Number	Description	Remarks
1,2,4	883096	SHROUD FULL MIDDLE & FRONT	
3	884370	SHROUD MOUNTING HARDWARE	KIT INCLUDES 2 - M6 X 16MM BHCS 2 - M6 WASHERS 2 - M6 LOCK WASHERS 2 - M6 NUT CLIPS
5	901007	CHARGER COVER FULL	
6	883204	SHROUD CANDY RED FULL	
6	883205	SHROUD BLUE FULL	
6	883206	SHROUD BLACK FULL	
6	883207	SHROUD CHAMPAGNE FULL	
6	883207	SHROUD CHAMPAGNE FULL	



Pos.	Item Number	Description	Remarks
1-4	883095	SHROUD MINI MIDDLE & FRONT	
5,6	884370	SHROUD MOUNTING HARDWARE	CONTAINS 2 NUTS & 2 SCREWS.
3	901006	CHARGER COVER MINI	
9	887976	SHROUD MINI FAIRING	
7-9	883200	SHROUD CANDY RED MINI	PAIR
7-9	883201	SHROUD BLUE MINI	PAIR
7-9	883202	SHROUD BLACK MINI	PAIR
7-9	883203	SHROUD CHAMPAGNE MINI	PAIR



Pos.	Item Number	Description	Remarks
1,2	887965	COG RELEASE LEFT & RIGHT	
3-6	882762	MOTOR MOUNT RIGHT FULL	RIGHT
3-6	882763	MOTOR MOUNT LEFT FULL	LEFT
3-6	882760	MOTOR MOUNT RIGHT MINI	RIGHT
3-6	882761	MOTOR MOUNT LEFT MINI	LEFT
7-11	013416	MOTOR/GEARBOX/BRAKE MINI	RIGHT
7-11	013417	MOTOR/GEARBOX/BRAKE MINI	LEFT
7-11	013418	MOTOR/GEARBOX/BRAKE ASSM R FULL	RIGHT
7-11	013419	MOTOR/GEARBOX/BRAKE ASSM L FULL	LEFT
7	106752	BRUSH MOTOR	M11 - INCLUDES 2 BRUSHES AND 2 CAPS
7	139191	BRUSH FULL MOTOR	F11 - INCLUDES 2 BRUSHES AND 2 CAPS
9	341279	SHAFT KEY MOTOR	
10	221230	LOCK NUT MOTOR	
12	139260	FRONT SUSPENSION CABLE FULL	F11
12	139261	FRONT SUSPENSION CABLE MINI	M11

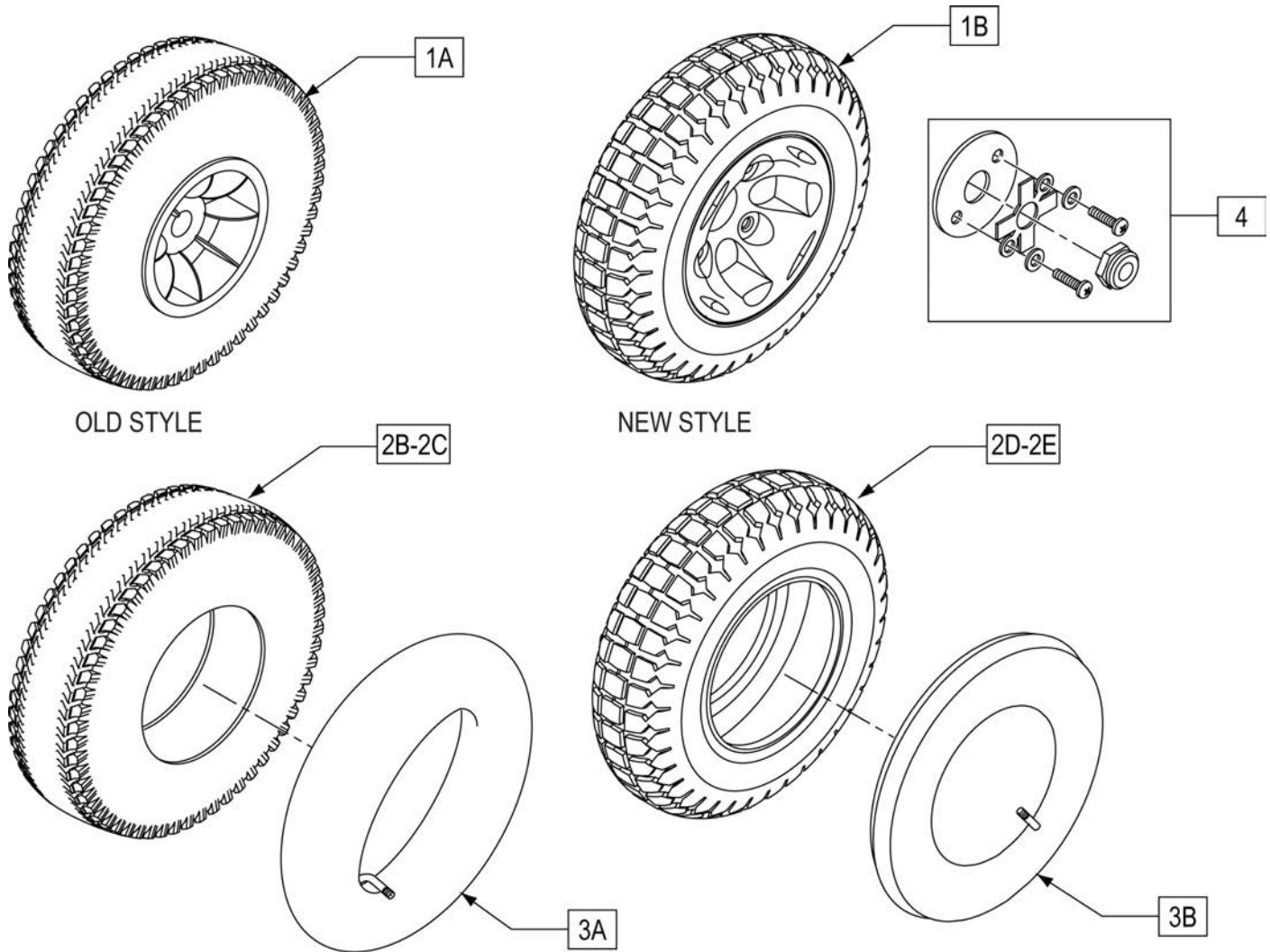


Pos.	Item Number	Description	Remarks
1A	111856	14" DRIVE WHL SOLID INSRT F11	Replaces item #761893
1B	761892	14" ALUM W/PNEUAMTIC TIRE	
2A	384261	3.00 x 8 KNOBBY W/ INSERT 5 SPOKE	Tire w/ insert
2B	384709	TIRE PNEUMATIC 14 x 3	Tire only
2C	382303	TIRE KNOBBY 12 X 3 FOAM FILL	Tire w/ insert
2D	382301	TIRE,KNBY 12 X 3(2.50-8 C-177)	tire only
3	384739	INNER TUBE 14 x 3 90D STEM	Tube
4	561660	WHEEL HUB CAP 14	Replacement cap for 761892 only
5	884377	WHEEL LOCK WASHER HARDWARE	
6	122467	CAP PRIMO 8" CENTER CAP BLACK	

Note: Inner Tube has 90 deg valve stem.

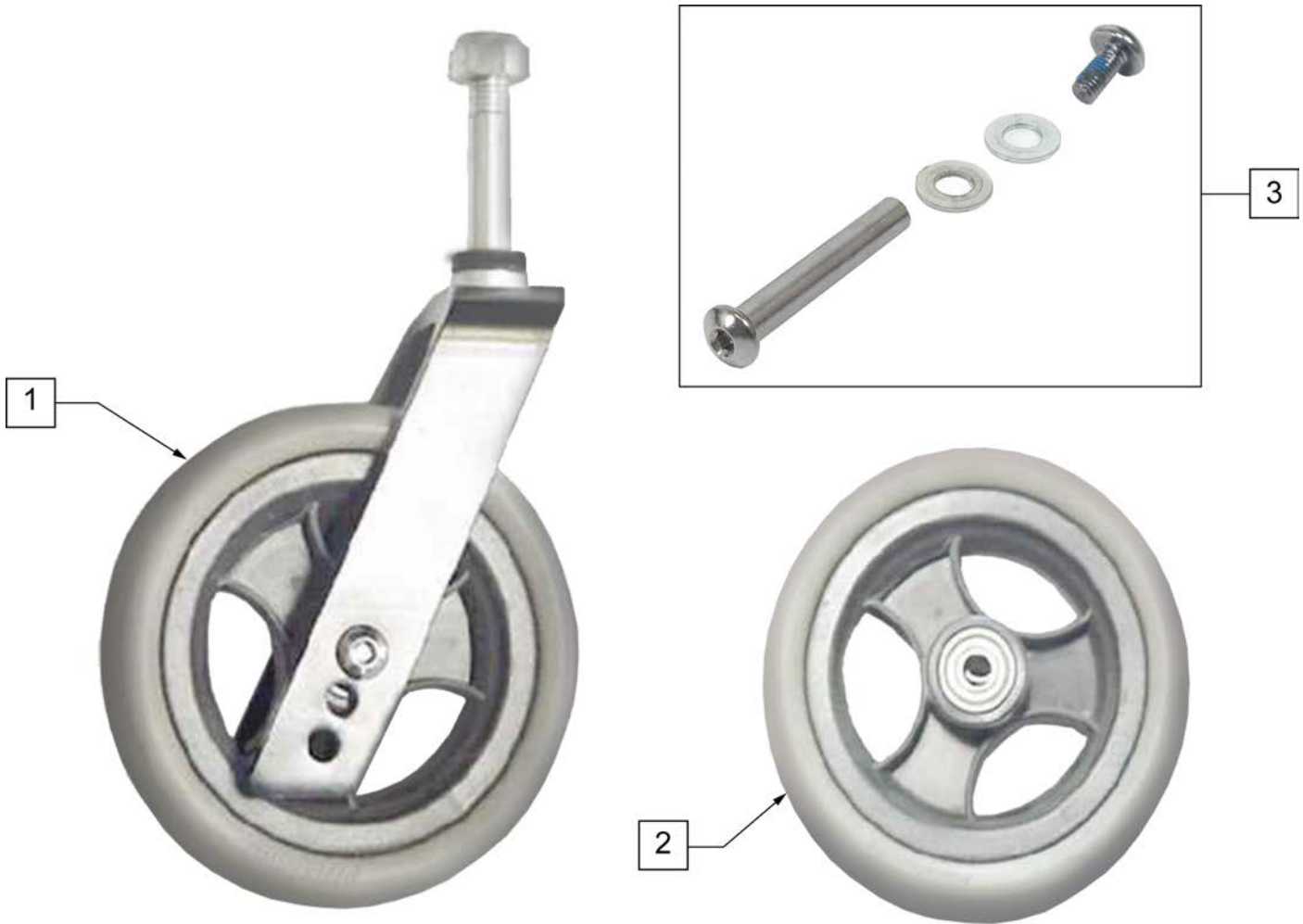
Note: "Old Style" is no longer available, "New Style" is different design but is a direct replacement.

Note: "New Style" is different design but is a direct replacement.



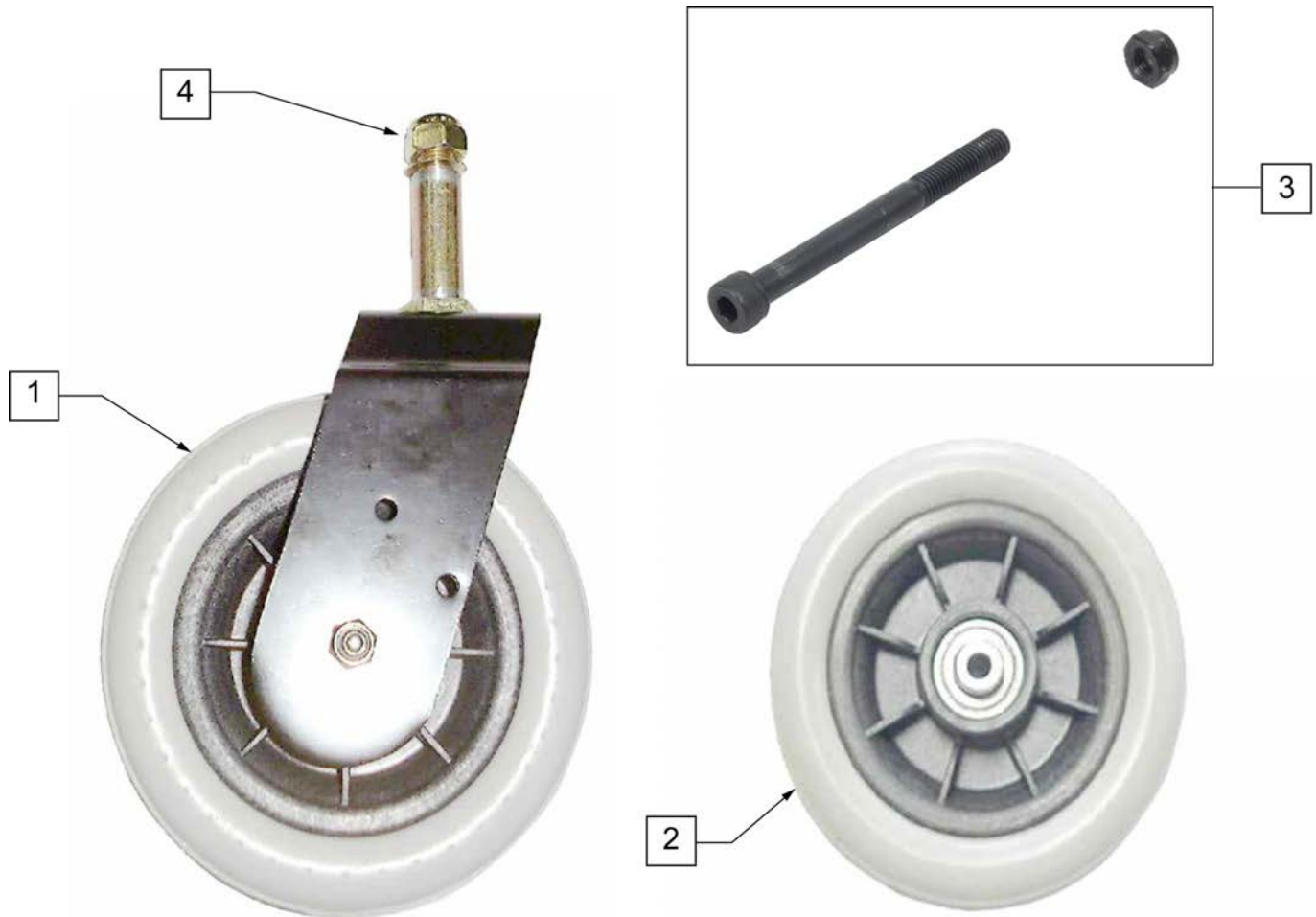
Pos.	Item Number	Description	Remarks
1A	761890	10" ALUM W/PNEUMATIC TIRE PR	"Old Style"
1B	111858	10" DRIVE WHL SOLID INSRT M11	"New Style" - Replaced 761891
2A	384714	TIRE FOAMED 260 x 85	Tire w/ insert
2B	384704	TIRE 10 x 3 PNEUMATIC DRV WHL	Tire only
2C	384303	3.50 X 12" KNOBBY TIRE	Tire only
2D	384305	3.50 X 12" KNOBBY W/INSERT	Tire w/ insert
3A	384732	INNER TUBE 10" x 3	Tube
3B	384729	INNER TUBE 12" X 3.50"	Tube
4	884377	WHEEL LOCK WASHER HARDWARE	

NOTE: FOR REPLACEMENT CASTER CAPS SEE THE "REAR TRAILING ARM" PARTS MANUAL PAGE.



Pos.	Item Number	Description	Remarks
1	787231	REAR FORK & CASTER ASSM	
2	400761	REAR CASTER 5"	
3	884379	REAR CASTER HARDWARE	KIT INCLUDES 1 - M8 X 51 SEX BOLT 1 - M6 X 13MM BHCS 2 - M8 WASHERS

NOTE: FOR REPLACEMENT CASTER CAPS SEE THE "FRONT TRAILING ARM" PARTS MANUAL PAGE.

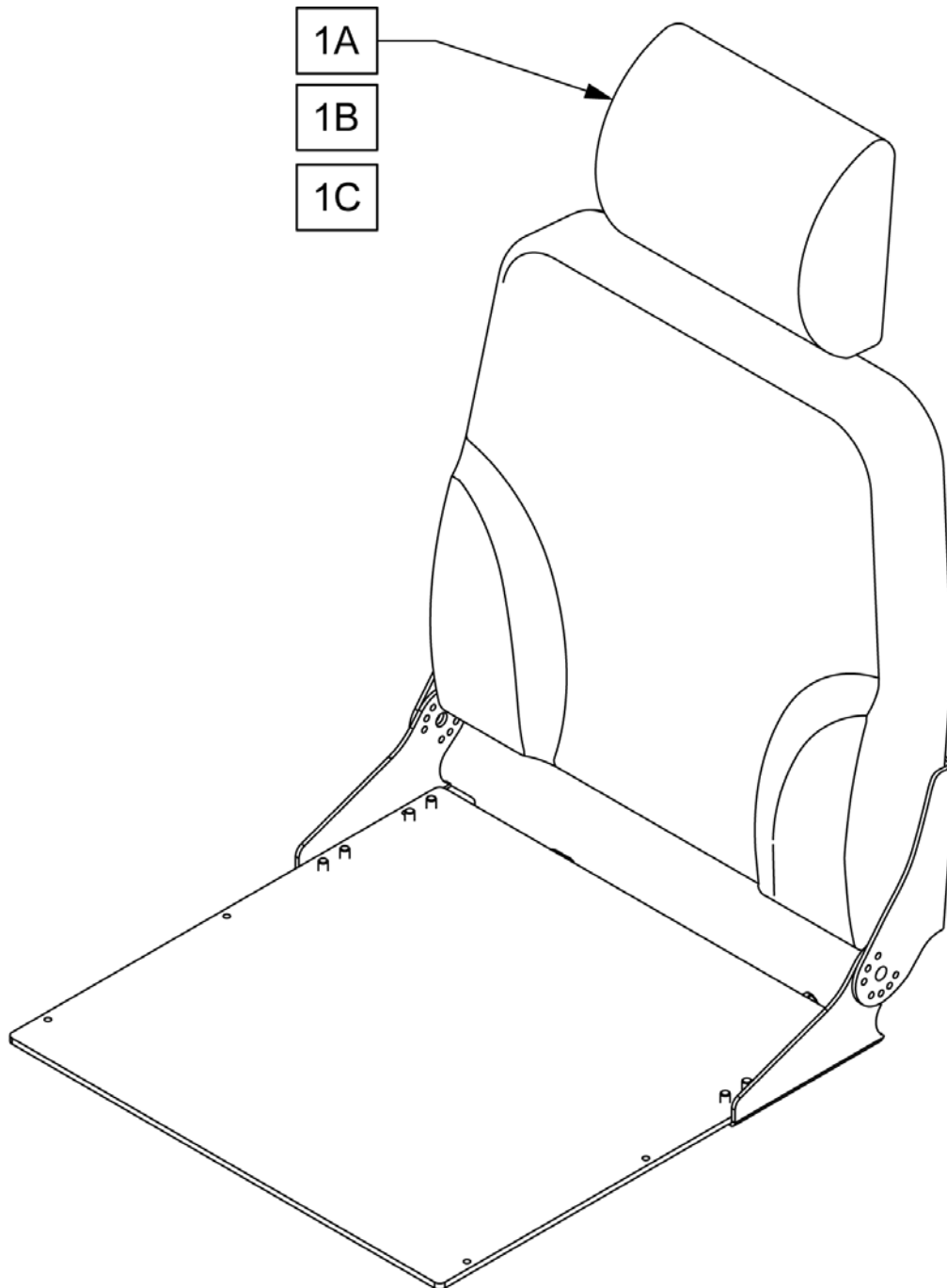


Pos.	Item Number	Description	Remarks
1-4	787230	FRONT FORK & CASTER ASSM	
2	400760	FRONT CASTER 6"	
3	884378	FRONT CASTER HARDWARE	KIT INCLUDES 1 - M8 X 85 SHCS 1 - M8 HEX BOLT
4	884374	FRONT CASTER STEM HARDWARE	

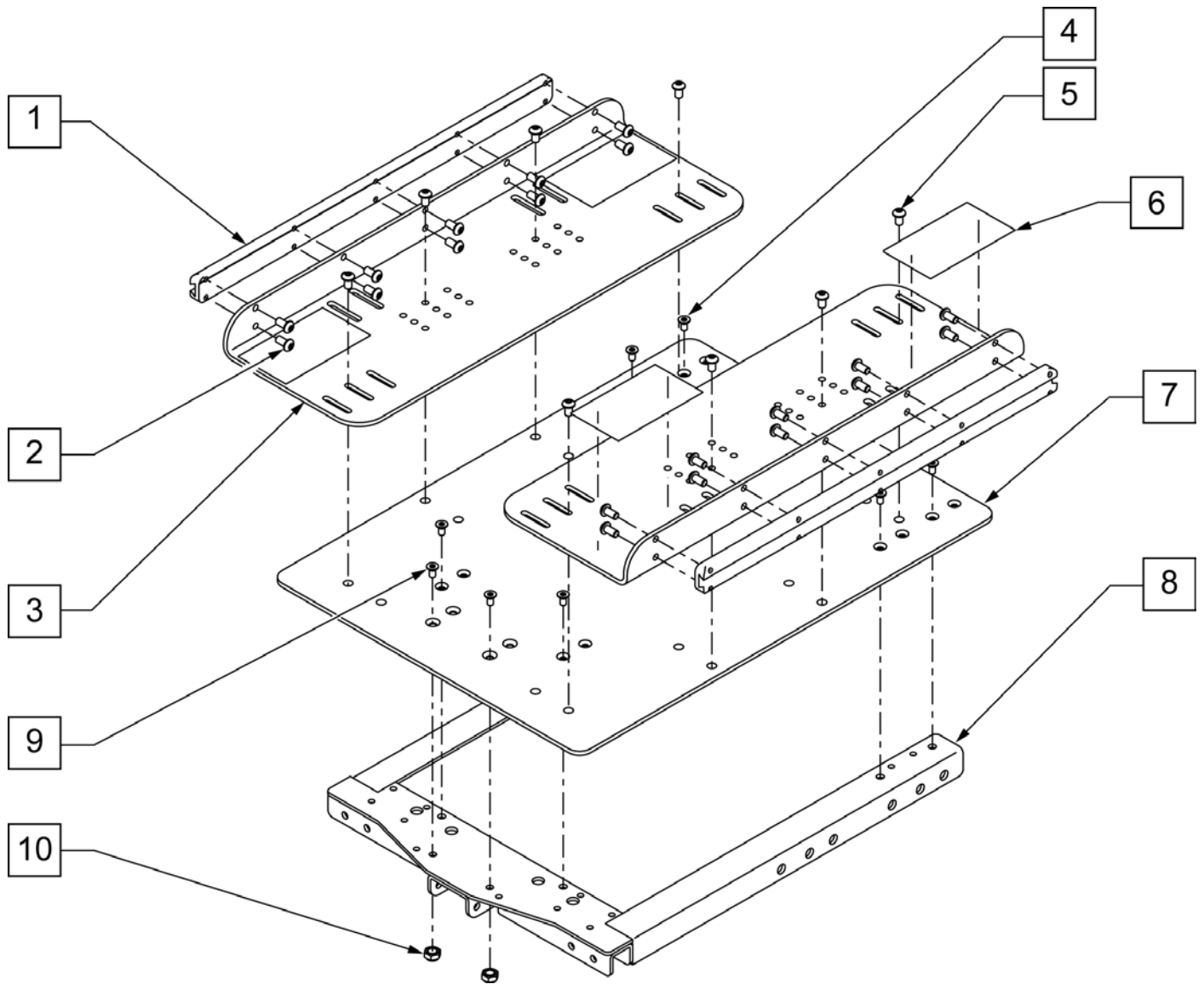


Pos.	Item Number	Description
2	703501	HEADREST VINYL GREY
3	349048	KNOB M10 x 1..25 x 17
4	349076	SEAT LATCH SHROUD
1-4	702920	16 x 16 HIGH BACK GREY VINYL
1-4	702926	18 x 18 HIGH BACK GREY VINYL W/ EYELET
1-4	702928	20 x 20 HIGH BACK GREY VINYL
1-4	702930	22"X18"HG BK GRY VNYL W/EYELET

NOTE: CAPTAIN SEAT with SEAT PAN is no longer offered and has been replaced by the STANDARD CAPTAIN SEAT. Please see the "CAPTAIN SEAT & HEADREST" Parts Manual page for replacement parts.

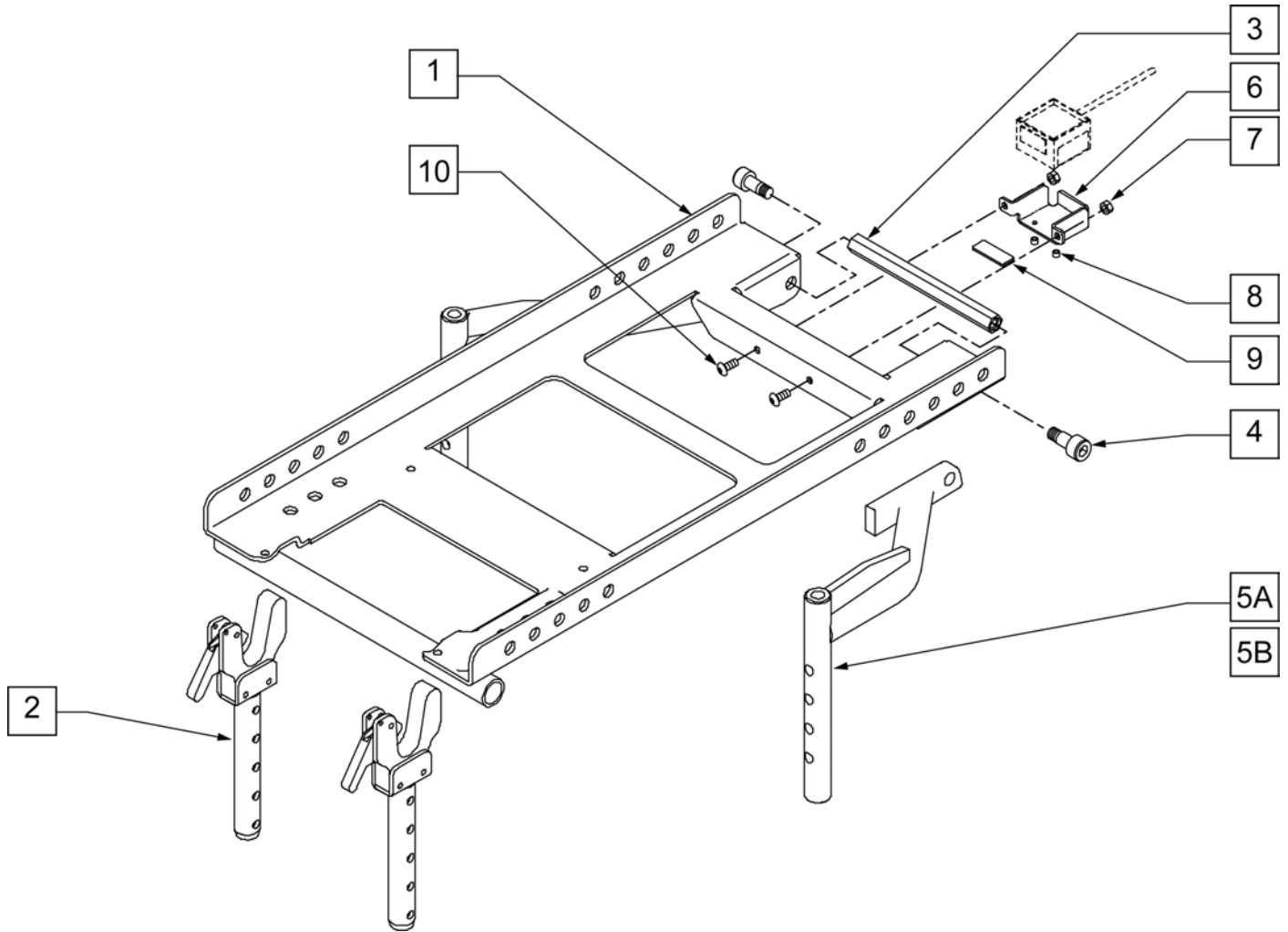


Pos.	Item Number	Description
1A	N/A	16X16 HB W/RHB SEAT PN GRY/VNL
1B	N/A	18X18 HB W/RHB SEAT PN GRY/VNL
1C	N/A	20X20 HB W/RHB SEAT PN GRY/VNL

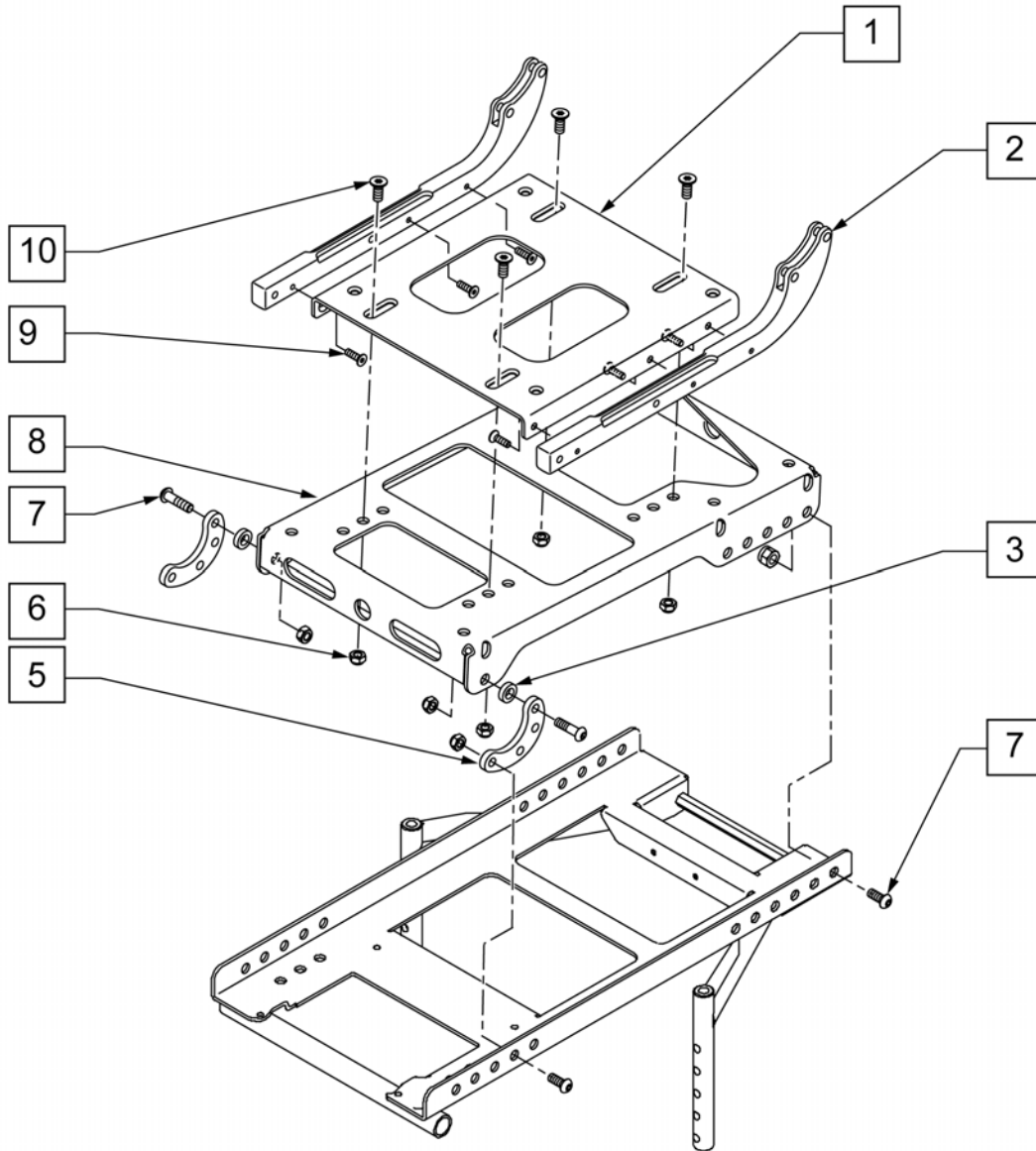


Pos.	Item Number	Description	Remarks
1	011652-001	DOVETAIL CHNNL SEAT WING	
2	102259-001	BHCS M5 X .8 X 12 W/PL INORG	
4	013250	FHCS M5 X .8 X 10 BLK W/PL	
5	102259-001	BHCS M5 X .8 X 12 W/PL INORG	
6	011806-001	2 X 3.75 HOOK BLACK PSA	
7	010216-001	SEAT PAN CENTER 12" DEEP SMALL	12-17" wide, 12-14" deep
7	010216-002	SEAT PAN CENTER 12" DEEP MED	15-20" wide, 12-14" deep
7	010222-001	SEAT PAN CENTER 15 DEEP SMALL	12-17" wide, 15-17" deep
7	010222-002	SEAT PAN CENTER 15 DEEP MED	15-20" wide, 15-17" deep
7	010225-001	SEAT PAN CENTER 18 DEEP SMALL	12-17" wide, 18" deep
7	010225-002	SEAT PAN CENTER 18 DEEP MED	15-20" wide, 18" deep
8	010237-001	FRONT ST FRAME FAB 12" DEEP	12-14" deep
8	010237-002	FRONT ST FRAME FAB 15" DEEP	15-17" deep
8	010237-003	FRONT ST FRAME FAB 18" DEEP	18" deep
9	102265-001	FHCS M6 X 1 X 16 INORGANIC	
10	200113	NUT HEX NYLOCK M6 X 1 NUT	

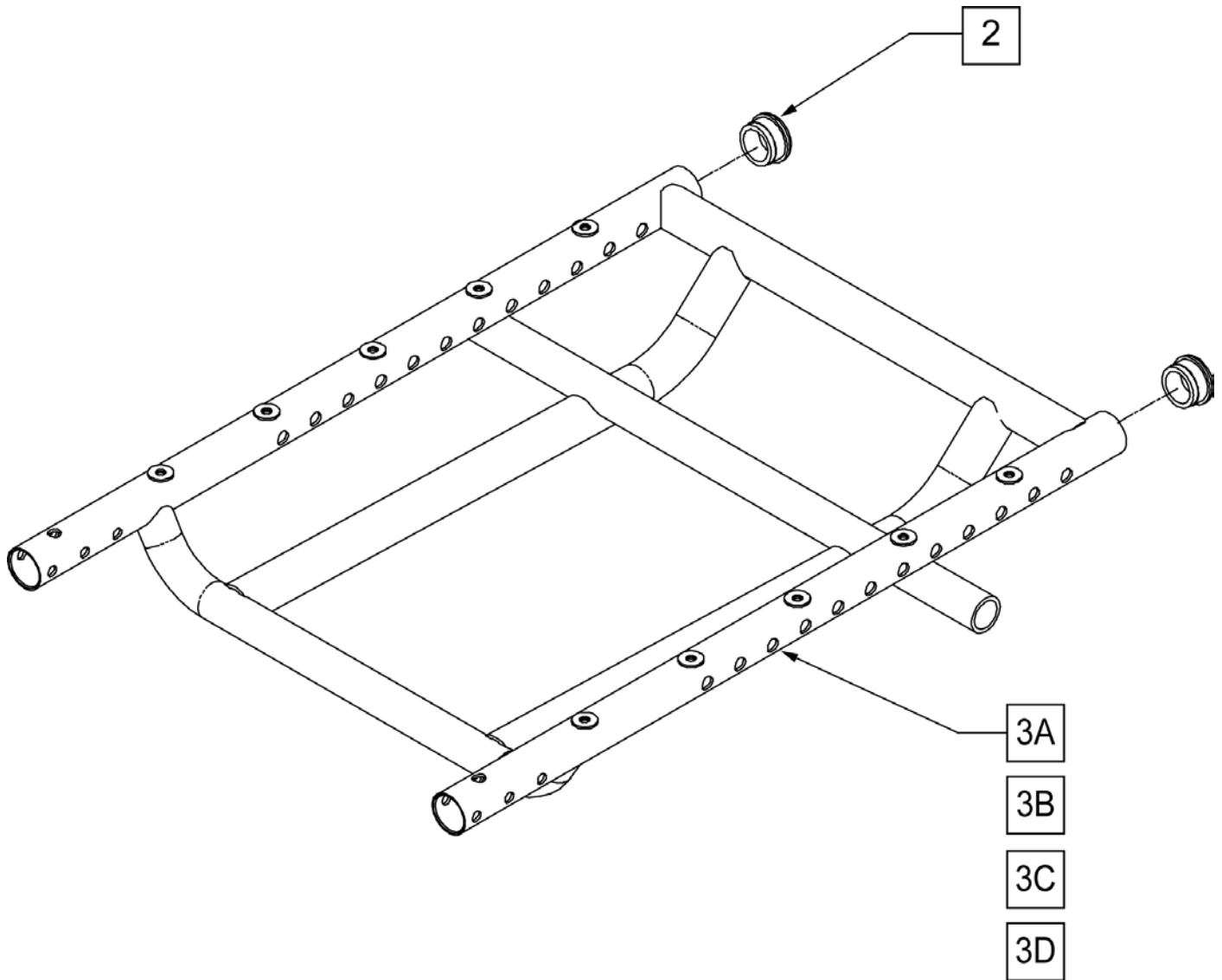
Pos.	Item Number	Description	Remarks
3,6	012029-001	SEAT PAN WING W/ VELCRO 12"	
3,6	012029-002	SEAT PAN WING W/ VELCRO 13"	
3,6	012029-003	SEAT PAN WING W/ VELCRO 14"	
3,6	012029-004	SEAT PAN WING W/ VELCRO 15"	
3,6	012029-005	SEAT PAN WING W/ VELCRO 16"	
3,6	012029-006	SEAT PAN WING W/ VELCRO 17"	
3,6	012029-007	SEAT PAN WING W/ VELCRO 18"	
1-3,6	012030-001	SEAT PAN WING ASSM 12"	
1-3,6	012030-002	SEAT PAN WING ASSM 13"	
1-3,6	012030-003	SEAT PAN WING ASSM 14"	
1-3,6	012030-004	SEAT PAN WING ASSM 15"	
1-3,6	012030-005	SEAT PAN WING ASSM 16"	
1-3,6	012030-006	SEAT PAN WING ASSM 17"	
1-3,6	012030-007	SEAT PAN WING ASSM 18"	



Pos.	Item Number	Description	Remarks
1	540485	MODULE INTERFACE WELDMENT STD	
2	883176	FRONT SEAT POST LEFT & RIGHT	PAIR
3	010691	SUPPORT CROSS PIVOT PMNT	
4	011514-001	SHLDR BOLT 10MM X 16MM W/PTCH	
5A	540480	ADAPTER REAR WELDMENT STD R	RIGHT
5A	540481	ADAPTER REAR WELDMENT FULL L	LEFT
5B	540482	ADAPTER REAR WELDMENT MINI R	RIGHT
5B	540483	ADAPTER REAR WELDMENT MINI L	LEFT
6	011518	BRACKET MERCURY SWITCH MOUNT	
7	220121	NUT HEX NYLOCK M5 BLACK	
8	011879	M4 X .7 X 5 MM SSS W/PATCH	
9	011878	PLATE CLAMP MERCURY SWITCH	
10	230497	M5-.8 X 20 MM BH C/S	
1-5A	012175	SEAT TO BASE INTERFACE FULL	
1-5B	012176	SEAT TO BASE INTERFACE MINI	

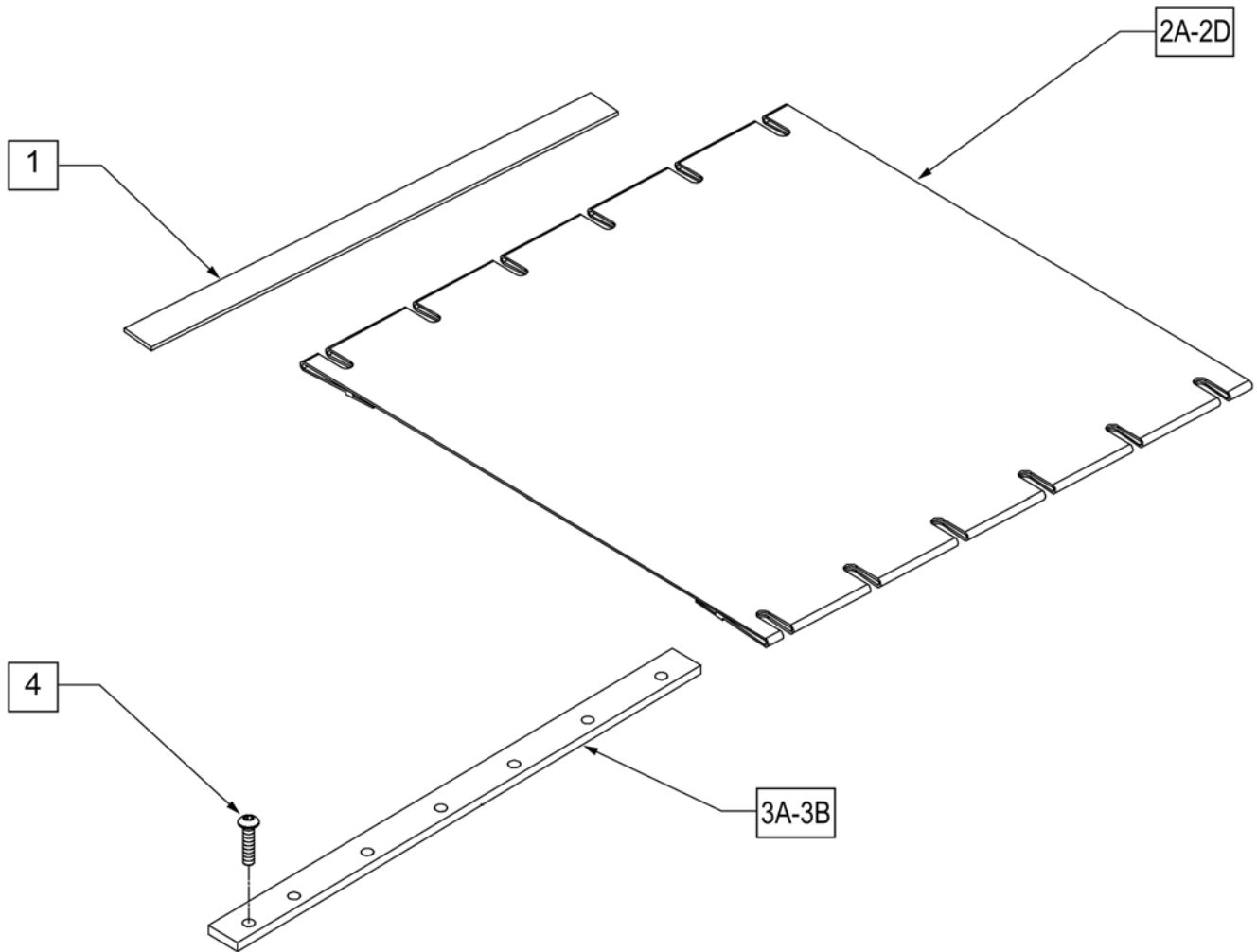


Pos.	Item Number	Description
2	010136	NON-RECLINE BACK SUPPORT
3	010710	SPACER 18.00 OD A 10.50 ID
4	230121	BHCS M8 x 1.25 x 20 BLK W/ PL
5	524093	PACKER ADJ BRACKET
6	210085	NUT HEX NYLOCK M8 BLACK
7	230006	BHCS M8 x 1.25 x 25 BLK
8	524092	PACKER MODULE
9	102265-001	FHCS M6 X 1 X 16 INORGANIC
10	230129	FHCS M8 X 1.25 X 20 BLK W/PL
3-8,10	012177	SEAT MODULE ANGLE ASSM
1,2,9	012089	NON-RECLINE SEAT BASE ASSM



Pos.	Item Number	Description	Remarks
2	560315	1 BUSHING .065	
2,3A	661420	SEAT FRAME PNTD 14 SHORT MINI ASSM	14" -17" SEAT DEPTH
2,3A	661421	SEAT FRAME PNTD 15 SHORT MINI ASSM	14" -17" SEAT DEPTH
2,3A	661422	SEAT FRAME PNTD 16 SHORT MINI ASSM	14" -17" SEAT DEPTH
2,3A	661423	SEAT FRAME PNTD 17 SHORT MINI ASSM	14" -17" SEAT DEPTH
2,3A	661424	SEAT FRAME PNTD 18 SHORT MINI ASSM	14" -17" SEAT DEPTH
2,3A	661425	SEAT FRAME PNTD 19 SHORT MINI ASSM	14" -17" SEAT DEPTH
2,3A	661426	SEAT FRAME PNTD 20 SHORT MINI ASSM	14" -17" SEAT DEPTH
2,3A	661427	SEAT FRAME PNTD 22 SHORT MINI ASSM	14" -17" SEAT DEPTH
2,3A	661428	SEAT FRAME PNTD 24 SHORT MINI ASSM	14" -17" SEAT DEPTH
2,3B	661430	SEAT FRAME PNTD 14 LONG MINI ASSM	18" -20" SEAT DEPTH
2,3B	661431	SEAT FRAME PNTD 15 LONG MINI ASSM	18" -20" SEAT DEPTH
2,3B	661432	SEAT FRAME PNTD 16 LONG MINI ASSM	18" -20" SEAT DEPTH
2,3B	661433	SEAT FRAME PNTD 17 LONG MINI ASSM	18" -20" SEAT DEPTH
2,3B	661434	SEAT FRAME PNTD 18 LONG MINI ASSM	18" -20" SEAT DEPTH
2,3B	661435	SEAT FRAME PNTD 19 LONG MINI ASSM	18" -20" SEAT DEPTH

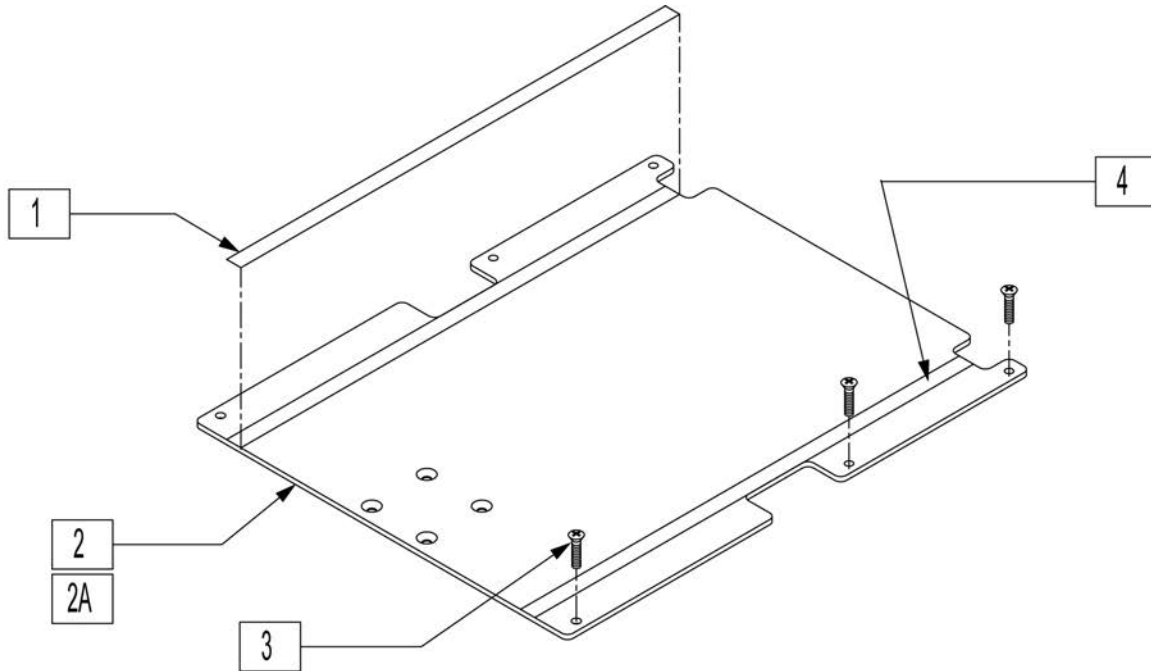
Pos.	Item Number	Description	Remarks
2,3B	661436	SEAT FRAME PNTD 20 LONG MINI ASSM	18" -20" SEAT DEPTH
2,3B	661437	SEAT FRAME PNTD 22 LONG MINI ASSM	18" -20" SEAT DEPTH
2,3B	661438	SEAT FRAME PNTD 24 LONG MINI ASSM	18" -20" SEAT DEPTH
2,3C	661440	SEAT FRAME PNTD 14 STANDARD FULL ASSM	14" -17" SEAT DEPTH
2,3C	661441	SEAT FRAME PNTD 15 STANDARD FULL ASSM	14" -17" SEAT DEPTH
2,3C	661442	SEAT FRAME PNTD 16 STANDARD FULL ASSM	14" -17" SEAT DEPTH
2,3C	661443	SEAT FRAME PNTD 17 STANDARD FULL ASSM	14" -17" SEAT DEPTH
2,3C	661444	SEAT FRAME PNTD 18 STANDARD FULL ASSM	14" -17" SEAT DEPTH
2,3C	661445	SEAT FRAME PNTD 19 STANDARD FULL ASSM	14" -17" SEAT DEPTH
2,3C	661446	SEAT FRAME PNTD 20 STANDARD FULL ASSM	14" -17" SEAT DEPTH
2,3C	661447	SEAT FRAME PNTD 22 STANDARD FULL ASSM	14" -17" SEAT DEPTH
2,3C	661448	SEAT FRAME PNTD 24 STANDARD FULL ASSM	14" -17" SEAT DEPTH
2,3D	661450	SEAT FRAME PNTD 14 LONG FULL ASSM	18" -20" SEAT DEPTH
2,3D	661451	SEAT FRAME PNTD 15 LONG FULL ASSM	18" -20" SEAT DEPTH
2,3D	661452	SEAT FRAME PNTD 16 LONG FULL ASSM	18" -20" SEAT DEPTH
2,3D	661453	SEAT FRAME PNTD 17 LONG FULL ASSM	18" -20" SEAT DEPTH
2,3D	661454	SEAT FRAME PNTD 18 LONG FULL ASSM	18" -20" SEAT DEPTH
2,3D	661455	SEAT FRAME PNTD 19 LONG FULL ASSM	18" -20" SEAT DEPTH
2,3D	661456	SEAT FRAME PNTD 20 LONG FULL ASSM	18" -20" SEAT DEPTH
2,3D	661457	SEAT FRAME PNTD 22 LONG FULL ASSM	18" -20" SEAT DEPTH
2,3D	661458	SEAT FRAME PNTD 24 LONG FULL ASSM	18" -20" SEAT DEPTH



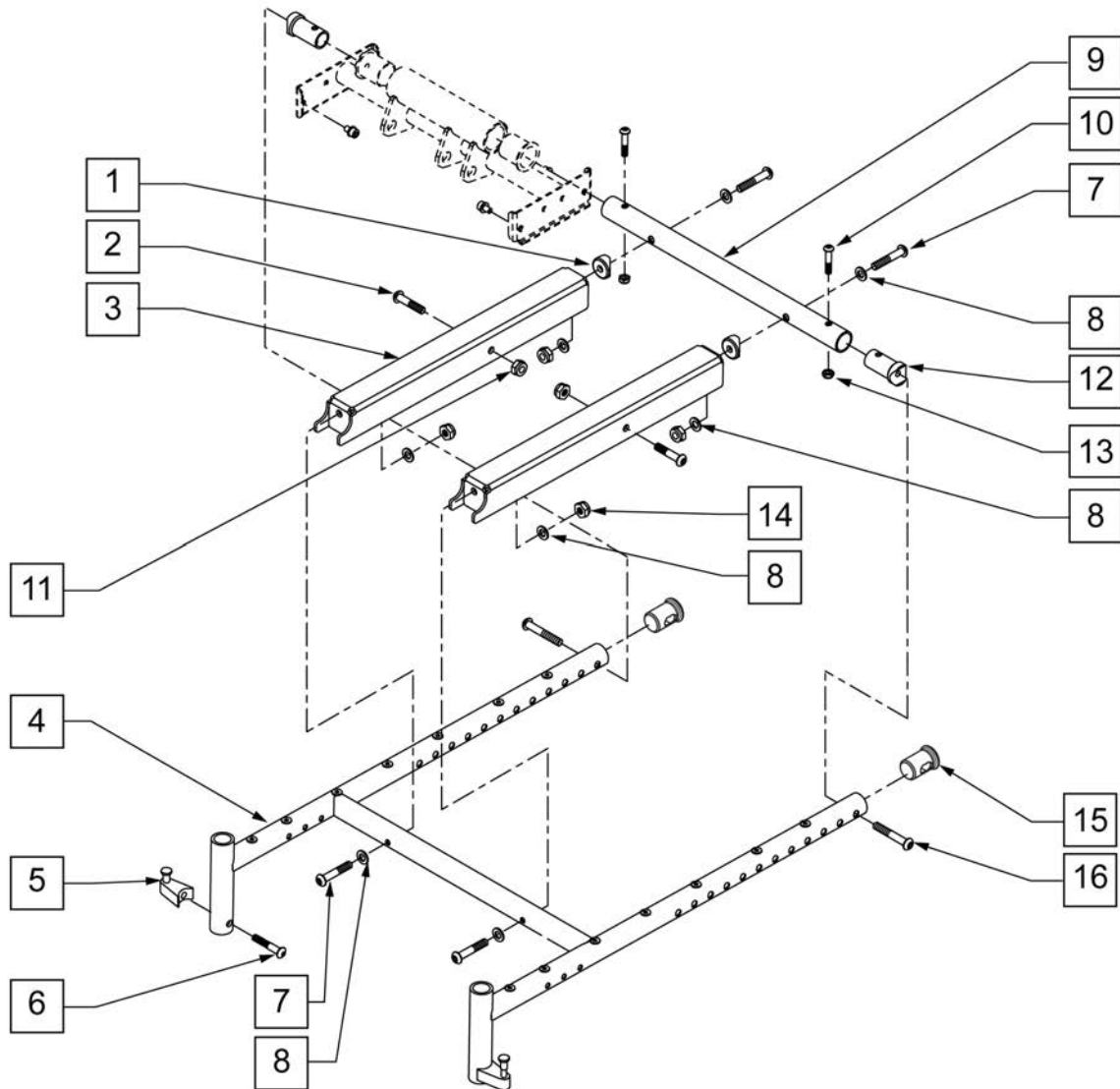
Pos.	Item Number	Description	Remarks
1	901170	SEAT SLING VELCRO STRIP	
2A	722500	SEAT SLING 14 x 20 W/ POCKET	
2A	722501	SEAT SLING 15 x 20 W/ POCKET	
2A	722502	SEAT SLING 16 x 20 W/ POCKET	
2A	722503	SEAT SLING 17 x 20 W/ POCKET	
2A	722504	SEAT SLING 18 x 20 W/ POCKET	
2A	722505	SEAT SLING 19 x 20 W/ POCKET	
2A	722506	SEAT SLING 20 x 20 W/ POCKET	
2C	722520	SEAT SLING 14 x 18 W/ POCKET	
2C	722521	SEAT SLING 15 x 18 W/ POCKET	
2C	722522	SEAT SLING 16 x 18 W/ POCKET	
2C	722523	SEAT SLING 17 x 18 W/ POCKET	
2C	722524	SEAT SLING 18 x 18 W/ POCKET	
2C	722525	SEAT SLING 19 x 18 W/ POCKET	
2D	722526	SEAT SLING 20 x 18 W/ POCKET	
2D	722527	SEAT SLING 18 x 18 REIN W/ POCKET	

Pos.	Item Number	Description	Remarks
2D	722528	SEAT SLING 19 x 18 REIN W/ POCKET	
2D	722529	SEAT SLING 20 x 18 REIN W/ POCKET	
2D	722530	SEAT SLING 22 x 18 REIN W/ POCKET	
2D	722531	SEAT SLING 24 x 18 REIN W/ POCKET	
2B	722507	SEAT SLING 18 x 20 REIN W/ POCKET	
2B	722508	SEAT SLING 19 x 20 REIN W/ POCKET	
2B	722509	SEAT SLING 20 x 20 REIN W/ POCKET	
2B	722510	SEAT SLING 22 x 20 REIN W/ POCKET	
2B	722511	SEAT SLING 24 x 20 REIN W/ POCKET	
3A	505110	SEAT RAIL 18"	14 -17" SEAT DEPTHS
3B	505116	SEAT RAIL 20"	18 -20" SEAT DEPTHS
4	230497	M5 - .8 x 20mm BH C/S	

SEAT PAN

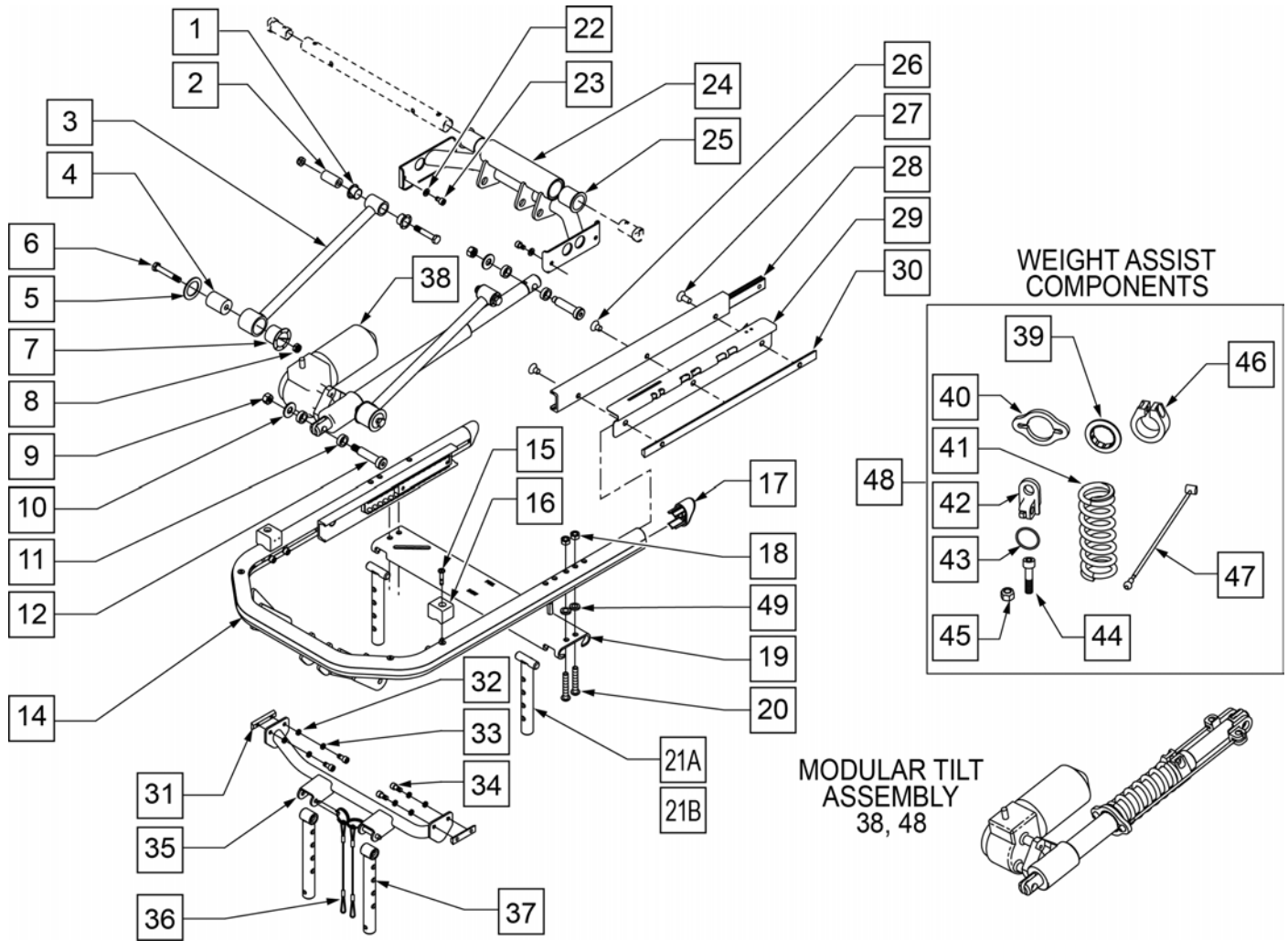


Pos.	Item Number	Description	Remarks
1	901172	LOW SEAT VELCRO® STRIP NON PS P300	
2,4	688150	SEAT PAN ASSM 14" W/VLCRO 18DP	14"-18" SEAT DEPTH - W/O TILT
2,4	688151	SEAT PAN ASSM 15" W/VLCRO 18DP	14"-18" SEAT DEPTH - W/O TILT
2,4	688152	SEAT PAN ASSM 16" W/VLCRO 18DP	14"-18" SEAT DEPTH - W/O TILT
2,4	688153	SEAT PAN ASSM 17" W/VLCRO 18DP	14"-18" SEAT DEPTH - W/O TILT
2,4	688154	SEAT PAN ASSM 18" W/VLCRO 18DP	14"-18" SEAT DEPTH - W/O TILT
2,4	688155	SEAT PAN ASSM 19" W/VLCRO 18DP	14"-18" SEAT DEPTH - W/O TILT
2,4	688156	SEAT PAN ASSM 20" W/VLCRO 18DP	14"-18" SEAT DEPTH - W/O TILT
2,4	688157	SEAT PAN ASSM 22" W/VLCRO 18DP	14"-18" SEAT DEPTH - W/O TILT
2,4	688158	SEAT PAN ASSM 24" W/VLCRO 18DP	14"-18" SEAT DEPTH - W/O TILT
2A,4	688134	SEAT PAN ASSM 14" W/VELCRO RHB	USE FOR ALL SEAT DEPTHS W/ TILT 18"-20" SEAT DEPTH - W/O TILT
2A,4	688135	SEAT PAN ASSM 15" W/VELCRO RHB	USE FOR ALL SEAT DEPTHS W/ TILT 18"-20" SEAT DEPTH - W/O TILT
2A,4	688136	SEAT PAN ASSM 16" W/VELCRO RHB	USE FOR ALL SEAT DEPTHS W/ TILT 18"-20" SEAT DEPTH - W/O TILT
2A,4	688137	SEAT PAN ASSM 17" W/VELCRO RHB	USE FOR ALL SEAT DEPTHS W/ TILT 18"-20" SEAT DEPTH - W/O TILT
2A,4	688138	SEAT PAN ASSM 18" W/VELCRO RHB	USE FOR ALL SEAT DEPTHS W/ TILT 18"-20" SEAT DEPTH - W/O TILT
2A,4	688139	SEAT PAN ASSM 19" W/VELCRO RHB	USE FOR ALL SEAT DEPTHS W/ TILT 18"-20" SEAT DEPTH - W/O TILT
2A,4	688140	SEAT PAN ASSM 20" W/VELCRO RHB	USE FOR ALL SEAT DEPTHS W/ TILT 18"-20" SEAT DEPTH - W/O TILT
2A,4	688141	SEAT PAN ASSM 22" W/VELCRO RHB	USE FOR ALL SEAT DEPTHS W/ TILT 18"-20" SEAT DEPTH - W/O TILT
2A,4	688142	SEAT PAN ASSM 24" W/VELCRO RHB	USE FOR ALL SEAT DEPTHS W/ TILT 18"-20" SEAT DEPTH - W/O TILT
3	230497	M5-.8 X 20 MM BH C/S	
4	901171	LOW SEAT VELCRO® STRIP PS P300	



Pos.	Item Number	Description	Remarks
1	561004	1 SADDLE 1/4 HOLE	
2	222101	5/16 AN5-16A HEX C/S	
3	481386	TILT PIVOT CHANNEL	
5	105787	PRSD A/A LATCH BLOCK NUT ASSM	
6	226218	5/16-18 x 1 3/4 BH C/S BLK	
7	226114	1/4-28 x 1 1/2 SOC C/S BLK	
8	262100-QU	1/4 AN WASHER FLAT	
9	526174	SEAT FRAME SUPPORT TUBE 14 G424	
9	526175	SEAT FRAME SUPPORT TUBE 15 G424	
9	526176	SEAT FRAME SUPPORT TUBE 16 G424	
9	526177	SEAT FRAME SUPPORT TUBE 17 G424	
9	526178	SEAT FRAME SUPPORT TUBE 18 G424	
9	526179	SEAT FRAME SUPPORT TUBE 19 G424	
9	526180	SEAT FRAME SUPPORT TUBE 20 G424	
10	226223	1/4-28 x 1 1/4" BH C/S BLK	

Pos.	Item Number	Description	Remarks
11	202111	5/16-24 NYLOCK NUT THICK BLK	
12	483288	1" SADDLE 5/16-18 THREADED	
13	202300	1/4-28 NYLOCK NUT THIN BLK ZN	
14	483185	SEAT END PLUG	
15	483185	SEAT END PLUG	
16	226231	5/16-18 x 2 1/2 BH C/S BLK	Dual Post Armrest
5,6	107491	LATCH STUD KIT	
4,15	660270S	TILT SEAT FRAME ASSM 14" G424	
4,15	660271S	TILT SEAT FRAME ASSM 15" G424	
4,15	660272S	TILT SEAT FRAME ASSM 16" G424	
4,15,17	660273S	TILT SEAT FRAME ASSM 17" G424	
4,15,17	660274S	TILT SEAT FRAME ASSM 18" G424	
4,15,17	660275S	TILT SEAT FRAME ASSM 19" G424	
4,15,17	660276S	TILT SEAT FRAME ASSM 20" G424	
9,10,12,13	883100	SEAT FRAME SUPPORT TUBE ASSM 14	
9,10,12,13	883101	SEAT FRAME SUPPORT TUBE ASSM 15	
9,10,12,13	883102	SEAT FRAME SUPPORT TUBE ASSM 16	
9,10,12,13	883103	SEAT FRAME SUPPORT TUBE ASSM 17	
9,10,12,13	883104	SEAT FRAME SUPPORT TUBE ASSM 18	
9,10,12,13	883105	SEAT FRAME SUPPORT TUBE ASSM 19	
9,10,12,13	883106	SEAT FRAME SUPPORT TUBE ASSM 20	
1-17	660740S	TILT SEAT FRAME ASSM 14" WIDE	
1-17	660741S	TILT SEAT FRAME ASSM 15" WIDE	
1-17	660742S	TILT SEAT FRAME ASSM 16" WIDE	
1-17	660743S	TILT SEAT FRAME ASSM 17" WIDE	
1-17	660744S	TILT SEAT FRAME ASSM 18" WIDE	
1-17	660745S	TILT SEAT FRAME ASSM 19" WIDE	
15*	226217	5/16-18 x 2 BH C/S BLK	
15*	226231	5/16-18 x 2 1/2 BH C/S BLK	
4,15,16	660270S	TILT SEAT FRAME ASSM 14 G424	
4,15,16	660271S	TILT SEAT FRAME ASSM 15 G424	
4,15,16	660272S	TILT SEAT FRAME ASSM 16 G424	
4,15,16	660273S	TILT SEAT FRAME ASSM 17 G424	
4,15,16	660274S	TILT SEAT FRAME ASSM 18 G424	
4,15,16	660275S	TILT SEAT FRAME ASSM 19 G424	
4,15,16	660276S	TILT SEAT FRAME ASSM 20 G424	
1-16	660740S	TILT SEAT FRAME ASSM 14 WIDE	
1-16	660741S	TILT SEAT FRAME ASSM 15 WIDE	
1-16	660742S	TILT SEAT FRAME ASSM 16 WIDE	
1-16	660743S	TILT SEAT FRAME ASSM 17 WIDE	
1-16	660744S	TILT SEAT FRAME ASSM 18 WIDE	
1-16	660745S	TILT SEAT FRAME ASSM 19 WIDE	
1-16	660746S	TILT SEAT FRAME ASSM 20 WIDE	
1-17	660746S	TILT SEAT FRAME ASSM 20" WIDE	

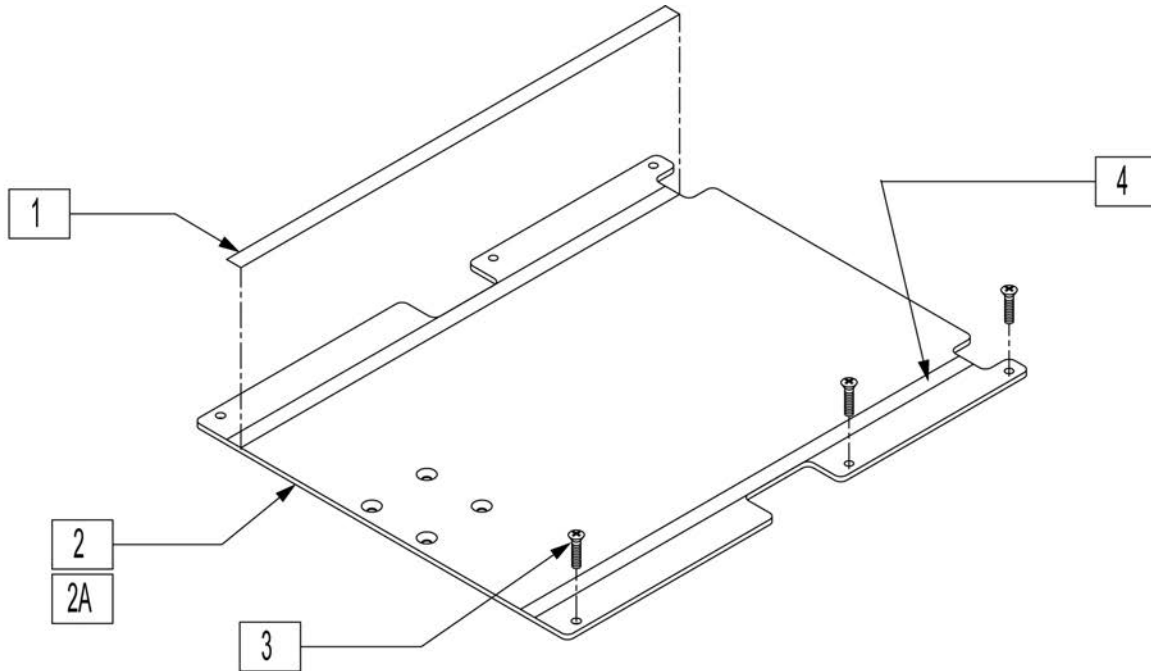


Pos.	Item Number	Description	Remarks
1	560401	NYLINER BUSHING (10L7-F)	
2	481321	UPPER SOLID LINKAGE PIVOT	
3	505926	TILT LINKAGE ARM W/ SOCKETS	
4	483292	PIVOT RADIUS ROD	
5	261208	WASHER NYLON	
6	222103	5/16 AN5-20A HEX C/S	
7	560403	NYLINER BUSHING (16L16-F)	
8	202106	5/16 -24 NYLOCK NUT THIN BLK	
9	201262	3/8 -16 NYLOCK NUT	
10	261509	3/8 SAE WASHER	
11	261531	ACTUATOR THRUST WASHER	
12	226329	1/2 x 1-3/4 SOC C/S SHOULDER BLK	
15	226028-QU	10-32 x 1 BH C/S BLK	
16	561231	SEAT STOP G424 TILT	
17	567004	END PLUG OVAL / BEVEL	
18	202117	5/16 -18 NYLOCK NUT THICK BLK	
19	481681	BRACKET MOUNT TILT REAR	
20	226217	5/16 -18 x 2 BH C/S BLK	
21A	540337	SUPPORT VERTICAL REAR TILT MINI	
21B	540338	SUPPORT VERTICAL REAR TILT FULL	

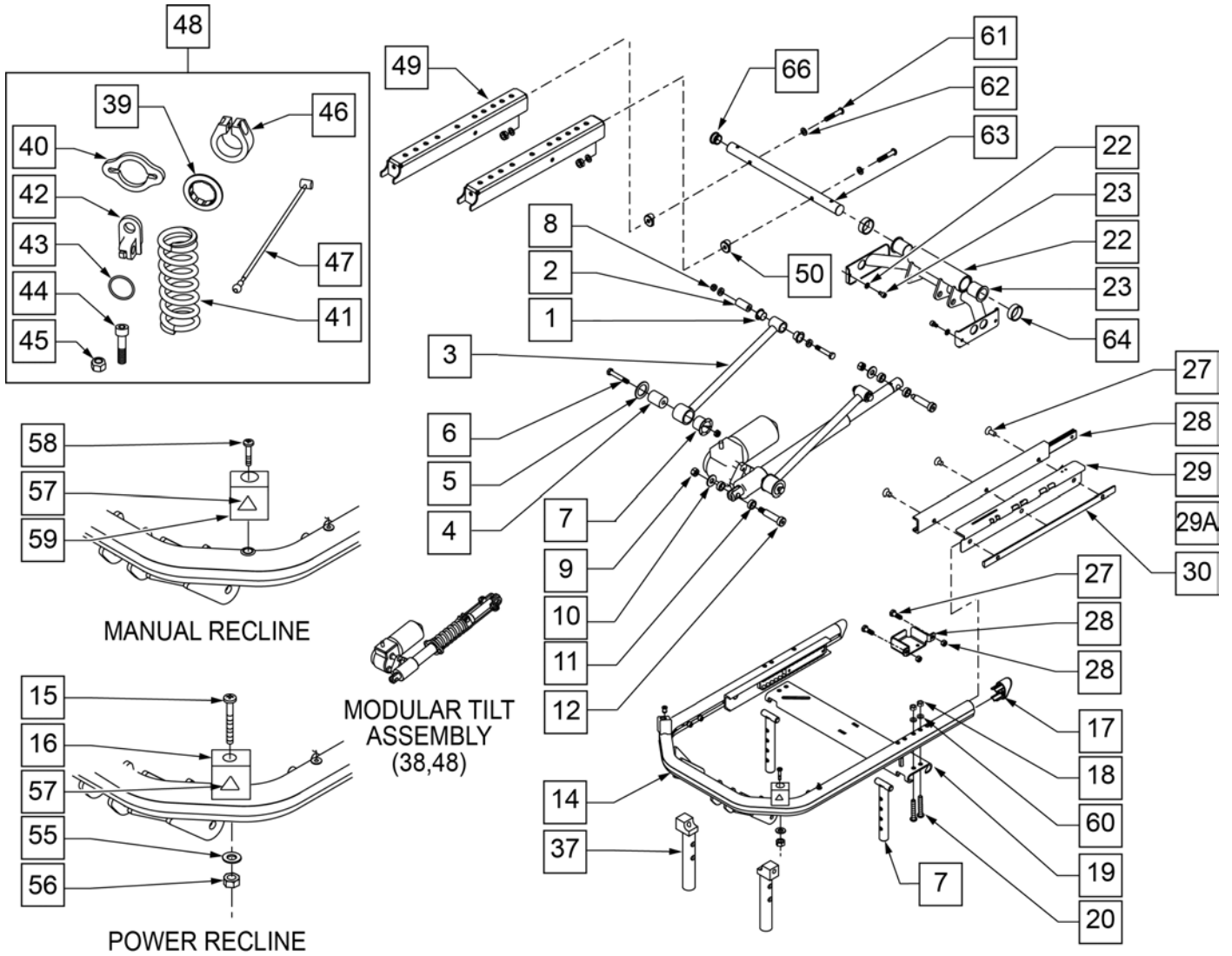
Pos.	Item Number	Description	Remarks
22	106943	1/4 AN WASHER FLAT	
23	230037	M6 x 1.0 -10mm SOC HD C/S BLK	
24	542089	TILT GUIDE SUPPORT WELDMENT 50D	
25	560008	PIVOT BUSHING S626	
26	226109	1/4 -28 x 3/8 F/H SOCKET C/S	
27	226076	1/4 -28 x 1/2 FH C/S W/ PATCH	
28	505937	GLIDE STEEL	
29	883166	MODULAR TILT HARNESS ASSM VSI	
30	481409	1/4 -28 CHANNED NUT 120mm SP	
31	481411	1/4 -28 CHANNEL NUT 1.25 SP	
32	262114	1/4 WASHER HI COLLAR LOCK ZN	
33	106944	1/4 AN WASHER FLAT THIN	
34	226171	1/4 -28 x 1/2 SOC HD C/S	
35	541300	WELDMENT SUPPORT FRONT TILT	
36	349071	QUICK RELEASE PIN 1/4 x 1.3	
37	540336	SUPPORT VERTICAL FRONT TILT	
38	138350	ACT 1350lb 150 STRK -0 DEG	0 -175 Lbs USER WEIGHT
38,48	883146	ACT ASSM MODULAR TILT 176-250	176 -250 Lbs USER WEIGHT
39	505909	COLLAR GUIDE	
40	505908	SPRING COLLAR	
41	321176	SPRING COMP 4 -5/8 x 400lbs/in	
42	505907	CLEVIS	
43	349586	O-RING .975 I.D. 1.395 O.D.	
44	221116	1/4 -20 x 1 SOC HD BLK	
45	106932	1/4 -20 NYLOCK NUT BLK ZN	
46	505903	CLAMP ACTUATOR ASSIST	
47	139250	CABLE	
48	883154	SUPER SEAL SPRING ASSM HDWR	
49	263100	5/16 AN WASHER FLAT	
1-8	882001	TILT LINKAGE ARM W/ SOCKET ASSM	
26-28,30	882004	TILT GUIDE RAIL ASSM G424	
13,14,17	660280	TILT FRAME BASE ASSM G424	
1-18,22-28,30-34	660750	CG SUBBASE TILT SUB-ASSM	

SEAT PAN

[04/2009]



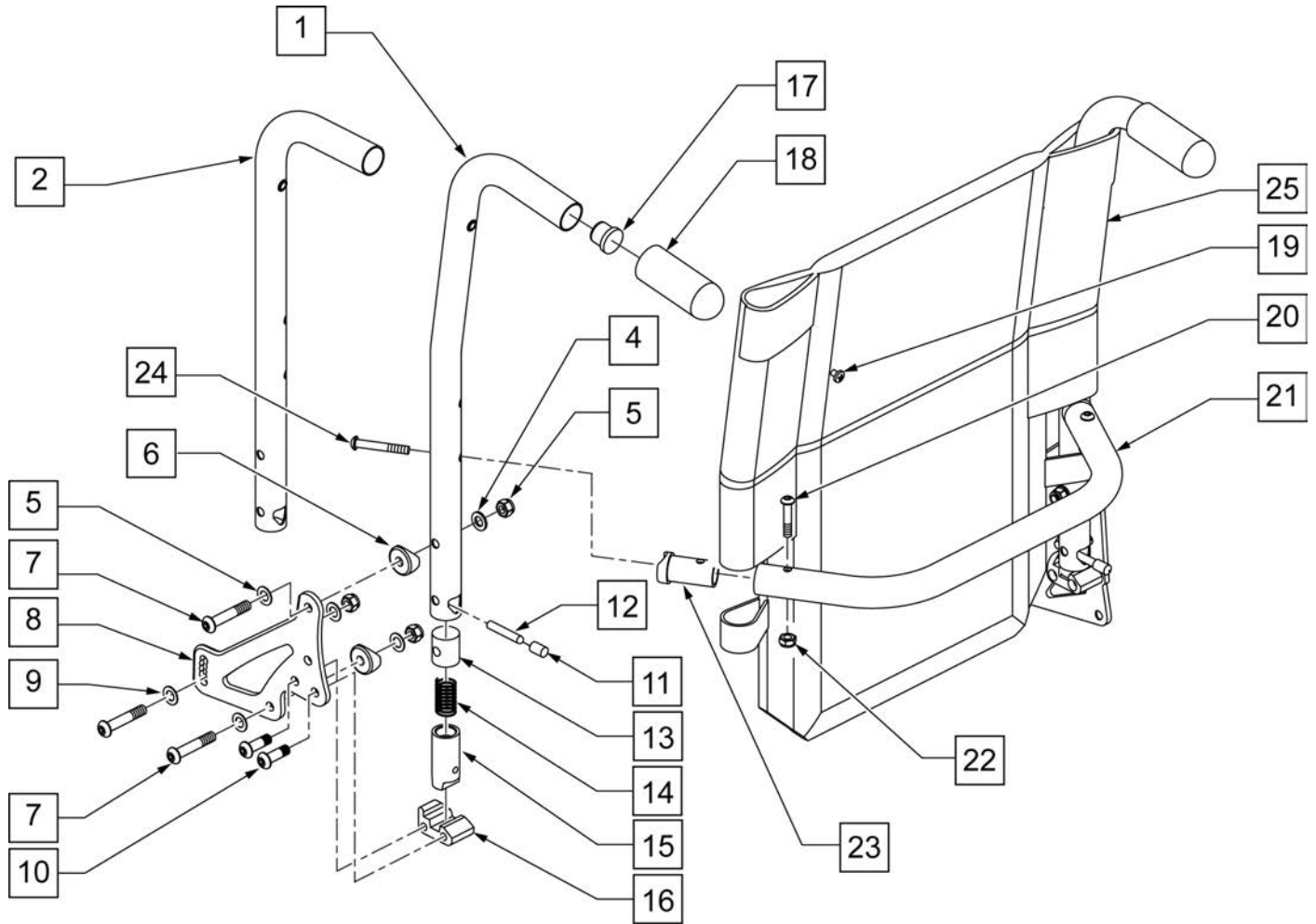
Pos.	Item Number	Description	Remarks
1	901172	LOW SEAT VELCRO® STRIP NON PS P300	
2,4	688150	SEAT PAN ASSM 14" W/VLCRO 18DP	14"-18" SEAT DEPTH - W/O TILT
2,4	688151	SEAT PAN ASSM 15" W/VLCRO 18DP	14"-18" SEAT DEPTH - W/O TILT
2,4	688152	SEAT PAN ASSM 16" W/VLCRO 18DP	14"-18" SEAT DEPTH - W/O TILT
2,4	688153	SEAT PAN ASSM 17" W/VLCRO 18DP	14"-18" SEAT DEPTH - W/O TILT
2,4	688154	SEAT PAN ASSM 18" W/VLCRO 18DP	14"-18" SEAT DEPTH - W/O TILT
2,4	688155	SEAT PAN ASSM 19" W/VLCRO 18DP	14"-18" SEAT DEPTH - W/O TILT
2,4	688156	SEAT PAN ASSM 20" W/VLCRO 18DP	14"-18" SEAT DEPTH - W/O TILT
2,4	688157	SEAT PAN ASSM 22" W/VLCRO 18DP	14"-18" SEAT DEPTH - W/O TILT
2,4	688158	SEAT PAN ASSM 24" W/VLCRO 18DP	14"-18" SEAT DEPTH - W/O TILT
2A,4	688134	SEAT PAN ASSM 14" W/VELCRO RHB	USE FOR ALL SEAT DEPTHS W/ TILT 18"-20" SEAT DEPTH - W/O TILT
2A,4	688135	SEAT PAN ASSM 15" W/VELCRO RHB	USE FOR ALL SEAT DEPTHS W/ TILT 18"-20" SEAT DEPTH - W/O TILT
2A,4	688136	SEAT PAN ASSM 16" W/VELCRO RHB	USE FOR ALL SEAT DEPTHS W/ TILT 18"-20" SEAT DEPTH - W/O TILT
2A,4	688137	SEAT PAN ASSM 17" W/VELCRO RHB	USE FOR ALL SEAT DEPTHS W/ TILT 18"-20" SEAT DEPTH - W/O TILT
2A,4	688138	SEAT PAN ASSM 18" W/VELCRO RHB	USE FOR ALL SEAT DEPTHS W/ TILT 18"-20" SEAT DEPTH - W/O TILT
2A,4	688139	SEAT PAN ASSM 19" W/VELCRO RHB	USE FOR ALL SEAT DEPTHS W/ TILT 18"-20" SEAT DEPTH - W/O TILT
2A,4	688140	SEAT PAN ASSM 20" W/VELCRO RHB	USE FOR ALL SEAT DEPTHS W/ TILT 18"-20" SEAT DEPTH - W/O TILT
2A,4	688141	SEAT PAN ASSM 22" W/VELCRO RHB	USE FOR ALL SEAT DEPTHS W/ TILT 18"-20" SEAT DEPTH - W/O TILT
2A,4	688142	SEAT PAN ASSM 24" W/VELCRO RHB	USE FOR ALL SEAT DEPTHS W/ TILT 18"-20" SEAT DEPTH - W/O TILT
3	230497	M5-.8 X 20 MM BH C/S	
4	901171	LOW SEAT VELCRO® STRIP PS P300	



Pos.	Item Number	Description	Remarks
1	560401	NYLINER BUSHING (10L7-F)	
2	481321	UPPER SOLID LINKAGE PIVOT	
3	505926	TILT LINKAGE ARM W/SOCKETS	
4	483292	PIVOT RADIUS ROD	
5	261208	WASHER NYLON	
6	222201	5/16-24 X 2 1/2" G8 HEX C/S	
7	560403	NYLINER BUSHING (16L16-F)	
8	202106	5/16-24 NYLOCK NUT THIN BLK	
9	201262	3/8-16 NYLOCK NUT	
10	261509	3/8" SAE WASHER	
11	261531	ACTUATOR THRUST WASHER	
12	226329	1/2 x 1-3/4 SOC C/S SHOULDER BLK	
15	107016	1/4-28 X 3 G8 HEX C/S	
16	012904	STOP SEAT PF	
17	567004	END PLUG OVAL/BEVEL	
18	202116	5/16-18 NYLOCK NUT THIN BLK	
19	481681	BRACKET MOUNT TILT REAR	

Pos.	Item Number	Description	Remarks
20	226217	5/16-18 x 2" BH C/S BLK	
21	540337	SPPRT VERTICAL REAR TILT (MINI)	
21A	540338	SPPRT VERTICAL REAR TILT(FULL)	
22	106943	1/4" AN WASHER FLAT	
23	230037	M6 x 1.0-10mm SOC HD C/S BLK	
24	542065	TILT GLIDE SUPPORT WELDMENT	
25	560008	PIVOT BUSHING S626	
27	226076	1/4-28 x1/2 FH C/S W/ PATCH	
28	505937	GLIDE STEEL	
29	013057	MDLR CG TILT HRNSS ASSM W/RCLN	
29A	013058	MODULAR CG TILT HARNESS ASSM	
30	481409	1/4-28 CHANNEL NUT 120mm SP	
37	012900	SUPPORT VERT FRONT TILT PF	
38	138350	ACT 1350LB 150 STRK -0 DEG	0 -175 LB USER WEIGHT
38,48	883146	ACT ASSM MODULAR TILT 176-250	176 -250 LB USER WEIGHT
39	505909	COLLAR GUIDE	
40	505908	SPRING COLLAR	
41	321176	SPRING COMP 4-5/8 x 400 LBS/IN	
42	505907	CLEVIS	
43	349586	O-RING .975ID 1.395OD	
44	221116	1/4-20 x 1 SOC HD BLK	
45	106920	1/4-20 NYLOCK NUT BLK ZN	
46	505903	CLAMP ACTUATOR ASSIST	
47	139250	CABLE	
48	883154	SUPER SEAL SPRING ASSM HDWR	
49	012903	CHANNEL PIVOT TILT PF	
50	561006	1" SADDLE 5/16 HOLE	
51	481105	#10-32 CHANNEL NUT	
52	011518	BRACKET MERCURY SWITCH MOUNT	
53	220118-QU	10-32 X 1/4 BH C/S BLK	
54	222103	5/16 AN5-20A HEX C/S	
55	106943	1/4" AN WASHER FLAT	
56	204110	1/4-28 NYLOCK NUT BLK ZN	
57	012251	DECAL PINCH POINT 17.5 BASE	
58	226038	10-32 X 1 3/8 BH C/S BLK	
59	561231	SEAT STOP G424 TILT	
60	263100	5/16" AN WASHER FLAT	
61	222235	5/16-18 X 1 3/4" HEX C/S BLK	
62	263100	5/16" AN WASHER FLAT	
63	012905	MANUAL PIVOT BAR	
63	012906	PIVOT POWER BAR	
63	012925	POWER PIVOT BAR WIDE	
64	012907	BUSHING SPACER PIVOT	
66	561002	1" INSERT PLUG .083	
68	263100	5/16 AN WASHER FLAT	
69	150538	DECAL QUICKIE WHITE	
1-8	882001	TILT LINKAGE ARM W/SCKT ASSM	
13,14,17	660280	TILT FRAME BASE ASSM G424	(MANUAL RECLINE ONLY)

NOTE: BACK HEIGHT RANGES LOW = 18" MED = 19"-21" TALL = 22"-24"



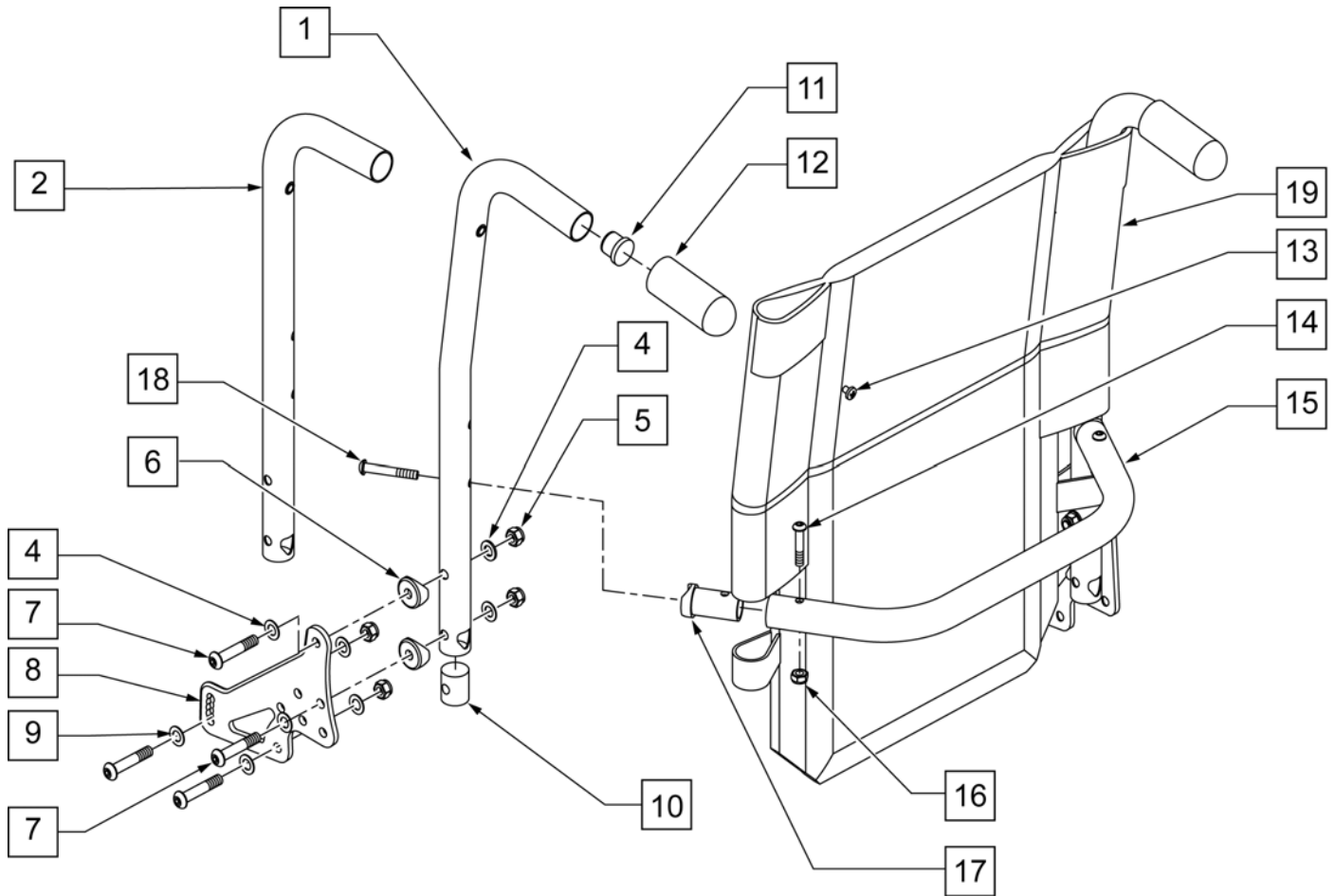
Pos.	Item Number	Description	Remarks
4	106947	WASHER FLAT THIN AN 5/16 ROHS	
5	202116	5/16 -18 NYLOCK NUT THIN BLK	
6	561006	1 SADDLE 5/16 HOLE	
7	226218	5/16 -18 x 1 3/4 BH C/S BLK	
8	501723	BACKREST PLATE 86-114 DEGREE	
9	263100	5/16 AN WASHER FLAT	
10	226219	5/16 -18 x 1 BH C/S BLK	
11	560502	ANTI-TIP LEVER COVER	
12	481084	BACK RELEASE PIN Z2/QT/EX	
13	483801	BACKREST LATCH PLUG P2	BOTH USED
14	321110	S/A LATCH SPRING	
15	483800	BACKREST LATCH SLIDER P2	
16	550340	BACKREST LATCH BLOCKP2/KZ	RIGHT
16	550341	BACKREST LATCH BLOCKP2/KZ	LEFT
17	561019	1 INSERT PLUG .049	
18	920027	QUICKIE GRIP 1" W/INSTR SHEET	
19	281120	10/32 x 5/8 PAN HD PHIL	

Pos.	Item Number	Description	Remarks
20	226223	1/4 -28 x 1 1/4 BH C/S BLK	
21	520564	TOWEL RACK 14	
21	520565	TOWEL RACK 15	
21	520566	TOWEL RACK 16	
21	520567	TOWEL RACK 17	
21	520568	TOWEL RACK 18	
21	520569	TOWEL RACK 19	
21	520570	TOWEL RACK 20	
21	520571	TOWEL RACK 22	
21	520572	TOWEL RACK 24	
22	202300	1/4 -28 NYLOCK NUT THIN BLK ZN	
23	483161	STRUT SADDLE S525	
24	226267	1/4 -28 x 1 5/8 BH C/S W/ PATCH	
25	686930	BACK UPH 14 LOW P2	
25	686931	BACK UPH 14 MED P2	
25	686932	BACK UPH 14 TALL P2	
25	686933	BACK UPH 15 LOW P2	
25	686934	BACK UPH 15 MED P2	
25	686935	BACK UPH 15 TALL P2	
25	686936	BACK UPH 17 LOW P2	
25	686937	BACK UPH 17 MED P2	
25	686938	BACK UPH 17 TALL P2	
25	686940	BACK UPH 19 LOW P2	
25	686941	BACK UPH 19 MED P2	
25	686942	BACK UPH 19 TALL P2	
25	686943	BACK UPH 20 LOW P2	
25	686944	BACK UPH 20 MED P2	
25	686945	BACK UPH 20 TALL P2	
25	686961	BACK UPH 16 LOW P2	
25	686962	BACK UPH 16 MED P2	
25	686963	BACK UPH 16 TALL P2	
25	686981	BACK UPH 18 LOW P2	
25	686982	BACK UPH 18 MED P2	
25	686983	BACK UPH 18" TALL P2	
25	687900	BACK UPH 14 (21-22) S626	
25	687901	BACK UPH 14 (23-24) S626	
25	687902	BACK UPH 15 (21-22) S626	
25	687903	BACK UPH 15 (23-24) S626	
25	687904	BACK UPH 16 (21-22) S626	
25	687905	BACK UPH 16 (23-24) S626	
25	687906	BACK UPH 17 (21-22) S626	
25	687907	BACK UPH 17 (23-24) S626	
25	687908	BACK UPH 18 (21-22) S626	
25	687909	BACK UPH 18 (23-24) S626	
25	687910	BACK UPH 19 (21-22) S626	
25	687911	BACK UPH 19 (23-24) S626	
25	687912	BACK UPH 20 (21-22) S626	
25	687913	BACK UPH 20 (23-24) S626	
25	687914	BACK UPH 22 LOW S626	
25	687915	BACK UPH 22 MED S626	
25	687916	BACK UPH 22 TALL S626	
25	687917	BACK UPH 22 (21-22) S626	
25	687918	BACK UPH 22 (23-24) S626	
25	687919	BACK UPH 24 LOW S626	
25	687920	BACK UPH 24 MED S626	
25	687921	BACK UPH 24 TALL S626	

Pos.	Item Number	Description	Remarks
1,17,18	842221	BACK TUBE PH 8D LOW R S525	RIGHT
1,17,18	842222	BACK TUBE PH 8D LOW L S525	LEFT
1,17,18	842223	BACK TUBE PH 8D MED R S525	RIGHT
1,17,18	842224	BACK TUBE PH 8D MED L S525	LEFT
1,17,18	842225	BACK TUBE PH 8D TALL R S525	RIGHT
1,17,18	842226	BACK TUBE PH 8D TALL L S525	LEFT
2,17,18	842227	BACK TUBE PH LOW R S525	RIGHT
2,17,18	842228	BACK TUBE PH LOW L S525	LEFT
2,17,18	842229	BACK TUBE PH MED R S525	RIGHT
2,17,18	842230	BACK TUBE PH MED L S525	LEFT
2,17,18	842231	BACK TUBE PH TALL R S525	RIGHT
2,17,18	842232	BACK TUBE PH TALL L S525	LEFT
20-24	842234	TOWEL RACK ASSM 14 S525	
20-24	842235	TOWEL RACK ASSM 15 S525	
20-24	842236	TOWEL RACK ASSM 16 S525	
20-24	842237	TOWEL RACK ASSM 17 S525	
20-24	842238	TOWEL RACK ASSM 18 S525	
20-24	842239	TOWEL RACK ASSM 19 S525	
20-24	842240	TOWEL RACK ASSM 20 S525	
20-24	842241	TOWEL RACK ASSM 22	
20-24	842242	TOWEL RACK ASSM 24	
1, 4-13	882884	PH 8D LOW R ASSM FLDG 86-114	RIGHT
1, 4-13	882885	PH 8D LOW L ASSM FLDG 86-114	LEFT
1, 4-13	882886	PH 8D MED R ASSM FLDG 86-114	RIGHT
1, 4-13	882887	PH 8D MED L ASSM FLDG 86-114	LEFT
1, 4-13	882888	PH 8D TAL R ASSM FLDG 86-114	RIGHT
1, 4-13	882889	PH 8D TAL L ASSM FLDG 86-114	LEFT
2-13	882890	PH LOW R ASSM FLDG 86-114	RIGHT
2-13	882891	PH LOW L ASSM FLDG 86-114	LEFT
2-13	882892	PH MED R ASSM FLDG 86-114	RIGHT
2-13	882893	PH MED L ASSM FLDG 86-114	LEFT
2-13	882894	PH TALL R ASSM FLD 86-114	RIGHT
2-13	882895	PH TALL L ASSM FLD 86-114	LEFT
1, 4-25	922619	BACK ASSM 8D LOW 14 (F) 86-114	
1, 4-25	922620	BACK ASSM 8D LOW 15 (F) 86-114	
1, 4-25	922621	BACK ASSM 8D LOW 16 (F) 86-114	
1, 4-25	922622	BACK ASSM 8D LOW 17 (F) 86-114	
1, 4-25	922623	BACK ASSM 8D LOW 18 (F) 86-114	
1, 4-25	922624	BACK ASSM 8D LOW 19 (F) 86-114	
1, 4-25	922625	BACK ASSM 8D LOW 20 (F) 86-11	
1, 4-25	922626	BACK ASSM 8D LOW 22 (F) 86-114	
1, 4-25	922627	BACK ASSM 8D LOW 24 (F) 86-114	
1, 4-25	922639	BACK ASSM 8D MED 14 (F) 86-114	
1, 4-25	922640	BACK ASSM 8D MED 15 (F) 86-114	
1, 4-25	922641	BACK ASSM 8D MED 16 (F) 86-114	
1, 4-25	922642	BACK ASSM 8D MED 17 (F) 86-114	
1, 4-25	922643	BACK ASSM 8D MED 18 (F) 86-114	
1, 4-25	922644	BACK ASSM 8D MED 19 (F) 86-114	
1, 4-25	922645	BACK ASSM 8D MED 20 (F) 86-114	
1, 4-25	922646	BACK ASSM 8D MED 22 (F) 86-114	
1, 4-25	922647	BACK ASSM 8D MED 24 (F) 86-114	
1, 4-25	922659	BACK ASSM 8D TALL 14 (F)86-114	
1, 4-25	922660	BACK ASSM 8D TALL 15 (F)86-114	
1, 4-25	922661	BACK ASSM 8D TALL 16 (F)86-114	
1, 4-25	922662	BACK ASSM 8D TALL 17 (F)86-114	
1, 4-25	922663	BACK ASSM 8D TALL 18 (F)86-114	

Pos.	Item Number	Description	Remarks
1, 4-25	922664	BACK ASSM 8D TALL 19 (F)86-114	
1, 4-25	922665	BACK ASSM 8D TALL 20 (F)86-114	
1, 4-25	922666	BACK ASSM 8D TALL 22 (F)86-114	
1, 4-25	922667	BACK ASSM 8D TALL 24 (F)86-114	
2-25	922609	BACK ASSM LOW 14 (F) 86-114	
2-25	922610	BACK ASSM LOW 15 (F) 86-114	
2-25	922611	BACK ASSM LOW 16 (F) 86-114	
2-25	922612	BACK ASSM LOW 17 (F) 86-114	
2-25	922613	BACK ASSM LOW 18 (F) 86-114	
2-25	922614	BACK ASSM LOW 19 (F) 86-114	
2-25	922615	BACK ASSM LOW 20 (F) 86-114	
2-25	922616	BACK ASSM LOW 22 (F) 86-114	
2-25	922617	BACK ASSM LOW 24 (F) 86-114	
2-25	922629	BACK ASSM MED 14 (F) 86-114	
2-25	922630	BACK ASSM MED 15 (F) 86-114	
2-25	922631	BACK ASSM MED 16 (F) 86-114	
2-25	922632	BACK ASSM MED 17 (F) 86-114	
2-25	922633	BACK ASSM MED 18 (F) 86-114	
2-25	922634	BACK ASSM MED 19 (F) 86-114	
2-25	922635	BACK ASSM MED 20 (F) 86-114	
2-25	922636	BACK ASSM MED 22 (F) 86-114	
2-25	922637	BACK ASSM MED 24 (F) 86-114	
2-25	922649	BACK ASSM TALL 14 (F) 86-114	
2-25	922650	BACK ASSM TALL 15 (F) 86-114	
2-25	922651	BACK ASSM TALL 16 (F) 86-114	
2-25	922652	BACK ASSM TALL 17 (F) 86-114	
2-25	922653	BACK ASSM TALL 18 (F) 86-114	
2-25	922654	BACK ASSM TALL 19 (F) 86-114	
2-25	922655	BACK ASSM TALL 20 (F) 86-114	
2-25	922656	BACK ASSM TALL 22 (F) 86-114	
1,3,17,18	842221	BACK TUBE PH 8D LOW R S525	RIGHT
1,3,17,18	842224	BACK TUBE PH 8D MED L S525	LEFT
1,3,17,18	842222	BACK TUBE PH 8D LOW L S525	LEFT
1,3,17,18	842223	BACK TUBE PH 8D MED R S525	RIGHT
1,3,17,18	842225	BACK TUBE PH 8D TALL R S525	RIGHT
1,3,17,18	842226	BACK TUBE PH 8D TALL L S525	LEFT
2,3,17,18	842227	BACK TUBE PH LOW R S525	RIGHT
2,3,17,18	842230	BACK TUBE PH MED L S525	LEFT
2,3,17,18	842228	BACK TUBE PH LOW L S525	LEFT
2,3,17,18	842229	BACK TUBE PH MED R S525	RIGHT
2,3,17,18	842231	BACK TUBE PH TALL R S525	RIGHT
2,3,17,18	842232	BACK TUBE PH TALL L S525	LEFT
1, 3-13	882884	PH 8D LOW R ASSM FLDG 86-114	RIGHT
1, 3-13	882885	PH 8D LOW L ASSM FLDG 86-114	LEFT
1, 3-13	882886	PH 8D MED R ASSM FLDG 86-114	RIGHT
1, 3-13	882887	PH 8D MED L ASSM FLDG 86-114	LEFT
1, 3-13	882888	PH 8D TAL R ASSM FLDG 86-114	RIGHT
1, 3-13	882889	PH 8D TAL L ASSM FLDG 86-114	LEFT
1, 3-25	922619	BACK ASSM 8D LOW 14 (F) 86-114	
1, 3-25	922620	BACK ASSM 8D LOW 15 (F) 86-114	
1, 3-25	922621	BACK ASSM 8D LOW 16 (F) 86-114	
1, 3-25	922622	BACK ASSM 8D LOW 17 (F) 86-114	
1, 3-25	922623	BACK ASSM 8D LOW 18 (F) 86-114	
1, 3-25	922624	BACK ASSM 8D LOW 19 (F) 86-114	
1, 3-25	922625	BACK ASSM 8D LOW 20 (F) 86-11	
1, 3-25	922626	BACK ASSM 8D LOW 22 (F) 86-114	

Pos.	Item Number	Description	Remarks
1, 3-25	922627	BACK ASSM 8D LOW 24 (F) 86-114	
1, 3-25	922639	BACK ASSM 8D MED 14 (F) 86-114	
1, 3-25	922640	BACK ASSM 8D MED 15 (F) 86-114	
1, 3-25	922641	BACK ASSM 8D MED 16 (F) 86-114	
1, 3-25	922642	BACK ASSM 8D MED 17 (F) 86-114	
1, 3-25	922643	BACK ASSM 8D MED 18 (F) 86-114	
1, 3-25	922644	BACK ASSM 8D MED 19 (F) 86-114	
1, 3-25	922645	BACK ASSM 8D MED 20 (F) 86-114	
1, 3-25	922646	BACK ASSM 8D MED 22 (F) 86-114	
1, 3-25	922647	BACK ASSM 8D MED 24 (F) 86-114	
1, 3-25	922659	BACK ASSM 8D TALL 14 (F)86-114	
1, 3-25	922660	BACK ASSM 8D TALL 15 (F)86-114	
1, 3-25	922661	BACK ASSM 8D TALL 16 (F)86-114	
1, 3-25	922662	BACK ASSM 8D TALL 17 (F)86-114	
1, 3-25	922663	BACK ASSM 8D TALL 18 (F)86-114	
1, 3-25	922664	BACK ASSM 8D TALL 19 (F)86-114	
1, 3-25	922665	BACK ASSM 8D TALL 20 (F)86-114	
1, 3-25	922666	BACK ASSM 8D TALL 22 (F)86-114	
1, 3-25	922667	BACK ASSM 8D TALL 24 (F)86-114	
2-25	922657	BACK ASSM TALL 24 (F) 86-114	



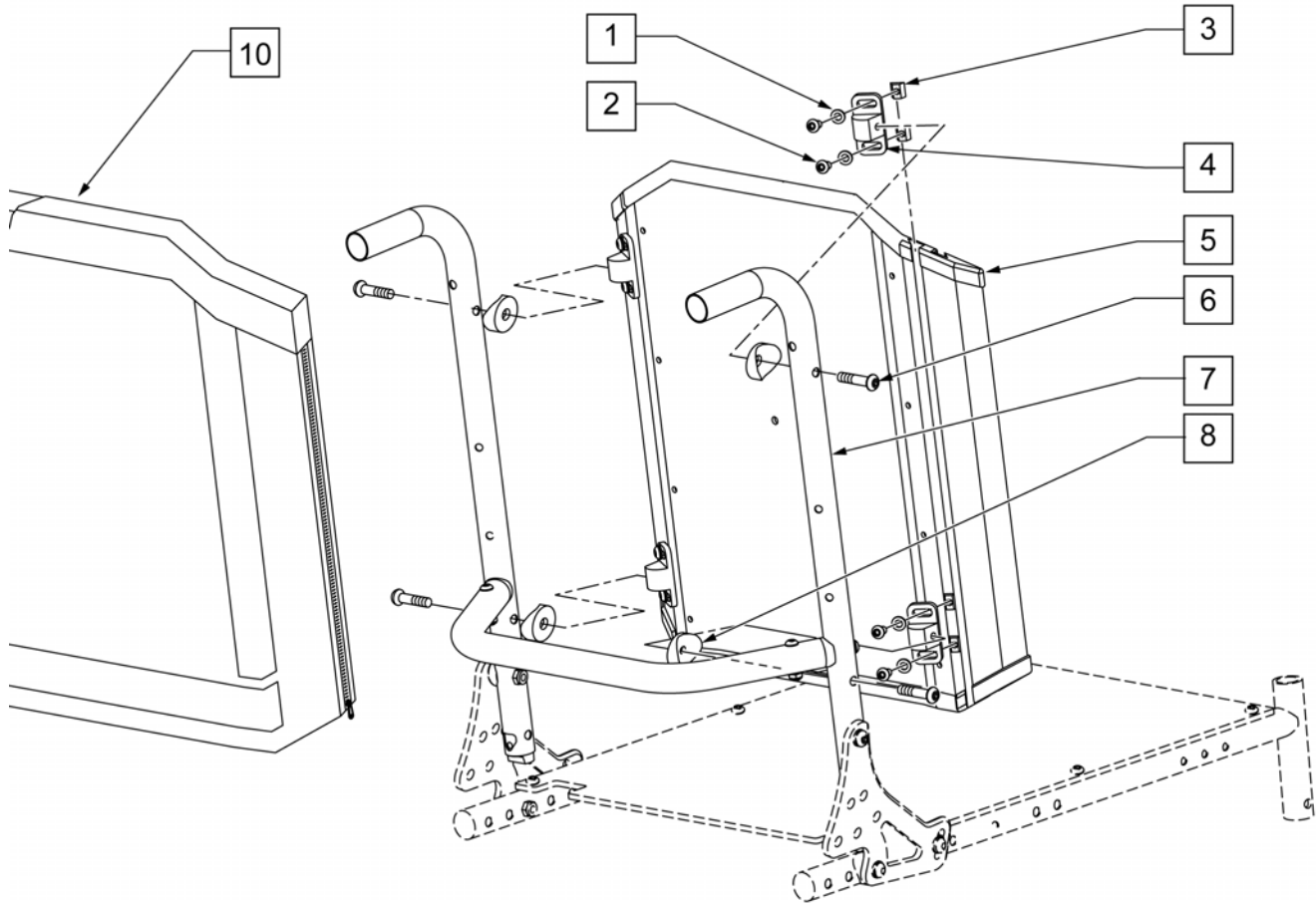
Pos.	Item Number	Description	Remarks
4	106947	WASHER FLAT THIN AN 5/16 ROHS	
5	202116	5/16 -18 NYLOCK NUT THIN BLK	
6	561006	1 SADDLE 5/16 HOLE	
7	226218	5/16 -18 x 1 3/4 BH C/S BLK	
8	501723	BACKREST PLATE 86-114 DEGREE	
9	263100	5/16 AN WASHER FLAT	
10	483801	BACKREST LATCH PLUG P2	BOTH USED
10	550080	PUSH HANDLE INSERT S525	BOTH USED
11	561019	1 INSERT PLUG .049	
12	920027	QUICKIE GRIP 1" W/INSTR SHEET	
13	281120	10/32 x 5/8 PAN HD PHIL	
14	226223	1/4 -28 x 1 1/4 BH C/S BLK	
15	520564	TOWEL RACK 14	
15	520565	TOWEL RACK 15	
15	520566	TOWEL RACK 16	
15	520567	TOWEL RACK 17	
15	520568	TOWEL RACK 18	
15	520569	TOWEL RACK 19	
15	520570	TOWEL RACK 20	
15	520571	TOWEL RACK 22	
15	520572	TOWEL RACK 24	
16	202300	1/4 -28 NYLOCK NUT THIN BLK ZN	

Pos.	Item Number	Description	Remarks
17	483161	STRUT SADDLE S525	
18	226267	1/4 -28 x 1 5/8 BH C/S W/ PATCH	
19	686930	BACK UPH 14 LOW P2	
19	686931	BACK UPH 14 MED P2	
19	686932	BACK UPH 14 TALL P2	
19	686933	BACK UPH 15 LOW P2	
19	686934	BACK UPH 15 MED P2	
19	686935	BACK UPH 15 TALL P2	
19	686936	BACK UPH 17 LOW P2	
19	686937	BACK UPH 17 MED P2	
19	686938	BACK UPH 17 TALL P2	
19	686940	BACK UPH 19 LOW P2	
19	686941	BACK UPH 19 MED P2	
19	686942	BACK UPH 19 TALL P2	
19	686943	BACK UPH 20 LOW P2	
19	686944	BACK UPH 20 MED P2	
19	686945	BACK UPH 20 TALL P2	
19	686961	BACK UPH 16 LOW P2	
19	686962	BACK UPH 16 MED P2	
19	686963	BACK UPH 16 TALL P2	
19	686981	BACK UPH 18 LOW P2	
19	686982	BACK UPH 18 MED P2	
19	686983	"BACK UPH 18" TALL P2"	
1,11,12	842221	BACK TUBE PH 8D LOW R S525	RIGHT
1,11,12	842222	BACK TUBE PH 8D LOW L S525	LEFT
1,11,12	842223	BACK TUBE PH 8D MED R S525	RIGHT
1,11,12	842224	BACK TUBE PH 8D MED L S525	LEFT
1,11,12	842225	BACK TUBE PH 8D TALL R S525	RIGHT
1,11,12	842226	BACK TUBE PH 8D TALL L S525	LEFT
2,11,12	842227	BACK TUBE PH LOW R S525	RIGHT
2,11,12	842228	BACK TUBE PH LOW L S525	LEFT
2,11,12	842229	BACK TUBE PH MED R S525	RIGHT
2,11,12	842230	BACK TUBE PH MED L S525	LEFT
2,11,12	842231	BACK TUBE PH TALL R S525	RIGHT
2,11,12	842232	BACK TUBE PH TALL L S525	LEFT
14-18	842234	TOWEL RACK ASSM 14 S525	
14-18	842235	TOWEL RACK ASSM 15 S525	
14-18	842236	TOWEL RACK ASSM 16 S525	
14-18	842237	TOWEL RACK ASSM 17 S525	
14-18	842238	TOWEL RACK ASSM 18 S525	
14-18	842239	TOWEL RACK ASSM 19 S525	
14-18	842240	TOWEL RACK ASSM 20 S525	
14-18	842241	TOWEL RACK ASSM 22	
14-18	842242	TOWEL RACK ASSM 24	
1, 4-13	882656	PH 8D LOW R ASSM NF 86-114	RIGHT
1, 4-13	882657	PH 8D LOW L ASSM NF 86-114	LEFT
1, 4-13	882658	PH 8D MED R ASSM NF 86-114	RIGHT
1, 4-13	882659	PH 8D MED L ASSM NF 86-114	LEFT
1, 4-13	882660	PH 8D TALL R ASSM NF 86-114	RIGHT
1, 4-13	882661	PH 8D TALL L ASSM NF 86-114	LEFT
2-13	882662	PH LOW R ASSM NF 86-114	RIGHT
2-13	882663	PH LOW L ASSM NF 86-114	LEFT
2-13	882664	PH MED R ASSM NF 86-114	RIGHT
2-13	882665	PH MED L ASSM NF 86-114	LEFT
2-13	882666	PH TALL R ASSM NF 86-114	RIGHT
2-13	882667	PH TALL L ASSM NF 86-114	LEFT

Pos.	Item Number	Description	Remarks
1, 4-19	922060	BACK ASSM 8D LOW 14 NF 86-114	
1, 4-19	922061	BACK ASSM 8D LOW 15 NF 86-114	
1, 4-19	922062	BACK ASSM 8D LOW 16 NF 86-114	
1, 4-19	922063	BACK ASSM 8D LOW 17 NF 86-114	
1, 4-19	922064	BACK ASSM 8D LOW 18 NF 86-114	
1, 4-19	922065	BACK ASSM 8D LOW 19 NF 86-114	
1, 4-19	922066	BACK ASSM 8D LOW 20 NF 86-114	
1, 4-19	922067	BACK ASSM 8D LOW 22 NF 86-114	
1, 4-19	922068	BACK ASSM 8D LOW 24 NF 86-114	
1, 4-19	922010	BACK ASSM 8D MED 14 NF 86-114	
1, 4-19	922011	BACK ASSM 8D MED 15 NF 86-114	
1, 4-19	922012	BACK ASSM 8D MED 16 NF 86-114	
1, 4-19	922013	BACK ASSM 8D MED 17 NF 86-114	
1, 4-19	922014	BACK ASSM 8D MED 18 NF 86-114	
1, 4-19	922015	BACK ASSM 8D MED 19 NF 86-114	
1, 4-19	922016	BACK ASSM 8D MED 20 NF 86-114	
1, 4-19	922017	BACK ASSM 8D MED 22 NF 86-114	
1, 4-19	922018	BACK ASSM 8D MED 24 NF 86-114	
1, 4-19	922028	BACK ASSM 8D TALL 14 NF 86-114	
1, 4-19	922029	BACK ASSM 8D TALL 15 NF 86-114	
1, 4-19	922030	BACK ASSM 8D TALL 16 NF 86-114	
1, 4-19	922031	BACK ASSM 8D TALL 17 NF 86-114	
1, 4-19	922032	BACK ASSM 8D TALL 18 NF 86-114	
1, 4-19	922033	BACK ASSM 8D TALL 19 NF 86-114	
1, 4-19	922034	BACK ASSM 8D TALL 20 NF 86-114	
1, 4-19	922035	BACK ASSM 8D TALL 22 NF 86-114	
1, 4-19	922036	BACK ASSM 8D TALL 24 NF 86-114	
2-19	922040	BACK ASSM LOW 14 NF 86-114	
2-19	922041	BACK ASSM LOW 15 NF 86-114	
2-19	922042	BACK ASSM LOW 16 NF 86-114	
2-19	922043	BACK ASSM LOW 17 NF 86-114	
2-19	922044	BACK ASSM LOW 18 NF 86-114	
2-19	922045	BACK ASSM LOW 19 NF 86-114	
2-19	922046	BACK ASSM LOW 20 NF 86-114	
2-19	922047	BACK ASSM LOW 22 NF 86-114	
2-19	922048	BACK ASSM LOW 24 NF 86-114	
2-19	922001	BACK ASSM MED 14 NF 86-114	
2-19	922002	BACK ASSM MED 15 NF 86-114	
2-19	922003	BACK ASSM MED 16 NF 86-114	
2-19	922004	BACK ASSM MED 17 NF 86-114	
2-19	922005	BACK ASSM MED 18 NF 86-114	
2-19	922006	BACK ASSM MED 19 NF 86-114	
2-19	922007	BACK ASSM MED 20 NF 86-114	
2-19	922008	BACK ASSM MED 22 NF 86-114	
2-19	922009	BACK ASSM MED 24 NF 86-114	
2-19	922019	BACK ASSM TALL 14 NF 86-114	
2-19	922020	BACK ASSM TALL 15 NF 86-114	
2-19	922021	BACK ASSM TALL 16 NF 86-114	
2-19	922022	BACK ASSM TALL 17 NF 86-114	
2-19	922023	BACK ASSM TALL 18 NF 86-114	
2-19	922024	BACK ASSM TALL 19 NF 86-114	
2-19	922025	BACK ASSM TALL 20 NF 86-114	
2-19	922026	BACK ASSM TALL 22 NF 86-114	
19	687900	BACK UPH 14 (21-22) S626	
19	687901	BACK UPH 14 (23-24) S626	
19	687902	BACK UPH 15 (21-22) S626	

Pos.	Item Number	Description	Remarks
19	687903	BACK UPH 15 (23-24) S626	
19	687904	BACK UPH 16 (21-22) S626	
19	687905	BACK UPH 16 (23-24) S626	
19	687906	BACK UPH 17 (21-22) S626	
19	687907	BACK UPH 17 (23-24) S626	
19	687908	BACK UPH 18 (21-22) S626	
19	687909	BACK UPH 18 (23-24) S626	
19	687910	BACK UPH 19 (21-22) S626	
19	687911	BACK UPH 19 (23-24) S626	
19	687912	BACK UPH 20 (21-22) S626	
19	687913	BACK UPH 20 (23-24) S626	
19	687914	BACK UPH 22 LOW S626	
19	687915	BACK UPH 22 MED S626	
19	687916	BACK UPH 22 TALL S626	
19	687917	BACK UPH 22 (21-22) S626	
19	687918	BACK UPH 22 (23-24) S626	
19	687919	BACK UPH 24 LOW S626	
19	687920	BACK UPH 24 MED S626	
19	687921	BACK UPH 24 TALL S626	
1,3,11,12	842221	BACK TUBE PH 8D LOW R S525	RIGHT
1,3,11,12	842222	BACK TUBE PH 8D LOW L S525	LEFT
1,3,11,12	842223	BACK TUBE PH 8D MED R S525	RIGHT
1,3,11,12	842224	BACK TUBE PH 8D MED L S525	LEFT
1,3,11,12	842225	BACK TUBE PH 8D TALL R S525	RIGHT
1,3,11,12	842226	BACK TUBE PH 8D TALL L S525	LEFT
2,3,11,12	842227	BACK TUBE PH LOW R S525	RIGHT
2,3,11,12	842228	BACK TUBE PH LOW L S525	LEFT
2,3,11,12	842229	BACK TUBE PH MED R S525	RIGHT
2,3,11,12	842230	BACK TUBE PH MED L S525	LEFT
2,3,11,12	842231	BACK TUBE PH TALL R S525	RIGHT
2,3,11,12	842232	BACK TUBE PH TALL L S525	LEFT
1, 3-13	882656	PH 8D LOW R ASSM NF 86-114	RIGHT
1, 3-13	882657	PH 8D LOW L ASSM NF 86-114	LEFT
1, 3-13	882658	PH 8D MED R ASSM NF 86-114	RIGHT
1, 3-13	882659	PH 8D MED L ASSM NF 86-114	LEFT
1, 3-13	882660	PH 8D TALL R ASSM NF 86-114	RIGHT
1, 3-13	882661	PH 8D TALL L ASSM NF 86-114	LEFT
1, 3-19	922060	BACK ASSM 8D LOW 14 NF 86-114	
1, 3-19	922061	BACK ASSM 8D LOW 15 NF 86-114	
1, 3-19	922062	BACK ASSM 8D LOW 16 NF 86-114	
1, 3-19	922063	BACK ASSM 8D LOW 17 NF 86-114	
1, 3-19	922064	BACK ASSM 8D LOW 18 NF 86-114	
1, 3-19	922065	BACK ASSM 8D LOW 19 NF 86-114	
1, 3-19	922066	BACK ASSM 8D LOW 20 NF 86-114	
1, 3-19	922067	BACK ASSM 8D LOW 22 NF 86-114	
1, 3-19	922068	BACK ASSM 8D LOW 24 NF 86-114	
1, 3-19	922010	BACK ASSM 8D MED 14 NF 86-114	
1, 3-19	922011	BACK ASSM 8D MED 15 NF 86-114	
1, 3-19	922012	BACK ASSM 8D MED 16 NF 86-114	
1, 3-19	922013	BACK ASSM 8D MED 17 NF 86-114	
1, 3-19	922014	BACK ASSM 8D MED 18 NF 86-114	
1, 3-19	922015	BACK ASSM 8D MED 19 NF 86-114	
1, 3-19	922016	BACK ASSM 8D MED 20 NF 86-114	
1, 3-19	922017	BACK ASSM 8D MED 22 NF 86-114	
1, 3-19	922018	BACK ASSM 8D MED 24 NF 86-114	
1, 3-19	922028	BACK ASSM 8D TALL 14 NF 86-114	

Pos.	Item Number	Description	Remarks
1, 3-19	922029	BACK ASSM 8D TALL 15 NF 86-114	
1, 3-19	922030	BACK ASSM 8D TALL 16 NF 86-114	
1, 3-19	922031	BACK ASSM 8D TALL 17 NF 86-114	
1, 3-19	922032	BACK ASSM 8D TALL 18 NF 86-114	
1, 3-19	922033	BACK ASSM 8D TALL 19 NF 86-114	
1, 3-19	922034	BACK ASSM 8D TALL 20 NF 86-114	
1, 3-19	922035	BACK ASSM 8D TALL 22 NF 86-114	
1, 3-19	922036	BACK ASSM 8D TALL 24 NF 86-114	
2-19	922027	BACK ASSM TALL 24 NF 86-114	

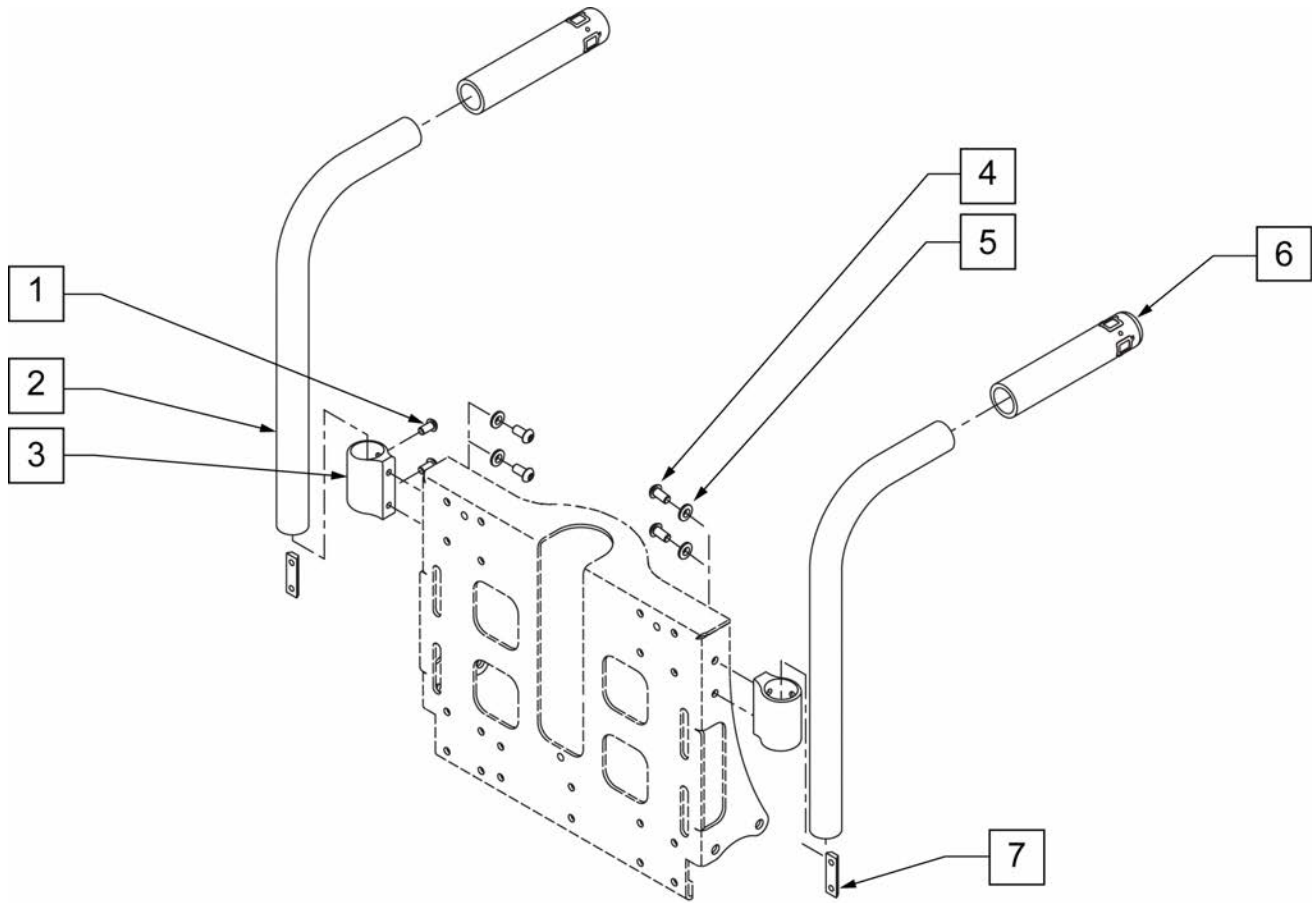


Pos.	Item Number	Description	Remarks
1	267052	1/4 AN WASHER FLAT AN960C416	
2	221094	1/4 -28 x 7/16 BH C/S BLK	
3	481106-QU	1/4 -28 CHANNEL NUT	
4	121507	SOLID BACK MOUNTING BRACKET	
5	011244	SLD BCKRST SHELL ASSMBLY 12X16	
5	011248	SLD BCKRST SHELL ASSMBLY 12X18	
5	011252	SLD BCKRST SHELL ASSMBLY 12X20	
5	011256	SLD BCKRST SHELL ASSMBLY 12X22	
5	011260	SLD BCKRST SHELL ASSMBLY 12X24	
5	011245	SLD BCKRST SHELL ASSMBLY 13X16	
5	011249	SLD BCKRST SHELL ASSMBLY 13X18	
5	011253	SLD BCKRST SHELL ASSMBLY 13X20	
5	011257	SLD BCKRST SHELL ASSMBLY 13X22	
5	011261	SLD BCKRST SHELL ASSMBLY 13X24	
5	881850	SOLID BCKRST SHELL ASSM 14 x 16	
5	881851	SOLID BCKRST SHELL ASSM 15 x 16	
5	881852	SOLID BCKRST SHELL ASSM 16 x 16	
5	881853	SOLID BCKRST SHELL ASSM 17 x 16	
5	881854	SOLID BCKRST SHELL ASSM 18 x 16	
5	881855	SOLID BCKRST SHELL ASSM 19 x 16	

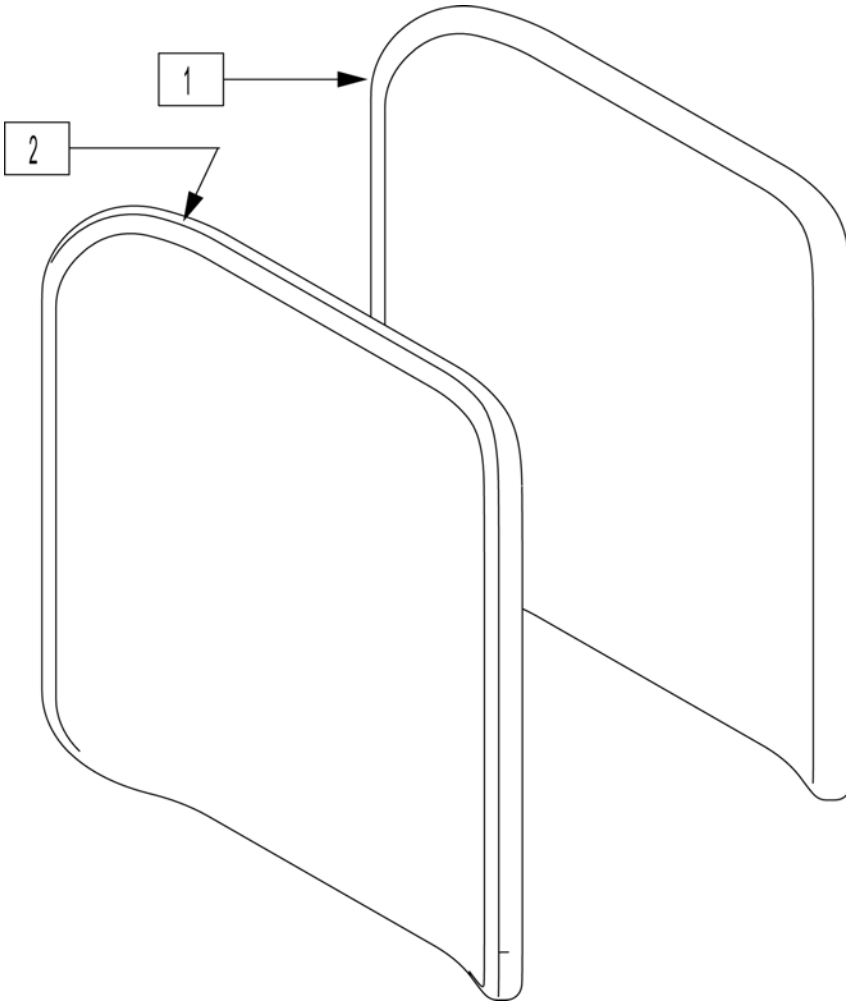
Pos.	Item Number	Description	Remarks
5	881856	SOLID BCKRST SHELL ASSM 20 x 16	
5	881857	SOLID BCKRST SHELL ASSM 14 x 18	
5	881858	SOLID BCKRST SHELL ASSM 15 x 18	
5	881859	SOLID BCKRST SHELL ASSM 16 x 18	
5	881860	SOLID BCKRST SHELL ASSM 17 x 18	
5	881861	SOLID BCKRST SHELL ASSM 18 x 18	
5	881862	SOLID BCKRST SHELL ASSM 19 x 18	
5	881863	SOLID BCKRST SHELL ASSM 20 x 18	
5	881864	SOLID BCKRST SHELL ASSM 14 x 20	
5	881865	SOLID BCKRST SHELL ASSM 15 x 20	
5	881866	SOLID BCKRST SHELL ASSM 16 x 20	
5	881867	SOLID BCKRST SHELL ASSM 17 x 20	
5	881868	SOLID BCKRST SHELL ASSM 18 x 20	
5	881869	SOLID BCKRST SHELL ASSM 19 x 20	
5	881870	SOLID BCKRST SHELL ASSM 20 x 20	
5	881871	SOLID BCKRST SHELL ASSM 14 x 22	
5	881872	SOLID BCKRST SHELL ASSM 15 x 22	
5	881873	SOLID BCKRST SHELL ASSM 16 x 22	
5	881874	SOLID BCKRST SHELL ASSM 17 x 22	
5	881875	SOLID BCKRST SHELL ASSM 18 x 22	
5	881876	SOLID BCKRST SHELL ASSM 19 x 22	
5	881877	SOLID BCKRST SHELL ASSM 20 x 22	
5	881878	SOLID BCKRST SHELL ASSM 14 x 24	
5	881879	SOLID BCKRST SHELL ASSM 15 x 24	
5	881880	SOLID BCKRST SHELL ASSM 16 x 24	
5	881881	SOLID BCKRST SHELL ASSM 17 x 24	
5	881882	SOLID BCKRST SHELL ASSM 18 x 24	
5	881883	SOLID BCKRST SHELL ASSM 19 x 24	
5	881884	SOLID BCKRST SHELL ASSM 20 x 24	
5	881885	SOLID BCKRST SHELL ASSM 22 x 16	
5	881886	SOLID BCKRST SHELL ASSM 22 x 18	
5	881887	SOLID BCKRST SHELL ASSM 22 x 20	
5	881888	SOLID BCKRST SHELL ASSM 22 x 22	
5	881889	SOLID BCKRST SHELL ASSM 22 x 24	
5	881890	SOLID BCKRST SHELL ASSM 24 x 16	
5	881892	SOLID BCKRST SHELL ASSM 24 x 20	
5	881893	SOLID BCKRST SHELL ASSM 24 x 22	
5	881894	SOLID BCKRST SHELL ASSM 24 x 24	
6	226291	5/16 -18 x 1-1/2 BHCS BK W/ PATCH	
8	561006	1 SADDLE 5/16 HOLE	
10	687073	BACK CUSHION 12"X16" SOLID BK	
10	687074	BACK CUSHION 12"X18" SOLID BK	
10	687075	BACK CUSHION 12"X20" SOLID BK	
10	687076	BACK CUSHION 12"X22" SOLID BK	
10	687077	BACK CUSHION 12"X24" SOLID BK	
10	687078	BACK CUSHION 13"X16" SOLID BK	
10	687079	BACK CUSHION 13"X18" SOLID BK	
10	687080	BACK CUSHION 13"X20" SOLID BK	
10	687081	BACK CUSHION 13"X22" SOLID BK	
10	687082	BACK CUSHION 13"X24" SOLID BK	
10	681850	BACK CUSHION 14 x 16 SOLID BACK	
10	681851	BACK CUSHION 14 x 18 SOLID BACK	
10	681852	BACK CUSHION 14 x 20 SOLID BACK	
10	681853	BACK CUSHION 14 x 22 SOLID BACK	
10	681854	BACK CUSHION 14 x 24 SOLID BACK	
10	681855	BACK CUSHION 15 x 16 SOLID BACK	

Pos.	Item Number	Description	Remarks
10	681856	BACK CUSHION 15 x 18 SOLID BACK	
10	681857	BACK CUSHION 15 x 20 SOLID BACK	
10	681858	BACK CUSHION 15 x 22 SOLID BACK	
10	681859	BACK CUSHION 15 x 24 SOLID BACK	
10	681860	BACK CUSHION 16 x 16 SOLID BACK	
10	681861	BACK CUSHION 16 x 18 SOLID BACK	
10	681862	BACK CUSHION 16 x 20 SOLID BACK	
10	681863	BACK CUSHION 16 x 22 SOLID BACK	
10	681864	BACK CUSHION 16 x 24 SOLID BACK	
10	681865	BACK CUSHION 17 x 16 SOLID BACK	
10	681866	BACK CUSHION 17 x 18 SOLID BACK	
10	681867	BACK CUSHION 17 x 20 SOLID BACK	
10	681868	BACK CUSHION 17 x 22 SOLID BACK	
10	681869	BACK CUSHION 17 x 24 SOLID BACK	
10	681870	BACK CUSHION 18 x 16 SOLID BACK	
10	681871	BACK CUSHION 18 x 18 SOLID BACK	
10	681872	BACK CUSHION 18 x 20 SOLID BACK	
10	681873	BACK CUSHION 18 x 22 SOLID BACK	
10	681874	BACK CUSHION 18 x 24 SOLID BACK	
10	681875	BACK CUSHION 19 x 16 SOLID BACK	
10	681876	BACK CUSHION 19 x 18 SOLID BACK	
10	681877	BACK CUSHION 19 x 20 SOLID BACK	
10	681878	BACK CUSHION 19 x 22 SOLID BACK	
10	681879	BACK CUSHION 19 x 24 SOLID BACK	
10	681880	BACK CUSHION 20 x 16 SOLID BACK	
10	681881	BACK CUSHION 20 x 18 SOLID BACK	
10	681882	BACK CUSHION 20 x 20 SOLID BACK	
10	681883	BACK CUSHION 20 x 22 SOLID BACK	
10	681884	BACK CUSHION 20 x 24 SOLID BACK	
10	681885	BACK CUSHION 22 x 16 SOLID BACK	
10	681886	BACK CUSHION 22 x 18 SOLID BACK	
10	681887	BACK CUSHION 22 x 20 SOLID BACK	
10	681888	BACK CUSHION 22 x 22 SOLID BACK	
10	681889	BACK CUSHION 22 x 24 SOLID BACK	
10	681890	BACK CUSHION 24 x 16 SOLID BACK	
10	681891	BACK CUSHION 24 x 18 SOLID BACK	
10	681892	BACK CUSHION 24 x 20 SOLID BACK	
10	681893	BACK CUSHION 24 x 22 SOLID BACK	
10	681894	BACK CUSHION 24 x 24 SOLID BACK	
5,10	687400	SOLID BACKREST ASSY 14 x 16/17	
5,10	687401	SOLID BACKREST ASSY 14 x 18/19	
5,10	687402	SOLID BACKREST ASSY 14 x 20/21	
5,10	687403	SOLID BACKREST ASSY 14 x 22/23	
5,10	687404	SOLID BACKREST ASSY 14 x 24	
5,10	687405	SOLID BACKREST ASSY 15 x 16/17	
5,10	687406	SOLID BACKREST ASSY 15 x 18/19	
5,10	687407	SOLID BACKREST ASSY 15 x 20/21	
5,10	687408	SOLID BACKREST ASSY 15 x 22/23	
5,10	687409	SOLID BACKREST ASSY 15 x 24	
5,10	687410	SOLID BACKREST ASSY 16 x 16/17	
5,10	687411	SOLID BACKREST ASSY 16 x 18/19	
5,10	687412	SOLID BACKREST ASSY 16 x 20/21	
5,10	687413	SOLID BACKREST ASSY 16 x 22/23	
5,10	687414	SOLID BACKREST ASSY 16 x 24	
5,10	687415	SOLID BACKREST ASSY 17 x 16/17	
5,10	687416	SOLID BACKREST ASSY 17 x 18/19	

Pos.	Item Number	Description	Remarks
5,10	687417	SOLID BACKREST ASSY 17 x 20/21	
5,10	687418	SOLID BACKREST ASSY 17 x 22/23	
5,10	687419	SOLID BACKREST ASSY 17 x 24	
5,10	687420	SOLID BACKREST ASSY 18 x 16/17	
5,10	687421	SOLID BACKREST ASSY 18 x 18/19	
5,10	687422	SOLID BACKREST ASSY 18 x 20/21	
5,10	687423	SOLID BACKREST ASSY 18 x 22/23	
5,10	687424	SOLID BACKREST ASSY 18 x 24	
5,10	687425	SOLID BACKREST ASSY 19 x 16/17	
5,10	687426	SOLID BACKREST ASSY 19 x 18/19	
5,10	687427	SOLID BACKREST ASSY 19 x 20/21	
5,10	687428	SOLID BACKREST ASSY 19 x 22/23	
5,10	687429	SOLID BACKREST ASSY 19 x 24	
5,10	687430	SOLID BACKREST ASSY 20 x 16/17	
5,10	687431	SOLID BACKREST ASSY 20 x 18/19	
5,10	687432	SOLID BACKREST ASSY 20 x 20/21	
5,10	687433	SOLID BACKREST ASSY 20 x 22/23	
5,10	687434	SOLID BACKREST ASSY 20 x 24	
5,10	687435	SOLID BACKREST ASSY 22 x 16/17	
5,10	687436	SOLID BACKREST ASSY 22 x 18/19	
5,10	687437	SOLID BACKREST ASSY 22 x 20/21	
5,10	687438	SOLID BACKREST ASSY 22 x 22/23	
5,10	687439	SOLID BACKREST ASSY 22 x 24	
5,10	687440	SOLID BACKREST ASSY 24 x 16/17	
5,10	687441	SOLID BACKREST ASSY 24 x 18/19	
5,10	687442	SOLID BACKREST ASSY 24 x 20/21	
5,10	687443	SOLID BACKREST ASSY 24 x 22/23	
5,10	687444	SOLID BACKREST ASSY 24 x 24	
1-4,6,8	881900	MOUNT KIT SOLID BACK	PAIR
1-4,6,8	881795	MOUNT HDWR SOLID BACK	



Pos.	Item Number	Description	Remarks
1	102262-001	BHCS M6X1X8 FULL PL	
2,6	842245	PUSH HANDLE BACK TUBE S626	
3	010308	RECEIVER PUSH HANDLE	
4	261535	1/4" WASHER STAR EXTERNAL	
5	230113	BHCS M6 x 1 x 12 BLK W/PL	
6	920027	QUICKIE GRIP 1" W/INSTR SHEET	
7	011322	DUAL M6 CHANNEL NUT	
1-7	012104	PERFECT FIT PUSH HANDLE KIT	PAIR

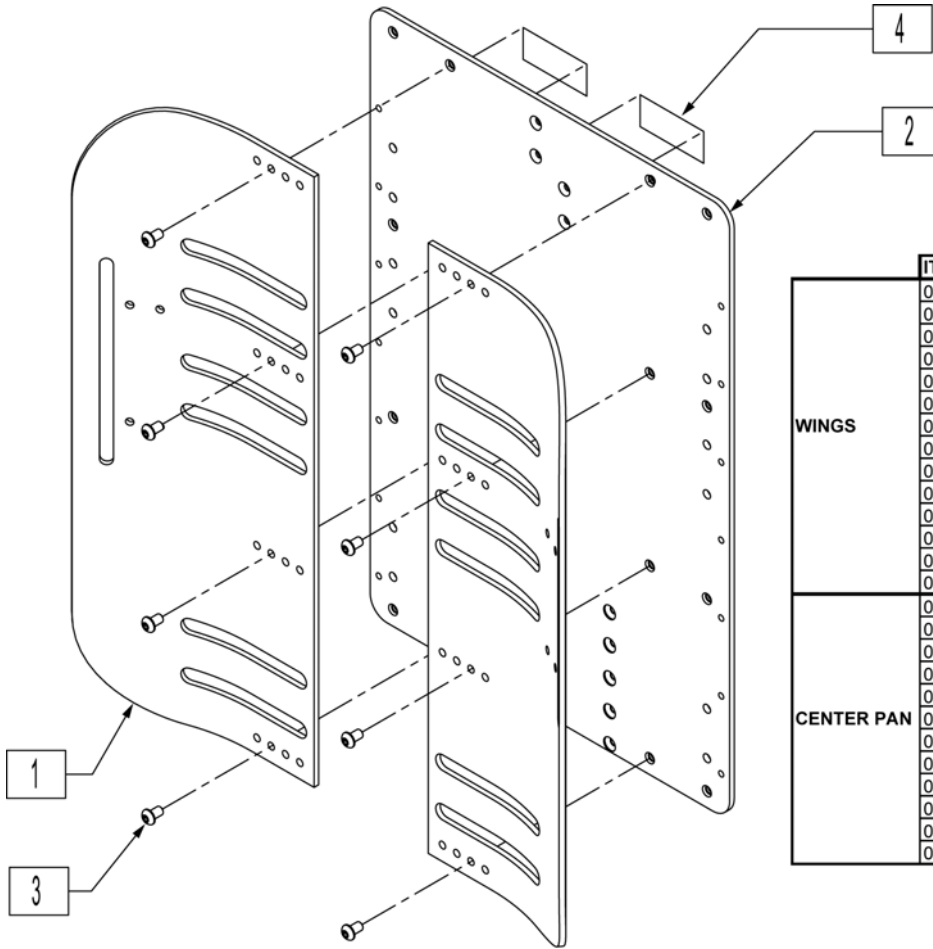


SIZE ORDERING GUIDE

ITEM NUMBER	MANUAL RECLINE	POWER RECLINE
102314-001	14-15W 15-18H	14-15W 17-20H
102314-002	14-15W 17-20H	14-15W 19-22H
102314-003	14-15W 19-22H	14-15W 21-24H
102314-004	14-15W 21-24H	14-15W 23-26H
102314-005	14-15W 23-26H	14-15W 25-28H
102314-006	14-15W 25-28H	N/A
102315-001	16-17W 15-18H	16-17W 17-20H
102315-002	16-17W 17-20H	16-17W 19-22H
102315-003	16-17W 19-22H	16-17W 21-24H
102315-004	16-17W 21-24H	16-17W 23-26H
102315-005	16-17W 23-26H	16-17W 25-28H
102315-006	16-17W 25-28H	N/A
102316-001	18-19W 15-18H	18-19W 17-20H
102316-002	18-19W 17-20H	18-19W 19-22H
102316-003	18-19W 19-22H	18-19W 21-24H
102316-004	18-19W 21-24H	18-19W 23-26H
102316-005	18-19W 23-26H	18-19W 25-28H
102316-006	18-19W 25-28H	N/A
102317-001	20-21W 15-18H	20-21W 17-20H
102317-002	20-21W 17-20H	20-21W 16-22H
102317-003	20-21W 16-22H	20-21W 21-24H
102317-004	20-21W 21-24H	20-21W 23-26H
102317-005	20-21W 23-26H	20-21W 25-28H
102317-006	20-21W 25-28H	N/A
102318-001	22-23W 15-18H	22-23W 17-20H
102318-002	22-23W 17-20H	22-23W 19-22H
102318-003	22-23W 19-22H	22-23W 21-24H
102318-004	22-23W 21-24H	22-23W 23-26H
102318-005	22-23W 23-26H	22-23W 25-28H
102318-006	22-23W 25-28H	N/A
102319-001	24W 15-18H	24W 17-20H
102319-002	24W 17-20H	24W 19-22H
102319-003	24W 19-22H	24W 21-24H
102319-004	24W 21-24H	24W 23-26H
102319-005	24W 23-26H	24W 25-28H
102319-006	24W 25-28H	N/A
102313	12-13W 15-18H	12-03W 17-20H

Pos.	Item Number	Description	Pos.	Item Number	Description
1-2	102314-001	BACK FOAM & COVER 14-15W X 15	1-2	102317-002	BACK FOAM & COVER 20-21W X 17
1-2	102314-002	BACK FOAM & COVER 14-15W X 17	1-2	102317-003	BACK FOAM & COVER 20-21W X 19
1-2	102314-003	BACK FOAM & COVER 14-15W X 19	1-2	102317-004	BACK FOAM & COVER 20-21W X 21
1-2	102314-004	BACK FOAM & COVER 14-15W X 21	1-2	102317-005	BACK FOAM & COVER 20-21W X 23
1-2	102314-005	BACK FOAM & COVER 14-15W X 23	1-2	102317-006	BACK FOAM & COVER 20-21W X 25
1-2	102314-006	BACK FOAM & COVER 14-15W X 25	1-2	102318-001	BACK FOAM & COVER 22-23W X 15
1-2	102315-001	BACK FOAM & COVER 16-17W X 15	1-2	102318-002	BACK FOAM & COVER 22-23W X 17
1-2	102315-002	BACK FOAM & COVER 16-17W X 17	1-2	102318-003	BACK FOAM & COVER 22-23W X 19
1-2	102315-003	BACK FOAM & COVER 16-17W X 19	1-2	102318-004	BACK FOAM & COVER 22-23W X 21
1-2	102315-004	BACK FOAM & COVER 16-17W X 21	1-2	102318-005	BACK FOAM & COVER 22-23W X 23
1-2	102315-005	BACK FOAM & COVER 16-17W X 23	1-2	102318-006	BACK FOAM & COVER 22-23W X 25
1-2	102315-006	BACK FOAM & COVER 16-17W X 25	1-2	102319-001	BACK FOAM & COVER 24W X 15H
1-2	102316-001	BACK FOAM & COVER 18-19W X 15	1-2	102319-002	BACK FOAM & COVER 24W X 17H
1-2	102316-002	BACK FOAM & COVER 18-19W X 17	1-2	102319-003	BACK FOAM & COVER 24W X 19H
1-2	102316-003	BACK FOAM & COVER 18-19W X 19	1-2	102319-004	BACK FOAM & COVER 24W X 21H
1-2	102316-004	BACK FOAM & COVER 18-19W X 21	1-2	102319-005	BACK FOAM & COVER 24W X 23H
1-2	102316-005	BACK FOAM & COVER 18-19W X 23	1-2	102319-006	BACK FOAM & COVER 24W X 25H
1-2	102316-005	BACK FOAM & COVER 18-19W X 25	1-2	102313	BACK FOAM & COVER 12-13W X 15
1-2	102317-001	BACK FOAM & COVER 20-21W X 15			

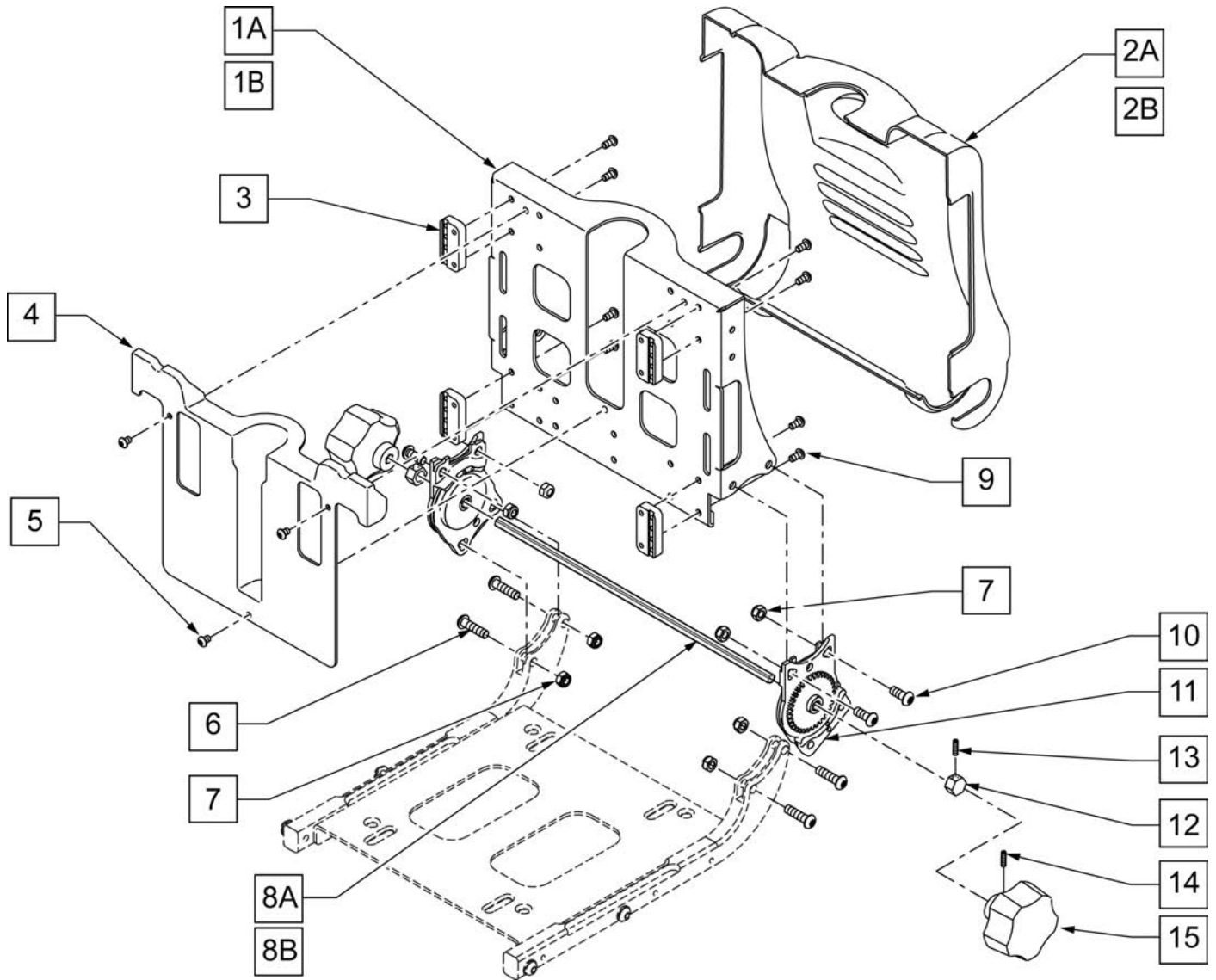
CONTOUR POSTERIOR ADJUSTABLE BACK PAN



BACK PAN GUIDE

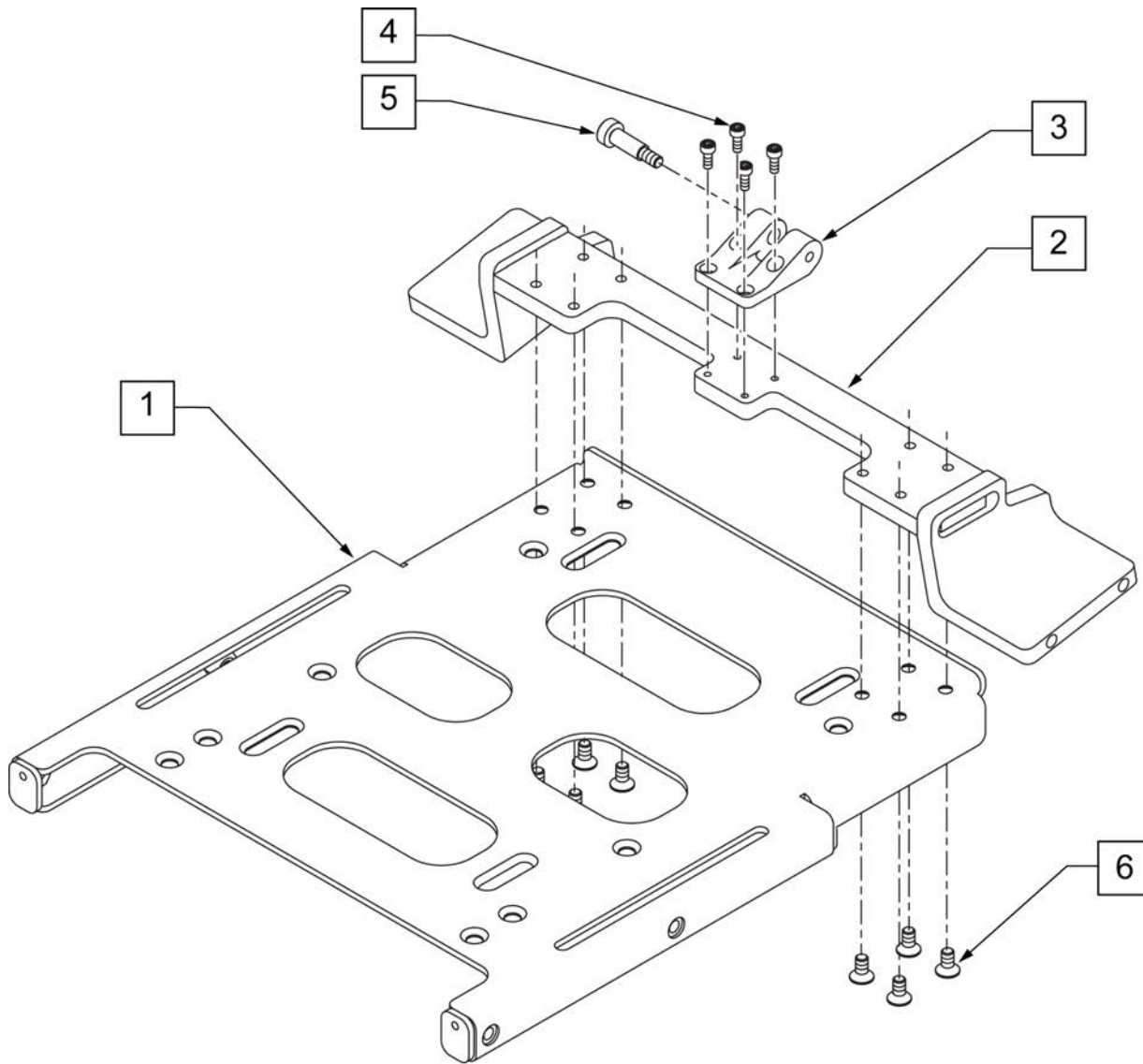
	ITEM NUMBER	MANUAL RECLINE	POWER RECLINE
WINGS	010438	12-13W 15-18H	12-13W 17-20H
	010439	12-13W 15-18H	12-13W 17-20H
	010431	14-24W 15-18H	14-24W 17-20H
	010432	14-24W 15-18H	14-24W 17-20H
	010822	14-24W 17-20H	14-24W 19-22H
	010821	14-24W 17-20H	14-24W 19-22H
	010105	14-24W 19-22H	14-24W 21-24H
	010106	14-24W 19-22H	14-24W 21-24H
	010433	14-24W 21-24H	14-24W 23-26H
	010434	14-24W 21-24H	14-24W 23-26H
	010826	14-24W 23-26H	14-24W 25-28H
	010825	14-24W 23-26H	14-24W 25-28H
	010716	14-24W 25-28H	N/A
	010717	14-24W 25-28H	N/A
CENTER PAN	012031-001	12-19W 15-18H	12-19W 17-20H
	012031-002	17-24W 15-18H	17-24W 17-20H
	012032-001	12-19W 17-20H	12-19W 19-22H
	012032-002	17-24W 17-20H	17-24W 19-22H
	012033-001	12-19W 19-22H	12-14W 21-24H
	012033-002	17-24W 19-22H	17-24W 21-24H
	012034-001	12-19W 21-24H	12-19W 23-26H
	012034-002	17-24W 21-24H	17-24W 23-26H
	012035-001	12-19W 23-26H	12-19W 25-28H
	012035-002	17-24W 23-26H	17-24W 25-28H
	012036-001	12-19W 25-28H	N/A
	012036-002	17-24W 25-28H	N/A

Pos.	Item Number	Description	Pos.	Item Number	Description
1	010438	BACK PAN WING LH 15T SMALL	3	012931	BHCS M5 X 10 W/PL BLK CL 10.9
1	010439	BACK PAN WING RH 15T SMALL	2,4	012031-001	BACK PAN CENTER 15T W/VEL NARR
1	010431	BACK PAN WING LH 15T LARGE	2,4	012031-002	BACK PAN CENTER 15T W/VEL WIDE
1	010432	BACK PAN WING RH 15T LARGE	2,4	012032-001	BACK PAN CENTER 17TW/VEL NARR
1	010822	BACK PAN WING LH 17T	2,4	012032-002	BACK PAN CENTER 17T W/VEL WIDE
1	010821	BACK PAN WING RH 17T	2,4	012033-001	BACK PAN CENTER 19T W/VEL NARR
1	010105	BACK PAN WING LH 19T	2,4	012033-002	BACK PAN CENTER 19T W/VEL WIDE
1	010106	BACK PAN WING RH 19T	2,4	012034-001	BACK PAN CENTER 21T W/VEL NARR
1	010433	BACK PAN WING LH 21T	2,4	012034-002	BACK PAN CENTER 21T W/VEL WIDE
1	010434	BACK PAN WING RH 21T	2,4	012035-001	BACK PAN CENTER 23T W/VEL NARR
1	010826	BACK PAN WING LH 23T	2,4	012035-002	BACK PAN CENTER 23T W/VEL WIDE
1	010825	BACK PAN WING RH 23T	2,4	012036-001	BACK PAN CENTER 25T W/VEL NARR
1	010716	BACK PAN WING LH 25T	2,4	012036-002	BACK PAN CENTER 25T W/VEL WIDE
1	010717	BACK PAN WING RH 25T			

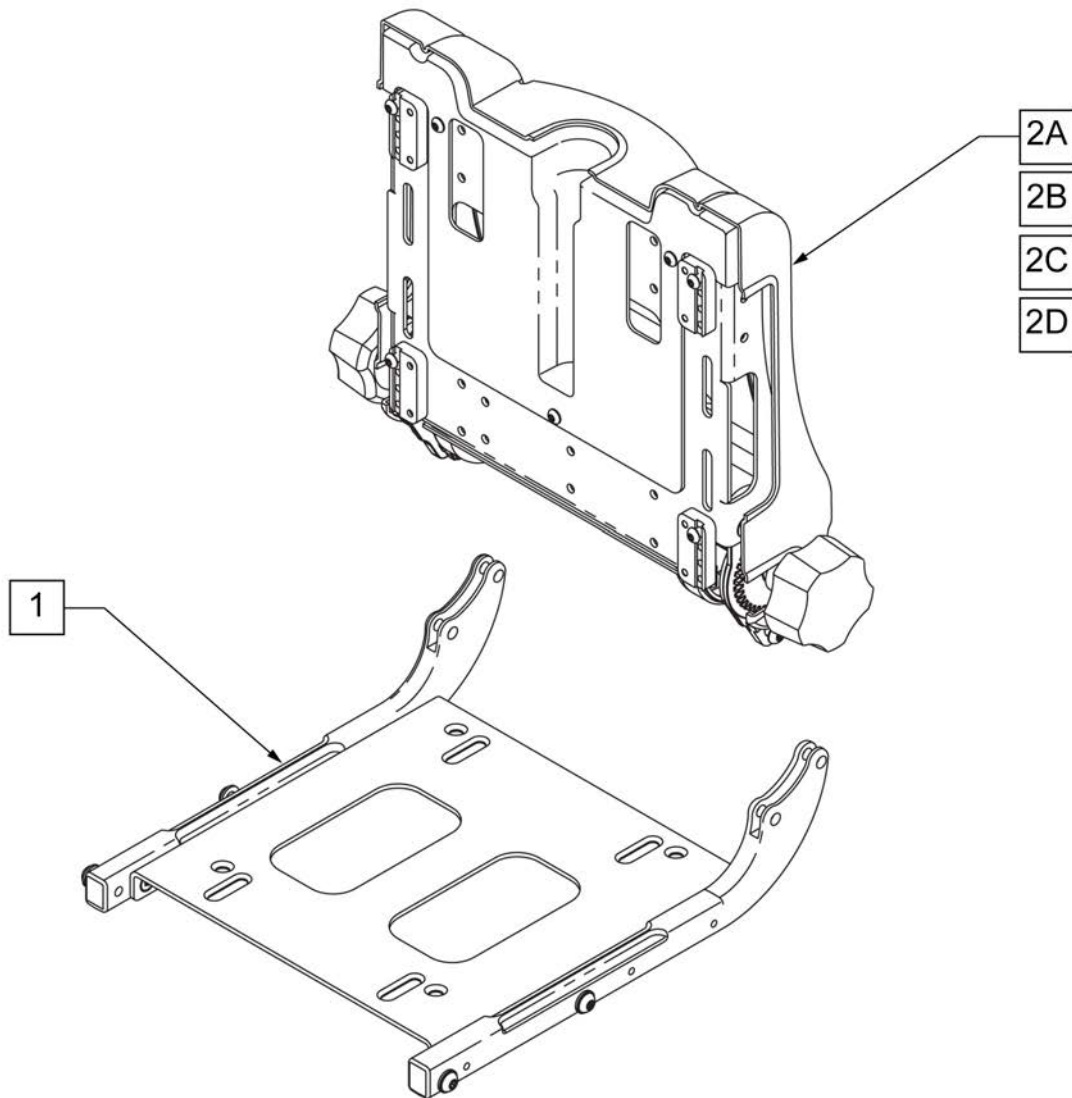


Pos.	Item Number	Description	Remarks
1A	012110	NON RECLINE BACK STRUCT SM ASSY	15 -20" BACK HEIGHT
1B	012113	NON RECLINE BACK STRUCT LRG ASSY	20 -28" BACK HEIGHT
2A	012111	NON REC BACK SHROUD SHT ASSY	15 -20" BACK HEIGHT
2B	012114	NON REC BACK SHROUD TALL ASSY	20 -28" BACK HEIGHT
3	010243	BACK SPACER	
4	012112	NON REC BACK INNER SHROUD ASSY	
5	013144	BHCS M5 X .8 X 8 BLK W/PL	
6	013355	HHCS M8 X 1.25 X 30 BLK	
7	210072	M8 NYLOCK NUT	
8A	011320-001	SHAFT 5SPLINE MANUAL RECLINE SHT	
8B	011320-002	SHAFT 5SPLINE MANUAL RECLINE LNG	
9	230113	BHCS M6 X 1 X 12 BLK W/PL	
10	013354	HHCS M8 X 1.25 X 20 BLK W/PL	
11	011036	KEIPER MANUAL MACH LH	LEFT
11	011037	KEIPER MANUAL MACH RH	RIGHT
12,13	012154	STOP NUT AND SET SCREW	

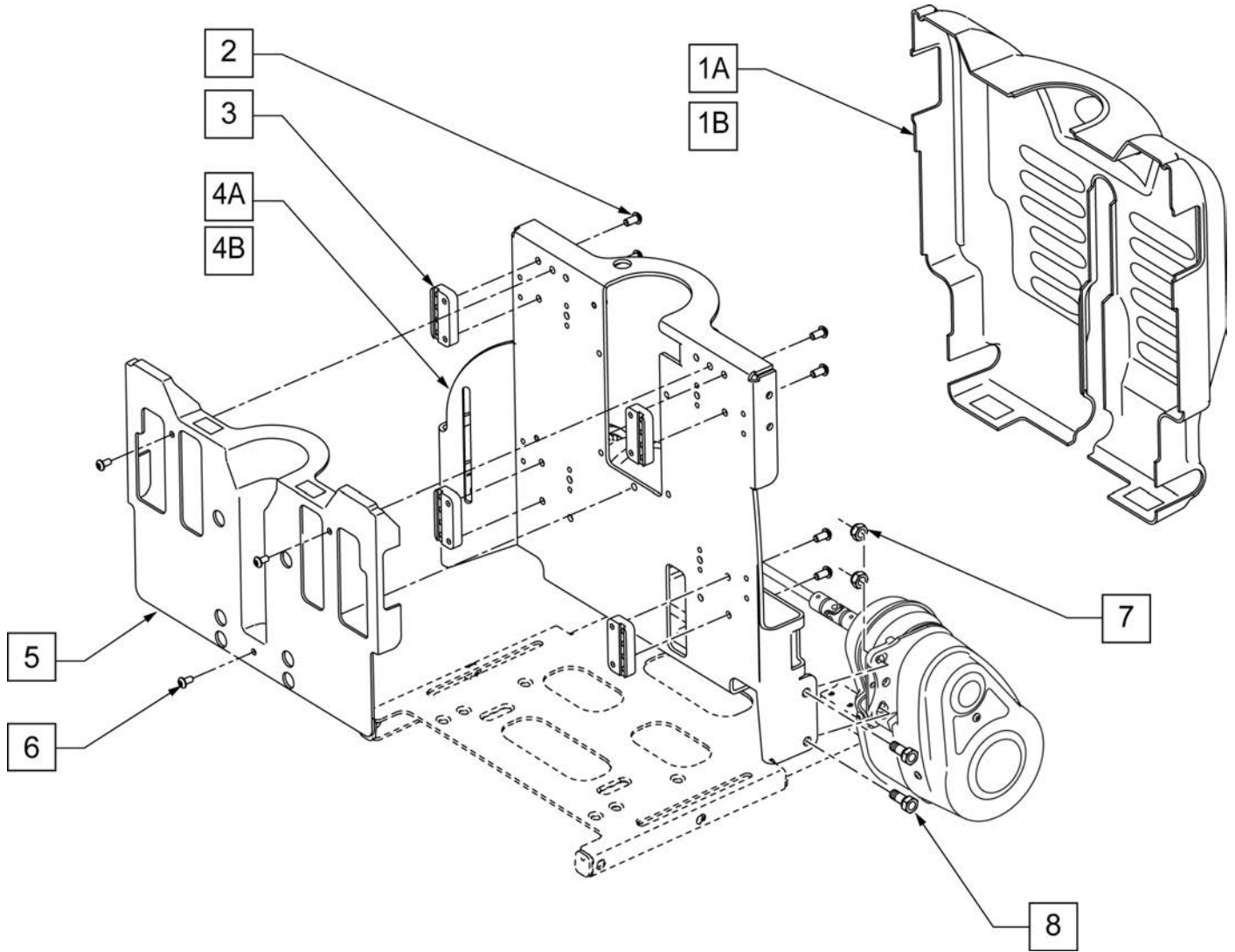
Pos.	Item Number	Description	Remarks
12B,14	012155	MANUAL KNOB AND SET SCREW	
1A-12A	012100	NON RECLINE BACK ASSM SML	15 -20" BACK HEIGHT
1A,2B,3-12A	012101	NON RECLINE BACK ASSM LRG	20 -28" BACK HEIGHT
1A-7,8B,9-12B	012102	NON RECLINE BACK ASSM SML W/KNOB	15 -20" BACK HEIGHT
1-12A	012100	NON RECLINE BACK ASSM SML	
1-7,8B,9-12B	012102	NON RECLINE BACK ASSM SML W/KNOB	
1A,2B,3-7,8B,9-12A	012103	NON RECLINE BACK ASSM LRG W/KNOB	20 -28" BACK HEIGHT



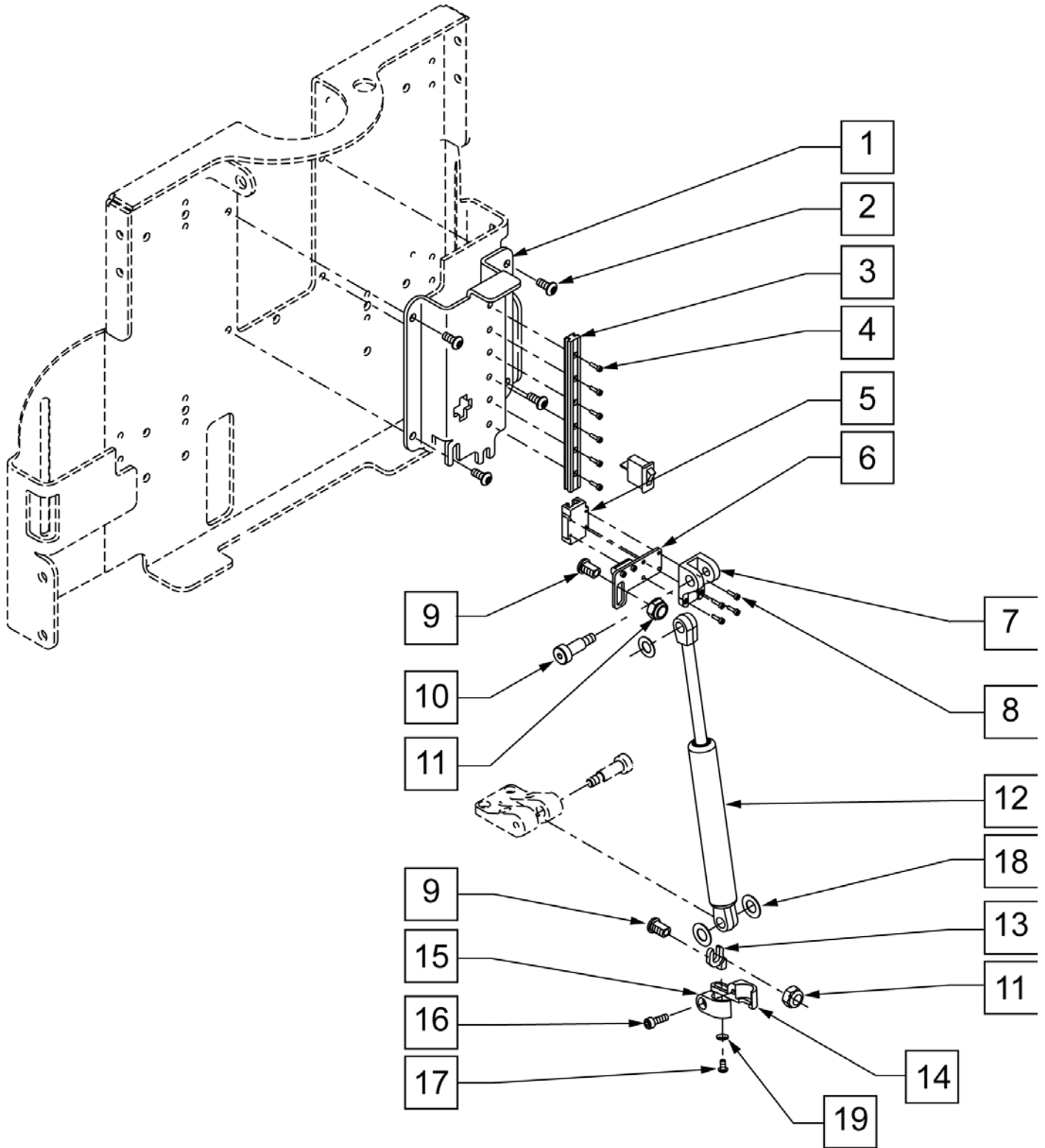
Pos.	Item Number	Description
1	010266	REAR SEAT FRAME WLDMNT
2	010293-001	KEIPER MECH MOUNT WLDMNT SML
3	010731	GAS SPRING LOWER PIVOT
4	230132	SHCS M4 X .7 X 10
5	011649-002	SHLDR SCREW 8MM OD X 20MM LG
6	230128	FHCS M6 X 1 X 12
3-5	012092	GAS STRUT BASE MOUNT



Pos.	Item Number	Description	Remarks
1	012189	NON RECLINE SEAT BASE ASSY	
2A	012100	NON RECLINE BACK ASSM SML	15 -20" BACK HEIGHT
2B	012101	NON RECLINE BACK ASSM LRG	20 -28" BACK HEIGHT
2C	012102	NON RECL BACK ASSM SML W/KNOB	15 -20" BACK HEIGHT
2D	012103	NON RECL BACK ASSM LRG W/KNOB	20 -28" BACK HEIGHT
1,2A	012115	NON RECLINE SMALL ASSY	15 -20" BACK HEIGHT
1,2B	012116	NON RECLINE LARGE ASSY	20 -28" BACK HEIGHT
1,2C	012117	NON RECLINE SML ASSY W/KNOB	15 -20" BACK HEIGHT
1,2D	012118	NON RECLINE LARGE ASSY W/KNOB	20 -28" BACK HEIGHT



Pos.	Item Number	Description	Remarks
1A	012106	RECLINE BACK SHROUD SHORT ASSY	17 -22" BACK HEIGHT
1B	012108	RECLINE BACK SHROUD TALL ASSY	22 -28" BACK HEIGHT
2	230113	BHCS M6 X 1 X 12 BLK W/PL	
3	010243	BACK SPACER	
4A	010131-001	RECL BACK STRUCT NARROW SHORT	
4B	010131-002	RECL BACK STRUCT NARROW TALL	
5	013144	BHCS M5 X .8 X 8 BLK W/PL	
6	012107	RECLINE BACK INNER SHROUD ASSY	
7	210072	M8 NYLOCK NUT	
8	013150	BHCS M8 X 1.25 X 20 BLK	
1A-3,4A-8	012097	RECL BACK ASSM NARROW SHT	17 -22" BACK HEIGHT
1B-3,4B-8	012098	RECL BACK ASSM NARROW TALL	22 -28" BACK HEIGHT



Pos.	Item Number	Description
1	010733	GAS SPRING MOUNTING BRACKET
2	013144	BHCS M5 X .8 X 8 BLK W/PL
3	010735	IGUS RAIL TS-04-09

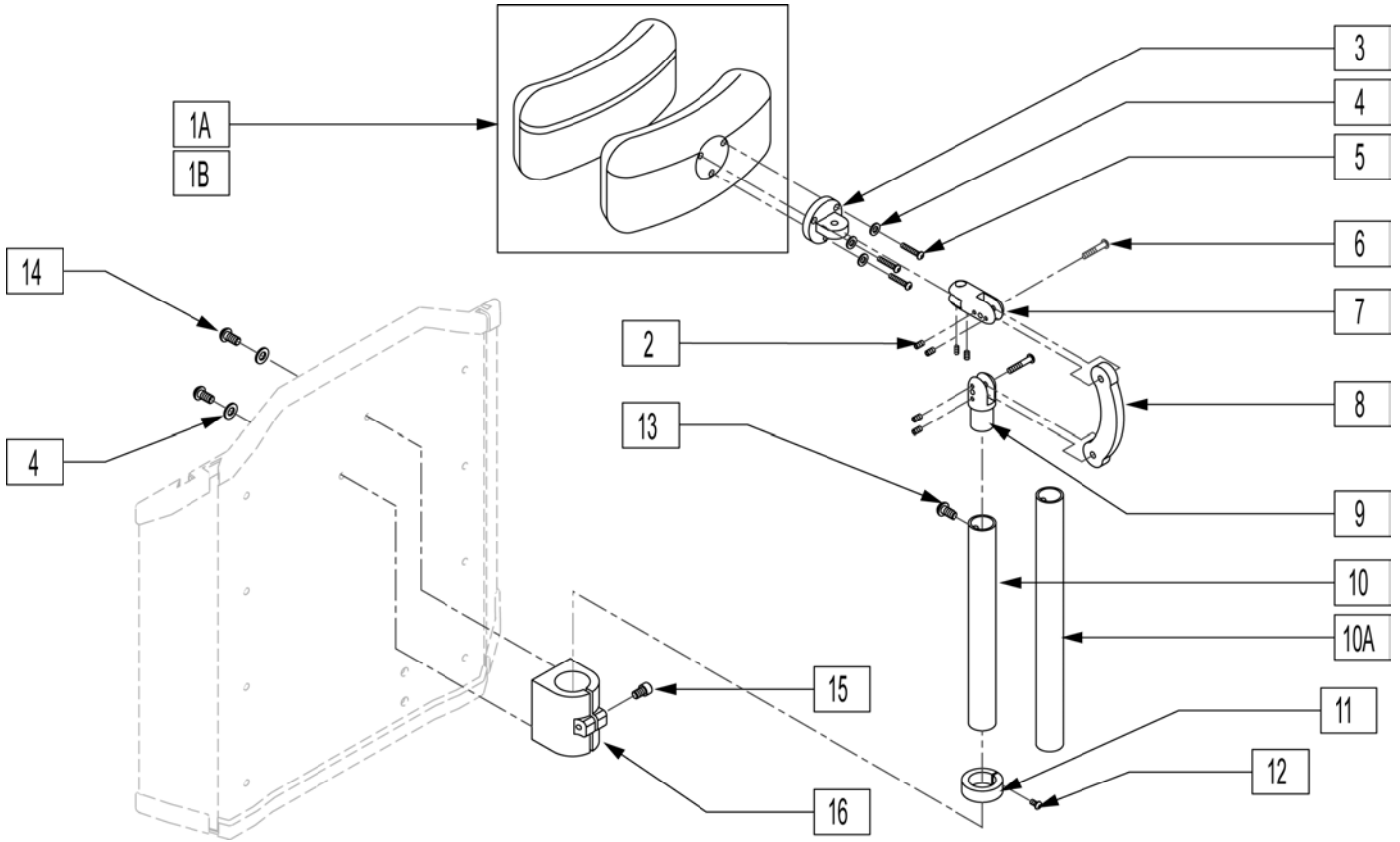
Pos.	Item Number	Description
4	011639-001	SHCS M2 X .4 X 8MM
5	010736	IGUS GLIDE TW-04-09
7	010732	GAS SPRING UPPER PIVOT
8	011639-002	SHCS M2 X 0.4 X 12MM
9	012109	MOUNT ACTUATOR ASSY
10	011649-001	SHLDR SCREW 8MM OD X 16MM LG
11	013314	M8 NYLON HEX NUT
12	010734	GAS SPRING
13	010750	BRKT SWITCH REED ADJ
14	012160	BRKT READ SWITCH RIGHT
15	012167	BRKT READ SWITCH LEFT
16	102260-001	SHCS M5X0.8X18 FULL NP
17	230110	BHCS M4 X .7 X 6 BLK W/PL
18	012592	WASHER IGUS GTM
19	012289	WASHER FLAT M4 ZINC
20	200113	NUT HEX NYLOCK M6 X 1 NUT
1-11,18,20	013390	GAS SPRING MNT BRKT ASSM
1-20	012099	GAS SPRING ASSM



Pos.	Item Number	Description
2	703501	HEADREST VINYL GREY
3	349048	KNOB M10 x 1..25 x 17
4	349076	SEAT LATCH SHROUD
1-4	702920	16 x 16 HIGH BACK GREY VINYL
1-4	702926	18 x 18 HIGH BACK GREY VINYL W/ EYELET
1-4	702928	20 x 20 HIGH BACK GREY VINYL
1-4	702930	22"X18"HG BK GRY VNYL W/EYELET

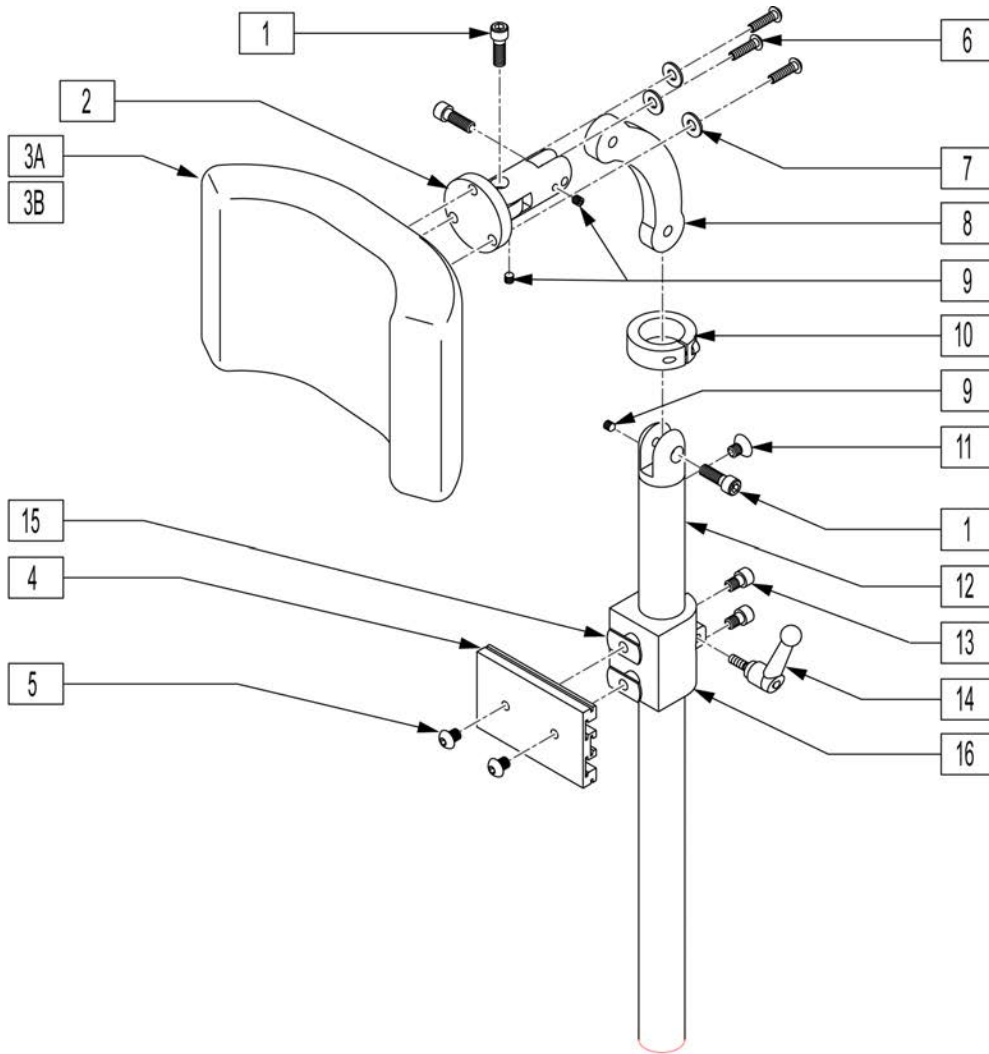
PERFECT FIT HEADREST

[Revision: 10/2008]

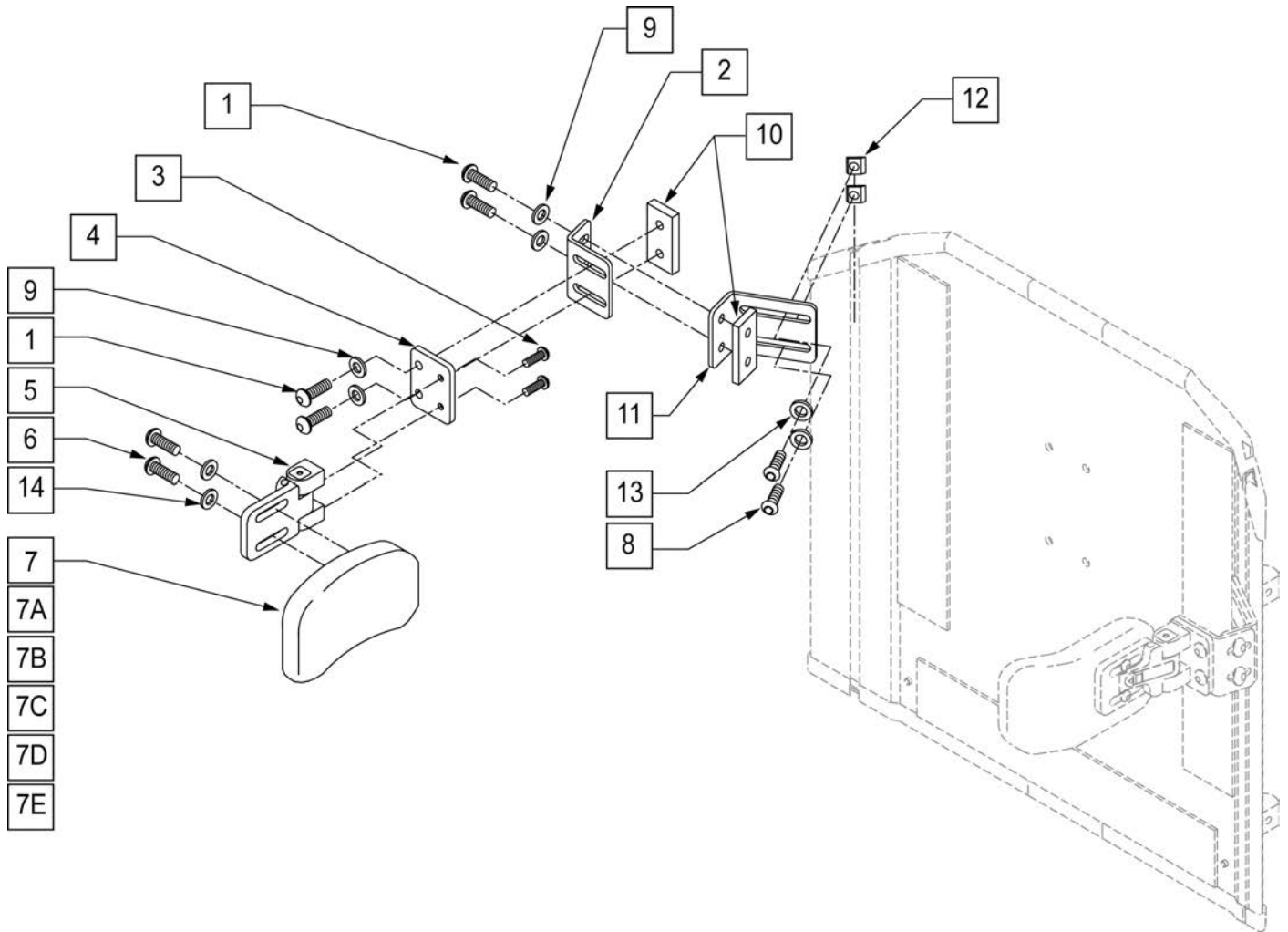


Pos.	Item Number	Description	Remarks
1A	750696	HEADREST W/ZIPPER MEDIUM CG	8x4.5 pad
1B	750697	HEADREST W/ZIPPER LARGE CG	9x4.5 pad
2	341045	#10-24 CONE POINT SET SCREW	
4	261204	#10 AN WASHER .063	
5	455010-QU	10-32 x 3/4 BH C/S BLK	
6	221115	1/4-20 x 3/4" SOC HD C/S BLK	
8	331077	HEADREST LINK 6 INCH	
12	226072	1/4-20 x 1/2 FH C/S BLK	
13	341046	HEADREST CLAMPING HANDLE SCREW	
15	226012	10-32 X 1/2 FH C/S BLK	
10,11	505933	HEADREST COLLAR	
2-9A,10-14	013117	HEADREST MOUNT BRKT 7" QR	7" Headrest Tube
2-9B,10-14	013118	HEADREST MOUNT BRKT 9" QR	9" Headrest Tube
1A,2-9A,10-14	013119	HEADREST ASSM 7" QR MED	8x4.5 pad

HEADREST

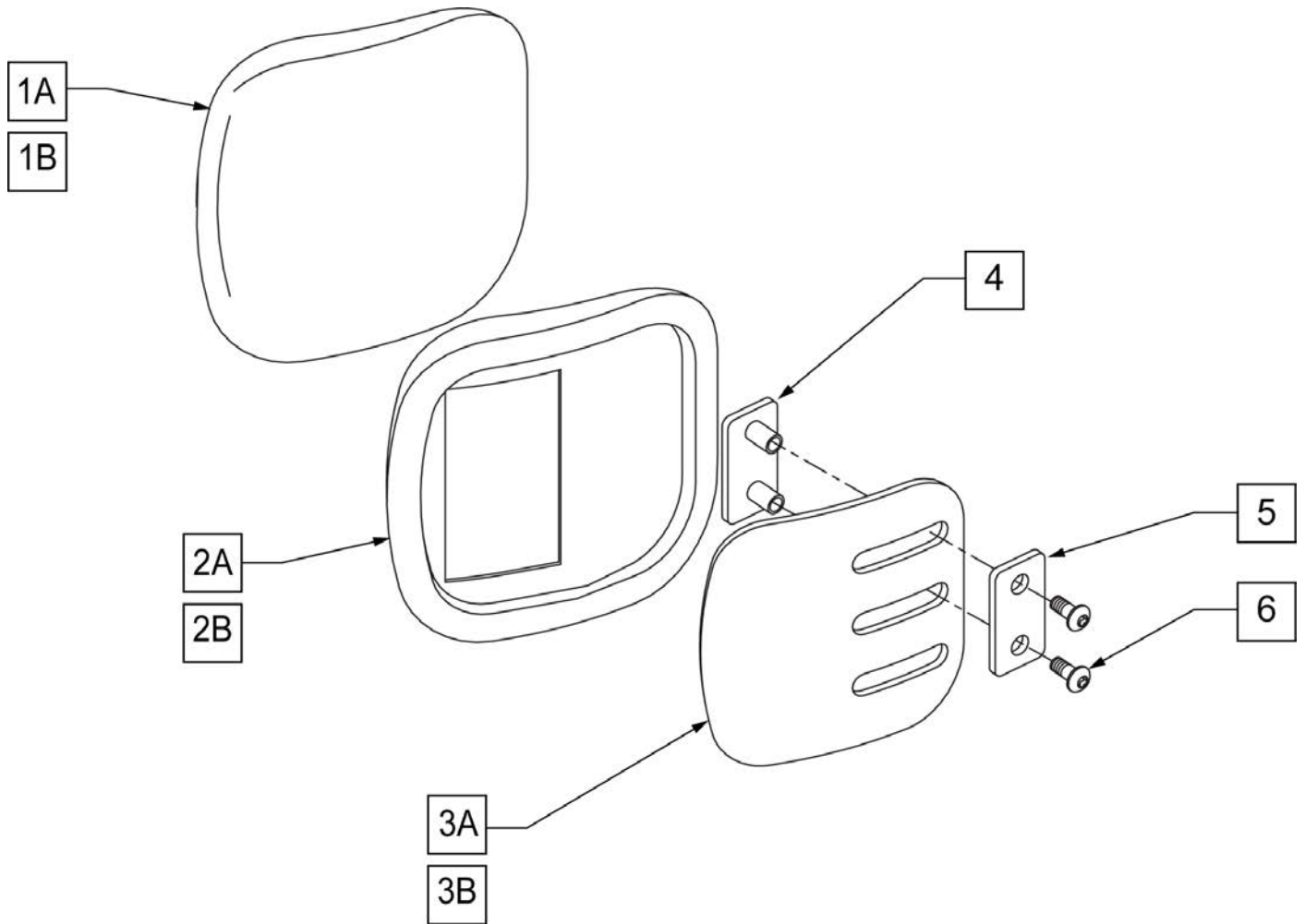


Pos.	Item Number	Description	Remarks
1	221115	1/4-20 x 3/4" SOC HD C/S BLK	
3A	750696	HEADREST W/ZIPPER MEDIUM CG	8x4.5 pad
3B	750697	HEADREST W/ZIPPER LARGE CG	9x4.5 pad
4	505932	HEADREST MOUNTING TRACK	
5	476304	1/4-28 x .31 BHCS W/PATCH	
6	221010	10-32 x .75 SHCS BLK W/PL	
7	261204	#10 AN WASHER .063	
8	331077	HEADREST LINK 6 INCH	
9	341045	#10-24 CONE POINT SET SCREW	
10	505933	HEADREST COLLAR	
11	226072	1/4-20 x 1/2 FH C/S BLK	
13	226095	1/4-20 x 3/8" SOC C/S BLK ZN	
14	341046	HEADREST CLAMPING HANDLE SCREW	
15	340033	1/4-20 WELD NUTS SLAB BASE	
4,5,13-16	888101	CLAMP HEADREST RIGID BACK	
1,2,4,6-16	881003	HEADREST MOUNTING BRACKET ASSM	
1-3A,4-16	881907	HEADREST ASSEMBLY MEDIUM	8x4.5 pad
1-3B,4-16	881908	HEADREST ASSEMBLY LARGE	9x4.5 pad

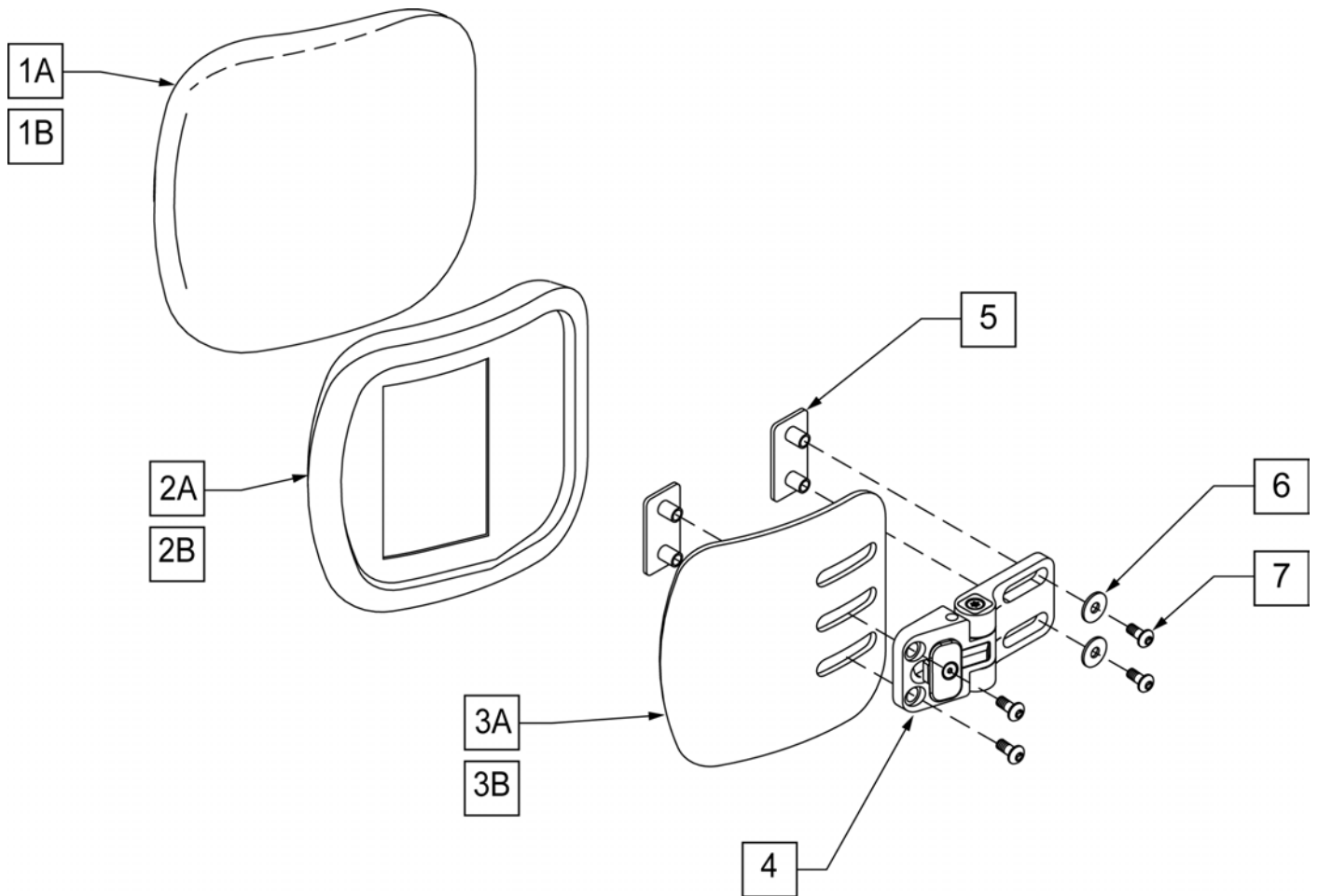


Pos.	Item Number	Description	Remarks
1	226247	1/4-28 x 5/8 B/H C/S BLACK G5	
2	120093	SWING AWAY LATERAL L BRACKET	Not left/right dependent
3	226018-QU	10-32 x 3/8 BH C/S W/PATCH BLK	
4	120091	SWING AWAY LATERAL FLAT BRACKET	
5	476180	ADJUSTABLE LATERAL SWING AWAY	
6	455013-QU	10-32 x 1/2 ALLEN BH SCW	
6,7,14	450852	TRUNK PAD CURVED 3"H x 6"L 1" CN	
6,7A,14	450854	TRUNK PAD CURVED 4"H x 5"L 1" CN	
6,7B,14	450855	TRUNK PAD CURVED 4"H x 6"L 1" CN	
6,7C,14	450822	TRUNK PAD FLAT 3"H x 6"L 1" CN	
6,7D,14	450824	TRUNK PAD FLAT 4"H x 5"L 1" CN	
6,7E,14	450825	TRUNK PAD FLAT 4"H x 6"L 1" CN	
8	221092	1/4-28 x 7/16 BH CS BLK W/PTCH	
9	261111	9/32 x 5/8 OD FLAT WASHER BLK	
10	330134	THREADED PLATE	
11	120092	SWING AWAY LAT LONG L BRKT	Not left/right dependent
12	481106-QU	1/4-28 CHANNEL NUT	
13	106944	WASHER FLAT THIN AN 1/4 ROHS	
14	455031-QU	#10 AN WASHER .032 SS	
1,2,8-13	881902	LATERAL BRACKET ASSM SOLID BACK	

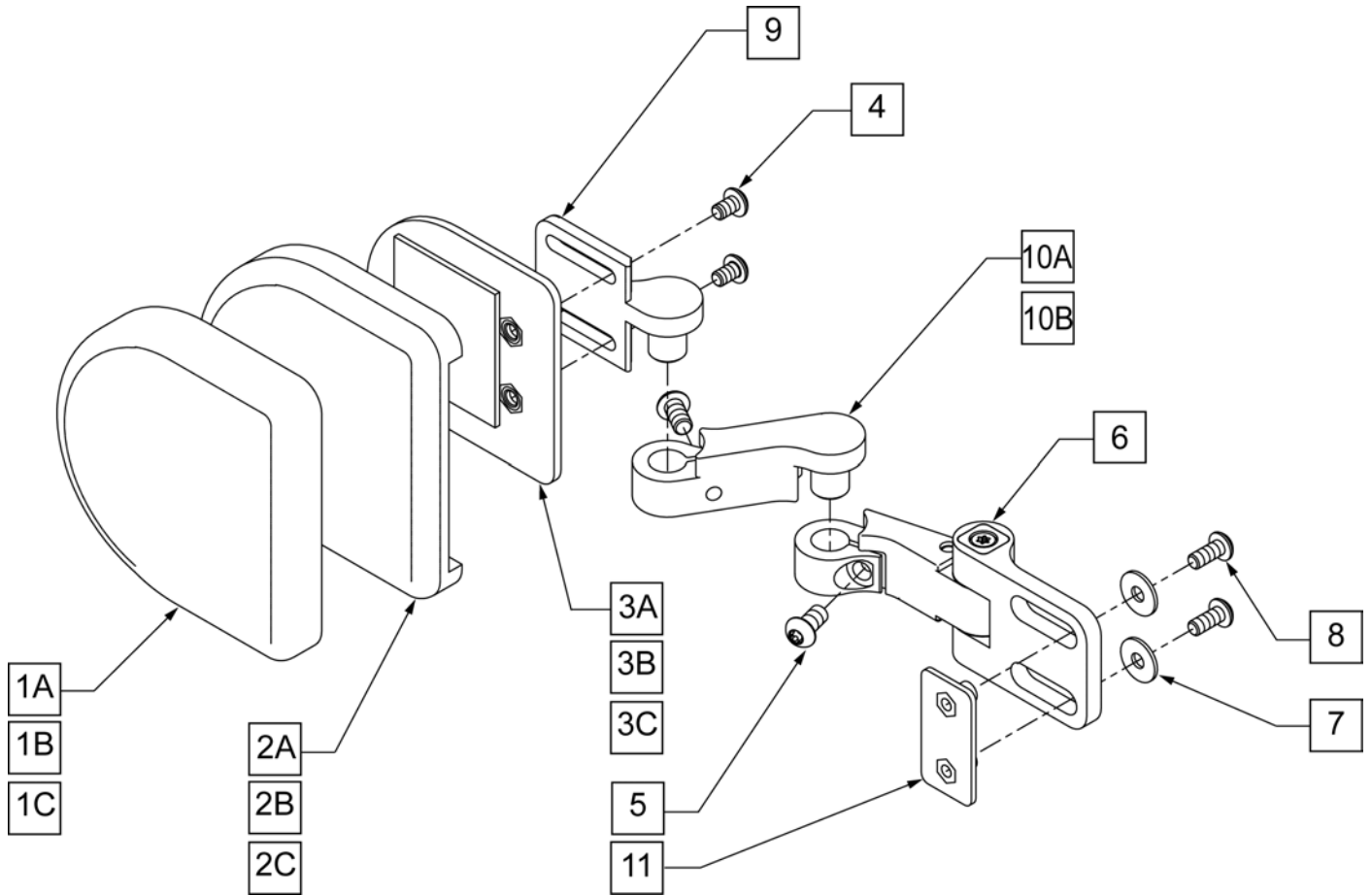
Pos.	Item Number	Description	Remarks
1-5,8-13	900475	S/A LATERAL ASSM SOLID BACK	



Pos.	Item Number	Description	Remarks
1A	011693-001	PAD COVER INTEG LAT THOR SM	
1B	011693-002	PAD COVER INTEG LAT THOR LG	
2A	011810-001	INTEG NON S-A THOR PAD SM VELC	
2B	011810-002	INTEG NON S-A THOR PAD LG VELC	
3A	010108-001	INTEGRAL LATERAL PANEL SM	
3B	010108-002	INTEGRAL LATERAL PANEL LG	
4	010111-001	NUT PLATE M5 X 25.4 X 12	
5	010109	WASHER NUT PLATE	
6	102259-001	BHCS M5 X .8 X 12 W/PL INORG	
4-6	012352	FIXED LATERAL HARDWARE	
1A,2A,3A,4-6	011415	INTEG LTRL SUPP FXD ASSM SM	RIGHT
1A,2A,3A,4-6	011416	INTEG LTRL SUPP FXD ASSM SM	LEFT
1A,2A,3A,4-6	011417	INTEG LTRL SUPP FXD ASSM SMALL PR	PAIR
1B,2B,3B,4-6	011418	INTEG LTRL SUPP FXD ASSM LG	RIGHT
1B,2B,3B,4-6	011419	INTEG LTRL SUPP FXD ASSM LG	LEFT
1B,2B,3B,4-6	011420	INTEG LTRL SUPP FXD ASSM LARGE PR	PAIR

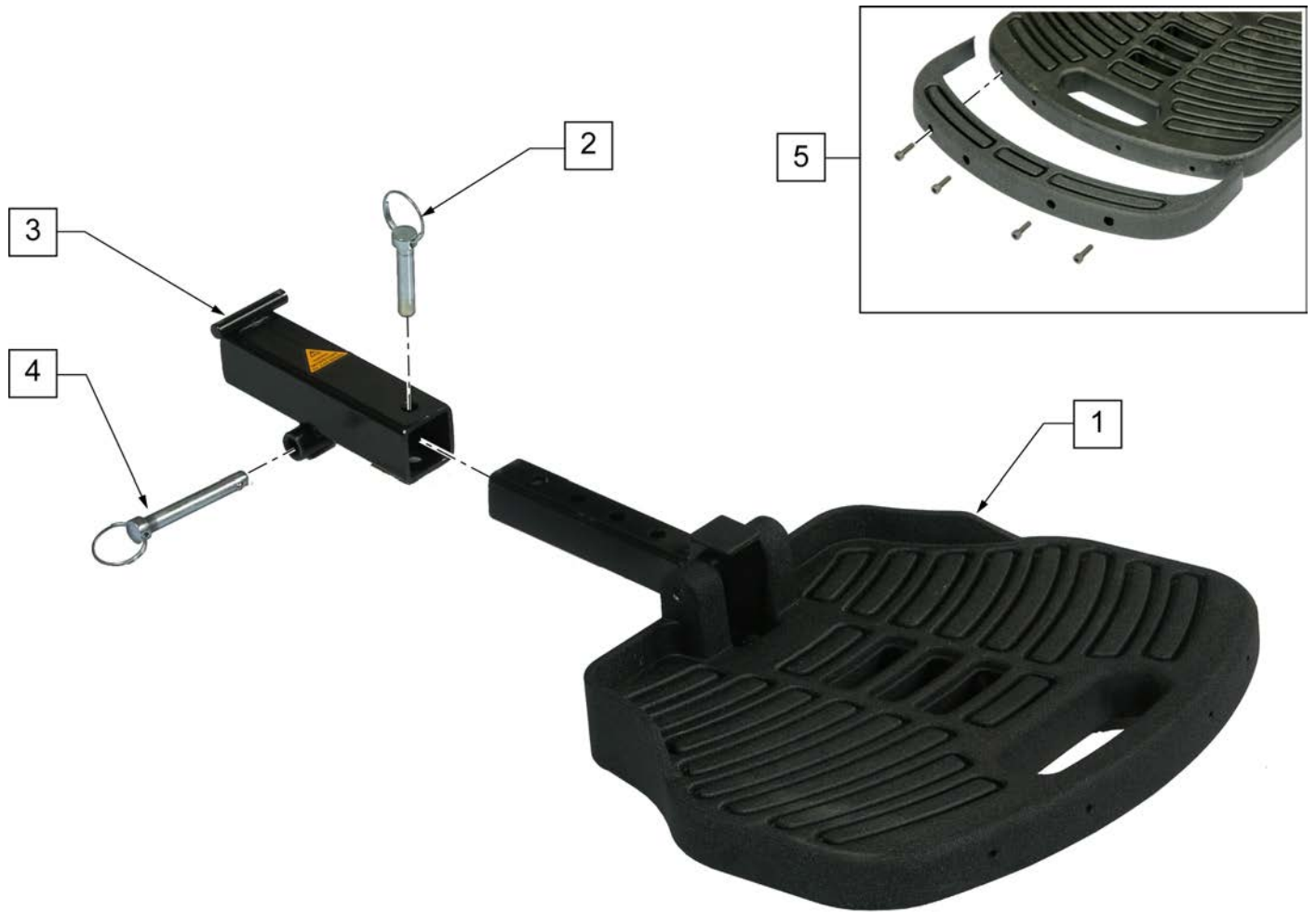


Pos.	Item Number	Description	Remarks
1A	011693-001	PAD COVER INTEG LAT THOR SM	
1B	011693-002	PAD COVER INTEG LAT THOR LG	
2A	011811-001	INTEG S-A THOR PAD SM VELC	
2B	011811-002	INTEG S-A THOR PAD LG VELC	
3A	010108-001	INTEGRAL LATERAL PANEL SM	
3B	010108-002	INTEGRAL LATERAL PANEL LG	
4	010784	INTEGRAL S-A HINGE ASSM	RIGHT
4	011813	INTEGRAL S-A HINGE ASSM	LEFT
5	010111-002	NUT PLATE M5 X 25.4 X 10	
6	011024	M5 FLAT WASHER LARGE OD	
7	102259-001	BHCS M5 X .8 X 12 W/PL INORG	
3A,4-7	012353	INTEG S-A LATERAL SM	RIGHT
3A,4-7	012354	INTEG S-A LATERAL SM	LEFT
3B,4-7	012355	INTEG S-A LATERAL LG	RIGHT
3B,4-7	012356	INTEG S-A LATERAL LG	LEFT
1A,2A, 3A,4-7	011421	INTEG LTRL SUPP S-A ASSM SM	LEFT
1A,2A, 3A,4-7	011422	INTEG LTRL SUPP S-A ASSM SM	RIGHT
1A,2A, 3A,4-7	011423	INTEG LTRL SUPP S-A ASSM SM	PAIR
1B,2B, 3B,4-7	011424	INTEG LTRL SUPP S-A ASSM LG	LEFT
1B,2B, 3B,4-7	011425	INTEG LTRL SUPP S-A ASSM LG	RIGHT
1B,2B, 3B,4-7	011426	INTEG LTRL SUPP S-A ASSM LG	PAIR
5-7	101535	TRAD SWING-AWAY LAT HDWR KIT	



Pos.	Item Number	Description	Remarks
1A	C2560	LATERAL COVER SMALL	
1B	C2562	LATERAL COVER MEDIUM	
1C	C2564	LATERAL COVER LARGE	
2A	B662	LATERAL FOAM GS SMALL	
2B	B672	LATERAL FOAM MED	
2C	B682	LATERAL FOAM LARGE	
3A	011500-001	LAT THOR PLATE SMALL VELCRO	
3B	011500-002	LAT THOR PLATE MEDIUM VELCRO	
3C	011500-003	LAT THOR PLATE LARGE VELCRO	
4	013144	BHCS M5 x .8 x 8 BLK W/PL	
5	230113	BHCS M6 x 1 x 12 BLK W/PL	
6	010782	STD S-A HINGE ASSM RH	RIGHT
6	010783	STD S-A HINGE ASSM LH	LEFT
7	011024	M5 FLAT WASHER LARGE OD	
8	102259-001	BHCS M5 X .8 X 12 W/PL INORG	
9	010503	L TSA PAD MOUNT BRACKET	LEFT
9	010538	L TSA PAD MOUNT BRACKET	RIGHT
10A	010501-001	L TSA LINK 50MM OFFSET	LEFT - 2" OFFSET
10A	010502-001	L TSA LINK 50MM OFFSET	RIGHT - 2" OFFSET
10B	010501-002	L TSA LINK 75MM OFFSET	LEFT - 4" OFFSET
10B	010502-002	L TSA LINK 75MM OFFSET	RIGHT - 4" OFFSET
11	010111-002	NUT PLATE M5 x 25.4 x 10	
4-9,11	012357	SWING AWAY ASSM 0mm RH	RIGHT

Pos.	Item Number	Description	Remarks
4-9,11	012358	SWING AWAY ASSM 0mm LH	LEFT
4-11	012359	SWING AWAY ASSM 50mm RH	RIGHT
4-11	012360	SWING AWAY ASSM 50mm LH	LEFT
4-9,10B,11	012361	SWING AWAY ASSM 75mm RH	RIGHT
4-9,10B,11	012362	SWING AWAY ASSM 75mm LH	LEFT
1A-9,11	011427	LTRL SUPP S-A ASSM 0 SMALL	LEFT
1A-9,11	011428	LTRL SUPP S-A ASSM 0 SMALL	RIGHT
1B,2B,3B,4-9,11	011430	LTRL SUPP S-A ASSM 0 MEDIUM	LEFT
1B,2B,3B,4-9,11	011431	LTRL SUPP S-A ASSM 0 MEDIUM	RIGHT
1C,2C,3C,4-9,11	011433	LTRL SUPP S-A ASSM 0 LARGE	LEFT
1C,2C,3C,4-9,11	011434	LTRL SUPP S-A ASSM 0 LARGE	RIGHT
1A-11	011436	LTRL SUPP S-A ASSM 50 SMALL	LEFT
1A-11	011437	LTRL SUPP S-A ASSM 50 SMALL	RIGHT
1B,2B,3B,4-11	011439	LTRL SUPP S-A ASSM 50 MEDIUM	LEFT
1B,2B,3B,4-11	011440	LTRL SUPP S-A ASSM 50 MEDIUM	RIGHT
1C,2C,3C,4-11	011442	LTRL SUPP S-A ASSM 50 LARGE	LEFT
1C,2C,3C,4-11	011443	LTRL SUPP S-A ASSM 50 LARGE	RIGHT
1A-10B,11	011445	LTRL SUPP S-A ASSM 75 SMALL	LEFT
1A-10B,11	011446	LTRL SUPP S-A ASSM 75 SMALL	RIGHT
1B,2B,3B,4-10B,11	011448	LTRL SUPP S-A ASSM 75 MEDIUM	LEFT
1B,2B,3B,4-10B,11	011449	LTRL SUPP S-A ASSM 75 MEDIUM	RIGHT
1C,2C,3C,4-10B,11	011451	LTRL SUPP S-A ASSM 75 LARGE	LEFT
1C,2C,3C,4-10B,11	011452	LTRL SUPP S-A ASSM 75 LARGE	RIGHT
1A-9,11	011429	LTRL SUPP S-A ASSM 0 SMALL PR	PAIR
1B,2B,3B,4-9,11	011432	LTRL SUPP S-A ASSM 0 MEDIUM PR	PAIR
1C,2C,3C,4-9,11	011435	LTRL SUPP S-A ASSM 0 LARGE PR	PAIR
1A-11	011438	LTRL SUPP S-A ASSM 50 SMALL PR	PAIR
1B,2B,3B,4-11	011441	LTRL SUPP S-A ASSM 50 MEDIUM PR	PAIR
1C,2C,3C,4-11	011444	LTRL SUPP S-A ASSM 50 LARGE PR	PAIR
1A-10B,11	011447	LTRL SUPP S-A ASSM 75 SMALL PR	PAIR
1B,2B,3B,4-10B,11	011450	LTRL SUPP S-A ASSM 75 MEDIUM PR	PAIR
1C,2C,3C,4-10B,11	011453	LTRL SUPP S-A ASSM 75 LARGE PR	PAIR



Pos.	Item Number	Description
1-4	900232	SOLID FOOTREST 12 x 9
2	330070	ADJUSTMENT PINS M8 x 32
4	330071	ADJUSTMENT PINS M8 x 52.5
5	922070	FOOTPLATE EXTENSION 1" W/ HDWR

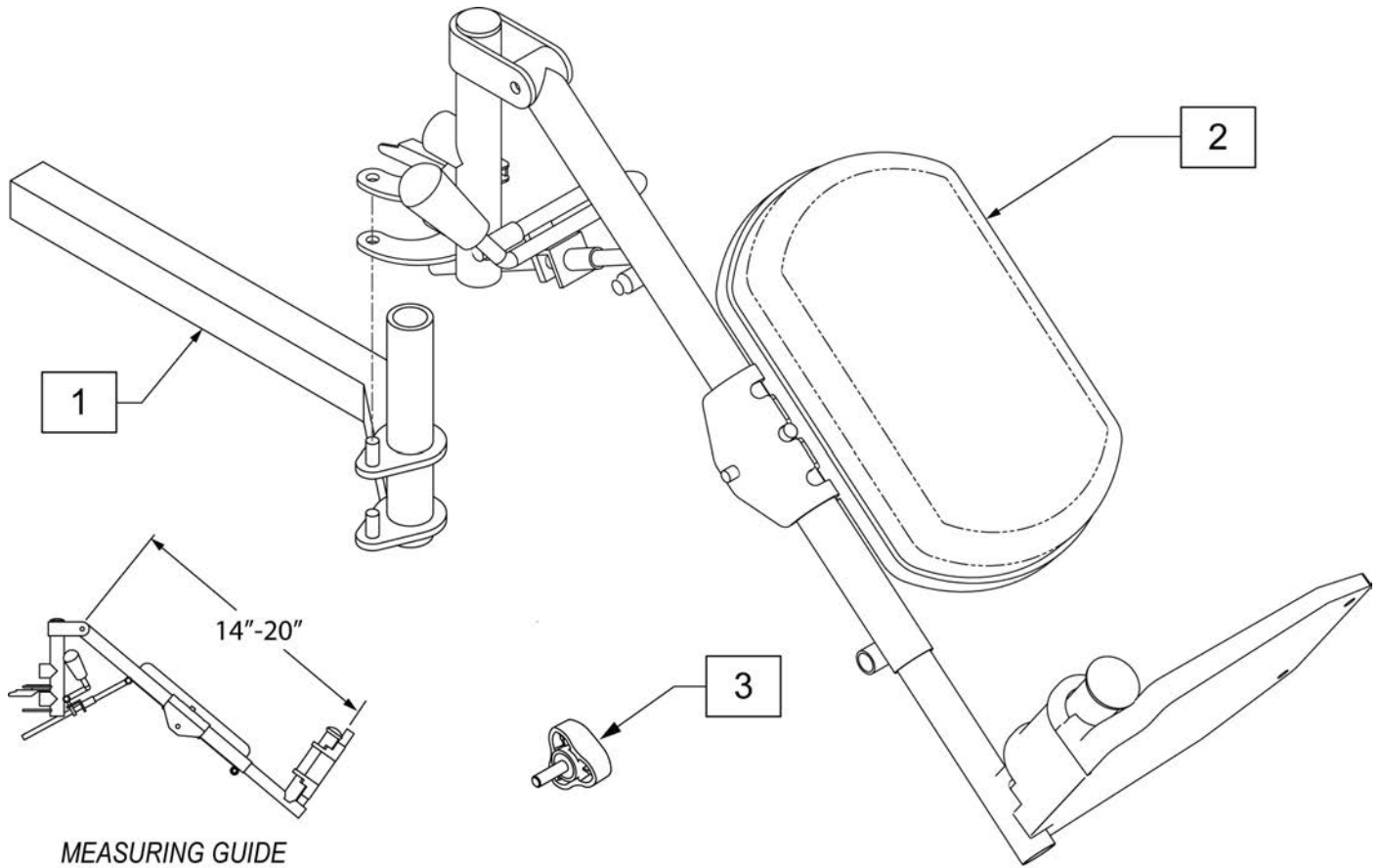


Pos.	Item Number	Description	Remarks
1	920443	LATCH STUD BLOCK ASSM	
2	349049	KNOB M8 x 1.25 x 18	
3	641526S	HANGER 70D R D2 PNTD PWR	RIGHT
3	641525S	HANGER 70D L D2 PNTD PWR	LEFT
4A	921162	COMP FOOTPLATE ASSM H/L 16 -17/19 -20V	
4B	921163	COMPOSITE FOOTPLATE ASSM HL LPS 18-20	
5A	921760	EXT TUBE S/A MED ASSM PCKT	
5B	921761	EXT TUBE S/A LONG ASSM PCKT	
1-6	921776	70D FOOTREST 16 FOOTPLATE MD EXT W/ ADP	
1-3,4A,5A-6	921777	70D FOOTREST 18-22 FOOTPLATE MD EXT W/ ADP	
3-5A	923145S	70D FOOTREST 16 FOOTPLATE MD EXT	PAIR
1,2,6	921784	LEGREST ADAPTER W/LATCH ASSM	PAIR
3,4B,5A	923146S	70D FOOTREST 18-22 FOOTPLATE MED EXT	PAIR

CAPTAINS ELEVATING LEGREST

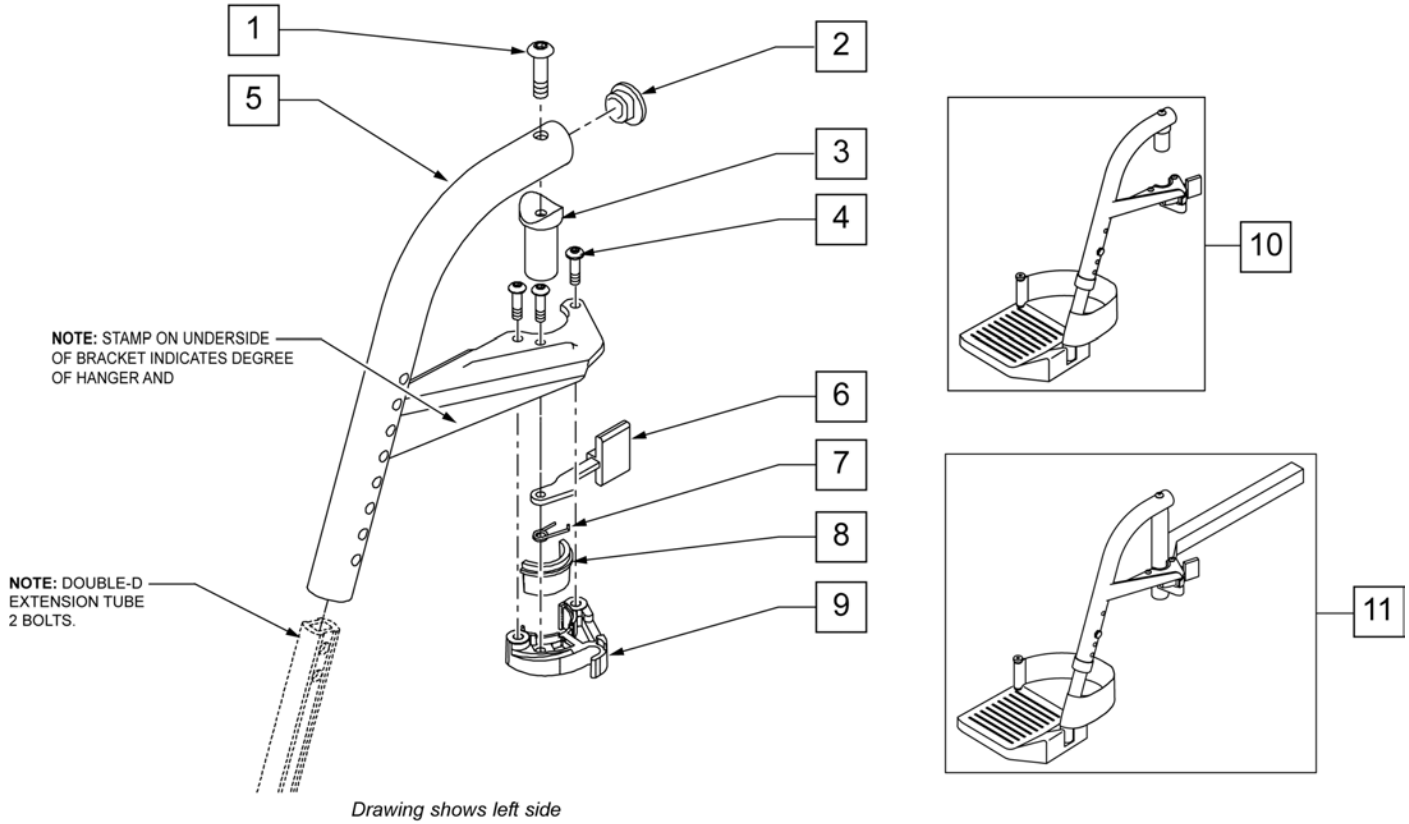


Pos.	Item Number	Description	Remarks
1	920443	LATCH STUD BLOCK ASSM	
2A	550765	S/A HANGER EXT D2 MED BLACK	
2B	550766	S/A HANGER EXT D2 LONG BLACK	
3	349049	KNOB M8 x 1.25 x 18	
4A	881412	CALF PAD MOLDED 18 -20 ASSM	
4B	881416	CALF PAD MOLDED 16-17 ASSM	
5	641454S	ELR HANGER W/O PAD PNTD PWR	RIGHT
5	641455S	ELR HANGER W/O PAD PNTD PWR	LEFT
6	751045	CALF PAD COVER NEOPRENE	
7	921401S	ELR FOOTPLATE KIT 16 -17 ANO	
7A	921402S	ELR FOOTPLATE KIT 18-20 ANO	
3,8	921784	LEGREST ADAPTER W/LATCH ASSM	PAIR
1,2A,4B,5-7	923147S	ELR 16 MED EXT	PAIR
1,2A,4A-6,7B	923148S	ELR 18 -20 MED EXT	PAIR
1-3,4B,5-8	921778	ELR 16 MED EXT W/ ADAPTER	PAIR
1-6,7B,8	921779	ELR 18 -20 MED EXT W/ ADAPTER	PAIR
1,2A,4-6,7A	932217S	ELR 18-20 LONG EXT	PAIR
1,2A,3-6,7A,8	932216	ELR 18-20 LONG EXT W/ ADAPTER	PAIR

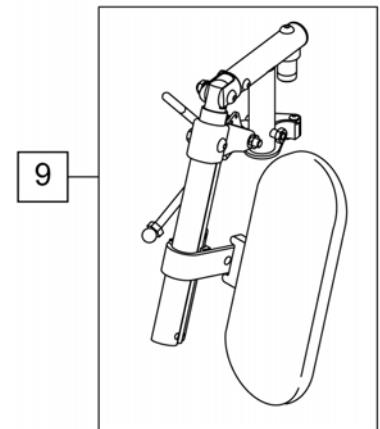
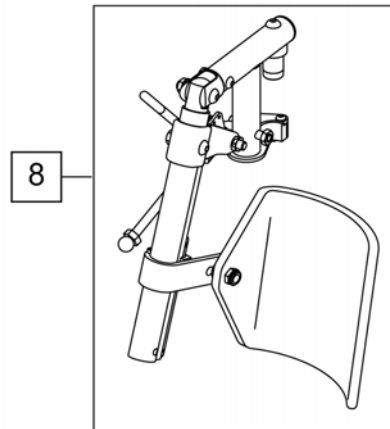
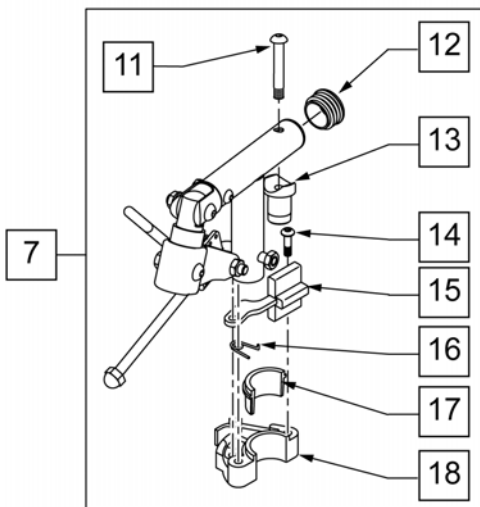
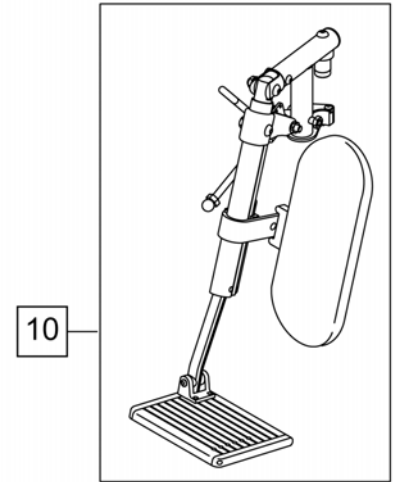
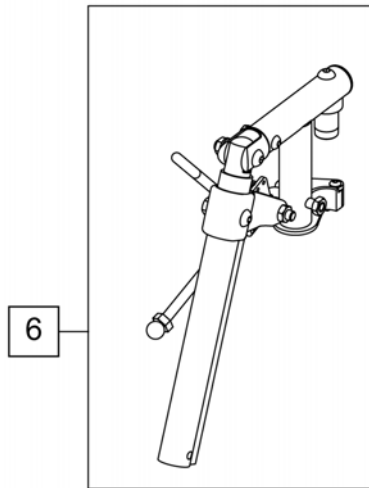
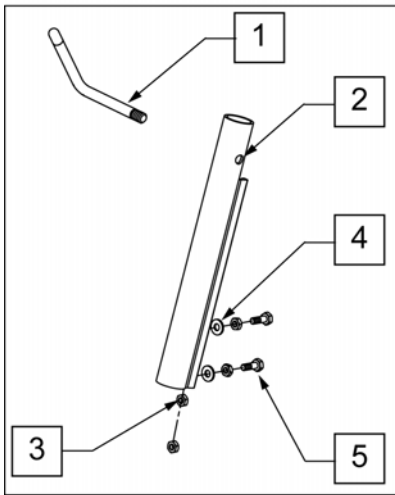


MEASURING GUIDE

Pos.	Item Number	Description	Remarks
2	GEY-ELRC	ELEVATING LEGRESTS	PAIR (Leg length adj. from 14-20")
3	349049	KNOB M8 x 1.25 x 18	
1,3	GA-ADPT	ASP FTRST & ELR ADPTR	PAIR
1-3	GA-ELRCA	ASPIRE ELR W/ADAPTER	PAIR

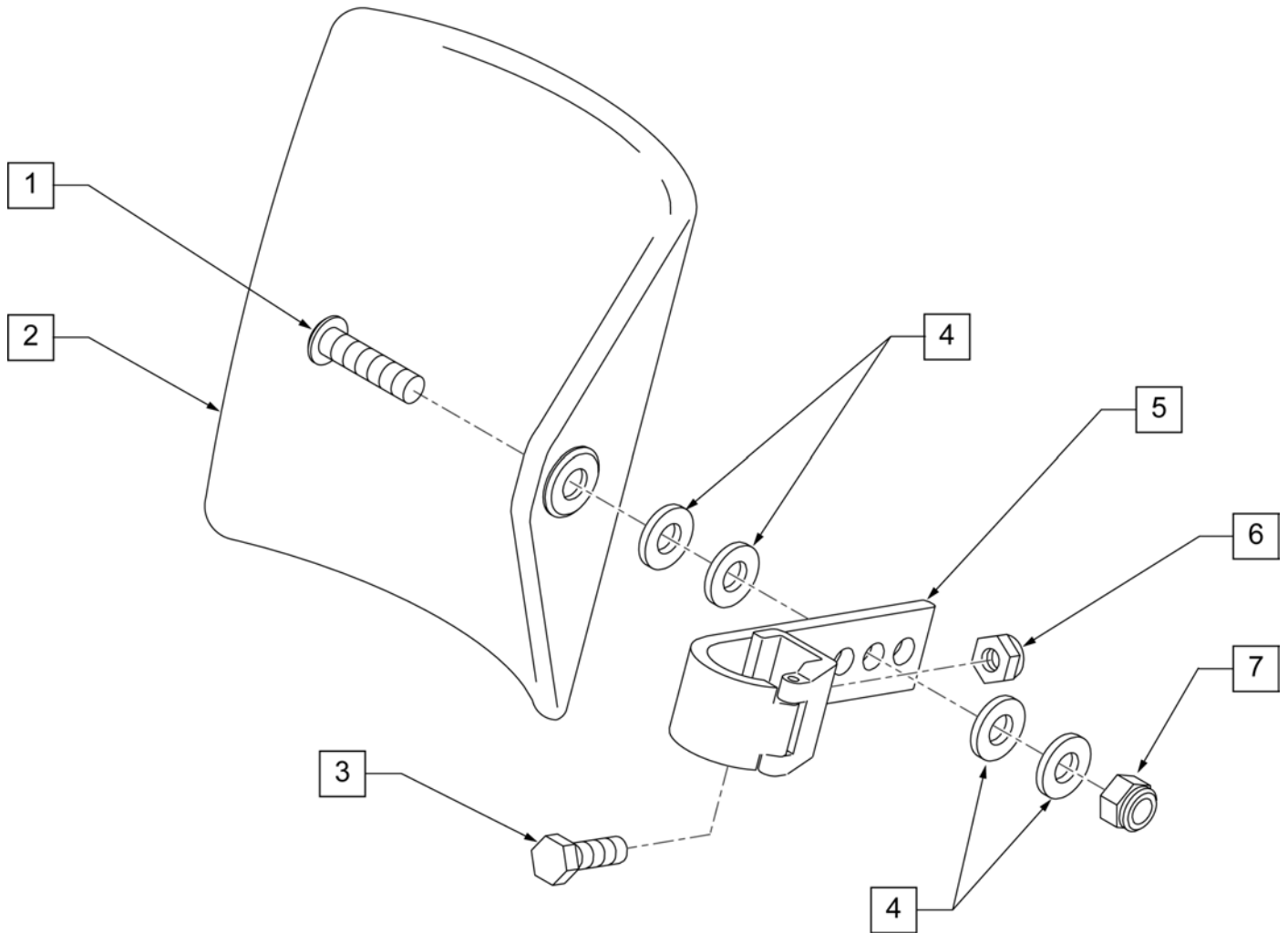


Pos.	Item Number	Description	Remarks
1	226217	5/16 -18 X 2" BH C/S BLK	
2	561378	END PLUG DBL "D" S525	
3	561197	PLASTIC PIVOT SADDLE	
4	226057	10/24 x .725 BTTN HD SOC BZ	
6	561079	S/A LATCH LEVER	
7	321136	S/A SPRING L RED	LEFT
7	321137	S/A SPRING R CLEAR	RIGHT
8,9	881500	LATCH BLOCK ASSM R	RIGHT
8,9	881501	LATCH BLOCK ASSM L	LEFT
1-9	641526S	HANGER 70 DEG R D2 PNTD PWR	RIGHT
1-9	641525S	HANGER 70 DEG L D2 PNTD PWR	LEFT
10	923145S	70 DEG FOOTREST 16" FOOTPLATE MED EXT	HANGER W/ FTPLATE & EXT TUBE.
10	923146S	70 DEG FOOTREST 18 -22" FOOTPLATE MED EXT	
11	921776	70 DEG FOOTREST 16" FOOTPLATE MED EXT W/ ADP	HANGER, FTPLATE,EXT TUBE & LGRST ADAPTER.
11	921777	70 DEG FOOTREST 18 -22" FOOTPLATE MED EXT W/ ADP	

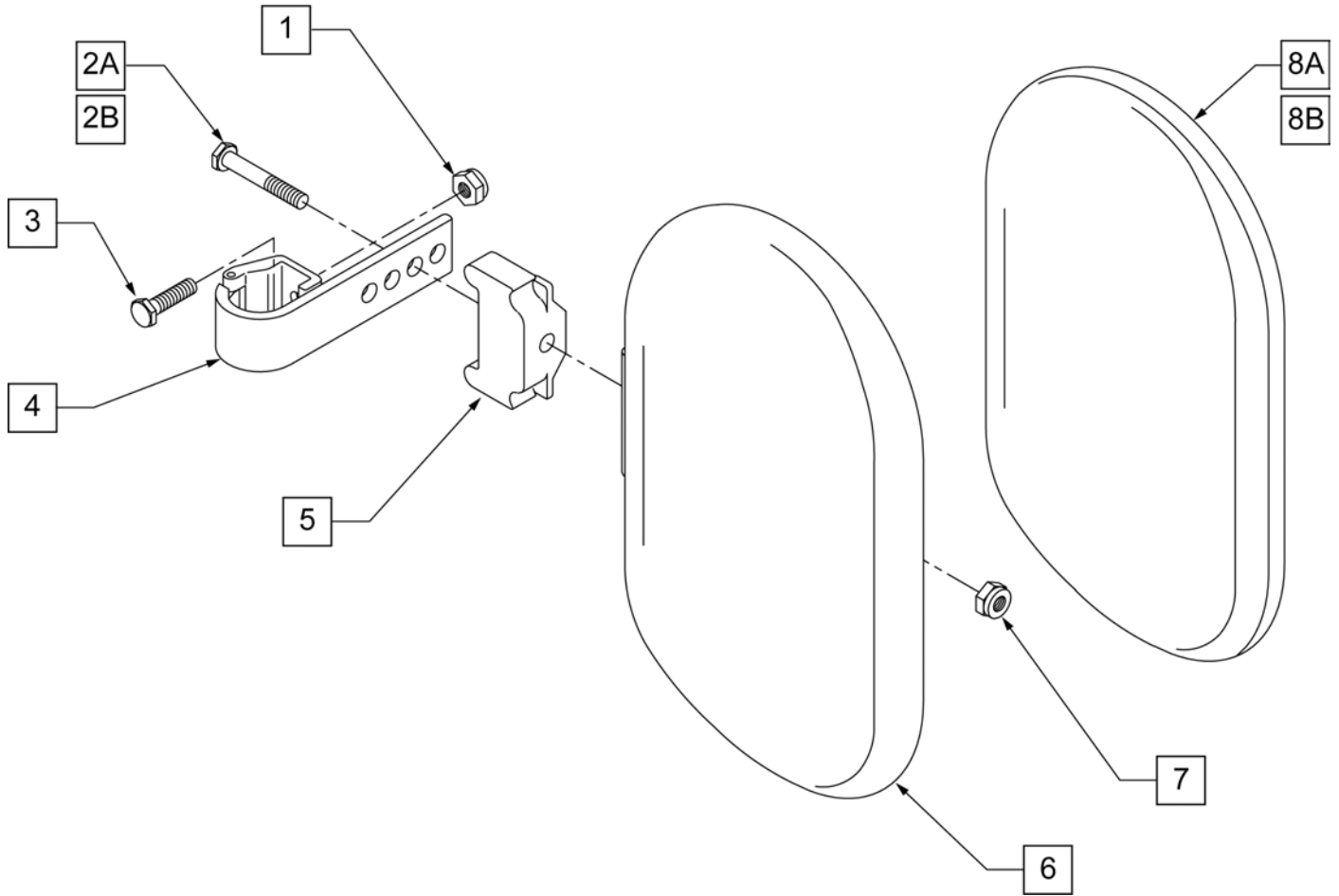


Pos.	Item Number	Description	Remarks
1	550722S	ELR ADJUSTMENT TUBE	
2	201112	1/4-28 NUT THIN	
3	106944	1/4 AN WASHER FLAT THIN	
4	107014	1/4-28 x 3/4 HEX C/S	
5	882409	ELR ACTUATION ARM ASSM S525	
6	641454S	ELR HNGR W/O PAD PNTD R PWR	
6	641455S	ELR HNGR W/O PAD PNTD L PWR	
7	882232	PWR ELR RIGHT W/O EXT TBE ASSM	
7	882231	PWR ELR LFT W/O EXT TBE ASSM	
8	923096S	ELR HNGR ASSM 14-15" W/PD G424	
9	923097S	ELR HNGR ASSM 16-17" W/PD G424	
9	923098S	ELR HNGR ASSM 18-24" W/PD G424	
10	923147S	ELR 16" MED EXT (PR)	(ELR WITH CALF PAD,EXTENSION TUBE AND FOOTPLATE)
10	923148S	ELR 18-20 MED EXT (PR)	(ELR WITH CALF PAD,EXTENSION TUBE AND FOOTPLATE)
11	226217	5/16 -18 X 2 BH C/S BLK	
12	561062	1" INSERT PLUG .065 RIBS	
13	561197	PLASTIC PIVOT SADDLE	
14	226057	10/24 x .725 BTTN HD SOC BZ	
15	561079	S/A LATCH LEVER	

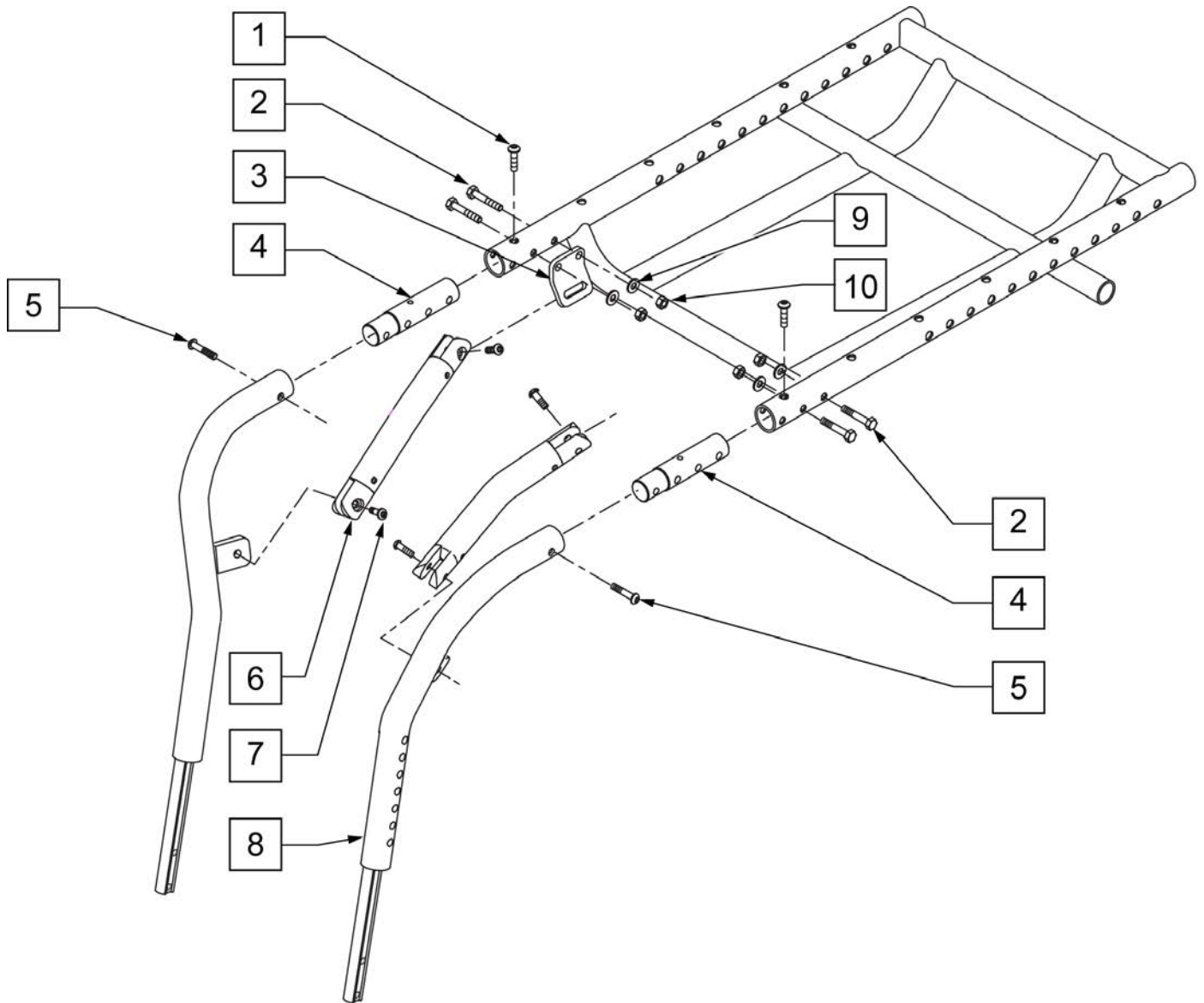
Pos.	Item Number	Description	Remarks
16	321136	S/A SPRING L RED	LEFT
16	321137	S/A SPRING R CLR	RIGHT
17,18	881500	LATCH BLOCK ASSM R	RIGHT
17,18	881501	LATCH BLOCK ASSM L	LEFT



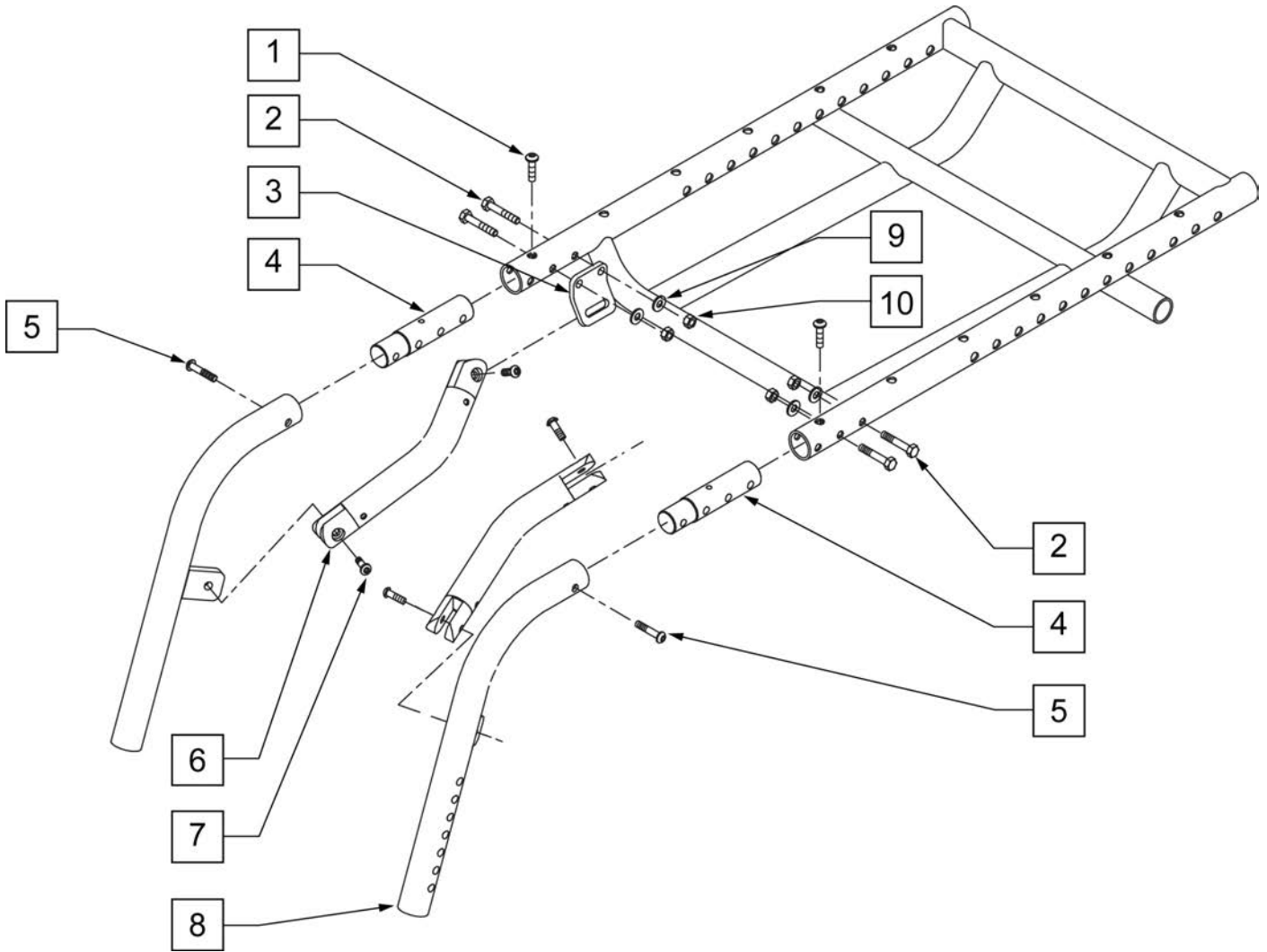
Pos.	Item Number	Description
1	106980	BHCS 5/16-18 X 1-1/4 ROHS
2	755014	CALF PAD TROUGH STYLE 14"/16"
3	107013	HHCS 1/4-28 X 5/8 ROHS
4	561016	1" WASHER 5/16" HOLE
5	881413	CALF PAD BRACKET ASSEMBLY
6	106934	NUT NYLOCK 1/4-28 ROHS
7	202117	5/16-18 NYLOCK NUT THICK BLK
1-7	881414	CALF PAD J-HOOK 14"-15" ASSEMBLY



Pos.	Item Number	Description	Remarks
1	106934	NUT NYLOCK 1/4-28 ROHS	
2A	107018	HHCS 5/16-18 X 2-1/2 ROHS	16"-17" wide only
2B	107019	HHCS 5/16-18 X 3-1/2 ROHS	18"-20" wide only
3	107013	HHCS 1/4-28 X 5/8 ROHS	
4	881413	CALF PAD BRACKET ASSEMBLY	
5	560199	ELR CALF HINGE SPACER	18"-20" wide only
6	560108	CALF PAD MOLDED 16"-20"	
7	106936	NUT NYLOCK 5/16-18 ROHS	
8A	751045	CALF PAD COVER	
8B	751046	CALF PAD COVER (BREEZY)	
1,2A,3,4,6,7	881416	CALF MOLDED 16"-17" ASSEMBLY	
1,2B,3-7	881412	CALF PAD MOLDED 18"-20" ASSEMBLY	



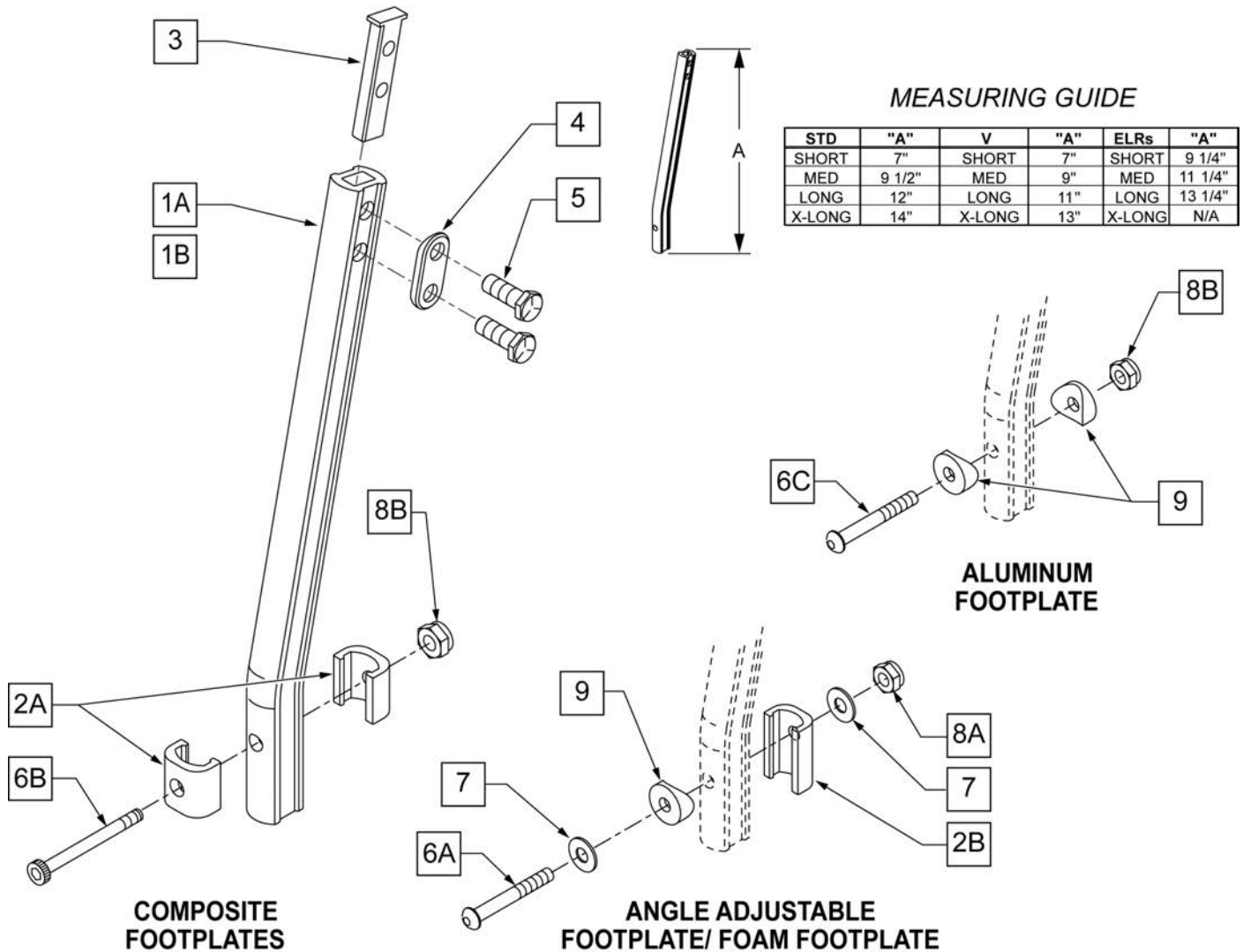
Pos.	Item Number	Description	Remarks
1	230497	M5- .8 x 20mm BH C/S	
2	107015	1/4 -28 x 1 3/4 G8 HEX C/S	
3	501034	BRACKET SUPPORT HANGER	
4	520901	FRAME HANGER INSERT P222	
5	226061	1/4 -20 x 1 BH C/S W/ PATCH	
6	882624	FIXED TAPERED SUPPORT ASSM	RIGHT
6	882625	FIXED TAPERED SUPPORT ASSM	LEFT
7	226064	1/4 -28 x 3/4 BH C/S BLK W/ PATCH	
8	540414S	FRONT UPRIGHT WELDMENT BT	RIGHT
8	540415S	FRONT UPRIGHT WELDMENT BT	LEFT
9	106943	1/4 AN WASHER FLAT	
10	204110	1/4 -28 NYLOCK NUT BLK ZN	
1-10	641363S	FIXED 80 STRAIGHT HANGER ASSM	



Pos.	Item Number	Description	Remarks
1	230497	M5- .8 x 20mm BH C/S	
2	107015	HHCS 1/4-28 X 1-3/4 ROHS	
3	501034	BRACKET SUPPORT HANGER	
4	520901	FRAME HANGER INSERT P222	
5	226061	1/4 -20 x 1 BH C/S W/ PATCH	
6	882626	FIXED STRAIGHT SUPPORT ASSM	RIGHT
6	882627	FIXED STRAIGHT SUPPORT ASSM	LEFT
7	226064	1/4 -28 x 3/4 BH C/S BLK W/ PATCH	
8	540416S	FRONT STRAIGHT WELDMENT BT	RIGHT
8	540417S	FRONT STRAIGHT WELDMENT BT	LEFT
9	106943	1/4 AN WASHER FLAT	
10	204110	1/4 -28 NYLOCK NUT BLK ZN	
1-10	641333	FIXED 70 STRAIGHT HANGER ASSM	

NOTE: IF REPLACING AN EXTENSION TUBE ON AN MANUAL ALR PLEASE REFER TO THE ROUND EXT TUBE PARTS MANUAL PAGE.

NOTE: WHEN ORDERING REPLACEMENT EXTENSION TUBES PLEASE VERIFY IF YOU HAVE THE OLD STYLE DOUBLE D EXTENSION TUBE OR THE NEW STYLE DOUBLE D EXTENSION TUBE. THIS CAN BE DONE BY REVIEWING THE HANGER THE EXTENSION TUBE IS USED ON. IF THE HANGER UTILIZES A SINGLE SET SCREW AT THE BOTTOM OF THE HANGER TUBE TO ATTACH THE EXTENSION TUBE TO THE HANGER, THEN THIS UTILIZES THE NEW STYLE DOUBLE D EXT TUBE ALL OTHER HANGERS REQUIRING A DOUBLE D EXTENSION TUBE UTILIZE THE OLD STYLE.

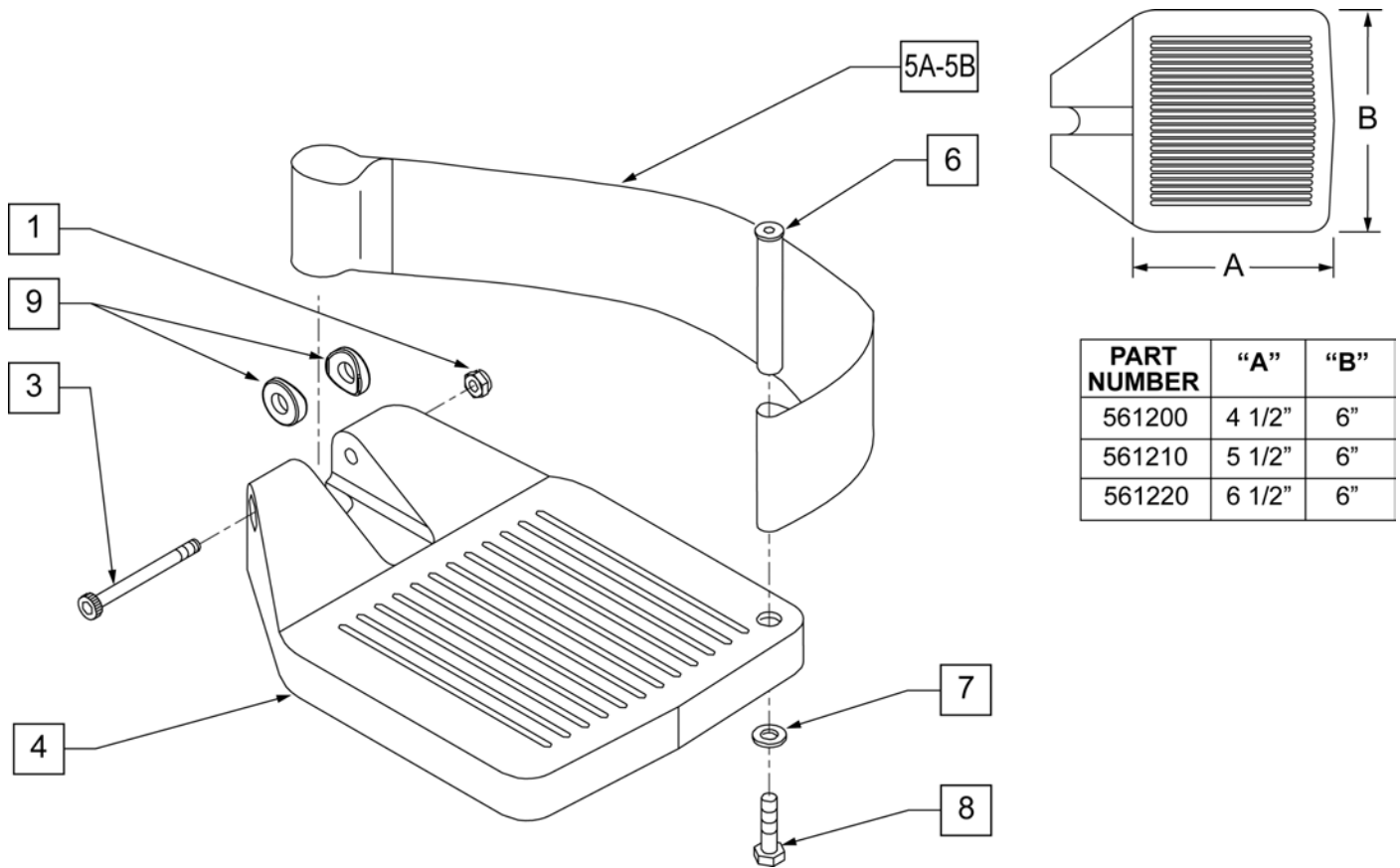


Pos.	Item Number	Description	Remarks
1A	550819	EXT TUBE S/A ONLY SHT	Short Ext-Swing Away Hanger
1A	550820	EXT TUBE S/A ONLY MED	Med Ext-Swing Away Hanger
1A	550821	EXT TUBE S/A ONLY LONG	Long Ext-Swing Away Hanger
1A	550822	EXT TUBE S/A ONLY X-LONG	X-Long Ext-Swing Away Hanger
1B	550834	EXT TUBE V IN ONLY D2 SHT R	Right Short Ext-Swing Away Hanger
1B	550835	EXT TUBE V IN ONLY D2 SHT L	Left Short Ext-Swing Away Hanger

Pos.	Item Number	Description	Remarks
1B	550836	EXT TUBE V IN ONLY D2 MED R	Right Med Ext-Swing Away Hanger
1B	550837	EXT TUBE V IN ONLY D2 MED L	Left Med Ext-Swing Away Hanger
1B	550838	EXT TUBE V IN ONLY D2 LONG R	Right Long Ext-Swing Away Hanger
1B	550839	EXT TUBE V IN ONLY D2 LONG L	Left Long Ext-Swing Away Hanger
1B	550840	EXT TUBE V IN ONLY D2 X-LONG R	Right X-Long Ext-Swing Away Hanger
1B	550841	EXT TUBE V IN ONLY D2 X-LONG L	Left X-Long Ext-Swing Away Hanger
2A	483718	HANGER EXTENSION SADDLE	USE W/ COMPOSITE FTPLT
2B	483720	HANGER EXTENSION SADDLE LONG	USE W/ ANGLE ADJ FTPLT
1C	550764	S/A HANGER EXT D2 SHORT BLACK	Short Ext ELR Hangers
1C	550765	S/A HANGER EXT D2 MED BLACK	Medium Ext ELR Hangers
1C	550766	S/A HANGER EXT D2 LONG BLACK	Long Ext ELR Hangers
3	500078	INSERT D2 EXT TUBE	
4	483717	HANGER SADDLE	
5	221102	1/4-28 x 3/4 HEX HEAD C/S BLK W/PTCH	
6A	106962	1/4-28 x 1 3/4 BH C/S BLK ZN	USE W/ ANGLE ADJ FTPLT
6B	226165	1/4 -28 x 2 1/2 SOC C/S	USE W/ COMPOSITE FTPLT
6C	226147	1/4 -28 X 1.85 BH C/S	
7	106945	1/4" SAE WASHER	
8A	106941	1/4 -28 AUTOMATION NUT	USE W/ ANGLE ADJ FTPLT
8B	106935	1/4 -28 NYLOCK NUT THIN	USE W/ COMPOSITE FTPLT
9	561055	3/4 SADDLE 1" OD	USE W/ ANGLE ADJ FTPLT
1A,2A-5	921759	EXT TUBE S/A SHT ASSM PCKT	USE W/ COMPOSITE FTPLT
1A,2A-5	921760	EXT TUBE S/A MED ASSM PCKT	USE W/ COMPOSITE FTPLT
1A,2A-5	921761	EXT TUBE S/A LONG ASSM PCKT	USE W/ COMPOSITE FTPLT
1A,2A-5	921762	EXT TUBE S/A X-LONG ASSM PCKT	USE W/ COMPOSITE FTPLT
1B,2A-5	921751	EXT TUBE "V" D2 SHT R ASSM PCKT	RIGHT - USE W/ COMPOSITE FTPLT V HANGER
1B,2A-5	921752	EXT TUBE "V" D2 SHT L ASSM PCKT	LEFT - USE W/ COMPOSITE FTPLT V HANGER
1B,2A-5	921753	EXT TUBE "V" D2 MED R ASSM PCKT	RIGHT - USE W/ COMPOSITE FTPLT V HANGER
1B,2A-5	921754	EXT TUBE "V" D2 MED L ASSM PCKT	LEFT - USE W/ COMPOSITE FTPLT V HANGER
1B,2A-5	921755	EXT TUBE "V" D2 LONG R ASSM PCKT	RIGHT - USE W/ COMPOSITE FTPLT V HANGER
1B,2A-5	921756	EXT TUBE "V" D2 LONG L ASSM PCKT	LEFT - USE W/ COMPOSITE FTPLT V HANGER
1B,2A-5	921757	EXT TUBE "V" D2 X-LONG R ASSM PCKT	RIGHT - USE W/ COMPOSITE FTPLT V HANGER
1B,2A-5	921758	EXT TUBE "V" D2 X-LONG L ASSM PCKT	LEFT - USE W/ COMPOSITE FTPLT V HANGER
1A,2A-7,9	921772	EXT TUBE S/A SHT ANG ADJ PCKT	USE W/ ANGLE ADJ FTPLT
1A,2A-7,9	921773	EXT TUBE S/A MED ANG ADJ PCKT	USE W/ ANGLE ADJ FTPLT
1A,2A-7,9	921774	EXT TUBE S/A LONG ANG ADJ PCKT	USE W/ ANGLE ADJ FTPLT
1A,2A-7,9	921775	EXT TUBE S/A X-LONG ANG ADJ PCKT	USE W/ ANGLE ADJ FTPLT
1B,2A-7,9	921764	EXT TUBE "V" D2 SHT R ANG ADJ PCKT	RIGHT - USE W/ ANGLE ADJ FTPLT V HANGER
1B,2A-7,9	921765	EXT TUBE "V" D2 SHT L ANG ADJ PCKT	LEFT - USE W/ ANGLE ADJ FTPLT V HANGER
1B,2A-7,9	921766	EXT TUBE "V" D2 MED R ANG ADJ PCKT	RIGHT - USE W/ ANGLE ADJ FTPLT V HANGER
1B,2A-7,9	921767	EXT TUBE "V" D2 MED L ANG ADJ PCKT	LEFT - USE W/ ANGLE ADJ FTPLT V HANGER
1B,2A-7,9	921768	EXT TUBE "V" D2 LONG R ANG ADJ PCKT	RIGHT - USE W/ ANGLE ADJ FTPLT V HANGER
1B,2A-7,9	921769	EXT TUBE "V" D2 LONG L ANG ADJ PCKT	LEFT - USE W/ ANGLE ADJ FTPLT V HANGER
1B,2A-7,9	921770	EXT TUBE "V" D2 X-LONG R ANG AD PCKT	RIGHT - USE W/ ANGLE ADJ FTPLT V HANGER
1B,2A-7,9	921771	EXT TUBE "V" D2 X-LONG L ANG AD PCKT	LEFT - USE W/ ANGLE ADJ FTPLT V HANGER

COMPOSITE FOOTPLATE

[10/2011]



Pos.	Item Number	Description	Remarks
1	106935	1/4 - 28 NYLOCK NUT	
3	226165	1/4 - 28 x 2 1/2 SOC C/S	
4	561200	COMPOSITE FOOTPLATE 14 -15 (16 -18 V)	14 -15 OR 16 -18V
4	561210	COMPOSITE FOOTPLATE 16 -17 (19 -20 V)	16 -17 OR 19 -20V
4	561220	COMPOSITE FOOTPLATE 18 -20	18 -20
5A	741151	HEEL LOOP 14-15 COMPOSITE (14 -15 or 16 -18V)	14 -15 OR 16 -18V
5A	741156	HEEL LOOP 16 -17 or 19 -20V	16 -17 OR 19 -20V
5A	741153	HEEL LOOP 18-20 COMPOSITE/14-15 ANG ADJ	18 -20
5A	902270	HEEL LOOP COMPOSITE FT 14-15	PAIR 14 -15 OR 16 -18V
5A	902271	HEEL LOOP COMPOSITE FT 16-17	PAIR 16 -17 OR 19 -20V
5A	902272	HEEL LOOP COMPOSITE FT 18-20	PAIR 18 -20
5B	741154	HEEL LOOP 14-15 COMPOSITE HEMI	14 -15 HEMI
5B	741155	HEEL LOOP 16-17 COMPOSITE HEMI	16 -17 HEMI
5B	741153	HEEL LOOP 18-20 COMPOSITE HEMI	18 -10 HEMI
5B	902260	HEEL LOOPS HEMI COMPOSITE 14-15	PAIR 14 -15 HEMI
5B	902261	HEEL LOOPS HEMI COMPOSITE 16-17	PAIR 16 -17 HEMI
5B	902262	HEEL LOOPS HEMI COMPOSITE 18-20	PAIR 18 -20 HEMI
6	561040	HEEL LOOP PEG	
7	106944	1/4 AN WASHER FLAT THIN	
8	106958	HHCS 1/4-20 X 1 ROHS	
9	561003	3/4" SADDLE THIN	USED W/ ROUND EXT TUBES ONLY
1,3,4	921180	COMPOSITE FOOTPLATE ASSM 14-15	RIGHT (14 -15 OR 16 -18V) W/O HEEL LOOP
1,3,4	921181	COMPOSITE FOOTPLATE ASSM 14-15	LEFT (14 -15 OR 16 -18V) W/O HEEL LOOP
1,3,4	921182	COMPOSITE FOOTPLATE ASSM 16-17	RIGHT (16 -17 OR 19 -20V) W/O HEEL LOOP
1,3,4	921183	COMPOSITE FOOTPLATE ASSM 16-17	LEFT (16 -17 OR 19 -20V) W/O HEEL LOOP

Pos.	Item Number	Description	Remarks
1,3,4	921184	COMPOSITE FOOTPLATE ASSM 18-20	RIGHT (18 -20) W/O HEEL LOOP
1,3,4	921185	COMPOSITE FOOTPLATE ASSM 18-20	LEFT (18 -20) W/O HEEL LOOP
1,3,4	921151	COMPOSITE FOOTPLATE ASSM 14-15/16-18V	PAIR (14 -15 OR 16 -18V) W/O HEEL LOOP
1,3,4	921152	COMPOSITE FOOTPLATE ASSM 16-17/19-20V	PAIR (16 -17 OR 19 -20V) W/O HEEL LOOP
1,3,4	921153	COMPOSITE FOOTPLATE ASSM 18-20	PAIR (18 -20) W/O HEEL LOOP
1,3,4A-8	921190	COMPOSITE FOOTPLATE ASSM HL LP 14-15	RIGHT (14 -15 OR 16 -18V) W/ HEEL LOOP
1,3,4A-8	921191	COMPOSITE FOOTPLATE ASSM HL LP 14-15	LEFT (14 -15 OR 16 -18V) W/ HEEL LOOP
1,3,4A-8	921192	COMPOSITE FOOTPLATE ASSM HL LP 16-17	RIGHT (16 -17 OR 19 -20V) W/ HEEL LOOP
1,3,4A-8	921193	COMPOSITE FOOTPLATE ASSM HL LP 16-17	LEFT (16 -17 OR 19 -20V) W/ HEEL LOOP
1,3,4A-8	921194	COMPOSITE FOOTPLATE ASSM HL LP 18-20	RIGHT (18 -20) W/ HEEL LOOP
1,3,4A-8	921195	COMPOSITE FOOTPLATE ASSM HL LP 18-20	LEFT (18 -20) W/ HEEL LOOP
1,3,4A-8	921161	COMPOSITE FOOTPLATE ASSM HL 14-15/16-18V	PAIR (14 -15 OR 16 -18V) W/ HEEL LOOP
1,3,4A-8	921162	COMPOSITE FOOTPLATE ASSM HL 16-17/19-20V	PAIR (16 -17 OR 19 -20V) W/ HEEL LOOP
1,3,4A-8	921163	COMPOSITE FOOTPLATE ASSM HL 18-20	PAIR (18 -20) W/ HEEL LOOP
1,3,4B-8	921140	COMPOSITE FOOTPLATE ASSM HEMI HL LP 14-15	RIGHT (14 -15) W/ HEEL LOOP
1,3,4B-8	921141	COMPOSITE FOOTPLATE ASSM HEMI HL LP 14-15	LEFT (14 -15) W/ HEEL LOOP
1,3,4B-8	921142	COMPOSITE FOOTPLATE ASSM HEMI HL LP 16-17	RIGHT (16 -17) W/ HEEL LOOP
1,3,4B-8	921143	COMPOSITE FOOTPLATE ASSM HEMI HL LP 16-17	LEFT (16 -17) W/ HEEL LOOP
1,3,4B-8	921144	COMPOSITE FOOTPLATE ASSM HEMI HL LP 18-20	RIGHT (18 -20) W/ HEEL LOOP
1,3,4B-8	921145	COMPOSITE FOOTPLATE ASSM HEMI HL LP 18-20	LEFT (18 -20) W/ HEEL LOOP
1,3,4B-8	921167	COMPOSITE FOOTPLATE ASSM HEMI HL LPS 14-15	PAIR (14 -15) W/ HEEL LOOP
1,3,4B-8	921168	COMPOSITE FOOTPLATE ASSM HEMI HL LPS 16-17	PAIR (16 -17) W/ HEEL LOOP
1,3,4B-8	921169	COMPOSITE FOOTPLATE ASSM HEMI HL LPS 18-20	PAIR (18 -20) W/ HEEL LOOP

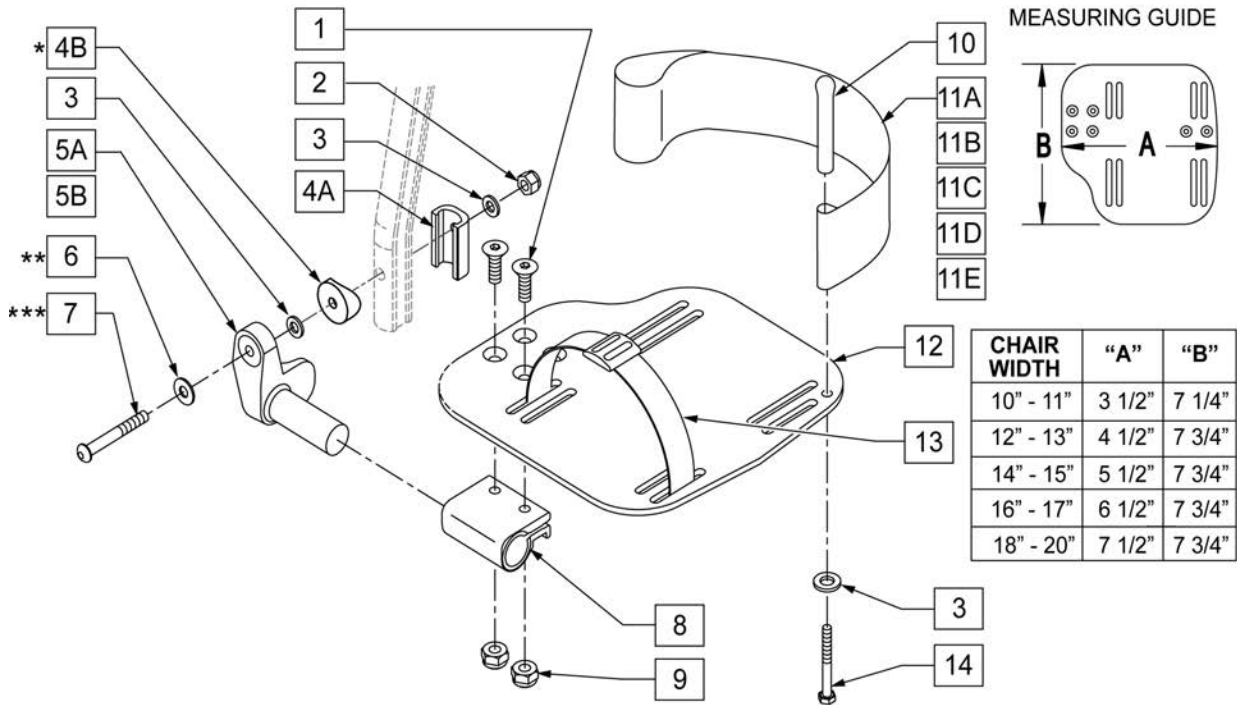
NOTE: FOR HIGH-MOUNT ADULT ANGLE-ADJUSTABLE FOOTPLATE, SEE "HIGH-MOUNT EXTENSION TUBE" PAGE.

NOTE: ORDER ITEM 4B FOR CHAIRS PRIOR TO 8/13/01.

NOTE: ONLY 1 WASHER PRIOR TO 8/13/01.

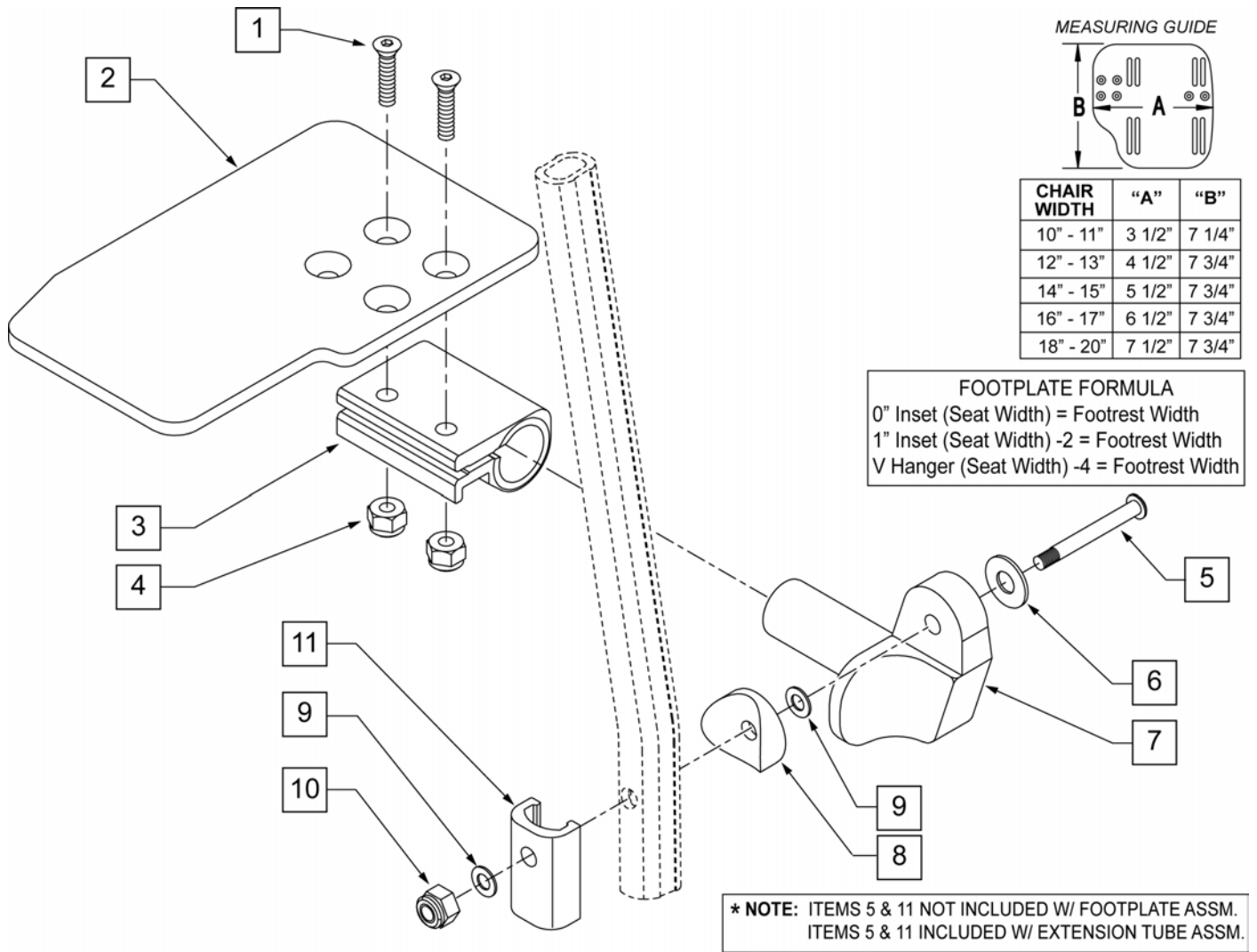
NOTE: ORDER PART 226167 PRIOR TO 8/13/01.

NOTE: See attached REFERENCE GUIDE.



Pos.	Item Number	Description	Remarks
1	106978	1/4-28 x 7/8 FH C/S	
2	106941	1/4-28 AUTOMATION NUT	

Pos.	Item Number	Description	Remarks
3	106943	WASHER FLAT AN 1/4 ROHS	
4A	483720	HANGER EXTENSION SADDLE LONG	USE W/ DOUBLE D EXT TUBE
4B	561055	3/4" SADDLE 1" OD	USE W/ ROUND EXT TUBE
5	541002	FTRST MOUNTING BRKT-3/8 RAD R	RIGHT
5	541003	FTRST MOUNTING BRKT-3/8 RAD L	LEFT
6	106945	WASHER FLAT SAE 1/4 ROHS	
7A	106962	BHCS 1/4-28 X 1-3/4 ROHS	USE W/ DOUBLE D EXT TUBE
7B	226167	1/4-28 x 1.625 BH C/S BLK	USE W/ ROUND EXT TUBE
8	550350	3/4" CLMP ADJ FT PLT	
9	106935	NUT NYLOCK THIN 1/4-28 ROHS	
10	561040	HEEL LOOP PEG	
11A	741154	HEEL LOOP 14-15 CMPST HEMI	USED W/ 10-11" ADULT ANG ADJ FTPLTS
11B	741155	HEEL LOOP 16-17 CMPST HEMI	USED W/ 12 -13" ADULT ANG ADJ FTPLTS
11C	741153	H/L 18-20 CMPST/14-15 ANG ADJ	USED W/ 14-15"/16-17" ADULT ANG ADJ FTPLTS
11D	741253	HEEL LOOP ADLT ADJ F/PLT 18-20	USED W/ 18 -20" ADULT ANG ADJ FTPLTS
12	500656	ADLT ANGL ADJ F/PLT 10/11" R	RIGHT
12	500657	ADLT ANGL ADJ F/PLT 10/11" L	LEFT
12	500658	ADLT ANGL ADJ F/PLT 12/13" R	RIGHT
12	500659	ADLT ANGL ADJ F/PLT 12/13" L	LEFT
12	500660	ADLT ANGL ADJ F/PLT 14/15	RIGHT
12	500661	ADLT ANGL ADJ F/PLT 14/15	LEFT
12	500662	ADLT ANGL ADJ F/PLT 16/17	RIGHT
12	500663	ADLT ANGL ADJ F/PLT 16/17	LEFT
12	500664	ADLT ANGL ADJ F/PLT 18-20	RIGHT
12	500665	ADLT ANGL ADJ F/PLT 18-20	LEFT
13	740260	TOE/ANKLE STRAP ADJ ADLT F/PLT	
14	106958	1/4-20 x 1 HEX C/S	
1-3,5,6,8,9,12	820526	AD ANG ADJ F/PLT R 12"/13" OMIT HL	RIGHT
1-3,5,6,8,9,12	820536	AD ANG ADJ F/PLT L 12"/13" OMT HL	LEFT
1-3,5,6,8,9,12	820460	FP ADLT ADJ 14/15 OMIT HL	RIGHT
1-3,5,6,8,9,12	820462	FP ADLT ADJ 14/15 OMIT HL	LEFT
1-3,5,6,8,9,12	820464	FP ADLT ADJ 16/17 OMIT HL	RIGHT
1-3,5,6,8,9,12	820466	FP ADLT ADJ 16/17 OMIT HL	LEFT
1-3,5,6,8,9,12	820468	FP ADLT ADJ 18-20 OMIT HL	RIGHT
1-3,5,6,8,9,12	820470	FP ADLT ADJ 18-20 OMIT HL	LEFT
1-3,5,6,8,9,12	921466	ADLT ANGL ADJ F/PLT 12"/13" OMIT HL	PAIR
1-3,5,6,8,9,12	921320	FP ADLT ADJ 14/15 OMIT HL	PAIR
1-3,5,6,8,9,12	921322	FP ADLT ADJ 16/17 OMIT HL	PAIR
1-3,5,6,8,9,12	921324	FP ADLT ADJ 18-20 OMIT HL	PAIR
1-3,5,6,8,9,12	820522	AD ANGL ADJ F/PLT R 12/13" H/L	RIGHT
1-3,5,6,8,9,12	820532	AD ANGL ADJ F/PLT L 12/13" H/L	LEFT
1-3,5,6,8-10,11C, 12,14	820461	FP ADLT ADJ 14/15 HL	RIGHT
1-3,5,6,8-10,11C, 12,14	820463	FP ADLT ADJ 14/15 HL	LEFT
1-3,5,6,8-10,11C, 12,14	820465	FP ADLT ADJ 16/17 HL	RIGHT
1-3,5,6,8-10,11C, 12,14	820467	FP ADLT ADJ 16/17 HL	LEFT
1-3,5,6,8-10,11D, 12,14	820469	FP ADLT ADJ 18-20 HL	RIGHT
1-3,5,6,8-10,11D, 12,14	820471	FP ADLT ADJ 18-20 HL	LEFT
1-3,5,6,8-10,11B, 12,14	921462	ADLT ANGL ADJ F/PLATE 12"/13" HL	PAIR
1-3,5,6,8-10,11C, 12,14	921321	FP ADLT ADJ 14/15 HL	PAIR
1-3,5,6,8-10,11C, 12,14	921323	FP ADLT ADJ 16/17 HL	PAIR
1-3,5,6,8-10,11D, 12,14	921325	FP ADLT ADJ 18-20 HL	PAIR
1-3,6,7A,9-10,14	101533	ADLT ANG ADJ FP D2 HDWR KIT	FOR DOUBLE D EXT TUBES
1-3B,4B,6,7B,9,10,14	101534	ADLT ANG ADJ FP RND HDWR KIT	FOR ROUND EXT TUBES (Q2 HP ONLY)

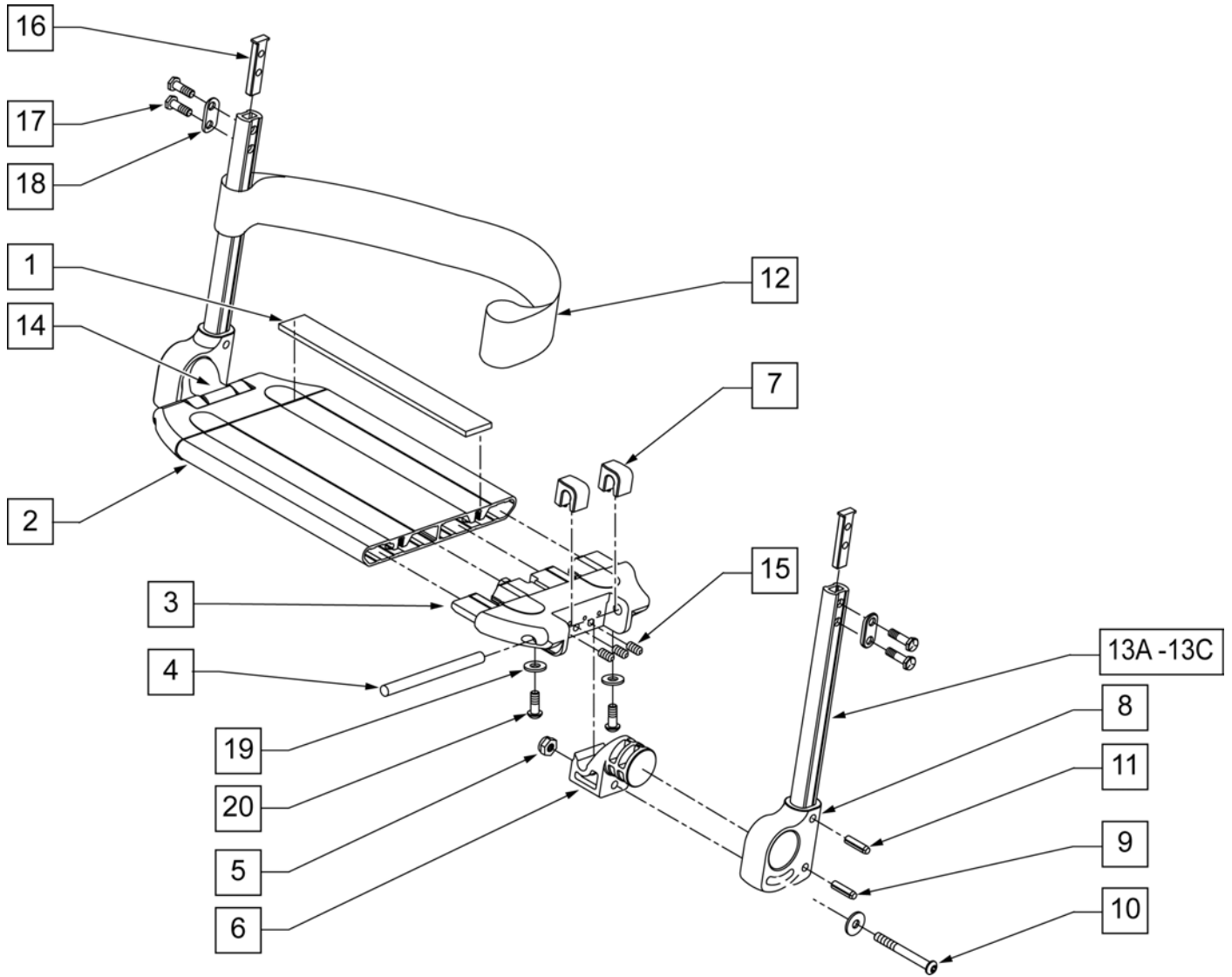


Pos.	Item Number	Description	Remarks
1	106978	FHCS 1/4 -28 x 7/8 ROHS	
2	500635	KIDS ANGL ADJ F/PLT 10" R	Right
2	500636	KIDS ANGL ADJ F/PLT 10" L	Left
2	500637	KIDS ANGL ADJ F/PLT 11" R	Right
2	500638	KIDS ANGL ADJ F/PLT 11" L	Left
2	500639	KIDS ANGL ADJ F/PLT 12" R	Right
2	500640	KIDS ANGL ADJ F/PLT 12" L	Left
2	500641	KIDS ANGL ADJ F/PLT 13" R	Right
2	500642	KIDS ANGL ADJ F/PLT 13" L	Left
2	500643	KIDS ANGL ADJ F/PLT 14" R	Right
2	500644	KIDS ANGL ADJ F/PLT 14" L	Left
2	500645	KIDS ANGL ADJ F/PLT 15" R	Right
2	500646	KIDS ANGL ADJ F/PLT 15" L	Left
2	500647	KIDS ANGL ADJ F/PLT 16" R	Right
2	500648	KIDS ANGL ADJ F/PLT 16" L	Left
3	550350	3/4" CLAMP ADJ FOOTPLATE	
4	106935	NUT NYLOCK THIN 1/4 -28 ROHS	
5	106962	1/4-28 x 1 3/4 BH C/S BLK ZN (D2 EXTENSION TUBES)	

Pos.	Item Number	Description	Remarks
5	226167	1/4-28 x 1.625 BH C/S BLK (ROUND EXTENSION TUBES)	
6	106945	1/4 SAE WASHER	
7	541002	FTRST MOUNTING BRKT-3/8 RAD R	
7	541003	FTRST MOUNTING BRKT-3/8 RAD L	
8	561055	3/4" SADDLE 1" OD	
9	106944	WASHER FLAT THIN AN 1/4 ROHS	
10	106941	NUT AUTOMATION 1/4 -28 ROHS	
1-7,9,10	828850	KIDS ANG ADJ F/PLT EXT-MNT 10"R	Right
1-7,9,10	828851	KIDS ANG ADJ F/PLT EXT-MNT 10"L	Left
1-7,9,10	828852	KIDS ANG ADJ F/PLT EXT-MNT 11"R	Right
1-7,9,10	828853	KIDS ANG ADJ F/PLT EXT-MNT 11"L	Left
1-7,9,10	828854	KIDS ANG ADJ F/PLT EXT-MNT 12"R	Right
1-7,9,10	828855	KIDS ANG ADJ F/PLT EXT-MNT 12"L	Left
1-7,9,10	828856	KIDS ANG ADJ F/PLT EXT-MNT 13"R	Right
1-7,9,10	828857	KIDS ANG ADJ F/PLT EXT-MNT 13"L	Left
1-7,9,10	828858	KIDS ANG ADJ F/PLT EXT-MNT 14"R	Right
1-7,9,10	828859	KIDS ANG ADJ F/PLT EXT-MNT 14"L	Left
1-7,9,10	828860	KIDS ANG ADJ F/PLT EXT-MNT 15"R	Right
1-7,9,10	828861	KIDS ANG ADJ F/PLT EXT-MNT 15"L	Left
1-7,9,10	828862	KIDS ANG ADJ F/PLT EXT-MNT 16"R	Right
1-7,9,10	828863	KIDS ANG ADJ F/PLT EXT-MNT 16"L	Left
1-7,9,10	921280	KIDS ANG ADJ F/PLT EXT-MNT 10"	Pair
1-7,9,10	921281	KIDS ANG ADJ F/PLT EXT-MNT 11"	Pair
1-7,9,10	921282	KIDS ANG ADJ F/PLT EXT-MNT 12"	Pair
1-7,9,10	921283	KIDS ANG ADJ F/PLT EXT-MNT 13"	Pair
1-7,9,10	921284	KIDS ANG ADJ F/PLT EXT-MNT 14"	Pair
1-7,9,10	921285	KIDS ANG ADJ F/PLT EXT-MNT 15"	Pair
1-7,9,10	921286	KIDS ANG ADJ F/PLT EXT-MNT 16"	Pair

SOLID ONE PIECE FOOTREST

[10/2011]



Pos.	Item Number	Description	Remarks
1	360010	FOOT BOARD SKID TAPE	
3	560019	FOOT BOARD HOLDER R	
3	560020	FOOT BOARD HOLDER L	
4	481283	PIN 8mm x 100mm	
5	200113	NUT HEX NYLOCK M6 X 1 NUT	
6	560022	FOOT BOARD SUPPORT	
7	560021	FOOT BOARD SHIM ALIGNMENT	
9	250070	METRIC WASHER	
10	210000	M6 x 55 8.8 BUTTON HD CAP SCRW	
12	740130	LEG STRAP 10"-14" BLK	
12	740131	LEG STRAP 15"-17" BLK	
12	740132	LEG STRAP 18"-20" BLK	
14	560023	FOOT BOARD BEARING SUPPORT	
15	230030	M6 x 12 SET SCREW CUP POINT	
16	500078	INSERT D2 EXT TUBE	
17	221102	1/4-28 x 3/4 HEX HEAD C/S BLK W/PTCH	

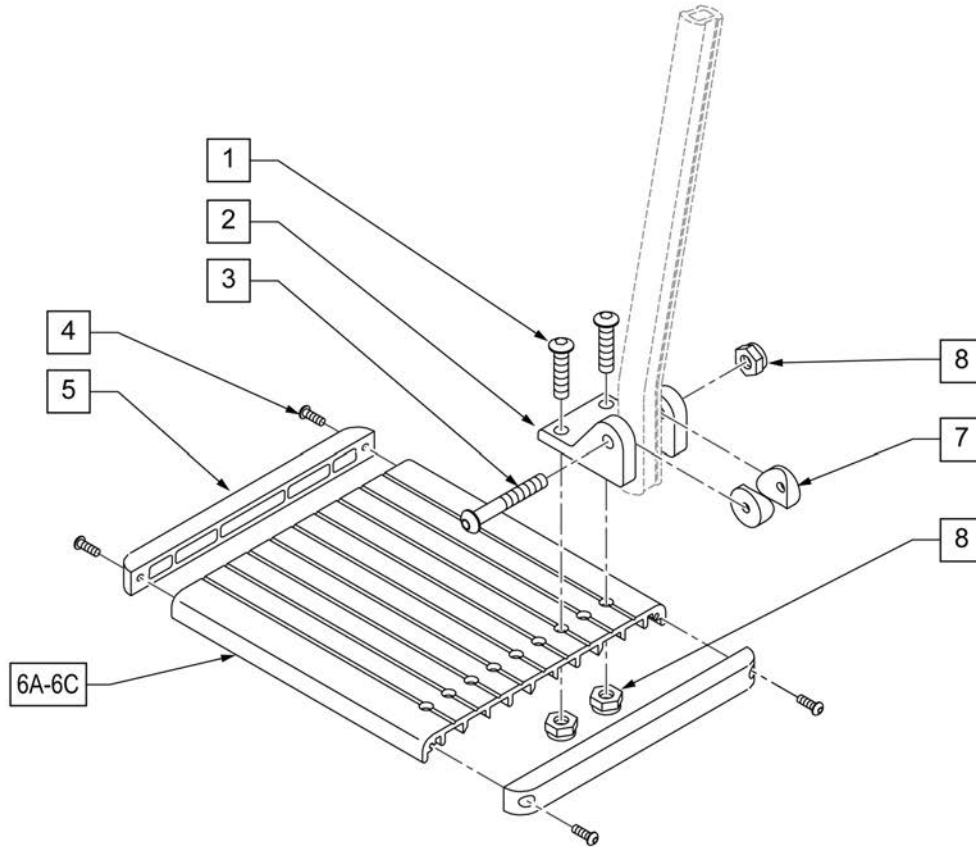
Pos.	Item Number	Description	Remarks
18	483717	HANGER SADDLE	
19	106943	WASHER FLAT AN 1/4 ROHS	
20	230032	M6 x 16 B/H CAP SCREW	
8,11,13,	921748	EXT TBE PLTFRM SHT ASSM PCKT	
16-18	921749	EXT TBE PLTFRM MED ASSM PCKT	
1-7,9,10,16-18	900190	SLD 1-PC FOOTREST 14 WIDE	
1-7,9,10,16-18	900191	SLD 1-PC FOOTREST 15 WIDE	
1-7,9,10,16-18	900192	SLD 1-PC FOOTREST 16 WIDE	
1-7,9,10,16-18	900193	SLD 1-PC FOOTREST 17 WIDE	
1-7,9,10,16-18	900194	SLD 1-PC FTRST 18W TAP/14W ST	
1-7,9,10,16-18	900195	SLD 1-PC FTRST 19W TAP/15W ST	
1-7,9,10,16-18	900196	SLD 1-PC FTRST 20W TAP/16W ST	
1-7,9,10,16-18	900211	SLD 1-PC FTRST 17W STRT	
1-7,9,10,16-18	900197	SLD 1-PC FTRST 22W TAP/18W ST	
1-7,9,10,16-18	900209	SLD 1-PC FTRST 19W STRT	
1-7,9,10,16-18	900198	SLD 1-PC FTRST 24W TAP/20W ST	
1-7,9,10,16-18	900212	SLD 1-PC FTRST 22INW STRT	
1-7,9,10,16-18	900210	SLD 1-PC FTRST 24INW STRT	
>>>>		SOLID FOOTREST W/ SHORT EXT	
1-20	921700	SLD 1PC FTRST 14W/SHRT EXT	FITS 14" SEAT WIDTH W/ TAPPERED HANGERS
1-20	921701	SLD 1PC FTRST 15W W/SHRT EXT	FITS 15" SEAT WIDTH W/ TAPPERED HANGERS
1-20	921702	SLD 1PC FTRST 16W W/SHRT EXT	FITS 16" SEAT WIDTH W/ TAPPERED HANGERS
1-20	921703	SLD 1PC FTRST 17W W/SHRT EXT	FITS 17" SEAT WIDTH W/ TAPPERED HANGERS
1-20	921704	SLD 1PC FR 18INTAP/14INSTR	FITS 18" SEAT WIDTH W/ TAPPERED HANGERS OR 14" SEAT WIDTH STRAIGHT HANGERS
1-20	921705	SLD 1PC FR 19INTAP/15INSTR	FITS 19" SEAT WIDTH W/ TAPPERED HANGERS OR 15" SEAT WIDTH STRAIGHT HANGERS

Pos.	Item Number	Description	Remarks
1-20	921706	SLD 1PC FR 20INTAP/16INSTR	FITS 20" SEAT WIDTH W/ TAPPERED HANGERS OR 16" SEAT WIDTH STRAIGHT HANGERS
1-20	921721	SLD 1PC FTRST 17W/SH EXT STRT	FITS 17" SEAT WIDTH STRAIGHT HANGERS
1-20	921707	SLD 1PC FR 22INTAP/18INSTR	FITS 22" SEAT WIDTH W/ TAPPERED HANGERS OR 18" SEAT WIDTH STRAIGHT HANGERS
1-20	921698	SLD 1PC FTRST 19W/SH EXT STRT	FITS 19" SEAT WIDTH STRAIGHT HANGERS
1-20	921708	SLD 1PC FR 24INTAP/20INSTR	FITS 24" SEAT WIDTH W/ TAPPERED HANGERS OR 20" SEAT WIDTH STRAIGHT HANGERS
1-20	921723	SLD 1PC FTRST 22W/SH EXT STRT	FIITS 22" SEAT WIDTH STRAIGHT HANGERS
1-20	921709	SLD 1PC FTRST 24W/SH EXT STRT	FITS 24" SEAT WIDTH STRAIGHT HANGERS
>>>>		SOLID FOOTREST W/ MED EXT	
1-20	921710	SLD 1PC FTRST 14W/MED EXT	FITS 14" SEAT WIDTH W/ TAPPERED HANGERS
1-20	921711	SLD 1PC FTRST 15W/MED EXT	FITS 15" SEAT WIDTH W/ TAPPERED HANGERS

Pos.	Item Number	Description	Remarks
1-20	921712	SLD 1PC FTRST 16W/MED EXT	FITS 16" SEAT WIDTH W/ TAPPERED HANGERS
1-20	921713	SLD 1PC FTRST 17W/MED EXT	FITS 17" SEAT WIDTH W/ TAPPERED HANGERS
1-20	921714	SLD 1PC FR 18 TAP/14 STR W/M.E	FITS 18" SEAT WIDTH W/ TAPPERED HANGERS OR 14" SEAT WIDTH STRAIGHT HANGERS
1-20	921715	SLD 1PC FR 19 TAP/15 STR W/M.E	FITS 19" SEAT WIDTH W/ TAPPERED HANGERS OR 15" SEAT WIDTH STRAIGHT HANGERS
1-20	921716	SLD 1PC FR 20 TAP/16 STR W/M.E	FITS 20" SEAT WIDTH W/ TAPPERED HANGERS OR 16" SEAT WIDTH STRAIGHT HANGERS
1-20	921722	SLD 1PC FTRST 17W/MD EXT STRT	FITS 17" SEAT WIDTH STRAIGHT HANGERS
1-20	921717	SLD 1PC FR 22 TAP/18 STR W/M.E	FITS 22" SEAT WIDTH W/ TAPPERED HANGERS OR 18" SEAT WIDTH STRAIGHT HANGERS
1-20	921699	SLD 1PC FTRST 19W/MD EXT STRT	FITS 19" SEAT WIDTH STRAIGHT HANGERS

Pos.	Item Number	Description	Remarks
1-20	921718	SLD 1PC FR 24 TAP/20 STR W/M.E	FITS 24" SEAT WIDTH W/ TAPPERED HANGERS OR 20" SEAT WIDTH STRAIGHT HANGERS
1-20	921719	SLD 1PC FTRST 24W/MD EXT STRT	FIITS 22" SEAT WIDTH STRAIGHT HANGERS
1-20	921724	SLD 1PC FTRST 22W/MD EXT STRT	FITS 24" SEAT WIDTH STRAIGHT HANGERS

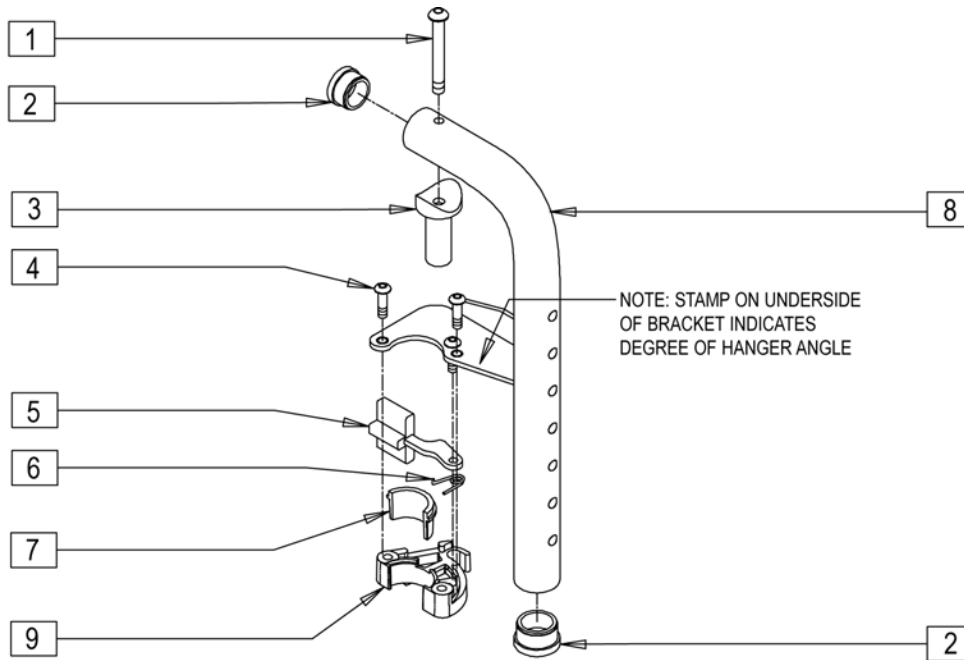
NOTE: Left Side Shown



Pos.	Item Number	Description	Remarks
1	106959	1/4-28 x 5/8 BH C/S	
2	550739	FOOTPLATE MOUNTING BRACKET	
3	226147	1/4-28 x 1.85 BH C/S	
4	281043	#4 x 5/8 PAN PHIL S/TAP	
5	560101	END CAPS FOOTREST	
7	561003	3/4" SADDLE THIN	
8	106935	1/4-28 NYLOCK NUT THIN	
4,5,6A	882337	ELR FOOTPLATE ASSEMBLY 14 -15"	
4,5,6B	882338	ELR FOOTPLATE ASSEMBLY 16 -17"	
4,5,6C	882339	ELR FOOTPLATE ASSEMBLY 18 -20"	
1-5,6A-8	921400S	ELR FOOTPLATE KIT 14 -15"	Does not include Extension
1-5,6B-8	921401S	ELR FOOTPLATE KIT 16 -17"	Does not include Extension
1-5,6C-8	921402S	ELR FOOTPLATE KIT 18 -20"	Does not include Extension

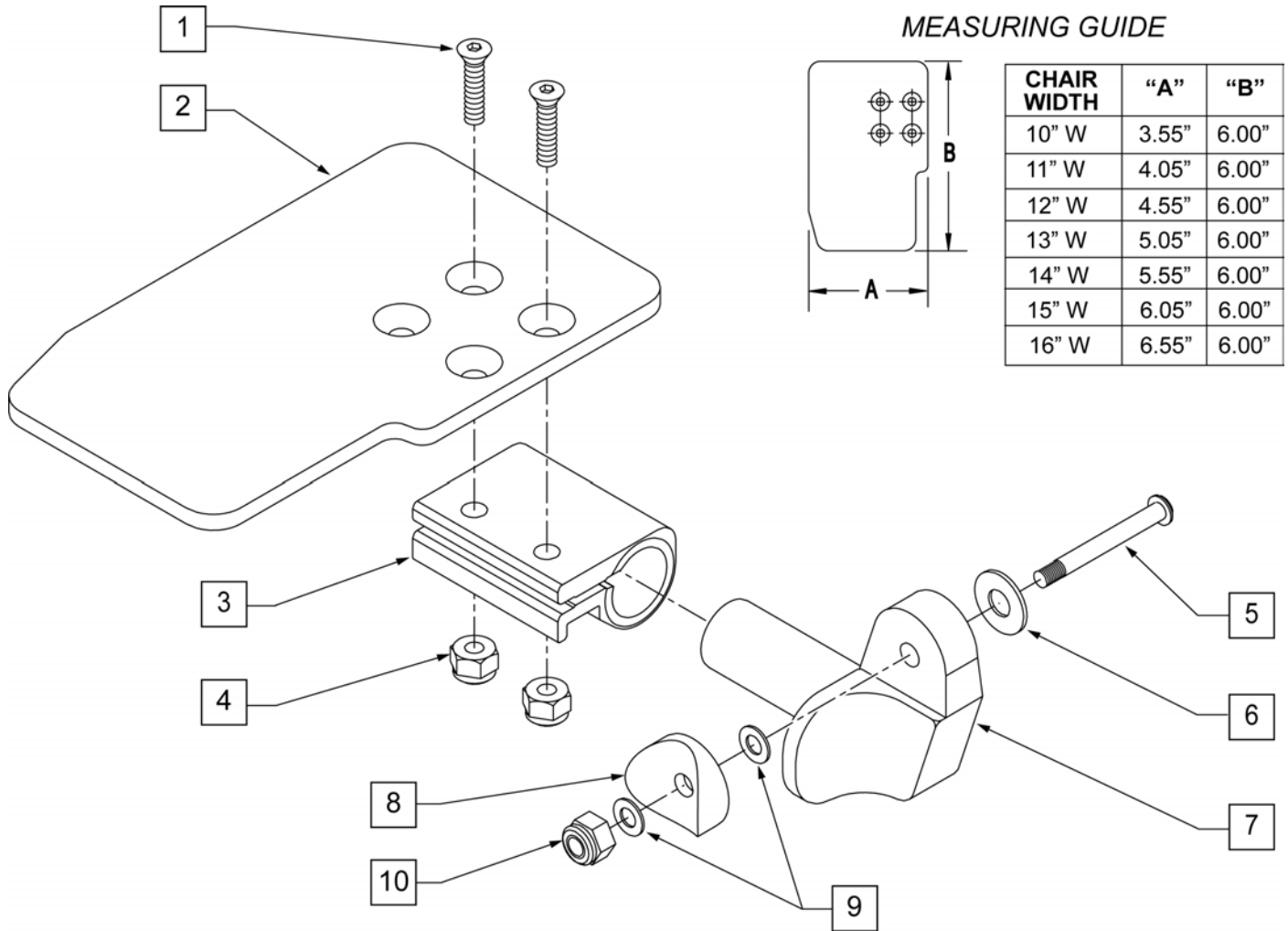
90 DEGREE SWING-AWAY HANGER

[09/2007]



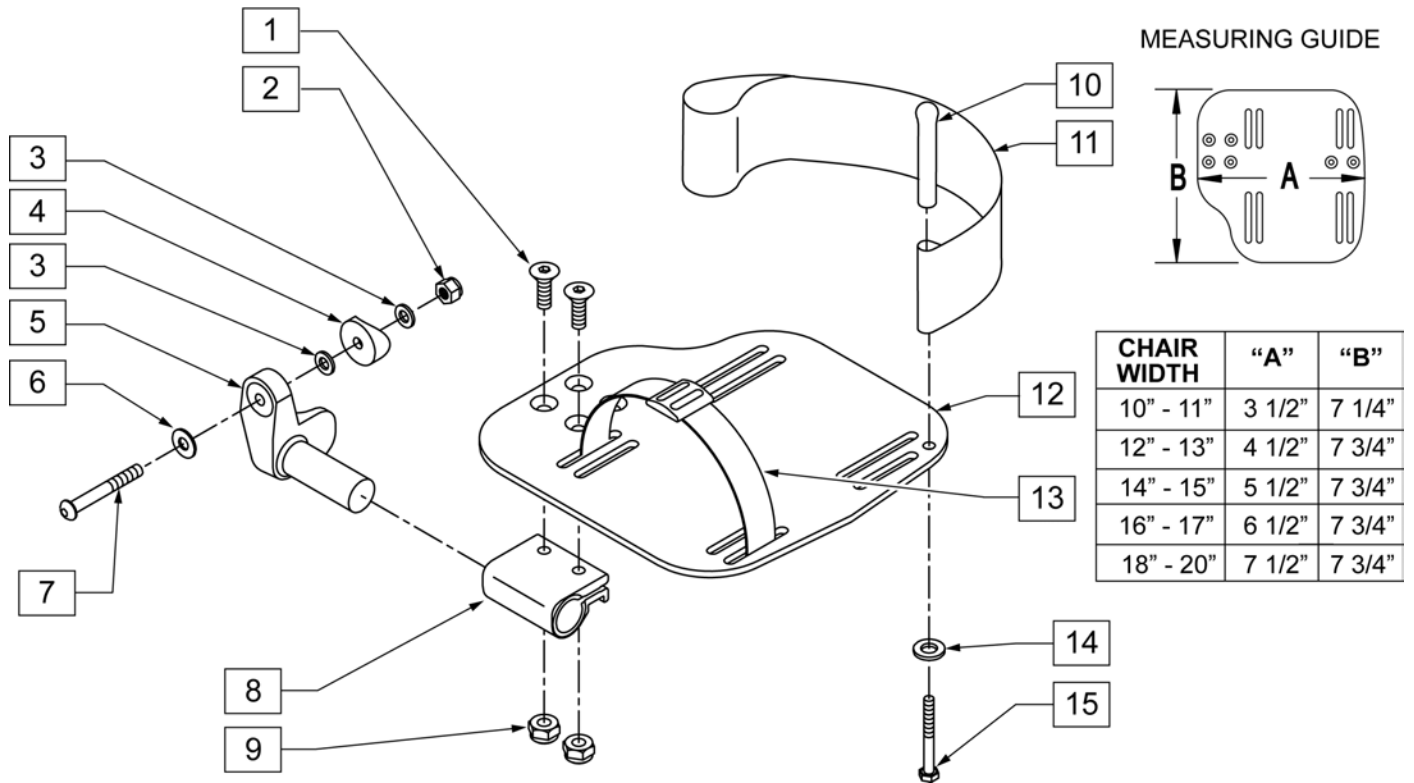
Drawing shows left side

Pos.	Item Number	Description	Remarks
1	226291	5/16-18 x 1-1/2 BHCS BK W/PTCH	
2	561002	1" INSERT PLUG .083	
3	483603	PIVOT SADDLE MANUAL/POWER	
4	226057	10/24 x .725 BTTN HD SOC BZ	
5	561079	S/A LATCH LEVER	
6	321136	S/A SPRING L RED	Left
6	321137	S/A SPRING R CLEAR	Right
7,9	881500	LATCH BLOCK ASSM R	Right
7,9	881501	LATCH BLOCK ASSM L	Left
8	505039S	S/A HANGER ONLY L 90D	(SPECIFY COLOR)
8	505040S	S/A HANGER ONLY R 90D	(SPECIFY COLOR)
1-9	641148S	HANGER 90D PNTD S/A R PWR	(SPECIFY COLOR)
1-9	641149S	HANGER 90D PNTD S/A L PWR	(SPECIFY COLOR)



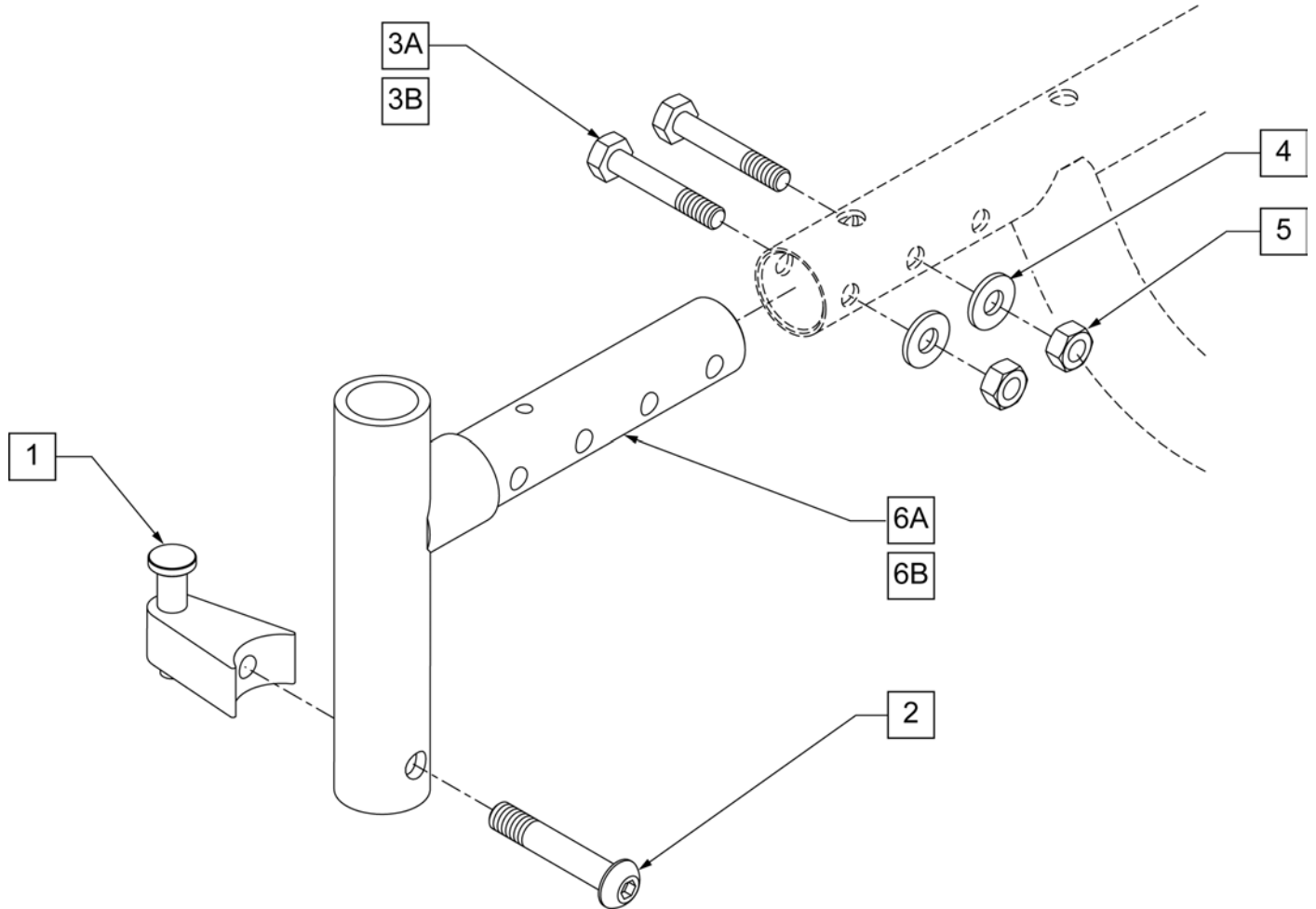
Pos.	Item Number	Description	Remarks	Pos.	Item Number	Description	Remarks
1	106978	FHCS 1/4-28 X 7/8 ROHS		7	541001	FTRST MOUNTING BRKT 1 RAD	RIGHT
2	500635	KIDS ANGL ADJ F/PLT 10	RIGHT	8	561004	1 SADDLE 1/4 HOLE	
2	500636	KIDS ANGL ADJ F/PLT 10	LEFT	9	106943	WASHER FLAT THIN AN 1/4	
2	500637	KIDS ANGL ADJ F/PLT 11	RIGHT	10	106941	NUT AUTOMATION 1/4-28 ROHS	
2	500638	KIDS ANGL ADJ F/PLT 11	LEFT	1-10	828821	KIDS ANG ADJ F/PLT ASSM 10	RIGHT
2	500639	KIDS ANGL ADJ F/PLT 12	RIGHT	1-10	828822	KIDS ANG ADJ F/PLT ASSM 10	LEFT
2	500640	KIDS ANGL ADJ F/PLT 12	LEFT	1-10	828823	KIDS ANG ADJ F/PLT ASSM 11	RIGHT
2	500641	KIDS ANGL ADJ F/PLT 13	RIGHT	1-10	828824	KIDS ANG ADJ F/PLT ASSM 11	LEFT
2	500642	KIDS ANGL ADJ F/PLT 13	LEFT	1-10	828825	KIDS ANG ADJ F/PLT ASSM 12	RIGHT
2	500643	KIDS ANGL ADJ F/PLT 14	RIGHT	1-10	828826	KIDS ANG ADJ F/PLT ASSM 12	LEFT
2	500644	KIDS ANGL ADJ F/PLT 14	LEFT	1-10	828827	KIDS ANG ADJ F/PLT ASSM 13	RIGHT
2	500645	KIDS ANGL ADJ F/PLT 15	RIGHT	1-10	828828	KIDS ANG ADJ F/PLT ASSM 13	LEFT
2	500646	KIDS ANGL ADJ F/PLT 15	LEFT	1-10	828829	KIDS ANG ADJ F/PLT ASSM 14	RIGHT
2	500647	KIDS ANGL ADJ F/PLT 16	RIGHT	1-10	828830	KIDS ANG ADJ F/PLT ASSM 14	LEFT
2	500648	KIDS ANGL ADJ F/PLT 16	LEFT	1-10	828831	KIDS ANG ADJ F/PLT ASSM 15	RIGHT
3	550350	3/4 CLAMP ADJ FOOTPLATE		1-10	828832	KIDS ANG ADJ F/PLT ASSM 15	LEFT
4	106935	NUT NYLOCK THIN 1/4-28 ROHS		1-10	828833	KIDS ANG ADJ F/PLT ASSM 16	RIGHT
5	226147	1/4-28 X 1.85 BH C/S BLK ZN		1-10	828834	KIDS ANG ADJ F/PLT ASSM 16	LEFT
6	106945	WASHER FLAT SAE 1/4 ROHS		1-10	921226	KIDS ANG ADJ F/PLT ASSM 10	PAIR
7	541000	FTRST MOUNTING BRKT 1 RAD	RIGHT	1-10	921227	KIDS ANG ADJ F/PLT ASSM 11	PAIR

Pos.	Item Number	Description	Remarks	Pos.	Item Number	Description	Remarks
1-10	921228	KIDS ANG ADJ F/PLT ASSM 12	PAIR	1-10	921231	KIDS ANG ADJ F/PLT ASSM 15	PAIR
1-10	921229	KIDS ANG ADJ F/PLT ASSM 13	PAIR	1-10	921232	KIDS ANG ADJ F/PLT ASSM 16	PAIR
1-10	921230	KIDS ANG ADJ F/PLT ASSM 14	PAIR				

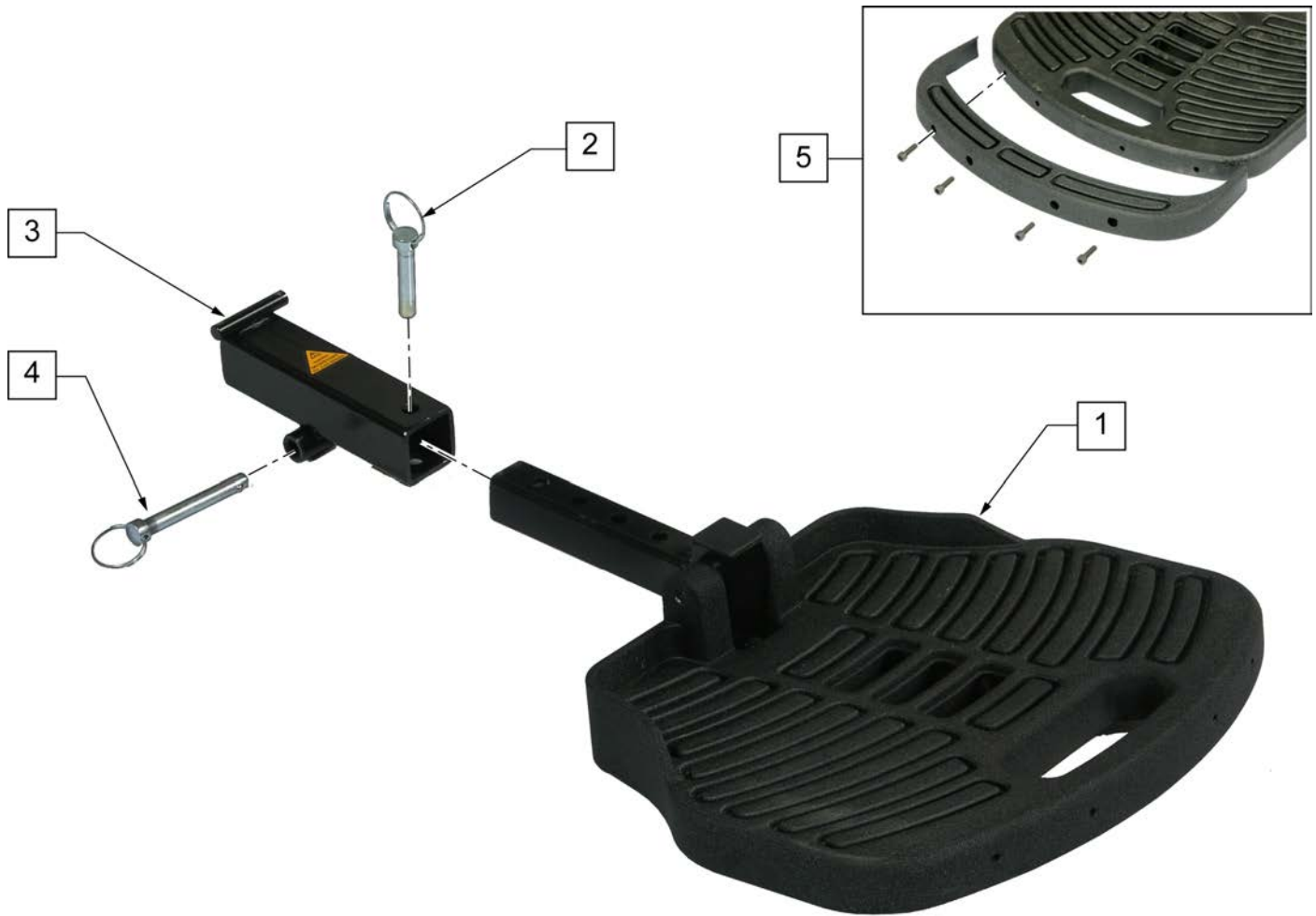


Pos.	Item Number	Description	Remarks
1	106978	FHCS 1/4-28 X 7/8 ROHS	
2	106941	NUT AUTOMATION 1/4-28 ROHS	
3	106943	WASHER FLAT AN 1/4 ROHS	
4	561004	1" SADDLE 1/4" HOLE	
5	541000	FOOTREST MOUNTING BRKT-1" RAD	RIGHT
5	541001	FOOTREST MOUNTING BRKT-1" RAD	LEFT
6	106945	WASHER FLAT SAE 1/4 ROHS	
7	106964	BHCS 1/4-28 X 2	
8	550350	3/4" CLAMP ADJ FOOTPLATE	
9	106935	NUT NYLOCK THIN 1/4-28 ROHS	
10	561040	HEEL LOOP PEG	
11	741153	HEEL LOOP 18-20 CMPST/14-15 ANG ADJ	USED W/ 14-15"/16-17" ADULT ANG ADJ FTPLTS
11	741253	HEEL LOOP ADLT ADJ F/PLT 18-20	USED W/ 18 -20" ADULT ANG ADJ FTPLTS
12	500656	ADULT ANGL ADJ F/PLT 10/11	RIGHT
12	500657	ADULT ANGL ADJ F/PLT 10/11	LEFT
12	500658	ADULT ANGL ADJ F/PLT 12/13	RIGHT
12	500659	ADULT ANGL ADJ F/PLT 12/13	LEFT
12	500660	ADULT ANGL ADJ F/PLT 14/15	RIGHT
12	500661	ADULT ANGL ADJ F/PLT 14/15	LEFT
12	500662	ADULT ANGL ADJ F/PLT 16/17	RIGHT
12	500663	ADULT ANGL ADJ F/PLT 16/17	LEFT
12	500664	ADULT ANGL ADJ F/PLT 18-20	RIGHT
12	500665	ADULT ANGL ADJ F/PLT 18-20	LEFT
13	740260	TOE-ANKLE STRAP ADJ ADULT FOOTPLATE	
14	106943	WASHER FLAT AN 1/4 ROHS	

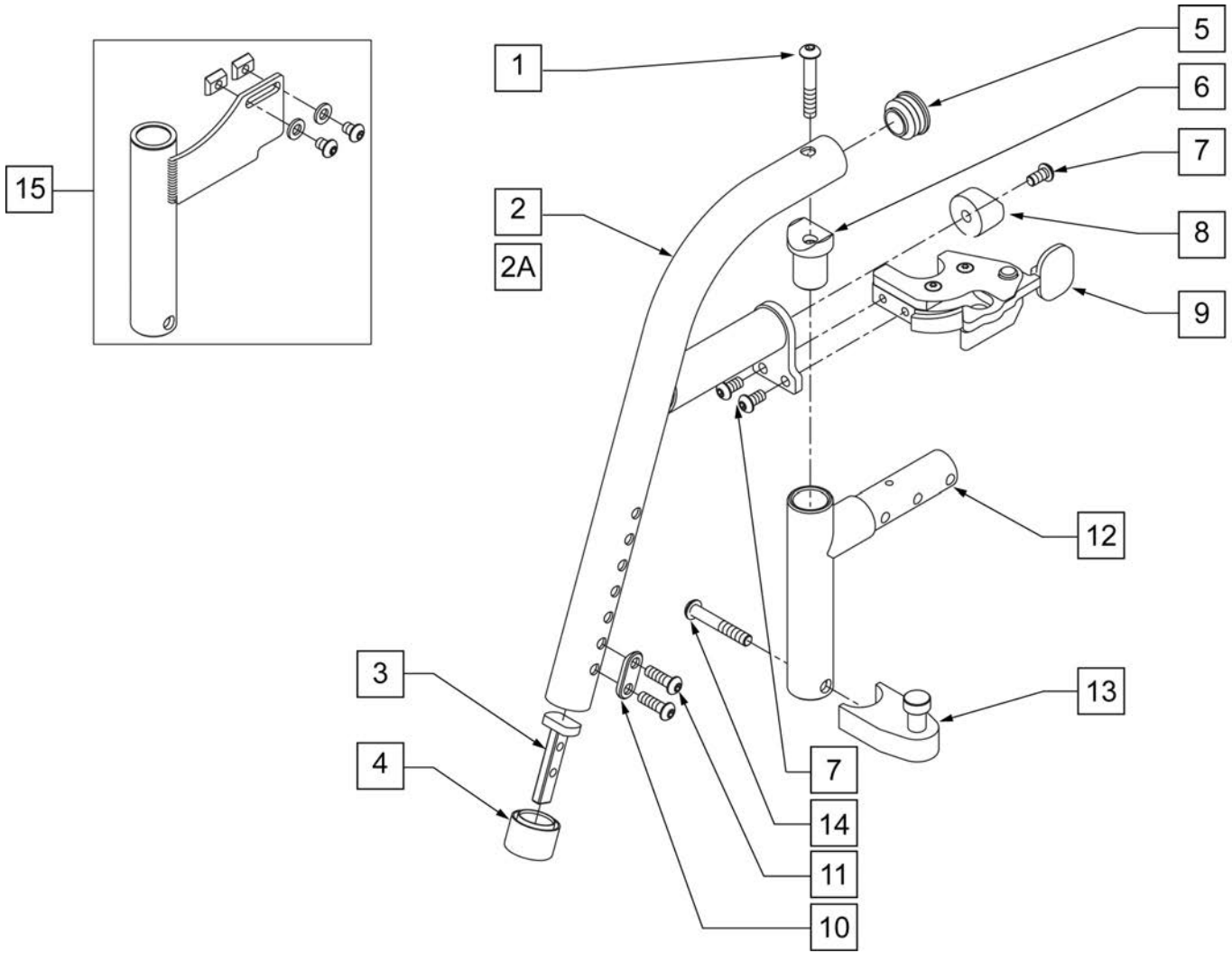
Pos.	Item Number	Description	Remarks
15	106958	HHCS 1/4-20 X 1 ROHS	
1-9,12	820544	FP ADULT ADJ 90D 10/11 R	RIGHT
1-9,12	820554	FP ADULT ADJ 90D 10/11 L	LEFT
1-9,12	820546	FP ADULT ADJ 90D 12/13 R	RIGHT
1-9,12	820556	FP ADULT ADJ 90D 12/13 L	LEFT
1-9,12	820472	FP ADULT ADJ 90D 14/15 R	RIGHT
1-9,12	820473	FP ADULT ADJ 90D 14/15 L	LEFT
1-9,12	820474	FP ADULT ADJ 90D 16/17 R	RIGHT
1-9,12	820475	FP ADULT ADJ 90D 16/17 L	LEFT
1-9,12	820476	FP ADULT ADJ 90D 18-20 R	RIGHT
1-9,12	820477	FP ADULT ADJ 90D 18-20 L	LEFT
1-9,12	921474	ADULT ANGL ADJ 90D 10/11 OMIT H/L	PAIR
1-9,12	921476	ADULT ANGL ADJ 90D 12/13 OMIT H/L	PAIR
1-9,12	921330	ADULT ANGL ADJ 90D 14/15 OMIT H/L	PAIR
1-9,12	921331	ADULT ANGL ADJ 90D 16/17 OMIT H/L	PAIR
1-9,12	921332	ADULT ANGL ADJ 90D 18-20 OMIT H/L	PAIR
1-12,14,15	820540	F/PLT ADULT ADJ 90D 10/11 R W/ HL	RIGHT
1-12,14,15	820550	F/PLT ADULT ADJ 90D 10/11 L W/ HL	LEFT
1-12,14,15	820542	F/PLT ADULT ADJ 90D 12/13 R W/ HL	RIGHT
1-12,14,15	820552	F/PLT ADULT ADJ 90D 12/13 L W/ HL	LEFT
1-12,14,15	820478	F/PLT ADULT ADJ 90D 14/15 R W/ HL	RIGHT
1-12,14,15	820479	F/PLT ADULT ADJ 90D 14/15 L W/ HL	LEFT
1-12,14,15	820480	F/PLT ADULT ADJ 90D 16/17 R W/ HL	RIGHT
1-12,14,15	820481	F/PLT ADULT ADJ 90D 16/17 L W/ HL	LEFT
1-12,14,15	820482	F/PLT ADULT ADJ 90D 18-20 R W/ HL	RIGHT
1-12,14,15	820483	F/PLT ADULT ADJ 90D 18-20 L W/ HL	LEFT
1-12,14,15	921470	F/PLT ADULT ADJ 90D 10/11 W/ HL	PAIR
1-12,14,15	921472	F/PLT ADULT ADJ 90D 12/13 W/ HL	PAIR
1-12,14,15	921333	F/PLT ADULT ADJ 90D 14/15 W/ HL	PAIR
1-12,14,15	921334	F/PLT ADULT ADJ 90D 16/17 W/ HL	PAIR
1-12,14,15	921335	F/PLT ADULT ADJ 90D 18-20 W/ HL	PAIR



Pos.	Item Number	Description	Remarks
1	105787	PRSD A/A LATCH BLOCK NUT ASSM	
2	226218	5/16-18 x 1 3/4" BH C/S BLK	
3A	226222	1/4-28 x 1 1/2" G8 HEX C/S BLK	(USE WITH SINGLE POST ARMREST)
3B	107015	HHCS 1/4-28 X 1-3/4 ROHS	(USE WITH DUAL-POST ARMREST)
4	106943	1/4 AN WASHER FLAT	
5	204110	1/4-28 NYLOCK NUT BLK ZN	
6A	540001S	S/A HANGER RECEIVER WELDMENT	STD REC (4-1/8" LONG)
6B	540004S	S/A HANGER RECEIVER WELDMENT +1"	LONG (+1) REC (5-1/8" LONG)
1,2	107491	S/A LATCH ASSEMBLY W/BLK BOLT	
1-3A-6A	540325S	S/A HANGER RECEIVER ASSM RIGHT	RIGHT STD
1-3A-6A	540326S	S/A HANGER RECEIVER ASSM LEFT	LEFT STD
1-3A-6B	540327S	S/A HANGER RECEIVER ASSM +1 RIGHT	RIGHT - LONG (+1)
1-3A-6B	540328S	S/A HANGER RECEIVER ASSM +1 LEFT	LEFT - LONG (+1)

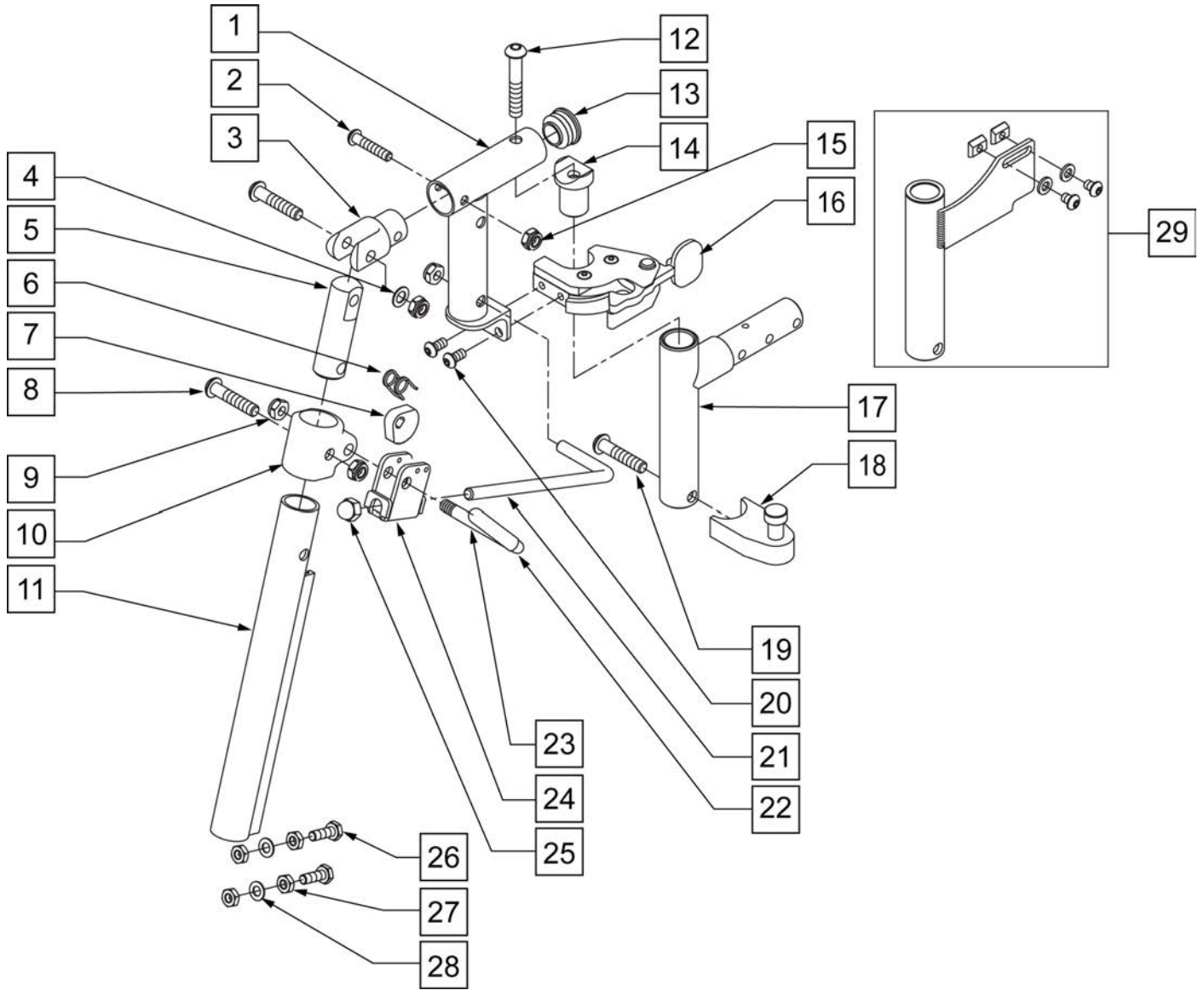


Pos.	Item Number	Description
1-4	900232	SOLID FOOTREST 12 x 9
2	330070	ADJUSTMENT PINS M8 x 32
4	330071	ADJUSTMENT PINS M8 x 52.5
5	922070	FOOTPLATE EXTENSION 1" W/ HDWR



Pos.	Item Number	Description	Remarks
1	230150	M8 X 1.25 X 50 BH C/S	
2	506061	SWING AWAY HANGER 70D RIGHT	
2	506062	SWING AWAY HANGER 70D LEFT	
3	500254	HANGER EXTENSION TUBE INSERT	
4	561082	1 TUBE END BUSHING THIN	
5	561062	1 INSERT PLUG .065 RIBS	
6	934.8007	PIVOT SADDLE METRIC	
7	013147	BHCS M6 X 1 X 12 BLK	
8	010541	SADDLE, RECEIVER HANGER	
9	881588	S/A HANGER LATCH ASSM R	RIGHT
9	881589	S/A HANGER LATCH ASSM L	LEFT
10	483717	HANGER SADDLE	
11	102262-003	BHCS M6 X 1 X 20 INORGANIC	
12	540013	S/A HANGER REC +2 WLDMNT	
13	920443	LATCH STUD BLOCK ASSM	
14	230123	BHCS M8 X 1.25 X 45 BLK	
15	012180	HNGR REC INT 12W-14W R	RIGHT
15	012181	HNGR REC INT 12W-14W L	LEFT
12A	540613	S/A HANGER REC WLDMNT	

Pos.	Item Number	Description	Remarks
12,13,14	012182	S/A HANGER REC +2 ASSM	
12A,13,14	012183	S/A HANGER REC ASSM	
13,14	012186	LATCH STUD SUPPORT ASSM	
13-15	012184	HANGER REC INT 12W-14W R ASSM	RIGHT
13-15	012185	HANGER REC INT 12W-14W L ASSM	LEFT
1-11	012187	S/A HANGER 70ø R ASSM	RIGHT
1-11	012188	S/A HANGER 70ø L ASSM	LEFT
1-14	012189	S/A HNGR 70ø R W/ REG REC ASSM	RIGHT
1-14	012190	S/A HNGR 70ø L W/ REG REC ASSM	LEFT
1-12A,11-14	012191	S/A HNGR 70ø R W/ +2 REC ASSM	RIGHT
1-12A,11-14	012192	S/A HNGR 70ø L W/ +2 REC ASSM	LEFT
1-11,13-15	012193	S/A HNGR 70D INT 12-14W R ASSM	RIGHT
1-11,13-15	012194	S/A HNGR 70D INT 12-14W L ASSM	LEFT

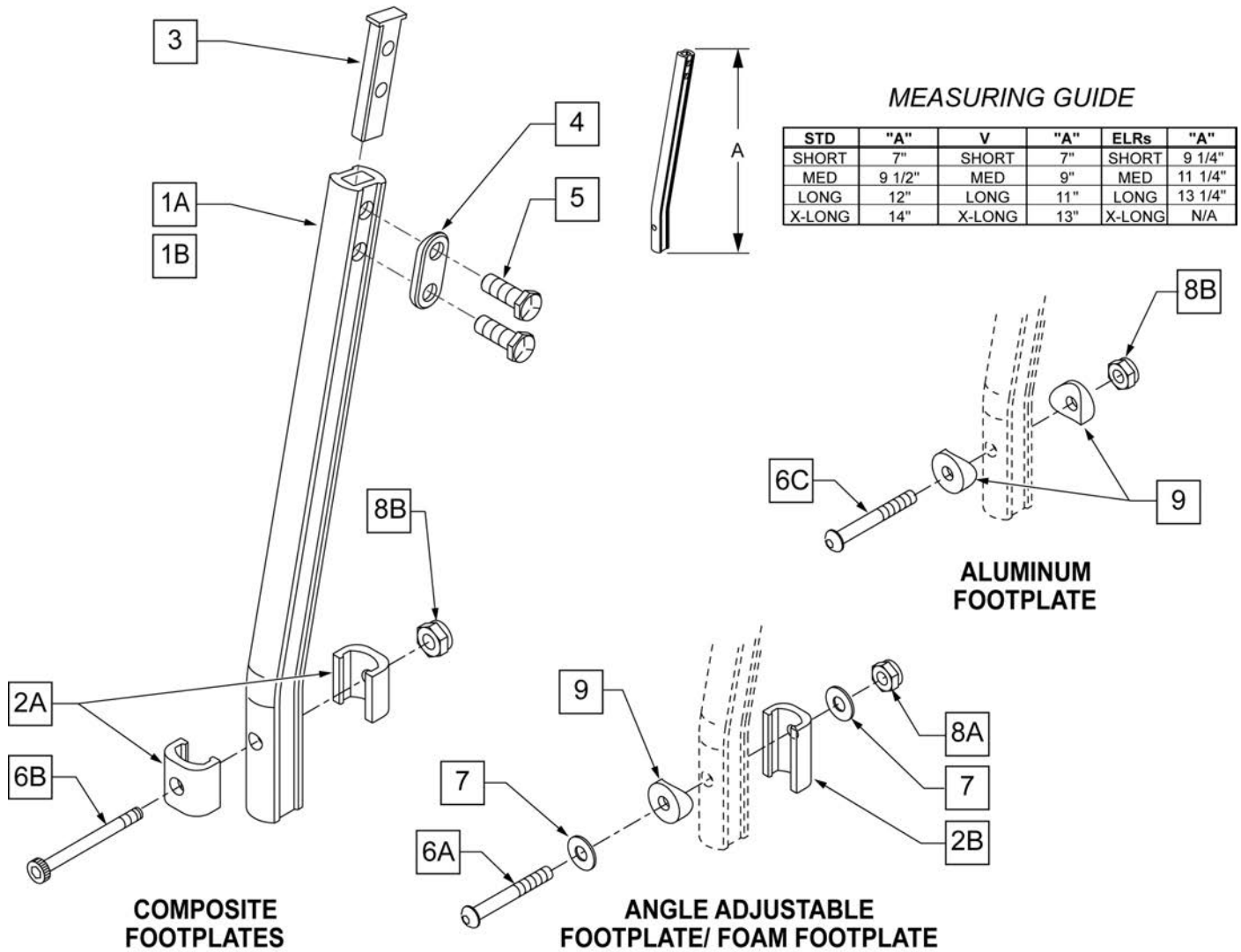


Pos.	Item Number	Description	Pos.	Item Number	Description
1	011047	SPRING PIN SLOTTED M3 X 18	16	226271	3/8-16 x 1/2 BH CS BLK ZN
2	230123	BHCS M8 X 1.25 X 45 BLK	17	540902	WLDMNT LEGREST ARM PWR INT R
3	561016	1" WASHER 5/16" HOLE	17	540903	WLDMNT LEGREST ARM PWR INT L
4	505983	BRKT HANGER POWER QR	18	889030	LEGREST PULL PIN ASSM
5	695040	DS LIFT LANYARD	19	230032	M6 X 16 B/H CAP SCREW
6	011023	PIVOT PLUG METRIC	20	011040	ELR ADJ TUBE WLDMNT R MM
7	505991	BLOCK, CAPTURE, HNGR	20	011041	ELR ADJ TUBE WLDMNT L MM
8	250104	WASHER FLAT M6	21	481469	LEGREST BOSS
9	013147	BHCS M6 X 1 X 12 BLK	22	560792	END CAP FOOTREST RAIL S626
10	011048	SPRING PIN SLOTTED M6 X 26	23	102262-004	BHCS M6 X 1 X 25 BLK W/PL
11	321787	SPRING COMP RELEASE LEVER	24	550081	CALF PAD MOUNT
12	011022	LEVER REL HNGR METRIC	25	542116	FOOTREST SADDLE 1.25"
13	011046	PADDLE RELEASE METRIC	26	011039-001	ELR EXT ROD SHT PWR MLT POS MM
14	230455	M4X8 FH SOC/CS	26A	011039-002	ELR EXT ROD LNG PWR ANG ADJ
15	261537	FOOTREST WASHER	27	202117	5/16-18 NYLOCK NUT THICK BLK

Pos.	Item Number	Description	Pos.	Item Number	Description
28	483113	FOOTREST MOUNT LOWER S626	36	540613	S/A HANGER REC WLDMNT
29	226217	5/16-18 x 2" BH C/S BLK	31-34	012210	BLOCK LOCATOR HNGR ASSM MM
30	011038-001	ELR EXT ROD SHT PWR ANG ADJ MM	31-36	012211	LIFT-OFF HANGER REC +2 ASSM
30A	011038-002	ELR EXT ROD LNG PWR ANG ADJ MM	31-36	012212	LIFT-OFF HANGER REC ASSM
31	230150	M8 X 1.25 X 50 BH C/S	27-30	012213	ELR PWR EXT ROD SHT ASSM M/POS
32	505831	SPACER CAM	27-30	012214	ELR PWR EXT ROD LNG ASSM M/POS
33	500526	BLOCK LOCATOR HNGER PWR	27-30A	012215	LFT-OFF HNGR REC 12-14W R ASSM
34	210085	NUT HEX NYLOCK M8 BLACK	27-30A	012216	LFT-OFF HNGR REC 12-14W L ASSM
35	012180	HNGR REC INTEGRATED 12-14W R	1-25	012217	LO POWER ELR HANGER R
35	012181	HNGR REC INTEGRATED 12-14W L	1-25	012218	LO POWER ELR HANGER L

NOTE: IF REPLACING AN EXTENSION TUBE ON AN MANUAL ALR PLEASE REFER TO THE ROUND EXT TUBE PARTS MANUAL PAGE.

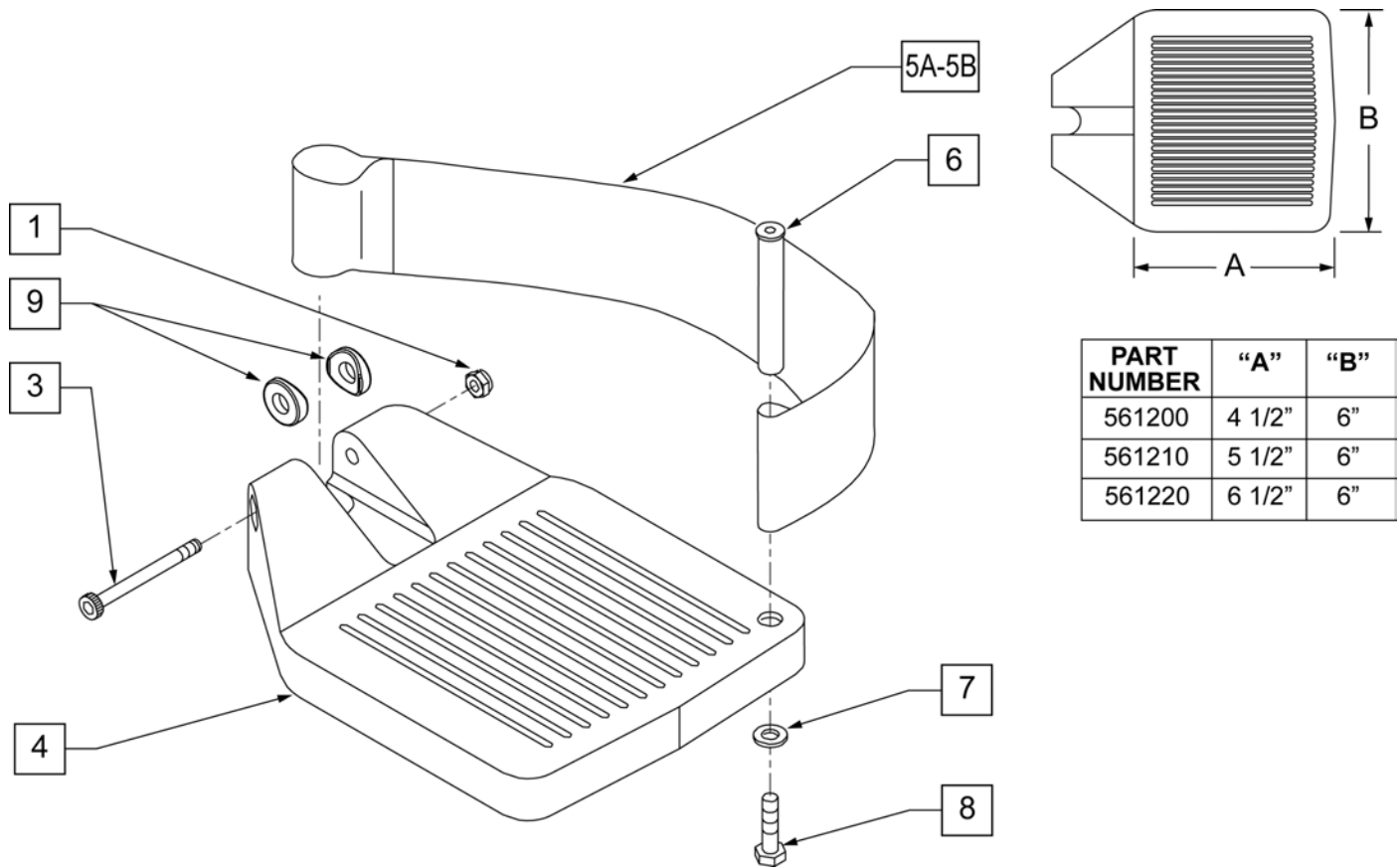
NOTE: WHEN ORDERING REPLACEMENT EXTENSION TUBES PLEASE VERIFY IF YOU HAVE THE OLD STYLE DOUBLE D EXTENSION TUBE OR THE NEW STYLE DOUBLE D EXTENSION TUBE. THIS CAN BE DONE BY REVIEWING THE HANGER THE EXTENSION TUBE IS USED ON. IF THE HANGER UTILIZES A SINGLE SET SCREW AT THE BOTTOM OF THE HANGER TUBE TO ATTACH THE EXTENSION TUBE TO THE HANGER, THEN THIS UTILIZES THE NEW STYLE DOUBLE D EXT TUBE ALL OTHER HANGERS REQUIRING A DOUBLE D EXTENSION TUBE UTILIZE THE OLD STYLE.



Pos.	Item Number	Description	Remarks
1A	550819	EXT TUBE S/A ONLY SHT	Short Ext-Swing Away Hanger
1A	550820	EXT TUBE S/A ONLY MED	Med Ext-Swing Away Hanger
1A	550821	EXT TUBE S/A ONLY LONG	Long Ext-Swing Away Hanger
1A	550822	EXT TUBE S/A ONLY X-LONG	X-Long Ext-Swing Away Hanger
1B	550834	EXT TUBE V IN ONLY D2 SHT R	Right Short Ext-Swing Away Hanger
1B	550835	EXT TUBE V IN ONLY D2 SHT L	Left Short Ext-Swing Away Hanger

Pos.	Item Number	Description	Remarks
1B	550836	EXT TUBE V IN ONLY D2 MED R	Right Med Ext-Swing Away Hanger
1B	550837	EXT TUBE V IN ONLY D2 MED L	Left Med Ext-Swing Away Hanger
1B	550838	EXT TUBE V IN ONLY D2 LONG R	Right Long Ext-Swing Away Hanger
1B	550839	EXT TUBE V IN ONLY D2 LONG L	Left Long Ext-Swing Away Hanger
1B	550840	EXT TUBE V IN ONLY D2 X-LONG R	Right X-Long Ext-Swing Away Hanger
1B	550841	EXT TUBE V IN ONLY D2 X-LONG L	Left X-Long Ext-Swing Away Hanger
2A	483718	HANGER EXTENSION SADDLE	USE W/ COMPOSITE FTPLT
2B	483720	HANGER EXTENSION SADDLE LONG	USE W/ ANGLE ADJ FTPLT
1C	550764	S/A HANGER EXT D2 SHORT BLACK	Short Ext ELR Hangers
1C	550765	S/A HANGER EXT D2 MED BLACK	Medium Ext ELR Hangers
1C	550766	S/A HANGER EXT D2 LONG BLACK	Long Ext ELR Hangers
3	500078	INSERT D2 EXT TUBE	
4	483717	HANGER SADDLE	
5	221102	1/4-28 x 3/4 HEX HEAD C/S BLK W/PTCH	
6A	106962	1/4-28 x 1 3/4 BH C/S BLK ZN	USE W/ ANGLE ADJ FTPLT
6B	226165	1/4 -28 x 2 1/2 SOC C/S	USE W/ COMPOSITE FTPLT
6C	226147	1/4 -28 X 1.85 BH C/S	
7	106945	1/4" SAE WASHER	
8A	106941	1/4 -28 AUTOMATION NUT	USE W/ ANGLE ADJ FTPLT
8B	106935	1/4 -28 NYLOCK NUT THIN	USE W/ COMPOSITE FTPLT
9	561055	3/4 SADDLE 1" OD	USE W/ ANGLE ADJ FTPLT
1A,2A-5	921759	EXT TUBE S/A SHT ASSM PCKT	USE W/ COMPOSITE FTPLT
1A,2A-5	921760	EXT TUBE S/A MED ASSM PCKT	USE W/ COMPOSITE FTPLT
1A,2A-5	921761	EXT TUBE S/A LONG ASSM PCKT	USE W/ COMPOSITE FTPLT
1A,2A-5	921762	EXT TUBE S/A X-LONG ASSM PCKT	USE W/ COMPOSITE FTPLT
1B,2A-5	921751	EXT TUBE "V" D2 SHT R ASSM PCKT	RIGHT - USE W/ COMPOSITE FTPLT V HANGER
1B,2A-5	921752	EXT TUBE "V" D2 SHT L ASSM PCKT	LEFT - USE W/ COMPOSITE FTPLT V HANGER
1B,2A-5	921753	EXT TUBE "V" D2 MED R ASSM PCKT	RIGHT - USE W/ COMPOSITE FTPLT V HANGER
1B,2A-5	921754	EXT TUBE "V" D2 MED L ASSM PCKT	LEFT - USE W/ COMPOSITE FTPLT V HANGER
1B,2A-5	921755	EXT TUBE "V" D2 LONG R ASSM PCKT	RIGHT - USE W/ COMPOSITE FTPLT V HANGER
1B,2A-5	921756	EXT TUBE "V" D2 LONG L ASSM PCKT	LEFT - USE W/ COMPOSITE FTPLT V HANGER
1B,2A-5	921757	EXT TUBE "V" D2 X-LONG R ASSM PCKT	RIGHT - USE W/ COMPOSITE FTPLT V HANGER
1B,2A-5	921758	EXT TUBE "V" D2 X-LONG L ASSM PCKT	LEFT - USE W/ COMPOSITE FTPLT V HANGER
1A,2A-7,9	921772	EXT TUBE S/A SHT ANG ADJ PCKT	USE W/ ANGLE ADJ FTPLT
1A,2A-7,9	921773	EXT TUBE S/A MED ANG ADJ PCKT	USE W/ ANGLE ADJ FTPLT
1A,2A-7,9	921774	EXT TUBE S/A LONG ANG ADJ PCKT	USE W/ ANGLE ADJ FTPLT
1A,2A-7,9	921775	EXT TUBE S/A X-LONG ANG ADJ PCKT	USE W/ ANGLE ADJ FTPLT
1B,2A-7,9	921764	EXT TUBE "V" D2 SHT R ANG ADJ PCKT	RIGHT - USE W/ ANGLE ADJ FTPLT V HANGER
1B,2A-7,9	921765	EXT TUBE "V" D2 SHT L ANG ADJ PCKT	LEFT - USE W/ ANGLE ADJ FTPLT V HANGER
1B,2A-7,9	921766	EXT TUBE "V" D2 MED R ANG ADJ PCKT	RIGHT - USE W/ ANGLE ADJ FTPLT V HANGER
1B,2A-7,9	921767	EXT TUBE "V" D2 MED L ANG ADJ PCKT	LEFT - USE W/ ANGLE ADJ FTPLT V HANGER
1B,2A-7,9	921768	EXT TUBE "V" D2 LONG R ANG ADJ PCKT	RIGHT - USE W/ ANGLE ADJ FTPLT V HANGER
1B,2A-7,9	921769	EXT TUBE "V" D2 LONG L ANG ADJ PCKT	LEFT - USE W/ ANGLE ADJ FTPLT V HANGER
1B,2A-7,9	921770	EXT TUBE "V" D2 X-LONG R ANG AD PCKT	RIGHT - USE W/ ANGLE ADJ FTPLT V HANGER
1B,2A-7,9	921771	EXT TUBE "V" D2 X-LONG L ANG AD PCKT	LEFT - USE W/ ANGLE ADJ FTPLT V HANGER

COMPOSITE FOOTPLATE



Pos.	Item Number	Description	Remarks
1	106935	1/4 - 28 NYLOCK NUT	
3	226165	1/4 - 28 x 2 1/2 SOC C/S	
4	561200	COMPOSITE FOOTPLATE 14 -15 (16 -18 V)	14 -15 OR 16 -18V
4	561210	COMPOSITE FOOTPLATE 16 -17 (19 -20 V)	16 -17 OR 19 -20V
4	561220	COMPOSITE FOOTPLATE 18 -20	18 -20
5A	741151	HEEL LOOP 14-15 COMPOSITE (14 -15 or 16 -18V)	14 -15 OR 16 -18V
5A	741156	HEEL LOOP 16 -17 or 19 -20V	16 -17 OR 19 -20V
5A	741153	HEEL LOOP 18-20 COMPOSITE/14-15 ANG ADJ	18 -20
5A	902270	HEEL LOOP COMPOSITE FT 14-15	PAIR 14 -15 OR 16 -18V
5A	902271	HEEL LOOP COMPOSITE FT 16-17	PAIR 16 -17 OR 19 -20V
5A	902272	HEEL LOOP COMPOSITE FT 18-20	PAIR 18 -20
5B	741154	HEEL LOOP 14-15 COMPOSITE HEMI	14 -15 HEMI
5B	741155	HEEL LOOP 16-17 COMPOSITE HEMI	16 -17 HEMI
5B	741153	HEEL LOOP 18-20 COMPOSITE HEMI	18 -10 HEMI
5B	902260	HEEL LOOPS HEMI COMPOSITE 14-15	PAIR 14 -15 HEMI
5B	902261	HEEL LOOPS HEMI COMPOSITE 16-17	PAIR 16 -17 HEMI
5B	902262	HEEL LOOPS HEMI COMPOSITE 18-20	PAIR 18 -20 HEMI
6	561040	HEEL LOOP PEG	
7	106944	1/4 AN WASHER FLAT THIN	
8	106958	HHCS 1/4-20 X 1 ROHS	
9	561003	3/4" SADDLE THIN	USED W/ ROUND EXT TUBES ONLY
1,3,4	921180	COMPOSITE FOOTPLATE ASSM 14-15	RIGHT (14 -15 OR 16 -18V) W/O HEEL LOOP
1,3,4	921181	COMPOSITE FOOTPLATE ASSM 14-15	LEFT (14 -15 OR 16 -18V) W/O HEEL LOOP
1,3,4	921182	COMPOSITE FOOTPLATE ASSM 16-17	RIGHT (16 -17 OR 19 -20V) W/O HEEL LOOP
1,3,4	921183	COMPOSITE FOOTPLATE ASSM 16-17	LEFT (16 -17 OR 19 -20V) W/O HEEL LOOP

Pos.	Item Number	Description	Remarks
1,3,4	921184	COMPOSITE FOOTPLATE ASSM 18-20	RIGHT (18 -20) W/O HEEL LOOP
1,3,4	921185	COMPOSITE FOOTPLATE ASSM 18-20	LEFT (18 -20) W/O HEEL LOOP
1,3,4	921151	COMPOSITE FOOTPLATE ASSM 14-15/16-18V	PAIR (14 -15 OR 16 -18V) W/O HEEL LOOP
1,3,4	921152	COMPOSITE FOOTPLATE ASSM 16-17/19-20V	PAIR (16 -17 OR 19 -20V) W/O HEEL LOOP
1,3,4	921153	COMPOSITE FOOTPLATE ASSM 18-20	PAIR (18 -20) W/O HEEL LOOP
1,3,4A-8	921190	COMPOSITE FOOTPLATE ASSM HL LP 14-15	RIGHT (14 -15 OR 16 -18V) W/ HEEL LOOP
1,3,4A-8	921191	COMPOSITE FOOTPLATE ASSM HL LP 14-15	LEFT (14 -15 OR 16 -18V) W/ HEEL LOOP
1,3,4A-8	921192	COMPOSITE FOOTPLATE ASSM HL LP 16-17	RIGHT (16 -17 OR 19 -20V) W/ HEEL LOOP
1,3,4A-8	921193	COMPOSITE FOOTPLATE ASSM HL LP 16-17	LEFT (16 -17 OR 19 -20V) W/ HEEL LOOP
1,3,4A-8	921194	COMPOSITE FOOTPLATE ASSM HL LP 18-20	RIGHT (18 -20) W/ HEEL LOOP
1,3,4A-8	921195	COMPOSITE FOOTPLATE ASSM HL LP 18-20	LEFT (18 -20) W/ HEEL LOOP
1,3,4A-8	921161	COMPOSITE FOOTPLATE ASSM HL 14-15/16-18V	PAIR (14 -15 OR 16 -18V) W/ HEEL LOOP
1,3,4A-8	921162	COMPOSITE FOOTPLATE ASSM HL 16-17/19-20V	PAIR (16 -17 OR 19 -20V) W/ HEEL LOOP
1,3,4A-8	921163	COMPOSITE FOOTPLATE ASSM HL 18-20	PAIR (18 -20) W/ HEEL LOOP
1,3,4B-8	921140	COMPOSITE FOOTPLATE ASSM HEMI HL LP 14-15	RIGHT (14 -15) W/ HEEL LOOP
1,3,4B-8	921141	COMPOSITE FOOTPLATE ASSM HEMI HL LP 14-15	LEFT (14 -15) W/ HEEL LOOP
1,3,4B-8	921142	COMPOSITE FOOTPLATE ASSM HEMI HL LP 16-17	RIGHT (16 -17) W/ HEEL LOOP
1,3,4B-8	921143	COMPOSITE FOOTPLATE ASSM HEMI HL LP 16-17	LEFT (16 -17) W/ HEEL LOOP
1,3,4B-8	921144	COMPOSITE FOOTPLATE ASSM HEMI HL LP 18-20	RIGHT (18 -20) W/ HEEL LOOP
1,3,4B-8	921145	COMPOSITE FOOTPLATE ASSM HEMI HL LP 18-20	LEFT (18 -20) W/ HEEL LOOP
1,3,4B-8	921167	COMPOSITE FOOTPLATE ASSM HEMI HL LPS 14-15	PAIR (14 -15) W/ HEEL LOOP
1,3,4B-8	921168	COMPOSITE FOOTPLATE ASSM HEMI HL LPS 16-17	PAIR (16 -17) W/ HEEL LOOP
1,3,4B-8	921169	COMPOSITE FOOTPLATE ASSM HEMI HL LPS 18-20	PAIR (18 -20) W/ HEEL LOOP

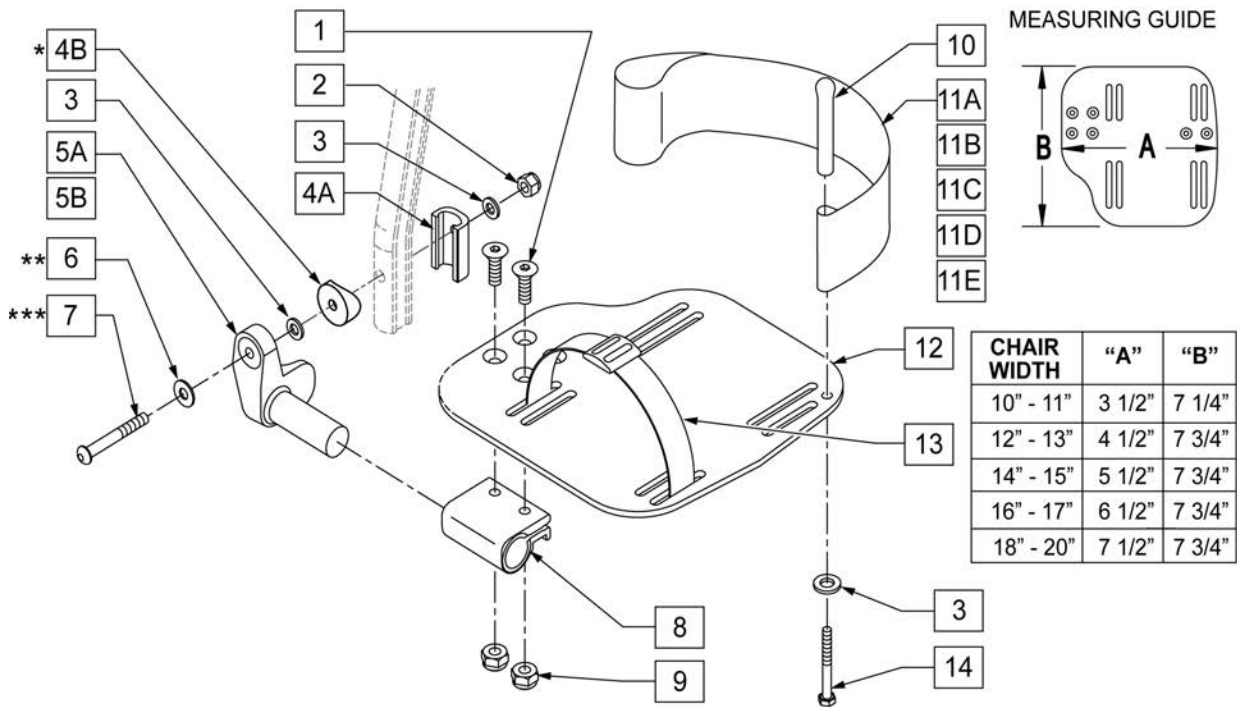
NOTE: FOR HIGH-MOUNT ADULT ANGLE-ADJUSTABLE FOOTPLATE, SEE "HIGH-MOUNT EXTENSION TUBE" PAGE.

NOTE: ORDER ITEM 4B FOR CHAIRS PRIOR TO 8/13/01.

NOTE: ONLY 1 WASHER PRIOR TO 8/13/01.

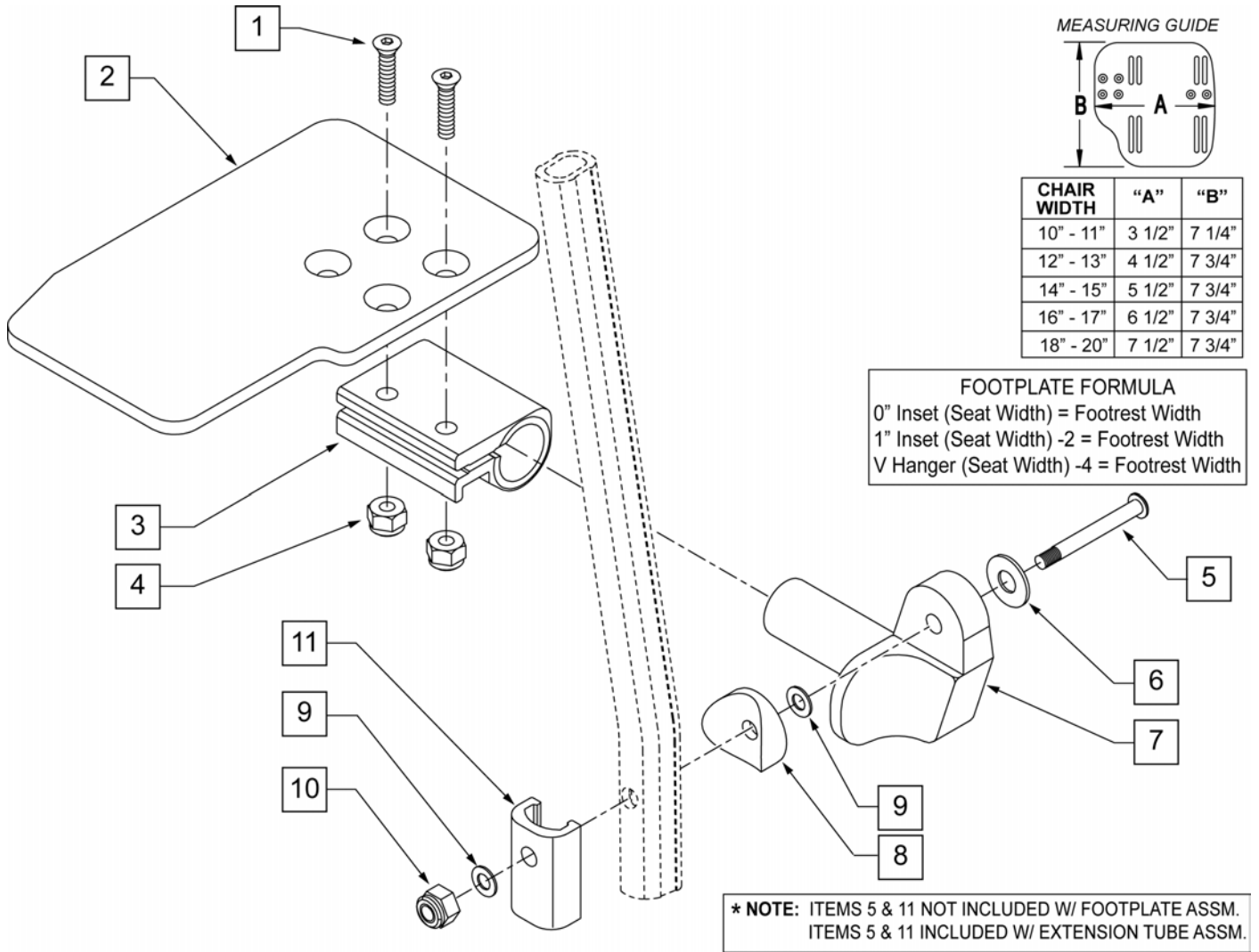
NOTE: ORDER PART 226167 PRIOR TO 8/13/01.

NOTE: See attached REFERENCE GUIDE.



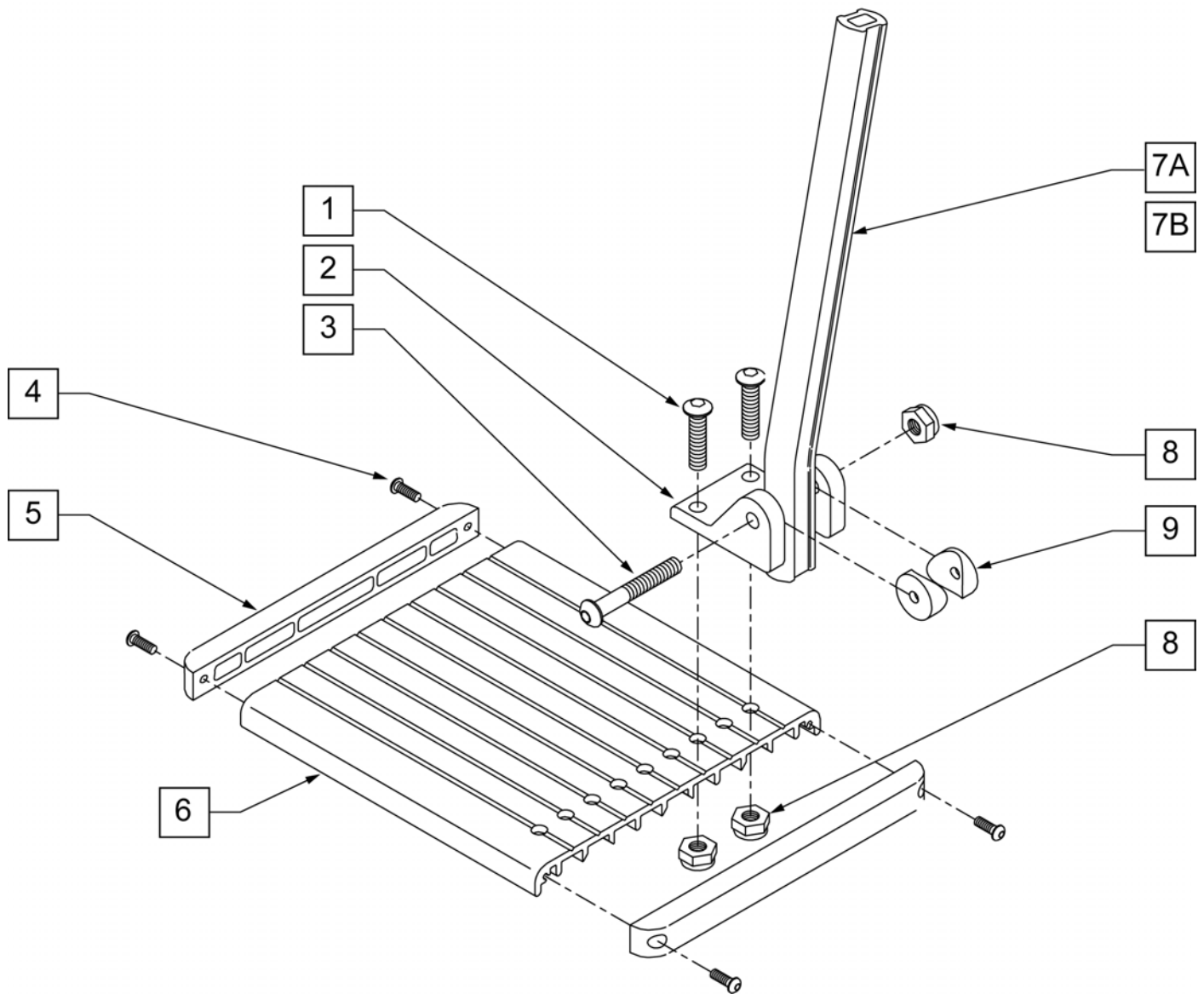
Pos.	Item Number	Description	Remarks
1	106978	1/4-28 x 7/8 FH C/S	
2	106941	1/4-28 AUTOMATION NUT	

Pos.	Item Number	Description	Remarks
3	106943	WASHER FLAT AN 1/4 ROHS	
4A	483720	HANGER EXTENSION SADDLE LONG	USE W/ DOUBLE D EXT TUBE
4B	561055	3/4" SADDLE 1" OD	USE W/ ROUND EXT TUBE
5	541002	FTRST MOUNTING BRKT-3/8 RAD R	RIGHT
5	541003	FTRST MOUNTING BRKT-3/8 RAD L	LEFT
6	106945	WASHER FLAT SAE 1/4 ROHS	
7A	106962	BHCS 1/4-28 X 1-3/4 ROHS	USE W/ DOUBLE D EXT TUBE
7B	226167	1/4-28 x 1.625 BH C/S BLK	USE W/ ROUND EXT TUBE
8	550350	3/4" CLMP ADJ FT PLT	
9	106935	NUT NYLOCK THIN 1/4-28 ROHS	
10	561040	HEEL LOOP PEG	
11A	741154	HEEL LOOP 14-15 CMPST HEMI	USED W/ 10-11" ADULT ANG ADJ FTPLTS
11B	741155	HEEL LOOP 16-17 CMPST HEMI	USED W/ 12 -13" ADULT ANG ADJ FTPLTS
11C	741153	H/L 18-20 CMPST/14-15 ANG ADJ	USED W/ 14-15"/16-17" ADULT ANG ADJ FTPLTS
11D	741253	HEEL LOOP ADLT ADJ F/PLT 18-20	USED W/ 18 -20" ADULT ANG ADJ FTPLTS
12	500656	ADLT ANGL ADJ F/PLT 10/11" R	RIGHT
12	500657	ADLT ANGL ADJ F/PLT 10/11" L	LEFT
12	500658	ADLT ANGL ADJ F/PLT 12/13" R	RIGHT
12	500659	ADLT ANGL ADJ F/PLT 12/13" L	LEFT
12	500660	ADLT ANGL ADJ F/PLT 14/15	RIGHT
12	500661	ADLT ANGL ADJ F/PLT 14/15	LEFT
12	500662	ADLT ANGL ADJ F/PLT 16/17	RIGHT
12	500663	ADLT ANGL ADJ F/PLT 16/17	LEFT
12	500664	ADLT ANGL ADJ F/PLT 18-20	RIGHT
12	500665	ADLT ANGL ADJ F/PLT 18-20	LEFT
13	740260	TOE/ANKLE STRAP ADJ ADLT F/PLT	
14	106958	1/4-20 x 1 HEX C/S	
1-3,5,6,8,9,12	820526	AD ANG ADJ F/PLT R 12"/13" OMIT HL	RIGHT
1-3,5,6,8,9,12	820536	AD ANG ADJ F/PLT L 12"/13" OMT HL	LEFT
1-3,5,6,8,9,12	820460	FP ADLT ADJ 14/15 OMIT HL	RIGHT
1-3,5,6,8,9,12	820462	FP ADLT ADJ 14/15 OMIT HL	LEFT
1-3,5,6,8,9,12	820464	FP ADLT ADJ 16/17 OMIT HL	RIGHT
1-3,5,6,8,9,12	820466	FP ADLT ADJ 16/17 OMIT HL	LEFT
1-3,5,6,8,9,12	820468	FP ADLT ADJ 18-20 OMIT HL	RIGHT
1-3,5,6,8,9,12	820470	FP ADLT ADJ 18-20 OMIT HL	LEFT
1-3,5,6,8,9,12	921466	ADLT ANGL ADJ F/PLT 12"/13" OMIT HL	PAIR
1-3,5,6,8,9,12	921320	FP ADLT ADJ 14/15 OMIT HL	PAIR
1-3,5,6,8,9,12	921322	FP ADLT ADJ 16/17 OMIT HL	PAIR
1-3,5,6,8,9,12	921324	FP ADLT ADJ 18-20 OMIT HL	PAIR
1-3,5,6,8,9,12	820522	AD ANGL ADJ F/PLT R 12/13" H/L	RIGHT
1-3,5,6,8,9,12	820532	AD ANGL ADJ F/PLT L 12/13" H/L	LEFT
1-3,5,6,8-10,11C, 12,14	820461	FP ADLT ADJ 14/15 HL	RIGHT
1-3,5,6,8-10,11C, 12,14	820463	FP ADLT ADJ 14/15 HL	LEFT
1-3,5,6,8-10,11C, 12,14	820465	FP ADLT ADJ 16/17 HL	RIGHT
1-3,5,6,8-10,11C, 12,14	820467	FP ADLT ADJ 16/17 HL	LEFT
1-3,5,6,8-10,11D, 12,14	820469	FP ADLT ADJ 18-20 HL	RIGHT
1-3,5,6,8-10,11D, 12,14	820471	FP ADLT ADJ 18-20 HL	LEFT
1-3,5,6,8-10,11B, 12,14	921462	ADLT ANGL ADJ F/PLATE 12"/13" HL	PAIR
1-3,5,6,8-10,11C, 12,14	921321	FP ADLT ADJ 14/15 HL	PAIR
1-3,5,6,8-10,11C, 12,14	921323	FP ADLT ADJ 16/17 HL	PAIR
1-3,5,6,8-10,11D, 12,14	921325	FP ADLT ADJ 18-20 HL	PAIR
1-3,6,7A,9-10,14	101533	ADLT ANG ADJ FP D2 HDWR KIT	FOR DOUBLE D EXT TUBES
1-3B,4B,6,7B,9,10,14	101534	ADLT ANG ADJ FP RND HDWR KIT	FOR ROUND EXT TUBES (Q2 HP ONLY)

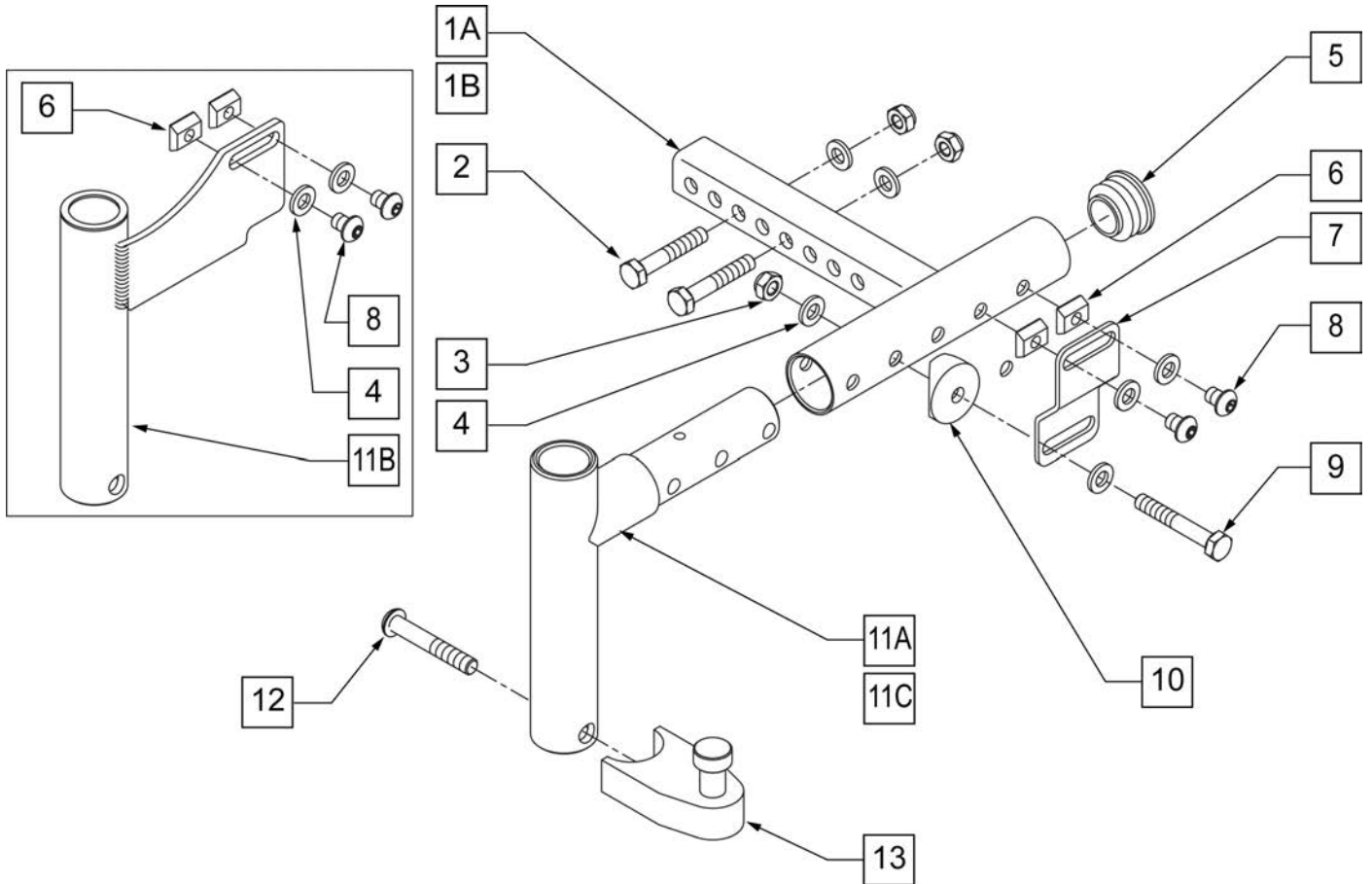


Pos.	Item Number	Description	Remarks
1	106978	FHCS 1/4 -28 x 7/8 ROHS	
2	500635	KIDS ANGL ADJ F/PLT 10" R	Right
2	500636	KIDS ANGL ADJ F/PLT 10" L	Left
2	500637	KIDS ANGL ADJ F/PLT 11" R	Right
2	500638	KIDS ANGL ADJ F/PLT 11" L	Left
2	500639	KIDS ANGL ADJ F/PLT 12" R	Right
2	500640	KIDS ANGL ADJ F/PLT 12" L	Left
2	500641	KIDS ANGL ADJ F/PLT 13" R	Right
2	500642	KIDS ANGL ADJ F/PLT 13" L	Left
2	500643	KIDS ANGL ADJ F/PLT 14" R	Right
2	500644	KIDS ANGL ADJ F/PLT 14" L	Left
2	500645	KIDS ANGL ADJ F/PLT 15" R	Right
2	500646	KIDS ANGL ADJ F/PLT 15" L	Left
2	500647	KIDS ANGL ADJ F/PLT 16" R	Right
2	500648	KIDS ANGL ADJ F/PLT 16" L	Left
3	550350	3/4" CLAMP ADJ FOOTPLATE	
4	106935	NUT NYLOCK THIN 1/4 -28 ROHS	
5	106962	1/4-28 x 1 3/4 BH C/S BLK ZN (D2 EXTENSION TUBES)	

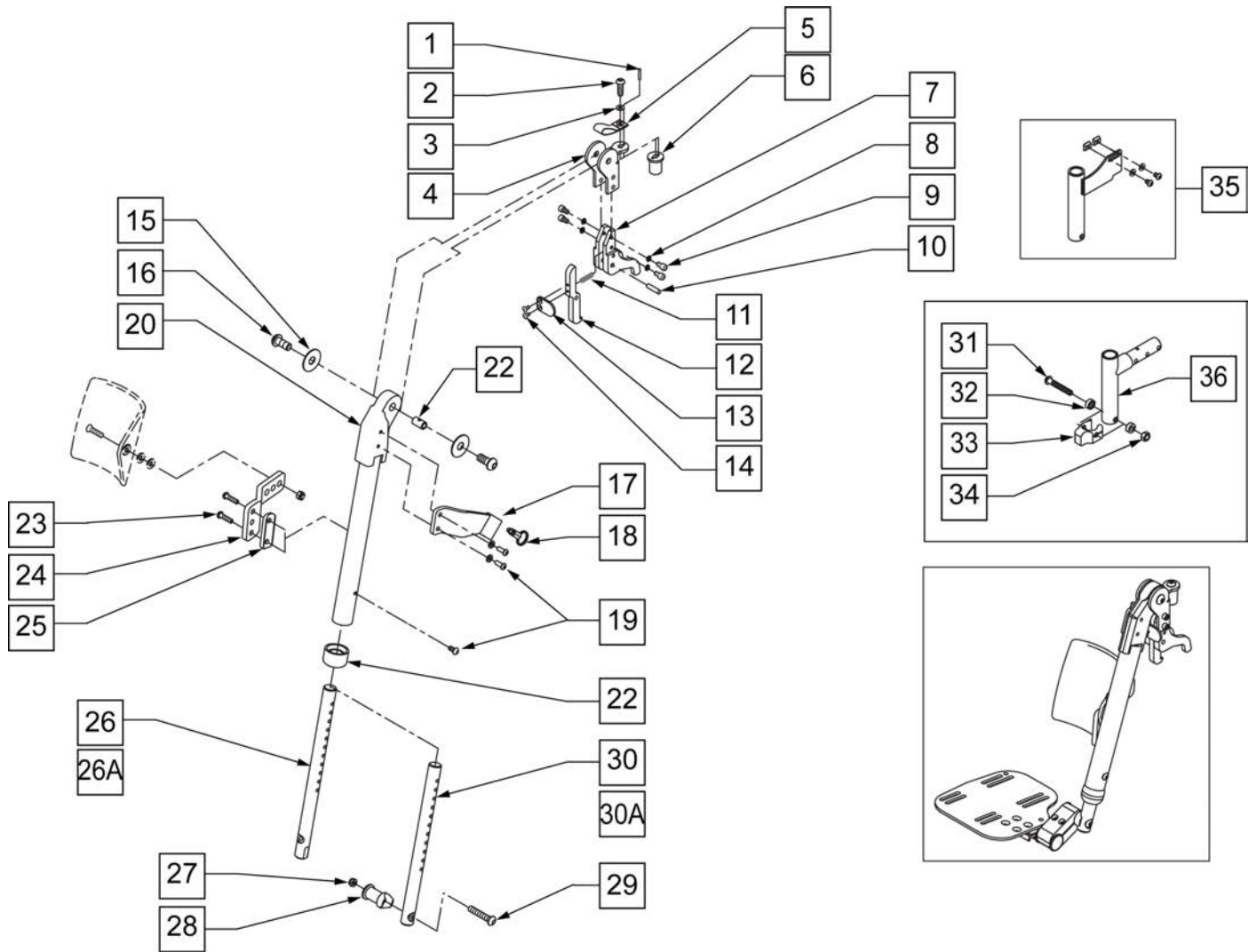
Pos.	Item Number	Description	Remarks
5	226167	1/4-28 x 1.625 BH C/S BLK (ROUND EXTENSION TUBES)	
6	106945	1/4 SAE WASHER	
7	541002	FTRST MOUNTING BRKT-3/8 RAD R	
7	541003	FTRST MOUNTING BRKT-3/8 RAD L	
8	561055	3/4" SADDLE 1" OD	
9	106944	WASHER FLAT THIN AN 1/4 ROHS	
10	106941	NUT AUTOMATION 1/4 -28 ROHS	
1-7,9,10	828850	KIDS ANG ADJ F/PLT EXT-MNT 10"R	Right
1-7,9,10	828851	KIDS ANG ADJ F/PLT EXT-MNT 10"L	Left
1-7,9,10	828852	KIDS ANG ADJ F/PLT EXT-MNT 11"R	Right
1-7,9,10	828853	KIDS ANG ADJ F/PLT EXT-MNT 11"L	Left
1-7,9,10	828854	KIDS ANG ADJ F/PLT EXT-MNT 12"R	Right
1-7,9,10	828855	KIDS ANG ADJ F/PLT EXT-MNT 12"L	Left
1-7,9,10	828856	KIDS ANG ADJ F/PLT EXT-MNT 13"R	Right
1-7,9,10	828857	KIDS ANG ADJ F/PLT EXT-MNT 13"L	Left
1-7,9,10	828858	KIDS ANG ADJ F/PLT EXT-MNT 14"R	Right
1-7,9,10	828859	KIDS ANG ADJ F/PLT EXT-MNT 14"L	Left
1-7,9,10	828860	KIDS ANG ADJ F/PLT EXT-MNT 15"R	Right
1-7,9,10	828861	KIDS ANG ADJ F/PLT EXT-MNT 15"L	Left
1-7,9,10	828862	KIDS ANG ADJ F/PLT EXT-MNT 16"R	Right
1-7,9,10	828863	KIDS ANG ADJ F/PLT EXT-MNT 16"L	Left
1-7,9,10	921280	KIDS ANG ADJ F/PLT EXT-MNT 10"	Pair
1-7,9,10	921281	KIDS ANG ADJ F/PLT EXT-MNT 11"	Pair
1-7,9,10	921282	KIDS ANG ADJ F/PLT EXT-MNT 12"	Pair
1-7,9,10	921283	KIDS ANG ADJ F/PLT EXT-MNT 13"	Pair
1-7,9,10	921284	KIDS ANG ADJ F/PLT EXT-MNT 14"	Pair
1-7,9,10	921285	KIDS ANG ADJ F/PLT EXT-MNT 15"	Pair
1-7,9,10	921286	KIDS ANG ADJ F/PLT EXT-MNT 16"	Pair



Pos.	Item Number	Description
1	106959	1/4-28 x 5/8 BH C/S
2	550739	FOOTPLATE MNT BRKT
3	226147	1/4-28 x 1.85 BH C/S
4	281043	#4 x 5/8 PH PHIL S/TAP
5	560101	END CAPS FOOTREST
7A	550764	S/A HANGER EXT D2 SHORT BLK
7B	550766	S/A HANGER EXT D2 LONG BLK
8	106935	NUT NYLOCK THIN 1/4-28 ROHS
9	561003	3/4" SADDLE THIN
4-6	883157	ELR FOOTPLATE 22 -30"
1-6,8,9	921407	ELR FOOTPLATE KIT 22 -30"
1,3,4,8	101562	ELR FOOTPLATE HDWR KIT

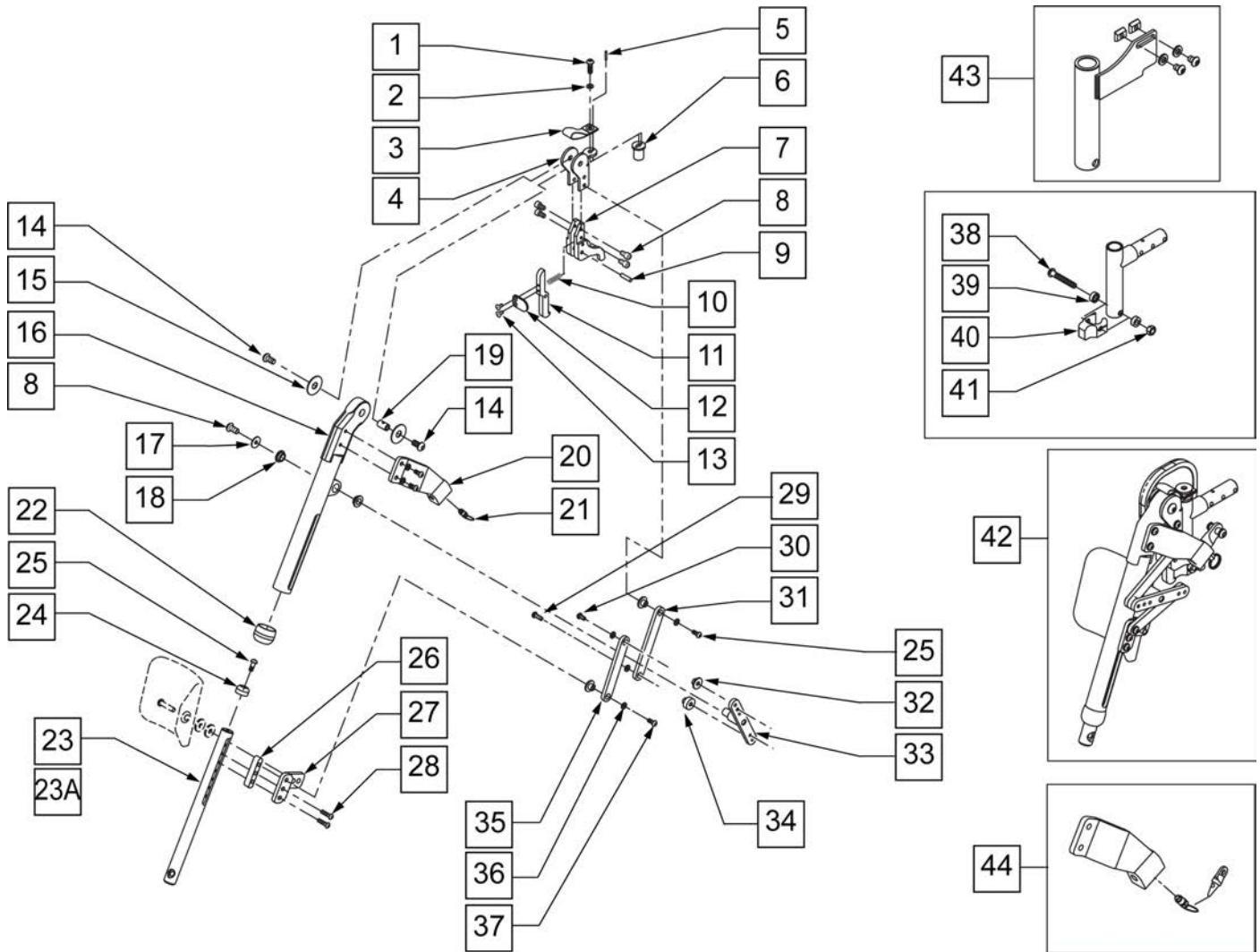


Pos.	Item Number	Description	Remarks
1A	540401	FAB REC HANGER INT 14-20W	15 -20" SEAT WIDTH
1B	540402	FAB REC HANGER INT 21-24W	21 -24" SEAT WIDTH
2	011600	HHCS M6 X 1.0 X 35 BLK	
3	210084	NUT HEX NYLOCK M6 BLACK	
4	250104	WASHER FLAT M6	
5	561062	1 INSERT PLUG .065 RIBS	
6	010065	M6 CHANNEL NUT	
7	501559	BRKT SUPPORT REC HANGER	
8	102262-001	BHCS M6X1X8 FULL PL	
9	011603	HHCS M6 X 1.0 X 40 BLK	
10	561004	1 SADDLE 1/4" HOLE	
11A	540613	S/A HANGER REC FAB	15 -24" SEAT WIDTH (14 -20" SEAT DEPTH)
11B	540403	HANGER REC INTEGRATED 12-14W R	12 -14" SEAT WIDTH
11B	540404	HANGER REC INTEGRATED 12-14W L	12 -14" SEAT WIDTH
11C	540013	S/A HANGER REC +2 FAB	15 -24" SEAT WIDTH (22" SEAT DEPTH)
12,13	012186	LATCH STUD SUPPORT ASSM	
1A-11A	012225	HANGER REC INT 15-20W STD ASSM	15 -20" SEAT WIDTH (14 -20" SEAT DEPTH)
1B-11C	012226	HANGER REC INT 21-24W STD ASSM	21 -24" SEAT WIDTH (14 -20" SEAT DEPTH)
1A-11A	012227	HANGER REC INT 15-20W +2 ASSM	15 -20" SEAT WIDTH (22" SEAT DEPTH)
1B-11C	012228	HANGER REC INT 21-24W +2 ASSM	21 -24" SEAT WIDTH (22" SEAT DEPTH)
4,6,8,11B	012180	HANGER REC INT 12W-14W R ASSM	RIGHT
4,6,8,11B	012181	HANGER REC INT 12W-14W L ASSM	LEFT



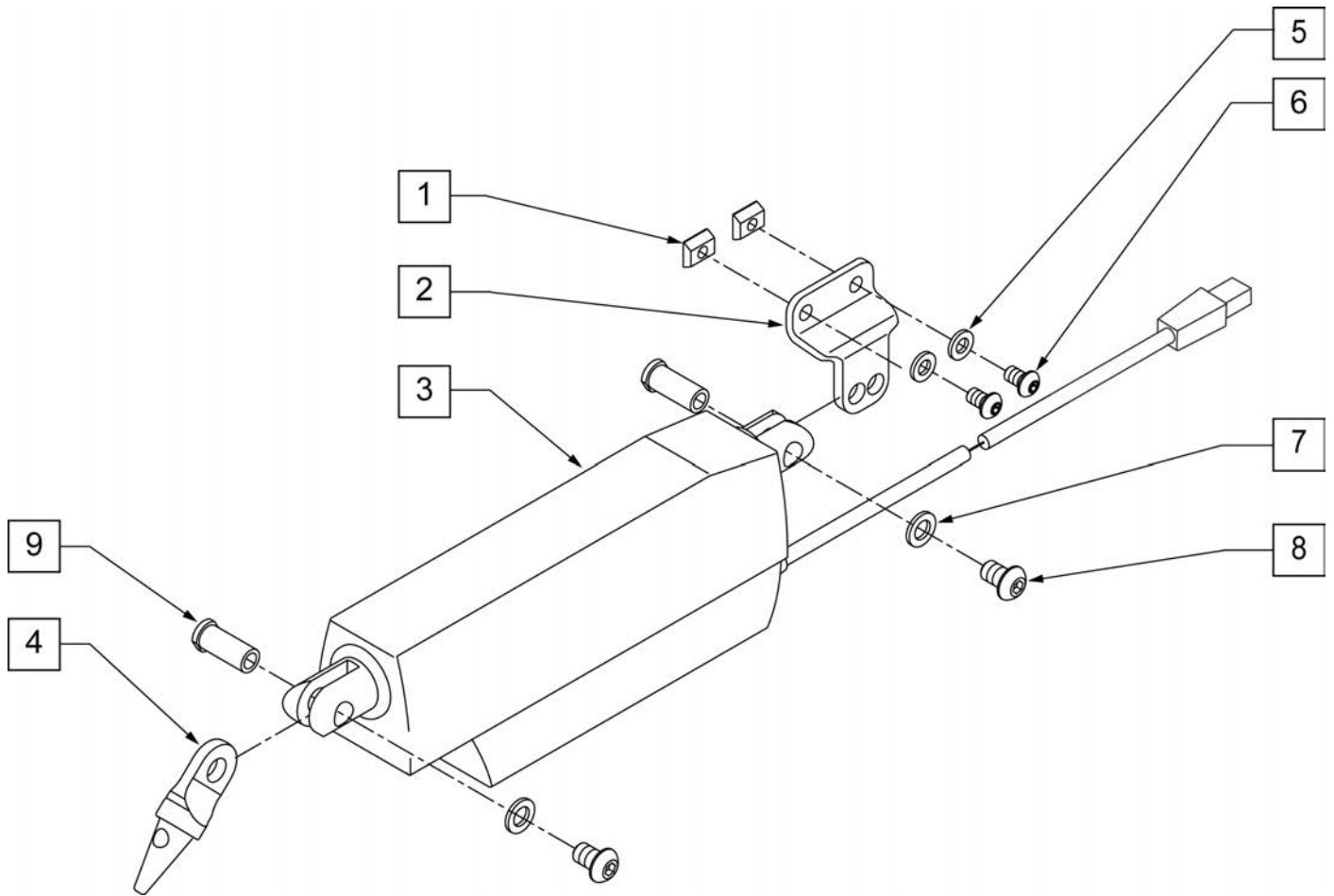
Pos.	Item Number	Description	Remarks
1	011047	SPRING PIN SLOTTED M3 X 18	
2	230123	BHCS M8 X 1.25 X 45 BLK	
3	561016	1" WASHER 5/16" HOLE	
4	505983	BRKT HANGER POWER QR	
5	695040	DS LIFT LANYARD	
6	011023	PIVOT PLUG METRIC	
7	505991	BLOCK, CAPTURE, HNGR	
8	250104	WASHER FLAT M6	
9	013147	BHCS M6 X 1 X 12 BLK	
10	011048	SPRING PIN SLOTTED M6 X 26	
11	321787	SPRING COMP RELEASE LEVER	
12	011022	LEVER REL HNGR METRIC	
13	011046	PADDLE RELEASE METRIC	
14	230455	M4X8 FH SOC/CS	
15	261537	FOOTREST WASHER	
16	226271	3/8-16 x 1/2 BH CS BLK ZN	
17	540902	WLDMNT LEGREST ARM PWR INT R	RIGHT
17	540903	WLDMNT LEGREST ARM PWR INT L	LEFT

Pos.	Item Number	Description	Remarks
18	889030	LEGREST PULL PIN ASSM	
19	230032	M6 X 16 B/H CAP SCREW	
20	011040	ELR ADJ TUBE WLDMNT R MM	
20	011041	LEGREST BOSSELR ADJ TUBE WLDMNT L MM	
21	481469	LEGREST BOSS	
22	560792	END CAP FOOTREST RAIL S626	
23	102262-004	BHCS M6 X 1 X 25 BLK W/PL	
24	550081	CALF PAD MOUNT	
25	542116	FOOTREST SADDLE 1.25"	
26	011039-001	ELR EXT ROD SHT PWR MLT POS MM	SHORT
26A	011039-002	ELR EXT ROD LNG PWR ANG ADJ	LONG
27	202117	5/16-18 NYLOCK NUT THICK BLK	
28	483113	FOOTREST MOUNT LOWER S626	
29	226217	5/16-18 x 2" BH C/S BLK	
30	011038-001	ELR EXT ROD SHT PWR ANG ADJ MM	SHORT
30A	011038-002	ELR EXT ROD LNG PWR ANG ADJ MM	LONG
31	230150	M8 X 1.25 X 50 BH C/S	
32	505831	SPACER CAM	
33	500526	BLOCK LOCATOR HNGER PWR	
34	210085	NUT HEX NYLOCK M8 BLACK	
35	012180	HNGR REC INTEGRATED 12-14W R	RIGHT
35	012181	HNGR REC INTEGRATED 12-14W L	LEFT
36	540613	S/A HANGER REC WLDMNT	
31-34	012210	BLOCK LOCATOR HNGR ASSM MM	
31-36	012211	LIFT-OFF HANGER REC +2 ASSM	
31-36	012212	LIFT-OFF HANGER REC ASSM	
27-30	012213	ELR PWR EXT ROD SHT ASSM M/POS	
27-30	012214	ELR PWR EXT ROD LNG ASSM M/POS	
27-30A	012215	LFT-OFF HNGR REC 12-14W R ASSM	RIGHT
27-30A	012216	LFT-OFF HNGR REC 12-14W L ASSM	LEFT
1-25	012217	LO POWER ELR HANGER R	RIGHT
1-25	012218	LO POWER ELR HANGER L	LEFT

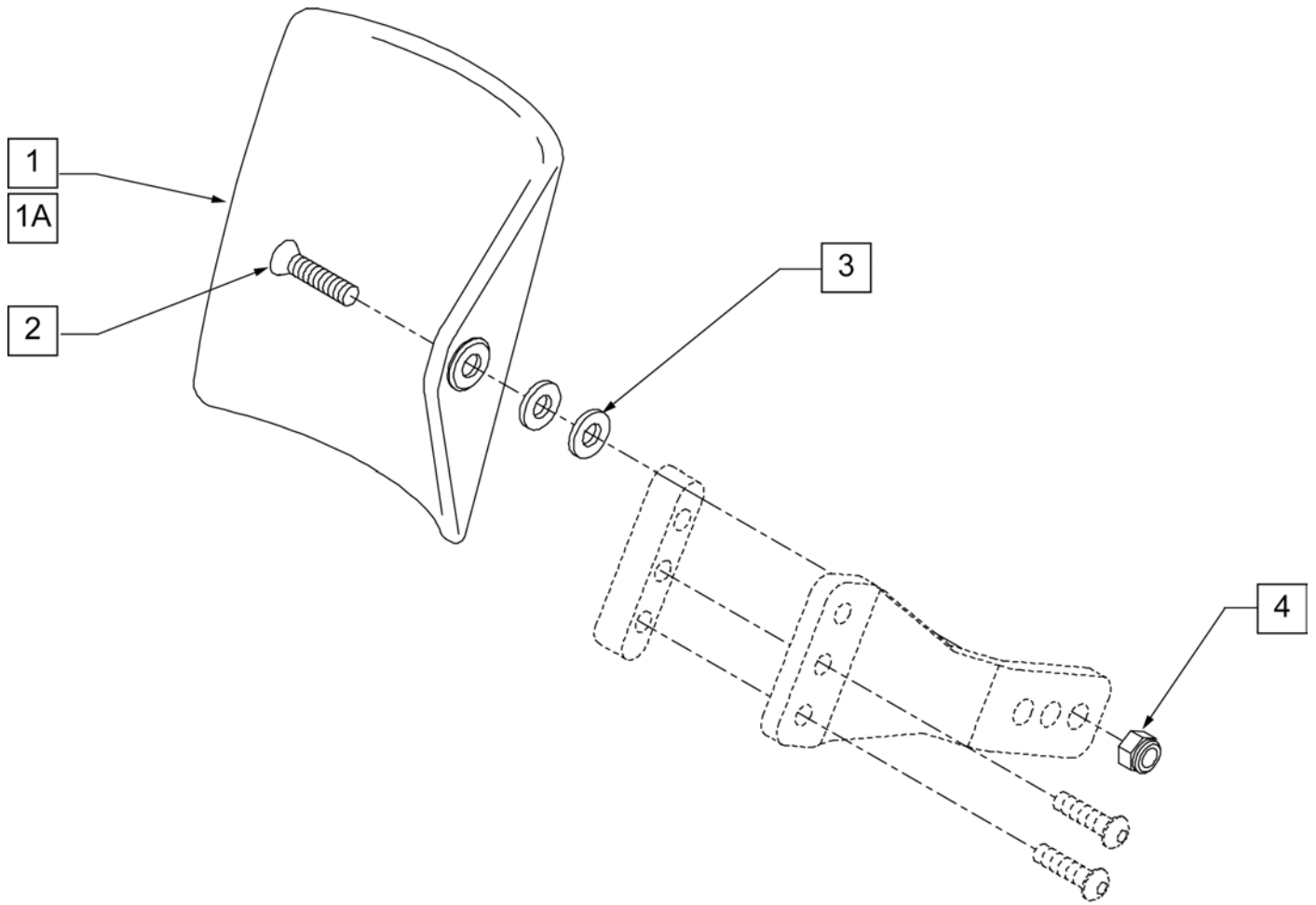


Pos.	Item Number	Description	Remarks
1	230123	BHCS M8 x 1.25 x 45 BLK	
2	561016	1" WASHER 5/16 HOLE	
3	695040	DS LIFT LANYARD	
4	505983	BRKT HANGER POWER QR	
5	011047	SPRING PIN SLOTTED M3 x 18	
6	011023	PIVOT PLUG METRIC	
7	505991	BLOCK CAPTURE HANGER	
8	013147	BHCS M6 x 1 x 12 BLK	
9	011048	SPRING PIN SLOTTED M6 x 26	
10	321787	SPRING COMP RELEASE LEVER	
11	011022	LEVER RELEASE HANGER POWER	
12	011046	PADDLE RELEASE METRIC	
13	230455	M4 x 8 FH SOC/CS	
14	226271	3/8-16 x 1/2 BH C/S BLK ZN	
15	261537	FOOTREST WASHER	
16	011020-001	WLD UPPR FRNT RAIL FTRST MTC	RIGHT
16	011020-002	WLD UPPR FRNT RAIL FTRST MTC	LEFT
17	261209	1/4 x 7/8 OD FENDER WASHER ZNC	

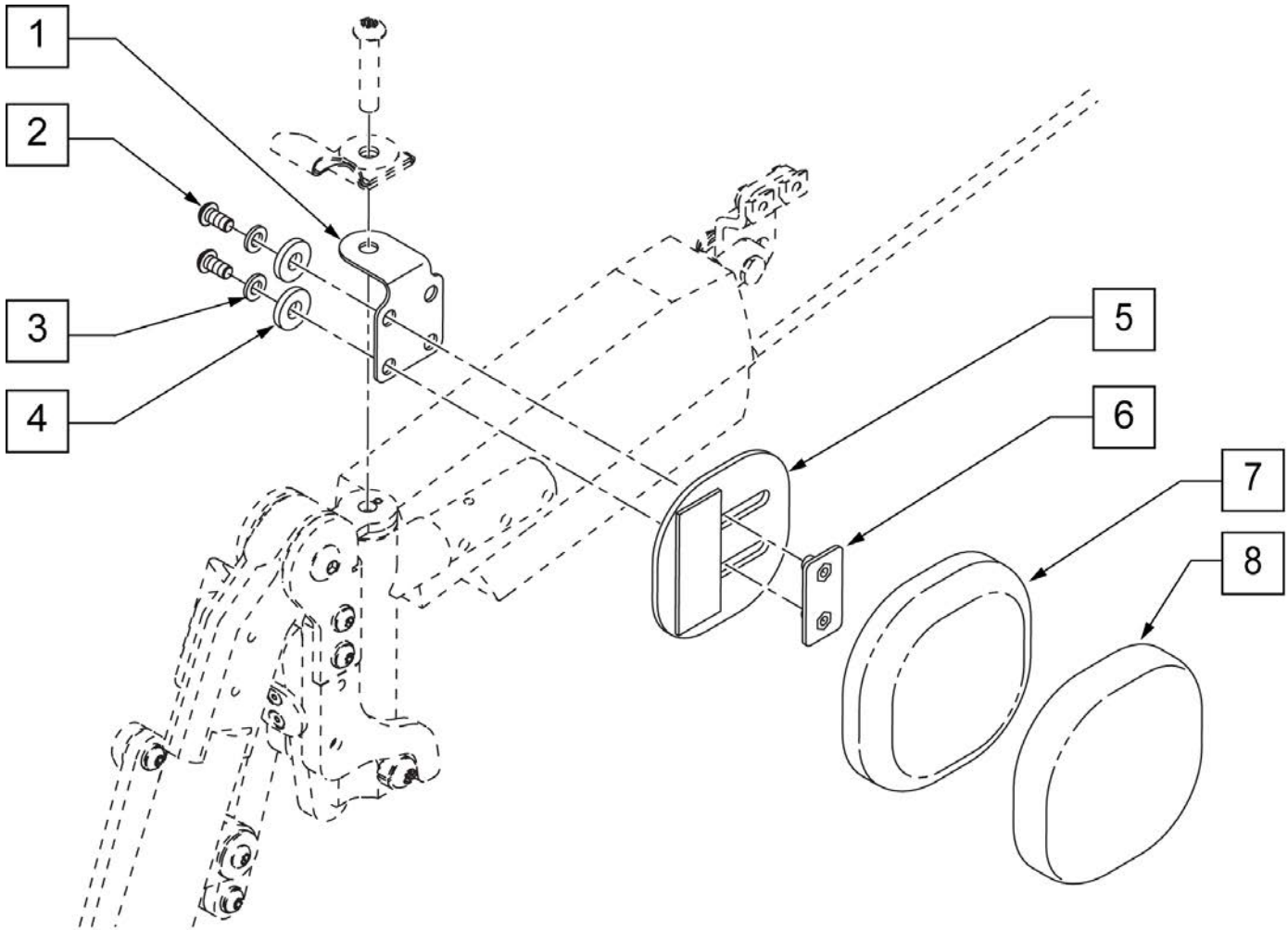
Pos.	Item Number	Description	Remarks
18	349596	BEARING IGUS 1/2 x 5/8 x 1/4	
19	481469	LEGREST BOSS	
20	540902	WLDMNT LEGREST ARM PWR INT	RIGHT
20	540903	WLDMNT LEGREST ARM PWR INT	LEFT
21	889030	LEGREST PULL PIN ASSM	
22	560792	END CAP FOOTREST RAIL S626	
23	011017-001	ALR EXT RD SHORT PWR ANG AD MTRC	
23A	011017-002	ALR EXT RD LONG PWR ANG AD MTRC	
24	562773	END CAP INNER	
25	230032	M6 x 16 B/H CAP SCREW	
26	562772	FOOTREST SLIDE SPACE	
27	550081	CALF PAD MOUNT	
28	230116	BHCS M6 x 1 x 30 BLK W/PL	
29	102262-003	BHCS M6 X 1 X 20 INORGANIC	
30	230032	M6 x 16 B/H CAP SCREW	
31	505616	FOOTREST PULL LINK	
32	481278	FOOTREST LINK BUSHING	
33	481547	FOOTREST LINK BUSHING LONG	
34	011016	FOOTREST MID LNK WLDMNT METRIC	
35	102262-006	BHCS M6 X 1 X 40 INORGANIC	
36	250104	1/4" AN WASHER FLAT	
37	505595	FOOTREST LONG LINK	
38	230150	M8 x 1.25 x 50 BH C/S	
39	505831	SPACER CAM	
40	500526	BLOCK LOCATOR HANGER PWR	
41	210085	5/16-18 NYLOCK NUT THIN BLK	
42	012180	HNGR REC INT 12W-14W R	
42	012181	HNGR REC INT 12W-14W L	
43	540613	S/A HANGER REC WLDMNT	
38-41	012210	BLOCK LOCATOR HNGR ASSM MM	
38-41,43	012211	LIFT-OFF HANGER REC +2 ASSM	
38-41,43	012212	LIFT-OFF HANGER REC ASSM	
38-42	012215	LFT-OFF HNGR REC 12-14W R ASSM	
38-42	012216	LFT-OFF HNGR REC 12-14W L ASSM	
1-22,37-39	012219	LO POWER ALR HANGER R	RIGHT
1-22,37-39	012220	LO POWER ALR HANGER L	LEFT
23-25,26-28	012221	ALR PWR EXT ROD SHORT ASSM M/POS	
23A-25,26-28	012222	ALR PWR EXT ROD LONG ASSM M/POS	
23-28	012223	ALR PWR EXT ROD SHORT ASSM ANGLE	
23A-28	012224	ALR PWR EXT ROD LONG ASSM ANGLE	



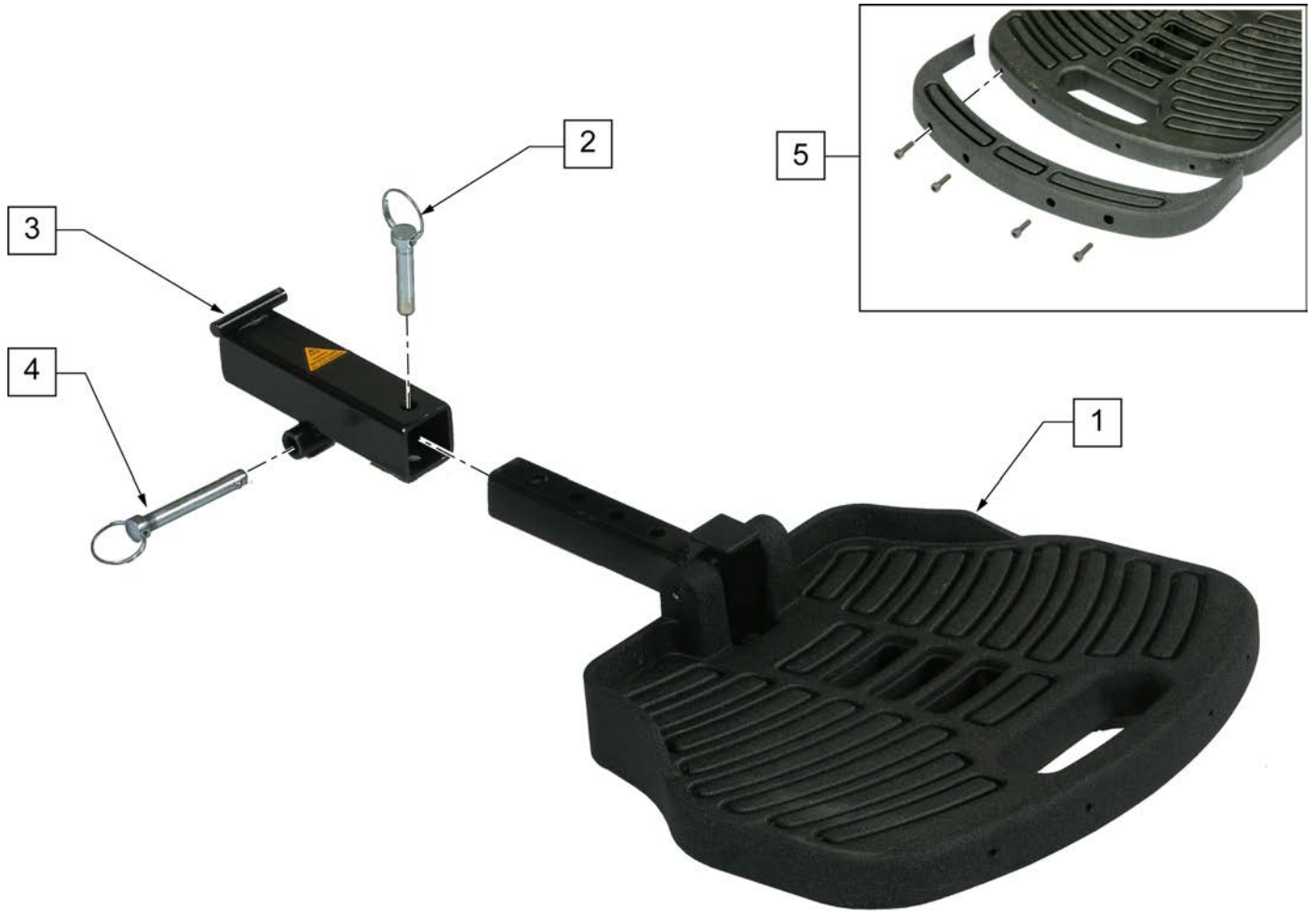
Pos.	Item Number	Description	Remarks
1	010065	M6 CHANNEL NUT	
2	506175	BRKT SIDE PANEL PVT ACT	
3A	012037	ACT LINAK LA-12 0 DEG CLEVIS DELPHI	FITS 16"-20" WIDE SEATS
3B	012038	ACT LINAK LA-12 90 DEG CLEVIS DELPHI	FITS 12"-15" WIDE SEATS
4	505618	PUSH ARM PIN	
5	250104	WASHER FLAT M6	
6	013145	BHCS M6 X 1 X 10 BLK	
7	263100	5/16 AN WASHER FLAT	
8	226236	5/16-18 X 1/2 B/H C/S BLK	
9	505615	ACT LINK PIN	
1-9	012230	ACT ASSM PWR ELR/ALR	
1,2,3A,4-9	104459	PWR ELR/ALR ACT ASSM 0 DEG	
1,2,3B,4-9	104460	PWR ELR/ALR ACT ASSM 90 DEG	



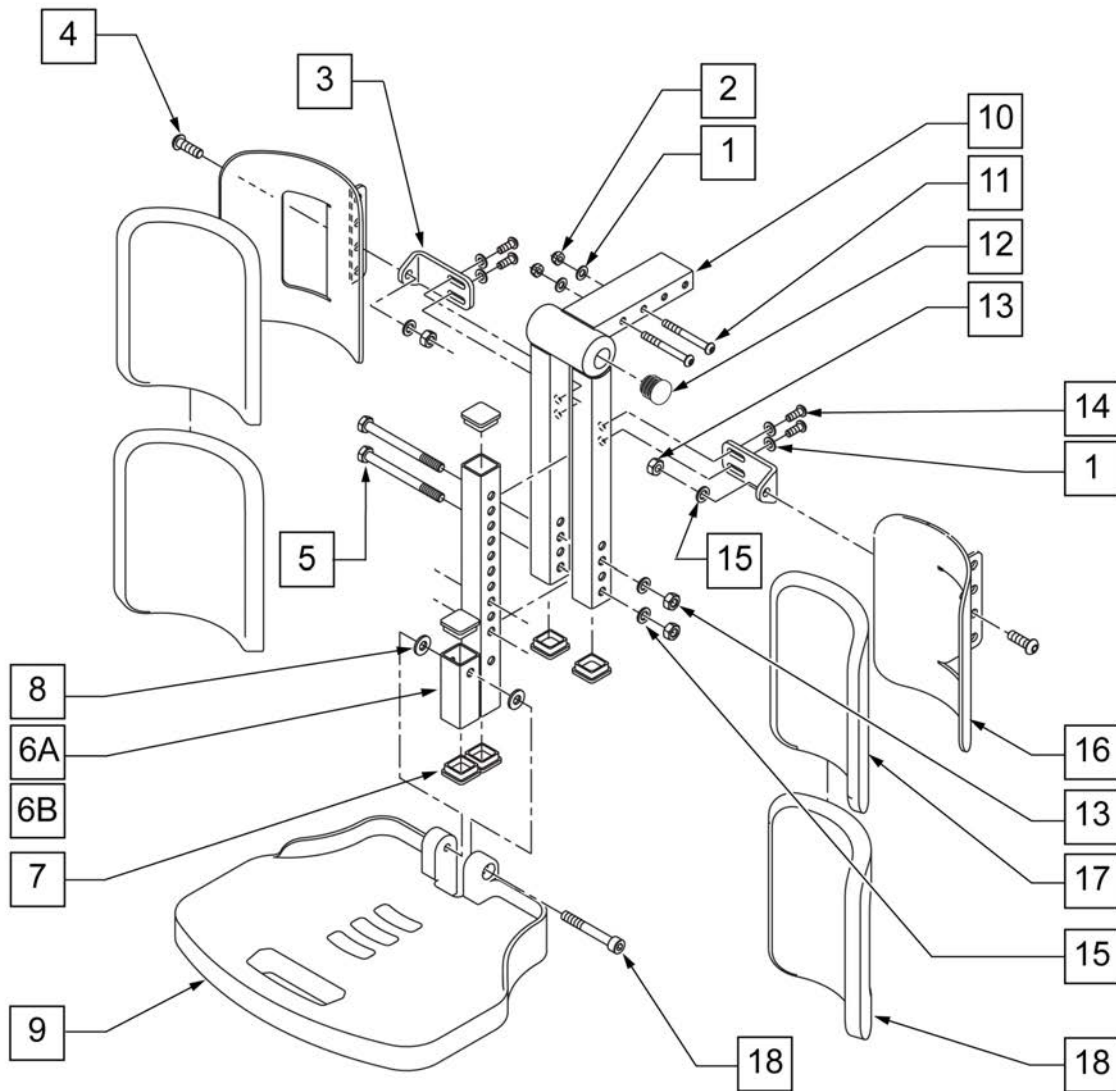
Pos.	Item Number	Description
1	755014	CALF PAD TROUGH STYLE 14/16
1A	755012	CALF PAD TROUGH STYLE 17-20
2	102266	BHCS M8 X 1.25 X 35 INORGANIC
3	561016	1" WASHER 5/16" HOLE
4	210085	NUT HEX NYLOCK M8 BLACK
1-4	012231	CALF PAD ASSM 14-16 WIDE
1A,2-4	012232	CALF PAD ASSM 17-20 WIDE



Pos.	Item Number	Description
1	011860	BRACKET ALR PAD KNEE
2	013147	BHCS M6 X 1 X 12 BLK
3	250104	WASHER FLAT M6
4	561059	3/4 O.D. X .318 I.D. WASHER
5	010277-001	KNEE PLATE 4 X 4
6	010111-002	NUT PLATE M5 X 25.4 X 10
7	011812-001	KNEE SUPPORT PAD SM VELC
8	011692-001	PAD COVER KNEE SUPPORT SM
1-8	012229	ELR KNEE PAD ASSM



Pos.	Item Number	Description
1-4	900232	SOLID FOOTREST 12 x 9
2	330070	ADJUSTMENT PINS M8 x 32
4	330071	ADJUSTMENT PINS M8 x 52.5
5	922070	FOOTPLATE EXTENSION 1" W/ HDWR

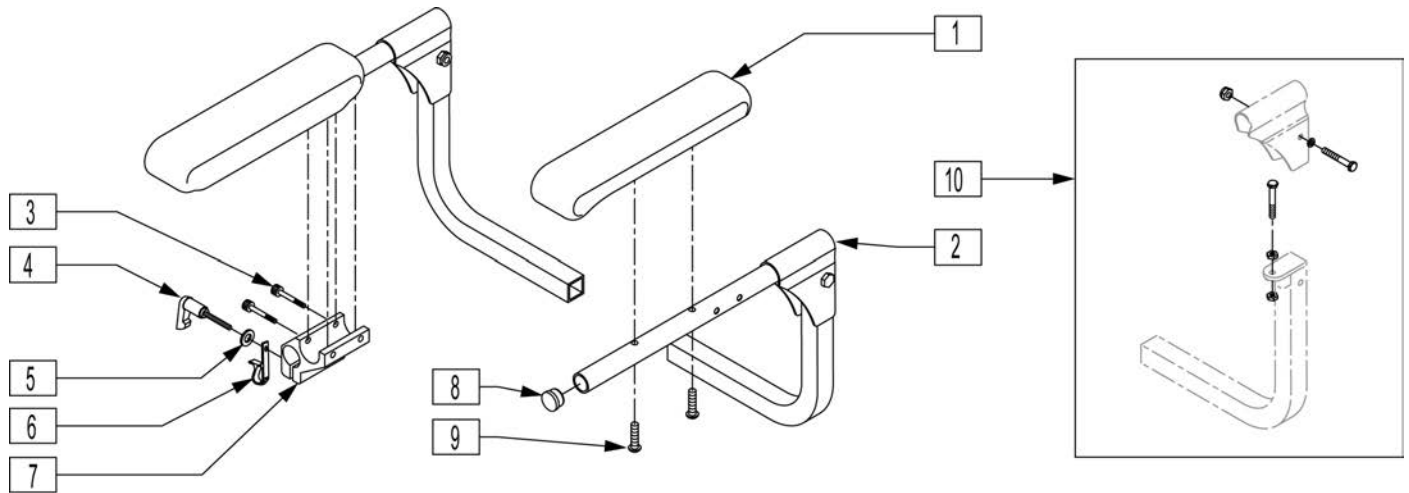


Pos.	Item Number	Description	Remarks
1	106943	WASHER FLAT AN 1/4 ROHS	
2	200113	NUT HEX NYLOCK M6 X 1 NUT	
3	010613	BRACKET CALF PAD MOUNT ADJ	
4	230006	BHCS M8 X 1.25 X 25 BLK	
5	010517	M8 X 1.25 X 90 HHCS GD 10.9	
6A	541214-001	HANGER FOOT PLATE MOUNT REG	13 -18" LEG LENGTH
6B	541214-002	HANGER FOOT PLATE MOUNT LNG	15 -20" LEG LENGTH
7	010615	SQUARE END CAP CNTR LEG SPprt	
8,9,20	922071	"FOOTPLATE 12" X 9" W/HDWR "	
10	010609	SUPPORT FIX CENTER LEG REST	
11	013148	BHCS M6 X 1 X 55	
12	560735	"7/8" ROUND TUBE PLUG"	
13	210085	NUT HEX NYLOCK M8	
14	230032	M6 X 16 B/H CAP SCREW	
15	263100	5/16 AN WASHER FLAT	

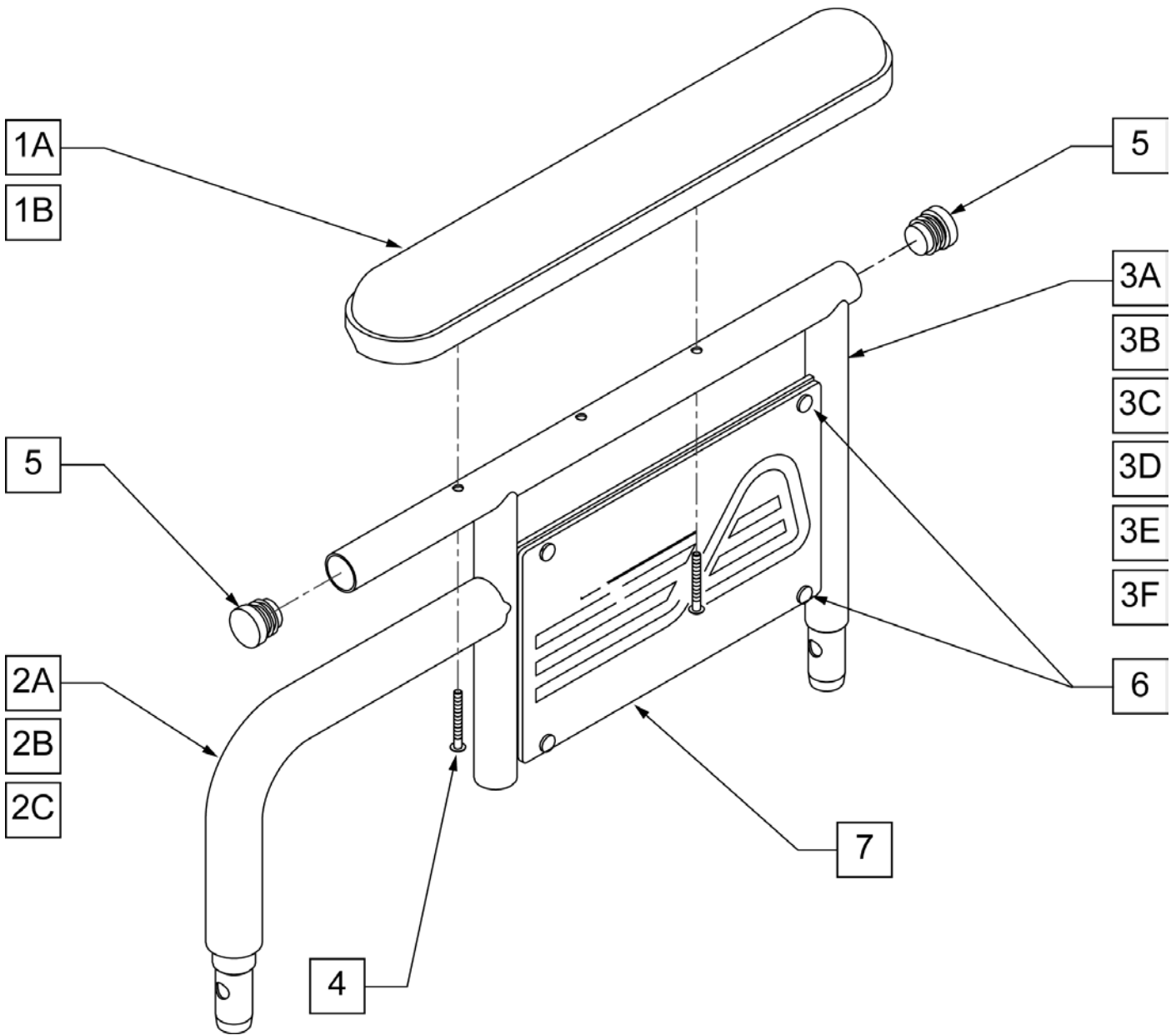
Pos.	Item Number	Description	Remarks
17	210072	M8 NYLOCK NUT85	
16,17,18	010747	COVER CALF PAD	
1-5,6A-19	012178	FIXED CENTER MOUNT SHORT ASSM	13 -18" LEG LENGTH
1-5,6B-19	012179	FIXED CENTER MOUNT TALL ASSM	15 -20" LEG LENGTH



Pos.	Item Number	Description	Remarks
1-3	884376	ARMREST ANGLE ADJ HDWR	KIT CONTAINS 1 - M8 X 35 HHCS 1 - M8 HEX BOLT 1 - M8 WASHER
4	561181	ARMREST PAD W/ PIVOT BOLT	
5,6	923264	FLIP BACK ARMREST HEIGHT ADJ W/ KNOB	RIGHT
5,6	923265	FLIP BACK ARMREST HEIGHT ADJ W/ KNOB	LEFT
6	349077	KNOB M8 x 5 THD x 16L	

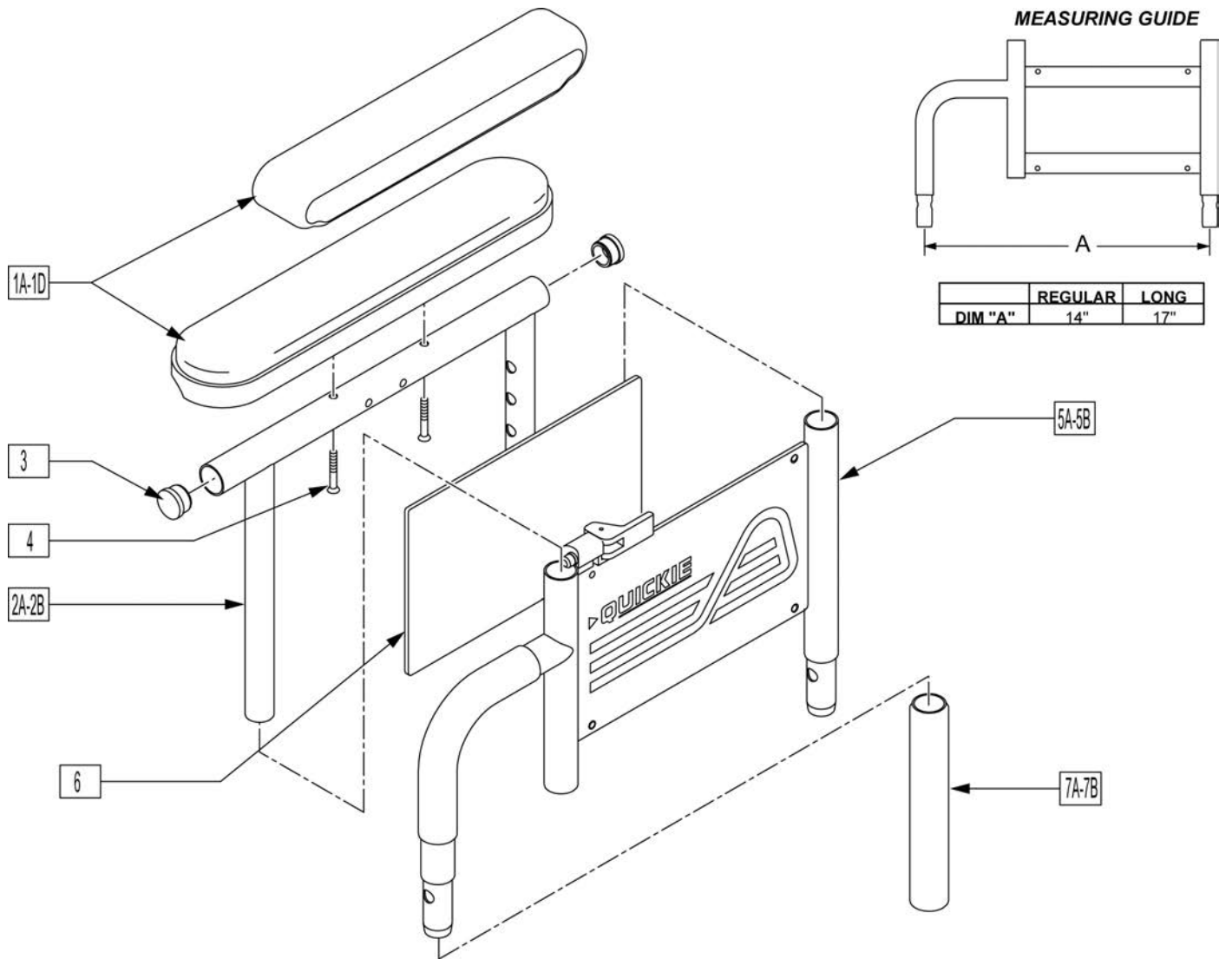


Pos.	Item Number	Description	Remarks
1	561283	ARMREST PAD 12" R P/G	Right
1	561282	ARMREST PAD 12" L P/G	Left
2	882340	ARMREST ONLY G424 R	Right
2	882341	ARMREST ONLY G424 L	Left
3	226037	10-32 x 1 3/8 SOC C/S BLK	
4	349024	HNDL 10-32 x 3/4 C/A P1/P3/P5	
5	261204	# 10 AN WASHER .063	
6	560268	QUICK RELEASE CLIP	
7	501750	CONTROL ARM CLAMP	
8	560735	7/8" ROUND TUBE PLUG	
9	226038	10-32 x 1 3/8 BH C/S BLK	
10	920007	ARMRST HDWR KT CNTR/HGBCK SEAT	
3-7	920713	CNTRL ARM CLAMP ASSM	
1,2,8,9	882280	ARMRST R W/PD CNTR/HIGHBACK	Right
1,2,8,9	882281	ARMRST L W/PAD CNTR/HIGHBACK	Left



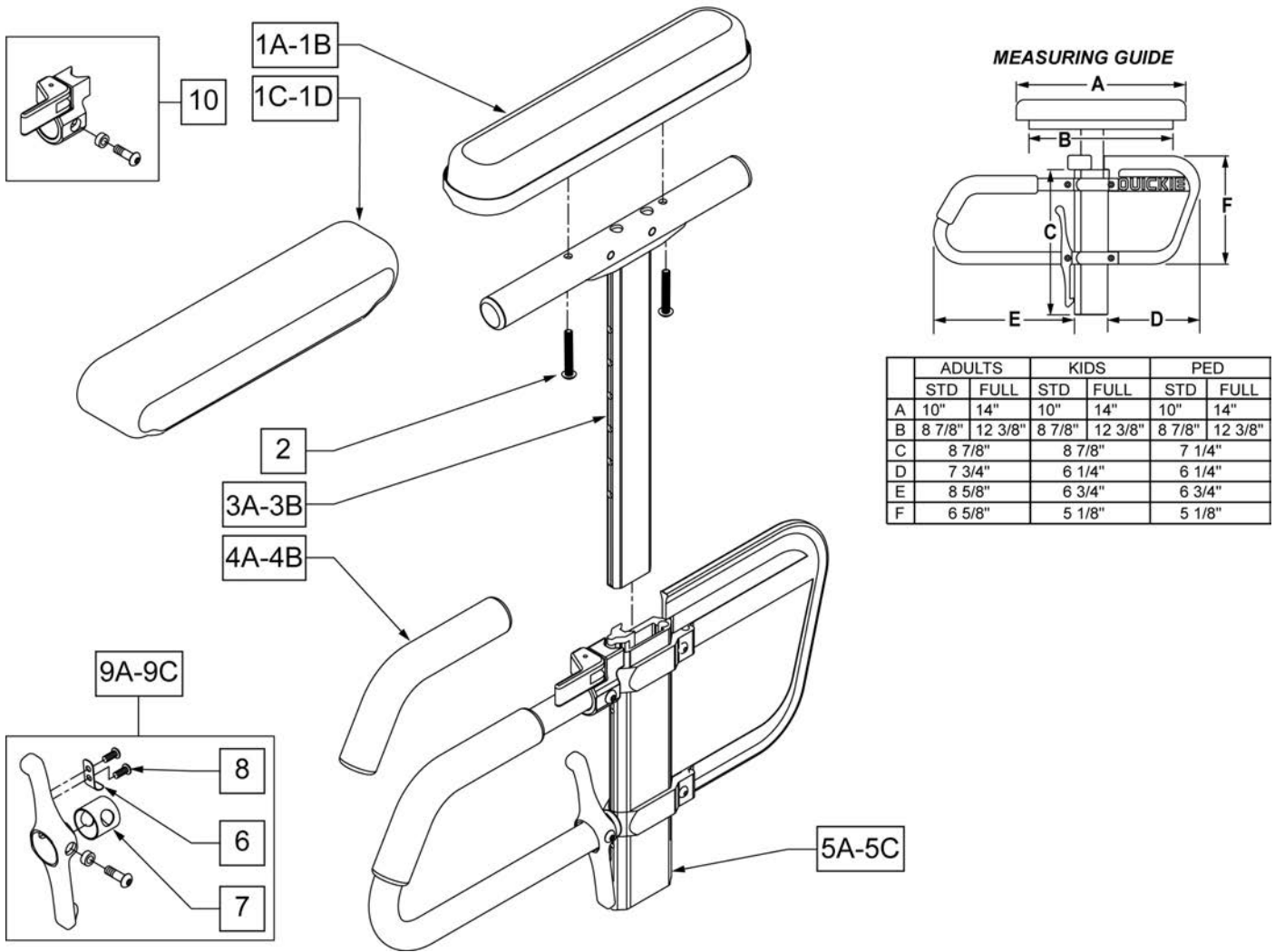
Pos.	Item Number	Description	Remarks
1A	561024	ARMREST PAD 10" DESK	
1B	561031	ARMREST PAD 14" FULL	
2A	560514	FOAM 8" x .840 TUBE	
2B	560614	11" x .840 FOAM TUBE	
2C	560515	FOAM 6" x .840 TUBE	
3A	540124	FIXED HGT SHRT ARM DESK PAD PWR	
3B	540125	FIXED HGT SHRT ARM FULL PAD PWR	
3C	540126	FIXED HGT LONG ARM DESK PAD PWR	
3D	540127	FIXED HGT LONG ARM FULL PAD PWR	

Pos.	Item Number	Description	Remarks
3E	541150	ARM FRAME FIXED DESK PAD SHORT	
3F	541151	ARM FRAME FIXED FULL PAD SHORT	
4	226038	10-32 x 1 3/8 BH C/S BLK	
5	560735	7/8" ROUND TUBE PLUG	
6	240155	RIVET 3/16 x 3/8 TUBULAR ALUM	
7	562744	ARMREST FRAME PANEL FIXED R	RIGHT
7	562745	ARMREST FRAME PANEL FIXED L	LEFT
1A,2A,3A,4-7	881580	DUAL POST ARM SHT W/DSK R PWR	RIGHT
1A,2A,3A,4-7	881581	DUAL POST ARM SHT W/DSK L PWR	LEFT
1B,2A,3B,4-7	881582	DUAL POST ARM SHT W/FL R PWR	RIGHT
1B,2A,3B,4-7	881583	DUAL POST ARM SHT W/FL L PWR	LEFT
1A,2B,3C,4-7	881584	DUAL POST ARM LNG W/DSK R PWR	RIGHT
1A,2B,3C,4-7	881585	DUAL POST ARM LNG W/DSK L PWR	LEFT
1B,2A,3D,4-7	881586	DUAL POST ARM LNG W/FL R PWR	RIGHT
1B,2A,3D,4-7	881587	DUAL POST ARM LNG W/FL L PWR	LEFT
1A,2C,3E,4-7	881616	DUAL POST ARM W/DESK QTS SHT R	RIGHT
1A,2C,3E,4-7	881617	DUAL POST ARM W/DESK QTS SHT L	LEFT
1B,2C,3F,4-7	881618	DUAL POST ARM W/FULL QTS SHT R	RIGHT
1B,2C,3F,4-7	881619	DUAL POST ARM W/FULL QTS SHT L	LEFT



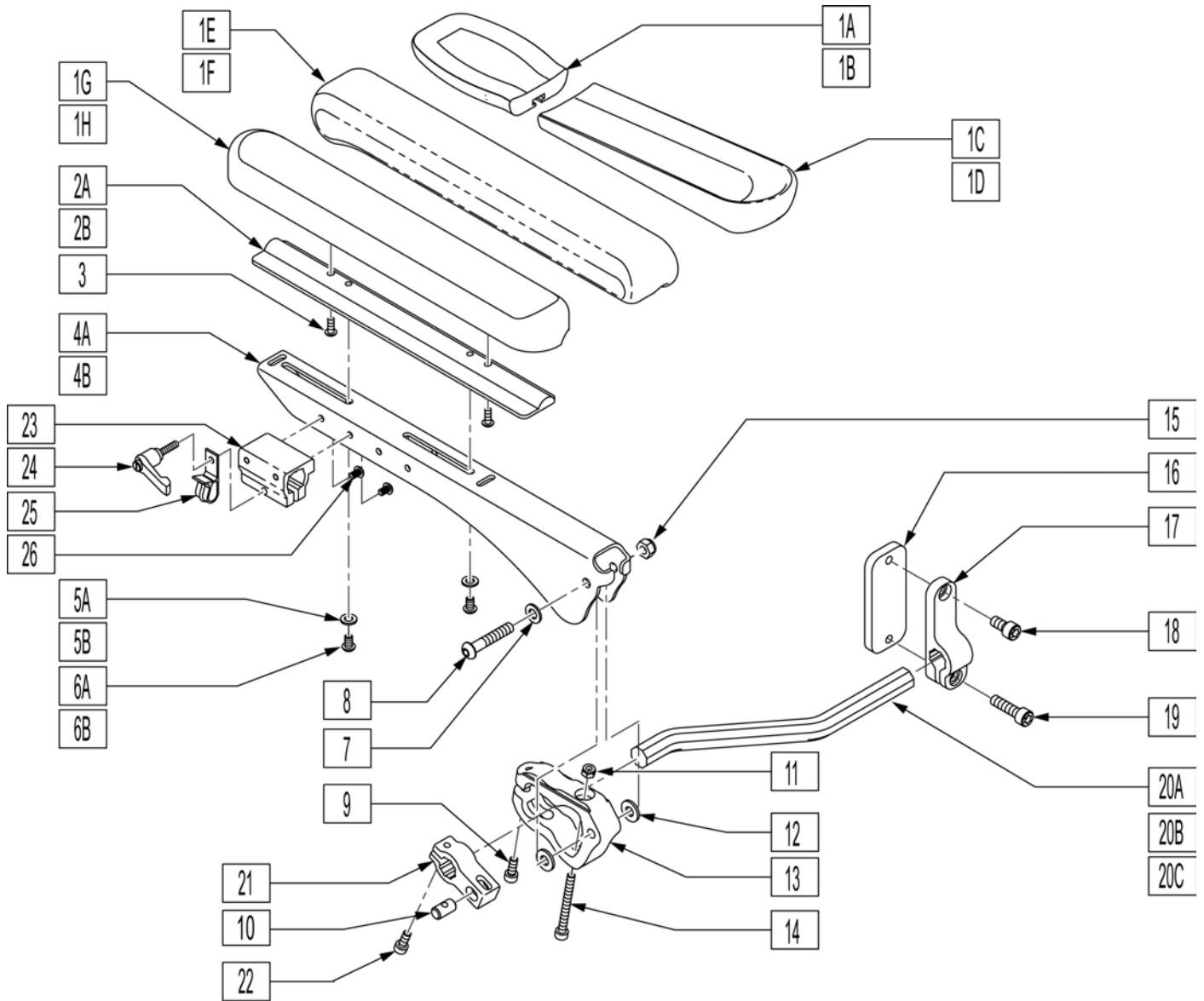
Pos.	Item Number	Description	Remarks
1A	561280	ARMREST PAD 10" LEFT W/F	Left,Desk,Waterfall
1A	561281	ARMREST PAD 10" RIGHT W/F	Right,Desk,Waterfall
1B	561284	ARMREST PAD 14" LEFT W/F	Left,Full,Waterfall
1B	561285	ARMREST PAD 14" RIGHT W/F	Right,Full,Waterfall
1C	561024	ARMREST PAD 10" DESK	Desk Pad
1D	561031	ARMREST PAD 14" FULL	Full Pad
2A	521841	DUAL PST ADJ UPPR ARM DESK PW	Desk
2B	521843	DUAL PST ADJ UPPR ARM FULL PW	Full
3	560735	7/8" ROUND TUBE PLUG	
4	226038	10-32 x 1 3/8 BH C/S BLK	
5A	881556	DUAL POST LOWER ARM ASSM SHT	Regular
5A	881557	DUAL POST LOWER ARM ASSM SHT	Regular
5B	881558	DUAL POST ADJ LOWER ARM LONG R	Long
5B	881559	DUAL POST ADJ LOWER ARM LONG L	Long
6	750009	INSIDE ARMREST PAD (P-222/S-626)	
7A	560514	FOAM 8" x .840 TUBE	Regular
7B	560614	11" x .840 FOAM TUBE	Long

Pos.	Item Number	Description	Remarks
1C,2A,3,4	881446	DUALPOST UHA AREST RH INC DESK	
1C,2A,3,4	881447	DUALPOST UHA AREST LH INC DESK	
1D,2A,3,4	881448	DUALPOST UHA AREST RH INC FULL	
1D,2A,3,4	881449	DUALPOST UHA AREST LH INC FULL	
1A,2A,3,4	881240	D-POST UPPR L ARM ASSM DSK W/F	
1A,2A,3,4	881241	D-POST UPPR R ARM ASSM DSK W/F	
1B,2B,3,4	881242	D-POST UPPR L ARM ASSM FL W/F	
1B,2B,3,4	881243	D-POST UPPR R ARM ASSM FL W/F	
1A,2A,3,4,5A,6	881308	D-POST SHT L W/DSK W/F PAD	
1A,2A,3,4,5A,6	881309	D-POST SHT R W/DSK W/F PAD	
1B,2B,3,4,5A,6	881310	D-POST SHT L W/FL W/F PAD	
1B,2B,3,4,5A,6	881311	D-POST SHT R W/FL W/F PAD	
1A,2A,3,4,5B,6	881312	D-PST LNG ADJ L W/DSK W/F PAD	
1A,2A,3,4,5B,6	881313	D-PST LNG ADJ R W/DSK W/F PAD	
1B,2B,3,4,5B,6	881314	D-POST LNG ADJ L W/FL W/F PAD	
1B,2B,3,4,5B,6	881315	D-POST LNG ADJ R W/FL W/F PAD	
1C,2A,3,4,5A,6	881572	DUAL POST ADJ SHT W/DSK R PWR	
1C,2A,3,4,5A,6	881573	DUAL POST ADJ SHT W/DSK L PWR	
1D,2B,3,4,5B,6	881574	DUAL POST ADJ LONG W/FL R PWR	
1D,2B,3,4,5B,6	881575	DUAL POST ADJ LONG W/FL L PWR	
1C,2A,3,4,5B,6	881576	DUAL POST ADJ LONG W/DSK R PWR	
1C,2A,3,4,5B,6	881577	DUAL POST ADJ LONG W/DSK L PWR	
1D,2B,3,4,5A,6	881578	DUAL POST ADJ SHT W/FL R PWR	
1D,2B,3,4,5A,6	881579	DUAL POST ADJ SHT W/FL L PWR	



Pos.	Item Number	Description	Remarks
1A	561024	ARMREST PAD 10" DESK	DESK PAD
1B	561031	ARMREST PAD 14" FULL	FULL PAD
1C	561280	ARMREST PAD 10" L W/F	LEFT - DESK WATERFALL PAD
1C	561281	ARMREST PAD 10" R W/F	RIGHT - DESK WATERFALL PAD
1D	561284	ARMREST PAD 14" L W/F	LEFT - FULL WATERFALL PAD
1D	561285	ARMREST PAD 14" R W/F	RIGHT - FULL WATERFALL PAD
2	226038	10-32 x 1 3/8 BH C/S BLK	
4A	560610	5" x .705 x .125 FOAM TUBE	ADULT
4B	560627	7-1/2" x .705 x .125 FOAM TUBE	PEDS/KIDS
5A	882084	HT ADJ LOWER DC ARM ASSM STD R	RIGHT - STANDARD/ADULT
5A	882085	HT ADJ LOWER DC ARM ASSM STD L	LEFT - STANDARD/ADULT
5B	882082	HT ADJ LOWER DC ARM ASM KIDS R	RIGHT - KIDS
5B	882083	HT ADJ LOWER DC ARM ASM KIDS L	LEFT - KIDS
5C	882080	HT ADJ LOWER ARM ASSM PE D R	RIGHT - PEDIATRIC
5C	882081	HT ADJ LOWER ARM ASSM PE D L	LEFT - PEDIATRIC
6	321721	LEVER RETURN SPRING	
7	562825	RELEASE LEVER INNER SLEEVE	
8	281045	#6 x 1/4 PAN PHIL S/M/S	

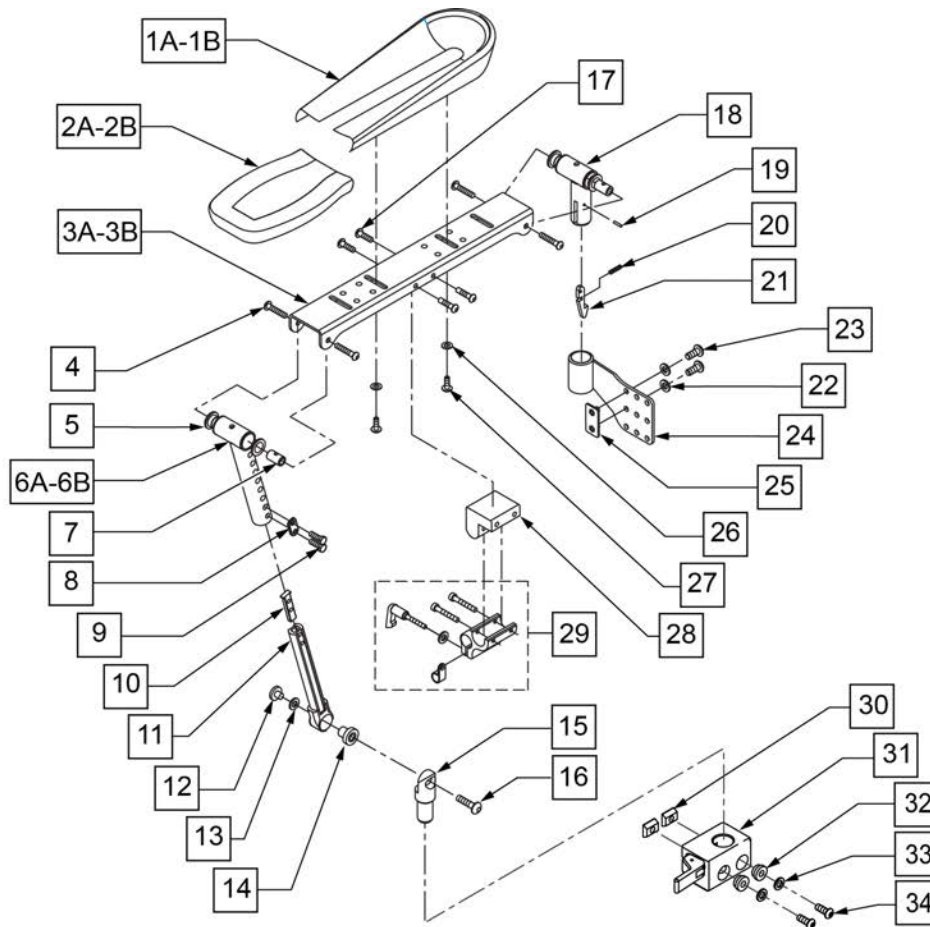
Pos.	Item Number	Description	Remarks
9A	888000	HT ADJ REC REL LEVER ASSM STD	ADULT
9B	888001	HT ADJ REC REL LEVER ASSM KIDS	KIDS
9C	888002	HT ADJ REC REL LEVER ASSM PEDS	PEDS
10	888003	HT ADJ UPPER ARM REL ASSM R	RIGHT
10	888004	HT ADJ UPPER ARM REL ASSM L	LEFT
>>>>		ADULT UPPER ASSEMBLIES	
1A-3A	880192	HT ADJ UPPER ARM ASSM DESK R	RIGHT - ADULT DESK PAD
1A-3A	880198	HT ADJ UPPER ARM ASSM DESK L	LEFT - ADULT DESK PAD
1B-3A	880193	HT ADJ UPPER ARM ASSM FL R	RIGHT - ADULT FULL PAD
1B-3A	880199	HT ADJ UPPER ARM ASSM FL L	LEFT - ADULT FULL PAD
>>>>		ADULT UPPER ASSEMBLIES	
1C-3A	881230	HT ADJ UPPER L ARM ASSM DESK W/F	RIGHT - ADULT DESK WATER FALL PAD
1C-3A	881231	HT ADJ UPPER R ARM ASSM DESK W/F	LEFT - ADULT DESK WATER FALL PAD
1D-3A	881232	HT ADJ UPPER L ARM ASSM FL W/F	RIGHT - ADULT FULL WATER FALL PAD
1D-3A	881233	HT ADJ UPPER R ARM ASSM FL W/F	LEFT - ADULT FULL WATER FALL PAD
>>>>		PEDIATRIC AND KIDS UPPER ASSEMBLIES	
1A-3B	880174	HT ADJ UPPER ARM PED PWR DESK R	RIGHT - PED/KIDS DESK PAD
1A-3B	880175	HT ADJ UPPER ARM PED PWR DESK L	LEFT - PED/KIDS DESK PAD
1B-3B	880176	HT ADJ UPPER ARM PED PWR FULL R	RIGHT - PED/KIDS FULL PAD
1B-3B	880177	HT ADJ UPPER ARM PED PWR FULL L	LEFT - PED/KIDS FULL PAD
>>>>		PEDIATRIC AND KIDS UPPER ASSEMBLIES	
1C-3B	888341	HT ADJ PED UPPER R ARM ASSM D WF	RIGHT - PED/KIDS DESK WATER FALL PAD
1C-3B	888342	HT ADJ PED UPPER L ARM ASSM D WF	LEFT - PED/KIDS DESK WATER FALL PAD
1D-3B	888343	HT ADJ PED UPPER R ARM ASSM F WF	RIGHT - PED/KIDS FULL WATER FALL PAD
1D-3B	888344	HT ADJ PED UPPER L ARM ASSM F WF	LEFT - PED/KIDS FULL WATER FALL PAD
>>>>		COMPLETE ADULT ARMREST ASSEMBLY	
1A-3A-5A	880210	HT ADJ STD R W/DESK ARM PAD	RIGHT - ADULT - DESK PAD
1A-3A-5A	880211	HT ADJ STD L W/DESK ARM PAD	LEFT - ADULT - DESK PAD
1B-3A-5A	880212	HT ADJ STD R W/FULL ARM PAD	RIGHT - ADULT - FULL PAD
1B-3A-5A	880213	HT ADJ STD L W/FULL ARM PAD	LEFT - ADULT - FULL PAD
1C-3A-5A	881301	HT ADJ STD R W/DESK W/F PAD	RIGHT - ADULT - WATERFALL DESK PAD
1C-3A-5A	881300	HT ADJ STD L W/DESK W/F PAD	LEFT - ADULT - WATERFALL DESK PAD
1D-3A-5A	881305	HT ADJ STD R W/FULL W/F PAD	RIGHT - ADULT - WATERFALL FULL PAD
1D-3A-5A	881304	HT ADJ STD L W/FULL W/F PAD	LEFT - ADULT - WATERFALL FULL PAD
>>>>		COMPLETE KIDS ARMREST ASSEMBLY	
1A-3B-5B	880214	HT ADJ KIDS R W/DESK ARM PAD	RIGHT - KIDS - DESK PAD
1A-3B-5B	880215	HT ADJ KIDS L W/DESK ARM PAD	LEFT - KIDS - DESK PAD
1B-3B-5B	880216	HT ADJ KIDS R W/FULL ARM PAD	RIGHT - KIDS - FULL PAD
1B-3B-5B	880217	HT ADJ KIDS L W/FULL ARM PAD	LEFT - KIDS - FULL PAD
1C-3B-5B	881303	HT ADJ KIDS R W/DESK W/F PAD	RIGHT - KIDS - WATERFALL DESK PAD
1C-3B-5B	881302	HT ADJ KIDS L W/DESK W/F PAD	LEFT - KIDS - WATERFALL DESK PAD
1D-3B-5B	881307	HT ADJ KIDS R W/FULL W/F PAD	RIGHT - KIDS - WATERFALL FULL PAD
1D-3B-5B	881306	HT ADJ KIDS L W/FULL W/F PAD	LEFT - KIDS - WATERFALL FULL PAD
>>>>		COMPLETE PEDIATRIC ARMREST ASSEMBLY	
1A-3B-5C	880226	HT ADJ PED R W/DESK ARM PAD	RIGHT - PEDS - DESK PAD
1A-3B-5C	880227	HT ADJ PED L W/DESK ARM PAD	LEFT - PEDS - DESK PAD
1B-3B-5C	880228	HT ADJ PED R W/FULL ARM PAD	RIGHT - PEDS - FULL PAD
1B-3B-5C	880229	HT ADJ PED L W/FULL ARM PAD	LEFT - PEDS - FULL PAD
1C-3B-5C	888345	HT ADJ PED R W/DESK W/F PAD	RIGHT - PEDS - WATERFALL DESK PAD
1C-3B-5C	888346	HT ADJ PED L W/DESK W/F PAD	LEFT - PEDS - WATERFALL DESK PAD
1D-3B-5C	888347	HT ADJ PED R W/FULL W/F PAD	RIGHT - PEDS - WATERFALL FULL PAD
1D-3B-5C	888348	HT ADJ PED L W/FULL W/F PAD	LEFT - PEDS - WATERFALL FULL PAD



Pos.	Item Number	Description	Remarks
1A	755022	STANDARD TROUGH HAND PAD	SIZE 4.5" X 7"
1B	561325	LONG THROUGH HAND PAD	SIZE 5.5" X 9"
1C	755023	ELBOW PAD TROUGH ARMREST STD	11.5" LONG
1D	755024	ELBOW PAD TROUGH ARMREST LONG	14" LONG
1E	561280	ARMREST PAD 10 LEFT W/F	
1E	561281	ARMREST PAD 10 RIGHT W/F	
1F	561284	ARMREST PAD 14 LEFT W/F	
1F	561285	ARMREST PAD 14 RIGHT W/F	
1G	561024	ARMREST PAD 10 DESK	
1H	561031	ARMREST PAD 14 FULL	
2A	010124-001	ARMPAD RIGIDIZER DESK LENGTH	
2B	010124-002	ARMPAD RIGIDIZER FULL LENGTH	
3	226043	10-32 X 1/2 BH C/S BLK	
4A	010122	ARMREST BASE	
4A	010125	ARMREST BASE RH	

Pos.	Item Number	Description	Remarks
4B	011146	ARMREST BASE DESK LH	
4B	011147	ARMREST BASE DESK RH	
5A	250104	WASHER FLAT M6	
5B	011024	M5 FLAT WASHER LARGE OD	
6A	230113	BHCS M6 X 1 X 12 BLK W/PL	
6B	102259-001	BHCS M5 X .8 X 12 W/PL INORG	
7	011648	WASHER FLAT M8	
8	230123	BHCS M8 X 1.25 X 45 BLK	
9	102263-003	SHCS M6 X 1 X 25 W/PL INORG	
10	010063	ARMREST MOUNT BARREL NUT	
11	200113	NUT HEX NYLOCK M6 X 1 NUT	
12	011650	WASHER NYLON M8	
13	010061	ARMREST MOUNT CLAMP OUTER	
14	234900	M6-60 SOC C/S BLK	
15	210072	M8 NYLOCK NUT	
16	011145	NUT PLATE ARMREST MOUNT	
17	010126	ARMREST MOUNT REAR	
18	230134	SHCS M8 X 1.25 X 16 BLK	
19	230135	SHCS M8 X 1.25 X 30 BLK	
20A	010064	ARMREST MOUNT ROD	20 -24" BACK WIDTH
20B	011148	ARMREST MOUNT ROD, NARROW	14 -19" BACK WIDTH
20C	012853	ARMREST MNT ROD, EXTRA NARROW	12 -13" BACK WIDTH
21	010062	ARMREST MOUNT CLAMP INNER	
22	102263-001	SHCS M6X1X16 FULL NP	
23	010765	CONTROL ARM CLMP SQ/RD INTGRTD	
24	011049	HANDLE ADJ MODERN M5 X 20 STUD	
25	560268	QUICK RELEASE CLIP	
26	013144	BHCS M5 X .8 X 8 BLK W/PL	
1E,2A,3,5A,6A	012370	DESK W/F ARMPAD L	LEFT
1E,2A,3,5A,6A	012371	DESK W/F ARMPAD R	RIGHT
1F,2B,3,5A,6A	012372	FULL W/F ARMPAD L	LEFT
1F,2B,3,5A,6A	012373	FULL W/F ARMPAD R	RIGHT
1G,2A,3,5A,6A	012374	DESK ARMPAD ASSM	
1H,2B,3,5A,6A	012375	FULL ARMPAD ASSM	
1A,1C,4A,6B	012376	ARMRST BASE TROUGH ARMPAD STD L	LEFT
1A,1C,4A,6B	012377	ARMRST BASE TROUGH ARMPAD STD R	RIGHT
1B,1C,4A,6B	012378	ARMRST BASE TROUGH ARMPAD MED L	LEFT
1B,1C,4A,6B	012379	ARMRST BASE TROUGH ARMPAD MED R	RIGHT
1A,1D,4A,6B	012380	ARMRST BASE TROUGH ARMPAD LNG L	LEFT
1A,1D,4A,6B	012381	ARMRST BASE TROUGH ARMPAD LNG R	RIGHT
1E,2A,3,4B,5A,6A	012382	ARMRST BASE DESK W/F ARMPAD LNG L	LEFT
1E,2A,3,4B,5A,6A	012383	ARMRST BASE DESK W/F ARMPAD LNG R	RIGHT
1F,2B,3,4A,5A,6A	012384	ARMRST BASE FULL W/F ARMPAD LNG L	LEFT
1F,2B,3,4A,5A,6A	012385	ARMRST BASE FULL W/F ARMPAD LNG R	RIGHT
1G,2A,3,4A,5A,6A	012387	ARMRST BASE DESK ARMPAD R	RIGHT
1G,2A,3,4A,5A,6A	012389	ARMRST BASE FULL ARMPAD R	RIGHT
1H,2B,3,4A,5A,6A	012386	ARMRST BASE DESK ARMPAD L	LEFT
1H,2B,3,4A,5A,6A	012388	ARMRST BASE FULL ARMPAD L	LEFT
4A-6A	012410	ARMRST BASE W/HDWR FULL L	LEFT
4A-6A	012411	ARMRST BASE W/HDWR FULL R	RIGHT
4B-6A	012412	ARMRST BASE W/HDWR DESK L	LEFT
4B-6A	012413	ARMRST BASE W/HDWR DESK R	RIGHT
7-20A	012414	ARMREST MOUNT ASSM STD	
7-20B	012415	ARMREST MOUNT ASSM NARROW	
7-20C	012857	ARMREST MNT ASSM EXTRA NARROW	

NOTE: Old style Receiver Assembly is no longer offered and has been replaced by the Universal Receiver assembly.



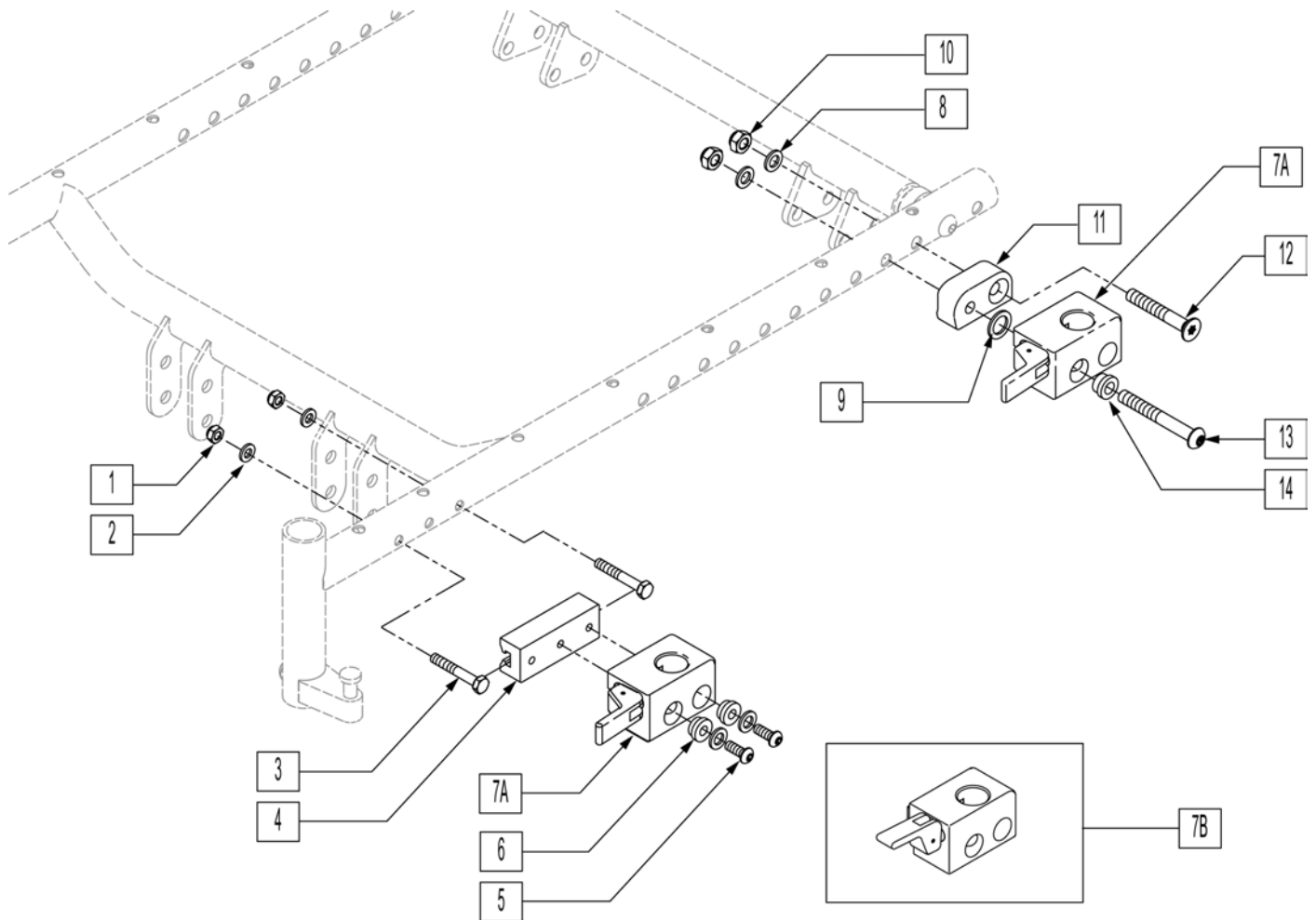
Pos.	Item Number	Description	Remarks
1A	755024	ELBOW PAD TROUGH ARMREST 11.5	11.5" LONG
1B	755027	ELBOW PAD TROUGH ARMREST 14	14" LONG
2A	755022	HAND PAD TROUGH ARMREST	SIZE 4.5" X 7"
2B	561325	FRONT ARM PAD LARGE	SIZE 5.5" X 9"
3A	483249	ARMREST CHANNEL SHORT	
3B	505624	ARMREST CHANNEL LONG	
4	226245	1/4-20 x 3/8 BH CS BLK ZN	
5	349598	BEARING IGUS 5/8 x 3/4 x 1/2	
6A	542096	FRNT MNT UPPER STRUT WLDMNT SHT	
6B	542130	FRNT MNT UPPER STRT WLDMNT LNG	
7	481457	UPPER PIVOT PIN	
8	483717	HANGER SADDLE	
9	221102	1/4-28 x 3/4 HEX C/S BLK W/PAT	
10	500078	INSERT D2 EXT TUBE	
11	542097	FRNT MNT LOWER STRUT WLDMNT	
12	481467	LOWER ARMEST BOSS	
13	341558	.5 x 1.0 x .043 BLLVILL WASHER	
14	349597	BEARING IGUS 1/2 x 5/8 x 5/8	
15	502248	FRONT ARMREST PIVOT POST	

Pos.	Item Number	Description	Remarks
16	226274	3/8-16 x 3/4 BH C/S BLK W/PTCH	
17	222297	10-24 x 3/8 SOC BH C/S W/PTCH	
18	542094	REAR PIVOT POST WLDMNT	RIGHT
18	542095	REAR PIVOT POST WLDMNT	LEFT
19	330152	1/8 x 3/4 ARMREST SPRING PIN	
20	321175	ARMREST SPRING	
21	505647	ARMREST LATCH	
22	250104	WASHER M6	
23	230113	BHCS M6 X 1 X 12 BLK W/PL	
24	010202	WELD REAR PIVOT BRKT ARMREST R	RIGHT
24	010203	WELD REAR PIVOT BRKT ARMREST L	LEFT
25	010758	NUT PLATE M6 X 25 FLUSH	
26	011024	M5 FLAT WASHER LARGE OD	
27	102259-001	BHCS M5 x .8 x 12 W/PL INORG	
28	551001	CONTROLLER MOUNT BLOCK	
29	012433	CNTRL ARM CLMP UNIVERSAL ASSM	
30	010065	M6 CHANNEL NUT	
31	506366	UNIVRSL ARMRST RCVR ASSM RH	RIGHT
31	506367	UNIVRSL ARMRST RCVR ASSM LH	LEFT
32	340143	BUSHING .257IDx.25LG SST	
33	263100	5/16 AN WASHER FLAT	
34	230113	BHCS M6 X 1 X 12	
3A,4,5,6A,7,11-18,20,21,27,28	887750	TILT/RCLNE ARMRST SHRT STD	RIGHT
3A,4,5,7,6A,11-18,20,21,27,28	887751	TILT/RCLNE ARMRST SHRT STD	LEFT
3B,4,5,6A,7,11,13-18,20,21,27,28	887752	TILT/RCLNE ARMRST LNG STD	RIGHT
3B,4,5,6A,7,11,13-18,20,21,27,28	887753	TILT/RCLNE ARMRST LNG STD	LEFT
3A,4,5,6B,7,11,13-18,20,21,27-29	887770	TILT/RCLN ARMRST SHRT TALL	RIGHT
3A,4,5,6B,7,11,13-18,20,21,27-29	887771	TILT/RCLN ARMRST SHRT TALL	LEFT
22-25	012351	REAR PIVOT BRT ASSM L	LEFT
22-25	012420	REAR PIVOT BRT ASSM R	RIGHT

DUAL-POST FLIP-BACK ARMREST RECEIVERS

[09/2011]

Note: If replacing on chairs prior to S/N S52-023316, assembly numbers with mounting hardware must be purchased.

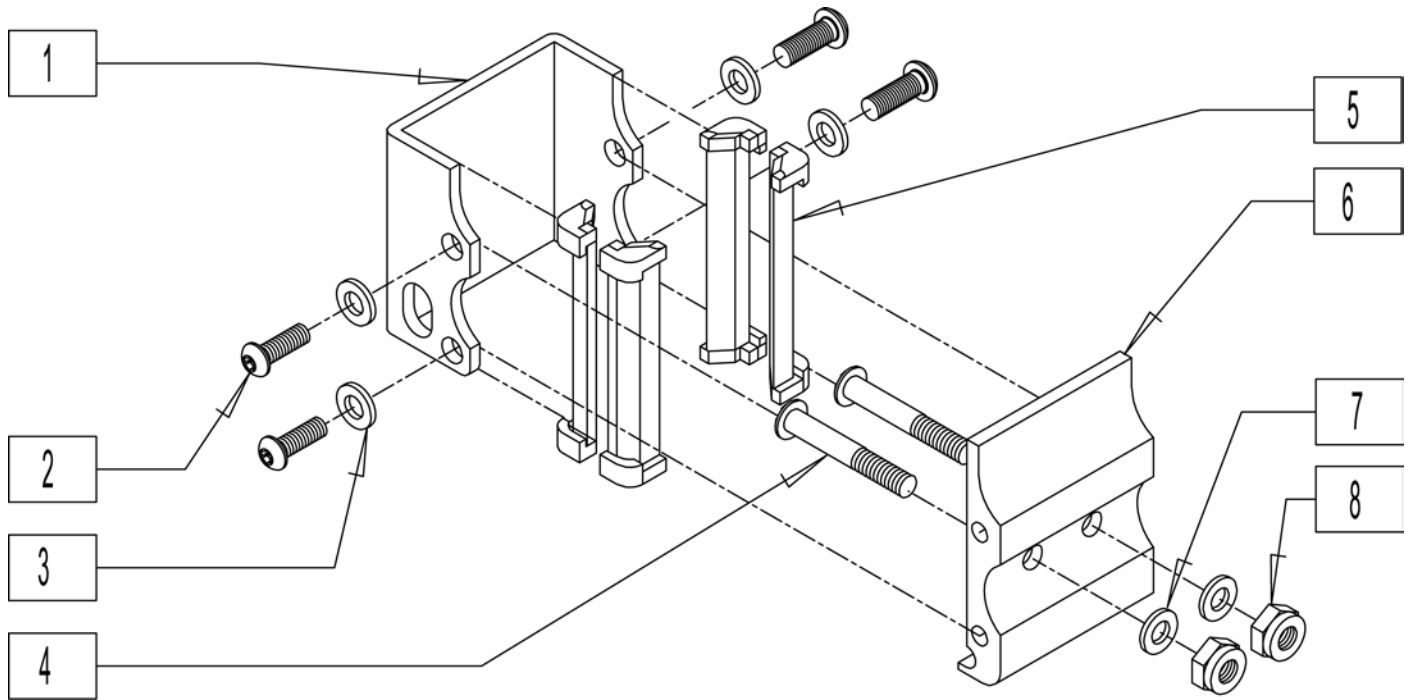


Pos.	Item Number	Description	Remarks
1	106934	1/4-28 NYLOCK NUT	
2	106943	1/4 AN WASHER FLAT	
3	226222	1/4-28 X 1 1/2" G8 HEX C/S BLK	
4	506127	ADPTR FR UNI ARST RCR 1.13 OFF	
5	226100	1/4-28 X 3/4 BH C/S	
6	340143	BUSHING .257IDx.25LG SST	
7A	506366	UNIVRSL ARMRST RCVR ASSM RH	
7A	506367	UNIVRSL ARMRST RCVR ASSM LH	
7B	506368	UNIV ARMREST RCVR ASSM RV	Optional release position, not offered on chair
7B	506369	UNIV ARMREST RCVR ASSM LV	Optional release position, not offered on chair
8	263100	5/16 AN WASHER FLAT	
9	561273	1/2 X 3/4 X .060 NYLON WASHER	
10	202117	5/16-18 NYLOCK NUT THICK BLK	
11	506128	ADPTR PVT R UNI ARST RCVR P222	Right
11	506129	ADPTR PVT L UNI ARST RCVR P222	Left
12	222193	5/16-18 X 2 1/4 FH SOC CS BLK	
13	226208	5/16-18 X 2-3/4 BH C/S G8 BLK	

Pos.	Item Number	Description	Remarks
14	340142	BUSHING .325IDx.346LG SST	
1-7A	506364	UNI DP ARM RCVR ASSM RFH PWR	
1-7A	506365	UNI DP ARM RCVR ASSM LFH PWR	
1-7B	506400	UNI DP ARM RCVR ASSM RFV PWR	
1-7B	506401	UNI DP ARM RCVR ASSM LFV PWR	
7A-14	506360	UNI DP ARM RCVR ASSM RRH PWR	Right
7A-14	506361	UNI DP ARM RCVR ASSM LRH PWR	Left
7B-14	506362	UNI DP ARM RCVR ASSM RRV PWR	Right
7B-14	506363	UNI DP ARM RCVR ASSM LRV PWR	Left

SINGLE POST ARMREST RECEIVER

[Revision: 03/2007]

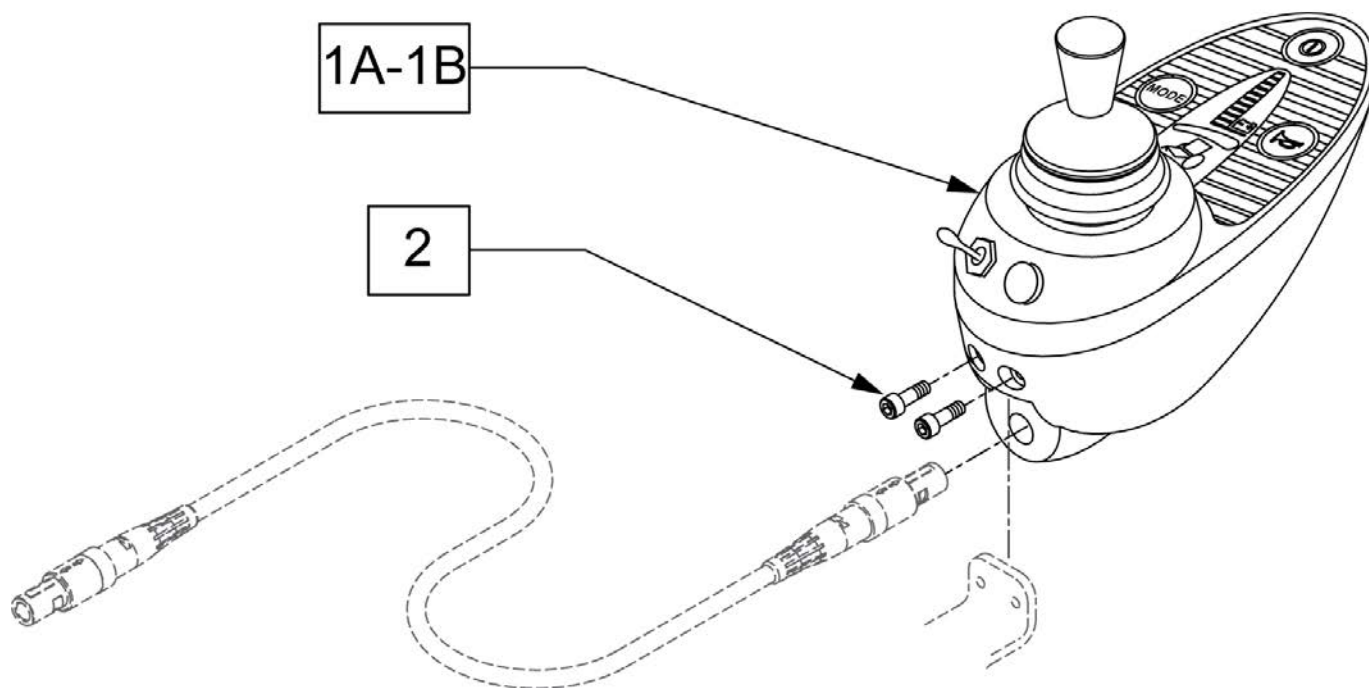


Pos.	Item Number	Description
1	550485	HT ADJ RECEIVER OUTER CHANNEL
2	102262-001	BHCS M6X1X8 FULL PL
3	250104	WASHER FLAT M6
4	230122	BHCS M8 X 1.25 X 40 BLK
5	561134	HT ADJ RECEIVER LINER
6	550629	HT ADJ ARM REC M8 HOLES
7	263100	5/16 AN WASHER FLAT
8	210085	NUT HEX NYLOCK M8 BLACK
1-8	101532	SINGLE POST ARM RECEIVER ASSM

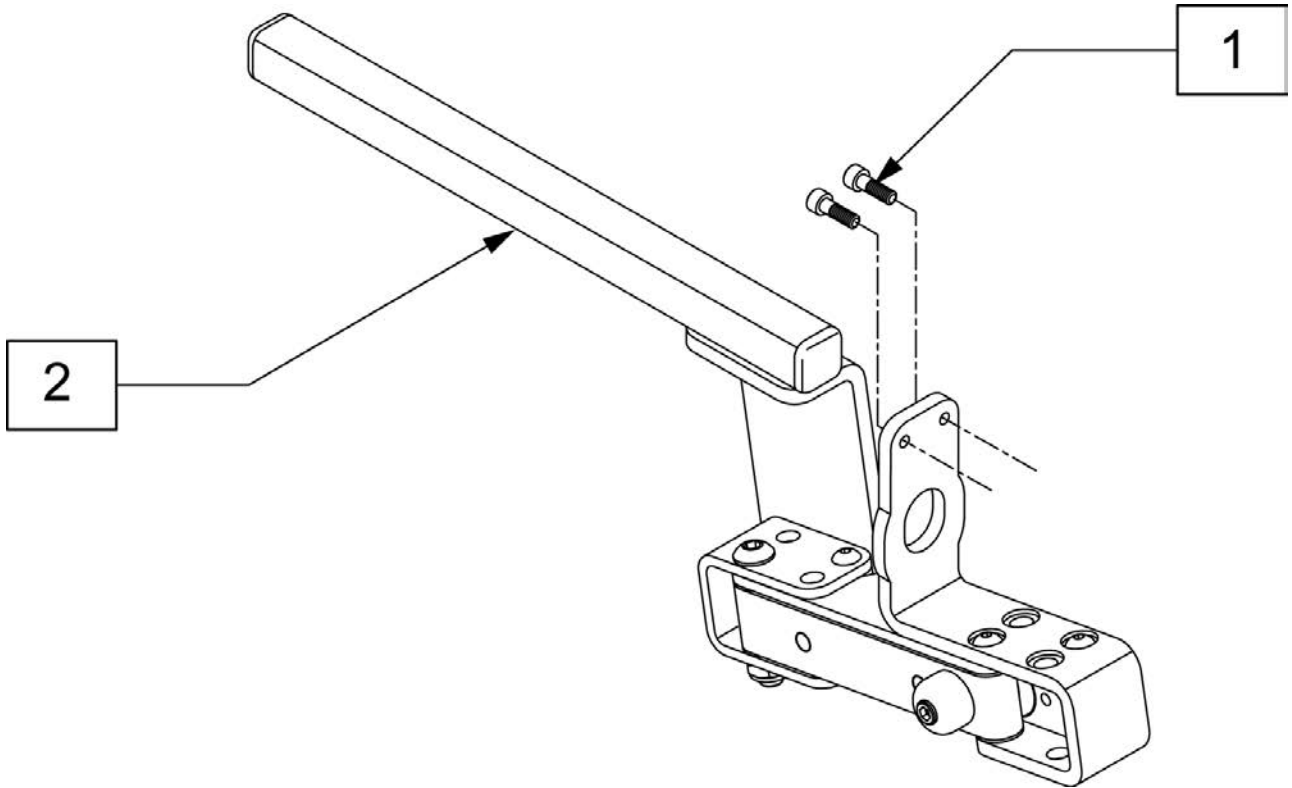
Note: If using the Pilot to replace a Qtonix Joystick a new joystick arm must be purchased and a longer cable may be required as well.

Note: Used on P222 beginning with S/N P2X-019421

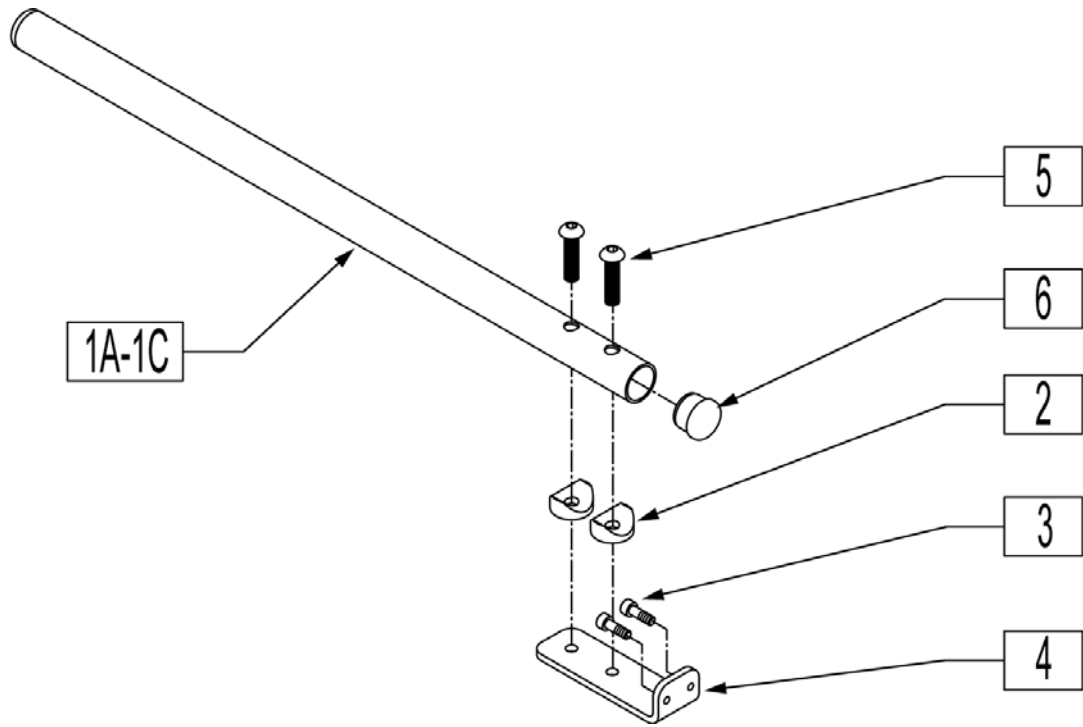
Note: Used on S646 beginning with S/N S64-042509



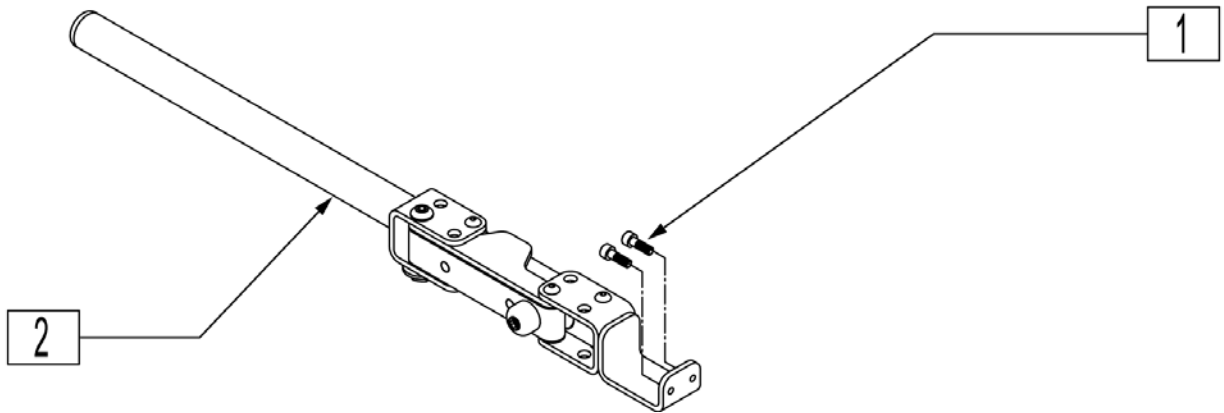
Pos.	Item Number	Description
1A	118788	JOYSTICK P+ POT/TOG NO JACKS
1B	118789	JOYSTICK P+ JACKS NO POT/TOG
2	220120	8-32 x 1/2 SOC C/S P/LK BLK



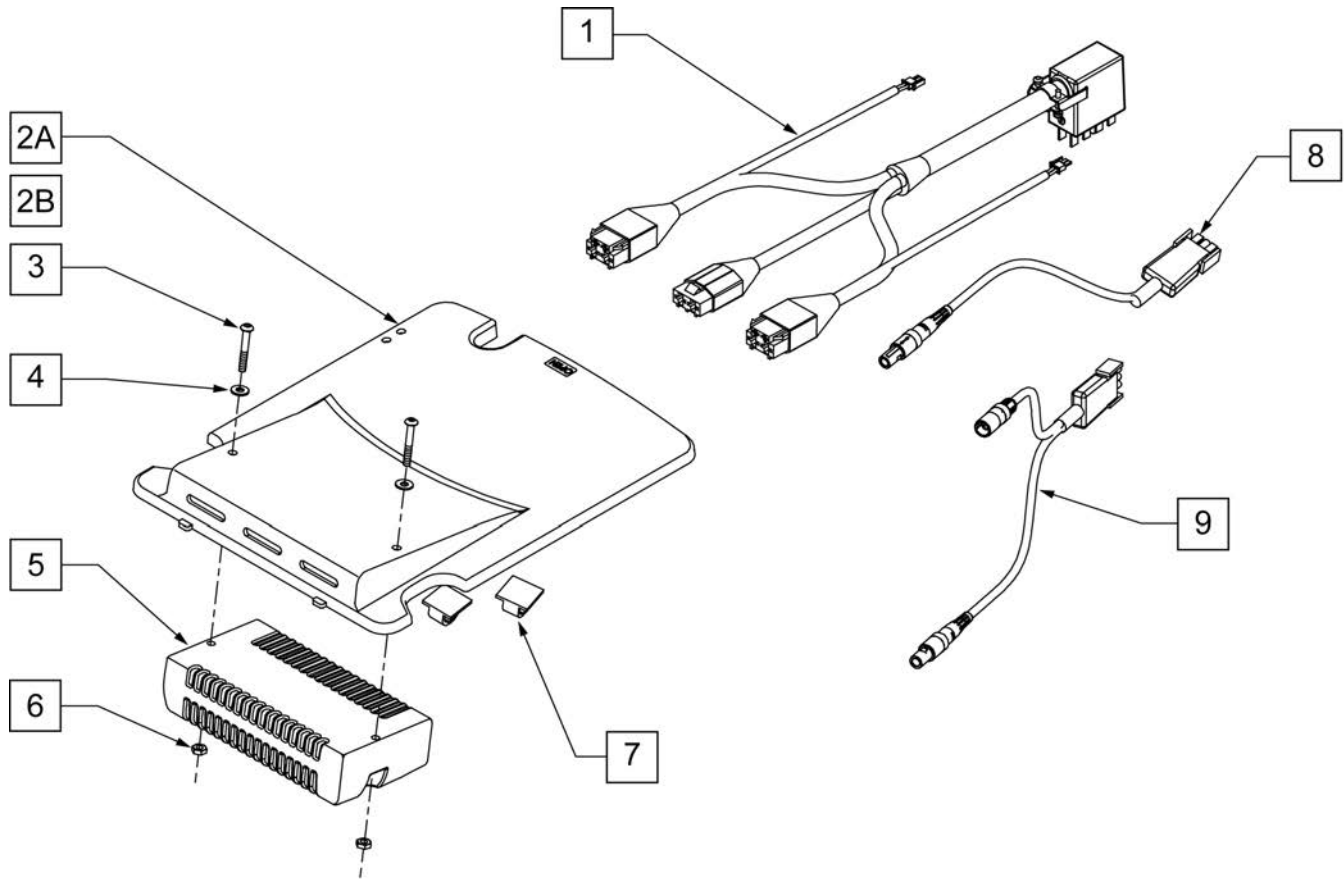
Pos.	Item Number	Description	Remarks
1	220120	8-32 x 1/2 SOC C/S P/LK BLK	
2	118824	JOYSTICK S/A SQR RH	RIGHT
2	118825	JOYSTICK S/A SQR LH	LEFT



Pos.	Item Number	Description	Remarks
2	561003	3/4" SADDLE THIN	
3	220120	8-32 x 1/2 SOC C/S P/LK BLK	
4	481211	REMOTE MOUNT	
5	107355	BHCS 1/4-28 X 1 ROHS	
6	560761	3/4" INSERT PLUG .049 (18GA)	
1A-6	118842	JOYSTICK MOUNT RND 7.5	7.5" Long
1B-6	118844	JOYSTICK MOUNT RND 11	11" Long
1C-6	119726	JOYSTICK MOUNT RND 15	15" Long

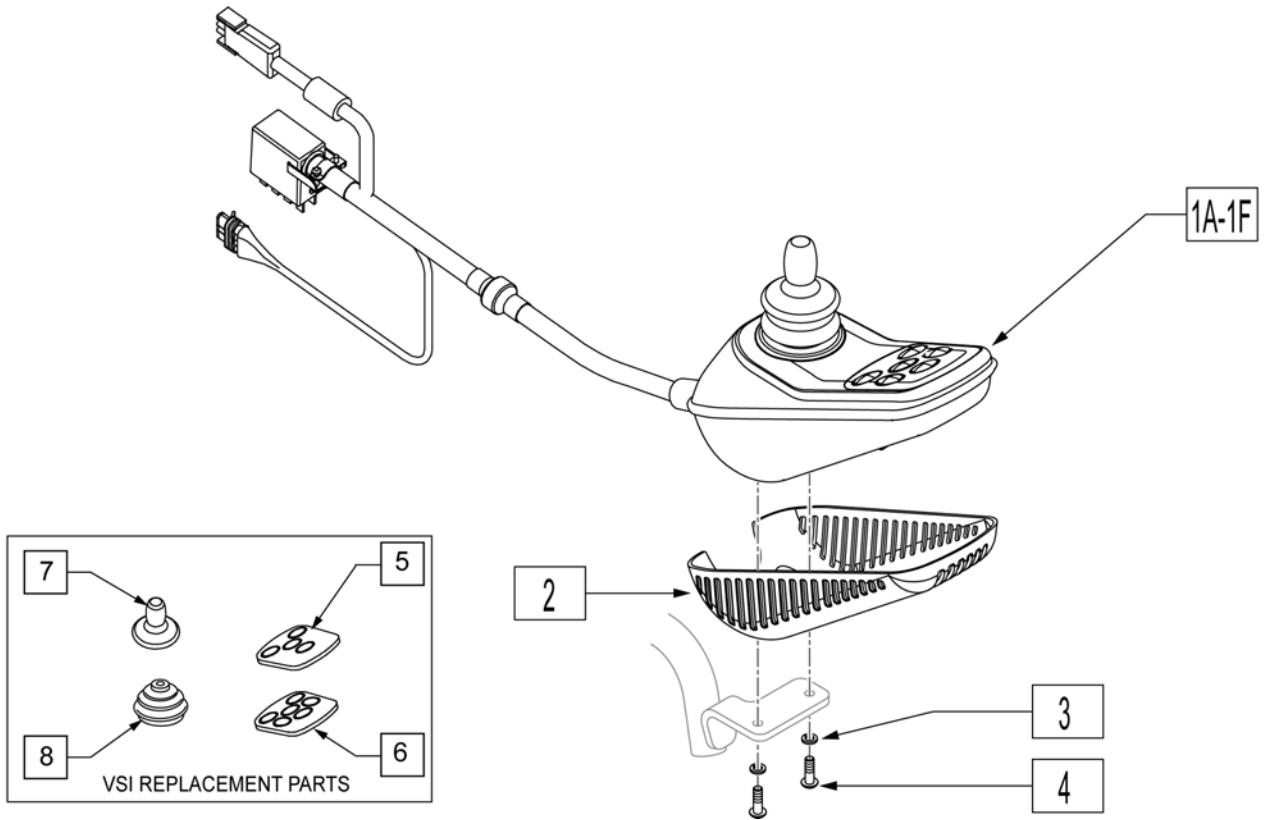


Pos.	Item Number	Description
1	220120	8-32 x 1/2 SOC C/S P/LK BLK
2	882498	S/A ARM PILOT+ R ASSM
2	882499	S/A ARM PILOT+ L ASSM

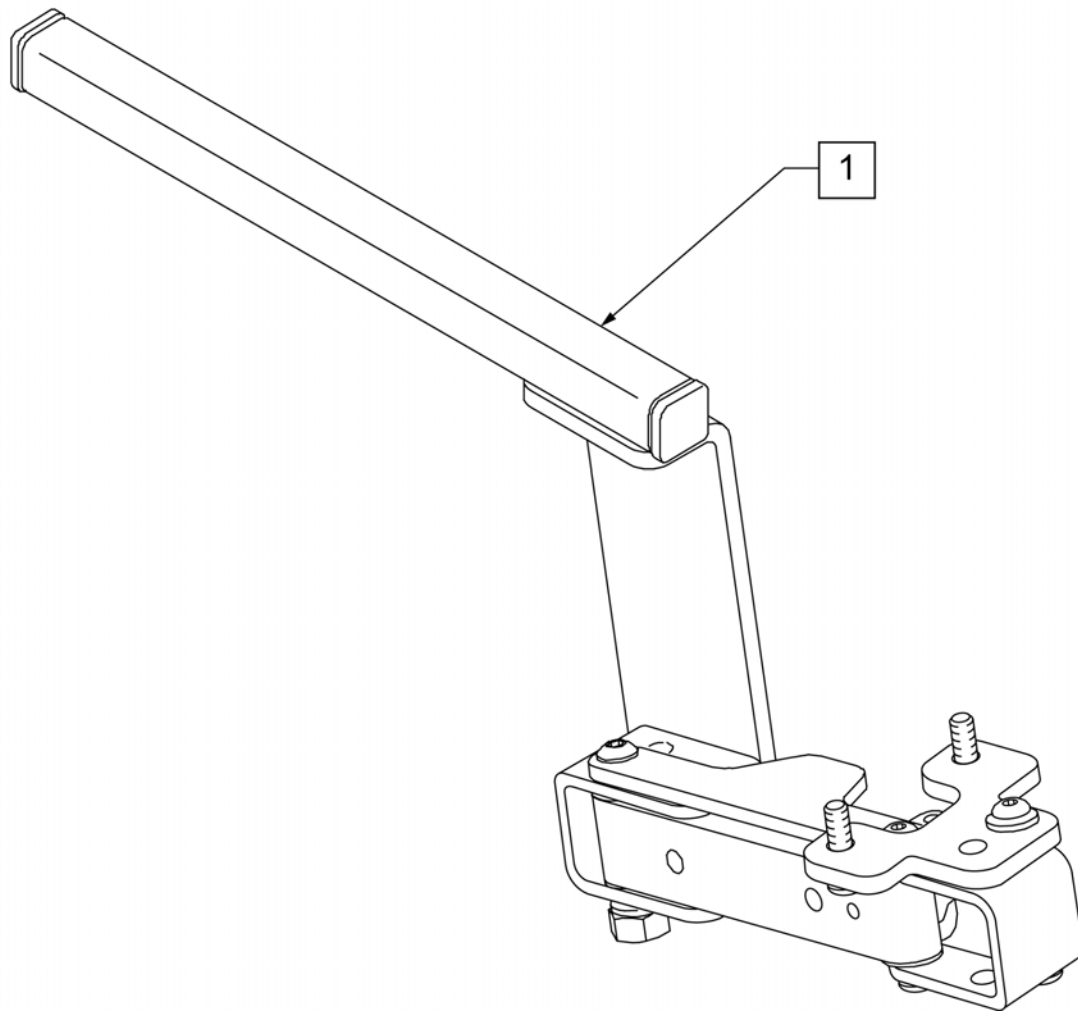


Pos.	Item Number	Description
1	138999	HARNESS ADAPTER QTRONIX / VSI
2A	560380	TOP SHROUD QTRONIX MINI
2B	560381	TOP SHROUD QTRONIX STANDARD
3	226038	10 -32 x 1 3/8 BH C/S BLK
4	455031-QU	310 AN WASHER .032 SS
5A	012070	QTRONIX CONTROLLER 80 A UNION
5B	910217S	REMOTE PROGRAMMER QTRONIX 80 AMP MWD
6	200100-QU	10 -32 NULOCK NUT
7	341220	BATTERY CABLE CLIP
8	138996	HARNESS ADAPTER INHIBIT STANDARD
9	138998	HARNESS ADAPTER INHIBIT TILT
1-7	882437	PILOT + SHROUD ASSM MINI
1,2B-7	882438	PILOT + SHROUD ASSM FULL
1,2B,3,4,5B,6,7	882439	PILOT + SHROUD ASSM FULL 400 LB

NOTE: IF REPLACING A JOYSTICK MOUNT ON A CAPTAIN SEAT PLEASE SEE "CAPTAINS JOYSTICK MOUNTS" PARTS MANUAL PAGES.



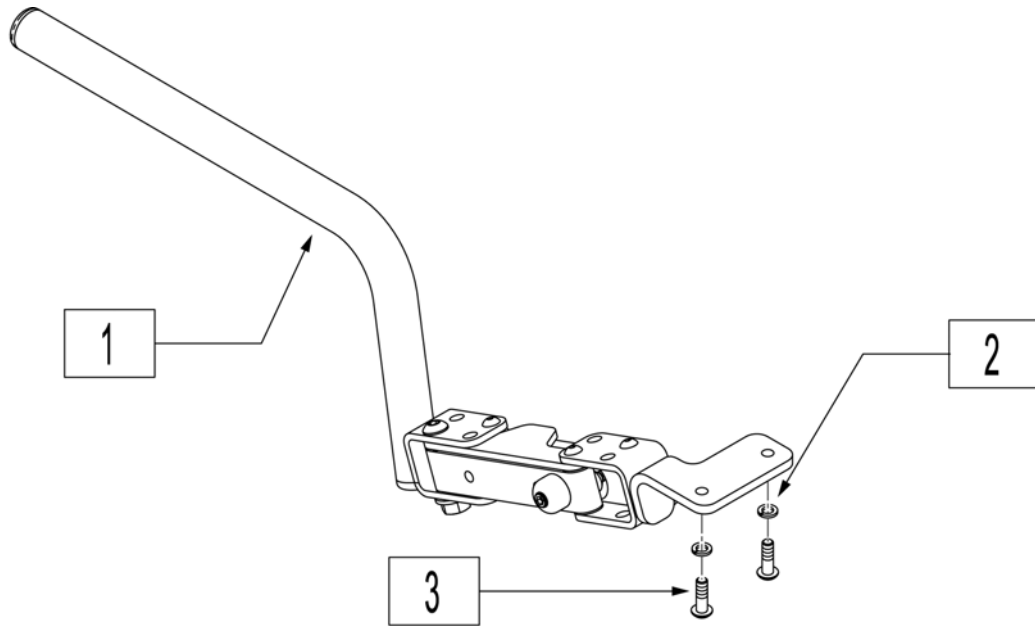
Pos.	Item Number	Description	Remarks
1A,2	910127	VSI INT CONTROLLER (K10)	6mph Aspire M10 F10 (4 Button)
1B,2	910128	VSI INT CONTROLLER FIX (K11)	6mph M11/F11 W/O Tilt or dual toggle (4 Button) - Right
1B,2	910134	VSI INT CONTROLLER FIX (K11)	6mph M11/F11 W/O Tilt or dual toggle (4 Button) - Left
1C,2	910129	VSI INT TILT CONTROL (K11)	6mph M11/F11 w/ Tilt or Dual Toggle (6 Button) - Right
1C,2	910144	VSI INT TILT CONTROL (K11)	6mph M11/F11 w/ Tilt or Dual Toggle (6 Button) - Left
1D,2	102246	VSI CONTROLLER 4MPH FREESTYLE FS HD	4 Mph F11 HD (4 Button)
1E,2	102249	VSI CONTROLLER 4MPH FREESTYLE MINI TL	W/O TILT. 4 Mph W/O TILT or Dual Toggle (4 Button)
1F,2	102250	VSI CONTROLLER 4MPH FREESTYLE MINI TL	W/ TILT. 4 Mph W/O TILT or Dual Toggle (4 Button)
2	562109	VSI COVER SHEILD	
3	261524	#10 WASHER LOCK SS	
4	455010-QU	10 -32 x 3/4 BH C/S BLK	
5	105689	VSI 4 BUTTON KEY PAD	4 Buttons
6	105690	VSI 6 BUTTON KEY PAD	6 Buttons
7	138169	VSI JOYSTICK HANDLE	
8	105930	JOYSTICK GAITER	Joystick Boot



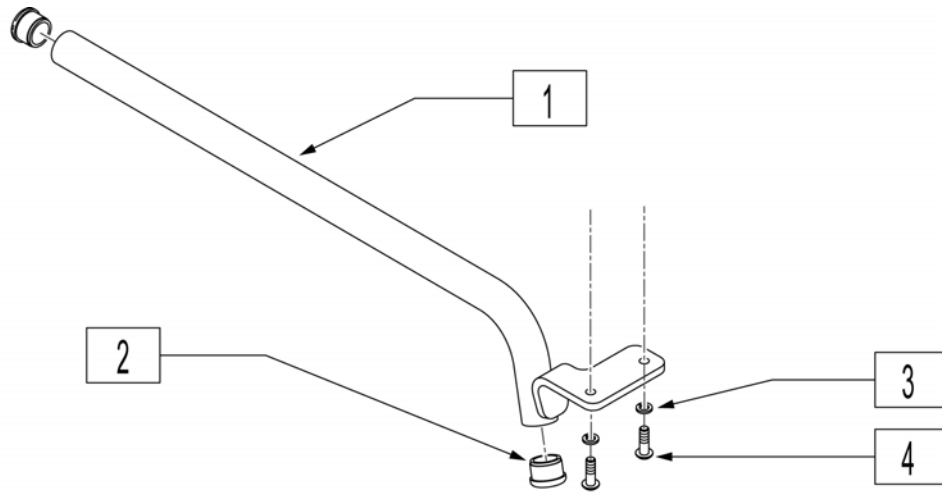
Pos.	Item Number	Description	Remarks
1	882488	S/A ARM VSI R ASSM SQUARE TUBE	RIGHT
1	882489	S/A ARM VSI L ASSM SQUARE TUBE	LEFT



Pos.	Item Number	Description
1A	505399	CONTROLLER MOUNT
2	261524	#10 WASHER LOCK SS
3	455010-QU	10 -32 x 3/4 C/S BLK
4	349049	KNOB M8 x 1.25 x 18
6	013147	BHCS M6 X 1 X 12 BLK
4-6	885240	CONTROLLER MOUNT RECEIVER

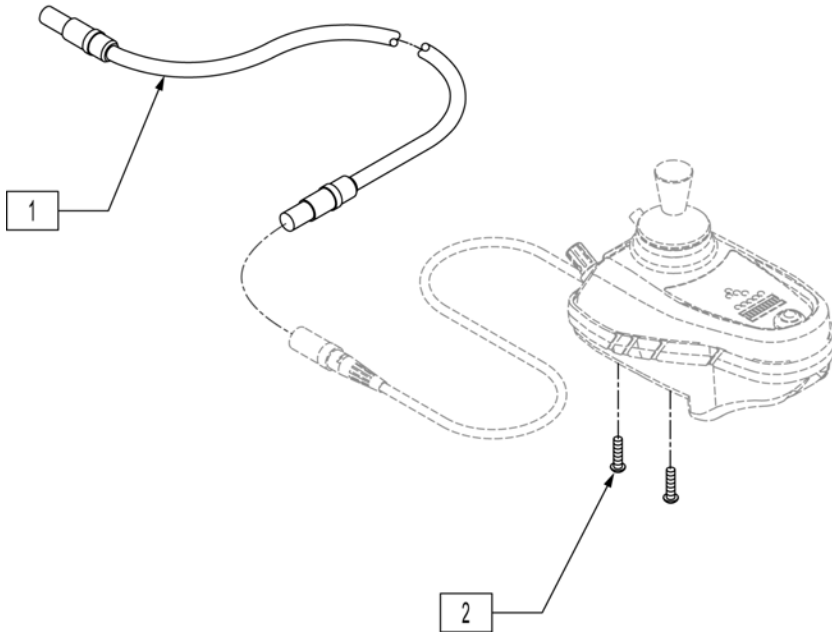


Pos.	Item Number	Description	Remarks
1	882496	S/A ARM VSI R ASSM	Right-Swing-away
1	882497	S/A ARM VSI L ASSM	Left-Swing-away
2	261524	#10 WASHER LOCK SS	
3	226024-QU	10-32 x 7/8 BH C/S BLK	

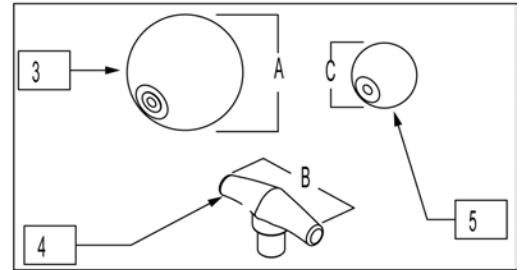


Pos.	Item Number	Description	Remarks
1	542131	VSI FIX MNTNG BLK WLDMNT RT	Right- Fixed
1	542132	VSI FIX MNTNG BLK WLDMNT LEFT	Left-Fixed
2	560761	3/4" INSERT PLUG .049 (18GA)	
3	261524	#10 WASHER LOCK SS	
4	226024-QU	10-32 x 7/8 BH C/S BLK	

Note: Qtronix Joystick has been discontinued, for replacement Joystick please see "Pilot Plus Joystick" page.

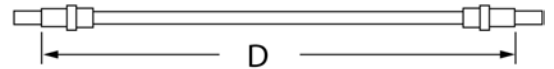


JOYSTICK KNOBS



MEASURING GUIDE

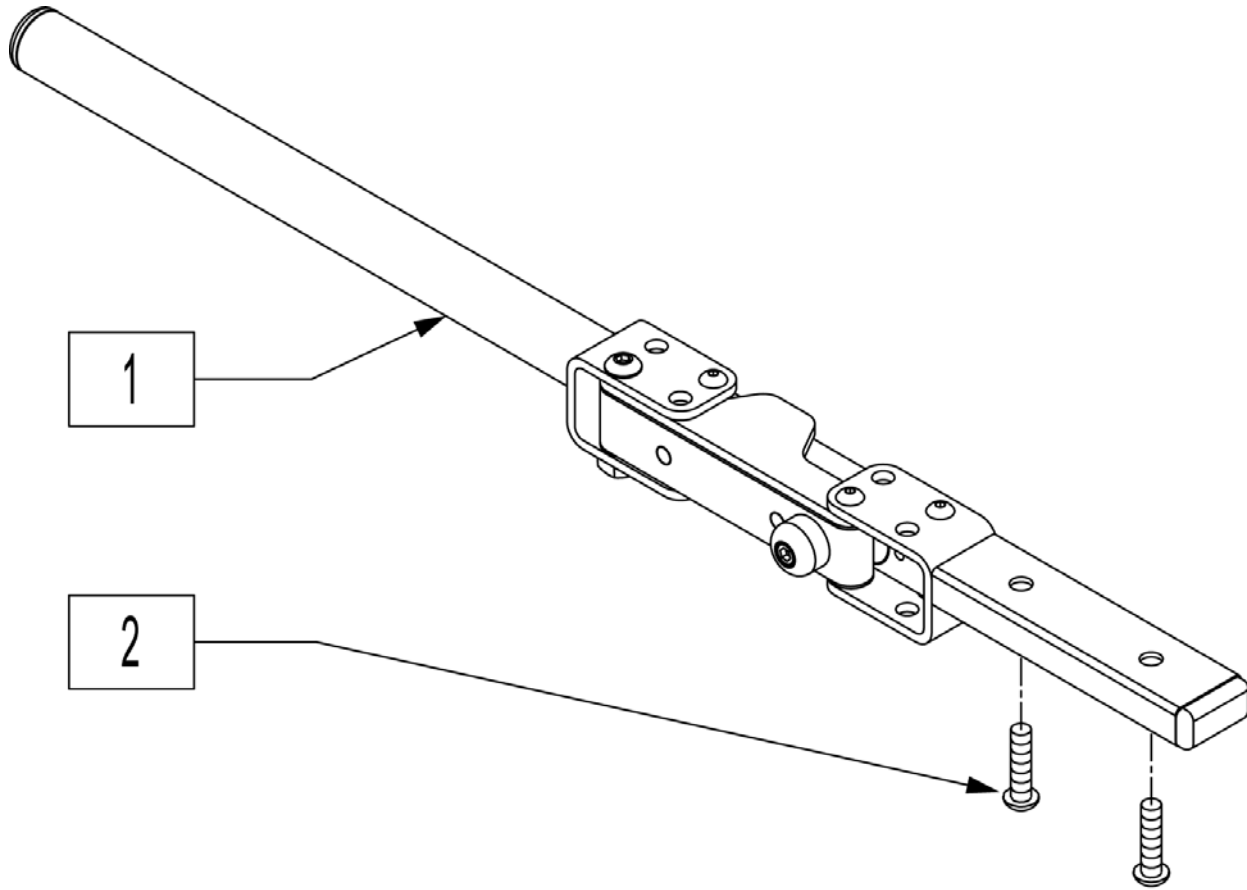
"A"	"B"	"C"
2 1/2"	3"	1 1/2"



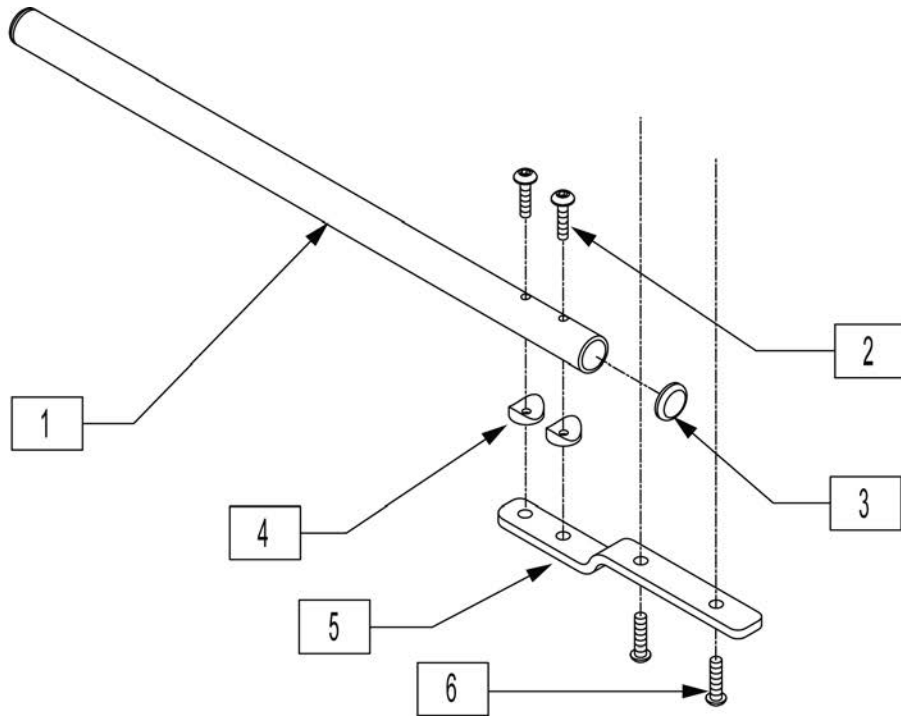
CONTROL CABLE GUIDE

PART NUMBER	DIM "D"
139137	48"
139138	61.4"
139139	78.7"
139142	26"
139143	39.4"
139144	45.9"

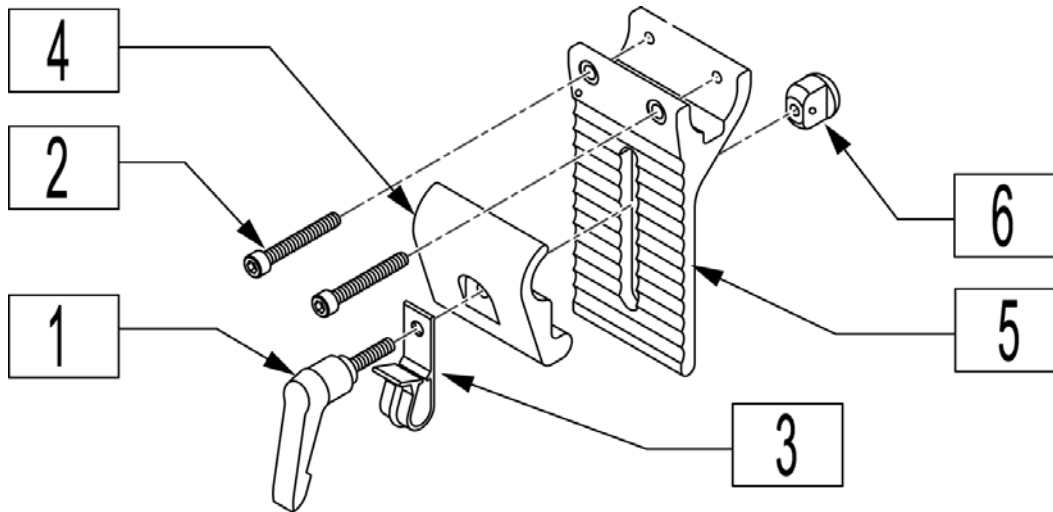
Pos.	Item Number	Description
1	139137	CONTROL CABLE 48"
1	139138	CONTROL CABLE 61 1/2"
1	139139	CONTROL CABLE 78 3/4"
1	139142	CONTROL CABLE 26"
1	139143	CONTROL CABLE 39 1/2"
1	139144	CONTROL CABLE, FLYING LEAD, X LNG
2	226106	1/4-20 x 3/4 BH C/S BLK ZN
3	138165	J/S KNOB BALL HANDLE (SOFT)
4	138167	J/S KNOB T-BAR
5	138166	J/S KNOB BALL HANDLE (SOLID)



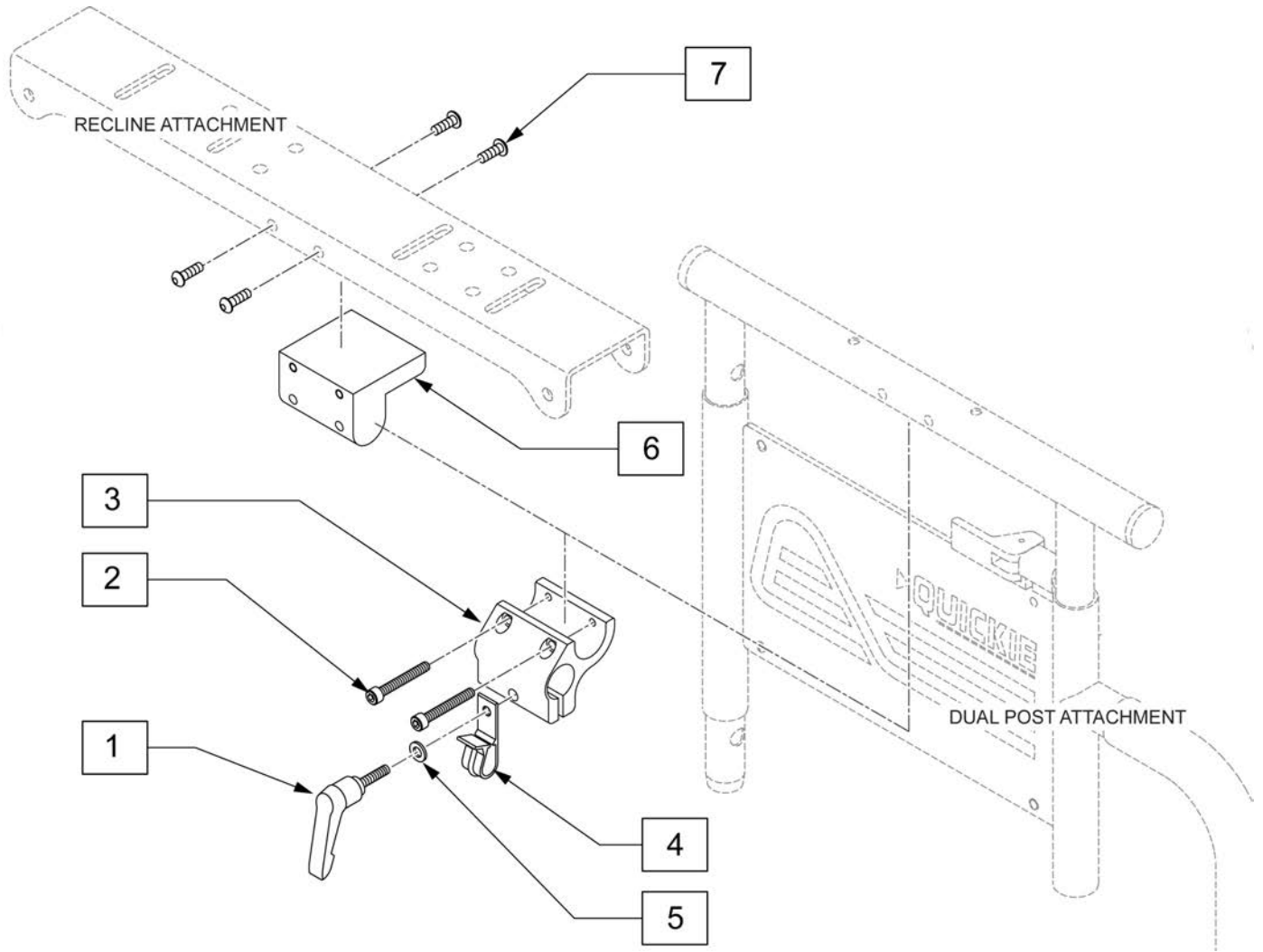
Pos.	Item Number	Description	Remarks
2	226069-QU	1/4-20 x 1/2 BH C/S BLK	
1,2	882696	RMT S/A R W/ARM MAG	Right
1,2	882697	RMT S/A L W/ARM MAG	Left



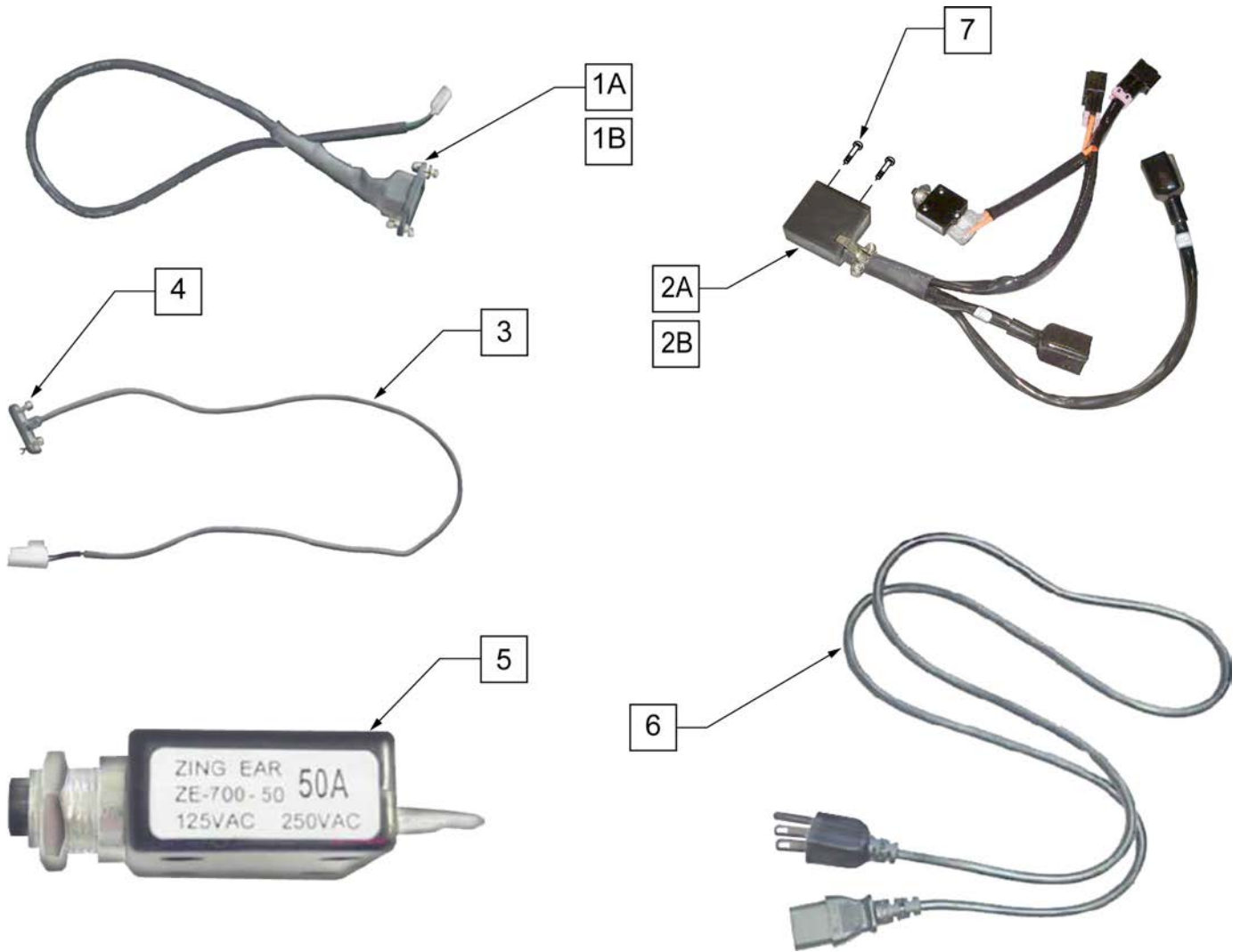
Pos.	Item Number	Description
1	520231	REMOTE BOX MOUNT TUBE Q-TRONIX
2	226066	1/4-28 x 1.1" BH C/S BLK
3	560761	3/4" INSERT PLUG .049 (18GA)
4	561003	3/4" SADDLE THIN
5	481196	REMOTE BOX BENT MOUNT S525
6	226069-QU	1/4-20 x 1/2 BH C/S BLK
1-6	882270	REMOTE CONTROL ARM ASSM QX



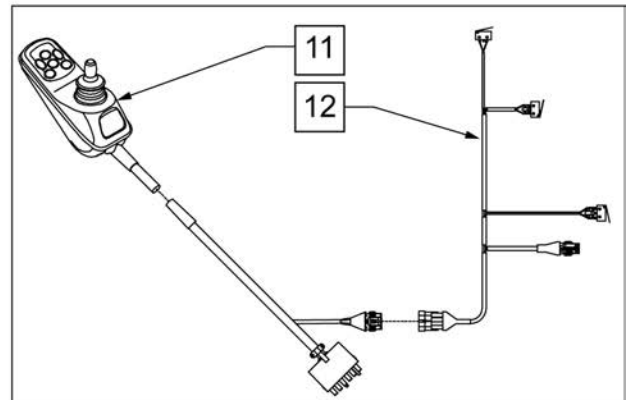
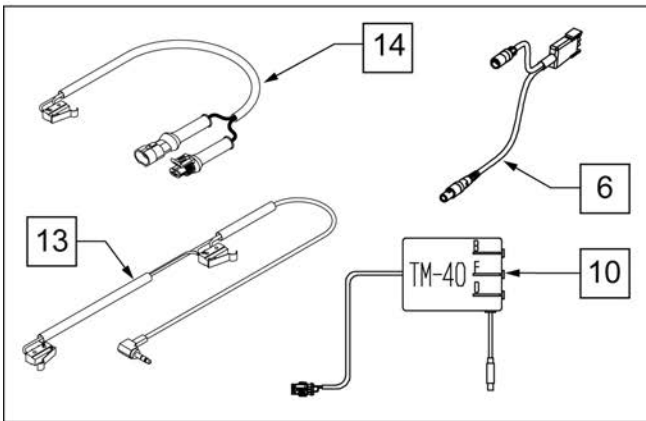
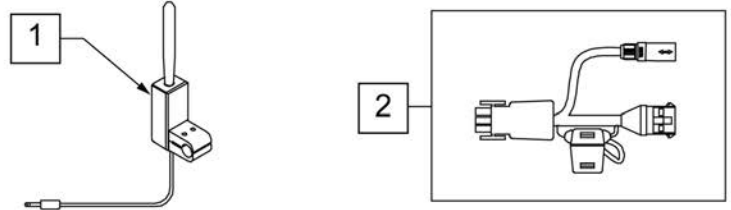
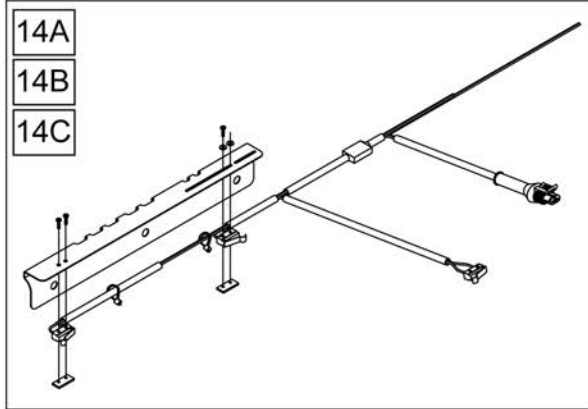
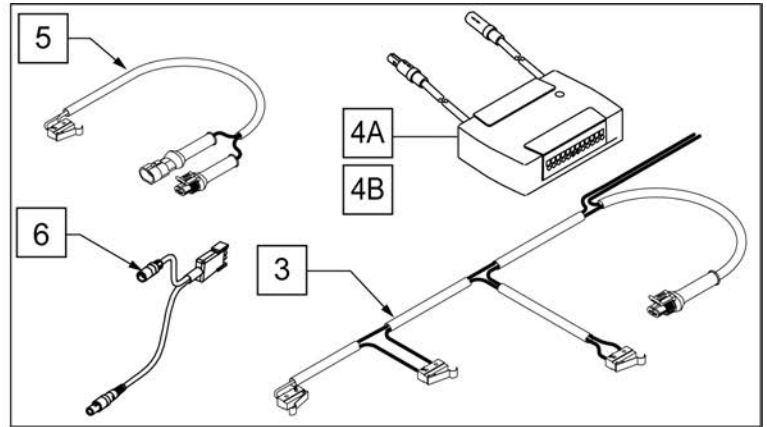
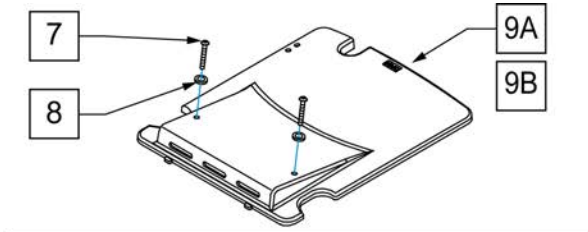
Pos.	Item Number	Description
1	349024	HNDL 10-32 x 3/4 C/A P1/P3/P5
2	226037	10-32 x 1 3/8 SOC C/S BLK
3	560268	QUICK RELEASE CLIP
4	505767	ADJUSTABLE REMOTE MOUNT
5	505766	ADJUSTABLE CLAMP OUTER
6	200139	SLIDING NUT
1-6	920738	HT ADJ MOUNT ASSM STD



Pos.	Item Number	Description
1	349024	HNDL 10-32 x 3/4 C/A P1/P3/P5
2	226037	10-32 x 1 3/8 SOC C/S BLK
3	501750	CONTROL ARM CLAMP
4	560268	QUICK RELEASE CLIP
5	261204	#10 AN WASHER .063
6	551001	CONTROLLER MOUNT BLOCK
7	222297	10-24 X 3/8 SOC BH C/S W/PTCH
1-5	920713	CONTROL ARM CLAMP ASSM

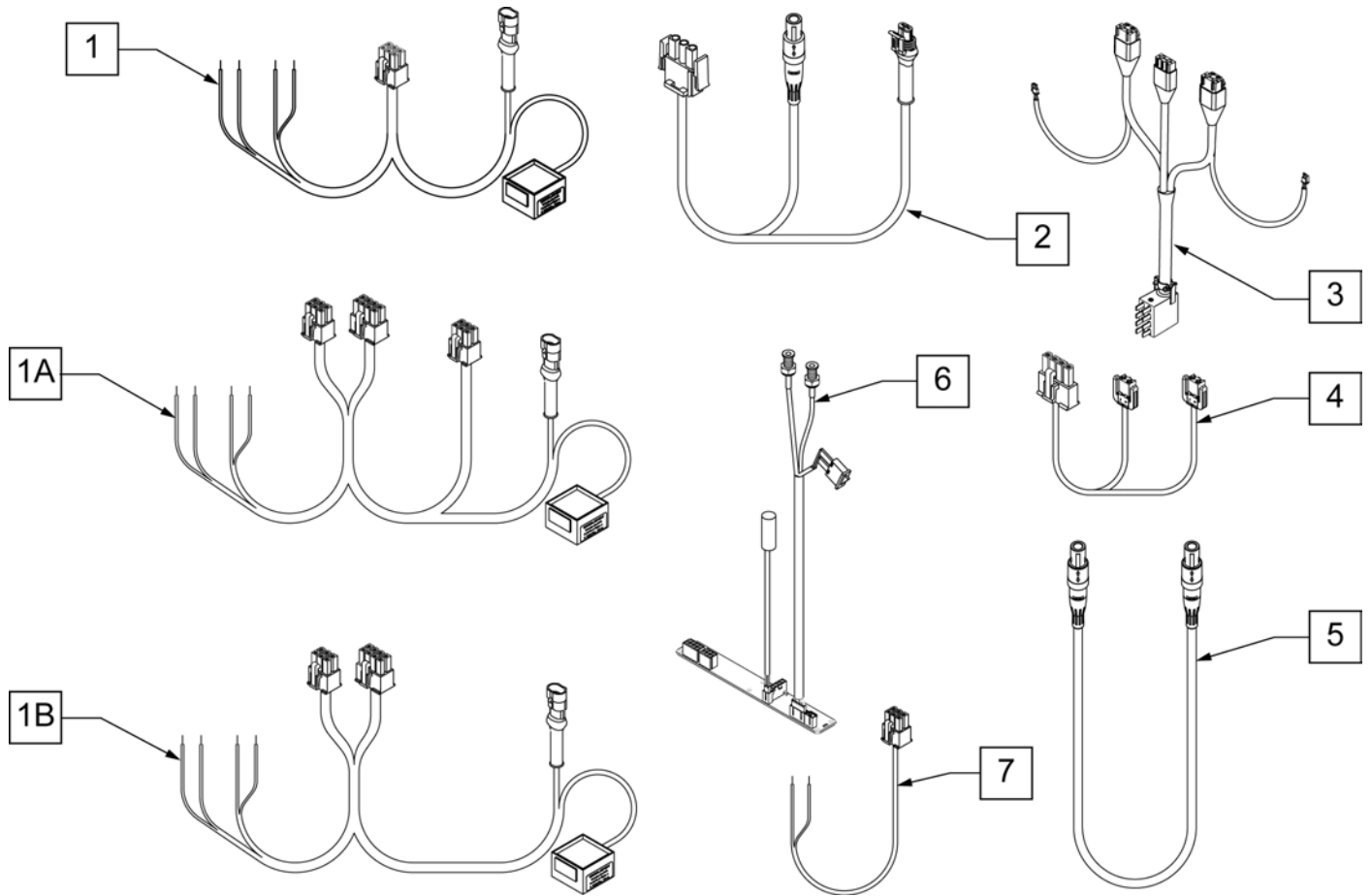


Pos.	Item Number	Description
1A	139398	CHARGER A/C OUTLET HARNESS
1B	139251	CHARGER A/C OUTLET HARNESS FULL
2A	139397	MAIN HARNESS MINI
2B	139252	MAIN HARNESS FULL
3	139399	CHARGER LIGHT HARNESS
4	884373	CHARGER HARNESS HDWR
5	133022	CIRCUIT BREAKER 50A
6	138039	POWER CORD 6FT

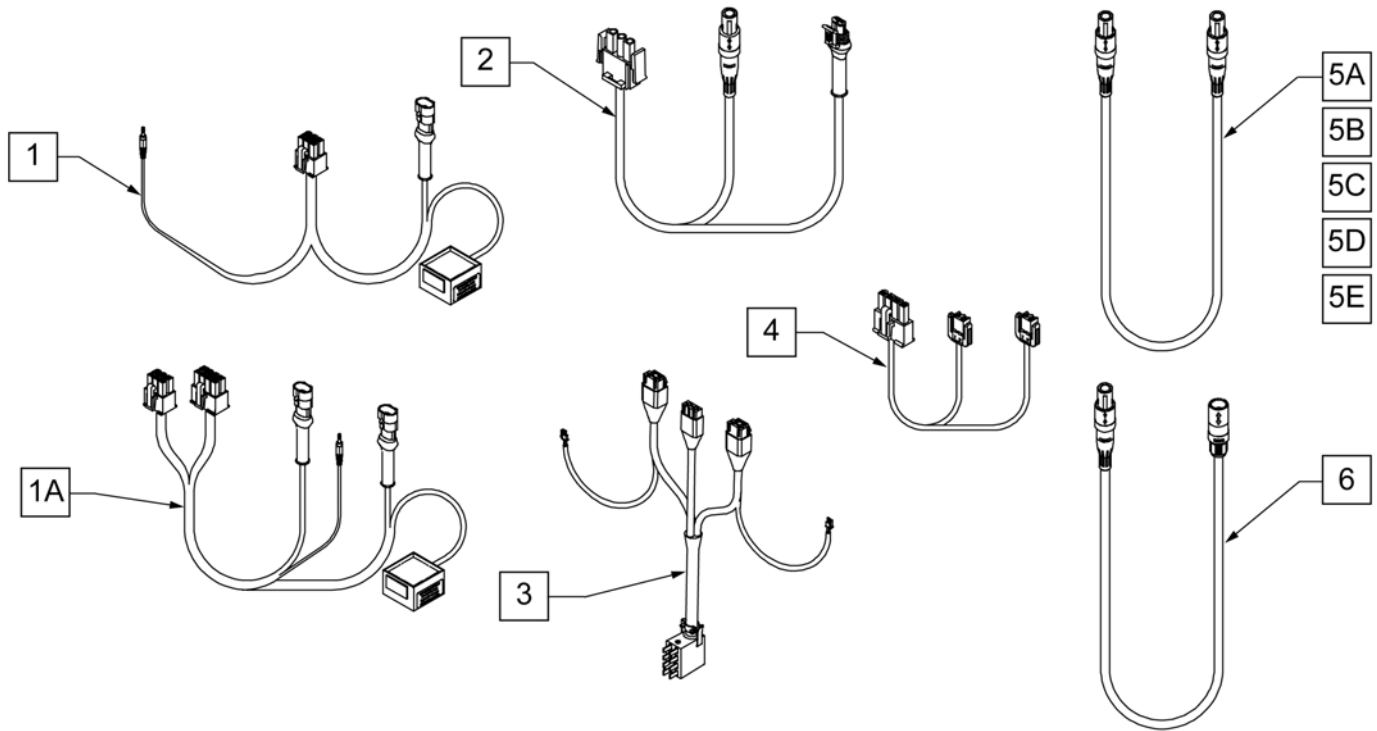


Pos.	Item Number	Description	Remarks
1	881338	TOGGLE SWITCH ASSM TILT	RIGHT
1	881318	TOGGLE SWITCH ASSM TILT	LEFT
2	138997	VSI / TM40 ADAPTER HARNESS	
3	139472	HRNSS UPRIGHT LMT ALM RECT	
4A	881342	PILOT + ALUM W/ VELCRO 6 AMP	For use with drive thru
4B	139051	PILOT + ALUM 6 AMP W/ AUX INPUT	For use with toggle or single switch
5	139395	HARNESS UPRIGHT LIMIT M40	
6	138998	HARNESS ADAPTER INHIBIT TILT	
7	226038	10 -32 x 1 3/8 BH C/S BLK	
8	455031-QU	#10 AN WAHSER .032 SS	
9A	560380	TOP SHROUD QTRONIX MINI	
9B	560381	TOP SHROUD QTRONIX STANDARD	
10	882692	TM40 & TOGGLE KIT R	
10	882693	TM40 & TOGGLE KIT L	
11	910129	VSI INT TILT CONTROL (K11)	
12	139471	HRNS TILT LMT VSI RECT	
13	139393	HRNSS RCLN LIMIT INHIBIT M40	
14	139395	HRNSS UPRGHT LIMIT M40	

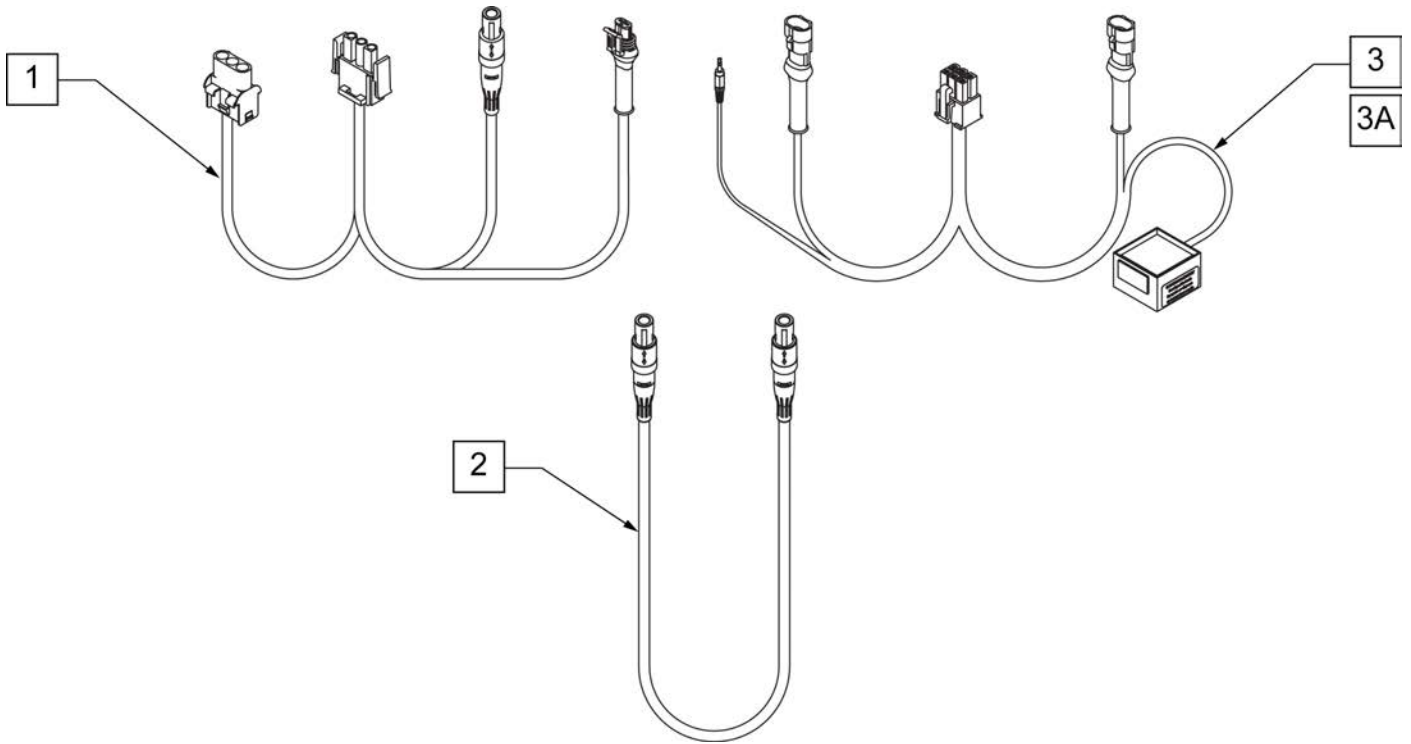
Pos.	Item Number	Description	Remarks
15A	883161	MODULAR TILT HARNESS ASSM TM40	
15B	883164	MODUALR TILT HARNESS ASSM ALM	
15C	883166	MODULAR TILT HARNESS ASSM VSI	



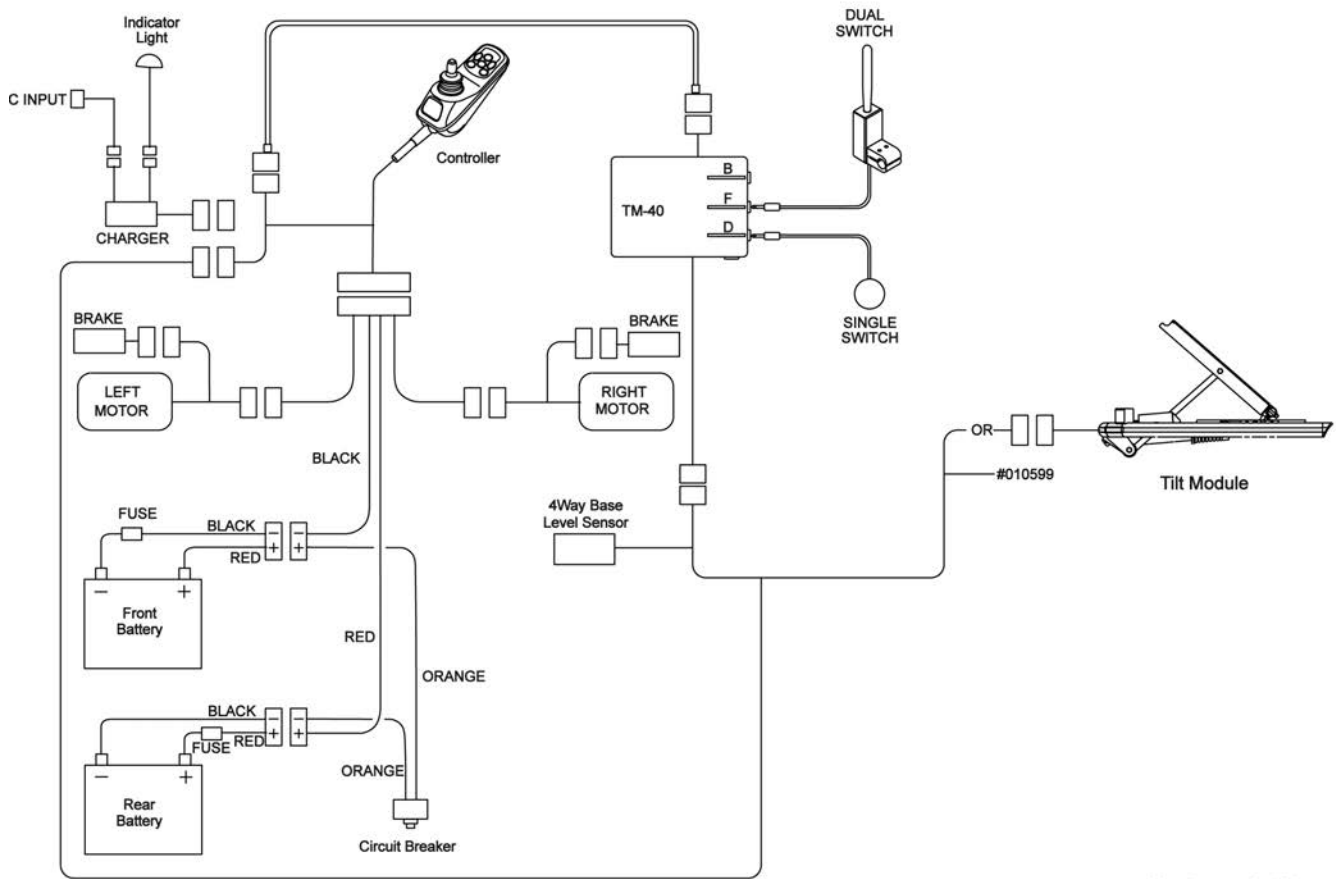
Pos.	Item Number	Description	Remarks
1	103415	HARN ALM TO ACT W DRV INHIBIT	
1A	010576	ALM TO TILT & RECLINE ACT HARN	
1B	010574	ALM TO RECLINE ACT HARNESS	
2	011657	CHARGER/POWER HARNESS	
3	138999	HARNESS ADAPTER QTRONIXS/VSI	
4	010581	RECLINE ACT DBL MOTOR HARNESS	
5A	139142	CONTROL CABLE FLYING LEAD SHT	26.0" LONG
5B	139143	CONTROL CABLE FLYING LEAD LONG	39.5" LONG
5C	139137	CONTROL CABLE SLIM SHORT	48.0" LONG
5D	139138	CONTROL CABLE SLIM LONG	61.5" LONG
5E	139139	CONTROL CABLE SLIM X-LONG	78.8" LONG
6	012039	RECLINE PCB ASSY UNION	
7	010789	ALM TO LEFT ELR ACTUATOR HARN	LEFT
7	010790	ALM TO RIGHT ELR ACTUATOR HARN	RIGHT



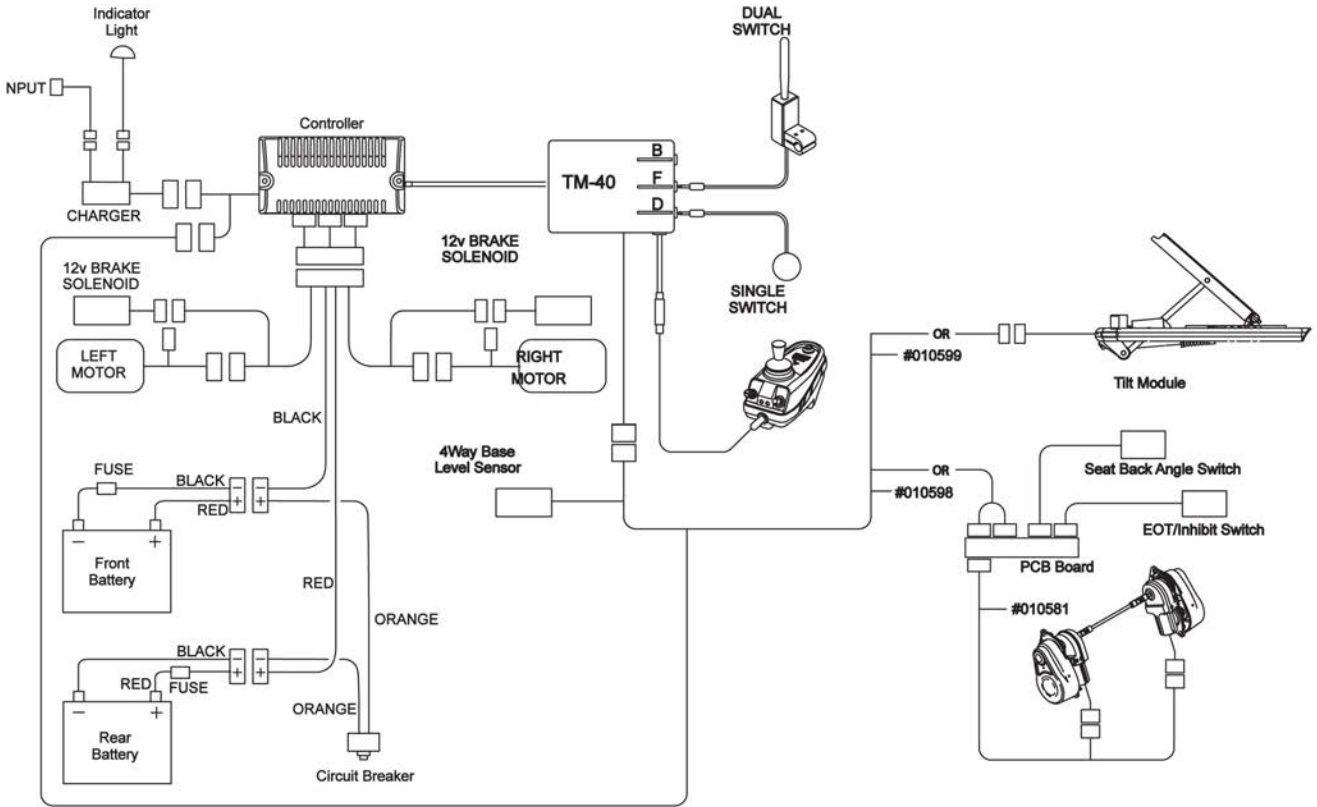
Pos.	Item Number	Description	Remarks
1A	103414	HARN TM40 TO ACT W DRV INHIBT	
1B	010598	TM40 TO RECLINE ACT HARNESS	
2	011657	CHARGER/POWER HARNESS	
3	138999	HARNESS ADAPTER QTRONIXS/VI	
4	010581	RECLINE ACT DBL MOTOR HARNESS	
5A	139142	CONTROL CABLE FLYING LEAD SHT	26" LONG
5B	139143	CONTROL CABLE FLYING LEAD LONG	39.5" LONG
5C	139137	CONTROL CABLE SLIM SHORT	48.0" LONG
5D	139138	CONTROL CABLE SLIM LONG	61.5" LONG
5E	139139	CONTROL CABLE SLIM X-LONG	78.8" LONG
6	139044	CONTROL CABLE EXT ADAPTER	36.0" LONG (EXTENSION)



Pos.	Item Number	Description	Remarks
1	138995	CHARGER/POWER HARNESS VSI	
2	139143	CONTROL CABLE FLYING LEAD LONG	39.5" LONG
3	103414	HARN TM40 TO ACT W DRV INHIBT	

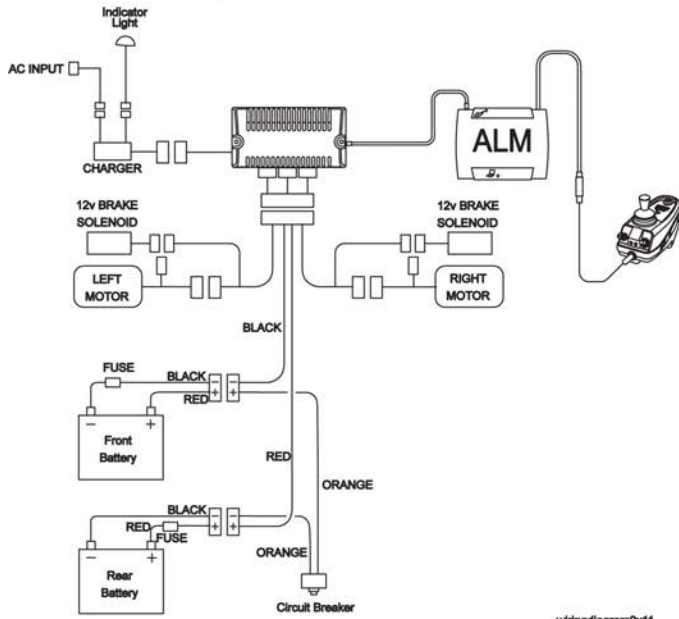


wiringdiagram0x10A



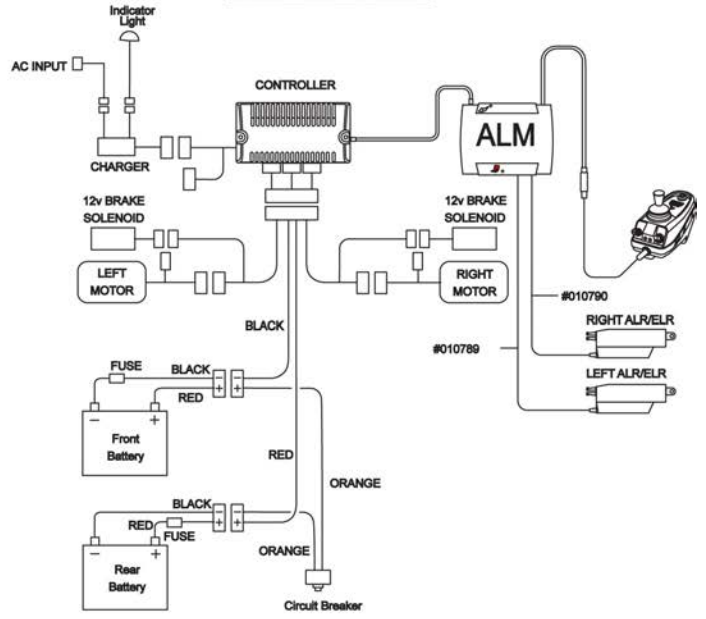
wiringdiagram0x01A

QTRONICS DRIVE ONLY



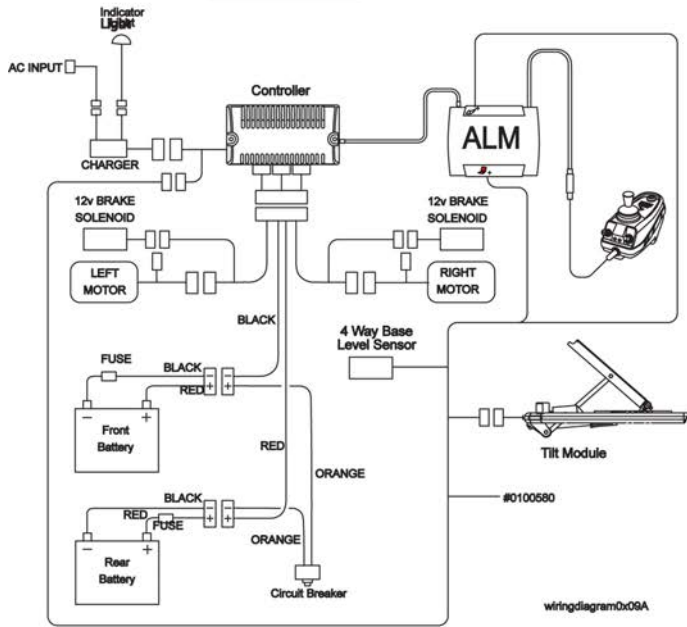
wiringdiagram0x11

QTRONICS ALR/ELR

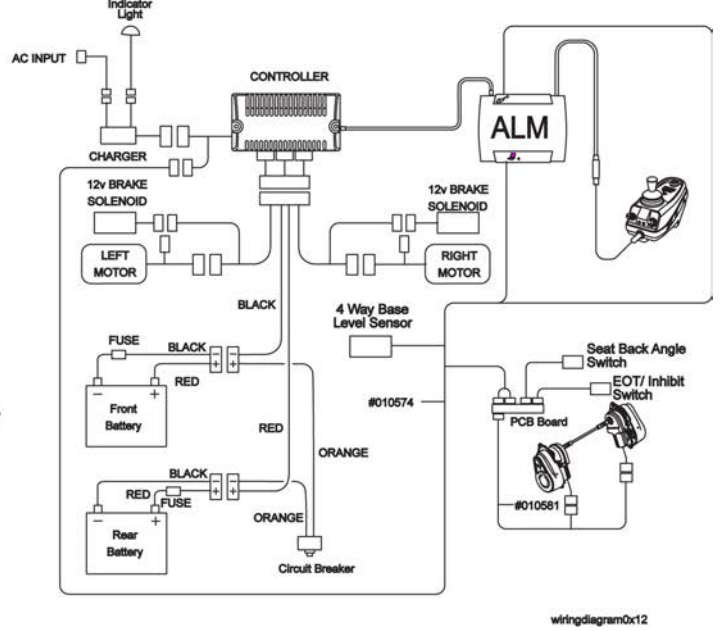


wiringdiagram0x03

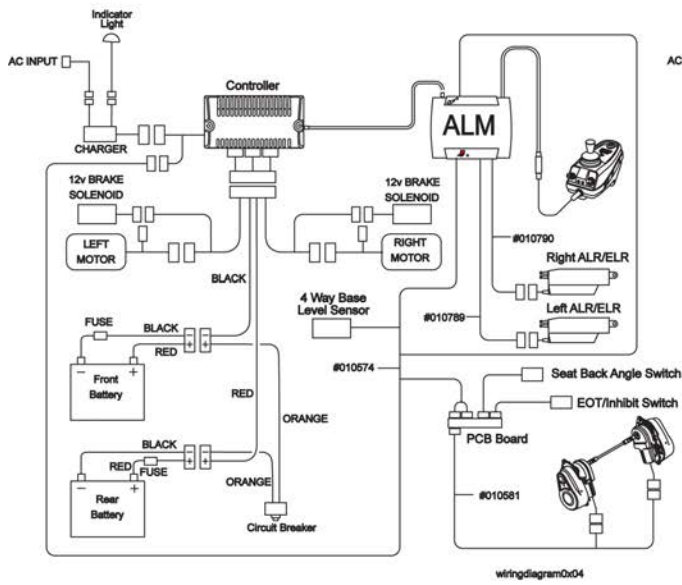
QTRONICS TILT



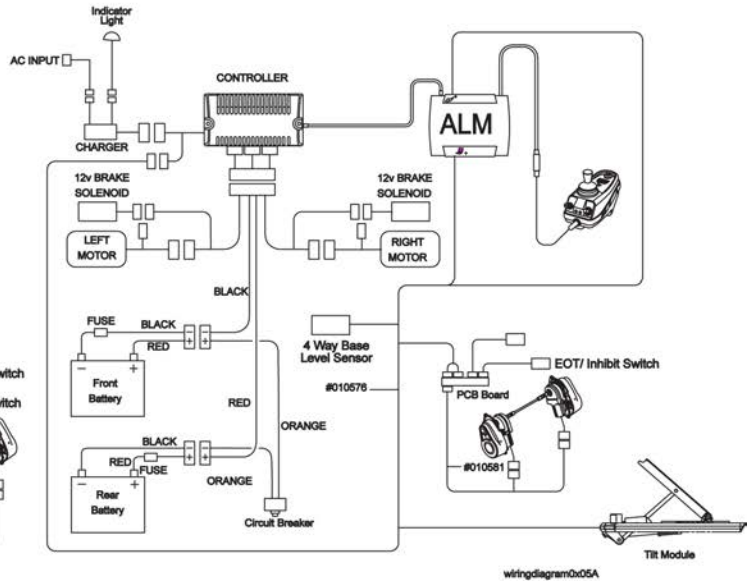
QTRONICS RECLINE



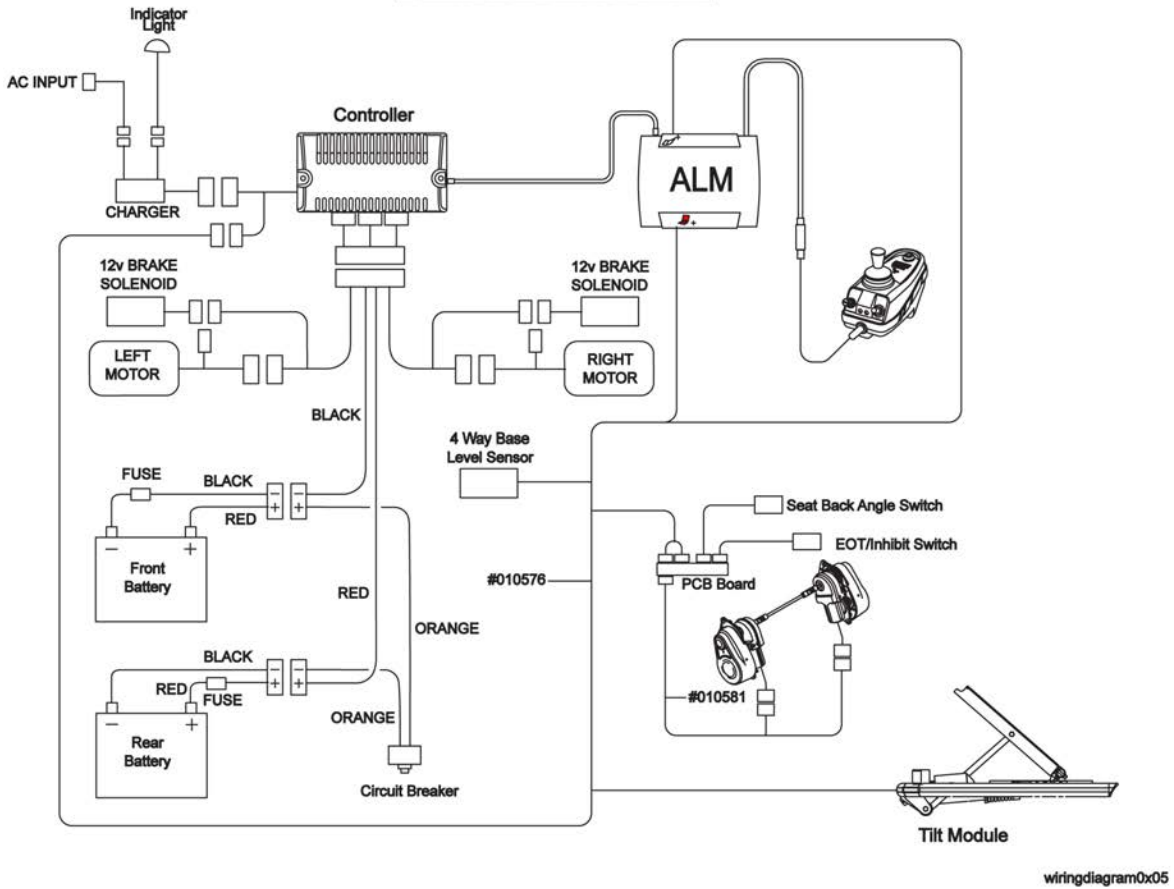
QTRONICS ELR RECLINE

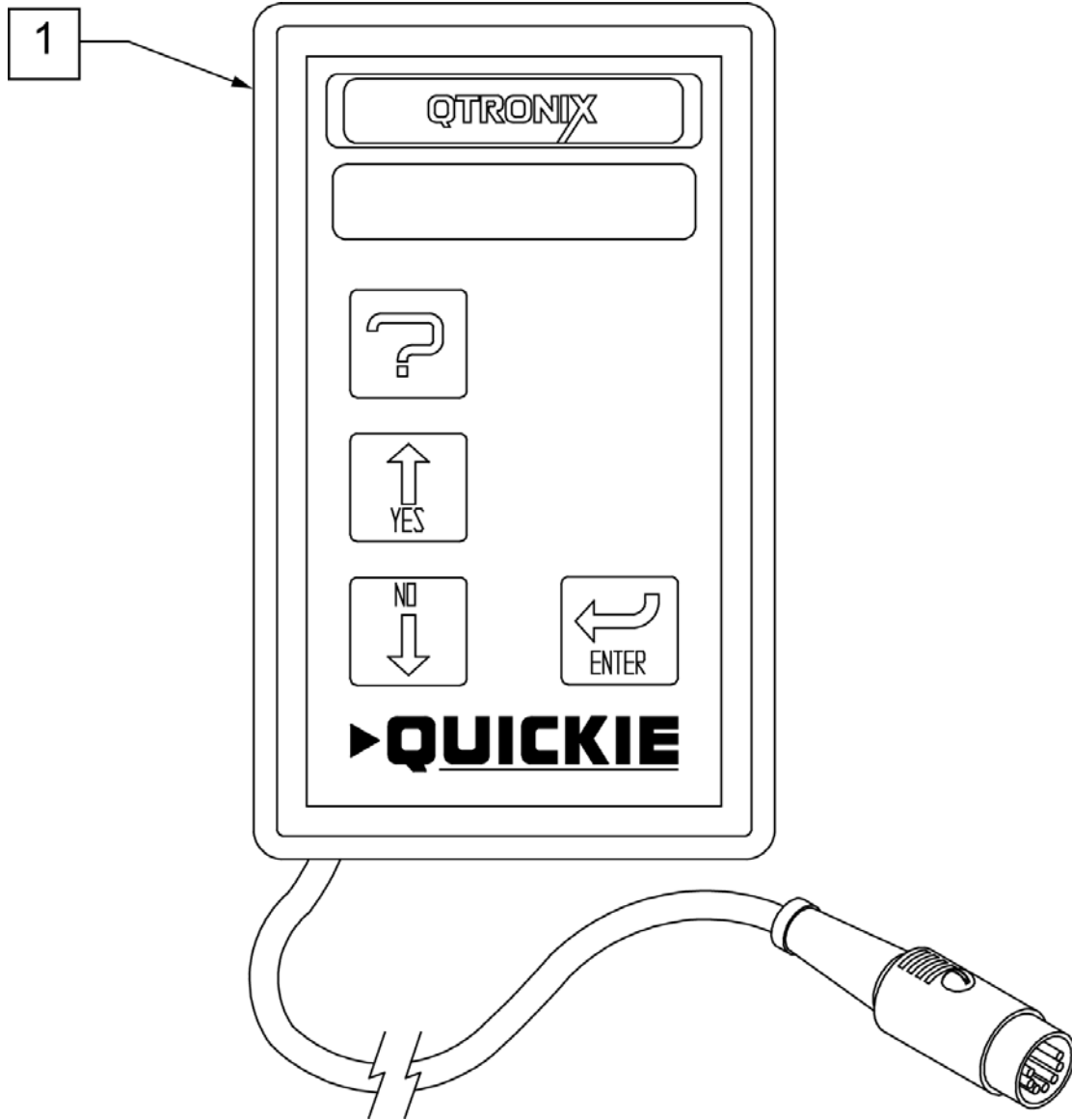


QTRONICS TILT RECLINE

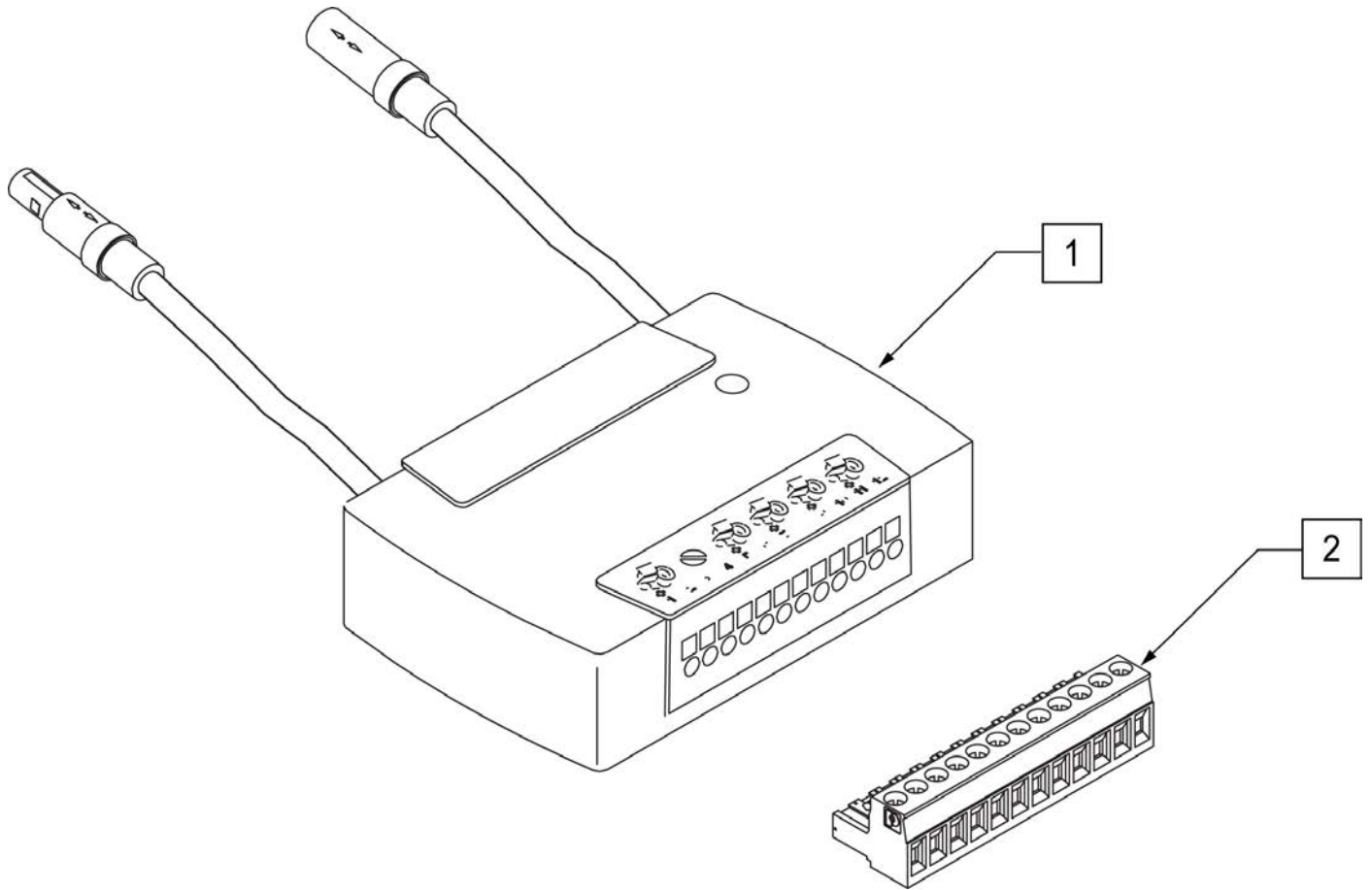


QTRONICS TILT RECLINE ELR

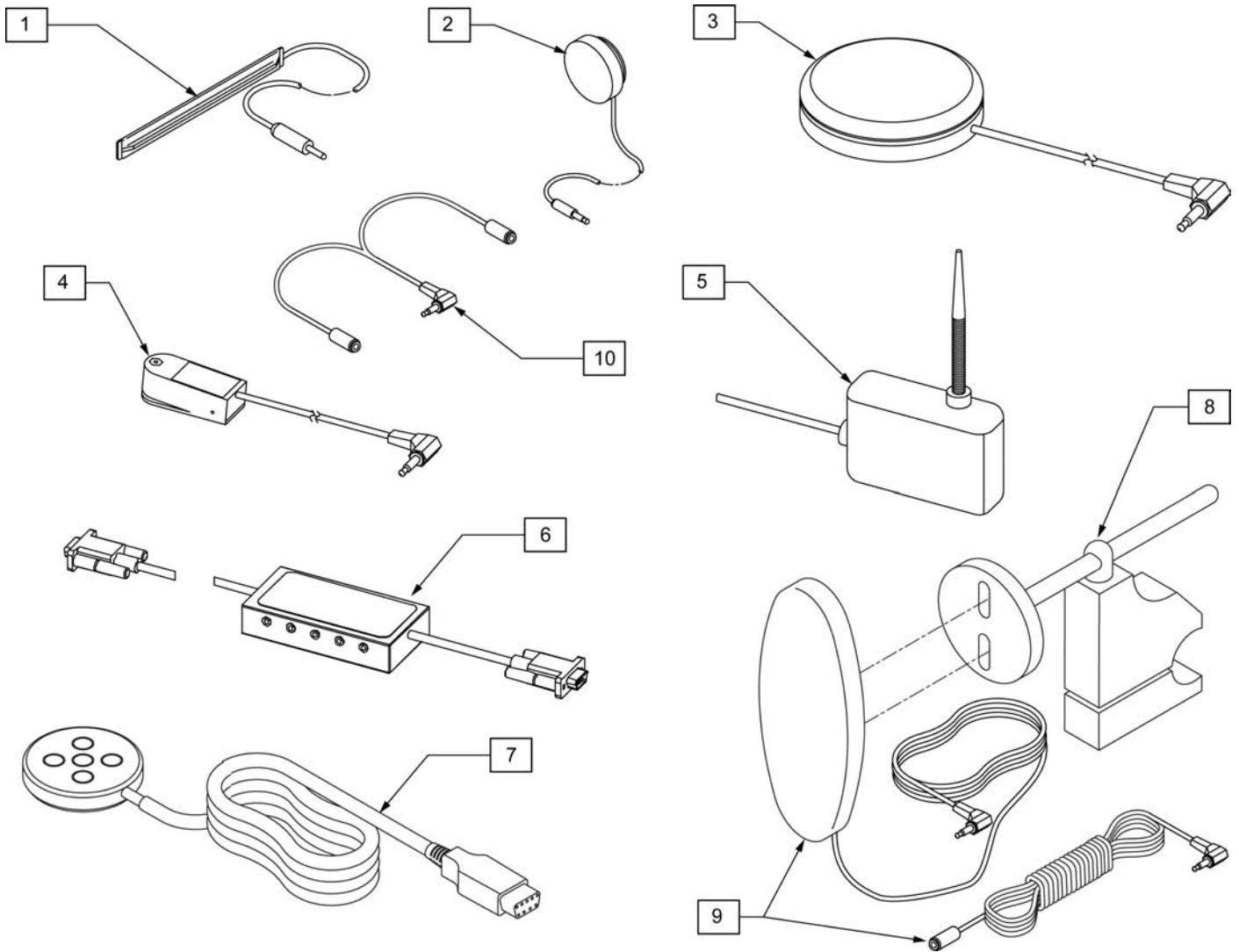




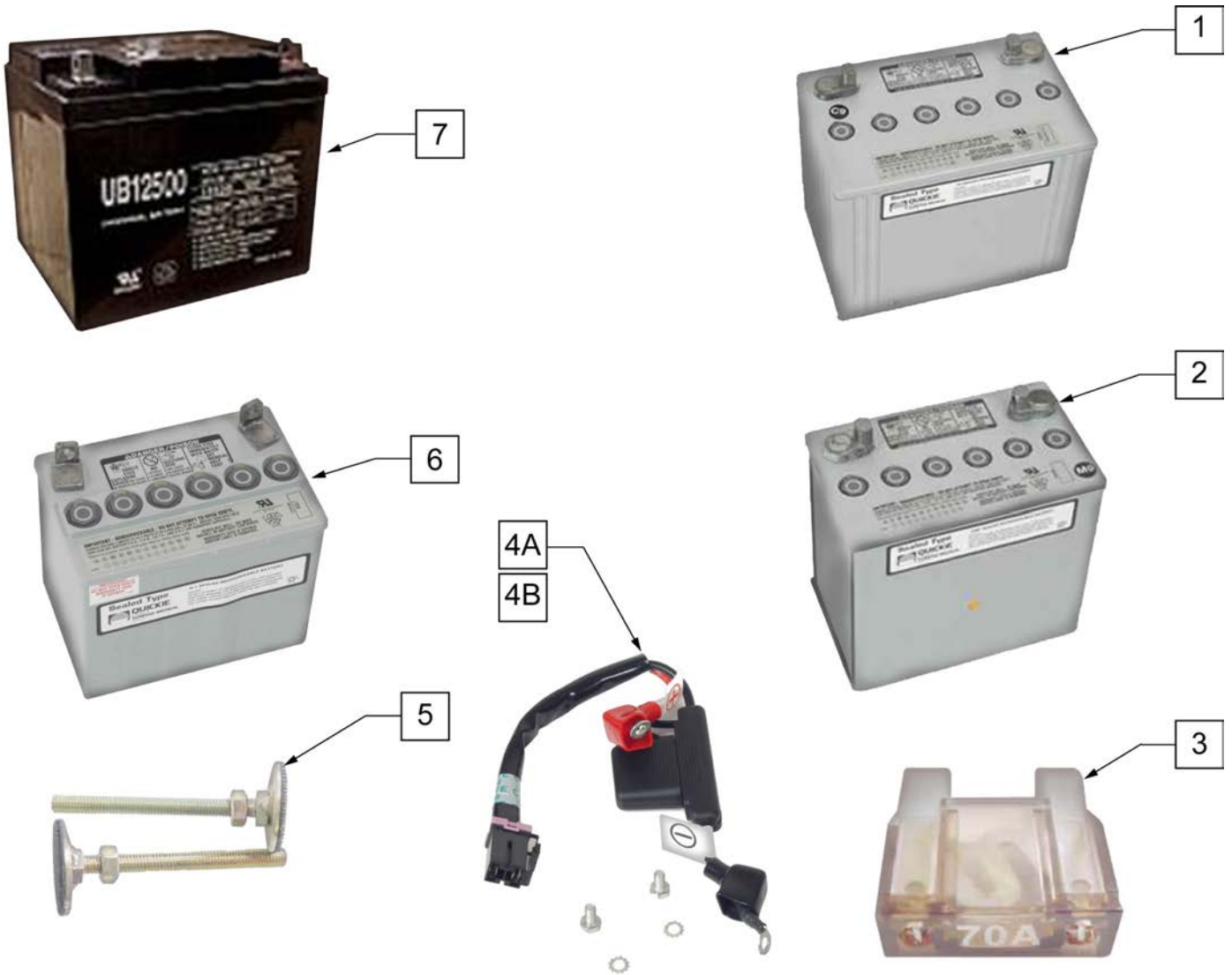
Pos.	Item Number	Description
1	QTRX	PROGRAMMING PAD QTRONIX



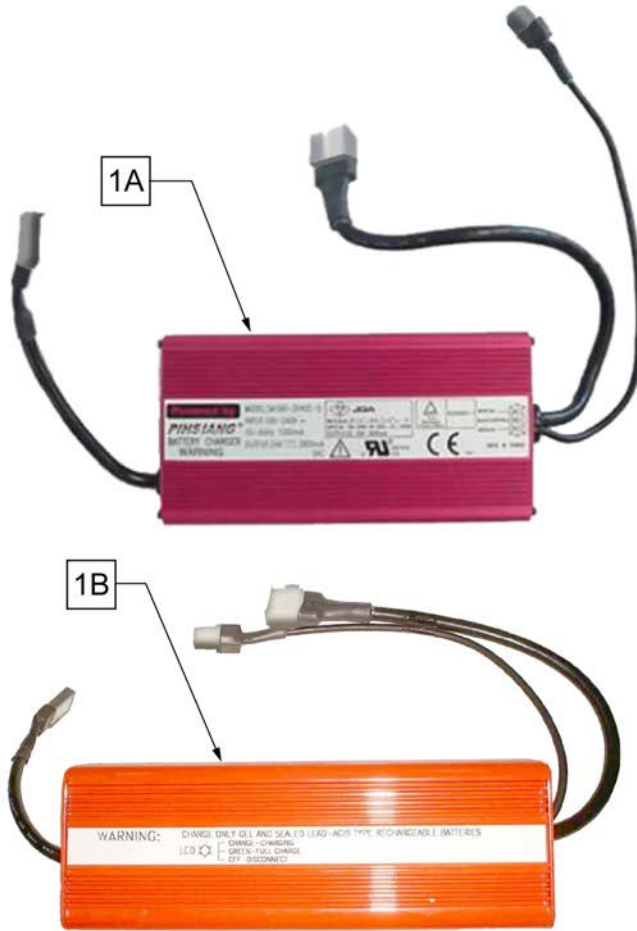
Pos.	Item Number	Description
1	012043	ALM ASSM 10A 5 OUTPUT NO LIGHT
2	012042	CONN ALM PHOENIX



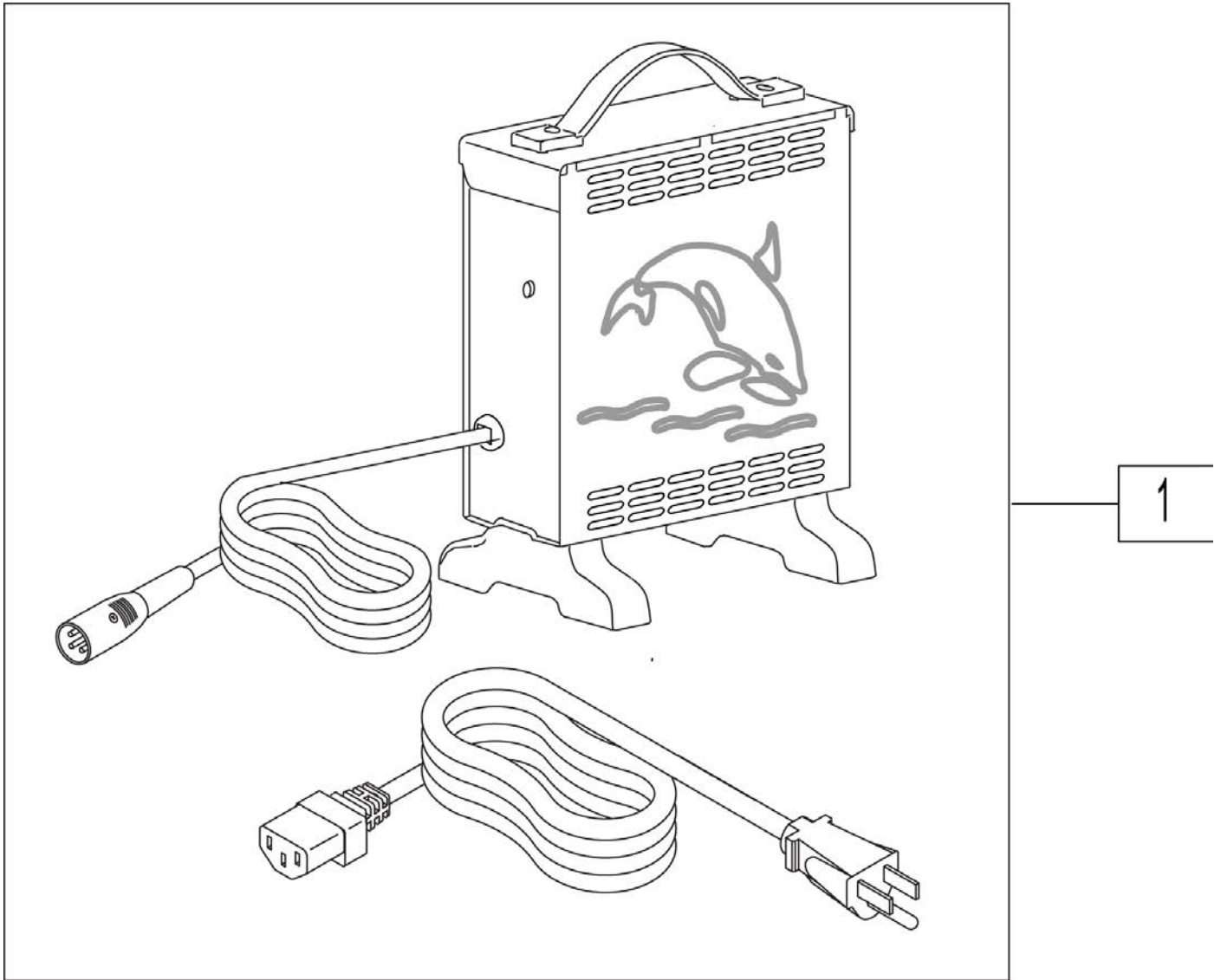
Pos.	Item Number	Description	Remarks
1	133721	SWITCH RIBBON	Cord length 63"
2	133722	SWITCH DISC	Cord length 69"
3	139920	SWITCH BUDDY BUTTON RED	Cord length 57"
4	139921	MICRO LIGHT	Cord length 58"
5	139910	SWITCH WOBBLE	Cord length 68"
6	Discontinued	SWITCH CA-5 BOX	Cord length (female cable 63")(male cable 6")
7	Discontinued	SWITCH PENTA	Cord length 63"
8	920904	MOUNT RESET SW FOR 7/8 TUBE	Clamps to 7/8" tubing
9	139915	RESET SWITCH EGG SHAPED	Cord length 51"(Ext 71")
10	105417	STEREO TO 2 MONO SPLITTER	Cord length 6"



Pos.	Item Number	Description
1	BAT24	BATTERY GROUP 24
2	BAT22	GUARDIAN ASPIRE 2 GP22 BATTERIES
3	131055	FUSE BATTERY 70A
4A	139396	BATTERY HARNESS MINI
4B	139253	BATTERY HARNESS FULL
5	349075	BATTERY JACK
6	BATU1	BATTERY GEL CEL U131 AMP
7	BAT50	50A EXTENDED RANGE

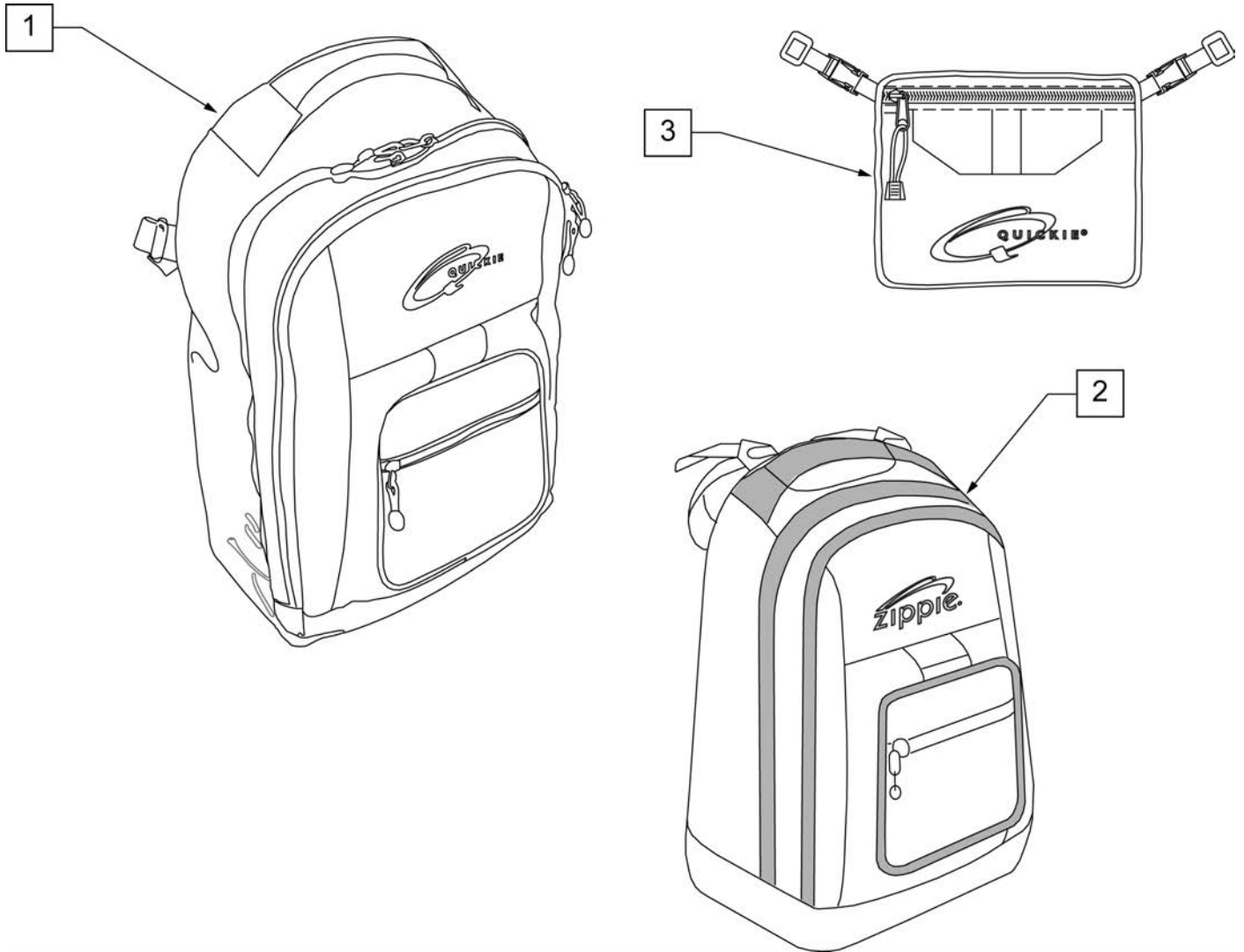


Pos.	Item Number	Description	Remarks
1A	136066	BATTERY CHARGER ELEC 8A MODIFIED	ON BOARD CHARGER F11
1B	136070	ON BOARD CHARGER 4A BLACK	ON BOARD CHARGER M11

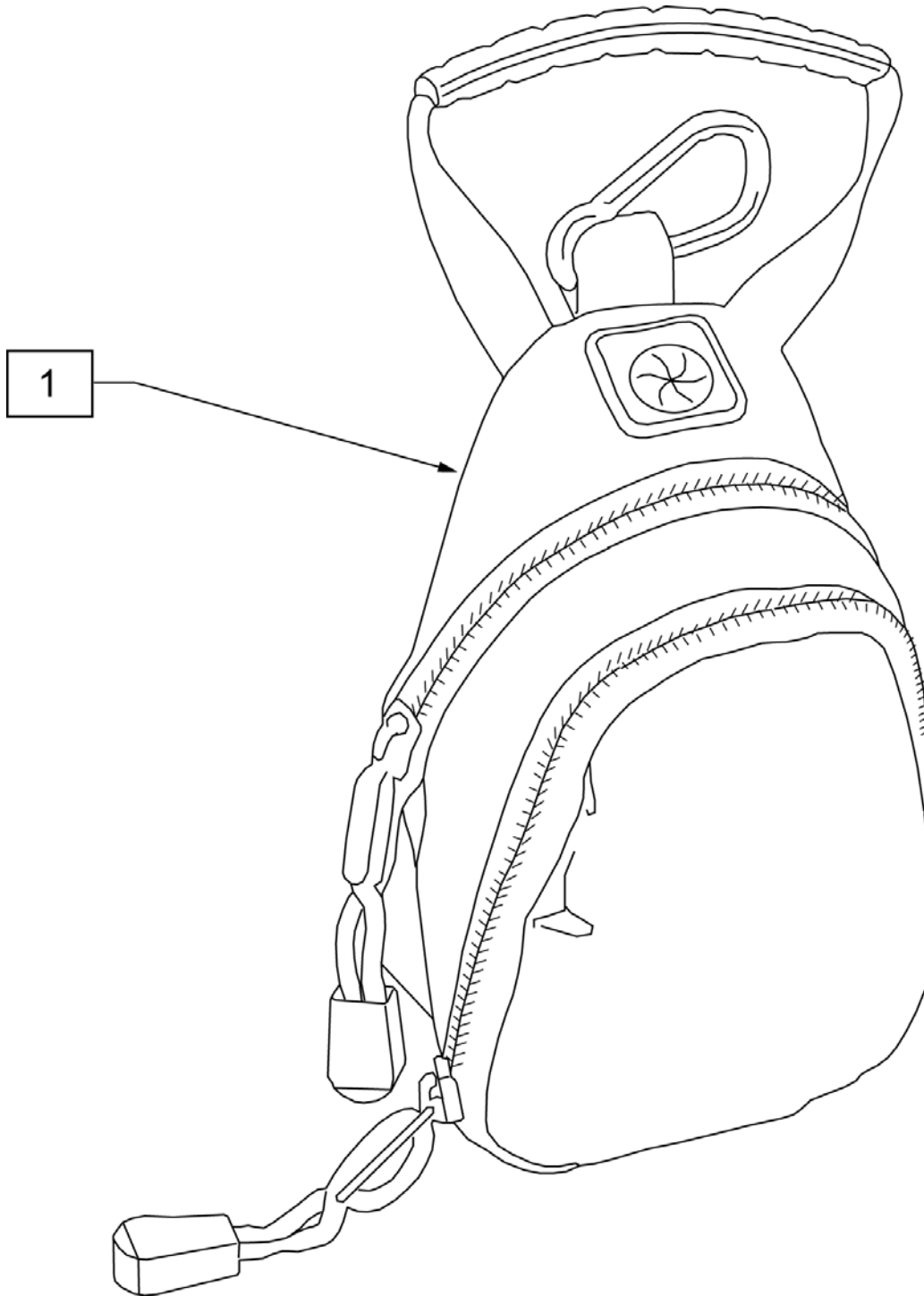


Pos.	Item Number	Description	HCPC
1	BATC8CT	CHARGER OFF BOARD 8A CTE	E2367

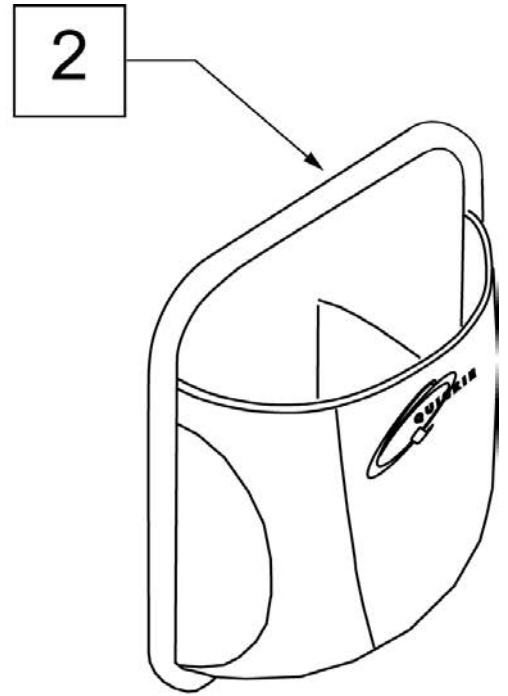
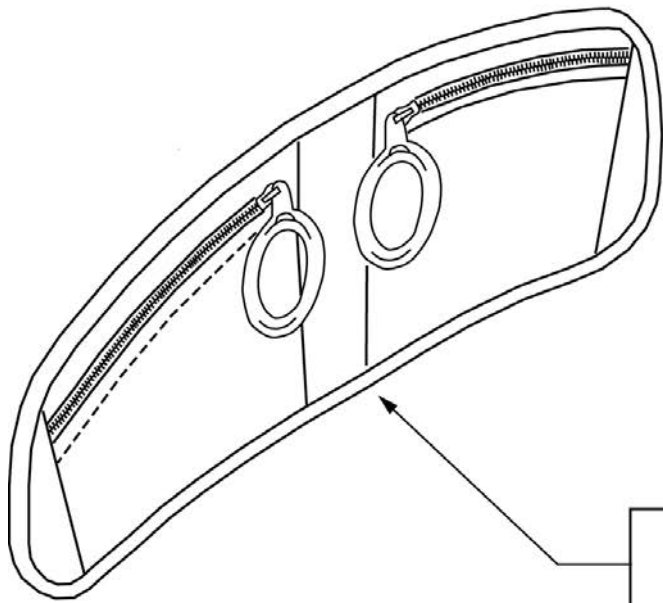
NOTE: KIDS BACKPACKS DO NOT HAVE ADJUSTABLE STRAPS W/ BUCKLES.



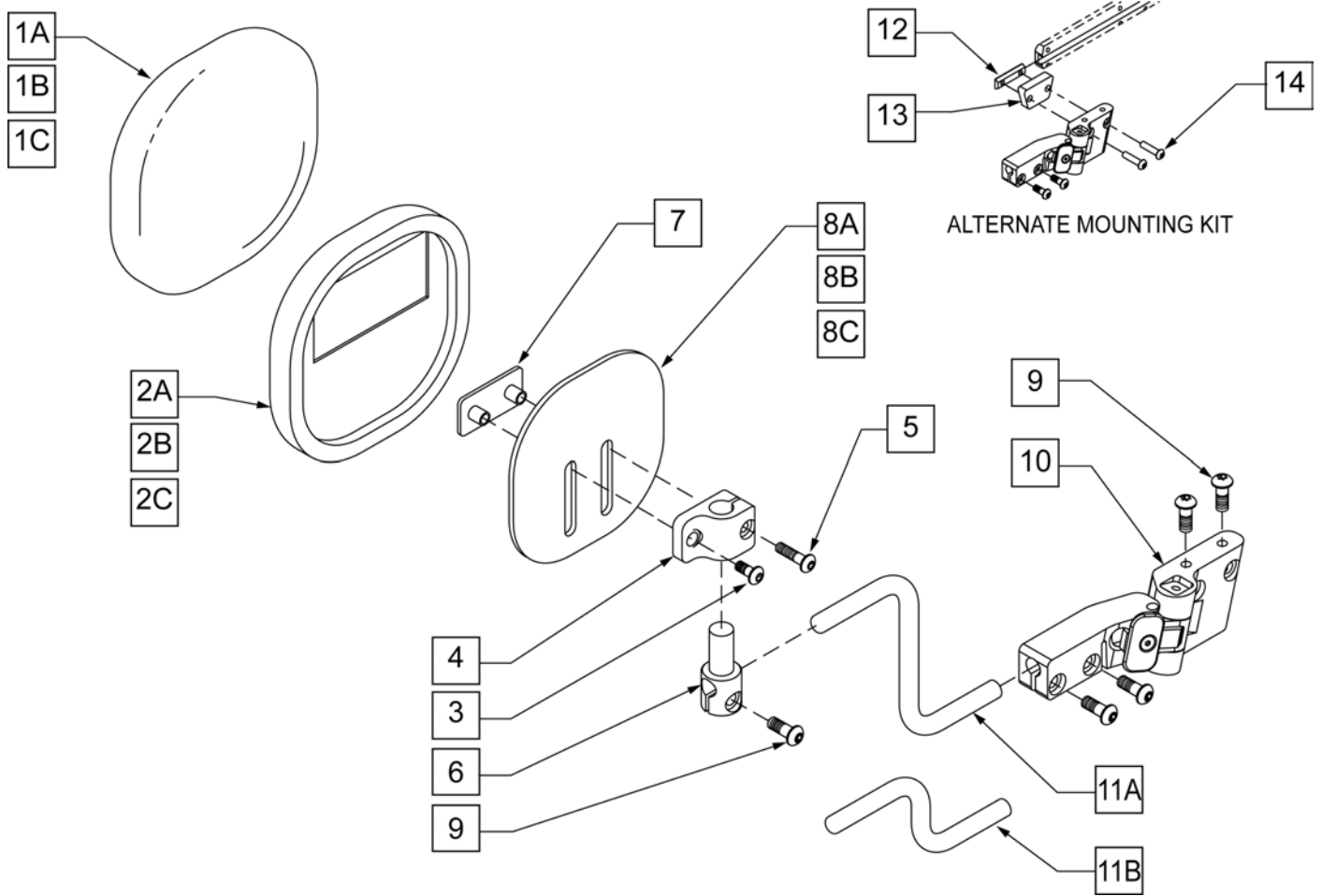
Pos.	Item Number	Description
1	750115	BACK PACK QUICKIE
2	104572	BACKPACK ZIPPIE
3	750307	SEAT POUCH QUICKIE



Pos.	Item Number	Description
1	109229	CELL PHONE PACK (ORANGE)

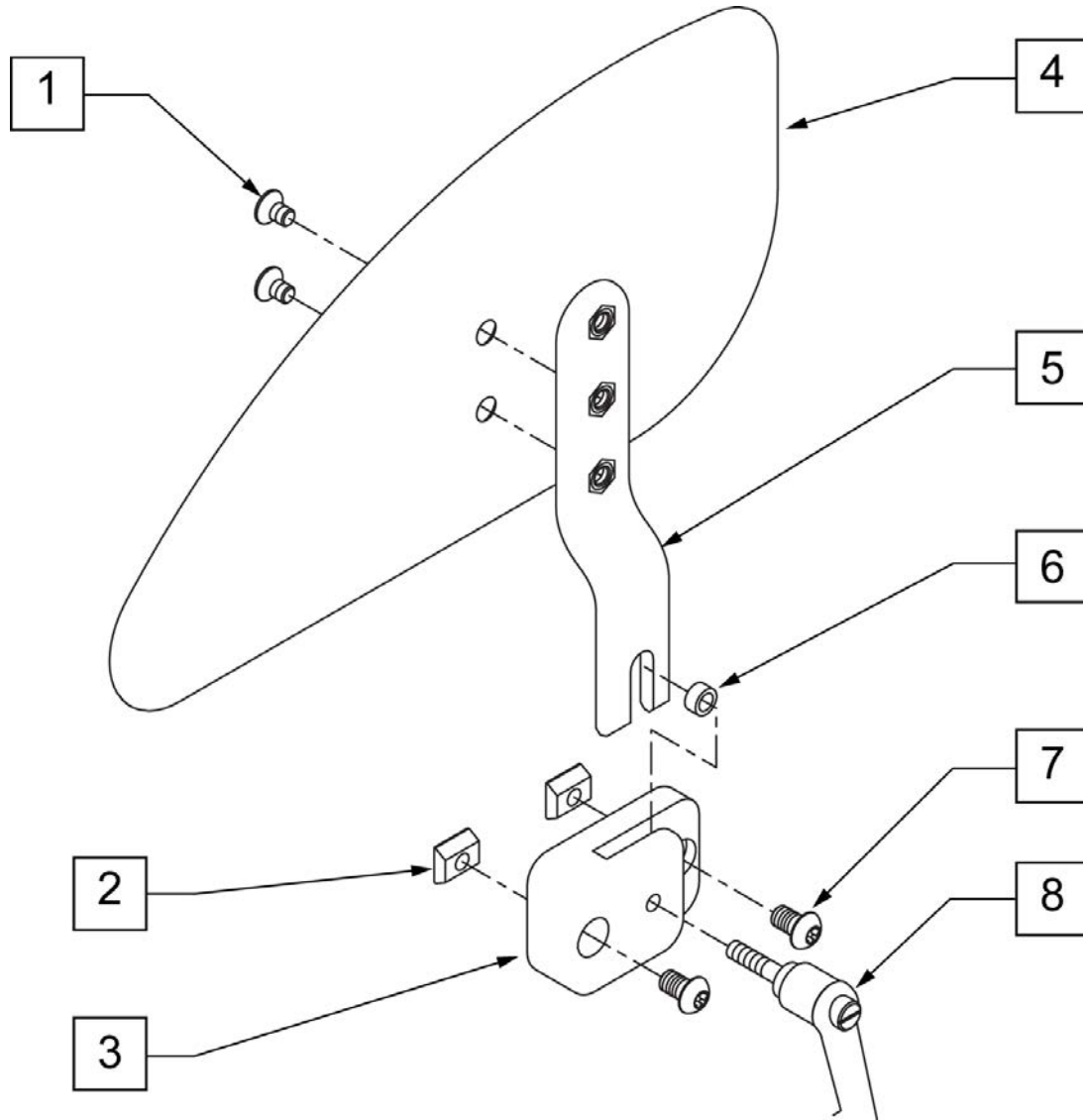


Pos.	Item Number	Description	Remarks
1	013477	LAP ORGANIZER	Size: 18.25"x 7.75"x .75"
2	013475	QUICKIE SIDE POCKET	Size: 6.5"x 6.5"x 2"

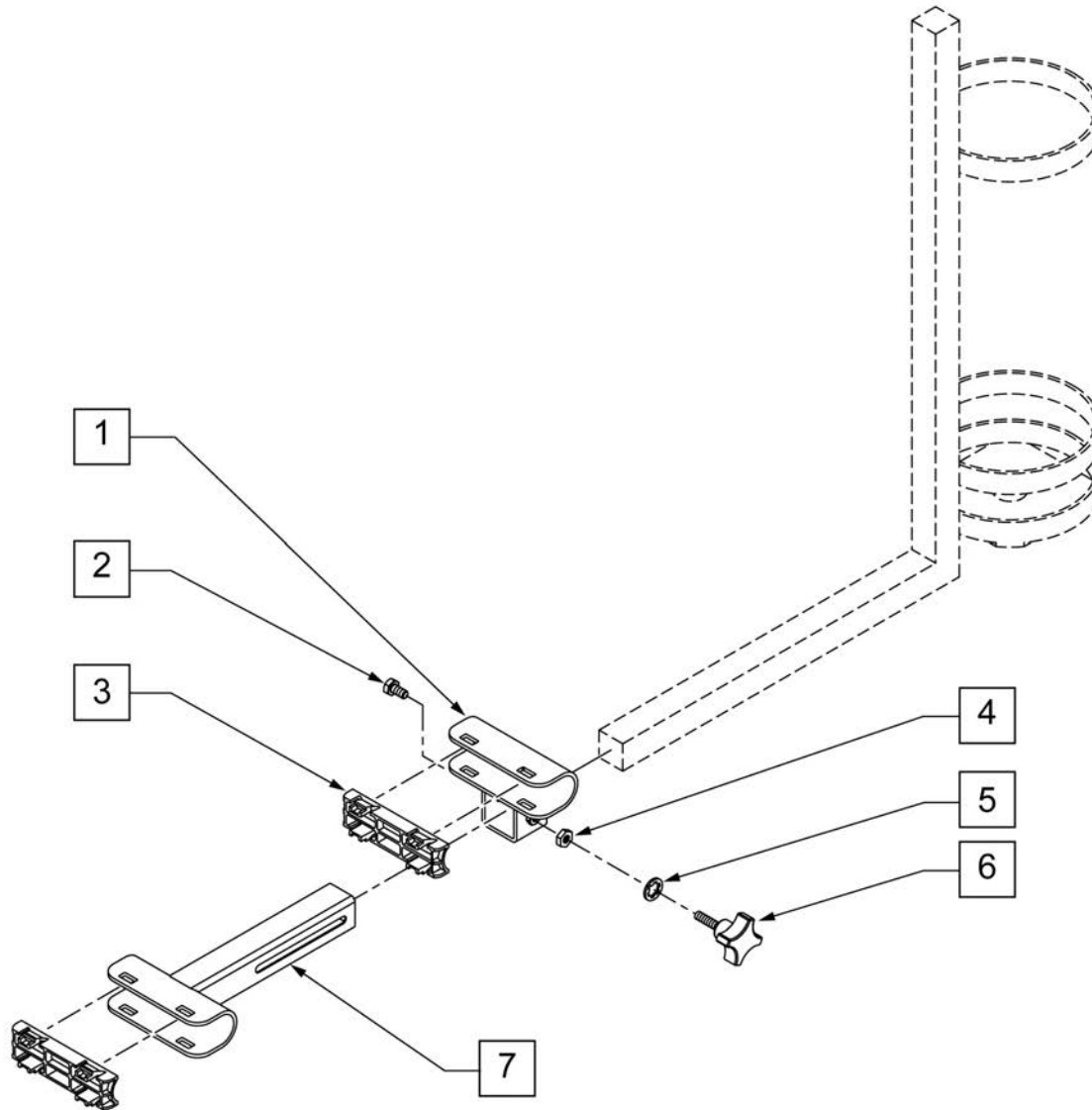


Pos.	Item Number	Description
1A	011692-001	PAD COVER KNEE SUPPORT SMALL
1B	011692-002	PAD COVER KNEE SUPPORT MEDIUM
1C	011692-003	PAD COVER KNEE SUPPORT LARGE
2A	011812-001	KNEE SUPPORT PAD SMALL VELC
2B	011812-002	KNEE SUPPORT PAD MEDIUM VELC
2C	011812-003	KNEE SUPPORT PAD LARGE VELC
3	230497	M5-.8 x 20 MM BH C/S
4	010422	LKSA CLAMP PIVOT
5	102259-001	BHCS M5 X .8 X 12 W/PL INORG
6	010060	LKSA PAD PIVOT
7	010111-002	NUT PLATE M5 x 25.4 x 10
8A	010277-001	KNEE PLATE 4 x 4
8B	010277-002	KNEE PLATE 5 x 5
8C	010277-003	KNEE PLATE 6 x 6
9	230032	M6 x 16 B/H CAP SCREW
10	010409	LKSA ASSM HINGE LH
10	010410	LKSA ASSM HINGE RH
11A	010058-002	LKSA ROD 100MM OFFSET
11B	010058-001	LKSA ROD 50MM OFFSET
12	011322	DUAL M6 CHANNEL NUT
13	013611	SPACER KNEE SUPPORT
14	102262-004	BHCS M6 x 1 x 25 W/PL

Pos.	Item Number	Description
1A,2A,8A	012363	S-A KNEE SUP PLATE, PAD,CVR SM
1B,2B,8B	012364	S-A KNEE SUP PLATE, PAD,CVR MD
1C,2C,8C	012365	S-A KNEE SUP PLATE, PAD,CVR LG
3-7,9-11A	012366	S-A KNEE SUP ASSM 100mm LH
3-7,9-11A	012367	S-A KNEE SUP ASSM 100mm RH
3-7,9,10,11A	012368	S-A KNEE SUP ASSM 50mm LH
3-7,9,10,11A	012369	S-A KNEE SUP ASSM 50mm RH
1A-11B	011454	KNEE SUPP S-A ASSM 50 SM LH
1A-11B	011463	KNEE SUPP S-A ASSM 100 SM LH
1B,2B,3-7,8B,9-11B	011465	KNEE SUPP S-A ASSM 100 SM PR
1B,2B,3-7,8B,9-11B	011455	KNEE SUPP S-A ASSM 50 SM RH
1C,2C,3-7,8C,9-11B	011457	KNEE SUPP S-A ASSM 50 MD LH
1C,2C,3-7,8C,9-11B	011466	KNEE SUPP S-A ASSM 100 MD LH
1A-11A	011468	KNEE SUPP S-A ASSM 100 MD PR
1A-11A	011458	KNEE SUPP S-A ASSM 50 MD RH
1B,2B,3-7,8B,9-11A	011460	KNEE SUPP S-A ASSM 50 LG LH
1B,2B,3-7,8B,9-11A	011469	KNEE SUPP S-A ASSM 100 LG LH
1C,2C,3-7,8C,9-11A	011461	KNEE SUPP S-A ASSM 50 LG RH
1C,2C,3-7,8C,9-11A	011464	KNEE SUPP S-A ASSM 100 SM RH
1-11B	011467	KNEE SUPP S-A ASSM 100 MD RH
1B,2B,3-7,8B,9-11B	011470	KNEE SUPP S-A ASSM 100 LG RH
1C,2C,3-7,8C,9-11B	011456	KNEE SUPP S-A ASSM 50 SM PR
1A-11A	011459	KNEE SUPP S-A ASSM 50 MD PR
1B,2B,3-7,8B,9-11A	011462	KNEE SUPP S-A ASSM 50 LG PR
1C,2C,3-7,8C,9-11A	011471	KNEE SUPP S-A ASSM 100 LG PR



Pos.	Item Number	Description	Remarks
1	230127	FHCS M5 X .8 X 8 BLK W/PL	
2	010065	M6 CHANNEL NUT, SINGLE	
3	010983	MOUNT, SIDE GUARD	
4	010980	PANEL, SIDE GUARD	RIGHT
4	010981	PANEL, SIDE GUARD	LEFT
5	010982	POST, SIDE GUARD	
7	102262-002	BHCS M6X1X10 FULL PL	
8	349024	HNDL 10-32 X 3/4 C/A P1/P3/P5	
1,4,5	012348	SIDE GUARD LEFT	
1,4,5	012347	SIDE GUARD RIGHT	
2,3,6-8	012346	MOUNTING HARDWARE	
1-8	012344	SIDE GUARD ASSY RT	RIGHT
1-8	012349	SIDE GUARD ASSY PR	PAIR
1-8	012345	SIDE GUARD ASSY LT	LEFT



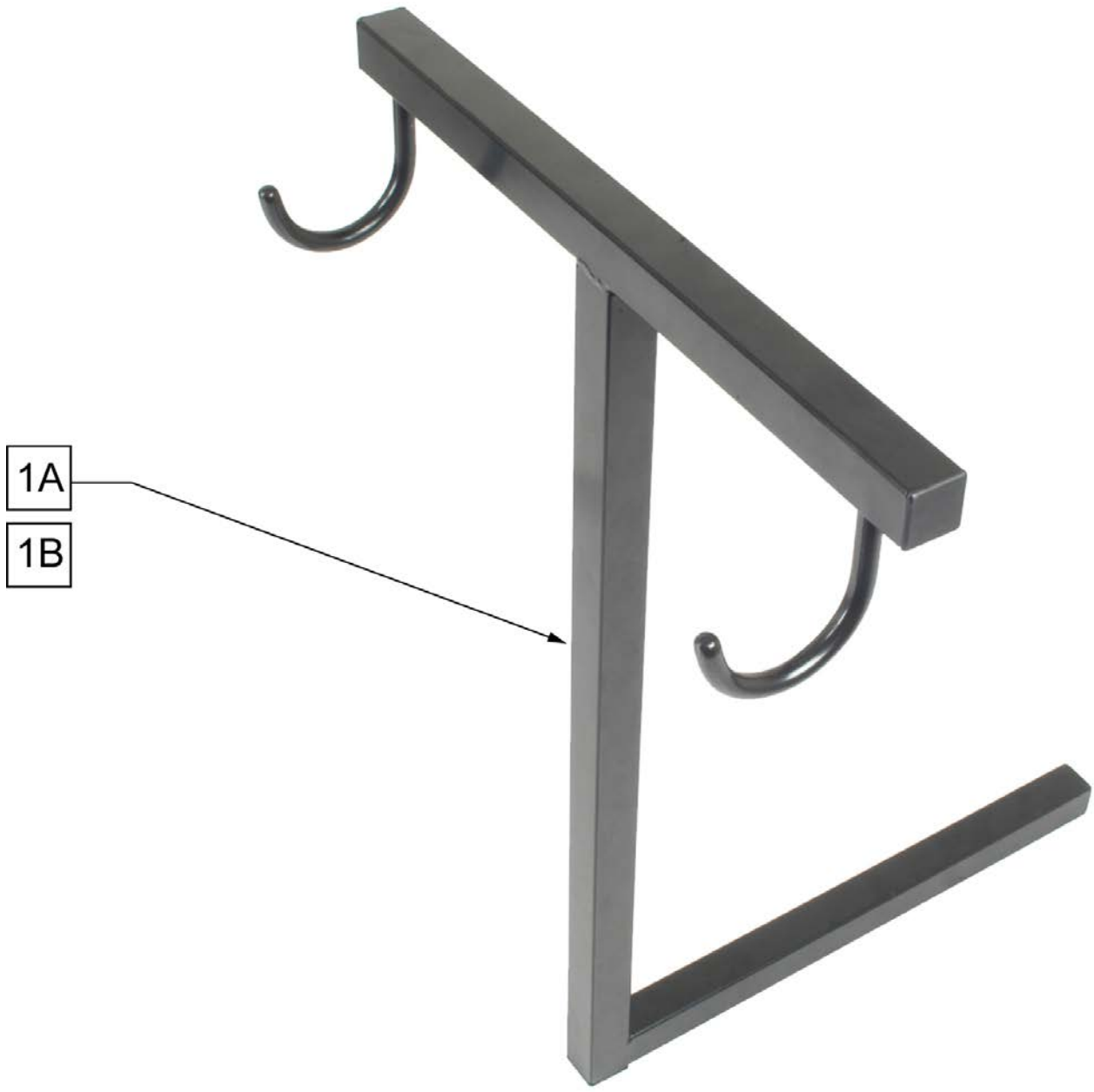
Pos.	Item Number	Description	Remarks
1	540332	WELDMENT CLAMP STRAP ACCS	
2	221105-QU	1/4 -20 x 3/4 HEX C/S	
3	560258	X-TUBE END CAP BUSHING	
4	201210	1/4 -20 HEX NUT	
5	262122	1/4 WASHER LOCK ZN	
6	343080	FOUR-PRONG KNOB STUD 1/4 -20	
7	540331	WELDMENT CLAMP TUBE ACCS	
1-7	888340	ACCS 02 / WALKER HOLDER (REHAB)	REHAB ONLY



Pos.	Item Number	Description
1A,2	O2H	O2 HOLDER
2	349049	KNOB M8 x 1.25 x 8



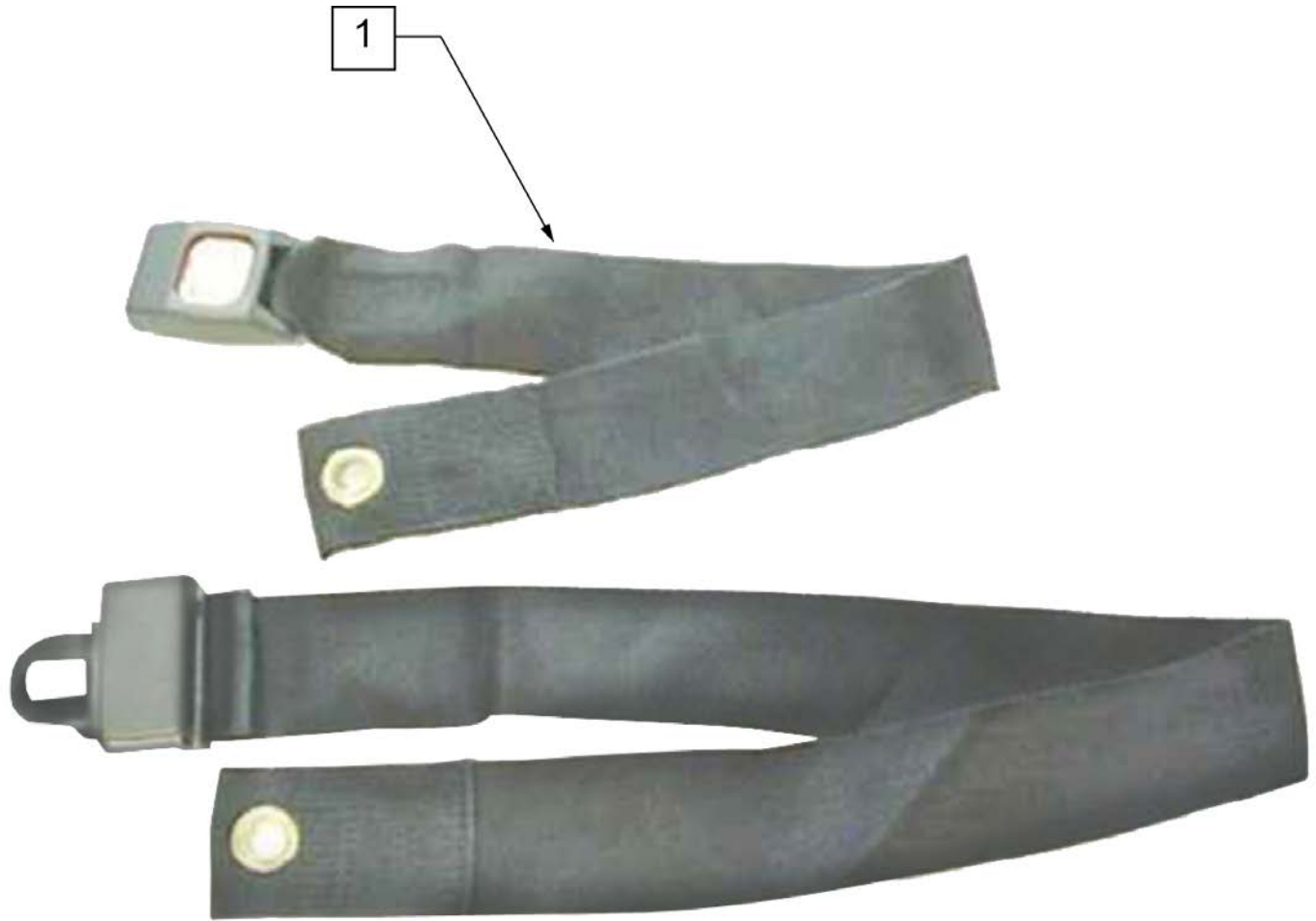
Pos.	Item Number	Description
1	CCH	CANE/CRUTCH HOLDER



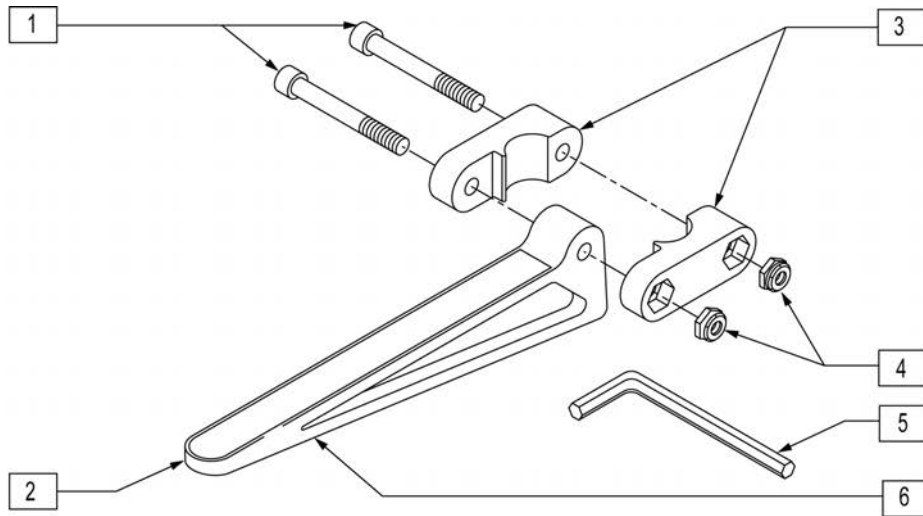
Pos.	Item Number	Description
1A	WH	WALKER HOLDER
1B	540361	WALKER HOLDER REHAB



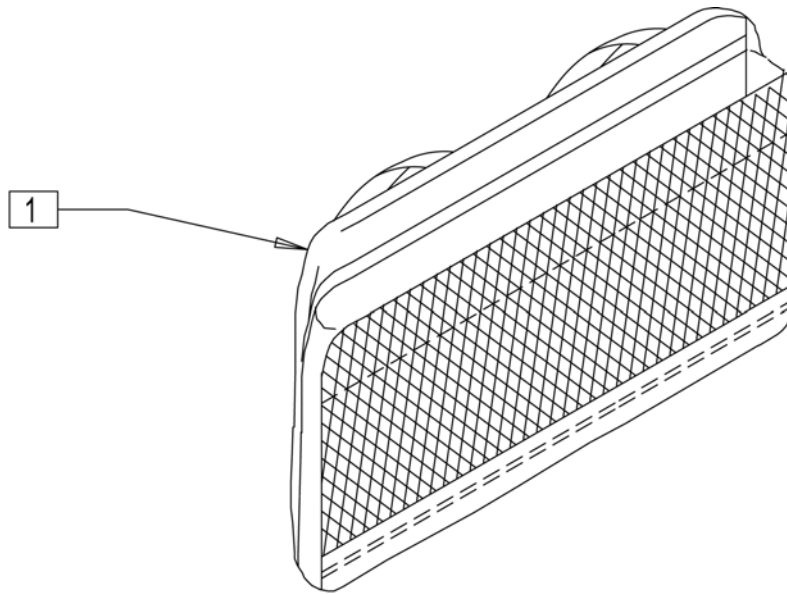
Pos.	Item Number	Description
1-4	901034	FRONT BASKET
4	349049	KNOB M8 x 1.25 x 18



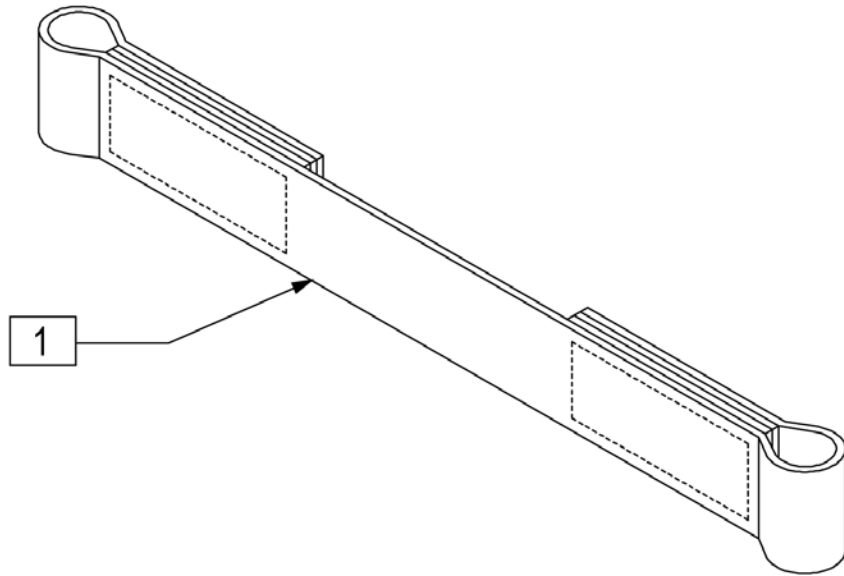
Pos.	Item Number	Description	Remarks
1	750280	SEAT BELT	LENGTH OF 52"
1	750281	SEAT BELT LONG	LENGTH OF 66"



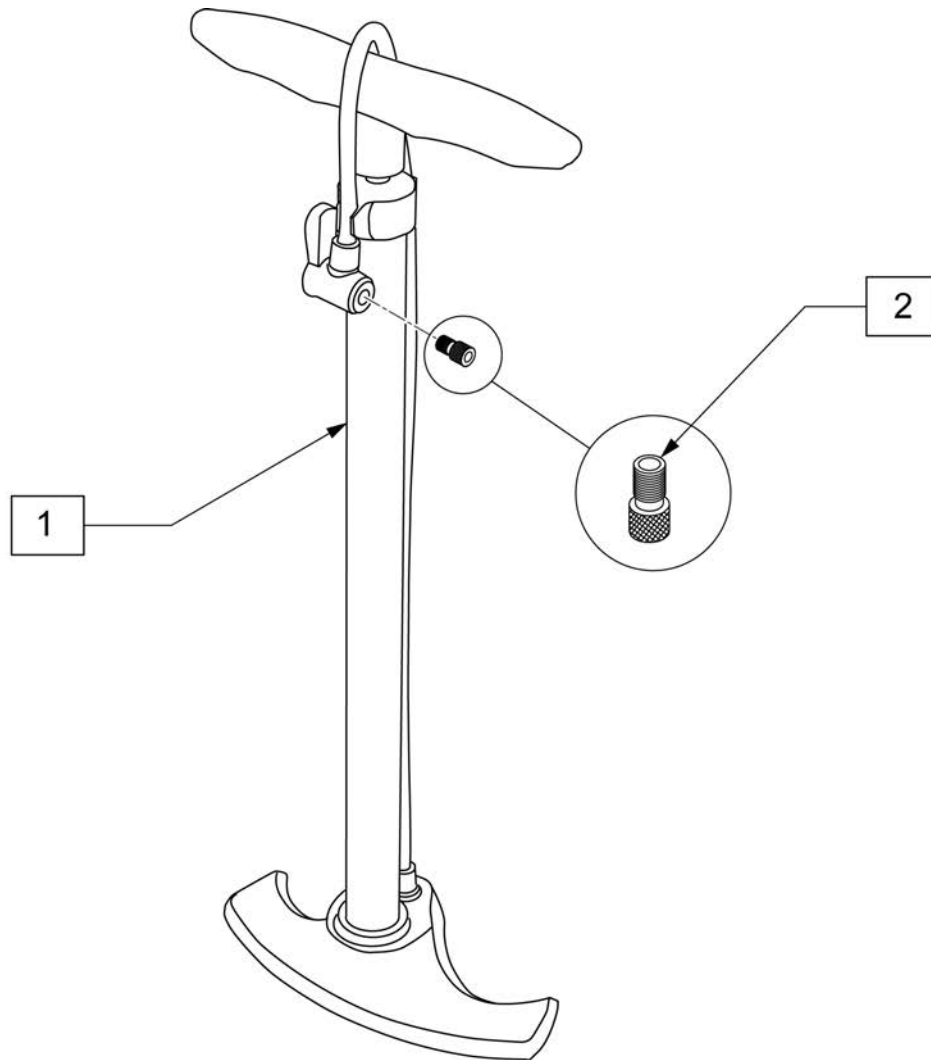
Pos.	Item Number	Description	Remarks
1	226128	1/4 -28 x 1 1/4 SOC C/S	
2	561105	CADDY ARM	
3	561104	CADDY CLAMP	
4	201100-QU	1/4 -28 NYLOCK NUT THIN	
5	349998	3/16 ALLEN WRENCH	
6	580050	CADDY TAPE	
1-6	902350	QUICKIE CADDY(PR)	PAIR



Pos.	Item Number	Description
1	011687	BAG CADDY - QUICKIE [PR]



Pos.	Item Number	Description
1	740130	LEG STRAP 10 -14" BLK
1	740131	LEG STRAP 15 -17" BLK
1	740132	LEG STRAP 18 -20" BLK



Pos.	Item Number	Description
1	389050	TIRE PUMP
2	381230	VALVE ADAPTER PRESTA