

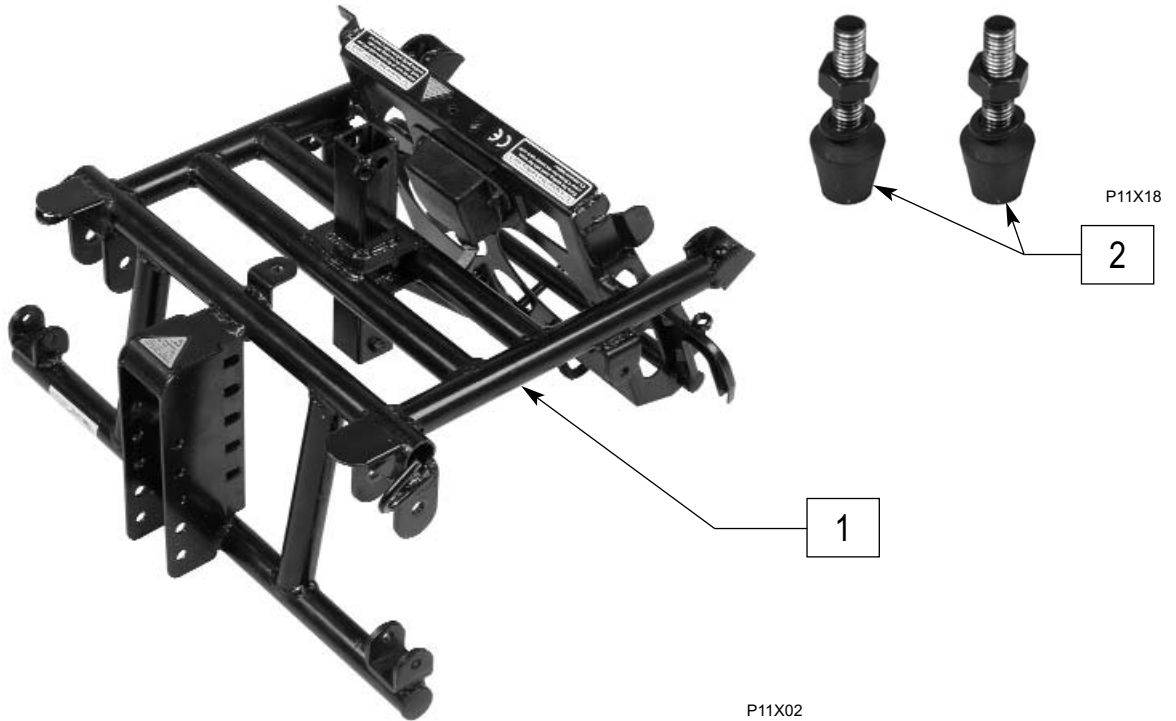
# QUICKIE P11

## IN THIS SECTION

Base Frame .....	1.1	Caster and Fork .....	1.6
Seat Frame .....	1.1	Footplate .....	1.7
Front Trailing Arm .....	1.2	Controller Mount .....	1.8
Rear Trailing Arm .....	1.2	Controller .....	1.8
Front Suspension .....	1.3	Battery Assembly .....	1.9
Rear Suspension .....	1.3	Wiring Harness .....	1.10
Shroud .....	1.4	Motor .....	1.11
Height Adjustable Flip Back Armrest .....	1.5	Seat and Headrest .....	1.12
Height Adjustable Flip Back Armrest Hardware..... and Joystick Mount.....	1.5	Drive Wheels .....	1.13
		Qtronix Programmer .....	1.13

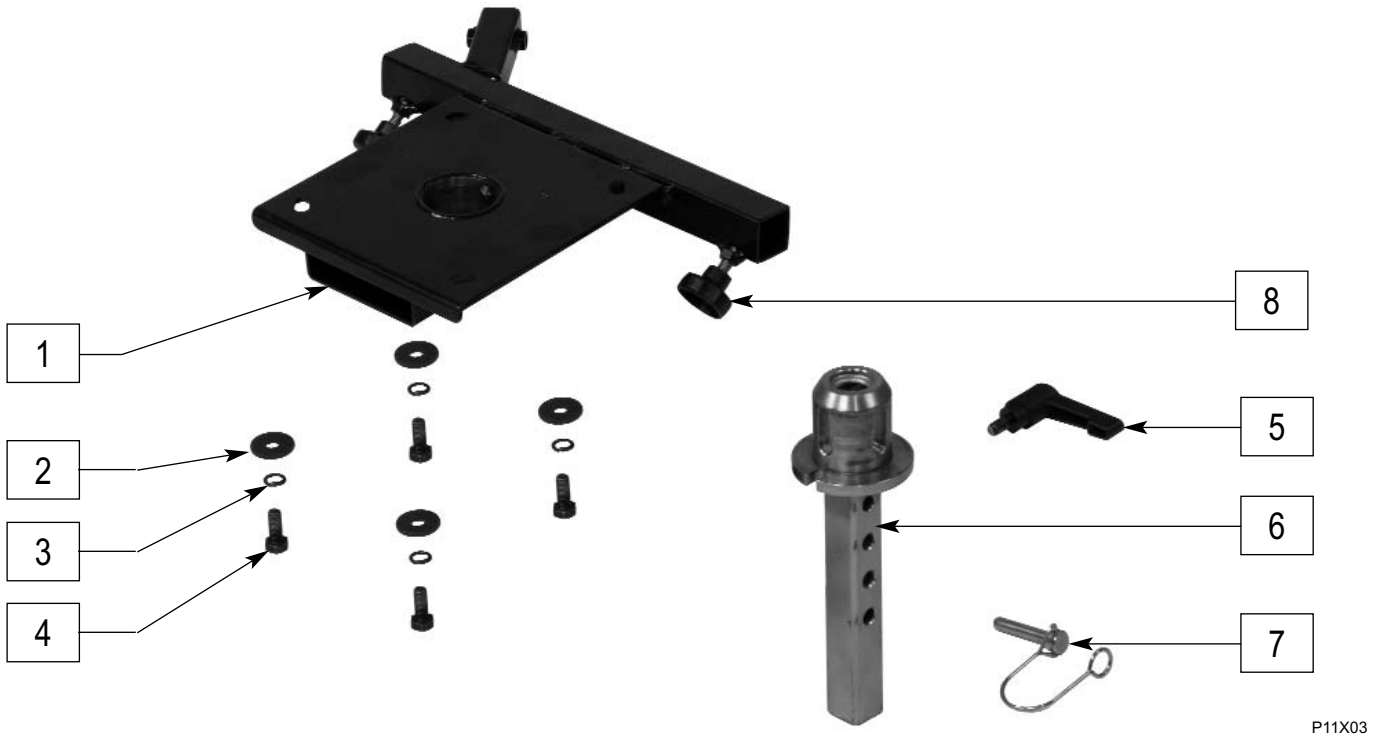


# BASE FRAME



ITEM	NUMBER	DESCRIPTION	QTY
1	547007	BASE FRAME	1
2	850100	FRAME REAR BUMPER SET	1

# SEAT FRAME



ITEM	NUMBER	DESCRIPTION	QTY
1-4	850115	SEAT FRAME P11	1
5	850117	ADJUSTMENT LEVER BLACK	1

ITEM	NUMBER	DESCRIPTION	QTY
6	850116	SEAT ADJUSTMENT POST P11	1
8	349049	KNOB M8X1.25X18	2
5-7	850118	SEAT POST KIT P11	KT

## FRONT TRAILING ARM



P11X10

ITEM	NUMBER	DESCRIPTION	QTY
1-3	850101	FRONT TRAILING ARM KIT	2

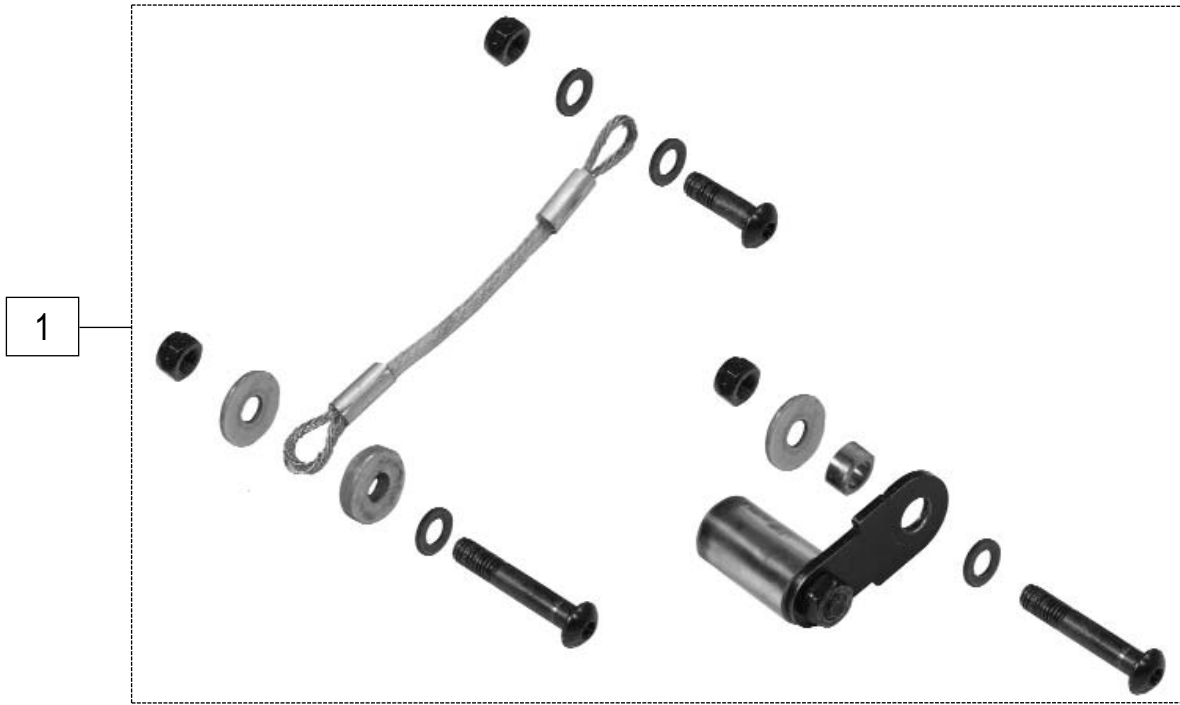
## REAR TRAILING ARM



P11X11

ITEM	NUMBER	DESCRIPTION	QTY
1-3	850106	REAR TRAILING KIT	2

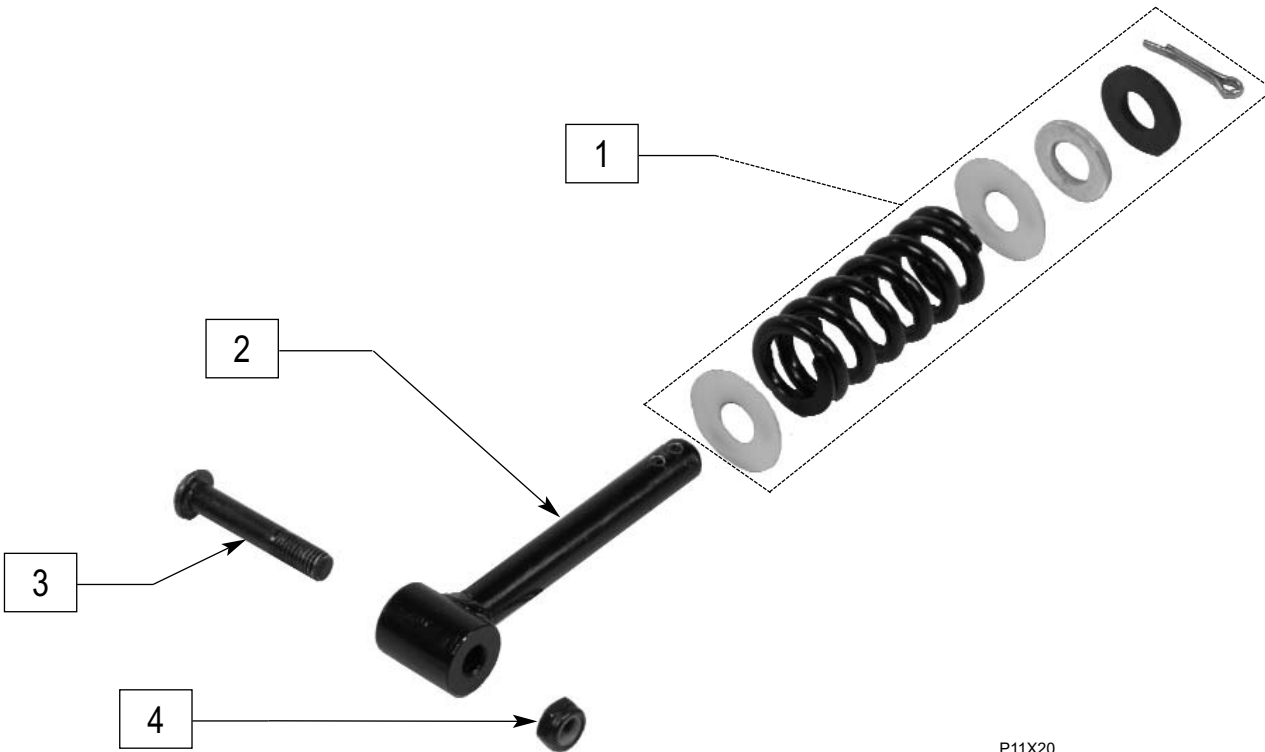
## FRONT SUSPENSION



P11X21

ITEM	NUMBER	DESCRIPTION	QTY
1	850105	FRONT SUSPENSION KIT	2

## REAR SUSPENSION



P11X20

ITEM	NUMBER	DESCRIPTION	QTY
1-4	850107	REAR SUSPENSION KIT	2

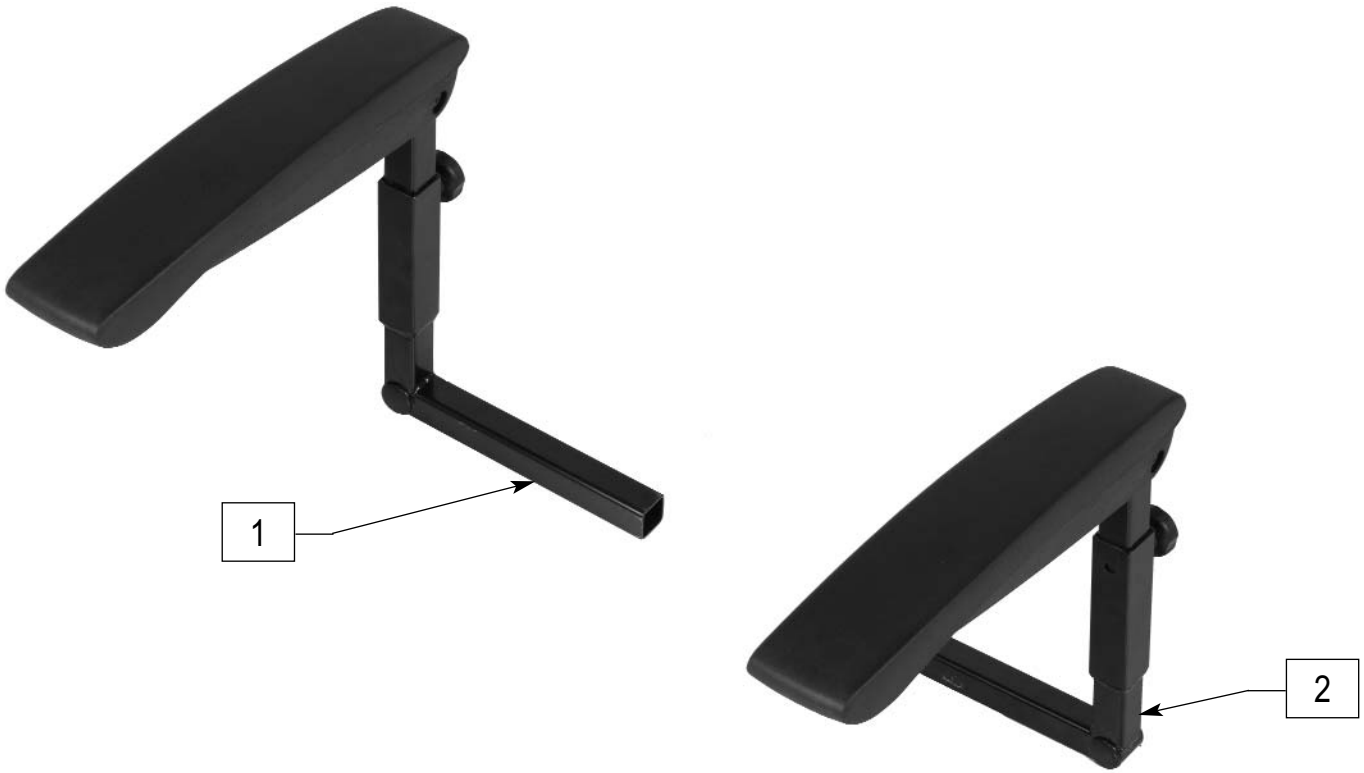
# SHROUDS



P11X05

ITEM	NUMBER	DESCRIPTION	QTY
1-2	850123	MAIN SHROUD	1
3-4	850136	SHROUD RED	KT
	850137	SHROUD BLUE	
	850138	SHROUD BLACK CHAMPAGNE	

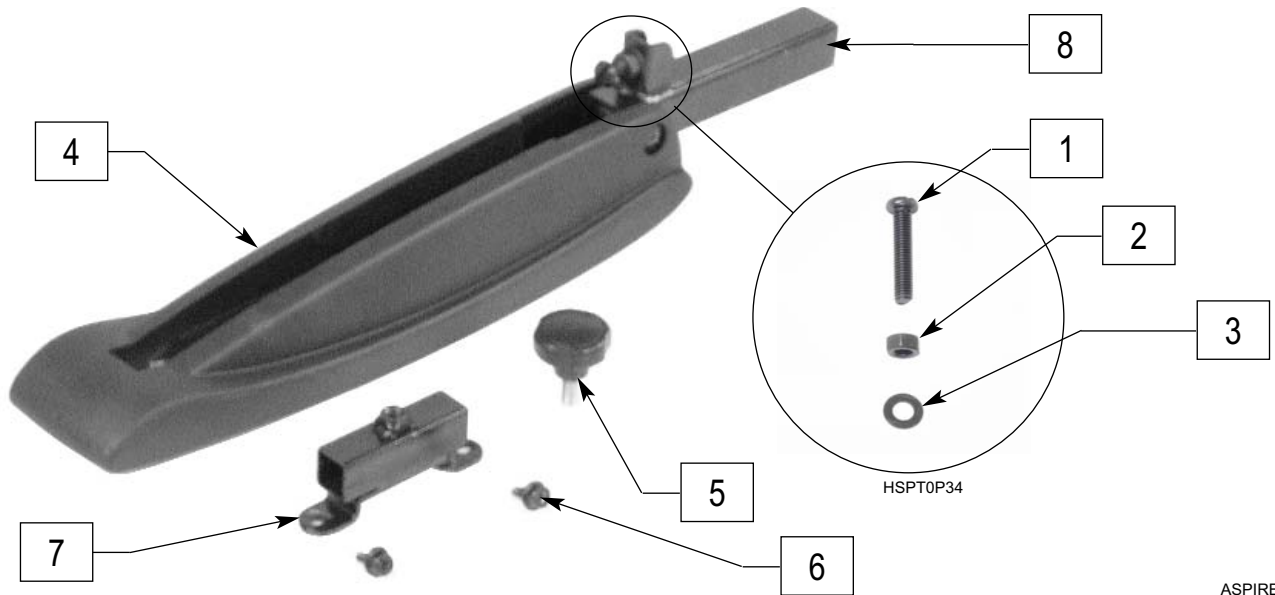
# HEIGHT ADJUSTABLE FLIP BACK ARMREST



SLLX05

ITEM	NUMBER	DESCRIPTION	QTY
1	850132	RIGHT ARM P11	1
2	850133	LEFT ARM P11	1

# HEIGHT ADJUSTABLE FLIP BACK ARMREST HARDWARE AND JOYSTICK MOUNT

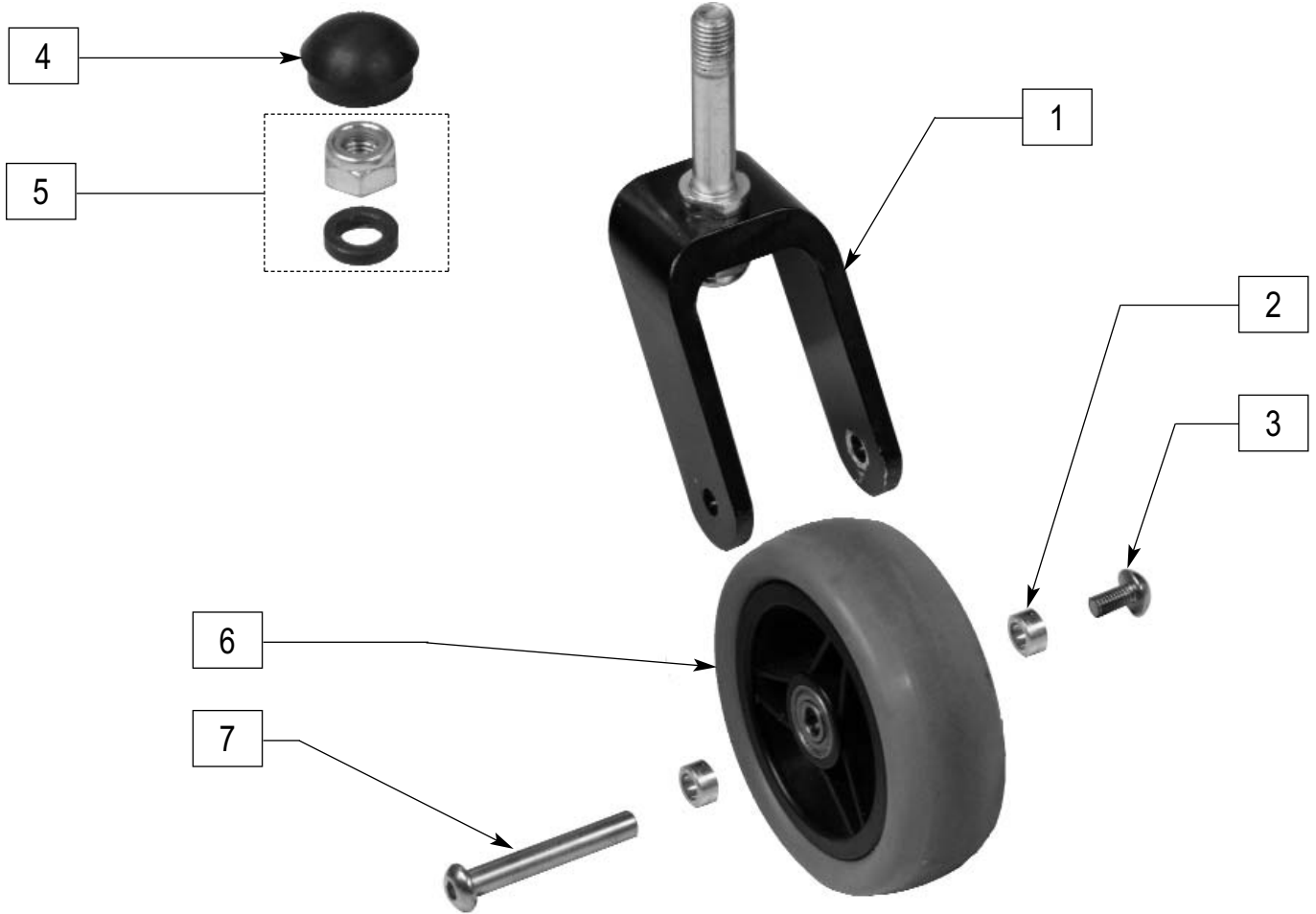


ASPIRE06

ITEM	NUMBER	DESCRIPTION	QTY
1-3	884376	ARMREST ANGLE ADJ HDWR	1
4	561181	ARMEST PAD W/PIVOT BOLT	1
5	349049	KNOB M8X1.25X18	1

ITEM	NUMBER	DESCRIPTION	QTY
6	281051	M6X12 HEX PHILLIP SCREW	2
5,7	885240	CONTROLLER MOUNT RECEIVER	1
8	888231	ARMEST PAD W/ADJ POST	1

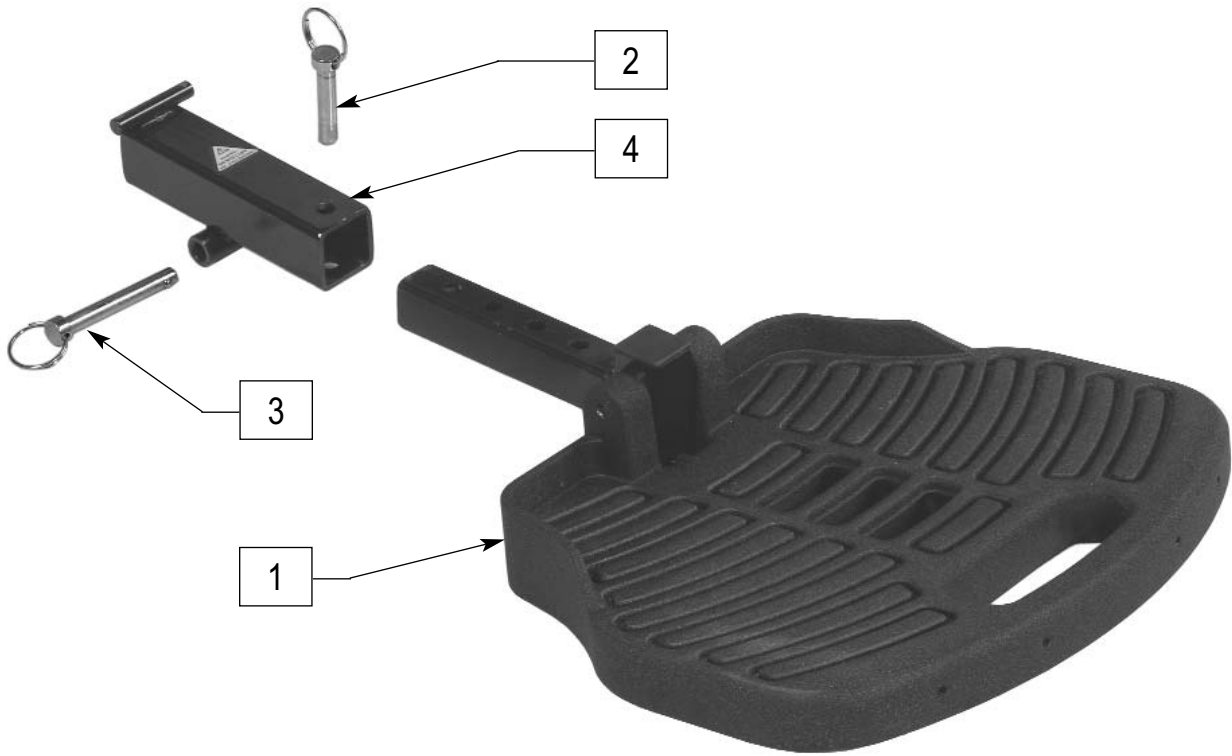
# CASTER AND FORK



P11X09

ITEM	NUMBER	DESCRIPTION	QTY
1-7	850111	CASTER 4 X 1.5 FORK ASSM P11	4
6	850110	CASTER 4 X 1.5 P11	4

# FOOTPLATE

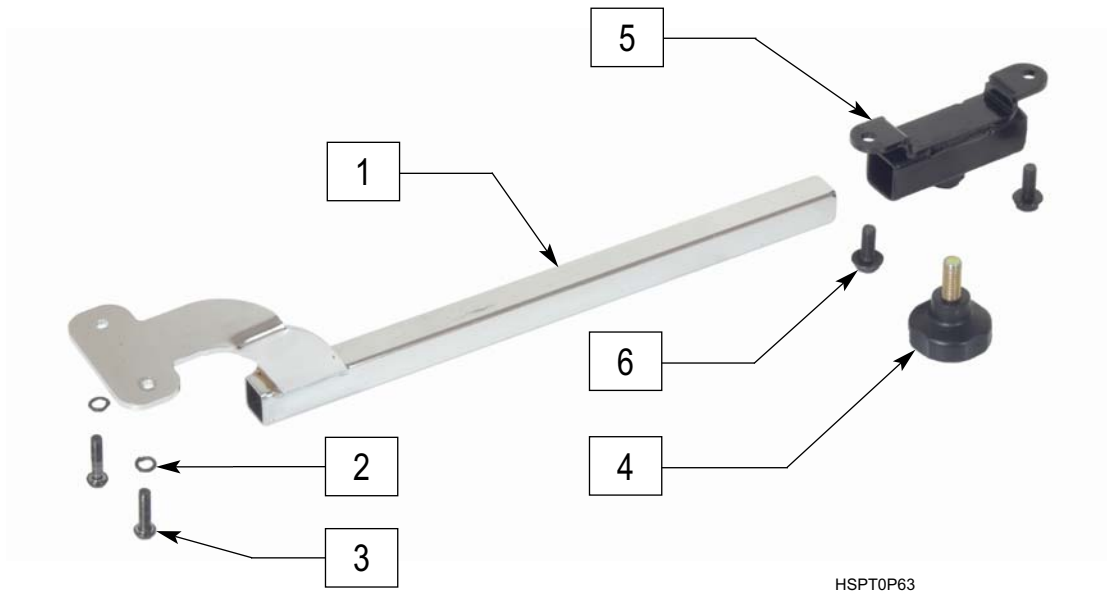


ASPIREX03

ITEM	NUMBER	DESCRIPTION	QTY
1-4	900232	SOLID FOOTREST	1
2	330070	ADJUSTMENT PIN M8X32	1
3	330071	ADJUSTMENT PIN M8X52.5	1



## CONTROLLER MOUNT



HSPT0P63

ITEM	NUMBER	DESCRIPTION	QTY
1	505399	CONTROLLER MOUNT	1
2	261524	#10 WASHER LOCK SS	2
3	455010-QU	10-32 X 3/4 BH C/S BLK	2
4	349049	KNOB M8X1.25X18	1
6	281051	M6X12 HEX PHILLIP SCREW	2
4-5	885240	CONTROLLER MOUNT RECEIVER	1

## CONTROLLER



RUBY0X15

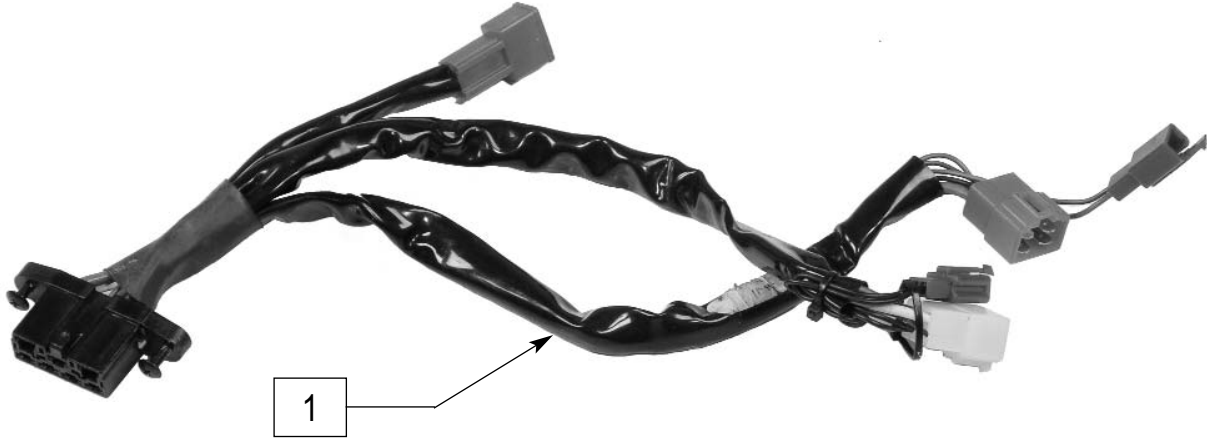
ITEM	NUMBER	DESCRIPTION	QTY
1	850119	VSI CONTROLLER P11	1

# BATTERY ASSEMBLY

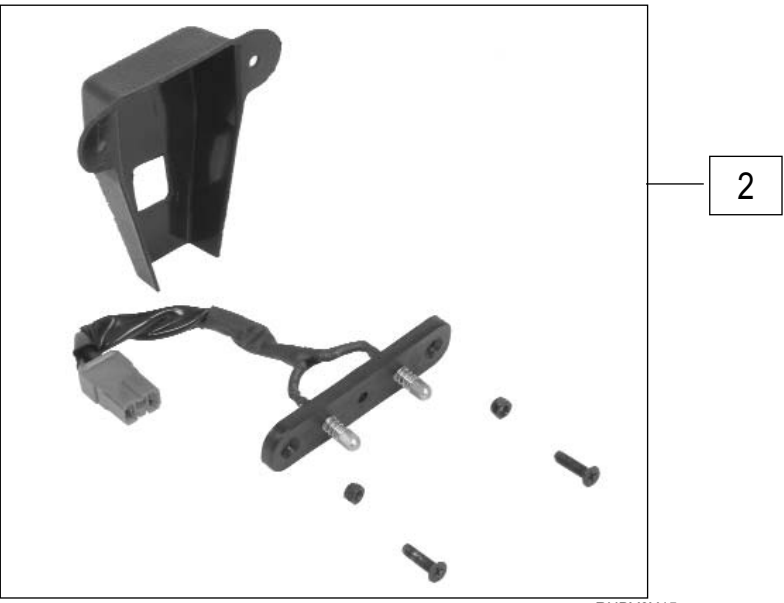


ITEM	NUMBER	DESCRIPTION	QTY
1	850109	BATTERY 12A P11	1
2	850128	BRACKET KIT P11	1
3-4	888901	OFF BOARD CHARGER AND CORD	1

# WIRING HARNESS



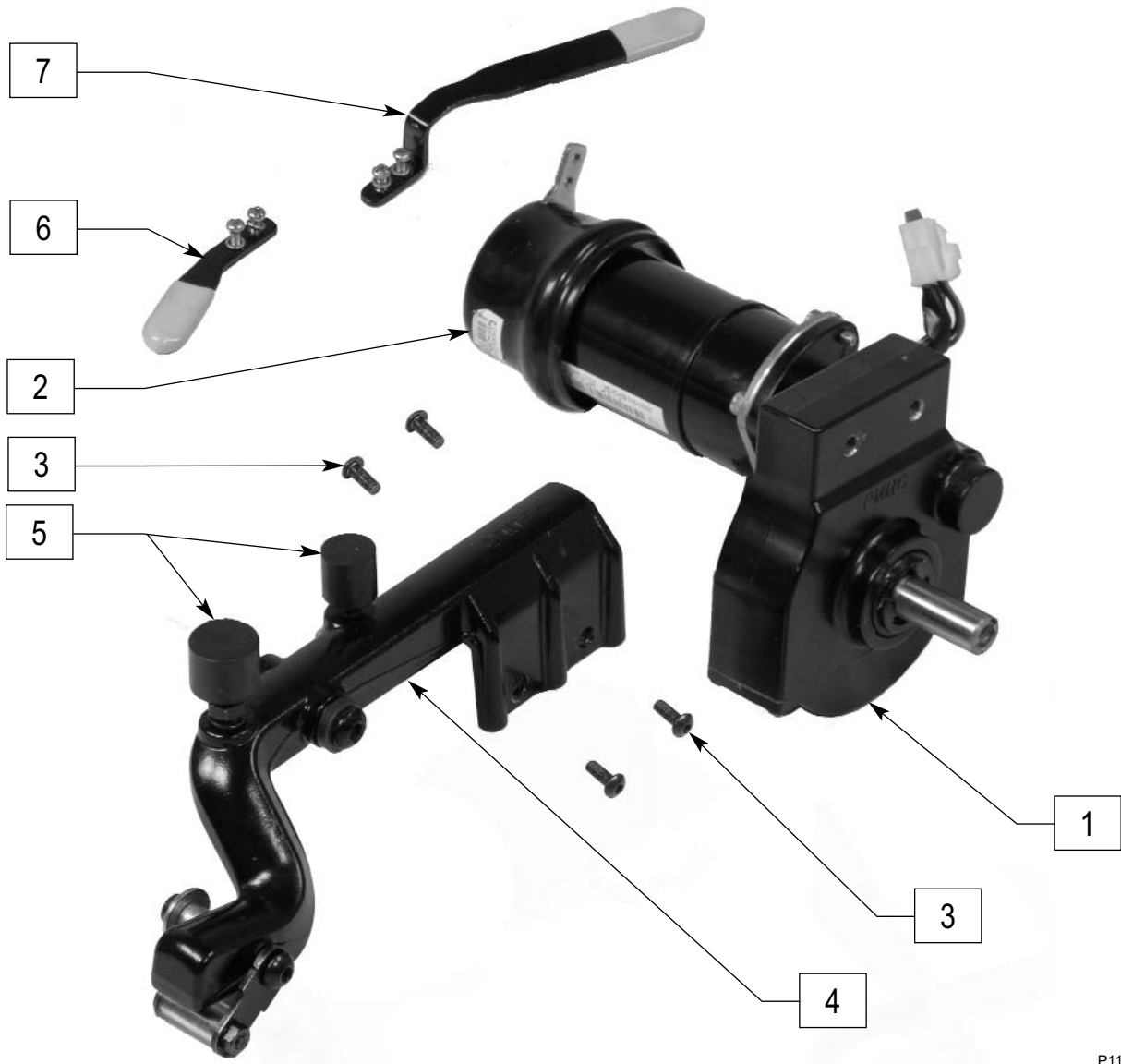
P11X14



RUBY0X15

ITEM	NUMBER	DESCRIPTION	QTY
1	850122	MAIN WIRIRG HARNESS P11	1
2	850127	WIRING HARNESS KIT P11	1

# MOTOR



P11X13

ITEM	NUMBER	DESCRIPTION	QTY
2	850139	BRAKE COVER P11	2
5	850104	MOTOR BUMPER SET	1
6	850135	REAR MOTOR RELEASE LEVER	1
7	850134	FRONT MOTOR RELEASE LEVER	1

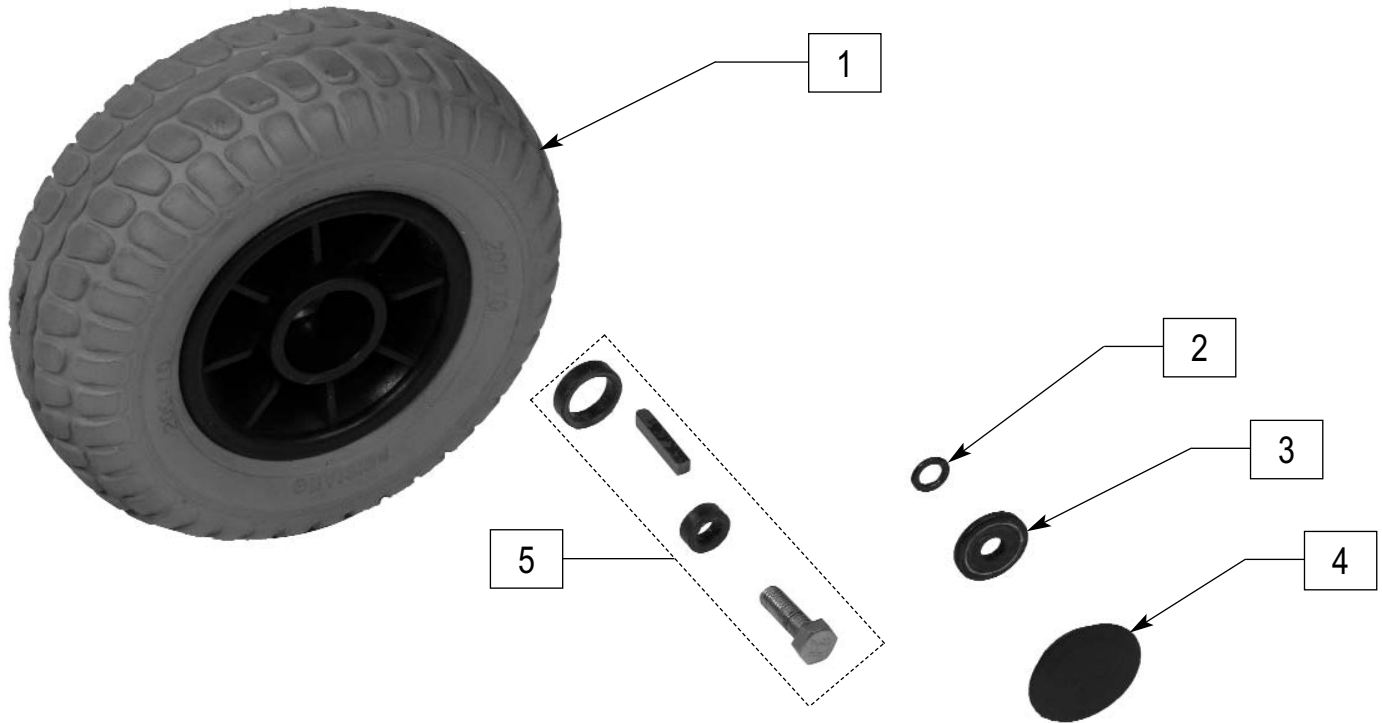
ITEM	NUMBER	DESCRIPTION	QTY
1-3,7	850112	MOTOR P11 RIGHT	1
1-3,6	850113	MOTOR P11 LEFT	1
4,5	850102, 850103	MOTOR MOUNT P11 (EA)	1

# SEAT AND HEADREST



ITEM	NUMBER	DESCRIPTION	QTY
1	702678	RECLINING SEAT 18 X 18	1
2	883355	HEADREST	1

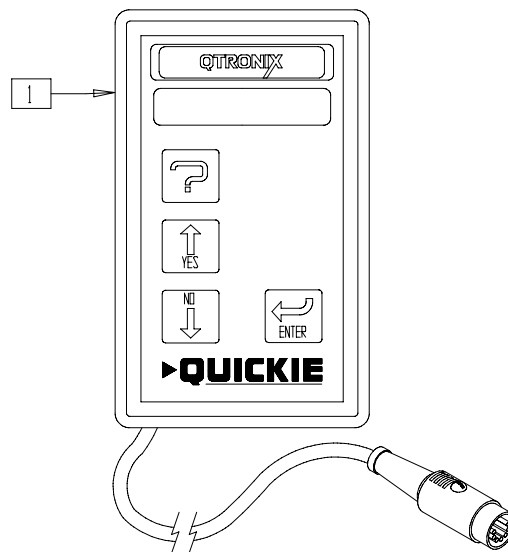
## DRIVE WHEELS



P11X08

ITEM	NUMBER	DESCRIPTION	QTY
1-5	850125	DRIVE WHEEL ASSEMBLY	2
4	850126	DRIVE WHEEL CAP	2

## QTRONIX PROGRAMMER



p9000x10

ITEM	NUMBER	DESCRIPTION	QTY
1	QTRX	PROGRAMMING PAD QTRONIX	1