



# KIDKART TLC PARTS MANUAL

OCTOBER 2020

KID-KART TLC.....	3
KID KART TLC DISCONTINUED.....	3
GLOSSARY OF ABBREVIATIONS.....	6
BASE.....	6
BASE - Discontinued.....	7
SILVER BASE.....	8
CASTER FORK ASSEMBLIES.....	9
WHEEL LOCKS.....	10
ANTI-TIPS.....	11
REAR WHEELS.....	12
STROLLER HANDLE.....	13
KID KART PNEUMATIC & PNEU. AIRLESS TIRE.....	14
SEATING.....	14
SEATING SHELL.....	14
TLC SHELL.....	15
TLC SHELL (Discontinued).....	16
SHELL REPLACEMENT PARTS.....	18
SHELL FABRIC.....	19
GROWTH KIT.....	21
TRANSIT HARNESS.....	22
POSITIONING BELTS.....	23
SEAT PADS.....	23
SEATING CUSHIONS.....	24
BACK PADS.....	25
T BACK CUSHION.....	26
I BACK CUSHION.....	27
HEADRESTS.....	27
TRI-WING HEAD SUPPORT.....	28
PLANAR HEAD SUPPORT.....	30
MICRO ADJUST HEAD SUPPORT.....	31
SUPPORT.....	32
LATERAL ASSEMBLY.....	33
ABDUCTOR BLOCK.....	34
ANTERIOR TRUNK SUPPORT.....	35
PELVIC POSITIONING BELTS.....	36
KNEE ADDUCTION PACKAGE.....	37
LATERAL HIP ADDUCTION PACKAGE.....	39
ACCESSORIES.....	39
FEEDER BASE.....	40
SUNSHADE.....	41
SHOE HOLDER ASSEMBLY.....	43
UPPER EXTREMITY SUPPORT TRAY - TLC.....	44
VENT TRAYS.....	44
VENT AND BATTERY TRAY.....	45
TBIRD VENT TRAY & BATTERY TRAY.....	46
O2 AND IV HOLDERS.....	47
O2 HOLDER.....	48
IV POLE ASSEMBLY W/BASE.....	49
O2 HOLDER AND IV ASSEMBLY.....	50
ADJUSTMENT TOOLS.....	51
TIRE PUMP.....	52







Dear Valued Customer,

As of **6/21/2019**, the sale of **Kid Kart TLC** has been discontinued. In compliance with Sunrise Medical's policy, replacement parts will continue to be available until **6/21/2024**.

Effective **6/21/2024**, replacement parts for the **Kid Kart TLC** will be obsolete and therefore no longer available for sale.

Sincerely,  
Sunrise Medical

**Description**

DISCONTINUED PRODUCT

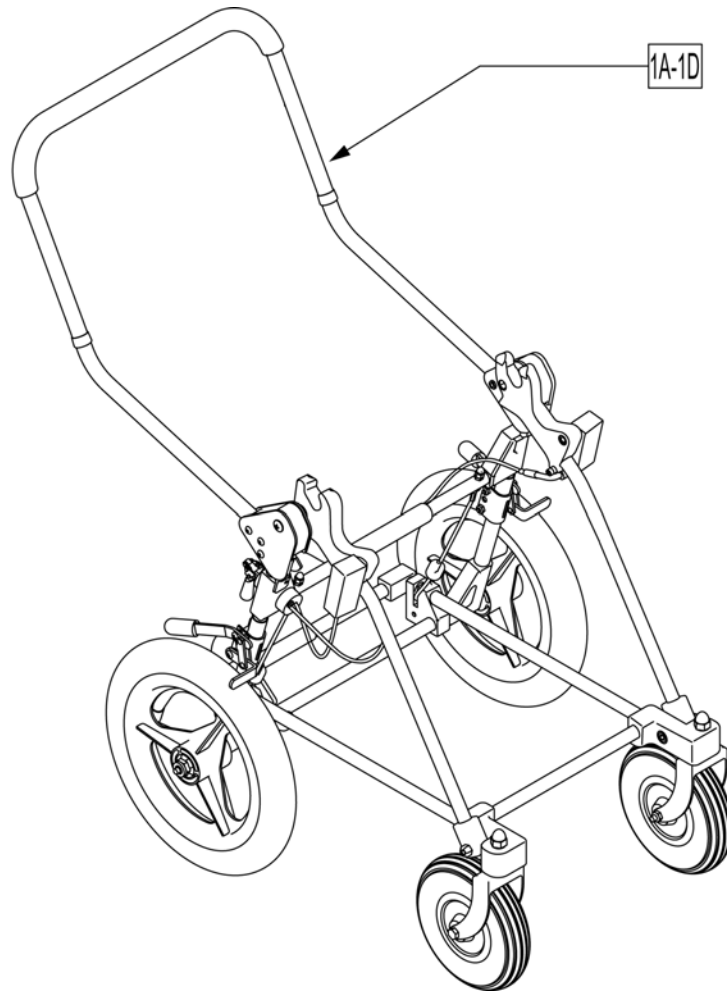
**GLOSSARY OF ABBREVIATIONS**

Note: see Informations Panel for file.

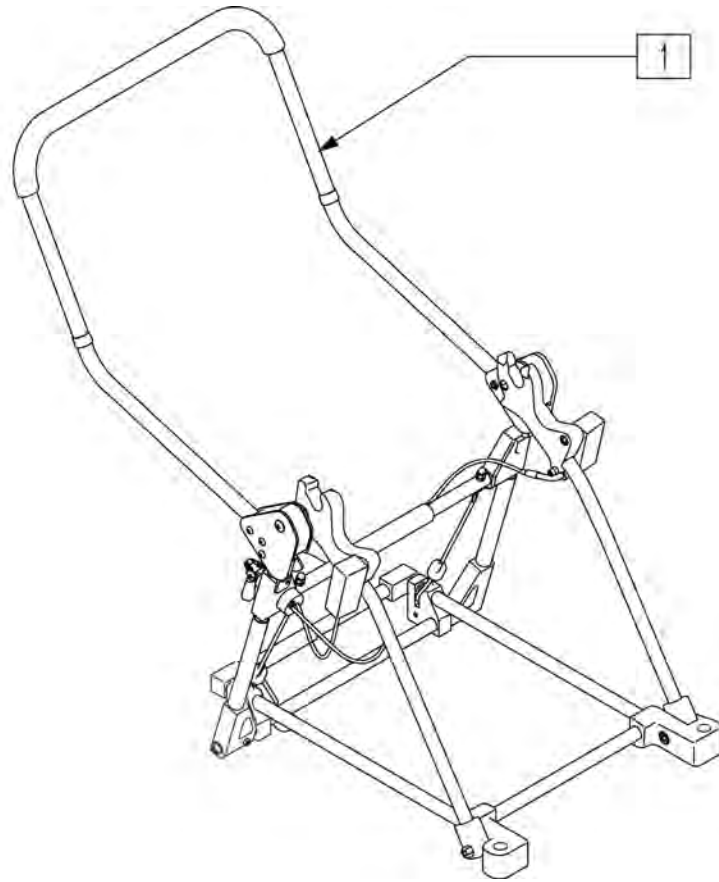
1AD One Arm Drive	CZ Cozy	INH Inhibit	PCB Pediatric Center of Gravity (AKA: Zippie Iris)	S/A Swing Away
3DCR 3DX Microclimatic cover for Cryo style inserts	DAB Depth-adjustable Back	INORG Inorganic coating	PCM Power Center Mount	S/F Side Frame
AAA Adult Angle Adjustable	DB Dynamic Back	INSRT Insert	PED Pediatric	SCW Screw
AACM Angle Adjustable Center Mount	DBL Double	I/O Swing In Out	PEL Pelvic	SDLE Saddle
ABD Abductor	DC Deep Contour	IRIS Intelligent Rotation in Space	PH Push Handle	SG Side Guard
AC All Court	DL Desk Length	ISM Intelligent Seating Module	PHIL Phillips	SGTG Super Grip Thumb Guard
AD Arm Drive	DP Dual Post Armrest	JA Jay Active	P/L Pin Lock	SHCS Socket Head Cap Screw
ADJ Adjustable	D-Post Dual Post Armrest	JNR Junior	PL Plated	SHLDR Shoulder
ADPT Adapter	D-PST Dual Post Armrest	KAA Kids Angle Adjustable	PLL Pull	SHT Short
AE Air Exchange	DRV Drive	KDS Kids	PLT Plate	SLD Solid
AHAB ASAP II	DTT Diagnostic Test Tool	KT Kit (usually consists of all mounting hardware for one side)	PLST Plastic	SLNG Sling
ANG Angle	DY Dynamic Back	KVLR Kevlar	PLY Plywood	SLTD Slotted
ALR Articulating Legrest	EA Each	KZ Quickie Kidz/Zippie Kidz	PNEU Pneumatic	SLV Steeve
ALUM Aluminum	ELR Elevating Legrest	L Left	PNK Pink	SM Small
AMH Adjustable Mounting Hardware	EXT Extension	LAT Lateral	PNT Paint	SNGL Single
ANO Anodized	EXTND Extended	LCK Lock	PNTD Painted	SOC Socket
ASAP Adjustable Seating and Positioning	F Folding Frame	LFH Left Front Horizontal	POLY Polyurethane	SPCR Spacer
ASL Adaptive Switch Laboratories	FHCS Flat Head Cap Screw	LFT Left	POST Posterior	SPEC CLR Specify Color
ASM Assembly (includes other parts)	FL Full Length	LFV Left Front Vertical	PR Pressure Relieving	SFHA Single Post Height Adjustable
ASSM Assembly	FLD Folding	LH Left Hand	PR Power Recline	SPK Spoke
ASSMLY Assembly	FL FT Flip-up Footrest	LH Left Horizontal	PR Pair	SPR Super Grip Handrim
ASSY Assembly	FLP Flip	LK Lock	(PR) Pair	SQZ Squeeze
AT Anti-tip	FLRD Flared	LNG Long	PRCR Premium Leatherette cover for Cryo style inserts	SS Stainless Steel
ATT Attachment	FM Foam	LO Lift Off	PRE-ISC Pre-Ischial	ST Seat
BB Basketball	FM Front Mount	L/O Lift Off	PREM Premium Leatherette cover material	S/TAP Self Tapping
BC Breezy Chrome	FNDR Fender	L Loop	PROJ Projection	STCR Stretch Cover for Cryo Style inserts
BCK Back	FPH Folding Push Handle	LPS Loops	PROJ Projection	STD Standard
BCKBRD Backboard	FT Foot	LRG Large	PRPL Purple	STL Style
BH Button Head	F/REST Footrest	LRH Left Rear Horizontal	PTL Partial	STR Stretch cover material
BHCS Button Head Cap Screw	FRNT Front	LRV Left Rear Vertical	PSH Push	STRLLR Stroller
BKL Buckle	FT PLT Footplate	LS Low Sheer	PT Point	STRT Straight
BKRST Backrest	FTRST Footrest	LT Long Tab	PTRN Pattern	SUP Support
B-LOCK Back Lock	F/UP Flip-up	LT Natural Fit Lite Handrims	PWR Power	SYS System
BLD Build Up	FWD Front Wheel Drive	LTRL Lateral	Q1 Quickie 1	T Tab
BLK Black	FXT Fixed	LUMB Lumbar	Q2 Quickie 2	TG Thumb Guard (std)
BLU Blue	G8 Grade 8 higher grade = stronger	LV Left Vertical	Q2HP Quickie 2 High Performance	THRD Threaded
BR Breezy	GP Quickie GP	LW Low	QC Quickie Carbon	Ti Titanium
BRD Board	GPS Quickie GPS	LX Quickie LX	QR Quick Release	TL Tall
BRNG Bearing	GPV Quickie GPV	LXI Quickie LXi	QRx Quickie RX	TLC Tilt Lift Comb
BRKT Bracket	GNRC Generic	MACH Machine	QTI Quickie Titanium	TLT Tilt
BSHNG Bushing	H Hole	MECH Mechanism	QT/QTS Quickie Tilt & Space	TNNS Tennis
BTTN Button	HB High Brake	MED Medium	QUAD Quadrant Pad	TTS Tilt-in-Space
BTRY Battery	HD Head or Heavy Duty	mm Millimeter	R Right	TITIS Tilt-in-Space
BZ Breezy	H/D Heavy Duty	MNT Mount	RCLNR Recliner	UNIV Universal
CAA Composite Angle Adjustable	HDRST Headrest	MNTG Mounting	REC Receiver	UNTHRD Unthreaded
CG Center of Gravity	HDWR Hardware	MOD Modify or Modification	REG Regular	UPH Upholstery
CGT Center of Gravity Tilt (AKA: IRIS)	HEX Hexagon	M/S Machine Screw	REL Release	VERT Vertical
CHRGR Charger	HH Hemi-Height or Hex Head	MWD Mid Wheel Drive	REV Reverse	W With
CJSM Color Joystick Module	HK Hook	Nat.Fit Natural Fit Handrim	RH Right Hand	W/ With
CLMP Clamp	HL Heel Loops	NAUG Naugahyde	RH Right Horizontal	W/F Water Fall
CLNCHR Clincher	HM High Mount	NF Non-folding	RFH Right Front Horizontal	W/O Without
CLR Clear	HNDL Handle	NF Natural Fit Handrim	RFV Right Front Vertical	WHL Wheel
COMP Complete	HNGR Hanger	NFLT Natural Fit Lite Handrim	RNUT(S) Rivnut(s)	WLDMNT Weldment
CMPST Composite	HP High Pressure	NR Non-recessed	RoHS Restriction of Hazardous Substances	XS Cross Spoke
CRM Chrome	HR Handrim	OBLIQ Obliquity	RR Rear	YLW Yellow
C/S Cap Screw	HRDWR Hardware	OBLQ Oblique	RRH Right Rear Horizontal	Z2 Zippie 2
C-S Countersunk	HRNSS Harness	O/S Outer/Outside Dimension	RRV Right Rear Vertical	ZN Zinc
CSTR Caster	HS High Speed	O/S Old Style	RT Right	ZP Zippie
CUSH Cushion	HT Height or Heat Treated	OUTBRD Outboard	RV Right Vertical	ZP2 Zippie 2
CV Conventional	ID Inner/Inside Dimension Diameter	P1 Quickie P100	RV Quickie Revolution	
CVR Cover	IN In/Out (for swing in/out hangers)	P2 Quickie P200	RWD Rear Wheel Drive	
CVRS Covers	INBRD Inboard	P3 Quickie P300	SA Swing Away	
CYL Cylinder	INC Incontinent	P5 Quickie/Zippie P500		

Pos.	Item Number	Description	Remarks
		GLOSSARY OF ABBREVIATIONS	see attachment in Informations Panel

**Note:** Black and purple bases were discontinued as of September 2011 and are available as replacement parts only.



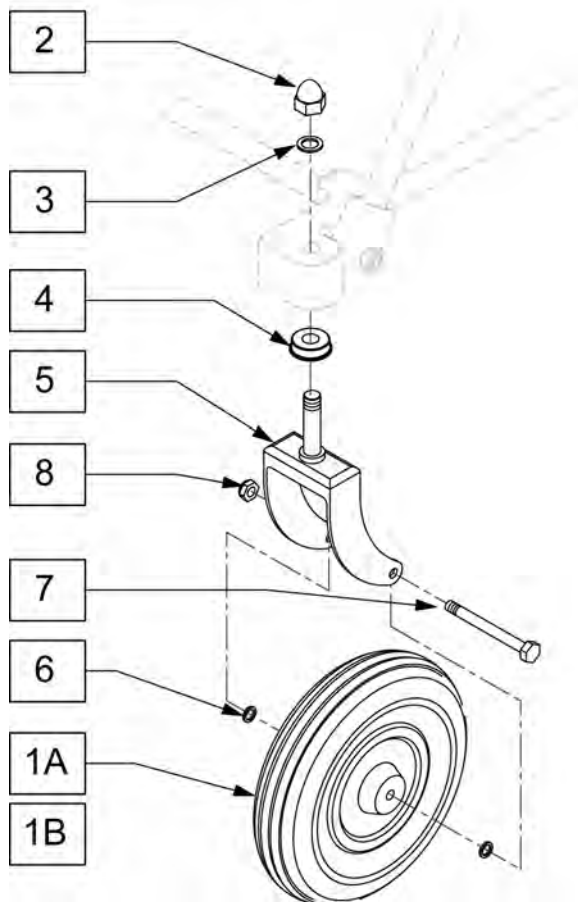
Pos.	Item Number	Description	Remarks
1A	9140701001	MOBASE 12" BLACK TC	BLACK - 12" PNEU
1B	9140702001	MOBASE 14" BLACK TC	BLACK - 14" PNEU
1C	9140701031	MOBASE 12" PURPLE TC	PURPLE - 12" PNEU
1D	9140702031	MOBASE 14" PURPLE TC	PURPLE - 14" PNEU



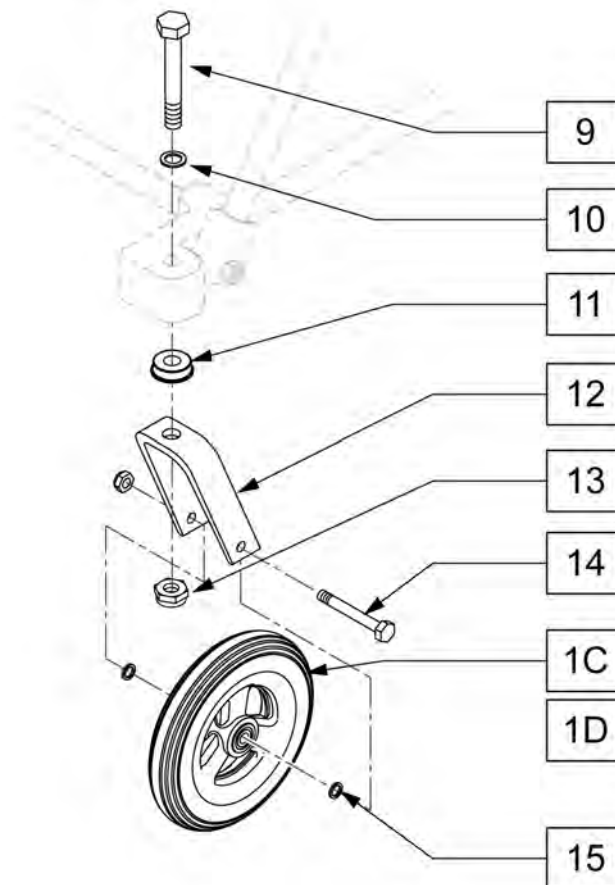
Pos.	Item Number	Description	Remarks
1	211513	TLC FRAME ASSM SILVER	Order Wheels and Casters Separately



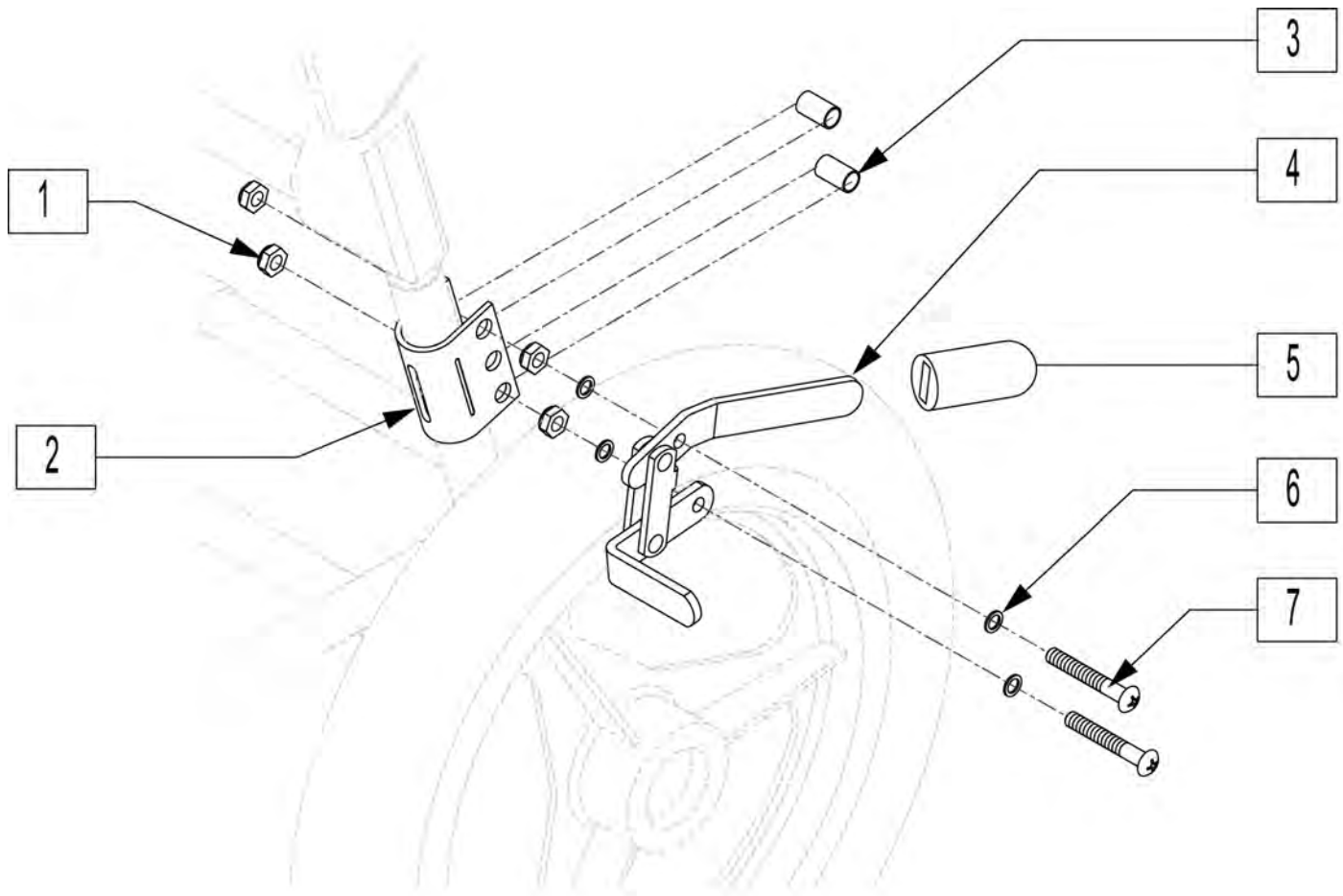
8 INCH ASSEMBLY



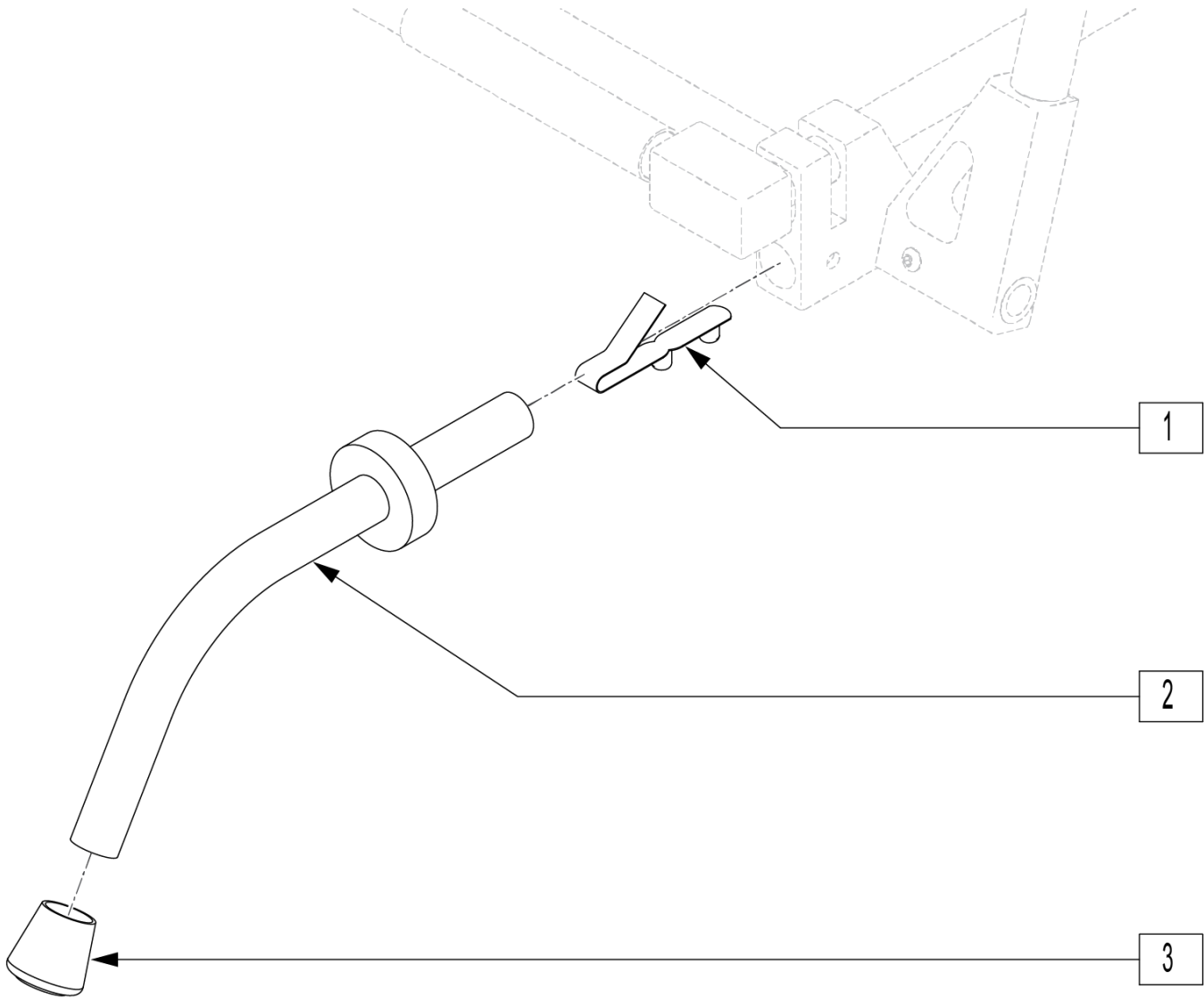
6 INCH ASSEMBLY



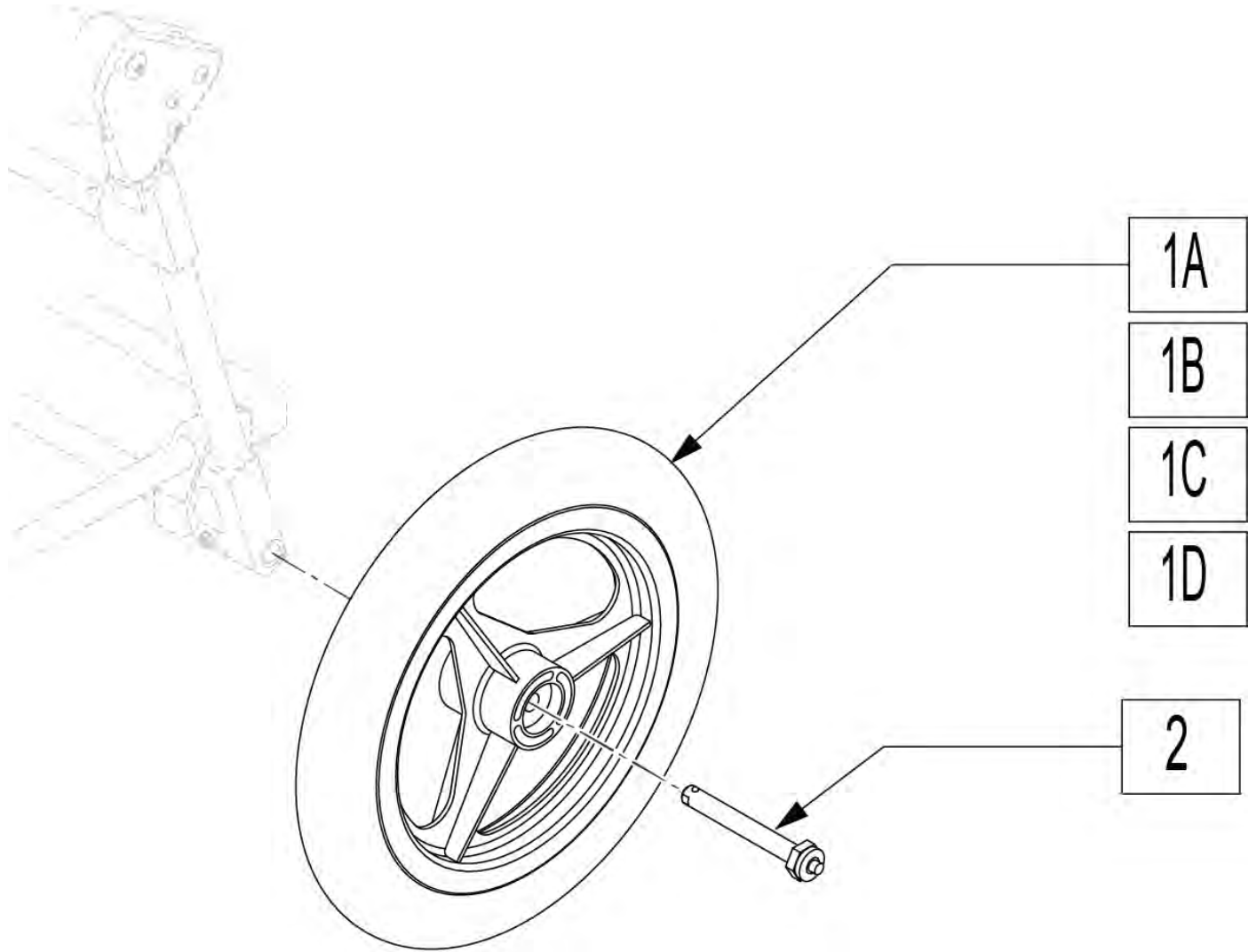
Pos.	Item Number	Description	Remarks
1A	9710802003	WHEEL/TIRE BLK/GRY 8" PNEUM	8" Pneu
1B	9710802004	WHEEL/TIRE BLK/GRY 8" AIRLESS	8" w/Airless Insert
1C	9710601001	WHEEL/TIRE BLK/GRY 6" URETHANE	6" Urethane
3	9640181205S	WASHER 1/2 FLAT NYLON	
4	9740818071	BEARING 1/2" FLANGED	
5	9720813001	CASTER FORK W/STEM CHROME 8"	
6	9640160761S	WASHER .35 X .49 FLAT STAINLESS	
7	9630204526	HEX BOLT 5/16-18 X 3.25 GRD 5 ZN	
8	9650501014	NYLOK NUT 5/16-18 STEEL ZN	
9	220000	1/2-20 X 2-1/2" G8 HHCS ZC BOLT	
10	9640181205S	WASHER 1/2 FLAT NYLON	
11	9740818071	BEARING 1/2" FLANGED	
12	481113	BEARING SPACER .375 CASTER	
13	9650701021S	NYLOK JAM NUT 1/2-20 STEEL ZN	
14	106987	HHCS 5/16-24 X 2-1/2	
1A,2-8	9180600004	8" FRONT CASTER ASSEMBLY PNEU	8" Pneu
1B,2-8	9180600006	8" FRONT CASTER ASSY AIRLESS	8" w/Airless Insert
2-8	900081	KID KART CHROME FORK ASSEMBLY	
9-13	9180600001S	CASTER FORK ASSEMBLY TC	



Pos.	Item Number	Description	Remarks
1	9650501012S	NYLOK NUT 1/4-20 STEEL ZN	
2	9730000102S	WHEEL LOCK LEFT BR01	Left
2	9730000202	WHEEL LOCK RIGHT BRO2	Right
3	9456006301	WHEEL LOCK SPACER 5/8"	
4	9730000102S	WHEEL LOCK LEFT BR01	Left
4	9730000202	WHEEL LOCK RIGHT BR02	Right
5	9730000001	WHEEL LOCK HANDLE RUBBER GRAY	
6	9645140515	WASHER 1/4" SHOULDER NYLON	
7	9611000928	MA SCRW 1/4-20 x 1.75 BHSK ZN	
1-7	9180500101	WHEEL LOCK ASSEMBLY LEFT	Left
1-7	9180500201	WHEEL LOCK ASSEMBLY RIGHT	Right

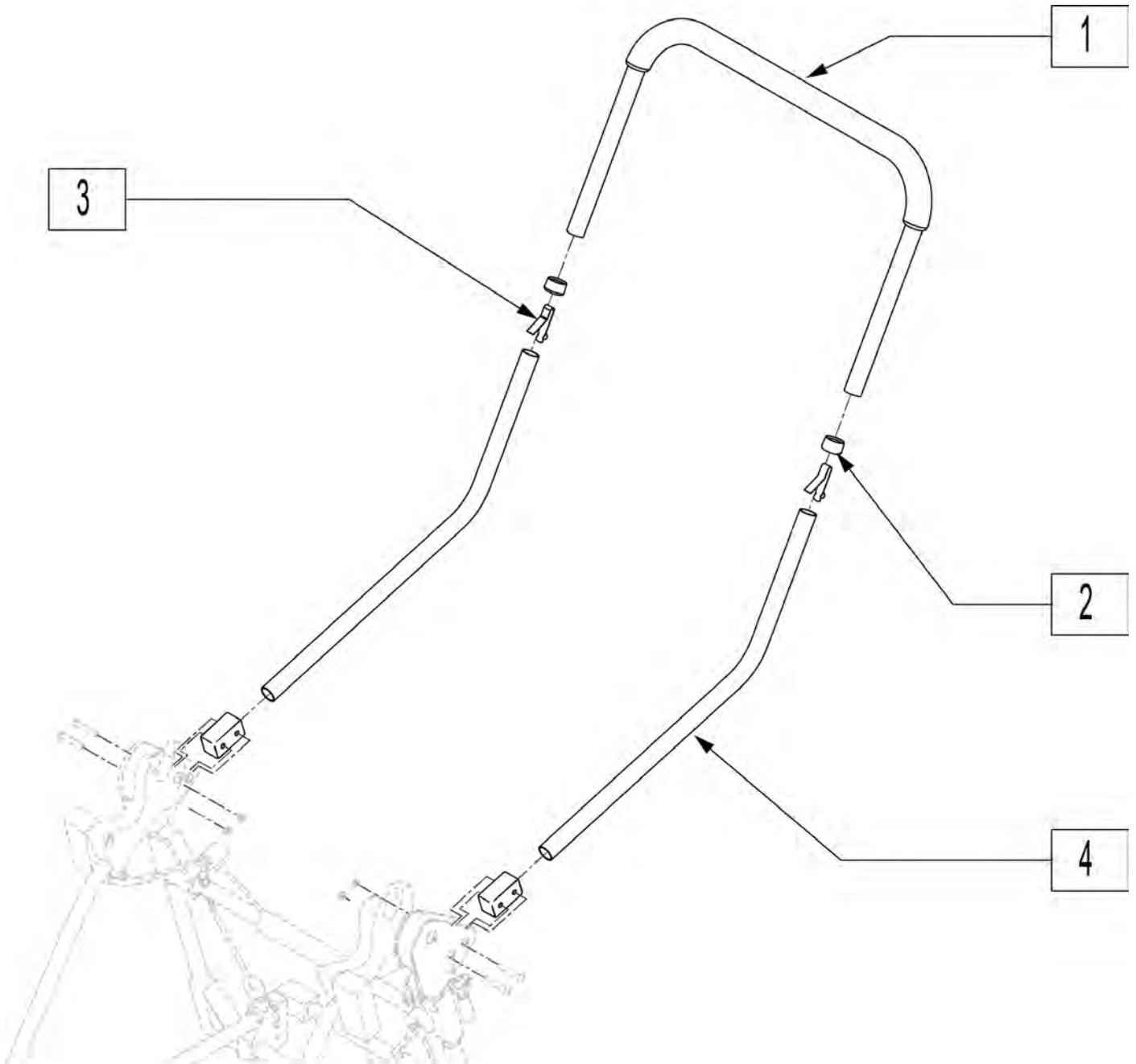


Pos.	Item Number	Description	Remarks
1	9691251101	SNAP BUTTON DOUBLE E-110	
3	9395017501S	CRUTCH TIP 3/4 BLACK	
1-3	9180414001	ANTI-TIP ASSY 14" BLACK ANODIZ	USE W/ 14" REAR WHEELS
1-3	9180412001	ANTI-TIP ASSY 12" BLACK ANODIZ	USE W/ 12" REAR WHEELS



Pos.	Item Number	Description	Remarks
1A	9711402003	WHEEL BLK/GRY 14" PNEUMATIC	14" Pneu
1B	9711402401	WHL/TR BLK/GRY 14" AIRLS/INSET	14" Pneu w/Airless Insert
1C	9711202002	WHEEL/TIRE BLK/GRY 12" PNEU	12" Pneu
1D	9711202402	WHL/TR BLK/GRY 12" AIRLS/INSET	12" Pneu w/ Airless Insert
2	900080	KID KART AXLE ASSEMBLY	

**Note:** Black color was discontinued as of September 2011 and is available as replacement parts only.



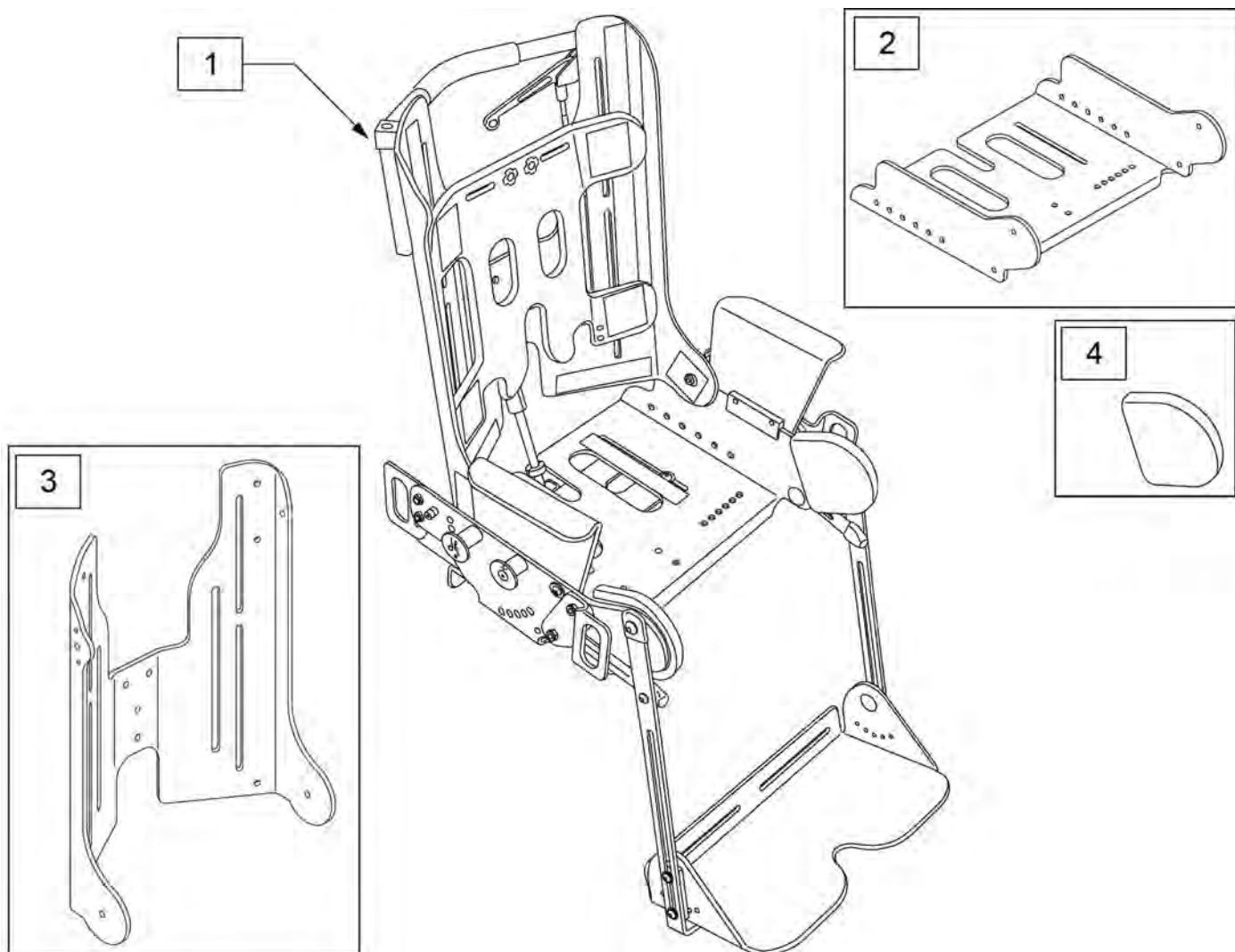
Pos.	Item Number	Description	Remarks
2	563065	3/4" ANTI-RATTLE	
3	9691121411S	SNAP BUTTON SINGLE B-141	
1-3	882109	HANDLE BAR UPPER TC/XP VENT	Black
1-3	120234	STROLLER HANDLE ASSM SILVER	



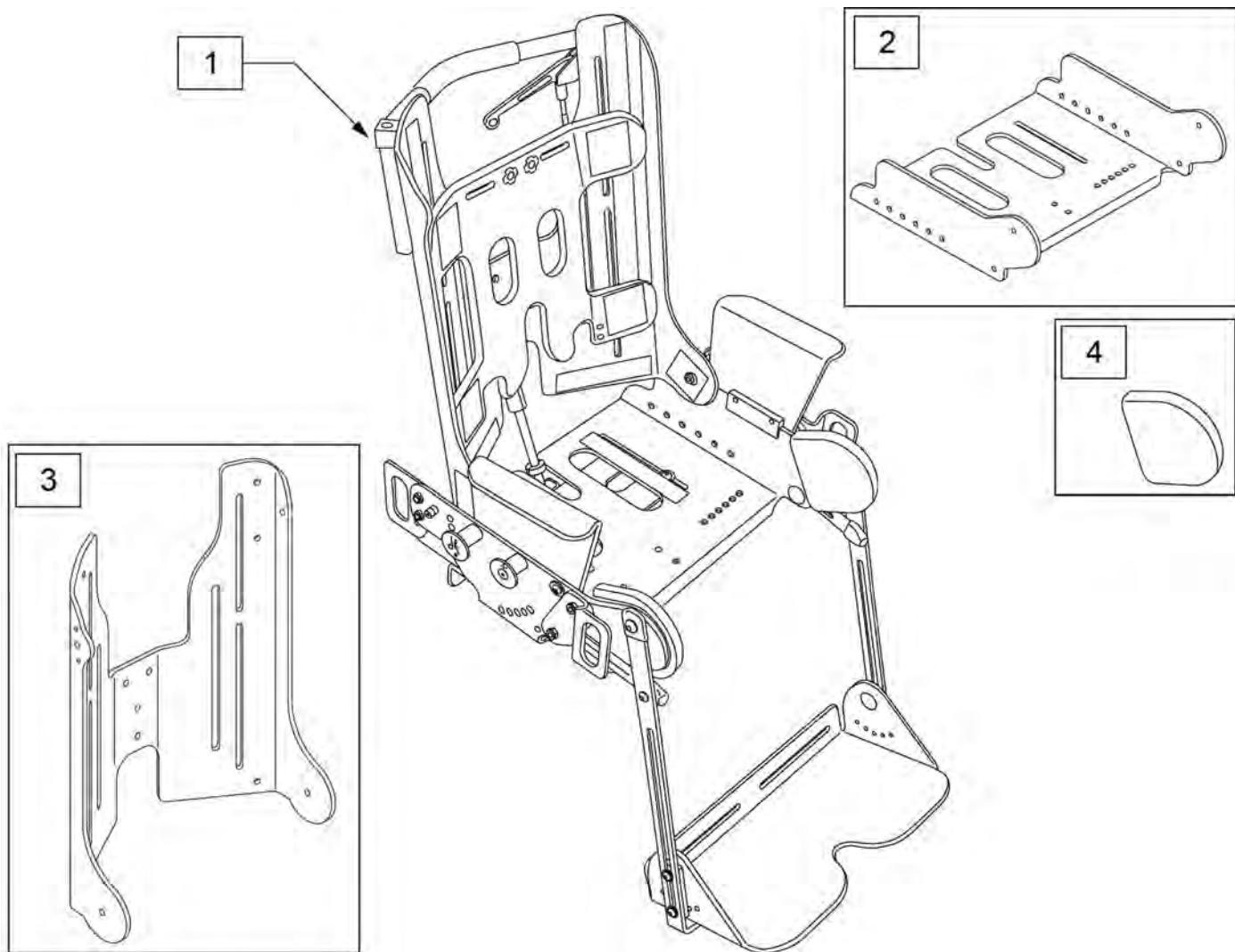
Pos.	Item Number	Description	Remarks
1	384706	TIRE PNEU 12-1/2" X 2-1/4"	12"
1	385225	TIRE PNEUMATIC 18"	18"



**Note:** Effective on chairs with serial number prefix KKTC.



Pos.	Item Number	Description	Remarks
1A	120208	SHEL ASSY TLCB2 RCLNE A	Recline w/Transit
1B	120209	SHEL ASSY TLCB1 NON-RCLN A	Non-recline W/ Transit
1C	120210	SHEL ASSY TLC2 RCLN A	Recline no Transit
1D	120211	SHEL ASSY TLC1 NO-RCLN A	Non-recline no Transit
2	119216S	SEAT TRAY TC	
3	119215S	SEAT BACK TC	
4	9350110101S	ADDUCTION PAD SMALL B662	

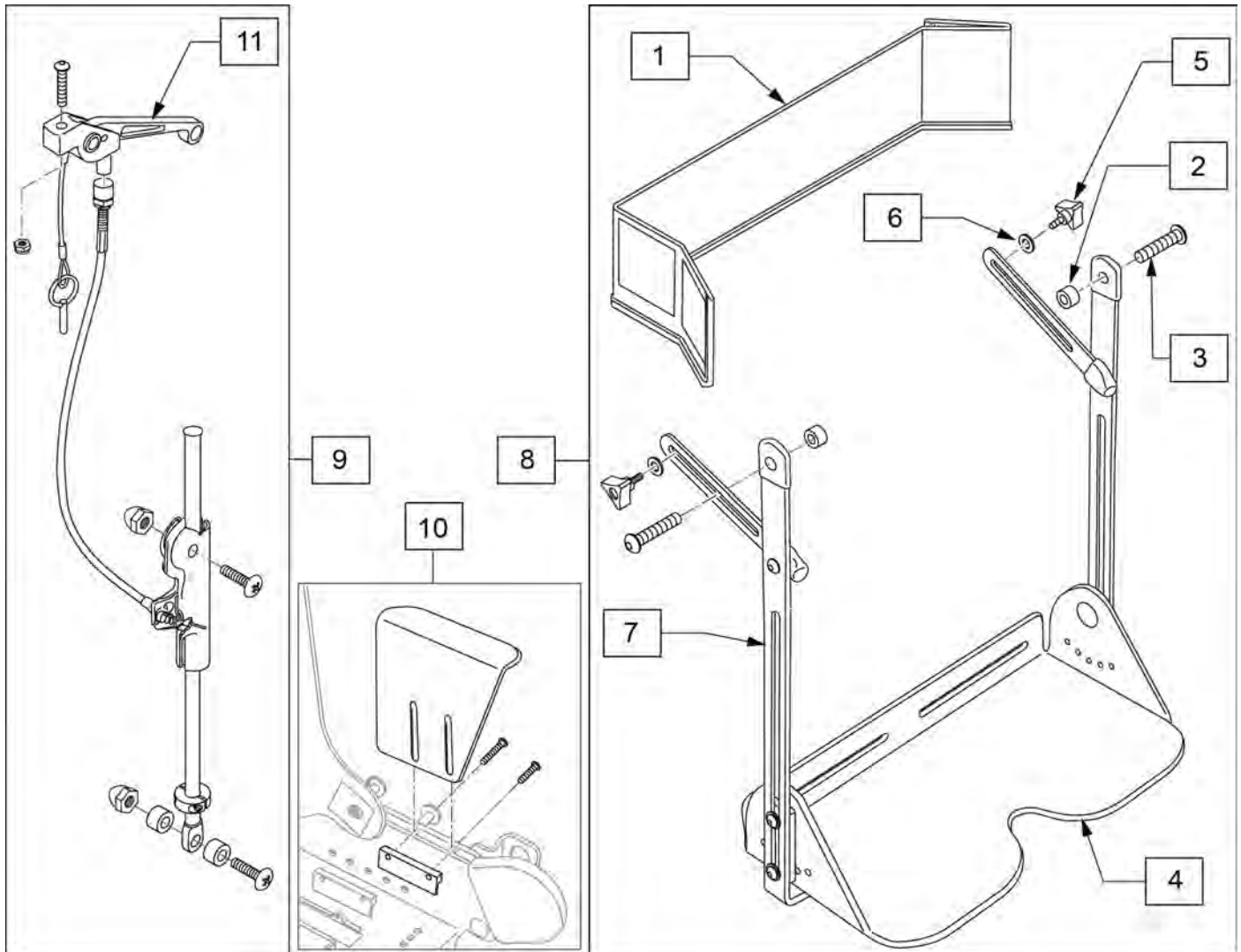


Pos.	Item Number	Description	Remarks
1A	120229	SHEL ASSY TLCB2 RCLNE	Recline w/Transit
1B	120230	SHEL ASSY TLCB1 NON-RCLN	Non-recline W/ Transit
1C	120231	SHEL ASSY TLC2 RCLN	Recline no Transit
1D	120232	SHEL ASSY TLC1 NO-RCLN	Non-recline no Transit
2	119216S	SEAT TRAY TC	
3	119215S	SEAT BACK TC	
4	9350110101S	ADDUCTION PAD SMALL B662	

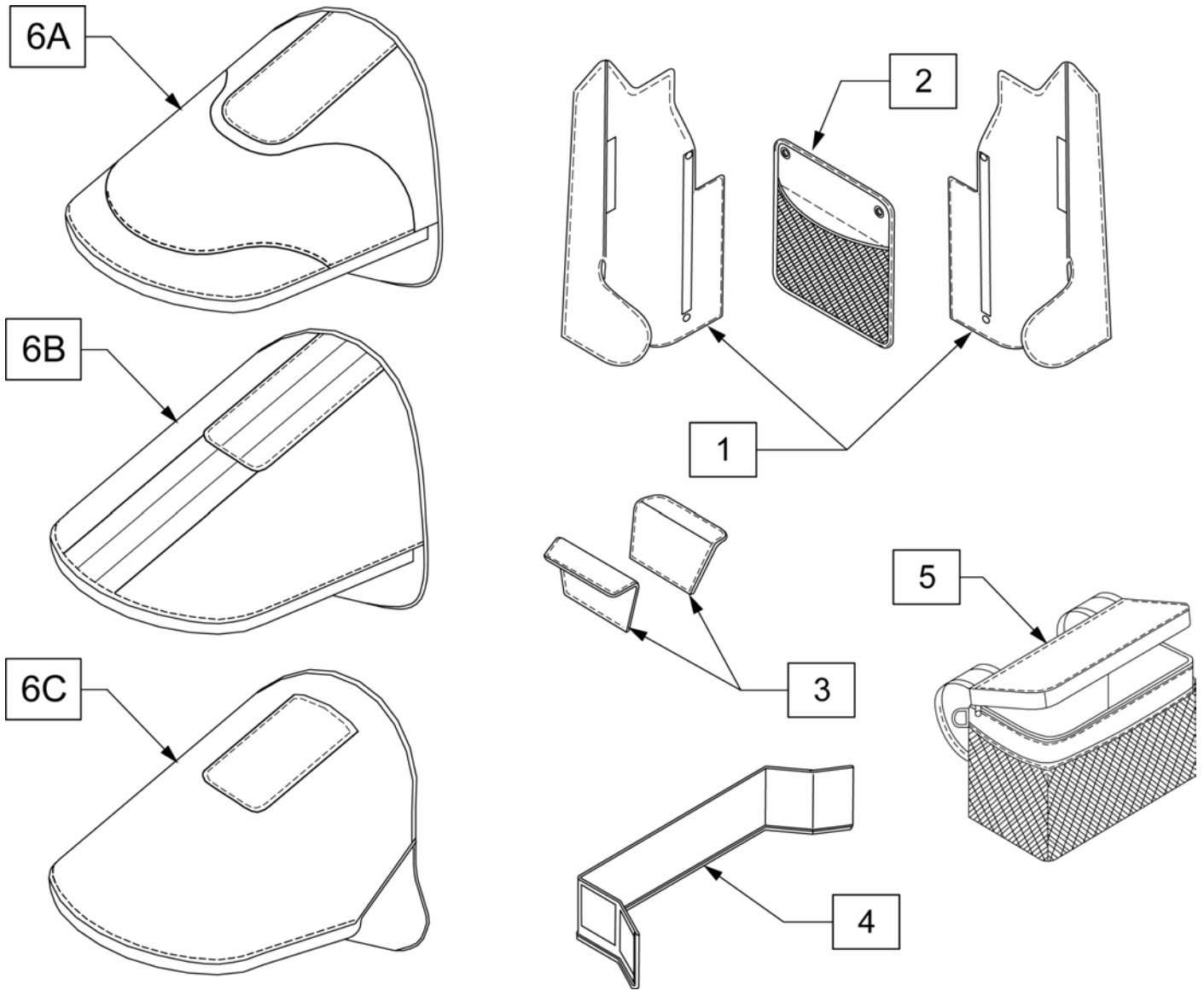
**Note:** Chairs built after S/N Number XPS-5367364-11085-MX utilized black components and not gray, replacement parts will only be offered in black.

**Note:** Discontinued September 2011, effective on chairs without S/N prefix KKTC only.

**Note:** Chairs built after S/N Number XPS-5367364-11085-MX and with S/N prefix KKTC utilized black components and not gray, replacement parts will only be offered in black.



Pos.	Item Number	Description	Remarks
1	9171111001	LEG PROTECTOR FUSCHIA TC	Discontinued Sept 2011
1	9171110001	LEG PROTECTOR GREEN TC	Discontinued Sept 2011
1	9171106002	LEG PROTECTOR TEAL TC	Discontinued Sept 2011
1	9171104002	LEG PROTECTOR PURPLE TC	Discontinued Sept 2011
1	9171102002	LEG PROTECTOR BLUE TC	Discontinued Sept 2011
1	211549	LEG STRAP TLC	Gray
4	119217S	FOOTBED TC	Footbed only - does not include Hanger
5	9761100001S	KNOB BLACK 1/4-20 X 1.25	
7	9511615001S	FOOTBED HANGER 16" TC	Hanger only - does not include Footbed
8	159636	REPLACEMENT FOOTBED ASSY	
9	9181000001	REPLACEMENT KIT RECLINE ASSY TC	
10	119228	ARM REST PAIR TC (L/R)	Pair
11	580112	CYL LOCK LEVER ASSM T45	

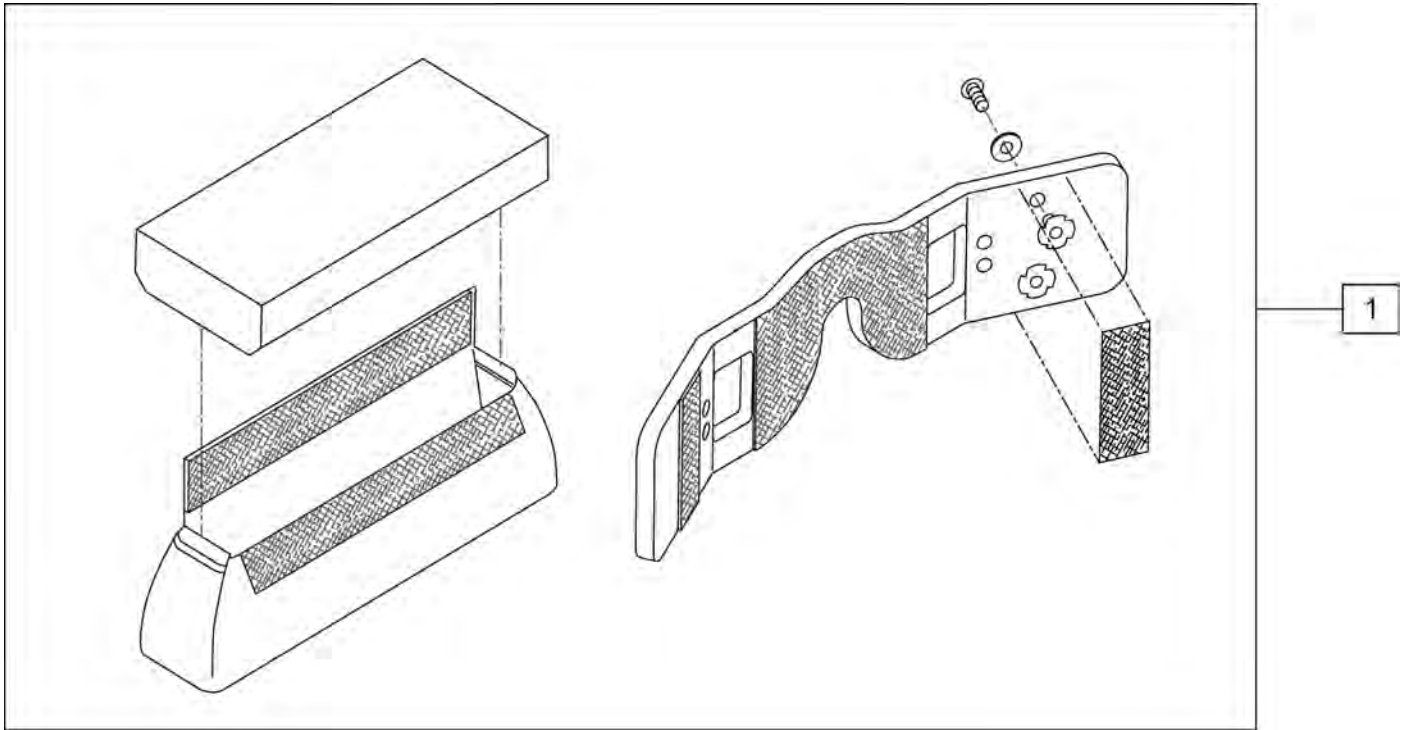


Pos.	Item Number	Description	Remarks
1,2	9170110001	SHELL COVER GREEN TC	Parts only, discontinued Sept 2011 on chair as of S/N KKTC-001800
1,2	9170104002	SHELL COVER PURPLE TC	Parts only, discontinued Sept 2011 on chair as of S/N KKTC-001800
1,2	9170102002	SHELL COVER BLUE TC	Parts only, discontinued Sept 2011 on chair as of S/N KKTC-001800
1,2	211541	SHELL COVER TLC BUTTERFLY	
1,2	211542	SHELL COVER TLC RACER	
1,2	211543	SHELL COVER TLC PINK	
1,2	211544	SHELL COVER TLC GREEN	
1,2	211545	SHELL COVER TLC ORANGE	
1,2	211546	SHELL COVER TLC BLUE	
2	9171602002	STORAGE POUCH BLUE TC	
3	9170710002	ARM REST COVER LEFT GREEN TC	Parts only, discontinued Sept 2011 on chair as of S/N KKTC-001800
3	9170710001	ARM REST COVER RIGHT GREEN TC	Parts only, discontinued Sept 2011 on chair as of S/N KKTC-001800
3	9170702004	ARM REST COVER LEFT BLUE TC	Parts only, discontinued Sept 2011 on chair as of S/N KKTC-001800
3	9170702003	ARM REST COVER RIGHT BLUE TC	Parts only, discontinued Sept 2011 on chair as of S/N KKTC-001800
3	9170704004	ARM REST COVER LEFT PURPLE TC	Parts only, discontinued Sept 2011 on chair as of S/N KKTC-001800
3	9170704003	ARM REST COVER RIGHT PURPLE TC	Parts only, discontinued Sept 2011 on chair as of S/N KKTC-001800

Pos.	Item Number	Description	Remarks
3	211547	ARMREST COVER TLC GRAY RIGHT	
3	211548	ARMREST COVER TLC GRAY LEFT	
4	211479	LEG PROTECTOR FUSCHIA TC	Parts only, discontinued Sept 2011 on chair as of S/N KKTC-001800
4	211480	LEG PROTECTOR GREEN TC	Parts only, discontinued Sept 2011 on chair as of S/N KKTC-001800
4	211481	LEG PROTECTOR TEAL TC	Parts only, discontinued Sept 2011 on chair as of S/N KKTC-001800
4	211482	LEG PROTECTOR PURPLE TC	Parts only, discontinued Sept 2011 on chair as of S/N KKTC-001800
4	211483	LEG PROTECTOR BLUE TC	Parts only, discontinued Sept 2011 on chair as of S/N KKTC-001800
4	211549	LEG STRAP TLC	Gray
5	211550	ACCESSORY BAG TLC	Gray
6A	211521	CANOPY CURVED BUTTERFLIES	
6A	211522	CANOPY CURVED RACER	
6A	211523	CANOPY CURVED PINK	
6A	211524	CANOPY CURVED GREEN	
6A	211525	CANOPY CURVED PURPLE	
6A	211526	CANOPY CURVED ORANGE	
6A	211527	CANOPY CURVED BLUE	
6B	211514	CANOPY STRIPE BUTTERFLIES	
6B	211515	CANOPY STRIPE RACER	
6B	211516	CANOPY STRIPE PINK	
6B	211517	CANOPY STRIPE GREEN	
6B	211518	CANOPY STRIPE PURPLE	
6B	211519	CANOPY STRIPE ORANGE	
6B	211520	CANOPY STRIPE BLUE	
6C	9170317001	SUNSHADE COVER JIVE XP	Parts only, discontinued Sept 2011 on chair as of S/N KKTC-001800
6C	9170318001	SUNSHADE COVER CLASSIC XP (NAVY)	Parts only, discontinued Sept 2011 on chair as of S/N KKTC-001800
6C	9170306003	SUNSHADE COVER ORIGINAL XP (TEAL)	Parts only, discontinued Sept 2011 on chair as of S/N KKTC-001800
6C	102764	SUNSHADE-RED BLACK	Parts only, discontinued Sept 2011 on chair as of S/N KKTC-001800
6C	102768	SUNSHADE-KAKI (KHAKI/SMOKE)	Parts only, discontinued Sept 2011 on chair as of S/N KKTC-001800
6C	211508	SUNSHADE FOREST GREEN	Parts only, discontinued Sept 2011 on chair as of S/N KKTC-001800
6C	211509	SUNSHADE BLUE	Parts only, discontinued Sept 2011 on chair as of S/N KKTC-001800
6C	211510	SUNSHADE PURPLE	Parts only, discontinued Sept 2011 on chair as of S/N KKTC-001800
1-5,6A	119815S	BUTTERFLY CRVD STRIPE TLC PKG	
1-5,6A	119816S	RACER CRVD STRIPE TLC PKG	
1-5,6A	119817S	PINK CRVD STRIPE TLC PKG	
1-5,6A	119818S	GREEN CRVD STRIPE TLC PKG	
1-5,6A	119819S	PURPLE CRVD STRIPE TLC PKG	
1-5,6A	119820S	ORANGE CRVD STRIPE TLC PKG	
1-5,6A	119821S	NAVY BLUE CRVD STRIPE TLC PKG	
1-5,6B	119808S	BUTTERFLY CNTR STRIPE TLC PKG	
1-5,6B	119809S	RACER CNTR STRIPE TLC PKG	
1-5,6B	119810S	PINK CNTR STRIPE TLC PKG	
1-5,6B	119811S	GREEN CNTR STRIPE TLC PKG	
1-5,6B	119812S	PURPLE CNTR STRIPE TLC PKG	
1-5,6B	119813S	ORANGE CNTR STRIPE TLC PKG	
1-5,6B	119814S	NAVY BLUE CNTR STRIPE TLC PKG	

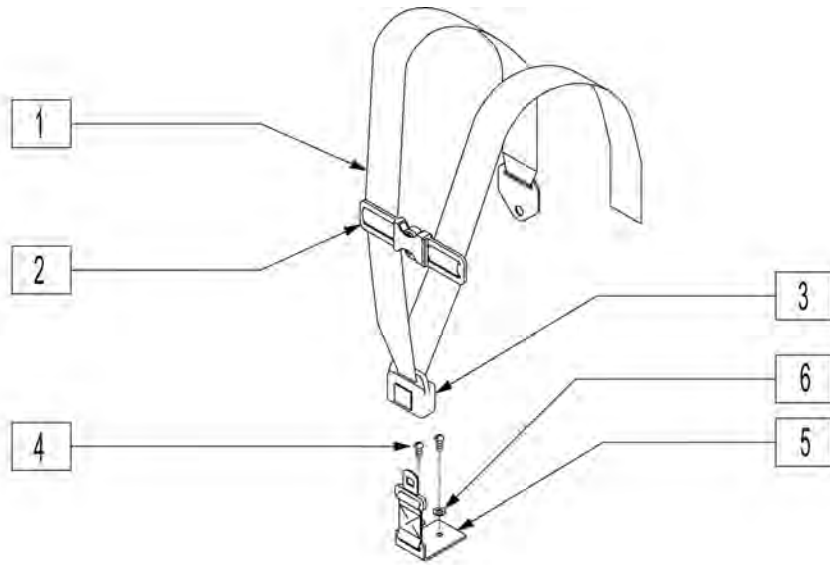


**Note:** Growth pad is 1" thick.

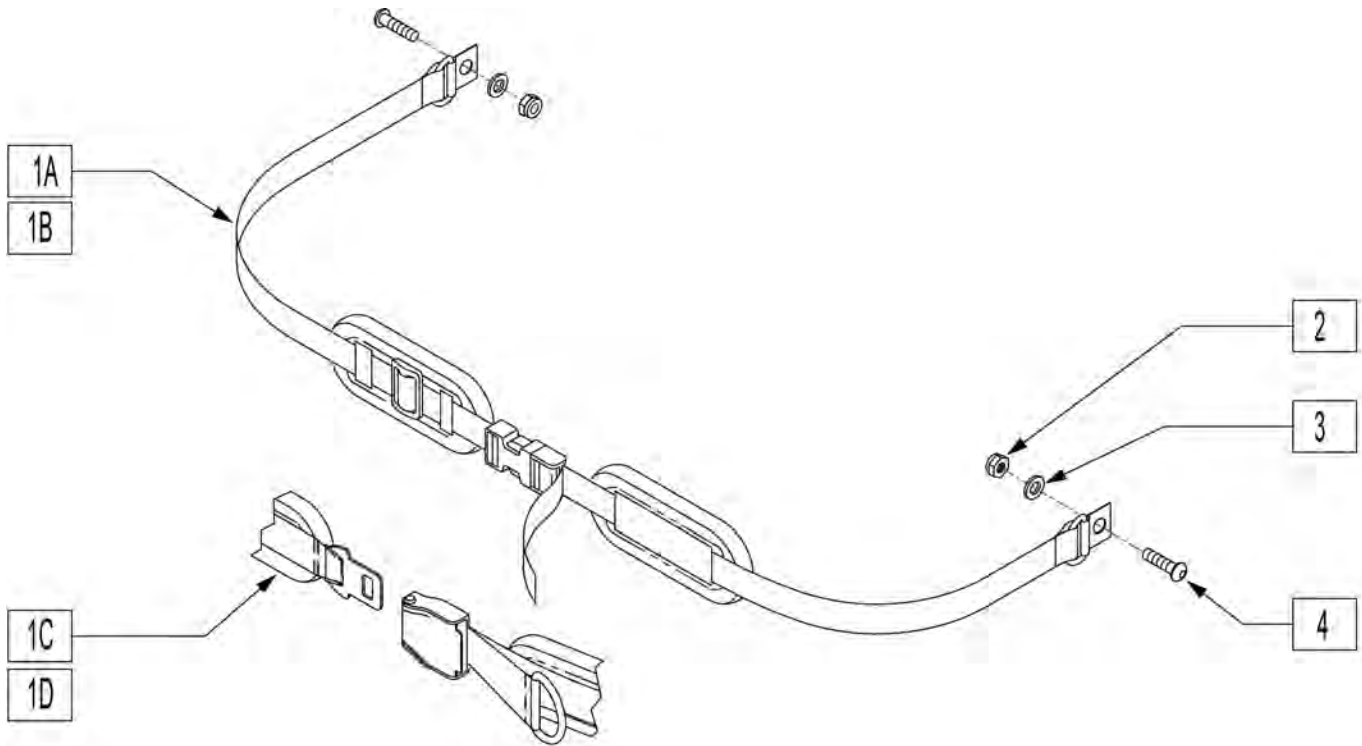


Pos.	Item Number	Description
1	9160080003	GROWTH KIT BLACK TC

NOTE: A TRANSIT SHELL IS REQUIRED FOR TRANSIT APPROVAL.

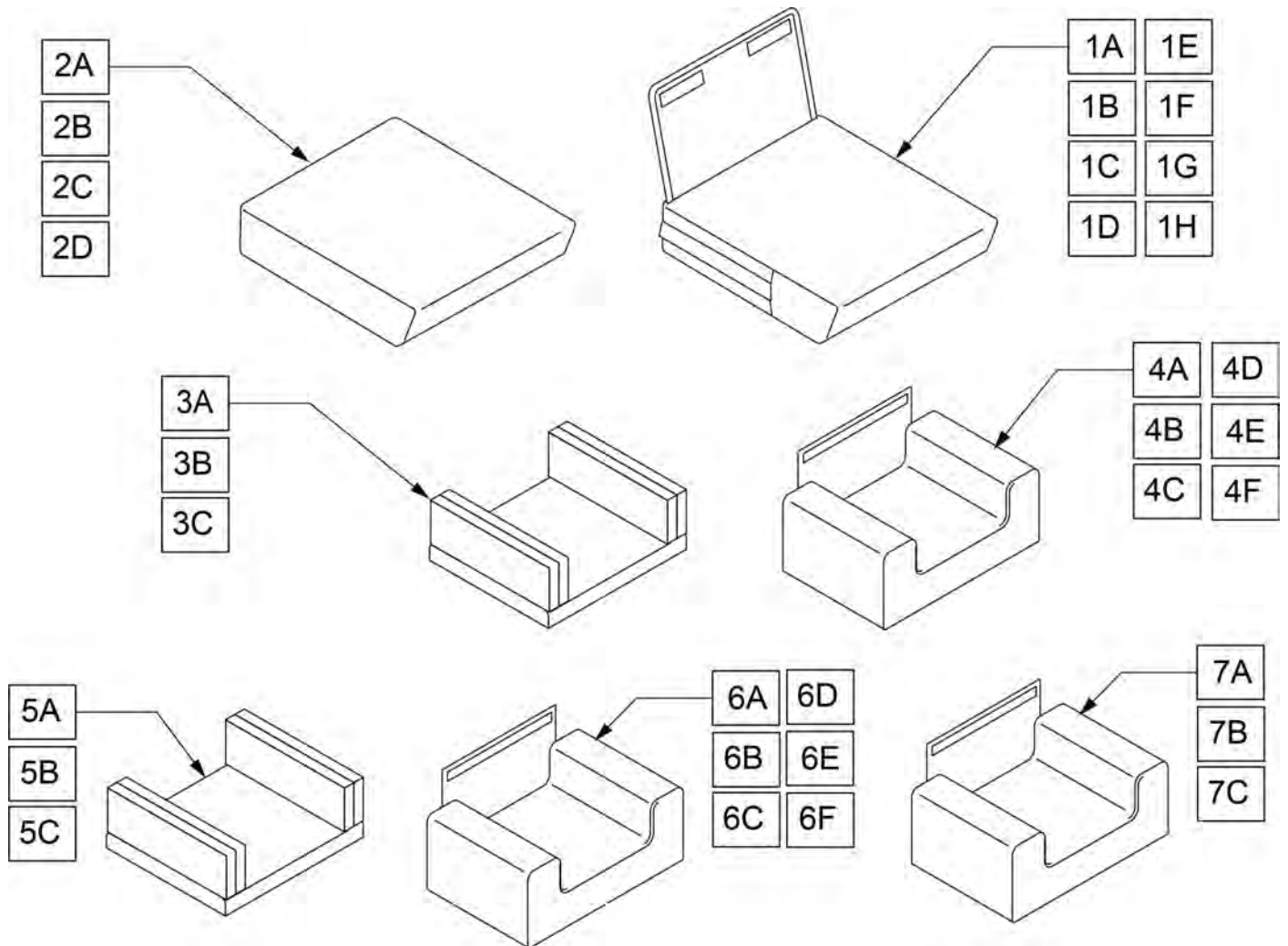


Pos.	Item Number	Description	Remarks
1	9180316002	HARNESS STRAP XP	1 1/2"
2	9339150001	CLIP HARNESS SR BLK 1.5 FO8650	
3	9340150001	1 1/2 BUCKLE SINGLE ENTRY	
4	9611000908S	MA SCRW 1/4-20 X 1/2 BHSK ZN	
5	9180310302	CROTCH STRAP ASSY XP	
6	106944	WASHER FLAT THIN AN 1/4 ROHS	



Pos.	Item Number	Description	Remarks
1A,2-4	9180310901	LAP BELT 1x19	Plastic Buckle
1B,2-4	9180310903	LAP BELT 1-1/2"	Plastic Buckle
1C,2-4	900065	LAP BELT ASSY 1-1/2 AUTO XP	Auto Style Buckle
1D,2-4	102686	1" BELT AUTO STY ST DUAL PULL	Auto Style Buckle
3	106944	WASHER FLAT THIN AN 1/4 ROHS	
4	9611000906	MA SCRW 1/4-20X3/8 BHSK ZN	

Note: Gray cushion discontinued as of Sept 2011, available as replacement parts only.

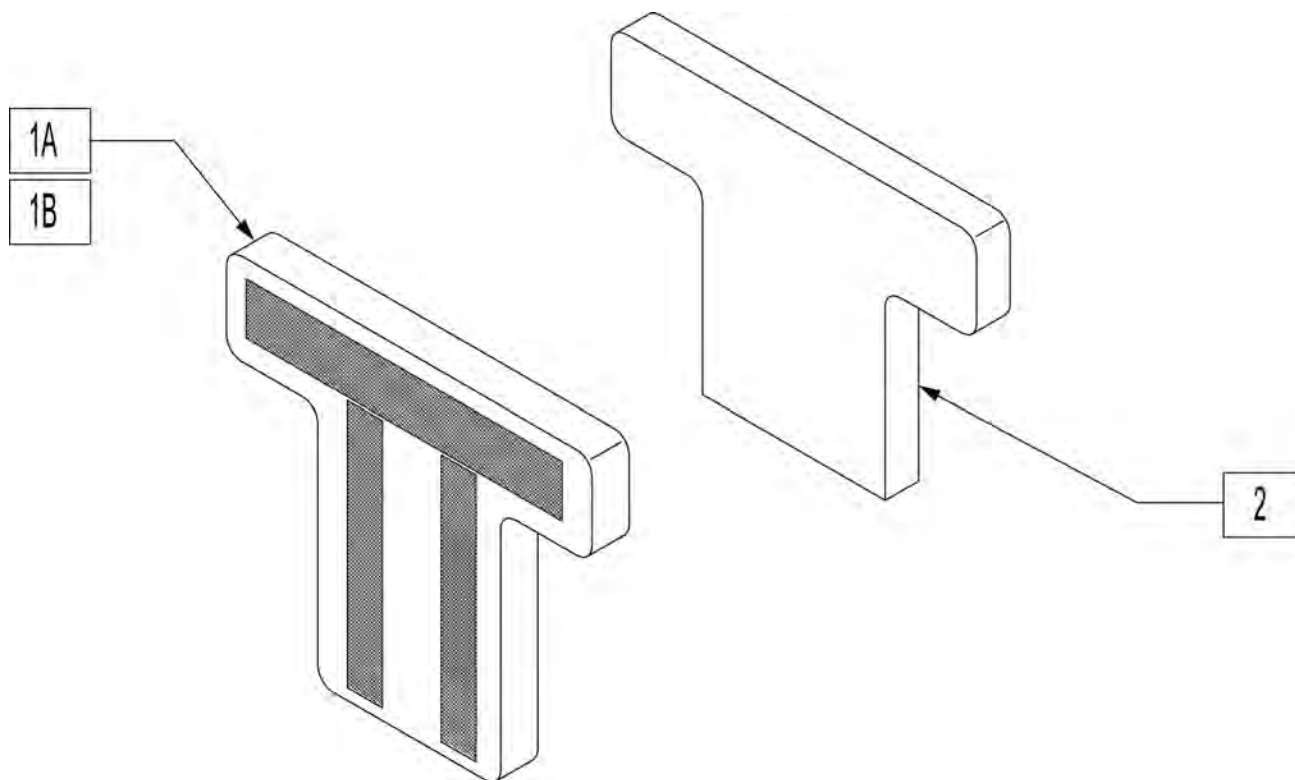


Pos.	Item Number	Description	Pos.	Item Number	Description
1A	9161016010	CONT SEAT CUSH 8-11 IV-1 TC	4B	9170401104	SEAT COVER 9X13 BLACK
1B	700017	CONT SEAT CUSH 8-11 SOFT TC	4C	9170401105S	SEAT COVER 11X13 BLAC
1C	9161016006	CONT SEAT CUSH 8-11" MED TC	4D	211495	SEAT COVER 7X13 GRAY
1D	9161016004	CONT SEAT CUSH 8-11 MED/SFT TC	4E	211496	SEAT COVER 9X13 GRAY
1E	9161016011	CONT SEAT CUSH 11-14 IV-1 TC	4F	211497	SEAT COVER 11X13 GRAY
1F	700018	CONT SEAT CUSH 11-14 SOFT TC	5A	9161012004	SEAT CUSH ASSY 7X13 L
1G	9161016007	CONT SEAT CUSH 11-14 MED TC	5B	9161012005	SEAT CUSH ASSY 9X13 L
1H	9161016005	CONT SEAT CUSH 11-14 MED/ST TC	5C	9161012006	SEAT CUSH ASSY 11X13
2A	9170401109S	SEAT COVER BLACK 8-11 TC	6A	9170401113S	SEAT COVER 7" LEDGE BLACK TC
2B	9170401110S	SEAT COVER BLACK 11-14 TC	6B	9170401114	SEAT COVER 9" LEDGE BLACK TC
2C	9170413104	SEAT COVER GRAY 8-11 TC	6C	9170401115S	SEAT COVER 11" LEDGE BLACK TC
2D	9170413105	SEAT COVER GRAY 11-14 TC	6D	9170413110	SEAT COVER 7" LEDGE GRAY TC
3A	9161012007	SEAT CUSH ASSY 7X13 WEDGE	6E	9170413111	SEAT COVER 9" LEDGE GRAY TC
3B	9161012008	SEAT CUSH ASSY 9X13 WEDGE	6F	9170413112	SEAT COVER 11" LEDGE GRAY TC
3C	9161012009	SEAT CUSH ASSY 11X13 WEDGE	7A	9161012001	SEAT CUSHION ASSY 7X13
4A	9170401103	SEAT COVER 7X13 BLACK	7B	9161012002	SEAT CUSHION ASSY 9X13

Pos.	Item Number	Description
7C	9161012003	SEAT CUSHION ASSY 11X13

**Note:** Please contact Customer Service for custom sizing.

**Note:** Gray upholstery discontinued as of Sept 2011, available as replacement parts only.

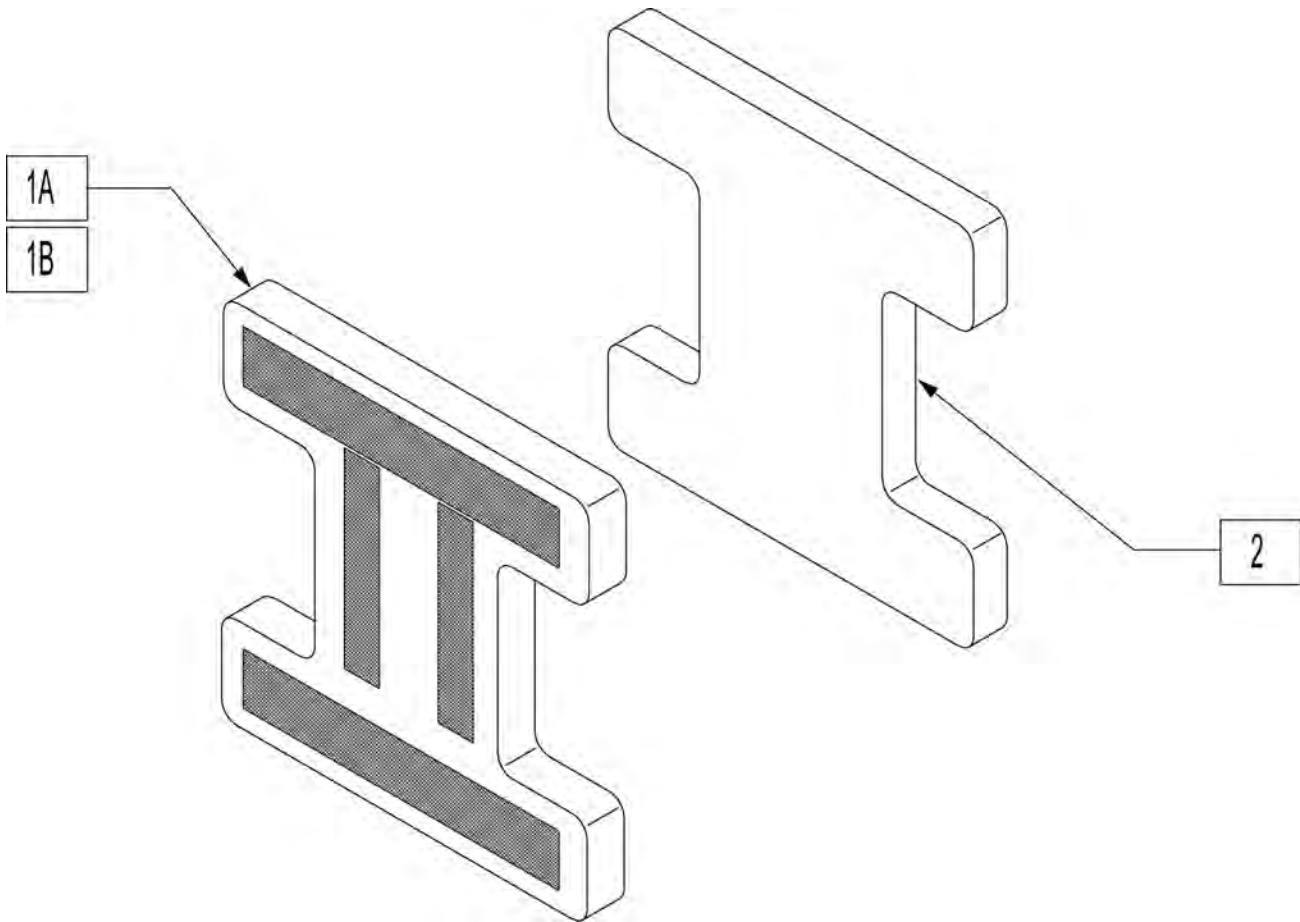


Pos.	Item Number	Description	Remarks
1	9170513102	T-BACK COVER GRAY TC	
1	9170501104	T-BACK COVER BLACK TC	
2	9490014112	T-BACK FOAM TC	ORDER QTY 2
1,2	211499	T-BACK CUSHION ASSY GRAY TC	
1,2	9161025002	T-BACK CUSHION ASSY BLACK TC	



**Note:** Please contact Customer Service for custom sizing.

**Note:** Gray upholstery discontinued as of Sept 2011, available as replacement parts only.

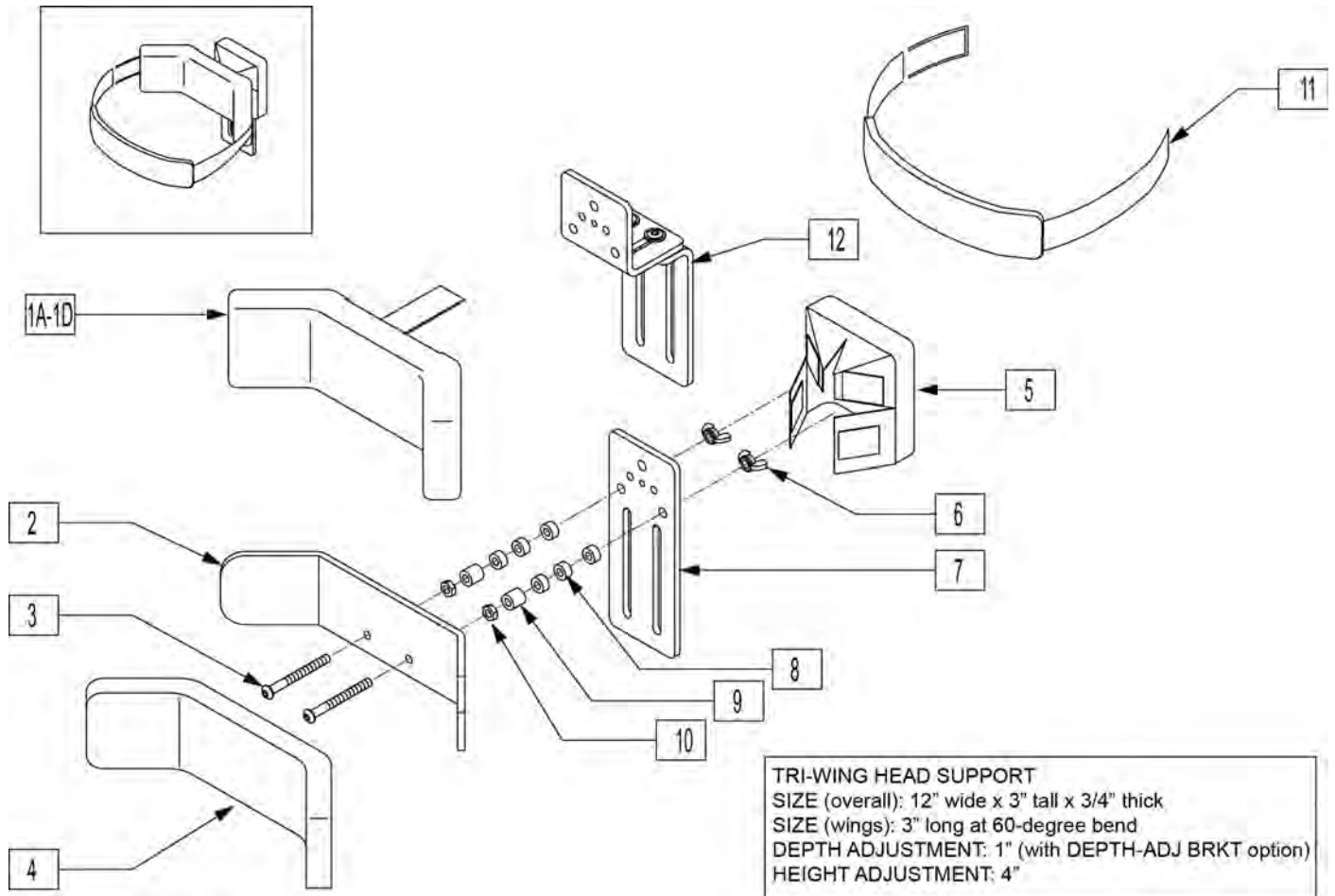


Pos.	Item Number	Description
1	211500	I-BACK COVER GRAY ZX
1	9170501103	I-BACK COVER BLACK TC
2	9490014111	I-BACK FOAM TC
1,2	9161025701	I-BACK CUSHION ASSY GRAY TC
1,2	9161025001	I-BACK CUSHION ASSY BLACK TC

**Note:** Please contact Customer Service for custom sizing.

**Note:** Navy & Gray upholstery discontinued as of Sept 2011 available as replacement parts only.

**Note:** Effective for Xpress chairs prior to May 2007 with S/N without a letter on the end.

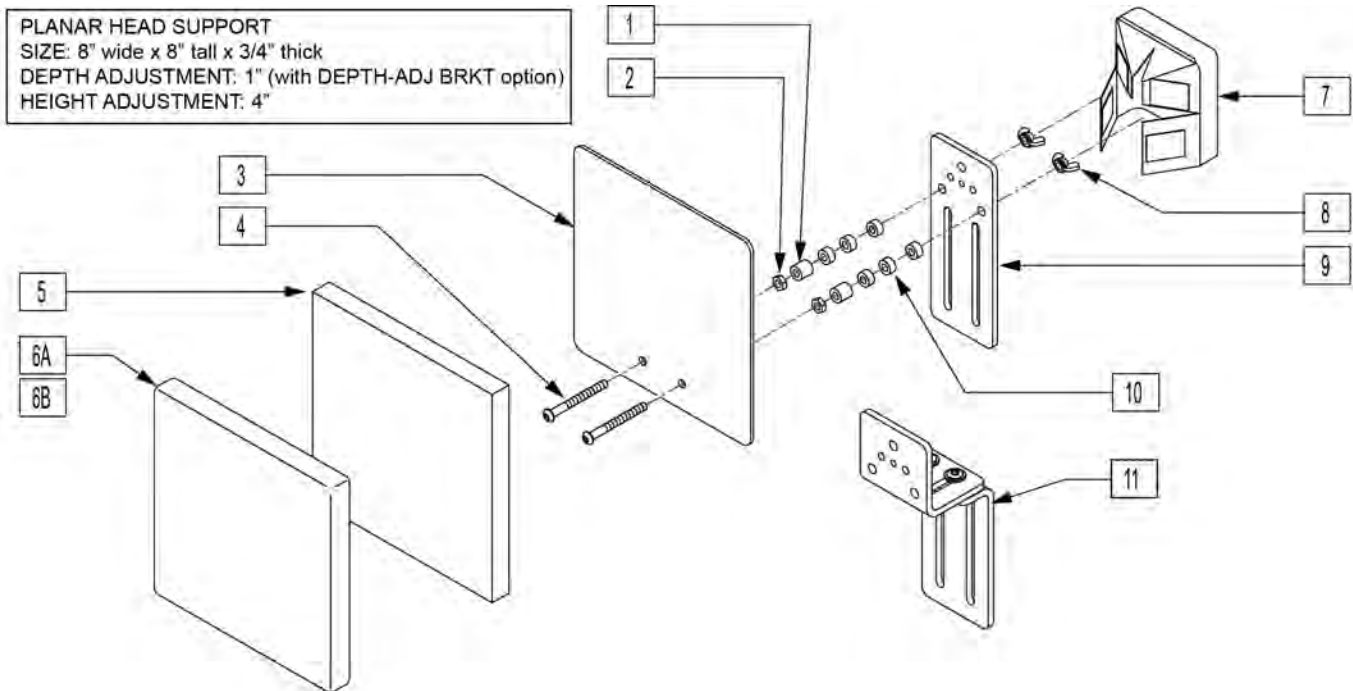


Pos.	Item Number	Description	Remarks
1A	9171012101	TRI-WING HEAD SUPP COVER GRAY	
1B	9171012104	TRI-WING H/S COVER GRAY HALO	Halo Strap not included
1C	9171001101S	TRI-WING HEAD SUPP COVER BLACK	
1D,11	923641	T-WING H/SUPP CVR BLACK W/HALO	Halo Strap not included
2	9553120201	TRI-WING HEAD SUPPORT PLASTIC	
3	9611000940S	MA SCRW 1/4-20 X 2.5 FULTDBHSK ZN	
4	9490303121	TRI-WING HEAD SUPPORT FOAM	
5	9171001102	HEAD SUPP HARDWARE COVER BLACK	
6	9651101012	WING NUT 1/4-20 STEEL ZN	
7	9553070303	HEAD SUPPORT VERTICAL TC	
8	9670320804S	SPACER 1/4 X 1/2 X 1/4 NYL	
9	9670320808S	SPACER 1/4 X 1/2 X 1/2 NYL	
10	9650001012	NUT 1/4-20 MA SCRW STEEL ZN	
11	9180312001	HALO STRAP BLACK 3/4"	
12	882969	DEPTH ADJ HEADREST BRACKET XP	
1A,2-10	9161046706	HEAD SUPPORT TRI-WING CHAR XP	
1B,2-11	923665	HEAD SUPP MICRO BLACK W/HALO	

<b>Pos.</b>	<b>Item Number</b>	<b>Description</b>	<b>Remarks</b>
1C,2-10	9161046101	HEAD SUPPORT TRI-WING BLACK	
1D,2-11	923661	HEAD SUPP T-WING BLACK W/HALO	

**Note:** Navy & Gray upholstery discontinued as of Sept 2011, available as replacement parts only.

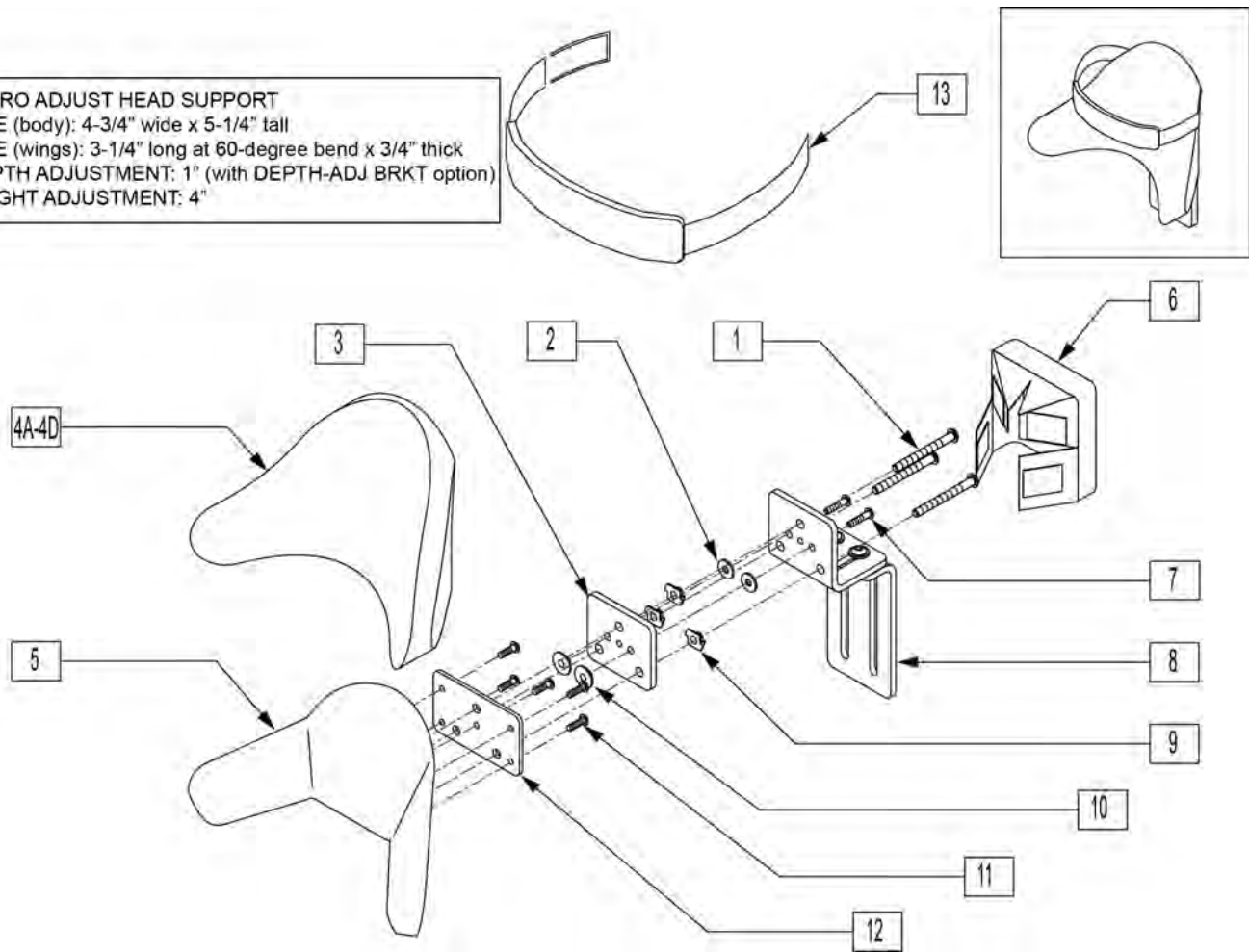
**Note:** Effective for Xpress chairs prior to May 2007 with S/N without a letter on the end.



Pos.	Item Number	Description
1	9670320808S	SPACER 1/4 X 1/2 X 1/2 NYL
2	9650001012	NUT 1/4-20 MA SCRW STEEL ZN
3	9553080801	PLANAR HEAD SUPPORT PLASTIC
4	9611000940S	MA SCRW 1/4-20 X 2.5 FULTDBHSK ZN
5	9490408081	PLANAR HEAD SUPPORT FOAM
6A	211355	PLANAR HEAD SUPPORT COVER GRAY
6B	9171001105	PLANAR HEAD SUPP COVER BLACK
7	9171001102	HEAD SUPP HARDWARE COVER BLACK
8	9651101012	WING NUT 1/4-20 STEEL ZN
9	9553070303	HEAD SUPPORT VERTICAL TC
10	9670320804S	SPACER 1/4 X 1/2 X 1/4 NYL
11	882969	DEPTH ADJ HEADREST BRACKET XP
1-5,6A,7-10	9161046705	PLANAR HEAD SUPPORT ASSY GRAY
1-5,6B,7-10	9161046103	PLANAR HEAD SUPPORT ASSY BLACK

**Note:** Navy & Gray upholstery discontinued as of Sept 2011, available as replacement parts only.  
**Note:** Effective for Xpress chairs prior to May 2007 with S/N without a letter on the end.

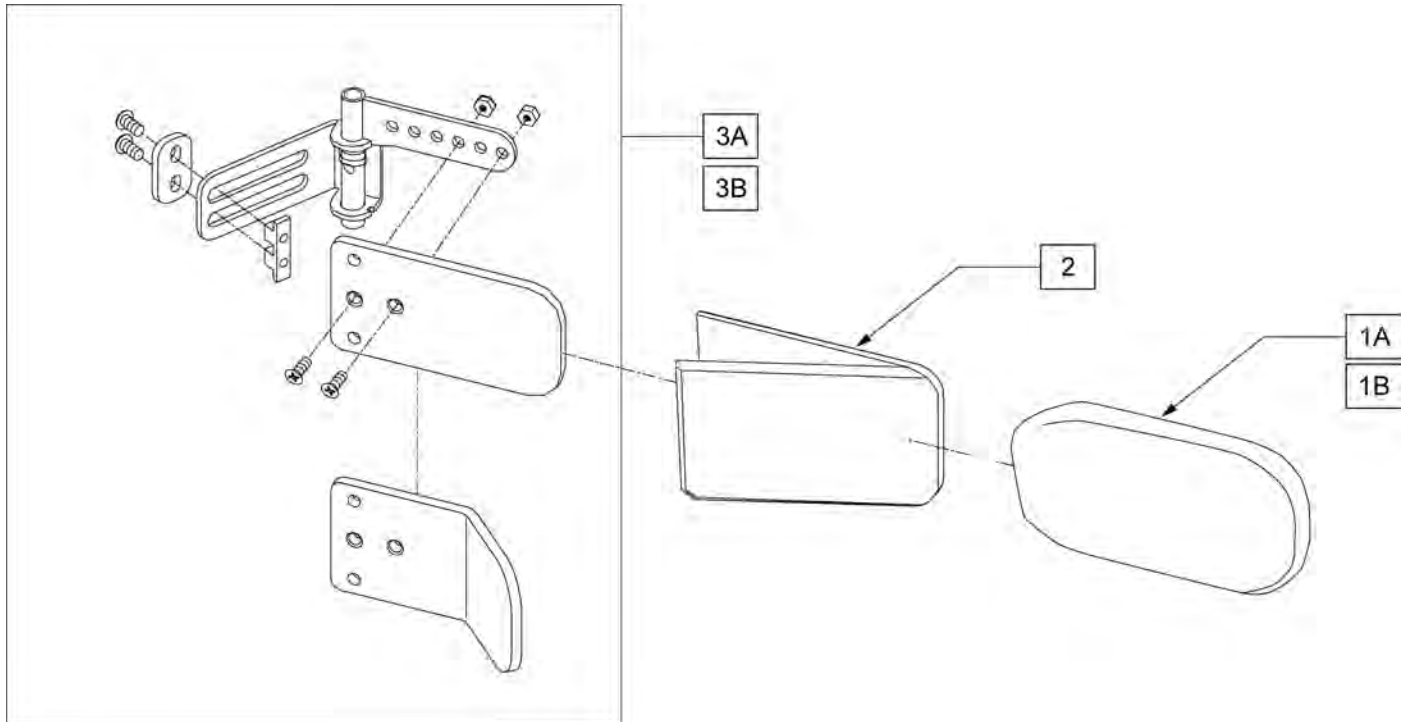
MICRO ADJUST HEAD SUPPORT  
 SIZE (body): 4-3/4" wide x 5-1/4" tall  
 SIZE (wings): 3-1/4" long at 60-degree bend x 3/4" thick  
 DEPTH ADJUSTMENT: 1" (with DEPTH-ADJ BRKT option)  
 HEIGHT ADJUSTMENT: 4"



Pos.	Item Number	Description	Remarks
1	9611000940S	MA SCRW 1/4-20 X 2.5 FULTDBHSK ZN	
2	106944	WASHER FLAT THIN AN 1/4 ROHS	
3	9553020301	HEAD SUPPT VERT SPACER TC	
4A	9171012102	MICRO HEAD SUPPORT COVER GRAY	
4B	211368	MICRO ADJ H/S COVER HALO GRAY	Halo Strap not included
4C	9171001103S	MICRO HEAD SUPP COVER BLACK	
4D	923645	MICRO H/SUPP CVR BLACK W/HALO	Halo Strap not included
5	9553120601	MICRO ADJ HEAD SUPPT PLASTIC	
6	9171001102	HEAD SUPP HARDWARE COVER BLACK	
7	9611000612S	MA SCRW 10-24 X 3/4 BHSK ZN	
8	882969	DEPTH ADJ HEADREST BRACKET XP	
9	9682160105	TNUT 1/4-20 X 5/16 2-BARB STL ZN	
10	9681100105S	TNUT 10-24 X 5/16 ROUND STL ZN	
11	9611000608S	MA SCRW 10-24 X 1/2 BHSK ZN	
12	9553040203	HEAD SUPPT BKNG PLT OUTER ZX	
13	9180312001	HALO STRAP BLACK 3/4"	
1-4A,5-12	9161046707	HEAD SUPPORT MICRO ADJ CHAR XP	

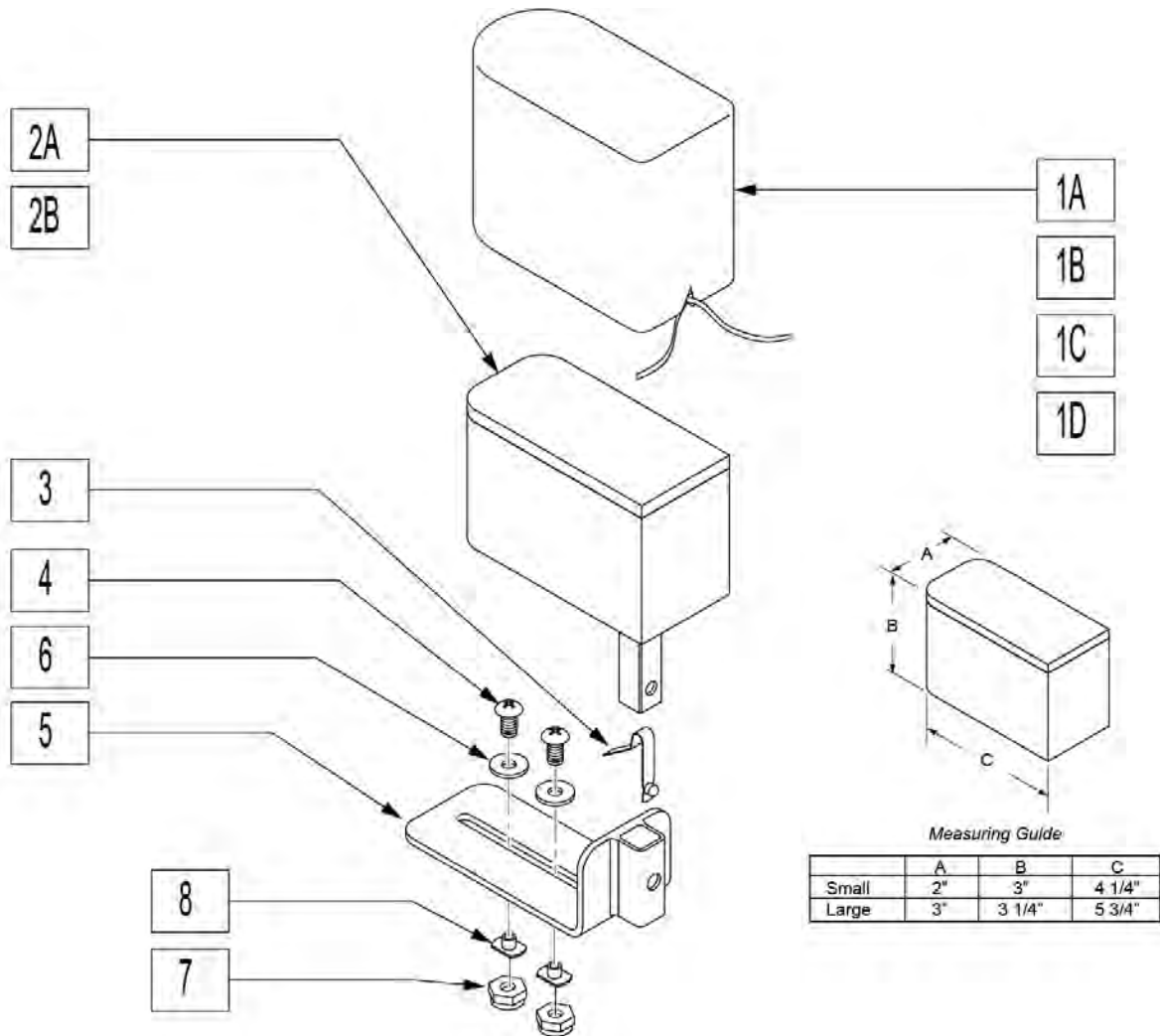
<b>Pos.</b>	<b>Item Number</b>	<b>Description</b>	<b>Remarks</b>
1-4A,5-13	211371	MICRO ADJ H/S ASSY w/HALO NAVY	
1-4B,5-13	211372	MICRO ADJ H/S ASSY w/HALO GRAY	
1-4C,5-12	9161046102	HEAD SUPPORT MICRO ADJ BLACK	
1-4D,5-13	923665	HEAD SUPP MICRO BLACK W/HALO	

**Note:** Gray upholstery discontinued as of Sept 2011, available as replacement parts only.



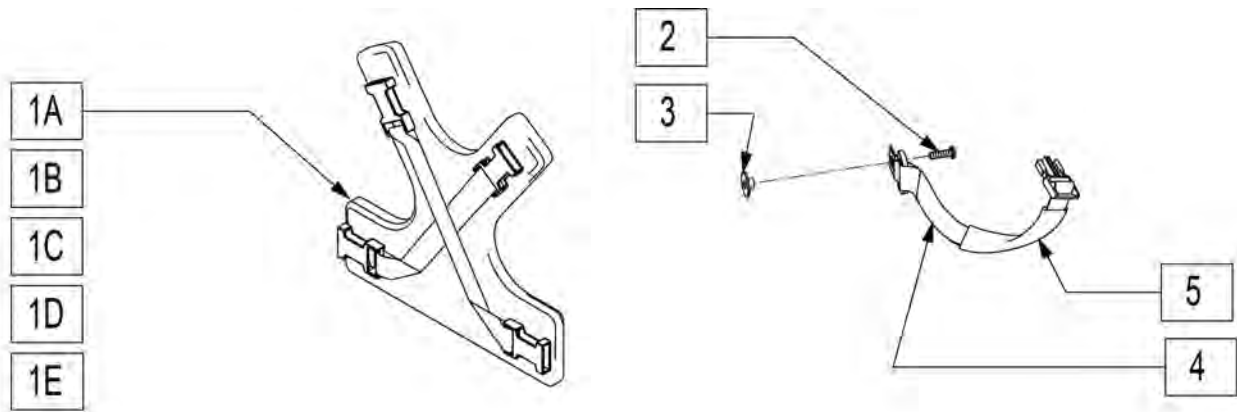
Pos.	Item Number	Description	Remarks
1	9170601101	LATERAL COVER BLACK	
2	9490503111	LATERAL FOAM 2-3/4"	
1-3A	9161066101	LAT ASSY PLAN BLACK 2-3/4 TC	PAIR
1-3A	211505	LAT ASSY PLAN GRAY 2-3/4 TC	PAIR
1-3B	9161066104	LAT ASSY CONT BLACK 2-3/4 TC	PAIR
1-3B	211506	LAT ASSY CONT GRAY 2-3/4 TC	PAIR

Note: Gray upholstery discontinued as of Sept 2011, available as replacement parts only.

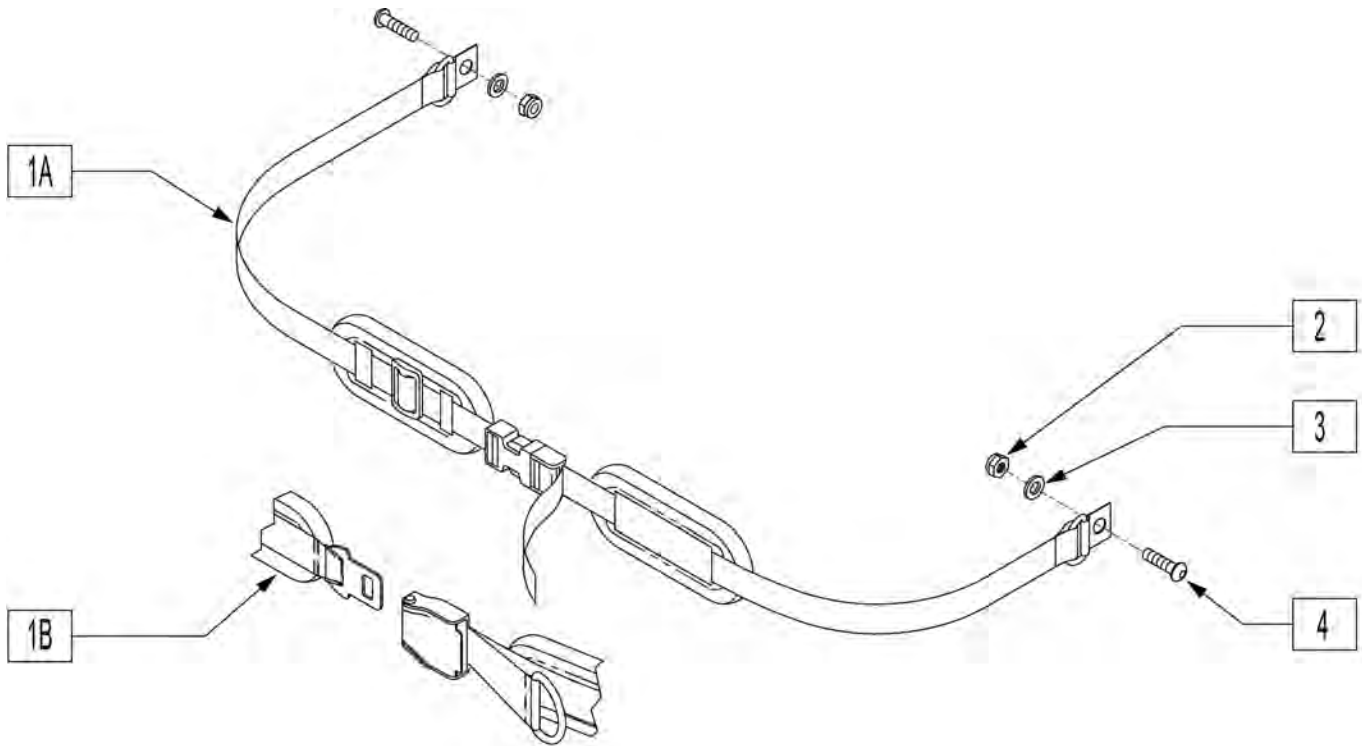


Pos.	Item Number	Description
1A	9171213105	AB BLOCK COVER SMALL GRAY
1B	9171201101	AB BLOCK COVER SMALL BLACK
1C	211450	ABDUCTOR COVER LARGE GRAY
1D	9171201102	AB BLOCK COVER LARGE BLACK
2A,3-8	9161099004	ABDUCTION BLOCK SM W/HARDWR XP
2B,3-8	9161099005	ABDUCTION BLOCK LG W/HARDWR XP
3	9691121001S	SNAP BUTTON SINGLE B-103
4	9611000914S	MA SCRW 1/4-20 X 7/8" BHSK ZN
5	9510402003	STEEL ANGLE AB HARDWARE LONG
6	9640140867S	WASHER 1/4" I.D. STANLSS STEEL
8	9510101004	AB HARDWARE ANTI-SPIN PLATE XP
1A, 2A,3-8	900059	ABDUCTOR SMALL CHARCOAL XP
1B, 2A,3-8	103646	ABDUCTOR SMALL BLACK
1C, 2B,3-8	900061	ABDUCTOR LARGE CHARCOAL XP
1D, 2B,3-8	103187	ABDUCTOR LARGE BLACK



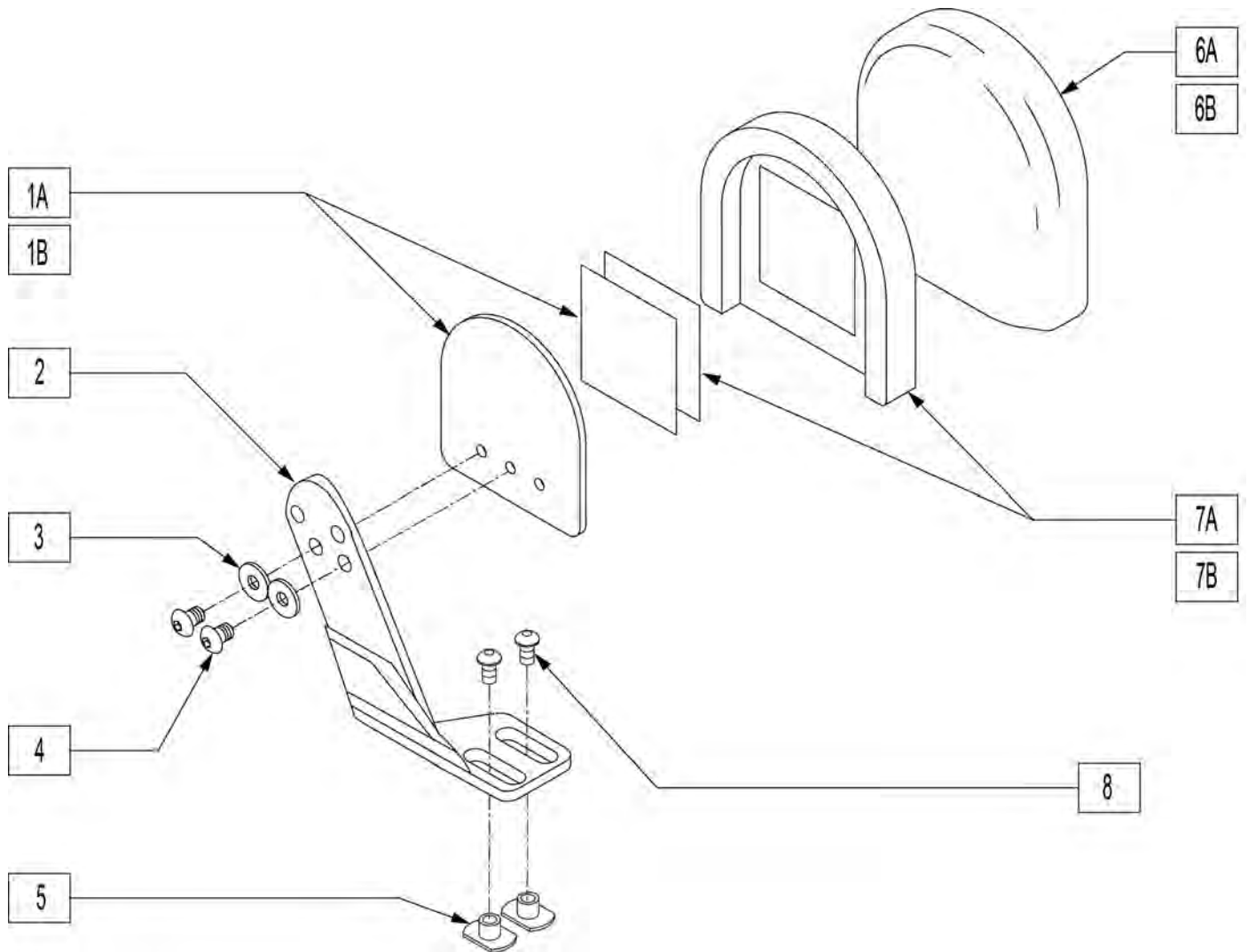


Pos.	Item Number	Description	Remarks
1A	9160150111	BUTTERFLY ASSY XXSMALL	
1B	9160150211	BUTTERFLY ASSY XSMALL	
1C	9160150311	BUTTERFLY ASSY SMALL	
1D	9160150411	BUTTERFLY ASSY MEDIUM	
1E	9160150511	BUTTERFLY ASSY LARGE	
2	9611000910S	MA SCRW 1/4-20 X 5/8 BHSK ZN	
3	9681120104S	TNUT 1/4-20 X 1/4 ROUND STL ZN	
4	9180312301	BUTTERFLY STRAP 23"	
5	9171801101	STRAP COVER	Optional Shoulder Straps
1A,2-4	9160150555	BUTTERFLY PKG XXSMALL	
1B,2-4	9160150454	BUTTERFLY PKG XSMALL	
1C,2-4	9160150353	BUTTERFLY PKG SMALL	
1D,2-4	9160150252	BUTTERFLY PKG MEDIUM	
1E,2-4	9160150151	BUTTERFLY PKG LARGE	



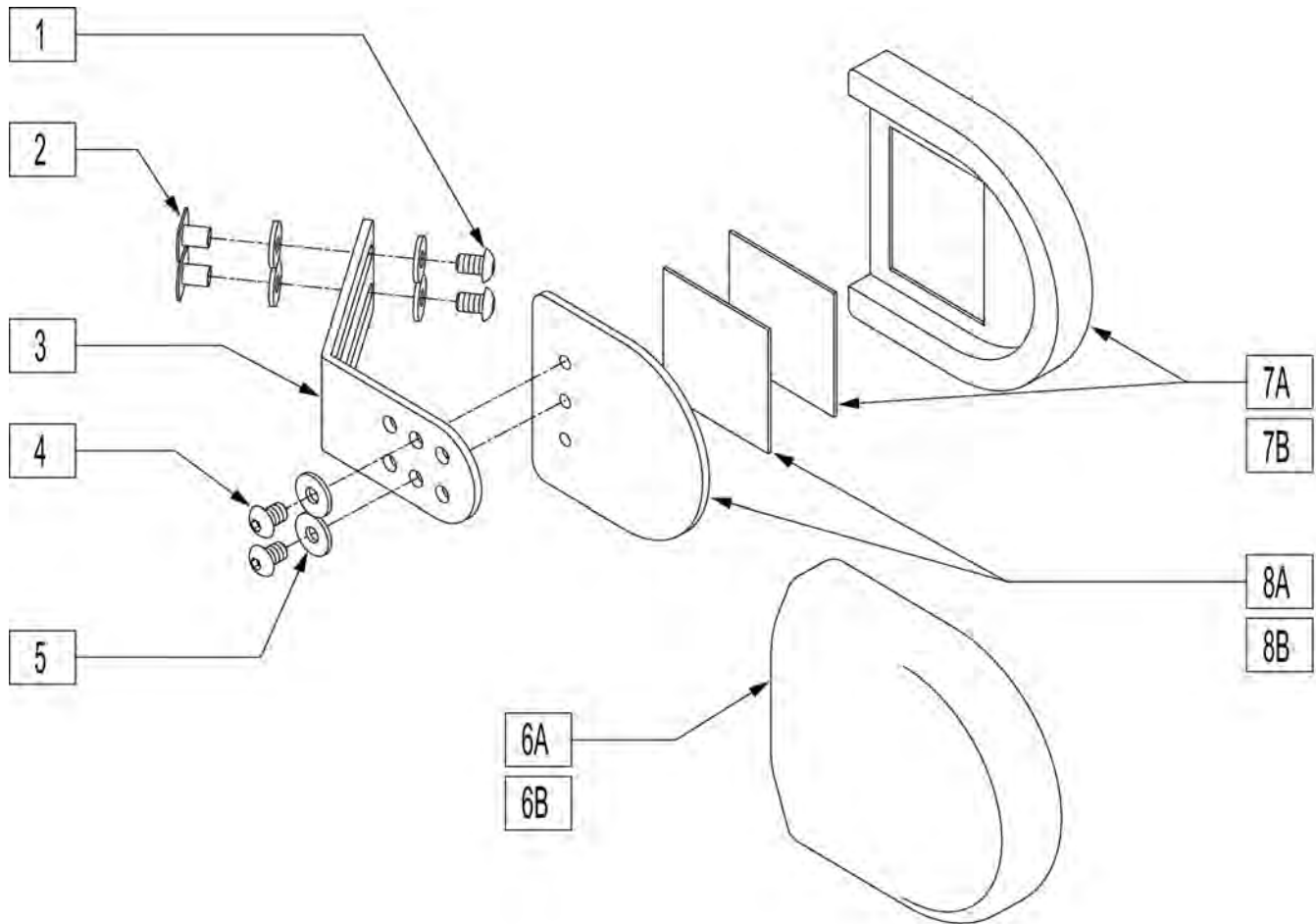
Pos.	Item Number	Description	Remarks
1A,2-4	9180310901	LAP BELT 1x19	Plastic Buckle
1A,2-4	9180310903	LAP BELT 1-1/2"	Plastic Buckle
1B,2-4	900065	LAP BELT ASSY 1-1/2 AUTO XP	Auto-Style Buckle
1B,2-4	102686	1" BELT AUTO STY ST DUAL PULL	Auto-Style Buckle
3	106944	WASHER FLAT THIN AN 1/4 ROHS	
4	9611000906	MA SCRW 1/4-20 X 3/8 BHSK ZN	

Note: Gray upholstery discontinued as of Sept 2011 available replacement as parts only.

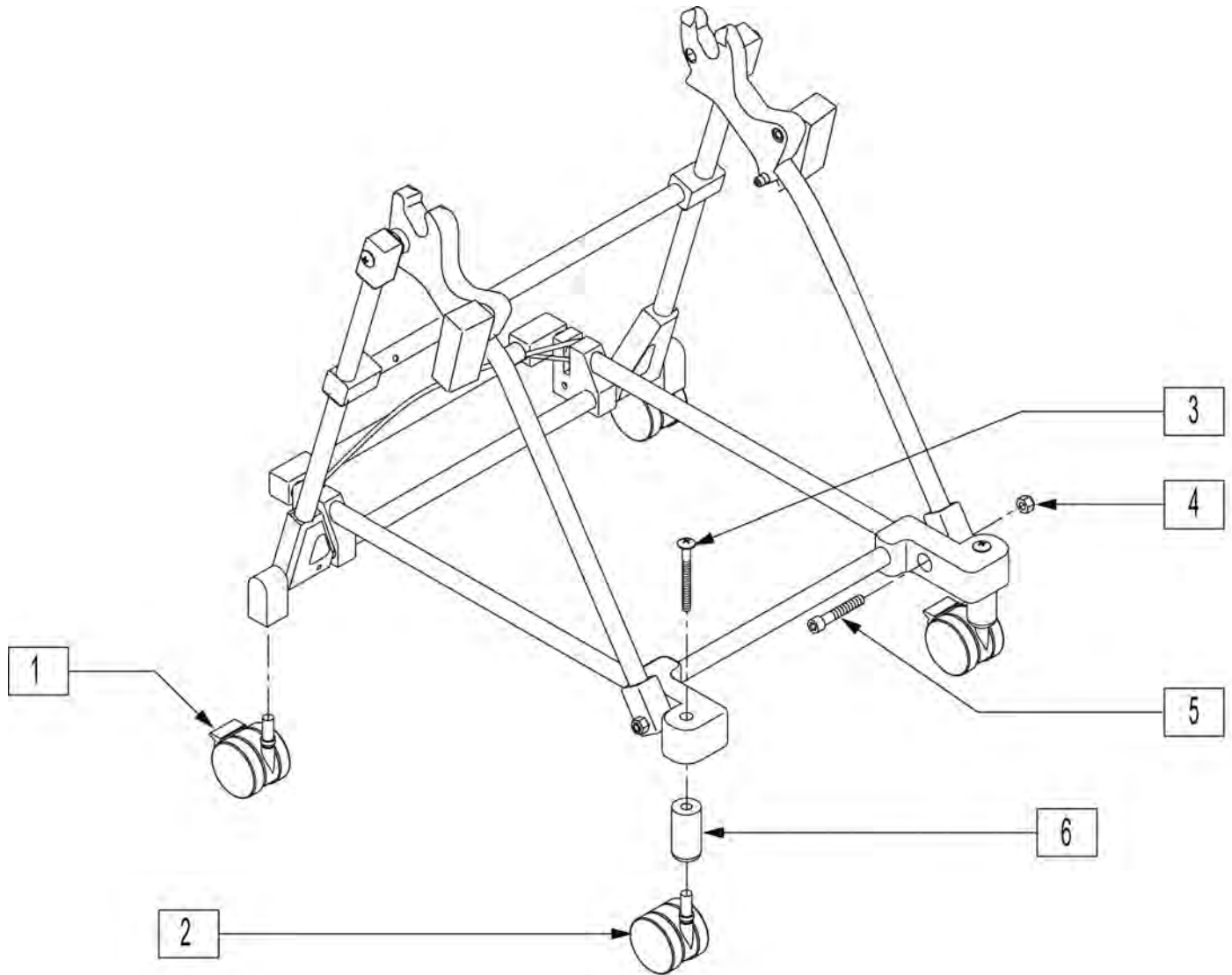


Pos.	Item Number	Description	Remarks
2	9510506001	KNEE ADDUCTOR BLADE LEFT TC	Left
2	9510506002	KNEE ADDUCTOR BLADE RIGHT TC	Right
3	9640140867S	WASHER 1/4" I.D. STAINLESS STEEL	
4	9166000906	MA SCRW 1/4-20 X 3/8 BHSK ZN	
5	9683120104	TNUT 1/4-20 X 1/4 SL BASE STL ZN	
6A	9171412101	ADDUCTOR COVER SMALL GRAY TC	
6A	9171401102	ADDUCTOR COVER SMALL BLACK TC	
6B	9171412102	ADDUCTOR COVER LARGE GRAY TC	
6B	9171401103S	ADDUCTOR COVER LARGE BLACK TC	
7A	9350110101S	ADDDUCTION PAD SMALL B662	
7B	9350110102	ADDDUCTION PAD LARGE B672	
8	9619000906	MA SCRW 1/4-20 X 3/8 WA BHSK ZN	
1A,2-5,6A,7A,8	9160093001	KNEE ADDUCTION PKG SM GRAY TC	Gray
1A,2-5,6A,7A,8	9160090001	KNEE ADDUCTION PKG SM BLACK TC	Black
1B,2-5,6B,7B,8	9160093002	KNEE ADDUCTION PKG LG GRAY TC	Gray
1B,2-5,6B,7B,8	9160090002	KNEE ADDUCTION PKG LG BLACK TC	Black

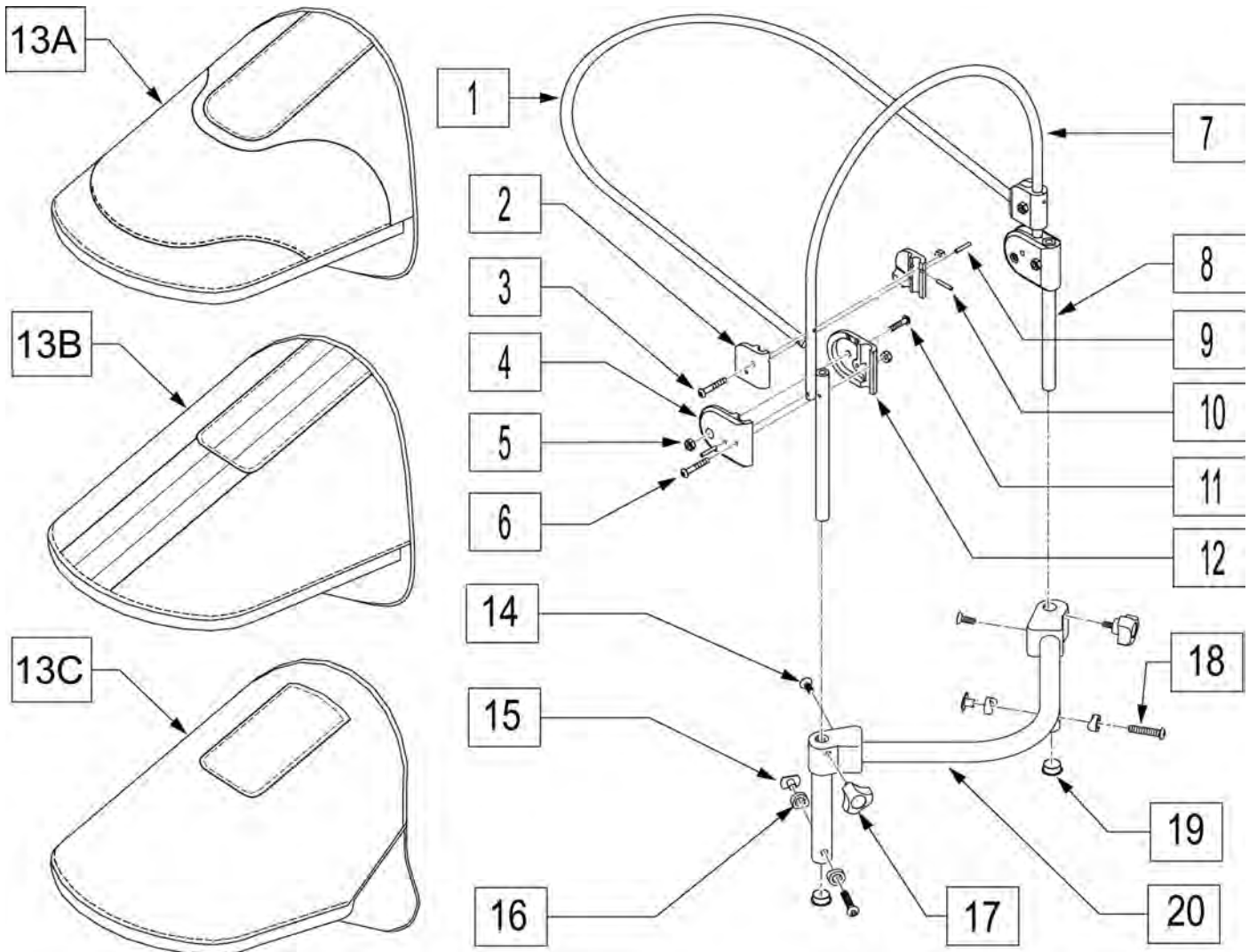
Note: Gray upholstery discontinued as of Sept 2011, available as replacement parts only.



Pos.	Item Number	Description	Remarks
1	9611000910S	MA SCRW 1/4-20 X 5/8 BHSK ZN	
2	9683120104	TNUT 1/4-20 X 1/4 SL BASE STL ZN	
4	9611000906	MA SCRW 1/4-20 X 3/8 BHSK ZN	
5	9640140867S	WASHER 1/4" I.D. STANLSS STEEL	
6A	9171412101	ADDUCTOR COVER SMALL GRAY TC	
6A	9171401102	ADDUCTOR COVER SMALL BLACK TC	
6B	9171412102	ADDUCTOR COVER LARGE GRAY TC	
6B	9171401103S	ADDUCTOR COVER LARGE BLACK TC	
7A	9350110101S	ADDUCTION PAD SMALL B662	
7B	9350110102	ADDUCTION PAD LARGE B672	
1-5,6A,7A,8A	9160093003	HIP ADDUCTOR PKG SM GRAY TC	Gray
1-5,6B,7B,8B	9160093004	HIP ADDUCTOR PKG LG GRAY TC	Gray
1-5,6A,7A,8A	9160090003	HIP ADDUCTOR PKG SM BLACK TC	Black
1-5,6B,7B,8B	9160090004	HIP ADDUCTOR PKG LG BLACK TC	Black



Pos.	Item Number	Description	Remarks
1	9290212001	CASTER 2.38" PLASTIC W/BRAKE	
2	9290202001	CASTER 2-3/8" PLASTIC	
3	9611001832	MA SCREW 1/2-20 X 2.0 BHSK ZN	
4	9650701016	NYLOCK JAM NUT 3/8-16 STL ZN	
5	9610001336	MA SCRW 3/8-16 X 2.25 SKCP ZN	
6	9530301001	FRONT CASTER POST FEEDER BASE	
1-6	9151221001	FEEDER BASE TC	Black

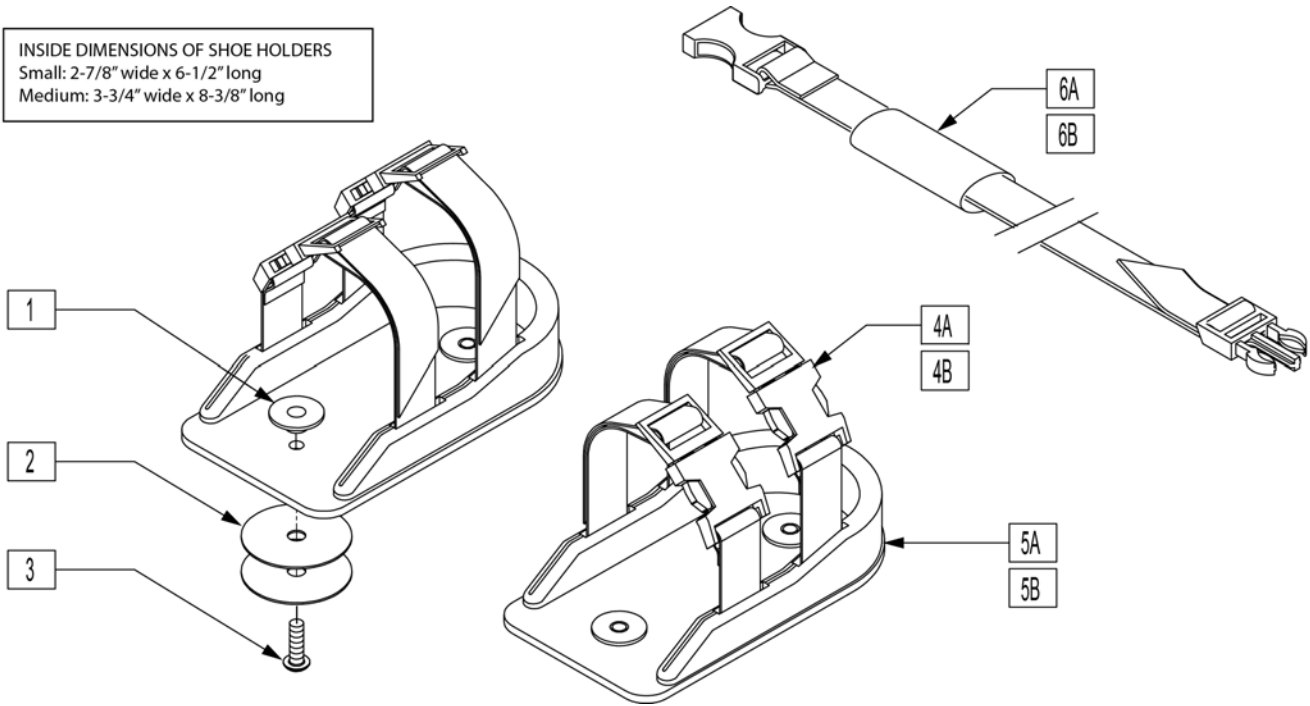


Pos.	Item Number	Description	Remarks
1	9470601701	SUNSHADE ROD FRONT XP	
2	9329532001	SUNSHADE FOLD BLOCK (SET) XP	
3	9611000616S	MA SCRW 10-24X1 BHSK ZN	
4	9320302004	SUNSHADE ANGLE ADJ BLOCK LEFT	
5	9650501010	NYLOK NUT 10-24 STEEL ZN	
6	9611000616S	MA SCRW 10-24X1 BHSK ZN	
7	9470601201	SUNSHADE ROD REAR XP	
8	9454067501	SUNSHADE MOUNTING TUBE XP	
9	9697212141	SPRING PIN 1/8 X 3/4 SS	
10	9697212101	SPRING PIN 1/8 x 5/8 SS	
11	9611000614	MA SCRW 10-24X7/8 BHSK ZN	
12	9320302003	SUNSHADE ANGLE ADJ BLOCK RIGHT	
1-12	9180112004	SUNSHADE HARDWARE ASSEMBLY XP	
13A	211521	CANOPY CURVED BUTTERFLIES	
13A	211522	CANOPY CURVED RACER	
13A	211523	CANOPY CURVED PINK	
13A	211524	CANOPY CURVED GREEN	
13A	211525	CANOPY CURVED PURPLE	
13A	211526	CANOPY CURVED ORANGE	

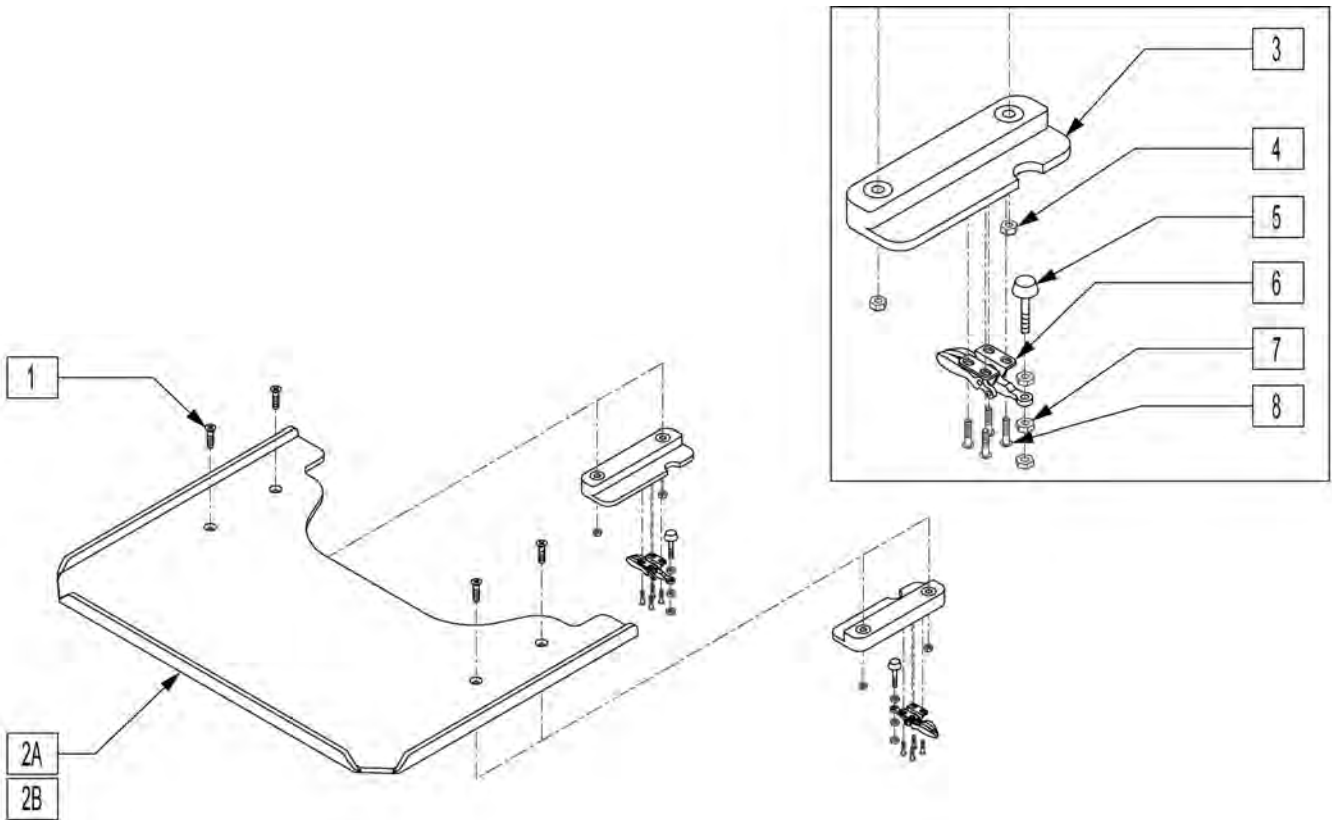
Pos.	Item Number	Description	Remarks
13A	211527	CANOPY CURVED BLUE	
13B	211514	CANOPY STRIPE BUTTERFLIES	
13B	211515	CANOPY STRIPE RACER	
13B	211516	CANOPY STRIPE PINK	
13B	211517	CANOPY STRIPE GREEN	
13B	211518	CANOPY STRIPE PURPLE	
13B	211519	CANOPY STRIPE ORANGE	
13B	211520	CANOPY STRIPE BLUE	
13C	9170317001	SUNSHADE COVER JAZZ XP	Color discontinued as of Sept 2011, parts only
13C	9170318001	SUNSHADE COVER CLASSIC XP (NAVY)	Color discontinued as of Sept 2011, parts only
13C	9170306003	SUNSHADE COVER ORIGINAL XP (TEAL)	Color discontinued as of Sept 2011, parts only
13C	102764	SUNSHADE-RED BLACK	Color discontinued as of Sept 2011, parts only
13C	102768	SUNSHADE-KAKI (KHAKI/SMOKE)	Color discontinued as of Sept 2011, parts only
13C	211508	SUNSHADE FOREST GREEN	Color discontinued as of Sept 2011, parts only
15	9681120104S	TNUT 1/4-20X1/4 ROUND STL ZN	
16	561003	3/4" SADDLE THIN	
17	9761100002S	KNOB BLACK 10-24 X 1/2	
18	9611000920S	MA SCRW 1/4-20X1.25 BHSK ZN	
19	560741	3/4" INSERT PLUG RIBBED	
14-20	120214S	TOWEL BAR ASSM	
1-12,13A	120222	CANOPY ASSM CRVD BUTRFLYS	
1-12,13A	120223	CANOPY ASSM CRVD RACER	
1-12,13A	120224	CANOPY ASSM CRVD PINK	
1-12,13A	120225	CANOPY ASSM CRVD GREEN	
1-12,13A	120226	CANOPY ASSM CRVD PURPLE	
1-12,13A	120227	CANOPY ASSM CRVD ORANGE	
1-12,13A	120228	CANOPY ASSM CRVD BLUE	
1-12,13B	120215	CANOPY ASSM STRIPE BUTRFLYS	
1-12,13B	120216	CANOPY ASSM STRIPE RACER	
1-12,13B	120217	CANOPY ASSM STRIPE PINK	
1-12,13B	120218	CANOPY ASSM STRIPE GREEN	
1-12,13B	120219	CANOPY ASSM STRIPE PURPLE	
1-12,13B	120220	CANOPY ASSM STRIPE ORANGE	
1-12,13B	120221	CANOPY ASSM STRIPE BLUE	
1-12,13C	9180112001	SUNSHADE ASSEMBLY JAZZ XP	Color discontinued as of Sept 2011, parts only
1-12,13C	9180112002	SUNSHADE ASSEMBLY CLASSIC XP (NAVY)	Color discontinued as of Sept 2011, parts only
1-12,13C	9180112003	SUNSHADE ASSEMBLY ORIGINAL XP (TEAL)	Color discontinued as of Sept 2011, parts only
1-12,13C	103804	SUNSHADE ASSM RED/BLK XP	Color discontinued as of Sept 2011, parts only
1-12,13C	103805	SUNSHADE ASSM KHAKI/SMOKE XP	Color discontinued as of Sept 2011, parts only



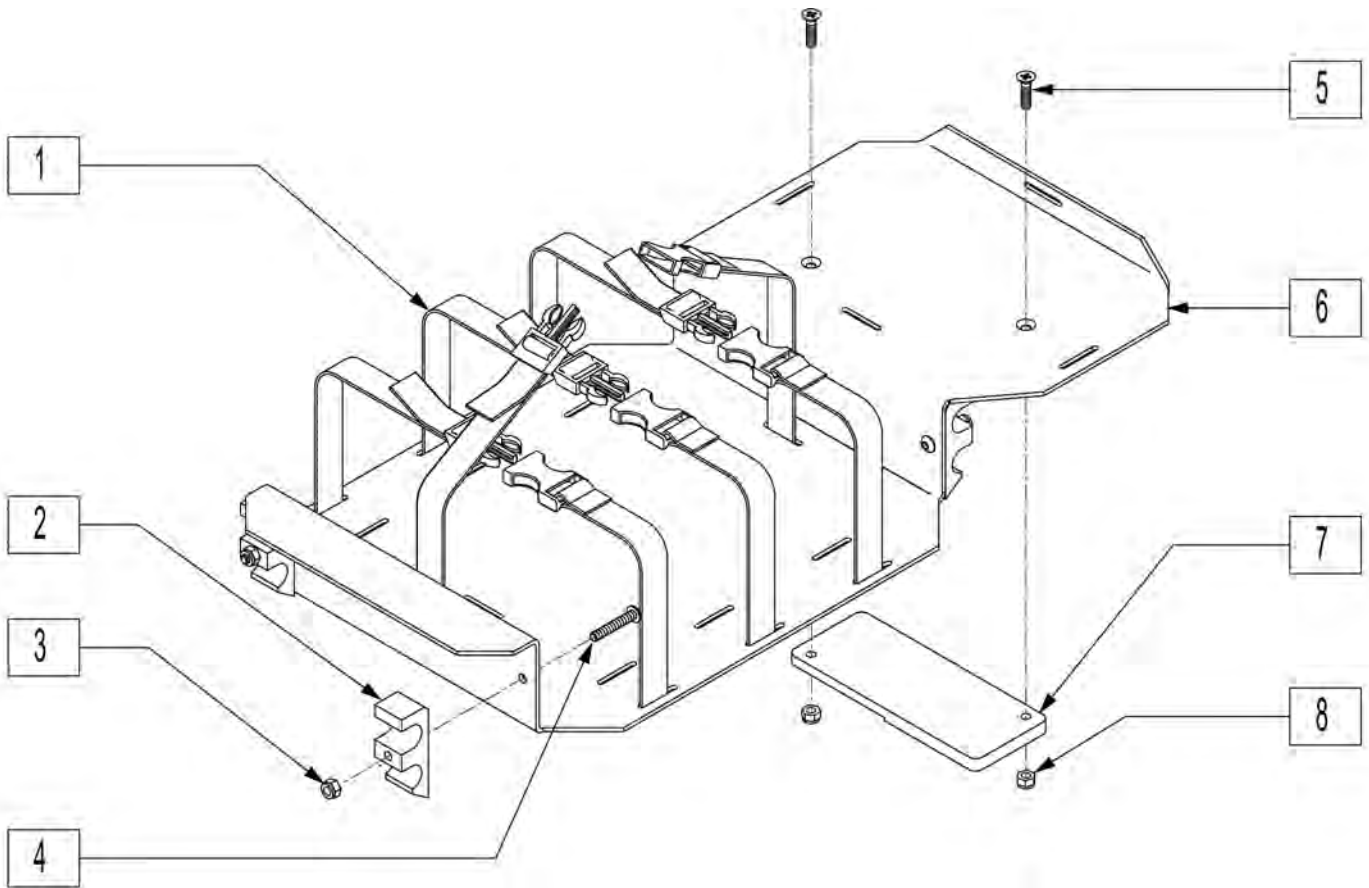
INSIDE DIMENSIONS OF SHOE HOLDERS  
 Small: 2-7/8" wide x 6-1/2" long  
 Medium: 3-3/4" wide x 8-3/8" long



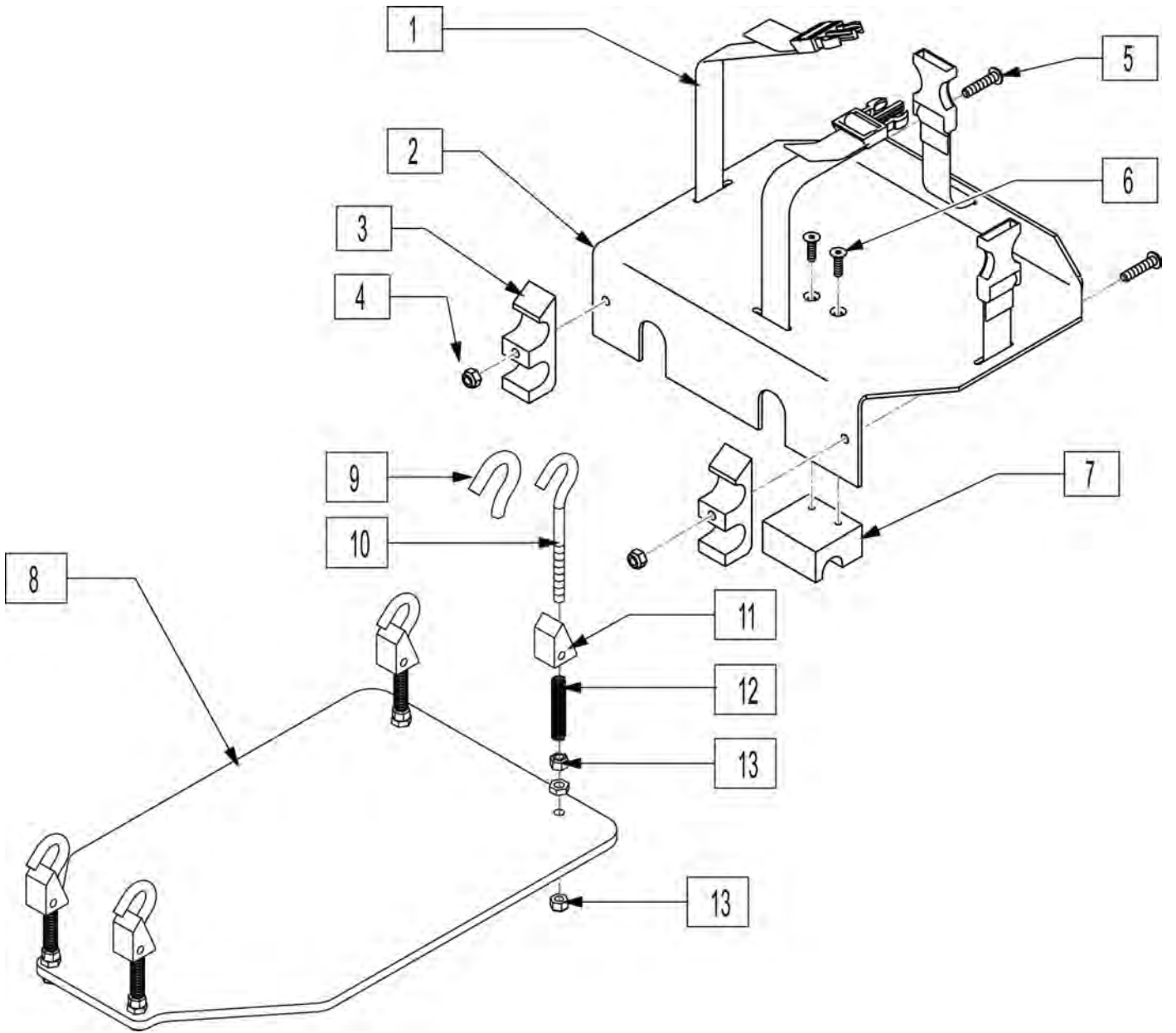
Pos.	Item Number	Description	Remarks
1	9681100105S	TNUT 10-24 X 5/16 ROUND STL ZN	
2	9640141801	WASHER 1/4 FENDER STEEL ZN	
3	9611000608S	MA SCRW 10-24 X 1/2 BHSK ZN	
4A	9180311201S	SHOE HOLDER STRAP SHORT	10 3/8"
4B	9180311501S	SHOE HOLDER STRAP MED	13 1/8"
5A	451134-QUS	SHOE HOLDER W/O STRAP SHORT	6"
5B	451135-QUS	SHOE HOLDER W/O STRAP MED	8"
1-3,4A,5A	9180109001	SHOE HOLDER ASSY SMALL (PAIR)	pair
1-3,4B,5B	9180109002	SHOE HOLDER ASSY MEDIUM (PAIR)	pair
6A	9161070001	FOOT STRAP ASSEMBLY 16"	
6B	9161070002	FOOT STRAP ASSEMBLY 18"	



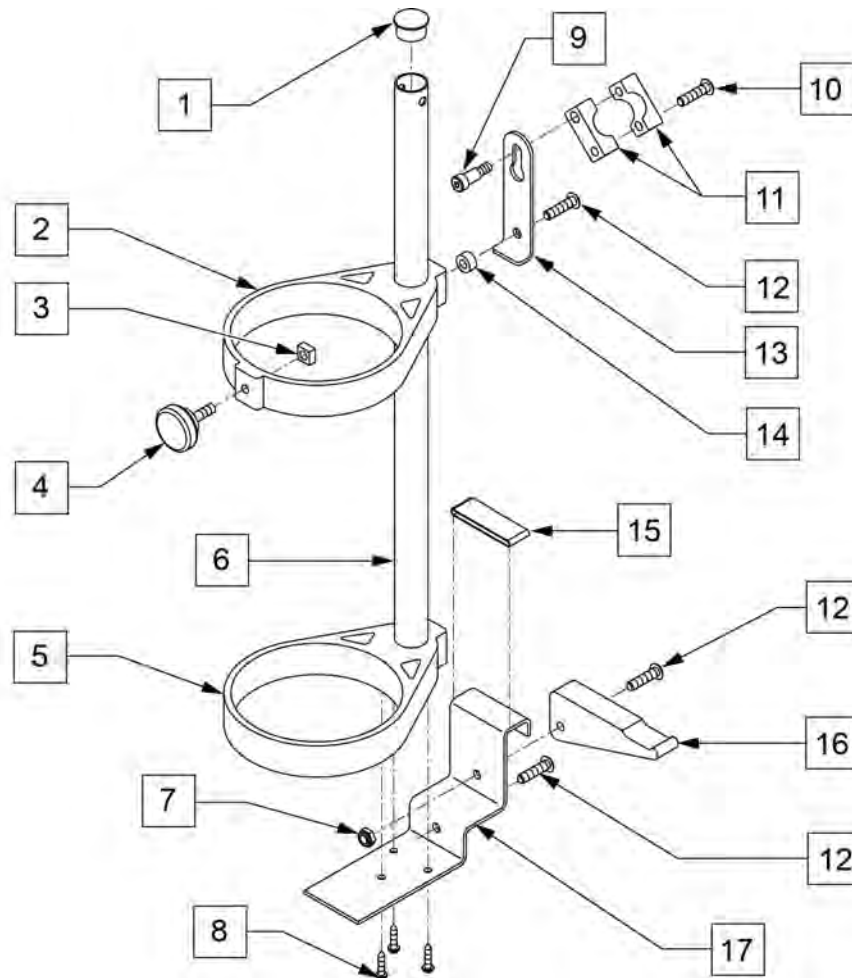
Pos.	Item Number	Description	Remarks
1	9612000916	MA SCREW 1/4-20 X 1 FHSK ZN	
2A	9556221601	THERA-TRAY CLEAR EX	CLEAR
2B	9556221605	THERA-TRAY XP	GRAY - OPAQUE
3	9420502001	TRAY PLATE SET XP	Pair (Left & Right)
4	9651602012S	TOP LOCK JAM NUT 1/4-20 STL ZN	
5	9730120001	TRAY CLAMP SPINDLE	
6	9730110001S	CLAMP DE-STA-CO 205-41	
7	9650501008	NYLOK NUT 8-32 STEEL ZN	
8	9625120610	SMS SCRW #6 X 5/8 PPH ZN	
3, 5-8	9180902002	TRAY CLAMP AND HDWARE SET TC	
1,2A,3-8	9180103001	THERA-TRAY CLEAR EX	CLEAR
1,2B,3-8	9180103002	THERA-TRAY OPAQUE EX	GRAY - OPAQUE



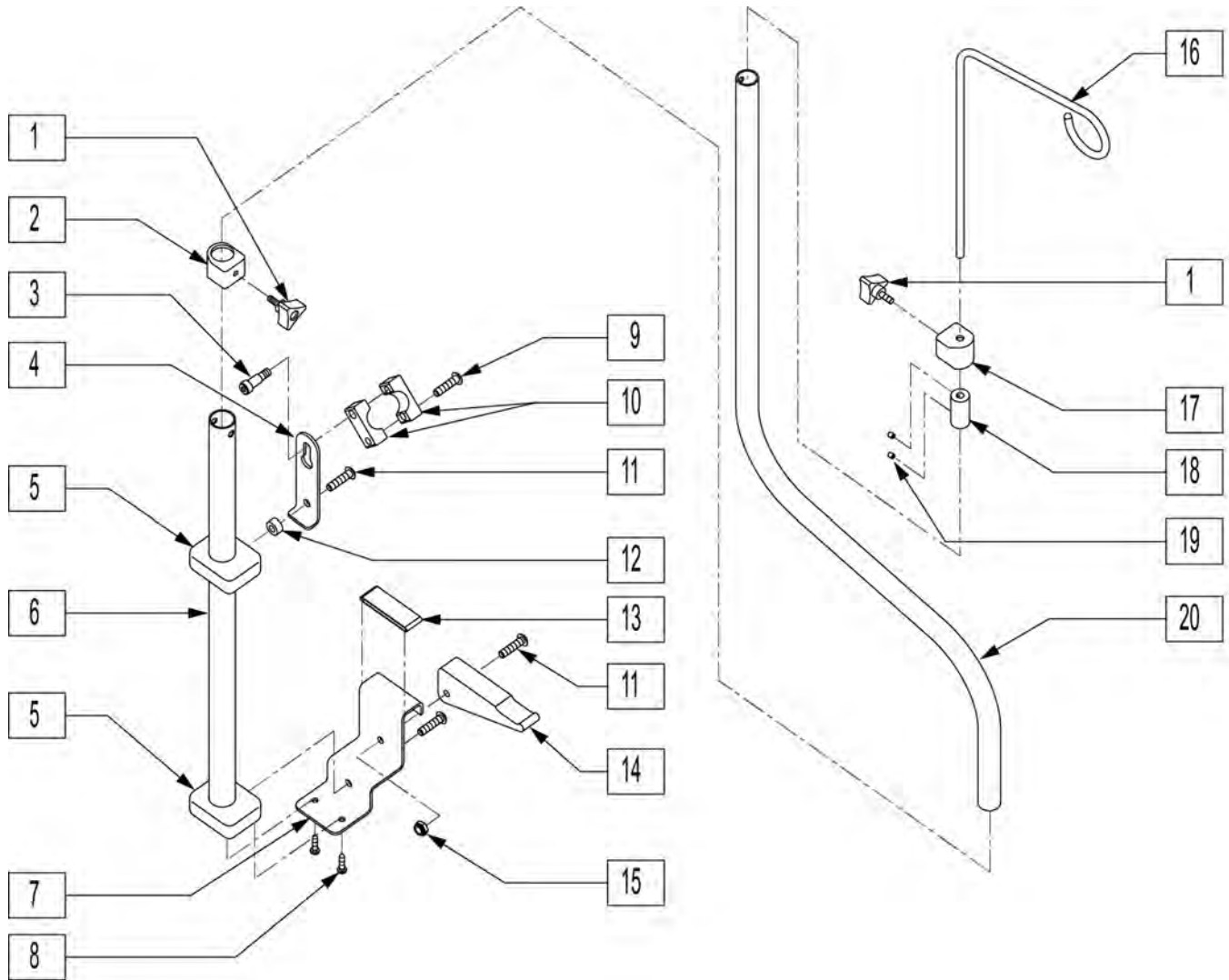
Pos.	Item Number	Description
1	9180313601S	VENT TRAY STRAP TC SELL
2	9530302001	VENT TRAY CLIP TC
3	9650501012S	NYLOK NUT 1/4-20 STEEL ZN
4	9611000924S	MA SCRW 1/4-20 X 1.5 BHSK ZN
5	9612120914	MA SCRW 1/4-20 X 7/8 82FHPH ZN
6	9512613001S	VENT TRAY TC
7	9559060301	BATTERY SUPPORT BLOCK TC
8	9650501012S	NYLOK NUT 1/4-20 STEEL ZN
1-8	9180104002	VENT TRAY ASSEMBLY



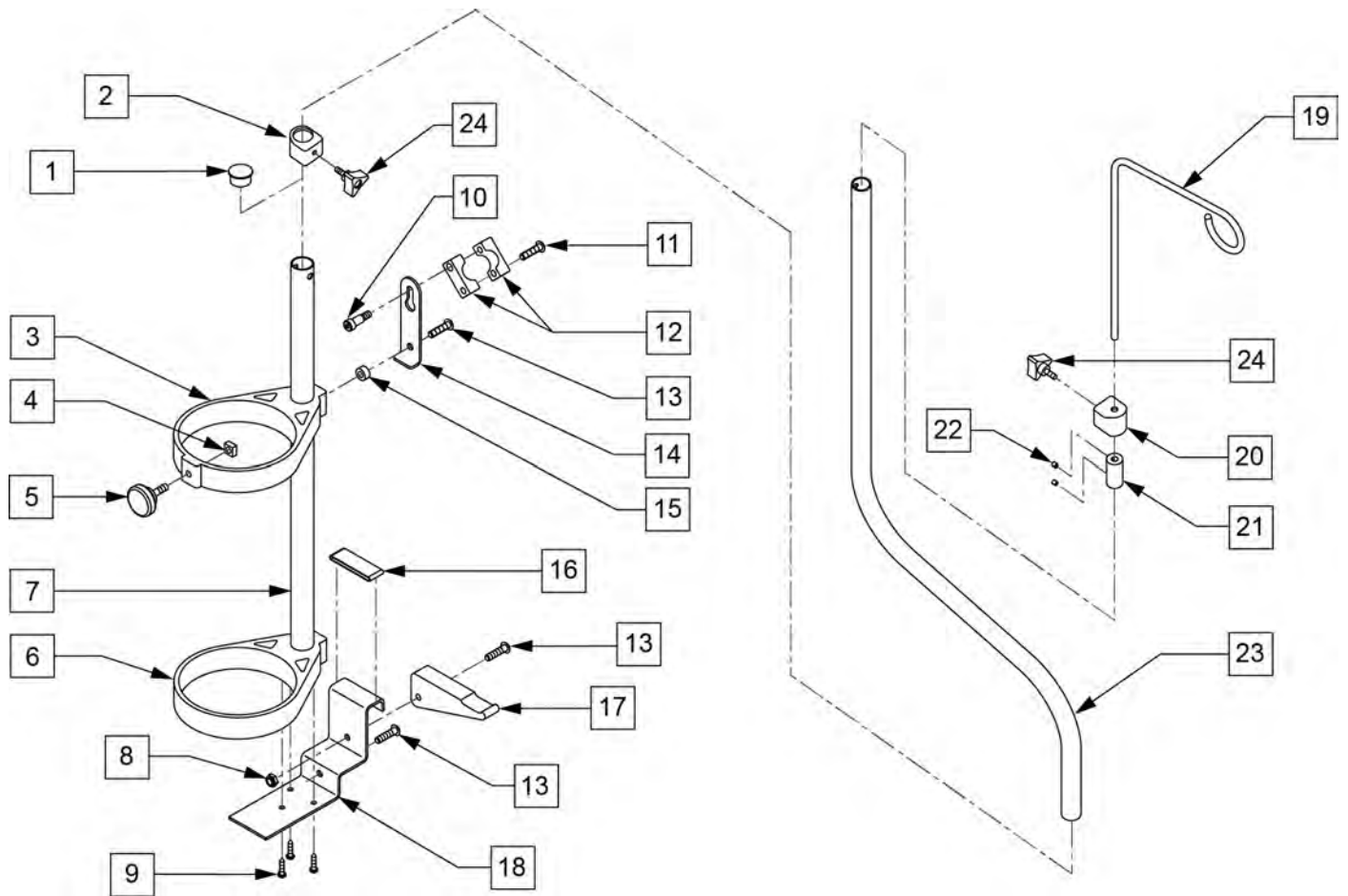
Pos.	Item Number	Description	Remarks
1	9180313601S	VENT TRAY STRAP TC SELL	
2	9510811001	BATTERY TRAY T-BIRD LEGACY	8.3" x 11.5"
3	9530302001	VENT TRAY CLIP TC	
4	9650501012S	NYLOK NUT 1/4-20 STEEL ZN	
5	9611000924S	MA SCRW 1/4-20 X 1.5 BHSK ZN	
6	9612000914	MA SCREW 1/4-20 X 7/8 FHSK ZN	
7	9530201009	BATTERY TRAY SPRT BLCK TB LEG	
8	9556211301	VENT TRAY T-BIRD	13" x 21"
9	9290531502	TUBE CLEAR SILICONE 5/16 x 7/16	
10	9694052070	HOOK BOLT 3/8-16 X 7 ZN	
11	9420100103	BATTERY TRAY LATCH BLOCK	
12	9755405630	SPRING COMPRESSION .54 X 3.00	
13	9650501016	NYLOK NUT 3/8-16 STEEL ZN	
1-7	9180101002	BATTERY TRAY ASSEMBLY T-BIRD	
8-13	9180104003	VENT TRAY ASSEMBLY T-BIRD	



Pos.	Item Number	Description
1	561198	7/8IN ROUND TUBE PLUG
2-5	933900001	O2 HOLDER RINGS
6	9453190001	O2 TUBE TC
7	9650501012S	NYLOK NUT 1/4-20 STEEL ZN
8	9616100412S	MA SCRW #8 X 3/4 SHT MTL PPH
9	9610710808S	MA SCRW 1/4-20 SHOULDER 1/2 SS
10	9611000916	MA SCRW 1/4-20 X 1 BHSK ZN
11	9481010101	O2 CLAMP BLOCK TC
12	9611000920S	MA SCRW 1/4-20 X 1.25 BHSK ZN
13	9510401003	O2 HOLDER BRACKET UPPER
14	9670320804S	SPACER 1/4 X 1/2 X 1/4 NYL
15	9492030801	RUBBER BAND 1" EPDM
16	9530402001	O2 LOCK LEVER TC
17	9510602001S	O2 HOLDER BRACKET LOWER TC
9-11	9180105003	MOUNTING BLOCK ASSY ACCESSORY
1-17	9180107003	O2 HOLDER ASSEMBLY XP

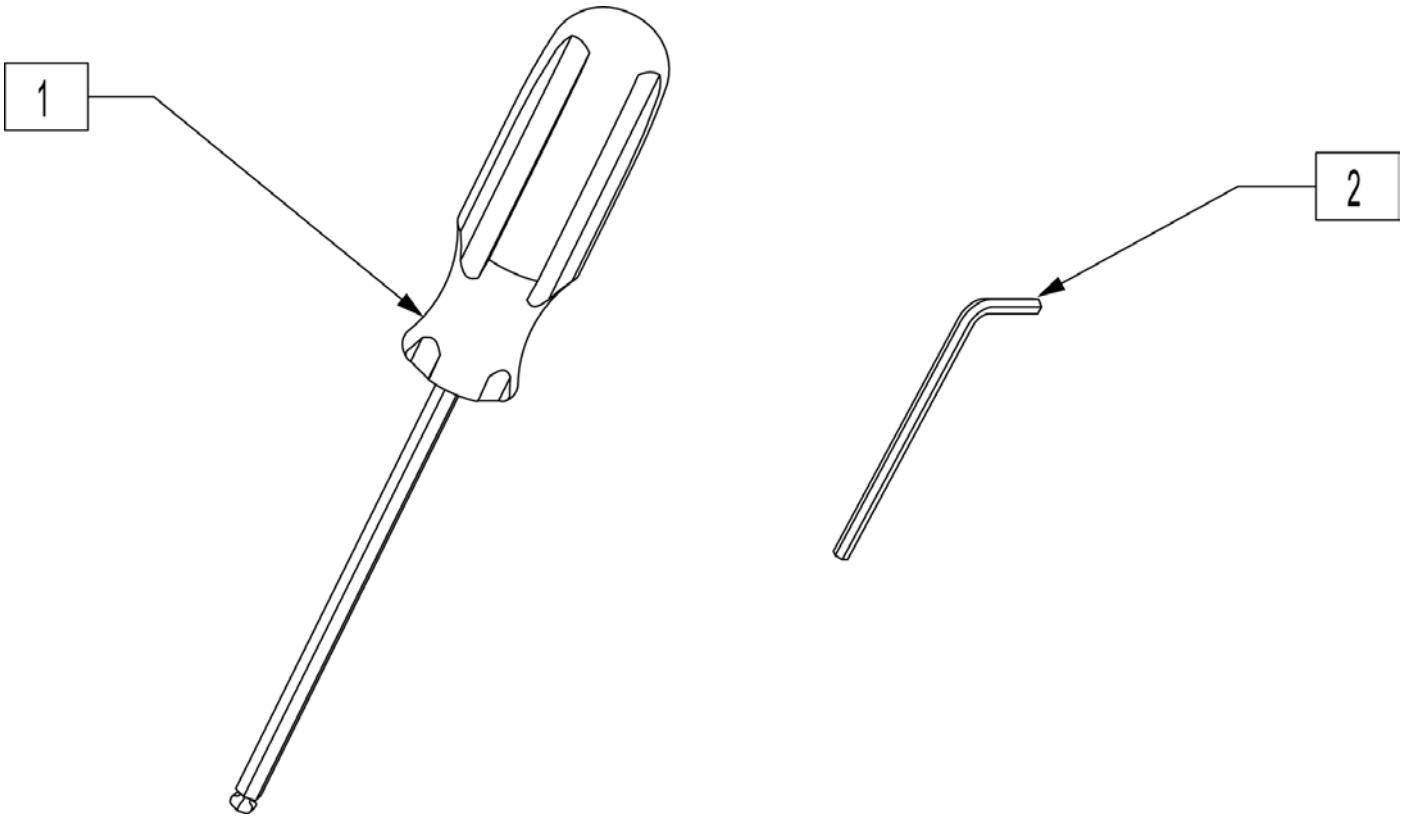


Pos.	Item Number	Description	Pos.	Item Number	Description
1	9761100002S	KNOB BLACK 10-24 X 1/2	13	9492030801	RUBBER BAND 1" EPDM
2	9530101001	IV POLE LOCK COLLAR TC	14	9530402001	O2 LOCK LEVER TC
3	9610710808S	MA SCRW 1/4-20 SHOULDER 1/2 SS	15	9650501012S	NYLON NUT 1/4-20 STEEL ZN
4	9510401003	O2 HOLDER BRACKET UPPER	16	9470420701	IV HOOK
5	9530102001	IV HOLDER BLOCK TC	17	9530101002	IV HOOK LOCK COLLAR TC
6	9453190001	O2 TUBE TC	18	9471020101S	IV HOOK ADJUSTMENT COLLAR
7	9510304001S	IV POLE BRACKET LOWER	19	9627020903S	ST SCRW #8 X 3/16 CUP PT SS
8	9616100412S	MA SCRW #8 X 3/4 SHT MTL PHPH	20	9451550001	IV POLE TC
9	9611000916	MA SCRW 1/4-20 X 1 BHSK ZN	3, 9, 10	9180105003	MOUNTING BLOCK ASSY ACCESSORY
10	9481010101	O2 CLAMP BLOCK TC	1-15	9180105006	IV POLE BASE ONLY
11	9611000920S	MA SCRW 1/4-20 X 1.25 BHSK ZN	1, 16-20	9180105002	IV POLE ASSEMBLY W/O BASE
12	9670320804S	SPACER 1/4 X 1/2 X 1/4 NYL	1-20	9180105005	IV POLE ASSEMBLY WITH BASE XP

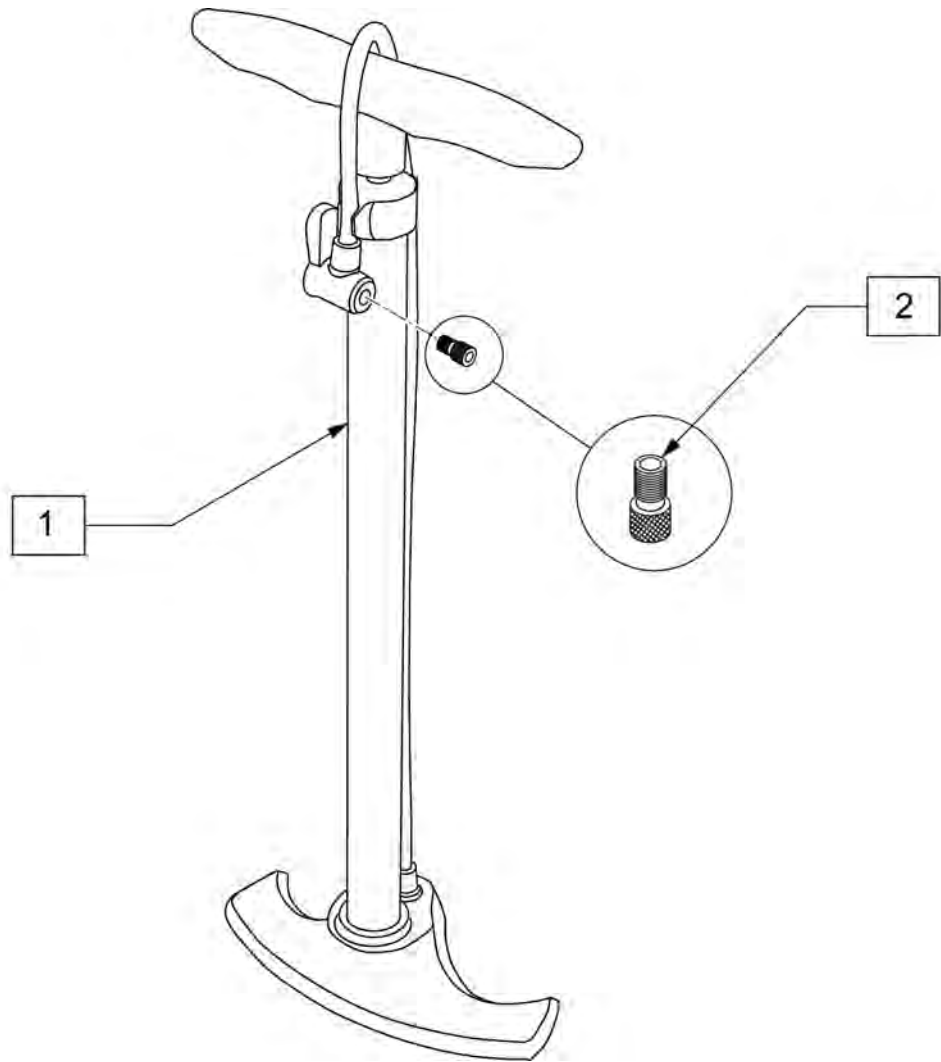


Pos.	Item Number	Description
1	561198	7/8IN ROUND TUBE PLUG
2	9530101001	IV POLE LOCK COLLAR TC
3-6	9339000001	O2 HOLDER RINGS
7	9453190001	O2 TUBE TC
8	9650501012S	NYLOK NUT 1/4-20 STEEL ZN
9	9616100412S	MA SCRW #8 X 3/4 SHT MTL PHPH
10	9610710808S	MA SCRW 1/4-20 SHOULDER 1/2 SS
11	9611000916	MA SCRW 1/4-20 X 1 BHSK ZN
12	9481010101	O2 CLAMP BLOCK TC
13	9611000920S	MA SCRW 1/4-20 X 1.25 BHSK ZN
14	9510401003	O2 HOLDER BRACKET UPPER
15	9670320804S	SPACER 1/4 X 1/2 X 1/4 NYL
16	9492030801	RUBBER BAND 1" EPDM
17	9530402001	O2 LOCK LEVER TC
18	9510602001S	O2 HOLDER BRACKET LOWER TC
19	9470420701	IV HOOK
20	9530101002	IV HOOK LOCK COLLAR TC
21	9471020101S	IV HOOK ADJUSTMENT COLLAR
22	9627020903S	ST SCRW #8X3/16 CUP PT SS
23	9451550001	IV POLE TC
24	9761100002S	KNOB BLACK 10-24 X 1/2
10-12	9180105003	MOUNTING BLOCK ASSY ACCESSORY
1-23	9180107004	O2 HOLD WITH IV POLE XP





Pos.	Item Number	Description
1	9790105001S	HEX DRIVER 5/32 BALL POINT
2	9790206003	3/16 SHORT ARM HEX



Pos.	Item Number	Description
1	389050	TIRE PUMP
2	381230	VALVE ADAPTER PRESTA