



Breezy®



*Elegance*™

# PARTS MANUAL

OCTOBER 2020

Category .....	1
Product .....	1
BREEZY ELEGANCE .....	5
ELEGANCE DISCONTINUED.....	5
ELEGANCE DISCONTINUED.....	5
GLOSSARY OF ABBREVIATIONS.....	6
BASE FRAME .....	6
AXLE PARTS .....	7
CASTER FORK.....	8
ANTI-TIP .....	9
WHEEL LOCK .....	10
DRUM BRAKE .....	11
REAR WHEEL - STANDARD.....	12
REAR WHEEL - DRUM BRAKE EQUIPPED .....	13
SEATING & POSITIONING.....	13
SEAT .....	13
SEAT SLING .....	14
CUSHIONS & COVERS.....	15
BACK.....	15
PUSH HANDLE .....	16
BACK UPHOLSTERY .....	17
HANGERS.....	17
SWING AWAY LEGREST .....	18
ELEVATING LEGREST.....	19
ARMRESTS .....	19
ARMREST-HEIGHT ADJUSTABLE .....	20
ARMREST-FIXED HEIGHT.....	21
ACCESSORIES .....	21
ACCESSORIES .....	22



Dear Valued Customer,

As of **8/3/2017**, the sale of **Breezy Elegance** has been discontinued. In compliance with Sunrise Medical's policy, replacement parts will continue to be available until **8/3/2018**. Effective **8/3/2018**, replacement parts for the **Breezy Elegance** will be obsolete and therefore no longer available for sale.

Sincerely,

Sunrise Medical

■ IMPROVING PEOPLE'S LIVES ■

**Description**

DISCONTINUED PRODUCT

**GLOSSARY OF ABBREVIATIONS**

Note: see Informations Panel for file.

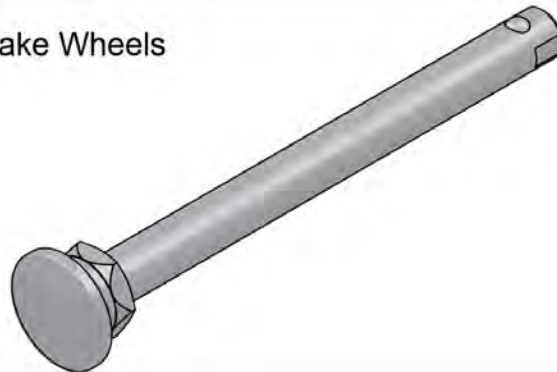
1AD One Arm Drive	CZ Cozy	INH Inhibit	PCB Pediatric Center of Gravity (AKA: Zippie Iris)	S/A Swing Away
3DCR 3DX Microclimatic cover for Cryo style inserts	DAB Depth-adjustable Back	INORG Inorganic coating	PCM Power Center Mount	S/F Side Frame
AAA Adult Angle Adjustable	DB Dynamic Back	INSRT Insert	PED Pediatric	SCW Screw
AACM Angle Adjustable Center Mount	DBL Double	I/O Swing In Out	PEL Pelvic	SDLE Saddle
ABD Abductor	DC Deep Contour	IRIS Intelligent Rotation in Space	PH Push Handle	SG Side Guard
AC All Court	DL Desk Length	ISM Intelligent Seating Module	PHIL Phillips	SGTG Super Grip Thumb Guard
AD Arm Drive	DP Dual Post Armrest	JA Jay Active	P/L Pin Lock	SHCS Socket Head Cap Screw
ADJ Adjustable	D-Post Dual Post Armrest	JNR Junior	PL Plated	SHLDR Shoulder
ADPT Adapter	D-PST Dual Post Armrest	KAA Kids Angle Adjustable	PLL Pull	SHT Short
AE Air Exchange	DRV Drive	KDS Kids	PLT Plate	SLD Solid
AHAB ASAP II	DTT Diagnostic Test Tool	KT Kit (usually consists of all mounting hardware for one side)	PLST Plastic	SLNG Sling
ANG Angle	DY Dynamic Back	KVLR Kevlar	PLY Plywood	SLTD Slotted
ALR Articulating Legrest	EA Each	KZ Quickie Kidz/Zippie Kidz	PNEU Pneumatic	SLV Steeve
ALUM Aluminum	ELR Elevating Legrest	L Left	PNK Pink	SM Small
AMH Adjustable Mounting Hardware	EXT Extension	LAT Lateral	PNT Paint	SNGL Single
ANO Anodized	EXTND Extended	LCK Lock	PNTD Painted	SOC Socket
ASAP Adjustable Seating and Positioning	F Folding Frame	LFH Left Front Horizontal	POLY Polyurethane	SPCR Spacer
ASL Adaptive Switch Laboratories	FHCS Flat Head Cap Screw	LFT Left	POST Posterior	SPEC CLR Specify Color
ASM Assembly (includes other parts)	FL Full Length	LFV Left Front Vertical	PR Pressure Relieving	SFHA Single Post Height Adjustable
ASSM Assembly	FLD Folding	LH Left Hand	PR Power Recline	SPK Spoke
ASSMLY Assembly	FL FT Flip-up Footrest	LH Left Horizontal	PR Pair	SPR Super Grip Handrim
ASSY Assembly	FLP Flip	LK Lock	(PR) Pair	SQZ Squeeze
AT Anti-tip	FLRD Flared	LNG Long	PRCR Premium Leatherette cover for Cryo style inserts	SS Stainless Steel
ATT Attachment	FM Foam	LO Lift Off	PRE-ISC Pre-Ischial	ST Seat
BB Basketball	FM Front Mount	L/O Lift Off	PREM Premium Leatherette cover material	S/TAP Self Tapping
BC Breezy Chrome	FNDR Fender	L Loop	PROJ Projection	STCR Stretch Cover for Cryo Style inserts
BCK Back	FPH Folding Push Handle	LPS Loops	PRPL Purple	STD Standard
BCKBRD Backboard	FT Foot	LRG Large	PTL Partial	STL Style
BH Button Head	F/REST Footrest	LRH Left Rear Horizontal	PSH Push	STR Stretch cover material
BHCS Button Head Cap Screw	FRNT Front	LRV Left Rear Vertical	PT Point	STRLLR Stroller
BKL Buckle	FT PLT Footplate	LS Low Sheer	PTRN Pattern	STRT Straight
BKRST Backrest	FTRST Footrest	LT Long Tab	PWR Power	SUP Support
B-LOCK Back Lock	F/UP Flip-up	LT Natural Fit Lite Handrims	Q1 Quickie 1	SYS System
BLD Build Up	FWD Front Wheel Drive	LTRL Lateral	Q2 Quickie 2	T Tab
BLK Black	FXT Fixed	LUMB Lumbar	Q2HP Quickie 2 High Performance	TG Thumb Guard (std)
BLU Blue	G8 Grade 8 higher grade = stronger	LV Left Vertical	QC Quickie Carbon	THRD Threaded
BR Breezy	GP Quickie GP	LW Low	QR Quick Release	Ti Titanium
BRD Board	GPS Quickie GPS	LX Quickie LX	QRx Quickie RX	TL Tall
BRNG Bearing	GPV Quickie GPV	LXI Quickie LXi	QTI Quickie Titanium	TLC Tilt Lift Comb
BRKT Bracket	GNRC Generic	MACH Machine	QT/QTs Quickie Tilt & Space	TLT Tilt
BSHNG Bushing	H Hole	MECH Mechanism	QUAD Quadrant Pad	TNNS Tennis
BTTN Button	HB High Brake	MED Medium	R Right	TTS Tilt-in-Space
BTRY Battery	HD Head or Heavy Duty	mm Millimeter	RCLNR Recliner	TTV Tilt-in-Space
BZ Breezy	H/D Heavy Duty	MNT Mount	REC Receiver	UNIV Universal
CAA Composite Angle Adjustable	HDRST Headrest	MNTG Mounting	REG Regular	UNTHRD Unthreaded
CG Center of Gravity	HDWR Hardware	MOD Modify or Modification	REL Release	UPH Upholstery
CGT Center of Gravity Tilt (AKA: IRIS)	HEX Hexagon	M/S Machine Screw	REV Reverse	VERT Vertical
CHRGR Charger	HH Hemi-Height or Hex Head	MWD Mid Wheel Drive	RH Right Hand	W With
CJSM Color Joystick Module	HK Hook	Nat.Fit Natural Fit Handrim	RH Right Horizontal	W/ With
CLMP Clamp	HL Heel Loops	NAUG Naugahyde	RFH Right Front Horizontal	W/F Water Fall
CLNCHR Clincher	HM High Mount	NF Non-folding	RFV Right Front Vertical	W/O Without
CLR Clear	HNDL Handle	NF Natural Fit Handrim	RNUT(S) Rivnut(s)	WHL Wheel
COMP Complete	HNGR Hanger	NFLT Natural Fit Lite Handrim	RoHS Restriction of Hazardous Substances	WLDMNT Weldment
CMPST Composite	HP High Pressure	NR Non-recessed	RR Rear	XS Cross Spoke
CRM Chrome	HR Handrim	OBLIQ Obliquity	RRH Right Rear Horizontal	YLW Yellow
C/S Cap Screw	HRDWR Hardware	OBLQ Oblique	RRV Right Rear Vertical	Z2 Zippie 2
C-S Countersunk	HRNSS Harness	OD Outer/Outside Dimension	RT Right	ZN Zinc
CSTR Caster	HS High Speed	O/S Old Style	RV Right Vertical	ZP Zippie
CUSH Cushion	HT Height or Heat Treated	OUTBRD Outboard	RV Quickie Revolution	ZP2 Zippie 2
CV Conventional	ID Inner/Inside Dimension Diameter	P1 Quickie P100	RWD Rear Wheel Drive	
CVR Cover	IN In/Out (for swing in/out hangers)	P2 Quickie P200	SA Swing Away	
CVRS Covers	INBRD Inboard	P3 Quickie P300		
CYL Cylinder	INC Incontinent	P5 Quickie/Zippie P500		

Pos.	Item Number	Description	Remarks
		GLOSSARY OF ABBREVIATIONS	see attachment in Informations Panel

1 Use with Standard Wheels



2 Use with Drum Brake Wheels



Pos.	Item Number	Description	Remarks
1	064535	QR AXLE SLEEVE AND NUT CPL	use with Standard Wheels
2	000220294	QUICK RELEASE AXLE	use with Drum Brake Wheels



Pos.	Item Number	Description
1	064974	Stem bolt + nut for caster fork and spacer
2	064904	Front caster 8 1/4" solid 5 spoke
3	064870-ET	Caster fork w/o caster, standard (long)

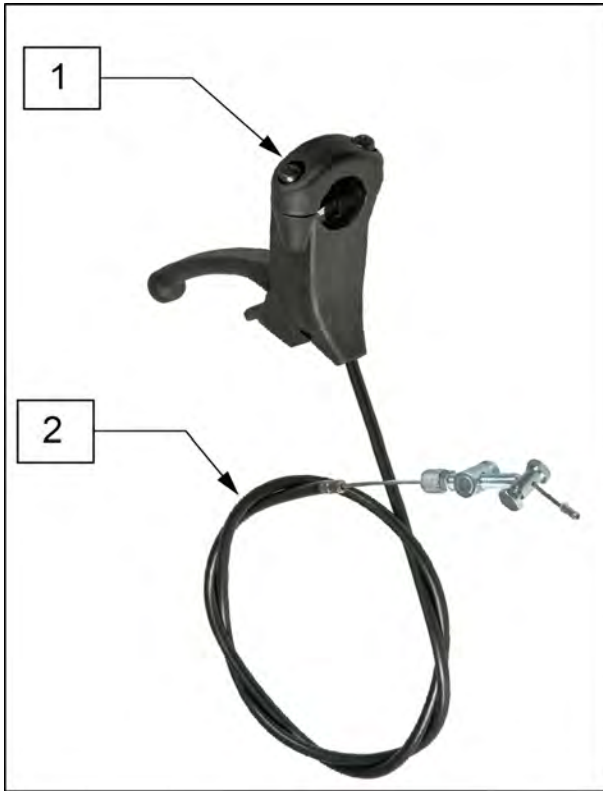


Pos.	Item Number	Description	Remarks
1	129412	ANTI TIP WHEEL ASSY KIT	Pair



Pos.	Item Number	Description
1	067920-000	Knee Lever Brake Complete (Pair)
2	000861156-ET	Cover Wheel Lock Lever (5 pcs./Pack)

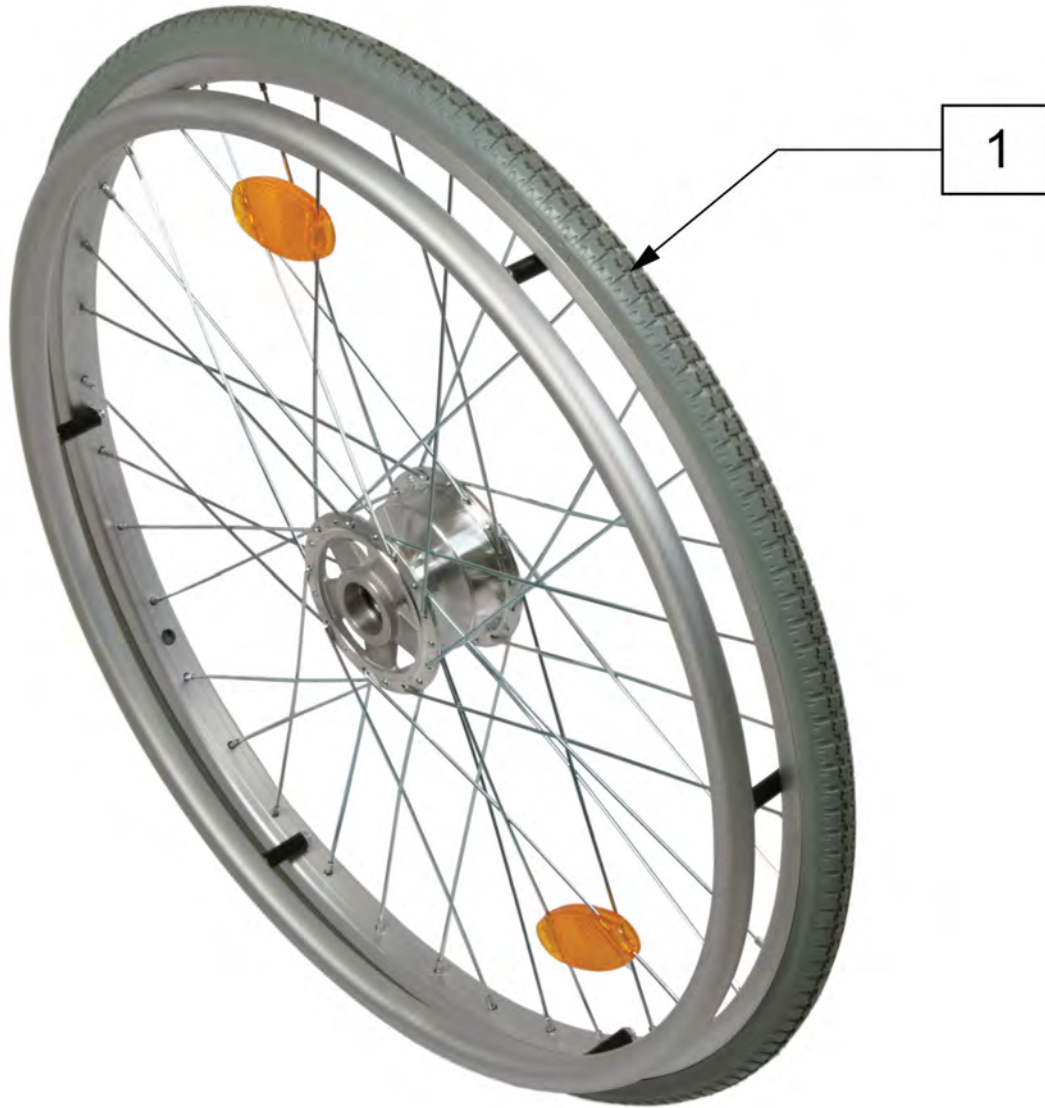




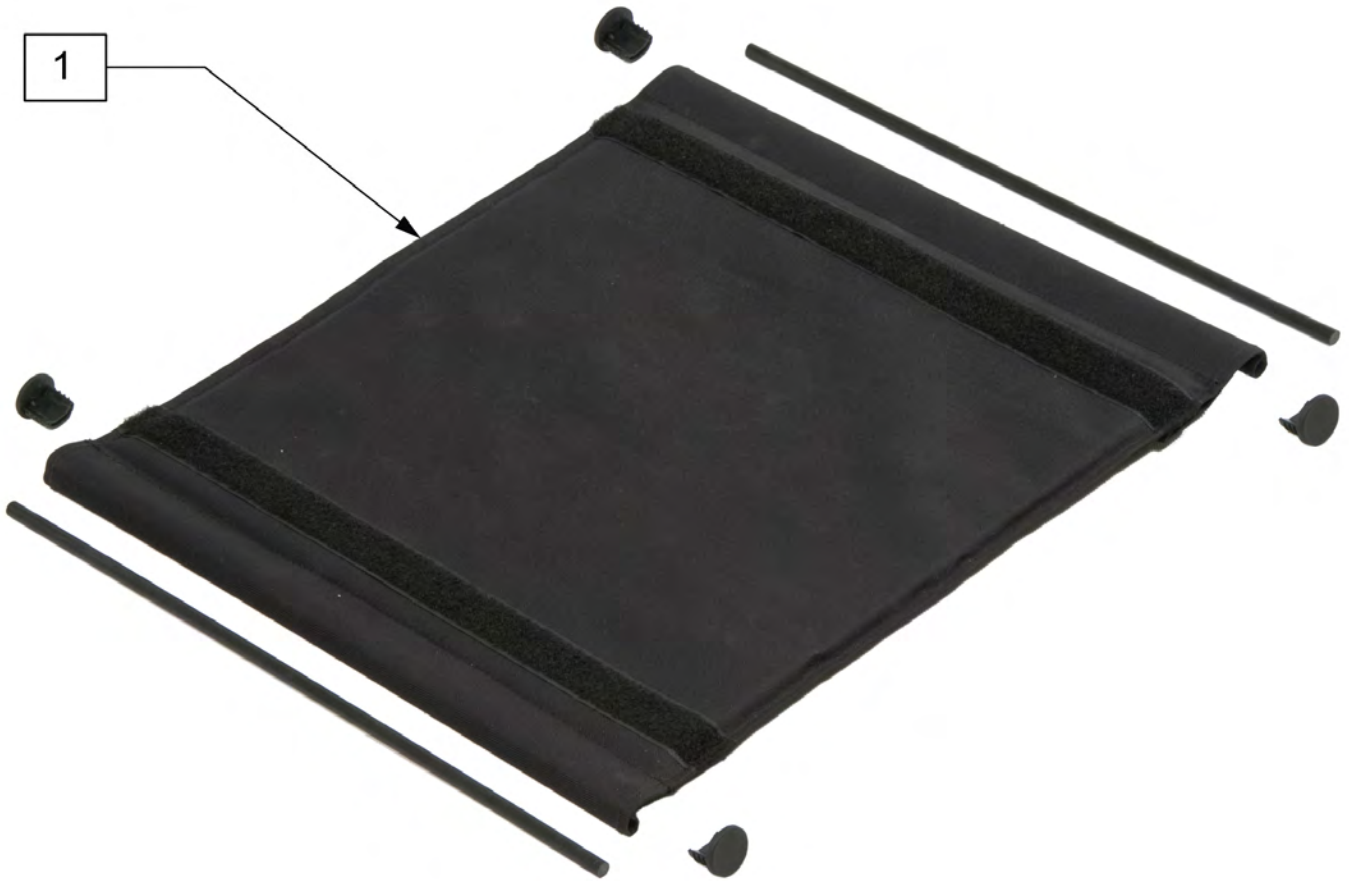
Pos.	Item Number	Description
1	064620-004	Lever for Drum Brake
2	064620-003	Wire for Drum Brake
3	064933	Drum Brake Axle (Pair)



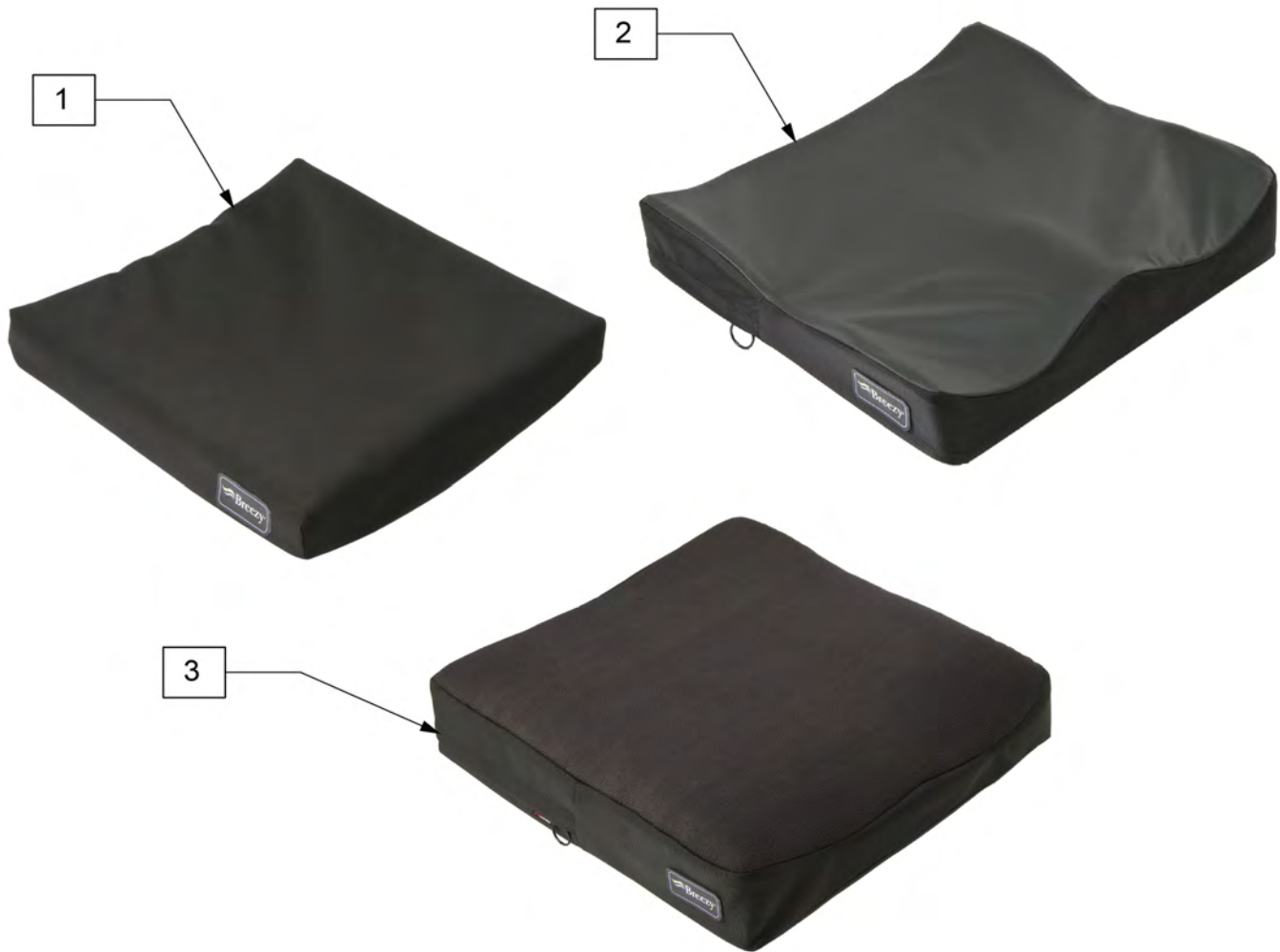
Pos.	Item Number	Description
1	064500-300	24" x-spoke solid tire aluminum handrim



Pos.	Item Number	Description
1	064500-304	COMPLETE DRUMBRAKE REAR WHEEL 24 IN



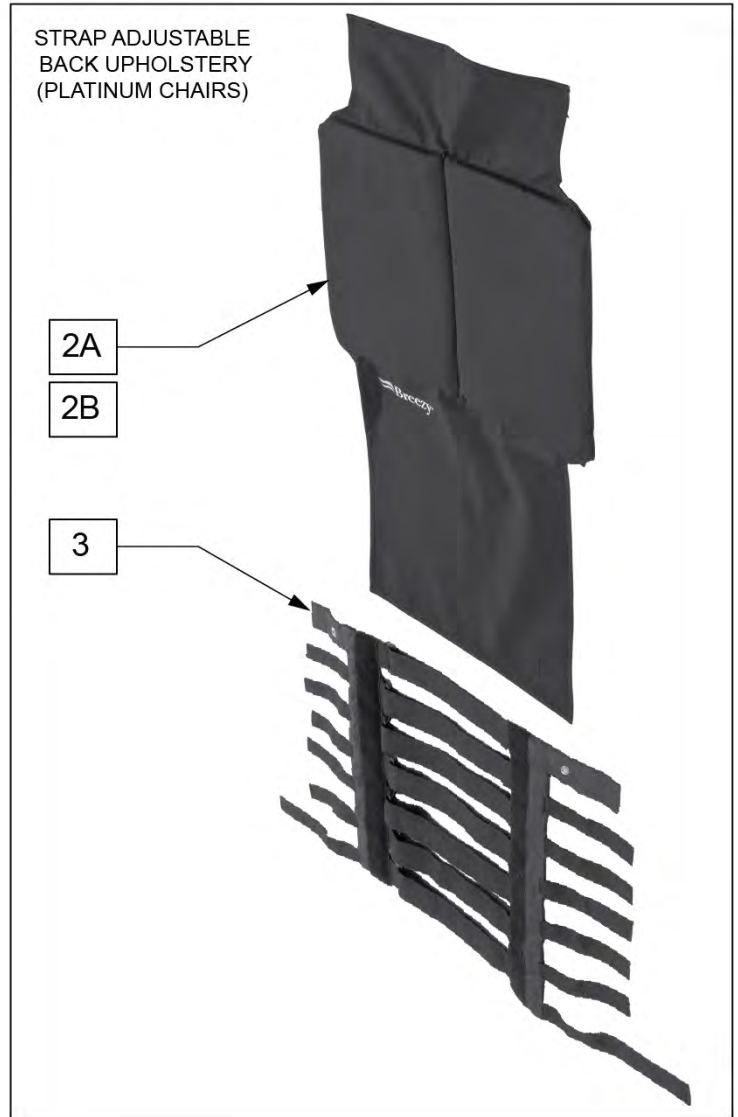
Pos.	Item Number	Description	Remarks
1	064943-002	Padded seat sling cpl. with mounting SW 40.5 cm/SD 41-43 cm	16" wide chairs
1	064943-004	Padded seat sling cpl. with mounting SW 45.5 cm/SD 41-43 cm	18" wide chairs



Pos.	Item Number	Description	Remarks
1	158702	RETAIL ELEG CUSH SLVR 16X16	Complete Cushion
1	158703	RETAIL ELEG CUSH SLVR 18X16	Complete Cushion
1	127751	Cover, Silver, 16x16. Breezy Elegance	Cover only
1	127752	Cover, Silver, 18x16. Breezy Elegance	Cover only
2	158704	RETAIL ELEG CUSH GOLD 16X16	Complete Cushion
2	158705	RETAIL ELEG CUSH GOLD 18X16	Complete Cushion
2	127753	Cover, Gold, 16x16 Breezy Elegance	Cover only
2	127754	Cover, Gold, 18x16 Breezy Elegance	Cover only
3	158706	RETAIL ELEG CUSH PLTM 16X16	Complete Cushion
3	158707	RETAIL ELEG CUSH PLTM 18X16	Complete Cushion
3	127755	CVR,RPLC,PLTNM,16X16,BRZY ELEG	Cover only
3	127756	CVR,RPLC,PLTNM,18X16,BRZY ELEG	Cover only



Pos.	Item Number	Description	Remarks
1	064400-200	Back tube, standard with height adj. push handle cpl. for back heights 41 - 43,5 - 46 cm Pair	
2	064400-100	Back tube, standard cpl. for back heights 41 - 43.5 - 46 cm (Pair)	
3	064939	Release lever (10 pcs/pack)	10 PACK
4	064946	Handgrip (10 pcs/pack)	10 PACK



Pos.	Item Number	Description	Remarks
1A	127691	Back upholstery SW 40.5 cm - - - 3 Straps	16" wide Silver and Gold chairs
1B	127692	Back upholstery SW 45.5 cm - - - 3 Straps	18" wide Silver and Gold chairs
2A	127689	Back upholstery SW 40.5 cm	16" wide Platinum chairs
2B	127690	Back upholstery SW 45.5 cm	18" wide Platinum chairs
3	065445-001	Back straps adjustable (7 straps), SW 38 cm - 45.5	Platinum chairs



Pos.	Item Number	Description	Remarks
1	064804-050	Hanger Assembly w/o Footplate (Pair)	Pair
2	064871-101	Plastic Footplate w/ Heel Band & Extension Tube (Pair; SW 38-40.5)	Pair; 16" wide chairs
2	064871-102	Plastic Footplate w/ Heel Band & Extension Tube (Pair; SW 43-45.5)	Pair; 18" wide chairs





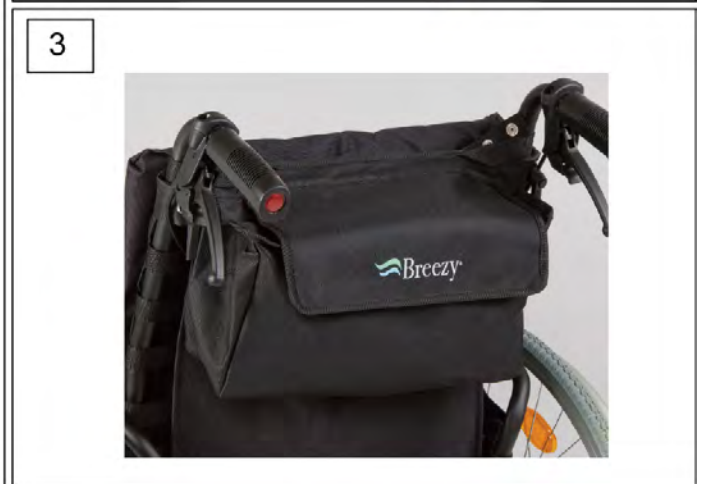
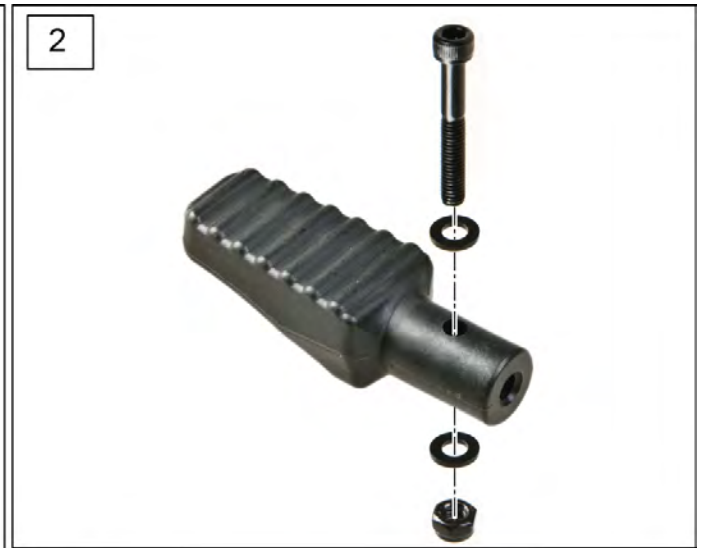
Pos.	Item Number	Description	Remarks
1	064840-000	Elevating legrest (Pair)	Pair-footplate & extension must be ordered separately
1	064840-001	Elevating legrest (Left)	footplate & extension must be ordered separately
1	064840-002	Elevating legrest (Right)	footplate & extension must be ordered separately
2	064871-101	Plastic Footplate w/ Heel Band & Extension Tube (Pair; SW 38-40.5)	Pair; 16" wide chairs
2	064871-102	Plastic Footplate w/ Heel Band & Extension Tube (Pair; SW 43-45.5)	Pair; 18" wide chairs



Pos.	Item Number	Description	Remarks
1	064475-100	Armrest Assembly with Height Adjustable Armpad cpl.	Pair
2	064994	Armrest receiver rear (Pair)	Pair
3	064971	FRONT ARMREST RECEIVER	Pair



Pos.	Item Number	Description	Remarks
1	064830-000	Armrest Assembly Standard (Pair)	Pair
2	067925	Armpad cplt with mounting accessories (LH & RH usable)	
3	064994	Armrest receiver rear (Pair)	Pair
4	064971	FRONT ARMREST RECEIVER	Pair



Pos.	Item Number	Description
1	067708	Crutch Holder
2	064931	Step Tube
3	128177	Back Pack