



 **Breezy EC[®]**

PARTS MANUAL

OCTOBER 2020

BREEZY EC	4
BREEZY EC DISCONTINUED.....	4
BREEZY EC DISCONTINUED.....	4
GLOSSARY OF ABBREVIATIONS.....	7
BREEZY EC (2000, 2000HD, 3000, & 4000)	7
BASE FRAME	7
FRAME	7
1000 FRAME	8
2000 FRAME (FIXED ARMREST)	9
2000 & 3000 FRAME (REMOVABLE ARMREST)	10
2000 HD FRAME.....	11
4000 FRAME	12
SUPER HEMI KIT (4000)	13
AXLE PLATES	13
AMPUTEE AXLE PLATE (1000-2000).....	14
AMPUTEE AXLE PLATE (2000HD).....	15
CASTERS & FORKS.....	15
STANDARD CASTER FORK ASSM (16"-20" WIDE)	16
2000HD (22"-24" WIDE) CASTER FORK ASSM	18
2000HD (26"-30" WIDE) CASTER FORK ASSM	20
ANTI-TIPS	22
ADJUSTABLE REAR ANTI-TIP (1000, 2000, 2000HD, 3000,4000).....	22
STANDARD REAR ANTI TIP (1000,2000,2000HD,3000)	23
REAR ANTI TIP (4000)	24
WHEEL LOCKS.....	24
WHEEL LOCK FIXED ARMREST FRAME (1000,2000).....	25
WHEEL LOCK REMOVABLE ARMREST (2000, 3000).....	26
WHEEL LOCK (4000).....	27
SUPER HEMI KIT (4000)	28
WHEELS	28
8 SPOKE MAG WHEEL	29
SUPER HEMI KIT (4000)	31
SEATING & POSITIONING.....	31
SEAT	31
2" SEAT EXTENSION WITH UPHOLSTERY	32
SEAT AND BACK UPHOLSTERY 1000,2000,3000	34
SEAT AND BACK UPHOLSTERY 4000	36
BACK.....	36
SEAT AND BACK UPHOLSTERY 1000,2000,3000	37
SEAT AND BACK UPHOLSTERY 4000	39
RECLINER BACKREST	40
HANGERS.....	42
SWING AWAY HANGER	42
COMPOSITE SWING-AWAY FOOTRESTS W/ HEEL LOOP	43
EASY CARE ELEVATING LEG REST	44
LOW PROFILE COMPOSITE ELEVATING LEG REST (2000, 4000).....	45
STANDARD FOOTPLATE AND EXTENSION (FIXED).....	46
EASY CARE ARTICULATING LEG REST.....	47
ARMRESTS.....	47
ARMPADS.....	47
FULL ARMREST ARMPADS	48
DESK ARMREST ARMPADS	49
ARMREST	49
ARMREST DESK PADDED (2000, 2000HD).....	50
ARMREST FULL PADDED (2000, 2000HD).....	51
ARMREST DESK PADDED (3000).....	52
ARMREST DESK PADDED (4000).....	53
ARMREST FULL PADDED (4000).....	54
ARMREST RECEIVER (4000)	55
HEIGHT ADJUSTABLE ARMREST	55
HEIGHT-ADJUSTABLE ARMREST FULL PADDED (2000, 3000, 4000 RECLINER).....	56
HEIGHT-ADJUSTABLE ARMREST DESK PADDED (2000, 3000, 4000 RECLINER).....	57
HEIGHT-ADJUSTABLE ARMREST FULL PADDED (4000).....	58
HEIGHT-ADJUSTABLE ARMREST DESK PADDED (4000).....	59
ACCESSORIES	59
OVERHEAD ANTI-THEFT DEVICE	60
ANTI-FOLD/ANTI-THEFT DEVICE	61
OXYGEN TANK HOLDER- OBSOLETE	62
COMBINATION O2 IV HOLDER.....	63
TELESCOPING IV HOLDER.....	64

TOOL KIT	65
WHEEL LOCK EXTENSION HANDLE.....	66
SEAT BELTS.....	67
TIRE PUMP.....	68
----- BREEZY EC TRANSPORT.....	68
TRANSPORT CHAIR (STEEL & ALUMINUM).....	69
WHEEL LOCK (STEEL TRANSPORT).....	70
WHEEL LOCK (ALUMINUM TRANSPORT).....	71
EC TRANSPORT CHAIR DISCONTINUED.....	71
FRAME (STEEL/ALUMINUM TRANSPORT).....	72
CASTER FORK ASSM (STEEL TRANSPORT).....	73
CASTER FORK ASSM (ALUMINUM TRANSPORT).....	74
REAR WHEEL-EASY.....	75
WHEEL LOCK (STEEL TRANSPORT).....	76
WHEEL LOCK (ALUMINUM TRANSPORT).....	77
FOLDING TRANSPORT UPHOLSTERY (STEEL/ALUMINUM).....	78
SWING-AWAY FRAME HANGER (ALUMINUM/STEEL TRANSPORT).....	79
back.....	80



Dear Valued Customer,

As of **8/07/2018**, the sale of **Breezy EC** has been discontinued. In compliance with Sunrise Medical's policy, replacement parts will continue to be available until **8/07/2023**.

Effective **8/07/2023**, replacement parts for the **Breezy EC** will be obsolete and therefore no longer available for sale.

Sincerely,
Sunrise Medical

Description

DISCONTINUED PRODUCT

GLOSSARY OF ABBREVIATIONS

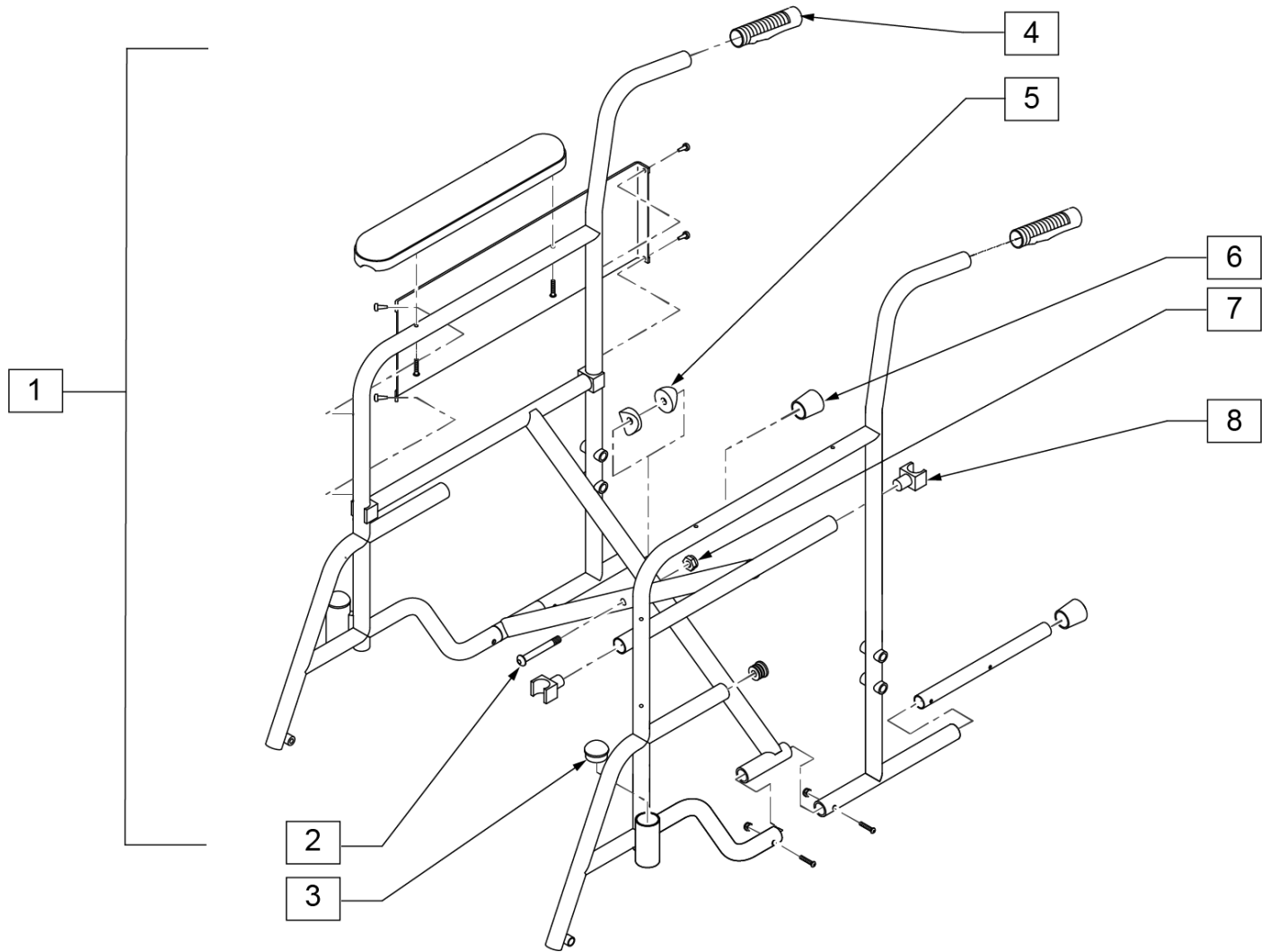
[12/10/2019]

Note: see Informations Panel for file.

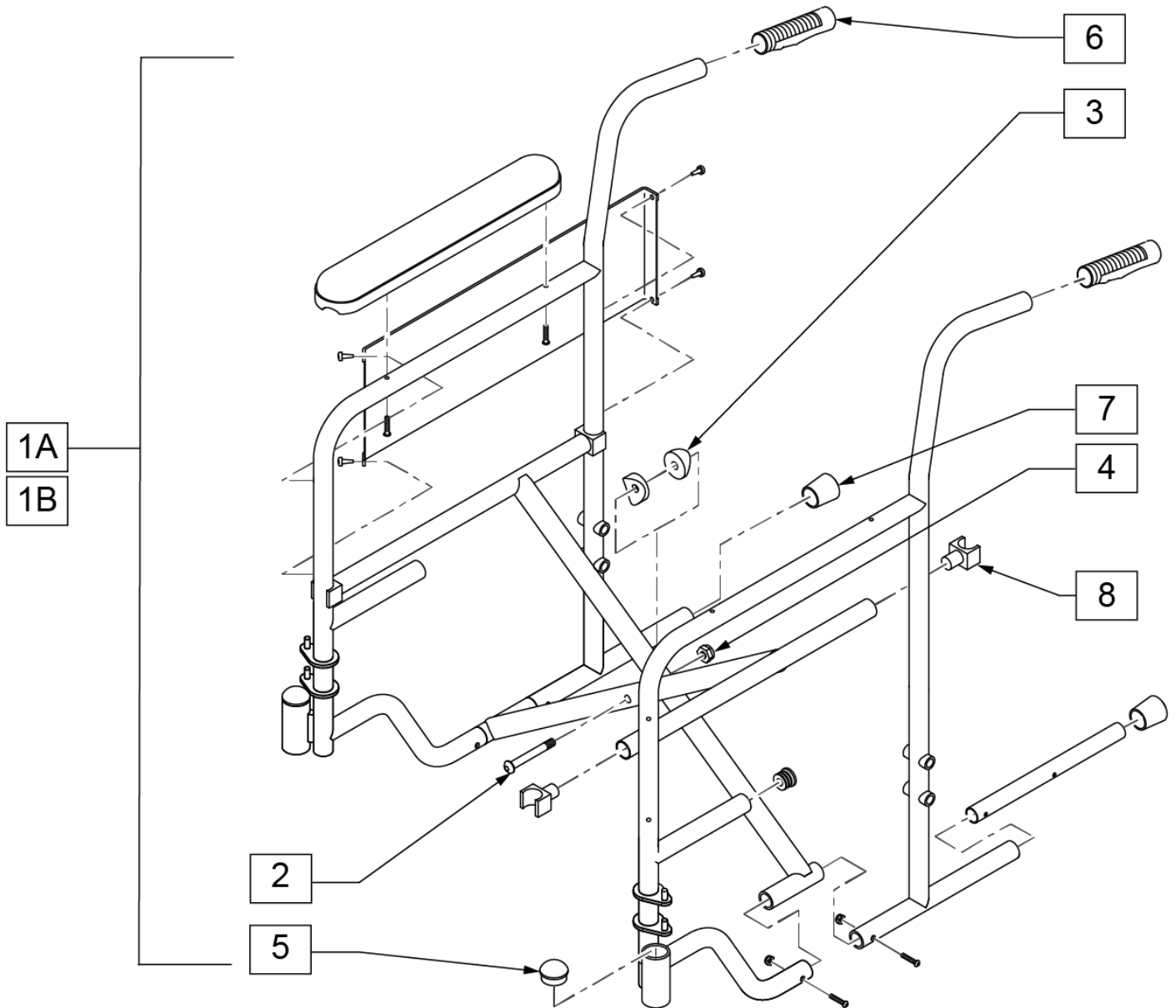
1AD One Arm Drive	CZ Cozy	INH Inhibit	PCB Pediatric Center of Gravity (AKA: Zippie Iris)	S/A Swing Away
3DCR 3DX Microclimatic cover for Cryo style inserts	DAB Depth-adjustable Back	INORG Inorganic coating	PCM Power Center Mount	S/F Side Frame
AAA Adult Angle Adjustable	DB Dynamic Back	INSRT Insert	PED Pediatric	SCW Screw
AACM Angle Adjustable Center Mount	DBL Double	I/O Swing In Out	PEL Pelvic	SDLE Saddle
ABD Abductor	DC Deep Contour	IRIS Intelligent Rotation in Space	PH Push Handle	SG Side Guard
AC All Court	DL Desk Length	ISM Intelligent Seating Module	PHIL Phillips	SGTG Super Grip Thumb Guard
AD Arm Drive	DP Dual Post Armrest	JA Jay Active	P/L Pin Lock	SHCS Socket Head Cap Screw
ADJ Adjustable	D-Post Dual Post Armrest	JNR Junior	PL Plated	SHLDR Shoulder
ADPT Adapter	D-PST Dual Post Armrest	KAA Kids Angle Adjustable	PLL Pull	SHT Short
AE Air Exchange	DRV Drive	KDS Kids	PLT Plate	SLD Solid
AHAB ASAP II	DTT Diagnostic Test Tool	KT Kit (usually consists of all mounting hardware for one side)	PLST Plastic	SLNG Sling
ANG Angle	DY Dynamic Back	KVLR Kevlar	PLY Plywood	SLTD Slotted
ALR Articulating Legrest	EA Each	KZ Quickie Kidz/Zippie Kidz	PNEU Pneumatic	SLV Steeve
ALUM Aluminum	ELR Elevating Legrest	L Left	PNK Pink	SM Small
AMH Adjustable Mounting Hardware	EXT Extension	LAT Lateral	PNT Paint	SNGL Single
ANO Anodized	EXTND Extended	LCK Lock	PNTD Painted	SOC Socket
ASAP Adjustable Seating and Positioning	F Folding Frame	LFH Left Front Horizontal	POLY Polyurethane	SPCR Spacer
ASL Adaptive Switch Laboratories	FHCS Flat Head Cap Screw	LFT Left	POST Posterior	SPEC CLR Specify Color
ASM Assembly (includes other parts)	FL Full Length	LFV Left Front Vertical	PR Pressure Relieving	SFHA Single Post Height Adjustable
ASSM Assembly	FLD Folding	LH Left Hand	PR Power Recline	SPK Spoke
ASSMLY Assembly	FL FT Flip-up Footrest	LH Left Horizontal	PR Pair	SPR Super Grip Handrim
ASSY Assembly	FLP Flip	LK Lock	(PR) Pair	SQZ Squeeze
AT Anti-tip	FLRD Flared	LNG Long	PRCR Premium Leatherette cover for Cryo style inserts	SS Stainless Steel
ATT Attachment	FM Foam	LO Lift Off	PRE-ISC Pre-Ischial	ST Seat
BB Basketball	FM Front Mount	L/O Lift Off	PREM Premium Leatherette cover material	S/TAP Self Tapping
BC Breezy Chrome	FNDR Fender	L Loop	PROJ Projection	STCR Stretch Cover for Cryo Style inserts
BCK Back	FPH Folding Push Handle	LPS Loops	PRPL Purple	STD Standard
BCKBRD Backboard	FT Foot	LRG Large	PTL Partial	STL Style
BH Button Head	F/REST Footrest	LRH Left Rear Horizontal	PSH Push	STR Stretch cover material
BHCS Button Head Cap Screw	FRNT Front	LRV Left Rear Vertical	PT Point	STRLLR Stroller
BKL Buckle	FT PLT Footplate	LS Low Sheer	PTRN Pattern	STRT Straight
BKRST Backrest	FTRST Footrest	LT Long Tab	PWR Power	SUP Support
B-LOCK Back Lock	F/UP Flip-up	LT Natural Fit Lite Handrims	Q1 Quickie 1	SYS System
BLD Build Up	FWD Front Wheel Drive	LTRL Lateral	Q2 Quickie 2	T Tab
BLK Black	FXT Fixed	LUMB Lumbar	Q2HP Quickie 2 High Performance	TG Thumb Guard (std)
BLU Blue	G8 Grade 8 higher grade = stronger	LV Left Vertical	QC Quickie Carbon	THRD Threaded
BR Breezy	GP Quickie GP	LW Low	QR Quick Release	Ti Titanium
BRD Board	GPS Quickie GPS	LX Quickie LX	QRx Quickie RX	TL Tall
BRNG Bearing	GPV Quickie GPV	LXI Quickie LXi	QTI Quickie Titanium	TLC Tilt Lift Comb
BRKT Bracket	GNRC Generic	MACH Machine	QT/QTs Quickie Tilt & Space	TLT Tilt
BSHNG Bushing	H Hole	MECH Mechanism	QUAD Quadrant Pad	TNNS Tennis
BTTN Button	HB High Brake	MED Medium	R Right	TTS Tilt-in-Space
BTRY Battery	HD Head or Heavy Duty	mm Millimeter	RCLNR Recliner	UNIV Universal
BZ Breezy	H/D Heavy Duty	MNT Mount	REC Receiver	UNTHRD Unthreaded
CAA Composite Angle Adjustable	HDRST Headrest	MNTG Mounting	REG Regular	UPH Upholstery
CG Center of Gravity	HDWR Hardware	MOD Modify or Modification	REL Release	VERT Vertical
CGT Center of Gravity Tilt (AKA: IRIS)	HEX Hexagon	M/S Machine Screw	REV Reverse	W With
CHRGR Charger	HH Hemi-Height or Hex Head	MWD Mid Wheel Drive	RH Right Hand	W/ With
CJSM Color Joystick Module	HK Hook	Nat.Fit Natural Fit Handrim	RH Right Horizontal	WD Wide
CLMP Clamp	HL Heel Loops	NAUG Naugahyde	RFH Right Front Horizontal	W/F Water Fall
CLNCHR Clincher	HM High Mount	NF Non-folding	RFV Right Front Vertical	W/O Without
CLR Clear	HNDL Handle	NF Natural Fit Handrim	RNUT(S) Rivnut(s)	WHL Wheel
COMP Complete	HNGR Hanger	NFLT Natural Fit Handrim	RoHS Restriction of Hazardous Substances	WLDMNT Weldment
CMPST Composite	HP High Pressure	NR Non-recessed	RR Rear	XS Cross Spoke
CRM Chrome	HR Handrim	OBLIQ Obliquity	RRH Right Rear Horizontal	YLW Yellow
C/S Cap Screw	HRDWR Hardware	OBLQ Oblique	RRV Right Rear Vertical	Z2 Zippie 2
C-S Countersunk	HRNSS Harness	OD Outer/Outside Dimension	RT Right	ZN Zinc
CSTR Caster	HS High Speed	O/S Old Style	RV Right Vertical	ZP Zippie
CUSH Cushion	HT Height or Heat Treated	OUTBRD Outboard	RV Quickie Revolution	ZP2 Zippie 2
CV Conventional	ID Inner/Inside Dimension Diameter	P1 Quickie P100	RWD Rear Wheel Drive	
CVR Cover	IN In/Out (for swing in/out hangers)	P2 Quickie P200	SA Swing Away	
CVRS Covers	INBRD Inboard	P3 Quickie P300		
CYL Cylinder	INC Incontinent	P5 Quickie/Zippie P500		

Pos.	Item Number	Description	Remarks
		GLOSSARY OF ABBREVIATIONS	see attachment in Informations Panel

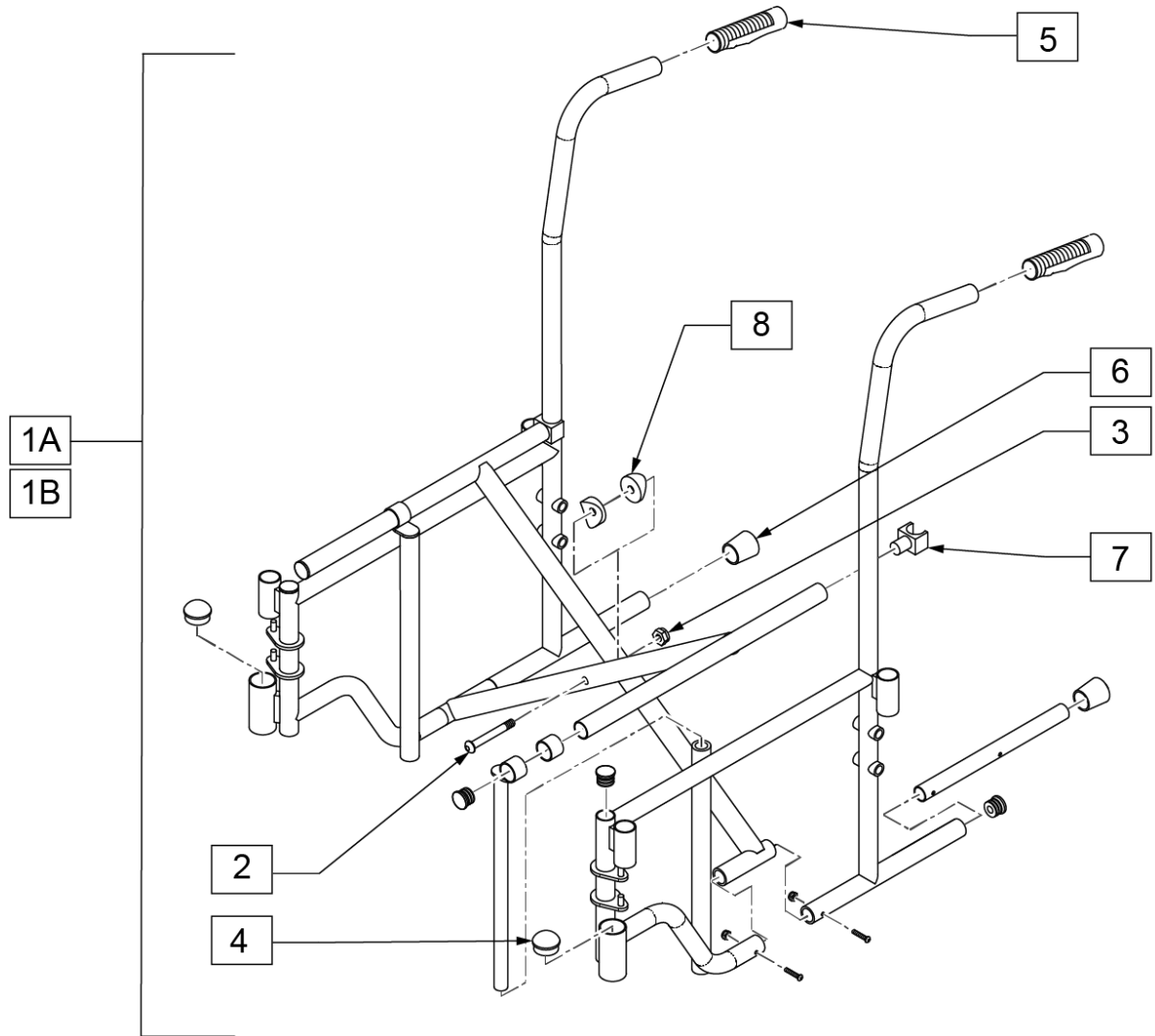
Note: Replacement frame for the EC1000 is not available as a replacement part.



Pos.	Item Number	Description	Remarks
2, 5, 7	GEY-CBOLT	1" CROSSBOLT PLUS SPACERS	
3	GEY-CASC	CASTER HOUSING CAPS	
4		BACK CANE HANDLES	OBSOLETE
6	GEY-STPC	STEPPER TUBE CAPS	
8	GEY-SRGUIDE	SEAT RAIL GUIDE	

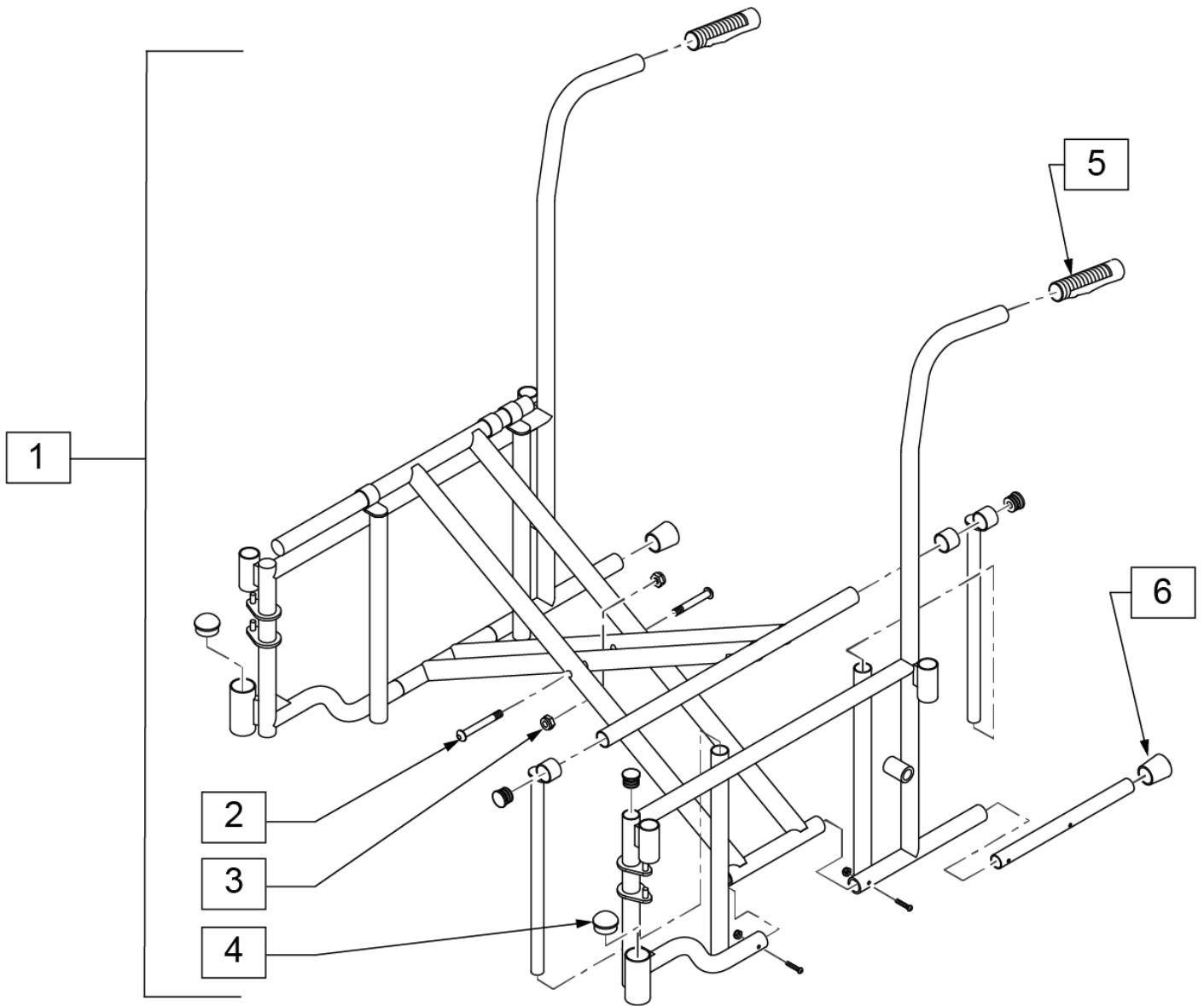


Pos.	Item Number	Description	Remarks
1A	GEY-216FRFR	2K FRAME ASSM 16"	
1B	GEY-218FRFR	2K FRAME ASSM 18"	
2, 3, 4	GEY-CBOLT	1" CROSSBOLT PLUS SPACERS	
5	GEY-CASC	CASTER HOUSING CAPS	
6		BACK CANE HANDLES	OBSOLETE
7	GEY-STPC	STEPPER TUBE CAPS	
8	GEY-SRGUIDE	SEAT RAIL GUIDE	



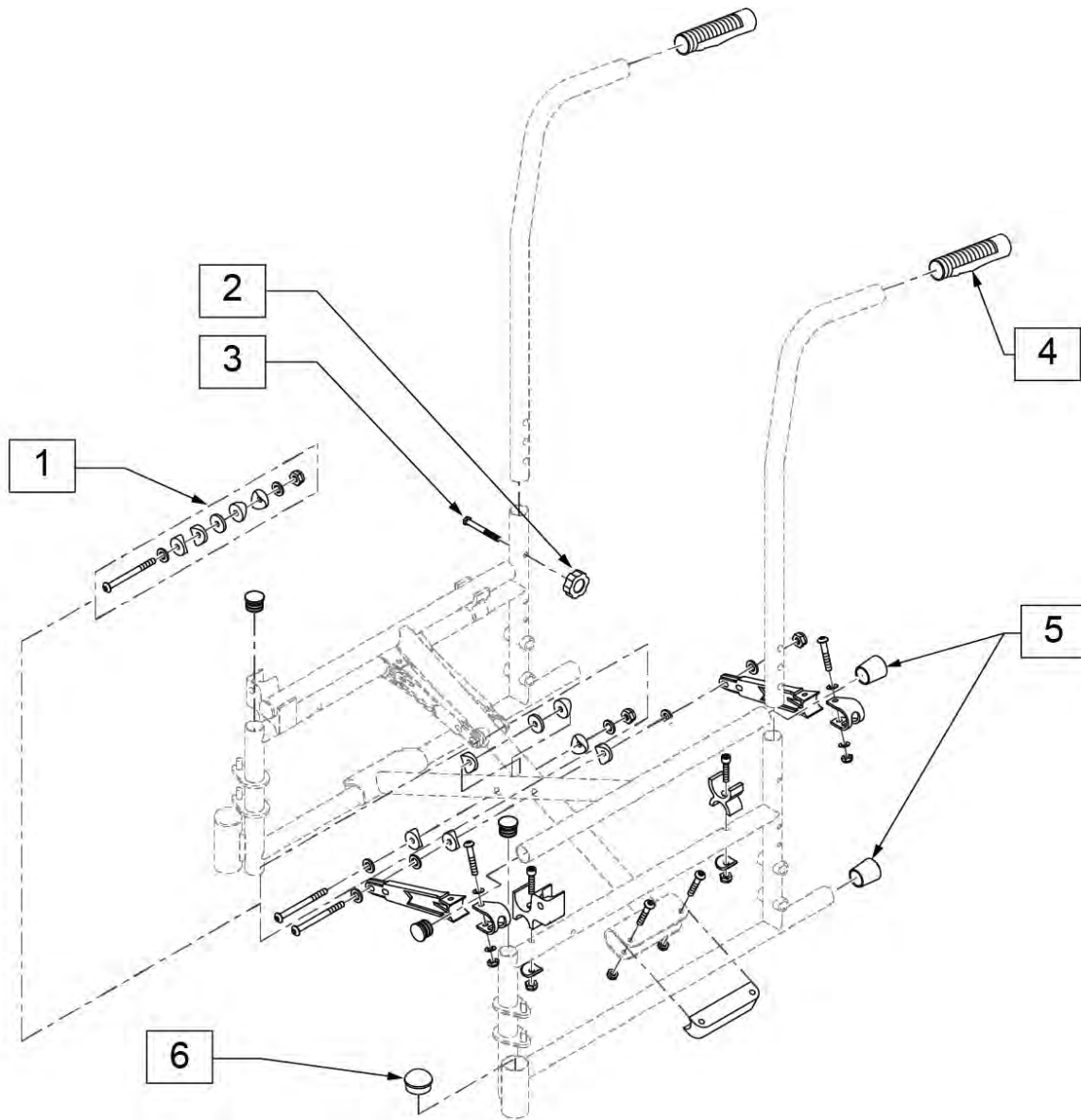
Pos.	Item Number	Description	Remarks
1A	GEY-216RRFR	2K FRAME ASSM 16"	2000 (16 WIDE)
1A	GEY-218RRFR	2K FRAME ASSM 18"	2000 (18 WIDE)
1A	GEY-220RRFR	2K FRAME ASSM 20"	2000 (20 WIDE)
1B		16" FRAME DISCONTINUED	OBSOLETE
1B	GEY-318FR	18"3000 FRAME ASSEMBLY	3000 (18 WIDE)
1B	GEY-320FR	20"3000 FRAME ASSEMBLY	3000 (20 WIDE)
4	GEY-CASC	CASTER HOUSING CAPS	
5		BACK CANE HANDLES	OBSOLETE
6	GEY-STPC	STEPPER TUBE CAPS	
7	GEY-SRGUIDE	SEAT RAIL GUIDE	
2,3,8	GEY-CBOLT	1 CROSS BOLT & SPACERS	

Note: Replacement frames for the 26", 28", & 30" wide EC2000 are not available as a replacement part.



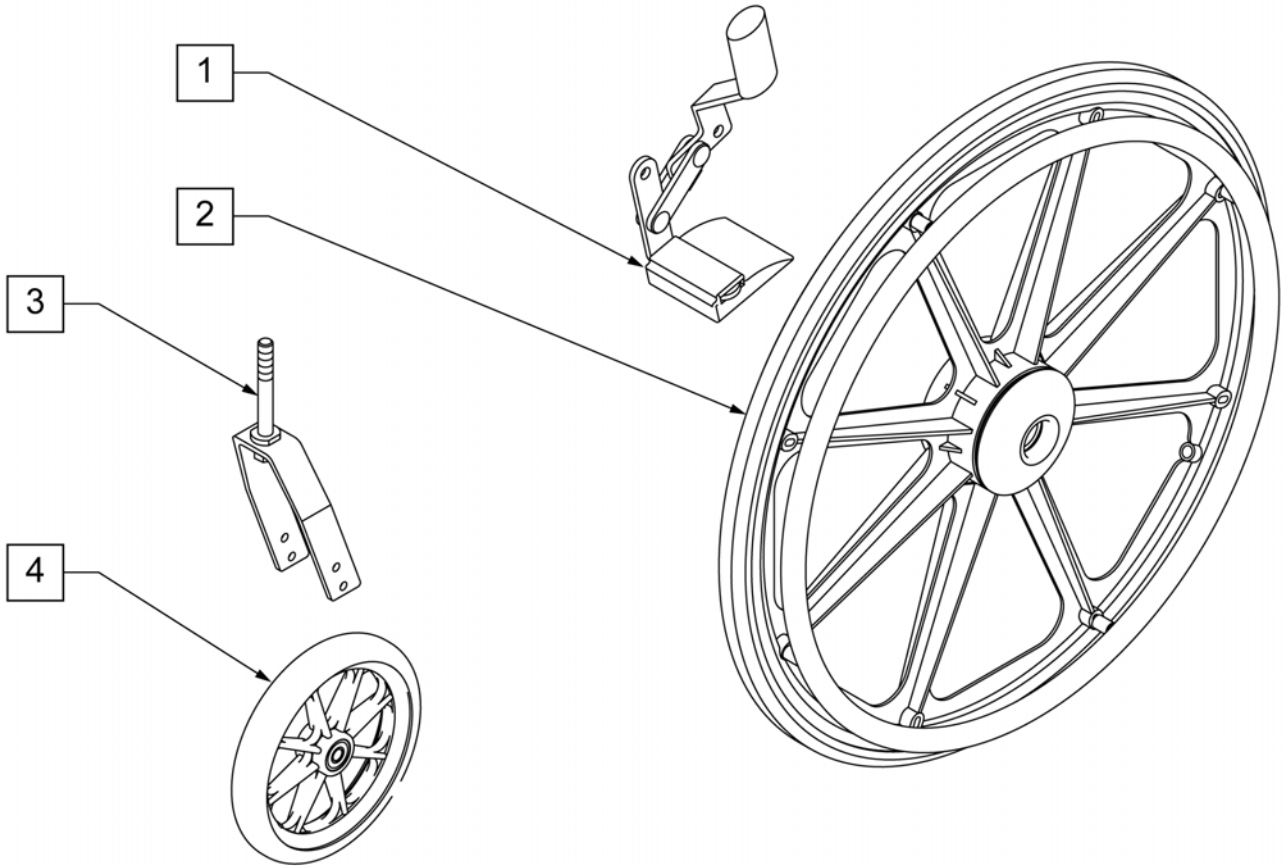
Pos.	Item Number	Description	Remarks
1	GEY-222HDFR	22"2000 FRAME ASSEMBLY	FOR 22" WIDE CHAIRS
1	GEY-224HDFR	24"2000 FRAME ASSEMBLY	FOR 24" WIDE CHAIRS
4	GEY-CASC	CASTER HOUSING CAPS	
5		BACK CANE HANDLES	OBSOLETE
6	GEY-STPC	STEPPER TUBE CAPS	

Note: Replacement Frame and Push Handles for the EC 4000 Recliner are not available as replacement parts.

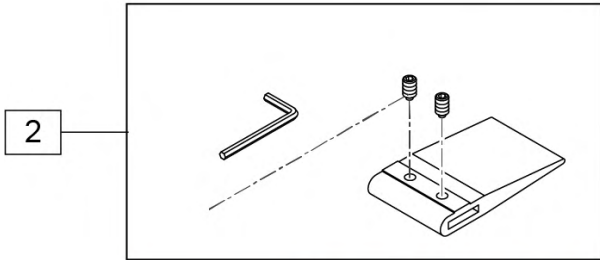
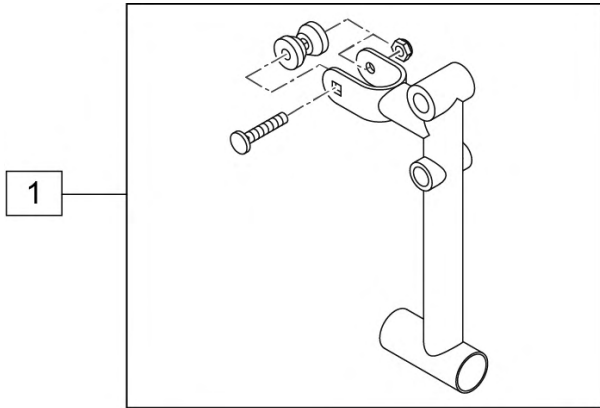


Pos.	Item Number	Description	Remarks
1	GEY-4CBOLT	1" CROSSBOLT PLUS SPACERS	4000
2,3	GEY-4HAB1	4000 ADJ KNOBS W/ BOLTS	
4		BACK CANE HANDLES	OBSOLETE
5	GEY-STPC	STEPPER TUBE CAPS	
6	GEY-CASC	CASTER HOUSING CAPS	

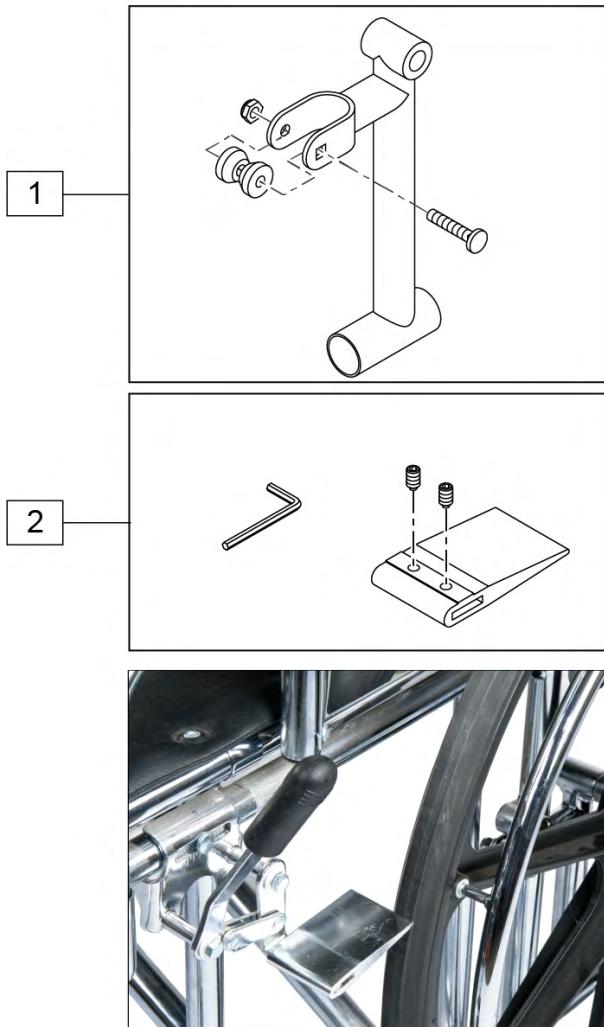
NOTE: Super Hemi Kit includes QTY (2) 20" Wheel Assemblies; QTY (2) 6" Casters; QTY (2) Forks; & QTY (2) Amputee Wheel Lock Extensions.



Pos.	Item Number	Description	Remarks
1	GEY-WDG	AMPUTEE WHEEL LOCK EXTENSION	
1-4	GEY-SHEMI	SUPER HEMI KIT	LOWERS TO 15 3/4" SEAT HEIGHT.

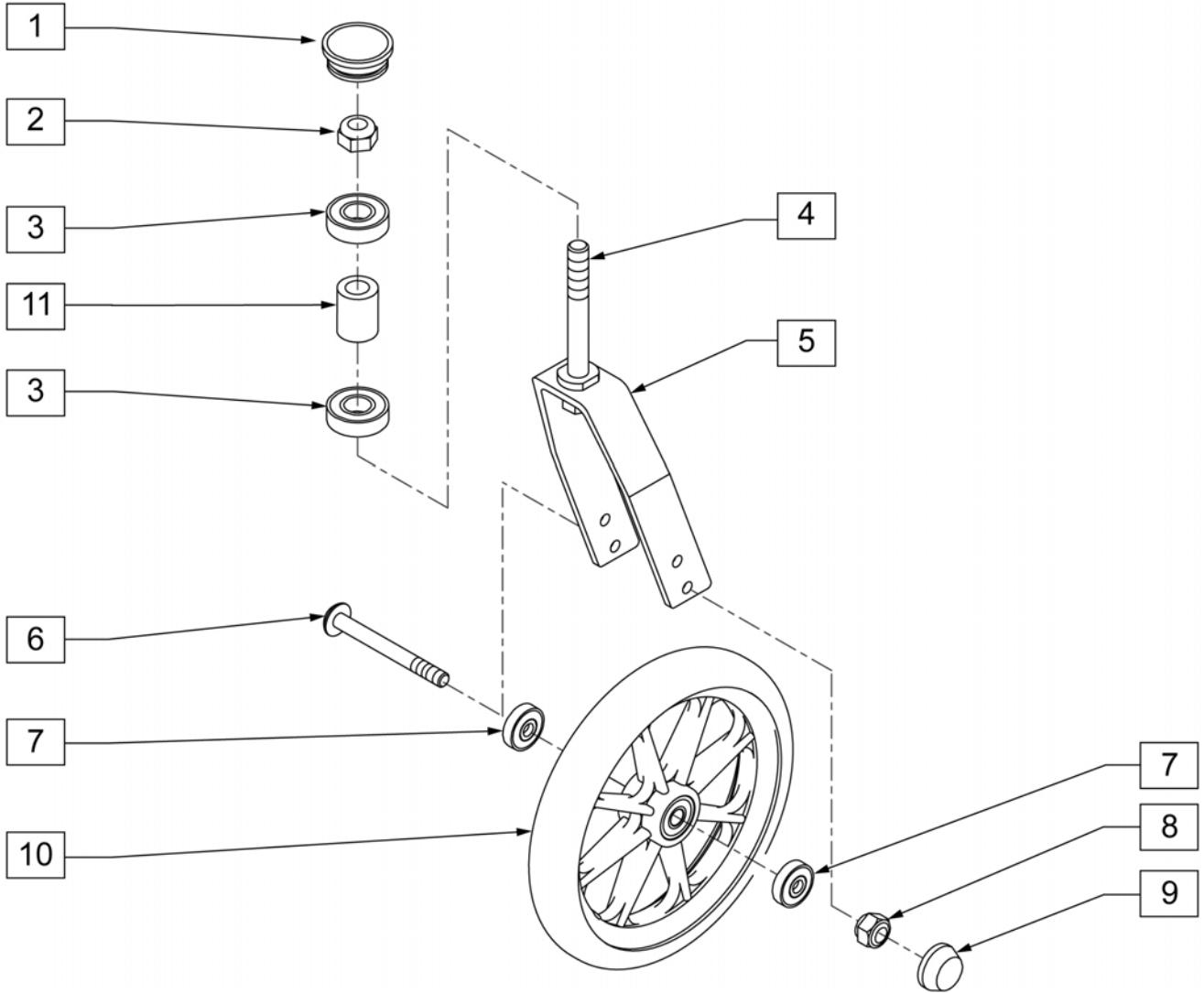


Pos.	Item Number	Description	Remarks
1	GEY-AMP	EC AMPUTEE AXLE PLATE	
2	GEY-WDG	AMPUTEE WHEEL LOCK EXTENSION	MUST BE USED W/ AMPUTEE AXLE PLATE



Pos.	Item Number	Description	Remarks
1	GEY-HDAMP	HEAVY DUTY AMPUTEE AXLE PLATE	WORKS WITH 22" & 24" WIDE CHAIRS ONLY
2	GEY-WDG	AMPUTEE WHEEL LOCK EXTENSION	MUST BE USED W/ AMPUTEE AXLE PLATE

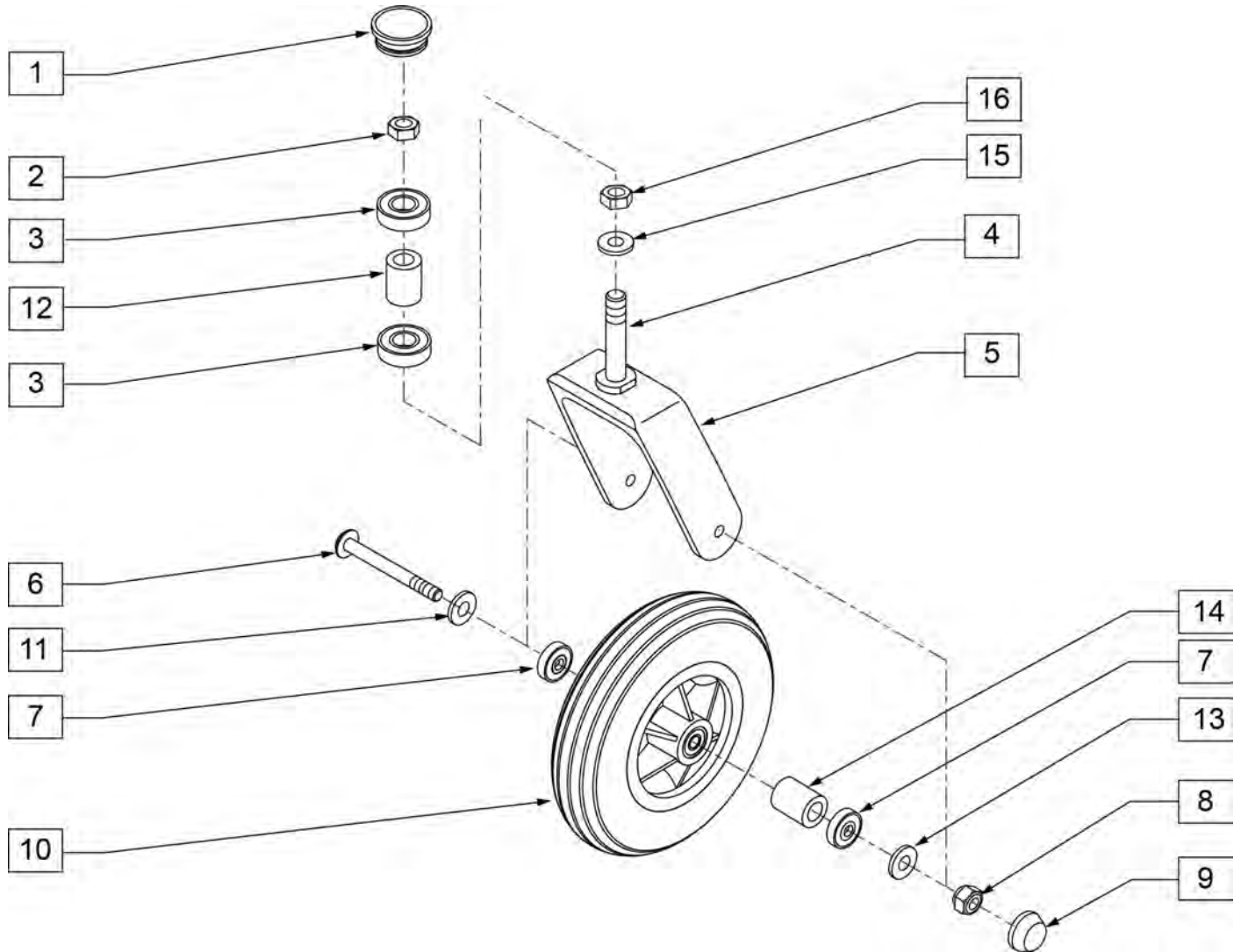
NOTE: ITEM 2 REQUIRES A 19mm SOCKET TO REMOVE



Pos.	Item Number	Description	Remarks
1	GEY-CASC	CASTER HOUSING CAPS	20 PER BAG
2	N/A	CASTER STEM LOCK NUT	M8 X 1.25 LOCKING NUT
3, 11	GEY-CASTJR	CAST JOURNAL BEAR & SLEEVE	PAIR INCLUDES 4 BEARINGS AND 2 SLEEVES; BEARING SIZE = 28mm X 12mm X 8mm
6-8	GEY-CASTBR	CASTER BEARINGS	INCLUDES 2 NUTS, 2 BOLTS, 2 SPACERS, 4 BEARINGS; BEARING SIZE=28mm X 12mm X 8mm
9	N/A	CASTER TIR BOLT CAP	ONLY AVAILABLE IN COMPLETE FORK ASSEMBLY
1-11	GEY-2CA	CASTER FORK ASSM	PAIR

NOTE: ITEM 10 MEASURES 8" X 1.83".

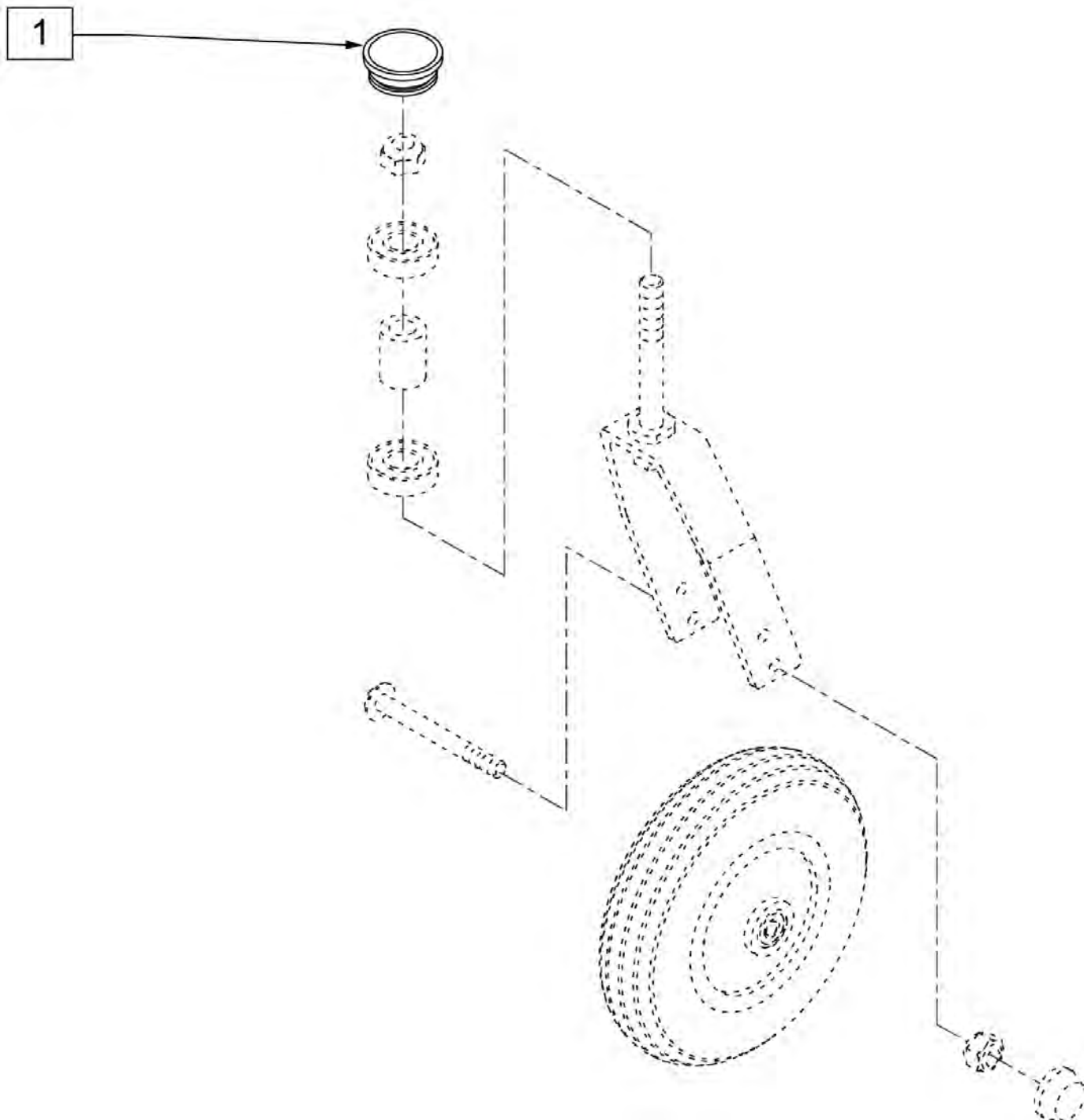
NOTE: ITEM 2 REQUIRES A 19mm SOCKET TO REMOVE.



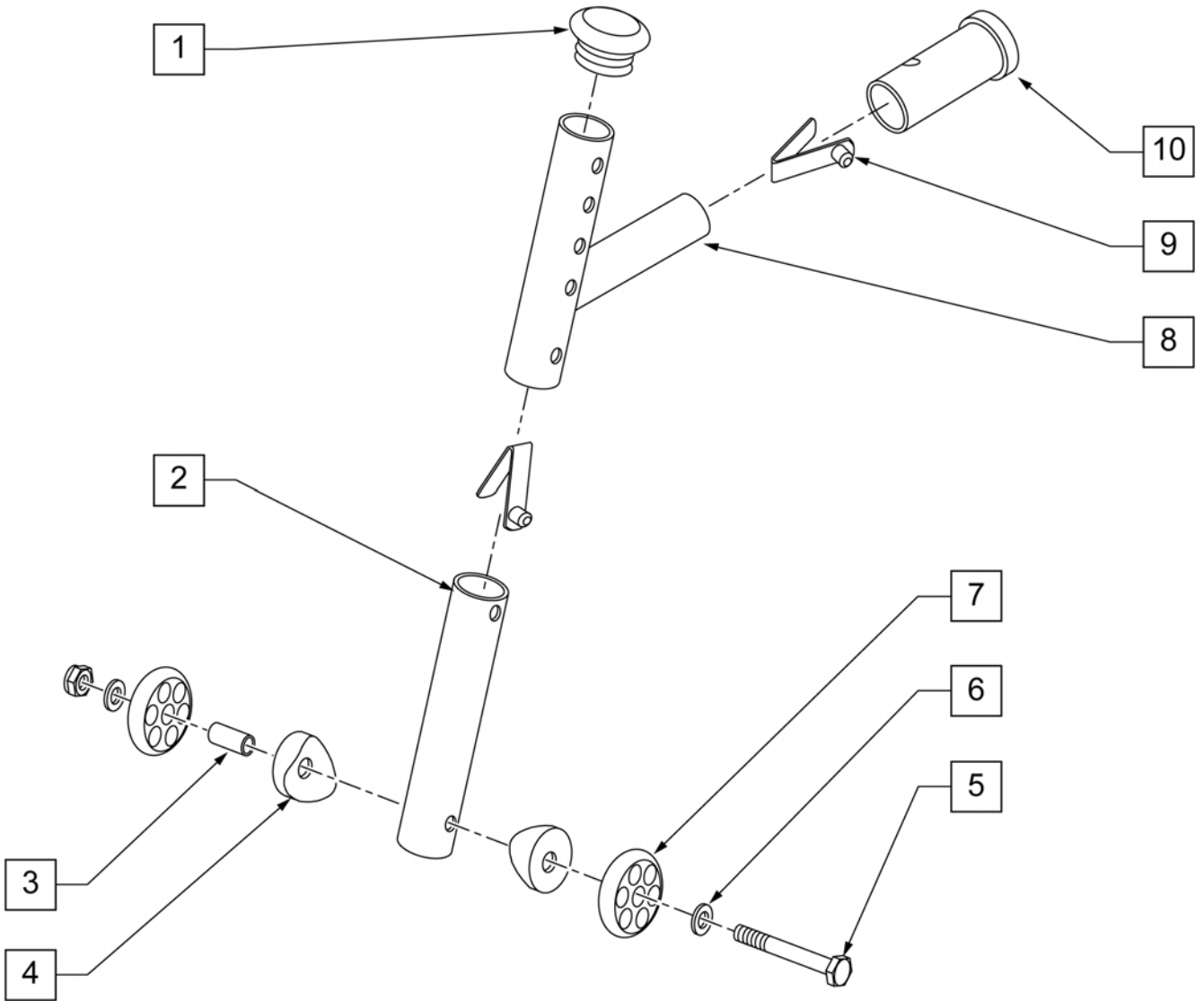
Pos.	Item Number	Description	Remarks
1	GEY-CASC	CASTER HOUSING CAPS	20 Per Bag
2	N/A	CASTER STEM LOCK NUT	M8 X 1.25 LOCKING NUT
3,12	GEY-CASTJR	CAST JOURNAL BEAR & SLEEVE	PAIR INCLUDES 4 BEARINGS AND 2 SLEEVES - BEARING SIZE = 28mm X 12mm X 8mm
6-8	GEY-CASTBR	CASTER BEARINGS	INCLUDES 2 NUTS, 2 BOLTS, 2 SPACERS, 4 BEARINGS; BEARING SIZE=28mm X 12mm X 8mm
9	N/A	CASTER TIR BOLT CAP	ONLY AVAILABLE IN COMPLETE FORK ASSEMBLY
1-16	GEY-2HDCA	CASTER ASSM	PAIR

Note: obsolete parts - no longer available.

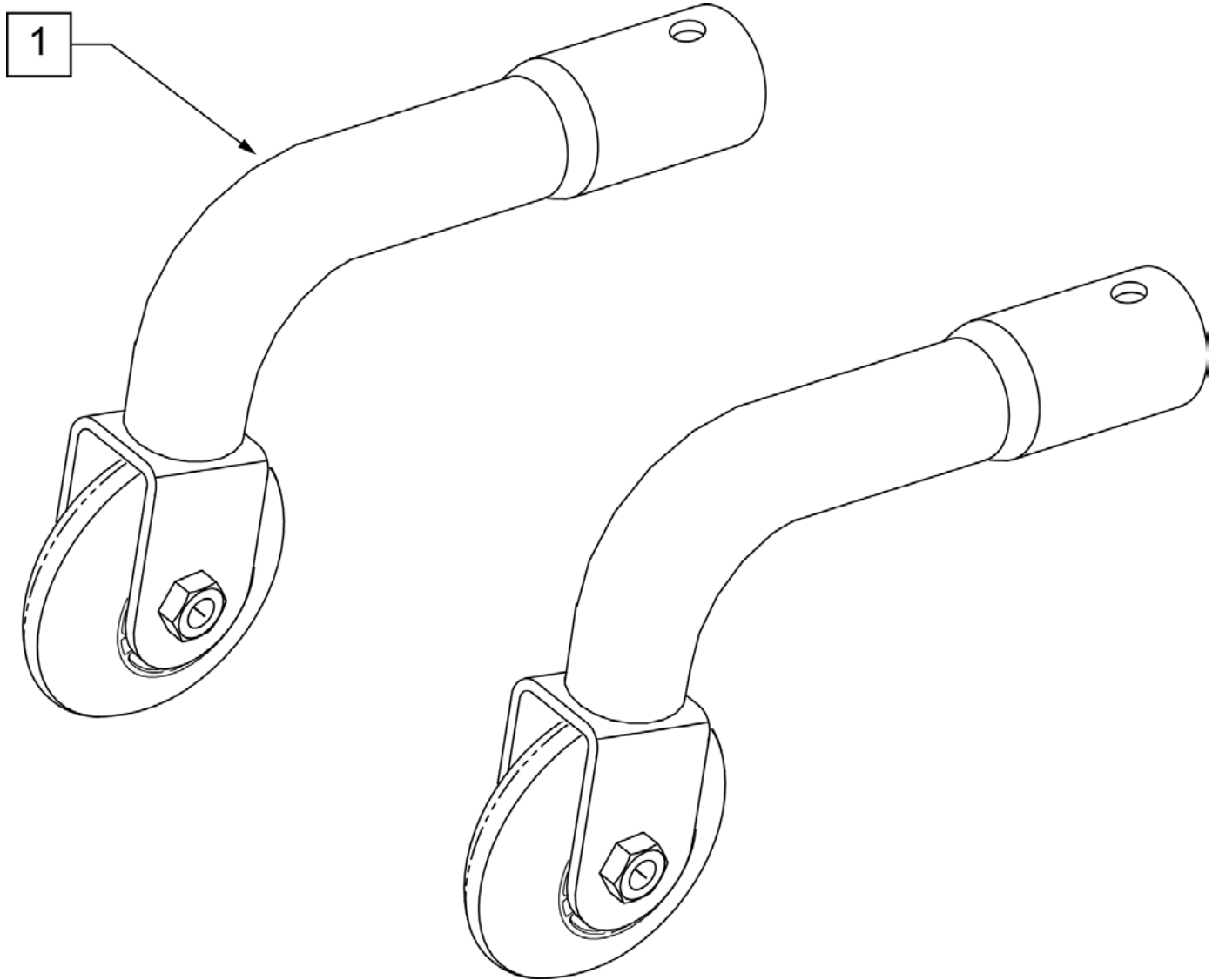
Note: obsolete parts - no longer available



Pos.	Item Number	Description	Remarks
1	GEY-CASC	CASTER HOUSING CAPS	20 PER BAG

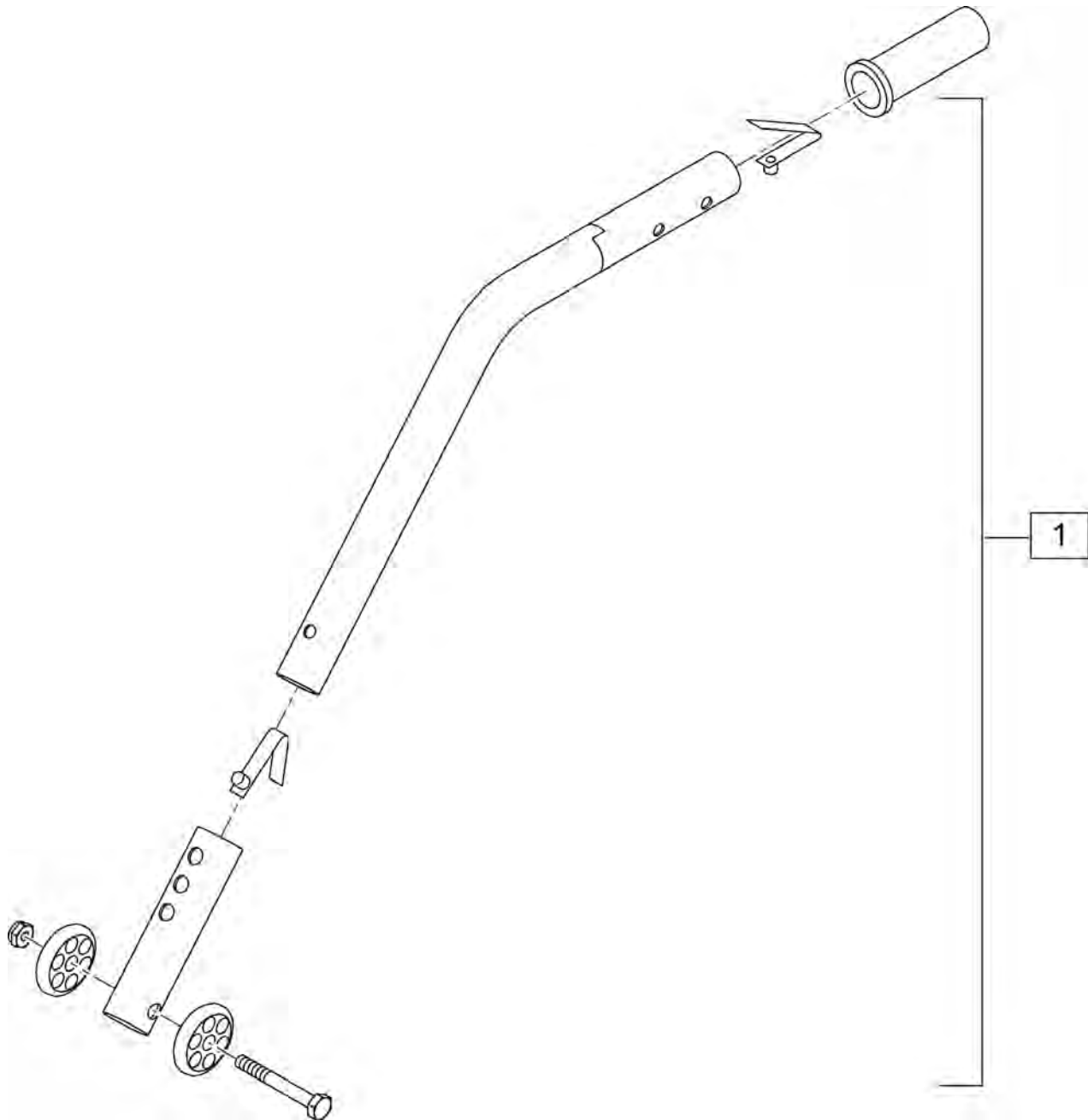


Pos.	Item Number	Description	Remarks
1-9	GEY-ATL	REAR ANTI TIPPER ADJUST	PAIR; FITS 2000, 2000HD (22" & 24"), & 3000
1-10	GEY-4ATL	REAR ANTI TIPPER SUPER HEMI	PAIR; FITS 4000 W/ SUPER HEMI KIT

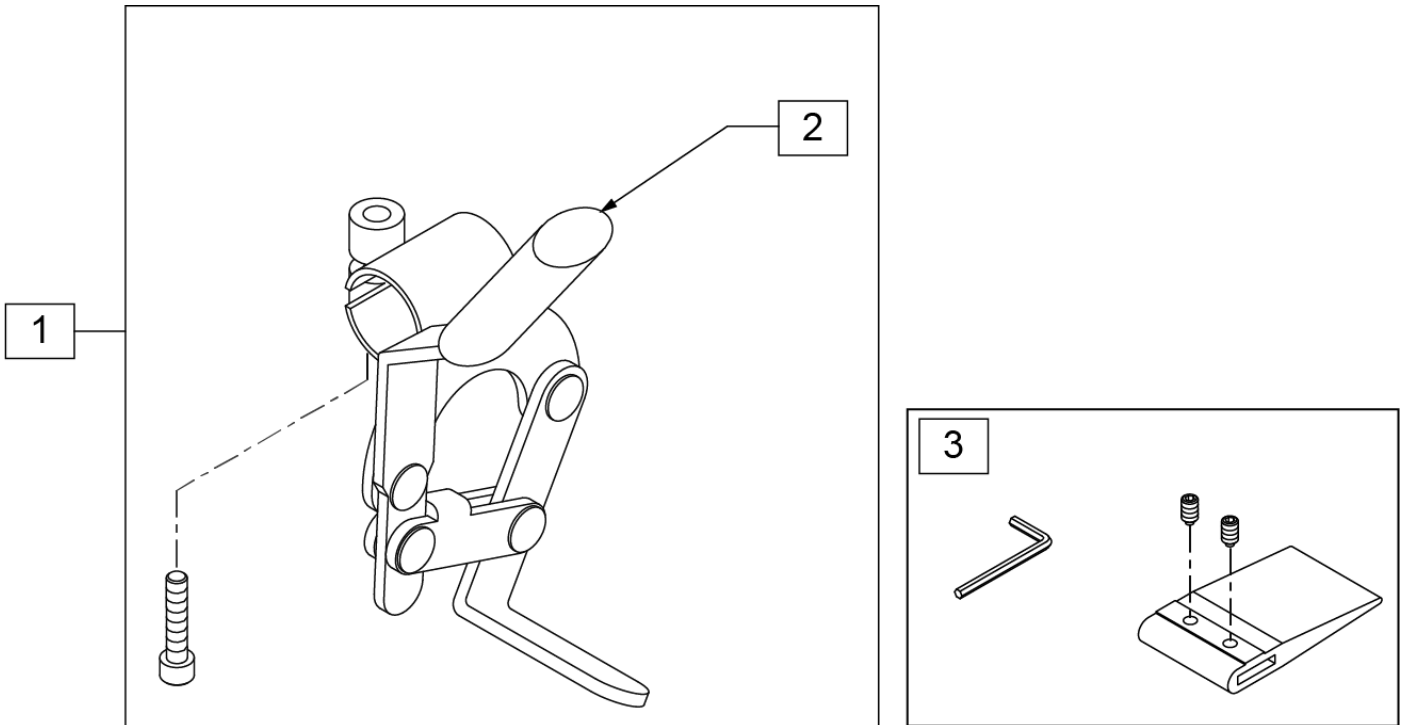


Pos.	Item Number	Description	Remarks
1	GEY-AT	EC REAR ANTI TIPPERS	PAIR - FITS (1000, 2000, 2000HD (22" & 24"), & 3000

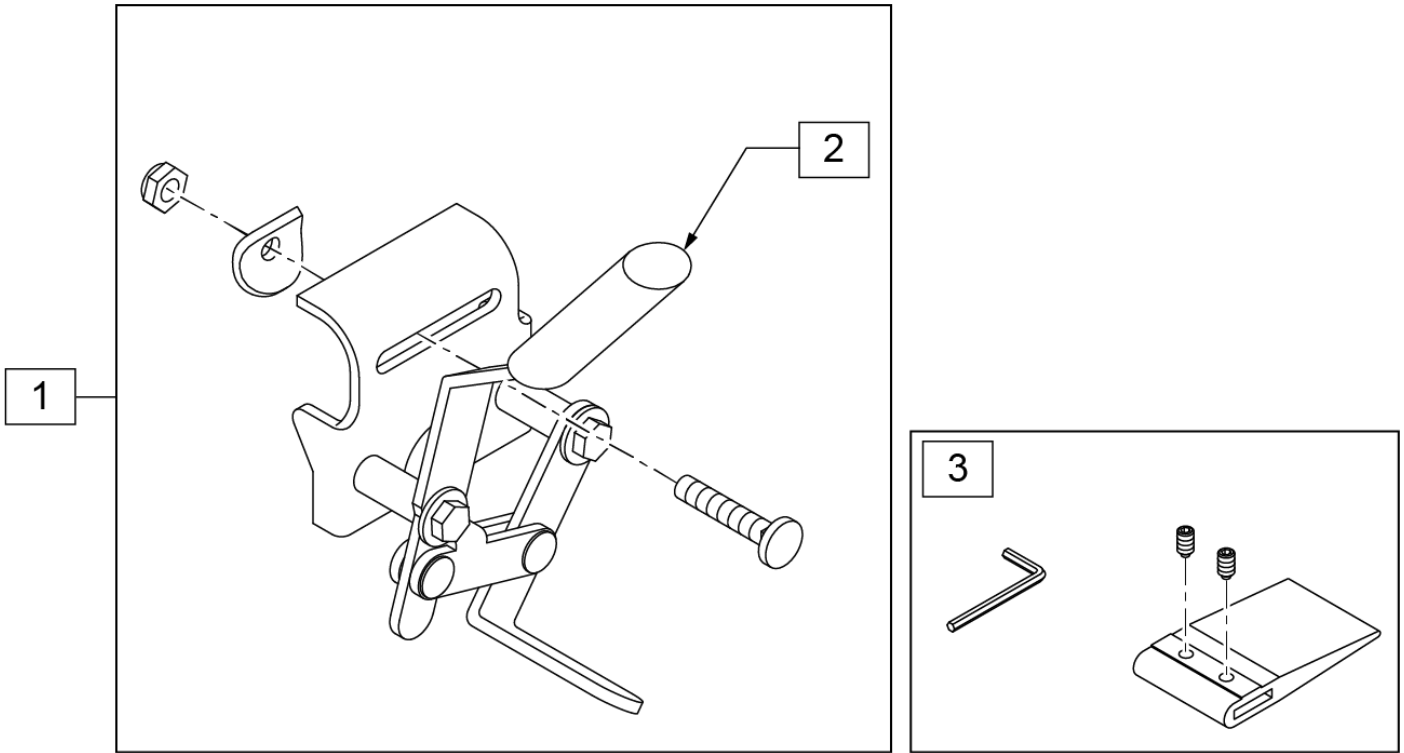
NOTE: IF CHAIR IS EQUIPPED WITH SUPER HEMI KIT REFER TO "ADJUSTABLE REAR ANTI-TIP (1000,2000,2000HD,3000,4000)" PARTS MANUAL PAGE FOR REPLACEMENT PART.



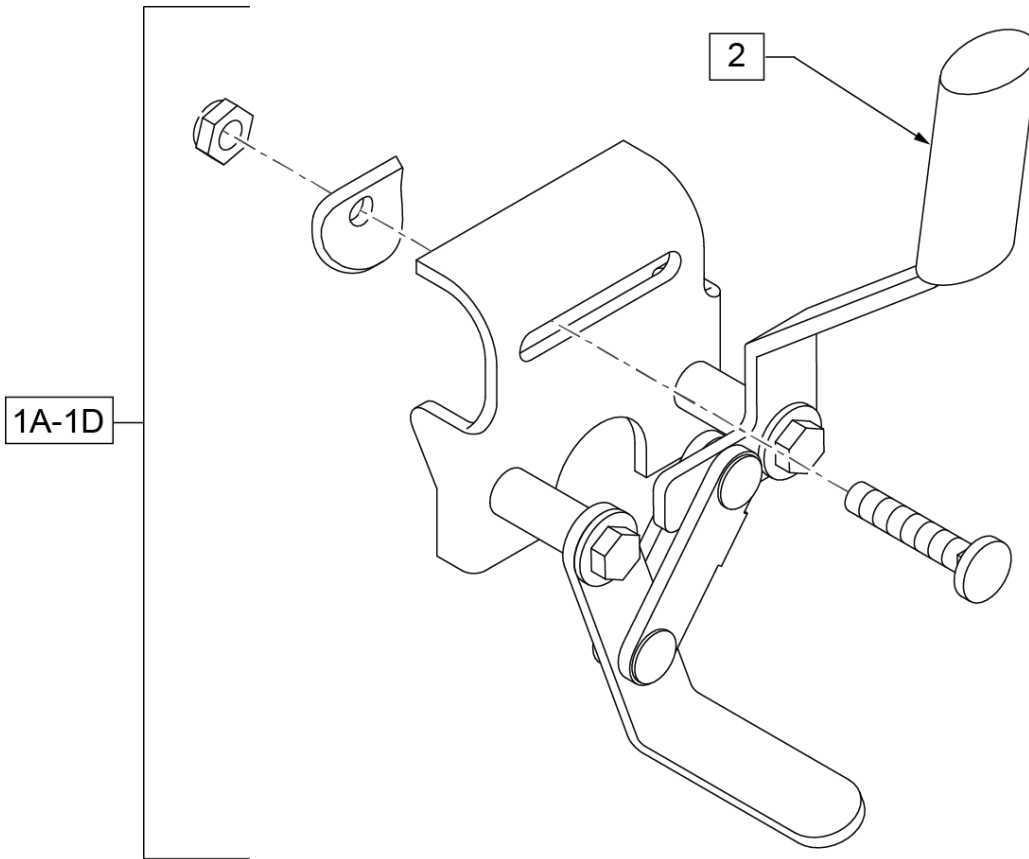
Pos.	Item Number	Description	Remarks
1	GEY-4AT	REAR ANTI-TIPS	FITS 4000 ONLY W/O SUPER HEMI KIT



Pos.	Item Number	Description	Remarks
1	GEY-1WL	WHEEL LOCK	PAIR
2	GEY-BRAKEHD	BRAKE HANDLE	
3	GEY-WDG	AMPUTEE WHEEL LOCK EXTENSION	MUST BE USED W/ AMPUTEE AXLE PLATE

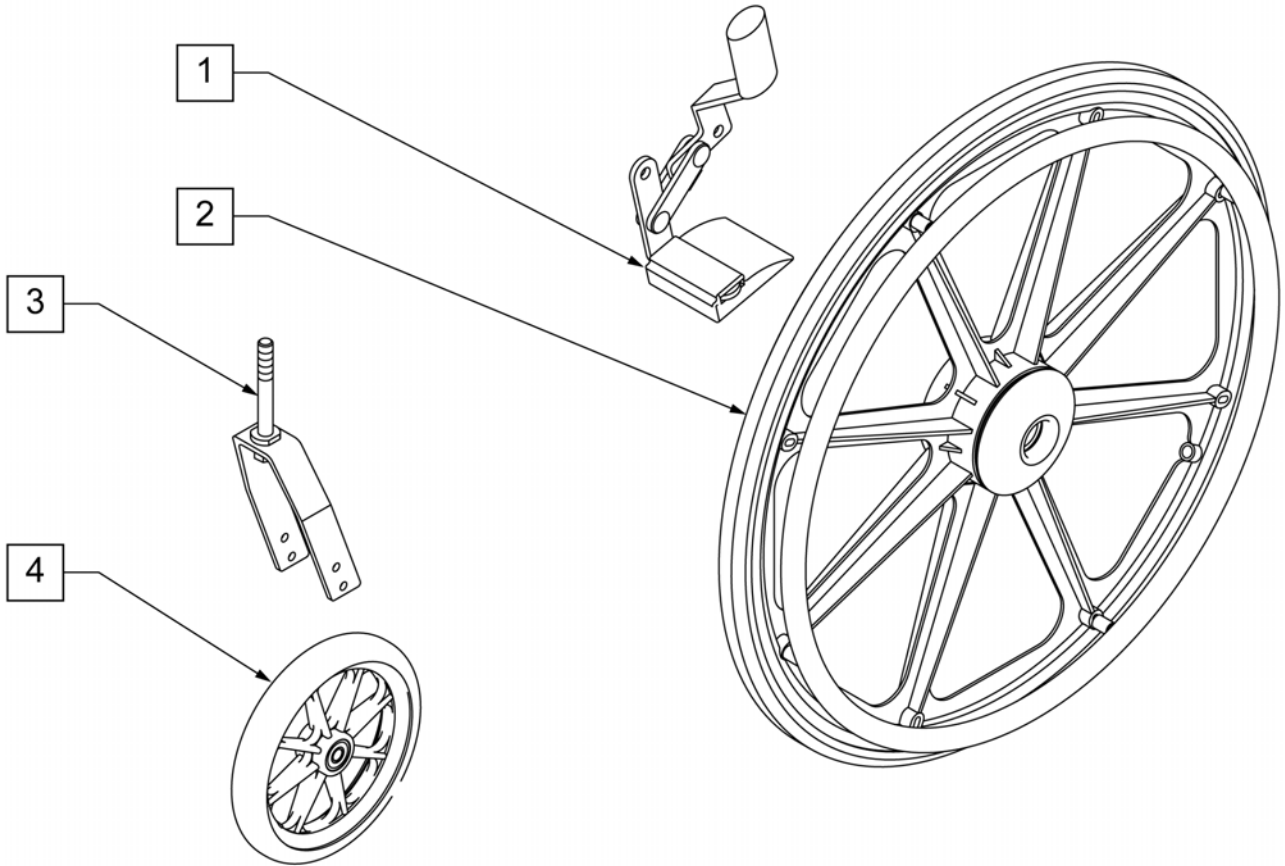


Pos.	Item Number	Description	Remarks
1	GEY-2WL	WHEEL LOCK PUSH-TO-LOCK	PAIR PUSH-TO-LOCK COMES STANDARD FOR CHAIRS W/O ELR'S
1	GEY-2WL1	WHEEL LOCK PULL-TO-LOCK	PAIR PULL-TO-LOCK USE W/ ELR'S
2	GEY-BRAKEHD	BRAKE HANDLE	
3	GEY-WDG	AMPUTEE WHEEL LOCK EXTENSION	MUST BE USED W/ AMPUTEE AXLE PLATE



Pos.	Item Number	Description	Remarks
1A	GEY-4WL	WHEEL LOCK PULL-TO-LOCK	Pair- use with ELRs
1B	GEY-4WLPUSH	WHEEL LOCK PUSH-TO-LOCK	Pair-comes std for chairs w/o ELRs
1C	GEY-4RWL	4000R PULL TO LOCK WHEELLOCK	Pair- Use with ELRs & Recline option
1D	GEY-4RWLPUSH	4000R PUSH TO LOCK WHEELLOCK	Pair-Std for chairs w/o ELRs & Recline option
2	GEY-BRAKEHD	BRAKE HANDLE	

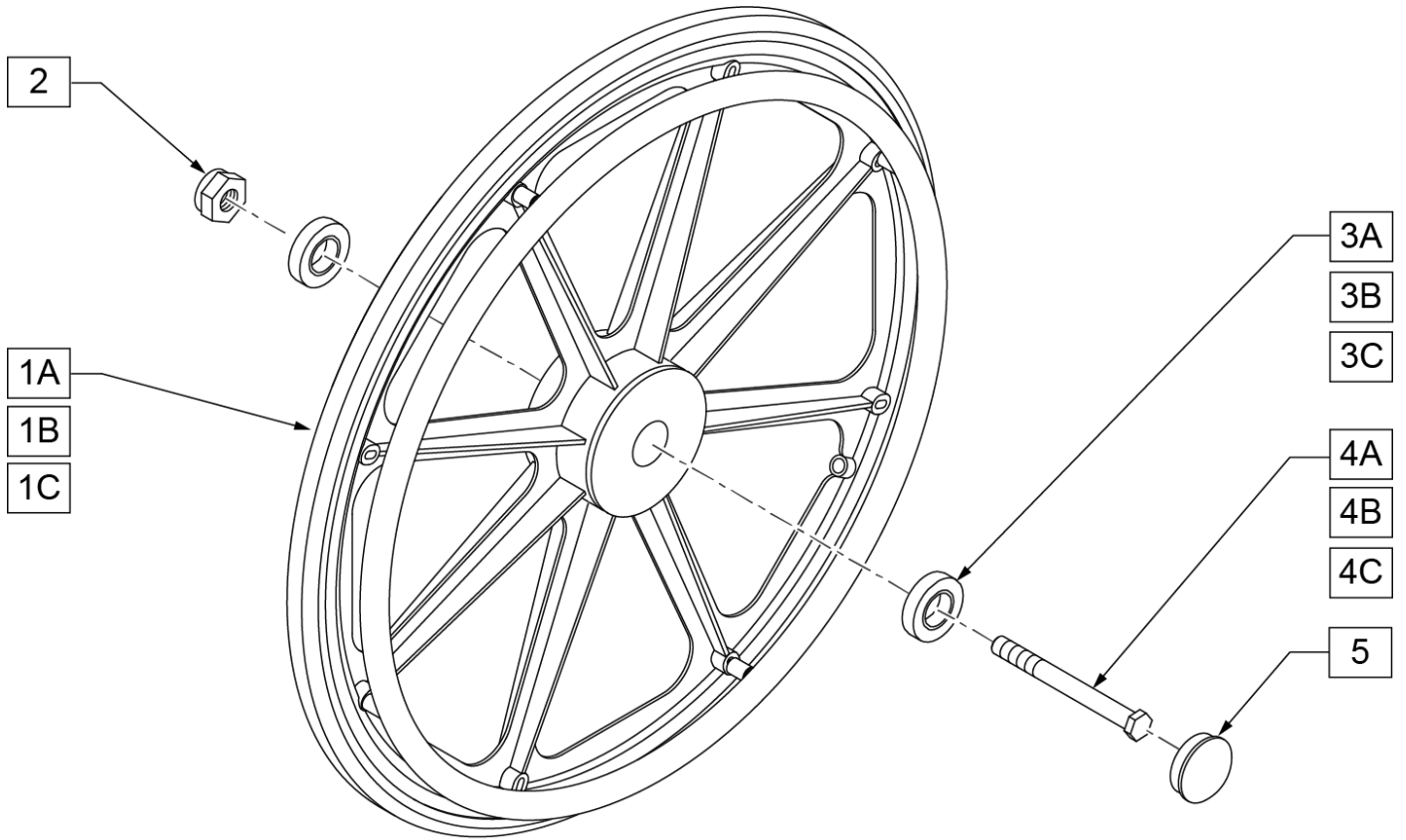
NOTE: Super Hemi Kit includes QTY (2) 20" Wheel Assemblies; QTY (2) 6" Casters; QTY (2) Forks; & QTY (2) Amputee Wheel Lock Extensions.



Pos.	Item Number	Description	Remarks
1	GEY-WDG	AMPUTEE WHEEL LOCK EXTENSION	
1-4	GEY-SHEMI	SUPER HEMI KIT	LOWERS TO 15 3/4" SEAT HEIGHT.

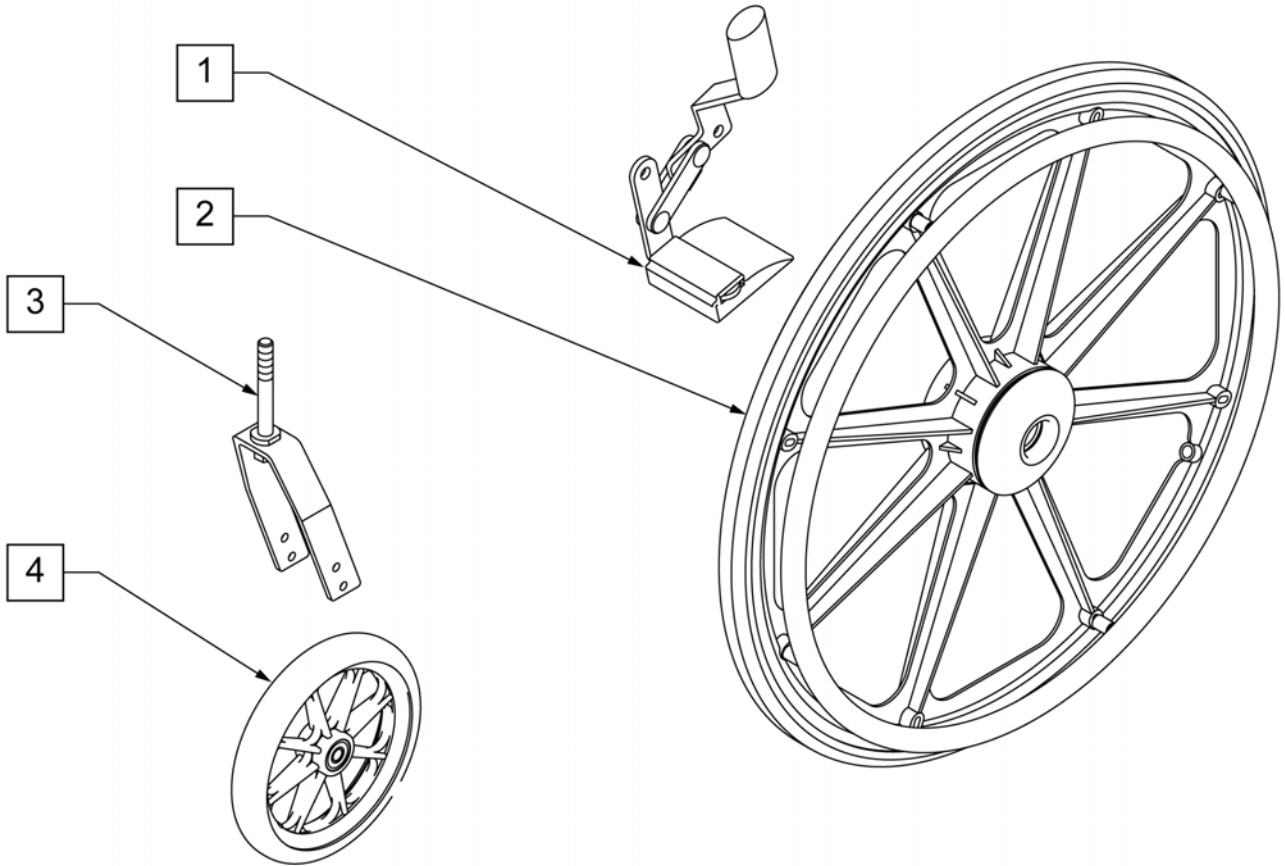
NOTE: TOOLS REQUIRED TO REMOVE AXLE ARE 22MM WRENCH AND 19MM WRENCH.

NOTE: THERE IS A 1.3" GAP BETWEEN THE WHEEL AND HANDRIM.



Pos.	Item Number	Description	Remarks
1A	GEY-1WA	1 x 24 REAR WHEEL ASSM, COMP RIM, BLK TIRE	EACH - 1000 2000 3000 - LOW POLY TIRE
1B	GEY-2HDWA	1 x 24 REAR WHEEL ASSM, CHROME RIM, BLK TIRE	EACH - 2000HD EXTRA WIDE (22" & 24" WIDE) - FULL POLY TIRE
1C	GEY-4WA	1 x 24 REAR WHEEL ASSM, ALUM RIM, BLK TIRE	EACH - 4000 - FULL POLY TIRE
3A	GEY-AXLEB	AXLE BEARINGS	PAIR - 1000,2000,3000,4000 - BEARING SIZE 37mm X 12mm
3B	GEY-AXLEBR	AXLE BEARINGS	PAIR - 1000,2000,3000,4000 - BEARING SIZE 32mm X 12mm
3C	GEY-AXLEBHD	AXLE BEARINGS	PAIR - 2000HD - BEARING SIZE 36mm X 15mm
2, 4A	GEY-AXLE	AXLE AND NUT	PAIR - 1000,2000,3000,(4000 S/N prefix A or E)- 12mm Dia,128 mm long
2, 4B	GEY-AXLEHD	AXLE AND NUT	PAIR - 2000HD - 138.5mm Long - 15mm Dia
2,4C	GEY-AXLE4	EC 4000 REAR AXLE KIT	PAIR - use w/ 20W 4000 S/N prefix A or E Only.
2,4D	127084	BREEZY EC4000 AXLE KIT JM1618	PAIR - use in 16"&18" 4000 chairs with S/N prefix JM
2,4E	127085	BREEZY EC4000 AXLE KIT JM20	PAIR - use in 20" 4000 chairs with S/N prefix JM
5		AXLE DUST CAPS	OBSOLETE

NOTE: Super Hemi Kit includes QTY (2) 20" Wheel Assemblies; QTY (2) 6" Casters; QTY (2) Forks; & QTY (2) Amputee Wheel Lock Extensions.



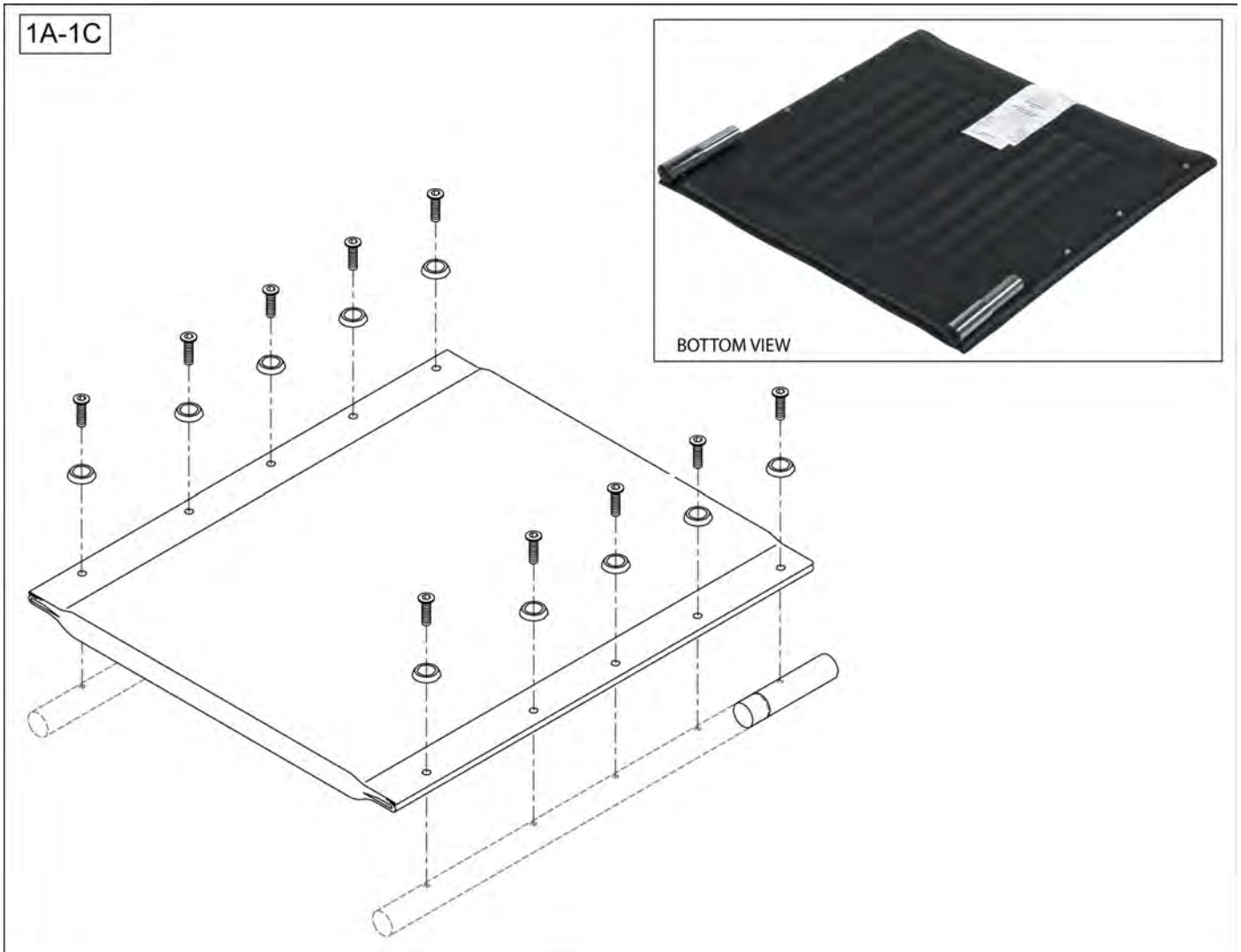
Pos.	Item Number	Description	Remarks
1	GEY-WDG	AMPUTEE WHEEL LOCK EXTENSION	
1-4	GEY-SHEMI	SUPER HEMI KIT	LOWERS TO 15 3/4" SEAT HEIGHT.

NOTE: PART NUMBERS BELOW INCLUDE 2" SEAT EXTENSION AND UPHOLSTERY.

NOTE: THE 2" SEAT EXTENSION IS NO LONGER OFFERED ON 4000 MODEL CHAIRS THAT ARE 20" WIDE.

NOTE: THE 2" SEAT EXTENSION DOES NOT WORK WITH CHAIRS EQUIPPED WITH FIXED ARMREST.

NOTE: if retrofitting to a chair with Elevating Legrests, the Low Profile Composite Elevating Legrest is required. Order part number GEY-ELRCLP (LOW PROFILE ELR).



Pos.	Item Number	Description	Remarks
>>>>		4000 SERIES	
	GEY-4SREXT16	2" SEAT EXTENSION ASSM FOR 16" WIDE CHAIRS	4000 SERIES NYLON
	GEY-4SREXT18	2" SEAT EXTENSION ASSM FOR 18" WIDE CHAIRS	4000 SERIES NYLON
>>>>		2000 SERIES	
	GEY-2SREXT16	2" SEAT EXTENSION ASSM FOR 16" WIDE CHAIRS	2000 SERIES VINYL
	GEY-2SREXT18	2" SEAT EXTENSION ASSM FOR 18" WIDE CHAIRS	2000 SERIES VINYL
	GEY-2SREXT20	2" SEAT EXTENSION ASSM FOR 20" WIDE CHAIRS	2000 SERIES VINYL

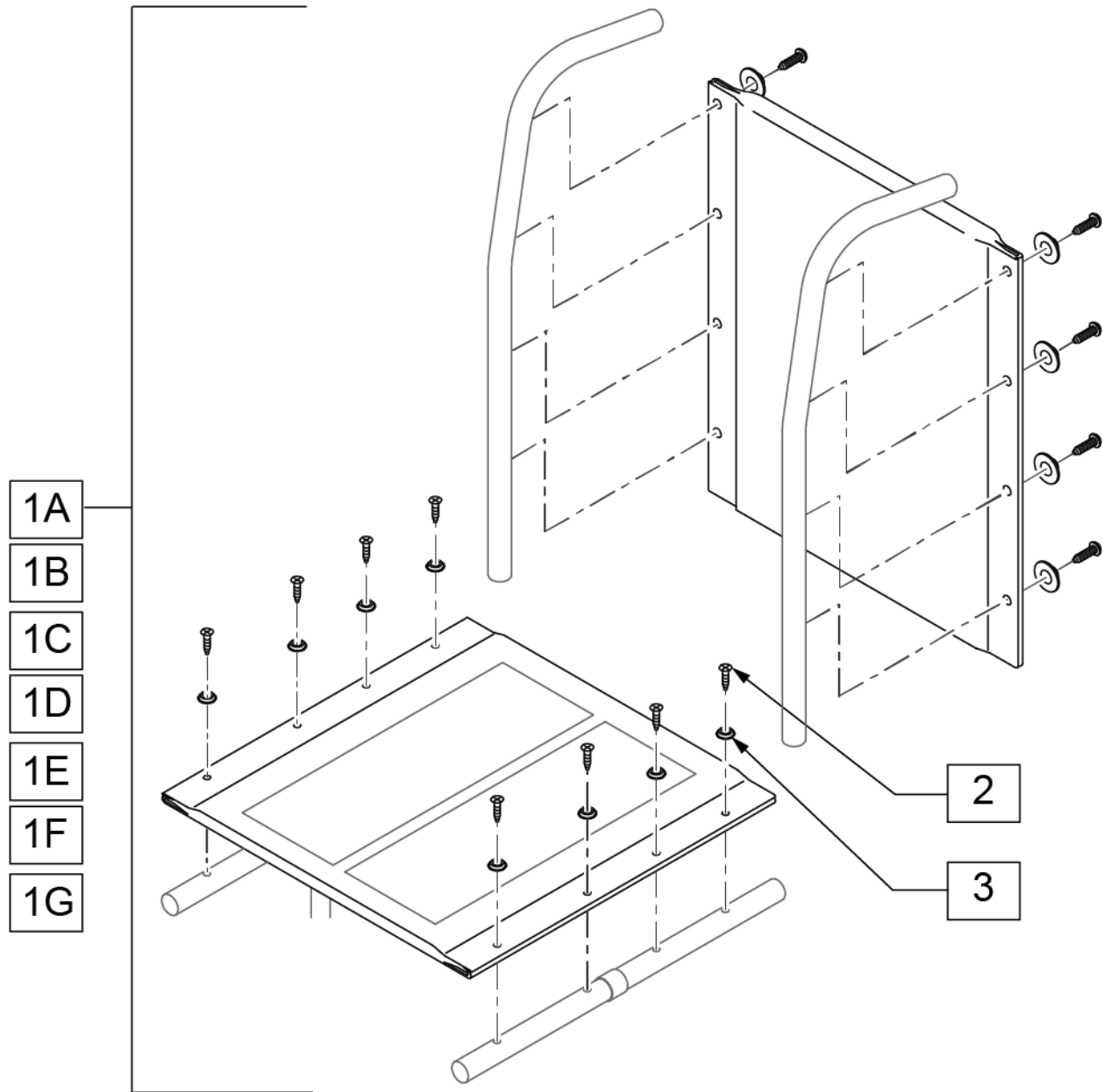
Note: 2000HD chairs have 5 screws per side to attach the seat upholstery; all other chairs use 4 per side.

Note: Burgundy and Blue upholstery is no longer available and must be replaced with Black upholstery.

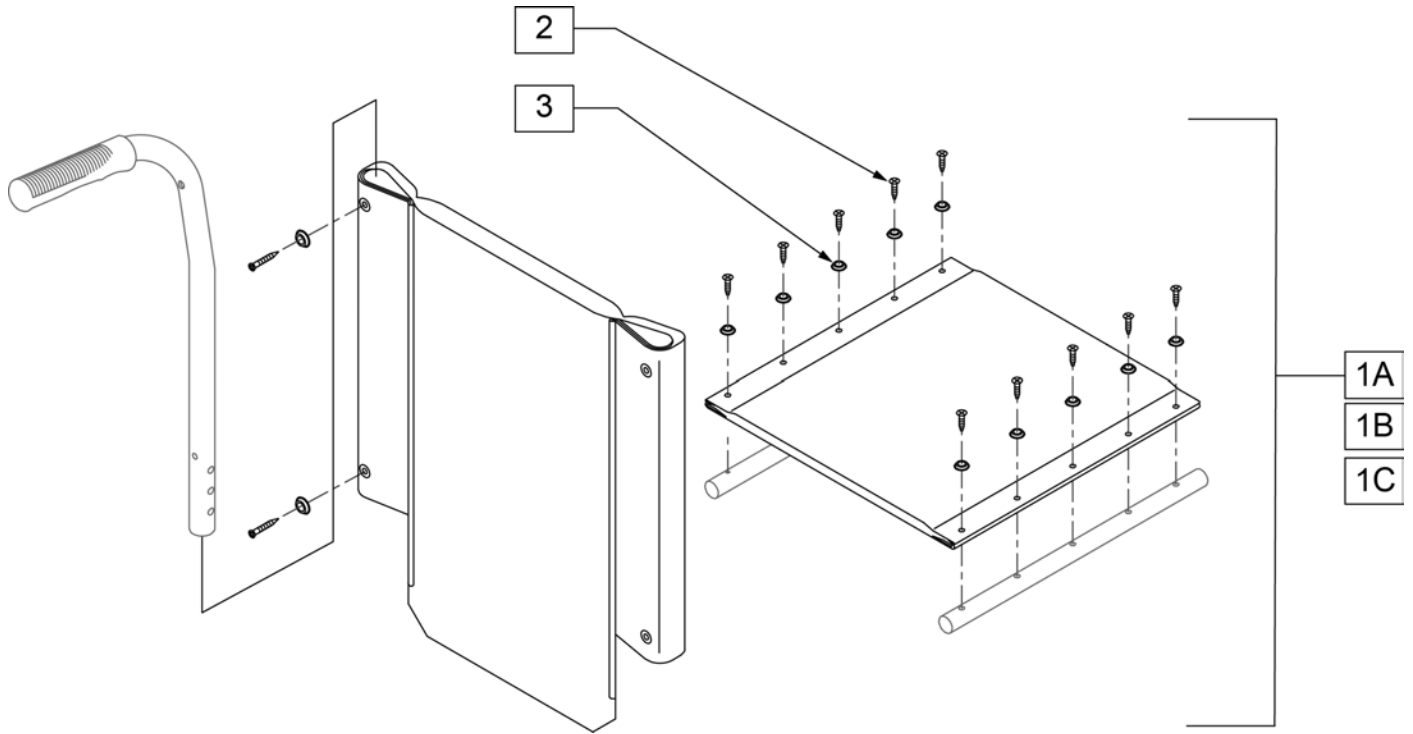
Note: Prior to August 2010, chairs used M5 screws. Chairs now use M6 screws. All upholstery ships with M6 screws assembled to seat, and M5 screws included with back hardware.

Note: As of August 2009 EC2000 Heavy Duty 26", 28" & 30" are obsolete; replacement seat and back upholstery in these sizes is obsolete; replacement parts are not available.

Note: Back Upholstery has a chart pocket.



Pos.	Item Number	Description	Remarks
1A	GEY-116UP	16 1000 BLACK VINYL UPHOLSTERY	1000 - 16 WIDE
1A	GEY-118UP	18 1000 BLACK VINYL UPHOLSTERY	1000 - 18 WIDE
1B	GEY-216UP	16 2000 BLACK VINYL UPHOLSTERY	2000 - 16 WIDE BLACK
1C		18 2000 BLACK VINYL UPHOLSTERY	OBSOLETE
1D	GEY-20RRUP	20 2000 BLACK VINYL UPHOLSTERY	2000 - 20 WIDE BLACK
1E	GEY-22HDUP	22 2000 BLACK VINYL UPHOLSTERY	2000HD - 22 WIDE BLACK
1F	GEY-24HDUP	24 2000 BLACK VINYL UPHOLSTERY	2000HD - 24 WIDE BLACK
1G	GEY-316UP	16 3000 BLACK NYLON UPHOLSTERY	3000 - 16 WIDE
1G	GEY-318UP	18 3000 BLACK NYLON UPHOLSTERY	3000 - 18 WIDE
1G	GEY-320UP	20 3000 BLACK NYLON UPHOLSTERY	3000 - 20 WIDE
2, 3	GEY-UPHHW	UPHOLSTERY HARDWARE	



Pos.	Item Number	Description
1A	GEY-416UP	16" BLACK NYLON UPHOLSTERY
1B	GEY-418UP	18" BLACK NYLON UPHOLSTERY
1C	GEY-420UP	20" BLACK NYLON UPHOLSTERY
2, 3	GEY-UPHHW	UPHOLSTERY HARDWARE

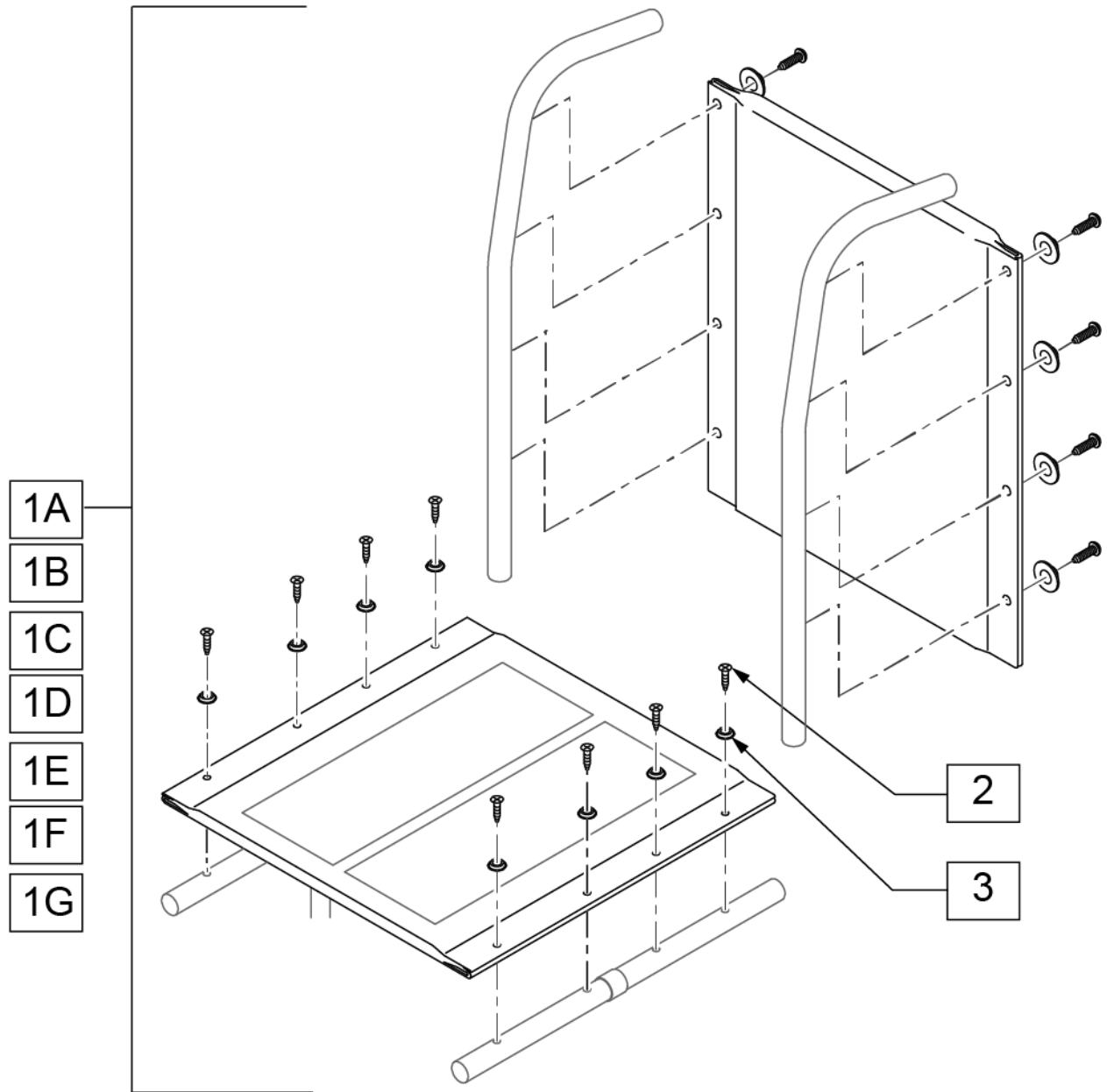
Note: 2000HD chairs have 5 screws per side to attach the seat upholstery; all other chairs use 4 per side.

Note: Burgundy and Blue upholstery is no longer available and must be replaced with Black upholstery.

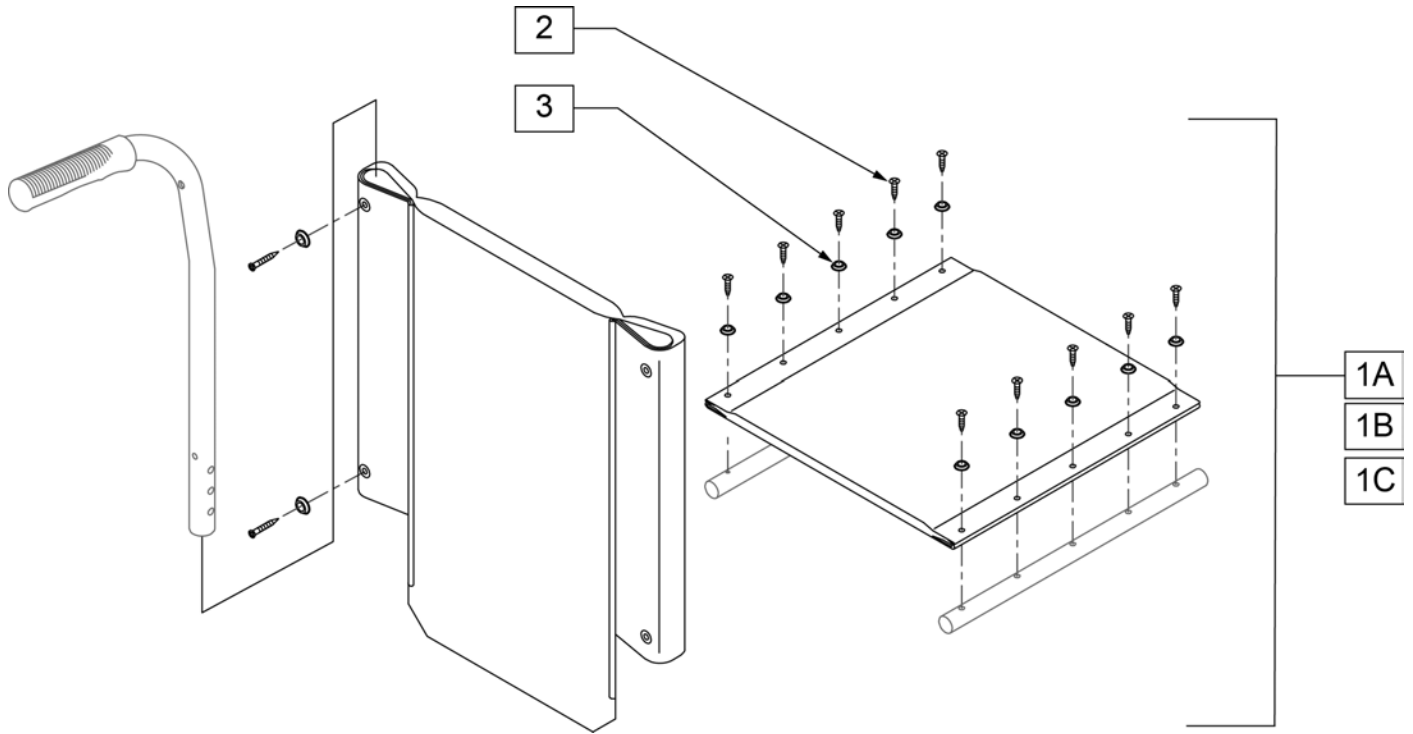
Note: Prior to August 2010, chairs used M5 screws. Chairs now use M6 screws. All upholstery ships with M6 screws assembled to seat, and M5 screws included with back hardware.

Note: As of August 2009 EC2000 Heavy Duty 26", 28" & 30" are obsolete; replacement seat and back upholstery in these sizes is obsolete; replacement parts are not available.

Note: Back Upholstery has a chart pocket.

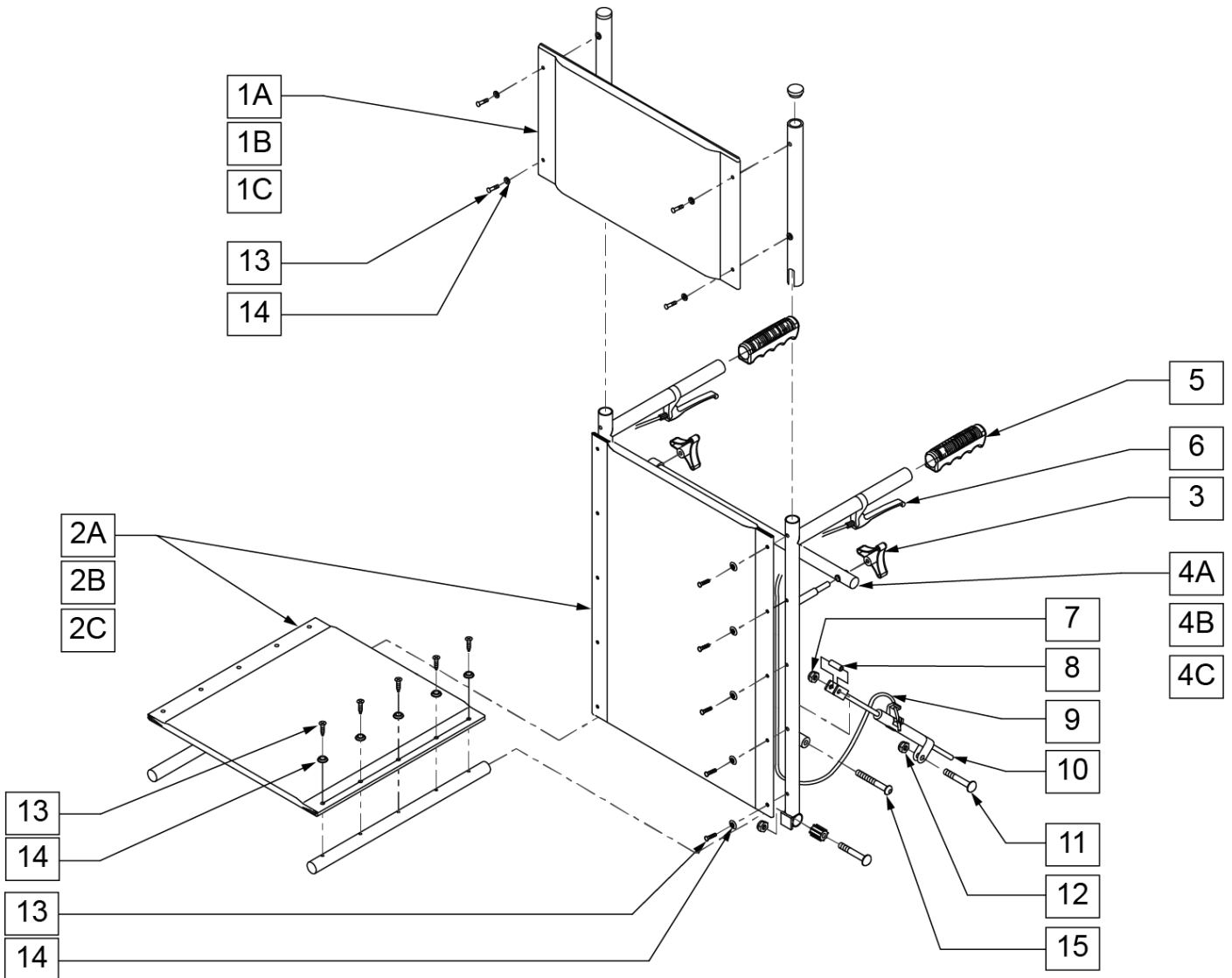


Pos.	Item Number	Description	Remarks
1A	GEY-116UP	16 1000 BLACK VINYL UPHOLSTERY	1000 - 16 WIDE
1A	GEY-118UP	18 1000 BLACK VINYL UPHOLSTERY	1000 - 18 WIDE
1B	GEY-216UP	16 2000 BLACK VINYL UPHOLSTERY	2000 - 16 WIDE BLACK
1C		18 2000 BLACK VINYL UPHOLSTERY	OBSOLETE
1D	GEY-20RRUP	20 2000 BLACK VINYL UPHOLSTERY	2000 - 20 WIDE BLACK
1E	GEY-22HDUP	22 2000 BLACK VINYL UPHOLSTERY	2000HD - 22 WIDE BLACK
1F	GEY-24HDUP	24 2000 BLACK VINYL UPHOLSTERY	2000HD - 24 WIDE BLACK
1G	GEY-316UP	16 3000 BLACK NYLON UPHOLSTERY	3000 - 16 WIDE
1G	GEY-318UP	18 3000 BLACK NYLON UPHOLSTERY	3000 - 18 WIDE
1G	GEY-320UP	20 3000 BLACK NYLON UPHOLSTERY	3000 - 20 WIDE
2, 3	GEY-UPHHW	UPHOLSTERY HARDWARE	



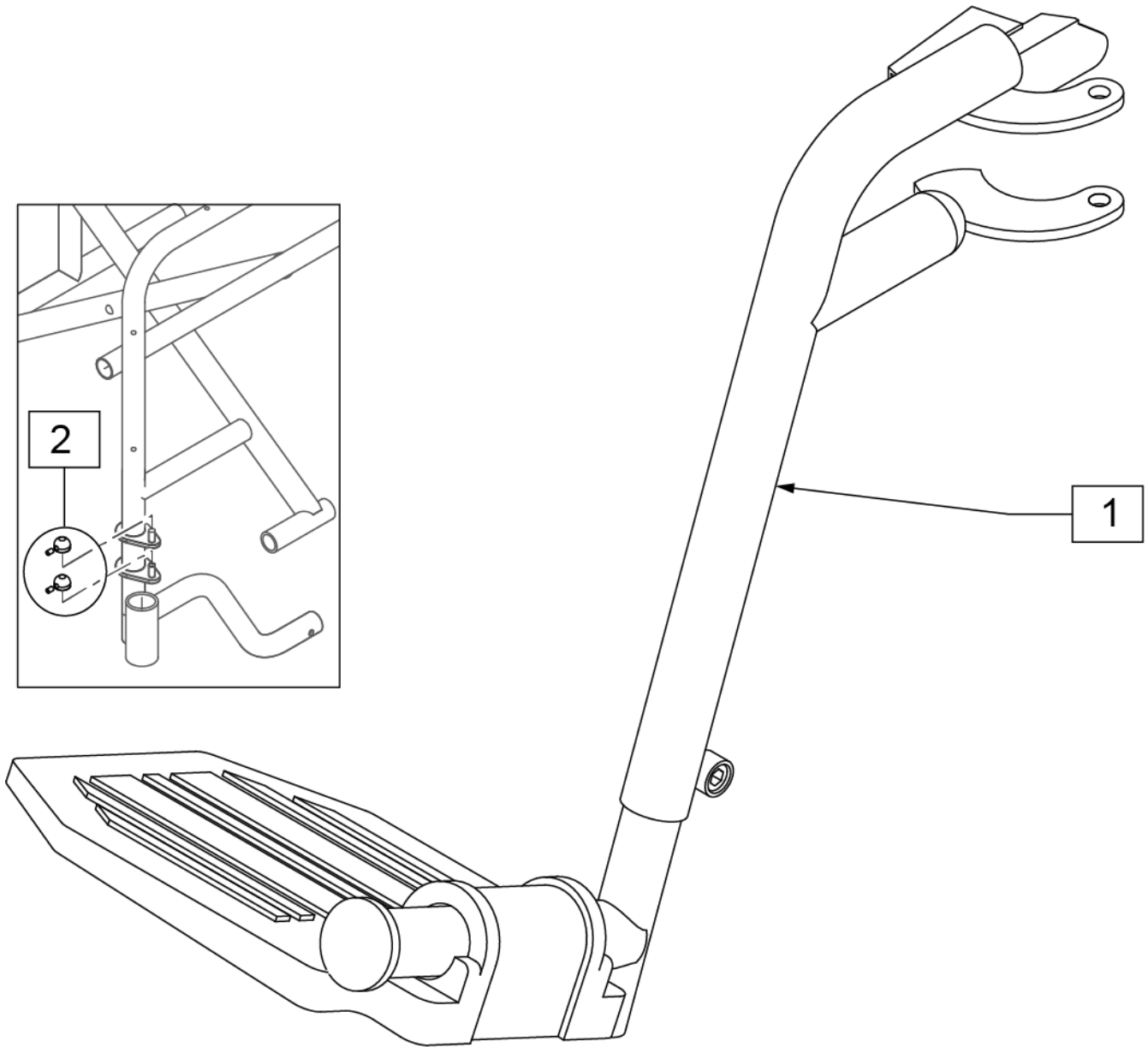
Pos.	Item Number	Description
1A	GEY-416UP	16" BLACK NYLON UPHOLSTERY
1B	GEY-418UP	18" BLACK NYLON UPHOLSTERY
1C	GEY-420UP	20" BLACK NYLON UPHOLSTERY
2, 3	GEY-UPHHW	UPHOLSTERY HARDWARE

NOTE: REPLACEMENT BACK UPHOLSTERY'S ARE NOT AVAILABLE FOR CHAIRS BUILT PRIOR TO S/N A60413860. CONTACT CUSTOMER SERVICE FOR REPLACEMENT INFORMATION.

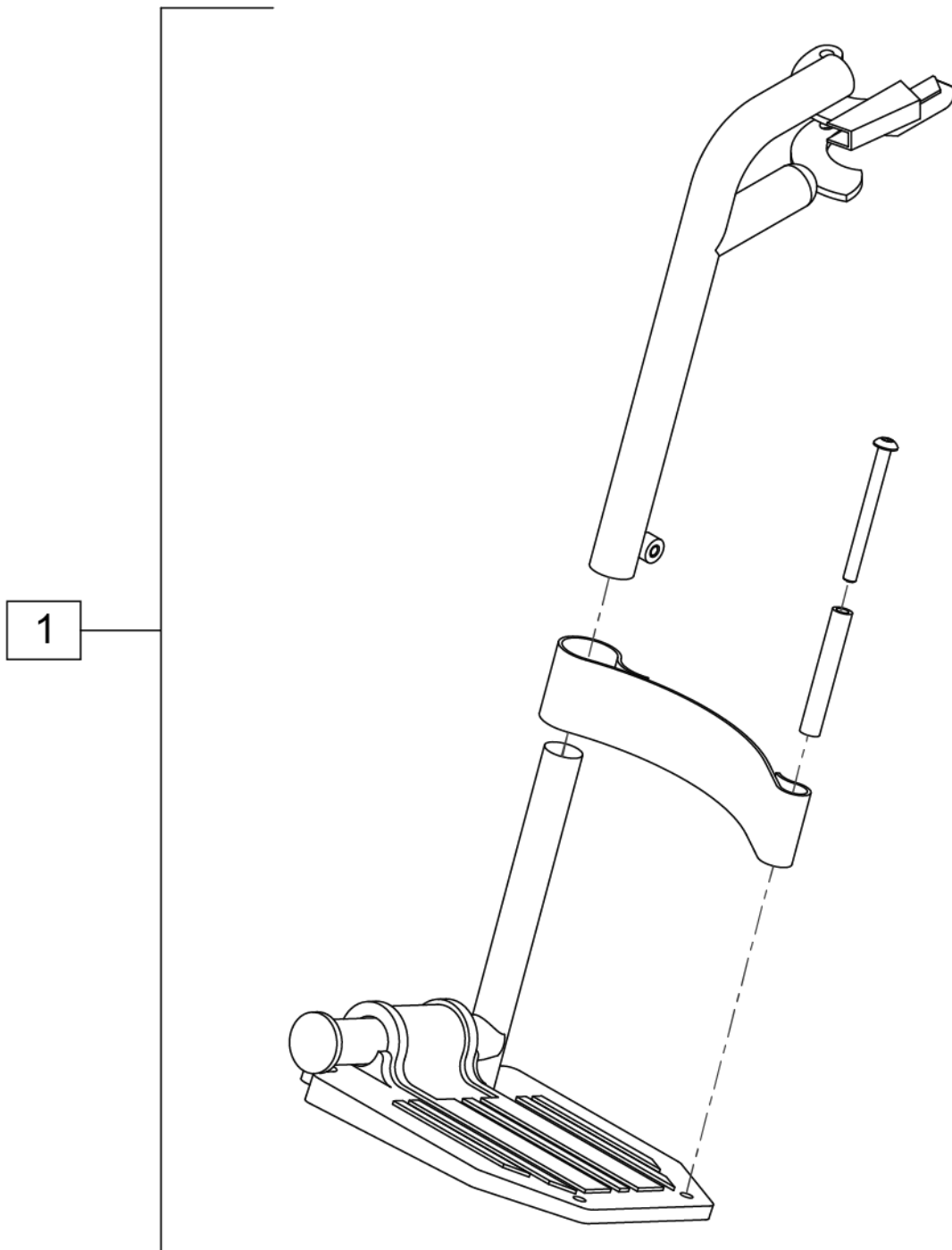


Pos.	Item Number	Description	Remarks
1A, 13-14	GEY-4RHR16	4000 RECLINER HEADREST 16	Includes Headrest Pad and Mounting Tubes
1B, 13-14	GEY-4RHR18	4000 RECLINER HEADREST 18	Includes Headrest Pad and Mounting Tubes
1C, 13-14	GEY-4RHR20	4000 RECLINER HEADREST 20	Includes Headrest Pad and Mounting Tubes
2A, 13-14	GEY-4R16UP	4000 RECLINER UPHOLSTERY 16	Includes both Back and Seat Upholsteries and Mounting Hardware
2B, 13-14	GEY-4R18UP	4000 RECLINER UPHOLSTERY 18	Includes both Back and Seat Upholsteries and Mounting Hardware
2C, 13-14	GEY-4R20UP	4000 RECLINER UPHOLSTERY 20	Includes both Back and Seat Upholsteries and Mounting Hardware
3	GEY-4RKNOB	4000 RECLINER REPLACE KNOB	
4A	GEY-4RSBAR16	4000 RECLINER SPREADER BAR 16	
4B	GEY-4RSBAR	4000 RECLINER SPREADER BAR 18	
4C	GEY-4RSBAR20	4000 RECLINER SPREADER BAR 20	
5		BACK CANE HANDLES	OBSOLETE
13-14	GEY-UPHHW	UPHOLSTERY HARDWARE	
6-12,15	GEY-4RAK1	4000 RECLINER ASSM	Includes parts for both sides

Note: item 2 (p/n GEY-TIN) to be installed on top of hanger pins to prevent hanger removal.



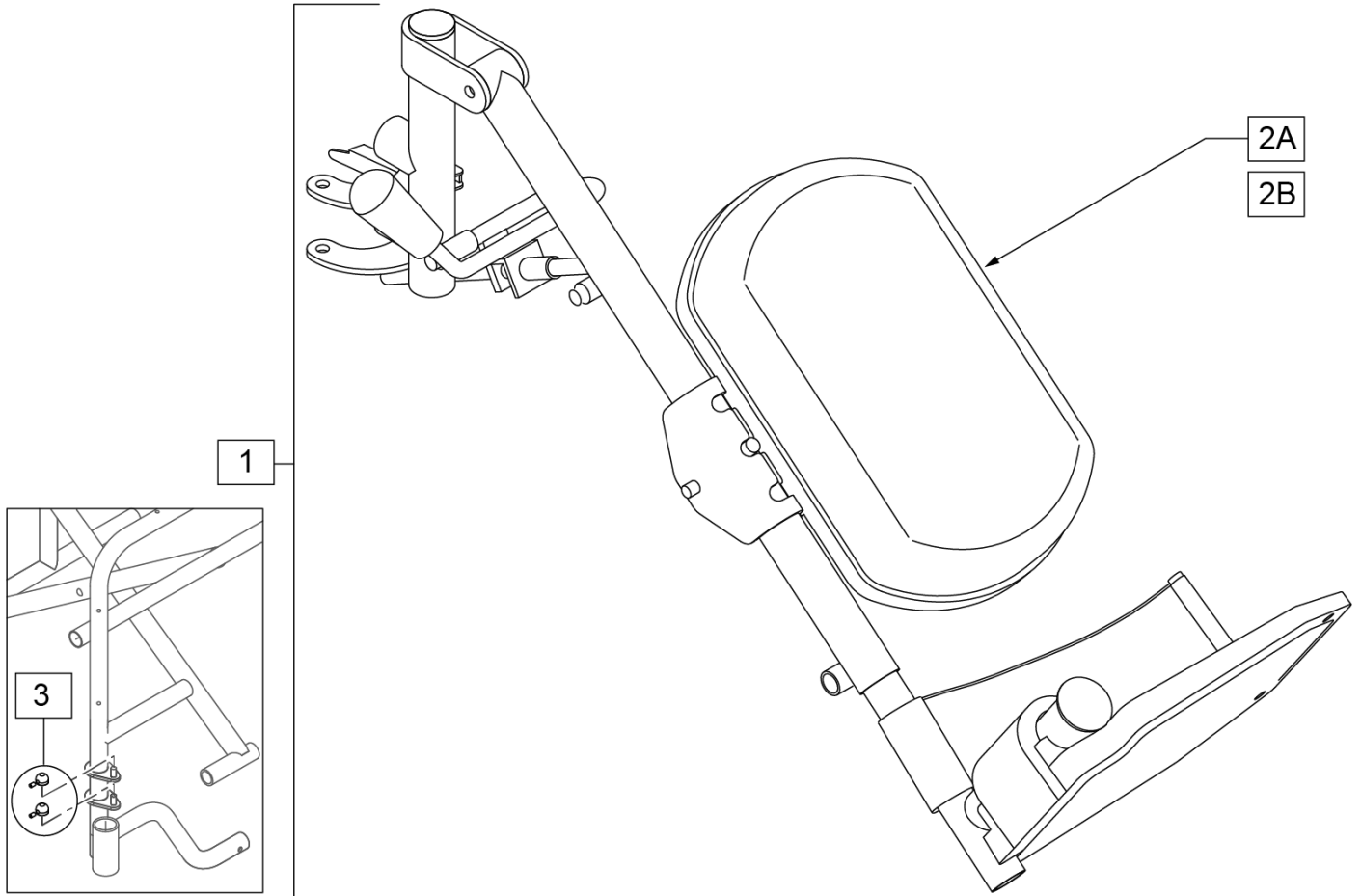
Pos.	Item Number	Description	Remarks
1	GEY-FRC	SWINGAWAY HANGER W/ COMPOSITE FOOTPLATE	Pair; used with 2000, 2000HD, 3000, & 4000 - 16",18" & 20"
2	GEY-TIN	ONE PAIR TINNEMAN NUTS	Pair; used with 2000, 2000HD, 3000 & 4000



Pos.	Item Number	Description
1	GEY-FRCHL	COMPOSITE FOOTREST W/ HEEL LOOP

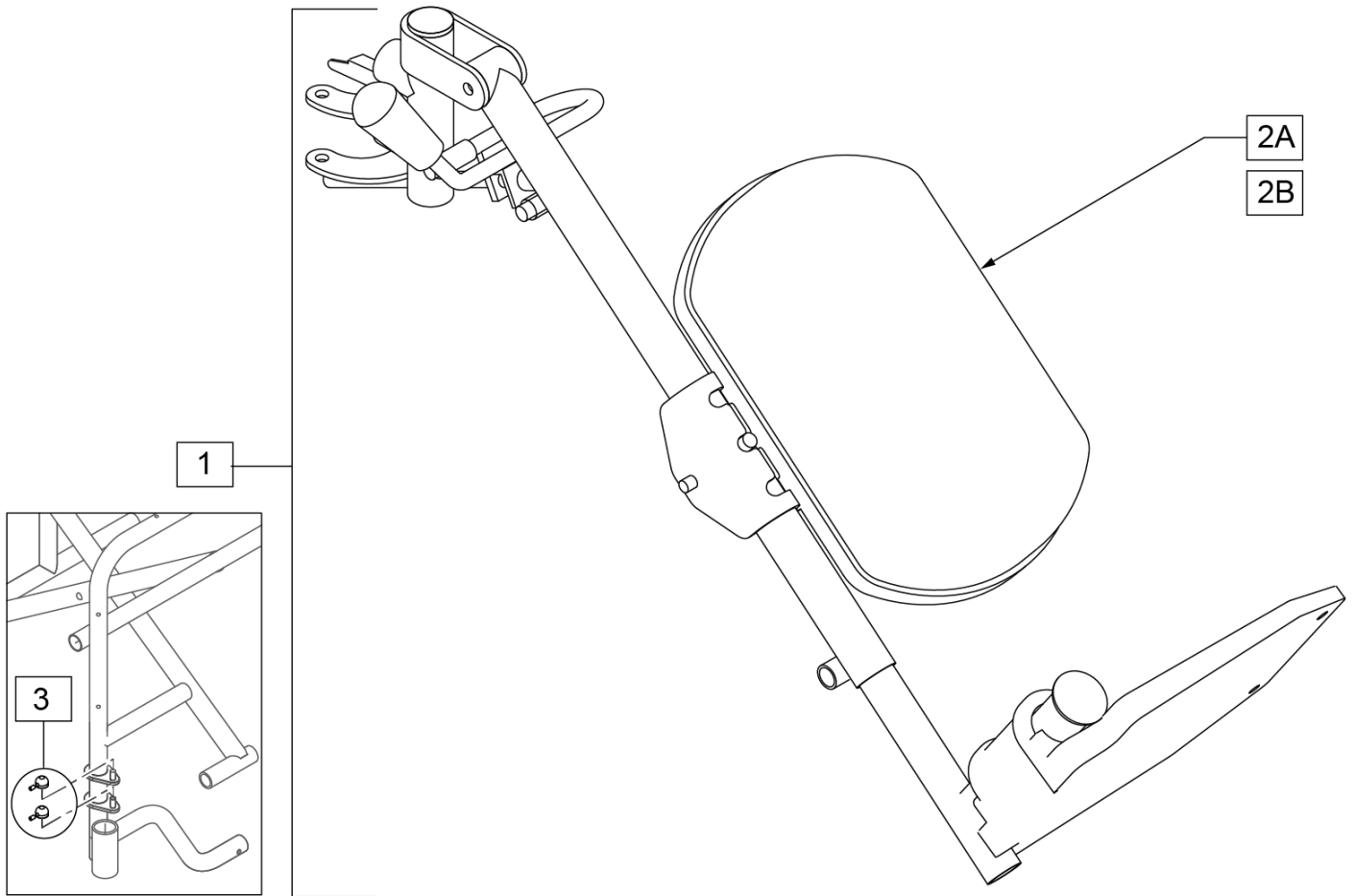
Note: in order to add ELR's to a chair equipped with a 2" Seat Extension, Low Profile ELR's must be utilized.

Note: item 3 (p/n GEY-TIN) to be installed on top of hanger pins to prevent hanger removal.

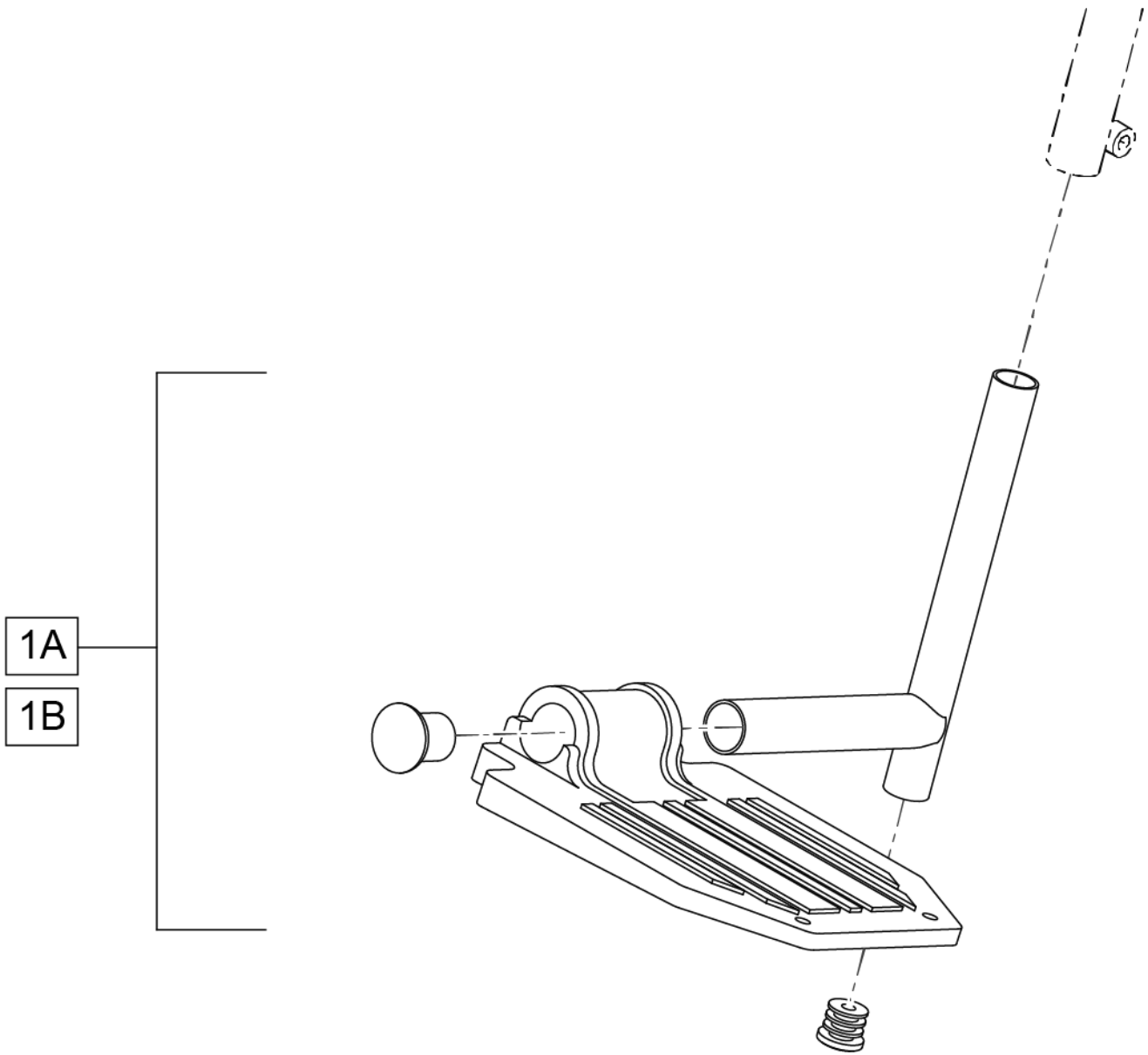


Pos.	Item Number	Description	Remarks
1, 2A	GEY-ELRCN	K4 COMPOSITE ELRS'S	Pair-Composite Footplate, Nylon Calf Pad
1, 2B	GEY-ELRA	ELR W/ALUMINUM FOOTPLATES	Pair-Aluminum Footplate, Vinyl Calf Pad
2A	GEY-CALFN	EC NYLON CALF PAD	
2B	GEY-CALFV	EC VINYL CALF PAD	
3	GEY-TIN	ONE PAIR TINNERMAN NUTS	Pair; used with 2000, 2000HD, 3000 & 4000

Note: item 3 (p/n GEY-TIN) to be installed on top of hanger pins to prevent hanger removal.



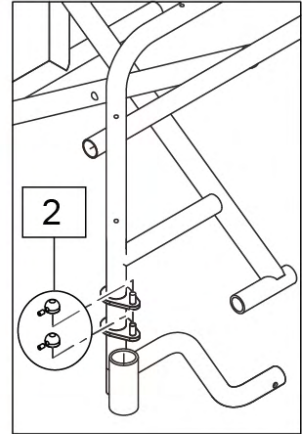
Pos.	Item Number	Description	Remarks
1	GEY-ELRCLP	LOW PROFILE ELR	Pair; to be used with 2" Seat Ext
2A	GEY-CALFN	EC NYLON CALF PAD	
2B	GEY-CALFV	EC VINYL CALF PAD	
3	GEY-TIN	ONE PAIR TINNERMAN NUTS	Pair; used with 2000, 2000HD & 4000



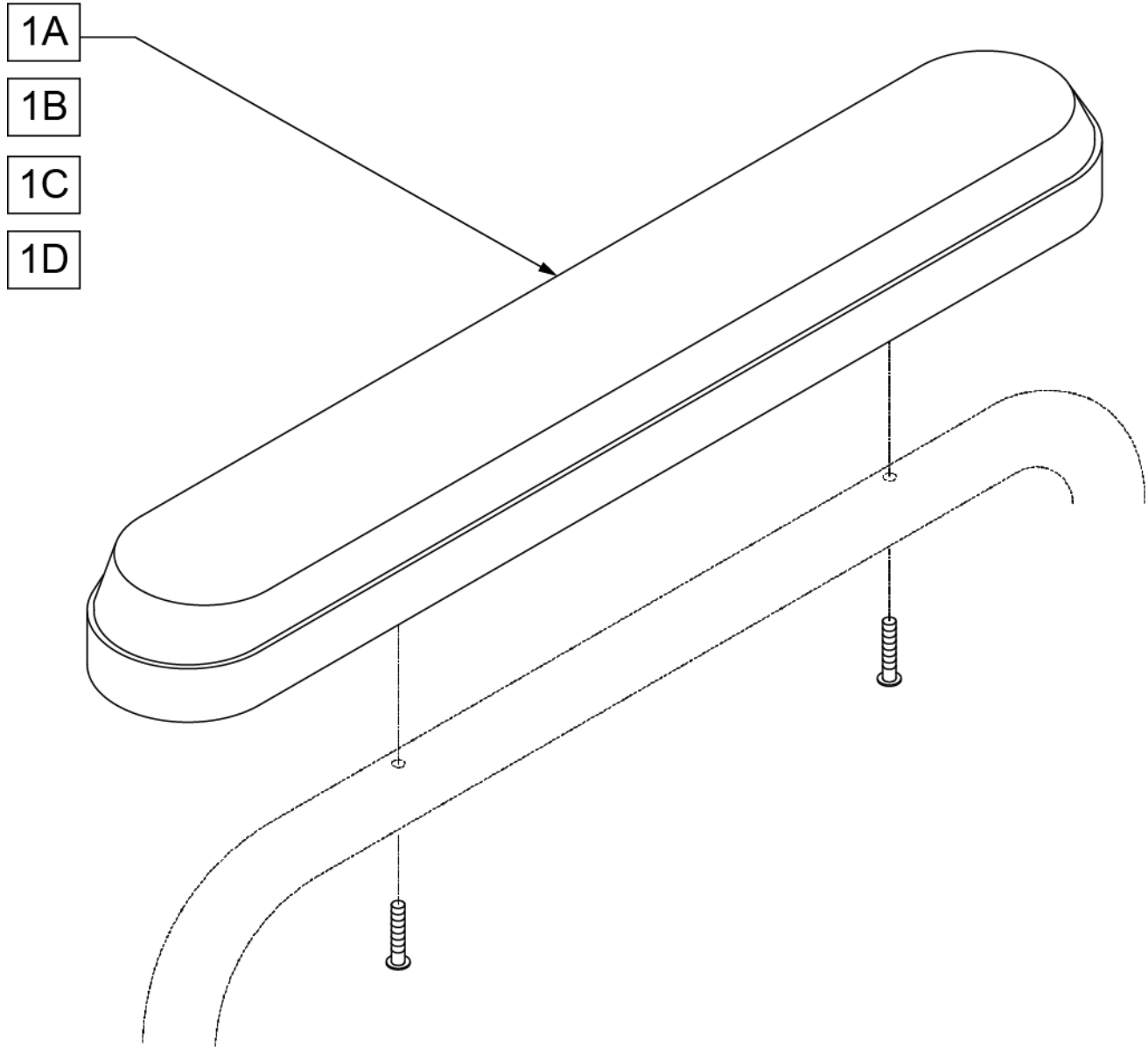
Pos.	Item Number	Description	Remarks
1A	GEY-1FPC	FOOTPLATE COMPOSITE	PAIR
1B	GEY-1FPA	FOOTPLATE ALUMINUM	PAIR

Note: item 2 (p/n GEY-TIN) to be installed on top of hanger pins to prevent hanger removal.

1

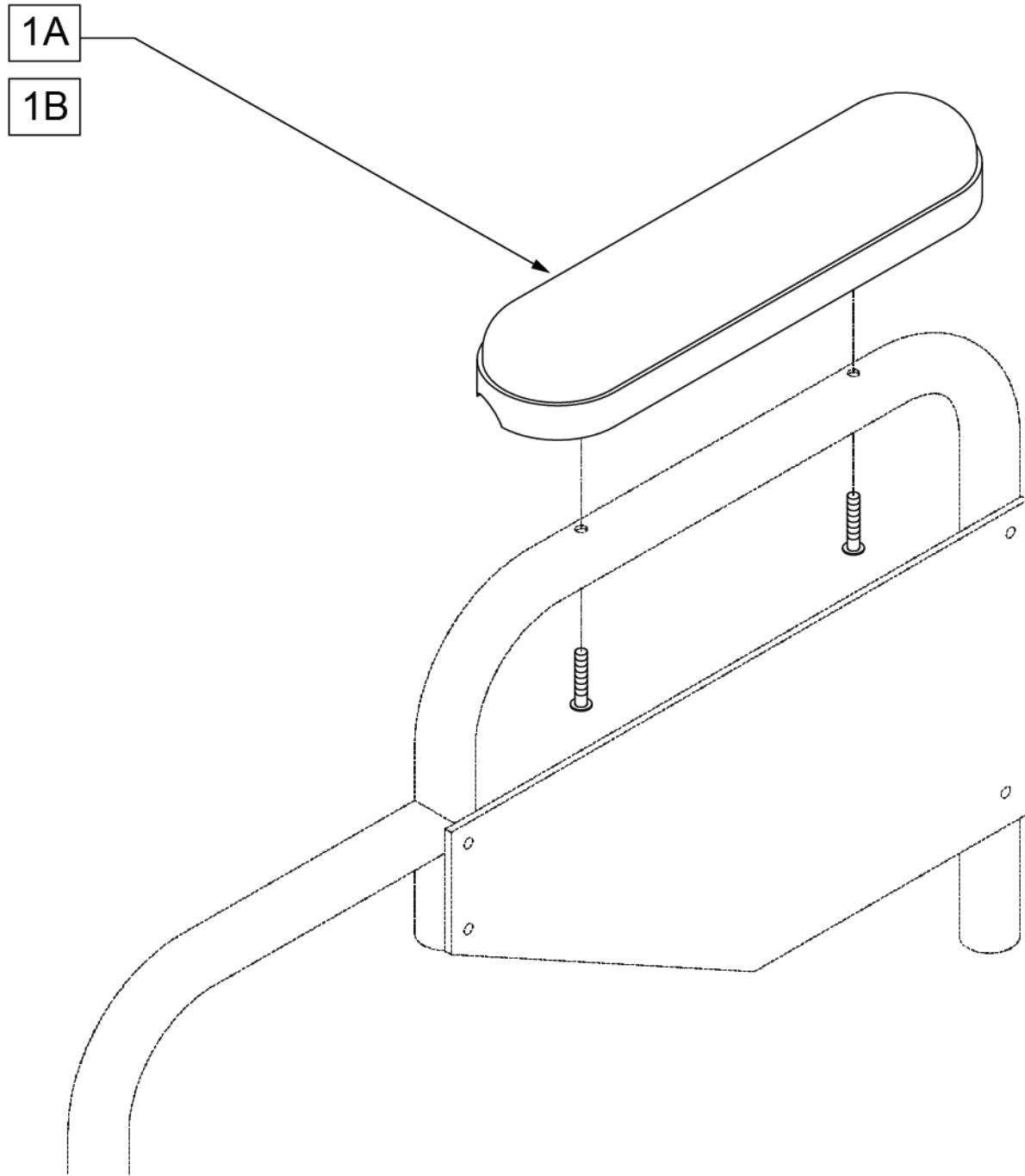


Pos.	Item Number	Description	Remarks
1	GEY-ALR	ARTICULATING LEGREST	
2	GEY-TIN	ONE PAIR TINNERMAN NUTS	Pair; used with 2000, 2000HD, 3000 & 4000



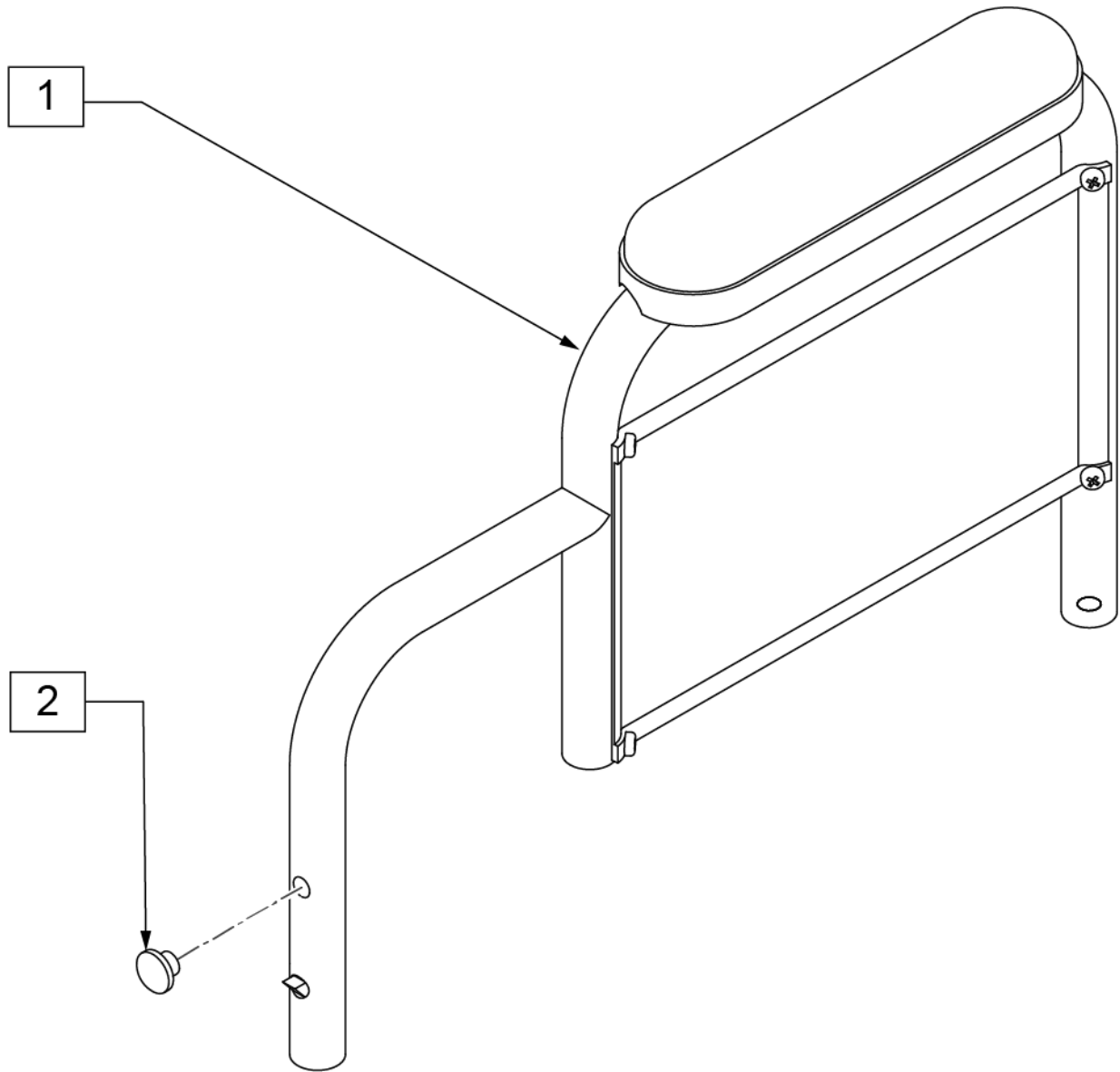
Pos.	Item Number	Description	Remarks
1A	GEY-1TAP	TRANSPORT FULL NYLON ARM PAD	Mounting Hole Spacing 10"-Single Pad
1B	GEY-1AP	1000 FULL PLASTIC ARM PAD	Mounting Hole Spacing 10"-Single Pad
1C	GEY-2AP	2000 SERIES FULL PADDED VINYL	Mounting Hole Spacing 10"-Single Pad
1D	GEY-3AP	3000,4000 SERIES FULL PADDED	Mounting Hole Spacing 10"-Single Pad

NOTE: DISTANCE BETWEEN MOUNTING HOLES IS 5".



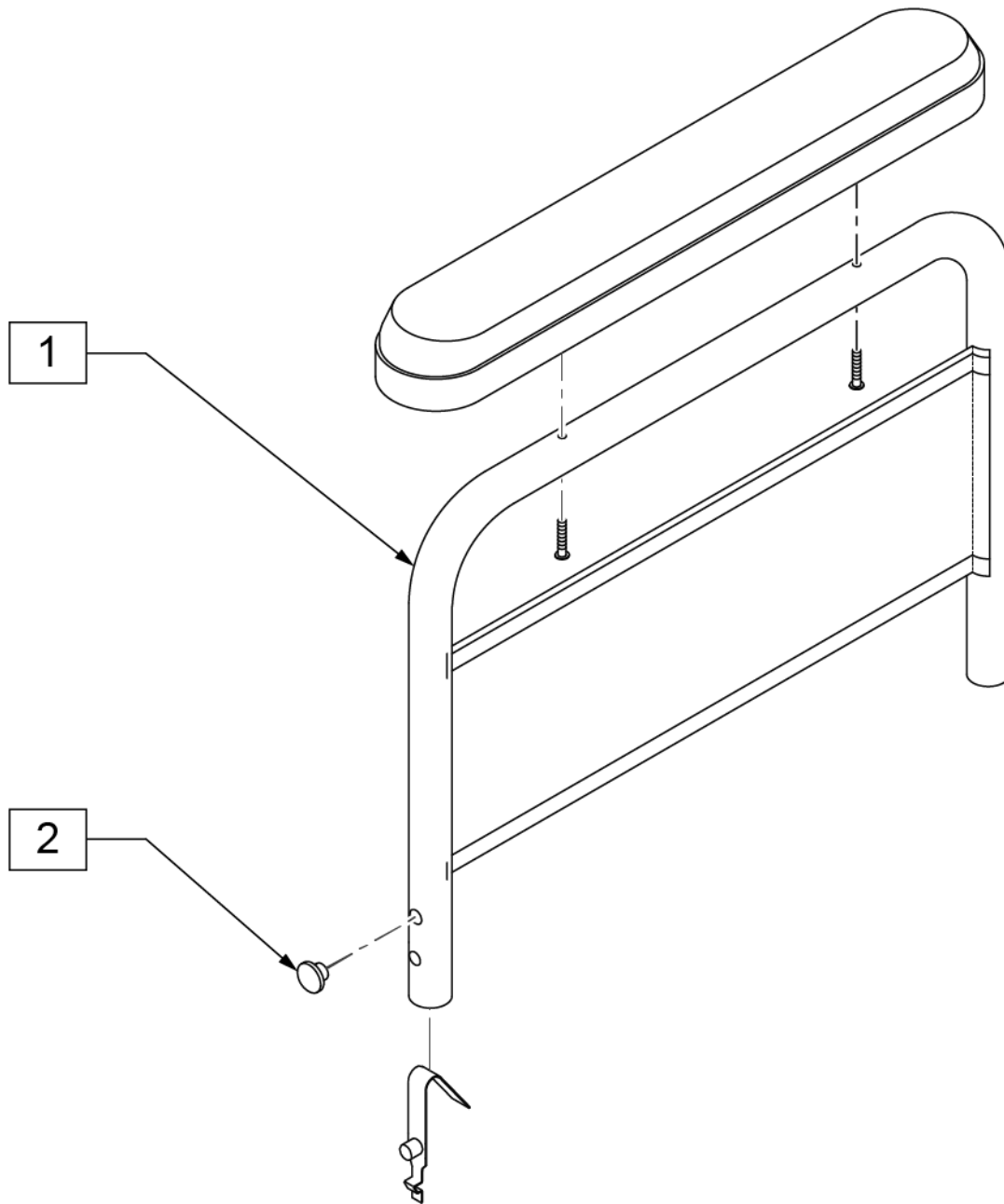
Pos.	Item Number	Description	Remarks
1A	GEY-2APD	DESK PADDED VINYL ARMPAD W/ HDWR 2000, 2000HD, RECLINER	Mounting Hole Spacing 5 1/2"- single pad
1B	GEY-3APD	DESK PADDED NYLON ARMPAD W/ HDWR 3000, 4000	Mounting Hole Spacing 5 1/2"- single pad

NOTE: OVERALL LENGTH OF ARMREST IS 18" AND OVERALL HEIGHT IS 12".

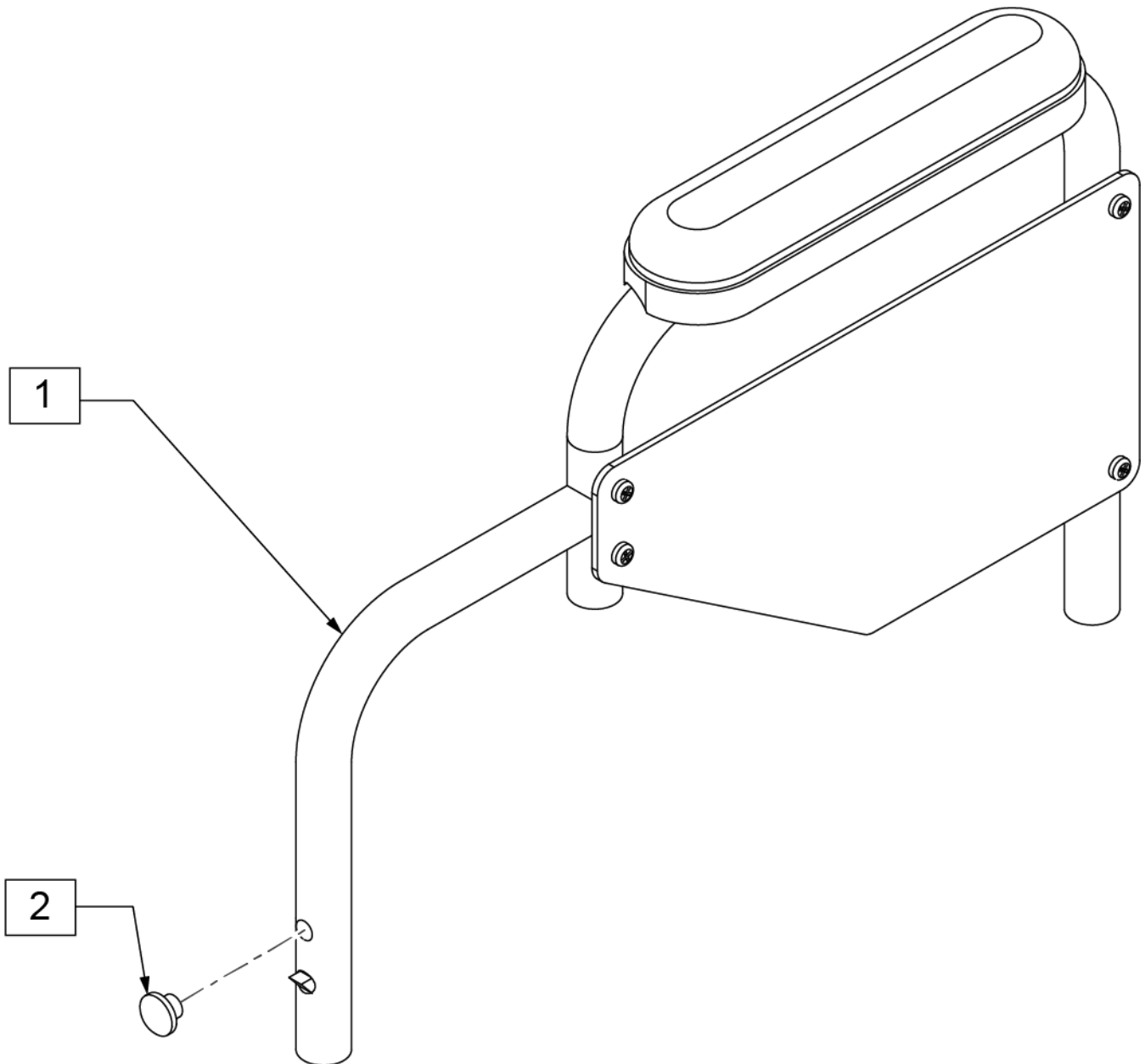


Pos.	Item Number	Description	Remarks
1	GEY-RADP	EC ARMREST DESK PADDED	USE WITH 2000 & 2000HD
2	GEY-ARMRL	RELEASE ARM BUTTON	PACK OF 20

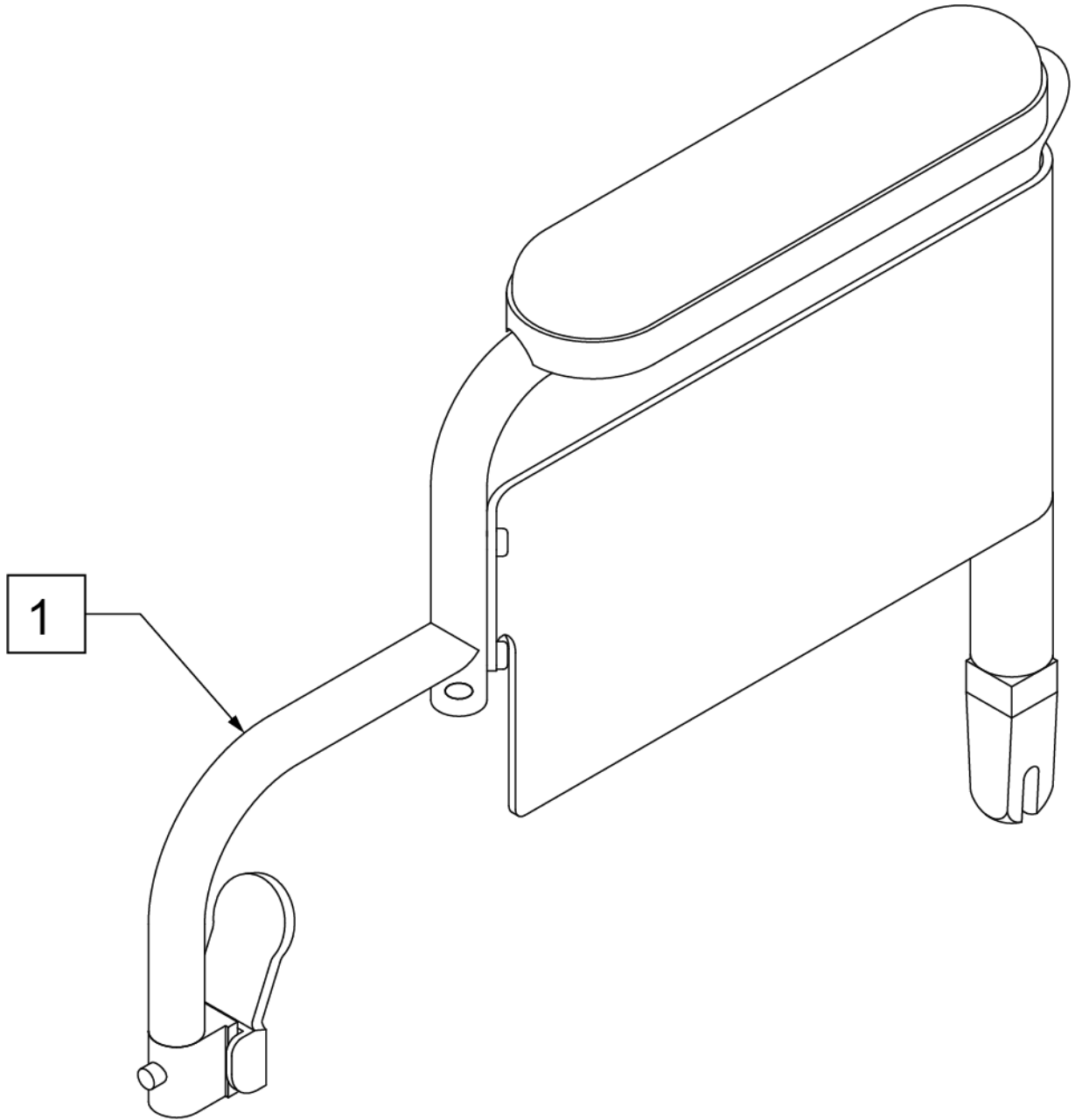
NOTE: FULL LENGTH PADDED ARMS WILL NOT WORK WITH 2000HD BARIATRIC MODELS (26", 28", & 30" WIDE CHAIRS).



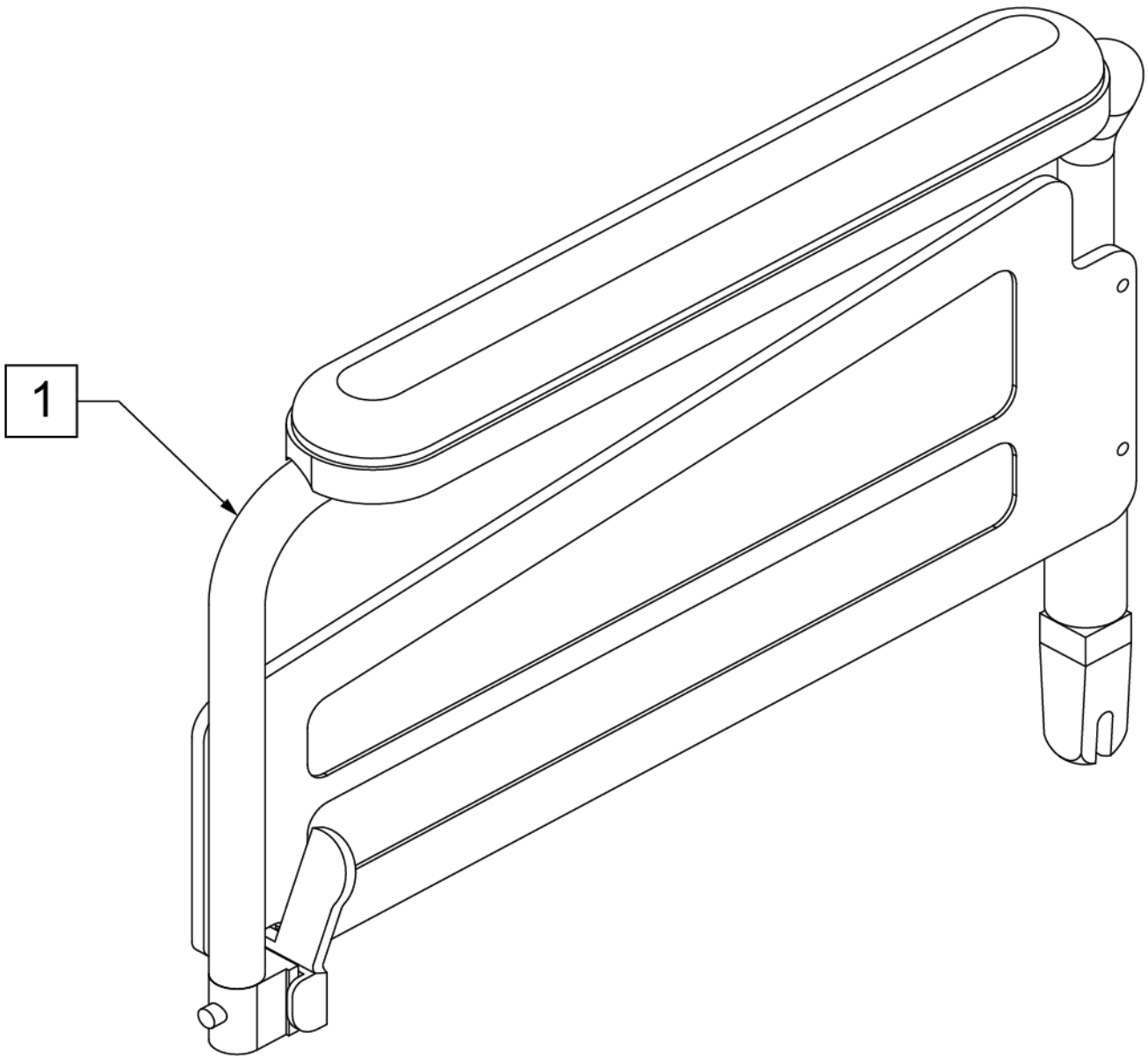
Pos.	Item Number	Description	Remarks
1	GEY-RAFP	EC ARMREST FULL PADDED	USE WITH 2000 AND 2000HD
2	GEY-ARMRL	RELEASE ARM BUTTON	PACK OF 20



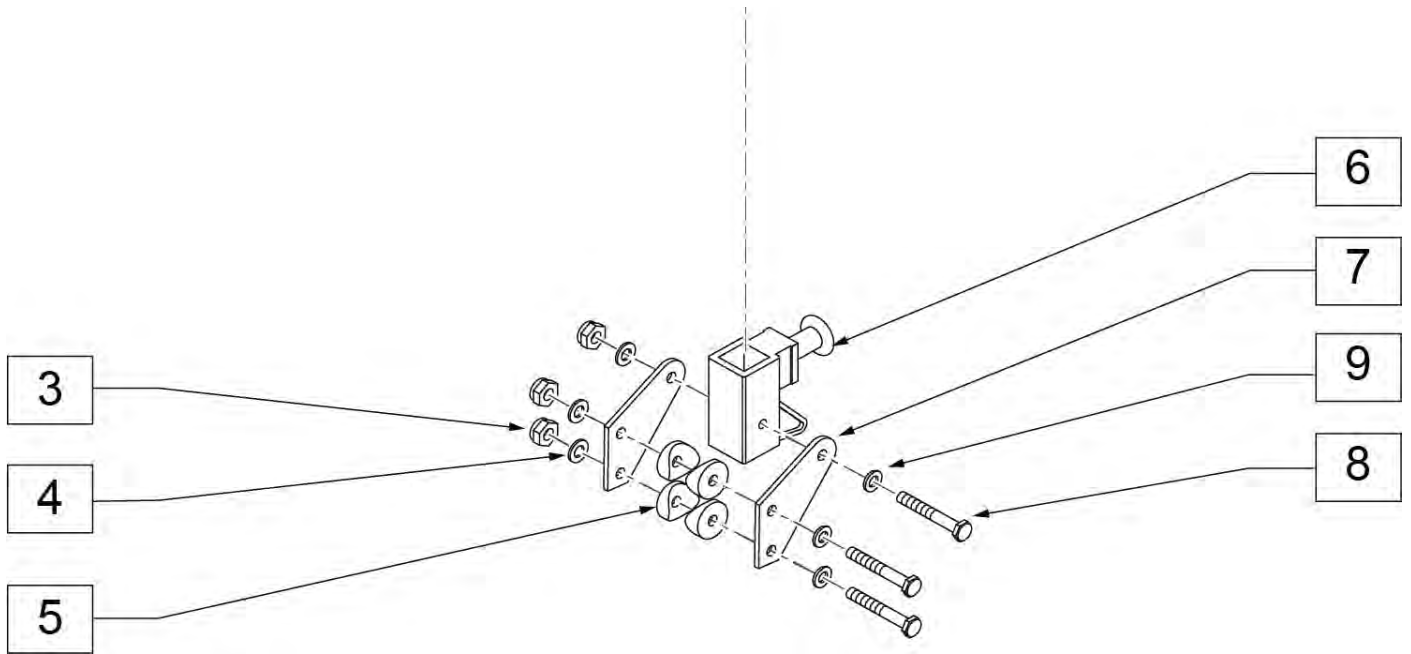
Pos.	Item Number	Description	Remarks
1	GEY-3RADP	ARMREST DESK PADDED NYLON	NYLON
2	GEY-ARMRL	RELEASE ARM BUTTON	PACK OF 20



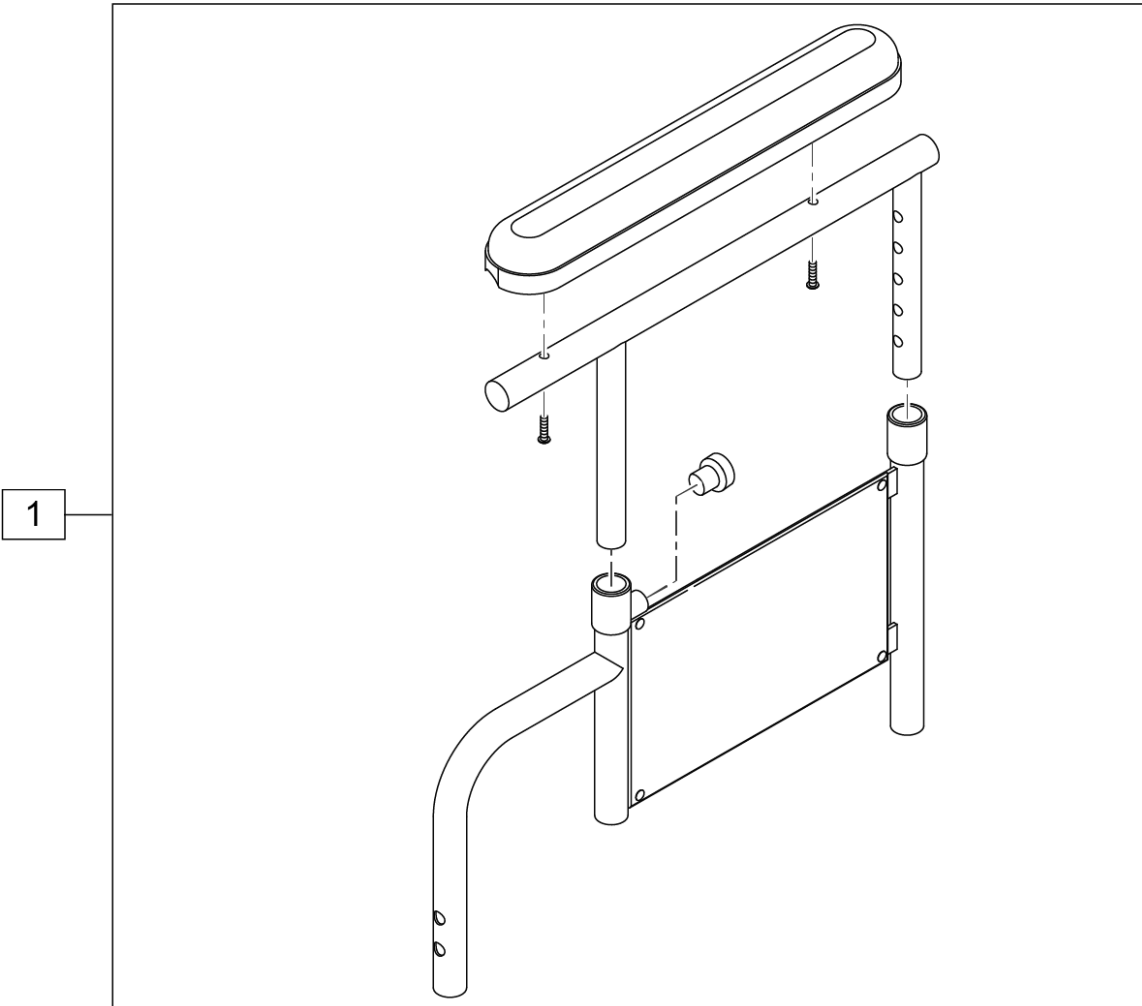
Pos.	Item Number	Description	Remarks
1	GEY-4FADP	ARMREST DESK PADDED	NYLON



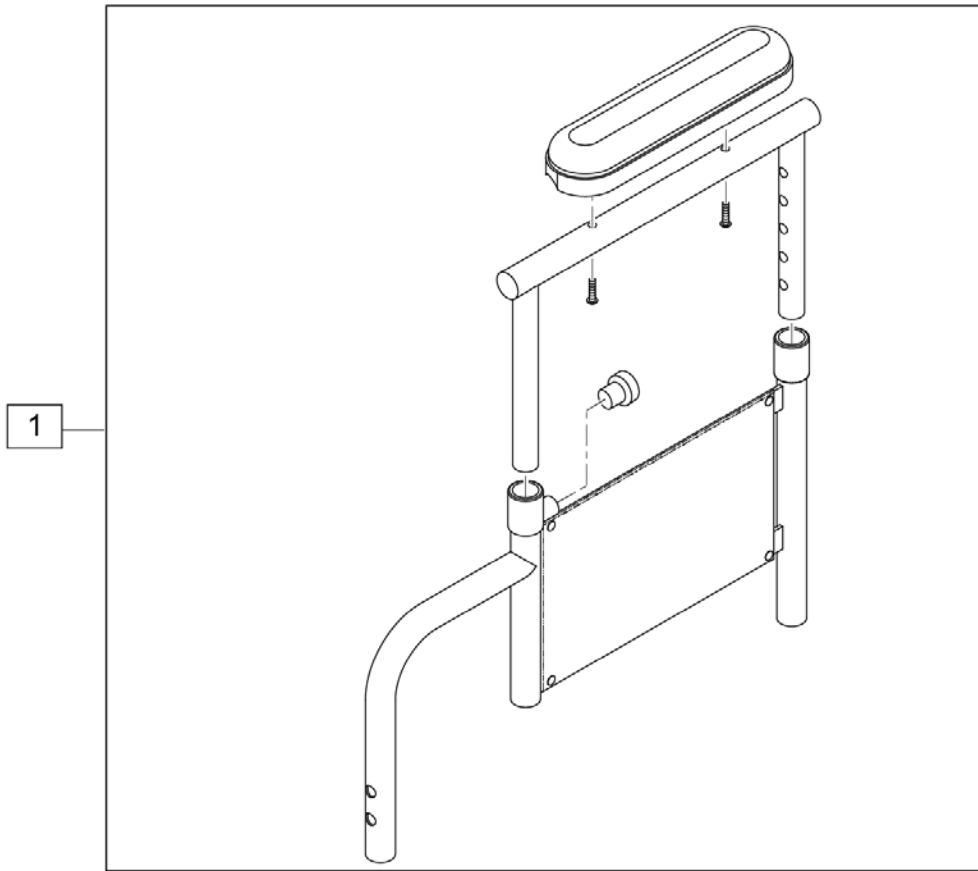
Pos.	Item Number	Description	Remarks
1	GEY-4FAPP	ARMREST FULL PADDED	NYLON



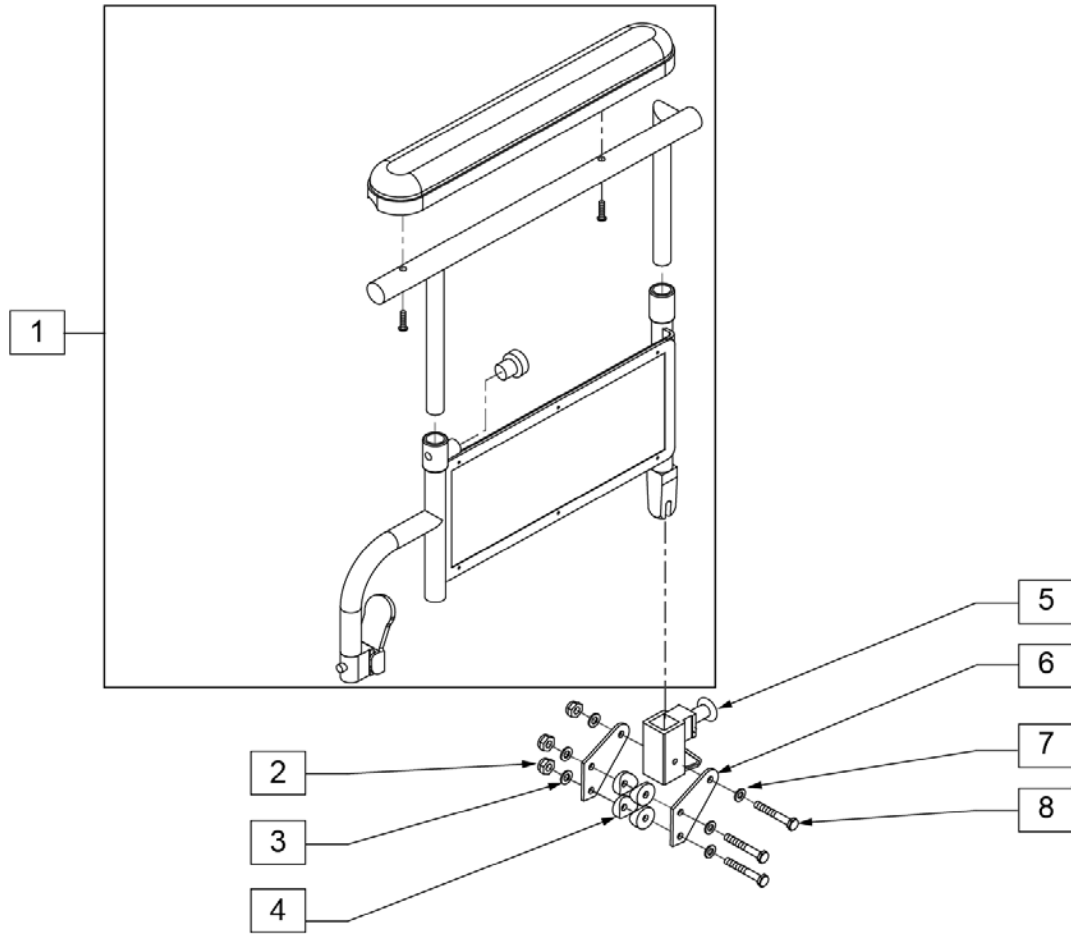
Pos.	Item Number	Description	Remarks
1-7	GEY-4ARR	4000 ARM RECEIVER W/ MOUNTS	PAIR



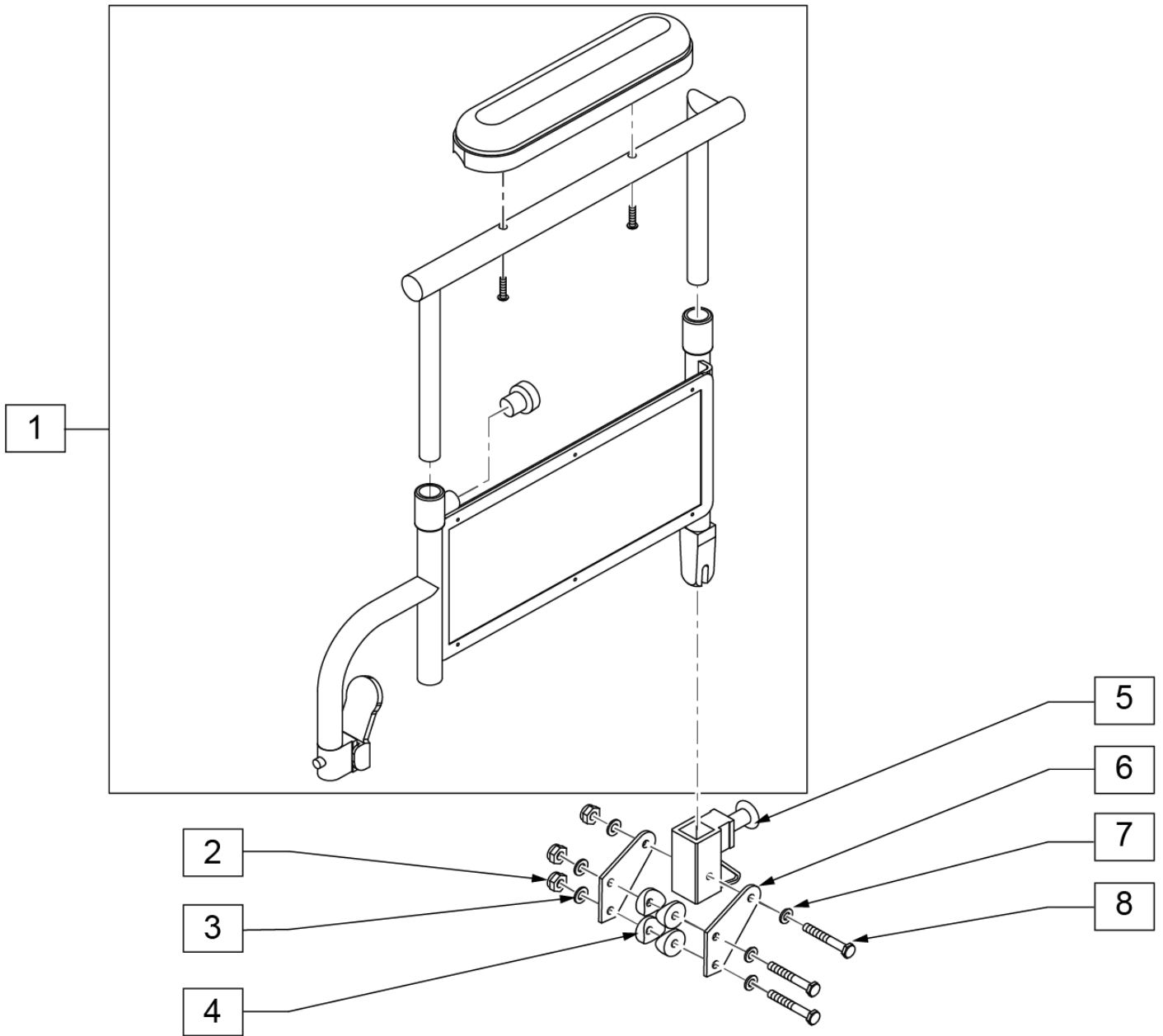
Pos.	Item Number	Description
1	GEY-HAFP	HEIGHT ADJ ARMREST FULL PADDED



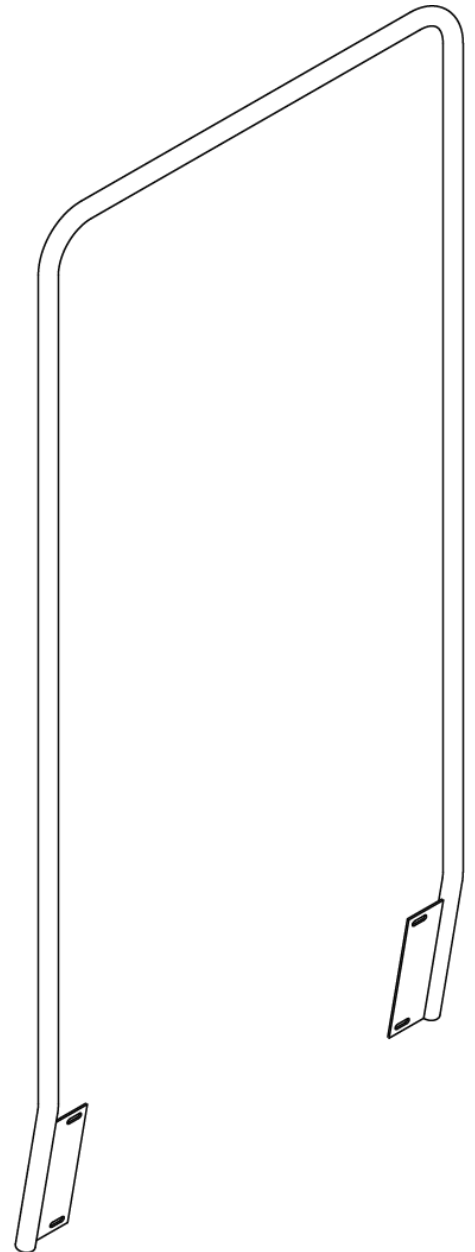
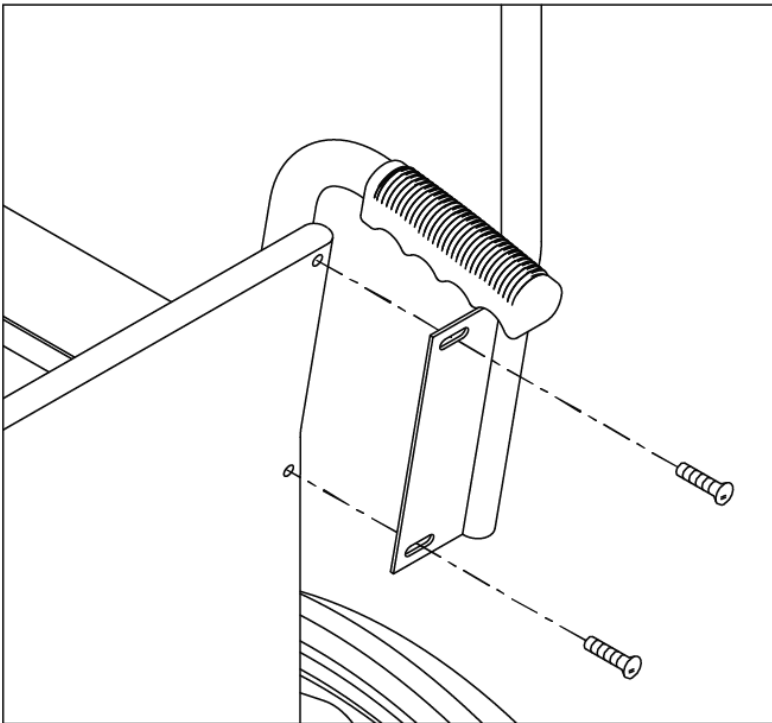
Pos.	Item Number	Description
1	GEY-HADP	HEIGHT ADJ ARMREST DESK PADDED



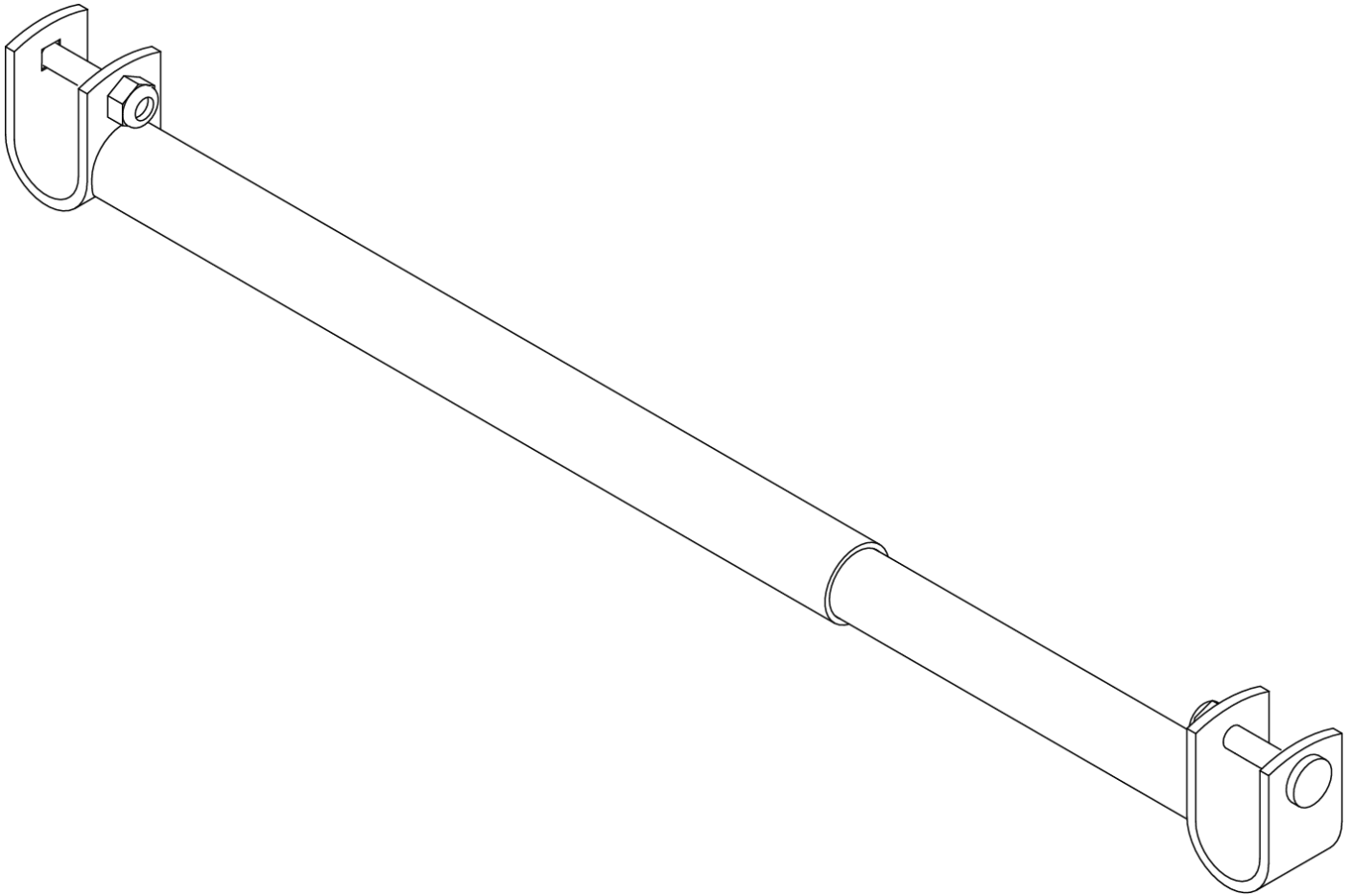
Pos.	Item Number	Description
1	GEY-4HAFP	HEIGHT ADJUSTABLE ARMREST FULL PADDED
2-8	GEY-4ARR	4000 ANGLE ADJUSTABLE ARM RECEIVER



Pos.	Item Number	Description
1	GEY-4HADP	HEIGHT ADJUSTABLE ARMREST DESK PADDED
2-8	GEY-4ARR	4000 ANGLE ADJUSTABLE ARM RECEIVER

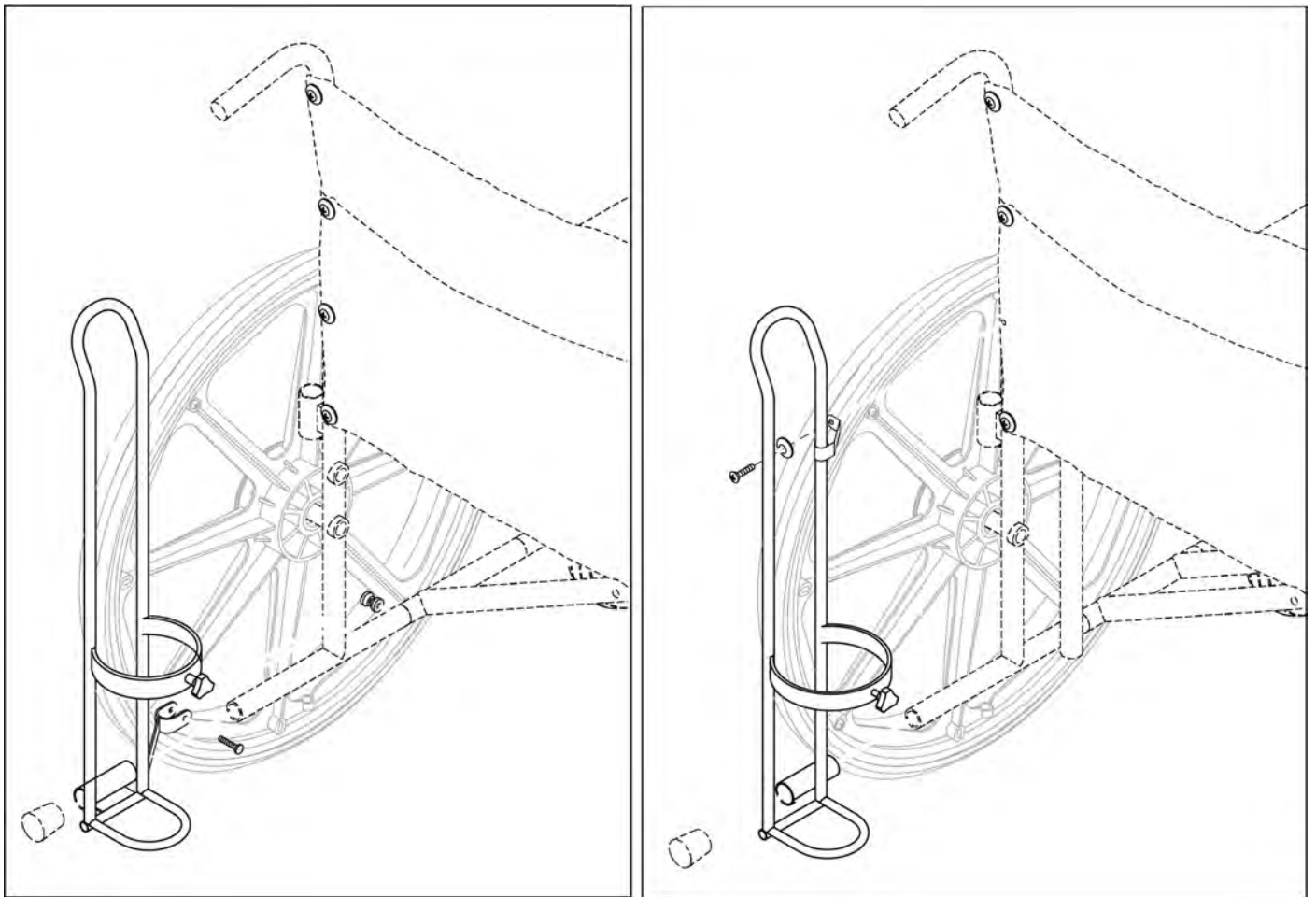


Pos.	Item Number	Description
1	GEY-OATH	EC OVERHEAD ANTI-THEFT DEVICE

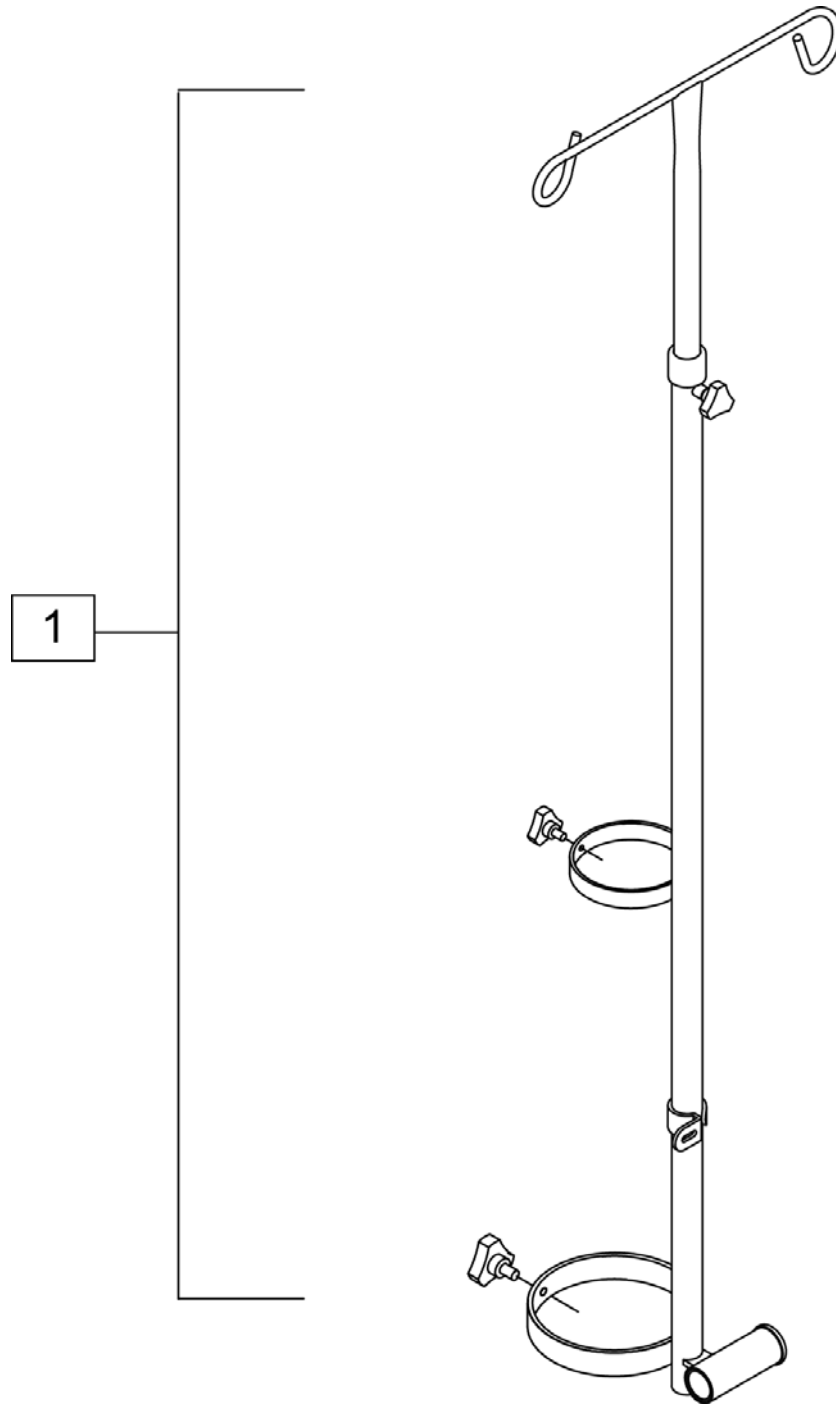


Pos.	Item Number	Description	Remarks
1	GEY-ATH	EC ANTI-FOLD/ ANTI-THEFT DEVICE	Adjustable from 16" to 24"

Note: top attachment point utilizes existing back upholstery hardware.



Description
OBSOLETE

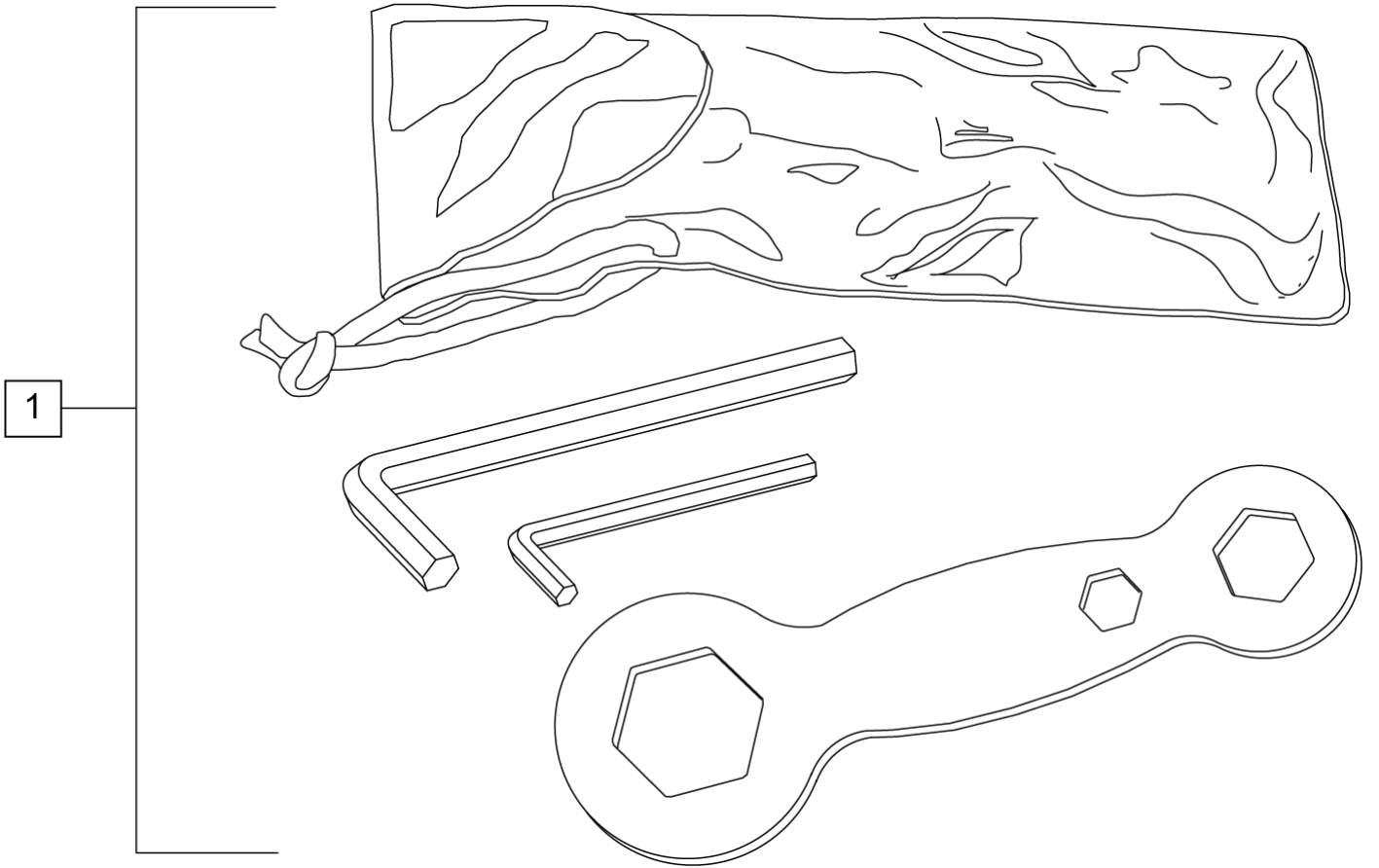


Pos.	Item Number	Description
1	GEY-O2IV	O2 IV HOLDER

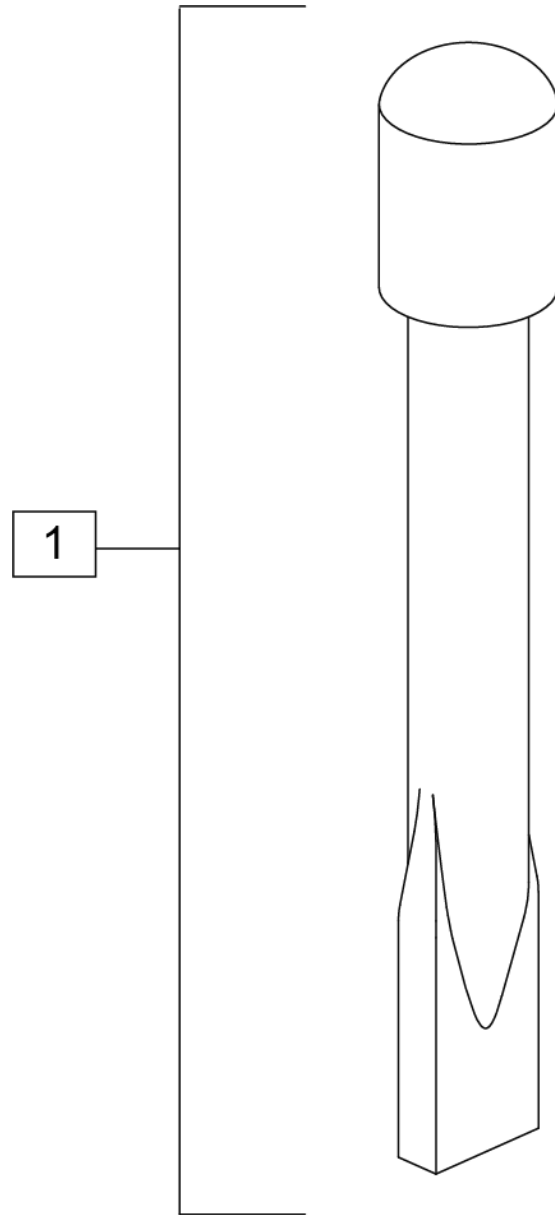
Note: top attachment point utilizes existing back upholstery hardware.



Pos.	Item Number	Description
1	GEY-IVP	EC TELESCOPING IV POLE



Pos.	Item Number	Description
1	GEY-1TK	TOOL KIT

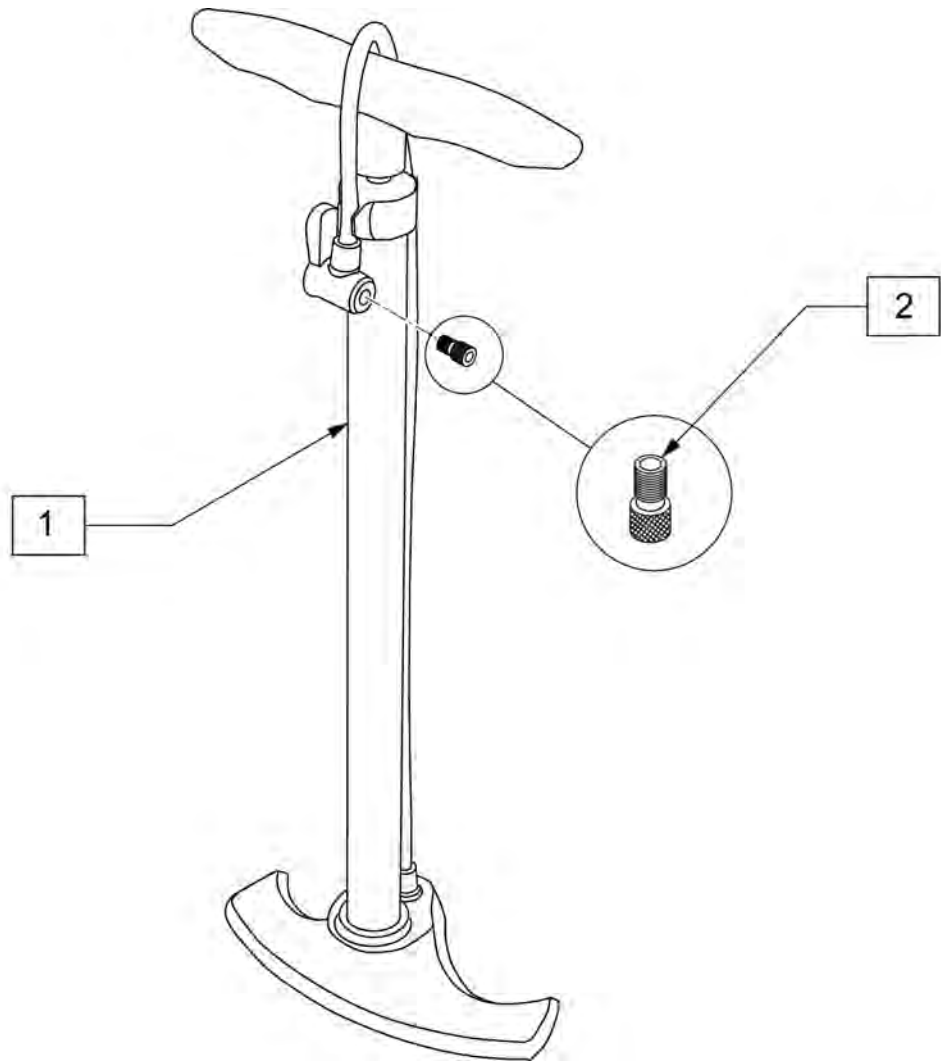


Pos.	Item Number	Description
1	GEY-EXT	EC WHEEL LOCK EXTENSION HANDLE

Note: Seat Belt utilizes existing back upholstery hardware.



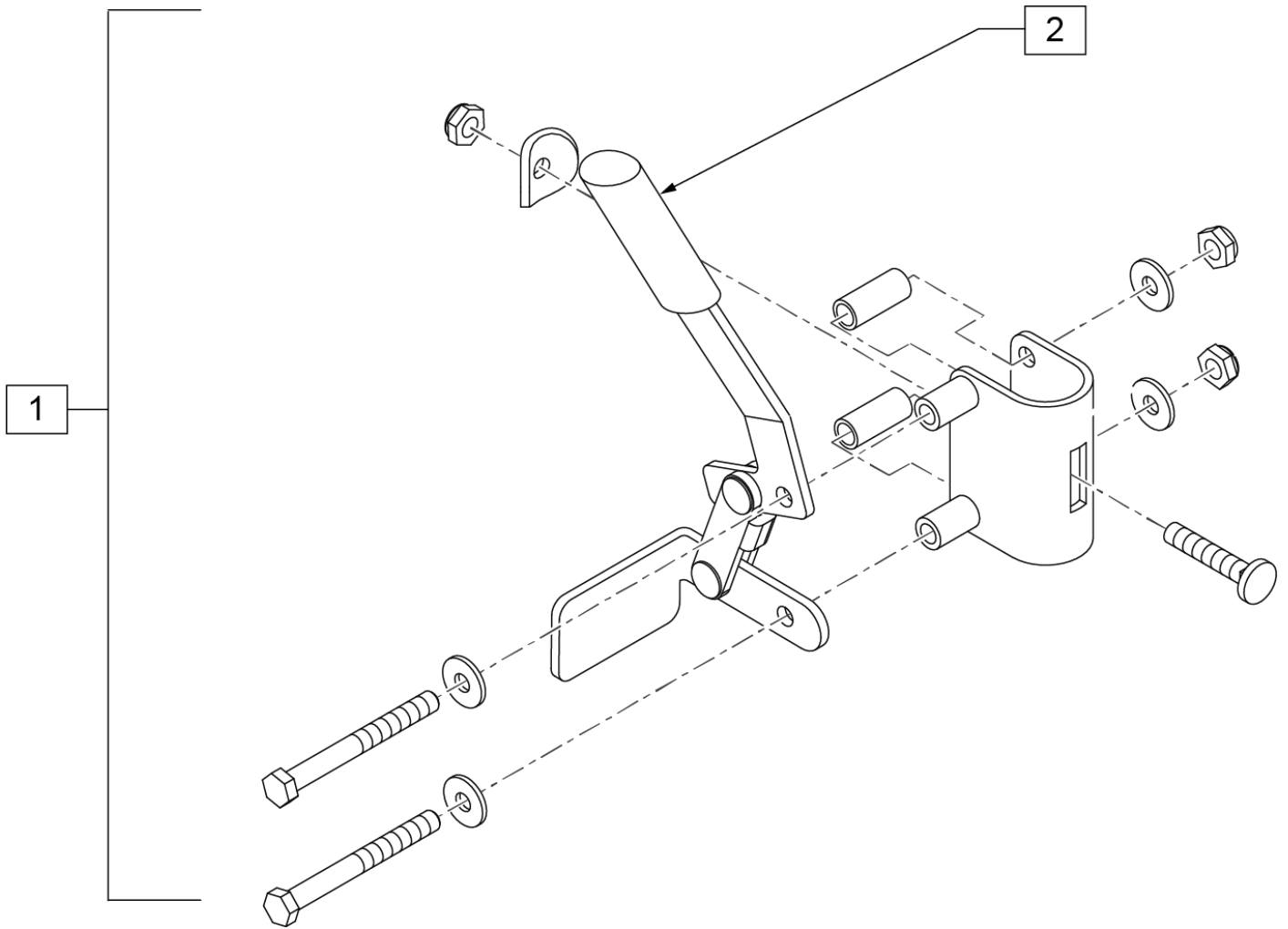
Pos.	Item Number	Description	Remarks
1	GEY-SBA	SEAT BELT AUTOMOTIVE STYLE	48.5" LONG AND 2" WIDE
2	GEY-SBV	SEAT BELT VELCRO STYLE	OVERALL LENGTH CAN BE ADJUSTED FROM 24" TO 35"



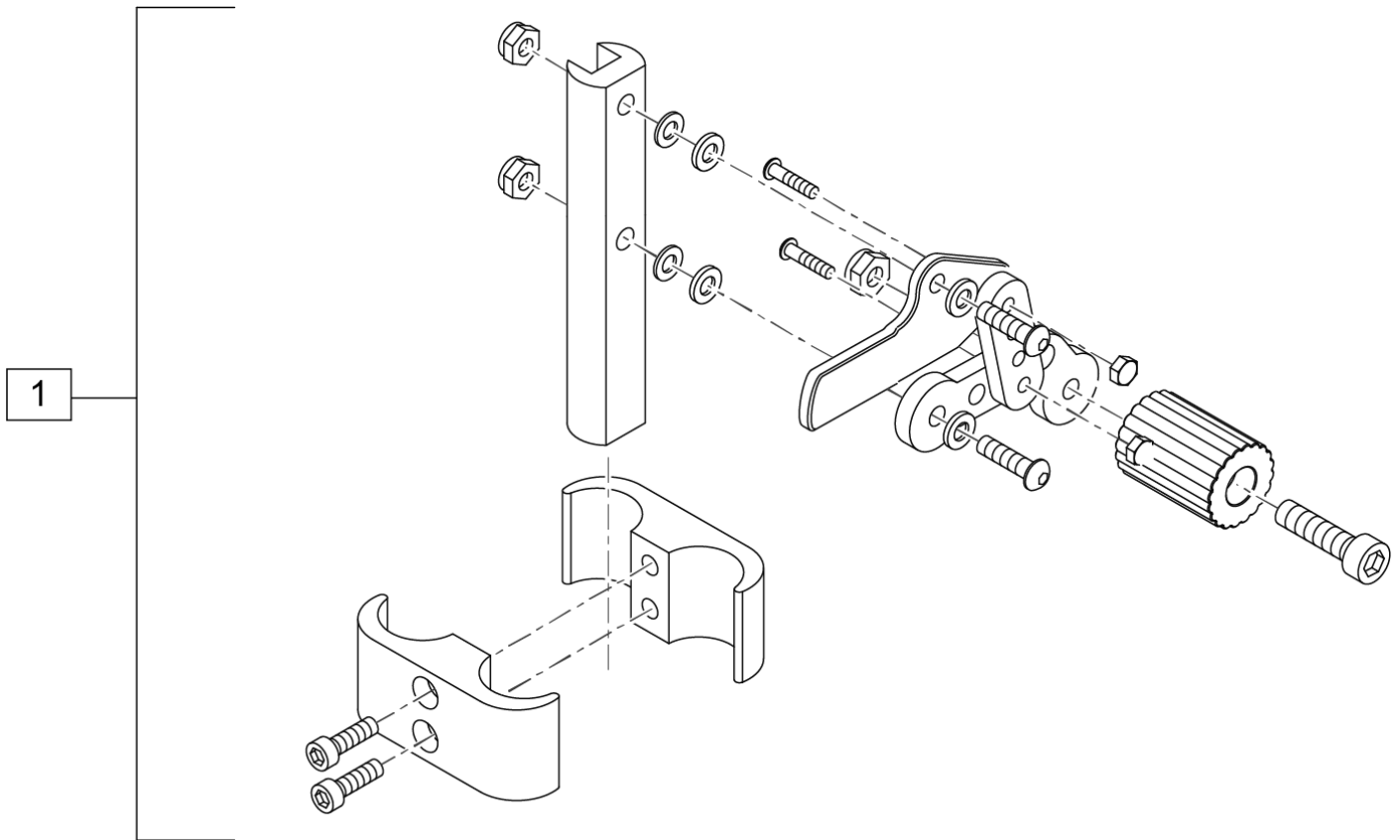
Pos.	Item Number	Description
1	389050	TIRE PUMP
2	381230	VALVE ADAPTER PRESTA



Pos.	Item Number	Description	Remarks
1	ECTC-ARMPAD	TRANSPORT CHAIR NYLON ARMPAD	Pair
2	ECTCAR-FTREST	TRANSPORT CHAIR ALUM FTREST	Red (Pair)
2	ECTCSB-FTREST	TRANSPORT CHAIR STEEL FTREST	Black (Pair)
3	ECTC-RWHEEL	TRANSPORT CHAIR REAR WHEEL	Pair
4	ECTC-CASTER	TRANSPORT CHAIR CASTER ASSEM	Fork Included (Pair)
5	BZU9903	RPO HANGER PINS ASSEMBLY	Includes 4 Pins & 4 Nuts
6	ECTC-17UPH	TRANSPORT CHAIR 17" UPH	Use for Steel and Aluminum
6	ECTC-19UPH	TRANSPORT CHAIR 19" UPH	Use for Steel and Aluminum
7	ECTC-SB	BELT TRANSPORT CHAIR	

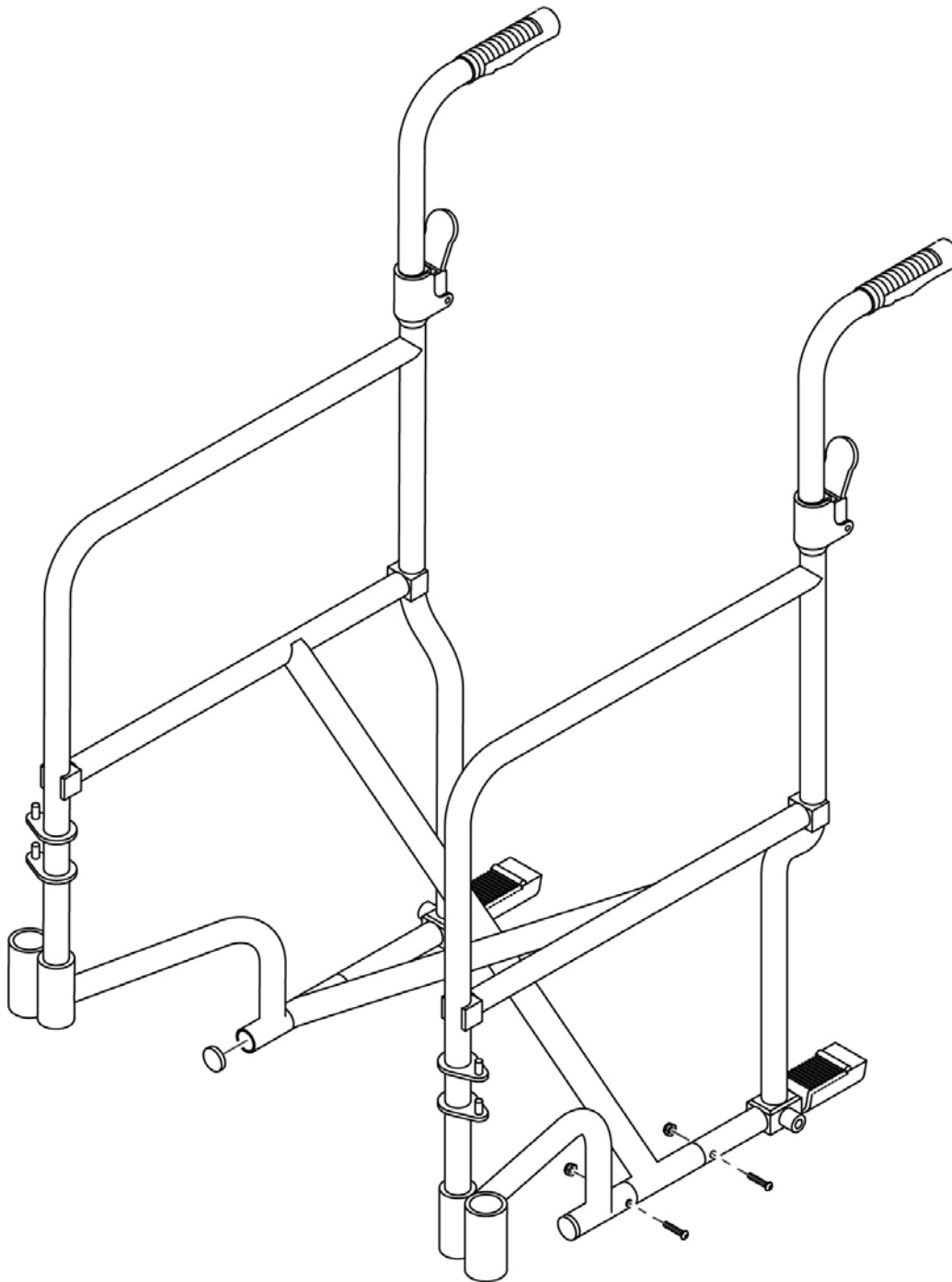


Pos.	Item Number	Description	Remarks
1	GEY-1TWL	WHEEL LOCK	PAIR
2	GEY-BRAKEHD	BRAKE HANDLE	



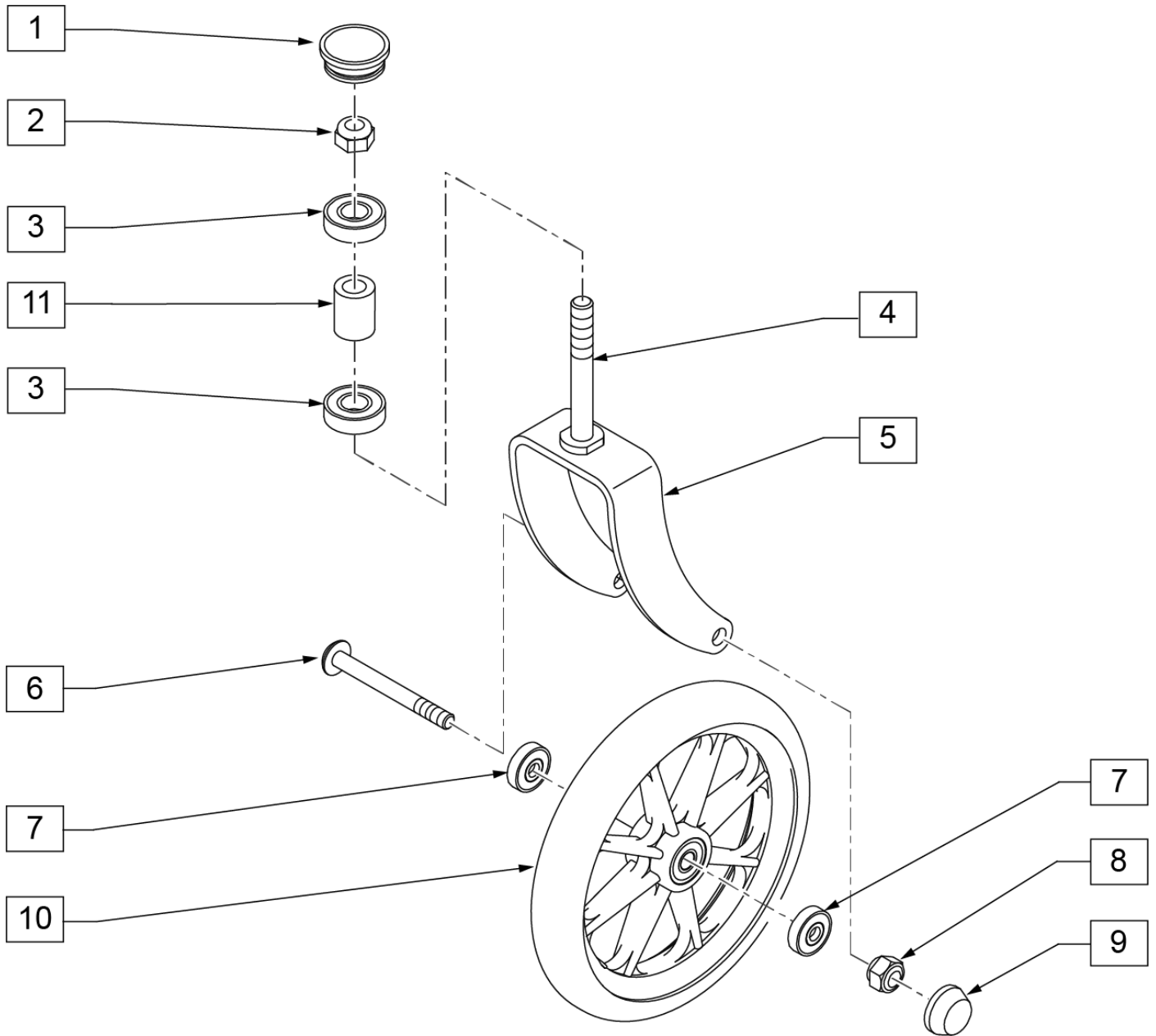
Pos.	Item Number	Description
1	GEY-1TAWL	ALUMINUM TRANSPORT WHEEL LOCK W/ MOUNTING HDWR

Note: Replacement Frames for the Transport chair are not available as a replacement part.



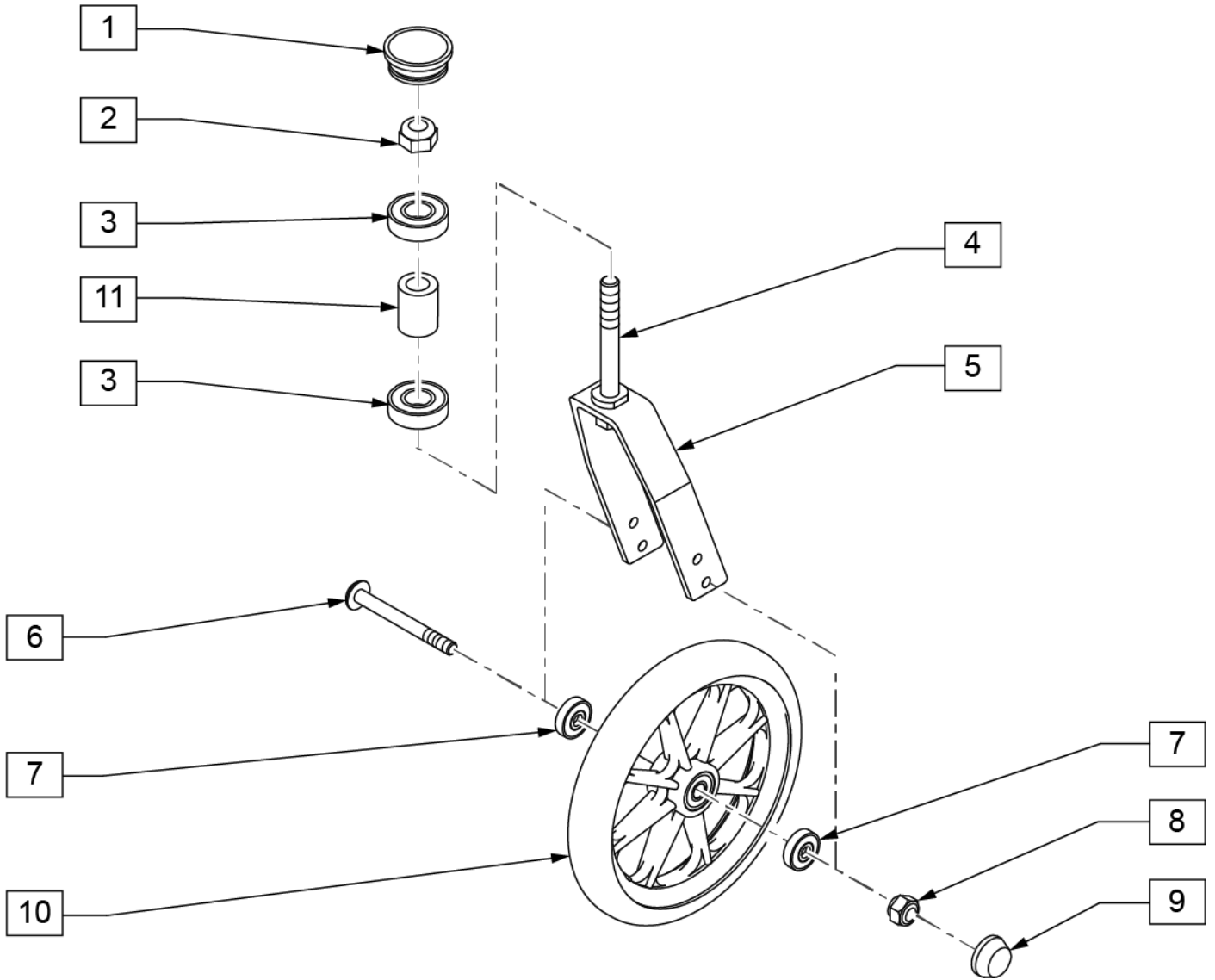
Description
OBSOLETE

NOTE: ITEM 2 REQUIRES A 19mm SOCKET TO REMOVE

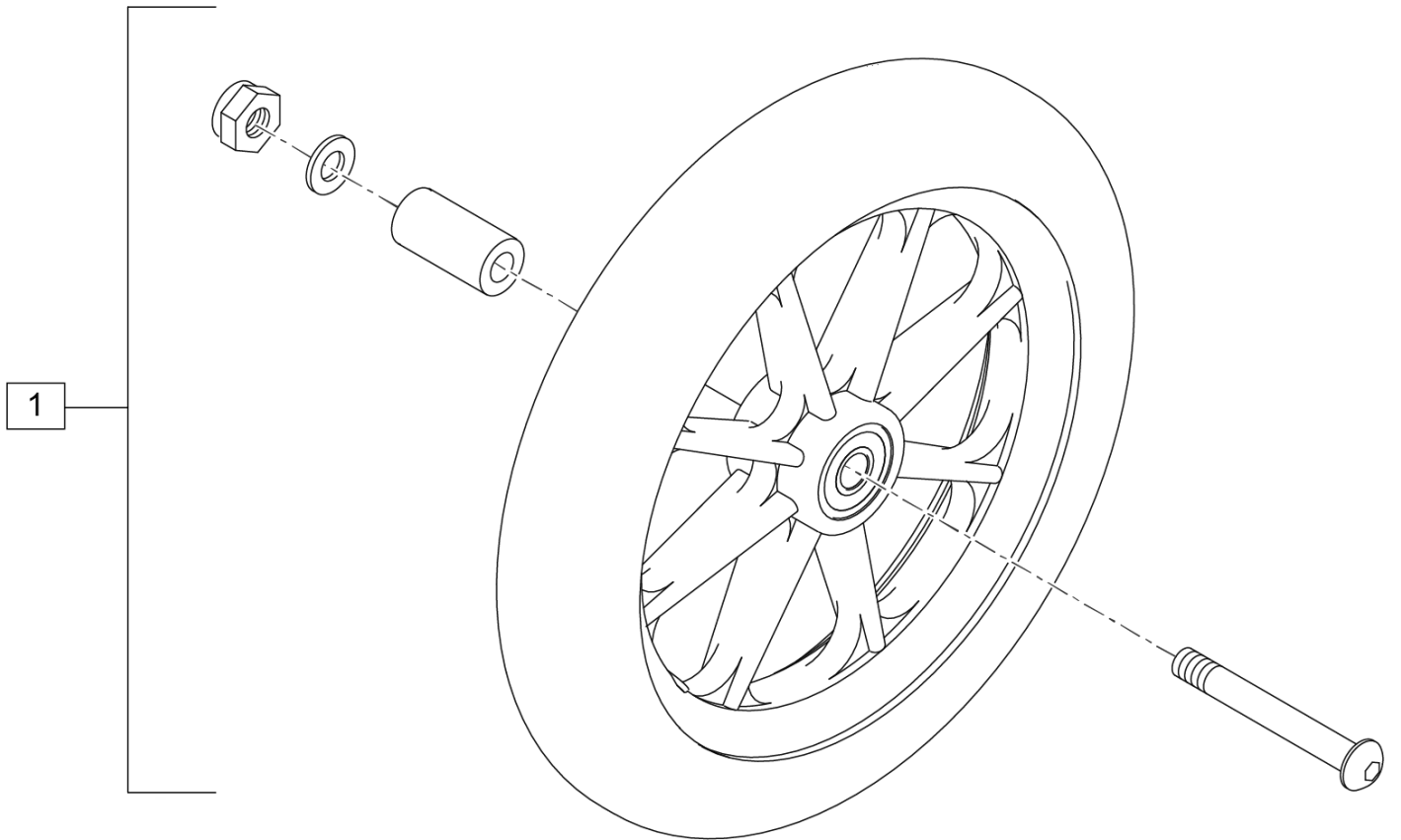


Pos.	Item Number	Description	Remarks
1	GEY-CASC	CASTER HOUSING CAPS	20 Per Bag
3, 11	GEY-CASTJR	CAST JOURNAL BEAR & SLEEVE	Pair includes 4 Bearings & 2 Sleeves; Bearing size = 28mm X 12mm X 36.25mm
6-8	GEY-CASTBR	CASTER BEARINGS	Includes 2 Nuts, 2 Bolts, 2 Spacers, 4 Bearings; Bearing size=28mm X 12mm X 8mm
9	N/A	CASTER TIR BOLT CAP	Only available in Complete Fork Assembly
1-11	GEY-1TCA	CASTER ASSM FOR STEEL	Each

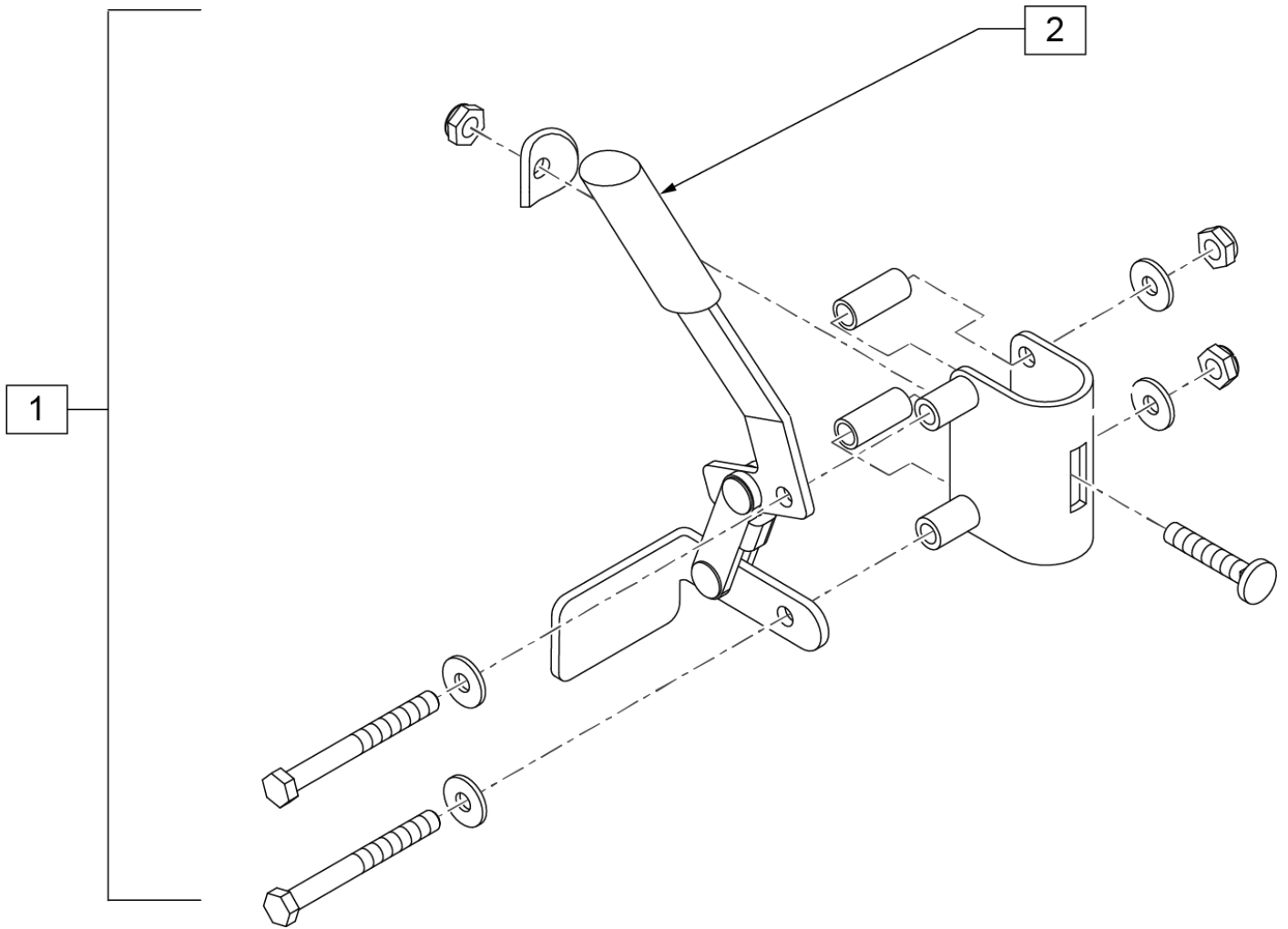
NOTE: ITEM 2 REQUIRES A 19mm SOCKET TO REMOVE



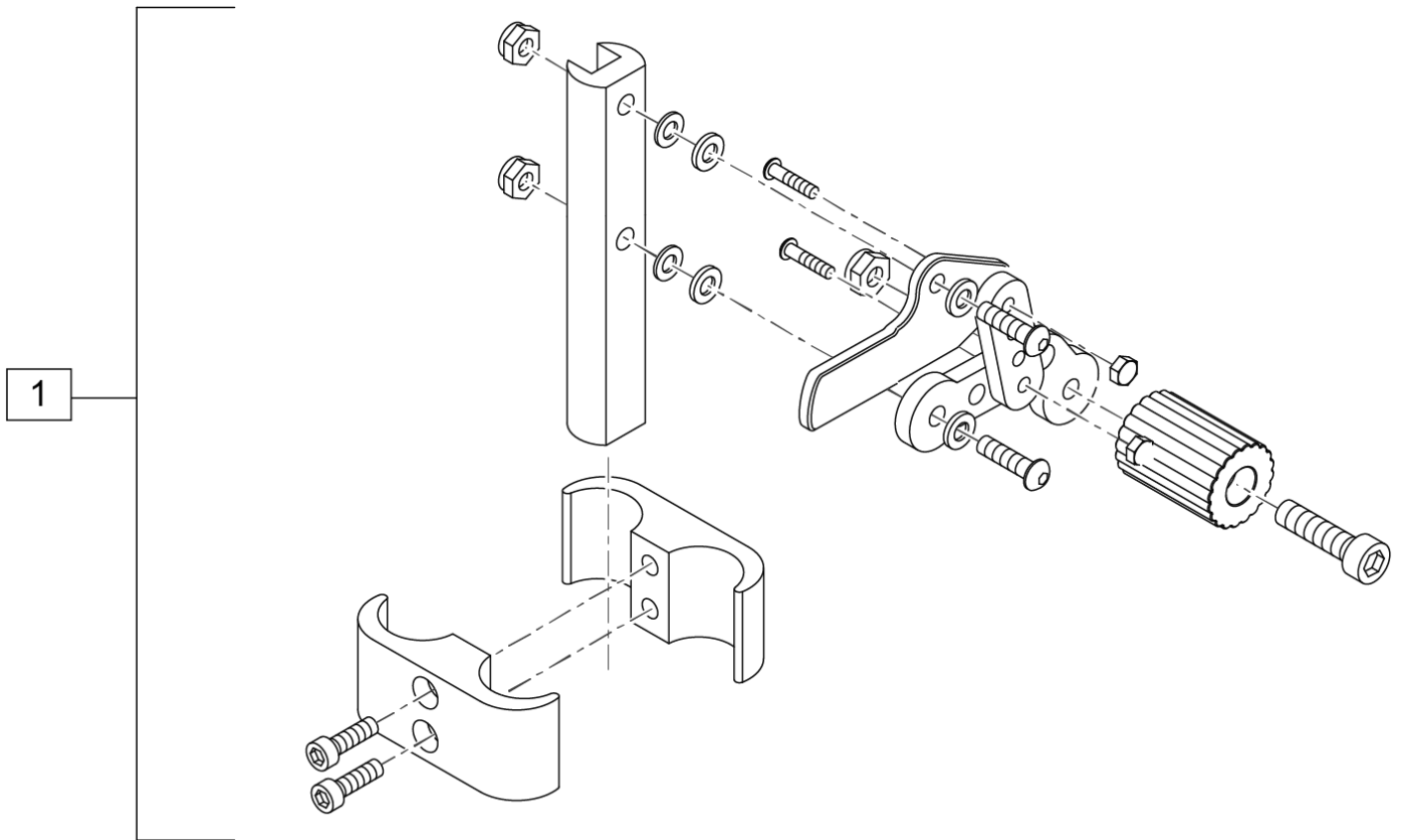
Pos.	Item Number	Description	Remarks
1	GEY-CASC	CASTER HOUSING CAPS	20 Per Bag
3, 11	GEY-CASTJR	CAST JOURNAL BEAR & SLEEVE	Pair includes 4 BEARINGS & 2 SLEEVES; Bearing size = 28mm X 12mm X 36.25mm
6-8	GEY-CASTBR	CASTER BEARINGS	Includes 2 Nuts, 2 Bolts, 2 Spacers, 4 Bearings; Bearing size = 28mm X 12mm X 8mm
9	N/A	CASTER TIR BOLT CAP	Only available in Complete Fork Assembly
1-10	GEY-1TACA	CASTER ASSM W/ HARDWARE	Pair



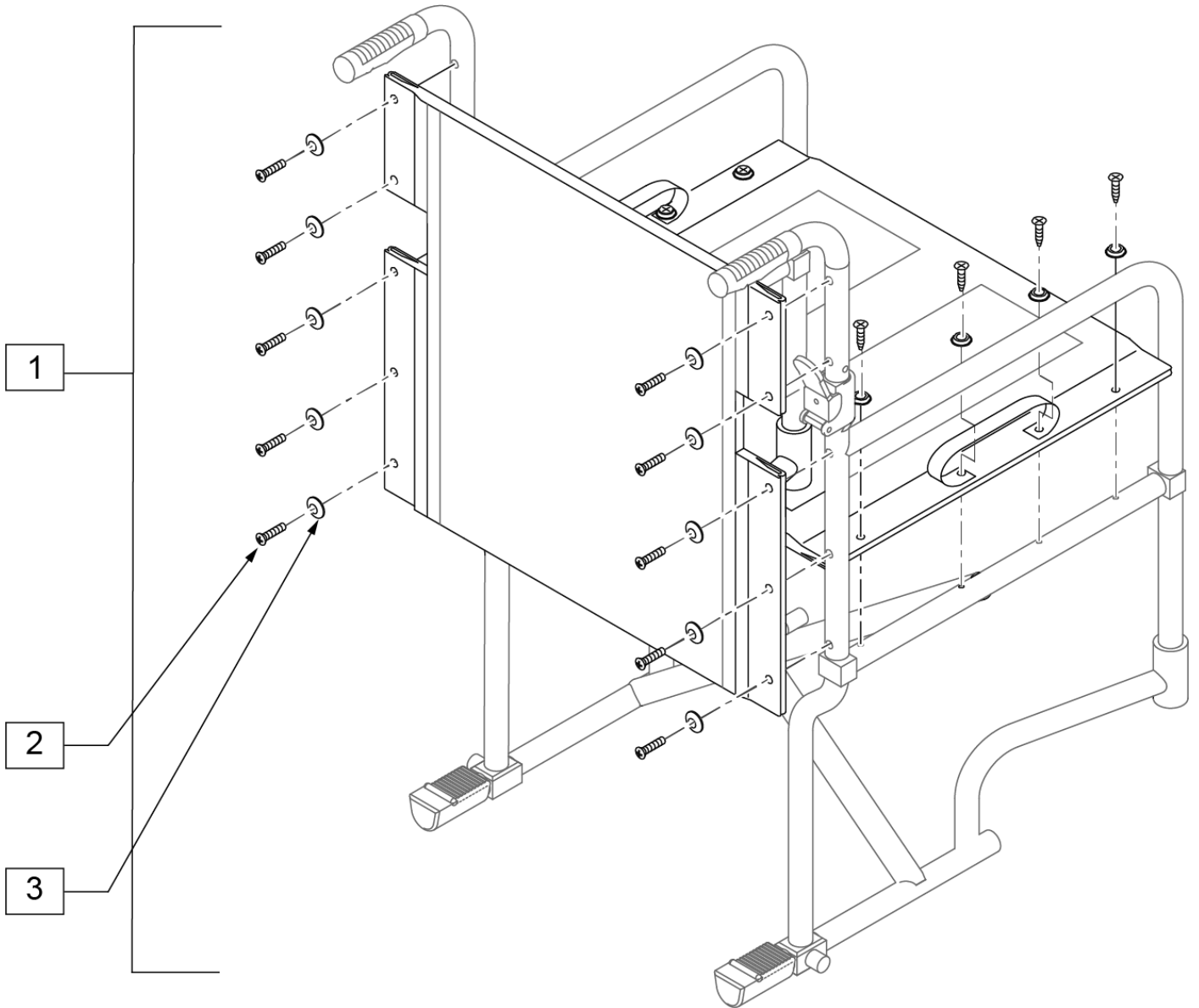
Pos.	Item Number	Description
1	GEY-1TWA	1 x 8 WHEELS W/ HARDWARE



Pos.	Item Number	Description	Remarks
1	GEY-1TWL	WHEEL LOCK	PAIR
2	GEY-BRAKEHD	BRAKE HANDLE	

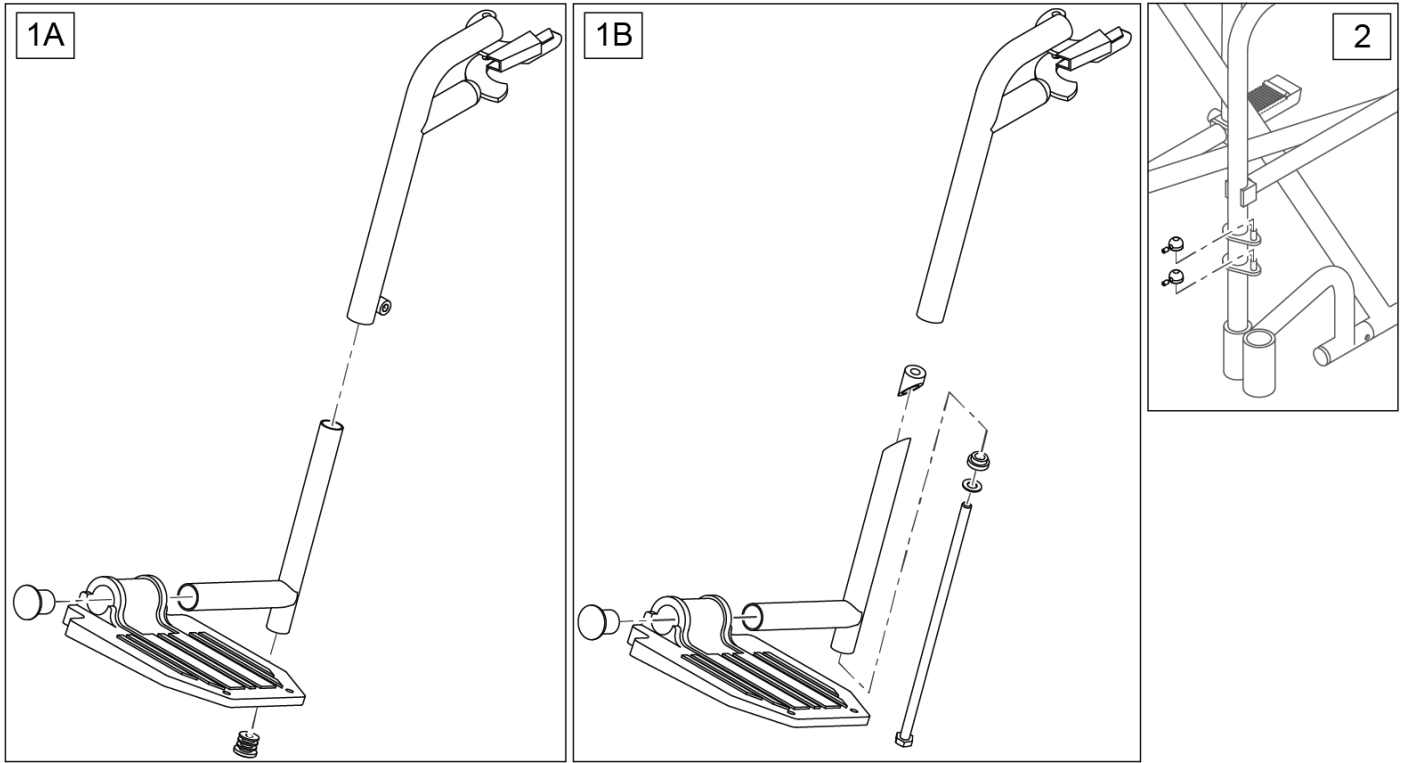


Pos.	Item Number	Description
1	GEY-1TAWL	ALUMINUM TRANSPORT WHEEL LOCK W/ MOUNTING HDWR



Pos.	Item Number	Description
2, 3	GEY-UPPHW	UPHOLSTERY HARDWARE
1	N/A	NO LONGER AVAILABLE

Note: Item 2 (p/n GEY-TIN) to be installed on top of the hanger pins to prevent hanger removal.



Pos.	Item Number	Description	Remarks
1A	GEY-1TFR	FOOTREST STEEL TRANSPORT	
1B	GEY-1ATFR	Discontinued, parts no longer available	
2	GEY-TIN	ONE PAIR TINNEMAN NUTS	Pair

