

Quickie Sports Parts Manual

Policies and Procedures, Glossary	Section 0	Quickie Cyclone (Cycl-one Disc.) ...	Section 7
Quickie All Court	Section 1	Quickie Shark / Shark S.....	Section 8
Quickie Match Point	Section 2	Quickie Kan Ski.....	Section 9
Quickie Heat, Shadow Quad Rugby	Section 3	Axles	Section 10
Quickie 3D.....	Section 4	Wheels.....	Section 11
Quickie Racer.....	Section 5	Accessories	Section 12
Quickie Kidz Bike and Mach 2	Section 6	Quickie Sports Pricelist	Section 13

Note: Quickie Sports products were previously known as “Shadow”



*This document printed partially on recycled paper
and partially on recyclable paper.*

POLICIES, PROCEDURES, AND WARRANTY

MANUAL OVERVIEW:

Your new “user-friendly” parts manual will help you place orders for wheelchair parts. Use this manual as a tool to easily locate and order the correct parts for your customers.

The parts manual is categorized by frame types, component types and accessories. Refer to the table of contents to locate the section for the items you need. For example, reference the frame sections in the beginning of the parts manual for the frame parts. Reference the component sections for others types of parts (i.e. for parts relating to backrests, refer to the section labeled “Backrests”).

Each item is shown in an “exploded view” illustration. Below each drawing is a legend that has an item number, part number, product description, and quantity used per assembly. Some parts may be included in an assembly but may not be available for purchase separately. Such parts will be included in the drawing but will not be called out individually in the legend below the drawing. Prices for parts are located in the Quickie Parts Pricing Guide, and are in numerical order by part number.

FREE FREIGHT:

- All orders (parts and products) placed on our website (www.sunrisemedical.com) or via electronic data interface (EDI) regardless of order amount will receive free freight.
- All non-web orders over \$1,000 will receive free freight.
- All non-web orders under \$1,000 will be subject to a handling charge based upon order value per the following schedule:
 - \$10 handling fee for orders between \$1 - \$250
 - \$25 handling fee for orders between \$251 - \$500
 - \$35 handling fee for orders between \$501 - \$750
 - \$45 handling fee for orders between \$751 - \$999

ORDER QUANTITY:

Product should be ordered in case quantity increments.

GENERAL RETURNED GOODS POLICY:

Advance authorization must be received from Sunrise Medical customer service prior to returning merchandise. All returns must be channeled through an authorized Sunrise Medical supplier.

Your request for return authorization must be phoned to 800-333-4000 and include:

- ◆ Reason for return
- ◆ Item number and quantity
- ◆ Invoice number, original sales order number, or original purchase order number and date.

- ◆ Serial number if applicable

Returned merchandise is subject to a 20% restocking fee.

Sunrise Medical Home Healthcare Group will accept new, non-modified merchandise for return in its original packaging if returned within 60 days of receipt. Obsolete and discontinued product will not be accepted for return. Specialized and/or modified products can not be returned.

SHORTAGES AND SHIPPING DAMAGE:

Please inspect your order immediately. Claims for shortages and shipping damage must be made within 10 days of receipt of merchandise. Damaged merchandise should be retained in original carton and reported to carrier. Claims after 10 days will not be honored.

WARRANTY:

See individual product warranty inserts in owner’s manual for warranty information by product line. All claims and repairs should be processed through a Sunrise supplier. All returns and repairs require a return merchandise authorization (RMA) number, which is obtained by calling customer service at 1-800-333-4000. Warranty returns should be shipped freight prepaid to the manufacturing facility or certified repair facility specified by customer service. A valid return merchandise authorization number should be visible on the outside of the box for immediate processing. Merchandise without a valid return merchandise authorization number will be refused. Warranty returns should be received within 30 days of authorization.

REBUILT EXCHANGE:

Rebuilt exchange parts pricing is available only with the return of defective parts within 30 days. Rebuilt exchanges available for certain products only.

WARRANTY LIMITATIONS:

We do not warrant damage due to:

- ◆ Neglect, misuse, or improper installation or repair
- ◆ Use of parts or changes not authorized by Sunrise Medical
- ◆ Exceeding the maximum weight limit specified for product

The warranty is void if the original serial number is removed or altered.

Except for express warranties made within product warranty guides, all other warranties, including implied warranties of merchantability and warranties of fitness for a particular purpose are excluded. Remedied for breach of express warranties are limited to repair or replacement of the goods. In no event shall damages for breach of any warranty include any consequential damages or exceed the cost of non-conforming goods sold. Sunrise Medical reserves the right to change this policy and any products herein without notification.

GLOSSARY OF ABBREVIATIONS

ABD Abductor
 AC All Court
 ADJ Adjustable
 ADPT Adapter
 ALUM Aluminum
 AMH Adjustable Mounting
 Hardware
 ANO Anodized
 ASSM Assembly
 AT Anti-tip

BB Basketball
 BCK Back
 BCKBRD Backboard
 BH Button Head
 BKL Buckle
 B-LOCK Back Lock
 BLK Black
 BRD Board
 BRNG Bearing
 BRKT Bracket
 BSHNG Bushing
 BTTN Button

CLMP Clamp
 CLR Clear
 COMP Complete
 CMPST Composite
 CRM Chrome
 C/S Cap Screw
 C-S Countersunk
 CSTR Caster

DAB Depth-adjustable Back
 DBL Double
 DL Desk Length

EA Each
 ELR Elevating Legrest
 EXT Extension
 EXTND Extended

FL Full-length
 FL FT Flip-up Footrest
 FLP Flip
 FT Foot
 F/REST Footrest
 FRNT Front
 FT PLT Footplate
 F/UP Flip-up

H Hole
 HB High Brake
 HD Head
 HDRST Headrest
 HDWR Hardware
 HEX Hexagon
 HK Hook
 HL Heel Loops
 HM High Mount
 HNDL Handle
 HNGR Hanger
 HP High Pressure
 HR Handrim
 HT Height

ID Inner Dimension

KDS Kids

L Left
 LH Left-hand
 LK Lock
 LNG Long
 LO Lift-off
 LPS Loops
 LRG Large
 LTRL Lateral

MACH Machine
 MECH Mechanism
 MED Medium
 mm Millimeter
 MNT Mount
 MNTG Mounting
 M/S Machine Screw

NAUG Naugahyde
 NF Non-folding
 NR Non-recessed
 OD Outer Dimension
 O/S Old Style

PH Push Handle
 PHIL Phillips
 PLT Plate
 PLST Plastic
 P/L Pin Lock
 PNEU Pneumatic
 PNT Paint
 PNTD Painted
 POLY Polyurethane

PR Pair
 PROJ Projection
 PSH Push
 PTTN Pattern

R Right
 REC Receiver
 REG Regular
 REL Release
 REV Reverse
 RH Right-hand
 RNUT(S) Rivnut(s)
 RR Rear

S/A Swing-away

S/F Side Frame

SCW Screw

SHLDR Shoulder

SHT Short

SLD Solid

SLNG Sling

SLTD Slotted

SM Small

SNGL Single

SOC Socket

SPCR Spacer

SPEC CLR Specify Color

SPK Spoke

SQZ Squeeze

SS Stainless Steel

ST Seat

S/TAP Self-tapping

STD Standard

STRLR Stroller

STRT Straight

T Tab

THRD Threaded

Ti Titanium

TL Tall

TNNS Tennis

UNTHRD Unthreaded

UPH Upholstery

VERT Vertical

W/ With

WD Wide

W/O Without

WHL Wheel

Sunrise Medical appreciates your business. For your ordering convenience, our Customer Service Representatives can be contacted at:

**To place orders:
(800) 333-4000**

Quickie Shadow/Specialized Technical Assistance:

You can reach our Technical Support team by choosing prompt 3 followed by 2701 and the # sign. Then choose # again for Shadow/Specialized Technical support

**For Assistance with a Web Order,
or to Sign up for Sunrisemedical.com
(800) 333-4000 Option 5**

**FOR YOUR CONVIENCE YOU MAY PLACE ORDERS THROUGH OUR
WEBSITE OR BY FAX 24 HOURS A DAY:**

www.sunrisemedical.com

Fax: (800) 300-7502

For easy reference please fill in your Customer Number and Sunrise Account Manager's name.

Customer Account Number _____

Ship to Account Number _____

Sunrise Account Manager _____

* Parts prices and configuration or specifications of Products included in this Parts Manual are subject to change without prior notice.

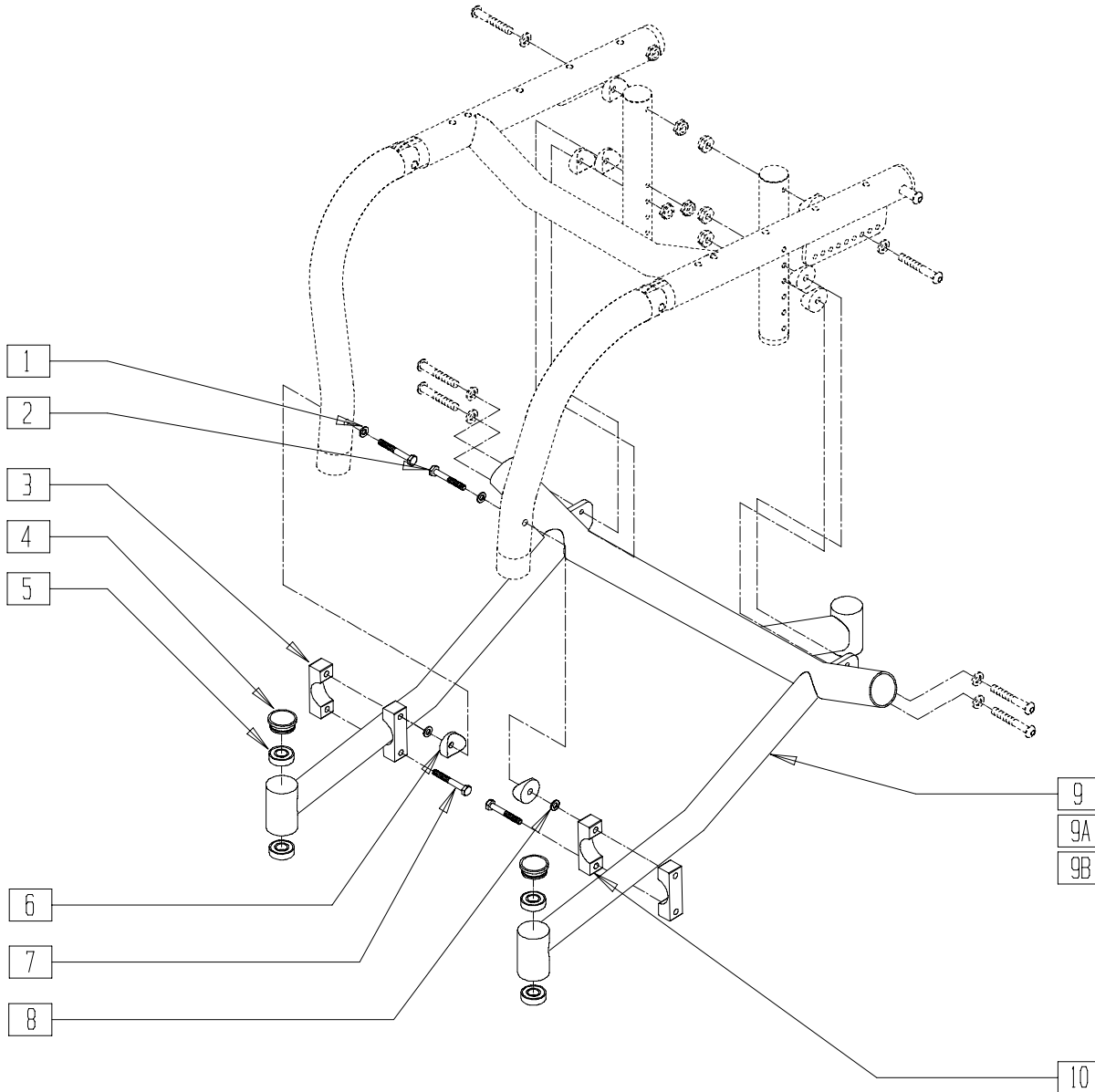
Quickie All Court

IN THIS SECTION

Base Frame (Quickie All Court) (Disc.)	1.1	Fixed Backrest Ti (Quickie All Court).....	1.22
Base Frame (Quickie All Court).....	1.2	Folding Back Lock Ti (Quickie All Court)	1.23
Seat Frame (Quickie All Court) (Disc.)	1.3	Aluminum Side Guard For Quick-release Back (Quickie All Court) (Disc)	1.24
Seat Frame (13"-14.5") (Quickie All Court) (Disc.) ...	1.4	Aluminum Side Guard For Fixed Back (Quickie All Court) (Disc)	1.24
Seat Frame (15"-20") (Quickie All Court) (Disc.)	1.5	Aluminum Side Guard for Fixed Back (Quickie All Court).....	1.25
Titanium Seat Frame (Quickie All Court)	1.6	Aluminum Side Guard for Quick Release Back (Quickie All Court).....	1.25
Aluminum Seat Frame (Quickie All Court).....	1.7	Backrest Frame and Upholstery (Quickie All Court) (Disc.)	1.26
Quad Rugby Wings (Quickie All Court) (Disc.).....	1.8	Folding Backrest and Upholstery (Quickie All Court).....	1.26
Basketball Wings (Quickie All Court) (Disc.)	1.8	Seat Sling and Cushion (Quickie All Court) (Disc)	1.27
Quad Rugby and Basketball Wings (Quickie All Court) (Disc)	1.9	Seat Sling and Cushion (Quickie All Court).....	1.27
Basket Ball Wings w/Standup Assembly (Quickie All Court).....	1.9	Seat Pan (Quickie All Court).....	1.28
Fifth Wheel Support (Quickie All Court).....	1.10	Fork Assembly (Quickie All Court) (Disc.)	1.28
Anti-tip (Quickie All Court) (Disc.)	1.11	Fork Assembly (Quickie All Court) (Disc)	1.29
Integral Single Anti-tip (Quickie All Court) (Disc.) ...	1.12	Front Fork Assembly (Quickie All Court)	1.29
Integral Double Anti-tip (Quickie All Court) (Disc.)..	1.12	3" Micro Caster (Disc).....	1.30
Quick-release Anti-tip (Quickie All Court) (Disc).....	1.13	3" Micro Caster	1.30
Integral Anti-tip Fork Assembly (Quickie All Court).....	1.14	Platform Footrest (Quickie All Court) (Disc).....	1.31
Quick Release Anti-tip (Quickie All Court)	1.15	Platform Footrest (Quickie All Court)	1.32
Push Handle Assembly (Quickie All Court) (Disc.) ..	1.16	High-Mount Footrest (Quickie All Court) (Disc)	1.33
Fixed Backrest (Quickie All Court) (Disc.)	1.16	High-Mount Footrest (Quickie All Court).....	1.34
Fixed Backrest (Quickie All Court) (Disc)	1.17		
Quick-Release Back Lock (Quickie All Court) (Disc.)	1.18		
Quick-release Back Lock (Quickie All Court) (Disc).....	1.19		
Fixed Backrest Aluminum (Quickie All Court).....	1.20		
Folding Back Lock Aluminum (Quickie All Court) ...	1.21		

BASE FRAME (QUICKIE ALL COURT)

(Discontinued 01/11/05 - parts only)



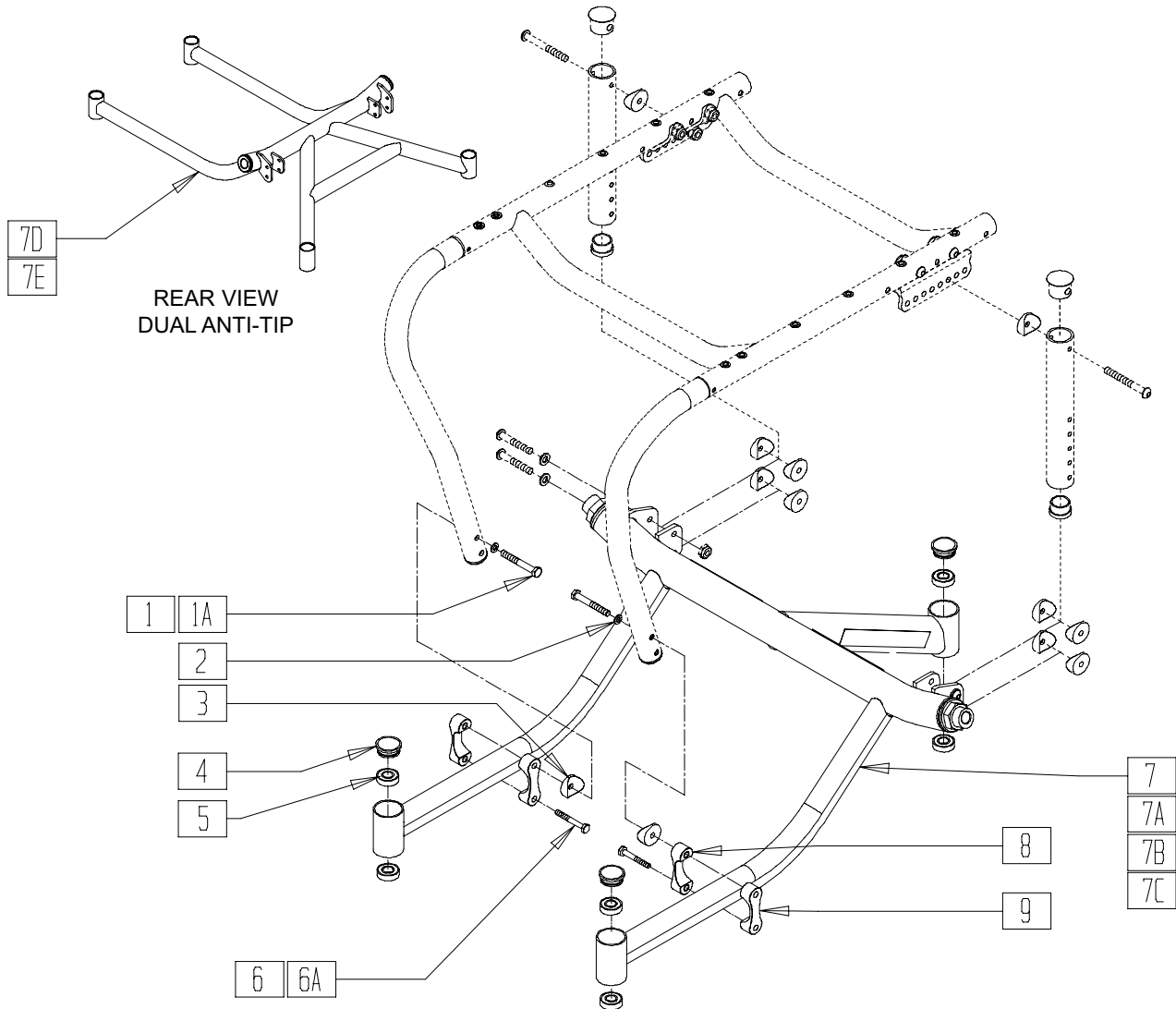
ALC0X19A

ITEM	NUMBER	DESCRIPTION	QTY
1	262100-QU	1/4 AN WASHER FLAT	2
2	221201	1/4-28 x 3 G8 HEX C/S	2
3	540071	SIDE TUBE CLAMP THREADED AC	2
4	880548	CASTER CAP W/O-RING ALUM BLK	2
5	349500	1 1/8 x 1/2 BEARING	4
6	561001	1 1/8" SADDLE 1/4" HOLE	2
7	221133	1/4-28 x 1 1/2 G8 HEX C/S	2
8	561026	3/4" WASHER 1/4" HOLE	2

ITEM	NUMBER	DESCRIPTION	QTY
5,9	600318	BASE FRM RETRO KIT AC 13/14W	
	600319	BASE FRM RETRO KIT AC 15-20W	
5,9A	600320	BASE FRM RET KIT AC 13/14W 1AT	
	600321	BASE FRM RET KIT AC 15-20W 1AT	
5,9B	600322	BASE FRM RET KIT AC 13/14W 2AT	
	600323	BASE FRM RET KIT AC 15-20W 2AT	
10	540072	SIDE TUBE CLAMP AC	2
1-3,6-8,10	920469	FRNT UPRIGHT MNT BRKT ASSM AC	

BASE FRAME (QUICKIE ALL COURT)

(Effective 01/11/2005)



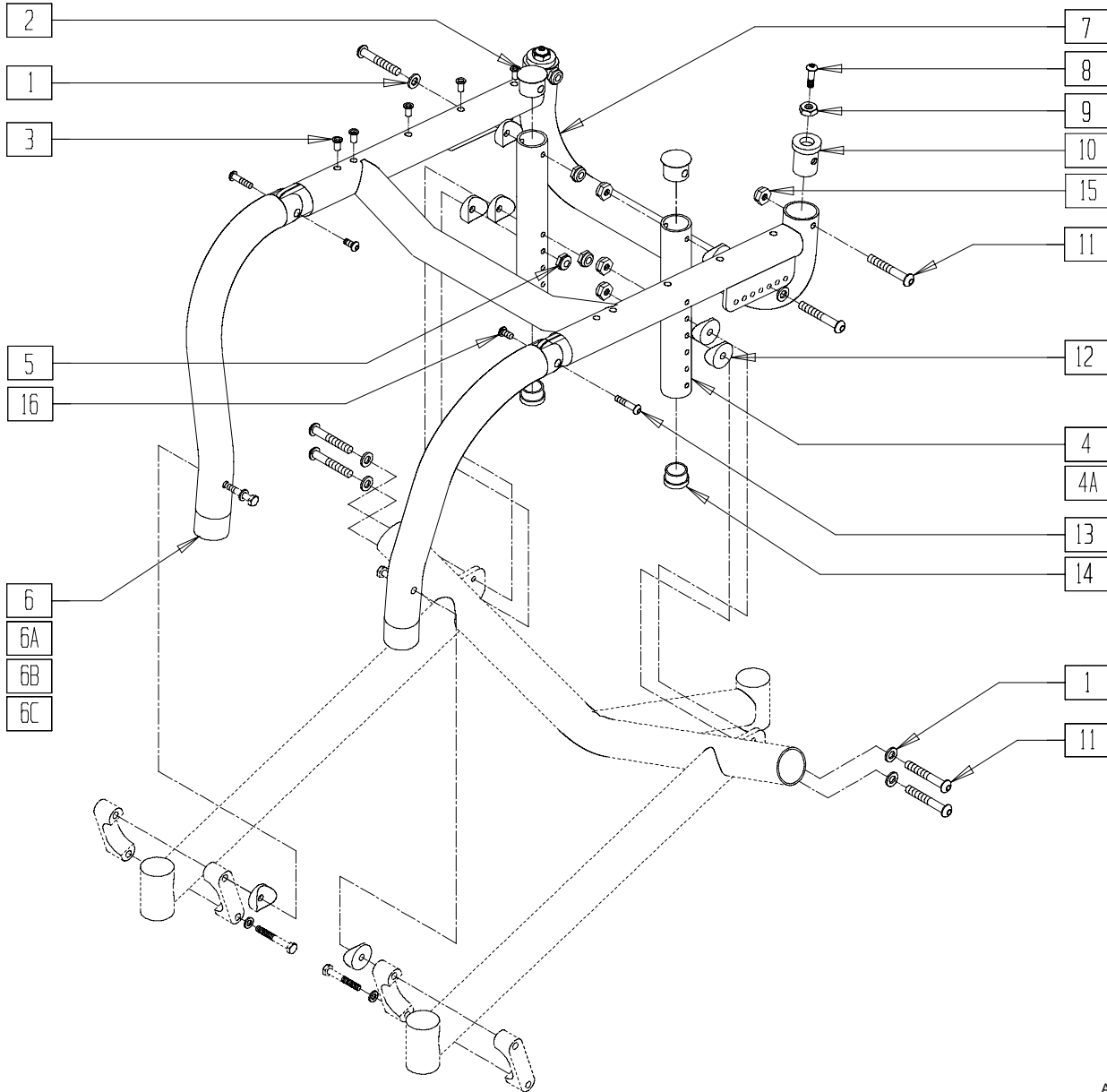
TIAC0X01

ITEM	NUMBER	DESCRIPTION	QTY
1	221181	1/4-28 X 2 1/2 G8 HEX C/S	2
1A	330105	1/4-28 X 2 1/2 HEX C/S TI	2
2	262100-QU	1/4 AN WASHER FLAT	2
3	561087	BACK REL SADDLE RIGID	2
4	880903	CASTER CAP W/O-RING SPORT W/C	2
5	349500	1 1/8 x 1/2 BEARING	4,6,8
6	221124-QU	1/4-28 X 1 1/4 G8 HEX C/S	2
6A	204125	1/4-28 X 1.25 TITANIUM HEX CS	2
8	503013	CLAMP OVAL TUBE THRU BOLT A/C	2
9	503014	CLAMP OVAL TUBE THRD A/C	2

ITEM	NUMBER	DESCRIPTION	QTY
5,7	601100- 601108	BASE FRM ASSM AC STD 16°(12W-20W)	
5,7A	601180- 601188	BASE FRM ASSM AC STD 20°(12W-20W)	
5,7B	601190- 601198	BASE FRM ASSM AC 1AT 16°(12W-20W)(SINGLE ANTI-TIP)	
5,7C	601200- 601208	BASE FRM ASSM AC 1AT 20°(12W-20W)(SINGLE ANTI-TIP)	
5,7D	601280- 601288	BASE FRM ASSM AC 2AT 16°(12W-20W)(DUAL ANTI-TIP)	
5,7E	601290- 601298	BASE FRM ASSM AC 2AT 20°(12W-20W)(DUAL ANTI-TIP)	

SEAT FRAME (QUICKIE ALL COURT)

(Discontinued 8/1/00 - parts only)



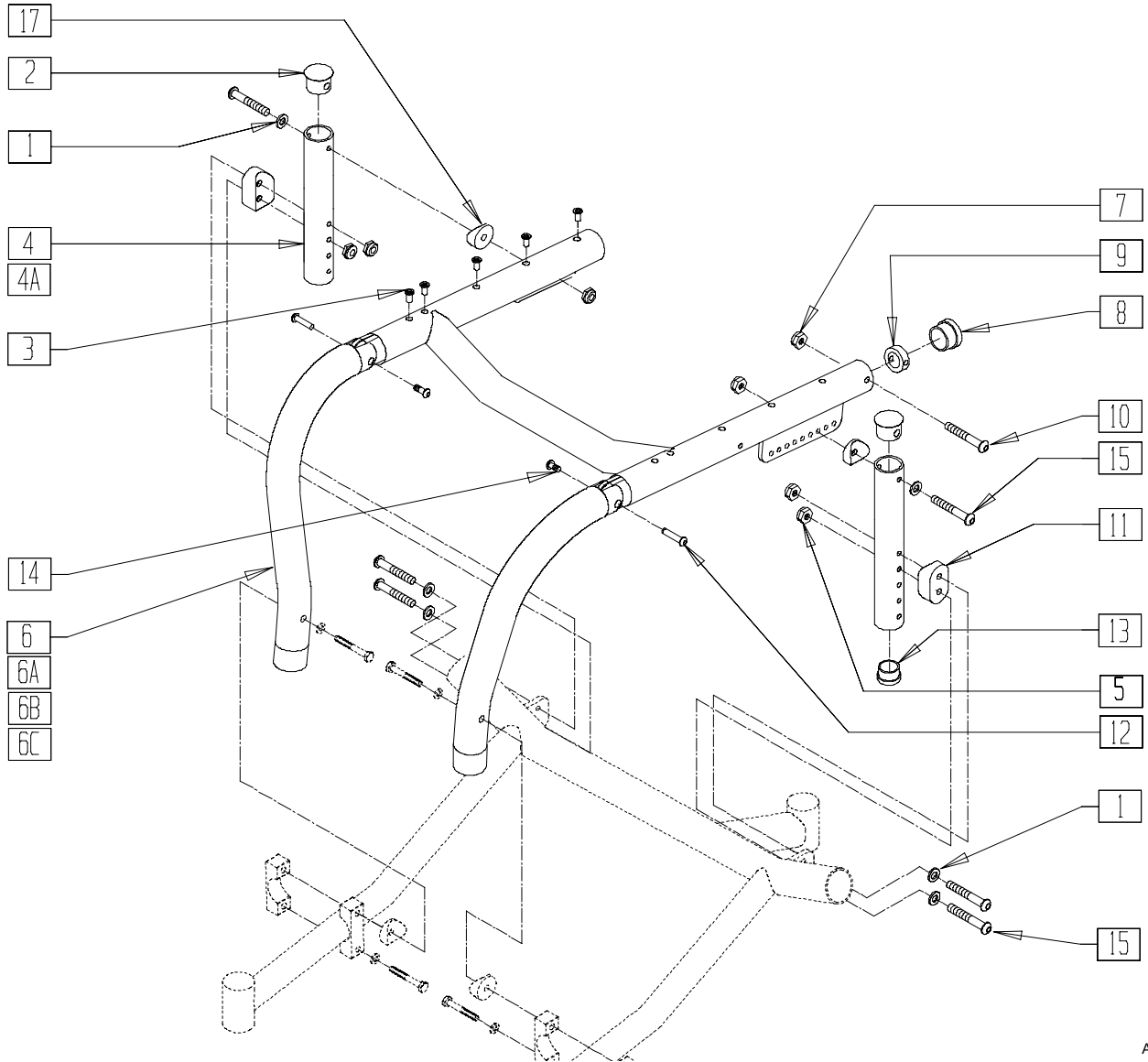
ALC00X11

ITEM	NUMBER	DESCRIPTION	QTY
1	262100-QU	1/4 AN WASHER	10
2	560999	1" INSERT PLUG .083 W/ 1/4" HOLE	2
3	341497	10-32 x .020 x .130 RIVNUT GOLD	10-16
4	527455	REAR FRAME ADJ TUBE 3D STD	2
4A	520487	REAR FRAME ADJ TUBE AC TALL	2
5	201110	1/4-28 NYLOCK NUT	6
8	226058	1/4-20 x 3/4 SOC C/S	2
9	201121	1/4-20 NUT THIN	2
10	483251	BACKREST RELEASE PLUG AC	2
11	226140	1/4-28 x 1 3/4 BH C/S	8
12	561004	1" SADDLE 1/4" HOLE	6

ITEM	NUMBER	DESCRIPTION	QTY
13	221213	10-32 x 7/8 HEX SEX BOLT	2
14	561002	1" INSERT PLUG .083	2
15	201100-QU	1/4-28 NYLOCK NUT THIN	2
16	226051	10-32 x 3/8 BH C/S	2
3,7-11	661289- 661366	SEAT FRAME ALL COURT (SPECIFY DIMENSIONS)	
6,13,16	600201	FRONT FRAME TUBE ASSM AC R STD	
6A,13,16	600202	FRONT FRAME TUBE ASSM AC L STD	
6B,13,16	600203	FRONT FRAME TUBE ASSM AC R TALL	
6C,13,16	600204	FRONT FRAME TUBE ASSM AC L TALL	

SEAT FRAME (13"-14.5") (QUICKIE ALL COURT)

(Discontinued 01/11/05 - Parts Only)



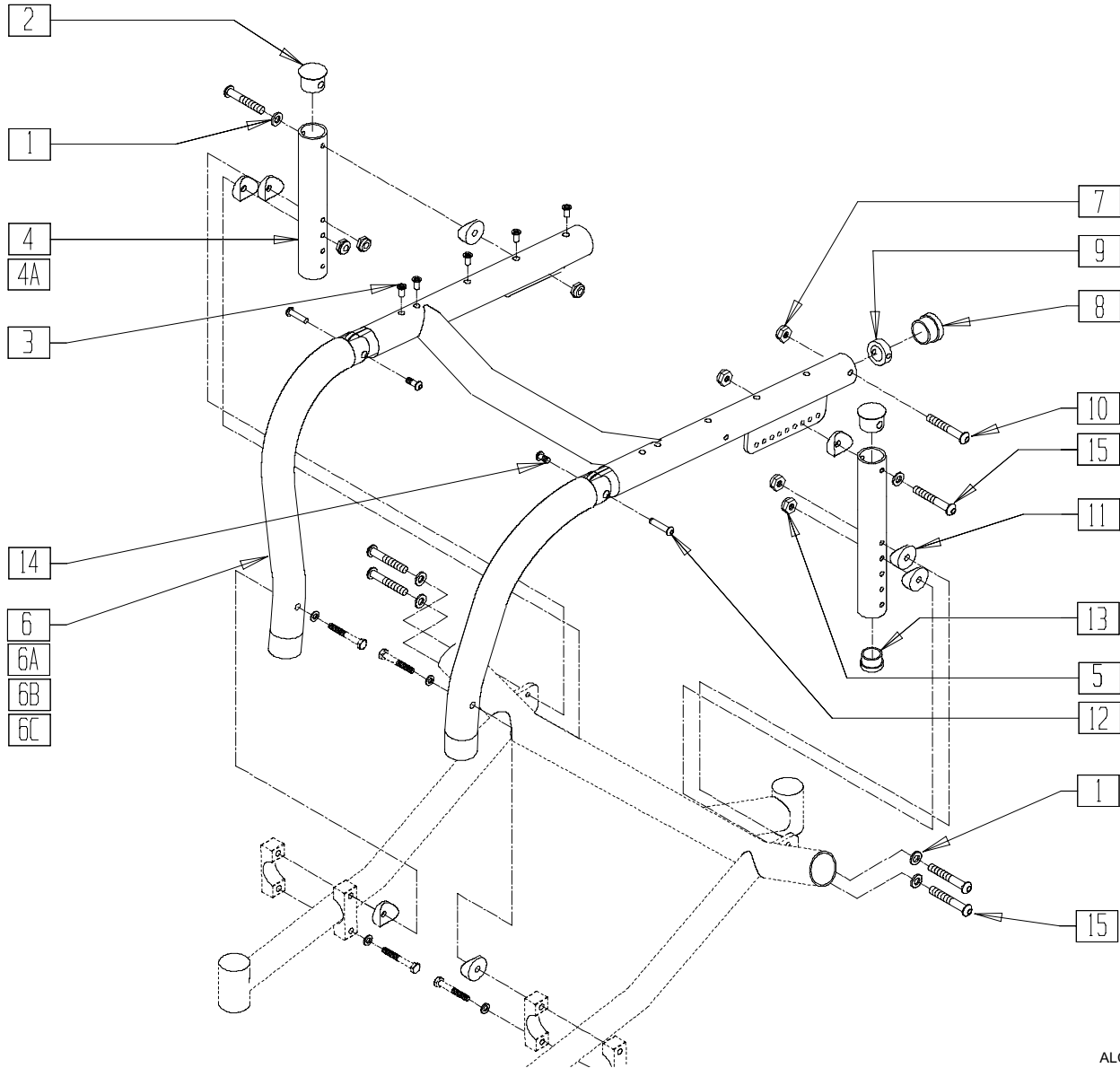
ALCOX11BA

ITEM	NUMBER	DESCRIPTION	QTY
1	262100-QU	1/4 AN WASHER	10
2	560998	1" INSRT DOME PLUG .083 W/HOLE	2
3	341497	10-32 x .020 x .130 RIVNUT GOLD	10-16
4	527455	REAR FRAME ADJ TUBE STD 3D	2
4A	520487	REAR SEAT UPRIGHT TALL AC	2
5	201110-QU	1/4-28 NYLOCK NUT	6
7	201100-QU	1/4-28 NYLOCK NUT THIN	2
8	880548	CASTER CAP W/O-RING ALUM BLK	2
9	483273	BACKREST REL PLUG AC	2
10	226150	1/4-28 x 2 BH C/S	2
11	540009	SPACER SEAT FRAME 1/2" AC	2
12	221213	10-32 x 7/8" HEX SEX BOLT QTNT	2
13	561002	1" INSERT PLUG .083	2
14	226051	10-32 x 3/8 BH C/S	2
15	226140	1/4-28 x 1 3/4 BH C/S	6
16	226155	1/4-28 x 2 1/4 BH C/S	4
17	561004	1" SADDLE 1/4" HOLE	2

ITEM	NUMBER	DESCRIPTION	QTY
3,7-10	661289,	SEAT FRAME PNTD	
	661290	13"-14" x 13" AC	
	661299,	SEAT FRAME PNTD	
	661300	13"-14" x 14" AC	
	661309,	SEAT FRAME PNTD	
	661310	13"-14" x 15 AC	
	661319,	SEAT FRAME PNTD	
	661320	13"-14" x 16" AC	
	661329,	SEAT FRAME PNTD	
	661330	13"-14" x 17" AC	
6,12,14	600284	FRNT TBE ASSM AC R TALL 13"-14 1/2"	
	600285	FRNT TBE ASSM AC L TALL 13"-14 1/2"	
6A,12,14	600286	FRNT TBE ASSM AC R X-TALL 13"-14 1/2"	
6C,12,14	600287	FRNT TBE ASSM AC L X-TALL 13"-14 1/2"	

SEAT FRAME (15"-20") (QUICKIE ALL COURT)

(Discontinued 01/11/05 - Parts Only)



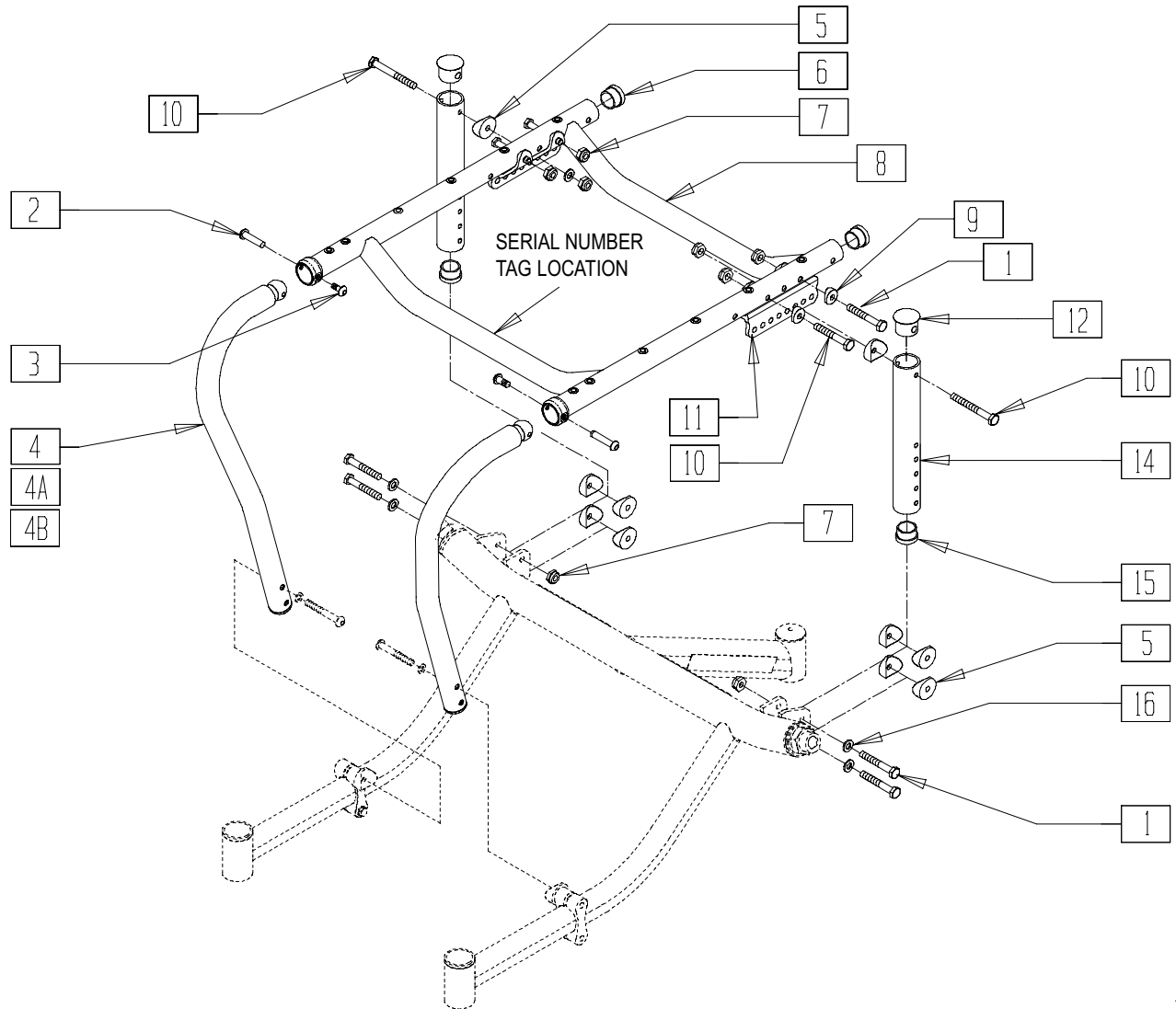
ALCOX11AA

ITEM	NUMBER	DESCRIPTION	QTY
1	262100-QU	1/4 AN WASHER	10
2	560998	1" INSRD DOME PLUG .083 W/HOLE	2
3	341497	10-32 x .020 x .130 RIVNUT GOLD	10-16
4	527455	REAR FRAME ADJ TUBE STD 3D	2
4A	520487	REAR SEAT UPRIGHT TALL AC	2
5	201110-QU	1/4-28 NYLOCK NUT	6
7	201100-QU	1/4-28 NYLOCK NUT THIN	2
8	880548	CASTER CAP W/O-RING ALUM BLK	2
9	483273	BACKREST REL PLUG AC	2
10	226150	1/4-28 x 2 BH C/S	2
11	561004	1" SADDLE 1/4" HOLE	6
12	221213	10-32 x 7/8" HEX SEX BOLT QTNT	2
13	561002	1" INSERT PLUG .083	2
14	226051	10-32 x 3/8 BH C/S	2
15	226140	1/4-28 x 1 3/4 BH C/S	6
3,7-11	661301- 661306	SEAT FRAME PNTD 15"-20" x 14 AC	

ITEM	NUMBER	DESCRIPTION	QTY
3,7-11	661311-	SEAT FRAME PNTD	
	661316	15"-20" x 15 AC	
	661321-	SEAT FRAME PNTD	
	661326	15"-20" x 16 AC	
	661331-	SEAT FRAME PNTD	
	661336	15"-20" x 17 AC	
	661341-	SEAT FRAME PNTD	
	661346	15"-20" x 18 AC	
6,12,14	661351-	SEAT FRAME PNTD	
	661356	15"-20" x 19 AC	
6,12,14	661361-	SEAT FRAME PNTD	
	661366	15"-20" x 20 AC	
6,12,14	600235	FRNT FRAME TUBE ASSM AC R TALL	
6A,12,14	600236	FRNT FRAME TUBE ASSM AC L TALL	
6B,12,14	600237	FRNT FRAME TUBE ASSM AC R X-TALL	
6C,12,14	600238	FRNT FRAME TUBE ASSM AC L X-TALL	

TITANIUM SEAT FRAME (QUICKIE ALL COURT)

(Effective 01/11/05)



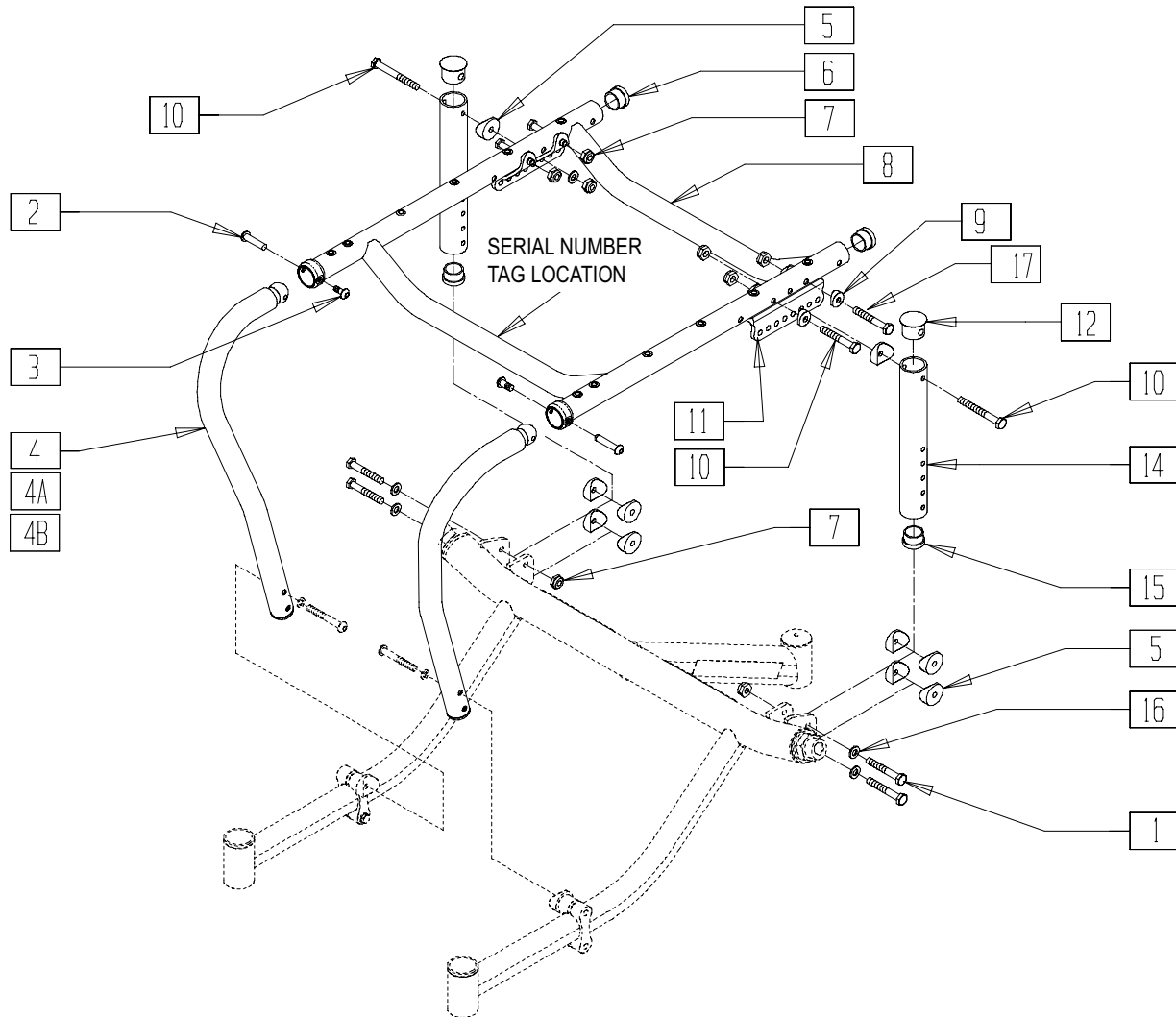
TIAC0X02A

ITEM	NUMBER	DESCRIPTION	QTY
1	330100	1/4-28 X 2 HEX C/S TI	6
2	221205	BOLT HEX SEX 10-32 X 1.115	2
3	226051	10-32 X 3/8" BH C/S	2
5	561004	1" SADDLE 1/4" HOLE	10
6	560269	PLUG SEAT FRAME REAR .036 WALL	2
7	330000-QU	1/4-28 NYLOCK NUT ALUM	10
8	661460- 661519	SEAT FRAME ASSM TI (12W x 10-16D THRU 20W x 14-20D)	1
9	482000	SADDLE SMALL 1.00 TUBE.25 HOLE	4
10	330099	1/4-28 X 1 3/4 HEX C/S TI	4
11	551410	INTERFACE SEATFRAME A/C	2

ITEM	NUMBER	DESCRIPTION	QTY
12	561160	1" INSRT DOME PLUG .051 W/HOLE	2
14	510026- 510028	TI REAR UPRIGHT (SHORT, TALL, 700C)	2
15	561062	1" INSERT PLUG .065 RIBS	2
16	262100-QU	1/4 AN WASHER FLAT	10
2-4	604409- 604414	FRNT UPR TI R 15-20W (16-17H THRU 20-21H)	
2,3,4A	604421- 604426	FRNT UPR TI R 14W (16-17H THRU 20-21H)	
2,3,4B	604433- 604438	FRNT UPR TI R 12-13W (16-17H THRU 20-21H)	

ALUMINUM SEAT FRAME (QUICKIE ALL COURT)

(Effective 01/11/05)



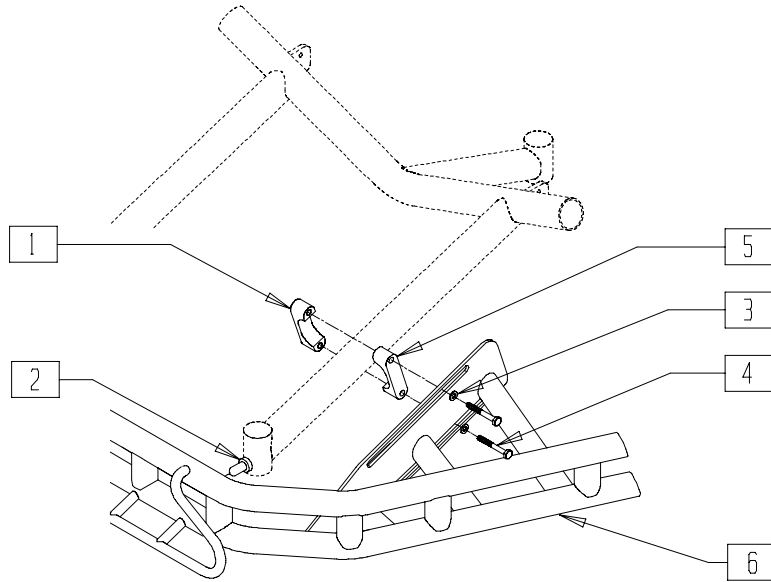
TIAC0X27

ITEM	NUMBER	DESCRIPTION	QTY
1	226150	1/4-28 X 2 BH C/S	4
2	221205	BOLT HEX SEX 10-32 X 1.115	2
3	226051	10-32 X 3/8" BH C/S	2
5	561004	1" SADDLE 1/4" HOLE	10
6	560268	PLUG SEAT FRAME REAR .083 WALL	2
7	201110-QU	1/4-28 NYLOCK NUT	10
8	661520- 661579	SEAT FRM ASSM AL (12W x 10-16D THRU 20W x 14-20D)	1
9	482000	SADDLE SMALL 1.00 TUBE.25 HOLE	4
10	226140	1/4-28 X 1 3/4 BH C/S	4
11	551410	INTERFACE SEATFRAME A/C	2
12	560998	1" INSRT DOME PLUG .083 W/HOLE	2

ITEM	NUMBER	DESCRIPTION	QTY
14	520742, 520242, 527455	AL REAR UPRIGHT (SHORT, TALL, 700C)	2
15	561002	1" INSERT PLUG	2
16	262100-QU	1/4 AN WASHER FLAT	10
17	226147	1/4-28x1.85 BH C/S BLK	2
2-4	604415- 604420	FRNT UPR AL 15-20W (16-17H THRU 20-21H)(EA)	
2,3,4A	604427- 604432	FRNT UPR AL 14W (16-17H THRU 20-21H)(EA)	
2,3,4B	604439- 604444	FRNT UPR AL12-13W (16-17H THRU 20-21H)(EA)	

QUAD RUGBY WINGS (QUICKIE ALL COURT)

(Discontinued 8/1/00 - parts only)



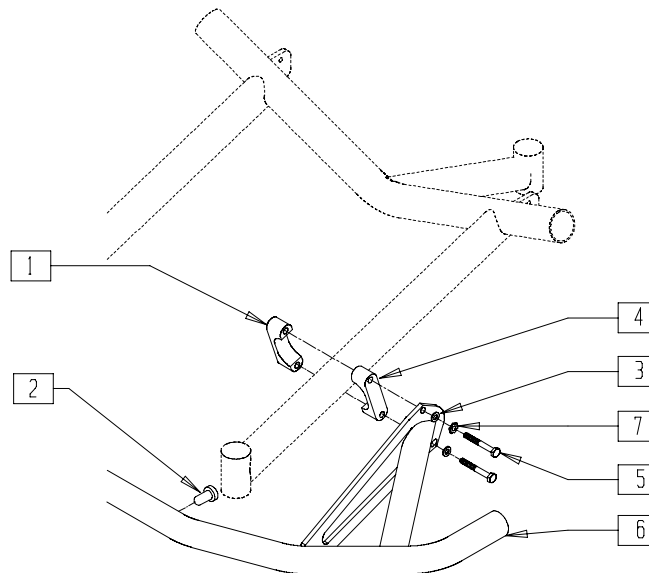
ALC00X21

ITEM	NUMBER	DESCRIPTION	QTY
1	500552	CLMP OVAL TUBE W/THRD AC	2
2	349559	RUBBER BUMPER HANGER P2	2
3	262100-QU	1/4 AN WASHER FLAT	4
4	221133	1/4-28 x 1 1/2 G8 HEX C/S	4

ITEM	NUMBER	DESCRIPTION	QTY
5	500551	CLAMP OVAL TUBE AC	2
6	520365	BUMPER QUAD RUGBY AC	1
1-6	900470	BUMPER RUGBY AC SPEC DIM	

BASKETBALL WINGS (QUICKIE ALL COURT)

(Discontinued 8/1/00 - parts only)



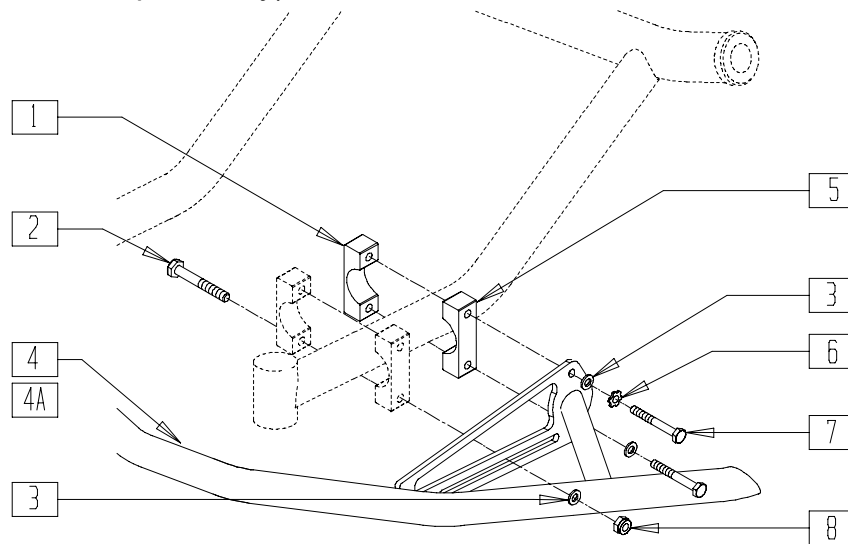
ALC00X22

ITEM	NUMBER	DESCRIPTION	QTY
1	500552	CLMP OVAL TUBE W/THRD AC	2
2	349559	RUBBER BUMPER HANGER P2	2
3	262100-QU	1/4 AN WASHER FLAT	4
4	500551	CLAMP OVAL TUBE ALL COURT	2
5	221133	1/4-28 x 1 1/2 G8 HEX C/S	4

ITEM	NUMBER	DESCRIPTION	QTY
6	520366	BUMPER BASKETBALL AC	1
7	261535	1/4" WASHER STAR EXTERNAL	2
1-7	900471	BUMPER BB ALL COURT (SPECIFY DIMENSIONS)	

QUAD RUGBY AND BASKETBALL WINGS (QUICKIE ALL COURT)

(Discontinued 08/01/00 - parts only)



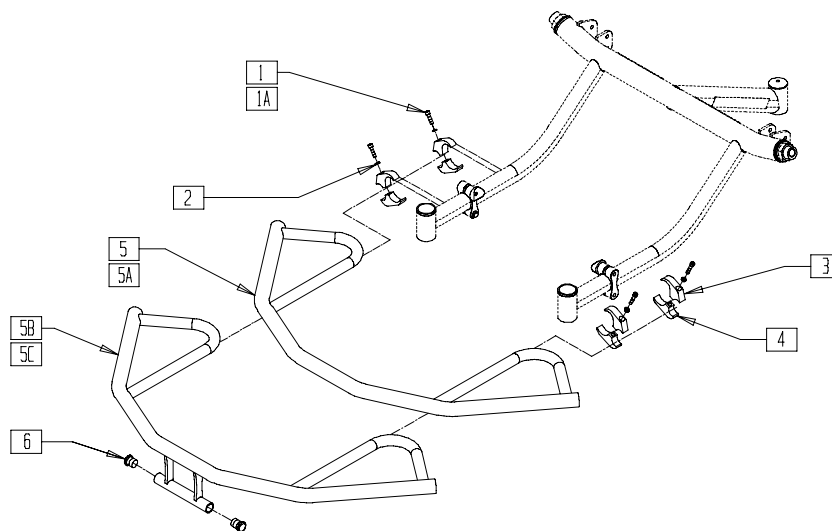
ALC0X22A

ITEM	NUMBER	DESCRIPTION	QTY
1	540071	SIDE TUBE CLAMP THREADED AC	2
2	226277	1/4-28 x 2 HH C/S FULL THREAD	2
3	262100-QU	1/4 AN WASHER FLAT	6
4	521187	BUMPER AC (SPEC DIM)	1
4A	521188	BUMPER RUGBY AC (SPEC DIM)	1
5	540072	SIDE TUBE CLAMP AC	2

ITEM	NUMBER	DESCRIPTION	QTY
6	261535	1/4 WASHER STAR EXTERNAL	2
7	221133	1/4-28 x 1 1/2 G8 HEX C/S	4
8	201100-QU	1/4-28 NYLOCK NUT THIN	2
1-8	900491	BUMPER ASSM B-BALL AC (SPEC DIM)	
1-3,4A,5-8	900490	BUMPER ASSM RUGBY AC (SPEC DIM)	

BASKET BALLWINGS W/STANDUP ASSEMBLY (QUICKIE ALL COURT)

(Effective 01/11/05)



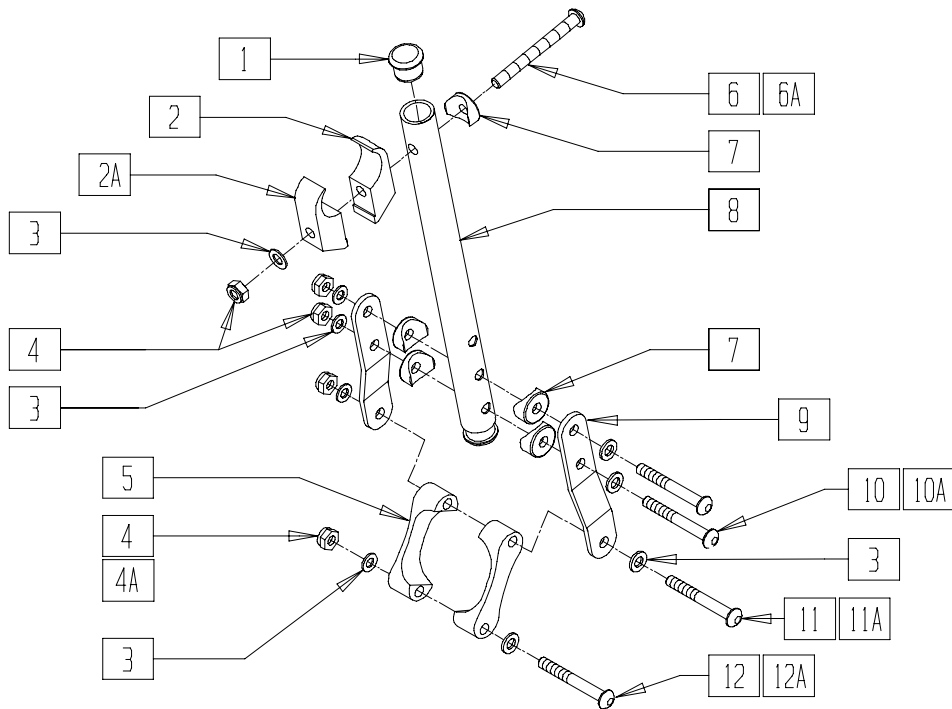
TIAC0X08A

ITEM	NUMBER	DESCRIPTION	QTY
1	226112	1/4-28 X 1 SOC C/S BLK	4
1A	204126	1/4-28 X 1 TITANIUM SOC CS	4
2	262114	1/4 WASHER HI COLLAR LOCK ZN	4
3	503011	CLAMP BUMPER TOP A/C	4
4	503012	CLAMP BUMPER BOTTOM A/C	4
5	522682-522690	BMPR WLDMNT A/C 15-17L (12W - 20W)	1
5A	526682-526690	BMPR WLDMNT A/C 19-21L (12W - 20W)	1

ITEM	NUMBER	DESCRIPTION	QTY
5B	522692-522700	BMPR WLDMNT 15-17L STD UP (12W - 20W)	1
5C	526692-526700	BMPR WLDMNT 19-21L STD UP (12W - 20W)	1
6	561000-QU	3/4" INSERT PLUG .083	2
1-4	900827	BUMPER MOUNTING HDWR KIT ALUM	
1A-4	900828	BUMPER MOUNTING HDWR KIT TI	

FIFTH WHEEL SUPPORT ASSEMBLY (QUICKIE ALL COURT)

(Effective 01/11/05)



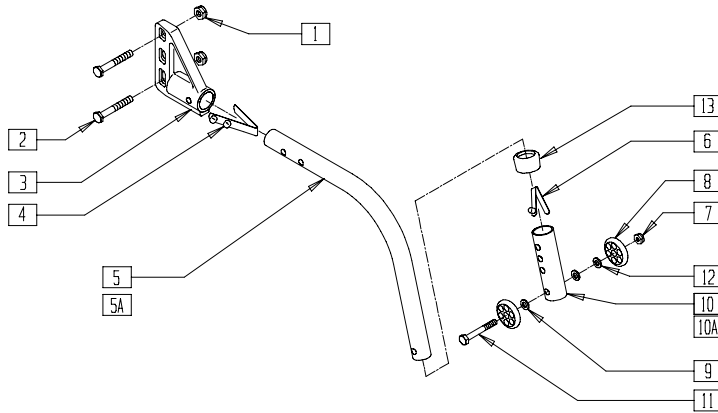
TIAC0X03

ITEM	NUMBER	DESCRIPTION	QTY
1	560761	3/4" INSERT PLUG .049 (18GA)	2
2	550457	ANTI TIP SUPPORT TOP MOUNT	1
2A	550251	CLMP P300 CHRNGG/ADJ FL KDS	1
3	262100-QU	1/4 AN WASHER FLAT	9
4	201100-QU	1/4-28 NYLOCK NUT THIN	5
4A	330000-QU	1/4-28 NYLOCK NUT ALUM	5
5	540309	ANTI TIP CLAMP 1.7X1.17X.083	2
6	221181	1/4-28 X 2 1/2 G8 HEX C/S	1
6A	330105	1/4-28 X 2 1/2 HEX C/S TI	1
7	561003	3/4" SADDLE THIN	5
8	522746, 522747, 522753	TUBE SUPPORT SEAT REAR TI (SHORT, MED, TALL)	1

ITEM	NUMBER	DESCRIPTION	QTY
9	500416	STRAP SUPPORT REAR	2
10	226130	1/4-28 X 1 1/2 BH C/S	2
10A	330099	1/4-28 X 1 3/4 HEX C/S TI	2
11	226148	1/4-28 X 1.85 BH C/S	1
11A	330100	1/4-28 X 2 HEX C/S TI	1
12	226140	1/4-28 X 1 3/4 BH C/S	1
12A	330099	1/4-28 X 1 3/4 HEX C/S TI	1
1-12	900824- 900826	SEAT SUPPORT REAR AC ALUM (SHORT, MED, TALL)	
1-6A,7-9, 10A,11A,12A	900842- 900844	SEAT SUPPORT REAR AC T TI (SHORT, MED, TALL)	

ANTI-TIP (QUICKIE ALL COURT)

(Discontinued 8/1/00 - parts only)



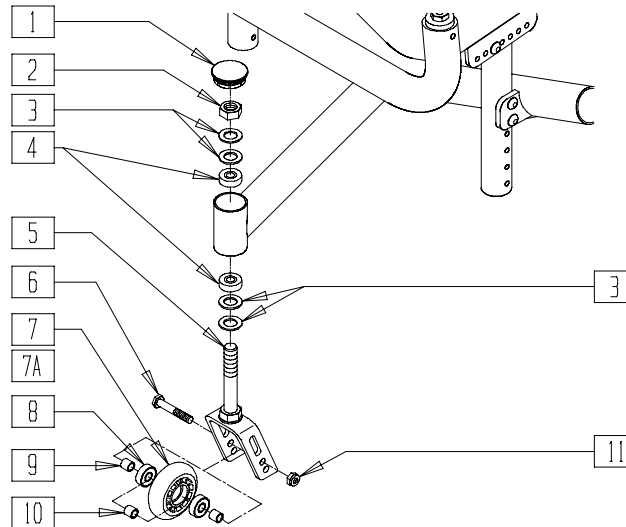
3D00X18B

ITEM	NUMBER	DESCRIPTION	QTY
1	201110-QU	1/4-28 NYLOCK NUT	2
2	221181	1/4-28 x 2 1/2 G8 HEX C/S	2
3	920407	ANTI-TIP RECEIVERS (PR)	1
4	301109	SNAP BUTTON DUAL ONE SIDE	1
5	521490-521497	ANTI-TIP TUBE CLR	1
5A	521716-521728	ANTI-TIP TUBE BLK	1
6	301100	1/4" SNAP BUTTON SINGLE B-130	1
7	201100-QU	1/4-28 NYLOCK NUT THIN	1
8	561032	ANTI-TIP WHEEL	2
9	262110-QU	1/4 AN WASHER FLAT THIN	2
10	521508	ANTI-TIP ADJ SLEEVE (4H)	1

ITEM	NUMBER	DESCRIPTION	QTY
10A	521504	ANTI-TIP ADJ SLEEVE (4H) BLACK	1
11	221192	1/4-28 x 2 G8 HEX C/S	1
12	262130	6mm WASHER WAVE	1
13	563065	3/4" ANTI-RATTLE	1
7-9,10A,11-13	881512	ANTI-TIP SLV W/WHLS BLK (4H)	
4-13	880490-880497	ANTI-TIP ASSEMBLY (EA)	
5A,6-9,10A,11-13	882900,882901	ANTI TIP ASSM REG BLK (EA)	
1-4,5A,6-9,10A,11-13	900832	ANTI-TIP ASSM REG W/REC BLK	

INTEGRAL SINGLE ANTI-TIP (QUICKIE ALL COURT)

(Discontinued 8/1/00 - parts only)



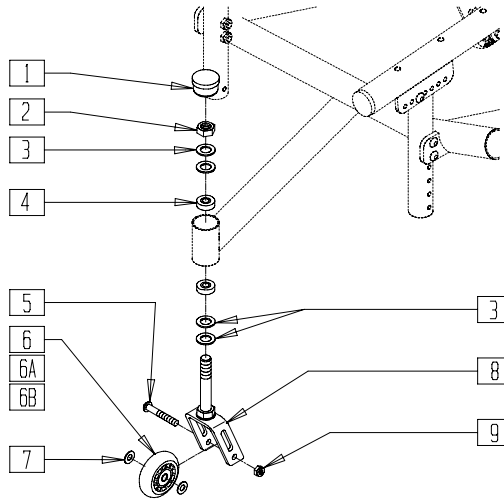
ALC00X13C

ITEM	NUMBER	DESCRIPTION	QTY
1	561070	CASTER CAP PLASTIC (EA)	1
	920028	CASTER CAP PLASTIC (PR)	
2	330010	1/2-20 NYLOCK NUT ALUM	1
3	483254	SPACER .50 ID x .80 OD x .125	4
4	349500	1 1/8 x 1/2 BEARING	2
5	780351	3 1/4" GP 3D STEM	1
6	330110	5/16-24 x 2 1/2 HEX C/S Ti	1
7A	920077	3" MICRO CASTER LIGHTED (PR)	1

ITEM	NUMBER	DESCRIPTION	QTY
8	349502	7/8 x 5/16 BEARING	2
9	481113	SPACER 5/16 x .380	2
10	481013	BEARING SPACER	1
11	330005	5/16-24 NYLOCK NUT ALUM	1
7-10	920025	3" MICRO CASTER W/BEARING (PR)	
2,3,5,6,9-11	780949	3-1/4 STD STEM W/HDWR INT AC	

INTEGRAL SINGLE ANTI-TIP (QUICKIE ALL COURT)

(Discontinued 8/1/00 - parts only)



ALC0X13B

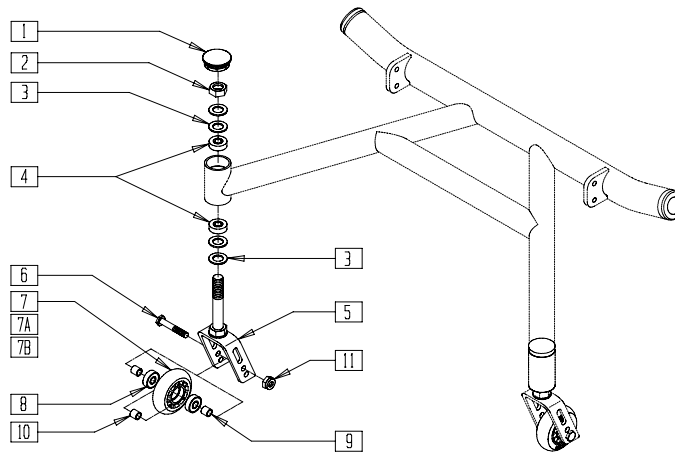
ITEM	NUMBER	DESCRIPTION	QTY
1	561070	CASTER CAP PLASTIC	1
	920028	CASTER CAP PLASTIC (PR)	
2	330010	1/2-20 NYLOCK NUT ALUM	1
3	483254	SPACER .50 ID x .80 OD x .125	4
4	349500	1 1/8 x 1/2 BEARING	2
5	226190	5/16-18 x 1 3/4 BH C/S SHLDR	1
6	400092	3" MICRO CASTER W/BEARING (EA)	
	920025	3" MICRO CASTER W/BEARING (PR)	

ITEM	NUMBER	DESCRIPTION	QTY
6A	400107	3" MICRO CASTER LIGHTED (EA)	1
	920077	3" MICRO CASTER LIGHTED (PR)	
*6B	400101	2 1/2" CSTR WHL ANTI-TIP W/BRG	
7	263100	5/16 AN WASHER FLAT	2
8	780450	STEM/FORK AC	1
9	202102	5/16-18 NYLOCK NUT THIN	1
2,3,5,7-9	780471	STEM/FORK W/HDWR AC ANTI-TIP	

NOTE: ASSEMBLY USES *6B CASTER WITH 540 WHEELS.

INTEGRAL DOUBLE ANTI-TIP (QUICKIE ALL COURT)

(Discontinued 8/1/00 - parts only)



ALC00X38

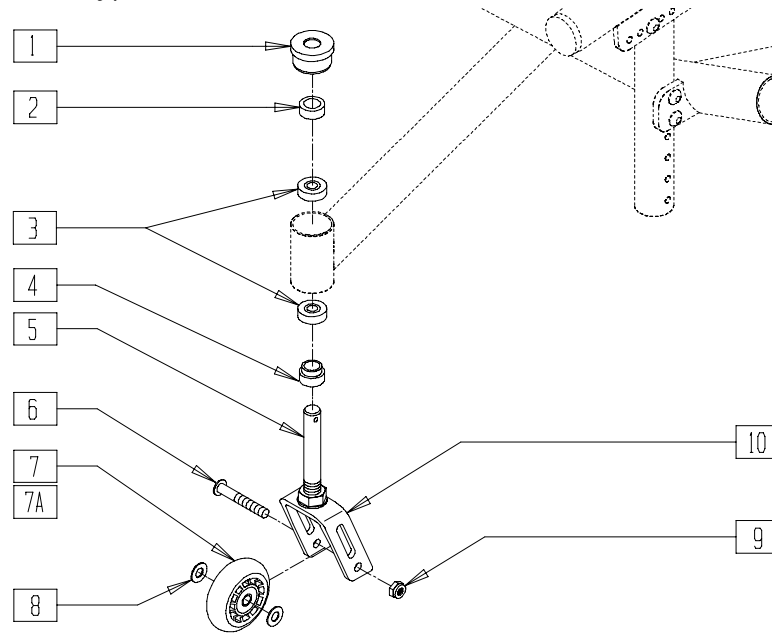
ITEM	NUMBER	DESCRIPTION	QTY
1	561070	CASTER CAP PLASTIC (EA)	1
	920028	CASTER CAP PLASTIC (PR)	
2	330010	1/2-20 NYLOCK NUT ALUM	2
3	483254	SPACER .50ID x .80 OD x .125	8
4	349500	1 1/8 x 1/2 BEARING	4
5	780351	3 1/4" GP SD STEM	2
6	330110	5/16-24 x 2 1/2 HEX C/S Ti	2
8	349502	7/8 x 5/16 BEARING	4
9	481113	SPACER 5/16 x .380	4

ITEM	NUMBER	DESCRIPTION	QTY
10	481013	BEARING SPACER	4
11	330005	5/16-24 NYLOCK NUT ALUM	2
7,8	400092	3" MICRO CASTER W/BEARING (EA)	
	900025	3" MICRO CASTER W/BEARING (PR)	
7A,8	400107	3" MICRO CASTER LIGHTED (EA)	
	920077	3" MICRO CASTER LIGHTED (PR)	
*7B,8	400101	2 1/2" CSTR WHL ANTI-TIP W/BRG	
2,3,5,6,9-11	780949	3 1/4 STD STEM W/HDWR INT AC	

NOTE: ASSEMBLY USES *7B CASTER WITH 540 WHEELS.

QUICK-RELEASE ANTI-TIP (QUICKIE ALL COURT)

Discontinued 01/11/05 - parts only)



ALC0X29C

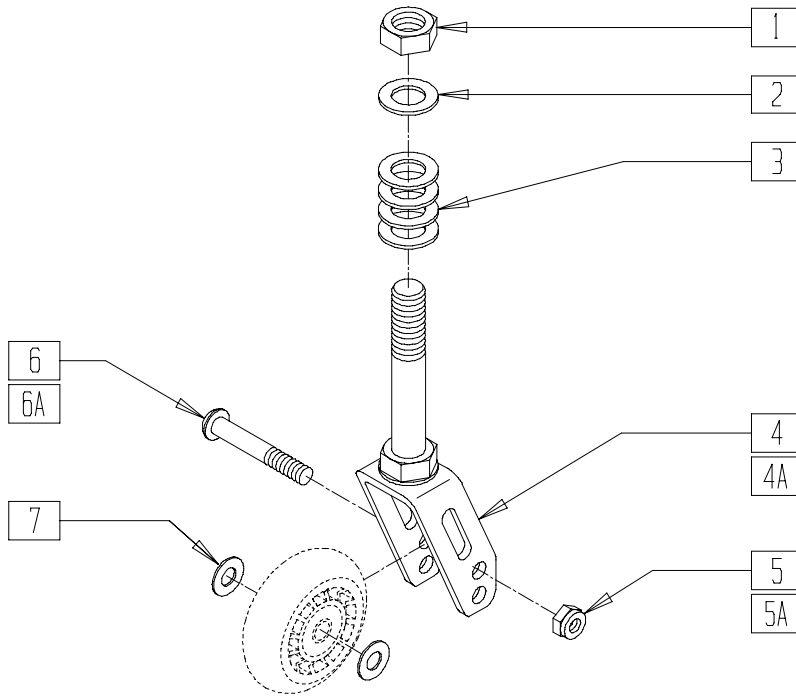
ITEM	NUMBER	DESCRIPTION	QTY
1	561170	CASTER CAP PLASTIC W/HOLE	1
2	483206	SPACER .40 ANTI-TIP AC	1
3	349502	7/8 x 5/16 BEARING	2
4	483205	SPACER .715 ANTI-TIP AC	1
5	481658	CASTER STEM QR	1
6	226190	5/16-18 x 1 3/4 BH C/S SHLDR	1
7	400092	3\"MICRO CSTR W/BRG	1

ITEM	NUMBER	DESCRIPTION	QTY
*7A	400170	CASTER ASSM 59MM 82A URETHANE	1
8	263100	5/16 AN WASHER FLAT	2
9	202102	5/16-18 NYLOCK NUT THIN	1
5,10	780452	STEM/FORK QR ANTI-TIP AC	
1,2,4-6 8-10	780472	STEM/FORK W/HDWR AT QR AC	

NOTE: ASSEMBLY USES *7A CASTER WITH 540 WHEELS.

INTEGRAL ANTI-TIP FORK ASSEMBLY (QUICKIE ALL COURT)

(Effective 01/11/05)



TIAC0X16

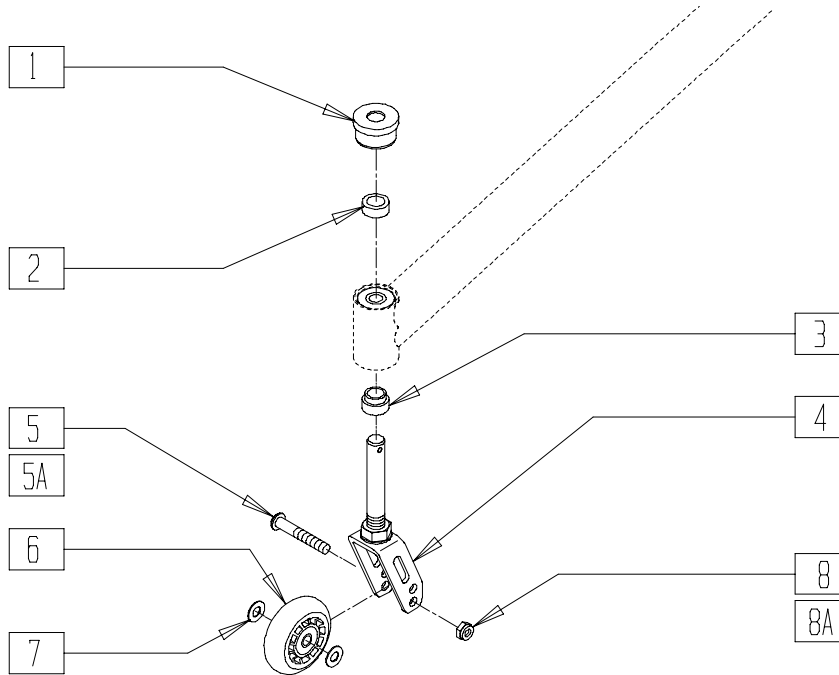
ITEM	NUMBER	DESCRIPTION	QTY
1	330010	1/2-20 NYLOCK NUT ALUMINUM	1
2	264100	1/2 AN WASHER FLAT	1
3	483254	SPACER .50 ID X .88 OD X .125	4
4	780473	STEM/FORK ANTI-TIP ASSM ALUM	1
4A	780474	STEM/FORK ANTI-TIP ASSM TI	1

ITEM	NUMBER	DESCRIPTION	QTY
5	202102	5/16-18 NYLOCK NUT THIN	1
5A	330005	5/16-24 NYLOCK NUT ALUM	1
6	226190	5/16-18 x 1 3/4 BH C/S SHLDR	1
6A	204127	5/16-24 X 1.75 TITANIUM HEX CS	1
7	263100	5/16 AN WASHER FLAT	2

NOTE: FOR CASTER SELECTION SEE PAGE 1.30.

QUICK-RELEASE ANTI-TIP (QUICKIE ALL COURT)

(Effective 01/11/05)



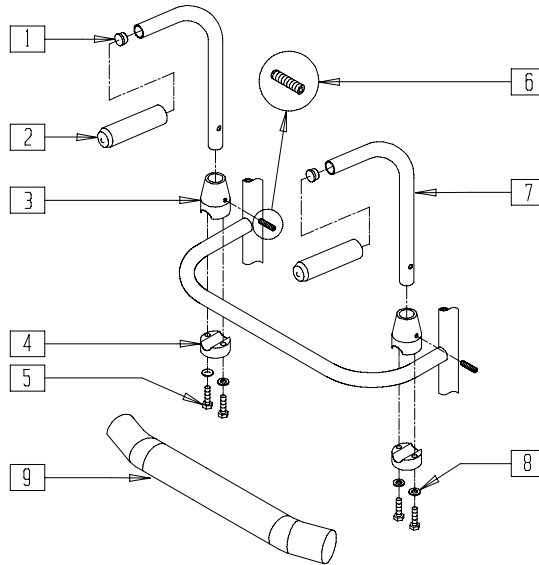
TIAC0X17

ITEM	NUMBER	DESCRIPTION	QTY
1	561170	CASTER CAP PLASTIC W/HOLE	1
2	483206	SPACER .40 ANTI-TIP AC	1
3	483205	SPACER .715 ANTI-TIP AC	1
4	780475	STEM/FORK ANTI-TIP Q.R. ASSM	1
5	226190	5/16-18 x 1 3/4 BH C/S SHLDR	1

ITEM	NUMBER	DESCRIPTION	QTY
5A	204127	5/16-24 X 1.75 TITANIUM HEX CS	1
6	400170	CASTER ASSY 59MM 82A URETHANE	1
7	263100	5/16 AN WASHER FLAT	2
8	202102	5/16-18 NYLOCK NUT THIN	1
8A	330005	5/16-24 NYLOCK NUT ALUM	1

PUSH HANDLE ASSEMBLY (QUICKIE ALL COURT)

(Discontinued 8/1/00 - parts only)



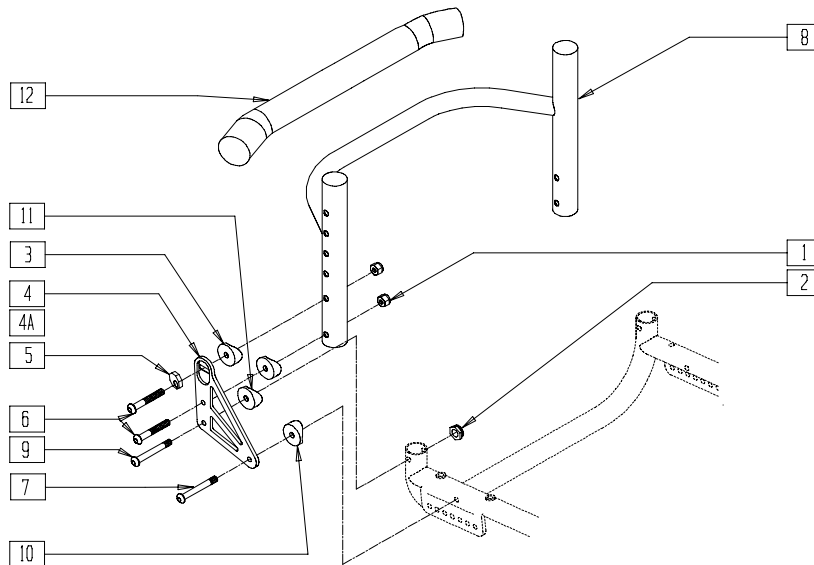
ALC00X25

ITEM	NUMBER	DESCRIPTION	QTY
1	561000-QU	3/4" INSERT PLUG .083	2
2	560662	QUICKIE GRIP 3/4"	2
3	483015	PUSH BACK REC TOP RIGID BLK	2
4	483016	PUSH BACK REC BTM RIGID BLK	2
5	221126	1/4-20 x 1 1/4 G8 HEX C/S	4
6	225200	1/4-20 x 1 SET SCREW	2

ITEM	NUMBER	DESCRIPTION	QTY
8	262100-QU	1/4 AN WASHER FLAT	4
9	750751	CROSSBAR PAD	1
1,2,7	842061, 842062	PUSH HANDLE TUBE W/FOAM RIGID BLK (EA)	
1-8	900300	PUSH HANDLE ASSM RIGID BLK (PR)	

FIXED BACKREST (QUICKIE ALL COURT)

(Discontinued 8/1/00 - parts only)



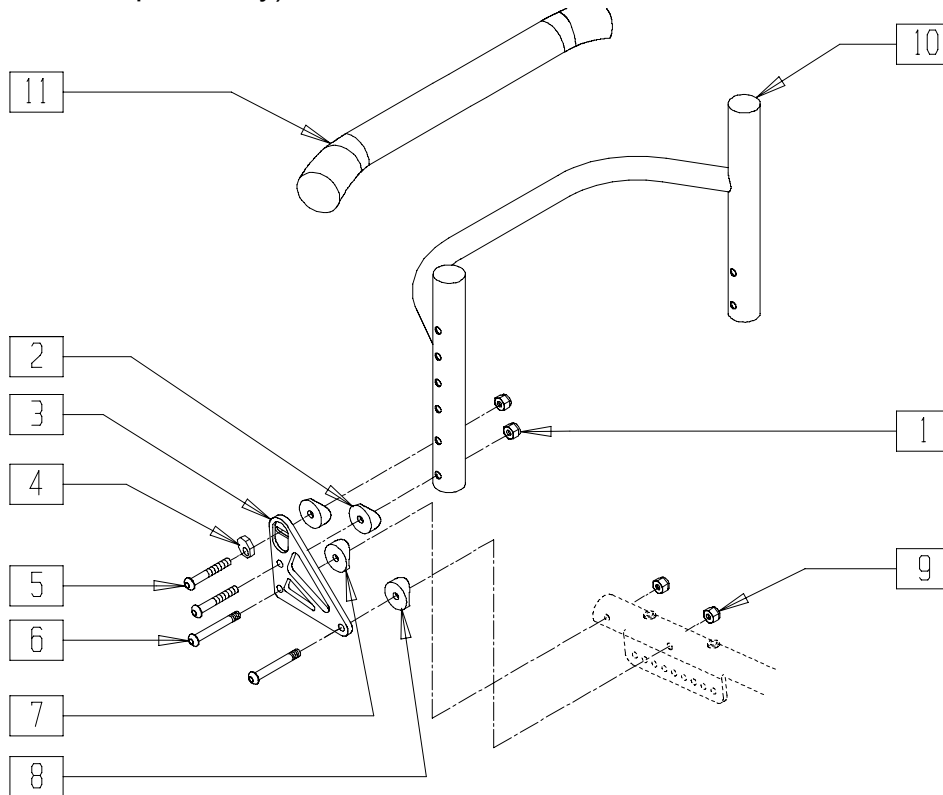
ALC00X24

ITEM	NUMBER	DESCRIPTION	QTY
1	201110	1/4-28 NYLOCK NUT	4
2	201100-QU	1/4-28 NYLOCK NUT THIN	2
3	561004	1" SADDLE 1/4" HOLE	4
4	500562	BACK PLATE FIXED R A/C	1
4A	500563	BACK PLATE FIXED L A/C	1
5	341018	WASHER ECCENTRIC LARGE	2
6	226147	1/4-28 x 1.85 BH C/S BLK ZN	4
7	226150	1/4-28 x 2 BH C/S	2

ITEM	NUMBER	DESCRIPTION	QTY
8	520442- 520448	BACK FRM REG RGD BLK .115 (14"-20")	1
	520542- 520548	BACK FRM TALL RGD BLK .115 14"-20"	
9	226140	1/4-28 x 1 3/4 BH C/S	2
10	561086	1" HALF SADDLE 1/4" HOLE	2
11	561001	1 1/8" SADDLE 1/4" HOLE	2
12	750751	CROSSBAR PAD	1

FIXED BACKREST (QUICKIE ALL COURT)

(Discontinued 01/11/05 - parts only)



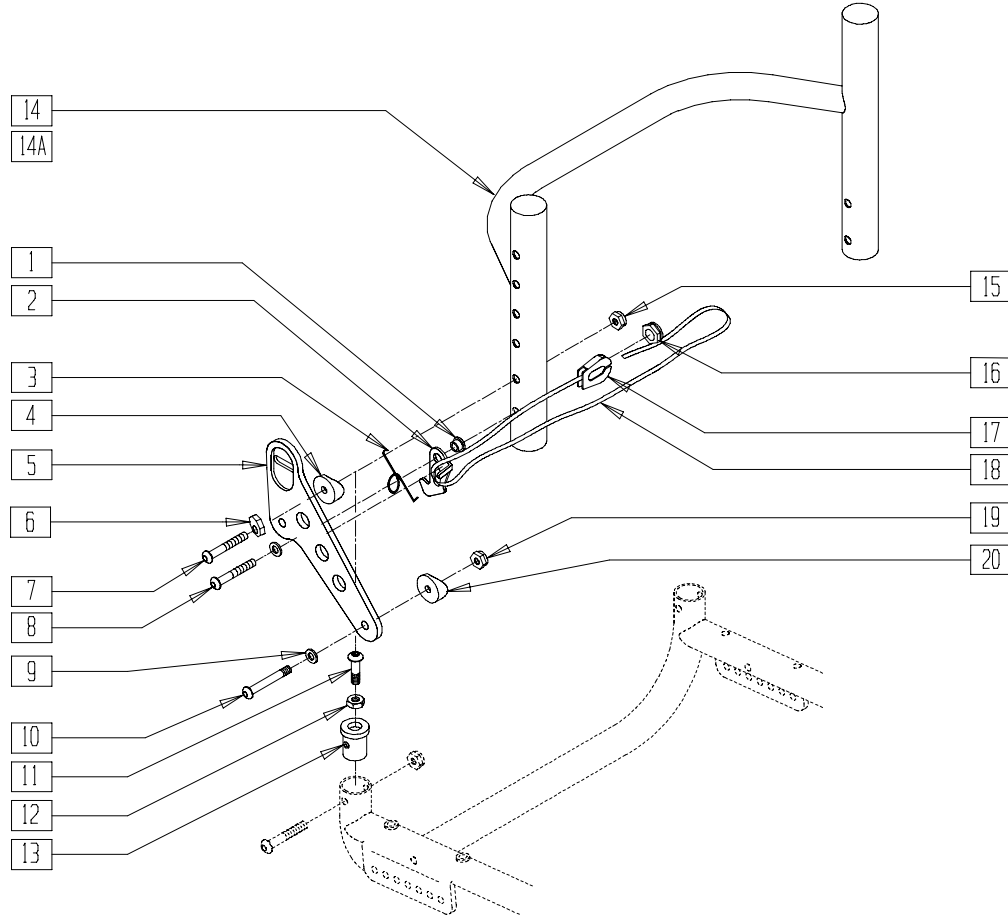
ALC0X24A

ITEM	NUMBER	DESCRIPTION	QTY
1	201110	1/4-28 NYLOCK NUT	4
2	561004	1" SADDLE 1/4" HOLE	4
3	500562, 500563	BACK PLATE FIXED MANUAL (EA)	1
4	341018	WASHER ECCENTRIC LARGE	2
5	227140	1/4-28 x 1 3/4 BH C/S BLK ZN	4
6	226148	1/4-28 x 1.85 BH C/S	4
7	561001	1 1/8" SADDLE 1/4" HOLE	2

ITEM	NUMBER	DESCRIPTION	QTY
8	561086	1" HALF SADDLE 1/4" HOLE	2
9	201100-QU	1/4-28 NYLOCK NUT THIN	4
10	520441- 520448	BACK FRAME REG RIGID BLK .115 13"-20"	1
	520541- 520548	BACK FRAME TALL RIGID BLK .115 13"-20"	
11	750751	CROSSBAR PAD	1
1-9	920569	BRACKET ASSEMBLY FIXED BACK	

QUICK-RELEASE BACK LOCK (QUICKIE ALL COURT)

(Discontinued 8/1/00 - parts only)



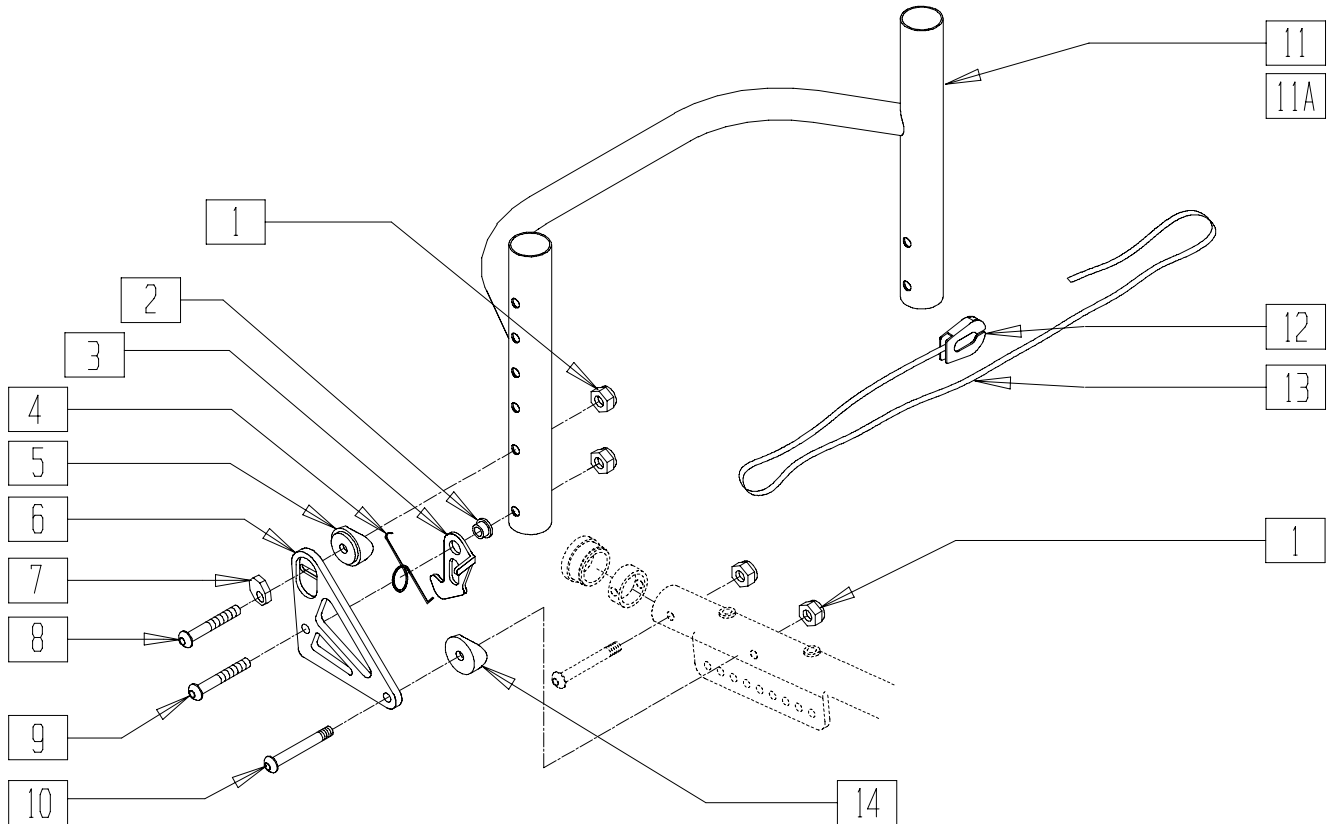
ALC0X23A

ITEM	NUMBER	DESCRIPTION	QTY
1	481039	BACK RELEASE BUSHING RIGID	2
2	505033, 505034	Q1/GP BACK RELEASE BRACKET (EA)	2
3	321153, 321154	BACK RELEASE SPRING RIGID (EA)	2
4	561004	1" SADDLE 1/4" HOLE	2
5	500170 500171	BCK REL PVT PLATE RGD BLK (NEW)(EA)	1
6	341018	WASHER ECCENTRIC LARGE	2
7	226147	1/4-28 x 1.85 BH C/S BLK ZN	2
8	226140	1/4-28 x 1 3/4 BH C/S	2
9	262100-QU	1/4 AN WASHER FLAT	4
10	226150	1/4-28 x 2 BH C/S	2
11	226058	1/4-20 x 3/4 SOC C/S	2

ITEM	NUMBER	DESCRIPTION	QTY
12	201121	1/4-20 NUT THIN	2
13	483251	BACK REST REL PLUG A/C	2
14	520442- 520448	BACK FRAME REG RIGID BLK (14"-20")	1
14A	520542- 520548	BACK FRAME TALL RIGID BLK (14"-20")	1
15	201110	1/4-28 NYLOCK NUT	2
16	201100-QU	1/4-28 NYLOCK NUT THIN	4
17	560221	BACK RELEASE STRAP LOCK RIGID	1
18	750060	BACK RELEASE STRAP 12"-20" RIGID	1
19	201100-QU	1/4-28 NYLOCK NUT THIN	2
20	561086	1" HALF SADDLE 1/4" HOLE	2
1-10, 15-20	920523	BACK RELEASE BRKT ASSEMBLY F A/C	

QUICK-RELEASE BACK LOCK (QUICKIE ALL COURT)

(Discontinued 01/11/05 - parts only)



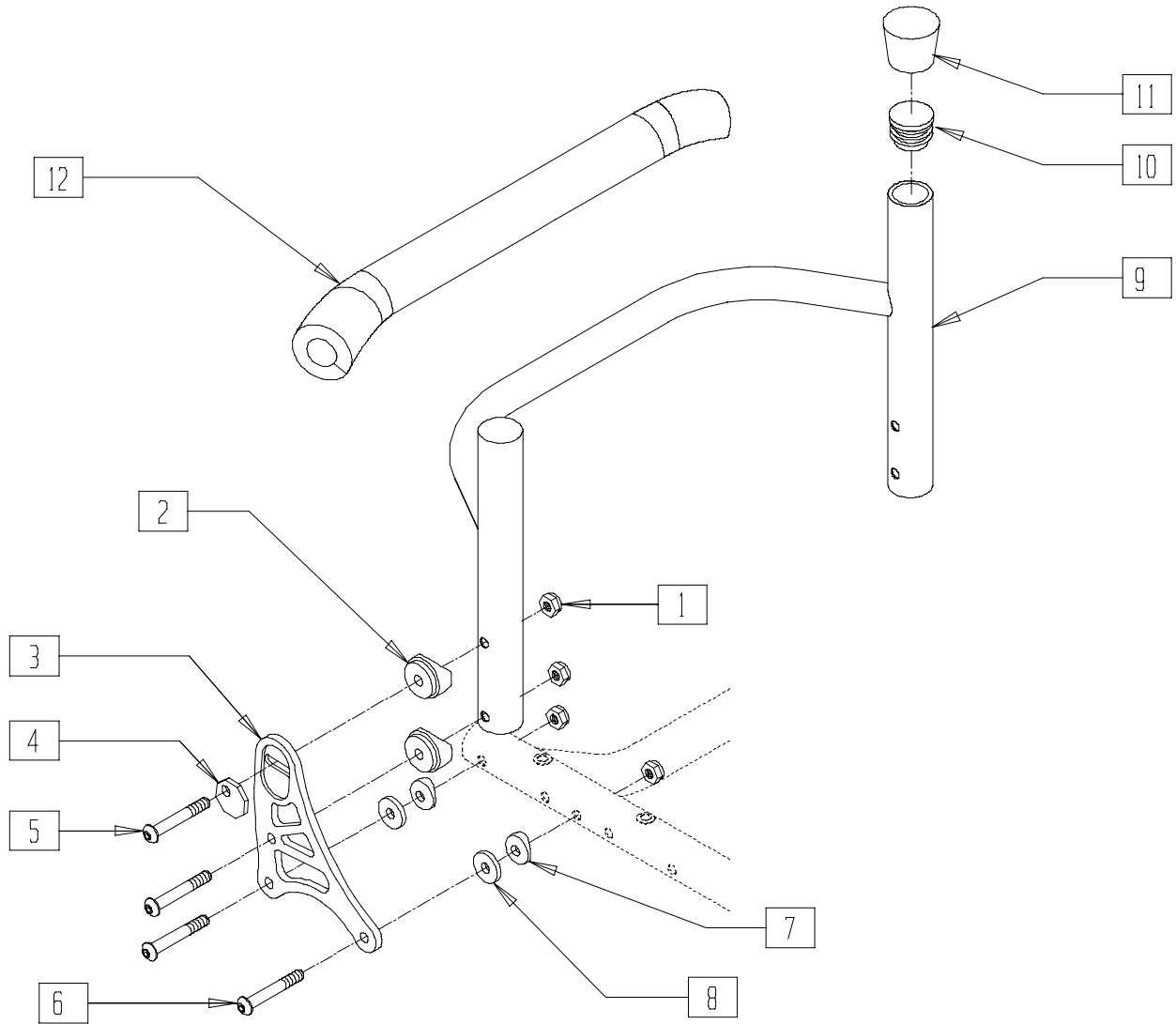
ALC0X23c

ITEM	NUMBER	DESCRIPTION	QTY
1	201110-QU	1/4-28 NYLOCK NUT	8
2	481039	BACK REL BUSHING RIGID	2
3	505033, 505034	BACK RELEASE BRACKET Q1/GP (EA)	1
4	321153 321154	BACK RELEASE SPRING RIGID (NEW) (EA)	1
5	561087	BACK RELEASE SADDLE RIGID	2
6	500110, 500111	BACK PLATE XTR (EA)	1
7	341018	WASHER ECCENTRIC LARGE	2
8	227140	1/4-28 x 1 3/4 BH C/S BLK ZN	2

ITEM	NUMBER	DESCRIPTION	QTY
9	226140	1/4-28 x 1 3/4 BH C/S	2
10	226150	1/4-28 x 2 BH C/S	2
11	520441- 520448	BACK FRAME REG RIGID BLK .115 13"-20"	1
11A	520541- 520548	BACK FRAME TALL RIGID BLK .115 13"-20"	1
12	560221	BACK RELEASE STRAP LOCK RIGID	1
13	750060	BACK RELEASE STRAP 12"-20" RIGID	1
14	561086	1" HALF SADDLE 1/4" HOLE	2
1-10, 12-14	920568	BACK RELEASE BRACKET ASSM AC	

FIXED BACKREST ALUMINUM (QUICKIE ALL COURT)

(Effective 01/11/05)



TIAC0X04

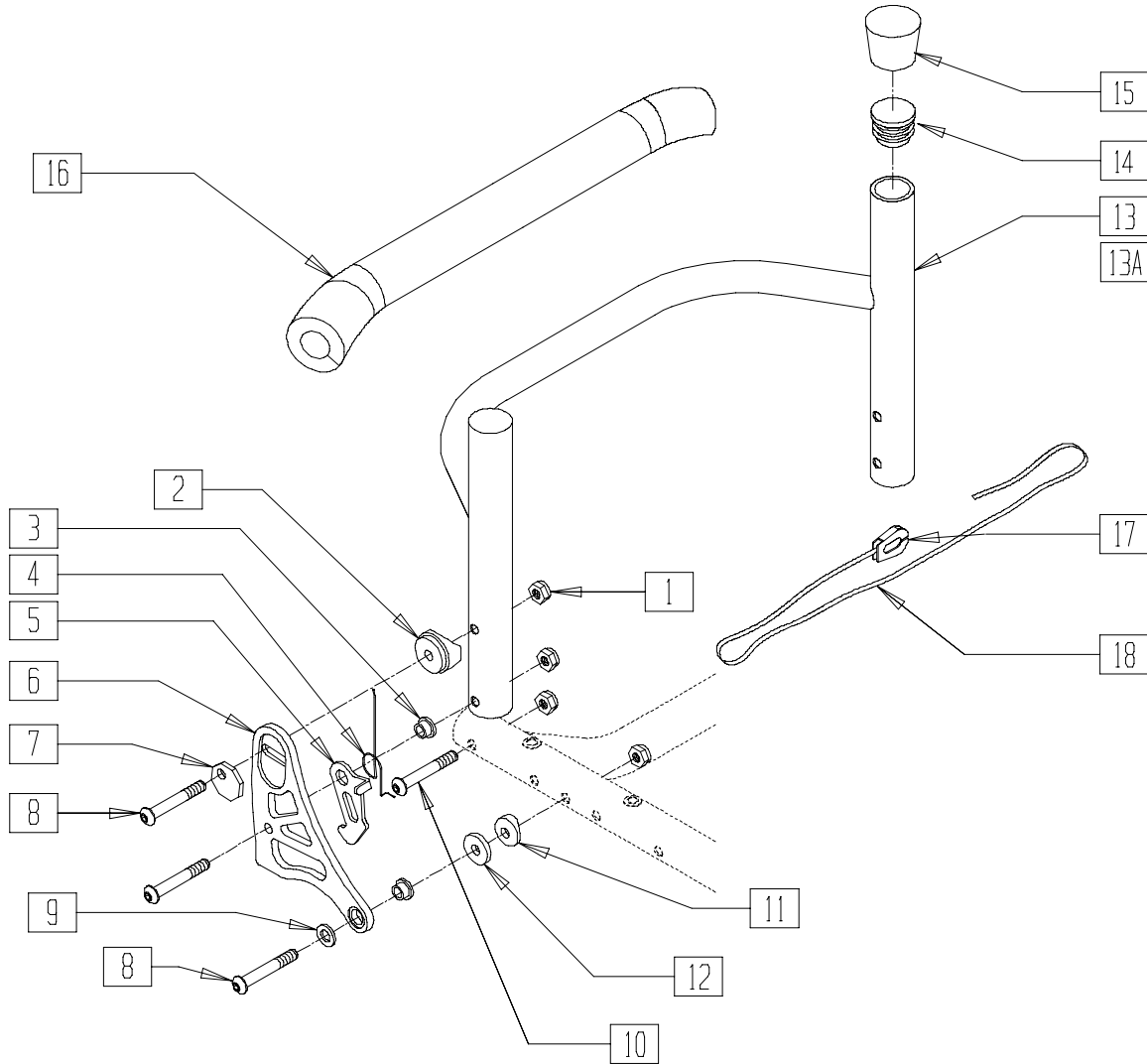
ITEM	NUMBER	DESCRIPTION	QTY
1	201110-QU	1/4-28 NYLOCK NUT	4
2	561087	BACK REL SADDLE RIGID	4
3	500532- 500535	BRKT FXD BK SPORT 1S,3S (EA)	1
4	341018	WASHER ECCENTRIC LARGE	2
5	227140	1/4-28 x 1 3/4 BH C/S BLK ZN	4
6	226148	1/4-28 X 1.85 BH C/S	4
7	482000	SADDLE SMALL 1.00 TUBE.25 HOLE	4

ITEM	NUMBER	DESCRIPTION	QTY
8	561026	3/4" WASHER 1/4" HOLE	4
9	520440- 520448	BACK FRAME REG RIGID BLK .115 12"-20"	1
	520540- 520548	BACK FRAME TALL RIGID BLK .115 12"-20"	
10*	561002	1" INSERT PLUG	2
11*	561014	1" MED CAP	2
12	750751	CROSSBAR PAD	1

* USED IN 9" BACK HEIGHT ONLY

FOLDING BACK LOCK ALUMINUM (QUICKIE ALL COURT)

(Effective 01/11/05)



TIAC0X05

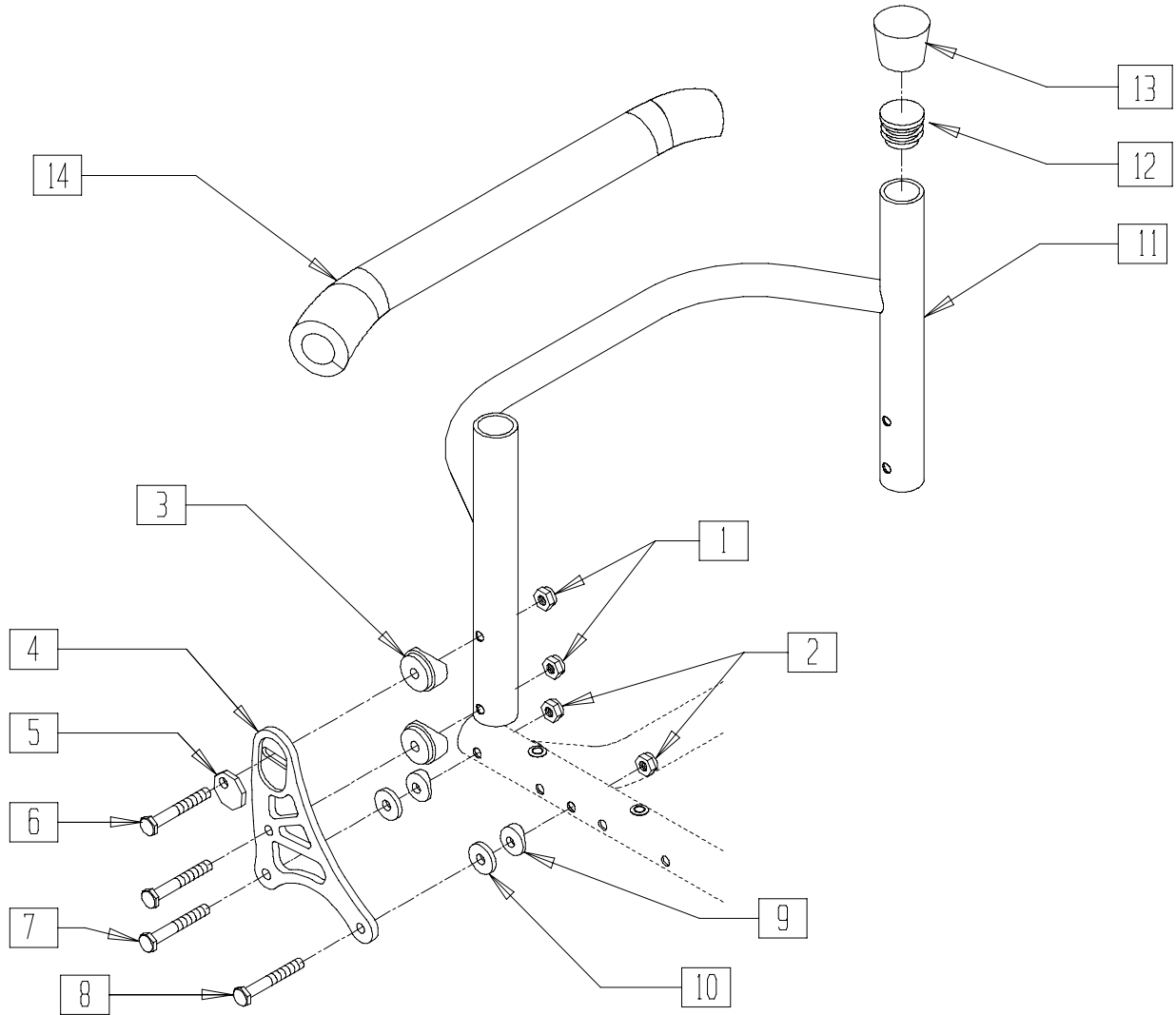
ITEM	NUMBER	DESCRIPTION	QTY
1	201110-QU	1/4-28 NYLOCK NUT	8
2	561087	BACK RELEASE SADDLE RIGID	2
3	481039	BACK REL BUSHING RIGID	4
4	321153	BACK RELEASE SPRING RIGID	1
	321154	(NEW) (EA)	
5	505033, 505034	BACK RELEASE BRACKET Q1/GP (EA)	1
6	500818, 500819, 500824, 500825	BRKT FLDG POS BCK 1S SPORT 1S-3S (EA)	1
7	341018	WASHER ECCENTRIC LARGE	2
8	227140	1/4-28 x 1 3/4 BH C/S BLK ZN	6

ITEM	NUMBER	DESCRIPTION	QTY
9	262100-QU	1/4 AN WASHER FLAT	2
10	226148	1/4-28 X 1.85 BH C/S	2
11	482000	SADDLE SMALL 1.00 TUBE.25 HOLE	2
12	561026	3/4" WASHER 1/4" HOLE	2
13	520440- 520448	BACK FRAME REG RIGID BLK .115 12"-20"	1
13A	520540- 520548	BACK FRAME TALL RIGID BLK .115 12"-20"	1
14*	561002	1" INSERT PLUG .083	2
15*	561014	1" MED CAP	2
16	750751	CROSSBAR PAD	1
17	560221	BACK RELEASE STRAP LOCK RIGID	1
18	750060	BACK RELEASE STRAP 12"-20" RIGID	1

* USED IN 9" BACK HEIGHT ONLY

FIXED BACKREST Ti (QUICKIE ALL COURT)

(Effective 01/11/05)



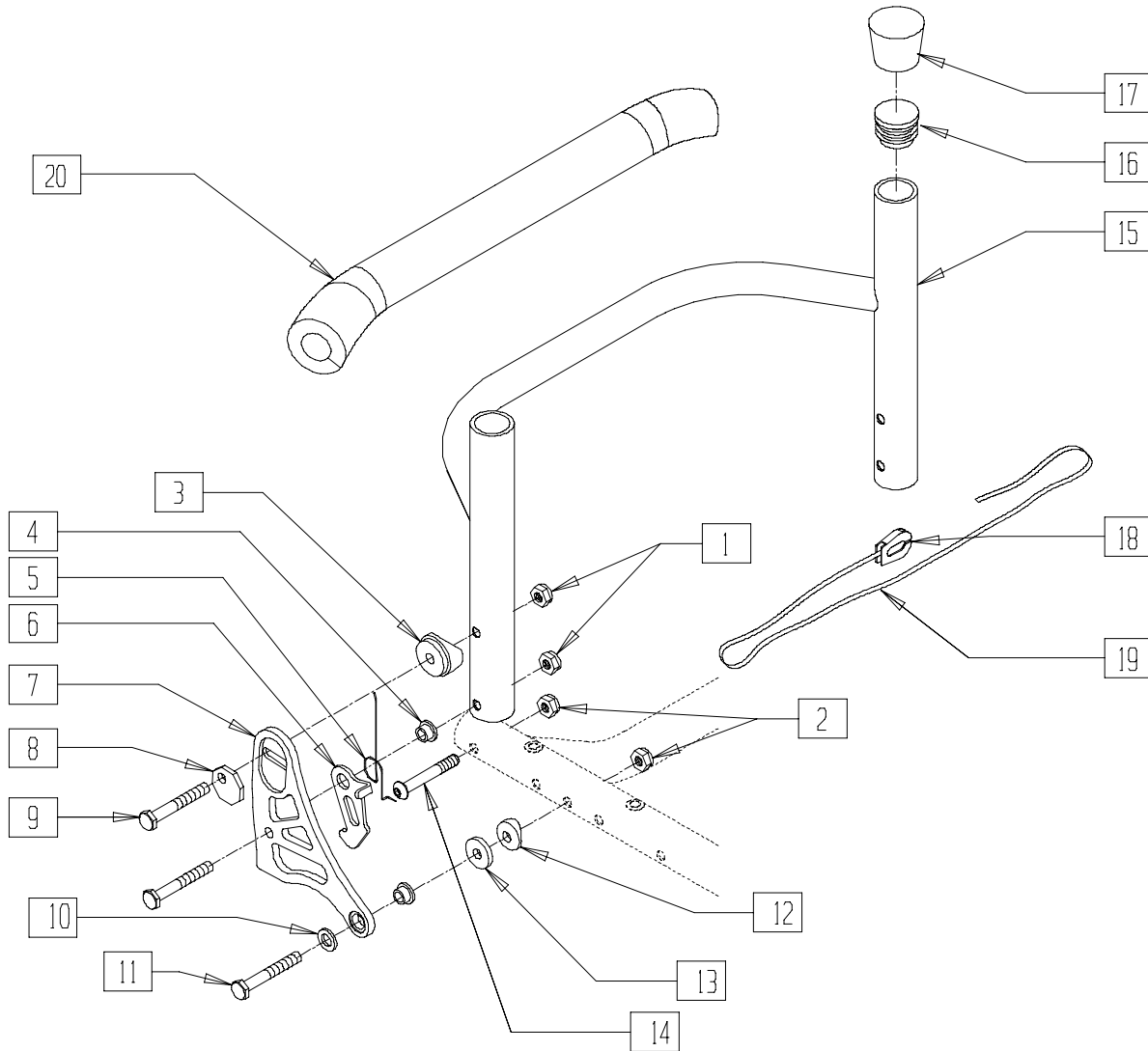
TIAC0X06

ITEM	NUMBER	DESCRIPTION	QTY
1	210001	M6 NYLOCK NUT THIN	4
2	330000-QU	1/4-28 NYLOCK NUT ALUM	4
3	561087	BACK REL SADDLE RIGID	4
4	500532-500535	BRKT FXD BK SPORT 1S-3S (EA)	1
5	341018	WASHER ECCENTRIC LARGE	2
6	230026	BHCS M6 X 1 X 45MM TORX T-25	4
7	330099	1/4-28 X 1 3/4 HEX C/S TI	4

ITEM	NUMBER	DESCRIPTION	QTY
8	330100	1/4-28 X 2 HEX C/S TI	2
9	482000	SADDLE SMALL 1.00 TUBE.25 HOLE	4
10	561026	3/4" WASHER 1/4" HOLE	4
11	545503-545567	WLDMNT BKRST FXD TI 12"-20"W 9"-18"H	1
12	561062	1" INSERT PLUG .065 RIBS	2
13	561014	1" MED CAP	2
14	750751	CROSSBAR PAD	1

FOLDING BACK LOCK Ti (QUICKIE ALL COURT)

(Effective 01/11/05)



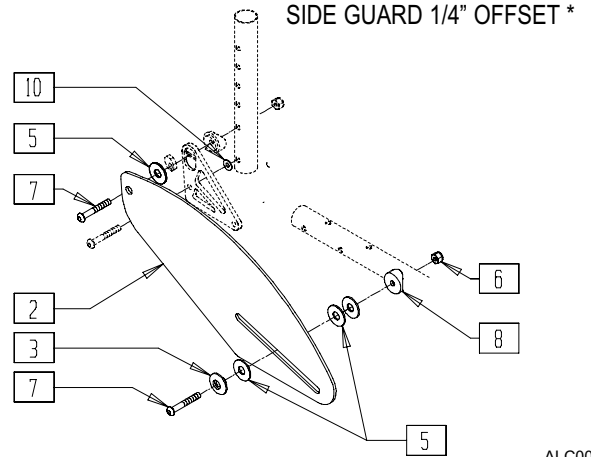
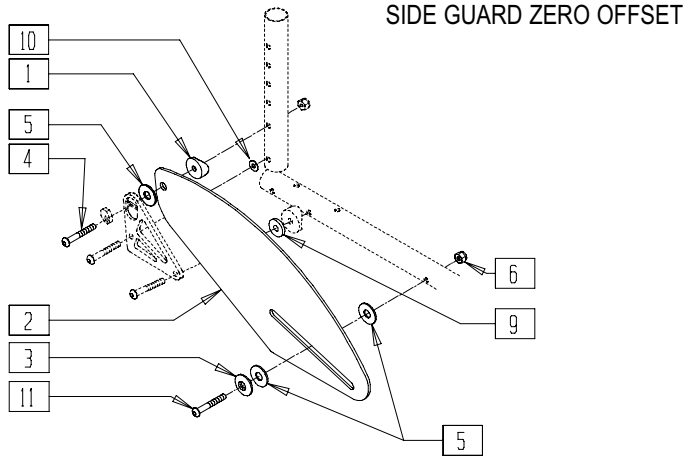
TIAC0X07

ITEM	NUMBER	DESCRIPTION	QTY
1	210001	M6 NYLOCK NUT THIN	4
2	330000-QU	1/4-28 NYLOCK NUT ALUM	4
3	561087	BACK RELEASE SADDLE RIGID	2
4	481039	BACK REL BUSHING RIGID	4
5	321153	BACK RELEASE SPRING RIGID	1
	321154	(NEW) (EA)	
6	505033, 505034	BACK RELEASE BRACKET Q1/GP (EA)	1
7	500818, 500819, 500824, 500825	BRKT FLDG POS BCK SPORT 1S-3S (EA)	1
8	341018	WASHER ECCENTRIC LARGE	2

ITEM	NUMBER	DESCRIPTION	QTY
9	230026	BHCS M6 X 1 X 45MM TORX T-25	4
10	262100-QU	1/4 AN WASHER FLAT	2
11	330100	1/4-28 X 2 HEX C/S TI	2
12	482000	SADDLE SMALL 1.00 TUBE.25 HOLE	4
13	561026	3/4" WASHER 1/4" HOLE	4
14	330100	1/4-28 X 2" HEX C/S TI	2
15	545503- 545567	BACKREST FIXED HEIGHT (12"-20" 9-18H)	1
16	561062	1" INSERT PLUG .065 RIBS	2
17	561014	1" MED CAP	2
18	560221	BACK RELEASE STRAP LOCK RIGID	1
19	750060	BACK RELEASE STRAP 12"-20" RIGID	1
20	750751	CROSSBAR PAD	1

ALUMINUM SIDE GUARD FOR QUICK-RELEASE BACK (QUICKIE ALL COURT)

(Discontinued 01/11/05 - parts only)



ALC00X30

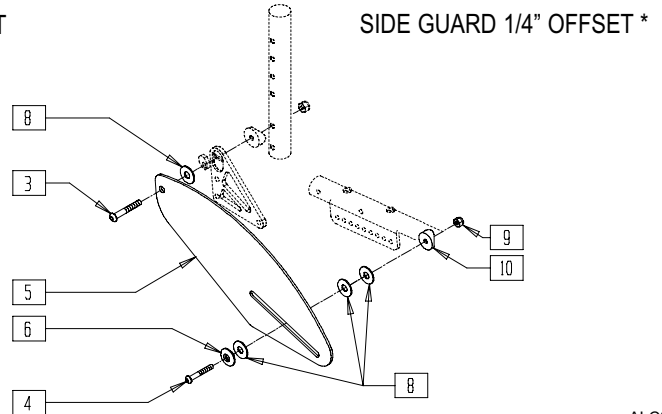
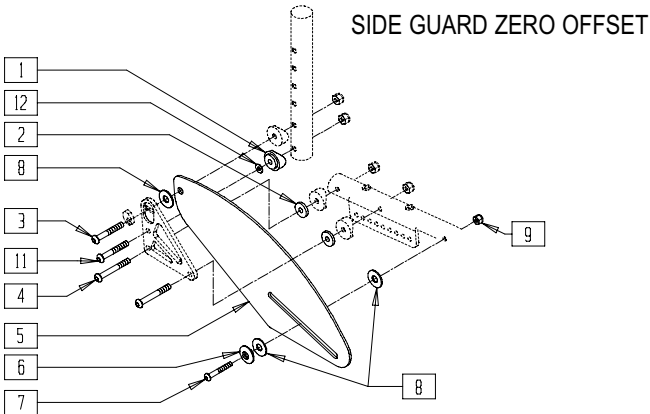
ITEM	NUMBER	DESCRIPTION	QTY
1	561004	1" SADDLE 1/4" HOLE	2
2	500223	SIDE GUARD AL STD AC	2
3	481046	SIDEGUARD BUSHING	2
4	226147	1/4-28 x 1.85 BH C/S BLK ZN	2
5	561043	1" WASHER 3/8" HOLE	4,6
6	201100-QU	1/4-28 NYLOCK NUT THIN	2

ITEM	NUMBER	DESCRIPTION	QTY
7	226150	1/4-28 x 2 BH C/S	2
8	561001	1 1/8" SADDLE 1/4" HOLE	2
9	561026	3/4" WASHER 1/4" HOLE	2
10	262100-QU	1/4 AN WASHER FLAT	2
11	226148	1/4-28 x 1.85 BH C/S	2
1-11	920625	HARDWARE KIT SIDE GUARD AC	

*FOR 13.5",14.5",15.5": 1/4" OFFSET SIDEGUARDS MUST BE ORDERED TO ACHIEVE EXTRA 1/2" IN SEAT FRAME WIDTH.

ALUMINUM SIDE GUARD FOR FIXED BACK (QUICKIE ALL COURT)

(Discontinued 01/11/05 - parts only)



ALC00X31

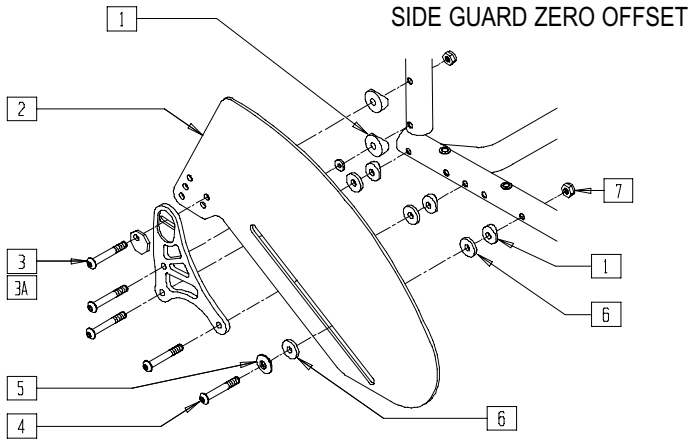
ITEM	NUMBER	DESCRIPTION	QTY
1	561087	BACK RELEASE SADDLE RIGID	2
2	561026	3/4" WASHER 1/4" HOLE	4
3	226147	1/4-28 x 1.85 BH C/S BLK ZN	2
4	226150	1/4-28 x 2 BH C/S	2,4
5	500223	SIDE GUARD STD	2
6	481046	SIDE GUARD BUSHING	2
7	226148	1/4-28 x 1.85 BH C/S	2

ITEM	NUMBER	DESCRIPTION	QTY
8	561043	1" WASHER 3/8" HOLE	6,8
9	201100-QU	1/4-28 NYLOCK NUT THIN	2
10	561001	1 1/8" SADDLE 1/4" HOLE	2
11	227140	1/4-28 x 1 3/4 BH C/S BLK ZN	2
12	262100-QU	1/4 AN WASHER FLAT	2
1-12	920625	HARDWARE KIT SIDE GUARD AC	

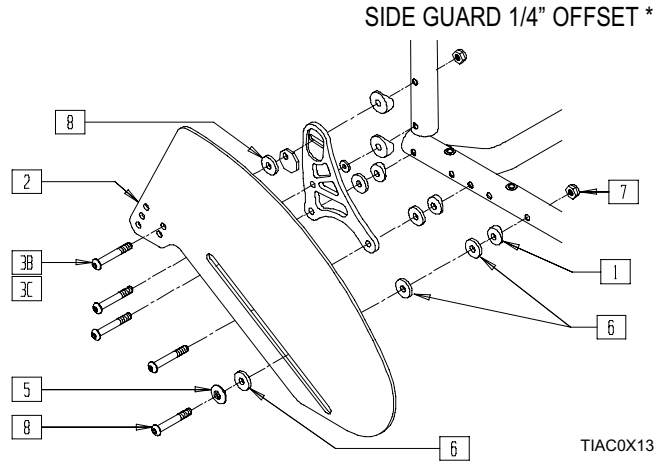
*FOR 13.5",14.5",15.5": 1/4" OFFSET SIDEGUARDS MUST BE ORDERED TO ACHIEVE EXTRA 1/2" IN SEAT FRAME WIDTH.

ALUMINUM SIDE GUARD FOR FIXED BACK (QUICKIE ALL COURT)

(Effective 01/11/05)



ITEM	NUMBER	DESCRIPTION	QTY
1	561004	1" SADDLE 1/4" HOLE	2
2	500223	SIDE GUARD STD	2
3	227140	1/4-28 x 1.85 BH C/S BLK ZN	2
3A	230026	BHCS M6 X 1 X 45MM TORX T-25	2
3B	226150	1/4-28 X 2 BH C/S	2



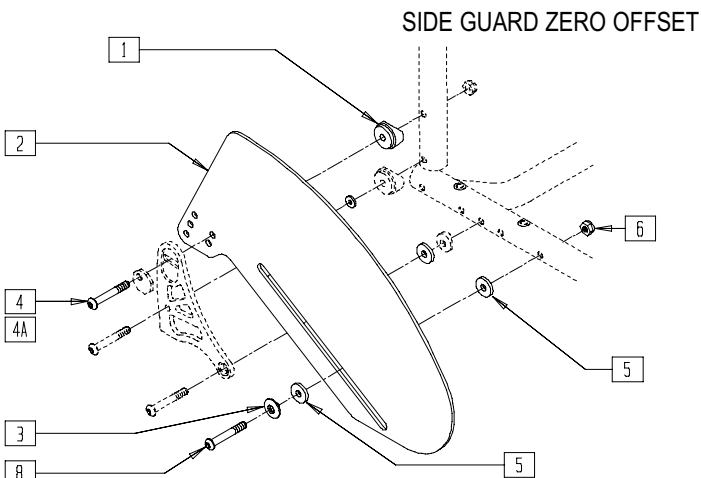
ITEM	NUMBER	DESCRIPTION	QTY
3C	230056	BHCS M6 X 1 X 50MM TORX T-25	2
4	226148	1/4-28 x 1.85 BH C/S	2
5	481046	SIDE GUARD BUSHING	2
6	561043	1" WASHER 3/8" HOLE	6.8
7	201100-QU	1/4-28 NYLOCK NUT THIN	2
8	226150	1/4-28 X 2 BH C/S	2

TIAC0X13

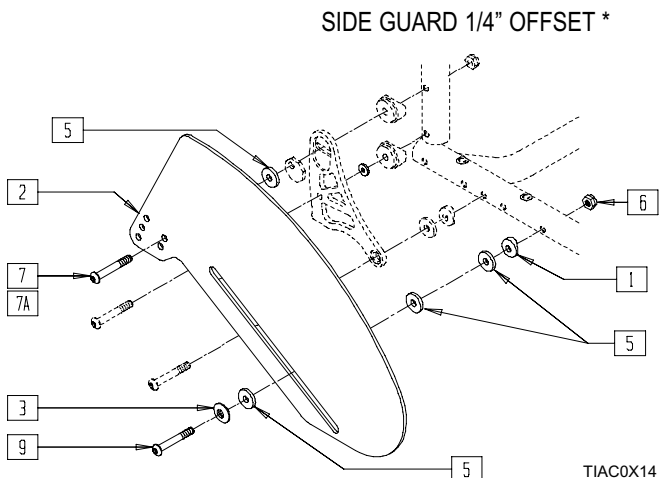
*FOR 13.5",14.5",15.5": 1/4" OFFSET SIDEGUARDS MUST BE ORDERED TO ACHIEVE EXTRA 1/2" IN SEAT FRAME WIDTH.

ALUMINUM SIDE GUARD FOR QUICK-RELEASE BACK (QUICKIE ALL COURT)

(Effective 01/11/05)



ITEM	NUMBER	DESCRIPTION	QTY
1	561004	1" SADDLE 1/4" HOLE	2
2	500223	SIDE GUARD AL STD AC	2
3	481046	SIDEGUARD BUSHING	2
4	227140	1/4-28 x 1.85 BH C/S BLK ZN	2
4A	230026	BHCS M6 X 1 X 45MM TORX T-25	2



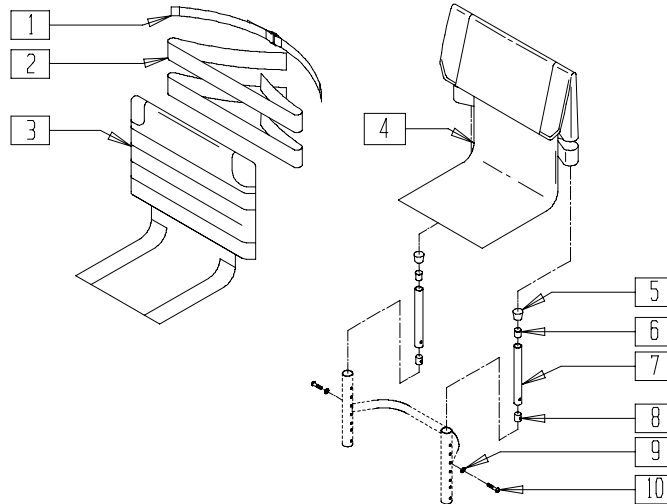
ITEM	NUMBER	DESCRIPTION	QTY
5	561043	1" WASHER 3/8" HOLE	6.8
6	201100-QU	1/4-28 NYLOCK NUT THIN	2
7	226150	1/4-28 x 2 BH C/S	2
7A	230056	BHCS M6 X 1 X 50MM TORX T-25	2
8	226148	1/4-28 x 1.85 BH C/S	2
9	226150	1/4-28 X 2 BH C/S	2

TIAC0X14

*FOR 13.5",14.5",15.5": 1/4" OFFSET SIDEGUARDS MUST BE ORDERED TO ACHIEVE EXTRA 1/2" IN SEAT FRAME WIDTH.

BACKREST FRAME AND UPHOLSTERY (QUICKIE ALL COURT)

(Discontinued 8/1/00 - parts only)



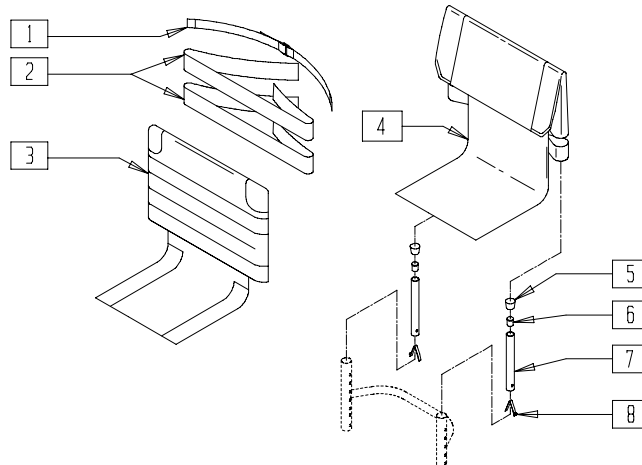
ALCOX18A

ITEM	NUMBER	DESCRIPTION	QTY
1	750096	SIDE GUARD/BACK STRAP (SPEC DIM)	1
2	741500	ANKLE/BACK STRAP 3D	1
3	685903-685920	BACK UPH QUICKIE ADJ (12LA-20SA)	1
4	680301-680909	BACK UPHOLSTERY W/TAIL 14"-20" FOLDING BACK	1
5	561010	3/4" CAP	2

ITEM	NUMBER	DESCRIPTION	QTY
6	561000-QU	3/4" INSERT PLUG .083	2
8	483001	Q2 FRAME/FOOT RETAINING PLUG	2
9	262130	6mm WASHER WAVE	2
10	226101	1/4-20 x 3/4 BH C/S	2
5-10	840101-840104	BACK ADJUSTABLE TUBE RIGID 12"-15" - 16"-19"	

FOLDING BACKREST AND UPHOLSTERY (QUICKIE ALL COURT)

(Effective 01/11/05)



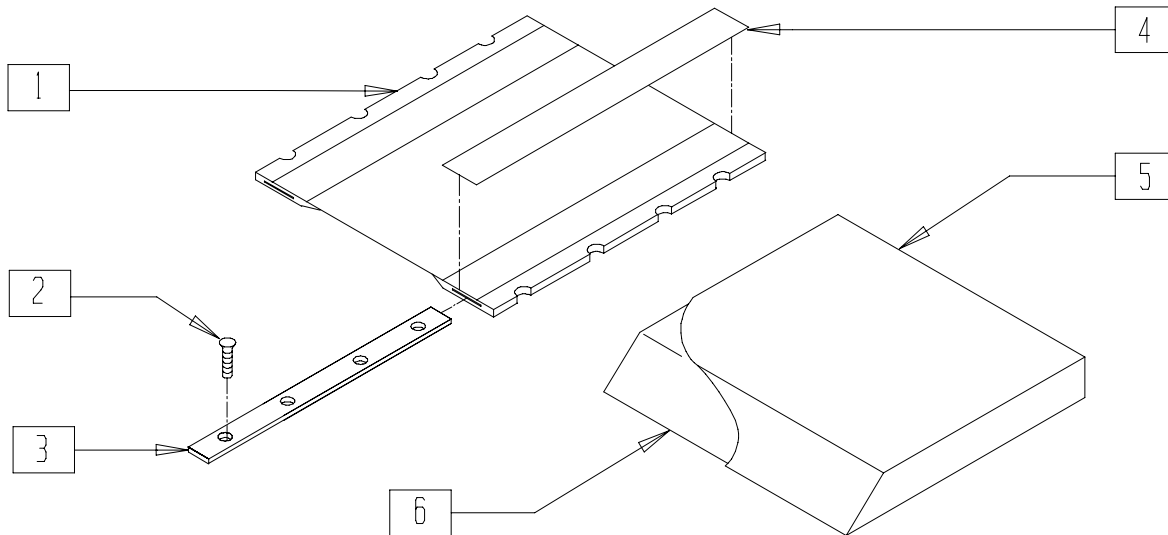
ALCOX18

ITEM	NUMBER	DESCRIPTION	QTY
1	750096	SIDE GRD STRP BACK 12-14" WIDE	1
	750116	SIDE GRD STRP BACK 15-17" WIDE	
	750117	SIDE GRD STRP BACK 18-20" WIDE	
2	741500,	ANKLE/BACK STRAP 2"W X 43"L	1
	741501,	ANKLE/BACK STRAP 2"W X 45"L	
	741502	ANKLE/BACK STRAP 2"W X 48"L	
3	685903-685911	BACK UPH QUICKIE ADJ 13"-21" SA (12"-15")	1
	685913-685921	BACK UPH QUICKIE ADJ 13" -21" MA (14"-17")	
	685923-685931	BACK UPH QUICKIE ADJ 13" -21" LA (16"-19")	

ITEM	NUMBER	DESCRIPTION	QTY
4	680212-680912	BACK UPHOLSTERY W/TAIL 12"-20" FOLDING BACK	1
5	561010	3/4" CAP	2
6	561000-QU	3/4" INSERT PLUG .083	2
8	301100	1/4" SNAP BUTTON SINGLE	2
5-8	840127	BACK ADJ TUBE W/CAP 10-13"	
	840130	BACK ADJ TUBE W/CAP 12-16"	
	840131	BACK ADJ TUBE W/CAP 14-18"	
	840132	BACK ADJ TUBE W/CAP 16-20"	

SEAT SLING AND CUSHION (QUICKIE ALL COURT)

(Discontinued 01/11/05 - parts only)



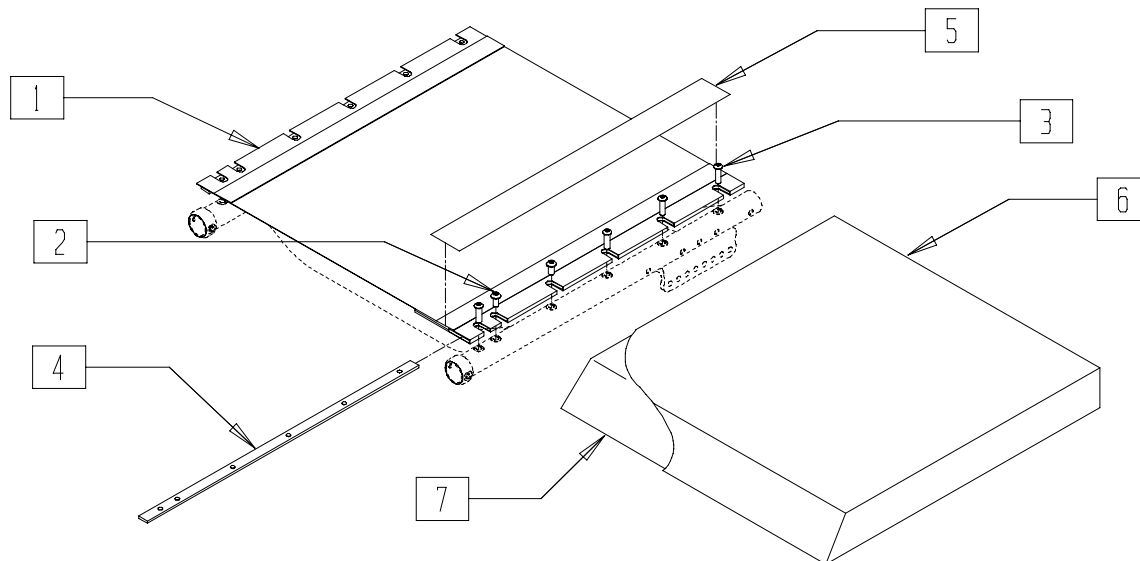
TNT00X12

ITEM	NUMBER	DESCRIPTION	QTY
1	721084-721158	SEAT SLING AC 13" x 13" -18" x 18"	1
2	281122	10-32 x 3/4 PAN PHIL	8
3	505360-505372	SEAT RAIL QTNT 13"-18"	2
4	901169	SEAT SLING VELCRO® STRIP 2"	2

ITEM	NUMBER	DESCRIPTION	QTY
5	701242-701742	SEAT COVER 13" x 14" x 2" - 18" x 18" x 2"	1
6	105242-105742	SEAT FOAM 14" x 14" x 2" - 18" x 18" x 2"	1
5,6	700242-700742	SEAT CUSHION W/COVER AND FOAM 13" x 14" - 18" x 18"	

SEAT SLING AND CUSHION (QUICKIE ALL COURT)

(Effective 01/11/05)



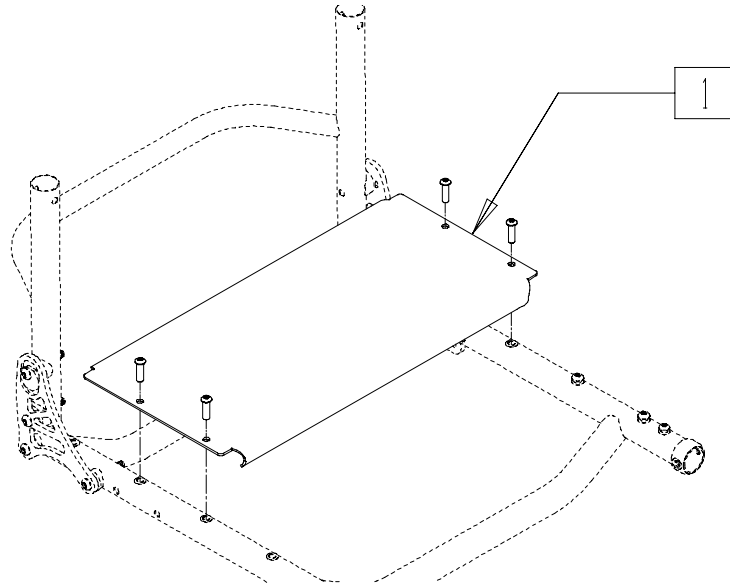
MP0X13

ITEM	NUMBER	DESCRIPTION	QTY
1	720100-720907	SEAT SLING AC 12" x 10" -20" x 20"	1
2	230029	BHCS M5 X .8X12MM TORX T-25	2,4,6
3	230021	BHCS M5 X.8 X 20MM TORX T-25	8
4	505100-505116	SEAT RAIL (10"-20")	2
5	901169	SEAT SLING VELCRO® STRIP 2"	2

ITEM	NUMBER	DESCRIPTION	QTY
6	701102-701962	SEAT COVER 12" x 10" x 2" -20" x 20" x 2"	1
7	105102-105962	SEAT FOAM 12" x 10" x 2" -20" x 20" x 2"	1
6,7	700102-700962	SEAT CUSHION 12" x 10" -20" x 20"	

SEAT PAN (QUICKIE ALL COURT)

(Effective 01/11/05)



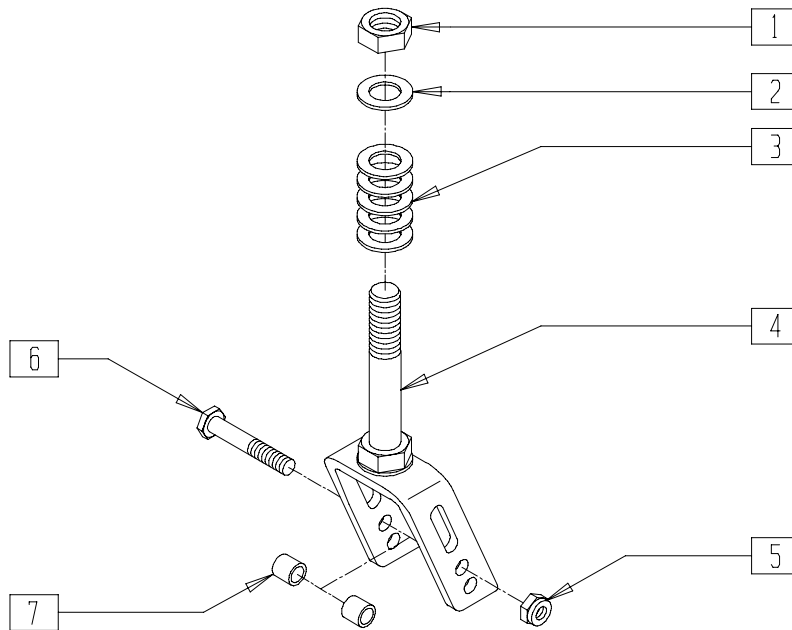
TiAC0X12

ITEM	NUMBER	DESCRIPTION	QTY
1	688280-688288	SEAT PAN HALF ALL COURT 12W-20W	

NOTE: SLING NOT SHOWN FOR CLARITY.

FORK ASSEMBLY (QUICKIE ALL COURT)

(Discontinued 8/1/00 - parts only)



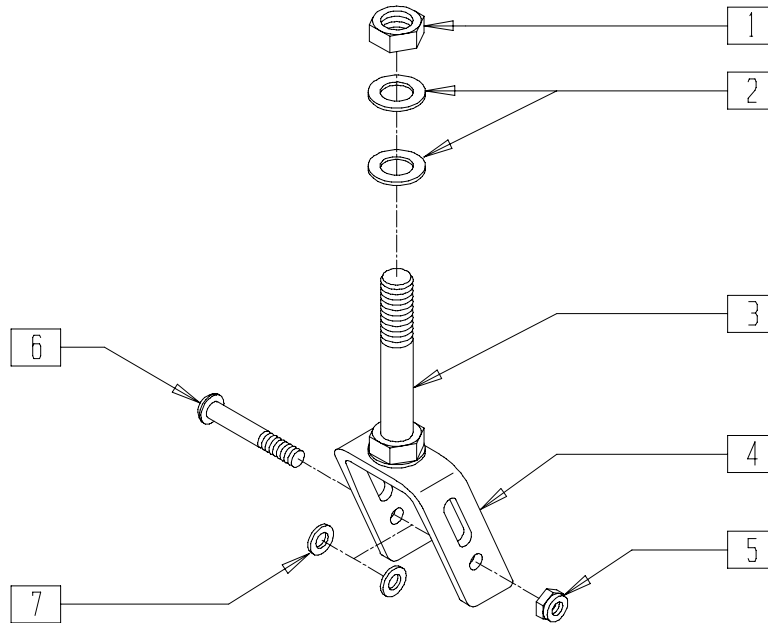
ALC0X01

ITEM	NUMBER	DESCRIPTION	QTY
1	330010	1/2-20 NYLOCK NUT ALUMINUM	1
2	264100	1/2 AN WASHER FLAT	2
3	483254	SPACER .50 ID x .88 OD x .125	5
4	780350	3 1/4 GP STD STEM	1

ITEM	NUMBER	DESCRIPTION	QTY
5	330005	5/16-24 NYLOCK NUT ALUMINUM	1
6	330110	5/16-24 x 2 1/2 HEX C/S Ti	1
7	481113	BEARING SPACER	2
1-7	780979	3 1/4 GP AC STEM W/HDWR Ti	

FORK ASSEMBLY (QUICKIE ALL COURT)

(Discontinued 01/11/05 - parts only)



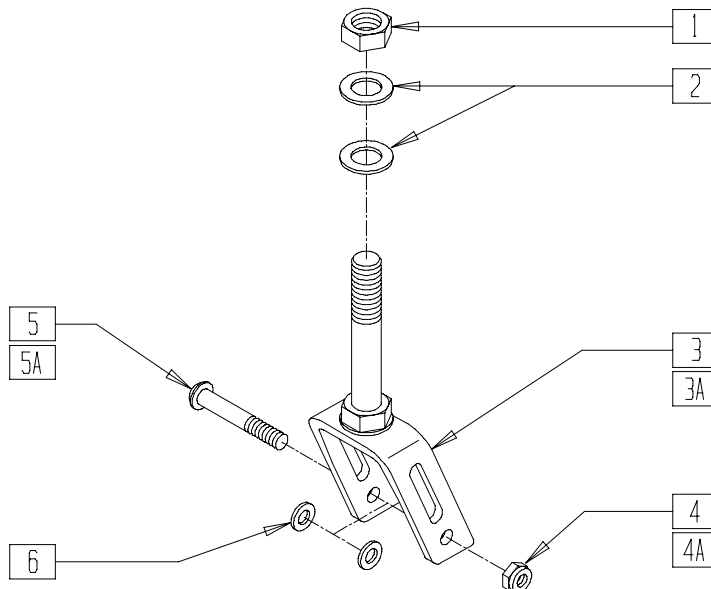
ALC0X01A

ITEM	NUMBER	DESCRIPTION	QTY
1	330010	1/2-20 NYLOCK NUT ALUMINUM	1
2	264100	1/2 AN WASHER FLAT	2
4	550038	FORK 3" MICRO	1
5	202102	5/16-18 NYLOCK NUT THIN	1

ITEM	NUMBER	DESCRIPTION	QTY
6	226190	5/16-18 x 1 3/4 BH C/S SHLDR	1
7	263100	5/16 AN WASHER FLAT	2
3,4	780450	STEM/FORK AC	
1-7	780470	STEM/FORK W/HARDWARE AC	

FRONT FORK ASSEMBLY (QUICKIE ALL COURT)

(Effective 01/11/05)



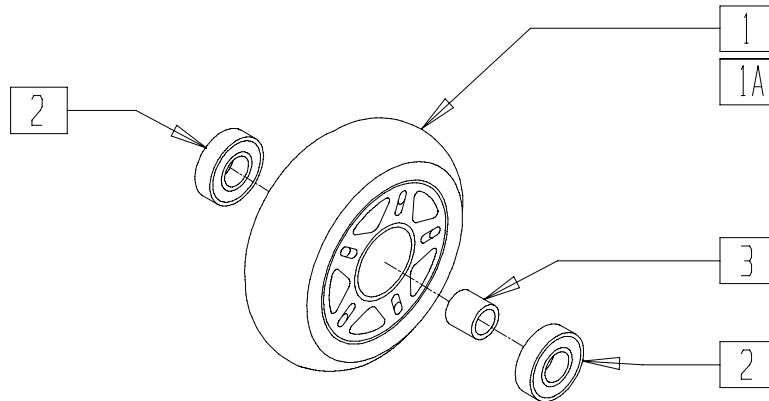
TIAC0X15

ITEM	NUMBER	DESCRIPTION	QTY
1	330010	1/2-20 NYLOCK NUT ALUMINUM	1
2	264100	1/2 AN WASHER FLAT	2
3	780480	FRONT STEM/FORK ASSM ALUMINUM	1
3A	780481	FRONT STEM/FORK ASSM TITANIUM	1
4	202102	5/16-18 NYLOCK NUT THIN	1

ITEM	NUMBER	DESCRIPTION	QTY
4A	330005	5/16-24 NYLOCK NUT ALUM	1
5	226190	5/16-18 x 1 3/4 BH C/S SHLDR	1
5A	204127	5/16-24 X 1.75 TITANIUM HEX CS	1
6	263100	5/16 AN WASHER FLAT	2

3" MICRO CASTER

(Discontinued 01/11/05 - parts only)



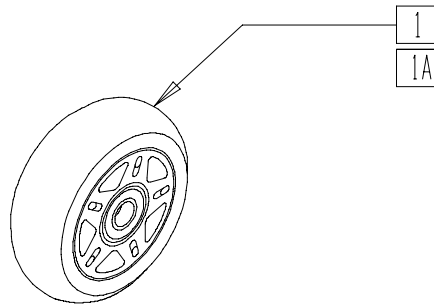
CF0X09A

ITEM	NUMBER	DESCRIPTION	QTY
1A	400107	3" MICRO CASTER LIGHTED	1
	920077	3" MICRO CASTER LIGHTED (PR)	
2	349502	7/8 x 5/16 BEARING	2

ITEM	NUMBER	DESCRIPTION	QTY
3	481013	BEARING SPACER	1
1-3	400092	3" MICRO CASTER W/BEARING	
	920025	3" MICRO CASTER W/BEARING (PR)	

3" MICRO CASTER

(Effective 01/11/05)



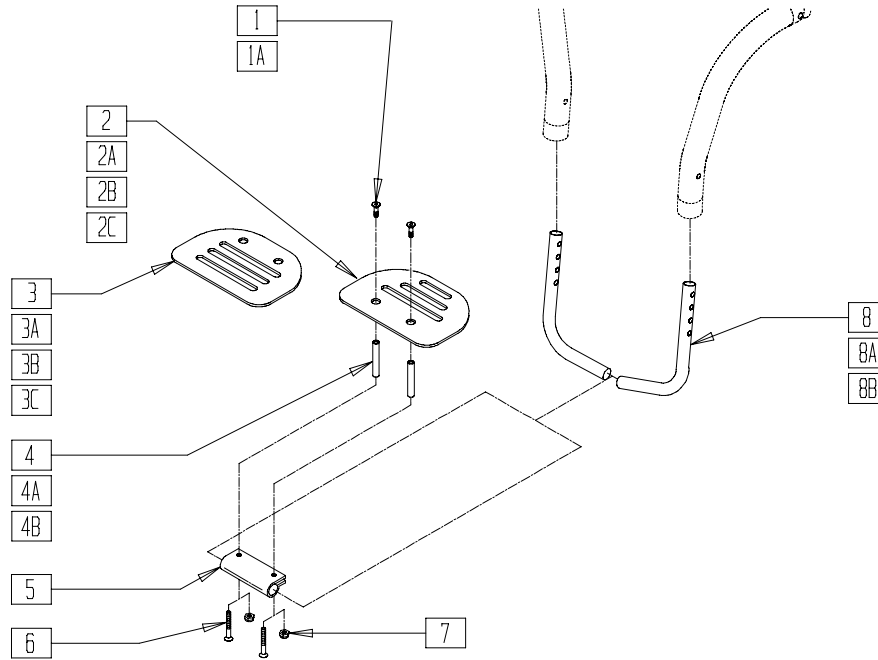
TiAC0X09

ITEM	NUMBER	DESCRIPTION	QTY
1	400107	3" MICRO CASTER LIGHTED	2,3,4

ITEM	NUMBER	DESCRIPTION	QTY
1A	400109	CASTER ASSM MICRO 80MM	2,3,4

PLATFORM FOOTREST (QUICKIE ALL COURT)

(Discontinued 01/11/05 - parts only)



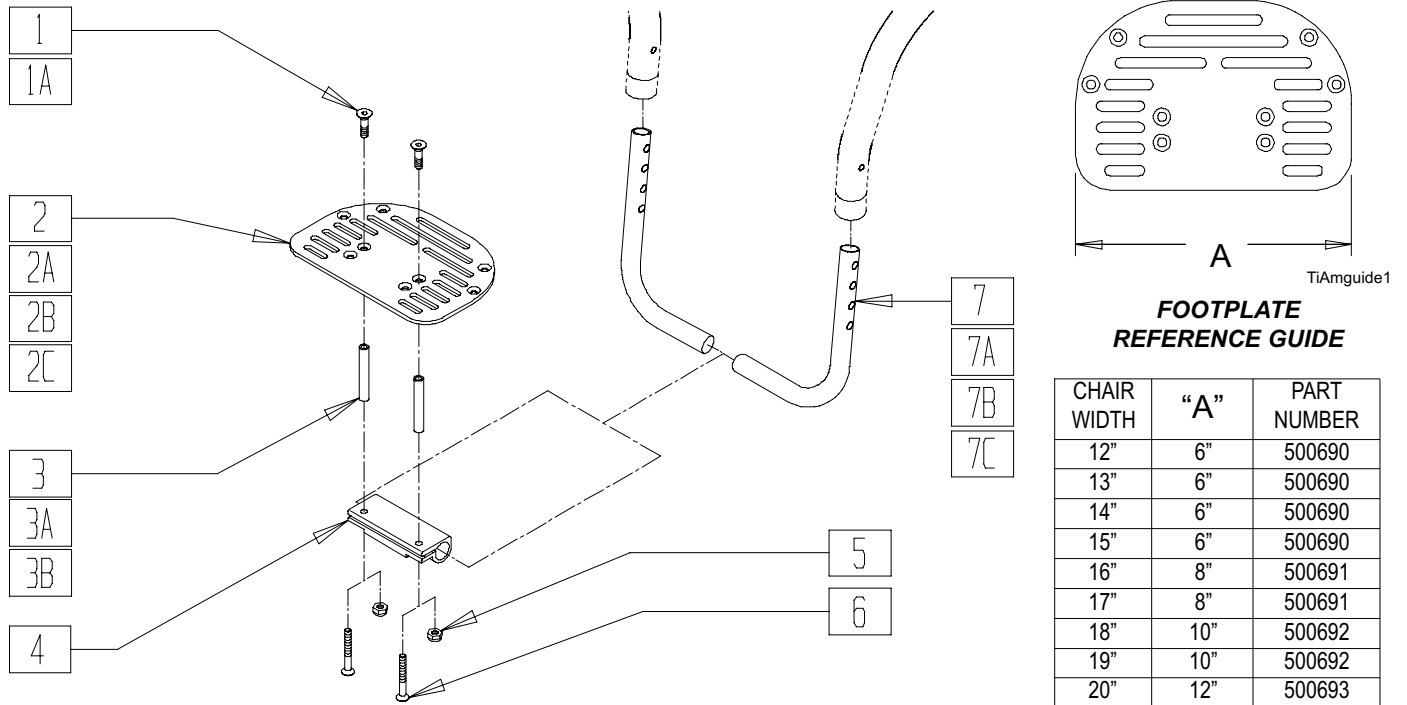
ALC00X20A

ITEM	NUMBER	DESCRIPTION	QTY
1	226099	1/4-28 x 7/8 FH C/S (NO SPACER)	2
1A	226121	1/4-20 x 1 FH C/S BLK (2" 4" 6" SPACER)	2
2	500650	PLATFORM FOOTPLATE 6" x 5 1/2"	1
2A	500651	PLATFORM FOOTPLATE 8" x 5 1/2"	1
2B	500652	PLATFORM FOOTPLATE 10" x 5 1/2"	1
2C	500653	PLATFORM F/PLT 12" x 5 1/2"	1
3	500591	PLATFORM FOOTPLATE 6" A/C	1
3A	500592	PLATFORM FOOTPLATE 8" A/C	1
3B	500593	PLATFORM FOOTPLATE 10" A/C	1
3C	500594	PLATFORM FOOTPLATE 12" A/C	1
4	481306	ADAPTIVE FOOTREST SPACER 2"	2
4A	481307	ADAPTIVE FOOTREST SPACER 4"	2
4B	481308	ADAPTIVE FOOTREST SPACER 6"	2

ITEM	NUMBER	DESCRIPTION	QTY
5	550351	PLATFORM FOOTPLATE CLAMP	1
6	221110	1/4-20 x 1 HEX C/S (W/SPACER)	2
7	201120	1/4-28 AUTOMATION NUT	2
8	522247	FOOTREST TUBE 14"/15"	1
8A	522248	FOOTREST TUBE 16"/17"	1
8B	522249	FOOTREST TUBE 18" QTNT	1
1,3,5,7,8	800310	F/REST ASSM 14"/15" FORWARD A/C	
1,3A,5,7,8A	800311	F/REST ASSM 16"/17" FORWARD A/C	
1,3B,5,7,8B	800312	F/REST ASSM 18"/19" FORWARD A/C	
1,3C,5,7,8B	800313	F/REST ASSM 20" FORWARD A/C	
1,2,5,7,8	800314	F/REST ASSM 14"/15" REVERSE A/C	
1,2A,5,7,8A	800315	F/REST ASSM 16"/17" REVERSE A/C	
1,2B,5,7,8B	800316	FOOTREST ASSM 18"/19" RVRS A/C	
1,2C,5,7,8B	800317	FOOTREST ASSM 20" RVRS A/C	

PLATFORM FOOTREST (QUICKIE ALL COURT)

(Effective 01/11/05)



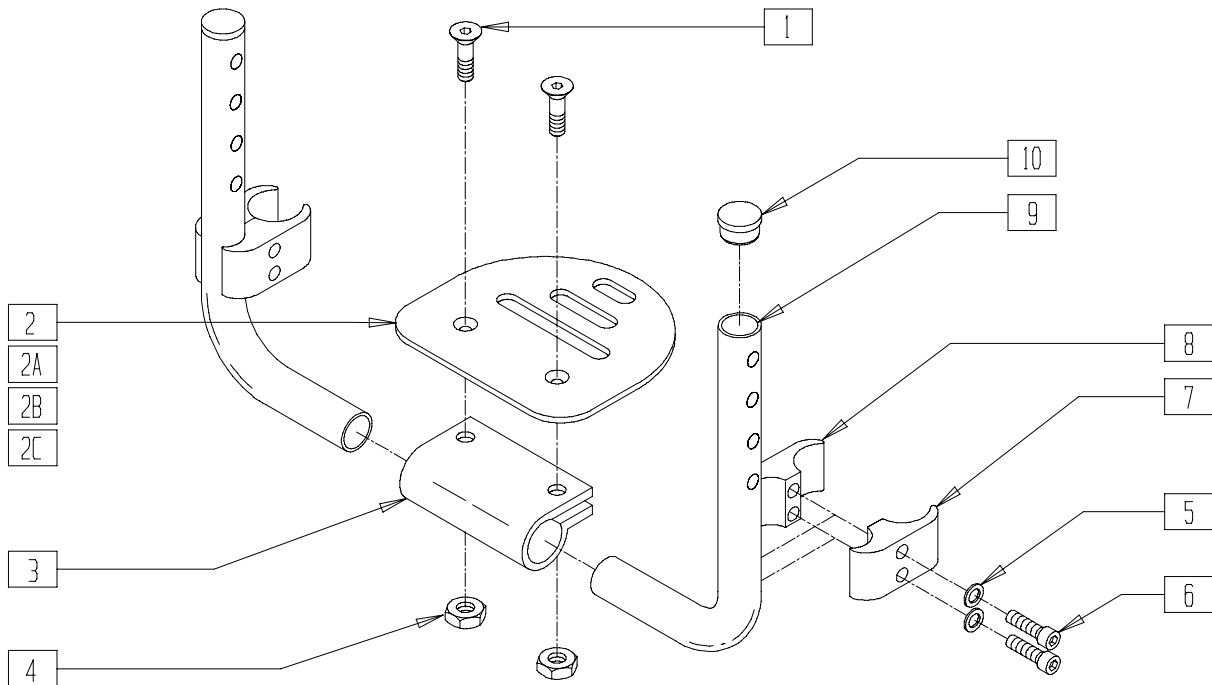
TiAC0X10

ITEM	NUMBER	DESCRIPTION	QTY
1	226259	1/4-28 x 1 FH C/S	2
1A	226121	1/4-20 x 1 FH C/S BLK	2
2	500690	PLTFORM F/PLT 6" x 5 1/2"	1
2A	500691	PLTFORM F/PLT 8" x 5 1/2"	1
2B	500692	PLTFORM F/PLT 10" x 5 1/2"	1
2C	500693	PLATFOM F/PLT 12" x 5 1/2"	1
3	481306	ADAPTIVE FOOTREST SPACER 2"	2
3A	481307	ADAPTIVE FOOTREST SPACER 4"	2
3B	481308	ADAPTIVE FOOTREST SPACER 6"	2
4	550351	PLATFORM FOOTPLATE CLAMP	1

ITEM	NUMBER	DESCRIPTION	QTY
5	201120	1/4-28 AUTOMATION NUT	2
6	221110	1/4-20 X 1 HEX C/S	2
7	522247	FOOTREST TUBE 14/15" QTNT	1
7A	522248	FOOTREST TUBE 16/17" QTNT	1
7B	522249	FOOTREST TUBE 18" QTNT	1
7C	522265	FOOTREST TUBE 18"/19" MP	1
1,2,4,5,7	800400	FTRST ASSM PLATFORM 12"-13"	
1,2,4,5,7	800401	FTRST ASSM PLATFORM 14"-15"	
1,2A,4,5,7A	800402	FTRST ASSM PLATFORM 16"-17"	
1,2B,4,5,7B	800403	FTRST ASSM PLATFORM 18"-19" AC	
1,2C,4,5,7C	800404	FTRST ASSM PLATFORM 20"AC 18"-20"MP	

HIGH-MOUNT FOOTREST (QUICKIE ALL COURT)

(Discontinued 01/11/05 - parts only)



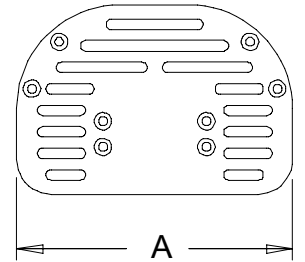
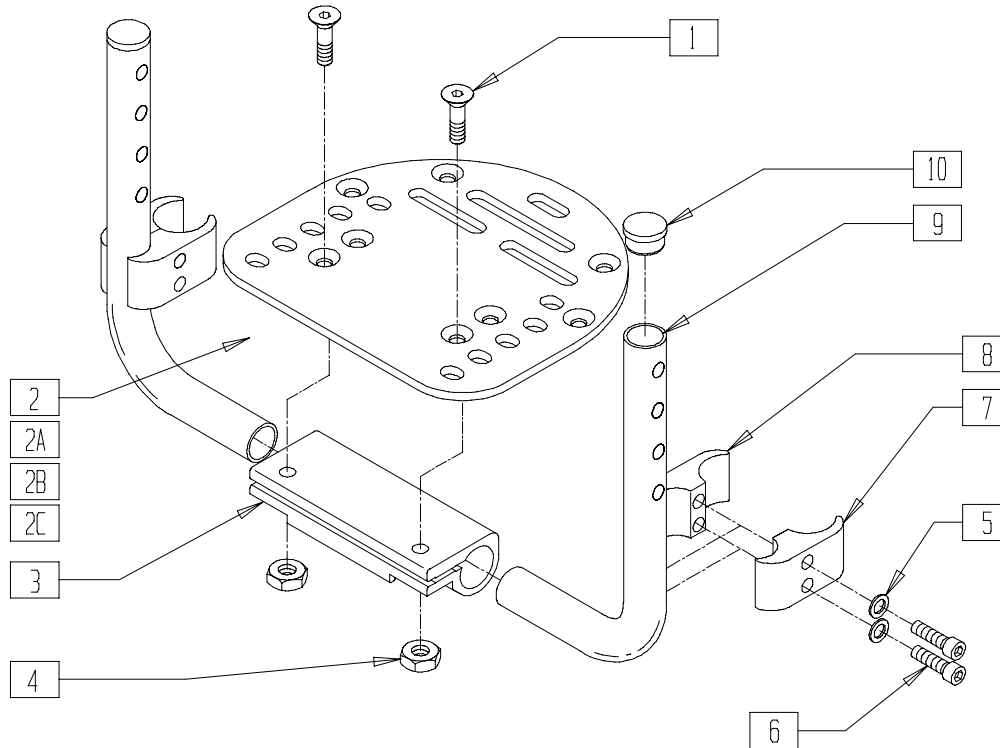
ALC00X38

ITEM	NUMBER	DESCRIPTION	QTY
1	226099	1/4-28 x 7/8 FH C/S	2
2	500650	PLTFRM FOOTPLATE 6" x 5 1/2" (10"-13")	1
2A	500651	PLTFRM FOOTPLATE 8" x 5 1/2" (14")	1
2B	500652	PLTFRM F/PLT 10" x 5 1/2"	1
2C	500653	PLATFORM F/PLT 12" x 5 1/2"	1
3	550351	PLTFRM FT PLT CLMP (SPECIFY BLK)	1
4	201120	1/4-28 STOVER NUT	2
5	262114	1/4 WASHER HI COLLAR LOCK ZN	4
6	226112	1/4-28 x 1 SOC S/C BLK	4
7	550443	WHEEL LOCK CLAMP RECESS R2	2

ITEM	NUMBER	DESCRIPTION	QTY
8	550442	WHEEL LOCK CLAMP THREADED R2	2
5-8	881097	WHEEL LOCK CLAMP ASSM BLK	2
9	522247- 522249	FOOTREST TUBE (14"-18") QTNT	2
10	561000-QU	3/4" INSERT PLUG .083	2
1-10	800321	FTRST ASSM 14"-15.5" HI-MT AC	
1,2A,3-10	800322	FTRST ASSM 16"-17.5" HI-MT AC	
1,2B,3-10	800323	FTRST ASSM 18"/19" HI-MT AC	
1,2C,3-10	800324	FTRST ASSM 20" HI-MT AC	

HIGH-MOUNT FOOTREST (QUICKIE ALL COURT)

(Effective 01/11/05)



TiAguide1

FOOTPLATE REFERENCE GUIDE

CHAIR WIDTH	"A"	PART NUMBER
12"	6"	500690
13"	6"	500690
14"	6"	500690
15"	6"	500690
16"	8"	500691
17"	8"	500691
18"	10"	500692
19"	10"	500692
20"	12"	500693

TIAXC0x23

ITEM	NUMBER	DESCRIPTION	QTY
1	226259	1/4-28 X 1 FLAT HD C/S BLK	2
2	500690	PLTFRM FOOTPLATE 6" x 5 1/2" (10"-13")	1
2A	500691	PLTFRM FOOTPLATE 8" x 5 1/2" (14")	1
2B	500692	PLTFRM F/PLT 10" x 5 1/2"	1
2C	500693	PLATFORM F/PLT 12" x 5 1/2"	1
3	550351	PLTFRM FT PLT CLMP (SPECIFY BLK)	1
4	201120	1/4-28 AUTOMATION NUT	2
5	262114	1/4 WASHER HI COLLAR LOCK ZN	4
6	226112	1/4-28 x 1 SOC S/C BLK	4
7	550657	CLAMP 1 1/4" RECESS FULL BLK	2

ITEM	NUMBER	DESCRIPTION	QTY
8	550658	CLAMP 1 1/4" THREADED BLK	2
5-8	881097	WHEEL LOCK CLAMP ASSM BLK	2
9	522247-522249,	FOOTREST TUBE (12"-18") QTNT	2
	522265	FOOTREST TUBE 18/19" MP	
10	561000-QU	3/4" INSERT PLUG .083	2
1-10	800410	FTRST ASSM HI-MNT 12"-13"	
1-10	800411	FTRST ASSM HI-MNT 14"-15"	
1,2A,3-10	800412	FTRST ASSM HI-MNT 16"-17"	
1,2B,3-10	800413	FTRST ASSM HI-MNT 18"-19" AC	
1,2C,3-10	800414	FTRST ASSM HI-MNT 20"AC 18"-20"MP	

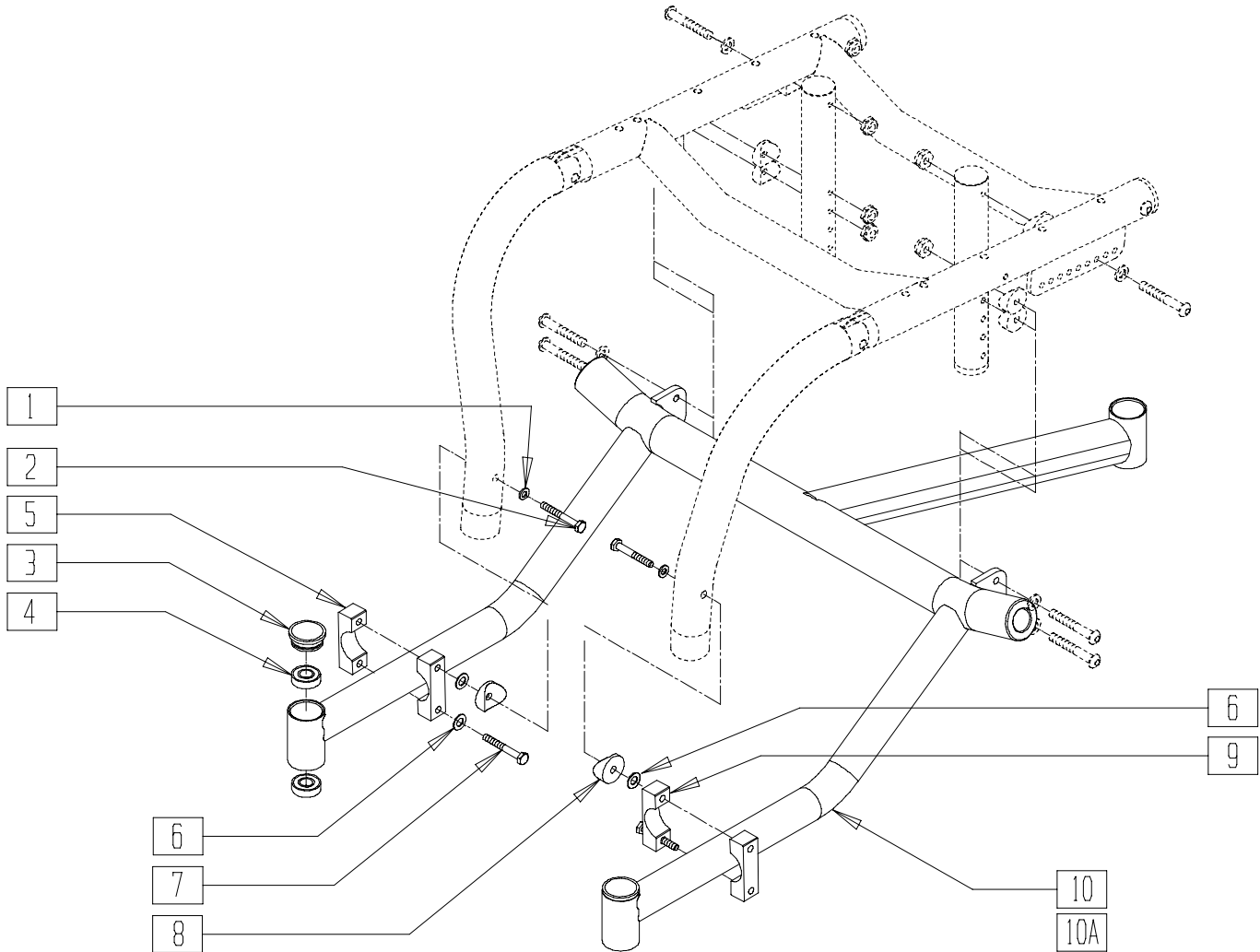
Quickie Match Point

IN THIS SECTION

Base Frame (Quickie Match Point) (Disc).....	2.1	Aluminum Side Guard For Quick-release Back (Quickie Match Point) (Disc).....	2.18
Base Frame (Quickie Match Point).....	2.2	Aluminum Side Guard For Fixed Back (Quickie Match Point)	2.19
Seat Frame (Quickie Match Point) (Disc).....	2.3	Aluminum Side Guard For Quick-release Back (Quickie Match Point)	2.19
Titanium Seat Frame (Quickie Match Point).....	2.4	Folding Backrest and Upholstery (Quickie Match Point) (Disc).....	2.20
Aluminum Seat Frame (Quickie Match Point)	2.5	Folding Backrest and Upholstery (Quickie Match Point)	2.21
Fifth Wheel Support Assembly (Quickie Match Point)	2.6	Seat Sling and Cushion (Quickie Match Point) (Disc).....	2.22
Integral Anti-tip (Quickie Match Point) (Disc).....	2.7	Seat Sling and Cushion (Quickie Match Point)	2.22
Integral Anti-tip Fork Assembly (Quickie Match Point)	2.8	Fork Assembly (Quickie Match Point) (Disc)	2.23
Quick-release Anti-tip (Quickie Match Point) (Disc).....	2.9	Front Fork Assembly (Quickie Match Point)	2.23
Quick-release Anti-tip (Quickie Match Point).....	2.10	3" Micro Caster (Disc).....	2.24
Push Handle Assembly (Quickie Match Point) (Disc)	2.11	3" Micro Caster	2.24
Fixed Backrest (Quickie Match Point) (Disc).....	2.12	Platform Footrest (Quickie Match Point) (Disc)	2.25
Fixed Backrest Aluminum (Quickie Match Point) ...	2.13	Platform Footrest (Quickie Match Point).....	2.26
Folding Back Lock Aluminum (Quickie Match Point)	2.14	High-Mount Footrest (Quickie Match Point) (Disc).....	2.27
Fixed Backrest Ti (Quickie Match Point)	2.15	High-Mount Footrest (Quickie Match Point)	2.28
Folding Back Lock Ti (Quickie Match Point).....	2.16	Toe Clip Assembly (Quickie Match Point).....	2.29
Quick-release Back Lock (Quickie Match Point) (Disc).....	2.17		
Aluminum Side Guard For Fixed Back (Quickie Match Point) (Disc).....	2.18		

BASE FRAME (QUICKIE MATCH POINT)

(Discontinued 01/11/05)



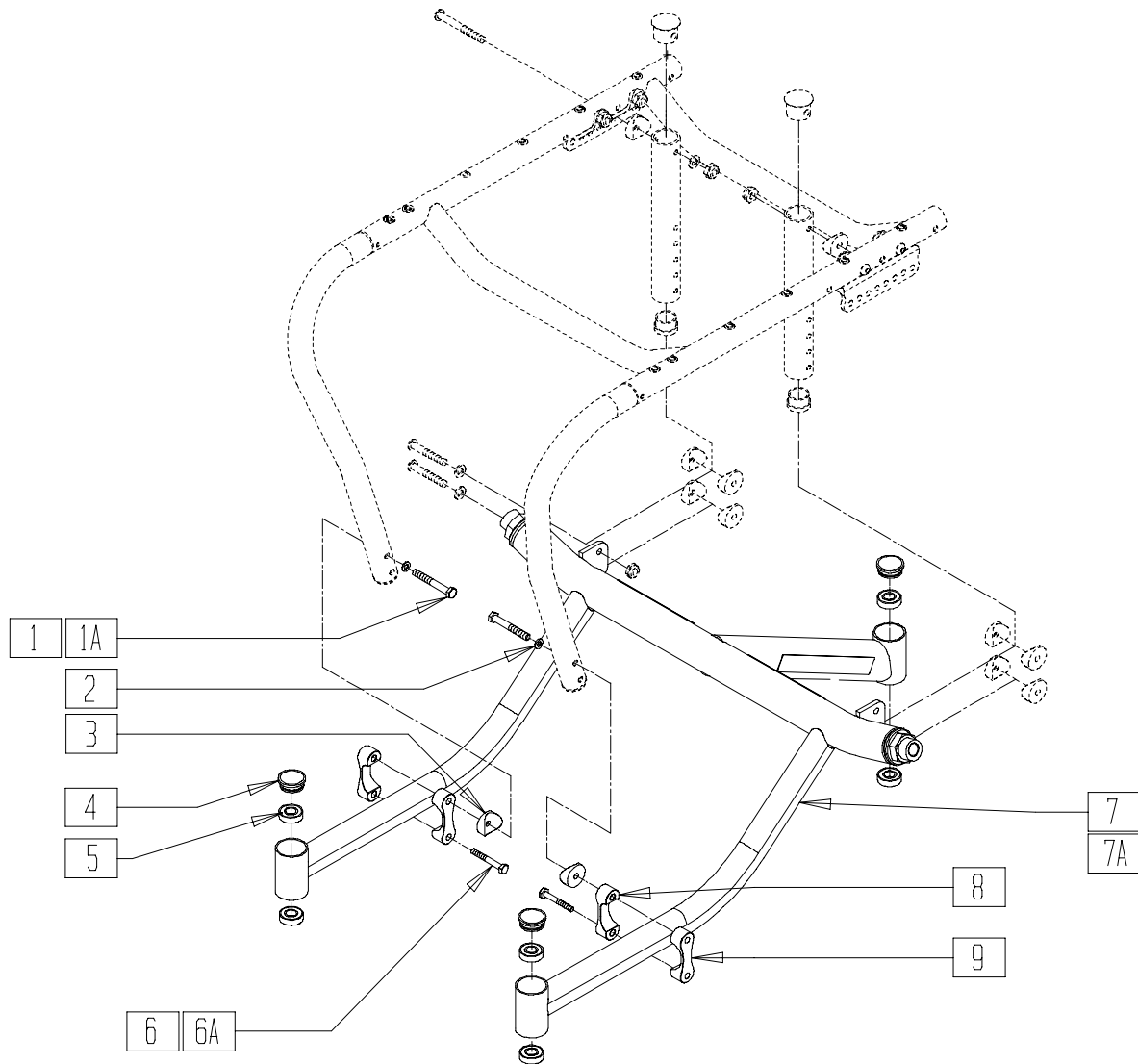
MPOX01

ITEM	NUMBER	DESCRIPTION	QTY
1	262100-QU	1/4 AN WASHER FLAT	2
2	221201	1/4-28 x 3 G8 HEX C/S	2
3	561070	CASTER CAP PLASTIC	1
	920028	CASTER CAP PLASTIC (PR)	2
4	349500	1 1/8 x 1/2 BEARING	6
5	540071	SIDE TUBE CLAMP THREADED AC	2
6	561026	3/4" WASHER 1/4" HOLE	2

ITEM	NUMBER	DESCRIPTION	QTY
7	221133	1/4-28 x 1 1/2 G8 HEX C/S	2
8	561001	1 1/8" SADDLE 1/4" HOLE	2
9	540072	SIDE TUBE CLAMP AC	2
4,10	600551-600557	BASE FRAME PNTD (13"-19") 16D MP	
	4,10A	600561-600567	BASE FRAME PNTD (13"-19") 20D MP

BASE FRAME (QUICKIE MATCH POINT)

(Effective 01/11/05)



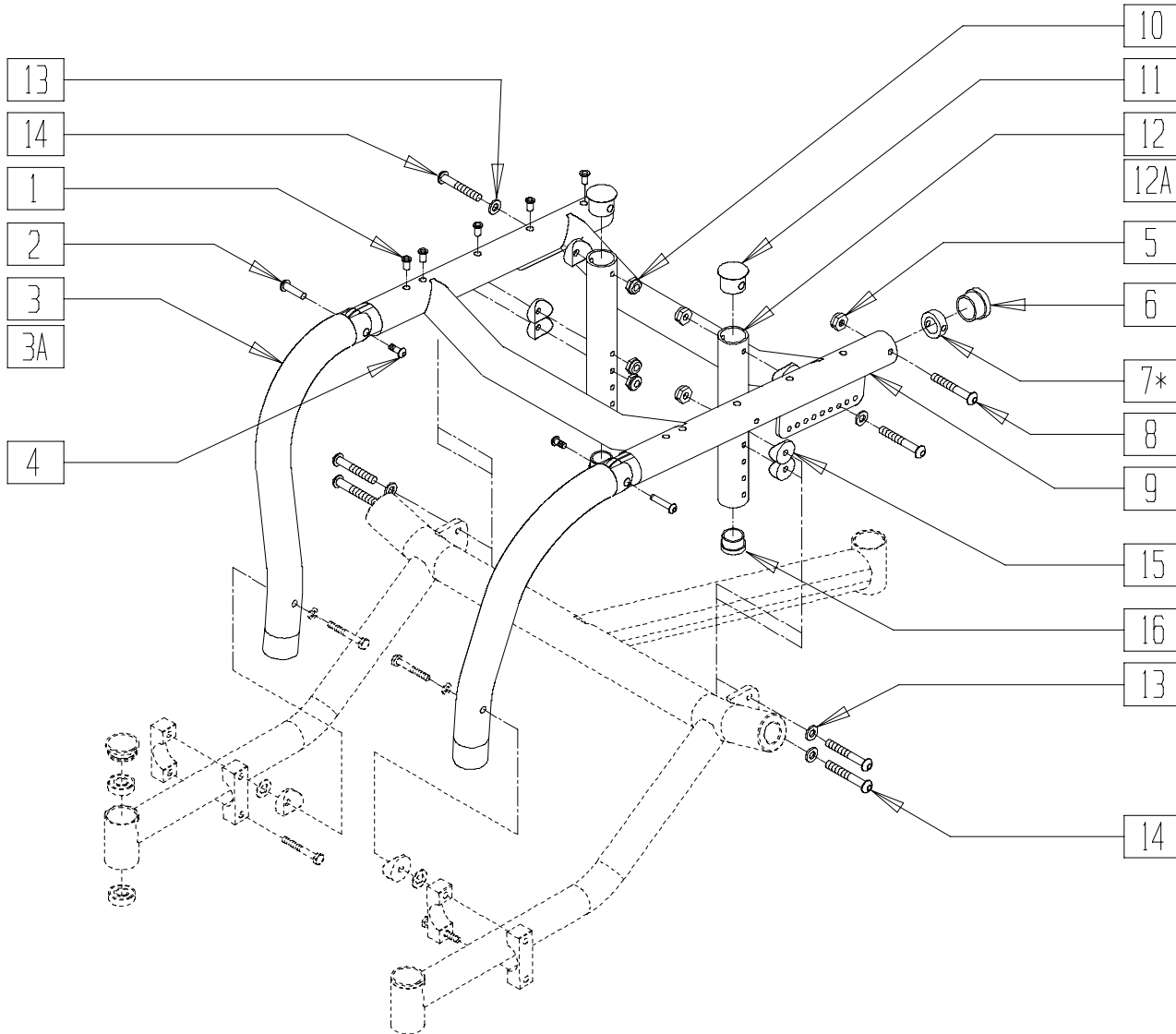
TIMPOX01

ITEM	NUMBER	DESCRIPTION	QTY
1	221181	1/4-28 X 2 1/2 G8 HEX C/S	2
1A	330105	1/4-28 X 2 1/2 HEX C/S TI	2
2	262100-QU	1/4 AN WASHER FLAT	2
3	561087	BACK REL SADDLE RIGID	2
4	880903	CASTER CAP W/O-RING SPORT W/C	3
5	349500	1 1/8 x 1/2 BEARING	6
6	221124-QU	1/4-28 X 1 1/4 G8 HEX C/S	2

ITEM	NUMBER	DESCRIPTION	QTY
6A	204125	1/4-28 X 1.25 TITANIUM HEX CS	2
8	503013	CLAMP OVAL TUBE THRU BOLT A/C	2
9	503014	CLAMP OVAL TUBE THRD A/C	2
5,7	601400- 601408	NEW BASE FRAME ASSM MP 16°(12W-20W)	
5,7A	601410- 601418	NEW BASE FRAME ASSM MP 20°(12W-20W)	

SEAT FRAME (QUICKIE MATCH POINT)

(Discontinued 01/11/05)



MP0X02

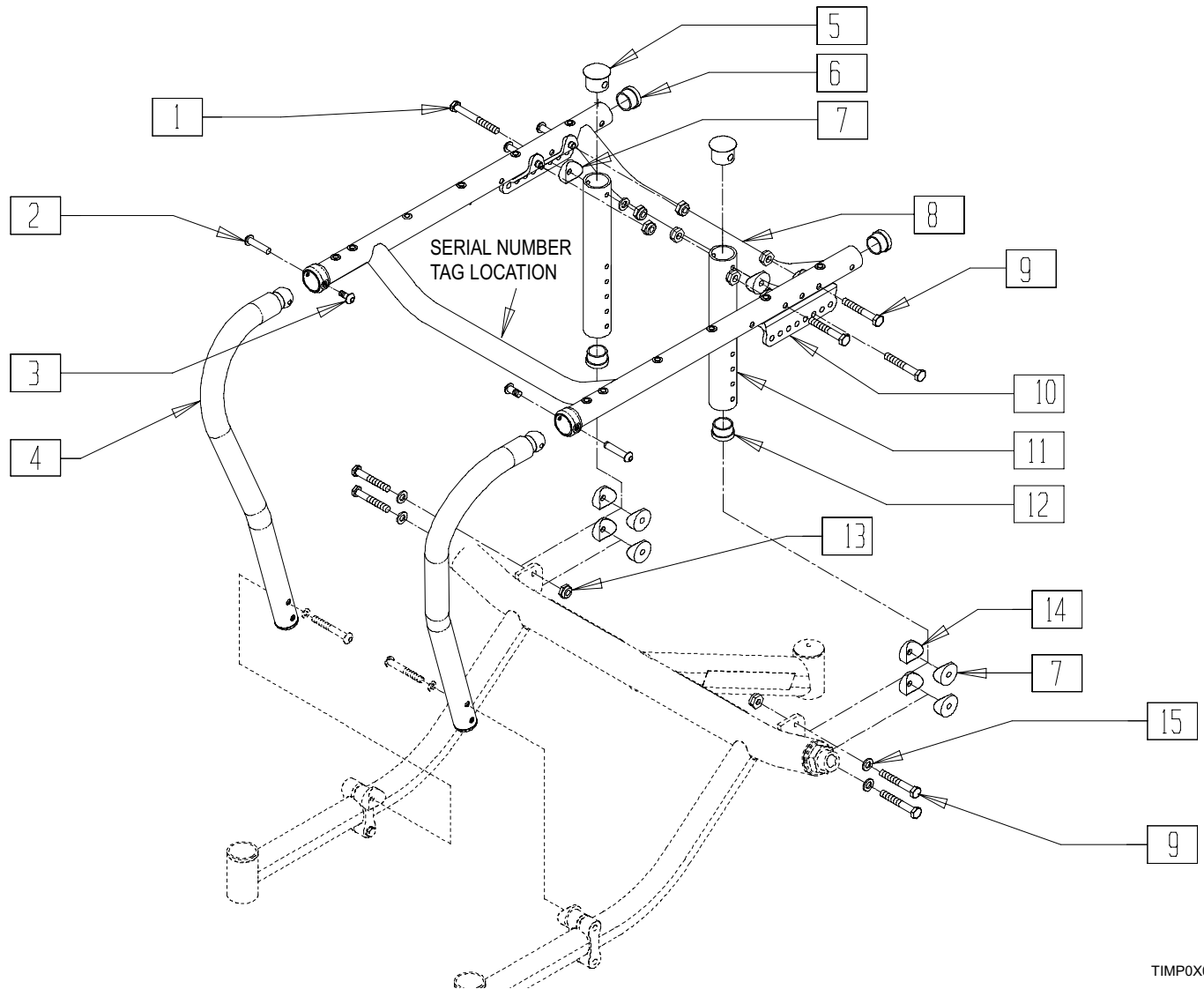
ITEM	NUMBER	DESCRIPTION	QTY
1	341497	10-32 x .020-.130 RIVNUT GOLD	10-16
2	221213	10-32 x 7/8" HEX SEX BOLT QTNT	2
4	226051	10-32 x 3/8" BH C/S	2
5	201100-QU	1/4-28 NYLOCK NUT THIN	2
6	561070	CASTER CAP PLASTIC	2
7*	483273	BACKREST REL PLUG A/C	2
8	226150	1/4-28 x 2 BH C/S	2
10	201110-QU	1/4-28 NYLOCK NUT	6
11	560999	1" INSERT PLUG .083 W/1/4 HOLE	2
12	527455	REAR FRAME ADJ TUBE 3D STD	2
12A	520487	REAR FRAME ADJ TUBE A/C TALL	2
13	262100-QU	1/4 AN WASHER FLAT	10
14	226140	1/4-28 x 1 3/4 BH C/S	6
15	561004	1" SADDLE 1/4" HOLE	6
16	561002	1" INSERT PLUG .083	2
1,5-9	661289- 661295	SEAT FRAME PNTD (13" - 19" x 13")	

ITEM	NUMBER	DESCRIPTION	QTY
1,5-9	661299- 661305	SEAT FRAME PNTD (13" - 19" x 14")	
	661309- 661315	SEAT FRAME PNTD (13" - 19" x 15")	
	661319- 661325	SEAT FRAME PNTD (13" - 19" x 16")	
	661329- 661335	SEAT FRAME PNTD (13" - 19" x 17")	
	661339- 661345	SEAT FRAME PNTD (13" - 19" x 18")	
	2-4	600295, 600296	FRONT FRAME TUBE ASSM MP SHORT (EA)
2,3A,4	600297, 600298	FRONT FRM TUBE ASSM MP TALL (EA)	

*PART 483273 ONLY USED WITH RIGID BACK

TITANIUM SEAT FRAME (QUICKIE MATCH POINT)

(Effective 01/11/05)



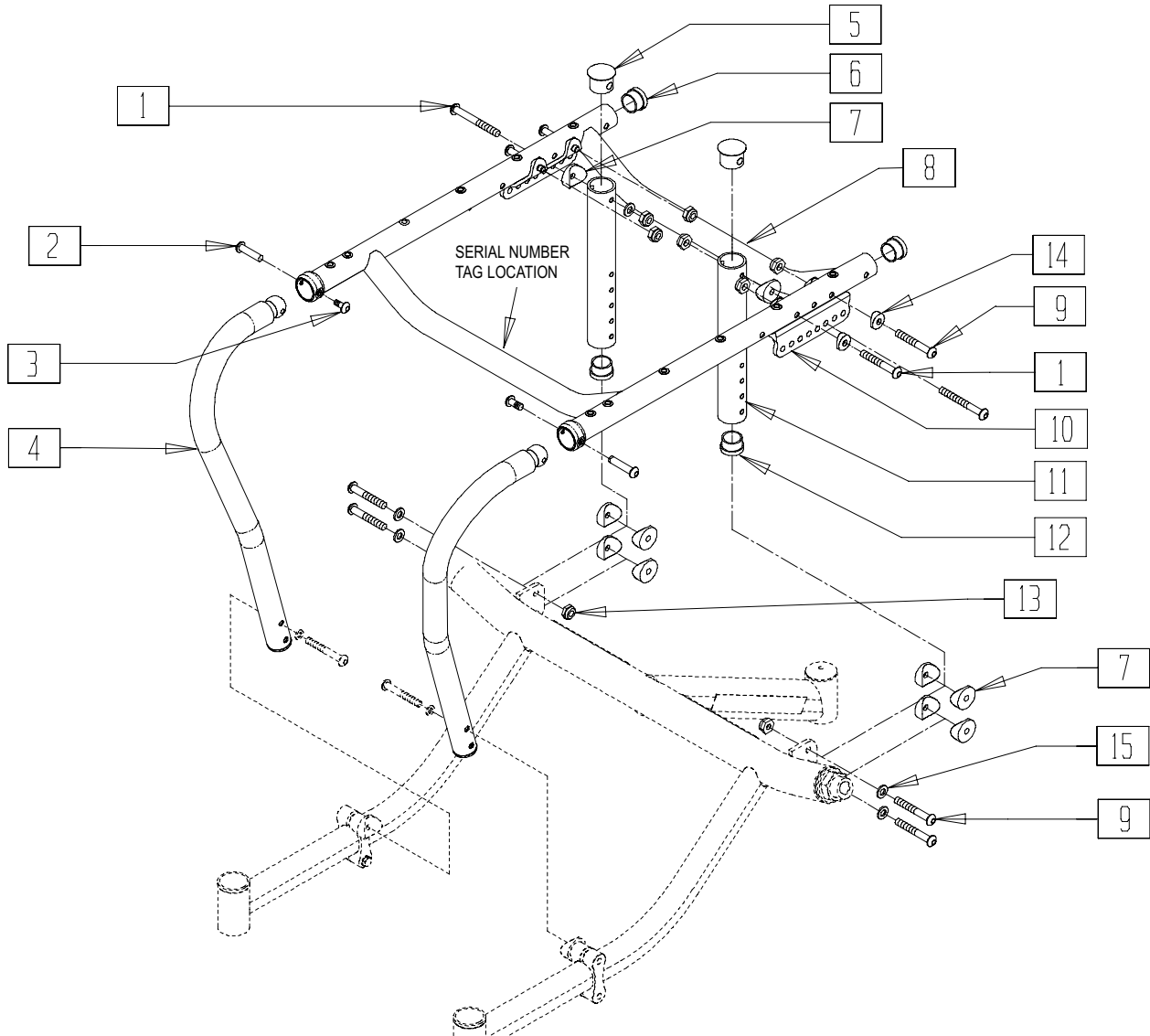
TIMPOX02

ITEM	NUMBER	DESCRIPTION	QTY
1	330100	1/4-28 X 2 HEX C/S TI	6
2	221205	BOLT HEX SEX 10-32 X 1.115	2
3	226051	10-32 X 3/8" BH C/S	2
5	561160	1" INSRT DOME PLUG .051 W/HOLE	2
6	560269	PLUG SEAT FRAME REAR .036 WALL	2
7	561004	1" SADDLE 1/4" HOLE	6
8	661460- 661419	SEAT FRM ASSM TI (12W x 10-16D THRU 20W x 14-19D)	1
9	330099	1/4-28 X 1 3/4 HEX C/S TI	8

ITEM	NUMBER	DESCRIPTION	QTY
10	551410	INTERFACE SEATFRAME A/C	2
11	510026, 510028	TI REAR UPRIGHT (SHORT,TALL)	2
12	561062	1" INSERT PLUG .065 RIBS	2
13	330000-QU	1/4-28 NYLOCK NUT ALUM	10
14	482000	SADDLE SMALL 1.00 TUBE.25 HOLE	4
15	262100-QU	1/4 AN WASHER FLAT	10
3-4	604445- 604450	FRNT UPR TI R 12-20W MP 16-21H	

ALUMINUM SEAT FRAME (QUICKIE MATCH POINT)

(Effective 01/11/05)



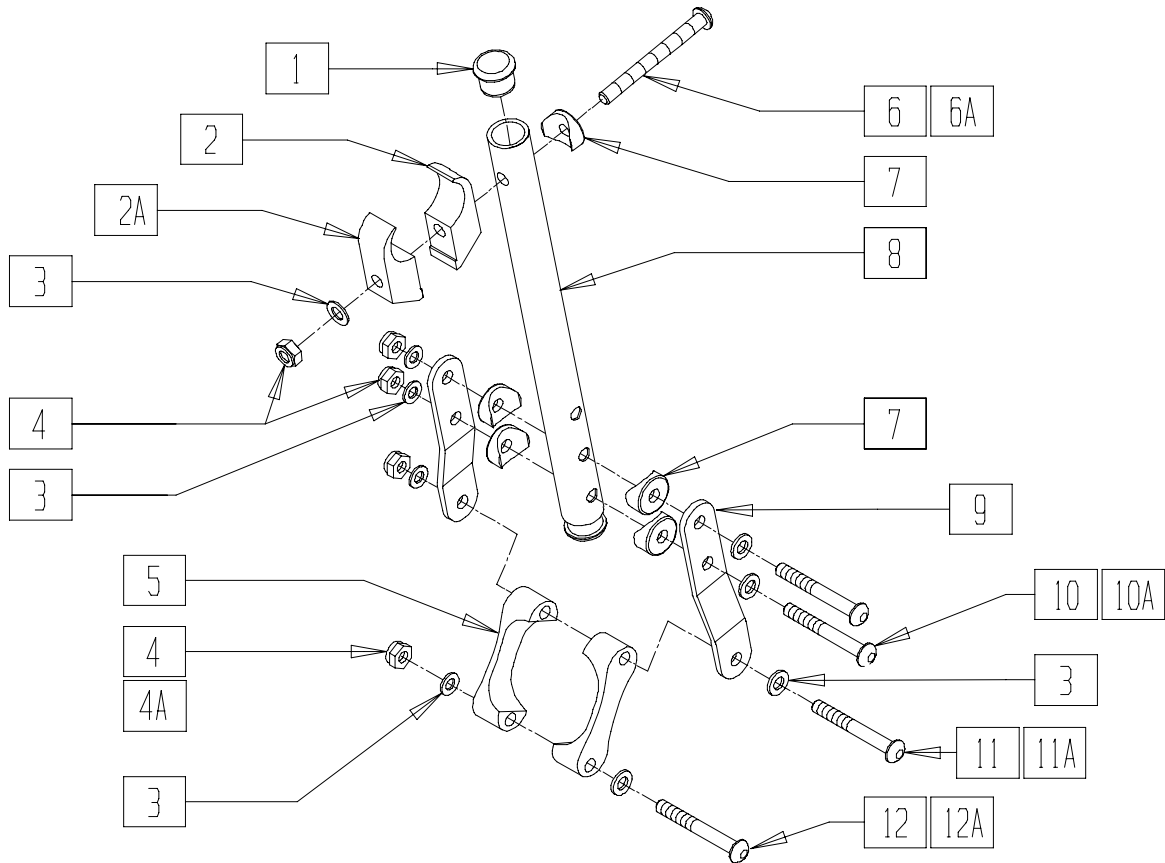
TIMP0X03A

ITEM	NUMBER	DESCRIPTION	QTY
1	226140	1/4-28 X 1 3/4 BH C/S	8
2	221205	BOLT HEX SEX 10-32 X 1.115	2
3	226051	10-32 X 3/8" BH C/S	2
5	560998	1" INSRD DOME PLUG .083 W/HOLE	2
6	560286	PLUG SEAT FRAME REAR .083 WALL	2
7	561004	1" SADDLE 1/4" HOLE	10
8	661520- 661579	SEAT FRM ASSM AL (12W x 10-16D THRU 20W x 14-19D)	1
9	226147	1/4-28x1.85 BH C/S BLK	2
10	551410	INTERFACE SEATFRAME A/C	2

ITEM	NUMBER	DESCRIPTION	QTY
11	527455	REAR FRAME ADJ TUBE 3D STD	
	520241	ALUM REAR UPRIGHT 700C TALL	2
	520242	ALUM REAR UPRIGHT TALL	
12	561002	1" INSERT PLUG	2
13	201110-QU	1/4-28 NYLOCK NUT	10
14	482000	SADDLE SMALL 1.00 TUBE.25 HOLE	4
15	262100-QU	1/4 AN WASHER FLAT	10
2-4	604451- 604456	FRNT UPR 16-17H AL R 12-20W MP	

FIFTH WHEEL SUPPORT ASSEMBLY (QUICKIE MATCH POINT)

(Effective 01/11/05)



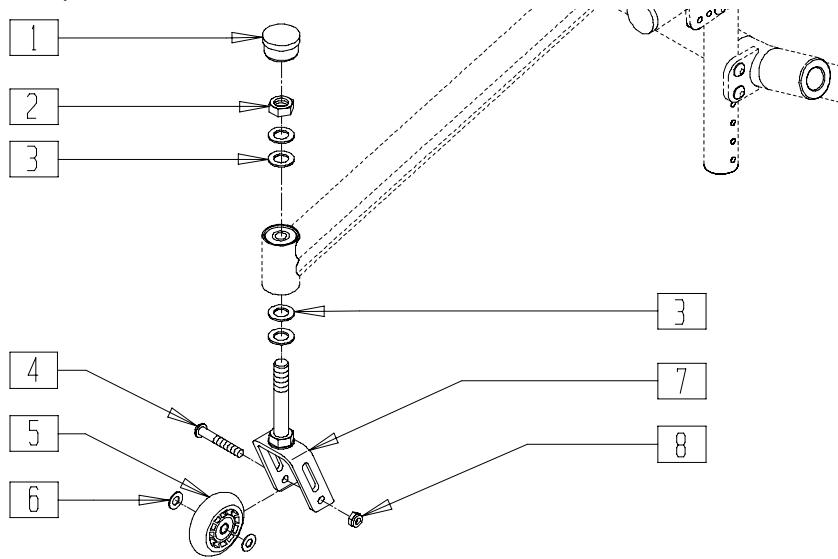
TIAC0X03

ITEM	NUMBER	DESCRIPTION	QTY
1	560761	3/4" INSERT PLUG .049 (18GA)	2
2	550457	ANTI TIP SUPPORT TOP MOUNT	1
2A	550251	CLMP P300 CHRNG/ADJ FL KDS	1
3	262100-QU	1/4 AN WASHER FLAT	9
4	201100-QU	1/4-28 NYLOCK NUT THIN	5
4A	330000-QU	1/4-28 NYLOCK NUT ALUM	5
5	540309	ANTI TIP CLAMP 1.7X1.17X.083	2
6	221181	1/4-28 X 2 1/2 G8 HEX C/S	1
6A	330105	1/4-28 X 2 1/2 HEX C/S TI	1
7	561003	3/4" SADDLE THIN	5
8	522746, 522747, 522753	TUBE SUPPORT SEAT REAR TI (SHORT, MED, TALL)	1

ITEM	NUMBER	DESCRIPTION	QTY
9	500416	STRAP SUPPORT REAR	2
10	226130	1/4-28 X 1 1/2 BH C/S	2
10A	330099	1/4-28 X 1 3/4 HEX C/S TI	2
11	226148	1/4-28 X 1.85 BH C/S	1
11A	330100	1/4-28 X 2 HEX C/S TI	1
12	226140	1/4-28 X 1 3/4 BH C/S	1
12A	330099	1/4-28 X 1 3/4 HEX C/S TI	1
1-12	900824- 900826	SEAT SUPPORT REAR AC ALUM (SHORT, MED, TALL)	
1-6A,7-9, 10A,11A,12A	900842- 900844	SEAT SUPPORT REAR AC T TI (SHORT, MED, TALL)	

INTEGRAL ANTI-TIP (QUICKIE MATCH POINT)

(Discontinued 01/11/05)



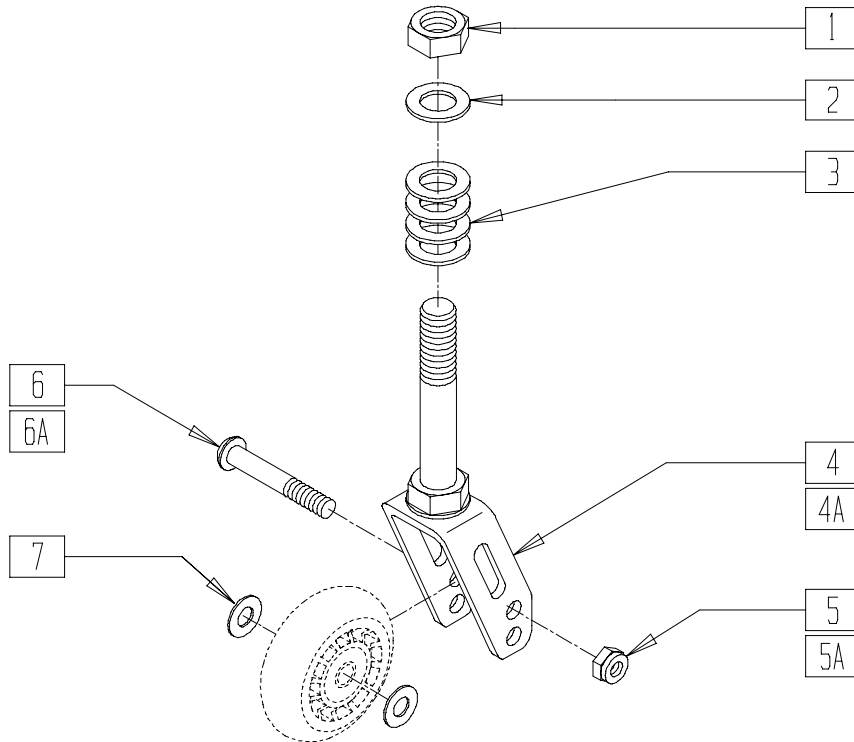
MP0X03

ITEM	NUMBER	DESCRIPTION	QTY
1	561070	CASTER CAP PLASTIC	1
	920028	CASTER CAP PLASTIC (PR)	
2	330010	1/2-20 NYLOCK NUT ALUM	1
3	483254	SPACER .50 ID x .80 OD x .125	4
4	226190	5/16-18 x 1 3/4 BH C/S SHLDR	1
5	400092	3" MICRO CASTER W/BEARING	1

ITEM	NUMBER	DESCRIPTION	QTY
6	263100	5/16 AN WASHER FLAT	2
7	780450	STEM/FORK AC	1
8	202102	5/16-18 NYLOCK NUT THIN	1
2-4, 6-8	780471	STEM/FORK W/HDWR AC ANTI-TIP	

INTEGRAL ANTI-TIP FORK ASSEMBLY (QUICKIE MATCH POINT)

(Effective 01/11/05)



TAC0X16

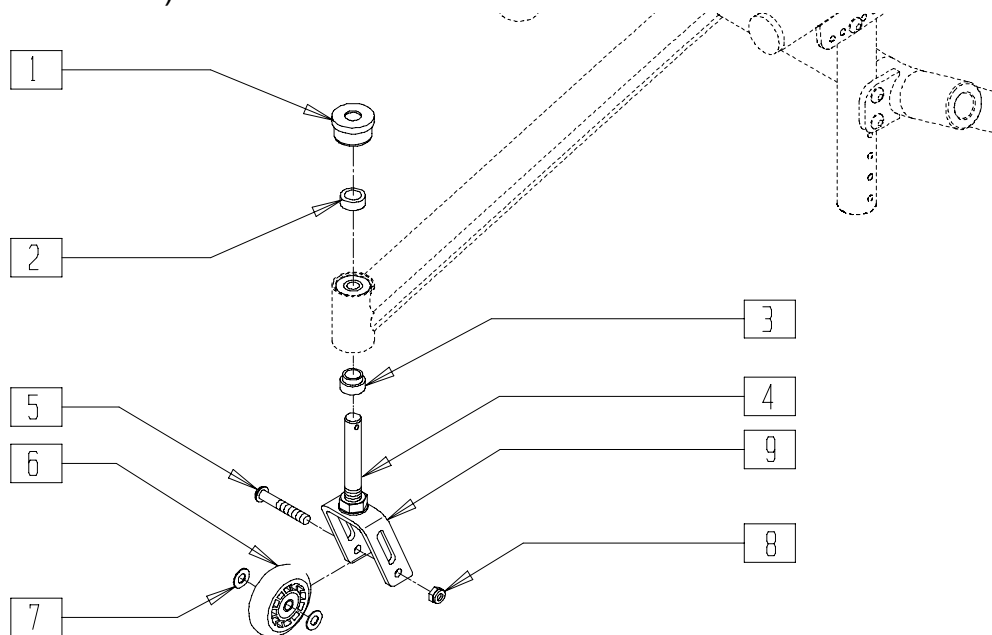
ITEM	NUMBER	DESCRIPTION	QTY
1	330010	1/2-20 NYLOCK NUT ALUMINUM	1
2	264100	1/2 AN WASHER FLAT	1
3	483254	SPACER .50 ID X .88 OD X .125	4
4	780473	STEM/FORK ANTI-TIP ASSM ALUM	1
4A	780474	STEM/FORK ANTI-TIP ASSM TI	1

ITEM	NUMBER	DESCRIPTION	QTY
5	202102	5/16-18 NYLOCK NUT THIN	1
5A	330005	5/16-24 NYLOCK NUT ALUM	1
6	226190	5/16-18 x 1 3/4 BH C/S SHLDR	1
6A	204127	5/16-24 X 1.75 TITANIUM HEX CS	1
7	263100	5/16 AN WASHER FLAT	2

NOTE: FOR CASTER SELECTION SEE PAGE 1.30.

QUICK-RELEASE ANTI-TIP (QUICKIE MATCH POINT)

(Discontinued 01/11/05)



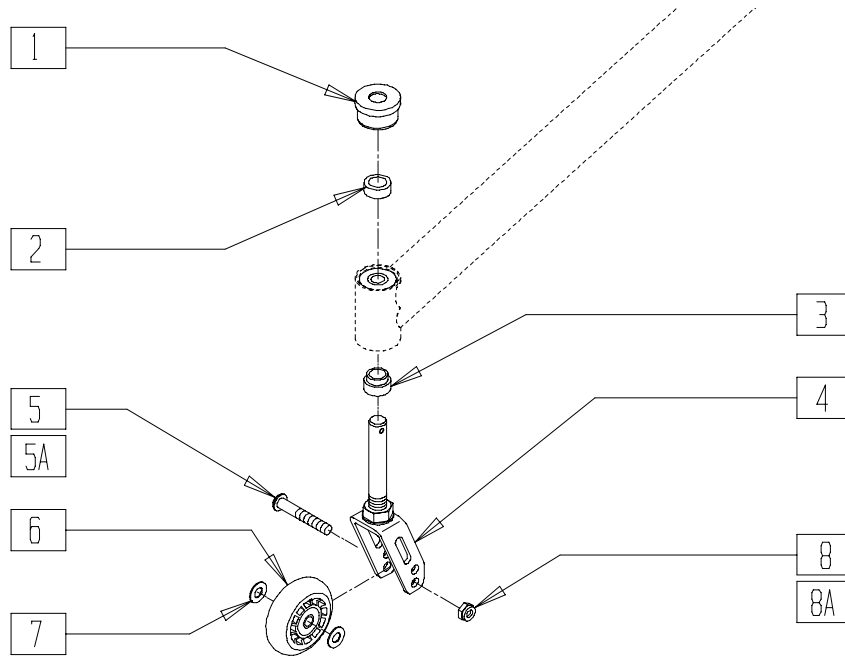
MP0X04

ITEM	NUMBER	DESCRIPTION	QTY
1	561170	CASTER CAP PLASTIC W/HOLE	1
2	483206	SPACER .40 ANTI-TIP AC	1
3	483205	SPACER .715 ANTI-TIP AC	1
4	481658	CASTER STEM QR	1
5	226190	5/16-18 x 1 3/4 BH C/S SHLDR	1
6	400170	CASTER ASSM 59MM 82A URETHANE	1

ITEM	NUMBER	DESCRIPTION	QTY
7	263100	5/16 AN WASHER FLAT	2
8	202102	5/16-18 NYLOCK NUT THIN	1
4,9	780452	STEM/FORK QR ANTI-TIP AC	
1-5, 7-9	780472	STEM/FORK W/HDWR AT QR AC	

QUICK-RELEASE ANTI-TIP (QUICKIE MATCH POINT)

(Effective 01/11/05)



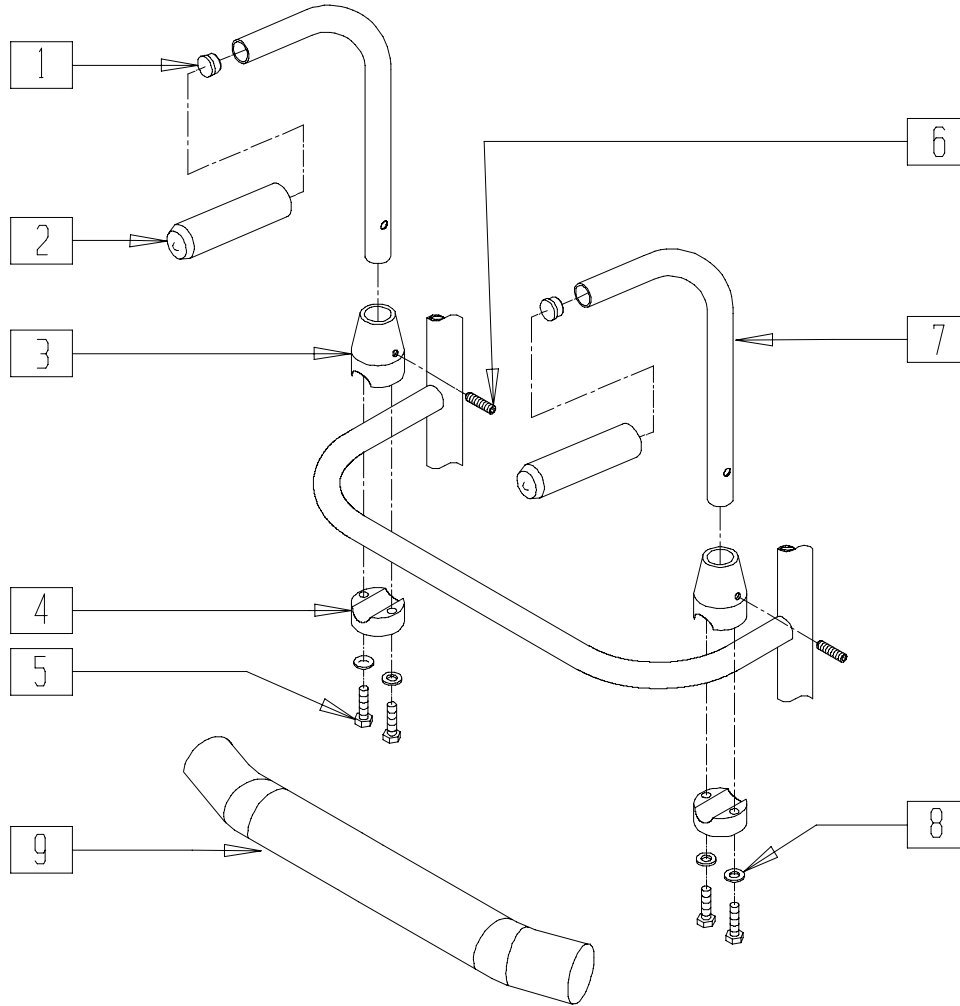
TIAC0X17

ITEM	NUMBER	DESCRIPTION	QTY
1	561170	CASTER CAP PLASTIC W/HOLE	1
2	483206	SPACER .40 ANTI-TIP AC	1
3	483205	SPACER .715 ANTI-TIP AC	1
4	780475	STEM/FORK ANTI-TIP Q.R. ASSM	1
5	226190	5/16-18 x 1 3/4 BH C/S SHLDR	1

ITEM	NUMBER	DESCRIPTION	QTY
5A	204127	5/16-24 X 1.75 TITANIUM HEX CS	1
6	400170	CASTER ASSY 59MM 82A URETHANE	1
7	263100	5/16 AN WASHER FLAT	2
8	202102	5/16-18 NYLOCK NUT THIN	1
8A	330005	5/16-24 NYLOCK NUT ALUM	1

PUSH HANDLE ASSEMBLY (QUICKIE MATCH POINT)

(Discontinued 01/11/05)



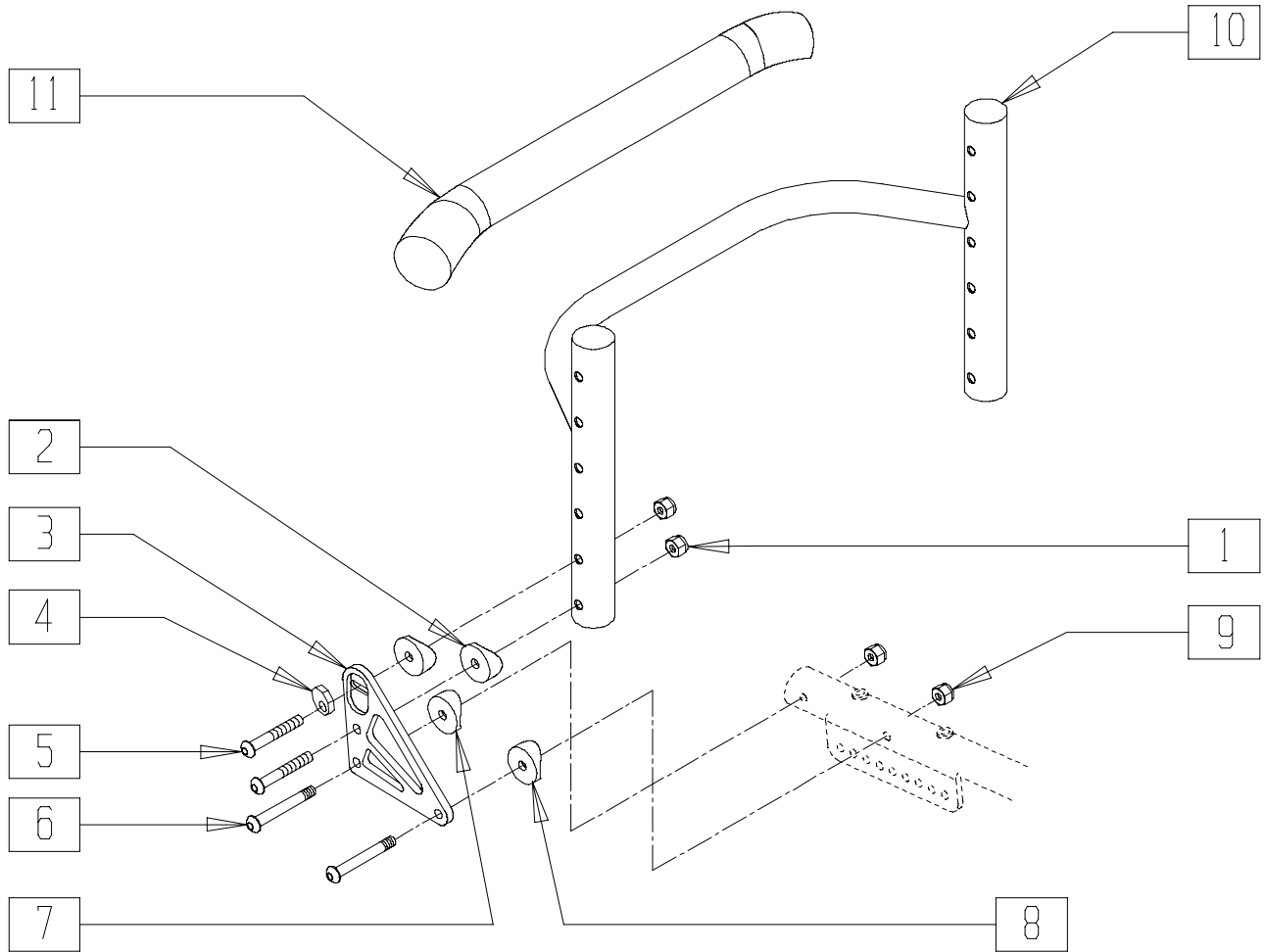
MPOX05

ITEM	NUMBER	DESCRIPTION	QTY
1	561000-QU	3/4" INSERT PLUG .083	2
2	560662	QUICKIE GRIP 3/4"	2
3	483015	PUSH BACK REC TOP RIGID BLK	2
4	483016	PUSH BACK REC BTM RIGID BLK	2
5	221126	1/4-20 x 1 1/4 G8 HEX C/S	4
6	225200	1/4-20 x 1 SET SCREW	2

ITEM	NUMBER	DESCRIPTION	QTY
8	262100-QU	1/4 AN WASHER FLAT	4
9	750751	CROSSBAR PAD	1
1,2,7	842061, 842062	PUSH HANDLE TUBE W/FOAM RIGID BLK (EA)	
1-8	900300	PUSH HANDLE ASSM RIGID BLK (PR)	

FIXED BACKREST (QUICKIE MATCH POINT)

(Discontinued 01/11/05)



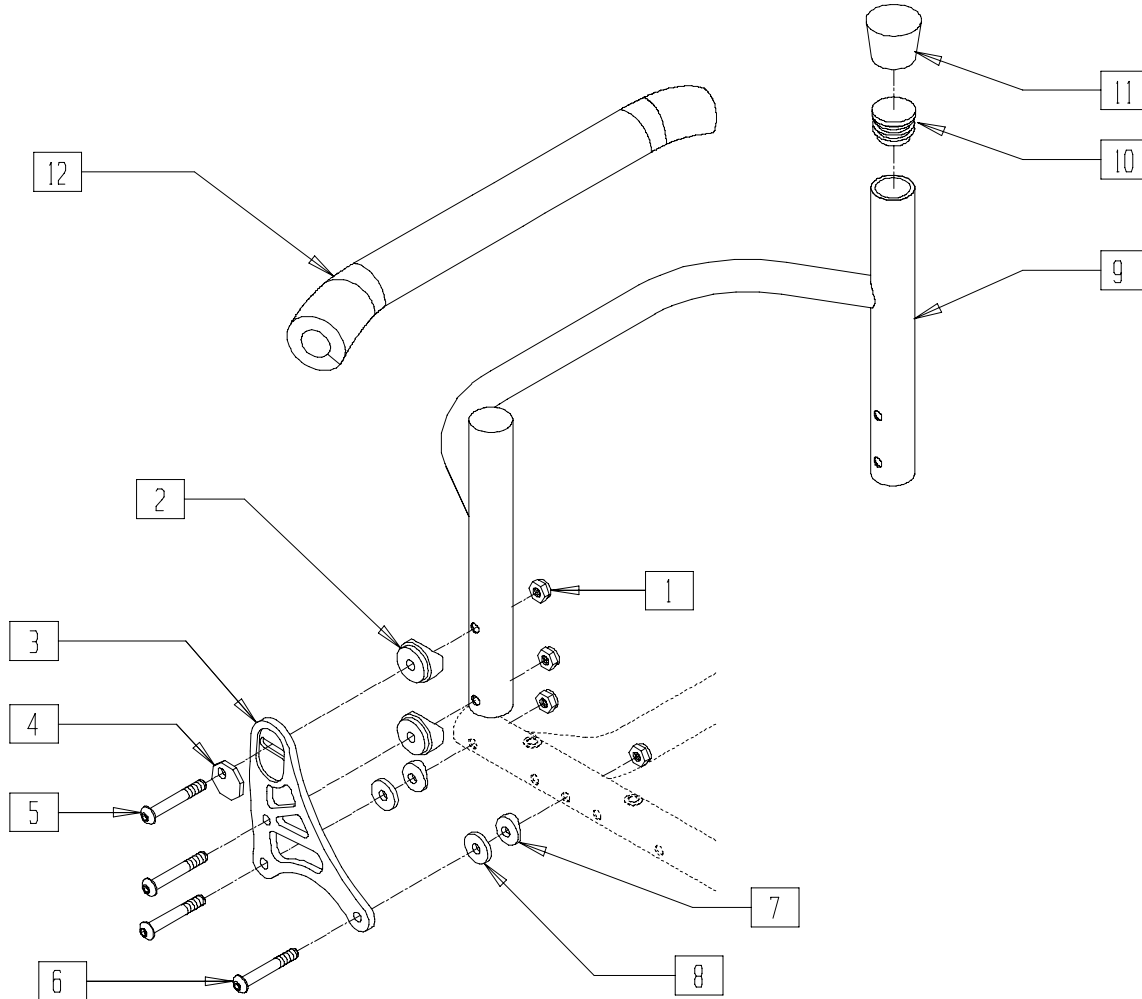
MPOX09

ITEM	NUMBER	DESCRIPTION	QTY
1	201110-QU	1/4-28 NYLOCK NUT	4
2	561004	1" SADDLE 1/4" HOLE	4
3	500562, 500563	BACK PLATE FIXED MANUAL (EA)	1
4	341018	WASHER ECCENTRIC LARGE	2
5	227140	1/4-28 x 1 3/4 BH C/S BLK ZN	4
6	226148	1/4-28 x 1.85 BH C/S	4
7	561001	1 1/8" SADDLE 1/4" HOLE	2

ITEM	NUMBER	DESCRIPTION	QTY
8	561086	1" HALF SADDLE 1/4" HOLE	2
9	201100-QU	1/4-28 NYLOCK NUT THIN	4
10	520441- 520447	BACK FRAME REG RIGID BLK .115 13"-19"	1
	520541- 520547	BACK FRAME TALL RIGID BLK .115 13"-19"	
11	750751	CROSSBAR PAD	1
1-9	920569	BRACKET ASSEMBLY FIXED BACK	

FIXED BACKREST ALUMINUM (QUICKIE MATCH POINT)

(Effective 01/11/05)



TiAC0X04

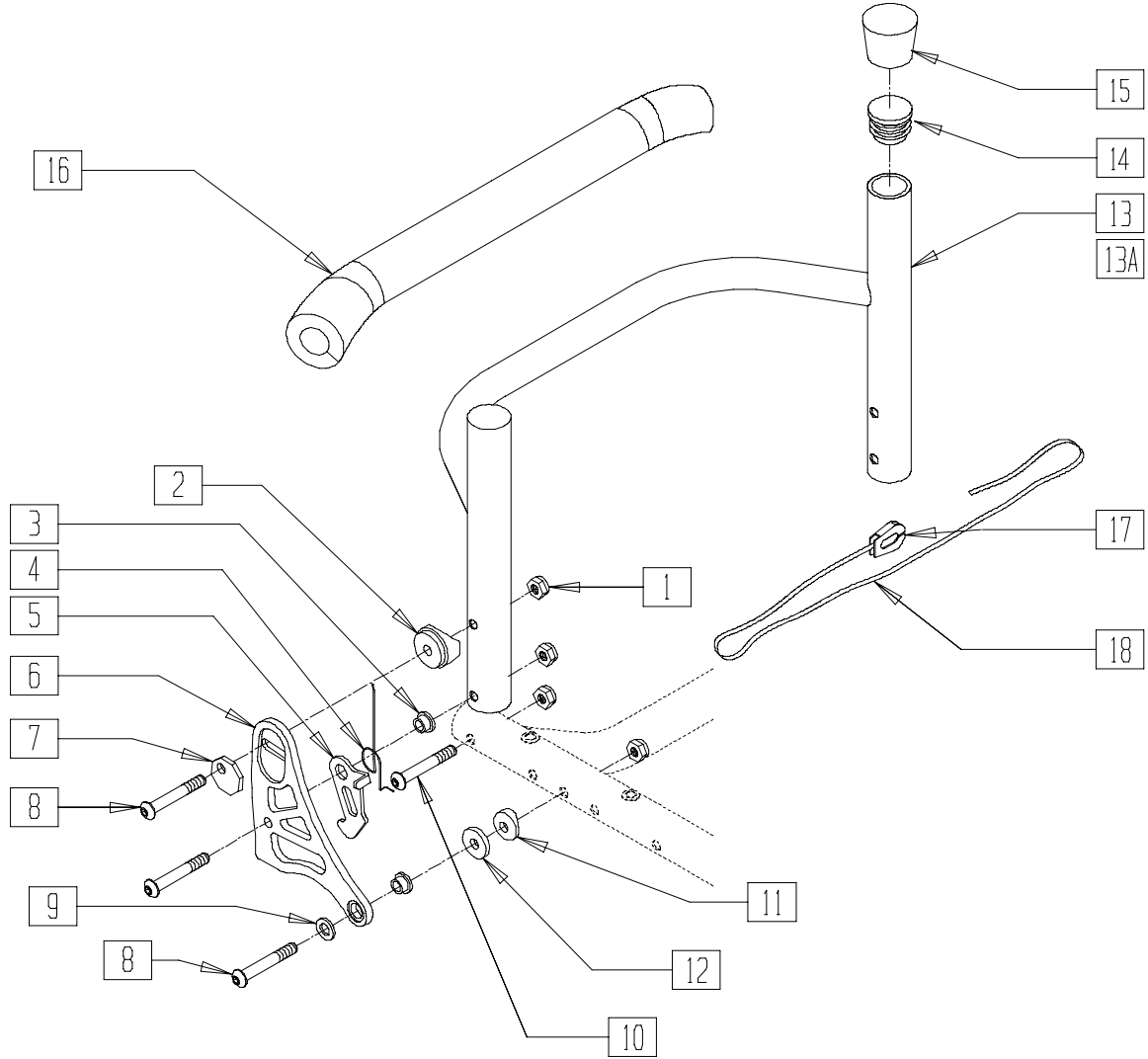
ITEM	NUMBER	DESCRIPTION	QTY
1	201110-QU	1/4-28 NYLOCK NUT	4
2	561087	BACK REL SADDLE RIGID	4
3	500532-500535	BRKT FXD BK SPORT 1S.3S (EA)	1
4	341018	WASHER ECCENTRIC LARGE	2
5	227140	1/4-28 x 1 3/4 BH C/S BLK ZN	4
6	226148	1/4-28 X 1.85 BH C/S	4
7	482000	SADDLE SMALL 1.00 TUBE.25 HOLE	4

ITEM	NUMBER	DESCRIPTION	QTY
8	561026	3/4" WASHER 1/4" HOLE	4
9	520440-520448	BACK FRAME REG RIGID BLK .115 12"-20"	1
	520540-520548	BACK FRAME TALL RIGID BLK .115 12"-20"	
10*	561002	1" INSERT PLUG	2
11*	561014	1" MED CAP	2
12	750751	CROSSBAR PAD	1

* USED IN 9" BACK HEIGHT ONLY

FOLDING BACK LOCK ALUMINUM (QUICKIE MATCH POINT)

(Effective 01/11/05)



TIACOX05

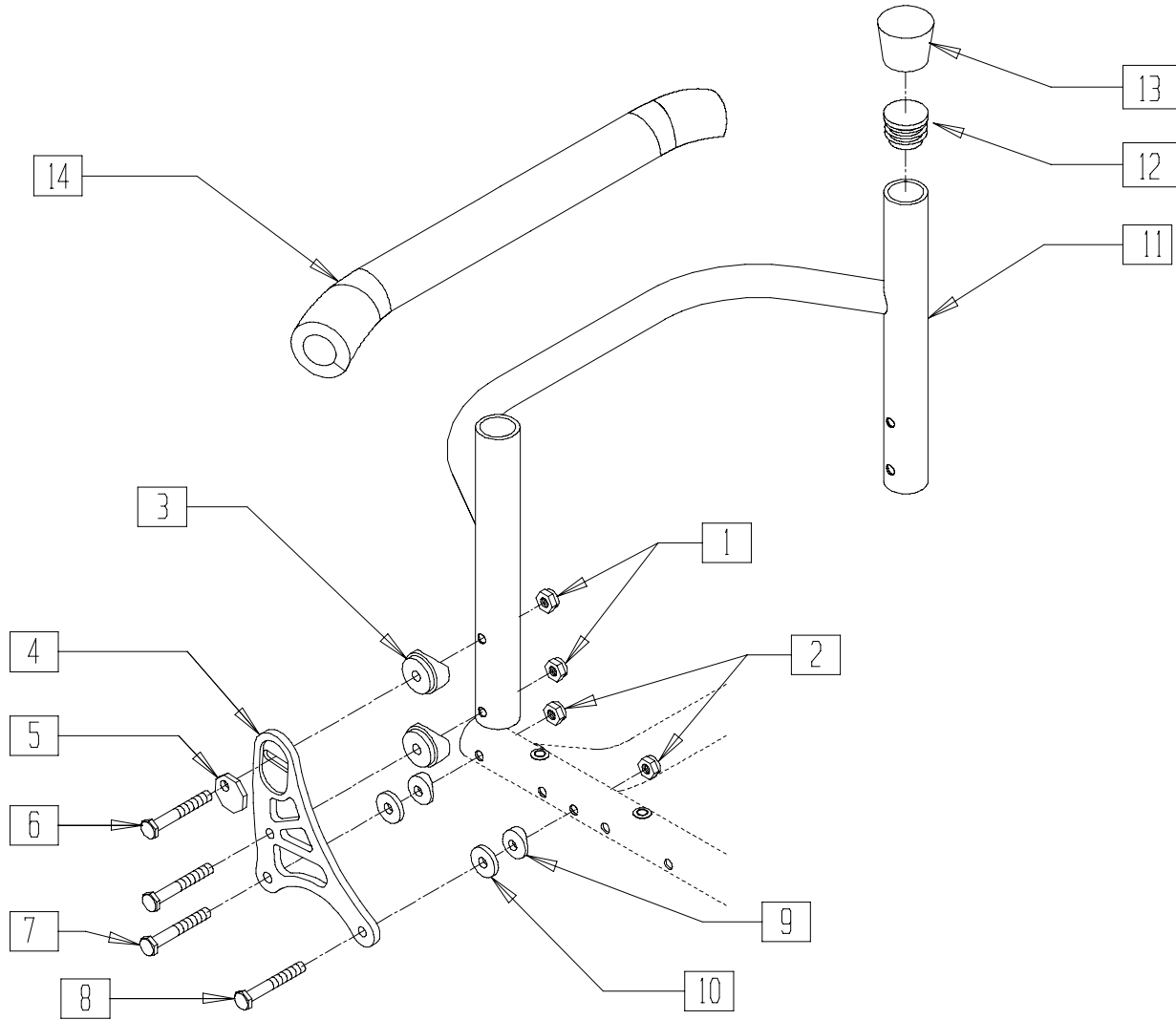
ITEM	NUMBER	DESCRIPTION	QTY
1	201110-QU	1/4-28 NYLOCK NUT	8
2	561087	BACK RELEASE SADDLE RIGID	2
3	481039	BACK REL BUSHING RIGID	4
4	321153	BACK RELEASE SPRING RIGID	1
	321154	(NEW) (EA)	
5	505033, 505034	BACK RELEASE BRACKET Q1/GP (EA)	1
6	500818, 500819, 500824, 500825	BRKT FLDG POS BCK 1S SPORT 1S-3S (EA)	1
7	341018	WASHER ECCENTRIC LARGE	2
8	227140	1/4-28 x 1 3/4 BH C/S BLK ZN	6

ITEM	NUMBER	DESCRIPTION	QTY
9	262100-QU	1/4 AN WASHER FLAT	2
10	226148	1/4-28 X 1.85 BH C/S	2
11	482000	SADDLE SMALL 1.00 TUBE .25 HOLE	2
12	561026	3/4" WASHER 1/4" HOLE	2
13	520440- 520448	BACK FRAME REG RIGID BLK .115 12"-20"	1
13A	520540- 520548	BACK FRAME TALL RIGID BLK .115 12"-20"	1
14*	561002	1" INSERT PLUG .083	2
15*	561014	1" MED CAP	2
16	750751	CROSSBAR PAD	1
17	560221	BACK RELEASE STRAP LOCK RIGID	1
18	750060	BACK RELEASE STRAP 12"-20" RIGID	1

* USED IN 9" BACK HEIGHT ONLY

FIXED BACKREST Ti (QUICKIE MATCH POINT)

(Effective 01/11/05)



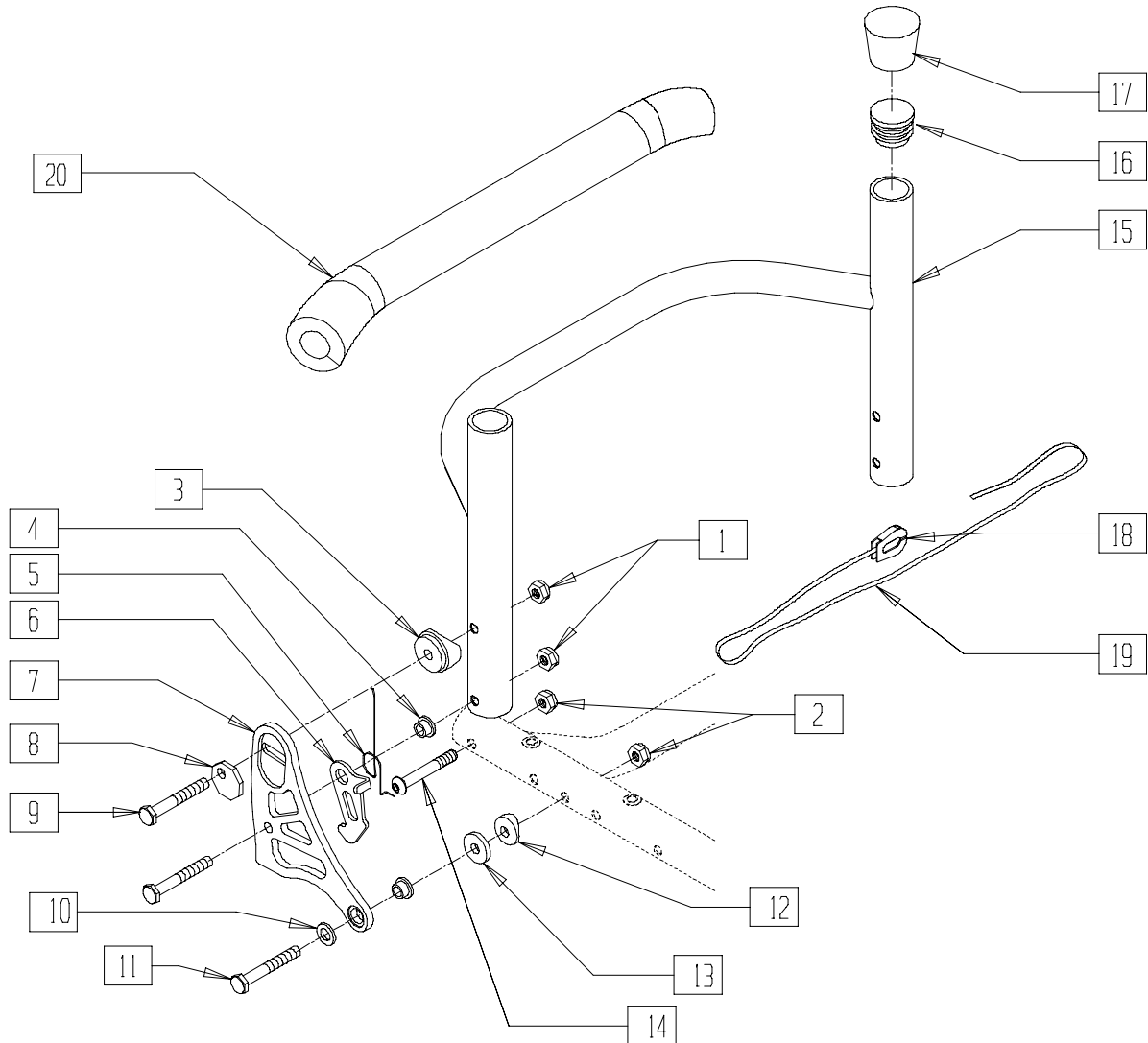
TIAC0X06

ITEM	NUMBER	DESCRIPTION	QTY
1	210001	M6 NYLOCK NUT THIN	4
2	330000-QU	1/4-28 NYLOCK NUT ALUM	4
3	561087	BACK REL SADDLE RIGID	4
4	500532-500535	BRKT FXD BK SPORT 1S-3S (EA)	1
5	341018	WASHER ECCENTRIC LARGE	2
6	230026	BHCS M6 X 1 X 45MM TORX T-25	4
7	330099	1/4-28 X 1 3/4 HEX C/S TI	4

ITEM	NUMBER	DESCRIPTION	QTY
8	330100	1/4-28 X 2 HEX C/S TI	2
9	482000	SADDLE SMALL 1.00 TUBE.25 HOLE	4
10	561026	3/4" WASHER 1/4" HOLE	4
11	545503-545567	WLDMNT BKRST FXD TI 12"-20"W 9"-18"H	1
12	561062	1" INSERT PLUG .065 RIBS	2
13	561014	1" MED CAP	2
14	750751	CROSSBAR PAD	1

FOLDING BACK LOCK Ti (QUICKIE MATCH POINT)

(Effective 01/11/05)



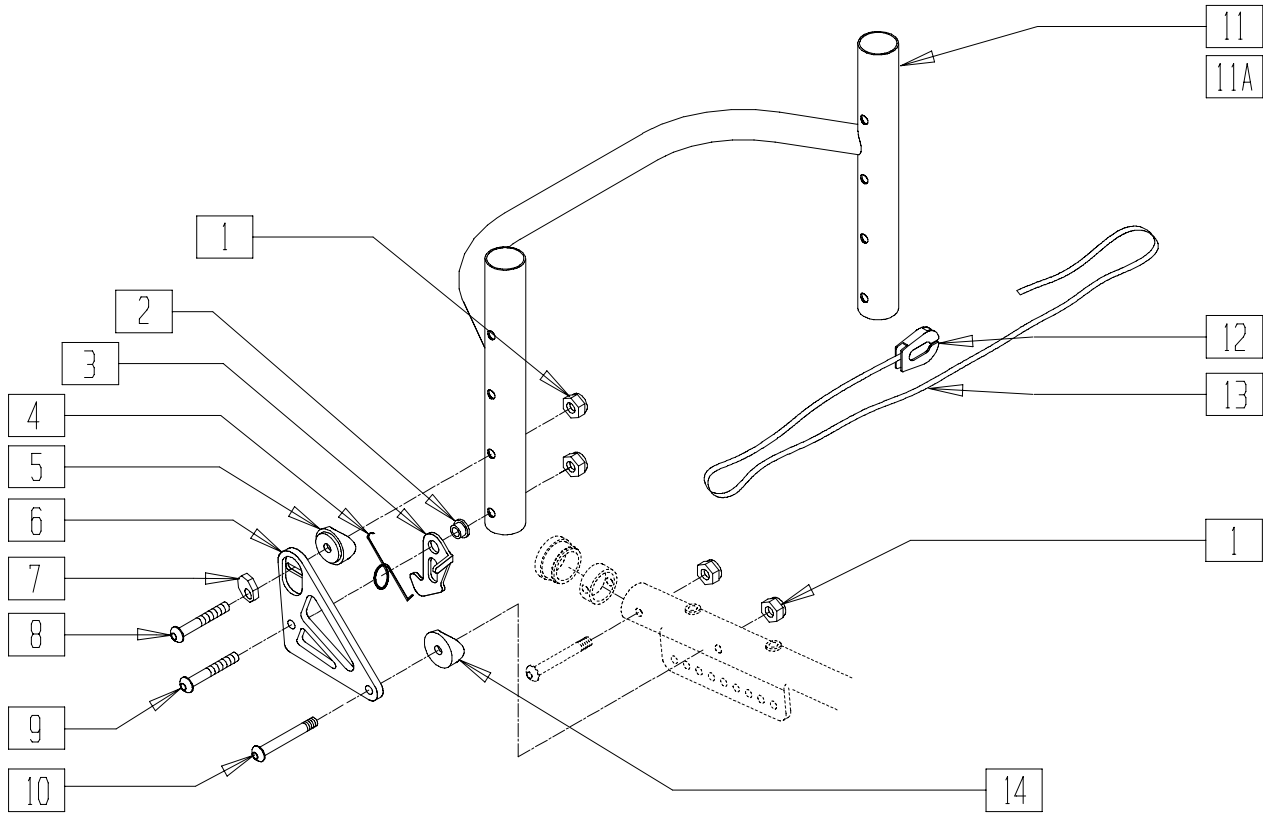
TiAC0X07

ITEM	NUMBER	DESCRIPTION	QTY
1	210001	M6 NYLOCK NUT THIN	4
2	330000-QU	1/4-28 NYLOCK NUT ALUM	4
3	561087	BACK RELEASE SADDLE RIGID	2
4	481039	BACK REL BUSHING RIGID	4
5	321153	BACK RELEASE SPRING RIGID	1
	321154	(NEW) (EA)	
6	505033, 505034	BACK RELEASE BRACKET Q1/GP (EA)	1
7	500818, 500819, 500824, 500825	BRKT FLDG POS BCK SPORT 1S-3S (EA)	1
8	341018	WASHER ECCENTRIC LARGE	2

ITEM	NUMBER	DESCRIPTION	QTY
9	230026	BHCS M6 X 1 X 45MM TORX T-25	4
10	262100-QU	1/4 AN WASHER FLAT	2
11	330100	1/4-28 X 2 HEX C/S TI	2
12	482000	SADDLE SMALL 1.00 TUBE.25 HOLE	4
13	561026	3/4" WASHER 1/4" HOLE	4
14	330100	1/4-28 X 2" HEX C/S TI	2
15	545503- 545567	BACKREST FIXED HEIGHT (12"-20" 9-18H)	1
16	561062	1" INSERT PLUG .065 RIBS	2
17	561014	1" MED CAP	2
18	560221	BACK RELEASE STRAP LOCK RIGID	1
19	750060	BACK RELEASE STRAP 12"-20" RIGID	1
20	750751	CROSSBAR PAD	1

QUICK-RELEASE BACK LOCK (QUICKIE MATCH POINT)

(Discontinued 01/11/05 - parts only)



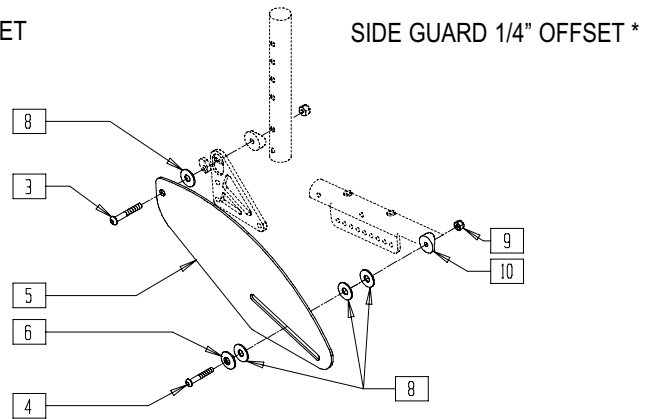
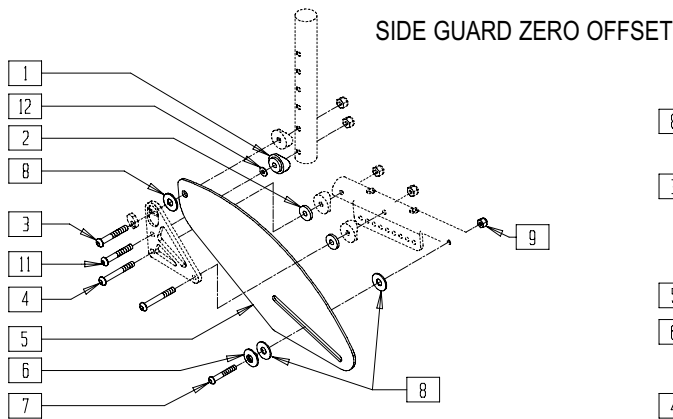
MPOX10A

ITEM	NUMBER	DESCRIPTION	QTY
1	201110-QU	1/4-28 NYLOCK NUT	8
2	481039	BACK REL BUSHING RIGID	2
3	505033, 505034	BACK RELEASE BRACKET Q1/GP (EA)	1
4	321153, 321154	BACK RELEASE SPRING RIGID (NEW) (EA)	1
5	561087	BACK RELEASE SADDLE RIGID	2
6	500110, 500111	BACK PLATE XTR (EA)	1
7	341018	WASHER ECCENTRIC LARGE	2
8	227140	1/4-28 x 1 3/4 BH C/S BLK ZN	2

ITEM	NUMBER	DESCRIPTION	QTY
9	226140	1/4-28 x 1 3/4 BH C/S	2
10	226150	1/4-28 x 2 BH C/S	2
11	520441- 520447	BACK FRAME REG RIGID BLK .115 13"-19"	1
11A	520541- 520547	BACK FRAME TALL RIGID BLK .115 13"-19"	1
12	560221	BACK RELEASE STRAP LOCK RIGID	1
13	750060	BACK RELEASE STRAP 12"-20" RIGID	1
14	561086	1" HALF SADDLE 1/4" HOLE	2
1-10, 12-14	920568	BACK RELEASE BRACKET ASSM AC	

ALUMINUM SIDE GUARD FOR FIXED BACK (QUICKIE MATCH POINT)

(Discontinued 01/11/05 - parts only)



MPOX11

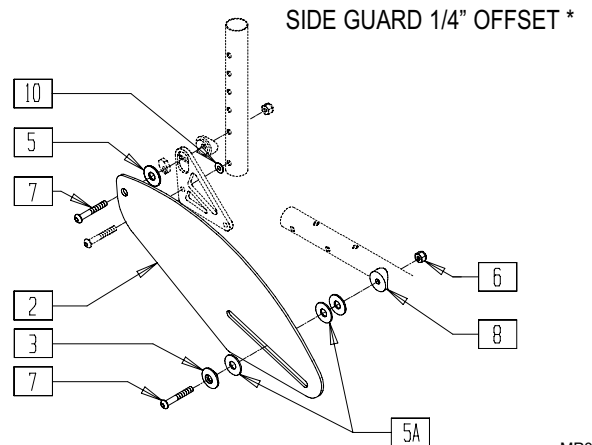
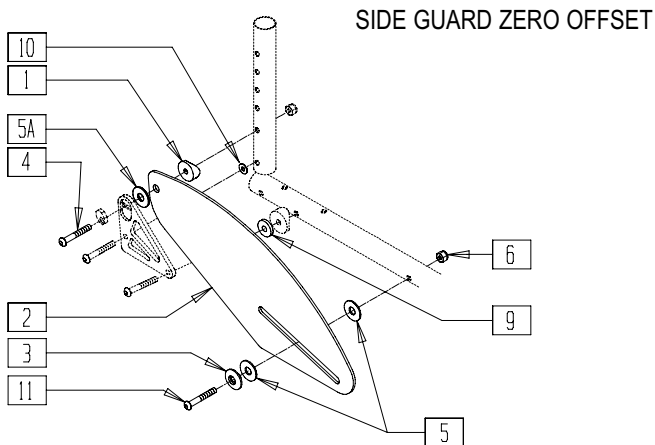
ITEM	NUMBER	DESCRIPTION	QTY
1	561087	BACK RELEASE SADDLE RIGID	2
2	561026	3/4" WASHER 1/4" HOLE	4
3	226147	1/4-28 x 1.85 BH C/S BLK ZN	2
4	226150	1/4-28 x 2 BH C/S	4
5	500223	SIDE GUARD STD	2
6	481046	SIDE GUARD BUSHING	2
7	226148	1/4-28 x 1.85 BH C/S	2

ITEM	NUMBER	DESCRIPTION	QTY
8	561043	1" WASHER 3/8" HOLE	6,8
9	201100-QU	1/4-28 NYLOCK NUT THIN	2
10	561001	1 1/8" SADDLE 1/4" HOLE	2
11	227140	1/4-28 x 1 3/4 BH C/S BLK ZN	2
12	262100-QU	1/4 AN WASHER FLAT	2
1-4,6-12	920623	BRKT ASSM FIX BACK/SIDEGUARD	

*FOR 13.5",14.5",15.5"... 1/4" OFFSET SIDEGUARDS MUST BE ORDERED TO ACHIEVE EXTRA 1/2" IN SEAT FRAME WIDTH.

ALUMINUM SIDE GUARD FOR QUICK-RELEASE BACK (QUICKIE MATCH POINT)

(Discontinued 01/11/05 - parts only)



MPOX12

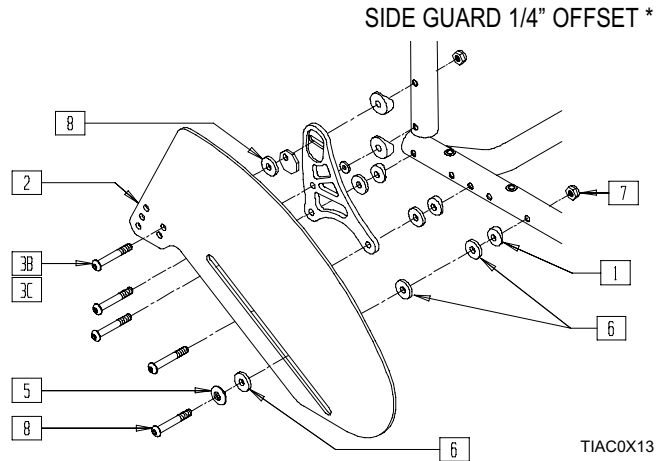
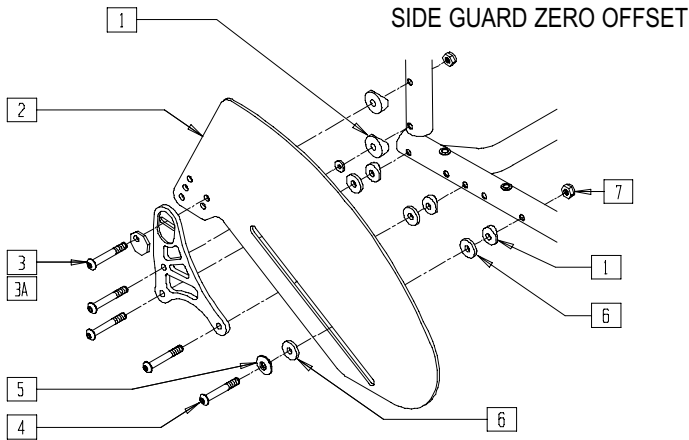
ITEM	NUMBER	DESCRIPTION	QTY
1	561004	1" SADDLE 1/4" HOLE	2
2	500223	SIDE GUARD AL STD AC	2
3	481046	SIDEGUARD BUSHING	2
4	226147	1/4-28 x 1.85 BH C/S BLK ZN	2
5	561043	1" WASHER 3/8" HOLE	6,8
6	201100-QU	1/4-28 NYLOCK NUT THIN	2

ITEM	NUMBER	DESCRIPTION	QTY
7	226150	1/4-28 x 2 BH C/S	2
8	561001	1 1/8" SADDLE 1/4" HOLE	2
9	561026	3/4" WASHER 1/4" HOLE	2
10	262100-QU	1/4 AN WASHER FLAT	2
11	226148	1/4-28 x 1.85 BH C/S	2
1,3-11	920625	HARDWARE KIT SIDE GUARD AC	

*FOR 13.5",14.5",15.5"... 1/4" OFFSET SIDEGUARDS MUST BE ORDERED TO ACHIEVE EXTRA 1/2" IN SEAT FRAME WIDTH.

ALUMINUM SIDE GUARD FOR FIXED BACK (QUICKIE MATCH POINT)

(Effective 01/11/05)



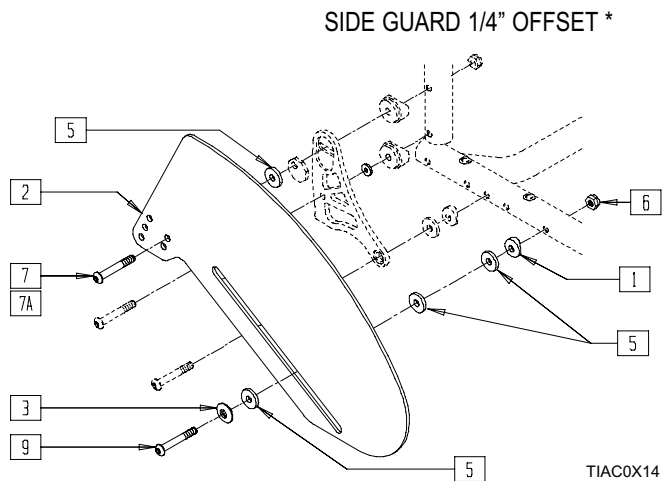
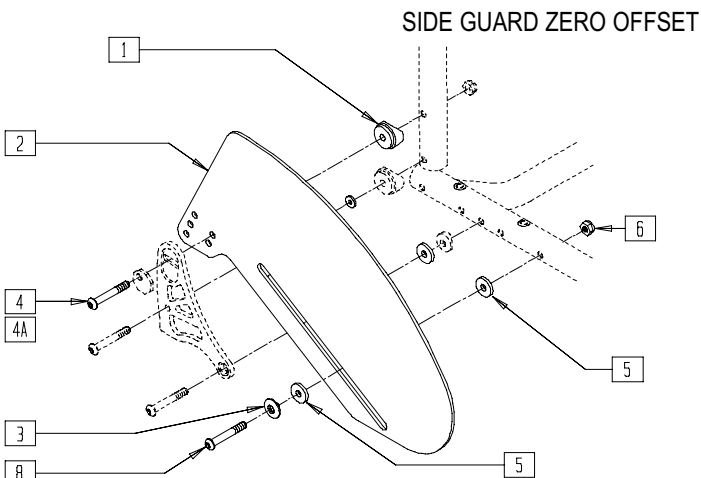
ITEM	NUMBER	DESCRIPTION	QTY
1	561004	1" SADDLE 1/4" HOLE	2
2	500223	SIDE GUARD STD	2
3	227140	1/4-28 x 1.85 BH C/S BLK ZN	2
3A	230026	BHCS M6 X 1 X 45MM TORX T-25	2
3B	226150	1/4-28 X 2 BH C/S	2

ITEM	NUMBER	DESCRIPTION	QTY
3C	230056	BHCS M6 X 1 X 50MM TORX T-25	2
4	226148	1/4-28 x 1.85 BH C/S	2
5	481046	SIDE GUARD BUSHING	2
6	561043	1" WASHER 3/8" HOLE	6.8
7	201100-QU	1/4-28 NYLOCK NUT THIN	2
8	226150	1/4-28 X 2 BH C/S	2

*FOR 13.5",14.5",15.5"... 1/4" OFFSET SIDEGUARDS MUST BE ORDERED TO ACHIEVE EXTRA 1/2" IN SEAT FRAME WIDTH.

ALUMINUM SIDE GUARD FOR QUICK-RELEASE BACK (QUICKIE MATCH POINT)

(Effective 01/11/05)



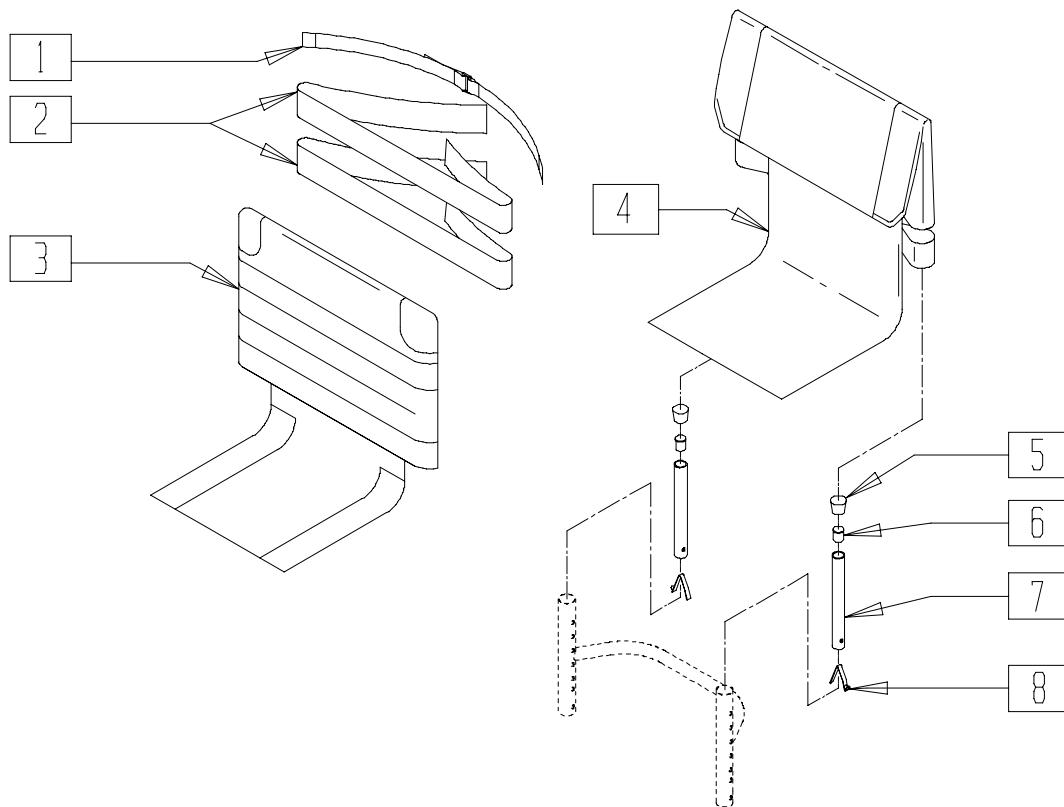
ITEM	NUMBER	DESCRIPTION	QTY
1	561004	1" SADDLE 1/4" HOLE	2
2	500223	SIDE GUARD AL STD AC	2
3	481046	SIDEGUARD BUSHING	2
4	227140	1/4-28 x 1.85 BH C/S BLK ZN	2
4A	230026	BHCS M6 X 1 X 45MM TORX T-25	2

ITEM	NUMBER	DESCRIPTION	QTY
5	561043	1" WASHER 3/8" HOLE	6.8
6	201100-QU	1/4-28 NYLOCK NUT THIN	2
7	226150	1/4-28 x 2 BH C/S	2
7A	230056	BHCS M6 X 1 X 50MM TORX T-25	2
8	226148	1/4-28 x 1.85 BH C/S	2
9	226150	1/4-28 X 2 BH C/S	2

*FOR 13.5",14.5",15.5"... 1/4" OFFSET SIDEGUARDS MUST BE ORDERED TO ACHIEVE EXTRA 1/2" IN SEAT FRAME WIDTH.

FOLDING BACKREST AND UPHOLSTERY (QUICKIE MATCH POINT)

(Discontinued 01/11/05 - parts only)



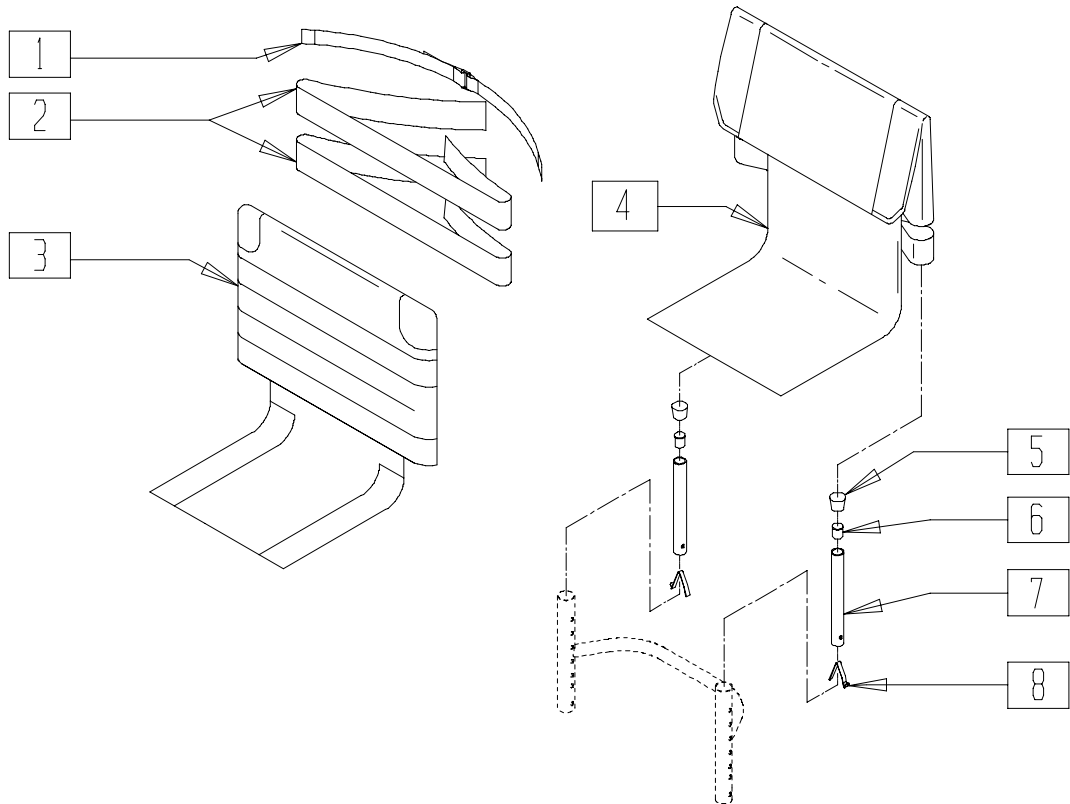
MPOX08A

ITEM	NUMBER	DESCRIPTION	QTY
1	750096	SIDE GUARD/BACK STRAP (SPEC DIM)	1
2	741500	ANKLE/BACK STRAP 3D	1
3	685904-685910	BACK UPH QUICKIE ADJ 14"-20" SA (12"-15")	1
	685914-685920	BACK UPH QUICKIE ADJ 14" -20" MA (14"-17")	
	685924-685930	BACK UPH QUICKIE ADJ 14" -20" LA (16"-19")	

ITEM	NUMBER	DESCRIPTION	QTY
4	680301-680909	BACK UPHOLSTERY W/TAIL 14"-20" FOLDING BACK	1
5	561010	3/4" CAP	2
6	561000-QU	3/4" INSERT PLUG .083	2
8	301100	1/4" SNAP BUTTON SINGLE	2
5-8	840130	BACK ADJ TUBE W/CAP 12-16"	
	840131	BACK ADJ TUBE W/CAP 14-18"	
	840132	BACK ADJ TUBE W/CAP 16-20"	

FOLDING BACKREST AND UPHOLSTERY (QUICKIE MATCH POINT)

(Effective 01/11/05)



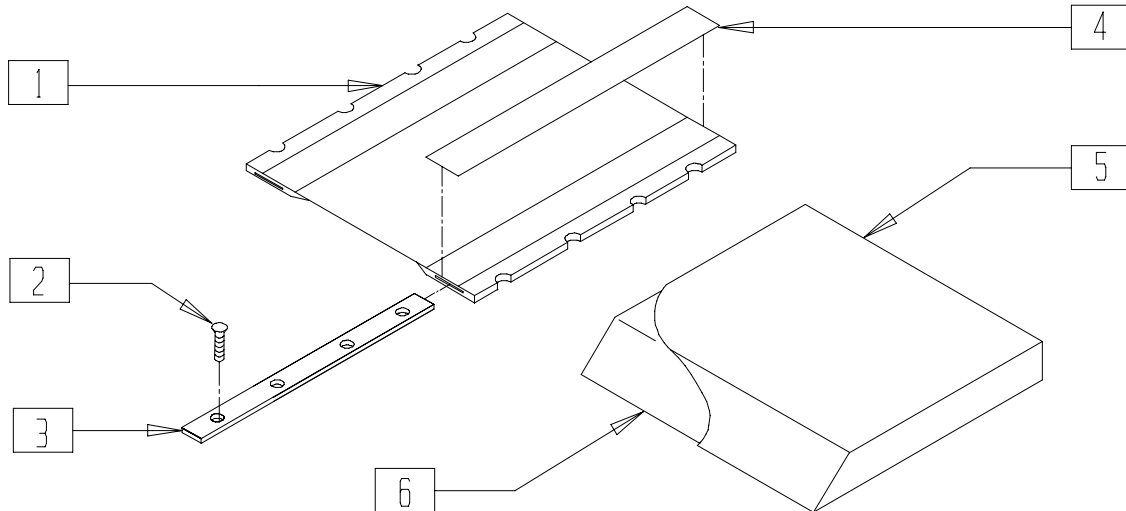
MPOX08A

ITEM	NUMBER	DESCRIPTION	QTY
1	750096	SIDE GRD STRP BACK 12-14" WIDE	1
	750116	SIDE GRD STRP BACK 15-17" WIDE	
	750117	SIDE GRD STRP BACK 18-20" WIDE	
2	741500,	ANKLE/BACK STRAP 2"W X 43"L	1
	741501,	ANKLE/BACK STRAP 2"W X 45"L	
	741502	ANKLE/BACK STRAP 2"W X 48"L	
3	685903-	BACK UPH QUICKIE ADJ	1
	685911	13"-21" SA (12"-15")	
	685913-	BACK UPH QUICKIE ADJ	
	685921	13" -21" MA (14"-17")	
3	685923-	BACK UPH QUICKIE ADJ	1
	685931	13" -21" LA (16"-19")	

ITEM	NUMBER	DESCRIPTION	QTY
4	680212- 680912	BACK UPHOLSTERY W/TAIL 12"-20" FOLDING BACK	1
5	561010	3/4" CAP	2
6	561000-QU	3/4" INSERT PLUG .083	2
8	301100	1/4" SNAP BUTTON SINGLE	2
5-8	840127	BACK ADJ TUBE W/CAP 10-13"	
	840130	BACK ADJ TUBE W/CAP 12-16"	
	840131	BACK ADJ TUBE W/CAP 14-18"	
	840132	BACK ADJ TUBE W/CAP 16-20"	

SEAT SLING AND CUSHION (QUICKIE MATCH POINT)

(Discontinued 01/11/05 - parts only)



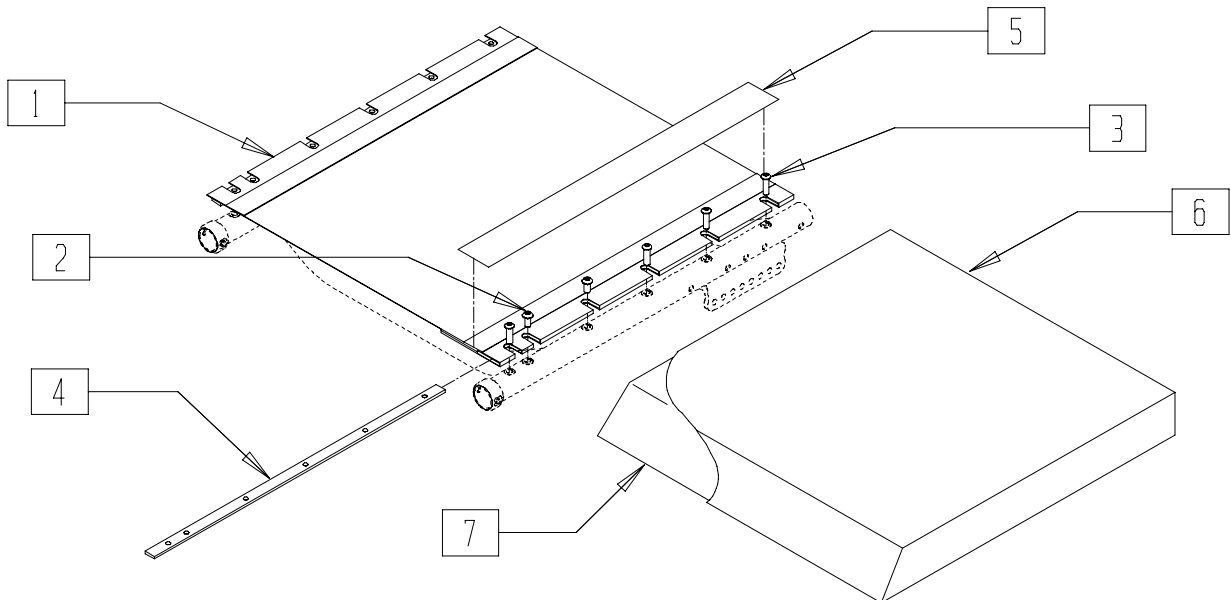
MPOX13

ITEM	NUMBER	DESCRIPTION	QTY
1	721083-721158	SEAT SLING AC 13" x 13" -18" x 18"	1
2	281122	10-32 x 3/4 PAN PHIL	8
3	505360-505372	SEAT RAIL QTNT 13"-18"	2
4	901169	SEAT SLING VELCRO® STRIP 2"	2

ITEM	NUMBER	DESCRIPTION	QTY
5	701242-701742	SEAT COVER 13" x 14" x 2" - 18" x 19" x 2"	1
6	105242-105742	SEAT FOAM 14" x 14" x 2" - 18" x 19" x 2"	1
5,6	700242-700742	SEAT CUSHION W/COVER AND FOAM 13" x 14" - 18" x 18"	

SEAT SLING AND CUSHION (QUICKIE MATCH POINT)

(Effective 01/11/05)



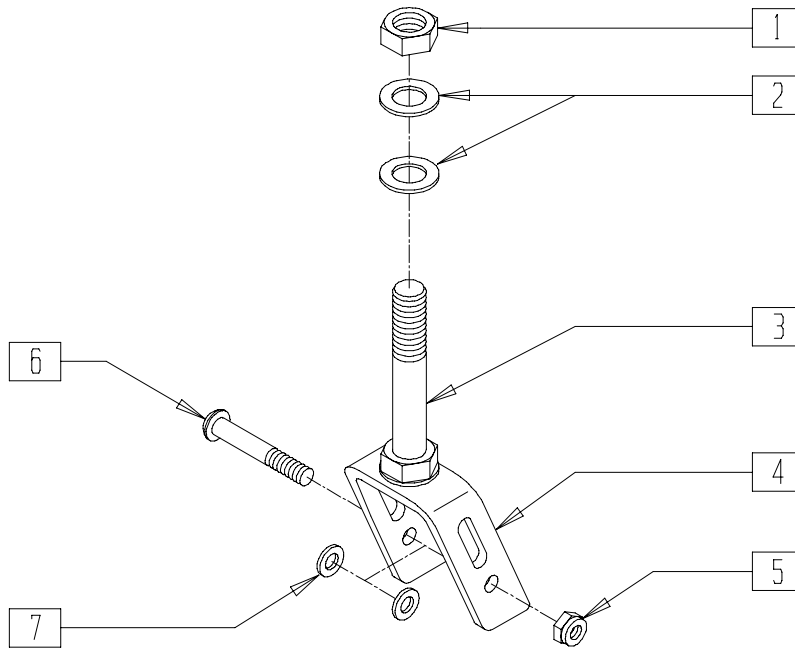
MPOX13

ITEM	NUMBER	DESCRIPTION	QTY
1	720100-720907	SEAT SLING AC 12" x 10" -20" x 20"	1
2	230029	BHCS M5 X .8X12MM TORX T-25	2,4,6
3	230021	BHCS M5 X.8 X 20MM TORX T-25	8
4	505100-505116	SEAT RAIL (10"-20")	2
5	901169	SEAT SLING VELCRO® STRIP 2"	2

ITEM	NUMBER	DESCRIPTION	QTY
6	701102-701962	SEAT COVER 12" x 10" x 2" -20" x 20" x 2"	1
7	105102-105962	SEAT FOAM 12" x 10" x 2" -20" x 20" x 2"	1
6,7	700102-700962	SEAT CUSHION 12" x 10" -20" x 20"	

FORK ASSEMBLY (QUICKIE MATCH POINT)

(Discontinued 01/11/05 - parts only)



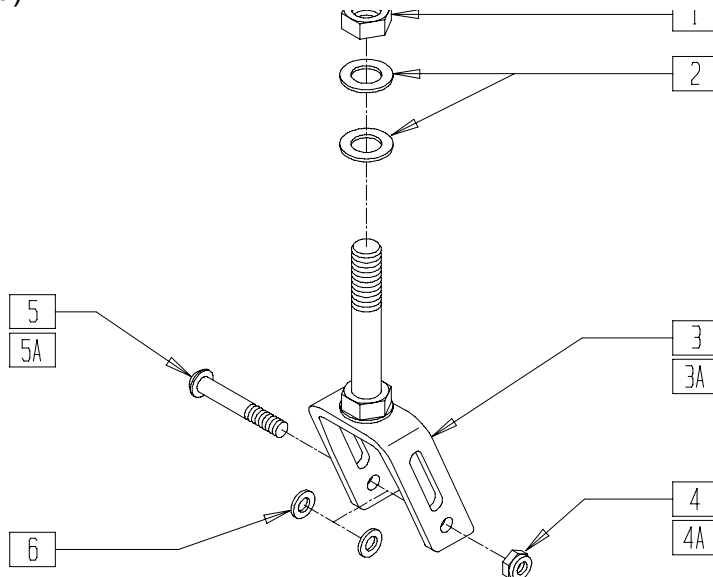
MP0X01A

ITEM	NUMBER	DESCRIPTION	QTY
1	330010	1/2-20 NYLOCK NUT ALUMINUM	1
2	264100	1/2 AN WASHER FLAT	2
4	550038	FORK 3" MICRO	1
5	202102	5/16-18 NYLOCK NUT THIN	1

ITEM	NUMBER	DESCRIPTION	QTY
6	226190	5/16-18 x 1 3/4 BH C/S SHLDR	1
7	263100	5/16 AN WASHER FLAT	2
3,4	780450	STEM/FORK AC	
1-7	780470	STEM/FORK W/HARDWARE AC	

FRONT FORK ASSEMBLY (QUICKIE MATCH POINT)

(Effective 01/11/05)



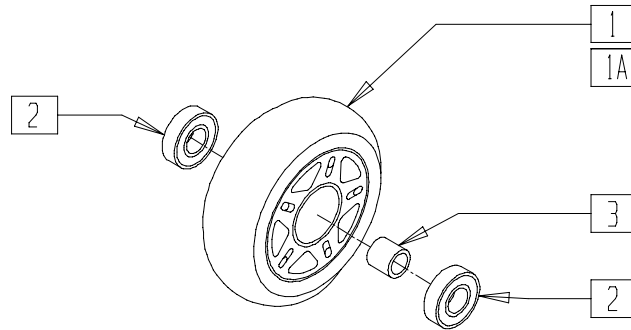
T1AC0X15

ITEM	NUMBER	DESCRIPTION	QTY
1	330010	1/2-20 NYLOCK NUT ALUMINUM	1
2	264100	1/2 AN WASHER FLAT	2
3	780480	FRONT STEM/FORK ASSM ALUMINUM	1
3A	780481	FRONT STEM/FORK ASSM TITANIUM	1
4	202102	5/16-18 NYLOCK NUT THIN	1

ITEM	NUMBER	DESCRIPTION	QTY
4A	330005	5/16-24 NYLOCK NUT ALUM	1
5	226190	5/16-18 x 1 3/4 BH C/S SHLDR	1
5A	204127	5/16-24 X 1.75 TITANIUM HEX CS	1
6	263100	5/16 AN WASHER FLAT	2

3" MICRO CASTER

(Discontinued 01/11/05 - parts only)



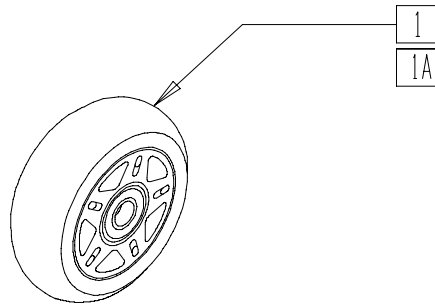
MP0X14

ITEM	NUMBER	DESCRIPTION	QTY
2	349502	7/8 x 5/16 BEARING	2
3	481013	BEARING SPACER	1

ITEM	NUMBER	DESCRIPTION	QTY
1-3	400092	3" MICRO CASTER W/BEARING	
	920025	3" MICRO CASTER W/BEARING (PR)	
1A-3	920077	3" MICRO CASTER LIGHTED (PR)	

3" MICRO CASTER

(Effective 01/11/05)



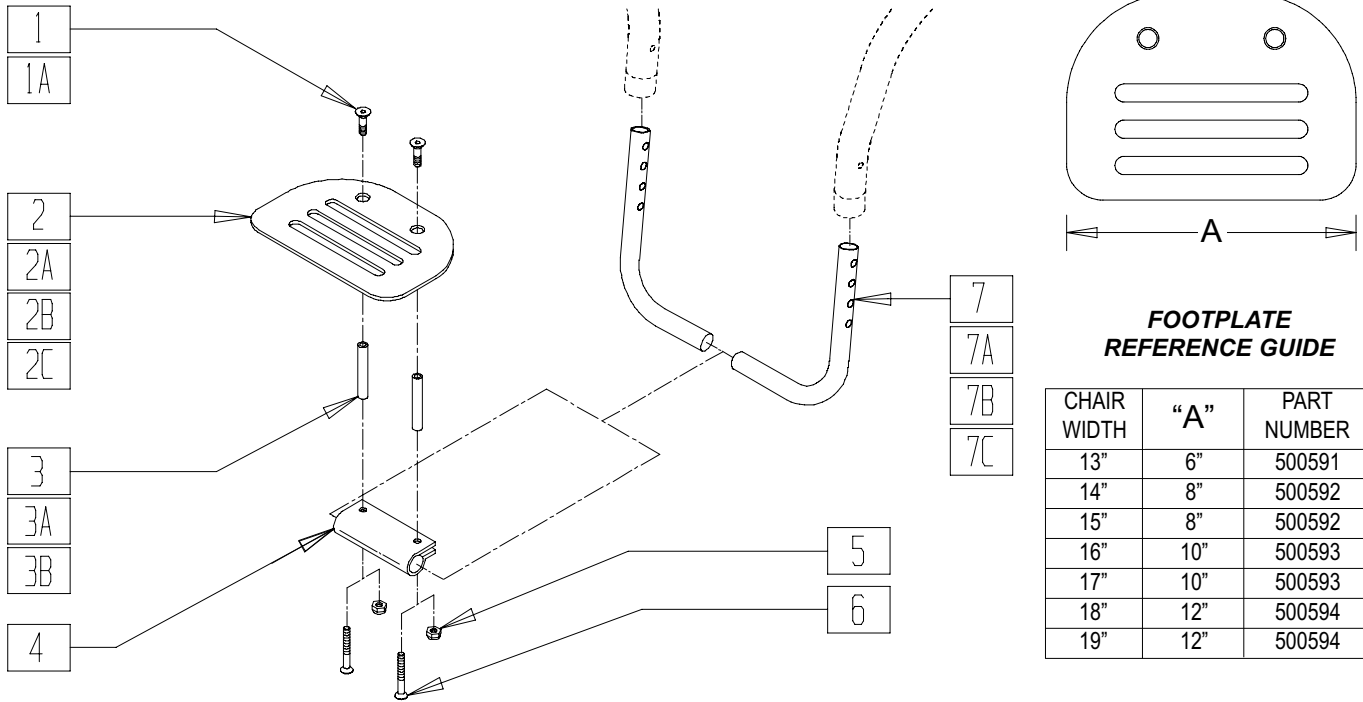
TiAC0X09

ITEM	NUMBER	DESCRIPTION	QTY
1	400107	3" MICRO CASTER LIGHTED	2,3,4

ITEM	NUMBER	DESCRIPTION	QTY
1A	400109	CASTER ASSM MICRO 80MM	2,3,4

PLATFORM FOOTREST (QUICKIE MATCH POINT)

(Discontinued 01/11/05 - parts only)



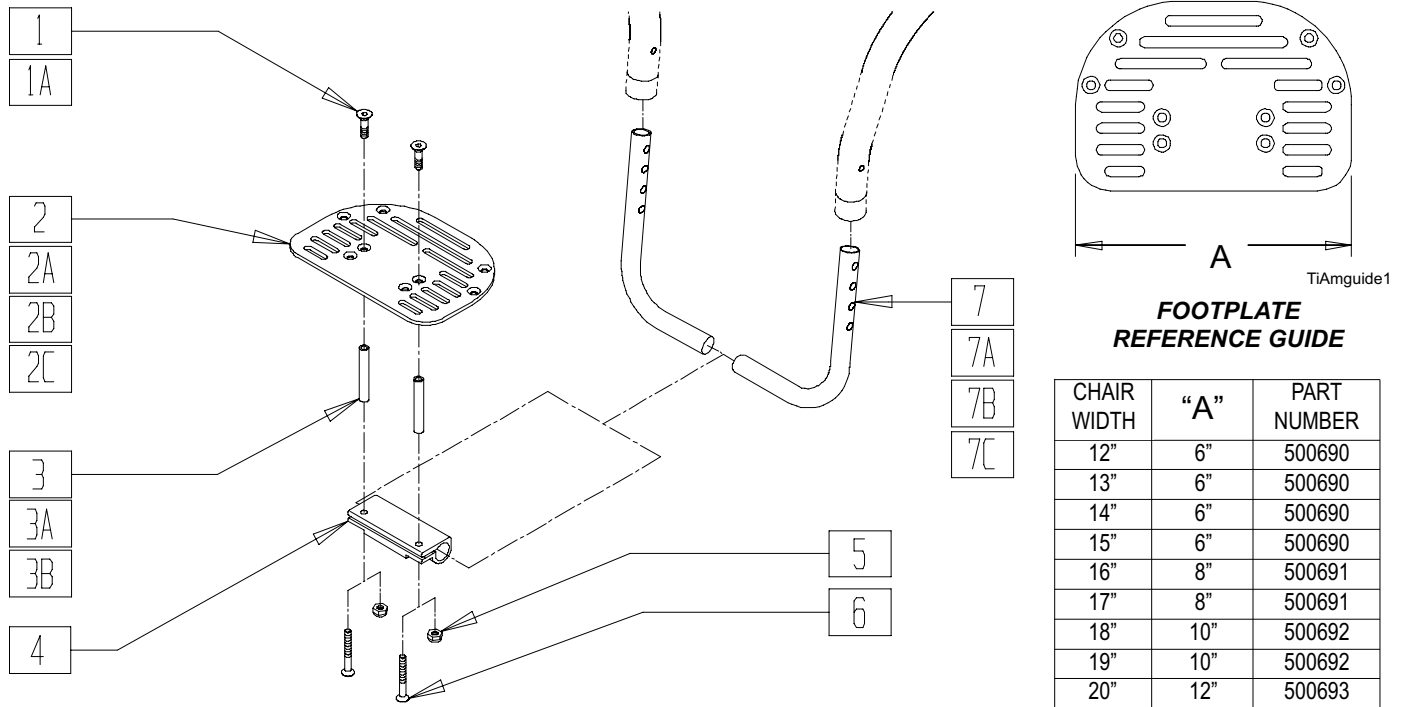
MPOX06

ITEM	NUMBER	DESCRIPTION	QTY
1	226099	1/4-28 x 7/8 FH C/S (NO SPACER)	2
1A	226121	1/4-20 x 1 FH C/S BLK	2
2	500650	PLTFORM F/PLT 6" x 5 1/2"	1
2A	500651	PLTFORM F/PLT 8" x 5 1/2"	1
2B	500652	PLTFORM F/PLT 10" x 5 1/2"	1
2C	500653	PLATFORM F/PLT 12" x 5 1/2"	1
3	481306	ADAPTIVE FOOTREST SPACER 2"	2
3A	481307	ADAPTIVE FOOTREST SPACER 4"	2
3B	481308	ADAPTIVE FOOTREST SPACER 6"	2
4	550351	PLATFORM FOOTPLATE CLAMP	1

ITEM	NUMBER	DESCRIPTION	QTY
5	201120	1/4-28 AUTOMATION NUT	2
6	226110	1/4-28 x 1 BH C/S (WITH SPACER)	2
7	522247	FOOTREST TUBE 14/15" QTNT	1
7A	522248	FOOTREST TUBE 16/17" QTNT	1
7B	522249	FOOTREST TUBE 18" QTNT	1
7C	522265	FOOTREST TUBE 18"/19" MP	1
1,2,4,5,7	800314	FOOTREST ASSM 14/15" RVRs A/C	
1,2A,4,5,7A	800315	FOOTREST ASSM 16/17" RVRs A/C	
1,2B,4,5,7B	800316	FOOTREST ASSM 18/19" RVRs A/C	
1,2C,4,5,7C	800318	F/REST ASSM 18/19 REVERSE A/C	

PLATFORM FOOTREST (QUICKIE MATCH POINT)

(Effective 01/11/05)



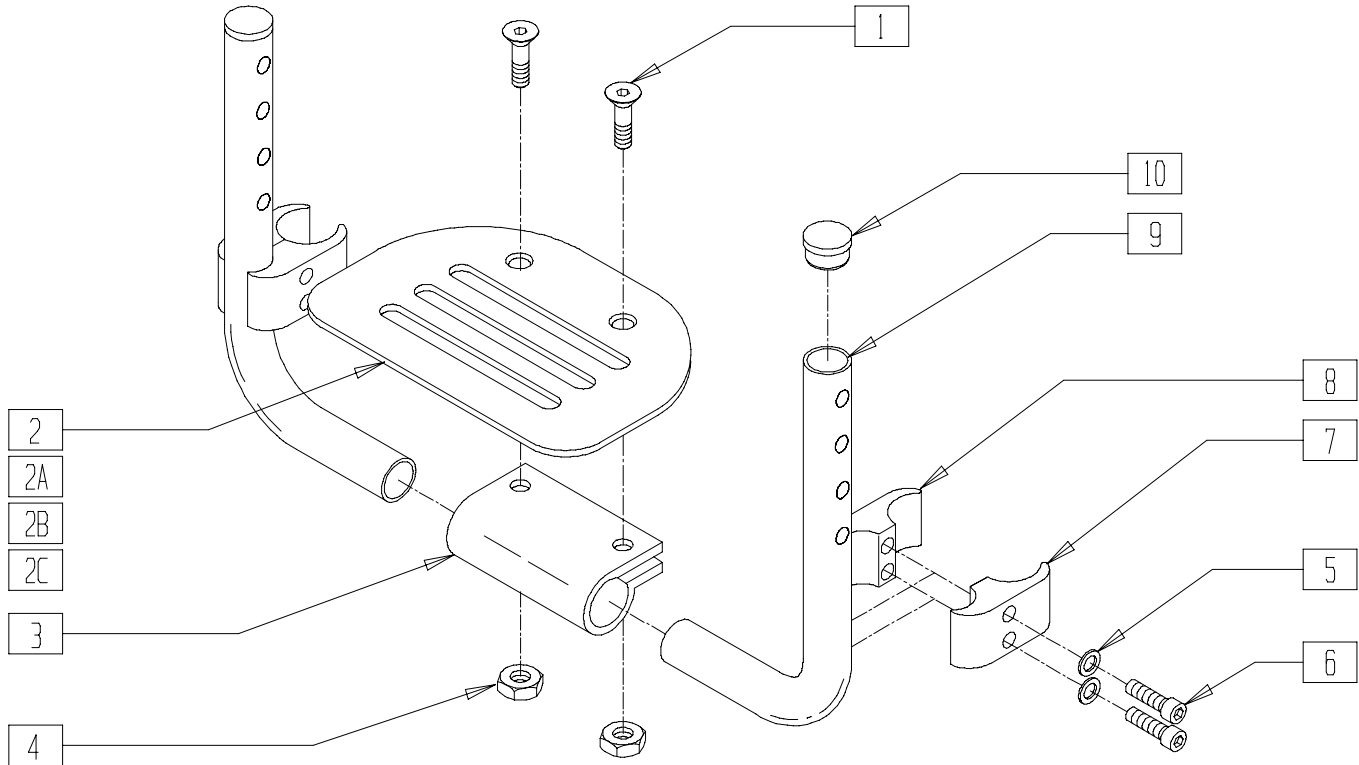
TiACOX10

ITEM	NUMBER	DESCRIPTION	QTY
1	226259	1/4-28 x 1 FH C/S	2
1A	226121	1/4-20 x 1 FH C/S BLK	2
2	500690	PLTFORM F/PLT 6" x 5 1/2"	1
2A	500691	PLTFORM F/PLT 8" x 5 1/2"	1
2B	500692	PLTFORM F/PLT 10" x 5 1/2"	1
2C	500693	PLATFOM F/PLT 12" x 5 1/2"	1
3	481306	ADAPTIVE FOOTREST SPACER 2"	2
3A	481307	ADAPTIVE FOOTREST SPACER 4"	2
3B	481308	ADAPTIVE FOOTREST SPACER 6"	2
4	550351	PLATFORM FOOTPLATE CLAMP	1

ITEM	NUMBER	DESCRIPTION	QTY
5	201120	1/4-28 AUTOMATION NUT	2
6	221110	1/4-20 X 1 HEX C/S	2
7	522247	FOOTREST TUBE 14/15" QTNT	1
7A	522248	FOOTREST TUBE 16/17" QTNT	1
7B	522249	FOOTREST TUBE 18" QTNT	1
7C	522265	FOOTREST TUBE 18"/19" MP	1
1,2,4,5,7	800400	FTRST ASSM PLATFORM 12"-13"	
1,2,4,5,7	800401	FTRST ASSM PLATFORM 14"-15"	
1,2A,4,5,7A	800402	FTRST ASSM PLATFORM 16"-17"	
1,2B,4,5,7B	800403	FTRST ASSM PLATFORM 18"-19" AC	
1,2C,4,5,7C	800404	FTRST ASSM PLATFORM 20"AC 18"-20"MP	

HIGH-MOUNT FOOTREST (QUICKIE MATCH POINT)

(Discontinued 01/11/05 - parts only)



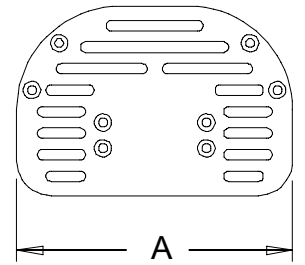
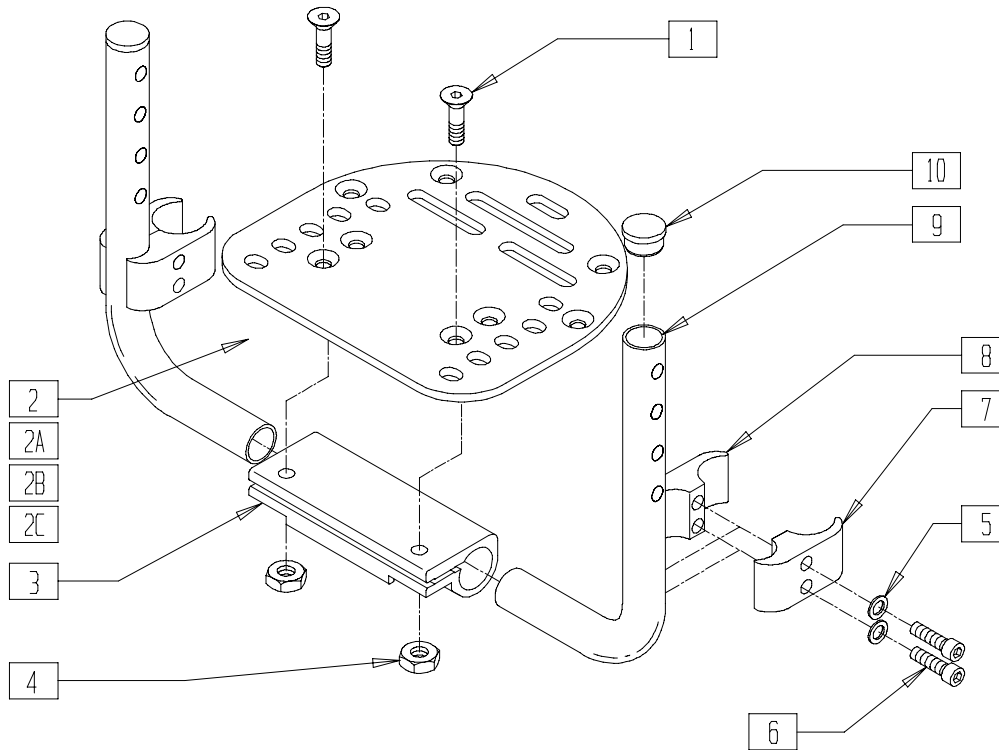
MP0X07

ITEM	NUMBER	DESCRIPTION	QTY
1	226099	1/4-28 x 7/8 FH C/S	2
2	500650	PLTFRM FOOTPLATE 6" x 5 1/2" (10"-13")	1
2A	500651	PLTFRM FOOTPLATE 8" x 5 1/2" (14")	1
2B	500652	PLTFRM F/PLT 10" x 5 1/2"	1
2C	500653	PLATFOM F/PLT 12" x 5 1/2"	1
3	550351	PLTFRM FT PLT CLMP (SPECIFY BLK)	1
4	201120	1/4-28 AUTOMATION NUT	2
5	262114	1/4 WASHER HI COLLAR LOCK ZN	4
6	226112	1/4-28 x 1 SOC S/C BLK	4
7	550443	WHEEL LOCK CLAMP RECESS R2	2

ITEM	NUMBER	DESCRIPTION	QTY
8	550442	WHEEL LOCK CLAMP THREADED R2	2
5-8	881097	WHEEL LOCK CLAMP ASSM BLK	2
9	522247- 522249	FOOTREST TUBE (14"-18") Q7NT	2
10	561000-QU	3/4" INSERT PLUG .083	2
1-10	800321	FTRST ASSM 13"-13.5" HI-MT MP	
1,2A,3-10	800322	FTRST ASSM 14"-15.5" HI-MT MP	
1,2B,3-10	800323	FTRST ASSM 16"-17.5" HI-MT MP	
1,2C,3-10	800325	FTRST ASSM 18"-19.5" HI-MT MP	

HIGH-MOUNT FOOTREST (QUICKIE MATCH POINT)

(Effective 01/11/05)



TIAMguide1

FOOTPLATE REFERENCE GUIDE

CHAIR WIDTH	"A"	PART NUMBER
12"	6"	500690
13"	6"	500690
14"	6"	500690
15"	6"	500690
16"	8"	500691
17"	8"	500691
18"	10"	500692
19"	10"	500692
20"	12"	500693

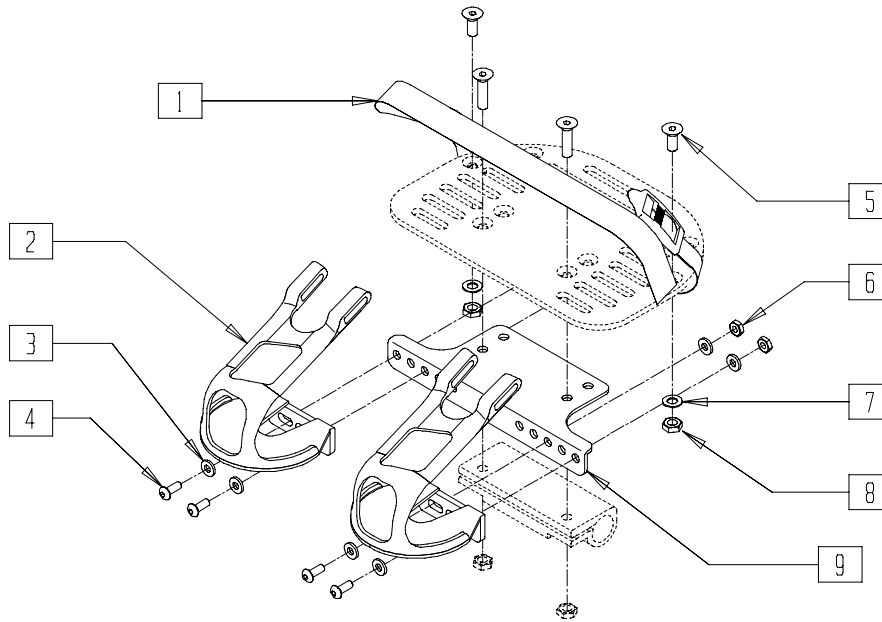
TIAXC0x23

ITEM	NUMBER	DESCRIPTION	QTY
1	226259	1/4-28 X 1 FLAT HD C/S BLK	2
2	500690	PLTFRM FOOTPLATE 6" x 5 1/2" (10"-13")	1
2A	500691	PLTFRM FOOTPLATE 8" x 5 1/2" (14")	1
2B	500692	PLTFRM F/PLT 10" x 5 1/2"	1
2C	500693	PLATFORM F/PLT 12" x 5 1/2"	1
3	550351	PLTFRM FT PLT CLMP (SPECIFY BLK)	1
4	201120	1/4-28 AUTOMATION NUT	2
5	262114	1/4 WASHER HI COLLAR LOCK ZN	4
6	226112	1/4-28 x 1 SOC S/C BLK	4
7	550657	CLAMP 1 1/4" RECESS FULL BLK	2

ITEM	NUMBER	DESCRIPTION	QTY
8	550658	CLAMP 1 1/4" THREADED BLK	2
5-8	881097	WHEEL LOCK CLAMP ASSM BLK	2
9	522247-	FOOTREST TUBE	2
	522249,	(12"-18") QTNT	
	522265	FOOTREST TUBE 18/19" MP	
10	561000-QU	3/4" INSERT PLUG .083	2
1-10	800410	FTRST ASSM HI-MNT 12"-13"	
1-10	800411	FTRST ASSM HI-MNT 14"-15"	
1,2A,3-10	800412	FTRST ASSM HI-MNT 16"-17"	
1,2B,3-10	800413	FTRST ASSM HI-MNT 18"-19" AC	
1,2C,3-10	800414	FTRST ASSM HI-MNT 20"AC 18"-20"MP	

TOE CLIP ASSEMBLY (QUICKIE MATCH POINT)

(Effective 01/11/05)



TAC0X11

ITEM	NUMBER	DESCRIPTION	QTY
1	750026	STRAP TOE CLIP	1
2	560065	TOE CLIP PLASTIC(PR)	1
3	261204	#10 AN WASHER .063	8
4	226043	10-32 X 1/2 BH C/S BLK	4
5	227104	1/4-28 X 5/8 FH C/S BLK ZN	2

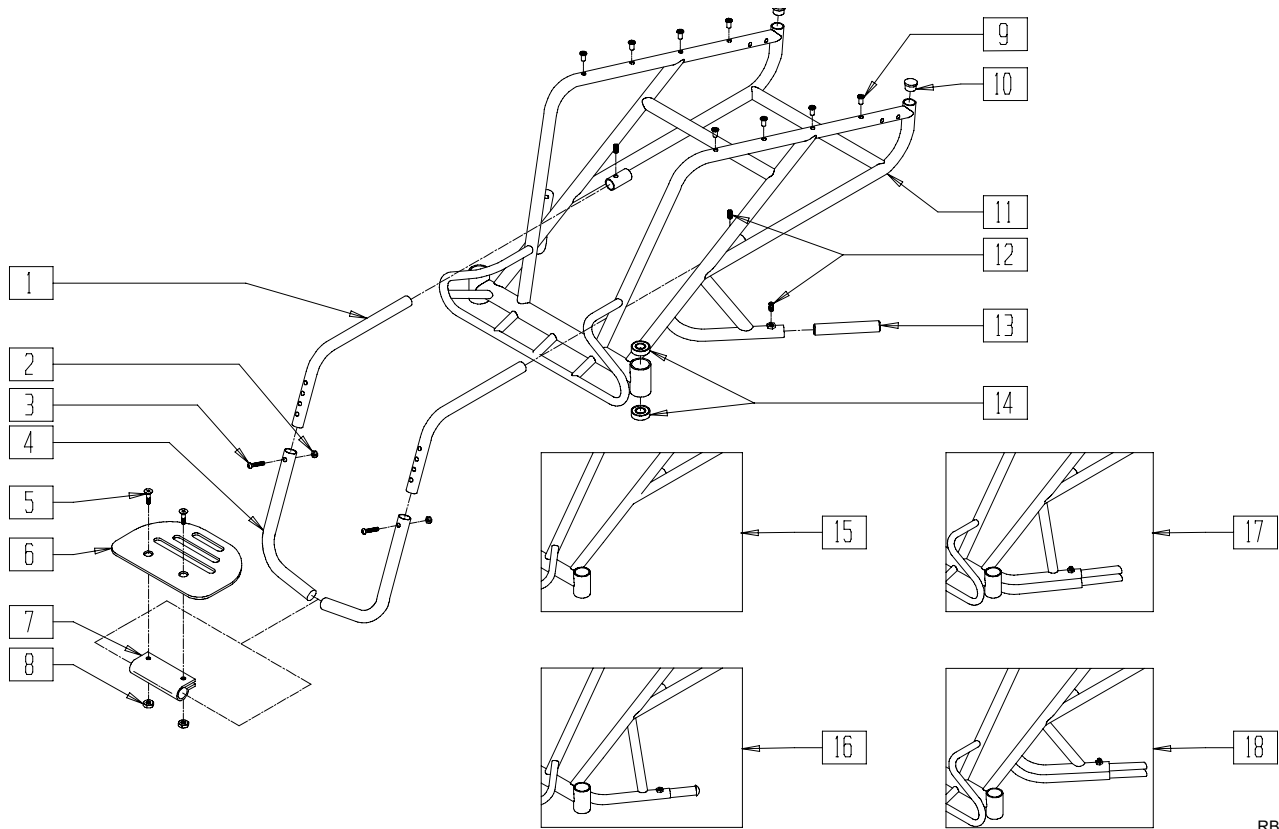
ITEM	NUMBER	DESCRIPTION	QTY
6	200100-QU	10-32 NYLOCK NUT	4
7	262110-QU	1/4 AN WASHER FLAT THIN	2
8	201100-QU	1/4-28 NYLOCK NUT THIN	2
9	500270	BRACKET FOOTPLATE TOE CLIP	1
1-9	900829	TOE CLIP ASSM	

Quickie Heat

IN THIS SECTION

Frame (Quickie Heat)	3.1	Backrest Upholstery(Quickie Heat).....	3.5
Anti-tip Assembly (Quickie Heat)	3.2	Caster and Fork Assembly(Quickie Heat)	3.6
Sports Anti-tip (Quickie Heat)	3.3	Seat Sling (Quickie Heat)	3.7
Backrest Assembly (Fixed Back) (Quickie Heat).....	3.4	Seat Cushion (Quickie Heat)	3.7
Backrest Assembly (Folding Back) (Quickie Heat).....	3.5	Adjustable Sling (Quickie Heat).....	3.8
		Wheel Lock (Quickie Heat).....	3.8

FRAME (QUICKIE HEAT)

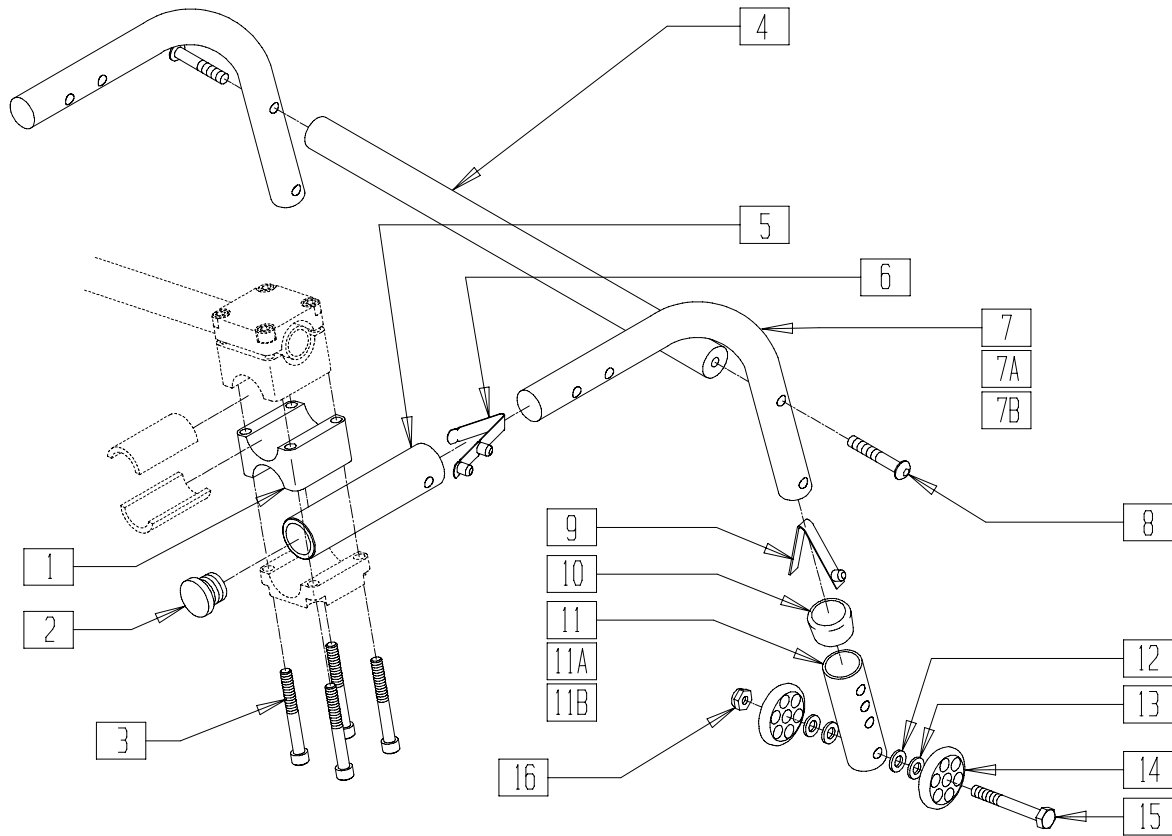


RBV00X13

ITEM	NUMBER	DESCRIPTION	QTY
1	445103	QRUG FOOTREST EXT TOP	2
2	201135	1/4-20 NYLOCK NUT LOW SS	2
3	226082	1/4-20 x 1 BH C/S SS	2
4	445102	QRUG FOOTREST EXT BOTTOM	2
5	226121	1/4-20 x 1 FH C/S BLK	2
6	500650-500652	PLATFORM FOOTPLATE	1
7	550351	PLATFORM FOOTPLATE CLAMP	1
8	201136	1/4-20 NYLOCK NUT HIGH	2
9	341497	10-32 x .020-.130 RIVNUT GOLD	12
10	560761	3/4" INSERT PLUG .049 (18GA)	2
11	600215	FRAME OFF/DEF QUAD RUGBY (SPECIFY COLOR AND DIMENSIONS)	1

ITEM	NUMBER	DESCRIPTION	QTY
12	225111	1/4-20 x 1/4 SET SCREW SS	4
13	520022	WING ADJ SLEEVE STD HQR	2
	520030	WING ADJ SLEEVE LONG HQR	
14	349500	1 1/8 x 1/2 BEARING	4
15	600210	FRAME QUAD RUGBY (SPECIFY COLOR AND DIMENSIONS)	1
16	600205	FRAME OFFENSE QUAD RUGBY (SPECIFY COLOR AND DIMENSIONS)	1
17	600206	FRAME OFFENSE DOUBLE WING (SPECIFY COLOR AND DIMENSIONS)	1
18	600216	FRAME OFF/DEF DOUBLE WING (SPECIFY COLOR AND DIMENSIONS)	1

ANTI-TIP ASSEMBLY (QUICKIE HEAT)

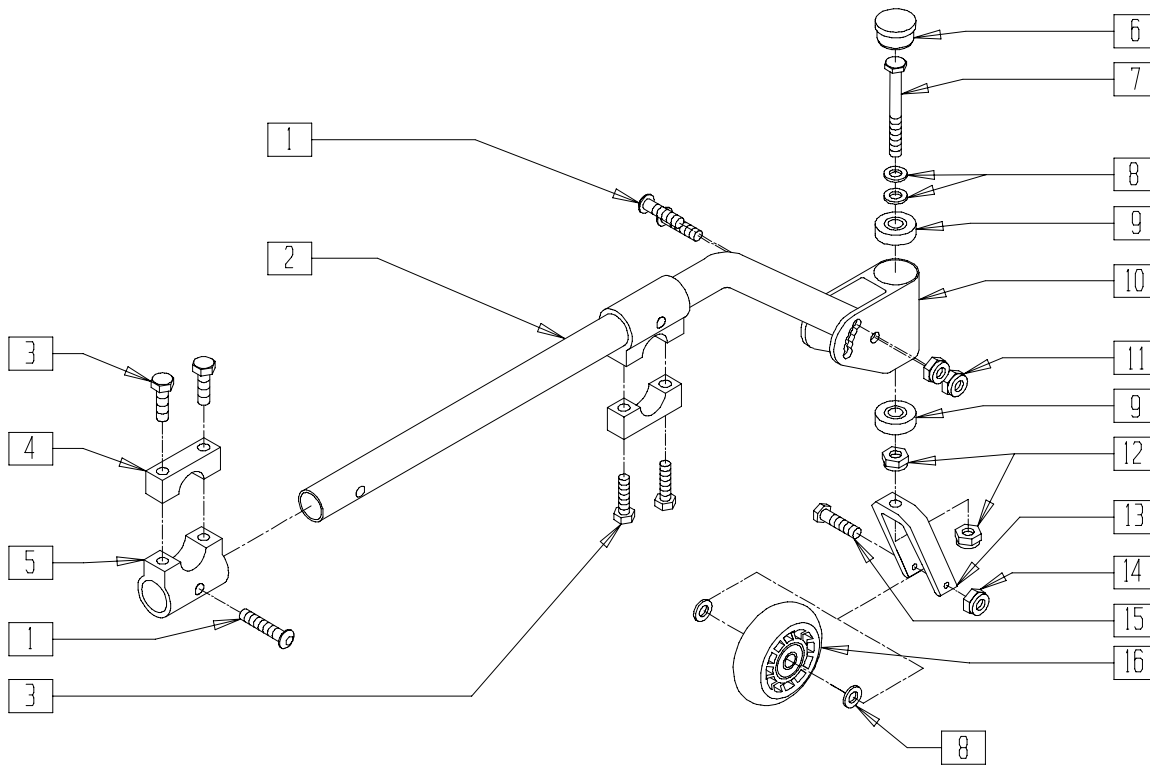


RBV00X15A

ITEM	NUMBER	DESCRIPTION	QTY
1	550215	ANTI-TIP SADDLE HI-MOUNT GPS	1
2	560735	7/8" ROUND TUBE PLUG	1
3	226163	1/4-28 x 2 SOC C/S	4
4	881740-881747	ANTI-TIP X-BAR ASSM STD BLK STANDARD HQR 13"-20"	1
5	521234	ANTI-TIP RECEIVER TUBE GPS	1
6	301109	SNAP BUTTON DUAL ONE SIDE	1
7	521084, 521085	ANTI-TIP TUBE REG (EA)	1
7A	521086, 521087	ANTI-TIP TUBE BLK HQR (EA)	
7B	521718, 521719	ANTI-TIP TUBE REG BLACK (EA)	
8	226062	1/4-20 x 1 1/4 BH C/S W/PATCH	1
9	301100	1/4" SNAP BUTTON SINGLE B-130	1
10	563065	3/4" ANTI-RATTLE	1
11	521508	ANTI-TIP ADJ SLEEVE (4H)	1
11A	521504	ANTI-TIP ADJ SLEEVE (4H) BLACK	1
11B	521587	ANTI-TIP SLEEVE TUBE	1
12	262110-QU	1/4 AN WASHER FLAT THIN	2

ITEM	NUMBER	DESCRIPTION	QTY
13	262130	6mm WASHER WAVE	2
14	561032	ANTI-TIP WHEEL	1
15	221192	1/4-28 x 2 G8 HEX C/S	1
16	201100-QU	1/4-28 NYLOCK NUT THIN	1
1-3,5	880933	ANTI-TIP RECEIVER ASSEMBLY HQR	
6,7, 9-16	880138, 880139	ANTI-TIP ASSEMBLY REG LONG SLEEVE (EA)	
10,11A, 12-16	881512	ANTI-TIP SLV W/WHLS BLK (4H)	
10,11B, 12-16	881513	ANTI-TIP SLV W/WHLS BLK (5H)	
4,6,7A, 8-10,11A 12-16	882902, 882903	ANTI-TIP ASSM BLACK HQR REG (EA)	
4,6,7B, 9,10,11B, 12-16	882912, 882913	ANTI-TP ASSM REG LNG SLV BLK (EA)	
4,6,7A, 8-10,11A, 12-16	900213-900220	ANTI-TIP ASSM BLACK (PR) 13"-20" HQR	

SPORTS ANTI-TIP (QUICKIE HEAT)

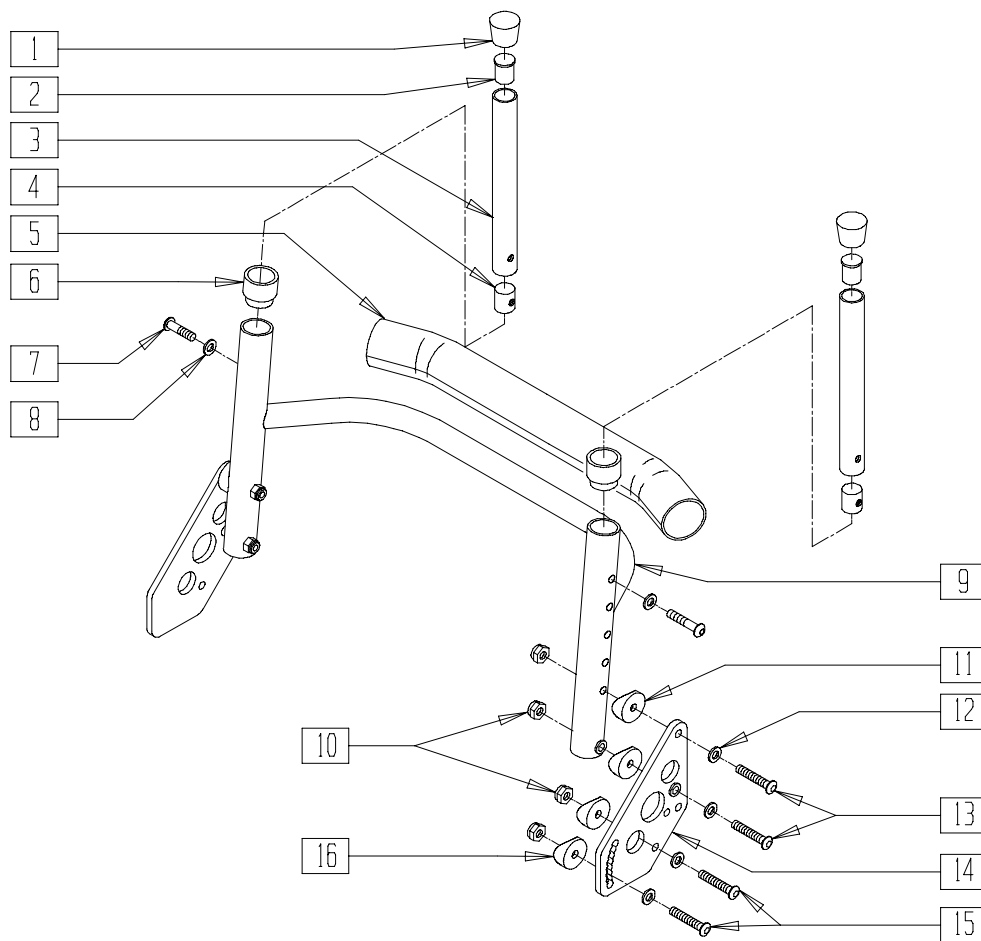


RBY00X21A

ITEM	NUMBER	DESCRIPTION	QTY
1	226129	1/4-28 x 1 1/4 BH C/S	3
2	521089	ANTI-TIP TUBE SPORTS HQR (SPECIFY DIMENSIONS) (SEAT HGT, FRME, CMBR, WHL)	1
3	226115	1/4 x 20 x 1 HEX C/S SS	4
4	550207	CAMBER TUBE MNTG CLAMP ANO	2
5	505148	ANTI-TIP RT ANGLE CLAMP HQR	2
6	560995	1" INSERT PLUG .036	1
7	222201	5/16-24 x 2 1/2 G8 HEX C/S	1
8	263100	5/16 AN WASHER FLAT	4

ITEM	NUMBER	DESCRIPTION	QTY
9	349502	7/8 x 5/16 BEARING	2
10	550249	ADJ ANTI TIP HOUSING 3D	1
11	201100-QU	1/4-28 NYLOCK NUT THIN	2
12	330005	5/16-24 NYLOCK NUT ALUM	2
13	550599	3D SPORTS ANTI-TIP FORK	1
14	202100-MJ	5/16-24 NYLOCK NUT THIN	1
15	222099	5/16-24 x 1 1/2 HEX C/S	1
16	400170	CASTER ASSM 59MM 82A URETHANE	1
1-16	900221	SPORTS ANTI-TIP ASSEMBLY HQR	

BACKREST ASSEMBLY (FIXED BACK) (QUICKIE HEAT)

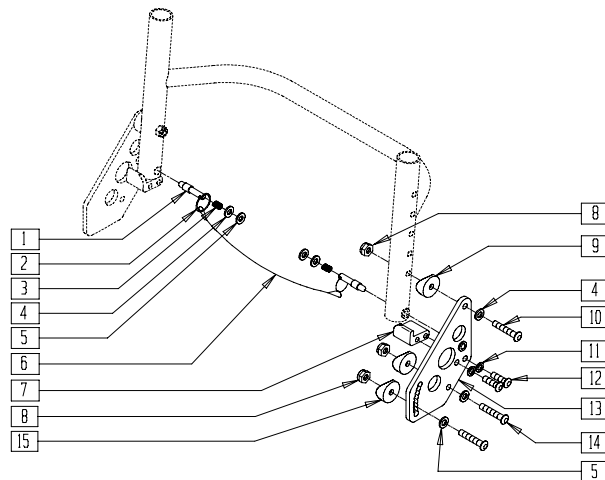


RBY00X17

ITEM	NUMBER	DESCRIPTION	QTY
1	561010	3/4" CAP	2
2	561000-QU	3/4" INSERT PLUG .083	2
4	483001	Q2 FRAME/FOOT RETAINING PLUG	2
5	750751	CROSSBAR PAD	1
6	561082	1" TUBE END BUSHING THIN	2
7	226101	1/4-20 x 3/4 BH C/S	2
8	262130	6mm WASHER WAVE	2
6,9	520413-520430	BACK FRAME 13"-20" W/BUSHING HQR	1
10	201100-QU	1/4-28 NYLOCK NUT THIN	8
11	561004	1" SADDLE 1/4" HOLE	4

ITEM	NUMBER	DESCRIPTION	QTY
12	262110-QU	1/4 AN WASHER FLAT THIN	8
13	226140	1/4-28 x 1 3/4 BH C/S	4
14	501185, 501186	BACK PLT W/BUSHING HQR	1
15	226130	1/4-28 x 1 1/2 BH C/S	4
16	561087	BACK REL SADDLE RIGID	4
1-4,6-8	840100-840104	BACK ADJ TUBE RIGID	
10-14	920440, 920441	BACK PLATE FIXED W/HARDWARE HQR (EA)	

BACKREST ASSEMBLY (FOLDING BACK) (QUICKIE HEAT)

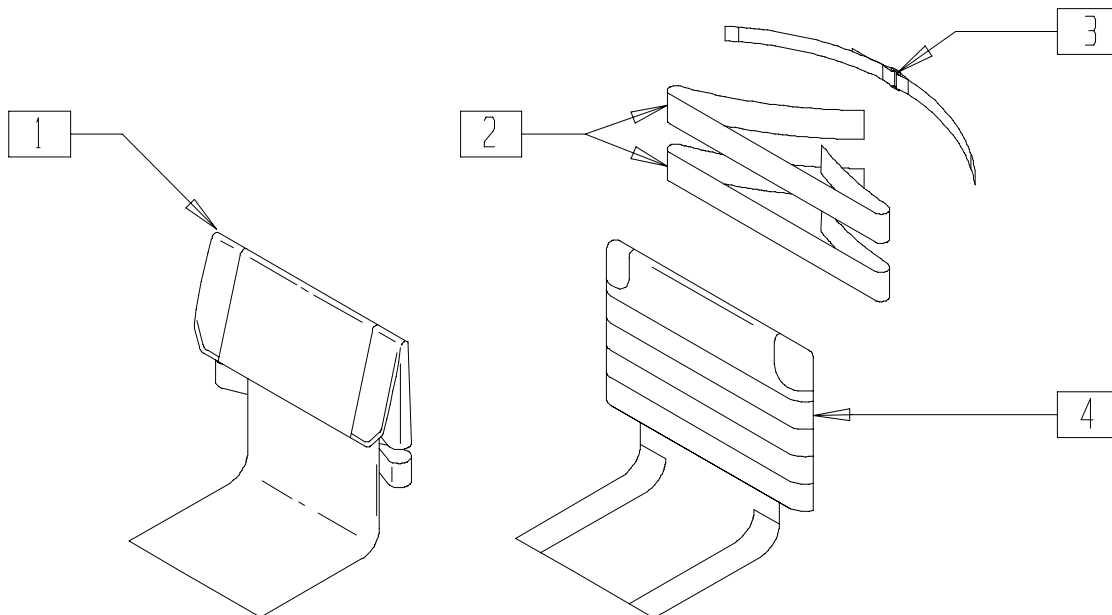


RBY00X18

ITEM	NUMBER	DESCRIPTION	QTY
1	481223	BACKREST PIN	2
2	342015	LANYARD ATTACH RING	2
3	321163	SPRING .300 x 7/8 LONG	2
4	262100-QU	1/4 AN WASHER FLAT	2
5	262110	1/4 AN WASHER FLAT THIN	6
1-6	881503-881510	BACKREST REL CABLE ASSEMBLY	
7	505905, 505906	BACKREST STOP HQR (EA)	1
8	201100-QU	1/4-28 NYLOCK NUT THIN	6
9	561004	1" SADDLE 1/4" HOLE	2

ITEM	NUMBER	DESCRIPTION	QTY
10	226140	1/4-28 x 1 3/4 BH C/S	2
11	262130	6mm WASHER WAVE	4
12	226100	1/4-28 x 3/4 BH C/S	4
13	501185, 501186	BACK PLT W/BUSHING HQR (EA)	1
14	226130	1/4-28 x 1 1/2 BH C/S	4
15	561087	BACK REL SADDLE RIGID	4
4,7-13	920412, 920413	BACK RELEASE BRACKET ASSEMBLY FLDG HQR (EA)	
	920442	BACK REL BRKT ASSM FLDG HQR (PR)	

BACKREST UPHOLSTERY (QUICKIE HEAT)

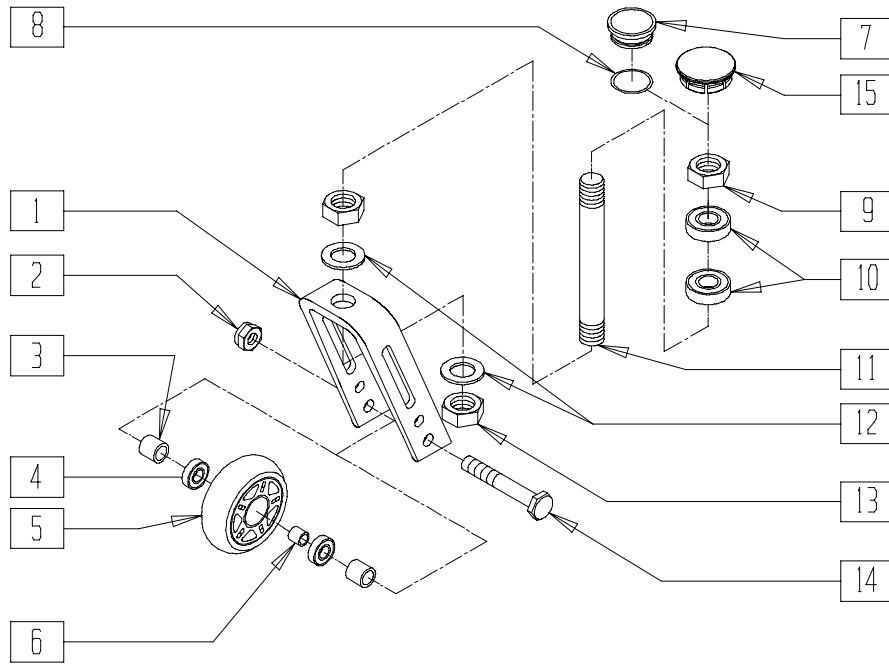


RIGD_UPHA

ITEM	NUMBER	DESCRIPTION	QTY
1	680301-680909	BACK UPHOLSTERY W/TAIL 14"-20"	1
2	741500	ANKLE/BACK STRAP 3D	1

ITEM	NUMBER	DESCRIPTION	QTY
3	750096	SIDE GRD/BCK STRP (SPECIFY DIM)	1
4	685903-685920	BACK UPH QUICKIE ADJ (12LA - 20SA)	1

CASTER AND FORK ASSEMBLY (QUICKIE HEAT)



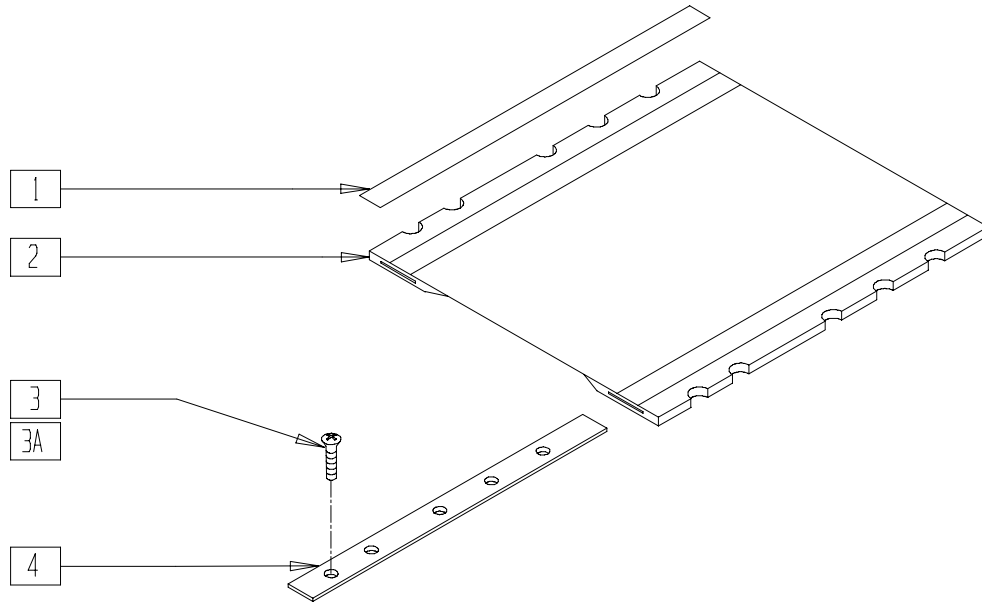
RBY00X06A

ITEM	NUMBER	DESCRIPTION	QTY
1,11-13	780351	3 1/4 GP 3D STEM	
2	202100-MJ	5/16-24 NYLOCK NUT THIN	1
3	481113	SPACER 5/16 x .380	2
4	349502	7/8 x 5/16 BEARING	2
5	920025	3" MICRO CASTER W/BEARING (PR)	1
	920077	3" MICRO CASTER LIGHTED (PR)	
6	481013	BEARING SPACER	1
7,8*	880548	CASTER CAP W/O-RING ALUM BLK	
8*	342006	CASTER CAP O-RING RUBBER	1

ITEM	NUMBER	DESCRIPTION	QTY
9	203100	1/2-20 NYLOCK NUT	2
10	349500	1 1/8 x 1/2 BEARING	2
12	264100	1/2 AN WASHER FLAT	2
13	203100	1/2-20 NYLOCK NUT	1
14	222200	5/16-24 x 2 1/2 HEX C/S	1
15	561070	CASTER CAP PLASTIC (EA)	1
	920028	CASTER CAP PLASTIC (PR)	
1-3,9,11-14	780969	3 1/4 GP 3D STEM W/STD HARDWARE	

* ITEMS 7 AND 8 USED ON CHAIRS PRIOR TO 4/99.

SEAT SLING (QUICKIE HEAT)



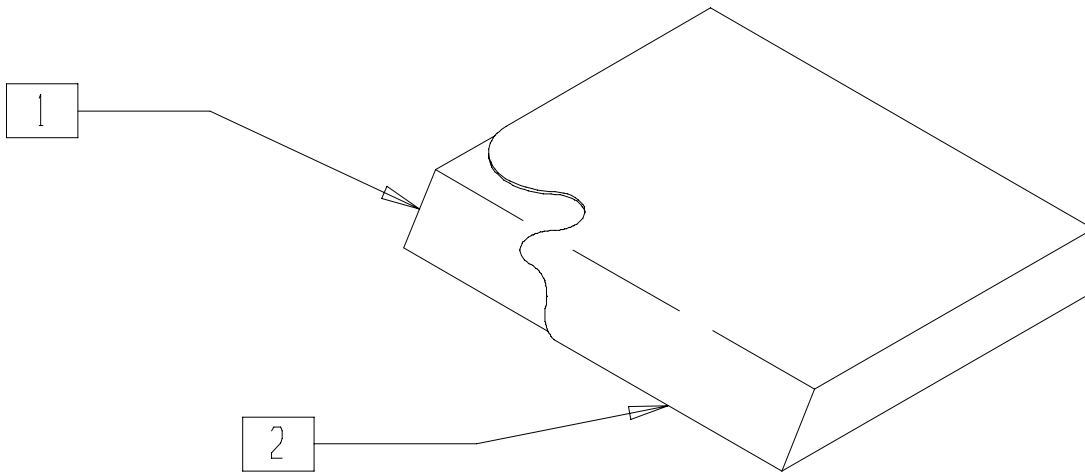
SS0X01A

ITEM	NUMBER	DESCRIPTION	QTY
1	901170	SEAT SLING VELCRO STRIP	2
2	720203-720904	SEAT SLING 13" x 13" - 20" x 18"	1
3	281120	10-32 x 5/8 PAN HD PHIL	8-12

ITEM	NUMBER	DESCRIPTION	QTY
3A*	281122	10-32 x 3/4 PAN PHIL	8-12
4	505101-505110	SEAT RAIL 13"-18"	2

* ITEM 3A IS USED ON RIGID CHAIRS.

SEAT CUSHION (QUICKIE HEAT)

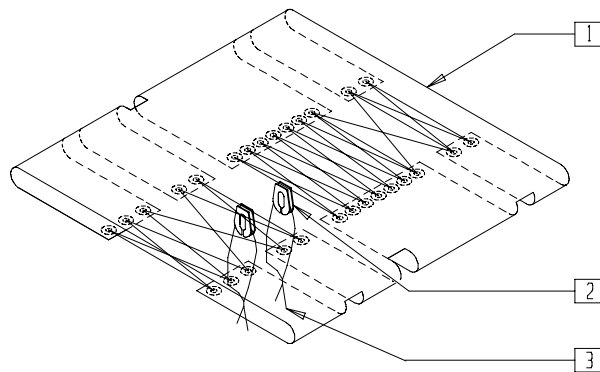


SS0X01

ITEM	NUMBER	DESCRIPTION	QTY
1	105232-105942	SEAT FOAM (13" x 13" x 2" - 20" x 18" x 2")	1
2	701232-701942	SEAT COVER (13" x 13" x 2" - 20" x 18" x 2")	1

ITEM	NUMBER	DESCRIPTION	QTY
1,2	700232-700942	SEAT CUSHION W/COVER AND FOAM (13" x 13" x 2" - 20" x 18" x 2")	1

ADJUSTABLE SLING (QUICKIE HEAT)

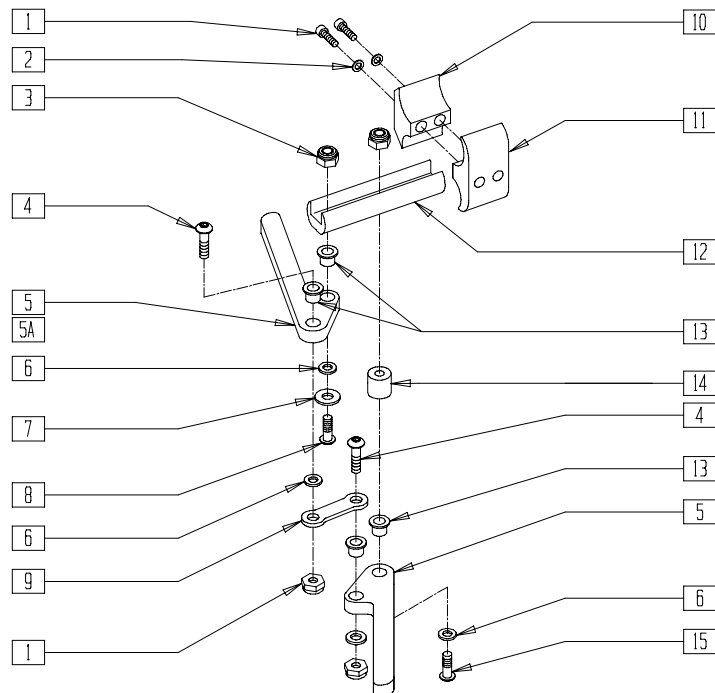


SS0X02

ITEM	NUMBER	DESCRIPTION	QTY
2	560221	BACK RELEASE STRAP LOCK RIGID	2
3	750065	ADJUSTABLE SLING STRAP/LACE	1

ITEM	NUMBER	DESCRIPTION	QTY
1-3	721020-721024	SEAT SLING ADJ 14"-18" DEPTH W/LACE	

WHEEL LOCK (QUICKIE HEAT)



RBV00X12

ITEM	NUMBER	DESCRIPTION	QTY
1	226112	1/4-28 x 1 SOC C/S BLK	2
2	262114	1/4 WASHER HI COLLAR LOCK ZN	2
3	201100-QU	1/4-28 NYLOCK NUT THIN	4
4	226100	1/4-28 x 3/4 BH C/S	2
5	550232	HI-MOUNT SCISSOR WHEEL LOCK ARM	2
5A	550231	HI-MNT SCISSOR WHL LOCK ARM LNG	2
6	561028	1/4" NYLON WASHER	4
7	262120	1/4 SAE WASHER	1
8	226122	1/4-28 x 1.10 BH C/S	1
9	504995	TOGGLE LINK 1.125	1
10	550724	CLAMP 3/4"-3/4"TOP HALF ST/DT	1
11	550725	CLAMP 3/4"-3/4" THRD HALF ST/DT	1
12	550374	WHL LOCK SLIDE BLOCK 3 1/2" BLK	1
13	560126	.250 ID .312 OD BUSHING PLASTIC	4

ITEM	NUMBER	DESCRIPTION	QTY
14	483027	1/4 x 1/4 ALUM SPACER BLK	1
15	226130	1/4-28 x 1 1/2 BH C/S	1
1,2,10,11	880582	WHL LOCK CLAMP ASSEMBLY ST/DT	
3-9,12-15	880608, 880609	WHL LOCK SCISSOR HI-MOUNT BLK (EA)	
1-15	880804, 880805	WHL LOCK SCISSOR W/CLAMP BLK (EA)	
	901518	WHL LOCK SCISSOR W/CLAMP BLK (PR)	
3,4,5A, 6-9,12-15	880612, 880613	WHL LOCK SCISSOR HI-MOUNT LONG BLK (EA)	
1-4,5A	880806, 880807	WHL LOCK SCISSOR W/CLAMP LONG BLK (EA)	
6-15	901519	WHL LOCK SCSSR W/CLMP LNG BLK (PR)	

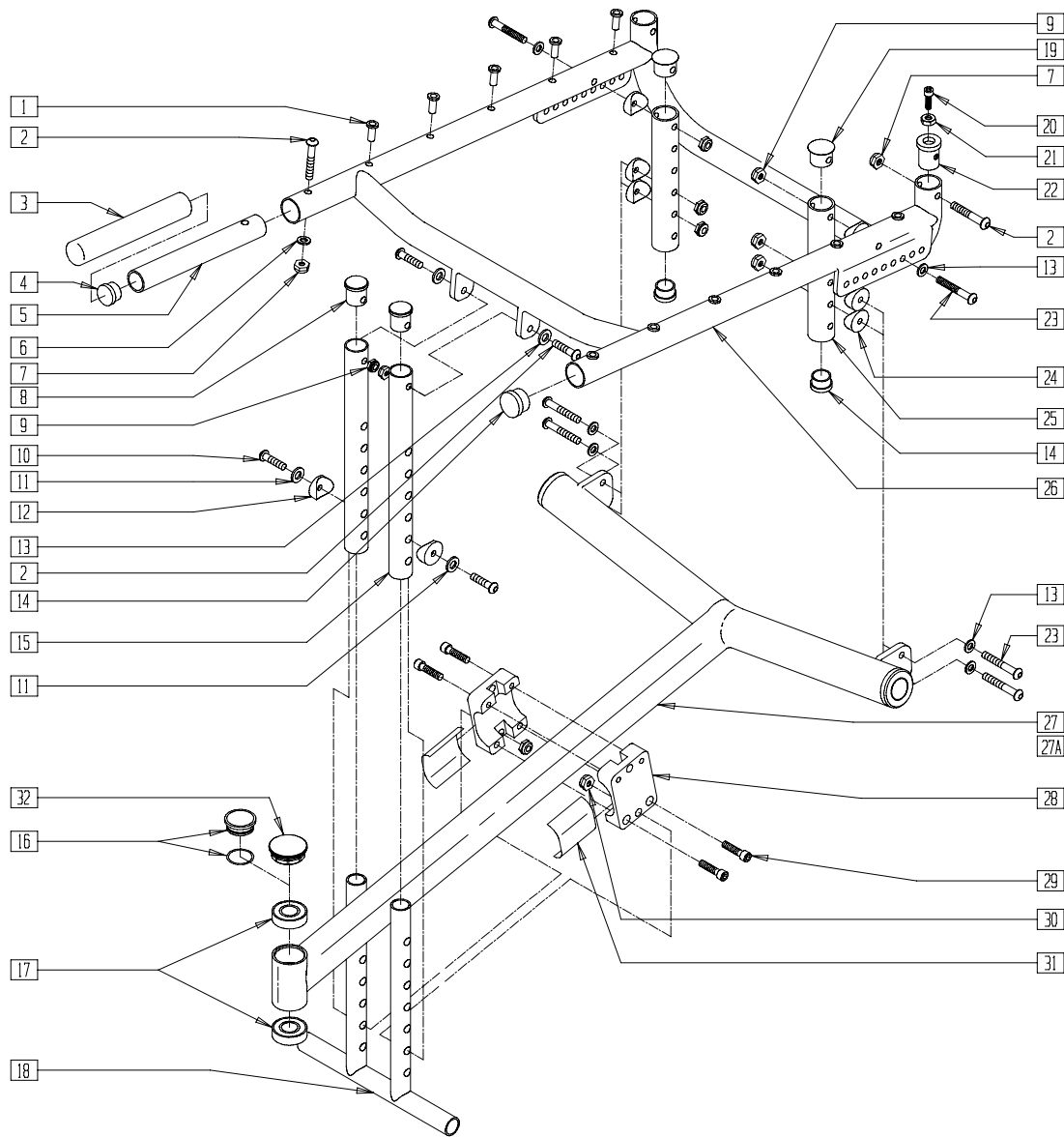
Quickie 3D

IN THIS SECTION

Frame (Quickie 3D)	4.1	3" Micro Caster	4.6
Anti-tip (Quickie 3D).....	4.2	Footplate Assembly (Quickie 3D)	4.7
Sports Anti-tip (Quickie 3D)	4.2	Basketball Footplate (Quickie 3D)	4.7
Quick-release Back Lock (Quickie 3D) (Disc.)	4.3	Tennis Footplate (Quickie 3D)	4.8
Backrest (Quickie 3D) (Disc.)	4.3	Fork Assembly (Quickie 3D)	4.8
Backrest Upholstery (Quickie 3D)	4.4	Seat Sling and Cushion (Quickie 3D).....	4.9
Backrest and Quick-release Back Lock (Quickie 3D).....	4.5	Ankle Pad (Quickie 3D)	4.9
Basketball Bumper (Quickie 3D)	4.6	Ankle Strap (Quickie 3D)	4.10

NOTE: FOR AXLE SLEEVE REFER TO AXLES, SECTION 10

FRAME (QUICKIE 3D)



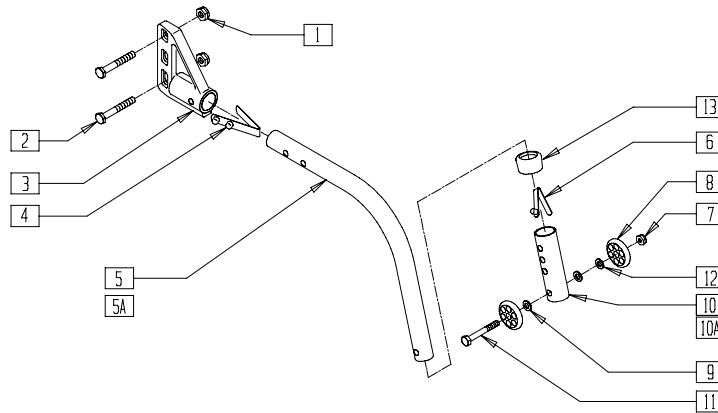
3D00X05B

ITEM	NUMBER	DESCRIPTION	QTY
1	341497	10-32 x .020-.130 RIVNUT GOLD	10
2	226130	1/4-28 x 1 1/2 BH C/S	2
3	560628	4 1/2 x .840 x .125 FOAM GRIP	1,2
4	561007	7/8" INSERT PLUG .083	2
5	521255	TRANSFER HANDLE 3D	1,2
6	262100-QU	1/4 AN WASHER FLAT	2
7	201100-QU	1/4-28 NYLOCK NUT THIN	4
8	563064	SEAT SUPPORT PLUG 3D	2
9	201110-QU	1/4-28 NYLOCK NUT	8
10	226190	5/16-18 x 1 3/4 BH C/S SHOULDER	2
11	263110-QU	5/16 AN WASHER FLAT THIN	2
12	561006	1" SADDLE 5/16" HOLE	2
13	262100-QU	1/4 AN WASHER FLAT	8
14	561002	1" INSERT PLUG .083	1,2
15	527454	SEAT SUPPORT TUBE	2
16*	880548	CASTER CAP W/O-RING ALUM BLK	1
17	349500	1 1/8 x 1/2 BEARING	2
18	527453	FOOTREST FRAME 3D	1
19	560999	1" INSERT PLUG .083 W/1/4 HOLE	2

* ITEM 16 USED ON CHAIRS PRIOR TO 4/99.

ITEM	NUMBER	DESCRIPTION	QTY
20	226058	1/4-20 x 3/4 SOC C/S	2
21	201121	1/4-20 NUT THIN	2
22	483010	Q1/GP BACK REL ANGLE PLUG	2
23	226140	1/4-28 x 1 3/4 BH C/S	6
24	561004	1" SADDLE 1/4" HOLE	6
25	527455	REAR SEAT SUPPORT TUBE 3D	2
17,27	600226- 600231	T-FRAME 0°-15° LONG PAINTED 3D (SPECIFY WIDTH)	1
27A	600220- 600225	T-FRAME 0°-15° SHORT PAINTED 3D (SPECIFY WIDTH)	1
28	501008	SEAT SUPPORT CLAMP 3D	2
29	226112	1/4-28 x 1 SOC C/S BLK	4
30	202102	5/16-18 NYLOCK NUT THIN	2
31	560560	FOAM OVAL TUBE CLAMP	2
32	561070	CASTER CAP PLASTIC (EA)	1
	920028	CASTER CAP PLASTIC (PR)	
2-7	883050	TRANSFER HANDLE W/FOAM AND HDWR	
2,7,20-22	920191	GP BACK RELEASE PLUG W/HDWR	
1,2,7,14, 20-22,26	663900	SEAT FRAME PAINTED 3D (SPECIFY COLOR)	

ANTI-TIP (QUICKIE 3D)

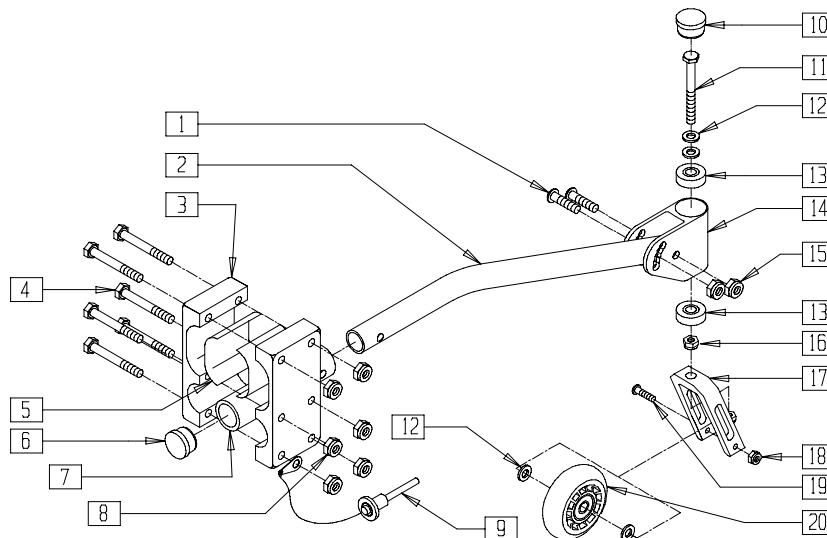


3D00X18B

ITEM	NUMBER	DESCRIPTION	QTY
1	201110-QU	1/4-28 NYLOCK NUT	2
2	221181	1/4-28 x 2 1/2 G8 HEX C/S	2
3	920407	ANTI-TIP RECEIVERS (PR)	1
4	301109	SNAP BUTTON DUAL ONE SIDE	1
5	521490-521497	ANTI-TIP TUBE CLR	1
5A	521716-521728	ANTI-TIP TUBE BLK	1
6	301100	1/4" SNAP BUTTON SINGLE B-130	1
7	201100-QU	1/4-28 NYLOCK NUT THIN	1
8	561032	ANTI-TIP WHEEL	2
9	262110-QU	1/4 AN WASHER FLAT THIN	2
10	521508	ANTI-TIP ADJ SLEEVE (4H)	1

ITEM	NUMBER	DESCRIPTION	QTY
10A	521504	ANTI-TIP ADJ SLEEVE (4H) BLK	1
11	221192	1/4-28 x 2 G8 HEX C/S	1
12	262130	6mm WASHER WAVE	1
13	563065	3/4" ANTI-RATTLE	1
7-9,10A,11-13	881512	ANTI-TIP SLEEVE W/WHLS BLK (4H)	
4-13	880490-880497	ANTI-TIP ASSEMBLY (EA)	
4,5A,6-9,10A,11-13	882900,882901	ANTI-TIP ASSM REG BLK (EA)	
1-4,5A,6-9,10A,11-13	900832	ANTI-TIP ASSM REG W/REC BLK	

SPORTS ANTI-TIP (QUICKIE 3D)



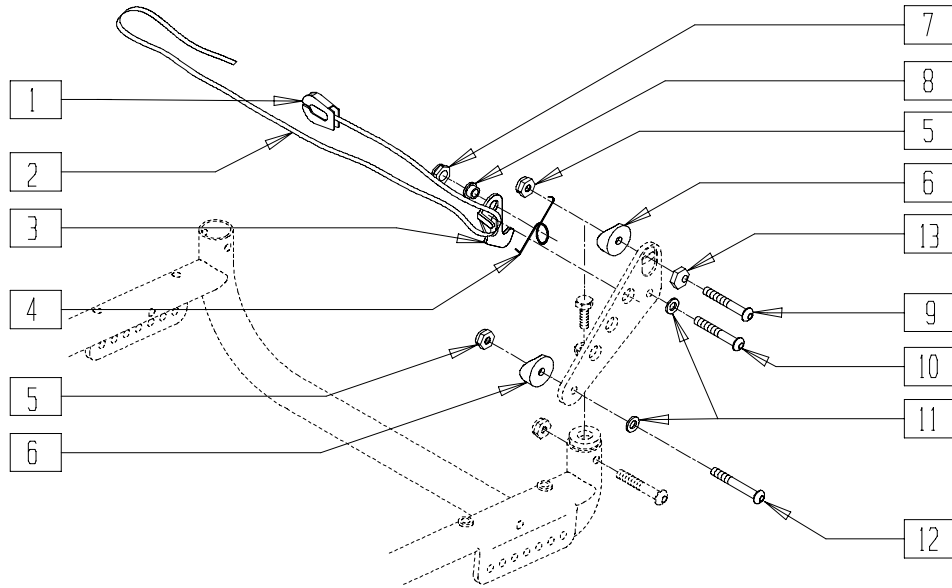
3D00X15B

ITEM	NUMBER	DESCRIPTION	QTY
1	226129	1/4-28 x 1/14 BH C/S	2
2	521537	SPORTS ANTI-TIP TUBE 12°3D	1
	521539	SPORTS ANTI-TIP TUBE 15°3D	
	521564	SPORTS ANTI TIP TBE 3D CLNCER	
3	550246	ANTI-TIP CLAMP 3D	2
4	330100	1/4-28 x 2 HEX C/S TI	6
5	560560	FOAM OVAL TUBE CLAMP	2
6	560735	7/8" ROUND TUBE PLUG	1
7	521234	ANTI-TIP REC TUBE GPS	1
8	330000-QU	1/4-28 NYLOCK NUT ALUMINUM	6
9	349045	RELEASE PIN SPORT ANTI-TIP 3D	1
10	560995	1" INSERT PLUG .036	1

ITEM	NUMBER	DESCRIPTION	QTY
11	222201	5/16-24 x 2 1/2 G8 HEX C/S	1
12	263100-QU	5/16 AN WASHER FLAT	2
14	550249	ADJ ANTI-TIP HOUSING 3D	1
15	201100-QU	1/4-28 NYLOCK NUT THIN	2
16	330005	5/16-24 NYLOCK NUT ALUMINUM	2
17	550599	FORK 3" MICRO FOR 5/16 STEM	1
18	202100-MJ	5/16-24 NYLOCK NUT THIN	1
19	226130	1/4-28 x 1 1/2 BH C/S	1
20	400170	CASTER ASSM 59MM 82A URETHANE	1
1-20	900717	SPORTS ANTI-TIP 12°ASSEMBLY 3D	
	900731	SPORTS ANTI-TIP 15°ASSEMBLY 3D	
	900317	SPRT ANTI TP TB 3D CLNCER ASSM	

QUICK-RELEASE BACK LOCK (QUICKIE 3D)

(Discontinued 8/98 - parts only)



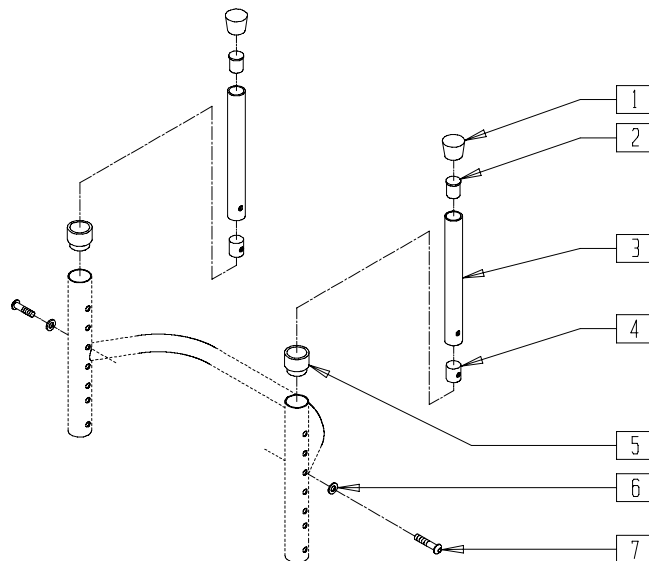
3D00X02

ITEM	NUMBER	DESCRIPTION	QTY
1	560221	BACK RELEASE STRAP LOCK RIGID	1
2	750060	BACK RELEASE STRAP 12"-20" RIGID	1
3	505033, 505034	Q1/GP BACK REL BRACKET (EA)	1
4	321121, 321125	BACK RELEASE SPRING RIGID (EA)	1
5	201110	1/4-28 NYLOCK NUT	4
6	561087	BACK REL SADDLE RIGID	4

ITEM	NUMBER	DESCRIPTION	QTY
7	201100-QU	1/4-28 NYLOCK NUT THIN	2
8	481039	BACK REL BUSHING RIGID	2
9	226148	1/4-28 x 1.85 BH C/S	2
10	226140	1/4-28 x 1 3/4 BH C/S	2
11	262100-QU	1/4 AN WASHER FLAT	4
12	226150	1/4-28 x 2 BH C/S	2
13	341017	WASHER ECCENTRIC	2

BACKREST (QUICKIE 3D)

(Discontinued 8/98 - parts only)

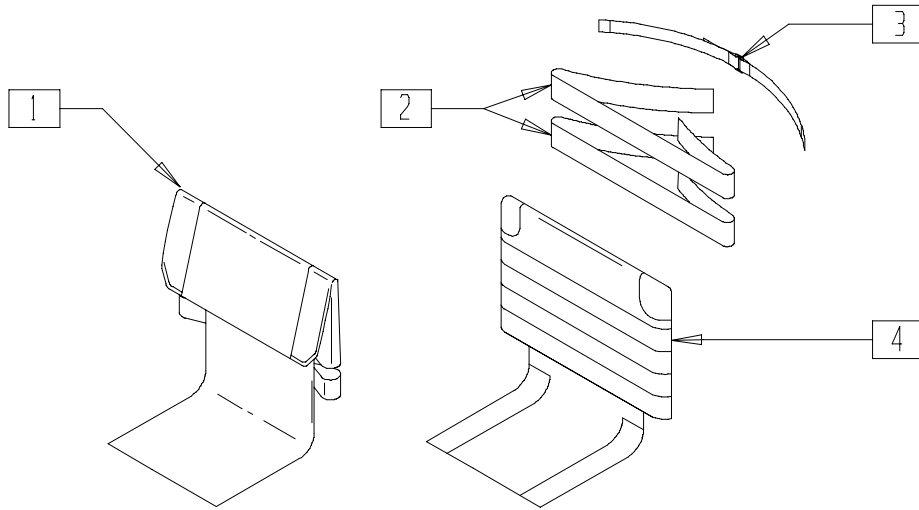


3D00X03A

ITEM	NUMBER	DESCRIPTION	QTY
1	561010	3/4" CAP	2
2	561000-QU	3/4" INSERT PLUG .083	2
4	483001	Q2 FRAME/FOOT RETAINING PLUG	2
5	561082	1" TUBE END BUSHING THIN	2

ITEM	NUMBER	DESCRIPTION	QTY
6	262130	6mm WASHER WAVE	2
7	226120	1/4-20 x 1 BH C/S	2
1-7	840100- 840104	BACK ADJUSTABLE TUBE RIGID	

BACKREST UPHOLSTERY (QUICKIE 3D)

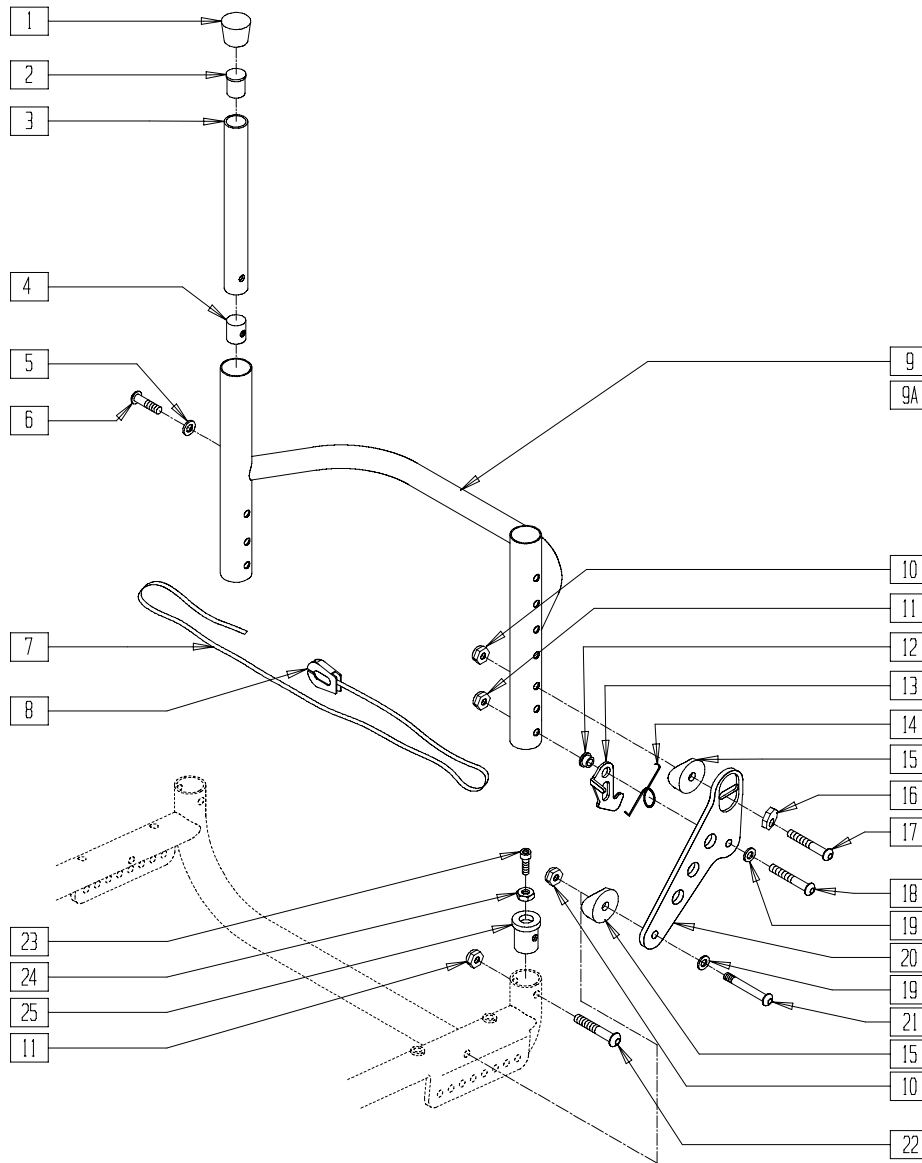


RIGD_UPHA

ITEM	NUMBER	DESCRIPTION	QTY
1	680301-680909	BACK UPHOLSTERY W/TAIL 14"-20"	1
2	741500	ANKLE/BACK STRAP 3D	1

ITEM	NUMBER	DESCRIPTION	QTY
3	750096	SIDE GRD/BCK STRP (SPECIFY DIM)	1
4	685903-685920	BACK UPH QUICKIE ADJ (12LA - 20SA)	1

BACKREST AND QUICK-RELEASE BACK LOCK (QUICKIE 3D)

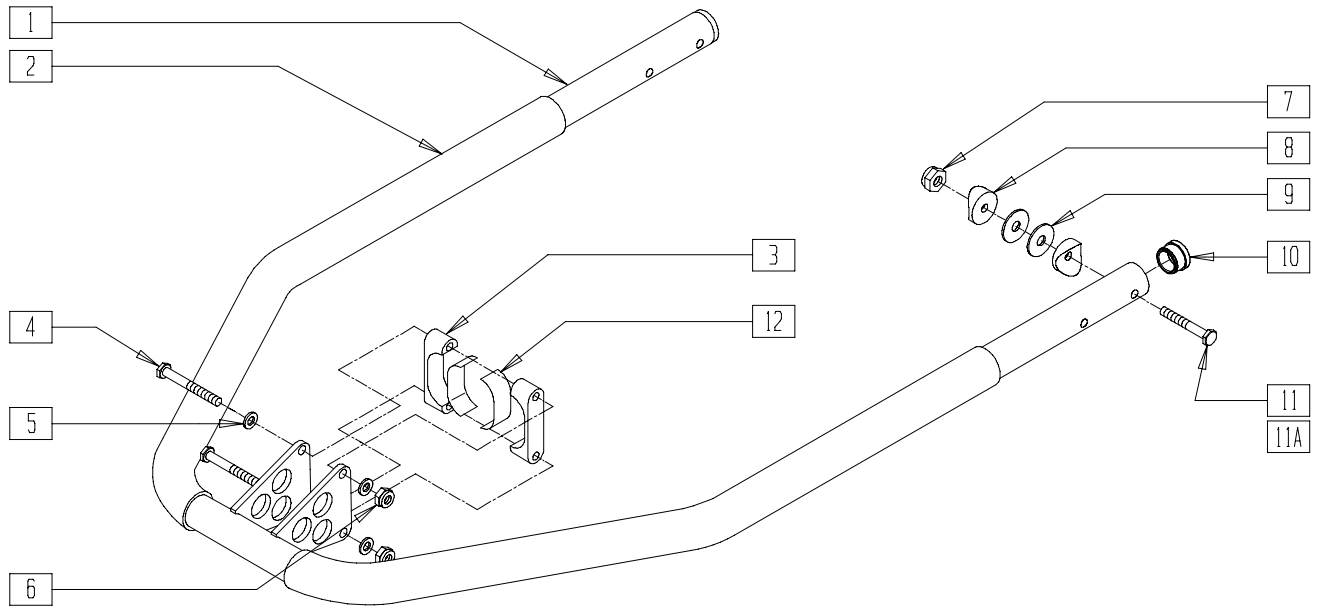


3D00X19

ITEM	NUMBER	DESCRIPTION	QTY
1	561010	3/4" CAP	2
2	561000-QU	3/4" INSERT PLUG .083	2
4	483001	Q2 FRAME/FOOT RETAINING PLUG	2
5	262130	6mm WASHER WAVE	2
6	226101	1/4-20 x 3/4 BH C/S	2
7	750060	BACK REL STRAP 12"-20" RIGID	1
8	560221	BACK REL STRAP LOCK RIGID	1
9	520440-520448	BACK FRM 12"-20" REG RIGID BLK .115	1
9A	520540-520548	BACK FRM 12"-20" TALL RIGID BLK .115	1
10	201110-QU	1/4-28 NYLOCK NUT	4
11	201100-QU	1/4-28 NYLOCK NUT THIN	4
12	481039	BACK REL BUSHING RIGID	2
13	505033, 505034	Q1/GP BACK RELEASE BRACKET (EA)	1
14	321153, 321154	BACK RELSE SPRG RIGID (NEW) (EA)	1

ITEM	NUMBER	DESCRIPTION	QTY
15	561087	BACK RELEASE SADDLE RIGID	2
16	341018	WASHER ECCENTRIC LARGE	2
17	226147	1/4-28 x 1.85 BH C/S BLK ZN	2
18	226140	1/4-28 x 1 3/4 BH C/S	2
19	262100-QU	1/4 AN WASHER FLAT	4
20	500170, 500171	BACK RELEASE PIVOT PLATE RIGID BLK (NEW) (EA)	1
21	226150	1/4-28 x 2 BH C/S	2
22	226130	1/4-28 x 1 1/2 BH C/S	2
23	226058	1/4-20 x 3/4 SOC C/S	2
24	201121	1/4-20 NUT THIN	2
25	483010	Q1/GP BACK RELEASE ANGLE PLUG	2
1-6	840100-840104	BACK ADJUSTABLE TUBE RIGID	
10-21	840320-840329	BACK FRM .115 REG 12"-20" W/BACK RELEASE	
7,8,9A, 10-21	840330-840339	BACK FRM .115 TALL 12"-20" W/BACK RELEASE	

BASKETBALL BUMPER (QUICKIE 3D)



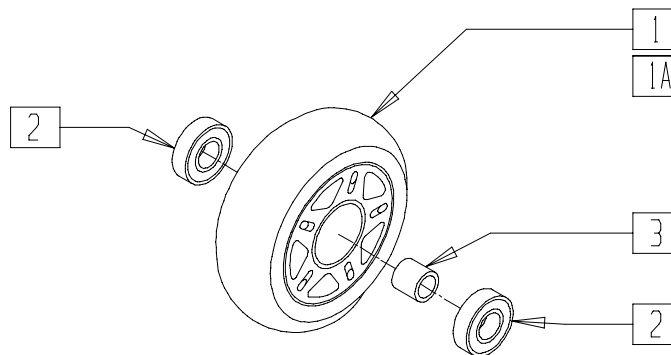
3D00X13

ITEM	NUMBER	DESCRIPTION	QTY
1	522201-522204	BASKETBALL BUMPER 3D 13"-20"	1
2	560350	BB BUMPER COVER 3D	2
3	505240	CLAMP OVAL TUBE BB	2
4	221191	1/4-28 x 2 1/4 G8 HEX C/S	2
5	262100-QU	1/4 AN WASHER FLAT	4
6	201110	1/4-28 NYLOCK NUT	2
7	201110	1/4-28 NYLOCK NUT	2
8	561004	1" SADDLE 1/4" HOLE	4
9	561026	3/4" WASHER 1/4" HOLE	4
10	561002	1" INSERT PLUG .083	2

ITEM	NUMBER	DESCRIPTION	QTY
11	221181	1/4-28 x 2 1/2 G8 HEX C/S	2
11A	221201	1/4-28 x 3 G8 HEX C/S	2
12	560560	FOAM OVAL TUBE CLAMP	2
1-10, 11A, 12	923491, 923493, 923495, 923497,	BASKETBALL BUMPER ASSEMBLY (13", 15", 17", 19")	
1-8, 10-12	923492, 923494, 923496, 923498	BASKETBALL BUMPER ASSEMBLY (14", 16", 18", 20")	

NOTE: BASKETBALL BUMPER AVAILABLE ON 12" AND 15" ONLY.

3" MICRO CASTER

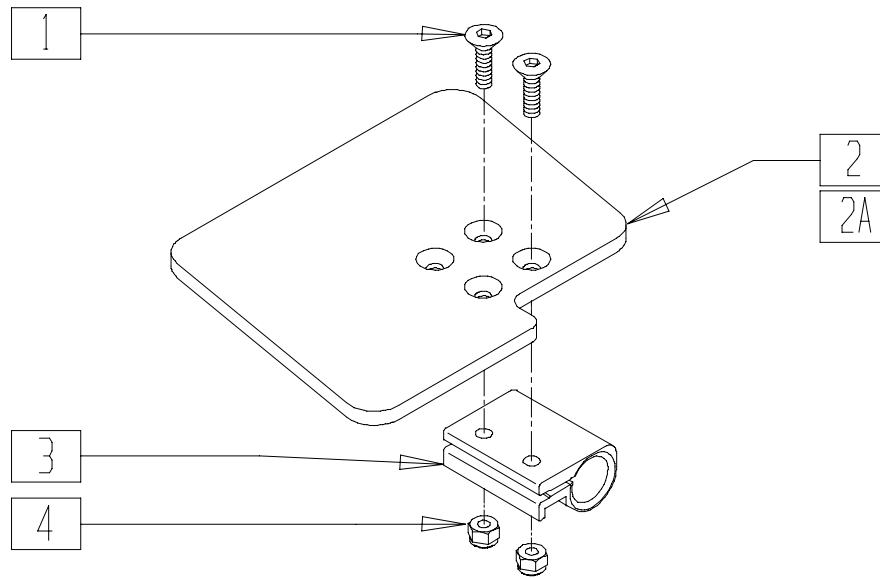


CF0X09A

ITEM	NUMBER	DESCRIPTION	QTY
1A	920077	3" MICRO CASTER LIGHTED (PR)	1
2	349502	7/8 x 5/16 BEARING	2

ITEM	NUMBER	DESCRIPTION	QTY
3	481013	BEARING SPACER	1
1-3	920025	3" MICRO CASTER W/BRNG (PR)	

FOOTPLATE ASSEMBLY (QUICKIE 3D)

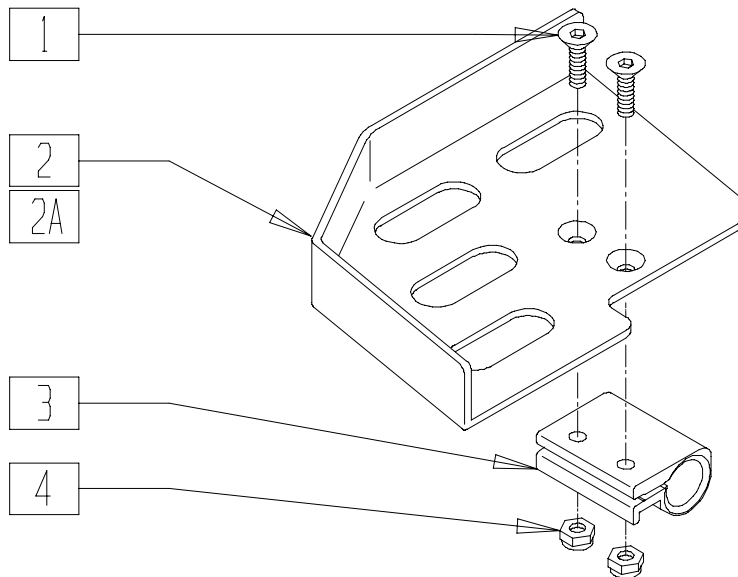


3D00X04

ITEM	NUMBER	DESCRIPTION	QTY
1	226121	1/4-20 x 1 FH C/S BLK	2
2	562616	ANGLE ADJ PLST FOOTPLATE R 3D	1
2A	562617	ANGLE ADJ PLST FOOTPLATE L 3D	1
3	550350	3/4" CLAMP ADJUSTABLE FT PLT	1

ITEM	NUMBER	DESCRIPTION	QTY
4	201136	1/4-20 NYLOCK NUT HIGH	2
1-4	828840	ANGLE ADJ PLST F/PLT ASSM R 3D	
1,2A,3,4	828841	ANGLE ADJ PLST F/PLT ASSM L 3D	

BASKETBALL FOOTPLATE (QUICKIE 3D)

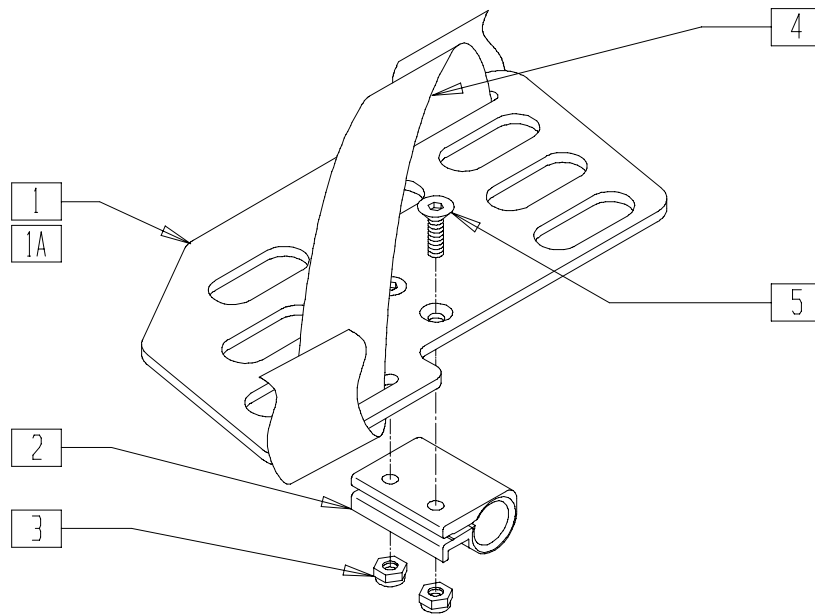


3D00X14

ITEM	NUMBER	DESCRIPTION	QTY
1	226099	1/4-28 x 7/8 FH C/S	2
2	505262	FOOTPLATE BASKETBALL R 3D	1
2A	505263	FOOTPLATE BASKETBALL L 3D	1
3	550350	3/4" CLAMP ADJ FOOTPLATE	1

ITEM	NUMBER	DESCRIPTION	QTY
4	201100-QU	1/4-28 NYLOCK NUT THIN	2
1-4	828846	ANGLE ADJ FT PLT ASSM BB R 3D	
1,2A,3,4	828847	ANGLE ADJ FT PLT ASSM BB L 3D	

TENNIS FOOTPLATE (QUICKIE 3D)

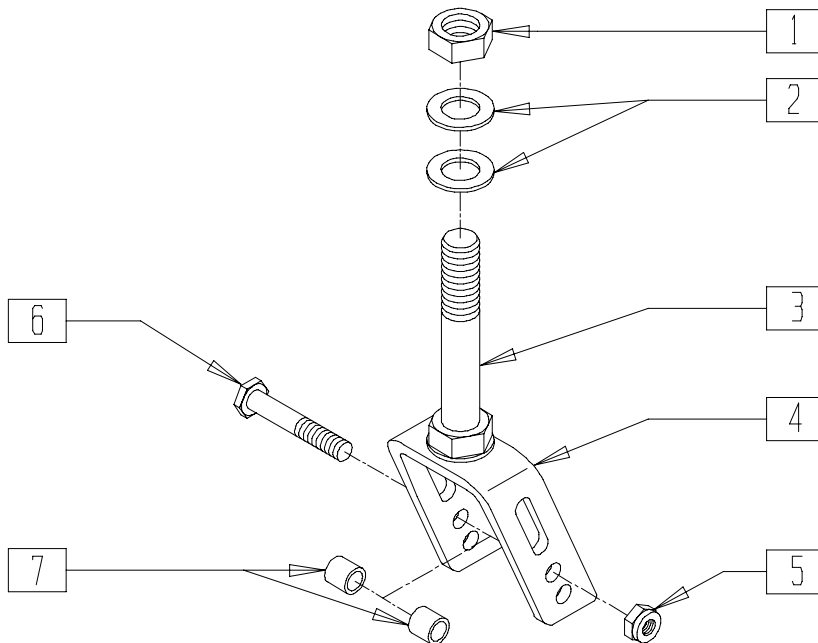


3D00X17

ITEM	NUMBER	DESCRIPTION	QTY
1	505266	FOOTPLATE R 3D TENNIS	1
1A	505267	FOOTPLATE L 3D TENNIS	1
2	550350	3/4" CLAMP ADJ FOOTPLATE	1
3	201100-QU	1/4-28 NYLOCK NUT THIN	2

ITEM	NUMBER	DESCRIPTION	QTY
4	740013	FOOTPLATE STRAP 3D	1
5	226099	1/4-28 x 7/8 FH C/S	2
1,2,3,5	828848	ANGLE ADJ F/PLT ASSM TENNIS R 3D	
1A,2,3,5	828849	ANGLE ADJ F/PLT ASSM TENNIS L 3D	

FORK ASSEMBLY (QUICKIE 3D)

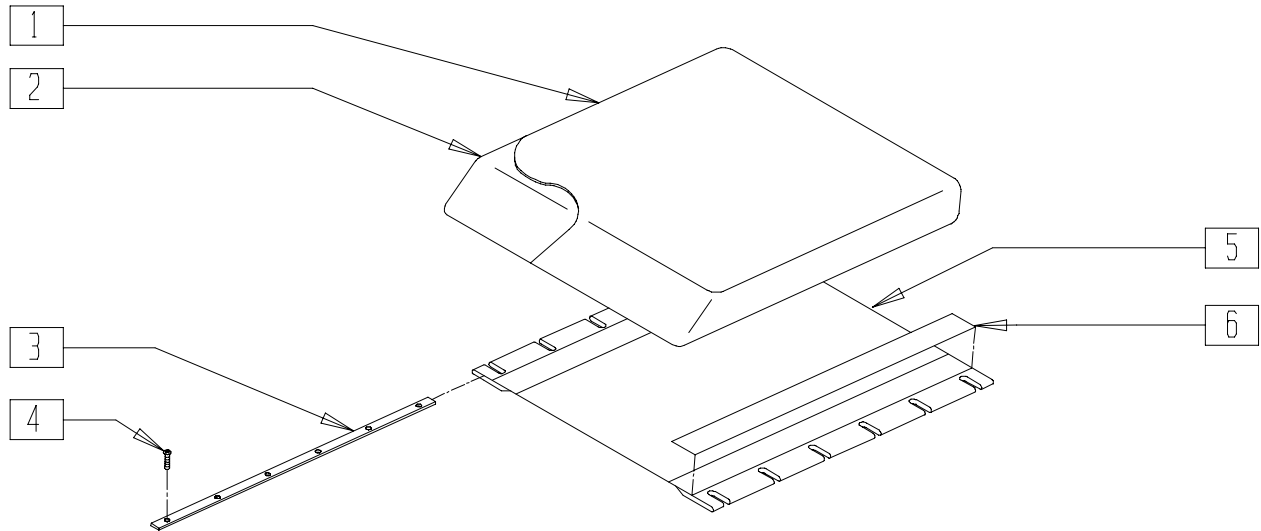


3D00X06

ITEM	NUMBER	DESCRIPTION	QTY
1	330010	1/2-20 NYLOCK NUT ALUMINUM	1
2	264100	1/2 AN WASHER FLAT	2
4	550274	3 1/4" SLOTTED FORK	1
3,4	780351	3 1/4" GP 3D STEM	

ITEM	NUMBER	DESCRIPTION	QTY
5	330005	5/16-24 NYLOCK NUT ALUMINUM	1
6	330110	5/16-24 x 2 1/2 HEX C/S Ti	1
7	481113	SPACER 5/16 x .380	2
1-7	780959	3 1/4" GP 3D STEM W/HDWR Ti	

SEAT SLING AND CUSHION (QUICKIE 3D)

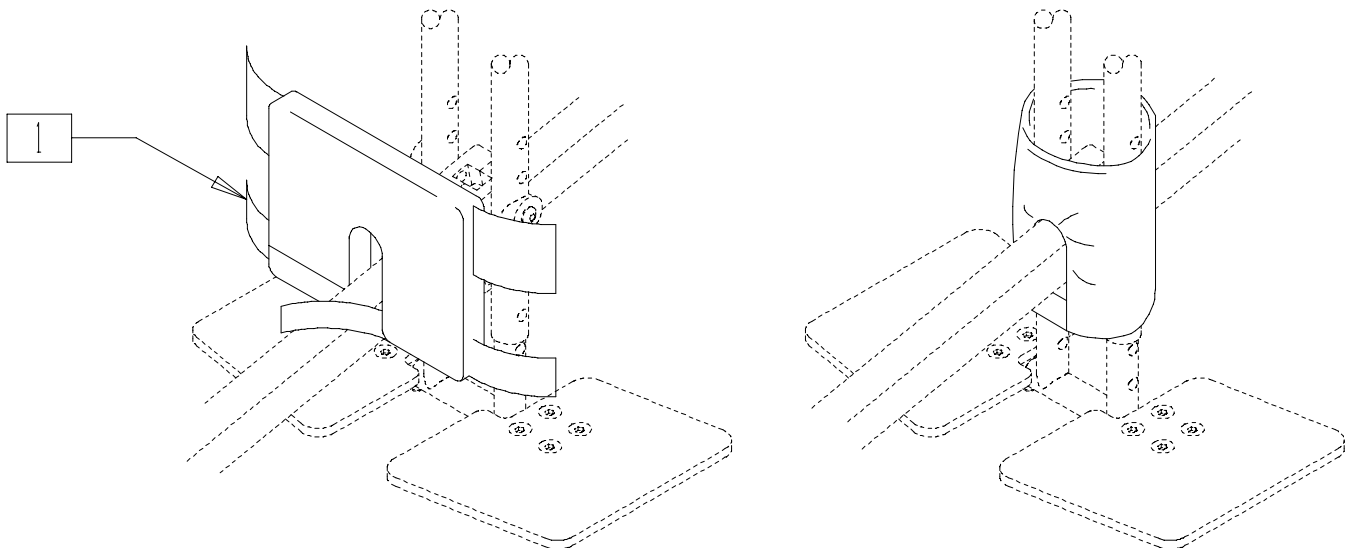


3D00X07

ITEM	NUMBER	DESCRIPTION	QTY
1	701232-701942	SEAT COVER 13" W x 12" D x 2" H - 20" W x 18" D x 2" H	1
2	105232-105942	SEAT FOAM 13" W x 12" D x 2" H - 20" W x 18" D x 2" H	1
1,2	700232-700942	SEAT CUSHION 13" W x 12" D x 2" H - 20" W x 18" D x 2" H	

ITEM	NUMBER	DESCRIPTION	QTY
3	505100-505110	SEAT RAIL 12"-18"	2
4	281122	10-32 x 3/4 PAN PHIL	10-12
5	720202-720904	SEAT SLING	1
6	901170	SEAT SLING VELCRO® STRIP	2

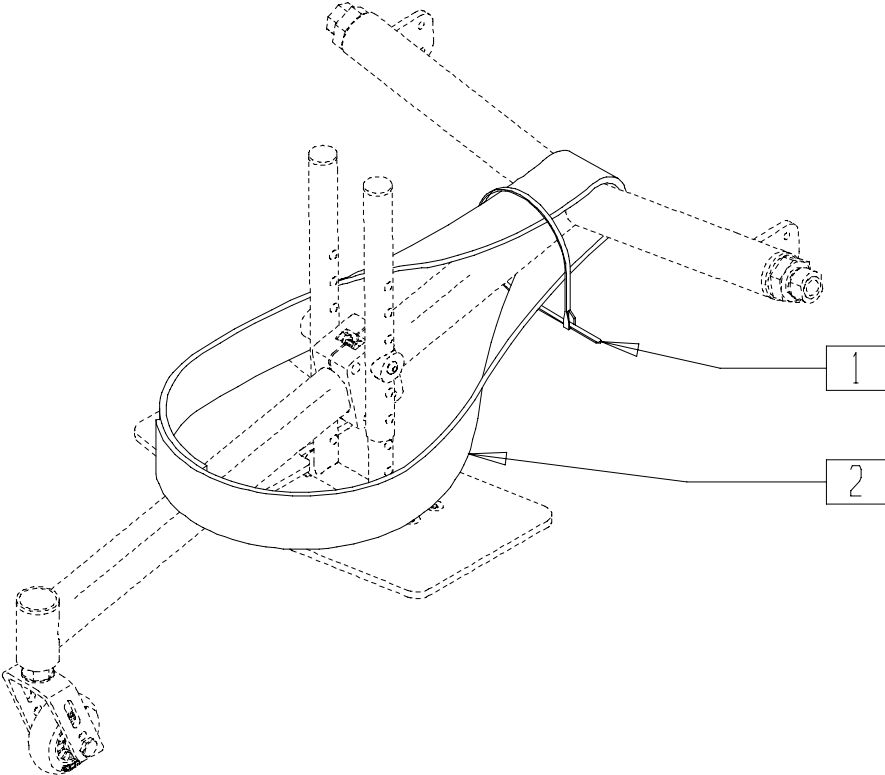
ANKLE PAD (QUICKIE 3D)



3D00X11

ITEM	NUMBER	DESCRIPTION	QTY
1	741600	ANKLE PAD 3D	1

ANKLE STRAP (QUICKIE 3D)



3D00X10

ITEM	NUMBER	DESCRIPTION	QTY
1	560410	ZIP TIE BLACK	1

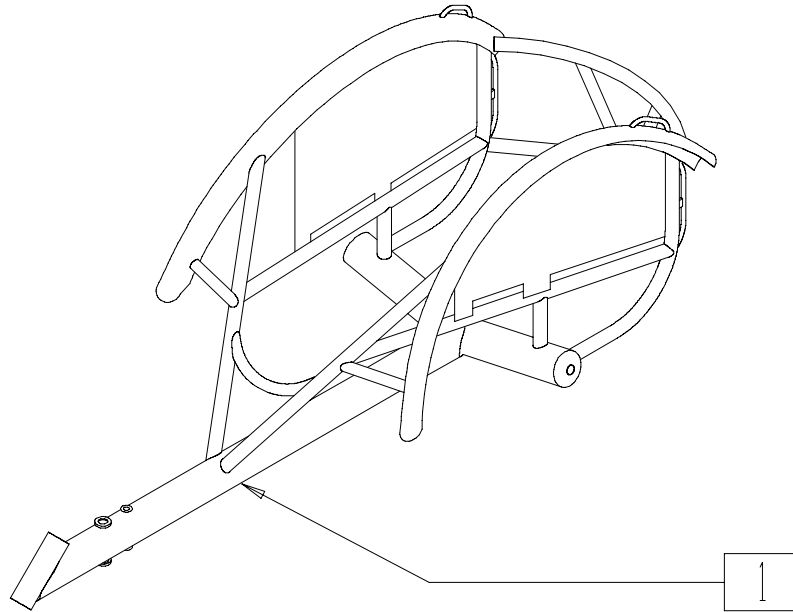
ITEM	NUMBER	DESCRIPTION	QTY
2	741500	ANKLE/BACK STRAP 3D	1

Quickie Racer

IN THIS SECTION

Frame (A-Frame Aluminum Racer)	5.1	Seat and Back Upholstery (Legs Rear)	
Frame (T-tube Aluminum Racer)	5.1	(T-tube Aluminum/Chrome-moly Racer)	5.5
Fork (A-Frame Aluminum Racer).....	5.2	Side Guard (T-tube Aluminum Racer) (Disc.).....	5.6
Fork (T-tube Alum/Chrome-moly Racer) (Disc.)	5.3	Track Steering System (A-Frame Racer)	5.6
Fork (T-tube Aluminum Racer)	5.3	Track Steering System	
Seat and Back Upholstery (Legs Forward)		(T-tube Aluminum/Chrome-moly Racer) (Disc.).....	5.7
(A-Frame/T-tube Aluminum Racer).....	5.4	Track Steering System	
Seat and Back Upholstery (Legs Forward)		(T-tube Aluminum Racer).....	5.7
(T-tube Aluminum Racer/Chrome-moly Racer)	5.4		
Seat and Back Upholstery (Legs Rear)			
(A-Frame/T-tube Aluminum Racer).....	5.5		

FRAME (A-FRAME ALUMINUM RACER)



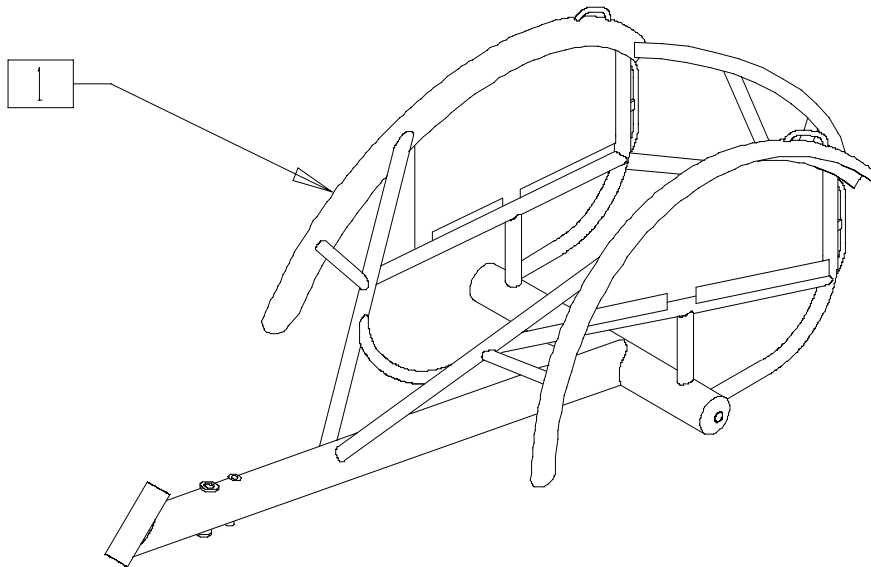
RCR00X11

ITEM	NUMBER	DESCRIPTION	QTY
1	527415	GENERIC A-FRAME W/CAGE 26" 1/2"	1
	527417	GENERIC A-FRAME W/CAGE 26" 7/16"	

ITEM	NUMBER	DESCRIPTION	QTY
1	527418	GENERIC A-FRAME W/CAGE 700C 1/2"	1
	527419	GENERIC A-FRAME W/CAGE 700C 7/16"	

FRAME (T-TUBE ALUMINUM RACER)

(Beginning serial number RCR-8982)

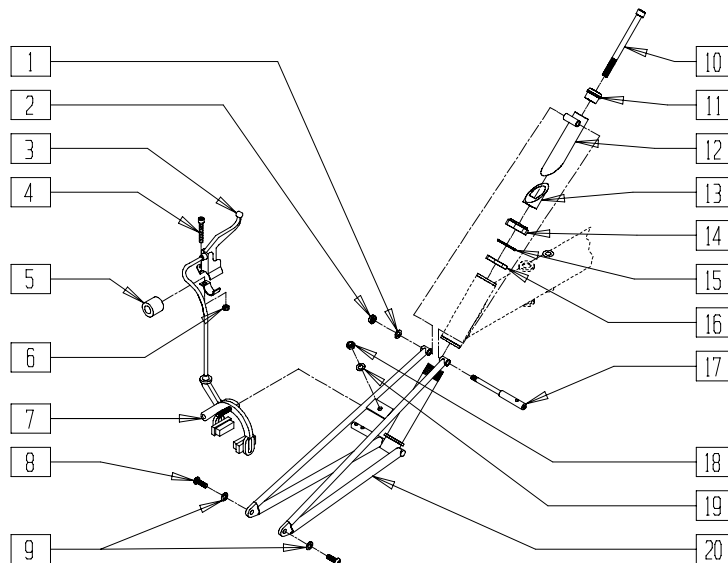


RCR00X12

ITEM	NUMBER	DESCRIPTION	QTY
1	527432	GENERIC T-TUBE W/CAGE 26" 1/2"	1
	527433	GENERIC T-TUBE W/CAGE 26" 7/16"	

ITEM	NUMBER	DESCRIPTION	QTY
1	527434	GENERIC T-TUBE W/CAGE 700C 1/2"	1
	527435	GENERIC T-TUBE W/CAGE 700C 7/16"	

FORK (A-FRAME ALUMINUM RACER)



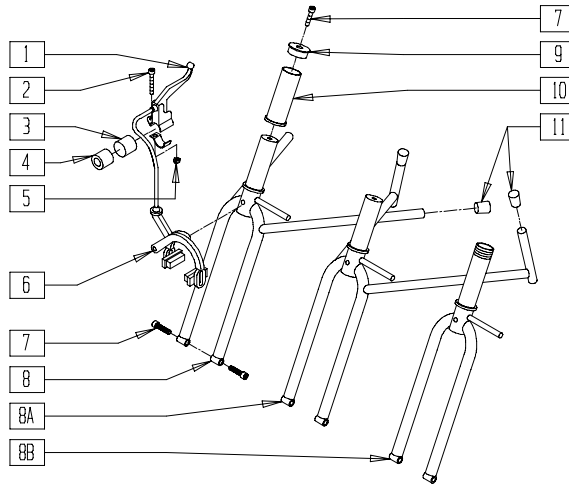
RCR00X13

ITEM	NUMBER	DESCRIPTION	QTY
1	261535	1/4 WASHER STAR EXTERNAL	1
2	201120	1/4-28 AUTOMATION NUT	1
3,4,6	443007	BRAKE LEVER	1
5	443010	BRAKE LEVER SHIM RACER	1
7,18,19	444190	BRAKE BRS 200 CALIPER	1
8	221116	1/4-20 x 1 SOC HD BLK	2
9	262110-QU	1/4 AN WASHER FLAT THIN	2
10	201332	5/16-24 x 4 SOC C/S BLK	1
11	483110	FORK STEM PLUG RACER A-FRAME	1

ITEM	NUMBER	DESCRIPTION	QTY
12	520097	FORK INSERT TUBE WELDED	1
13	341726	HANDLE BAR WEDGE RACER	1
14	203120	1" HEADSET TOP NUT	1
15	261250	1" HEADSET KEYED WASHER	1
16	203121	1-24 HEADSET NUT	1
17	481275	FORK STEERING ARM	1
20	527605	FORK 18" A-FRAME	1
	527606	FORK 20" A-FRAME	

FORK (T-TUBE ALUMINUM/CHROME-MOLY RACER)

(Discontinued - Parts only Fits T-Tube Aluminum Racer prior to serial number RCR-8982)



RCR00X09

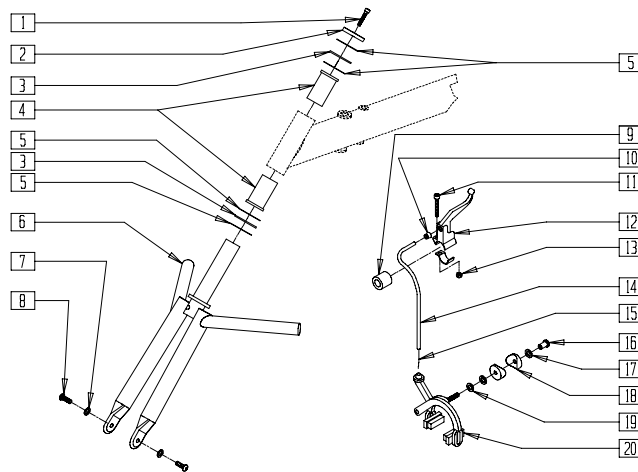
ITEM	NUMBER	DESCRIPTION	QTY
1,2,5	443007	BRAKE LEVER	1
3,4	443010	BRAKE LEVER SHIM RACER	1
6	443005	BRAKE CALIPERS	1
7	221116	1/4-20 x 1 SOC HD BLK	3
8*	527970, 527971, 527975, 527976	RACER FORK (SPECIFY WHEEL SIZE 16",18",20")	1

ITEM	NUMBER	DESCRIPTION	QTY
8A*	527972, 527974, 527977, 527978	RACER FORK W/UPRIGHT (SPECIFY WHEEL SIZE 16",18",20")	1
8B*	527979	RACER FORK B-BRG NO HANDLE (SPECIFY WHEEL SIZE 16",18",20")	
9	500559	HEAD TUBE CAP	1
10	349527	HEAD NYLON BEARING	1
11	341727	HANDLE BAR PLUG 1/2"	2

* ORDER 527975-527979 FOR ALUMINUM T-TUBE PRIOR TO APRIL 1994, CHROME-MOLY T-TUBE PRIOR TO SEPTEMBER 1994 AND ALL OVAL TUBE RACERS.

FORK (T-TUBE ALUMINUM RACER)

(Beginning serial number RCR-8982)



RCR00X14

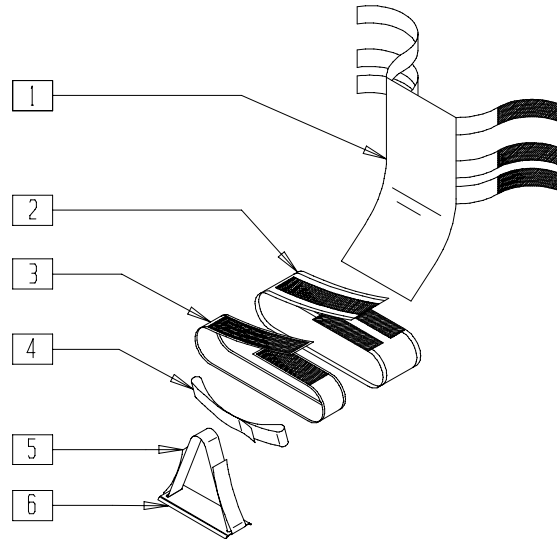
ITEM	NUMBER	DESCRIPTION	QTY
1	201336	10-32 x 1 SOC C/S SS	1
2	483112	FORK BEARING CAP RACER	1
3-5	443096	FORK BEARING KIT RACER	1
6	443090*	FORK 18" ALUMINUM T-FRAME	1
	443091*	FORK 20" ALUMINUM T-FRAME	
7	262110-QU	1/4 AN WASHER FLAT THIN	2
8	221116	1/4-20 x 1 SOC HD BLK	2
9	560406	FRAME BUSHING	1
10	443009	BRK LVR END BTTN HOUSING STP	1

ITEM	NUMBER	DESCRIPTION	QTY
11-13	443095	BRAKE LEVER ALUMINUM RACER	1
14	134160	HOUSING BRAKE	1
15	342070	CABLE BRAKE MTN	1
16	210150	12D x 136 BRK RECESS NUT	1
17	263100	5/16 AN WASHER FLAT	1
18	262097	1/4 ID CONCAVE ALUMINUM WASHER	2
19	262100-QU	1/4 AN WASHER FLAT	2
20	443005	BRAKE CALIPERS	1

* 443090 AND 443091 ARE SUPPLIED WITH CUSTOM HANDLE BARS PER ORDER.

SEAT AND BACK UPHOLSTERY (LEGS FORWARD) (A-FRAME/T-TUBE ALUMINUM RACER)

(Fits T-Tube Aluminum Racer beginning RCR-8982)



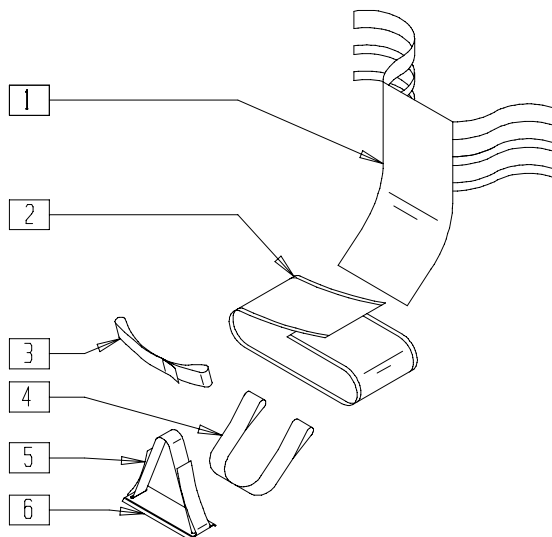
RCR00X18

ITEM	NUMBER	DESCRIPTION	QTY
1	680161, 680163, 680165	BACK UPH SLING RCR	1
2	722174- 722178	UPH SEAT SLING	1
3	721030- 721032	SEAT SLING FRONT RCR	

ITEM	NUMBER	DESCRIPTION	QTY
4	750230, 750232	KNEE STRAP RACER	1
5	740068- 740080	STRAP	1
6	500557	FOOT STRAP PLATE	1

SEAT AND BACK UPHOLSTERY (LEGS FORWARD) (T-TUBE ALUMINUM RACER/CHROME-MOLY RACER)

(Fits T-Tube Aluminum Racer beginning RCR-8982)



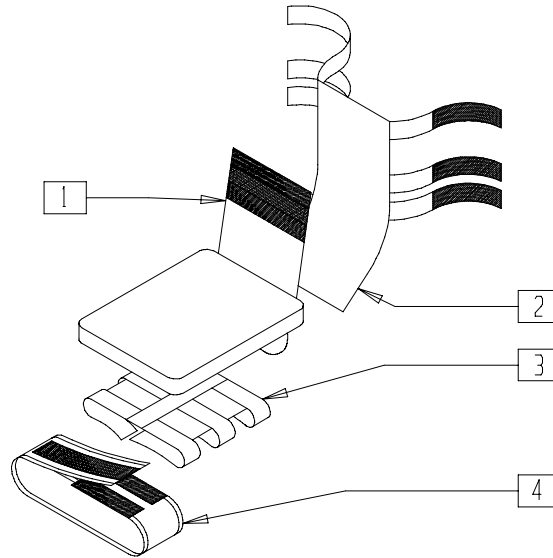
RCR00X03

1	722112, 722122, 722130	UPH BACK SLING	1
2	722160- 722168	UPH SEAT SLING	1
3	740062- 740064	KNEE STRAP	1

4	740159, 740160	CALF STRAP	1
5	740068- 740080	STRAP	1
6	500557	FOOT STRAP PLATE	1

SEAT AND BACK UPHOLSTERY (LEGS REAR) (A-FRAME/T-TUBE ALUMINUM RACER)

(Fits T-Tube Aluminum Racer beginning RCR-8982)



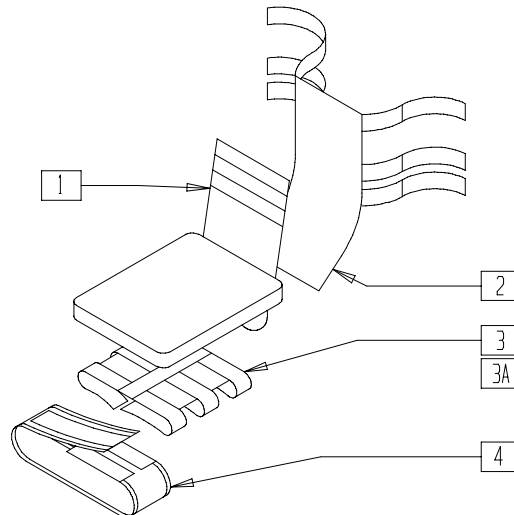
RCR00X17

ITEM	NUMBER	DESCRIPTION	QTY
1	750759, 740088	UPH PADDED FOOT POUCH	1
2	680160, 680162, 680164	BACK UPH SLING RCR	1

ITEM	NUMBER	DESCRIPTION	QTY
3	740270- 740272	LEG SLING UPH	1
4	722174- 722178	UPH SEAT SLING T-TUBE	1

SEAT AND BACK UPHOLSTERY (LEGS REAR) (T-TUBE ALUMINUM/CHROME-MOLY RACER)

(Fits T-Tube Aluminum Racer prior to RCR-8982)



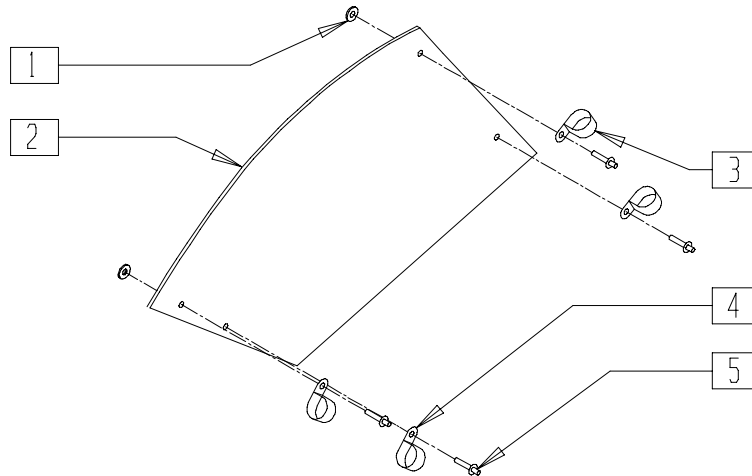
RCR00X21

ITEM	NUMBER	DESCRIPTION	QTY
1	740088, 750759, 750760	UPH PADDED FOOT POUCH	1
2	722110, 722118, 722126	UPH BACK SLING	1

ITEM	NUMBER	DESCRIPTION	QTY
3	722134- 722140	UPH LEG SLING	1
3A	722102, 722106	UPH AMP SLING	1
4	722174- 722178	UPH SEAT SLING T-TUBE	1

SIDE GUARD (T-TUBE ALUMINUM RACER)

(Discontinued - Parts Only Prior to serial number RCR-8992)

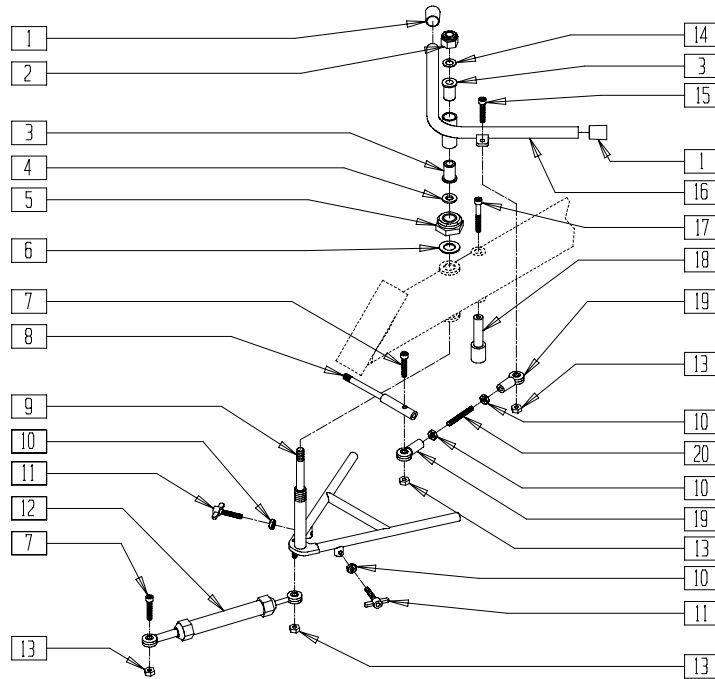


RCR00X07

ITEM	NUMBER	DESCRIPTION	QTY
1	262099	3/16 ALUM WASHER BACKUP	8
2	562124	RACER SIDE GUARD PLASTIC (SPECIFY DIMENSIONS)	2

ITEM	NUMBER	DESCRIPTION	QTY
3	341708	3/4 NYLON CLAMP BLK	4
4	341710	7/8 NYLON CLAMP (ALUM RACER)	4
5	240192	RIVET POP AD66ABSLF	8

TRACK STEERING SYSTEM (A-FRAME RACER)



RCR00X15

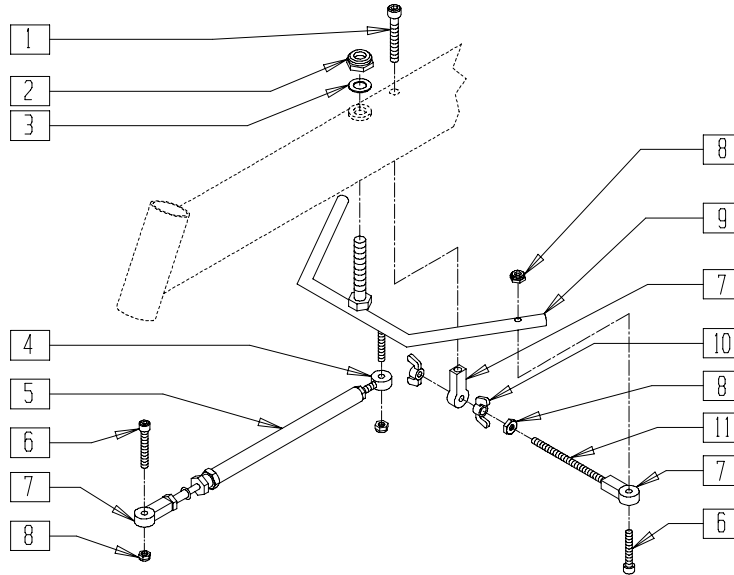
ITEM	NUMBER	DESCRIPTION	QTY
1	341727	HANDLE BAR CAP 1/2"	2
2	330005	5/16-24 NYLOCK NUT ALUMINUM	1
3	561116	HANDLE BAR BUSHING RACER	2
4	481421	HANDLE BAR DISK RACER	1
5	330010	1/2-20 NYLOCK NUT ALUMINUM	1
6	264100	1/2 AN WASHER FLAT	1
7	201336	10-32 x 1 SOC C/S SS	1
8	481275	FORK STEERING ARM	1
9	521222	TRACK STEERING LEVER A-FRAME	1
10	201208	10-32 HEX NUT SS	2

ITEM	NUMBER	DESCRIPTION	QTY
10.11	920289	TRACK STEERING HDWR RACER	2
12	443100	COMPENSATOR RACER	1
13	200108	10-32 NYLOCK NUT HIGH SS	4
14	263110-QU	5/16 AN WASHER FLAT THIN	1
15	281115	10-32 x 3/4 SOC C/S SS	1
16	521219	HANDLE BAR A-FRAME	1
17	201334	10-32 x 1 1/2 SOC C/S	1
18	483111	TRACK STEERING STOP	1
19	330201	ROD-END FEMALE CW-3	2
20	341521	10-32 x 1 3/4 ALL THREAD SS	1

TRACK STEERING SYSTEM

(T-TUBE ALUMINUM/CHROME-MOLY RACER)

(Discontinued - Parts Only Fits T-Tube Aluminum Racer prior to RCR-8982)



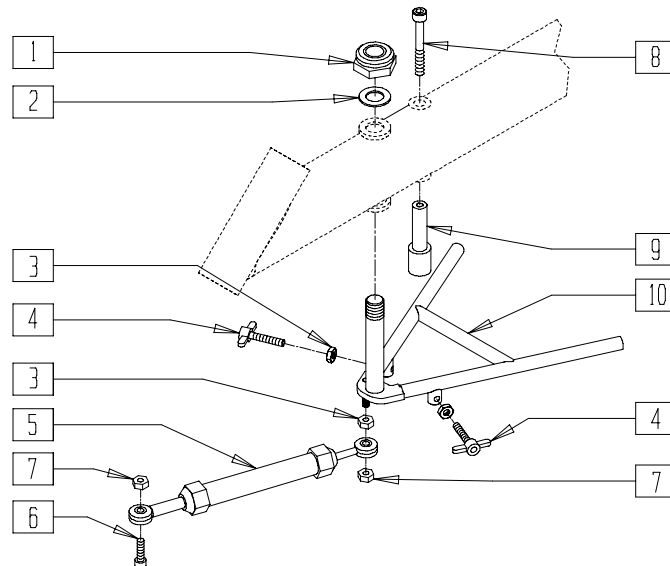
RCR00X10

ITEM	NUMBER	DESCRIPTION	QTY
1	201336	10-32 x 1 SOC C/S SS	1
	201338	10-32 x 2 SOC C/S SS	
2	203110	1/2-20 JAM NUT	1
3	264100	1/2 AN WASHER FLAT	1
4	330200	ROD END MALE CM-3	1
4,5,7	881075	COMPENSATOR ASSM C-MOLY RACER	1
6	201336	10-32 x 1 SOC C/S SS	2
7	330201	ROD END FEMALE CW-3	3

ITEM	NUMBER	DESCRIPTION	QTY	
8	201208	10-32 HEX NUT SS	3	
	443017	TRACK STEERING LEVER CMOLY		
	521302, 521303	COMPENSATOR CM T-TUBE LVR		
9	521304, 521305	COMPENSATOR ALUM T-TUBE LVR	1	
	10	201236		10-32 NYLOCK NUT WING
	11	220031		10-32 x 3 3/4 ALL THREAD SS

TRACK STEERING SYSTEM (T-TUBE ALUMINUM RACER)

(Beginning serial number RCR-8982)



RCR00X16

ITEM	NUMBER	DESCRIPTION	QTY
1	330010	1/2-20 NYLOCK NUT ALUMINUM	1
2	264100	1/2 AN WASHER FLAT	1
3	201208	10-32 HEX NUT SS	2
4	920289	TRACK STEERING HDWR RACER	2
5	443100	COMPENSATOR RACER	1

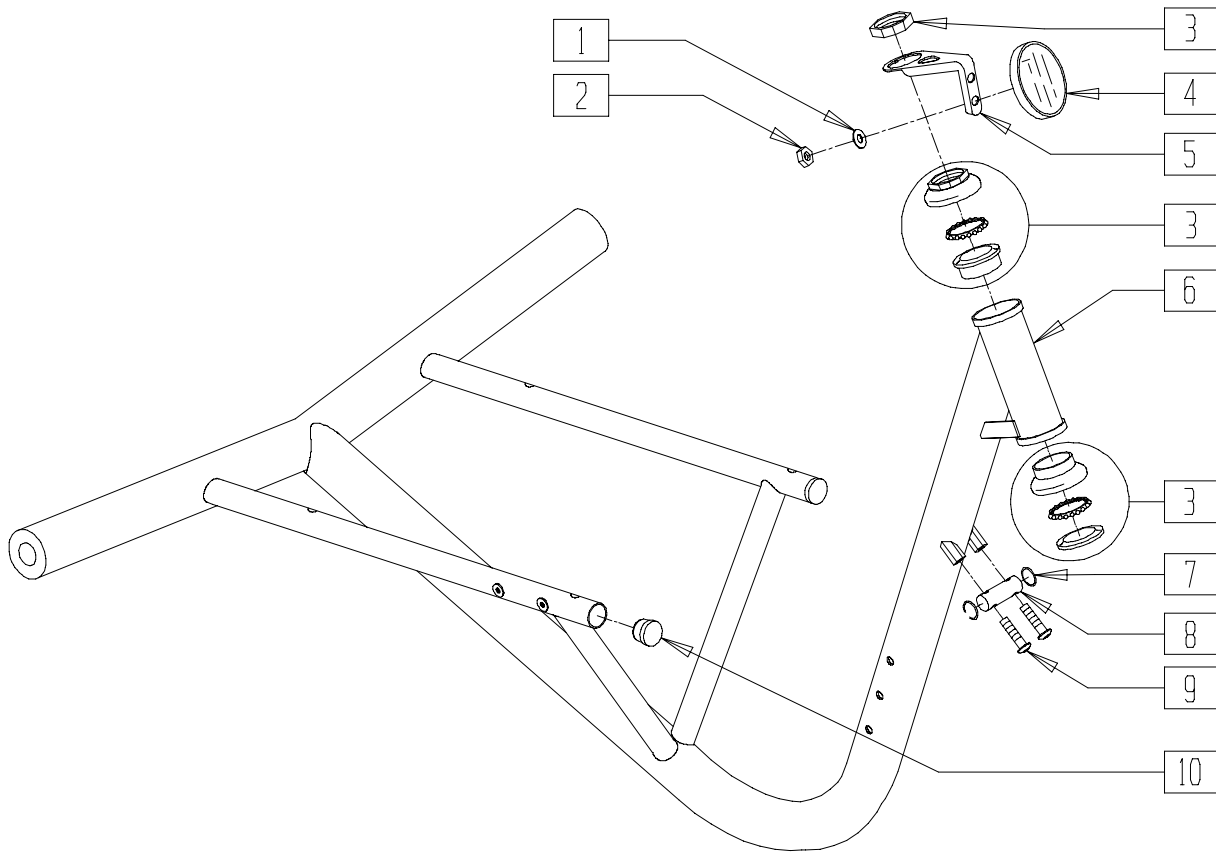
ITEM	NUMBER	DESCRIPTION	QTY
6	281115	10-32 x 3/4 SOC C/S SS	1
7	200108	10-32 NYLOCK NUT HIGH SS	2
8	201334	10-32 x 1 1/2 SOC C/S	1
9	483111	TRACK STEERING STOP	1
10	521212	TRACK STEERING LEVER T-TUBE	1

Quickie Kidz Bike and Mach 2

IN THIS SECTION

Frame (Quickie Kidz Bike/Mach 2).....	6.1	Backrest and Seat Upholstery (Quickie Mach 2).....	6.5
Seat Frame (Quickie Kidz Bike/Mach 2)	6.2	Footplate (Quickie Kidz Bike/Mach 2)	6.6
Backrest (Quickie Kidz Bike/Mach 2)	6.3	Fork Assembly (Quickie Kidz Bike/Mach 2)	6.7
Folding Backrest (Quickie Kidz Bike/Mach 2)	6.4	Head Assembly (Quickie Kidz Bike/Mach 2)	6.8
Backrest and Seat Upholstery (Quickie Kidz Bike)	6.5		

FRAME (QUICKIE KIDZ BIKE/MACH 2)

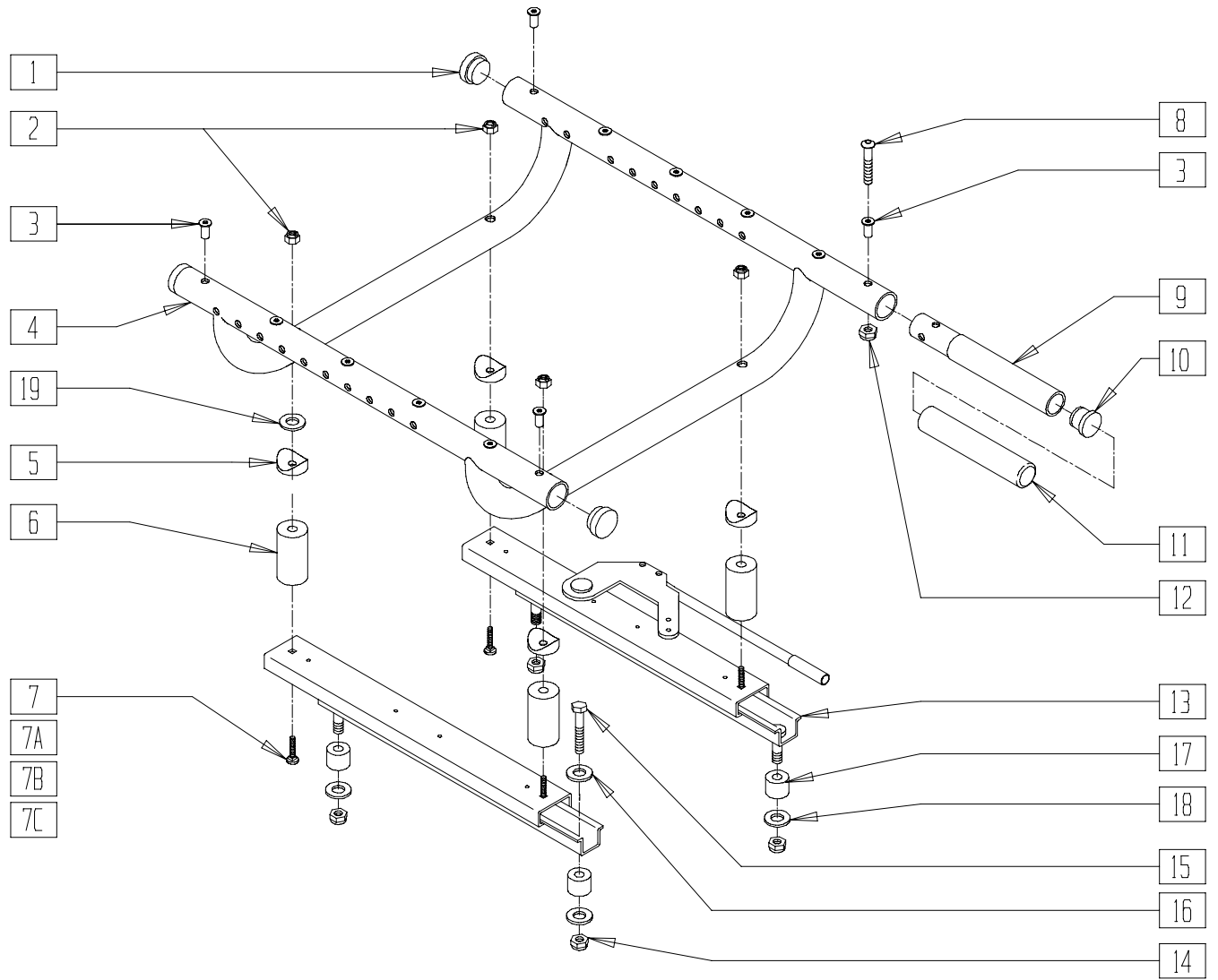


LC00X02

ITEM	NUMBER	DESCRIPTION	QTY
3	443026	HEADSET 26.4 x 30.2 BL	1
6	527760,	MAIN FRAME M2	1
	527761		
	527762	MAIN FRAME QKB (KIDZ BIKE)	
7	342075	1/2" ID x 11/16" OD O-RING	2

ITEM	NUMBER	DESCRIPTION	QTY
8	500196	COMPENSATOR BRACKET	1
9	226120	1/4-20 x 1 BH C/S	2
10	560761	3/4" INSERT PLUG .049 (18 GA)	2
1,2,4,5	923484	REFLECTOR KIT 4 WAY	

SEAT FRAME (QUICKIE KIDZ BIKE/MACH 2)



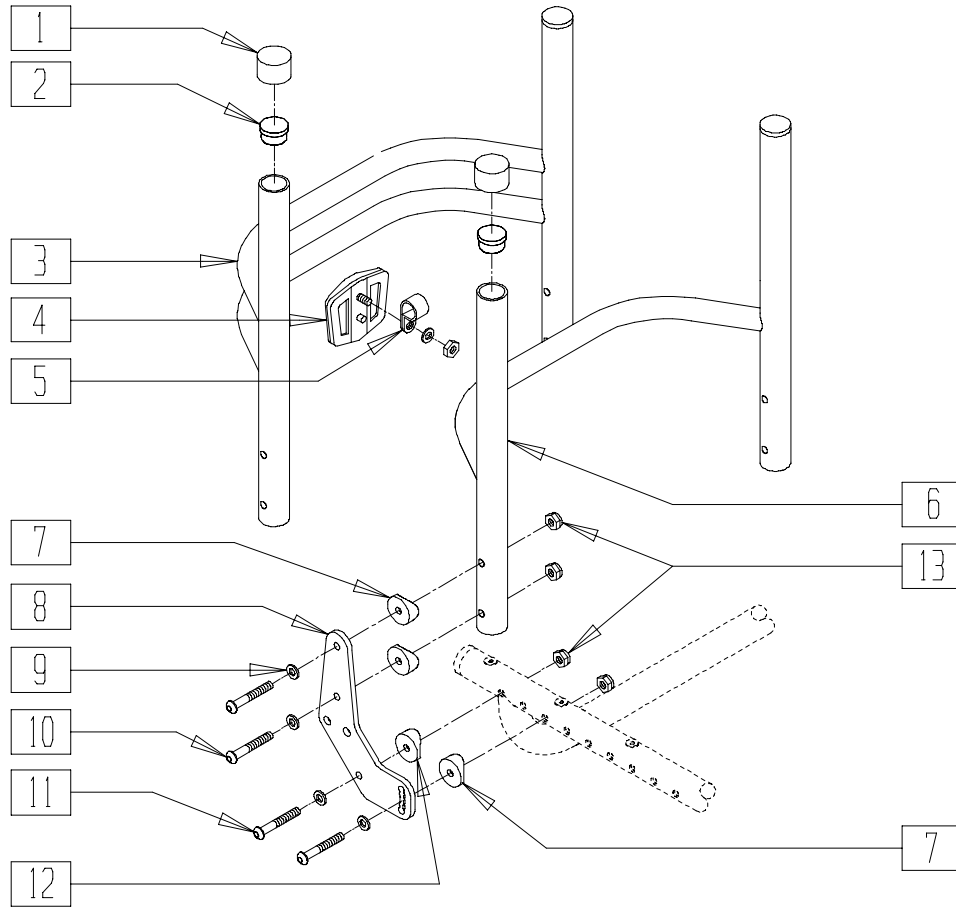
LC00X03B

ITEM	NUMBER	DESCRIPTION	QTY
1	561002	1" INSERT PLUG .083	4
2	202103	5/16-18 NYLOCK NUT THICK	4
3	341497	10-32 x .020-.130 RIVNUT GOLD	12
1,3,4	660103-660110	SEAT FRAME ASSEMBLY M2/M3 13"-20"	
	660300-660302	SEAT FRAME ASSEMBLY QKB 12"-14" (KIDZ BIKE)	
5	561006	1" SADDLE 5/16" HOLE	4
6	483154	2" SEAT SPACER M2/M3	4
7	226177	5/16-18 x 1 1/2 CARR BLT	4
7A	226199	5/16-18 x 3 1/2 CARR BLT	4
7B	226187	5/16-18 x 3/4 CARR BLT	4
7C	226185	5/16-18 x 2 1/2 CARR BLT	4
8	226130	1/4-28 x 1 1/2 BH C/S	1
9	521255	TRANSFER HANDLE 3D	1,2

ITEM	NUMBER	DESCRIPTION	QTY
10	561007	7/8" INSERT PLUG .083	1,2
11	560628	4 1/2 x .840 x .125 FOAM GRIP	1,2
12	201100-QU	1/4-28 NYLOCK NUT THIN	1
13	442092	SEAT SLIDE 7" TRAVEL	1
14	202110	5/16-18 NUT THIN	4
15	222098-QU	5/16-24 x 1 1/4 HEX C/S (M2/M3)	4
	222099	5/16-24 x 1 1/2 HEX C/S (KIDZ BIKE)	
16	263110-QU	5/16 AN WASHER FLAT THIN	4
17	561184	SPACER 3/8 x .3 (KIDZ BIKE)	4
18	561016	1" WASHER 5/16" HOLE (KIDZ BIKE)	4
19*	561016	1" WASHER 5/16" HOLE (KIDZ BIKE)	4
8-12	883050	TRANSFER HANDLE W/FOAM AND HARDWARE	

NOTE: TRANSFER HANDLE NOT AVAILABLE FOR QUICKIE KIDZ BIKE.
 * ITEM 19 IS USED ON KIDZ BIKE IN PLACE OF ITEMS 5 AND 6.

BACKREST (QUICKIE KIDZ BIKE/MACH 2)



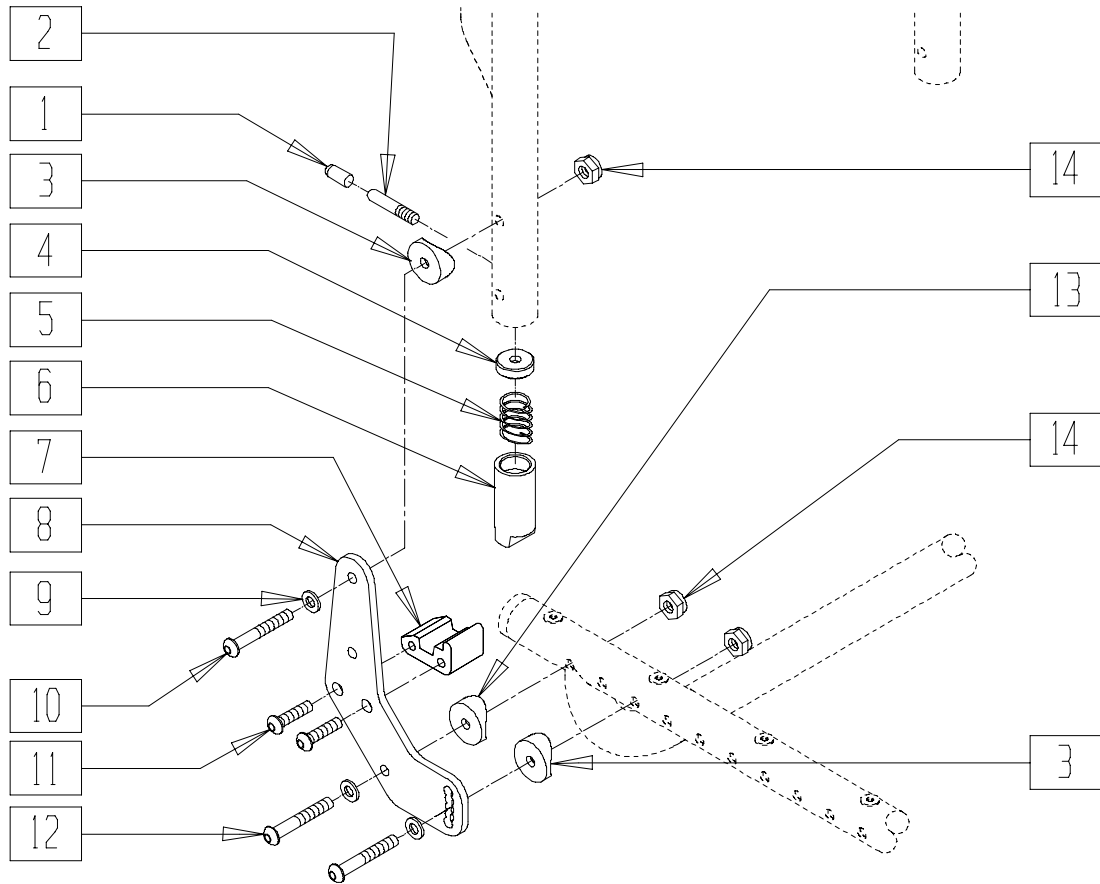
LC00X03

ITEM	NUMBER	DESCRIPTION	QTY
1	561014	1" MED CAP	2
2	561002	1" INSERT PLUG .083	2
1-3	680133-680140	BACK ASSEMBLY 13"-20" TALL M3/M2	
4	349630	REFLECTOR RR WHEEL FROM 2350	1
5	341708	3/4 NYLON CLAMP BLACK	1
1,2,6	680113-680120	BACK ASSEMBLY 13"-20" LOW M3/M2	
	680123-680130	BACK ASSEMBLY 13"-20" MED M3/M2	
	680260-680262	BACK ASSEMBLY 12"-14" X-LOW QKB (KIDZ BIKE)	
	680263-680265	BACK ASSEMBLY 12"-14" LOW QKB (KIDZ BIKE)	

ITEM	NUMBER	DESCRIPTION	QTY
7	561004	1" SADDLE 1/4" HOLE	4
8	500195	BACK PLATE KIDZ/EX	2
9	262110-QU	1/4 AN WASHER FLAT	8
10	226140	1/4-28 x 1 3/4 BH C/S	6
11	226140	1/4-28 x 1 3/4 BH C/S (W/OUT POSITIONING BELT)	2
	226150	1/4-28 x 2" BH C/S (W/POSITIONING BELT)	
12	561086	1" HALF SADDLE 1/4" HOLE	2
13	201110-QU	1/4-28 NYLOCK NUT	8
7-12	880621	BACK PLATE NF W/HARDWARE	
	882621	BACK PLATE NF W/HARDWARE M2/QB W/BELT	

MACH 2 AND QUICKIE KIDZ BIKE CAN BE USED WITHOUT BELT.

FOLDING BACKREST (QUICKIE KIDZ BIKE/MACH 2)

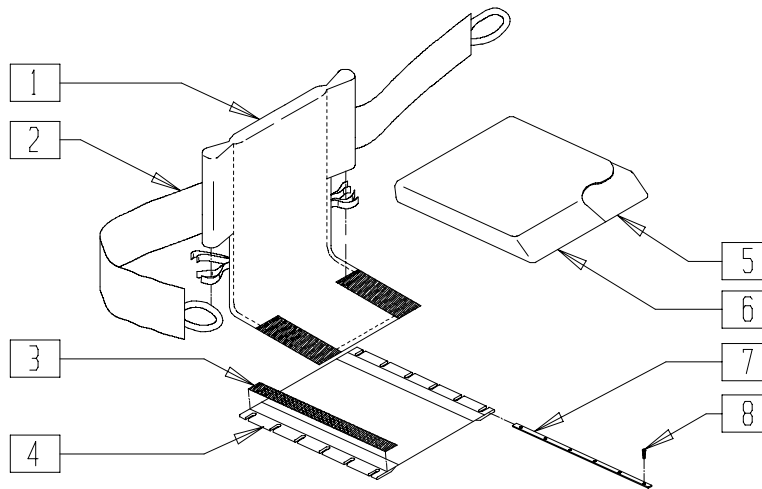


LC00X03A

ITEM	NUMBER	DESCRIPTION	QTY
1	560502	ANTI-TIP LEVER COVER	1
2	481084	BACK REL PIN Z2/QT/EX	1
3	561004	1" SADDLE 1/4" HOLE	2
4	483020	S/A SPRING RETAINER	1
5	321110	S/A LATCH SPRING	1
6	483806	BACKREST LATCH SLIDER KIDZ	1
7	550340, 550341	BACKREST LATCH BLOCK P2/KZ (EA)	1
8	500195	BACK PLATE KIDZ/EX	1

ITEM	NUMBER	DESCRIPTION	QTY
9	262100-QU	1/4 AN WASHER FLAT	3
10	226140	1/4-28 x 1 3/4 BH C/S	3
11	226182	5/16-18 x 1 BH C/S	2
12	226140	1/4-28 x 1 3/4 BH C/S	1
13	561086	1" HALF SADDLE 1/4" HOLE	2
14	201110-QU	1/4-28 NYLOCK NUT	3
1-14	880687, 880688	BACK PLATE W/HARDWARE M2 (EA)	

BACKREST AND SEAT UPHOLSTERY (QUICKIE KIDZ BIKE)

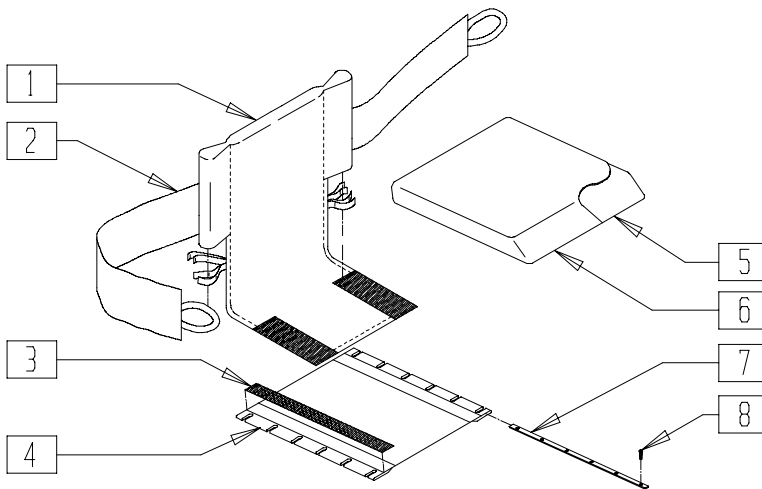


LC00X06

ITEM	NUMBER	DESCRIPTION	QTY
1	680041-680073	BACK UPH QKB 12" X-SHT - 14" X-SHT	1
2	740162	CHEST STRAP 2" KIDZ SHT QKB	1
	740172	CHEST STRAP 4" KIDZ SHT QKB	
3	901170	SEAT SLING VELCRO® STRIP	2
4	720105-720303	SEAT SLING	1

ITEM	NUMBER	DESCRIPTION	QTY
5	105102-105322	SEAT FOAM 12" x 10" x 2" - 14" x 14" x 2"	1
6	701102-701312	SEAT COVER 12" x 10" x 2" - 14" x 13" x 2"	1
5,6	700102-700312	SEAT CUSHION (W/COVER AND FOAM) 12" x 10" x 2" - 14" x 13" x 2"	
7	505104	SEAT RAIL 15"	2
8	281122	10-32 x 3/4 PAN PHIL	12

BACKREST AND SEAT UPHOLSTERY (QUICKIE MACH 2)

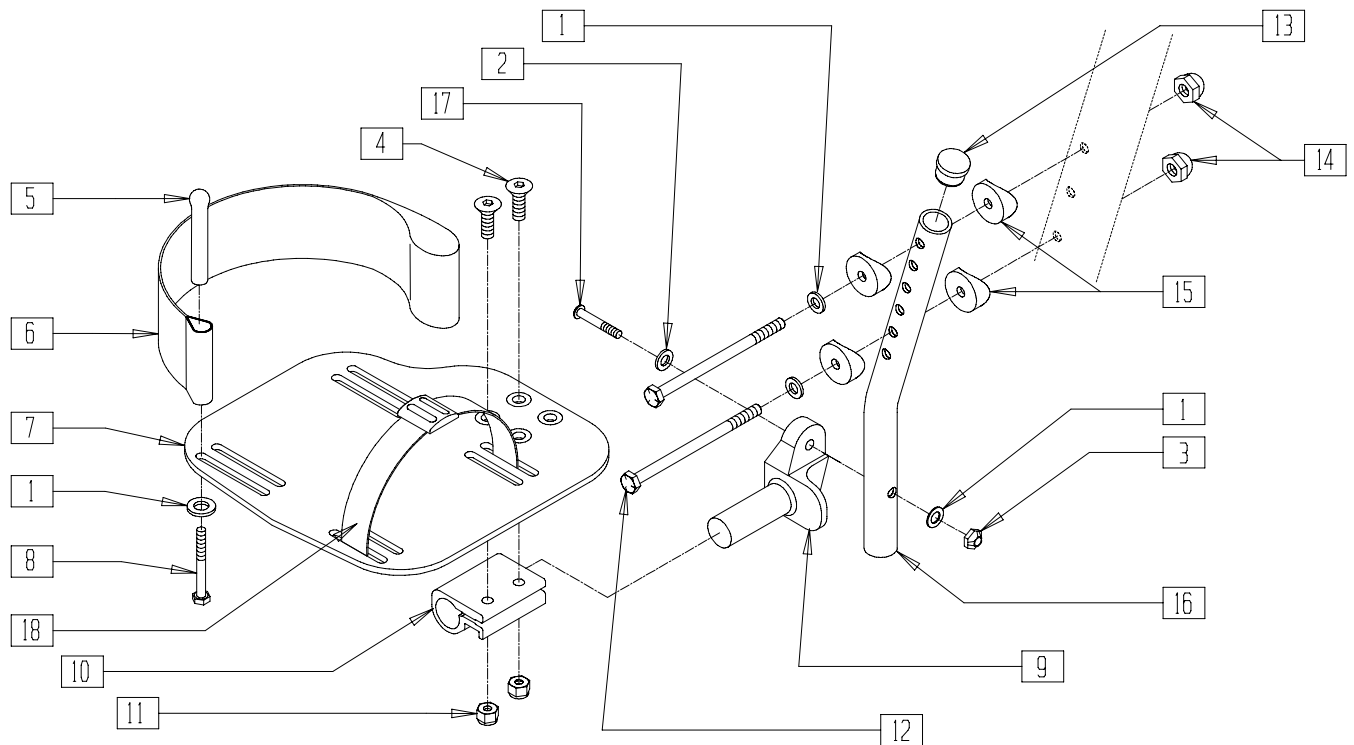


LC00X06

ITEM	NUMBER	DESCRIPTION	QTY
1	680043-680070	BACK UPH 13" LOW - 20" TALL M2/M3	1
2	740157	CHEST STRAP 2" M2	1
	740158	CHEST STRAP 4" M2	
	740163	CHEST STRAP 2" ADLT LNG (60")	
	740173	CHEST STRAP 4" ADLT LNG (60")	
3	901170	SEAT SLING VELCRO® STRIP	2
4	720207-720903	SEAT SLING (13" x 17" - 20" x 17")	1

ITEM	NUMBER	DESCRIPTION	QTY
5	105222-105922	SEAT FOAM 13" x 12" x 2" - 20" x 16" x 2"	1
6	701222-701922	SEAT COVER 13" x 12" x 2" - 20" x 16" x 2"	1
5,6	700222-700922	SEAT CUSHION (W/COVER AND FOAM) 13" x 12" x 2" - 20" x 16" x 2"	1
7	505108	SEAT RAIL 17"	1
8	281122	10-32 x 3/4 PAN PHIL	12

FOOTPLATE (QUICKIE KIDZ BIKE/MACH 2)

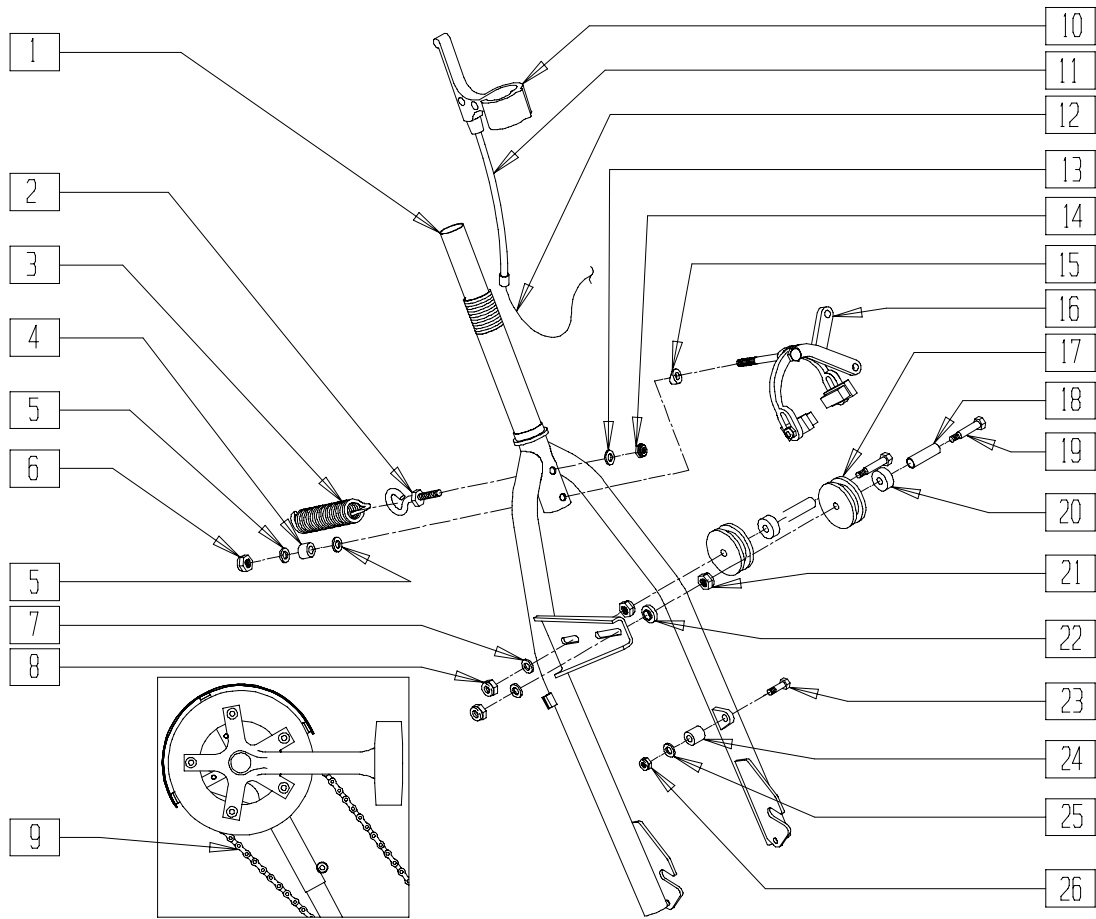


LC00X23a

ITEM	NUMBER	DESCRIPTION	QTY
1	262110-QU	1/4 AN WASHER FLAT THIN	8
2	262120	1/4 SAE WASHER	2
3	201120	1/4-28 AUTOMATION NUT	2
4	226099	1/4-28 x 7/8 FH C/S	4
5	561040	HEEL LOOP PEG	2
6	741153	HL 18-20 CMPST/14-15 ANG ADJ (KIDZ BIKE)	2
7	500662, 500663	ADULT ANGLE ADJ F/PLT (EA) (M2)	2
	500660, 500661	ADULT ANGLE ADJ F/PLT (EA)(KIDZ BIKE)	
8	221110	1/4-20 x 1 HEX C/S	2
9	541002, 541003	FOOTREST MNTG BRKT 3/8 RAD (EA)	
10	550350	3/4" CLAMP ADJ FOOTPLATE	2
11	201100-QU	1/4-28 NYLOCK NUT THIN	4
12	221142	1/4-20 x 3 3/4 HEX C/S	4

ITEM	NUMBER	DESCRIPTION	QTY
13	482028	3/4" DOME PLUG .125	2
14	201129	1/4-20 ACORN NUT ZP	2
15	561003	3/4" SADDLE THIN	8
16	521080	FOOTREST TUBE SHORT M2	2
	521081	FOOTREST TUBE STANDARD M2	
17	226167	1/4-28 x 1.625 BH C/S BLK	2
18	740260	TOE/ANKLE STRAP ADJ ADLT F/PLT	2
1,12-16	921234	F/PLT EXT TUBE ASSM SHORT M2	
	921235	F/PLT EXT TUBE ASSM STD M2	
1-11	921233	F/PLT EXT TUBE ASSM QKB	
	820465,	FOOTPLATE ADULT ADJ 16/17 HL (EA) (MACH 2)	
	820467	(EA) (MACH 2)	
820461, 820463	FOOTPLATE ADULT ADJ 14/15 HL (EA) (KIDZ BIKE)		
1-16	921323	FP ADLT ADJ 16/17 HL (PR) (MACH 2)	
	921321	FP ADLT ADJ 14/15 HL (PR) (KIDZ BIKE)	

FORK ASSEMBLY (QUICKIE KIDZ BIKE/MACH 2)



LC00X08

ITEM	NUMBER	DESCRIPTION	QTY
1	880704	FORK ASSEMBLY PNTD SHORT M2	1
	880705	FORK ASSEMBLY PNTD STD M2	
	880707	FORK ASSEMBLY PNTD QKB	
2	341707	5/16-18 x 3 1/4 EYE BOLT	1
3	321115	3 3/4" x .812 EXT SPRING	1
4	483027	1/4 x 1/4 ALUM SPACER BLK	1
5	262100-QU	1/4 AN WASHER FLAT	3
7	263100	5/16 AN WASHER FLAT	2
8	202100-MJ	5/16-24 NYLOCK NUT THIN	2
9	442014	CHAIN BLK 116L	1
10	442088	LEVER BRAKE LOCKING RX-5	1
11	134160	HOUSING BRAKE	1
12	342070	CABLE BRAKE MTN	1
13	263100	5/16 AN WASHER FLAT	1
14	202103	5/16-18 NYLOCK NUT THICK	1

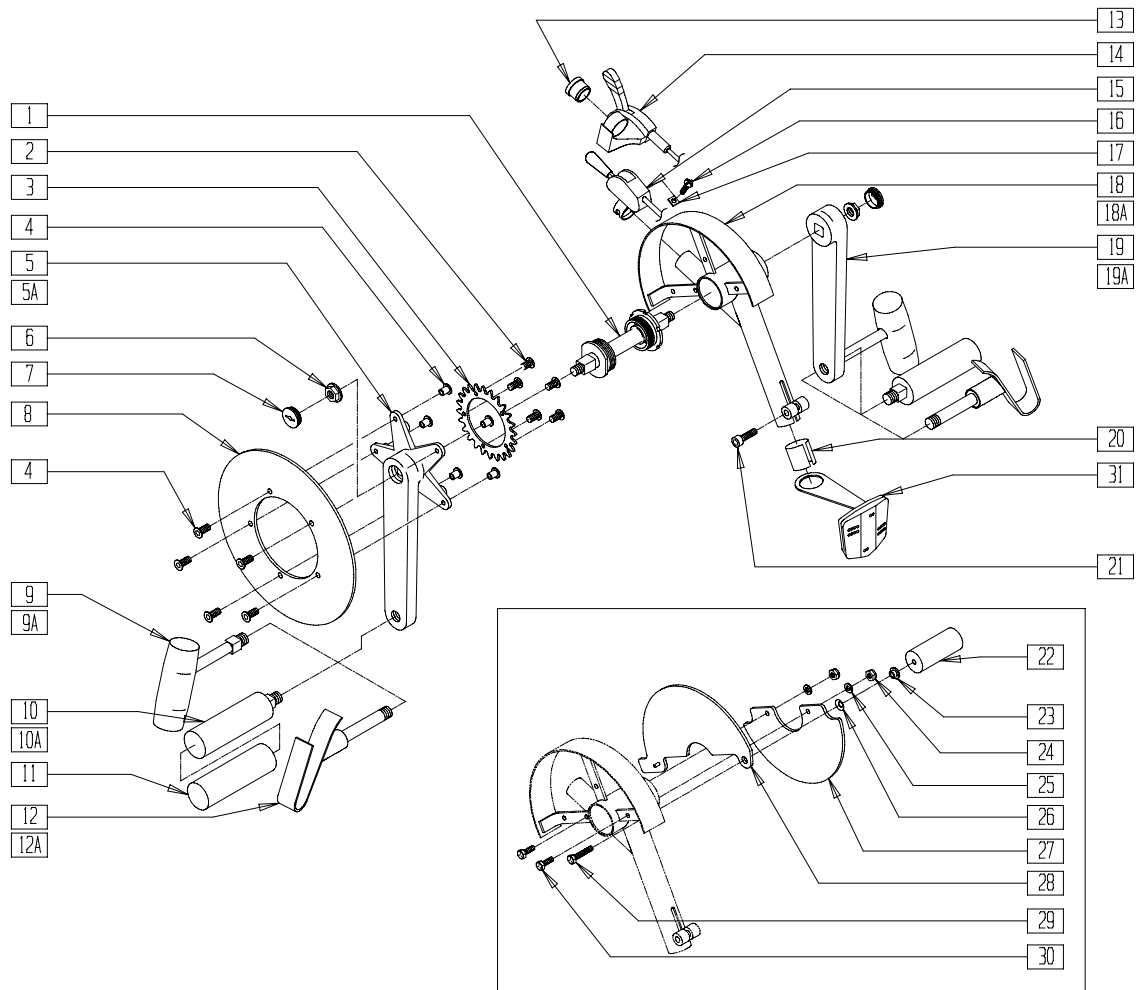
ITEM	NUMBER	DESCRIPTION	QTY
6,15,16	444038	BRK DIA CMPE 730 FRNT ARC	
17	442342	WHEEL PULLEY 2 1/4	2
18	442103	SPCR PLY WHEEL M3 DS (MACH 2)	2
	442101	SPCR PLY WHEEL QKB (KIDZ BIKE)	
19	222099	5/16-24 x 1 1/2 HEX CLS	2
20	560244	PULLEY WHEEL STOP M2	2
21	202108	5/16-24 HEX JAM NUT	2
22	483520	PULLEY WHEEL BUSHING M2	1,2
23	221105	1/4-20 x 3/4 HEX C/S	1
24*	481097	BRAKE ARM SPACER 3 SPD M2	1
25**	262100-QU	1/4 AN WASHER FLAT	1
26	201105	1/4-20 NYLOCK NUT THIN	1
4-6,10-12,15,16	442006	BRAKE 2ND CALIPER PRE ASSEMBLY	

NOTE: ITEM 20 NOT USED ON QUICKIE KIDZ BIKE.

* ITEM 24 USED ON 3 SPEED ONLY

** ITEM 25 USED ON 7 SPEED ONLY

HEAD ASSEMBLY (QUICKIE KIDZ BIKE/MACH 2)



LC00X05a

ITEM	NUMBER	DESCRIPTION	QTY
1,6	881681	SPINDAL ASSEMBLY M2	1
2,4	341566	CHAIN RING BOLT KIT	1
3	442011	CHAIN RING 26 TOOTH	1
5	444160	CRANK ARM STD PROFILE 170mm (MACH 2)	1
7	561171	CRANK ARM DUST CAPS	2
8	444107	GUARD CHAINRING 48 INNER	1
9	880636, 880637	HANDLE STD ASSEMBLY 1 1/4 (SMALL VERTICAL HANDLE) (EA)	1
9A	881640, 440073	HANDLE VERT STD ASSM 1 3/8 (VERTICAL HANDLE) (EA)	1
10	880638, 880639	HANDLE HORIZONTAL ASSM (EA)	1
11	560659	FOAM GRIP HORIZONTAL HANDLE	2
12	442080, 442081	HANDLE EP VINYL (EASY POWER QUAD)(EA)	1
13	560735	7/8" ROUND TUBE PLUG	1
14	342063	7 SPD SHIFTER CLICK BOX ASSM	1
15	362213	3 SPD HUB SHIFTER	1
16	362219	3 SPD HUB SHIFTER BOLT	1
17	362218	3 SPD HUB SHIFTER NUT	1
18	617020	UPPER MAIN FRAME STD M2	1
18A	617021	UPPER MAIN FRAME SHORT M2	1
19	444161	CRANK ARM STD PROFILE 170mm (MACH 2)	1

ITEM	NUMBER	DESCRIPTION	QTY
5A,19A	444091	CRNK ARM STD PROFILE 152mm (KIDZ BIKE) (PAIR)	1
20	330300	BRASS SHIM 2 11/16 x 1 1/2 x .010"	1
21	201342	6 x 1 x 20mm SOC C/S	1
22	444133	MOUNT COMPUTER	1
23	483159	CHAIN GUARD BUSHING M2	1
24	200101-QU	10-32 NYLOCK NUT THIN	2
25	262099	3/16 ALUM WASHER BACKUP	1
26	262134	5/16 WASHER SPRING DISC	1
27	560183	INNER CHAIN GUARD BOTTOM M2	1
28	560184	INNER CHAIN GUARD TOP M3	1
29	281122	10-32 x 3/4 PAN PHIL	1
30	226211	10-32 x 1/2 HEX C/S SS	2
31	349632	REFLECTOR FRONT FROM 2350	1
1,6,18,21, 23-28,30	880657	HEAD ASSEMBLY SINGLE SPEED QKB	
1,6,15,18, 21-30	880651	HEAD ASSEMBLY 3 SPEED STD M2	
1,6,14,18, 21,23-30	880653	HEAD ASSEMBLY 7 SPEED STD M2	
1,6,15,18A, 21-30	881651	HEAD ASSEMBLY 3 SPEED SHRT M2	
1,6,14,18A, 21,23-30	881653	HEAD ASSEMBLY 7 SPEED SHRT M2	
1,6,15,18, 21,23-30	880655	HEAD ASSM 3 SPEED QKB	

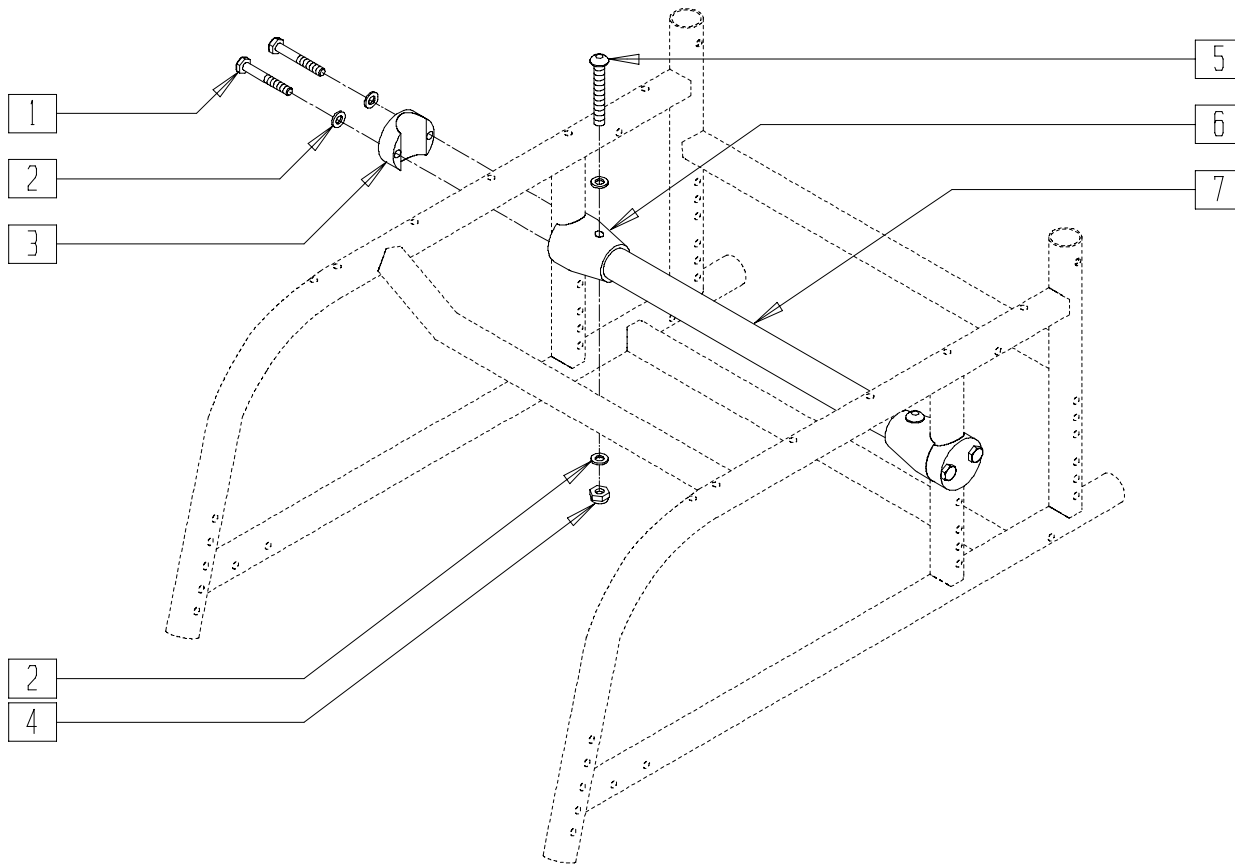
NOTE: ITEM 22 NOT USED ON QUICKIE KIDZ BIKE.
NOTE: SEE ACCESSORIES SECTION FOR CYCLOMETERS.

Quickie Cyclone, Cycl-one

IN THIS SECTION

Strut Kit (Quickie Cyclone).....	7.1	Receiver Tube Assembly (Quickie Cyclone).....	7.5
Fork and Fender Assembly (Quickie Cyclone)	7.2	Fork Assembly (Quickie Cycl-one) (Disc.)	7.6
Head Assembly (Quickie Kidz Bike/Mach 2/Cyclone)	7.3	Head Assembly (12 Speed) (Quickie Cycl-one) (Disc.).....	7.7
Attachment Tube Assembly (Quickie Cyclone).....	7.4	Quick-Attach (Quickie Cycl-one) (Disc.)	7.8

STRUT KIT (QUICKIE CYCLONE)

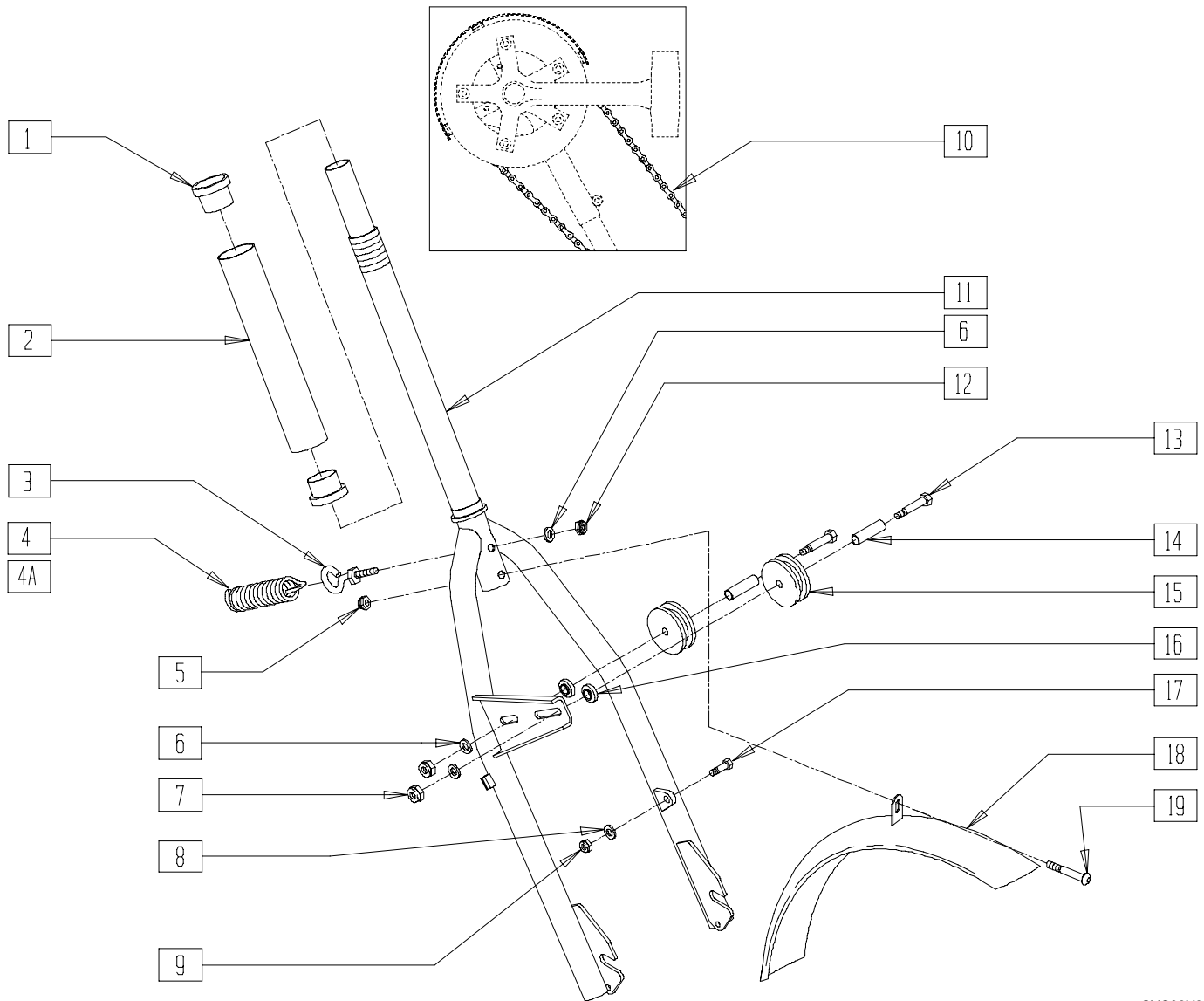


CYC00X01

ITEM	NUMBER	DESCRIPTION	QTY
1	221126	1/4-20 x 1 1/4 G8 HEX C/S	4
2	262100-QU	1/4 AN WASHER FLAT	8
3	483031	STRLLR HNDL REC BOTTOM KIDZ	2
4	201110-QU	1/4-28 NYLOCK NUT	2
5	226150	1/4-28 x 2 BH C/S	2

ITEM	NUMBER	DESCRIPTION	QTY
6	551265	STRUT RECEIVER TOP CYC	2
7	526070- 526076	STRUT TUBE 14" - 20" CYCLONE	1
1-7	888850- 888856	14" - 20" STRUT KIT W/HARDWARE CYCLONE	

FORK AND FENDER ASSEMBLY (QUICKIE CYCLONE)

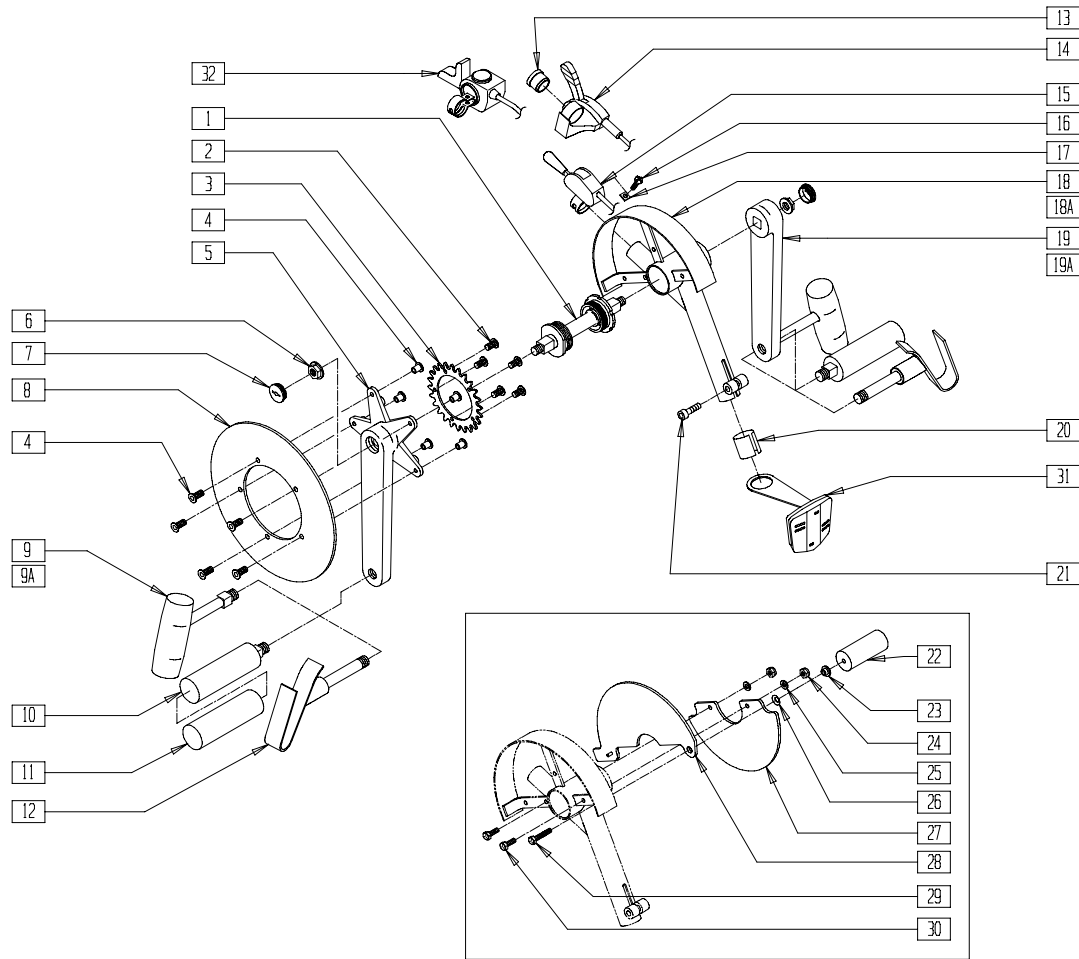


CYC00X02

ITEM	NUMBER	DESCRIPTION	QTY
1	443026	HEADSET 26.4 x 30.2 BL	1
2	527991	HEAD TUBE CYC	1
3	341707	5/16-18 x 3 1/4 EYE BOLT	1
4	321115	3 3/4 x .812 EXT SPRING	1
4A	321168	SPRING .25 x 7/16	1
5	201110-QU	1/4-28 NYLOCK NUT	1
6	263100	5/16 AN WASHER FLAT	3
7	202100-MJ	5/16-24 NYLOCK NUT THIN	2
8	262100-QU	1/4 AN WASHER FLAT	1
9	201136	1/4-20 NYLOCK NUT HIGH	1

ITEM	NUMBER	DESCRIPTION	QTY
10	442014	CHAIN BLK 116L	1
11	880928	FORK ASSEMBLY CYC	1
12	202103	5/16-18 NYLOCK NUT THICK	1
13	222110	5/16-24 x 1 3/4 HEX CLS	1
14	442103	SPACER PULLEY WHEEL M3 DS M2	2
15	442342	WHEEL PULLEY 2 1/4	2
16	483520	PULLEY WHEEL BUSHING M2	2
17	221105-QU	1/4-20 x 3/4 HEX C/S	1
18	444098	FENDER SPLASH GUARD	1
19	226130	1/4-28 x 1 1/2 BH C/S	1

HEAD ASSEMBLY (QUICKIE KIDZ BIKE/MACH 2/CYCLONE)



CYC00X04

ITEM	NUMBER	DESCRIPTION	QTY
1,6	881681	SPINDAL ASSEMBLY M2	1
2,4	341566	CHAIN RING BOLT KIT	1
3	442011	CHAIN RING 26 TOOTH	1
5	444160	CRANK ARM STD PROFILE R 170mm (MACH 2)	1
7	561171	CRANK ARM DUST CAPS	2
8	444107	GUARD CHAINRING 48 INNER	1
9	880636, 880637	HANDLE STD ASSEMBLY 1 1/4 (EA)	1
9A	881640, 440073	HANDLE VERT STD ASSM 1 3/8	1
10	880638, 880639	HANDLE HORIZONTAL ASSM (EA)	
11	560659	FOAM GRIP HORIZONTAL HANDLE	2
12	442080, 442081	HANDLE EP VINYL (EA)	1
13	760735	7/8" ROUND TUBE PLUG	1
14*	342063	7 SPD SHIFTER CLICK BOX ASSM	1
15	362213	3 SPD HUB SHIFTER	1
16	362219	3 SPD HUB SHIFTER BOLT	1
17	362218	3 SPD HUB SHIFTER NUT	1
18	617020	UPPER MAIN FRAME STD M2	1
18A	617021	UPPER MAIN FRAME SHORT M2	1

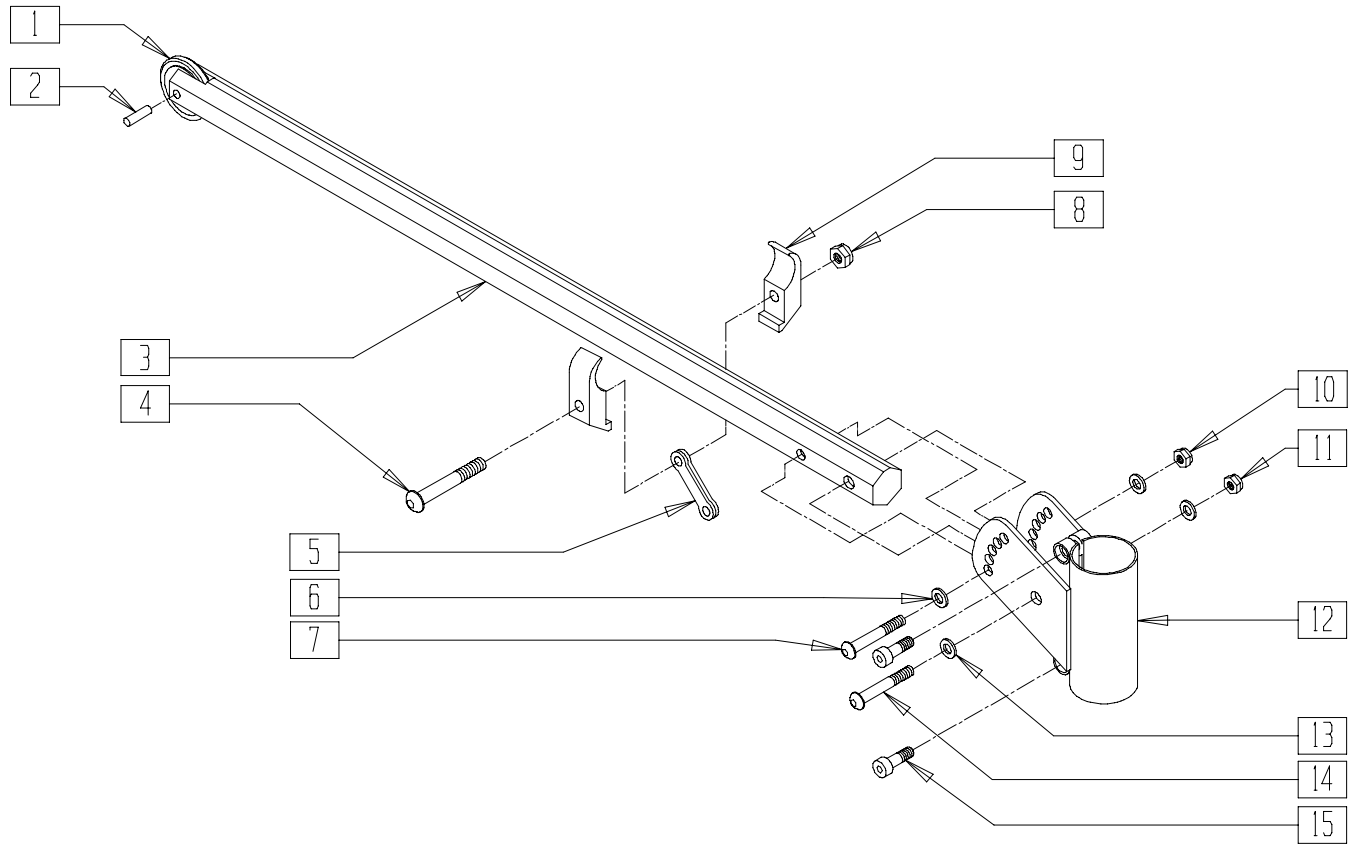
ITEM	NUMBER	DESCRIPTION	QTY
5,19	444161	CRANK ARM STD PROFILE 170mm (MACH 2)	1
19A	444091	CRANK ARM STD PROFILE 152mm (KIDZ BIKE) (PR)	1
20	330300	BRASS SHIM 2 11/16" x 1 1/2" x .010"	1
21	201342	6 x 1 x 20mm SOC C/S	1
22	444133	MOUNT COMPUTER	1
23	483159	CHAIN GUARD BUSHING M2	1
24	200101-QU	10-32 NYLOCK NUT THIN	2
25	262099	3/16 ALUM WASHER BACKUP	1
26	262134	5/16 WASHER SPRING DISC	1
27	560183	INNER CHAIN GUARD BOTTOM M2	1
28	560184	INNER CHAIN GUARD TOP M3	1
29	281122	10-32 x 3/4 PAN PHIL	1
30	226211	10-32 x 1/2 HEX C/S SS	2
31	349632	REFLECTOR FRNT FROM 2350	1
32	342061	7 SPD RAPID FIRE SHFTR SHIMANO	1
1,6,18,21, 23-28,30	880657	HEAD ASSM SINGLE SPD QKB	
1,6,14,18, 21,23-30	880653	HEAD ASSEMBLY 7 SPEED STD M2	
1,6,14,18A, 21,23-30	881653	HEAD ASSEMBLY 7 SPEED SHORT M2	

NOTE: ITEM 22 NOT USED ON QUICKIE KIDZ BIKE.

NOTE: SEE ACCESSORIES SECTION FOR CYCLOMETERS.

* FOR USE ON SRAM 7 SPEED HUB ONLY; AVAILABLE FOR PARTS ONLY; DISCONTINUED 6/99.

ATTACHMENT TUBE ASSEMBLY (QUICKIE CYCLONE)

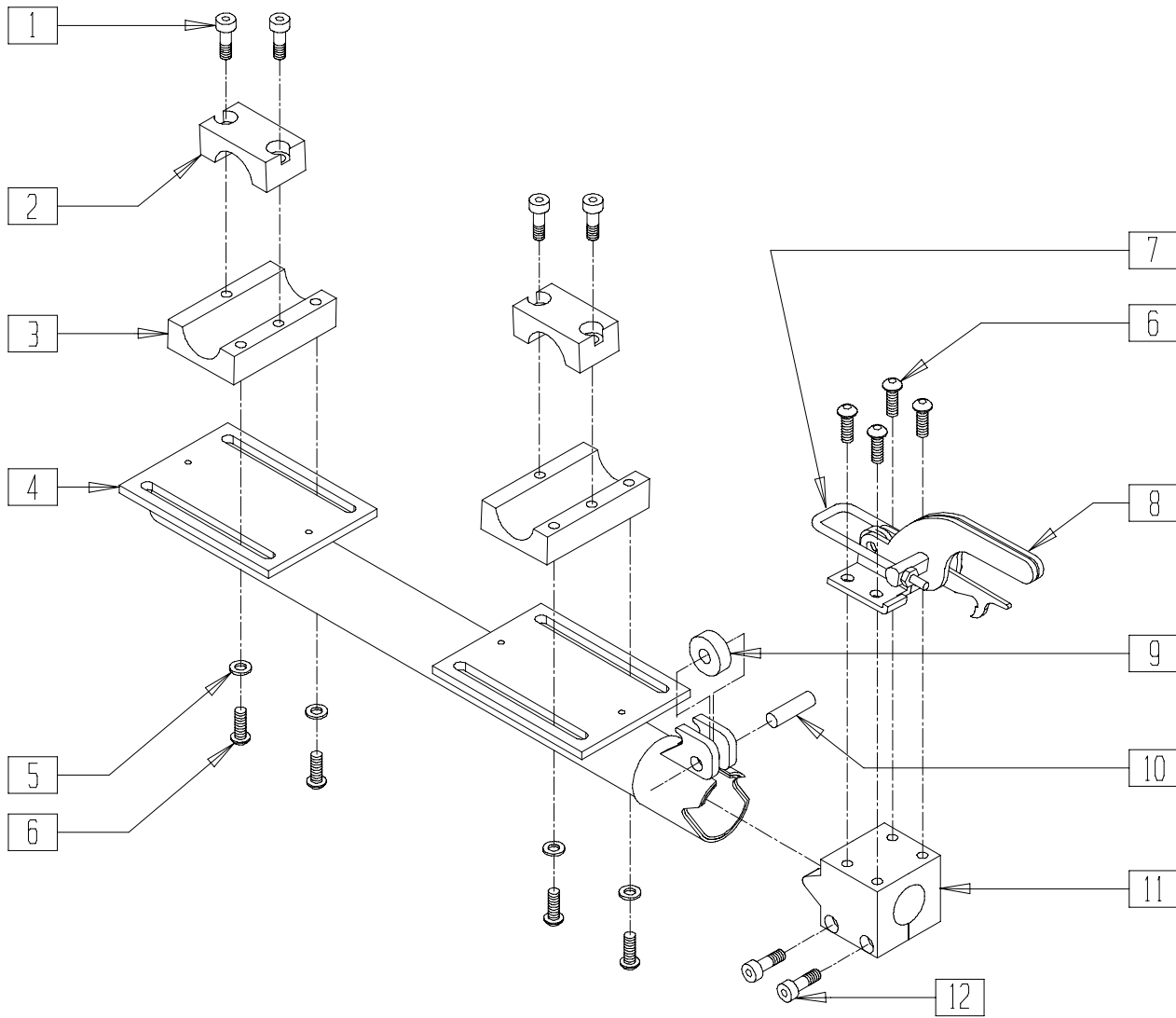


CYC00X06

ITEM	NUMBER	DESCRIPTION	QTY
1	349534	BEARING ASSEMBLY 1 1/8 CYC	1
2	483285	BEARING PIN 3/8 OD CYC	3
3	527998	ATTACH TUBE HEX CYC	1
4	226140	1/4-28 x 1 3/4 BH C/S	1
5	504995	TOGGLE LINK 1.125	2
6	262100-QU	1/4 AN WASHER FLAT	2
7	226130	1/4-28 x 1 1/2 BH C/S	1
8	201110-QU	1/4-28 NYLOCK NUT	1

ITEM	NUMBER	DESCRIPTION	QTY
9	551264	COMPENSATOR CLAMP CYC	1
10	201100-QU	1/4-28 NYLOCK NUT THIN	1
11	202100-MJ	5/16-24 NYLOCK NUT THIN	1
12	541200	TOP TUBE ANGL ADJ BRKT CYC	1
13	263100	5/16 AN WASHER FLAT	2
14	226138	5/16-24 x 1 1/2 BH C/S	2
15	201342	6 x 1 x 20mm SOC C/S	2
1-3	881386	ATTACH TUBE ASSM CYC	

RECEIVER TUBE ASSEMBLY (QUICKIE CYCLONE)



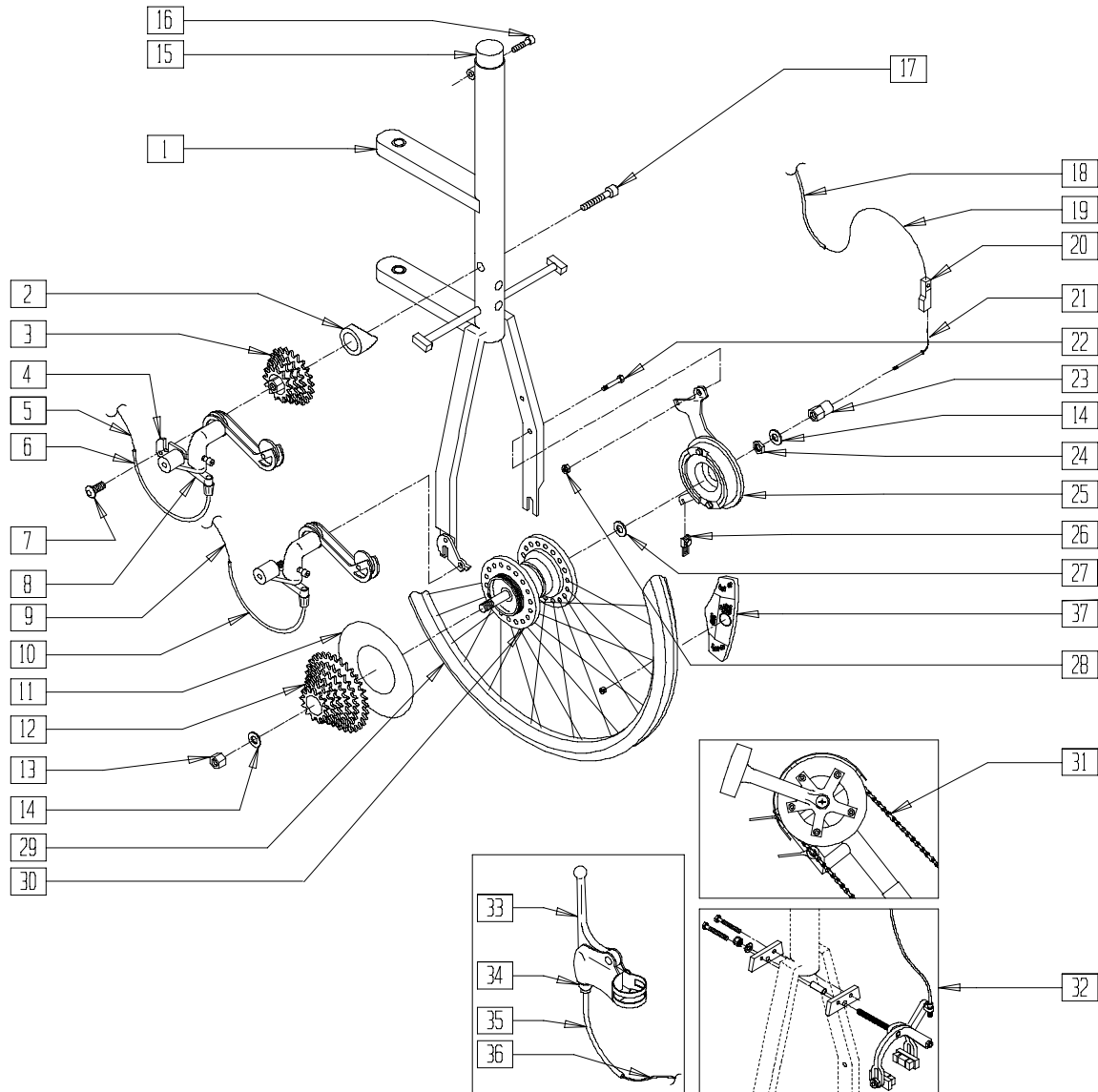
CYC00X05

ITEM	NUMBER	DESCRIPTION	QTY
1	226107	1/4-28 x 7/8 SOC C/S	4
2	551261	REC CLAMP TOP CYC	2
3	551260	REC CLAMP BOTTOM BOTTOM CYC	2
4	541201	REC TUBE WLDMNT CYC	1
5	262100-QU	1/4 AN WASHER FLAT	4
6	226090	1/4-28 x 5/8 BH C/S	8
7	340028	U HOOK ASSM CYC	1

ITEM	NUMBER	DESCRIPTION	QTY
8	340014	LATCH CLAMP CYC	1
9	349502	7/8 x 5/16 BEARING	1
10	483286	BEARING PIN 5/16 OD CYC	1
11	551262	CLAMP BLOCK CYC	1
12	226112	1/4-28 x 1 SOC C/S BLK	1
4,9,10	881334	RECEIVER ASSEMBLY CYC	

FORK ASSEMBLY (QUICKIE CYCL-ONE)

(Discontinued 5/14/99 - parts only)



CY000X03

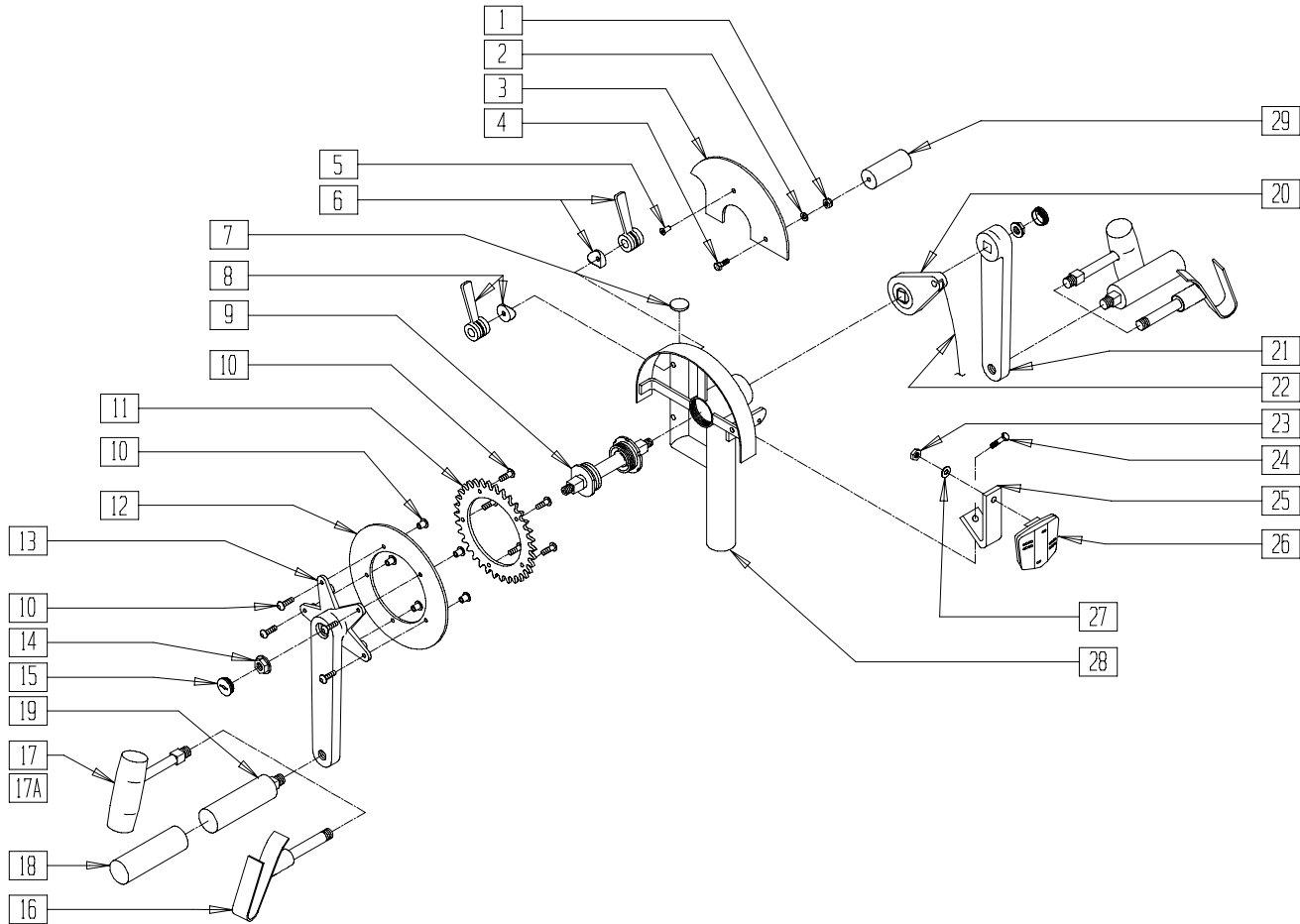
ITEM	NUMBER	DESCRIPTION	QTY
1	527831, 527842	FRAME CYCL-ONE	1
2	444102	FREEWHEEL INTER SPACER PNTD	1
3	881635	FREEWHEEL INTERMEDIATE ASSM	1
4	881642	HANGER DERAILLEUR ASSM	1
5,6	442202	DERAILLEUR CABLE UPPER CYC	
7	226173	3/8-16 x 3/4 BH C/S SS	1
8	444090	DERAILLEUR	1,2
9,10	442203	DERAILLEUR CABLE LOWER CYC	
12	444061	COG SET 13-28 6 SPEED	1
14	261509	3/8 SAE WASHER	2
15	341701	BRASS SHM .012 x 1 3/4 x 4 1/4	1
16	201342	6 x 1 x 20mm SOC C/S	1
17	201340	3/8-16 x 2 1/2 SOC C/S	1
18	134160	HOUSING BRAKE	1
19	342072	CABLE DERAILLEUR	1
18,19	442201	2-SPEED HUB CABLE ASSEMBLY	

ITEM	NUMBER	DESCRIPTION	QTY
20	560775	CLAMP BLK PLASTIC CABLE	1
21	341570	CHAIN 2 x 6 SP PULL ROD	1
22	281143	10-32 x 1 1/8 PAN PHIL	1
25	444033	BRAKE ARM PLATE	1
26	444031	BRAKE CABLE ADAPTER	1
28	200100-QU	10-32 NYLOCK NUT	1
31	442014	CHAIN BLACK 116L	1
32	444039	BRAKE 2ND CALIPER PRE ASSM	1
33	444123	LEVER BRK 135 TOUR W/22M	1
34	443009	BRAKE LVR END BTTN HOUSING STP	1
35	134160	HOUSING BRAKE	1
36	342070	CABLE BRAKE MTN	1
37	349626	REFLECTOR FRONT WHEEL	1
11-14,20, 21,23-27 29,30	762040	WHEEL ASSEMBLY	

NOTE: FOR WHEEL ASSEMBLY PARTS, PLEASE SEE FRONT WHEEL (QUICKIE CYCL-ONE) ON PAGE 11.23,11.24 IN WHEEL SECTION.
FOR FRONT FENDER, PLEASE SEE FENDER (QUICKIE CYCL-ONE) ON PAGE 11.4 IN ACCESSORIES SECTION.

HEAD ASSEMBLY (12 SPEED) (QUICKIE CYCL-ONE)

(Discontinued 5/14/99 - parts only)



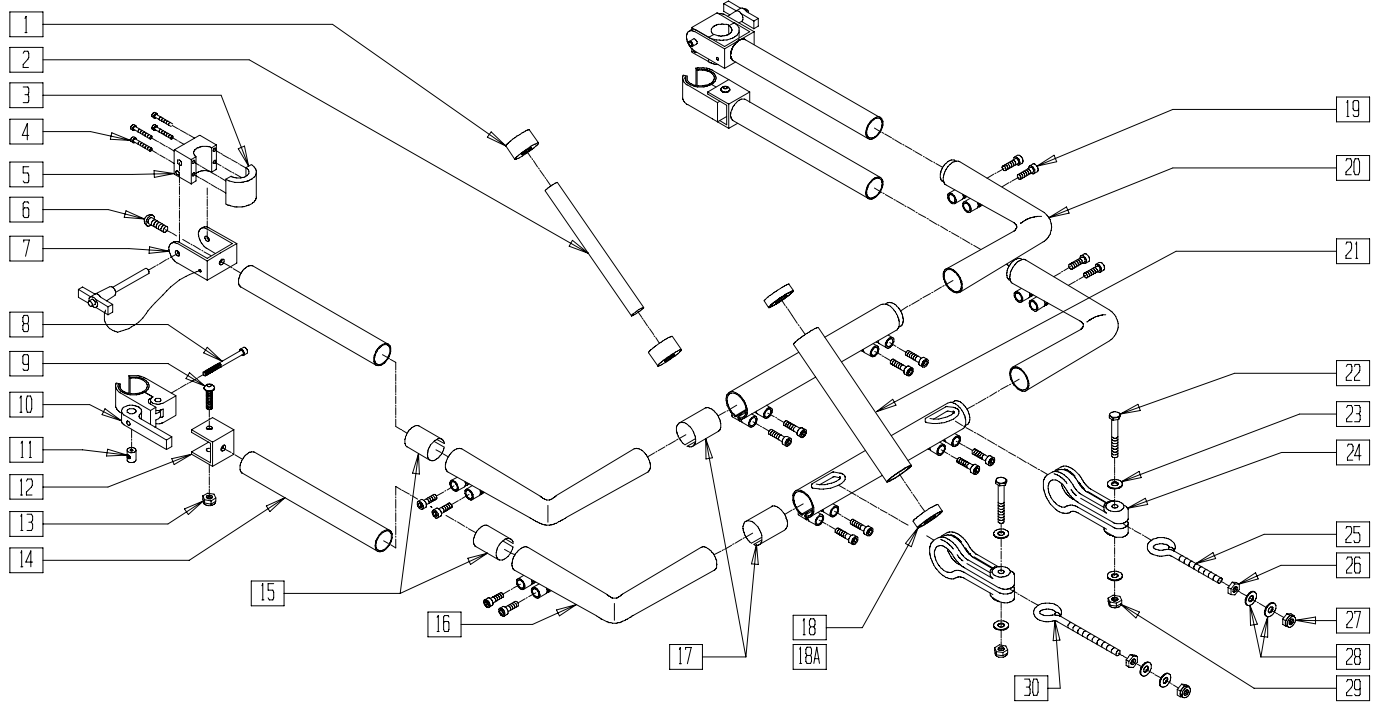
CY000X3C

ITEM	NUMBER	DESCRIPTION	QTY
1	200101-QU	10-32 NYLOCK NUT THIN	1
2	262099	3/16 ALUM WASHER BACKUP	1
3	444111	GUARD SHIFT CYCL-ONE	1
4	226211	10-32 x 1/2 HEX C/S SS (W/OUT ITEM 29)	1
	281122	10-32 x 3/4 PAN PHIL (W/ITEM 29)	
5	240191	RIVET ALUM 1/8 W/.43 DIA GRP	1
6	444139	SHIFTER L ONLY	1
7	560228	BAR END PLUG 3/4	1
8	444141	SHIFTER R ONLY	1
9,14	881680	SPINDAL ASSEMBLY	
10	341566	CHAIN RING BOLT KIT	2
11	341569	CHNRNG INNER 300T 28-TOOTH	1
12	444107	GUARD CHAIRING 48 INNER	1
13	444160	CRANK ARM STD PROFILE R 170mm	1
15	561171	CRANK ARM DUST CAPS	2
16	442080, 442081	HANDLE EP VINYL (EA)	1

ITEM	NUMBER	DESCRIPTION	QTY
17	880636, 880637	HANDLE STD ASSEMBLY 1 1/4	1
17A	881640, 440073	HANDLE VERT STD ASSEMBLY 1 3/8	1
18	560659	FOAM GRIP HORIZONTAL HANDLE	1
19	880638, 880639	HANDLE HORIZONTAL ASSEMBLY (EA)	1
20	444040	BRAKE ACUATOR ASSEMBLY	1
21	444074	CRANK ARM LOW PROFILE MILLED	1
22	342070	CABLE BRAKE MTN	1
24	226211	10-32 x 1/2 HEX C/S SS	1
25	444030	REFLECTOR BRACKET ANO	1
28	527851	FRAME UM 12/48 SP PAINTED CYC	1
29	444133	MOUNT COMPUTER	1
23,26,27	349632	REFLECTOR FRONT FROM 2350	
23-27	880674	REFLECTOR/BRACKET ASSEMBLY	

QUICK ATTACH (QUICKIE CYCL-ONE)

(Recommended for Rigid Chairs) (Discontinued 5/14/99 - parts only)



CY000X04

ITEM	NUMBER	DESCRIPTION	QTY
1	560150	SPACER FOAM	2
2	349660	SPACER HEAD BEARING	1
4	225999	6-32 x 1 SH C/S	8
3-5	880662	QA UPPER 7/8 CLAMP ASSM ANO	
	880664	QA UPPER CLAMP 1 1/8 ASSM	
	880666	QA UPPER CLAMP 1 ASSM ANO	
	880668	QA UPPER CLAMP 1 3/16 ASSM	
	881670	QA UPPER CLAMP 3/4 ASSM ANO	
6	226175	5/16-18 x 3/4 BH C/S	4
6,7	880654-880658	QA BRACKET UPPER ASSEMBLY	
3-7	882060-882064	QA UPPER CLAMP ASSEMBLY W/BRKT	
8	226040	10-32 x 2 1/4 G8 SH C/S	1
9	226130	1/4-28 x 1 1/2 BH C/S	2
8,10,11	881660	QA CLAMP LOWER ASSM 5/8"	
	881661	QA CLAMP LOWER ASSM 7/8"	
	881662	QA CLAMP LOWER ASSM 3/4"	
	881663	QA CLAMP LOWER ASSM 1"	
	881664	QA CLAMP LOWER ASSM 1 1/8"	
	881665	QA CLAMP LOWER ASSM 1 3/16"	
11	481324	PIVOT CAM LEVER	2
12	444025	BRACKET LOWER CLAMP	1
13	201100-QU	1/4-28 NYLOCK NUT THIN	2
14	444093	EXT TUBE QA 6" PAINTED	4
15	349638	SHIM BRASS .010 x 1.5 x 3-7/16	4
16,19	882101, 882103, 882105	ELBOW LEFT (6" x 7 1/2", 6" x 6", 4" x 6")	

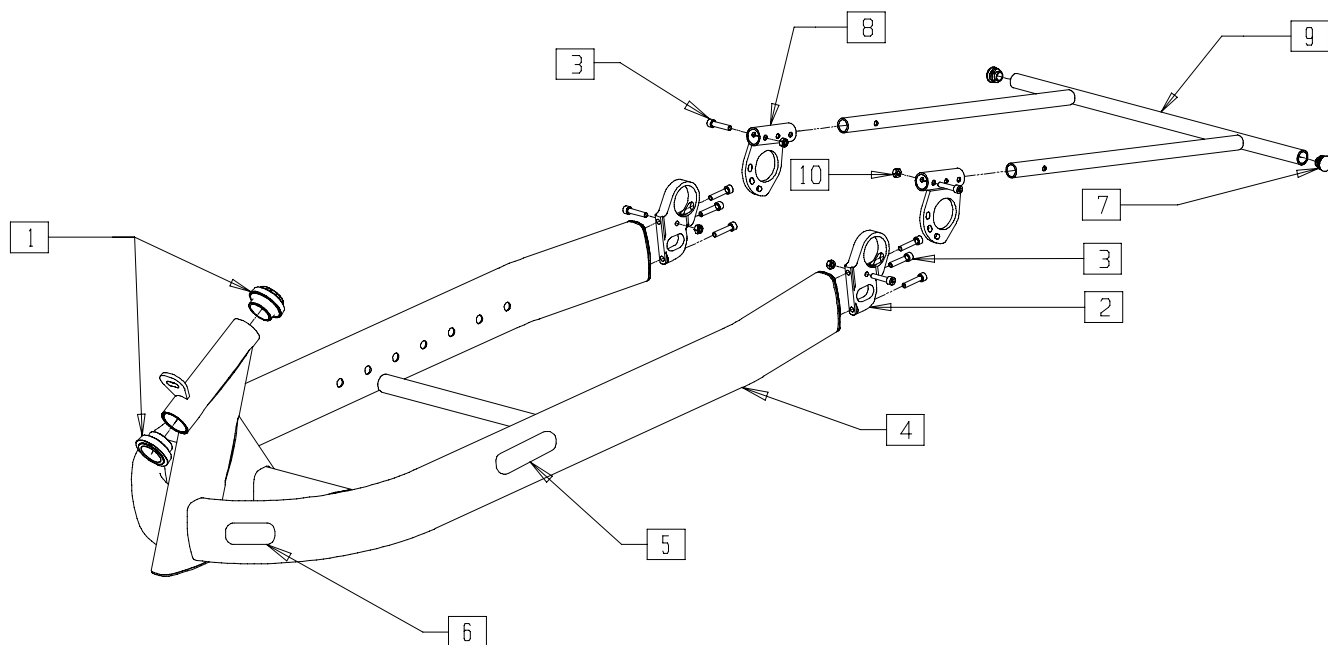
ITEM	NUMBER	DESCRIPTION	QTY
17	349640	SHIM BRASS .010 x 1.5 x 3 7/16	4
18	349500	1 1/8 x 1/2 BEARING	2
18A	349519	BEARING 1 1/8 x 3/8	2
19	201342	6 x 1 x 20mm SOC C/S	12
19,20	882102,	ELBOW RIGHT (6" x 7 1/2", 6" x 6", 4" x 6")	
	882104,		
	882106		
1,2,18, 19,21	881628, 881629	FRAME QA MAIN ASSEMBLY PAINTED	
22	226301	1/4-20 x 1 1/2 HEX C/S	2
23	262120	1/4 SAE WASHER	4
24	100605	BUNGEE 9"	2
25-28	881603	EYEBOLT 3" ASSEMBLY	
27	201136	1/4-20 NYLOCK NUT HIGH	2
28	262120	1/4 SAE WASHER	4
29	201100-QU	1/4-20 NYLOCK NUT THIN	2
26-28,30	881604	EYEBOLT 4" ASSEMBLY	
1,2,9, 12-21	923650-923652, 923655-923658	QUICK ATTACH FRAME	
22-24,29	444041	BUNGEE 9" ASSEMBLY	
1-30	880660	QUICK ATTACH COMPLETE (SPECIFY CHAIR MODEL, COLOR, WIDTH, TUBE, DIAMETER AND HANGER ANGLE)	

Quickie Shark and Shark S

IN THIS SECTION

Frame (Quickie Shark/Shark S).....	8.1	Standard Crank (Quickie Shark/Shark S)	8.12
X-Link Frame(Quickie Shark/Shark S).....	8.2	Special V-Crank,(Quickie Shark/Shark S).....	8.12
Stand w/ X-link hinge(Quickie Shark/Shark S).....	8.3	Spindle Housing (Quickie Shark/Shark S)	8.13
Stand for Removable Fork(Quickie Shark/Shark S).....	8.4	Crank Shaft/ Chain Ring (Quickie Shark/Shark S)	8.14
Backrest High(Quickie Shark/Shark S).....	8.5	Handles (Quickie Shark/Shark S)	8.15
Backrest Low(Quickie Shark/Shark S).....	8.6	Hub Shifter (Quickie Shark/Shark S)	8.16
Back Tube (Quickie Shark/Shark S)	8.7	Gearing System (Quickie Shark/Shark S).....	8.17
Steering Fork High (Quickie Shark/Shark S)	8.8	Gearing System and Brake (Quickie Shark/Shark S)	8.18
Steering Fork Low (Quickie Shark/Shark S)	8.9	Brake (Quickie Shark/Shark S).....	8.19
Footrest (Quickie Shark/Shark S)	8.10	Front Fender and Light (Quickie Shark/Shark S).....	8.20
Seat Upholstery (Quickie Shark/Shark S).....	8.11	Rear Fender and Light (Quickie Shark/Shark S)	8.20

FRAME (QUICKIE SHARK S)

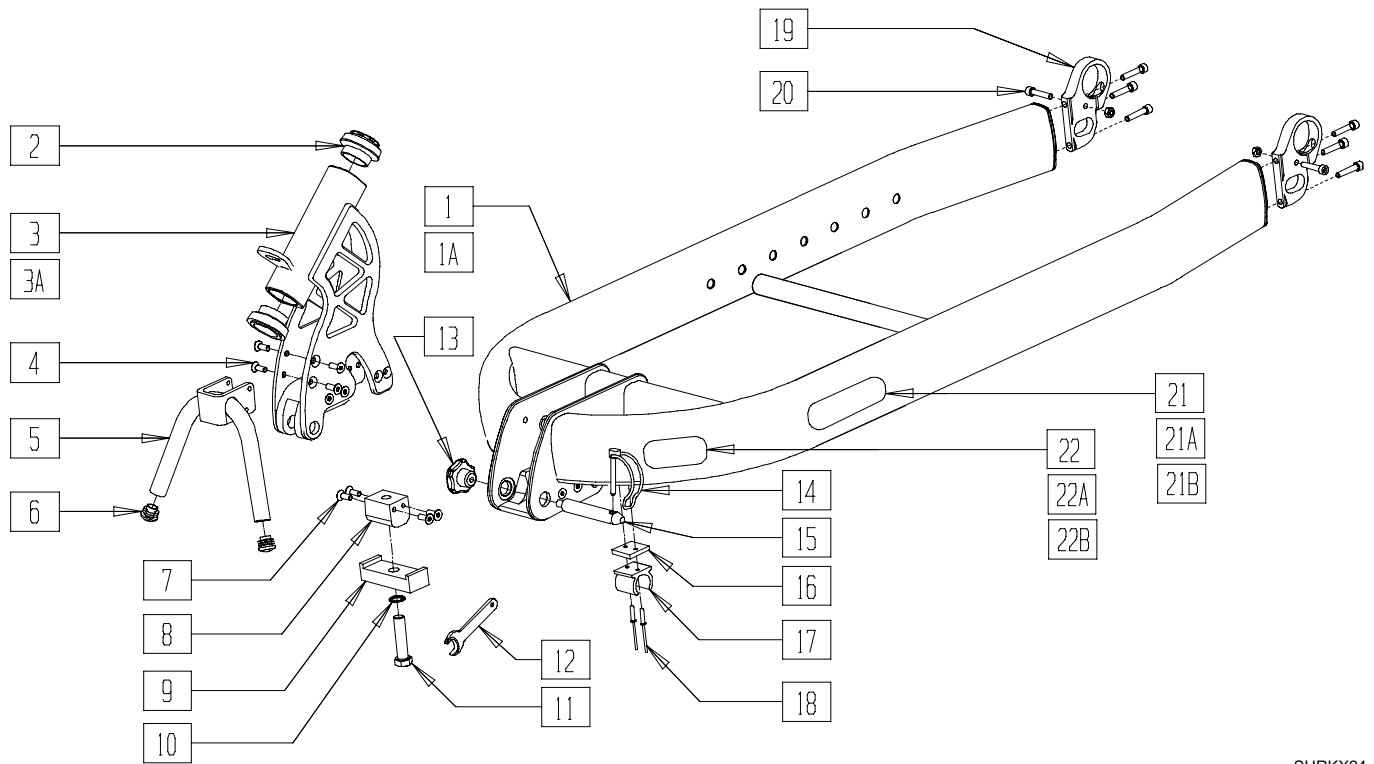


SHRXX14

ITEM	NUMBER	DESCRIPTION	QTY
1	000 228 300	HEADSET	1
2	471 812 013	AXLE BRACKET	2
3	000 102 012-ET	SOC. SCREW M 6 X 30 DIN 912	10
7	000 282 038-ET	LOUVERED CAP 20 MM	2
8	471 853 011, 471 753 011	BUMPER BRACKET (EA)	1
9	471 812 302	BUMPER	1

ITEM	NUMBER	DESCRIPTION	QTY
10	000 128 007-ET	HEX NUT M 6 DIN 985	4
3,7-10	471 812 301	BUMPER 20" CPL.	
	471 812 308	BUMPER 26" CPL.	
1-6	471 812 200	FRAME SHARK, SHORT	
	471 812 209	FRAME SHARK - S, SHORT	
	471 812 201	FRAME SHARK - S, LONG	

X-LINK FRAME (QUICKIE SHARK)

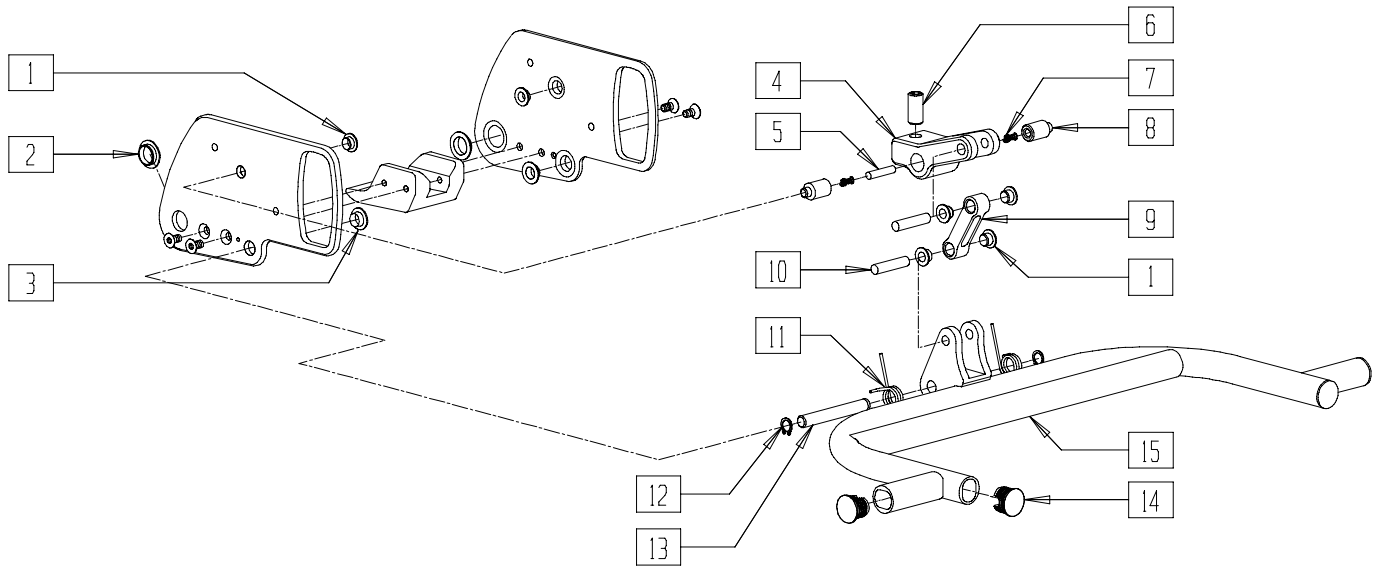


SHRKX24

ITEM	NUMBER	DESCRIPTION	QTY
2	000 228 300	HEADSET	1
3	471 812 040	STEERING HEAD REMOVABLE SHRK	1
3A	471 812 048	STEERING HEAD REMOVABLE SHRK S	1
4	000 104 026-ET	SCREW M6 X 12 DIN 7991	4
5	471 812 107	STAND FOR X-LINK FORK, BLACK	1
6	000 282 042-ET	CAP 18MM	2
7	000 104 029-ET	SCREW M X 20 DIN 7991	4
8	471 812 066	RECEIVER	1
9	471 812 067	BRIDGE	1
10	000 138 010-ET	SAFETYWASHER M12	1
11	000 120 202	HEX SCREW M 12 X 50 DIN 933	1
12	000 604 183	WRENCH SW 19 MM	1
13	000 233 034	STAR HANDLE DIN 6336	1
14	000 243 003	SAFETY CLIP	1

ITEM	NUMBER	DESCRIPTION	QTY
15	471 812 044	PIN	1
16	471 812 041	SPACER PLATE	1
17	300 833 005	CLAMP	1
18	000 144 013-ET	RIV NUT	2
19	471 812 013	AXLE BRACKET	2
20	000 102 012-ET	SOC. SCREW M 6 X 30 DIN 912	8
21	000 280 202	QUICKIE STICKER, SLVR LRG	1
21A	000 280 203	QUICKIE STICKER, BLK LRG	1
21B	000 280 206	QUICKIE STICKER, GLD LRG	1
22	000 280 204	SHARK STICKER	1
22A	000 280 211	SHARK STICKER, BLK	1
22B	000 280 212	SHARK STICKER, GLD	1
1,16-20	471 812 204	FRAME SHORT W/X-LINK	
1A,16-20	471 812 202	FRAME LARGE W/X-LINK	

STAND WITH X-LINK HINGE (QUICKIE SHARK)

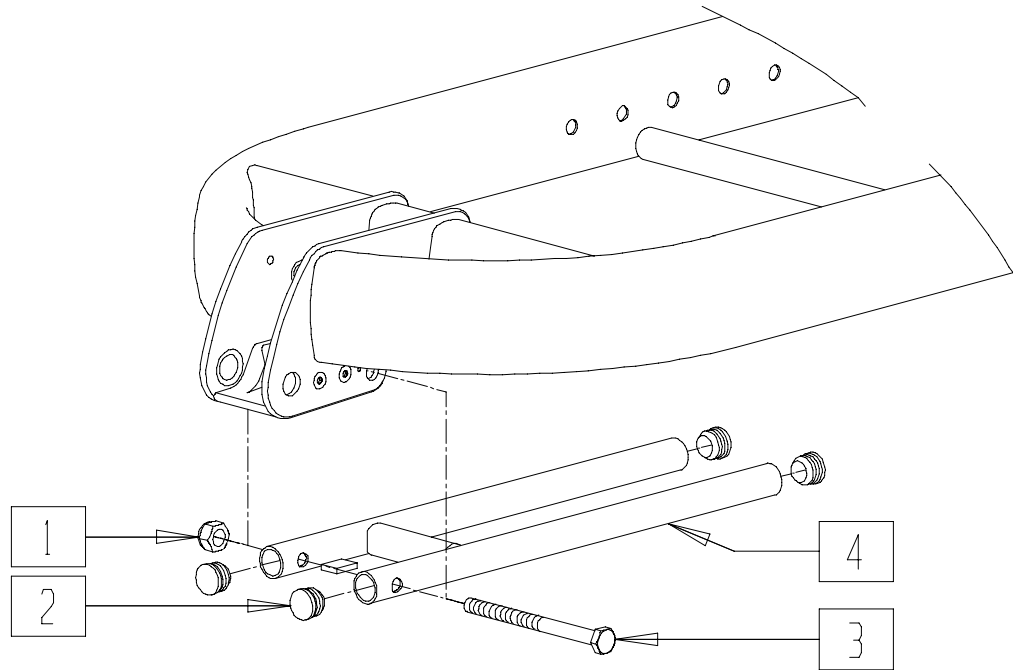


SHRKX25

ITEM	NUMBER	DESCRIPTION	QTY
1	000 282 121	BUSHING 8 X 10 X 5.5	4
2	000 282 123	BUSHING 10 X 12 X 7	2
3	000 282 122	BUSHING 15 X 17 X 9	2
4	471 812 033	HINGE	1
5	000 154 210	STEEL PIN 6H8 X 24 DIN 7	1
6	000 233 022	SCREW M12 X 30 DIN 913	1
7	000 242 011	SPRING 0.7 X 4.3 X 12.1 X 5.5	2
8	471 812 043	SPRING HOUSING	2

ITEM	NUMBER	DESCRIPTION	QTY
9	471 812 034	BONE	1
10	000 154 211	STEEL PIN 8H8 X 36 DIN 7	2
11	471 712 063, 471 812 063	SPRING (EA)	1
12	000 181 009	SAFETY RING 10MM DIN 471	2
13	471 812 042	SHAFT	1
14	760 827 007-ET	CAP 23MM	4
15	471 812 045	STAND W/ HINGE	

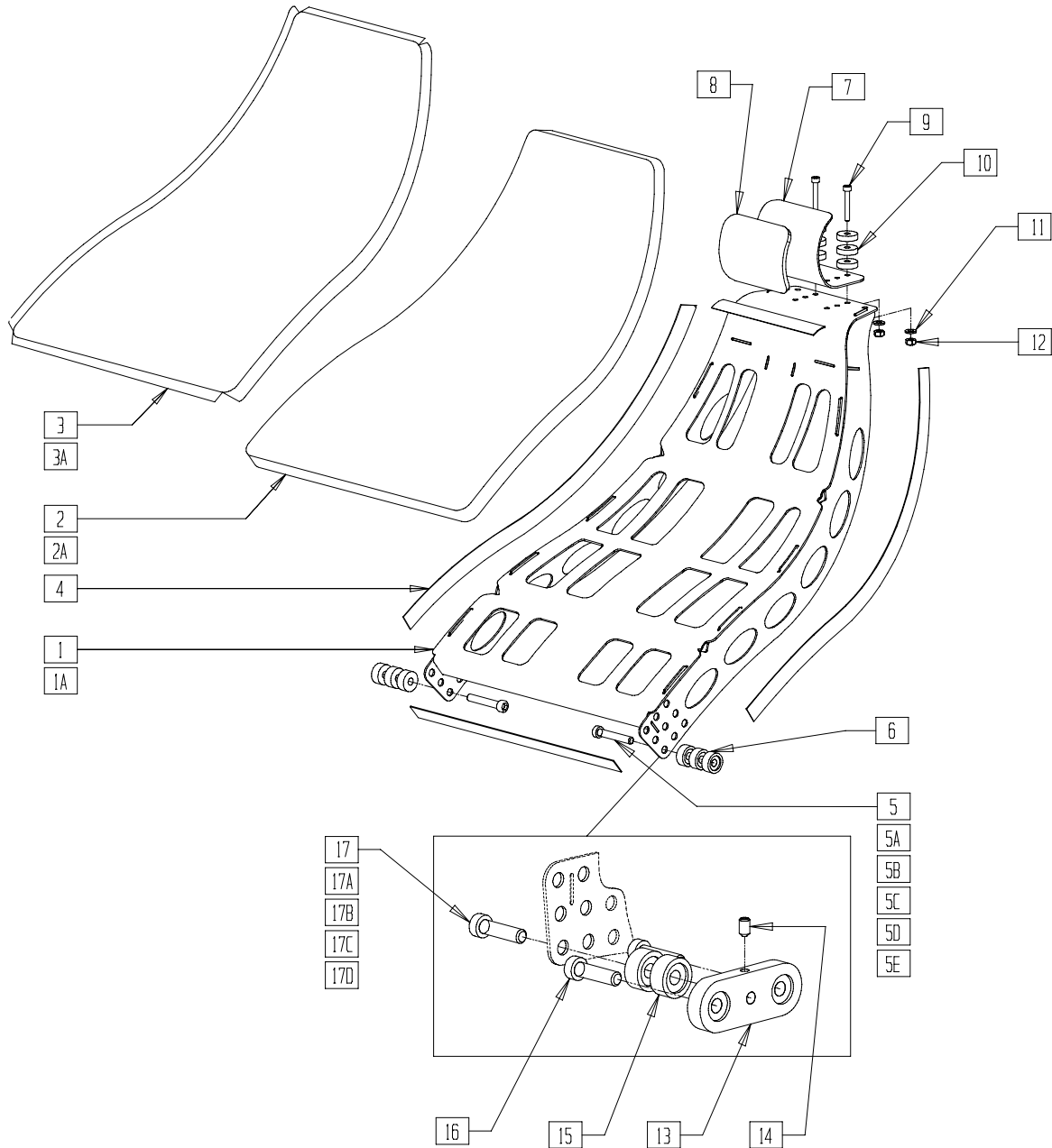
STAND FOR REMOVABLE FORK BACK TUBE (QUICKIE SHARK)



SHRKX26

ITEM	NUMBER	DESCRIPTION	QTY
1	000 128 016-ET	HEX NUT M12 DIN 985	1
2	760 827 007-ET	CAP	4
3	000 100 907	HEX SCREW M10 X 130 DIN 933	1
1-4	471 812 129	STAND FOR REMOVABLE FORK	

BAC REST HIGH (QUICKIE SHARK/SHARK S)

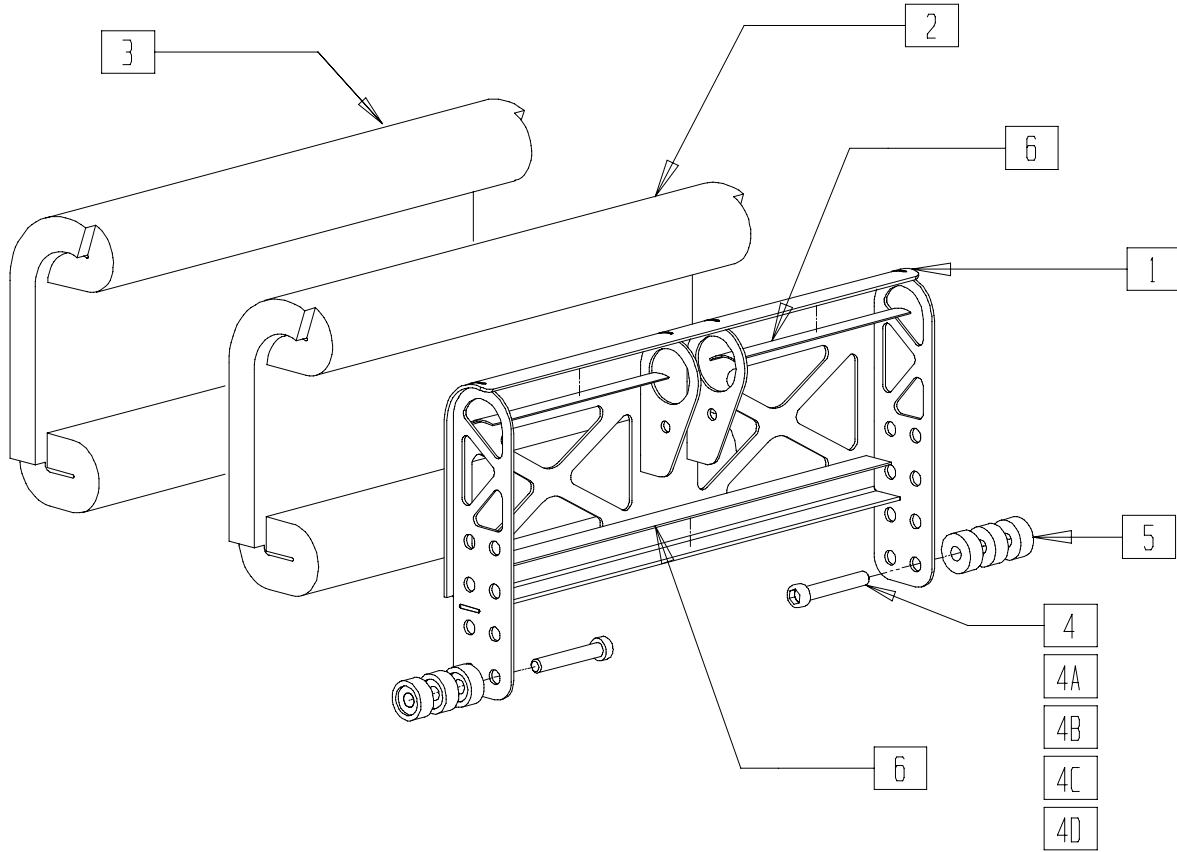


SHRXX15

ITEM	NUMBER	DESCRIPTION	QTY
1	471 841 010	BACKREST HIGH	1
1A	471 841 052	BACKREST MEDIUM	1
2	471 841 005	BACK CUSHION STD.	1
2A	471 841 091	BACKREST PAD	1
3	471 843 001	BACK COVER	1
3A	471 841 092	BACKREST COVER	1
4	471 843 002	SOFT STRIP 1515 MM	4
5	000 102 225-ET	SOC. SREW M 8 X 30 DIN 912 F. W: 36	2
5A	000 102 226-ET	SOC. SREW M 8 X 40 DIN 912 F. W: 38	2
5B	000 102 227-ET	SOC. SREW M 8 X 50 DIN 912 F. W: 40	2
5C	000 102 228-ET	SOC. SREW M 8 X 60 DIN 912 F. W: 42	2
5D	000 102 229-ET	SOC. SREW M 8 X 70 DIN 912 F. W: 44	2
5E	000 102 230-ET	SOC. SREW M 8 X 80 DIN 912 F. W: 46	2
6	471 841 016-ET	SPACER	2,4,6
7	471 841 018	NECK SUPPORT	1
8	471 841 031	NECK PAD	1

ITEM	NUMBER	DESCRIPTION	QTY
9	000 102 140-ET	SOC. SREW M 5 X 35 DIN 912 F. W: 36	2
10	622 842 003-ET	WASHER	6
11	000 130 111-ET	WASHER A 5,3 DIN 125	2
12	000128005.01-ET	HEX. NUT M 5 DIN 985	2
13	471 841 030	BACKREST BRACKET	2
14	000 102 231-ET	SET SCREW M 6 X 10 DIN 551	2
15	471 841 016-ET	SPACER	
16	000 102 225-ET	SOC. SREW M 8 X 30 DIN 912 F. W: 36	
17A	000 102 229-ET	SOC. SREW M 8 X 20 DIN 912 F. W: 36	
17B	000 102 225-ET	SOC. SREW M 8 X 30 DIN 912 F. W: 38	
17C	000 102 226-ET	SOC. SREW M 8 X 40 DIN 912 F. W: 40	
17D	000 102 227-ET	SOC. SREW M 8 X 50 DIN 912 F. W: 42	
17E	000 102 228-ET	SOC. SREW M 8 X 60 DIN 912 F. W: 44	
7-12	471 841 060	NECK SUPPORT CPL.	
	471 843 008	NECK COVER (NOT SHOWN)	

BACKREST LOW (QUICKIE SHARK/SHARK S)

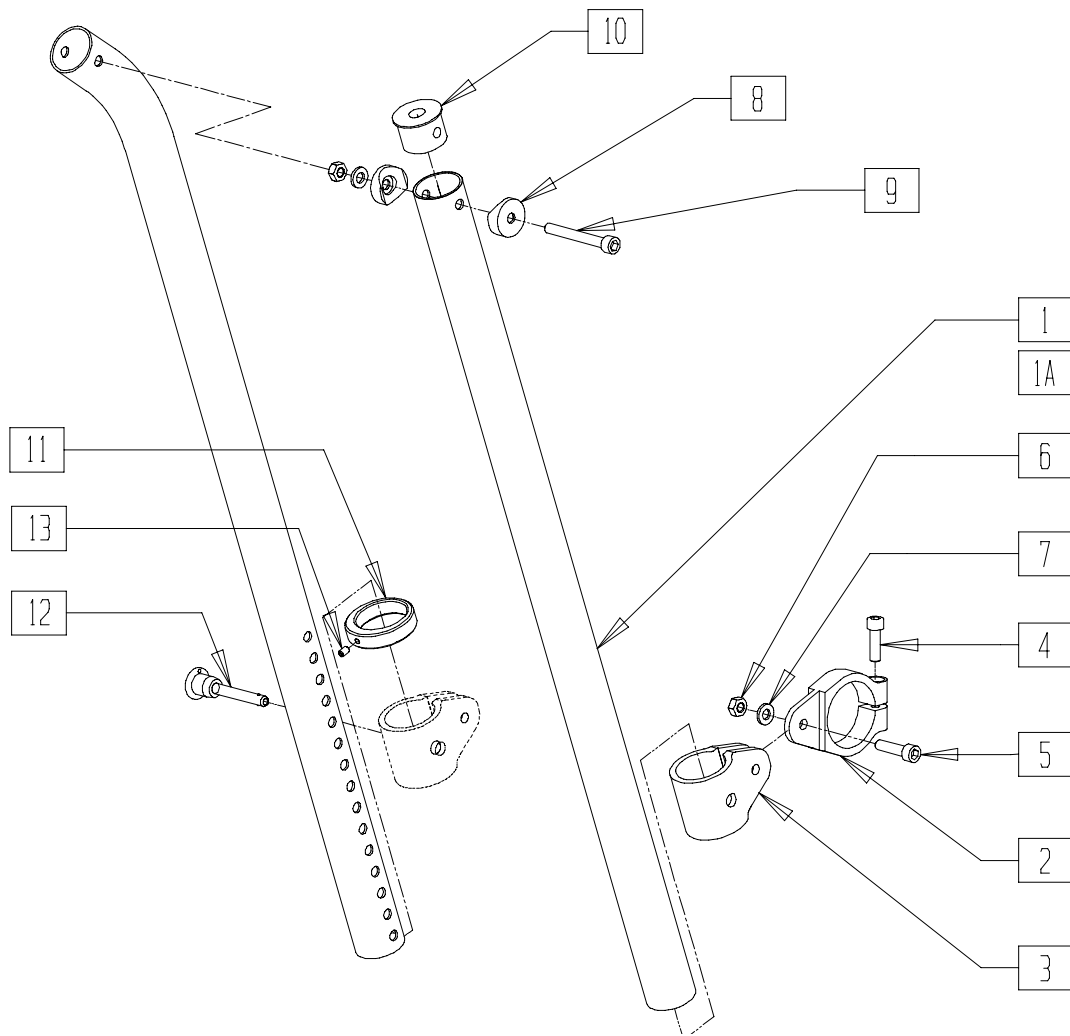


SHRKX16

ITEM	NUMBER	DESCRIPTION	QTY
1	471 841 020	BACK REST LOW	1
2	471 843 003	BACK PAD SMALL	1
3	471 843 004	BACK COVER	1
4	000 102 225-ET	SOC. SREW M 8 X 30 DIN 912 F. W: 36	2
4A	000 102 226-ET	SOC. SREW M 8 X 40 DIN 912 F. W: 38	2

ITEM	NUMBER	DESCRIPTION	QTY
4B	000 102 227-ET	SOC. SREW M 8 X 50 DIN 912 F. W: 40	2
4C	000 102 228-ET	SOC. SREW M 8 X 60 DIN 912 F. W: 42	2
4D	000 102 229-ET	SOC. SREW M 8 X 70 DIN 912 F. W: 44	2
5	471 841 016-ET	SPACER	6
6	471 843 005	SOFT STRIP 995 MM	1

BACK TUBE (QUICKIE SHARK/SHARK S)

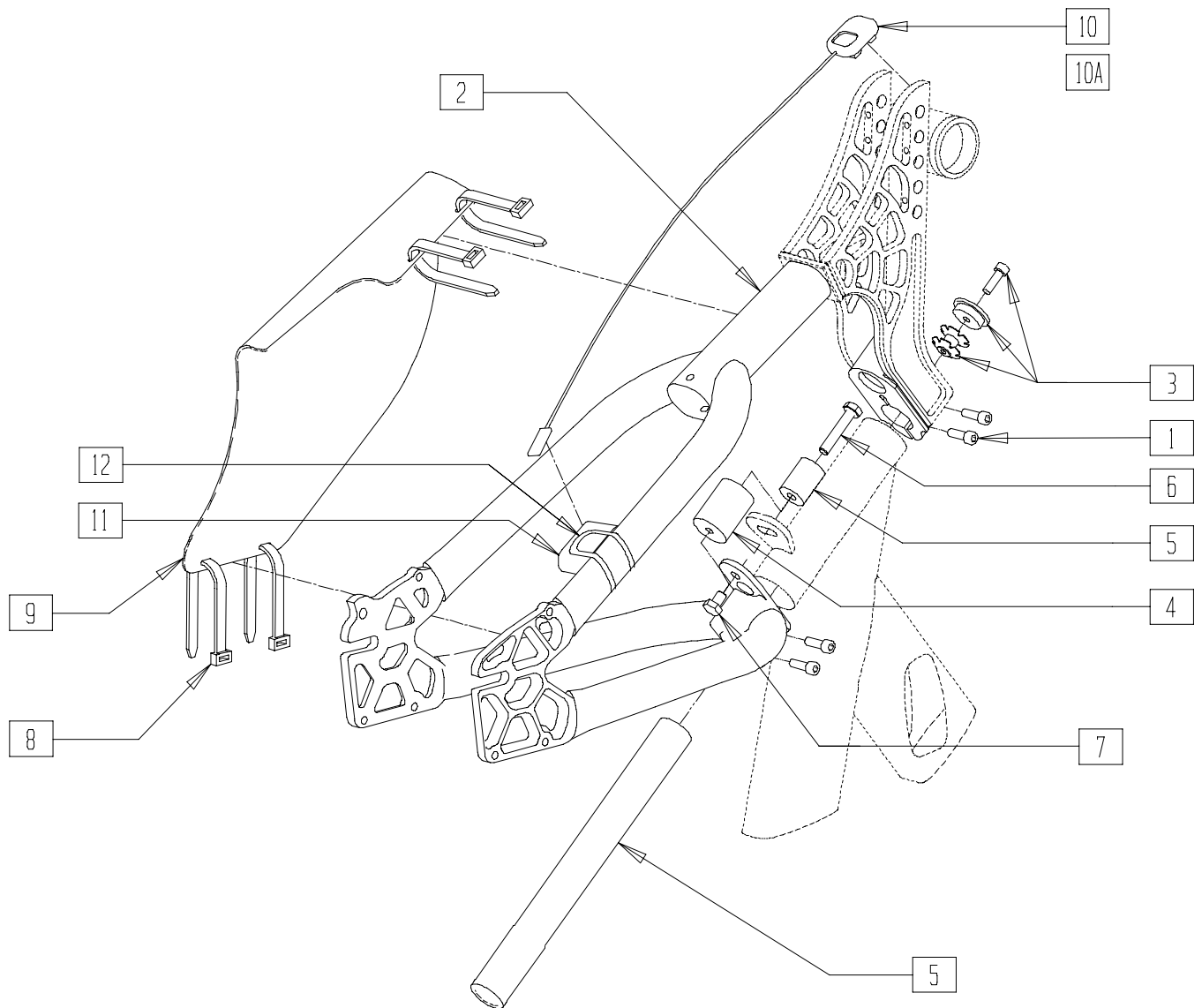


SHRXX17

ITEM	NUMBER	DESCRIPTION	QTY
1	471 841 025.02	BACKTUBE	1
1A	471 841 025.01	BACK TUBE	1
2	471 841 015	TUBE CLAMP	1
3	614 812 007	CLAMP	1
4	000 102 029-ET	SOC. SCREW M 6 X 20 DIN 912	1
5	000 102 006-ET	SOC. SCREW M 6 X 25 DIN 912	1
6	000 128 007-ET	HEX. NUT M 6 DIN 985	2

ITEM	NUMBER	DESCRIPTION	QTY
7	000 130 107-ET	WASHER A 6,3 DIN 125	2
8	000 831 232-ET	SADDLE	2
9	000 102 008-ET	SOC. SCREW M 6 X 50 DIN 912	1
10	471 841 017	PLUG	1
11	614 812 013	POSITIONING RING	1
12	000 243 001	QR AXLE	1
13	000 105 027-ET	SET SCREW M 4 X 6 DIN 914	1

STEERING FORK HIGH(QUICKIE SHARK/SHARK S)

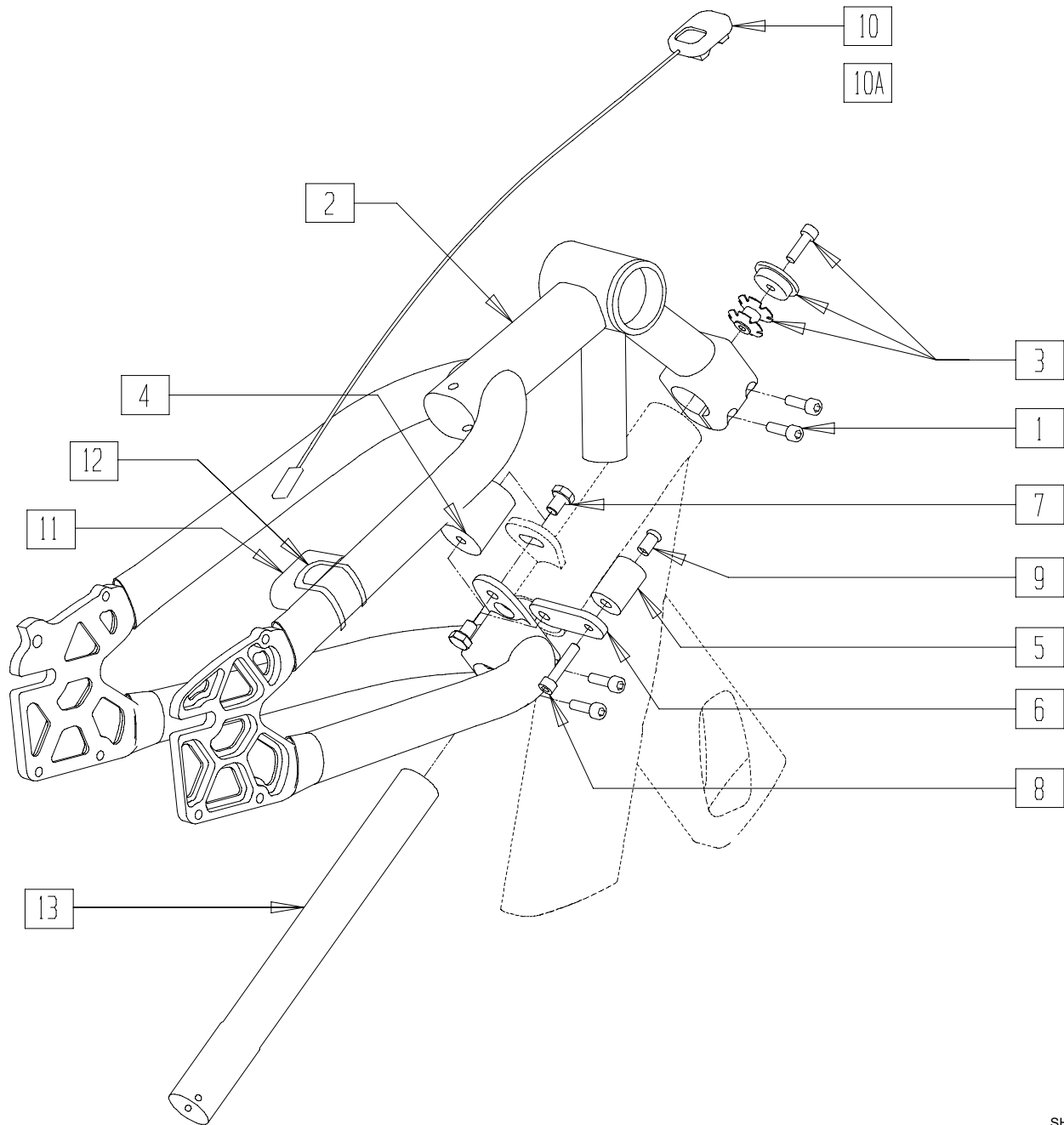


SHRXX04

ITEM	NUMBER	DESCRIPTION	QTY
1	000 102 029-ET	SOC. SCREW M 6 X 20 DIN 912	2
1,2	471 812 095	STEERING FORK HIGH	
3	000 228 300	HEADSET	1
4	000 282 111	DAMPER GMT-PUFFER, TYP C	1
5	471 861 002	CLAMP TUBE	1
6	000 100 036-ET	HEX. SCREW M 8 X 40 DIN 933	1
7	000 100 005-ET	HEX. SCREW M 8 X 16 DIN 933	1
3-7	471 812 096	STEERING TUBE	

ITEM	NUMBER	DESCRIPTION	QTY
8	000 280 010-ET	ZIP TIE 178 X 4,8 MM	4
8,9	471 812 097	CHAIN GUARD HIGH CPL.	1
10	000 228 004	SPORT COMPUTER	1
10A	000 228 006	SPEEDO METER	1
11	471 812 400	SENSOR SPACER	1
12	000 282 034	O-RING 70 X 2	1
10,11	471 812 014	SPORT COMPUTER CPL.	
10A,11	471 812 015	SPEEDO METER CPL.	

STEERING FORK LOW (QUICKIE SHARK/SHARK S)

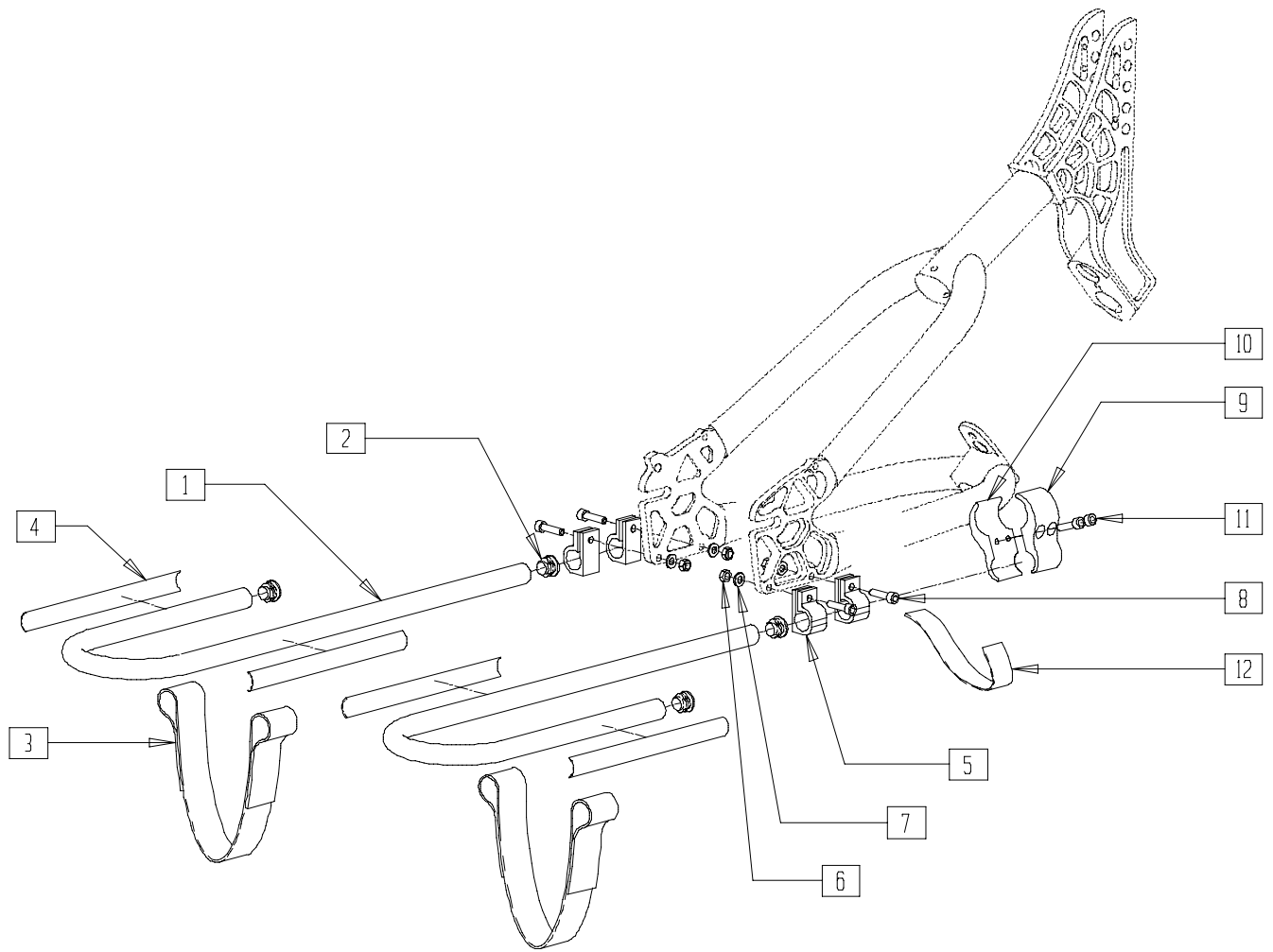


SHRXX05

ITEM	NUMBER	DESCRIPTION	QTY
1	000 102 029-ET	SOC. SCREW M 6 X 20 DIN 912	2
1,2	471 812 094	STEERING FORK LOW	
3	000 228 300	HEAD SET	1
4	000 282 111	DAMPER GMT-PUFFER, TYP C	1
5	471 861 002	CLAMP TUBE	1
6	471 861 003	BRAKE BRACKET	1
7	000 100 005-ET	HEX. SCREW M 8 X 16 DIN 933	2
8	000 102 012-ET	HEX. SCREW M 8 X 30 DIN 933	1

ITEM	NUMBER	DESCRIPTION	QTY
9	840 826 007-ET	SOCKET NUT	1
10	000 228 004	SPORT COMPUTER	1
10A	000 228 006	SPEEDO METER	1
11	471 812 400	SENSOR SPACER	1
12	000 282 034	O-RING 70 X 2	1
10,11	471 812 014	SPORT COMPUTER CPL.	
10A,11	471 812 015	SPEEDO METER CPL.	
3-9,13	471 812 093	STEERING TUBE	

FOOTREST (QUICKIE SHARK/SHARK S)

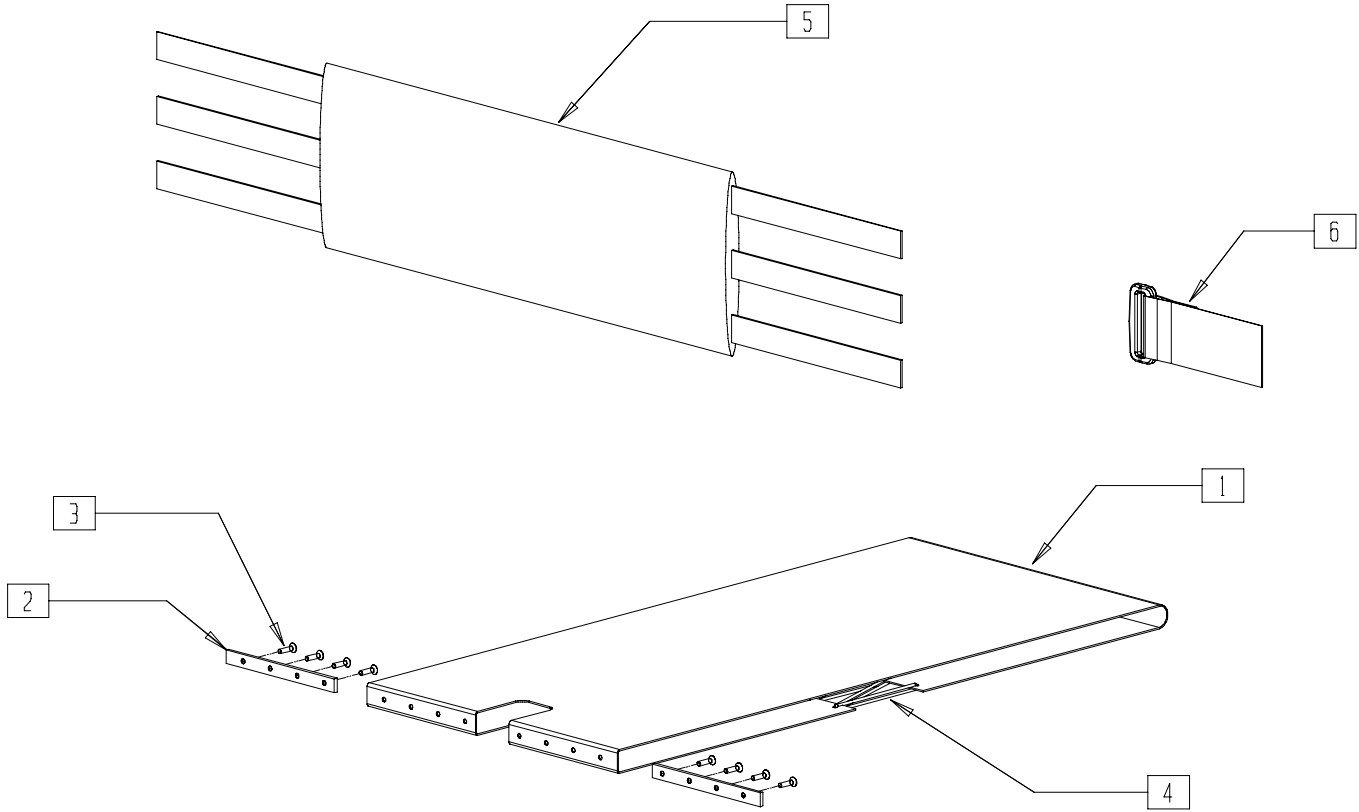


SHRXX03

ITEM	NUMBER	DESCRIPTION	QTY
1	470 821 200	FOOT REST	2
2	000 282 042-ET	LOUVERED CAP 18,7 MM	4
3	470 821 003	VELCRO FOOT STRAP	2
4	615 840 012	SOFT STRIP 200 MM	4
5	471 821 001	FOOT REST CLAMP	4
6	000 128 007-ET	HEX NUT M 6 DIN 985	4
7	000 130 109-ET	WASHER A 6,4 DIN 125	4

ITEM	NUMBER	DESCRIPTION	QTY
8	000 102 006-ET	SOC. SCREW M 6 X 25 DIN 912	4
9	615 821 002	CLAMP INSIDE	2
10	615 821 003	CLAMP OUTSIDE	2
11	000 102 006-ET	SOC. SCREW M 6 X 25 DIN 912	4
12	615 840 008.01	STRAP TO FIX LEGS TO FORK	2
1-8	470 821 201	FOOT REST FOR LONG LEGS CPL.	
1-4,9-11	470 821 202	FOOT REST FOR SHORT LEGS CPL.	

SEAT UPHOLSTERY (QUICKIE SHARK/SHARK S)

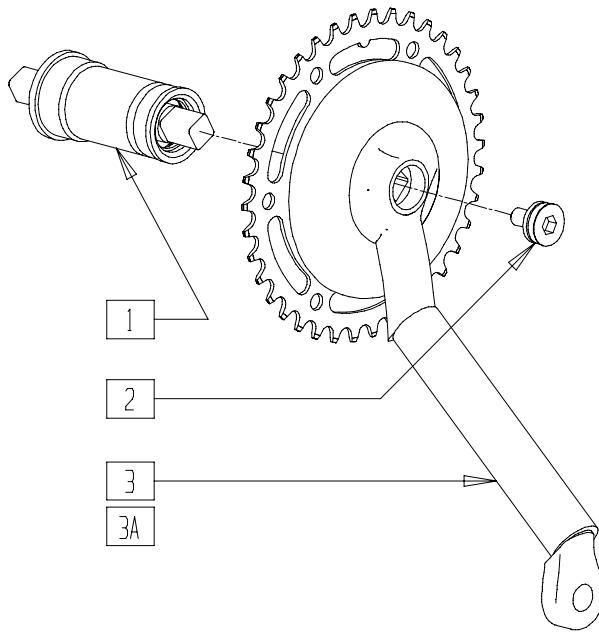


SHRKX21

ITEM	NUMBER	DESCRIPTION	QTY
1	471 832 001	SEAT UPHOLSTERY	1
2	471 832 002	SEAT RAIL	2
3	000 104 083-ET	SET SCREW M 5 X 10	8
4	000 067 020	CORD	1

ITEM	NUMBER	DESCRIPTION	QTY
5	471 841 041	HIP BELT	1
6	471 841 040	HIP BELT HOLDER	1
5,6	470 841 042	HIP BELT CPL.	

STANDARD CRANK (QUICKIE SHARK/SHARK S)

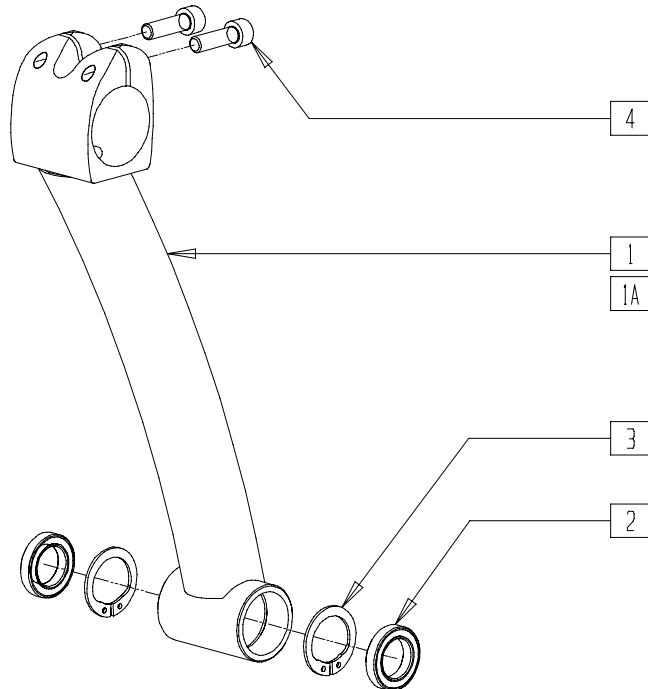


SHRXX09

ITEM	NUMBER	DESCRIPTION	QTY
1	000 228 062	SPINDAL ASSY.	1

ITEM	NUMBER	DESCRIPTION	QTY
1-3	000 228 102	STANDARD CRNK F. 7-SPD L=175 MM	
1-3A	000 228 103	STANDARD CRNK F. 3 X 9-SPD L= 175 MM	

SPECIAL V-CRANK

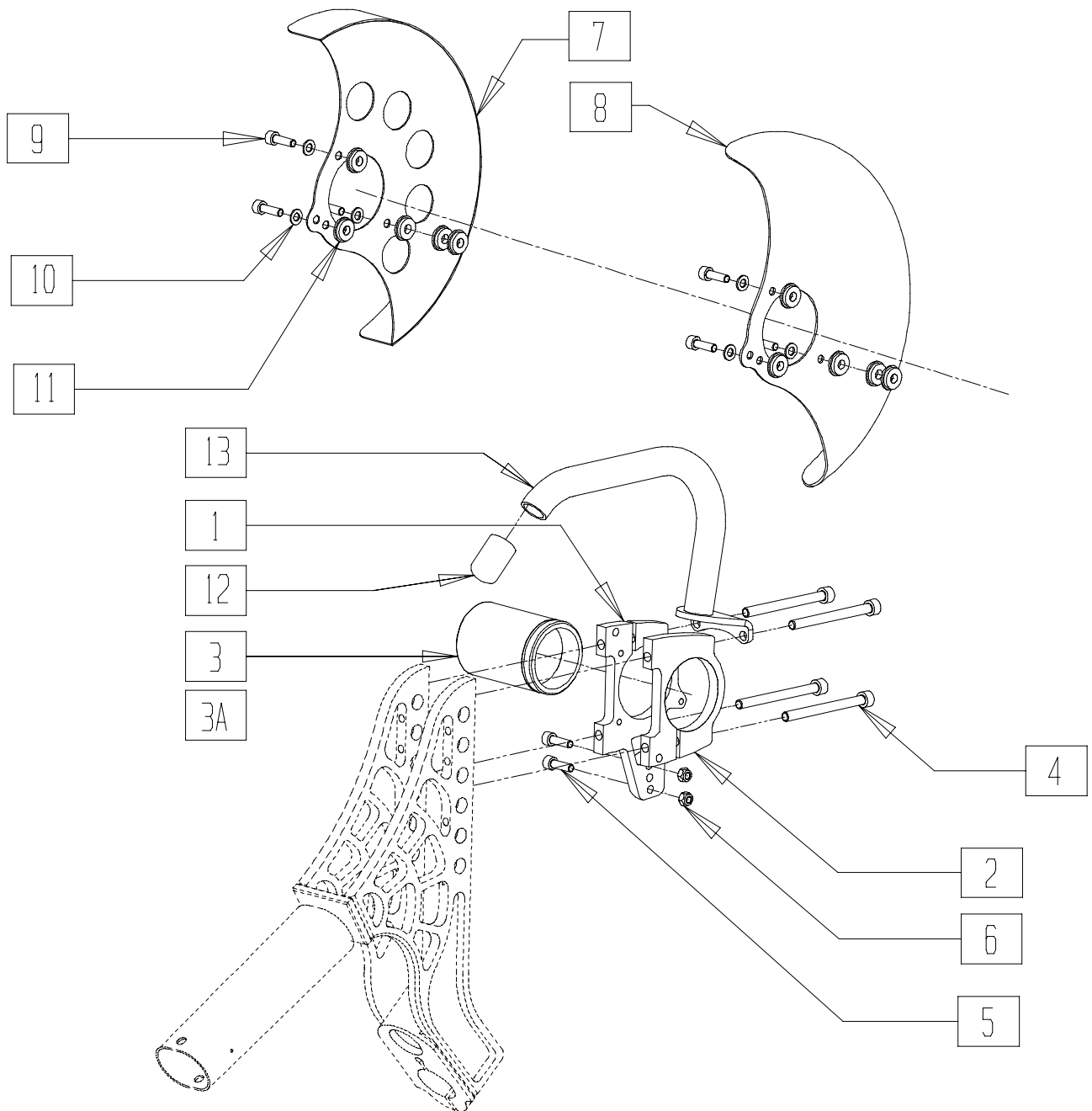


SHRXX10

ITEM	NUMBER	DESCRIPTION	QTY
2	000 210 016	BALL BEARING 24 X 15 X 5 / 61802 2RS	2
3	000 181 006-ET	SECURING RING 24 MM DIN 472	2
4	000 121 029-ET	SOC. SCREW M 6 X 20 DIN 912	2

ITEM	NUMBER	DESCRIPTION	QTY
1-4	471 854 001	SPECIAL V-CRANK RIGHT	
1A-4	471 754 001	SPECIAL V-CRANK LEFT	

SPINDLE HOUSING (QUICKIE SHARK/SHARK S)

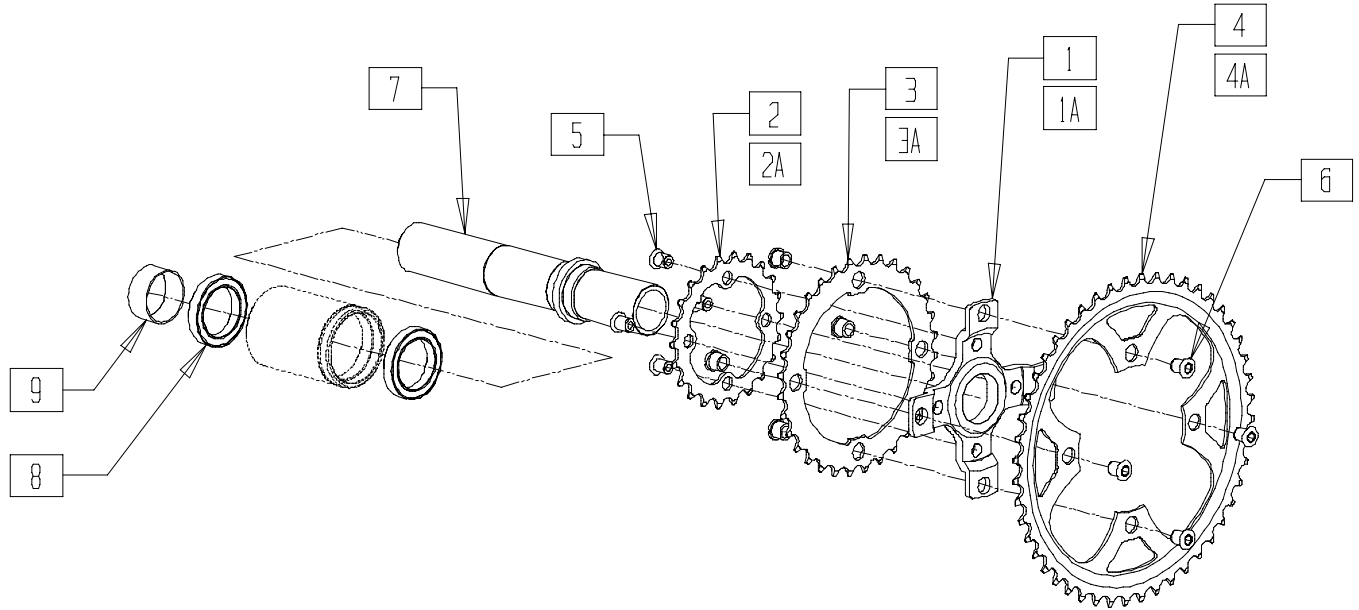


SHRXX06

ITEM	NUMBER	DESCRIPTION	QTY
1	471 712 057	SPINDAL CLAMP LARGE	1
2	471 812 057	SPINDAL CLAMP SMALL	1
3	471 812 116.01	SPINDAL HOUSING TYPE A F. BEARING	1
3A	471 812 116.02	SPIND HOUSING B F. THREAD BEARING	1
4	000 102 013-ET	SOC. SCREW M 6 X 70 DIN 912	4
5	000 102 319-ET	SOC. SCREW M 5 X 16 DIN 912	2
6	000 128 005.01-ET	NUT M 5 DIN 985	2

ITEM	NUMBER	DESCRIPTION	QTY
7	471 812 087	CHAIN GUARD STD.	1
8	471 812 090	CHAIN GUARD CARBON	1
9	000 102 319-ET	SOC. SCREW M 5 X 16 DIN 912	3
10	000 130 111-ET	WASHER A 5.3 DIN 125	3
11	000 138 001	RUBBER WASHER	5
12	000 282 041	CAP	1
12,13	471 812 125	HANDLE	1

CRANKSHAFT / CHAINRING (QUICKIE SHARK/SHARK S)

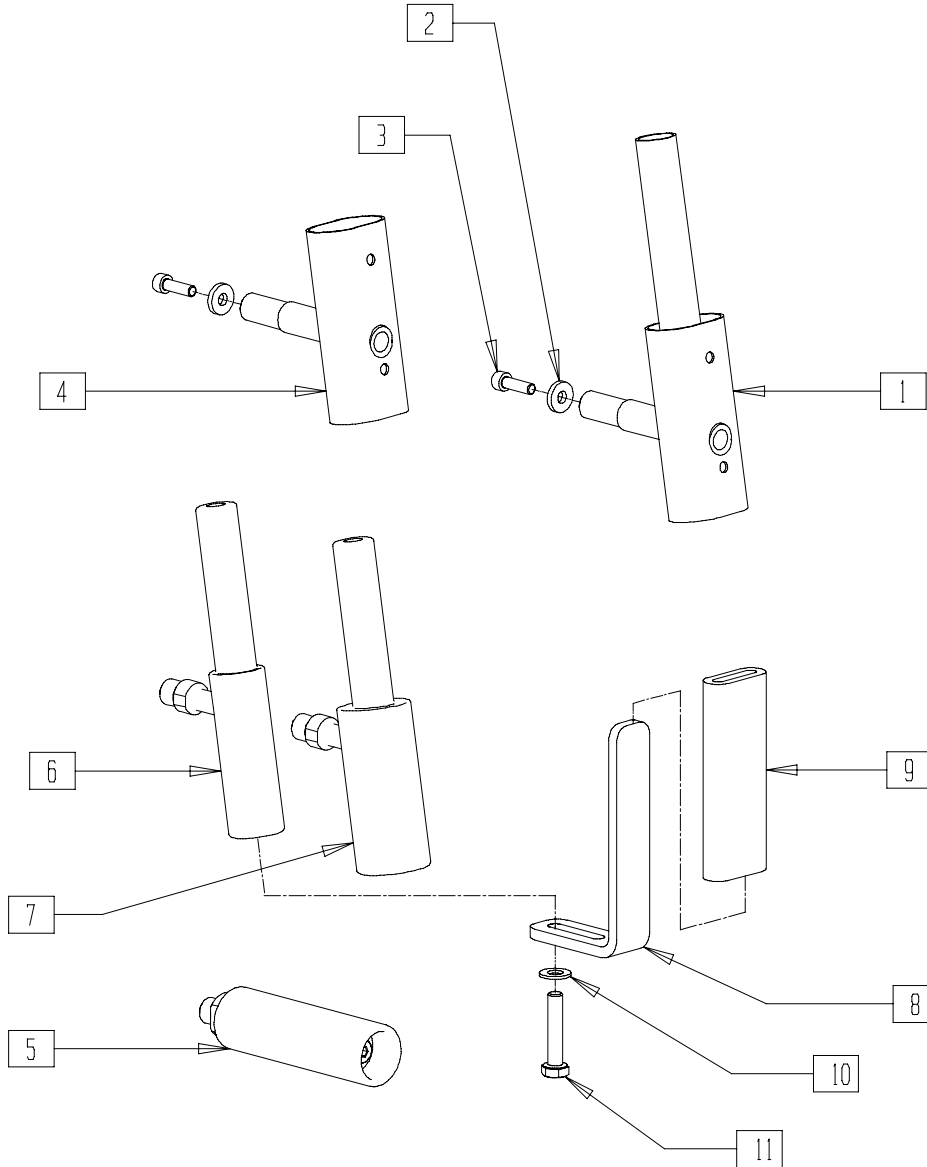


SHRXX08

ITEM	NUMBER	DESCRIPTION	QTY
1	471 854 051	CHAIN RINGS BRACKET SMALL (4 ARMS)	
1A	471 854 050	CHAIN RINGS BRACKET LARGE (5 ARMS)	
2	000 228 122	CHAIN RING 26 TEETH	
2A	000 228 123	CHAIN RING 30 TEETH	
3	000 228 124	CHAIN RING 36 TEETH	
3A	000 228 125	CHAIN RING 42 TEETH	

ITEM	NUMBER	DESCRIPTION	QTY
4	000 228 126	CHAIN RING 48 TEETH	
4A	000 228 127	CHAIN RING 52 TEETH	
5,6	000 228 128	CHAIN RING SCREW / NUT	
7	471 854 040	CRANK SHAFT	
8	000 210 015	BEARING 30 X 42 X 7 61806 2RS	
9	471 854 041	SPACER	

HANDLES (QUICKIE SHARK/SHARK S)



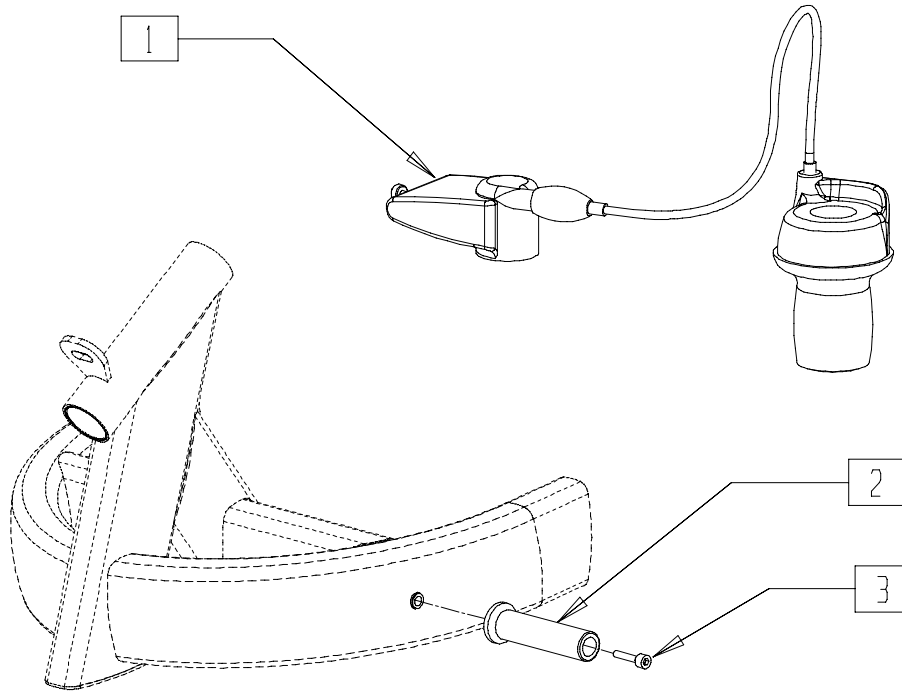
SHRKX07

ITEM	NUMBER	DESCRIPTION	QTY
1	471 854 006	VERTICAL SHIFTER HANDLE	1
2	000 130 121-ET	WASHER A 6,4 DIN 7349	2
3	000 102 029-ET	SOC. SCREW M 6 X 20 DIN 912	2
4	471 854 016	VERTICAL HANDLE	1
5	471 854 030	STANDARD HANDLE	1
	471 754 030	(EA)	
*6	470 812 079	ERGO HANDLE D= 30 MM,	1
	470 712 079	(EA)	

ITEM	NUMBER	DESCRIPTION	QTY
**7	470 812 078	ERGO HANDLE D= 40 MM,	1
	470 712 078	(EA)	
8	406 812 055	QUAD LEVER	1
9	000 281 013	SOFT HANDLE	1
10	000 130 108-ET	WASHER A 8,4 DIN 125	1
11	000 100 029-ET	HEX. SCREW M 8 X 30 DIN 933	1
8-11	406 812 047	QUAD LEVER CPL.	
1-3	471 812 102	VERTICAL SHIFTER HANDLE CPL.	
2-4	471 812 103	VERTICAL HANDLE CPL.	

* QUAD LEVERS CAN BE USED WITH ITEM 6.
 **QUAD LEVERS CAN NOT BE USED WITH ITEM 7

HUB SHIFTER (QUICKIE SHARK/SHARK S)

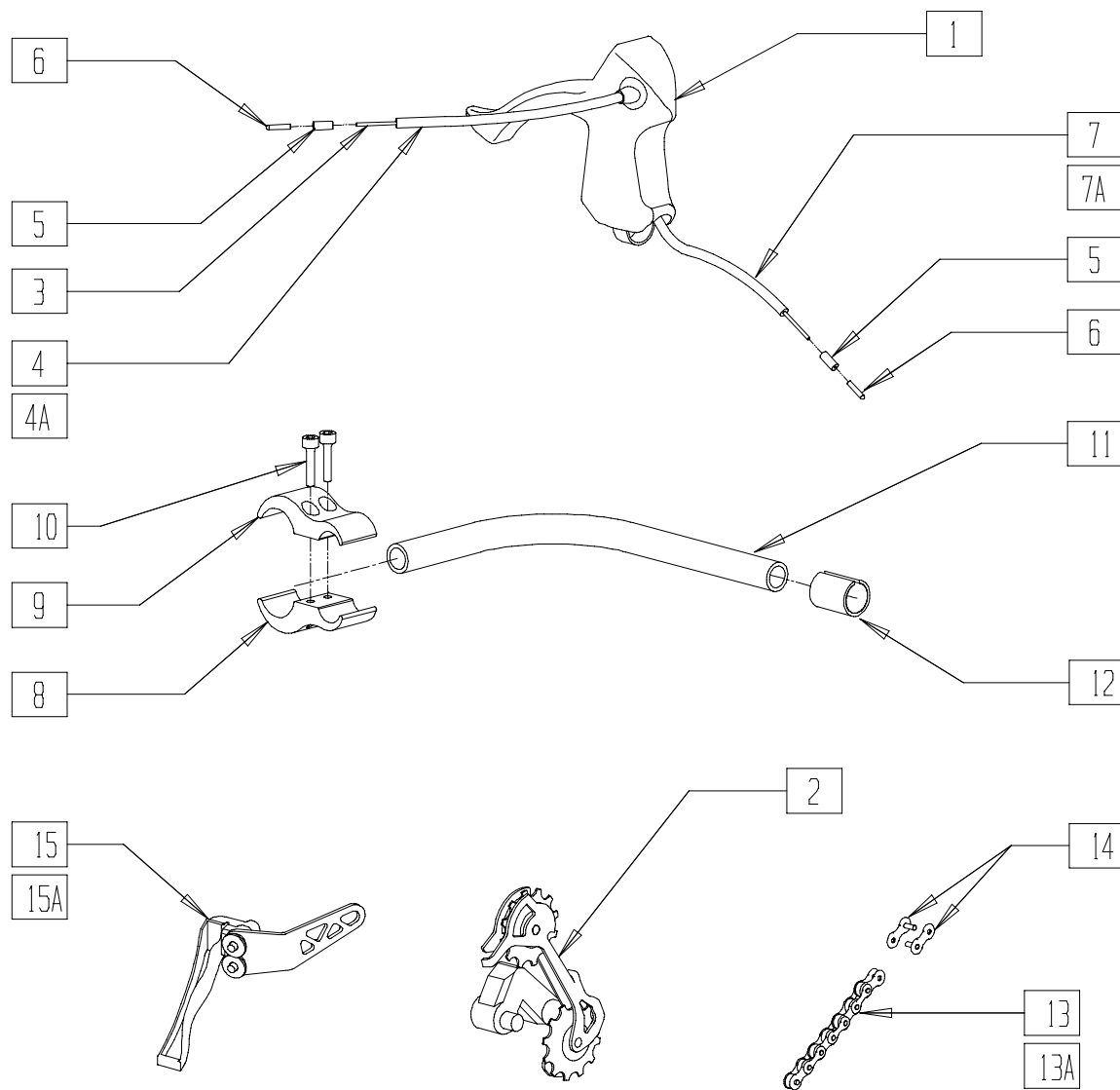


SHRXX18

ITEM	NUMBER	DESCRIPTION	QTY
1	000 228 046	SHIFTER F. 7-SPEED W. CLICKBOX CPL.	1
2	471 854 033	SHIFTER HOLDER F. FRAME MOUNTING	1

ITEM	NUMBER	DESCRIPTION	QTY
3	000 102 137-ET	SOC. SCREW M 6 X 25 DIN 912	1

GEARING SYSTEM (QUICKIE SHARK/SHARK S)



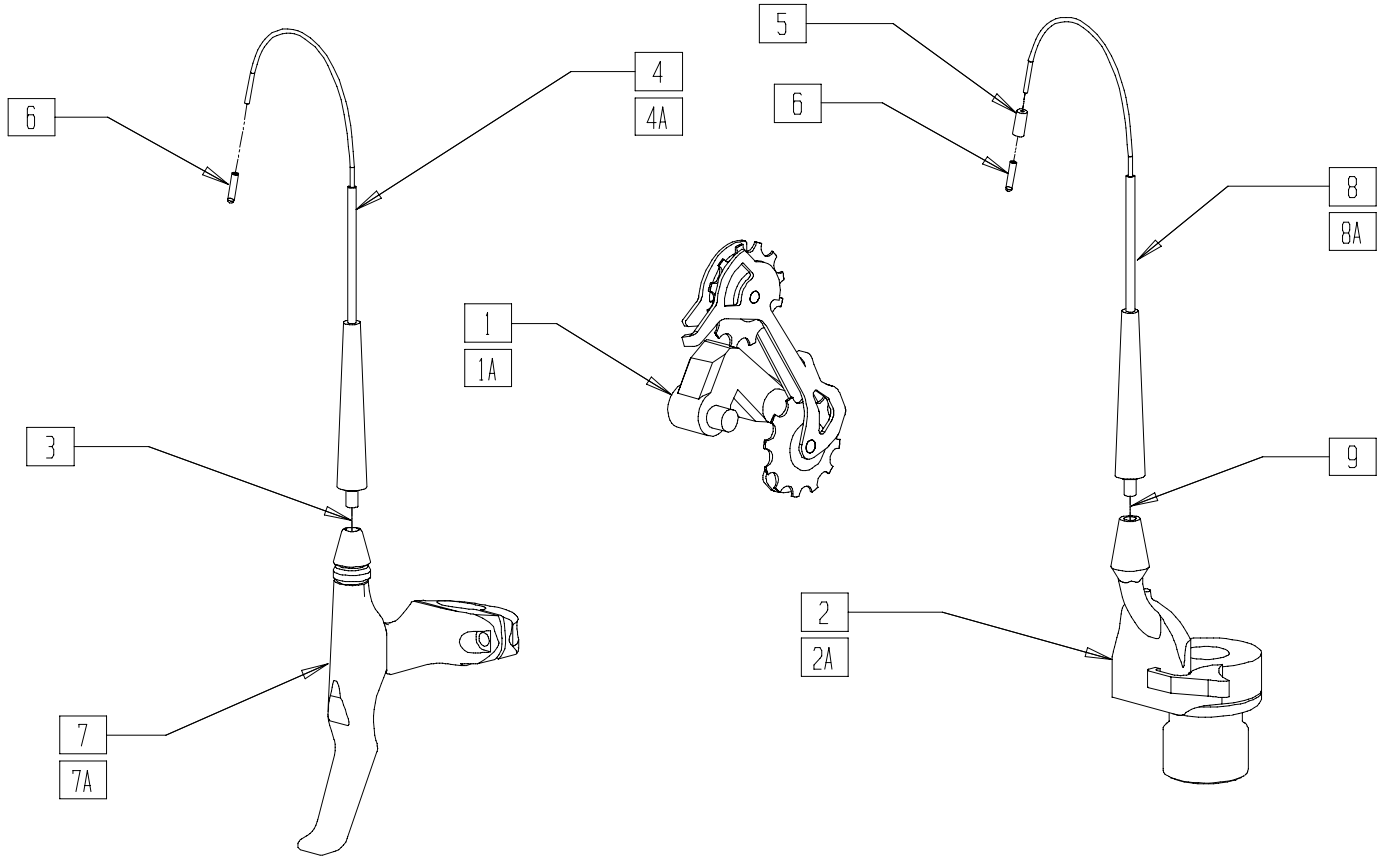
SHRKX19

ITEM	NUMBER	DESCRIPTION	QTY
1	000 220 076	STI INDEX SHIFTER SHIMANO ULTEGRA	1
2	000 220 077	REAR DERAILLEUR 9-SPEED SHIMANO XT	1
3	000 228 075-ET	SHIFTER CABLE	1
4*	471 858 006	SHFTR CBL HSNHG HGH 900MM/760MM	1
4A	471 858 007	SHIFTER CABLE HOUSING LOW L=650MM	1
5	000 228 082-ET	CABLE HOUSING CAP	2
6	000 228 079-ET	CABLE CAP	2
7	471 858 008	SHIFTER CABLE HOUSING HIGH L= 760 MM	1
7A	471 858 009	SHIFTER CABLE HOUSING LOW L=650 MM	1
8	615 821 003	CLAMP OUTSIDE	1
9	615 821 002	CLAMP INSIDE	1

ITEM	NUMBER	DESCRIPTION	QTY
10	000 102 137-ET	SOC. SCREW M 6 X 25 DIN 912	2
11	471 812 410	SHIFTER HOLDER	1
12	000 861 200	ADAPTER SLEEVE	1
13	471 854 100, 471 854 101	DRIVE CHAIN HIGH, 5-ARM L= 1795 MM (EA)	1
13A	471 854 102, 471 854 103	DRIVE CHAIN HIGH, 5-ARM L= 1470 MM (EA)	1
14	000 228 096-ET	CHAIN LINK	1
15	471 858 020	REAR DERAIL FORK HI CPL.	1
15A	471 858 021	REAR DERAIL LX FRK LO CPL.	
8-12	471 858 016	SHIFTER MOUNT AT FRONT FORK	

* CABLE HOUSING MUST BE TRIMMED FOR 760MM APPLICATION.

GEARING SYSTEM AND BRAKE (QUICKIE SHARK/SHARK S)



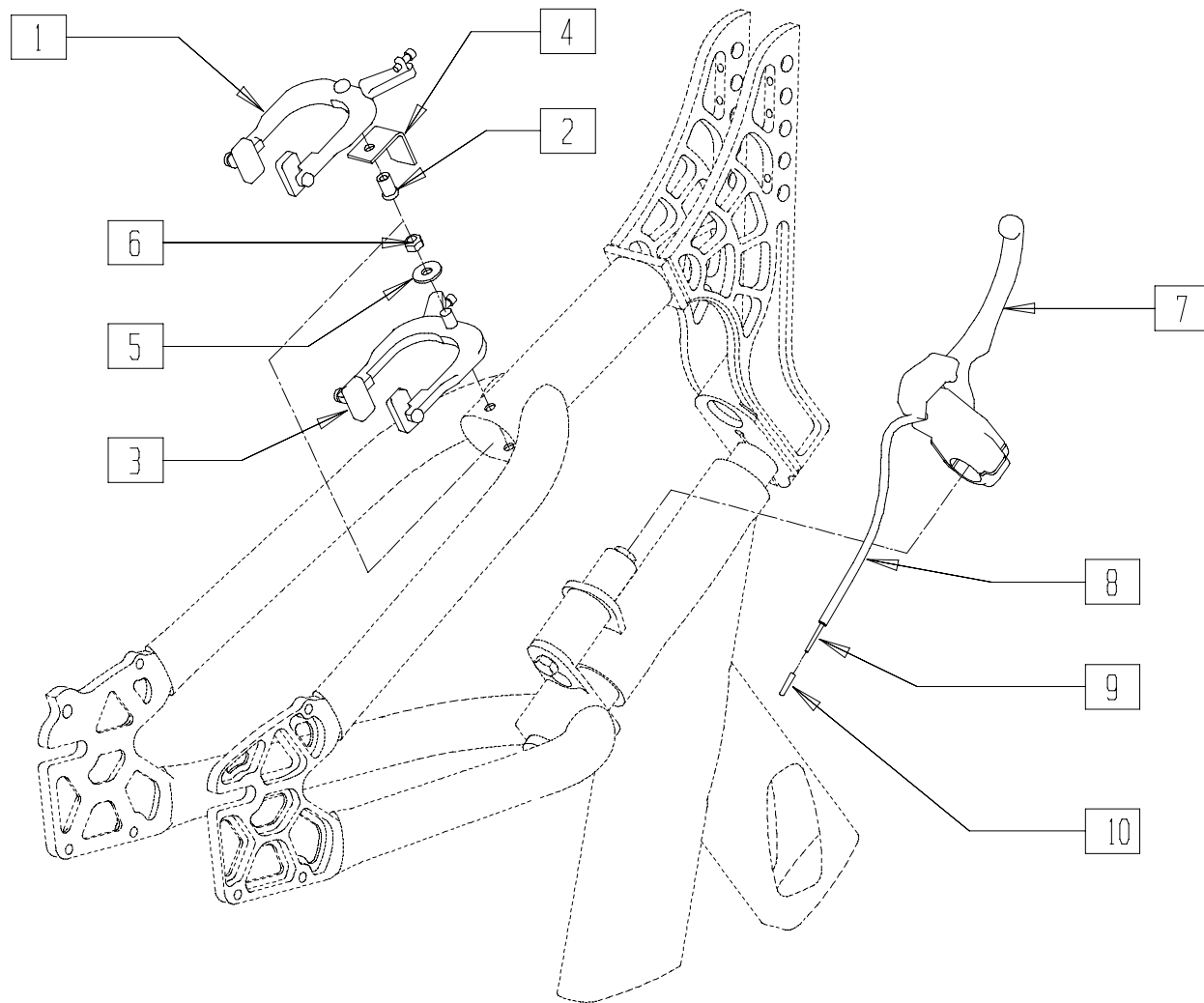
SHRXX20

ITEM	NUMBER	DESCRIPTION	QTY
1	000 228 298	REAR DERAILLEUR, 9-SPEED, SRAM X9	1
1A	000 228 101	REAR DERAILLEUR, 9-SPEED, SRAM 5.0	1
2	000 228 299	GRIP SHIFT - SHIFTER, SRAM 5.0	1
2A	000 228 206	GRIP SHIFT - SHIFTER, SRAM X9	1
3	000 228 076-ET	BRAKE CABLE	1
4	471 858 003	SHIFTER CABLE HOUSING L= 1020 MM	1
4A	471 858 005	SHIFTER CABLE HOUSING L= 870 MM	1
5	000 228 082-ET	CABLE HOUSING CAP	1

ITEM	NUMBER	DESCRIPTION	QTY
6	000 228 079-ET	CABLE CAP	2
7	000 762 005	BRAKE LEVER SRAM 5.0	1
7A	000 762 002	BRAKE LEVER SRAM 9.0	1
8	471 858 002	SHIFTER CABLE HOUSING L= 1570 MM	1
8A*	471 858 006	SHFTR CBL HSNG HGH 900MM/760MM	1
9	000 228 075-ET	SHIFTER CABLE	1
3-7,9-11	470 813 030	SPARE KITS: SHIFT / BRAKE CABLES	

* CABLE HOUSING MUST BE TRIMMED FOR 760MM APPLICATION.

BRAKE (QUICKIE SHARK/SHARK S)

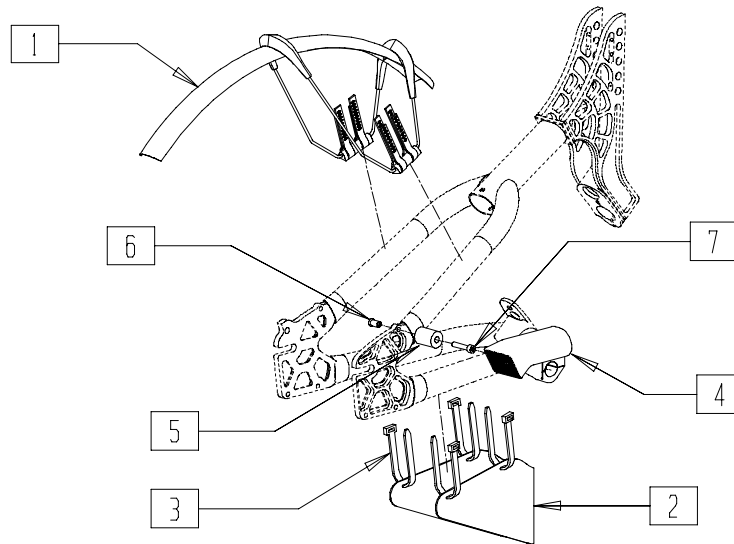


SHRXX02

ITEM	NUMBER	DESCRIPTION	QTY
1,2	000 228 014	CALIPER BRAKE SHIMANO ULTEGRA	1
3	000 228 019	CALIPER BRAKE SHIMANO TIAGRA	1
3A	000 228 054	CALIPER BRAKE F. 7-SPEED	
4	471 861 001	BRAKE BRACKET	1
5	000 130 116-ET	WASHER A 6,4 DIN 9021	1

ITEM	NUMBER	DESCRIPTION	QTY
6	000 128 007-ET	NUT M 6 DIN 985	1
7	000 228 022	BRAKE LEVER	1
8	000 228 077	HOUSING BRAKE L= 340 MM	1
9	000 228 076-ET	BRAKE CABLE	1
10	000 228 079-ET	BRAKE CABLE END CAP	1

FRONT FENDER AND LIGHT (QUICKIE SHARK/SHARK S)

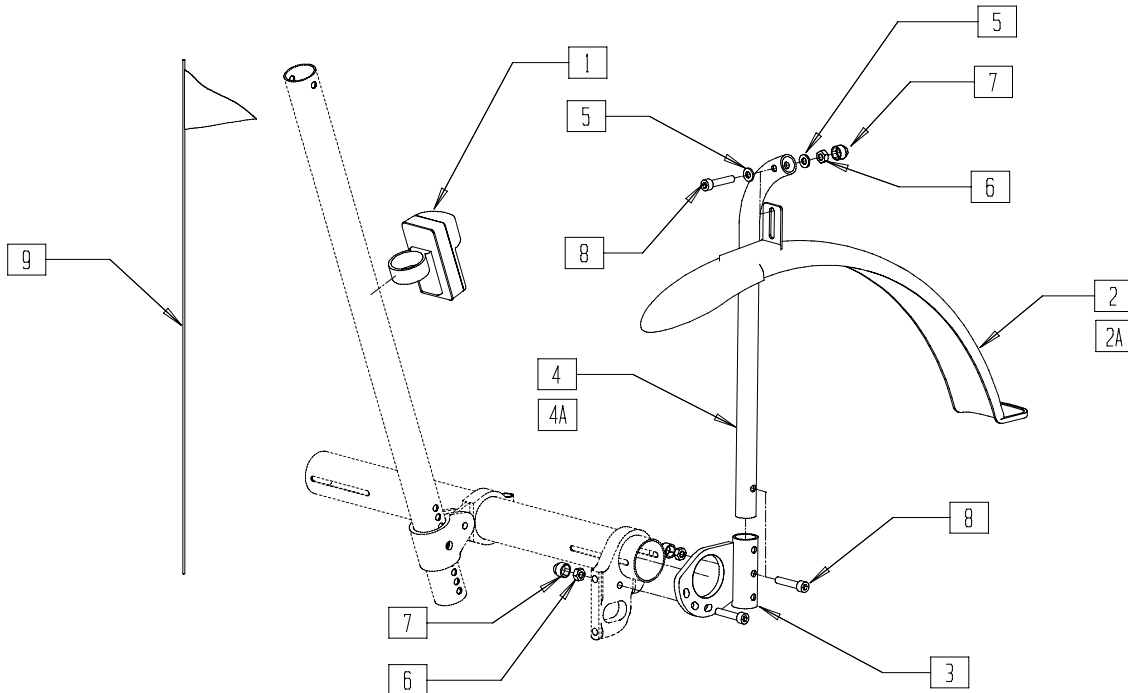


SHRXX23

ITEM	NUMBER	DESCRIPTION	QTY
1	000 228 302	FENDER FRONT	1
2	471 853 020	FENDER REAR	1
3	000 280 010-ET	ZIP TIE 178 MM X 4.8 MM	4
4	000 228 041	HEAD LIGHT FL 100	1

ITEM	NUMBER	DESCRIPTION	QTY
5	471 861 002	CLAMPING TUBE	1
6	840 826 007	SOCKET NUT	1
7	000 102 012-ET	SOC. SCREW M 6 X 30 DIN 912	1
4-7	471 812 304	HEAD LIGHT CPL.	

REAR FENDER AND LIGHT (QUICKIE SHARK/SHARK S)



SHRXX22

ITEM	NUMBER	DESCRIPTION	QTY
1	000 228 115	REAR LIGHT	1
2	000 228 303	FENDER REAR 20"	2
2A	000 228 304	FENDER REAR 26"	2
3	471 853 011, 471 753 011	BUMPER / FENDER BRACKET (EA)	2
4	471 853 009.02	FENDER HOLDER 26"	2
4A	471 853 009.01	FENDER HOLDER 20"	2

ITEM	NUMBER	DESCRIPTION	QTY
5	000 130 107-ET	WASHER A 6.3 DIN 125	4
6	000 128 007-ET	HEX. NUT M 6 DIN 985	2
7	000 282 063-ET	NUT CAP F. M 6	2
8	000 102 012-ET	SOC. SCREW M 6 X 30 DIN 912	2
9	000 228 229	SIGNAL FLAG	1
2-7	471 812 305, 471 812 306	FENDER REAR 20" CPL. FENDER REAR 26" CPL.	

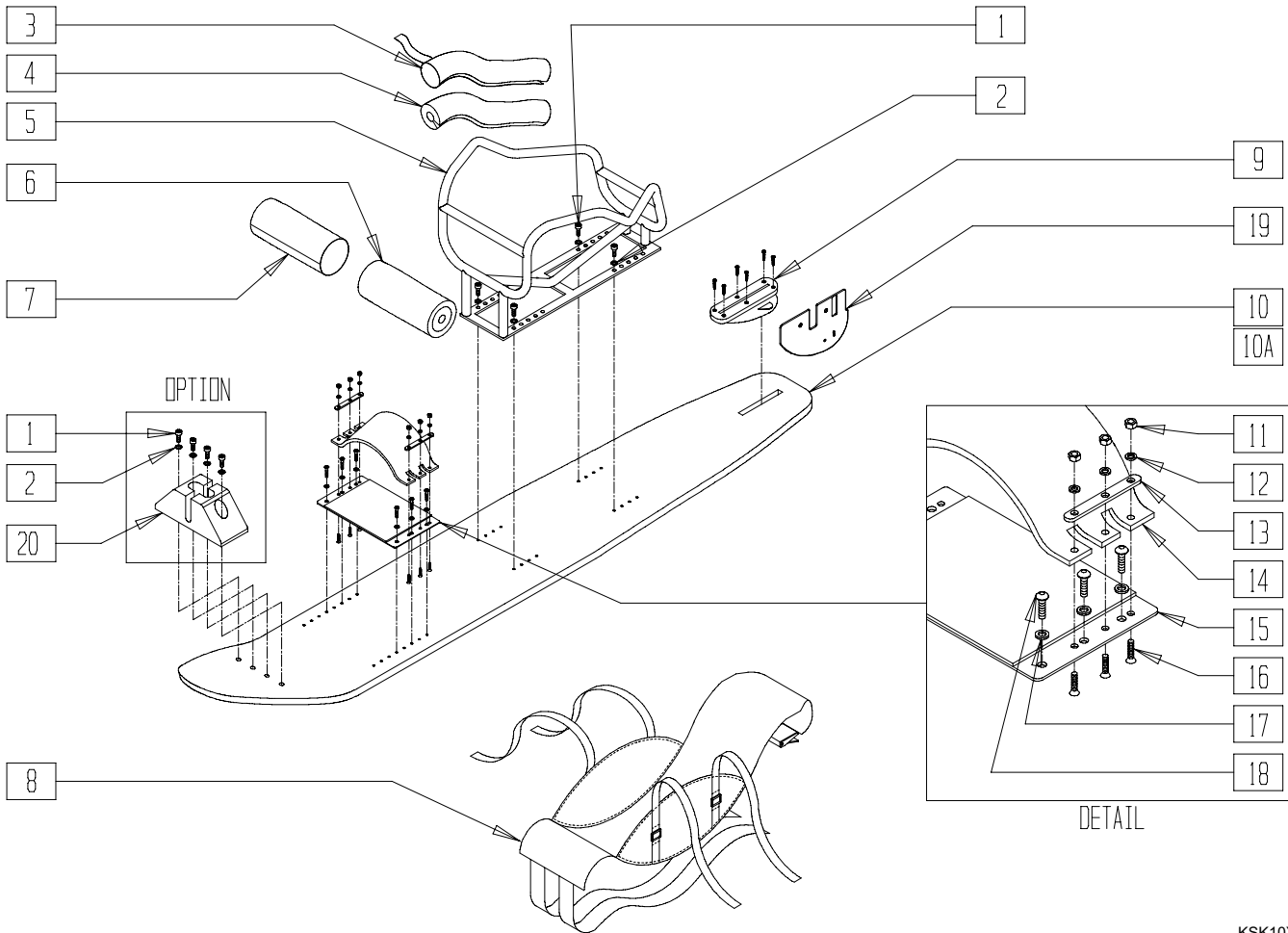
Quickie Kan Ski

IN THIS SECTION

Quickie Kan Ski	9.1
-----------------------	-----

QUICKIE KAN SKI (COMP, AND SUPER COMP BOARDS)

(Effective July 2001)



KSK10X02B

ITEM	NUMBER	DESCRIPTION	QTY
1	226104	1/4-20 x 3/4 SOC C/S SS	4
2	261539	1/4" WASHER SPLIT HD SS	4
3	560247	SIDE FOAM COVERS (PR)	1
4	180018	CAGE SIDE FOAM 24" KAN SKI	1
5	527660-527674	KANSKI CAGE SPEC-WIDTH	1
6	581505	KNEE PAD 15-17 STD	1
	581506	KNEE PAD 13-14 SMALL	
7	750727	KNEE FOAM BAR COVER SMALL	1
	750728	KNEE FOAM BAR COVER STD	
8	721067	SEAT SLING 13-14 AMP	1
	721105	SEAT SLING 15-17 AMP	
9	445002	TRU-LOCK FIN ASSY KANSKI	1
10	445700	BOARD COMP ONE	1

ITEM	NUMBER	DESCRIPTION	QTY
10A	924540	BOARD SUPER COMP	1
11	201222	8-32 NYLOCK NUT SS	6
12	455066-QU	#10 AN WASHER .063 SS	6
13	341574	TOW BAR STAINLESS	2
14	740015	FOOT STRAP CUT	1
15	445650	FOOTPLATE W/PAD KS	1
16	226209	8/32 x 5/8 FH PHL MS SS	6
17	455030-QU	1/4 FLAT WASHER .060 THICK	6
18	226073-QU	1/4-20 x 1/2 BH C/S SS	6
19	560031	FIN LONG KANSKI	1
11-18	445006	FT PLT COMPLETE KAN SKI	
3,7,8	750721	KANSKI UPH SET 15-17 AMP STD	
	750724	KAN SKI UPH SET 13-14 AMP SML	

OPTION

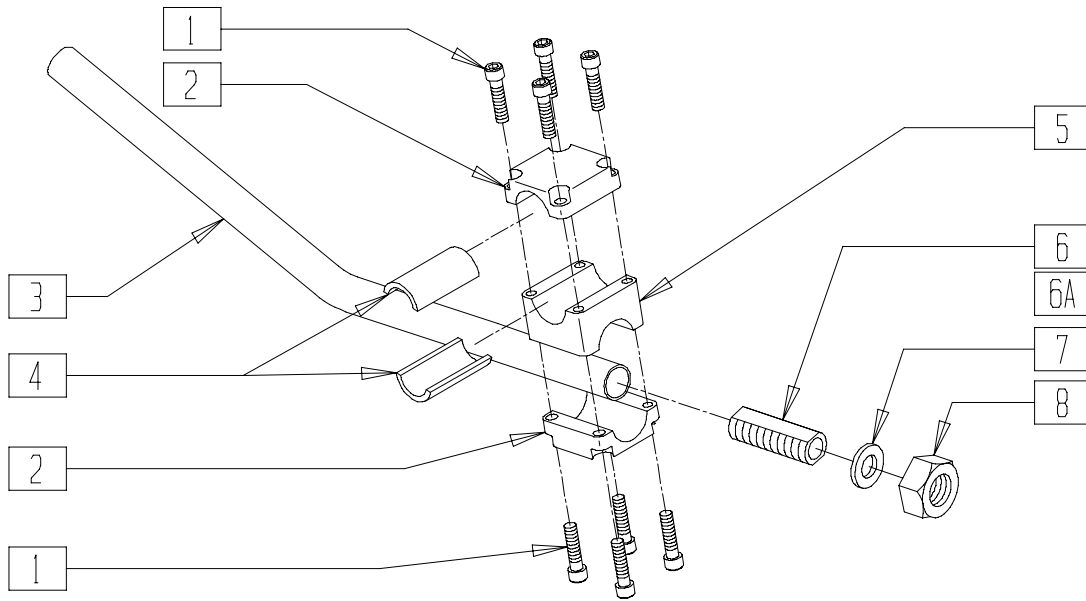
ITEM	NUMBER	DESCRIPTION	QTY
1	226104	1/4-20 x 3/4 SOC C/S SS	4
2	261539	1/4" WASHER SPLIT HD SS	4
20	560158	ROPE BLOCK KS	1
1,2,20	560163	ROPE BLOCK KS ASSM	

Axles

IN THIS SECTION

Axle Assembly (Quickie Heat)	10.1	Axle Sleeve (Quickie Heat/Kidz Bike/Mach 2).....	10.3
Quick-release Axles (Quickie All Court/Match Point/Kidz Bike/ Mach 2/3D/Heat).....	10.2	Axle Sleeve (Quickie 3D/All Court/Match Point).....	10.4
Push Button Axle (Quickie All Court/Match Point/Kidz Bike/ Mach 2/3D/Heat).....	10.3	Threaded Axle (Quickie Mach 2)	10.4
		Quad-release Axle Nut (Push-button) (Quickie All Court/Match Point//3D/Heat)	10.5

AXLE ASSEMBLY (QUICKIE HEAT)

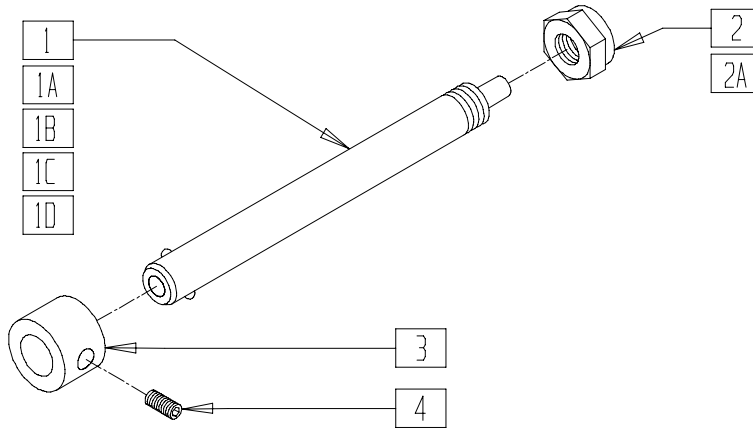


RBY00X16

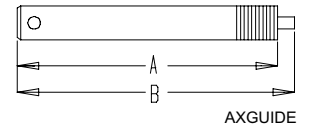
ITEM	NUMBER	DESCRIPTION	QTY
1	226107	1/4-28 x 7/8 SOC C/S	8
2	550211	AXLE CLAMP CAMBER TUBE	2
3	525219- 525246	CAMBER TUBE (13" 8D)- CAMBER TUBE (20" 15D)	1
4	520029	SHIM CAMBER CLAMP HQR	2
5	550213	ANTI-TIP SADDLE LO-MNT GPS	1
6	481065	AXLE SLEEVE SS	2

ITEM	NUMBER	DESCRIPTION	QTY
6A	481069	AXLE SLEEVE 1.	2
7	265100	3/4 x 18 WASHER NARROW	2
8	204000	3/4-16 NUT	2
6-8	920116	AXLE SLEEVE W/HDWR GPS	
6A,7,8	920114	AXLE SLEEVE 1° W/HDWR	
1,2,5	880931	ANTI-TIP REC ASSEMBLY UNDER MOUNT GPS	

QUICK-RELEASE AXLES (QUICKIE ALL COURT/MATCH POINT/KIDZ BIKE/MACH 2/3D/HEAT)



MEASURING GUIDE



PART NUMBER	"A"	"B"
920119	4 3/4"	5"
920129	5 3/8"	5 5/8"
920130	5 3/4"	6"
920137	5 3/4"	6"
920912	5 3/8"	5 5/8"

AXLE0X01

ITEM	NUMBER	DESCRIPTION	QTY
2	203100	1/2-20 NYLOCK NUT	1
2A	330010	1/2-20 NYLOCK NUT ALUM	1
3***	483057	MAG AXLE SPACER W/HOLE	1
4***	225100	1/4-20 x 1/4 SET SCREW	1
3,4	920117	MAG SPACER 6S W/SET SCREW	

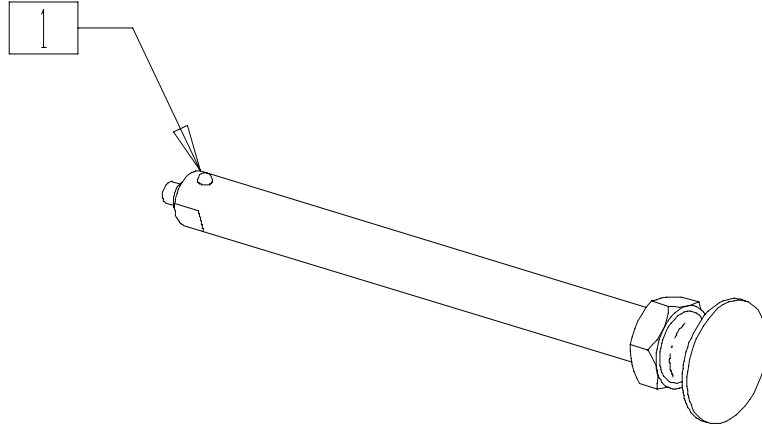
ITEM	NUMBER	DESCRIPTION	QTY
1,2*	920119	QR AXLE MAG W/NUT	
1A,2**	920129	QR AXLE W/NUT	
1B,2	920130	QR AXLE NON-RECESS HUB W/NUT	
1C,2A	920137	QR AXLE W/NUT Ti	
1D,2A	920912	AXLE QR TI SHORT W/NUT	
1A,2-4	920138	QR AXLE W/SPACER FOR 6S MAG	

* FOR CHAIRS WITH STANDARD SPOKE WHEELS, 920119 FITS SHADOW ONE PRIOR TO RD-9618 (9/10/96)

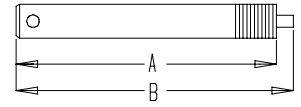
** FOR CHAIRS WITH STANDARD SPOKE WHEELS, 920129 FITS SHADOW ONE BEGINNING 9/10/96 (RD-9618) AND ENDING 9/21/98

*** SPACER AND SET SCREW REQUIRED IF CHAIR WAS PURCHASED BEFORE 01/11/05

PUSH BUTTON AXLE (QUICKIE KIDZ BIKE/MACH 2/3D/HEAT/ALL COURT/MATCH POINT)



MEASURING GUIDE



AXGUIDE

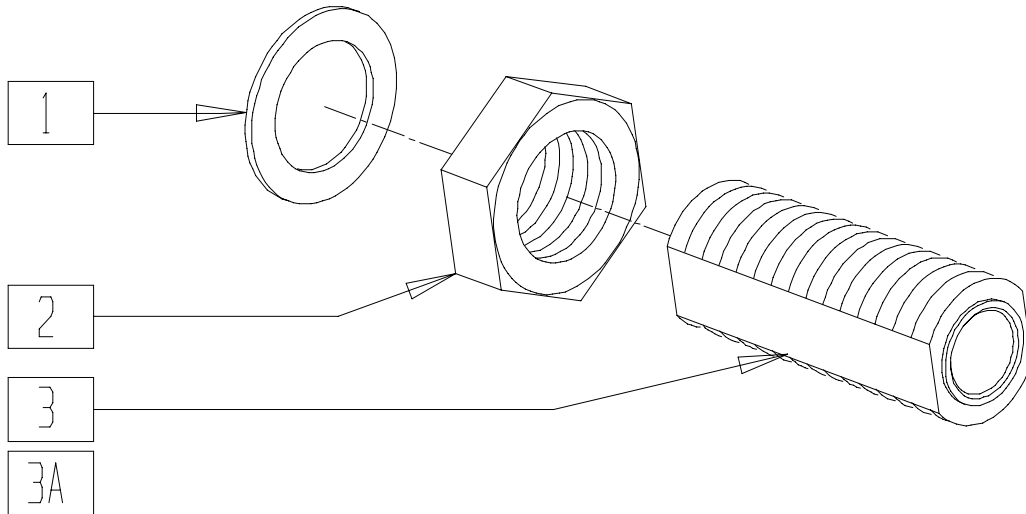
PART NUMBER	"A"	"B"
349057	5 3/16"	5 9/16"

AXLE0X04

ITEM	NUMBER	DESCRIPTION	QTY
1	349069*	AXLE PIN AND NUT CLEAR	1

* USED ON STANDARD SPOKE WHEELS BEGINNING 9/21/98.

AXLE SLEEVE (QUICKIE HEAT/KIDZ BIKE/MACH 2)



AXLEX05

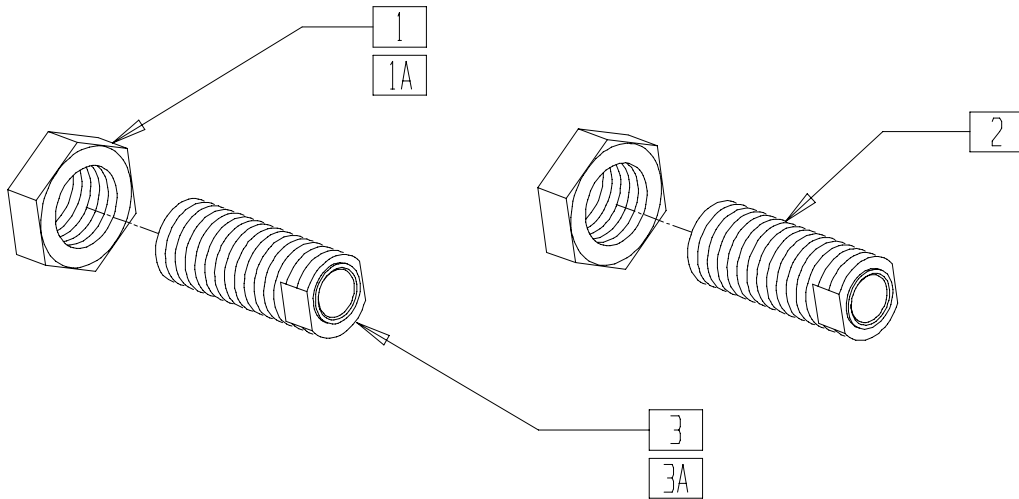
ITEM	NUMBER	DESCRIPTION	QTY
1	265100	3/4 x 18 WASHER NARROW	1
2	204000	1/4-16 NUT	1
3*	481066	AXLE SLEEVE SS SHORT	1

ITEM	NUMBER	DESCRIPTION	QTY
3A**	481065	AXLE SLEEVE SS	1
1,2,3A	920116	AXLE SLEEVE W/HDWR (M2)	

* 481066 FITS SHADOW ONE PRIOR TO RD-9618 (9/10/96), SHADOW HEAT PRIOR TO HQR-9620 (9/10/96)

** 481065 FITS SHADOW ONE BEGINNING RD-9618 (9/10/96), SHADOW HEAT BEGINNING HQR-9620 (9/10/96)

AXLE SLEEVE (QUICKIE 3D/ALL COURT/MATCH POINT)

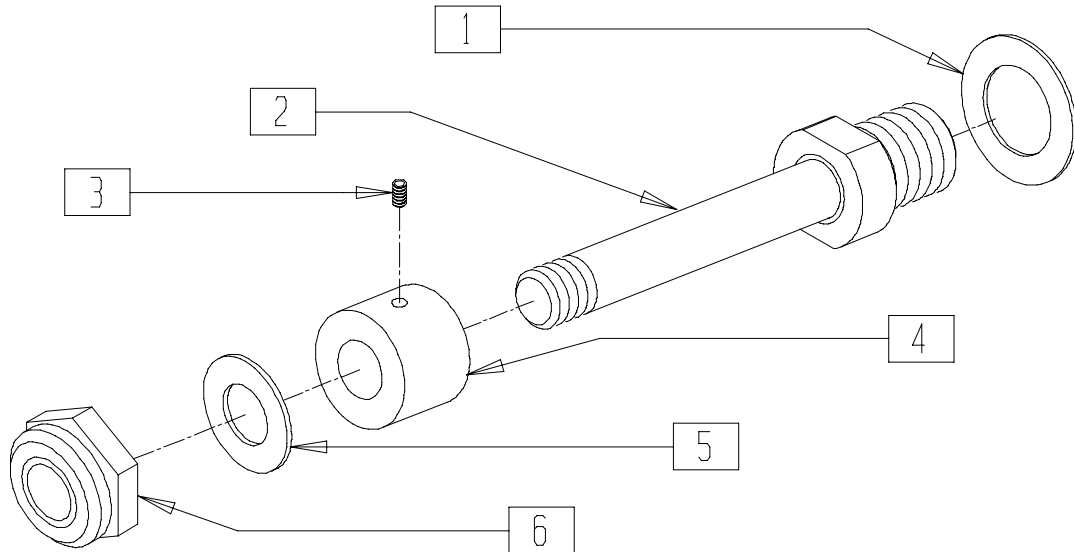


AXLEX06A

ITEM	NUMBER	DESCRIPTION	QTY
1	204005	7/8-14 NUT JAM	1
1A	204006	7/8-14 JAM NUT ALUM BLACK	1

ITEM	NUMBER	DESCRIPTION	QTY
2	481067	AXLE SLEEVE 7/8-14	1
3	481068	2° AXLE SLEEVE 7/8-14 ECCENTRIC	1
3A	483330	SLEEVE AXLE ALUM 2D	1

THREADED AXLE (QUICKIE MACH 2)



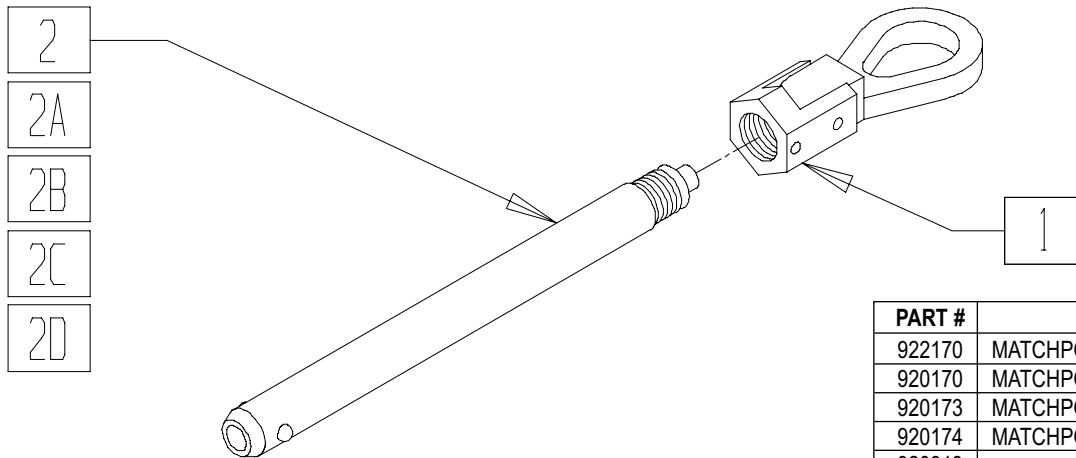
LC00X13

ITEM	NUMBER	DESCRIPTION	QTY
1	265100	3/4 x 18 WASHER NARROW	1
2	481731	THREADED AXLE M2	1
3	225100	1/4-20 x 1/4 SET SCREW	1

ITEM	NUMBER	DESCRIPTION	QTY
4	483057	MAG AXLE SPACER W/HOLE	1
5	264100	1/2 AN WASHER FLAT	1
6	203100	1/2-20 NYLOCK NUT	1

**QUAD-RELEASE AXLE NUT (PUSH-BUTTON)
(QUICKIE ALLCOURT/MATCH POINT/3D/HEAT)**

(Effective 9/21/98)



PART #	PRODUCT NAME			
922170	MATCHPOINT	ALLCOURT	3D	
920170	MATCHPOINT			
920173	MATCHPOINT	ALLCOURT	3D	HEAT
920174	MATCHPOINT	ALLCOURT	3D	
920913		ALLCOURT		

AX0X027a

ITEM	NUMBER	DESCRIPTION	QTY
1	920139	QUAD RELEASE AXLE NUT	1
1,2	922170	QR AXLE W/QUAD NUT PUSH BUTTON	1
1,2A	920170	QR AXLE STD W/QUAD NUT	1

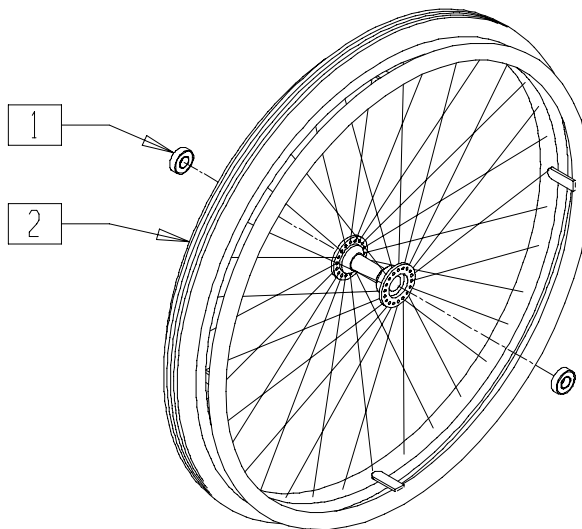
ITEM	NUMBER	DESCRIPTION	QTY
1,2B	920173	QR AXLE TI W/QUAD NUT	
1,2C	920174	QR AXLE NON RECESS W/QUAD NUT	
1,2D	920913	AXLE QR TI SHORT W/QUAD NUT	

Wheels

IN THIS SECTION

Rear Wheel Assembly - Spoke	11.1	Front Wheel (1 Speed/3 Speed) (Quickie Kidz Bike).....	11.17
Basketball Wheel Rim Assembly	11.2	Front Wheel (3 Speed) (Quickie Mach 2)	11.18
Tennis Wheel Rim Assembly.....	11.3	Front Wheel (7 Speed) (Quickie Mach 2) (Disc.)..	11.19
Wheel Rims.....	11.4	Front Wheel (7 Speed) (Quickie Mach 2)	11.20
Handrims (Tab Mount) (4 Tab).....	11.4	Rear Wheel Assembly (Quickie Kidz Bike/Mach 2).....	11.21
Handrims (Tab Mount) (6 Tab).....	11.5	Six-spoke Mag Assembly (Quickie Kidz Bike/Mach 2).....	11.22
Hub (Quickie Performance)	11.6	Front Wheel (Quickie Cycl-one) (Disc.)	11.23
Standard Wheel Rim Assembly (Quad Rugby) (Disc.).....	11.7	Front Wheel Assembly (Quickie Cycl-one)	11.23
Standard Wheel Rim Assembly (Quad Rugby).....	11.8	Drive Wheel with External Cassette (Shark/Shark S).....	11.24
Tennis Wheel And Rim Assembly with and w/o Handrim	11.9	Drive Wheel with Internal Cassette and Drum Brake (Shark/Shark S)	11.25
Basketball Wheel and Rim Assembly with and w/o Handrim	11.10	Rear Wheel (Shark/Shark S)	11.26
Standard Wheel Assembly (Quickie All Court/Heat).....	11.11	Tires (All Court/Matchpoint/3D/Heat/Kidz Bike/ Quad Rugby/Mach1/Mach2/Cycl-one)	11.27
Standard Wheel Assembly with Handrim (Quickie All Court/Heat)	11.12	Tires (Quickie Kidz Bike/Mach 2/Cycl-one/ Cyclone)	11.28
Wheel Assembly (Quickie All Court/Heat).....	11.13	Tires (Quickie Racer)	11.28
Handrims (Tab Mount) (6 Tab) (Quickie All Court/Heat)	11.14	Tubes and Rim Strips.....	11.29
24" and 26" Spinergy Wheel Assemblies.....	11.15	Quickie Racer Tire Reference Guide	11.29
Rear Wheel (Quickie Racer).....	11.16	Tire Reference Guide.....	11.30
Front Wheel (Quickie Racer)	11.17		

REAR WHEEL ASSEMBLY - SPOKE (ALL SPORTS AND RIGID CHAIRS)

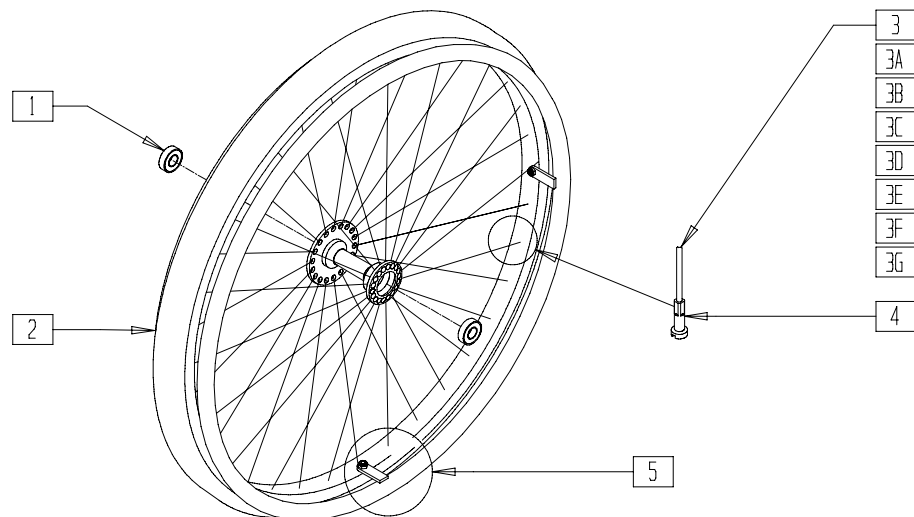


SHWH0X01

ITEM	NUMBER	DESCRIPTION	QTY
1	349500	1 1/8 x 1/2 BEARING	2
1,2	760600	24" SPK CLNCHR HR ANO	
	760601	24" SPK CLNCHR HR PLST	
	760602	24" SPK CLNCHR HR LT ANO	
	760603	24" SPK CLNCHR HR LT PLST	
	760604	24" SPK CLNCHR 8VERT	
	760605	24" SPK CLNCHR 8OBLQ	
	760606	24" SPK CLNCHR 10VERT	
	760607	24" SPK CLNCHR 10OBLQ	
	760608	24" SPK CLNCHR 12VERT	
	760609	24" SPK CLNCHR 12OBLQ	
760610	24" SPK CLNCHR OMIT HR		

ITEM	NUMBER	DESCRIPTION	QTY
1,2	760680	24" SPK TBLR HR ANO	
1,2	760681	24" SPK TBLR HR PLST	
1,2	760690	24" SPK TBLR OMIT HR	

BASKETBALL WHEEL RIM ASSEMBLY (ALL SPORTS AND RIGID CHAIRS)

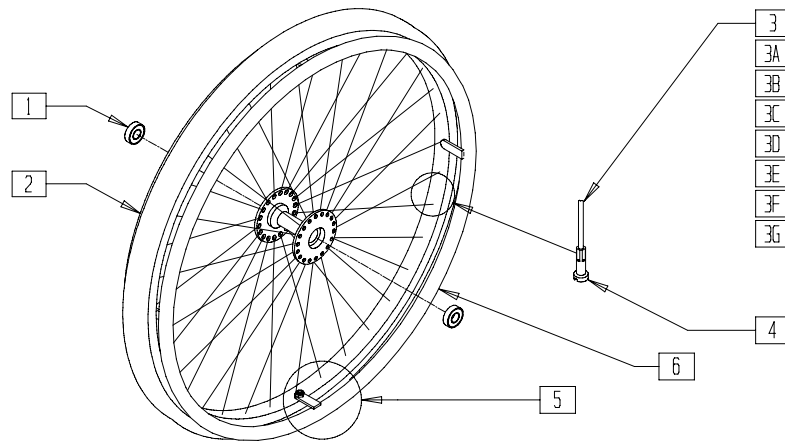


WH0X12a

ITEM	NUMBER	DESCRIPTION	QTY
1	349500	1 1/8 x 1/2 BEARING	2
3	362502	QP SPOKE 234mm x 2.0 (14g)	18
3A	362504	QP SPOKE 242mm x 2.0 (14g)	18
3B	362505	QP SPOKE 246mm x 2.0 (14g)	18
3C	362506	QP SPOKE 254mm x 2.0 (14g)	18
3D	362521	QP SPOKE 258mm x 2.0 (14g)	18
3E	362325	QP SPOKE 270mm x 2.0 (14g)	18
3F	362508	QP SPOKE 274mm x 2.0 (14g)	18
3G	362533	SPOKE 276mm x 2.0 (14G)	18
3H	362534	SPOKE 280mm x 2.0 (14G)	18
3I	362509	QP SPOKE 286mm x 2.0 (14g)	18
4	361250	SPOKE NIPPLE 5/8" BRASS ZN	36
3,3B,4,5	761119	QP 24" BB RIM ASSM	
1-3 3B,4,5	761110	QP 24" BB TBLR ANO	
	761111	QP 24" BB KVL R ANO	
	761112	QP 24" BB TBLR PLST	
	761113	QP 24" BB KVL R PLST	
	761114	QP 24" BB W/O TIRE ANO	
	761115	QP 24" BB PNEU SS	
	761116	QP 24" BB W/O TIRE PLST	
	761117	QP 24" BB PNEU ANO	
761118	QP 24" BB PNEU PLST		
1-3	761200	QP 24" BB CLNCHR ANO	
3A,4,5	761201	QP 24" BB CLNCHR PLST	
1,2,3B, 3C,4,5	761140	QP 24" HT BB TBLR ANO	
	761141	QP 24" HT BB TBLR SS	
	761142	QP 24" HT BB TBLR PLST	
	761143	QP 24" HT BB TURBO SS	
	761144	QP 24" HT BB W/O TIRE ANO	
	761145	QP 24" HT BB TURBO TI	
	761146	QP 24" HT BB W/O TIRE PLST	
	761147	QP 24" HT BB TURBO ANO	
3A,3C, 4,5	761148	QP 24" HT BB TURBO PLST	
761149	QP 24" HT BB RIM ASSM		
1,2,3D 3E,4,5	761160	QP 26" BB TBLR ANO	
	761161	QP 26" BB PNEU ANO	
	761162	QP 26" BB TBLR PLST	
	761163	QP 26" BB PNEU PLST	
	761164	QP 26" BB W/O TIRE ANO	
	761165	QP 26" BB PNEU TI	
	761166	QP 26" BB W/O TIRE PLST	

ITEM	NUMBER	DESCRIPTION	QTY
3D,3E,4,5	761167	QP 26" BB RIM ASSM	
1,2,3D,	761250	QP 26" BB CLNCHR ANO	
3E,4,5	761251	QP 26" BB CLNCHR PLST	
1,2,3F, 3I,4,5	761182	26" HT BASKETBALL WHEEL	
	761183	QP 26" HT BB TURBO PLST	
	761184	QP 26 HT B/B ANO W/TURBO SLCK	
	761185	QP 26" HT BB TURBO SLCK PLST	
	761186	QP 26" HT BB W/O TIRE ANO	
	761187	QP 26" HT BB W/O TIRE PLST	
	761188	QP 26" HT BB RIM ASSM	
1,2,3F, 3I,4,5	761061	590 X/S HT BB CLNCH HR OMIT	
	761062	590 X/S HT BB CLNCH S-T ANO	
	761063	590 X/S HT BB CLNCH S-T BLK	
	761064	590 X/S HT BB CLNCH S-T PLST	
	761065	590 X/S HT BB CLNCH R-T ANO	
	761066	590 X/S HT BB CLNCH R-T BLK	
	761067	590 X/S HT BB CLNCH R-T PLST	
3G,3H,4	401215	590 X/S HT RIM ASSM BB	
1,2,3G, 3H,4,5	761071	590 X/S HT BB TBLR HR OMIT	
	761072	590 X/S HT BB TBLR S-T ANO	
	761073	590 X/S HT BB TBLR S-T BLK	
	761074	590 X/S HT BB TBLR S-T PLST	
	761075	590 X/S HT BB TBLR R-T ANO	
	761076	590 X/S HT BB TBLR R-T BLK	
	761077	590 X/S HT BB TBLR R-T PLST	
1,2,3G, 3H,4,5	761592	590 X/S HT BB CLNCH S-T S/S	
	761593	590 X/S HT BB CLNCH R-T S/S	
	761594	590 X/S HT BB TBLR S-T S/S	
	761595	590 X/S HT BB TBLR R-T S/S	

TENNIS WHEEL RIM ASSEMBLY (ALL SPORTS AND RIGID CHAIRS)



WH0X11a

ITEM	NUMBER	DESCRIPTION	QTY
1	349500	1 1/8 x 1/2 BEARING	2
3	362501	QP SPOKE 232mm x 1.8 (15g)	36
3A	362520	QP SPOKE 240mm x 1.8 (15g)	36
3B	362521	QP SPOKE 258mm x 2.0 (15g)	36
3C	362508	QP SPOKE 274mm x 2.0 (15g)	36
3D	362533	SPOKE 276mm X 2.0 (14G)	
4	361252	1.8 mm BRASS NIPPLE QP	36
4A	361250	SPOKE NIPPLE 5/8" BRASS ZN	36
1-4	761100-	QP 24" TNNS TBLR ANO	
	761101	QP 24" TNNS KVLR ANO	
	761102	QP 24" TNNS TBLR PLST	
	761103	QP 24" TNNS KVLR PLST	
	761104	QP 24" TNNS W/O TIRE ANO	
	761105	QP 24" TNNS KVLR SS	
	761106	QP 24" TNNS W/O TIRE PLST	
	761107	QP 24" TNNS PNEU ANO	
761108	QP 24" TNNS PNEU PLST		
1,3-5	761109	QP 24" TNNS RIM ASSM	
1-4	761210	QP 24" TNNS CLNCHR ANO	
	761211	QP 24" TNNS CLNCHR PLST	
1,2,3A,4	761130	QP 24" HT TNNS TBLR ANO	
	761131	QP 24" HT TNNS TURBO 32H TI	
	761132	QP 24" HT TNNS TBLR PLST	
	761133	QP 24" HT TNNS TBLR 36H SS	
	761134	QP 24" HT TNNS W/O TIRE ANO	
	761135	QP 24" HT TNNS TURBO SS	
	761136	QP 24" HT TNNS W/O TIRE PLST	
	761137	QP 24" HT TNNS TURBO ANO	
	761138	QP 24" HT TNNS TURBO PLST	
	1,3A,4,5	761139	QP 24" HT TNNS RIM ASSM
1,2,3B,4A	761150	QP 26" TNNS TBLR ANO	
	761151	QP 26" TNNS TBLR SS	
	761152	QP 26" TNNS TBLR PLST	
	761153	QP 26" TNNS PNEU ANO	
	761154	QP 26" TNNS W/O TIRE ANO	
	761155	QP 26" TNNS W/PNEU PLST	
	761156	QP 26" TNNS W/O TIRE PLST	
1,3B,4,5	761157	QP 26" TNNS RIM ASSM	
1,2,3B,4,5	761260	QP 26" TNNS CLNCHR ANO	
	761261	QP 26" TNNS CLNCHR PLST	
1,2,3C,4A	761172	QP 26" HT TNNS TURBO ANO	
	761173	QP 26" HT TNNS TURBO PLST	
	761174	QP 26 HT TNNS ANO W/TURBO SLCK	
	761175	QP 26 HT TNNS PLAS W/TURBO SLK	
	761176	QP 26" HT TNNS W/O TIRE ANO	
	761177	QP 26" HT TNNS W/O TIRE PLST	

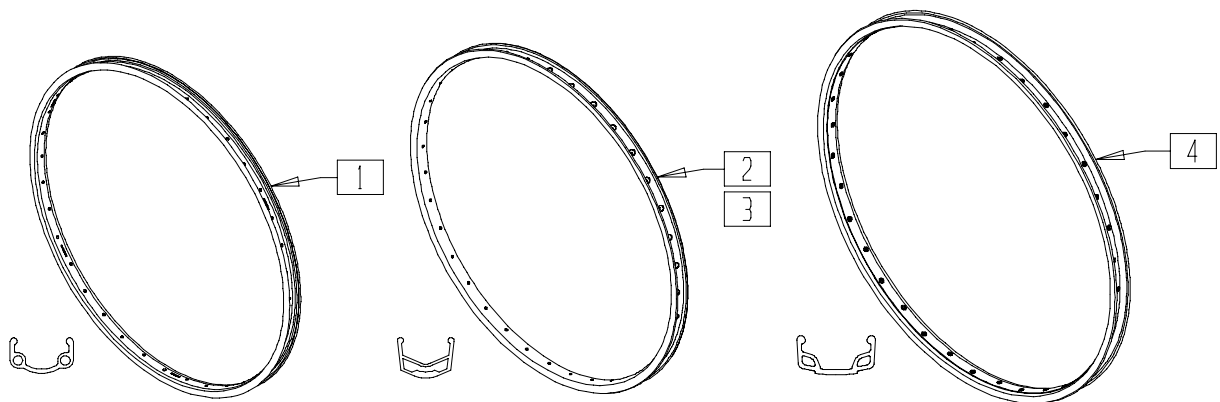
ITEM	NUMBER	DESCRIPTION	QTY
1,3C,4,5	761178	QP 26" HT TNNS RIM ASSM	
	761442	24"X/S HT TN TBLR HR OMIT	
	761443	24"X/S HT TN TBLR HR S-T ANO	
	761444	24"X/S HT TN TBLR HR S-T BLK	
	761445	24"X/S HT TN TBLR HR S-T PLST	
	761446	24"X/S HT TN TBLR HR R-T ANO	
	761447	24"X/S HT TN TBLR HR R-T BLK	
	761448	24"X/S HT TN TBLR HR R-T PLST	
1,3B,4,5	401211	24"X/S HT RIM ASSM TNN NO/STRP	
	401204	24" X/S HT RIM ASSM TNNS	
1,2,3B,4,5	761470	24"X/S HT TN TRBO HR OMIT	
	761471	24"X/S HT TN TRBO HR S-T ANO	
	761472	24"X/S HT TN TRBO HR S-T BLK	
	761473	24"X/S HT TN TRBO HR S-T PLST	
	761474	24"X/S HT TN TRBO HR R-T ANO	
	761745	24"X/S HT TN TRBO HR R-T BLK	
	761476	24"X/S HT TN TRBO HR R-T PLST	
	1,2,3D,4,5	761051	590 X/S HT TN CLNCH HR OMIT
761052		590 X/S HT TN CLNCH S-T ANO	
761053		590 X/S HT TN CLNCH S-T BLK	
761054		590 X/S HT TN CLNCH S-T PLST	
761058		590 X/S HT TN CLNCH S-T S/S	
761055		590 X/S HT TN CLNCH R-T ANO	
761056		590 X/S HT TN CLNCH R-T BLK	
761057		590 X/S HT TN CLNCH R-T PLST	
761059		590 X/S HT TN CLNCH R-T S/S	
1,2,3D,4,5		761081	590 X/S HT TN TBLR HR OMIT
	761082	590 X/S HT TN TBLR S-T ANO	
	761083	590 X/S HT TN TBLR S-T BLK	
	761084	590 X/S HT TN TBLR S-T PLST	
	761078	590 X/S HT TN TBLR S-T S/S	
	761085	590 X/S HT TN TBLR R-T ANO	
	761086	590 X/S HT TN TBLR R-T BLK	
	761087	590 X/S HT TN TBLR R-T PLST	
761079	590 X/S HT TN TBLR R-T S/S		
1,3D,4,5	401216	590 X/S HT RIM ASSM TNNS	
1,2,3D,4,5	529400	26" HR 6T BB/TN	
	529401	26" HR 6T PLST BB/TN	
6	529527	QP 26" HR .065 (6)TAB BLK PNTD	
1,2,3A,4,5	761127	QP 24" HT TNNS TURBO 32H ANO	
1,3A,4,5	761128	QP 24" HT TNNS RIM ASSM 32H	
1-5	761556	QP 24" TNNS TBLR OMIT HR	
1-5	761576	QP 24" TNNS CLNCHR OMIT HR	
1,3A,4,5	761591	QP 24" HT TNNS TURBO OMIT 36H	
1,2,3A,4,5	761685	QP 24" HT TNNS TURBO OMIT 32H	

WHEEL RIMS

24"/26" (540mm/590mm)
SPORTS AND RIGID CHAIRS

24" HEAT TREATED (559mm) / 24" (507mm)
SPORTS AND RIGID CHAIRS

26" HEAT TREATED (700mm)
SPORTS CHAIRS ONLY

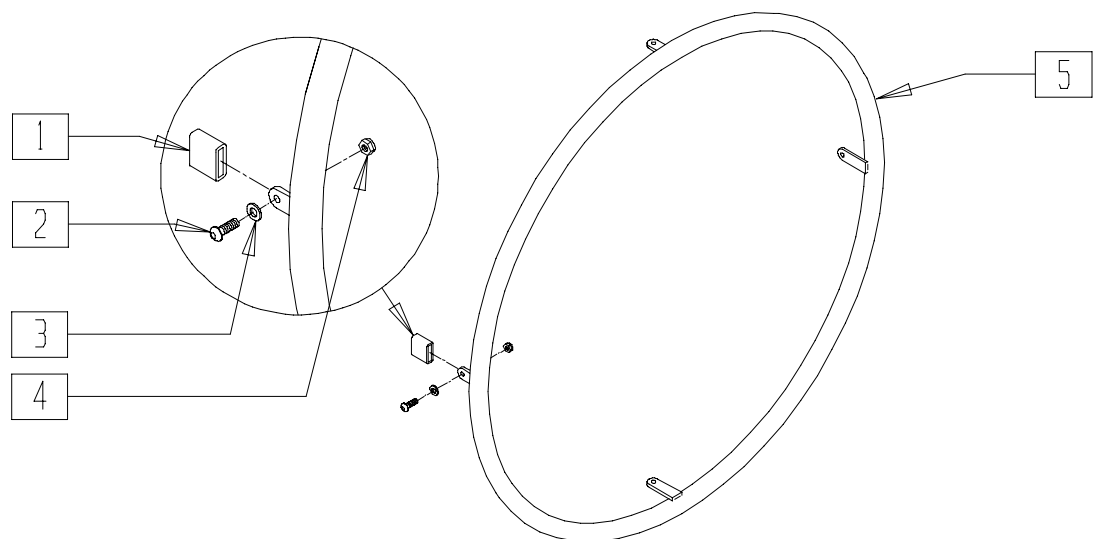


PFMOX15

ITEM	NUMBER	DESCRIPTION	QTY
1	101019	24" RIM BLK (540mm)	1
	364301	24" WHEEL RIM (540 MM) SLOTTED	
	364205	RIM WEINMAN 26 x 1 3/8 36 (590mm)	

ITEM	NUMBER	DESCRIPTION	QTY
2	369011	24" HT/26" RIM 36H (559 x 23mm) QP	1
3	364337	RIM SUN AT18 24 x 1.5 36H SL (507mm)	1
4	369007	26" HT/700C RIM SUN M25 36H QP	1

HANDRIMS (TAB MOUNT) (4 TAB) (SPORTS CHAIRS W/ HEAT TREATED RIMS)

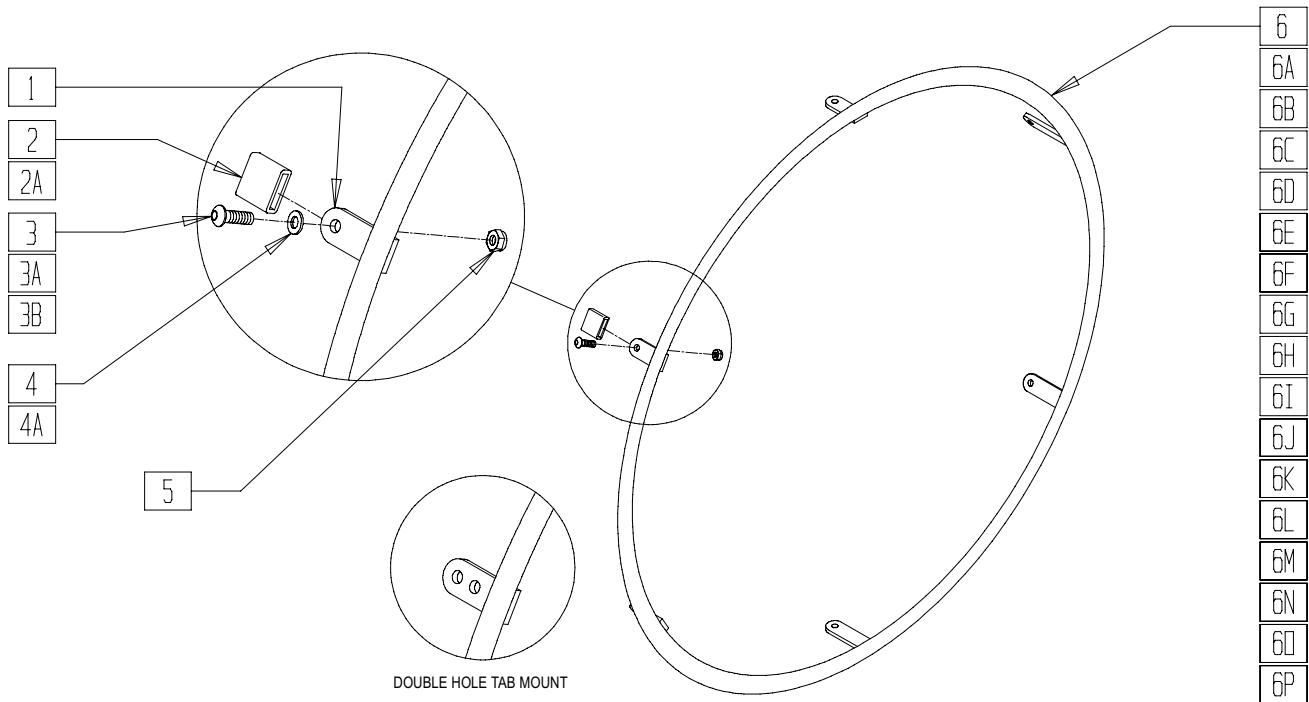


SHWH0X02

ITEM	NUMBER	DESCRIPTION	QTY
1	580300	HANDRIM TAB COVER	6
2	281121	10-32 x 5/8 PAN PHIL	6
3	561028	1/4" NYLON WASHER	6

ITEM	NUMBER	DESCRIPTION	QTY
4	200100-QU	10-32 NYLOCK NUT	6
5	529504	QP 24" x .049 HR 4 TAB	1
1-5	425037	QP 24" HR .049 W/HDWR (4T)	

HANDRIMS (TAB MOUNT) (6 TAB) (ALL SPORTS AND RIGID CHAIRS)

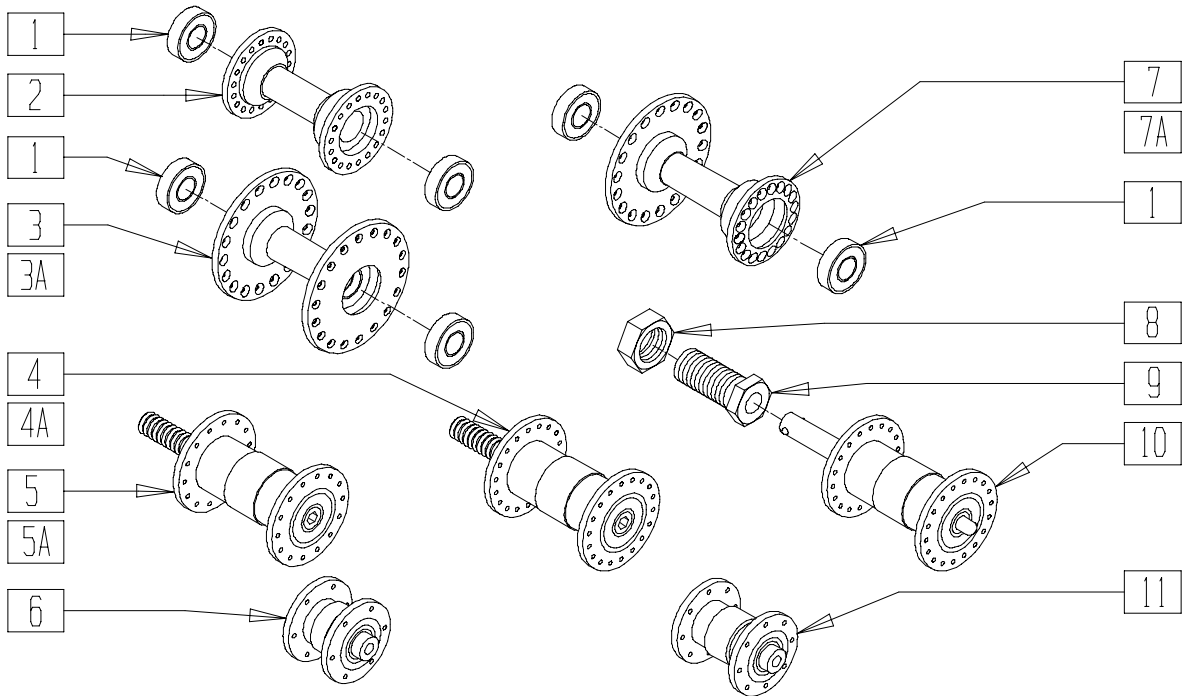


SHWH0X03a

ITEM	NUMBER	DESCRIPTION	QTY
2	580300	HANDRIM TAB COVER	6
2A	580301	HR TAB COVER BLK	6
3	281110	10-32 x 1/2 PAN PHIL	6
3A	281121	10-32 x 5/8 PAN PHIL	6
3B	281170	10-32 x 1 5/8 PAN PHIL SS	6
4	561028	1/4" NYLON WASHER	6
4A	561036	HANDRIM SPACER (REG)	6
5	200100-QU	10-32 NYLOCK NUT	6
6	529529	QP 24" HR .065 (DBL HOLE)	1
6A	529201	24" HR (6T) PLST HTBB/BB PLST	1
6B	529400	26" HR (6T) BB/TN (DBL HOLE)	1
6C	529401	26" HR (6T) PLASTIC BB/TN	1
6D	529503	QP 24" x .049 HR (6T)	1
6E	529509	QP 26" HR .065 (6T) PLASTIC	1
6F	529508	QP 26" HR .065 (6T)	1
6G	529300	24" HR (6LT)	1
6H	529301	24" HR (6LT) PLASTIC	1
6I	528019	24" HR (6T) BLK PLASTIC	1
6J	529401	26" HR (6T) PLASTIC BB/TN	1
6K	529515	QP 24" HR .049 SHT (6T)	1
6L	529517	QP 24" HR .049 SHT (6T) BLACK	

ITEM	NUMBER	DESCRIPTION	QTY
6M	529200	24" HR (6T) HTBB/BB	
6N	529202	24" HR (6T) HTBB/BB BLACK	
6O	529500	24" HR (6H) W/RNUTS	
6P	529501	24" HR PLST (6H) W/RNUTS	
1-3,5,6	425030	24" HR (6T) BB/HTBB W/HDWR	
1-3,5,6A	425032	24" HR (6T) PLST BB/HTBB/TN W/HDWR	
1-3,5,6B	425050	26" HR (6T) PLST BB/TN W/HDWR	
1-3,5,6C	425052	26" HR (6T) PLASTIC BB/TN W/HDWR	
3B,4A,6O	426000	24" HR 6SMT W/HDWR	
3B,4A,6P	426004	24" HR 6SMT PLST W/HDWR	
1,2A,3A, 4,5,6E	426051	QP 26" HR .065 W/HARDWARE PLASTIC (6T)	
1,2A,3, 5,6D	425038	QP 24" HR .049 W/HARDWARE (6T)	
1,2A,3A, 4,5,6F	426050	QP 26" HR .065 W/HARDWARE (6T)	
1-3,5,6G	425034	24" HR (6LT) BB/HTBB/TN W/HDWR	
1-3,5,6H	425036	24" HR (6LT) PLASTIC W/HDWR	
1-3,5,6I	425039	24" HR (6T) BLK PLASTIC W/HDWR	
1-3,5,6J	425058	26" HR (6T) BLK PLASTIC W/HDWR	

HUB (QUICKIE PERFORMANCE) (ALL SPORTS AND RIGID CHAIRS)



PFM0X09

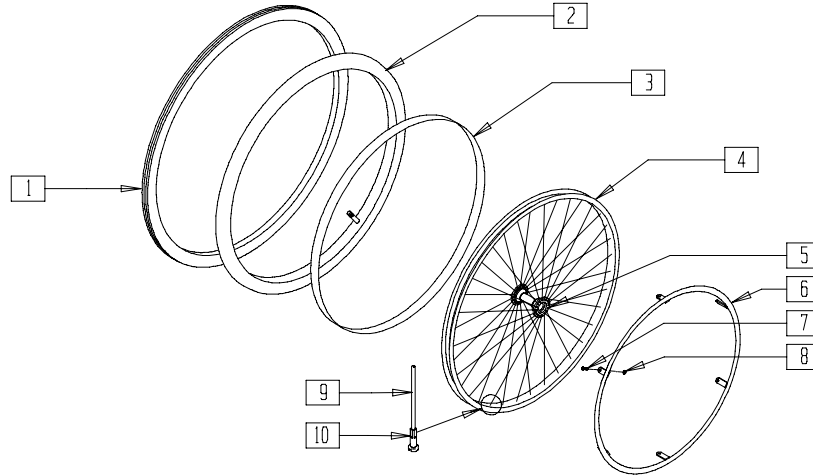
ITEM	NUMBER	DESCRIPTION	QTY
1	349500	1 1/8 x 1/2 BEARING	2
1,2	363250*	REAR WHEEL HUB W/BEARINGS	
	363258	REAR WHL HUB W/BRNGS PUSH BTTN	
1,3	363244	QP HUB TENNIS 36H W/BRNG (EA)	
	363344	QP HUB TENNIS 36H W/BRNG (PR)	
1,3A	363240	QP HUB TENNIS 32H W/BRNG (EA)	
	363340	QP HUB TENNIS 32H W/BRNG (PR)	
4	362814	HUB PHIL WOOD 36 1/2	1
4A	362816	HUB PHIL WOOD 36 7/16	1

ITEM	NUMBER	DESCRIPTION	QTY
5	362811	HUB PHIL WOOD 28 1/2 STUBBY	1
5A	362823	HUB PHIL WOOD 28 7/16 STUBBY	1
6	363383	HUB PHIL AERO SPRT 12H W/BRNG	1
1,7	363246	QP HUB HI-LO 36H QR W/BRNG (EA)	
	363346	QP HUB HI-LO 36H QR W/BRNG (PR)	
1,7A	363242	QP HUB BB 32H QR W/BRNG (EA)	
	363342	QP HUB BB 32H W/BRNG (PR)	
8-10	363380	HUB PHIL WOOD 36 15/32 QR	
11	362806	HUB PHIL DINKY STRDDL 16H	

* 363250 DISCONTINUED 9/21/98 - PARTS ONLY.

STANDARD WHEEL RIM ASSEMBLY (QUAD RUGBY)

(Discontinued 9/21/98 - parts only)

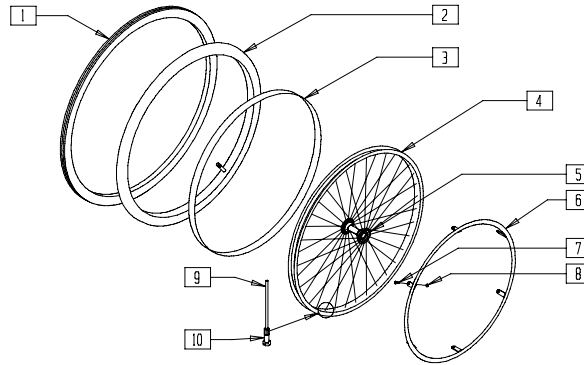


WHL00X26

ITEM	NUMBER	DESCRIPTION	QTY
1	384600	TIRE 24 x 1.75 MOUNTAIN	1
	384604	TIRE CS 24 x 2.1 SMOKER 507MM	
	384609	TIRE CNTNTL TBE 24 x 1 1/8	
	384611	TIRE PRIMO 26" (25-590)	
	384613	TIRE CHENG SHIN 26 x 1.75	
	385250	20" PNEUMATIC TIRE	
	385325	26" PNEUMATIC TIRE	
	388999	26"x 1" HT TIRE TURBO GY(700X23)	
	389000	700C KEVLAR TUBULAR QP	
	389001	700C 19M TURBO R QP O/S	
	389002	700C 25M TURBO VR QP	
	389003	700C 20M TURBO S QP	
	389004	QP 24" x 1" TUBULAR TIRE	
	389005	24" x 1 1/8" TUBULAR TIRE QP	
	389006	QP 26" x 1" TUBULAR TIRE	
389007	QP 26" x 1 1/8" TUBULAR TIRE		
389008	26" x 1 1/4" TUBULAR QP		
389030	26" x 1" HI PRES CLNCHR TIRE		
2	382275	20" TUBE	1
	382300	22" TUBE	
	382325	24" TUBE	
	382334	TUBE INLINE 24 x 1.75	
	382336	TUBE PRIMO 24" 25-540 SV	
	382350	26" TUBE	
	382361	TUBE 26 x 1.5/1.95/ S/V	
384551	26" x 1" TUBE SCHRADER		
3	381250	20" RIM STRIP	
	381275	24" RIM STRIP	
	381280	RIM STRP KLSTP 24/26 x 1.75	
	381300	26" RIM STRIP	
	381301	RIM STRIP 24" x 1.75/2.125	
4	101019	24" RIM BLK	1
	364250	20" WHEEL RIM	
	364301	24" WHEEL RIM (540 MM) SLOTTED	
	364325	26" WHEEL RIM (590 MM)	
	364326	26" WHEEL RIM 6 HOLE	
	364337	RIM SUN AT18 24 x1.5 36H SL	
	364340	24" x L25 WHEEL RIM 36 HOLE	
	369007	26" HT/700C RIM SUN M25 36H QP	
	369011	24" HT/26" RIM 36H (559 x 23MM)QP	
5	362816,	HUB PHIL WOOD 36 7/16	

ITEM	NUMBER	DESCRIPTION	QTY
5	362822	HUB PHIL WOOD 28 7/16	1
	363244	QP HUB TNNS 36H W/BEARING	
	363246	QP HUB HI-LO 36H QR W/BRNG	
	363248	HUB 3" FORGED STRAIGHT-PULL	
	363250	REAR WHEEL HUB W/BEARINGS	
6	363380	HUB PHIL WOOD 36 15/32 QR	
	528008-528022	HANDRIMS	
6	529201	24" HR (6T) HTBB/BB PLST	1
	529400	26" HR 6T BB/TN	
	529401	26" HR 6T PLST BB/TN	
	529509	QP 26" HR .065 (6T) PLST	
	529515	QP 24" HR .049 SHT (6T)	
7	281110	10-32 x 1/2 PAN PHIL	6
8	200100-QU	10-32 NYLOCK NUT	6
9	362250	QP SPOKE 201MM x 2.0MM	36
	362274	QP SPOKE 225MM x 2.0MM	
	362275	QP SPOKE 226MM x 2.0MM	
	362300	QP SPOKE 244MM x 2.0MM	
	362305	250MM x 2.0 SPOKE	
	362318	SPOKE 190MM x 2.0	
	362506	QP SPOKE 254MM x 2.0 (14G)	
	362320	SPOKE 253MM x 2.0	
	362321	SPOKE 255MM x 2.0	
	362324	SPOKE 264MM x 2.0 STAINLESS	
	362325	QP SPOKE 270MM x 2.0MM	
	362530	SPOKE 260MM x 2.0 (14G)	
	362531	SPOKE 262MM x 2.0 (14G)	
	362532	POKE 265MM x 2.0 (14G)	
	362533	SPOKE 276MM x 2.0 (14G)	
362534	SPOKE 280MM x 2.0 (14G)		
362535	SPOKE 291MM x 2.0 (14G)		
362536	SPOKE 294MM x 2.0 (14G)		
362537	SPOKE 297MM x 2.0 (14G)		
10	361250	SPOKE NIPPLE 5/8" BRASS ZN	36
3-6,10	401020	24" RIM ASSEMBLY	
	401021	24" RIM x 1.5 ASSM SUN 36H	
	401023	24" x 2.125 RIM ASSEMBLY	
	401024	24" HT RIM ASSM SUN	
	401025	26" RIM ASSEMBLY	

STANDARD WHEEL RIM ASSEMBLY (QUAD RUGBY)

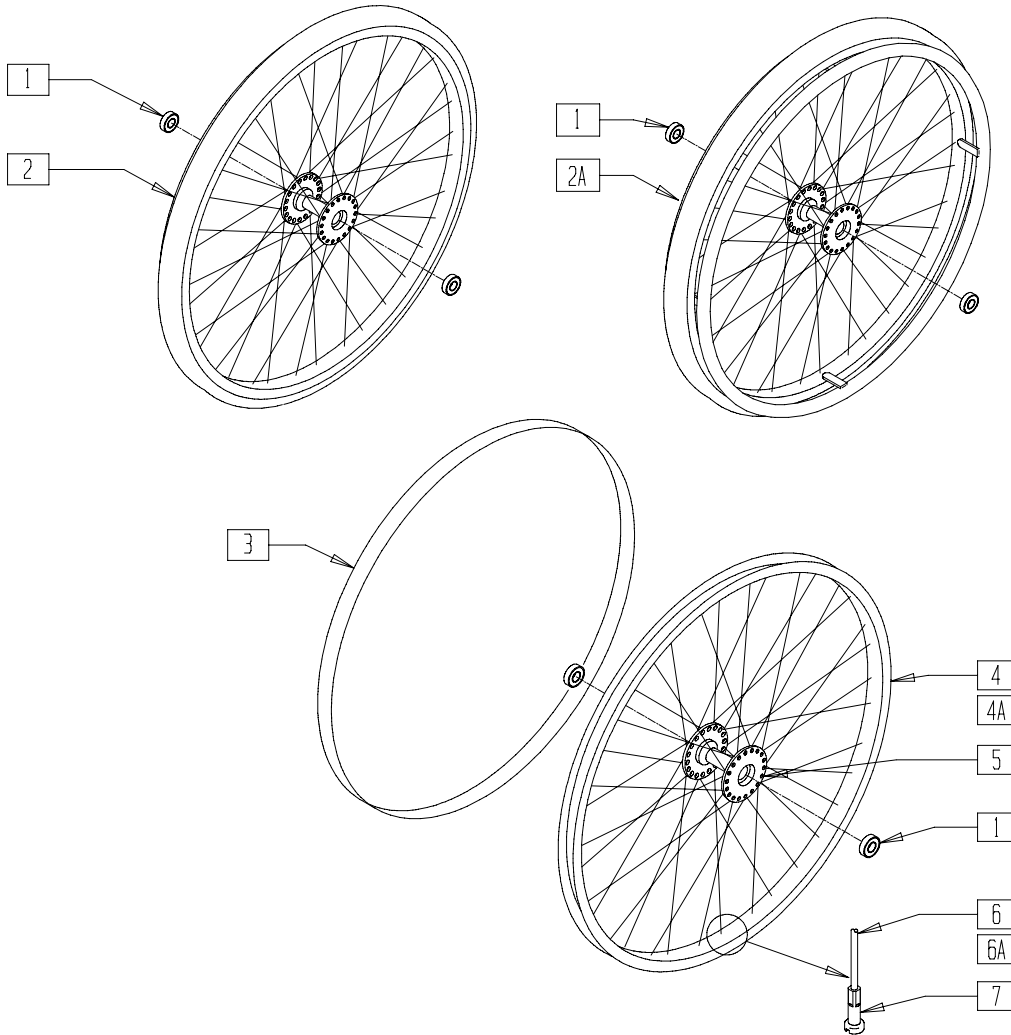


WHL00X28

ITEM	NUMBER	DESCRIPTION	QTY
1	384600	TIRE 24 x 1.75 MOUNTAIN	
	384604	TIRE CS 24 x 2.1 SMOKER 507MM	
	384605	TIRE CS 26 x 1 3/8 GRY C24	
	384606	TIRE CS 26 x 2.1 SMOKER 559MM	
	384609	TIRE CNTNTL TBE 24 x 1 1/8	
	384611	TIRE PRIMO 26" (25-590)	
	384613	TIRE CHENG SHIN 26 x 1.75	
	385250	20" PNEUMATIC TIRE	
	385325	26" PNEUMATIC TIRE	
	388999	26"X1" HT TIRE TURBO GY(700x23)	
	389000	700C KEVLAR TUBULAR QP	
	389001	700C 19M TURBO R QP O/S	1
	389002	700C 25M TURBO VR QP	
	389003	700C 20M TURBO S QP	
	389004	QP 24" x 1" TUBULAR TIRE	
	389005	24" x 1 1/8" TUBULAR TIRE QP	
	389006	QP 26" x 1" TUBULAR TIRE	
	389007	QP 26" x 1 1/8" TUBULAR TIRE	
	389008	26" x 1 1/4" TUBULAR QP	
	389011	QP 24" x 1" TURBO GRY (559MM)	
389012	QP 24" x 1"HT TURB BLK WR/BD 559		
389015	26" x 1.95" HT KNBBIE TIRE 559		
389016	23" x 1" CLNCHR TIRE TAN(520MM		
389020	24" x 1" HI PRES CLNCHR TIRE		
389030	26" x 1" HI PRES CLNCHR TIRE		
2	382275	20" TUBE	
	382276	TUBE INLINE 20 x 1.5 S/V	
	382286	TUBE 20 x 1 1/8 PRESTA	
	382300	22" TUBE	
	382325	24" TUBE	1
	382330	24" TUBE PRESTA VALVE (540MM)	
	382332	TUBE CHENG SHIN 24 X 1 3/8	
	382333	24X1 PANARCR TECHNVA II CLNCHR	
	382334	TUBE INLINE 24 x 1.75	
	382336	TUBE PRIMO 24" 25-540 SV	
	382350	26" TUBE	
	382361	TUBE 26 x 1.5/1.95/ S/V	
	384551	26" x 1" TUBE SCHRADER	
	3	381250	20" RIM STRIP
381265		22" RIM STRIP	
381275		24" RIM STRIP	1
381280		RIM STRP KLSTP 24/26X1.75	
381300		26" RIM STRIP	
4	101019	24" RIM BLK	
	364205	RIM WEINMAN 26 X 1 3/8 36	
	364250	20" WHEEL RIM	1
	364251	20" WHEEL RIM (SLOTTED)	
	364275	22" WHEEL RIM	
	364300	24" WHEEL RIM (540 MM)	
364301	24" WHEEL RIM (540 MM) SLOTTED		

ITEM	NUMBER	DESCRIPTION	QTY
5	364325	26" WHEEL RIM (590 MM)	
	369007	26" HT/700C RIM SUN M25 36H QP	
	369011	24" HT/26" RIM 36H(559X23MM)QP	
	362816	HUB PHIL WOOD 36 7/16	
	362822	HUB PHIL WOOD 28 7/16	
	363244	QP HUB TNNS 36H W/BEARING	1
	363246	QP HUB HI-LO 36H QR W/BRNG	
	363250	REAR WHEEL HUB W/BEARINGS	
	363258	REAR WHL HUB W/BRNGS PUSH BTTN	
	363380	HUB PHIL WOOD 36 15/32 QR	
6	528008	24" HR BLK FOAM	
	528019	24" HR 6T BLK PLST	
	528022	PUSHRIM 24" 6 TAB BLK ANO	
	529401	26" HR 6T PLST BB/TN	
	529515	QP 24" HR .049 SHT (6T)	
	529200	24" HR (6T) HTBB/BB	1
	529201	24" HR (6T) HTBB/BB PLST	
	529400	26" HR 6T BB/TN	
	529508	QP 26" HR .065 (6T)	
	529509	QP 26" HR .065 (6T) PLST	
529515	QP 24" HR .049 SHT (6T)		
7	281110	10-32 x 1/2 PAN PHIL	6
8	200100-QU	10-32 NYLOCK NUT	6
9	362250	QP SPOKE 201MM X 2.0MM	
	362275	QP SPOKE 226MM X 2.0MM	
	362300	QP SPOKE 244MM X 2.0MM	
	362325	QP SPOKE 270MM X 2.0MM	36
	362506	QP SPOKE 254MM X 2.0 (14G)	
	362305	250MM X 2.0 SPOKE	
	362324	SPOKE 264MM X 2.0 STAINLESS	
	362506	QP SPOKE 254MM X 2.0 (14G)	36
	362530	SPOKE 260MM X 2.0 (14G)	
	362531	SPOKE 262MM X 2.0 (14G)	
	362532	SPOKE 265MM X 2.0 (14G)	
	362533	SPOKE 276MM X 2.0 (14G)	
	362534	SPOKE 280MM X 2.0 (14G)	
	362535	SPOKE 291MM X 2.0 (14G)	
362536	SPOKE 294MM X 2.0 (14G)		
362537	SPOKE 297MM X 2.0 (14G)		
10	361250	SPOKE NIPPLE 5/8" BRASS ZN	36
4-6,10	401074	24" RIM ASSM PUSH BUTTON	
	401075	RIM ASSEMBLY PUSH BUTTON	
	401076	24 RIM ASSM X 1.5 SUN PSH BTTN	
	401077	26" RIM ASSM PUSH BUTTON	
1-10	762000	24" SPK BLK TBLR ANO	
	762001	24" SPK BLK TBLR PLST BLK	
	762002	24" SPK BLK PNEU ANO	
	762003	24" SPK BLK PNEU PLST BLK	
	762009	WHEEL 24" 6 TAB	
	762061	24" SPK BLK PNEU INSRT 12 VERT	

TENNIS WHEEL AND RIM ASSEMBLY WITH AND W/O HANDRIM (QUICKIE ALL COURT, HEAT)

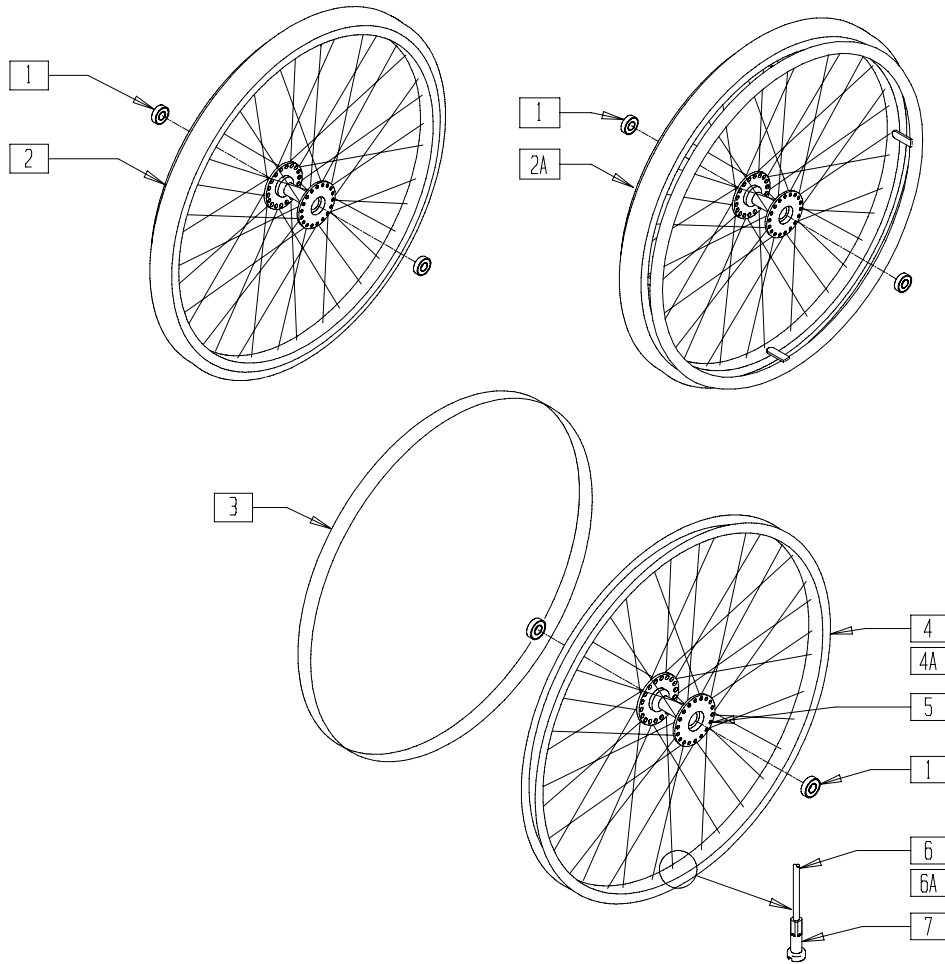


TNSWHLX01

ITEM	NUMBER	DESCRIPTION	QTY
1,2	761442	24" X/S HT TENNIS TBLR HR OMIT	1
	761456	26" X/S HT TENNIS TBLR HR OMIT	
	761470	24" X/S HT TENNIS TRBO HR OMIT	
	761484	26" X/S HT TENNIS TRBO HR OMIT	
1,2A	761443	X/S HT TENNIS WHEEL ASSM	1
	761490	26"X/S HT TN TRBO HR R-T PLST	
1,5	363344	QP HUB TENNIS 36H W/BRNG	
3	381350	QP 26" HT RIM STRIP	1
4	369011	24" HT/26" RIM 36H (559mm x 23mm) QP	1

ITEM	NUMBER	DESCRIPTION	QTY
4A	369007	26" HT/700C RIM SUN M25 36H QP	1
6	362521	QP SPOKE 258mm x 2.0 (14g)	36
6A	362535	SPOKE 291mm x 2.0 (14g)	36
7	361250	SPOKE NIPPLE 5/8" BRASS ZN	36
1,3-7	401204	24" X/S HT RIM ASSM TENNIS	
1,3,4A,5,6A,7	401208	26" X/S HT RIM ASSM TENNIS	

BASKETBALL WHEEL AND RIM ASSEMBLY WITH AND W/O HANDRIM (QUICKIE ALL COURT, HEAT)

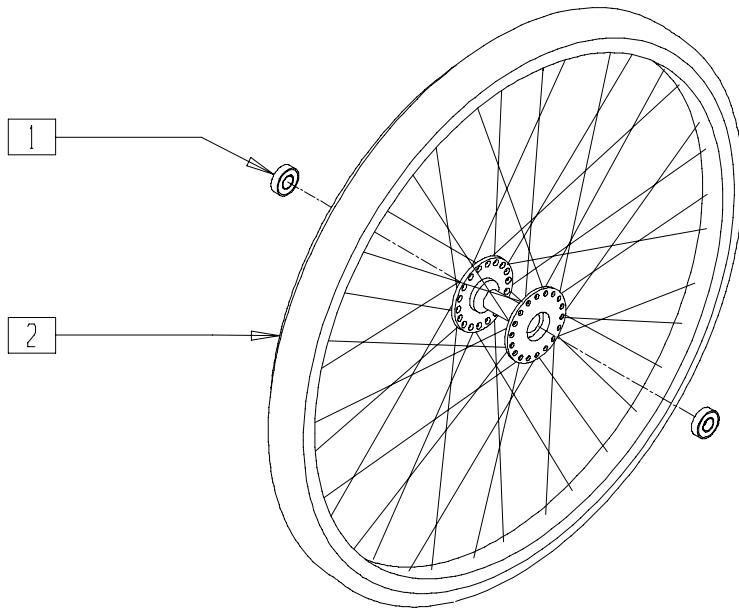


BBLWHLX01

ITEM	NUMBER	DESCRIPTION	QTY
1,2	761449	24" X/S HT BB TBLR HR OMIT	
	761463	26" X/S HT BB TBLR HR OMIT	
	761477	24" X/S HT BB TRBO HR OMIT	
	761491	26" X/S HT BB TRBO HR OMIT	
1,2A	761450	24"X/S HT BB TBLR HR S-T ANO	1
	761451	24"X/S HT BB TBLR HR S-T BLK	
	761452	24"X/S HT BB TBLR HR S-T PLST	
	761453	24"X/S HT BB TBLR HR R-T ANO	
	761454	24"X/S HT BB TBLR HR R-T BLK	
	761455	24"X/S HT BB TBLR HR R-T PLST	
	761463	26"X/S HT BB TBLR HR OMIT	
	761464	26"X/S HT BB TBLR HR S-T ANO	
	761465	26"X/S HT BB TBLR HR S-T BLK	
	761466	26"X/S HT BB TBLR HR S-T PLST	
	761467	26"X/S HT BB TBLR HR R-T ANO	
	761468	26"X/S HT BB TBLR HR R-T BLK	
	761469	26"X/S HT BB TBLR HR R-T PLST	
	761477	24"X/S HT BB TRBO HR OMIT	
	761478	24"X/S HT BB TRBO HR S-T ANO	
	761479	24"X/S HT BB TRBO HR S-T BLK	
761480	24"X/S HT BB TRBO HR S-T PLST		
761481	24"X/S HT BB TRBO HR R-T ANO		

ITEM	NUMBER	DESCRIPTION	QTY
1,2A	761482	24"X/S HT BB TRBO HR R-T BLK	1
	761483	24"X/S HT BB TRBO HR R-T PLST	
	761491	26"X/S HT BB TRBO HR OMIT	
	761492	26"X/S HT BB TRBO HR S-T ANO	
	761493	26"X/S HT BB TRBO HR S-T BLK	
	761494	26"X/S HT BB TRBO HR S-T PLST	
	761495	26"X/S HT BB TRBO HR R-T ANO	
	761496	26"X/S HT BB TRBO HR R-T BLK	
	761497	26"X/S HT BB TRBO HR R-T PLST	
1,5	363346	QP HUB HI-LO 36H QR W/BEARING	
3	381350	QP 26" HT RIM STRIP	1
4	369011	24" HT/26" RIM 36H (559mm x 23mm) QP	1
4A	369007	26" HT/700C RIM SUN M25 36H QP	1
6	362530	SPOKE 260mm x 2.0 (14g)	18
	362532	SPOKE 265mm x 2.0 (14g)	
6A	362535,	SPOKE 291mm x 2.0 (14g)	18
	362537	SPOKE 297mm x 2.0 (14g)	
7	361250	SPOKE NIPPLE 5/8" BRASS ZN	36
1,3-7	401206	24" X/S HT RIM ASSM BB	
1,3,4A,5,6A,7	401210	26" X/S HT RIM ASSM BB	

STANDARD WHEEL ASSEMBLY (QUICKIE ALL COURT/HEAT)

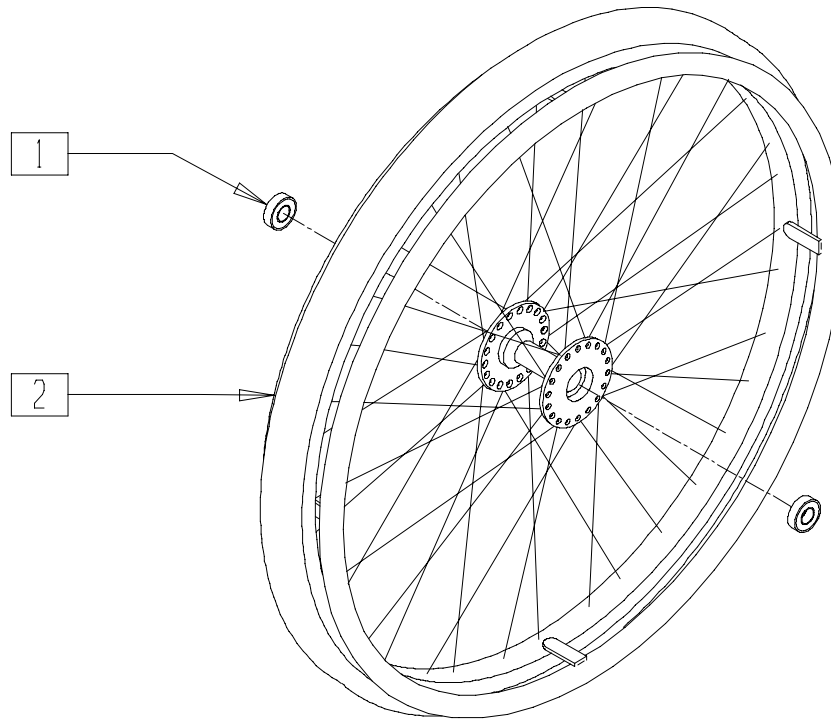


WH0X24

ITEM	NUMBER	DESCRIPTION	QTY
1,2	761400	24" X/S PNEU HR OMIT	
	761407	24" X/S CLNCHR HR OMIT	
	761414	24" X/S TBLR HR OMIT	
	761421	26" X/S PNEU HR OMIT	
	761428	26" X/S CLNCHR HR OMIT	

ITEM	NUMBER	DESCRIPTION	QTY
1,2	761435	26" X/S TBLR HR OMIT	
	761500	24" X/S HT PW TBLR HR OMIT	
	761507	24" X/S HT PW TRBO HR OMIT	
	761514	26" X/S HT PW TBLR HR OMIT	
	761521	26" X/S HT PW TRBO HR OMIT	

STANDARD WHEEL ASSEMBLY WITH HANDRIM (QUICKIE ALL COURT/ HEAT)

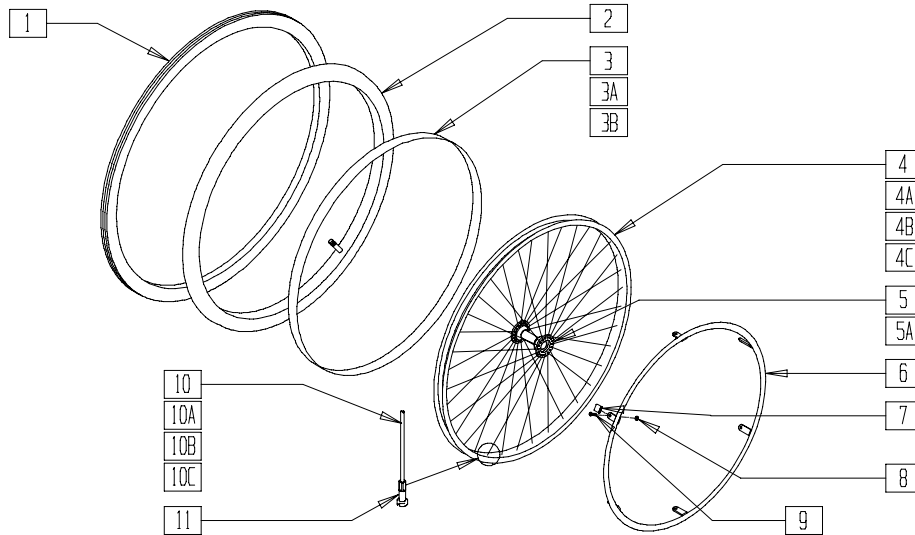


WH0X25

ITEM	NUMBER	DESCRIPTION	QTY
1,2	761401	24"X/S PNEU HR S-T ANO	1
	761402	24"X/S PNEU HR S-T BLK PNTD	
	761403	24"X/S PNEU HR S-T PLST	
	761404	24"X/S PNEU HR R-T ANO	
	761405	24"X/S PNEU HR R-T BLK PNTD	
	761406	24"X/S PNEU HR R-T PLST	
	761408	24"X/S CLNCHR HR S-T ANO	
	761409	24"X/S CLNCHR HR S-T BLK PNTD	
	761410	24"X/S CLNCHR HR S-T PLST	
	761411	24"X/S CLNCHR HR R-T ANO	
	761412	24"X/S CLNCHR HR R-T BLK PNTD	
	761413	24"X/S CLNCHR HR R-T PLST	
	761415	24"X/S TBLR HR S-T ANO	
	761416	24"X/S TBLR HR S-T BLK PNTD	
	761417	24"X/S TBLR HR S-T PLST	
	761418	24"X/S TBLR HR R-T ANO	
	761419	24"X/S TBLR HR R-T BLK PNTD	
	761420	24"X/S TBLR HR R-T PLST	
	761422	26"X/S PNEU HR S-T ANO	
	761423	26"X/S PNEU HR S-T BLK PNTD	
	761424	26"X/S PNEU HR S-T PLST	
	761425	26"X/S PNEU HR R-T ANO	
	761426	26"X/S PNEU HR R-T BLK PNTD	
	761427	26"X/S PNEU HR R-T PLST	
	761429	26"X/S CLNCHR HR S-T ANO	
	761430	26"X/S CLNCHR HR S-T BLK PNTD	
	761431	26"X/S CLNCHR HR S-T PLST	
	761432	26"X/S CLNCHR HR R-T ANO	
	761433	26"X/S CLNCHR HR R-T BLK PNTD	
	761434	26"X/S CLNCHR HR R-T PLST	

ITEM	NUMBER	DESCRIPTION	QTY
1,2	761436	26"X/S TBLR HR S-T ANO	1
	761437	26"X/S TBLR HR S-T BLK PNTD	
	761438	26"X/S TBLR HR S-T PLST	
	761439	26"X/S TBLR HR R-T ANO	
	761440	26"X/S TBLR HR R-T BLK PNTD	
	761441	26"X/S TBLR HR R-T PLST	
	761501	24"X/S HT PW TBLR HR S-T ANO	
	761502	24"X/S HT PW TBLR HR S-T BLK	
	761503	24"X/S HT PW TBLR HR S-T PLST	
	761504	24"X/S HT PW TBLR HR R-T ANO	
	761505	24"X/S HT PW TBLR HR R-T BLK	
	761506	24"X/S HT PW TBLR HR R-T PLST	
	761508	24"X/S HT PW TRBO HR S-T ANO	
	761509	24"X/S HT PW TRBO HR S-T BLK	
	761510	24"X/S HT PW TRBO HR S-T PLST	
	761511	24"X/S HT PW TRBO HR R-T ANO	
	761512	24"X/S HT PW TRBO HR R-T BLK	
	761513	24"X/S HT PW TRBO HR R-T PLST	
	761515	26"X/S HT PW TBLR HR S-T ANO	
	761516	26"X/S HT PW TBLR HR S-T BLK	
	761517	26"X/S HT PW TBLR HR S-T PLST	
	761518	26"X/S HT PW TBLR HR R-T ANO	
	761519	26"X/S HT PW TBLR HR R-T BLK	
	761520	26"X/S HT PW TBLR HR R-T PLST	
	761522	26"X/S HT PW TRBO HR S-T ANO	
	761523	26"X/S HT PW TRBO HR S-T BLK	
	761524	26"X/S HT PW TRBO HR S-T PLST	
	761525	26"X/S HT PW TRBO HR R-T ANO	
	761526	26"X/S HT PW TRBO HR R-T BLK	
	761527	26"X/S HT PW TRBO HR R-T PLST	

WHEEL ASSEMBLY (QUICKIE ALL COURT/ HEAT)



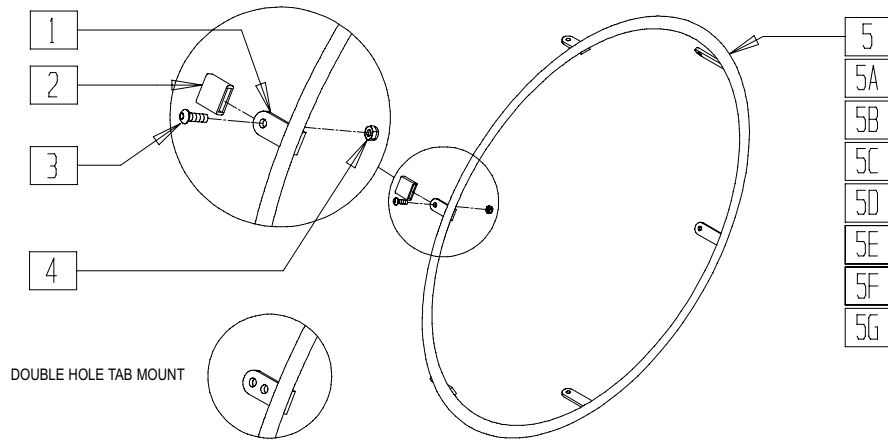
WHL00X22

ITEM	NUMBER	DESCRIPTION	QTY
1	385325	26" PNEUMATIC TIRE	1
	388999	26"X1" HT TIRE TURBO GY(700X23)	
	389004	QP 24" X 1" TUBULAR TIRE	
	389006	QP 26" X 1" TUBULAR TIRE	
	389012	QP 24"X1"HT TURB BLK WR/BD 559	
	389020	24" X 1" HI PRES CLNCHR TIRE	
	389030	26" X 1" HI PRES CLNCHR TIRE	
2	382330	24" TUBE PRESTA VALVE (540MM)	1
	382350	26" TUBE	
	382355	26" TUBE PRESTA VALVE (590MM)	
	384545	QP 24" HT INNER TUBE (559MM)	
	384550	QP 26" HT INNER TUBE (700C)	
	384551	26" X 1" TUBE SCHRADER	
1,2	385610	24" PNEU TIRE & TUBE	
3	381275	24" RIM STRIP	1
3A	381300	26" RIM STRIP	1
3B	381350	QP 26" HT RIM STRIP	1
4	101019	24" RIM BLK	1
4A	364205	RIM WEINMAN 26 x 1 3/8 36	1
4B	369011	24" HT/26" RIM 36H (559mm x 23 mm) QP	1
4C	369007	26" HT/700C RIM SUN M25 36H QP	1
5	363250*	REAR WHEEL HUB W/BEARINGS	1
	363258	REAR WHL HUB W/BRNGS PUSH BTTN	
5A	362816	HUB PHIL WOOD 36 7/16	1
7	580301	HR TAB COVER BLK	6
8	200100-QU	10-32 NYLOCK NUT	6
9	281110	10-32 x 1/2 PAN PHIL	6
10	362506	QP SPOKE 254mm x 2.0 (14g)	36
10A	362534	SPOKE 280mm x 2.0 (14g)	36
10B	362531	SPOKE 262mm x 2.0 (14g)	36
10C	362536	SPOKE 294mm x 2.0 (14g)	36
11	361250	SPOKE NIPPLE 5/8" BRASS ZN	36
3-5,10,11	401200*	24" X/S RIM ASSEMBLY	
	401080	24" X/S RIM ASSY PUSH BTTN	
3A,4A,5,10A,11	401202*	26" X/S RIM ASSEMBLY	
	401081	26" X/S RIM ASSY PUSH BTTN	
3B,4B,5A,10B,11	401212	24" X/S HT RIM ASSEMBLY PHIL WD	
3B,4C,5A,10C,11	401214	26" X/S HT RIM ASSEMBLY PHIL WD	

ITEM	NUMBER	DESCRIPTION	QTY
6-9	425040	24" HR (6T)PLST W/X/S HDWR	1
	425041	24" HR (6T)BLK W/X/S HDWR	
	425042	24" HR (6T)ANO W/X/S HDWR	
	425043	24" HR SHT(6T)PLST W/X/S HDWR	
	425044	24" HR SHT(6T)BLK W/X/S HDWR	
	425045	24" HR SHT(6T)ANO W/X/S HDWR	
	425046	26" HR (6T)PLST W/X/S HDWR	
	425047	26" HR (6T)BLK W/X/S HDWR	
	425048	26" HR (6T)ANO W/X/S HDWR	
	425050	26" HR 6T BB/TN W/HDWR	
	425051	26" HR SHT(6T)PLST W/X/S HDWR	
	425052	26" HR 6T PLST BB/TN W/HDWR	
	425053	26" HR SHT(6T)BLK W/X/S HDWR	
	425055	26" HR SHT(6T)ANO W/X/S HDWR	
	1-11	761401-761406	
761408-761413		24"X/S CLNCHR HR S-T AND R-T ANO,BLK PNTD,PLST	
761415-761420		24"X/S TBLR HR S-T AND R-T ANO,BLK PNTD,PLST	
761422-761427		26"X/S PNEU HR S-T AND R-T ANO,BLK PNTD,PLST	
761429-761434		26"X/S CLNCHR HR S-T AND R-T ANO,BLK PNTD,PLST	
761436-761441		26"X/S TBLR HR S-T AND R-T ANO,BLK PNTD,PLST	
761443-761448		24"X/S HT TN TBLR HR S-T AND R-T ANO,BLK PNTD,PLST	
761450-761455		24"X/S HT BB TBLR HR S-T AND R-T ANO,BLK PNTD,PLST	
761457-761462		26"X/S HT TN TBLR HR S-T AND R-T ANO,BLK PNTD,PLST	
761464-761469		26"X/S HT BB TBLR HR S-T AND R-T ANO,BLK PNTD,PLST	
761471-761527		24", 26" X/S HT (TN,BB,PW) (TRBO,TBLR) HR S-T AND R-T ANO,BLK PNTD,PLST	

* DISCONTINUED 9/21/98 - PARTS ONLY.

HANDRIMS (TAB MOUNT) (6 TAB) (QUICKIE ALL COURT/HEAT)

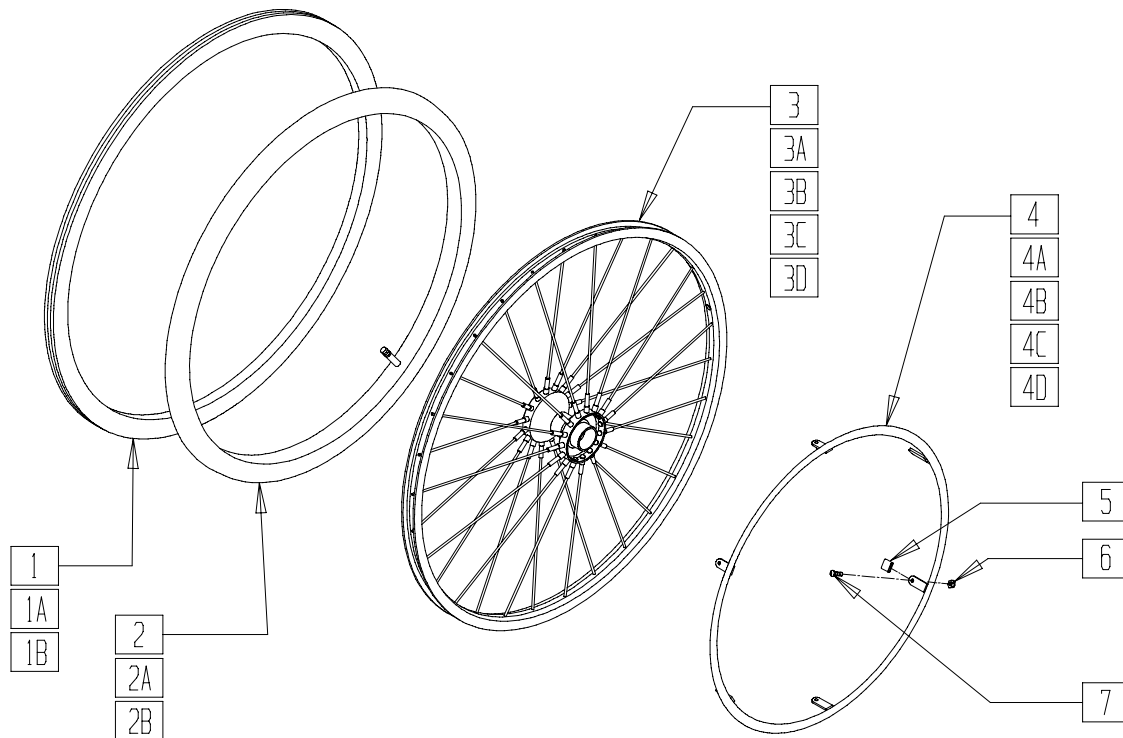


SHWH0X04A

ITEM	NUMBER	DESCRIPTION	QTY
2	580301	HR TAB COVER BLK	6
3	281110	10-32 x 1/2 PAN PHIL	6
4	200100-QU	10-32 NYLOCK NUT	6
5	529529	QP 24" HR .065 (DBL HOLE)	1
5A	529528	QP 24"HR .065(6)TAB BLK PNTD (DH)	1
5B	529400	26" HR (6T) BB/TN (DH)	1
5C	529527	QP 26"HR .065(6)TAB BLK PNTD (DH)	1
5D	529509	QP 26" HR .065 (6T) PLASTIC	1
5E	529523	QP 26" HR .065 SHT (6T) PLASTIC	1
5F	528019	24" HR (6T) BLK PLASTIC	1

ITEM	NUMBER	DESCRIPTION	QTY
5G	529401	26" HR 6T PLST BB/TN	1
1-5	425042	24" HR (6T) ANO W/ X/S HDWR	
1-4.5A	425041	24" HR (6T) BLK W/ X/S HDWR	
1-4.5B	425048	24" HR (6T) ANO W/ X/S HDWR	
1-4.5C	425047	26" HR (6T) BLK W/ X/S HDWR	
1-4.5D	425046	26" HR (6T) PLST W/ X/S HDWR	
1-4.5E	425051	26" HR SHT (6T) PLST W/ X/S HDWR	
1-4.5F	425039	24" HR (6T) BLK PLST W/HDWR	
1-4.5G	425058	26" HR (6T) BLK PLST W/HDWR	

SPINERGY WHEEL ASSEMBLIES 24" & 26"

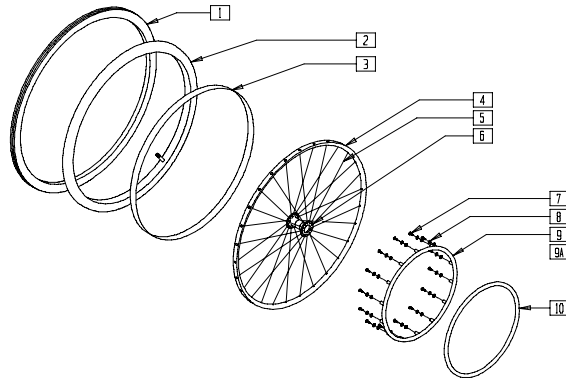


SPIN0X01A

ITEM	NUMBER	DESCRIPTION	QTY
1	389012	QP 24" x 1"HT TURB BLK WR/BD 559	1
1A	389020	24" x 1" HI PRES CLNCHR TIRE	1
1B	389030	26" x 1" HI PRES CLNCHR TIRE	1
2	384545	QP 24" HT INNER TUBE (559MM)	1
2A	382330	24" TUBE PRESTA VALVE (540MM)	1
2B	382355	26" TUBE PRESTA VALVE (590MM)	1
4	529529	QP 24" HR .065 (6)TAB ANO	1
4A	528019	24" HR 6T BLK PLST	1
4B	529503	QP 24" x .049 HR 6 TAB	1
4C	529400	26" HR 6T BB/TN	1
4D	529401	26" HR 6T PLST BB/TN	1
5	580301	HR TAB COVER BLK	6
6	200100-QU	10-32 NYLOCK NUT	6
7	281110	10-32 x 1/2 PAN PHIL	6
1A,2A,3-7	761806	24" SPNRGY SPR W/HR WHT 540	
1A,2A,3,4A,5-7	761805	24" SPNRGY SPR W/PL HR WHT 540	

ITEM	NUMBER	DESCRIPTION	QTY
1A,2A,3A,4-7	761824	24" SPNRGY SPR W/HR BLK 540	
1A,2A,3A,4A,5-7	761825	24" SPNRGY SPR W/PL HR BLK 540	
1,2,3B,4B,5-7	761819	24" SPNRGY SPR W/HR WHT 559	
1,2,3C,4B,5-7	761826	24" SPNRGY SPR W/HR BLK 559	
1B,2B,3D,4C,5-7	761808	26" SPNRGY SPR W/HR WHT 590	
1B,2B,3D,4D,5-7	761807	26" SPNRGY SPR W/PL HR WHT 590	
1B,2B,3E,4C,5-7	761828	26" SPNRGY SPR W/HR BLK 590	
1B,2B,3E,4D,5-7	761829	26" SPNRGY SPR W/PL HR BLK 590	

REAR WHEEL (QUICKIE RACER)



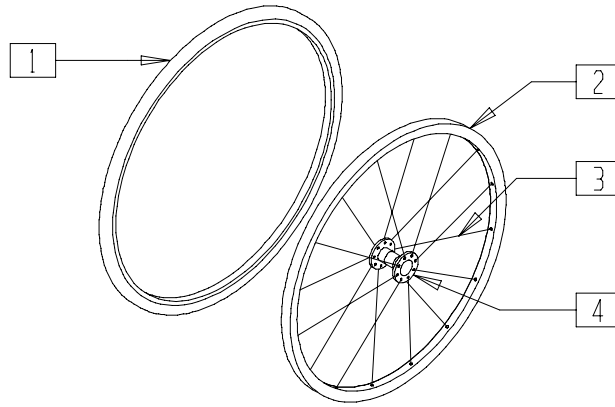
WHL00X15

ITEM	NUMBER	DESCRIPTION	QTY
4	364223,	RIM SUN 24 CLINCHER M14A	1
	364224,	RIM SUN 24 TUBULAR 28 M17	
	364225,	RIM SUN 26 CLINCHER 28	
	364226,	RIM SUN 600 28 TUBULAR	
	364227,	RIM SUN 700 28 TUBULAR	
	364228,	RIM SUN 700 TUBULAR 36	
	364330,	RIM SUN 700C CLNCHR 28D	
	364331,	RIM SUN 700C CLNCHR 36 BLK	
	364333,	RIM SUN M14A 700X36 BLK	
	364380	20" RIM SUN (451MM)	
5	362481,	SPOKE 279MM X 1.8	28
	362482,	SPOKE 282MM X 1.8	
	362483,	SPOKE 252MM X 1.8 AND CU	
	362491,	SPOKE 229MM X 1.8 DT	
	362492,	SPOKE 231MM X 1.8 DT	
	362493	SPOKE 256MM X 1.8 DT	
6	362808,	HUB PHIL SL SRIES 7/16X28	1
	362810,	HUB PHIL WOOD 28 1/2	
	362811,	HUB PHIL WOOD 28 1/2 STUBBY	
	362814,	HUB PHIL WOOD 36 1/2	
	362816,	HUB PHIL WOOD 36 7/16	
	362822,	HUB PHIL WOOD 28 7/16	
	362823,	HUB PHIL WOOD 28 7/16 STUBBY	
	363380,	HUB PHIL WOOD 36 15/32 QR	
4-6	762518,	20" SUN CLNCH 36 PHL 7/16 RC	1
	762520,	24" SUN CLNCH 28 PHL 7/16 RC	
	762522,	26" SUN CLNCH 28 PHL 7/16 RC	
	762524,	26" SUN TBLR 28 PHIL 7/16 RC	
	762526,	26" SUN TBLR 28 PHIL 1/2 RC	
	762528,	700 SUN CLNCH 28 PHL 7/16 RC	
	762530,	700 SUN CLNCH 36 PHL 7/16 RC	
	762532,	700 SUN TBLR 36 PHL 7/16 RC	
	762534,	700 SUN TBLR 28 PHL 7/16 RPDE	
	762536,	WHL ZIPP 440 TUB 28 PHIL	
	762540,	WHL REAR COMPLETE NO TIRE	
	1,3-6	761300,	
761301,		TRI-SPOKE CLNCHER W/ 1/2 AXLE	
761303,		TRI-SPOKE TUBULAR W/ 7/16 AXLE	
761304,		TRI-SPOKE TUBULAR W/ 1/2 AXLE	
761603,		700C SUN TBLR ULTM 36 PHL 7/16	
761604,		700C SUN TBL CONTL 36 PHL 7/16	
761605,		700C SUN TBLR ULTM 28 PHL 7/16	
761606,		700C SUN TBL CONTL 28 PHL 7/16	
761607,		24" SUN TBLR 28 PHL 7/16	
761608,		24" SUN TBLR 28 PHL 1/2	
1,3-6	761617	700 SUN TBLR 28 PHL 1/2 RAPIDE	1
	761618	700 SUN TBLR 36 PHL 1/2 RAPIDE	
	761619	700 SUN TBLR ULTM 28 PHL 1/2	

ITEM	NUMBER	DESCRIPTION	QTY
1,3-6	761620	700 SUN TBLR ULTM 36 PHL 1/2	1
	761621	700 SUN TBLR CONTL 28 PHL 1/2	
	761622,	700 SUN TBLR CONTL 36 PHL 1/2	
	762532,	700 SUN TBLR 36 PHL 7/16 RC	
	762534	700 SUN TBLR 28 PHL 7/16 RPDE	
1-6	761600,	26" SUN CLNCHR 28 PHL 7/16 G/P	1
	761601,	700C SUN CLNCH 28 PHL 7/16 TUR	
	761602,	700C SUN CLNCH 36 PHL 7/16 TRB	
	761609,	24" SUN CLNCH 28 PHL 1/2 RCR	
	761610,	20" SUN CLNCH 36 PHL 1/2 RCR	
	761611,	26" SUN CLNCH 28 PHL 1/2	
	761612,	26" SUN CLNCH 28 PHL 1/2 G/P	
	761613,	700C SUN CLNCH 28 PHL 1/2 RCR	
	761614,	26" SUN CLNCH 28 PHL 1/2 G/P	
	761615,	700C SUN CLNCH 36 PHL 1/2 TRB	
	761616,	700C SUN CLNCH 28 PHL 1/2 TRB	
	761618,	700 SUN TBLR 36 PHL 1/2 RAPIDE	
	761620,	700 SUN TBLR ULTM 36 PHL 1/2	
	761622,	700 SUN TBLR CONTL 36 PHL 1/2	
	762518,	20" SUN CLNCH 36 PHL 7/16 RC	
	762520,	24" SUN CLNCH 28 PHL 7/16 RC	
	762522,	26" SUN CLNCH 28 PHL 7/16 RC	
	762524,	26" SUN TBLR 28 PHIL 7/16 RC	
	762526,	26" SUN TBLR 28 PHIL 1/2 RC	
	762528,	700 SUN CLNCH 28 PHL 7/16 RC	
762530,	700 SUN CLNCH 36 PHL 7/16 RC		
762532,	700 SUN TBLR 36 PHL 7/16 RC		
762534	700 SUN TBLR 28 PHL 7/16 RPDE		
7,8	341729	HANDRIM CLIP ASSEMBLY	1
9	528055	13 x 3/8 x 14 x 1/2 SO RCR HR	1
	528056	13.5 x 3/8 x 14 x 1/2 SO RCR HR	
	528057	14 x 3/8 x 14 x 1/2 SO RCR HR	
	528058	14.5 x 3/8 x 14 x 1/2 SO RCR HR	
	528059	15 x 3/8 x 14 x 1/2 SO RCR HR	
9A	528050	CSTM HR 3/8 X 1/2 SO RCR	1
	528051	CSTM HR 1/2 X 1/2 SO RCR	
	528060	CSTM HR 3/8 TUBING 3/4 STNDOFF	
	528061	CSTM HR 1/2 TUBING 3/4 STNDOFF	
	528070	CSTM HR 3/8 TUBING 3/8 STNDOFF	
528071	CSTM HR 1/2 TUBING 3/8 STNDOFF		
10	385655	TIRE VITTORIA FORM 1 CUT	1
9,10	528155	13X3/8X14X1/2 SO W/TIRE RCR HR	1
	528156	13.5X3/8X14X1/2 SO W/TIRE HR	
	528157	14X3/8X14X1/2 SO W/TIRE RCR HR	
	528158	14.5X3/8X14X1/2 SO W/TIRE RC HR	
528159	15X3/8X14X1/2 SO W/TIRE RCR HR		
9A,10	528150-528171	HANDRIM CUSTOM W/TIRE RACER (SPEC STANDOFF QTY AND LENGTH)	

NOTE: ORDER MOUNTING KIT FOR TRI SPOKES (P/N 920719). ONE KIT NEEDED FOR EACH HANDRIM.

FRONT WHEEL (QUICKIE RACER)

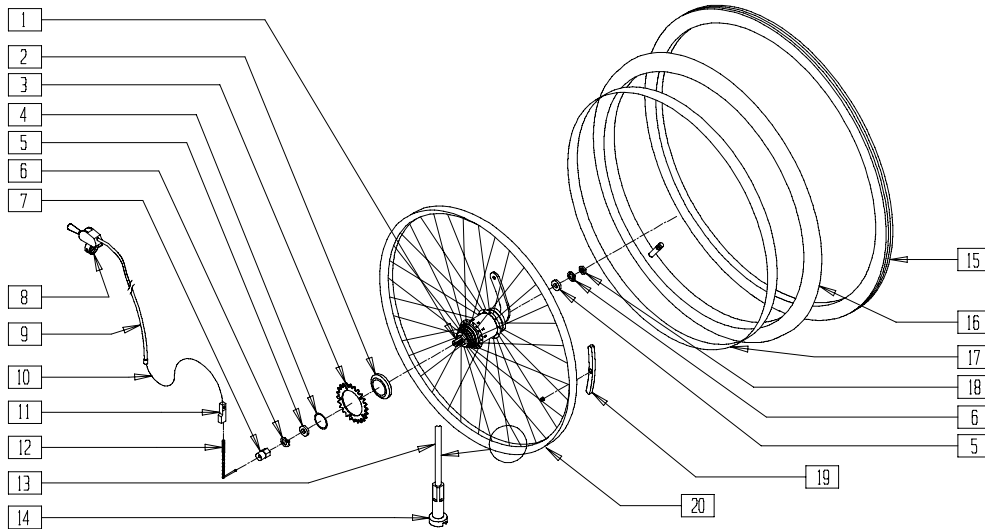


WHL00X16

ITEM	NUMBER	DESCRIPTION	QTY
1	385639,	TIRE PANARACER 20 RAPIDE	1
	385648,	16" RAPIDE PANARACER	
	385649,	18" RAPIDE PANARACER	
	385654	TIRE VITRIA JRS 20" TUBLR	
2	364220	RIM SUN 16 TUBULAR 12	1
	364221	RIM SUN 18 TUBULAR 12	
	364222	RIM SUN 20 TUBULAR 16 M17	

ITEM	NUMBER	DESCRIPTION	QTY
3	362488	SPOKE 136MM X 1.8	16
	362489	SPOKE 161MM X 1.8	
	362490	SPOKE 186MM X 1.8	
4	362806,	HUB PHIL DINKY STRDDL 16H	1
	363383	HUB PHIL AERO SPRT 12H W/BRNG	
2-4	401050	16" RIM ASSM FRONT RACER	
	401051	18" RIM ASSM FRONT RACER	
	401052	20" RIM ASSM FRONT RACER	

FRONT WHEEL (1 SPEED/3 SPEED) (QUICKIE KIDZ BIKE)

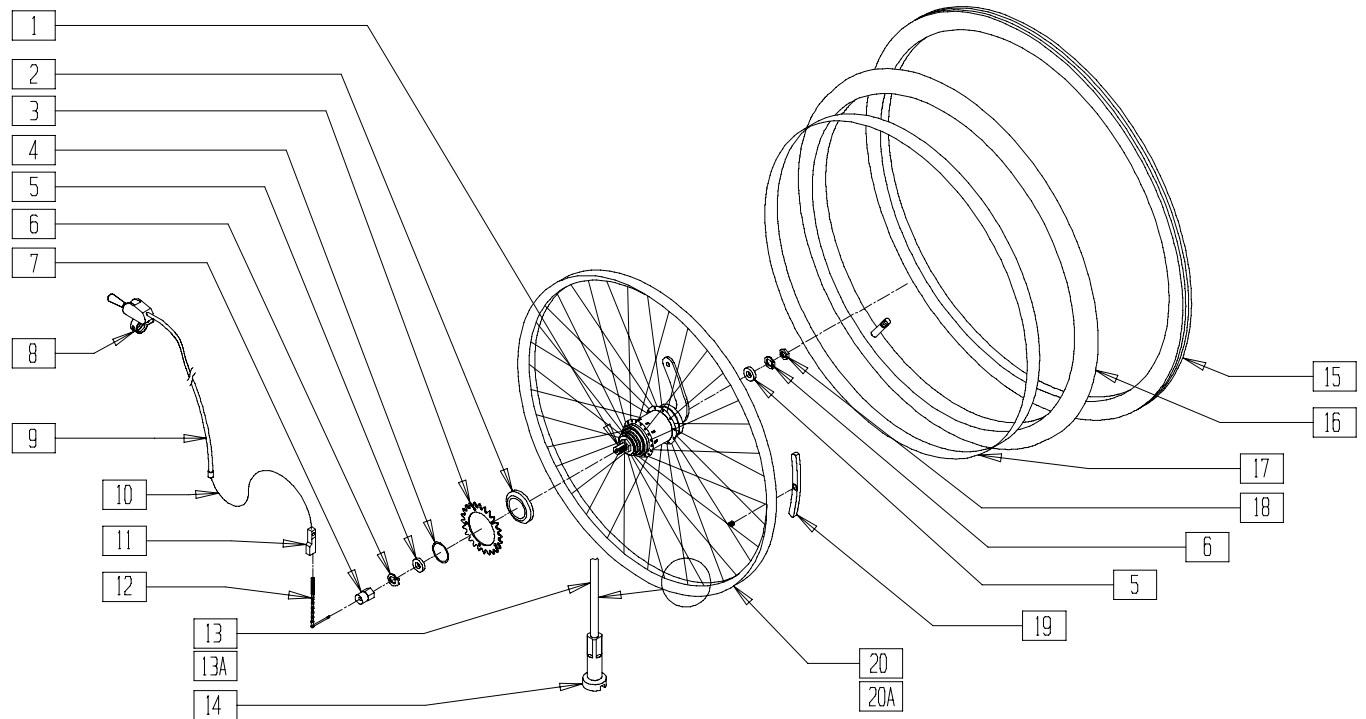


LC00X09C

ITEM	NUMBER	DESCRIPTION	QTY
2	362214	3 SPEED HUB DUST CAP	1
3	362212	24 TOOTH HUB SPRCKT 1/3/7/SPD	1
7	362217	3 SPD HUB CHAIN GUIDE NUT	1
8-10	362213	3 SPD HUB SHIFTER	
11	560775	CLAMP BLK PLASTIC CABLE	1
12	362220	3 SPD HUB PULLEY CHAIN	1
13	362250	QP SPOKE 201mm x 2.0mm (1 SPD)	36
	362248	SPOKE 199mm x 2.0 (3 SPD)	
14	361250	SPOKE NIPPLE 5/8" BRASS ZN	36
15	385241	TIRE 20" x 1 3/8" CHENG	1
	385255	20" x 1 3/8" PRIMO TIRE (KNOBBIE)	

ITEM	NUMBER	DESCRIPTION	QTY
16	382275	20" TUBE	1
17	381250	20" RIM STRIP	1
18	362221	3 SPD HUB CAP NUT	1
19	349626	REFLECTOR FRONT	1
9,10	444042	CBL 3SPD GEAR REPLACEMENT	
3,13,14, 19,20	401058	20" RIM ASSEMBLY 1 SPEED QKB	
3,13-17, 19,20	760650	20" SPOKE FRONT WHEEL PNEUMATIC 1 SPEED QKB	
	760651	20" SPOKE FRONT WHEEL KNOBBIE 1 SPEED QKB	

FRONT WHEEL (3 SPEED) (QUICKIE MACH 2)



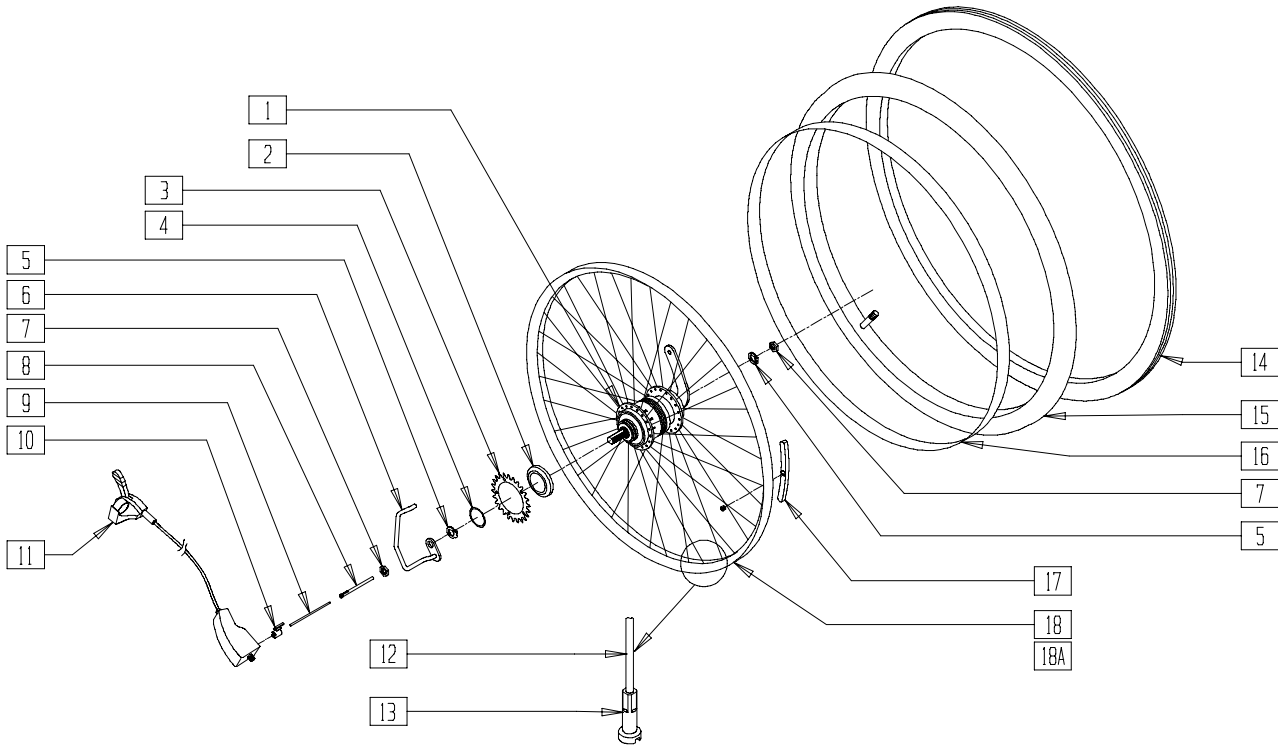
LC00X09A

ITEM	NUMBER	DESCRIPTION	QTY
2	362214	3 SPD HUB DUST CAP	1
3	362212	24 TOOTH HUB SPROCKT 3/7 SPD	1
7	362217	3 SPD HUB CHAIN GUIDE NUT	1
11	560775	CLAMP BLK PLASTIC CABLE	1
12	362220	3 SPD HUB PULLEY CHAIN	1
14	361250	SPOKE NIPPLE 5/8" BRASS ZN	36
15	385635	26 X 1.95 MOUNTAIN TIRE 559	1
	385335	26" x 1.25 COMMUTER TIRE M3	
	385340	26" x 1.0 HP TIRE	
	385636	26 X 1.75 MOUNTAIN TIRE 559	
	389020	24" x 1" HI PRES CLINCHER TIRE	
16	382325	24" TUBE	1
	382330	24" TUBE PRSTA VALVE (540mm)	
	382365	26" x 1.25/1.5 TUBE SCHRADER	
	384545	QP 24" HT INNER TUBE (559MM)	

ITEM	NUMBER	DESCRIPTION	QTY
17	381275	24" RIM STRIP	1
	381350	QP 26" HT RIM STRIP	
18	362221	3 SPD HUB CAP NUT	1
19	349626	REFLECTOR FRONT	1
8-10	362213	3 SPD HUB SHIFTER	
9,10	444042	CBL 3 SPD GEAR REPLACEMENT	
1-7,13, 17-20	401060	24" RIM ASSEMBLY WITH 3 SPEED HUB M2	
1-7,13A, 17-19,20A	401062	26" RIM ASSEMBLY WITH 3 SPEED HUB M2	
1-7,13-20	760620	24" SPK PNEU BLK 3 SPD HUB	
	760622	24" SPK CLNCHR 3 SPD HUB	
1-7,13A, 14-17,20A	760640	26" SPK PNEU BLK 3 SPD HUB	
	760642	26" SPK CLNCHR 3 SPD HUB	
	760644	26" SPK OFF ROAD 3 SPD HUB	

FRONT WHEEL (7 SPEED) (QUICKIE MACH 2)

(Discontinued 8/4/99 - parts only)



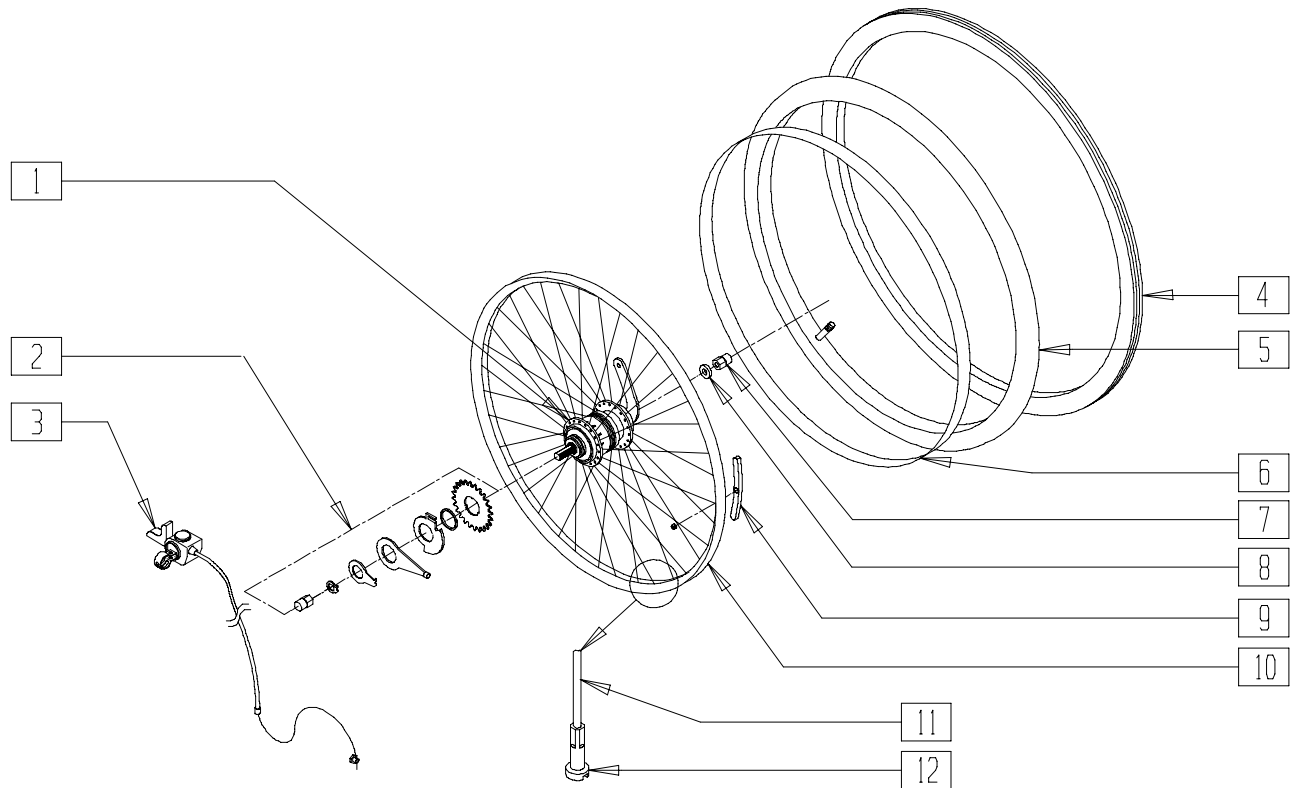
LC00X09B

ITEM	NUMBER	DESCRIPTION	QTY
2	362215	7 SPD HUB DUST CAP	1
3	362212	24 TOOTH HUB SPRCKT 1/3/7 SPD	1
4	362216	HUB SNAP RING 3/7 SPEED	1
5	362222	7 SPD HUB TABBED WASHER	1
6	362226	7 SPD HUB PROTECTING BRKT	1
7	362223	7 SPD HUB AXLE NUT	1
8	362225	7 SPD HUB SHIFTING TUBE	1
9	362224	7 SPD HUB SHIFTING ROD	1
10	362227	7 SPD HUB ADJUSTMENT SLEEVE	1
11	342063	7 SPD SHIFTER CLICK BOX ASSM	1
13	361250	SPOKE NIPPLE 5/8" BRASS ZN	36
14	385295	24" PNEUMATIC TIRE BLK	1
	385635	26 X 1.95 MOUNTAIN TIRE 559	
	385335	26 x 1.25 COMMUTER TIRE M3	
	385340	26 x 1.0 HP TIRE	
	389020	24" x 1" HI PRES CLNCHR TIRE	

ITEM	NUMBER	DESCRIPTION	QTY
15	382325	24" TUBE	1
	382330	24" TUBE PRSTA VALVE (540mm)	
	382365	26" x 1.25/1.5 TUBE SCHRADER	
	384551	26" x 1 TUBE SCHRADER	
16	381275	24" RIM STRIP	1
	381350	QP 26" HT RIM STRIP	
17	349626	REFLECTOR FRNT	1
1-10,12, 13,16,18A	401061	24" RIM ASSEMBLY W/7 SPEED HUB M2	
1-10,12, 13,16,18A	401063	26" RIM ASSEMBLY W/7 SPEED HUB M2	
1-10,	760621	24" SPK PNEU BLK 7 SPEED HUB	
12-18	760623	24" SPK CLNCHR 7 SPEED HUB	
1-10, 12-17,18A	760641	26" SPK PNEU BLK 7 SPEED HUB	
	760643	26" SPK CLNCHR 7 SPEED HUB	
	760645	26" SPK OFF ROAD 7 SPEED HUB	

FRONT WHEEL (7 SPEED) (QUICKIE MACH 2)

(Effective 8/4/99)

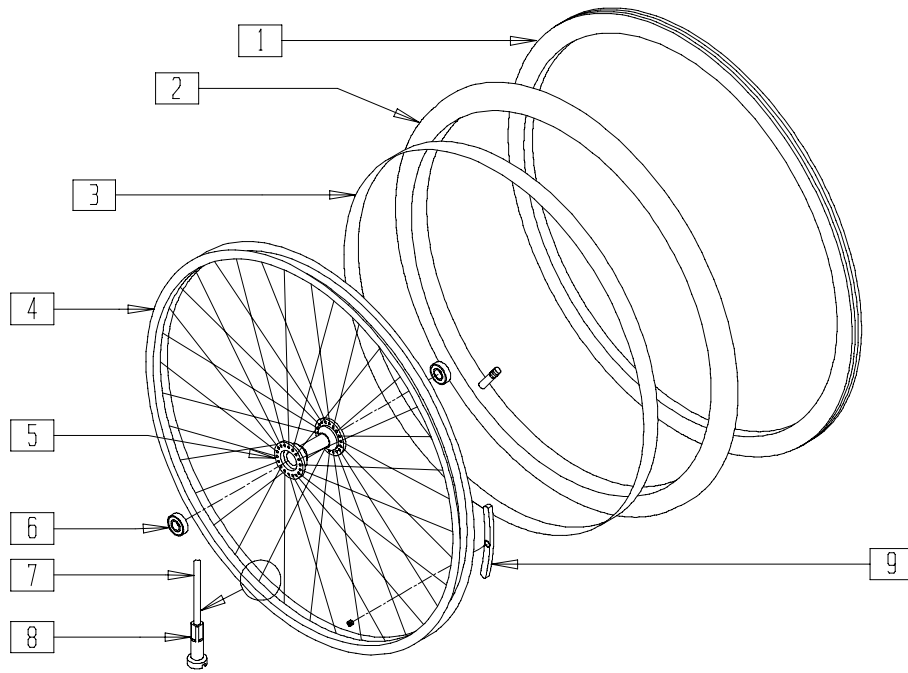


LC00X09D

ITEM	NUMBER	DESCRIPTION	QTY
2,7,8	340109	7 SPD HUB W/CSTR BRK TRIM KIT	
3	342061	7 SPD RAPID FIRE SHFTR SHIMANO	1
4	385295	24" PNEUMATIC TIRE BLK	1
	385335	26" x 1.25 COMMUTER TIRE M3	
	385340	26 x 1.0 HP TIRE	
	385636	26 X 1.75 MOUNTAIN TIRE 559	
	389020	24" x 1" HI PRES CLNCHR TIRE	
5	382325	24" TUBE	1
	382330	24" TUBE PRESTA VALVE (540mm)	
	382365	26" x 1.25/1.5 TUBE SCHRADER	
	384545	QP 24" HT INNER TUBE (559MM)	

ITEM	NUMBER	DESCRIPTION	QTY
6	381275	24" RIM STRIP	1
	381350	QP 26" HT RIM STRIP	1
9	349626	REFLECTOR FRNT	1
12	361250	SPOKE NIPPLE 5/8" BRASS ZN	36
1,2,4-8, 10-12	401065	24" RIM ASSM W/7 SPEED SHIMANO	
	401064	26" RIM ASSM W/7 SPEED SHIMANO	
1,2,4-8, 10-12	760624	24" SPK PNEU BLK 7 SPD SHIMANO	
	760625	24" SPK CLNCHR 7 SPD SHIMANO	
	760647	26" SPK PNEU BLK 7 SPD SHIMANO	
	760648	26" SPK CLNCHR 7 SPD SHIMANO	
	760649	26" SPK OFF ROAD 7 SPD SHIMANO	

REAR WHEEL ASSEMBLY (QUICKIE KIDZ BIKE/MACH 2)



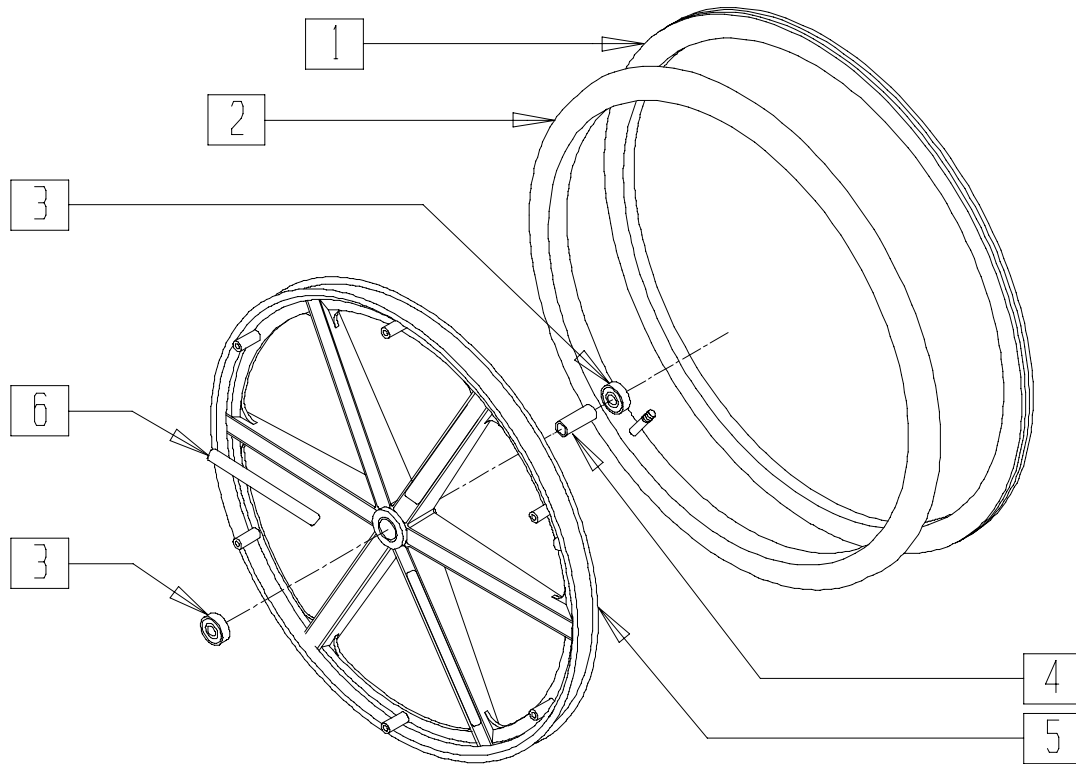
LC00X12

ITEM	NUMBER	DESCRIPTION	QTY
1	385255	20" x 1 3/8" PRIMO TIRE (KNOBBIE)	1
	385241	TIRE 20" x 1 3/8" CHENG	
	385295	24" PNEUMATIC TIRE BLK	
	385335	26" x 1.25 COMMUTER TIRE M3	
	385340	26" x 1 HP TIRE	
	385636	26 x 1.75 MOUNTAIN TIRE 559	
	389020	24" x 1 HI PRES CLNCHR TIRE	
2	382275	20" TUBE	1
	382325	24" TUBE	
	382330	24" TUBE PRSTA VALVE (540mm)	
	382365	26" x 1.25/1.5 TUBE SCHRADER	
	384545	QP 24" HT INNER TUBE (559MM)	
3	381250	20" RIM STRIP	
	381275	24" RIM STRIP	
4	364250	20" WHEEL RIM	1
	369011	24" HT/26" RIM 36H (559mm x 23mm) QP	
	364300	24" WHEEL RIM (540mm)	
6	349500	1 1/8 x 1/2 BEARING	2

ITEM	NUMBER	DESCRIPTION	QTY
5,6	363250*	REAR WHEEL HUB W/BEARINGS	
	363258	REAR WHL HUB W/BRNGS PSH BTTN	
7	362300	QP SPOKE 244mm x 2.0mm (14g)	72
	362506	QP SPOKE 254mm x 2.0mm (14g)	72
	362250	QP SPKE 201mm x 2.0mm (KIDZ BIKE)	36
8	361250	SPOKE NIPPLE 5/8" BRASS ZN	36.72
9	349630	REFLECTOR RR WHL FROM 2350	1
4-6	401020*	24" RIM ASSEMBLY	
	401027*	24" HT RIM ASSEMBLY	
	401012*	20" RIM ASSEMBLY QKB	
	401074	24" RIM ASSY PUSH BUTTON	
	401078	24" HT RIM ASSY PUSH BUTTON	
	401071	20" RIM ASSY PUSH BUTTON QKB	
1-8	760391	24" SPK PNEU BLK HR OMIT	
	760610	24" SPK CLNCHR OMIT HR	
	760546	26" SPK PNEU BLK HR OMIT	
	760561	26" SPK CLNCHR HR OMIT M2	
	760562	26" SPK OFF RD KNOBBIE OMIT HR	
	760670	20" SPK REAR WHEEL PNEU BLK QKB	
	760671	20" SPK RR WHEEL KNOBBIE QKB	

* DISCONTINUED 9/21/98 - PARTS ONLY.

SIX-SPOKE MAG ASSEMBLY (QUICKIE KIDZ BIKE/MACH 2)



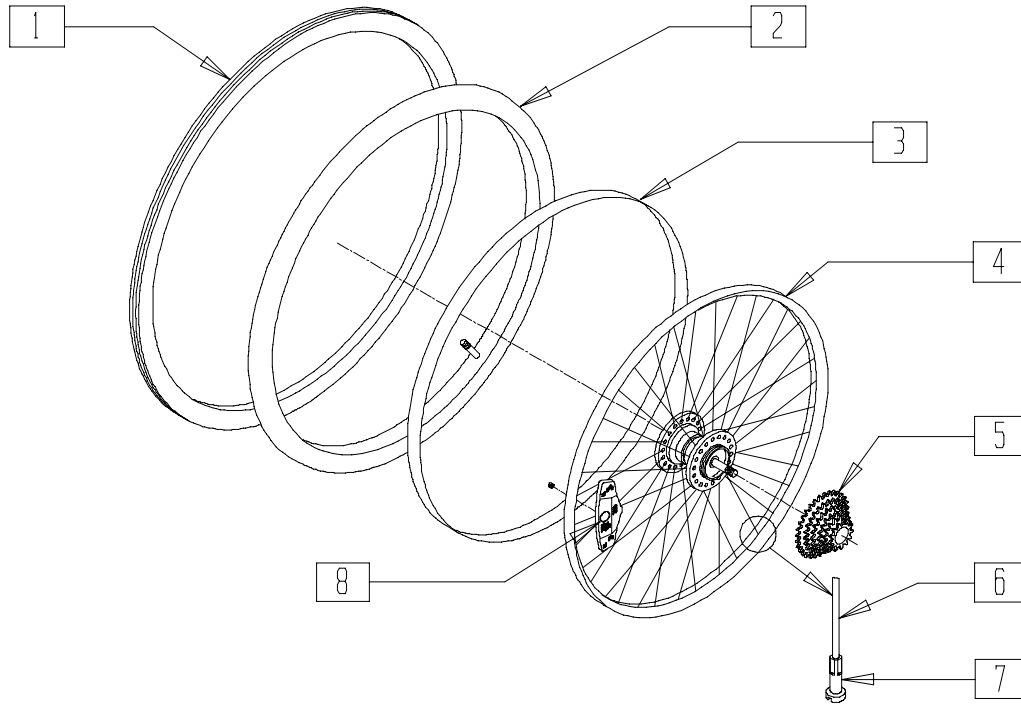
LC00X14

ITEM	NUMBER	DESCRIPTION	QTY
1	385295	24" PNEUMATIC TIRE BLK	1
	385255	20" x 1 3/8" PRIMO TIRE (KNOBBIE)	
	385241	TIRE 20" x 1 3/8 CHENG	
2	382325	24" TUBE	1
	382275	20" TUBE	
3	349500	1 1/8 x 1/2 BEARING	2
4	521564	MAG BEARING SPACER	1
5	364376	24" MAG RIM 6 SPOKE	1
	364371	20" MAG RIM 6 SPOKE	

ITEM	NUMBER	DESCRIPTION	QTY
6	150490	DECAL MAG REFLECTOR M2	3
1-5	760710	24" MAG 6S PNEU BLK HR OMIT	
	760660	20" MAG REAR WHL PNEU BLK QKB	
3-5	760661	20" MAG REAR WHL KNOBBIE QKB	
	401092	24" MAG W/BRNG 6 SPOKE	
	401094	20" MAG W/BRNG 6 SPOKE	

FRONT WHEEL (QUICKIE CYCL-ONE)

(Discontinued 8/4/99 - parts only) (Please contact Customer Service for availability)

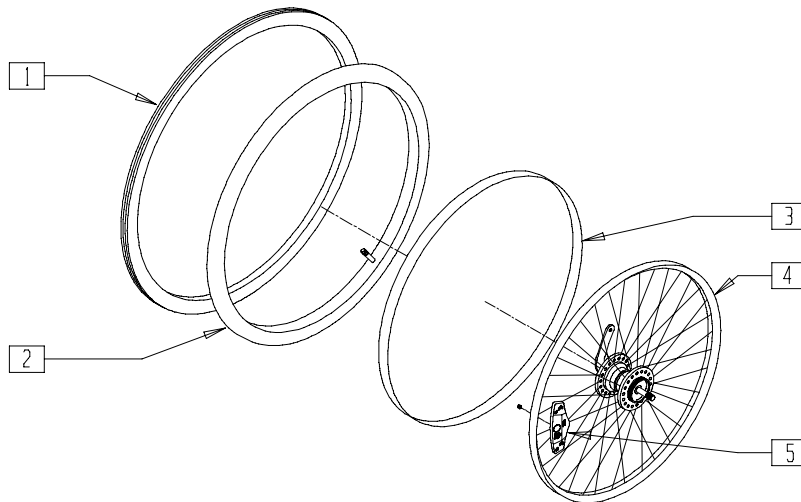


WHL00X20

ITEM	NUMBER	DESCRIPTION	QTY
1	385241	TIRE 20" x 1 3/8 CHENG	1
2	382275	20" TUBE	1
3	381250	20" RIM STRIP	1
4	364251	20" WHEEL RIM (SLOTTED)	1
6	362318	SPOKE 190mm x 2.0	18
	362472	SPOKE 187mm x 2.0	
7	361250	SPOKE NIPPLE 5/8" BRASS ZN	36

ITEM	NUMBER	DESCRIPTION	QTY
8	349626	REFLECTOR FRNT WHL	1
4,6-8	401055	20" RIM ASSEMBLY 3 SP CYC	
4-8	401056	20" RIM ASSEMBLY W/COG 3 SP CYC	
1-8	762040	20" FRNT WHL PNEU W/COG 3 SP CYC	

FRONT WHEEL ASSEMBLY (QUICKIE CYCLONE)

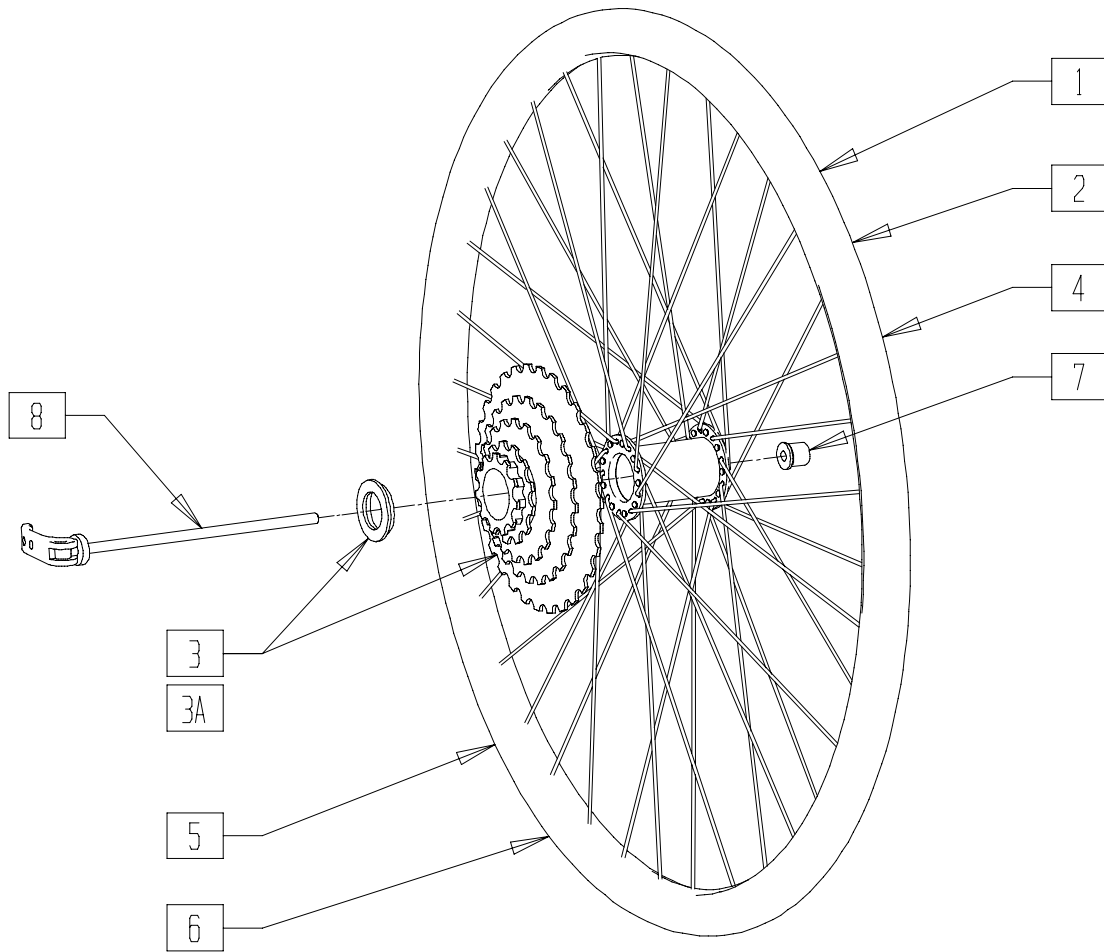


CYC00X03

ITEM	NUMBER	DESCRIPTION	QTY
1	385241	TIRE 20" x 1 3/8" CHENG	1
2	382275	20" TUBE	1
3	381250	20" RIM STRIP	1

ITEM	NUMBER	DESCRIPTION	QTY
5	349626	FRONT REFLECTOR	1
3-5	401066	20" RIM ASSM W/7 SPEED SHIMANO	
1-5	762075	20" FRONT PNEU/7 SPEED SHIMANO	

DRIVE WHEEL WITH EXTERNAL CASSETTE (SHARK/SHARK S)

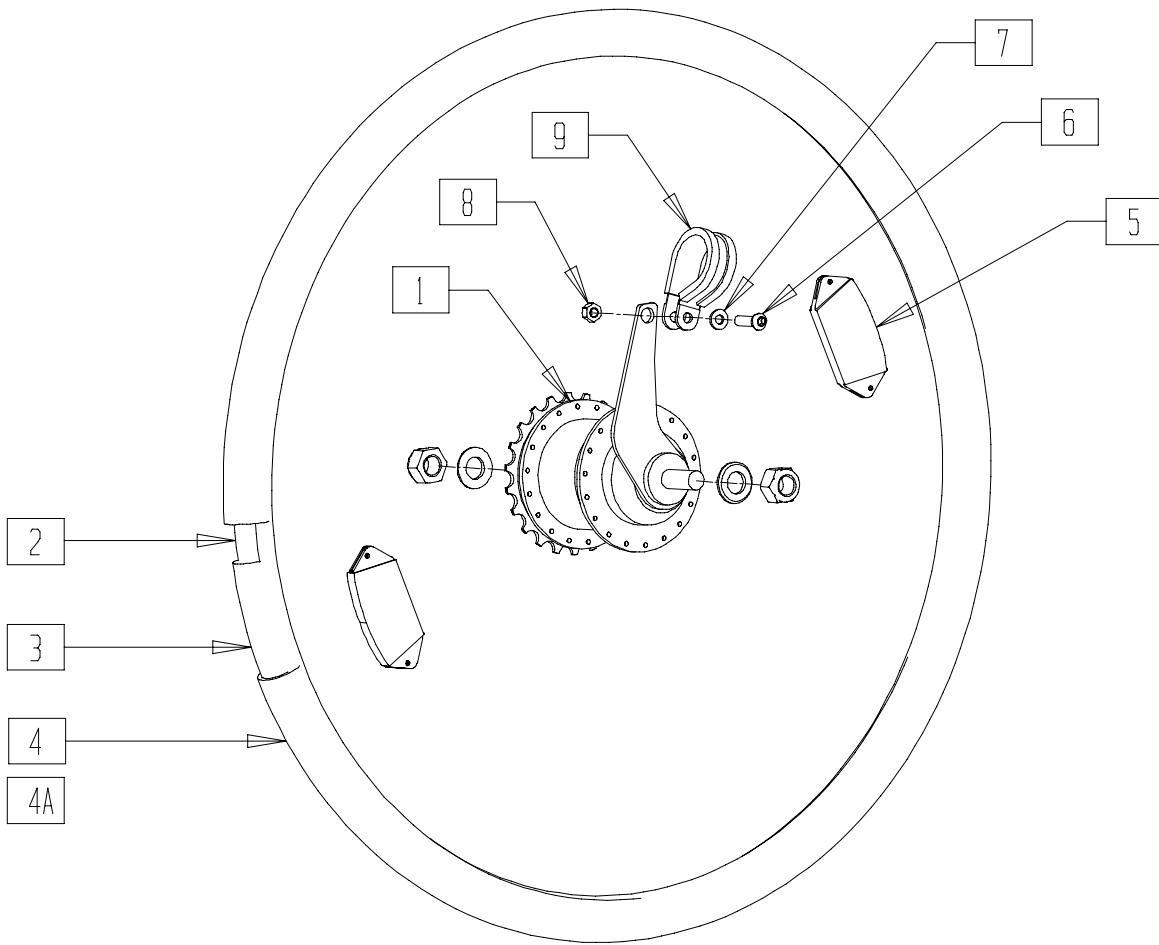


SHRXX13

ITEM	NUMBER	DESCRIPTION	QTY
1	000 223 154	RIM BAND 26"	1
2	000 283 108	AIR TUBE 26" , 20-571	1
3	000 228 100	SHARK-S: CASSETTE 9-SPD, SRAM PG990	1
3A	000 228 061	SHARK: CASSETTE 9-SPD, SRAM PG950	1

ITEM	NUMBER	DESCRIPTION	QTY
4	000 283 043	TIRE 26", 25-559	1
7,8	000 233 006	WHEEL SPANNER	1
1,2,5-8	000 850 333	DRIVE WHEEL 26" ; HUB: DT240S	
	000 850 331	DRIVE WHEEL 26" ; HUB: SHIMANO DEORE	

DRIVE WHEEL WITH INTERNAL CASSETTE AND DRUM BRAKE (SHARK / SHARK S)

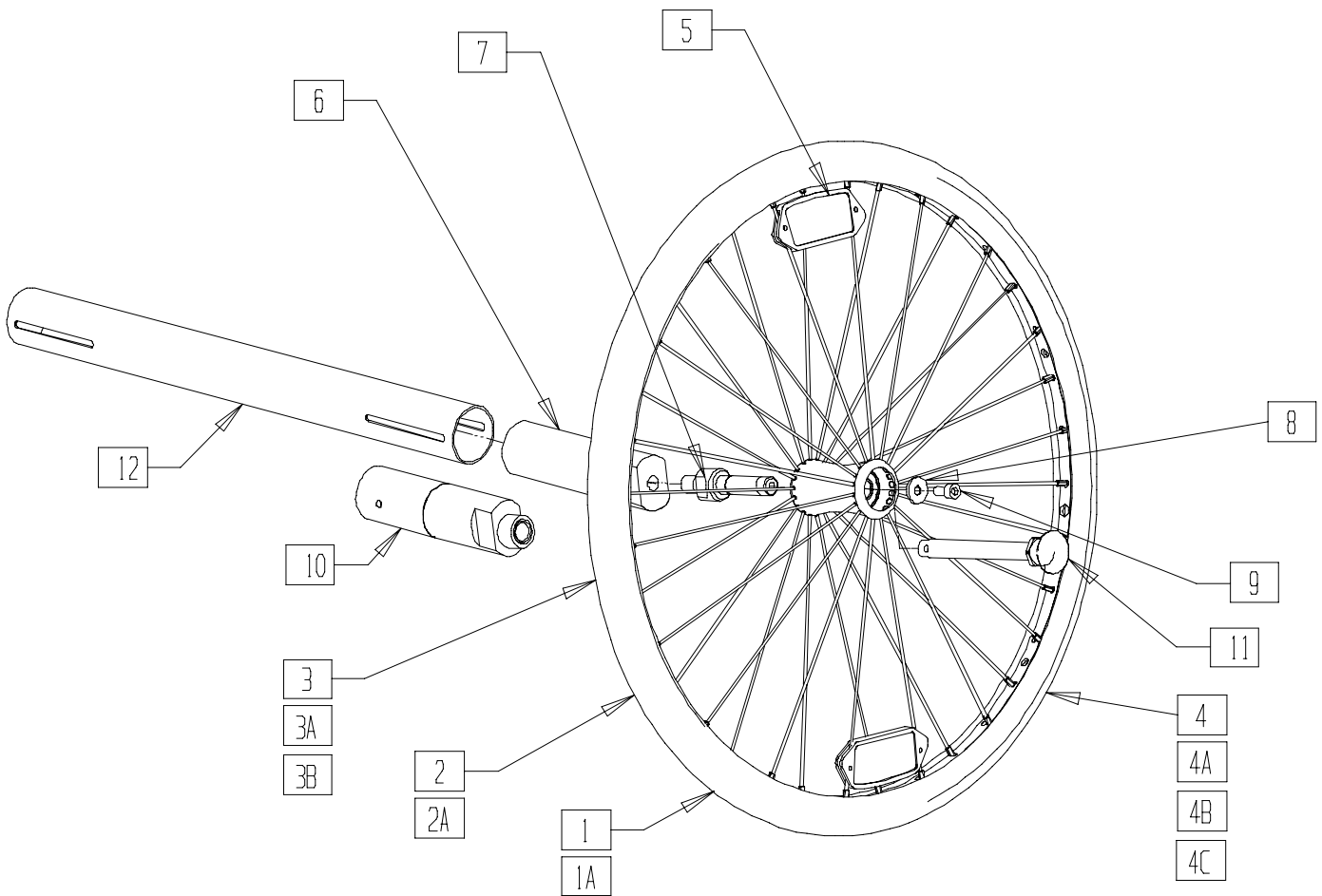


SHRXX12

ITEM	NUMBER	DESCRIPTION	QTY
1	000 850 338	DRIVE WHEEL 26" (559) 7-SPEED HUB CPL.	
2	000 283 154	RIM BAND 26"	
3	000 283 108	AIR TUBE 26", 20-571	
4	000 283 045	TIRE 26" X 1.35	
4A	000 283 043	TIRE 26" X 1.10	

ITEM	NUMBER	DESCRIPTION	QTY
5	000 280 001-ET	SPOKE REFLECTOR	
6	000102307.01-ET	BUTTON HEAD M 6 X 20 TORX	
7	000 130 128-ET	PLASTIC WASHER 15 X 6,4 X 4 PA	
8	000 128 007-ET	NUT M 6 DIN 985	
9	000 223 037	HOSE CLAMP 30 X 15 MM	

REAR WHEEL (SHARK/SHARK S)

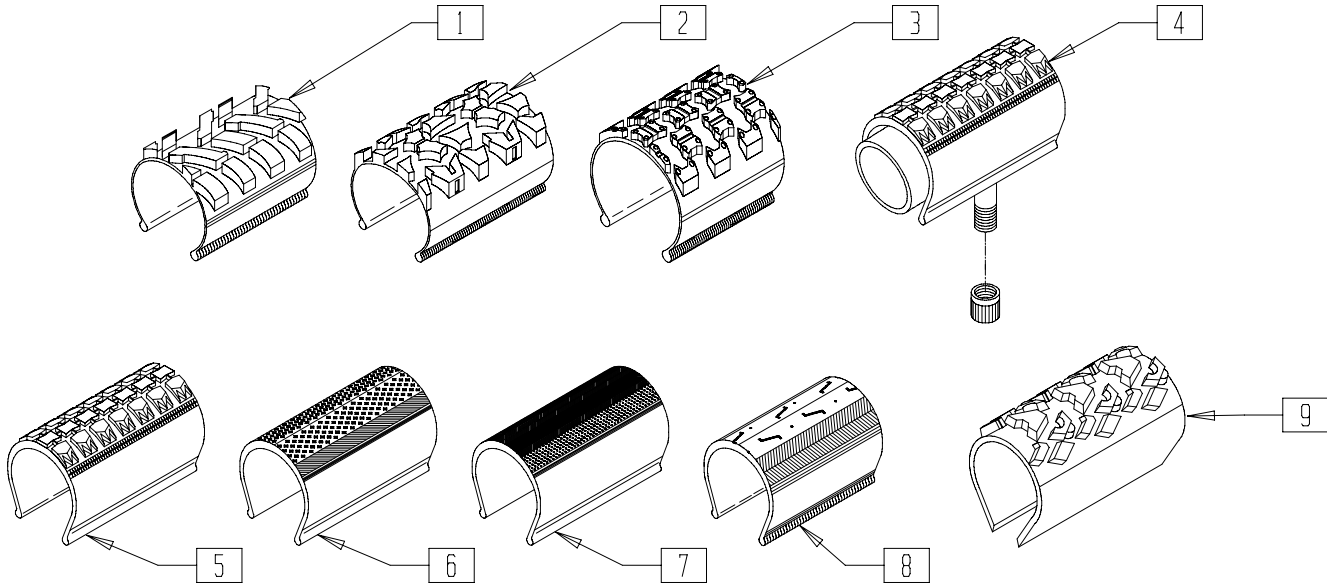


SHRXX11

ITEM	NUMBER	DESCRIPTION	QTY
1	000 850 100	REAR WHL 20" W. DESIGN HUB (W/O. TIRE)	1
1A	000 850 340	REAR WHL 26" W. DESIGN HUB (W/O. TIRE)	1
2	000 283 159	RIM BAND 20"	1
2A	000 283 154	RIM BAND 26"	1
3	000 283 106	AIR TUBE 20" 28/32-406/451	1
3A	000 283 108	AIR TUBE 26", 20-571	1
3B	000 283 103	AIR TUBE 26" X 1 3/8"	1
4	000 283 042	TIRE 20" X 1 1/8", 28-406	1
4A	000 283 046	TIRE 20" X 1.35", 35-406	1
4B	000 283 043	TIRE 26" X 1.10", 28-559	1
4C	000 283 045	TIRE 26" X 1.35", 35-559	1
5	000 280 001-ET	SPOKE REFLECTOR	2

ITEM	NUMBER	DESCRIPTION	QTY
6	471 853 001	AXLE SLEEVE 10° F. STEM	1
7	471 853 502	STEM	1
8	000 130 116-ET	WASHER A 6,4 DIN 125	1
9	000 102 002-ET	SOC. SCREW M 6 X 12 DIN 912	1
10	615 853 001.03	AXLE SLEEVE 10° F. QR AXLE	1
11	000 220 299	QR AXLE F. DESIGN WHEEL	1
12	471 853 003	AXLE TUBE	1
1-5	000 850 173	REAR WHEEL 20" TIRE 20" X 1 1/8"	
1-3,4A	000 850 174	REAR WHEEL 20" TIRE 20" X 1 1.35"	
1A,3A,4B	000 850 175	REAR WHEEL 26" TIRE 26" X 1 1/8"	
1A,2A,3B,4C	000 850 176	REAR WHEEL 26" TIRE 26" X 1 1.35"	

TIRES (QUICKIE ALL COURT, MATCH POINT/3D/HEAT/KIDZ BIKE/QUAD RUGBY MACH1/MACH2/CYCLONE)



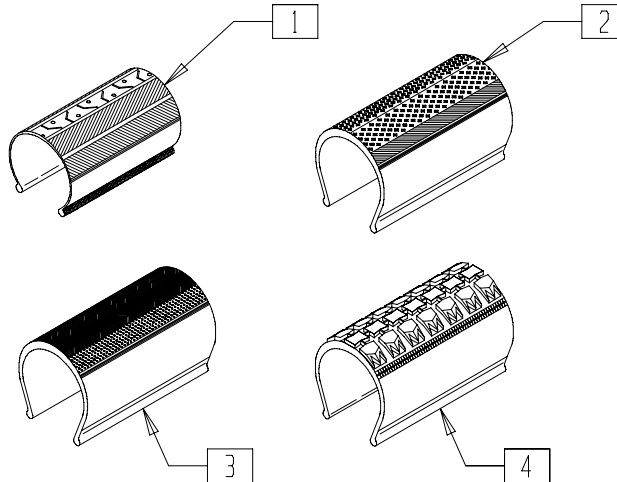
PFM0X13a

ITEM	NUMBER	DESCRIPTION	QTY
1	385635	26 X 1.95 MOUNTAIN TIRE 559	1
2	384604	TIRE CS 24" x 2.1" SMOKER (507mm)	1
3	384600	TIRE 24" x 1.75" MOUNTAIN	1
4	385610	24" PNEU TIRE & TUBE	1
5	385300	24" PNEUMATIC TIRE (540mm)	1
	385325	26" PNEUMATIC TIRE (590mm)	

ITEM	NUMBER	DESCRIPTION	QTY
6	389012	QP 24" x 1" HT TURBO BLK WR/BD 559	1
7	389020	24" x 1" HI PRES CLNCHR TIRE (540mm)	1
	389030	26" x 1" HI PRES CLNCHR TIRE (590mm)	
8	388999	26" x 1" HT TIRE TURBO GY(700 x 23)	1
9	385255	20" x 1 3/8" PRIMO TIRE (KNB) (451mm)	1

TIRES (QUICKIE KIDZ BIKE/MACH 2/CYCL-ONE/CYCLONE)

(Cycl-one Discontinued 5/14/99 - parts only)

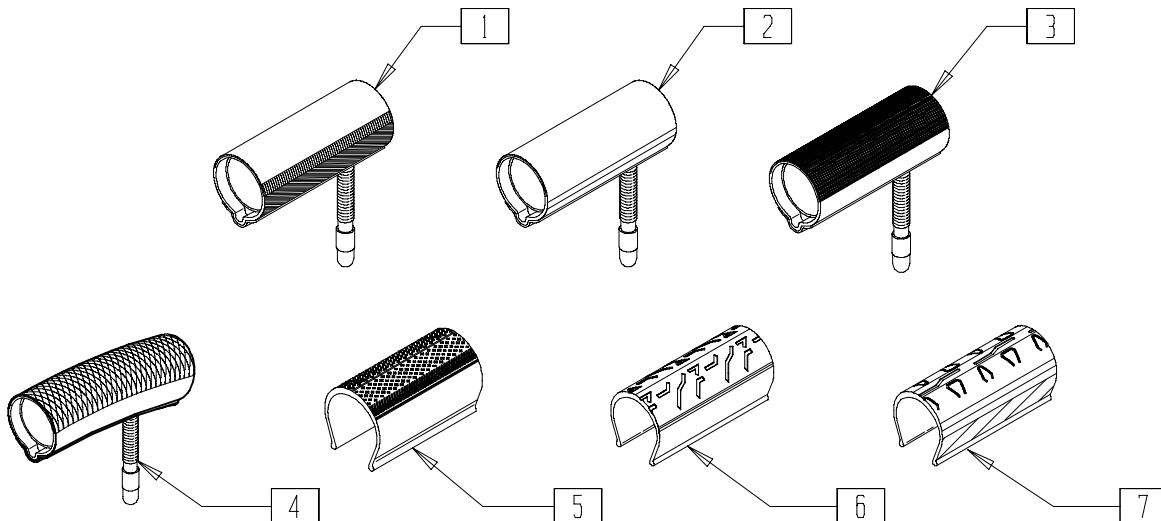


PFM0X12a

ITEM	NUMBER	DESCRIPTION	QTY
1	385295	24" PNEUMATIC TIRE BLK	1
2	389012	QP 24" x 1" HT TRBO BLK WR/BD 559	1

ITEM	NUMBER	DESCRIPTION	QTY
3	389020	24" x 1" HI PRES CLNCHR TIRE	1
4	385241	TIRE 20" x 1 3/8" CHENG	1

TIRES (QUICKIE RACER)

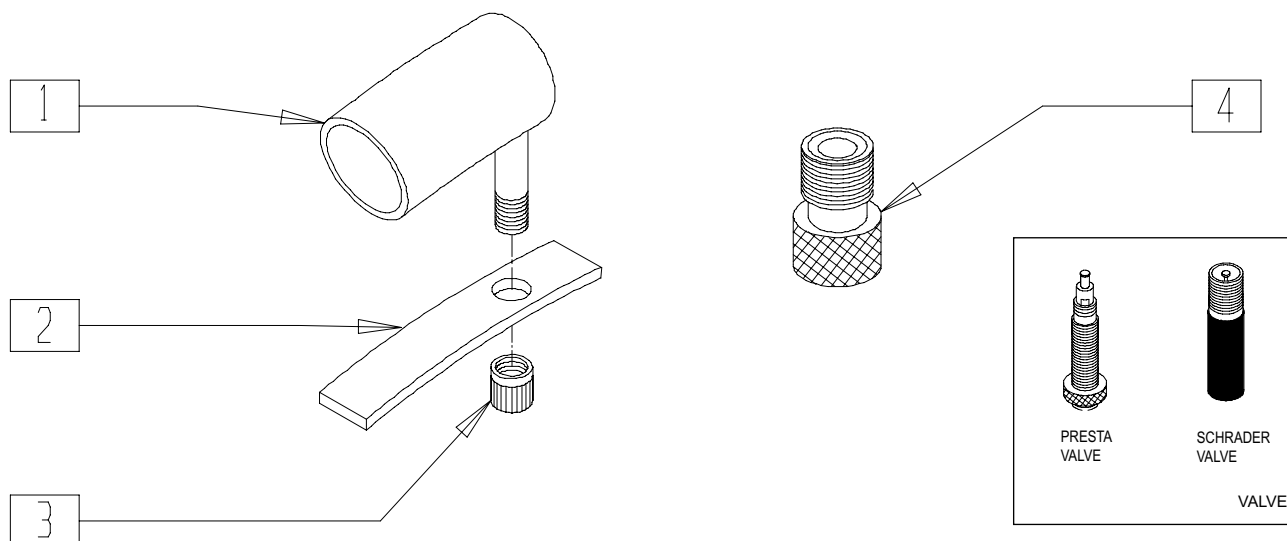


PFM0X11a

ITEM	NUMBER	DESCRIPTION	QTY
1	385642	TIRE CONTINENTAL LA 19mm 700C	
2	385647	TIRE PNRCR 190 GR ULTMA 700C	1
3	385639	TIRE PANARACER 20 RAPIDE	1
	385645	TIRE PNRCR 140 GR RPDE 600	
	385646	TIRE PNRCR 150 GR RPDE 700	
	385648	16" RAPIDE PANARACER	
	385649	18" RAPIDE PANARACER	
	385650	24" RAPIDE PANARACER	

ITEM	NUMBER	DESCRIPTION	QTY
4	389004	QP 24" x 1" TUBULAR	1
	385660	700 X 20C CLINCHER	
5	385654	TIRE VITRIA JRS 20" TUBULAR	1
	389006	QP 26" x 1" TUBULAR TIRE	
6	382333	24" x 1" PANARCR TCNVA II CLNCHR	1
	385651	26" x 1" PANARACER TCNVA CLNCHR	
7	385641	26" x 3/4" CLNCHR GRAND PRIX	1

TUBES AND RIM STRIPS



PFM0X14

ITEM	NUMBER	DESCRIPTION	QTY
1	382275-384551	TUBE	1
2	381250, 381350	RIM STRIP	1

ITEM	NUMBER	DESCRIPTION	QTY
3	381240	VALVE STEM CAP(Q)	1
4	381230	VALVE ADAPTER PRESTA	1

NOTE: FOR ADDITIONAL TIRE INFORMATION, PLEASE SEE *TIRE REFERENCE GUIDE* ON PG. 10.27

QUICKIE RACER TIRE REFERENCE GUIDE

FRONT TIRE	Rim Size	Rim Part #	Tire Part #	Tube Part #
	16"	364220	385648	N/A
	18"	364221	385649	N/A
	20"	364222	385654, 385639	N/A

REAR TIRE	Size	Tire Part #	Tube Part #
	20"	385644	382286
Clincher (520)	24"	382333	382315
Tubular	24"	385650	N/A
Clincher	26"	385651	382423
		385641	382423
Tubular	26"	385645	N/A
700 C Clincher	27"	385653	384550
		385660	382449
700 C Cont. GP	27"	389032	382449
700 C Tubular	27"	385646	N/A
		385647	N/A

PLEASE SEE NEXT PAGE FOR TIRE DESCRIPTIONS

TIRE REFERENCE GUIDE

(Shading indicates item is available)

Quickie Heat/Quad Rugby														
Tire Type	Size	Tire Part #	Tube Part #	20" Spoke (451mm)	22" Spoke (501mm)	24" Spoke (540mm)	26" Spoke (590mm)	24" Tennis/ B-Ball (540mm)	26" Tennis/ B-Ball (590mm)	24" HT Tennis/ B-Ball (559mm)	26" HT Tennis/ B-Ball (700c)	23" Inter- national (520mm)	24" Mountain (507mm)	26" Mountain (559mm)
Pneumatic	20"	385250	382275											
	22"	385275	382300											
	24"	385300	382325, 382332											
	26"	384605, 385325	382350											
Latex Tubular	24"	389004	N/A											
	26"	389006	N/A											
Turbo Tread Tan HT	26"	388999	384550											
High Pressure Clincher	22"	385280	382305											
	24"	389020	382330											
	26"	389030	382355											
Int. Clincher	23"	389016	382315											
Smoker (2.1)	24"	384604	382334											
	26"	384606	382361											
Mountain (1.75)	24"	364600	382334											

TIRE REFERENCE GUIDE CONTINUED ON NEXT PAGE

Tire Type	Size	Tire Part #	Tube Part #	CYCL-ONE	MACH 2					
				Cycl-one	24" Mag	24" Spoke	26" Pneu Blk.	26" HP Clinch	26" Off-Rd Knob.	
Pneumatic	24"	385295	382325							
High Pressure Clincher	24"	389020	382330							
Off-road Knobbie (1.75)	26"	385636	382365							
Black	20"	385241	382275							
Commuter	26"	385335	382325							
High Performance	26"	385340	384551							
Knobbie	20"	385255	382275							

PNEUMATIC (Cheng Shin)

Air-filled tires, light, shock absorbent, maneuverable, good traction.
Psi per Sidewall,
20"-26" x 1 3/8"

LATEX TUBULAR (also known as Continental, Sew Ups, Gum Rubber)

Ultra lightweight, stretches to fit different rims, minimal roll resistance for maximum shock absorbency.
Psi per Sidewall,
24"-26" x 1"

HIGH-PRESSURE CLINCHER (Primo)

High performance tire option for everyday user, extremely lightweight, uses an inner tube which allows for repairs, says "Primo" on sidewall.
Psi per Sidewall,
24" x 1" (25mm x 540mm)
26" x 1" (25mm x 559mm)
26" x 1" (25mm x 590mm)
26" x 1" (25mm x 700mm)

Tire Type	Size	Tire Part #	Tube Part #	3D			KIDZ BIKE	
				24" Spoke	24" Tennis/ BB	24" HT Tennis/ BB	20" Spoke	20" Mag
Pneumatic	24"	385300	382325					
Latex Tubular	24"	389004	N/A					
High Pressure Clincher	24"	389020	382330					
Black	20"	385241	382275					
Knobbie	20"	385255	382275					

Accessories

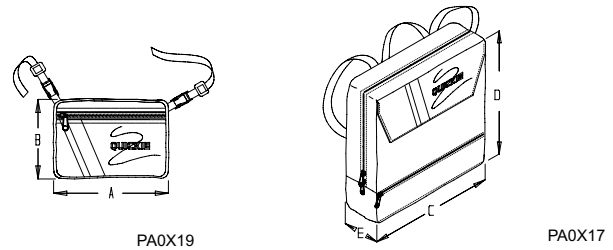
IN THIS SECTION

Backpacks and Seat Pouches (Quickie)	12.1	Ratchet Positioning Belt	
Catch-alls	12.1	(Quickie All Court/Match Point).....	12.7
Crutch Pouch	12.2	Side Guards (Quickie 3D/Kidz Bike/Mach 2).....	12.8
Cyclometers	12.3	Plastic Side Guard	
Fender (Quickie Cycl-one) (Disc.)	12.3	(Quickie All Court/Match Point) (Disc)	12.8
Fender (Cyclone)	12.4	Side Guards (Quickie Heat).....	12.9
Fender (Quickie Mach 2)	12.4	Quickie Plastic Side Guards	
Floor Pump	12.5	(Quickie All Court/Matchpoint)	12.10
Friction Tape	12.5	Spoke Guards	12.11
Glue	12.5	Spoke Guards (Sport)	12.12
Helmet.....	12.5	Spoke Guard (Sport) Reference Guide	12.12
Impact Guards	12.6	Tool Kit (Quickie Cyclone)	12.13
Leg Straps (Quickie All Court/Matchpoint)	12.6	Tool Kit (Quickie Mach 2).....	12.13
Positioning Belts	12.6	Tow Bar (Quickie Mach 2)	12.14
Positioning Belt (Quickie Mach 2).....	12.6	Water Bottle	
Chest Strap (All Court/Heat)	12.7	(Quickie Cyclone/Kidz Bike/Mach 2)	12.14

BACKPACKS AND SEAT POUCHES (QUICKIE)



MEASURING GUIDE



PA0X19

SEAT POUCH	
A	B
8"	6"

PA0X17

	STANDARD BACKPACK		
	C	D	E
KIDS	12"	12"	4"
ADULT	13 1/2"	13 1/2"	4"

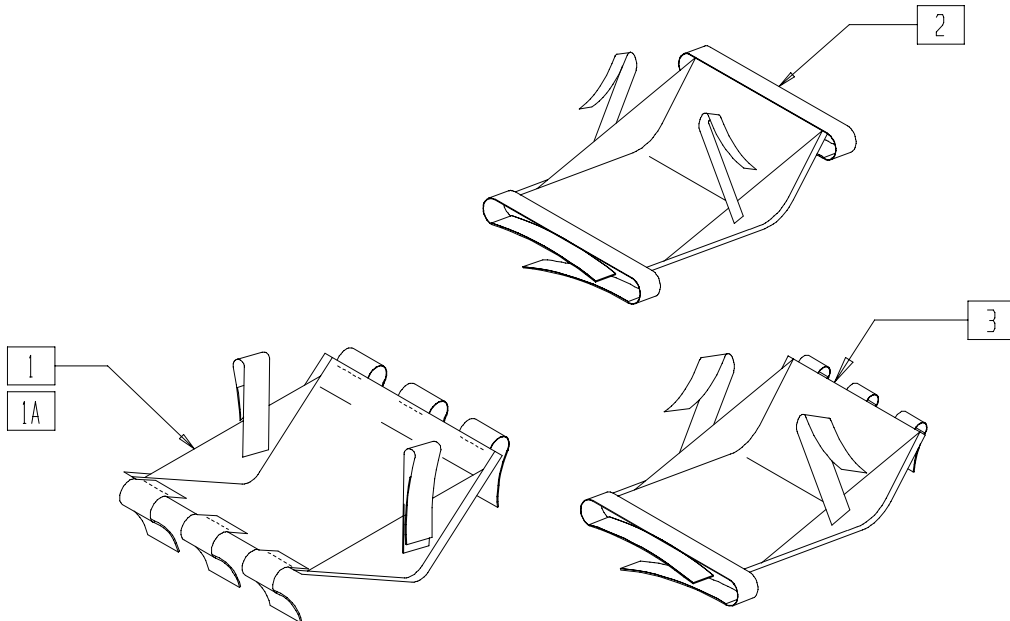
SHAC0X01A

ITEM	NUMBER	DESCRIPTION	QTY
1	750304	SEAT POUCH BLACK/CHARCOAL	1
	750307	SEAT POUCH QUICKIE	1

ITEM	NUMBER	DESCRIPTION	QTY
2	750115	BACKPACK QUICKIE	1
3	750121	BACK PACK BLACK/CHARCOAL KIDS	

NOTE: KIDS BACKPACKS DO NOT HAVE ADJUSTABLE STRAPS WITH BUCKLES.

CATCH-ALLS

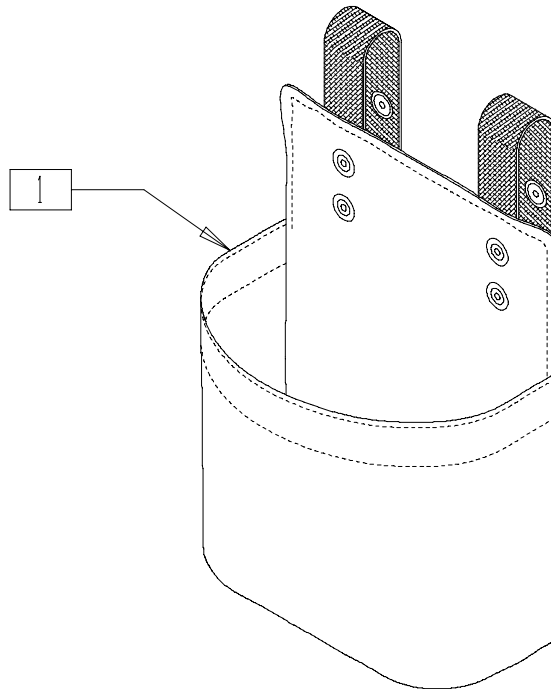


CAT0X01

ITEM	NUMBER	DESCRIPTION	QTY
1	750340	CATCH-ALL SMALL 12"-16"	1
1A	750341	CATCH-ALL LARGE 17"-20"	1
2	750337	CATCH-ALL QUICKIE 1 AND 2 SMALL	1

ITEM	NUMBER	DESCRIPTION	QTY
3	750338	CATCH-ALL DT 85°/GP-GPV SMALL	1
	750336	CATCH-ALL DT 85°/GP-GPV LARGE	

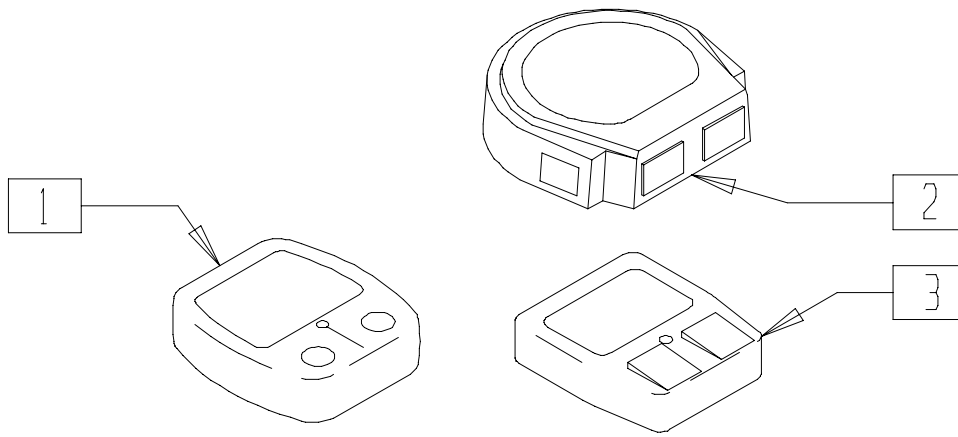
CRUTCH POUCH



AC0X043

ITEM	NUMBER	DESCRIPTION	QTY
1	750323	CRUTCH POUCH	1

CYCLOMETERS

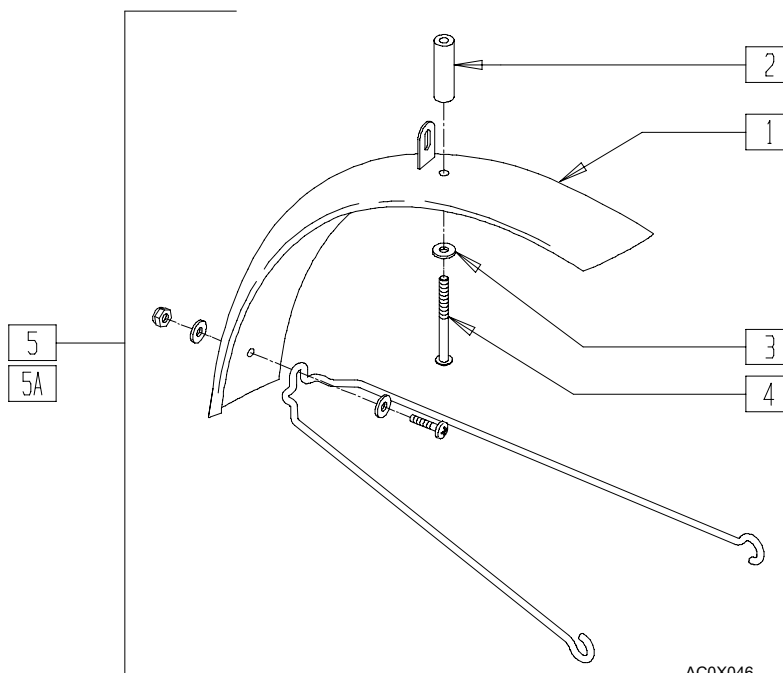


COMPUTER

ITEM	NUMBER	DESCRIPTION	QTY
1	444100	COMP MULTIFUNCTION W/CADENCE (CYCL-ONE, MACH 2, MACH 3)	1
2	444104	COMP CATEYE CORDLESS 2 (RACER)	1
3	443032	COMP CATEYE MITTY 2 (RACER)	1

FENDER (QUICKIE CYCL-ONE)

(Discontinued 2/1/00 - parts only)

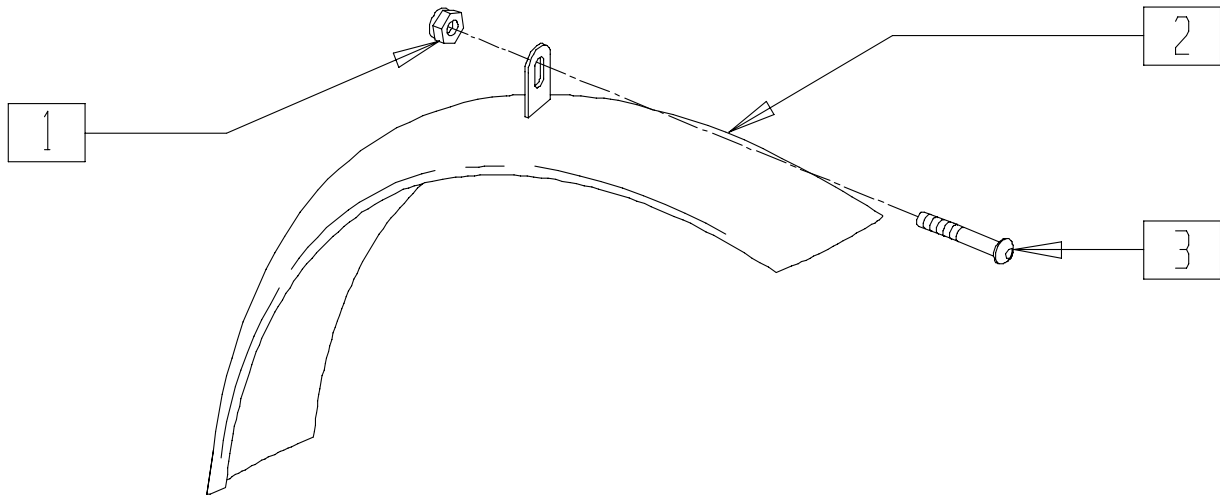


AC0X046

ITEM	NUMBER	DESCRIPTION	QTY
1	444097	FENDER 20" CHROME 44mm	1
2	561038	HANDRIM SPACER (LONG)	1
3	262099	3/16 ALUMINUM WASHER BACKUP	1
4	281175	10-32 x 2 1/8 PAN PHIL SS	1
5	444096	FENDER 20" CHROME W/SPACER	
5A	444097*	FENDER 20" CHROME 44MM	

NOTE: ORDER 444097 WHEN USING SECOND HAND BRAKE.

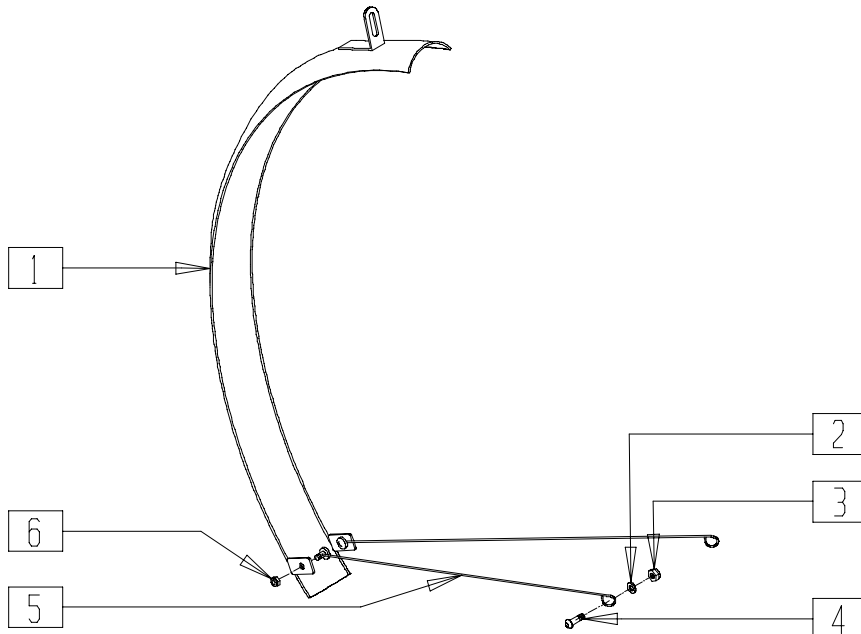
FENDER (CYCLONE)



CYC00X07

ITEM	NUMBER	DESCRIPTION	QTY
1	201110	1/4-28 NYLOCK NUT	1
2	444098	FENDER SPLASH GUARD	1
3	226129	1/4-28 x 1 1/4 BH C/S	1

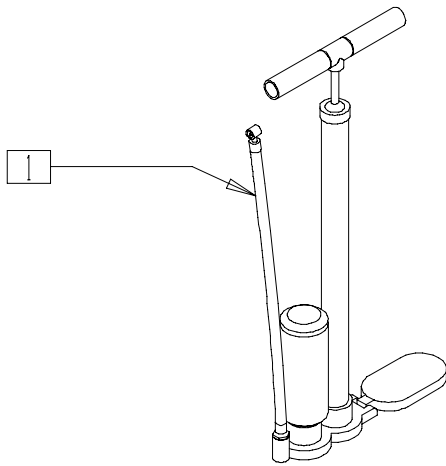
FENDER (QUICKIE MACH 2)



LC00X22

ITEM	NUMBER	DESCRIPTION	QTY
2	262099	3/16 ALUM WASHER BACKUP	2
3	200101-QU	10-32 NYLOCK NUT THIN	1
4	226211	10-32 x 1/2 HEX C/S SS	1
1,5,6	442064	FENDER FRONT FROM REC 2634	

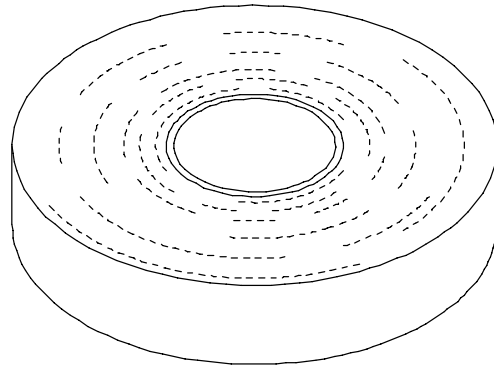
FLOOR PUMP



LC00X21

ITEM	NUMBER	DESCRIPTION	QTY
1	389050	TIRE PUMP	1

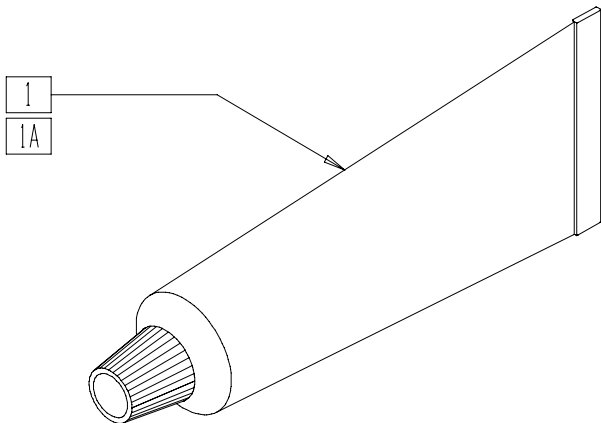
FRICTION TAPE



AC0X049

ITEM	NUMBER	DESCRIPTION	QTY
1	160236	TAPE FRICTION	1

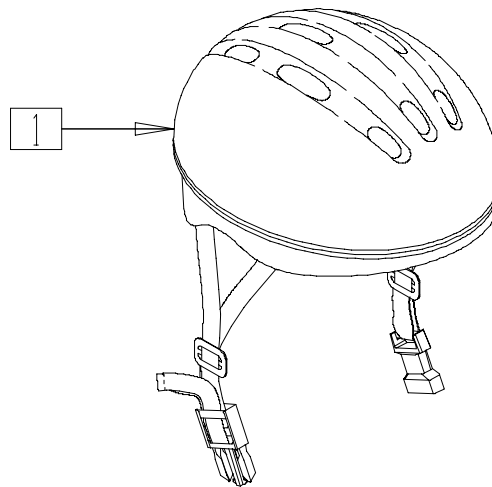
GLUE



AC0X047

ITEM	NUMBER	DESCRIPTION	QTY
1	160227	HANDBALL GLUE HR	1
1A	381351	QP TUBULAR TIRE GLUE	1

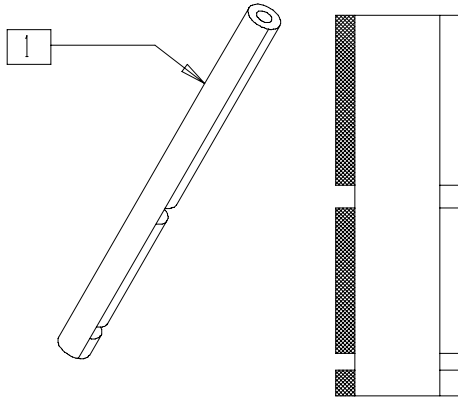
HELMET



AC0X044

ITEM	NUMBER	DESCRIPTION	QTY
1	440072	HELMET BREEZE MED BLK	1
	440070	HELMET BREEZE LG BLK	
	440092	HELMET MED/LG WHITE	
	440090	HELMET LG/XLG WHITE	

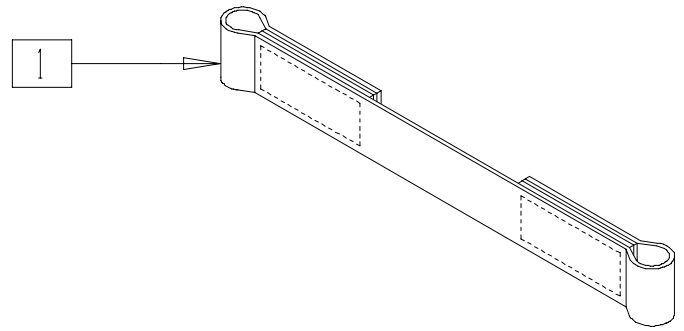
IMPACT GUARDS



AC0X039

ITEM	NUMBER	DESCRIPTION	QTY
1	750324	IMPACT COVER GUARDS SM (PR)	1
	750325	IMPACT COVER GUARDS STD (PR)	
	750326	IMPACT COVER GUARDS LRG (PR)	
	750333	IMPACT GUARD NEOPRENE 1 INCH	
	580060	IMPACT GUARD VINYL TUBING 24"	

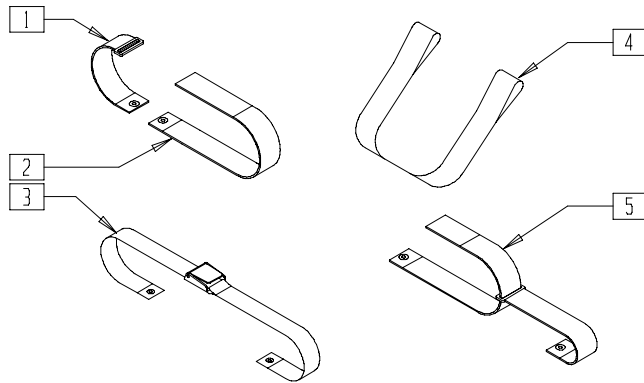
LEG STRAPS (QUICKIE ALL COURT/ MATCHPOINT)



FT0X015

ITEM	NUMBER	DESCRIPTION	QTY
1	740111-740132	LEG STRAP 10"-20" (EA)	1

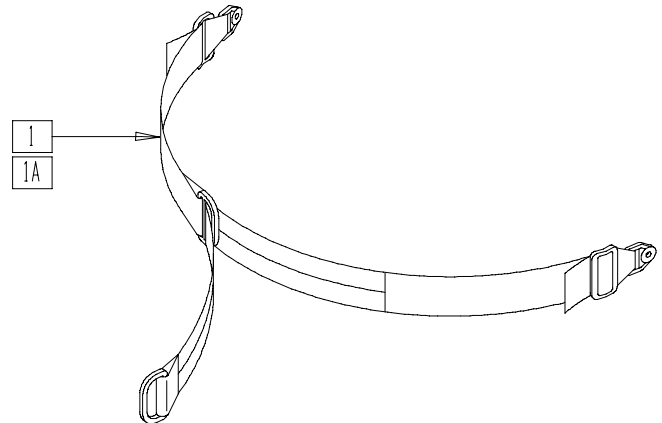
POSITIONING BELTS



RBY0X09A

ITEM	NUMBER	DESCRIPTION	QTY
1	750220	LEG STRAP W/BUCKLE® 3D	1
2	750221	LEG STRAP W/VELCRO® 3D	1
1,2	740222	LEG STRAP ASSM 3D	
3	751025	POSITION BELT NYLON BKL (SPECIFY DIMENSIONS)	1
4	740068	LONG STRAP (QR)	1
5	751020	POSITIONING BELT HK/LP CLS (SPECIFY DIMENSIONS) (QUAD RUGBY/RACER)	1

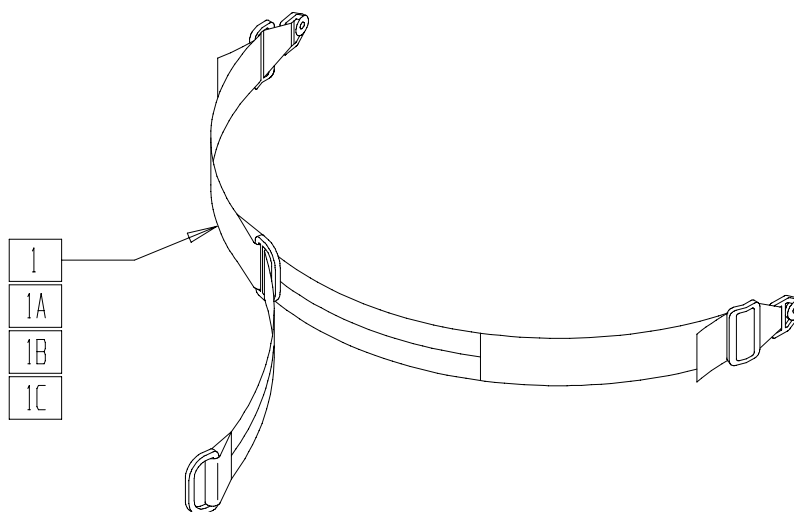
POSITIONING BELT (QUICKIE MACH 2)



LC00X19

ITEM	NUMBER	DESCRIPTION	QTY
1	450410-QU	CZ BELT 2" W/VELCRO® 34"	1
1A	450413-QU	CZ BELT 2" W/VELCRO® 40"	1

CHEST STRAP (ALL COURT/HEAT)



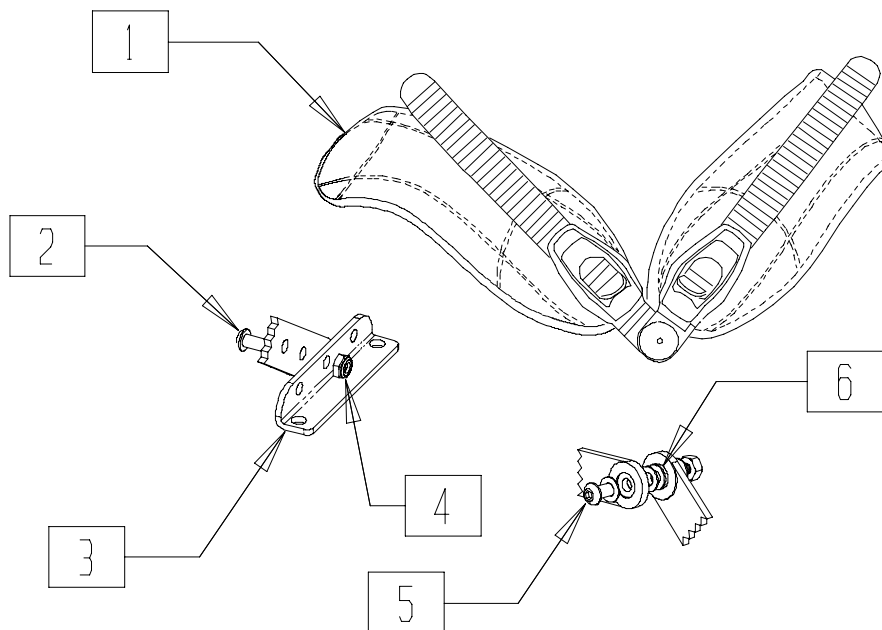
CHST BLT01

ITEM	NUMBER	DESCRIPTION	QTY
1	740161	CHEST STRAP 2" KIDZ SHT QKB	1
1A	740162	CHEST STRAP 2"KIDZ REG (48")	1

ITEM	NUMBER	DESCRIPTION	QTY
1B	740171	CHEST STRAP 4" KIDZ SHT QKB	1
1C	740172	CHEST STRAP 4" KIDZ REG (48")	1

RATCHET POSITIONING BELT (QUICKIE ALL COURT/ MATCH POINT)

(Effective 01/11/05)

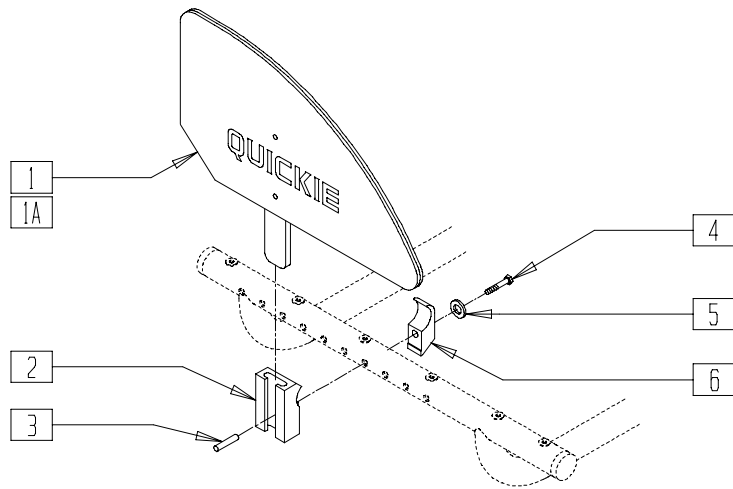


TIAC0X24

ITEM	NUMBER	DESCRIPTION	QTY
1	750216	RATCHET POS BELT ONLY LRG (PR)	1
	750217	RATCHET POS BELT ONLY XLG (PR)	
2	226071	1/4-28 X 1/2 BH C/S BLK	2
3	483328	BRACKET STRAP RATCHET BELT	2
4	201100-QU	1/4-28 NYLOCK NUT THIN	3

ITEM	NUMBER	DESCRIPTION	QTY
5	226090	1/4-28 X 5/8 BH C/S	1
6	561111	1/4" NYLON WASHER BLACK	4
1-6	750218 750219	RATCHET POS BELT ASSM (LRG & XLG)(PR)	

SIDE GUARDS (QUICKIE 3D/KIDZ BIKE/MACH 2)



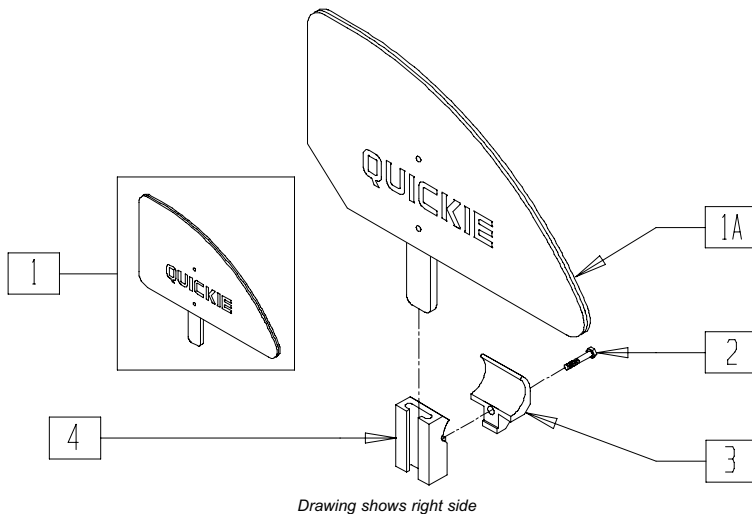
LC00X11

ITEM	NUMBER	DESCRIPTION	QTY
1	881150, 881151	PLASTIC SIDE GUARD KDS (EA)	1
1A	881152, 881153	PLASTIC SIDE GUARD STD (EA)	1
2	550327	SIDE GUARD REC W/HOLE (M2/M3)	1
	550325	SIDE GUARD/KIDZ ARM REC (3D)	
3	483093	SIDE GUARD PIN M3/M2	1
	341130	1/4 x 1 1/8 ROLL PIN SS	
4	221127	1/4-28 x 1 3/8 HEX C/S	

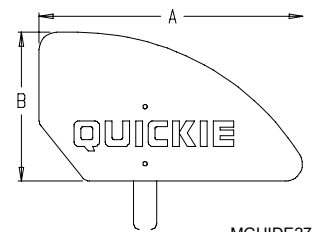
ITEM	NUMBER	DESCRIPTION	QTY
5	262110	1/4 AN WASHER FLAT THIN	1
6	550251	CLAMP P300 CHRNG/ADJ FL KIDS	1
2-6	881202	SIDE GUARD REC W/CLMP (M2/M3)	
2,4-6	881200	SIDE GRD/KIDZ ARM REC W/CLMP (3D)	
1A,2-6	901115	SIDE GUARD ASSM STD M3/M2	
1-6	901116	SIDE GUARD ASSM KIDS M3/M2	
1,2,4-6	901111	PLASTIC SIDE GUARD KDS ASSM (3D)	
1A,2,4-6	901110	PLASTIC SIDE GUARD STD ASSM (3D)	

PLASTIC SIDE GUARD (QUICKIE ALL COURT/MATCH POINT)

(Discontinued 01/11/05 - parts only)



MEASURING GUIDE



	"A"	"B"
ADULT	12 3/4"	8 5/8"
KIDS	11 1/2"	6 1/2"

MGUIDE27

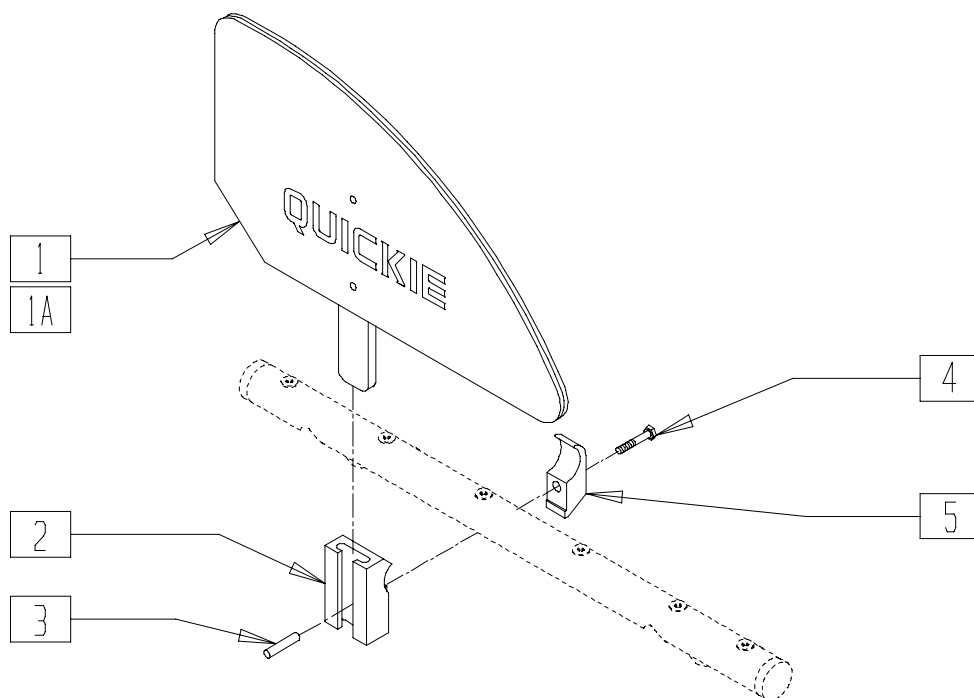
ALC_SDGD

ITEM	NUMBER	DESCRIPTION	QTY
1	881150, 881151	PLASTIC SIDE GUARD KIDS (EA)	1
1A	881152, 881153	PLASTIC SIDE GUARD STD (EA)	1
2	226142	1/4-20 x 1 SOC HD C/S	1

ITEM	NUMBER	DESCRIPTION	QTY
3	550425	SIDE GUARD CLAMP BLK QTNT	1
4	550428	SIDE GUARD RECEIVER BLK QTNT	1
1-4	901093	PLST SIDE GUARD KIDS AC (PR)	
1A,2-4	901092	PLST SIDE GUARD STD AC (PR)	

NOTE: WHEN ORDERING PLASTIC SIDEGUARDS MATCHPOINT CHAIR SHOULD HAVE BACK RELEASE BRACKET ASSEMBLY 920568 OR 920569 FOUND ON PAGES 2.12 AND 2.17 OF THIS PARTS MANUAL.

SIDE GUARDS (QUICKIE HEAT)



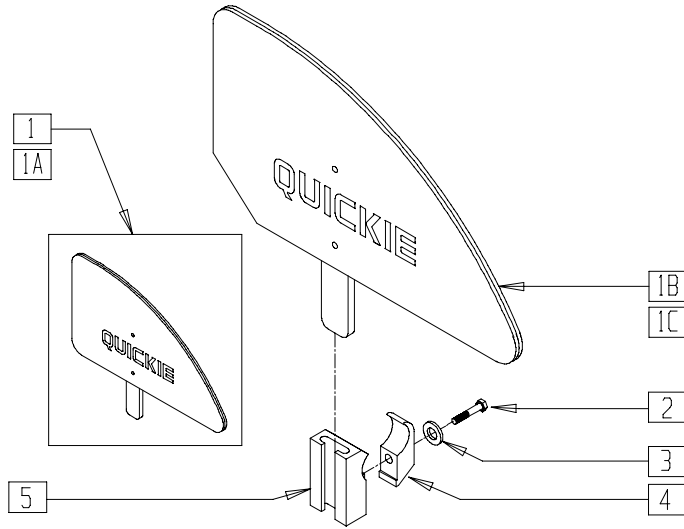
RG000X13

ITEM	NUMBER	DESCRIPTION	QTY
1	881150, 881151	PLASTIC SIDE GUARD KDS (EA)	1
1A	881152 881153	PLASTIC SIDE GUARD STD (EA)	1
2	550326	QC SIDE GUARD REC	1

ITEM	NUMBER	DESCRIPTION	QTY
3	341130	1/4 x 1 1/8 ROLL PIN SS	1
4	226112	1/4-28 x 1 SOC C/S BLK	1
5	550723	HB CLAMP 3/4" NO NOTCH ST/DT	1
1A,2-4	901130	SIDE GUARD ASSM STD HQR	
1-5	901131	SIDE GUARD ASSM KIDS HQR	

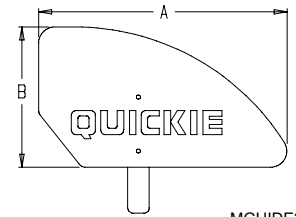
QUICKIE PLASTIC SIDE GUARD (QUICKIE ALL COURT/ MATCH POINT)

(Effective 01/11/05)



Drawing shows right side

MEASURING GUIDE



MGUIDE27

	"A"	"B"
ADULT	12 3/4"	8 5/8"
KIDS	11 1/2"	6 1/2"

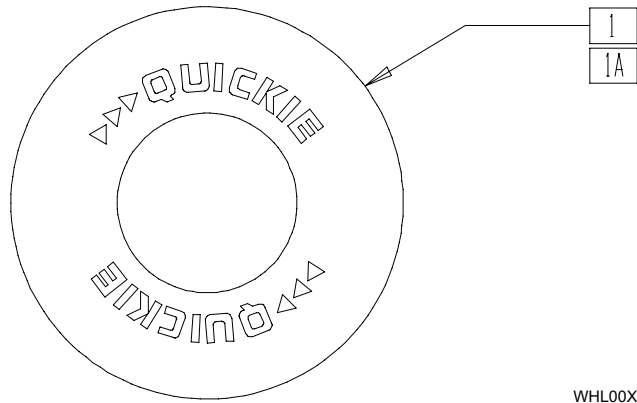
NOTE: STANDARD (ADULT) SIDE GUARD FITS 14"-20" DEPTHS. KIDS SIDE GUARD FITS 10"-13" DEPTHS.

AC0X013

ITEM	NUMBER	DESCRIPTION	QTY
1	881150	PLASTIC SIDE GUARD KIDS R	1
1A	881151	PLASTIC SIDE GUARD KIDS L	1
1B	881152	PLASTIC SIDE GUARD STD R	1
1C	881153	PLASTIC SIDE GUARD STD L	1
2	221127	1/4-28 x 1 3/8 HEX C/S	1
3	262110-QU	1/4 AN WASHER FLAT THIN	1
4	550251	CLAMP P300 CHARGING/ADJ FL KIDS	1

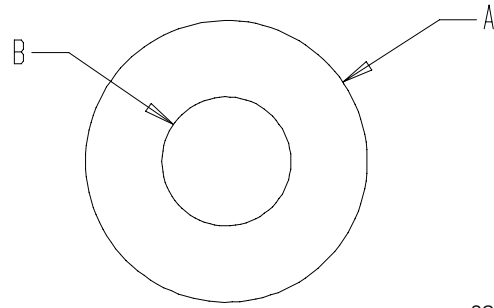
ITEM	NUMBER	DESCRIPTION	QTY
5	550325	SIDE GUARD/KIDZ ARM RECEIVER	1
2-5	881200	SIDE GUARD/KIDZ ARM RECEIVER W/CLAMP	
1,1A, 2-5	901111	PLASTIC SIDE GUARD KIDS ASSM W/CLAMP (PR)	
1B,1C, 2-5	901110	PLASTIC SIDE GUARD STD ASSM W/CLAMP (PR)	

SPOKE GUARDS



WHL00X24

MEASURING GUIDE

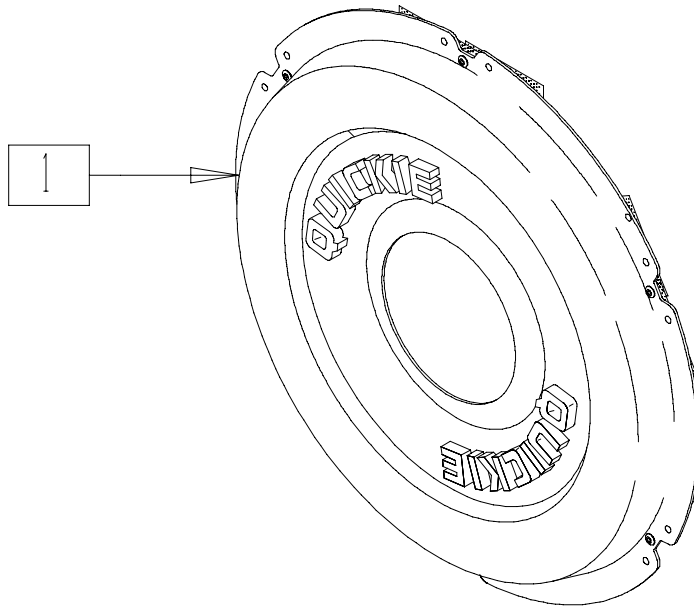


SG1

ITEM	NUMBER	DESCRIPTION	QTY
1	902048, 902050, 902054, 902056	QUICKIE SPOKE GUARDS CLR (PR)	1
1A	902001, 902011, 902021, 902025, 902037, 902038	QUICKIE SPOKE GUARDS BLK (PR)	1

SPOKE GUARD	NUMBER	DIA.A	DIA.B
SPOKE GUARDS 24" CLEAR	902048	19 1/4"	10 1/4"
SPOKE GUARDS 26" CLEAR	902050	21 7/8"	10 1/8"
SPOKE GUARDS 24" QP CLEAR	902054	20 1/2"	10 1/4"
SPOKE GUARDS 26" QP CLEAR	902056	23 1/2"	10 1/4"
SPOKE GUARDS 20" QUICKIE BLK	902001	15 7/8"	8 1/4"
SPOKE GUARDS 22" QUICKIE BLK	902011	18 1/8"	8 1/4"
SPOKE GRDS 24" SCR MT BLK (24" STD)	902021	19 1/2"	10 3/8"
SPOKE GRDS 24" TAB MT BLK (24" HT)	902025	19 5/8"	10 1/4"
SPOKE GRDS 26" TAB MT BLK (26" STD)	902037	22"	10 1/4"
SPOKE GUARDS 26" HT BLK (26" HT)	902038	23 1/4"	10 3/8"

SPOKE GUARDS (SPORT)



SPKGUARD

ITEM	NUMBER	DESCRIPTION	QTY
1	902072-902077	SPK GRD 24" SPRT HI PRFL W/TIE	1

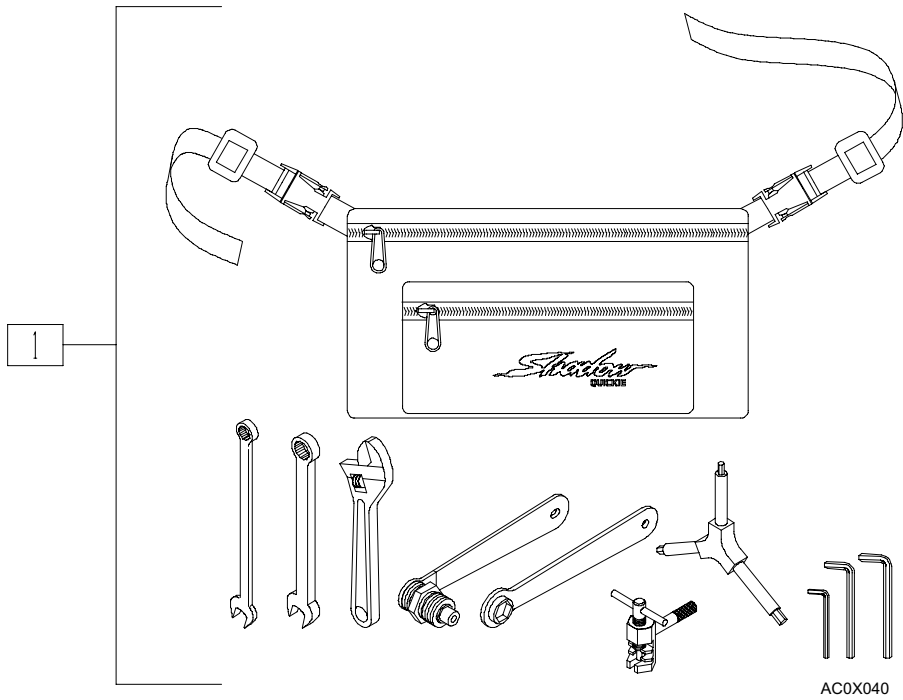
SPOKE GUARD (SPORT) REFERENCE GUIDE

Wheel/ Hand Rim	24" Sport Hi Profile 902072	24" Sport Low Profile 902073	24" H.T. Sport Hi Profile 902076	24" H.T. Sport Low Profile 902077
24" STD RIM (540mm) ANODIZED or PAINTED HR REG or LONG TAB	◆	◆		
24" STD RIM (540mm) ANODIZED or PAINTED HR SHORT TAB		◆		
24" STD RIM (540mm) PLASTIC COATED HR REG or LONG TAB	◆	◆		
24" STD RIM (540mm) PLASTIC COATED HR SHORT TAB		◆		
24" STD RIM (540mm) ANY STYLE HR SCREW TAB	◆◆	◆◆		
24" H.T. RIM (559mm) ANODIZED or PAINTED HR REG or LONG TAB			◆	◆
24" H.T. RIM (559mm) ANODIZED or PAINTED HR SHORT TAB				◆

Wheel/ Hand Rim	24" Sport Hi Profile 902072	24" Sport Low Profile 902073	24" H.T. Sport Hi Profile 902076	24" H.T. Sport Low Profile 902077
24" H.T. RIM (559) PLASTIC COATED HR REG or LONG TAB			◆	◆
24" H.T. RIM (559) PLASTIC COATED HR SHORT TAB				◆
26" STD RIM (590) ANY STYLE HR REG or LONG TAB			◆◆◆	◆◆◆
26" STD RIM (590) ANY STYLE HR SHORT TAB				◆◆◆
26" STD RIM (590) ANY STYLE HR SCREW TAB			◆◆◆	◆◆◆
26" H.T. RIM (700C) ANY STYLE HR REG or LONG TAB			◆◆◆	◆◆◆
26" H.T. RIM (700C) ANY STYLE HR SHORT TAB			◆◆◆	◆◆◆

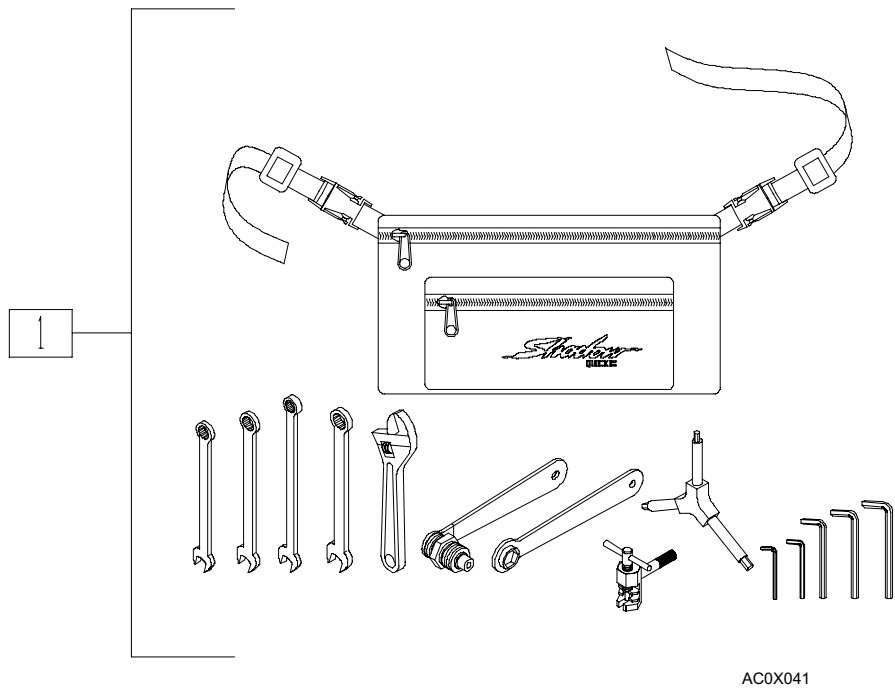
- ◆ RECOMMENDED BEST FIT
- ◆◆ EXTRA EFFORT TO INSTALL; DAMAGE TO SPOKE GUARD OR WHEEL MAY OCCUR, BUT THEY WILL FIT AND FUNCTION O.K.
- ◆◆◆ EXTRA LARGE HANDRIM/WHEEL ASSEMBLY; SPOKE GUARDS NOT DESIGNED FOR THIS SIZE, BUT THEY WILL FIT AND FUNCTION O.K.

TOOL KIT (QUICKIE CYCLONE)



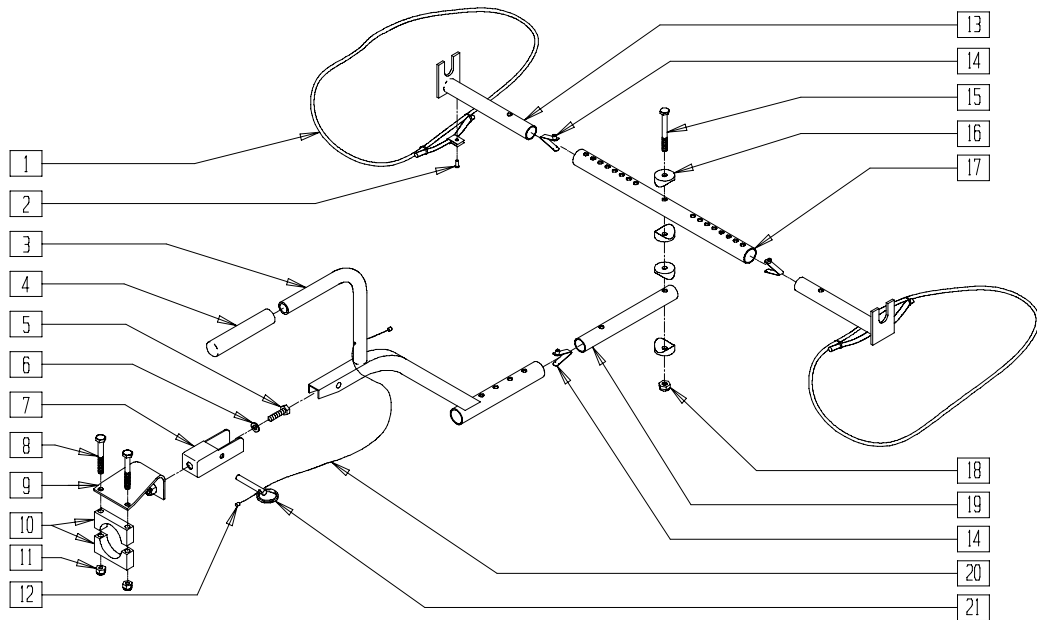
ITEM	NUMBER	DESCRIPTION	QTY
1	349888	TOOL KIT CYC	1

TOOL KIT (QUICKIE MACH 2)



ITEM	NUMBER	DESCRIPTION	QTY
1	349995	TOOL KIT MACH 3/2	1

TOW BAR (QUICKIE MACH 2)

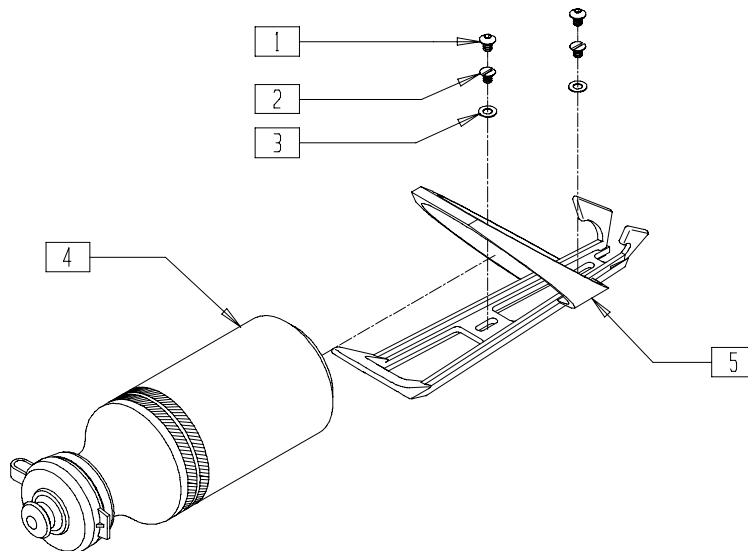


LC00X15A

ITEM	NUMBER	DESCRIPTION	QTY
1,2,13	881252	HITCH SUPPORT W/BUNGIE	
3,4,12,20,21	442309	TOW BAR DOWN TUBE W/FOAM	
5	222302	3/8 x 1 HEX HD BLT	1
6	263138	3/8 x 5/8 WASHER SS	1
7	520087	TRAILER HITCH FRAME REC	1
8	221180	1/4-28 x 2 1/2 HEX C/S	2
9	501150	TRAILER HITCH M2	1
10	501151	TRAILER HITCH CLAMP M2	2
11	201110	1/4-28 NYLOCK NUT	2

ITEM	NUMBER	DESCRIPTION	QTY
14	301100	1/4" SNAP BTTN SINGLE B-130	3
15	226308	1/4-20 x 2 3/4 HEX C/S SS	1
16	561003	3/4" SADDLE THIN	4
17	520088	TRAILER HITCH CROSS PIECE	1
18	201136	1/4-20 NYLOCK NUT HIGH	1
19	520085	TOW BAR EXT TUBE ANO	1
8-12	920395	TOW BAR ADAPTER M2	
14,19	881253	TOW BAR EXT W/SNAP BTTN	
1-21	442311	TOW BAR COMPLETE M2	

WATER BOTTLE (QUICKIE CYCLONE/KIDZ BIKE/MACH 2)



AC0X036A

ITEM	NUMBER	DESCRIPTION	QTY
1	226042	10-24 x 1/2 BH C/S SS	2
2	281122	10-32 x 3/4 PAN PHIL (CYCLONE)	2
3	262099	3/16 ALUM WASHER BACKUP	2

ITEM	NUMBER	DESCRIPTION	QTY
4	929106	QUICKIE WATER BOTTLE	1
5	444129	BOTTLE CAGE	1
2-5	920396	WATER BOTTLE & CAGE ASSM C1/M2	

Quickie Sports Products

Part Number	Part Description	Unit U/M	List Price	Disc. Code
100605	BUNGEE 9"	EA	3.40	48
101019	24" RIM BLK	EA	40.93	44
105102	SELL 700102 OR 703320	EA	21.47	44
105112	SELL 700112 OR 703321	EA	21.47	44
105122	SELL 700122 OR 703322	EA	21.90	44
105132	SELL 700132 OR 703323	EA	21.47	44
105202	SELL 700202 OR 703332	EA	21.47	44
105212	SELL 700212 OR 703333	EA	21.47	44
105222	SELL 700222 OR 703334	EA	21.47	44
105232	SELL 700232 OR 703335	EA	21.47	44
105242	SELL 700242 OR 703336	EA	21.47	44
105252	SELL 700252 OR 703337	EA	21.47	44
105262	SELL 700262 OR 703338	EA	21.47	44
105272	SELL 700072 OR 703316	EA	21.47	44
105282	SELL 700277 OR 703340	EA	21.47	44
105292	SELL 700267 OR 703341	EA	21.47	44
105298	SELL 700282 OR 703344	EA	21.47	44
105302	SELL 700302 OR 703346	EA	21.47	44
105308	SELL 700292 OR 703345	EA	21.47	44
105312	SELL 700322 OR 703348	EA	21.47	44
105322	SELL 700322 OR 703348	EA	21.47	44
105332	SELL 700332 OR 703349	EA	21.90	44
105342	SELL 700342 OR 703350	EA	21.47	44
105352	SELL 700352 OR 703351	EA	21.47	44
105362	SELL 700362 OR 703352	EA	21.47	44
105402	SELL 700402 OR 703358	EA	21.47	44
105412	SELL 700412 OR 703359	EA	21.47	44
105422	SELL 700422 OR 703360	EA	21.47	44
105432	SELL 700432 OR 703361	EA	21.47	44
105442	SEAT FOAM 15" X 16" X 2"	EA	21.90	44
105452	SEAT FOAM 15" X 17" X 2"	EA	21.47	44
105462	SELL 700462 OR 703364	EA	21.47	44
105502	SELL 700502 OR 703370	EA	21.90	44
105512	SELL 700512 OR 703371	EA	21.47	44
105522	SELL 700522 OR 703372	EA	21.47	44
105532	SELL 700532 OR 703373	EA	21.47	44
105542	SEAT FOAM 16" X 16" X 2"	EA	21.90	44
105552	SEAT FOAM 16" X 17" X 2"	EA	21.47	44
105562	SEAT FOAM 16" X 18" X 2"	EA	21.47	44
105598	SELL 700606 OR 703382	EA	21.47	44
105602	SELL 700602 OR 703384	EA	21.47	44
105606	SELL 700597 OR 703383	EA	21.47	44
105612	SELL 700612 OR 703385	EA	21.47	44
105622	SEAT FOAM 17" X 16" X 2"	EA	21.47	44
105632	SEAT FOAM 17" X 17" X 2"	EA	21.90	44
105642	SEAT FOAM 17" X 18" X 2"	EA	21.47	44
105682	SELL 700682 OR 703393	EA	21.47	44
105692	SELL 700692 OR 703394	EA	21.47	44
105702	SELL 700702 OR 703395	EA	21.47	44
105712	SELL 700712 OR 703396	EA	21.47	44
105722	SEAT FOAM 18" X 16" X 2"	EA	21.90	44

Part Number	Part Description	Unit U/M	List Price	Disc. Code
105732	SEAT FOAM 18" X 17" X 2"	EA	21.90	44
105742	SEAT FOAM 18" X 18" X 2"	EA	21.47	44
105782	SELL 700782 OR 703404	EA	21.47	44
105792	SELL 700792 OR 703405	EA	21.47	44
105802	SELL 700802 OR 703406	EA	21.47	44
105812	SELL 700812 OR 703407	EA	21.47	44
105822	SELL 700822 OR 703408	EA	21.47	44
105832	SELL 700832 OR 703409	EA	21.90	44
105842	SELL 700842 OR 703410	EA	21.47	44
105882	SELL 700882 OR 703415	EA	21.47	44
105892	SELL 700892 OR 703416	EA	21.47	44
105902	SELL 700902 OR 703417	EA	21.47	44
105912	SELL 700912 OR 703418	EA	21.90	44
105922	SELL 700922 OR 703419	EA	21.47	44
105932	SELL 700932 OR 703420	EA	21.90	44
105942	SELL 700942 OR 703421	EA	21.47	44
134160	HOUSING BRAKE	FT	6.02	48
150490	DECAL MAG REFLECTOR M2	EA	1.50	48
160227	HANDBALL GLUE HR	EA	32.20	48
160236	TAPE FRICTION	EA	6.30	48
180018	CAGE SIDE FOAM 24" KAN SKI	EA	2.86	48
200100-QU	10-32 NYLOCK NUT	EA	0.74	44
200101-QU	10-32 NYLOCK NUT THIN	EA	0.81	44
200108	10-32 NYLOCK NUT HIGH SS	EA	0.54	48
200350	1/4 X 7/8 COUPLING NUT	EA	0.64	44
201100-QU	1/4-28 NYLOCK NUT THIN	EA	1.13	44
201105	1/4-28 NYLOCK NUT THIN	EA	1.13	44
201110-QU	1/4-28 NYLOCK NUT	EA	1.13	44
201120	1/4-28 AUTOMATION NUT	EA	0.74	44
201121	1/4-20 NUT THIN	EA	0.74	44
201129	1/4-20 ACORN NUT ZP	EA	1.20	48
201132	1/4-20 HEX NUT KEP ZINC	EA	1.13	42
201135	1/4-20 NYLOCK NUT LOW SS	EA	1.19	48
201136	1/4-20 NYLOCK NUT HIGH	EA	1.19	48
201208	10-32 HEX NUT SS	EA	0.10	48
201216	5/16-18 JAM NUT SS	EA	0.54	48
201222	8-32 NYLOCK SS	EA	0.60	48
201236	10-32 NYLOCK NUT WING	EA	3.10	48
201240	1/4-20 NYLOCK NUT SS	EA	0.37	48
201242	3/8-16 NYLOCK NUT HIGH SS	EA	2.20	48
201252	3/8-16 NYLOCK JAM NUT SS	EA	2.20	48
201300	#10 X 3/4 OVAL HD SMS SS	EA	0.60	48
201304	1/4-20 X 1 1/4 PAN MS SS	EA	1.20	48
201306	1/4-20 X 1 PAN MS SS	EA	0.70	48
201308	1/4-20 X 3/4 PAN MS SS	EA	1.20	48
201312	#6 X 1/2 PAN PHL TS	EA	0.40	48
201324	#8 X 5/8 PAN PHIL SS	EA	0.40	48
201330	5/16-18 X 1 SH C/S SS	EA	2.20	48
201332	5/16-24 X 4 SOC C/S BLK	EA	3.40	48
201334	10-32 X 1 1/2 SOC C/S	EA	0.90	48
201336	10-32 X 1 SOC C/S SS	EA	0.30	48

Prices and Specifications are subject to change without prior notice.

Upcharges

There is an upcharge for custom color frames and custom color parts. Upcharge costs are as follows:

Custom color frames:	105.00/frame
Custom color parts:	30.00/part
Premium color frames:	contact Customer Service
Kolorfusion frames:	contact Customer Service

Discount Codes

= Breezy; C = Chameleon; J = Jay; KK = KidKart; M = Manual; P = Power; S/P = Seating/Positioning; S = Shadow/Quickie Sports; T/C = Titanium/Carbon; U = Unique

Notes

* Call customer service for current price.

Quickie Sports Products

Part Number	Part Description	Unit U/M	List Price	Disc. Code	Part Number	Part Description	Unit U/M	List Price	Disc. Code
2013 38	10-32 X 2 SOC C/S SS	EA	1.20	48	226099	1/4-28 X 7/8 FH C/S	EA	1.13	44
201340	3/8-16 X 2 1/2 SOC C/S	EA	5.60	48	226100	1/4-28 X 3/4 BH C/S	EA	1.13	44
201342	6 X 1 X 20MM SOC C/S	EA	1.20	48	226101	1/4-20 X 3/4 BH C/S	EA	1.13	44
202100-MJ	5/16-24 NYLOCK NUT THIN	EA	0.74	44	226104	1/4-20 X 3/4 SOC C/S SS	EA	1.30	42
202102	5/16-18 NYLOCK NUT THIN	EA	0.74	44	226105	1/4-28 X 3/4 FH C/S BLK	EA	1.15	44
202103	5/16-18 NYLOCK NUT THICK	EA	0.74	44	226107	1/4-28 X 7/8 SOC C/S	EA	1.13	44
202108	5/16-24 HEX JAM NUT	EA	1.13	45	226110	1/4-28 X 1 BH C/S	EA	1.13	44
202110	5/16-18 NUT THIN	EA	0.74	44	226112	1/4-28 X 1 SOC C/S BLK	EA	1.13	44
203100	1/2-20 NYLOCK NUT	EA	1.13	44	226115	1/4 X 20 X 1 HEX C/S SS	EA	0.86	48
203110	1/2-20 JAM NUT	EA	1.13	44	226120	1/4-20 X 1 BH C/S	EA	1.13	44
203118	1/2-13 ACORN NUT	EA	1.20	48	226121	1/4-20 X 1 FH C/S BLK	EA	1.13	44
203120	1" HEADSET TOP NUT	EA	4.50	48	226122	1/4-28 X 1.10 BH C/S	EA	1.15	44
203121	1-24 HEADSET NUT	EA	7.90	48	226129	1/4-28 X 1 1/4 BH C/S	EA	1.13	44
204000	3/4-16 NUT	EA	1.13	44	226130	1/4-28 X 1 1/2 BH C/S	EA	1.13	44
204005	7/8-14 NUT JAM ZN	EA	10.30	48	226136	1/4-20 X 1 1/2 BH C/S BLK	EA	1.13	44
204006	7/8-14 JAM NUT ALUM BLACK	EA	12.24	44	226138	5/16-24 X 1 1/2 BH C/S	EA	1.46	44
204127	5/16-24 X 1.75 TITANIUM HEX CS	EA	28.00	44	226140	1/4-28 X 1 3/4 BH C/S	EA	1.13	44
210001	M6 NYLOCK NUT THIN	EA	0.97	45	226142	1/4-20 X 1 SOC HD C/S	EA	0.58	44
210150	12D X 136 BRK RECESS NUT	EA	3.70	48	226147	1/4-28 X 1.85 BH C/S BLK ZN	EA	1.14	44
220031	10-32 X 3 3/4 ALL THRD SS	EA	7.90	48	226148	1/4-28 X 1.85 BH C/S	EA	1.30	45
221060	1/4-28 X 1/2 BH C/S	EA	1.13	44	226150	1/4-28 X 2 BH C/S	EA	1.13	44
221105	1/4-20 X 3/4 HEX C/S	EA	1.26	10	226155	1/4-28 X 2 1/4 BH C/S	EA	1.15	44
221105-QU	1/4-20 X 3/4 HEX C/S	EA	1.13	44	226163	1/4-28 X 2 SOC C/S BLK	EA	1.13	44
221110	1/4-20 X 1 HEX C/S	EA	1.13	44	226167	1/4-28 X 1.625 BH C/S BLK	EA	1.15	44
221116	1/4-20 X 1 SOC HD BLK	EA	1.13	48	226173	3/8-16 X 3/4 BH C/S SS	EA	2.60	48
221124-QU	1/4-28 X 1 1/4 G8 HEX C/S	EA	1.13	44	226175	5/16-18 X 3/4 BH C/S	EA	0.70	48
221126	1/4-20 X 1 1/4 G8 HEX C/S	EA	1.13	44	226177	5/16-18 X 1 1/2 CARR BLT	EA	1.20	48
221127	1/4-28 X 1 3/8 HEX C/S	EA	1.13	44	226182	5/16-18 X 1 BH C/S	EA	1.30	44
221133	1/4-28 X 1 1/2 G8 HEX C/S	EA	1.13	44	226185	5/16-18 X 2 1/2 CARR BLT	EA	1.20	48
221142	1/4-20 X 3 3/4 HEX C/S	EA	1.20	48	226187	5/16-18 X 3/4 CARR BLT	EA	1.22	48
221180	1/4-28 X 2 1/2 HEX C/S	EA	1.13	37	226190	5/16-18 X 1 3/4 BH C/S SHLDR	EA	1.13	44
221181	1/4-28 X 2 1/2 G8 HEX C/S	EA	1.13	44	226196	5/16-18 X 2 BH C/S ZN	EA	1.13	37
221191	1/4-28 X 2 1/4 G8 HEX C/S	EA	1.13	44	226199	5/16-18 X 3 1/2 CARR BLT	EA	1.82	44
221192	1/4-28 X 2 G8 HEX C/S	EA	1.13	44	226205	5/16-18 X 1 1/4 CARR BLT	EA	1.62	48
221201	1/4-28 X 3 G8 HEX C/S	EA	1.13	44	226209	8/32 X 5/8 FH PHL MS SS	EA	0.30	48
221213	10-32 X 7/8" HEX SEX BOLT QTNT	EA	5.10	44	226211	10-32 X 1/2 HEX C/S SS	EA	0.61	48
222098-QU	5/16-24 X 1 1/4 HEX C/S	EA	1.30	45	226259	1/4-28 X 1 FLAT HD C/S BLK	EA	0.97	45
222099	5/16-24 X 1 1/2 HEX C/S	EA	1.15	44	226277	1/4-28 X 2 HHCS FULL THREAD	EA	1.65	44
222110	5/16-24 X 1 3/4 HEX C/S	EA	1.68	44	226301	1/4-20 X 1 1/2 HEX C/S	EA	1.19	48
222200	5/16-24 X 2 1/2 HEX C/S	EA	1.68	44	226308	1/4-20 X 2 3/4 HEX C/S SS	EA	1.20	48
222201	5/16-24 X 2 1/2" G8 HEX C/S	EA	1.20	48	226322	3/8-16 X 3 1/2 HEX C/S SS	EA	1.43	48
222281	7/16-14 X 1.25 HEX HD BLT	EA	1.20	48	227104	1/4-28 X 5/8 FH C/S BLK ZN	EA	0.99	45
222302	3/8 X 1 HEX HD BLT	EA	1.20	48	227140	1/4-28 X 1 3/4 BH C/S BLK ZN	EA	1.13	44
225100	1/4-20 X 1/4 SET SCR	EA	1.13	44	230021	BHCS M5 X.8 X 20MM TORX T-25	EA	2.75	44
225111	1/4-20 X 1/4 SET SCR KNRLD PT	EA	0.54	44	230026	BHCS M6 X 1 X 45MM TORX T-25	EA	1.07	44
225200	1/4-20 X 1 SET SCR	EA	1.13	44	230029	BHCS M5 X .8X12MM TORX T-25	EA	1.28	44
225999	6-32 X 1 SH C/S	EA	0.50	44	230056	BHCS M6 X 1 X 50MM TORX T-25	EA	1.22	44
226009	10-24 X 3/8 FH C/S W/PATCH	EA	1.13	44	240191	RVT ALUM 1/8 W/.43 DIA GRP	EA	0.30	48
226014	10-32 X 3/4 FH C/S BLK	EA	1.13	44	240192	RIVET POP AD66ABSLF	EA	0.59	48
226016	10-32 X 3/4 SOC C/S	EA	1.20	48	261204	#10 AN WASHER .063	EA	0.61	44
226018-QU	10-32 X 3/8 BH C/S W/PATCH BLK	EA	1.13	44	261250	1" HEADSET KEYED WASHER	EA	1.10	48
226020-QU	10-32 X 5/8 BH C/S BLK	EA	1.13	39	261506	1/4 X 1/2 OD WASHER SS	EA	0.22	48
226040	10-32 X 2 1/4 G8 SH C/S	EA	1.10	48	261507	3/8 X 1" OD WASHER FLAT SS	EA	0.20	48
226042	10-24 X 1/2 BH C/S SS	EA	0.40	48	261509	3/8 SAE WASHER	EA	0.22	48
226043	10-32 X 1/2 BH C/S BLK	EA	0.64	48	261535	1/4" WASHER STAR EXTERNAL	EA	0.17	44
226044	10-32 X 5/8 BH C/S SS	EA	1.20	48	261539	1/4" WASHER SPLIT HD SS	EA	0.65	44
226045	#10 X 1.25 SMS FH PHL SS	EA	1.30	48	262097	1/4 ID CONCAVE ALUM WASHER	EA	0.40	48
226051	10-32 X 3/8" BH C/S	EA	1.02	44	262099	3/16 ALUM WASHER BACKUP	EA	0.22	48
226058	1/4-20 X 3/4 SOC C/S	EA	1.13	44	262100-QU	1/4 AN WASHER FLAT	EA	0.61	44
226062	1/4-20 X 1-1/4 BH C/S W/PATCH	EA	1.22	48	262110	1/4 AN WASHER FLAT THIN	EA	0.10	10
226065	10-32 X 2" TRUSS PHIL M/S	EA	1.15	44	262110-QU	1/4 AN WASHER FLAT THIN	EA	0.38	44
226071	1/4-28 X 1/2 BH C/S BLK	EA	1.30	45	262114	1/4 WASHER HI COLLAR LOCK ZN	EA	0.61	44
226073-QU	1/4-20 X 1/2 BH C/S SS	EA	1.30	42	262120	1/4" SAE WASHER	EA	0.22	44
226080	1/4-20 X 1 1/4 BH C/S SS	EA	1.40	48	262130	6MM WASHER WAVE	EA	0.38	44
226082	1/4-20 X 1 BH C/S SS	EA	1.19	48	262134	5/16 WASHER SPRING DISC	EA	1.80	48
226090	1/4-28 X 5/8 BH C/S	EA	1.13	44	263100	5/16 AN WASHER FLAT	EA	0.38	44

Quickie Sports Products

Part Number	Part Description	Unit U/M	List Price	Disc. Code
263110-QU	5/16 AN WASHER FLAT THIN	EA	0.20	44
263138	3/8 X 5/8" WASHER FLAT SS	EA	0.20	48
264100	1/2 AN WASHER FLAT	EA	0.38	44
265100	3/4 X 18 WASHER NARROW	EA	0.61	44
281110	10-32 X 1/2 PAN PHIL	EA	1.13	44
281115	10-32 X 3/4 SOC C/S SS	EA	0.30	48
281120	10/32 X 5/8 PAN HD PHIL	EA	1.13	44
281121	10-32 X 5/8 PAN PHIL ALUM	EA	2.43	44
281122	10-32 X 3/4 PAN PHIL	EA	1.13	44
281143	10-32 X 1 1/8 PAN PHIL	EA	1.30	45
281148	10-32 X 1 1/4 FH PHIL MS	EA	0.70	48
281170	10-32 X 1 5/8 PAN PHIL SS	EA	1.13	44
281175	10-32 X 2 1/8 PAN PHIL SS	EA	1.13	44
301100	SNAP BUTTON 1/4IN SINGLE	EA	1.15	44
301109	SNAP BUTTON DUAL ONE SIDE	EA	1.38	44
321110	S/A LATCH SPRING	EA	1.86	44
321115	3 3/4" X .812 EXT SPRING	EA	9.00	48
321121	BACK REL SPRING L RIGID	EA	1.86	44
321125	BACK REL SPRING R RIGID	EA	1.86	44
321153	BACK REL SPRING L RIGID (NEW)	EA	1.86	44
321154	BACK REL SPRING R RIGID (NEW)	EA	1.86	44
321163	SPRING .300 X 7/8 LONG	EA	1.65	44
321168	SPRING .25 X 7/16	EA	1.16	44
330000-QU	1/4-28 NYLOCK NUT ALUM	EA	1.13	44
330005	5/16-24 NYLOCK NUT ALUM	EA	1.13	44
330010	1/2-20 NYLOCK NUT ALUM	EA	1.13	44
330099	1/4-28 X 1 3/4 HEX C/S TI	EA	9.73	44
330100	1/4-28 X 2 HEX C/S TI	EA	10.42	44
330105	1/4-28 X 2 1/2 HEX C/S TI	EA	10.42	44
330110	5/16-24 X 2 1/2 HEX C/S TI	EA	10.42	44
330200	ROD END MALE CM-3	EA	16.90	48
330201	ROD END FEMALE CW-3	EA	16.90	48
330300	BRASS SHIM 2 11/16X1 1/2X.010"	EA	2.20	48
340014	LATCH CLAMP CYC	EA	90.17	45
340028	U HOOK ASSM CYC	EA	79.56	48
340106	WASHER UPH #8	EA	0.86	48
340109	7 SPD COASTER BRAKE TRIM KIT	EA	31.20	48
341017	WASHER ECCENTRIC	EA	4.47	44
341018	WASHER ECCENTRIC LARGE	EA	1.86	44
341130	1/4 X 1 1/8 ROLL PIN SS	EA	0.99	48
341497	10-32 X .020-.130 RIVNUT GOLD	EA	0.61	44
341521	10-32 X 1 3/4 ALL THRD SS	EA	5.60	48
341566	CHAIN RING BOLT KIT	EA	14.89	48
341569	CHNRNG INNR 300T 28-TOOTH	EA	31.50	48
341570	CHAIN 2X6 SP PULL ROD	EA	11.53	48
341574	TOE BAR STAINLESS	EA	10.20	44
341701	BRASS SHM .012 X 1 3/4 X 4 1/4	EA	3.40	48
341707	5/16-18 X 3 1/4 EYE BOLT	EA	1.20	48
341708	3/4 NYLON CLAMP BLACK	EA	1.10	48
341710	7/8 NYLON CLAMP	EA	1.70	48
341726	HANDLE BAR WEDGE RCR	EA	12.40	48
341727	HANDLE BAR CAP 1/2"	EA	1.10	48
341729	HANDRIM CLIP ASSM	EA	1.12	48
342006	CASTER CAP O-RING RUBBER	EA	1.19	44
342015	LANYARD ATTACH RING	EA	2.32	44
342061	7 SPD RAPID FIRE SHFTR SHIMANO	EA	100.00	48
342063	7 SPD SHIFTER CLICK BOX ASSM	EA	48.14	48
342070	CABLE BRAKE MTN	EA	3.47	48
342072	CABLE DERAILLEUR	EA	5.60	48
342075	1/2" I.D. X 11/16" O.D. O-RING	EA	1.10	48
349045	RELEASE PIN SPORT ANTI-TIP 3D	EA	45.00	48
349500	1 1/8 X 1/2 BEARING	EA	10.30	44
349502	7/8 X 5/16 BEARING	EA	8.11	44
349519	BEARING 1 1/8 X 3/8	EA	11.30	48
349527	HEAD NYLON BEARING	EA	11.30	48
349534	BEARING ASSEMBLY 1 1/8 CYC	EA	10.40	48

Part Number	Part Description	Unit U/M	List Price	Disc. Code
349559	RUBBER BUMPER HANGER P2	EA	1.33	45
349626	REFLECTOR FRNT	EA	4.50	48
349630	REFLECTR RR WHL FROM 2350	EA	4.50	48
349632	REFLECTOR FRNT FROM 2350	EA	4.50	48
349638	SHIM BRSS .010X1.5X3-1/16	EA	3.50	48
349640	SHIM BRSS .010X1.5X3-7/16	EA	3.40	48
349660	SPACER HEAD BEARING	EA	20.00	48
349888	TOOL KIT CYC	EA	208.00	48
349995	TOOL KIT MACH 3/2	EA	95.00	48
361250	SPOKE NIPPLE 5/8" BRASS ZN	EA	0.24	44
361252	1.8 MM BRASS NIPPLE QP	EA	0.34	44
362212	24 TOOTH HUB SPRCKT 1/3/7 SPD	EA	4.20	48
362213	3 SPD HUB SHIFTER	EA	17.70	48
362214	3 SPD HUB DUST CAP	EA	1.10	48
362215	7 SPD HUB DUST CAP	EA	1.10	48
362216	HUB SNAP RING 3/7 SPEED	EA	1.10	48
362217	3 SPD HUB CHAIN GUIDE NUT	EA	4.20	48
362218	3 SPD HUB SHIFTER NUT	EA	1.10	48
362219	3 SPD HUB SHIFTER BOLT	EA	1.10	48
362220	3 SPD HUB PULLEY CHAIN	EA	7.00	48
362221	3 SPD HUB CAP NUT	EA	4.20	48
362222	7 SPD HUB TABBED WASHER	EA	1.10	48
362223	7 SPD HUB AXLE NUT	EA	1.00	48
362224	7 SPD HUB SHIFTING ROD	EA	2.14	48
362225	7 SPD HUB SHIFTING TUBE	EA	2.14	48
362226	7 SPD HUB PROTECTING BRKT	EA	5.40	48
362227	7 SPD HUB ADJUSTMENT SLEEVE	EA	2.14	48
362248	SPOKE 199MM X 2.0	EA	0.30	48
362250	QP SPOKE 201MM X 2.0MM	EA	0.29	44
362274	QP SPOKE 225MM X 2.0MM	EA	0.29	44
362275	QP SPOKE 226MM X 2.0MM	EA	0.29	44
362300	QP SPOKE 244MM X 2.0MM	EA	0.29	44
362305	250MM X 2.0 SPOKE	EA	0.28	48
362318	SPOKE 190MM X 2.0	EA	0.61	48
362320	SPOKE 253MM X 2.0	EA	0.40	48
362321	SPOKE 255MM X 2.0	EA	0.30	48
362324	SPOKE 264MM X 2.0 STAINLESS	EA	0.38	48
362325	QP SPOKE 270MM X 2.0MM	EA	0.29	44
362472	SPOKE 187 MM X 2.0	EA	0.70	48
362481	SPOKE 279MM X 1.8	EA	0.60	48
362482	SPOKE 282MM X 1.8	EA	0.60	48
362483	SPOKE 252MM X 1.8 AND CU	EA	0.70	48
362488	SPOKE 136MM X 1.8	EA	0.70	48
362489	SPOKE 161MM X 1.8	EA	0.70	48
362490	SPOKE 186MM X 1.8	EA	0.70	48
362491	SPOKE 229MM X 1.8 DT	EA	0.60	48
362492	SPOKE 231MM X 1.8 DT	EA	0.60	48
362493	SPOKE 256MM X 1.8 DT	EA	0.60	48
362501	QP SPOKE 232MM X 1.8 (15G)	EA	0.34	44
362502	QP SPOKE 234MM X 2.0 (14G)	EA	0.34	44
362504	QP SPOKE 242MM X 2.0 (14G)	EA	0.34	44
362505	QP SPOKE 246MM X 2.0 (14G)	EA	0.34	44
362506	QP SPOKE 254MM X 2.0 (14G)	EA	0.34	44
362508	QP SPOKE 274MM X 2.0 (14G)	EA	0.34	44
362509	QP SPOKE 286MM X 2.0 (14G)	EA	0.34	44
362520	QP SPOKE 240MM X 1.8 (15G)	EA	0.34	44
362521	QP SPOKE 258MM X 2.0 (14G)	EA	0.34	44
362530	SPOKE 260MM X 2.0 (14G)	EA	0.33	48
362531	SPOKE 262MM X 2.0 (14G)	EA	0.32	48
362532	SPOKE 265MM X 2.0 (14G)	EA	0.33	48
362533	SPOKE 276MM X 2.0 (14G)	EA	0.33	48
362534	SPOKE 280MM X 2.0 (14G)	EA	0.33	48
362535	SPOKE 291MM X 2.0 (14G)	EA	0.32	48
362536	SPOKE 294MM X 2.0 (14G)	EA	0.33	48
362537	SPOKE 297MM X 2.0 (14G)	EA	0.33	48
362806	HUB PHIL DINKY STRDDL 16H	EA	99.80	48

Quickie Sports Products

Part Number	Part Description	Unit U/M	List Price	Disc. Code	Part Number	Part Description	Unit U/M	List Price	Disc. Code
362808	HUB PHIL SL SRIES 7/16X28	PR	622.00	48	382334	TUBE INLINE 24 X 1.75	EA	5.10	48
362810	HUB PHIL WOOD 28 1/2	EA	119.00	48	382336	TUBE PRIMO 24" 25-540 SV	EA	5.10	48
362811	HUB PHIL WOOD 28 1/2 STUBBY	EA	113.00	48	382350	26" TUBE	EA	7.55	44
362814	HUB PHIL WOOD 36 1/2	EA	119.00	48	382355	26" TUBE PRESTA VALVE (590MM)	EA	7.55	44
362816	HUB PHIL WOOD 36 7/16	EA	109.00	48	382361	TUBE 26 X 1.5/1.95/ S/V	EA	6.12	48
362822	HUB PHIL WOOD 28 7/16	EA	109.00	48	382362	TUBE INLINE 26 X 1.75	EA	8.00	48
362823	HUB PHIL WOOD 28 7/16 STUBBY	EA	113.00	48	382365	26 X 1.25/1.5 TUBE SHRADER	EA	6.12	48
363240	QP HUB TNNS 32H W/BRNG	EA	105.00	44	382423	TUBE 26 X 1 PANARACER	EA	8.00	48
363242	QP HUB BB 32H W/BRNG	EA	85.30	44	382449	TUBE SPEC 700 X 19 25C	EA	13.00	48
363244	QP HUB TNNS 36H W/BEARING	EA	114.00	44	384545	QP 24" HT INNER TUBE (559MM)	EA	7.65	44
363246	QP HUB HI-LO 36H QR W/BRNG	EA	85.30	44	384550	QP 26" HT INNER TUBE (700C)	EA	7.65	44
363250	REAR WHEEL HUB W/BEARINGS	EA	35.90	44	384551	26" X 1" TUBE SCHRADER	EA	8.16	48
363340	QP HUB TNNS 32H W/BRNG	PR	153.00	44	384600	TIRE 24 X 1.75 MOUNTAIN	EA	24.00	48
363342	QP HUB BB 32H W/BRNG	PR	121.38	44	384604	TIRE CS 24 X 2.1 SMOKER 507MM	EA	31.62	48
363344	QP HUB TNNS 36H W/BRNG	PR	156.06	44	384605	TIRE CS 26 X 1 3/8 GRY C24	EA	13.00	48
363346	QP HUB HI-LO 36H QR W/BRNG	PR	115.26	44	384606	TIRE CS 26 X 2.1 SMOKER 559MM	EA	31.62	48
363380	HUB PHIL WOOD 36 15/32 QR	EA	156.00	48	384609	TIRE CNTNTL TBE 24 X 1 1/8	EA	80.00	48
363383	HUB PHIL AERO SPRT 12H W/BRNG	EA	99.80	48	384611	TIRE PRIMO 26" (25-590)	EA	21.00	48
364205	RIM WEINMAN 26 X 1 3/8 36	EA	32.64	48	384613	TIRE CHENG SHIN 26 X 1.75	EA	17.00	48
364220	RIM SUN 16 TUBULAR 12	EA	58.34	48	385241	TIRE 20 X 1 3/8 CHENG	EA	9.00	48
364221	RIM SUN 18 TUBULAR 12	EA	57.20	48	385250	20" PNEUMATIC TIRE	EA	14.99	44
364222	RIM SUN 20 TUBULAR 16 M17	EA	57.20	48	385255	20"X 1 3/8 PRIMO TIRE(KNOBBIE)	EA	17.85	48
364223	RIM SUN 24 CLINCHER M14A	EA	81.10	48	385295	24IN PNEUMATIC TIRE BLK	EA	8.16	48
364224	RIM SUN 24 TUBULAR 28 M17	EA	81.10	48	385300	24" PNEUMATIC TIRE	EA	16.12	44
364225	RIM SUN 26 CLINCHER 28	EA	51.00	48	385325	26" PNEUMATIC TIRE	EA	16.12	44
364226	RIM SUN 600 28 TUBULAR	EA	57.20	48	385335	26 X 1.25 COMMUTER TIRE M3	EA	24.48	48
364227	RIM SUN 700 28 TUBULAR	EA	51.00	48	385340	26 X 1.0 HP TIRE, 559	EA	31.00	48
364228	RIM SUN 700 TUBULAR 36	EA	64.50	48	385610	24" PNEU TIRE & TUBE	EA	13.06	44
364250	20" WHEEL RIM	EA	31.80	44	385632	TIRE CONTINENTAL LA19 26"	EA	110.00	48
364251	20" WHEEL RIM (SLOTTED)	EA	31.80	44	385635	26 X 1.95 MOUNTAIN TIRE 559	EA	17.50	44
364275	22" WHEEL RIM	EA	31.80	44	385636	26 X 1.75 MOUNTAIN TIRE 559	EA	17.85	44
364300	24" WHEEL RIM (540 MM)	EA	31.19	44	385639	TIRE PANARACER 20 RAPIDE	EA	64.26	48
364301	24" WHEEL RIM (540 MM) SLOTTED	EA	31.19	44	385641	26 X 3/4 CLNCHR GRAND PRIX	EA	117.30	48
364325	26" WHEEL RIM (590 MM)	EA	31.19	44	385642	TIRE CONTINENTAL LA 19MM 700C	EA	153.00	48
364326	26" WHEEL RIM 6 HOLE	EA	29.99	44	385645	TIRE PNRCR 140 GR RPDE 600	EA	63.00	48
364330	RIM SUN 700C CLNCHR 28D	EA	64.50	48	385646	TIRE PNRCR 150 GR RPDE 700	EA	64.26	48
364331	RIM SUN 700C CLNCHR 36 BLK	EA	60.00	48	385647	TIRE PNRCR 150 GR ULTMA 70	EA	63.00	48
364333	RIM SUN M14A 700X36 BLK	EA	81.10	48	385648	16" RAPIDE PANARACER	EA	64.26	48
364337	RIM SUN AT18 24X1.5 36H SL	EA	40.00	48	385649	18" RAPIDE PANARACER	EA	64.26	48
364340	24" X L25 WHEEL RIM 36 HOLE	EA	68.67	44	385650	24" RAPIDE PANARACER	EA	63.00	48
364371	20" MAG RIM 6 SPOKE	EA	93.57	44	385651	26 X 1 PANRCR TCNVA CLNCHR	EA	22.00	48
364376	24" MAG RIM 6 SPOKE	EA	97.31	44	385653	REPLACED BY 385660	EA	21.00	48
364378	24" X-CORE 3 SPK MAG RIM CRBN	EA	354.45	44	385654	TIRE VITRIA JRS 20" TUBLR	EA	63.00	48
364380	20" RIM SUN (451MM)	EA	23.62	44	385655	TIRE VITTORIA FORM 1 CUT	EA	42.00	48
369007	26" HT/700C RIM SUN M25 36H QP	EA	81.10	44	385660	700 X 20C CLINCHER	EA	56.10	48
369011	24" HT/26" RIM 36H(559X23MM)QP	EA	82.72	44	388999	26"X1" HT TIRE TURBO GY(700X23	EA	42.84	44
381230	VALVE ADAPTER PRESTA	EA	5.10	48	389000	700C KEVLAR TUBULAR QP	EA	36.75	44
381240	(04) VALVE STEM CAP	EA	1.02	44	389001	700C 19M TURBO R QP O/S	EA	44.10	44
381250	20" RIM STRIP	EA	1.20	44	389002	700C 25M TURBO VR QP	EA	44.10	44
381265	22" RIM STRIP	EA	1.20	44	389003	700C 20M TURBO S QP	EA	44.10	44
381275	24" RIM STRIP	EA	1.22	44	389004	QP 24" X 1" TUBULAR TIRE	EA	59.16	44
381280	RIM STRP KLSTP 24/26X1.75	EA	4.00	48	389005	24" X 1 1/8" TUBULAR TIRE QP	EA	52.50	44
381300	26" RIM STRIP	EA	1.22	44	389006	QP 26" X 1" TUBULAR TIRE	EA	59.16	44
381301	RIM STRIP 24 X 1.75/2.125	EA	7.96	44	389007	QP 26" X 1 1/8" TUBULAR TIRE	EA	49.35	44
381350	QP 26" HT RIM STRIP	PR	8.26	44	389008	26" X 1 1/4" TUBULAR QP	EA	49.35	44
381351	QP TUBULAR TIRE GLUE	EA	5.00	44	389011	QP 24" X 1" TURBO GRY (559MM)	EA	44.10	44
382275	20" TUBE	EA	7.55	44	389012	QP 24"X1"HT TURB BLK WR/BD 559	EA	46.92	44
382276	TUBE INLINE 20 X 1.5 S/V	EA	8.00	48	389015	26" X 1.95" HT KNBBIE TIRE 559	EA	17.85	44
382286	TUBE 20 X 1 1/8 PRESTA	EA	32.00	48	389016	23" X 1" CLNCHR TIRE TAN(520MM	EA	22.00	44
382300	22" TUBE	EA	7.55	44	389020	24" X 1" HI PRES CLNCHR TIRE	EA	22.44	44
382305	22" X 1" TUBE PRESTA VALVE	EA	7.50	48	389030	26" X 1" HI PRES CLNCHR TIRE	EA	22.44	44
382315	23" TUBE PRESTA VALVE (520MM)	EA	7.35	44	389050	TIRE PUMP	EA	81.60	44
382325	24 X 1.3/8IN TUBE REG	EA	7.55	44	400092	3"MICRO CSTR W/BRG SELL 920025	EA	29.10	44
382330	24" TUBE PRESTA VALVE (540MM)	EA	7.55	44	400099	REPLACED BY 400170	EA	6.32	48
382332	TUBE CHENG SHIN 24 X 1 3/8	EA	4.08	48	400101	REPLACED BY 400170	EA	15.30	48
382333	24X1 PANARCR TECHNVA II CLNCHR	EA	40.80	48	400107	3" MICRO CASTER LIGHTED	EA	30.60	44

Quickie Sports Products

Part Number	Part Description	Unit U/M	List Price	Disc. Code
400109	CASTER ASSM MICRO 80MM	EA	21.50	48
400170	CASTER ASSM 59MM 82A URETHANE	EA	12.60	44
401012	20" RIM ASSEMBLY QKB	EA	96.70	48
401020	REPLACED BY 401074	EA	98.63	44
401021	24" RIM X 1.5 ASSM SUN 36H	EA	103.00	48
401023	24" X 2.125 RIM ASSEMBLY	EA	153.00	44
401024	24" HT RIM ASSM SUN	EA	94.86	44
401025	26" RIM ASSEMBLY	EA	96.70	44
401027	24" HT RIM ASSM	EA	96.70	48
401050	16" RIM ASSM FRONT RACER	EA	182.00	48
401051	18" RIM ASSM FRONT RACER	EA	182.00	48
401052	20" RIM ASSM FRONT RACER	EA	182.00	48
401055	20" RIM ASSM 3 SP CYC	EA	200.00	48
401056	20" RIM ASSM W/COG 3 SP CYC	EA	211.00	48
401057	20" RIM ASSM 3 SPEED QKB	EA	216.00	48
401058	20" RIM ASSM 1 SPEED QKB	EA	200.00	48
401060	24" RIM ASSM W/3 SPEED HUB M2	EA	276.00	48
401061	24" RIM ASSM W/7 SPEED HUB M2	EA	487.00	48
401062	26" RIM ASSM W/3 SPEED HUB M2	EA	308.00	48
401063	26" RIM ASSM W/7 SPEED HUB M2	EA	524.00	48
401064	26" RIM ASSM W/7 SPEED SHIMANO	EA	546.00	48
401065	24" RIM ASSM W/7 SPEED SHIMANO	EA	546.00	48
401066	20" RIM ASSM W/7 SPEED SHIMANO	EA	489.00	48
401071	20" RIM ASSM PUSH BUTTON QKB	EA	93.00	44
401074	24" RIM ASSM PUSH BUTTON	EA	137.70	44
401075	24 RIM ASSM X 1.5 SUN PSH BTTN	EA	109.14	44
401076	24" HT RIM ASSM SUN PUSH BTTN	EA	94.86	44
401077	26" RIM ASSM PUSH BUTTON	EA	94.86	44
401078	24" HT RIM ASSM PUSH BUTTON	EA	98.63	44
401080	24" X/S RIM ASSM PUSH BUTTON	EA	103.00	44
401081	26" X/S RIM ASSM PUSH BUTTON	EA	103.00	44
401092	24" MAG W/BRNG 6 SPOKE	EA	131.58	44
401094	20" MAG W/BRNG 6 SPOKE	EA	124.00	44
401150	24" X-CORE 3 SPK MAG CRBN W/HR	EA	402.90	44
401200	24" X/S RIM ASSM	EA	103.00	48
401202	26" X/S RIM ASSM	EA	103.00	48
401204	24" X/S HT RIM ASSM TNNS	EA	270.00	48
401206	24" X/S HT RIM ASSM BB	EA	275.40	48
401208	26" X/S HT RIM ASSM TNNS	EA	287.00	48
401210	26" X/S HT RIM ASSM BB	EA	287.00	48
401211	24"X/S HT RIM ASSM TNN NO/STRP	EA	265.00	48
401212	24" X/S HT RIM ASSM PHIL WD	EA	303.00	48
401214	26" X/S HT RIM ASSM PHIL WD	EA	303.00	48
401215	590 X/S HT RIM ASSM BB	EA	212.00	44
401216	590 X/S HT RIM ASSM TNNS	EA	216.24	44
425030	24" HR 6T BB/HTBB W/HDWR	EA	76.40	44
425032	24" HR 6T PLST BB/HTBB/TN W/HD	EA	115.26	44
425034	24" HR 6LT BB/HTBB/TN W/HDWR	EA	89.40	44
425036	24" HR 6LT PLST BB/HTBB/TN W/H	EA	125.00	44
425037	QP 24" HR .049 W/HDWR (4T)	EA	85.88	44
425038	QP 24" HR .049 W/HDWR (6T)	EA	85.88	44
425039	24"HR 6T BLK PLST W/HDWR	EA	192.78	48
425040	24" HR (6T)PLST W/X/S HDWR	EA	86.30	48
425041	24" HR (6T)BLK W/X/S HDWR	EA	65.79	48
425042	24" HR (6T)ANO W/X/S HDWR	EA	82.72	48
425043	24" HR SHT(6T)PLST W/X/S HDWR	EA	86.30	48
425044	24" HR SHT(6T)BLK W/X/S HDWR	EA	64.50	48
425045	24" HR SHT(6T)ANO W/X/S HDWR	EA	81.10	48
425046	26" HR (6T)PLST W/X/S HDWR	EA	88.03	48
425047	26" HR (6T)BLK W/X/S HDWR	EA	65.79	48
425048	26" HR (6T)ANO W/X/S HDWR	EA	82.72	48
425050	26" HR 6T BB/TN W/HDWR	EA	76.40	44
425051	26" HR SHT(6T)PLST W/X/S HDWR	EA	86.30	48
425052	26" HR 6T PLST BB/TN W/HDWR	EA	115.26	44
425053	26" HR SHT(6T)BLK W/X/S HDWR	EA	64.50	48
425055	26" HR SHT(6T)ANO W/X/S HDWR	EA	81.10	48

Part Number	Part Description	Unit U/M	List Price	Disc. Code
425058	26" HR 6T BLK PLST W/HDWR	EA	115.26	48
426000	24" HR 6SMT W/HDWR	EA	76.40	44
426004	24" HR 6SMT PLST W/HDWR	EA	115.26	44
426050	QP 26" HR .065 W/HDWR (6T)	EA	92.31	44
426051	QP 26"HR .065 HTTN W/HDWR PLST	EA	135.00	44
440070	HELMET BREEZE LG BLK	EA	66.30	48
440072	HELMET BREEZE MED BLACK	EA	66.30	48
440073	HANDLE VERT STD ASSM L 1 3/8	EA	40.19	48
440090	HELMET LG/XLG WHT	EA	67.60	48
440092	HELMET MED/LG WHITE	EA	67.60	48
442006	BRAKE 2ND CALIPR PRE ASSM	EA	75.00	48
442011	CHAIN RING 26 TOOTH	EA	28.10	48
442014	CHAIN BLACK 116L	EA	14.89	48
442064	FENDER FRONT CUT	EA	51.00	48
442080	HANDLE EP VINYL RT	EA	57.32	48
442081	HANDLE EP VINYL LFT	EA	57.32	48
442088	LEVER BRK LCKNG RX-5	EA	47.20	48
442092	SEAT SLIDE 7" TRAVEL	PR	41.60	48
442101	SPACER PULLEY WHEEL QKB	EA	8.30	48
442103	SPACER PULLEY WHEEL M3 DS	EA	3.47	48
442201	2-SPEED HUB CABLE ASSM	EA	34.37	48
442202	DERAILLEUR CABLE UPPER CYC	EA	9.00	48
442203	DERAILLEUR CABLE LOWER CYC	EA	9.00	48
442309	TOW BAR DOWN TUBE W/FOAM	EA	31.20	48
442310	TOW BAR COMPLETE M3	EA	85.00	48
442311	TOW BAR COMPLETE M2	EA	85.00	48
442342	WHEEL PULLEY 2 1/4	EA	16.01	48
443005	BRAKE CALIPERS	EA	45.00	48
443007	BRAKE LEVER	EA	14.60	48
443009	BRK LVR END BTTN HNSG STP	EA	0.50	48
443010	BRAKE LEVER SHIM RACER	EA	4.50	48
443017	TRACK STEERING LEVER CHROMOLY	EA	47.20	48
443026	HEADSET 26.4X30.2 BL	EA	87.70	48
443032	COMPUTER CATEYE MITTY 3	EA	93.60	48
443090	FORK 18" ALUMINUM T-FRAME	EA	444.00	48
443091	FORK 20" ALUMINUM T-FRAME	EA	444.00	48
443095	BRAKE LEVER ALUM RACER	EA	14.89	48
443096	FORK BEARING KIT RACER	EA	39.40	48
443100	COMPENSATOR RACER	EA	208.00	48
444025	BRACKET LOWER CLAMP	EA	11.30	48
444030	REFLECTOR BRACKET ANO	EA	6.70	48
444031	BRAKE CABLE ADAPTER	EA	3.47	48
444033	BRAKE ARM PLATE	EA	42.43	48
444038	BRK DIA CMPE 730 FRNT ARC	EA	36.00	48
444039	BRK 2ND CALIPER PRE ASSM	EA	37.40	48
444040	BRAKE ACTUATOR ASSM	EA	32.13	48
444041	BUNGEE 9" ASSM	EA	6.70	48
444042	CBL 3SPD GEAR REPLACEMENT	EA	8.40	48
444061	COG SET 13-28 6 SPEED	EA	37.40	48
444074	CRANK ARM LOW PROFILE L MILLED	EA	36.00	48
444090	DERAILLEUR	EA	78.03	48
444091	CRNK ARM STD PROFILE 152MM(PR)	PR	70.70	48
444093	EXT TUBE QA 6" PNTD	EA	22.50	48
444096	FENDER 20" CHR M W/SPACER	EA	11.30	48
444097	FENDER 20" CHROME 44MM	EA	11.30	48
444098	FENDER SPLASH GUARD	EA	52.00	48
444100	COMPUTER MULTIFUNCTN W/CADENCE	EA	190.00	48
444102	FREEWHL INTER SPCR PNTD	EA	15.70	48
444104	COMPUTER CAT EYE CORDLESS 2	EA	104.00	48
444107	GUARD CHAINRING 48 INNER	EA	22.50	48
444111	GUARD SHIFT CYCLONE	EA	22.50	48
444123	LEVER BRK 135 TOUR W/22M	PR	16.60	48
444129	BOTTLE CAGE	EA	23.60	48
444133	MOUNT COMPUTER	EA	6.70	48
444139	SHIFTER L ONLY	EA	14.60	48
444141	SHIFTER R ONLY	EA	27.00	48

Quickie Sports Products

Part Number	Part Description	Unit U/M	List Price	Disc. Code	Part Number	Part Description	Unit U/M	List Price	Disc. Code
444160	CRNK ARM STD PROFILE R/L 170MM	EA	95.37	48	500170	BCK REL PVT PLT R RGD BLK(NEW)	EA	38.23	44
444161	CRANK ARM STD PROFILE L 170MM	EA	70.70	48	500171	BCK REL PVT PLT L RGD BLK(NEW)	EA	38.23	44
444190	BRAKE BRS 200 CALIPER	EA	56.20	48	500195	BACK PLATE KIDZ/EX	EA	16.76	44
445002	TRU-LOCK FIN ASSM KANSKI	EA	195.00	48	500196	COMPENSATOR BRACKET	EA	9.00	48
445006	FT PLT COMPLETE KAN SKI	EA	65.38	48	500223	SIDE GUARD AL A/C	EA	61.20	44
445100	QRUG DOWN AND OUT EXT	EA	5.60	48	500426	BRKT FLDG BK 1S R SPORT	EA	30.00	44
445102	QRUG FOOTREST EXT BTM	EA	11.30	48	500429	BRKT FLDG BK 3S L SPORT	EA	30.00	44
445103	QRUG FOOTREST EXT TOP	EA	3.70	48	500532	BRKT FXD BK 1S R SPORT	EA	27.65	44
445650	FOOTPLATE W/PAD KS	EA	88.90	48	500533	BRKT FXD BK 1S L SPORT	EA	27.65	44
445700	BOARD COMP ONE	EA	735.00	48	500534	BRKT FXD BK 3S R SPORT	EA	27.65	44
450410-QU	CZ BELT 2" W/VELCRO 34"	EA	35.70	39	500535	BRKT FXD BK 3S L SPORT	EA	27.65	44
450413-QU	CZ BELT 2" W/VELCRO 40"	EA	36.72	39	500551	CLAMP OVAL TUBE A/C	EA	16.73	44
455030-QU	1/4 FLAT WASHER .060 THICK	EA	0.07	39	500552	CLAMP OVAL TUBE W/THRD A/C	EA	16.73	44
455066-QU	#10 AN WASHER .063 SS	EA	0.10	39	500557	FOOT STRAP PLT	EA	42.43	48
481013	BEARING SPACER	EA	0.83	44	500559	HEAD TUBE CAP	EA	14.60	48
481039	BACK REL BUSHING RIGID	EA	3.64	44	500562	BACKPLATE FIXED MANUAL R	EA	38.23	44
481046	SIDEGUARD BUSHING	EA	4.42	44	500563	BACKPLATE FIXED MANUAL L	EA	38.23	44
481059	AXLE SLEEVE PHIL WOOD 7/16"THD	PR	56.24	48	500591	PLATFORM F/PLT 6" A/C	EA	57.90	44
481065	AXLE SLEEVE S.S.	EA	18.53	44	500592	PLATFORM F/PLT 8" A/C	EA	57.90	44
481066	AXLE SLEEVE S.S. SHORT	EA	18.17	48	500593	PLATFORM F/PLT 10" A/C	EA	57.90	48
481067	AXLE SLEEVE 7/8-14	EA	31.50	48	500594	PLATFORM F/PLT 12" A/C	EA	57.90	44
481068	AXLE SLEEVE 7/8-14 ECCENTRIC	EA	41.31	48	500650	PLTFORM F/PLT 6" X 5 1/2"	EA	56.81	44
481069	AXLE SLEEVE 1 DEGREE	EA	29.78	44	500651	PLTFORM F/PLT 8" X 5 1/2"	EA	56.81	44
481084	BACK REL PIN Z2/QT/EX	EA	3.53	44	500652	PLTFORM F/PLT 10" X 5 1/2"	EA	56.81	44
481097	BRAKE ARM SPACER 3 SPD M2	EA	3.40	48	500653	PLATFORM F/PLT 12" X 5 1/2"	EA	56.81	44
481113	SPACER 5/16 X 0.380	EA	0.86	48	500660	ADLT ANGL ADJ F/PLT 14/15" R	EA	60.68	44
481223	BACKREST PIN	EA	7.72	44	500661	ADLT ANGL ADJ F/PLT 14/15" L	EA	60.68	44
481275	FORK STEERING ARM	EA	12.40	48	500662	ADLT ANGL ADJ F/PLT 16/17" R	EA	60.68	44
481306	ADAPTIVE FT/RST SPCR 2" P/FRM	EA	5.52	48	500663	ADLT ANGL ADJ F/PLT 16/17" L	EA	60.68	44
481307	ADAPTIVE FT/RST SPCR 4" P/FRM	EA	5.52	48	500690	NEW PLTFORM F/PLT 6X5.5	EA	58.00	44
481308	ADAPTIVE FT/RST SPCR 6" P/FRM	EA	6.62	44	500691	NEW PLTFORM F/PLT 8X5.5	EA	58.00	44
481324	PIVOT CAM LEVER	EA	3.20	48	500692	NEW PLTFORM F/PLT 10X5.5	EA	58.00	44
481410	AXLE SLEEVE PHIL WOOD 15/32"QR	EA	12.14	48	500693	NEW PLTFORM F/PLT 12X5.5	EA	58.00	44
481421	HANDLE BAR DISK RCR	EA	6.20	48	501008	SEAT SUPPORT CLAMP 3D	EA	36.77	48
481652	BEARING SPACER XTR	EA	1.34	44	501150	TRAILER HITCH M2	EA	3.40	48
481658	CASTER STEM QR	EA	57.00	44	501151	TRAILER HITCH CLAMP M2	EA	28.10	48
481731	THREADED AXLE M2	EA	22.50	48	501185	BACK PLATE W/ BUSHING LEFT HQR	EA	21.63	48
482000	SADDLE SMALL 1.00 TUBE.25 HOLE	EA	1.07	44	501186	BACK PLATE W/BUSHING RIGHT HQR	EA	21.63	48
482028	3/4" DOME PLUG .125	EA	1.98	44	503013	CLAMP OVAL TUBE THRU BOLT A/C	EA	22.00	44
483001	Q2 FRAME/FOOT RETAINING PLUG	EA	4.63	44	503014	CLAMP OVAL TUBE THRD A/C	EA	22.00	44
483010	Q1/GP BACK REL ANGLE PLUG	EA	10.42	44	504995	TOGGLE LINK 1.125	EA	1.49	44
483015	PUSH BACK REC TOP RIGID BLK	EA	13.52	44	505033	Q1/GP BACK REL BRACKET R	EA	4.42	44
483016	PUSH BACK REC BOTTOM RIGID BLK	EA	11.59	44	505034	Q1/GP BACK REL BRACKET L	EA	4.42	44
483020	S/A SPRING RETAINER	EA	1.19	44	505100	SEAT RAIL 12"	EA	3.87	44
483027	1/4 X 1/4IN ALUM SPACER	EA	3.48	44	505101	SEAT RAIL 13"	EA	3.87	44
483031	STRLLR HNDL REC BOTTOM KIDZ	EA	16.77	44	505102	SEAT RAIL 14"	EA	3.87	44
483057	MAG AXLE SPACER W/HOLE	EA	2.48	44	505103	SEAT RAIL 20" STD S525 PWR	EA	5.52	45
483093	SIDE GUARD PIN M3/M2	EA	1.20	48	505104	SEAT RAIL 15"	EA	3.87	44
483110	FORK STEM PLUG RCR A-FRM	EA	1.20	48	505105	SEAT RAIL 14" BR/B6/V121	EA	3.79	45
483111	TRACK STEERING STOP	EA	9.00	48	505106	SEAT RAIL 16"	EA	3.87	44
483112	FORK BEARING CAP RACER	EA	18.60	48	505107	SPACER X-CORE HANDRIM	EA	2.04	44
483154	2" SEAT SPACER M2/M3	EA	27.00	48	505108	SEAT RAIL 17"	EA	3.87	44
483159	CHAIN GUARD BUSHING M2	EA	5.60	48	505109	SEAT RAIL 12" B600	EA	2.50	37
483183	BACK RD PLUG QRUG	EA	5.60	48	505110	SEAT RAIL 18"	EA	3.87	44
483205	SPACER .715 ANTI TIP A/C	EA	10.50	44	505115	SEAT RAIL 19"	EA	5.52	44
483206	SPACER .40 ANTI TIP A/C	EA	10.50	44	505116	SEAT RAIL 20"	EA	5.52	44
483251	BACKREST REL PLUG A/C	EA	12.74	44	505148	ANTI TIP RT ANGLE CLAMP HQR	EA	62.40	48
483254	SPACER .50 ID X .88 OD X .125	EA	0.82	44	505186	UPH SEAT RAILS 16" STD	EA	4.33	48
483273	BACKREST REL PLUG A/C	EA	2.43	44	505194	SEAT RAIL RACER-SPEC SIZE	EA	5.60	48
483285	BEARING PIN 3/8 OD CYC	EA	8.30	48	505199	UPH SEAT RAIL 3-HOLE QRUG	EA	3.90	48
483286	BEARING PIN 5/16 OD CYC	EA	8.30	48	505240	CLAMP OVAL TUBE BB	EA	9.00	48
483330	SLEEVE AXLE ALUM 2D	EA	32.50	44	505262	F/PLT BB R 3D	EA	47.20	48
483520	PULLEY WHEEL BUSHING M2	EA	3.31	48	505263	F/PLT BB L 3D	EA	47.20	48
483806	BACKREST LATCH SLIDER KIDZ	EA	22.71	44	505266	FOOT PLATE R 3D TENNIS	EA	47.20	48
500110	BACK PLATE R XTR	EA	57.20	44	505267	FOOT PLATE L 3D TENNIS	EA	47.20	48
500111	BACK PLATE L XTR	EA	57.20	44	505360	SEAT RAIL 14" QTNT	EA	3.87	44

Quickie Sports Products

Part Number	Part Description	Unit U/M	List Price	Disc. Code
505361	SEAT RAIL 15" QTNT	EA	3.87	44
505362	SEAT RAIL 16" QTNT	EA	3.83	44
505363	SEAT RAIL 17" QTNT	EA	3.87	44
505364	SEAT RAIL 18" QTNT	EA	3.87	44
505365	SEAT RAIL 19" A/C	EA	3.79	44
505366	SEAT RAIL 20" A/C	EA	3.79	44
505367	FENDER MOUNT WITH COVER LH	EA	54.00	45
505368	FENDER MOUNT WITH COVER RH	EA	54.00	45
505369	S/A REMOTE BOX SUPPORT ARM	EA	28.56	45
505370	BB BUMPER PLATE	EA	21.26	48
505371	SEAT RAIL 12" R2	EA	3.79	44
505372	SEAT RAIL 13" R2	EA	3.87	44
505905	BACKREST STOP LEFT HQR	EA	4.33	48
505906	BACKREST STOP RIGHT HQR	EA	4.33	48
510026	TI REAR UPRIGHT SHORT	EA	65.40	44
510027	TI REAR UPRIGHT TALL	EA	65.40	44
510028	TI REAR UPRIGHT 700C	EA	65.40	44
520022	WING ADJ SLEEVE STD HQR	EA	16.90	48
520029	SHIM CAMBER CLAMP HQR	EA	4.06	48
520030	WING ADJ SLEEVE LONG HQR	EA	16.90	48
520085	TOW BAR EXT TUBE ANO	EA	5.60	48
520087	TRAILER HITCH FRAME REC	EA	1.40	48
520088	TRAILER HITCH CROSS PIECE	EA	13.50	48
520090	SEAT FRAME MONO-SKI 2	EA	64.50	48
520097	FORK INSERT TUBE WELDED	EA	43.90	48
520241	ALUM REAR UPRIGHT 700C	EA	20.60	44
520242	ALUM REAR UPRIGHT TALL	EA	20.60	44
520365	BUMPER QUAD RUGBY A/C OLD	EA	179.00	44
520366	BUMPER BASKETBALL A/C OLD	EA	128.52	44
520413	BACK FRAME 13" W/BUSHING HQR	EA	56.24	48
520414	BACK FRAME 14" W/BUSHING HQR	EA	56.24	48
520415	BACK FRAME 15" W/BUSHING HQR	EA	56.24	48
520416	BACK FRAME 16" W/BUSHING HQR	EA	56.24	48
520417	BACK FRAME 17" W/BUSHING HQR	EA	56.24	48
520418	BACK FRAME 18" W/BUSHING HQR	EA	56.24	48
520419	BACK FRAME 19" W/BUSHING HQR	EA	56.24	48
520420	BACK FRAME 20" W/BUSHING HQR	EA	56.24	48
520423	BACK FRAME 13" TALL W/BUSH HQR	EA	56.24	48
520424	BACK FRAME 14" TALL W/BUSH HQR	EA	56.24	48
520425	BACK FRAME 15" TALL W/BUSH HQR	EA	56.24	48
520426	BACK FRAME 16" TALL W/BUSH HQR	EA	56.24	48
520427	BACK FRAME 17" TALL W/BUSH HQR	EA	56.24	48
520428	BACK FRAME 18" TALL W/BUSH HQR	EA	56.24	48
520429	BACK FRAME 19" TALL W/BUSH HQR	EA	56.24	48
520430	BACK FRAME 20" TALL W/BUSH HQR	EA	56.24	48
520440	BACK FRM 12" REG RGD BLK .115	EA	65.00	44
520441	BACK FRM 13" REG RGD BLK .115	EA	66.30	44
520442	BACK FRM 14" REG RGD BLK .115	EA	66.30	44
520443	BACK FRM 15" REG RGD BLK .115	EA	66.30	44
520444	BACK FRM 16" REG RGD BLK .115	EA	66.30	44
520445	BACK FRM 17" REG RGD BLK .115	EA	66.30	44
520446	BACK FRM 18" REG RGD BLK .115	EA	66.30	44
520447	BACK FRM 19" REG RGD BLK .115	EA	65.00	44
520448	BACK FRM 20" REG RGD BLK .115	EA	65.00	44
520487	REAR FRAME ADJ TUBE A/C TALL	EA	20.60	48
520540	BACK FRM 12" TALL RGD BLK .115	EA	65.00	44
520541	BACK FRM 13" TALL RGD BLK .115	EA	65.00	44
520542	BACK FRM 14" TALL RGD BLK .115	EA	65.00	44
520543	BACK FRM 15" TALL RGD BLK .115	EA	66.30	44
520544	BACK FRM 16" TALL RGD BLK .115	EA	66.30	44
520545	BACK FRM 17" TALL RGD BLK .115	EA	66.30	44
520546	BACK FRM 18" TALL RGD BLK .115	EA	66.30	44
520547	BACK FRM 19" TALL RGD BLK .115	EA	66.30	44
520548	BACK FRM 20" TALL RGD BLK .115	EA	66.30	44
521080	FOOTREST TUBE SHORT M2	EA	13.50	48
521081	FOOTREST TUBE STD M2	EA	13.50	48

Part Number	Part Description	Unit U/M	List Price	Disc. Code
521084	ANTI TIP TUBE RIGHT HQR	EA	25.37	48
521085	ANTI TIP TUBE LEFT HQR	EA	25.37	48
521086	ANTI TIP TUBE RIGHT BLK HQR	EA	15.70	44
521087	ANTI TIP TUBE LEFT BLK HQR	EA	16.01	44
521089	ANTI TIP TUBE-SPORTS HQR	EA	10.40	48
521187	BUMPER B/B AC (SPEC DIM) NEW	EA	124.06	44
521188	BUMPER RBY A/C (SPEC DIM) NEW	EA	172.00	44
521212	TRACK STEERING LEVER T-TUBE	EA	45.00	48
521219	HANDLE BAR A-FRAME	EA	28.10	48
521222	TRACK STEERING LEVER A-FRAME	EA	39.40	48
521234	ANTI-TIP REC TUBE GPS	EA	15.44	44
521255	TRANSFER HANDLE 3D	EA	16.90	48
521302	COMPSTR CM T-TBE LVR R	EA	54.00	48
521303	COMPSTR CM T-TBE LVR L	EA	54.00	48
521304	COMPSTR ALUM T-TBE LVR R	EA	45.00	48
521305	COMPSTR ALUM T-TBE LVR L	EA	45.00	48
521490	OBSOLETE REPLACED BY 521716	EA	16.01	37
521491	OBSOLETE REPLACED BY 521717	EA	16.01	37
521492	OBSOLETE REPLACED BY 521725	EA	15.70	44
521493	OBSOLETE REPLACED BY 521726	EA	15.70	44
521494	OBSOLETE REPLACED BY 521718	EA	16.01	37
521495	OBSOLETE REPLACED BY 521719	EA	16.01	37
521496	OBSOLETE REPLACED BY 521727	EA	17.14	44
521497	OBSOLETE REPLACED BY 521728	EA	17.14	44
521504	ANTI-TIP ADJ SLEEVE 4H BLAC	EA	7.95	44
521508	OBSOLETE REPLACED BY 521504	EA	8.11	37
521537	SPORTS ANTI-TIP TUBE 12D 3D	EA	16.90	48
521539	SPORTS ANTI-TIP TUBE 15D 3D	EA	16.90	48
521564	MAG BEARING SPACER	EA	2.48	44
521587	ANTI TIP SLEEVE TUBE 5H BL	EA	12.98	44
521708	PAD ARM TUBE ONLY REG R	EA	56.31	44
521709	PAD ARM TUBE ONLY REG L	EA	56.31	44
521716	ANTI-TIP TUBE SMALL R BLACK	EA	15.38	44
521717	ANTI-TIP TUBE SMALL L BLACK	EA	15.38	44
521718	ANTI-TIP TUBE REG R BLACK	EA	15.38	44
521719	ANTI-TIP TUBE REG L BLACK	EA	15.38	44
521720	REPLACED BY 521708	EA	15.08	44
521722	REPLACED BY 521709	EA	56.31	44
521725	ANTI-TIP TUBE EXT SMALL R BLK	EA	15.08	44
521726	ANTI-TIP TUBE EXT SMALL L BLK	EA	15.08	44
521727	ANTI-TIP TUBE EXT REG R BLACK	EA	15.38	44
521728	ANTI-TIP TUBE EXT REG L BLACK	EA	15.38	44
522201	BASKET BALL BUMPER 13-14" 3D	EA	147.00	48
522202	BASKET BALL BUMPER 15-16" 3D	EA	147.00	48
522203	BASKET BALL BUMPER 17-18" 3D	EA	147.00	48
522204	BASKET BALL BUMPER 19-20"	EA	147.00	48
522247	FOOTREST TUBE 14/15" QTNT	EA	20.41	44
522248	FOOTREST TUBE 16/17" QTNT	EA	20.41	44
522249	FOOTREST TUBE 18" QTNT	EA	20.41	44
522265	FOOTREST TUBE 18/19" MP	EA	20.41	44
522682	BMPR WLDMNT A/C 12W 15-17L	EA	140.00	44
522683	BMPR WLDMNT A/C 13W 15-17L	EA	140.00	44
522684	BMPR WLDMNT A/C 14W 15-17L	EA	140.00	44
522685	BMPR WLDMNT A/C 15W 15-17L	EA	140.00	44
522686	BMPR WLDMNT A/C 16W 15-17L	EA	140.00	44
522687	BMPR WLDMNT A/C 17W 15-17L	EA	140.00	44
522688	BMPR WLDMNT A/C 18W 15-17L	EA	140.00	44
522689	BMPR WLDMNT A/C 19W 15-17L	EA	140.00	44
522690	BMPR WLDMNT A/C 20W 15-17L	EA	140.00	44
522692	BMPR WLDMNT 12W 15-17L STD UP	EA	255.00	44
522693	BMPR WLDMNT 13W 15-17L STD UP	EA	255.00	44
522694	BMPR WLDMNT 14W 15-17L STD UP	EA	255.00	44
522695	BMPR WLDMNT 15W 15-17L STD UP	EA	255.00	44
522696	BMPR WLDMNT 16W 15-17L STD UP	EA	255.00	44
522697	BMPR WLDMNT 17W 15-17L STD UP	EA	255.00	44
522698	BMPR WLDMNT 18W 15-17L STD UP	EA	255.00	44

Quickie Sports Products

Part Number	Part Description	Unit U/M	List Price	Disc. Code
522699	BMPR WLDMNT 19W 15-17L STD UP	EA	255.00	44
522700	BMPR WLDMNT 20W 15-17L STD UP	EA	255.00	44
525140	CAMBER TUBE 0D(SPEC WDTN) RGD	EA	77.52	48
525141	CAMBER TUBE 3D(SPEC WDTN) RGD	EA	76.00	48
525142	CAMBER TUBE 6D(SPEC WDTN) RGD	EA	77.52	48
525143	CAMBER TUBE 9D(SPEC WDTN) RGD	EA	76.00	48
525144	CAMBER TUBE 12D(SPEC WDTN) RGD	EA	76.00	48
525145	CAMBER TUBE 15D(SPEC WDTN) RGD	EA	76.00	48
525200	14INCAMBER TUBE 0 DEG	EA	40.80	44
525201	15INCAMBER TUBE 0 DEG	EA	40.80	44
525202	16INCAMBER TUBE 0 DEG	EA	40.80	44
525203	17INCAMBER TUBE 0 DEG	EA	40.80	44
525204	18INCAMBER TUBE 0 DEG	EA	40.80	44
525205	19INCAMBER TUBE 0 DEG	EA	40.80	44
525206	20INCAMBER TUBE 0 DEG	EA	40.80	44
525210	CAMBER TUBE 4 DEG 14IN REVOLU	EA	40.00	44
525211	CAMBER TUBE 4 DEG 15IN REVOLU	EA	40.80	44
525212	CAMBER TUBE 4 DEG 16IN REVOLU	EA	40.80	44
525213	CAMBER TUBE 4 DEG 17IN REVOLU	EA	40.80	44
525214	CAMBER TUBE 4 DEG 18IN REVOLU	EA	40.80	44
525215	CAMBER TUBE 4 DEG 19IN REVOLU	EA	40.80	44
525216	CAMBER TUBE 4 DEG 20IN REVOLU	EA	40.80	44
525219	CAMBER TUBE 8 DEG 13IN REVOLU	EA	35.00	48
525220	CAMBER TUBE 8 DEG 14IN REVOLU	EA	40.00	44
525221	CAMBER TUBE 8 DEG 15IN REVOLU	EA	40.80	44
525222	CAMBER TUBE 8 DEG 16IN REVOLU	EA	40.80	44
525223	CAMBER TUBE 8 DEG 17IN REVOLU	EA	40.00	44
525224	CAMBER TUBE 18" 8D	EA	40.80	44
525225	CAMBER TUBE 8 DEG 19IN REVOLU	EA	40.80	44
525226	CAMBER TUBE 8 DEG 20IN REVOLU	EA	40.80	44
525229	CAMBER TUBE 13IN 12D	EA	35.00	48
525230	14INWIDE AXLE TUBE 12DEG	EA	40.00	44
525231	15INWIDE AXLE TUBE 12DEG	EA	40.00	44
525232	16INWIDE AXLE TUBE 12DEG	EA	40.80	44
525233	CAMBER TUBE 12 DEG 17IN	EA	40.80	44
525234	CAMBER TUBE 12 DEG 18IN	EA	40.00	44
525235	CAMBER TUBE 12 DEG 19IN	EA	40.00	44
525236	CAMBER TUBE 12 DEG 20IN	EA	40.00	44
525239	CAMBER TUBE 13IN 15D	EA	35.00	48
525240	CAMBER TUBE 14IN 15D	EA	40.00	44
525241	CAMBER TUBE 15IN 15D	EA	35.00	44
525242	CAMBER TUBE 16IN 15D	EA	35.00	44
525243	CAMBER TUBE 17IN 15D	EA	35.00	44
525244	CAMBER TUBE 18IN 15D	EA	35.00	44
525245	CAMBER TUBE 19IN 15D	EA	35.00	44
525246	CAMBER TUBE 20IN 15D	EA	35.00	44
526070	STRUT TUBE 14W CYC	EA	67.60	48
526071	STRUT TUBE 15W CYC	EA	67.60	48
526072	STRUT TUBE 16W CYC	EA	67.60	48
526073	STRUT TUBE 17W CYC	EA	67.60	48
526074	STRUT TUBE 18W HCA CYC	EA	67.60	48
526075	STRUT TUBE 19W CYC	EA	67.60	48
526076	STRUT TUBE 20W CYC	EA	67.60	48
526682	BMPR WLDMNT A/C 12W 19-21L	EA	150.00	44
526683	BMPR WLDMNT A/C 13W 19-21L	EA	150.00	44
526684	BMPR WLDMNT A/C 14W 19-21L	EA	150.00	44
526685	BMPR WLDMNT A/C 15W 19-21L	EA	150.00	44
526686	BMPR WLDMNT A/C 16W 19-21L	EA	150.00	44
526687	BMPR WLDMNT A/C 17W 19-21L	EA	150.00	44
526688	BMPR WLDMNT A/C 18W 19-21L	EA	150.00	44
526689	BMPR WLDMNT A/C 19W 19-21L	EA	150.00	44
526690	BMPR WLDMNT A/C 20W 19-21L	EA	150.00	44
526692	BMPR WLDMNT 12W 19-21L STD UP	EA	265.00	44
526693	BMPR WLDMNT 13W 19-21L STD UP	EA	265.00	44
526694	BMPR WLDMNT 14W 19-21L STD UP	EA	265.00	44
526695	BMPR WLDMNT 15W 19-21L STD UP	EA	265.00	44

Part Number	Part Description	Unit U/M	List Price	Disc. Code
526696	BMPR WLDMNT 16W 19-21L STD UP	EA	265.00	44
526697	BMPR WLDMNT 17W 19-21L STD UP	EA	265.00	44
526698	BMPR WLDMNT 18W 19-21L STD UP	EA	265.00	44
526699	BMPR WLDMNT 18W 19-21L STD UP	EA	265.00	44
526700	BMPR WLDMNT 20W 19-21L STD UP	EA	265.00	44
527415	GENERIC A-FRM W/CAGE 26" 1/2"	EA	1,445.00	48
527417	GENERIC A-FRM W/CAGE 26" 7/16"	EA	1,445.00	48
527418	GENERIC A-FRM W/CAGE 700C 1/2"	EA	1,445.00	48
527419	GENERIC A-FRM W/CAGE 700C 7/16"	EA	1,445.00	48
527432	GENERIC T-TUBE W/CAGE 26" 1/2"	EA	1,350.00	48
527433	GENERIC T-TUBE W/CAGE 26" 7/16"	EA	1,350.00	48
527434	GENERIC T-TUBE W/CAGE 700C 1/2"	EA	1,350.00	48
527435	GENERIC T-TUBE W/CGE 700C 7/16"	EA	1,350.00	48
527453	FOOTREST FRAME 3D	EA	45.90	48
527454	SEAT SUPPORT TUBE	EA	22.95	48
527455	REAR FRAME ADJ TUBE 3D STD	EA	20.60	48
527605	FORK 18" A-FRAME	EA	352.00	48
527606	FORK 20" A-FRAME	EA	352.00	48
527623	ANTI-TIP BOTTOM TUBE 13"	EA	40.50	48
527624	ANTI-TIP BOTTOM TUBE 14"	EA	40.50	48
527625	ANTI-TIP BOTTOM TUBE 15"	EA	40.50	48
527626	ANTI-TIP BOTTOM TUBE 16"	EA	40.50	48
527627	ANTI-TIP BOTTOM TUBE 17"	EA	40.50	48
527628	ANTI-TIP BOTTOM TUBE 18"	EA	40.50	48
527660	KANSKI CAGE SHT 13"	EA	860.00	48
527661	KANSKI CAGE SHT 14"	EA	860.00	48
527662	KANSKI CAGE SHT 15"	EA	860.00	48
527663	KANSKI CAGE SHT 16"	EA	860.00	48
527664	KANSKI CAGE SHT 17"	EA	860.00	48
527665	KANSKI CAGE MED 13"	EA	860.00	48
527666	KANSKI CAGE MED 14"	EA	860.00	48
527667	KANSKI CAGE MED 15"	EA	860.00	48
527668	KANSKI CAGE MED 16"	EA	860.00	48
527669	KANSKI CAGE MED 17"	EA	860.00	48
527670	KANSKI CAGE TALL 13"	EA	860.00	48
527671	KANSKI CAGE TALL 14"	EA	860.00	48
527672	KANSKI CAGE TALL 15"	EA	860.00	48
527673	KANSKI CAGE TALL 16"	EA	860.00	48
527674	KANSKI CAGE TALL 17"	EA	860.00	48
527760	MAIN FRAME SHORT M2	EA	563.00	48
527761	MAIN FRAME STD M2	EA	584.00	48
527762	MAIN FRAME QKB	EA	514.00	48
527831	FRAME LM ADULT 3 SP PNTD	EA	506.00	48
527842	FRAME LM PED 12/48SP PNTD	EA	506.00	48
527851	FRAME UM 12/48 SP PNTD CYC	EA	106.00	48
527962	RAC FRM T-TUBE C-MOLY-SPEC DIM	EA	1,308.00	48
527963	RAC FRM O-TUBE C-MOLY-SPEC DIM	EA	1,423.00	48
527970	RCR FRK NY-BRG 7" SPEC WHL	EA	236.00	48
527971	RCR FRK NY-BRG 10" SPEC WHL	EA	236.00	48
527972	RCR FRK NY-BRG 7"UPRT SPEC WHL	EA	236.00	48
527974	RCR FRK NY-BRG 10"UPRT SPEC WH	EA	225.00	48
527975	RCR FRK B-BRG 7" SPEC WHL	EA	191.00	48
527976	RCR FRK B-BRG 10" SPEC WHL	EA	236.00	48
527977	RCR FRK B-BRG 7" UPRT SPEC WHL	EA	236.00	48
527978	RCR FRK B-BRG 10"UPRT SPEC WHL	EA	225.00	48
527979	RCR FRK B-BRG NO HNDL SPEC WHL	EA	225.00	48
527991	HEAD TUBE CYC	EA	67.60	48
527998	ATTACH TUBE HEX CYC	EA	78.00	48
528008	24" HR BLK FOAM	EA	166.00	48
528009	HR 24 PRC STAINLESS STEEL	EA	151.00	48
528011	HR 26 PRC FOAM COATED	EA	166.00	48
528012	HR 26 PRC STAINLESS	PR	176.00	48
528013	HR PRC COATED 19 FOAM	PR	178.00	48
528014	HR PRC COATED RIVNUT MNTD	PR	168.00	48
528015	HR SUN 24 ANO	EA	104.00	48
528016	HR SUN 26 ANO	EA	68.00	48

Quickie Sports Products

Part Number	Part Description	Unit U/M	List Price	Disc. Code
528017	20" HR BLK FOAM GO RING	EA	177.00	48
528018	22" HR BLK FOAM GO RING	EA	177.00	48
528019	24" HR 6T BLK PLST	EA	180.54	48
528020	26" HR 6T BLK PLST	EA	156.52	48
528021	HR VINYL COATED 18 PRC	EA	151.00	48
528022	PUSHRIM 24" 6 TAB BLK ANO	EA	104.00	48
528050	CSTM HR 3/8 X 1/2 SO RCR	EA	198.00	48
528051	CSTM HR 1/2 X 1/2 SO RCR	EA	201.96	48
528055	13 X 3/8 X 14 X 1/2 SO RCR HR	EA	112.00	48
528056	13.5 X3/8X14X1/2 SO RCR HR	EA	112.00	48
528057	14 X 3/8 X 14 X 1/2 SO RCR HR	EA	112.00	48
528058	14.5 X 3/8 X 14 X1/2 SO RCR HR	EA	112.00	48
528059	15 X 3/8 X 14 X 1/2 SO RCR HR	EA	112.00	48
528060	CSTM HR 3/8 TUBING 3/4 STNDOFF	EA	199.00	48
528061	CSTM HR 1/2 TUBING 3/4 STNDOFF	EA	199.00	48
528070	CSTM HR 3/8 TUBING 3/8 STNDOFF	EA	199.00	48
528071	CSTM HR 1/2 TUBING 3/8 STNDOFF	EA	199.00	48
528150	CSTM HR 3/8X1/2 SO W/TIRE RCR	EA	231.54	48
528151	CSTM HR 1/2X1/2 SO W/TIRE RCR	EA	227.00	48
528152	CSTM HR 5/8 TUBE 1/2 SO W/TIRE	EA	108.76	99
528155	13X3/8X14X1/2 SO W/TIRE RCR HR	EA	163.00	48
528156	13.5X3/8X14X1/2 SO W/TIRE HR	EA	166.26	48
528157	14X3/8X14X1/2 SO W/TIRE RCR HR	EA	166.26	48
528158	14.5X3/8X14X1/2 SO W/TRE RC HR	EA	166.26	48
528159	15X3/8X14X1/2 SO W/TIRE RCR HR	EA	163.00	48
528160	CSTM HR 3/8X3/4 SO W/TIRE RCR	EA	227.00	48
528161	CSTM HR 1/2X3/4 SO W/TIRE RCR	EA	227.00	48
528170	CSTM HR 3/8X3/8 SO W/TIRE RCR	EA	227.00	48
528171	CSTM HR 1/2X3/8 SO W/TIRE RCR	EA	227.00	48
529200	24" HR (6T) HTBB/BB	EA	67.93	44
529201	24" HR (6T) HTBB/BB PLST	EA	109.14	44
529202	24" HR (6T) HTBB/BB BLACK	EA	88.03	48
529300	24" HR (6LT)	EA	82.72	44
529301	24" HR (6LT) PLST	EA	121.38	44
529400	26" HR 6T BB/TN	EA	71.09	44
529401	26" HR 6T PLST BB/TN	EA	110.16	44
529500	24IN HR 6H W/RNUTS	EA	66.20	44
529501	24" HR PLST (6H) W/RNUTS	EA	109.22	44
529503	QP 24" X .049 HR 6 TAB	EA	86.30	44
529504	QP 24" X .049 HR 4 TAB	EA	86.30	44
529508	QP 26" HR .065 (6T)	EA	88.03	44
529509	QP 26" HR .065 (6T) PLST	EA	108.12	44
529512	QP 26" HR .065 (6T) BLK	EA	86.30	48
529513	QP 26" HR .065 SHT (6T)	EA	86.30	44
529515	QP 24" HR .049 SHT (6T)	EA	88.03	44
529517	QP 24" HR .049 SHT (6T) BLACK	EA	88.03	48
529523	QP 26" HR .065 SHT (6T) PLST	EA	108.00	44
529525	QP 24" HR .065 SHT (6T) PLST	EA	108.00	44
529527	QP 26" HR .065 (6)TAB BLK PNTD	EA	118.32	48
529528	QP 24" HR .065 (6)TAB BLK PNTD	EA	116.00	44
529529	QP 24" HR .065 (6)TAB ANO	EA	90.98	44
540009	SPACER SEAT FRAME 1/2" A/C	EA	22.44	44
540071	SIDE TUBE CLAMP THREADED AC	EA	22.55	44
540072	SIDE TUBE CLAMP AC	EA	17.19	44
541002	FTRST MOUNTING BRKT-3/8 RAD R	EA	18.21	44
541003	FTRST MOUNTING BRKT-3/8 RAD L	EA	18.21	44
541200	TOP TUBE ANGL ADJ BRKT CYC	EA	71.40	48
541201	REC TUBE WLDMNT CYC	EA	57.20	48
545503	WLDMNT BKRST FXD 12W 9T	EA	262.00	44
545504	WLDMNT BKRST FXD 12W 10T	EA	262.00	44
545505	WLDMNT BKRST FXD 12W 11T	EA	262.00	44
545506	WLDMNT BKRST FXD 12W 12T	EA	262.00	44
545507	WLDMNT BKRST FXD 12W 13T	EA	262.00	44
545508	WLDMNT BKRST FXD 12W 14T	EA	262.00	44
545509	WLDMNT BKRST FXD 12W 15T	EA	262.00	44
545510	WLDMNT BKRST FXD 19W 6T	EA	262.00	44

Part Number	Part Description	Unit U/M	List Price	Disc. Code
545511	WLDMNT BKRST FXD 19W 7T	EA	262.00	44
545512	WLDMNT BKRST FXD 19W 8T	EA	262.00	44
545513	WLDMNT BKRST FXD 19W 9T	EA	262.00	44
545514	WLDMNT BKRST FXD 19W 10T	EA	262.00	44
545515	WLDMNT BKRST FXD 19W 11T	EA	262.00	44
545516	WLDMNT BKRST FXD 19W 12T	EA	262.00	44
545517	WLDMNT BKRST FXD 19W 13T	EA	262.00	44
545518	WLDMNT BKRST FXD 19W 14T	EA	262.00	44
545519	WLDMNT BKRST FXD 19W 15T	EA	262.00	44
545520	WLDMNT BKRST FXD 20W 6T	EA	262.00	44
545521	WLDMNT BKRST FXD 20W 7T	EA	262.00	44
545522	WLDMNT BKRST FXD 20W 8T	EA	262.00	44
545523	WLDMNT BKRST FXD 20W 9T	EA	262.00	44
545524	WLDMNT BKRST FXD 20W 10T	EA	262.00	44
545525	WLDMNT BKRST FXD 20W 11T	EA	262.00	44
545526	WLDMNT BKRST FXD 20W 12T	EA	262.00	44
545527	WLDMNT BKRST FXD 20W 13T	EA	262.00	44
545528	WLDMNT BKRST FXD 20W 14T	EA	262.00	44
545529	WLDMNT BKRST FXD 20W 15T	EA	262.00	44
545531	WLDMNT BKRST FXD 12W 16T	EA	365.00	44
545532	WLDMNT BKRST FXD 12W 17T	EA	365.00	44
545533	WLDMNT BKRST FXD 12W 18T	EA	365.00	44
545534	WLDMNT BKRST FXD 13W 16T	EA	365.00	44
545535	WLDMNT BKRST FXD 13W 17T	EA	365.00	44
545536	WLDMNT BKRST FXD 13W 18T	EA	365.00	44
545537	WLDMNT BKRST FXD 14W 16T	EA	365.00	44
545538	WLDMNT BKRST FXD 14W 17T	EA	365.00	44
545539	WLDMNT BKRST FXD 14W 18T	EA	365.00	44
545540	WLDMNT BKRST FXD 15W 16T	EA	365.00	44
545541	WLDMNT BKRST FXD 15W 17T	EA	365.00	44
545542	WLDMNT BKRST FXD 15W 18T	EA	365.00	44
545543	WLDMNT BKRST FXD 16W 16T	EA	365.00	44
545544	WLDMNT BKRST FXD 16W 17T	EA	365.00	44
545545	WLDMNT BKRST FXD 16W 18T	EA	365.00	44
545546	WLDMNT BKRST FXD 17W 16T	EA	365.00	44
545547	WLDMNT BKRST FXD 17W 17T	EA	365.00	44
545548	WLDMNT BKRST FXD 17W 18T	EA	365.00	44
545549	WLDMNT BKRST FXD 18W 16T	EA	365.00	44
545550	WLDMNT BKRST FXD 18W 17T	EA	365.00	44
545551	WLDMNT BKRST FXD 18W 18T	EA	365.00	44
545552	WLDMNT BKRST FXD 19W 16T	EA	365.00	44
545553	WLDMNT BKRST FXD 19W 17T	EA	365.00	44
545554	WLDMNT BKRST FXD 19W 18T	EA	365.00	44
550038	FORK 3IN MICRO	EA	63.99	44
550159	3D SPORTS ANTI-TIP FORK	EA	11.30	48
550207	CAMBER TUBE MNTG CLMP ANO	EA	5.41	48
550211	AXLE CLAMP CAMBER TUBE	EA	12.69	44
550213	ANTI-TIP SADDLE LO-MNT GPS	EA	10.37	44
550215	ANTI-TIP SADDLE HI-MNT GPS	EA	10.17	44
550231	HI-MNT SCSSOR WHL LOCK A RM L	EA	17.93	44
550232	HI-MNT SCISSOR WHL LOCK ARM	EA	13.25	44
550246	ANTI TIP CLAMP 3D	EA	90.00	48
550249	ADJ ANTI TIP HOUSING 3D	EA	146.00	48
550251	CLMP P300 CHRNG/ADJ FL KDS	EA	8.27	44
550274	3-1/4IN SLOTTED FORK	EA	63.99	48
550325	PLASTIC SIDE GUARD RECEIVER	EA	39.72	44
550326	QC SIDE GUARD REC	EA	56.24	44
550327	SIDE GUARD REC W/HOLE	EA	40.50	48
550340	BCKRST LATCH BLOCK R P2/KZ	EA	19.38	45
550341	BCKRST LATCH BLOCK L P2/KZ	EA	19.38	45
550350	3/4" CLMP ADJ FT PLT	EA	11.04	44
550351	PLATFORM FOOTPLATE CLAMP	EA	25.38	44
550374	WHL LCK SLIDE BLOCK 3 1/2" BLK	EA	7.96	44
550425	SIDE GUARD CLAMP BLK QTNT	EA	45.90	44
550428	SIDE GUARD RECEIVER BLK QTNT	EA	38.19	44
550442	WHL LCK CLAMP THREADED R2	EA	30.00	44

Quickie Sports Products

Part Number	Part Description	Unit U/M	List Price	Disc. Code	Part Number	Part Description	Unit U/M	List Price	Disc. Code
550443	WHL LCK CLAMP RECESS R2	EA	30.00	44	561116	HANDLE BAR BUSHING RCR	EA	3.30	48
550599	FORK 3IN MICRO FOR 5/16 STEM	EA	88.00	44	561170	CASTER CAP PLASTIC W/HOLE	EA	2.43	44
550657	CLAMP 1 1/4" RECESS FULL BLK	EA	9.50	44	561171	CRANK ARM DUST CAPS	EA	1.22	48
550658	CLAMP 1 1/4" THREADED BLK	EA	9.50	44	561184	SPACER 3/8 X .3	EA	3.24	48
550723	HB CLAMP 3/4" NO NOTCH ST/DT	EA	56.24	48	562124	RACER SIDE GUARD PLST SPEC DIM	EA	61.90	48
550724	CLAMP 3/4"-3/4"TOP HALF ST/DT	EA	11.89	48	562616	ANGLE ADJ PLST F/PLT R 3D	EA	12.40	48
550725	CLAMP 3/4"-3/4"THR D HALF ST/DT	EA	11.89	48	562617	ANGLE ADJ PLST F/PLT L 3D	EA	12.40	48
551260	REC CLAMP BOTTOM BOTTOM CYC	EA	8.47	48	563064	SEAT SUPPORT PLUG 3D	EA	5.60	48
551261	REC CLAMP TOP CYC	EA	6.32	48	563065	3/4" ANTI-RATTLE	EA	2.22	44
551262	CLAMP BLOCK CYC	EA	106.08	48	580060	IMPACT GUARD VINYL TUBING 24"	EA	5.60	48
551264	COMPENSATOR CLAMP CYC	EA	42.43	48	580300	HR TAB COVER	EA	0.44	44
551265	STRUT RECEIVER TOP CYC	EA	67.60	48	580301	HR TAB COVER BLK	EA	0.55	44
551410	INTERFACE SEATFRAME A/C	EA	105.25	44	581505	KNEE PAD 15-17 STD	EA	32.13	48
560031	FIN LONG KANSKI	EA	18.50	44	581506	KNEE PAD 13-14 SMALL	EA	30.00	48
560065	TOE CLIP PLASTIC	EA	6.50	44	600201	FRNT FRM TB ASSM A/C R STD O/S	EA	136.00	48
560126	.250 ID .312 OD BUSHING PLST	EA	1.43	44	600202	FRNT FRM TB ASSM A/C L STD O/S	EA	136.00	48
560150	SPACER FOAM	EA	1.20	48	600203	FRNT FRM TB ASSM A/C R TLL O/S	EA	138.72	48
560158	ROPE BLOCK KS	EA	209.79	48	600204	FRNT FRM TB ASSM A/C L TLL O/S	EA	138.72	48
560163	ROPE BLOCK KS ASSM	EA	336.60	48	600205	FRAME OFFENSE QD RGBY(SPEC-DIM)	EA	1,012.00	48
560183	INNER CHAIN GUARD BOTTOM M2	EA	18.00	48	600206	FRAME OFFNS DBL WNG(SPEC-DIM)	EA	1,012.00	48
560184	INNER CHAIN GUARD TOP M3	EA	18.00	48	600210	FRAME QUAD RUGBY (SPEC-DIM)	EA	900.00	48
560205	CLMP NYL BLK 5/8X12 SDE G	EA	0.50	48	600215	FRAME OFF/DEF QD RGBY(SPEC-DIM)	EA	1,012.00	48
560221	BACK REL STRAP LOCK RIGID	EA	2.48	44	600216	FRAME OFF/DEF DBL WNG(SPEC-DIM)	EA	1,012.00	48
560228	BAR END PLUG 3/4	EA	2.20	48	600217	REPLACED BY 600262 OR 600272	EA	624.00	44
560244	PULLEY WHEEL STOP M2	EA	2.86	48	600218	REPLACED BY 600263 OR 600273	EA	676.00	44
560247	SIDE FOAM COVERS (PR)	PR	36.72	48	600219	REPLACED BY 600264 OR 600274	EA	728.00	44
560268	QUICK RELEASE CLIP	EA	1.22	45	600220	T-FRAME OD SHT PNTD(SPC WD)3D	EA	563.00	48
560332	SHROUD TEAL G424	EA	514.00	45	600221	T-FRAME 3D SHT PNTD(SPC WD)3D	EA	563.00	48
560350	BB BUMPER COVER 3D	EA	29.20	48	600222	T-FRAME 6D SHT PNTD(SPC WD)3D	EA	563.00	48
560406	FRAME BUSHING	EA	2.32	44	600223	T-FRAME 9D SHT PNTD(SPC WD)3D	EA	563.00	48
560410	ZIP TIE BLACK	EA	0.95	44	600224	T-FRAME 12D SHT PNTD(SPC WD)3D	EA	563.00	48
560502	ANTI-TIP LEVER COVER	EA	1.21	44	600225	T-FRAME 15D SHT PNTD(SPC WD)3D	EA	574.26	48
560560	FOAM OVAL TUBE CLAMP	EA	1.10	48	600226	T-FRAME OD REG PNTD(SPC WD)3D	EA	563.00	48
560628	4 1/2 X .840 X .125 FOAM GRIP	EA	4.60	48	600227	T-FRAME 3D REG PNTD(SPC WD)3D	EA	563.00	48
560659	FOAM GRIP HORIZONTAL HNDL	EA	5.20	48	600228	T-FRAME 6D REG PNTD(SPC WD)3D	EA	563.00	48
560662	QUICKIE GRIP 3/4"	EA	2.39	44	600229	T-FRAME 9D REG PNTD(SPC WD)3D	EA	563.00	48
560735	7/8" ROUND TUBE PLUG	EA	1.21	44	600230	T-FRAME 12D REG PNTD(SPC WD)3D	EA	563.00	48
560761	3/4" INSERT PLUG .049 (18GA)	EA	1.55	44	600231	T-FRAME 15D REG PNTD(SPC WD)3D	EA	563.00	48
560775	CLAMP BLK PLST CABLE	EA	5.71	48	600232	REPLACED BY 600318 OR 600319	EA	624.00	44
560995	1" INSERT PLUG .036	EA	1.28	44	600233	REPLACED BY 600320 OR 600321	EA	682.75	44
560998	1" INSRT DOME PLUG .083 W/HOLE	EA	5.41	44	600235	FRNT FRM TUBE ASSM A/C R TALL	EA	131.00	44
560999	1" INSERT PLUG .083 W/1/4 HOLE	EA	5.41	48	600236	FRNT FRM TUBE ASSM A/C L TALL	EA	131.00	44
561000-QU	3/4" INSERT PLUG .083	EA	1.28	44	600237	FRNT FRM TBE ASSM A/C R X-TALL	EA	133.62	44
561001	1-1/8" SADDLE 1/4" HOLE	EA	1.28	44	600238	FRNT FRM TBE ASSM A/C L X-TALL	EA	133.62	44
561002	1" INSERT PLUG .083	EA	1.28	44	600284	FRT TUBE ASSM AC R TLL 13-14.5	EA	133.62	44
561003	3/4" SADDLE THIN	EA	1.34	44	600285	FRT TUBE ASSM AC L TLL 13-14.5	EA	133.62	44
561004	1" SADDLE 1/4" HOLE	EA	1.28	44	600286	FRT TUBE ASSM AC R XTL 13-14.5	EA	133.62	44
561006	1" SADDLE 5/16" HOLE	EA	1.28	44	600287	FRT TUBE ASSM AC L XTL 13-14.5	EA	133.62	44
561007	7/8" INSERT PLUG .083	EA	1.28	44	600295	FRONT FRM TUBE ASSM MP R SHORT	EA	133.62	44
561010	3/4" CAP	EA	1.28	44	600296	FRONT FRM TUBE ASSM MP L SHORT	EA	133.62	44
561014	1" MED CAP	EA	1.28	44	600297	FRONT FRM TUBE ASSM MP R TALL	EA	133.62	44
561016	1" WASHER 5/16" HOLE	EA	1.28	44	600298	FRONT FRM TUBE ASSM MP L TALL	EA	133.62	44
561026	3/4" WASHER 1/4" HOLE	EA	1.28	44	600551	BASE FRAME PNTD 13" 16D MP	EA	676.00	44
561028	1/4" NYLON WASHER	EA	1.25	44	600552	BASE FRAME PNTD 14" 16D MP	EA	676.00	44
561032	ANTI-TIP WHEEL	EA	2.32	44	600553	BASE FRAME PNTD 15" 16D MP	EA	676.00	44
561036	HANDRIM SPACER (REG)	EA	1.49	44	600554	BASE FRAME PNTD 16" 16D MP	EA	676.00	44
561038	HANDRIM SPACER (LONG)	EA	2.20	44	600555	BASE FRAME PNTD 17" 16D MP	EA	676.00	44
561040	HEEL LOOP PEG	EA	2.43	44	600556	BASE FRAME PNTD 18" 16D MP	EA	676.00	44
561043	1" WASHER 3/8" HOLE	EA	1.15	44	600557	BASE FRAME PNTD 19" 16D MP	EA	676.00	44
561055	3/4" SADDLE 1" OD	EA	1.21	44	600561	BASE FRAME PNTD 13" 20D MP	EA	689.52	44
561062	1" INSERT PLUG .065 RIBS	EA	1.28	44	600562	BASE FRAME PNTD 14" 20D MP	EA	689.52	44
561070	CASTER CAP PLASTIC	EA	2.48	44	600563	BASE FRAME PNTD 15" 20D MP	EA	676.00	44
561082	1" TUBE END BUSHING THIN	EA	1.28	44	600564	BASE FRAME PNTD 16" 20D MP	EA	689.52	44
561086	1" HALF SADDLE 1/4" HOLE	EA	1.28	44	600565	BASE FRAME PNTD 17" 20D MP	EA	676.00	44
561087	BACK REL SADDLE RIGID	EA	3.59	44	600566	BASE FRAME PNTD 18" 20D MP	EA	676.00	44
561111	1/4" NYLON WASHER BLACK	EA	0.21	44	600567	BASE FRAME PNTD 19" 20D MP	EA	676.00	44

Quickie Sports Products

Part Number	Part Description	Unit U/M	List Price	Disc. Code
601100	BASE FRM ASSM AC STD 16D 12W	EA	610.00	44
601101	BASE FRM ASSM AC STD 16D 13W	EA	610.00	44
601102	BASE FRM ASSM AC STD 16D 14W	EA	610.00	44
601103	BASE FRM ASSM AC STD 16D 15W	EA	610.00	44
601104	BASE FRM ASSM AC STD 16D 16W	EA	610.00	44
601105	BASE FRM ASSM AC STD 16D 17W	EA	610.00	44
601106	BASE FRM ASSM AC STD 16D 18W	EA	610.00	44
601107	BASE FRM ASSM AC STD 16D 19W	EA	610.00	44
601108	BASE FRM ASSM AC STD 16D 20W	EA	610.00	44
601180	BASE FRM ASSM AC STD 20D 12W	EA	610.00	44
601181	BASE FRM ASSM AC STD 20D 13W	EA	610.00	44
601182	BASE FRM ASSM AC STD 20D 14W	EA	610.00	44
601183	BASE FRM ASSM AC STD 20D 15W	EA	610.00	44
601184	BASE FRM ASSM AC STD 20D 16W	EA	610.00	44
601185	BASE FRM ASSM AC STD 20D 17W	EA	610.00	44
601186	BASE FRM ASSM AC STD 20D 18W	EA	610.00	44
601187	BASE FRM ASSM AC STD 20D 19W	EA	610.00	44
601188	BASE FRM ASSM AC STD 20D 20W	EA	610.00	44
601190	BASE FRM ASSM AC 1AT 16D 12W	EA	850.00	44
601191	BASE FRM ASSM AC 1AT 16D 13W	EA	850.00	44
601192	BASE FRM ASSM AC 1AT 16D 14W	EA	850.00	44
601193	BASE FRM ASSM AC 1AT 16D 15W	EA	850.00	44
601194	BASE FRM ASSM AC 1AT 16D 16W	EA	850.00	44
601195	BASE FRM ASSM AC 1AT 16D 17W	EA	850.00	44
601196	BASE FRM ASSM AC 1AT 16D 18W	EA	850.00	44
601197	BASE FRM ASSM AC 1AT 16D 19W	EA	850.00	44
601198	BASE FRM ASSM AC 1AT 16D 20W	EA	850.00	44
601200	BASE FRM ASSM AC 1AT 20D 12W	EA	850.00	44
601201	BASE FRM ASSM AC 1AT 20D 13W	EA	693.00	44
601202	BASE FRM ASSM AC 1AT 20D 14W	EA	693.00	44
601203	BASE FRM ASSM AC 1AT 20D 15W	EA	693.00	44
601204	BASE FRM ASSM AC 1AT 20D 16W	EA	693.00	44
601205	BASE FRM ASSM AC 1AT 20D 17W	EA	693.00	44
601206	BASE FRM ASSM AC 1AT 20D 18W	EA	693.00	44
601207	BASE FRM ASSM AC 1AT 20D 19W	EA	693.00	44
601208	BASE FRM ASSM AC 1AT 20D 20W	EA	693.00	44
601280	BASE FRM ASSM AC 2AT 16D 12W	EA	1,540.00	44
601281	BASE FRM ASSM AC 2AT 16D 13W	EA	1,540.00	44
601282	BASE FRM ASSM AC 2AT 16D 14W	EA	1,540.00	44
601283	BASE FRM ASSM AC 2AT 16D 15W	EA	1,540.00	44
601284	BASE FRM ASSM AC 2AT 16D 16W	EA	1,540.00	44
601285	BASE FRM ASSM AC 2AT 16D 17W	EA	1,540.00	44
601286	BASE FRM ASSM AC 2AT 16D 18W	EA	1,540.00	44
601287	BASE FRM ASSM AC 2AT 16D 19W	EA	1,540.00	44
601288	BASE FRM ASSM AC 2AT 16D 20W	EA	1,540.00	44
601290	BASE FRM ASSM AC 2AT 20D 12W	EA	1,540.00	44
601291	BASE FRM ASSM AC 2AT 20D 13W	EA	1,540.00	44
601292	BASE FRM ASSM AC 2AT 20D 14W	EA	1,540.00	44
601293	BASE FRM ASSM AC 2AT 20D 15W	EA	1,540.00	44
601294	BASE FRM ASSM AC 2AT 20D 16W	EA	1,540.00	44
601295	BASE FRM ASSM AC 2AT 20D 17W	EA	1,540.00	44
601296	BASE FRM ASSM AC 2AT 20D 18W	EA	1,540.00	44
601297	BASE FRM ASSM AC 2AT 20D 19W	EA	1,540.00	44
601298	BASE FRM ASSM AC 2AT 20D 20W	EA	1,540.00	44
601400	NEW BASE FRAME ASSM MP 16D 12W	EA	714.00	44
601401	NEW BASE FRAME ASSM MP 16D 13W	EA	714.00	44
601402	NEW BASE FRAME ASSM MP 16D 14W	EA	714.00	44
601403	NEW BASE FRAME ASSM MP 16D 15W	EA	714.00	44
601404	NEW BASE FRAME ASSM MP 16D 16W	EA	714.00	44
601405	NEW BASE FRAME ASSM MP 16D 17W	EA	714.00	44
601406	NEW BASE FRAME ASSM MP 16D 18W	EA	714.00	44
601407	NEW BASE FRAME ASSM MP 16D 19W	EA	714.00	44
601408	NEW BASE FRAME ASSM MP 16D 20W	EA	714.00	44
601410	NEW BASE FRAME ASSM MP 20D 12W	EA	714.00	44
601411	NEW BASE FRAME ASSM MP 20D 13W	EA	714.00	44
601412	NEW BASE FRAME ASSM MP 20D 14W	EA	714.00	44

Part Number	Part Description	Unit U/M	List Price	Disc. Code
601413	NEW BASE FRAME ASSM MP 20D 15W	EA	714.00	44
601414	NEW BASE FRAME ASSM MP 20D 16W	EA	714.00	44
601415	NEW BASE FRAME ASSM MP 20D 17W	EA	714.00	44
601416	NEW BASE FRAME ASSM MP 20D 18W	EA	714.00	44
601417	NEW BASE FRAME ASSM MP 20D 19W	EA	714.00	44
601418	NEW BASE FRAME ASSM MP 20D 20W	EA	714.00	44
604409	FRNT UPR 16-17H TI R 15-20W	EA	105.50	44
604410	FRNT UPR 16-17H TI L 15-20W	EA	105.50	44
604411	FRNT UPR 18-19H TI R 15-20W	EA	105.50	44
604412	FRNT UPR 18-19H TI L 15-20W	EA	105.50	44
604413	FRNT UPR 20-21H TI R 15-20W	EA	105.50	44
604414	FRNT UPR 20-21H TI L 15-20W	EA	105.50	44
604415	FRNT UPR 16-17H AL R 15-20W	EA	65.50	44
604416	FRNT UPR 16-17H AL L 15-20W	EA	65.50	44
604417	FRNT UPR 18-19H AL R 15-20W	EA	65.50	44
604418	FRNT UPR 18-19H AL L 15-20W	EA	65.50	44
604419	FRNT UPR 20-21H AL R 15-20W	EA	65.50	44
604420	FRNT UPR 20-21H AL L 15-20W	EA	65.50	44
604421	FRNT UPR 16-17H TI R 14W	EA	105.50	44
604422	FRNT UPR 16-17H TI L 14W	EA	105.50	44
604423	FRNT UPR 18-19H TI R 14W	EA	105.50	44
604424	FRNT UPR 18-19H TI L 14W	EA	105.50	44
604425	FRNT UPR 20-21H TI R 14W	EA	105.50	44
604426	FRNT UPR 20-21H TI L 14W	EA	105.50	44
604427	FRNT UPR 16-17H AL R 14W	EA	65.50	44
604428	FRNT UPR 16-17H AL L 14W	EA	65.50	44
604429	FRNT UPR 18-19H AL R 14W	EA	65.50	44
604430	FRNT UPR 18-19H AL L 14W	EA	65.50	44
604431	FRNT UPR 20-21H AL R 14W	EA	65.50	44
604432	FRNT UPR 20-21H AL L 14W	EA	65.50	44
604433	FRNT UPR 16-17H TI R 12-13W	EA	105.50	44
604434	FRNT UPR 16-17H TI L 12-13W	EA	105.50	44
604435	FRNT UPR 18-19H TI R 12-13W	EA	105.50	44
604436	FRNT UPR 18-19H TI L 12-13W	EA	105.50	44
604437	FRNT UPR 20-21H TI R 12-13W	EA	105.50	44
604438	FRNT UPR 20-21H TI L 12-13W	EA	105.50	44
604439	FRNT UPR 16-17H AL R 12-13W	EA	65.50	44
604440	FRNT UPR 16-17H AL L 12-13W	EA	65.50	44
604441	FRNT UPR 18-19H AL R 12-13W	EA	65.50	44
604442	FRNT UPR 18-19H AL L 12-13W	EA	65.50	44
604443	FRNT UPR 20-21H AL R 12-13W	EA	65.50	44
604444	FRNT UPR 20-21H AL L 12-13W	EA	65.50	44
604445	FRNT UPR 16-17H TI R 12-20W MP	EA	210.00	44
604446	FRNT UPR 16-17H TI L 12-20W MP	EA	210.00	44
604447	FRNT UPR 18-19H TI R 12-20W MP	EA	210.00	44
604448	FRNT UPR 18-19H TI L 12-20W MP	EA	210.00	44
604449	FRNT UPR 20-21H TI R 12-20W MP	EA	210.00	44
604450	FRNT UPR 20-21H TI L 12-20W MP	EA	210.00	44
617020	UPPER MAIN FRAME STD M2	EA	67.50	48
617021	UPPER MAIN FRAME SHORT M2	EA	67.50	48
660103	SEAT FRAME ASSM 13" M2/M3	EA	191.00	48
660104	SEAT FRAME ASSM 14" M2/M3	EA	191.00	48
660105	SEAT FRAME ASSM 15" M2/M3	EA	236.00	48
660106	SEAT FRAME ASSM 16" M2/M3	EA	236.00	48
660107	SEAT FRAME ASSM 17" M2/M3	EA	236.00	48
660108	SEAT FRAME ASSM 18" M2/M3	EA	236.00	48
660109	SEAT FRAME ASSM 19" M2/M3	EA	236.00	48
660110	SEAT FRAME ASSM 20" M2/M3	EA	236.00	48
660300	SEAT FRAME ASSM 12" QKB	EA	191.00	48
660301	SEAT FRAME ASSM 13" QKB	EA	191.00	48
660302	SEAT FRAME ASSM 14" QKB	EA	191.00	48
661289	SEAT FRAME PNTD 13 X 13 AC	EA	220.32	44
661290	SEAT FRAME PNTD 14 X 13 AC	EA	216.00	44
661291	SEAT FRAME PNTD 15 X 13 AC	EA	216.00	44
661292	SEAT FRAME PNTD 16 X 13 AC	EA	216.00	44
661293	SEAT FRAME PNTD 17 X 13 AC	EA	216.00	44

Quickie Sports Products

Part Number	Part Description	Unit U/M	List Price	Disc. Code
661536	SEAT FRM ASSM AL 14 X 14	EA	550.55	44
661537	SEAT FRM ASSM AL 14 X 15	EA	550.55	44
661538	SEAT FRM ASSM AL 14 X 16	EA	550.55	44
661539	SEAT FRM ASSM AL 14 X 17	EA	550.55	44
661540	SEAT FRM ASSM AL 15 X 13	EA	550.55	44
661541	SEAT FRM ASSM AL 15 X 14	EA	550.55	44
661542	SEAT FRM ASSM AL 15 X 15	EA	550.55	44
661543	SEAT FRM ASSM AL 15 X 16	EA	550.55	44
661544	SEAT FRM ASSM AL 15 X 17	EA	550.55	44
661545	SEAT FRM ASSM AL 15 X 18	EA	550.55	44
661546	SEAT FRM ASSM AL 16 X 13	EA	550.55	44
661547	SEAT FRM ASSM AL 16 X 14	EA	550.55	44
661548	SEAT FRM ASSM AL 16 X 15	EA	550.55	44
661549	SEAT FRM ASSM AL 16 X 16	EA	550.55	44
661550	SEAT FRM ASSM AL 16 X 17	EA	550.55	44
661551	SEAT FRM ASSM AL 16 X 18	EA	550.55	44
661552	SEAT FRM ASSM AL 17 X 14	EA	550.55	44
661553	SEAT FRM ASSM AL 17 X 15	EA	550.55	44
661554	SEAT FRM ASSM AL 17 X 16	EA	550.55	44
661555	SEAT FRM ASSM AL 17 X 17	EA	550.55	44
661556	SEAT FRM ASSM AL 17 X 18	EA	550.55	44
661557	SEAT FRM ASSM AL 17 X 19	EA	550.55	44
661558	SEAT FRM ASSM AL 17 X 20	EA	550.55	44
661559	SEAT FRM ASSM AL 18 X 14	EA	550.55	44
661560	SEAT FRM ASSM AL 18 X 15	EA	550.55	44
661561	SEAT FRM ASSM AL 18 X 16	EA	550.55	44
661562	SEAT FRM ASSM AL 18 X 17	EA	550.55	44
661563	SEAT FRM ASSM AL 18 X 18	EA	550.55	44
661564	SEAT FRM ASSM AL 18 X 19	EA	550.55	44
661565	SEAT FRM ASSM AL 18 X 20	EA	550.55	44
661566	SEAT FRM ASSM AL 19 X 14	EA	550.55	44
661567	SEAT FRM ASSM AL 19 X 15	EA	550.55	44
661568	SEAT FRM ASSM AL 19 X 16	EA	550.55	44
661569	SEAT FRM ASSM AL 19 X 17	EA	550.55	44
661570	SEAT FRM ASSM AL 19 X 18	EA	550.55	44
661571	SEAT FRM ASSM AL 19 X 19	EA	550.55	44
661572	SEAT FRM ASSM AL 19 X 20	EA	550.55	44
661573	SEAT FRM ASSM AL 20 X 14	EA	550.55	44
661574	SEAT FRM ASSM AL 20 X 15	EA	550.55	44
661575	SEAT FRM ASSM AL 20 X 16	EA	550.55	44
661576	SEAT FRM ASSM AL 20 X 17	EA	550.55	44
661577	SEAT FRM ASSM AL 20 X 18	EA	550.55	44
661578	SEAT FRM ASSM AL 20 X 19	EA	550.55	44
661579	SEAT FRM ASSM AL 20 X 20	EA	550.55	44
663900	SEAT FRAME PNTD 3D	EA	318.00	48
680041	BACK UPH 12" X-SHT QKB	EA	124.00	48
680042	BACK UPH 12" LOW QKB	EA	124.00	48
680043	BACK UPH 13" LOW M2/M3	EA	124.00	48
680044	BACK UPH 14" LOW M2/M3	EA	124.00	48
680045	BACK UPH 15" LOW M2/M3	EA	124.00	48
680046	BACK UPH 16" LOW M2/M3	EA	126.48	48
680047	BACK UPH 17" LOW M2/M3	EA	124.00	48
680048	BACK UPH 18" LOW M2/M3	EA	124.00	48
680049	BACK UPH 19" LOW M2/M3	EA	124.00	48
680050	BACK UPH 20" LOW M2/M3	EA	124.00	48
680051	BACK UPH 13" X-SHT QKB	EA	124.00	48
680052	BACK UPH 12" MED QKB	EA	124.00	48
680053	BACK UPH 13" MED M2/M3	EA	124.00	48
680054	BACK UPH 14" MED M2/M3	EA	124.00	48
680055	BACK UPH 15" MED M2/M3	EA	124.00	48
680056	BACK UPH 16" MED M2/M3	EA	124.00	48
680057	BACK UPH 17" MED M2/M3	EA	126.48	48
680058	BACK UPH 18" MED M2/M3	EA	124.00	48
680059	BACK UPH 19" MED M2/M3	EA	124.00	48
680060	BACK UPH 20" MED M2/M3	EA	124.00	48
680061	BACK UPH 14" X-SHT KB	EA	124.00	48

Part Number	Part Description	Unit U/M	List Price	Disc. Code
680063	BACK UPH 13" TALL M2/M3	EA	124.00	48
680064	BACK UPH 14" TALL M2/M3	EA	124.00	48
680065	BACK UPH 15" TALL M2/M3	EA	124.00	48
680066	BACK UPH 16" TALL M2/M3	EA	124.00	48
680067	BACK UPH 17" TALL M2/M3	EA	124.00	48
680068	BACK UPH 18" TALL M2/M3	EA	124.00	48
680069	BACK UPH 19" TALL M2/M3	EA	124.00	48
680070	BACK UPH 20" TALL M2/M3	EA	124.00	48
680071	BACK UPH 13" LOW QKB	EA	114.40	
680072	BACK UPH 13" MED QKB	EA	114.40	
680073	BACK UPH 14" LOW QKB	EA	114.40	
680113	BACK ASSM 13" LOW M3/M2	EA	281.00	48
680114	BACK ASSM 14" LOW M3/M2	EA	281.00	48
680115	BACK ASSM 15" LOW M3/M2	EA	281.00	48
680116	BACK ASSM 16" LOW M3/M2	EA	281.00	48
680117	BACK ASSM 17" LOW M3/M2	EA	281.00	48
680118	BACK ASSM 18" LOW M3/M2	EA	281.00	48
680119	BACK ASSM 19" LOW M3/M2	EA	281.00	48
680120	BACK ASSM 20" LOW M3/M2	EA	281.00	48
680123	BACK ASSM 13" MED M3/M2	EA	281.00	48
680124	BACK ASSM 14" MED M3/M2	EA	281.00	48
680125	BACK ASSM 15" MED M3/M2	EA	281.00	48
680126	BACK ASSM 16" MED M3/M2	EA	281.00	48
680127	BACK ASSM 17" MED M3/M2	EA	281.00	48
680128	BACK ASSM 18" MED M3/M2	EA	281.00	48
680129	BACK ASSM 19" MED M3/M2	EA	281.00	48
680130	BACK ASSM 20" MED M3/M2	EA	281.00	48
680133	BACK ASSM 13" TALL M3/M2	EA	281.00	48
680134	BACK ASSM 14" TALL M3/M2	EA	281.00	48
680135	BACK ASSM 15" TALL M3/M2	EA	281.00	48
680136	BACK ASSM 16" TALL M3/M2	EA	281.00	48
680137	BACK ASSM 17" TALL M3/M2	EA	281.00	48
680138	BACK ASSM 18" TALL M3/M2	EA	281.00	48
680139	BACK ASSM 19" TALL M3/M2	EA	281.00	48
680140	BACK ASSM 20" TALL M3/M2	EA	281.00	48
680160	BACK UPH SLING SHORT JR RCR	EA	113.00	48
680161	BACK UPH SLING TALL JR RCR	EA	113.00	48
680162	BACK UPH SLING SHORT SM RCR	EA	113.00	48
680163	BACK UPH SLING TALL SM RCR	EA	113.00	48
680164	BACK UPH SLING SHORT LG RCR	EA	113.00	48
680165	BACK UPH SLING TALL LG RCR	EA	113.00	48
680201	BACK UPH 13" 11-15" W/TAIL	EA	93.84	44
680202	REPLACED BY 680203	EA	97.34	44
680203	BACK UPH 13" 12-16" W/TAIL	EA	92.00	44
680204	REPLACED BY 680205	EA	99.29	44
680205	BACK UPH 13" 14-18" W/TAIL	EA	93.84	44
680206	REPLACED BY 680207	EA	97.34	44
680207	BACK UPH 13" 16-20" W/TAIL	EA	93.84	44
680208	BACK UPH 12" 11-15" W/TAIL	EA	93.84	44
680209	BACK UPH 12" 12-16" W/TAIL	EA	99.29	44
680213	BACK UPH 13" 8-12" W/TAIL	EA	185.00	44
680260	BACK ASSM 12" X-LOW QKB	EA	281.00	48
680261	BACK ASSM 13" X-LOW QKB	EA	281.00	48
680262	BACK ASSM 14" X-LOW QKB	EA	281.00	48
680263	BACK ASSM 12" LOW QKB	EA	281.00	48
680264	BACK ASSM 13" LOW QKB	EA	281.00	48
680265	BACK ASSM 14" LOW QKB	EA	281.00	48
680301	BACK UPH 14" 11-15" W/TAIL	EA	101.50	44
680302	REPLACED BY 680303	EA	99.29	44
680303	BACK UPH 14" 12-16" W/TAIL	EA	101.50	44
680304	REPLACED BY 680305	EA	99.29	44
680305	BACK UPH 14" 14-18" W/TAIL	EA	101.50	44
680306	REPLACED BY 680307	EA	97.34	44
680307	BACK UPH 14" 16-20" W/TAIL	EA	101.50	44
680308	BACK UPH 14" 8-12" W/TAIL	EA	185.00	44
680400	REPLACED BY 680401	EA	99.29	44

Quickie Sports Products

Part Number	Part Description	Unit U/M	List Price	Disc. Code	Part Number	Part Description	Unit U/M	List Price	Disc. Code
680401	BACK UPH 15" 11-15" W/TAIL	EA	101.50	44	684458	REPLACED BY 685908	EA	127.50	48
680402	REPLACED BY 680403	EA	99.29	44	684459	REPLACED BY 685909	EA	125.00	48
680403	BACK UPH 15" 12-16" W/TAIL	EA	101.50	44	684460	REPLACED BY 685910	EA	127.50	48
680404	REPLACED BY 680405	EA	99.29	44	685904	BACK UPH QUICKIE ADJ 14" SA	EA	127.50	44
680405	BACK UPH 15" 14-18" W/TAIL	EA	101.50	44	685905	BACK UPH QUICKIE ADJ 15" SA	EA	127.50	44
680406	REPLACED BY 680407	EA	99.29	44	685906	BACK UPH QUICKIE ADJ 16" SA	EA	127.50	44
680407	BACK UPH 15" 16-20" W/TAIL	EA	101.50	44	685907	BACK UPH QUICKIE ADJ 17" SA	EA	127.50	44
680408	BACK UPH 15" 8-12" W/TAIL	EA	185.00	44	685908	BACK UPH QUICKIE ADJ 18" SA	EA	125.00	44
680500	REPLACED BY 680501	EA	99.29	44	685909	BACK UPH QUICKIE ADJ 19" SA	EA	125.00	44
680501	BACK UPH 16" 11-15" W/TAIL	EA	117.30	44	685910	BACK UPH QUICKIE ADJ 20" SA	EA	127.50	44
680502	REPLACED BY 680503	EA	117.30	44	685911	BACK UPH QUICKIE ADJ 21" SA	EA	127.50	44
680503	BACK UPH 16" 12-16" W/TAIL	EA	117.30	44	685913	BACK UPH QUICKIE ADJ 13" MA	EA	127.50	44
680504	REPLACED BY 680505	EA	99.29	44	685914	BACK UPH QUICKIE ADJ 14" MA	EA	127.50	44
680505	BACK UPH 16" 14-18" W/TAIL	EA	101.50	44	685915	BACK UPH QUICKIE ADJ 15" MA	EA	125.00	44
680506	REPLACED BY 680507	EA	99.29	44	685916	BACK UPH QUICKIE ADJ 16" MA	EA	127.50	44
680507	BACK UPH 16" 16-20" W/TAIL	EA	101.50	44	685917	BACK UPH QUICKIE ADJ 17" MA	EA	127.50	44
680508	BACK UPH 16" 8-12" W/TAIL	EA	99.51	44	685918	BACK UPH QUICKIE ADJ 18" MA	EA	127.50	44
680600	REPLACED BY 680601	EA	99.29	44	685919	BACK UPH QUICKIE ADJ 19" MA	EA	125.00	44
680601	BACK UPH 17" 11-15" W/TAIL	EA	101.50	44	685920	BACK UPH QUICKIE ADJ 20" MA	EA	127.50	44
680602	REPLACED BY 680603	EA	99.29	44	685921	BACK UPH QUICKIE ADJ 21" MA	EA	127.50	44
680603	BACK UPH 17" 12-16" W/TAIL	EA	101.50	44	685923	BACK UPH QUICKIE ADJ 13" LA	EA	127.50	44
680604	REPLACED BY 680605	EA	99.29	44	685924	BACK UPH QUICKIE ADJ 14" LA	EA	125.00	44
680605	BACK UPH 17" 14-18" W/TAIL	EA	101.50	44	685925	BACK UPH QUICKIE ADJ 15" LA	EA	125.00	44
680606	REPLACED BY 680607	EA	99.29	44	685926	BACK UPH QUICKIE ADJ 16" LA	EA	127.50	44
680607	BACK UPH 17" 16-20" W/TAIL	EA	101.50	44	685927	BACK UPH QUICKIE ADJ 17" LA	EA	127.50	44
680608	BACK UPH 17" 8-12" W/TAIL	EA	101.50	44	685928	BACK UPH QUICKIE ADJ 18" LA	EA	127.50	44
680700	REPLACED BY 680701	EA	99.29	44	685929	BACK UPH QUICKIE ADJ 19" LA	EA	125.00	44
680701	BACK UPH 18" 11-15" W/TAIL	EA	101.50	44	685930	BACK UPH QUICKIE ADJ 20" LA	EA	127.50	44
680702	REPLACED BY 680703	EA	99.29	44	688280	SEAT PAN HALF 12"W ALL COURT	EA	105.00	44
680703	BACK UPH 18" 12-16" W/TAIL	EA	101.50	44	688281	SEAT PAN HALF 13"W ALL COURT	EA	105.00	44
680704	REPLACED BY 680705	EA	99.29	44	688282	SEAT PAN HALF 14"W ALL COURT	EA	105.00	44
680705	BACK UPH 18" 14-18" W/TAIL	EA	101.50	44	688283	SEAT PAN HALF 15"W ALL COURT	EA	105.00	44
680706	REPLACED BY 680707	EA	99.29	44	688284	SEAT PAN HALF 16"W ALL COURT	EA	105.00	44
680707	BACK UPH 18" 16-20" W/TAIL	EA	101.50	44	688285	SEAT PAN HALF 17"W ALL COURT	EA	105.00	44
680800	REPLACED BY 680801	EA	99.29	44	688286	SEAT PAN HALF 18"W ALL COURT	EA	105.00	44
680801	BACK UPH 19" 11-15" W/TAIL	EA	101.50	44	688287	SEAT PAN HALF 19"W ALL COURT	EA	105.00	44
680802	REPLACED BY 680803	EA	99.29	44	688288	SEAT PAN HALF 20"W ALL COURT	EA	105.00	44
680803	BACK UPH 19" 12-16" W/TAIL	EA	101.50	44	700102	SEAT CUSHION 12" X 10" X 2"	EA	100.98	44
680804	REPLACED BY 680805	EA	99.29	44	700112	SEAT CUSHION 12" X 11" X 2"	EA	100.98	44
680805	BACK UPH 19" 14-18" W/TAIL	EA	101.50	44	700122	SEAT CUSHION 12" X 12" X 2"	EA	100.98	44
680806	REPLACED BY 680807	EA	99.29	44	700132	SEAT CUSHION 12" X 13" X 2"	EA	100.98	44
680807	BACK UPH 19" 16-20" W/TAIL	EA	101.50	44	700142	SEAT CUSHION 12" X 14" X 2"	EA	100.98	44
680808	BACK UPH 19" 8-12" W/TAIL	EA	185.00	44	700152	SEAT CUSHION 12" X 15" X 2"	EA	99.00	44
680900	REPLACED BY 680901	EA	99.29	44	700162	SEAT CUSHION 12" X 16" X 2"	EA	100.98	44
680901	BACK UPH 20" 11-15" W/TAIL	EA	101.50	44	700172	SEAT CUSHION 12" X 17" X 2"	EA	99.00	44
680902	REPLACED BY 680903	EA	99.29	44	700182	SEAT CUSHION 12" X 18" X 2"	EA	99.00	44
680903	BACK UPH 20" 12-16" W/TAIL	EA	101.50	44	700192	SEAT CUSHION 12" X 19" X 2"	EA	99.00	44
680904	REPLACED BY 680905	EA	99.29	44	700202	SEAT CUSHION 13" X 10" X 2"	EA	99.00	44
680905	BACK UPH 20" 14-18" W/TAIL	EA	101.50	44	700212	SEAT CUSHION 13" X 11" X 2"	EA	100.98	44
680906	REPLACED BY 680909	EA	99.29	44	700222	SEAT CUSHION 13" X 12" X 2"	EA	100.98	44
680907	BACK UPH CUSTOM Q1/GP F BCK	EA	143.42	44	700223	SEAT CUSHION 13" X 12" X 3"	EA	95.00	44
680909	BACK UPH 20" 16-20" W/TAIL	EA	101.50	44	700232	SEAT CUSHION 13" X 13" X 2"	EA	100.98	44
684442	REPLACED BY 685912	EA	125.00	48	700233	SEAT CUSHION 13" X 13" X 3"	EA	95.00	44
684443	REPLACED BY 685913	EA	127.50	48	700242	SEAT CUSHION 13" X 14" X 2"	EA	100.98	44
684444	REPLACED BY 685914	EA	125.00	48	700243	SEAT CUSHION 13" X 14" X 3"	EA	95.00	44
684445	REPLACED BY 685915	EA	125.00	48	700252	SEAT CUSHION 13" X 15" X 2"	EA	100.98	44
684446	REPLACED BY 685916	EA	127.50	48	700253	SEAT CUSHION 13" X 15" X 3"	EA	95.00	44
684447	REPLACED BY 685917	EA	127.50	48	700262	SEAT CUSHION 13" X 16" X 2"	EA	100.98	44
684448	REPLACED BY 685918	EA	127.50	48	700263	SEAT CUSHION 13" X 16" X 3"	EA	95.00	44
684449	REPLACED BY 685919	EA	125.00	48	700267	SEAT CUSHION 13" X 19" X 2"	EA	99.00	44
684450	REPLACED BY 685920	EA	125.00	48	700272	SEAT CUSHION 13" X 17" X 2"	EA	99.00	44
684453	REPLACED BY 685903	EA	125.00	48	700273	SEAT CUSHION 13" X 17" X 3"	EA	95.00	44
684454	REPLACED BY 685904	EA	127.50	48	700277	SEAT CUSHION 13" X 18" X 2"	EA	99.00	44
684455	REPLACED BY 685905	EA	127.50	48	700278	SEAT CUSHION 13" X 18" X 3"	EA	95.00	44
684456	REPLACED BY 685906	EA	127.50	48	700282	SEAT CUSHION 14" X 10" X 2"	EA	100.98	44
684457	REPLACED BY 685907	EA	127.50	48	700292	SEAT CUSHION 14" X 11" X 2"	EA	100.98	44

Quickie Sports Products

Part Number	Part Description	Unit U/M	List Price	Disc. Code
700302	SEAT CUSHION 14" X 12" X 2"	EA	100.98	44
700312	SEAT CUSHION 14" X 13" X 2"	EA	100.98	44
700313	SEAT CUSHION 14" X 13" X 3"	EA	95.00	44
700322	SEAT CUSHION 14" X 14" X 2"	EA	100.98	44
700323	SEAT CUSHION 14" X 14" X 3"	EA	96.90	44
700332	SEAT CUSHION 14" X 15" X 2"	EA	100.98	44
700333	SEAT CUSHION 14" X 15" X 3"	EA	96.90	44
700342	SEAT CUSHION 14" X 16" X 2"	EA	100.98	44
700343	SEAT CUSHION 14" X 16" X 3"	EA	96.90	44
700352	SEAT CUSHION 14" X 17" X 2"	EA	100.98	44
700353	SEAT CUSHION 14" X 17" X 3"	EA	95.00	44
700362	SEAT CUSHION 14" X 18" X 2"	EA	100.98	44
700363	SEAT CUSHION 14" X 18" X 3"	EA	95.00	44
700372	SEAT CUSHION 14" X 19" X 2"	EA	99.00	44
700382	SEAT CUSHION 14" X 20" X 2"	EA	99.00	44
700392	SEAT CUSHION 14" X 21" X 2"	EA	99.00	44
700398	SEAT CUSHION 15" X 11" X 2"	EA	99.00	44
700402	SEAT CUSHION 15" X 12" X 2"	EA	99.00	44
700412	SEAT CUSHION 15" X 13" X 2"	EA	100.98	44
700413	SEAT CUSHION 15" X 13" X 3"	EA	95.00	44
700422	SEAT CUSHION 15" X 14" X 2"	EA	100.98	44
700423	SEAT CUSHION 15" X 14" X 3"	EA	96.90	44
700432	SEAT CUSHION 15" X 15" X 2"	EA	100.98	44
700433	SEAT CUSHION 15" X 15" X 3"	EA	95.00	44
700442	SEAT CUSHION 15" X 16" X 2"	EA	100.98	44
700443	SEAT CUSHION 15" X 16" X 3"	EA	96.90	44
700452	SEAT CUSHION 15" X 17" X 2"	EA	100.98	44
700453	SEAT CUSHION 15" X 17" X 3"	EA	96.90	44
700462	SEAT CUSHION 15" X 18" X 2"	EA	100.98	44
700463	SEAT CUSHION 15" X 18" X 3"	EA	95.00	44
700472	SEAT CUSHION 15" X 19" X 2"	EA	100.98	44
700473	SEAT CUSHION 15" X 19" X 3"	EA	95.00	44
700482	SEAT CUSHION 15" X 20" X 2"	EA	99.00	44
700492	SEAT CUSHION 15" X 21" X 2"	EA	99.00	44
700498	SEAT CUSHION 16" X 11" X 2"	EA	100.98	44
700502	SEAT CUSHION 16" X 12" X 2"	EA	100.98	44
700512	SEAT CUSHION 16" X 13" X 2"	EA	100.98	44
700513	SEAT CUSHION 16" X 13" X 3"	EA	95.00	44
700522	SEAT CUSHION 16" X 14" X 2"	EA	100.98	44
700523	SEAT CUSHION 16" X 14" X 3"	EA	96.90	44
700532	SEAT CUSHION 16" X 15" X 2"	EA	100.98	44
700533	SEAT CUSHION 16" X 15" X 3"	EA	96.90	44
700542	SEAT CUSHION 16" X 16" X 2"	EA	100.98	44
700543	SEAT CUSHION 16" X 16" X 3"	EA	96.90	44
700552	SEAT CUSHION 16" X 17" X 2"	EA	100.98	44
700553	SEAT CUSHION 16" X 17" X 3"	EA	96.90	44
700562	SEAT CUSHION 16" X 18" X 2"	EA	100.98	44
700563	SEAT CUSHION 16" X 18" X 3"	EA	96.90	44
700572	SEAT CUSHION 16" X 19" X 2"	EA	100.98	44
700573	SEAT CUSHION 16" X 19" X 3"	EA	95.00	44
700582	SEAT CUSHION 16" X 20" X 2"	EA	99.00	44
700585	SEAT CUSHION 17" X 11" X 2"	EA	99.00	44
700592	SEAT CUSHION 16" X 21" X 2"	EA	100.98	44
700597	SEAT CUSHION 17" X 13" X 2"	EA	99.00	44
700598	SEAT CUSHION 17" X 13" X 3"	EA	95.00	44
700602	SEAT CUSHION 17" X 14" X 2"	EA	100.98	44
700603	SEAT CUSHION 17" X 14" X 3"	EA	96.90	44
700606	SEAT CUSHION 17" X 12" X 2"	EA	99.00	44
700612	SEAT CUSHION 17" X 15" X 2"	EA	100.98	44
700613	SEAT CUSHION 17" X 15" X 3"	EA	95.00	44
700622	SEAT CUSHION 17" X 16" X 2"	EA	100.98	44
700623	SEAT CUSHION 17" X 16" X 3"	EA	96.90	44
700632	SEAT CUSHION 17" X 17" X 2"	EA	100.98	44
700633	SEAT CUSHION 17" X 17" X 3"	EA	96.90	44
700642	SEAT CUSHION 17" X 18" X 2"	EA	100.98	44
700643	SEAT CUSHION 17" X 18" X 3"	EA	96.90	44

Part Number	Part Description	Unit U/M	List Price	Disc. Code
700652	SEAT CUSHION 17" X 19" X 2"	EA	100.98	44
700653	SEAT CUSHION 17" X 19" X 3"	EA	96.90	44
700662	SEAT CUSHION 17" X 20" X 2"	EA	100.98	44
700672	SEAT CUSHION 17" X 21" X 2"	EA	99.00	44
700682	SEAT CUSHION 18" X 12" X 2"	EA	100.98	44
700692	SEAT CUSHION 18" X 13" X 2"	EA	99.00	44
700693	SEAT CUSHION 18" X 13" X 3"	EA	95.00	44
700702	SEAT CUSHION 18" X 14" X 2"	EA	100.98	44
700703	SEAT CUSHION 18" X 14" X 3"	EA	95.00	44
700712	SEAT CUSHION 18" X 15" X 2"	EA	100.98	44
700713	SEAT CUSHION 18" X 15" X 3"	EA	96.90	44
700722	SEAT CUSHION 18" X 16" X 2"	EA	100.98	44
700723	SEAT CUSHION 18" X 16" X 3"	EA	100.98	44
700732	SEAT CUSHION 18" X 17" X 2"	EA	100.98	44
700733	SEAT CUSHION 18" X 17" X 3"	EA	96.90	44
700742	SEAT CUSHION 18" X 18" X 2"	EA	100.98	44
700752	SEAT CUSHION 18" X 19" X 2"	EA	100.98	44
700753	SEAT CUSHION 18" X 19" X 3"	EA	96.90	44
700762	SEAT CUSHION 18" X 20" X 2"	EA	100.98	44
700763	SEAT CUSHION 18" X 20" X 3"	EA	96.90	44
700772	SEAT CUSHION 18" X 21" X 2"	EA	100.98	44
700782	SEAT CUSHION 19" X 12" X 2"	EA	99.00	44
700792	SEAT CUSHION 19" X 13" X 2"	EA	99.00	44
700793	SEAT CUSHION 19" X 13" X 3"	EA	95.00	44
700802	SEAT CUSHION 19" X 14" X 2"	EA	99.00	44
700803	SEAT CUSHION 19" X 14" X 3"	EA	95.00	44
700812	SEAT CUSHION 19" X 15" X 2"	EA	100.98	44
700813	SEAT CUSHION 19" X 15" X 3"	EA	95.00	44
700822	SEAT CUSHION 19" X 16" X 2"	EA	100.98	44
700823	SEAT CUSHION 19" X 16" X 3"	EA	96.90	44
700832	SEAT CUSHION 19" X 17" X 2"	EA	100.98	44
700833	SEAT CUSHION 19" X 17" X 3"	EA	95.00	44
700842	SEAT CUSHION 19" X 18" X 2"	EA	100.98	44
700843	SEAT CUSHION 19" X 18" X 3"	EA	96.90	44
700852	SEAT CUSHION 19" X 19" X 2"	EA	100.98	44
700853	SEAT CUSHION 19" X 19" X 3"	EA	95.00	44
700862	SEAT CUSHION 19" X 20" X 2"	EA	100.98	44
700872	SEAT CUSHION 19" X 21" X 2"	EA	100.98	44
700882	SEAT CUSHION 20" X 12" X 2"	EA	99.00	44
700892	SEAT CUSHION 20" X 13" X 2"	EA	100.98	44
700893	SEAT CUSHION 20" X 13" X 3"	EA	95.00	44
700902	SEAT CUSHION 20" X 14" X 2"	EA	99.00	44
700903	SEAT CUSHION 20" X 14" X 3"	EA	95.00	44
700912	SEAT CUSHION 20" X 15" X 2"	EA	100.98	44
700913	SEAT CUSHION 20" X 15" X 3"	EA	95.00	44
700922	SEAT CUSHION 20" X 16" X 2"	EA	100.98	44
700923	SEAT CUSHION 20" X 16" X 3"	EA	96.90	44
700932	SEAT CUSHION 20" X 17" X 2"	EA	100.98	44
700933	SEAT CUSHION 20" X 17" X 3"	EA	96.90	44
700942	SEAT CUSHION 20" X 18" X 2"	EA	100.98	44
700943	SEAT CUSHION 20" X 18" X 3"	EA	96.90	44
700952	SEAT CUSHION 20" X 19" X 2"	EA	100.98	44
700953	SEAT CUSHION 20" X 19" X 3"	EA	96.90	44
700962	SEAT CUSHION 20" X 20" X 2"	EA	100.98	44
700978	RIGID CUSHION SPEC-DIM	EA	104.81	48
701102	SELL 700102	EA	81.00	44
701111	SEAT COVER 12" X 11" X 1"	EA	75.71	44
701112	SELL 700112	EA	81.00	44
701122	SELL 700122	EA	81.00	44
701132	SELL 700132	EA	82.62	44
701202	SELL 700202	EA	81.00	44
701212	SELL 700212	EA	81.00	44
701222	SELL 700222	EA	81.00	44
701232	SELL 700232	EA	81.00	44
701242	SELL 700242	EA	81.00	44
701252	SELL 700252	EA	82.62	44

Quickie Sports Products

Part Number	Part Description	Unit U/M	List Price	Disc. Code	Part Number	Part Description	Unit U/M	List Price	Disc. Code
701262	SELL 700262	EA	81.00	44	702042	SEAT CUSH 17"X12"X2" T-FOAM	EA	156.00	48
701272	SELL 700272	EA	81.00	44	702044	SEAT CUSH 17"X14"X2" T-FOAM	EA	156.00	48
701282	SELL 700277	EA	81.00	44	702046	SEAT CUSH 17"X16"X2" T-FOAM	EA	156.00	48
701298	SELL 700282	EA	81.00	44	702052	SEAT CUSH 18"X12"X2" T-FOAM	EA	156.00	48
701302	SELL 700302	EA	81.00	44	702054	SEAT CUSH 18"X14"X2" T-FOAM	EA	156.00	48
701308	SELL 700292	EA	81.00	44	702056	SEAT CUSH 18"X16"X2" T-FOAM	EA	156.00	48
701312	SELL 700312	EA	81.00	44	702062	SEAT CUSH 19"X12"X2" T-FOAM	EA	156.00	48
701322	SELL 700322	EA	81.00	44	702064	SEAT CUSH 19"X14"X2" T-FOAM	EA	156.00	48
701332	SELL 700332	EA	81.00	44	702066	SEAT CUSH 19"X16"X2" T-FOAM	EA	156.00	48
701342	SELL 700342	EA	81.00	44	702072	SEAT CUSH 20"X12"X2" T-FOAM	EA	156.00	48
701352	SELL 700352	EA	82.62	44	702074	SEAT CUSH 20"X14"X2" T-FOAM	EA	156.00	48
701362	SELL 700362	EA	82.62	44	702076	SEAT CUSH 20"X16"X2" T-FOAM	EA	156.00	48
701402	SELL 700402	EA	81.00	44	703320	SEAT CUSHION CE 12 X 10 X 2	EA	99.00	44
701412	SELL 700412	EA	81.00	44	703321	SEAT CUSHION CE 12 X 11 X 2	EA	99.00	44
701422	SELL 700422	EA	81.00	44	703322	SEAT CUSHION CE 12 X 12 X 2	EA	99.00	44
701432	SELL 700432	EA	81.00	44	703323	SEAT CUSHION CE 12 X 13 X 2	EA	99.00	44
701442	SELL 700442	EA	81.00	44	703324	SEAT CUSHION CE 12 X 14 X 2	EA	99.00	44
701452	SELL 700452	EA	82.62	44	703325	SEAT CUSHION CE 12 X 15 X 2	EA	99.00	44
701462	SELL 700462	EA	81.00	44	703326	SEAT CUSHION CE 12 X 16 X 2	EA	99.00	44
701502	SELL 700502	EA	81.00	44	703327	SEAT CUSHION CE 12 X 17 X 2	EA	99.00	44
701512	SELL 700512	EA	81.00	44	703328	SEAT CUSHION CE 12 X 18 X 2	EA	99.00	44
701522	SELL 700522	EA	81.00	44	703329	SEAT CUSHION CE 12 X 19 X 2	EA	99.00	44
701532	SELL 700532	EA	81.00	44	703330	SEAT CUSHION CE 13 X 8 X 2	EA	99.00	44
701542	SELL 700542	EA	82.62	44	703331	SEAT CUSHION CE 13 X 9 X 2	EA	99.00	44
701552	SELL 700552	EA	82.62	44	703332	SEAT CUSHION CE 13 X 10 X 2	EA	99.00	44
701562	SELL 700562	EA	82.62	44	703333	SEAT CUSHION CE 13 X 11 X 2	EA	99.00	44
701596	SELL 700597	EA	81.00	44	703334	SEAT CUSHION CE 13 X 12 X 2	EA	99.00	44
701602	SELL 700602	EA	81.00	44	703335	SEAT CUSHION CE 13 X 13 X 2	EA	99.00	44
701606	SELL 700606	EA	81.00	44	703336	SEAT CUSHION CE 13 X 14 X 2	EA	99.00	44
701612	SELL 700612	EA	81.00	44	703337	SEAT CUSHION CE 13 X 15 X 2	EA	99.00	44
701622	SELL 700622	EA	82.62	44	703338	SEAT CUSHION CE 13 X 16 X 2	EA	99.00	44
701632	SELL 700632	EA	82.62	44	703339	SEAT CUSHION CE 13 X 17 X 2	EA	99.00	44
701642	SELL 700642	EA	82.62	44	703340	SEAT CUSHION CE 13 X 18 X 2	EA	99.00	44
701682	SELL 700682	EA	81.00	44	703341	SEAT CUSHION CE 13 X 19 X 2	EA	99.00	44
701692	SELL 700692	EA	81.00	44	703342	SEAT CUSHION CE 14 X 8 X 2	EA	99.00	44
701702	SELL 700702	EA	81.00	44	703343	SEAT CUSHION CE 14 X 9 X 2	EA	99.00	44
701712	SELL 700712	EA	81.00	44	703344	SEAT CUSHION CE 14 X 10 X 2	EA	99.00	44
701722	SELL 700722	EA	82.62	44	703345	SEAT CUSHION CE 14 X 11 X 2	EA	99.00	44
701732	SELL 700732	EA	81.00	44	703346	SEAT CUSHION CE 14 X 12 X 2	EA	99.00	44
701742	SELL 700742	EA	82.62	44	703347	SEAT CUSHION CE 14 X 13 X 2	EA	99.00	44
701782	SELL 700782	EA	81.00	44	703348	SEAT CUSHION CE 14 X 14 X 2	EA	99.00	44
701792	SELL 700792	EA	81.00	44	703349	SEAT CUSHION CE 14 X 15 X 2	EA	99.00	44
701802	SELL 700802	EA	81.00	44	703350	SEAT CUSHION CE 14 X 16 X 2	EA	99.00	44
701812	SELL 700812	EA	81.00	44	703351	SEAT CUSHION CE 14 X 17 X 2	EA	99.00	44
701822	SELL 700822	EA	82.62	44	703352	SEAT CUSHION CE 14 X 18 X 2	EA	99.00	44
701832	SELL 700832	EA	81.00	44	703353	SEAT CUSHION CE 14 X 19 X 2	EA	99.00	44
701842	SELL 700842	EA	81.00	44	703354	SEAT CUSHION CE 14 X 20 X 2	EA	99.00	44
701882	SELL 700882	EA	81.00	44	703357	SEAT CUSHION CE 15 X 11 X 2	EA	99.00	44
701892	SELL 700892	EA	81.00	44	703358	SEAT CUSHION CE 15 X 12 X 2	EA	99.00	44
701902	SELL 700902	EA	81.00	44	703359	SEAT CUSHION CE 15 X 13 X 2	EA	99.00	44
701912	SELL 700912	EA	82.62	44	703360	SEAT CUSHION CE 15 X 14 X 2	EA	99.00	44
701922	SELL 700922	EA	81.00	44	703361	SEAT CUSHION CE 15 X 15 X 2	EA	99.00	44
701932	SELL 700932	EA	81.00	44	703362	SEAT CUSHION CE 15 X 16 X 2	EA	99.00	44
701942	SELL 700942	EA	82.62	44	703363	SEAT CUSHION CE 15 X 17 X 2	EA	99.00	44
701962	SELL 700962	EA	81.00	44	703364	SEAT CUSHION CE 15 X 18 X 2	EA	99.00	44
701990	RIGID SEAT COVER ONLY SPEC-DIM	EA	84.36	48	703365	SEAT CUSHION CE 15 X 19 X 2	EA	99.00	44
702000	SEAT CUSH M3 T-FOAM SPEC-DIM	EA	180.00	48	703366	SEAT CUSHION CE 15 X 20 X 2	EA	99.00	44
702016	SEAT CUSH 13"X12"X2" T-FOAM	EA	156.00	48	703369	SEAT CUSHION CE 16 X 11 X 2	EA	99.00	44
702018	SEAT CUSH 13"X16"X2" T-FOAM	EA	156.00	48	703370	SEAT CUSHION CE 16 X 12 X 2	EA	99.00	44
702020	SEAT CUSH 14"X14"X2" T-FOAM	EA	156.00	48	703371	SEAT CUSHION CE 16 X 13 X 2	EA	99.00	44
702022	SEAT CUSH 15"X12"X2" T-FOAM	EA	156.00	48	703372	SEAT CUSHION CE 16 X 14 X 2	EA	99.00	44
702024	SEAT CUSH 15"X14"X2" T-FOAM	EA	156.00	48	703373	SEAT CUSHION CE 16 X 15 X 2	EA	99.00	44
702026	SEAT CUSH 15"X16"X2" T-FOAM	EA	156.00	48	703374	SEAT CUSHION CE 16 X 16 X 2	EA	99.00	44
702032	SEAT CUSH 16"X12"X2" T-FOAM	EA	156.00	48	703375	SEAT CUSHION CE 16 X 17 X 2	EA	99.00	44
702034	SEAT CUSH 16"X14"X2" T-FOAM	EA	156.00	48	703376	SEAT CUSHION CE 16 X 18 X 2	EA	99.00	44
702036	SEAT CUSH 16"X16"X2" T-FOAM	EA	156.00	48	703377	SEAT CUSHION CE 16 X 19 X 2	EA	99.00	44

Quickie Sports Products

Part Number	Part Description	Unit U/M	List Price	Disc. Code
703378	SEAT CUSHION CE 16 X 20 X 2	EA	99.00	44
703381	SEAT CUSHION CE 17 X 11 X 2	EA	99.00	44
703382	SEAT CUSHION CE 17 X 12 X 2	EA	99.00	44
703383	SEAT CUSHION CE 17 X 13 X 2	EA	99.00	44
703384	SEAT CUSHION CE 17 X 14 X 2	EA	99.00	44
703385	SEAT CUSHION CE 17 X 15 X 2	EA	99.00	44
703386	SEAT CUSHION CE 17 X 16 X 2	EA	99.00	44
703387	SEAT CUSHION CE 17 X 17 X 2	EA	99.00	44
703388	SEAT CUSHION CE 17 X 18 X 2	EA	99.00	44
703389	SEAT CUSHION CE 17 X 19 X 2	EA	99.00	44
703390	SEAT CUSHION CE 17 X 20 X 2	EA	99.00	44
703393	SEAT CUSHION CE 18 X 12 X 2	EA	99.00	44
703394	SEAT CUSHION CE 18 X 13 X 2	EA	99.00	44
703395	SEAT CUSHION CE 18 X 14 X 2	EA	99.00	44
703396	SEAT CUSHION CE 18 X 15 X 2	EA	99.00	44
703397	SEAT CUSHION CE 18 X 16 X 2	EA	99.00	44
703398	SEAT CUSHION CE 18 X 17 X 2	EA	99.00	44
703399	SEAT CUSHION CE 18 X 18 X 2	EA	99.00	44
703400	SEAT CUSHION CE 18 X 19 X 2	EA	99.00	44
703401	SEAT CUSHION CE 18 X 20 X 2	EA	99.00	44
703404	SEAT CUSHION CE 19 X 12 X 2	EA	99.00	44
703405	SEAT CUSHION CE 19 X 13 X 2	EA	99.00	44
703406	SEAT CUSHION CE 19 X 14 X 2	EA	99.00	44
703407	SEAT CUSHION CE 19 X 15 X 2	EA	99.00	44
703408	SEAT CUSHION CE 19 X 16 X 2	EA	99.00	44
703409	SEAT CUSHION CE 19 X 17 X 2	EA	99.00	44
703410	SEAT CUSHION CE 19 X 18 X 2	EA	99.00	44
703411	SEAT CUSHION CE 19 X 19 X 2	EA	99.00	44
703412	SEAT CUSHION CE 19 X 20 X 2	EA	99.00	44
703415	SEAT CUSHION CE 20 X 12 X 2	EA	99.00	44
703416	SEAT CUSHION CE 20 X 13 X 2	EA	99.00	44
703417	SEAT CUSHION CE 20 X 14 X 2	EA	99.00	44
703418	SEAT CUSHION CE 20 X 15 X 2	EA	99.00	44
703419	SEAT CUSHION CE 20 X 16 X 2	EA	99.00	44
703420	SEAT CUSHION CE 20 X 17 X 2	EA	99.00	44
703421	SEAT CUSHION CE 20 X 18 X 2	EA	99.00	44
703422	SEAT CUSHION CE 20 X 19 X 2	EA	99.00	44
703423	SEAT CUSHION CE 20 X 20 X 2	EA	99.00	44
720100	SEAT SLING 12" X 10"	EA	74.26	44
720101	SEAT SLING 12" X 11"	EA	74.26	44
720102	SEAT SLING 12" X 12"	EA	74.26	44
720103	SEAT SLING 12" X 13"	EA	74.26	44
720104	SEAT SLING 12" X 14"	EA	74.26	44
720105	SEAT SLING 12" X 15"	EA	70.00	44
720106	SEAT SLING 12" X 16"	EA	74.26	44
720107	SEAT SLING 12" X 17"	EA	72.80	44
720108	SEAT SLING 12" X 18"	EA	72.80	44
720200	SEAT SLING 13" X 10"	EA	72.80	44
720201	SEAT SLING 13" X 11"	EA	74.26	44
720202	SEAT SLING 13" X 12"	EA	74.26	44
720203	SEAT SLING 13" X 13"	EA	74.26	44
720204	SEAT SLING 13" X 14"	EA	74.26	44
720205	SEAT SLING 13" X 15"	EA	72.80	44
720206	SEAT SLING 13" X 16"	EA	72.80	44
720207	SEAT SLING 13" X 17"	EA	72.80	44
720208	SEAT SLING 13" X 18"	EA	72.80	44
720209	SEAT SLING 13" X 19"	EA	63.34	44
720298	SEAT SLING 14" X 10"	EA	74.26	44
720299	SEAT SLING 14" X 11"	EA	72.80	44
720300	SEAT SLING 14" X 12"	EA	74.26	44
720301	SEAT SLING 14" X 13"	EA	74.26	44
720302	SEAT SLING 14" X 14"	EA	74.26	44
720303	SEAT SLING 14" X 15"	EA	74.26	44
720304	SEAT SLING 14" X 16"	EA	74.26	44
720305	SEAT SLING 14" X 17"	EA	74.26	44
720306	SEAT SLING 14" X 18"	EA	74.26	44

Part Number	Part Description	Unit U/M	List Price	Disc. Code
720307	SEAT SLING 14" X 19"	EA	72.80	44
720308	SEAT SLING 14" X 20"	EA	72.80	44
720398	SEAT SLING 15" X 10"	EA	72.80	44
720399	SEAT SLING 15" X 11"	EA	72.80	44
720400	SEAT SLING 15" X 12"	EA	74.26	44
720401	SEAT SLING 15" X 13"	EA	74.26	44
720402	SEAT SLING 15" X 14"	EA	74.26	44
720403	SEAT SLING 15" X 15"	EA	74.26	44
720404	SEAT SLING 15" X 16"	EA	74.26	44
720405	SEAT SLING 15" X 17"	EA	74.26	44
720406	SEAT SLING 15" X 18"	EA	74.26	44
720407	SEAT SLING 15" X 19"	EA	72.80	44
720408	SEAT SLING 15" X 20"	EA	72.80	44
720498	SEAT SLING 16" X 10"	EA	72.80	44
720499	SEAT SLING 16" X 11"	EA	72.80	44
720500	SEAT SLING 16" X 12"	EA	72.80	44
720501	SEAT SLING 16" X 13"	EA	74.26	44
720502	SEAT SLING 16" X 14"	EA	74.26	44
720503	SEAT SLING 16" X 15"	EA	74.26	44
720504	SEAT SLING 16" X 16"	EA	74.26	44
720505	SEAT SLING 16" X 17"	EA	74.26	44
720506	SEAT SLING 16" X 18"	EA	74.26	44
720507	SEAT SLING 16" X 19"	EA	74.26	44
720510	SEAT SLING 16" X 22"	EA	75.60	44
720597	SEAT SLING 17" X 10"	EA	72.80	44
720598	SEAT SLING 17" X 11"	EA	72.80	44
720599	SEAT SLING 17" X 12"	EA	74.26	44
720600	SEAT SLING 17" X 13"	EA	74.26	44
720601	SEAT SLING 17" X 14"	EA	74.26	44
720602	SEAT SLING 17" X 15"	EA	74.26	44
720603	SEAT SLING 17" X 16"	EA	74.26	44
720604	SEAT SLING 17" X 17"	EA	74.26	44
720605	SEAT SLING 17" X 18"	EA	74.26	44
720606	SEAT SLING 17" X 19"	EA	74.26	44
720607	SEAT SLING 17" X 20"	EA	72.80	44
720696	SEAT SLING 18" X 10"	EA	72.80	44
720697	SEAT SLING 18" X 11"	EA	72.80	44
720698	SEAT SLING 18" X 12"	EA	74.26	44
720699	SEAT SLING 18" X 13"	EA	72.80	44
720700	SEAT SLING 18" X 14"	EA	74.26	44
720701	SEAT SLING 18" X 15"	EA	74.26	44
720702	SEAT SLING 18" X 16"	EA	74.26	44
720703	SEAT SLING 18" X 17"	EA	74.26	44
720704	SEAT SLING 18" X 18"	EA	74.26	44
720705	SEAT SLING 18" X 19"	EA	74.26	44
720706	SEAT SLING 18" X 20"	EA	74.26	44
720796	SEAT SLING 19" X 10"	EA	72.80	44
720797	SEAT SLING 19" X 11"	EA	72.80	44
720798	SEAT SLING 19" X 12"	EA	72.80	44
720799	SEAT SLING 19" X 13"	EA	72.80	44
720800	SEAT SLING 19" X 14"	EA	74.26	44
720801	SEAT SLING 19" X 15"	EA	74.26	44
720802	SEAT SLING 19" X 16"	EA	74.26	44
720803	SEAT SLING 19" X 17"	EA	74.26	44
720804	SEAT SLING 19" X 18"	EA	74.26	44
720805	SEAT SLING 19" X 19"	EA	74.26	44
720806	SEAT SLING 19" X 20"	EA	74.26	44
720824	SEAT SLING 14" X 14" W/POUCH	EA	69.22	45
720896	SEAT SLING 20" X 10"	EA	72.80	44
720897	SEAT SLING 20" X 11"	EA	72.80	44
720898	SEAT SLING 20" X 12"	EA	72.80	44
720899	SEAT SLING 20" X 13"	EA	72.80	44
720900	SEAT SLING 20" X 14"	EA	74.26	44
720901	SEAT SLING 20" X 15"	EA	74.26	44
720902	SEAT SLING 20" X 16"	EA	74.26	44
720903	SEAT SLING 20" X 17"	EA	74.26	44

Quickie Sports Products

Part Number	Part Description	Unit U/M	List Price	Disc. Code	Part Number	Part Description	Unit U/M	List Price	Disc. Code
720904	SEAT SLING 20" X 18"	EA	74.26	44	722112	UPH BACK SLING JR SHORT	EA	112.00	48
720906	SEAT SLING 20" X 19"	EA	74.26	44	722118	UPH BACK SLING LG LONG	EA	112.00	48
720907	SEAT SLING 20" X 20"	EA	74.26	44	722122	UPH BACK SLING LG SHORT	EA	112.00	48
721020	SEAT SLNG ADJ 14" DEPTH W/LACE	EA	140.00	44	722126	UPH BACK SLING SM LONG	EA	112.00	48
721021	SEAT SLNG ADJ 15" DEPTH W/LACE	EA	140.00	44	722130	UPH BACK SLING SM SHORT	EA	112.00	48
721022	SEAT SLNG ADJ 16" DEPTH W/LACE	EA	140.00	44	722134	UPH LEG SLING JR	EA	112.00	48
721023	SEAT SLNG ADJ 17" DEPTH W/LACE	EA	142.80	44	722136	UPH LEG SLING LG	EA	112.00	48
721024	SEAT SLNG ADJ 18" DEPTH W/LACE	EA	140.00	44	722138	UPH LEG SLING LR IN PROC	EA	22.70	48
721030	SEAT SLING FRONT SM RCR	EA	90.00	48	722140	UPH LEG SLING SM	EA	112.00	48
721031	SEAT SLING FRONT MED RCR	EA	90.00	48	722160	UPH SEAT SLING OT LG	EA	99.00	48
721032	SEAT SLING FRONT LG RCR	EA	90.00	48	722164	UPH SEAT SLING OT SM	EA	99.00	48
721050	UPH SEAT SLING (SPEC DIM)	EA	63.99	48	722166	UPH SEAT SLNG OT SM IN PR	EA	10.39	48
721067	SEAT SLING 13-14 AMP	EA	56.20	48	722168	UPH SEAT SLING OT XL	EA	99.00	48
721083	SEAT SLING 14" X 13" R2	EA	71.40	44	722174	UPH SEAT SLING T-TUBE LG	EA	100.98	48
721084	SEAT SLING 13" X 13" A/C	EA	70.00	44	722176	UPH SEAT SLING T-TUBE MED	EA	99.00	48
721085	SEAT SLING 13" X 14" A/C	EA	70.00	44	722178	UPH SEAT SLING T-TUBE SM	EA	99.00	48
721086	SEAT SLING 13" X 15" A/C	EA	70.00	44	740013	FOOT PLATE STRAP 3D	EA	6.70	48
721087	SEAT SLING 13" X 16" A/C	EA	70.00	44	740015	FOOT STRAP CUT	EA	12.65	48
721088	SEAT SLING 13" X 17" A/C	EA	70.00	44	740062	KNEE STRAP	EA	14.60	48
721089	SEAT SLING 13" X 18" A/C	EA	70.00	44	740064	KNEE STRAP JR	EA	14.60	48
721105	SEAT SLING 15-17 AMP	EA	57.32	48	740068	LONG STRAP	EA	18.36	48
721107	SEAT SLING RR ADJ 15 X 16	EA	174.00	48	740070	LONG STRAP IN PROCESS	EA	5.24	48
721114	SEAT SLING 14" X 14" QTNT	EA	71.40	44	740072	RACER FOOT H STRAP	EA	25.90	48
721115	SEAT SLING 14" X 15" QTNT	EA	71.40	44	740074	RACER KNEE STRAP IN PROC	EA	3.75	48
721116	SEAT SLING 14" X 16" QTNT	EA	71.40	44	740076	RCR LEG TENSN STRP IN PRC	EA	5.48	48
721117	SEAT SLING 14" X 17" QTNT	EA	70.00	44	740077	FOOTREST STRAP RIGHT MONO-SKI	EA	51.00	48
721118	SEAT SLING 14" X 18" QTNT	EA	70.00	44	740078	FOOTREST STRAP LEFT MONO-SKI	EA	51.00	48
721119	SEAT SLING 14" X 19" A/C	EA	70.00	44	740080	STRAP X-LONG	EA	18.36	48
721120	SEAT SLING 14" X 20" A/C	EA	70.00	44	740088	UPH PADDED FOOT POUCH SM	EA	95.27	48
721122	SEAT SLING 15" X 12" R2	EA	70.00	44	740111	LEG STRAP 10"-14" NEON YELLOW	EA	31.00	44
721123	SEAT SLING 15" X 13" R2	EA	71.40	44	740112	LEG STRAP 10"-14" TURQUOISE	EA	31.00	44
721124	SEAT SLING 15" X 14" QTNT	EA	70.00	44	740113	LEG STRAP 10"-14" NEON PINK	EA	31.00	44
721125	SEAT SLING 15" X 15" QTNT	EA	71.40	44	740121	LEG STRAP 15"-20" NEON YELLOW	EA	31.00	44
721126	SEAT SLING 15" X 16" QTNT	EA	70.00	44	740122	LEG STRAP 15"-20" TURQUOISE	EA	31.00	44
721127	SEAT SLING 15" X 17" QTNT	EA	70.00	44	740123	LEG STRAP 15"-20" NEON PINK	EA	31.00	44
721128	SEAT SLING 15" X 18" QTNT	EA	70.00	44	740130	LEG STRAP 10"-14" BLK	EA	30.60	44
721129	SEAT SLING 15" X 19" A/C	EA	70.00	44	740131	LEG STRAP 15"-17" BLK	EA	30.60	44
721130	SEAT SLING 15" X 20" A/C	EA	70.00	44	740132	LEG STRAP 18"-20" BLK	EA	30.60	44
721132	SEAT SLING 16" X 12" R2	EA	70.00	44	740133	LEG STRAP CUSTOM	EA	36.72	44
721133	SEAT SLING 16" X 13" R2	EA	70.00	44	740157	CHEST STRAP 2" ADLT REG (54")	EA	45.90	48
721134	SEAT SLING 16" X 14" QTNT	EA	71.40	44	740158	CHEST STRAP 4" ADLT REG (54")	EA	45.90	48
721135	SEAT SLING 16" X 15" QTNT	EA	71.40	44	740159	CALF STRAP SHORT	EA	14.60	48
721136	SEAT SLING 16" X 16" QTNT	EA	71.40	44	740160	CALF STRAP LONG	EA	14.34	48
721137	SEAT SLING 16" X 17" QTNT	EA	71.40	44	740161	CHEST STRAP 2" KIDZ SHT QKB	EA	48.90	48
721138	SEAT SLING 16" X 18" QTNT	EA	71.40	44	740162	CHEST STRAP 2"KIDZ REG (48")	EA	45.90	44
721139	SEAT SLING 16" X 19" A/C	EA	70.00	44	740163	CHEST STRAP 2" ADLT LNG (60")	EA	45.90	45
721140	SEAT SLING 16" X 20" A/C	EA	70.00	44	740171	CHEST STRAP 4" KIDZ SHT QKB	EA	48.90	48
721142	SEAT SLING 17" X 12" R2	EA	70.00	44	740172	CHEST STRAP 4" KIDZ REG (48")	EA	45.00	44
721143	SEAT SLING 17" X 13" R2	EA	70.00	44	740173	CHEST STRAP 4" ADLT LNG (60")	EA	45.90	45
721144	SEAT SLING 17" X 14" QTNT	EA	71.40	44	740222	LEG STRAP ASSM 3D	EA	37.40	48
721145	SEAT SLING 17" X 15" QTNT	EA	71.40	44	740260	TOE/ANKLE STRAP ADJ ADLT F/PLT	EA	20.40	44
721146	SEAT SLING 17" X 16" QTNT	EA	71.40	44	740270	LEG SLING UPH SMALL	EA	65.20	48
721147	SEAT SLING 17" X 17" QTNT	EA	71.40	44	740271	LEG SLING UPH MEDIUM	EA	66.50	48
721148	SEAT SLING 17" X 18" QTNT	EA	71.40	44	740272	LEG SLING UPH LARGE	EA	65.20	48
721149	SEAT SLING 17" X 19" A/C	EA	70.00	44	741153	H/L 18-20 CMPST/14-15 ANG ADJ	EA	13.24	44
721150	SEAT SLING 17" X 20" A/C	EA	70.00	44	741500	ANKLE/BACK STRAP 2"W X 43"L	EA	37.51	48
721152	SEAT SLING 18" X 19" A/C	EA	70.00	44	741600	ANKLE PAD 3D	EA	43.90	48
721153	SEAT SLING 18" X 20" A/C	EA	70.00	44	750060	BACK REL STRAP 12"-22" RIGID	EA	2.48	44
721154	SEAT SLING 18" X 14" QTNT	EA	70.00	44	750065	ADJ SLING STRAP/LACE	EA	5.68	44
721155	SEAT SLING 18" X 15" QTNT	EA	71.40	44	750096	SIDE GRD STRP BACK 12-14" WIDE	EA	17.66	48
721156	SEAT SLING 18" X 16" QTNT	EA	71.40	44	750115	BACKPACK QUICKIE	EA	56.10	44
721157	SEAT SLING 18" X 17" QTNT	EA	71.40	44	750116	SIDE GRD STRP BACK 15-17" WIDE	EA	8.40	48
721158	SEAT SLING 18" X 18" QTNT	EA	71.40	44	750117	SIDE GRD STRP BACK 18-20" WIDE	EA	8.40	48
722102	UPH AMP SLING LG	EA	65.20	48	750121	BACK PACK BLACK/CHARCOAL KIDS	EA	51.00	44
722106	UPH AMP SLING SM	EA	65.20	48	750218	RATCHET POS BELT LRG ASSM (PR)	PR	90.00	44
722110	UPH BACK SLING JR LNG	EA	112.00	48	750219	RATCHET POS BELT XLG ASSM (PR)	PR	90.00	44

Quickie Sports Products

Part Number	Part Description	Unit U/M	List Price	Disc. Code
750220	REPLACED BY 740222	EA	19.10	48
750221	REPLACED BY 740222	EA	19.48	48
750230	KNEE STRAP SMALL/MED RCR	EA	14.60	48
750232	KNEE STRAP LARGE RCR	EA	14.60	48
750304	SEAT POUCH BLACK/CHARCOAL	EA	40.00	44
750307	SEAT POUCH QUICKIE	EA	40.80	44
750323	CRUTCH POUCH	EA	70.70	48
750324	IMPACT COVER GUARDS SM	PR	50.00	48
750325	IMPACT COVER GUARDS STD	PR	51.00	48
750326	IMPACT COVER GUARDS LRG	PR	51.00	48
750333	IMPACT GUARD NEOPRENE 1 INCH	PR	41.00	44
750336	CATCH-ALL DT 85D/GP-GPV LARGE	EA	86.70	48
750337	CATCH-ALL QUICKIE 1&2 SMALL	EA	86.70	48
750338	CATCH-ALL DT 85D/GP-GPV SM	EA	86.70	48
750340	CATCH-ALL SM 12-16"	EA	86.70	48
750341	CATCH-ALL LRG 17-20"	EA	86.70	48
750721	KANSKI UPH SET 15-17 AMP STD	EA	72.32	48
750724	KANSKI UPH SET 13-14 AMP SML	EA	72.32	48
750727	KNEE FOAM BAR COVER SMALL	EA	9.50	48
750728	KNEE FOAM BAR COVER STD	EA	9.69	48
750751	CROSSBAR PAD 12"-13"	EA	20.40	48
750759	UPH PADDED FOOT POUCH JR	EA	93.40	48
750760	UPH PADDED FOOT POUCH LG	EA	93.40	48
751020	POSITION BLT HK/LP CLS 13"-14"	EA	51.00	48
751025	POSITION BELT NYLN BKL SPC-DIM	EA	51.00	48
760391	24" SPK PNEU BLK HR OMIT	EA	74.46	48
760546	26" SPK PNEU BLK HR OMIT	EA	79.56	48
760561	26" SPK CLNCHR HR OMIT M2	EA	88.00	48
760562	26" SPK OFF RD KNOBBIE OMIT HR	EA	148.00	48
760600	24" SPK CLNCHR HR ANO	EA	217.26	44
760601	24" SPK CLNCHR HR PLST	EA	265.20	44
760602	24" SPK CLNCHR HR LT ANO	EA	228.48	44
760603	24" SPK CLNCHR HR LT PLST	EA	260.00	44
760604	24" SPK CLNCHR 8VERT	EA	281.52	44
760605	24" SPK CLNCHR 8OBLQ	EA	276.00	44
760606	24" SPK CLNCHR 10VERT	EA	281.00	44
760607	24" SPK CLNCHR 10OBLQ	EA	281.00	44
760608	24" SPK CLNCHR 12VERT	EA	296.00	44
760609	24" SPK CLNCHR 12OBLQ	EA	296.00	44
760610	24" SPK CLNCHR OMIT HR	EA	186.66	44
760620	24" SPK PNEU BLK 3 SPD HUB	EA	281.00	48
760621	24" SPK PNEU BLK 7 SPD HUB	EA	489.00	48
760622	24" SPK CLNCHR 3 SPD HUB	EA	296.00	48
760623	24" SPK CLNCHR 7 SPD HUB	EA	499.00	48
760624	24" SPK PNEU BLK 7 SPD SHIMANO	EA	470.00	48
760625	24" SPK CLNCHR 7 SPD SHIMANO	EA	480.00	48
760640	26" SPK PNEU BLK 3 SPD HUB	EA	333.00	48
760641	26" SPK PNEU BLK 7 SPD HUB	EA	536.00	48
760642	26" SPK CLNCHR 3 SPD HUB	EA	348.00	48
760643	26" SPK CLNCHR 7 SPD HUB	EA	551.00	48
760644	26" SPK OFF ROAD 3 SPD HUB	EA	328.00	48
760645	26" SPK OFF ROAD 7 SPD HUB	EA	530.00	48
760647	26" SPK PNEU BLK 7 SPD SHIMANO	EA	525.30	48
760648	26" SPK CLNCHR 7 SPD SHIMANO	EA	530.00	48
760649	26" SPK OFF ROAD 7 SPD SHIMANO	EA	510.00	48
760650	20"SPK FRNT WHL PNEU 1 SPD QKB	EA	229.00	48
760651	20"SPK FRNT WHL KNBB 1 SPD QKB	EA	244.00	48
760655	20"SPK FRNT WHL PNEU 3 SPD QKB	EA	296.00	48
760656	20"SPK FRNT WHL KNBB 3 SPD QKB	EA	312.00	48
760660	20" MAG REAR WHL PNEU BLK QKB	EA	73.00	48
760661	20" MAG REAR WHL KNOBBIE QKB	EA	104.00	48
760670	20" SPK REAR WHL PNEU BLK QKB	EA	104.00	48
760671	20" SPK REAR WHL KNOBBIE QKB	EA	120.00	48
760680	24" SPK TBLR HR ANO	EA	285.60	44
760681	24" SPK TBLR HR PLST	EA	229.00	44
760690	24" SPK TBLR OMIT HR	EA	190.00	44

Part Number	Part Description	Unit U/M	List Price	Disc. Code
760710	24IN MAG 6S PNEU BLK HR O MIT	EA	69.36	48
760735	24" MAG 6S FPOLY 8VERT	EA	291.72	44
760761	24" MAG 6S KVLR HR ANO	EA	217.26	44
761051	590 X/S HT TN CLNCH HR OMIT	EA	240.00	44
761052	590 X/S HT TN CLNCH S-T ANO	EA	320.00	44
761053	590 X/S HT TN CLNCH S-T BLK	EA	345.00	44
761054	590 X/S HT TN CLNCH S-T PLST	EA	380.00	44
761055	590 X/S HT TN CLNCH R-T ANO	EA	185.00	44
761056	590 X/S HT TN CLNCH R-T BLK	EA	185.00	45
761057	590 X/S HT TN CLNCH R-T PLST	EA	380.00	44
761061	590 X/S HT BB CLNCH HR OMIT	EA	240.00	44
761062	590 X/S HT BB CLNCH S-T ANO	EA	326.40	44
761063	590 X/S HT BB CLNCH S-T BLK	EA	345.00	44
761064	590 X/S HT BB CLNCH S-T PLST	EA	380.00	44
761065	590 X/S HT BB CLNCH R-T ANO	EA	315.00	44
761066	590 X/S HT BB CLNCH R-T BLK	EA	345.00	44
761067	590 X/S HT BB CLNCH R-T PLST	EA	380.00	44
761071	590 X/S HT BB TBLR HR OMIT	EA	285.60	44
761072	590 X/S HT BB TBLR S-T ANO	EA	315.00	44
761073	590 X/S HT BB TBLR S-T BLK	EA	300.90	44
761074	590 X/S HT BB TBLR S-T PLST	EA	311.10	44
761075	590 X/S HT BB TBLR R-T ANO	EA	315.00	44
761076	590 X/S HT BB TBLR R-T BLK	EA	300.90	44
761077	590 X/S HT BB TBLR R-T PLST	EA	311.10	44
761081	590 X/S HT TN TBLR HR OMIT	EA	285.60	44
761082	590 X/S HT TN TBLR S-T ANO	EA	300.90	44
761083	590 X/S HT TN TBLR S-T BLK	EA	300.90	44
761084	590 X/S HT TN TBLR S-T PLST	EA	311.10	44
761085	590 X/S HT TN TBLR R-T ANO	EA	300.90	44
761086	590 X/S HT TN TBLR R-T BLK	EA	300.90	44
761087	590 X/S HT TN TBLR R-T PLST	EA	311.10	44
761100	QP 24" TNNS TBLR ANO	EA	217.00	44
761101	QP 24" TNNS KVLR ANO	EA	221.34	44
761102	QP 24" TNNS TBLR PLST	EA	250.00	44
761103	QP 24" TNNS KVLR PLST	EA	250.00	44
761104	QP 24" TNNS W/O TIRE ANO	EA	190.74	44
761105	QP 24" TNNS KVLR SS	EA	255.00	44
761106	QP 24" TNNS W/O TIRE PLST	EA	224.00	44
761107	QP 24" TNNS PNEU ANO	EA	195.84	44
761108	QP 24" TNNS PNEU PLST	EA	228.48	44
761109	QP 24" TNNS RIM ASSM	EA	135.00	44
761110	QP 24" BB TBLR ANO	EA	221.34	44
761111	QP 24" BB KVLR ANO	EA	221.34	44
761112	QP 24" BB TBLR PLST	EA	255.00	44
761113	QP 24" BB KVLR PLST	EA	255.00	44
761114	QP 24" BB W/O TIRE ANO	EA	190.74	44
761115	QP 24" BB PNEU SS	EA	234.00	44
761116	QP 24" BB W/O TIRE PLST	EA	224.00	44
761117	QP 24" BB PNEU ANO	EA	195.84	44
761118	QP 24" BB PNEU PLST	EA	228.48	44
761119	QP 24" BB RIM ASSM	EA	137.70	44
761127	QP 24" HT TNNS TURBO 32H ANO	EA	322.00	44
761128	QP 24" HT TNNS RIM ASSM 32H	EA	229.00	44
761130	QP 24" HT TNNS TBLR 36H ANO	EA	261.12	44
761131	QP 24" HT TNNS TURBO 32H TI	EA	302.00	44
761132	QP 24" HT TNNS TBLR 36H PLST	EA	296.82	44
761133	QP 24" HT TNNS TBLR 36H SS	EA	285.60	44
761134	QP 24" HT TNNS W/O TIRE ANO	EA	228.48	44
761135	QP 24" HT TNNS TURBO SS	EA	297.00	44
761136	QP 24" HT TNNS W/O TIRE PLST	EA	255.00	44
761137	QP 24" HT TNNS TURBO 36H ANO	EA	260.10	44
761138	QP 24" HT TNNS TURBO 36H PLST	EA	296.82	44
761139	QP 24" HT TNNS RIM ASSM	EA	182.00	44
761140	QP 24" HT BB TBLR ANO	EA	260.10	44
761141	QP 24" HT BB TBLR SS	EA	297.00	44
761142	QP 24" HT BB TBLR PLST	EA	291.00	44

Quickie Sports Products

Part Number	Part Description	Unit U/M	List Price	Disc. Code
761143	QP 24" HT BB TURBO SS	EA	297.00	44
761144	QP 24" HT BB W/O TIRE ANO	EA	228.48	44
761145	QP 24" HT BB TURBO TI	EA	365.00	44
761146	QP 24" HT BB W/O TIRE PLST	EA	260.10	44
761147	QP 24" HT BB TURBO ANO	EA	280.50	44
761148	QP 24" HT BB TURBO PLST	EA	296.82	44
761149	QP 24" HT BB RIM ASSM	EA	185.64	44
761150	QP 26" TNNS TBLR ANO	EA	217.00	44
761151	QP 26" TNNS TBLR SS	EA	259.00	44
761152	QP 26" TNNS TBLR PLST	EA	262.00	44
761153	QP 26" TNNS PNEU ANO	EA	195.84	44
761154	QP 26" TNNS W/O TIRE ANO	EA	182.00	44
761155	QP 26" TNNS PNEU PLST	EA	224.00	44
761156	QP 26" TNNS W/O TIRE PLST	EA	229.00	44
761157	QP 26" TNNS RIM ASSM	EA	135.00	44
761160	QP 26" BB TBLR ANO	EA	217.00	44
761161	QP 26" BB PNEU ANO	EA	195.84	44
761162	QP 26" BB TBLR PLST	EA	267.24	44
761163	QP 26" BB PNEU PLST	EA	224.00	44
761164	QP 26" BB W/O TIRE ANO	EA	182.00	44
761165	QP 26" BB PNEU TI	EA	302.00	44
761166	QP 26" BB W/O TIRE PLST	EA	229.00	44
761167	QP 26" BB RIM ASSM	EA	137.70	44
761172	QP 26" HT TNNS TURBO ANO	EA	255.00	44
761173	QP 26" HT TNNS TURBO PLST	EA	286.62	44
761174	QP 26 HT TNNS ANO W/TURBO SLCK	EA	252.00	44
761175	QP 26 HT TNNS PLAS W/TURBO SLK	EA	275.00	44
761176	QP 26" HT TNNS W/O TIRE ANO	EA	224.00	44
761177	QP 26" HT TNNS W/O TIRE PLST	EA	258.00	44
761178	QP 26" HT TNNS RIM ASSM	EA	182.00	44
761182	QP 26" HT BB TURBO ANO	EA	260.10	44
761183	QP 26" HT BB TURBO PLST	EA	281.00	44
761184	QP 26 HT B/B ANO W/TURBO SLCK	EA	252.00	44
761185	QP 26" HT BB TURBO SLCK PLST	EA	275.00	44
761186	QP 26" HT BB W/O TIRE ANO	EA	224.00	44
761187	QP 26" HT BB W/O TIRE PLST	EA	244.00	44
761188	QP 26" HT BB RIM ASSM	EA	185.64	44
761200	QP 24" BB CLNCHR ANO	EA	212.16	44
761201	QP 24" BB CLNCHR PLST	EA	243.78	44
761210	QP 24" TNNS CLNCHR ANO	EA	212.16	44
761211	QP 24" TNNS CLNCHR PLST	EA	239.00	44
761250	QP 26" BB CLNCHR ANO	EA	212.16	44
761251	QP 26" BB CLNCHR PLST	EA	239.00	44
761260	QP 26" TNNS CLNCHR ANO	EA	208.00	44
761261	QP 26" TNNS CLNCHR PLST	EA	239.00	44
761300	TRI-SPOKE CLNCHR W/ 7/16 AXLE	EA	1,402.50	48
761301	TRI-SPOKE CLNCHR W/ 1/2 AXLE	EA	1,375.00	48
761303	TRI-SPOKE TUBULAR W/ 7/16 AXLE	EA	1,375.00	48
761304	TRI-SPOKE TUBULAR W/ 1/2 AXLE	EA	1,375.00	48
761400	24"X/S PNEU HR OMIT	EA	166.00	48
761401	24"X/S PNEU HR S-T ANO	EA	198.00	48
761402	24"X/S PNEU HR S-T BLK PNTD	EA	177.00	48
761403	24"X/S PNEU HR S-T PLST	EA	229.00	48
761404	24"X/S PNEU HR R-T ANO	EA	192.00	48
761405	24"X/S PNEU HR R-T BLK PNTD	EA	177.00	48
761406	24"X/S PNEU HR R-T PLST	EA	229.00	48
761407	24"X/S CLNCHR HR OMIT	EA	183.00	48
761408	24"X/S CLNCHR HR S-T ANO	EA	218.00	48
761409	24"X/S CLNCHR HR S-T BLK PNTD	EA	198.00	48
761410	24"X/S CLNCHR HR S-T PLST	EA	250.00	48
761411	24"X/S CLNCHR HR R-T ANO	EA	218.00	48
761412	24"X/S CLNCHR HR R-T BLK PNTD	EA	198.00	48
761413	24"X/S CLNCHR HR R-T PLST	EA	250.00	48
761414	24"X/S TBLR HR OMIT	EA	198.00	48
761415	24"X/S TBLR HR S-T ANO	EA	239.00	48
761416	24"X/S TBLR HR S-T BLK PNTD	EA	218.00	48

Part Number	Part Description	Unit U/M	List Price	Disc. Code
761417	24"X/S TBLR HR S-T PLST	EA	260.00	48
761418	24"X/S TBLR HR R-T ANO	EA	239.00	48
761419	24"X/S TBLR HR R-T BLK PNTD	EA	218.00	48
761420	24"X/S TBLR HR R-T PLST	EA	260.00	48
761421	26"X/S PNEU HR OMIT	EA	166.00	48
761422	26"X/S PNEU HR S-T ANO	EA	198.00	48
761423	26"X/S PNEU HR S-T BLK PNTD	EA	177.00	48
761424	26"X/S PNEU HR S-T PLST	EA	229.00	48
761425	26"X/S PNEU HR R-T ANO	EA	203.00	48
761426	26"X/S PNEU HR R-T BLK PNTD	EA	177.00	48
761427	26"X/S PNEU HR R-T PLST	EA	229.00	48
761428	26"X/S CLNCHR HR OMIT	EA	183.00	48
761429	26"X/S CLNCHR HR S-T ANO	EA	218.00	48
761430	26"X/S CLNCHR HR S-T BLK PNTD	EA	198.00	48
761431	26"X/S CLNCHR HR S-T PLST	EA	250.00	48
761432	26"X/S CLNCHR HR R-T ANO	EA	222.36	48
761433	26"X/S CLNCHR HR R-T BLK PNTD	EA	198.00	48
761434	26"X/S CLNCHR HR R-T PLST	EA	250.00	48
761435	26"X/S TBLR HR OMIT	EA	146.00	48
761436	26"X/S TBLR HR S-T ANO	EA	239.00	48
761437	26"X/S TBLR HR S-T BLK PNTD	EA	218.00	48
761438	26"X/S TBLR HR S-T PLST	EA	260.00	48
761439	26"X/S TBLR HR R-T ANO	EA	239.00	48
761440	26"X/S TBLR HR R-T BLK PNTD	EA	218.00	48
761441	26"X/S TBLR HR R-T PLST	EA	260.00	48
761442	24"X/S HT TN TBLR HR OMIT	EA	250.00	48
761443	24"X/S HT TN TBLR HR S-T ANO	EA	328.00	48
761444	24"X/S HT TN TBLR HR S-T BLK	EA	295.00	48
761445	24"X/S HT TN TBLR HR S-T PLST	EA	325.00	48
761446	24"X/S HT TN TBLR HR R-T ANO	EA	315.00	48
761447	24"X/S HT TN TBLR HR R-T BLK	EA	295.00	48
761448	24"X/S HT TN TBLR HR R-T PLST	EA	325.00	48
761449	24"X/S HT BB TBLR HR OMIT	EA	250.00	48
761450	24"X/S HT BB TBLR HR S-T ANO	EA	328.00	48
761451	24"X/S HT BB TBLR HR S-T BLK	EA	307.00	48
761452	24"X/S HT BB TBLR HR S-T PLST	EA	338.00	48
761453	24"X/S HT BB TBLR HR R-T ANO	EA	328.00	48
761454	24"X/S HT BB TBLR HR R-T BLK	EA	307.00	48
761455	24"X/S HT BB TBLR HR R-T PLST	EA	338.00	48
761456	26"X/S HT TN TBLR HR OMIT	EA	250.00	48
761457	26"X/S HT TN TBLR HR S-T ANO	EA	328.00	48
761458	26"X/S HT TN TBLR HR S-T BLK	EA	307.00	48
761459	26"X/S HT TN TBLR HR S-T PLST	EA	338.00	48
761460	26"X/S HT TN TBLR HR R-T ANO	EA	328.00	48
761461	26"X/S HT TN TBLR HR R-T BLK	EA	307.00	48
761462	26"X/S HT TN TBLR HR R-T PLST	EA	338.00	48
761463	26"X/S HT BB TBLR HR OMIT	EA	250.00	48
761464	26"X/S HT BB TBLR HR S-T ANO	EA	328.00	48
761465	26"X/S HT BB TBLR HR S-T BLK	EA	307.00	48
761466	26"X/S HT BB TBLR HR S-T PLST	EA	338.00	48
761467	26"X/S HT BB TBLR HR R-T ANO	EA	328.00	48
761468	26"X/S HT BB TBLR HR R-T BLK	EA	307.00	48
761469	26"X/S HT BB TBLR HR R-T PLST	EA	338.00	48
761470	24"X/S HT TN TRBO HR OMIT	EA	250.00	48
761471	24"X/S HT TN TRBO HR S-T ANO	EA	328.00	48
761472	24"X/S HT TN TRBO HR S-T BLK	EA	307.00	48
761473	24"X/S HT TN TRBO HR S-T PLST	EA	338.00	48
761474	24"X/S HT TN TRBO HR R-T ANO	EA	328.00	48
761475	24"X/S HT TN TRBO HR R-T BLK	EA	307.00	48
761476	24"X/S HT TN TRBO HR R-T PLST	EA	338.00	48
761477	24"X/S HT BB TRBO HR OMIT	EA	250.00	48
761478	24"X/S HT BB TRBO HR S-T ANO	EA	328.00	48
761479	24"X/S HT BB TRBO HR S-T BLK	EA	307.00	48
761480	24"X/S HT BB TRBO HR S-T PLST	EA	338.00	48
761481	24"X/S HT BB TRBO HR R-T ANO	EA	334.56	48
761482	24"X/S HT BB TRBO HR R-T BLK	EA	307.00	48

Quickie Sports Products

Part Number	Part Description	Unit U/M	List Price	Disc. Code
761483	24"X/S HT BB TRBO HR R-T PLST	EA	338.00	48
761484	26"X/S HT TN TRBO HR OMIT	EA	250.00	48
761485	26"X/S HT TN TRBO HR S-T ANO	EA	328.00	48
761486	26"X/S HT TN TRBO HR S-T BLK	EA	307.00	48
761487	26"X/S HT TN TRBO HR S-T PLST	EA	338.00	48
761488	26"X/S HT TN TRBO HR R-T ANO	EA	328.00	48
761489	26"X/S HT TN TRBO HR R-T BLK	EA	307.00	48
761490	26"X/S HT TN TRBO HR R-T PLST	EA	338.00	48
761491	26"X/S HT BB TRBO HR OMIT	EA	250.00	48
761492	26"X/S HT BB TRBO HR S-T ANO	EA	328.00	48
761493	26"X/S HT BB TRBO HR S-T BLK	EA	307.00	48
761494	26"X/S HT BB TRBO HR S-T PLST	EA	338.00	48
761495	26"X/S HT BB TRBO HR R-T ANO	EA	328.00	48
761496	26"X/S HT BB TRBO HR R-T BLK	EA	307.00	48
761497	26"X/S HT BB TRBO HR R-T PLST	EA	338.00	48
761498	24" X/S CLNCHR HR S-T S/S	EA	218.00	44
761499	24" X/S CLNCHR HR R-T S/S	EA	218.00	44
761500	24"X/S HT PW TBLR HR OMIT	EA	343.00	48
761501	24"X/S HT PW TBLR HR S-T ANO	EA	395.00	48
761502	24"X/S HT PW TBLR HR S-T BLK	EA	374.00	48
761503	24"X/S HT PW TBLR HR S-T PLST	EA	411.00	48
761504	24"X/S HT PW TBLR HR R-T ANO	EA	395.00	48
761505	24"X/S HT PW TBLR HR R-T BLK	EA	374.00	48
761506	24"X/S HT PW TBLR HR R-T PLST	EA	411.00	48
761507	24"X/S HT PW TRBO HR OMIT	EA	343.00	48
761508	24"X/S HT PW TRBO HR S-T ANO	EA	395.00	48
761509	24"X/S HT PW TRBO HR S-T BLK	EA	374.00	48
761510	24"X/S HT PW TRBO HR S-T PLST	EA	411.00	48
761511	24"X/S HT PW TRBO HR R-T ANO	EA	395.00	48
761512	24"X/S HT PW TRBO HR R-T BLK	EA	374.00	48
761513	24"X/S HT PW TRBO HR R-T PLST	EA	411.00	48
761514	26"X/S HT PW TBLR HR OMIT	EA	343.00	48
761515	26"X/S HT PW TBLR HR S-T ANO	EA	395.00	48
761516	26"X/S HT PW TBLR HR S-T BLK	EA	374.00	48
761517	26"X/S HT PW TBLR HR S-T PLST	EA	411.00	48
761518	26"X/S HT PW TBLR HR R-T ANO	EA	395.00	48
761519	26"X/S HT PW TBLR HR R-T BLK	EA	374.00	48
761520	26"X/S HT PW TBLR HR R-T PLST	EA	411.00	48
761521	26"X/S HT PW TRBO HR OMIT	EA	343.00	48
761522	26"X/S HT PW TRBO HR S-T ANO	EA	395.00	48
761523	26"X/S HT PW TRBO HR S-T BLK	EA	374.00	48
761524	26"X/S HT PW TRBO HR S-T PLST	EA	411.00	48
761525	26"X/S HT PW TRBO HR R-T ANO	EA	395.00	48
761526	26"X/S HT PW TRBO HR R-T BLK	EA	374.00	48
761527	26"X/S HT PW TRBO HR R-T PLST	EA	411.00	48
761556	QP 24" TNNS TBLR OMIT HR	EA	280.00	44
761576	QP 24" TNNS CLNCHR OMIT HR	EA	200.00	44
761591	QP 24" HT TNNS TURBO OMIT 36H	EA	250.00	44
761592	590 X/S HT BB CLNCH S-T S/S	EA	320.00	44
761593	590 X/S HT BB CLNCH R-T S/S	EA	315.00	44
761594	590 X/S HT BB TBLR S-T S/S	EA	315.00	44
761595	590 X/S HT BB TBLR R-T S/S	EA	315.00	44
761600	26" SUN CLNCHR 28 PHL 7/16 G/P	EA	307.00	48
761601	700C SUN CLNCH 28 PHL 7/16 TUR	EA	291.00	48
761602	700C SUN CLNCH 36 PHL 7/16 TRB	EA	291.00	48
761603	700C SUN TBLR ULTM 36 PHL 7/16	EA	364.00	48
761604	700C SUN TBL CONTL 36 PHL 7/16	EA	364.00	48
761605	700C SUN TBLR ULTM 28 PHL 7/16	EA	364.00	48
761606	700C SUN TBL CONTL 28 PHL 7/16	EA	364.00	48
761607	24" SUN TBLR 28 PHL 7/16	EA	307.00	48
761608	24" SUN TBLR 28 PHL 1/2	EA	307.00	48
761609	24" SUN CLNCH 28 PHL 1/2 RCR	EA	307.00	48
761610	20" SUN CLNCH 36 PHL 1/2 RCR	EA	307.00	48
761611	26" SUN CLNCH 28 PHL 1/2	EA	307.00	48
761612	26" SUN CLNCH 28 PHL 1/2 G/P	EA	307.00	48
761613	700C SUN CLNCH 28 PHL 1/2 RCR	EA	313.14	48

Part Number	Part Description	Unit U/M	List Price	Disc. Code
761614	700C SUN CLNCH 36 PHL 1/2	EA	296.00	48
761615	700C SUN CLNCH 36 PHL 1/2 TRB	EA	296.00	48
761616	700C SUN CLNCH 28 PHL 1/2 TRB	EA	296.00	48
761617	700 SUN TBLR 28 PHL 1/2 RAPIDE	EA	364.00	48
761618	700 SUN TBLR 36 PHL 1/2 RAPIDE	EA	364.00	48
761619	700 SUN TBLR ULTM 28 PHL 1/2	EA	307.00	48
761620	700 SUN TBLR ULTM 36 PHL 1/2	EA	307.00	48
761621	700 SUN TBLR CONTL 28 PHL 1/2	EA	364.00	48
761622	700 SUN TBLR CONTL 36 PHL 1/2	EA	364.00	48
761685	QP 24" HT TNNS TURBO OMIT 32H	EA	258.00	44
761770	REPLACED W/761826	EA	347.50	44
761805	24IN SPNRGY SPR W/PL HR WHT 5	EA	427.50	44
761806	24" SPNRGY SPR W/HR WHT 540	EA	347.50	44
761807	26IN SPNRGY SPR W/PL HR WHT 5	EA	427.50	44
761808	26" SPNRGY SPR W/HR WHT 590	EA	347.50	44
761819	24" SPNRGY SPR W/HR WHT 559	EA	347.50	44
761824	24" SPNRGY SPR W/HR BLK 540	EA	347.50	44
761825	24IN SPNRGY SPR W/PL HR BLK 5	EA	392.50	44
761826	24" SPNRGY SPR W/HR BLK 559	EA	347.50	44
761828	26" SPNRGY SPR W/HR BLK 590	EA	347.50	44
761829	26" SPNRGY SPR W/PL HR BLK 590	EA	392.50	44
762000	24" SPK BLK TBLR ANO	EA	259.00	48
762001	24" SPK BLK TBLR PLST BLK	EA	368.00	48
762002	24" SPK BLK PNEU ANO	EA	180.54	48
762003	24" SPK BLK PNEU PLST BLK	EA	291.72	48
762004	24" SPK BLK CLNCHR ANO	EA	194.82	48
762005	24" SPK BLK CLNCHR PLST BLK	EA	314.00	48
762006	26"PHL HUB WEIN RIM W/O HR/TRE	EA	573.00	48
762007	24" SPK MOUNTAIN HR PLST	EA	321.30	48
762009	WHEEL 24" 6 TAB	EA	596.00	48
762040	20"FRNT WHL PNEU W/COG 3SP CYC	EA	252.00	48
762042	OBSOLETE PER DCA 12478	EA	432.00	48
762061	24" SPK BLK PNEU INSRT 12 VERT	EA	300.90	44
762075	20" FRONT PNEU 7 SPEED SHIMANO	EA	485.00	48
762518	20" SUN CLNCH 36 PHL 7/16 RC	EA	307.00	48
762520	24" SUN CLNCH 28 PHL 7/16 RC	EA	307.00	48
762522	26" SUN CLNCH 28 PHL 7/16 RC	EA	307.00	48
762524	26" SUN TBLR 28 PHIL 7/16 RC	EA	322.00	48
762526	26" SUN TBLR 28 PHIL 1/2 RC	EA	322.00	48
762528	700 SUN CLNCH 28 PHL 7/16 RC	EA	291.00	48
762530	700 SUN CLNCH 36 PHL 7/16 RC	EA	291.00	48
762532	700 SUN TBLR 36 PHL 7/16 RC	EA	364.00	48
762534	700 SUN TBLR 28 PHL 7/16 RPDE	EA	364.00	48
762536	WHL ZIPP 440 TUB 28 PHIL	EA	820.00	48
762540	WHL REAR COMPLETE NO TIRE	EA	224.00	48
762542	16" FRNT BLK PHIL&PANA RCR	EA	224.00	48
762544	18" FRNT BLK PHIL&PANA RCR	EA	224.00	48
762545	20" FRNT BLK PHIL&PANA RCR	EA	228.48	48
762548	20" FRNT BLK PHIL JRS RCR	EA	175.00	48
780350	3 1/4 GP STD STEM	EA	59.30	44
780351	3 1/4 GP 3D STEM	EA	59.30	48
780450	STEM/FORK A/C	EA	57.00	44
780452	STEM/FORK QR ANTI-TIP A/C	EA	57.00	44
780470	STEM/FORK A/C W/HDWR	EA	79.56	44
780471	STEM/FORK W/HDWR A/C ANTI-TIP	EA	79.56	44
780472	STEM/FORK W/HDWR AT QR A/C	EA	65.00	44
780473	STEM/FORK ANTI-TIP ASSM ALUM	EA	55.00	44
780474	STEM/FORK ANTI-TIP ASSM TI	EA	113.00	44
780475	STEM/FORK ANTI-TIP Q.R. ASSM	EA	67.00	44
780480	FRONT STEM/FORK ASSM ALUMINUM	EA	45.00	44
780481	FRONT STEM/FORK ASSM TITANIUM	EA	100.00	44
780949	3-1/4 STD STEM W/HDWR INT A/C	EA	82.72	44
780959	3 1/4 GP 3D STEM W/HDWR TI	EA	81.10	48
780969	3 1/4 GP 3D STEM W/STD HDWR	EA	81.10	48
780979	3 1/4 GP AC STEM W/HDWR TI	EA	99.76	44
800310	FOOTREST ASSM 14/15" FRWD A/C	EA	146.00	44

Quickie Sports Products

Part Number	Part Description	Unit U/M	List Price	Disc. Code	Part Number	Part Description	Unit U/M	List Price	Disc. Code
800311	FOOTREST ASSM 16/17" FRWD A/C	EA	146.00	44	880491	REPLACED BY 882907	EA	35.70	37
800312	FOOTREST ASSM 18/19" FRWD A/C	EA	146.00	44	880492	REPLACED BY 882908	EA	35.70	44
800313	FOOTREST ASSM 20" FRWD A/C	EA	146.00	44	880493	REPLACED BY 882909	EA	35.70	44
800314	FOOTREST ASSM 14/15" RVRs A/C	EA	148.92	44	880494	REPLACED BY 882900	EA	35.70	37
800315	FOOTREST ASSM 16/17" RVRs A/C	EA	146.00	44	880495	REPLACED BY 882901	EA	35.70	37
800316	FOOTREST ASSM 18/19" RVRs A/C	EA	148.92	44	880496	ANTI-TIP ASSM REG EXTEND R	EA	35.70	44
800317	FOOTREST ASSM 20" RVRs A/C	EA	140.61	44	880497	ANTI-TIP ASSM REG EXTEND L	EA	35.70	44
800318	FOOTREST ASSM 18/19" RVRs MP	EA	146.00	44	880548	CASTER CAP W/O-RING ALUM BLK	EA	13.24	44
800321	FTRST ASSM 14-15.5" HI-MT A/C	EA	163.20	44	880582	WHL LCK CLAMP ASSM ST/DT	EA	17.66	48
800322	FTRST ASSM 16-17.5" HI-MT A/C	EA	160.00	44	880608	WHL LOCK R SCISSOR HI-MNT BLK	EA	46.34	44
800323	FTRST ASSM 18/19" HI-MT A/C	EA	160.00	44	880609	WHL LOCK L SCISSOR HI-MNT BLK	EA	46.34	44
800324	FTRST ASSM 20" HI-MT A/C	EA	160.00	44	880612	WHLLCK R SCISOR HI-MNT LNG BLK	EA	49.64	44
800325	FTRST ASSM 18/19" HI-MT MP	EA	160.00	45	880613	WHLLCK L SCISOR HI-MNT LNG BLK	EA	49.64	44
800400	FTRST ASSM PLATFORM 12"-13"	EA	116.25	44	880621	BCK PL NF W/HWR M2/3/QB W/BELT	EA	47.20	48
800401	FTRST ASSM PLATFORM 14"-15"	EA	116.25	44	880636	HNDL STD ASSM RIGHT 1 1/4	EA	38.96	48
800402	FTRST ASSM PLATFORM 16"-17"	EA	116.25	44	880637	HNDL STD ASSM LEFT 1 1/4	EA	38.96	48
800403	FTRST ASSM PLATFORM 18"-19"	EA	116.25	44	880638	HNDL HORIZONTAL R ASSM	EA	57.32	48
800404	FTRST ASSM PLATFORM 20"	EA	116.25	44	880639	HNDL HORIZONTAL L ASSM	EA	57.32	48
800410	FTRST ASSM HI-MNT 12"-13"	EA	158.50	44	880651	HEAD ASSM 3 SPEED STD M2	EA	225.00	48
800411	FTRST ASSM HI-MNT 14"-15"	EA	158.50	44	880653	HEAD ASSM 7 SPEED STD M2	EA	225.00	48
800412	FTRST ASSM HI-MNT 16"-17"	EA	158.50	44	880654	QA BRKT UPPER 1.25 ASSM	EA	27.00	48
800413	FTRST ASSM HI-MNT 18"-19"	EA	158.50	44	880655	HEAD ASSM 3 SPEED QKB	EA	357.00	48
800414	FTRST ASSM HI-MNT 20"	EA	158.50	44	880656	QA BRKT UPPER 1 3/4" ASSM	EA	27.00	48
820461	FP ADLT ADJ 14/15 R HL	EA	92.67	44	880657	HEAD ASSM SINGLE SPEED QKB	EA	225.00	48
820463	FP ADLT ADJ 14/15 L HL	EA	92.67	44	880658	QA BRKT UPPER 1.5 ASSM	EA	27.00	48
820465	FP ADLT ADJ 16/17 R HL	EA	92.67	44	880660	QA COMPLETE ALL COLORS	EA	1,066.74	48
820467	FP ADLT ADJ 16/17 L HL	EA	92.67	44	880662	QA UPPR 7/8 CLMP ASSM ANO	EA	76.50	48
828840	ANGLE ADJ PLST F/PLT ASSM R 3D	EA	26.42	48	880664	QA UPPR CLMP 1 1/8 ASSM	EA	76.50	48
828841	ANGLE ADJ PLST F/PLT ASSM L 3D	EA	26.42	48	880666	QA UPPER CLAMP 1 ASSM ANO	EA	76.50	48
828846	ANGLE ADJ F/PLT ASSM BB R 3D	EA	88.90	48	880668	QA UPPR CLMP 1 3/16 ASSM	EA	76.50	48
828847	ANGLE ADJ F/PLT ASSM BB L 3D	EA	88.90	48	880674	REFLECTOR/BRKT ASSM	EA	7.90	48
828848	ANGLE ADJ F/PLT ASSM TNNS R 3D	EA	88.90	48	880687	BACK PLATE R W/HDWR M2/M3	EA	67.50	48
828849	ANGLE ADJ F/PLT ASSM TNNS L 3D	EA	88.90	48	880688	BACK PLATE L W/HDWR M2/M3	EA	67.50	48
840100	BACK ADJ TUBE 8-12 RIGID	EA	10.49	44	880704	FORK ASSM PNTD SHORT M2	EA	100.00	48
840101	BACK ADJ TUBE 11-14" RIGID	EA	10.49	44	880705	FORK ASSM PNTD STD M2	EA	100.00	48
840102	BACK ADJ TUBE 12-16" RIGID	EA	10.49	44	880707	FORK ASSM PNTD QKB	EA	100.00	48
840103	BACK ADJ TUBE 14-18" RIGID	EA	10.49	44	880804	WHLLCK SCSSR R W/CLMP BLK	EA	46.34	48
840104	BACK ADJ TUBE 16-20" RIGID	EA	10.49	44	880805	WHLLCK SCSSR L W/CLMP BLK	EA	46.34	48
840130	BACK ADJ TUBE W/CAP 12-16"	EA	15.30	44	880806	WHLLCK SCSSR R W/CLMP LNG BLK	EA	45.43	48
840131	BACK ADJ TUBE W/CAP 14-18"	EA	15.00	44	880807	WHLLCK SCSSR L W/CLMP LNG BLK	EA	45.43	48
840132	BACK ADJ TUBE W/CAP 16-20"	EA	15.00	44	880903	CASTER CAP W/O-RING SPORT W/C	EA	7.60	44
840320	BCK FRM .115 REG 12" W/BCK REL	EA	64.00	44	880928	FORK ASSM CYC	EA	220.00	48
840321	BCK FRM .115 REG 13" W/BCK REL	EA	65.28	44	880931	ANTI-TIP REC ASSM UNDR MNT GPS	EA	14.28	44
840322	BCK FRM .115 REG 14" W/BCK REL	EA	65.28	44	880933	ANTI TIP REC ASSM HQR	EA	15.70	48
840323	BCK FRM .115 REG 15" W/BCK REL	EA	65.28	44	881010	ANTI TP X-BAR ASSM STD 13" HQR	EA	81.10	48
840324	BCK FRM .115 REG 16" W/BCK REL	EA	65.28	44	881011	ANTI TP X-BAR ASSM STD 14" HQR	EA	81.10	48
840325	BCK FRM .115 REG 17" W/BCK REL	EA	65.28	44	881012	ANTI TP X-BAR ASSM STD 15" HQR	EA	81.10	48
840326	BCK FRM .115 REG 18" W/BCK REL	EA	65.28	44	881013	ANTI TP X-BAR ASSM STD 16" HQR	EA	81.10	48
840327	BCK FRM .115 REG 19" W/BCK REL	EA	65.28	44	881014	ANTI TP X-BAR ASSM STD 17" HQR	EA	81.10	48
840328	BCK FRM .115 REG 20" W/BCK REL	EA	65.28	44	881015	ANTI TP X-BAR ASSM STD 18" HQR	EA	81.10	48
840329	BCK FRM .115 RG 20 DBL W/BCKRL	EA	90.69	44	881016	ANTI TP X-BAR ASSM STD 19" HQR	EA	81.10	48
840330	BCK FRM .115 TLL 12" W/BCK REL	EA	78.00	44	881017	ANTI TP X-BAR ASSM STD 20" HQR	EA	81.10	48
840331	BCK FRM .115 TLL 13" W/BCK REL	EA	78.00	44	881075	COMPENSATOR ASSM C-MOLY RCR	EA	84.36	48
840332	BCK FRM .115 TLL 14" W/BCK REL	EA	78.00	44	881097	WHL LCK/FTRST CLAMP ASSY BLACK	EA	65.28	44
840333	BCK FRM .115 TLL 15" W/BCK REL	EA	79.56	44	881150	PLST SIDE GUARD KDS R	EA	35.30	44
840334	BCK FRM .115 TLL 16" W/BCK REL	EA	79.56	44	881151	PLST SIDE GUARD KDS L	EA	35.30	44
840335	BCK FRM .115 TLL 17" W/BCK REL	EA	79.56	44	881152	PLST SIDE GUARD STD R	EA	40.80	44
840336	BCK FRM .115 TLL 18" W/BCK REL	EA	79.56	44	881153	PLST SIDE GUARD STD L	EA	40.80	44
840337	BCK FRM .115 TLL 19" W/BCK REL	EA	79.56	44	881200	SIDE GUARD/KIDZ ARM REC W/CLMP	EA	44.13	44
840338	BCK FRM .115 TLL 20" W/BCK REL	EA	79.56	44	881202	SIDE GUARD REC W/CLMP M3	EA	45.00	48
840339	BCK FRM .115 TL 20 DBL W/BCKRL	EA	106.08	44	881252	HITCH SUPPORT W/BUNGIE	EA	20.20	48
842061	PUSH HNDL TUBE R W/F RIGID BLK	EA	38.62	44	881253	TOW BAR EXT W/SNAP BTTN	EA	6.50	48
842062	PUSH HNDL TUBE L W/F RIGID BLK	EA	38.62	44	881334	RECEIVER ASSM CYC	EA	68.95	44
880138	ANTI-TIP ASSM REG R HQR	EA	45.90	48	881386	ATTACH TUBE ASSM CYC	EA	102.00	44
880139	ANTI-TIP ASSM REG L HQR	EA	45.90	48	881483	QUAD RUG ANTI-TIP ASSM 13"	EA	66.40	48
880490	REPLACED BY 882906	EA	35.70	37	881484	QUAD RUG ANTI-TIP ASSM 14"	EA	66.40	48

Quickie Sports Products

Part Number	Part Description	Unit U/M	List Price	Disc. Code
881485	QUAD RUG ANTI-TIP ASSM 15"	EA	66.40	48
881486	QUAD RUG ANTI-TIP ASSM 16"	EA	66.40	48
881487	QUAD RUG ANTI-TIP ASSM 17"	EA	67.73	48
881488	QUAD RUG ANTI-TIP ASSM 18"	EA	66.40	48
881493	ANTI-TIP BOTTOM TUBE ASSM 13"	EA	51.70	48
881494	ANTI-TIP BOTTOM TUBE ASSM 14"	EA	51.70	48
881495	ANTI-TIP BOTTOM TUBE ASSM 15"	EA	51.70	48
881496	ANTI-TIP BOTTOM TUBE ASSM 16"	EA	51.70	48
881497	ANTI-TIP BOTTOM TUBE ASSM 17"	EA	51.70	48
881498	ANTI-TIP BOTTOM TUBE ASSM 18"	EA	51.70	48
881503	BACKREST REL CABLE ASSM 13" RV	EA	32.45	44
881504	BACKREST REL CABLE ASSM 14" RV	EA	34.20	44
881505	BACKREST REL CABLE ASSM 15" RV	EA	33.53	44
881506	BACKREST REL CABLE ASSM 16" RV	EA	34.20	44
881507	BACKREST REL CABLE ASSM 17" RV	EA	34.20	44
881508	BACKREST REL CABLE ASSM 18" RV	EA	34.20	44
881509	BACKREST REL CABLE ASSM 19" RV	EA	34.20	44
881510	BACKREST REL CABLE ASSM 20" RV	EA	33.53	44
881512	ANTI-TIP SLV W/WHLS BLK 4H	EA	13.26	44
881513	ANTI-TIP SLV W/WHLS BLK 5H	EA	13.26	44
881603	EYEBOLT 3" ASSM	EA	2.10	48
881604	EYEBOLT 4" ASSM	EA	2.10	48
881628	FRAME QA MAIN ASSM PNTD	EA	215.00	48
881629	FRAME QA MAIN ASSM "V" PNTD	EA	136.00	48
881635	FREEWHL INTERMEDIATE ASSM	EA	129.00	48
881640	HANDLE VERT STD ASSM R 1 3/8	EA	40.19	48
881642	HANGER DERAILLEUR ASSM	EA	10.10	48
881651	HEAD ASSM 3 SPEED SHRT M2	EA	225.00	48
881653	HEAD ASSM 7 SPEED SHRT M2	EA	225.00	48
881660	QA CLAMP LOWER ASSM 5/8"	EA	116.00	48
881661	QA CLAMP LOWER ASSM 7/8"	EA	116.00	48
881662	QA CLAMP LOWER ASSM 3/4"	EA	116.00	48
881663	QA CLAMP LOWER ASSM 1"	EA	116.00	48
881664	QA CLAMP LOWER ASSM 1 1/8"	EA	116.00	48
881665	QA CLAMP LOWER ASSM 1 3/16"	EA	116.00	48
881670	QA UPPR CLMP 3/4 ASSM ANO	EA	76.50	48
881680	SPINDAL ASSM	EA	45.00	48
881681	SPINDAL ASSM M2	EA	33.70	48
881740	ANTI TP X-BAR ASSM STD 13" BLK	EA	78.00	44
881741	ANTI TP X-BAR ASSM STD 14" BLK	EA	78.00	44
881742	ANTI TP X-BAR ASSM STD 15" BLK	EA	78.00	44
881743	ANTI TP X-BAR ASSM STD 16" BLK	EA	78.00	44
881744	ANTI TP X-BAR ASSM STD 17" BLK	EA	78.00	44
881745	ANTI TP X-BAR ASSM STD 18" BLK	EA	78.00	44
881746	ANTI TP X-BAR ASSM STD 19" BLK	EA	78.00	44
881747	ANTI TP X-BAR ASSM STD 20" BLK	EA	78.00	44
882060	QA UPPR CLMP ASSM 3/4" W/BRKT	EA	105.00	48
882061	QA UPPR CLMP ASSM 7/8" W/BRKT	EA	105.00	48
882062	QA UPPR CLMP ASSM 1" W/BRKT	EA	105.00	48
882063	QA UPPR CLMP ASSM 1 1/8" W/BRK	EA	105.00	48
882064	QA UPPR CLMP ASSM 1 3/16 W/BRK	EA	105.00	48
882101	ELBOW LEFT 6" X 7 1/2"	EA	29.20	48
882102	ELBOW RIGHT 6" X 7 1/2"	EA	29.20	48
882103	ELBOW LEFT 6" X 6"	EA	29.20	48
882104	ELBOW RIGHT 6" X 6"	EA	29.20	48
882105	ELBOW LEFT 4" X 6"	EA	29.20	48
882106	ELBOW RIGHT 4" X 6"	EA	29.20	48
882621	BACK PLATE NF W/HDWR M3	EA	28.86	48
882900	ANTI TIP ASSM REG R BLK	EA	33.10	44
882901	ANTI TIP ASSM REG L BLK	EA	33.10	44
882902	ANTI-TIP ASSM REG R BLK HQR	EA	35.00	44
882903	ANTI-TIP ASSM REG L BLK HQR	EA	35.00	44
882912	ANTI-TP ASSM REG LNG SLV R BLK	EA	35.70	44
882913	ANTI-TP ASSM REG LNG SLV L BLK	EA	35.70	44
883050	TRANSFER HANDLE W/FOAM & HDWR	EA	35.00	48
888850	14W STRUT KIT W/HARDWRE CYC	EA	161.00	48

Part Number	Part Description	Unit U/M	List Price	Disc. Code
888851	15W STRUT KIT W/HARDWRE CYC	EA	161.00	48
888852	16W STRUT KIT W/HARDWRE CYC	EA	155.00	48
888853	17W STRUT KIT W/HARDWRE CYC	EA	161.00	48
888854	18W STRUT KIT W/HARDWRE CYC	EA	161.00	48
888855	19W STRUT KIT W/HARDWRE CYC	EA	161.00	48
888856	20W STRUT KIT W/HARDWRE CYC	EA	161.00	48
900025	WEDGE SEAT CUSH SHORT CHAR XP	EA	285.00	51
900115	24"MAG X-CORE TRB W/ALM HR(PR)	PR	769.08	44
900213	ANTI TIP ASSM 13" HQR	EA	75.00	48
900214	ANTI TIP ASSM 14" HQR	EA	75.00	48
900215	ANTI TIP ASSM 15" HQR	EA	75.00	48
900216	ANTI TIP ASSM 16" HQR	EA	75.00	48
900217	ANTI TIP ASSM 17" HQR	EA	75.00	48
900218	ANTI TIP ASSM 18" HQR	EA	75.00	48
900219	ANTI TIP ASSM 19" HQR	EA	75.00	48
900220	ANTI TIP ASSM 20" HQR	EA	75.00	48
900221	SPORTS ANTI TIP ASSM HQR	EA	197.88	48
900300	PUSH HANDLE ASSM RIGID BLK	PR	76.50	44
900317	SPRT ANTI TP TB 3D CLNCER ASSM	EA	250.00	44
900470	BUMPER RGBY A/C (OLD) SPEC DIM	EA	270.00	48
900471	BUMPER B/B A/C (OLD) SPEC DIM	EA	166.26	48
900490	BUMPER RGBY A/C (NEW) SPEC DIM	EA	260.00	44
900491	BUMPER B/B A/C (NEW) SPEC DIM	EA	160.17	44
900717	SPORTS ANTI-TIP 12D ASSM 3D	EA	192.78	48
900731	SPORTS ANTI TIP 15D ASSM 3D	EA	200.94	48
900735	RID ANTI-TIP W/BRKT	PR	144.84	48
900824	SEAT SUPPORT REAR AC SHT ALUM	EA	121.30	44
900825	SEAT SUPPORT REAR AC MED ALUM	EA	121.30	44
900826	SEAT SUPPORT REAR AC TLL ALUM	EA	121.30	44
900827	BUMPER MOUNTING HDWR KIT ALUM	EA	40.00	44
900828	BUMPER MOUNTING HDWR KIT TI	EA	70.00	44
900830	ANTI-TIP ASSM SMALL W/REC BLK	PR	76.50	44
900832	ANTI-TIP ASSM REG W/REC BLK	PR	76.50	44
901090	PLST SIDE GUARD KDS ASSM XTR	PR	122.40	44
901091	PLST SIDE GUARD STD ASSM XTR	PR	122.40	44
901092	PLST SIDE GUARD STD ASSM AC	PR	122.40	44
901093	PLST SIDE GUARD KIDS ASSM AC	PR	122.40	44
901110	PLST SIDE GUARD STD ASSM	PR	122.40	44
901111	PLST SIDE GUARD KDS ASSM	PR	122.40	44
901115	SIDE GUARD ASSM STD M3/M2	PR	122.40	48
901116	SIDE GUARD ASSM KIDS M3/M2	PR	120.00	48
901130	SIDE GUARD ASSM STD HOR	PR	122.40	48
901131	SIDE GUARD ASSM KIDS HQR	PR	122.40	48
901169	SEAT SLING VELCRO STRIP 2"	EA	3.06	44
901170	SEAT SLING VELCRO STRIP	EA	1.93	44
901518	WHL LCK SCSSR W/CLMP BLK	PR	92.67	48
901519	WHL LCK SCSSR W/CLMP LNG BLK	PR	99.29	48
902001	SPK GRDS 20" QUICKIE BLK	PR	91.80	44
902011	SPK GRDS 22" QUICKIE BLK	PR	91.80	44
902021	SPK GRD 24" QUICKIE SCR MT BLK	PR	91.80	44
902025	SPK GRD 24" QUICKIE TAB MT BLK	PR	91.80	44
902037	SPK GRD 26" QUICKIE TAB MT BLK	PR	91.80	44
902038	SPK GRD 26" QUICKIE HT BLK	PR	91.80	44
902054	SPK GUARDS 24" QP CLR	PR	91.80	44
902056	SPK GUARD 26" QP CLR	PR	91.80	44
902072	SPK GRD 24"SPRT HI PRFL W/TIE	PR	122.40	48
902073	SPK GRD 24"SPRT LOW PRFL W/TIE	PR	120.00	48
902074	SPK GRD 24"HT SPORT HI PROFILE	PR	122.40	48
902075	SPK GRD 24"HT SPORT LOW PROFIL	PR	122.40	48
902076	SPK GRD 24"HT SP HI PRFL W/TIE	PR	120.00	48
902077	SPK GRD 24"HT SP LW PRFL W/TIE	PR	120.00	48
920025	3" MICRO CASTER W/BRNG (PR)	PR	57.12	44
920028	CASTER CAP PLASTIC (PR)	PR	2.39	44
920077	3" MICRO CASTER LIGHTED (PR)	PR	51.00	44
920114	AXLE SLEEVE 1 DEGREE W/HDWR	EA	32.00	44
920116	AXLE SLEEVE W/HDWR GPS	EA	20.96	44

Quickie Sports Products

Part Number	Part Description	Unit U/M	List Price	Disct. Code
920117	MAG SPACER 6S W/SET SCREW	EA	3.59	44
920119	QR AXLE MAG W/NUT	EA	43.02	44
920129	QR AXLE W/NUT	EA	49.88	44
920130	QR AXLE NON-RECESS HUB W/NUT	EA	43.02	44
920137	QR AXLE W/NUT TI	EA	83.84	44
920138	QR AXLE W/SPACER FOR 6S MAG	EA	49.88	44
920139	QUAD REL AXLE NUT	EA	49.09	44
920170	QR AXLE STD W/QUAD NUT	EA	88.26	44
920173	QR AXLE TI W/QUAD NUT	EA	130.18	44
920174	QR AXLE NON RECESS W/QUAD NUT	EA	88.26	44
920191	GP BACK REL PLUG W/HDWR	EA	14.34	44
920289	TRACK STEERING HDWR RCR	EA	2.60	48
920295	BACK REL BRACKET ASSM BLK	PR	102.00	44
920395	TOW BAR ADAPTER M2	EA	91.50	48
920396	WATER BOTTLE & CAGE ASSM C1/M2	EA	20.40	48
920407	ANTI-TIP RECEIVERS	PR	20.40	44
920412	BACK REL BRKT ASSM R FLDG HQR	EA	34.61	48
920413	BACK REL BRKT ASSM L FLDG HQR	EA	34.61	48
920440	BACK PLATE FIXED R W/HDWR HQR	EA	34.61	48
920441	BACK PLATE FIXED L W/HDWR HQR	EA	34.61	48
920442	BACK REL BRKT ASSM FLDG HQR	PR	69.22	48
920449	F/S MOUNT BRACKET ASSM A/C	EA	92.31	44
920469	FRT UPRIGHT MT BRKT ASSY A/C	EA	88.74	44
920523	BACK REL BRCKT ASSM F A/C OLD	EA	39.00	48
920568	BACK RELEASE BRKT ASSY A/C NEW	EA	60.00	44
920569	BRKT ASSY FIXED BACK	EA	61.20	44
920621	BRKT ASSY QR BK/SIDEGUARD	EA	127.62	44
920622	BRKT ASSY QR BK/SDGRD 1/4 OFST	EA	131.85	44
920623	BRKT ASSY FIX BACK/SIDEGUARD	EA	58.14	44
920624	BRKT ASSY FX BK/SDGRD 1/4 OFST	EA	130.84	44
920625	HARDWARE KIT SIDE GUARD A/C	EA	30.60	44
921233	F/PLT EXT TUBE ASSM QKB	EA	26.90	48
921234	F/PLT EXT TUBE ASSM SHORT M2	PR	22.50	48
921235	F/PLT EXT TUBE ASSM STD M2	PR	25.30	48
921321	FP ADLT ADJ 14/15 HL	PR	176.52	44
921323	FP ADLT ADJ 16/17 HL	PR	176.52	44
921396	WATER BOTTLE & CAGE ASSM M3	EA	20.00	48
922170	QR AXLE W/QUAD NUT PUSH BUTTON	EA	93.57	44
923484	REFLECTOR KIT 4 WAY	EA	9.00	48
923491	BASKETBALL BUMPER ASSM 13"3D	EA	194.00	48
923492	BASKETBALL BUMPER ASSM 14"3D	EA	194.00	48
923493	BASKETBALL BUMPER ASSM 15"3D	EA	194.00	48
923494	BASKETBALL BUMPER ASSM 16"3D	EA	194.00	48
923495	BASKETBALL BUMPER ASSM 17"3D	EA	197.88	48
923496	BASKETBALL BUMPER ASSM 18"3D	EA	194.00	48
923497	BASKETBALL BUMPER ASSM 19"3D	EA	194.00	48
923498	BASKETBALL BUMPER ASSM 20"3D	EA	194.00	48
923650	QA "V" FRAME SHT ELBOWS	EA	325.00	48
923651	QA "V" FRAME STD ELBOWS	EA	325.00	48
923652	QA "V" FRAME WIDE ELBOWS	EA	325.00	48
923655	QA "H" FRAME SHT ELBOWS	EA	325.00	48
923656	QA "H" FRAME STD ELBOWS	EA	325.00	48
923657	QA "H" FRAME WIDE ELBOWS	EA	325.00	48
923658	QA "H" FRAME STD/SHT ELBOWS	EA	325.00	48
924540	BOARD SUPER COMP	EA	763.36	48
929106	QUICKIE WATER BOTTLE	EA	3.00	48

Part Number	Part Description	Unit U/M	List Price	Disct. Code
-------------	------------------	----------	------------	-------------