

Quickie Sports Parts Manual

Policies and Procedures, Glossary	Section 0	Quickie Kidz Bike and Mach 2	Section 6
Quickie All Court	Section 1	Quickie Cyclone (Cycl-one Disc.) ...	Section 7
Quickie Matchpoint.....	Section 2	Quickie Kan Ski.....	Section 8
Quickie Heat, Shadow Quad Rugby	Section 3	Axles	Section 9
Quickie 3D.....	Section 4	Wheels	Section 10
Quickie Racer.....	Section 5	Accessories	Section 11
		Quickie Sports Pricelist	Section 12

Note: Quickie Sports products were previously known as “Shadow”



*This document printed partially on recycled paper
and partially on recyclable paper.*

POLICIES, PROCEDURES, AND WARRANTY

MANUAL OVERVIEW:

Your new "user-friendly" parts manual will help you place orders for wheelchair parts. Use this manual as a tool to easily locate and order the correct parts for your customers.

The parts manual is categorized by frame types, component types and accessories. Refer to the table of contents to locate the section for the items you need. For example, reference the frame sections in the beginning of the parts manual for the frame parts. Reference the component sections for others types of parts (i.e. for parts relating to wheels, refer to the section labeled "Wheels").

Each item is shown in an "exploded view" illustration. Below each drawing is a legend that has an item number, part number, product description, and quantity used per assembly. Some parts may be included in an assembly but may not be available for purchase separately. Such parts will be included in the drawing but will not be called out individually in the legend below the drawing. Prices for parts are located in the Quickie Parts Pricing Guide, and are in numerical order by part number.

FREE FREIGHT:

Orders of \$100.00 or more will be shipped free freight via ground transportation.

Orders under \$100.00 are subject to a \$10.00 service charge.

ORDER QUANTITY:

Product should be ordered in case quantity increments.

GENERAL RETURNED GOODS POLICY:

Advance authorization must be received from Sunrise Medical customer service prior to returning merchandise. All returns must be channeled through an authorized Sunrise Medical supplier.

Your request for return authorization must be phoned to 800-333-4000 and include:

- ◆ Reason for return
- ◆ Item number and quantity
- ◆ Invoice number, original sales order number, or original purchase order number and date.
- ◆ Serial number if applicable

Returned merchandise is subject to a 20% restocking fee.

Sunrise Medical Home Healthcare Group will accept new, non-modified merchandise for return in its original packaging if returned within 60 days of receipt. Obsolete and discontinued product will not be accepted for return. Specialized and/or modified products can not be returned.

SHORTAGES AND SHIPPING DAMAGE:

Please inspect your order immediately. Claims for shortages and shipping damage must be made within 10 days of receipt of merchandise. Damaged merchandise should be retained in original carton and reported to carrier. Claims after 10 days will not be honored.

WARRANTY:

See individual product warranty inserts in owner's manual for warranty information by product line. All claims and repairs should be processed through a Sunrise supplier. All returns and repairs require a return merchandise authorization (RMA) number, which is obtained by calling customer service at 1-800-333-4000. Warranty returns should be shipped freight prepaid to the manufacturing facility or certified repair facility specified by customer service. A valid return merchandise authorization number should be visible on the outside of the box for immediate processing. Merchandise without a valid return merchandise authorization number will be refused. Warranty returns should be received within 30 days of authorization.

REBUILT EXCHANGE:

Rebuilt exchange parts pricing is available only with the return of defective parts within 30 days. Rebuilt exchanges available for certain products only.

WARRANTY LIMITATIONS:

We do not warrant damage due to:

- ◆ Neglect, misuse, or improper installation or repair
- ◆ Use of parts or changes not authorized by Sunrise Medical
- ◆ Exceeding the maximum weight limit specified for product

The warranty is void if the original serial number is removed or altered.

Except for express warranties made within product warranty guides, all other warranties, including implied warranties of merchantability and warranties of fitness for a particular purpose are excluded. Remedied for breach of express warranties are limited to repair or replacement of the goods. In no event shall damages for breach of any warranty include any consequential damages or exceed the cost of non-conforming goods sold.

Sunrise Medical reserves the right to change this policy and any products herein without notification.

GLOSSARY OF ABBREVIATIONS

ABD	Abductor	H	Hole	PR	Pair
AC	All Court	HB	High Brake	PROJ	Projection
ADJ	Adjustable	HD	Head	PSH	Push
ADPT	Adapter	HDRST	Headrest	PTRN	Pattern
ALUM	Aluminum	HDWR	Hardware		
AMH	Adjustable Mounting Hardware	HEX	Hexagon	R	Right
ANO	Anodized	HK	Hook	REC	Receiver
ASSM	Assembly	HL	Heel Loops	REG	Regular
AT	Anti-tip	HM	High Mount	REL	Release
		HNDL	Handle	REV	Reverse
BB	Basketball	HNGR	Hanger	RH	Right-hand
BCK	Back	HP	High Pressure	RNUT(S)	Rivnut(s)
BCKBRD	Backboard	HR	Handrim	RR	Rear
BH	Button Head	HT	Height		
BKL	Buckle	ID	Inner Dimension	S/A	Swing-away
B-LOCK	Back Lock			S/F	Side Frame
BLK	Black	KDS	Kids	SCW	Screw
BRD	Board			SHLDR	Shoulder
BRNG	Bearing	L	Left	SHT	Short
BRKT	Bracket	LH	Left-hand	SLD	Solid
BSHNG	Bushing	LK	Lock	SLNG	Sling
BTTN	Button	LNG	Long	SLTD	Slotted
		LO	Lift-off	SM	Small
CLMP	Clamp	LO	Lift-off	SNGL	Single
CLR	Clear	LPS	Loops	SOC	Socket
COMP	Complete	LRG	Large	SPCR	Spacer
COMPST	Composite	LTRL	Lateral	SPEC CLR	Specify Color
CRM	Chrome	MACH	Machine	SPK	Spoke
C/S	Cap Screw	MECH	Mechanism	SQZ	Squeeze
C-S	Countersunk	MED	Medium	SS	Stainless Steel
CSTR	Caster	mm	Millimeter	ST	Seat
		MNT	Mount	S/TAP	Self-tapping
DAB	Depth-adjustable Back	MNTG	Mounting	STD	Standard
DBL	Double	M/S	Machine Screw	STRLR	Stroller
DL	Desk Length			STRT	Straight
		NAUG	Naugahyde	T	Tab
EA	Each	NF	Non-folding	THRD	Threaded
ELR	Elevating Legrest	NR	Non-recessed	Ti	Titanium
EXT	Extension	OD	Outer Dimension	TL	Tall
EXTND	Extended	O/S	Old Style	TNNS	Tennis
				UNTHRD	Unthreaded
FL	Full-length	PH	Push Handle	UPH	Upholstery
FL FT	Flip-up Footrest	PHIL	Phillips	VERT	Vertical
FLP	Flip	PLT	Plate	W/	With
FT	Foot	PLST	Plastic	WD	Wide
F/REST	Footrest	P/L	Pin Lock	W/O	Without
FRNT	Front	PNEU	Pneumatic	WHL	Wheel
FT PLT	Footplate	PNT	Paint		
F/UP	Flip-up	PNTD	Painted		
		POLY	Polyurethane		

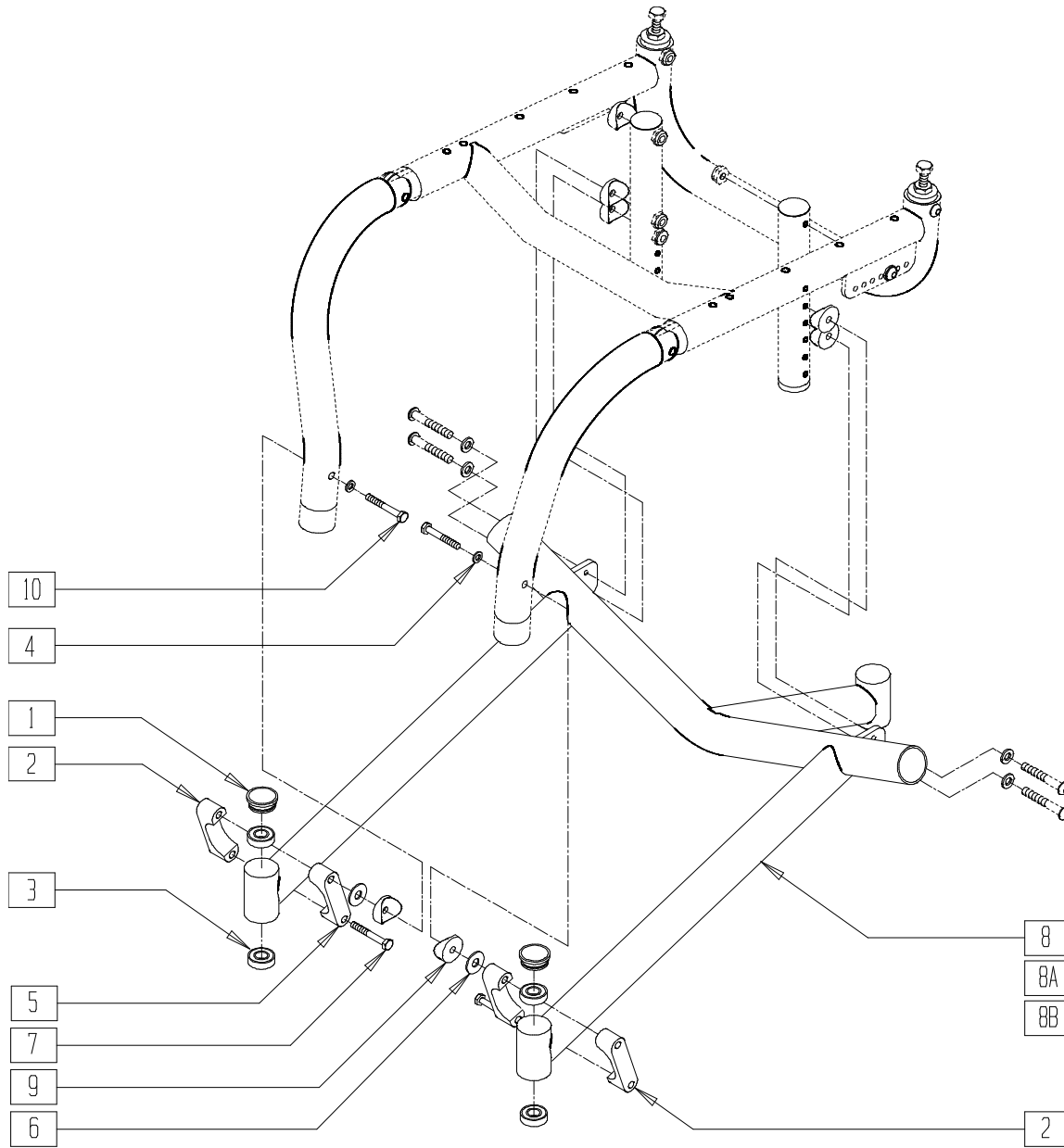
Quickie All Court

IN THIS SECTION

Base Frame (Quickie All Court) (Disc.)	1.1	Quick-Release Back Lock	
Base Frame (Quickie All Court)	1.2	(Quickie All Court) (Disc.)	1.13
Seat Frame (Quickie All Court) (Disc.)	1.3	Quick-release Back Lock (Quickie All Court).....	1.14
Seat Frame (13"-14.5")(Quickie All Court).....	1.4	Aluminum Side Guard For Quick-release Back	
Seat Frame (15"-20")(Quickie All Court).....	1.5	(Quickie All Court).....	1.15
Quad Rugby Wings (Quickie All Court) (Disc.).....	1.6	Aluminum Side Guard For Fixed Back	
Basketball Wings (Quickie All Court) (Disc.)	1.6	(Quickie All Court).....	1.15
Quad Rugby and Basketball Wings		Backrest Frame and Upholstery	
(Quickie All Court).....	1.7	(Quickie All Court) (Disc.)	1.16
Anti-tip (Quickie All Court) (Disc.)	1.8	Folding Backrest and Upholstery	
Integral Single Anti-tip (Quickie All Court) (Disc.)	1.8	(Quickie All Court).....	1.16
Integral Anti-tip (Quickie All Court).....	1.9	Seat Sling and Cushion (Quickie All Court).....	1.17
Integral Double Anti-tip (Quickie All Court) (Disc.).....	1.9	Fork Assembly (Quickie All Court) (Disc.)	1.18
Quick-release Anti-tip (Quickie All Court)	1.10	Fork Assembly (Quickie All Court)	1.18
Push Handle Assembly (Quickie All Court) (Disc.) .	1.11	3" Micro Caster	1.19
Fixed Backrest (Quickie All Court) (Disc.).....	1.11	Platform Footrest (Quickie All Court)	1.19
Fixed Backrest (Quickie All Court).....	1.12	High-Mount Footrest (Quickie All Court).....	1.20

BASE FRAME (QUICKIE ALL COURT)

(Discontinued 8/1/00 - parts only)



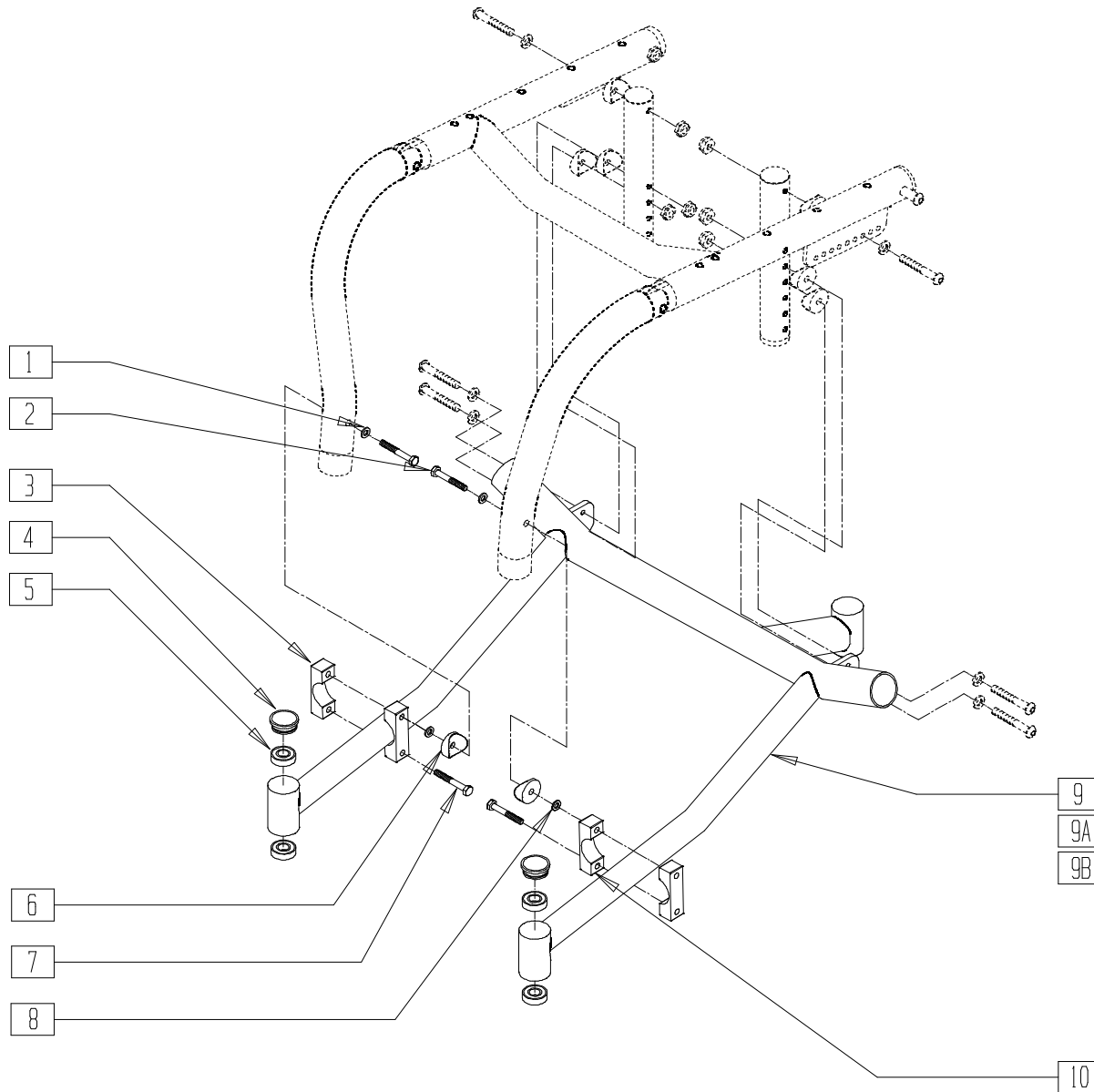
ALC00X19

ITEM	NUMBER	DESCRIPTION	QTY
1	561070	CASTER CAP PLASTIC (EA)	1
	920028	CASTER CAP PLASTIC (PR)	
2	540071	SIDE TUBE CLAMP THREADED AC	4
3	349500	1 1/8" x 1/2" BEARING	2
4	262100-QU	1/4 AN WASHER FLAT	2
5	500551	CLAMP OVAL TUBE A/C	2
6	561026	3/4" WASHER 1/4" HOLE	2

ITEM	NUMBER	DESCRIPTION	QTY
7	221133	1/4-28 x 1 1/2 G8 HEX C/S	2
2,8	600217	BASE FRAME STD A/C (SPEC DIM)	
2,8A	600218	BASE FRAME 1AT A/C (SPEC DIM)	
2,8B	600219	BASE FRAME 2AT A/C (SPEC DIM)	
9	561001	1 1/8" SADDLE 1/4" HOLE	2
10	221201	1/4"-28 x 3 G8 HEX C/S	2
3-7, 9-10	920449	F/S MOUNTING BRACKET ASSEMBLY ALL COURT	

BASE FRAME (QUICKIE ALL COURT)

(Effective 8/1/00)



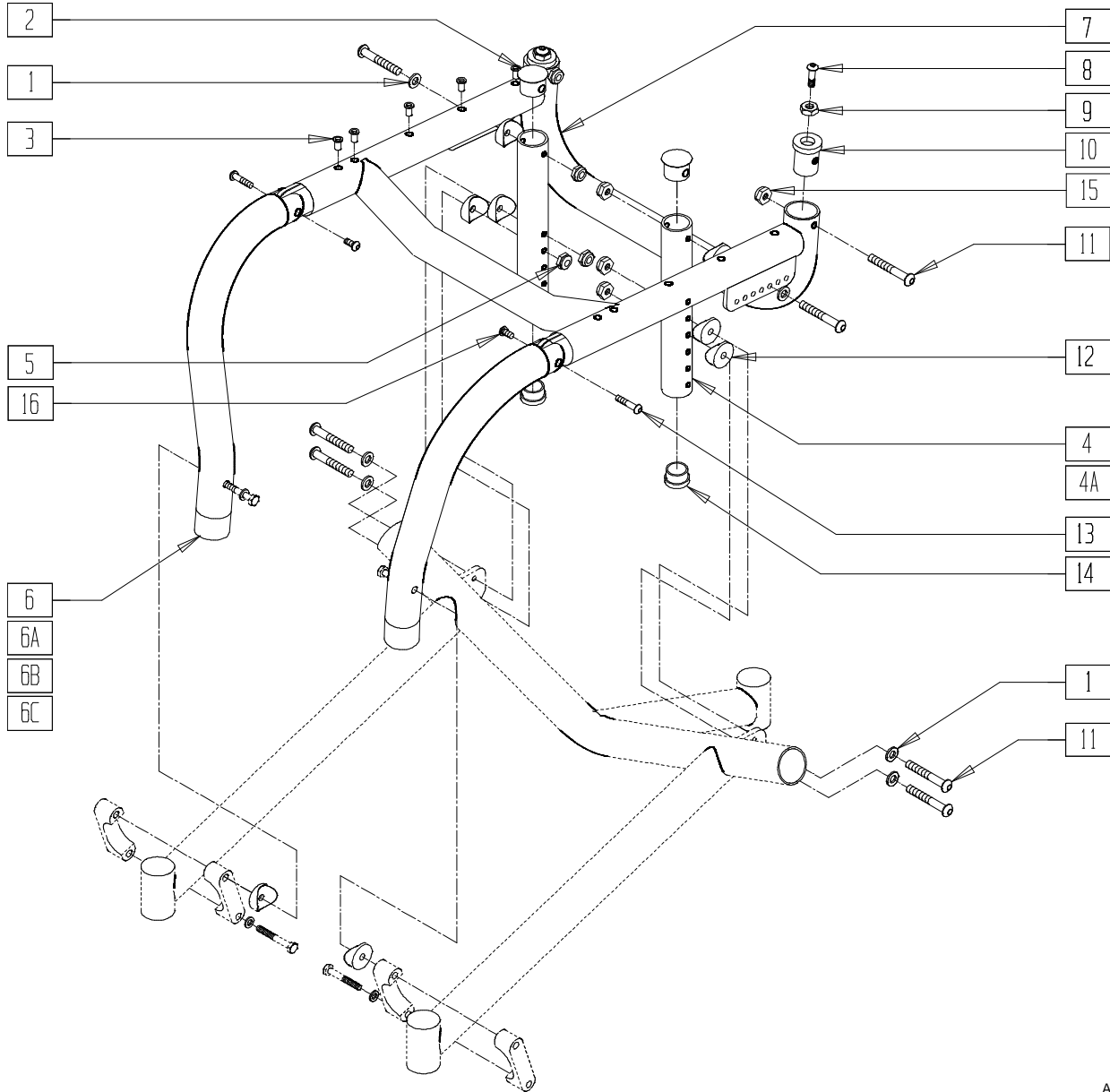
ALC0X19A

ITEM	NUMBER	DESCRIPTION	QTY
1	262100-OU	1/4 AN WASHER FLAT	2
2	221201	1/4-28 x 3 G8 HEX C/S	2
3	540071	SIDE TUBE CLAMP THREADED AC	2
4	880548	CASTER CAP W/O-RING ALUM BLK	2
5	349500	1 1/8 x 1/2 BEARING	4
6	561001	1 1/8" SADDLE 1/4" HOLE	2
7	221133	1/4-28 x 1 1/2 G8 HEX C/S	2

ITEM	NUMBER	DESCRIPTION	QTY
8	561026	3/4" WASHER 1/4" HOLE	2
5,9	600232	BASE FRME PNTD STD AC (SPEC DIM)	
5,9A	600233	BASE FRME PNTD 1AT AC (SPEC DIM)	
5,9B	600231	BASE FRME PNTD 2AT AC (SPEC DIM)	
10	540072	SIDE TUBE CLAMP AC	2
1-3,6-8,10	920469	FRNT UPRIGHT MNT BRKT ASSM AC	

SEAT FRAME (QUICKIE ALL COURT)

(Discontinued 8/1/00 - parts only)



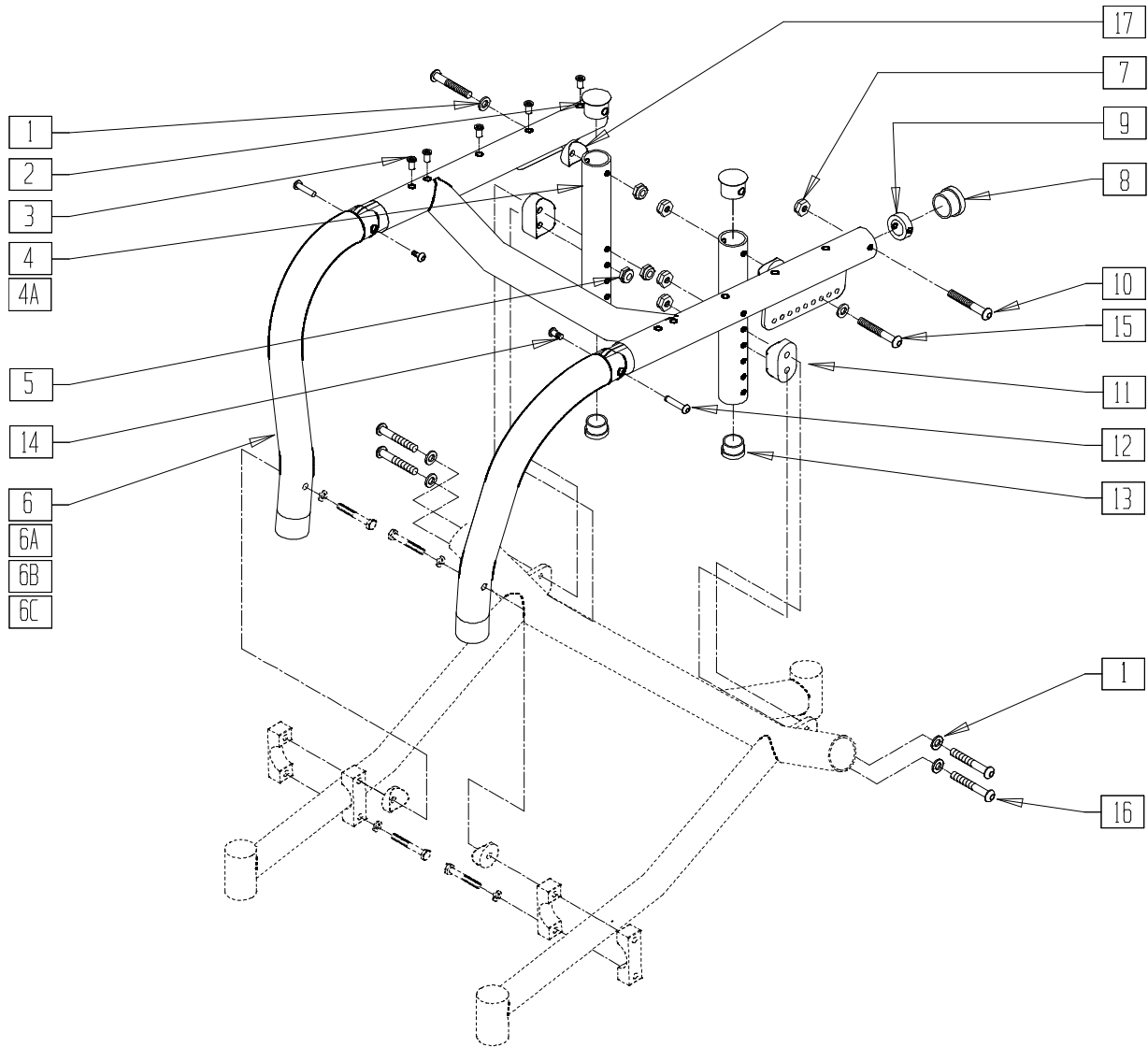
ALC00X11

ITEM	NUMBER	DESCRIPTION	QTY
1	262100-QU	1/4 AN WASHER	10
2	560999	1" INSERT PLUG .083 W/ 1/4" HOLE	2
3	341497	10-32 x .020 x .130 RIVNUT GOLD	10-16
4	527455	REAR FRAME ADJ TUBE 3D STD	2
4A	520487	REAR FRAME ADJ TUBE AC TALL	2
5	201110	1/4-28 NYLOCK NUT	6
8	226058	1/4-20 x 3/4 SOC C/S	2
9	201121	1/4-20 NUT THIN	2
10	483251	BACKREST RELEASE PLUG AC	2
11	226140	1/4-28 x 1 3/4 BH C/S	8
12	561004	1" SADDLE 1/4" HOLE	6

ITEM	NUMBER	DESCRIPTION	QTY
13	221213	10-32 x 7/8 HEX SEX BOLT	2
14	561002	1" INSERT PLUG .083	2
15	201100-QU	1/4-28 NYLOCK NUT THIN	2
16	226051	10-32 x 3/8 BH C/S	2
3,7-11	661289- 661366	SEAT FRAME ALL COURT (SPECIFY DIMENSIONS)	
6,13,16	600201	FRONT FRAME TUBE ASSM AC R STD	
6A,13,16	600202	FRONT FRAME TUBE ASSM AC L STD	
6B,13,16	600203	FRONT FRAME TUBE ASSM AC R TALL	
6C,13,16	600204	FRONT FRAME TUBE ASSM AC L TALL	

SEAT FRAME (13"-14.5") (QUICKIE ALL COURT)

(Effective 8/1/00)



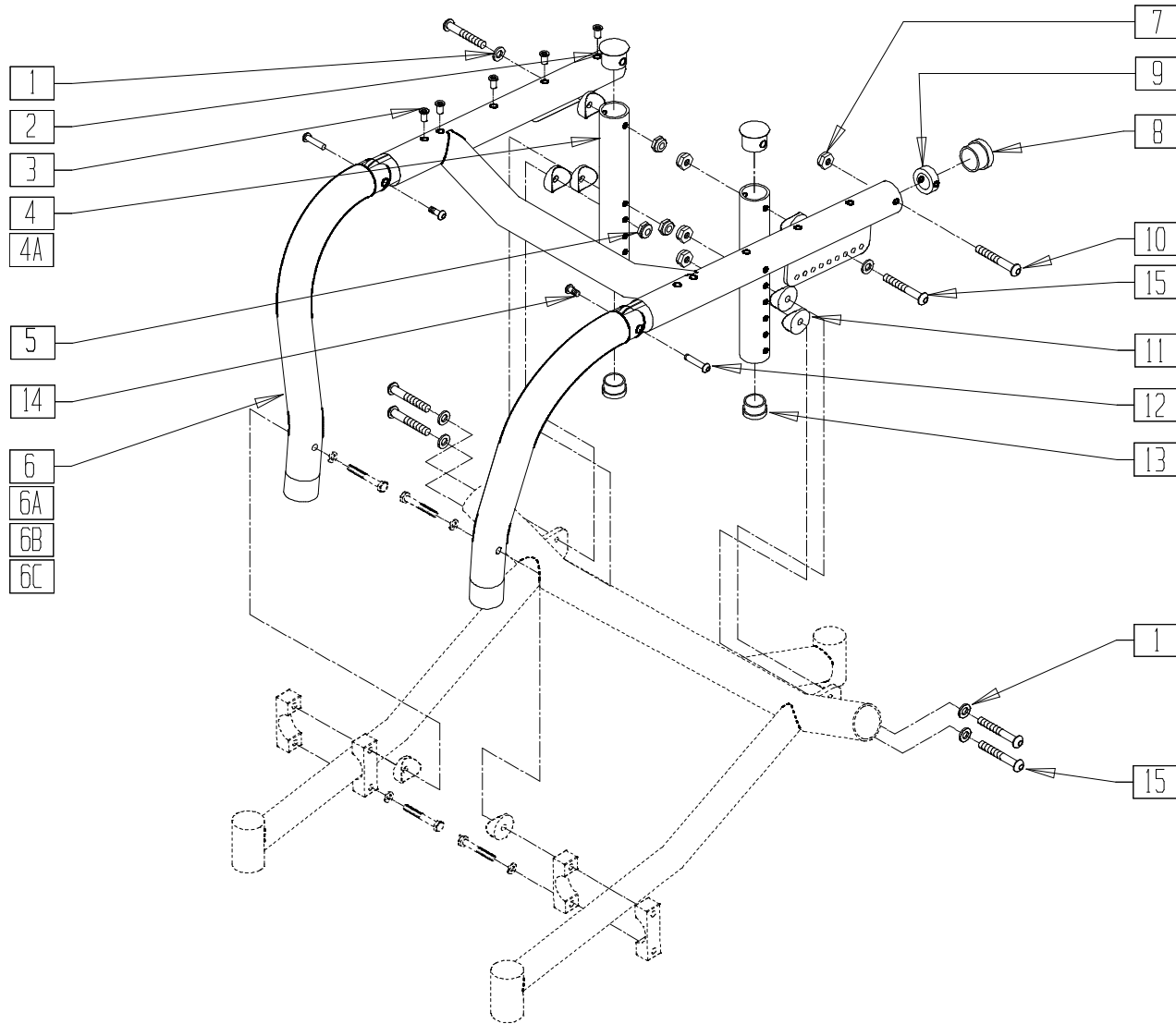
ALC0X11B

ITEM	NUMBER	DESCRIPTION	QTY
1	262100-QU	1/4 AN WASHER	10
2	560999	1" INSERT PLUG .083 W/ 1/4" HOLE	2
3	341497	10-32 x .020 x .130 RIVNUT GOLD	10-16
4	527455	REAR FRAME ADJ TUBE STD 3D	2
4A	520487	REAR SEAT UPRIGHT TALL AC	2
5	201110-QU	1/4-28 NYLOCK NUT	6
7	201100-QU	1/4-28 NYLOCK NUT THIN	2
8	880548	CASTER CAP W/O-RING ALUM BLK	2
9	486273	BACKREST REL PLUG AC	2
10	226150	1/4-28 x 2 BH C/S	2
11	540009	SPACER SEAT FRAME 1/2" AC	2
12	221213	10-32 x 7/8" HEX SEX BOLT QTNT	2
13	561002	1" INSERT PLUG .083	2
14	226051	10-32 x 3/8 BH C/S	2
15	226140	1/4-28 x 1 3/4 BH C/S	6
16	226155	1/4-28 x 2 1/4 BH C/S	4
17	561004	1" SADDLE 1/4" HOLE	2

ITEM	NUMBER	DESCRIPTION	QTY
3,7-10	661289,	SEAT FRAME PNTD	
	661290	13"-14" x 13" AC	
	661299,	SEAT FRAME PNTD	
	661300	13"-14" x 14" AC	
	661309,	SEAT FRAME PNTD	
	661310	13"-14" x 15" AC	
	661319,	SEAT FRAME PNTD	
	661320	13"-14" x 16" AC	
	661329,	SEAT FRAME PNTD	
	661330	13"-14" x 17" AC	
6,12,14	600284	FRNT TBE ASSM AC R TALL 13"-14 1/2"	
	600285	FRNT TBE ASSM AC L TALL 13"-14 1/2"	
6A,12,14	600286	FRNT TBE ASSM AC R X-TALL 13"-14 1/2"	
6B,12,14	600287	FRNT TBE ASSM AC L X-TALL 13"-14 1/2"	

SEAT FRAME (15"-20") (QUICKIE ALL COURT)

(Effective 8/1/00)



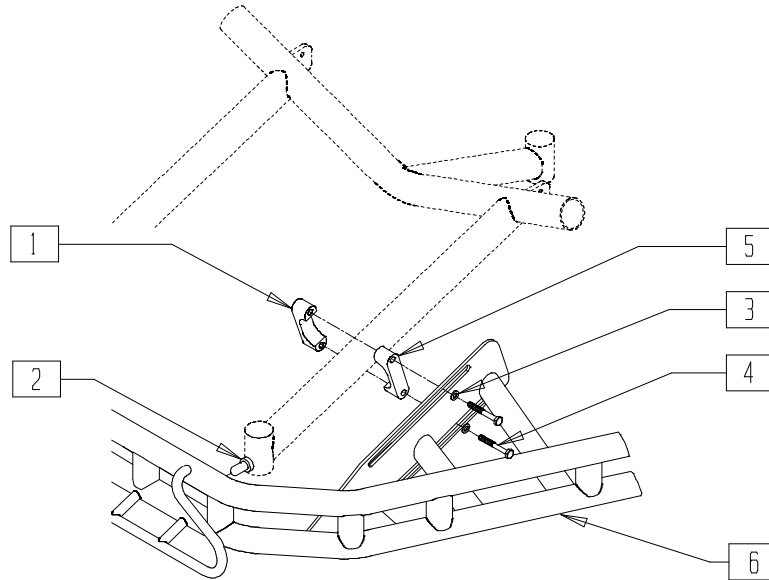
ALCOX11A

ITEM	NUMBER	DESCRIPTION	QTY
1	262100-QU	1/4 AN WASHER	10
2	560999	1" INSERT PLUG .083 W/ 1/4" HOLE	2
3	341497	10-32 x .020 x .130 RIVNUT GOLD	10-16
4	527455	REAR FRAME ADJ TUBE STD 3D	2
4A	520487	REAR SEAT UPRIGHT TALL AC	2
5	201110-QU	1/4-28 NYLOCK NUT	6
7	201100-QU	1/4-28 NYLOCK NUT THIN	2
8	880548	CASTER CAP W/O-RING ALUM BLK	2
9	483273	BACKREST REL PLUG AC	2
10	226150	1/4-28 x 2 BH C/S	2
11	561004	1" SADDLE 1/4" HOLE	6
12	221213	10-32 x 7/8" HEX SEX BOLT QTNT	2
13	561002	1" INSERT PLUG .083	2
14	226051	10-32 x 3/8 BH C/S	2
15	226140	1/4-28 x 1 3/4 BH C/S	6
3,7-11	661301- 661306	SEAT FRAME PNTD 15"-20" x 14 AC	

ITEM	NUMBER	DESCRIPTION	QTY
3,7-11	661311-	SEAT FRAME PNTD	
	661316	15"-20" x 15 AC	
	661321	SEAT FRAME PNTD	
	661326	15"-20" x 16 AC	
	661331	SEAT FRAME PNTD	
	661336	15"-20" x 17 AC	
	661341-	SEAT FRAME PNTD	
	661346	15"-20" x 18 AC	
	661351- 661356	SEAT FRAME PNTD 15"-20" x 19 AC	
661361- 661366	SEAT FRAME PNTD 15"-20" x 20 AC		
6,12,14	600235	FRNT FRAME TUBE ASSM AC R TALL	
6A,12,14	600236	FRNT FRAME TUBE ASSM AC L TALL	
6B,12,14	600237	FRNT FRAME TUBE ASSM AC R X-TALL	
6C,12,14	600238	FRNT FRAME TUBE ASSM AC L X-TALL	

QUAD RUGBY WINGS (QUICKIE ALL COURT)

(Discontinued 8/1/00 - parts only)



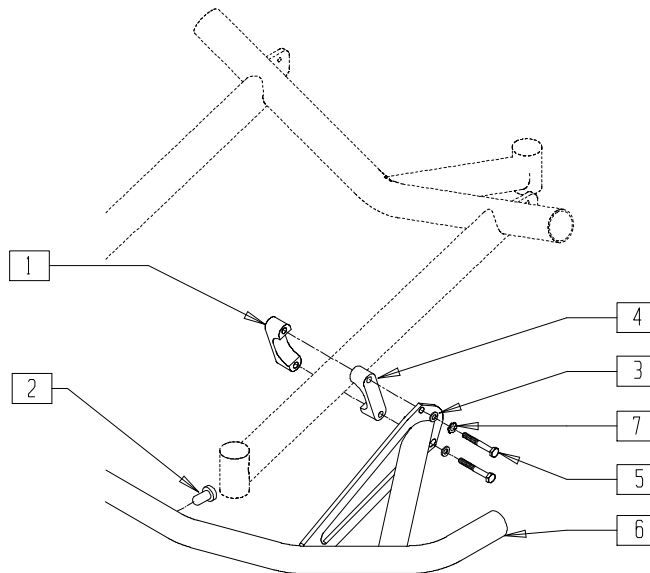
ALC00X21

ITEM	NUMBER	DESCRIPTION	QTY
1	500552	CLMP OVAL TUBE W/THRD AC	2
2	349559	RUBBER BUMPER HANGER P2	2
3	262100-OU	1/4 AN WASHER FLAT	4
4	221133	1/4-28 x 1 1/2 G8 HEX C/S	4

ITEM	NUMBER	DESCRIPTION	QTY
5	500551	CLAMP OVAL TUBE AC	2
6	520365	BUMPER QUAD RUGBY AC	1
1-6	900470	BUMPER RUGBY AC SPEC DIM	

BASKETBALL WINGS (QUICKIE ALL COURT)

(Discontinued 8/1/00 - parts only)



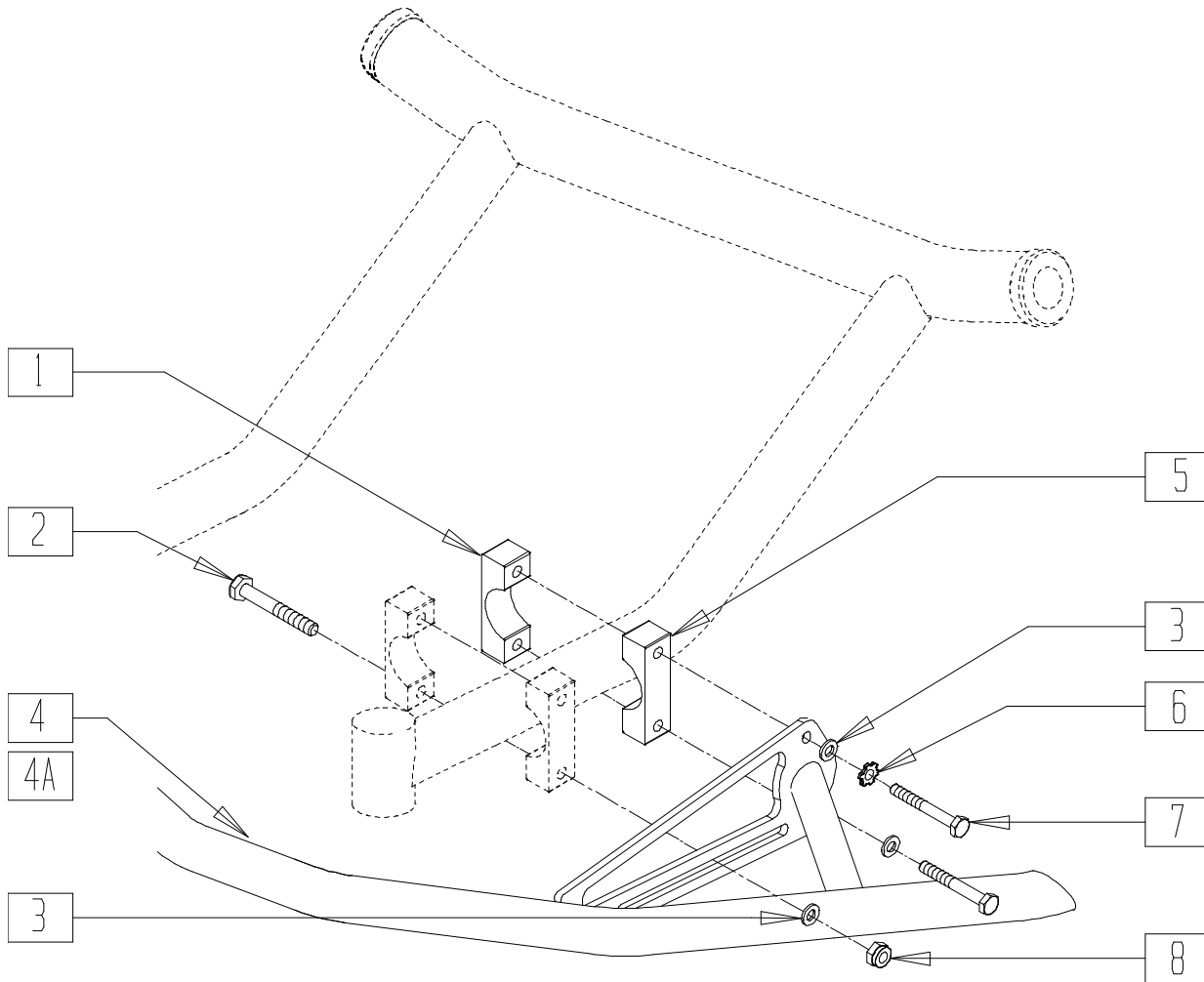
ALC00X22

ITEM	NUMBER	DESCRIPTION	QTY
1	500552	CLMP OVAL TUBE W/THRD AC	2
2	349559	RUBBER BUMPER HANGER P2	2
3	262100-OU	1/4 AN WASHER FLAT	4
4	500551	CLAMP OVAL TUBE ALL COURT	2
5	221133	1/4-28 x 1 1/2 G8 HEX C/S	4

ITEM	NUMBER	DESCRIPTION	QTY
6	520366	BUMPER BASKETBALL AC	1
7	261535	1/4" WASHER STAR EXTERNAL	2
1-7	900471	BUMPER BB ALL COURT (SPECIFY DIMENSIONS)	

QUAD RUGBY AND BASKETBALL WINGS (QUICKIE ALL COURT)

(Effective 8/1/00)



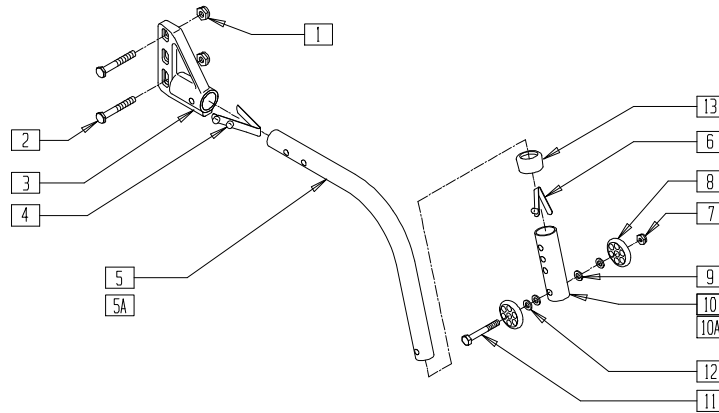
ALCOX22A

ITEM	NUMBER	DESCRIPTION	QTY
1	540071	SIDE TUBE CLAMP THREADED AC	2
2	226277	1/4-28 x 2 HH C/S FULL THREAD	2
3	262100-QU	1/4 AN WASHER FLAT	6
4	521187	BUMPER AC (SPEC DIM)	1
4A	521188	BUMPER RUGBY AC (SPEC DIM)	1
5	540072	SIDE TUBE CLAMP AC	2

ITEM	NUMBER	DESCRIPTION	QTY
6	261535	1/4 WASHER STAR EXTERNAL	2
7	221133	1/4-28 x 1 1/2 G8 HEX C/S	4
8	201100-QU	1/4-28 NYLOCK NUT THIN	2
1-8	900491	BUMPER ASSM B-BALL AC (SPEC DIM)	
1-3,4A,5-8	900490	BUMPER ASSM RUGBY AC (SPEC DIM)	

ANTI-TIP (QUICKIE ALL COURT)

(Discontinued 8/1/00 - parts only)



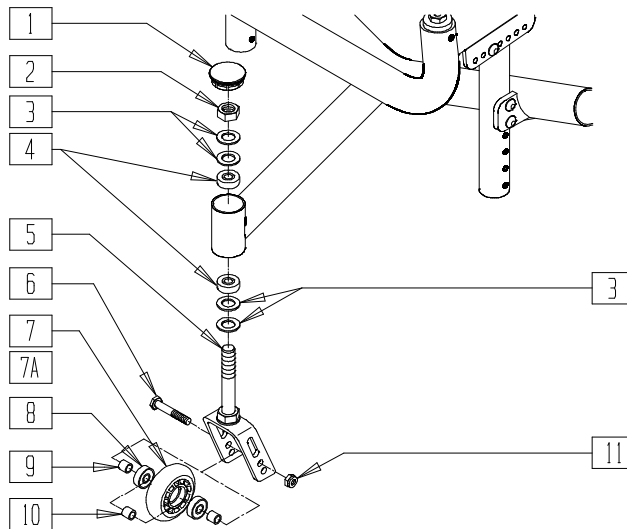
3D00X18

ITEM	NUMBER	DESCRIPTION	QTY
1	201110	1/4-28 NYLOCK NUT	2
2	221181	1/4-28 x 2 1/2 G8 HEX C/S	2
3	920407	ANTI-TIP RECEIVERS (PR)	1
4	301109	SNAP BUTTON DUAL ONE SIDE	1
5	521490-521497	ANTI-TIP TUBE CLR	1
5A	521716-521728	ANTI-TIP TUBE BLK	1
6	301100	1/4" SNAP BUTTON SINGLE B-130	1
7	201100-QU	1/4-28 NYLOCK NUT THIN	1
8	561032	ANTI-TIP WHEEL	2
9	262110	1/4 AN WASHER FLAT THIN	2
10	521508	ANTI-TIP ADJ SLEEVE (4H)	1

ITEM	NUMBER	DESCRIPTION	QTY
10A	521504	ANTI-TIP ADJ SLEEVE (4H) BLACK	1
11	221192	1/4-28 x 2 G8 HEX C/S	1
12	262130	6mm WASHER WAVE	2
13	563065	3/4" ANTI-RATTLE	1
7-9,10A,11-13	881512	ANTI-TIP SLV W/WHLS BLK (4H)	
4-13	880490-880497	ANTI-TIP ASSEMBLY (EA)	
5A,6-9	882900,	ANTI TIP ASSM REG BLK (EA)	
10A,11-13	882901		
1-4,5A,6-9	900832	ANTI-TIP ASSM REG W/REC BLK	
10A,11-13			

INTEGRAL SINGLE ANTI-TIP (QUICKIE ALL COURT)

(Discontinued 8/1/00 - parts only)



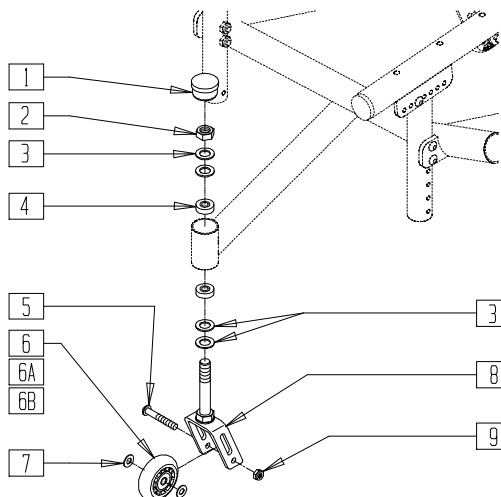
ALC00X13C

ITEM	NUMBER	DESCRIPTION	QTY
1	561070	CASTER CAP PLASTIC (EA)	1
	920028	CASTER CAP PLASTIC (PR)	
2	330010	1/2-20 NYLOCK NUT ALUM	1
3	483254	SPACER .50 ID x .80 OD x .125	4
4	349500	1 1/8 x 1/2 BEARING	2
5	780351	3 1/4" GP 3D STEM	1
6	330110	5/16-24 x 2 1/2 HEX C/S Ti	1
7A	920077	3" MICRO CASTER LIGHTED (PR)	1

ITEM	NUMBER	DESCRIPTION	QTY
8	349502	7/8 x 5/16 BEARING	2
9	481113	SPACER 5/16 x .380	2
10	481013	BEARING SPACER	1
11	330005	5/16-24 NYLOCK NUT ALUM	1
7-10	920025	3" MICRO CASTER W/BEARING (PR)	
2,3,5,6,9-11	780949	3-1/4 STD STEM W/HDWR INT AC	

INTEGRAL ANTI-TIP (QUICKIE ALL COURT)

(Effective 8/1/00)



ALC0X13B

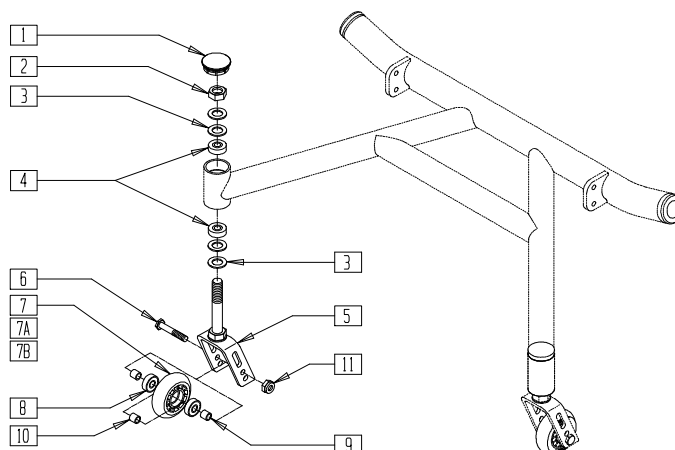
ITEM	NUMBER	DESCRIPTION	QTY
1	561070	CASTER CAP PLASTIC	1
	920028	CASTER CAP PLASTIC (PR)	
2	330010	1/2-20 NYLOCK NUT ALUM	1
3	483254	SPACER .50 ID x .80 OD x .125	4
4	349500	1 1/8 x 1/2 BEARING	2
5	226190	5/16-18 x 1 3/4 BH C/S SHLDR	1
6	400092	3" MICRO CASTER W/BEARING (EA)	
	920025	3" MICRO CASTER W/BEARING (PR)	

ITEM	NUMBER	DESCRIPTION	QTY
6A	400107	3" MICRO CASTER LIGHTED (EA)	1
	920077	3" MICRO CASTER LIGHTED (PR)	
*6B	400101	2 1/2" CSTR WHL ANTI-TIP W/BRG	
7	263100	5/16 AN WASHER FLAT	2
8	780450	STEM/FORK AC	1
9	202102	5/16-18 NYLOCK NUT THIN	1
2,3,5, 7-9	780471	STEM/FORK W/HDWR AC ANTI-TIP	

NOTE: ASSEMBLY USES *6B CASTER WITH 540 WHEELS.

INTEGRAL DOUBLE ANTI-TIP (QUICKIE ALL COURT)

(Effective 8/1/00)



ALC00X38

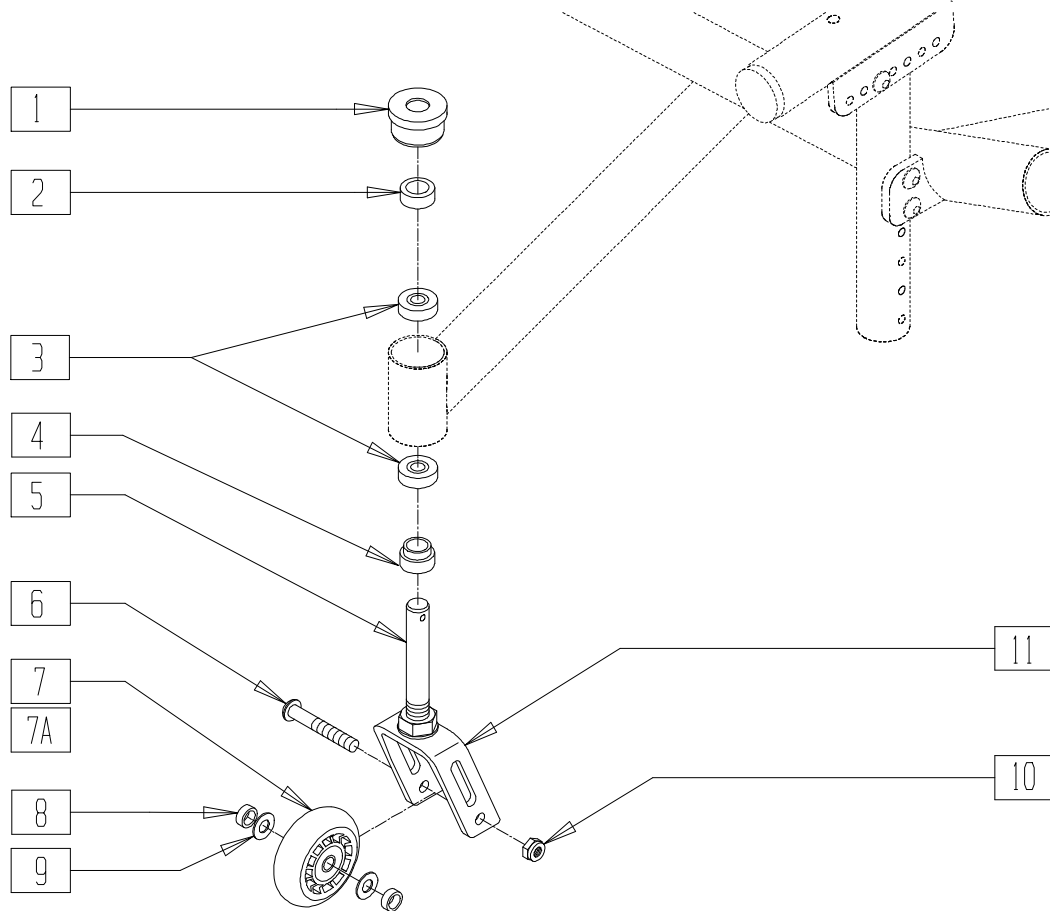
ITEM	NUMBER	DESCRIPTION	QTY
1	561070	CASTER CAP PLASTIC (EA)	1
	920028	CASTER CAP PLASTIC (PR)	
2	330010	1/2-20 NYLOCK NUT ALUM	2
3	483254	SPACER .50ID x .80 OD x .125	8
4	349500	1 1/8 x 1/2 BEARING	4
5	780351	3 1/4" GP SD STEM	2
6	330110	5/16-24 x 2 1/2 HEX C/S Ti	2
8	349502	7/8 x 5/16 BEARING	4
9	481113	SPACER 5/16 x .380	4

ITEM	NUMBER	DESCRIPTION	QTY
10	481013	BEARING SPACER	4
11	330005	5/16-24 NYLOCK NUT ALUM	2
7,8	400092	3" MICRO CASTER W/BEARING (EA)	
	900025	3" MICRO CASTER W/BEARING (PR)	
7A,8	400107	3" MICRO CASTER LIGHTED (EA)	
	920077	3" MICRO CASTER LIGHTED (PR)	
*7B,8	400101	2 1/2" CSTR WHL ANTI-TIP W/BRG	
2,3,5,6, 9-11	780949	3 1/4 STD STEM W/HDWR INT AC	

NOTE: ASSEMBLY USES *7B CASTER WITH 540 WHEELS.

QUICK-RELEASE ANTI-TIP (QUICKIE ALL COURT)

(Effective 8/1/00)



ALC0X29B

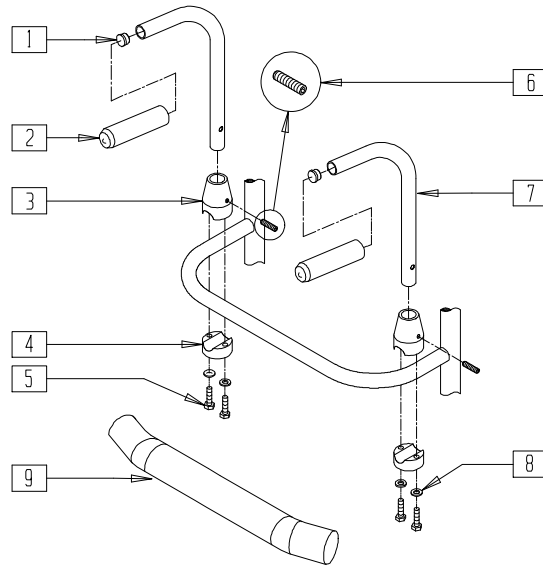
ITEM	NUMBER	DESCRIPTION	QTY
1	561170	CASTER CAP PLASTIC W/HOLE	1
2	483206	SPACER .40 ANTI-TIP AC	1
3	349502	7/8 x 5/16 BEARING	2
4	483205	SPACER .715 ANTI-TIP AC	1
5	481658	CASTER STEM QR	1
6	226190	5/16-18 x 1 3/4 BH C/S SHLDR	1
7	400092	3"MICRO CSTR W/BRG	1

ITEM	NUMBER	DESCRIPTION	QTY
*7A	400101	2 1/2" CSTR WHL ANTI-TIP W/BRG	1
8	481652	BEARING SPACER XTR	2
9	263100	5/16 AN WASHER FLAT	2
10	202102	5/16-18 NYLOCK NUT THIN	1
5,11	780452	STEM/FORK QR ANTI-TIP AC	
1,2,4-6	780472	STEM/FORK W/HDWR AT QR AC	
8-11			

NOTE: ASSEMBLY USES *7A CASTER WITH 540 WHEELS.

PUSH HANDLE ASSEMBLY (QUICKIE ALL COURT)

(Discontinued 8/1/00 - parts only)



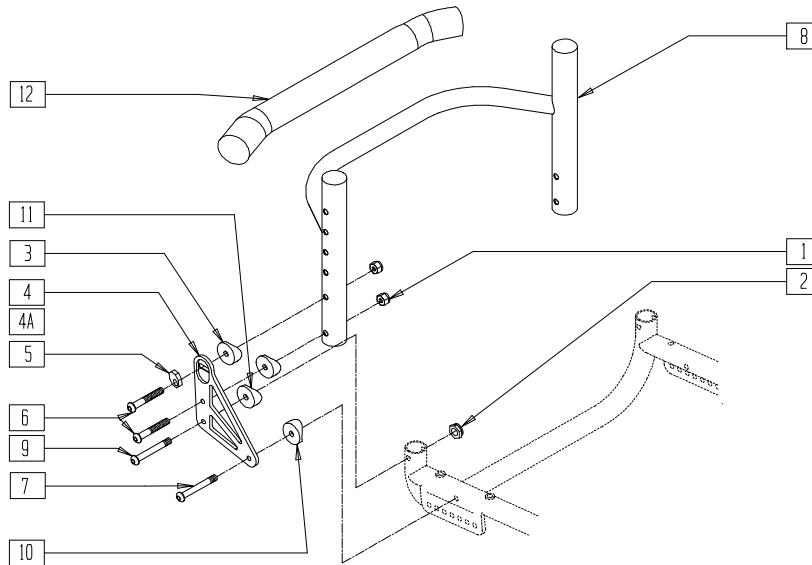
ALC00X25

ITEM	NUMBER	DESCRIPTION	QTY
1	561000-QU	3/4" INSERT PLUG .083	2
2	560662	QUICKIE GRIP 3/4"	2
3	483015	PUSH BACK REC TOP RIGID BLK	2
4	483016	PUSH BACK REC BTM RIGID BLK	2
5	221126	1/4-20 x 1 1/4 G8 HEX C/S	4
6	225200	1/4-20 x 1 SET SCREW	2

ITEM	NUMBER	DESCRIPTION	QTY
8	262100-QU	1/4 AN WASHER FLAT	4
9	750751	CROSSBAR PAD	1
1,2,7	842061, 842062	PUSH HANDLE TUBE W/FOAM RIGID BLK (EA)	
1-8	900300	PUSH HANDLE ASSM RIGID BLK (PR)	

FIXED BACKREST (QUICKIE ALL COURT)

(Discontinued 8/1/00 - parts only)



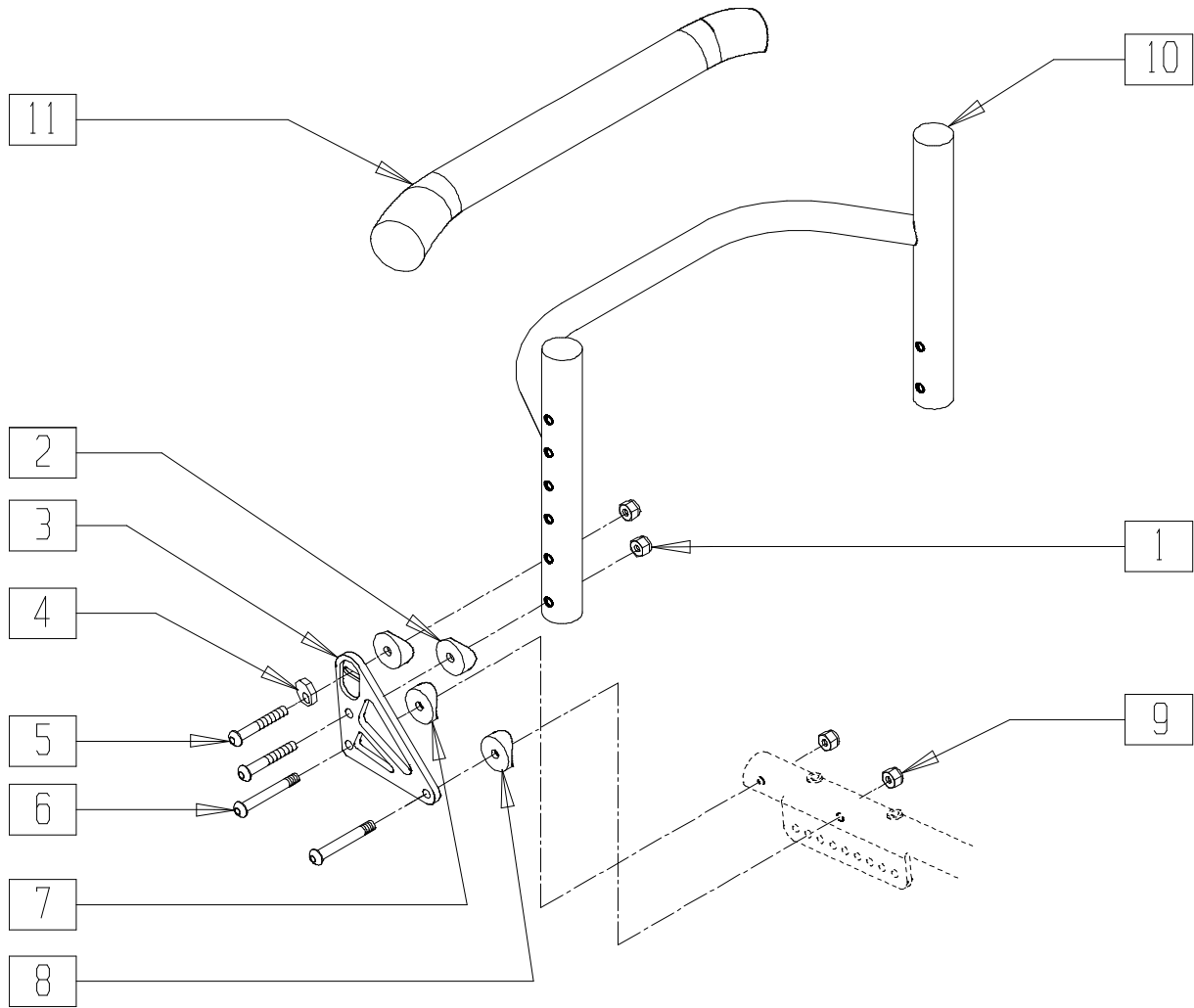
ALC00X24

ITEM	NUMBER	DESCRIPTION	QTY
1	201110	1/4-28 NYLOCK NUT	4
2	201100-QU	1/4-28 NYLOCK NUT THIN	2
3	561004	1" SADDLE 1/4" HOLE	4
4	500562	BACK PLATE FIXED R A/C	1
4A	500563	BACK PLATE FIXED L A/C	1
5	341018	WASHER ECCENTRIC LARGE	2
6	226147	1/4-28 x 1.85 BH C/S BLK ZN	4
7	226150	1/4-28 x 2 BH C/S	2

ITEM	NUMBER	DESCRIPTION	QTY
8	520442- 520448	BACK FRM REG RGD BLK .115 (14"-20")	1
	520542- 520548	BACK FRM TALL RGD BLK .115 14"-20"	
9	226140	1/4-28 x 1 3/4 BH C/S	2
10	561086	1" HALF SADDLE 1/4" HOLE	2
11	561001	1 1/8" SADDLE 1/4" HOLE	2
12	750751	CROSSBAR PAD	1

FIXED BACKREST (QUICKIE ALL COURT)

(Effective 8/1/00)



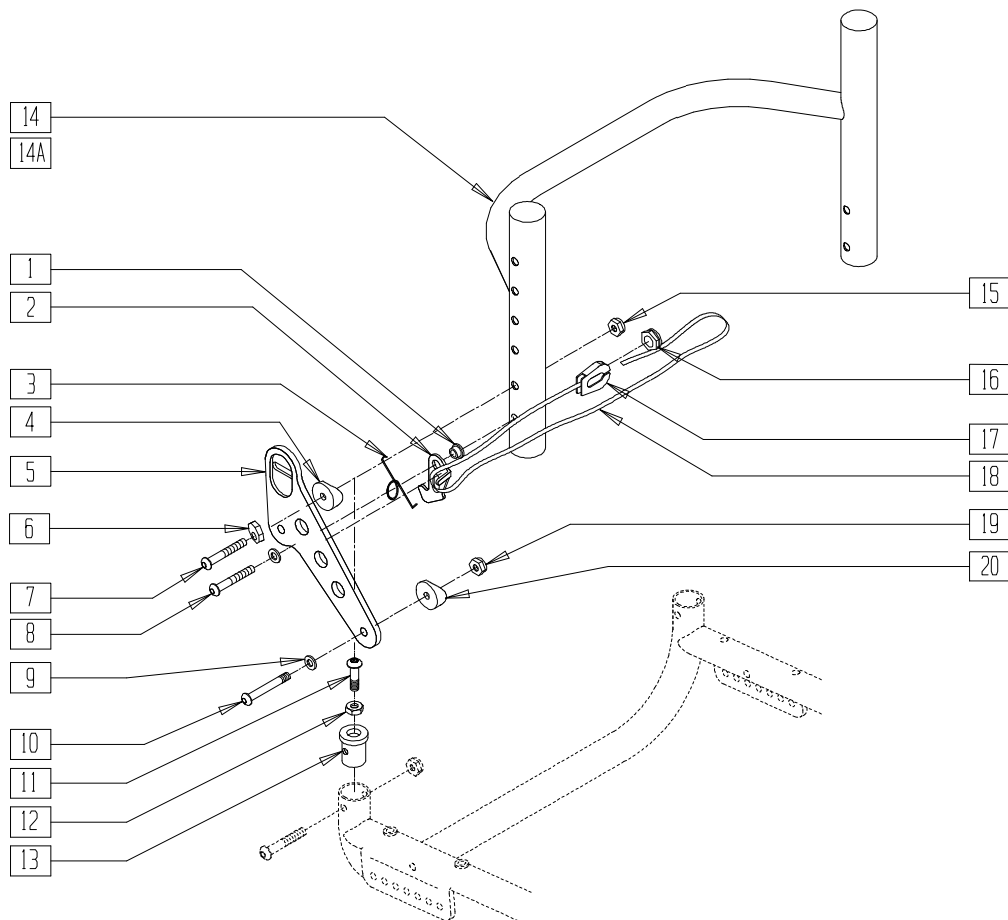
ALC0X24A

ITEM	NUMBER	DESCRIPTION	QTY
1	201110	1/4-28 NYLOCK NUT	4
2	561004	1" SADDLE 1/4" HOLE	4
3	500562, 500563	BACK PLATE FIXED MANUAL (EA)	1
4	341018	WASHER ECCENTRIC LARGE	2
5	227140	1/4-28 x 1 3/4 BH C/S BLK ZN	4
6	226148	1/4-28 x 1.85 BH C/S	4
7	561001	1 1/8" SADDLE 1/4" HOLE	2

ITEM	NUMBER	DESCRIPTION	QTY
8	561086	1" HALF SADDLE 1/4" HOLE	2
9	201100-QU	1/4-28 NYLOCK NUT THIN	4
10	520441- 520448	BACK FRAME REG RIGID BLK .115 13"-20"	1
	520541- 520548	BACK FRAME TALL RIGID BLK .115 13"-20"	
11	750751	CROSSBAR PAD	1
1-9	920569	BRACKET ASSEMBLY FIXED BACK	

QUICK-RELEASE BACK LOCK (QUICKIE ALL COURT)

(Discontinued 8/1/00 - parts only)



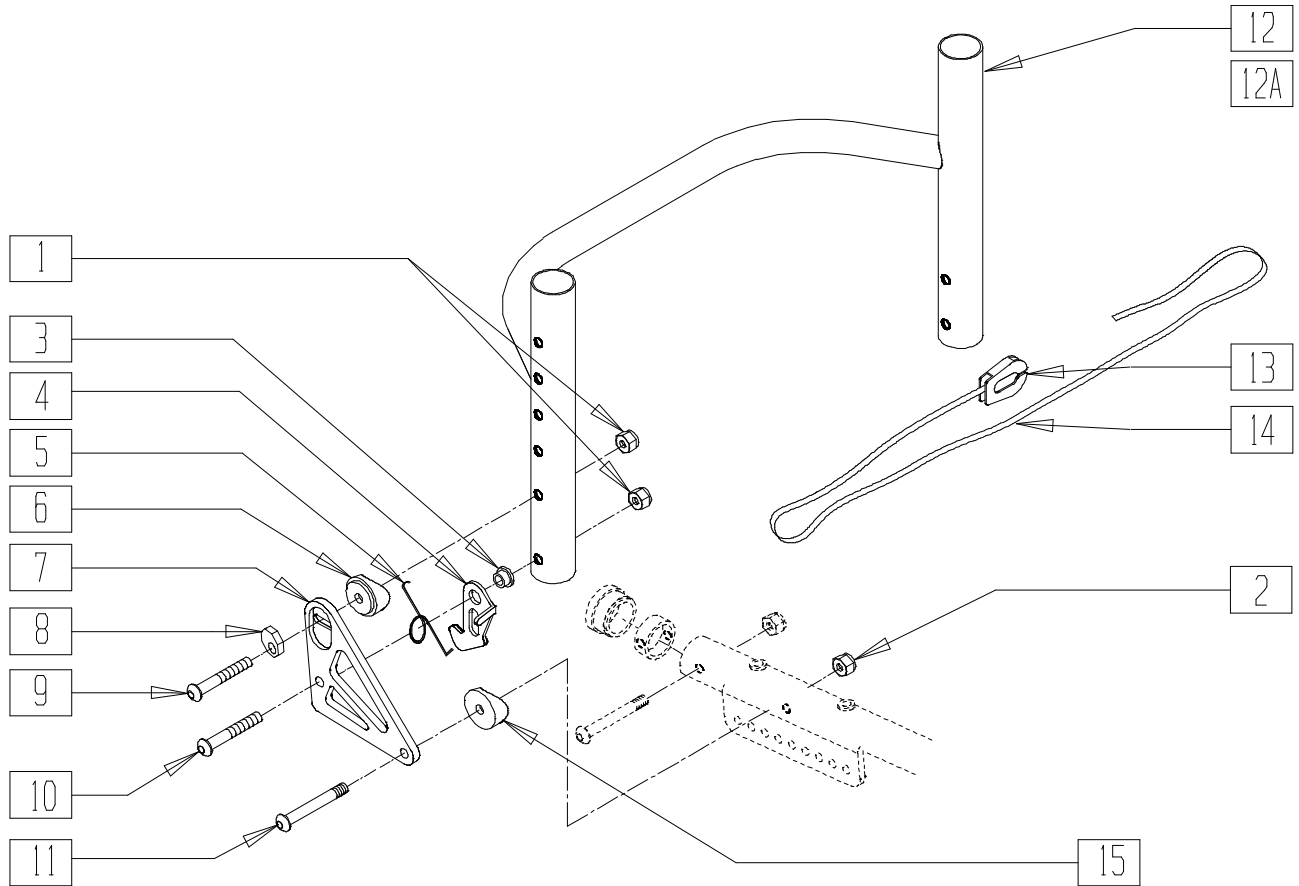
ALC0X23A

ITEM	NUMBER	DESCRIPTION	QTY
1	481039	BACK RELEASE BUSHING RIGID	2
2	505033, 505034	Q1/GP BACK RELEASE BRACKET (EA)	2
3	321153, 321154	BACK RELEASE SPRING RIGID (EA)	2
4	561004	1" SADDLE 1/4" HOLE	2
5	500170 500171	BCK REL PVT PLATE RGD BLK (NEW)(EA)	1
6	341018	WASHER ECCENTRIC LARGE	2
7	226147	1/4-28 x 1.85 BH C/S BLK ZN	2
8	226140	1/4-28 x 1 3/4 BH C/S	2
9	262100-QU	1/4 AN WASHER FLAT	4
10	226150	1/4-28 x 2 BH C/S	2
11	226058	1/4-20 x 3/4 SOC C/S	2

ITEM	NUMBER	DESCRIPTION	QTY
12	201121	1/4-20 NUT THIN	2
13	483251	BACK REST REL PLUG A/C	2
14	520442- 520448	BACK FRAME REG RIGID BLK (14"-20")	1
14A	520542- 520548	BACK FRAME TALL RIGID BLK (14"-20")	1
15	201110	1/4-28 NYLOCK NUT	2
16	201100-QU	1/4-28 NYLOCK NUT THIN	4
17	560221	BACK RELEASE STRAP LOCK RIGID	1
18	750060	BACK RELEASE STRAP 12"-20" RIGID	1
19	201100-QU	1/4-28 NYLOCK NUT THIN	2
20	561086	1" HALF SADDLE 1/4" HOLE	2
1-10, 15-20	920523	BACK RELEASE BRKT ASSEMBLY F A/C	

QUICK-RELEASE BACK LOCK (QUICKIE ALL COURT)

(Effective 8/1/00)



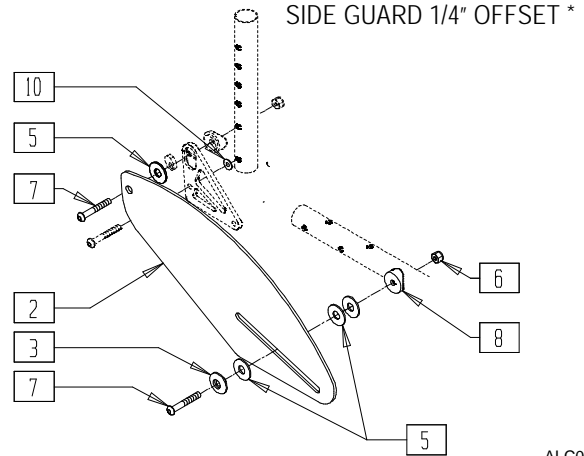
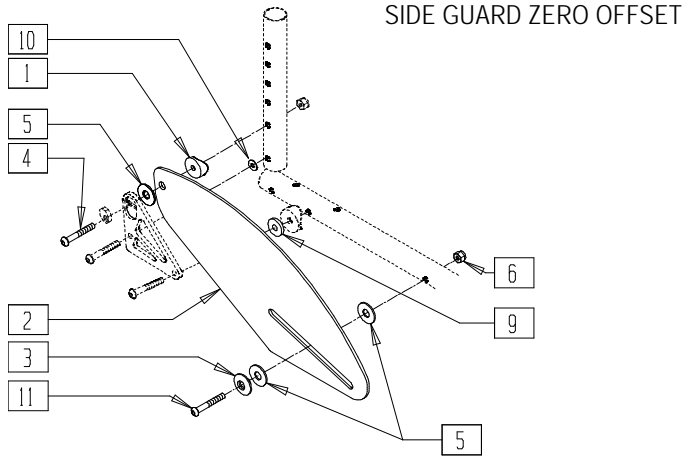
ALC0X23B

ITEM	NUMBER	DESCRIPTION	QTY
1	201110	1/4-28 NYLOCK NUT	4
2	201110-QU	1/4-28 NYLOCK NUT	2
3	481039	BACK REL BUSHING RIGID	2
4	505033, 505034	BACK RELEASE BRACKET Q1/GP (EA)	1
5	321153 321154	BACK RELEASE SPRING RIGID (NEW) (EA)	1
6	561087	BACK RELEASE SADDLE RIGID	2
7	500110, 500111	BACK PLATE XTR (EA)	1
8	341018	WASHER ECCENTRIC LARGE	2

ITEM	NUMBER	DESCRIPTION	QTY
9	227140	1/4-28 x 1 3/4 BH C/S BLK ZN	2
10	226140	1/4-28 x 1 3/4 BH C/S	2
11	226150	1/4-28 x 2 BH C/S	2
12	520441- 520448	BACK FRAME REG RIGID BLK .115 13"-20"	1
12A	520541- 520548	BACK FRAME TALL RIGID BLK .115 13"-20"	1
13	560221	BACK RELEASE STRAP LOCK RIGID	1
14	750060	BACK RELEASE STRAP 12"-20" RIGID	1
15	561086	1" HALF SADDLE 1/4" HOLE	2
1-11,13-15	920568	BACK RELEASE BRACKET ASSM AC	

ALUMINUM SIDE GUARD FOR QUICK-RELEASE BACK (QUICKIE ALL COURT)

(Effective 8/1/00)



ALC00X30

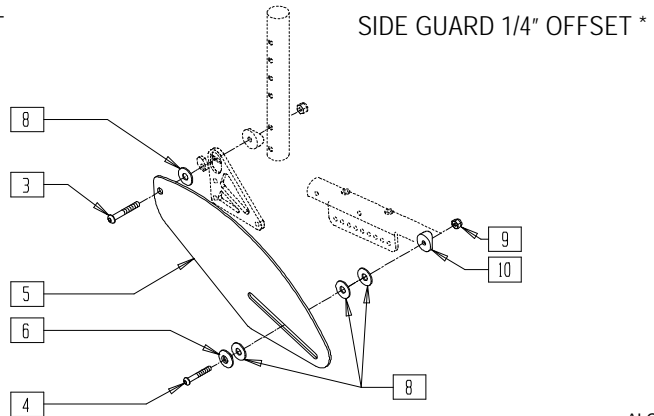
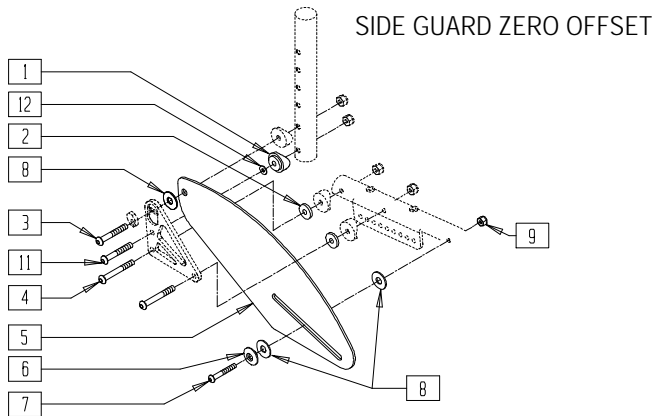
ITEM	NUMBER	DESCRIPTION	QTY
1	561004	1" SADDLE 1/4" HOLE	2
2	500223	SIDE GUARD AL STD AC	2
3	481046	SIDEGUARD BUSHING	2
4	226147	1/4-28 x 1.85 BH C/S BLK ZN	2
5	561043	1" WASHER 3/8" HOLE	4,6
6	201100-QU	1/4-28 NYLOCK NUT THIN	2

ITEM	NUMBER	DESCRIPTION	QTY
7	226150	1/4-28 x 2 BH C/S	2
8	561001	1 1/8" SADDLE 1/4" HOLE	2
9	561026	3/4" WASHER 1/4" HOLE	2
10	262100-QU	1/4 AN WASHER FLAT	2
11	226148	1/4-28 x 1.85 BH C/S	2
1-11	920625	HARDWARE KIT SIDE GUARD AC	

*FOR 13.5",14.5",15.5"... 1/4" OFFSET SIDEGUARDS MUST BE ORDERED TO ACHIEVE EXTRA 1/2" IN SEAT FRAME WIDTH.

ALUMINUM SIDE GUARD FOR FIXED BACK (QUICKIE ALL COURT)

(Effective 8/1/00)



ALC00X31

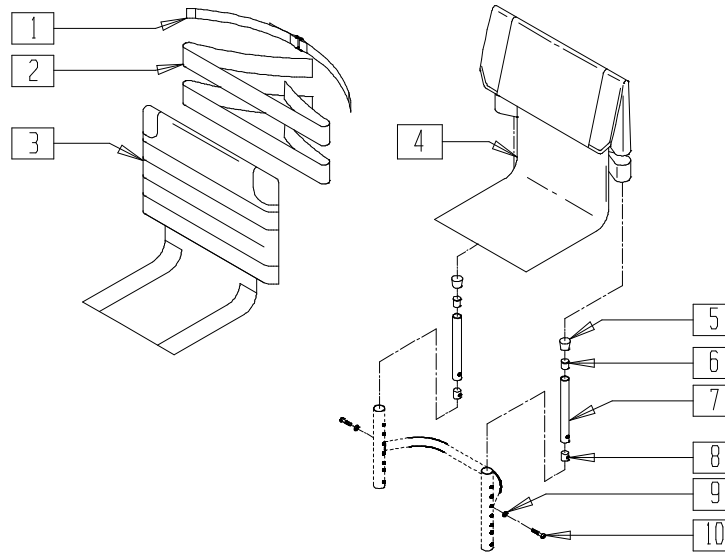
ITEM	NUMBER	DESCRIPTION	QTY
1	561087	BACK RELEASE SADDLE RIGID	2
2	561026	3/4" WASHER 1/4" HOLE	4
3	226147	1/4-28 x 1.85 BH C/S BLK ZN	2
4	226150	1/4-28 x 2 BH C/S	2,4
5	500223	SIDE GUARD STD	2
6	481046	SIDE GUARD BUSHING	2
7	226148	1/4-28 x 1.85 BH C/S	2

ITEM	NUMBER	DESCRIPTION	QTY
8	561043	1" WASHER 3/8" HOLE	6,8
9	201100-QU	1/4-28 NYLOCK NUT THIN	2
10	561001	1 1/8" SADDLE 1/4" HOLE	2
11	227140	1/4-28 x 1 3/4 BH C/S BLK ZN	2
12	262100-QU	1/4 AN WASHER FLAT	2
1-12	920625	HARDWARE KIT SIDE GUARD AC	

*FOR 13.5",14.5",15.5"... 1/4" OFFSET SIDEGUARDS MUST BE ORDERED TO ACHIEVE EXTRA 1/2" IN SEAT FRAME WIDTH.

BACKREST FRAME AND UPHOLSTERY (QUICKIE ALL COURT)

(Discontinued 8/1/00 - parts only)



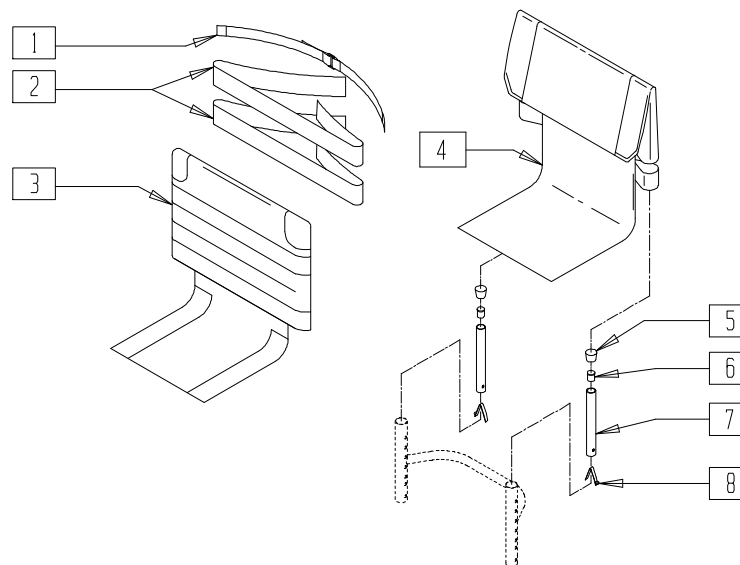
ALC0X18A

ITEM	NUMBER	DESCRIPTION	QTY
1	750096	SIDE GUARD/BACK STRAP (SPEC DIM)	1
2	741500	ANKLE/BACK STRAP 3D	1
3	684442-684460	SPORTS ADJUSTABLE BACK W/TAIL 12LA-20SA	1
4	680301-680909	BACK UPHOLSTERY W/TAIL 14"-20" FOLDING BACK	1
5	561010	3/4" CAP	2

ITEM	NUMBER	DESCRIPTION	QTY
6	561000-QU	3/4" INSERT PLUG .083	2
8	483001	O2 FRAME/FOOT RETAINING PLUG	2
9	262130	6mm WASHER WAVE	2
10	226101	1/4-20 x 3/4 BH C/S	2
5-10	840101-840104	BACK ADJUSTABLE TUBE RIGID 12"-15" - 16"-19"	

FOLDING BACKREST AND UPHOLSTERY (QUICKIE ALL COURT)

(Effective 8/1/00)

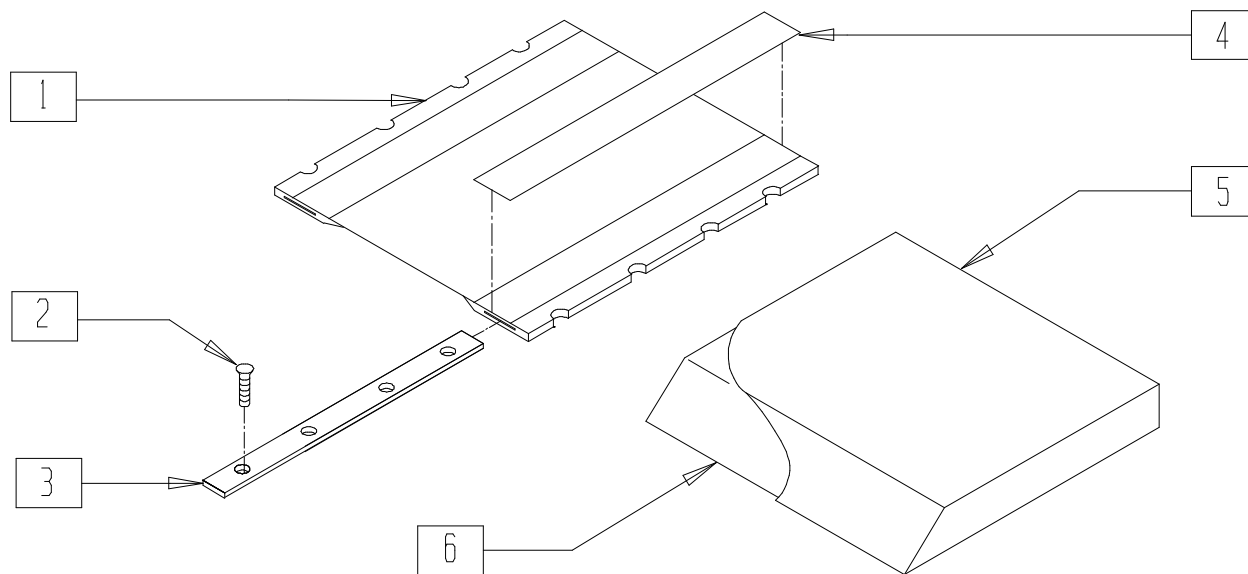


ALC00X18

ITEM	NUMBER	DESCRIPTION	QTY
1	750096	SIDE GUARD/BACK STRAP (SPEC DIM)	1
2	741500	ANKLE/BACK STRAP 3D	1
3	685904-685930	SPORTS ADJUSTABLE BACK W/TAIL 12LA-20SA	1
4	680201-680909	BACK UPHOLSTERY W/TAIL 14"-20" FOLDING BACK	1

ITEM	NUMBER	DESCRIPTION	QTY
5	561010	3/4" CAP	2
6	561000-QU	3/4" INSERT PLUG .083	2
8	301100	1/4" SNAP BUTTON SINGLE	2
5-8	840130-840132	BACK ADJ TUBE W/CAP 12-16"	

SEAT SLING AND CUSHION (QUICKIE ALL COURT)



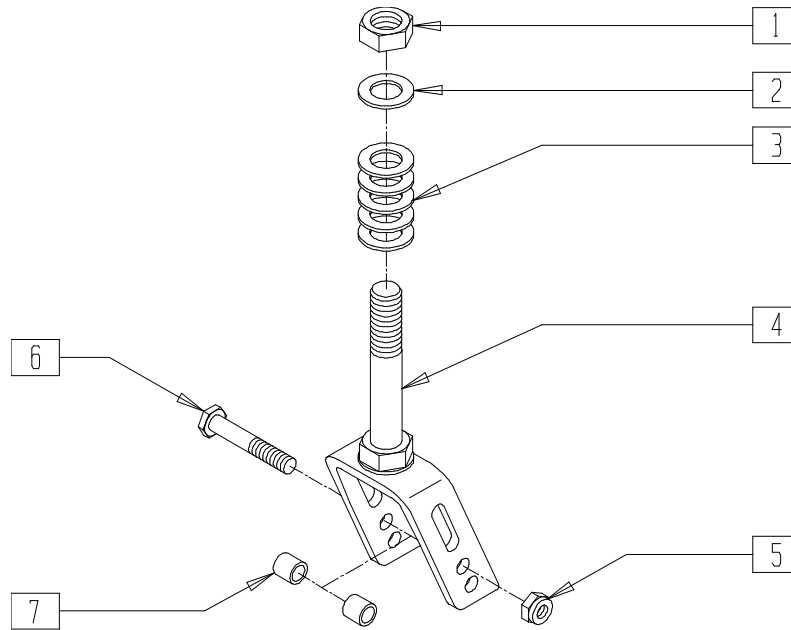
TNT00X12

ITEM	NUMBER	DESCRIPTION	QTY
1	721084-721158	SEAT SLING AC 13" x 13" -18" x 18"	1
2	281122	10-32 x 3/4 PAN PHIL	8
3	505360-505372	SEAT RAIL QTNT 13"-18"	2
4	901169	SEAT SLING VELCRO® STRIP 2"	2

ITEM	NUMBER	DESCRIPTION	QTY
5	701242-701742	SEAT COVER 13" x 14" x 2" - 18" x 18" x 2"	1
6	105242-105742	SEAT FOAM 14" x 14" x 2" - 18" x 18" x 2"	1
5,6	700242 700742	SEAT CUSHION W/COVER AND FOAM 13" x 14" - 18" x 18"	

FORK ASSEMBLY (QUICKIE ALL COURT)

(Discontinued 8/1/00 - parts only)



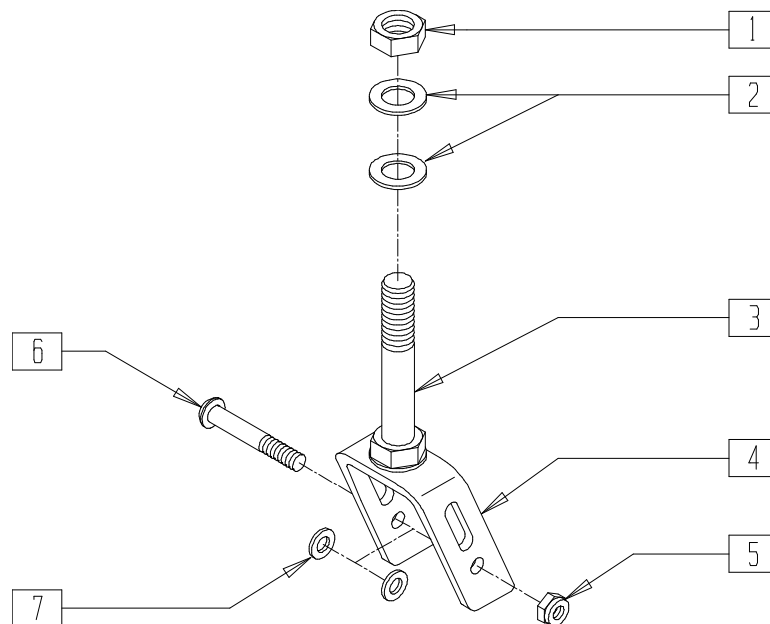
ALC0X01

ITEM	NUMBER	DESCRIPTION	QTY
1	330010	1/2-20 NYLOCK NUT ALUMINUM	1
2	264100	1/2 AN WASHER FLAT	2
3	483254	SPACER .50 ID x .88 OD x .125	5
4	780350	3 1/4 GP STD STEM	1

ITEM	NUMBER	DESCRIPTION	QTY
5	330005	5/16-24 NYLOCK NUT ALUMINUM	1
6	330110	5/16-24 x 2 1/2 HEX C/S Ti	1
7	481113	BEARING SPACER	2
1-7	780979	3 1/4 GP AC STEM W/HDWR Ti	

FORK ASSEMBLY (QUICKIE ALL COURT)

(Effective 8/1/00)

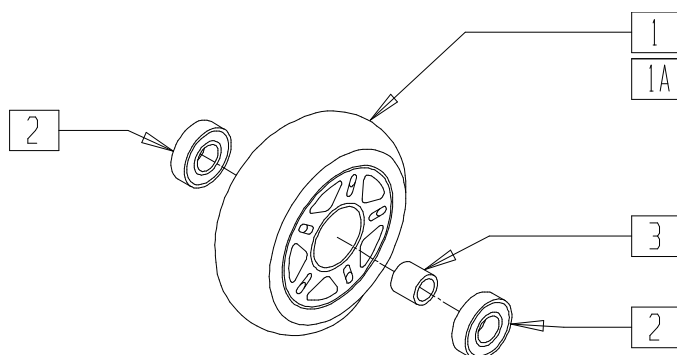


ALC0X01A

ITEM	NUMBER	DESCRIPTION	QTY
1	330010	1/2-20 NYLOCK NUT ALUMINUM	1
2	264100	1/2 AN WASHER FLAT	2
4	550038	FORK 3" MICRO	1
5	202102	5/16-18 NYLOCK NUT THIN	1

ITEM	NUMBER	DESCRIPTION	QTY
6	226190	5/16-18 x 1 3/4 BH C/S SHLDR	1
7	263100	5/16 AN WASHER FLAT	2
3,4	780450	STEM/FORK AC	
1-7	780470	STEM/FORK W/HARDWARE AC	

3" MICRO CASTER

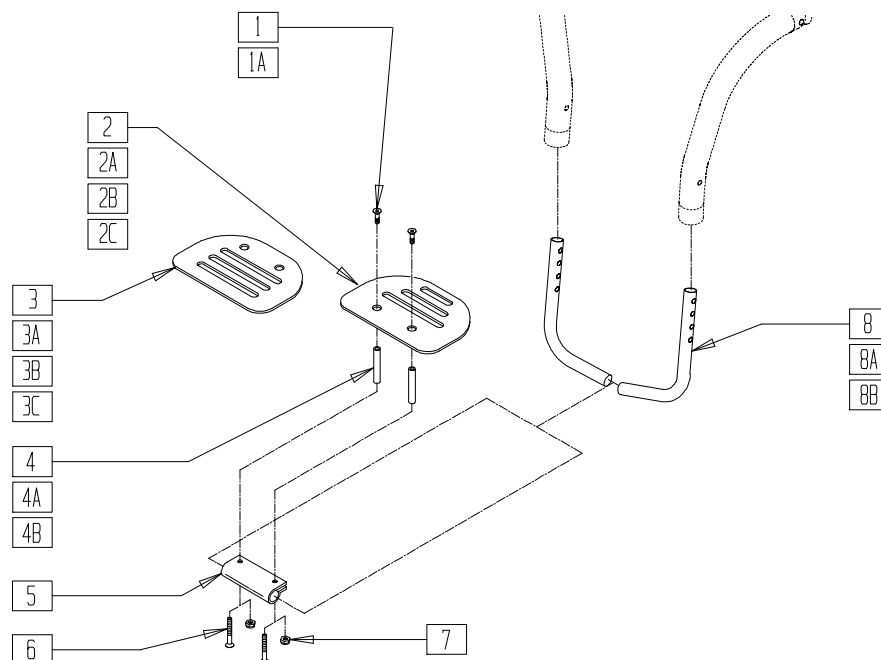


CFOX09A

ITEM	NUMBER	DESCRIPTION	QTY
1A	400107	3" MICRO CASTER LIGHTED	1
	920077	3" MICRO CASTER LIGHTED (PR)	
2	349502	7/8 x 5/16 BEARING	2

ITEM	NUMBER	DESCRIPTION	QTY
3	481013	BEARING SPACER	1
1-3	400092	3" MICRO CASTER W/BEARING	
	920025	3" MICRO CASTER W/BEARING (PR)	

PLATFORM FOOTREST (QUICKIE ALL COURT)



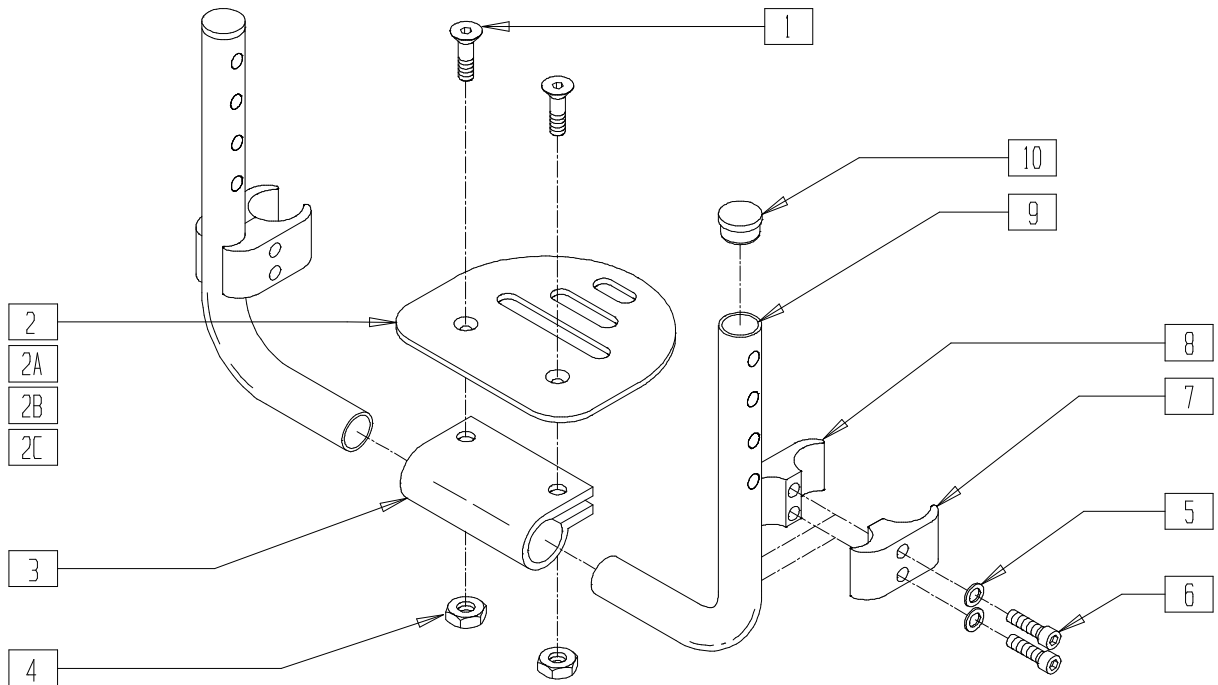
ALC00X20A

ITEM	NUMBER	DESCRIPTION	QTY
1	226099	1/4-28 x 7/8 FH C/S (NO SPACER)	2
1A	226121	1/4-20 x 1 FH C/S BLK (2", 4", 6" SPACER)	2
2	500650	PLATFORM FOOTPLATE 6" x 5 1/2"	1
2A	500651	PLATFORM FOOTPLATE 8" x 5 1/2"	1
2B	500652	PLATFORM FOOTPLATE 10" x 5 1/2"	1
2C	500653	PLATFORM F/PLT 12" x 5 1/2"	1
3	500591	PLATFORM FOOTPLATE 6" A/C	1
3A	500592	PLATFORM FOOTPLATE 8" A/C	1
3B	500593	PLATFORM FOOTPLATE 10" A/C	1
3C	500594	PLATFORM FOOTPLATE 12" A/C	1
4	481306	ADAPTIVE FOOTREST SPACER 2"	2
4A	481307	ADAPTIVE FOOTREST SPACER 4"	2
4B	481308	ADAPTIVE FOOTREST SPACER 6"	2

ITEM	NUMBER	DESCRIPTION	QTY
5	550351	PLATFORM FOOTPLATE CLAMP	1
6	221110	1/4-20 x 1 HEX C/S	2
7	201120	1/4-28 AUTOMATION NUT	2
8	522247	FOOTREST TUBE 14"/15"	1
8A	522248	FOOTREST TUBE 16"/17"	1
8B	522249	FOOTREST TUBE 18" QTNT	1
1,3,5,7,8	800310	F/REST ASSM 14"/15" FORWARD A/C	
1,3A,5,7,8A	800311	F/REST ASSM 16"/17" FORWARD A/C	
1,3B,5,7,8B	800312	F/REST ASSM 18"/19" FORWARD A/C	
1,3C,5,7,8B	800313	F/REST ASSM 20" FORWARD A/C	
1,2,5,7,8	800314	F/REST ASSM 14"/15" REVERSE A/C	
1,2A,5,7,8A	800315	F/REST ASSM 16"/17" REVERSE A/C	
1,2B,5,7,8B	800316	FOOTREST ASSM 18"/19" RVRS A/C	
1,2C,5,7,8B	800317	FOOTREST ASSM 20" RVRS A/C	

HIGH-MOUNT FOOTREST (QUICKIE ALL COURT)

(Effective 8/1/00)



ALC00X38

ITEM	NUMBER	DESCRIPTION	QTY
1	226099	1/4-28 x 7/8 FH C/S	2
2	500650	PLTFRM FOOTPLATE 6" x 5 1/2" (10"-13")	1
2A	500651	PLTFRM FOOTPLATE 8" x 5 1/2" (14")	1
2B	500652	PLTFRM F/PLT 10" x 5 1/2"	1
2C	500653	PLATFRM F/PLT 12" x 5 1/2"	1
3	550351	PLTFRM FT PLT CLMP (SPECIFY BLK)	1
4	201120	1/4-28 STOVER NUT	2
5	262114	1/4 WASHER HI COLLAR LOCK ZN	4
6	226112	1/4-28 x 1 SOC S/C BLK	4
7	550443	WHEEL LOCK CLAMP RECESS R2	2

ITEM	NUMBER	DESCRIPTION	QTY
8	550442	WHEEL LOCK CLAMP THREADED R2	2
5-8	881097	WHEEL LOCK CLAMP ASSM BLK	2
9	522247- 522249	FOOTREST TUBE (14"-18") QTNT	2
10	561000-QU	3/4" INSERT PLUG .083	2
1-10	800321	FTRST ASSM 14"-15.5" HI-MT AC	
1,2A,3-10	800322	FTRST ASSM 16"-17.5" HI-MT AC	
1,2B,3-10	800323	FTRST ASSM 18"/19" HI-MT AC	
1,2C,3-10	800324	FTRST ASSM 20" HI-MT AC	

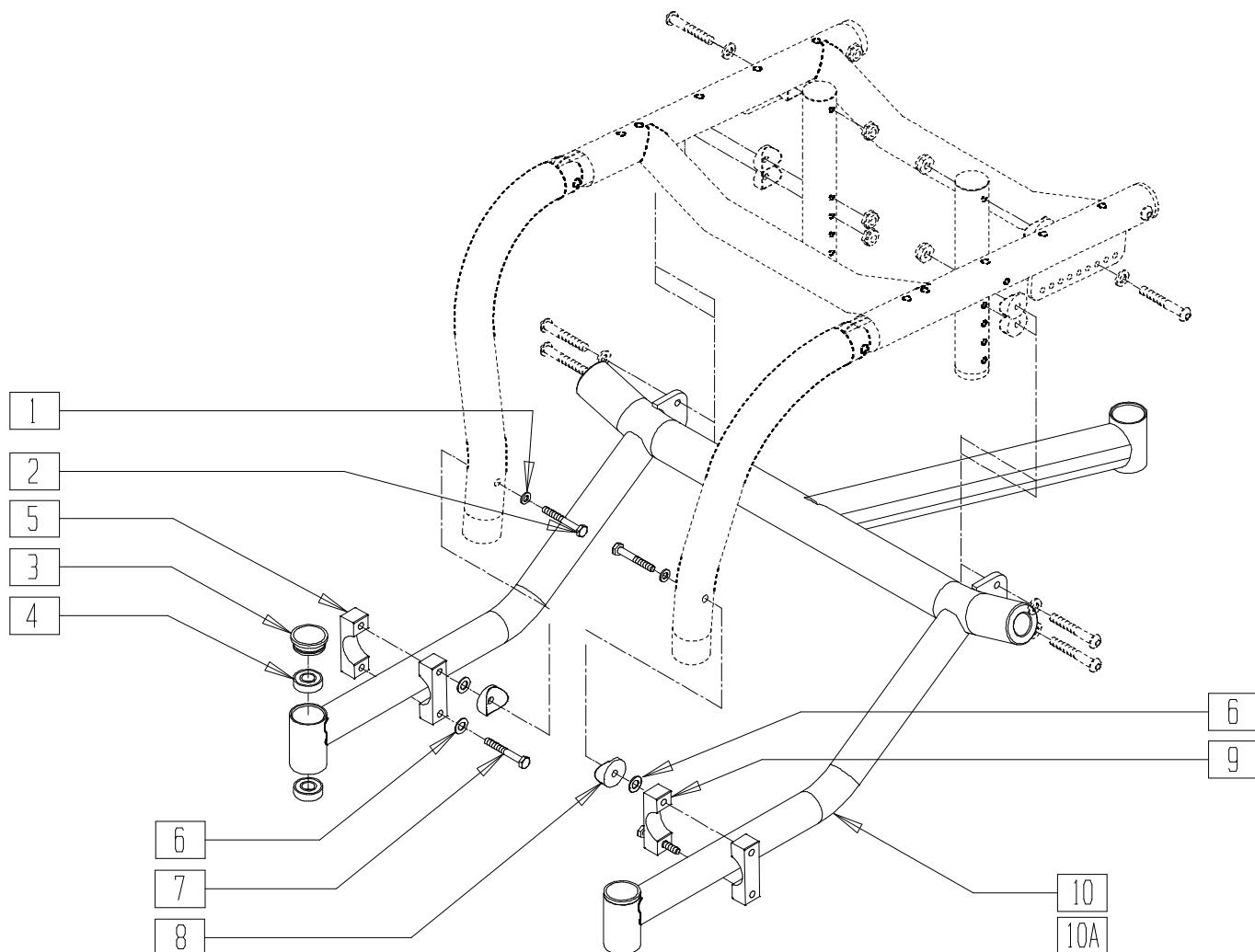
Quickie Matchpoint

IN THIS SECTION

Base Frame (Quickie Matchpoint)	2.1	Aluminum Side Guard For Quick-release Back (Quickie Matchpoint)	2.8
Seat Frame (Quickie Matchpoint)	2.2	Folding Backrest and Upholstery (Quickie Matchpoint)	2.9
Integral Anti-tip (Quickie Matchpoint)	2.3	Seat Sling and Cushion (Quickie Matchpoint)	2.10
Quick-release Anti-tip (Quickie Matchpoint)	2.4	Fork Assembly (Quickie Matchpoint)	2.11
Push Handle Assembly (Quickie Matchpoint)	2.5	3" Micro Caster	2.12
Fixed Backrest (Quickie Matchpoint)	2.6	Platform Footrest (Quickie Matchpoint)	2.12
Quick-release Back Lock (Quickie Matchpoint)	2.7	High-Mount Footrest (Quickie Matchpoint)	2.13
Aluminum Side Guard For Fixed Back (Quickie Matchpoint)	2.8		

BASE FRAME (QUICKIE MATCHPOINT)

(Effective 10/1/01)



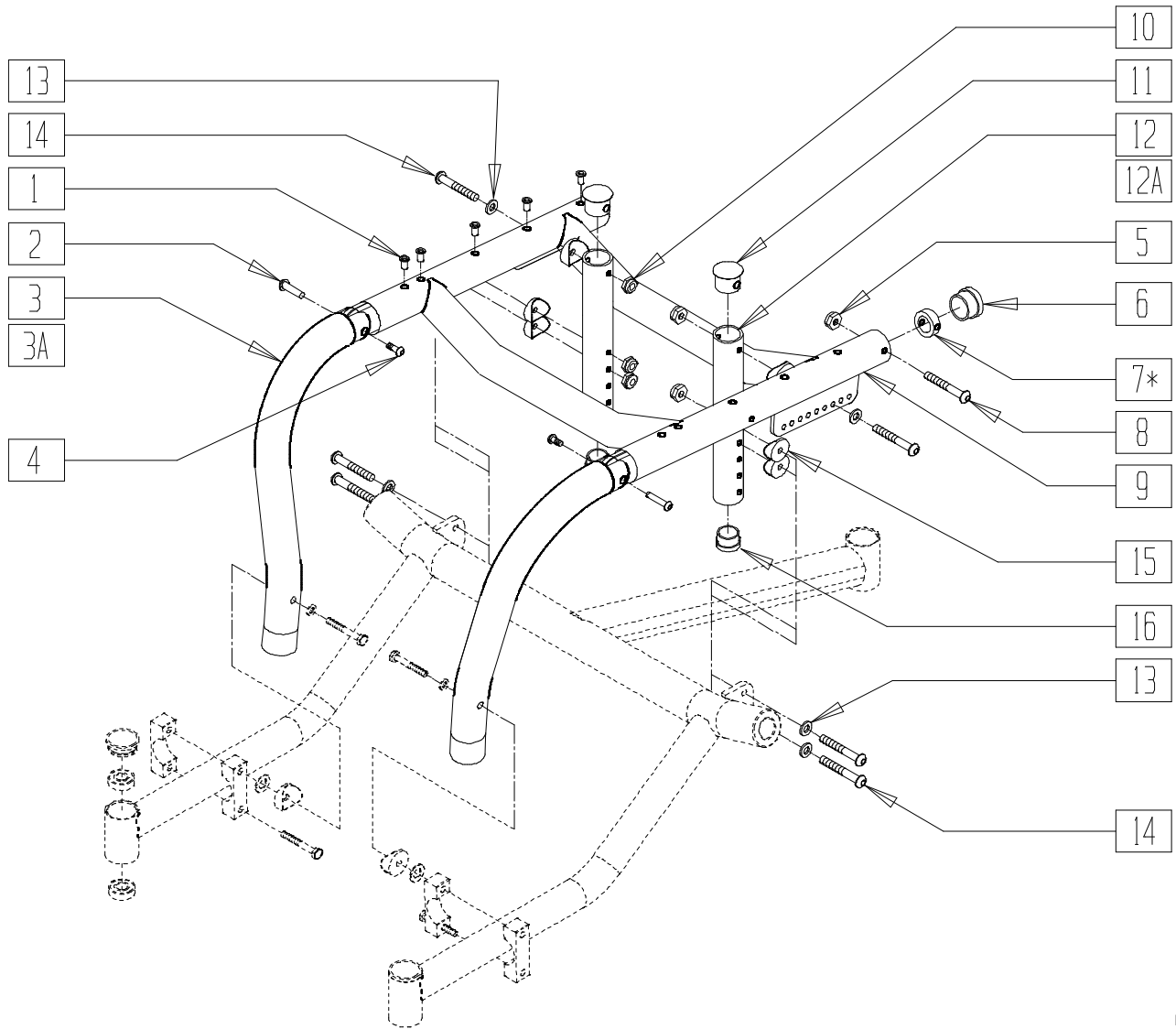
MP0X01

ITEM	NUMBER	DESCRIPTION	QTY
1	262100-QU	1/4 AN WASHER FLAT	2
2	221201	1/4-28 x 3 G8 HEX C/S	2
3	561070	CASTER CAP PLASTIC	1
	920028	CASTER CAP PLASTIC (PR)	2
4	349500	1 1/8 x 1/2 BEARING	6
5	540071	SIDE TUBE CLAMP THREADED AC	2
6	561026	3/4" WASHER 1/4" HOLE	2

ITEM	NUMBER	DESCRIPTION	QTY
7	221133	1/4-28 x 1 1/2 G8 HEX C/S	2
8	561001	1 1/8" SADDLE 1/4" HOLE	2
9	540072	SIDE TUBE CLAMP AC	2
4,10	600551- 600557	BASE FRAME PNTD (13"-19") 16D MP	
4,10A	600561- 600567	BASE FRAME PNTD (13"-19") 20D MP	

SEAT FRAME (QUICKIE MATCHPOINT)

(Effective 10/1/01)



MP0X02

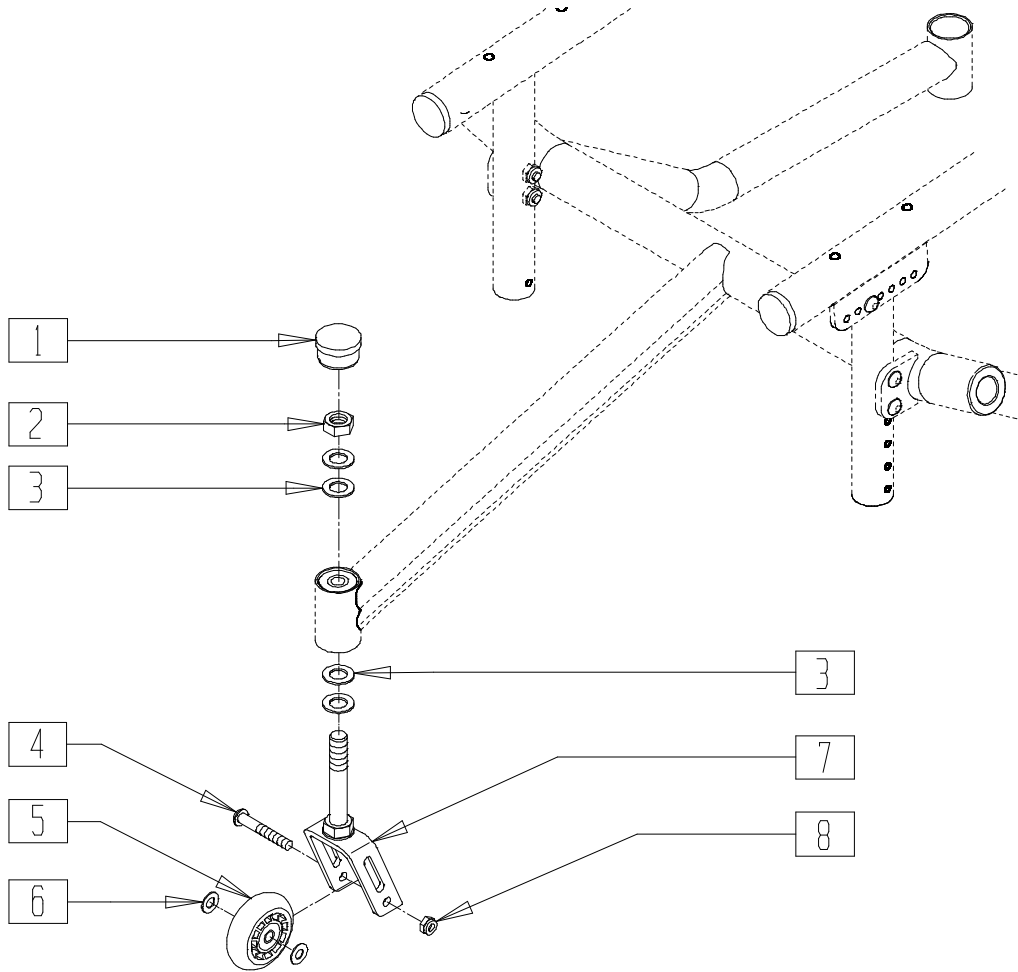
ITEM	NUMBER	DESCRIPTION	QTY
1	341497	10-32 x .020-.130 RIVNUT GOLD	10-16
2	221213	10-32 x 7/8" HEX SEX BOLT QTNT	2
4	226051	10-32 x 3/8" BH C/S	2
5	201100-QU	1/4-28 NYLOCK NUT THIN	2
6	561070	CASTER CAP PLASTIC	2
7*	483273	BACKREST REL PLUG A/C	2
8	226150	1/4-28 x 2 BH C/S	2
10	201110-QU	1/4-28 NYLOCK NUT	6
11	560999	1" INSERT PLUG .083 W/1/4 HOLE	2
12	527455	REAR FRAME ADJ TUBE 3D STD	2
12A	520487	REAR FRAME ADJ TUBE A/C TALL	2
13	262100-QU	1/4 AN WASHER FLAT	10
14	226140	1/4-28 x 1 3/4 BH C/S	6
15	561004	1" SADDLE 1/4" HOLE	6
16	561002	1" INSERT PLUG .083	2
1,5-9	661289- 661295	SEAT FRAME PNTD (13" - 19" x 13")	

ITEM	NUMBER	DESCRIPTION	QTY	
1,5-9	661299- 661305	SEAT FRAME PNTD (13" - 19" x 14")		
	661309- 661315	SEAT FRAME PNTD (13" - 19" x 15")		
	661319- 661325	SEAT FRAME PNTD (13" - 19" x 16")		
	661329- 661335	SEAT FRAME PNTD (13" - 19" x 17")		
	661339- 661345	SEAT FRAME PNTD (13" - 19" x 18")		
	2-4	600295, 600296	FRONT FRAME TUBE ASSM MP SHORT (EA)	
	2,3A,4	600297, 600298	FRONT FRM TUBE ASSM MP TALL (EA)	

*PART 483273 ONLY USED WITH RIGID BACK

INTEGRAL ANTI-TIP (QUICKIE MATCHPOINT)

(Effective 10/1/01)



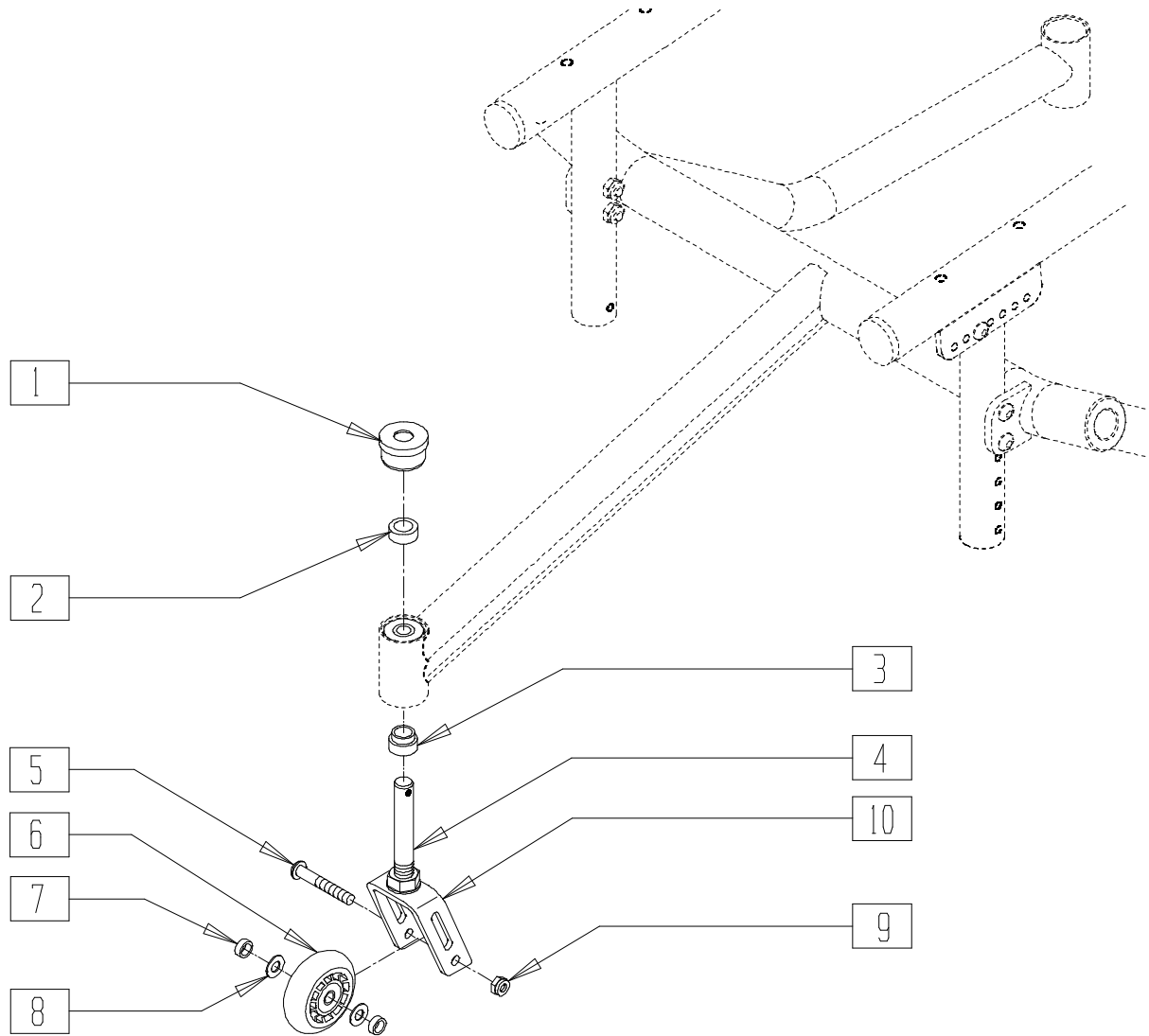
MP0X03

ITEM	NUMBER	DESCRIPTION	QTY
1	561070	CASTER CAP PLASTIC	1
	920028	CASTER CAP PLASTIC (PR)	
2	330010	1/2-20 NYLOCK NUT ALUM	1
3	483254	SPACER .50 ID x .80 OD x .125	4
4	226190	5/16-18 x 1 3/4 BH C/S SHLDR	1
5	400092	3" MICRO CASTER W/BEARING	1

ITEM	NUMBER	DESCRIPTION	QTY
6	263100	5/16 AN WASHER FLAT	2
7	780450	STEM/FORK AC	1
8	202102	5/16-18 NYLOCK NUT THIN	1
2-4, 6-8	780471	STEM/FORK W/HDWR AC ANTI-TIP	

QUICK-RELEASE ANTI-TIP (QUICKIE MATCHPOINT)

(Effective 10/1/01)



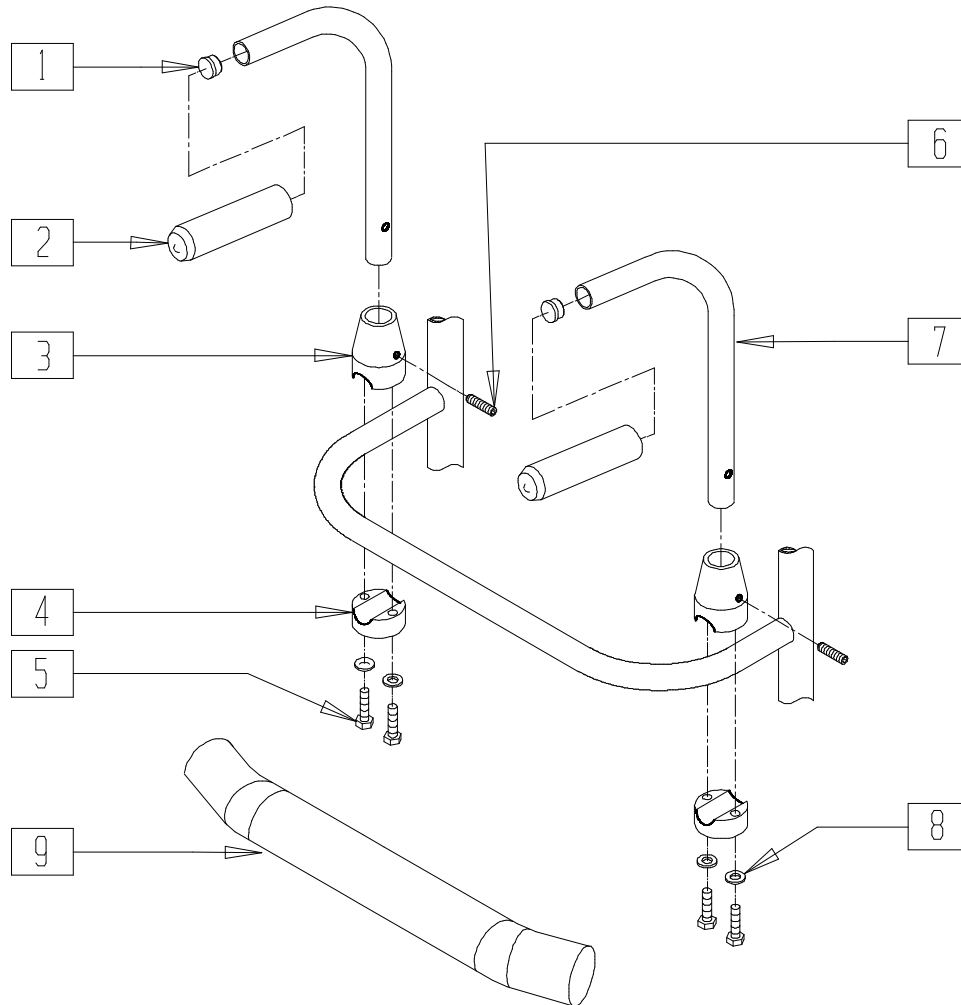
MP0X04

ITEM	NUMBER	DESCRIPTION	QTY
1	561170	CASTER CAP PLASTIC W/HOLE	1
2	483206	SPACER .40 ANTI-TIP AC	1
3	483205	SPACER .715 ANTI-TIP AC	1
4	481658	CASTER STEM QR	1
5	226190	5/16-18 x 1 3/4 BH C/S SHLDR	1
6	400101	2 1/2" CSTR WHL ANTI-TIP W/BRG	1

ITEM	NUMBER	DESCRIPTION	QTY
7	481652	BEARING SPACER XTR	2
8	263100	5/16 AN WASHER FLAT	2
9	202102	5/16-18 NYLOCK NUT THIN	1
4,10	780452	STEM/FORK QR ANTI-TIP AC	
1-5, 7-10	780472	STEM/FORK W/HDWR AT QR AC	

PUSH HANDLE ASSEMBLY (QUICKIE MATCHPOINT)

(Effective 10/1/01)



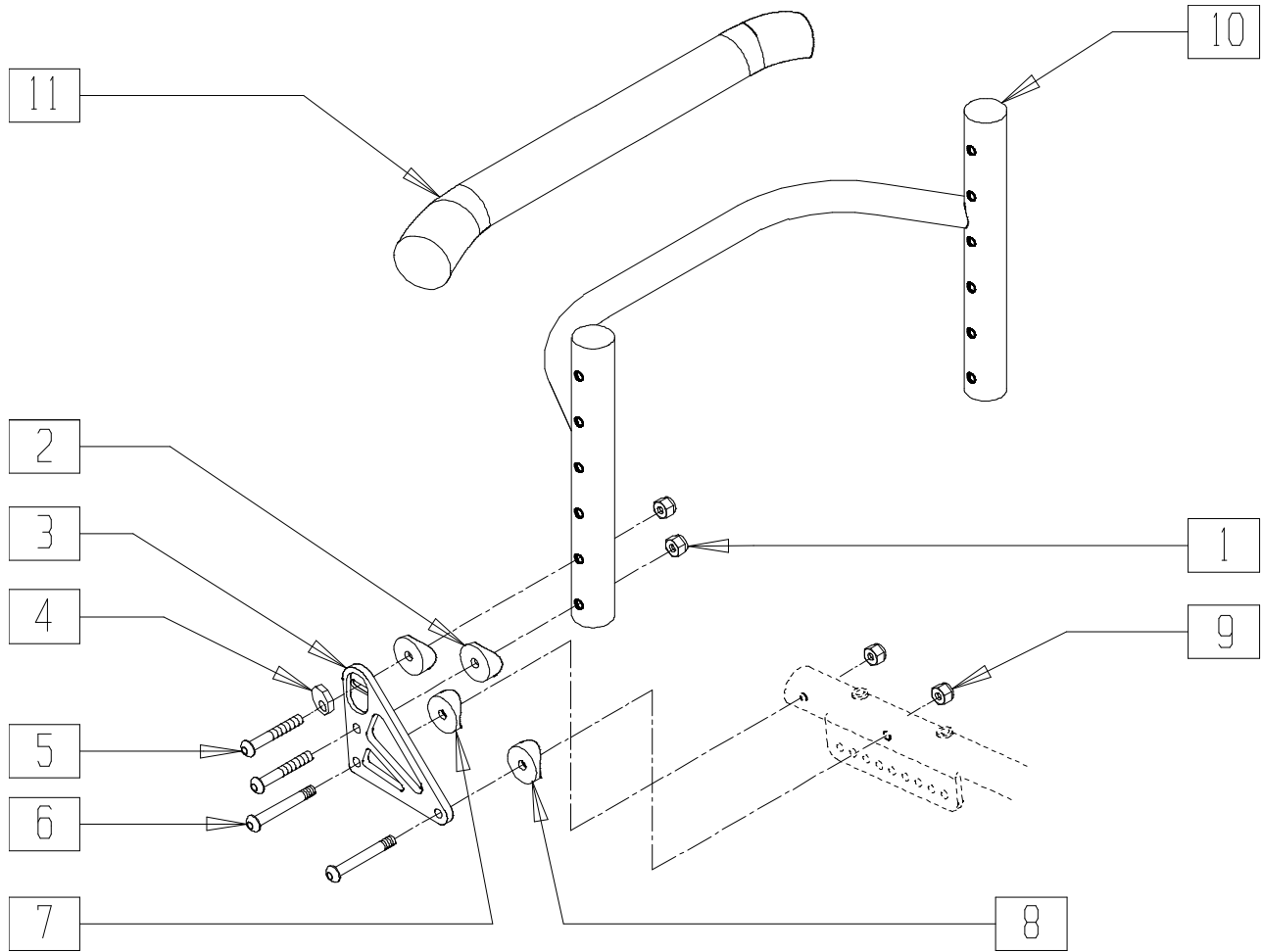
MPOX05

ITEM	NUMBER	DESCRIPTION	QTY
1	561000-OU	3/4" INSERT PLUG .083	2
2	560662	QUICKIE GRIP 3/4"	2
3	483015	PUSH BACK REC TOP RIGID BLK	2
4	483016	PUSH BACK REC BTM RIGID BLK	2
5	221126	1/4-20 x 1 1/4 G8 HEX C/S	4
6	225200	1/4-20 x 1 SET SCREW	2

ITEM	NUMBER	DESCRIPTION	QTY
8	262100-OU	1/4 AN WASHER FLAT	4
9	750751	CROSSBAR PAD	1
1,2,7	842061, 842062	PUSH HANDLE TUBE W/FOAM RIGID BLK (EA)	
1-8	900300	PUSH HANDLE ASSM RIGID BLK (PR)	

FIXED BACKREST (QUICKIE MATCHPOINT)

(Effective 10/1/01)



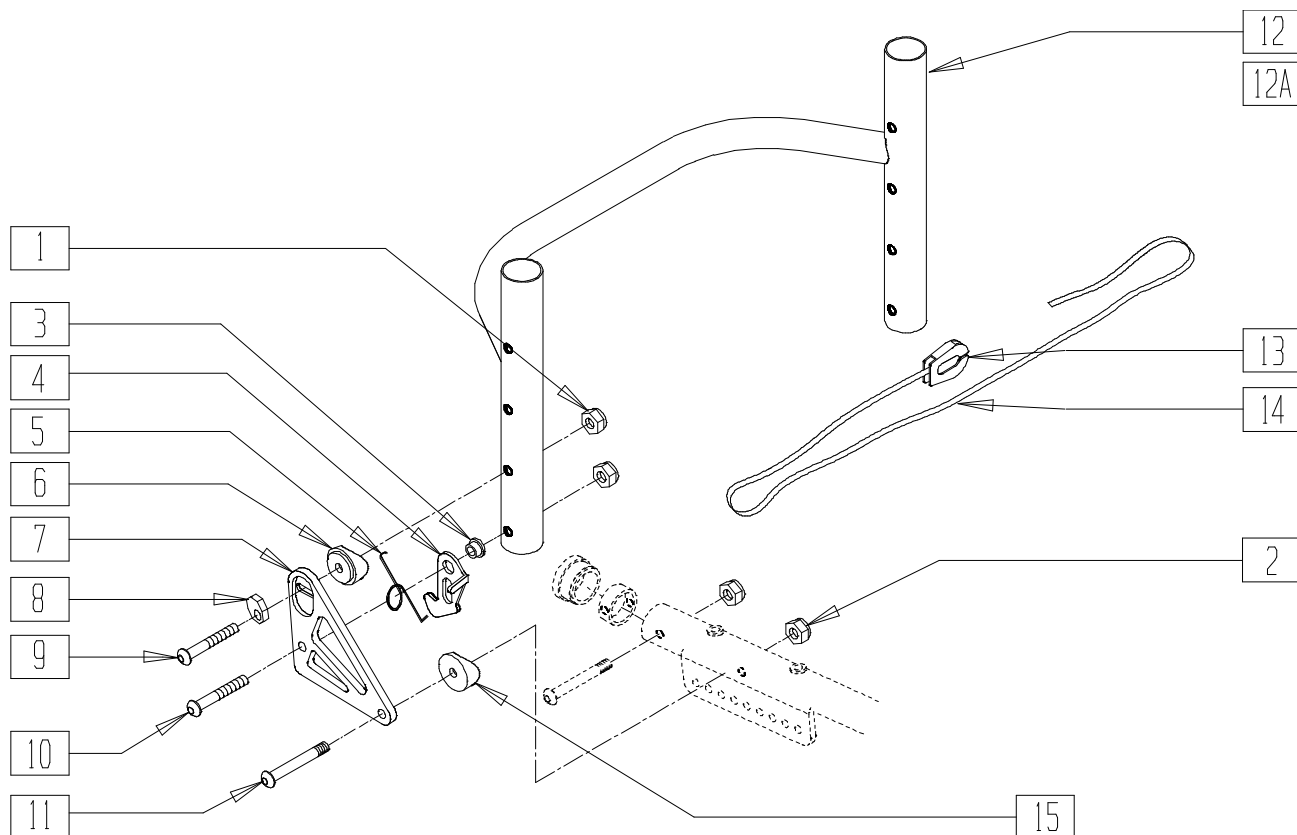
MPOX09

ITEM	NUMBER	DESCRIPTION	QTY
1	201110	1/4-28 NYLOCK NUT	4
2	561004	1" SADDLE 1/4" HOLE	4
3	500562, 500563	BACK PLATE FIXED MANUAL (EA)	1
4	341018	WASHER ECCENTRIC LARGE	2
5	227140	1/4-28 x 1 3/4 BH C/S BLK ZN	4
6	226148	1/4-28 x 1.85 BH C/S	4
7	561001	1 1/8" SADDLE 1/4" HOLE	2

ITEM	NUMBER	DESCRIPTION	QTY
8	561086	1" HALF SADDLE 1/4" HOLE	2
9	201100-OU	1/4-28 NYLOCK NUT THIN	4
10	520441- 520447	BACK FRAME REG RIGID BLK .115 13"-19"	1
	520541- 520547	BACK FRAME TALL RIGID BLK .115 13"-19"	
11	750751	CROSSBAR PAD	1
1-9	920569	BRACKET ASSEMBLY FIXED BACK	

QUICK-RELEASE BACK LOCK (QUICKIE MATCHPOINT)

(Effective 10/1/01)



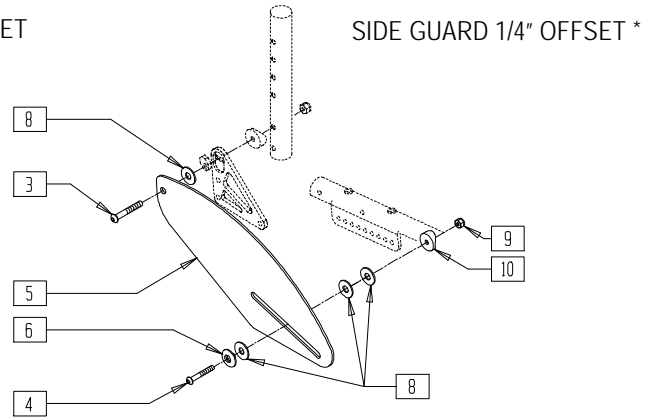
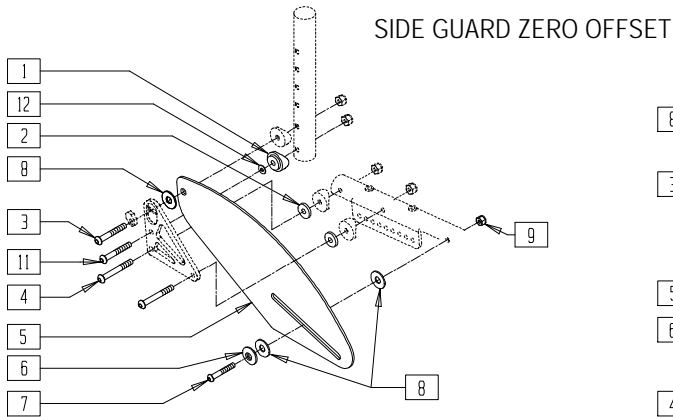
MPOX10

ITEM	NUMBER	DESCRIPTION	QTY
1	201110	1/4-28 NYLOCK NUT	4
2	201110-QU	1/4-28 NYLOCK NUT	2
3	481039	BACK REL BUSHING RIGID	2
4	505033, 505034	BACK RELEASE BRACKET Q1/GP (EA)	1
5	321153 321154	BACK RELEASE SPRING RIGID (NEW) (EA)	1
6	561087	BACK RELEASE SADDLE RIGID	2
7	500110, 500111	BACK PLATE XTR (EA)	1
8	341018	WASHER ECCENTRIC LARGE	2

ITEM	NUMBER	DESCRIPTION	QTY
9	227140	1/4-28 x 1 3/4 BH C/S BLK ZN	2
10	226140	1/4-28 x 1 3/4 BH C/S	2
11	226150	1/4-28 x 2 BH C/S	2
12	520441- 520447	BACK FRAME REG RIGID BLK .115 13"-19"	1
12A	520541- 520547	BACK FRAME TALL RIGID BLK .115 13"-19"	1
13	560221	BACK RELEASE STRAP LOCK RIGID	1
14	750060	BACK RELEASE STRAP 12"-20" RIGID	1
15	561086	1" HALF SADDLE 1/4" HOLE	2
1-11,13-15	920568	BACK RELEASE BRACKET ASSM AC	

ALUMINUM SIDE GUARD FOR FIXED BACK (QUICKIE MATCHPOINT)

(Effective 10/1/01)



MPOX11

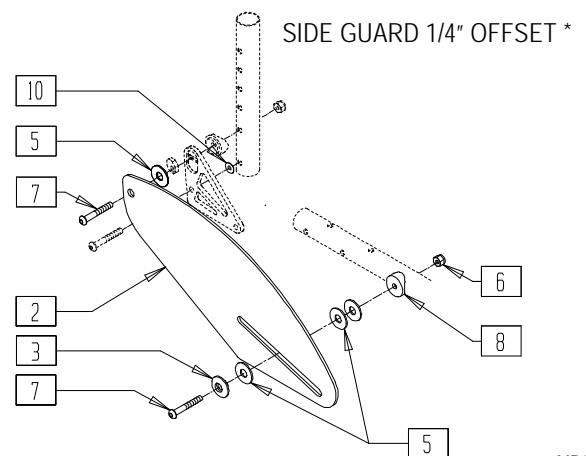
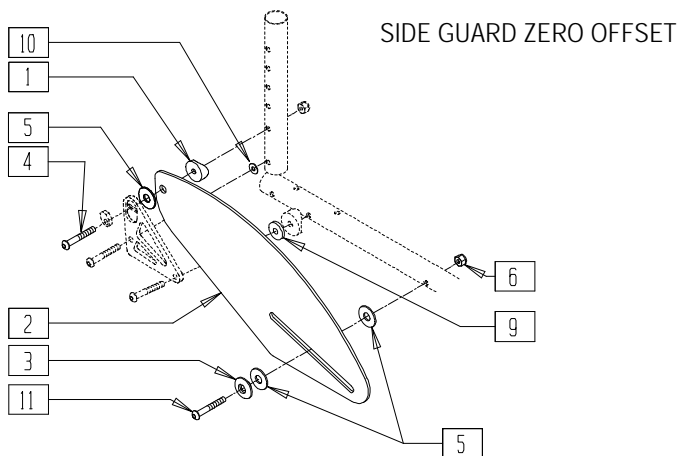
ITEM	NUMBER	DESCRIPTION	QTY
1	561087	BACK RELEASE SADDLE RIGID	2
2	561026	3/4" WASHER 1/4" HOLE	4
3	226147	1/4-28 x 1.85 BH C/S BLK ZN	2
4	226150	1/4-28 x 2 BH C/S	4
5	500223	SIDE GUARD STD	2
6	481046	SIDE GUARD BUSHING	2
7	226148	1/4-28 x 1.85 BH C/S	2

ITEM	NUMBER	DESCRIPTION	QTY
8	561043	1" WASHER 3/8" HOLE	6,8
9	201100-QU	1/4-28 NYLOCK NUT THIN	2
10	561001	1 1/8" SADDLE 1/4" HOLE	2
11	227140	1/4-28 x 1 3/4 BH C/S BLK ZN	2
12	262100-QU	1/4 AN WASHER FLAT	2
1-4,6-12	920623	BRKT ASSM FIX BACK/SIDEGUARD	

*FOR 13.5",14.5",15.5"... 1/4" OFFSET SIDEGUARDS MUST BE ORDERED TO ACHIEVE EXTRA 1/2" IN SEAT FRAME WIDTH.

ALUMINUM SIDE GUARD FOR QUICK-RELEASE BACK (QUICKIE MATCHPOINT)

(Effective 10/1/01)



MPOX12

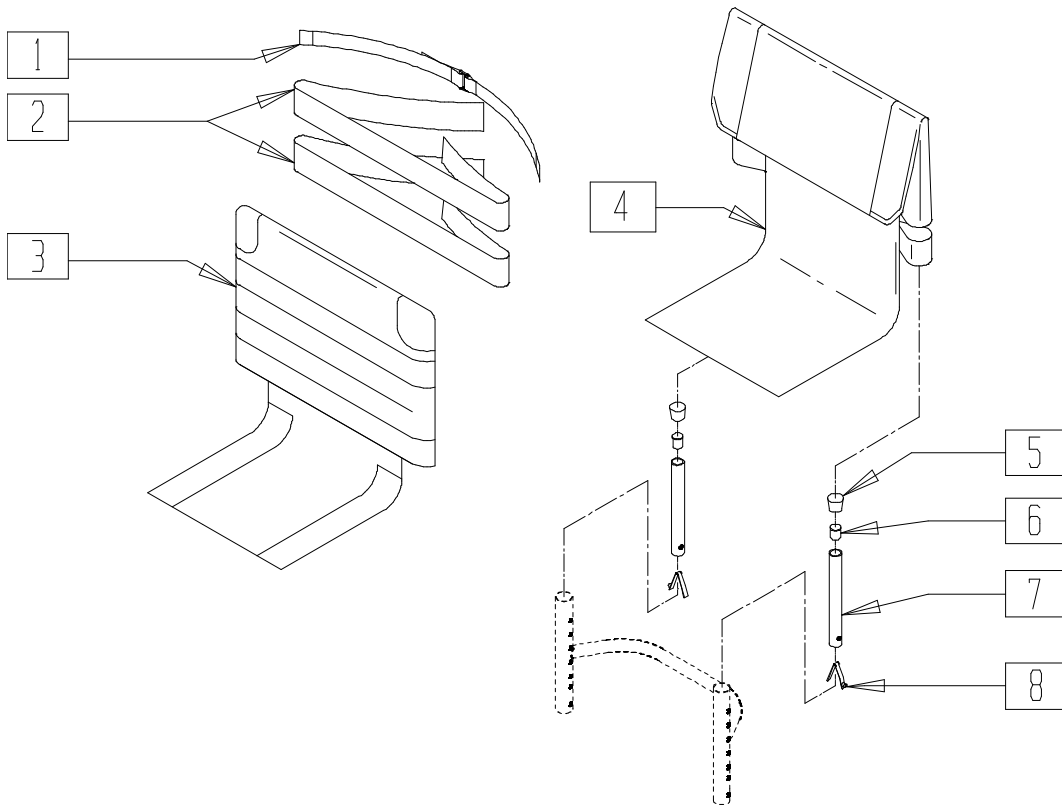
ITEM	NUMBER	DESCRIPTION	QTY
1	561004	1" SADDLE 1/4" HOLE	2
2	500223	SIDE GUARD AL STD AC	2
3	481046	SIDEGUARD BUSHING	2
4	226147	1/4-28 x 1.85 BH C/S BLK ZN	2
5	561043	1" WASHER 3/8" HOLE	6,8
6	201100-QU	1/4-28 NYLOCK NUT THIN	2

ITEM	NUMBER	DESCRIPTION	QTY
7	226150	1/4-28 x 2 BH C/S	2
8	561001	1 1/8" SADDLE 1/4" HOLE	2
9	561026	3/4" WASHER 1/4" HOLE	2
10	262100-QU	1/4 AN WASHER FLAT	2
11	226148	1/4-28 x 1.85 BH C/S	2
1,3-11	920625	HARDWARE KIT SIDE GUARD AC	

*FOR 13.5",14.5",15.5"... 1/4" OFFSET SIDEGUARDS MUST BE ORDERED TO ACHIEVE EXTRA 1/2" IN SEAT FRAME WIDTH.

FOLDING BACKREST AND UPHOLSTERY (QUICKIE MATCHPOINT)

(Effective 10/1/01)



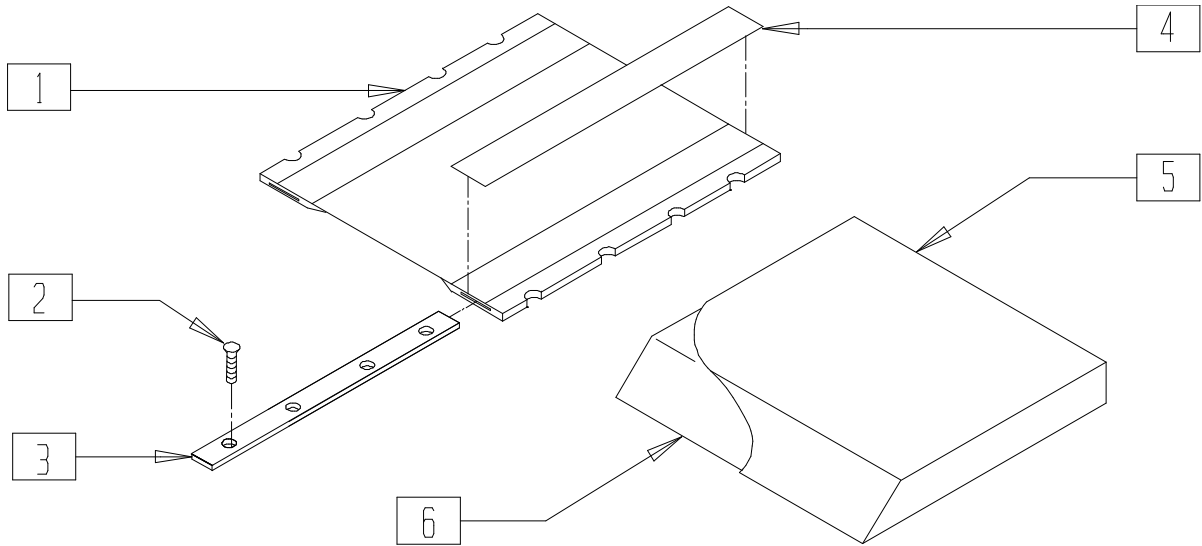
MPOX08A

ITEM	NUMBER	DESCRIPTION	QTY
1	750096	SIDE GUARD/BACK STRAP (SPEC DIM)	1
2	741500	ANKLE/BACK STRAP 3D	1
3	685904-685910	BACK UPH QUICKIE ADJ 14"-20" SA (12"-15")	1
	685914-685920	BACK UPH QUICKIE ADJ 14" -20" MA (14"-17")	
	685924-685930	BACK UPH QUICKIE ADJ 14" -20" LA (16"-19")	

ITEM	NUMBER	DESCRIPTION	QTY
4	680301-680909	BACK UPHOLSTERY W/TAIL 14"-20" FOLDING BACK	1
5	561010	3/4" CAP	2
6	561000-QU	3/4" INSERT PLUG .083	2
8	301100	1/4" SNAP BUTTON SINGLE	2
5-8	840130	BACK ADJ TUBE W/CAP 12-16"	
	840131	BACK ADJ TUBE W/CAP 14-18"	
	840132	BACK ADJ TUBE W/CAP 16-20"	

SEAT SLING AND CUSHION (QUICKIE MATCHPOINT)

(Effective 10/1/01)



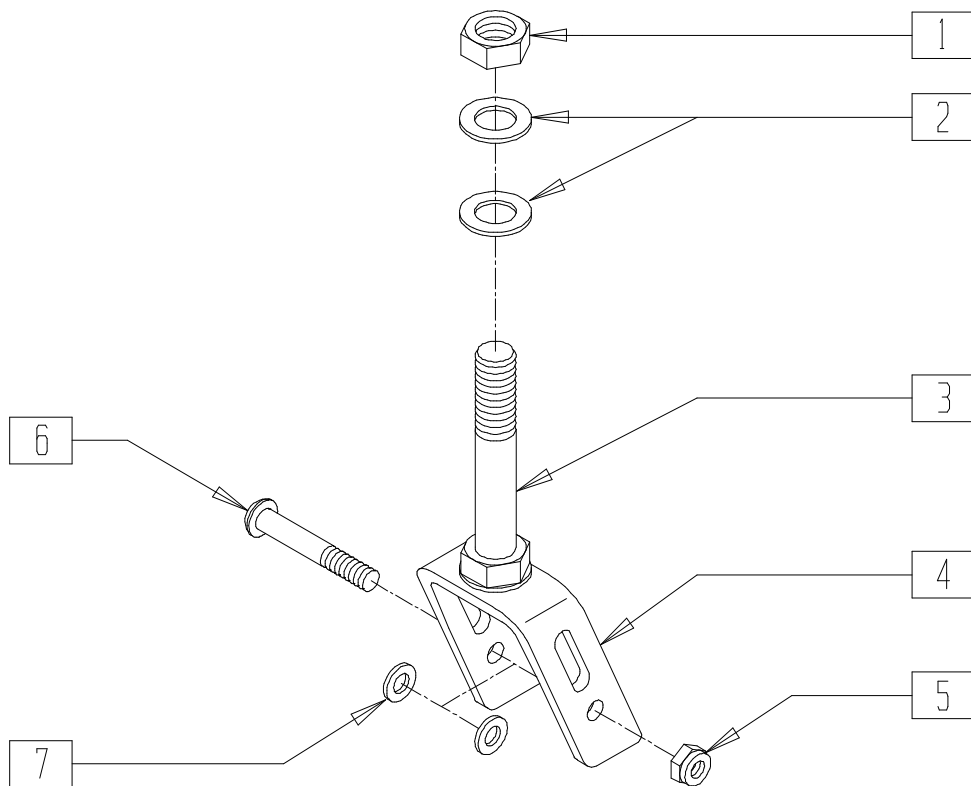
MPOX13

ITEM	NUMBER	DESCRIPTION	QTY
1	721083- 721158	SEAT SLING AC 13" x 13" -18" x 18"	1
2	281122	10-32 x 3/4 PAN PHIL	8
3	505360- 505372	SEAT RAIL QTNT 13"-18"	2
4	901169	SEAT SLING VELCRO® STRIP 2"	2

ITEM	NUMBER	DESCRIPTION	QTY
5	701242- 701742	SEAT COVER 13" x 14" x 2" - 18" x 19" x 2"	1
6	105242- 105742	SEAT FOAM 14" x 14" x 2" - 18" x 19" x 2"	1
5,6	700242- 700742	SEAT CUSHION W/COVER AND FOAM 13" x 14" - 18" x 18"	

FORK ASSEMBLY (QUICKIE MATCHPOINT)

(Effective 10/1/01)

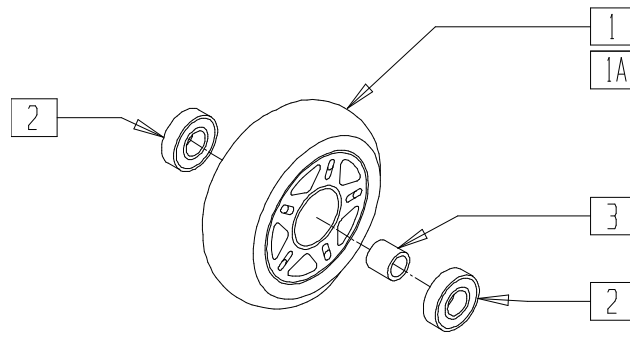


ALC0X01A

ITEM	NUMBER	DESCRIPTION	QTY
1	330010	1/2-20 NYLOCK NUT ALUMINUM	1
2	264100	1/2 AN WASHER FLAT	2
4	550038	FORK 3" MICRO	1
5	202102	5/16-18 NYLOCK NUT THIN	1

ITEM	NUMBER	DESCRIPTION	QTY
6	226190	5/16-18 x 1 3/4 BH C/S SHLDR	1
7	263100	5/16 AN WASHER FLAT	2
3,4	780450	STEM/FORK AC	
1-7	780470	STEM/FORK W/HARDWARE AC	

3" MICRO CASTER



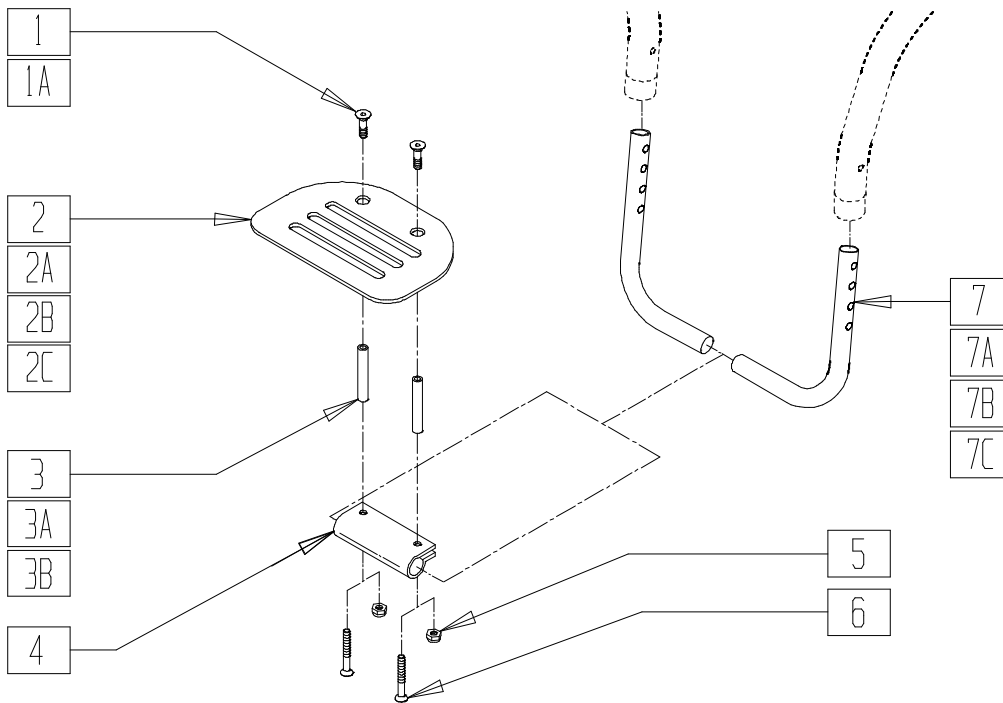
CFOX09A

ITEM	NUMBER	DESCRIPTION	QTY
2	349502	7/8 x 5/16 BEARING	2
3	481013	BEARING SPACER	1

ITEM	NUMBER	DESCRIPTION	QTY
1-3	400092	3" MICRO CASTER W/BEARING	
	920025	3" MICRO CASTER W/BEARING (PR)	
1A	920077	3" MICRO CASTER LIGHTED (PR)	

PLATFORM FOOTREST (QUICKIE MATCHPOINT)

(Effective 10/1/01)



FOOTPLATE REFERENCE GUIDE

CHAIR WIDTH	"A"	PART NUMBER
13"	6"	500591
14"	8"	500592
15"	8"	500592
16"	10"	500593
17"	10"	500593
18"	12"	500594
19"	12"	500594

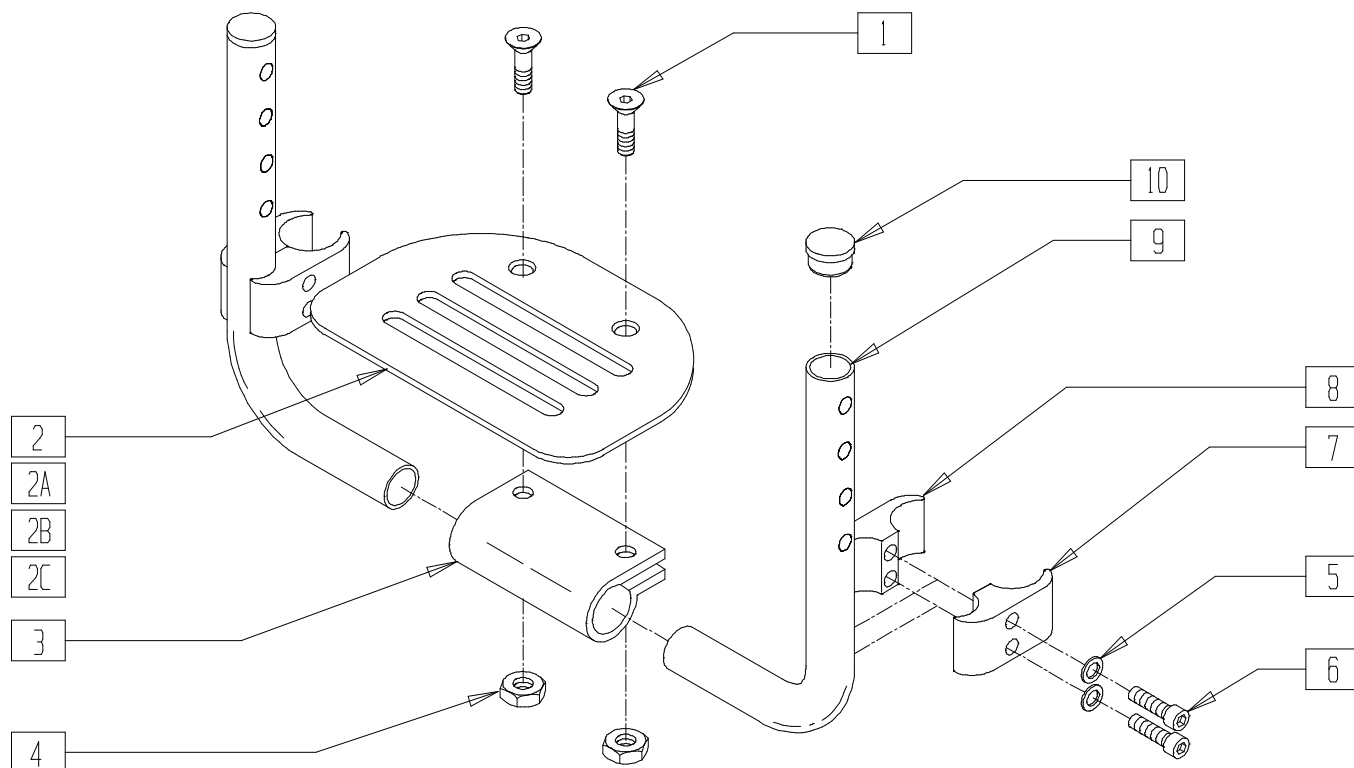
MPOX06

ITEM	NUMBER	DESCRIPTION	QTY
1	226099	1/4-28 x 7/8 FH C/S (NO SPACER)	2
1A	226121	1/4-20 x 1 FH C/S BLK	2
2	500591	PLATFORM FOOTPLATE 6" x 5 1/2"	1
2A	500592	PLATFORM FOOTPLATE 8" x 5 1/2"	1
2B	500593	PLATFORM FOOTPLATE 10" x 5 1/2"	1
2C	500594	PLATFORM F/PLT 12" x 5 1/2"	1
3	481306	ADAPTIVE FOOTREST SPACER 2"	2
3A	481307	ADAPTIVE FOOTREST SPACER 4"	2
3B	481308	ADAPTIVE FOOTREST SPACER 6"	2
4	550351	PLATFORM FOOTPLATE CLAMP	1

ITEM	NUMBER	DESCRIPTION	QTY
5	201120	1/4-28 AUTOMATION NUT	2
6	226110	1/4-28 x 1 BH C/S	2
7	522247	FOOTREST TUBE 14/15" QTNT	1
7A	522248	FOOTREST TUBE 16/17" QTNT	1
7B	522249	FOOTREST TUBE 18" QTNT	1
7C	522265	FOOTREST TUBE 18"/19" MP	1
1,2,4,6,7	800314	FOOTREST ASSM 14/15" RVRS A/C	
1,2A,4,6,7A	800315	FOOTREST ASSM 16/17" RVRS A/C	
1,2B,4,6,7B	800316	FOOTREST ASSM 18/19" RVRS A/C	
1,2C,4,6,7C	800318	F/REST ASSM 18/19 REVERSE A/C	

HIGH-MOUNT FOOTREST (QUICKIE MATCHPOINT)

(Effective 101/01)



MP0X07

ITEM	NUMBER	DESCRIPTION	QTY
1	226099	1/4-28 x 7/8 FH C/S	2
2	500650	PLTFRM FOOTPLATE 6" x 5 1/2" (10"-13")	1
2A	500651	PLTFRM FOOTPLATE 8" x 5 1/2" (14")	1
2B	500652	PLTFRM F/PLT 10" x 5 1/2"	1
2C	500653	PLATFORM F/PLT 12" x 5 1/2"	1
3	550351	PLTFRM FT PLT CLMP (SPECIFY BLK)	1
4	201120	1/4-28 AUTOMATION NUT	2
5	262114	1/4 WASHER HI COLLAR LOCK ZN	4
6	226112	1/4-28 x 1 SOC S/C BLK	4
7	550443	WHEEL LOCK CLAMP RECESS R2	2

ITEM	NUMBER	DESCRIPTION	QTY
8	550442	WHEEL LOCK CLAMP THREADED R2	2
5-8	881097	WHEEL LOCK CLAMP ASSM BLK	2
9	522247- 522249	FOOTREST TUBE (14"-18") QTNT	2
10	561000-OU	3/4" INSERT PLUG .083	2
1-10	800321	FTRST ASSM 13"-13.5" HI-MT MP	
1,2A,3-10	800322	FTRST ASSM 14"-15.5" HI-MT MP	
1,2B,3-10	800323	FTRST ASSM 16"-17.5" HI-MT MP	
1,2C,3-10	800325	FTRST ASSM 18"-19.5" HI-MT MP	

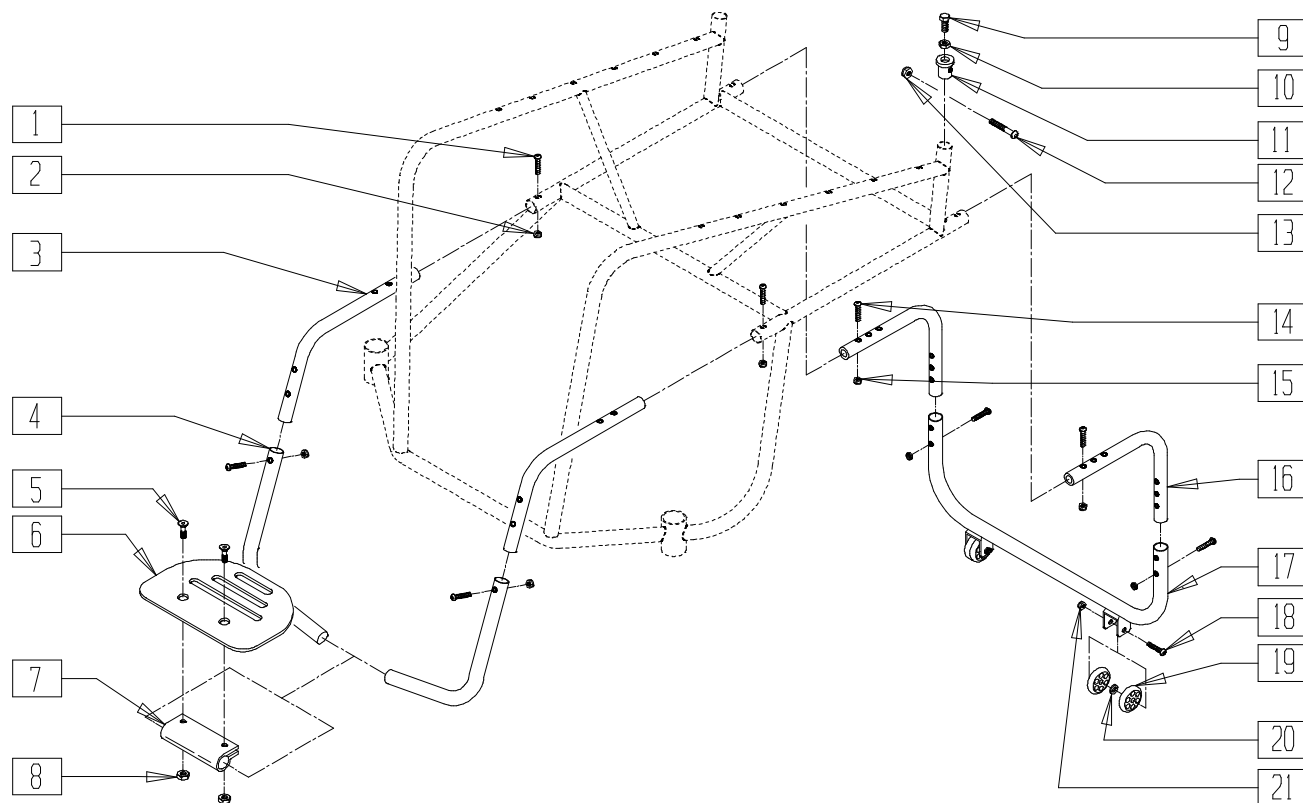
Quickie Heat, Quad Rugby

IN THIS SECTION

Frame (Quad Rugby) (Disc.)	3.1	Caster and Fork Assembly	
Frame (Quickie Heat)	3.2	(Quickie Heat/Quad Rugby).....	3.6
Anti-tip Assembly (Quickie Heat)	3.3	Seat Cushion (Quickie Heat)	3.7
Sports Anti-tip (Quickie Heat)	3.3	Seat and Sling	
Backrest (Quad Rugby) (Disc.).....	3.4	(Quad Rugby) (Disc.).....	3.7
Backrest Assembly (Fixed Back)		Seat Sling (Rear Adjustable)	
(Quickie Heat)	3.5	(Quad Rugby) (Disc.).....	3.8
Backrest Assembly (Folding Back)		Seat Sling (Quickie Heat)	3.8
(Quickie Heat)	3.5	Adjustable Sling (Quickie Heat)	3.9
Backrest Upholstery		Wheel Lock	
(Quickie Heat/Quad Rugby).....	3.6	(Quickie Heat/Quad Rugby).....	3.9

FRAME (QUAD RUGBY)

(Discontinued 11/15/95 - parts only)

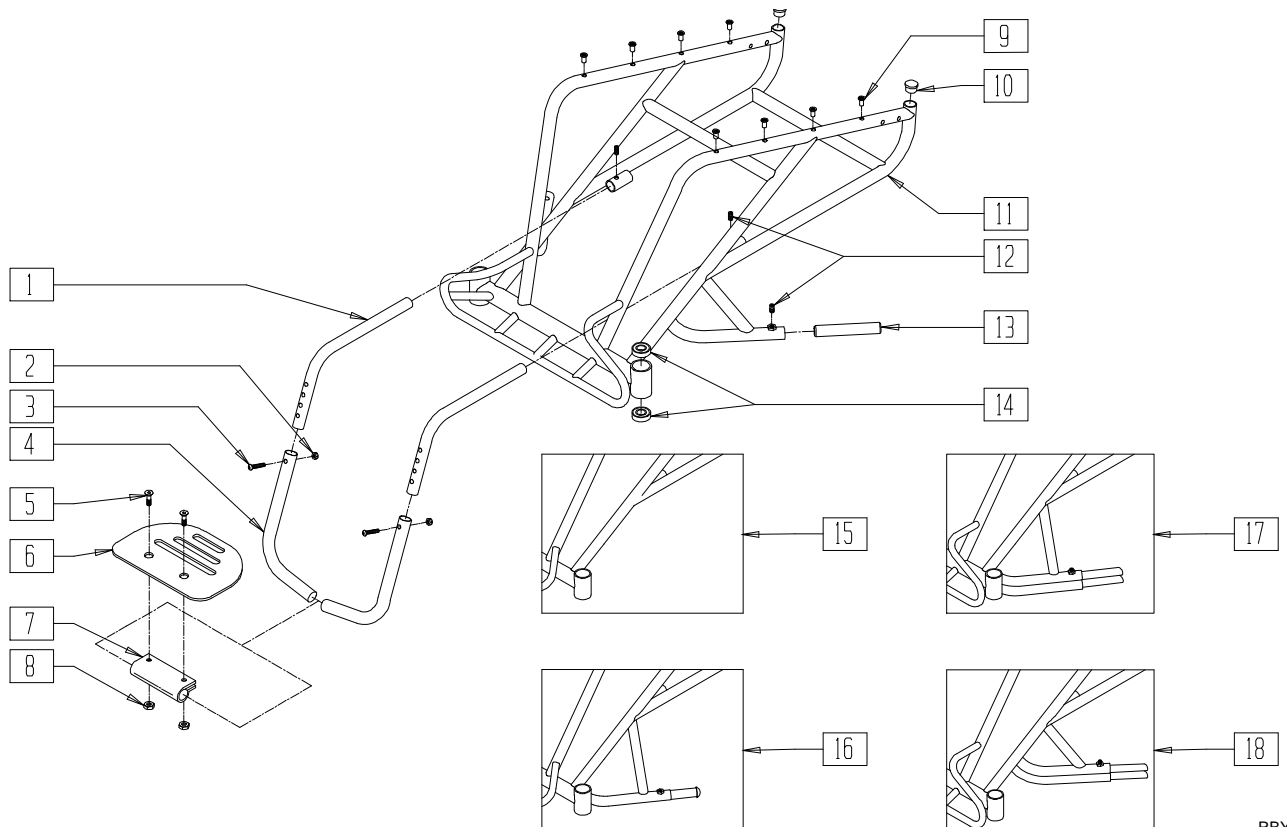


RBV00X03

ITEM	NUMBER	DESCRIPTION	QTY
1	226082	1/4-20 x 1 BH C/S SS	4
2	201135	1/4-20 NYLOCK NUT LOW SS	4
3	445103	ORUG FOOTREST EXT TOP	2
4	445102	ORUG FOOTREST EXT BOTTOM	2
5	226121	1/4-20 x 1 FH C/S BLK	2
6	500650-500652	PLATFORM FOOTPLATE	1
7	550351	PLATFORM FOOTPLATE CLAMP	1
8	201136	1/4-20 NYLOCK NUT HIGH	2
9	221105	1/4-20 x 3/4 HEX C/S	2
10	201121	1/4-20 NUT THIN	2
11	483183	BACK RD PLUG ORUG	2
12	226130	1/4-28 x 1 1/2 BH C/S	2
13	201100	1/4-28 NYLOCK NUT THIN	2

ITEM	NUMBER	DESCRIPTION	QTY
14	226082	1/4-20 x 1 BH C/S SS	4
15	201135	1/4-20 x NYLOCK NUT LOW SS	4
16	445100	ORUG DOWN AND OUT EXT	2
17	527623-527628	ANTI-TIP BOTTOM TUBE 13"-18"	1
18	226080	1/4-20 x 1 1/4 BH C/S SS	2
19	561032	ANTI-TIP WHEEL	2
20	262110	1/4 AN WASHER FLAT THIN	1
21	201135	1/4-20 NYLOCK NUT LOW SS	2
14-19	881483-881488	QUAD RUGBY ANTI-TIP ASSM 13"-18"	
16-19	881493-881498	ANTI-TIP BOTTOM TUBE ASSM 13"-18"	

FRAME (QUICKIE HEAT)

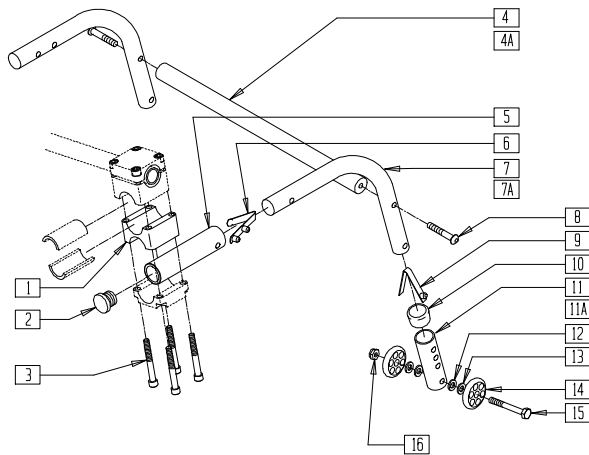


RBY00X13

ITEM	NUMBER	DESCRIPTION	QTY
1	445103	QRUG FOOTREST EXT TOP	2
2	201135	1/4-20 NYLOCK NUT LOW SS	2
3	226082	1/4-20 x 1 BH C/S SS	2
4	445102	QRUG FOOTREST EXT BOTTOM	2
5	226121	1/4-20 x 1 FH C/S BLK	2
6	500650-500652	PLATFORM FOOTPLATE	1
7	550351	PLATFORM FOOTPLATE CLAMP	1
8	201136	1/4-20 NYLOCK NUT HIGH	2
9	341497	10-32 x .020-.130 RIVNUT GOLD	12
10	560761	3/4" INSERT PLUG .049 (18GA)	2
11	600215	FRAME OFF/DEF QUAD RUGBY (SPECIFY COLOR AND DIMENSIONS)	1

ITEM	NUMBER	DESCRIPTION	QTY
12	225111	1/4-20 x 1/4 SET SCREW SS	4
13	520022	WING ADJ SLEEVE STD HQR	2
	520030	WING ADJ SLEEVE LONG HQR	
14	349500	1 1/8 x 1/2 BEARING	4
15	600210	FRAME QUAD RUGBY (SPECIFY COLOR AND DIMENSIONS)	1
16	600205	FRAME OFFENSE QUAD RUGBY (SPECIFY COLOR AND DIMENSIONS)	1
17	600206	FRAME OFFENSE DOUBLE WING (SPECIFY COLOR AND DIMENSIONS)	1
18	600216	FRAME OFF/DEF DOUBLE WING (SPECIFY COLOR AND DIMENSIONS)	1

ANTI-TIP ASSEMBLY (QUICKIE HEAT)

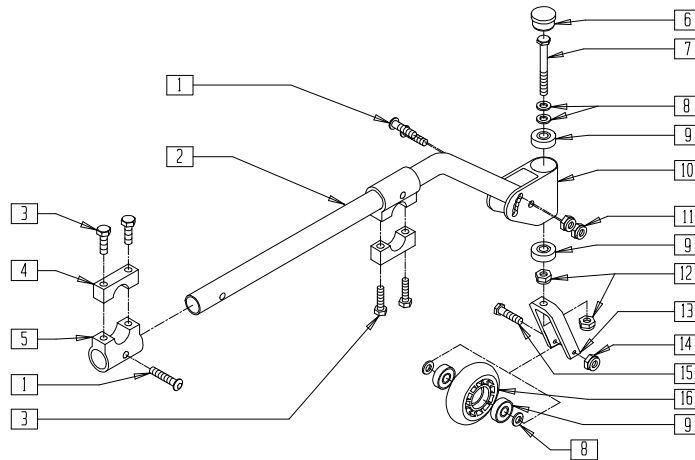


RBV00X15

ITEM	NUMBER	DESCRIPTION	QTY
1	550215	ANTI-TIP SADDLE HI-MOUNT GPS	1
2	560735	7/8" ROUND TUBE PLUG	1
3	226163	1/4-28 x 2 SOC C/S	4
4	881010-881017	ANTI-TIP X-BAR ASSEMBLY STANDARD HQR 13"-20"	1
4A	881740-881747	ANTI-TIP X-BAR ASSM STD BLK STANDARD HQR 13"-20"	1
5	521234	ANTI-TIP RECEIVER TUBE GPS	1
6	301109	SNAP BUTTON DUAL ONE SIDE	1
7	521084, 521085	ANTI-TIP TUBE REG (EA)	1
7A	521086, 521087	ANTI-TIP TUBE BLK HQR (EA)	
8	226062	1/4-20 x 1 1/4 BH C/S W/PATCH	1
9	301100	1/4" SNAP BUTTON SINGLE B-130	1

ITEM	NUMBER	DESCRIPTION	QTY
10	563065	3/4" ANTI-RATTLE	1
11	521508	ANTI-TIP ADJ SLEEVE (4H)	1
11A	521504	ANTI-TIP ADJ SLEEVE (4H) BLACK	1
12	262110	1/4 AN WASHER FLAT THIN	2
13	262130	6mm WASHER WAVE	2
14	561032	ANTI-TIP WHEEL	1
15	221192	1/4-28 x 2 G8 HEX C/S	1
16	201100	1/4-28 NYLOCK NUT THIN	1
1-3,5	880933	ANTI-TIP RECEIVER ASSEMBLY HQR	
6,7,9-16	880138, 880139	ANTI-TIP ASSEMBLY REG LONG SLEEVE (EA)	
6,7A,8-10, 11A,12-16	882902, 882903	ANTI-TIP ASSM BLACK HQR REG (EA)	
6,7A,8-10, 11A,12-16	900213-900220	ANTI-TIP ASSM BLACK (PR) 13"-20" HQR	

SPORTS ANTI-TIP (QUICKIE HEAT)



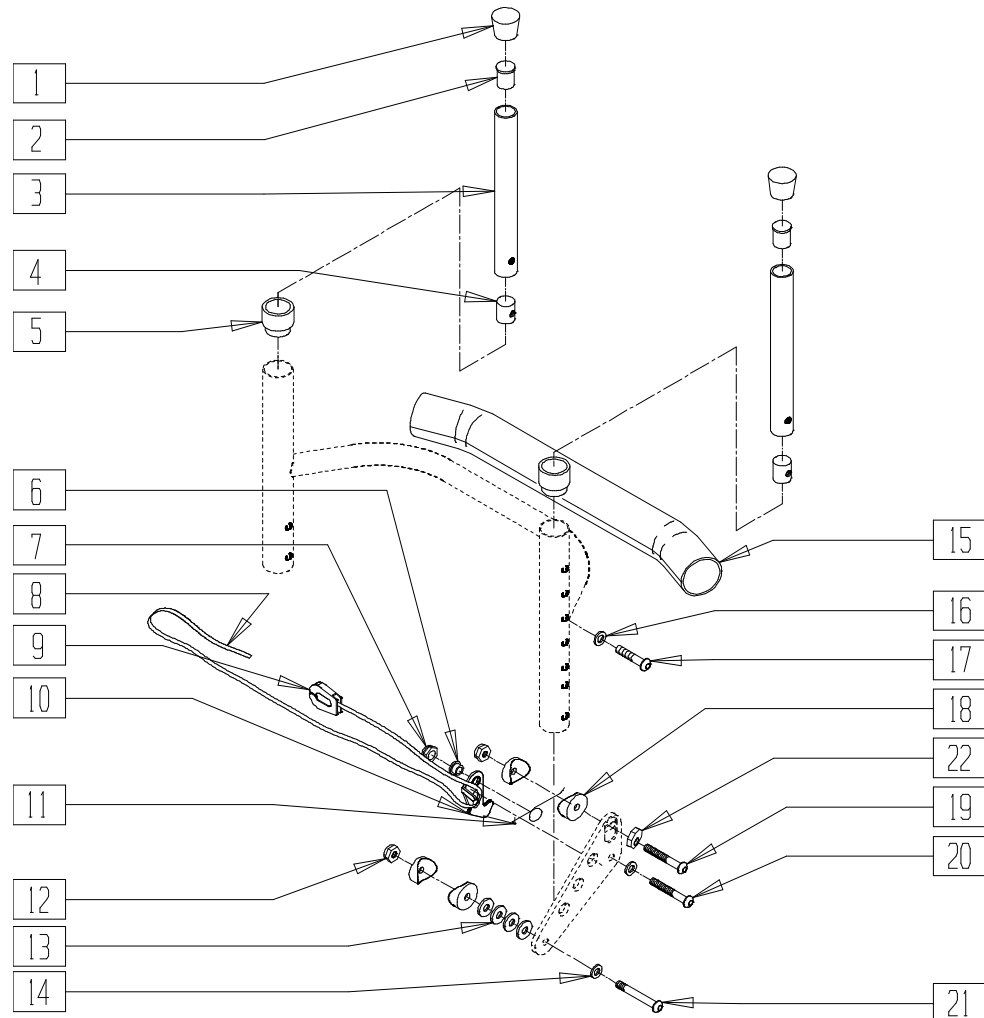
RBV00X21

ITEM	NUMBER	DESCRIPTION	QTY
1	226129	1/4-28 x 1 1/4 BH C/S	3
2	521089	ANTI-TIP TUBE SPORTS HQR (SPECIFY DIMENSIONS) (SEAT HGT, FRME, CMBR, WHL)	1
3	226115	1/4 x 20 x 1 HEX C/S SS	4
4	550207	CAMBER TUBE MNTG CLAMP ANO	2
5	505148	ANTI-TIP RT ANGLE CLAMP HQR	2
6	560995	1" INSERT PLUG .036	1
7	222201	5/16-24 x 2 1/2 G8 HEX C/S	1
8	263100	5/16 AN WASHER FLAT	4

ITEM	NUMBER	DESCRIPTION	QTY
9	349502	7/8 x 5/16 BEARING	2
10	550249	ADJ ANTI TIP HOUSING 3D	1
11	201100-QU	1/4-28 NYLOCK NUT THIN	2
12	330005	5/16-24 NYLOCK NUT ALUM	2
13	550159	3D SPORTS ANTI-TIP FORK	1
14	202100-MJ	5/16-24 NYLOCK NUT THIN	1
15	222099	5/16-24 x 1 1/2 HEX C/S	1
16	400099	2 1/2" CASTER WHEEL ANTI-TIP	1
9,16	400101	2 1/2" CSTR WHL ANTI-TIP W/BRG	
1-16	900221	SPORTS ANTI-TIP ASSEMBLY HQR	

BACKREST (QUAD RUGBY)

(Discontinued 11/15/95 - parts only)

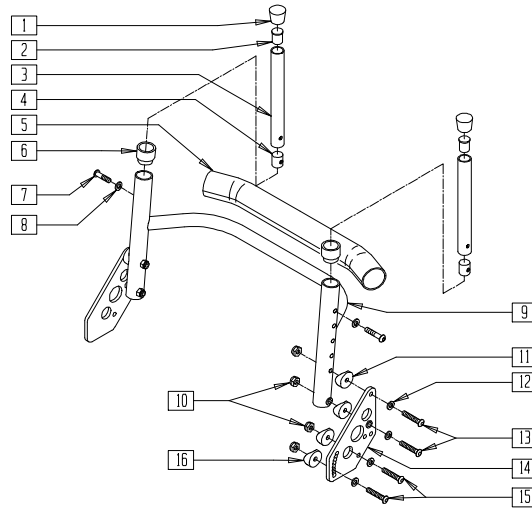


RBY00X04

ITEM	NUMBER	DESCRIPTION	QTY
1	561010	3/4" CAP	2
2	561000-QU	3/4" INSERT PLUG .083	2
4	483001	O2 FRAME/FOOT RETAINING PLUG	2
5	561082	1" TUBE END BUSHING THIN	2
6	481039	BACK REL BUSHING RIGID	2
7	201100-QU	1/4-28 NYLOCK NUT THIN	2
8	750060	BACK REL STRAP 12"-20" RIGID	1
9	560221	BACK REL STRAP LOCK RIGID	1
10	505033, 505034	Q1/GP BACK RELEASE BRACKET (EA)	1
11	321125, 321121	BACK RELEASE SPRING RIGID (EA)	1
12	201110	1/4-28 NYLOCK NUT	4

ITEM	NUMBER	DESCRIPTION	QTY
13	261506	1/4 x 1/2 OD WASHER SS	8
14	262100-QU	1/4 AN WASHER FLAT	4
15	750751	CROSSBAR PAD	1
16	262130	6mm WASHER WAVE	2
17	226101	1/4-20 x 3/4 BH C/S	2
18	561087	BACK REL SADDLE RIGID	8
19	226148	1/4-28 x 1.85 BH C/S	2
20	226140	1/4-28 x 1 3/4 BH C/S	2
21	226150	1/4-28 x 2 BH C/S	2
22	341017	WASHER ECCENTRIC	2
1-4, 16,17	840100- 840104	BACK ADJUSTABLE TUBE RIGID	

BACKREST ASSEMBLY (FIXED BACK) (QUICKIE HEAT)

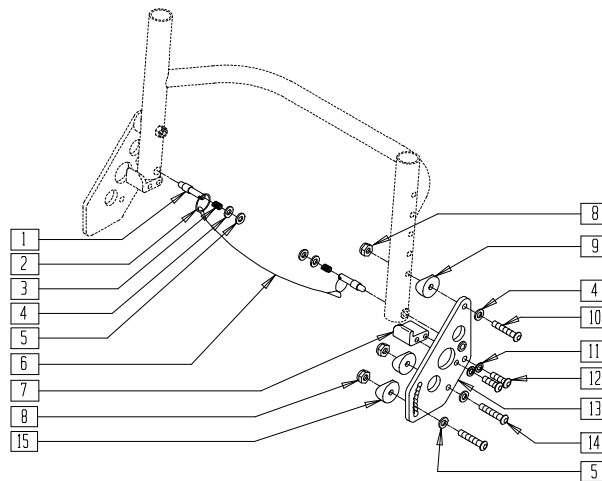


RBV00X17

ITEM	NUMBER	DESCRIPTION	QTY
1	561010	3/4" CAP	2
2	561000-QU	3/4" INSERT PLUG .083	2
4	483001	O2 FRAME/FOOT RETAINING PLUG	2
5	750751	CROSSBAR PAD	1
6	561082	1" TUBE END BUSHING THIN	2
7	226101	1/4-20 x 3/4 BH C/S	2
8	262130	6mm WASHER WAVE	2
6,9	520413-520430	BACK FRAME 13"-20" W/BUSHING HOR	1
10	201100-QU	1/4-28 NYLOCK NUT THIN	8
11	561004	1" SADDLE 1/4" HOLE	4

ITEM	NUMBER	DESCRIPTION	QTY
12	262110	1/4 AN WASHER FLAT THIN	8
13	226140	1/4-28 x 1 3/4 BH C/S	4
14	501185, 501186	BACK PLT W/BUSHING HOR	1
15	226130	1/4-28 x 1 1/2 BH C/S	4
16	561087	BACK REL SADDLE RIGID	4
1-4,6-8	840100-840104	BACK ADJ TUBE RIGID	
10-14	920440, 920441	BACK PLATE FIXED W/HARDWARE HOR (EA)	

BACKREST ASSEMBLY (FOLDING BACK) (QUICKIE HEAT)

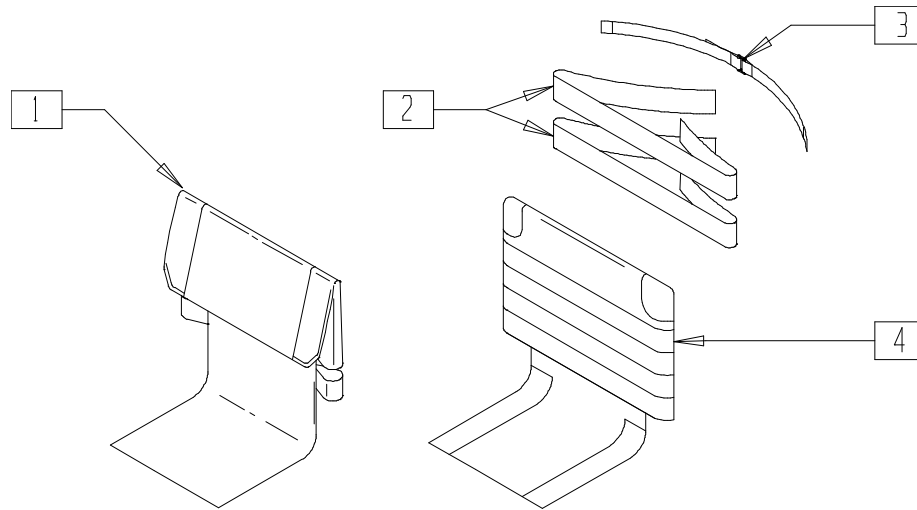


RBV00X18

ITEM	NUMBER	DESCRIPTION	QTY
1	481223	BACKREST PIN	2
2	342015	LANYARD ATTACH RING	2
3	321163	SPRING .300 x 7/8 LONG	2
4	262100-QU	1/4 AN WASHER FLAT	2
5	262110	1/4 AN WASHER FLAT THIN	6
1-6	881503-881510	BACKREST REL CABLE ASSEMBLY	
7	505905, 505906	BACKREST STOP HOR (EA)	1
8	201100-QU	1/4-28 NYLOCK NUT THIN	6
9	561004	1" SADDLE 1/4" HOLE	2

ITEM	NUMBER	DESCRIPTION	QTY
10	226140	1/4-28 x 1 3/4 BH C/S	2
11	262130	6mm WASHER WAVE	4
12	226100	1/4-28 x 3/4 BH C/S	4
13	501185, 501186	BACK PLT W/BUSHING HOR (EA)	1
14	226130	1/4-28 x 1 1/2 BH C/S	4
15	561087	BACK REL SADDLE RIGID	4
4,7-13	920412, 920413	BACK RELEASE BRACKET ASSEMBLY FLDG HOR (EA)	
	920442	BACK REL BRKT ASSM FLDG HOR (PR)	

BACKREST UPHOLSTERY (QUICKIE HEAT/QUAD RUGBY)

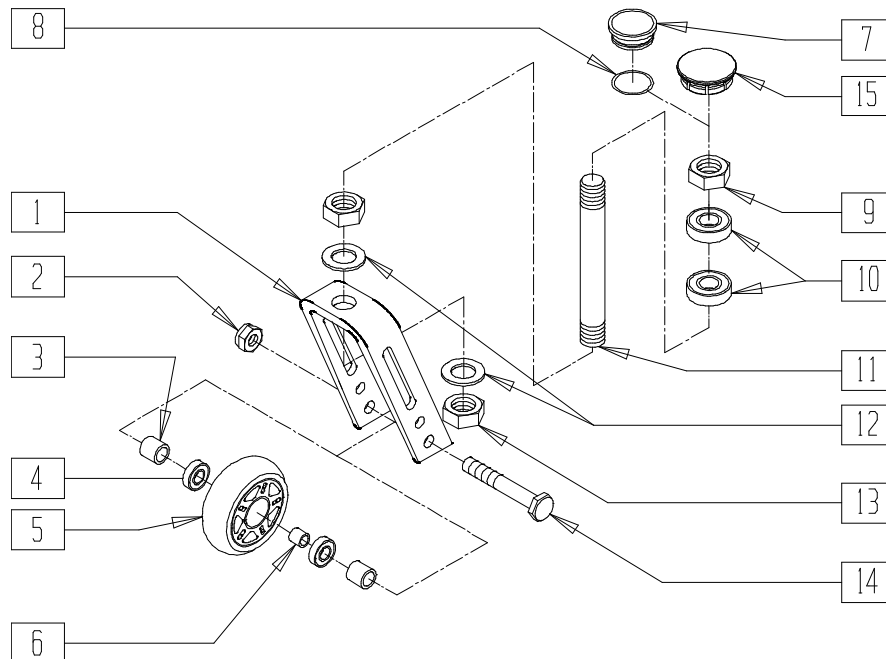


RIGD_UPHA

ITEM	NUMBER	DESCRIPTION	QTY
1	680301-680909	BACK UPHOLSTERY W/TAIL 14"-20"	1
2	741500	ANKLE/BACK STRAP 3D	1

ITEM	NUMBER	DESCRIPTION	QTY
3	750096	SIDE GRD/BCK STRP (SPECIFY DIM)	1
4	684442-684460	SPORTS ADJUSTABLE BACK W/TAIL 12LA - 20SA	1

CASTER AND FORK ASSEMBLY (QUICKIE HEAT/QUAD RUGBY)



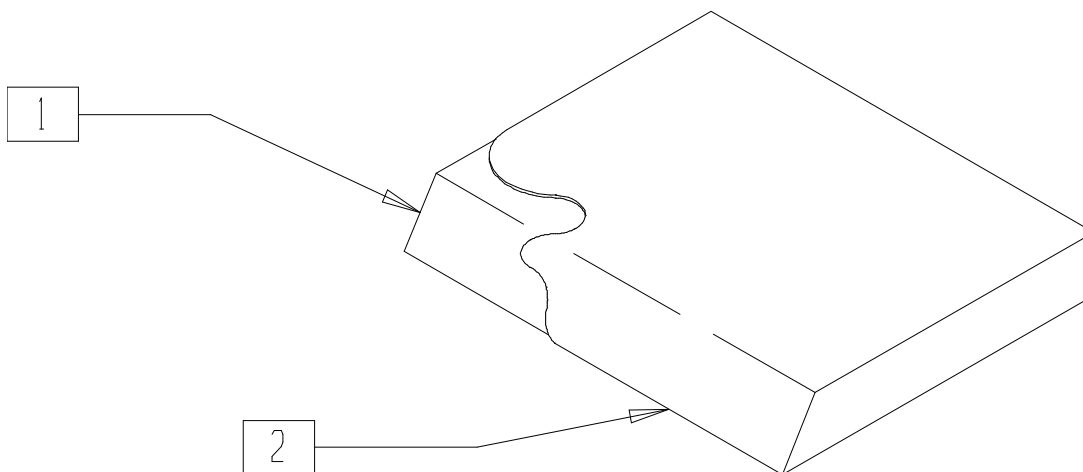
RBY00X06A

ITEM	NUMBER	DESCRIPTION	QTY
1,11-13	780351	3 1/4 GP 3D STEM	
2	330005	5/16-24 NYLOCK NUT ALUM	1
3	481113	SPACER 5/16 x .380	2
4	349502	7/8 x 5/16 BEARING	2
5	400107	3" MICRO CASTER LIGHTED	1
	920077	3" MICRO CASTER LIGHTED (PR)	
6	481013	BEARING SPACER	1
7,8*	880548	CASTER CAP W/O-RING ALUM BLK	
8*	342006	CASTER CAP O-RING RUBBER	1

ITEM	NUMBER	DESCRIPTION	QTY
9	203100	1/2-20 NYLOCK NUT	2
10	349500	1 1/8 x 1/2 BEARING	2
12	264100	1/2 AN WASHER FLAT	2
13	203110	1/2-20 JAM NUT	1
14	222200	5/16-24 x 2 1/2 HEX C/S	1
15	561070	CASTER CAP PLASTIC (EA)	1
	920028	CASTER CAP PLASTIC (PR)	
4-6	400092	3" MICRO CASTER W/BEARING	
	920025	3" MICRO CASTER W/BEARING (PR)	
1-3,9,11-14	780969	3 1/4 GP 3D STEM W/STD HARDWARE	

* ITEMS 7 AND 8 USED ON CHAIRS PRIOR TO 4/99.

SEAT CUSHION (QUICKIE HEAT)



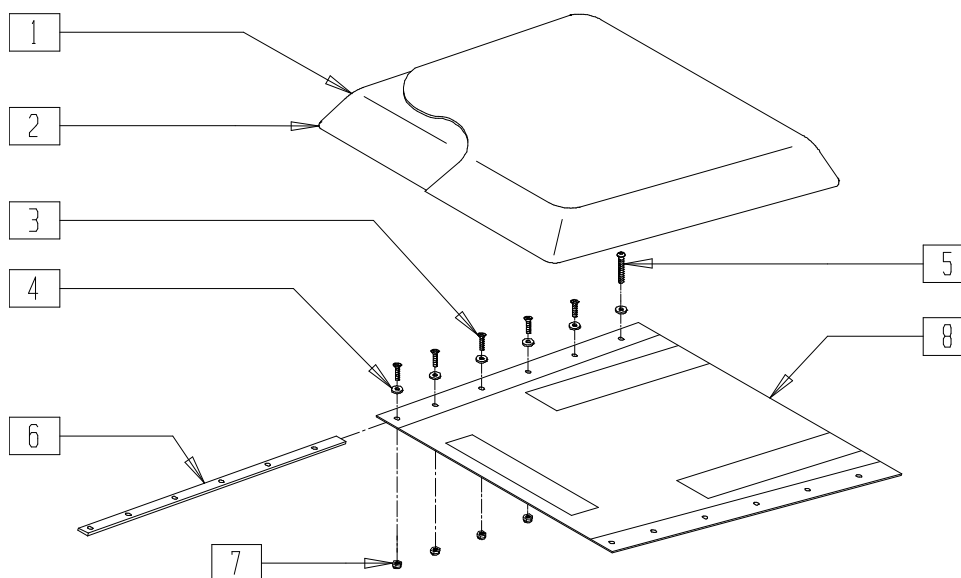
SS0X01

ITEM	NUMBER	DESCRIPTION	QTY
1	105232-105942	SEAT FOAM (13" x 13" x 2" - 20" x 18" x 2")	1
2	701232-701942	SEAT COVER (13" x 13" x 2" - 20" x 18" x 2")	1

ITEM	NUMBER	DESCRIPTION	QTY
1,2	700232-700942	SEAT CUSHION W/COVER AND FOAM (13" x 13" x 2" - 20" x 18" x 2")	1

SEAT AND SLING (QUAD RUGBY)

(Discontinued 3/96 - parts only)



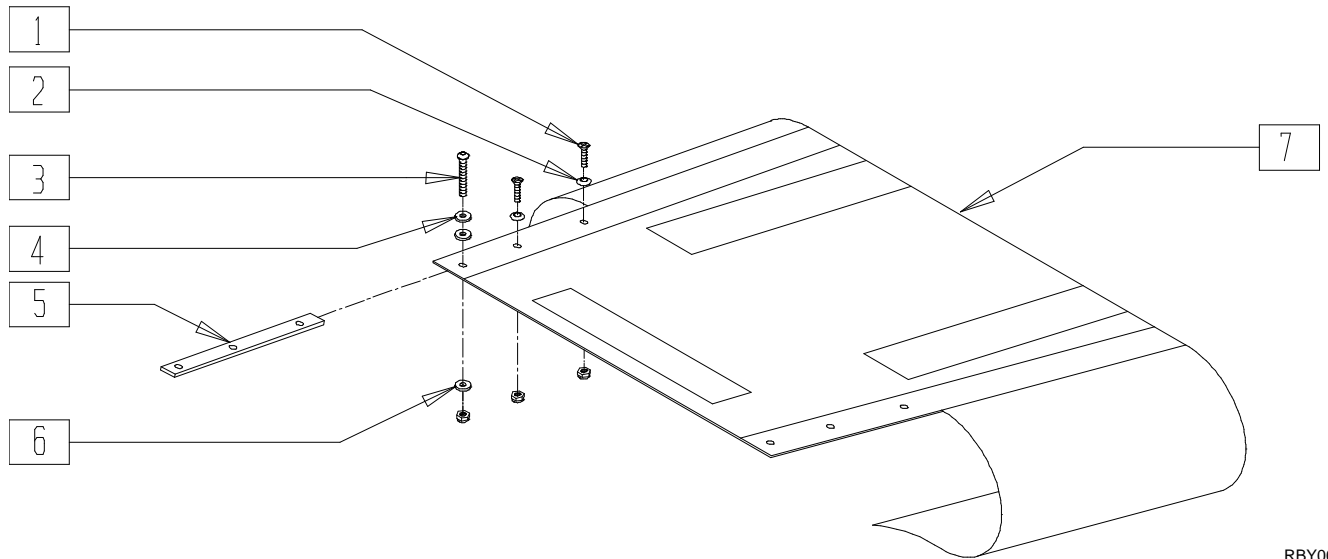
RBV00X05

ITEM	NUMBER	DESCRIPTION	QTY
1	701990	RIGID SEAT COVER ONLY (SPECIFY DIMENSIONS)	1
1,2	700978	RIGID CUSHION (SPECIFY DIMENSIONS)	
3	281148	10-32 x 1 1/4 FH PHIL MS (PRIOR TO S/N OR8580)	8
	226014	10-32 x 3/4 FH C/S BLK	

ITEM	NUMBER	DESCRIPTION	QTY
4	340106	WASHER UPH #8	8
5	226136	1/4-20 x 1 1/2 BH C/S BLK	4
6	505186	UPH SEAT RAILS 16" STD	2
7	200108	10-32 NYLOCK NUT HIGH SS	12
8	721050	UPHOLSTRY SEAT SLING (SPECIFY DIMENSIONS)	1

SEAT SLING (REAR ADJUSTABLE) (QUAD RUGBY)

(Discontinued 5/96 - parts only)

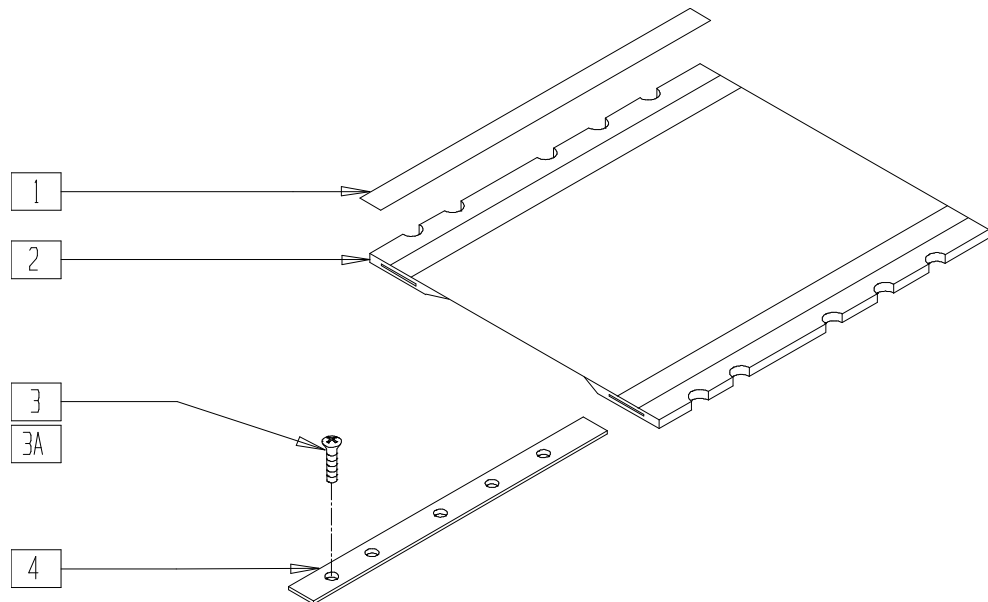


RBY00X10

ITEM	NUMBER	DESCRIPTION	QTY
1	281148	10-32 x 1 1/4 FH PHIL MS	4
2	340106	WASHER UPH #8	4
3	226136	1/4-20 x 1 1/2 BH C/S BLK	2
4	262100	1/4 AN WASHER FLAT	6

ITEM	NUMBER	DESCRIPTION	QTY
5	505199	UPH SEAT RAIL 3-HOLE QRUG	2
6	200108	10-32 NYLOCK NUT HIGH SS	6
7	721107	SEAT SLING RR ADJ 15" x 16"	1

SEAT SLING (QUICKIE HEAT)



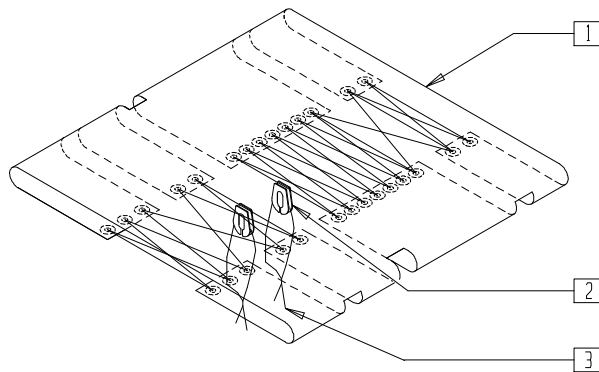
SS0X01A

ITEM	NUMBER	DESCRIPTION	QTY
1	901170	SEAT SLING VELCRO STRIP	2
2	720203-720904	SEAT SLING 13" x 13" - 20" x 18"	1
3	281120	10-32 x 5/8 PAN HD PHIL	8-12

ITEM	NUMBER	DESCRIPTION	QTY
3A*	281122	10-32 x 3/4 PAN PHIL	8-12
4	505101-505110	SEAT RAIL 13"-18"	2

* ITEM 3A IS USED ON RIGID CHAIRS.

ADJUSTABLE SLING (QUICKIE HEAT)

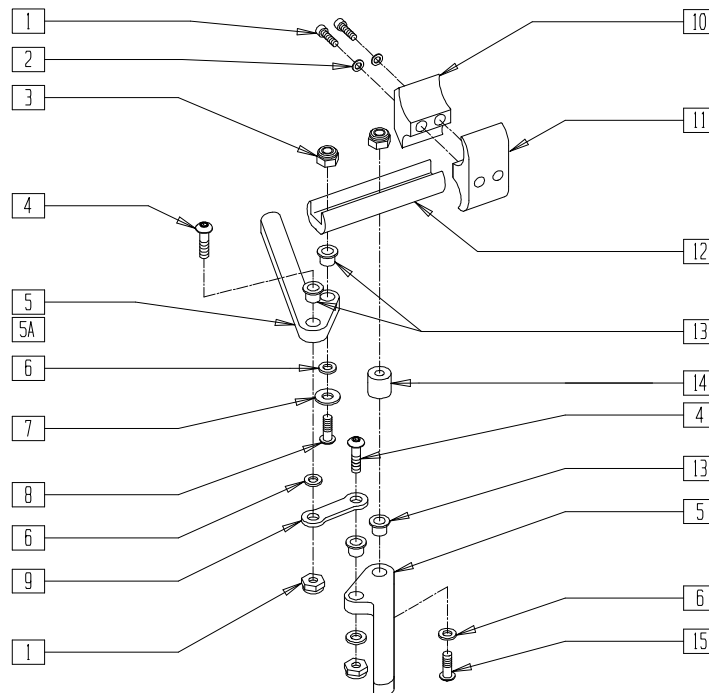


SS0X02

ITEM	NUMBER	DESCRIPTION	QTY
2	560221	BACK RELEASE STRAP LOCK RIGID	2
3	750065	ADJUSTABLE SLING STRAP/LACE	1

ITEM	NUMBER	DESCRIPTION	QTY
1-3	721020-721024	SEAT SLING ADJ 14"-18" DEPTH W/LACE	

WHEEL LOCK (QUICKIE HEAT/QUAD RUGBY)



RBV00X12

ITEM	NUMBER	DESCRIPTION	QTY
1	226112	1/4-28 x 1 SOC C/S BLK	2
2	262114	1/4 WASHER HI COLLAR LOCK ZN	2
3	201100-QU	1/4-28 NYLOCK NUT THIN	4
4	226100	1/4-28 x 3/4 BH C/S	2
5	550232	HI-MOUNT SCISSOR WHEEL LOCK ARM	2
5A	550231	HI-MNT SCISSOR WHL LOCK ARM LNG	2
6	561028	1/4" NYLON WASHER	4
7	262120	1/4 SAE WASHER	1
8	226122	1/4-28 x 1.10 BH C/S	1
9	504995	TOGGLE LINK 1.125	1
10	550724	CLAMP 3/4"-3/4"TOP HALF ST/DT	1
11	550725	CLAMP 3/4"-3/4" THRD HALF ST/DT	1
12	550374	WHL LOCK SLIDE BLOCK 3 1/2" BLK	1
13	560126	.250 ID .312 OD BUSHING PLASTIC	4

ITEM	NUMBER	DESCRIPTION	QTY
14	483027	1/4 x 1/4 ALUM SPACER BLK	1
15	226130	1/4-28 x 1 1/2 BH C/S	1
1,2,10,11	880582	WHL LOCK CLAMP ASSEMBLY ST/DT	
3-9,12-15	880608, 880609	WHL LOCK SCISSOR HI-MOUNT BLK (EA)	
1-15	880804, 880805	WHL LOCK SCISSOR W/CLAMP BLK (EA)	
	901518	WHL LOCK SCISSOR W/CLAMP BLK (PR)	
3,4,5A, 6-9,12-15	880612, 880613	WHL LOCK SCISSOR HI-MOUNT LONG BLK (EA)	
1-4,5A	880806, 880807	WHL LOCK SCISSOR W/CLAMP LONG BLK (EA)	
6-15	901519	WHL LOCK SCSSR W/CLMP LNG BLK (PR)	

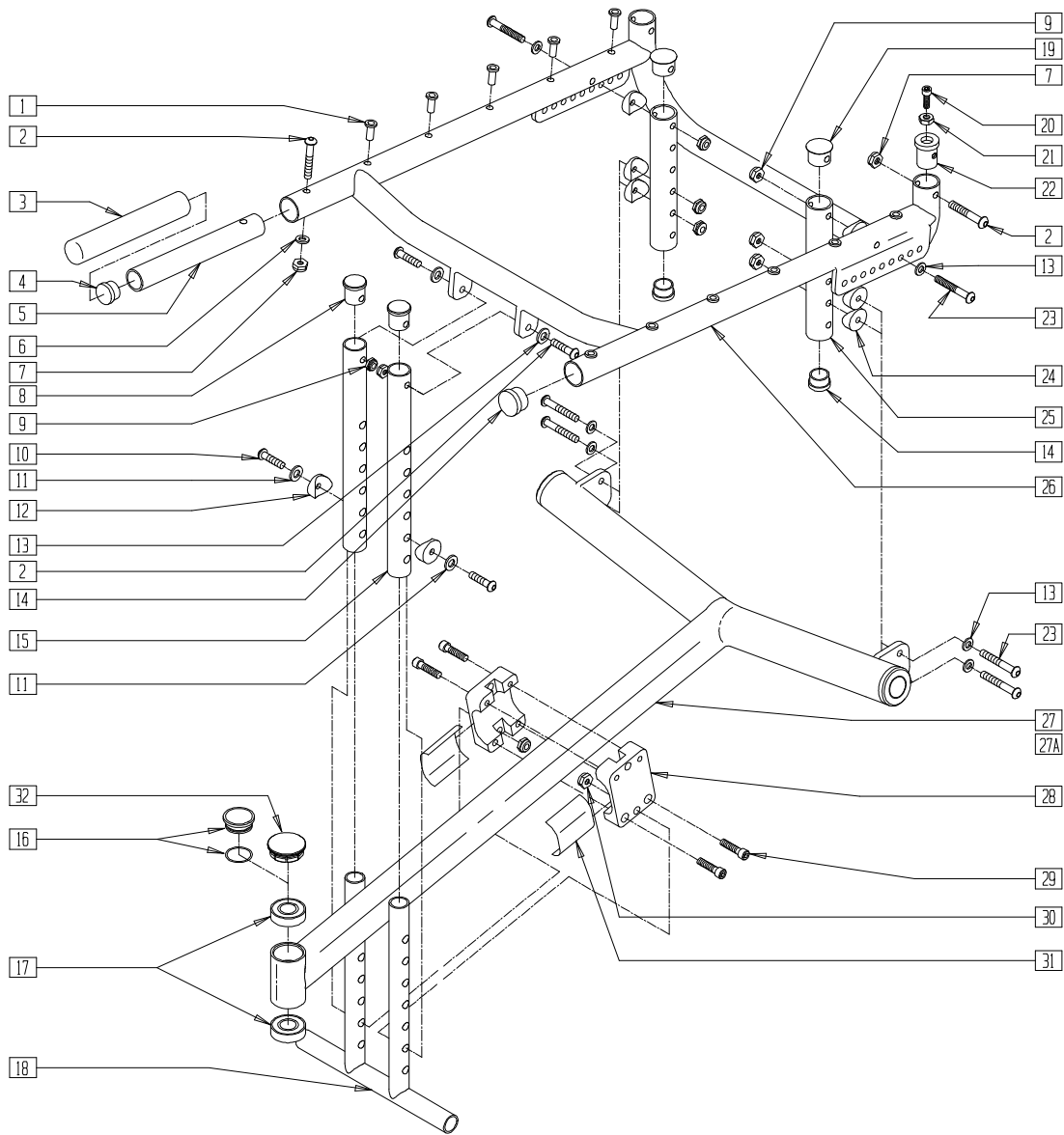
Quickie 3D

IN THIS SECTION

Frame (Quickie 3D)	4.1	3" Micro Caster	4.6
Anti-tip (Quickie 3D).....	4.2	Footplate Assembly (Quickie 3D)	4.7
Sports Anti-tip (Quickie 3D)	4.2	Basketball Footplate (Quickie 3D)	4.7
Quick-release Back Lock (Quickie 3D) (Disc.)	4.3	Tennis Footplate (Quickie 3D)	4.8
Backrest (Quickie 3D) (Disc.)	4.3	Fork Assembly (Quickie 3D)	4.8
Backrest Upholstery (Quickie 3D)	4.4	Seat Sling and Cushion (Quickie 3D).....	4.9
Backrest and Quick-release Back Lock (Quickie 3D).....	4.5	Ankle Pad (Quickie 3D)	4.9
Basketball Bumper (Quickie 3D)	4.6	Ankle Strap (Quickie 3D)	4.10

NOTE: FOR AXLE SLEEVE REFER TO AXLES, SECTION 9

FRAME (QUICKIE 3D)



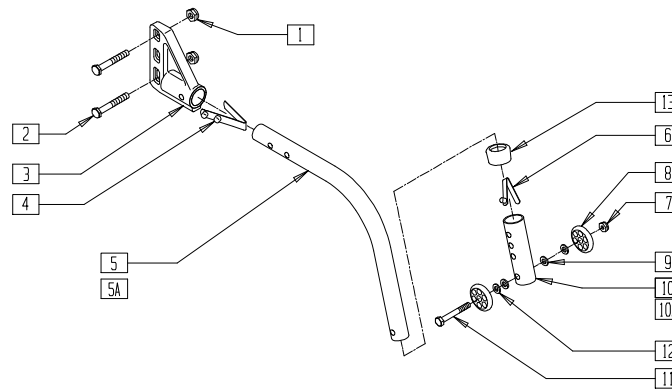
3D00X05B

ITEM	NUMBER	DESCRIPTION	QTY
1	341497	10-32 x .020-.130 RIVNUT GOLD	10
2	226130	1/4-28 x 1 1/2 BH C/S	2
3	560628	4 1/2 x .840 x .125 FOAM GRIP	1,2
4	561007	7/8" INSERT PLUG .083	2
5	521255	TRANSFER HANDLE 3D	1,2
6	262100-QU	1/4 AN WASHER FLAT	2
7	201100-QU	1/4-28 NYLOCK NUT THIN	4
8	563064	SEAT SUPPORT PLUG 3D	2
9	201110	1/4-28 NYLOCK NUT	8
10	226190	5/16-18 x 1 3/4 BH C/S SHOULDER	2
11	263110-QU	5/16 AN WASHER FLAT THIN	2
12	561006	1" SADDLE 5/16" HOLE	2
13	262100-QU	1/4 AN WASHER FLAT	8
14	561002	1" INSERT PLUG .083	1,2
15	527454	SEAT SUPPORT TUBE	2
16*	880548	CASTER CAP W/O-RING ALUM BLK	1
17	349500	1 1/8 x 1/2 BEARING	2
18	527453	FOOTREST FRAME 3D	1
19	560999	1" INSERT PLUG .083 W/1/4 HOLE	2

ITEM	NUMBER	DESCRIPTION	QTY
20	226058	1/4-20 x 3/4 SOC C/S	2
21	201121	1/4-20 NUT THIN	2
22	483010	Q1/GP BACK REL ANGLE PLUG	2
23	226140	1/4-28 x 1 3/4 BH C/S	6
24	561004	1" SADDLE 1/4" HOLE	6
25	527455	REAR SEAT SUPPORT TUBE 3D	2
17,27	600226- 600231	T-FRAME 0°-15° LONG PAINTED 3D (SPECIFY WIDTH)	1
27A	600220- 600225	T-FRAME 0°-15° SHORT PAINTED 3D (SPECIFY WIDTH)	1
28	501008	SEAT SUPPORT CLAMP 3D	2
29	226112	1/4-28 x 1 SOC C/S BLK	4
30	202102	5/16-18 NYLOCK NUT THIN	2
31	560560	FOAM OVAL TUBE CLAMP	2
32	561070	CASTER CAP PLASTIC (EA)	1
	920028	CASTER CAP PLASTIC (PR)	
2-7	883050	TRANSFER HANDLE W/FOAM AND HDWR	
2,7,20-22	920191	GP BACK RELEASE PLUG W/HDWR	
1,2,7,14, 20-22,26	663900	SEAT FRAME PAINTED 3D (SPECIFY COLOR)	

* ITEM 16 USED ON CHAIRS PRIOR TO 4/99.

ANTI-TIP (QUICKIE 3D)

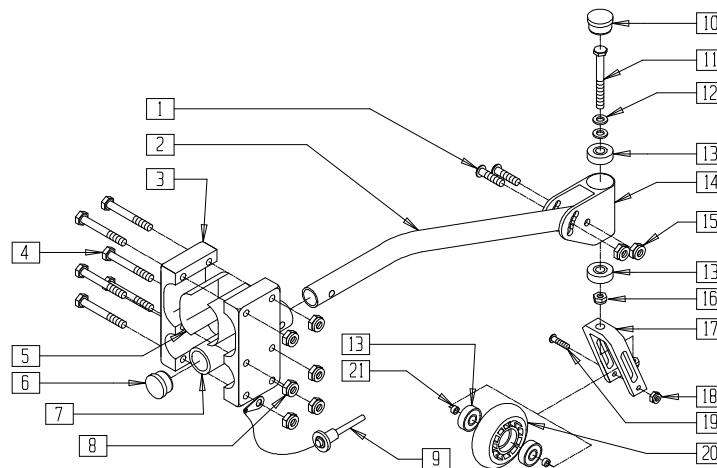


3D00X18

ITEM	NUMBER	DESCRIPTION	QTY
1	201110	1/4-28 NYLOCK NUT	2
2	221181	1/4-28 x 2 1/2 G8 HEX C/S	2
3	920407	ANTI-TIP RECEIVERS (PR)	1
4	301109	SNAP BUTTON DUAL ONE SIDE	1
5	521490-521497	ANTI-TIP TUBE CLR	1
5A	521716-521728	ANTI-TIP TUBE BLK	1
6	301100	1/4" SNAP BUTTON SINGLE B-130	1
7	201100-QU	1/4-28 NYLOCK NUT THIN	1
8	561032	ANTI-TIP WHEEL	2
9	262110	1/4 AN WASHER FLAT THIN	2
10	521508	ANTI-TIP ADJ SLEEVE (4H)	1

ITEM	NUMBER	DESCRIPTION	QTY
10A	521504	ANTI-TIP ADJ SLEEVE (4H) BLK	1
11	221192	1/4-28 x 2 G8 HEX C/S	1
12	262130	6mm WASHER WAVE	2
13	563065	3/4" ANTI-RATTLE	1
7-9,10A,11-13	881512	ANTI-TIP SLEEVE W/WHLS BLK (4H)	
4-13	880490-880497	ANTI-TIP ASSEMBLY (EA)	
4,5A,6-9,10A,11-13	882900,882901	ANTI-TIP ASSM REG BLK (EA)	
1-4,5A,6-9,10A,11-13	900832	ANTI-TIP ASSM REG W/REC BLK	

SPORTS ANTI-TIP (QUICKIE 3D)



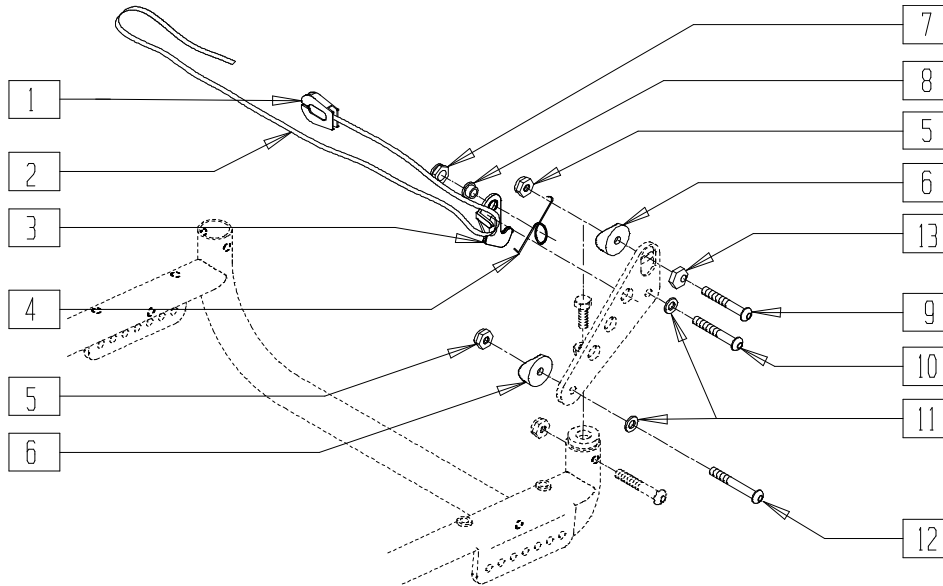
3D00X15B

ITEM	NUMBER	DESCRIPTION	QTY
1	226129	1/4-28 x 1/14 BH C/S	2
2	521537	SPORTS ANTI-TIP TUBE 12°3D	1
	521539	SPORTS ANTI-TIP TUBE 15°3D	
	521564	SPORTS ANTI TIP TBE 3D CLNCER	
3	550246	ANTI-TIP CLAMP 3D	2
4	330100	1/4-28 x 2 HEX C/S Ti	6
5	560560	FOAM OVAL TUBE CLAMP	2
6	560735	7/8" ROUND TUBE PLUG	1
7	521234	ANTI-TIP REC TUBE GPS	1
8	330000	1/4-28 NYLOCK NUT ALUMINUM	6
9	349045	RELEASE PIN SPORT ANTI-TIP 3D	1
10	560995	1" INSERT PLUG .036	1
11	222201	5/16-24 x 2 1/2 G8 HEX C/S	1

ITEM	NUMBER	DESCRIPTION	QTY
12	263100-QU	5/16 AN WASHER FLAT	2
13	349502	7/8 x 5/16 BEARING	2
14	550249	ADJ ANTI-TIP HOUSING 3D	1
15	201100-QU	1/4-28 NYLOCK NUT THIN	2
16	330005	5/16-24 NYLOCK NUT ALUMINUM	2
17	550599	FORK 3" MICRO FOR 5/16 STEM	1
18	202100	5/16-24 NYLOCK NUT THIN	1
19	226130	1/4-28 x 1 1/2 BH C/S	1
20	400101	2 1/2" CSTR WHL ANTI-TIP W/BRNG	1
21	483520	PULLEY WHEEL BUSHING M2	
1-20	900717	SPORTS ANTI-TIP 12°ASSEMBLY 3D	
	900731	SPORTS ANTI-TIP 15°ASSEMBLY 3D	
	900317	SPRPT ANTI TP TB 3D CLNCER ASSM	

QUICK-RELEASE BACK LOCK (QUICKIE 3D)

(Discontinued 8/98 - parts only)



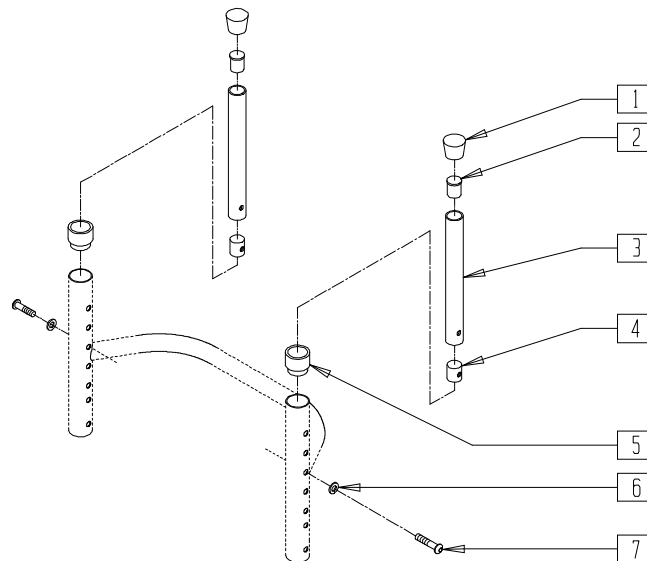
3D00X02

ITEM	NUMBER	DESCRIPTION	QTY
1	560221	BACK RELEASE STRAP LOCK RIGID	1
2	750060	BACK RELEASE STRAP 12"-20" RIGID	1
3	505033, 505034	Q1/GP BACK REL BRACKET (EA)	1
4	321121, 321125	BACK RELEASE SPRING RIGID (EA)	1
5	201110	1/4-28 NYLOCK NUT	4
6	561087	BACK REL SADDLE RIGID	4

ITEM	NUMBER	DESCRIPTION	QTY
7	201100-QU	1/4-28 NYLOCK NUT THIN	2
8	481039	BACK REL BUSHING RIGID	2
9	226148	1/4-28 x 1.85 BH C/S	2
10	226140	1/4-28 x 1 3/4 BH C/S	2
11	262100	1/4 AN WASHER FLAT	4
12	226150	1/4-28 x 2 BH C/S	2
13	341017	WASHER ECCENTRIC	2

BACKREST (QUICKIE 3D)

(Discontinued 8/98 - parts only)

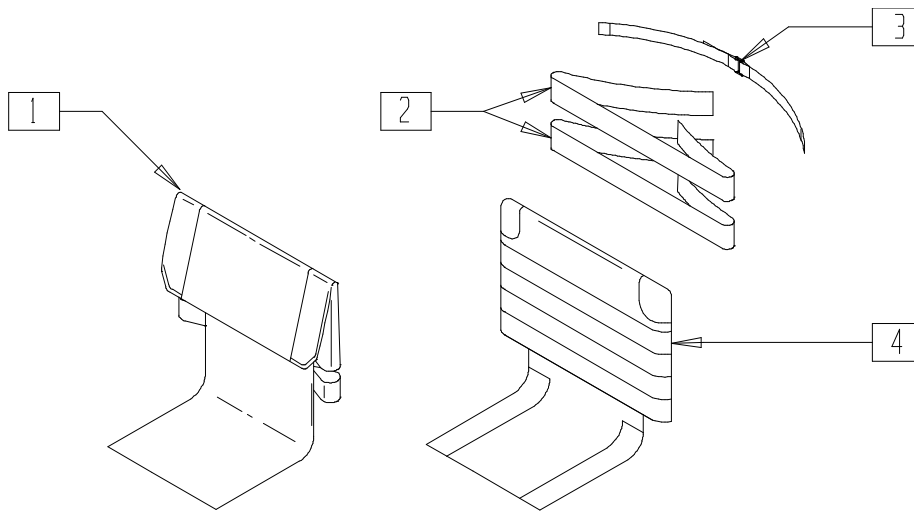


3D00X03A

ITEM	NUMBER	DESCRIPTION	QTY
1	561010	3/4" CAP	2
2	561000-QU	3/4" INSERT PLUG .083	2
4	483001	Q2 FRAME/FOOT RETAINING PLUG	2
5	561082	1" TUBE END BUSHING THIN	2

ITEM	NUMBER	DESCRIPTION	QTY
6	262130	6mm WASHER WAVE	2
7	226120	1/4-20 x 1 BH C/S	2
1-7	840100- 840104	BACK ADJUSTABLE TUBE RIGID	

BACKREST UPHOLSTERY (QUICKIE 3D)

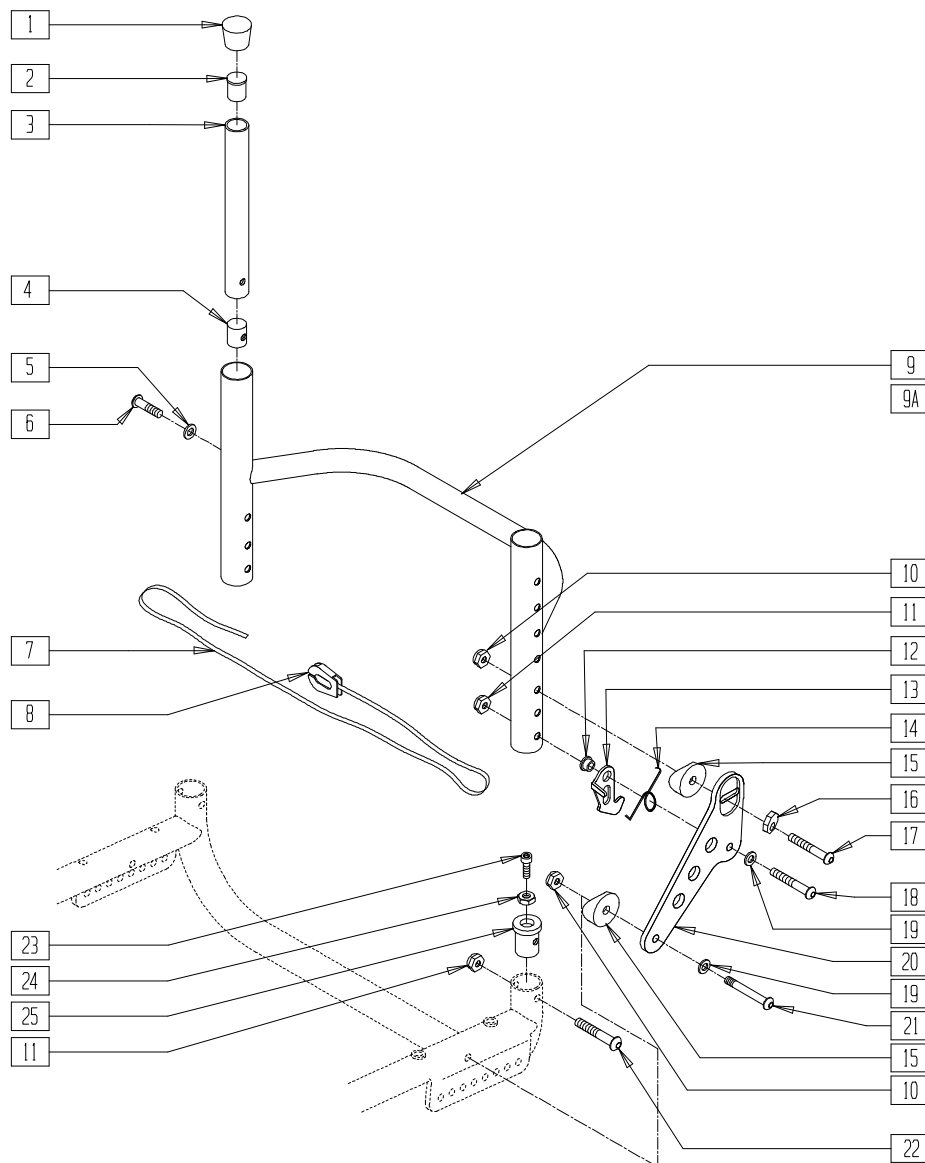


RIGD_UPHA

ITEM	NUMBER	DESCRIPTION	QTY
1	680301-680909	BACK UPHOLSTERY W/TAIL 14"-20"	1
2	741500	ANKLE/BACK STRAP 3D	1

ITEM	NUMBER	DESCRIPTION	QTY
3	750096	SIDE GRD/BCK STRP (SPECIFY DIM)	1
4	684442-684460	SPORTS ADJUSTABLE BACK W/TAIL 12LA - 20SA	1

BACKREST AND QUICK-RELEASE BACK LOCK (QUICKIE 3D)

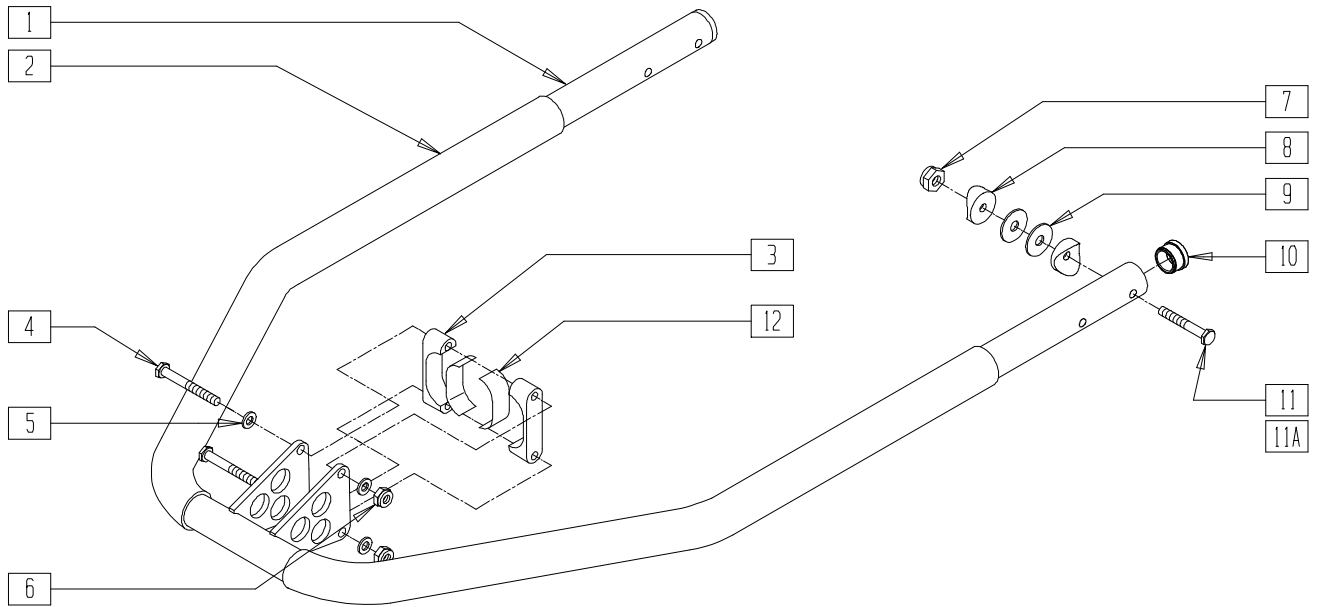


3D00X19

ITEM	NUMBER	DESCRIPTION	QTY
1	561010	3/4" CAP	2
2	561000-QU	3/4" INSERT PLUG .083	2
4	483001	Q2 FRAME/FOOT RETAINING PLUG	2
5	262130	6mm WASHER WAVE	2
6	226101	1/4-20 x 3/4 BH C/S	2
7	750060	BACK REL STRAP 12"-20" RIGID	1
8	560221	BACK REL STRAP LOCK RIGID	1
9	520440-520448	BACK FRM 12"-20" REG RIGID BLK .115	1
9A	520540-520548	BACK FRM 12"-20" TALL RIGID BLK .115	1
10	201110-QU	1/4-28 NYLOCK NUT	4
11	201100-QU	1/4-28 NYLOCK NUT THIN	4
12	481039	BACK REL BUSHING RIGID	2
13	505033, 505034	Q1/GP BACK RELEASE BRACKET (EA)	1
14	321153, 321154	BACK RELSE SPRG RIGID (NEW) (EA)	1

ITEM	NUMBER	DESCRIPTION	QTY
15	561087	BACK RELEASE SADDLE RIGID	2
16	341018	WASHER ECCENTRIC LARGE	2
17	226147	1/4-28 x 1.85 BH C/S BLK ZN	2
18	226140	1/4-28 x 1 3/4 BH C/S	2
19	262100-QU	1/4 AN WASHER FLAT	4
20	500170, 500171	BACK RELEASE PIVOT PLATE RIGID BLK (NEW) (EA)	1
21	226150	1/4-28 x 2 BH C/S	2
22	226130	1/4-28 x 1 1/2 BH C/S	2
23	226058	1/4-20 x 3/4 SOC C/S	2
24	201121	1/4-20 NUT THIN	2
25	483010	Q1/GP BACK RELEASE ANGLE PLUG	2
1-6	840100-840104	BACK ADJUSTABLE TUBE RIGID	
10-21	840320-840329	BACK FRM .115 REG 12"-20" W/BACK RELEASE	
7,8,9A, 10-21	840330-840339	BACK FRM .115 TALL 12"-20" W/BACK RELEASE	

BASKETBALL BUMPER (QUICKIE 3D)



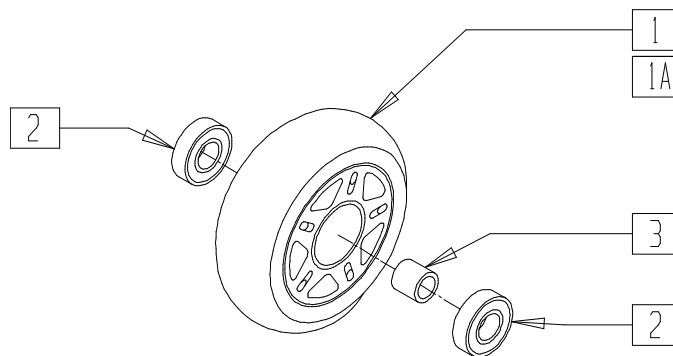
3D00X13

ITEM	NUMBER	DESCRIPTION	QTY
1	522201-522204	BASKETBALL BUMPER 3D 13"-20"	1
2	560350	BB BUMPER COVER 3D	2
3	505240	CLAMP OVAL TUBE BB	2
4	221191	1/4-28 x 2 1/4 G8 HEX C/S	2
5	262100-QU	1/4 AN WASHER FLAT	4
6	201110	1/4-28 NYLOCK NUT	2
7	201110	1/4-28 NYLOCK NUT	2
8	561004	1" SADDLE 1/4" HOLE	4
9	561026	3/4" WASHER 1/4" HOLE	4
10	561002	1" INSERT PLUG .083	2

ITEM	NUMBER	DESCRIPTION	QTY
11	221181	1/4-28 x 2 1/2 G8 HEX C/S	2
11A	221201	1/4-28 x 3 G8 HEX C/S	2
12	560560	FOAM OVAL TUBE CLAMP	2
1-10, 11A, 12	923491, 923493, 923495, 923497	BASKETBALL BUMPER ASSEMBLY (13", 15", 17", 19")	
1-8, 10-12	923492, 923494, 923496, 923498	BASKETBALL BUMPER ASSEMBLY (14", 16", 18", 20")	

NOTE: BASKETBALL BUMPER AVAILABLE ON 12" AND 15" ONLY.

3" MICRO CASTER

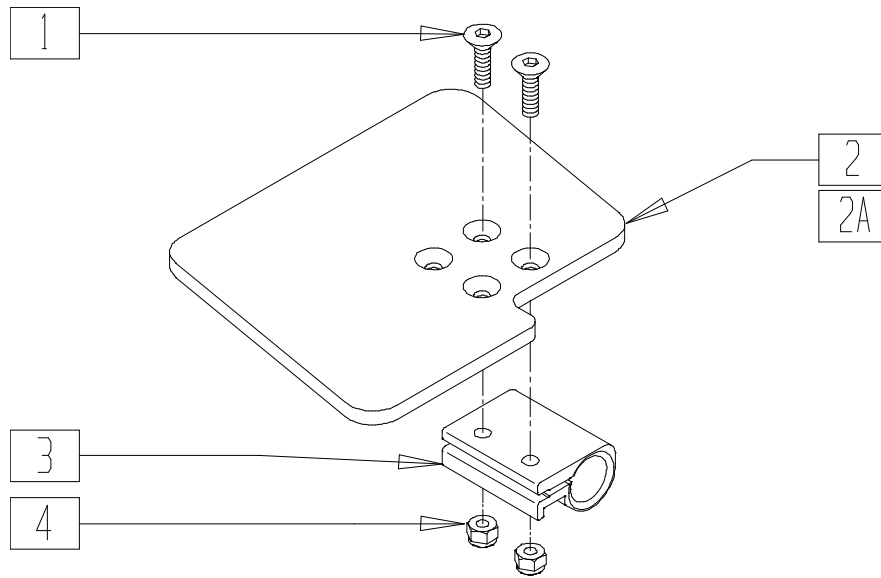


CF0X09A

ITEM	NUMBER	DESCRIPTION	QTY
1A	920077	3" MICRO CASTER LIGHTED (PR)	1
2	349502	7/8 x 5/16 BEARING	2

ITEM	NUMBER	DESCRIPTION	QTY
3	481013	BEARING SPACER	1
1-3	920025	3" MICRO CASTER W/BRNG (PR)	

FOOTPLATE ASSEMBLY (QUICKIE 3D)

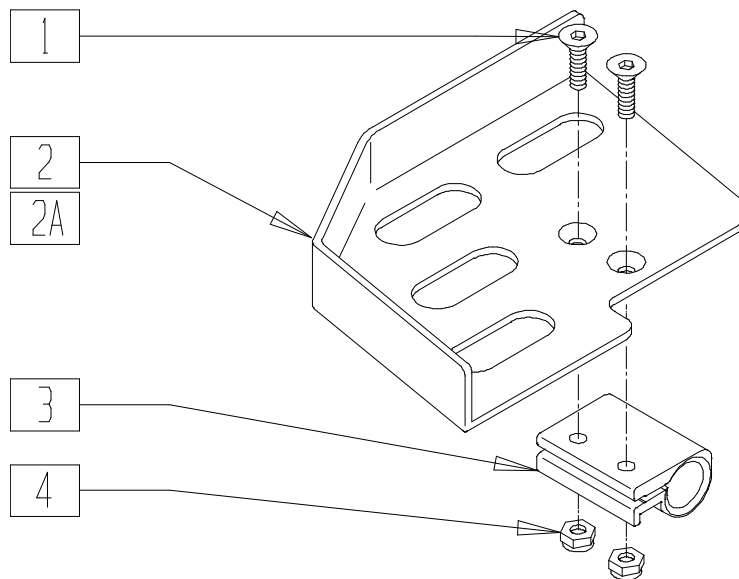


3D00X04

ITEM	NUMBER	DESCRIPTION	QTY
1	226121	1/4-20 x 1 FH C/S BLK	2
2	562616	ANGLE ADJ PLST FOOTPLATE R 3D	1
2A	562617	ANGLE ADJ PLST FOOTPLATE L 3D	1
3	550350	3/4" CLAMP ADJUSTABLE FT PLT	1

ITEM	NUMBER	DESCRIPTION	QTY
4	201136	1/4-20 NYLOCK NUT HIGH	2
1-4	828840	ANGLE ADJ PLST F/PLT ASSM R 3D	
1,2A,3,4	828841	ANGLE ADJ PLST F/PLT ASSM L 3D	

BASKETBALL FOOTPLATE (QUICKIE 3D)

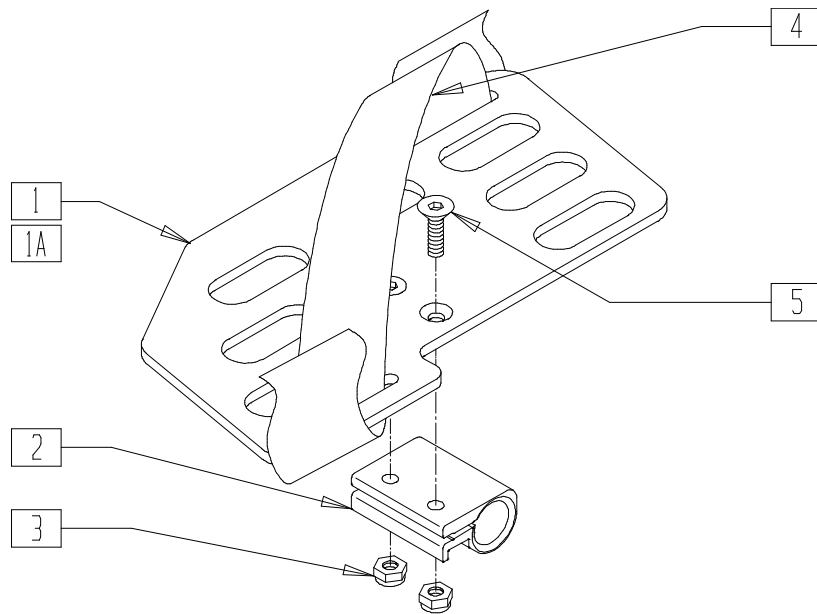


3D00X14

ITEM	NUMBER	DESCRIPTION	QTY
1	226099	1/4-28 x 7/8 FH C/S	2
2	505262	FOOTPLATE BASKETBALL R 3D	1
2A	505263	FOOTPLATE BASKETBALL L 3D	1
3	550350	3/4" CLAMP ADJ FOOTPLATE	1

ITEM	NUMBER	DESCRIPTION	QTY
4	201100-OU	1/4-28 NYLOCK NUT THIN	2
1-4	828846	ANGLE ADJ FT PLT ASSM BB R 3D	
1,2A,3,4	828847	ANGLE ADJ FT PLT ASSM BB L 3D	

TENNIS FOOTPLATE (QUICKIE 3D)

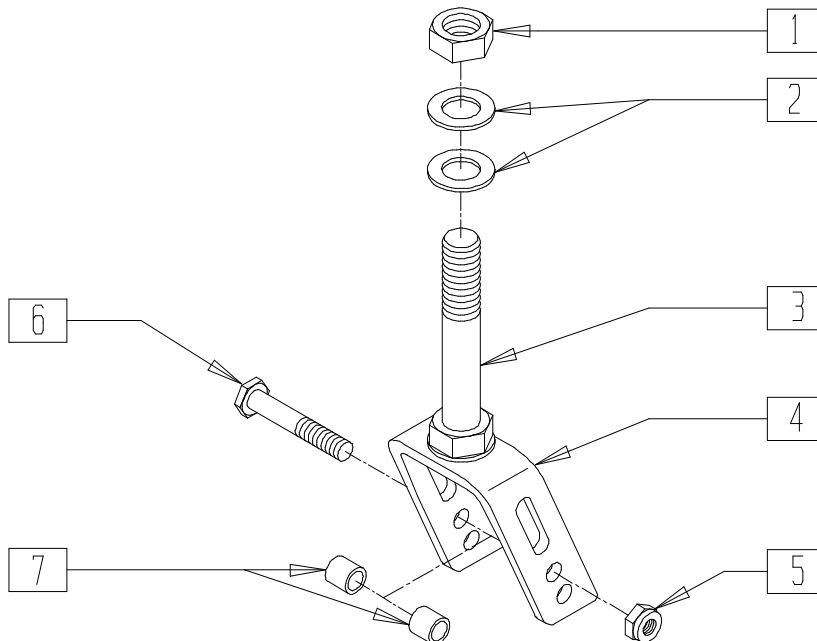


3D00X17

ITEM	NUMBER	DESCRIPTION	QTY
1	505266	FOOTPLATE R 3D TENNIS	1
1A	505267	FOOTPLATE L 3D TENNIS	1
2	550350	3/4" CLAMP ADJ FOOTPLATE	1
3	201100-QU	1/4-28 NYLOCK NUT THIN	2

ITEM	NUMBER	DESCRIPTION	QTY
4	740013	FOOTPLATE STRAP 3D	1
5	226099	1/4-28 x 7/8 FH C/S	2
1,2,3,5	828848	ANGLE ADJ F/PLT ASSM TENNIS R 3D	
1A,2,3,5	828849	ANGLE ADJ F/PLT ASSM TENNIS L 3D	

FORK ASSEMBLY (QUICKIE 3D)

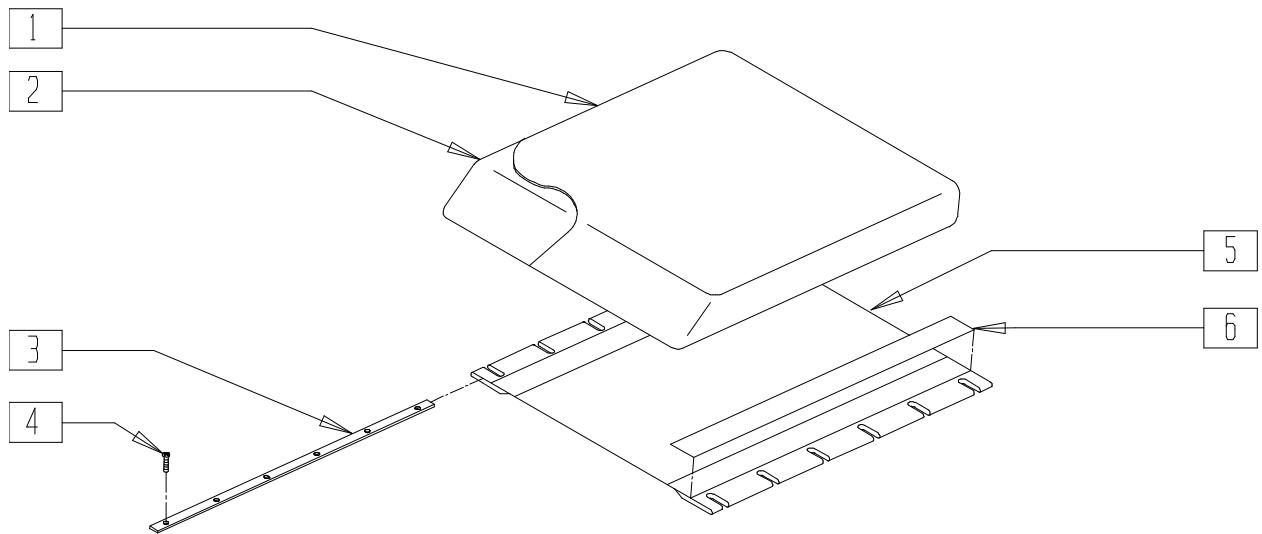


3D00X06

ITEM	NUMBER	DESCRIPTION	QTY
1	330010	1/2-20 NYLOCK NUT ALUMINUM	1
2	264100	1/2 AN WASHER FLAT	2
4	550274	3 1/4" SLOTTED FORK	1
3,4	780351	3 1/4" GP 3D STEM	

ITEM	NUMBER	DESCRIPTION	QTY
5	330005	5/16-24 NYLOCK NUT ALUMINUM	1
6	330110	5/16-24 x 2 1/2 HEX C/S Ti	1
7	481113	SPACER 5/16 x .380	2
1-7	780959	3 1/4" GP 3D STEM W/HDWR Ti	

SEAT SLING AND CUSHION (QUICKIE 3D)

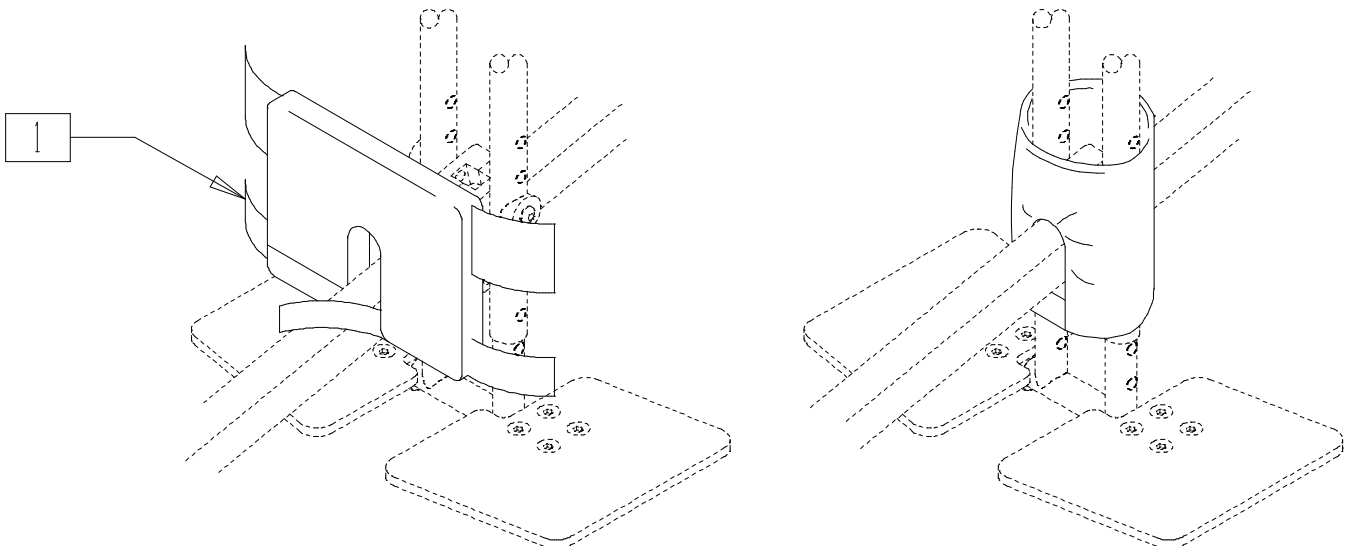


3D00X07

ITEM	NUMBER	DESCRIPTION	QTY
1	701222-701942	SEAT COVER 13" W x 12" D x 2" H - 20" W x 18" D x 2" H	1
2	105222-105942	SEAT FOAM 13" W x 12" D x 2" H - 20" W x 18" D x 2" H	1
1,2	700222-700942	SEAT CUSHION 13" W x 12" D x 2" H - 20" W x 18" D x 2" H	

ITEM	NUMBER	DESCRIPTION	QTY
3	505100-505110	SEAT RAIL 12"-18"	2
4	281122	10-32 x 3/4 PAN PHIL	10-12
5	720202-720904	SEAT SLING	1
6	901170	SEAT SLING VELCRO® STRIP	2

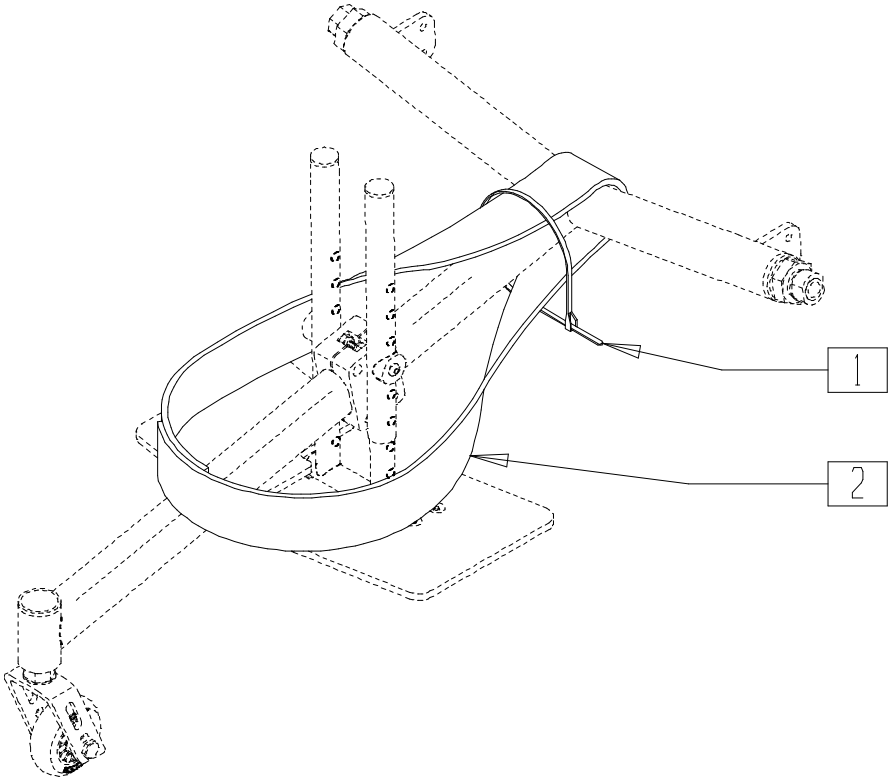
ANKLE PAD (QUICKIE 3D)



3D00X11

ITEM	NUMBER	DESCRIPTION	QTY
1	741600	ANKLE PAD 3D	1

ANKLE STRAP (QUICKIE 3D)



3D00X10

ITEM	NUMBER	DESCRIPTION	QTY
1	560410	ZIP TIE BLACK	1

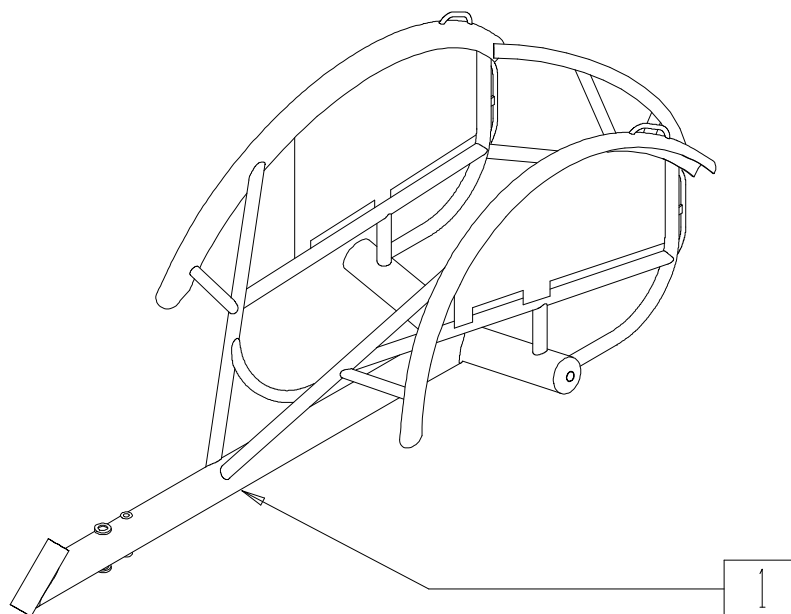
ITEM	NUMBER	DESCRIPTION	QTY
2	741500	ANKLE/BACK STRAP 3D	1

Quickie Racer

IN THIS SECTION

Frame (A-Frame Aluminum Racer)	5.1	Seat and Back Upholstery (Legs Rear)	
Frame (T-tube Aluminum Racer)	5.1	(A-Frame/T-tube Aluminum Racer)	5.5
Frame (T-tube Chrome-moly Racer) (Disc.)	5.2	Seat and Back Upholstery (Legs Rear)	
Fork (A-Frame Aluminum Racer)	5.2	(T-tube Aluminum/Chrome-moly Racer)	5.5
Fork (T-tube Alum/Chrome-moly Racer) (Disc.)	5.3	Side Guard (T-tube Aluminum Racer) (Disc.)	5.6
Fork (T-tube Aluminum Racer)	5.3	Track Steering System (A-Frame Racer)	5.6
Seat and Back Upholstery (Legs Forward)		Track Steering System	
(A-Frame/T-tube Aluminum Racer)	5.4	(T-tube Aluminum/Chrome-moly Racer) (Disc.)	5.7
Seat and Back Upholstery (Legs Forward)		Track Steering System	
(T-tube Aluminum Racer/Chrome-moly Racer)	5.4	(T-tube Aluminum Racer)	5.7

FRAME (A-FRAME ALUMINUM RACER)



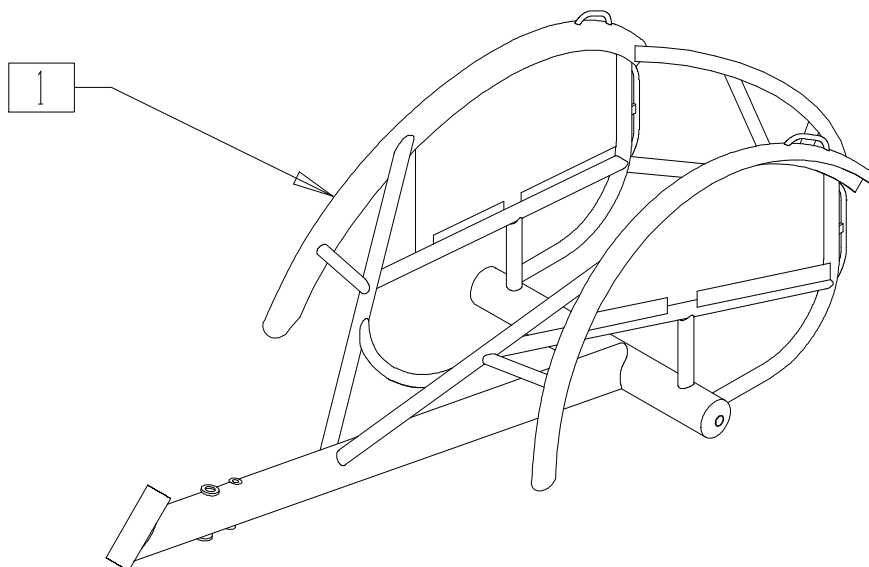
RCR00X11

ITEM	NUMBER	DESCRIPTION	QTY
1	527415	GENERIC A-FRAME W/CAGE 26" 1/2"	1
	527417	GENERIC A-FRAME W/CAGE 26" 7/16"	

ITEM	NUMBER	DESCRIPTION	QTY
1	527418	GENERIC A-FRAME W/CAGE 700C 1/2"	1
	527419	GENERIC A-FRAME W/CAGE 700C 7/16"	

FRAME (T-TUBE ALUMINUM RACER)

(Beginning serial number RCR-8982)



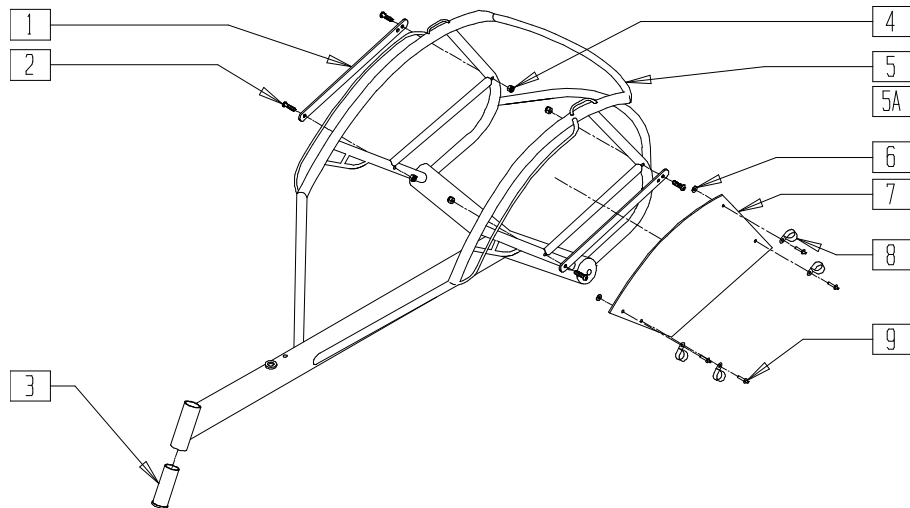
RCR00X12

ITEM	NUMBER	DESCRIPTION	QTY
1	527432	GENERIC T-TUBE W/CAGE 26" 1/2"	1
	527433	GENERIC T-TUBE W/CAGE 26" 7/16"	

ITEM	NUMBER	DESCRIPTION	QTY
1	527434	GENERIC T-TUBE W/CAGE 700C 1/2"	1
	527435	GENERIC T-TUBE W/CAGE 700C 7/16"	

FRAME (T-TUBE CHROME-MOLY RACER)

(Discontinued 7/1/97 - parts only)

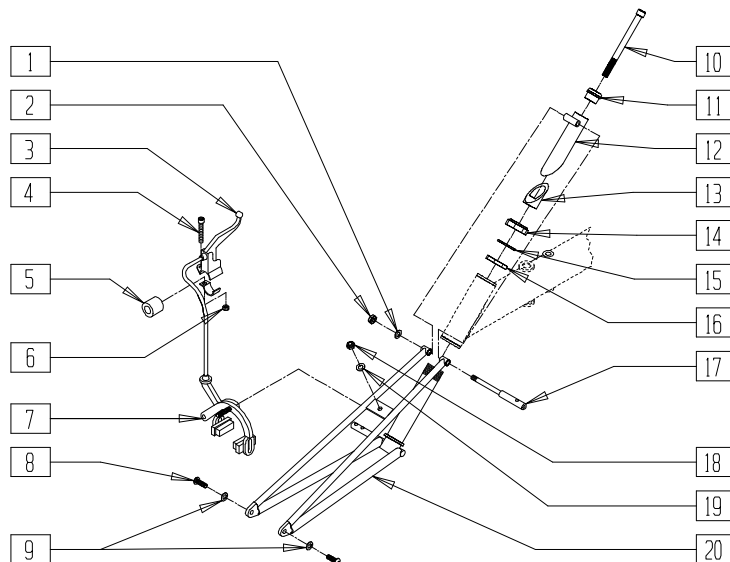


RCR00X08

ITEM	NUMBER	DESCRIPTION	QTY
1	505194	SEAT RAIL RACER (SPECIFY SIZE)	2
2	226120	1/4-20 x 1 BH C/S	2
3	349527	HEAD NYLON BEARING	1
4	201135	1/4-20 NYLOCK NUT LOW SS	4
5	527962	RACER FRAME T-TUBE CRM-MLY (SPECIFY DIMENSIONS)	1
5A	527963	RACER FRAME O-TUBE CRM-MLY (SPECIFY DIMENSIONS)	1

ITEM	NUMBER	DESCRIPTION	QTY
6	262099	3/16 ALUMINUM WASHER BACKUP	8
7	562124	RACER SIDE GUARD PLST (SPECIFY DIMENSIONS)	2
8	560205	CLMP NYL BLK 5/8 x 12 SIDE GUARD (CHROME MOLY RACER)	8
9	240192	RIVET POP AD66ABSLF	8

FORK (A-FRAME ALUMINUM RACER)



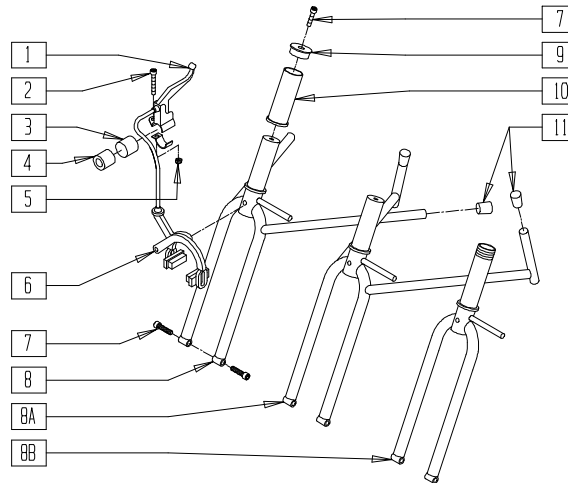
RCR00X13

ITEM	NUMBER	DESCRIPTION	QTY
1	261535	1/4 WASHER STAR EXTERNAL	1
2	201120	1/4-28 AUTOMATION NUT	1
3,4,6	443007	BRAKE LEVER	1
5	443010	BRAKE LEVER SHIM RACER	1
7,18,19	444190	BRAKE BRS 200 CALIPER	1
8	221116	1/4-20 x 1 SOC HD BLK	2
9	262110	1/4 AN WASHER FLAT THIN	2
10	201332	5/16-24 x 4 SOC C/S BLK	1
11	483110	FORK STEM PLUG RACER A-FRAME	1

ITEM	NUMBER	DESCRIPTION	QTY
12	520097	FORK INSERT TUBE WELDED	1
13	341726	HANDLE BAR WEDGE RACER	1
14	203120	1" HEADSET TOP NUT	1
15	261250	1" HEADSET KEYED WASHER	1
16	203121	1-24 HEADSET NUT	1
17	481275	FORK STEERING ARM	1
20	527605	FORK 18" A-FRAME	1
	527606	FORK 20" A-FRAME	

FORK (T-TUBE ALUMINUM/CHROME-MOLY RACER)

(Discontinued - Parts only Fits T-Tube Aluminum Racer prior to serial number RCR-8982)



RCR00X09

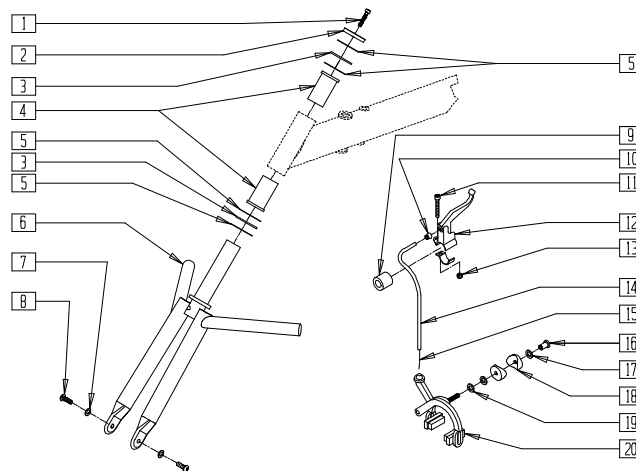
ITEM	NUMBER	DESCRIPTION	QTY
1,2,5	443007	BRAKE LEVER	1
3,4	443010	BRAKE LEVER SHIM RACER	1
6	443005	BRAKE CALIPERS	1
7	221116	1/4-20 x 1 SOC HD BLK	3
8*	527970, 527971, 527975, 527976	RACER FORK (SPECIFY WHEEL SIZE 16",18",20")	1

ITEM	NUMBER	DESCRIPTION	QTY
8A*	527972, 527974, 527977, 527978	RACER FORK W/UPRIGHT (SPECIFY WHEEL SIZE 16",18",20")	1
8B*	527979	RACER FORK B-BRG NO HANDLE (SPECIFY WHEEL SIZE 16",18",20")	
9	500559	HEAD TUBE CAP	1
10	349527	HEAD NYLON BEARING	1
11	341727	HANDLE BAR PLUG 1/2"	2

* ORDER 527975-527979 FOR ALUMINUM T-TUBE PRIOR TO APRIL 1994, CHROME-MOLY T-TUBE PRIOR TO SEPTEMBER 1994 AND ALL OVAL TUBE RACERS.

FORK (T-TUBE ALUMINUM RACER)

(Beginning serial number RCR-8982)



RCR00X14

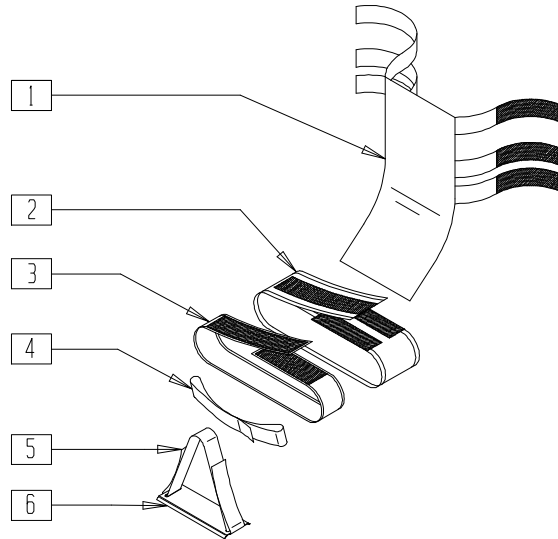
ITEM	NUMBER	DESCRIPTION	QTY
1	201336	10-32 x 1 SOC C/S SS	1
2	483112	FORK BEARING CAP RACER	1
3-5	443096	FORK BEARING KIT RACER	1
6	443090*	FORK 18" ALUMINUM T-FRAME	1
	443091*	FORK 20" ALUMINUM T-FRAME	
7	262110	1/4 AN WASHER FLAT THIN	2
8	221116	1/4-20 x 1 SOC HD BLK	2
9	560406	FRAME BUSHING	1
10	443009	BRK LVR END BTTN HOUSING STP	1

ITEM	NUMBER	DESCRIPTION	QTY
11-13	443095	BRAKE LEVER ALUMINUM RACER	1
14	134160	HOUSING BRAKE	1
15	342070	CABLE BRAKE MTN	1
16	210150	12D x 136 BRK RECESS NUT	1
17	263100	5/16 AN WASHER FLAT	1
18	262097	1/4 ID CONCAVE ALUMINUM WASHER	2
19	262100	1/4 AN WASHER FLAT	2
20	443005	BRAKE CALIPERS	1

* 443090 AND 443091 ARE SUPPLIED WITH CUSTOM HANDLE BARS PER ORDER.

SEAT AND BACK UPHOLSTERY (LEGS FORWARD) (A-FRAME/T-TUBE ALUMINUM RACER)

(Fits T-Tube Aluminum Racer beginning RCR-8982)



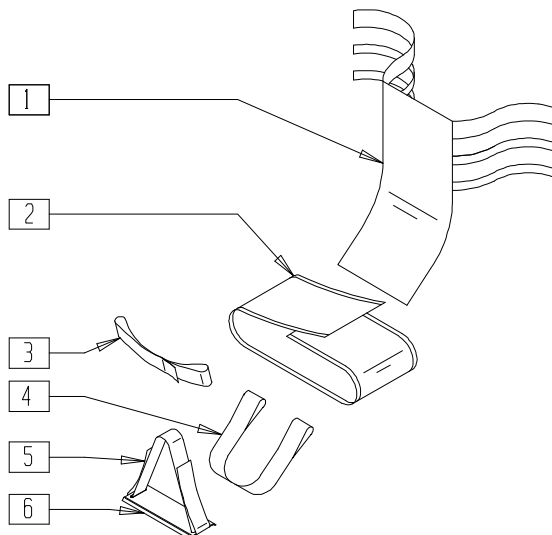
RCR00X18

ITEM	NUMBER	DESCRIPTION	QTY
1	680161, 680163, 680165	BACK UPH SLING RCR	1
2	722174- 722178	UPH SEAT SLING	1
3	721030- 721032	SEAT SLING FRONT RCR	

ITEM	NUMBER	DESCRIPTION	QTY
4	750230, 750232	KNEE STRAP RACER	1
5	740068- 740080	STRAP	1
6	500557	FOOT STRAP PLATE	1

SEAT AND BACK UPHOLSTERY (LEGS FORWARD) (T-TUBE ALUMINUM RACER/CHROME-MOLY RACER)

(Fits T-Tube Aluminum Racer beginning RCR-8982)



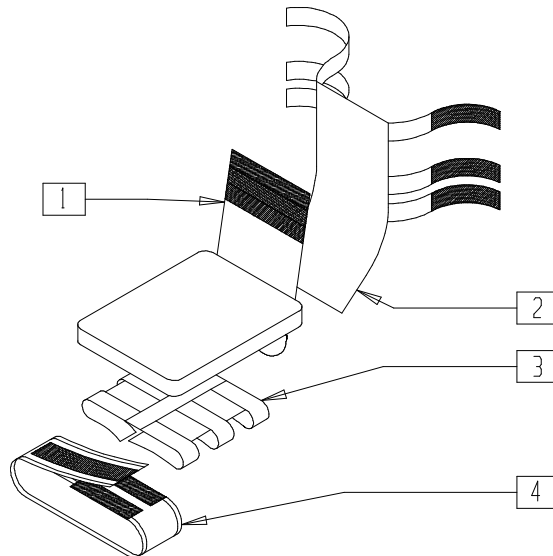
RCR00X03

1	722112, 722122, 722130	UPH BACK SLING	1
2	722160- 722168	UPH SEAT SLING	1
3	740062,- 740064	KNEE STRAP	1

4	740159, 740160	CALF STRAP	1
5	740068- 740080	STRAP	1
6	500557	FOOT STRAP PLATE	1

SEAT AND BACK UPHOLSTERY (LEGS REAR) (A-FRAME/T-TUBE ALUMINUM RACER)

(Fits T-Tube Aluminum Racer beginning RCR-8982)



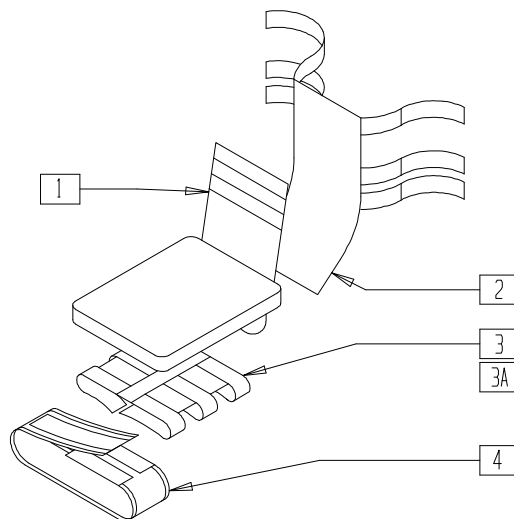
RCR00X17

ITEM	NUMBER	DESCRIPTION	QTY
1	750759, 740088	UPH PADDED FOOT POUCH	1
2	680160, 680162, 680164	BACK UPH SLING RCR	1

ITEM	NUMBER	DESCRIPTION	QTY
3	740270- 740272	LEG SLING UPH	1
4	722174- 722178	UPH SEAT SLING T-TUBE	1

SEAT AND BACK UPHOLSTERY (LEGS REAR) (T-TUBE ALUMINUM/CHROME-MOLY RACER)

(Fits T-Tube Aluminum Racer prior to RCR-8982)



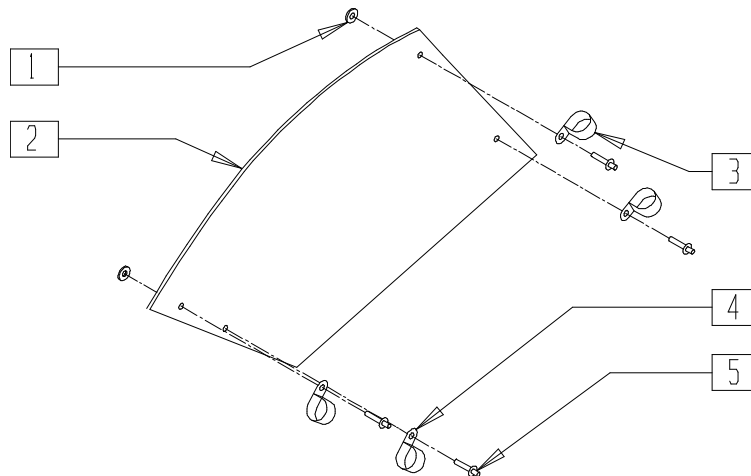
RCR00X21

ITEM	NUMBER	DESCRIPTION	QTY
1	740088, 750759, 750760	UPH PADDED FOOT POUCH	1
2	722110, 722118, 722126	UPH BACK SLING	1

ITEM	NUMBER	DESCRIPTION	QTY
3	722134- 722140	UPH LEG SLING	1
3A	722102, 722106	UPH AMP SLING	1
4	722174- 722178	UPH SEAT SLING T-TUBE	1

SIDE GUARD (T-TUBE ALUMINUM RACER)

Discontinued - Parts Only (Prior to serial number RCR-8992)

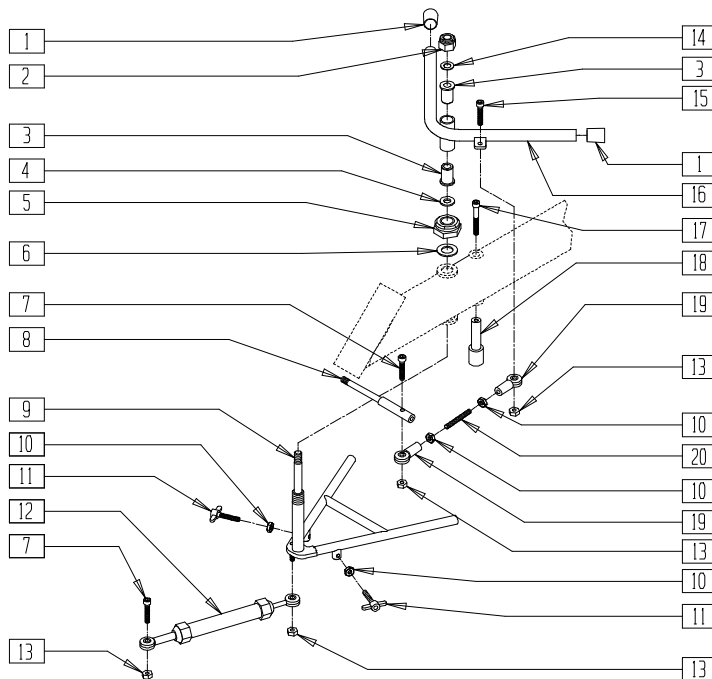


RCR00X07

ITEM	NUMBER	DESCRIPTION	QTY
1	262099	3/16 ALUM WASHER BACKUP	8
2	562124	RACER SIDE GUARD PLASTIC (SPECIFY DIMENSIONS)	2

ITEM	NUMBER	DESCRIPTION	QTY
3	341708	3/4 NYLON CLAMP BLK	4
4	341710	7/8 NYLON CLAMP (ALUM RACER)	4
5	240192	RIVET POP AD66ABSLF	8

TRACK STEERING SYSTEM (A-FRAME RACER)



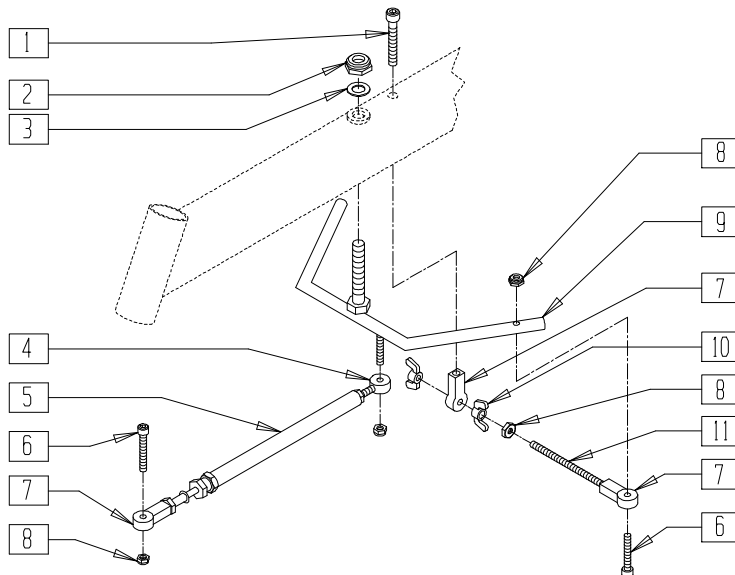
RCR00X15

ITEM	NUMBER	DESCRIPTION	QTY
1	341727	HANDLE BAR CAP 1/2"	2
2	330005	5/16-24 NYLOCK NUT ALUMINUM	1
3	561116	HANDLE BAR BUSHING RACER	2
4	481421	HANDLE BAR DISK RACER	1
5	330010	1/2-20 NYLOCK NUT ALUMINUM	1
6	264100	1/2 AN WASHER FLAT	1
7	201336	10-32 x 1 SOC C/S SS	1
8	481275	FORK STEERING ARM	1
9	521222	TRACK STEERING LEVER A-FRAME	1
10	201208	10-32 HEX NUT SS	2

ITEM	NUMBER	DESCRIPTION	QTY
10.11	920289	TRACK STEERING HDWR RACER	2
12	443100	COMPENSATOR RACER	1
13	200108	10-32 NYLOCK NUT HIGH SS	4
14	263110-QU	5/16 AN WASHER FLAT THIN	1
15	281115	10-32 x 3/4 SOC C/S SS	1
16	521219	HANDLE BAR A-FRAME	1
17	201334	10-32 x 1 1/2 SOC C/S	1
18	483111	TRACK STEERING STOP	1
19	330201	ROD-END FEMALE CW-3	2
20	341521	10-32 x 1 3/4 ALL THREAD SS	1

TRACK STEERING SYSTEM (T-TUBE ALUMINUM/CHROME-MOLY RACER)

Discontinued - Parts Only (Fits T-Tube Aluminum Racer prior to RCR-8982)



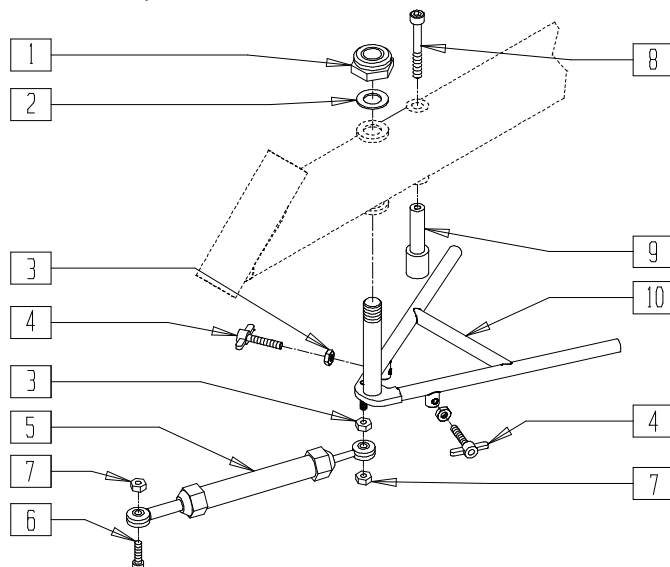
RCR00X10

ITEM	NUMBER	DESCRIPTION	QTY
1	201336	10-32 x 1 SOC C/S SS	1
	201338	10-32 x 2 SOC C/S SS	
2	203110	1/2-20 JAM NUT	1
3	264100	1/2 AN WASHER FLAT	1
4	330200	ROD END MALE CM-3	1
4,5,7	881075	COMPENSATOR ASSM C-MOLY RACER	1
6	201336	10-32 x 1 SOC C/S SS	2
7	330201	ROD END FEMALE CW-3	3

ITEM	NUMBER	DESCRIPTION	QTY
8	201208	10-32 HEX NUT SS	3
9	443017	TRACK STEERING LEVER CMOLY	1
	521302,	COMPENSATOR CM T-TUBE LVR	
	521303,		
	521304, 521305	COMPENSATOR ALUM T-TUBE LVR	
10	201236	10-32 NYLOCK NUT WING	2
11	220031	10-32 x 3 3/4 ALL THREAD SS	1

TRACK STEERING SYSTEM (T-TUBE ALUMINUM RACER)

(Beginning serial number RCR-8982)



RCR00X16

ITEM	NUMBER	DESCRIPTION	QTY
1	330010	1/2-20 NYLOCK NUT ALUMINUM	1
2	264100	1/2 AN WASHER FLAT	1
3	201208	10-32 HEX NUT SS	2
4	920289	TRACK STEERING HDWR RACER	2
5	443100	COMPENSATOR RACER	1

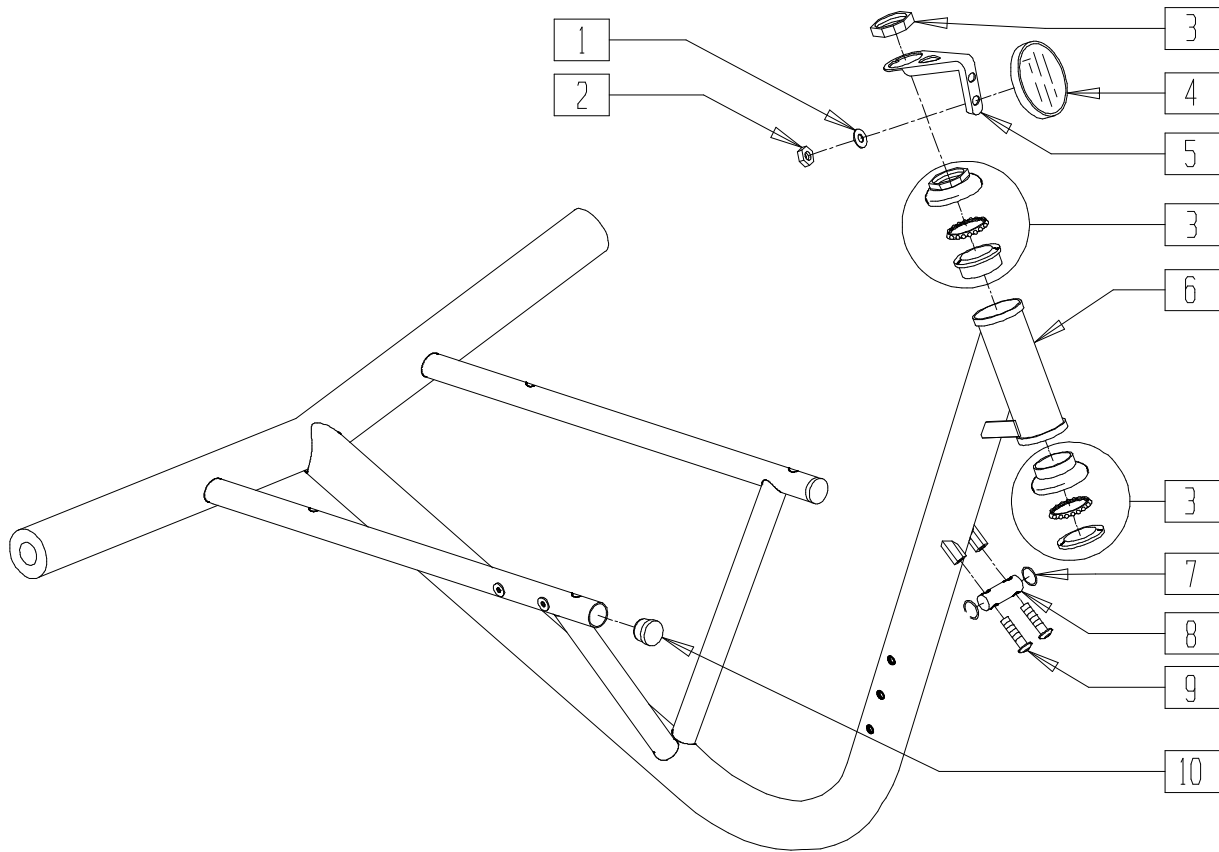
ITEM	NUMBER	DESCRIPTION	QTY
6	281115	10-32 x 3/4 SOC C/S SS	1
7	200108	10-32 NYLOCK NUT HIGH SS	2
8	201334	10-32 x 1 1/2 SOC C/S	1
9	483111	TRACK STEERING STOP	1
10	521212	TRACK STEERING LEVER T-TUBE	1

Quickie Kidz Bike and Mach 2

IN THIS SECTION

Frame (Quickie Kidz Bike/Mach 2).....	6.1	Backrest and Seat Upholstery (Quickie Mach 2).....	6.5
Seat Frame (Quickie Kidz Bike/Mach 2)	6.2	Footplate (Quickie Kidz Bike/Mach 2)	6.6
Backrest (Quickie Kidz Bike/Mach 2)	6.3	Fork Assembly (Quickie Kidz Bike/Mach 2)	6.7
Folding Backrest (Quickie Kidz Bike/Mach 2)	6.4	Head Assembly (Quickie Kidz Bike/Mach 2)	6.8
Backrest and Seat Upholstery (Quickie Kidz Bike)	6.5		

FRAME (QUICKIE KIDZ BIKE/MACH 2)

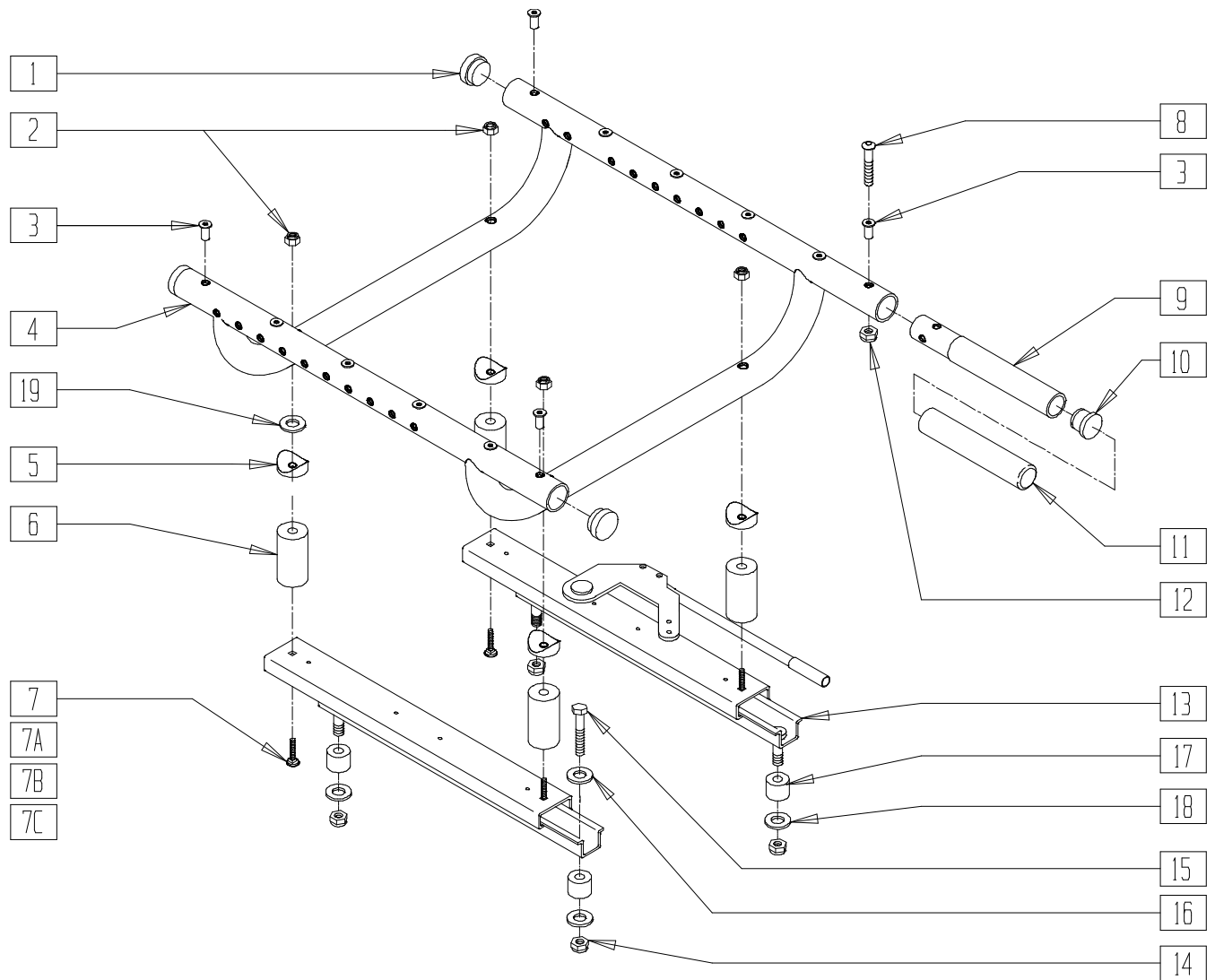


LC00X02

ITEM	NUMBER	DESCRIPTION	QTY
3	443026	HEADSET 26.4 x 30.2 BL	1
6	527760,	MAIN FRAME M2	1
	527761		
	527762	MAIN FRAME QKB (KIDZ BIKE)	
7	342075	1/2" ID x 11/16" OD O-RING	2

ITEM	NUMBER	DESCRIPTION	QTY
8	500196	COMPENSATOR BRACKET	1
9	226120	1/4-20 x 1 BH C/S	2
10	560761	3/4" INSERT PLUG .049 (18 GA)	2
1,2,4,5	923484	REFLECTOR KIT 4 WAY	

SEAT FRAME (QUICKIE KIDZ BIKE/MACH 2)



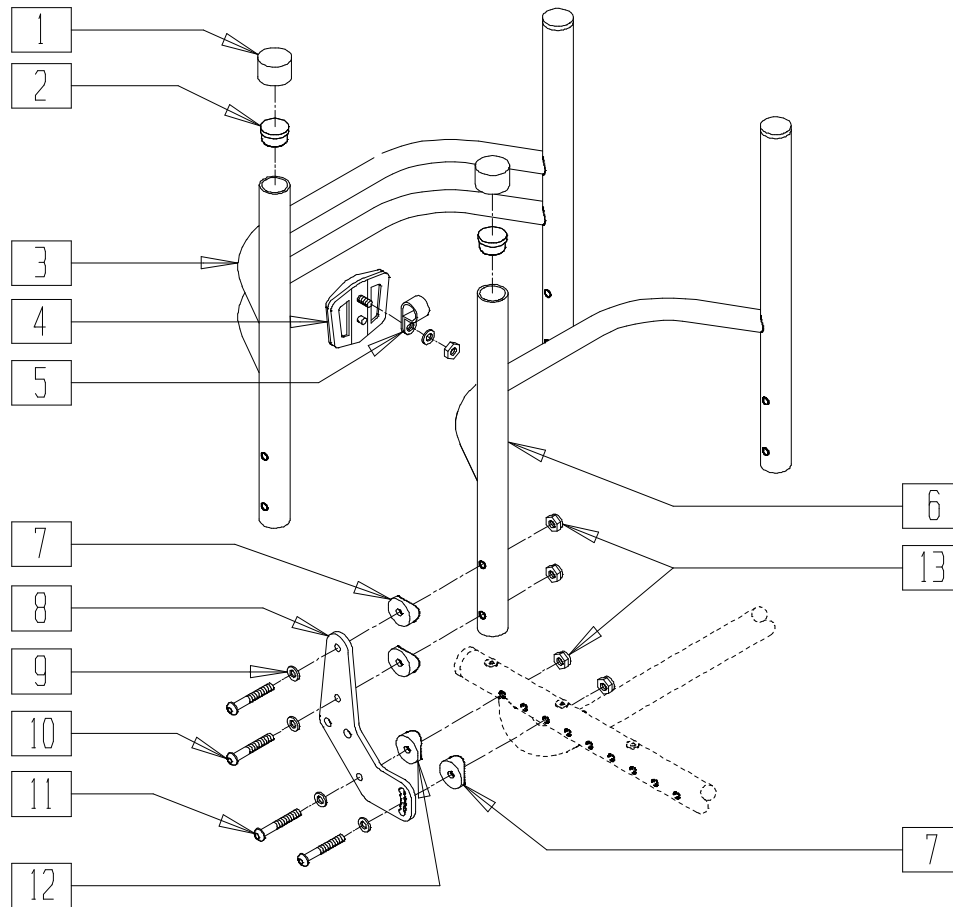
LC00X03B

ITEM	NUMBER	DESCRIPTION	QTY
1	561002	1" INSERT PLUG .083	4
2	202103	5/16-18 NYLOCK NUT THICK	4
3	341497	10-32 x .020-.130 RIVNUT GOLD	12
1,3,4	660103-660110	SEAT FRAME ASSEMBLY M2/M3 13"-20"	
	660300	SEAT FRAME ASSEMBLY OKB 12"-14" (KIDZ BIKE)	
	660302		
5	561006	1" SADDLE 5/16" HOLE	4
6	483154	2" SEAT SPACER M2/M3	4
7	226177	5/16-18 x 1 1/2 CARR BLT	4
7A	226199	5/16-18 x 3 1/2 CARR BLT	4
7B	226187	5/16-18 x 3/4 CARR BLT	4
7C	226185	5/16-18 x 2 1/2 CARR BLT	4
8	226130	1/4-28 x 1 1/2 BH C/S	1
9	521255	TRANSFER HANDLE 3D	1,2

ITEM	NUMBER	DESCRIPTION	QTY
10	561007	7/8" INSERT PLUG .083	1,2
11	560628	4 1/2 x .840 x .125 FOAM GRIP	1,2
12	201100	1/4-28 NYLOCK NUT THIN	1
13	442092	SEAT SLIDE 7" TRAVEL	1
14	202110	5/16-18 NUT THIN	4
15	222098	5/16-24 x 1 1/4 HEX C/S (M2/M3)	4
	222099	5/16-24 x 1 1/2 HEX C/S (KIDZ BIKE)	
16	263110	5/16 AN WASHER FLAT THIN	4
17	561184	SPACER 3/8 x .3 (KIDZ BIKE)	4
18	561016	1" WASHER 5/16" HOLE (KIDZ BIKE)	4
19*	561016	1" WASHER 5/16" HOLE (KIDZ BIKE)	4
8-12	883050	TRANSFER HANDLE W/FOAM AND HARDWARE	

NOTE: TRANSFER HANDLE NOT AVAILABLE FOR QUICKIE KIDZ BIKE.
 * ITEM 19 IS USED ON KIDZ BIKE IN PLACE OF ITEMS 5 AND 6.

BACKREST (QUICKIE KIDZ BIKE/MACH 2)



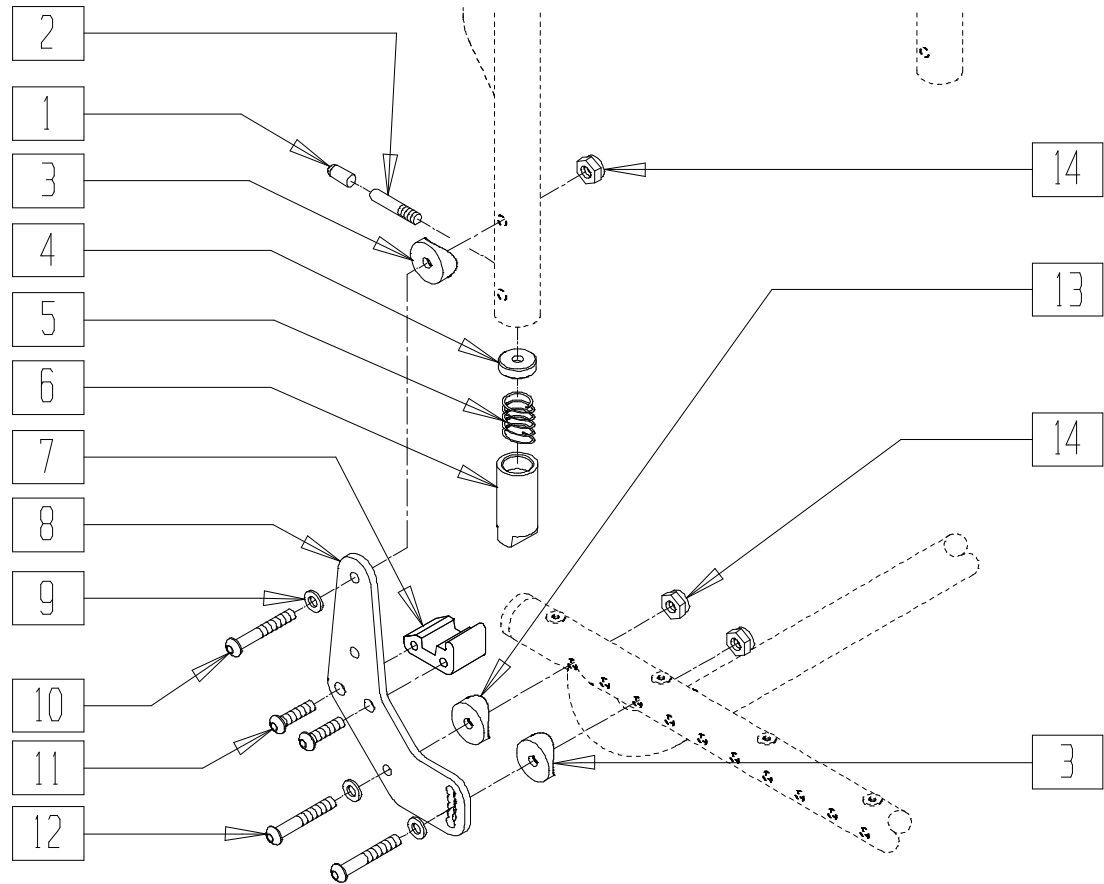
LC00X03

ITEM	NUMBER	DESCRIPTION	QTY
1	561014	1" MED CAP	2
2	561002	1" INSERT PLUG .083	2
1-3	680133-680140	BACK ASSEMBLY 13"-20" TALL M3/M2	
4	349630	REFLECTOR RR WHEEL FROM 2350	1
5	341708	3/4 NYLON CLAMP BLACK	1
1,2,6	680113-680120	BACK ASSEMBLY 13"-20" LOW M3/M2	
	680123-680130	BACK ASSEMBLY 13"-20" MED M3/M2	
	680260-680262	BACK ASSEMBLY 12"-14" X-LOW QKB (KIDZ BIKE)	
	680263-680265	BACK ASSEMBLY 12"-14" LOW QKB (KIDZ BIKE)	

ITEM	NUMBER	DESCRIPTION	QTY
7	561004	1" SADDLE 1/4" HOLE	4
8	500195	BACK PLATE KIDZ/EX	2
9	262100-QU	1/4 AN WASHER FLAT	8
10	226140	1/4-28 x 1 3/4 BH C/S	6
11	226140	1/4-28 x 1 3/4 BH C/S (W/OUT POSITIONING BELT)	2
	226150	1/4-28 x 2" BH C/S (W/POSITIONING BELT)	
12	561086	1" HALF SADDLE 1/4" HOLE	2
13	201110	1/4-28 NYLOCK NUT	8
7-12	880621	BACK PLATE NF W/HARDWARE	
	882621	BACK PLATE NF W/HARDWARE M2/QB W/BELT	

MACH 2 AND QUICKIE KIDZ BIKE CAN BE USED WITHOUT BELT.

FOLDING BACKREST (QUICKIE KIDZ BIKE/MACH 2)

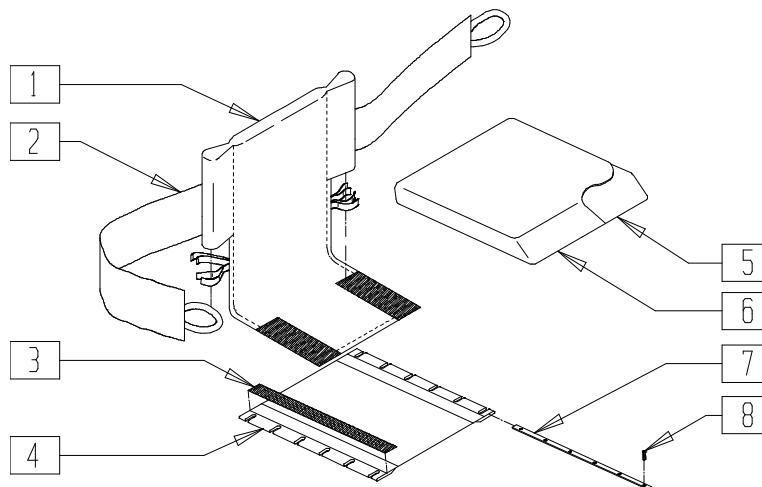


LC00X03A

ITEM	NUMBER	DESCRIPTION	QTY
1	560502	ANTI-TIP LEVER COVER	2
2	481084	BACK REL PIN Z2/QT/EX	2
3	561004	1" SADDLE 1/4" HOLE	4
4	483020	S/A SPRING RETAINER	2
5	321110	S/A LATCH SPRING	2
6	483806	BACKREST LATCH SLIDER KIDZ	2
7	550340, 550341	BACKREST LATCH BLOCK P2/KZ (EA)	2
8	500195	BACK PLATE KIDZ/EX	2

ITEM	NUMBER	DESCRIPTION	QTY
9	262100-QU	1/4 AN WASHER FLAT	6
10	226140	1/4-28 x 1 3/4 BH C/S	4
11	226182	5/16-18 x 1 BH C/S	4
12	226150	1/4-28 x 2 BH C/S	2
13	561086	1" HALF SADDLE 1/4" HOLE	2
14	201110	1/4-28 NYLOCK NUT	6
1-14	880687, 880688	BACK PLATE W/HARDWARE M2 (EA)	

BACKREST AND SEAT UPHOLSTERY (QUICKIE KIDZ BIKE)

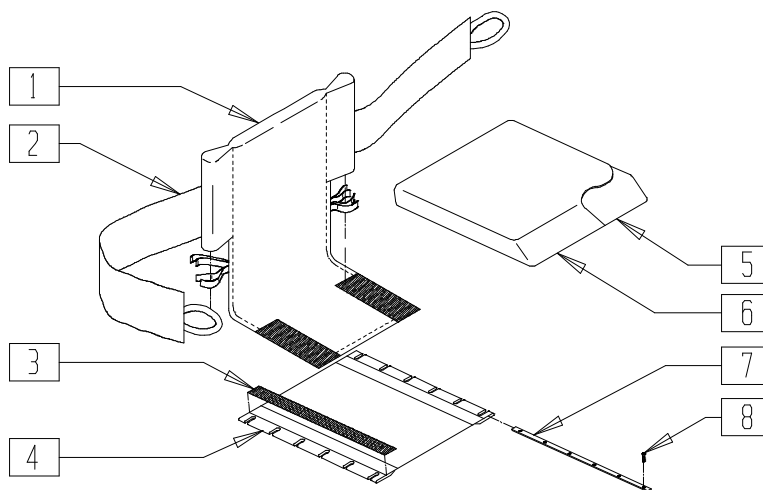


LC00X06

ITEM	NUMBER	DESCRIPTION	QTY
1	680041-680061	BACK UPH QKB 12" X-SHT - 14" X-SHT	1
2	740162	CHEST STRAP 2" KIDZ SHT QKB	1
	740172	CHEST STRAP 4" KIDZ SHT QKB	
3	901170	SEAT SLING VELCRO® STRIP	2
4	720105, 720303	SEAT SLING	1

ITEM	NUMBER	DESCRIPTION	QTY
5	105102-105312	SEAT FOAM 12" x 10" x 2" - 14" x 13" x 2"	1
6	701102-701312	SEAT COVER 12" x 10" x 2" - 14" x 13" x 2"	1
5,6	700102-700312	SEAT CUSHION (W/COVER AND FOAM) 12" x 10" x 2" - 14" x 13" x 2"	
7	505104	SEAT RAIL 15"	2
8	281122	10-32 x 3/4 PAN PHIL	12

BACKREST AND SEAT UPHOLSTERY (QUICKIE MACH 2)

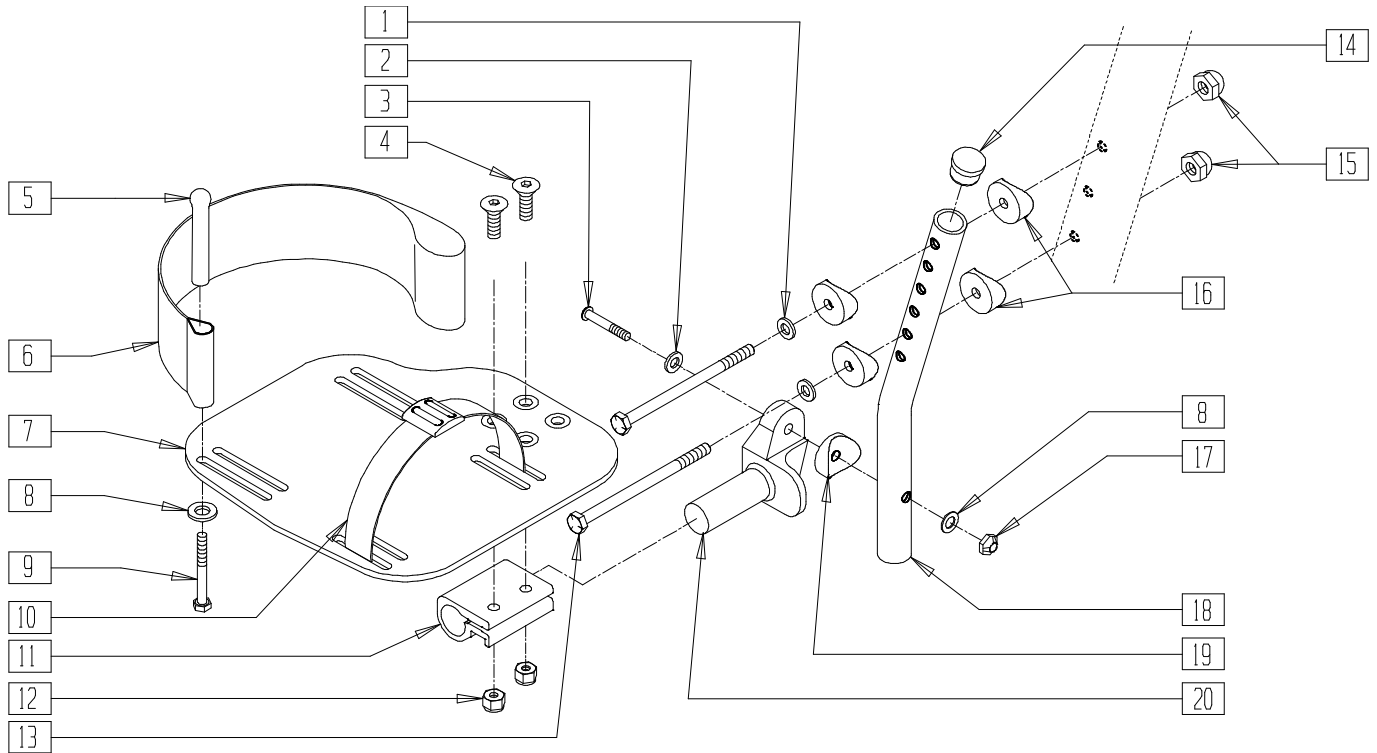


LC00X06

ITEM	NUMBER	DESCRIPTION	QTY
1	680043-680070	BACK UPH 13" LOW - 20" TALL M2/M3	1
2	740157	CHEST STRAP 2" M2	1
	740158	CHEST STRAP 4" M2	
3	901170	SEAT SLING VELCRO® STRIP	2
4	720207-720903	SEAT SLING 13" x 17" - 20" x 17"	1

ITEM	NUMBER	DESCRIPTION	QTY
5	105222-105922	SEAT FOAM 13" x 12" x 2" - 20" x 16" x 2"	1
6	701222-701922	SEAT COVER 13" x 12" x 2" - 20" x 16" x 2"	1
5,6	700222-700922	SEAT CUSHION (W/COVER AND FOAM) 13" x 12" x 2" - 20" x 16" x 2"	1
7	505108	SEAT RAIL 17"	1
8	281122	10-32 x 3/4 PAN PHIL	12

FOOTPLATE (QUICKIE KIDZ BIKE/MACH 2)

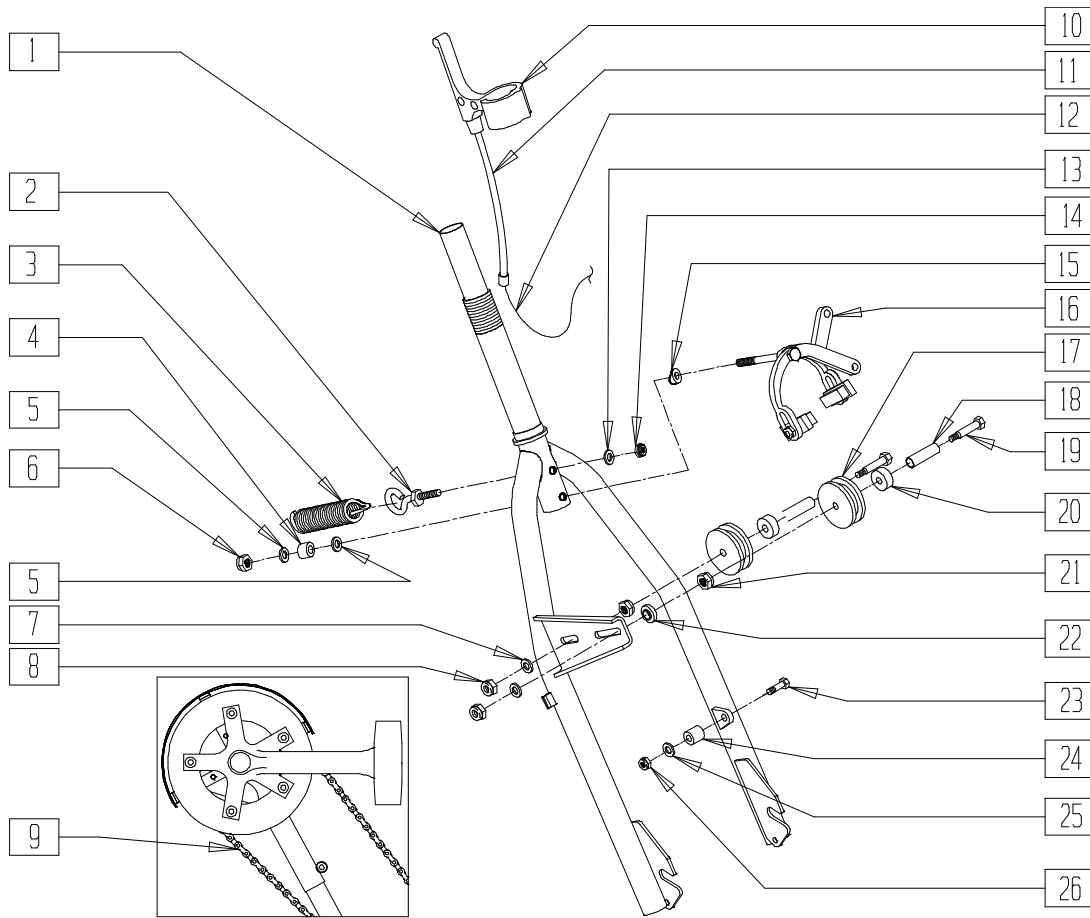


LC00X23

ITEM	NUMBER	DESCRIPTION	QTY
1	262110	1/4 AN WASHER FLAT THIN	2
2	262120	1/4 SAE WASHER	2
3	226167	1/4-28 x 1.625 BH C/S BLK	2
4	226099	1/4-28 x 7/8 FH C/S	4
5	561040	HEEL LOOP PEG	4
6	741252	HL LP ADLT ADJ F/PLT 16-17 (EA) (M2)	2
	741153	HL 18-20 CMPST/14-15 ANG ADJ (KIDZ BIKE)	
7	500662, 500663	ADULT ANGLE ADJ F/PLT (EA) (M2)	2
	500660, 500661	ADULT ANGLE ADJ F/PLT (EA)(KIDZ BIKE)	
8	262110	1/4 AN WASHER FLAT THIN	6
9	221110	1/4-20 x 1 HEX C/S	4
10	740260	TOE/ANKLE STRAP ADJ ADLT F/PLT	2
11	550350	3/4" CLAMP ADJ FOOTPLATE	2
12	201100	1/4-28 NYLOCK NUT THIN	4
13	221142	1/4-20 x 3 3/4 HEX C/S	4

ITEM	NUMBER	DESCRIPTION	QTY
14	561000-QU	3/4" INSERT PLUG .083	2
15	201129	1/4-20 ACORN NUT ZP	2
16	561003	3/4" SADDLE THIN	8
17	201120	1/4-28 AUTOMATION NUT	2
18	521080	FOOTREST TUBE SHORT M2	2
	521081	FOOTREST TUBE STANDARD M2	
19	561055	3/4" SADDLE 1" OD	1
20	541002, 541003	FOOTREST MNTG BRKT 3/8 RAD (EA)	1
1,4,13, 15-17	921234	F/PLT EXT TUBE ASSM SHORT M2	
	921235	F/PLT EXT TUBE ASSM STD M2	
	921233	F/PLT EXT TUBE ASSM OKB	
1-9,11,12, 18-21	820465, 820467	FOOTPLATE ADULT ADJ 16/17 HL (EA) (MACH 2)	
	820461, 820463	FOOTPLATE ADULT ADJ 14/15 HL (EA) (KIDZ BIKE)	
1-9,11,12, 18-21	921323	FP ADLT ADJ 16/17 HL (PR) (MACH 2)	
	921321	FP ADLT ADJ 14/15 HL (PR) (KIDZ BIKE)	

FORK ASSEMBLY (QUICKIE KIDZ BIKE/MACH 2)



LC00X08

ITEM	NUMBER	DESCRIPTION	QTY
1	880704	FORK ASSEMBLY PNTD SHORT M2	1
	880705	FORK ASSEMBLY PNTD STD M2	
	880707	FORK ASSEMBLY PNTD OKB	
2	341707	5/16-18 x 3 1/4 EYE BOLT	1
3	321115	3 3/4" x .812 EXT SPRING	1
4	483027	1/4 x 1/4 ALUM SPACER BLK	1
5	262100-QU	1/4 AN WASHER FLAT	3
7	263100	5/16 AN WASHER FLAT	2
8	202100-MJ	5/16-24 NYLOCK NUT THIN	2
9	442014	CHAIN BLK 116L	1
10	442088	LEVER BRAKE LOCKING RX-5	1
11	134160	HOUSING BRAKE	1
12	342070	CABLE BRAKE MTN	1
13	263100	5/16 AN WASHER FLAT	1
14	202103	5/16-18 NYLOCK NUT THICK	1

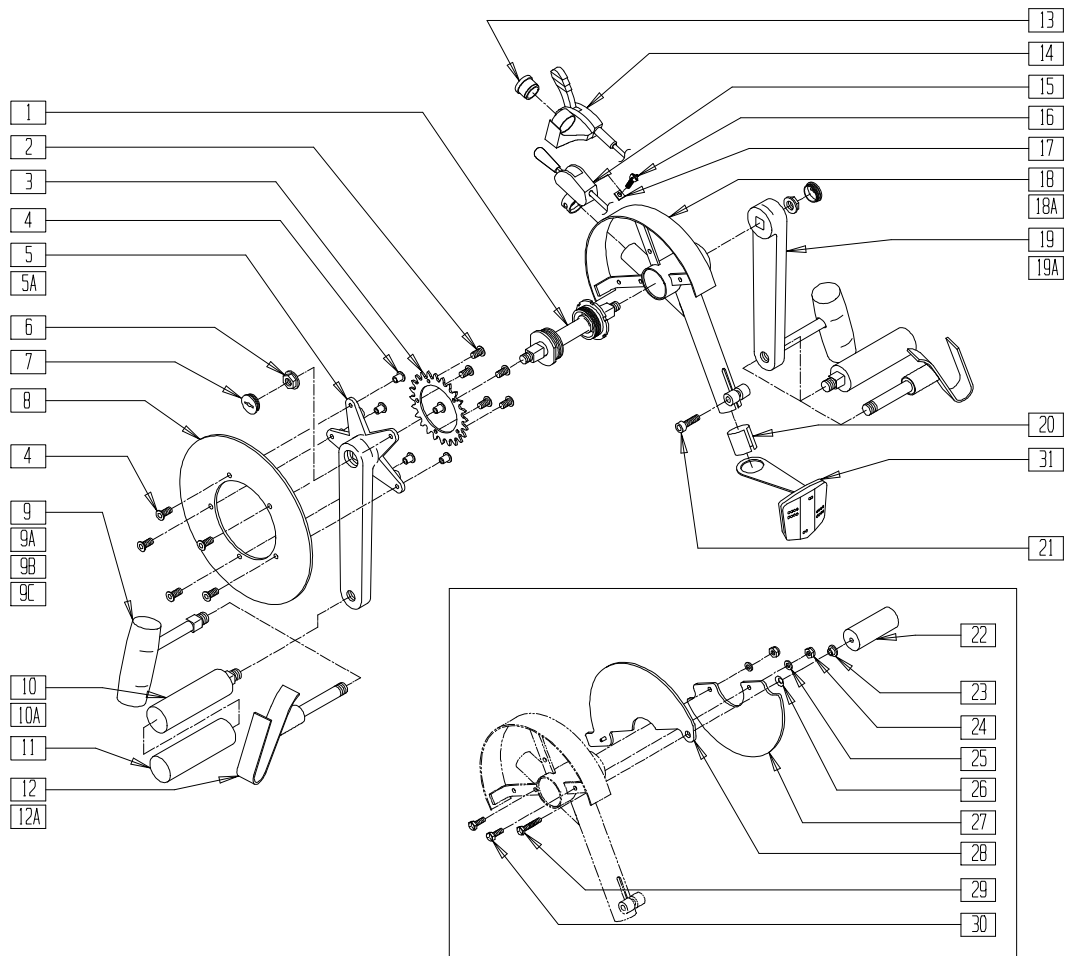
ITEM	NUMBER	DESCRIPTION	QTY
6,15,16	444038	BRK DIA CMPE 730 FRNT ARC	
17	442342	WHEEL PULLEY 2 1/4	2
18	442103	SPCR PLY WHEEL M3 DS (MACH 2)	2
	442101	SPCR PLY WHEEL OKB (KIDZ BIKE)	
19	222099	5/16-24 x 1 1/2 HEX CLS	2
20	560244	PULLEY WHEEL STOP M2	2
21	202108	5/16-24 HEX JAM NUT	2
22	483520	PULLEY WHEEL BUSHING M2	1,2
23	221105	1/4-20 x 3/4 HEX C/S	1
24*	481097	BRAKE ARM SPACER 3 SPD M2	1
25**	262100	1/4 AN WASHER FLAT	1
26	201105	1/4-20 NYLOCK NUT THIN	1
4-6,10-12, 15,16	442006	BRAKE 2ND CALIPER PRE ASSEMBLY	

NOTE: ITEM 20 NOT USED ON QUICKIE KIDZ BIKE.

* ITEM 24 USED ON 3 SPEED ONLY

** ITEM 25 USED ON 7 SPEED ONLY

HEAD ASSEMBLY (QUICKIE KIDZ BIKE/MACH 2)



LC00X05

ITEM	NUMBER	DESCRIPTION	QTY
1,6	881681	SPINDAL ASSEMBLY M2	1
2,4	341566	CHAIN RING BOLT KIT	1
3	442011	CHAIN RING 26 TOOTH	1
5	444160	CRANK ARM STD PROFILE 170mm (MACH 2)	1
7	561171	CRANK ARM DUST CAPS	2
8	444107	GUARD CHAINRING 48 INNER	1
9	880636, 880637	HANDLE STD ASSEMBLY 1 1/4 (EA)	1
9A	881640, 440073	HANDLE VERT STD ASSM 1 3/8 (EA)	1
10	880638, 880639	HANDLE HORIZONTAL ASSM (EA)	1
11	560659	FOAM GRIP HORIZONTAL HANDLE	2
12	442080, 442081	HANDLE EP VINYL (EA)	1
13	560735	7/8" ROUND TUBE PLUG	1
14	342063	7 SPD SHIFTER CLICK BOX ASSM	1
15	362213	3 SPD HUB SHIFTER	1
16	362219	3 SPD HUB SHIFTER BOLT	1
17	362218	3 SPD HUB SHIFTER NUT	1
18	617020	UPPER MAIN FRAME STD M2	1
18A	617021	UPPER MAIN FRAME SHORT M2	1
19	444161	CRANK ARM STD PROFILE 170mm (MACH 2)	1

ITEM	NUMBER	DESCRIPTION	QTY
5A,19A	444091	CRNK ARM STD PROFILE 152mm (KIDZ BIKE) (PAIR)	1
20	330300	BRASS SHIM 2 11/16 x 1 1/2 x .010"	1
21	201342	6 x 1 x 20mm SOC C/S	1
22	444133	MOUNT COMPUTER	1
23	483159	CHAIN GUARD BUSHING M2	1
24	200101	10-32 NYLOCK NUT THIN	2
25	262099	3/16 ALUM WASHER BACKUP	1
26	262134	5/16 WASHER SPRING DISC	1
27	560183	INNER CHAIN GUARD BOTTOM M2	1
28	560184	INNER CHAIN GUARD TOP M3	1
29	281122	10-32 x 3/4 PAN PHIL	1
30	226211	10-32 x 1/2 HEX C/S SS	2
31	349632	REFLECTOR FRONT FROM 2350	1
1,6,18,21, 23-28,30	880657	HEAD ASSEMBLY SINGLE SPEED OKB	
1,6,15,18, 21,23-30	880651	HEAD ASSEMBLY 3 SPEED STD M2	
1,6,14,18, 21,23-30	880653	HEAD ASSEMBLY 7 SPEED STD M2	
1,6,15,18A, 21,23-30	881651	HEAD ASSEMBLY 3 SPEED SHRT M2	
1,6,14,18A, 21,23-30	881653	HEAD ASSEMBLY 7 SPEED SHRT M2	

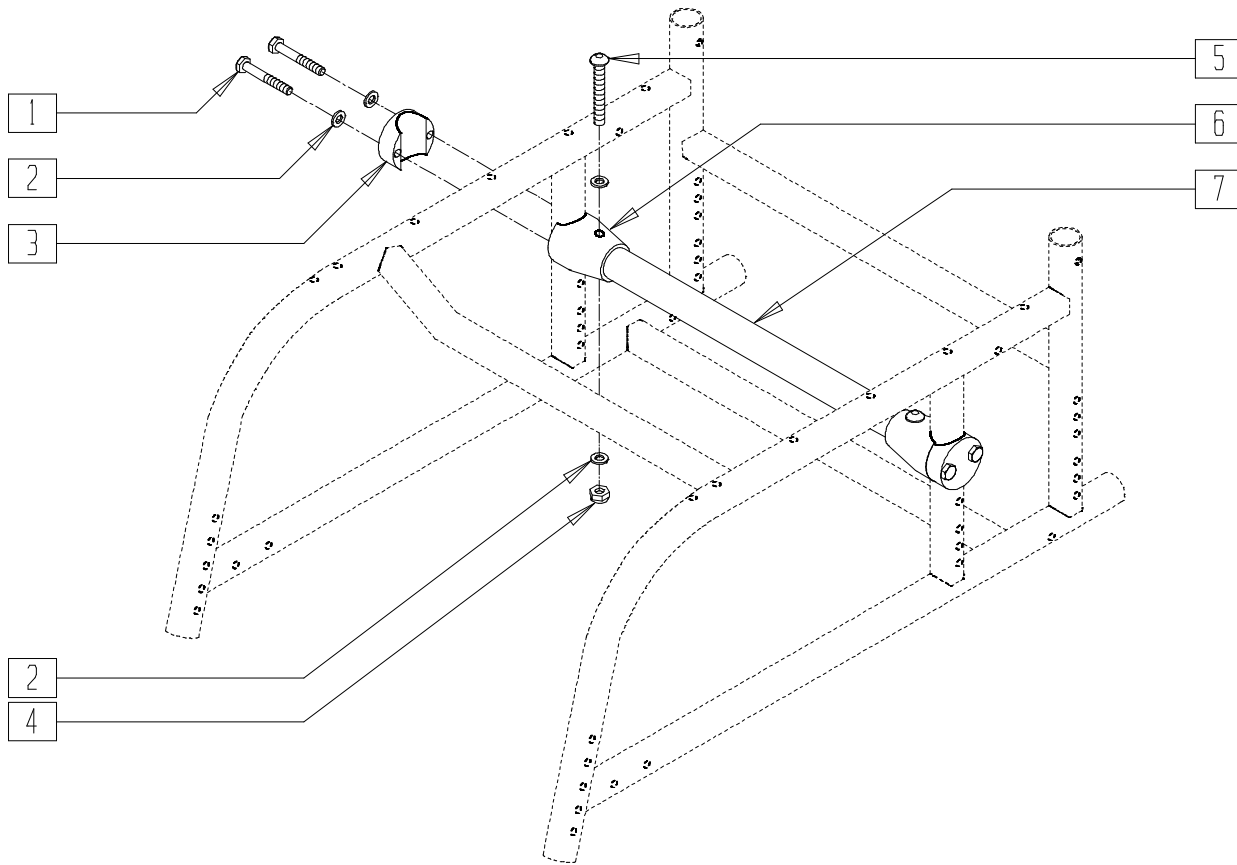
NOTE: ITEM 22 NOT USED ON QUICKIE KIDZ BIKE.
NOTE: SEE ACCESSORIES SECTION FOR CYCLOMETERS.

Quickie Cyclone, Cycl-one

IN THIS SECTION

Strut Kit (Quickie Cyclone).....	7.1	Receiver Tube Assembly (Quickie Cyclone).....	7.5
Fork and Fender Assembly (Quickie Cyclone)	7.2	Fork Assembly (Quickie Cycl-one) (Disc.).....	7.6
Head Assembly (Quickie Kidz Bike/Mach 2/Cyclone)	7.3	Head Assembly (12 Speed) (Quickie Cycl-one) (Disc.).....	7.7
Attachment Tube Assembly (Quickie Cyclone).....	7.4	Quick-Attach (Quickie Cycl-one) (Disc.)	7.8

STRUT KIT (QUICKIE CYCLONE)

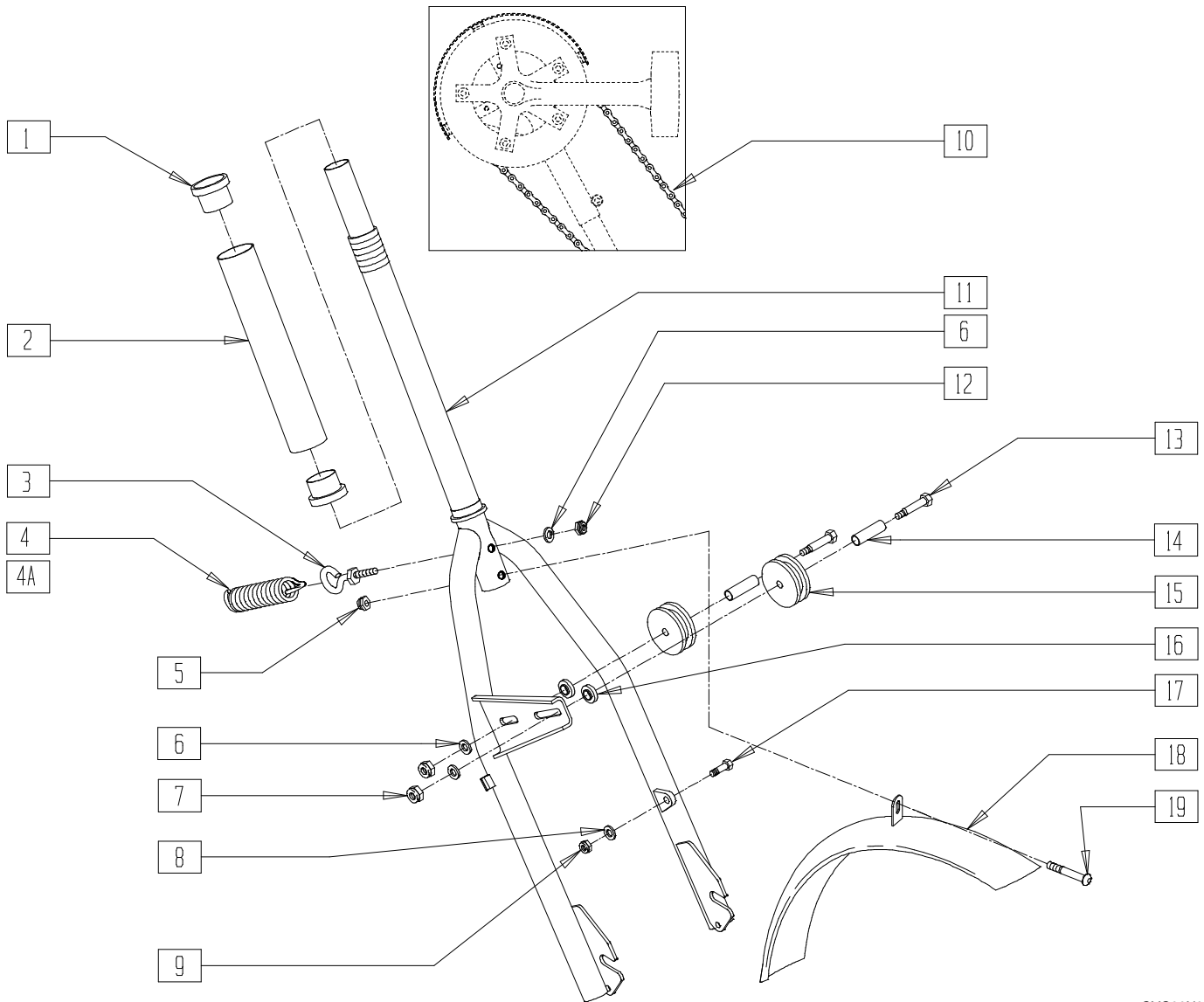


CYC00X01

ITEM	NUMBER	DESCRIPTION	QTY
1	221126	1/4-20 x 1 1/4 G8 HEX C/S	4
2	262100-QU	1/4 AN WASHER FLAT	8
3	483031	STRLLR HNDL REC BOTTOM KIDZ	2
4	201110-QU	1/4-28 NYLOCK NUT	2
5	226150	1/4-28 x 2 BH C/S	2

ITEM	NUMBER	DESCRIPTION	QTY
6	551265	STRUT RECEIVER TOP CYC	2
7	526070- 526076	STRUT TUBE 14" - 20" CYCLONE	1
1-7	888850- 888856	14" - 20" STRUT KIT W/HARDWARE CYCLONE	

FORK AND FENDER ASSEMBLY (QUICKIE CYCLONE)

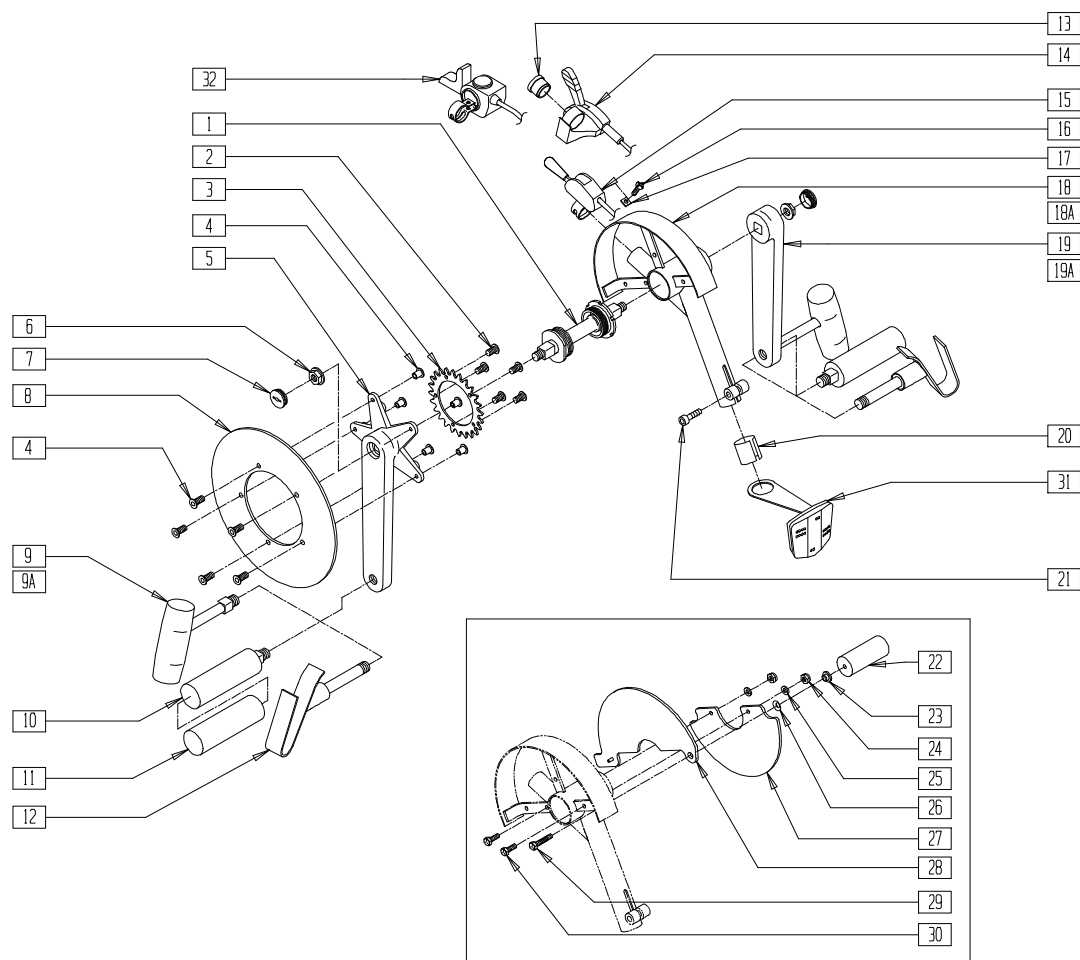


CYC00X02

ITEM	NUMBER	DESCRIPTION	QTY
1	443026	HEADSET 26.4 x 30.2 BL	1
2	527991	HEAD TUBE CYC	1
3	341707	5/16-18 x 3 1/4 EYE BOLT	1
4	321115	3 3/4 x .812 EXT SPRING	1
4A	321168	SPRING .25 x 7/16	1
5	201110	1/4-28 NYLOCK NUT	1
6	263100	5/16 AN WASHER FLAT	3
7	202100-MJ	5/16-24 NYLOCK NUT THIN	2
8	262100-QU	1/4 AN WASHER FLAT	1
9	201136	1/4-20 NYLOCK NUT HIGH	1

ITEM	NUMBER	DESCRIPTION	QTY
10	442014	CHAIN BLK 116L	1
11	880928	FORK ASSEMBLY CYC	1
12	202103	5/16-18 NYLOCK NUT THICK	1
13	222110	5/16-24 x 1 3/4 HEX CLS	1
14	442103	SPACER PULLEY WHEEL M3 DS M2	2
15	442342	WHEEL PULLEY 2 1/4	2
16	483520	PULLEY WHEEL BUSHING M2	2
17	221105	1/4-20 x 3/4 HEX C/S	1
18	444098	FENDER SPLASH GUARD	1
19	226130	1/4-28 x 1 1/2 BH C/S	1

HEAD ASSEMBLY (QUICKIE KIDZ BIKE/MACH 2/CYCLONE)



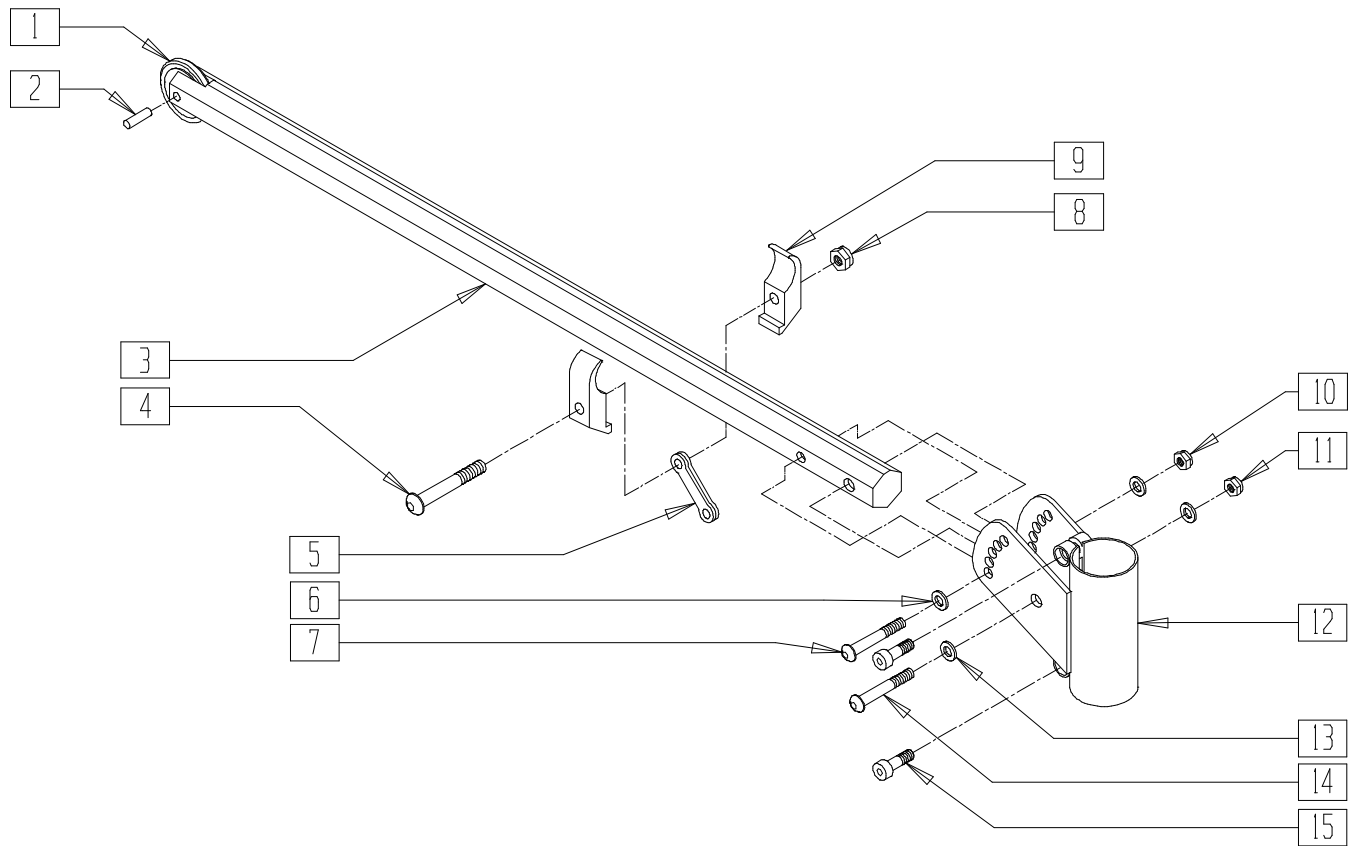
CYC00X04

ITEM	NUMBER	DESCRIPTION	QTY
1,6	881681	SPINDAL ASSEMBLY M2	1
2,4	341566	CHAIN RING BOLT KIT	1
3	442011	CHAIN RING 26 TOOTH	1
5	444160	CRANK ARM STD PROFILE R 170mm (MACH 2)	1
7	561171	CRANK ARM DUST CAPS	2
8	444107	GUARD CHAINRING 48 INNER	1
9	880636, 880637	HANDLE STD ASSEMBLY 1 1/4 (EA)	1
9A	881640, 440073	HANDLE VERT STD ASSM 1 3/8	1
10	880638, 880639	HANDLE HORIZONTAL ASSM (EA)	
11	560659	FOAM GRIP HORIZONTAL HANDLE	2
12	442080, 442081	HANDLE EP VINYL (EA)	1
13	760735	7/8" ROUND TUBE PLUG	1
14*	342063	7 SPD SHIFTER CLICK BOX ASSM	1
15	362213	3 SPD HUB SHIFTER	1
16	362219	3 SPD HUB SHIFTER BOLT	1
17	362218	3 SPD HUB SHIFTER NUT	1
18	617020	UPPER MAIN FRAME STD M2	1
18A	617021	UPPER MAIN FRAME SHORT M2	1
5,19	444161	CRANK ARM STD PROFILE 170mm (MACH 2)	1

ITEM	NUMBER	DESCRIPTION	QTY
19A	444091	CRANK ARM STD PROFILE 152mm (KIDZ BIKE) (PR)	1
20	330300	BRASS SHIM 2 11/16" x 1 1/2" x .010"	1
21	201342	6 x 1 x 20mm SOC C/S	1
22	444133	MOUNT COMPUTER	1
23	483159	CHAIN GUARD BUSHING M2	1
24	200101	10-32 NYLOCK NUT THIN	2
25	262099	3/16 ALUM WASHER BACKUP	1
26	262134	5/16 WASHER SPRING DISC	1
27	560183	INNER CHAIN GUARD BOTTOM M2	1
28	560184	INNER CHAIN GUARD TOP M3	1
29	281122	10-32 x 3/4 PAN PHIL	1
30	226211	10-32 x 1/2 HEX C/S SS	2
31	349632	REFLECTOR FRNT FROM 2350	1
32	342061	7 SPD RAPID FIRE SHFTR SHIMANO	1
1,6,18,21, 23-28,30	880657	HEAD ASSM SINGLE SPD QKB	
1,6,15,18, 21,23-30	880651	HEAD ASSEMBLY 3 SPEED STD M2	
1,6,14,18, 21,23-30	880653	HEAD ASSEMBLY 7 SPEED STD M2	
1,6,15,18A, 21,23-30	881651	HEAD ASSEMBLY 3 SPEED SHORT M2	
1,6,14,18A, 21,23-30	881653	HEAD ASSEMBLY 7 SPEED SHORT M2	

NOTE: ITEM 22 NOT USED ON QUICKIE KIDZ BIKE.
 NOTE: SEE ACCESSORIES SECTION FOR CYCLOMETERS.
 * FOR USE ON SRAM 7 SPEED HUB ONLY; AVAILABLE FOR PARTS ONLY; DISCONTINUED 6/99.

ATTACHMENT TUBE ASSEMBLY (QUICKIE CYCLONE)

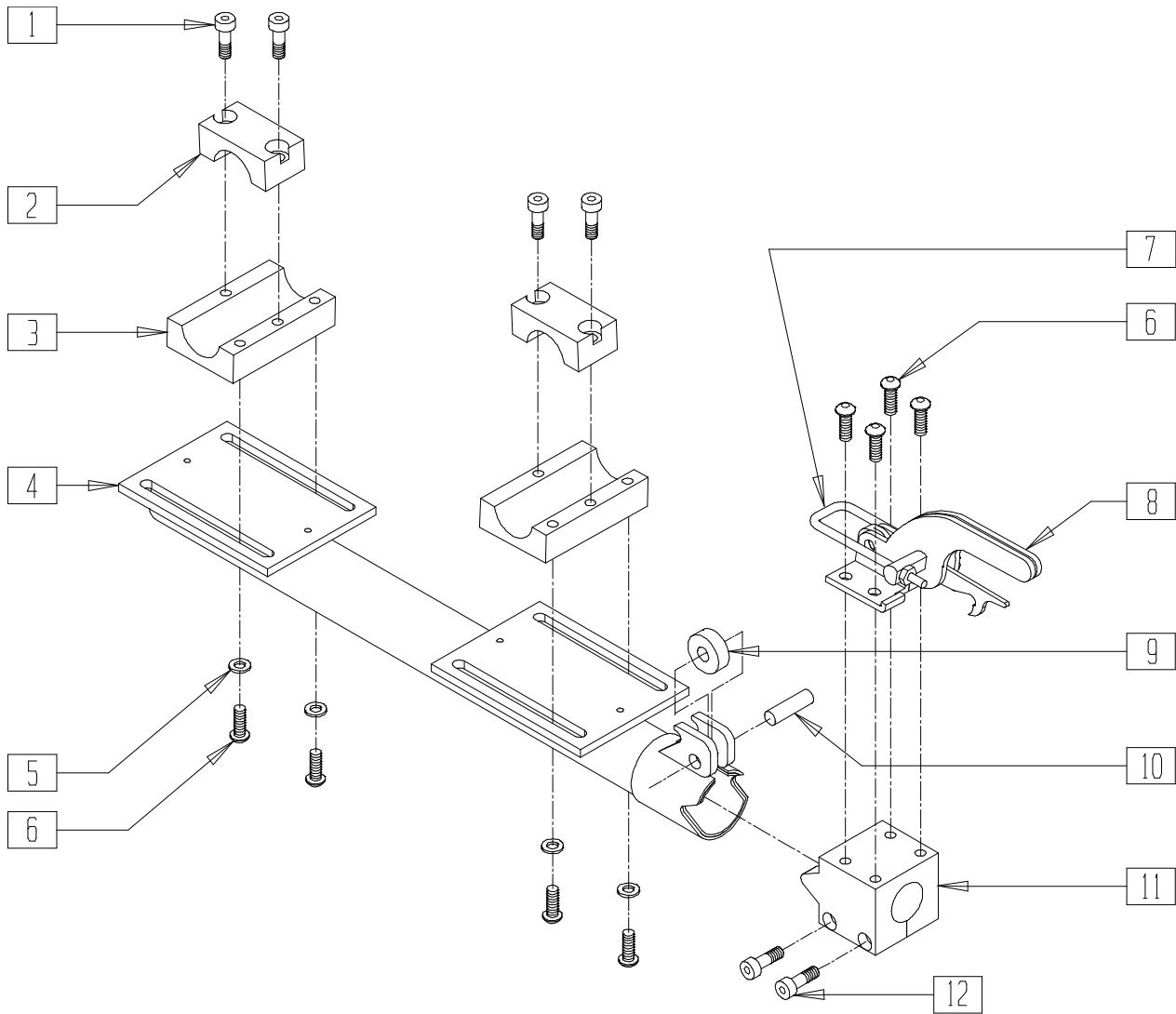


CYC00X06

ITEM	NUMBER	DESCRIPTION	QTY
1	349534	BEARING ASSEMBLY 1 1/8 CYC	1
2	483285	BEARING PIN 3/8 OD CYC	3
3	527998	ATTACH TUBE HEX CYC	1
4	226140	1/4-28 x 1 3/4 BH C/S	1
5	504995	TOGGLE LINK 1.125	2
6	262100-QU	1/4 AN WASHER FLAT	2
7	226130	1/4-28 x 1 1/2 BH C/S	1
8	201110	1/4-28 NYLOCK NUT	1

ITEM	NUMBER	DESCRIPTION	QTY
9	551264	COMPENSATOR CLAMP CYC	1
10	201100	1/4-28 NYLOCK NUT THIN	1
11	202100-MJ	5/16-24 NYLOCK NUT THIN	1
12	541200	TOP TUBE ANGL ADJ BRKT CYC	1
13	263100	5/16 AN WASHER FLAT	2
14	226138	5/16-24 x 1 1/2 BH C/S	2
15	201342	6 x 1 x 20mm SOC C/S	2
1-3	881386	ATTACH TUBE ASSM CYC	

RECEIVER TUBE ASSEMBLY (QUICKIE CYCLONE)



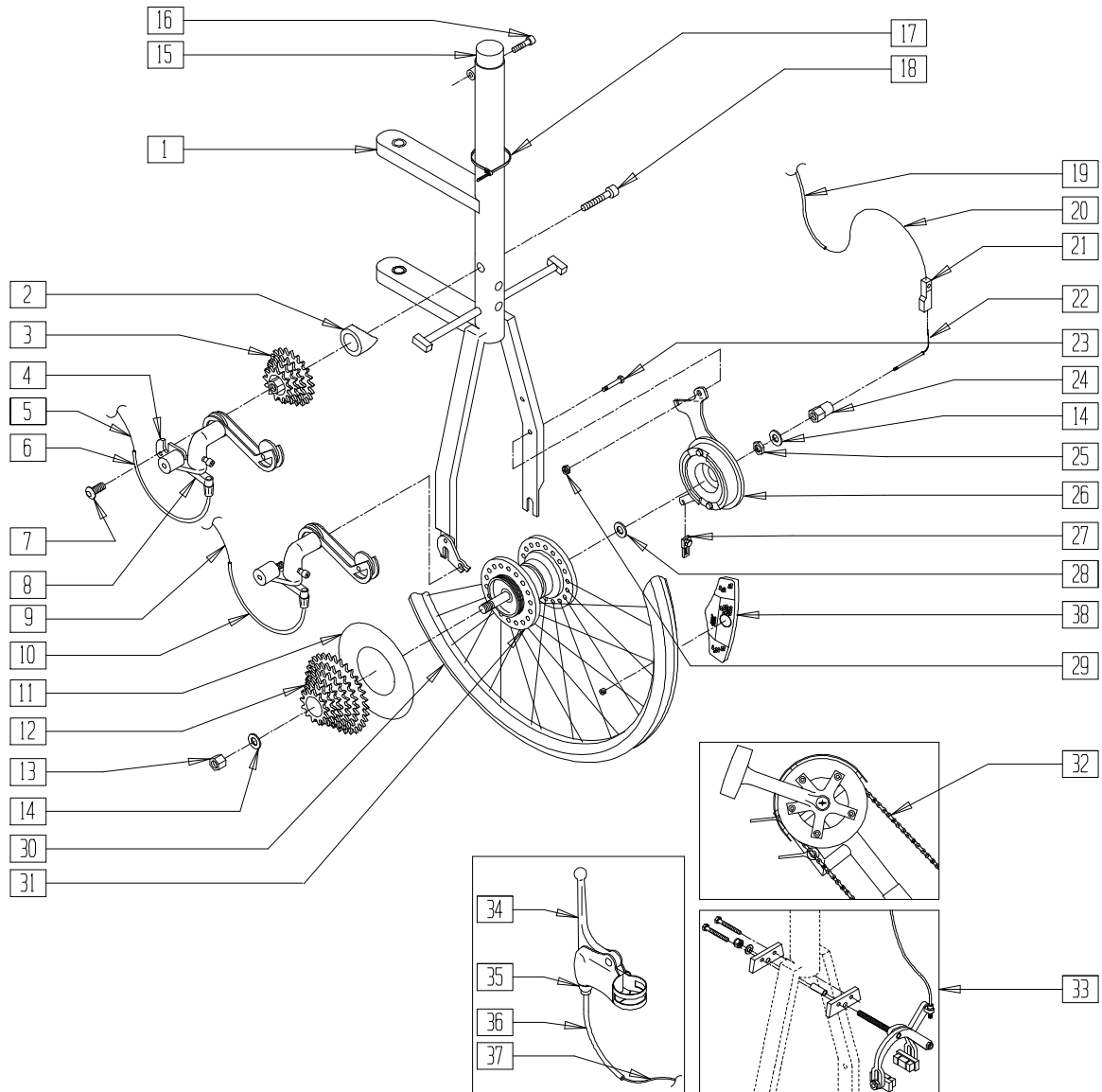
CYC00X05

ITEM	NUMBER	DESCRIPTION	QTY
1	226107	1/4-28 x 7/8 SOC C/S	4
2	551261	REC CLAMP TOP CYC	2
3	551260	REC CLAMP BOTTOM BOTTOM CYC	2
4	541201	REC TUBE WLDMNT CYC	1
5	262100-QU	1/4 AN WASHER FLAT	4
6	226090	1/4-28 x 5/8 BH C/S	8
7	340028	U HOOK ASSM CYC	1

ITEM	NUMBER	DESCRIPTION	QTY
8	340014	LATCH CLAMP CYC	1
9	349502	7/8 x 5/16 BEARING	1
10	483286	BEARING PIN 5/16 OD CYC	1
11	551262	CLAMP BLOCK CYC	1
12	226112	1/4-28 x 1 SOC C/S BLK	1
4,9,10	881334	RECEIVER ASSEMBLY CYC	

FORK ASSEMBLY (QUICKIE CYCL-ONE)

(Discontinued 5/14/99 - parts only)



CY000X03

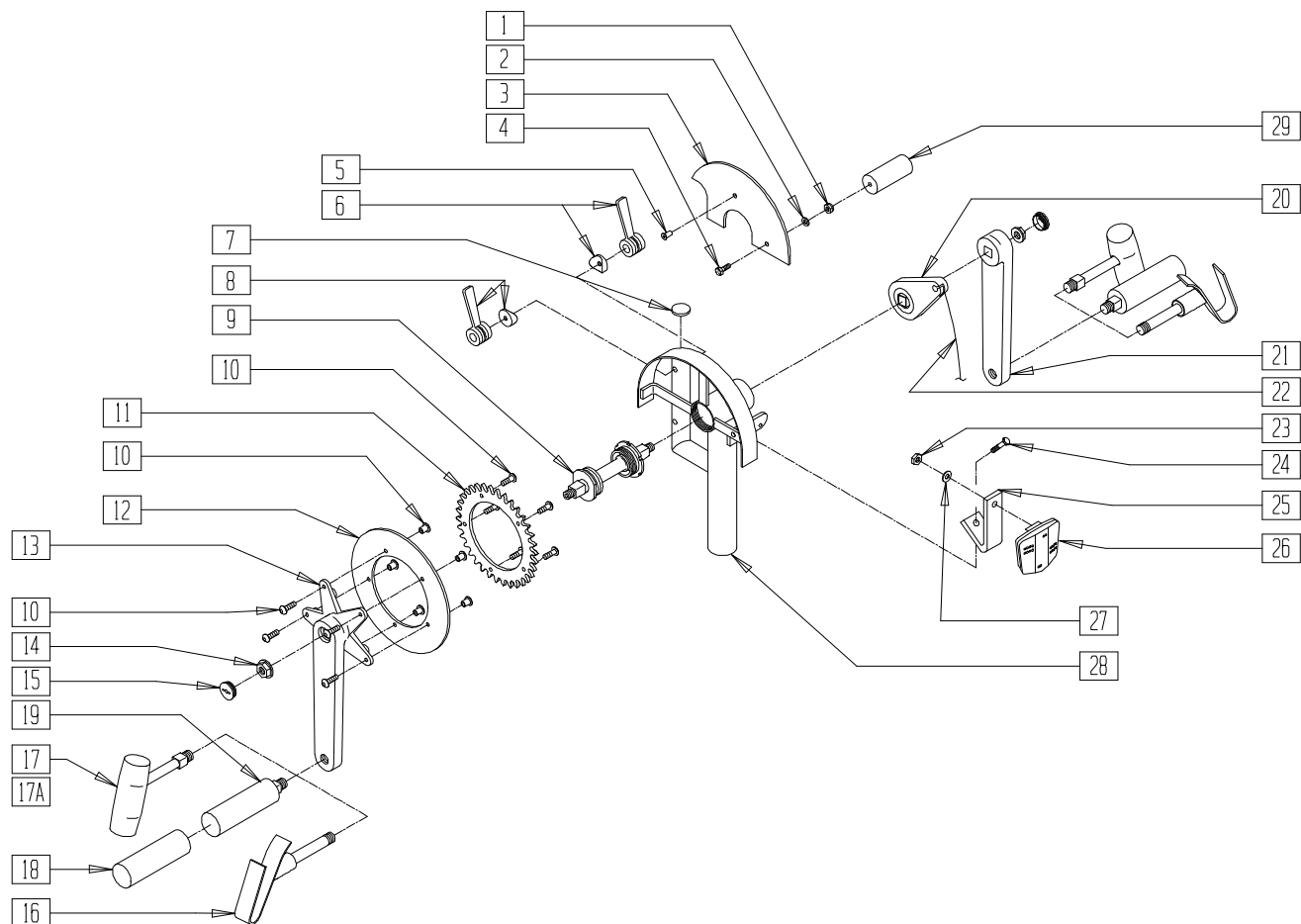
ITEM	NUMBER	DESCRIPTION	QTY
1	527831, 527842	FRAME CYCL-ONE	1
2	444102	FREEWHEEL INTER SPACER PNTD	1
3	881635	FREEWHEEL INTERMEDIATE ASSM	1
4	881642	HANGER DERAILLEUR ASSM	1
5,6	442202	DERAILLEUR CABLE UPPER CYC	
7	226173	3/8-16 x 3/4 BH C/S SS	1
8	444090	DERAILLEUR	1,2
9,10	442203	DERAILLEUR CABLE LOWER CYC	
12	444061	COG SET 13-28 6 SPEED	1
14	261509	3/8 SAE WASHER	2
15	341701	BRASS SHM .012 x 1 3/4 x 4 1/4	1
16	201342	6 x 1 x 20mm SOC C/S	1
17	560421	ZIP TIE 7 3/8" BLK	1
18	201340	3/8-16 x 2 1/2 SOC C/S	1
19	134160	HOUSING BRAKE	1
20	342072	CABLE DERAILLEUR	1

ITEM	NUMBER	DESCRIPTION	QTY
19,20	442201	2-SPEED HUB CABLE ASSEMBLY	
21	560775	CLAMP BLK PLASTIC CABLE	1
22	341570	CHAIN 2 x 6 SP PULL ROD	1
23	281143	10-32 x 1 1/8 PAN PHIL	1
26	444033	BRAKE ARM PLATE	1
27	444031	BRAKE CABLE ADAPTER	1
29	200100	10-32 NYLOCK NUT	1
32	442014	CHAIN BLACK 116L	1
33	444039	BRAKE 2ND CALIPER PRE ASSM	1
34	444123	LEVER BRK 135 TOUR W/22M	1
35	443009	BRAKE LVR END BTTN HOUSING STP	1
36	134160	HOUSING BRAKE	1
37	342070	CABLE BRAKE MTN	1
38	349626	REFLECTOR FRONT WHEEL	1
11-14,21, 22,24-28 30,31	762040, 762042	WHEEL ASSEMBLY	

NOTE: FOR WHEEL ASSEMBLY PARTS, PLEASE SEE *FRONT WHEEL (QUICKIE CYCL-ONE)* ON PAGE 10.22 IN WHEEL SECTION.
FOR FRONT FENDER, PLEASE SEE *FENDER (QUICKIE CYCL-ONE)* ON PAGE 11.4 IN ACCESSORIES SECTION.

HEAD ASSEMBLY (12 SPEED) (QUICKIE CYCL-ONE)

(Discontinued 5/14/99 - parts only)



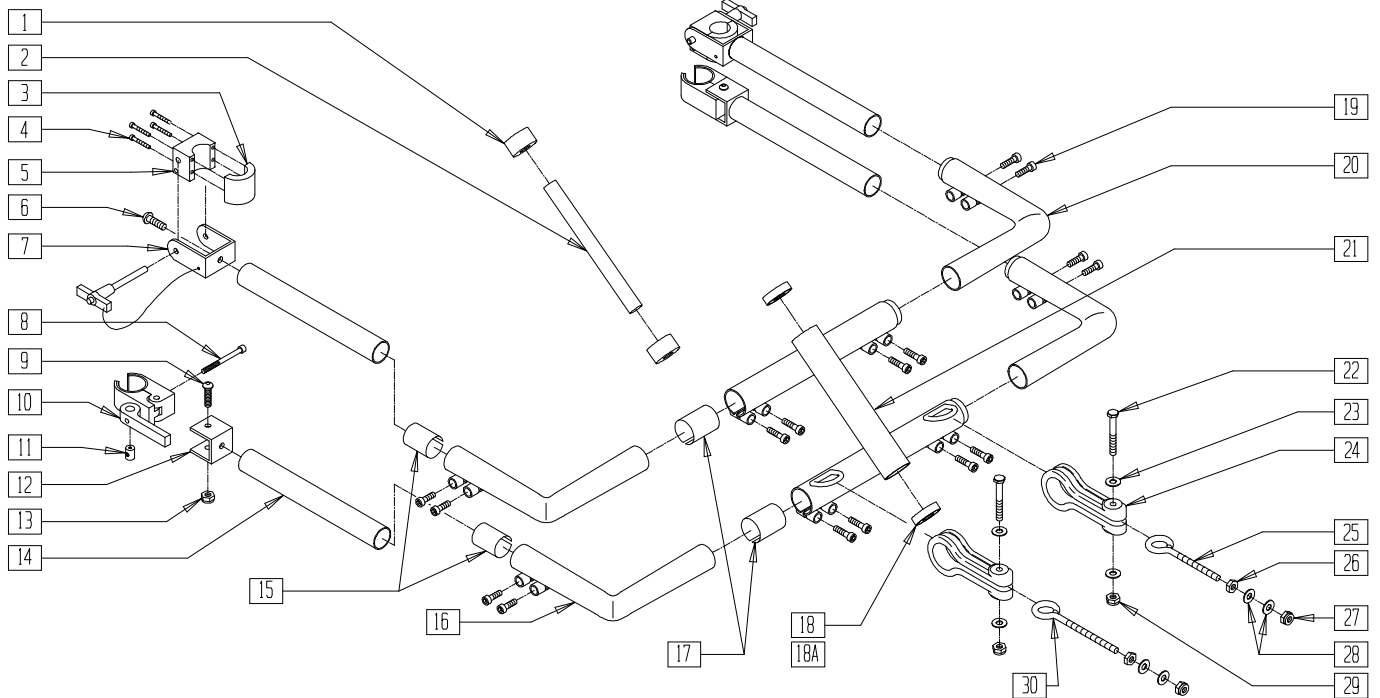
CY000X3C

ITEM	NUMBER	DESCRIPTION	QTY
1	200101	10-32 NYLOCK NUT THIN	1
2	262099	3/16 ALUM WASHER BACKUP	1
3	444111	GUARD SHIFT CYCL-ONE	1
4	226211	10-32 x 1/2 HEX C/S SS (W/OUT ITEM 29)	1
	281122	10-32 x 3/4 PAN PHIL (W/ITEM 29)	
5	240191	RIVET ALUM 1/8 W/ .43 DIA GRP	1
6	444139	SHIFTER L ONLY	1
7	560228	BAR END PLUG 3/4	1
8	444141	SHIFTER R ONLY	1
9,14	881680	SPINDAL ASSEMBLY	
10	341566	CHAIN RING BOLT KIT	2
11	341569	CHNRNG INNER 300T 28-TOOTH	1
12	444107	GUARD CHAINRING 48 INNER	1
13	444160	CRANK ARM STD PROFILE R 170mm	1
15	561171	CRANK ARM DUST CAPS	2
16	442080,	HANDLE EP VINYL (EA)	1
	442081		

ITEM	NUMBER	DESCRIPTION	QTY
17	880636, 880637	HANDLE STD ASSEMBLY 1 1/4	1
17A	881640, 440073	HANDLE VERT STD ASSEMBLY 1 3/8	1
18	560659	FOAM GRIP HORIZONTAL HANDLE	1
19	880638, 880639	HANDLE HORIZONTAL ASSEMBLY (EA)	1
20	444040	BRAKE ACUATOR ASSEMBLY	1
21	444074	CRANK ARM LOW PROFILE MILLED	1
22	342070	CABLE BRAKE MTN	1
24	226211	10-32 x 1/2 HEX C/S SS	1
25	444030	REFLECTOR BRACKET ANO	1
28	527851	FRAME UM 12/48 SP PAINTED CYC	1
29	444133	MOUNT COMPUTER	1
23,26,27	349632	REFLECTOR FRONT FROM 2350	
23-27	880674	REFLECTOR/BRACKET ASSEMBLY	

QUICK ATTACH (QUICKIE CYCL-ONE)

(Recommended for Rigid Chairs) (Discontinued 5/14/99 - parts only)



CY000X04

ITEM	NUMBER	DESCRIPTION	QTY
1	560150	SPACER FOAM	2
2	349660	SPACER HEAD BEARING	1
4	225999	6-32 x 1 SH C/S	8
3-5	880662	QA UPPER 7/8 CLAMP ASSM ANO	
	880664	QA UPPER CLAMP 1 1/8 ASSM	
	880666	QA UPPER CLAMP 1 ASSM ANO	
	880668	QA UPPER CLAMP 1 3/16 ASSM	
	881670	QA UPPER CLAMP 3/4 ASSM ANO	
6	226175	5/16-18 x 3/4 BH C/S	4
6,7	880654-880658	QA BRACKET UPPER ASSEMBLY	
3-7	882060-882064	QA UPPER CLAMP ASSEMBLY W/BRKT	
8	226040	10-32 x 2 1/4 G8 SH C/S	1
9	226130	1/4-28 x 1 1/2 BH C/S	2
8,10,11	881660	QA CLAMP LOWER ASSM 5/8"	
	881661	QA CLAMP LOWER ASSM 7/8"	
	881662	QA CLAMP LOWER ASSM 3/4"	
	881663	QA CLAMP LOWER ASSM 1"	
	881664	QA CLAMP LOWER ASSM 1 1/8"	
	881665	QA CLAMP LOWER ASSM 1 3/16"	
11	481324	PIVOT CAM LEVER	2
12	444025	BRACKET LOWER CLAMP	1
13	201100	1/4-28 NYLOCK NUT THIN	2
14	444093	EXT TUBE QA 6" PAINTED	4
15	349638	SHIM BRASS .010 x 1.5 x 3-7/16	4
16,19	882101, 882103, 882105	ELBOW LEFT (6" x 7 1/2", 6" x 6", 4" x 6")	

ITEM	NUMBER	DESCRIPTION	QTY
17	349640	SHIM BRASS .010 x 1.5 x 3 7/16	4
18	349500	1 1/8 x 1/2 BEARING	2
18A	349519	BEARING 1 1/8 x 3/8	2
19	201342	6 x 1 x 20mm SOC C/S	12
19,20	882102,	ELBOW RIGHT	
	882104,	(6" x 7 1/2", 6" x 6", 4" x 6")	
	882106		
1,2,18,19,21	881628, 881629	FRAME QA MAIN ASSEMBLY PAINTED	
22	226301	1/4-20 x 1 1/2 HEX C/S	2
23	262120	1/4 SAE WASHER	4
24	100605	BUNGEE 9"	2
25-28	881603	EYEBOLT 3" ASSEMBLY	
27	201136	1/4-20 NYLOCK NUT HIGH	2
28	262120	1/4 SAE WASHER	4
29	201100	1/4-20 NYLOCK NUT THIN	2
26-28,30	881604	EYEBOLT 4" ASSEMBLY	
1,2,9,12-21	923650-923652, 923655-923658	QUICK ATTACH FRAME	
22-24,29	444041	BUNGEE 9" ASSEMBLY	
1-30	880660	QUICK ATTACH COMPLETE (SPECIFY CHAIR MODEL, COLOR, WIDTH, TUBE, DIAMETER AND HANGER ANGLE)	

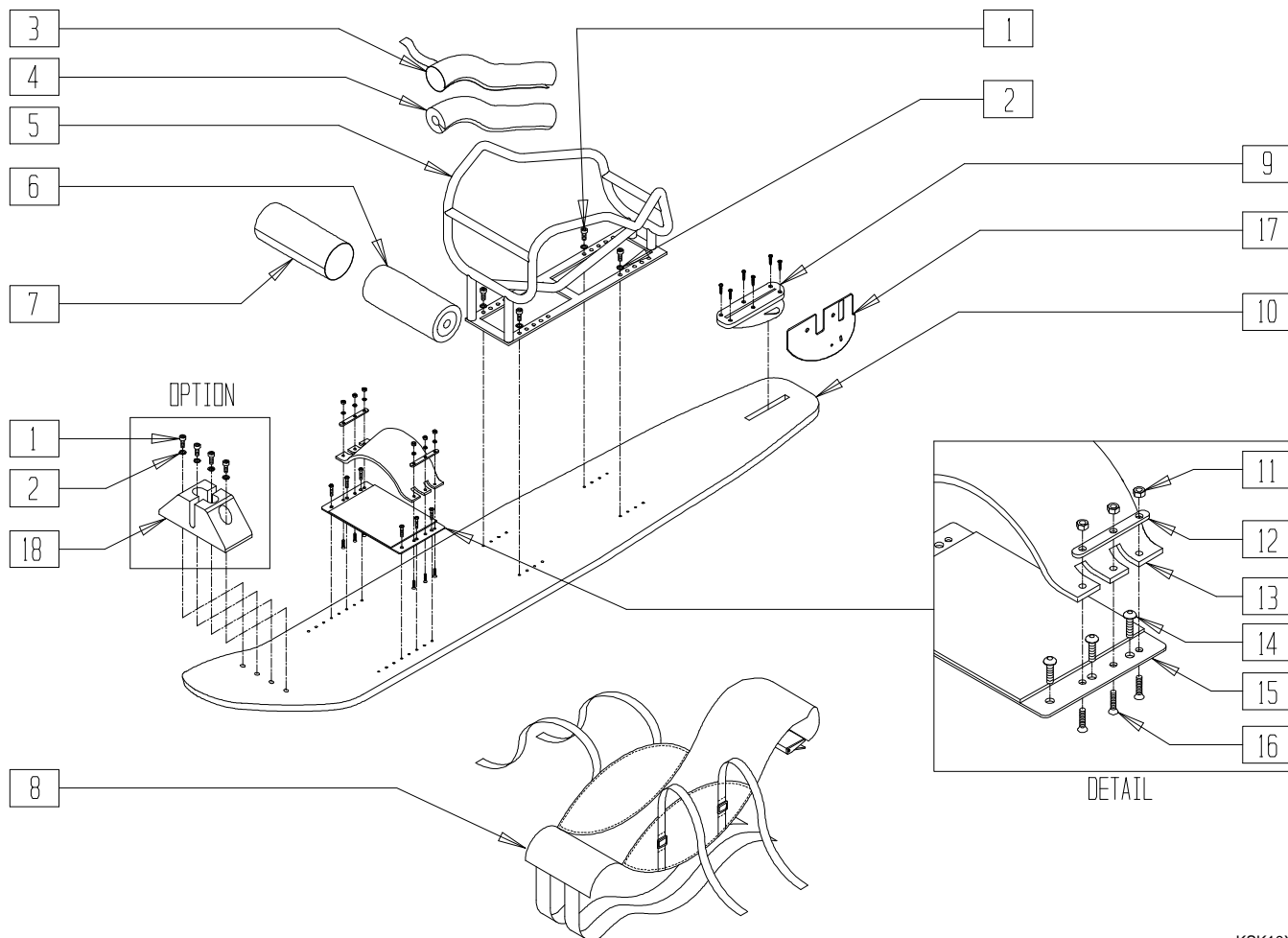
Quickie Kan Ski

IN THIS SECTION

Quickie Kan Ski	8.1
-----------------------	-----

QUICKIE KAN SKI (COMP, AND SUPER COMP BOARDS)

(Effective July 2001)



KSK10X02A

ITEM	NUMBER	DESCRIPTION	QTY
1	226104	1/4-20 x 3/4 SOC C/S SS	4
2	261539	1/4" WASHER SPLIT HD SS	4
3	560247	SIDE FOAM COVERS (PR)	1
4	180018	CAGE SIDE FOAM 24" KAN SKI	1
5	527660- 527674	KANSKI CAGE SPEC-WIDTH	1
6	581505, 581506	KNEE PAD 15-17 STD KNEE PAD 13-14 SMALL	1
7	750727, 750728	KNEE FOAM BAR COVER SMALL KNEE FOAM BAR COVER STD	1
8	721067, 721105	SEAT SLING 13-14 AMP SEAT SLING 15-17 AMP	1

ITEM	NUMBER	DESCRIPTION	QTY
9	445002	TRU-LOCK FIN ASSY KANSKI	1
10	445700	BOARD COMP ONE	1
11	201222	8-32 NYLOCK NUT SS	6
12	341574	TOW BAR STAINLESS	2
13	740015	FOOT STRAP CUT	1
14	226073-QU	1/4-20 x 1/2 BH C/S SS	4
15	445650	FOOTPLATE W/PAD KS	1
16	226209	8/32 x 5/8 FH PHL MS SS	6
17	560031	FIN LONG KANSKI	1
11-16	445006	FT PLT COMPLETE KAN SKI	
3,7,8	750721	KANSKI UPH SET 15-17 AMP STD	
	750724	KAN SKI UPH SET 13-14 AMP SML	

OPTION

ITEM	NUMBER	DESCRIPTION	QTY
1	226104	1/4-20 x 3/4 SOC C/S SS	4
2	261539	1/4" WASHER SPLIT HD SS	4
19	560158	ROPE BLOCK KS	1
1,2,19	560163	ROPE BLOCK KS ASSM	

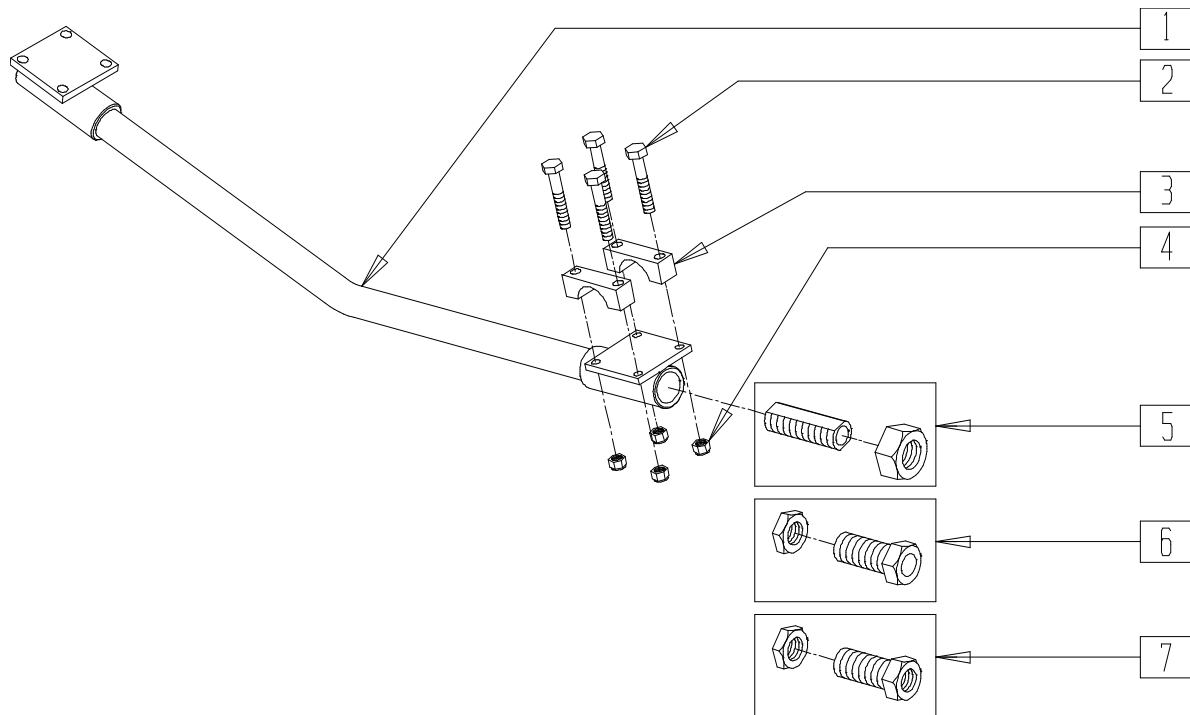
Axles

IN THIS SECTION

Axle Assembly (Quad Rugby) (Disc.)	9.1	Axle Sleeve (Quickie Heat/Kidz Bike/Mach 2).....	9.3
Axle Assembly (Quickie Heat)	9.2	Axle Sleeve (Quickie 3D/All Court/Matchpoint)	9.4
Quick-release Axles		Threaded Axle.....	9.4
(Quickie All Court/Matchpoint/Kidz Bike/Mach 2)	9.2	Quad-release Axle Nut (Push-button).....	9.5
Push Button Axle			
(Quickie Kidz Bike/Mach 2)	9.3		

AXLE ASSEMBLY (QUAD RUGBY)

(Discontinued 11/15/95 - parts only)

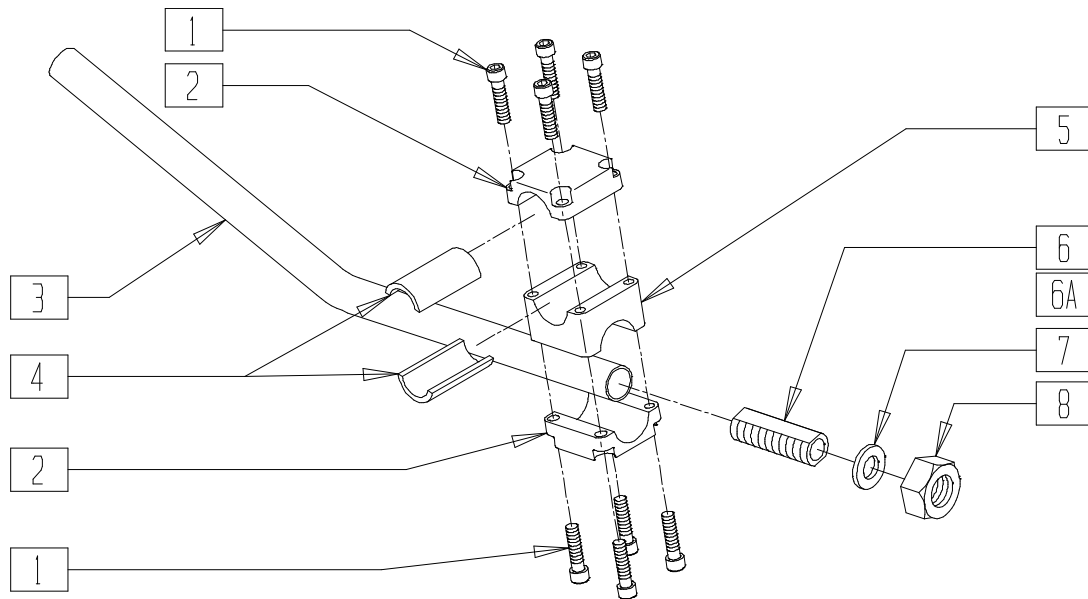


RB00X20

ITEM	NUMBER	DESCRIPTION	QTY
1	525140- 525145	CAMBER TUBE 0° -15° (SPECIFY WIDTH)	1
2	221133	1/4-28 x 1 1/2 G8 HEX C/S	4
3	550207	CAMBER TUBE MNTG CLAMP ANO	2
4	201136	1/4-20 NYLOCK NUT HIGH	4
5	481066 204000	AXLE SLEEVE SS SHORT 3/4-16 NUT	1

ITEM	NUMBER	DESCRIPTION	QTY
6	481410	AXLE SLEEVE PHIL WOOD 15/32 QR (FOR PHIL WOOD QR HUB)	1
7	481059	7/16" AXLE SLEEVE 3/4-16 SS (FOR PHIL WOOD HUB THRD)	1

AXLE ASSEMBLY (QUICKIE HEAT)

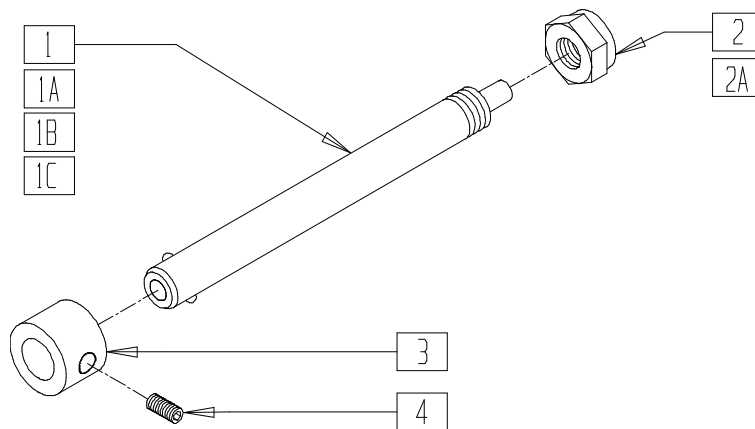


RBV00X16

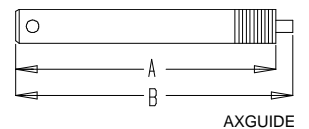
ITEM	NUMBER	DESCRIPTION	QTY
1	226107	1/4-28 x 7/8 SOC C/S	8
2	550211	AXLE CLAMP CAMBER TUBE	2
3	525200-525240	CAMBER TUBE	1
4	520029	SHIM CAMBER CLAMP HOR	2
5	550213	ANTI-TIP SADDLE LO-MNT GPS	1
6	481065	AXLE SLEEVE SS	2

ITEM	NUMBER	DESCRIPTION	QTY
6A	481069	AXLE SLEEVE 1.	2
7	265100	3/4 x 18 WASHER NARROW	2
8	204000	3/4-16 NUT	2
6-8	920116	AXLE SLEEVE W/HDWR GPS	
6A,7,8	920114	AXLE SLEEVE 1° W/HDWR	
1,2,5	880931	ANTI-TIP REC ASSEMBLY UNDER MOUNT GPS	

QUICK-RELEASE AXLES (QUICKIE ALL COURT/MATCHPOINT/KIDZ BIKE/MACH 2)



MEASURING GUIDE



AXGUIDE

PART NUMBER	"A"	"B"
920119	4 3/4"	5"
920129	5 3/8"	5 5/8"
920130	5 3/4"	6"
920137	5 3/4"	6"

AXLE0X01

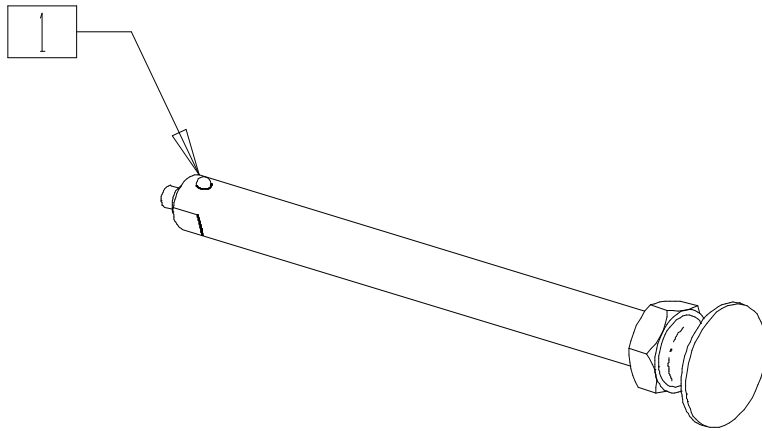
ITEM	NUMBER	DESCRIPTION	QTY
2	203100	1/2-20 NYLOCK NUT	1
2A	330010	1/2-20 NYLOCK NUT ALUM	1
3	483057	MAG AXLE SPACER W/HOLE	1
4	225100	1/4-20 x 1/4 SET SCREW	1
3,4	920117	MAG SPACER 6S W/SET SCREW	

ITEM	NUMBER	DESCRIPTION	QTY
1,2*	920119	QR AXLE MAG W/NUT	
1A..2**	920129	QR AXLE W/NUT	
1B,2	920130	QR AXLE NON-RECESS HUB W/NUT	
1C,2A	920137	QR AXLE W/NUT TI	
1A,2-4	920138	QR AXLE W/SPACER FOR 6S MAG	

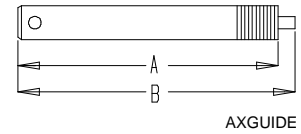
* FOR CHAIRS WITH STANDARD SPOKE WHEELS, 920119 FITS SHADOW ONE PRIOR TO RD-9618 (9/10/96)

** FOR CHAIRS WITH STANDARD SPOKE WHEELS, 920129 FITS SHADOW ONE BEGINNING 9/10/96 (RD-9618) AND ENDING 9/21/98

PUSH BUTTON AXLE (QUICKIE KIDZ BIKE/MACH 2)



MEASURING GUIDE



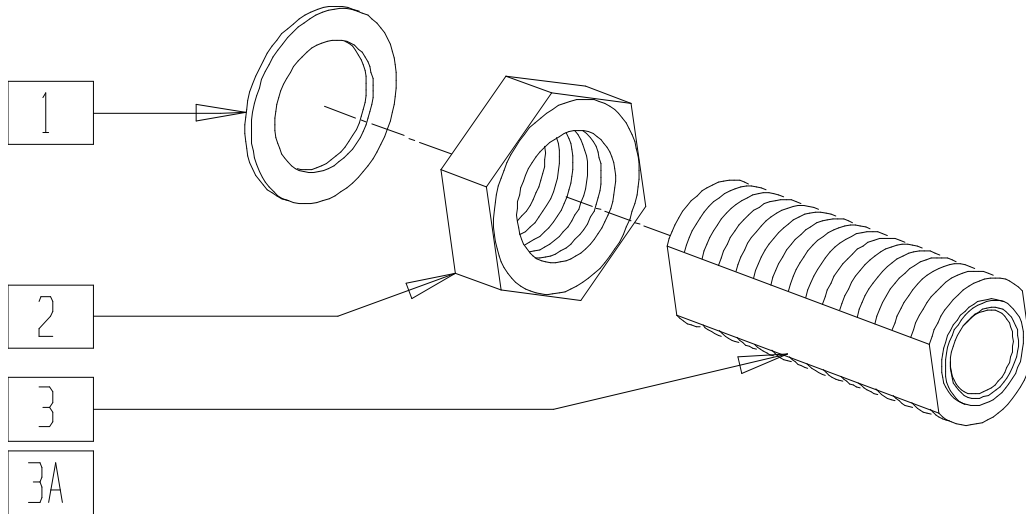
PART NUMBER	"A"	"B"
349057	5 3/16"	5 9/16"

AXLE0X04

ITEM	NUMBER	DESCRIPTION	QTY
1	349057*	AXLE PIN AND NUT CLEAR	1

* USED ON STANDARD SPOKE WHEELS BEGINNING 9/21/98.

AXLE SLEEVE (QUICKIE HEAT/KIDZ BIKE/MACH 2)



AXLEX05

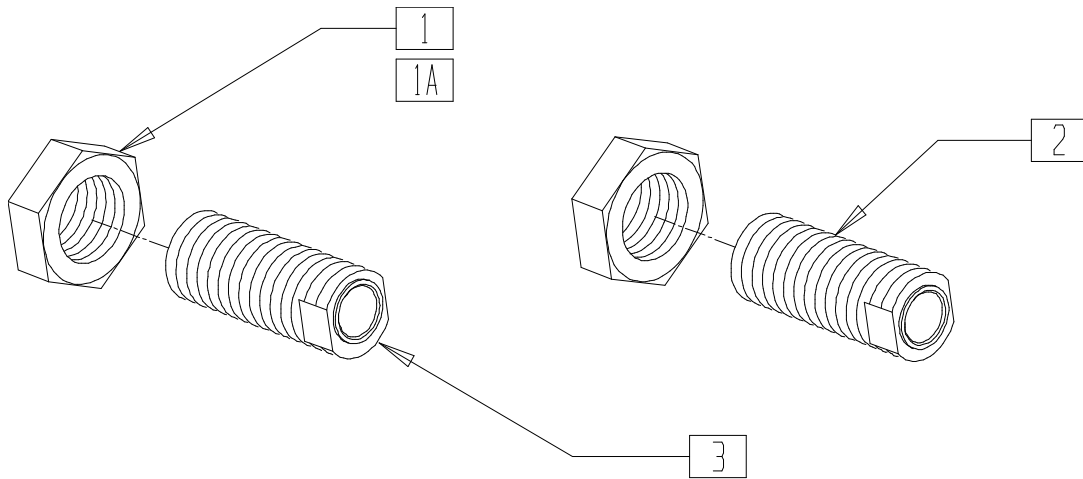
ITEM	NUMBER	DESCRIPTION	QTY
1	265100	3/4 x 18 WASHER NARROW	1
2	204000	1/4-16 NUT	1

ITEM	NUMBER	DESCRIPTION	QTY
3*	481066	AXLE SLEEVE SS SHORT	1
3A**	481065	AXLE SLEEVE SS	1

* 481066 FITS SHADOW ONE PRIOR TO RD-9618 (9/10/96), SHADOW HEAT PRIOR TO HQR-9620 (9/10/96)

** 481065 FITS SHADOW ONE BEGINNING RD-9618 (9/10/96), SHADOW HEAT BEGINNING HQR-9620 (9/10/96)

AXLE SLEEVE (QUICKIE 3D/ALL COURT/MATCHPOINT)

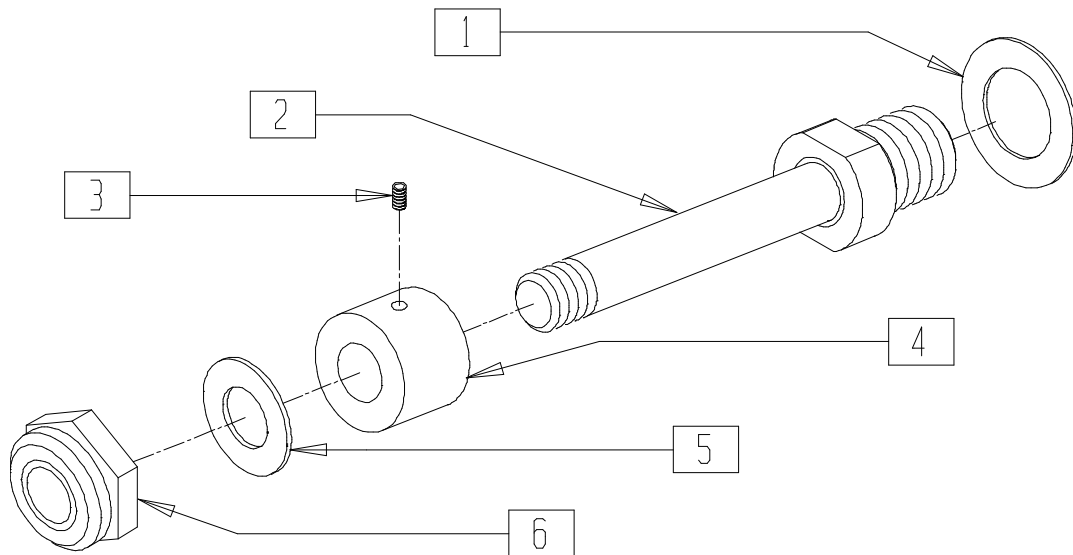


AXLEX06A

ITEM	NUMBER	DESCRIPTION	QTY
1	204005	7/8-14 NUT JAM	1
1A	204006	7/8-14 JAM NUT ALUM BLACK	1

ITEM	NUMBER	DESCRIPTION	QTY
2	481067	AXLE SLEEVE 7/8-14	1
3	481068	2 _o AXLE SLEEVE 7/8-14 ECCENTRIC	1

THREADED AXLE



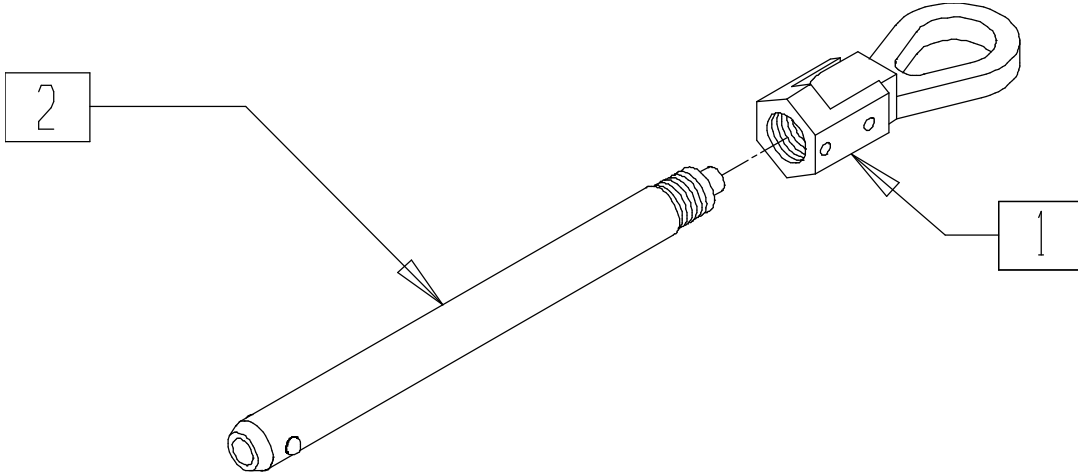
LC00X13

ITEM	NUMBER	DESCRIPTION	QTY
1	265100	3/4 x 18 WASHER NARROW	1
2	481731	THREADED AXLE M2	1
3	225100	1/4-20 x 1/4 SET SCREW	1

ITEM	NUMBER	DESCRIPTION	QTY
4	483057	MAG AXLE SPACER W/HOLE	1
5	264100	1/2 AN WASHER FLAT	1
6	203100	1/2-20 NYLOCK NUT	1

QUAD-RELEASE AXLE NUT (PUSH-BUTTON)

(Effective 9/21/98)



AX0X027

ITEM	NUMBER	DESCRIPTION	QTY
1	920139	QUAD RELEASE AXLE NUT	1

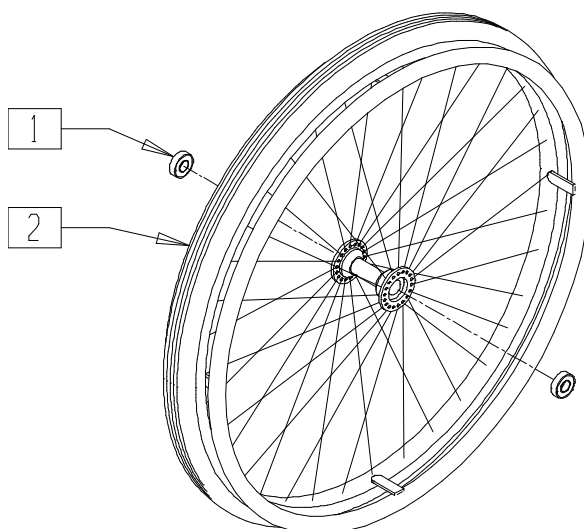
ITEM	NUMBER	DESCRIPTION	QTY
1,2	922170	QR AXLE W/QUAD NUT PUSH BUTTON	

Wheels

IN THIS SECTION

Rear Wheel Assembly - Spoke.....	10.1	X-Core Wheel (559mm)(Disc)	10.12
Basketball Wheel Rim Assembly	10.1	24" Spinergy Wheel Assembly.....	10.13
Tennis Wheel Rim Assembly	10.2	Rear Wheel (Quickie Racer).....	10.14
Wheel Rims	10.2	Front Wheel (Quickie Racer)	10.15
Handrims (Tab Mount) (6 Tab).....	10.3	Front Wheel (1 Speed/3 Speed)	
Handrims (Tab Mount) (4 Tab).....	10.3	(Quickie Kidz Bike)	10.15
Hub (Quickie Performance)	10.4	Front Wheel (3 Speed) (Quickie Mach 2).....	10.16
Standard Wheel Rim Assembly		Front Wheel (7 Speed) (Quickie Mach 2) (Disc.) .	10.17
(Quad Rugby) (Disc.).....	10.5	Front Wheel (7 Speed) (Quickie Mach 2).....	10.18
Standard Wheel Rim Assembly		Rear Wheel Assembly	
(Quad Rugby)	10.6	(Quickie Kidz Bike/Mach 2)	10.19
Tennis Wheel Assembly (Quickie Heat).....	10.7	Six-spoke Mag Assembly	
Tennis Wheel Assembly with Handrim		(Quickie Kidz Bike/Mach 2)	10.20
(Quickie Heat).....	10.7	Front Wheel (Quickie Cycl-one) (Disc.)	10.21
Tennis Rim Assembly (Quickie Heat)	10.8	Front Wheel Assembly (Quickie Cycl-one)	10.22
Basketball Wheel Assembly (Quickie Heat)	10.8	Tires (Quickie 3D/Heat/	
Basketball Wheel Assembly with Handrim		Kidz Bike/Quad Rugby)	10.22
(Quickie Heat).....	10.9	Tires (Quickie Cycl-one,Kidz Bike/Mach 2)	10.23
Basketball Rim Assembly (Quickie Heat)	10.9	Tires (Quickie Racer).....	10.23
Standard Wheel Assembly (Quickie Heat).....	10.10	Tubes and Rim Strips	10.24
Standard Wheel Assembly with Handrim		Quickie Racer Tire Reference Guide.....	10.24
(Quickie Heat).....	10.10	Tire Reference Guide	10.25
Wheel Assembly (Quickie Heat)	10.11	Tire Reference Guide (cont.)	10.26
Handrims (Tab Mount) (6 Tab) (Quickie Heat).....	10.12		

REAR WHEEL ASSEMBLY - SPOKE

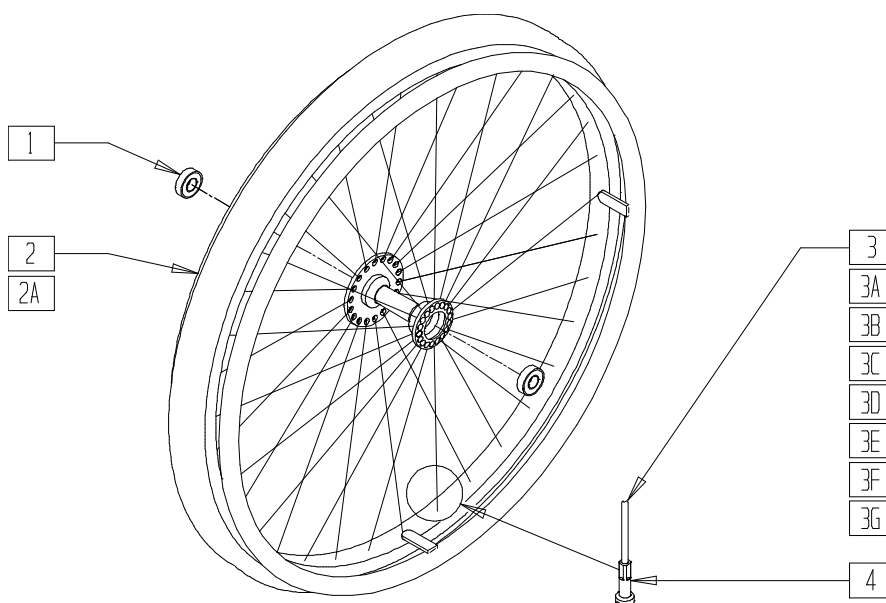


SHWH0X01

ITEM	NUMBER	DESCRIPTION	QTY
1	349500	1 1/8 x 1/2 BEARING	2

ITEM	NUMBER	DESCRIPTION	QTY
1,2	760600-760610	24" SPK CLNCHR	

BASKETBALL WHEEL RIM ASSEMBLY

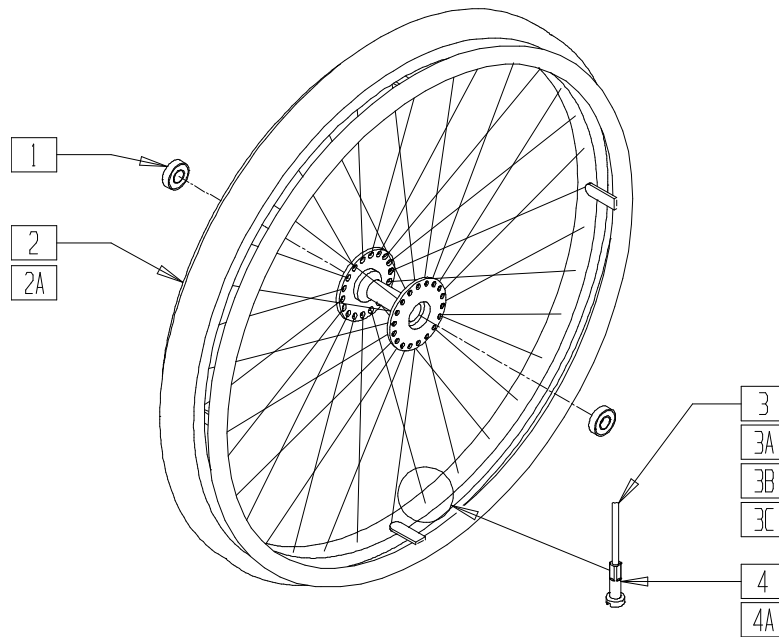


WH0X12

ITEM	NUMBER	DESCRIPTION	QTY
1	349500	1 1/8 x 1/2 BEARING	2
3	362502	QP SPOKE 234mm x 2.0 (14g)	18
3A	362504	QP SPOKE 242mm x 2.0 (14g)	18
3B	362505	QP SPOKE 246mm x 2.0 (14g)	18
3C	362506	QP SPOKE 254mm x 2.0 (14g)	18
3D	362521	QP SPOKE 258mm x 2.0 (14g)	18
3E	362325	QP SPOKE 270mm x 2.0 (14g)	18
3F	362508	QP SPOKE 274mm x 2.0 (14g)	18
3G	362509	QP SPOKE 286mm x 2.0 (14g)	18
4	361250	SPOKE NIPPLE 5/8" BRASS ZN	36
1-3 3A,4	761110- 761119	24" BASKETBALL WHEEL	

ITEM	NUMBER	DESCRIPTION	QTY
1-3 3A,4	761200, 761201	24" BASKETBALL WHEEL	
1,2,3B, 3C,4	761140- 761149	24" HT BASKETBALL WHEEL	
1,2A 3D,3E,4	761160- 761167, 761250, 761251	26" BASKETBALL WHEEL	
1,2A,3F, 3G,4	761182- 761188	26" HT BASKETBALL WHEEL	

TENNIS WHEEL RIM ASSEMBLY



WH0X11

ITEM	NUMBER	DESCRIPTION	QTY
1	349500	1 1/8 x 1/2 BEARING	2
3	362501	QP SPOKE 232mm x 1.8 (15g)	36
3A	362520	QP SPOKE 240mm x 1.8 (15g)	36
3B	362521	QP SPOKE 258mm x 2.0 (15g)	36
3C	362508	QP SPOKE 274mm x 2.0 (15g)	36
4	361252	1.8 mm BRASS NIPPLE QP	36
4A	361250	SPOKE NIPPLE 5/8" BRASS ZN	36
1-4	761100-761109	24" TENNIS WHEEL	

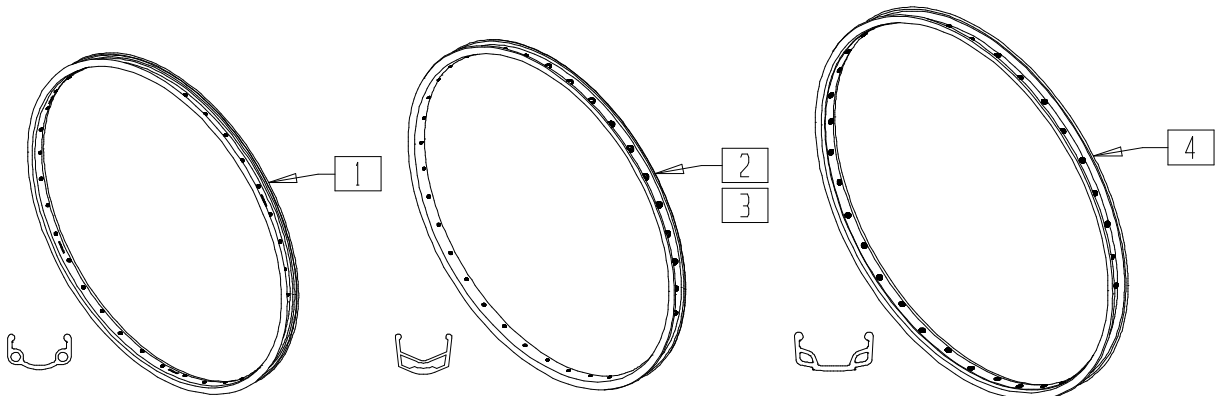
ITEM	NUMBER	DESCRIPTION	QTY
1-4	761210, 761211	24" TENNIS WHEEL	
1,2,3A,4	761130-761139	24" HT TENNIS WHEEL	
1,2A, 3B,4A	761150-761157; 761260, 761261	26" TENNIS WHEEL	
1,2A, 3C,4A	761172-761178	26" HT TENNIS WHEEL	

WHEEL RIMS

24"/26" (540mm/590mm)

24" HEAT TREATED (559mm) / 24" (507mm)

26" HEAT TREATED (700mm)

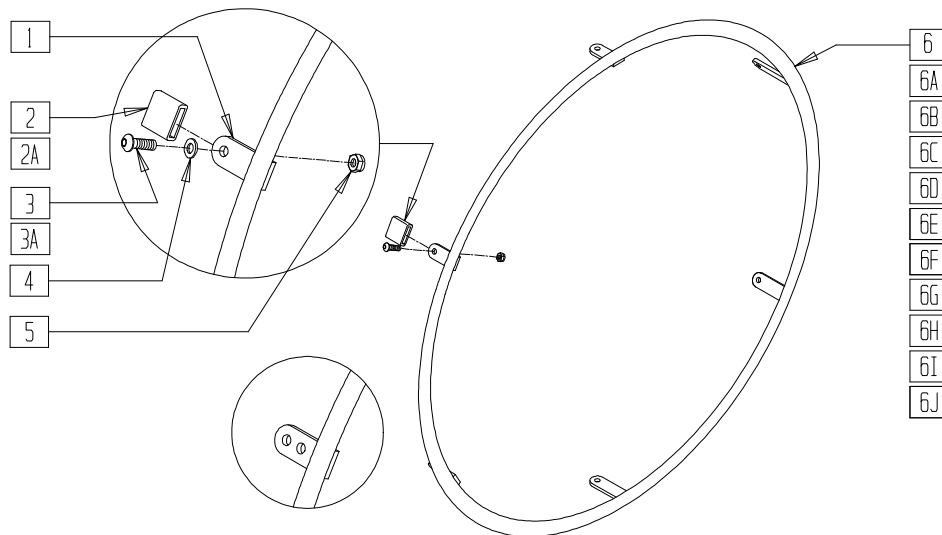


PFM0X15

ITEM	NUMBER	DESCRIPTION	QTY
1	101019	24" RIM BLK (540mm)	1
	364205	RIM WEINMAN 26 x 1 3/8 36 (590mm)	
2	369011	24" HT/26" RIM 36H (559 x 23mm) QP	1

ITEM	NUMBER	DESCRIPTION	QTY
3	364337	RIM SUN AT18 24 x 1.5 36H SL (507mm)	1
4	369007	26" HT/700C RIM SUN M25 36H QP	1

HANDRIMS (TAB MOUNT) (6 TAB)



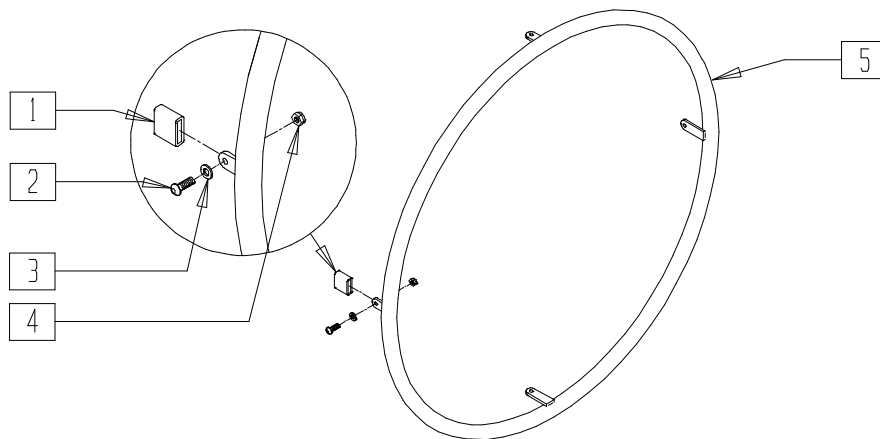
DOUBLE HOLE TAB MOUNT

SHWH0X03

ITEM	NUMBER	DESCRIPTION	QTY
2	580300	HANDRIM TAB COVER	6
2A	580301	HR TAB COVER BLK	6
3	281110	10-32 x 1/2 PAN PHIL	6
3A	281121	10-32 x 5/8 PAN PHIL	6
4	561028	1/4" NYLON WASHER	6
5	200100	10-32 NYLOCK NUT	6
6	529529	QP 24" HR .065 (DBL HOLE)	1
6A	529201	24" HR (6T) PLST HTBB/BB PLST	1
6B	529400	26" HR (6T) BB/TN (DBL HOLE)	1
6C	529401	26" HR (6T) PLASTIC BB/TN	1
6D	529503	QP 24" x .049 HR (6T)	1
6E	529509	QP 26" HR .065 (6T) PLASTIC	1
6F	529508	QP 26" HR .065 (6T)	1
6G	529300	24" HR (6LT)	1
6H	529301	24" HR (6LT) PLASTIC	1
6I	528019	24" HR (6T) BLK PLASTIC	1

ITEM	NUMBER	DESCRIPTION	QTY
6J	529401	26" HR (6T) PLASTIC BB/TN	1
1-3,5,6	425030	24" HR (6T) BB/HTBB W/HDWR	
1-3,5,6A	425032	24" HR (6T) PLST BB/HTBB/TN W/HDWR	
1-3,5,6B	425050	26" HR (6T) PLST BB/TN W/HDWR	
1-3,5,6C	425052	26" HR (6T) PLASTIC BB/TN W/HDWR	
1,2A,3A,4,5,6E	426051	QP 26" HR .065 W/HARDWARE PLASTIC (6T)	
1,2A,3A,4,5,6D	425038	QP 24" HR .049 W/HARDWARE (6T)	
1,2A,3A,4,5,6F	426050	QP 26" HR .065 W/HARDWARE (6T)	
1-3,5,6G	425034	24" HR (6LT) BB/HTBB/TN W/HDWR	
1-3,5,6H	425036	24" HR (6LT) PLASTIC W/HDWR	
1-3,5,6I	425039	24" HR (6T) BLK PLASTIC W/HDWR	
1-3,5,6J	425058	26" HR (6T) BLK PLASTIC W/HDWR	

HANDRIMS (TAB MOUNT) (4 TAB)

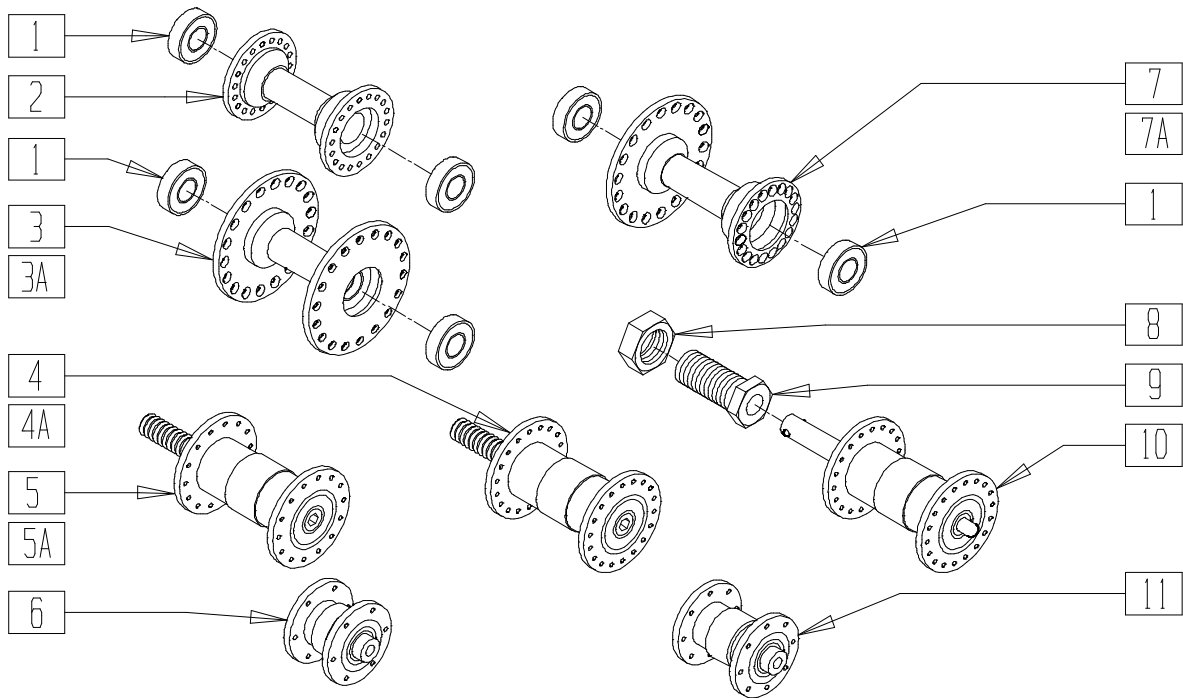


SHWH0X02

ITEM	NUMBER	DESCRIPTION	QTY
1	580300	HANDRIM TAB COVER	6
2	281121	10-32 x 5/8 PAN PHIL	6
3	561028	1/4" NYLON WASHER	6

ITEM	NUMBER	DESCRIPTION	QTY
4	200100	10-32 NYLOCK NUT	6
5	529504	QP 24" x .049 HR 4 TAB	1
1-5	425037	QP 24" HR .049 W/HDWR (4T)	

HUB (QUICKIE PERFORMANCE)



PFMOX09

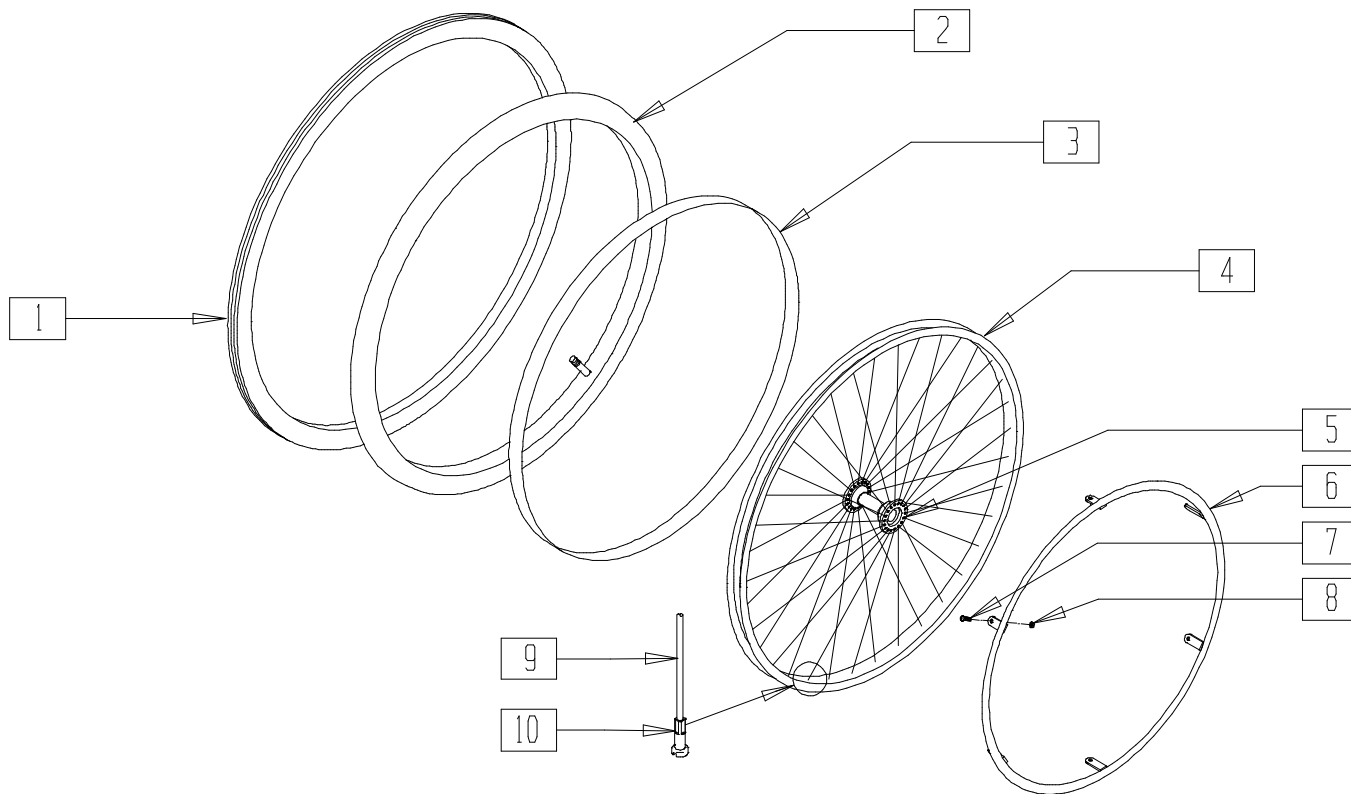
ITEM	NUMBER	DESCRIPTION	QTY
1	349500	1 1/8 x 1/2 BEARING	2
1,2	363250*	REAR WHEEL HUB W/BEARINGS	
	363255	REAR WHL HUB W/BRNGS PUSH BTTN	
1,3	363244	QP HUB TENNIS 36H W/BRNG (EA)	
	363344	QP HUB TENNIS 36H W/BRNG (PR)	
1,3A	363240	QP HUB TENNIS 32H W/BRNG (EA)	
	363340	QP HUB TENNIS 32H W/BRNG (PR)	
4	362814	HUB PHIL WOOD 36 1/2	1
4A	362816	HUB PHIL WOOD 36 7/16	1

ITEM	NUMBER	DESCRIPTION	QTY
5	362811	HUB PHIL WOOD 28 1/2 STUBBY	1
5A	362823	HUB PHIL WOOD 28 7/16 STUBBY	1
6	363383	HUB PHIL AERO SPRT 12H W/BRNG	1
1,7	363246	QP HUB HI-LO 36H QR W/BRNG (EA)	
	363346	QP HUB HI-LO 36H QR W/BRNG (PR)	
1,7A	363242	QP HUB BB 32H QR W/BRNG (EA)	
	363342	QP HUB BB 32H W/BRNG (PR)	
8-10	363380	HUB PHIL WOOD 36 15/32 QR	
11	362806	HUB PHIL DINKY STRDDL 16H	

* 363250 DISCONTINUED 9/21/98 - PARTS ONLY.

STANDARD WHEEL RIM ASSEMBLY (QUAD RUGBY)

(Discontinued 9/21/98 - parts only)

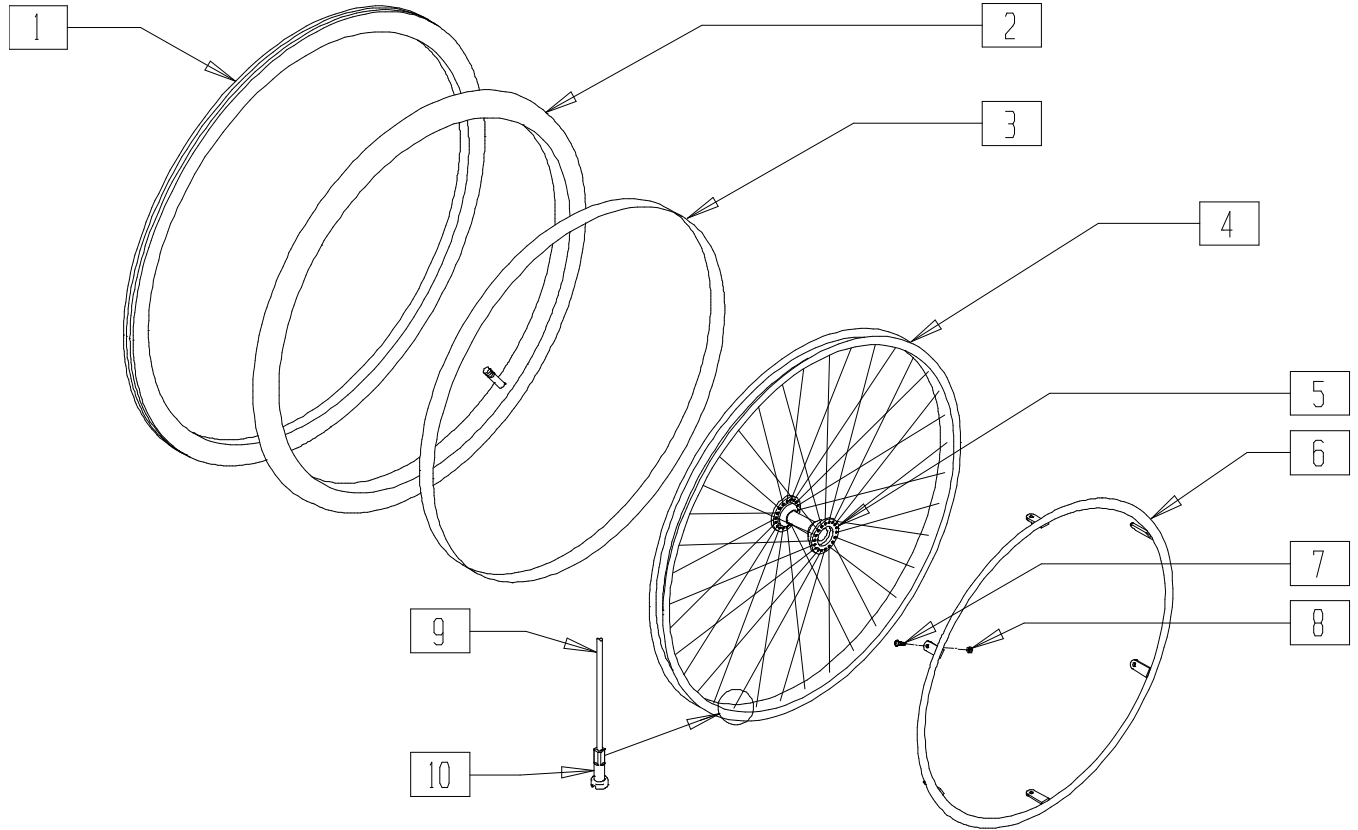


WHL00X26

ITEM	NUMBER	DESCRIPTION	QTY
1	384600- 384613 385250, 385325, 388999- 389030	TIRE	1
2	382275, 382300, 382325- 382334, 382336, 382350, 382361, 384551	TUBE	1
3	381250- 381300	RIM STRIP	1
4	101019, 364205, 364250- 364325, 369007, 369011	RIM	1
5	362816, 362822, 363244- 363250, 363380	HUB	1

ITEM	NUMBER	DESCRIPTION	QTY
6	528008- 528022, 529201, 529400, 529509, 529515, 529529	HANDRIM	1
7	281110	10-32 x 1/2 PAN PHIL	6
8	200100	10-32 NYLOCK NUT	6
9	362250- 362325, 362506	SPOKE (RIGID)	36
	362305, 362324, 362506, 362530- 362537	SPOKE (QUAD RUGBY)	36
10	361250	SPOKE NIPPLE 5/8" BRASS ZN	36
4-6,10	401020, 401025	RIM ASSEMBLY	

STANDARD WHEEL RIM ASSEMBLY (QUAD RUGBY)

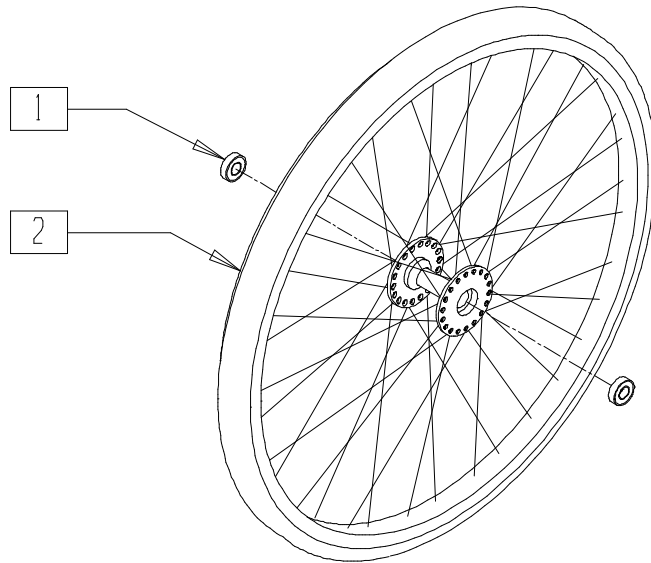


WHL00X28

ITEM	NUMBER	DESCRIPTION	QTY
1	384600-384613, 385250, 385325, 388999-389030	TIRE	1
2	382275-382300, 382325-382334, 382336, 382350, 382361, 384551	TUBE	1
3	381250-381300	RIMSTRIP	1
4	101019, 364205, 364250-364325, 369007, 369011	RIM	1
5	362816, 362822, 363244-363255, 363380	HUB	1

ITEM	NUMBER	DESCRIPTION	QTY
6	528008-528022, 529200, 529201, 529400, 529508, 529509, 529515	HANDRIM	1
7	281110	10-32 x 1/2 PAN PHIL	6
8	200100	10-32 NYLOCK NUT	6
9	362250-362325, 362506	SPOKE (RIGID)	36
	362305, 362324, 362506, 362530-362537	SPOKE (QUAD RUGBY)	36
10	361250	SPOKE NIPPLE 5/8" BRASS ZN	36
4-6,10	401074-401077	RIM ASSEMBLY PUSH BUTTON	
1-10	762000-762009, 762061	WHEEL RIM ASSEMBLY	

TENNIS WHEEL ASSEMBLY (QUICKIE HEAT)

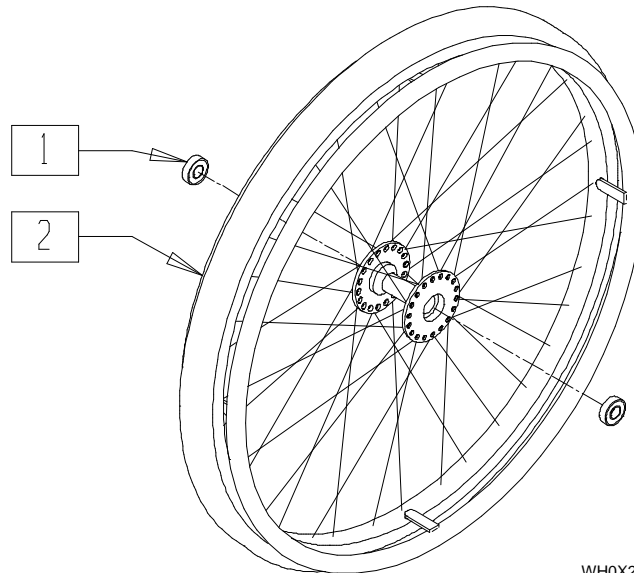


WH0X22B

ITEM	NUMBER	DESCRIPTION	QTY
1,2	761442	24" X/S HT TENNIS TBLR HR OMIT	
	761456	26" X/S HT TENNIS TBLR HR OMIT	

ITEM	NUMBER	DESCRIPTION	QTY
1,2	761470	24" X/S HT TENNIS TRBO HR OMIT	
	761484	26" X/S HT TENNIS TRBO HR OMIT	

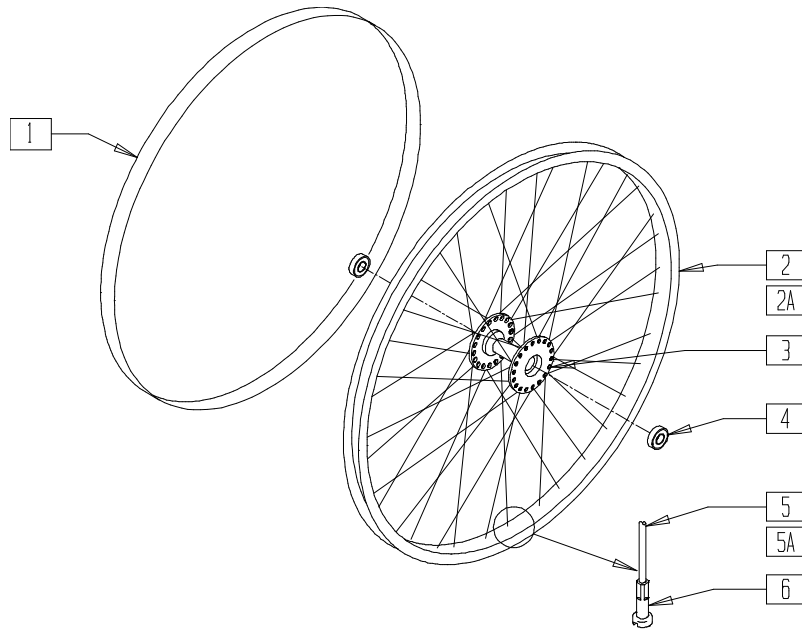
TENNIS WHEEL ASSEMBLY WITH HANDRIM (QUICKIE HEAT)



WH0X22C

ITEM	NUMBER	DESCRIPTION	QTY
1,2	761443	X/S HT TENNIS WHEEL ASSM	
	761490	W/HANDRIM	

TENNIS RIM ASSEMBLY (QUICKIE HEAT)

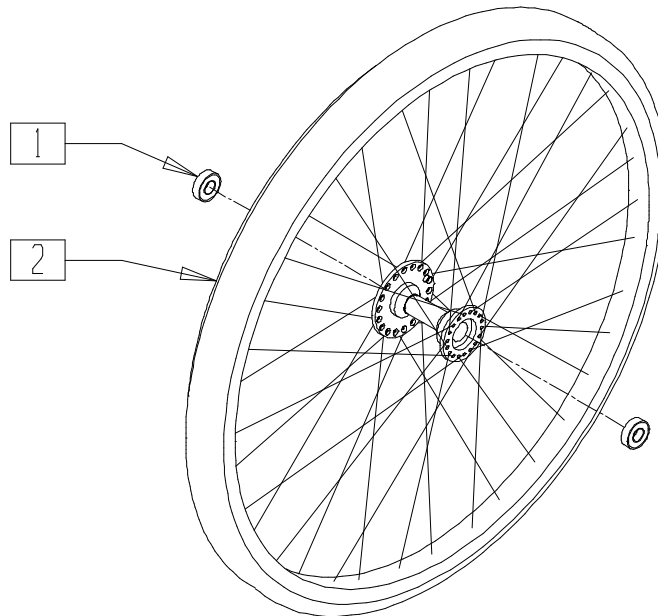


WH0X22

ITEM	NUMBER	DESCRIPTION	QTY
1	381350	QP 26" HT RIM STRIP	1
2	369011	24" HT/26" RIM 36H (559mm x 23mm) QP	1
2A	369007	26" HT/700C RIM SUN M25 36H QP	1
3,4	363344	QP HUB TENNIS 36H W/BRNG	
5	362521	QP SPOKE 258mm x 2.0 (14g)	36

ITEM	NUMBER	DESCRIPTION	QTY
5A	362535	SPOKE 291mm x 2.0 (14g)	36
6	361250	SPOKE NIPPLE 5/8" BRASS ZN	36
1-6	401204	24" X/S HT RIM ASSM TENNIS	
1,2A,3, 4,5A,6	401208	26" X/S HT RIM ASSM TENNIS	

BASKETBALL WHEEL ASSEMBLY (QUICKIE HEAT)

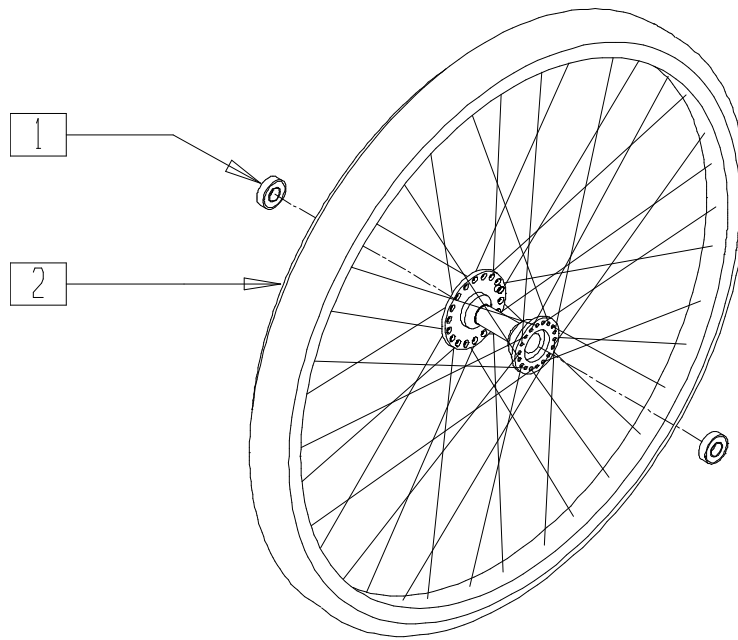


WH0X23B

ITEM	NUMBER	DESCRIPTION	QTY
1,2	761449	24" X/S HT BB TBLR HR OMIT	
	761463	26" X/S HT BB TBLR HR OMIT	

ITEM	NUMBER	DESCRIPTION	QTY
1,2	761477	24" X/S HT BB TRBO HR OMIT	
	761491	26" X/S HT BB TRBO HR OMIT	

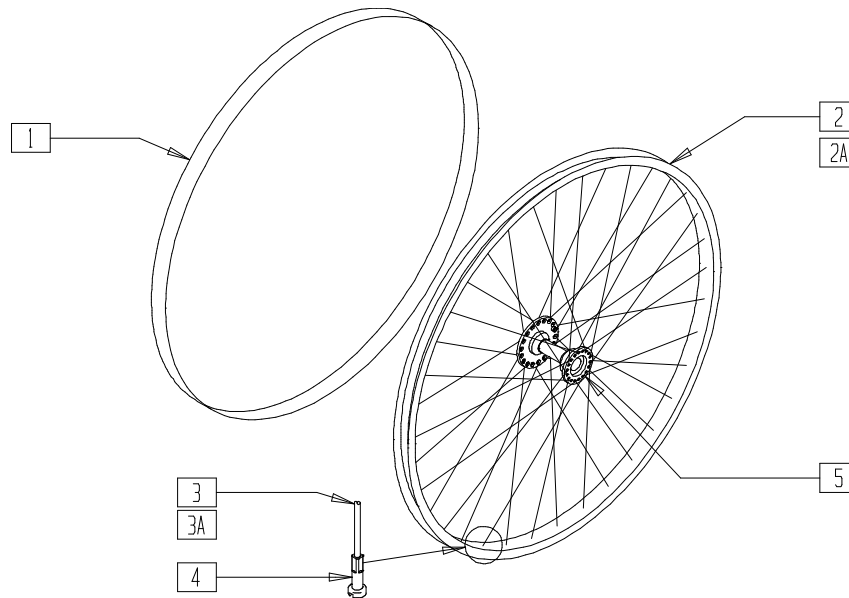
BASKETBALL WHEEL ASSEMBLY WITH HANDRIM (QUICKIE HEAT)



WH0X23C

ITEM	NUMBER	DESCRIPTION	QTY
1,2	761450- 761497	X/S HT BB WHEEL ASSEMBLY W/HANDRIM	

BASKETBALL RIM ASSEMBLY (QUICKIE HEAT)

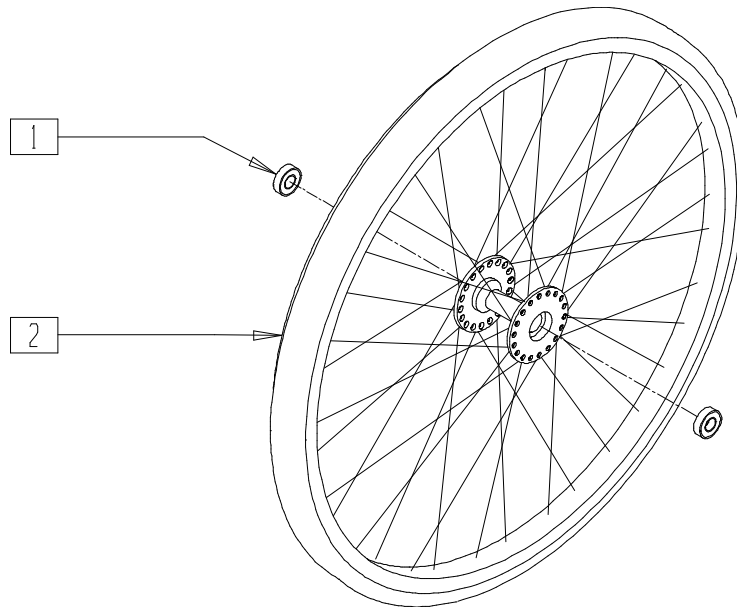


WH0X23A

ITEM	NUMBER	DESCRIPTION	QTY
1	381350	QP 26" HT RIM STRIP	1
2	369011	24" HT/26" RIM 36H (559mm x 23mm) QP	1
2A	369007	26" HT/700C RIM SUN M25 36H QP	1
3	362530	SPOKE 260mm x 2.0 (14g)	18
	362532	SPOKE 265mm x 2.0 (14g)	
3A	362535	SPOKE 291mm x 2.0 (14g)	18
	362537	SPOKE 297mm x 2.0 (14g)	

ITEM	NUMBER	DESCRIPTION	QTY
4	361250	SPOKE NIPPLE 5/8" BRASS ZN	36
5	363346	QP HUB HI-LO 36H QR W/BEARING	1
1-5	401206	24" X/S HT RIM ASSEMBLY BB	
1,2A,3A, 4,5	401210	26" X/S HT RIM ASSEMBLY BB	

STANDARD WHEEL ASSEMBLY (QUICKIE HEAT)

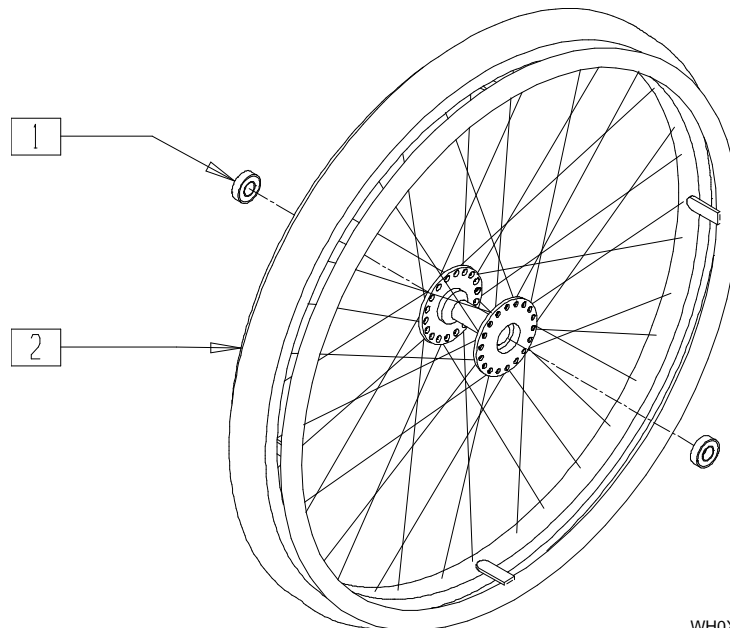


WH0X24

ITEM	NUMBER	DESCRIPTION	QTY
1,2	761400	24" X/S PNEU HR OMIT	
	761407	24" X/S CLNCHR HR OMIT	
	761414	24" X/S TBLR HR OMIT	
	761421	26" X/S PNEU HR OMIT	
	761428	26" X/S CLNCHR HR OMIT	

ITEM	NUMBER	DESCRIPTION	QTY
1,2	761435	26" X/S TBLR HR OMIT	
	761500	24" X/S HT PW TBLR HR OMIT	
	761507	24" X/S HT PW TRBO HR OMIT	
	761514	26" X/S HT PW TBLR HR OMIT	
	761521	26" X/S HT PW TRBO HR OMIT	

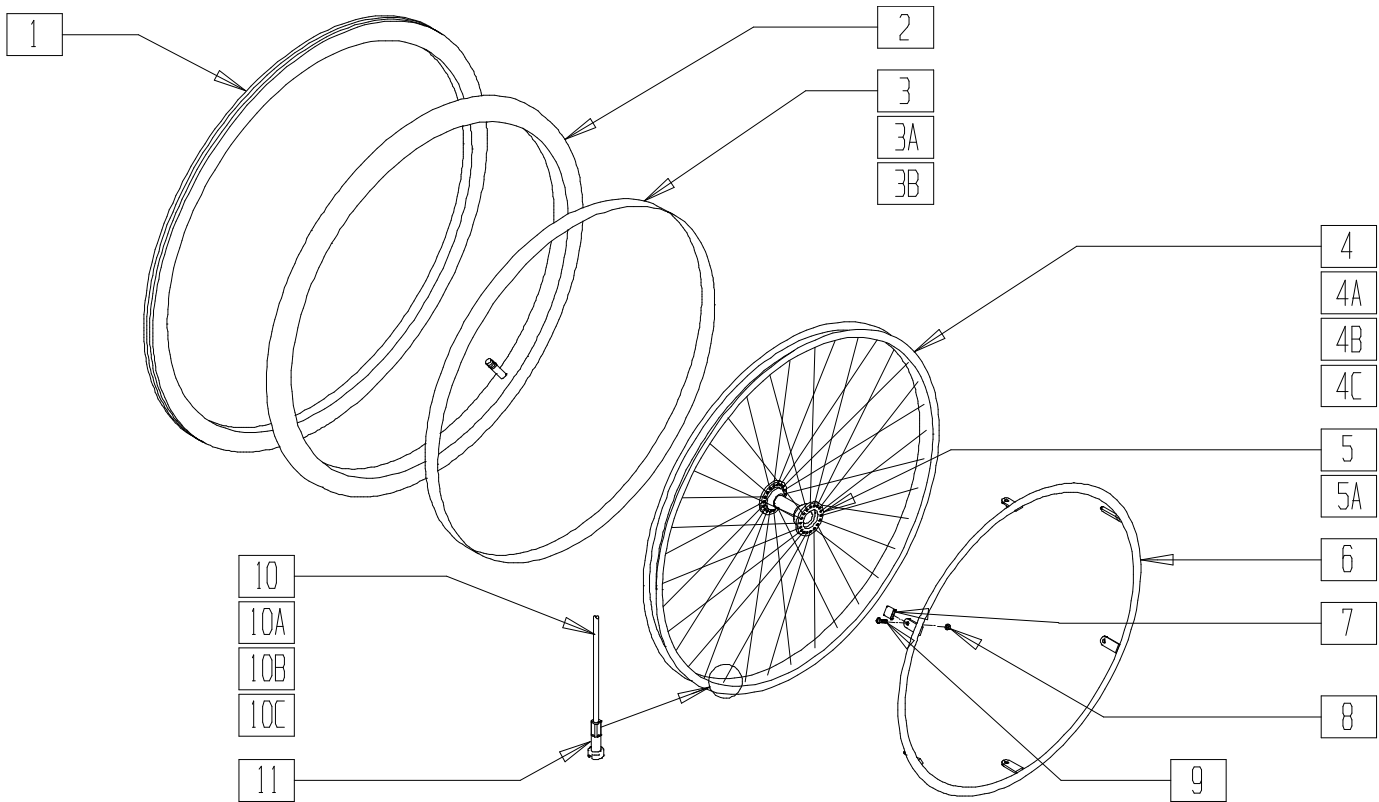
STANDARD WHEEL ASSEMBLY WITH HANDRIM (QUICKIE HEAT)



WH0X25

ITEM	NUMBER	DESCRIPTION	QTY
1,2	761401- 761441, 761501- 761527	X/S WHEEL ASSEMBLY W/HANDRIM	

WHEEL ASSEMBLY (QUICKIE HEAT)



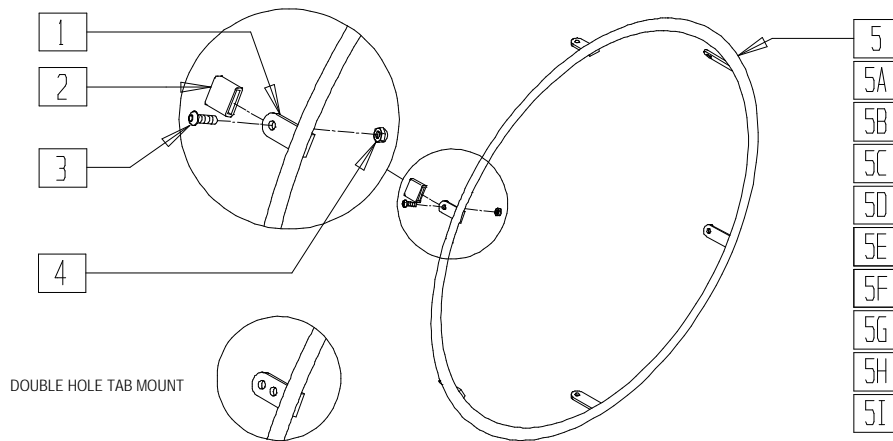
WHL00X22

ITEM	NUMBER	DESCRIPTION	QTY
1	385325, 388999- 389012, 389020, 389030	TIRE	1
2	382330, 382350, 382355, 384545, 384550	TUBE	1
3	381275	24" RIM STRIP	1
3A	381300	26" RIM STRIP	1
3B	381350	QP 26" HT RIM STRIP	1
4	101019	24" RIM BLK	1
4A	364205	RIM WEINMAN 26 x 1 3/8 36	1
4B	369011	24" HT/26" RIM 36H (559mm x 23 mm) QP	1
4C	369007	26" HT/700C RIM SUN M25 36H QP	1
5	363250*	REAR WHEEL HUB W/BEARINGS	1
	363255	REAR WHL HUB W/BRNGS PUSH BTTN	
5A	362816	HUB PHIL WOOD 36 7/16	1

ITEM	NUMBER	DESCRIPTION	QTY
7	580301	HR TAB COVER BLK	6
8	200100	10-32 NYLOCK NUT	6
9	281110	10-32 x 1/2 PAN PHIL	6
10	362506	QP SPOKE 254mm x 2.0 (14g)	36
10A	362534	SPOKE 280mm x 2.0 (14g)	36
10B	362531	SPOKE 262mm x 2.0 (14g)	36
10C	362536	SPOKE 294mm x 2.0 (14g)	36
11	361250	SPOKE NIPPLE 5/8" BRASS ZN	36
3-5,10,11	401200*	24" X/S RIM ASSEMBLY	
	401080	24" X/S RIM ASSY PUSH BTTN	
3A,4A,5, 10A,11	401202*	26" X/S RIM ASSEMBLY	
	401081	26" X/S RIM ASSY PUSH BTTN	
3B,4B,5A, 10B,11	401212	24" X/S HT RIM ASSEMBLY PHIL WD	
3B,4C,5A, 10C,11	401214	26" X/S HT RIM ASSEMBLY PHIL WD	
6-9	425040- 425055	HANDRIM (6T) W/ X/S HDWR	
1-11	761401- 761527	WHEEL ASSEMBLY W/HANDRIM	

* DISCONTINUED 9/21/98 - PARTS ONLY.

HANDRIMS (TAB MOUNT) (6 TAB) (QUICKIE HEAT)



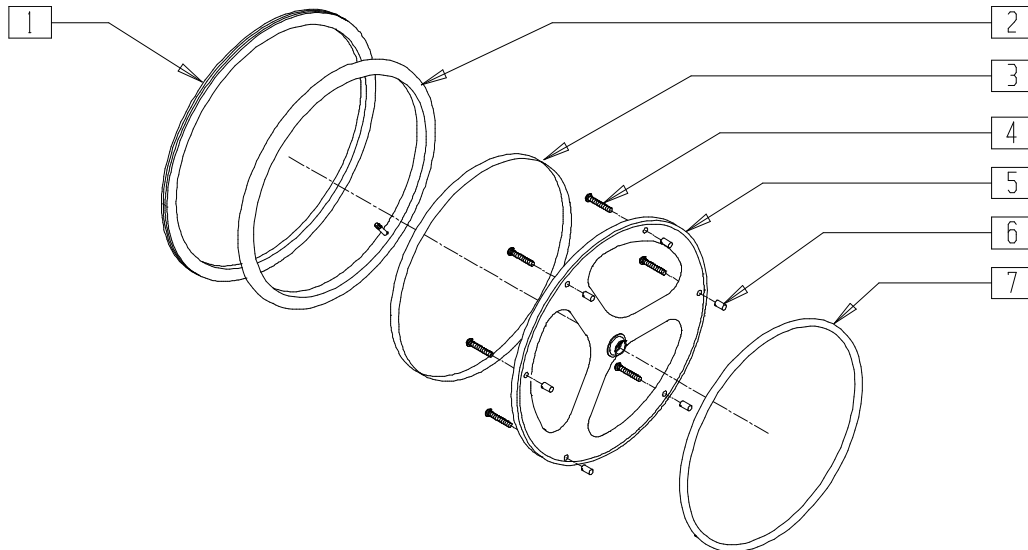
SHWH0X04

ITEM	NUMBER	DESCRIPTION	QTY
2	580301	HR TAB COVER BLK	6
3	281110	10-32 x 1/2 PAN PHIL	6
4	200100	10-32 NYLOCK NUT	6
5	529529	QP 24" HR .065 (DBL HOLE)	1
5A	529528	QP 24"HR .065(6)TAB BLK PNTD (DH)	1
5B	529201	24" HR (6T) HTBB/BB PLASTIC	1
5C	529525	QP 24" HR .065 SHT (6T) PLASTIC	1
5D	529400	26" HR (6T) BB/TN (DH)	1
5E	529527	QP 26"HR .065(6)TAB BLK PNTD (DH)	1
5F	529509	QP 26" HR .065 (6T) PLASTIC	1
5G	529523	QP 26" HR .065 SHT (6T) PLASTIC	1
5H	528019	24" HR (6T) BLK PLASTIC	1

ITEM	NUMBER	DESCRIPTION	QTY
5I	529401	26" HR 6T PLST BB/TN	1
1-5	425042	24" HR (6T) ANO W/ X/S HDWR	
1-4,5A	425041	24" HR (6T) BLK W/ X/S HDWR	
1-4,5B	425040	24" HR (6T) PLASTIC W/ X/S HDWR	
1-4,5C	425043	24" HR SHT (6T) PLST W/ X/S HDWR	
1-4,5D	425048	24" HR (6T) ANO W/ X/S HDWR	
1-4,5E	425047	26" HR (6T) BLK W/ X/S HDWR	
1-4,5F	425046	26" HR (6T) PLST W/ X/S HDWR	
1-4,5G	425051	26" HR SHT (6T) PLST W/ X/S HDWR	
1-4,5H	425039	24" HR (6T) BLK PLST W/HDWR	
1-4,5I	425058	26" HR (6T) BLK PLST W/HDWR	

X-CORE WHEEL (559mm)

(Discontinued 8/4/99 - parts only)

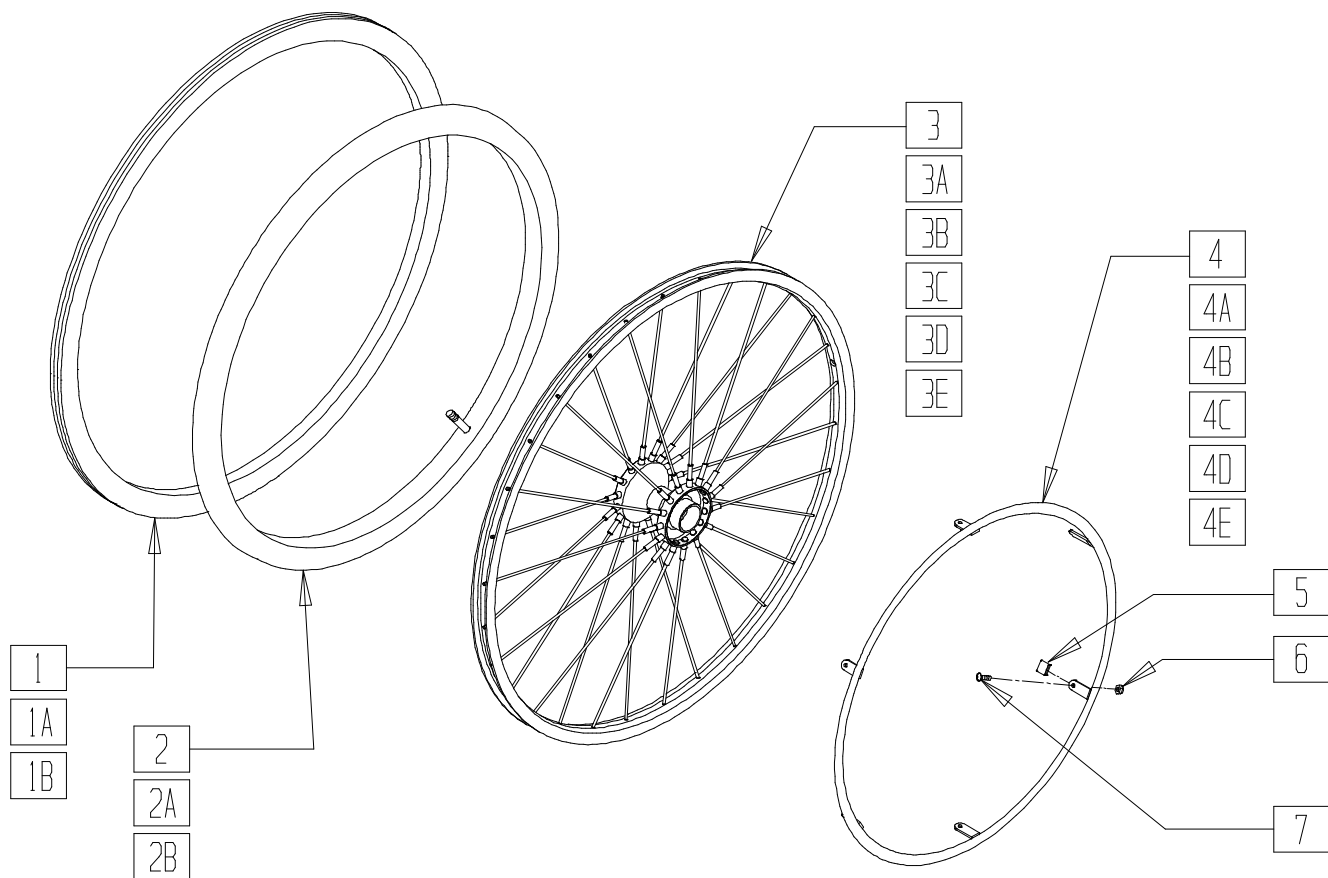


WHL0X27A

ITEM	NUMBER	DESCRIPTION	QTY
1	389012	QP 24" x 1" HT TURBO TREAD	1
2	384545	QP 24" HT INNER TUBE 559mm	1
3	381350	QP 26" HT RIM STRIP	1
4	226065	10-32 x 2" TRUSS PHIL M/S	6
5	364378	24" X-CORE 3 SPK MAG RIM CRBN	1

ITEM	NUMBER	DESCRIPTION	QTY
6	505107	SPACER X-CORE HANDRIM	6
7	529530	QP X-CORE HD RIM W/RVNUIT	1
4-7	401150	24" X-CORE 3 SPK MAG CRBN W/HR	
1-7	900115	24" MAG X-CORE TRB W/ALUM HR (PR)	

24" & 26" SPINERGY WHEEL ASSEMBLIES

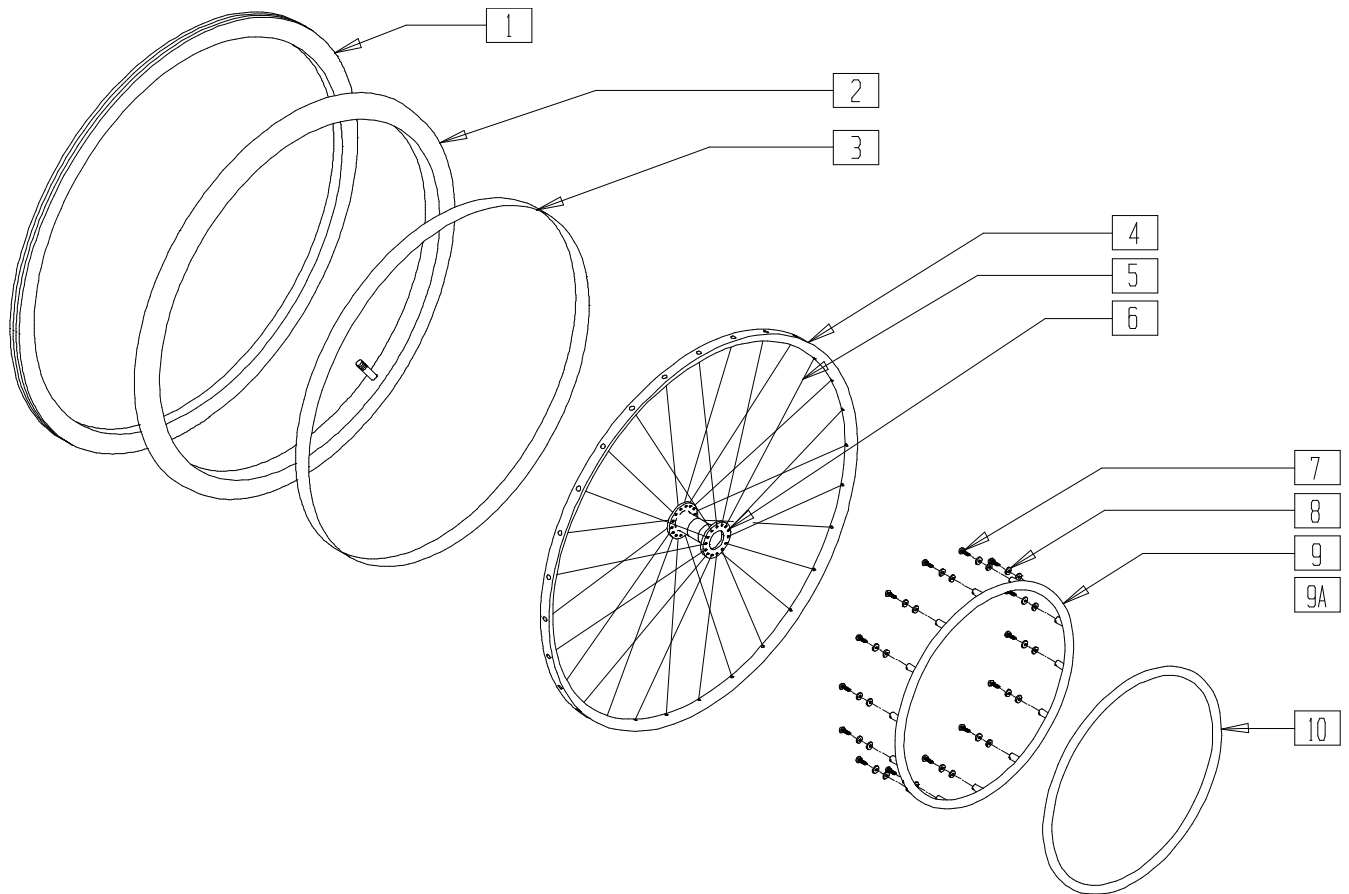


SPIN0X01

ITEM	NUMBER	DESCRIPTION	QTY
1	389012	QP 24" x 1"HT TURB BLK WR/BD 559	1
1A	389020	24" x 1" HI PRES CLNCHR TIRE	1
1B	389030	26" x 1" HI PRES CLNCHR TIRE	1
2	384545	QP 24" HT INNER TUBE (559MM)	1
2A	382330	24" TUBE PRESTA VALVE (540MM)	1
2B	382355	26" TUBE PRESTA VALVE (590MM)	1
4	529529	QP 24" HR .065 (6)TAB ANO	1
4A	528019	24" HR 6T BLK PLST	1
4B	529503	QP 24" x .049 HR 6 TAB	1
4C	529201	24" HR (6T) HTBB/BB PLST	1
4D	529400	26" HR 6T BB/TN	1
4E	529401	26" HR 6T PLST BB/TN	1
5	580301	HR TAB COVER BLK	6
6	200100-QU	10-32 NYLOCK NUT	6
7	281110	10-32 x 1/2 PAN PHIL	6
1A,2A,3-7	761806	24" SPNRGY SPR W/HR WHT 540	
1A,2A,3,4A,5-7	761805	24" SPNRGY SPR W/PL HR WHT 540	
1A,2A,3A,4-7	761824	24" SPNRGY SPR W/HR BLK 540	

ITEM	NUMBER	DESCRIPTION	QTY
1A,2A,3A,4A,5-7	761825	24" SPNRGY SPR W/PL HR BLK 540	
1,2,3B,4B,5-7	761819	24" SPNRGY SPR W/HR WHT 559	
1,2,3B,4C,5-7	761804	24" SPRNGY SPR W/PL HR WHT 559	
1,2,3C,4B,5-7	761826	24" SPNRGY SPR W/HR BLK 559	
1,2,3C,4C,5-7	761827	24" SPRNGY SPR W/PL HR BLK 559	
1B,2B,3D,4D,5-7	761808	26" SPNRGY SPR W/HR WHT 590	
1B,2B,3D,4E,5-7	761807	26" SPNRGY SPR W/PL HR WHT 590	
1B,2B,3E,4D,5-7	761828	26" SPNRGY SPR W/HR BLK 590	
1B,2B,3E,4E,5-7	761829	26" SPNRGY SPR W/PL HR BLK 590	

REAR WHEEL (QUICKIE RACER)



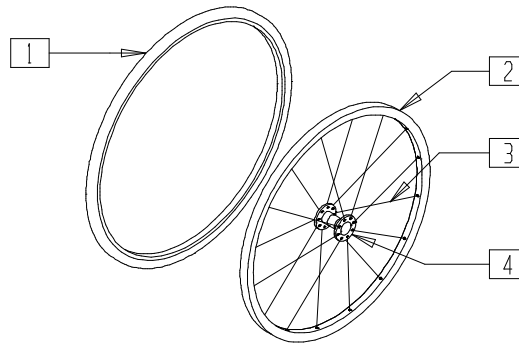
WHL00X15

ITEM	NUMBER	DESCRIPTION	QTY
4	364223- 364228, 364330- 364333	SUN RIM CLINCHER AND TUBULAR	1
5	362481- 362483, 362491- 362493	SPOKE	28
6	362808- 362816, 362822, 362823, 363380	HUB	1
4-6	762518- 762540	RIM W/HARDWARE	
1,3-6	761300- 761304, 761603- 761608,	WHEEL ASSEMBLY TUBULAR TIRE (W/O HANDRIM)	

NOTE: ORDER MOUNTING KIT FOR TRI SPOKES (P/N 920719). ONE KIT NEEDED FOR EACH HANDRIM.

ITEM	NUMBER	DESCRIPTION	QTY
1,3-6	761617- 761622, 762532, 762534	WHEEL ASSEMBLY TUBULAR TIRE (W/O HANDRIM)	
1-6	761600- 761602, 761609- 761616, 762518- 762530	WHEEL ASSEMBLY CLINCHER TIRE (W/O HANDRIM)	
7,8	341729	HANDRIM CLIP ASSEMBLY	1
9	528055- 528059	HANDRIM	1
9A	528050- 528071	HANDRIM CUSTOM (SPEC STANDOFF QTY AND LENGTH)	1
10	385655	TIRE VITTORIA FORM 1 CUT	1
9,10	528155- 528159	HANDRIM W/TIRE RACER	
9A,10	528150- 528171	HANDRIM CUSTOM W/TIRE RACER (SPEC STANDOFF QTY AND LENGTH)	

FRONT WHEEL (QUICKIE RACER)

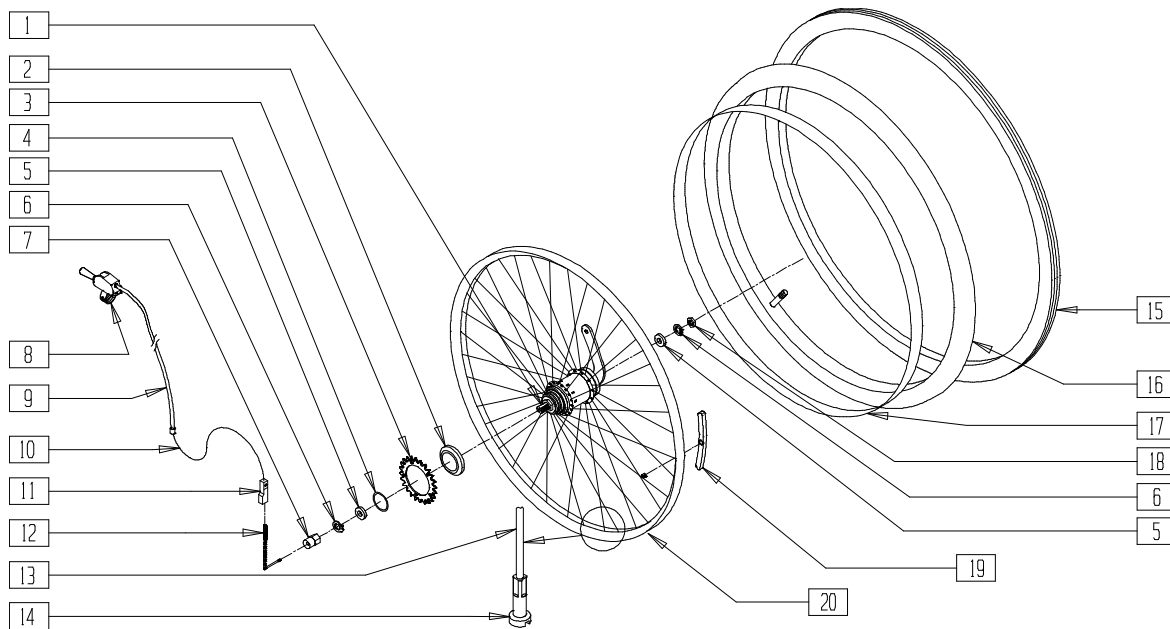


WHL00X16

ITEM	NUMBER	DESCRIPTION	QTY
1	385639, 385648, 385649, 385654	TIRE	1
2	364220- 364222	RIM	1
3	362488- 362490	SPOKE	16

ITEM	NUMBER	DESCRIPTION	QTY
4	362806, 363383	HUB	1
2-4	401050- 401052	FRONT WHEEL ASSEMBLY (W/O TIRE)	
1-4	762542, 762544, 762545, 762548	FRONT WHEEL ASSEMBLY W/TIRE	

FRONT WHEEL (1 SPEED/3 SPEED) (QUICKIE KIDZ BIKE)

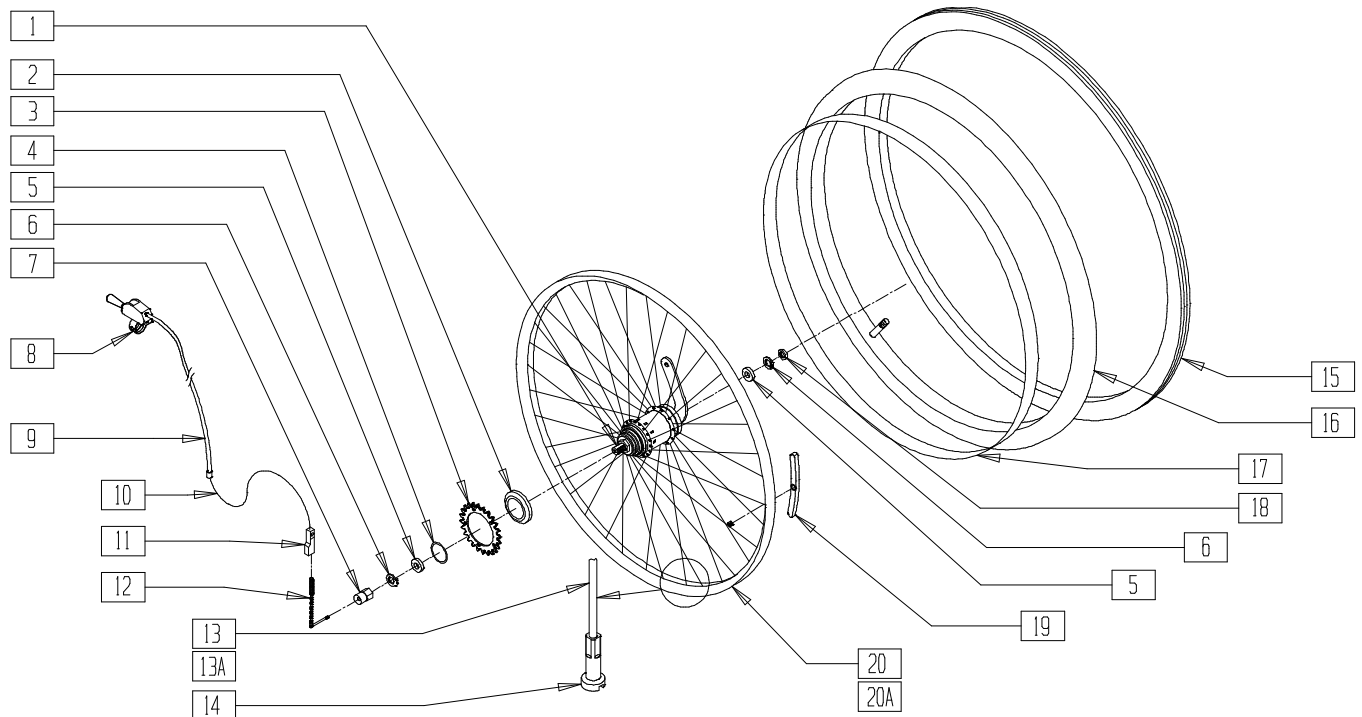


LC00X09C

ITEM	NUMBER	DESCRIPTION	QTY
2	362214	3 SPEED HUB DUST CAP	1
3	362212	24 TOOTH HUB SPRCKT 1/3/7/SPD	1
7	362217	3 SPD HUB CHAIN GUIDE NUT	1
8-10	362213	3 SPD HUB SHIFTER	
11	560775	CLAMP BLK PLASTIC CABLE	1
12	362220	3 SPD HUB PULLEY CHAIN	1
13	362250	QP SPOKE 201mm x 2.0mm (1 SPD)	36
	362248	SPOKE 199mm x 2.0 (3 SPD)	
14	361250	SPOKE NIPPLE 5/8" BRASS ZN	36
15	385241	TIRE 20" x 1 3/8" CHENG	1
	385255	20" x 1 3/8" PRIMO TIRE (KNOBBIE)	
16	382275	20" TUBE	1
17	381250	20" RIM STRIP	1
18	362221	3 SPD HUB CAP NUT	1

ITEM	NUMBER	DESCRIPTION	QTY
19	349626	REFLECTOR FRONT	1
9,10	444042	CBL 3SPD GEAR REPLACEMENT	
3,13,14, 19,20	401058	20" RIM ASSEMBLY 1 SPEED OKB	
1-7,12,13, 14,18-20	401057	20" RIM ASSEMBLY 3 SPEED OKB	
3,13-17, 19,20	760650	20" SPOKE FRONT WHEEL PNEUMATIC 1 SPEED OKB	
	760651	20" SPOKE FRONT WHEEL KNOBBIE 1 SPEED OKB	
1-7, 12-20	760655	20" SPOKE FRONT WHEEL PNEUMATIC 3 SPEED OKB	
	760656	20" SPOKE FRONT WHEEL KNOBBIE 3 SPEED OKB	

FRONT WHEEL (3 SPEED) (QUICKIE MACH 2)



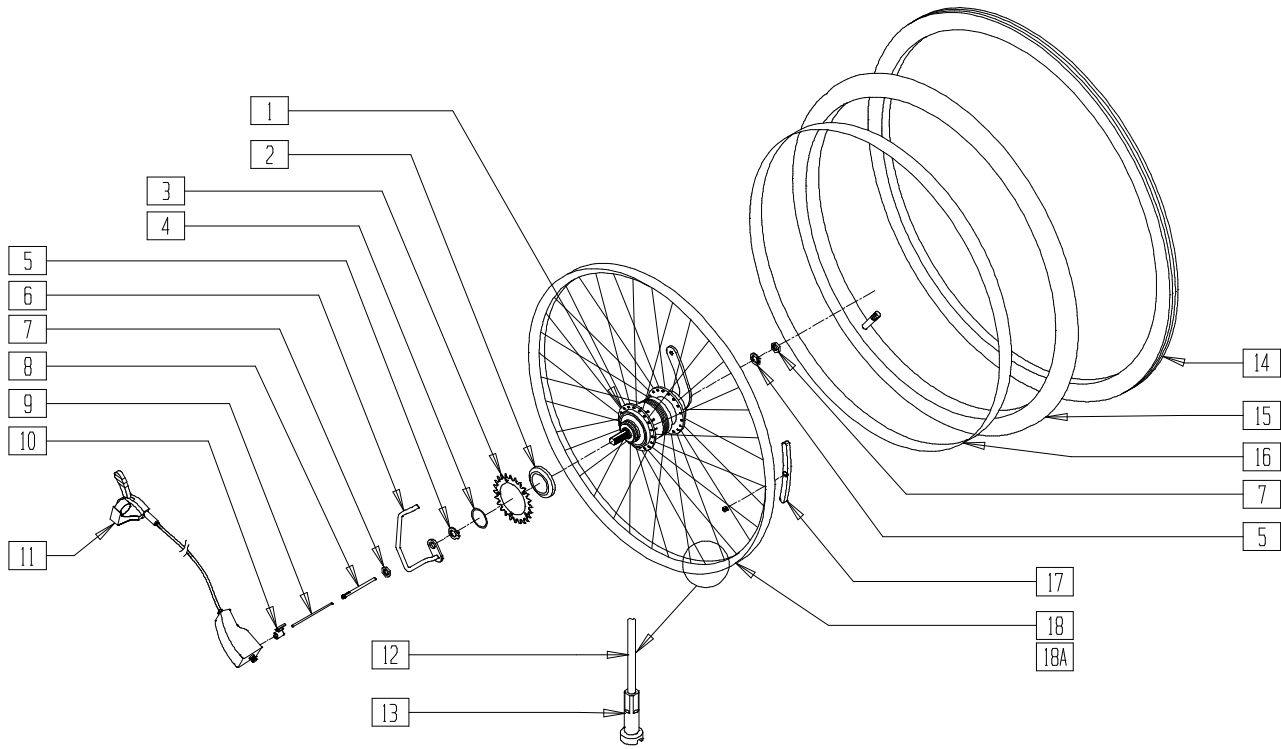
LC00X09A

ITEM	NUMBER	DESCRIPTION	QTY
	2	3 SPD HUB DUST CAP	1
	3	24 TOOTH HUB SPROCKT 3/7 SPD	1
	7	3 SPD HUB CHAIN GUIDE NUT	1
	11	CLAMP BLK PLASTIC CABLE	1
	12	3 SPD HUB PULLEY CHAIN	1
	14	SPOKE NIPPLE 5/8" BRASS ZN	36
15	385295	24" PNEUMATIC TIRE BLK	1
	385330	26" x 1.5 MOUNTAIN TIRE	
	385335	26" x 1.25 COMMUTER TIRE M3	
	385340	26" x 1.0 HP TIRE	
	389020	24" x 1" HI PRES CLINCHER TIRE	
16	382325	24" TUBE	1
	382330	24" TUBE PRSTA VALVE (540mm)	
	382365	26" x 1.25/1.5 TUBE SCHRADER	
	384551	26" x 1 TUBE SCHRADER	

ITEM	NUMBER	DESCRIPTION	QTY
17	381275	24" RIM STRIP	1
	381350	OP 26" HT RIM STRIP	
18	362221	3 SPD HUB CAP NUT	1
19	349626	REFLECTOR FRONT	1
8-10	362213	3 SPD HUB SHIFTER	
9,10	444042	CBL 3 SPD GEAR REPLACEMENT	
1-7,13,17-20	401060	24" RIM ASSEMBLY WITH 3 SPEED HUB M2	
1-7,13A,17-19,20A	401062	26" RIM ASSEMBLY WITH 3 SPEED HUB M2	
1-7,13-20	760620	24" SPK PNEU BLK 3 SPD HUB	
	760622	24" SPK CLNCHR 3 SPD HUB	
1-7,13A,14-17,20A	760640	26" SPK PNEU BLK 3 SPD HUB	
	760642	26" SPK CLNCHR 3 SPD HUB	
	760644	26" SPK OFF ROAD 3 SPD HUB	

FRONT WHEEL (7 SPEED) (QUICKIE MACH 2)

(Discontinued 8/4/99 - parts only)



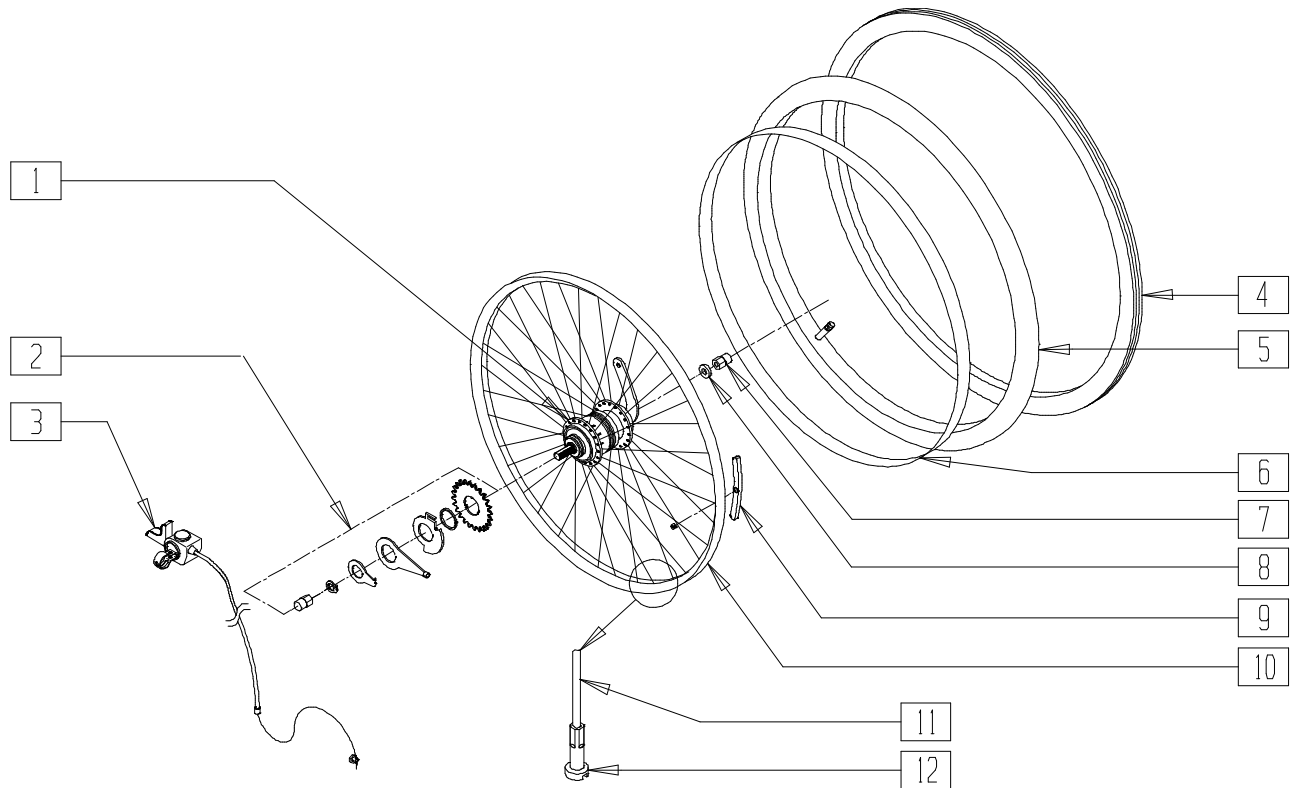
LC00X09B

ITEM	NUMBER	DESCRIPTION	QTY
2	362215	7 SPD HUB DUST CAP	1
3	362212	24 TOOTH HUB SPRCKT 1/3/7 SPD	1
4	362216	HUB SNAP RING 3/7 SPEED	1
5	362222	7 SPD HUB TABBED WASHER	1
6	362226	7 SPD HUB PROTECTING BRKT	1
7	362223	7 SPD HUB AXLE NUT	1
8	362225	7 SPD HUB SHIFTING TUBE	1
9	362224	7 SPD HUB SHIFTING ROD	1
10	362227	7 SPD HUB ADJUSTMENT SLEEVE	1
11	342063	7 SPD SHIFTER CLICK BOX ASSM	1
13	361250	SPOKE NIPPLE 5/8" BRASS ZN	36
14	385295	24" PNEUMATIC TIRE BLK	1
	385330	26 x 1.5 MOUNTAIN TIRE	
	385335	26 x 1.25 COMMUTER TIRE M3	
	385340	26 x 1.0 HP TIRE	
	389020	24" x 1" HI PRES CLNCHR TIRE	

ITEM	NUMBER	DESCRIPTION	QTY
15	382325	24" TUBE	1
	382330	24" TUBE PRSTA VALVE (540mm)	
	382365	26" x 1.25/1.5 TUBE SCHRADER	
	384551	26" x 1 TUBE SCHRADER	
16	381275	24" RIM STRIP	1
	381350	QP 26" HT RIM STRIP	
17	349626	REFLECTOR FRNT	1
1-10,12, 13,16,18A	401061	24" RIM ASSEMBLY W/7 SPEED HUB M2	
1-10,12, 13,16,18A	401063	26" RIM ASSEMBLY W/7 SPEED HUB M2	
1-10, 12-18	760621	24" SPK PNEU BLK 7 SPEED HUB	
	760623	24" SPK CLNCHR 7 SPEED HUB	
1-10, 12-17,18A	760641	26" SPK PNEU BLK 7 SPEED HUB	
	760643	26" SPK CLNCHR 7 SPEED HUB	
	760645	26" SPK OFF ROAD 7 SPEED HUB	

FRONT WHEEL (7 SPEED) (QUICKIE MACH 2)

(Effective 8/4/99)

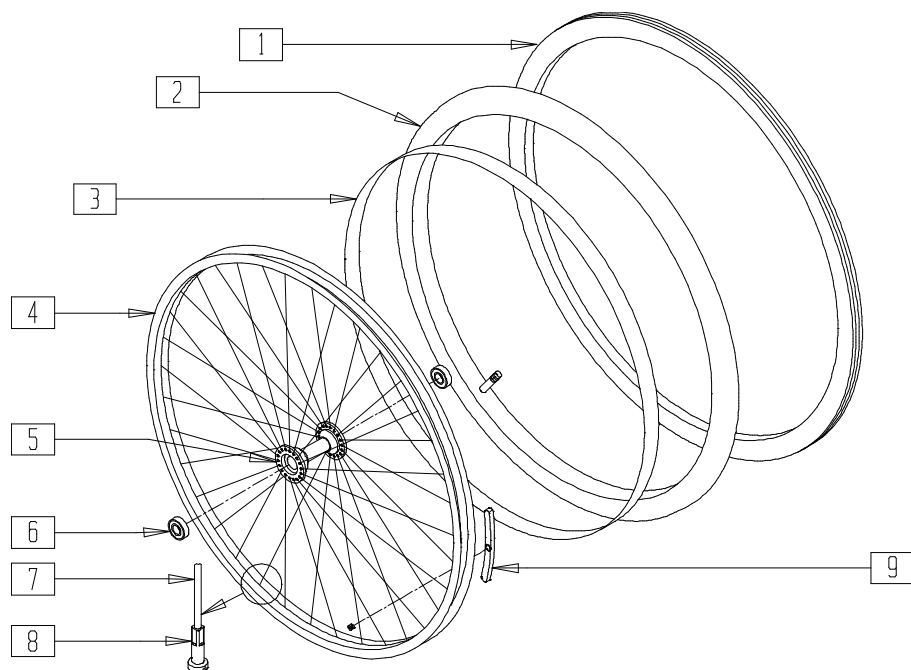


LC00X09D

ITEM	NUMBER	DESCRIPTION	QTY
2,7,8	340109	7 SPD HUB W/CSTR BRK TRIM KIT	
3	342061	7 SPD RAPID FIRE SHFTR SHIMANO	1
4	385295	24" PNEUMATIC TIRE BLK	1
	385330	26" x 1.5 MOUNTAIN TIRE	
	385335	26" x 1.25 COMMUTER TIRE M3	
	385340	26 x 1.0 HP TIRE	
	389020	24" x 1" HI PRES CLNCHR TIRE	
5	382325	24" TUBE	1
	382330	24" TUBE PRESTA VALVE (540mm)	
	382365	26" x 1.25/1.5 TUBE SCHRADER	
	384551	26" x 1 TUBE SCHRADER	

ITEM	NUMBER	DESCRIPTION	QTY
6	381275	24" RIM STRIP	1
	381350	OP 26" HT RIM STRIP	1
9	349626	REFLECTOR FRNT	1
12	361250	SPOKE NIPPLE 5/8" BRASS ZN	36
1,2,4-8,10-12	401065	24" RIM ASSM W/7 SPEED SHIMANO	
	401064	26" RIM ASSM W/7 SPEED SHIMANO	
1,2,4-8,10-12	760624	24" SPK PNEU BLK 7 SPD SHIMANO	
	760625	24" SPK CLNCHR 7 SPD SHIMANO	
	760647	26" SPK PNEU BLK 7 SPD SHIMANO	
	760648	26" SPK CLNCHR 7 SPD SHIMANO	
	760649	26" SPK OFF ROAD 7 SPD SHIMANO	

REAR WHEEL ASSEMBLY (QUICKIE KIDZ BIKE/MACH 2)



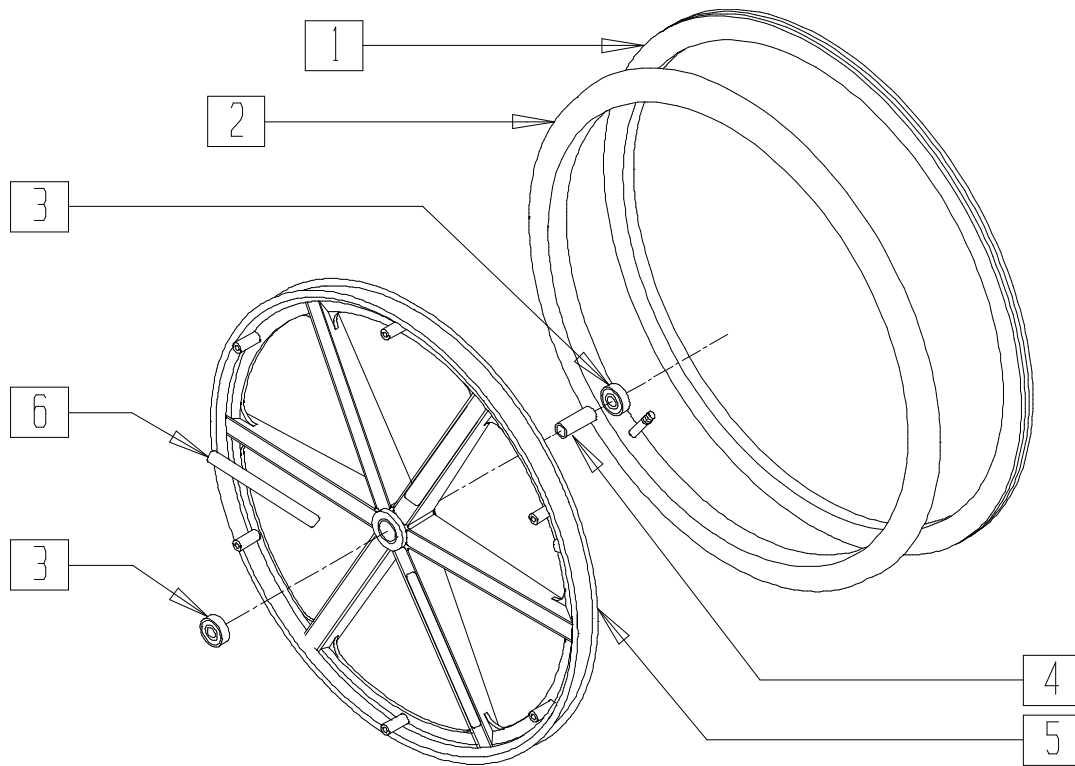
LC00X12

ITEM	NUMBER	DESCRIPTION	QTY
1	385255	20" x 1 3/8" PRIMO TIRE (KNOBBIE)	1
	385241	TIRE 20" x 1 3/8" CHENG	
	385295	24" PNEUMATIC TIRE BLK	
	385335	26" x 1.25 COMMUTER TIRE M3	
	385340	26" x 1 HP TIRE	
	389012	QP 24" x 1 HT TURBO BLK WR/BD 559	
	389020	24" x 1 HI PRES CLNCHR TIRE	
2	382275	20" TUBE	1
	382325	24" TUBE	
	382330	24" TUBE PRSTA VALVE (540mm)	
	382365	26" x 1.25/1.5 TUBE SCHRADER	
3	381250	20" RIM STRIP	1
	381275	24" RIM STRIP	
	381350	QP 26" HT RIM STRIP	
4	364251	20" WHEEL RIM (SLOTTED)	1
	369011	24" HT/26" RIM 36H (559mm x 23mm) QP	
	364300	24" WHEEL RIM (540mm)	
6	349500	1 1/8 x 1/2 BEARING	2

ITEM	NUMBER	DESCRIPTION	QTY
5,6	363250*	REAR WHEEL HUB W/BEARINGS	1
	363255	REAR WHL HUB W/BRNGS PSH BTTN	
7	362300	QP SPOKE 244mm x 2.0mm (14g)	72
	362506	QP SPOKE 254mm x 2.0mm (14g)	72
	362250	QP SPKE 201mm x 2.0mm (KIDZ BIKE)	36
8	361250	SPOKE NIPPLE 5/8" BRASS ZN	36,72
9	349630	REFLECTOR RR WHL FROM 2350	1
4-6	401020*	24" RIM ASSEMBLY	1
	401027*	24" HT RIM ASSEMBLY	
	401012*	20" RIM ASSEMBLY QKB	
	401074	24" RIM ASSY PUSH BUTTON	
	401078	24" HT RIM ASSY PUSH BUTTON	
	401071	20" RIM ASSY PUSH BUTTON QKB	
1-9	760391	24" SPK PNEU BLK HR OMIT	1
	760610	24" SPK CLNCHR OMIT HR	
	760546	26" SPK PNEU BLK HR OMIT	
	760561	26" SPK CLNCHR HR OMIT M2	
	760670	20" SPK REAR WHEEL PNEU BLK QKB	
	760671	20" SPK RR WHEEL KNOBBIE QKB	

* DISCONTINUED 9/21/98 - PARTS ONLY.

SIX-SPOKE MAG ASSEMBLY (QUICKIE KIDZ BIKE/MACH 2)



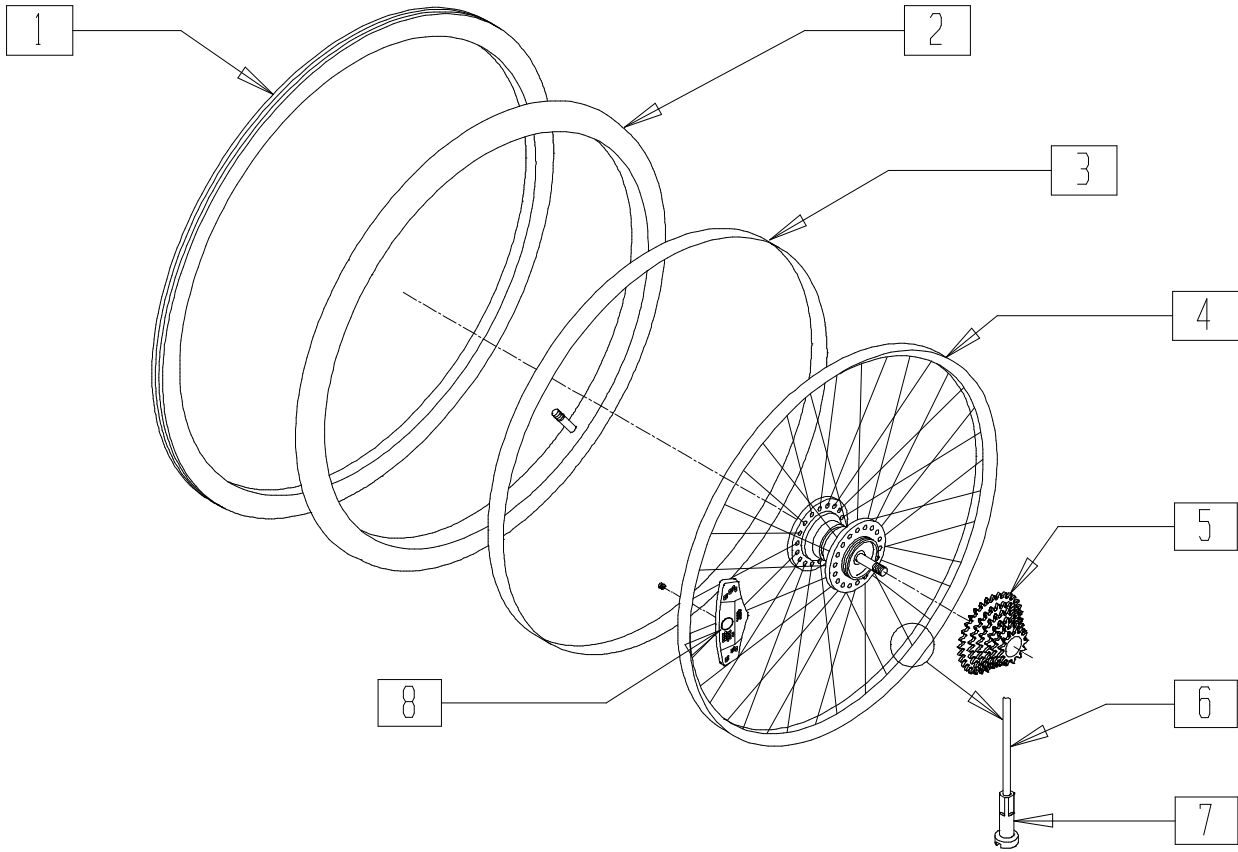
LC00X14

ITEM	NUMBER	DESCRIPTION	QTY
1	385295	24" PNEUMATIC TIRE BLK	1
	385255	20" x 1 3/8" PRIMO TIRE (KNOBBIE)	
	385241	TIRE 20" x 1 3/8" CHENG	
2	382325	24" TUBE	1
	382275	20" TUBE	
3	349500	1 1/8 x 1/2 BEARING	2
4	521564	MAG BEARING SPACER	1
5	364376	24" MAG RIM 6 SPOKE	1
	364371	20" MAG RIM 6 SPOKE	

ITEM	NUMBER	DESCRIPTION	QTY
6	150490	DECAL MAG REFLECTOR M2	3
1-5	760710	24" MAG 6S PNEU BLK HR OMIT	
	760660	20" MAG REAR WHL PNEU BLK OKB	
3-5	760661	20" MAG REAR WHL KNOBBIE OKB	
	401092	24" MAG W/BRNG 6 SPOKE	
	401094	20" MAG W/BRNG 6 SPOKE	

FRONT WHEEL (QUICKIE CYCL-ONE)

(Discontinued 8/4/99 - parts only) (Please contact Customer Service for availability)

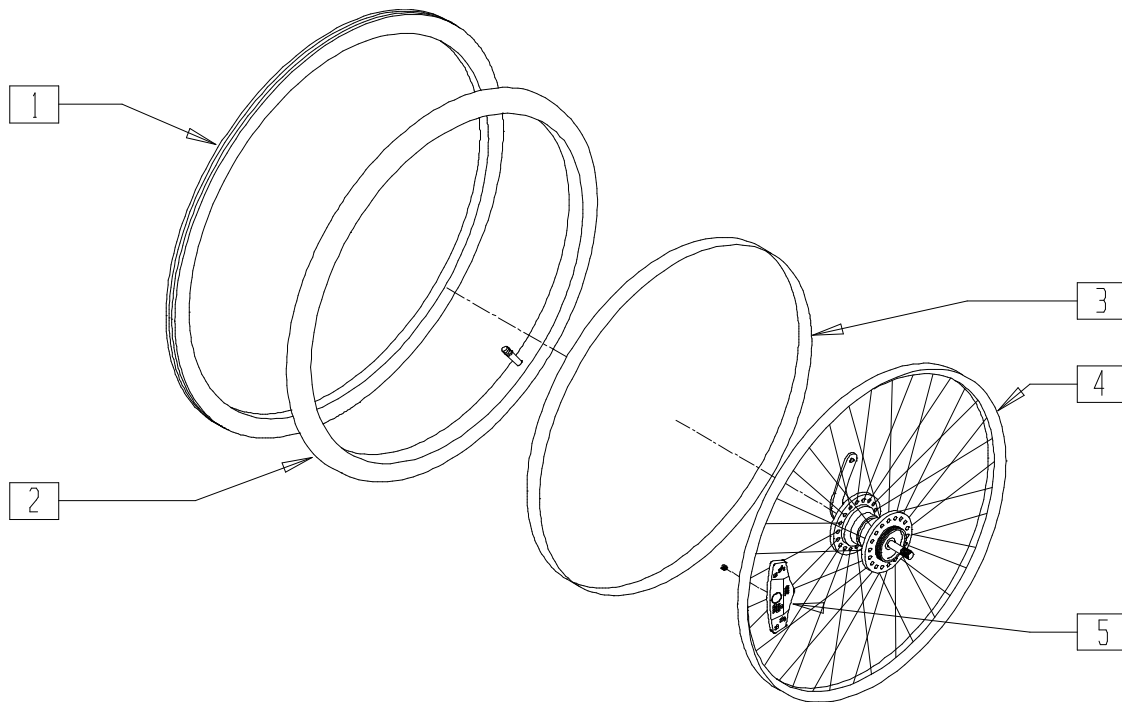


WHL00X20

ITEM	NUMBER	DESCRIPTION	QTY
1	385241	TIRE 20" x 1 3/8 CHENG	1
2	382275	20" TUBE	1
3	381250	20" RIM STRIP	1
4	364251	20" WHEEL RIM (SLOTTED)	1
6	362318	SPOKE 190mm x 2.0	18
	362472	SPOKE 187mm x 2.0	
7	361250	SPOKE NIPPLE 5/8" BRASS ZN	36

ITEM	NUMBER	DESCRIPTION	QTY
8	349626	REFLECTOR FRNT WHL	1
4,6-8	401055	20" RIM ASSEMBLY 3 SP CYC	
	401053	20" RIM ASSEMBLY 12/48 CYC	
4-8	401056	20" RIM ASSEMBLY W/COG 3 SP CYC	
	401054	20" RIM ASSEMBLY W/COG 12/48 CYC	
1-8	762040	20" FRNT WHL PNEU W/COG 3 SP CYC	
	762042	20" FRNT PNEU W/COG 12/48 CYC	

FRONT WHEEL ASSEMBLY (QUICKIE CYCLONE)

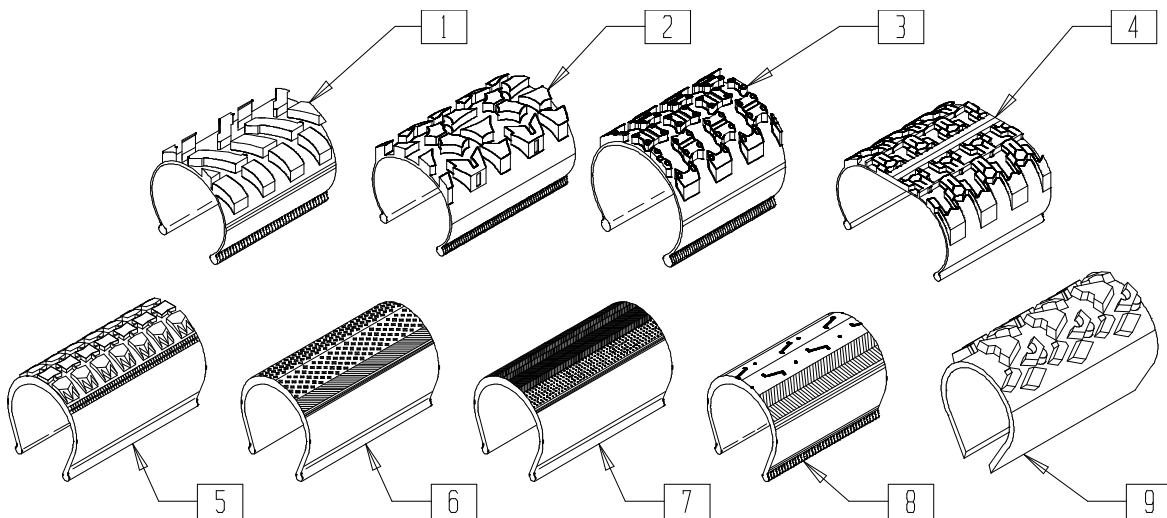


CYC00X03

ITEM	NUMBER	DESCRIPTION	QTY
1	385241	TIRE 20" x 1 3/8" CHENG	1
2	382275	20" TUBE	1
3	381250	20" RIM STRIP	1

ITEM	NUMBER	DESCRIPTION	QTY
5	349626	FRONT REFLECTOR	1
3-5	401066	20" RIM ASSM W/7 SPEED SHIMANO	
1-5	762075	20" FRONT PNEU/7 SPEED SHIMANO	

TIRES (QUICKIE 3D/HEAT/KIDZ BIKE/QUAD RUGBY)



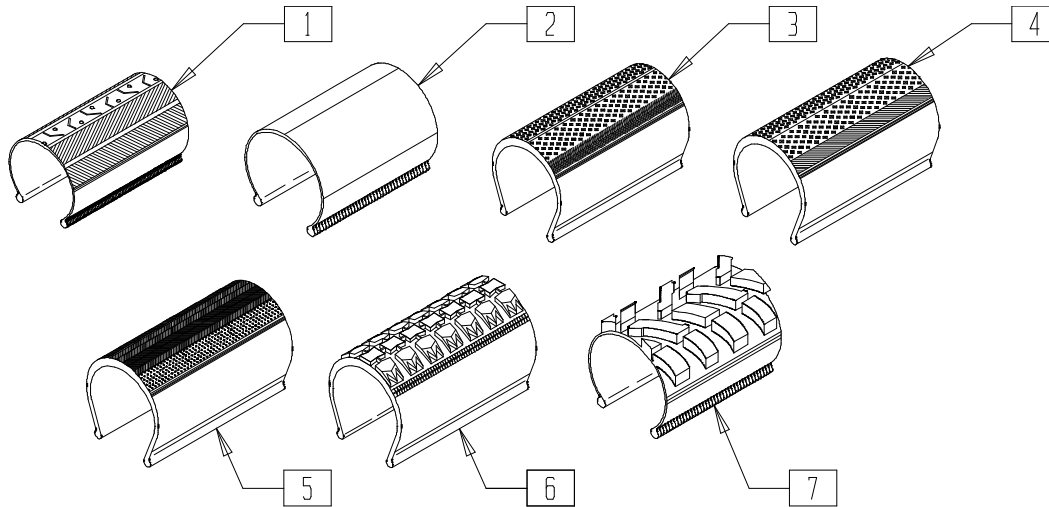
PFM0X13

ITEM	NUMBER	DESCRIPTION	QTY
1	385330	26" x 1.5 MOUNTAIN TIRE (559mm)	1
2	384604	TIRE CS 24" x 2.1" SMOKER (507mm)	1
	384606	TIRE CS 24" x 2.1" SMOKER (559mm)	
3	384600	TIRE 24" x 1.75" MOUNTAIN	1
4	384613	TIRE CHENG SHIN 26" x 1.75"	1
	385250	20" PNEUMATIC TIRE (451mm)	
5	385300	24" PNEUMATIC TIRE (540mm)	1
	385325	26" PNEUMATIC TIRE (590mm)	

ITEM	NUMBER	DESCRIPTION	QTY
6	389012	OP 24" x 1" HT TURBO BLK WR/BD 559	1
7	389020	24" x 1" HI PRES CLNCHR TIRE (540mm)	1
	389030	26" x 1" HI PRES CLNCHR TIRE (590mm)	
8	388999	26" x 1" HT TIRE TURBO GY(700 x 23)	1
9	385255	20" x 1 3/8" PRIMO TIRE (KNB) (451mm)	1

TIRES (QUICKIE KIDZ BIKE/MACH 2/CYCL-ONE/CYCLONE)

(Cycl-one Discontinued 5/14/99 - parts only)

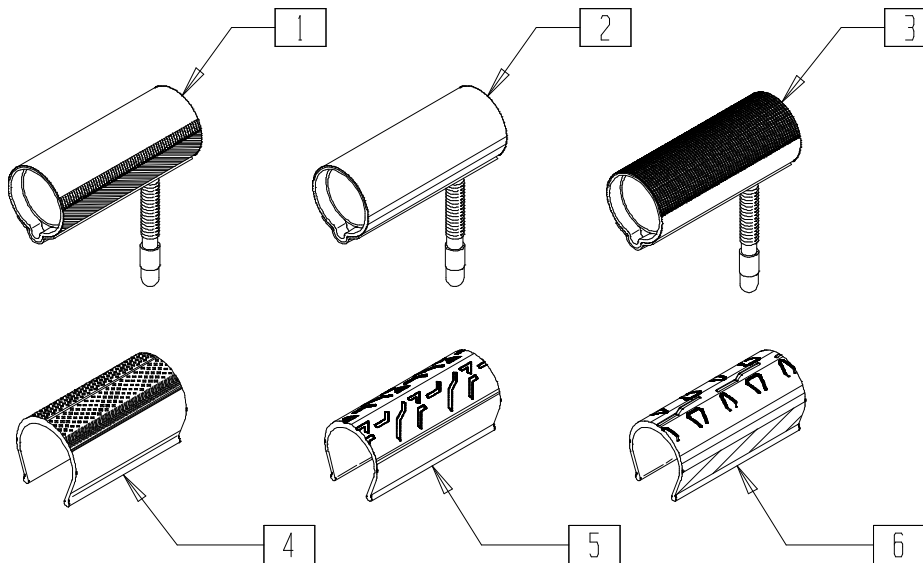


PFM0X12

ITEM	NUMBER	DESCRIPTION	QTY
1	385295	24" PNEUMATIC TIRE BLK	1
	385300	24" PNEUMATIC TIRE	
2	385335	26" x 1.25" COMMUTER TIRE M3	1
3	385340	26" x 1.0" HP TIRE	1
	385654	TIRE VITRIA JRS 20" TUBULAR	

ITEM	NUMBER	DESCRIPTION	QTY
4	389012	QP 24" x 1" HT TRBO BLK WR/BD 559	1
5	389020	24" x 1" HI PRES CLNCHR TIRE	1
6	385241	TIRE 20" x 1 3/8" CHENG	1
7	385330	26" x 1.5" MOUNTAIN TIRE	1

TIRES (QUICKIE RACER)

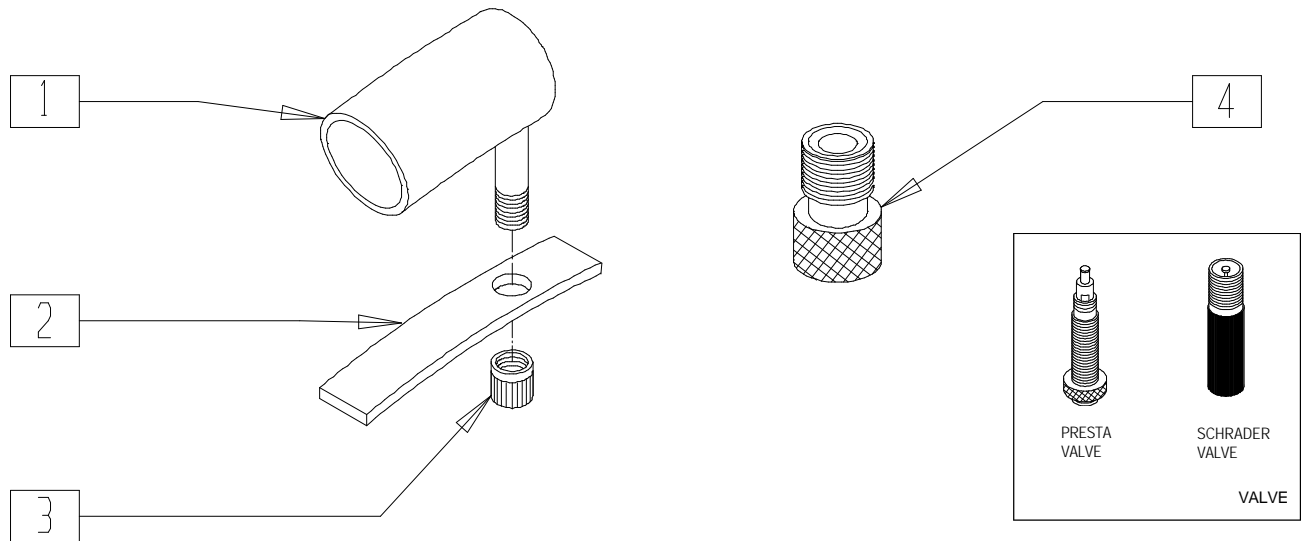


PFM0X11

ITEM	NUMBER	DESCRIPTION	QTY
1	385632	TIRE CONTINENTAL LA 19 26"	1
	385642	TIRE CONTINENTAL LA 19mm 700C	
2	385647	TIRE PNRGR 190 GR ULTMA 700C	1
3	385639	TIRE PANARACER 20 RAPIDE	1
	385645	TIRE PNRGR 140 GR RPDE 600	
	385646	TIRE PNRGR 150 GR RPDE 700	
	385648	16" RAPIDE PANARACER	
	385649	18" RAPIDE PANARACER	
	385650	24" RAPIDE PANARACER	

ITEM	NUMBER	DESCRIPTION	QTY
4	385653	700C SPEC TIRE TRANS CLNCHR	1
	385654	TIRE VITRIA JRS 20" TUBULAR	
	385660	700C x 200 SPEC TURBO CLNCHR	
5	382333	24" x 1" PANARCR TCNVA II CLNCHR	1
	385651	26" x 1" PANARACER TCNVA CLNCHR	
6	385641	26" x 3/4" CLNCHR GRAND PRIX	1

TUBES AND RIM STRIPS



PFM0X14

ITEM	NUMBER	DESCRIPTION	QTY
1	382275-384551	TUBE	1
2	381250 381350	RIM STRIP	1

ITEM	NUMBER	DESCRIPTION	QTY
3	381240	VALVE STEM CAP(O)	1
4	381230	VALVE ADAPTER PRESTA	1

NOTE: FOR ADDITIONAL TIRE INFORMATION, PLEASE SEE *TIRE REFERENCE GUIDE* ON PG. 10.25

QUICKIE RACER TIRE REFERENCE GUIDE

FRONT TIRE	Rim Size	Rim Part #	Tire Part #	Tube Part #
	16"	364220	385648	N/A
	18"	364221	385649	N/A
	20"	364222	385654, 385639	N/A

REAR TIRE	Size	Tire Part #	Tube Part #
	20"	385644	382286
Clincher (520)	24"	382333	382315
Tubular	24"	385650	N/A
Clincher	26"	385651	382423
		385641	382423
Tubular	26"	385645	N/A
700 C Clincher	27"	385653	384550
		385660	382449
700 C Cont. GP	27"	389032	382449
700 C Tubular	27"	385646	N/A
		385647	N/A

PLEASE SEE NEXT PAGE FOR TIRE DESCRIPTIONS

TIRE REFERENCE GUIDE

(Shading indicates item is available)

Quickie Heat/Quad Rugby														
Tire Type	Size	Tire Part #	Tube Part #	20" Spoke (451mm)	22" Spoke (501mm)	24" Spoke (540mm)	26" Spoke (590mm)	24" Tennis/ B-Ball (540mm)	26" Tennis/ B-Ball (590mm)	24" HT Tennis/ B-Ball (559mm)	26" HT Tennis/ B-Ball (700c)	23" Inter- national (520mm)	24" Mountain (507mm)	26" Mountain (559mm)
Pneumatic	20"	385250	382275											
	22"	385275	382300											
	24"	385300	382325, 382332											
	26"	384605, 385325	382350											
Latex Tubular	24"	389004	N/A											
	26"	389006	N/A											
Turbo Tread Tan HT	26"	388999	384550											
High Pressure Clincher	22"	385280	382305											
	24"	389020	382330											
	26"	389030	382355											
Int. Clincher	23"	389016	382315											
Smoker (2.1)	24"	384604	382334											
	26"	384606	382361											
Mountain (1.75)	24"	364600	382334											

TIRE REFERENCE GUIDE CONTINUED ON NEXT PAGE

Tire Type	Size	Tire Part #	Tube Part #	CYCL-ONE	MACH 2					
				Cycl-one	24" Mag	24" Spoke	26" Pneu Blk.	26" HP Clinch	26" Off-Rd Knob.	
Pneumatic	24"	385295	382325							
High Pressure Clincher	24"	389020	382330							
Off-road Knobbie (1.75)	26"	385636	382365							
Black Commuter	20"	385241	382275							
High Performance Knobbie	26"	385335	382325							
	26"	385340	384551							
	20"	385255	382275							

Tire Type	Size	Tire Part #	Tube Part #	3D			KIDZ BIKE	
				24" Spoke	24" Tennis/ BB	24" HT Tennis/ BB	20" Spoke	20" Mag
Pneumatic	24"	385300	382325					
Latex Tubular	24"	389004	N/A					
High Pressure Clincher	24"	389020	382330					
Black Knobbie	20"	385241	382275					
	20"	385255	382275					

TIRE REFERENCE GUIDE (CONT.)

PNEUMATIC (*Cheng Shin*)

- Air-filled tires, light, shock absorbent, maneuverable, good traction.
- Psi per Sidewall,
20"-26" x 1 3/8"

LATEX TUBULAR (*also known as Continental, Sew Ups, Gum Rubber*)

- Ultra lightweight, stretches to fit different rims, minimal roll resistance for maximum shock absorbency.
- Psi per Sidewall,
24"-26" x 1"

HIGH-PRESSURE CLINCHER (*Primo*)

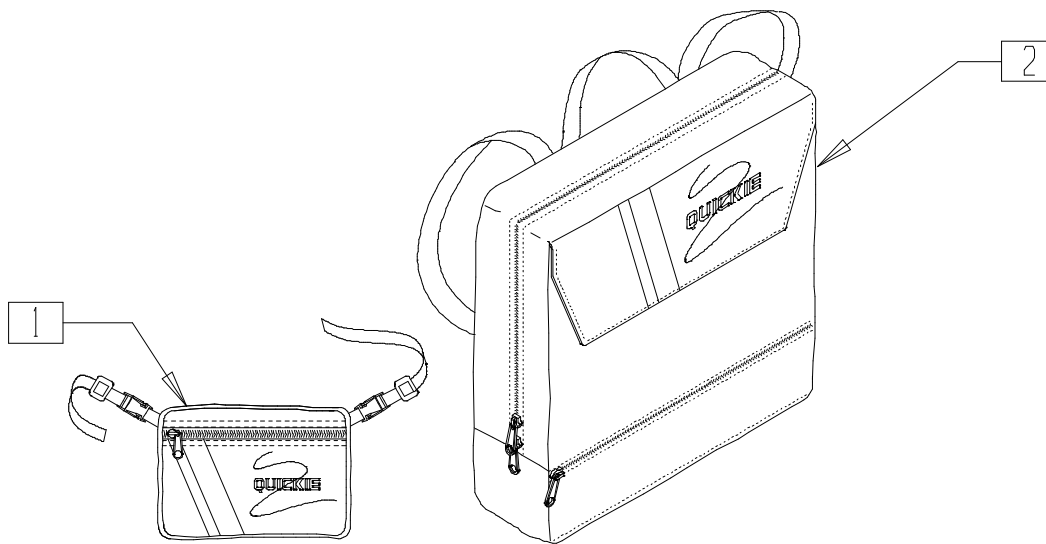
- High performance tire option for everyday user, extremely lightweight, uses an inner tube which allows for repairs, says "Primo" on sidewall.
- Psi per Sidewall,
24" x 1" (25mm x 540mm)
26" x 1" (25mm x 559mm)
26" x 1" (25mm x 590mm)
26" x 1" (25mm x 700mm)

Accessories

IN THIS SECTION

Backpack and Seat Pouch (Quickie)	11.1	Positioning Belts.....	11.6
Catch-alls	11.2	Positioning Belt (Quickie Mach 2).....	11.6
Crutch Pouch	11.2	Side Guards (Quickie 3D/Kidz Bike/Mach 2).....	11.7
Cyclometers	11.3	Plastic Side Guard (Quickie All Court)	11.8
Fender (Quickie Cycl-one) (Disc.).....	11.3	Side Guards (Quickie Heat).....	11.8
Fender (Cyclone)	11.4	Spoke Guards	11.9
Fender (Quickie Mach 2)	11.4	Spoke Guards (Sport)	11.10
Floor Pump.....	11.5	Spoke Guard (Sport) Reference Guide.....	11.10
Friction Tape.....	11.5	Tool Kit (Quickie Cyclone).....	11.11
Glue.....	11.5	Tool Kit (Quickie Mach 2)	11.11
Helmet.....	11.5	Tow Bar (Quickie Mach 2).....	11.12
Impact Guards.....	11.6	Water Bottle	
Leg Straps (Quickie All Court/Matchpoint)	11.6	(Quickie Cyclone/Kidz Bike/Mach 2).....	11.12

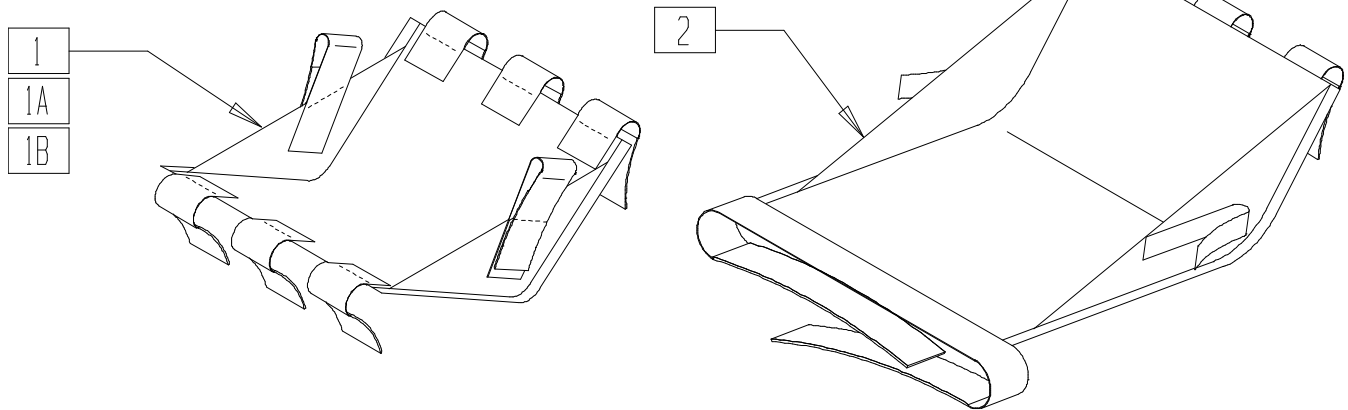
BACKPACK AND SEAT POUCH (QUICKIE)



SHAC0X01

ITEM	NUMBER	DESCRIPTION	QTY
1	750304- 750306	SEAT POUCH	1
2	750120- 750125	BACKPACK	1

CATCH-ALLS

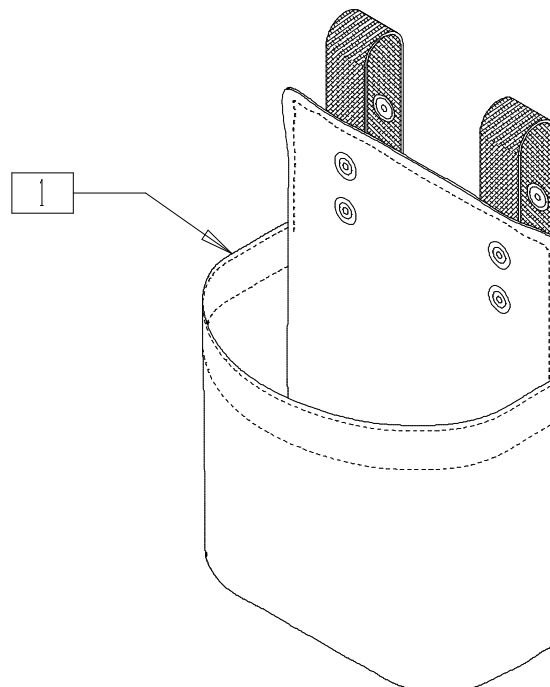


AC0X029

ITEM	NUMBER	DESCRIPTION	QTY
1	750340	CATCH-ALL SMALL 12"-16"	1
1A	750341	CATCH-ALL LARGE 17"-20"	1
1B	750337	CATCH-ALL QUICKIE 1 AND 2 SMALL	1

ITEM	NUMBER	DESCRIPTION	QTY
2	750338	CATCH-ALL DT 85°/GP-GPV SMALL	1
	750336	CATCH-ALL DT 85°/GP-GPV LARGE	

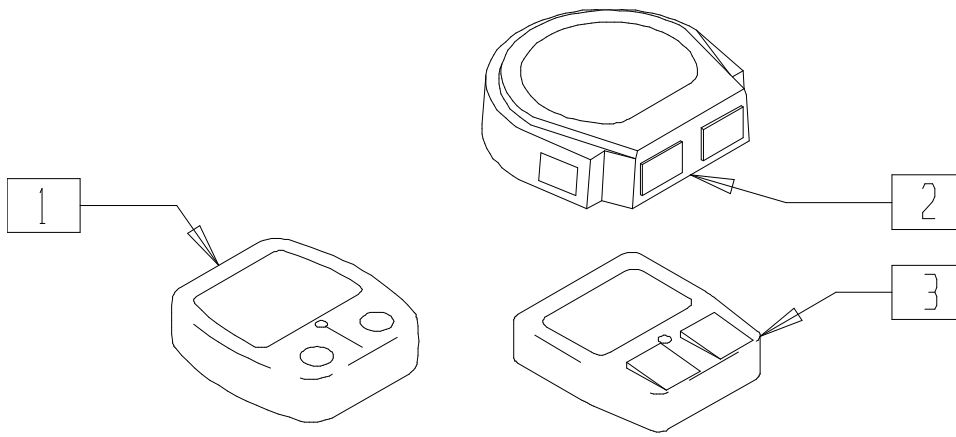
CRUTCH POUCH



AC0X043

ITEM	NUMBER	DESCRIPTION	QTY
1	750323	CRUTCH POUCH	1

CYCLOMETERS

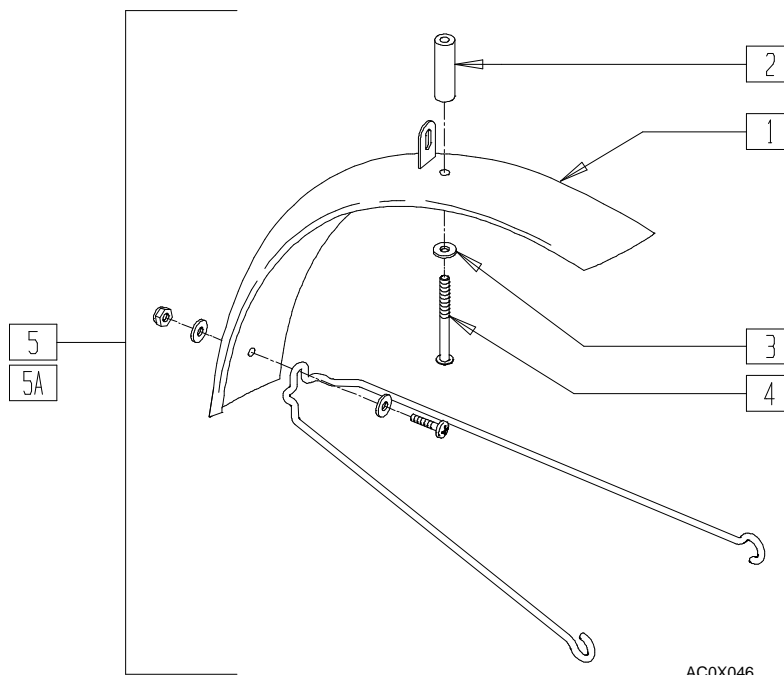


COMPUTER

ITEM	NUMBER	DESCRIPTION	QTY
1	444100	COMP MULTIFUNCTION W/CADENCE (CYCL-ONE, MACH 2, MACH 3)	1
2	444104	COMP CATEYE CORDLESS 2 (RACER)	1
3	443032	COMP CATEYE MITTY 2 (RACER)	1

FENDER (QUICKIE CYCL-ONE)

(Discontinued 2/1/00 - parts only)

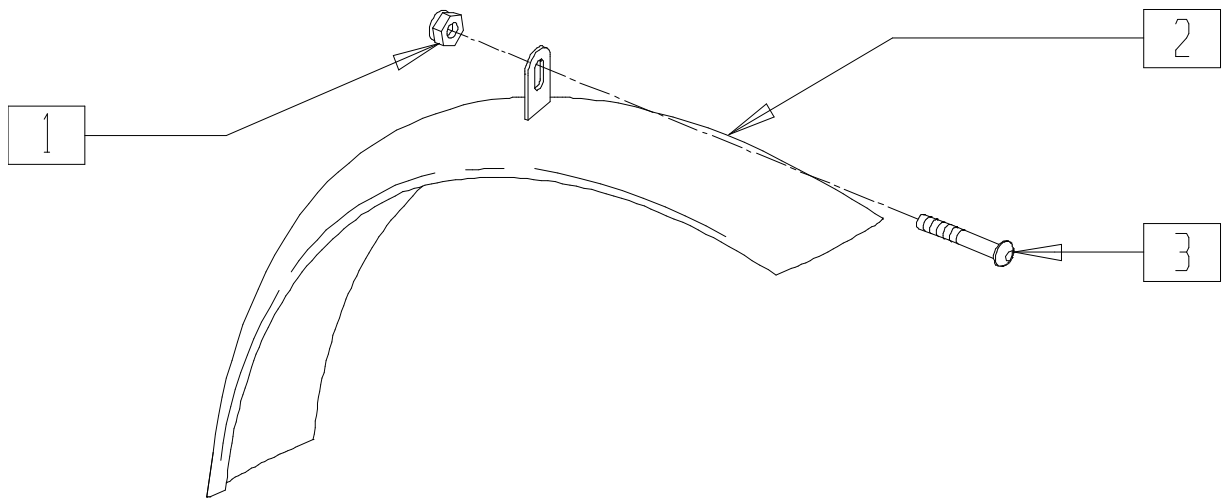


AC0X046

ITEM	NUMBER	DESCRIPTION	QTY
1	444097	FENDER 20" CHROME 44mm	1
2	561038	HANDRIM SPACER (LONG)	1
3	262099	3/16 ALUMINUM WASHER BACKUP	1
4	281175	10-32 x 2 1/8 PAN PHIL SS	1
5	444096	FENDER 20" CHROME W/SPACER	
5A	444097*	FENDER 20" CHROME 44MM	

NOTE: ORDER 444097 WHEN USING SECOND HAND BRAKE.

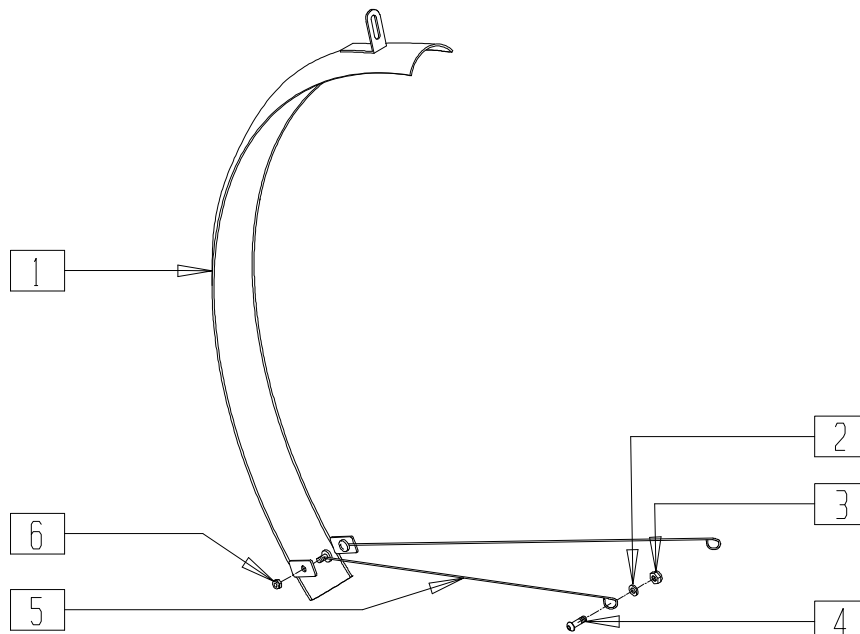
FENDER (CYCLONE)



CYC00X07

ITEM	NUMBER	DESCRIPTION	QTY
1	201110	1/4-28 NYLOCK NUT	1
2	444098	FENDER SPLASH GUARD	1
3	226129	1/4-28 x 1 1/4 BH C/S	1

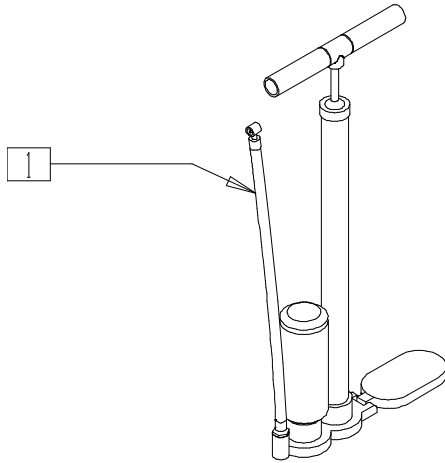
FENDER (QUICKIE MACH 2)



LC00X22

ITEM	NUMBER	DESCRIPTION	QTY
2	262099	3/16 ALUM WASHER BACKUP	2
3	200101	10-32 NYLOCK NUT THIN	1
4	226211	10-32 x 1/2 HEX C/S SS	1
1,5,6	442064	FENDER FRONT FROM REC 2634	

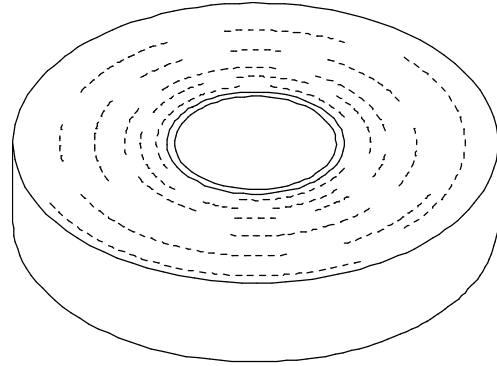
FLOOR PUMP



LC00X21

ITEM	NUMBER	DESCRIPTION	QTY
1	389050	TIRE PUMP	1

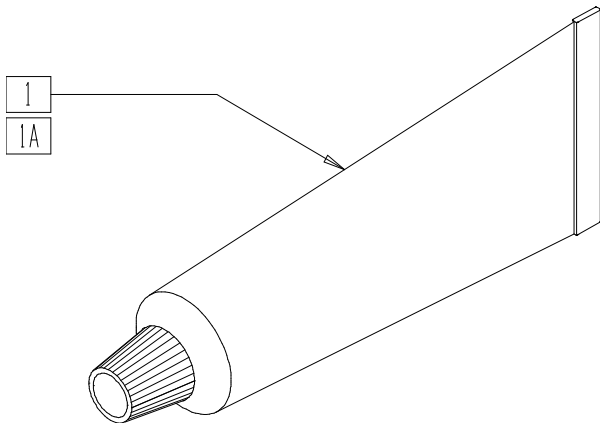
FRICTION TAPE



AC0X049

ITEM	NUMBER	DESCRIPTION	QTY
1	160236	TAPE FRICTION	1

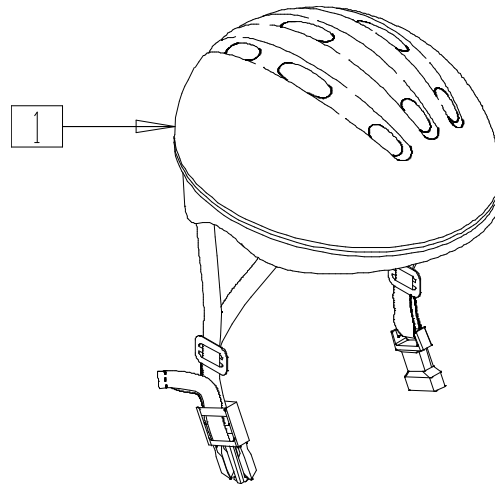
GLUE



AC0X047

ITEM	NUMBER	DESCRIPTION	QTY
1	160227	HANDBALL GLUE HR	1
1A	381351	OP TUBULAR TIRE GLUE	1

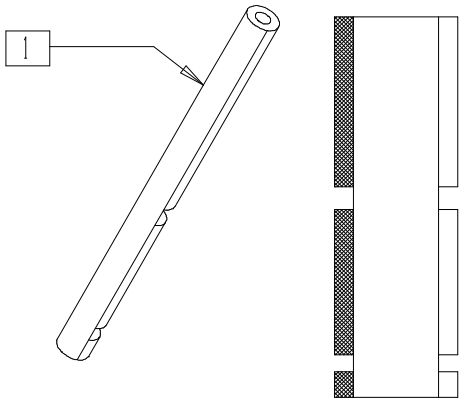
HELMET



AC0X044

ITEM	NUMBER	DESCRIPTION	QTY
1	440072	HELMET BREEZE MED BLK	1
	440070	HELMET BREEZE LG BLK	
	440092	HELMET MED/LG WHITE	
	440090	HELMET LG/XLG WHITE	

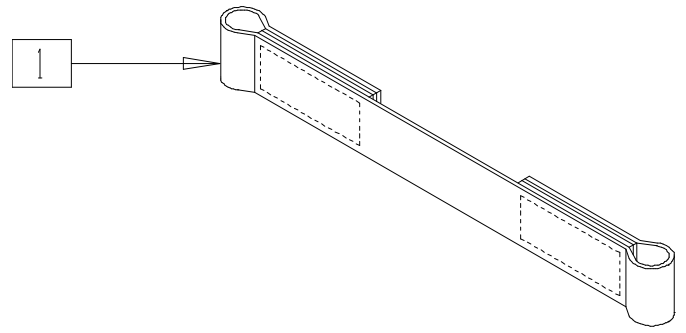
IMPACT GUARDS



AC0X039

ITEM	NUMBER	DESCRIPTION	QTY
1	750324	IMPACT COVER GUARDS SM (PR)	1
	750325	IMPACT COVER GUARDS STD (PR)	
	750326	IMPACT COVER GUARDS LRG (PR)	
	580060	IMPACT GUARD VINYL TUBING 24"	

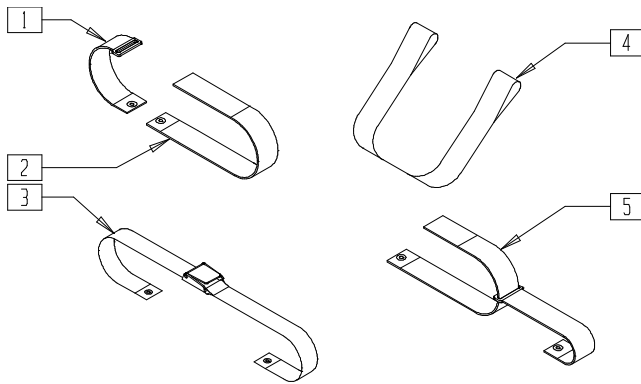
LEG STRAPS (QUICKIE ALL COURT/ MATCHPOINT)



FT0X015

ITEM	NUMBER	DESCRIPTION	QTY
1	740111-740132	LEG STRAP 10"-20" (EA)	1

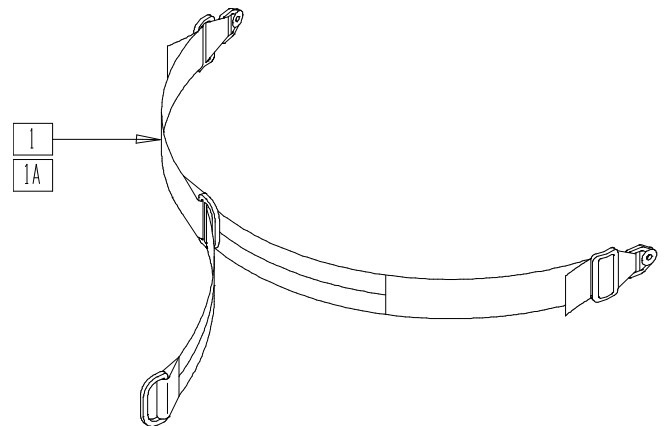
POSITIONING BELTS



RBY0X09A

ITEM	NUMBER	DESCRIPTION	QTY
1	750220	LEG STRAP W/BUCKLE® 3D	1
2	750221	LEG STRAP W/VELCRO® 3D	1
1,2	740222	LEG STRAP ASSM 3D	
3	751025	POSITION BELT NYLON BKL (SPECIFY DIMENSIONS)	1
4	740068	LONG STRAP (QR)	1
5	751020	POSITIONING BELT HK/LP CLS (SPECIFY DIMENSIONS) (QUAD RUGBY/RACER)	1

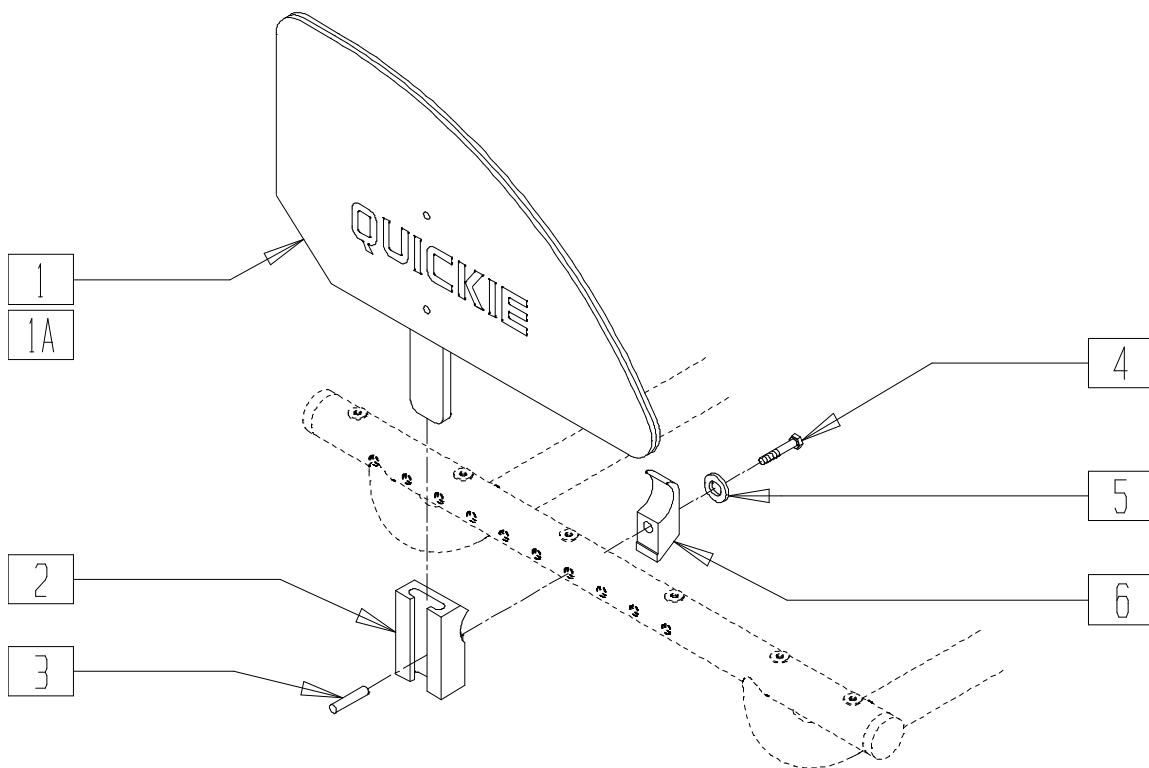
POSITIONING BELT (QUICKIE MACH 2)



LC00X19

ITEM	NUMBER	DESCRIPTION	QTY
1	450410	CZ BELT 2" W/VELCRO® 34"	1
1A	450413	CZ BELT 2" W/VELCRO® 40"	1

SIDE GUARDS (QUICKIE 3D/KIDZ BIKE/MACH 2)

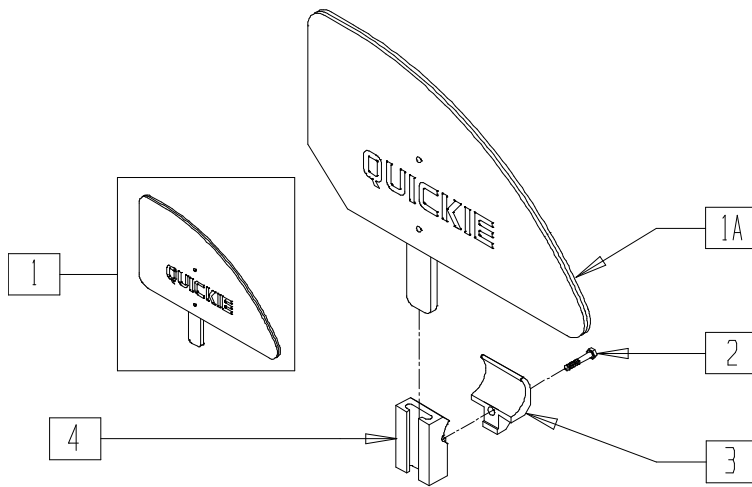


LC00X11

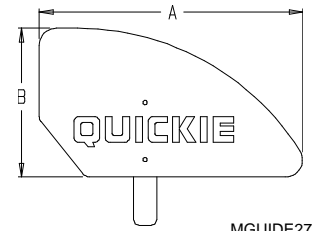
ITEM	NUMBER	DESCRIPTION	QTY
1	881150, 881151	PLASTIC SIDE GUARD KDS (EA)	1
1A	881152, 881153	PLASTIC SIDE GUARD STD (EA)	1
2	550327	SIDE GUARD REC W/HOLE (M2/M3)	1
	550325	SIDE GUARD/KIDZ ARM REC (3D)	
3	483093	SIDE GUARD PIN M3/M2	1
	341130	1/4 x 1 1/8 ROLL PIN SS	
4	221127	1/4-28 x 1 3/8 HEX C/S	

ITEM	NUMBER	DESCRIPTION	QTY
5	262110	1/4 AN WASHER FLAT THIN	1
6	550251	CLAMP P300 CHRNG/ADJ FL KIDS	1
2-6	881202	SIDE GUARD REC W/CLMP (M2/M3)	
2,4-6	881200	SIDE GRD/KIDZ ARM REC W/CLMP (3D)	
1A,2-6	901115	SIDE GUARD ASSM STD M3/M2	
1-6	901116	SIDE GUARD ASSM KIDS M3/M2	
1,2,4-6	901111	PLASTIC SIDE GUARD KDS ASSM (3D)	
1A,2,4-6	901110	PLASTIC SIDE GUARD STD ASSM (3D)	

PLASTIC SIDE GUARD (QUICKIE ALL COURT/MATCHPOINT)



MEASURING GUIDE



MGUIDE27

	"A"	"B"
ADULT	12 3/4"	8 5/8"
KIDS	11 1/2"	6 1/2"

Drawing shows right side

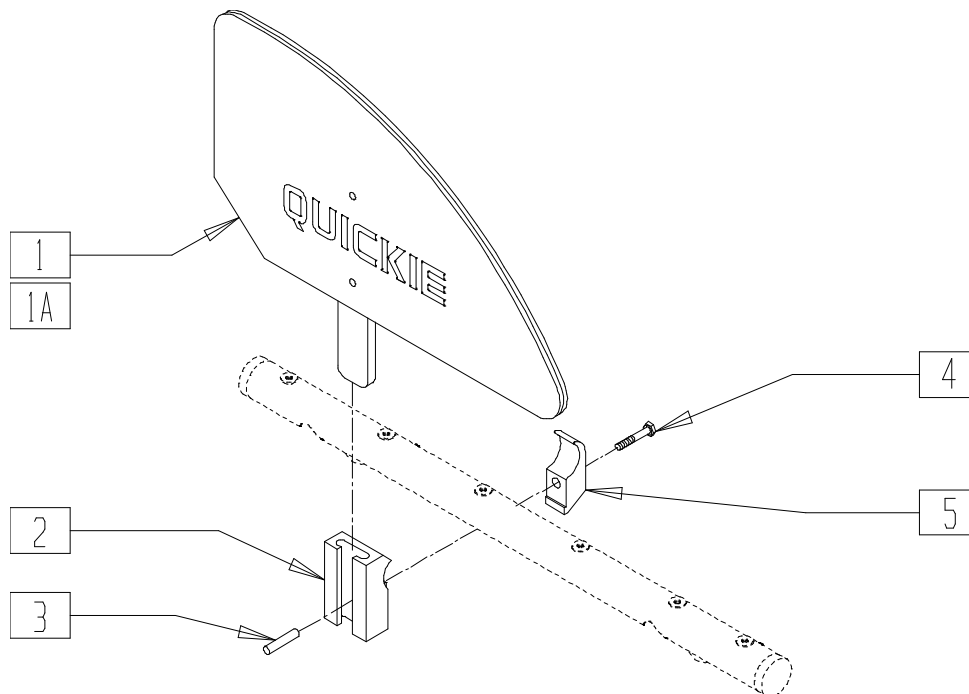
ALC_SDGD

ITEM	NUMBER	DESCRIPTION	QTY
1	881150, 881151	PLASTIC SIDE GUARD KIDS (EA)	1
1A	881152, 881153	PLASTIC SIDE GUARD STD (EA)	1
2	226142	1/4-20 x 1 SOC HD C/S	1

ITEM	NUMBER	DESCRIPTION	QTY
3	550425	SIDE GUARD CLAMP BLK QTNT	1
4	550428	SIDE GUARD RECEIVER BLK QTNT	1
1-4	901093	PLST SIDE GUARD KIDS AC (PR)	
1A,2-4	901092	PLST SIDE GUARD STD AC (PR)	

NOTE: WHEN ORDERING PLASTIC SIDEGUARDS MATCHPOINT CHAIR SHOULD HAVE BACK RELEASE BRACKET ASSEMBLY 920568 OR 920569 FOUND ON PAGES 2.6 AND 2.7 OF THIS PARTS MANUAL.

SIDE GUARDS (QUICKIE HEAT)

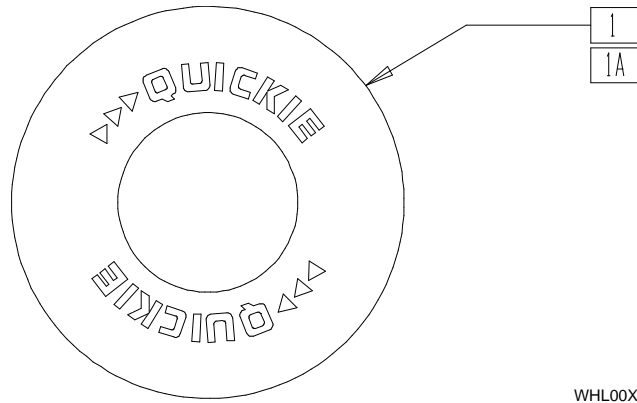


RG000X13

ITEM	NUMBER	DESCRIPTION	QTY
1	881150, 881151	PLASTIC SIDE GUARD KDS (EA)	1
1A	881152, 881153	PLASTIC SIDE GUARD STD (EA)	1
2	550326	QC SIDE GUARD REC	1

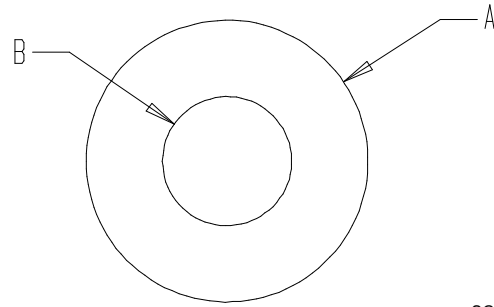
ITEM	NUMBER	DESCRIPTION	QTY
3	341130	1/4 x 1 1/8 ROLL PIN SS	1
4	226112	1/4-28 x 1 SOC C/S BLK	1
5	550723	HB CLAMP 3/4" NO NOTCH ST/DT	1
1A,2-4	901130	SIDE GUARD ASSM STD HQR	
1-5	901131	SIDE GUARD ASSM KIDS HQR	

SPOKE GUARDS



WHL00X24

MEASURING GUIDE

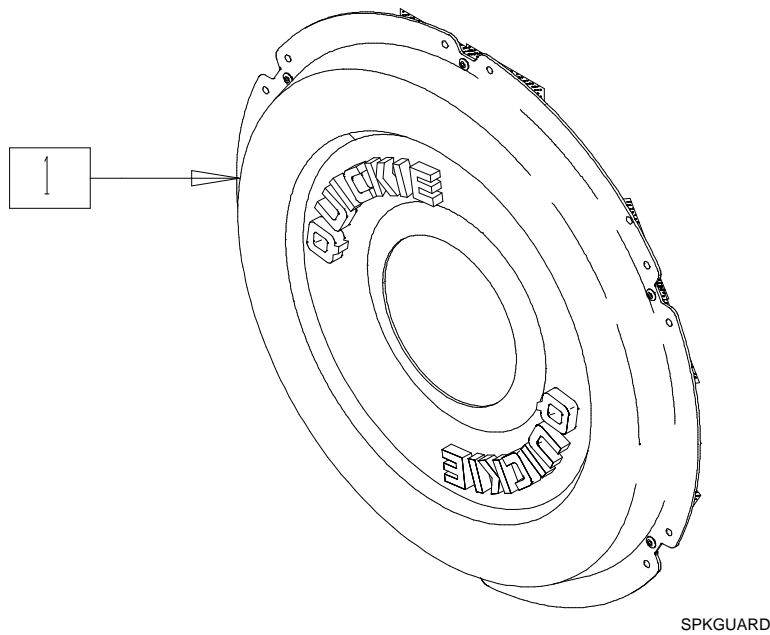


SG1

ITEM	NUMBER	DESCRIPTION	QTY
1	902054, 902056	QUICKIE SPOKE GUARDS CLR (PR)	1
1A	902001, 902011, 902021, 902025, 902037, 902038	QUICKIE SPOKE GUARDS BLK (PR)	1

SPOKE GUARD	NUMBER	DIA.A	DIA.B
SPOKE GUARDS 24" OP CLEAR	902054	20 1/2"	10 1/4"
SPOKE GUARDS 26" OP CLEAR	902056	23 1/2"	10 1/4"
SPOKE GUARDS 20" QUICKIE BLK	902001	15 7/8"	8 1/4"
SPOKE GUARDS 22" QUICKIE BLK	902011	18 1/8"	8 1/4"
SPOKE GRDS 24" SCR MT BLK (24" STD)	902021	19 1/2"	10 3/8"
SPOKE GRDS 24" TAB MT BLK (24" HT)	902025	19 5/8"	10 1/4"
SPOKE GRDS 26" TAB MT BLK (26" STD)	902037	22"	10 1/4"
SPOKE GUARDS 26" HT BLK (26" HT)	902038	23 1/4"	10 3/8"

SPOKE GUARDS (SPORT)



ITEM	NUMBER	DESCRIPTION	QTY
1	902072-902077	SPK GRD 24" SPRT HI PRFL W/TIE	1

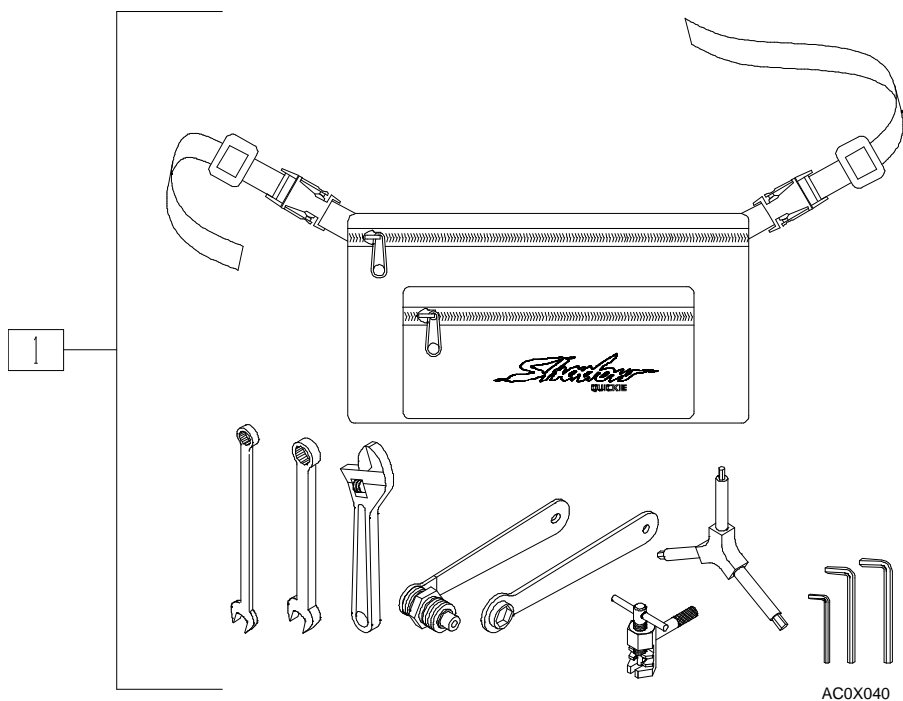
SPOKE GUARD (SPORT) REFERENCE GUIDE

Wheel/ Hand Rim	24" Sport Hi Profile 902072	24" Sport Low Profile 902073	24" H.T. Sport Hi Profile 902076	24" H.T. Sport Low Profile 902077
24" STD RIM (540mm) ANODIZED or PAINTED HR REG or LONG TAB	◆	◆		
24" STD RIM (540mm) ANODIZED or PAINTED HR SHORT TAB		◆		
24" STD RIM (540mm) PLASTIC COATED HR REG or LONG TAB	◆	◆		
24" STD RIM (540mm) PLASTIC COATED HR SHORT TAB		◆		
24" STD RIM (540mm) ANY STYLE HR SCREW TAB	◆◆	◆◆		
24" H.T. RIM (559mm) ANODIZED or PAINTED HR REG or LONG TAB			◆	◆
24" H.T. RIM (559mm) ANODIZED or PAINTED HR SHORT TAB				◆

Wheel/ Hand Rim	24" Sport Hi Profile 902072	24" Sport Low Profile 902073	24" H.T. Sport Hi Profile 902076	24" H.T. Sport Low Profile 902077
24" H.T. RIM (559) PLASTIC COATED HR REG or LONG TAB			◆	◆
24" H.T. RIM (559) PLASTIC COATED HR SHORT TAB				◆
26" STD RIM (590) ANY STYLE HR REG or LONG TAB			◆◆◆	◆◆◆
26" STD RIM (590) ANY STYLE HR SHORT TAB				◆◆◆
26" STD RIM (590) ANY STYLE HR SCREW TAB			◆◆◆	◆◆◆
26" H.T. RIM (700C) ANY STYLE HR REG or LONG TAB			◆◆◆	◆◆◆
26" H.T. RIM (700C) ANY STYLE HR SHORT TAB			◆◆◆	◆◆◆

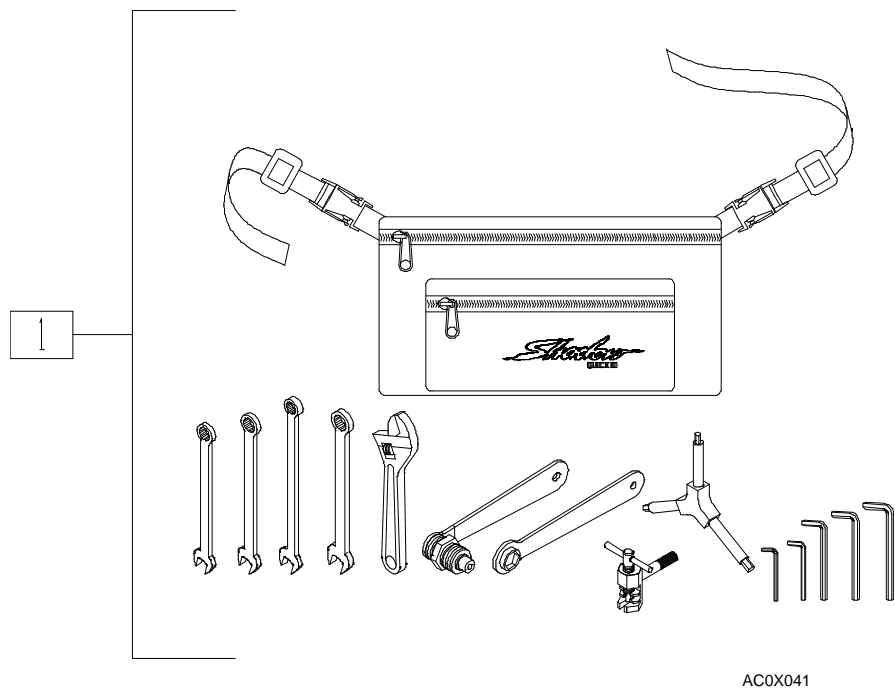
- ◆ RECOMMENDED BEST FIT
- ◆◆ EXTRA EFFORT TO INSTALL: DAMAGE TO SPOKE GUARD OR WHEEL MAY OCCUR, BUT THEY WILL FIT AND FUNCTION O.K.
- ◆◆◆ EXTRA LARGE HANDRIM/WHEEL ASSEMBLY: SPOKE GUARDS NOT DESIGNED FOR THIS SIZE, BUT THEY WILL FIT AND FUNCTION O.K.

TOOL KIT (QUICKIE CYCLONE)



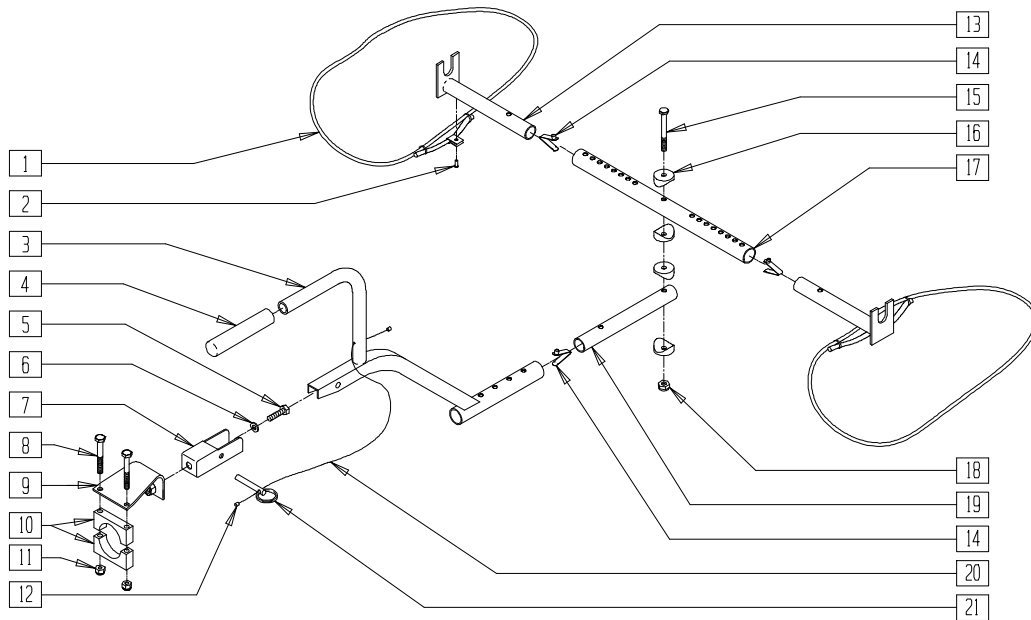
ITEM	NUMBER	DESCRIPTION	QTY
1	349888	TOOL KIT CYC	1

TOOL KIT (QUICKIE MACH 2)



ITEM	NUMBER	DESCRIPTION	QTY
1	349995	TOOL KIT MACH 3/2	1

TOW BAR (QUICKIE MACH 2)

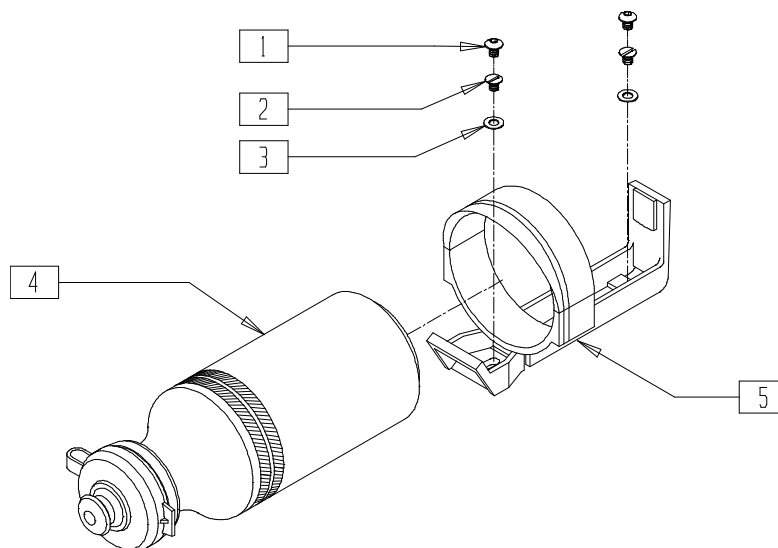


LC00X15A

ITEM	NUMBER	DESCRIPTION	QTY
1,2,13	881252	HITCH SUPPORT W/BUNGIE	
3,4,12,20,21	442309	TOW BAR DOWN TUBE W/FOAM	
5	222302	3/8 x 1 HEX HD BLT	1
6	263138	3/8 x 5/8 WASHER SS	1
7	520087	TRAILER HITCH FRAME REC	1
8	221180	1/4-28 x 2 1/2 HEX C/S	2
9	501150	TRAILER HITCH M2	1
10	501151	TRAILER HITCH CLAMP M2	2
11	201110	1/4-28 NYLOCK NUT	2

ITEM	NUMBER	DESCRIPTION	QTY
14	301100	1/4" SNAP BTTN SINGLE B-130	3
15	226308	1/4-20 x 2 3/4 HEX C/S SS	1
16	561003	3/4" SADDLE THIN	4
17	520088	TRAILER HITCH CROSS PIECE	1
18	201136	1/4-20 NYLOCK NUT HIGH	1
19	520085	TOW BAR EXT TUBE ANO	1
8-12	920395	TOW BAR ADAPTER M2	
14,19	881253	TOW BAR EXT W/SNAP BTTN	
1-7,12-21	442310	TOW BAR COMPLETE M3	
1-21	442311	TOW BAR COMPLETE M2	

WATER BOTTLE (QUICKIE CYCLONE/KIDZ BIKE/MACH 2)



AC0X036

ITEM	NUMBER	DESCRIPTION	QTY
1	226042	10-24 x 1/2 BH C/S SS	2
2	281122	10-32 x 3/4 PAN PHIL (CYCLONE)	2
3	262099	3/16 ALUM WASHER BACKUP	2
4	929106	QUICKIE WATER BOTTLE	1

ITEM	NUMBER	DESCRIPTION	QTY
5	444129	LOCKJAW BOTTLE CAGE	1
2-5	920396	WATER BOTTLE AND CAGE ASSM C1/M2	
1,3-5	921396	WATER BOTTLE AND CAGE ASSM M3	

Quickie Sports Products

Part Number	Part Description	Unit U/M	List Price	Disct. Code	Part Number	Part Description	Unit U/M	List Price	Disct. Code
100605	BUNGEE 9"	EA	3.40	S	105792	SEAT FOAM 19" X 13" X 2"	EA	21.47	M
100610	BUNGEE STRAP 15" RUBBER	EA	3.90	S	105802	SEAT FOAM 19" X 14" X 2"	EA	21.47	M
101019	24" RIM BLK	EA	40.93	M	105812	SEAT FOAM 19" X 15" X 2"	EA	21.47	M
105102	SEAT FOAM 12" X 10" X 2"	EA	21.47	M	105822	SEAT FOAM 19" X 16" X 2"	EA	21.47	M
105112	SEAT FOAM 12" X 11" X 2"	EA	21.47	M	105832	SEAT FOAM 19" X 17" X 2"	EA	21.47	M
105122	SEAT FOAM 12" X 12" X 2"	EA	21.47	M	105842	SEAT FOAM 19" X 18" X 2"	EA	21.47	M
105132	SEAT FOAM 12" X 13" X 2"	EA	21.47	M	105882	SEAT FOAM 20" X 12" X 2"	EA	21.47	M
105202	SEAT FOAM 13" X 10" X 2"	EA	21.47	M	105892	SEAT FOAM 20" X 13" X 2"	EA	21.47	M
105212	SEAT FOAM 13" X 11" X 2"	EA	21.47	M	105902	SEAT FOAM 20" X 14" X 2"	EA	21.47	M
105222	SEAT FOAM 13" X 12" X 2"	EA	21.47	M	105912	SEAT FOAM 20" X 15" X 2"	EA	21.47	M
105232	SEAT FOAM 13" X 13" X 2"	EA	21.47	M	105922	SEAT FOAM 20" X 16" X 2"	EA	21.47	M
105242	SEAT FOAM 13" X 14" X 2"	EA	21.47	M	105932	SEAT FOAM 20" X 17" X 2"	EA	21.47	M
105252	SEAT FOAM 13" X 15" X 2"	EA	21.47	M	105942	SEAT FOAM 20" X 18" X 2"	EA	21.47	M
105262	SEAT FOAM 13" X 16" X 2"	EA	21.47	M	134152	CABLE BRAKE EJAC	EA	0.80	S
105272	SEAT FOAM 13" X 17" X 2"	EA	21.47	M	134160	HOUSING BRAKE	FT	5.90	S
105282	SEAT FOAM 13" X 18" X 2"	EA	21.47	M	139113	BACKREST REL CABLE ST/DT	EA	1.08	S
105292	SEAT FOAM 13" X 19" X 2"	EA	21.47	M	150490	DECAL MAG REFLECTOR M2	EA	1.50	S
105298	SEAT FOAM 14" X 10" X 2"	EA	21.47	M	160227	HANDBALL GLUE HR	EA	32.20	S
105302	SEAT FOAM 14" X 12" X 2"	EA	21.47	M	160236	TAPE FRICTION	EA	6.30	S
105308	SEAT FOAM 14" X 11" X 2"	EA	21.47	M	180018	CAGE SIDE FOAM 24" KAN SKI	EA	2.80	S
105312	SEAT FOAM 14" X 13" X 2"	EA	21.47	M	200100-QU	10-32 NYLOCK NUT	EA	0.74	M
105322	SEAT FOAM 14" X 14" X 2"	EA	21.47	M	200101-QU	10-32 NYLOCK NUT THIN	EA	0.81	M
105332	SEAT FOAM 14" X 15" X 2"	EA	21.47	M	200103	10-32 NUT NYLON	EA	0.81	P
105342	SEAT FOAM 14" X 16" X 2"	EA	21.47	M	200108	10-32 NYLOCK NUT HIGH SS	EA	0.54	S
105352	SEAT FOAM 14" X 17" X 2"	EA	21.47	M	200350	1/4 X 7/8 COUPLING NUT	EA	0.64	M
105362	SEAT FOAM 14" X 18" X 2"	EA	21.47	M	201100-QU	1/4-28 NYLOCK NUT THIN	EA	1.13	M
105402	SEAT FOAM 15" X 12" X 2"	EA	21.47	M	201105	1/4-20 NYLOCK NUT THIN	EA	1.13	M
105412	SEAT FOAM 15" X 13" X 2"	EA	21.47	M	201110-QU	1/4-28 NYLOCK NUT	EA	1.13	M
105422	SEAT FOAM 15" X 14" X 2"	EA	21.47	M	201112	1/4-28 NUT THIN	EA	0.74	M
105432	SEAT FOAM 15" X 15" X 2"	EA	21.47	M	201120	1/4-28 AUTOMATION NUT	EA	0.74	M
105442	SEAT FOAM 15" X 16" X 2"	EA	21.47	M	201121	1/4-20 NUT THIN	EA	0.74	M
105452	SEAT FOAM 15" X 17" X 2"	EA	21.47	M	201129	1/4-20 ACORN NUT ZP	EA	1.20	S
105462	SEAT FOAM 15" X 18" X 2"	EA	21.47	M	201132	1/4-20 HEX NUT KEP ZINC	EA	1.13	P
105502	SEAT FOAM 16" X 12" X 2"	EA	21.47	M	201135	1/4-20 NYLOCK NUT LOW SS	EA	1.19	S
105512	SEAT FOAM 16" X 13" X 2"	EA	21.47	M	201136	1/4-20 NYLOCK NUT HIGH	EA	1.19	S
105522	SEAT FOAM 16" X 14" X 2"	EA	21.47	M	201200	7/16-14 NUT	EA	0.60	S
105532	SEAT FOAM 16" X 15" X 2"	EA	21.47	M	201206	8-32 NUT ACORN SS	EA	1.20	S
105542	SEAT FOAM 16" X 16" X 2"	EA	21.47	M	201208	10-32 HEX NUT SS	EA	0.10	S
105552	SEAT FOAM 16" X 17" X 2"	EA	21.47	M	201216	5/16-18 JAM NUT SS	EA	0.54	S
105562	SEAT FOAM 16" X 18" X 2"	EA	21.47	M	201222	8-32 NYLOCK SS	EA	0.60	S
105598	SEAT FOAM 17" X 12" X 2"	EA	21.47	M	201234	3/8-16 NYLOCK NUT THIN	EA	0.44	S
105602	SEAT FOAM 17" X 14" X 2"	EA	21.47	M	201236	10-32 NYLOCK NUT WING	EA	3.10	S
105606	SEAT FOAM 17" X 13" X 2"	EA	21.47	M	201240	1/4-20 NYLOCK NUT SS	EA	0.37	S
105612	SEAT FOAM 17" X 15" X 2"	EA	21.47	M	201242	3/8-16 NYLOCK NUT HIGH SS	EA	2.20	S
105622	SEAT FOAM 17" X 16" X 2"	EA	21.47	M	201252	3/8-16 NYLOCK JAM NUT SS	EA	2.20	S
105632	SEAT FOAM 17" X 17" X 2"	EA	21.47	M	201300	#10 X 3/4 OVAL HD SMS SS	EA	0.60	S
105642	SEAT FOAM 17" X 18" X 2"	EA	21.47	M	201304	1/4-20 X 1 1/4 PAN MS SS	EA	1.20	S
105682	SEAT FOAM 18" X 12" X 2"	EA	21.47	M	201306	1/4-20 X 1 PAN MS SS	EA	0.70	S
105692	SEAT FOAM 18" X 13" X 2"	EA	21.47	M	201308	1/4-20 X 3/4 PAN MS SS	EA	1.20	S
105702	SEAT FOAM 18" X 14" X 2"	EA	21.47	M	201312	#6 X 1/2 PAN PHL TS	EA	0.40	S
105712	SEAT FOAM 18" X 15" X 2"	EA	21.47	M	201324	#8 X 5/8 PAN PHIL SS	EA	0.40	S
105722	SEAT FOAM 18" X 16" X 2"	EA	21.47	M	201330	5/16-18 X 1 SH C/S SS	EA	2.20	S
105732	SEAT FOAM 18" X 17" X 2"	EA	21.47	M	201332	5/16-24 X 4 SOC C/S BLK	EA	3.40	S
105742	SEAT FOAM 18" X 18" X 2"	EA	21.47	M	201334	10-32 X 1 1/2 SOC C/S	EA	0.90	S
105782	SEAT FOAM 19" X 12" X 2"	EA	21.47	M	201336	10-32 X 1 SOC C/S SS	EA	0.30	S

Prices and Specifications are subject to change without prior notice.

Upcharges

There is an upcharge for custom color frames and custom color parts. Upcharge costs are as follows:

Custom color frames:	\$105.00/frame
Custom color parts:	\$30.00/part
Premium color frames:	contact Customer Service
Kolorfusion frames:	contact Customer Service

Discount Codes

B = Breezy; M = Manual; P = Power; S/P = Seating/Positioning; S = Shadow/Quickie Sports

Quickie Sports Products

Part Number	Part Description	Unit U/M	List Price	Disct. Code
201338	10-32 X 2 SOC C/S SS	EA	1.20	S
201340	3/8-16 X 2 1/2 SOC C/S	EA	5.60	S
201342	6 X 1 X 20MM SOC C/S	EA	1.20	S
201345	5/16-18 X 2 TRUSS SLTD	EA	2.60	S
202100-MJ	5/16-24 NYLOCK NUT THIN	EA	0.74	M
202102	5/16-18 NYLOCK NUT THIN	EA	0.74	M
202103	5/16-18 NYLOCK NUT THICK	EA	0.74	M
202104	5/16-24 NYLOCK NUT	EA	1.13	M
202108	5/16-24 HEX JAM NUT	EA	1.13	P
202110	5/16-18 NUT THIN	EA	0.74	M
203100	1/2-20 NYLOCK NUT	EA	1.13	M
203110	1/2-20 JAM NUT	EA	1.13	M
203118	1/2-13 ACORN NUT	EA	1.20	S
203120	1" HEADSET TOP NUT	EA	4.50	S
203121	1-24 HEADSET NUT	EA	7.90	S
204000	3/4-16 NUT	EA	1.13	M
204005	7/8-14 NUT JAM ZN	EA	10.10	S
210065	8-32 ACORN NUT BLK	EA	0.50	S
210150	12D X 136 BRK RECESS NUT	EA	3.70	S
220031	10-32 X 3 3/4 ALL THRD SS	EA	7.90	S
221060	1/4-28 X 1/2 BH C/S	EA	1.13	M
221105	1/4-20 X 3/4 HEX C/S	EA	1.26	S/P
221105-QU	1/4-20 X 3/4 HEX C/S	EA	1.13	M
221110	1/4-20 X 1 HEX C/S	EA	1.13	M
221116	1/4-20 X 1 SOC HD BLK	EA	1.13	S
221126	1/4-20 X 1 1/4 G8 HEX C/S	EA	1.13	M
221127	1/4-28 X 1 3/8 HEX C/S	EA	1.13	M
221133	1/4-28 X 1 1/2 G8 HEX C/S	EA	1.13	M
221135	1/4-20 X 1 3/4" STUD	EA	2.27	M
221142	1/4-20 X 3 3/4 HEX C/S	EA	1.20	S
221150	1/4-28 X 1 3/4 HEX C/S	EA	1.13	B
221151	1/4-28 X 1 3/4 G8 HEX C/S	EA	1.19	S/P
221151-QU	1/4-28 X 1 3/4 G8 HEX C/S	EA	1.13	M
221160	1/4-28 X 2 HEX C/S	EA	1.13	B
221180	1/4-28 X 2 1/2 HEX C/S	EA	1.13	B
221181	1/4-28 X 2 1/2 G8 HEX C/S	EA	1.13	M
221191	1/4-28 X 2 1/4 G8 HEX C/S	EA	1.13	M
221192	1/4-28 X 2 G8 HEX C/S	EA	1.13	M
221193	1/4-28 X 2 3/4 G8 HEX C/S	EA	1.13	M
221200	1/4-28 X 3 HEX C/S	EA	1.13	B
221201	1/4-28 X 3 G8 HEX C/S	EA	1.13	M
221213	10-32 X 7/8" HEX SEX BOLT QTNT	EA	5.00	M
222098-QU	5/16-24 X 1 1/4 HEX C/S	EA	1.30	P
222099	5/16-24 X 1 1/2 HEX C/S	EA	1.13	M
222110	5/16-24 X 1 3/4 HEX C/S	EA	1.68	M
222190	5/16-24 X 2 HEX C/S	EA	1.79	P
222200	5/16-24 X 2 1/2 HEX C/S	EA	1.68	M
222201	5/16-24 X 2 1/2" G8 HEX C/S	EA	1.20	S
222281	7/16-14 X 1.25 HEX HD BLT	EA	1.20	S
222302	3/8 X 1 HEX HD BLT	EA	1.20	S
222303	8-32 X 1/2 PAN PHIL MS SS	EA	0.50	S
225100	1/4-20 X 1/4 SET SCR	EA	1.13	M
225111	1/4-20 X 1/4 SET SCR KNRLD PT	EA	0.54	M
225200	1/4-20 X 1 SET SCR	EA	1.13	M
225999	6-32 X 1 SH C/S	EA	0.50	S
226009	10-24 X 3/8 FH C/S W/PATCH	EA	1.13	M
226014	10-32 X 3/4 FH C/S BLK	EA	1.13	M
226016	10-32 X 3/4 SOC C/S	EA	1.20	S
226018-QU	10-32 X 3/8 BH C/S W/PATCH BLK	EA	1.13	M
226020-QU	10-32 X 5/8 BH C/S BLK	EA	1.13	S/P
226040	10-32 X 2 1/4 G8 SH C/S	EA	1.10	S
226042	10-24 X 1/2 BH C/S SS	EA	0.40	S
226043	10-32 X 1/2 BH C/S BLK	EA	0.64	S
226044	10-32 X 5/8 BH C/S SS	EA	1.20	S
226045	#10 X 1.25 SMS FH PHL SS	EA	1.30	S
226051	10-32 X 3/8" BH C/S	EA	1.00	M

Part Number	Part Description	Unit U/M	List Price	Disct. Code
226058	1/4-20 X 3/4 SOC C/S	EA	1.13	M
226062	1/4-20 X 1-1/4 BH C/S W/PATCH	EA	1.20	S
226073-QU	1/4-20 X 1/2 BH C/S SS	EA	1.30	P
226080	1/4-20 X 1 1/4 BH C/S SS	EA	1.40	S
226082	1/4-20 X 1 BH C/S SS	EA	1.19	S
226085	1/4-20 X 1 1/4 FH PHL MS SS	EA	0.70	S
226086	1/4-20 X 1/2 FH PHL MS SS	EA	0.90	S
226087	1/4-20 X 2 1/2 FH PHL MS	EA	2.16	S
226088	1/4-20 X 2 1/4 FH PHL MS SS	EA	3.24	S
226089	1/4-20 X 3/4 FH PHL MS SS	EA	0.90	S
226090	1/4-28 X 5/8 BH C/S	EA	1.13	M
226099	1/4-28 X 7/8 FH C/S	EA	1.13	M
226100	1/4-28 X 3/4 BH C/S	EA	1.13	M
226101	1/4-20 X 3/4 BH C/S	EA	1.13	M
226104	1/4-20 X 3/4 SOC C/S SS	EA	1.30	P
226105	1/4-28 X 3/4 FH C/S BLK	EA	1.13	M
226107	1/4-28 X 7/8 SOC C/S	EA	1.13	M
226110	1/4-28 X 1 BH C/S	EA	1.13	M
226112	1/4-28 X 1 SOC C/S BLK	EA	1.13	M
226115	1/4 X 20 X 1 HEX C/S SS	EA	0.86	S
226120	1/4-20 X 1 BH C/S	EA	1.13	M
226121	1/4-20 X 1 FH C/S BLK	EA	1.13	M
226122	1/4-28 X 1.10 BH C/S	EA	1.13	M
226129	1/4-28 X 1 1/4 BH C/S	EA	1.13	M
226130	1/4-28 X 1 1/2 BH C/S	EA	1.13	M
226136	1/4-20 X 1 1/2 BH C/S BLK	EA	1.13	M
226138	5/16-24 X 1 1/2 BH C/S	EA	1.46	M
226140	1/4-28 X 1 3/4 BH C/S	EA	1.13	M
226142	1/4-20 X 1 SOC HD C/S	EA	0.57	M
226147	1/4-28 X 1.85 BH C/S BLK ZN	EA	1.14	M
226148	1/4-28 X 1.85 BH C/S	EA	1.30	P
226150	1/4-28 X 2 BH C/S	EA	1.13	M
226163	1/4-28 X 2 SOC C/S BLK	EA	1.13	M
226167	1/4-28 X 1.625 BH C/S BLK	EA	1.13	M
226173	3/8-16 X 3/4 BH C/S SS	EA	2.60	S
226175	5/16-18 X 3/4 BH C/S	EA	0.70	S
226177	5/16-18 X 1 1/2 CARR BLT	EA	1.20	S
226182	5/16-18 X 1 BH C/S	EA	1.30	M
226185	5/16-18 X 2 1/2 CARR BLT	EA	1.20	S
226187	5/16-18 X 3/4 CARR BLT	EA	1.20	S
226190	5/16-18 X 1 3/4 BH C/S SHLDR	EA	1.13	M
226199	5/16-18 X 3 1/2 CARR BLT	EA	1.82	M
226205	5/16-18 X 1 1/4 CARR BLT	EA	1.62	S
226209	8/32 X 5/8 FH PHL MS SS	EA	0.30	S
226211	10-32 X 1/2 HEX C/S SS	EA	0.60	S
226212	3/8-16 X 1 3/4 HEX C/S SS	EA	1.60	S
226220	8-32 X 1/2 FH SLTD MS	EA	0.60	S
226221	10-32 X 5/8 FH PHL SS	EA	0.30	S
226260	1/4-20 X 1 1/4 HEX C/S SS	EA	1.00	S
226261	1/4-20 X 2 HEX C/S SS	EA	1.50	S
226262	1/4-20 X 3 1/2 HEX C/S SS	EA	2.20	S
226280	3/8-16 X 4 HEX C/S SS	EA	6.70	S
226282	3/8-16 X 7 HEX C/S SS	EA	15.70	S
226290	5/16-24 X 2 G8 HEX C/S	EA	1.60	S
226293	5/16-24 X 2 1/4 HEX C/S	EA	0.98	S
226301	1/4-20 X 1 1/2 HEX C/S	EA	1.19	S
226304	1/4-20 X 2 1/4 HEX C/S SS	EA	1.20	S
226308	1/4-20 X 2 3/4 HEX C/S SS	EA	1.20	S
226322	3/8-16 X 3 1/2 HEX C/S SS	EA	1.40	S
240108	RIVET POP SSD64SSBS	EA	1.13	M
240192	RIVET POP AD66ABSLF	EA	0.59	S
261250	1" HEADSET KEYED WASHER	EA	1.10	S
261315	WASHER NEOPRENE .230X9/16	EA	0.50	S
261502	1/4 X 1" OD WASHER SS	EA	0.30	S
261504	1/4 X 5/8 OD WASHER SS	EA	0.22	S
261506	1/4 X 1/2 OD WASHER SS	EA	0.22	S

Quickie Sports Products

Part Number	Part Description	Unit U/M	List Price	Disct. Code	Part Number	Part Description	Unit U/M	List Price	Disct. Code
261507	3/8 X 1" OD WASHER FLAT SS	EA	0.20	S	341018	WASHER ECCENTRIC LARGE	EA	1.82	M
261509	3/8 SAE WASHER	EA	0.22	S	341050	S HOOK	EA	0.60	S
261511	3/8 X 7/8" OD WASHER FLAT SS	EA	0.44	S	341130	1/4 X 1 1/8 ROLL PIN SS	EA	0.99	S
261513	3/8 X 1" OD NYLON WASHER	EA	1.20	S	341200	1/4 X 1 ROLL PIN	EA	1.02	M
261521	5/16 X 7/8 OD CUT WASHER	EA	0.44	S	341497	10-32 X .020-.130 RIVNUT GOLD	EA	0.61	M
261524	#10 WASHER LOCK SS	EA	0.22	S	341500	10-32 X .010-.080 RIVNUT	EA	0.61	M
261526	1/2 WASHER LOCK	EA	0.20	S	341521	10-32 X 1 3/4 ALL THRD SS	EA	5.60	S
261530	1/2 SAE WASHER	EA	0.30	S	341526	#10 T-KNOB PLASTIC	EA	1.00	S/P
261535	1/4" WASHER STAR EXTERNAL	EA	0.17	M	341542	1/4-20 HANGER BOLT	EA	1.20	S
261539	1/4" WASHER SPLIT HD SS	EA	0.64	M	341547	FOOT BAR CLAMP UNIVERSAL	EA	2.40	S
262097	1/4 ID CONCAVE ALUM WASHER	EA	0.40	S	341548	BUSHING BUNGIE CORD	EA	2.40	S
262099	3/16 ALUM WASHER BACKUP	EA	0.22	S	341549	BUSHING LIFT LEVER	EA	14.60	S
262100-QU	1/4 AN WASHER FLAT	EA	0.61	M	341550	BUSHING LOWER REAR SHOCK	EA	4.50	S
262110-QU	1/4 AN WASHER FLAT THIN	EA	0.38	M	341551	HINGE BUSHING	EA	13.50	S
262114	1/4 WASHER HI COLLAR LOCK ZN	EA	0.61	M	341553	HUMMER TANG 1/4	EA	5.60	S
262120	1/4" SAE WASHER	EA	0.22	M	341566	CHAIN RING BOLT KIT	EA	14.60	S
262127	1/4 WASHER FLAT SS	EA	0.50	S	341568	CHNRNG INNER 200 34-TOOTH	EA	24.80	S
262130	6MM WASHER WAVE	EA	0.38	M	341569	CHNRNG INNR 300T 28-TOOTH	EA	31.50	S
262134	5/16 WASHER SPRING DISC	EA	1.80	S	341570	CHAIN 2X6 SP PULL ROD	EA	11.30	S
263100	5/16 AN WASHER FLAT	EA	0.38	M	341574	TOE BAR STAINLESS	EA	20.00	M
263110-QU	5/16 AN WASHER FLAT THIN	EA	0.20	M	341701	BRASS SHM .012 X 1 3/4 X 4 1/4	EA	3.40	S
263138	3/8 X 5/8" WASHER FLAT SS	EA	0.20	S	341703	5/8 NYLON CLAMP BLACK	EA	1.50	S
264100	1/2 AN WASHER FLAT	EA	0.38	M	341705	1/4-20 X 3 EYE BOLT	EA	2.20	S
265100	3/4 X 18 WASHER NARROW	EA	0.61	M	341706	1/4-20 X 4 EYE BOLT	EA	2.80	S
281110	10-32 X 1/2 PAN PHIL	EA	1.13	M	341707	5/16-18 X 3 1/4 EYE BOLT	EA	1.20	S
281115	10-32 X 3/4 SOC C/S SS	EA	0.30	S	341708	3/4 NYLON CLAMP BLACK	EA	1.10	S
281120	10/32 X 5/8 PAN HD PHIL	EA	1.13	M	341710	7/8 NYLON CLAMP	EA	1.70	S
281121	10-32 X 5/8 PAN PHIL ALUM	EA	2.38	M	341726	HANDLE BAR WEDGE RCR	EA	12.40	S
281122	10-32 X 3/4 PAN PHIL	EA	1.13	M	341727	HANDLE BAR CAP 1/2"	EA	1.10	S
281124	10-32 X 3/4 BH C/S SS	EA	1.19	S	341729	HANDRIM CLIP ASSM	EA	1.10	S
281143	10-32 X 1 1/8 PAN PHIL	EA	1.30	P	342006	CASTER CAP O-RING RUBBER	EA	1.19	M
281148	10-32 X 1 1/4 FH PHIL MS	EA	0.70	S	342015	LANYARD ATTACH RING	EA	2.27	M
281149-QU	10-32 X 1 1/2 BH C/S SS	EA	1.40	S	342061	7 SPD RAPID FIRE SHFTR SHIMANO	EA	281.00	S
281150	10-32 X 1 1/2 PAN PHIL	EA	1.13	M	342063	7 SPD SHIFTER CLICK BOX ASSM	EA	47.20	S
281175	10-32 X 2 1/8 PAN PHIL SS	EA	1.13	M	342070	CABLE BRAKE MTN	EA	3.40	S
301100	1/4" SNAP BTTN SINGLE B-130	EA	1.13	M	342072	CABLE DERAILEUR	EA	5.60	S
301109	SNAP BUTTON DUAL ONE SIDE	EA	1.35	M	342075	1/2" I.D. X 11/16" O.D. O-RING	EA	1.10	S
321102	.48 OD X 1.5" SPRING	EA	4.50	S	343072	WEB STRAP BUCKLE 2"	EA	4.50	S
321105	.50 OD X 6" SPRING	EA	6.30	S	349002	QUICK RELEASE AXLE NON-RECESS	EA	35.90	M
321110	S/A LATCH SPRING	EA	1.82	M	349032	1/4" QR PIN W/SPLIT RING	EA	3.40	S
321115	3 3/4" X .812 EXT SPRING	EA	9.00	S	349045	RELEASE PIN SPORT ANTI-TIP 3D	EA	45.00	S
321121	BACK REL SPRING L RIGID	EA	1.82	M	349050	.542 OD X .083 SPLIT RING	EA	1.00	S
321125	BACK REL SPRING R RIGID	EA	1.82	M	349057	AXLE PIN AND NUT CLEAR LONG	EA	52.00	M
321128	BACKLOCK SPRING R	EA	10.82	S	349500	1 1/8 X 1/2 BEARING	EA	10.10	M
321129	BACKLOCK SPRING L	EA	10.82	S	349502	7/8 X 5/16 BEARING	EA	7.95	M
321153	BACK REL SPRING L RIGID (NEW)	EA	1.82	M	349519	BEARING 1 1/8 X 3/8	EA	11.30	S
321154	BACK REL SPRING R RIGID (NEW)	EA	1.82	M	349521	BRNG CASTER HOUSING AEF PERC	EA	12.98	S
321163	SPRING .300 X 7/8 LONG	EA	1.62	M	349527	HEAD NYLON BEARING	EA	11.30	S
321168	SPRING .25 X 7/16	EA	1.14	M	349534	BEARING ASSEMBLY 1 1/8 CYC	EA	10.40	S
330000-QU	1/4-28 NYLOCK NUT ALUM	EA	1.13	M	349559	RUBBER BUMPER HANGER P2	EA	1.30	P
330005	5/16-24 NYLOCK NUT ALUM	EA	1.13	M	349604	HOUSING END BRAKE	EA	1.70	S
330010	1/2-20 NYLOCK NUT ALUM	EA	1.13	M	349606	HOUSING END INDEX	EA	1.70	S
330100	1/4-28 X 2 HEX C/S TI	EA	10.22	M	349626	REFLECTOR FRNT	EA	4.50	S
330110	5/16-24 X 2 1/2 HEX C/S TI	EA	10.22	M	349628	REFLECTOR REAR FROM #2350	EA	2.80	S
330200	ROD END MALE CM-3	EA	16.90	S	349630	REFLECTR RR WHL FROM 2350	EA	4.50	S
330201	ROD END FEMALE CW-3	EA	16.90	S	349632	REFLECTOR FRNT FROM 2350	EA	4.50	S
330300	BRASS SHIM 2 11/16X1 1/2X.010"	EA	2.20	S	349638	SHIM BRSS .010X1.5X3-1/16	EA	3.50	S
340012	SLEEVE COPPER STOP	EA	1.10	S	349640	SHIM BRSS .010X1.5X3-7/16	EA	3.40	S
340014	LATCH CLAMP CYC	EA	88.40	P	349660	SPACER HEAD BEARING	EA	9.00	S
340028	U HOOK ASSM CYC	EA	78.00	S	349888	TOOL KIT CYC	EA	208.00	S
340106	WASHER UPH #8	EA	0.86	S	349995	TOOL KIT MACH 3/2	EA	95.00	S
340109	7 SPD COASTER BRAKE TRIM KIT	EA	31.20	S	361250	SPOKE NIPPLE 5/8" BRASS ZN	EA	0.23	M
340125	WING NUT PIN G424	EA	2.16	P	361252	1.8 MM BRASS NIPPLE QP	EA	0.33	M
340170	BUSHING .375 X .5 X 1/2 BRONZE	EA	1.20	S	362212	24 TOOTH HUB SPRCKT 1/3/7 SPD	EA	4.20	S
340175	#10 X 3/8 X .125 NYLON WASHER	EA	1.00	S	362213	3 SPD HUB SHIFTER	EA	17.70	S
341017	WASHER ECCENTRIC	EA	4.38	M	362214	3 SPD HUB DUST CAP	EA	1.10	S

Quickie Sports Products

Part Number	Part Description	Unit U/M	List Price	Disct. Code	Part Number	Part Description	Unit U/M	List Price	Disct. Code
362215	7 SPD HUB DUST CAP	EA	1.10	S	363344	QP HUB TNNS 36H W/BRNG	PR	153.00	M
362216	HUB SNAP RING 3/7 SPEED	EA	1.10	S	363346	QP HUB HI-LO 36H QR W/BRNG	PR	113.00	M
362217	3 SPD HUB CHAIN GUIDE NUT	EA	4.20	S	363380	HUB PHIL WOOD 36 15/32 QR	EA	156.00	S
362218	3 SPD HUB SHIFTER NUT	EA	1.10	S	363383	HUB PHIL AERO SPRT 12H W/BRNG	EA	99.80	S
362219	3 SPD HUB SHIFTER BOLT	EA	1.10	S	364205	RIM WEINMAN 26 X 1 3/8 36	EA	32.00	S
362220	3 SPD HUB PULLEY CHAIN	EA	7.00	S	364220	RIM SUN 16 TUBULAR 12	EA	57.20	S
362221	3 SPD HUB CAP NUT	EA	4.20	S	364221	RIM SUN 18 TUBULAR 12	EA	57.20	S
362222	7 SPD HUB TABBED WASHER	EA	1.10	S	364222	RIM SUN 20 TUBULAR 16 M17	EA	57.20	S
362223	7 SPD HUB AXLE NUT	EA	1.00	S	364223	RIM SUN 24 CLINCHER M14A	EA	81.10	S
362224	7 SPD HUB SHIFTING ROD	EA	2.10	S	364224	RIM SUN 24 TUBULAR 28 M17	EA	81.10	S
362225	7 SPD HUB SHIFTING TUBE	EA	2.10	S	364225	RIM SUN 26 CLINCHER 28	EA	51.00	S
362226	7 SPD HUB PROTECTING BRKT	EA	5.40	S	364226	RIM SUN 600 28 TUBULAR	EA	57.20	S
362227	7 SPD HUB ADJUSTMENT SLEEVE	EA	2.10	S	364227	RIM SUN 700 28 TUBULAR	EA	51.00	S
362248	SPOKE 199MM X 2.0	EA	0.30	S	364228	RIM SUN 700 TUBULAR 36	EA	64.50	S
362250	QP SPOKE 201MM X 2.0MM	EA	0.28	M	364251	20" WHEEL RIM (SLOTTED)	EA	31.80	M
362275	QP SPOKE 226MM X 2.0MM	EA	0.28	M	364300	24" WHEEL RIM (540 MM)	EA	30.58	M
362300	QP SPOKE 244MM X 2.0MM	EA	0.28	M	364301	24" WHEEL RIM (540 MM) SLOTTED	EA	30.58	M
362305	250MM X 2.0 SPOKE	EA	0.27	S	364325	26" WHEEL RIM (590 MM)	EA	30.58	M
362318	SPOKE 190MM X 2.0	EA	0.60	S	364330	RIM SUN 700C CLNCHR 28D	EA	64.50	S
362320	SPOKE 253MM X 2.0	EA	0.40	S	364333	RIM SUN M14A 700X36 BLK	EA	81.10	S
362321	SPOKE 255MM X 2.0	EA	0.30	S	364371	20" MAG RIM 6 SPOKE	EA	91.73	M
362324	SPOKE 264MM X 2.0 STAINLESS	EA	0.37	S	364376	24" MAG RIM 6 SPOKE	EA	95.40	M
362325	QP SPOKE 270MM X 2.0MM	EA	0.28	M	369007	26" HT/700C RIM SUN M25 36H QP	EA	81.10	M
362472	SPOKE 187 MM X 2.0	EA	0.70	S	369011	24" HT/26" RIM 36H(559X23MM)QP	EA	81.10	M
362481	SPOKE 279MM X 1.8	EA	0.60	S	381230	VALVE ADAPTER PRESTA	EA	5.00	S
362482	SPOKE 282MM X 1.8	EA	0.60	S	381240	(04) VALVE STEM CAP	EA	1.00	M
362483	SPOKE 252MM X 1.8 AND CU	EA	0.70	S	381250	20" RIM STRIP	EA	1.20	M
362488	SPOKE 136MM X 1.8	EA	0.70	S	381265	22" RIM STRIP	EA	1.20	M
362489	SPOKE 161MM X 1.8	EA	0.70	S	381275	24" RIM STRIP	EA	1.20	M
362490	SPOKE 186MM X 1.8	EA	0.70	S	381280	RIM STRP KLSTP 24/26X1.75	EA	4.00	S
362491	SPOKE 229MM X 1.8 DT	EA	0.60	S	381300	26" RIM STRIP	EA	1.20	M
362492	SPOKE 231MM X 1.8 DT	EA	0.60	S	381350	QP 26" HT RIM STRIP	PR	8.10	M
362493	SPOKE 256MM X 1.8 DT	EA	0.60	S	381351	QP TUBULAR TIRE GLUE	EA	5.00	M
362501	QP SPOKE 232MM X 1.8 (15G)	EA	0.33	M	382275	20" TUBE	EA	7.40	M
362502	QP SPOKE 234MM X 2.0 (14G)	EA	0.33	M	382286	TUBE 20 X 1 1/8 PRESTA	EA	32.00	S
362504	QP SPOKE 242MM X 2.0 (14G)	EA	0.33	M	382300	22" TUBE	EA	7.40	M
362505	QP SPOKE 246MM X 2.0 (14G)	EA	0.33	M	382305	22" X 1" TUBE PRESTA VALVE	EA	7.35	S
362506	QP SPOKE 254MM X 2.0 (14G)	EA	0.33	M	382315	23" TUBE PRESTA VALVE (520MM)	EA	7.35	M
362508	QP SPOKE 274MM X 2.0 (14G)	EA	0.33	M	382325	24" TUBE	EA	7.40	M
362509	QP SPOKE 286MM X 2.0 (14G)	EA	0.33	M	382330	24" TUBE PRESTA VALVE (540MM)	EA	7.40	M
362520	QP SPOKE 240MM X 1.8 (15G)	EA	0.33	M	382332	TUBE CHENG SHIN 24 X 1 3/8	EA	4.00	S
362521	QP SPOKE 258MM X 2.0 (14G)	EA	0.33	M	382333	24X1 PANARCR TECHNVA II CLNCHR	EA	40.00	S
362530	SPOKE 260MM X 2.0 (14G)	EA	0.32	S	382334	TUBE INLINE 24 X 1.75	EA	5.00	S
362531	SPOKE 262MM X 2.0 (14G)	EA	0.32	S	382336	TUBE PRIMO 24" 25-540 SV	EA	5.00	S
362532	SPOKE 265MM X 2.0 (14G)	EA	0.32	S	382350	26" TUBE	EA	7.40	M
362533	SPOKE 276MM X 2.0 (14G)	EA	0.32	S	382355	26" TUBE PRESTA VALVE (590MM)	EA	7.40	M
362534	SPOKE 280MM X 2.0 (14G)	EA	0.32	S	382361	TUBE 26 X 1.5/1.95/ S/V	EA	6.00	S
362535	SPOKE 291MM X 2.0 (14G)	EA	0.32	S	382362	TUBE INLINE 26 X 1.75	EA	8.00	S
362536	SPOKE 294MM X 2.0 (14G)	EA	0.32	S	382365	26 X 1.25/1.5 TUBE SHRADER	EA	6.00	S
362537	SPOKE 297MM X 2.0 (14G)	EA	0.32	S	382423	TUBE 26 X 1 PANARACER	EA	8.00	S
362806	HUB PHIL DINKY STRDDL 16H	EA	99.80	S	382449	TUBE SPEC 700 X 19 25C	EA	13.00	S
362808	HUB PHIL SL SRIES 7/16X28	PR	622.00	S	384545	QP 24" HT INNER TUBE (559MM)	EA	7.50	M
362810	HUB PHIL WOOD 28 1/2	EA	119.00	S	384550	QP 26" HT INNER TUBE (700C)	EA	7.50	M
362811	HUB PHIL WOOD 28 1/2 STUBBY	EA	113.00	S	384551	26" X 1" TUBE SCHRADER	EA	8.00	S
362814	HUB PHIL WOOD 36 1/2	EA	119.00	S	384600	TIRE 24 X 1.75 MOUNTAIN	EA	24.00	S
362816	HUB PHIL WOOD 36 7/16	EA	109.00	S	384604	TIRE CS 24 X 2.1 SMOKER 507MM	EA	31.00	S
362822	HUB PHIL WOOD 28 7/16	EA	109.00	S	384605	TIRE CS 26 X 1 3/8 GRY C24	EA	13.00	S
362823	HUB PHIL WOOD 28 7/16 STUBBY	EA	113.00	S	384606	TIRE CS 26 X 2.1 SMOKER 559MM	EA	31.00	S
363240	QP HUB TNNS 32H W/BRNG	EA	105.00	M	384613	TIRE CHENG SHIN 26 X 1.75	EA	17.00	S
363242	QP HUB BB 32H W/BRNG	EA	85.30	M	385241	TIRE 20 X 1 3/8 CHENG	EA	9.00	S
363244	QP HUB TNNS 36H W/BEARING	EA	114.00	M	385250	20" PNEUMATIC TIRE	EA	14.70	M
363246	QP HUB HI-LO 36H QR W/BRNG	EA	85.30	M	385255	20"X 1 3/8 PRIMO TIRE(KNOBBIE)	EA	17.50	S
363250	REAR WHEEL HUB W/BEARINGS	EA	35.20	M	385275	22" PNEUMATIC TIRE	EA	14.70	M
363255	REAR WHL HUB W/BRNGS PUSH BTTN	EA	33.85	M	385280	22" X 1" HI PRES CLINCHER	EA	22.00	S
363340	QP HUB TNNS 32H W/BRNG	PR	153.00	M	385295	24" PNEUMATIC TIRE BLK	EA	8.00	S
363342	QP HUB BB 32H W/BRNG	PR	119.00	M	385300	24" PNEUMATIC TIRE	EA	15.80	M

Quickie Sports Products

Part Number	Part Description	Unit U/M	List Price	Disc. Code	Part Number	Part Description	Unit U/M	List Price	Disc. Code
385325	26" PNEUMATIC TIRE	EA	15.80	M	401202	26" X/S RIM ASSM	EA	103.00	S
385330	REPLACED BY 385635	EA		S	401204	24" X/S HT RIM ASSM TNNS	EA	270.00	S
385335	26 X 1.25 COMMUTER TIRE M3	EA	24.00	S	401206	24" X/S HT RIM ASSM BB	EA	270.00	S
385340	26 X 1.0 HP TIRE, 559	EA	31.00	S	401208	26" X/S HT RIM ASSM TNNS	EA	287.00	S
385632	TIRE CONTINENTAL LA19 26"	EA	110.00	S	401210	26" X/S HT RIM ASSM BB	EA	287.00	S
385635	26 X 1.95 MOUNTAIN TIRE 559	EA	17.50		401212	24" X/S HT RIM ASSM PHIL WD	EA	303.00	S
385639	TIRE PANARACER 20 RAPIDE	EA	63.00	S	401214	26" X/S HT RIM ASSM PHIL WD	EA	303.00	S
385641	26 X 3/4 CLNCHR GRAND PRIX	EA	115.00	S	425030	24" HR 6T BB/HTBB W/HDWR	EA	74.90	M
385642	TIRE CONTINENTAL LA 19MM 700C	EA	150.00	S	425032	24" HR 6T PLST BB/HTBB/TN W/HD	EA	113.00	M
385644	TIRE IRC RDLT EX 20X1-1/8	EA	21.00	S	425034	24" HR 6LT BB/HTBB/TN W/HDWR	EA	89.40	M
385645	TIRE PNRCR 140 GR RPDE 600	EA	63.00	S	425036	24" HR 6LT PLST BB/HTBB/TN W/H	EA	125.00	M
385646	TIRE PNRCR 150 GR RPDE 700	EA	63.00	S	425037	QP 24" HR .049 W/HDWR (4T)	EA	84.20	M
385647	TIRE PNRCR 150 GR ULTMA 70	EA	63.00	S	425038	QP 24" HR .049 W/HDWR (6T)	EA	84.20	M
385648	16" RAPIDE PANARACER	EA	63.00	S	425039	24"HR 6T BLK PLST W/HDWR	EA	189.00	S
385649	18" RAPIDE PANARACER	EA	63.00	S	425040	24" HR (6T)PLST W/X/S HDWR	EA	86.30	S
385650	24" RAPIDE PANARACER	EA	63.00	S	425041	24" HR (6T)BLK W/X/S HDWR	EA	64.50	S
385651	26 X 1 PANRCR TCNVA CLNCHR	EA	22.00	S	425042	24" HR (6T)ANO W/X/S HDWR	EA	81.10	S
385654	TIRE VITRIA JRS 20" TUBLR	EA	63.00	S	425043	24" HR SHT(6T)PLST W/X/S HDWR	EA	86.30	S
385655	TIRE VITTORIA FORM 1 CUT	EA	42.00	S	425044	24" HR SHT(6T)BLK W/X/S HDWR	EA	64.50	S
385656	TIRE VITTORIA FORM 12906	EA	31.00	S	425045	24" HR SHT(6T)ANO W/X/S HDWR	EA	81.10	S
385660	700 X 20C CLINCHER	EA	55.00	S	425046	26" HR (6T)PLST W/X/S HDWR	EA	86.30	S
388999	26"X1" HT TIRE TURBO GY(700X23	EA	42.00	M	425047	26" HR (6T)BLK W/X/S HDWR	EA	64.50	S
389004	QP 24" X 1" TUBULAR TIRE	EA	58.00	M	425048	26" HR (6T)ANO W/X/S HDWR	EA	81.10	S
389006	QP 26" X 1" TUBULAR TIRE	EA	58.00	M	425050	26" HR 6T BB/TN W/HDWR	EA	74.90	M
389012	QP 24"X1"HT TURB BLK WR/BD 559	EA	46.00	M	425051	26" HR SHT(6T)PLST W/X/S HDWR	EA	86.30	S
389016	23" X 1" CLNCHR TIRE TAN(520MM	EA	22.00	M	425052	26" HR 6T PLST BB/TN W/HDWR	EA	113.00	M
389020	24" X 1" HI PRES CLNCHR TIRE	EA	22.00	M	425053	26" HR SHT(6T)BLK W/X/S HDWR	EA	64.50	S
389030	26" X 1" HI PRES CLNCHR TIRE	EA	22.00	M	425055	26" HR SHT(6T)ANO W/X/S HDWR	EA	81.10	S
389032	700C X 19MM TIRE CONT GP FOLD	EA	75.00	S	425058	26" HR 6T BLK PLST W/HDWR	EA	113.00	S
389050	TIRE PUMP	EA	80.00	M	426050	QP 26" HR .065 W/HDWR (6T)	EA	90.50	M
400086	CASTER SUPREME COURT W/BEARING	EA	46.00	S	426051	QP 26"HR .065 HTTN W/HDWR PLST	EA	135.00	M
400092	3"MICRO CSTR W/BRG SELL 920025	EA	29.10		440070	HELMET BREEZE LG BLK	EA	65.00	S
400095	5" CASTER SOFT ROLL W/BRNGS	EA	57.00	M	440072	HELMET BREEZE MED BLACK	EA	65.00	S
400099	2 1/2" CASTER WHEEL ANTI-TIP	EA	6.20	S	440073	HANDLE VERT STD ASSM L 1 3/8	EA	39.40	S
400101	2 1/2" CSTR WHL ANTI-TIP W/BRG	EA	*	S	440090	HELMET LG/XLG WHT	EA	67.60	S
400155	5" PLST W/LOW POLY & BEARING	EA	57.88	M	440092	HELMET MED/LG WHITE	EA	67.60	S
401012	20" RIM ASSEMBLY QKB	EA	96.70	S	442006	BRAKE 2ND CALIPR PRE ASSM	EA	75.00	S
401020	24" RIM ASSEMBLY	EA	96.70	M	442010	CHAIN RING 24 TOOTH	EA	20.20	S
401025	26" RIM ASSEMBLY	EA	96.70	M	442011	CHAIN RING 26 TOOTH	EA	28.10	S
401027	24" HT RIM ASSM	EA	96.70	S	442013	CHAIN RING 44 TOOTH	EA	33.70	S
401050	16" RIM ASSM FRONT RACER	EA	182.00	S	442014	CHAIN BLACK 116L	EA	14.60	S
401051	18" RIM ASSM FRONT RACER	EA	182.00	S	442015	CHAIN RING BOLT SET DBL	EA	14.60	S
401052	20" RIM ASSM FRONT RACER	EA	182.00	S	442035	DERAILLEUR UPPER 1 1/8" M3	EA	70.90	S
401053	OBSOLETE PER DCA 12478	EA		S	442036	DERAILLEUR LOWER	EA	70.90	S
401055	20" RIM ASSM 3 SP CYC	EA	200.00	S	442064	FENDER FRNT FROM REC 2634	EA	50.00	S
401056	20" RIM ASSM W/COG 3 SP CYC	EA	211.00	S	442075	GUARD CHAINRING 12 INNER	EA	20.20	S
401057	20" RIM ASSM 3 SPEED QKB	EA	216.00	S	442076	GUARD CHAINRING 12 OUTER	EA	36.00	S
401058	20" RIM ASSM 1 SPEED QKB	EA	200.00	S	442077	GUARD CHAINRING 36 OUTER	EA	22.50	S
401060	24" RIM ASSM W/3 SPEED HUB M2	EA	276.00	S	442080	HANDLE EP VINYL RT	EA	56.20	S
401061	24" RIM ASSM W/7 SPEED HUB M2	EA	487.00	S	442081	HANDLE EP VINYL LFT	EA	56.20	S
401062	26" RIM ASSM W/3 SPEED HUB M2	EA	308.00	S	442084	HANGER FT PLT 10.5" BLK	EA	41.60	S
401063	26" RIM ASSM W/7 SPEED HUB M2	EA	524.00	S	442086	HANGER FT PLT 8" BLK	EA	41.60	S
401064	26" RIM ASSM W/7 SPEED SHIMANO	EA	546.00	S	442088	LEVER BRK LCKNG RX-5	EA	47.20	S
401065	24" RIM ASSM W/7 SPEED SHIMANO	EA	546.00	S	442092	SEAT SLIDE 7" TRAVEL	PR	41.60	S
401066	20" RIM ASSM W/7 SPEED SHIMANO	EA	489.00	S	442101	SPACER PULLEY WHEEL QKB	EA	8.30	S
401071	20" RIM ASSM PUSH BUTTON QKB	EA	93.00	M	442200	DERAILLEUR CABLE M3	EA	33.70	S
401074	24" RIM ASSM PUSH BUTTON	EA	93.00	M	442201	2-SPEED HUB CABLE ASSM	EA	33.70	S
401075	24 RIM ASSM X 1.5 SUN PSH BTTN	EA	107.00	M	442202	DERAILLEUR CABLE UPPER CYC	EA	9.00	S
401076	24" HT RIM ASSM SUN PUSH BTTN	EA	93.00	M	442203	DERAILLEUR CABLE LOWER CYC	EA	9.00	S
401077	26" RIM ASSM PUSH BUTTON	EA	93.00	M	442204	RAISING STND CBL ASSM W/PIN	EA	18.00	S
401078	24" HT RIM ASSM PUSH BUTTON	EA	96.70	M	442309	TOW BAR DOWN TUBE W/FOAM	EA	31.20	S
401080	24" X/S RIM ASSM PUSH BUTTON	EA	103.00	M	442310	TOW BAR COMPLETE M3	EA	85.00	S
401081	26" X/S RIM ASSM PUSH BUTTON	EA	103.00	M	442311	TOW BAR COMPLETE M2	EA	85.00	S
401092	24" MAG W/BRNG 6 SPOKE	EA	129.00	M	442342	WHEEL PULLEY 2 1/4	EA	15.70	S
401094	20" MAG W/BRNG 6 SPOKE	EA	124.00	M	443005	BRAKE CALIPERS	EA	45.00	S
401200	24" X/S RIM ASSM	EA	103.00	S	443007	BRAKE LEVER	EA	14.60	S

Quickie Sports Products

Part Number	Part Description	Unit U/M	List Price	Disct. Code
443010	BRAKE LEVER SHIM RACER	EA	4.50	S
443017	TRACK STEERING LEVER CHROMOLY	EA	47.20	S
443032	COMPUTER CATEYE MITTY 3	EA	93.60	S
443090	FORK 18" ALUMINUM T-FRAME	EA	444.00	S
443091	FORK 20" ALUMINUM T-FRAME	EA	444.00	S
443095	BRAKE LEVER ALUM RACER	EA	14.60	S
443096	FORK BEARING KIT RACER	EA	39.40	S
443100	COMPENSATOR RACER	EA	208.00	S
444025	BRACKET LOWER CLAMP	EA	11.30	S
444030	REFLECTOR BRACKET ANO	EA	6.70	S
444031	BRAKE CABLE ADAPTER	EA	3.40	S
444033	BRAKE ARM PLATE	EA	41.60	S
444038	BRK DIA CMPE 730 FRNT ARC	EA	36.00	S
444039	BRK 2ND CALIPER PRE ASSM	EA	37.40	S
444040	BRAKE ACTUATOR ASSM	EA	31.50	S
444041	BUNGEE 9" ASSM	EA	6.70	S
444042	CBL 3SPD GEAR REPLACEMENT	EA	8.40	S
444043	CABLE CLAMP RAISE STAND	EA	5.60	S
444048	CLAMP ACTUATOR QR	EA	9.00	S
444050	CLAMP BAR ANO AND COATED	EA	11.30	S
444051	CLAMP BODY 1" ANO & VINYL	EA	23.60	S
444055	CLMP BDY 3/4" ANO & VINYL	EA	23.60	S
444061	COG SET 13-28 6 SPEED	EA	37.40	S
444074	CRANK ARM LOW PROFILE L MILLED	EA	36.00	S
444075	CRANK ARM LOW PROFILE RIGHT	EA	39.40	S
444090	DERAILLEUR	EA	76.50	S
444091	CRNK ARM STD PROFILE 152MM(PR)	PR	70.70	S
444093	EXT TUBE QA 6" PNTD	EA	22.50	S
444096	FENDER 20" CHR M W/SPACER	EA	11.30	S
444097	FENDER 20" CHROME 44MM	EA	11.30	S
444098	FENDER SPLASH GUARD	EA	52.00	S
444100	COMPUTER MULTIFUNCTN W/CADENCE	EA	190.00	S
444102	FREEWHL INTER SPCR PNTD	EA	15.70	S
444104	COMPUTER CAT EYE CORDLESS 2	EA	104.00	S
444107	GUARD CHAINRING 48 INNER	EA	22.50	S
444109	GUARD CHAINRING 48 OUTER	EA	22.50	S
444111	GUARD SHIFT CYCLONE	EA	22.50	S
444123	LEVER BRK 135 TOUR W/22M	PR	16.60	S
444129	LOCKJAW BOTTLE CAGE	EA	23.60	S
444133	MOUNT COMPUTER	EA	6.70	S
444139	SHIFTER L ONLY	EA	14.60	S
444141	SHIFTER R ONLY	EA	27.00	S
444160	CRNK ARM STD PROFILE R/L 170MM	EA	93.50	S
444161	CRANK ARM STD PROFILE L 170MM	EA	70.70	S
444190	BRAKE BRS 200 CALIPER	EA	56.20	S
444200	GUARD CHAINRING 48 OUTER (NEW)	EA	76.60	S
445001	FIN HYDRA WING	EA	11.30	S
445002	TRU-LOCK FIN ASSM KANSKI	EA	195.00	S
445003	FIN FREEDOM 1 1/4"	EA	5.60	S
445004	FIN CAPSET W/HYDRA WING	EA	47.20	S
445006	FT PLT COMPLETE KAN SKI	EA	64.10	S
445008	HANDLE DEEP V	EA	54.10	S
445032	BASE ADAPTER FROM O/S TO 5"	EA	64.50	S
445033	BASE ADAPTER FROM 5" TO 9"	EA	64.50	S
445080	SHOCK COMPLETE LIGHT	EA	189.00	S
445081	SHOCK COMPLETE MED	EA	189.00	S
445082	SHOCK COMPLETE HEAVY	EA	189.00	S
445087	SHOCK ASSM COMPLETE LIGHT MS2	EA	189.00	S
445088	SHOCK ASSM COMPLETE MEDIUM MS2	EA	189.00	S
445089	SHOCK ASSM COMPLETE HEAVY MS2	EA	189.00	S
445100	QRUG DOWN AND OUT EXT	EA	5.60	S
445102	QRUG FOOTREST EXT BTM	EA	11.30	S
445103	QRUG FOOTREST EXT TOP	EA	3.70	S
445163	ADAPTOR TIE DOWN EVYDY	EA	5.60	S
445650	FOOTPLATE W/PAD KS	EA	88.90	S
445700	BOARD COMP ONE	EA	735.00	S

Part Number	Part Description	Unit U/M	List Price	Disct. Code
450410-QU	CZ BELT 2" W/VELCRO 34"	EA	36.00	S/P
450413-QU	CZ BELT 2" W/VELCRO 40"	EA	36.00	S/P
480098	CASTER STEM REG 3D	EA	11.90	S
481013	BEARING SPACER	EA	0.81	M
481039	BACK REL BUSHING RIGID	EA	3.57	M
481059	AXLE SLEEVE PHIL WOOD 7/16"THD	PR	56.24	S
481065	AXLE SLEEVE S.S.	EA	18.17	M
481066	AXLE SLEEVE S.S. SHORT	EA	18.17	S
481067	AXLE SLEEVE 7/8-14	EA	31.50	S
481068	AXLE SLEEVE 7/8-14 ECCENTRIC	EA	40.50	S
481069	AXLE SLEEVE 1 DEGREE	EA	29.20	M
481084	BACK REL PIN Z2/OT/EX	EA	3.46	M
481097	BRAKE ARM SPACER 3 SPD M2	EA	3.40	S
481113	SPACER 5/16 X .380	EA	0.84	S
481223	BACKREST PIN	EA	7.57	M
481227	1/4-28 ROD END MALE	EA	9.00	S
481275	FORK STEERING ARM	EA	12.40	S
481302	BCKLCK SLVS 3/32 CPPR ZNC	EA	0.56	S
481303	FORK STUD 1/2-20 X 3 SS	EA	12.40	S
481305	BACKLOCK PIVOT BUSHING	EA	5.41	S
481306	ADAPTIVE FT/RST SPCR 2" P/FRM	EA	5.41	S
481307	ADAPTIVE FT/RST SPCR 4" P/FRM	EA	5.41	S
481308	ADAPTIVE FT/RST SPCR 6" P/FRM	EA	6.49	M
481310	BACK LOCK SPACER	EA	1.35	S
481324	PIVOT CAM LEVER	EA	3.20	S
481410	AXLE SLEEVE PHIL WOOD 15/32"QR	EA	11.90	S
481421	HANDLE BAR DISK RCR	EA	6.20	S
482028	3/4" DOME PLUG .125	EA	1.94	M
483001	Q2 FRAME/FOOT RETAINING PLUG	EA	4.54	M
483010	Q1/GP BACK REL ANGLE PLUG	EA	10.22	M
483015	PUSH BACK REC TOP RIGID BLK	EA	13.25	M
483016	PUSH BACK REC BOTTOM RIGID BLK	EA	11.36	M
483020	S/A SPRING RETAINER	EA	1.19	M
483027	1/4 X 1/4 ALUM SPACER BLK	EA	3.41	M
483031	STRLLR HNDL REC BOTTOM KIDZ	EA	16.44	M
483057	MAG AXLE SPACER W/HOLE	EA	2.43	M
483093	SIDE GUARD PIN M3/M2	EA	1.20	S
483110	FORK STEM PLUG RCR A-FRM	EA	1.20	S
483111	TRACK STEERING STOP	EA	9.00	S
483112	FORK BEARING CAP RACER	EA	18.60	S
483154	2" SEAT SPACER M2/M3	EA	27.00	S
483159	CHAIN GUARD BUSHING M2	EA	5.60	S
483170	SPACER 3/8 ID	EA	9.60	S
483171	SPACER 3/8 ID X 2 3/4 LONG	EA	9.00	S
483172	SPACER 3/8 ID X 3.2 LONG	EA	11.30	S
483183	BACK RD PLUG QRUG	EA	5.60	S
483251	BACKREST REL PLUG A/C	EA	12.74	M
483254	SPACER .50 ID X .88 OD X .125	EA	0.80	M
483285	BEARING PIN 3/8 OD CYC	EA	8.30	S
483286	BEARING PIN 5/16 OD CYC	EA	8.30	S
483520	PULLEY WHEEL BUSHING M2	EA	3.24	S
483806	BACKREST LATCH SLIDER KIDZ	EA	22.71	M
500170	BCK REL PVT PLT R RGD BLK(NEW)	EA	37.48	M
500171	BCK REL PVT PLT L RGD BLK(NEW)	EA	37.48	M
500195	BACK PLATE KIDZ/EX	EA	16.76	M
500196	COMPENSATOR BRACKET	EA	9.00	S
500480	MOUNTING BRACKET	PR	36.00	S
500551	CLAMP OVAL TUBE A/C	EA	16.40	M
500552	CLAMP OVAL TUBE W/THRD A/C	EA	16.40	M
500557	FOOT STRAP PLT	EA	41.60	S
500559	HEAD TUBE CAP	EA	14.60	S
500562	BACKPLATE FIXED MANUAL R	EA	37.48	M
500563	BACKPLATE FIXED MANUAL L	EA	37.48	M
500582	ANTI-TIP BRACKET R	EA	40.02	S
500583	ANTI-TIP BRACKET L	EA	40.02	S
500591	PLATFORM F/PLT 6" A/C	EA	57.90	M

Quickie Sports Products

Part Number	Part Description	Unit U/M	List Price	Disc. Code	Part Number	Part Description	Unit U/M	List Price	Disc. Code
500592	PLATFORM F/PLT 8" A/C	EA	57.90	M	520414	BACK FRAME 14" W/BUSHING HOR	EA	56.24	S
500593	PLATFORM F/PLT 10" A/C	EA	57.90	S	520415	BACK FRAME 15" W/BUSHING HOR	EA	56.24	S
500594	PLATFORM F/PLT 12" A/C	EA	57.90	M	520416	BACK FRAME 16" W/BUSHING HOR	EA	56.24	S
500650	PLTFORM F/PLT 6" X 5 1/2"	EA	55.70	M	520417	BACK FRAME 17" W/BUSHING HOR	EA	56.24	S
500651	PLTFORM F/PLT 8" X 5 1/2"	EA	55.70	M	520418	BACK FRAME 18" W/BUSHING HOR	EA	56.24	S
500652	PLTFORM F/PLT 10" X 5 1/2"	EA	55.70	M	520419	BACK FRAME 19" W/BUSHING HOR	EA	56.24	S
500653	PLATFORM F/PLT 12" X 5 1/2"	EA	55.70	M	520420	BACK FRAME 20" W/BUSHING HOR	EA	56.24	S
500660	ADLT ANGL ADJ F/PLT 14/15" R	EA	59.49	M	520423	BACK FRAME 13" TALL W/BUSH HOR	EA	56.24	S
500661	ADLT ANGL ADJ F/PLT 14/15" L	EA	59.49	M	520424	BACK FRAME 14" TALL W/BUSH HOR	EA	56.24	S
500662	ADLT ANGL ADJ F/PLT 16/17" R	EA	59.49	M	520425	BACK FRAME 15" TALL W/BUSH HOR	EA	56.24	S
500663	ADLT ANGL ADJ F/PLT 16/17" L	EA	59.49	M	520426	BACK FRAME 16" TALL W/BUSH HOR	EA	56.24	S
500664	ADLT ANGL ADJ F/PLT 18-20" R	EA	59.49	M	520427	BACK FRAME 17" TALL W/BUSH HOR	EA	56.24	S
500665	ADLT ANGL ADJ F/PLT 18-20" L	EA	59.49	M	520428	BACK FRAME 18" TALL W/BUSH HOR	EA	56.24	S
501008	SEAT SUPPORT CLAMP 3D	EA	36.77	S	520429	BACK FRAME 19" TALL W/BUSH HOR	EA	56.24	S
501150	TRAILER HITCH M2	EA	3.40	S	520430	BACK FRAME 20" TALL W/BUSH HOR	EA	56.24	S
501151	TRAILER HITCH CLAMP M2	EA	28.10	S	520440	BACK FRM 12" REG RGD BLK .115	EA	65.00	M
501185	BACK PLATE W/ BUSHING LEFT HOR	EA	21.63	S	520441	BACK FRM 13" REG RGD BLK .115	EA	65.00	M
501186	BACK PLATE W/BUSHING RIGHT HOR	EA	21.63	S	520442	BACK FRM 14" REG RGD BLK .115	EA	65.00	M
501535	SEAT ADJ BRACKET MONO-SKI 2	EA	9.00	S	520443	BACK FRM 15" REG RGD BLK .115	EA	65.00	M
501550	ARMREST MNTG BRKT ANO	EA	41.00	S	520444	BACK FRM 16" REG RGD BLK .115	EA	65.00	M
504995	TOGGLE LINK 1.125	EA	1.46	M	520445	BACK FRM 17" REG RGD BLK .115	EA	65.00	M
505003	2 HOLE TOGGLE PUSH SS	EA	1.10	M	520446	BACK FRM 18" REG RGD BLK .115	EA	65.00	M
505033	Q1/GP BACK REL BRACKET R	EA	4.33	M	520447	BACK FRM 19" REG RGD BLK .115	EA	65.00	M
505034	Q1/GP BACK REL BRACKET L	EA	4.33	M	520448	BACK FRM 20" REG RGD BLK .115	EA	65.00	M
505100	SEAT RAIL 12"	EA	3.79	M	520487	REAR FRAME ADJ TUBE A/C TALL	EA	20.20	S
505101	SEAT RAIL 13"	EA	3.79	M	520523	KNEE BAR TUBE W/PLUG 13"	EA	10.40	S
505102	SEAT RAIL 14"	EA	3.79	M	520524	KNEE BAR TUBE W/PLUG 14"	EA	10.40	S
505104	SEAT RAIL 15"	EA	3.79	M	520525	KNEE BAR TUBE W/PLUG 15"	EA	10.40	S
505106	SEAT RAIL 16"	EA	3.79	M	520526	KNEE BAR TUBE W/PLUG 16"	EA	10.40	S
505108	SEAT RAIL 17"	EA	3.79	M	520527	KNEE BAR TUBE W/PLUG 17"	EA	10.40	S
505110	SEAT RAIL 18"	EA	3.79	M	520540	BACK FRM 12" TALL RGD BLK .115	EA	65.00	M
505148	ANTI TIP RT ANGLE CLAMP HOR	EA	62.40	S	520541	BACK FRM 13" TALL RGD BLK .115	EA	65.00	M
505156	BACKLOCK PIVOT RIGHT PTD	EA	11.90	S	520542	BACK FRM 14" TALL RGD BLK .115	EA	65.00	M
505157	BACKLOCK PIVOT LEFT PTD	EA	11.90	S	520543	BACK FRM 15" TALL RGD BLK .115	EA	65.00	M
505186	UPH SEAT RAILS 16" STD	EA	4.33	S	520544	BACK FRM 16" TALL RGD BLK .115	EA	65.00	M
505194	SEAT RAIL RACER-SPEC SIZE	EA	5.60	S	520545	BACK FRM 17" TALL RGD BLK .115	EA	65.00	M
505199	UPH SEAT RAIL 3-HOLE ORUG	EA	3.90	S	520546	BACK FRM 18" TALL RGD BLK .115	EA	65.00	M
505240	CLAMP OVAL TUBE BB	EA	9.00	S	520547	BACK FRM 19" TALL RGD BLK .115	EA	65.00	M
505262	F/PLT BB R 3D	EA	47.20	S	520548	BACK FRM 20" TALL RGD BLK .115	EA	65.00	M
505263	F/PLT BB L 3D	EA	47.20	S	521080	FOOTREST TUBE SHORT M2	EA	13.50	S
505266	FOOT PLATE R 3D TENNIS	EA	47.20	S	521081	FOOTREST TUBE STD M2	EA	13.50	S
505267	FOOT PLATE L 3D TENNIS	EA	47.20	S	521086	ANTI TIP TUBE RIGHT BLK HOR	EA	15.70	M
505360	SEAT RAIL 14" QTNT	EA	3.79	M	521087	ANTI TIP TUBE LEFT BLK HOR	EA	15.70	M
505361	SEAT RAIL 15" QTNT	EA	3.79	M	521089	ANTI TIP TUBE-SPORTS HOR	EA	10.40	S
505362	SEAT RAIL 16" QTNT	EA	3.75	M	521094	FOOTREST TUBE MONO-SKI 2	EA	45.00	S
505363	SEAT RAIL 17" QTNT	EA	3.79	M	521212	TRACK STEERING LEVER T-TUBE	EA	45.00	S
505364	SEAT RAIL 18" QTNT	EA	3.79	M	521219	HANDLE BAR A-FRAME	EA	28.10	S
505365	SEAT RAIL 19" A/C	EA	3.79	M	521222	TRACK STEERING LEVER A-FRAME	EA	39.40	S
505366	SEAT RAIL 20" A/C	EA	3.79	M	521234	ANTI-TIP REC TUBE GPS	EA	15.14	M
505371	SEAT RAIL 12" R2	EA	4.00	M	521255	TRANSFER HANDLE 3D	EA	16.90	S
505372	SEAT RAIL 13" R2	EA	3.79	M	521302	COMPSTR CM T-TBE LVR R	EA	54.00	S
505905	BACKREST STOP LEFT HOR	EA	4.33	S	521303	COMPSTR CM T-TBE LVR L	EA	54.00	S
505906	BACKREST STOP RIGHT HOR	EA	4.33	S	521304	COMPSTR ALUM T-TBE LVR R	EA	45.00	S
520022	WING ADJ SLEEVE STD HOR	EA	16.90	S	521305	COMPSTR ALUM T-TBE LVR L	EA	45.00	S
520029	SHIM CAMBER CLAMP HOR	EA	4.06	S	521490	ANTI-TIP TUBE SMALL R	EA	15.70	B
520030	WING ADJ SLEEVE LONG HOR	EA	16.90	S	521491	ANTI-TIP TUBE SMALL L	EA	15.70	B
520085	TOW BAR EXT TUBE ANO	EA	5.60	S	521492	ANTI-TIP TUBE EXTENDED SMALL R	EA	15.70	M
520087	TRAILER HITCH FRAME REC	EA	1.40	S	521493	ANTI-TIP TUBE EXTENDED SMALL L	EA	15.70	M
520088	TRAILER HITCH CROSS PIECE	EA	13.50	S	521494	ANTI-TIP TUBE REG R	EA	15.70	B
520090	SEAT FRAME MONO-SKI 2	EA	64.50	S	521495	ANTI-TIP TUBE REG L	EA	15.70	B
520092	FRAME MONO-SKI 2	EA	97.80	S	521496	ANTI-TIP TUBE EXTENDED REG R	EA	16.80	M
520097	FORK INSERT TUBE WELDED	EA	43.90	S	521497	ANTI-TIP TUBE EXTENDED REG L	EA	16.80	M
520200	BACK FRAME 12" TALL RIGID BLK	EA	81.10	M	521504	ANTI-TIP ADJ SLEEVE (4H) BLACK	EA	7.95	M
520365	BUMPER QUAD RUGBY A/C OLD	EA	179.00	M	521508	ANTI-TIP ADJ SLEEVE (4H)	EA	7.95	B
520366	BUMPER BASKETBALL A/C OLD	EA	126.00	M	521519	ANTI TIP MAIN TUBE TS 12" WHL	EA	15.14	M
520413	BACK FRAME 13" W/BUSHING HOR	EA	56.24	S	521537	SPORTS ANTI-TIP TUBE 12D 3D	EA	16.90	S

Quickie Sports Products

Part Number	Part Description	Unit U/M	List Price	Disct. Code	Part Number	Part Description	Unit U/M	List Price	Disct. Code
521539	SPORTS ANTI-TIP TUBE 15D 3D	EA	16.90	S	527432	GENERIC T-TUBE W/CAGE 26" 1/2"	EA	1350.00	S
521564	MAG BEARING SPACER	EA	2.43	M	527433	GENERIC T-TUBE W/CAGE 26" 7/16	EA	1350.00	S
521690	ARMREST ARM STD ANO	EA	22.71	S	527434	GENERIC T-TUBE W/CAGE 700C 1/2	EA	1350.00	S
521691	ARMREST ARM LONG ANO	EA	22.71	S	527435	GENERIC T-TUBE W/CGE 700C 7/16	EA	1350.00	S
521695	ARMREST UPRIGHT EXT ASSM	EA	23.80	S	527453	FOOTREST FRAME 3D	EA	45.00	S
521716	ANTI-TIP TUBE SMALL R BLACK	EA	15.08	M	527454	SEAT SUPPORT TUBE	EA	22.50	S
521717	ANTI-TIP TUBE SMALL L BLACK	EA	15.08	M	527455	REAR FRAME ADJ TUBE 3D STD	EA	20.20	S
521718	ANTI-TIP TUBE REG R BLACK	EA	15.08	M	527470	RAISING STAND INNER TUBE	EA	36.00	S
521725	ANTI-TIP TUBE EXT SMALL R BLK	EA	15.08	M	527471	RAISING STAND OUTER TUBE	EA	36.00	S
521726	ANTI-TIP TUBE EXT SMALL L BLK	EA	15.08	M	527477	T-TUBE LOWER 10"	EA	88.90	S
521727	ANTI-TIP TUBE EXT REG R BLACK	EA	15.08	M	527486	T-TUBE UPPER 7.5"	EA	82.10	S
521728	ANTI-TIP TUBE EXT REG L BLK	EA	15.08	M	527488	T-TUBE UPPER 5.5"	EA	82.10	S
522201	BASKET BALL BUMPER 13-14" 3D	EA	147.00	S	527490	T-TUBE UPPER OFFSET 7.5"	EA	82.10	S
522202	BASKET BALL BUMPER 15-16" 3D	EA	147.00	S	527492	T-TUBE UPPER OFFSET 5.5"	EA	82.10	S
522203	BASKET BALL BUMPER 17-18" 3D	EA	147.00	S	527494	T-TUBE UPPER 12"	EA	82.10	S
522204	BASKET BALL BUMPER 19-20"	EA	147.00	S	527496	T-TUBE LOWER 7.5"	EA	88.90	S
522247	FOOTREST TUBE 14/15" QTNT	EA	20.01	M	527498	T-TUBE LOWER 5.5"	EA	88.90	S
522248	FOOTREST TUBE 16/17" QTNT	EA	20.01	M	527501	T-TUBE LOWER 12"	EA	88.90	S
522249	FOOTREST TUBE 18" QTNT	EA	20.01	M	527526	FTREST ADAP-SPEC WIDTH/UP	EA	118.98	S
523200	RIGID FRAME (SPEC DIM)	EA	1076.00	S	527527	FTREST ADJ 12" RIGID SHDW UP	EA	118.98	S
525140	CAMBER TUBE 0D(SPEC WPTH) RGD	EA	76.00	S	527528	FOOTREST 12" ST/DT	EA	73.55	S
525141	CAMBER TUBE 3D(SPEC WPTH) RGD	EA	76.00	S	527546	ANTI-TIP BENT EXT ANO	EA	15.14	S
525142	CAMBER TUBE 6D(SPEC WPTH) RGD	EA	76.00	S	527558	BACKREST SUPPORT R RIGID	EA	40.02	S
525143	CAMBER TUBE 9D(SPEC WPTH) RGD	EA	76.00	S	527559	BACKREST SUPPORT L RIGID	EA	40.02	S
525144	CAMBER TUBE 12D(SPEC WPTH) RGD	EA	76.00	S	527605	FORK 18" A-FRAME	EA	352.00	S
525145	CAMBER TUBE 15D(SPEC WPTH) RGD	EA	76.00	S	527606	FORK 20" A-FRAME	EA	352.00	S
525200	CAMBER TUBE 14" 0D	EA	40.00	M	527612	LIFTER KIT TOP	EA	50.60	S
525201	CAMBER TUBE 15" 0D	EA	40.00	M	527623	ANTI-TIP BOTTOM TUBE 13"	EA	40.50	S
525202	CAMBER TUBE 16" 0D	EA	40.00	M	527624	ANTI-TIP BOTTOM TUBE 14"	EA	40.50	S
525203	CAMBER TUBE 17" 0D	EA	40.00	M	527625	ANTI-TIP BOTTOM TUBE 15"	EA	40.50	S
525204	CAMBER TUBE 18" 0D	EA	40.00	M	527626	ANTI-TIP BOTTOM TUBE 16"	EA	40.50	S
525205	CAMBER TUBE 19" 0D	EA	40.00	M	527627	ANTI-TIP BOTTOM TUBE 17"	EA	40.50	S
525206	CAMBER TUBE 20" 0D	EA	40.00	M	527628	ANTI-TIP BOTTOM TUBE 18"	EA	40.50	S
525210	CAMBER TUBE 14" 4D	EA	40.00	M	527660	KANSKI CAGE SHT 13"	EA	1000.00	S
525211	CAMBER TUBE 15" 4D	EA	40.00	M	527674	KANSKI CAGE TALL 17"	EA	1000.00	S
525212	CAMBER TUBE 16" 4D	EA	40.00	M	527680	FOOTREST 13" ST/DT	EA	73.55	S
525213	CAMBER TUBE 17" 4D	EA	40.00	M	527681	FOOTREST 14" ST/DT	EA	73.55	S
525214	CAMBER TUBE 18" 4D	EA	40.00	M	527682	FOOTREST 15" ST/DT	EA	73.55	S
525215	CAMBER TUBE 19" 4D	EA	40.00	M	527683	FOOTREST 16" ST/DT	EA	73.55	S
525216	CAMBER TUBE 20" 4D	EA	40.00	M	527684	FOOTREST 17" ST/DT	EA	73.55	S
525220	CAMBER TUBE 14" 8D	EA	40.00	M	527685	FOOTREST 18" ST/DT	EA	73.55	S
525221	CAMBER TUBE 15" 8D	EA	40.00	M	527710	KANSKI CAGE SHT SPEC-WIDTH	EA	425.00	S
525222	CAMBER TUBE 16" 8D	EA	40.00	M	527711	KANSKI ADJ CAGE SHT SPEC-WIDTH	EA	425.00	S
525223	CAMBER TUBE 17" 8D	EA	40.00	M	527720	KANSKI CAGE MED SPEC-WIDTH	EA	425.00	S
525224	CAMBER TUBE 18" 8D	EA	40.00	M	527721	KANSKI ADJ CAGE MED SPEC-WIDTH	EA	425.00	S
525225	CAMBER TUBE 19" 8D	EA	40.00	M	527730	KANSKI CAGE TL SPEC-WIDTH	EA	425.00	S
525226	CAMBER TUBE 20" 8D	EA	40.00	M	527731	KANSKI ADJ CAGE TL SPEC-WIDTH	EA	425.00	S
525230	CAMBER TUBE 14" 12D	EA	40.00	M	527760	MAIN FRAME SHORT M2	EA	563.00	S
525231	CAMBER TUBE 15" 12D	EA	40.00	M	527761	MAIN FRAME STD M2	EA	584.00	S
525232	CAMBER TUBE 16" 12D	EA	40.00	M	527762	MAIN FRAME QKB	EA	514.00	S
525233	CAMBER TUBE 17" 12D	EA	40.00	M	527815	FRAME ATTACH ADULT PNTD	EA	180.00	S
525234	CAMBER TUBE 18" 12D	EA	40.00	M	527822	FRAME ATTACH PED PNTD	EA	180.00	S
525235	CAMBER TUBE 19" 12D	EA	40.00	M	527831	FRAME LM ADULT 3 SP PNTD	EA	506.00	S
525236	CAMBER TUBE 20" 12D	EA	40.00	M	527835	FRM LM ADULT 12/48SP PNTD	EA	506.00	S
525240	CAMBER TUBE 14" 15D	EA	40.00	M	527840	FRAME LM PED 3 SP PNTD	EA	506.00	S
526070	STRUT TUBE 14W CYC	EA	67.60	S	527842	FRAME LM PED 12/48SP PNTD	EA	506.00	S
526071	STRUT TUBE 15W CYC	EA	67.60	S	527851	FRAME UM 12/48 SP PNTD CYC	EA	106.00	S
526072	STRUT TUBE 16W CYC	EA	67.60	S	527870	FORK TOP FOR NYLON BEARING	EA	6.20	S
526073	STRUT TUBE 17W CYC	EA	67.60	S	527885	FOOTREST TUBE DT	EA	12.98	S
526074	STRUT TUBE 18W HCA CYC	EA	67.60	S	527962	RAC FRM T-TUBE C-MOLY-SPEC DIM	EA	1308.00	S
526075	STRUT TUBE 19W CYC	EA	67.60	S	527963	RAC FRM O-TUBE C-MOLY-SPEC DIM	EA	1423.00	S
526076	STRUT TUBE 20W CYC	EA	67.60	S	527970	RCR FRK NY-BRG 7" SPEC WHL	EA	236.00	S
527415	GENERIC A-FRM W/CAGE 26" 1/2"	EA	1445.00	S	527971	RCR FRK NY-BRG 10" SPEC WHL	EA	236.00	S
527417	GENERIC A-FRM W/CAGE 26" 7/16"	EA	1445.00	S	527972	RCR FRK NY-BRG 7"UPRT SPEC WHL	EA	236.00	S
527418	GENERIC A-FRM W/CAGE 700C 1/2"	EA	1445.00	S	527974	RCR FRK NY-BRG 10"UPRT SPEC WH	EA	225.00	S
527419	GENERIC A-FRM W/CAGE 700C 7/16"	EA	1445.00	S	527975	RCR FRK B-BRG 7" SPEC WHL	EA	191.00	S

Quickie Sports Products

Part Number	Part Description	Unit U/M	List Price	Disc. Code
527976	RCR FRK B-BRG 10" SPEC WHL	EA	236.00	S
527977	RCR FRK B-BRG 7" UPRT SPEC WHL	EA	236.00	S
527978	RCR FRK B-BRG 10"UPRT SPEC WHL	EA	225.00	S
527979	RCR FRK B-BRG NO HNDL SPEC WHL	EA	225.00	S
527991	HEAD TUBE CYC	EA	67.60	S
527998	ATTACH TUBE HEX CYC	EA	78.00	S
528008	24" HR BLK FOAM	EA	166.00	S
528019	24" HR 6T BLK PLST	EA	177.00	S
528050	CSTM HR 3/8 X 1/2 SO RCR	EA	198.00	S
528051	CSTM HR 1/2 X 1/2 SO RCR	EA	198.00	S
528055	13 X 3/8 X 14 X 1/2 SO RCR HR	EA	112.00	S
528056	13.5 X3/8X14X1/2 SO RCR HR	EA	112.00	S
528057	14 X 3/8 X 14 X 1/2 SO RCR HR	EA	112.00	S
528058	14.5 X 3/8 X 14 X1/2 SO RCR HR	EA	112.00	S
528059	15 X 3/8 X 14 X 1/2 SO RCR HR	EA	112.00	S
528060	CSTM HR 3/8 TUBING 3/4 STNDOFF	EA	199.00	S
528061	CSTM HR 1/2 TUBING 3/4 STNDOFF	EA	199.00	S
528070	CSTM HR 3/8 TUBING 3/8 STNDOFF	EA	199.00	S
528071	CSTM HR 1/2 TUBING 3/8 STNDOFF	EA	199.00	S
528150	CSTM HR 3/8X1/2 SO W/TIRE RCR	EA	227.00	S
528151	CSTM HR 1/2X1/2 SO W/TIRE RCR	EA	227.00	S
528155	13X3/8X14X1/2 SO W/TIRE RCR HR	EA	163.00	S
528156	13.5X3/8X14X1/2 SO W/TIRE HR	EA	163.00	S
528157	14X3/8X14X1/2 SO W/TIRE RCR HR	EA	163.00	S
528158	14.5X3/8X14X1/2 SO W/TIRE RC HR	EA	163.00	S
528159	15X3/8X14X1/2 SO W/TIRE RCR HR	EA	163.00	S
528160	CSTM HR 3/8X3/4 SO W/TIRE RCR	EA	227.00	S
528161	CSTM HR 1/2X3/4 SO W/TIRE RCR	EA	227.00	S
528170	CSTM HR 3/8X3/8 SO W/TIRE RCR	EA	227.00	S
528171	CSTM HR 1/2X3/8 SO W/TIRE RCR	EA	227.00	S
529200	24" HR (6T) HTBB/BB	EA	66.60	M
529201	24" HR (6T) HTBB/BB PLST	EA	107.00	M
529202	24" HR (6T) HTBB/BB BLACK	EA	86.30	S
529300	24" HR (6LT)	EA	81.10	M
529301	24" HR (6LT) PLST	EA	119.00	M
529400	26" HR 6T BB/TN	EA	69.70	M
529401	26" HR 6T PLST BB/TN	EA	108.00	M
529503	QP 24" X .049 HR 6 TAB	EA	86.30	M
529504	QP 24" X .049 HR 4 TAB	EA	86.30	M
529508	QP 26" HR .065 (6T)	EA	86.30	M
529509	QP 26" HR .065 (6T) PLST	EA	106.00	M
529512	QP 26" HR .065 (6T) BLK	EA	86.30	S
529513	QP 26" HR .065 SHT (6T)	EA	86.30	M
529515	QP 24" HR .049 SHT (6T)	EA	86.30	M
529517	QP 24" HR .049 SHT (6T) BLACK	EA	86.30	S
529523	QP 26" HR .065 SHT (6T) PLST	EA	108.00	M
529524	QP 26" HR .065 SHT (6T) BLK	EA	86.30	S
529525	QP 24" HR .065 SHT (6T) PLST	EA	108.00	M
529527	QP 26" HR .065 (6)TAB BLK PNTD	EA	116.00	S
529528	QP 24" HR .065 (6)TAB BLK PNTD	EA	116.00	S
529529	QP 24" HR .065 (6)TAB ANO	EA	89.20	M
540181	ANTI-TIP RECEIVER R	EA	9.30	M
540182	ANTI-TIP RECEIVER L	EA	9.30	M
540580	ADAPTER 1" CYCLONE	EA	10.10	S
540582	ADAPTER 2" CYCLONE	EA	10.10	S
540584	ADAPTER 6" CYCLONE	EA	10.10	S
541002	FTRST MOUNTING BRKT-3/8 RAD R	EA	17.85	M
541003	FTRST MOUNTING BRKT-3/8 RAD L	EA	17.85	M
541201	REC TUBE WLDMNT CYC	EA	57.20	S
550159	3D SPORTS ANTI-TIP FORK	EA	11.30	S
550207	CAMBER TUBE MNTG CLMP ANO	EA	5.41	S
550210	LOW LOCK CLAMP BLK	EA	8.11	M
550211	AXLE CLAMP CAMBER TUBE	EA	12.44	M
550213	ANTI-TIP SADDLE LO-MNT GPS	EA	10.17	M
550215	ANTI-TIP SADDLE HI-MNT GPS	EA	10.17	M
550230	LOW LOCK ARM	EA	12.88	M

Part Number	Part Description	Unit U/M	List Price	Disc. Code
550231	HI-MNT SCSSOR WHL LOCK ARM LNG	EA	17.58	M
550232	HI-MNT SCISSOR WHL LCK ARM BLK	EA	13.25	M
550240	LOW LOCK TOGGLE	EA	2.78	M
550246	ANTI TIP CLAMP 3D	EA	90.00	S
550249	ADJ ANTI TIP HOUSING 3D	EA	146.00	S
550251	CLMP P300 CHRNGG/ADJ FL KDS	EA	8.11	M
550258	CLAMP 1 1/4" THREADED CLR	EA	9.68	M
550259	CLAMP 1 1/4" RECESS HALF CLR	EA	9.68	M
550265	WHL LCK SLIDE BLCK 3 1/2" CLR	EA	8.11	M
550274	3 1/4" SLOTTED FORK	EA	62.73	S
550279	4 1/4" FORK ONLY SLTD	EA	54.00	M
550284	5-1/4" FORK ONLY SLOTTED BLK	EA	47.59	M
550294	6" FORK ONLY SLOTTED BLK	EA	47.59	M
550303	7" FORK ONLY SLOTTED BLK	EA	47.59	M
550325	SIDE GUARD/KIDZ ARM REC	EA	38.94	M
550326	QC SIDE GUARD REC	EA	56.24	M
550327	SIDE GUARD REC W/HOLE	EA	40.50	S
550340	BCKRST LATCH BLOCK R P2/KZ	EA	15.90	P
550341	BCKRST LATCH BLOCK L P2/KZ	EA	15.90	P
550350	3/4" CLMP ADJ FT PLT	EA	10.82	M
550351	PLATFORM FOOTPLATE CLAMP	EA	24.88	M
550374	WHL LCK SLIDE BLOCK 3 1/2" BLK	EA	7.80	M
550382	FOOTREST MNTG BRACKET	EA	32.45	S
550384	4" FORK #25 BLACK	EA	39.50	S
550425	SIDE GUARD CLAMP BLK QTNT	EA	45.00	M
550428	SIDE GUARD RECEIVER BLK QTNT	EA	37.44	M
550723	HB CLAMP 3/4" NO NOTCH ST/DT	EA	56.24	S
550724	CLAMP 3/4"-3/4"TOP HALF ST/DT	EA	11.66	S
550725	CLAMP 3/4"-3/4"THRD HALF ST/DT	EA	11.66	S
551260	REC CLAMP BOTTOM BOTTOM CYC	EA	8.30	S
551261	REC CLAMP TOP CYC	EA	6.20	S
551262	CLAMP BLOCK CYC	EA	104.00	S
551264	COMPENSATOR CLAMP CYC	EA	41.60	S
551265	STRUT RECEIVER TOP CYC	EA	67.60	S
560031	FIN LONG KANSKI	EA	18.50	M
560126	.250 ID .312 OD BUSHING PLST	EA	1.40	M
560150	SPACER FOAM	EA	1.20	S
560153	TIPS 1" RUBBER WALKER	EA	2.20	S
560157	ROPE BLOCK FREEDOM BRD KS	EA	106.00	S
560158	ROPE BLOCK KS	EA	0.00	S
560163	ROPE BLOCK KS ASSM	EA	330.00	S
560183	INNER CHAIN GUARD BOTTOM M2	EA	18.00	S
560184	INNER CHAIN GUARD TOP M3	EA	18.00	S
560205	CLMP NYL BLK 5/8X12 SDE G	EA	0.50	S
560221	BACK REL STRAP LOCK RIGID	EA	2.43	M
560228	BAR END PLUG 3/4	EA	2.20	S
560244	PULLEY WHEEL STOP M2	EA	2.80	S
560247	SIDE FOAM COVERS (PR)	PR	36.00	S
560350	BB BUMPER COVER 3D	EA	29.20	S
560406	FRAME BUSHING	EA	2.27	M
560410	ZIP TIE BLACK	EA	1.46	M
560500-QU	HB PLASTIC COVER	EA	1.19	M
560502	ANTI-TIP LEVER COVER	EA	1.19	M
560560	FOAM OVAL TUBE CLAMP	EA	1.10	S
560628	4 1/2 X .840 X .125 FOAM GRIP	EA	4.60	S
560659	FOAM GRIP HORIZONTAL HNDL	EA	5.10	S
560660	QUICKIE GRIP 1" W/HOLE	EA	2.34	M
560662	QUICKIE GRIP 3/4"	EA	2.34	M
560689	CRUTCH TIP	EA	2.97	S
560735	7/8" ROUND TUBE PLUG	EA	1.19	M
560775	CLAMP BLK PLST CABLE	EA	5.60	S
560995	1" INSERT PLUG .036	EA	1.25	M
560999	1" INSERT PLUG .083 W/1/4 HOLE	EA	5.41	S
561000-QU	3/4" INSERT PLUG .083	EA	1.25	M
561001	1-1/8" SADDLE 1/4" HOLE	EA	1.25	M
561002	1" INSERT PLUG .083	EA	1.25	M

Quickie Sports Products

Part Number	Part Description	Unit U/M	List Price	Disct. Code	Part Number	Part Description	Unit U/M	List Price	Disct. Code
561003	3/4" SADDLE THIN	EA	1.31	M	600262	BASE FRM RTRO KIT STD BBALL AC	EA	624.00	M
561004	1" SADDLE 1/4" HOLE	EA	1.25	M	600263	BASE FRM RTRO KIT 1AT BBALL AC	EA	676.00	M
561005	1" INSERT PLUG .125	EA	1.25	M	600264	BASE FRM RTRO KIT 2AT BBALL AC	EA	728.00	M
561006	1" SADDLE 5/16" HOLE	EA	1.25	M	600272	BSE FRM RTRO KIT STD RUGBY AC	EA	624.00	M
561007	7/8" INSERT PLUG .083	EA	1.25	M	600273	BSE FRM RTRO KIT 1AT RUGBY AC	EA	676.00	M
561010	3/4" CAP	EA	1.25	M	600274	BSE FRM RTRO KIT 2AT RUGBY AC	EA	728.00	M
561014	1" MED CAP	EA	1.25	M	600551	BASE FRAME PNTD 13" 16D MP	EA	676.00	M
561016	1" WASHER 5/16" HOLE	EA	1.25	M	600552	BASE FRAME PNTD 14" 16D MP	EA	676.00	M
561017	1-3/8" SADDLE 1/4" HOLE	EA	3.79	M	600553	BASE FRAME PNTD 15" 16D MP	EA	676.00	M
561026	3/4" WASHER 1/4" HOLE	EA	1.25	M	600554	BASE FRAME PNTD 16" 16D MP	EA	676.00	M
561028	1/4" NYLON WASHER	EA	1.25	M	600555	BASE FRAME PNTD 17" 16D MP	EA	676.00	M
561032	ANTI-TIP WHEEL	EA	2.27	M	600556	BASE FRAME PNTD 18" 16D MP	EA	676.00	M
561034	SHORT DOME PLUG	EA	1.25	M	600557	BASE FRAME PNTD 19" 16D MP	EA	676.00	M
561038	HANDRIM SPACER (LONG)	EA	2.16	M	600561	BASE FRAME PNTD 13" 20D MP	EA	676.00	M
561040	HEEL LOOP PEG	EA	2.38	M	600562	BASE FRAME PNTD 14" 20D MP	EA	676.00	M
561043	1" WASHER 3/8" HOLE	EA	1.13	M	600563	BASE FRAME PNTD 15" 20D MP	EA	676.00	M
561055	3/4" SADDLE 1" OD	EA	1.19	M	600564	BASE FRAME PNTD 16" 20D MP	EA	676.00	M
561070	CASTER CAP PLASTIC	EA	2.43	M	600565	BASE FRAME PNTD 17" 20D MP	EA	676.00	M
561082	1" TUBE END BUSHING THIN	EA	1.25	M	600566	BASE FRAME PNTD 18" 20D MP	EA	676.00	M
561086	1" HALF SADDLE 1/4" HOLE	EA	1.25	M	600567	BASE FRAME PNTD 19" 20D MP	EA	676.00	M
561087	BACK REL SADDLE RIGID	EA	3.52	M	605100	FRAME ASSM 72D STD ST	EA	1119.00	M
561116	HANDLE BAR BUSHING RCR	EA	3.30	S	605101	FRAME ASSM 85D STD ST	EA	1076.00	M
561118	HEAD TUBE BUSHING	EA	7.80	S	605102	FRAME ASSM 72D SML STD ST	EA	1076.00	M
561171	CRANK ARM DUST CAPS	EA	1.20	S	605103	FRAME ASSM 85D SML STD ST	EA	1076.00	M
561184	SPACER 3/8 X .3	EA	3.24	S	605104	FRAME ASSM 72D LRG STD ST	EA	1076.00	M
561372	3/4" X 1-1/2" RECT TUBING CAP	EA	3.24	P	605105	FRAME ASSM 85D LRG STD ST	EA	1076.00	M
561400-QU	WASHER PLASTIC 1/2" ID X 1" OD	EA	0.70	S	605106	FRAME ASSM 72D STEEP ST	EA	1076.00	M
562124	RACER SIDE GUARD PLST SPEC DIM	EA	61.90	S	605107	FRAME ASSM 85D STEEP ST	EA	1076.00	M
562350	UNI WHEEL COVER	EA	233.00	S	605108	FRAME ASSM 72D TALL ST	EA	1076.00	M
562616	ANGLE ADJ PLST F/PLT R 3D	EA	12.40	S	605109	FRAME ASSM 85D TALL ST	EA	1076.00	M
562617	ANGLE ADJ PLST F/PLT L 3D	EA	12.40	S	605110	FRAME ASSM 72D ULTRA TALL ST	EA	1076.00	M
563064	SEAT SUPPORT PLUG 3D	EA	5.60	S	605111	FRAME ASSM 85D ULTRA TALL ST	EA	1119.00	M
563065	3/4" ANTI-RATTLE	EA	2.18	M	605112	FRAME ASSM 72D STD DT	EA	1076.00	M
580074	CAP PLASTIC 1" SQUARE	EA	1.20	S	605113	FRAME ASSM 85D STD DT	EA	1076.00	M
580075	WHEEL LOCK SHIM LOW	EA	4.33	S	605114	FRAME ASSM 72D SML STD DT	EA	1076.00	M
580076	WHEEL LOCK SHIM HIGH	EA	2.20	S	605115	FRAME ASSM 85D SML STD DT	EA	1076.00	M
580202	PAD NYLON FRICTION DOWN TUBE R	EA	14.60	S	605116	FRAME ASSM 72D LRG STD DT	EA	1076.00	M
580203	PAD NYLN FRICT DWN TBE L	EA	14.60	S	605117	FRAME ASSM 85D LRG STD DT	EA	1076.00	M
580204	PAD REAR BINDING MONO SKI	EA	4.50	S	605118	FRAME ASSM 72D STEEP DT	EA	1076.00	M
580300	HR TAB COVER	EA	0.43	M	605119	FRAME ASSM 85D STEEP DT	EA	1076.00	M
580301	HR TAB COVER BLK	EA	0.54	M	605120	FRAME ASSM 72D TALL DT	EA	1076.00	M
580400	SIDE GUARD STOP QTNT	EA	1.14	M	605121	FRAME ASSM 85D TALL DT	EA	1076.00	M
581504	FOOT PLATE 6 X 7 PAD KS	EA	87.70	S	605122	FRAME ASSM 72D ULTRA TALL DT	EA	1076.00	M
581505	KNEE PAD 15-17 STD	EA	31.50	S	605123	FRAME ASSM 85D ULTRA TALL DT	EA	1076.00	M
581506	KNEE PAD 13-14 SMALL	EA	30.00	S	617002	HEAD FRM 12 SPD STD PNTD	EA	234.00	S
600201	FRNT FRM TB ASSM A/C R STD O/S	EA	136.00	S	617003	HEAD FRM 36 SPD STD PNTD	EA	234.00	S
600202	FRNT FRM TB ASSM A/C L STD O/S	EA	136.00	S	617006	HEAD FRM 12 SPD DS PNTD	EA	234.00	S
600203	FRNT FRM TB ASSM A/C R TLL O/S	EA	136.00	S	617007	HEAD FRM 36 SPD DS PNTD	EA	234.00	S
600204	FRNT FRM TB ASSM A/C L TLL O/S	EA	136.00	S	617020	UPPER MAIN FRAME STD M2	EA	67.50	S
600205	FRAME OFFENSE QD RBY(SPEC-DIM)	EA	1012.00	S	617021	UPPER MAIN FRAME SHORT M2	EA	67.50	S
600206	FRAME OFFNS DBL WNG(SPEC-DIM)	EA	1012.00	S	660103	SEAT FRAME ASSM 13" M2/M3	EA	191.00	S
600210	FRAME QUAD RUGBY (SPEC-DIM)	EA	900.00	S	660104	SEAT FRAME ASSM 14" M2/M3	EA	191.00	S
600215	FRAME OFF/DEF QD RBY(SPEC-DIM)	EA	1012.00	S	660105	SEAT FRAME ASSM 15" M2/M3	EA	236.00	S
600216	FRAME OFF/DEF DBL WNG(SPEC-DIM)	EA	1012.00	S	660106	SEAT FRAME ASSM 16" M2/M3	EA	236.00	S
600220	T-FRAME 0D SHT PNTD(SPC WD)3D	EA	563.00	S	660107	SEAT FRAME ASSM 17" M2/M3	EA	236.00	S
600221	T-FRAME 3D SHT PNTD(SPC WD)3D	EA	563.00	S	660108	SEAT FRAME ASSM 18" M2/M3	EA	236.00	S
600222	T-FRAME 6D SHT PNTD(SPC WD)3D	EA	563.00	S	660109	SEAT FRAME ASSM 19" M2/M3	EA	236.00	S
600223	T-FRAME 9D SHT PNTD(SPC WD)3D	EA	563.00	S	660110	SEAT FRAME ASSM 20" M2/M3	EA	236.00	S
600224	T-FRAME 12D SHT PNTD(SPC WD)3D	EA	563.00	S	660300	SEAT FRAME ASSM 12" QKB	EA	191.00	S
600225	T-FRAME 15D SHT PNTD(SPC WD)3D	EA	563.00	S	660301	SEAT FRAME ASSM 13" QKB	EA	191.00	S
600226	T-FRAME 0D REG PNTD(SPC WD)3D	EA	563.00	S	660302	SEAT FRAME ASSM 14" QKB	EA	191.00	S
600227	T-FRAME 3D REG PNTD(SPC WD)3D	EA	563.00	S	661100	KNEE BAR 13" W/HDWR	EA	13.50	S
600228	T-FRAME 6D REG PNTD(SPC WD)3D	EA	563.00	S	661101	KNEE BAR 14" W/HDWR	EA	13.50	S
600229	T-FRAME 9D REG PNTD(SPC WD)3D	EA	563.00	S	661102	KNEE BAR 15" W/HDWR	EA	13.50	S
600230	T-FRAME 12D REG PNTD(SPC WD)3D	EA	563.00	S	661103	KNEE BAR 16" W/HDWR	EA	13.50	S
600231	T-FRAME 15D REG PNTD(SPC WD)3D	EA	563.00	S	661104	KNEE BAR 17" W/HDWR	EA	13.50	S

Quickie Sports Products

Part Number	Part Description	Unit U/M	List Price	Disct. Code	Part Number	Part Description	Unit U/M	List Price	Disct. Code
661289	SEAT FRAME PNTD 13 X 13 AC	EA	216.00	M	680018	BACKREST ASSM STD 18" W/STRAP	EA	64.90	S
661290	SEAT FRAME PNTD 14 X 13 AC	EA	216.00	M	680019	BACKREST ASSM STD 19" W/STRAP	EA	64.90	S
661291	SEAT FRAME PNTD 15 X 13 AC	EA	216.00	M	680020	BACKREST ASSM STD 20" W/STRAP	EA	64.90	S
661292	SEAT FRAME PNTD 16 X 13 AC	EA	216.00	M	680022	BACKREST ASSM SHT 12" W/STRAP	EA	64.90	S
661293	SEAT FRAME PNTD 17 X 13 AC	EA	216.00	M	680023	BACKREST ASSM SHT 13" W/STRAP	EA	64.90	S
661294	SEAT FRAME PNTD 18 X 13 AC	EA	216.00	M	680024	BACKREST ASSM SHT 14" W/STRAP	EA	64.90	S
661295	SEAT FRAME PNTD 19 X 13 AC	EA	216.00	M	680025	BACKREST ASSM SHT 15" W/STRAP	EA	64.90	S
661296	SEAT FRAME PNTD 20 X 13 AC	EA	216.00	M	680026	BACKREST ASSM SHT 16" W/STRAP	EA	64.90	S
661299	SEAT FRAME PNTD 13 X 14 AC	EA	216.00	M	680027	BACKREST ASSM SHT 17" W/STRAP	EA	64.90	S
661300	SEAT FRAME PNTD 14 X 14 AC	EA	216.00	M	680028	BACKREST ASSM SHT 18" W/STRAP	EA	64.90	S
661301	SEAT FRAME PNTD 15 X 14 AC	EA	216.00	M	680029	BACKREST ASSM SHT 19" W/STRAP	EA	64.90	S
661302	SEAT FRAME PNTD 16 X 14 AC	EA	216.00	M	680030	BACKREST ASSM SHT 20" W/STRAP	EA	64.90	S
661303	SEAT FRAME PNTD 17 X 14 AC	EA	216.00	M	680032	BACKREST ASSM PH 8D 12" W/STRP	EA	86.53	S
661304	SEAT FRAME PNTD 18 X 14 AC	EA	216.00	M	680033	BACKREST ASSM PH 8D 13" W/STRP	EA	86.53	S
661305	SEAT FRAME PNTD 19 X 14 AC	EA	216.00	M	680034	BACKREST ASSM PH 8D 14" W/STRP	EA	86.53	S
661306	SEAT FRAME PNTD 20 X 14 AC	EA	216.00	M	680035	BACKREST ASSM PH 8D 15" W/STRP	EA	86.53	S
661309	SEAT FRAME PNTD 13 X 15 AC	EA	216.00	M	680036	BACKREST ASSM PH 8D 16" W/STRP	EA	86.53	S
661310	SEAT FRAME PNTD 14 X 15 AC	EA	216.00	M	680037	BACKREST ASSM PH 8D 17" W/STRP	EA	86.53	S
661311	SEAT FRAME PNTD 15 X 15 AC	EA	216.00	M	680038	BACKREST ASSM PH 8D 18" W/STRP	EA	86.53	S
661312	SEAT FRAME PNTD 16 X 15 AC	EA	216.00	M	680039	BACKREST ASSM PH 8D 19" W/STRP	EA	86.53	S
661313	SEAT FRAME PNTD 17 X 15 AC	EA	216.00	M	680040	BACKREST ASSM PH 8D 20" W/STRP	EA	86.53	S
661314	SEAT FRAME PNTD 18 X 15 AC	EA	216.00	M	680041	BACK UPH 12" X-SHT QKB	EA	124.00	S
661315	SEAT FRAME PNTD 19 X 15 AC	EA	216.00	M	680042	BACK UPH 12" LOW QKB	EA	124.00	S
661316	SEAT FRAME PNTD 20 X 15 AC	EA	216.00	M	680043	BACK UPH 13" LOW M2/M3	EA	124.00	S
661319	SEAT FRAME PNTD 13 X 16 AC	EA	216.00	M	680044	BACK UPH 14" LOW M2/M3	EA	124.00	S
661320	SEAT FRAME PNTD 14 X 16 AC	EA	216.00	M	680045	BACK UPH 15" LOW M2/M3	EA	124.00	S
661321	SEAT FRAME PNTD 15 X 16 AC	EA	216.00	M	680046	BACK UPH 16" LOW M2/M3	EA	124.00	S
661322	SEAT FRAME PNTD 16 X 16 AC	EA	216.00	M	680047	BACK UPH 17" LOW M2/M3	EA	124.00	S
661323	SEAT FRAME PNTD 17 X 16 AC	EA	216.00	M	680048	BACK UPH 18" LOW M2/M3	EA	124.00	S
661324	SEAT FRAME PNTD 18 X 16 AC	EA	216.00	M	680049	BACK UPH 19" LOW M2/M3	EA	124.00	S
661325	SEAT FRAME PNTD 19 X 16 AC	EA	216.00	M	680050	BACK UPH 20" LOW M2/M3	EA	124.00	S
661326	SEAT FRAME PNTD 20 X 16 AC	EA	216.00	M	680051	BACK UPH 13" X-SHT QKB	EA	124.00	S
661329	SEAT FRAME PNTD 13 X 17 AC	EA	216.00	M	680052	BACK UPH 12" MED QKB	EA	124.00	S
661330	SEAT FRAME PNTD 14 X 17 AC	EA	216.00	M	680053	BACK UPH 13" MED M2/M3	EA	124.00	S
661331	SEAT FRAME PNTD 15 X 17 AC	EA	216.00	M	680054	BACK UPH 14" MED M2/M3	EA	124.00	S
661336	SEAT FRAME PNTD 20 X 17 AC	EA	216.00	M	680055	BACK UPH 15" MED M2/M3	EA	124.00	S
661339	SEAT FRAME PNTD 13 X 18 AC	EA	216.00	M	680056	BACK UPH 16" MED M2/M3	EA	124.00	S
661340	SEAT FRAME PNTD 14 X 18 AC	EA	216.00	M	680057	BACK UPH 17" MED M2/M3	EA	124.00	S
661341	SEAT FRAME PNTD 15 X 18 AC	EA	216.00	M	680058	BACK UPH 18" MED M2/M3	EA	124.00	S
661342	SEAT FRAME PNTD 16 X 18 AC	EA	216.00	M	680059	BACK UPH 19" MED M2/M3	EA	124.00	S
661343	SEAT FRAME PNTD 17 X 18 AC	EA	216.00	M	680060	BACK UPH 20" MED M2/M3	EA	124.00	S
661344	SEAT FRAME PNTD 18 X 18 AC	EA	216.00	M	680061	BACK UPH 14" X-SHT KB	EA	124.00	S
661345	SEAT FRAME PNTD 19 X 18 AC	EA	216.00	M	680063	BACK UPH 13" TALL M2/M3	EA	124.00	S
661346	SEAT FRAME PNTD 20 X 18 AC	EA	216.00	M	680064	BACK UPH 14" TALL M2/M3	EA	124.00	S
661350	SEAT FRAME PNTD 14 X 19 AC	EA	216.00	M	680065	BACK UPH 15" TALL M2/M3	EA	124.00	S
661351	SEAT FRAME PNTD 15 X 19 AC	EA	216.00	M	680066	BACK UPH 16" TALL M2/M3	EA	124.00	S
661352	SEAT FRAME PNTD 16 X 19 AC	EA	216.00	M	680067	BACK UPH 17" TALL M2/M3	EA	124.00	S
661353	SEAT FRAME PNTD 17 X 19 AC	EA	216.00	M	680068	BACK UPH 18" TALL M2/M3	EA	124.00	S
661354	SEAT FRAME PNTD 18 X 19 AC	EA	216.00	M	680069	BACK UPH 19" TALL M2/M3	EA	124.00	S
661355	SEAT FRAME PNTD 19 X 19 AC	EA	216.00	M	680070	BACK UPH 20" TALL M2/M3	EA	124.00	S
661356	SEAT FRAME PNTD 20 X 19 AC	EA	216.00	M	680113	BACK ASSM 13" LOW M3/M2	EA	281.00	S
661360	SEAT FRAME PNTD 14 X 20 AC	EA	216.00	M	680114	BACK ASSM 14" LOW M3/M2	EA	281.00	S
661361	SEAT FRAME PNTD 15 X 20 AC	EA	216.00	M	680115	BACK ASSM 15" LOW M3/M2	EA	281.00	S
661362	SEAT FRAME PNTD 16 X 20 AC	EA	216.00	M	680116	BACK ASSM 16" LOW M3/M2	EA	281.00	S
661363	SEAT FRAME PNTD 17 X 20 AC	EA	216.00	M	680117	BACK ASSM 17" LOW M3/M2	EA	281.00	S
661364	SEAT FRAME PNTD 18 X 20 AC	EA	216.00	M	680118	BACK ASSM 18" LOW M3/M2	EA	281.00	S
661365	SEAT FRAME PNTD 19 X 20 AC	EA	216.00	M	680119	BACK ASSM 19" LOW M3/M2	EA	281.00	S
661366	SEAT FRAME PNTD 20 X 20 AC	EA	216.00	M	680120	BACK ASSM 20" LOW M3/M2	EA	281.00	S
663900	SEAT FRAME PNTD 3D	EA	318.00	S	680123	BACK ASSM 13" MED M3/M2	EA	281.00	S
671307	CROSS TUBE END PNTD	EA	25.90	S	680124	BACK ASSM 14" MED M3/M2	EA	281.00	S
680012	BACKREST ASSM STD 12" W/STRAP	EA	64.90	S	680125	BACK ASSM 15" MED M3/M2	EA	281.00	S
680013	BACKREST ASSM STD 13" W/STRAP	EA	64.90	S	680126	BACK ASSM 16" MED M3/M2	EA	281.00	S
680014	BACKREST ASSM STD 14" W/STRAP	EA	64.90	S	680127	BACK ASSM 17" MED M3/M2	EA	281.00	S
680015	BACKREST ASSM STD 15" W/STRAP	EA	64.90	S	680128	BACK ASSM 18" MED M3/M2	EA	281.00	S
680016	BACKREST ASSM STD 16" W/STRAP	EA	64.90	S	680129	BACK ASSM 19" MED M3/M2	EA	281.00	S
680017	BACKREST ASSM STD 17" W/STRAP	EA	64.90	S	680130	BACK ASSM 20" MED M3/M2	EA	281.00	S

Quickie Sports Products

Part Number	Part Description	Unit U/M	List Price	Disct. Code
680133	BACK ASSM 13" TALL M3/M2	EA	281.00	S
680134	BACK ASSM 14" TALL M3/M2	EA	281.00	S
680135	BACK ASSM 15" TALL M3/M2	EA	281.00	S
680136	BACK ASSM 16" TALL M3/M2	EA	281.00	S
680137	BACK ASSM 17" TALL M3/M2	EA	281.00	S
680138	BACK ASSM 18" TALL M3/M2	EA	281.00	S
680139	BACK ASSM 19" TALL M3/M2	EA	281.00	S
680140	BACK ASSM 20" TALL M3/M2	EA	281.00	S
680150	UPH BACK 12"	EA	125.00	S
680151	UPH BACK 12" LONG	EA	125.00	S
680152	UPH BACK 12" PH	EA	125.00	S
680153	UPH BACK 12" LONG PH	EA	125.00	S
680160	BACK UPH SLING SHORT JR RCR	EA	113.00	S
680161	BACK UPH SLING TALL JR RCR	EA	113.00	S
680162	BACK UPH SLING SHORT SM RCR	EA	113.00	S
680163	BACK UPH SLING TALL SM RCR	EA	113.00	S
680164	BACK UPH SLING SHORT LG RCR	EA	113.00	S
680165	BACK UPH SLING TALL LG RCR	EA	113.00	S
680198	BCK UPH 13" 8-12" Q1/GP F BCK	EA	97.34	M
680200	BCK UPH 13" 10-14" Q1/GP F BCK	EA	97.34	M
680201	BACK UPH 13" 11-15" W/TAIL	EA	92.00	S
680202	BCK UPH 13" 12-16" Q1/GP F BCK	EA	97.34	M
680203	BACK UPH 13" 12-16" W/TAIL	EA	92.00	S
680204	BCK UPH 13" 14-18" Q1/GP F BCK	EA	97.34	M
680205	BACK UPH 13" 14-18" W/TAIL	EA	92.00	S
680206	BCK UPH 13" 16-20" Q1/GP F BCK	EA	97.34	M
680207	BACK UPH 13" 16-20" W/TAIL	EA	92.00	S
680209	BACK UPH 12" 12-16" W/TAIL	EA	97.34	M
680210	BACK UPH 12" 14-18" W/TAIL	EA	97.34	M
680211	BACK UPH 12" 16-20" W/TAIL	EA	97.34	M
680212	BACK UPH 12" 8-12" W/TAIL	EA	97.34	M
680213	BACK UPH 13" 8-12" W/TAIL	EA	97.34	M
680250	UPH BACK 13"	EA	125.00	S
680251	UPH BACK 13" LONG	EA	125.00	S
680252	UPH BACK 13" PH	EA	125.00	S
680253	UPH BACK 13" LONG PH	EA	125.00	S
680260	BACK ASSM 12" X-LOW QKB	EA	281.00	S
680261	BACK ASSM 13" X-LOW QKB	EA	281.00	S
680262	BACK ASSM 14" X-LOW QKB	EA	281.00	S
680263	BACK ASSM 12" LOW QKB	EA	281.00	S
680264	BACK ASSM 13" LOW QKB	EA	281.00	S
680265	BACK ASSM 14" LOW QKB	EA	281.00	S
680298	BCK UPH 14" 8-12" Q1/GP F BCK	EA	97.34	M
680300	BCK UPH 14" 10-14" Q1/GP F BCK	EA	97.34	M
680301	BACK UPH 14" 11-15" W/TAIL	EA	99.51	M
680302	BCK UPH 14" 12-16" Q1/GP F BCK	EA	97.34	M
680303	BACK UPH 14" 12-16" W/TAIL	EA	99.51	M
680304	BCK UPH 14" 14-18" Q1/GP F BCK	EA	97.34	M
680305	BACK UPH 14" 14-18" W/TAIL	EA	99.51	M
680306	BCK UPH 14" 16-20" Q1/GP F BCK	EA	97.34	M
680307	BACK UPH 14" 16-20" W/TAIL	EA	99.51	M
680350	UPH BACK 14"	EA	125.00	S
680351	UPH BACK 14" LONG	EA	125.00	S
680352	UPH BACK 14" PH	EA	125.00	S
680353	UPH BACK 14" LONG PH	EA	125.00	S
680398	BCK UPH 15" 8-12" Q1/GP F BCK	EA	97.34	M
680400	BCK UPH 15" 10-14" Q1/GP F BCK	EA	97.34	M
680401	BACK UPH 15" 11-15" W/TAIL	EA	99.51	M
680402	BCK UPH 15" 12-16" Q1/GP F BCK	EA	97.34	M
680403	BACK UPH 15" 12-16" W/TAIL	EA	99.51	M
680404	BCK UPH 15" 14-18" Q1/GP F BCK	EA	97.34	M
680405	BACK UPH 15" 14-18" W/TAIL	EA	99.51	M
680406	BCK UPH 15" 16-20" Q1/GP F BCK	EA	97.34	M
680407	BACK UPH 15" 16-20" W/TAIL	EA	99.51	M
680450	UPH BACK 15"	EA	125.00	S
680451	UPH BACK 15" LONG	EA	125.00	S

Part Number	Part Description	Unit U/M	List Price	Disct. Code
680452	UPH BACK 15" PH	EA	125.00	S
680453	UPH BACK 15" LONG PH	EA	125.00	S
680498	BCK UPH 16" 8-12" Q1/GP F BCK	EA	97.34	M
680500	BCK UPH 16" 10-14" Q1/GP F BCK	EA	97.34	M
680501	BACK UPH 16" 11-15" W/TAIL	EA	99.51	M
680502	BCK UPH 16" 12-16" Q1/GP F BCK	EA	97.34	M
680503	BACK UPH 16" 12-16" W/TAIL	EA	99.51	M
680504	BCK UPH 16" 14-18" Q1/GP F BCK	EA	97.34	M
680505	BACK UPH 16" 14-18" W/TAIL	EA	99.51	M
680506	BCK UPH 16" 16-20" Q1/GP F BCK	EA	97.34	M
680507	BACK UPH 16" 16-20" W/TAIL	EA	99.51	M
680550	UPH BACK 16"	EA	125.00	S
680551	UPH BACK 16" LONG	EA	125.00	S
680552	UPH BACK 16" PH	EA	125.00	S
680553	UPH BACK 16" LONG PH	EA	125.00	S
680598	BCK UPH 17" 8-12" Q1/GP F BCK	EA	97.34	M
680600	BCK UPH 17" 10-14" Q1/GP F BCK	EA	97.34	M
680601	BACK UPH 17" 11-15" W/TAIL	EA	99.51	M
680602	BCK UPH 17" 12-16" Q1/GP F BCK	EA	97.34	M
680603	BACK UPH 17" 12-16" W/TAIL	EA	99.51	M
680604	BCK UPH 17" 14-18" Q1/GP F BCK	EA	97.34	M
680605	BACK UPH 17" 14-18" W/TAIL	EA	99.51	M
680606	BCK UPH 17" 16-20" Q1/GP F BCK	EA	97.34	M
680607	BACK UPH 17" 16-20" W/TAIL	EA	99.51	M
680650	UPH BACK 17"	EA	125.00	S
680651	UPH BACK 17" LONG	EA	125.00	S
680652	UPH BACK 17" PH	EA	125.00	S
680653	UPH BACK 17" LONG PH	EA	125.00	S
680698	BCK UPH 18" 8-12" Q1/GP F BCK	EA	97.34	M
680700	BCK UPH 18" 10-14" Q1/GP F BCK	EA	97.34	M
680701	BACK UPH 18" 11-15" W/TAIL	EA	99.51	M
680702	BCK UPH 18" 12-16" Q1/GP F BCK	EA	97.34	M
680703	BACK UPH 18" 12-16" W/TAIL	EA	99.51	M
680704	BCK UPH 18" 14-18" Q1/GP F BCK	EA	97.34	M
680705	BACK UPH 18" 14-18" W/TAIL	EA	99.51	M
680706	BCK UPH 18" 16-20" Q1/GP F BCK	EA	97.34	M
680707	BACK UPH 18" 16-20" W/TAIL	EA	99.51	M
680750	UPH BACK 18"	EA	125.00	S
680751	UPH BACK 18" LONG	EA	125.00	S
680752	UPH BACK 18" PH	EA	125.00	S
680753	UPH BACK 18" LONG PH	EA	125.00	S
680798	BCK UPH 19" 8-12" Q1/GP F BCK	EA	97.34	M
680800	BCK UPH 19" 10-14" Q1/GP F BCK	EA	97.34	M
680801	BACK UPH 19" 11-15" W/TAIL	EA	99.51	M
680802	BCK UPH 19" 12-16" Q1/GP F BCK	EA	97.34	M
680803	BACK UPH 19" 12-16" W/TAIL	EA	99.51	M
680804	BCK UPH 19" 14-18" Q1/GP F BCK	EA	97.34	M
680805	BACK UPH 19" 14-18" W/TAIL	EA	99.51	M
680806	BCK UPH 19" 16-20" Q1/GP F BCK	EA	97.34	M
680807	BACK UPH 19" 16-20" W/TAIL	EA	99.51	M
680898	BCK UPH 20" 8-12" Q1/GP F BCK	EA	97.34	M
680900	BCK UPH 20" 10-14" Q1/GP F BCK	EA	97.34	M
680901	BACK UPH 20" 11-15" W/TAIL	EA	99.51	M
680902	BCK UPH 20" 12-16" Q1/GP F BCK	EA	97.34	M
680903	BACK UPH 20" 12-16" W/TAIL	EA	99.51	M
680904	BCK UPH 20" 14-18" Q1/GP F BCK	EA	97.34	M
680905	BACK UPH 20" 14-18" W/TAIL	EA	99.51	M
680906	BCK UPH 20" 16-20" Q1/GP F BCK	EA	97.34	M
680907	BACK UPH CUSTOM Q1/GP F BCK	EA	140.61	M
680909	BACK UPH 20" 16-20" W/TAIL	EA	99.51	M
680920	GENERIC ADJ BACK UPH 3D W/TAIL	EA	146.00	S
684120	BCKRST SPPRT STRP 12"	EA	17.31	S
684121	BCKRST SPPRT STRP 13"	EA	18.00	S
684122	BCKRST SPPRT STRP 14"	EA	18.00	S
684123	BCKRST SPPRT STRP 15"	EA	18.00	M
684124	BCKRST SPPRT STRP 16"	EA	18.00	S

Quickie Sports Products

Part Number	Part Description	Unit U/M	List Price	Disc. Code
684125	BCKRST SPPRT STRP 17"	EA	18.00	S
684126	BCKRST SPPRT STRP 18"	EA	18.00	S
684127	BCKRST SPPRT STRP 19"	EA	18.00	S
684128	BCKRST SPPRT STRP 20"	EA	18.00	S
684442	SPORTS ADJ BACK 12LA W/TAIL	EA	125.00	S
684443	SPORTS ADJ BACK 13LA W/TAIL	EA	125.00	S
684444	SPORTS ADJ BACK 14LA W/TAIL	EA	125.00	S
684445	SPORTS ADJ BACK 15LA W/TAIL	EA	125.00	S
684446	SPORTS ADJ BACK 16LA W/TAIL	EA	125.00	S
684447	SPORTS ADJ BACK 17LA W/TAIL	EA	125.00	S
684453	SPORTS ADJ BACK 13SA W/TAIL	EA	125.00	S
684454	SPORTS ADJ BACK 14SA W/TAIL	EA	125.00	S
684455	SPORTS ADJ BACK 15SA W/TAIL	EA	125.00	S
684456	SPORTS ADJ BACK 16SA W/TAIL	EA	125.00	S
684457	SPORTS ADJ BACK 17SA W/TAIL	EA	125.00	S
684458	SPORTS ADJ BACK 18SA W/TAIL	EA	125.00	S
684459	SPORTS ADJ BACK 19SA W/TAIL	EA	125.00	S
684460	SPORTS ADJ BACK 20SA W/TAIL	EA	125.00	S
685904	BACK UPH QUICKIE ADJ 14" SA	EA	125.00	M
685905	BACK UPH QUICKIE ADJ 15" SA	EA	125.00	M
685906	BACK UPH QUICKIE ADJ 16" SA	EA	125.00	M
685907	BACK UPH QUICKIE ADJ 17" SA	EA	125.00	M
685908	BACK UPH QUICKIE ADJ 18" SA	EA	125.00	M
685909	BACK UPH QUICKIE ADJ 19" SA	EA	125.00	M
685910	BACK UPH QUICKIE ADJ 20" SA	EA	125.00	M
685914	BACK UPH QUICKIE ADJ 14" MA	EA	125.00	M
685915	BACK UPH QUICKIE ADJ 15" MA	EA	125.00	M
685916	BACK UPH QUICKIE ADJ 16" MA	EA	125.00	M
685917	BACK UPH QUICKIE ADJ 17" MA	EA	125.00	M
685918	BACK UPH QUICKIE ADJ 18" MA	EA	125.00	M
685919	BACK UPH QUICKIE ADJ 19" MA	EA	125.00	M
685920	BACK UPH QUICKIE ADJ 20" MA	EA	125.00	M
685924	BACK UPH QUICKIE ADJ 14" LA	EA	125.00	M
685925	BACK UPH QUICKIE ADJ 15" LA	EA	125.00	M
685926	BACK UPH QUICKIE ADJ 16" LA	EA	125.00	M
685927	BACK UPH QUICKIE ADJ 17" LA	EA	125.00	M
685928	BACK UPH QUICKIE ADJ 18" LA	EA	125.00	M
685929	BACK UPH QUICKIE ADJ 19" LA	EA	125.00	M
685930	BACK UPH QUICKIE ADJ 20" LA	EA	125.00	M
700025	SEAT CUSHION 10" X 8" X 2"	EA	99.00	M
700026	SEAT CUSHION 10" X 9" X 2"	EA	99.00	M
700027	SEAT CUSHION 10" X 10" X 2"	EA	99.00	M
700028	SEAT CUSHION 10" X 11" X 2"	EA	99.00	M
700029	SEAT CUSHION 10" X 12" X 2"	EA	99.00	M
700031	SEAT CUSHION 11" X 13" X 1"	EA	84.36	M
700032	SEAT CUSHION 11" X 13" X 2"	EA	99.00	M
700033	SEAT CUSHION 11" X 13" X 3"	EA	109.00	M
700034	SEAT CUSHION 11" X 13" X 4"	EA	114.00	M
700035	SEAT CUSHION 10" X 13" X 2"	EA	99.00	M
700041	SEAT CUSHION 11" X 14" X 1"	EA	84.36	M
700042	SEAT CUSHION 11" X 14" X 2"	EA	99.00	M
700043	SEAT CUSHION 11" X 14" X 3"	EA	109.00	M
700044	SEAT CUSHION 11" X 14" X 4"	EA	114.00	M
700045	SEAT CUSHION 10" X 14" X 2"	EA	99.00	M
700052	SEAT CUSHION 11" X 15" X 2"	EA	99.00	M
700053	SEAT CUSHION 11" X 15" X 3"	EA	109.00	M
700054	SEAT CUSHION 11" X 15" X 4"	EA	114.00	M
700055	SEAT CUSHION 11" X 8" X 2"	EA	99.00	M
700056	SEAT CUSHION 11" X 9" X 2"	EA	99.00	M
700062	SEAT CUSHION 11" X 16" X 2"	EA	99.00	M
700063	SEAT CUSHION 11" X 16" X 3"	EA	109.00	M
700064	SEAT CUSHION 11" X 16" X 4"	EA	114.00	M
700072	SEAT CUSHION 11" X 17" X 2"	EA	99.00	M
700073	SEAT CUSHION 11" X 17" X 3"	EA	109.00	M
700074	SEAT CUSHION 11" X 17" X 4"	EA	114.00	M
700082	SEAT CUSHION 11" X 18" X 2"	EA	99.00	M

Part Number	Part Description	Unit U/M	List Price	Disc. Code
700083	SEAT CUSHION 11" X 18" X 3"	EA	109.00	M
700084	SEAT CUSHION 11" X 18" X 4"	EA	114.00	M
700102	SEAT CUSHION 12" X 10" X 2"	EA	99.00	M
700112	SEAT CUSHION 12" X 11" X 2"	EA	99.00	M
700122	SEAT CUSHION 12" X 12" X 2"	EA	99.00	M
700132	SEAT CUSHION 12" X 13" X 2"	EA	99.00	M
700202	SEAT CUSHION 13" X 10" X 2"	EA	99.00	M
700212	SEAT CUSHION 13" X 11" X 2"	EA	99.00	M
700222	SEAT CUSHION 13" X 12" X 2"	EA	99.00	M
700223	SEAT CUSHION 13" X 12" X 3"	EA	95.00	M
700232	SEAT CUSHION 13" X 13" X 2"	EA	99.00	M
700233	SEAT CUSHION 13" X 13" X 3"	EA	95.00	M
700242	SEAT CUSHION 13" X 14" X 2"	EA	99.00	M
700243	SEAT CUSHION 13" X 14" X 3"	EA	95.00	M
700252	SEAT CUSHION 13" X 15" X 2"	EA	99.00	M
700253	SEAT CUSHION 13" X 15" X 3"	EA	95.00	M
700262	SEAT CUSHION 13" X 16" X 2"	EA	99.00	M
700263	SEAT CUSHION 13" X 16" X 3"	EA	95.00	M
700267	SEAT CUSHION 13" X 19" X 2"	EA	99.00	M
700272	SEAT CUSHION 13" X 17" X 2"	EA	99.00	M
700273	SEAT CUSHION 13" X 17" X 3"	EA	95.00	M
700277	SEAT CUSHION 13" X 18" X 2"	EA	99.00	M
700278	SEAT CUSHION 13" X 18" X 3"	EA	95.00	M
700282	SEAT CUSHION 14" X 10" X 2"	EA	99.00	M
700292	SEAT CUSHION 14" X 11" X 2"	EA	99.00	M
700302	SEAT CUSHION 14" X 12" X 2"	EA	99.00	M
700312	SEAT CUSHION 14" X 13" X 2"	EA	99.00	M
700313	SEAT CUSHION 14" X 13" X 3"	EA	95.00	M
700322	SEAT CUSHION 14" X 14" X 2"	EA	99.00	M
700323	SEAT CUSHION 14" X 14" X 3"	EA	95.00	M
700332	SEAT CUSHION 14" X 15" X 2"	EA	99.00	M
700333	SEAT CUSHION 14" X 15" X 3"	EA	95.00	M
700342	SEAT CUSHION 14" X 16" X 2"	EA	99.00	M
700343	SEAT CUSHION 14" X 16" X 3"	EA	95.00	M
700352	SEAT CUSHION 14" X 17" X 2"	EA	99.00	M
700353	SEAT CUSHION 14" X 17" X 3"	EA	95.00	M
700362	SEAT CUSHION 14" X 18" X 2"	EA	99.00	M
700363	SEAT CUSHION 14" X 18" X 3"	EA	95.00	M
700402	SEAT CUSHION 15" X 12" X 2"	EA	99.00	M
700412	SEAT CUSHION 15" X 13" X 2"	EA	99.00	M
700413	SEAT CUSHION 15" X 13" X 3"	EA	95.00	M
700422	SEAT CUSHION 15" X 14" X 2"	EA	99.00	M
700423	SEAT CUSHION 15" X 14" X 3"	EA	95.00	M
700432	SEAT CUSHION 15" X 15" X 2"	EA	99.00	M
700433	SEAT CUSHION 15" X 15" X 3"	EA	95.00	M
700442	SEAT CUSHION 15" X 16" X 2"	EA	99.00	M
700443	SEAT CUSHION 15" X 16" X 3"	EA	95.00	M
700452	SEAT CUSHION 15" X 17" X 2"	EA	99.00	M
700453	SEAT CUSHION 15" X 17" X 3"	EA	95.00	M
700462	SEAT CUSHION 15" X 18" X 2"	EA	99.00	M
700463	SEAT CUSHION 15" X 18" X 3"	EA	95.00	M
700473	SEAT CUSHION 15" X 19" X 3"	EA	95.00	M
700502	SEAT CUSHION 16" X 12" X 2"	EA	99.00	M
700512	SEAT CUSHION 16" X 13" X 2"	EA	99.00	M
700513	SEAT CUSHION 16" X 13" X 3"	EA	95.00	M
700522	SEAT CUSHION 16" X 14" X 2"	EA	99.00	M
700523	SEAT CUSHION 16" X 14" X 3"	EA	95.00	M
700532	SEAT CUSHION 16" X 15" X 2"	EA	99.00	M
700533	SEAT CUSHION 16" X 15" X 3"	EA	95.00	M
700542	SEAT CUSHION 16" X 16" X 2"	EA	99.00	M
700543	SEAT CUSHION 16" X 16" X 3"	EA	95.00	M
700552	SEAT CUSHION 16" X 17" X 2"	EA	99.00	M
700553	SEAT CUSHION 16" X 17" X 3"	EA	95.00	M
700562	SEAT CUSHION 16" X 18" X 2"	EA	99.00	M
700563	SEAT CUSHION 16" X 18" X 3"	EA	95.00	M
700573	SEAT CUSHION 16" X 19" X 3"	EA	95.00	M

Quickie Sports Products

Part Number	Part Description	Unit U/M	List Price	Disct. Code
700597	SEAT CUSHION 17" X 13" X 2"	EA	99.00	M
700598	SEAT CUSHION 17" X 13" X 3"	EA	95.00	M
700602	SEAT CUSHION 17" X 14" X 2"	EA	99.00	M
700603	SEAT CUSHION 17" X 14" X 3"	EA	95.00	M
700606	SEAT CUSHION 17" X 12" X 2"	EA	99.00	M
700612	SEAT CUSHION 17" X 15" X 2"	EA	99.00	M
700613	SEAT CUSHION 17" X 15" X 3"	EA	95.00	M
700622	SEAT CUSHION 17" X 16" X 2"	EA	99.00	M
700623	SEAT CUSHION 17" X 16" X 3"	EA	95.00	M
700632	SEAT CUSHION 17" X 17" X 2"	EA	99.00	M
700633	SEAT CUSHION 17" X 17" X 3"	EA	95.00	M
700642	SEAT CUSHION 17" X 18" X 2"	EA	99.00	M
700643	SEAT CUSHION 17" X 18" X 3"	EA	95.00	M
700653	SEAT CUSHION 17" X 19" X 3"	EA	95.00	M
700682	SEAT CUSHION 18" X 12" X 2"	EA	99.00	M
700692	SEAT CUSHION 18" X 13" X 2"	EA	99.00	M
700693	SEAT CUSHION 18" X 13" X 3"	EA	95.00	M
700702	SEAT CUSHION 18" X 14" X 2"	EA	99.00	M
700703	SEAT CUSHION 18" X 14" X 3"	EA	95.00	M
700712	SEAT CUSHION 18" X 15" X 2"	EA	99.00	M
700713	SEAT CUSHION 18" X 15" X 3"	EA	95.00	M
700722	SEAT CUSHION 18" X 16" X 2"	EA	99.00	M
700723	SEAT CUSHION 18" X 16" X 3"	EA	95.00	M
700732	SEAT CUSHION 18" X 17" X 2"	EA	99.00	M
700733	SEAT CUSHION 18" X 17" X 3"	EA	95.00	M
700742	SEAT CUSHION 18" X 18" X 2"	EA	99.00	M
700753	SEAT CUSHION 18" X 19" X 3"	EA	95.00	M
700763	SEAT CUSHION 18" X 20" X 3"	EA	95.00	M
700782	SEAT CUSHION 19" X 12" X 2"	EA	99.00	M
700792	SEAT CUSHION 19" X 13" X 2"	EA	99.00	M
700793	SEAT CUSHION 19" X 13" X 3"	EA	95.00	M
700802	SEAT CUSHION 19" X 14" X 2"	EA	99.00	M
700803	SEAT CUSHION 19" X 14" X 3"	EA	95.00	M
700812	SEAT CUSHION 19" X 15" X 2"	EA	99.00	M
700813	SEAT CUSHION 19" X 15" X 3"	EA	95.00	M
700822	SEAT CUSHION 19" X 16" X 2"	EA	99.00	M
700823	SEAT CUSHION 19" X 16" X 3"	EA	95.00	M
700832	SEAT CUSHION 19" X 17" X 2"	EA	99.00	M
700833	SEAT CUSHION 19" X 17" X 3"	EA	95.00	M
700842	SEAT CUSHION 19" X 18" X 2"	EA	99.00	M
700843	SEAT CUSHION 19" X 18" X 3"	EA	95.00	M
700853	SEAT CUSHION 19" X 19" X 3"	EA	95.00	M
700882	SEAT CUSHION 20" X 12" X 2"	EA	99.00	M
700892	SEAT CUSHION 20" X 13" X 2"	EA	99.00	M
700893	SEAT CUSHION 20" X 13" X 3"	EA	95.00	M
700902	SEAT CUSHION 20" X 14" X 2"	EA	99.00	M
700903	SEAT CUSHION 20" X 14" X 3"	EA	95.00	M
700912	SEAT CUSHION 20" X 15" X 2"	EA	99.00	M
700913	SEAT CUSHION 20" X 15" X 3"	EA	95.00	M
700922	SEAT CUSHION 20" X 16" X 2"	EA	99.00	M
700923	SEAT CUSHION 20" X 16" X 3"	EA	95.00	M
700932	SEAT CUSHION 20" X 17" X 2"	EA	99.00	M
700933	SEAT CUSHION 20" X 17" X 3"	EA	95.00	M
700942	SEAT CUSHION 20" X 18" X 2"	EA	99.00	M
700943	SEAT CUSHION 20" X 18" X 3"	EA	95.00	M
700953	SEAT CUSHION 20" X 19" X 3"	EA	95.00	M
700978	RIGID CUSHION SPEC-DIM	EA	102.75	S
701102	SEAT COVER 12" X 10" X 2"	EA	81.00	M
701111	SEAT COVER 12" X 11" X 1"	EA	75.71	M
701112	SEAT COVER 12" X 11" X 2"	EA	81.00	M
701122	SEAT COVER 12" X 12" X 2"	EA	81.00	M
701132	SEAT COVER 12" X 13" X 2"	EA	81.00	M
701202	SEAT COVER 13" X 10" X 2"	EA	81.00	M
701212	SEAT COVER 13" X 11" X 2"	EA	81.00	M
701222	SEAT COVER 13" X 12" X 2"	EA	81.00	M
701232	SEAT COVER 13" X 13" X 2"	EA	81.00	M

Part Number	Part Description	Unit U/M	List Price	Disct. Code
701242	SEAT COVER 13" X 14" X 2"	EA	81.00	M
701252	SEAT COVER 13" X 15" X 2"	EA	81.00	M
701262	SEAT COVER 13" X 16" X 2"	EA	81.00	M
701272	SEAT COVER 13" X 17" X 2"	EA	81.00	M
701282	SEAT COVER 13" X 18" X 2"	EA	81.00	M
701298	SEAT COVER 14" X 10" X 2"	EA	81.00	M
701302	SEAT COVER 14" X 12" X 2"	EA	81.00	M
701308	SEAT COVER 14" X 11" X 2"	EA	81.00	M
701312	SEAT COVER 14" X 13" X 2"	EA	81.00	M
701322	SEAT COVER 14" X 14" X 2"	EA	81.00	M
701332	SEAT COVER 14" X 15" X 2"	EA	81.00	M
701342	SEAT COVER 14" X 16" X 2"	EA	81.00	M
701352	SEAT COVER 14" X 17" X 2"	EA	81.00	M
701362	SEAT COVER 14" X 18" X 2"	EA	81.00	M
701402	SEAT COVER 15" X 12" X 2"	EA	81.00	M
701412	SEAT COVER 15" X 13" X 2"	EA	81.00	M
701422	SEAT COVER 15" X 14" X 2"	EA	81.00	M
701432	SEAT COVER 15" X 15" X 2"	EA	81.00	M
701442	SEAT COVER 15" X 16" X 2"	EA	81.00	M
701452	SEAT COVER 15" X 17" X 2"	EA	81.00	M
701462	SEAT COVER 15" X 18" X 2"	EA	81.00	M
701502	SEAT COVER 16" X 12" X 2"	EA	81.00	M
701512	SEAT COVER 16" X 13" X 2"	EA	81.00	M
701522	SEAT COVER 16" X 14" X 2"	EA	81.00	M
701532	SEAT COVER 16" X 15" X 2"	EA	81.00	M
701542	SEAT COVER 16" X 16" X 2"	EA	81.00	M
701552	SEAT COVER 16" X 17" X 2"	EA	81.00	M
701562	SEAT COVER 16" X 18" X 2"	EA	81.00	M
701596	SEAT COVER 17" X 13" X 2"	EA	81.00	M
701602	SEAT COVER 17" X 14" X 2"	EA	81.00	M
701606	SEAT COVER 17" X 12" X 2"	EA	81.00	M
701612	SEAT COVER 17" X 15" X 2"	EA	81.00	M
701622	SEAT COVER 17" X 16" X 2"	EA	81.00	M
701632	SEAT COVER 17" X 17" X 2"	EA	81.00	M
701642	SEAT COVER 17" X 18" X 2"	EA	81.00	M
701682	SEAT COVER 18" X 12" X 2"	EA	81.00	M
701692	SEAT COVER 18" X 13" X 2"	EA	81.00	M
701702	SEAT COVER 18" X 14" X 2"	EA	81.00	M
701712	SEAT COVER 18" X 15" X 2"	EA	81.00	M
701722	SEAT COVER 18" X 16" X 2"	EA	81.00	M
701732	SEAT COVER 18" X 17" X 2"	EA	81.00	M
701742	SEAT COVER 18" X 18" X 2"	EA	81.00	M
701782	SEAT COVER 19" X 12" X 2"	EA	81.00	M
701792	SEAT COVER 19" X 13" X 2"	EA	81.00	M
701802	SEAT COVER 19" X 14" X 2"	EA	81.00	M
701812	SEAT COVER 19" X 15" X 2"	EA	81.00	M
701822	SEAT COVER 19" X 16" X 2"	EA	81.00	M
701832	SEAT COVER 19" X 17" X 2"	EA	81.00	M
701842	SEAT COVER 19" X 18" X 2"	EA	81.00	M
701882	SEAT COVER 20" X 12" X 2"	EA	81.00	M
701892	SEAT COVER 20" X 13" X 2"	EA	81.00	M
701902	SEAT COVER 20" X 14" X 2"	EA	81.00	M
701912	SEAT COVER 20" X 15" X 2"	EA	81.00	M
701922	SEAT COVER 20" X 16" X 2"	EA	81.00	M
701932	SEAT COVER 20" X 17" X 2"	EA	81.00	M
701942	SEAT COVER 20" X 18" X 2"	EA	81.00	M
701990	RIGID SEAT COVER ONLY SPEC-DIM	EA	84.36	S
702080	SEAT CUSHION 21" X 13" X 2"	EA	99.00	M
702081	SEAT CUSHION 21" X 14" X 2"	EA	99.00	M
702082	SEAT CUSHION 21" X 15" X 2"	EA	99.00	M
702083	SEAT CUSHION 21" X 16" X 2"	EA	99.00	M
702084	SEAT CUSHION 21" X 17" X 2"	EA	99.00	M
702085	SEAT CUSHION 21" X 18" X 2"	EA	99.00	M
702086	SEAT CUSHION 21" X 19" X 2"	EA	99.00	M
702087	SEAT CUSHION 21" X 20" X 2"	EA	99.00	M
702088	SEAT CUSHION 21" X 21" X 2"	EA	99.00	M

Quickie Sports Products

Part Number	Part Description	Unit U/M	List Price	Disct. Code	Part Number	Part Description	Unit U/M	List Price	Disct. Code
702090	SEAT CUSHION 22" X 13" X 2"	EA	99.00	M	720804	SEAT SLING 19" X 18"	EA	72.80	M
702091	SEAT CUSHION 22" X 14" X 2"	EA	99.00	M	720824	SEAT SLING 14" X 14" W/POUCH	EA	69.22	P
702092	SEAT CUSHION 22" X 15" X 2"	EA	99.00	M	720898	SEAT SLING 20" X 12"	EA	72.80	M
702093	SEAT CUSHION 22" X 16" X 2"	EA	99.00	M	720899	SEAT SLING 20" X 13"	EA	72.80	M
702094	SEAT CUSHION 22" X 17" X 2"	EA	99.00	M	720900	SEAT SLING 20" X 14"	EA	72.80	M
702095	SEAT CUSHION 22" X 18" X 2"	EA	99.00	M	720901	SEAT SLING 20" X 15"	EA	72.80	M
702096	SEAT CUSHION 22" X 19" X 2"	EA	99.00	M	720902	SEAT SLING 20" X 16"	EA	72.80	M
702097	SEAT CUSHION 22" X 20" X 2"	EA	99.00	M	720903	SEAT SLING 20" X 17"	EA	72.80	M
702098	SEAT CUSHION 22" X 21" X 2"	EA	99.00	M	720904	SEAT SLING 20" X 18"	EA	72.80	M
702099	SEAT CUSHION 24" X 14" X 2	EA	99.00	M	721020	SEAT SLNG ADJ 14" DEPTH W/LACE	EA	140.00	M
702100	SEAT CUSHION 24" X 15" X 2	EA	99.00	M	721021	SEAT SLNG ADJ 15" DEPTH W/LACE	EA	140.00	M
702101	SEAT CUSHION 24" X 16" X 2	EA	99.00	M	721022	SEAT SLNG ADJ 16" DEPTH W/LACE	EA	140.00	M
702102	SEAT CUSHION 24" X 17" X 2	EA	99.00	M	721023	SEAT SLNG ADJ 17" DEPTH W/LACE	EA	140.00	M
702103	SEAT CUSHION 24" X 18" X 2	EA	99.00	M	721024	SEAT SLNG ADJ 18" DEPTH W/LACE	EA	140.00	M
702104	SEAT CUSHION 24" X 19" X 2	EA	99.00	M	721030	SEAT SLING FRONT SM RCR	EA	90.00	S
702105	SEAT CUSHION 24" X 20" X 2	EA	99.00	M	721031	SEAT SLING FRONT MED RCR	EA	90.00	S
702106	SEAT CUSHION 24" X 21" X 2"	EA	99.00	M	721032	SEAT SLING FRONT LG RCR	EA	90.00	S
702105	SEAT SLING 12" X 15"	EA	70.00	M	721050	UPH SEAT SLING (SPEC DIM)	EA	62.73	S
702022	SEAT SLING 13" X 12"	EA	72.80	M	721066	SEAT SLING 13-14 PARA	EA	39.40	S
702023	SEAT SLING 13" X 13"	EA	72.80	M	721067	SEAT SLING 13-14 AMP	EA	56.20	S
702024	SEAT SLING 13" X 14"	EA	72.80	M	721083	SEAT SLING 14" X 13" R2	EA	70.00	M
702025	SEAT SLING 13" X 15"	EA	72.80	M	721084	SEAT SLING 13" X 13" A/C	EA	70.00	M
702026	SEAT SLING 13" X 16"	EA	72.80	M	721085	SEAT SLING 13" X 14" A/C	EA	70.00	M
702027	SEAT SLING 13" X 17"	EA	72.80	M	721086	SEAT SLING 13" X 15" A/C	EA	70.00	M
702028	SEAT SLING 13" X 18"	EA	72.80	M	721087	SEAT SLING 13" X 16" A/C	EA	70.00	M
702030	SEAT SLING 14" X 12"	EA	72.80	M	721088	SEAT SLING 13" X 17" A/C	EA	70.00	M
7020301	SEAT SLING 14" X 13"	EA	72.80	M	721089	SEAT SLING 13" X 18" A/C	EA	70.00	M
7020302	SEAT SLING 14" X 14"	EA	72.80	M	721100	SEAT SLING 15-17 PARA	EA	39.40	S
7020303	SEAT SLING 14" X 15"	EA	72.80	M	721105	SEAT SLING 15-17 AMP	EA	56.20	S
7020304	SEAT SLING 14" X 16"	EA	72.80	M	721107	SEAT SLING RR ADJ 15 X 16	EA	174.00	S
7020305	SEAT SLING 14" X 17"	EA	72.80	M	721114	SEAT SLING 14" X 14" QTNT	EA	70.00	M
7020306	SEAT SLING 14" X 18"	EA	72.80	M	721115	SEAT SLING 14" X 15" QTNT	EA	70.00	M
7020400	SEAT SLING 15" X 12"	EA	72.80	M	721116	SEAT SLING 14" X 16" QTNT	EA	70.00	M
7020401	SEAT SLING 15" X 13"	EA	72.80	M	721117	SEAT SLING 14" X 17" QTNT	EA	70.00	M
7020402	SEAT SLING 15" X 14"	EA	72.80	M	721118	SEAT SLING 14" X 18" QTNT	EA	70.00	M
7020403	SEAT SLING 15" X 15"	EA	72.80	M	721119	SEAT SLING 14" X 19" A/C	EA	70.00	M
7020404	SEAT SLING 15" X 16"	EA	72.80	M	721120	SEAT SLING 14" X 20" A/C	EA	70.00	M
7020405	SEAT SLING 15" X 17"	EA	72.80	M	721122	SEAT SLING 15" X 12" R2	EA	70.00	M
7020406	SEAT SLING 15" X 18"	EA	72.80	M	721123	SEAT SLING 15" X 13" R2	EA	70.00	M
7020500	SEAT SLING 16" X 12"	EA	72.80	M	721124	SEAT SLING 15" X 14" QTNT	EA	70.00	M
7020501	SEAT SLING 16" X 13"	EA	72.80	M	721125	SEAT SLING 15" X 15" QTNT	EA	70.00	M
7020502	SEAT SLING 16" X 14"	EA	72.80	M	721126	SEAT SLING 15" X 16" QTNT	EA	70.00	M
7020503	SEAT SLING 16" X 15"	EA	72.80	M	721127	SEAT SLING 15" X 17" QTNT	EA	70.00	M
7020504	SEAT SLING 16" X 16"	EA	72.80	M	721129	SEAT SLING 15" X 19" A/C	EA	70.00	M
7020505	SEAT SLING 16" X 17"	EA	72.80	M	721130	SEAT SLING 15" X 20" A/C	EA	70.00	M
7020506	SEAT SLING 16" X 18"	EA	72.80	M	721132	SEAT SLING 16" X 12" R2	EA	70.00	M
7020599	SEAT SLING 17" X 12"	EA	72.80	M	721133	SEAT SLING 16" X 13" R2	EA	70.00	M
7020600	SEAT SLING 17" X 13"	EA	72.80	M	721134	SEAT SLING 16" X 14" QTNT	EA	70.00	M
7020601	SEAT SLING 17" X 14"	EA	72.80	M	721135	SEAT SLING 16" X 15" QTNT	EA	70.00	M
7020602	SEAT SLING 17" X 15"	EA	72.80	M	721136	SEAT SLING 16" X 16" QTNT	EA	70.00	M
7020603	SEAT SLING 17" X 16"	EA	72.80	M	721137	SEAT SLING 16" X 17" QTNT	EA	70.00	M
7020604	SEAT SLING 17" X 17"	EA	72.80	M	721138	SEAT SLING 16" X 18" QTNT	EA	70.00	M
7020605	SEAT SLING 17" X 18"	EA	72.80	M	721139	SEAT SLING 16" X 19" A/C	EA	70.00	M
7020698	SEAT SLING 18" X 12"	EA	72.80	M	721140	SEAT SLING 16" X 20" A/C	EA	70.00	M
7020699	SEAT SLING 18" X 13"	EA	72.80	M	721142	SEAT SLING 17" X 12" R2	EA	70.00	M
7020700	SEAT SLING 18" X 14"	EA	72.80	M	721143	SEAT SLING 17" X 13" R2	EA	70.00	M
7020701	SEAT SLING 18" X 15"	EA	72.80	M	721144	SEAT SLING 17" X 14" QTNT	EA	70.00	M
7020702	SEAT SLING 18" X 16"	EA	72.80	M	721145	SEAT SLING 17" X 15" QTNT	EA	70.00	M
7020703	SEAT SLING 18" X 17"	EA	72.80	M	721146	SEAT SLING 17" X 16" QTNT	EA	70.00	M
7020704	SEAT SLING 18" X 18"	EA	72.80	M	721147	SEAT SLING 17" X 17" QTNT	EA	70.00	M
7020798	SEAT SLING 19" X 12"	EA	72.80	M	721148	SEAT SLING 17" X 18" QTNT	EA	70.00	M
7020799	SEAT SLING 19" X 13"	EA	72.80	M	721149	SEAT SLING 17" X 19" A/C	EA	70.00	M
7020800	SEAT SLING 19" X 14"	EA	72.80	M	721150	SEAT SLING 17" X 20" A/C	EA	70.00	M
7020801	SEAT SLING 19" X 15"	EA	72.80	M	721152	SEAT SLING 18" X 19" A/C	EA	70.00	M
7020802	SEAT SLING 19" X 16"	EA	72.80	M	721153	SEAT SLING 18" X 20" A/C	EA	70.00	M
7020803	SEAT SLING 19" X 17"	EA	72.80	M	721154	SEAT SLING 18" X 14" QTNT	EA	70.00	M

Quickie Sports Products

Part Number	Part Description	Unit U/M	List Price	Disct. Code
721157	SEAT SLING 18" X 17" QTNT	EA	70.00	M
721158	SEAT SLING 18" X 18" QTNT	EA	70.00	M
722102	UPH AMP SLING LG	EA	65.20	S
722106	UPH AMP SLING SM	EA	65.20	S
722110	UPH BACK SLING JR LNG	EA	112.00	S
722112	UPH BACK SLING LR SHORT	EA	112.00	S
722118	UPH BACK SLING JR LONG	EA	112.00	S
722122	UPH BACK SLING LG SHORT	EA	112.00	S
722126	UPH BACK SLING SM LONG	EA	112.00	S
722130	UPH BACK SLING SM SHORT	EA	112.00	S
722134	UPH LEG SLING JR	EA	112.00	S
722136	UPH LEG SLING LG	EA	112.00	S
722140	UPH LEG SLING SM	EA	112.00	S
722160	UPH SEAT SLING OT LG	EA	99.00	S
722164	UPH SEAT SLING OT SM	EA	99.00	S
722168	UPH SEAT SLING OT XL	EA	99.00	S
722174	UPH SEAT SLING T-TUBE LG	EA	99.00	S
722176	UPH SEAT SLING T-TUBE MED	EA	99.00	S
722178	UPH SEAT SLING T-TUBE SM	EA	99.00	S
740013	FOOT PLATE STRAP 3D	EA	6.70	S
740015	FOOT STRAP CUT	EA	12.40	S
740019	ADJUST STRAP BUCKLE	EA	5.10	S
740062	KNEE STRAP	EA	14.60	S
740064	KNEE STRAP JR	EA	14.60	S
740065	LEG STRAP (3 PER SET)	EA	14.60	S
740067	LEG TENSION JR.	EA	14.60	S
740068	LONG STRAP	EA	18.00	S
740072	RACER FOOT H STRAP	EA	25.90	S
740080	STRAP X-LONG	EA	18.00	S
740088	UPH PADDED FOOT POUCH SM	EA	93.40	S
740111	LEG STRAP 10"-14" NEON YELLOW	EA	31.00	M
740112	LEG STRAP 10"-14" TURQUOISE	EA	31.00	M
740113	LEG STRAP 10"-14" NEON PINK	EA	31.00	M
740121	LEG STRAP 15"-20" NEON YELLOW	EA	31.00	M
740122	LEG STRAP 15"-20" TURQUOISE	EA	31.00	M
740123	LEG STRAP 15"-20" NEON PINK	EA	31.00	M
740130	LEG STRAP 10"-14" BLK	EA	30.00	M
740131	LEG STRAP 15"-17" BLK	EA	30.00	M
740132	LEG STRAP 18"-20" BLK	EA	30.00	M
740133	LEG STRAP CUSTOM	EA	36.00	M
740157	CHEST STRAP 2" ADLT REG (54")	EA	45.00	S
740158	CHEST STRAP 4" ADLT REG (54")	EA	45.00	S
740159	CALF STRAP SHORT	EA	14.60	S
740160	CALF STRAP LONG	EA	14.06	S
740222	LEG STRAP ASSM 3D	EA	37.40	S
740260	TOE/ANKLE STRAP ADJ ADLT F/PLT	EA	20.00	M
740270	LEG SLING UPH SMALL	EA	65.20	S
740271	LEG SLING UPH MEDIUM	EA	65.20	S
740272	LEG SLING UPH LARGE	EA	65.20	S
741153	H/L 18-20 CMPST/14-15 ANG ADJ	EA	12.98	M
741252	HEEL LOOP ADLT ADJ F/PLT 16-17	EA	12.98	M
741253	HEEL LOOP ADLT ADJ F/PLT 18-20	EA	12.98	M
741500	ANKLE/BACK STRAP 3D	EA	36.77	S
741600	ANKLE PAD 3D	EA	43.90	S
750060	BACK REL STRAP 12"-20" RIGID	EA	2.43	M
750065	ADJ SLING STRAP/LACE	EA	5.68	M
750087	SIDE GARD S/STRP SPEC-DIM	EA	18.17	S
750096	SIDE GRD/BCK STRP SPEC-DIM	EA	17.31	S
750120	BACK PACK BLACK/CHARCOAL STD	EA	50.00	M
750121	BACK PACK BLACK/CHARCOAL KIDS	EA	50.00	M
750122	BACK PACK BLK/TEAL/PURPLE STD	EA	50.00	M
750123	BACK PACK BLK/TEAL/PURPLE KIDS	EA	50.00	M
750124	BACK PACK BLK/RED/BLUE STD	EA	50.00	M
750125	BACK PACK BLK/RED/BLUE KIDS	EA	50.00	M
750220	LEG STRAP W/BUCKLE 3D	EA	19.10	S
750221	LEG STRAP W/VELCRO 3D	EA	19.10	S

Part Number	Part Description	Unit U/M	List Price	Disct. Code
750230	KNEE STRAP SMALL/MED RCR	EA	14.60	S
750232	KNEE STRAP LARGE RCR	EA	14.60	S
750304	SEAT POUCH BLACK/CHARCOAL	EA	40.00	M
750305	SEAT POUCH BLACK/TEAL/PURPLE	EA	40.00	M
750306	SEAT POUCH BLACK/RED/BLUE	EA	40.00	M
750323	CRUTCH POUCH	EA	70.70	S
750324	IMPACT COVER GUARDS SM	PR	50.00	S
750325	IMPACT COVER GUARDS STD	PR	50.00	S
750326	IMPACT COVER GUARDS LRG	PR	50.00	S
750336	CATCH-ALL DT 85D/GP-GPV LARGE	EA	85.00	S
750337	CATCH-ALL QUICKIE 1&2 SMALL	EA	85.00	S
750338	CATCH-ALL DT 85D/GP-GPV SM	EA	85.00	S
750340	CATCH-ALL SM 12-16"	EA	85.00	S
750341	CATCH-ALL LRG 17-20"	EA	85.00	S
750701	BAG SKI COMP1/SUPER COMP	EA	184.00	S
750702	BAG SKI FREEDOM	EA	184.00	S
750704	CAGE BAG-KANSKI	EA	119.00	S
750721	KANSKI UPH SET 15-17 AMP STD	EA	70.90	S
750722	KANSKI UPH SET 15-17 PARA STD	EA	65.20	S
750723	KANSKI UPH SET 13-14 PARA SML	EA	65.20	S
750724	KANSKI UPH SET 13-14 AMP SML	EA	70.90	S
750727	KNEE FOAM BAR COVER SMALL	EA	9.50	S
750728	KNEE FOAM BAR COVER STD	EA	9.50	S
750750	SKI ROPE 60 FT	EA	27.00	S
750751	CROSSBAR PAD	EA	20.00	S
750759	UPH PADDED FOOT POUCH JR	EA	93.40	S
750760	UPH PADDED FOOT POUCH LG	EA	93.40	S
751020	POSITION BLT HK/LP CLS SPC-DIM	EA	50.00	S
751025	POSITION BELT NYLN BKL SPC-DIM	EA	50.00	S
760391	24" SPK PNEU BLK HR OMIT	EA	73.00	S
760546	26" SPK PNEU BLK HR OMIT	EA	78.00	S
760561	26" SPK CLNCHR HR OMIT M2	EA	88.00	S
760600	24" SPK CLNCHR HR ANO	EA	213.00	M
760601	24" SPK CLNCHR HR PLST	EA	250.00	M
760610	24" SPK CLNCHR OMIT HR	EA	183.00	M
760620	24" SPK PNEU BLK 3 SPD HUB	EA	281.00	S
760621	24" SPK PNEU BLK 7 SPD HUB	EA	489.00	S
760622	24" SPK CLNCHR 3 SPD HUB	EA	296.00	S
760623	24" SPK CLNCHR 7 SPD HUB	EA	499.00	S
760624	24" SPK PNEU BLK 7 SPD SHIMANO	EA	470.00	S
760625	24" SPK CLNCHR 7 SPD SHIMANO	EA	480.00	S
760640	26" SPK PNEU BLK 3 SPD HUB	EA	333.00	S
760641	26" SPK PNEU BLK 7 SPD HUB	EA	536.00	S
760642	26" SPK CLNCHR 3 SPD HUB	EA	348.00	S
760643	26" SPK CLNCHR 7 SPD HUB	EA	551.00	S
760644	26" SPK OFF ROAD 3 SPD HUB	EA	328.00	S
760645	26" SPK OFF ROAD 7 SPD HUB	EA	530.00	S
760647	26" SPK PNEU BLK 7 SPD SHIMANO	EA	515.00	S
760648	26" SPK CLNCHR 7 SPD SHIMANO	EA	530.00	S
760649	26" SPK OFF ROAD 7 SPD SHIMANO	EA	510.00	S
760650	20"SPK FRNT WHL PNEU 1 SPD QKB	EA	229.00	S
760651	20"SPK FRNT WHL KNBB 1 SPD QKB	EA	244.00	S
760655	20"SPK FRNT WHL PNEU 3 SPD QKB	EA	296.00	S
760656	20"SPK FRNT WHL KNBB 3 SPD QKB	EA	312.00	S
760660	20" MAG REAR WHL PNEU BLK QKB	EA	73.00	S
760661	20" MAG REAR WHL KNOBBIE QKB	EA	104.00	S
760670	20" SPK REAR WHL PNEU BLK QKB	EA	104.00	S
760671	20" SPK REAR WHL KNOBBIE QKB	EA	120.00	S
760710	24" MAG 6S PNEU BLK HR OMIT	EA	68.00	S
761100	QP 24" TNNS TBLR ANO	EA	217.00	M
761101	QP 24" TNNS KVLR ANO	EA	217.00	M
761102	QP 24" TNNS TBLR PLST	EA	250.00	M
761103	QP 24" TNNS KVLR PLST	EA	250.00	M
761104	QP 24" TNNS W/O TIRE ANO	EA	187.00	M
761106	QP 24" TNNS W/O TIRE PLST	EA	224.00	M
761107	QP 24" TNNS PNEU ANO	EA	192.00	M

Quickie Sports Products

Part Number	Part Description	Unit U/M	List Price	Disc. Code	Part Number	Part Description	Unit U/M	List Price	Disc. Code
761108	QP 24" TNNS PNEU PLST	EA	224.00	M	761404	24"X/S PNEU HR R-T ANO	EA	192.00	S
761109	QP 24" TNNS RIM ASSM	EA	135.00	M	761405	24"X/S PNEU HR R-T BLK PNTD	EA	177.00	S
761110	QP 24" BB TBLR ANO	EA	217.00	M	761406	24"X/S PNEU HR R-T PLST	EA	229.00	S
761111	QP 24" BB KVLR ANO	EA	217.00	M	761407	24"X/S CLNCHR HR OMIT	EA	183.00	S
761112	QP 24" BB TBLR PLST	EA	250.00	M	761408	24"X/S CLNCHR HR S-T ANO	EA	218.00	S
761113	QP 24" BB KVLR PLST	EA	250.00	M	761409	24"X/S CLNCHR HR S-T BLK PNTD	EA	198.00	S
761114	QP 24" BB W/O TIRE ANO	EA	187.00	M	761410	24"X/S CLNCHR HR S-T PLST	EA	250.00	S
761116	QP 24" BB W/O TIRE PLST	EA	224.00	M	761411	24"X/S CLNCHR HR R-T ANO	EA	218.00	S
761117	QP 24" BB PNEU ANO	EA	192.00	M	761412	24"X/S CLNCHR HR R-T BLK PNTD	EA	198.00	S
761118	QP 24" BB PNEU PLST	EA	224.00	M	761413	24"X/S CLNCHR HR R-T PLST	EA	250.00	S
761119	QP 24" BB RIM ASSM	EA	135.00	M	761414	24"X/S TBLR HR OMIT	EA	198.00	S
761130	QP 24" HT TNNS TBLR ANO	EA	256.00	M	761415	24"X/S TBLR HR S-T ANO	EA	239.00	S
761132	QP 24" HT TNNS TBLR PLST	EA	291.00	M	761416	24"X/S TBLR HR S-T BLK PNTD	EA	218.00	S
761134	QP 24" HT TNNS W/O TIRE ANO	EA	224.00	M	761417	24"X/S TBLR HR S-T PLST	EA	260.00	S
761136	QP 24" HT TNNS W/O TIRE PLST	EA	255.00	M	761418	24"X/S TBLR HR R-T ANO	EA	239.00	S
761137	QP 24" HT TNNS TURBO ANO	EA	255.00	M	761419	24"X/S TBLR HR R-T BLK PNTD	EA	218.00	S
761138	QP 24" HT TNNS TURBO PLST	EA	291.00	M	761420	24"X/S TBLR HR R-T PLST	EA	260.00	S
761139	QP 24" HT TNNS RIM ASSM	EA	182.00	M	761421	26"X/S PNEU HR OMIT	EA	166.00	S
761140	QP 24" HT BB TBLR ANO	EA	255.00	M	761422	26"X/S PNEU HR S-T ANO	EA	198.00	S
761142	QP 24" HT BB TBLR PLST	EA	291.00	M	761423	26"X/S PNEU HR S-T BLK PNTD	EA	177.00	S
761144	QP 24" HT BB W/O TIRE ANO	EA	224.00	M	761424	26"X/S PNEU HR S-T PLST	EA	229.00	S
761146	QP 24" HT BB W/O TIRE PLST	EA	255.00	M	761425	26"X/S PNEU HR R-T ANO	EA	203.00	S
761147	QP 24" HT BB TURBO ANO	EA	255.00	M	761426	26"X/S PNEU HR R-T BLK PNTD	EA	177.00	S
761148	QP 24" HT BB TURBO PLST	EA	291.00	M	761427	26"X/S PNEU HR R-T PLST	EA	229.00	S
761149	QP 24" HT BB RIM ASSM	EA	182.00	M	761428	26"X/S CLNCHR HR OMIT	EA	183.00	S
761150	QP 26" TNNS TBLR ANO	EA	217.00	M	761429	26"X/S CLNCHR HR S-T ANO	EA	218.00	S
761152	QP 26" TNNS TBLR PLST	EA	262.00	M	761430	26"X/S CLNCHR HR S-T BLK PNTD	EA	198.00	S
761153	QP 26" TNNS PNEU ANO	EA	192.00	M	761431	26"X/S CLNCHR HR S-T PLST	EA	250.00	S
761154	QP 26" TNNS W/O TIRE ANO	EA	182.00	M	761432	26"X/S CLNCHR HR R-T ANO	EA	218.00	S
761155	QP 26" TNNS W/PNEU PLST	EA	224.00	M	761433	26"X/S CLNCHR HR R-T BLK PNTD	EA	198.00	S
761156	QP 26" TNNS W/O TIRE PLST	EA	229.00	M	761434	26"X/S CLNCHR HR R-T PLST	EA	250.00	S
761157	QP 26" TNNS RIM ASSM	EA	135.00	M	761435	26"X/S TBLR HR OMIT	EA	146.00	S
761160	QP 26" BB TBLR ANO	EA	217.00	M	761436	26"X/S TBLR HR S-T ANO	EA	239.00	S
761161	QP 26" BB PNEU ANO	EA	192.00	M	761437	26"X/S TBLR HR S-T BLK PNTD	EA	218.00	S
761162	QP 26" BB TBLR PLST	EA	262.00	M	761438	26"X/S TBLR HR S-T PLST	EA	260.00	S
761163	QP 26" BB PNEU PLST	EA	224.00	M	761439	26"X/S TBLR HR R-T ANO	EA	239.00	S
761164	QP 26" BB W/O TIRE ANO	EA	182.00	M	761440	26"X/S TBLR HR R-T BLK PNTD	EA	218.00	S
761166	QP 26" BB W/O TIRE PLST	EA	229.00	M	761441	26"X/S TBLR HR R-T PLST	EA	260.00	S
761167	QP 26" BB RIM ASSM	EA	135.00	M	761442	24"X/S HT TN TBLR HR OMIT	EA	250.00	S
761172	QP 26" HT TNNS TURBO ANO	EA	255.00	M	761443	24"X/S HT TN TBLR HR S-T ANO	EA	328.00	S
761173	QP 26" HT TNNS TURBO PLST	EA	281.00	M	761449	24"X/S HT BB TBLR HR OMIT	EA	250.00	S
761174	QP 26 HT TNNS ANO W/TURBO SLCK	EA	252.00	M	761450	24"X/S HT BB TBLR HR S-T ANO	EA	328.00	S
761176	QP 26" HT TNNS W/O TIRE ANO	EA	224.00	M	761451	24"X/S HT BB TBLR HR S-T BLK	EA	307.00	S
761177	QP 26" HT TNNS W/O TIRE PLST	EA	258.00	M	761452	24"X/S HT BB TBLR HR S-T PLST	EA	338.00	S
761178	QP 26" HT TNNS RIM ASSM	EA	182.00	M	761453	24"X/S HT BB TBLR HR R-T ANO	EA	328.00	S
761182	QP 26" HT BB TURBO ANO	EA	255.00	M	761454	24"X/S HT BB TBLR HR R-T BLK	EA	307.00	S
761183	QP 26" HT BB TURBO PLST	EA	281.00	M	761455	24"X/S HT BB TBLR HR R-T PLST	EA	338.00	S
761186	QP 26" HT BB W/O TIRE ANO	EA	224.00	M	761470	24"X/S HT TN TRBO HR OMIT	EA	250.00	S
761187	QP 26" HT BB W/O TIRE PLST	EA	244.00	M	761471	24"X/S HT TN TRBO HR S-T ANO	EA	328.00	S
761188	QP 26" HT BB RIM ASSM	EA	182.00	M	761472	24"X/S HT TN TRBO HR S-T BLK	EA	307.00	S
761200	QP 24" BB CLNCHR ANO	EA	208.00	M	761473	24"X/S HT TN TRBO HR S-T PLST	EA	338.00	S
761201	QP 24" BB CLNCHR PLST	EA	239.00	M	761474	24"X/S HT TN TRBO HR R-T ANO	EA	328.00	S
761210	QP 24" TNNS CLNCHR ANO	EA	208.00	M	761475	24"X/S HT TN TRBO HR R-T BLK	EA	307.00	S
761211	QP 24" TNNS CLNCHR PLST	EA	239.00	M	761476	24"X/S HT TN TRBO HR R-T PLST	EA	338.00	S
761250	QP 26" BB CLNCHR ANO	EA	208.00	M	761477	24"X/S HT BB TRBO HR OMIT	EA	250.00	S
761251	QP 26" BB CLNCHR PLST	EA	239.00	M	761478	24"X/S HT BB TRBO HR S-T ANO	EA	328.00	S
761260	QP 26" TNNS CLNCHR ANO	EA	208.00	M	761479	24"X/S HT BB TRBO HR S-T BLK	EA	307.00	S
761261	QP 26" TNNS CLNCHR PLST	EA	239.00	M	761480	24"X/S HT BB TRBO HR S-T PLST	EA	338.00	S
761300	TRI-SPOKE CLNCHER W/ 7/16 AXLE	EA	1375.00	S	761481	24"X/S HT BB TRBO HR R-T ANO	EA	328.00	S
761301	TRI-SPOKE CLNCHER W/ 1/2 AXLE	EA	1375.00	S	761482	24"X/S HT BB TRBO HR R-T BLK	EA	307.00	S
761303	TRI-SPOKE TUBULAR W/ 7/16 AXLE	EA	1375.00	S	761483	24"X/S HT BB TRBO HR R-T PLST	EA	338.00	S
761304	TRI-SPOKE TUBULAR W/ 1/2 AXLE	EA	1375.00	S	761484	26"X/S HT TN TRBO HR OMIT	EA	250.00	S
761400	24"X/S PNEU HR OMIT	EA	166.00	S	761485	26"X/S HT TN TRBO HR S-T ANO	EA	328.00	S
761401	24"X/S PNEU HR S-T ANO	EA	198.00	S	761486	26"X/S HT TN TRBO HR S-T BLK	EA	307.00	S
761402	24"X/S PNEU HR S-T BLK PNTD	EA	177.00	S	761487	26"X/S HT TN TRBO HR S-T PLST	EA	338.00	S
761403	24"X/S PNEU HR S-T PLST	EA	229.00	S	761488	26"X/S HT TN TRBO HR R-T ANO	EA	328.00	S

Quickie Sports Products

Part Number	Part Description	Unit U/M	List Price	Disct. Code	Part Number	Part Description	Unit U/M	List Price	Disct. Code
761489	26"X/S HT TN TRBO HR R-T BLK	EA	307.00	S	762000	24" SPK BLK TBLR ANO	EA	259.00	S
761490	26"X/S HT TN TRBO HR R-T PLST	EA	338.00	S	762001	24" SPK BLK TBLR PLST BLK	EA	368.00	S
761491	26"X/S HT BB TRBO HR OMIT	EA	250.00	S	762002	24" SPK BLK PNEU ANO	EA	177.00	S
761492	26"X/S HT BB TRBO HR S-T ANO	EA	328.00	S	762003	24" SPK BLK PNEU PLST BLK	EA	286.00	S
761493	26"X/S HT BB TRBO HR S-T BLK	EA	307.00	S	762004	24" SPK BLK CLNCHR ANO	EA	191.00	S
761494	26"X/S HT BB TRBO HR S-T PLST	EA	338.00	S	762005	24" SPK BLK CLNCHR PLST BLK	EA	314.00	S
761495	26"X/S HT BB TRBO HR R-T ANO	EA	328.00	S	762006	26"PHL HUB WEIN RIM W/O HR/TRE	EA	573.00	S
761496	26"X/S HT BB TRBO HR R-T BLK	EA	307.00	S	762007	24" SPK MOUNTAIN HR PLST	EA	218.00	S
761497	26"X/S HT BB TRBO HR R-T PLST	EA	338.00	S	762009	WHEEL 24" 6 TAB	EA	596.00	S
761500	24"X/S HT PW TBLR HR OMIT	EA	343.00	S	762017	24" SPK MOUNTAIN HR ANO	EA	198.00	M
761501	24"X/S HT PW TBLR HR S-T ANO	EA	395.00	S	762018	26" HT MOUNTAIN PLST	EA	270.00	S
761502	24"X/S HT PW TBLR HR S-T BLK	EA	374.00	S	762019	26" HT MOUNTAIN ANO	EA	234.00	S
761503	24"X/S HT PW TBLR HR S-T PLST	EA	411.00	S	762021	24"PHL HUB WEIN RIM CLNCHR ANO	EA	573.00	S
761504	24"X/S HT PW TBLR HR R-T ANO	EA	395.00	S	762040	20"FRNT WHL PNEU W/COG 3SP CYC	EA	252.00	S
761505	24"X/S HT PW TBLR HR R-T BLK	EA	374.00	S	762075	20" FRONT PNEU 7 SPEED SHIMANO	EA	485.00	S
761506	24"X/S HT PW TBLR HR R-T PLST	EA	411.00	S	762420	26" REAR WHL COMMUTER M3	EA	177.00	S
761507	24"X/S HT PW TRBO HR OMIT	EA	343.00	S	762422	24" REAR WHL COMMUTR M3	EA	135.00	S
761508	24"X/S HT PW TRBO HR S-T ANO	EA	395.00	S	762424	24" REAR WHL HI PERF M3	EA	150.00	S
761509	24"X/S HT PW TRBO HR S-T BLK	EA	374.00	S	762426	26" REAR WHL HI PERF M3	EA	185.00	S
761510	24"X/S HT PW TRBO HR S-T PLST	EA	411.00	S	762518	20" SUN CLNCH 36 PHL 7/16 RC	EA	307.00	S
761511	24"X/S HT PW TRBO HR R-T ANO	EA	395.00	S	762520	24" SUN CLNCH 28 PHL 7/16 RC	EA	307.00	S
761512	24"X/S HT PW TRBO HR R-T BLK	EA	374.00	S	762522	26" SUN CLNCH 28 PHL 7/16 RC	EA	307.00	S
761513	24"X/S HT PW TRBO HR R-T PLST	EA	411.00	S	762524	26" SUN TBLR 28 PHL 7/16 RC	EA	322.00	S
761514	26"X/S HT PW TBLR HR OMIT	EA	343.00	S	762526	26" SUN TBLR 28 PHL 1/2 RC	EA	322.00	S
761521	26"X/S HT PW TRBO HR OMIT	EA	343.00	S	762528	700 SUN CLNCH 28 PHL 7/16 RC	EA	291.00	S
761522	26"X/S HT PW TRBO HR S-T ANO	EA	395.00	S	762530	700 SUN CLNCH 36 PHL 7/16 RC	EA	291.00	S
761523	26"X/S HT PW TRBO HR S-T BLK	EA	374.00	S	762532	700 SUN TBLR 36 PHL 7/16 RC	EA	364.00	S
761524	26"X/S HT PW TRBO HR S-T PLST	EA	411.00	S	762534	700 SUN TBLR 28 PHL 7/16 RPDE	EA	364.00	S
761525	26"X/S HT PW TRBO HR R-T ANO	EA	395.00	S	762540	WHL REAR COMPLETE NO TIRE	EA	224.00	S
761526	26"X/S HT PW TRBO HR R-T BLK	EA	374.00	S	762542	16" FRNT BLK PHIL&PANA RCR	EA	224.00	S
761527	26"X/S HT PW TRBO HR R-T PLST	EA	411.00	S	762544	18" FRNT BLK PHIL&PANA RCR	EA	224.00	S
761600	26" SUN CLNCHR 28 PHL 7/16 G/P	EA	307.00	S	762545	20" FRNT BLK PHIL&PANA RCR	EA	224.00	S
761601	700C SUN CLNCH 28 PHL 7/16 TUR	EA	291.00	S	762548	20" FRNT BLK PHIL JRS RCR	EA	175.00	S
761602	700C SUN CLNCH 36 PHL 7/16 TRB	EA	291.00	S	780350	3 1/4 GP STD STEM	EA	59.30	M
761603	700C SUN TBLR ULTM 36 PHL 7/16	EA	364.00	S	780351	3 1/4 GP 3D STEM	EA	59.30	S
761604	700C SUN TBL CONTL 36 PHL 7/16	EA	364.00	S	780370	4" FORK STD STEM #25	EA	52.00	S
761605	700C SUN TBLR ULTM 28 PHL 7/16	EA	364.00	S	780371	4 1/4" FORK STD STEM #25	EA	52.00	M
761606	700C SUN TBL CONTL 28 PHL 7/16	EA	364.00	S	780372	3 1/4" FORK STD STEM #24	EA	52.00	M
761607	24" SUN TBLR 28 PHL 7/16	EA	307.00	S	780373	5 1/4" FORK STD STEM ST/DT	EA	52.00	M
761608	24" SUN TBLR 28 PHL 1/2	EA	307.00	S	780374	6" FORK STD STEM ST/DT	EA	52.00	M
761609	24" SUN CLNCH 28 PHL 1/2 RCR	EA	307.00	S	780375	7" FORK STD STEM ST/DT	EA	52.00	M
761610	20" SUN CLNCH 36 PHL 1/2 RCR	EA	307.00	S	780410	4 3/4" FORK STD STEM #26	EA	52.00	S
761611	26" SUN CLNCH 28 PHL 1/2	EA	307.00	S	780949	3-1/4 STD STEM W/HDWR INT A/C	EA	81.10	M
761612	26" SUN CLNCH 28 PHL 1/2 G/P	EA	307.00	S	780951	3 1/4 GP STD STEM W/HDWR	EA	81.10	S
761613	700C SUN CLNCH 28 PHL 1/2 RCR	EA	307.00	S	780959	3 1/4 GP 3D STEM W/HDWR TI	EA	81.10	S
761614	700C SUN CLNCH 36 PHL 1/2	EA	296.00	S	780969	3 1/4 GP 3D STEM W/STD HDWR	EA	81.10	S
761615	700C SUN CLNCH 36 PHL 1/2 TRB	EA	296.00	S	780970	4" FORK STD STEM W/HDWR #25	EA	56.00	S
761616	700C SUN CLNCH 28 PHL 1/2 TRB	EA	296.00	S	780979	3 1/4 GP AC STEM W/HDWR TI	EA	97.80	M
761617	700 SUN TBLR 28 PHL 1/2 RAPIDE	EA	364.00	S	780989	4 1/4" FORK STD STEM#25 W/HDWR	EA	56.00	M
761618	700 SUN TBLR 36 PHL 1/2 RAPIDE	EA	364.00	S	780990	4 3/4 FORK STD STEM W/HDWR #26	EA	56.00	S
761619	700 SUN TBLR ULTM 28 PHL 1/2	EA	307.00	S	780996	3 1/4" FORK STD STEM#24 W/HDWR	EA	56.00	M
761620	700 SUN TBLR ULTM 36 PHL 1/2	EA	307.00	S	780997	5 1/4"FRK STD STM W/HDWR ST/DT	EA	56.00	M
761621	700 SUN TBLR CONTL 28 PHL 1/2	EA	364.00	S	780998	6"FRK STD STM W/HDWR ST/DT	EA	56.00	M
761622	700 SUN TBLR CONTL 36 PHL 1/2	EA	364.00	S	780999	7"FRK STD STM W/HDWR ST/DT	EA	56.00	M
761804	24" SPNNGY SPR W/PL HR WHT 559	EA	427.50	M	800166	PLTFRM F/PLT 10" W/2" SPCR DT	EA	108.00	S
761805	24" SPNNGY SPR W/PL HR WHT 540	EA	427.50	M	800167	PLTFRM F/PLT 8" W/2" SPCR DT	EA	108.00	S
761806	24" SPNNGY SPR W/HR WHT 540	EA	347.50	M	800168	PLTFRM F/PLT 6" W/2" SPCR DT	EA	108.00	S
761807	26" SPNNGY SPR W/PL HR WHT 590	EA	427.50	M	800169	PLTFRM F/PLT 10" W/4" SPCR DT	EA	113.57	S
761808	26" SPNNGY SPR W/HR WHT 590	EA	347.50	M	800170	PLTFRM F/PLT 8" W/4" SPCR DT	EA	113.57	S
761819	24" SPNNGY SPR W/HR WHT 559	EA	347.50	M	800171	PLTFRM F/PLT 6" W/4" SPCR DT	EA	113.57	S
761824	24" SPNNGY SPR W/HR BLK 540	EA	347.50	M	800172	PLTFRM F/PLT 10" W/6" SPCR DT	EA	118.98	S
761825	24" SPNNGY SPR W/PL HR BLK 540	EA	427.50	M	800173	PLTFRM F/PLT 8" W/6" SPCR DT	EA	118.98	S
761826	24" SPNNGY SPR W/HR BLK 559	EA	347.50	M	800174	PLTFRM F/PLT 6" W/6" SPCR DT	EA	118.98	S
761827	24" SPNNGY SPR W/PL HR BLK 559	EA	427.50	M	800175	PLTFRM F/PLT 10" DT	EA	108.00	S
761828	26" SPNNGY SPR W/HR BLK 590	EA	347.50	M	800176	PLTFRM F/PLT 8" DT	EA	108.00	S
761829	26" SPNNGY SPR W/PL HR BLK 590	EA	427.50	M	800177	PLTFRM F/PLT 6" DT	EA	108.00	S

Quickie Sports Products

Part Number	Part Description	Unit U/M	List Price	Disc. Code	Part Number	Part Description	Unit U/M	List Price	Disc. Code
800310	FOOTREST ASSM 14/15" FRWD A/C	EA	146.00	M	880110	SKI TIP W/HDWR (PR)	PR	43.90	S
800311	FOOTREST ASSM 16/17" FRWD A/C	EA	146.00	M	880120	M3 FOOTREST CLAMP ASSM	EA	107.00	S
800312	FOOTREST ASSM 18/19" FRWD A/C	EA	146.00	M	880122	M3 HEAD TUBE HDWR	EA	88.90	S
800313	FOOTREST ASSM 20" FRWD A/C	EA	146.00	M	880238	RIGID ARM MNTG BRKT ASSM	EA	45.00	S
800314	FOOTREST ASSM 14/15" RVRS A/C	EA	146.00	M	880316	RIGID ARM STD	EA	44.00	S
800315	FOOTREST ASSM 16/17" RVRS A/C	EA	146.00	M	880318	RIGID ARM LONG	EA	44.00	S
800316	FOOTREST ASSM 18/19" RVRS A/C	EA	146.00	M	880490	ANTI-TIP ASSM SMALL R	EA	35.00	B
800317	FOOTREST ASSM 20" RVRS A/C	EA	140.61	M	880491	ANTI-TIP ASSM SMALL L	EA	35.00	B
820461	FP ADLT ADJ 14/15 R HL	EA	90.85	M	880492	ANTI-TIP ASSM SMALL EXTEND R	EA	35.00	M
820463	FP ADLT ADJ 14/15 L HL	EA	90.85	M	880493	ANTI-TIP ASSM SMALL EXTEND L	EA	35.00	M
820465	FP ADLT ADJ 16/17 R HL	EA	90.85	M	880494	ANTI-TIP ASSM REG R	EA	35.00	B
820467	FP ADLT ADJ 16/17 L HL	EA	90.85	M	880495	ANTI-TIP ASSM REG L	EA	35.00	B
828840	ANGLE ADJ PLST F/PLT ASSM R 3D	EA	25.90	S	880496	ANTI-TIP ASSM REG EXTEND R	EA	35.00	M
828841	ANGLE ADJ PLST F/PLT ASSM L 3D	EA	25.90	S	880497	ANTI-TIP ASSM REG EXTEND L	EA	35.00	M
828846	ANGLE ADJ F/PLT ASSM BB R 3D	EA	88.90	S	880498	ANTI-TIP ASSM REG LNG SLEEVE R	EA	35.00	M
828847	ANGLE ADJ F/PLT ASSM BB L 3D	EA	88.90	S	880499	ANTI-TIP ASSM REG LNG SLEEVE L	EA	35.00	M
828848	ANGLE ADJ F/PLT ASSM TNNS R 3D	EA	88.90	S	880525	LOW LOCK CLMP W/STUDS ONE/DT	EA	22.71	S
828849	ANGLE ADJ F/PLT ASSM TNNS L 3D	EA	88.90	S	880530	WHL LCK ARM ASSM R PUSH W/GRIP	EA	31.37	M
840100	BACK ADJ TUBE 8-12 RIGID	EA	10.28	M	880532	WHL LCK ARM ASSM L PUSH W/GRIP	EA	31.37	M
840101	BACK ADJ TUBE 11-14" RIGID	EA	10.28	M	880548	CASTER CAP W/O-RING ALUM BLK	EA	12.98	M
840102	BACK ADJ TUBE 12-16" RIGID	EA	10.28	M	880582	WHL LCK CLAMP ASSM ST/DT	EA	17.31	S
840103	BACK ADJ TUBE 14-18" RIGID	EA	10.28	M	880608	WHL LOCK R SCISSOR HI-MNT BLK	EA	45.43	M
840104	BACK ADJ TUBE 16-20" RIGID	EA	10.28	M	880609	WHL LOCK L SCISSOR HI-MNT BLK	EA	45.43	M
840130	BACK ADJ TUBE W/CAP 12-16"	EA	15.00	M	880612	WHL LCK R SCISSOR HI-MNT LNG BLK	EA	48.67	M
840131	BACK ADJ TUBE W/CAP 14-18"	EA	15.00	M	880613	WHL LCK L SCISSOR HI-MNT LNG BLK	EA	48.67	M
840132	BACK ADJ TUBE W/CAP 16-20"	EA	15.00	M	880636	HNDL STD ASSM RIGHT 1 1/4	EA	38.20	S
840320	BCK FRM .115 REG 12" W/BCK REL	EA	64.00	M	880637	HNDL STD ASSM LEFT 1 1/4	EA	38.20	S
840321	BCK FRM .115 REG 13" W/BCK REL	EA	64.00	M	880638	HNDL HORIZONTAL R ASSM	EA	56.20	S
840322	BCK FRM .115 REG 14" W/BCK REL	EA	64.00	M	880639	HNDL HORIZONTAL L ASSM	EA	56.20	S
840323	BCK FRM .115 REG 15" W/BCK REL	EA	64.00	M	880641	LOW LOCK R NO CLMP ONE/DT	EA	40.02	S
840324	BCK FRM .115 REG 16" W/BCK REL	EA	64.00	M	880643	LOW LOCK L NO CLMP ONE/DT	EA	40.02	S
840325	BCK FRM .115 REG 17" W/BCK REL	EA	64.00	M	880651	HEAD ASSM 3 SPEED STD M2	EA	225.00	S
840326	BCK FRM .115 REG 18" W/BCK REL	EA	64.00	M	880653	HEAD ASSM 7 SPEED STD M2	EA	225.00	S
840327	BCK FRM .115 REG 19" W/BCK REL	EA	64.00	M	880654	QA BRKT UPPER 1.25 ASSM	EA	27.00	S
840328	BCK FRM .115 REG 20" W/BCK REL	EA	64.00	M	880656	QA BRKT UPPER 1 3/4" ASSM	EA	27.00	S
840329	BCK FRM .115 RG 20 DBL W/BCKRL	EA	88.91	M	880657	HEAD ASSM SINGLE SPEED QKB	EA	225.00	S
840330	BCK FRM .115 TLL 12" W/BCK REL	EA	78.00	M	880658	QA BRKT UPPER 1.5 ASSM	EA	27.00	S
840331	BCK FRM .115 TLL 13" W/BCK REL	EA	78.00	M	880660	QA COMPLETE ALL COLORS	EA	0.00	S
840332	BCK FRM .115 TLL 14" W/BCK REL	EA	78.00	M	880662	QA UPPR 7/8 CLMP ASSM ANO	EA	76.50	S
840333	BCK FRM .115 TLL 15" W/BCK REL	EA	78.00	M	880664	QA UPPR CLMP 1 1/8 ASSM	EA	76.50	S
840334	BCK FRM .115 TLL 16" W/BCK REL	EA	78.00	M	880665	T-TUBE CYCLONE COMPLETE	EA	675.00	S
840335	BCK FRM .115 TLL 17" W/BCK REL	EA	78.00	M	880666	QA UPPR CLAMP 1 ASSM ANO	EA	76.50	S
840336	BCK FRM .115 TLL 18" W/BCK REL	EA	78.00	M	880668	QA UPPR CLMP 1 3/16 ASSM	EA	76.50	S
840337	BCK FRM .115 TLL 19" W/BCK REL	EA	78.00	M	880670	BACK PLT FOLDING W/HDWR R KIDZ	EA	33.53	M
840338	BCK FRM .115 TLL 20" W/BCK REL	EA	78.00	M	880674	REFLECTOR/BRKT ASSM	EA	7.90	S
840339	BCK FRM .115 TL 20 DBL W/BCKRL	EA	104.00	M	880681	LOW LOCK R W/CLMP ONE/DT	EA	50.84	S
842061	PUSH HNDL TUBE R W/F RIGID BLK	EA	37.86	M	880683	LOW LOCK L W/CLMP ONE/DT	EA	50.84	S
842062	PUSH HNDL TUBE L W/F RIGID BLK	EA	37.86	M	880687	BACK PLATE R W/HDWR M2/M3	EA	67.50	S
843201	BACKREST ASSM 12" SHT	EA	64.10	S	880688	BACK PLATE L W/HDWR M2/M3	EA	67.50	S
843202	BACKREST ASSM 12" STD	EA	64.10	S	880704	FORK ASSM PNTD SHORT M2	EA	100.00	S
843207	BACKREST ASSM 13" SHT	EA	64.10	S	880705	FORK ASSM PNTD STD M2	EA	100.00	S
843208	BACKREST ASSM 13" STD	EA	64.10	S	880707	FORK ASSM PNTD QKB	EA	100.00	S
843213	BACKREST ASSM 14" SHT	EA	64.10	S	880780	BACKREST SUPPORT ASSM RIGHT	EA	68.14	S
843214	BACKREST ASSM 14" STD	EA	64.10	S	880781	BACKREST SUPPORT ASSM LEFT	EA	68.14	S
843219	BACKREST ASSM 15" SHT	EA	64.10	S	880804	WHL LCK SCSSR R W/CLMP BLK	EA	45.43	S
843220	BACKREST ASSM 15" STD	EA	64.10	S	880805	WHL LCK SCSSR L W/CLMP BLK	EA	45.43	S
843225	BACKREST ASSM 16" SHT	EA	64.10	S	880806	WHL LCK SCSSR R W/CLMP LNG BLK	EA	45.43	S
843226	BACKREST ASSM 16" STD	EA	64.10	S	880807	WHL LCK SCSSR L W/CLMP LNG BLK	EA	45.43	S
843231	BACKREST ASSM 17" SHT BLK	EA	64.10	S	880832	BACKREST LATCH REL ASSM ONE/DT	EA	34.61	S
843232	BACKREST ASSM 17" STD BLK	EA	64.10	S	880833	FRAME HARDWARE KIT ONE/DT	EA	6.44	S
843237	BACKREST ASSM 18" SHT	EA	64.10	S	880916	GRADE AID PLATE W/WHL & HDWR R	EA	35.69	M
843238	BACKREST ASSM 18" STD BLK	EA	64.10	S	880917	GRADE AID PLATE W/WHL & HDWR L	EA	35.69	M
843243	BACKREST ASSM 19" SHT	EA	64.10	S	880928	FORK ASSM CYC	EA	220.00	S
843244	BACKREST ASSM 19" STD	EA	64.10	S	880930	AXLE CLAMP ASSM	EA	18.39	M
843248	BACKREST ASSM 20" SHT	EA	64.10	S	880931	ANTI-TIP REC ASSM UNDR MNT GPS	EA	14.00	M
843249	BACKREST ASSM 20" STD BLK	EA	64.10	S	880933	ANTI TIP REC ASSM HQR	EA	15.70	S

Quickie Sports Products

Part Number	Part Description	Unit U/M	List Price	Disct. Code	Part Number	Part Description	Unit U/M	List Price	Disct. Code
880950	ANTI-TIP EXT ASSM	EA	44.35	S	881664	QA CLAMP LOWER ASSM 1 1/8"	EA	116.00	S
880951	ANTI-TIP WHEEL ASSM ANO	EA	29.20	S	881665	QA CLAMP LOWER ASSM 1 3/16"	EA	116.00	S
880958	COMPENSATOR ASSM	EA	70.90	S	881670	QA UPPR CLMP 3/4 ASSM ANO	EA	76.50	S
880993	WHL LOCK R PUSH W/CLMP ST/DT	EA	41.00	M	881676	ROD ATTACH FRM PVT ASSM	EA	9.00	S
880994	WHL LOCK L PUSH W/CLMP ST/DT	EA	41.00	M	881680	SPINDAL ASSM	EA	45.00	S
880995	WHLLCK R PUSH W/G.A. W/CLMP DT	EA	88.00	M	881681	SPINDAL ASSM M2	EA	33.70	S
880996	WHLLCK L PUSH W/G.A. W/CLMP DT	EA	88.00	M	881740	ANTI TP X-BAR ASSM STD 13" BLK	EA	78.00	M
881010	ANTI TP X-BAR ASSM STD 13" HQR	EA	81.10	S	881741	ANTI TP X-BAR ASSM STD 14" BLK	EA	78.00	M
881011	ANTI TP X-BAR ASSM STD 14" HQR	EA	81.10	S	881742	ANTI TP X-BAR ASSM STD 15" BLK	EA	78.00	M
881012	ANTI TP X-BAR ASSM STD 15" HQR	EA	81.10	S	881743	ANTI TP X-BAR ASSM STD 16" BLK	EA	78.00	M
881013	ANTI TP X-BAR ASSM STD 16" HQR	EA	81.10	S	881744	ANTI TP X-BAR ASSM STD 17" BLK	EA	78.00	M
881014	ANTI TP X-BAR ASSM STD 17" HQR	EA	81.10	S	881745	ANTI TP X-BAR ASSM STD 18" BLK	EA	78.00	M
881015	ANTI TP X-BAR ASSM STD 18" HQR	EA	81.10	S	881746	ANTI TP X-BAR ASSM STD 19" BLK	EA	78.00	M
881016	ANTI TP X-BAR ASSM STD 19" HQR	EA	81.10	S	881747	ANTI TP X-BAR ASSM STD 20" BLK	EA	78.00	M
881017	ANTI TP X-BAR ASSM STD 20" HQR	EA	81.10	S	882060	QA UPPER CLMP ASSM 3/4" W/BRKT	EA	105.00	S
881075	COMPENSATOR ASSM C-MOLY RCR	EA	84.36	S	882061	QA UPPER CLMP ASSM 7/8" W/BRKT	EA	105.00	S
881140	PLST SIDE GUARD R QTNT	EA	36.00	M	882062	QA UPPER CLMP ASSM 1" W/BRKT	EA	105.00	S
881141	PLST SIDE GUARD L QTNT	EA	36.00	M	882063	QA UPPR CLMP ASSM 1 1/8" W/BRK	EA	105.00	S
881150	PLST SIDE GUARD KDS R	EA	34.61	M	882064	QA UPPR CLMP ASSM 1 3/16 W/BRK	EA	105.00	S
881151	PLST SIDE GUARD KDS L	EA	34.61	M	882101	ELBOW LEFT 6" X 7 1/2"	EA	29.20	S
881152	PLST SIDE GUARD STD R	EA	34.61	M	882102	ELBOW RIGHT 6" X 7 1/2"	EA	29.20	S
881153	PLST SIDE GUARD STD L	EA	34.61	M	882103	ELBOW LEFT 6" X 6"	EA	29.20	S
881200	SIDE GUARD/KIDZ ARM REC W/CLMP	EA	43.26	M	882104	ELBOW RIGHT 6" X 6"	EA	29.20	S
881202	SIDE GUARD REC W/CLMP M3	EA	45.00	S	882105	ELBOW LEFT 4" X 6"	EA	29.20	S
881203	SIDE GUARD REC W/CLMP ST/DT	EA	64.10	S	882106	ELBOW RIGHT 4" X 6"	EA	29.20	S
881220	PLATFORM F/PLT CLAMP W/SHIM	EA	18.39	S	882900	ANTI TIP ASSM REG R BLK	EA	32.45	M
881252	HITCH SUPPORT W/BUNGIE	EA	20.20	S	882901	ANTI TIP ASSM REG L BLK	EA	32.45	M
881253	TOW BAR EXT W/SNAP BTTN	EA	6.50	S	882902	ANTI-TIP ASSM REG R BLK HQR	EA	35.00	M
881334	RECEIVER ASSM CYC	EA	67.60	M	882903	ANTI-TIP ASSM REG L BLK HQR	EA	35.00	M
881386	ATTACH TUBE ASSM CYC	EA	41.60	M	882906	ANTI-TIP ASSM SMALL R BLK	EA	32.45	M
881480	RID ANTI-TIP W/BRKT R	EA	79.00	S	882907	ANTI-TIP ASSM SMALL L BLK	EA	32.45	M
881481	RID ANTI-TIP W/BRKT L	EA	79.00	S	883050	TRANSFER HANDLE W/FOAM & HDWR	EA	35.00	S
881483	QUAD RUG ANTI-TIP ASSM 13"	EA	66.40	S	888850	14W STRUT KIT W/HARDWRE CYC	EA	161.00	S
881484	QUAD RUG ANTI-TIP ASSM 14"	EA	66.40	S	888851	15W STRUT KIT W/HARDWRE CYC	EA	161.00	S
881485	QUAD RUG ANTI-TIP ASSM 15"	EA	66.40	S	888853	17W STRUT KIT W/HARDWRE CYC	EA	161.00	S
881486	QUAD RUG ANTI-TIP ASSM 16"	EA	66.40	S	888854	18W STRUT KIT W/HARDWRE CYC	EA	161.00	S
881487	QUAD RUG ANTI-TIP ASSM 17"	EA	66.40	S	888855	19W STRUT KIT W/HARDWRE CYC	EA	161.00	S
881488	QUAD RUG ANTI-TIP ASSM 18"	EA	66.40	S	888856	20W STRUT KIT W/HARDWRE CYC	EA	161.00	S
881493	ANTI-TIP BOTTOM TUBE ASSM 13"	EA	51.70	S	900115	24"MAG X-CORE TRB W/ALM HR(PR)	PR	754.00	M
881494	ANTI-TIP BOTTOM TUBE ASSM 14"	EA	51.70	S	900213	ANTI TIP ASSM 13" HQR	EA	75.00	S
881495	ANTI-TIP BOTTOM TUBE ASSM 15"	EA	51.70	S	900214	ANTI TIP ASSM 14" HQR	EA	75.00	S
881496	ANTI-TIP BOTTOM TUBE ASSM 16"	EA	51.70	S	900215	ANTI TIP ASSM 15" HQR	EA	75.00	S
881497	ANTI-TIP BOTTOM TUBE ASSM 17"	EA	51.70	S	900216	ANTI TIP ASSM 16" HQR	EA	75.00	S
881498	ANTI-TIP BOTTOM TUBE ASSM 18"	EA	51.70	S	900217	ANTI TIP ASSM 17" HQR	EA	75.00	S
881503	BACKREST REL CABLE ASSM 13" RV	EA	32.45	M	900218	ANTI TIP ASSM 18" HQR	EA	75.00	S
881504	BACKREST REL CABLE ASSM 14" RV	EA	33.53	M	900219	ANTI TIP ASSM 19" HQR	EA	75.00	S
881505	BACKREST REL CABLE ASSM 15" RV	EA	33.53	M	900220	ANTI TIP ASSM 20" HQR	EA	75.00	S
881506	BACKREST REL CABLE ASSM 16" RV	EA	33.53	M	900221	SPORTS ANTI TIP ASSM HQR	EA	194.00	S
881507	BACKREST REL CABLE ASSM 17" RV	EA	33.53	M	900300	PUSH HANDLE ASSM RIGID BLK	PR	75.00	M
881508	BACKREST REL CABLE ASSM 18" RV	EA	33.53	M	900470	BUMPER R/B A/C (OLD) SPEC DIM	EA	270.00	S
881509	BACKREST REL CABLE ASSM 19" RV	EA	33.53	M	900471	BUMPER B/B A/C (OLD) SPEC DIM	EA	163.00	S
881510	BACKREST REL CABLE ASSM 20" RV	EA	33.53	M	900701	ANTI-TIP ASSM SMALL	PR	65.00	B
881512	ANTI-TIP SLV W/WHLS BLK (4H)	EA	13.00	M	900702	ANTI-TIP ASSM ADULT	PR	65.00	M
881603	EYEBOLT 3" ASSM	EA	2.10	S	900703	ANTI-TIP ASSM REG	PR	65.00	B
881604	EYEBOLT 4" ASSM	EA	2.10	S	900717	SPORTS ANTI-TIP 12D ASSM 3D	EA	189.00	S
881628	FRAME QA MAIN ASSM PNTD	EA	136.00	S	900731	SPORTS ANTI TIP 15D ASSM 3D	EA	197.00	S
881629	FRAME QA MAIN ASSM "V" PNTD	EA	136.00	S	900735	RID ANTI-TIP W/BRKT	PR	142.00	S
881635	FREEWHL INTERMEDIATE ASSM	EA	129.00	S	900830	ANTI-TIP ASSM SMALL W/REC BLK	PR	75.00	M
881640	HANDLE VERT STD ASSM R 1 3/8	EA	39.40	S	900832	ANTI-TIP ASSM REG W/REC BLK	PR	75.00	M
881642	HANGER DERAILLEUR ASSM	EA	10.10	S	901015	FIN W/FOIL ASSM	EA	59.60	S
881651	HEAD ASSM 3 SPEED SHRT M2	EA	225.00	S	901090	PLST SIDE GUARD KDS ASSM XTR	PR	120.00	M
881653	HEAD ASSM 7 SPEED SHRT M2	EA	225.00	S	901091	PLST SIDE GUARD STD ASSM XTR	PR	120.00	M
881660	QA CLAMP LOWER ASSM 5/8"	EA	116.00	S	901110	PLST SIDE GUARD STD ASSM	PR	120.00	M
881661	QA CLAMP LOWER ASSM 7/8"	EA	116.00	S	901111	PLST SIDE GUARD KDS ASSM	PR	120.00	M
881662	QA CLAMP LOWER ASSM 3/4"	EA	116.00	S	901115	SIDE GUARD ASSM STD M3/M2	PR	120.00	S
881663	QA CLAMP LOWER ASSM 1"	EA	116.00	S	901116	SIDE GUARD ASSM KIDS M3/M2	PR	120.00	S

Quickie Sports Products

Part Number	Part Description	Unit U/M	List Price	Disc. Code
901122	SIDE GUARD RIGID 12" HIGH (PR)	PR	68.14	S
901123	SIDE GUARD RIGID 13" HIGH (PR)	PR	68.14	S
901124	SIDE GUARD RIGID 14" HIGH (PR)	PR	68.14	S
901125	SIDE GUARD RIGID 15" HIGH (PR)	PR	68.14	S
901126	SIDE GUARD RIGID 16" HIGH (PR)	PR	68.14	S
901127	SIDE GUARD RIGID 17" HIGH (PR)	PR	68.14	S
901128	SIDE GUARD RIGID 18" HIGH (PR)	PR	68.14	S
901129	SIDE GUARD RIGID 19" HIGH (PR)	PR	68.14	S
901130	SIDE GUARD ASSM STD HQR	PR	120.00	S
901131	SIDE GUARD ASSM KIDS HQR	PR	120.00	S
901132	SIDE GUARD RIGID 12" LOW (PR)	PR	68.14	S
901133	SIDE GUARD RIGID 13" LOW (PR)	PR	68.14	S
901134	SIDE GUARD RIGID 14" LOW (PR)	PR	68.14	S
901135	SIDE GUARD RIGID 15" LOW (PR)	PR	68.14	S
901136	SIDE GUARD RIGID 16" LOW (PR)	PR	68.14	S
901137	SIDE GUARD RIGID 17" LOW (PR)	PR	68.14	S
901138	SIDE GUARD RIGID 18" LOW (PR)	PR	68.14	S
901139	SIDE GUARD RIGID 19" LOW (PR)	PR	68.14	S
901140	SIDE GUARD RIGID 20" HIGH (PR)	PR	68.14	S
901141	SIDE GUARD RIGID 20" LOW (PR)	PR	68.14	S
901170	SEAT SLING VELCRO STRIP	EA	1.89	M
901506	LOW LOCK ASSM ONE/DT	PR	84.36	S
901518	WHL LCK SCSSR W/CLMP	PR	90.85	S
901519	WHL LCK SCSSR W/CLMP LNG	PR	97.34	S
901580	WHL LOCK PUSH W/CLAMP ST/DT	PR	81.00	S
901582	WHL LOCK PUSH W/G.A. W/CLMP DT	PR	177.38	S
902001	SPK GRDS 20" QUICKIE BLK	PR	90.00	M
902011	SPK GRDS 22" QUICKIE BLK	PR	90.00	M
902021	SPK GRD 24" QUICKIE SCR MT BLK	PR	90.00	M
902025	SPK GRD 24" QUICKIE TAB MT BLK	PR	90.00	M
902037	SPK GRD 26" QUICKIE TAB MT BLK	PR	90.00	M
902038	SPK GRD 26" QUICKIE HT BLK	PR	90.00	M
902054	SPK GUARDS 24" QP CLR	PR	90.00	M
902056	SPK GUARD 26" QP CLR	PR	90.00	M
902061	SPOKE GUARDS 24" ASSM	PR	103.00	S
902062	SPOKE GUARDS 26	PR	103.00	S
902063	SPOKE GUARDS 26" ASSM	PR	103.00	S
902072	SPK GRD 24"SPRT HI PRFL W/TIE	PR	120.00	S
902073	SPK GRD 24"SPRT LOW PRFL W/TIE	PR	120.00	S
902076	SPK GRD 24"HT SP HI PRFL W/TIE	PR	120.00	S
902077	SPK GRD 24"HT SP LW PRFL W/TIE	PR	120.00	S
920025	3" MICRO CASTER W/BRNG (PR)	PR	56.00	M
920028	CASTER CAP PLASTIC (PR)	EA	2.34	M
920050	REG CASTER STEM W/HDWR	EA	14.06	M
920052	CASTER STEM W/HDWR SHDW ONE/DT	EA	14.06	S
920077	3" MICRO CASTER LIGHTED (PR)	PR	50.00	M
920112	BACKLOCK COLLAR	EA	4.54	S
920114	AXLE SLEEVE 1 DEGREE W/HDWR	EA	31.37	M
920116	AXLE SLEEVE W/HDWR GPS	EA	20.55	M
920117	MAG SPACER 6S W/SET SCREW	EA	3.52	M
920119	QR AXLE MAG W/NUT	EA	42.18	M
920129	QR AXLE W/NUT	EA	48.90	M
920130	QR AXLE NON-RECESS HUB W/NUT	EA	42.18	M
920137	QR AXLE W/NUT TI	EA	82.20	M
920138	QR AXLE W/SPACER FOR 6S MAG	EA	48.90	M
920139	QUAD REL AXLE NUT	EA	48.13	M
920175	KANSKI BASE ADAPTOR HDWR	EA	12.40	S
920191	GP BACK REL PLUG W/HDWR	EA	14.06	M
920289	TRACK STEERING HDWR RCR	EA	2.60	S
920395	TOW BAR ADAPTER M2	EA	91.50	S
920396	WATER BOTTLE & CAGE ASSM C1/M2	EA	20.00	S
920402	BCKRST SPPRT ASSM (SPEC WIDTH)	PR	130.87	S
920407	ANTI-TIP RECEIVERS	PR	15.00	M
920412	BACK REL BRKT ASSM R FLDG HQR	EA	34.61	S
920413	BACK REL BRKT ASSM L FLDG HQR	EA	34.61	S
920440	BACK PLATE FIXED R W/HDWR HQR	EA	34.61	S

Part Number	Part Description	Unit U/M	List Price	Disc. Code
920441	BACK PLATE FIXED L W/HDWR HQR	EA	34.61	S
920442	BACK REL BRKT ASSM FLDG HQR	PR	69.22	S
920449	F/S MOUNT BRACKET ASSM A/C	EA	90.50	M
920523	BACK REL BRCKT ASSM F A/C OLD	EA	39.00	S
921233	F/PLT EXT TUBE ASSM QKB	EA	26.90	S
921234	F/PLT EXT TUBE ASSM SHORT M2	PR	22.50	S
921235	F/PLT EXT TUBE ASSM STD M2	PR	24.80	S
921321	FP ADLT ADJ 14/15 HL	PR	173.06	M
921323	FP ADLT ADJ 16/17 HL	PR	173.06	M
921396	WATER BOTTLE & CAGE ASSM M3	EA	20.00	S
922170	QR AXLE W/QUAD NUT PUSH BUTTON	EA	91.73	M
923484	REFLECTOR KIT 4 WAY	EA	9.00	S
923491	BASKETBALL BUMPER ASSM 13"3D	EA	194.00	S
923492	BASKETBALL BUMPER ASSM 14"3D	EA	194.00	S
923493	BASKETBALL BUMPER ASSM 15"3D	EA	194.00	S
923494	BASKETBALL BUMPER ASSM 16"3D	EA	194.00	S
923495	BASKETBALL BUMPER ASSM 17"3D	EA	194.00	S
923496	BASKETBALL BUMPER ASSM 18"3D	EA	194.00	S
923497	BASKETBALL BUMPER ASSM 19"3D	EA	194.00	S
923498	BASKETBALL BUMPER ASSM 20"3D	EA	194.00	S
923650	QA "V" FRAME SHT ELBOWS	EA	325.00	S
923651	QA "V" FRAME STD ELBOWS	EA	325.00	S
923652	QA "V" FRAME WIDE ELBOWS	EA	325.00	S
923655	QA "H" FRAME SHT ELBOWS	EA	325.00	S
923656	QA "H" FRAME STD ELBOWS	EA	325.00	S
923657	QA "H" FRAME WIDE ELBOWS	EA	325.00	S
923658	QA "H" FRAME STD/SHT ELBOWS	EA	325.00	S
923670	QA RETRO FIT KIT	EA	10.10	S
929106	QUICKIE WATER BOTTLE	EA	3.00	S