

# Manual Products Parts Manual

Policies, Procedures, Warranty, and Glossary .	Breezy Chair Backrest and Upholstery .....	Section 12
Folding Frames .....	Casters and Forks .....	Section 13
Pediatric and Positioning Frames ....	Footrests .....	Section 14
Rigid Frames .....	Front Frame Hangers.....	Section 15
Breezy Frames.....	Mechanical Lock and Strut Assemblies.....	Section 16
Anti-tips .....	Seats and Slings .....	Section 17
Padded Swing-Away and Flip-up Armrests .....	Trays and Custom Trays.....	Section 18
Single and Dual Side Frame Mounted Armrests and Armrest Receivers .....	Wheels .....	Section 19
Axle Plates and Axles .....	Wheels (Quickie Performance) .....	Section 20
Folding Chair Backrests and Upholstery .....	Wheel Locks and Grade Aids .....	Section 21
Pediatric and Positioning Backrest and Upholstery .....	One-Arm Drive .....	Section 22
Rigid Chair Backrest and Upholstery .....	Accessories .....	Section 23
	Manual Parts Pricing Guide .....	Section 24

Note: Quickie Sports products were previously known as “Shadow”



*This document printed partially on recycled paper and partially on recyclable paper.*

# POLICIES, PROCEDURES, AND WARRANTY

## **MANUAL OVERVIEW:**

Your new “user-friendly” parts manual will help you place orders for wheelchair parts. Use this manual as a tool to easily locate and order the correct parts for your customers.

The parts manual is categorized by frame types, component types and accessories. Refer to the table of contents to locate the section for the items you need. For example, reference the frame sections in the beginning of the parts manual for the frame parts. Reference the component sections for others types of parts (i.e. for parts relating to backrests, refer to the section labeled “Backrests”).

Each item is shown in an “exploded view” illustration. Below each drawing is a legend that has an item number, part number, product description, and quantity used per assembly. Some parts may be included in an assembly but may not be available for purchase separately. Such parts will be included in the drawing but will not be called out individually in the legend below the drawing. Prices for parts are located in the Quickie Parts Pricing Guide, and are in numerical order by part number.

## **FREE FREIGHT:**

Orders of \$100.00 or more will be shipped free freight via ground transportation.

Orders under \$100.00 are subject to a \$10.00 service charge.

## **ORDER QUANTITY:**

Product should be ordered in case quantity increments.

## **GENERAL RETURNED GOODS POLICY:**

Advance authorization must be received from Sunrise Medical customer service prior to returning merchandise. All returns must be channeled through an authorized Sunrise Medical supplier.

Your request for return authorization must be phoned to 800-333-4000 and include:

- ◆Reason for return
- ◆Item number and quantity
- ◆Invoice number, original sales order number, or original purchase order number and date.
- ◆Serial number if applicable

Returned merchandise is subject to a 20% restocking fee.

Sunrise Medical Home Healthcare Group will accept new, non-modified merchandise for return in its original packaging if returned within 60 days of receipt. Obsolete and discontinued product will not be accepted for return. Specialized and/or modified products can not be returned.

## **SHORTAGES AND SHIPPING DAMAGE:**

Please inspect your order immediately. Claims for shortages and shipping damage must be made within 10 days of receipt of merchandise. Damaged merchandise should be retained in original carton and reported to carrier. Claims after 10 days will not be honored.

## **WARRANTY:**

See individual product warranty inserts in owner's manual for warranty information by product line.

All claims and repairs should be processed through a Sunrise supplier. All returns and repairs require a return merchandise authorization (RMA) number, which is obtained by calling customer service at 1-800-333-4000. Warranty returns should be shipped freight prepaid to the manufacturing facility or certified repair facility specified by customer service. A valid return merchandise authorization number should be visible on the outside of the box for immediate processing. Merchandise without a valid return merchandise authorization number will be refused. Warranty returns should be received within 30 days of authorization.

## **REBUILT EXCHANGE:**

Rebuilt exchange parts pricing is available only with the return of defective parts within 30 days. Rebuilt exchanges available for certain products only.

## **WARRANTY LIMITATIONS:**

We do not warrant damage due to:

- ◆Neglect, misuse, or improper installation or repair
- ◆Use of parts or changes not authorized by Sunrise Medical
- ◆Exceeding the maximum weight limit specified for product

The warranty is void if the original serial number is removed or altered.

Except for express warranties made within product warranty guides, all other warranties, including implied warranties of merchantability and warranties of fitness for a particular purpose are excluded. Remedied for breach of express warranties are limited to repair or replacement of the goods. In no event shall damages for breach of any warranty include any consequential damages or exceed the cost of non-conforming goods sold.

Sunrise Medical reserves the right to change this policy and any products herein without notification.

# GLOSSARY OF ABBREVIATIONS

ABD	Abductor	H	Hole	PSH	Push
AD	Arm Drive	HB	High Brake	PTTRN	Pattern
ADJ	Adjustable	HD	Head	PWR	Power
ADPT	Adapter	HDRST	Headrest	Q1	Quickie 1
ALR	Articulating Legrest	HDWR	Hardware	Q2	Quickie 2
ALUM	Aluminum	HEX	Hexagon	Q2HP	Quickie 2HP
AMH	Adjustable Mounting	HH	Hemi-height	QC	Quickie Carbon
	Hardware	HK	Hook	QR	Quick-release
ANO	Anodized	HL	Heel Loops	QRx	Quickie Rx
ASSM	Assembly	HM	High Mount	QTi	Quickie Titanium
AT	Anti-tip	HNDL	Handle	QT/QTS	Quickie Tilt-n-Space
BB	Basketball	HNGR	Hanger	R	Right
BC	Breezy Chrome	HP	High Pressure	RCLNR	Recliner
BCK	Back	HR	Handrim	REC	Receiver
BCKBRD	Backboard	HT	Height	REG	Regular
BH	Button Head	ID	Inner Dimension	REL	Release
BKL	Buckle	KDS	Kids	REV	Reverse
B-LOCK	Back Lock	KVLR	Kevlar	RH	Right-hand
BLK	Black	KZ	Quickie Kidz	RNUT(S)	Rivnut(s)
BLU	Blue	L	Left	RR	Rear
BR	Breezy	LH	Left-hand	RV	Quickie Revolution
BRD	Board	LK	Lock	S/A	Swing-away
BRNG	Bearing	LNG	Long	S/F	Side Frame
BRKT	Bracket	LO	Lift-off	SCW	Screw
BSHNG	Bushing	LPS	Loops	SHLDR	Shoulder
BTTN	Button	LRG	Large	SHT	Short
BTRY	Battery	LT	Long Tab	SLD	Solid
BZ	Breezy	LTRL	Lateral	SLNG	Sling
CHRGR	Charger	LX	Quickie LX	SLTD	Slotted
CLMP	Clamp	LXI	Quickie LXI	SM	Small
CLR	Clear	MACH	Machine	SNGL	Single
COMP	Complete	MECH	Mechanism	SOC	Socket
CMPST	Composite	MED	Medium	SPCR	Spacer
CRM	Chrome	mm	Millimeter	SPEC CLR	Specify Color
C/S	Cap Screw	MNT	Mount	SPK	Spoke
C-S	Countersunk	MNTG	Mounting	SQZ	Squeeze
CSTR	Caster	M/S	Machine Screw	SS	Stainless Steel
CV	Conventional	NAUG	Naugahyde	ST	Seat
CVRS	Covers	NF	Non-folding	S/TAP	Self-tapping
CYL	Cylinder	NR	Non-recessed	STD	Standard
CZ	Cozy	OBLQ	Oblique	STL	Style
DAB	Depth-adjustable Back	OD	Outer Dimension	STRLR	Stroller
DBL	Double	O/S	Old Style	STRT	Straight
DL	Desk Length	P1	Quickie P100	T	Tab
DRV	Drive	P2	Quickie P200	THRD	Threaded
EA	Each	P3	Quickie P300	Ti	Titanium
ELR	Elevating Legrest	P5	Zippie P500	TL	Tall
EXT	Extension	PED	Pediatric	TNNS	Tennis
EXTND	Extended	PH	Push Handle	TS	Tilt-in-space
F	Folding Frame	PHIL	Phillips	UNTHRD	Unthreaded
FL	Full-length	PLT	Plate	UPH	Upholstery
FL FT	Flip-up Footrest	PLST	Plastic	VERT	Vertical
FLP	Flip	PLY	Plywood	W/	With
FT	Foot	P/L	Pin Lock	WD	Wide
F/REST	Footrest	PNEU	Pneumatic	W/O	Without
FRNT	Front	PNK	Pink	WHL	Wheel
FT PLT	Footplate	PNT	Paint	YLW	Yellow
F/UP	Flip-up	PNTD	Painted	Z2	Zippie 2
GP	Quickie GP	POLY	Polyurethane	ZN	Zinc
GPS	Quickie GPS	PR	Pair	ZP	Zippie
GPV	Quickie GPV	PROJ	Projection	ZP2	Zippie 2
GNRC	Generic	PRPL	Purple		



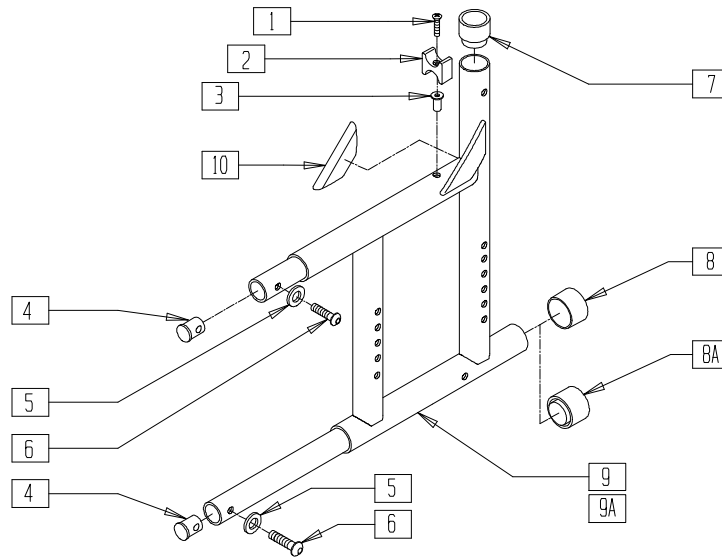
# Folding Frames

## IN THIS SECTION

Rear Side Frame (Quickie 2/2HP) .....	1.1	Fixed-Front Side Frame 60°/70°(Quickie 2 HP) .....	1.7
Hemi Rear Side Frame (Quickie 2) .....	1.1	Swing-away Front Side Frame (Quickie M6).....	1.8
Depth-adjustable Back Hemi Frame (Quickie 2) (Disc.).....	1.2	Swing-away Front Side Frame (Quickie 2/Recliner) .....	1.8
Depth-adjustable Back Frame (Quickie 2) .....	1.2	Hemi Swing-away Front Side Frame (Quickie 2) .....	1.9
Rounded Rear Side Frame (Quickie 2/2HP) .....	1.3	Swing-away Front Side Frame (Extra Long Hemi)(Quickie 2) .....	1.9
Hemi Rounded Rear Side Frame (Quickie 2).....	1.3	Cross Tube Assembly (11"-13") (Quickie 2).....	1.10
Titanium Rear Side Frame (Quickie 2HP) (Disc.).....	1.4	Cross Tube Assembly (14"-20") (Quickie 2) .....	1.10
Titanium Rounded Rear Side Frame (Quickie 2HP) (Disc.).....	1.4	Cross Tube Assembly (18"-22") (Quickie 2HD) .....	1.11
Rear Side Frame (Quickie Recliner) .....	1.5	Cross Tube Assembly (Quickie M6).....	1.11
Rear Side Frame (Quickie M6).....	1.5	Cross Tube and Seat Sling Assemblies (Quickie 2) .....	
Rear Side Frame (Quickie Rx) (Disc.).....	1.6	Cross Tube Extensions (Quickie 2) .....	1.13
Hemi Rear Side Frame (Quickie Rx) (Disc.) .....	1.6	Frame (Quickie LX/LXI) .....	1.13
Titanium Fixed-Front Side Frame 70° (Quickie 2HP) (Disc.) .....	1.7	Frame (Quickie Revolution) .....	1.14

## REAR SIDE FRAME (QUICKIE 2/2HP)

(1" rear side frame discontinued 4/9/90 - replace with 1-1/8" rear frame and 7/8" backrest tube)



Q202X01

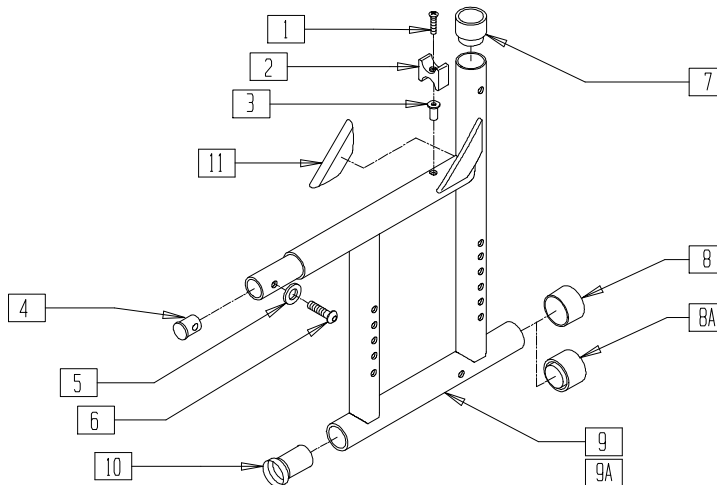
ITEM	NUMBER	DESCRIPTION	QTY
1	281122	10-32 x 3/4 PAN PHIL	1
2	561030	SUSPENSION SADDLE STD	1
3	341497	10-32 x .020-.130 RIVNUT GOLD	1
4	483001	Q2 FRAME/FOOT RETAINING PLUG	2
5	262130	6mm WASHER WAVE	2
6	226120	1/4-20 x 1 BH C/S	2
7	561083	1-1/8" TUBE END BUSHING THIN	1

ITEM	NUMBER	DESCRIPTION	QTY
8	561014	1" MED CAP	1
8A	561018	1" TUBE END BUSHING THICK	1
10	341300	Q2 GUSSET WEAR STRIP	1
1-10	620120	REAR S/F PAINTED Q2 R 1 1/8 (SPECIFY COLOR)	
1-8,9A,10	620121	REAR S/F PAINTED Q2 L 1 1/8 (SPECIFY COLOR)	

NOTE: ORDER ITEM 8A FOR CHAIRS WITH ANTI-TIP TUBES THAT MOUNT IN FRAME TUBE.  
NOTE: ALSO USED WITH EXTRA LONG HEMI FRONT SIDE FRAME.

## HEMI REAR SIDE FRAME (QUICKIE 2)

(1" rear side frame discontinued 4/9/90 - replace with 1-1/8" rear frame and 7/8" backrest tube)



Q202X02

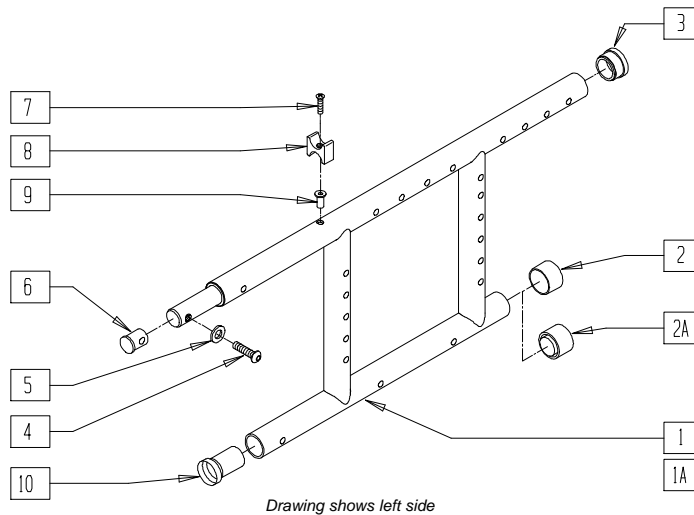
ITEM	NUMBER	DESCRIPTION	QTY
1	281122	10-32 x 3/4 PAN PHIL	1
2	561030	SUSPENSION SADDLE STD	1
3	341497	10-32 x .020-.130 RIVNUT GOLD	1
4	483001	Q2 FRAME/FOOT RETAINING PLUG	1
5	262130	6mm WASHER WAVE	1
6	226120	1/4-20 x 1 BH C/S	1
7	561083	1-1/8" TUBE END BUSHING THIN	1

ITEM	NUMBER	DESCRIPTION	QTY
8	561014	1" MED CAP	1
8A	561018	1" TUBE END BUSHING THICK	1
10	560406	FRAME BUSHING	1
11	341300	Q2 GUSSET WEARSTRIP	1
1-11	620130	REAR S/F PNTD Q2 HEMI R 1 1/8 (SPECIFY COLOR)	
1-8,9A,10,11	620131	REAR S/F PNTD Q2 HEMI L 1 1/8 (SPECIFY COLOR)	

NOTE: ORDER ITEM 8A FOR CHAIRS WITH ANTI-TIP TUBES THAT MOUNT IN FRAME TUBE.

# DEPTH-ADJUSTABLE BACK HEMI FRAME (QUICKIE 2)

(Discontinued 8/2/98 - parts only)



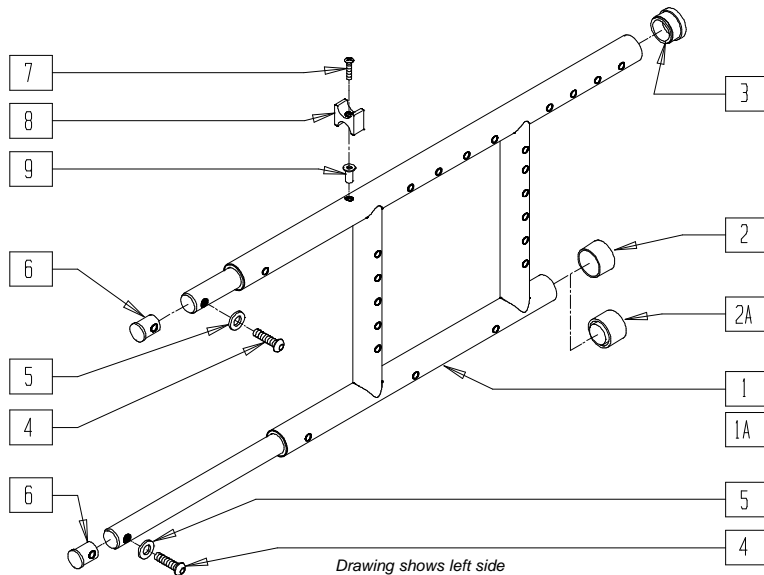
DAB00X1A

ITEM	NUMBER	DESCRIPTION	QTY
2	561014	1" MED CAP	1
2A	561018	1" TUBE END BUSHING THICK	1
3	561002	1" TUBE END BUSHING THICK	1
4	226120	1/4-20 x 1 BH C/S	2
5	262130	6mm WASHER WAVE	2
6	483001	Q2 FRAME/FOOT RETAINING PLUG	2
7	281122	10-32 x 3/4 PAN PHIL	1

ITEM	NUMBER	DESCRIPTION	QTY
8	561030	SUSPENSION SADDLE STD	1
9	341497	10-32 x .020-.130 RIVNUT GOLD	1
10	560406	FRAME BUSHING	1
1-10	620167	REAR S/F DAB HEMI PNTD R Q2 (SPECIFY COLOR)	
1A-10	620168	REAR S/F DAB HEMI PNTD L Q2 (SPECIFY COLOR)	

NOTE: ORDER ITEM 2A FOR CHAIRS WITH ANTI-TIP TUBES THAT MOUNT IN FRAME TUBE.

# DEPTH-ADJUSTABLE BACK FRAME (QUICKIE 2)



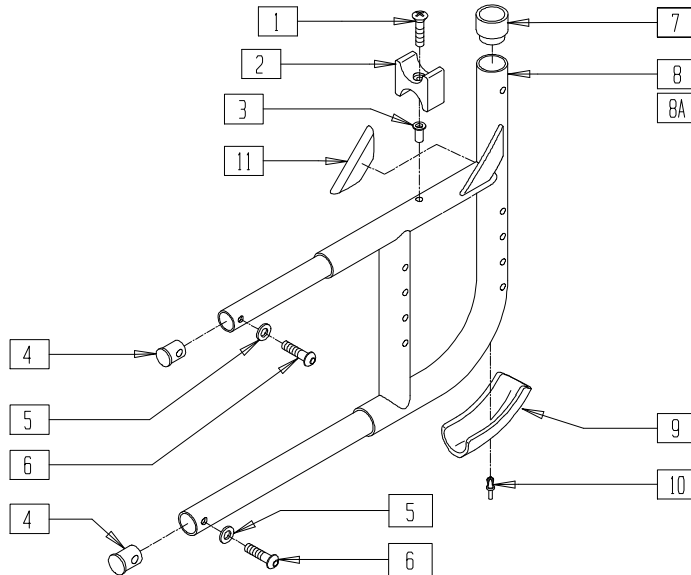
DAB00X01

ITEM	NUMBER	DESCRIPTION	QTY
2	561014	1" MED CAP	1
2A	561018	1" TUBE END BUSHING THICK	1
3	561002	1" INSERT PLUG .083	1
4	226120	1/4-20 x 1 BH C/S	2
5	262130	6mm WASHER WAVE	2
6	483001	Q2 FRAME/FOOT RETAINING PLUG	2
7	281122	10-32 x 3/4 PAN PHIL	1

ITEM	NUMBER	DESCRIPTION	QTY
8	561030	SUSPENSION SADDLE STD	1
9	341497	10-32 x .020-.130 RIVNUT GOLD	1
1-9	620161	REAR S/F DAB PNTD R Q2 (SPECIFY COLOR)	
1A,2-9	620163	REAR S/F DAB PNTD L Q2 (SPECIFY COLOR)	

NOTE: ORDER ITEM 2A FOR CHAIRS WITH ANTI-TIP TUBES THAT MOUNT IN FRAME TUBE.

## ROUNDED REAR SIDE FRAME (QUICKIE 2/2HP)



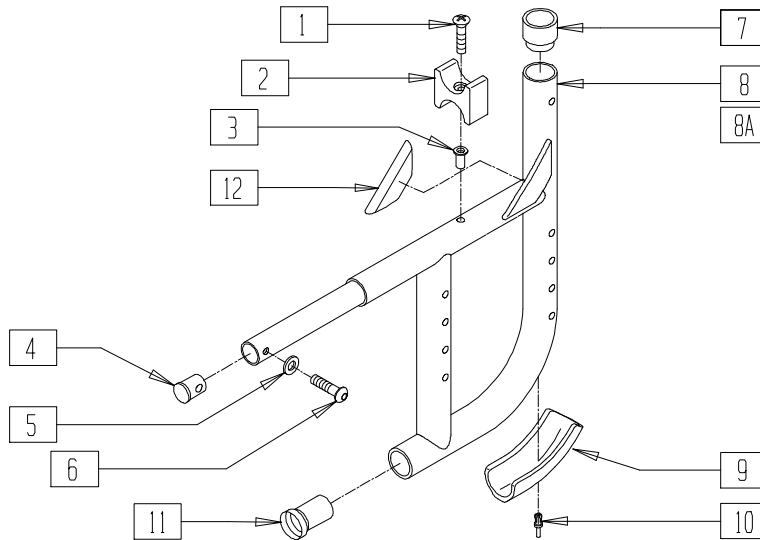
Q202X10

ITEM	NUMBER	DESCRIPTION	QTY
1	281122	10-32 x 3/4 PAN PHIL	1
2	561030	SUSPENSION SADDLE STD	1
3	341497	10-32 x .020-.130 RIVNUT GOLD	1
4	483001	Q2 FRAME/FOOT RETAINING PLUG	2
5	262130	6mm WASHER WAVE	2
6	226120	1/4-20 x 1 BH C/S	2
7	561083	1 1/8" TUBE END BUSHING THIN	1

ITEM	NUMBER	DESCRIPTION	QTY
9	560409	REAR FRAME BUMPER Q2	1
10	240210	RIVET 3/16 PLASTIC	1
11	341300	Q2 GUSSET WEARSTRIP	1
1-11	620145	REAR S/F PNTD Q2 CURVED R (SPECIFY COLOR)	
1-7,8A, 9-11	620146	REAR S/F PNTD Q2 CURVED L (SPECIFY COLOR)	

NOTE: ALSO USED WITH EXTRA LONG HEMI FRONT SIDE FRAME.

## HEMI ROUNDED REAR SIDE FRAME (QUICKIE 2)



Q202X11

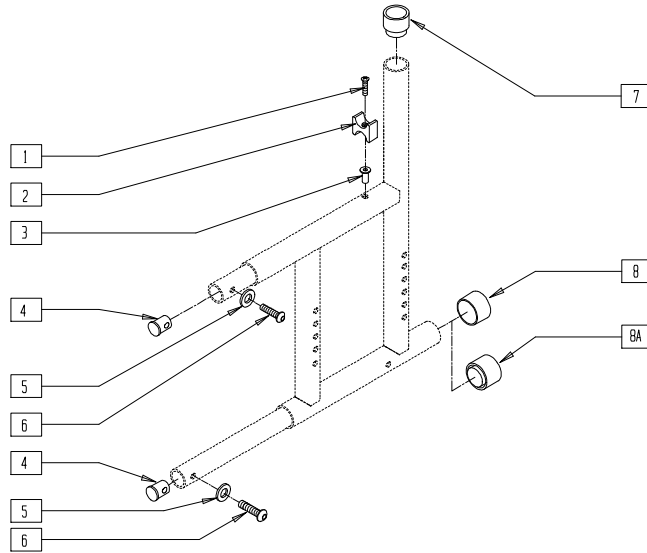
ITEM	NUMBER	DESCRIPTION	QTY
1	281122	10-32 x 3/4 PAN PHIL	1
2	561030	SUSPENSION SADDLE STD	1
3	341497	10-32 x .020-.130 RIVNUT GOLD	1
4	483001	Q2 FRAME/FOOT RETAINING PLUG	1
5	262130	6mm WASHER WAVE	1
6	226120	1/4-20 x 1 BH C/S	1
7	561083	1 1/8" TUBE END BUSHING THIN	1

ITEM	NUMBER	DESCRIPTION	QTY
9	560409	REAR FRAME BUMPER Q2	1
10	240210	RIVET 3/16 PLASTIC	1
11	560408	FRAME BUSHING 3/4-1 1/8	1
12	341300	Q2 GUSSET WEARSTRIP	1
1-12	620165	REAR S/F PNTD Q2 HEMI R CURVED (SPECIFY COLOR)	
1-7,8A, 9-12	620166	REAR S/F PNTD Q2 HEMI L CURVED (SPECIFY COLOR)	



## TITANIUM REAR SIDE FRAME (QUICKIE 2HP)

(Discontinued 5/2/94 - parts only; fits chairs prior to Q2-152546)



Drawing shows left side

Q2T0X01

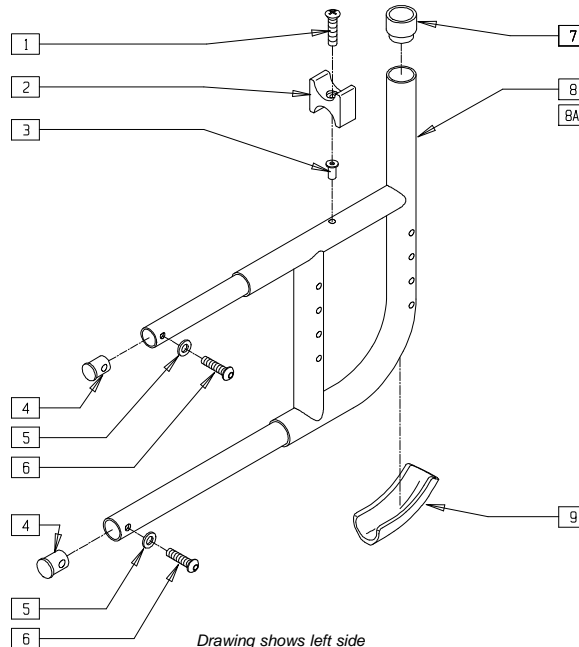
ITEM	NUMBER	DESCRIPTION	QTY
1	281122	10-32 x 3/4 PAN PHIL	1
2	561030	SUSPENSION SADDLE STD	1
3	341497	10-32 x .020-.130 RIVNUT GOLD	1
4	483001	Q2 FRAME/FOOT RETAINING PLUG	2
5	262130	6mm WASHER WAVE	2

ITEM	NUMBER	DESCRIPTION	QTY
6	226120	1/4-20 x 1 BH C/S	2
7	561300	1" TUBE END BUSHING THIN HPTI	1
8	561014	1" MED CAP	1
8A	561018	1" TUBE END BUSHING THICK	1

NOTE: ORDER ITEM 8A FOR CHAIRS WITH ANTI-TIP TUBES THAT MOUNT IN FRAME TUBE.

## TITANIUM ROUNDED REAR SIDE FRAME (QUICKIE 2HP)

(Discontinued 8/25/98 - parts only)



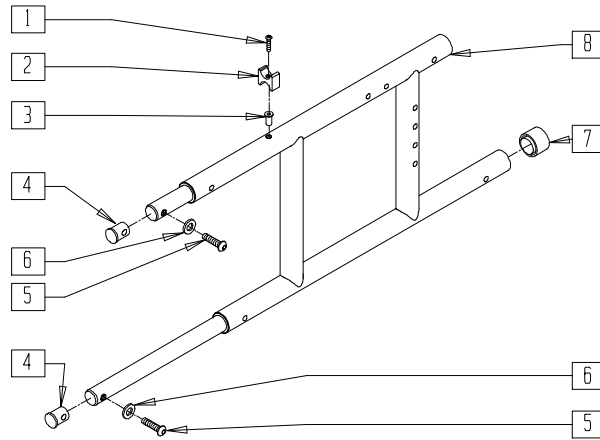
Drawing shows left side

Q20X10B

ITEM	NUMBER	DESCRIPTION	QTY
1	281122	10-32 x 3/4 PAN PHIL	1
2	561030	SUSPENSION SADDLE STD	1
3	341497	10-32 x .020-.130 RIVNUT GOLD	1
4	483001	Q2 FRAME/FOOT RETAINING PLUG	2
5	262130	6mm WASHER WAVE	2

ITEM	NUMBER	DESCRIPTION	QTY
6	226120	1/4-20 x 1 BH C/S	2
7	561310	BC 1" TUBE END BUSHING CM	1
9	560413	REAR FRAME BUMPER GPS	1
1-9	620152	REAR S/F ASSM R Ti CURVED	
1-7,8A,9	620153	REAR S/F ASSM L Ti CURVED	

## REAR SIDE FRAME (QUICKIE RECLINER)



Drawing shows left side

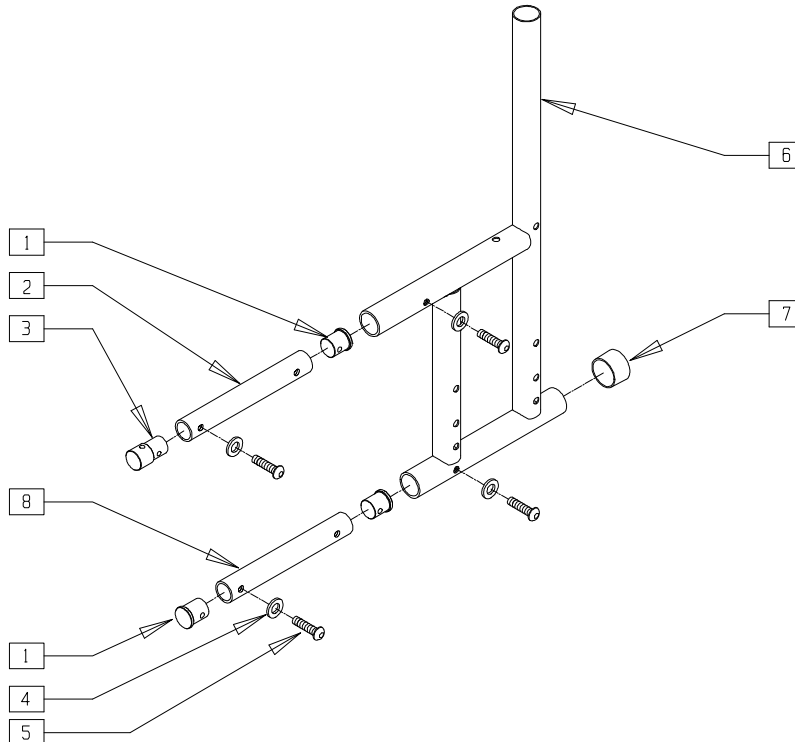
REC00X17

ITEM	NUMBER	DESCRIPTION	QTY
1	281122	10-32 x 3/4 PAN PHIL	1
2	561030	SUSPENSION SADDLE STD	1
3	341497	10-32 x .020-.130 RIVNUT GOLD	1
4	483001	Q2 FRAME/FOOT RETAINING PLUG	2
5	226120	1/4-20 x 1 BH C/S	2

ITEM	NUMBER	DESCRIPTION	QTY
6	262130	6mm WASHER WAVE	2
7	561018	1" TUBE END BUSHING THICK	1
1-8	620143, 620144	REAR S/F PNTD RECLINER NEW (EA) (SPECIFY COLOR)	

NOTE: FOR LOCKING MECHANISM, SEE SECTION 16, MECHANICAL LOCK AND STRUT ASSEMBLIES.

## REAR SIDE FRAME (QUICKIE M6)



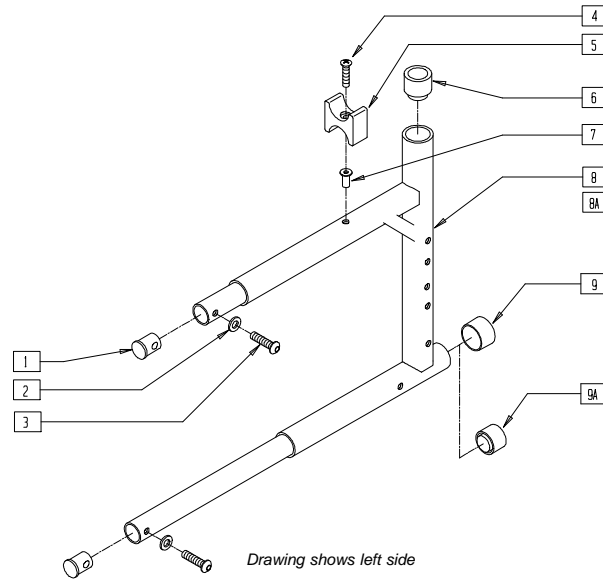
MAG00X18

ITEM	NUMBER	DESCRIPTION	QTY
1	483224	PLUG THREADED INSERT	3
2	520507	TUBE S/F CONNECTING TOP	1
3	483223	PLUG DUAL THREADED INSERT	1
4	262130	6mm WASHER WAVE	4

ITEM	NUMBER	DESCRIPTION	QTY
5	226123	1/4-20 x 1 BH C/S BLK ZN	4
7	561014	1" MED CAP	1
8	520508	TUBE S/F CONNECTING BOTTOM	1
1-8	620135	REAR S/F PNTD M6 1"	

## REAR SIDE FRAME (QUICKIE Rx)

(Discontinued 4/1/96 - parts only) (Fits Quickie Rx beginning serial number Rx-20282)



RX0X01A

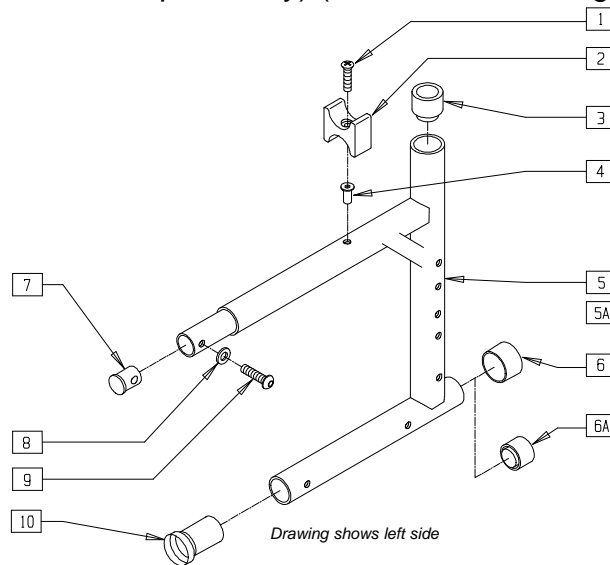
ITEM	NUMBER	DESCRIPTION	QTY
1	483001	O2 FRAME/FOOT RETAINING PLUG	2
2	262130	6mm WASHER WAVE	2
3	226120	1/4-20 x 1 BH C/S	2
4	281122	10-32 x 3/4 PAN PHIL	1
5	561030	SUSPENSION SADDLE STD	1
6	561083	1 1/8" TUBE END BUSHING THIN	1
7	341497	10-32 x .020-.130 RIVNUT GOLD	1

ITEM	NUMBER	DESCRIPTION	QTY
9	561014	1" MED CAP	1
9A	561018	1" TUBE END BUSHING THICK	1
1-9	650118	REAR S/F PNTD Rx R 1 1/8 L/G (SPECIFY COLOR)	
1-7,8A,9	650119	REAR S/F PNTD Rx L 1 1/8 L/G (SPECIFY COLOR)	

NOTE: ORDER ITEM 9A FOR CHAIRS WITH ANTI-TIP TUBES THAT MOUNT IN FRAME TUBE.  
NOTE: FOR SERIAL NUMBERS PRIOR TO Rx-20282, ORDER NEW REAR SIDE FRAMES.

## HEMI REAR SIDE FRAME (QUICKIE Rx)

(Discontinued 4/1/96 - parts only) (Fits Quickie Rx beginning serial number Rx-20282)



RX0X02

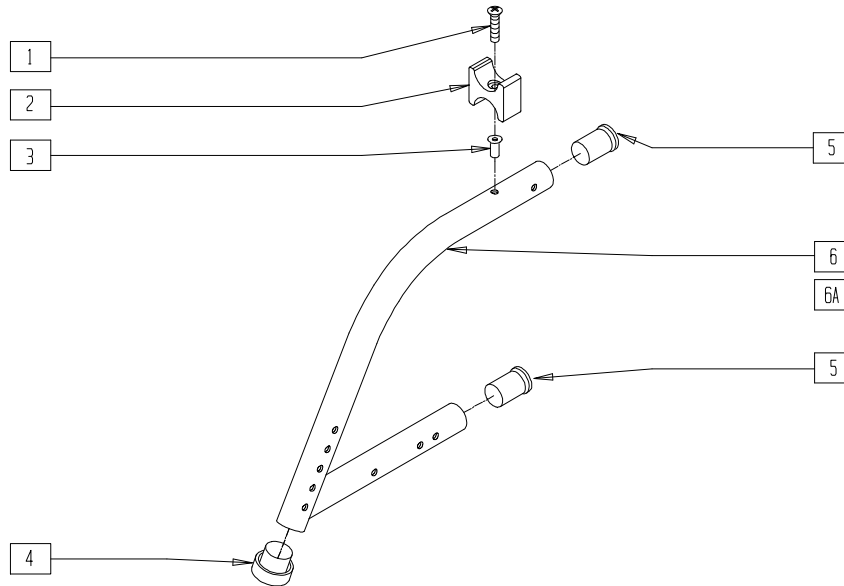
ITEM	NUMBER	DESCRIPTION	QTY
1	281122	10-32 x 3/4 PAN PHIL	1
2	561030	SUSPENSION SADDLE STD	1
3	561083	1 1/8" TUBE END BUSHING THIN	1
4	341497	10-32 x .020-.130 RIVNUT GOLD	1
6	561014	1" MED CAP	1
6A	561018	1" TUBE END BUSHING THICK	1
7	483001	O2 FRAME/FOOT RETAINING PLUG	1

ITEM	NUMBER	DESCRIPTION	QTY
8	262130	6mm WASHER WAVE	1
9	226120	1/4-20 x 1 BH C/S	1
10	560406	FRAME BUSHING	1
1-10	650120	RR S/F PNTD Rx HEMI R 1 1/8 LG (SPECIFY COLOR)	
1-4,5A,6-10	650121	RR S/F PNTD Rx HEMI L 1 1/8 LG (SPECIFY COLOR)	

NOTE: ORDER ITEM 6A FOR CHAIRS WITH ANTI-TIP TUBES THAT MOUNT IN FRAME TUBE.  
NOTE: FOR SERIAL NUMBERS PRIOR TO Rx-20282, ORDER NEW REAR SIDE FRAMES.

# TITANIUM FIXED-FRONT SIDE FRAME 70°(QUICKIE 2HP)

(Discontinued 8/25/98 - parts only)

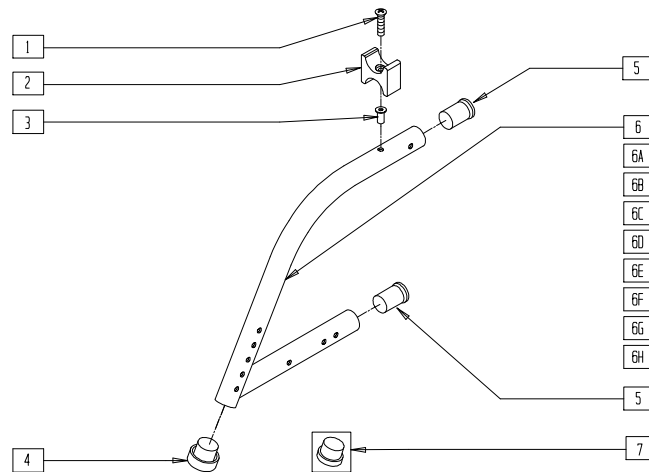


Q2T0X02

ITEM	NUMBER	DESCRIPTION	QTY
1	281122	10-32 x 3/4 PAN PHIL	1
2	561030	SUSPENSION SADDLE STD	1
3	341497	10-32 x .020-.130 RIVNUT GOLD	1
4	561018	1" TUBE END BUSHING THICK	1

ITEM	NUMBER	DESCRIPTION	QTY
5	561330	FRAME BUSHING CB/HPTi	2
1-6	621410	Ti FRNT S/F ASSEMBLY REG 70°	
1-6A	621411	Ti FRNT S/F ASSEMBLY LNG 70°	

# FIXED-FRONT SIDE FRAME 60°/70° (QUICKIE 2HP)



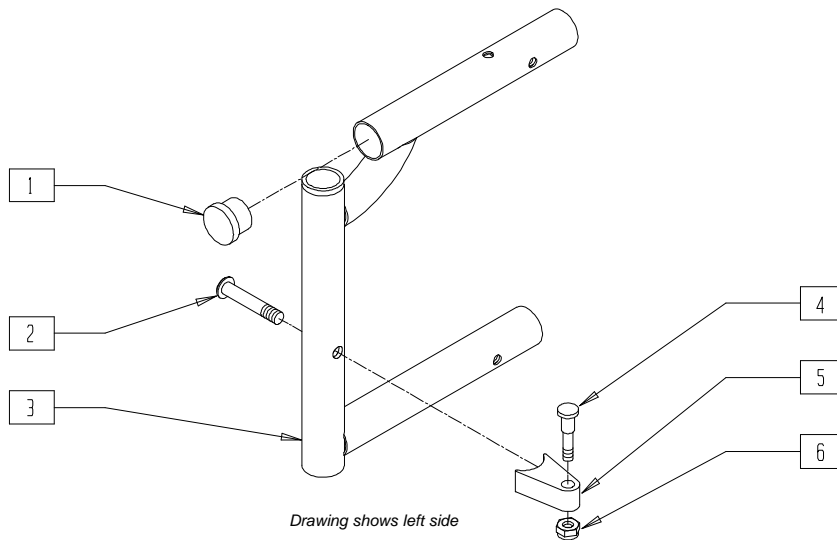
Q20X04B

ITEM	NUMBER	DESCRIPTION	QTY
1	281122	10-32 x 3/4 PAN PHIL	1
2	561030	SUSPENSION SADDLE STD	1
3	341497	10-32 x .020-.130 RIVNUT GOLD	1
4	561082	1" TUBE END BUSHING THIN	1
5	560406	FRAME BUSHING	2
1-6	621200	FRONT S/F SHT 60° PNTD Q2 FIXED (SPECIFY COLOR)	
1-5,6A	621300	FRONT S/F REG 60° PNTD Q2 FIXED (SPECIFY COLOR)	
1-5,6B	621400	FRONT S/F LNG 60° PNTD Q2 FIXED (SPECIFY COLOR)	
1-5,6C	640304	FRONT S/F X-LNG 60° PNTD Q2 FIXED (SPECIFY COLOR)	

ITEM	NUMBER	DESCRIPTION	QTY
1-5,6D	621301	FRONT S/F SHT PNTD 70° Q2 FIXED (SPECIFY COLOR)	
1-5,6E	621302	FRONT S/F REG PNTD 70° Q2 FIXED (SPECIFY COLOR)	
1-5,6F	621402	FRONT S/F LNG PNTD 70° Q2 FIXED (SPECIFY COLOR)	
1-5,6G	640305	FRONT S/F X-LNG 70° Q2 FIXED (SPECIFY COLOR)	
1-5,6H	621303	FRNT S/F PNTD 80D Q2 FIXED (SPECIFY COLOR)	
7	561002	1" INSERT PLUG .083	1
5-7	621100	FRONT S/F KIDS 60° PNTD Q2 FIXED (SPECIFY COLOR)	

NOTE: 70° SIDE FRAME EFFECTIVE 4/89.

## SWING-AWAY FRONT SIDE FRAME (QUICKIE M6)



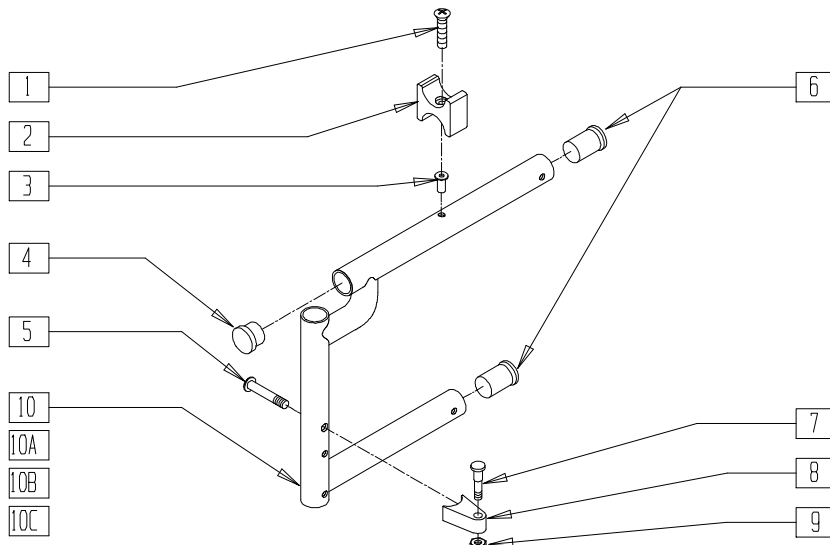
Drawing shows left side

MAG00X19

ITEM	NUMBER	DESCRIPTION	QTY
1	561019	1" INSERT PLUG .049	1
2	226190	5/16-18 x 1 3/4 BH C/S SHLDR	1
3	540866	WELDMNT S/F FRONT HD-650 SHT	1
	540865	WELDMNT S/F FRONT HD-650 LNG	
4	481023	S/A LATCH STUD NEW	1

ITEM	NUMBER	DESCRIPTION	QTY
5	551310	LATCH STUD SUPPORT BLK	1
6	201100-OU	1/4-28 NYLOCK NUT THIN	1
2,4-6	921295	S/A LATCH ASSM BLK W/BOLT CLR	1
1,3	640250	FRONT S/F REG PAINTED S/A	
	640260	FRONT S/F LONG PAINTED S/A	

## SWING-AWAY FRONT SIDE FRAME (QUICKIE 2/RECLINER)



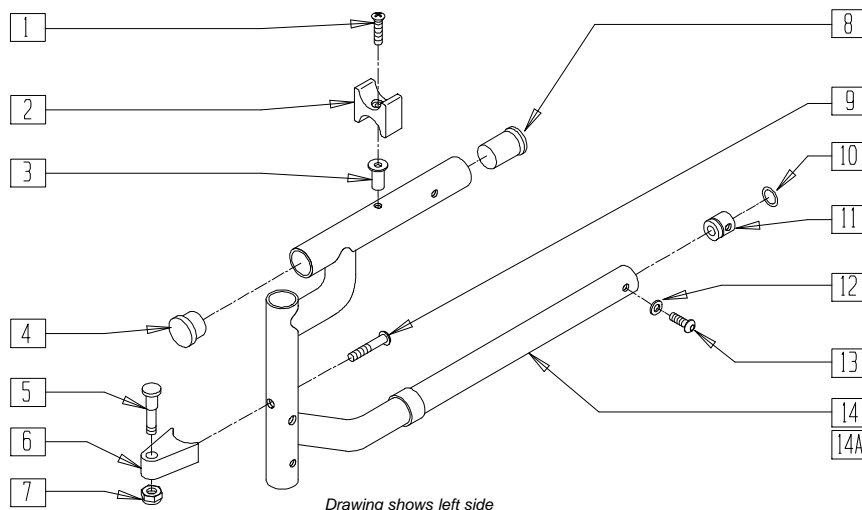
Drawing shows left side

Q20X03A

ITEM	NUMBER	DESCRIPTION	QTY
1	281122	10-32 x 3/4 PAN PHIL	1
2	561030	SUSPENSION SADDLE STD	1
3	341497	10-32 x .020-.130 RIVNUT GOLD	1
4	561002	1" INSERT PLUG .083	1
5	226190	5/16-18 x 1 3/4 BH C/S SHLDR	1
6	560406	FRAME BUSHING	2
7	481023	S/A LATCH STUD NEW	1
8	551310	LATCH STUD SUPPORT BLK	1
9	201100-OU	1/4-28 NYLOCK NUT THIN	1

ITEM	NUMBER	DESCRIPTION	QTY
1-4,6,10	640105	FRONT S/F KIDS PAINTED S/A NEW (SPECIFY COLOR)	
1-4,6,10A	640200	FRONT S/F REG PAINTED S/A (SPECIFY COLOR)	
1-4,6,10B	640300	FRONT S/F LNG PAINTED S/A (SPECIFY COLOR)	
1-4,6,10C	640301	FRONT S/F X-LONG PAINTED S/A (SPECIFY COLOR)	
5,7-9	921295	S/A LATCH ASSM W/BOLT	

## HEMI SWING-AWAY FRONT SIDE FRAME (QUICKIE 2)



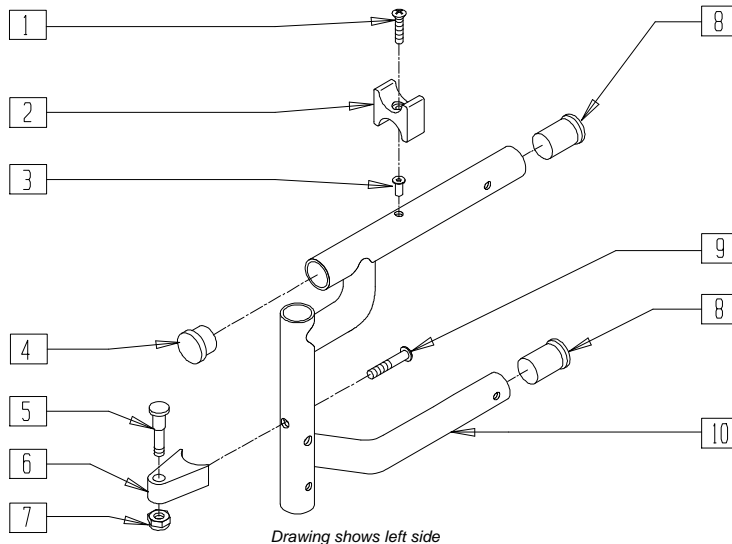
Q20X05B

ITEM	NUMBER	DESCRIPTION	QTY
1	281122	10-32 x 3/4 PAN PHIL	1
2	561030	SUSPENSION SADDLE STD	1
3	341497	10-32 x .020-.130 RIVNUT GOLD	1
4	561002	1" INSERT PLUG .083	1
5	481023	S/A LATCH STUD NEW	1
6	550310	LATCH STUD SUPPORT	1
7	201100-QU	1/4-28 NYLOCK NUT THIN	1
8	560406	FRAME BUSHING	1
9	226190	5/16-18 x 1 3/4 BH C/S SHLDR	1
10	342013	PLUG O-RING RUBBER HEMI	1

ITEM	NUMBER	DESCRIPTION	QTY
11	483022	FRAME INSERT HEMI	1
12	262130	6mm WASHER WAVE	1
13	226101	1/4-20 x 3/4 BH C/S	1
5-7,9	921295	S/A LATCH ASSEMBLY BLK W/BOLT CLR	
10,11	880140	FRAME INSERT W/O-RING HEMI	
1-4,8, 11-14	640412, 640413	FRONT S/F STD HEMI PNTD S/A (EA) (SPECIFY COLOR)	
1-4,8, 11-13,14A	640414, 640415	FRONT S/F LNG HEMI PNTD S/A (EA) (SPECIFY COLOR)	

## SWING-AWAY FRONT SIDE FRAME (EXTRA LONG HEMI) (QUICKIE 2)

(Effective 10/23/99 Serial number Q2-242051)



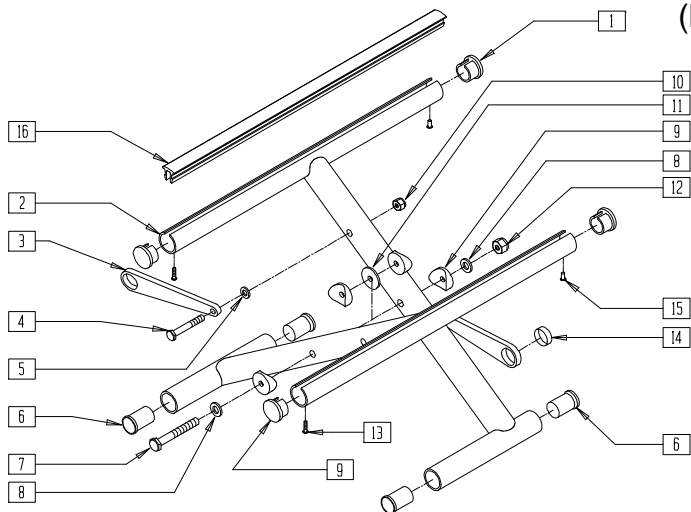
Q220X14

ITEM	NUMBER	DESCRIPTION	QTY
1	281122	10-32 x 3/4 PAN PHIL	1
2	561030	SUSPENSION SADDLE STD	1
3	341497	10-32 x .020-.130 RIVNUT GOLD	1
4	561002	1" INSERT PLUG .083	1
5	481023	S/A LATCH STUD NEW	1
6	551310	LATCH STUD SUPPORT	1

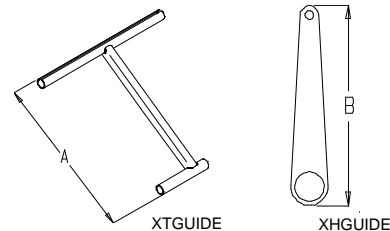
ITEM	NUMBER	DESCRIPTION	QTY
7	201100-QU	1/4-28 NYLOCK NUT THIN	1
8	560406	FRAME BUSHING	2
9	226190	5/16-18 x 1 3/4 BH C/S SHLDR	1
5-7,9	921295	S/A LATCH ASSM W/BOLT	
1-4,8,10	640306, 640307	FRNT S/F XTRA-LNG HEMI PNTD (EA) (SPECIFY COLOR)	

## CROSS TUBE ASSEMBLY (11" - 13") (QUICKIE 2)

(Effective 10/23/99 Serial number Q2-242051)



### MEASURING GUIDE



CHAIR WIDTH	"A"	"B"
12"	15 3/8"	3 3/4"
13"	16 1/8"	4 1/8"

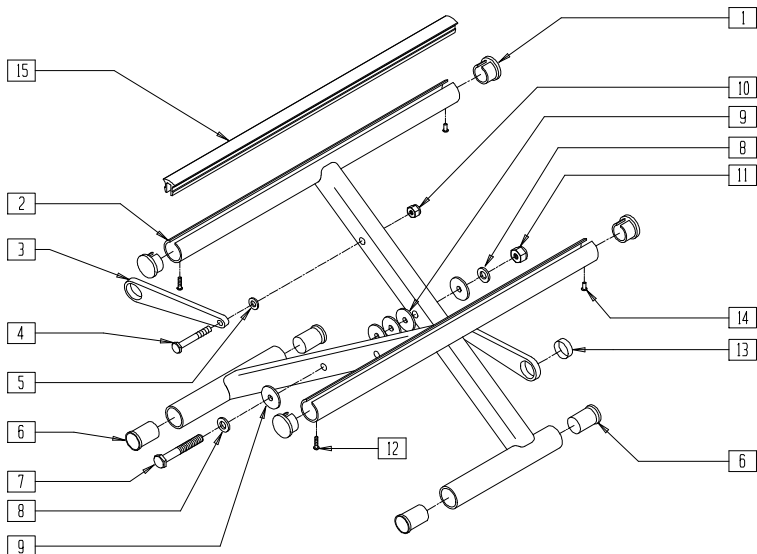
Q220X03A

ITEM	NUMBER	DESCRIPTION	QTY
1	483552	SEAT RAIL END PLUG	4
3	923600, 923601	X-HINGE 12"-13" (PR)	1
4	221151-QU	1/4-28 x 1 3/4 G8 HEX C/S	2
5	561028	1/4" NYLON WASHER	2
6	560402	3/4" NY-LINER	4
7	226300	5/16-24 x 3 G8 HHCS	1
8	263110-QU	5/16 AN WASHER FLAT THIN	2
9	561006	1" SADDLE 5/16" HOLE	4
10	201110-QU	1/4-28 NYLOCK NUT	2

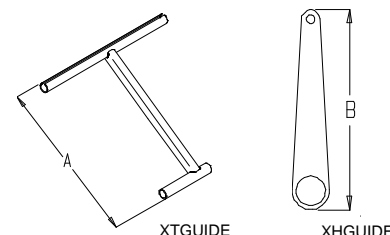
ITEM	NUMBER	DESCRIPTION	QTY
11	561016	1" WASHER 5/16" HOLE	1
12	202100	5/16-24 NYLOCK NUT	1
13	281131	#10 3/8" SELF TAPPING SCREW	2
14	580200	TEFLON STRIP BEARING	2
15	240111	RIVET POP AD55H BLK	2
16	580020- 580028	SEAT RAIL INSERT STRIP (10" - 18")	2
1-15	673500- 673517	X-TUBE ASSM (11"- 13") x (10"- 18") CHNL	

## CROSS TUBE ASSEMBLY (14" - 20") (QUICKIE 2)

(Effective 10/23/99 Serial number Q2-242051)



### MEASURING GUIDE



CHAIR WIDTH	"A"	"B"
14"	17"	4 1/2"
15"	17 3/4"	5"
16"	18 1/2"	5 1/2"
17"	19 1/2"	5 7/8"
18"	20 3/8"	6 3/8"
19"	21 1/4"	6 7/8"
20"	22 1/8"	7 1/4"

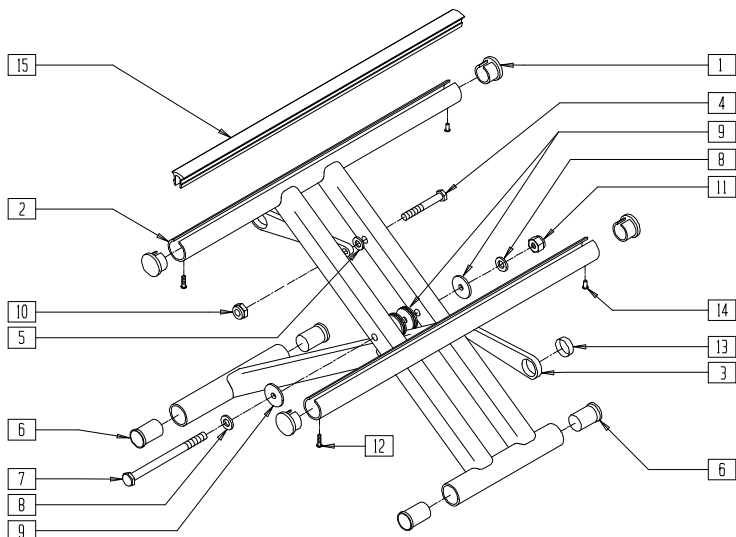
Q220X02A

ITEM	NUMBER	DESCRIPTION	QTY
1	483552	SEAT RAIL END PLUG	4
3	923602- 923608	X-HINGE (14"- 20") BLK (PR)	2
4	221151-QU	1/4-28 x 1 3/4 G8 HEX C/S	2
5	561028	1/4" NYLON WASHER	2
6	560402	3/4" NY-LINER	4
7	226300	5/16-24 x 3 G8 HHCS	1
8	263110-QU	5/16 AN WASHER FLAT THIN	2
9	561016	1" WASHER 5/16" HOLE	5

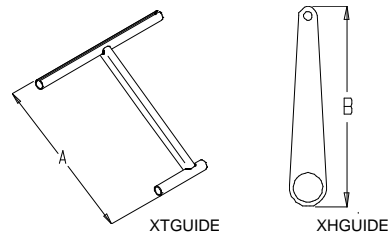
ITEM	NUMBER	DESCRIPTION	QTY
10	201110-QU	1/4-28 NYLOCK NUT	1
11	202100-MJ	5/16-24 NYLOCK NUT THIN	1
12	281131	#10 3/8" SELF TAPPING SCREW	2
13	580200	TEFLON STRIP BEARING	2
14	240111	RIVET POP AD55H BLK	2
15	580020- 580030	SEAT RAIL INSERT STRIP (10" - 20")	2
1-14	673518- 673591	X-TUBE ASSM (14"- 20") x (10"- 20") CHNL	

# CROSS TUBE ASSEMBLY (18"- 22") (QUICKIE 2HD)

(Effective 10/23/99 Serial number Q2-242051)



## MEASURING GUIDE



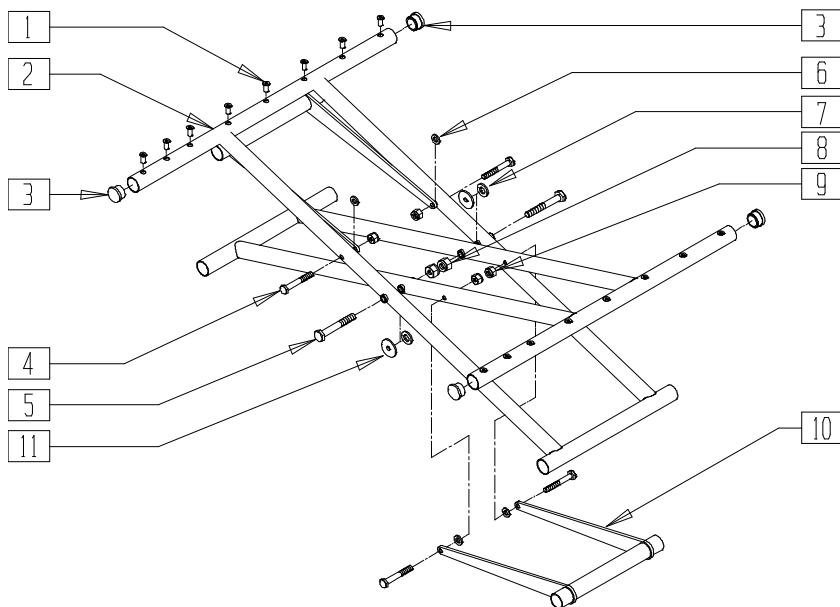
CHAIR WIDTH	"A"	"B"
18"	20 3/8"	6 3/8"
19"	21 1/4"	6 7/8"
20"	22 1/8"	7 1/4"
21"	23"	7 5/8"
22"	24"	8 1/8"

Q220X01A

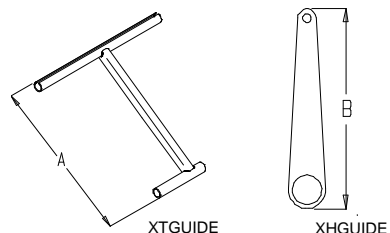
ITEM	NUMBER	DESCRIPTION	QTY
1	483552	SEAT RAIL END PLUG	4
3	923606-923610	X-HINGE 18"- 22" BLK (PR)	2
4	221151-QU	1/4-28 x 1 3/4 G8 HEX C/S	2
5	561028	1/4" NYLON WASHER	2
6	560402	3/4" NY-LINER	4
7	222263	5/16-24 x 4-3/8 HHCS GR8	1
8	263110-QU	5/16 AN WASHER FLAT THIN	2
9	561016	1" WASHER 5/16" HOLE	8

ITEM	NUMBER	DESCRIPTION	QTY
10	201110-QU	1/4-28 NYLOCK NUT	2
11	202100-MJ	5/16-24 NYLOCK NUT THIN	1
12	281131	#10 3/8" SELF TAPPING SCREW	2
13	580200	TEFLON STRIP BEARING	2
14	240111	RIVET POP AD55H BLK	2
15	580021-580030	SEAT RAIL INSERT STRIP (11" - 20")	2
1-14	673592-673639	X-TUBE ASSM (18"- 22") x (11"- 20") CHNL HD	

# CROSS TUBE ASSEMBLY (QUICKIE M6)



## MEASURING GUIDE



CHAIR WIDTH	"A"	"B"
22"	23.98"	8.06"
24"	25.82"	9.02"
26"	27.68"	9.93"
28"	29.56"	10.90"
30"	31.46"	11.87"

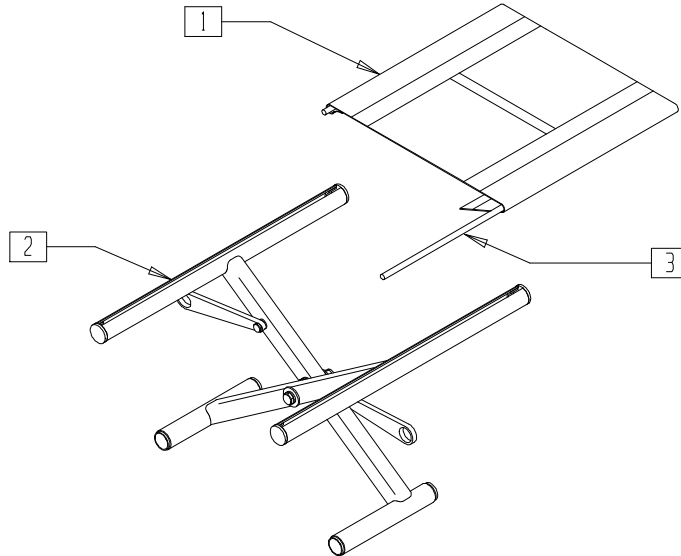
MAG00X20

ITEM	NUMBER	DESCRIPTION	QTY
1	341497	10-32 x .020-.130 RIVNUT GOLD	16
3	561019	1" INSERT PLUG .049	4
4	221151-QU	1/4-28 x 1 3/4 G8 HEX C/S	4
5	222249	5/16-24 x 3 G8 HEX C/S	2
6	561028	1/4" NYLON WASHER	4
7	561016	1" WASHER 5/16" HOLE	2

ITEM	NUMBER	DESCRIPTION	QTY
8	202100-MJ	5/16-24 NYLOCK NUT THIN	2
9	201110	1/4-28 NYLOCK NUT	4
10	540650-540654	WELDMENT X-HINGE 22"-30" WIDE	1
11	561043	1" WASHER 3/8" HOLE	2
1-11	673645-673669	X-TUBE ASSM (22"- 30") x (18"- 22") M6	



## CROSS TUBE AND SEAT SLING ASSEMBLY (QUICKIE 2)



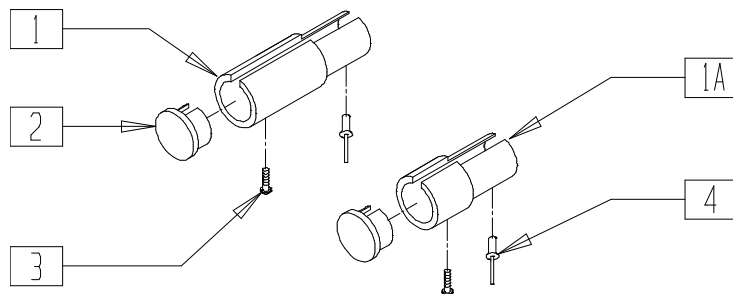
Q220X02

ITEM	NUMBER	DESCRIPTION	QTY
1	722620-722624	SEAT SLING (14" x 14" - 14" x 18")	
	722641-722644	SEAT SLING (16" x 15" - 16" x 18")	
	722661-722664	SEAT SLING (18" x 15" - 18" x 18")	
2	673522-673526	X-TUBE ASSEMBLY (14" x 14" - 14" x 18")	
	673545-673548	X-TUBE ASSEMBLY (16" x 15" - 16" x 18")	
	673566-673569	X-TUBE ASSEMBLY (18" x 15" - 18" x 18")	

ITEM	NUMBER	DESCRIPTION	QTY
3	580230-580234	SEAT SLING RETAINING ROD (14" - 18")	2
1-3	672560-672564	X-TUBE ASSEMBLY CHNL KIT (14" x 14" - 14" x 18")	
1-3	672565-672568	X-TUBE ASSEMBLY CHNL KIT (16" x 15" - 16" x 18")	
1-3	672569-672572	X-TUBE ASSEMBLY CHNL KIT (18" x 15" - 18" x 18")	

# CROSS TUBE EXTENSIONS (QUICKIE 2)

(Effective 10/23/99 Serial number Q2-242051)

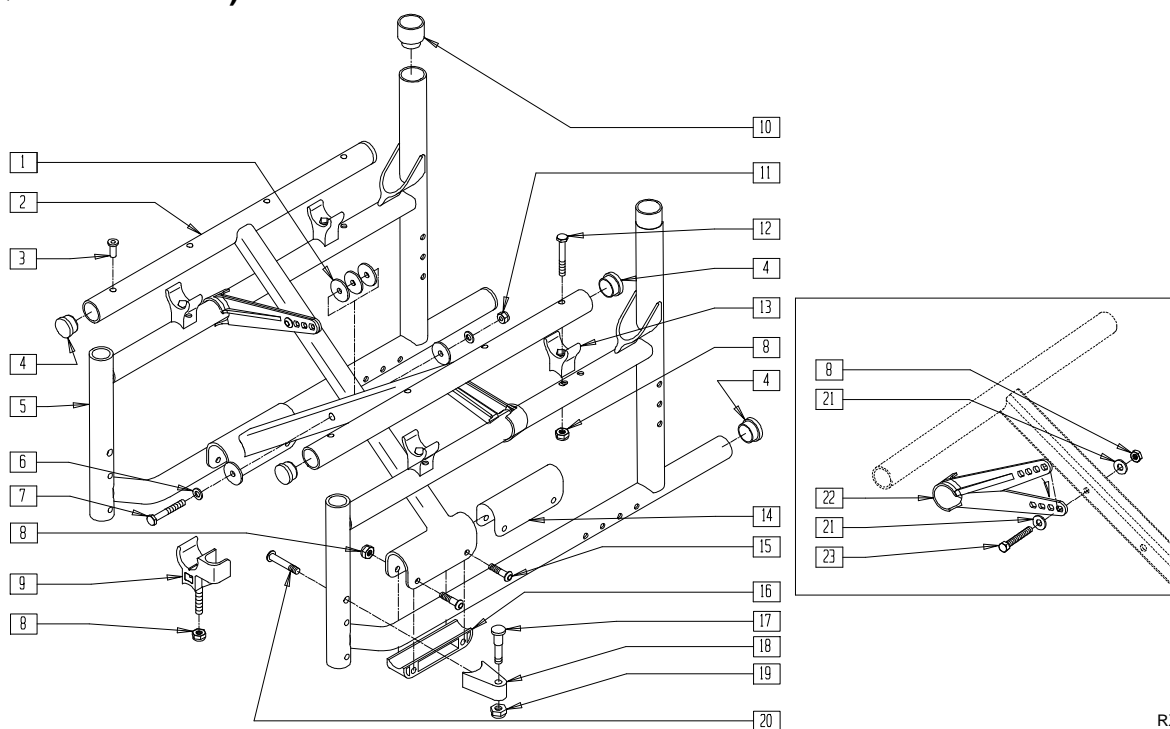


Q220X04

ITEM	NUMBER	DESCRIPTION	QTY
1	530462	SEAT RAIL EXTENSION 2" CHNL	2
1A	530461	SEAT RAIL EXTENSION 1" CHNL	2
2	483552	SEAT RAIL PLUG Q2N	2

ITEM	NUMBER	DESCRIPTION	QTY
3	281131	#10 x 3/8 PAN PHIL S/TAP SCREW	2
4	240111	RIVET POP AD55H BLK	2

# FRAME (QUICKIE LX/LXI)



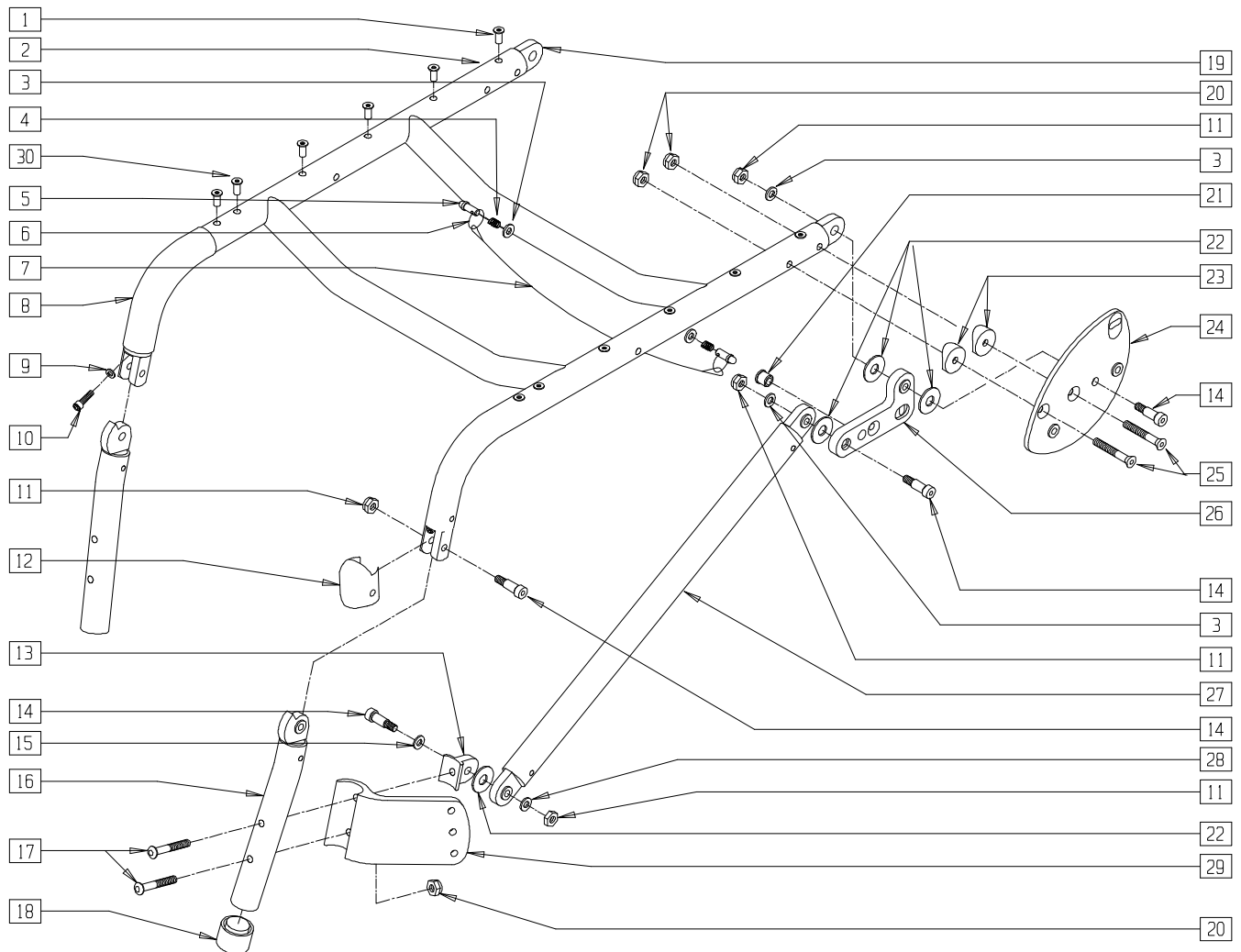
RX0X06B

ITEM	NUMBER	DESCRIPTION	QTY
1	561016	1" WASHER 5/16" HOLE	5
3	341497	10-32 x .020-.130 RIVNUT GOLD	8
4	561002	1" INSERT PLUG .083	6
4,5,10	921425-921427	SIDE FRM 12/13/14" THRU 17-18"LX W/GS (PR)	
6	263110-QU	5/16" AN WASHER FLAT THIN	2
7	226300	5/16-24 x 3 G8 HH C/S	1
8	201110	1/4-28 NYLOCK NUT	6
9*	561113, 561114	ARM SADDLE FLIP-BACK LX/BR (EA)	2
10	561083	1 1/8" TUBE END BUSHING THIN	2
11	202104	5/16-24 NYLOCK NUT	1
12	221192	1/4-28 x 2 G8 HEX C/S	2
13	561175	SEAT SADDLE REAR BR	2-4
14	561558	BRACKET BUSHING (X-TUBE BR)	2

ITEM	NUMBER	DESCRIPTION	QTY
15	221151	1/4-28 x 1 3/4 G8 HEX C/S	4
16	561557	PIVOT BLOCK (PLASTIC)	2
17	481023	S/A LATCH STUD NEW	2
18	551310	LATCH STUD SUPPORT BLK	2
19	201100-OU	1/4-28 NYLOCK NUT THIN	2
20	226190	5/16-18 x 1 3/4 BH C/S SHLDR	2
21	262100-QU	1/4" AN WASHER FLAT	4
22	887730-887732	X-HINGE PLASTIC 12"-22" (PR)	1
23	221151	1/4-28 x 1 3/4 G8 HEX C/S	2
17-20	921295	S/A LATCH ASSEMBLY BLK W/BOLT CLR	
1-4,6-8, 11,14-16 21-23	672033-672933	X-TUBE ASSEMBLY LX	

NOTE: \*ITEM 9 USED WITH FLIP-BACK ARM.

# FRAME (QUICKIE REVOLUTION)



2D000X01

ITEM	NUMBER	DESCRIPTION	QTY
1	341491	10-32 x .130-.225 RIVNUT GOLD	4-8
2	661030	SEAT FRAME PNTD RV (SPECIFY DIMENSIONS AND COLOR)	1
3	262100-QU	1/4 AN WASHER FLAT	4
4	321162	SPRING .300 x 1/2 LONG	2
5	481222	FOLDING LATCH PIN	2
6	342015	LANYARD ATTACH RING	2
7	139103- 139110	LANYARD 13"-20"	1
8	560611	7" x .940 x .125 FOAM GRIP	2
9	261206	#10 WASHER HI-COLLAR LOCK ZN	2
10	221300	10-32 x 1/2 SOC C/S BLK W/PATCH	2
11	201105	1/4-20 NYLOCK NUT THIN	8
12	561555	KNEE CAP	2
13	550338, 550339	CASTER HINGE RV (EA)	1
14	226094	5/16 x 5/8 LG SHLDR BOLT	8
15	263110	5/16" AN WASHER FLAT THIN	2
16	621160, 621161	FRNT FRAME ASSEMBLY PNTD RV (EA) (SPECIFY COLOR)	1
17	226267	1/4-28 x 1 5/8 BH C/S W/PATCH	4

ITEM	NUMBER	DESCRIPTION	QTY
18	561082	1" TUBE END BUSHING THIN	2
19	483155	HINGE BLOCK FRAME RV	2
20	201100-QU	1/4-28 NYLOCK NUT THIN	6
21	481221	FOLDING LATCH BUSHING	2
22	561043	1" WASHER 3/8" HOLE	6
23	561004	1" SADDLE 1/4" HOLE	4
24	501120, 501121	SIDE PLATE W/BUSHING RV (EA)	1
25	226132	1/4-28 x 1 1/2 FH SOC SCREW BLK	4
26	501126, 501127	HINGE BRKT W/BUSHING RV (EA)	1
27	661064- 661068	BOTTOM FRAME ASSEMBLY PNTD 14"-18" RV (SPECIFY COLOR)	2
28	262110-QU	1/4 AN WASHER FLAT THIN	2
29	550328, 550329	CASTER BRACKET RV (EA)	1
30	341497	10-32 x .020-.130 RIVNUT GOLD	4
3-7	881524- 881530	FRAME REL CABLE ASSEMBLY RV 14"-20"	
1,2,8-30	620014- 620018	FRAME PNTD 14"-18" RV (SPECIFY WIDTH AND COLOR)	

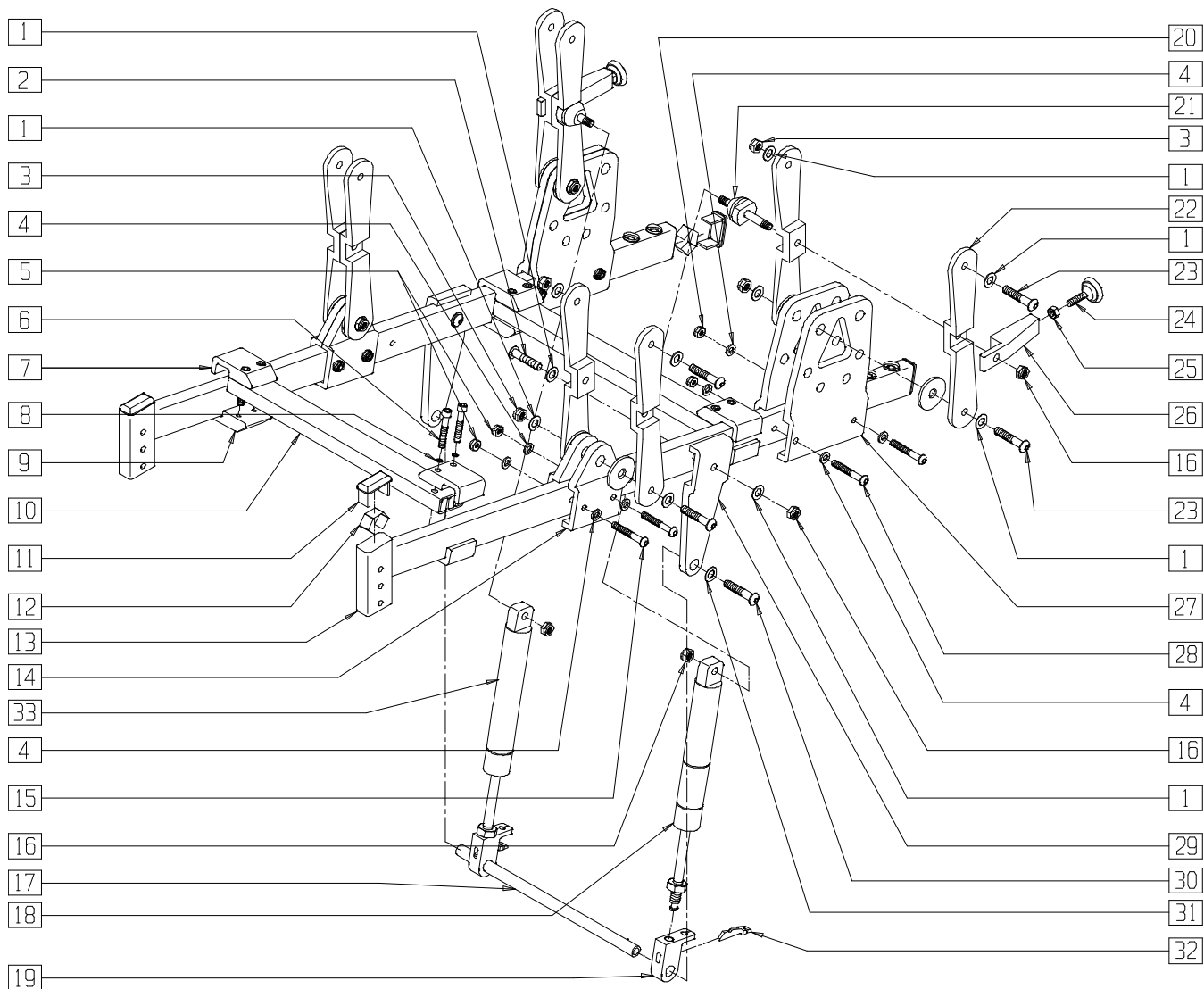


# Pediatric and Positioning Frames

## IN THIS SECTION

Base Frame (Quickie T45) .....	2.1	Frame (Fixed Front) (Zippie TS) (Disc.) .....	2.14
Back Frame (Fixed Back Tilt) (Quickie T45).....	2.2	Frame (Fixed Front) (Zippie TS).....	2.15
Back Frame (Reclining Back) (Quickie T45) .....	2.3	Frame (Swing-away) (Zippie TS) (Disc.) .....	2.16
Frame (Quickie TS) (Disc.).....	2.4	Frame (Swing-away) (Zippie TS).....	2.17
Frame (Quickie TS) .....	2.5	Frame (Rigid)(New Zippie TS).....	2.18
Standard Rigid Seat Frame (Quickie TS) .....	2.6	Frame (Folding)(New Zippie TS) .....	2.19
Contracture Rigid Seat Frame (Quickie TS).....	2.7	Cross Tube Assembly (New Zippie TS).....	2.20
Standard Growing Seat Frame (Quickie TS).....	2.8	Rear Side Frame (Zippie 2) .....	2.20
Growing Contracture Seat Frame (Quickie TS).....	2.9	Swing-away Front Side Frame (Zippie 2).....	2.21
Rigid Base Frame (Regular and Flared) (Quickie TS).....	2.10	Cross Tube Assembly (Zippie 2).....	2.21
Growing Frame (Regular and Flared) (Quickie TS) .....	2.11	Frame (Zippie GS) .....	2.22
Frame (Zippie) (Disc.).....	2.12	Cross Tube Assembly (Zippie GS) .....	2.22
Frame (Zippie) .....	2.13	Folding Side Frame (Zippie GS).....	2.23
		Frame (Quickie Kidz).....	2.23

# BASE FRAME (QUICKIE T45)

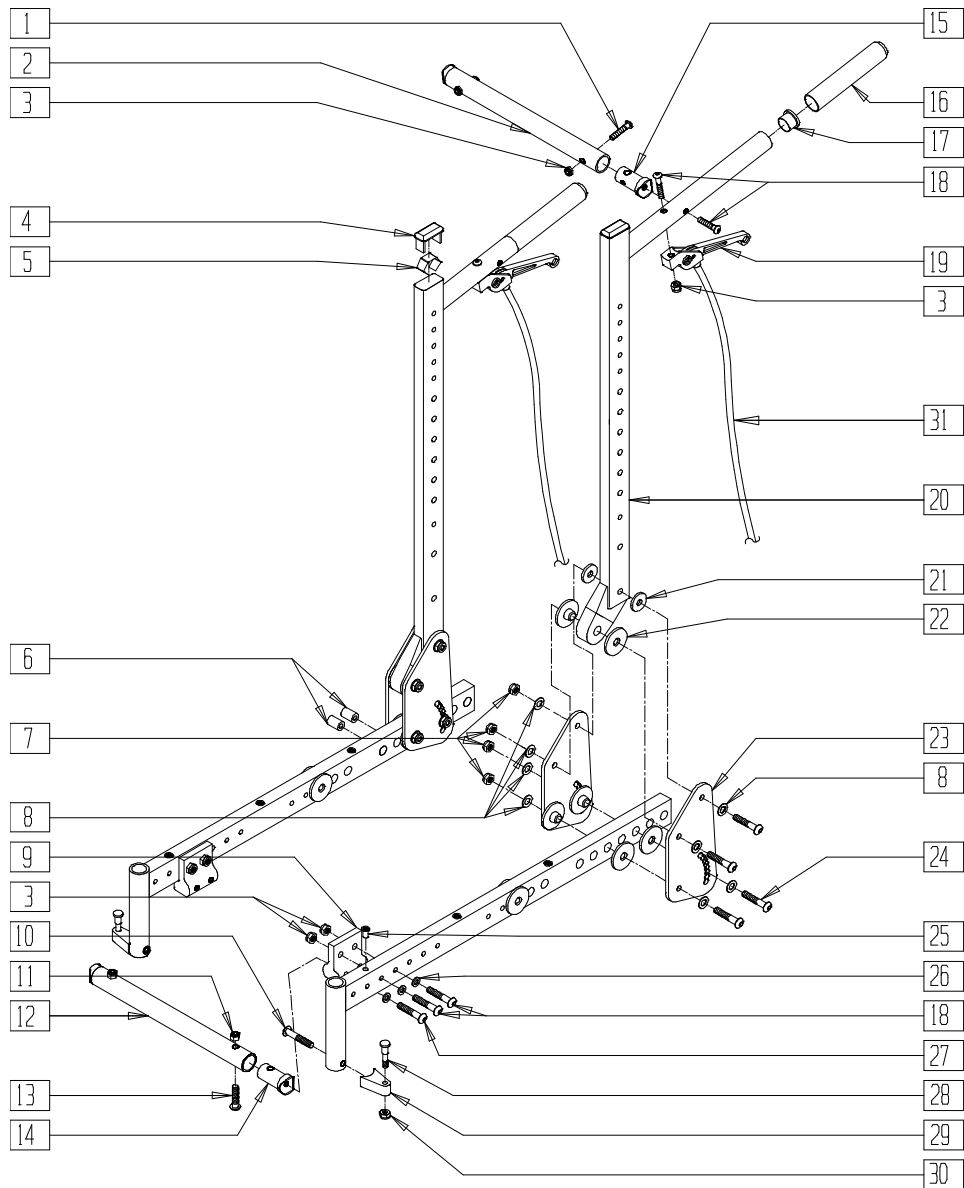


TSR00X01

ITEM	NUMBER	DESCRIPTION	QTY
1	263100	5/16 AN WASHER FLAT	20
2	222256	5/16-18 x 1 1/2 BH C/S	2
3	202103	5/16-18 NYLOCK NUT THICK	8
4	262100-QU	1/4 AN WASHER FLAT	16
5	201100-QU	1/4-28 NYLOCK NUT THIN	4
6	226114	1/4-28 x 1 1/2 SOC C/S BLK	8
7	550248	T45 STRUT CLAMP RECESSED	4
8	262114	1/4 WASHER HI COLLAR LOCK ZN	8
9	550247	T45 STRUT CLAMP THREADED	4
10	522904-522910	LATERAL STRUT T45 14"-20"	2
11	561372	3/4 x 1 1/2 RECT TUBING CAP	2
12	540190	RECT TUBING CAP SPRING P2	2
13	600160	BASE S/F PNTD T45	4
14	550145	LINK MNTG BLOCK T45	2
15	226150	1/4-28 x 2 BH C/S	4
16	202102	5/16-18 NYLOCK NUT THIN	6
17	481354-481360	T45 TILT PIVOT ROD 14"-20"	1

ITEM	NUMBER	DESCRIPTION	QTY
18	342068	BLOCK-O-LIFT W/SPRING 200N x 11.58	1
	342066	BLOCK-O-LIFT W/SPRING 300N x 11.58 HD	
19	483147	T45 GAS SPRING BLOCK	2
20	201112	1/4-28 NUT THIN	4
21	481085	STUD GAS SPRING MNT	2
22	550144	(04) LINK T45	8
23	226198	5/16-18 x 2 BH C/S SHT THREAD	8
24	349560	ZP RUBBER STOP	2
25	201121	1/4-20 NUT THIN	2
26	550149	RECLINE LIMIT BAR	2
27	550146	AXLE PLATE T45	4
28	226150	1/4-28 x 2 BH C/S	4
29	550143	GAS SPRING PIVOT BRKT	2
30	226182	5/16-18 x 1 BH C/S	2
31	263118	5/16 WASHER TYPE B R SERIES	2
32	560686	GAS SPRING LEVER T45	2
33	342065	BLOCK-O-LIFT W/O SPRING 200N x 11.58	1
	342067	BLOCK-O-LIFT W/O SPRING 300N x 11.58 HD	

# BACK FRAME (FIXED BACK TILT) (QUICKIE T45)

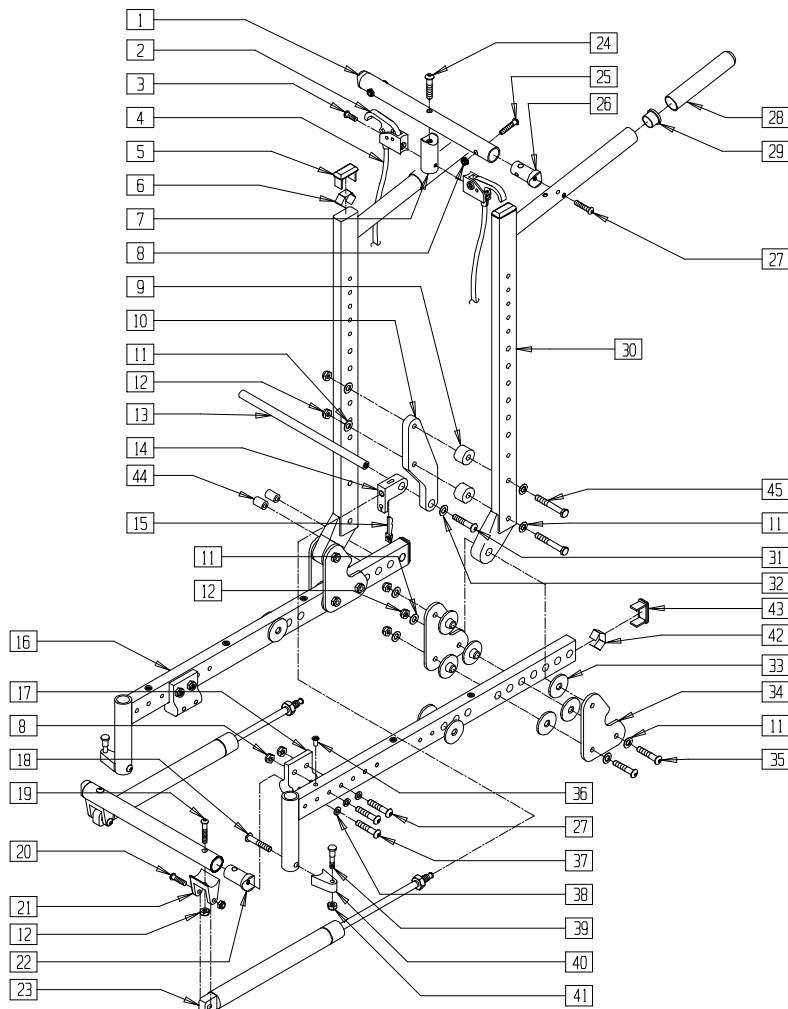


TSR00X03A

ITEM	NUMBER	DESCRIPTION	QTY
1	226131	1/4-28 x 1 1/4 BH C/S SHLDR	2
2	522874-522880	T45 BACK STRUT TUBE 14"-20"	1
3	201100-QU	1/4-28 NYLOCK NUT THIN	6
4	561372	3/4 x 1 1/2" RECT TUBING CAP	2
5	540190	RECT TUBING CAP SPRING P2	2
6	561057	T45 FRAME PLUG PLASTIC	10
7	202102	5/16-18 NYLOCK NUT THIN	8
8	263100	5/16 AN WASHER FLAT	16
9	550147	T45 GAS SPRING MNTG BRKT TOP	2
10	226190	5/16-18 x 1 3/4 BH C/S SHLDR	2
11	202102	5/16-18 NYLOCK NUT THIN	2
12	522834-522840	STRUT TUBE T45 14"-20"	1
13	222108	5/16-18 x 1 1/4 BH C/S	2
14	483118	STRUT SADDLE T45	2
15	483038	STRUT SADDLE ZP/P5/KZ	2

ITEM	NUMBER	DESCRIPTION	QTY
16	560663	QUICKIE GRIP 1"	2
17	561002	1" INSERT PLUG .083	2
18	226130	1/4-28 x 1 1/2 BH C/S	4
19	580112	CYL LOCK LEVER ASSEMBLY T45	2
20	842160	BACK TUBE PNTD T45	2
21	561016	1" WASHER 5/16" HOLE	4
22	560800	FRAME BUSHING T45/P3N	16
23	501024	FIXED BACK PIVOT PLATE	4
24	226195	5/16-18 x 1.82 BH C/S	8
25	341512	10/32 x .080 - .130 RIVNUT ZN	6
26	262100-QU	1/4 AN WASHER FLAT	4
27	226140	1/4-28 x 1 3/4 BH C/S	2
28	481023	S/A LATCH STUD NEW	4
29	551310	LATCH STUD SUPPORT BLK	2
30	201100-QU	1/4-28 NYLOCK NUT THIN	1
31	342056	CYL LOCK CABLE ASSEMBLY T45	2
7,8,21-24	880012	CONVERSION KIT FIXED BACK T45	
10,28-30	921295	S/A LATCH ASSEMBLY WBOLT BLK	

# BACK FRAME (RECLINING BACK) (QUICKIE T45)



TSR00X02A

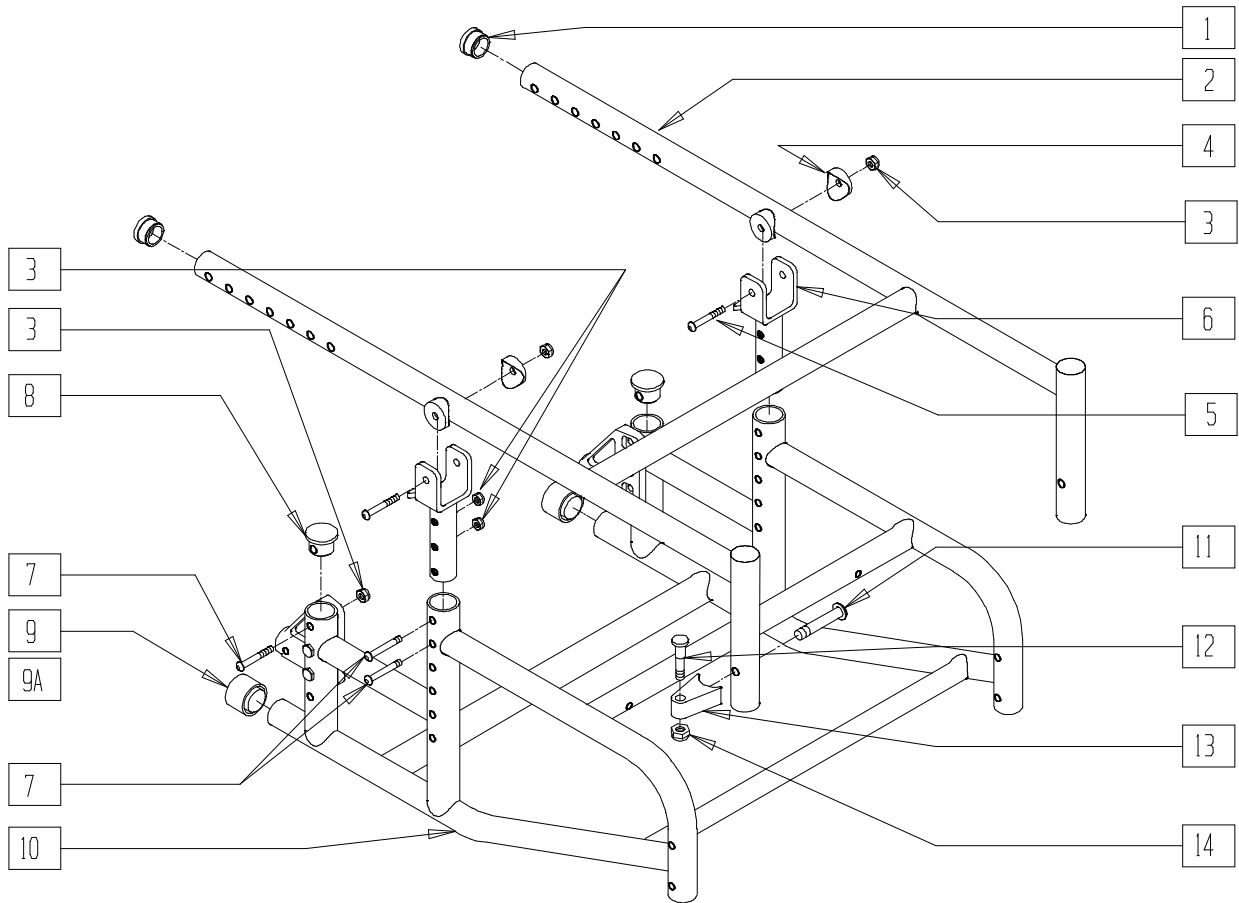
ITEM	NUMBER	DESCRIPTION	QTY
1	522874-522880	T45 BACK STRUT TUBE 14"-20"	1
2	580111	CYL LOCK LEVER ASSEMBLY RECLINER	2
3	281120	10/32 x 5/8 PAN HD PHIL	2
4	342057	CYL LOCK CABLE ASSEMBLY	2
5	561372	3/4 x 1 1/2 RECT TUBING CAP	4
6	540190	RECT TUBING CAP SPRING P2	4
7	483139	T45 RELEASE LEVER MNTG BLOCK	1
8	201100-QU	1/4-28 NYLOCK NUT THIN	2,4
9	340405	SPACER 1.00 X .33 X 1.06	4
10	550243	T45 BACK RECLINER BRACKET	2
11	263100	5/16 AN WASHER FLAT	20
12	202102	5/16-18 NYLOCK NUT THIN	14
13	481364-481370	T45 RECLINER PIVOT ROD 14"-20"	1
14	483147	T45 GAS SPRING BLOCK	2
15	560686	GAS SPRING LEVER T45	2
17	550147	T45 GAS SPRING MNTG BRACKET TOP	1,2
18	226190	5/16-18 x 1 3/4 BH C/S SHLDR	2
19	226138	5/16-24 x 1 1/2 BH C/S	4
20	522834-522840	STRUT TUBE T45 14"-20"	1
21	500145	CYLINDER BRACKET T45	2
22	483118	STRUT SADDLE T45	2
23	342064	BLOC-O-LIFT 200 N x 15.88"	2
24	222256	5/16-18 x 1 1/2 BH C/S	1
25	226131	1/4-28 x 1 1/4 BH C/S SHLDR	2

ITEM	NUMBER	DESCRIPTION	QTY
26	483038	STRUT SADDLE ZP/P5/KZ	4
27	226130	1/4-28 x 1 1/2 BH C/S	2,4
28	560663	QUICKIE GRIP 1"	2
29	561002	1" INSERT PLUG .083	2
30	842160	BACK TUBE PNTD T45	2
31	226182	5/16-18 x 1 BH C/S	2
32	263118	5/16 WASHER TYPE BR SERIES	2
33	560800	FRAME BUSHING T45/P3N	16
34	505723	BACK PIVOT PLATE T45	4
35	226195	5/16-18 x 1.82 BH C/S	6
36	341497	10-32 x .020-.130 RIVNUT GOLD	3,6
37	226140	1/4-28 x 1 3/4 BH C/S	2
38	262100-QU	1/4 AN WASHER FLAT	4
39	481023	S/A LATCH STUD NEW	2
40	551310	LATCH STUD SUPPORT BLK	2
41	201100-QU	1/4-28 NYLOCK NUT THIN	2
42	540190	RECT TUBING CAP SPRING P2	1
43	561372	3/4 x 1 1/2" RECT TUBING CAP	1
44	561057	T45 FRAME PLUG PLASTIC	5
45	222243	5/16-18 x 2 3/4 HEX C/S	4
8,16,17,27,36,38,42-44	600162, 600164	SEAT S/F PNTD T45	
2-4,9-15,19,21,23,24,31-35,45	880014-880020	CONV KIT RECLINER BACK T45 14"-20"	
18,39-41	921295	S/A LATCH ASSM BLK W/BOLT CLR	



# FRAME (QUICKIE TS)

(Discontinued 12/15/95 - parts only; fits chairs prior to QT-12900)



AZ00X01

ITEM	NUMBER	DESCRIPTION	QTY
1	483089	SEAT TUBE PLUG S/A TS/P5	2
1-2	661001- 661014	SEAT FRAME PNTD QT O/S 16" REG - 20" LONG (SPECIFY COLOR)	1
3	201110	1/4-28 NYLOCK NUT	8
4	561004	1" SADDLE 1/4" HOLE	4
5	226150	1/4-28 x 2 BH C/S	2
6	505250	TILT BRACKET ZP TS 30°	2
7	226130	1/4-28 x 1 1/2 BH C/S	6
8	483070	PLUG ALUM 1 1/8 QT	2

ITEM	NUMBER	DESCRIPTION	QTY
9	561014	1" MED CAP	2
9A*	561018	1" TUBE END BUSHING THICK	2
11	226190	5/16-18 x 1 3/4 BH C/S SHLDR	1
12	481023	S/A LATCH STUD NEW	1
13	551310	LATCH STUD SUPPORT BLK	1
14	201100-QU	1/4-28 NYLOCK NUT THIN	1
11-14	921295	S/A LATCH ASSEMBLY W/BOLT BLK	1
3,7-10	661951- 661965	FRAME PNTD QT W/REC O/S 16" REG-20" LONG (SPECIFY COLOR)	

\* 9A USED WITH ANTI-TIPS.

NOTE: 18"-20" SEAT DEPTHS REQUIRE A LONG FRAME.

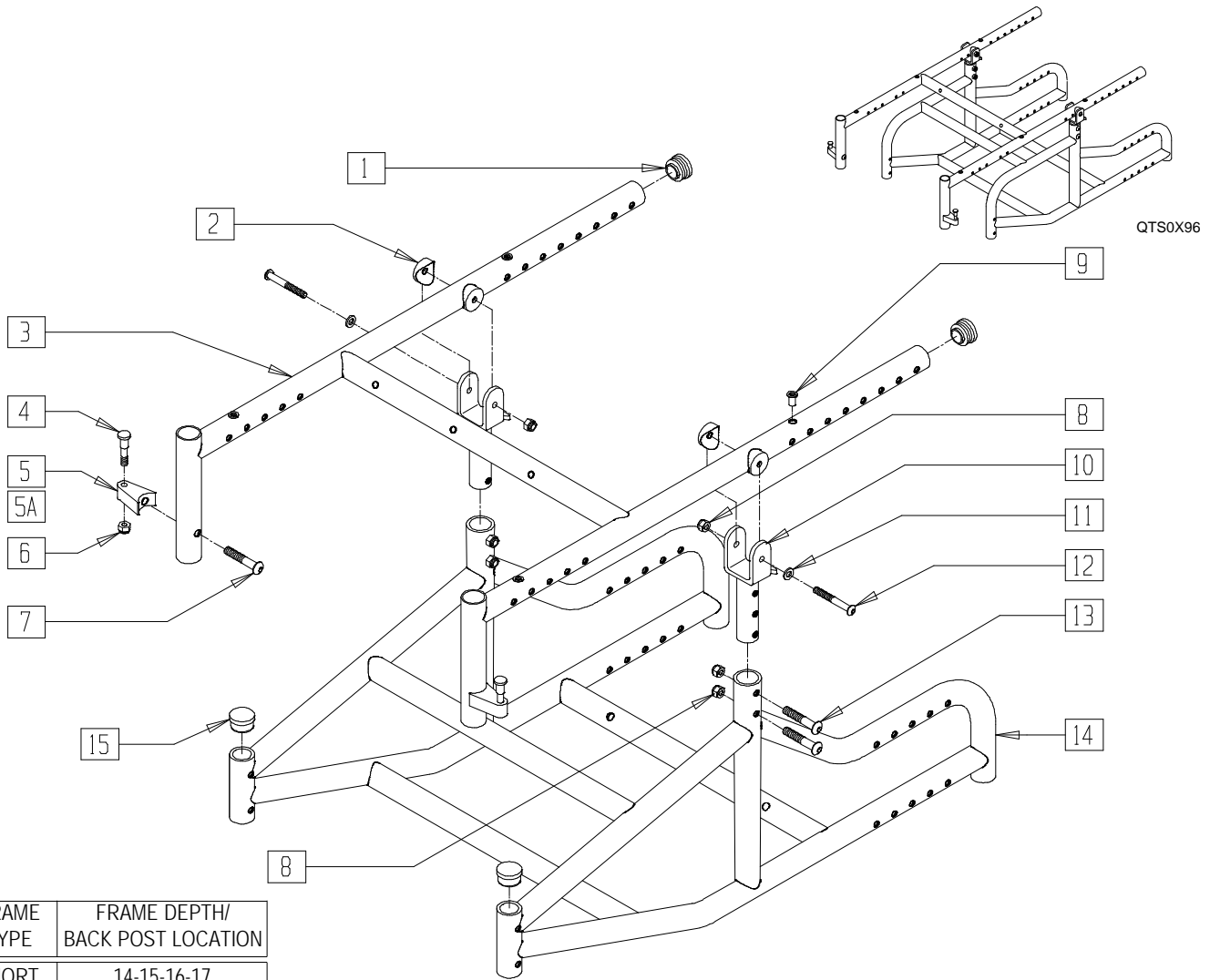
NOTE: FOR LOCKING MECHANISM AND STRUT ASSEMBLY, SEE SECTION 16, MECHANICAL LOCK AND STRUT ASSEMBLIES.

# FRAME (QUICKIE TS)

(Effective 8/19/96, beginning QT-14956)

(Replacement frame for Quickie TS beginning QT-12900 12/15/95 and prior to QT-14956 8/19/96)

96' FRAME NO LONGER AVAILABLE- NO PARTS



FRAME TYPE	FRAME DEPTH/ BACK POST LOCATION
SHORT	14-15-16-17
REGULAR	16-17-18-19
LONG	19-20-21-22

QTS00X6B

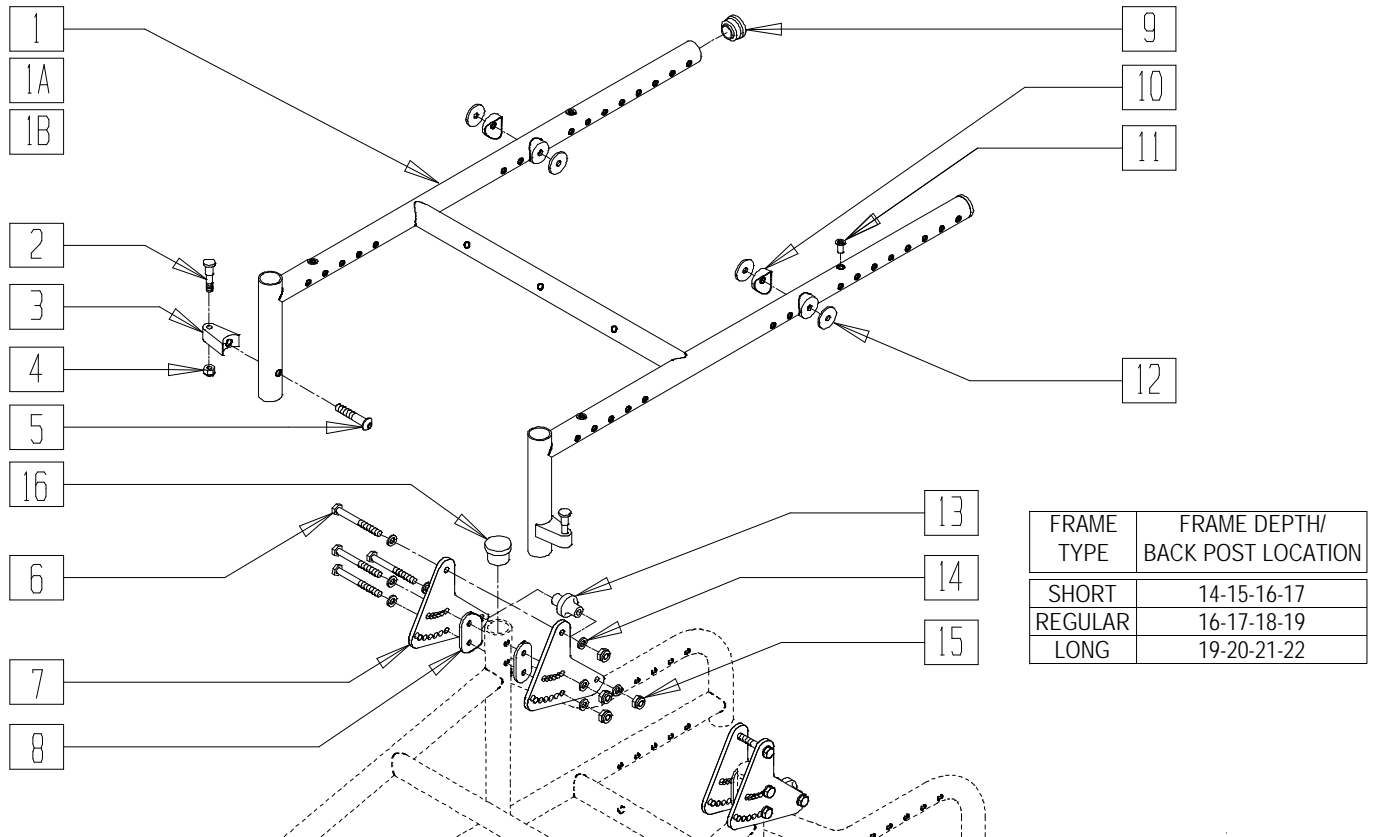
ITEM	NUMBER	DESCRIPTION	QTY
1	561062	1" INSERT PLUG .065 RIBS	2
2	561004	1" SADDLE 1/4" HOLE	4
3	661034- 661050	SEAT FRAME PNTD QTS (SPECIFY COLOR)	1
4	481023	S/A LATCH STUD NEW	2
5	550310	LATCH STUD SUPPORT	2
5A	551310	LATCH STUD SUPPORT BLK	2
6	201100-QU	1/4-28 NYLOCK NUT THIN	2
7	226190	5/16-18 x 1 3/4 BH C/S SHLDR	2
8	201110	1/4-28 NYLOCK NUT	6

ITEM	NUMBER	DESCRIPTION	QTY
9	341497	10-32 x .020-.130 RIVNUT GOLD	4
10	505251	TILT BRKT ZP TS 45°	2
11	262100-QU	1/4 AN WASHER FLAT	2
12	226150	1/4-28 x 2 BH C/S	2
13	226130	1/4-28 x 1 1/2 BH C/S	4
14	661974- 661990	FRAME PNTD QTS (SPECIFY COLOR)	1
15	561005	1" INSERT PLUG .125	2
4-7	920220	S/A LATCH ASSEMBLY W/BOLT	
4,5A,6,7	921295	S/A LATCH ASSEMBLY W/BOLT BLK	

NOTE: FOR LOCKING MECHANISM AND STRUT ASSEMBLY, SEE SECTION 16, MECHANICAL LOCK AND STRUT ASSMBLIES.

# STANDARD RIGID SEAT FRAME (QUICKIE TS)

(Effective 3/25/99, beginning serial number QT-25025)



FRAME TYPE	FRAME DEPTH/ BACK POST LOCATION
SHORT	14-15-16-17
REGULAR	16-17-18-19
LONG	19-20-21-22

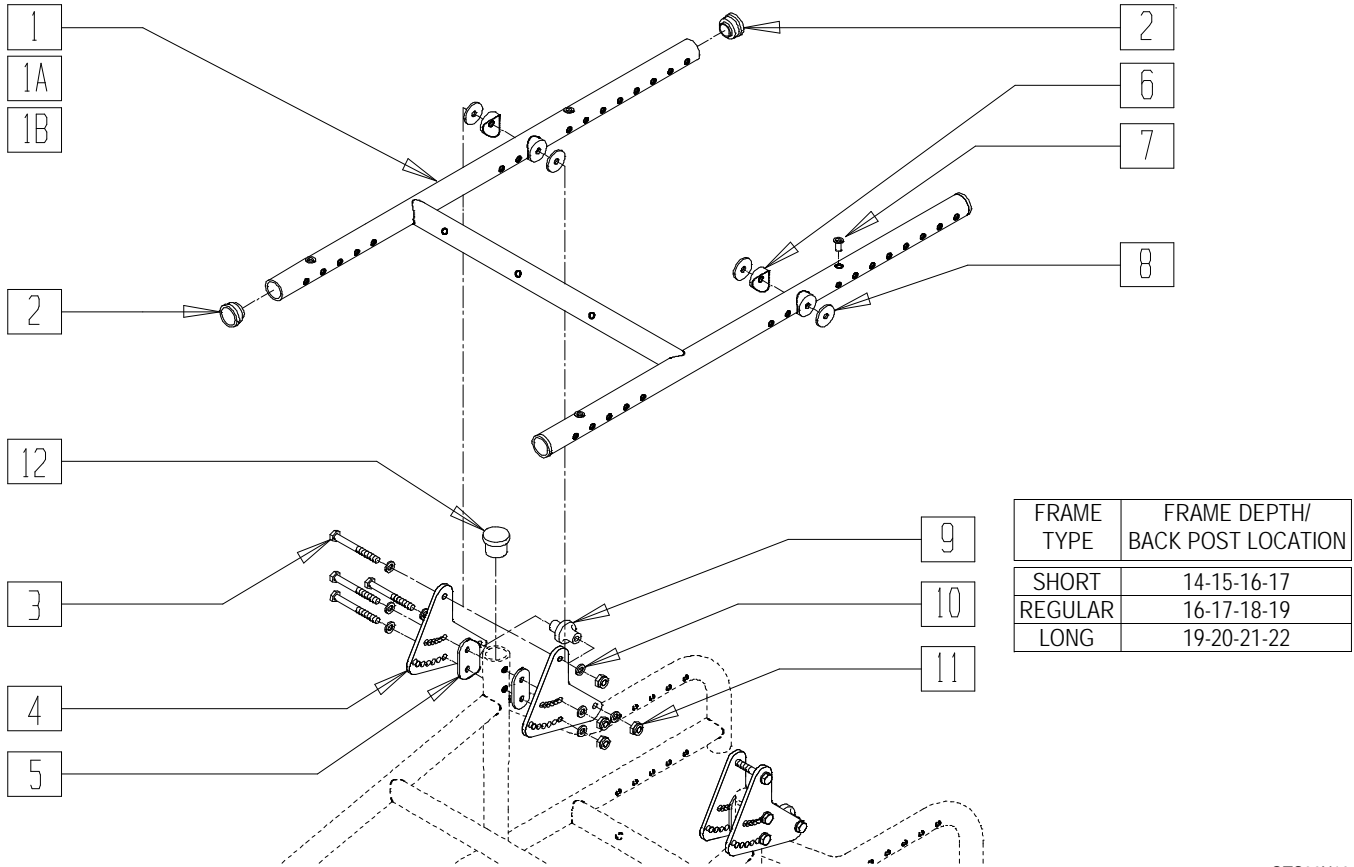
QTS30X09

ITEM	NUMBER	DESCRIPTION	QTY
1,9,11	661051	SEAT FRAME RIGID SHORT 14" W QTS	1
	661052	SEAT FRAME RIGID SHORT 15" W QTS	
	661053	SEAT FRAME RIGID SHORT 16" W QTS	
	661054	SEAT FRAME RIGID SHORT 17" W QTS	
	661055	SEAT FRAME RIGID SHORT 18" W QTS	
	661056	SEAT FRAME RIGID SHORT 19" W QTS	
1A,9,11	661034	SEAT FRAME RIGID REG 14" W QTS	1
	661035	SEAT FRAME RIGID REG 15" W QTS	
	661036	SEAT FRAME RIGID REG 16" W QTS	
	661037	SEAT FRAME RIGID REG 17" W QTS	
	661038	SEAT FRAME RIGID REG 18" W QTS	
	661039	SEAT FRAME RIGID REG 19" W QTS	
1B,9,11	661044	SEAT FRAME RIGID LONG 14" W QTS	1
	661045	SEAT FRAME RIGID LONG 15" W QTS	
	661046	SEAT FRAME RIGID LONG 16" W QTS	
	661047	SEAT FRAME RIGID LONG 17" W QTS	
	661048	SEAT FRAME RIGID LONG 18" W QTS	
	661049	SEAT FRAME RIGID LONG 19" W QTS	
	661050	SEAT FRAME RIGID LONG 20" W QTS	

ITEM	NUMBER	DESCRIPTION	QTY
	2	S/A LATCH STUD NEW	1
	3	LATCH STUD SUPPORT	1
	4	201100-QU 1/4-28 NYLOCK NUT THIN	1
	5	226190 5/16-18 x 1 3/4 BH C/S SHOULDER	1
	6	221191 1/4-28 x 2 1/4 G8 HEX C/S	4
	7	500014 TILT BRACKET QTS	2
	8	561085 1-1/8" HALF SADDLE 2 HOLE QTS	2
	9	561062 1" INSERT PLUG .065 RIBS	2
	10	561004 1" SADDLE 1/4" HOLE	2
	11	341497 10-32 x .020-.130 RIVNUT GOLD	4
	12	561043 1" WASHER 3/8" HOLE	2
	13	560223 PIVOT STOP SPACER	2
	14	262100-QU 1/4 AN WASHER FLAT	8
	15	201110-QU 1/4-28 NYLOCK NUT	4
	16	483107 FRAME INSERT PLUG QTS	1
	2-5	920220 S/A LATCH ASSEMBLY W/BOLT	
6-8,10,12-16	920017	TILT BRACKET W/HDWR QTS	

# CONTRACTURE RIGID SEAT FRAME (QUICKIE TS)

(Contracture Seat Frame is for Contracture Footrest system only)



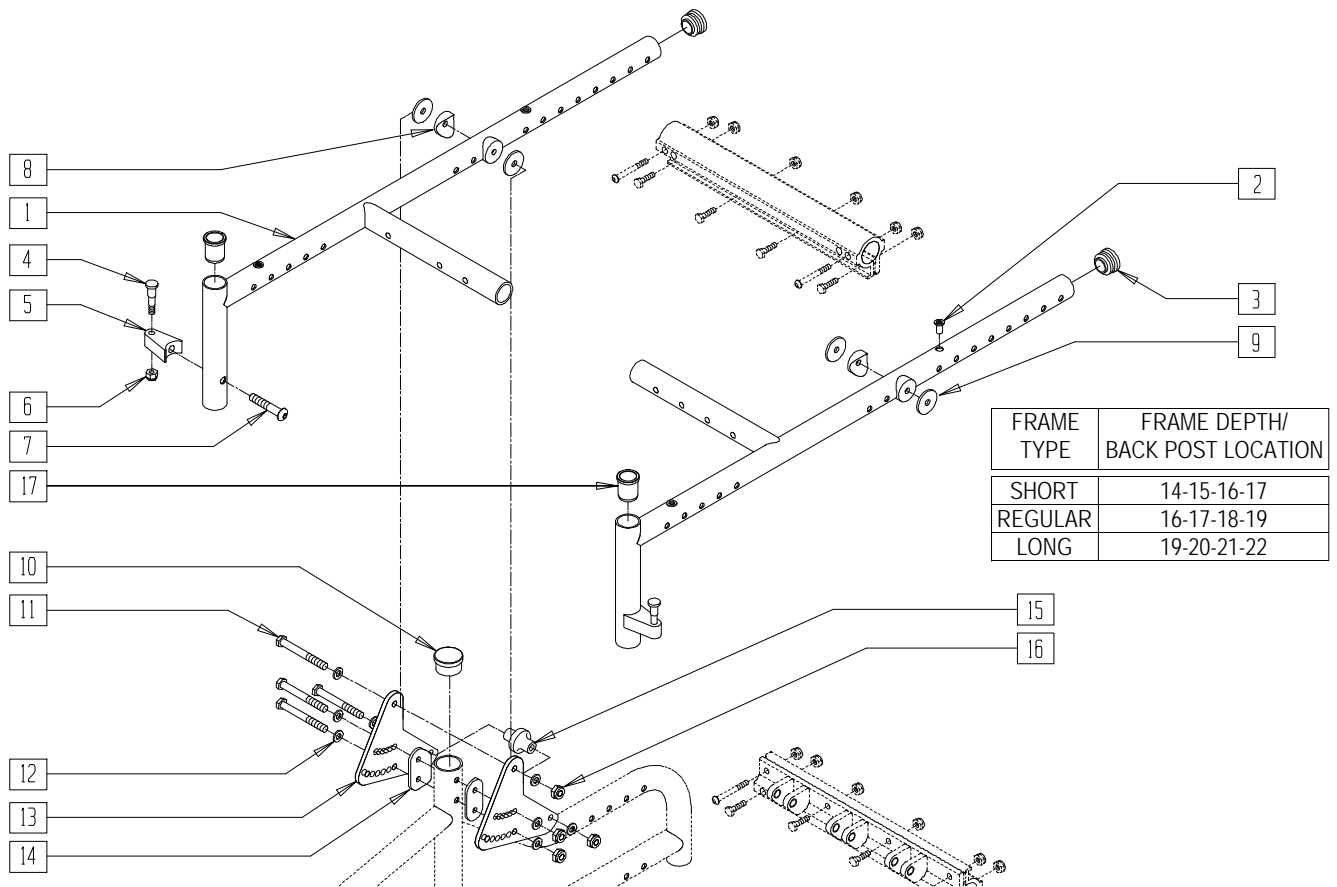
QTS30X10

ITEM	NUMBER	DESCRIPTION	QTY
1,2,7	661370	ST FRM RIGID CNTRCTR SHT 14" W QTS	1
	661371	ST FRM RIGID CNTRCTR SHT 15" W QTS	
	661372	ST FRM RIGID CNTRCTR SHT 16" W QTS	
	661373	ST FRM RIGID CNTRCTR SHT 17" W QTS	
	661374	ST FRM RIGID CNTRCTR SHT 18" W QTS	
	661375	ST FRM RIGID CNTRCTR SHT 19" W QTS	
1A,2,7	661376	ST FRM RIGID CNTRCTR SHT 20" W QTS	1
	661377	ST FRM RIGID CNTRCTR REG 14" W QTS	
	661378	ST FRM RIGID CNTRCTR REG 15" W QTS	
	661379	ST FRM RIGID CNTRCTR REG 16" W QTS	
	661380	ST FRM RIGID CNTRCTR REG 17" W QTS	
	661381	ST FRM RIGID CNTRCTR REG 18" W QTS	
1B,2,7	661382	ST FRM RIGID CNTRCTR REG 19" W QTS	1
	661383	ST FRM RIGID CNTRCTR REG 20" W QTS	
	661384	ST FRM RIGID CNTRCTR LNG 14" W QTS	
	661385	ST FRM RIGID CNTRCTR LNG 15" W QTS	
	661386	ST FRM RIGID CNTRCTR LNG 16" W QTS	
	661387	ST FRM RIGID CNTRCTR LNG 17" W QTS	
	661388	ST FRM RIGID CNTRCTR LNG 18" W QTS	
	661389	ST FRM RIGID CNTRCTR LNG 19" W QTS	
	661390	ST FRM RIGID CNTRCTR LNG 20" W QTS	

ITEM	NUMBER	DESCRIPTION	QTY
2	341497	1" INSERT PLUG .065 RIBS	4
3	221191	1/4-28 x 2 1/4 G8 HEX	4
4	500014	TILT BRACKET QTS	2
5	561085	1-1/8" HALF SADDLE	2
6	561004	1" SADDLE 1/4" HOLE	2
7	341497	10-32 x .020- .130 RIVNUT GOLD	4
8	561043	1" WASHER 3/8" HOLE	2
9	560223	PIVOT STOP SPACER	1
10	262100-QU	1/4 AN WASHER FLAT	8
11	201110-QU	1/4-28 NYLOCK NUT	4
12	483107	FRAME INSERT PLUG QTS	1
3-6, 8-12	920017	TILT BRACKET W/HDWR QTS	

# STANDARD GROWING SEAT FRAME (QUICKIE TS)

(Effective 3/25/99, beginning serial number QT-25025)



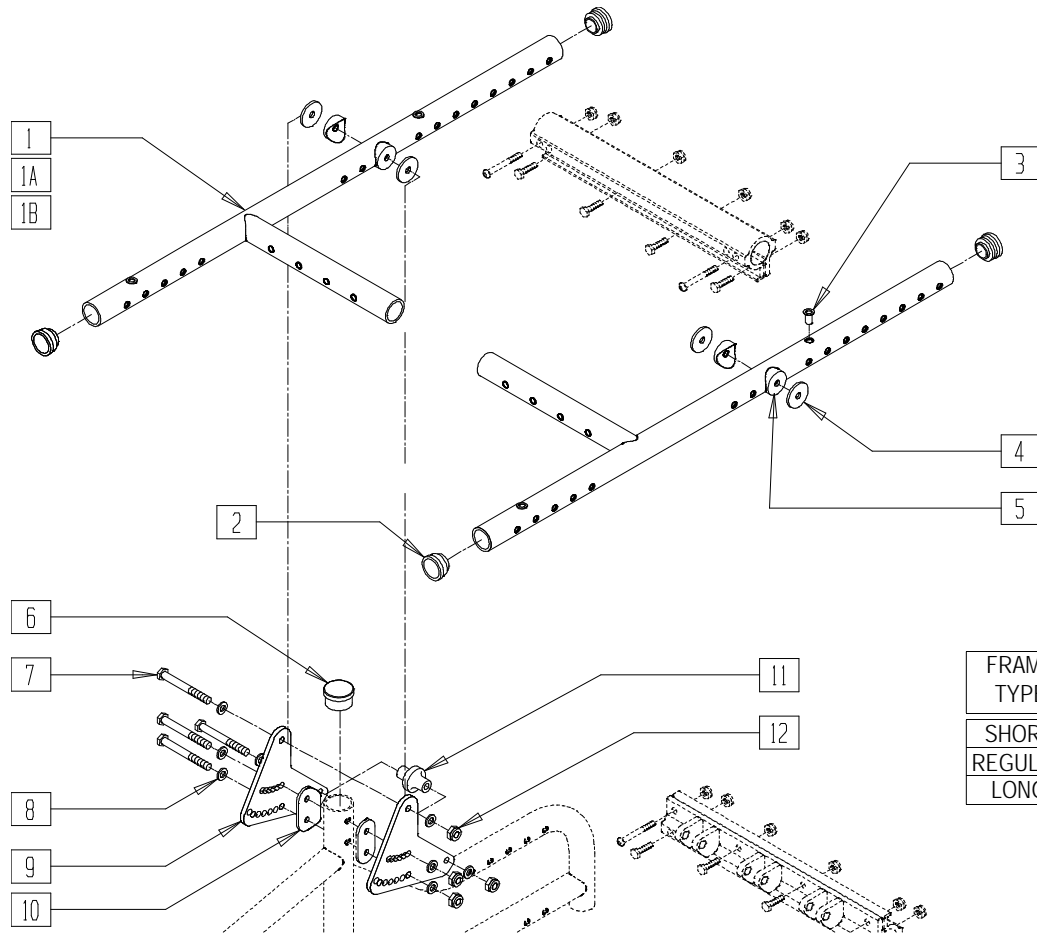
QTS30X12A

ITEM	NUMBER	DESCRIPTION	QTY
2	341497	10-32 x .020-.130 RIVNUT GOLD	2
3	561062	1" INSERT PLUG .065 RIBS	2
4	481023	S/A LATCH STUD NEW	2
5	551310	LATCH STUD SUPPORT BLK	2
6	201100-QU	1/4-28 NYLOCK NUT THIN	8
7	226190	5/16-18 x 1 3/4 BH C/S SHOULDER	16
8	561004	1" SADDLE 1/4" HOLE	2
9	561043	1" WASHER 3/8" HOLE	2
10	483107	FRAME INSERT PLUG QTS	1
11	221191	1/4-28 x 2 1/4 G8 HEX C/S	4
12	262100-QU	1/4 AN WASHER FLAT	8

ITEM	NUMBER	DESCRIPTION	QTY
13	500014	TILT BRACKET QTS	2
14	561085	1-1/8" HALF SADDLE 2 HOLE QTS	2
15	560223	PIVOT STOP SPACER	1
16	201110-QU	1/4-28 NYLOCK NUT	4
17	483087	BUSHING S/A TS	2
4-7	921295	S/A LATCH ASSEMBLY W/BOLT BLK	
8-16	920017	TILT BRACKET W/HDWR QTS	
1,2,6-11,17	661169	SEAT FRAME GROWING SHORT QTS	
	661170	SEAT FRAME GROWING REG QTS	
	661171	SEAT FRAME GROWING LONG QTS	

# GROWING CONTRACTURE SEAT FRAME (QUICKIE TS)

(Contracture Seat Frame is for Contracture Footrest system only)



FRAME TYPE	FRAME DEPTH/ BACK POST LOCATION
SHORT	14-15-16-17
REGULAR	16-17-18-19
LONG	19-20-21-22

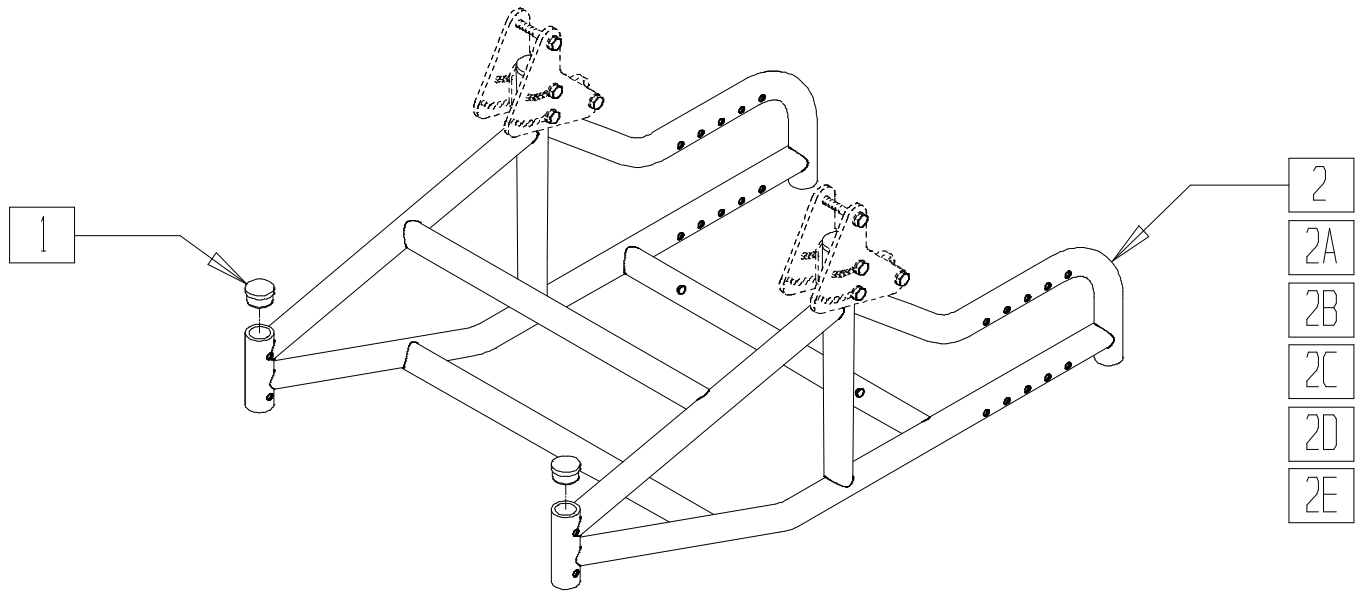
QTS30X14A

ITEM	NUMBER	DESCRIPTION	QTY
1	661400,	SEAT FRM GRWNG CNTRC SHT R QTS	1
	661401	SEAT FRM GRWNG CNTRC SHT L QTS	
1A	661402,	SEAT FRM GRWNG CNTRC REG R QTS	1
	661403	SEAT FRM GRWNG CNTRC REG L QTS	
1B	661404,	SEAT FRM GRWNG CNTRC LNG R QTS	1
	661405	SEAT FRM GRWNG CNTRC LNG L QTS	
2	561062	1" INSERT PLUG .065 RIBS	4
3	341497	10-32 x .020-.130 RIVNUT GOLD	4
4	561043	1" WASHER 3/8" HOLE	2
5	561004	1" SADDLE 1/4" HOLE	2
6	483107	FRAME INSERT PLUG QTS	2

ITEM	NUMBER	DESCRIPTION	QTY
7	221191	1/4-28xX 2 1/4 G8 HEX C/S	4
8	262100-QU	1/4 AN WASHER FLAT	8
9	500014	TILT BRACKET QTS	2
10	561085	1-1/8" HALF SADDLE 2 HOLE QTS	4
11	560223	PIVOT STOP SPACER	1
12	201110-QU	1/4-28 NYLOCK NUT	4
4-12	920017	TILT BRACKET W/HDWR QTS	
1-7	661410	CNTRC GRW SHRT SEAT FRM PNT QTS	
1A-7	661411	CNTRC GRW REG SEAT FRM PNT QTS	
1B-7	661412	CNTRC GRW LNG SEAT FRM PNT QTS	

# RIGID BASE FRAME (REGULAR AND FLARED)(QUICKIE TS)

(Effective 3/25/99, beginning serial number QT-25025)



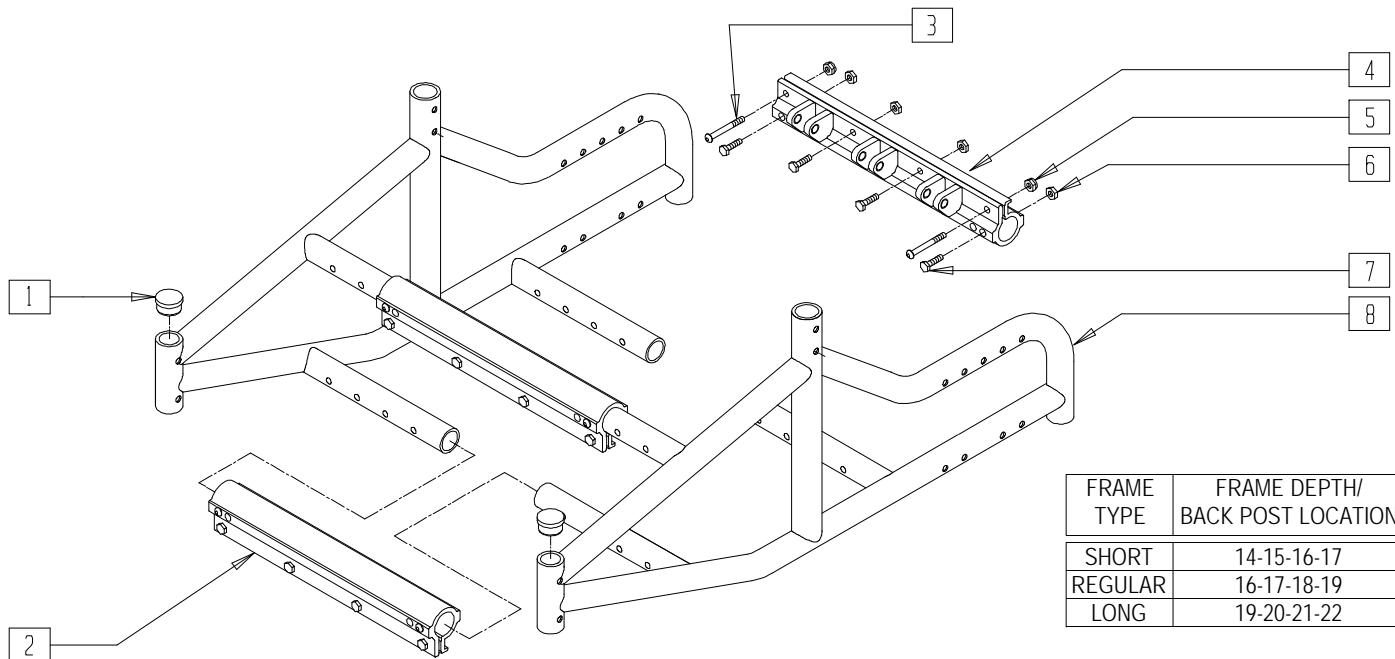
QTS30X11

ITEM	NUMBER	DESCRIPTION	QTY
1	561005	1" INSERT PLUG .125	2
1,2	662124	BASE FRM RIG STRT SHT 14" W QTS	
	662125	BASE FRM RIG STRT SHT 15" W QTS	
	662126	BASE FRM RIG STRT SHT 16" W QTS	
	662127	BASE FRM RIG STRT SHT 17" W QTS	
	662128	BASE FRM RIG STRT SHT 18" W QTS	
	662129	BASE FRM RIG STRT SHT 19" W QTS	
	662130	BASE FRM RIG STRT SHT 20" W QTS	
1,2A	661974	BASE FRM RIG STRT REG 14" W QTS	
	661975	BASE FRM RIG STRT REG 15" W QTS	
	661976	BASE FRM RIG STRT REG 16" W QTS	
	661977	BASE FRM RIG STRT REG 17" W QTS	
	661978	BASE FRM RIG STRT REG 18" W QTS	
	661979	BASE FRM RIG STRT REG 19" W QTS	
	661980	BASE FRM RIG STRT REG 20" W QTS	
1,2B	661984	BASE FRM RIG STRT LNG 14" W QTS	
	661985	BASE FRM RIG STRT LNG 15" W QTS	
	661986	BASE FRM RIG STRT LNG 16" W QTS	
	661987	BASE FRM RIG STRT LNG 17" W QTS	
	661988	BASE FRM RIG STRT LNG 18" W QTS	
	661989	BASE FRM RIG STRT LNG 19" W QTS	
	661990	BASE FRM RIG STRT LNG 20" W QTS	

ITEM	NUMBER	DESCRIPTION	QTY
1,2C	662118	BASE FRM RIG FLRD SHT 15" W QTS	
	662119	BASE FRM RIG FLRD SHT 16" W QTS	
	662120	BASE FRM RIG FLRD SHT 17" W QTS	
	662121	BASE FRM RIG FLRD SHT 18" W QTS	
	662122	BASE FRM RIG FLRD SHT 19" W QTS	
	662123	BASE FRM RIG FLRD SHT 20" W QTS	
	1,2D	662100	BASE FRM RIG FLRD REG 14" W QTS
662101		BASE FRM RIG FLRD REG 15" W QTS	
662102		BASE FRM RIG FLRD REG 16" W QTS	
662103		BASE FRM RIG FLRD REG 17" W QTS	
662104		BASE FRM RIG FLRD REG 18" W QTS	
662105		BASE FRM RIG FLRD REG 19" W QTS	
1,2E	662110	BASE FRM RIG FLRD LNG 14" W QTS	
	662111	BASE FRM RIG FLRD LNG 15" W QTS	
	662112	BASE FRM RIG FLRD LNG 16" W QTS	
	662113	BASE FRM RIG FLRD LNG 17" W QTS	
	662114	BASE FRM RIG FLRD LNG 18" W QTS	
	662115	BASE FRM RIG FLRD LNG 19" W QTS	
662116	BASE FRM RIG FLRD LNG 20" W QTS		

# GROWING FRAME (REGULAR AND FLARED) (QUICKIE TS)

(Effective 3/25/99, beginning serial number QT-25025)



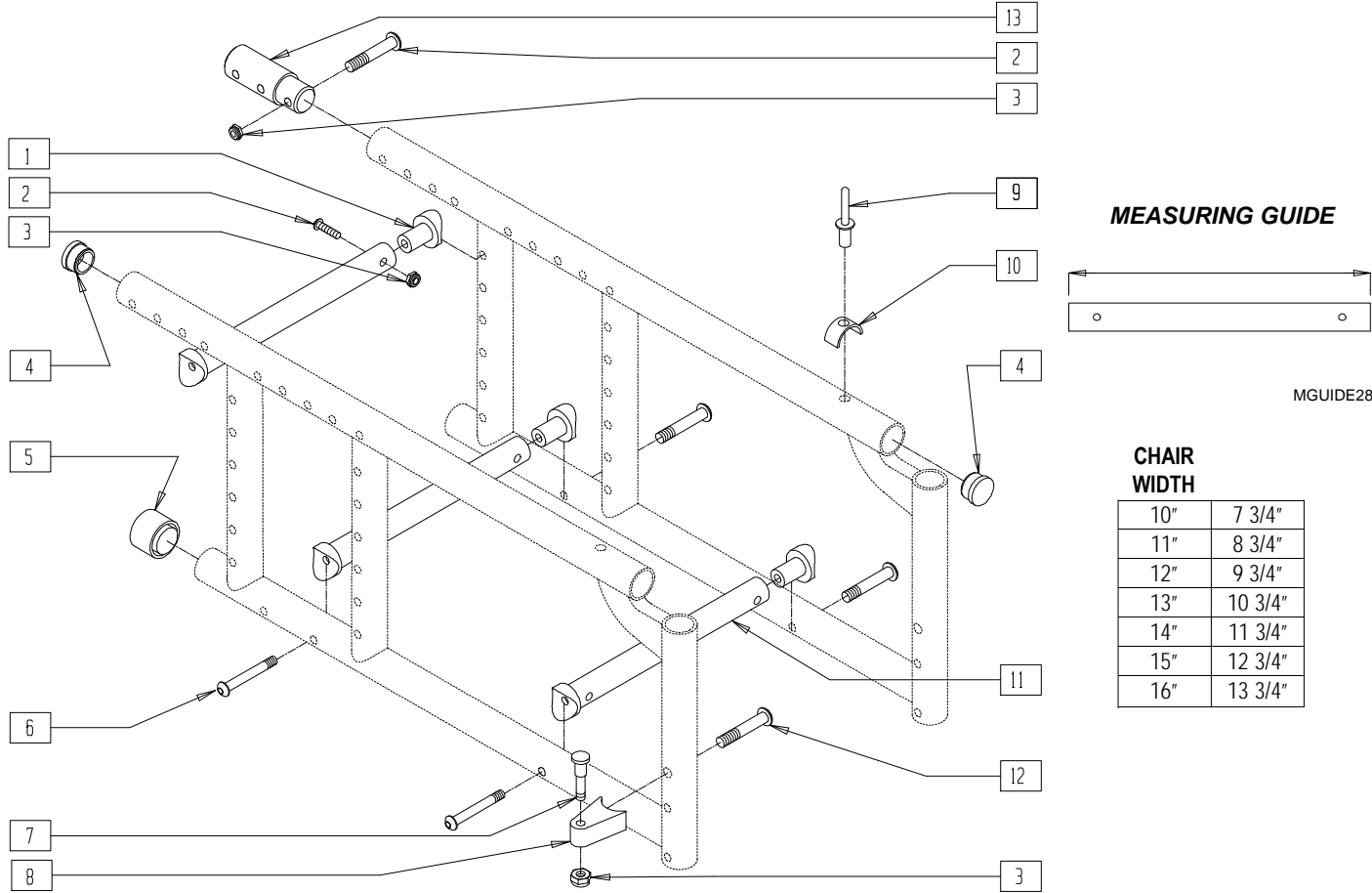
QTS30X13

ITEM	NUMBER	DESCRIPTION	QTY
1	561005	1" INSERT PLUG .125	2
2	550393	FRAME CLAMP TUBE QTS	2
3	226198	5/16-18 x 2 BH C/S SHT THREAD	8
4	540144	FRAME CLAMP LOWER WLDMNT QTS	1
5	202102	5/16-18 NYLOCK NUT THIN	8
6	201112	1/4-28 NUT THIN	16
7	221100	1/4-28 x 3/4 HEX C/S	16

ITEM	NUMBER	DESCRIPTION	QTY
1-7	661994	BASE FRAME GRWNG STRT SHT QTS	
	661995	BASE FRAME GRWNG STRT REG QTS	
	661996	BASE FRAME GRWNG STRT LNG QTS	
	661999	BASE FRAME GRWNG FLRD SHT QTS	
	661997	BASE FRAME GRWNG FLRD REG QTS	
	661998	BASE FRAME GRWNG FLRD LNG QTS	



**FRAME (ZIPPIE)**  
(Discontinued 11/13/96; parts only)

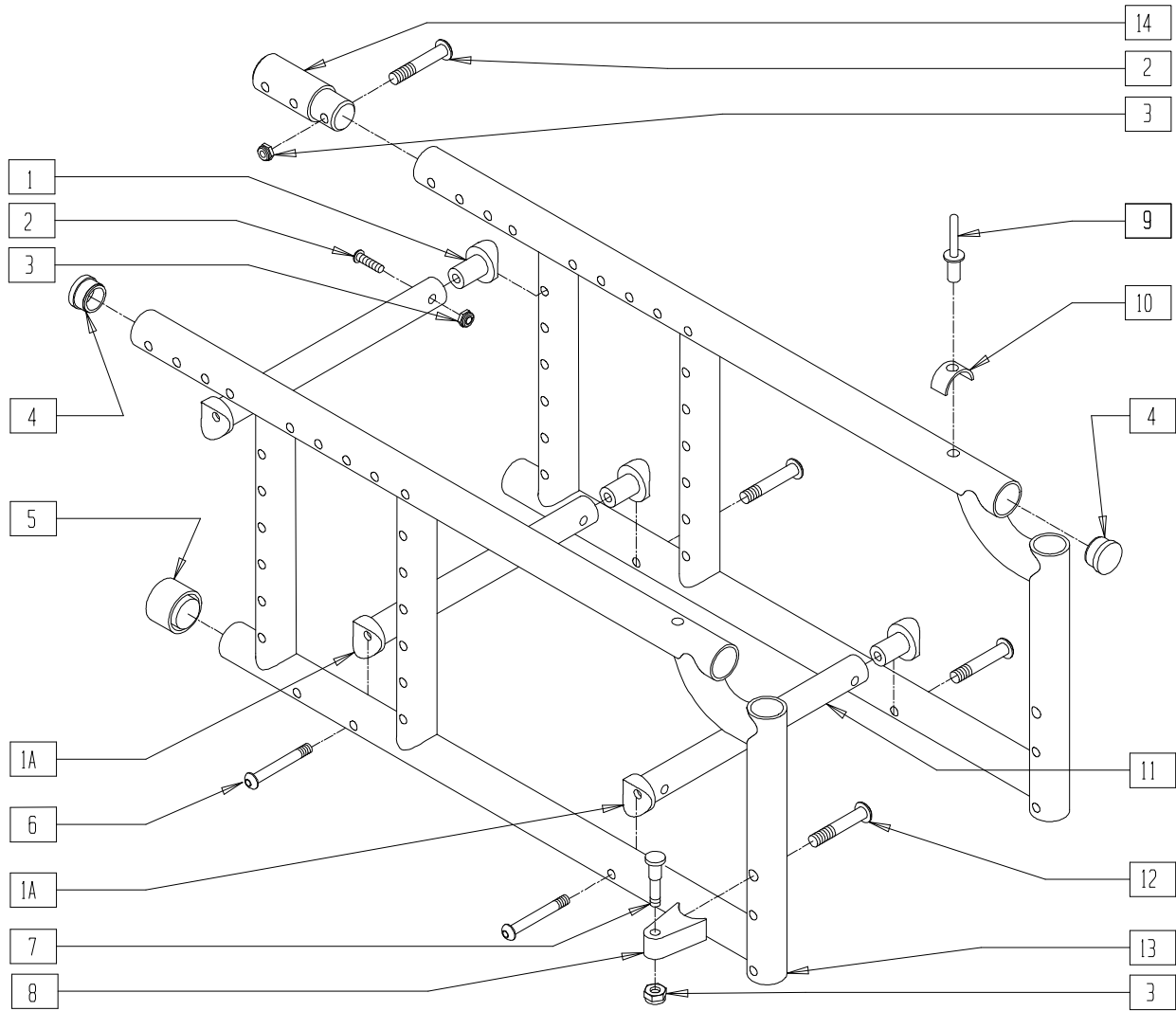


Z00X11

ITEM	NUMBER	DESCRIPTION	QTY
1	483038	STRUT SADDLE ZP/P5/KZ	6
2	226129	1/4-28 x 1 1/4 BH C/S	6
3	201100-OU	1/4-28 NYLOCK NUT THIN	8
4	561002	1" INSERT PLUG .083	4
5	561014	1" MED CAP	2
6	226130	1/4-28 x 1 1/2 BH C/S	6
7	481023	S/A LATCH STUD NEW	2
8	551310	LATCH STUD SUPPORT BLK	2
9	240108	RIVET POP SSD64SSBS	2
10	550489	SEAT STOP	2

ITEM	NUMBER	DESCRIPTION	QTY
11	522802- 522808	STRUT TUBE (10"-16") ZP/KZ	3
6,11	675012- 675018	ZP/KIDZ GROWTH TUBE KIT 10"-16"	
12	226190	5/16-18 x 1 3/4 BH C/S SHLDR	2
13	483040	REAR FRAME EXT .083 (15"-16") ZP	2
1-3,6	920343	STRUT TUBE HDWR KIT ZP/KIDZ	
2,3,13	920318	ZP REAR FRAME EXT 2" W/HDWR	
3,7,8,12	921295	S/A LATCH ASSEMBLY W/BOLT BLK	

**FRAME (ZIPPIE)**  
(Effective 11/13/96)



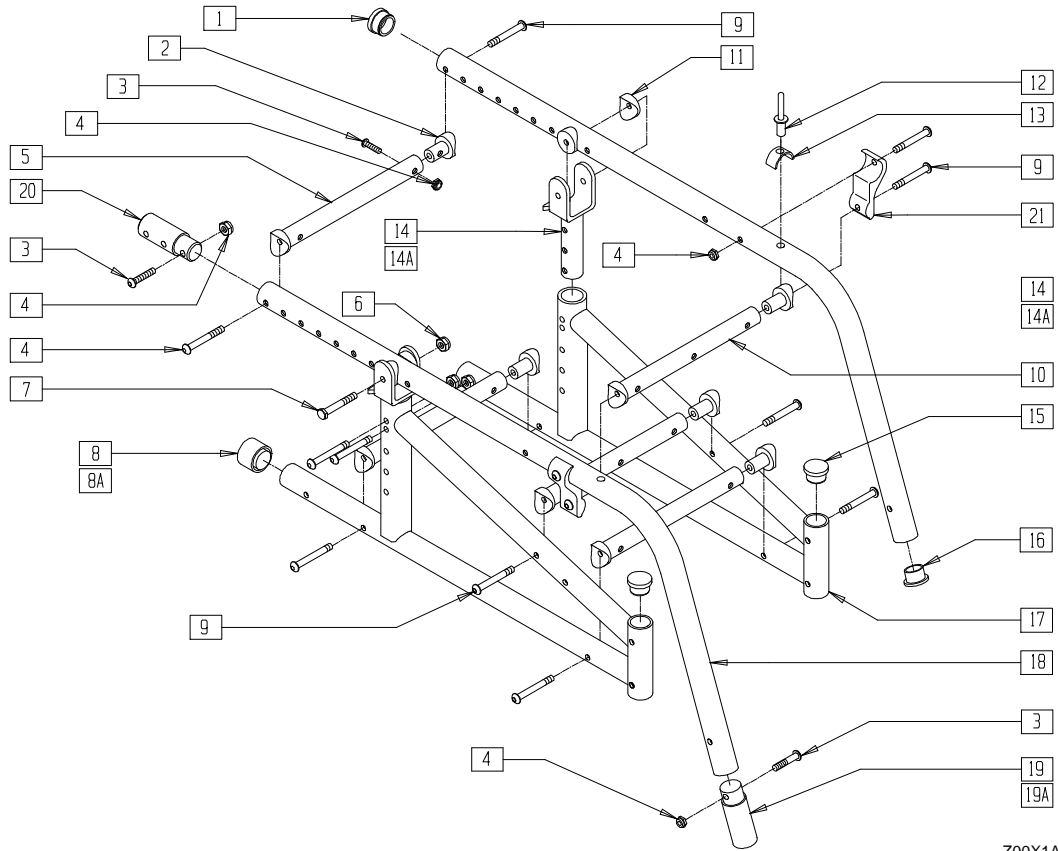
Z00X11A

ITEM	NUMBER	DESCRIPTION	QTY
1	483173	STRUT SADDLE 1 1/8 ZP (11"-12")	2
1A	483038	STRUT SADDLE ZP/P5/KZ (13"-16")	4-6
2	226129	1/4-28 x 1 1/4 BH C/S	6
3	201100-OU	1/4-28 NYLOCK NUT THIN	8
4	561002	1" INSERT PLUG .083	4
5	561014	1" MED CAP	2
6	226130	1/4-28 x 1 1/2 BH C/S	6
7	481023	S/A LATCH STUD NEW	2
8	551310	LATCH STUD SUPPORT BLK	2
9	240108	RIVET POP SSD64SSBS	2
10	550489	SEAT STOP	2

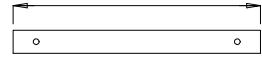
ITEM	NUMBER	DESCRIPTION	QTY
11	522802-522808	STRUT TUBE 10"-16" ZP/KZ	3
	675012-675018	ZP/KIDZ GROWTH TUBE KIT 10"-16"	
12	226190	5/16-18 x 1 3/4 BH C/S SHLDR	2
14	483040	REAR FRAME EXT .083 15"-16" ZP	2
1-3,6	920394	STRUT TUBE HDWR KIT ZP/ 1 1/8" (11"-12")	
	920343	STRUT TUBE HDWR KIT ZP/KIDZ (13"-16")	
2,3,14	920318	ZP REAR FRAME EXT 2" W/HDWR	
4,5,9,10,13	920730	SIDE FRAME ASSEMBLY ZP 1 1/8" (SPECIFY COLOR)	
3,7,8,12	921295	S/A LATCH ASSEMBLY W/BOLT BLK	

# FRAME (FIXED FRONT) (ZIPPIE TS)

(Discontinued 11/16/99; fits Zippie TS prior to serial number ZP-56988)



**MEASURING GUIDE**



MGUIDE28

**CHAIR WIDTH**

10"	7 3/4"
11"	8 3/4"
12"	9 3/4"
13"	10 3/4"
14"	11 3/4"
15"	12 3/4"
16"	13 3/4"

Z00X1A

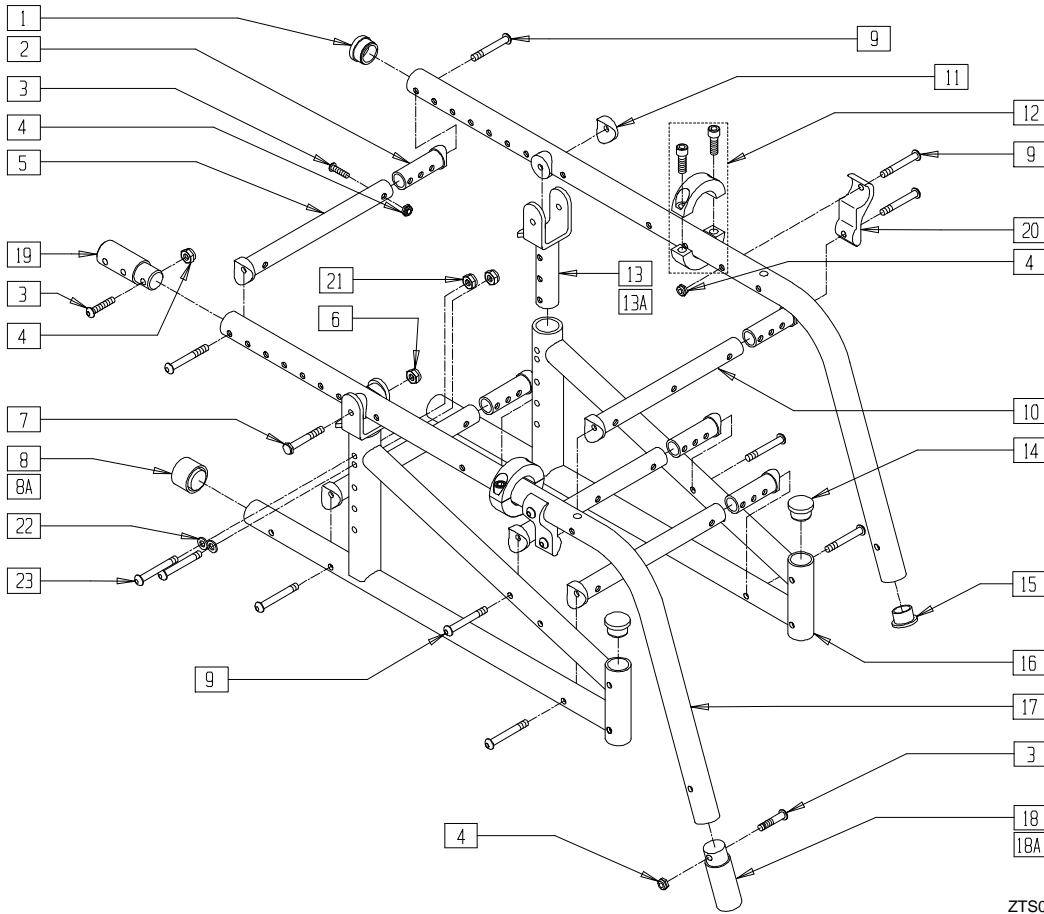
ITEM	NUMBER	DESCRIPTION	QTY
1	483039	1" INSERT PLUG ALUM ZP TS	2
2	483184	STRUT SADDLE ZGS	10
3	226129	1/4-28 x 1 1/4 BH C/S	12-14
4	201100-OU	1/4-28 NYLOCK NUT THIN	12-14
5	522802- 522806	STRUT TUBE (10"-14") ZP/KZ	3
6	201110	1/4-28 NYLOCK NUT	4
7	226150	1/4-28 x 2 BH C/S	2
8	561014	1" MED CAP	2
8A	561018	1" TUBE END BUSHING THICK	2
9	226130	1/4-28 x 1 1/2 BH C/S	14
10	522829***	STRUT TUBE 10" ZPTS GRW	2
	522830***	STRUT TUBE 12" ZPTS GRW	
	522831***	STRUT TUBE 14" ZPTS GRW	
11	561004	1" SADDLE 1/4" HOLE	4
12	240108	RIVET POP SSD64SSBS	2
13	550489	SEAT STOP	2
14	505251	TILT BRACKET ZP TS 45°	2
14A*	505250	TILT BRACKET ZP TS 30°	2

ITEM	NUMBER	DESCRIPTION	QTY
15	561005	1" INSERT PLUG .125	2
16	561002	1" INSERT PLUG .083	2
8,15,17	660903	S/F PNTD ZP TS 1 1/8" (SPECIFY COLOR)	
2-4,9	920344	STRUT TUBE HARDWARE KIT ZP TS	
1,12,13, 16,18	660900	TILT SEAT TUBE PNTD ZP TS (SPECIFY COLOR)	
19	483052	FOOTREST EXT 3" ZP TS	2
19A	483053	FOOTREST EXT 5" ZP TS	2
20	483040**	REAR FRAME EXT .083 (15"-16") ZP	2
21	550119	STRUT TUBE MOUNT BRACKET	2
3,4,19	920316	TS 3" FOOTREST EXT W/HARDWARE	
3,4,19A	920317	TS 5" FOOTREST EXT W/HARDWARE	
3,4,20	920318**	ZP REAR FRAME EXT 2" W/HARDWARE	
5,9,10	675080- 675082	ZP TS GROWTH TUBE KIT (10"-16")	
4,9,14,21	901730	45° TS RETRO KIT	
6-9,11, 14,15,17	920301	ZP TS SIDE FRAME W/HARDWARE	

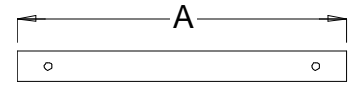
NOTE: WHEN GROWING CHAIR TO 15" OR 16", AN ADDITIONAL CYLINDER LOCK MECH IS NEEDED, ITEM 8A USED WITH 12" REAR WHEEL.  
 NOTE: FOR LOCKING MECHANISM, SEE SECTION 16, MECHANICAL LOCK AND STRUT ASSEMBLIES.  
 NOTE: \* PART 505250 (TILT BRACKET ZP TS 30°) DISCONTINUED(PARTS ONLY) AND IS ONLY USED ON CHAIRS PRIOR TO 9/21/02  
 \*\* THESE ITEMS USED FOR CHAIRS WITH (15"-16") SEAT DEPTH (17"-19" FRAME DEPTH).  
 \*\*\* FOR SERIAL NUMBERS PRIOR TO ZP-56988, THESE PARTS MUST BE REPLACED AS SETS.

# FRAME (FIXED FRONT) (ZIPPIE TS)

(Effective beginning serial number ZP-56988)



## MEASURING GUIDE



MGUIDE28

## CHAIR WIDTH A

	CHAIR WIDTH	A
SMALL	10"	7 3/4"
	11"	7 3/4"
	12"	7 3/4"
MEDIUM	12"	9 3/4"
	13"	9 3/4"
LARGE	14"	9 3/4"
	14"	11 3/4"
	15"	11 3/4"
	16"	11 3/4"

ZTS00X02B

ITEM	NUMBER	DESCRIPTION	QTY
1	483039	1" INSERT PLUG ALUM ZP TS	2
2	483184	STRUT SADDLE GROWING	10
3	226129	1/4-28 x 1 1/4 BH C/S	12-14
4	201100-QU	1/4-28 NYLOCK NUT THIN	12-14
5	522802-522806	STRUT TUBE (10"-14") ZP/KZ	3
6	201110	1/4-28 NYLOCK NUT	2
7	226150	1/4-28 x 2 BH C/S	2
8	561014	1" MED CAP	2
8A	561018	1" TUBE END BUSHING THICK	2
9	226130	1/4-28 x 1 1/2 BH C/S	10
10	522829****	STRUT TUBE 10" ZPTS GRW	2
	522830****	STRUT TUBE 12" ZPTS GRW	
	522831****	STRUT TUBE 14" ZPTS GRW	
11	561004	1" SADDLE 1/4" HOLE	4
12	342048	ADJ SEAT STOP 1"	2
13	505251	TILT BRACKET ZP TS 45°	2
13A*	505250	TILT BRACKET ZP TS 30°	2
14	561005	1" INSERT PLUG .125	2
15	561002	1" INSERT PLUG .083	2

ITEM	NUMBER	DESCRIPTION	QTY
8,14,16	660903	S/F PNTD ZP TS 1 1/8" (SPECIFY COLOR)	
2-4,9	920461****	STRUT TUBE HDWR KT ZP TS GRW	
1,15,17	660900***	TILT SEAT TUBE PNTD ZP TS (SPECIFY COLOR)	
18	483052	FOOTREST EXT 3" ZP TS	2
18A	483053	FOOTREST EXT 5" ZP TS	2
19	483040**	REAR FRAME EXT .083 (15"-16") ZP	2
20	550119	STRUT TUBE MOUNT BRACKET	2
21	201100-QU	1/4-28 NYLOCK NUT THIN	4
22	262110-QU	1/4" AN WASHER FLAT THIN	4
23	221127	14-28 x 1 3/8 HEX C/S	4
3,4,18	920316	TS 3" FOOTREST EXT W/HDWR	
3,4,18A	920317	TS 5" FOOTREST EXT W/HDWR	
3,4,19	920318**	ZP REAR FRAME EXT 2" W/HDWR	
5,9,10	675080-675082	TS STRUT TUBE KIT SMALL, MEDIUM, LARGE GROWING	
4,9,13,20	901730	45° TS RETRO KIT	
6-9,11,13,14,16	920301	ZP TS SIDE FRAME W/HDWR	

NOTE: \* PART 505250 (TILT BRACKET ZP TS 30°) DISCONTINUED(PARTS ONLY) AND IS ONLY USED ON CHAIRS PRIOR TO 9/21/02

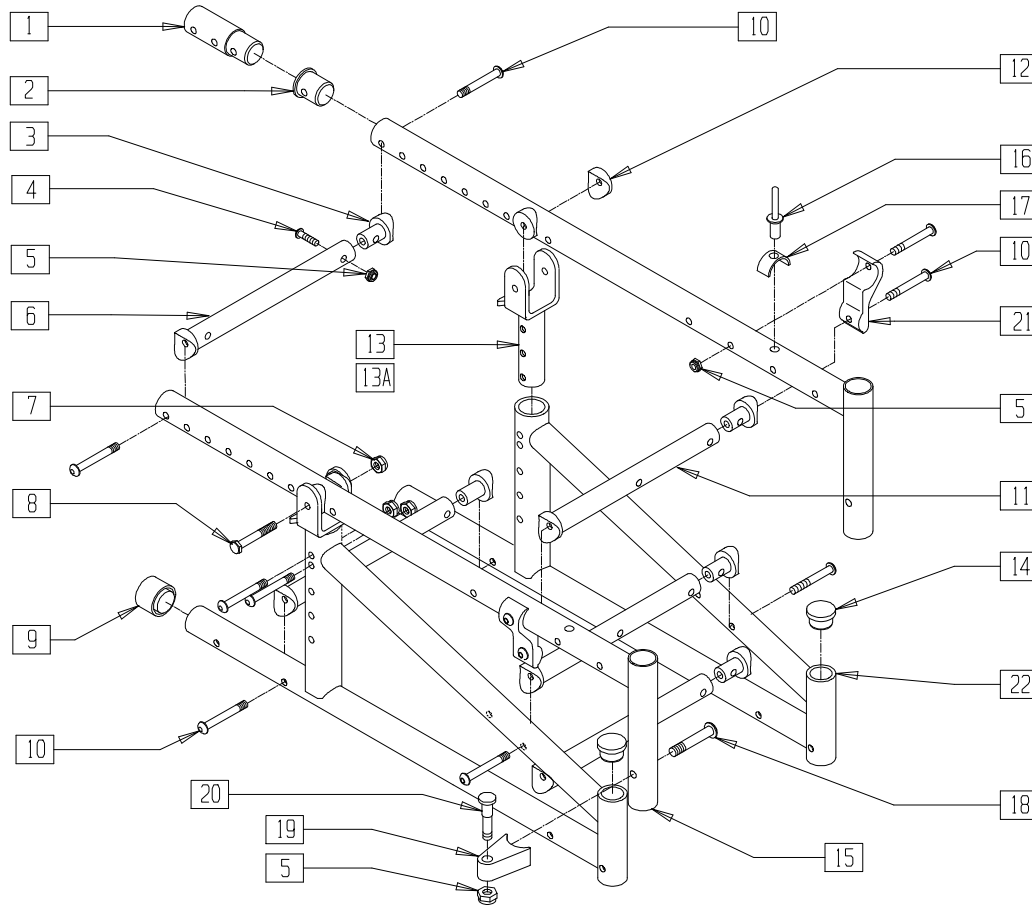
\*\* THESE ITEMS USED FOR CHAIRS WITH 17"-18" SEAT DEPTH (19"-20" FRAME DEPTH).

\*\*\* FOR SERIAL NUMBERS PRIOR TO ZP-56988, THESE PARTS MUST BE REPLACED AS A PAIR. THE MECH CYLINDER(S) MUST ALSO BE REPLACED. SEE LOCKING MECHANISM ON PAGE 16.5.

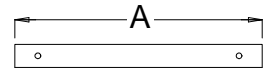
\*\*\*\* FOR SERIAL NUMBERS PRIOR TO ZP-56988, THESE PARTS MUST BE REPLACED AS SETS.

# FRAME (SWING-AWAY) (ZIPPIE TS)

(Discontinued 11/16/99; fits Zippie TS prior to serial number ZP-56988)



### MEASURING GUIDE



MGUIDE28

### CHAIR WIDTH

CHAIR WIDTH	A
10"	7 3/4"
11"	8 3/4"
12"	9 3/4"
13"	10 3/4"
14"	11 3/4"
15"	12 3/4"
16"	13 3/4"

Z00X18A

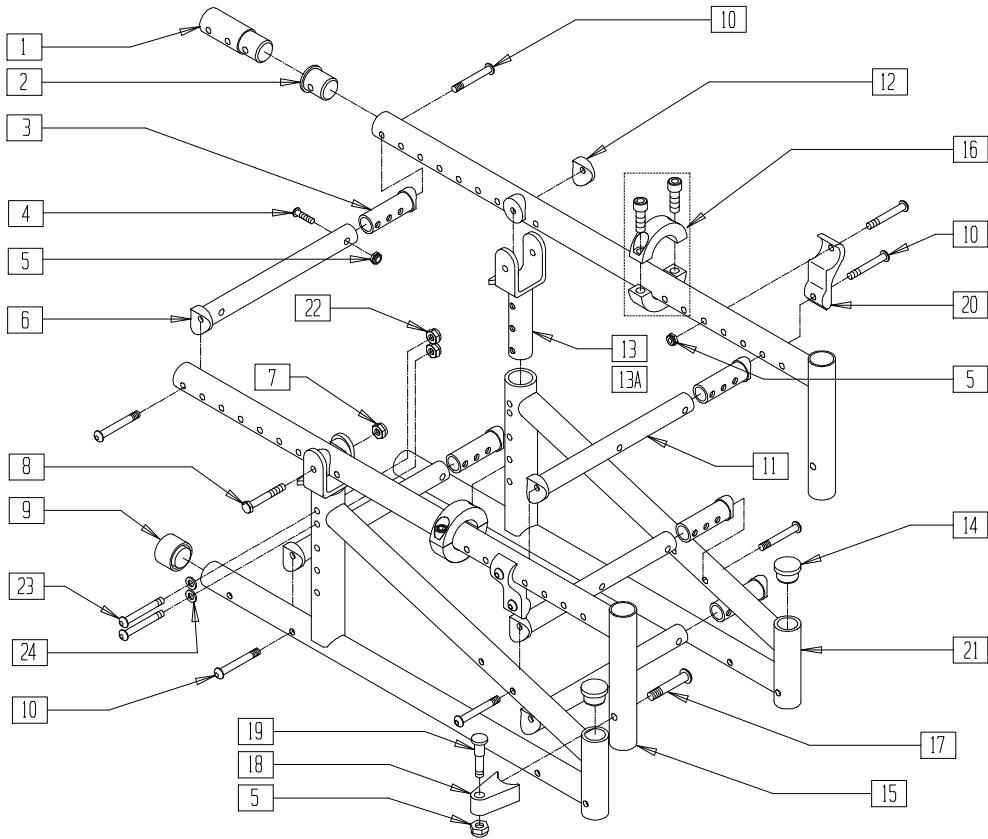
ITEM	NUMBER	DESCRIPTION	QTY
1	483088**	REAR FRAME EXT .065 15"-16" ZP	2
2	483089	SEAT TUBE PLUG S/A TS/P5	2
3	483038	STRUT SADDLE ZP/P5/KZ	10
4	226129	1/4-28 x 1 1/4 BH C/S	10
5	201100-QU	1/4-28 NYLOCK NUT THIN	14
6	522802-522808	STRUT TUBE ZP/KZ 10"-16"	3
7	201110	1/4-28 NYLOCK NUT	2
8	226150	1/4-28 x 2 BH C/S	2
9	561018	1" TUBE END BUSHING THICK	2
10	226130	1/4-28 x 1 1/2 BH C/S	14
11	522829***	STRUT TUBE TS 10" ZP TS	2
	522830***	STRUT TUBE TS 12" ZP TS	
	522831***	STRUT TUBE TS 14" ZP TS	
12	561004	1" SADDLE 1/4" HOLE	4
13	505251	TILT BRACKET ZP TS 45°	2
13A*	505250	TILT BRACKET ZP TS 30°	2

ITEM	NUMBER	DESCRIPTION	QTY
14	561005	1" INSERT PLUG .125	2
16	240108	RIVET POP SSD64SSBS	2
17	550489	SEAT STOP	2
18	226190	5/16-18 x 1 3/4 BH C/S SHLDR	2
19	551310	LATCH STUD SUPPORT BLK	2
20	481023	S/A LATCH STUD NEW	2
21	550119	STRUT TUBE MOUNT BRACKET	2
1,4,5	920309**	TS S/A 2" SEAT EXT W/HDWR	
2,15-17	660899	SEAT TUBE S/A PNTD TS/P5 (10"-14") (SPECIFY COLOR)	
3-5,10	920344	STRUT TUBE HDWR KIT ZP TS	
5,18-20	921295	S/A LATCH ASSEMBLY W/BOLT BLK	
6,10,11	675080-*** 675082	TS STRUT TUBE KIT SMALL, MEDIUM, LARGE GROWING	
13,5,10,21	901730	45° TS RETRO KIT	
7,8,10,12-14,22	920301	ZP TS SIDE FRAME W/HDWR	

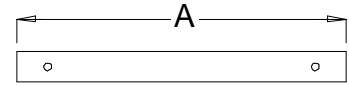
NOTE: WHEN GROWING CHAIR TO 15" OR 16", AN ADDITIONAL MECH CYLINDER LOCK IS NEEDED.  
 NOTE: \* PART 505250 (TILT BRACKET ZP TS 30°) DISCONTINUED(PARTS ONLY) AND IS ONLY USED ON CHAIRS PRIOR TO 9/21/02  
 \*\* THESE ITEMS USED FOR CHAIRS WITH 15"-16" SEAT DEPTH (17"-19" FRAME DEPTH).  
 \*\*\* FOR SERIAL NUMBERS PRIOR TO ZP-56988, THESE PARTS MUST BE REPLACED AS SETS.

# FRAME (SWING-AWAY) (ZIPPIE TS)

(Effective beginning serial number ZP-56988)



### MEASURING GUIDE



MGUIDE28

### CHAIR WIDTH A

		A
SMALL	10"	7 3/4"
	11"	7 3/4"
	12"	7 3/4"
MEDIUM	12"	9 3/4"
	13"	9 3/4"
LARGE	14"	9 3/4"
	15"	11 3/4"
	16"	11 3/4"

ZTS00X01B

ITEM	NUMBER	DESCRIPTION	QTY
1	483088**	REAR FRAME EXT .065 15"-16" ZP	2
2	483089	SEAT TUBE PLUG S/A TS/P5	2
3	483184	STRUT SADDLE ZGS	10
4	226129	1/4-28 x 1 1/4 BH C/S	10
5	201100-QU	1/4-28 NYLOCK NUT THIN	14
6	522802**** 522806	STRUT TUBE ZP/KZ 10"-14"	3
7	201110	1/4-28 NYLOCK NUT	2
8	226150	1/4-28 x 2 BH C/S	2
9	561018	1" TUBE END BUSHING THICK	2
10	226130	1/4-28 x 1 1/2 BH C/S	10
11	522829****	STRUT TUBE TS 10" ZP TS	2
	522830****	STRUT TUBE TS 12" ZP TS	
	522831****	STRUT TUBE TS 14" ZP TS	
12	561004	1" SADDLE 1/4" HOLE	4
13	505251	TILT BRACKET ZP TS 45°	2
13A	505250*	TILT BRACKET ZP TS 30°	2
14	561005	1" INSERT PLUG .125	2

ITEM	NUMBER	DESCRIPTION	QTY
16	342048	ADJ SEAT STOP 1"	2
17	226190	5/16-18 x 1 3/4 BH C/S SHLDR	2
18	551310	LATCH STUD SUPPORT BLK	2
19	481023	S/A LATCH STUD NEW	2
20	550119	STRUT TUBE MOUNT BRACKET	2
22	201100-QU	1/4-28 NYLOCK NUT THIN	4
23	221127	1/4-28 x 1 3/8 HEX C/S	4
24	262110-QU	1/4 AN WASHER FLAT THIN	4
1,4,5	920309**	TS S/A 2" SEAT EXT W/HDWR	
2,15	660908-*** 660909	SEAT TUBE S/A TS 19"-20" (NEW) (SPECIFY COLOR)	
3-5,10	920461	STRUT TUBE HDWR KT ZP TS GRW	
5,17-19	921295	S/A LATCH ASSEMBLY W/BOLT BLK	
6,10,11	675080-**** 675082	TS STRUT TUBE KIT SMALL, MEDIUM, LARGE GROWING	
5,10,13,20	901730	45° TS RETRO KIT	
7,8,10, 12-14,21	920301	ZP TS SIDE FRAME W/HDWR	

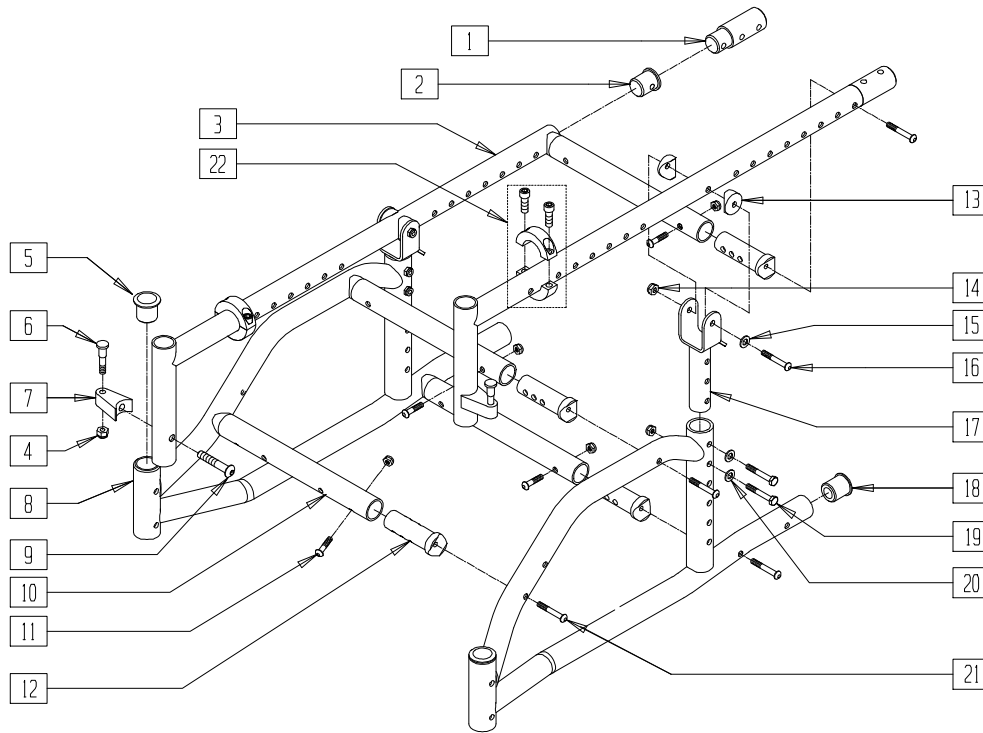
NOTE: \* PART 505250 (TILT BRACKET ZP TS 30°) DISCONTINUED(PARTS ONLY) AND IS ONLY USED ON CHAIRS PRIOR TO 9/21/02

\*\* THESE ITEMS USED FOR CHAIRS WITH 17"-18" SEAT DEPTH (19"-20" FRAME DEPTH).

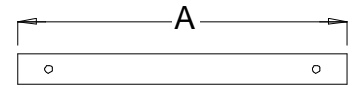
\*\*\* FOR SERIAL NUMBERS PRIOR TO ZP-56988, THESE PARTS MUST BE REPLACED AS A PAIR. THE MECH CYLINDER(S) MUST ALSO BE REPLACED. SEE LOCKING MECHANISM ON PAGE 16.5.

\*\*\*\* FOR SERIAL NUMBERS PRIOR TO ZP-56988, THESE PARTS MUST BE REPLACED AS SETS.

# FRAME (RIGID) (NEW ZIPPIE TS)



## MEASURING GUIDE



STRUT TUBE

MGUIDE28

## CHAIR WIDTH A

	CHAIR WIDTH	A
SMALL	10"	7 3/4"
	11"	7 3/4"
	12"	7 3/4"
MEDIUM	12"	9 3/4"
	13"	9 3/4"
	14"	9 3/4"
LARGE	14"	11 3/4"
	15"	11 3/4"
	16"	11 3/4"
X-LARGE	16"	13 3/4"
	17"	13 3/4"
	18"	13 3/4"

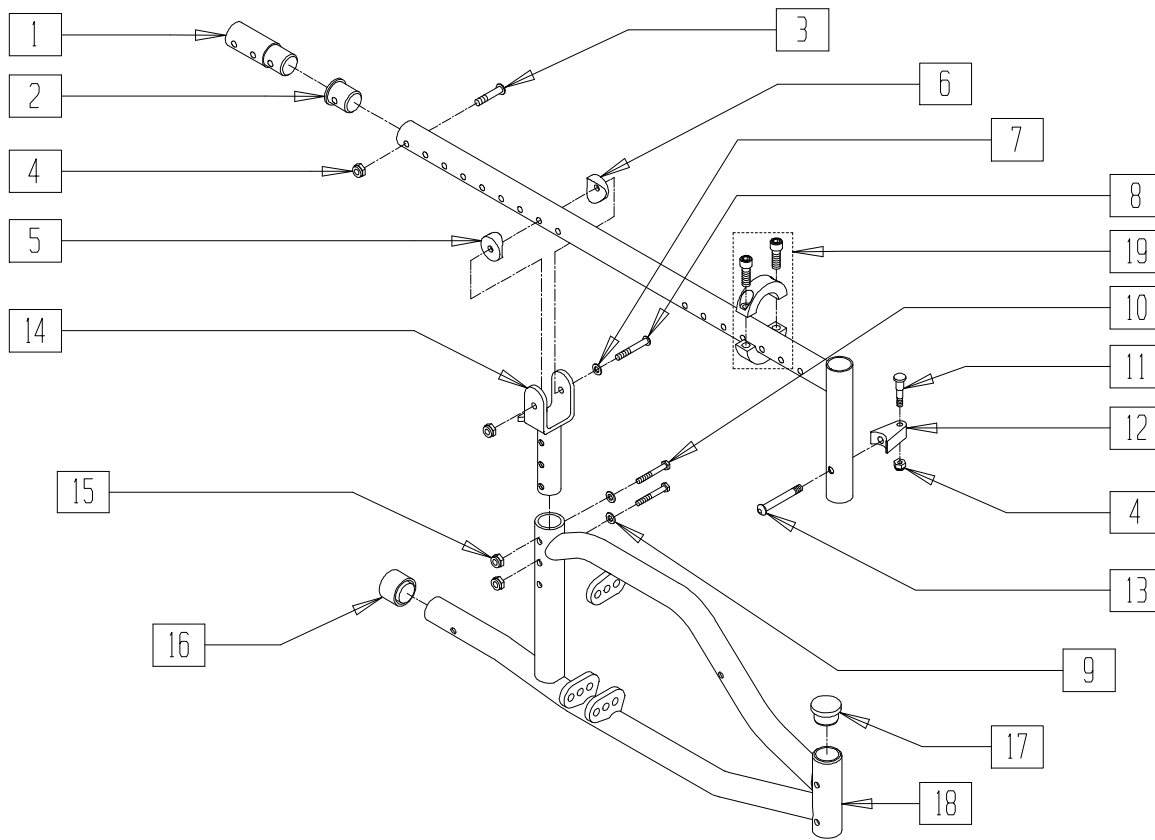
ZTS20X02

ITEM	NUMBER	DESCRIPTION	QTY
1	483088*	REAR FRAME EXT .065 15"-16" ZP	2
2	483089	SEAT TUBE PLUG S/A TS/P5	2
4	201100-QU	1/4-28 NYLOCK NUT THIN	14
5	561062	1" INSERT PLUG .065 RIBS	2
6	481023	S/A LATCH STUD NEW	2
7	551310	LATCH STUD SUPPORT BLK	2
9	226190	5/16-18 x 1 3/4 BH C/S SHLDR	2
10	522802- 522808	STRUT TUBE (10"- 16") ZP/KZ	4
11	226129	1/4-28 x 1 1/4 BH C/S	8
12	483184	STRUT SADDLE ZGS	8
13	561004	1" SADDLE 1/4" HOLE	4
14	201110	1/4-28 NYLOCK NUT	2
15	262100-QU	1/4 AN WASHER FLAT	2

ITEM	NUMBER	DESCRIPTION	QTY
16	226150	1/4-28 x 2 BH C/S	2
17	505251	TILT BRACKET ZP TS 45°	2
18	561018	1" TUBE END BUSHING THICK	2
19	221127	1/4-28 x 1 3/8 HEX C/S	4
20	262110-OU	1/4 AN WASHER FLAT THIN	4
21	226130	1/4-28 x 1 1/2 BH C/S	8
22	342048	ADJ SEAT STOP 1"	2
1,4,11	920309*	TS S/A 2" SEAT EXT W/HDWR	
2,3,4,11	660908*	SEAT TUBE S/A TS 19"-20" (NEW)	
1,3,4,11	660909	SEAT TUBE S/A TS (NEW)	
4,11,12,21	920461	STRUT TUBE HDWR KT ZP TS GRW	
4,6,7,9	921295	S/A LATCH ASSM BLK W/BOLT CLR	
5,8,18	660350, 660351	RIGID ZTS S/F ASSM (EA)	

\* THESE ITEMS USED FOR CHAIRS WITH 17"-18" SEAT DEPTH (19"-20" FRAME DEPTH).

# FRAME (FOLDING) (NEW ZIPPIE TS)



ZTS20X01

ITEM	NUMBER	DESCRIPTION	QTY
1	483088*	REAR FRAME EXT .065 15"-16" ZP	1
2	483089	SEAT TUBE PLUG S/A TS/P5	1
3	226129	1/4-28 x 1 1/4 BH C/S	1
4	201100-QU	1/4-28 NYLOCK NUT THIN	5
5	561004	1" SADDLE 1/4" HOLE	4
7	262100-QU	1/4 AN WASHER FLAT	1
8	226150	1/4-28 x 2 BH C/S	2
9	262110-QU	1/4 AN WASHER FLAT THIN	2
10	221127	1/4-28 x 1 3/8 HEX C/S	4
11	481023	S/A LATCH STUD NEW	1
12	551310	LATCH STUD SUPPORT BLK	2
13	226190	5/16-18 x 1 3/4 BH C/S SHLDR	2

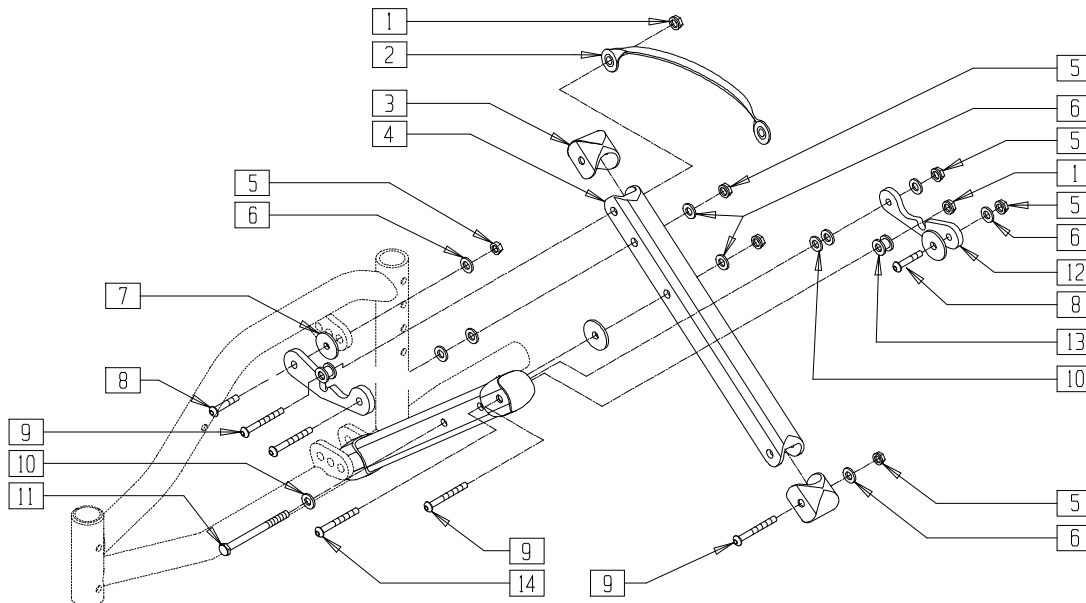
ITEM	NUMBER	DESCRIPTION	QTY
14	505251	TILT BRACKET ZP TS 45°	1
15	201110	1/4-28 NYLOCK NUT	1
16	561018	1" TUBE END BUSHING THICK	2
	561014**	1" MED CAP	
17	561062	1" INSERT PLUG .065 RIBS	2
19	342048	ADJ SEAT STOP 1"	2
1,3,4,6	660908*	SEAT TUBE S/A TS 19-20(NEW)	
2,6	660909	SEAT TUBE S/A TS (NEW)	
16-18	660352, 660353	FOLDING ZTS S/F ASSM (EA)	
4,11-13	921295	S/A LATCH ASSM BLK W/BOLT CLR	

\* THESE ITEMS USED FOR CHAIRS WITH 17"-18" SEAT DEPTH (19"-20" FRAME DEPTH).

\*\* REPLACE 561018 WITH ITEM 561014 ON CHAIRS WITH 20", 22", AND 24" REAR WHEEL OPTIONS.



## CROSS TUBE ASSEMBLY (NEW ZIPPIE TS)



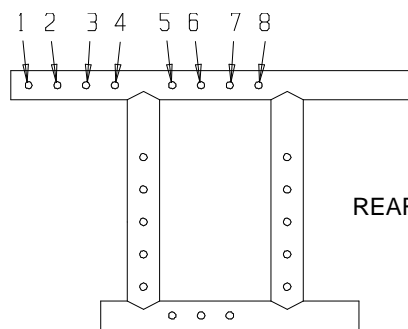
ZTS20X03

ITEM	NUMBER	DESCRIPTION	QTY
1	201110-QU	1/4-28 NYLOCK NUT	2
2	750550	Z2 FOLDING STRAP	1
3	562845	END CAP OVAL TUBE ZGS	4
5	201100-QU	1/4-28 NYLOCK NUT THIN	7
6	262100-QU	1/4 AN WASHER FLAT	7
7	561016	1" WASHER 5/16" HOLE	3
8	226111	1/4-28 x 1 BH C/S SHLDR	2
9	226150	1/4-28 x 2 BH C/S	4
10	561028	1/4" NYLON WASHER	5

ITEM	NUMBER	DESCRIPTION	QTY
11	221181	1/4-28 x 2 1/2 G8 HEX C/S	1
12	500520- 500523	X-HINGE ZGS (10" -18")	2
13	481089	Z2 X-HINGE SPACER	2
14	226140	1/4-28 x 1 3/4 BH C/S	2
1-14	673100	X TUBE ASSEMBLY 10"- 12" ZGS	
	673101	X TUBE ASSEMBLY 12"- 14" ZGS	
	673102	X TUBE ASSEMBLY 14"- 16" ZGS	
	673103	X TUBE ASSEMBLY 16"- 18" ZGS	

## REAR SIDE FRAME (ZIPPIE 2)

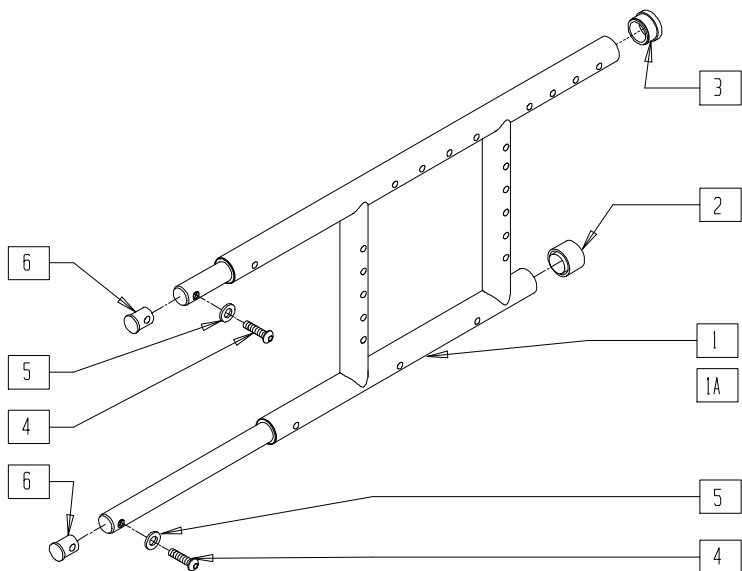
### MEASURING GUIDE



REAR FRAME

MGUIDE8

SEAT DEPTH	KIDS FRONT	REG. FRONT	SEAT DEPTH	KIDS FRONT	REG. FRONT
10"	4 & 5	6 & 8	14"	1 & 3	2 & 4
11"	4 & 5	5 & 7	15"	N/A	2 & 4
12"	2 & 4	4 & 5	16"	N/A	1 & 3
13"	2 & 4	4 & 5			



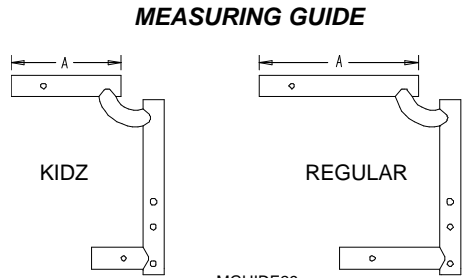
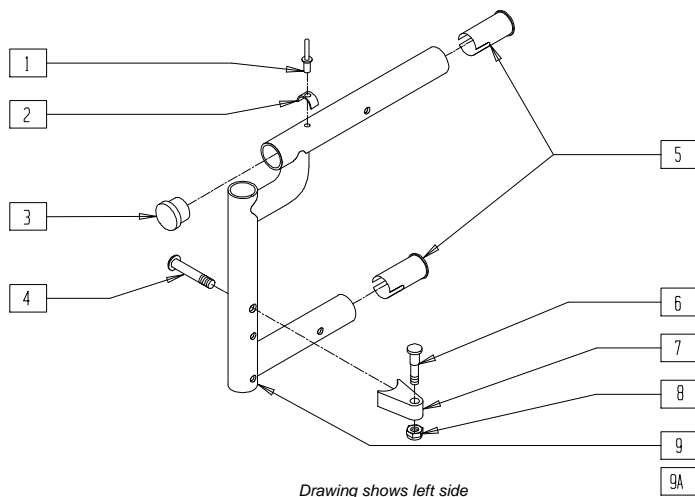
Drawing shows left side

ZP200X01

ITEM	NUMBER	DESCRIPTION	QTY
2	561014	1" MED CAP	1
3	561002	1" INSERT PLUG .083	1
4	226120	1/4-20 x 1 BH C/S	2
5	262130	6mm WASHER WAVE	2

ITEM	NUMBER	DESCRIPTION	QTY
6	483001	Q2 FRAME/FOOT RETAINING PLUG	2
1-6	620160	REAR S/F PNTD R Z2 (SPECIFY COLOR)	
1A,2-6	620162	REAR S/F PNTD L Z2 (SPECIFY COLOR)	

## SWING-AWAY FRONT SIDE FRAME (ZIPPIE 2)



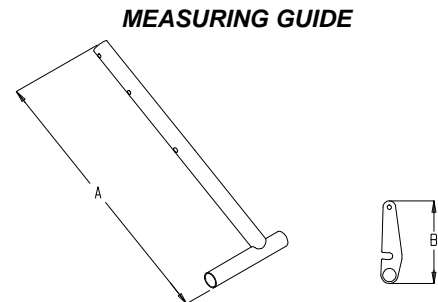
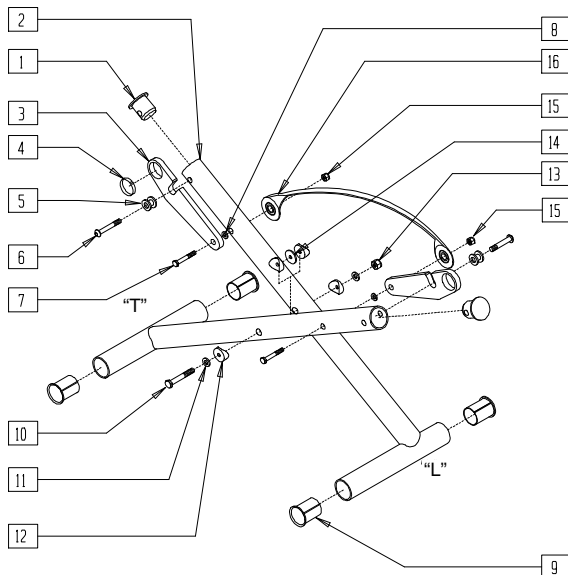
FRAME LENGTH	"A"
KIDS	5 1/4"
REG	7 3/8"

ZP200X02

ITEM	NUMBER	DESCRIPTION	QTY
1	240108	RIVET POP SSD64SSBS	1
2	550489	SEAT STOP	1
3	561002	1" INSERT PLUG .083	1
4	226190	5/16-18 x 1 3/4 BH C/S SHLDR	1
5	560406	FRAME BUSHING	2
6	481023	S/A LATCH STUD NEW	1
7	551310	LATCH STUD SUPPORT BLK	1

ITEM	NUMBER	DESCRIPTION	QTY
8	201100-OU	1/4-28 NYLOCK NUT THIN	1
1-3,5,9	640201	Z2 FRONT S/F REG PNTD S/A (SPECIFY COLOR)	
1-3,5,9A	640106	FRONT S/F KIDS S/A PNTD Z2 (SPECIFY COLOR)	
4,6-8	921295	S/A LATCH ASSM W/BOLT BLK	

## CROSS TUBE ASSEMBLY (ZIPPIE 2)



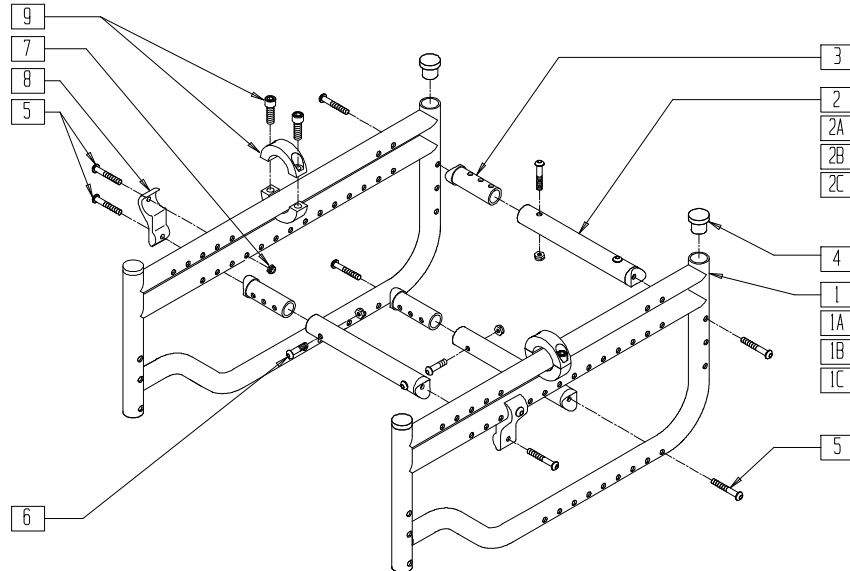
SEAT WIDTH	"A"	"B"
12"	13 3/8"	3 9/16"
13"	14 1/4"	4"
14"	15 1/8"	4 7/16"
15"	16"	4 7/8"
16"	16 7/8"	5 5/16"

ZP200X03

ITEM	NUMBER	DESCRIPTION	QTY
1	483120	Z2 X-TUBE PLUG	2
3	500510-500514	X-HINGE 12"-16" Z2	1
4	580200	TEFLON STRIP BEARING(S)	2
5	481089	Z2 X-HINGE SPACER	2
6	226130	1/4-28 x 1 1/2 BH C/S	2
7	221192	1/4-28 x 2 G8 HEX C/S	2
8	561028	1/4" NYLON WASHER	2
9	560402	3/4" ID NY-LINER	4

ITEM	NUMBER	DESCRIPTION	QTY
10	222249	5/16-24 x 3 G8 HEX C/S	1
11	263110-OU	5/16 AN WASHER FLAT THIN	2
12	561006	1" SADDLE 5/16" HOLE	4
13	202100-MJ	5/16-24 NYLOCK NUT THIN	1
14	561016	1" WASHER 5/16" HOLE	1
15	201110	1/4-28 NYLOCK NUT	2
16	750550	Z2 FOLDING STRAP	1
1-16	671101-671105	Z2 X-TUBE ASSEMBLY 12"-16"	

## FRAME (ZIPPIE GS)

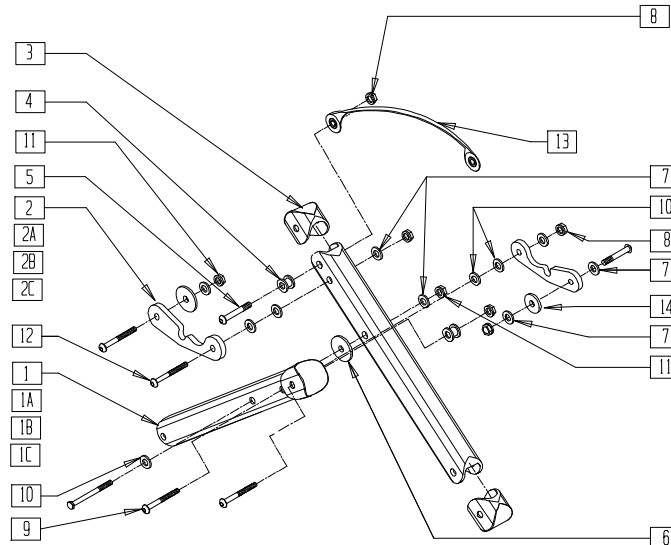


ZGS00X33

ITEM	NUMBER	DESCRIPTION	QTY
1,4	600010	SIDE FRM ASSM RIGID SHT 10"-14" ZGS	2
1A,4	600011	SIDE FRM ASSM RIGID REG 12"-16" ZGS	2
1B,4	600012	SIDE FRM ASSM RIGID LNG 14"-18" ZGS	2
1C,4	600013	SIDE FRM ASSM RIGID X-LNG 16"-20" ZGS	2
2	522802	STRUT TUBE 10"-11"-12"	3
2A	522804	STRUT TUBE 12"-13"-14"	3
2B	522806	STRUT TUBE 14"-15"-16"	3
2C	522808	STRUT TUBE 16"-17"-18"	3

ITEM	NUMBER	DESCRIPTION	QTY
3	483184	STRUT SADDLE ZGS	6
4	561005	1" INSERT PLUG .125	2
5	226130	1/4-28 x 1 1/2 BH C/S	8
6	226129	1/4-28 x 1 1/4 BH C/S	6
7	201100-QU	1/4-28 NYLOCK NUT THIN	8
8	550119	STRUT TUBE MOUNT BRACKET	2
9	342048	ADJ SEAT STOP 1"	2

## CROSS TUBE ASSEMBLY (ZIPPIE GS)

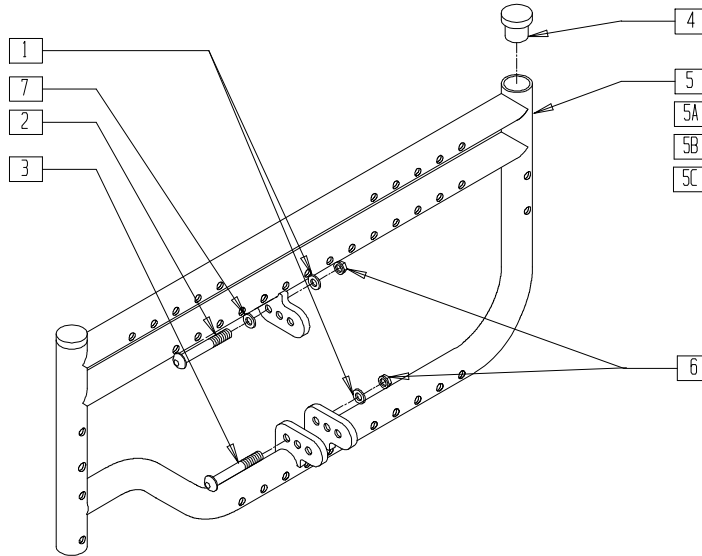


ZGS00X32A

ITEM	NUMBER	DESCRIPTION	QTY
2	500520	X-HINGE ZGS SM 10"-12" ZGS	2
2A	500521	X-HINGE ZGS MED 12"-14" ZGS	2
2B	500522	X-HINGE ZGS LRG 14"-16" ZGS	2
2C	500523	X-HINGE ZGS X-LRG 16"-18" ZGS	2
3	562845	END CAP OVAL TUBE ZGS	4
4	481089	Z2 X-HINGE SPACER	2
5	226150	1/4-28 x 2 BH C/S	2
6	561016	1" WASHER 5/16" HOLE	3
7	262100-QU	1/4" AN WASHER FLAT	5
8	201110	1/4-28 NYLOCK NUT	2

ITEM	NUMBER	DESCRIPTION	QTY
9	221181	1/4-28 x 2 1/2 G8 HEX C/S	1
10	561028	1/4 NYLON WASHER	5
11	201100-QU	1/4 NYLOCK NUT THIN	5
12	226140	1/4-28 x 1 3/4 BH C/S	2
13	750552	ZGS FOLDING STRAP	1
14	561026	3/4" WASHER 1/4" HOLE	2
1-13	673100	X-TUBE ASSEMBLY 10"-12" ZGS	
1A,2A,3-13	673101	X-TUBE ASSEMBLY 12"-14" ZGS	
1B,2B,3-13	673102	X-TUBE ASSEMBLY 14"-16" ZGS	
1C,2C,3-13	673103	X-TUBE ASSEMBLY 16"-18" ZGS	

## FOLDING SIDE FRAME (ZIPPIE GS)

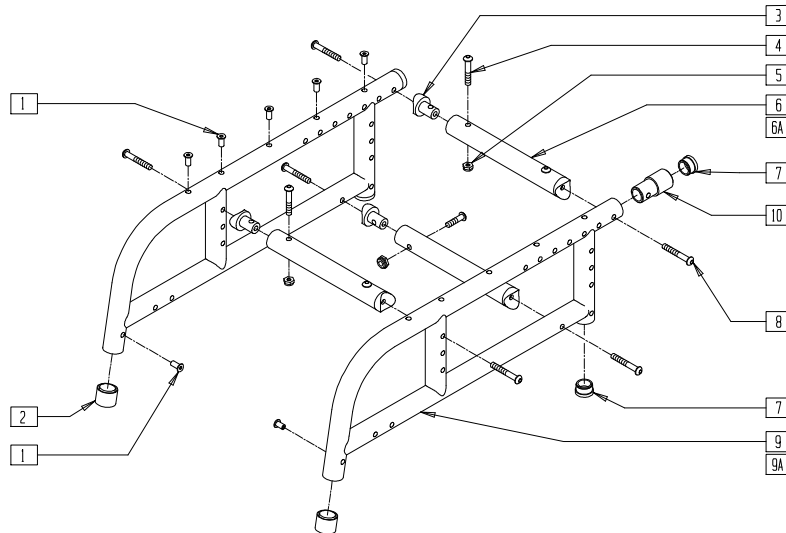


ZGS00X31

ITEM	NUMBER	DESCRIPTION	QTY
1	262100-QU	1/4 AN WASHER FLAT	2
2	226111	1/4-28 x 1 BH C/S SHLDR	1
3	226150	1/4-28 x 2 BH C/S	1
4	561005	1" INSERT PLUG .125	1
4,5	600020, 600030	SIDE F SHORT 10"-14" ZGS	
4,5A	600021, 600031	SIDE F REGULAR 12"-16" ZGS	

ITEM	NUMBER	DESCRIPTION	QTY
4,5B	600022, 600032	SIDE F LONG 14"-18" ZGS	
4,5C	600023, 600033	SIDE F X-LONG 16"-20" ZGS	
6	201100-QU	1/4-28 NYLOCK NUT THIN	2
7	561028	1/4 NYLON WASHER	1

## FRAME (QUICKIE KIDZ)



KDZ00X02

ITEM	NUMBER	DESCRIPTION	QTY
1	341497	10-32 x .020-.130 RIVNUT GOLD	10-12
2	561082	1" TUBE END BUSHING THIN	2
3	483038	STRUT SADDLE ZP/P5/KZ	6
4	226129	1/4-28 x 1 1/4 BH C/S	6
5	201100-QU	1/4-28 NYLOCK NUT THIN	6
6	522802- 522806	STRUT TUBE ZP/KZ 10"-14"	3
6A	675012- 675016	ZP/KIDZ GROWTH TUBE KIT 10"-14"	1

ITEM	NUMBER	DESCRIPTION	QTY
7	561002	1" INSERT PLUG .083	4
8	226130	1/4-28 x 1 1/2 BH C/S	6
10*	483059	FRAME EXT WHEEL LOCKS KIDZ	2
1,2, 7,9	620102	S/F PNTD KIDZ REG 8"-10" DEPTH (SPECIFY COLOR)	
1,2, 7,9A	620103	S/F PNTD KIDZ LONG 11"-14" DEPTH (SPECIFY COLOR)	
3-5,8	920343	STRUT TUBE HDWR KIT ZP/KIDZ	

\*NOTE: ORDER ITEM 10 FOR CHAIRS WITH 16" WHEELS.

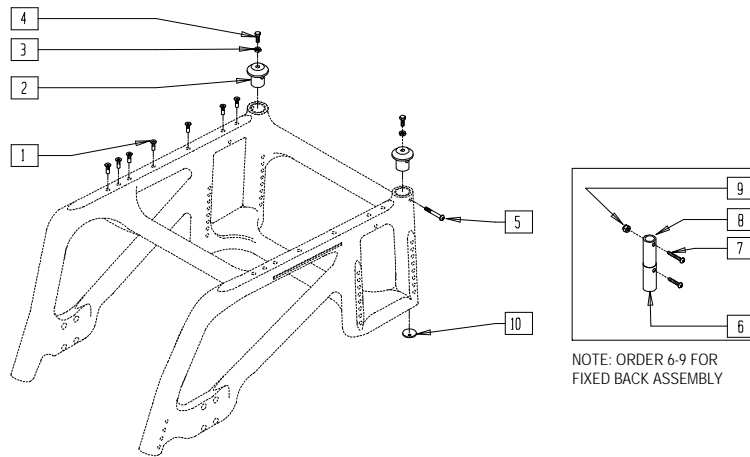
# Rigid Frames

## IN THIS SECTION

Frame (Quickie Carbon) (Disc.).....	3.1	Frame (Quickie ST/DT) (Disc.) .....	3.8
Frame (Quickie EX) (Disc.).....	3.1	Frame (Quickie ST/DT).....	3.8
Frame (Quickie GP 70°) .....	3.2	Frame (Quickie GPV Titanium).....	3.9
Frame (Quickie 1 (Disc.)/GP Swing-away).....	3.2	Frame (Quickie <i>TNT</i> )(Disc.).....	3.9
Frame (Quickie GPS)(Disc.) .....	3.3	Frame (Quickie Triumph)(Disc.).....	3.10
Frame (Quickie GPS 75°)(Disc.) .....	3.3	Frame (Quickie XTR) .....	3.11
Frame (Quickie GPS Titanium 75°)(Disc.).....	3.4	Rock Shox™ (Quickie XTR).....	3.11
Frame (Quickie GPV/GPV Competition) .....	3.5	Frame (Quickie Ti Titanium).....	3.12
Fixed Frame (Quickie R2) .....	3.6	Optional Crosstube Assembly	
AdjustableFrame (Quickie R2).....	3.7	(Quickie Ti Titanium) .....	3.12

# FRAME (QUICKIE CARBON)

(Discontinued 3/1/95 - parts only)



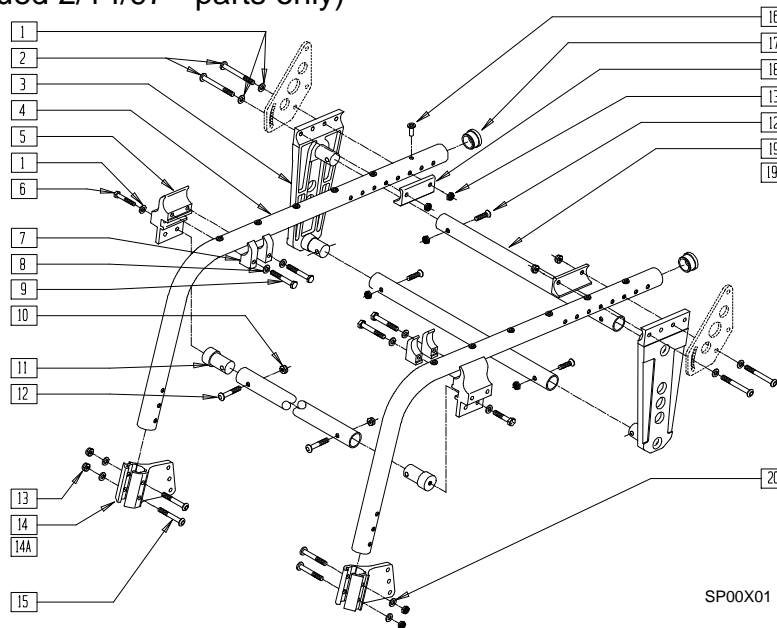
QCB0X01

ITEM	NUMBER	DESCRIPTION	QTY
1	341510	RIVNUT S10 P175	12
2	483104	QC BACKREST INSERT F BACK	2
3	201112	1/4-28 NUT THIN	2
4	221100	1/4-28 x 3/4 HEX C/S	2
5	226130	1/4-28 x 1 1/2 BH C/S	2

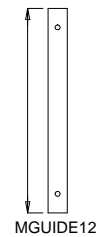
ITEM	NUMBER	DESCRIPTION	QTY
6	226110	1/4-28 x 1 BH C/S	2
7	226125	1/4-28 x 1 1/8 BH C/S	2
8	483105	QC BACK SUPPORT NF BACK	2
9	201100-QU	1/4-28 NYLOCK NUT THIN	2
10	561023	QC 1" DOME CAP	2

# FRAME (QUICKIE EX)

(Discontinued 2/14/97 - parts only)



## MEASURING GUIDE



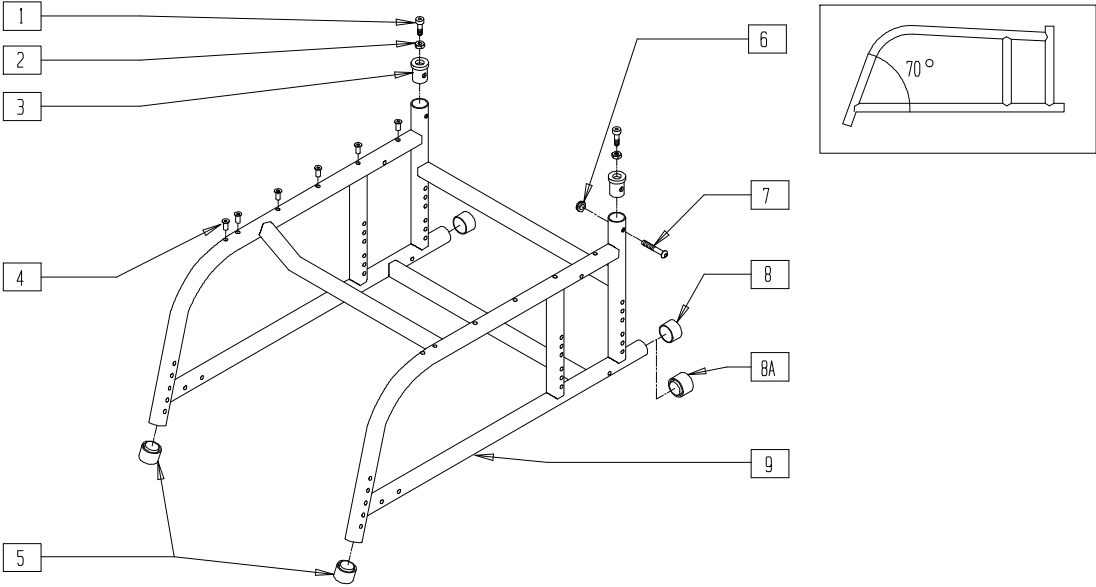
CHAIR WIDTH	
14"	12 7/8"
15"	13 7/8"
16"	14 7/8"
17"	15 7/8"
18"	16 7/8"
19"	17 7/8"
20"	18 7/8"

SP00X01

ITEM	NUMBER	DESCRIPTION	QTY
1	262110-QU	1/4 AN WASHER FLAT THIN	6
2	226150	1/4-28 x 2 BH C/S	4
3	501006	AXLE PLATE EX	2
5	550254	BRAKE CLAMP EX	2
6	221100	1/4-28 x 3/4 HEX C/S	2
7	550253	WHEEL LOCK CLAMP EX	4
8	262100-QU	1/4" AN WASHER FLAT	4
9	221124	1/4-28 x 1 1/4 G8 HEX C/S	4
10	201100-QU	1/4-28 NYLOCK NUT THIN	2
11	483034	STRUT END EX	2
12	226129	1/4-28 x 1 1/4 BH C/S	6
13	201110	1/4-28 NYLOCK NUT	8
14	550318	CASTER PLATE BRACKET R EX	1

ITEM	NUMBER	DESCRIPTION	QTY
14A	550319	CASTER PLATE BRACKET L EX	1
15	226140	1/4-28 x 1 3/4 BH C/S	4
16	341497	10-32 x .020-130 RIVNUT GOLD	12
17	561103	1 1/8" INSERT PLUG .083	2
18	550476	AXLE PLATE CLAMP EX	2
19	522784-522790	STRUT TUBE 14"-20" EX	3
19A	675064-675070	EX GROWTH TUBE KIT 14"-20"	1
20	262130	6mm WASHER WAVE	4
5,7-9	880595	WHEEL LOCK CLAMP EX	
4,16,17	605050	SIDE FRAME PNTD EX (SPECIFY COLOR)	2

# FRAME (QUICKIE GP 70°)



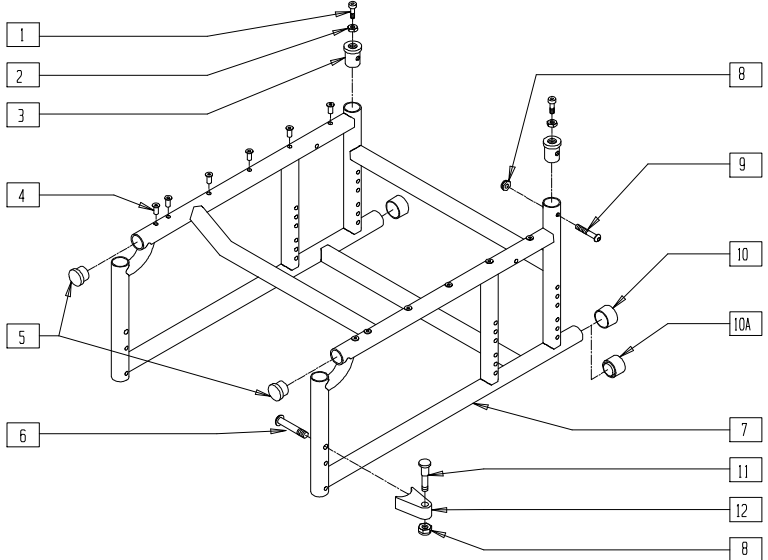
Q10X05

ITEM	NUMBER	DESCRIPTION	QTY
1	226058	1/4-20 x 3/4 SOC C/S	2
2	201121	1/4-20 NUT THIN	2
3	483010	Q1/GP BACK REL ANGLE PLUG	2
4	341497	10-32 x .020-.130 RIVNUT GOLD	8-14
5	561082	1" TUBE END BUSHING THIN	2
6	201100-QU	1/4-28 NYLOCK NUT THIN	2

ITEM	NUMBER	DESCRIPTION	QTY
7	226130	1/4-28 x 1 1/2 BH C/S	2
8	561014	1" MED CAP	2
8A	561018	1" TUBE END BUSHING THICK	2
1-9	601998	FRAME STD GP 70° PAINTED (SPECIFY DIMENSIONS AND COLOR)	

NOTE: ORDER ITEM 8A FOR CHAIRS WITH ANTI-TIP TUBES THAT MOUNT IN FRAME TUBE.

# FRAME (QUICKIE 1/GP SWING-AWAY) (Quickie 1 discontinued 12/90 - parts only)



Q10X03

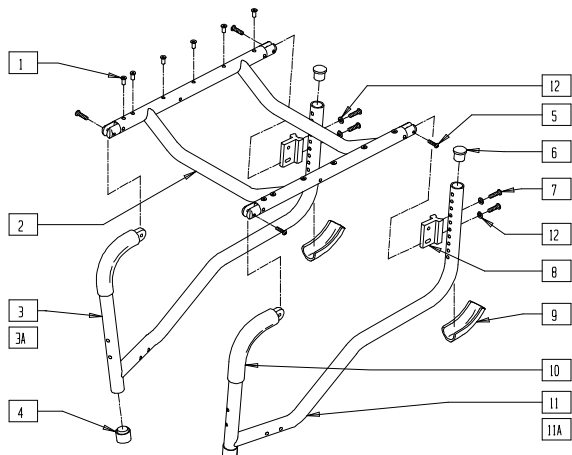
ITEM	NUMBER	DESCRIPTION	QTY
1	226058	1/4-20 x 3/4 SOC C/S	2
2	201121	1/4-20 NUT THIN	2
3	483010	Q1/GP BACK REL ANGLE PLUG	2
4	341497	10-32 x .020-.130 RIVNUT GOLD	8-14
5	561002	1" INSERT PLUG .083	2
6	226190	5/16-18 x 1 3/4 BH C/S SHLDR	2
8	201100-QU	1/4-28 NYLOCK NUT THIN	4
9	226130	1/4-28 x 1 1/2 BH C/S	2

ITEM	NUMBER	DESCRIPTION	QTY
10	561014	1" MED CAP	2
10A*	561018	1" TUBE END BUSHING THICK	2
11	481023	S/A LATCH STUD NEW	2
12	550310	LATCH STUD SUPPORT	2
6,8,11,12	920220	S/A LATCH ASSEMBLY W/BOLT	
1-5,7-10	603898	FRAME STD GP S/A PAINTED (SPECIFY DIMENSIONS AND COLOR)	

\*NOTE: ORDER ITEM 10A FOR CHAIRS WITH ANTI-TIP TUBES THAT MOUNT IN FRAME TUBE.

## FRAME (QUICKIE GPS)

(Discontinued 2/01-Parts only.)



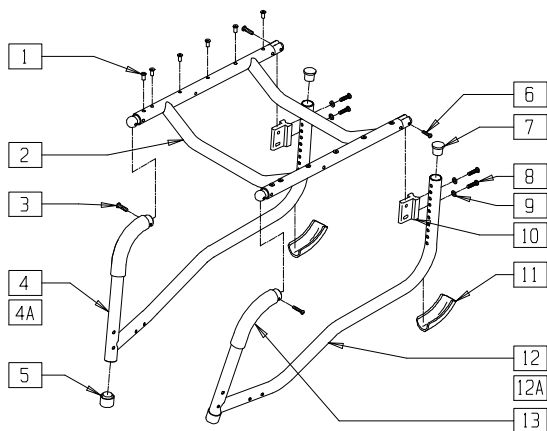
GBL00X01

ITEM	NUMBER	DESCRIPTION	QTY
1	341497	10-32 x .020-.130 RIVNUT GOLD	12
4	561082	1" TUBE END BUSHING THIN	2
5	226100	1/4-28 x 3/4 BH C/S	4
6	561002	1" INSERT PLUG .083	2
7	226130	1/4-28 x 1 1/2 BH C/S	4
8	550214	SEAT ADJ BRACKET	2
9	560413	REAR FRAME BUMPER GPS	2
10	560611	7 x .940 x .125 FOAM GRIP	2
12	262130	6mm WASHER WAVE	4
1,2,5	661020	SEAT FRAME PNTD 85° GPS (SPECIFY DIMENSIONS AND COLOR)	1
3,4,6, 9,10	600004- 600008	S/F REG PNTD R 85° GPS 14"-18" (SPECIFY COLOR)	1

ITEM	NUMBER	DESCRIPTION	QTY
3A,4,6, 9,10	600014- 600018	S/F TALL PNTD R 85° GPS 14"-18" (SPECIFY COLOR)	1
4,6,9, 10,11	600104- 600108	S/F REG PNTD L 85° GPS 14"-18" (SPECIFY COLOR)	1
4,6,9 10,11A	600114- 600118	S/F TALL PNTD L 85° GPS 14"-18" (SPECIFY COLOR)	1
1-12	600054- 600058	FRAME PNTD REG 85° GPS 14"-18" (SPECIFY DIMENSIONS AND COLOR)	
1,2,3A, 4-10, 11A,12	600064- 600068	FRAME PNTD TALL 85° GPS 14"-18" (SPECIFY DIMENSIONS AND COLOR)	

## FRAME (QUICKIE GPS 75°)

(Discontinued 2/01-Parts only.)



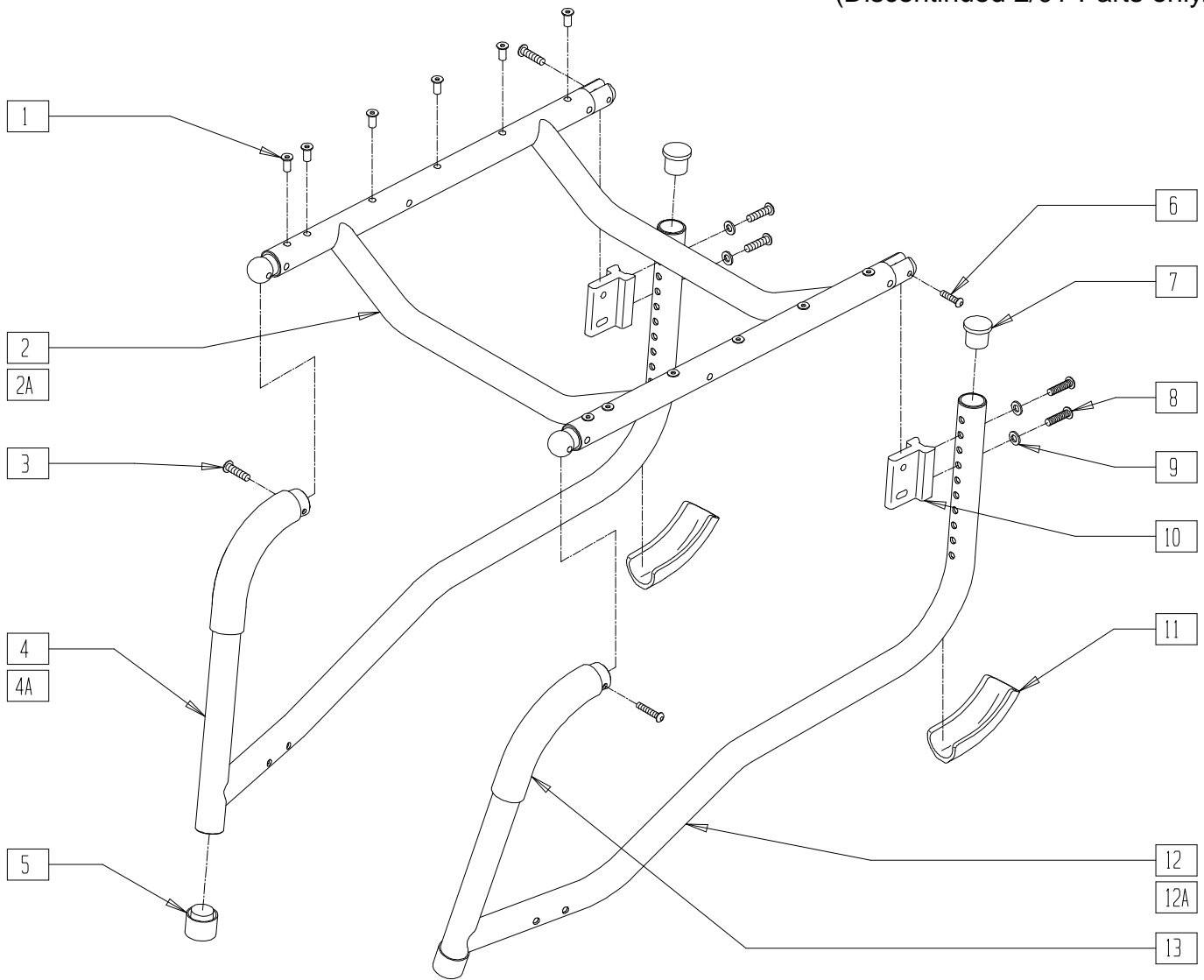
GBL00X25

ITEM	NUMBER	DESCRIPTION	QTY
1	341497	10-32 x .020-.130 RIVNUT GOLD	12
2	661021	SEAT FRAME PNTD 75° GPS (SPECIFY DIMENSIONS AND COLOR)	1
3	226110	1/4-28 x 1 BH C/S	2
5	561082	1" TUBE END BUSHING THIN	2
6	226100	1/4-28 x 3/4 BH C/S	2
7	561002	1" INSERT PLUG .083	2
8	226130	1/4-28 x 1 1/2 BH C/S	4
9	262130	6mm WASHER WAVE	4
10	550214	SEAT ADJ BRACKET	2
11	560413	REAR FRAME BUMPER GPS	2
13	560611	7 x .940 x .125 FOAM GRIP	2

ITEM	NUMBER	DESCRIPTION	QTY
4,5,7, 11,13	600024- 600028	S/F REG PNTD 14"-18" 75° R GPS (SPECIFY COLOR)	
4A,5,7, 11,13	600034- 600038	S/F TALL PNTD 14"-18" 75° R GPS (SPECIFY COLOR)	
5,7,11, 12,13	600124- 600128	S/F REG PNTD 14"-18" 75° L GPS (SPECIFY COLOR)	
5,7,11, 12A,13	600134- 600138-	S/F TALL PNTD 14"-18" 75° L GPS (SPECIFY COLOR)	
1-13	600074- 600078	FRAME PNTD REG 14"-18" 75° GPS (SPECIFY COLOR)	
1-11, 12A,13	600084- 600088	FRAME PNTD TALL 14"-18" 75° GPS (SPECIFY COLOR)	



# FRAME (QUICKIE GPS TITANIUM 75°) (Discontinued 2/01-Parts only.)

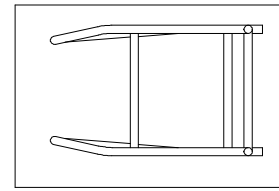
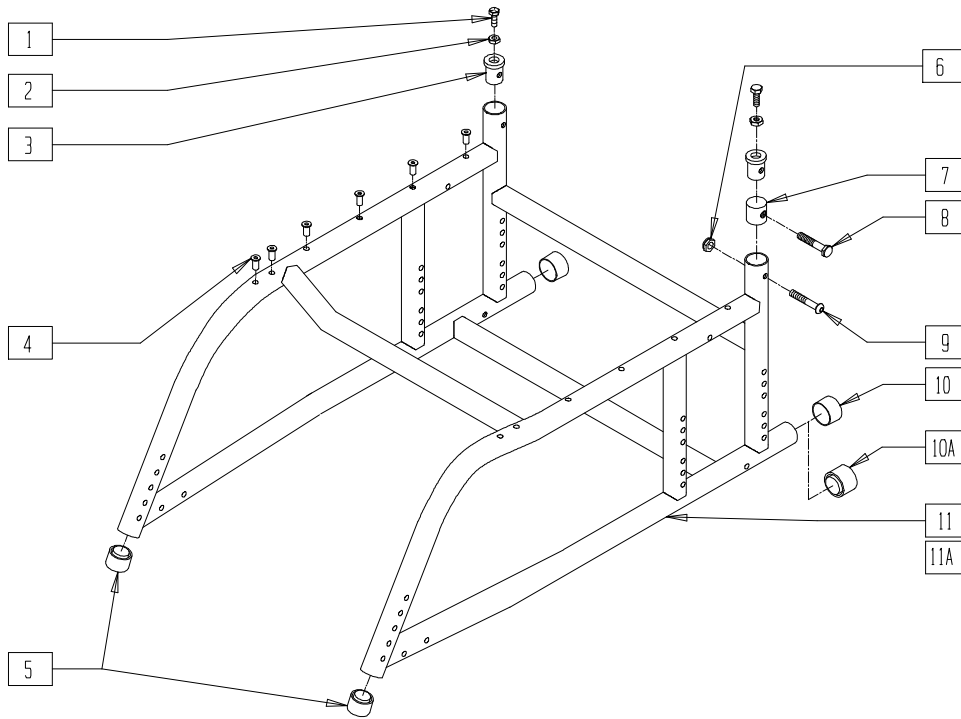


GBL00X26

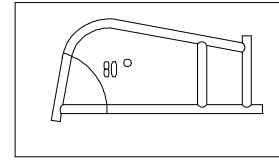
ITEM	NUMBER	DESCRIPTION	QTY
1	341497	10-32 x .020-.130 RIVNUT GOLD	12
2	661022	SEAT FRAME PNTD 75° GPS Ti (SPECIFY DIMENSIONS AND COLOR)	1
2A	661024- 661028	SEAT FRAME Ti 14"-18" GPS (SPECIFY WIDTH)	1
3	226110	1/4-28 x 1 BH C/S	2
5	561018	1" TUBE END BUSHING THICK	2
6	226100	1/4-28 x 3/4 BH C/S	2
7	560995	1" INSERT PLUG .036	2
8	226130	1/4-28 x 1 1/2 BH C/S	4
9	262130	6mm WASHER WAVE	4
10	550214	SEAT ADJ BRACKET	2
11	560413	REAR FRAME BUMPER GPS	2
13	560611	7 x .940 x .125 FOAM GRIP	2
4,5,7, 11,13	600144- 600148	S/F REG Ti 14"-18" 75° R GPS	1

ITEM	NUMBER	DESCRIPTION	QTY
4A,5, 7,11,13	600154- 600158	S/F TALL Ti 14"-18" 75° R GPS	1
5,7,11, 12,13	600244- 600248	S/F REG Ti 14"-18" 75° L GPS	
5,7,11, 12A,13	600254- 600258	S/F TALL Ti 14"-18" 75° L GPS	
1-13	600174- 600178	FRAME Ti/AL REG 14"-18" 75° GPS	
1-3,4A, 5-13	600184- 600188	FRAME Ti/AL TALL 14"-18" 75° GPS	
1,2A, 3-13	600094- 600098	FRAME Ti REG 14"-18" 75° GPS	
1,2A,3, 4A,5-13	600194- 600198	FRAME Ti TALL 14"-18" 75° GPS	

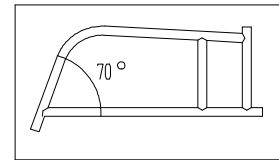
# FRAME (QUICKIE GPV/GPV COMPETITION)



TOP VIEW



QUICKIE GPV COMPETITION



QUICKIE GPV

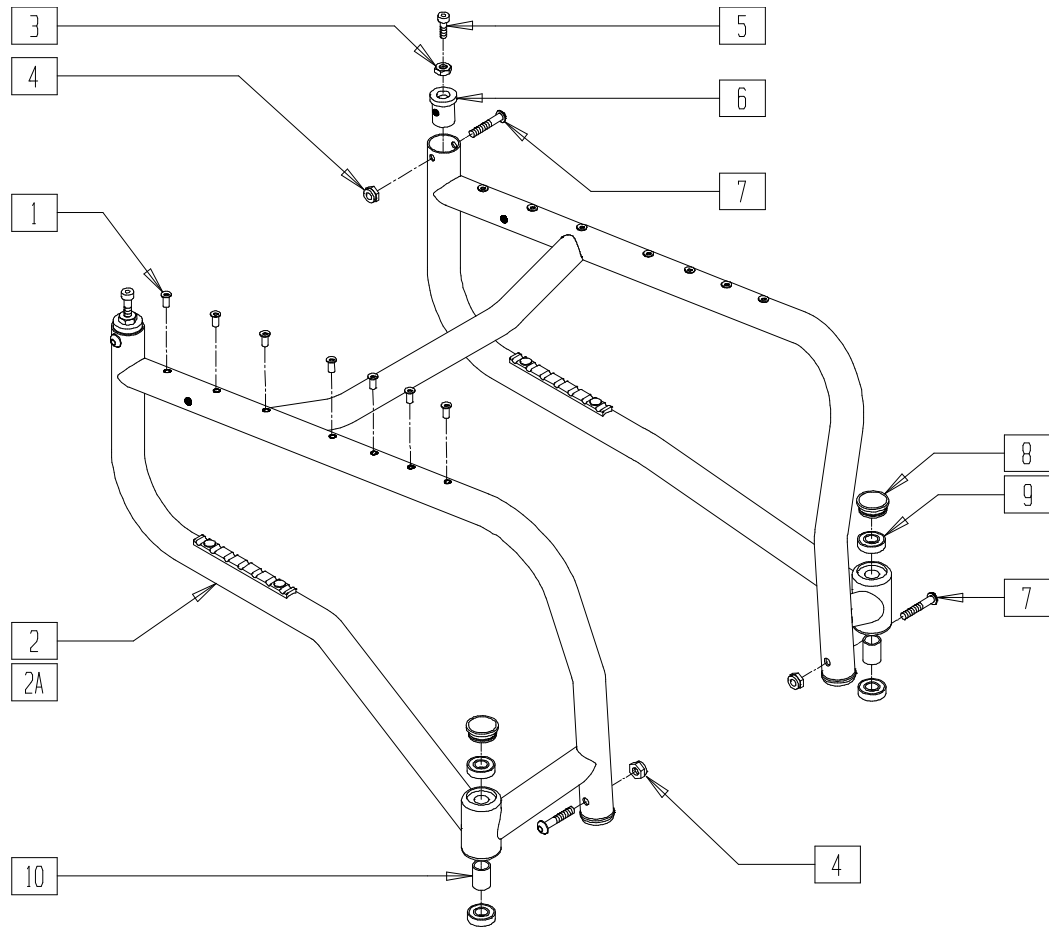
Q10X04

ITEM	NUMBER	DESCRIPTION	QTY
1	226058	1/4-20 x 3/4 SOC C/S	2
2	201121	1/4-20 NUT THIN	2
3	483010	Q1/GP BACK REL ANGLE PLUG	2
4	341497	10-32 x .020-.130 RIVNUT GOLD	8-14
5	561082	1" TUBE END BUSHING THIN	2
6	201100-QU	1/4-28 NYLOCK NUT THIN	2
7	483007	H/M CASTER/GPV COMP INSERT	2
8	221130	1/4-28 x 1 1/2 HEX C/S	2

ITEM	NUMBER	DESCRIPTION	QTY
9	226130	1/4-28 x 1 1/2 BH C/S	2
10	561014	1" MED CAP	2
10A	561018	1" TUBE END BUSHING THICK	2
1-6, 9-11	602498	FRAME STD GPV 70° PNTD (SPECIFY DIMENSIONS AND COLOR)	
1-6,9, 10,11A	602499	FRAME GPV 80° COMPETITION PNTD (SPECIFY DIMENSIONS AND COLOR)	

NOTE: ORDER ITEM 10A FOR CHAIRS WITH ANTI-TIP TUBES THAT MOUNT IN FRAME TUBE.

# FIXED FRAME (QUICKIE R2)

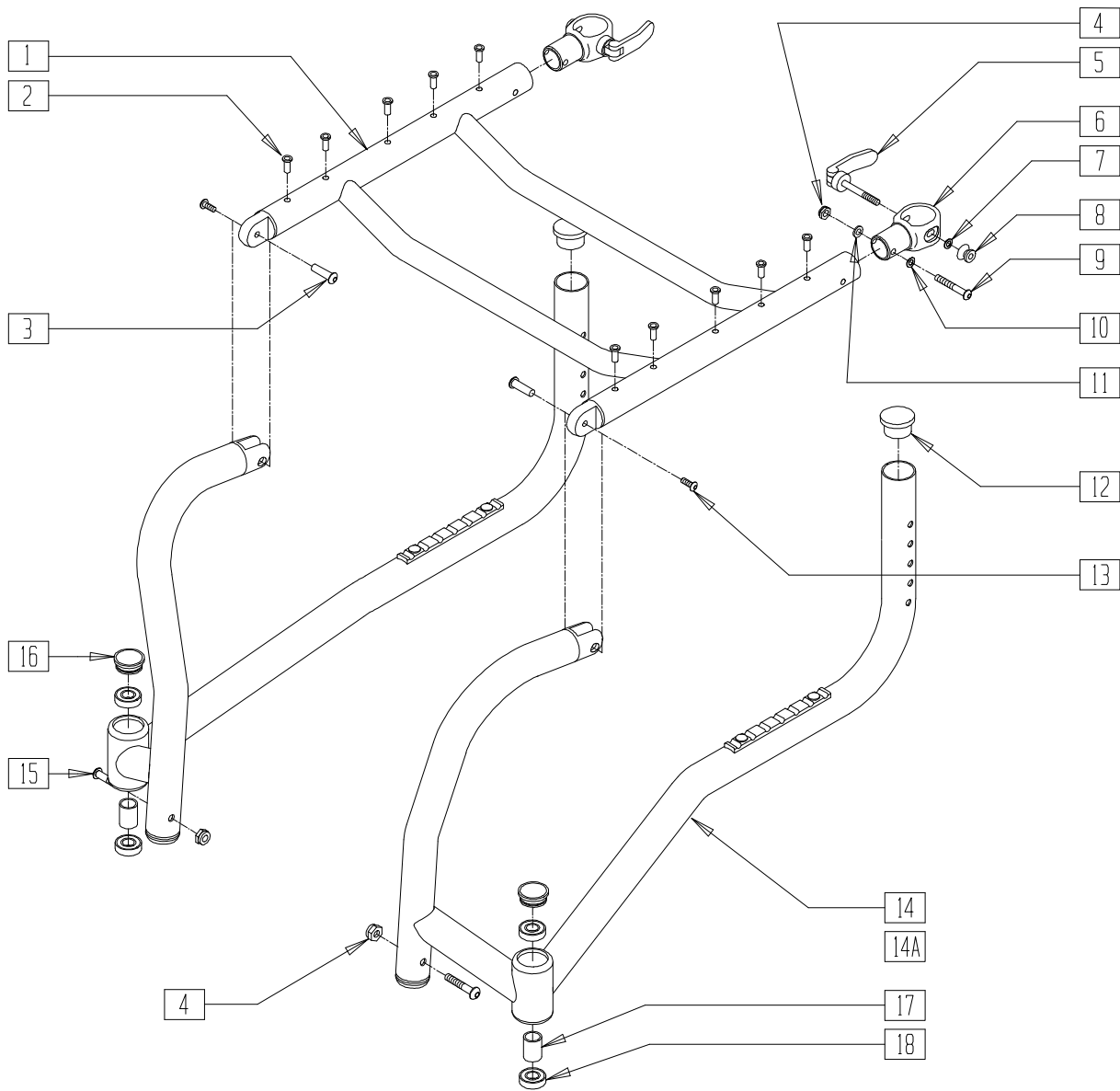


R200X01

ITEM	NUMBER	DESCRIPTION	QTY
1	341497	10-32 x .020-.130 RIVNUT GOLD	8-14
3	201121	1/4-20 NUT THIN	2
4	201100-QU	1/4-28 NYLOCK NUT THIN	4
5	226058	1/4-20 x 3/4 SOC C/S	2
6	483251	BACKREST REL PLUG A/C	2
7	226130	1/4-28 x 1 1/2 BH C/S	4
8	561070	CASTER CAP PLASTIC	2
	920028	CASTER CAP PLASTIC (PR)	1

ITEM	NUMBER	DESCRIPTION	QTY
9	349500	1 1/8 x 1/2 BEARING	4
10	521626	CASTER STEM SPACER R2	2
1-10	602700- 602766	FRAME PTD RIGID R2 2" SQZ (14" x 12" - 20" x 18")	
1,2A,3-10	602800- 602866	FRAME PTD RIGID R2 3" SQZ (14" x 12" - 20" x 18")	

# ADJUSTABLE FRAME (QUICKIE R2)

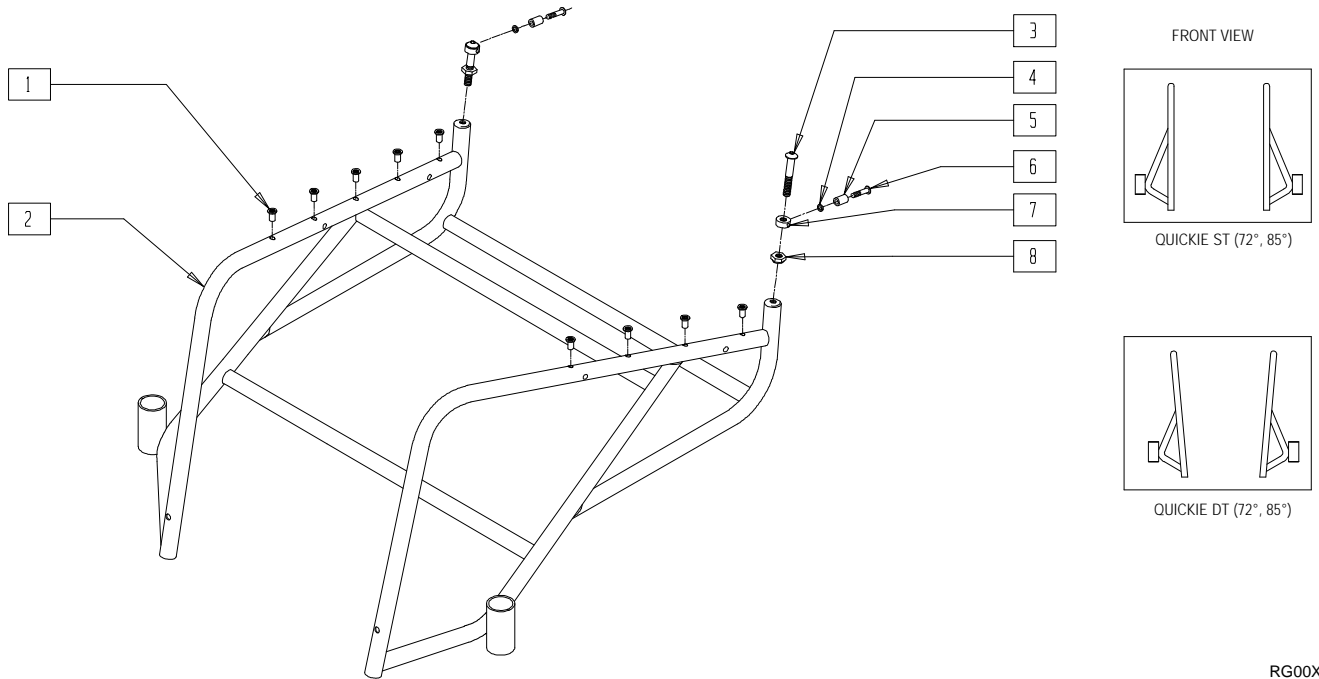


R200X04

ITEM	NUMBER	DESCRIPTION	QTY
2	341497	10-32 x .020-130 RIVNUT GOLD	10-14
3	221213	10-32 x 7/8" HEX SEX BOLT QTNT	2
4	201100-QU	1/4-28 NYLOCK NUT THIN	2
6	887256	SQUEEZE CLAMP W/LINER R2	2
9	226140	1/4-28 x 1 3/4 BH C/S	2
10	262130	6mm WASHER WAVE	2
11	262100-QU	1/4" AN WASHER FLAT	2
12	560110	END PLUG BACKREST QTNT	2
13	226051	10-32 x 3/8" BH C/S	2
5,7,8	881934	QR CLAMP ASSM W/WASHER BLK	
15	226130	1/4-28 x 1 1/2 BH C/S	2

ITEM	NUMBER	DESCRIPTION	QTY
16	561070	CASTER CAP PLASTIC	2
	920028	CASTER CAP PLASTIC (PR)	
17	521626	CASTER STEM SPACER R2	2
18	349500	1 1/8 x 1/2 BEARING	4
1-11,13	660600-660666	SEAT FRAME PNTD R2 (14" x 12" - 20" x 18")	
12,14-20	603210, 603211	FRM PTD ADJ R2 1 O/S SPC DIM (EA) (14" WIDE CHAIRS)	
12,14A, 15-20	603212, 603213	FRM PTD ADJ R2 2 O/S SPC DIM (EA) (15"-20" WIDE CHAIRS)	

## FRAME (QUICKIE ST/DT) (Discontinued - parts only)

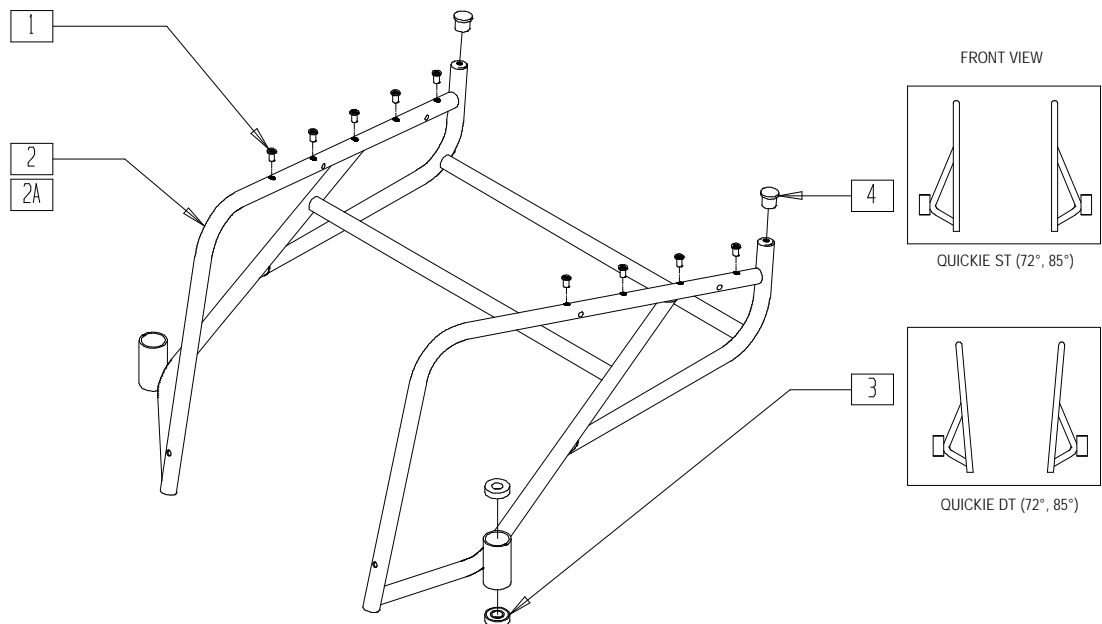


RG00X2A

ITEM	NUMBER	DESCRIPTION	QTY
1	341497	10-32 x .020-.130 RIVNUT GOLD	10
2	523200	RIGID FRAME (SPECIFY COLOR AND DIMENSIONS)	1
3	226196	5/16-18 x 2 BH C/S ZN	2
4	261524	#10 WASHER LOCK SS	2

ITEM	NUMBER	DESCRIPTION	QTY
5	481310	BACK LOCK SPACER	2
6	281124	10-32 x 3/4 BH C/S SS	2
7	920112	BACKLOCK COLLAR	2
8	201216	5/16-18 JAM NUT SS	2
3-8	880833	FRAME HARDWARE KIT ONE/DT	

## FRAME (QUICKIE ST/DT)

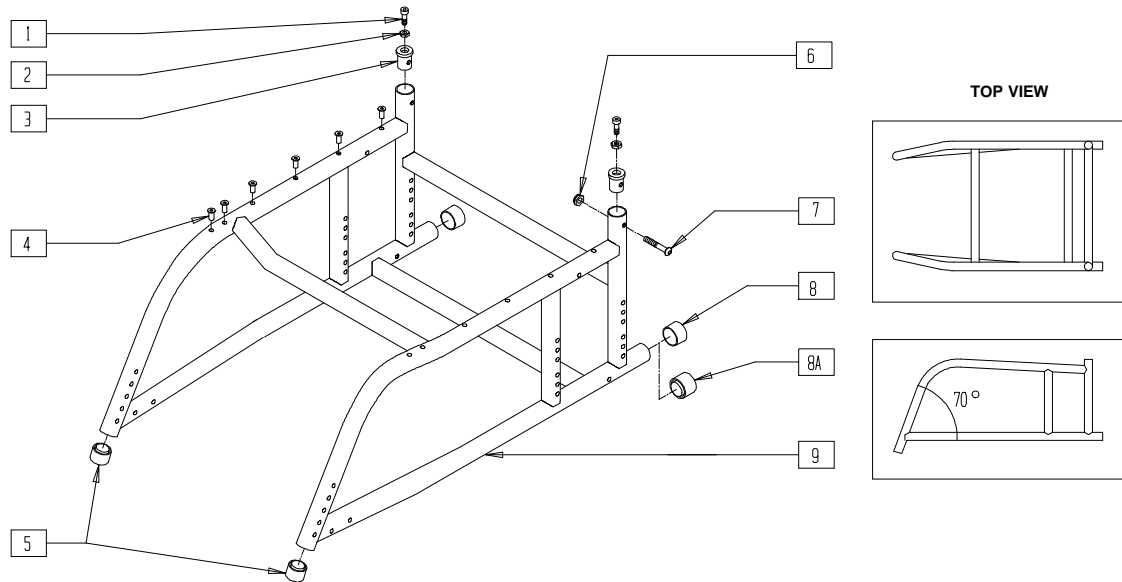


RG00X2B

ITEM	NUMBER	DESCRIPTION	QTY
1	341497	10-32 x .020-.130 RIVNUT GOLD	10
2	605100- 605111	FRAME ASSEMBLY ST (SPECIFY WIDTH, SLING DEPTH)	1

ITEM	NUMBER	DESCRIPTION	QTY
2A	605112- 605123	FRAME ASSEMBLY DT (SPECIFY WIDTH, SLING DEPTH)	1
3	349500	1 1/8 x 1/2 BEARING	4
4	560761	3/4 INSERT PLUG .049 (18GA)	2

## FRAME (QUICKIE GPV TITANIUM)



Q10X06

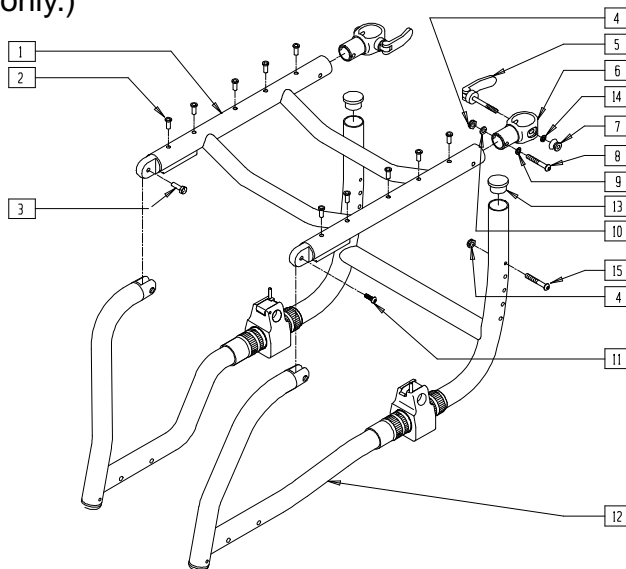
ITEM	NUMBER	DESCRIPTION	QTY
1	226058	1/4-20 x 3/4 SOC C/S	2
2	201121	1/4-20 NUT THIN	2
3	483055	PLUG BACK REL Ti GPV	2
4	341497	10-32 x .020-.130 RIVNUT GOLD	8-14
5	561018	1" TUBE END BUSHING THICK	2
6	201100-QU	1/4-28 NYLOCK NUT THIN	2
7	226130	1/4-28 x 1 1/2 BH C/S	2

ITEM	NUMBER	DESCRIPTION	QTY
8	561014	1" MED CAP	2
8A	561018	1" TUBE END BUSHING THICK	2
1-9	604100-604116	FRAME GPV Ti W/HDWR (SPECIFY DIMENSIONS)	

NOTE: ORDER ITEM 8A FOR CHAIRS WITH ANTI-TIP TUBES THAT MOUNT IN FRAME TUBE.

## FRAME (Quickie TNT)

(Discontinued 2/01-Parts only.)

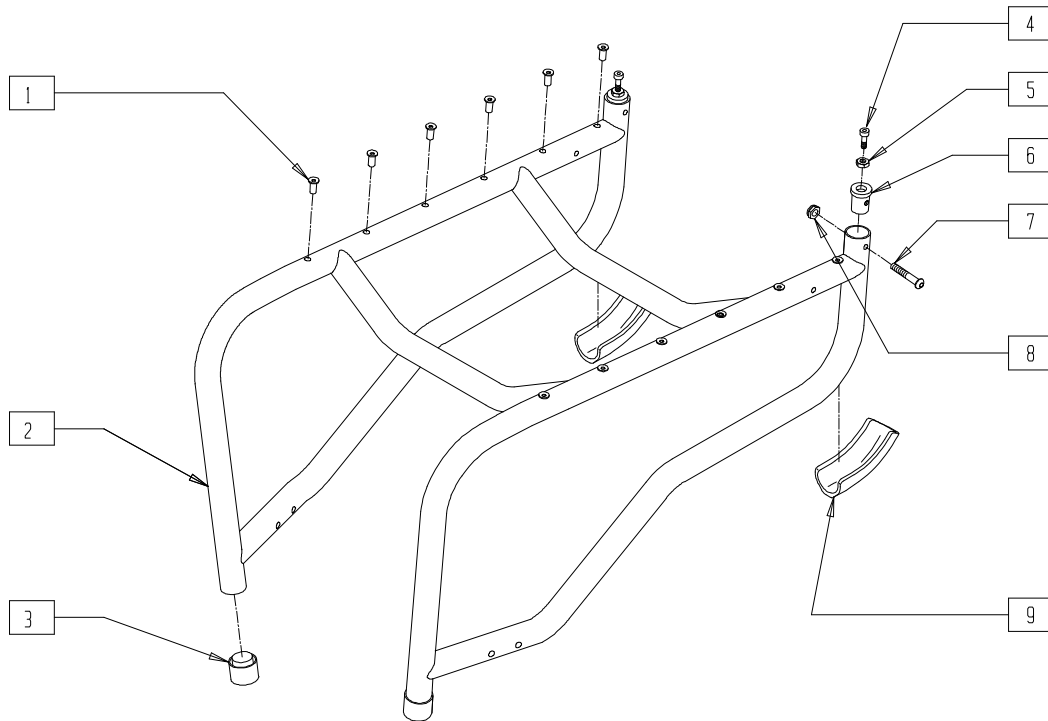


TNT00X01

ITEM	NUMBER	DESCRIPTION	QTY
2	341497	10-32 x .020-.130 RIVNUT GOLD	10-12
3	221213	10-32 x 7/8" HEX SEX BOLT QTNT	2
4	201100-QU	1/4-28 NYLOCK NUT THIN	4
5,7,14	881934	Q-RELSE CLAMP ASSEMBLY QTNT	
6	887255	SQUEEZE CLMP W/LINER BLK NEW	2
8	226140	1/4-28 x 1 3/4 BH C/S	2
9	262130	6mm WASHER WAVE	2
10	262120	1/4 AN WASHER FLAT	2

ITEM	NUMBER	DESCRIPTION	QTY
11	226051	10-32 x 3/8" BH C/S	2
12	660400-660449	RR FRAME W/FRONTS QTNT	1
13	560110	END PLUG BACKREST QTNT	2
14	262120	1/4" SAE WASHER	2
15	226130	1/4-28 x 1 1/2 BH C/S	2
1,2,5-7,9-11	660501-660550	SEAT FRAME QTNT	

**FRAME (QUICKIE TRIUMPH)**  
 (Discontinued 2/01-Parts only.)

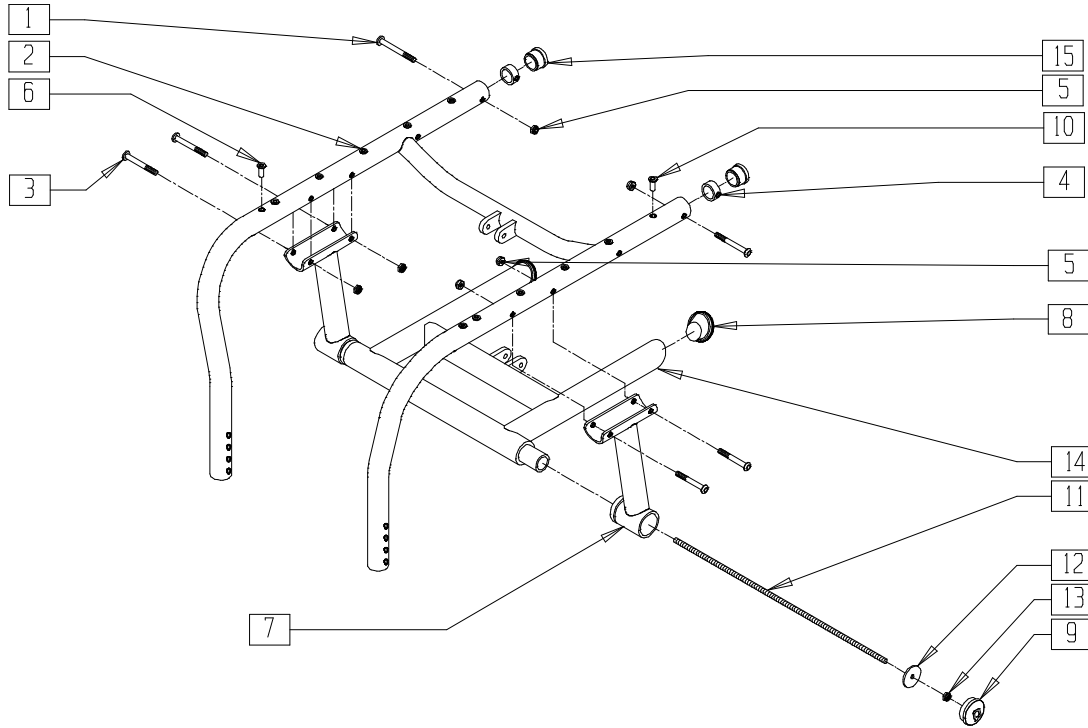


COMP0X01

ITEM	NUMBER	DESCRIPTION	QTY
1	341497	10-32 x .020-.130 RIVNUT GOLD	8-12
3	561082	1" TUBE END BUSHING THIN	2
4	226058	1/4-20 x 3/4 SOC C/S	2
5	201121	1/4-20 NUT THIN	2
6	483010	Q1/GP BACK REL ANGLE PLUG	2

ITEM	NUMBER	DESCRIPTION	QTY
7	226130	1/4-28 x 1 1/2 BH C/S	2
8	201100-QU	1/4-28 NYLOCK NUT THIN	2
9	560413	REAR FRAME BUMPER GPS	2
1-9	600040	FRAME TRIUMPH PAINTED (SPECIFY DIMENSIONS AND COLOR)	

## FRAME (QUICKIE XTR)



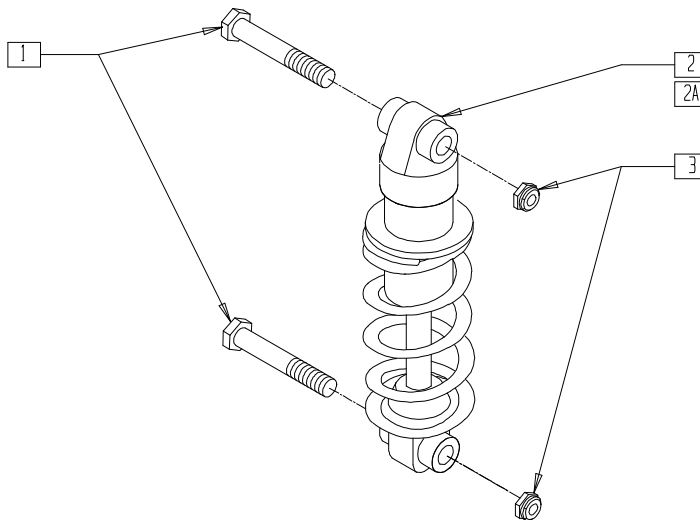
SUS00X20B

ITEM	NUMBER	DESCRIPTION	QTY
1	226147	1/4-28 x 1.85 BH C/S BLK ZN	2
3	227140	1/4-28 x 1 3/4 BH C/S BLK ZN	4
4	483241	TUBE PLUG ALUM .865 OD XTR	2
5	201100-QU	1/4-28 NYLOCK NUT THIN	6
6	341497	10-32 x .020-.130 RIVNUT GOLD	4-6
7	881031, 881030	V BRACKET W/BUSHING XTR (EA)	1
8	561262	1 3/8" ANGLE TUBE END CAP	2
9	561261	SWING ARM CAP XTR	2

ITEM	NUMBER	DESCRIPTION	QTY
10	341491	10-32 x .130-.225 RIVNUT GOLD	6
11	331070- 331076	1/4-20 x 14.70 ALL THREAD 14"-20" XTR	1
12	481654	SWING ARM WASHER XTR	2
13	201105	1/4-20 NYLOCK NUT THIN	2
15	562761	1" PLUG UNIVERSAL STYLE	2
8,14	660260- 660266	SWING ARM 14"-20"	1
1,2,4, 5,6,10	660210- 660244	SEAT FRAME 14"-20" x 14"-18" PNTD XTR	

NOTE: THE BACK 4 RIVNUTS ARE LONGER THAN THE FRONT RIVNUTS.

## ROCK SHOX™ (QUICKIE XTR)



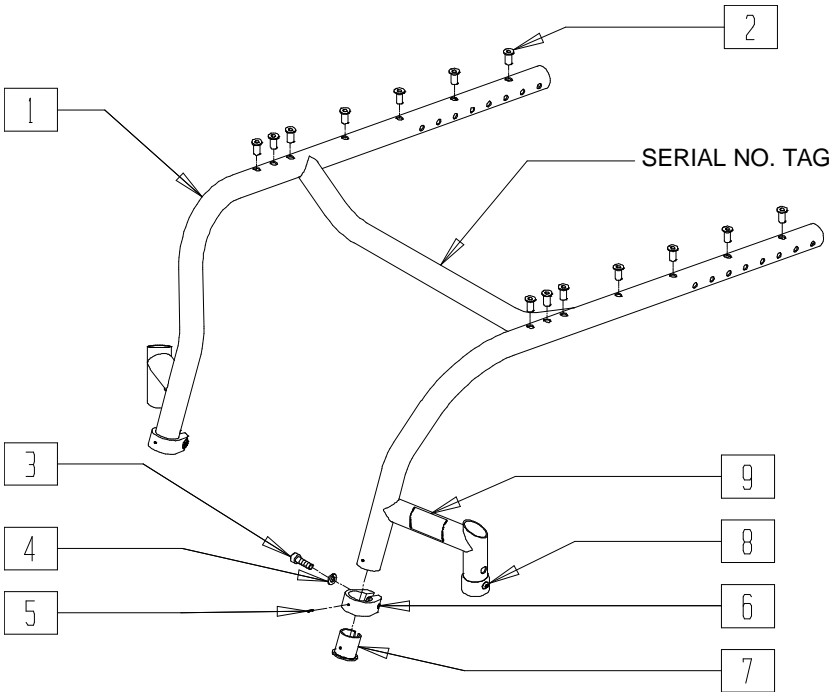
ROCKSHX2A

ITEM	NUMBER	DESCRIPTION	QTY
1	222242	5/16-18 x 2 1/2 HEX C/S	2
2	880888	SHOCK ASSEM "ROCK SHOX"™ LIGHT	1

ITEM	NUMBER	DESCRIPTION	QTY
2A	880889	SHOCK ASSEM "ROCK SHOX"™ HEAVY	1
3	202103	5/16-18 NYLOCK NUT THICK	2



# FRAME (QUICKIE Ti TITANIUM)



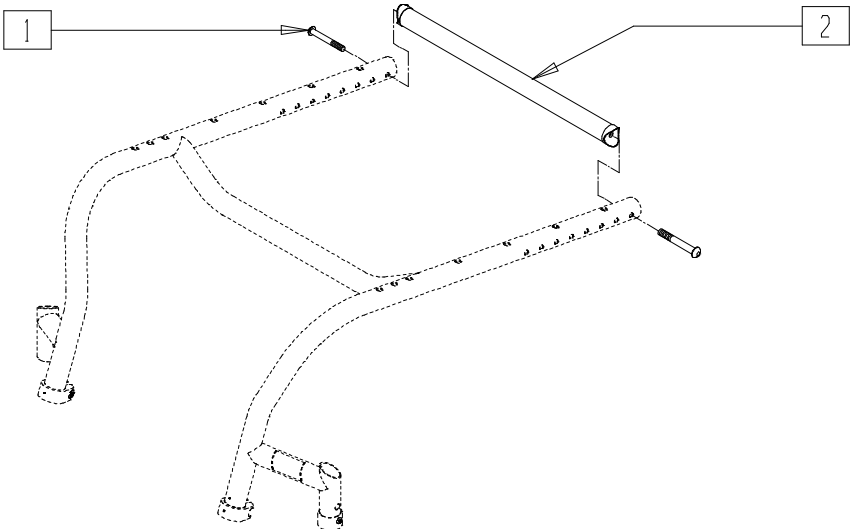
QTIX01

ITEM	NUMBER	DESCRIPTION	QTY
2	341523	RIVNUT M5, 3.3 GRIP	10-14
3	230027	SHCS M6 x 1 x 16mm TORX T-25	2
4	262114	1/4" WASHER HI-COLLAR LOCK ZN	2
5	553147	PIN SPRING .063 x .25	2

ITEM	NUMBER	DESCRIPTION	QTY
6	483257	CLAMP FOOTBED 1 INCH	2
7	560155	BUSHING SPLIT 1.00 OD .051 WALL	2
1,2,8,9	604312*- 604371*	TI FRAME ASSM STD (REPLACEMENT FRAME)	

\*NOTE: TO ORDER REPLACEMENT FRAME, CONTACT CUSTOMER SERVICE. REFER TO SERIAL NO. TAG ON ORIGINAL FRAME.

# OPTIONAL REAR CROSSTUBE ASSEMBLY (QUICKIE Ti TITANIUM)



QTIX27

ITEM	NUMBER	DESCRIPTION	QTY
1	230004	BHCS 1/4-28 x 1.75 UNRF-3A	2

ITEM	NUMBER	DESCRIPTION	QTY
2	881149- 881221	OPTIONAL REAR CROSS TUBE (13" - 18") WIDE	1

NOTE: ASSEMBLY WYITH WRENCH AVAILABLE CALL CUSTOMER SERVICE.



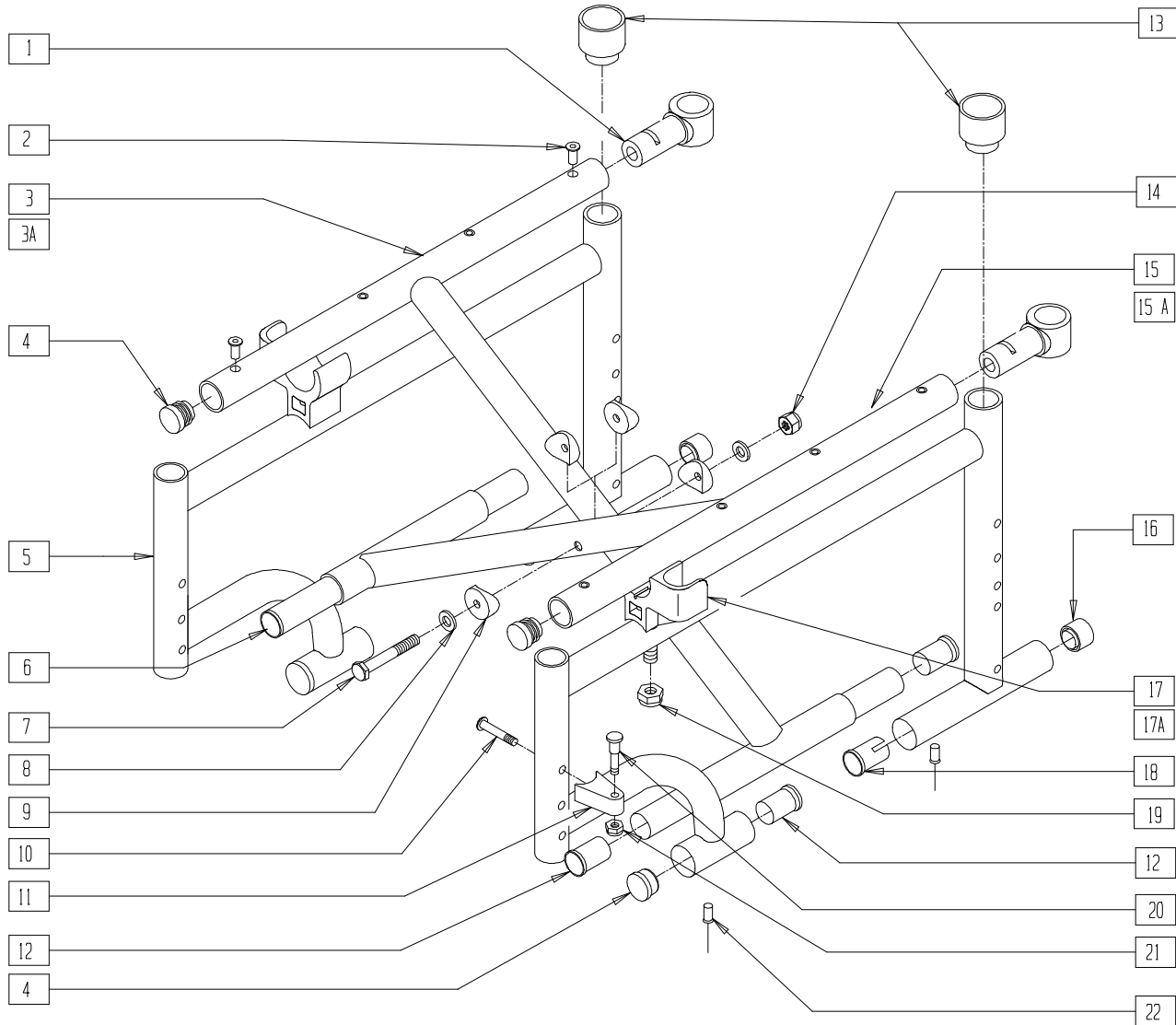
# Breezy Frames

## IN THIS SECTION

Frame (Breezy Aluminum) (Disc.) .....	4.1	Frame (Breezy 510 Ultra-hemi) .....	4.8
Frame (Breezy Chrome) (Disc.) .....	4.2	Frame (Breezy 510 Recliner) .....	4.9
Frame (Breezy Standard) (Disc.) .....	4.3	Frame (Breezy 2) (Disc.) .....	4.10
Frame (Breezy Standard) (Disc.) .....	4.4	Frame (Breezy 2) (Disc.) .....	4.11
Frame (Breezy 500) .....	4.5	Frame (Breezy 600) .....	4.12
Frame (Breezy 510) (Disc.) .....	4.6	Frame (Breezy 600 Ultra-hemi) .....	4.13
Frame (Breezy 510) .....	4.7	Frame (Breezy 100/150) .....	4.14

# FRAME (BREEZY ALUMINUM)

(Discontinued 10/15/93 - parts only; fits Breezy prior to serial number BZ-200000)



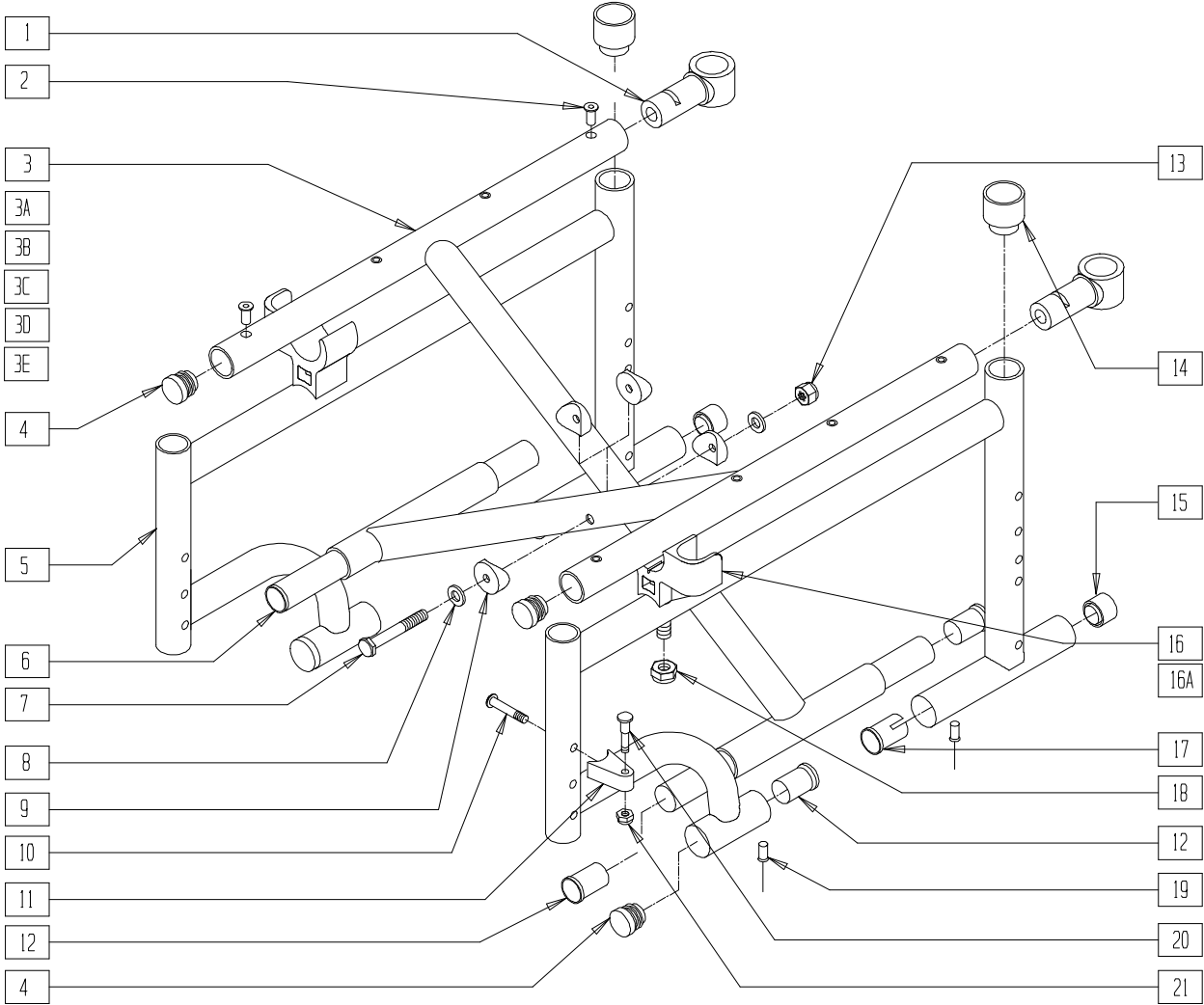
BZY00X2

ITEM	NUMBER	DESCRIPTION	QTY
1	561071	BZ BACK TUBE SLIDER NEW	2
2	341497	10-32 x .020-.130 RIVNUT GOLD	8
4	561062	1" INSERT PLUG .065 RIBS	4
5	523618	SIDE FRAME 1 1/8" ONLY BZ (SPECIFY COLOR)	1
6	521542	FRAME INSERT TUBE BZ	2
7	222249	5/16-24 x 3 G8 HEX C/S	1
8	263110-OU	5/16 AN WASHER FLAT THIN	2
9	561006	1" SADDLE 5/16" HOLE	4
10	226190	5/16-18 x 1 3/4 BH C/S SHLDR	2
11	550310	LATCH STUD SUPPORT	2
12	560402	3/4" ID NY-LINER	6
13	561084	1 1/8" TUBE END BUSHING THIN BZ	2
14	202100-MJ	5/16-24 NYLOCK NUT THIN	1
16	561018	1" TUBE END BUSHING THICK	2
17	561064	ARM SADDLE BR R	1

ITEM	NUMBER	DESCRIPTION	QTY
17A	561066	ARM SADDLE BR L	1
18	560406	FRAME BUSHING	2
19	201100-OU	1/4-28 NYLOCK NUT THIN	2
20	481023	S/A LATCH STUD NEW	2
21	201100-OU	1/4-28 NYLOCK NUT THIN	2
22	240108	RIVET POP SSD64SSBS	4
11,20,21	880556	S/A LATCH BLOCK ASSEMBLY	
1-4,6-9, 12,14,15	673070	BZ X-TUBE ASSEMBLY 16" x 16" PNTD (SPECIFY COLOR)	
1-4,6-9, 12,14,15A	673080	BZ X-TUBE ASSEMBLY 18" x 16" PNTD (SPECIFY COLOR)	
1-9, 12-19,22	611006	BZ FRAME 16" PNTD 1 1/8" (SPECIFY COLOR)	
1,2,3A,4-9 12-14,15A 16-19,22	611008	BZ FRAME 18" PNTD 1 1/8" (SPECIFY COLOR)	

# FRAME (BREEZY CHROME)

(Discontinued 10/15/93 - parts only; fits Breezy prior to serial number BZ-200000)



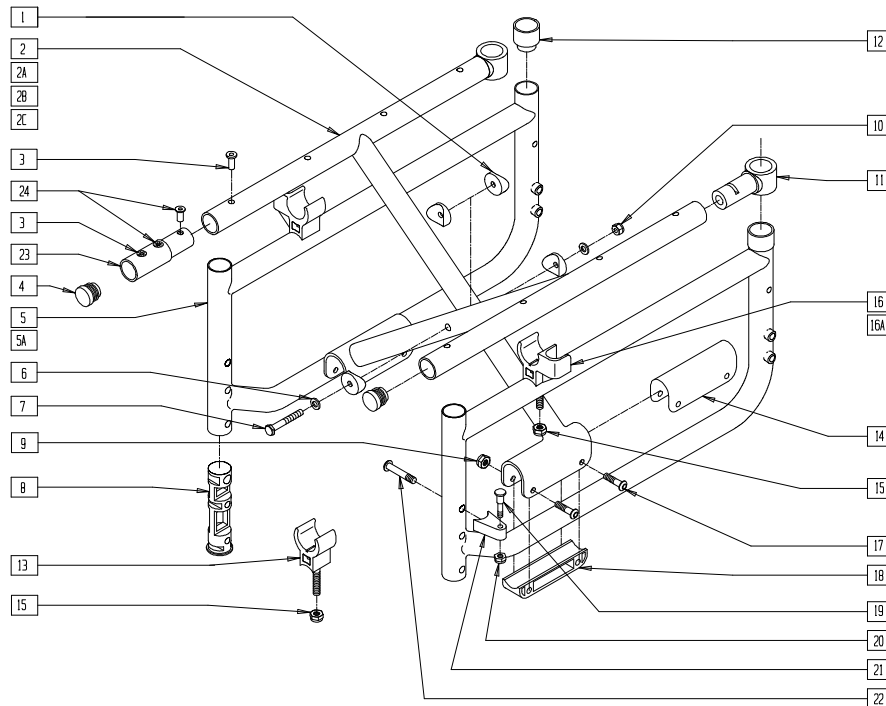
BZY00X2B

ITEM	NUMBER	DESCRIPTION	QTY
1	561350	BC BACK TUBE SLIDER CM	2
2	341497	10-32 x .020-130 RIVNUT GOLD	8
4	561062	1" INSERT PLUG .065 RIBS	2
5	523651	BC SIDE FRAME ONLY	2
6	521542	FRAME INSERT TUBE BZ	2
7	222249	5/16-24 x 3 G8 HEX C/S	1
8	263110-QU	5/16 AN WASHER FLAT THIN	2
9	561006	1" SADDLE 5/16" HOLE	4
10	226190	5/16-18 x 1 3/4 BH C/S SHLDR	2
11	550310	LATCH STUD SUPPORT	2
12	561340	BC 1" NYLINER CM	6
13	202100-MJ	5/16-24 NYLOCK NUT THIN	1
14	561310	BC 1" TUBE END BUSHING CM	2
15	561018	1" TUBE END BUSHING THICK	2
16	561064	ARM SADDLE BR R	1
16A	561066	ARM SADDLE BR L	1
17	561330	FRAME BUSHING CB/HPTi	2
18	201100-OU	1/4-28 NYLOCK NUT THIN	2
19	240108	RIVET POP SSD64SSBS	4
20	481023	S/A LATCH STUD NEW	2

ITEM	NUMBER	DESCRIPTION	QTY
21	201100-OU	1/4-28 NYLOCK NUT THIN	2
11,20,21	880556	S/A LATCH BLOCK ASSEMBLY	
1-3,3A,4,6-9,12,13,19	673071	BC X-TUBE ASSEMBLY 16" x 16"	
1,2,3B,3C,4,6-9,12,13,19	673081	BC X-TUBE ASSEMBLY 18" x 16"	
1,2,3D,3E,4,6-9,12,13,19	673091	BC X-TUBE ASSEMBLY 20" x 16"	
1-3,3A,4-9,12-16,16A,17-19	611010	BC FRAME ASSEMBLY 16" x 16"	
1,2,3B,3C,4-9,12-16,16A,17-19	611012	BC FRAME ASSEMBLY 18" x 16"	
1,2,3D,3E,4-9,12-16,16A,17-19	611014	BC FRAME ASSEMBLY 20" x 16"	

# FRAME (BREEZY STANDARD)

(Discontinued 7/31/95; Fits Breezy beginning BZ-200000, prior to BZ-300000)



BZ00X01

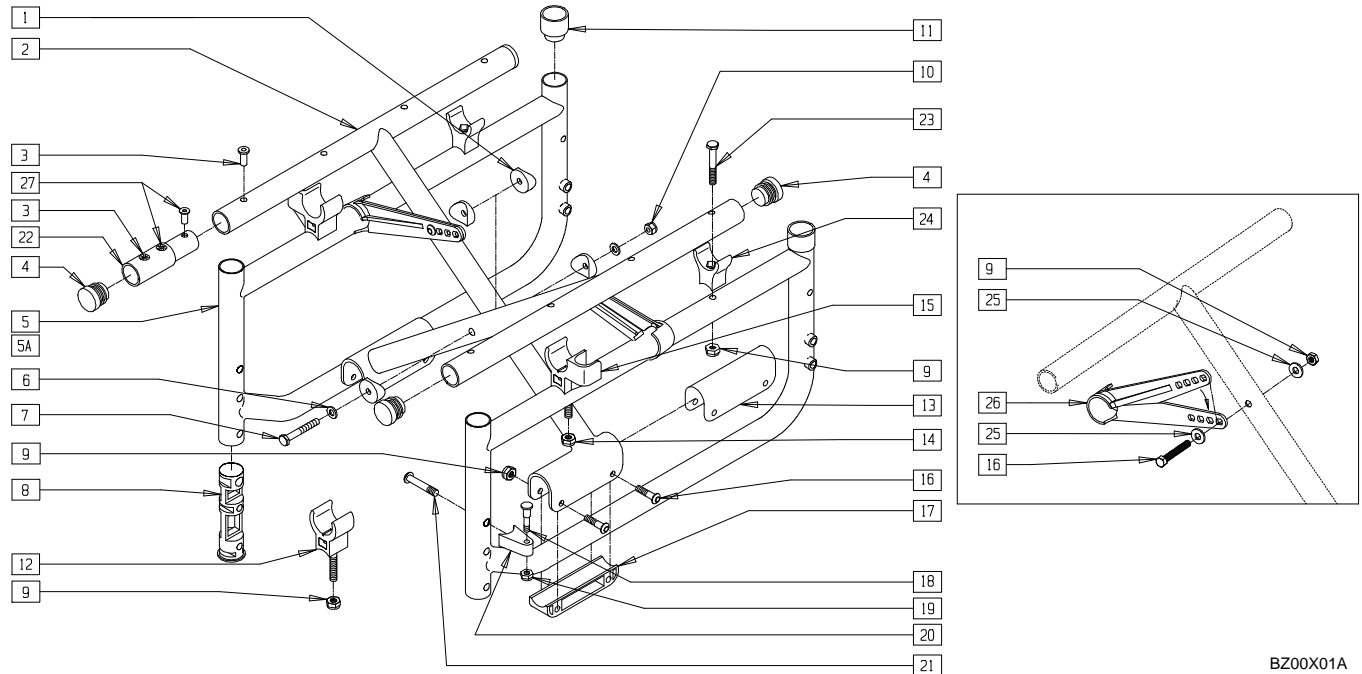
ITEM	NUMBER	DESCRIPTION	QTY
1	561006	1" SADDLE 5/16" HOLE	4
3	341497	10-32 x .020-.130 RIVNUT GOLD	1,8
4	561002	1" INSERT PLUG .083	2
5,8,12	620185	SIDE FRAME REG PAINTED BR (EA)	
5A,8,12	620186	SIDE FRAME LONG PAINTED BR (EA)	
6	263110-QU	5/16 AN WASHER FLAT THIN	2
7	222249	5/16-24 x 3 G8 HEX C/S	1
8	561556	FRAME INSERT PLASTIC	2
9	201110	1/4-28 NYLOCK NUT	4
10	202104	5/16-24 NYLOCK NUT	1
11	561071	BZ BACK TUBE SLIDER NEW	2
12	561310	BC 1" TUBE END BUSHING CM	2
13*	561092	SEAT SADDLE BZ (L AND R)	2
14	561558	BRACKET BUSHING X-TUBE BR/LXI	2
15*	201118	1/4-28 NUT W/EXT STARWASHER	2
16*	561066	ARM SADDLE BR L	1
16A*	561064	ARM SADDLE BR R	1
15,16,16A	880383	ARM SADDLES W/HARDWARE	
17	226140	1/4-28 x 1 3/4 BH C/S	4
18	561557	PIVOT BLOCK (PLASTIC)	2
19	481023	S/A LATCH STUD NEW	2
20	201100-QU	1/4-28 NYLOCK NUT THIN	2
21	550310	LATCH STUD SUPPORT	2
22	226190	5/16-18 x 1 3/4 BH C/S SHLDR	2
24	341491	10-32 x .130-.225 RIVNUT GOLD	2
19-22	920220	S/A LATCH ASSEMBLY W/BOLT	
3,4,23,24	920153	X-TUBE EXTENSION 2" W/HDWR BR	
1-4,6,7, 9-11,14, 17,18	673063	X-TUBE ASSM 14" x 16" PIVOT BR	
1,2A,3,4, 6,7,9-11, 14,17,18	673073	X-TUBE ASSM 16" x 16" PIVOT BR	

ITEM	NUMBER	DESCRIPTION	QTY
1,2B,3,4, 6,7,9-11, 14,17,18	673083	X-TUBE ASSM 18" x 16" PIVOT BR	
1,2C,3,4, 6,7,9-11, 14,17,18	673093	X-TUBE ASSM 20" x 16" PIVOT BR	
1-4,6,7, 9-11,14,17, 18,23,24	672438	X-TUBE ASSM 14" x 18" PIVOT BR	
1,2A,3,4,6, 7,9-11,14, 17,18,23,24	672538	X-TUBE ASSM 16" x 18" PIVOT BR	
1,2B,3,4,6, 7,9-11,14, 17,18,23,24	672638	X-TUBE ASSM 18" x 18" PIVOT BR	
1,2C,3,4,6, 7,9-11,14, 17,18,23,24	673038	X-TUBE ASSM 20" x 18" PIVOT BR	
1-12,14, 17,18	611024*	FRAME ASSM 14" x 16" PIVOT BR (SPECIFY COLOR)	
1-12A,14, 17,18	611026*	FRAME ASSM 16" x 16" PIVOT BR (SPECIFY COLOR)	
1-12B,14, 17,18	611028*	FRAME ASSM 18" x 16" PIVOT BR (SPECIFY COLOR)	
1-12C,14, 17,18	611030*	FRAME ASSM 20" x 16" PIVOT BR (SPECIFY COLOR)	
1-4,5A,6-12 14,17,18	611034*	FRAME ASSM 14" x 18" PIVOT BR (SPECIFY COLOR)	
1,2A,3,4, 5A,6-12, 14,17,18	611036*	FRAME ASSM 16" x 18" PIVOT BR (SPECIFY COLOR)	
1,2B,3,4, 5A,6-12, 14,17,18	611038*	FRAME ASSM 18" x 18" PIVOT BR (SPECIFY COLOR)	
1,2C,3,4, 5A,6-12, 14,17,18	611040*	FRAME ASSM 20" x 18" PIVOT BR (SPECIFY COLOR)	

\* ITEMS 13, 15 AND 16/16A MUST BE ORDERED SEPARATELY.  
NOTE: ORDER ITEMS 13 AND 15 WHEN NOT USING A FLIP-BACK ARM.

# FRAME (BREEZY STANDARD)

(Discontinued 2/10/97 - parts only) (Fits Breezy beginning BZ-300000, prior to BZ-351000)



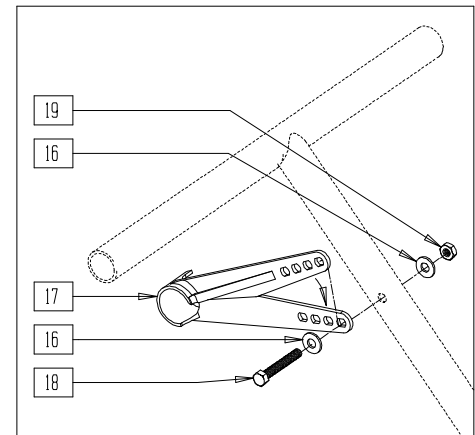
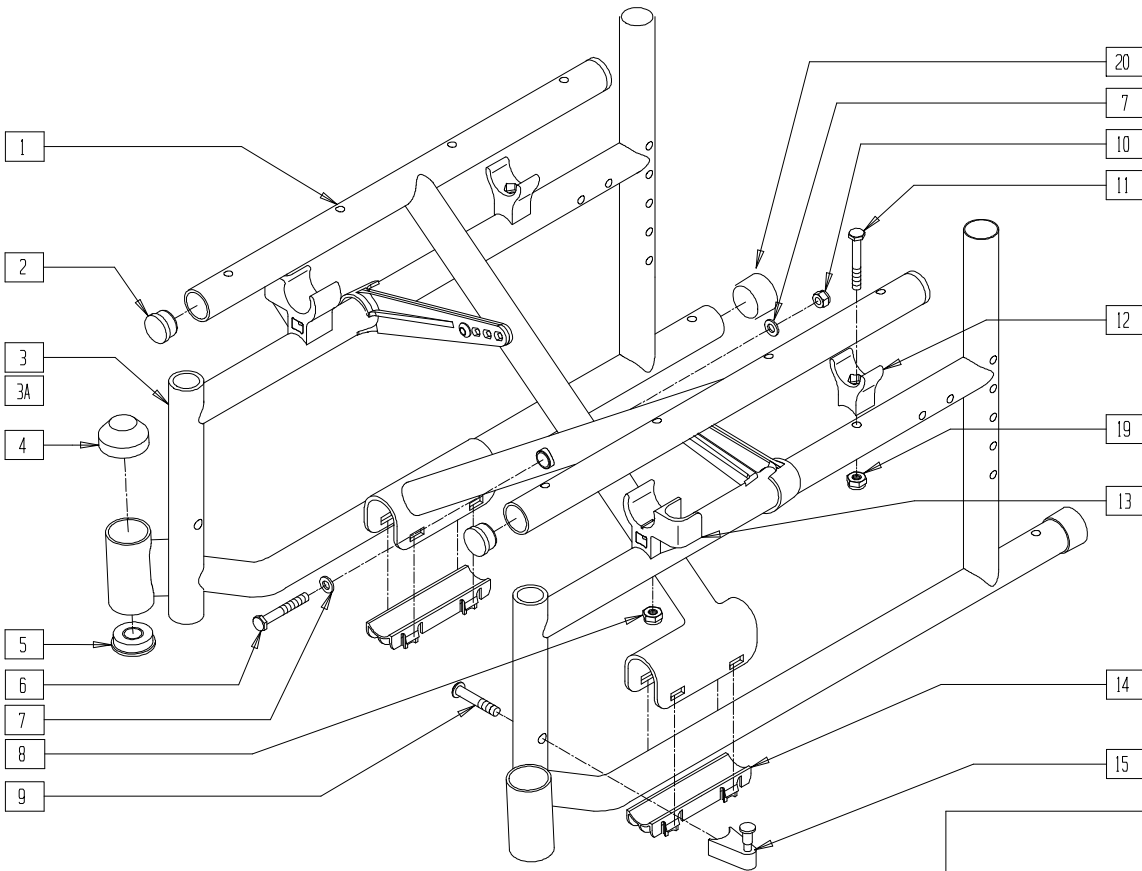
BZ00X01A

ITEM	NUMBER	DESCRIPTION	QTY
1	561006	1" SADDLE 5/16" HOLE	4
3	341497	10-32 x .020-.130 RIVNUT GOLD	1,8
4	561002	1" INSERT PLUG .083	2
5,8,9,11, 23,24	620185	SIDE FRAME REG PAINTED BR	
5A,8,9,11, 23,24	620186	SIDE FRAME LONG PAINTED BR	
6	263110-OU	5/16 AN WASHER FLAT THIN	2
7	222249	5/16-24 x 3 G8 HEX C/S	1
8	561556	FRAME INSERT PLASTIC	2
9*	201110	1/4-28 NYLOCK NUT	4
10	202104	5/16-24 NYLOCK NUT	1
11	561310	BC 1" TUBE END BUSHING CM	2
12*	561092	SEAT SADDLE BR (L AND R)	2
13	561558	BRACKET BUSHING X-TUBE BR/LXI	2
14	201110	1/4-28 NYLOCK NUT	2
15*	561113, 561114	ARM SADDLE FLIP-BACK BR/LXI (EA)	1
14,15	880371	ARM SADDLES W/HARDWARE	
16	226140	1/4-28 x 1 3/4 BH C/S	4
17	561557	PIVOT BLOCK (PLASTIC)	2
18	481023	S/A LATCH STUD NEW	2
19	201100	1/4-28 NYLOCK NUT THIN	2
20	550310	LATCH STUD SUPPORT	2
21	226190	5/16-18 x 1 3/4 BH C/S SHLDR	2
23	221160	1/4-28 x 2 HEX C/S	2
24	561175	SEAT SADDLE REAR BR/LXI	2
25	262100-OU	1/4 AN WASHER FLAT	2
26	887730- 887732	X-HINGE ASSEMBLY PLASTIC 12"-22"	2
27	341491	10-32 x .130-.225 RIVNUT GOLD	2
18-21	920220	S/A LATCH ASSEMBLY W/BOLT	
3,4,22,27	920153	X-TUBE EXTENSION 2" W/HDWR BR	

ITEM	NUMBER	DESCRIPTION	QTY
1-4,6,7,9, 10,13,16, 17,25,26	672444	X-TUBE ASSM 14" x 15"/16" HINGE BR	
	672644	X-TUBE ASSM 16" x 15"/16" HINGE BR	
	672844	X-TUBE ASSM 18" x 15"/16" HINGE BR	
	673044	X-TUBE ASSM 20" x 15"/16" HINGE BR	
1-4,6,7,9, 10,13,16, 17,22, 25-29	672454	X-TUBE ASSM 14" x 17"/18" HINGE BR	
	672654	X-TUBE ASSM 16" x 17"/18" HINGE BR	
	672854	X-TUBE ASSM 18" x 17"/18" HINGE BR	
	673054	X-TUBE ASSM 20" x 17"/18" HINGE BR	
1-11,13,16, 17,25-26	611144*	FRAME ASSM 14" x 16" HINGE BR (SPECIFY COLOR)	
	611146*	FRAME ASSM 16" x 16" HINGE BR (SPECIFY COLOR)	
	611148*	FRAME ASSM 18" x 16" HINGE BR (SPECIFY COLOR)	
	611150*	FRAME ASSM 20" x 16" HINGE BR (SPECIFY COLOR)	
1-4,5A, 6-12,14, 17,18,22, 23,25-27	611154*	FRAME ASSM 14" x 18" HINGE BR (SPECIFY COLOR)	
	611156*	FRAME ASSM 16" x 18" HINGE BR (SPECIFY COLOR)	
	611158*	FRAME ASSM 18" x 18" PIVOT BR (SPECIFY COLOR)	
	611160*	FRAME ASSM 20" x 18" PIVOT BR (SPECIFY COLOR)	

\* ITEMS 9, 12 AND 15 MUST BE ORDERED SEPARATELY.  
NOTE: ORDER ITEMS 12 AND 14 WHEN NOT USING A FLIP-BACK ARM.

# FRAME (BREEZY 500)



BR510X03A

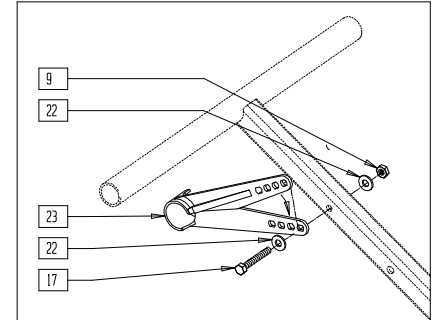
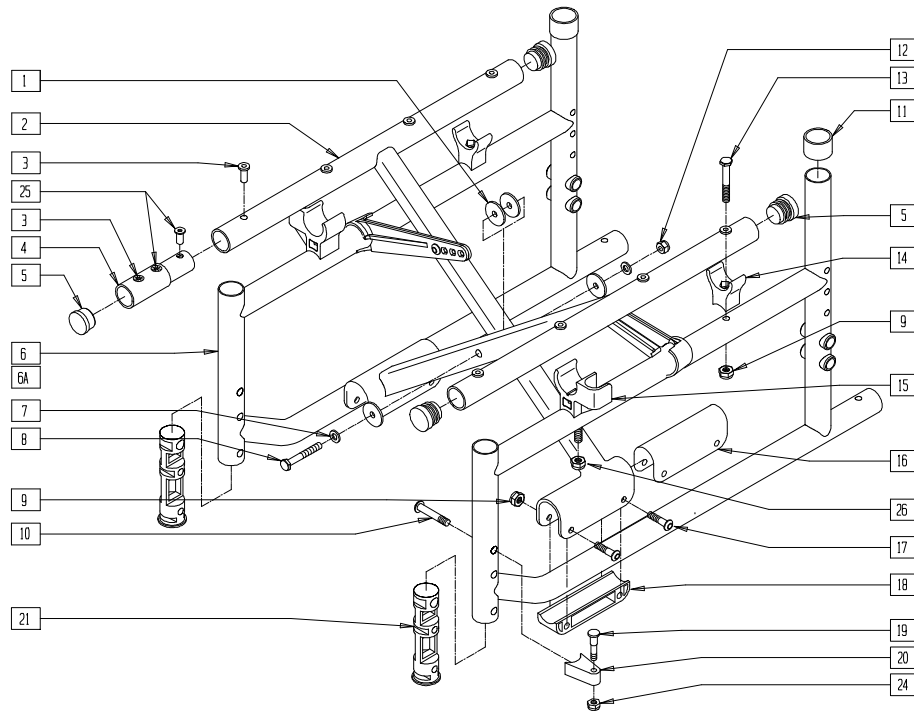
ITEM	NUMBER	DESCRIPTION	QTY
2	561062	1" INSERT PLUG .065 RIBS	4
4	560776	CAP STEM HOUSING	2
5	349516	1/2 ID FLANGED BEARING	2
6	222249	5/16-24 x 3 G8 HEX C/S	1
7	263110-QU	5/16 AN WASHER FLAT THIN	2
8	201120	1/4-28 AUTOMATION NUT	2
9	226190	5/16-18 x 1 3/4 BH C/S SHLDR	2
10	202104	5/16-24 NYLOCK NUT	1
11	221160	1/4-28 x 2 HEX C/S	2
12	561175	SEAT SADDLE REAR BR/LXI	2
13	561113, 561114	ARM SADDLE FLIP-BACK BR/LXI	1
8,13	880371	ARM SADDLES W/HARDWARE BR (PR)	
14	560258	X-TUBE END CAP BUSHING	2

ITEM	NUMBER	DESCRIPTION	QTY
15	880689	S/A LATCH BLOCK ASSEMBLY BR	2
16	262100-QU	1/4 AN WASHER FLAT	4
17	887730- 887732	X-HINGE PLASTIC 12"-22" (PR)	1
18	226140	1/4-28 x 1 3/4 BH C/S	2
19	201110-QU	1/4-28 NYLOCK NUT	4
20	561310	BR 1" TUBE END BUSHING CM	2
9,15	920483	S/A LATCH ASSEMBLY W/BOLT BR	
3,11, 12,19	620375, 620376	SIDE FRAME PAINTED B500	
1,2,6,7,10, 14,16-19	672660 672662	X-TUBE ASSM 16" x 16" STEEL X-TUBE ASSM 18" x 16" STEEL	



# FRAME (BREEZY 510)

(Effective beginning serial number BZ-351000; Discontinued 9/99 - parts only)



BZ00X24A

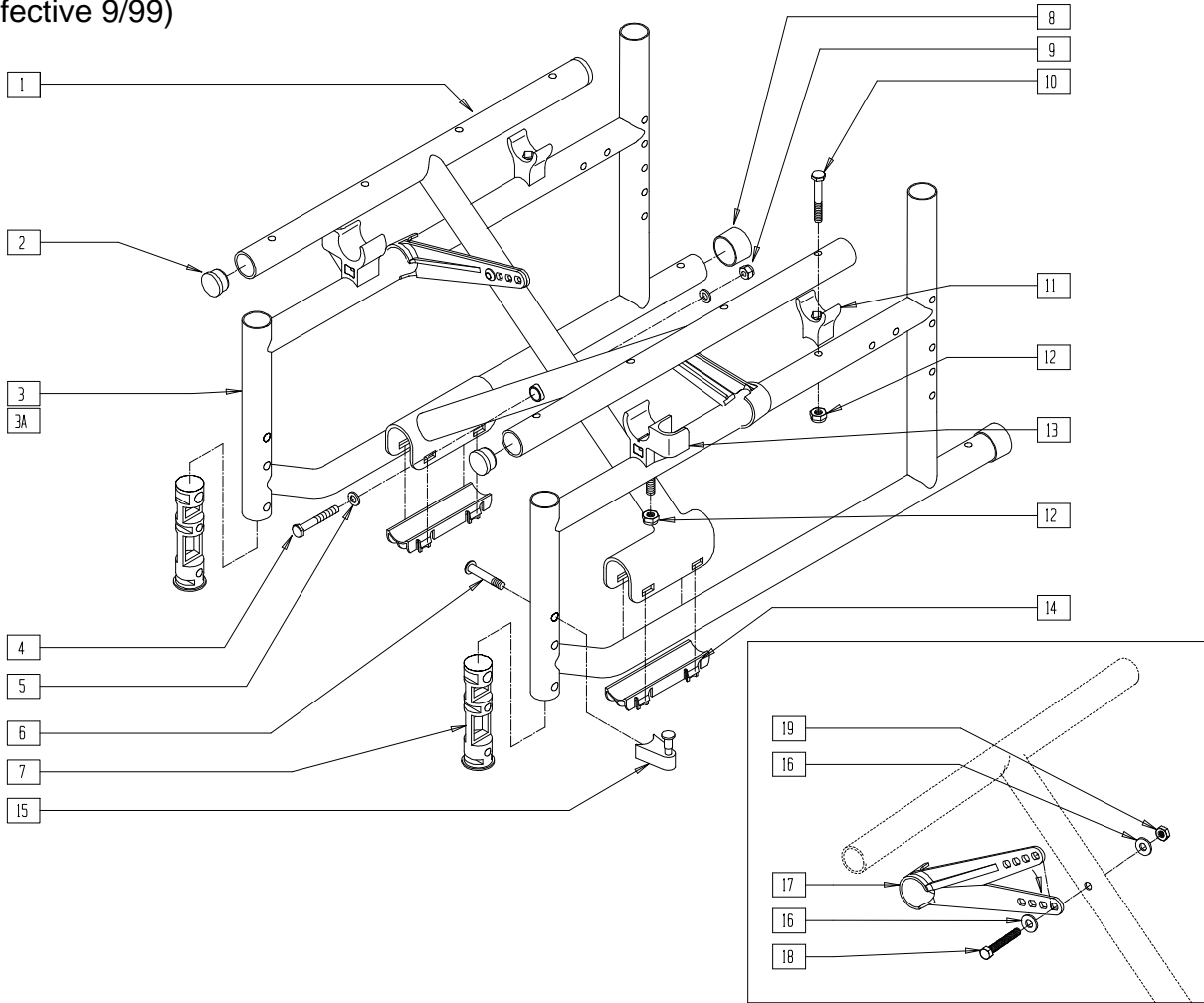
ITEM	NUMBER	DESCRIPTION	QTY
1	561016	1" WASHER 5/16" HOLE	4
3	341497	10-32 x .020-.130 RIVNUT GOLD	8
5	561002	1" INSERT PLUG .083	4
7	263110-QU	5/16 AN WASHER FLAT THIN	2
8	222249	5/16-24 x 3 G8 HEX C/S	1
9*	201120	1/4-28 AUTOMATION NUT	6
10	226190	5/16-18 x 1 3/4 BH C/S SHLDR	2
11	561310	BC 1" TUBE END BUSHING CM	2
12	202104	5/16-24 NYLOCK NUT	1
13	221160	1/4-28 x 2 HEX C/S	2
14*	561175	SEAT SADDLE REAR BR/LXI	2
15*	561113, 561114	ARM SADDLE FLIP-BACK BR/LXI (EA)	1
16	561558	BRACKET BUSHING X-TUBE BR/LXI	2
17	226140	1/4-28 x 1 3/4 BH C/S	6
18	561557	PIVOT BLOCK (PLASTIC)	2
19	481023	S/A LATCH STUD NEW	2
20	550310	LATCH STUD SUPPORT	2
21	561556	FRAME INSERT PLASTIC	2
22	262100-QU	1/4 AN WASHER FLAT	4
23	887730- 887732	X-HINGE PLASTIC 12"-22" (PR)	1
24	201100	1/4-28 NYLOCK NUT THIN	2
25	341491	10-32 x .130-.225 RIVNUT GOLD	4
26	201110-QU	1/4-28 NYLOCK NUT	4
3,4,5,27	920153	X-TUBE EXTENSION 2" W/HDWR BR	
9,15	880371	ARM SADDLES W/HARDWARE BR	
6,9,11, 13,14	620185	SIDE FRAME REG PAINTED BR (EA)	
6A,9,11, 13,14	620186	SIDE FRAME LONG PAINTED BR (EA)	
10,19, 20,21	920220	S/A LATCH ASSEMBLY W/BOLT	

ITEM	NUMBER	DESCRIPTION	QTY
1-3,5,7-9, 12,16-18, 22,23	672444	X-TUBE ASSM 14" x 15"/16" HINGE BR	
	672644	X-TUBE ASSM 16" x 15"/16" HINGE BR	
	672844	X-TUBE ASSM 18" x 15"/16" HINGE BR	
	673044	X-TUBE ASSM 20" x 15"/16" HINGE BR	
1-5,7-9,12, 16-18, 22,23,25	672454	X-TUBE ASSM 14" x 17"/18" HINGE BR	
	672654	X-TUBE ASSM 16" x 17"/18" HINGE BR	
	672854	X-TUBE ASSM 18" x 17"/18" HINGE BR	
	673054	X-TUBE ASSM 20" x 17"/18" HINGE BR	
1-3,5,7-12, 14,16-18, 21-23	611144*	FRAME ASSM 14" x 16" HINGE BR (SPECIFY COLOR)	
	611146*	FRAME ASSM 16" x 16" HINGE BR (SPECIFY COLOR)	
	611148*	FRAME ASSM 18" x 16" HINGE BR (SPECIFY COLOR)	
	611150*	FRAME ASSM 20" x 16" HINGE BR (SPECIFY COLOR)	
1-5,7-12, 14,16-18, 21-23,25	611154*	FRAME ASSM 14" x 18" HINGE BR (SPECIFY COLOR)	
	611156*	FRAME ASSM 16" x 18" HINGE BR (SPECIFY COLOR)	
	611158*	FRAME ASSM 18" x 18" HINGE BR (SPECIFY COLOR)	
	611160*	FRAME ASSM 20" x 18" HINGE BR (SPECIFY COLOR)	

\* ITEMS 9, 14 AND 15 MUST BE ORDERED SEPARATELY.  
NOTE: ORDER ITEMS 13 AND 15 WHEN NOT USING A FLIP-BACK ARM.

# FRAME (BREEZY 510)

(Effective 9/99)



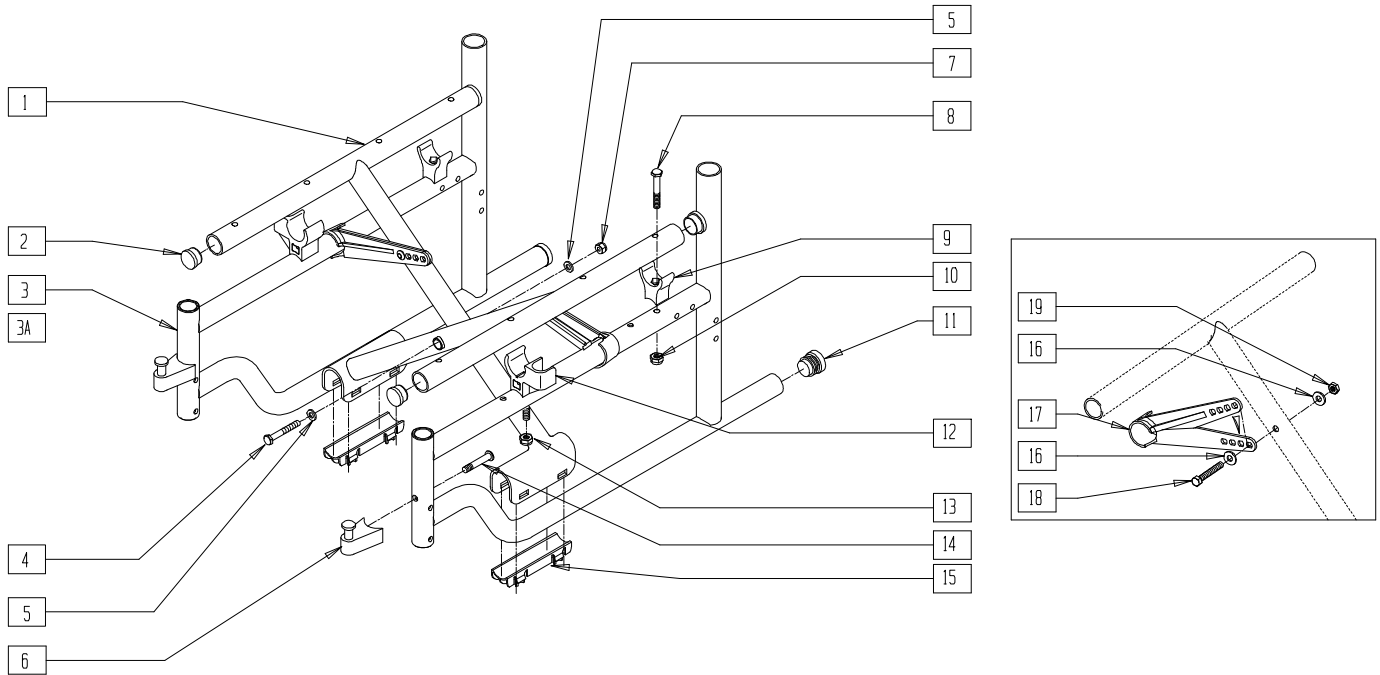
BR510X1A

ITEM	NUMBER	DESCRIPTION	QTY
	2	1" INSERT PLUG .065 RIBS	4
	4	222249 5/16-24 x 3 G8 HEX C/S	1
	5	263110-QU 5/16 AN WASHER FLAT THIN	2
	6	226190 5/16-18 x 1 3/4 BH C/S SHLDR	2
	7	561556 FRAME INSERT PLASTIC	2
	8	561310 BC 1" TUBE END BUSHING CM	2
	9	202104 5/16-24 NYLOCK NUT	1
	10	221160 1/4-28 x 2 HEX C/S	2
	11*	561175 SEAT SADDLE REAR BR/LXI	2
	12*	201120 1/4-28 AUTOMATION NUT	4
	13*	561113, 561114 ARM SADDLE FLIP-BACK BR/LXI (EA)	1
	14	560258 X-TUBE END CAP BUSHING	2
	15	880689 S/A LATCH BLOCK ASSEMBLY BR	2
	16	262100-QU 1/4 AN WASHER FLAT	4
	17	887730-887732 X-HINGE PLASTIC 12"-22" (PR)	1
	18	226140 1/4-28 x 1 3/4 BH C/S	2
	19	201110-QU 1/4-28 NYLOCK NUT	2
	12,13	880371 ARM SADDLES W/HARDWARE BR	
	6,15	920483 S/A LATCH ASSEMBLY W/BOLT BR	
	3,7,8,10-12	620195 SIDE FRAME REG PAINTED BR (EA)	
	3A,7,8,10-12	620196 SIDE FRAME LONG PAINTED BR (EA)	

ITEM	NUMBER	DESCRIPTION	QTY
1,2,4,5,9,12,14,16-19	672445	X-TUBE ASSEMBLY 14" x 16" STEEL	
	672660	X-TUBE ASSEMBLY 16" x 16" STEEL	
	672662	X-TUBE ASSEMBLY 18" x 16" STEEL	
	673045	X-TUBE ASSEMBLY 20" x 16" STEEL	
	672455	X-TUBE ASSEMBLY 14" x 18" STEEL	
	672661	X-TUBE ASSEMBLY 16" x 18" STEEL	
	672663	X-TUBE ASSEMBLY 18" x 18" STEEL	
1-5,7-12,14,16-19	673055	X-TUBE ASSEMBLY 20" x 18" STEEL	
	611244*	FRAME ASSEMBLY 14" x 16" HINGE BR (SPECIFY COLOR)	
	611246*	FRAME ASSEMBLY 16" x 16" HINGE BR (SPECIFY COLOR)	
	611248*	FRAME ASSEMBLY 18" x 16" HINGE BR (SPECIFY COLOR)	
1,2,3A,4,5,7-12,14,16-19	611250*	FRAME ASSEMBLY 20" x 16" HINGE BR (SPECIFY COLOR)	
	611254*	FRAME ASSEMBLY 14" x 18" HINGE BR (SPECIFY COLOR)	
	611256*	FRAME ASSEMBLY 16" x 18" HINGE BR (SPECIFY COLOR)	
	611258*	FRAME ASSEMBLY 18" x 18" HINGE BR (SPECIFY COLOR)	
	611260*	FRAME ASSEMBLY 20" x 18" HINGE BR (SPECIFY COLOR)	

\* ITEMS 11, 12 AND 13 MUST BE ORDERED SEPARATELY.  
NOTE: ORDER ITEMS 10 AND 13 WHEN NOT USING A FLIP-BACK ARM.

# FRAME (BREEZY 510 ULTRA-HEMI)

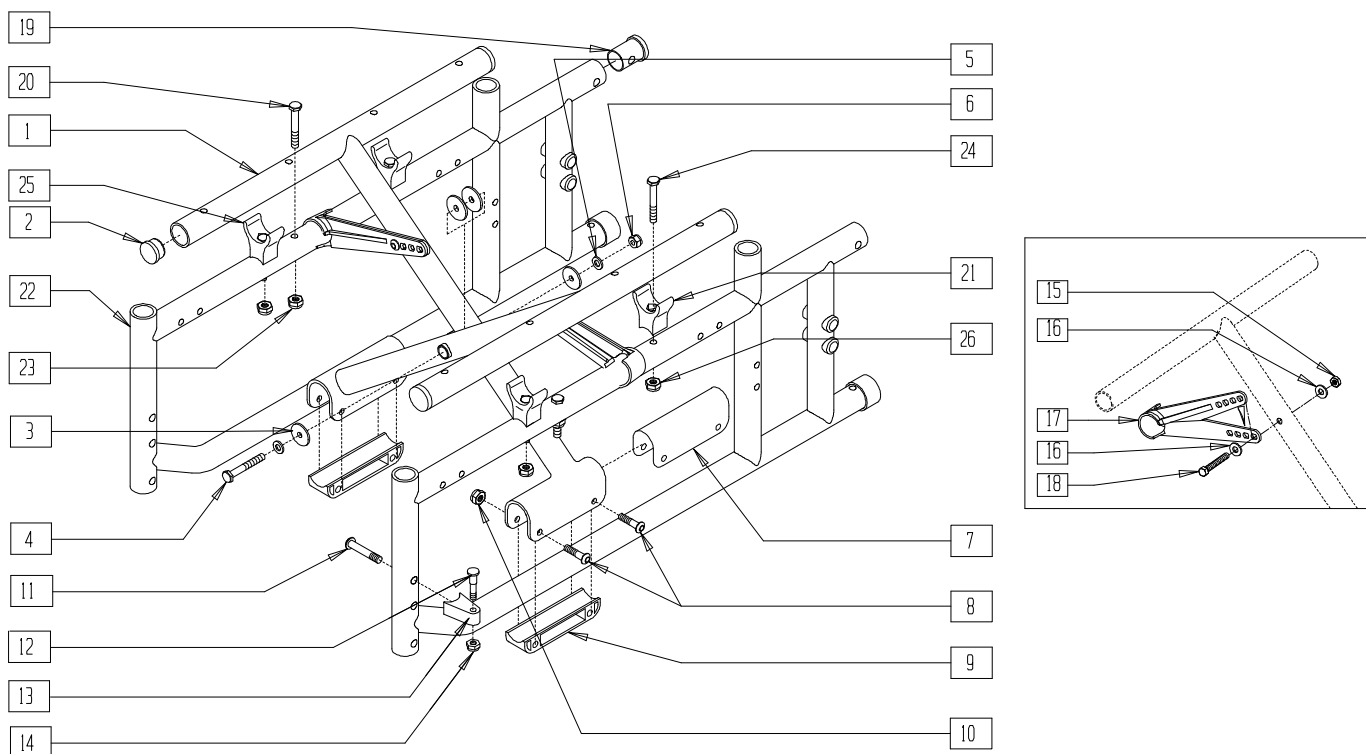


BZ510X01

ITEM	NUMBER	DESCRIPTION	QTY
2	561062	1" INSERT PLUG .065 RIBS	2
4	222249	5/16-24 x 3 G8 HEX C/S	1
5	263110-QU	5/16 AN WASHER FLAT THIN	2
6	880689	S/A LATCH BLOCK ASSEMBLY BR	2
7	202104	5/16-24 NYLOCK NUT	1
8	221160	1/4-28 x 2 HEX C/S	2
9	561175	SEAT SADDLE REAR BR/LXI	2
10	201110-QU	1/4-28 NYLOCK NUT	4
11	561002	1" INSERT PLUG .083	2
12	561113, 561114	ARM SADDLE FLIP-BACK BR/LXI (EA)	1
13	201120	1/4-28 AUTOMATION NUT	2
12,13	880371	ARM SADDLES W/HDWR BR (PR)	
14	226190	5/16-18 x 1 3/4 BH C/S SHLDR	2
15	560258	X-TUBE END CAP BUSHING	2
16	262100-QU	1/4 AN WASHER FLAT	4
17	887730- 887732	X-HINGE ASSEMBLY PLASTIC 12"-22" (PR)	2
18	226140	1/4-28 x 1 3/4 BH C/S	2
19	201110-QU	1/4-28 NYLOCK NUT	2
6,14	920483	S/A LATCH ASSEMBLY W/BOLT BR	
3,8-11	620275	SIDE FRAME 16" DEPTH HEMI B510	
3A,8-11	620276	SIDE FRAME 18" DEPTH HEMI B510	

ITEM	NUMBER	DESCRIPTION	QTY
1,2,4,5, 10,15	672670	X-TUBE ASSEMBLY 14" x 16" HEMI STEEL	
	672672	X-TUBE ASSEMBLY 16" x 16" HEMI STEEL	
	672674	X-TUBE ASSEMBLY 18" x 16" HEMI STEEL	
	672676	X-TUBE ASSEMBLY 20" x 16" HEMI STEEL	
	672680	X-TUBE ASSEMBLY 14" x 18" HEMI STEEL	
	672682	X-TUBE ASSEMBLY 16" x 18" HEMI STEEL	
	672684	X-TUBE ASSEMBLY 18" x 18" HEMI STEEL	
	672686	X-TUBE ASSEMBLY 20" x 18" HEMI STEEL	
1-5,7-11, 15-19	611230	FRAME ASSEMBLY 14" x 16" HEMI B510	
	611231	FRAME ASSEMBLY 16" x 16" HEMI B510	
	611232	FRAME ASSEMBLY 18" x 16" HEMI B510	
	611233	FRAME ASSEMBLY 20" x 16" HEMI B510	
1,2,3A,4, 5,7-11, 15-19	611234	FRAME ASSEMBLY 14" x 18" HEMI B510	
	611235	FRAME ASSEMBLY 16" x 18" HEMI B510	
	611236	FRAME ASSEMBLY 18" x 18" HEMI B510	
	611237	FRAME ASSEMBLY 20" x 18" HEMI B510	

# FRAME (BREEZY 510 RECLINER)



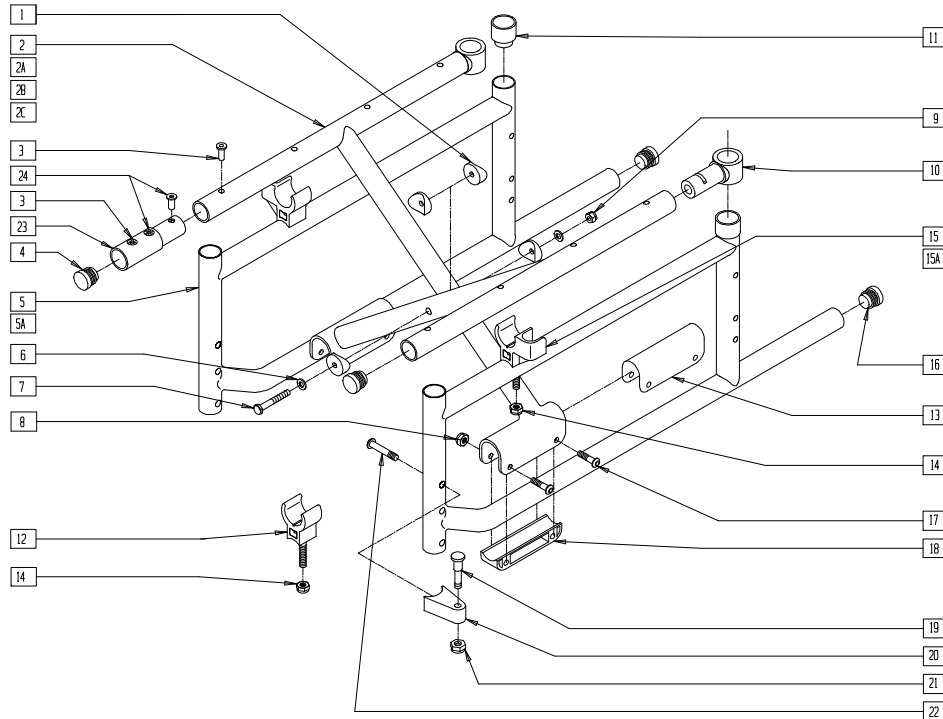
BRECX02

ITEM	NUMBER	DESCRIPTION	QTY
2	561002	1" INSERT PLUG .083	4
3	561016	1" WASHER 5/16" HOLE	4
4	222249	5/16-24 x 3 G8 HEX C/S	1
5	263110-QU	5/16 AN WASHER FLAT THIN	2
6	202104	5/16-24 NYLOCK NUT	1
7	561558	BRACKET BUSHING X-TUBE BR/LXI	2
8	226140	1/4-28 x 1 3/4 BH C/S	2
9	561557	PIVOT BLOCK PLASTIC	2
10	201110	1/4-28 NYLOCK NUT	4
11-14	920220	S/A LATCH ASSEMBLY W/BOLT	
15	201110	1/4-28 NYLOCK NUT	2
16	262100-QU	1/4 AN WASHER FLAT	4
17	887730-887732	X-HINGE PLASTIC 12"-22" (PR)	1
18	226140	1/4-28 x 1 3/4 BH C/S	2
19	483116	SIDE FRAME PLUG BR RCLNR	2
20	221133	1/4-28 x 1 1/2 G8 HEX C/S	2
21	561175	SEAT SADDLE REAR BR/LXI	2
23	201120	1/4-28 AUTOMATION NUT	2
24	221160	1/4-28 x 2 HEX C/S	4
25	561175	SEAT SADDLE REAR BR/LXI	2
26	201110	1/4-28 NYLOCK NUT	4

ITEM	NUMBER	DESCRIPTION	QTY
1-10, 15-18	672444	X-TUBE ASSEMBLY 14" x 15/16" HINGE BR	
	672644	X-TUBE ASSEMBLY 16" x 15/16" HINGE BR	
	672844	X-TUBE ASSEMBLY 18" x 15/16" HINGE BR	
	673044	X-TUBE ASSEMBLY 20" x 15/16" HINGE BR	
	672454	X-TUBE ASSEMBLY 14" x 17/18" HINGE BR	
	672654	X-TUBE ASSEMBLY 16" x 17/18" HINGE BR	
	672854	X-TUBE ASSEMBLY 18" x 17/18" HINGE BR	
	673054	X-TUBE ASSEMBLY 20" x 17/18" HINGE BR	
20-26	620180	SIDE FRAME REG PNTD B51 RECLINER (SPECIFY COLOR)	
	620181	SIDE FRAME LNG PNTD B51 RECLINER (SPECIFY COLOR)	
	620157	SIDE FRAME REGULAR CHROME B51 RECLINER	
	620158	SIDE FRAME LONG CHROME B51 RECLINER	
1-26	611044-611061	FRAME ASSEMBLY RECLINER BR 14"-20" x 16" AND 14"-20" x 18"	

# FRAME (BREEZY 2)

(Discontinued 7/31/95; fits Breezy 2 prior to serial number B2-5000)



BZ00X03

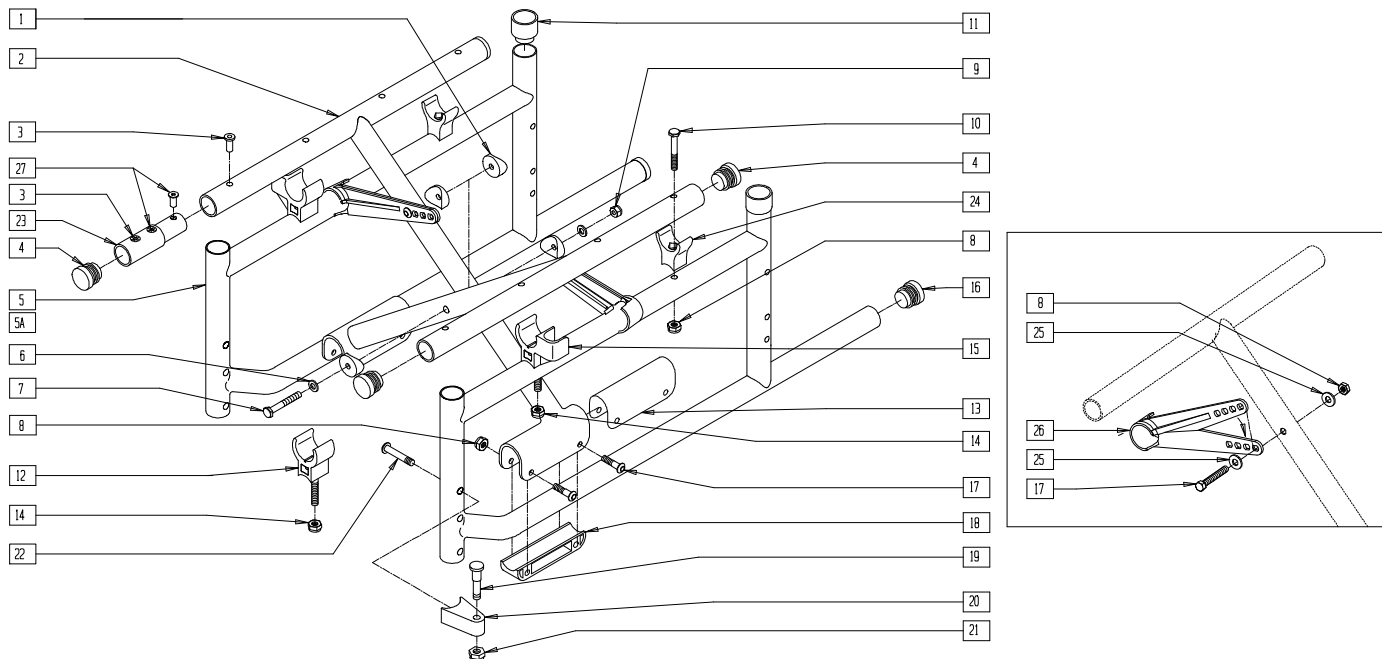
ITEM	NUMBER	DESCRIPTION	QTY
1	561006	1" SADDLE 5/16" HOLE	4
3	341497	10-32 x .020-.130 RIVNUT GOLD	1,8
4	561002	1" INSERT PLUG .083	2
5,11,16	620271	SIDE FRAME 15"-16" B600	
5A,11,16	620272	SIDE FRAME 17"-18" B600	
6	263110-OU	5/16 AN WASHER FLAT THIN	2
7	222249	5/16-24 x 3 G8 HEX C/S	1
8	201120	1/4-28 AUTOMATION NUT	4
9	202104	5/16-24 NYLOCK NUT	1
10	561071	BZ BACK TUBE SLIDER NEW	2
11	561084	1 1/8" TUBE END BUSHING THIN BZ	2
12*	561092	SEAT SADDLE BR (EA)	2
13	561558	BRACKET BUSHING X-TUBE BR/LXI	2
14*	201120	1/4-28 AUTOMATION NUT	2
15*	561066	ARM SADDLE BR L	1
15A*	561064	ARM SADDLE BR R	1
16	561002	1" INSERT PLUG .083	2
17	226140	1/4-28 x 1 3/4 BH C/S	4
18	561557	PIVOT BLOCK (PLASTIC)	2
19	481023	S/A LATCH STUD NEW	2
20	550310	LATCH STUD SUPPORT	2
21	201100	1/4-28 NYLOCK NUT THIN	2
22	226190	5/16-18 x 1 3/4 BH C/S SHLDR	2
24	341491	10-32 x .130-.225 RIVNUT GOLD	2
19-22	920220	S/A LATCH ASSM W/BOLT	
3,4,23,24	920153	X-TUBE EXTENSION 2" W/HDWR BR	
1-4,6-10, 13,16-18	673063	X-TUBE ASSM 14" x 16" PIVOT BR	
1,2A,3,4, 6-10, 13,16-18	673073	X-TUBE ASSM 16" x 16" PIVOT BR	
1,2B,3,4, 6-10, 13,16-18	673083	X-TUBE ASSM 18" x 16" PIVOT BR	

ITEM	NUMBER	DESCRIPTION	QTY
1,2C,3,4, 6-10, 13,16-18	673093	X-TUBE ASSM 20" x 16" PIVOT BR	
1-4,6-10, 13,16-18, 23,24	672438	X-TUBE ASSM 14" x 18" PIVOT BR	
1,2A,3,4, 6-10,13, 16-18,23,24	672538	X-TUBE ASSM 16" x 18" PIVOT BR	
1,2B,3,4, 6-10,13, 16-18,23,24	672638	X-TUBE ASSM 18" x 18" PIVOT BR	
1,2C,3,4, 6-10,13, 16-18,23,24	673038	X-TUBE ASSM 20" x 18" PIVOT BR	
1-11,13, 16-18	611124*	FRAME ASSM 14" x 16" PIVOT B2 (SPECIFY COLOR)	
1,2A,3-11, 13,16-18	611126*	FRAME ASSM 16" x 16" PIVOT B2 (SPECIFY COLOR)	
1,2B,3-11, 13,16-18	611128*	FRAME ASSM 18" x 16" PIVOT B2 (SPECIFY COLOR)	
1,2C,3-11, 13,16-18	611130*	FRAME ASSM 20" x 16" PIVOT B2 (SPECIFY COLOR)	
1-4,5A, 6-11, 13,16-18	611134*	FRAME ASSM 14" x 18" PIVOT B2 (SPECIFY COLOR)	
1,2A,3,4, 5A,6-11, 13,16-18	611136*	FRAME ASSM 16" x 18" PIVOT B2 (SPECIFY COLOR)	
1,2B,3,4, 5A,6-11, 13,16-18	611138*	FRAME ASSM 18" x 18" PIVOT B2 (SPECIFY COLOR)	
1,2C,3,4, 5A,6-11, 13,16-18	611140*	FRAME ASSM 20" x 18" PIVOT B2 (SPECIFY COLOR)	

\* ITEMS 12, 14 AND 15/15A MUST BE ORDERED SEPARATELY.  
NOTE: ORDER ITEMS 12 AND 14 WHEN NOT USING A FLIP-BACK ARM.

# FRAME (BREEZY 2)

(Fits breezy 2 beginning B2-5000; discontinued 5/98 - parts only)



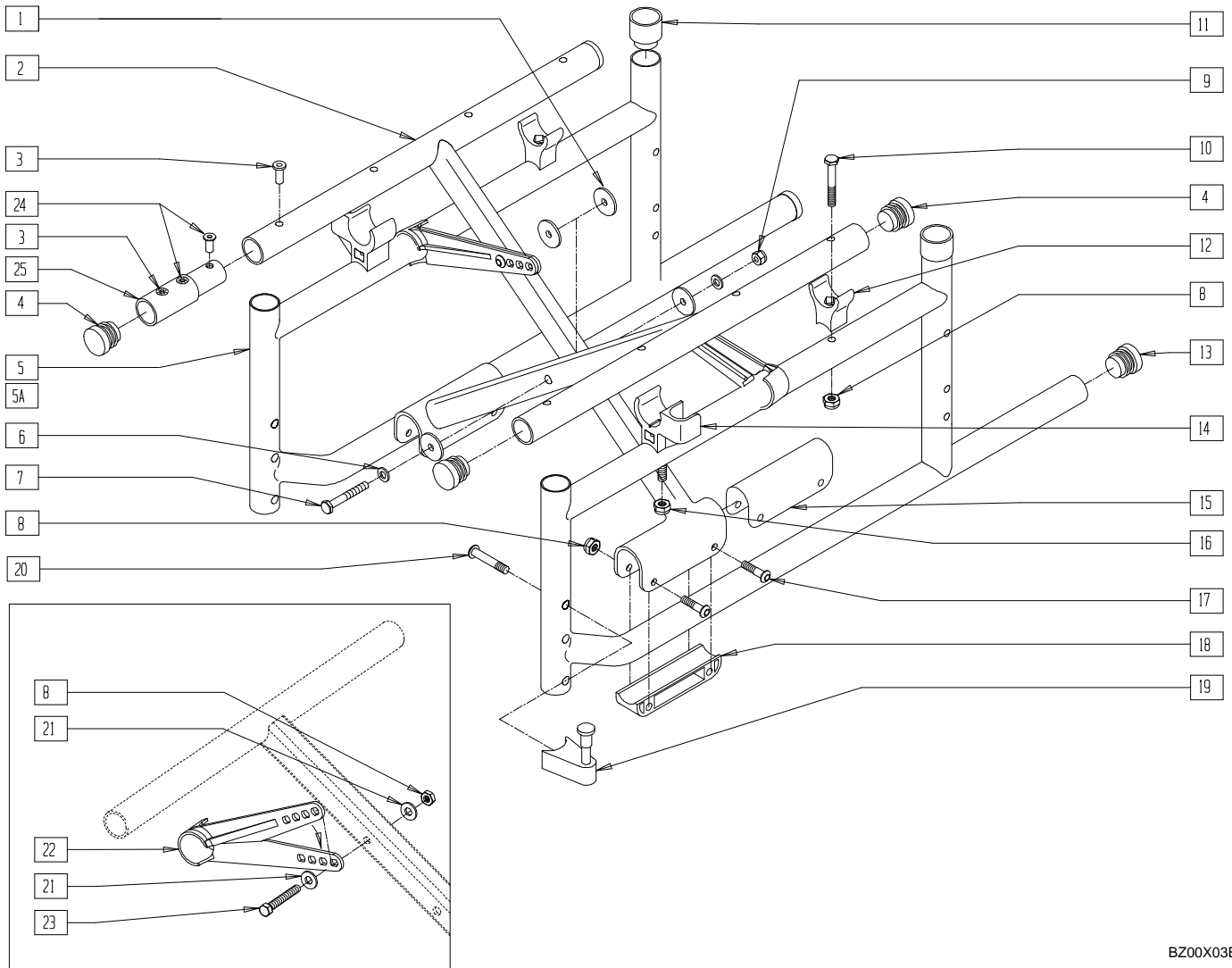
BZ00X03A

ITEM	NUMBER	DESCRIPTION	QTY
1	561006	1" SADDLE 5/16" HOLE	4
3	341497	10-32 x .020-.130 RIVNUT GOLD	1,8-12
4	561002	1" INSERT PLUG .083	2
6	263110-QU	5/16 AN WASHER FLAT THIN	2
7	222249	5/16-24 x 3 G8 HEX C/S	1
8	201110	1/4-28 NYLOCK NUT	6
9	202104	5/16-24 NYLOCK NUT	1
10	221160	1/4-28 x 2 HEX C/S	2
11	561084	1 1/8" TUBE END BUSHING THIN BZ	2
12*	561092	SEAT SADDLE BR (L AND R)	2
13	561558	BRACKET BUSHING X-TUBE BR/LXI	2
14*	201120	1/4-28 AUTOMATION NUT	2
15*	561113, 561114	ARM SADDLE FLIP-BACK BR/LXI (EA)	1
14,15	880371	ARM SADDLES W/HARDWARE BR	
16	561002	1" INSERT PLUG .083	2
17	226140	1/4-28 x 1 3/4 BH C/S	6
18	561557	PIVOT BLOCK (PLASTIC)	2
19	481023	S/A LATCH STUD NEW	2
20	550310	LATCH STUD SUPPORT	2
21	201100	1/4-28 NYLOCK NUT THIN	2
22	226190	5/16-18 x 1 3/4 BH C/S SHLDR	2
24	561175	SEAT SADDLE REAR BR/LXI	2
25	262100-QU	1/4 AN WASHER FLAT	4
26	887730- 887732	X-HINGE PLASTIC 12"-22"	2
27	341491	10-32 x .130-.225 RIVNUT GOLD	4
5,8,10, 11,16,24	620257	SIDE FRAME REG ALUM HINGE B2 (EA)	
5A,8,10, 11,16,24	620258	SIDE FRAME LNG ALUM HINGE B2 (EA)	
19-22	920220	S/A LATCH ASSEMBLY W/BOLT	
3,4,23,27	920153	X-TUBE EXTENSION 2" W/HDWR BR	

ITEM	NUMBER	DESCRIPTION	QTY
1-4,6-9, 13,17, 18,25,26	672444	X-TUBE ASSM 14" x 15/16" HINGE BR	
1,2A,3,4, 6-9,13,17, 18,25,26	672644	X-TUBE ASSM 16" x 15/16" HINGE BR	
1-4,6-9, 13,17, 18,25,26	672844	X-TUBE ASSM 18" x 15/16" HINGE BR	
	673044	X-TUBE ASSM 20" x 15/16" HINGE BR	
	672454	X-TUBE ASSM 14" x 17/18" HINGE BR	
1-4,6-9, 13,17,18, 23,25-27	672654	X-TUBE ASSM 16" x 17/18" HINGE BR	
	672854	X-TUBE ASSM 18" x 17/18" HINGE BR	
	673054	X-TUBE ASSM 20" x 17/18" HINGE BR	
1-11,13, 16-18, 24-26	611164*	FRAME ASSM 14" x 15/16" HINGE B2 (SPECIFY COLOR)	
	611166*	FRAME ASSM 16" x 15/16" HINGE B2 (SPECIFY COLOR)	
	611168*	FRAME ASSM 18" x 15/16" HINGE B2 (SPECIFY COLOR)	
	611170*	FRAME ASSM 20" x 15/16" HINGE B2 (SPECIFY COLOR)	
	611174*	FRAME ASSM 14" x 17/18" HINGE B2 (SPECIFY COLOR)	
1-4,5A, 6-11,13, 16-18, 23-27	611176*	FRAME ASSM 16" x 17/18" HINGE B2 (SPECIFY COLOR)	
	611178*	FRAME ASSM 18" x 17/18" HINGE B2 (SPECIFY COLOR)	
	611180*	FRAME ASSM 20" x 17/18" HINGE B2 (SPECIFY COLOR)	

\* ITEMS 12, 14 AND 15 MUST BE ORDERED SEPARATELY.  
NOTE: ORDER ITEMS 12 AND 14 WHEN NOT USING A FLIP-BACK ARM.

# FRAME (BREEZY 600)

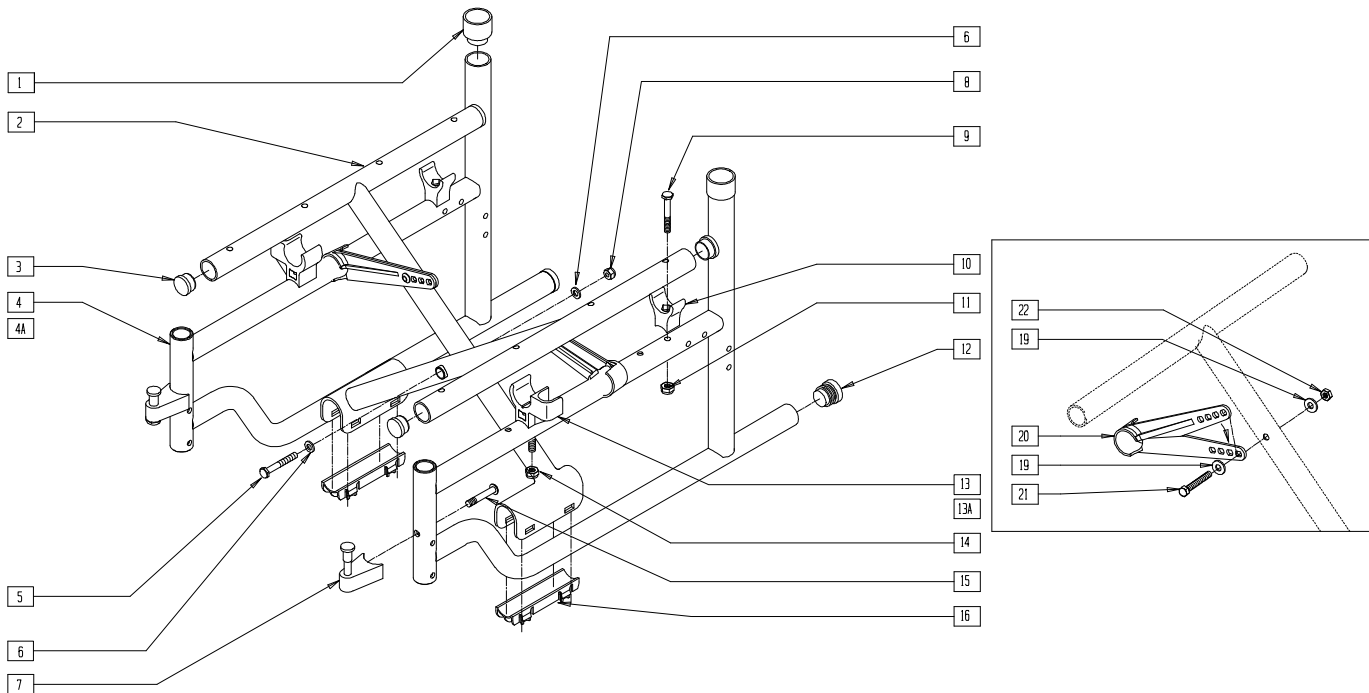


BZ00X03B

ITEM	NUMBER	DESCRIPTION	QTY
1	561016	1" WASHER 5/16" HOLE	4
3	341497	10-32 x .020-.130 RIVNUT GOLD	1, 8,12
4	561002	1" INSERT PLUG .083	2
5,8,10-13	620271	SIDE FRAME 15",16" B600	
5A,8,10-13	620272	SIDE FRAME 17",18" B600	
6	263110-QU	5/16 AN WASHER FLAT THIN	2
7	222249	5/16-24 x 3 G8 HEX C/S	1
8	201110	1/4-28 NYLOCK NUT	6
9	202104	5/16-24 NYLOCK NUT	1
10	221160	1/4-28 x 2 HEX C/S	2
11	561084	1 1/8" TUBE END BUSHNG THIN BZ	2
12	561175	SEAT SADDLE REAR BR/LXI	2
13	561002	1" INSERT PLUG .083	2
14	561113, 561114	ARM SADDLE FLIP-BACK BR/LXI (EA)	1
15	561658	BRACKET BUSHING X-TUBE BR/LXI	2
16	201120	1/4-28 AUTOMATION NUT	2
14,16	880371	ARM SADDLES W/HDWR BR (PR)	
17	226140	1/4-28 x 1 3/4 BH C/S	6
18	561557	PIVOT BLOCK (PLASTIC)	2
19	880689	S/A LATCH BLOCK ASSEMBLY BR	2
20	226190	5/16-18 x 1 3/4 BH C/S SHLDR	2

ITEM	NUMBER	DESCRIPTION	QTY
21	262100-QU	1/4" AN WASHER FLAT	2
22	887730- 887732	X-HINGE PLASTIC 12"-22" (PR)	1
23	226140	1/4-28 x 1 3/4 BH C/S	2
24	341491	10-32 x .130-.225 RNUT GOLD	2
19,20	920483	S/A LATCH ASSEMBLY W/BOLT BR	
3,4,25,26	920151	X-TUBE EXTENSION 2" W/HDWR B60	
1-4,6-9,	672444	X-TUBE ASSM 14" x 15/16" B600	
15,17,18,	672644	X-TUBE ASSM 16" x 15/16" B600	
20-23	672844	X-TUBE ASSM 18" x 15/16" B600	
	673044	X-TUBE ASSM 20" x 15/16" B600	
1-4,6-9,	672454	X-TUBE ASSM 14" x 17/18" B600	
15,17,18,	672654	X-TUBE ASSM 16" x 17/18" B600	
20-25	672854	X-TUBE ASSM 18" x 17/18" B600	
	673054	X-TUBE ASSM 20" x 17/18" B600	
1-13,15,	611200	FRAME ASSM 14" x 15/16" B600	
17,18,	611201	FRAME ASSM 16" x 15/16" B600	
20-23	611202	FRAME ASSM 18" x 15/16" B600	
	611203	FRAME ASSM 20" x 15/16" B600	
1-4,5A,	611210	FRAME ASSM 14" x 17/18" B600	
6-13,15,	611211	FRAME ASSM 16" x 17/18" B600	
17,18,	611212	FRAME ASSM 18" x 17/18" B600	
20-25	611213	FRAME ASSM 20" x 17/18" B600	

# FRAME (BREEZY 600 ULTRA-HEMI)



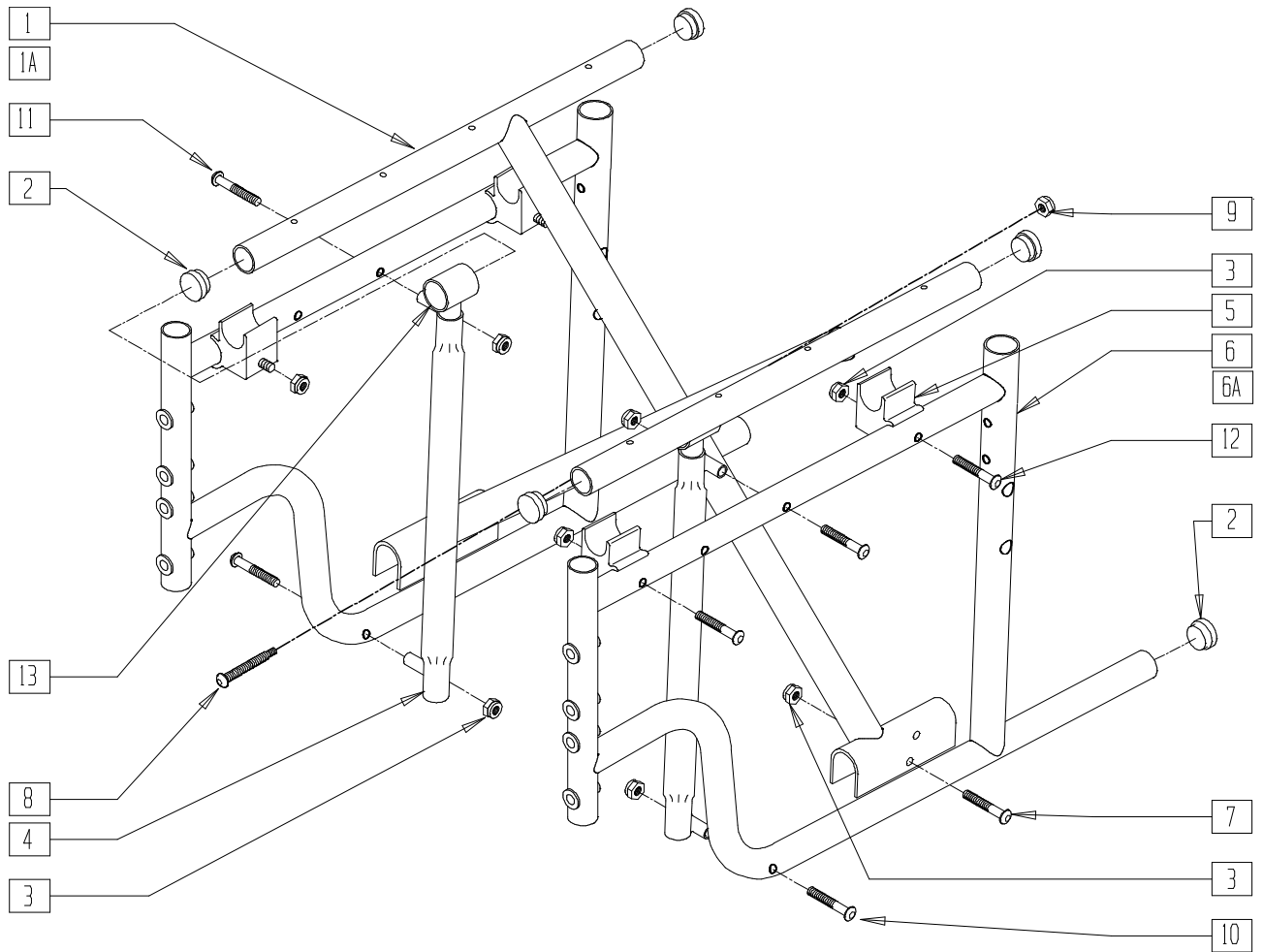
BZ620X01

ITEM	NUMBER	DESCRIPTION	QTY
1	561084	1 1/8" TUBE END BUSHNG THIN BR	2
3	561062	1" INSERT PLUG .065 RIBS	2
5	222249	5/16-24 x 3 G8 HEX C/S	1
6	263110-QU	5/16 AN WASHER FLAT THIN	2
7	880689	S/A LATCH BLOCK ASSEMBLY BR	2
8	202104	5/16-24 NYLOCK NUT	1
9	221160	1/4-28 x 2 HEX C/S	2
10	561175	SEAT SADDLE REAR BR/LXI	2
11	201110-QU	1/4-28 NYLOCK NUT	4
12	561002	1" INSERT PLUG .083	2
13	561113, 561114	ARM SADDLE FLIP-BACK BR/LXI (EA)	1
14	201120	1/4-28 AUTOMATION NUT	2
13,14	880371	ARM SADDLES W/HDWR BR (PR)	
15	226190	5/16-18 x 1 3/4 BH C/S SHLDR	2
16	561557	PIVOT BLOCK PLASTIC	2
19	262100-QU	1/4 AN WASHER FLAT	4
20	887730- 887732	X-HINGE PLASTIC 14"-17" BR/ 15"-17" LX (PR)	1
21	226140	1/4-28 x 1 3/4 BH C/S	2
22	201110-QU	1/4-28 NYLOCK NUT	2
7,15	920483	S/A LATCH ASSEMBLY W/BOLT BR	
1,4,9-12	620273	SIDE FRAME 16" DEPTH HEMI B600	
1,4A,9-12	620274	SIDE FRAME 18" DEPTH HEMI B600	

ITEM	NUMBER	DESCRIPTION	QTY
2,3,5,6, 8,11,16, 17-22	672670	X-TUBE ASSEMBLY 14" x 16" L HEMI STEEL	
	672672	X-TUBE ASSEMBLY 16" x 16" HEMI STEEL	
	672674	X-TUBE ASSEMBLY 18" x 16" HEMI STEEL	
	672676	X-TUBE ASSEMBLY 20" x 16" HEMI STEEL	
	672680	X-TUBE ASSEMBLY 14" x 18" HEMI STEEL	
	672682	X-TUBE ASSEMBLY 16" x 18" HEMI STEEL	
	672684	X-TUBE ASSEMBLY 18" x 18" HEMI STEEL	
	672686	X-TUBE ASSEMBLY 20" x 18" HEMI STEEL	
1-6,8-12, 16-22	611220	FRAME ASSEMBLY 14" x 16" HEMI B600	
	611221	FRAME ASSEMBLY 16" x 16" HEMI B600	
	611222	FRAME ASSEMBLY 18" x 16" HEMI B600	
	611223	FRAME ASSEMBLY 20" x 16" HEMI B600	
1-3,4A,5, 6,8-12, 16-22	611224	FRAME ASSEMBLY 14" x 18" HEMI B600	
	611225	FRAME ASSEMBLY 16" x 18" HEMI B600	
	611226	FRAME ASSEMBLY 18" x 18" HEMI B600	
	611227	FRAME ASSEMBLY 20" x 18" HEMI B600	



# FRAME (BREEZY 100/150)



BRZ10X01

ITEM	NUMBER	DESCRIPTION	QTY
1	222-0538	16" X-BRACE ASSEMBLY (BZ100)	1
	222-0539	18" X-BRACE ASSEMBLY (BZ100)	
	222-0540	20" X-BRACE ASSEMBLY (BZ100)	
1A	222-0771	16" x 16" X-BRACE ASSEMBLY (BZ150)	1
	222-0772	18" x 16" X-BRACE ASSEMBLY (BZ150)	
	222-0773	20" x 16" X-BRACE ASSEMBLY (BZ150)	
	222-0774	16" x 18" X-BRACE ASSEMBLY (BZ150)	
	222-0775	18" x 18" X-BRACE ASSEMBLY (BZ150)	
	222-0776	20" x 18" X-BRACE ASSEMBLY (BZ150)	

ITEM	NUMBER	DESCRIPTION	QTY
6	222-0536L	SIDE FRAME L (BZ100)	1
	222-0536R	SIDE FRAME R (BZ100)	
6A	222-0799L	SIDE FRAME L (BZ150)	1
	222-0799R	SIDE FRAME R (BZ150)	
13	222-0787	ALUM SLIDE TUBE (BZ150)	2
2,3,7-9	222-0638	CROSS BRACE HARDWARE KIT	
3,4, 10,11	222-0537	VERTICAL SLIDE/GLIDE ASSEMBLY W/HARDWARE	
3,5,12	222-0648	SEAT SUPPORT W/HARDWARE (PR)	



# Anti-tips

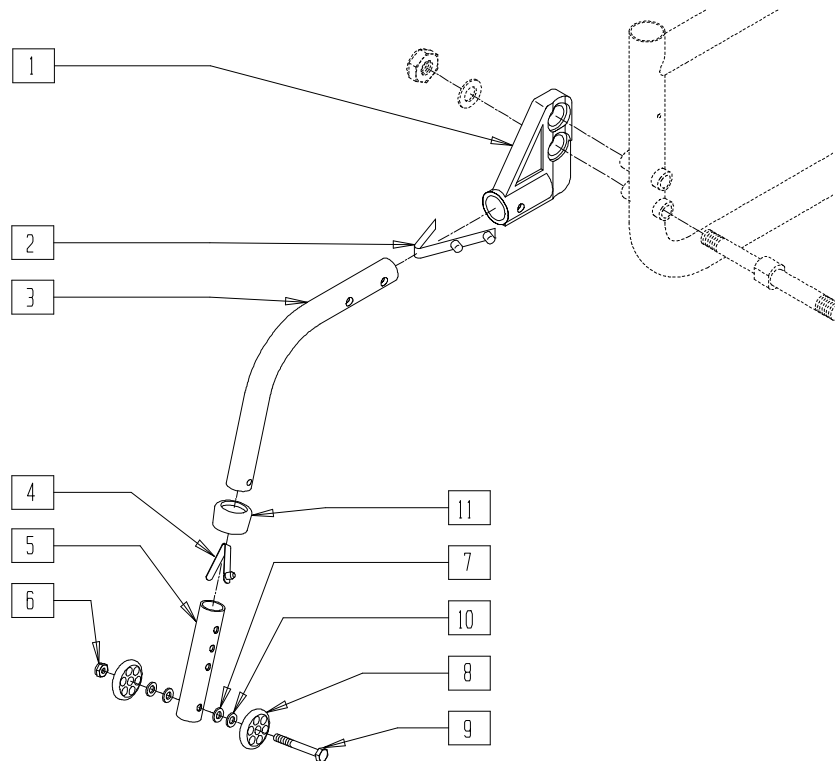
## IN THIS SECTION

Anti-Tip (Breezy) (Disc.) .....	5.1	Anti-Tip Receiver - High-mount Position (Quickie GPS/ST/DT/Triumph) .....	5.10
Anti-Tip (Breezy 600/Breezy 510 and 600 Ultra-hemi) .....	5.2	Anti-Tip - Low-mount Position (Quickie GPS/ST/DT/Triumph) .....	5.11
Anti-Tip (Breezy 500/510/510 Recliner).....	5.3	Anti-Tip Receiver (Quickie TS).....	5.11
Anti-Tip (Breezy 100/150) .....	5.3	Reverse Anti-Tip Receiver (Zippie GS) .....	5.12
Anti-Tip (Quickie 2/2HP/GP/GPV/GPV Ti/GPSA/GPS/ Kidz/LX/LXI/LXJ/M6/R2/Recliner/Revolution/Rx/ T45/TRIUMPH/TS/XTR) .....	5.4	Anti-Tip (Zippie) .....	5.12
Anti-Tip Low-mount Position (Quickie Revolution) .....	5.5	Anti-Tip (Zippie GS) .....	5.13
Anti-Tip (Quickie Carbon) (Disc.).....	5.6	Anti-Tip (Quickie XTR) .....	5.14
Anti-Tip (Quickie EX) (Disc.).....	5.6	Anti-Tip (Quickie M6) .....	5.14
Anti-Tip (Quickie Kidz) .....	5.7	Anti-Tip (Quickie R2) .....	5.15
Anti-Tip (Quickie ST/DT) (Disc.) .....	5.7	Anti-Tip (Quickie Ti Titanium).....	5.15
Anti-Tip (Quickie T45).....	5.8	Front Anti-Tip (Quickie 2/Kidz/LX/Recliner/Rx/TS, Zippie/Zippie 2/GS/TS) .....	5.16
Anti-Tip (Quickie TNT) (Disc.).....	5.8	Front Anti-Tip (High-Angle Caster Barrel) (Quickie 2) .....	5.16
Anti-Tip (Quickie TNT) (Disc.).....	5.9	Anti-Tip Reference Guide .....	5.17
Quickie Kidz Conversion Kit (Standard to Reverse).....	5.9	Front Anti-Tip Reference Guide .....	5.18
Quickie Kidz Conversion Kit (Reverse to Standard).....	5.10		

# ANTI-TIP (BREEZY)

(Discontinued - parts only)

(Effective beginning serial number BZ-200000 and prior to serial number BZ-351000)



Drawing shows right side

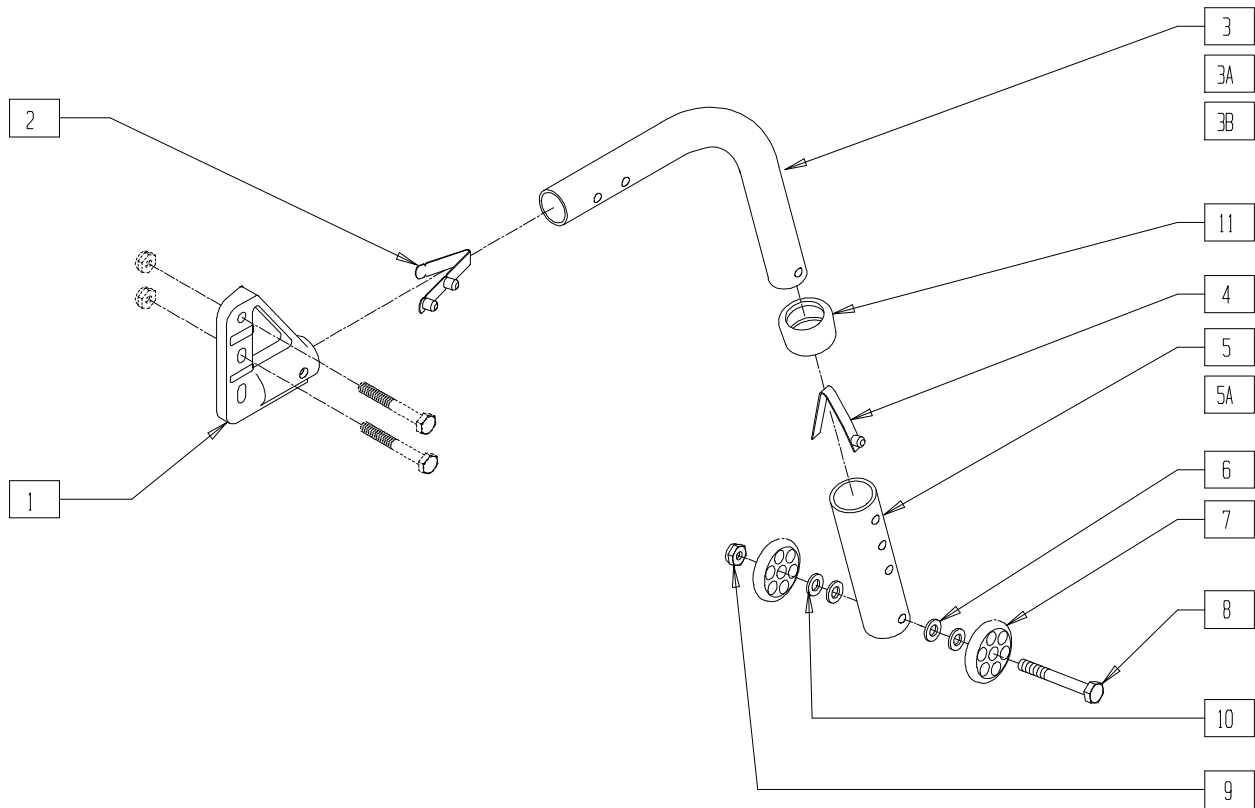
BZ00X09

ITEM	NUMBER	DESCRIPTION	QTY
1	920397	ANTI-TIP RECEIVER BR (PR)	1
	920398	ANTI-TIP REC W/HDWR BR (QR AXLE) (PR)	1
2	301109	SNAP BUTTON DUAL ONE SIDE	1
3	521490, 521491	ANTI-TIP TUBE SMALL	1
	521494, 521495	ANTI-TIP TUBE REG	
	301100	1/4" SNAP BUTTON SINGLE B-130	
4	301100	1/4" SNAP BUTTON SINGLE B-130	1
5	521508	ANTI-TIP ADJUSTMENT SLEEVE (4H)	1
6	201100-QU	1/4-28 NYLOCK NUT THIN	1
7	262110-QU	1/4 AN WASHER FLAT THIN	2

ITEM	NUMBER	DESCRIPTION	QTY
8	561032	ANTI-TIP WHEEL	2
9	221160	1/4-28 x 2 HEX C/S	1
10	262130	6mm WASHER WAVE	2
11	563065	3/4" ANTI-RATTLE	1
2-9	880490- 880495	ANTI-TIP ASSEMBLY (EA)	
	900701, 900703	ANTI-TIP ASSEMBLY (PR)	
1-9	900706, 900708, 900716, 900718	ANTI-TIP ASSEMBLY W/RECEIVER (PR)	

NOTE: THREADED AXLE PICTURED. FOR ILLUSTRATION OF QUICK-RELEASE AXLE MOUNTING, SEE QUICK RELEASE AXLE BRACKET, PAGE 7.14.

# ANTI-TIP (BREEZY 600/BREEZY 510 AND 600 ULTRA-HEMI)



Drawing shows right side

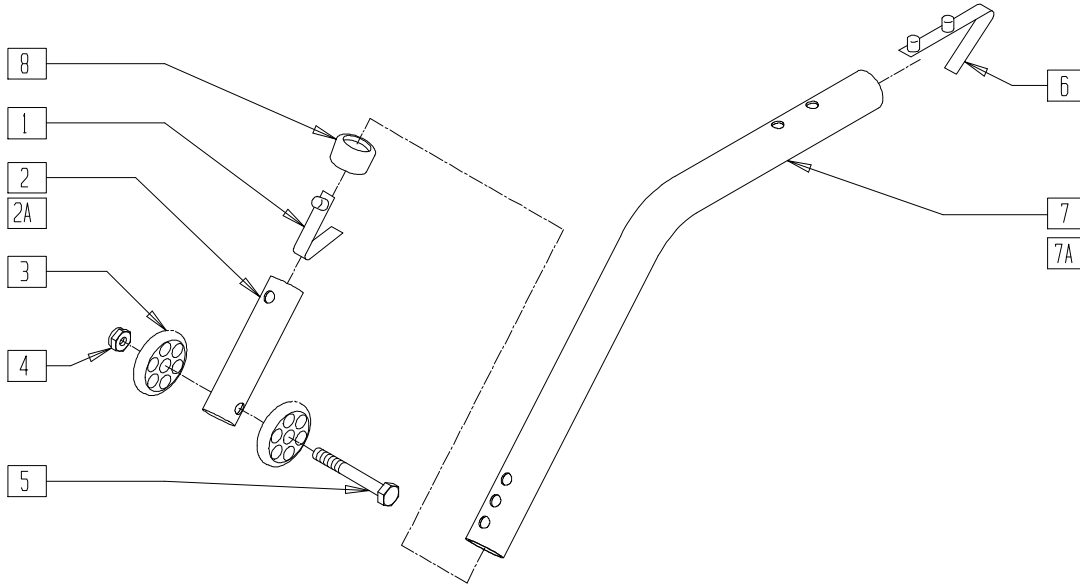
BZ600X04

ITEM	NUMBER	DESCRIPTION	QTY
1	920407	ANTI-TIP RECEIVERS (PR)	1
2	301109	SNAP BUTTON DUAL ONE SIDE	1
3	521480, 521481	ANTI-TIP TUBE KIDZ	1
3A	521490, 521491	ANTI-TIP TUBE SMALL	1
3B	521494, 521495	ANTI-TIP TUBE REG	1
4	301100	1/4" SNAP BUTTON SINGLE B-130	1
5	521514	ANTI-TIP SLEEVE TUBE (5H)	1
5A	521508	ANTI-TIP ADJ SLEEVE (4H)	1
6	262110-QU	1/4 AN WASHER FLAT THIN	2
7	561032	ANTI-TIP WHEEL	2
8	221160	1/4-28 x 2 HEX C/S	1
9	201100-QU	1/4-28 NYLOCK NUT THIN	1
10	262130	6mm WASHER WAVE	2
11	563065	3/4" ANTI-RATTLE	1
2--11	881260, 881261	ANTI-TIP ASSEMBLY SM (5H) BR	
	900240	ANTI-TIP ASSEMBLY SM (5H) HEMI BR	

ITEM	NUMBER	DESCRIPTION	QTY
1-11	900790	ANTI-TIP ASSM SM (5H) W/REC HEMI BR	
2,3A,4 5A-11	880490, 880491	ANTI-TIP ASSEMBLY SMALL (EA)	
	900701	ANTI-TIP ASSEMBLY SMALL (PR)	
1,2,3A,4, 5A,6-11	900792	ANTI-TIP ASSEMBLY SM (4H) W/RECEIVERS HEMI BR	
2,3A,4-11	881262, 881263	ANTI-TIP ASSEMBLY (5H) BR (EA)	
	900241	ANTI-TIP ASSEMBLY 5-HOLE HEMI BR (PR)	
1,2,3A,4-11	900791	ANTI-TIP ASSM 5-HOLE W/REC HEMI BR	
2,3B,4, 5A-11	880494, 880495	ANTI-TIP ASSEMBLY REG (EA)	
	900703	ANTI-TIP ASSEMBLY REG (PR)	
1,2,3B,4, 5A,6-11	900793	ANTI-TIP ASSEMBLY (4H) W/RECEIVERS HEMI BR	

## ANTI-TIP (BREEZY 500/510/510 RECLINER)

(Effective beginning serial number BZ-351000)

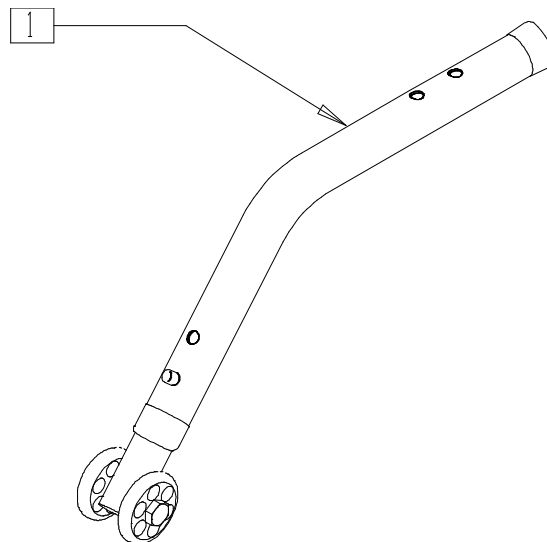


BASIC03A

ITEM	NUMBER	DESCRIPTION	QTY
1	301100	1/4" SNAP BUTTON SINGLE B-130	1
2	521543	ANTI-TIP ADJ 3/4"	1
2A	521544	ANTI-TIP ADJ 3/4" 4.7"	1
3	561032	ANTI-TIP WHEEL	2
4	201100-QU	1/4-28 NYLOCK NUT THIN	1
5	221150	1/4-28 x 1 3/4 HEX C/S	1
6	301109	SNAP BUTTON DUAL ONE SIDE	1
7	521547	ANTI-TIP TUBE SHORT BR	1

ITEM	NUMBER	DESCRIPTION	QTY
7A	521548	ANTI-TIP TUBE REGULAR BR	1
8	563065	3/4" ANTI-RATTLE	1
1-8	880981	ANTI-TIP ASSEMBLY SHORT BR (EA)	
	900770	ANTI-TIP ASSEMBLY SHORT BR (PR)	
1,2A-8	880986	ANTI-TIP ASSEMBLY BR (EA)	
	900773	ANTI-TIP ASSEMBLY BR (PR)	
1-7A,8	880983	ANTI-TIP ASSEMBLY REG BR (EA)	
	900771	ANTI-TIP ASSEMBLY REG BR (PR)	

## ANTI-TIP (BREEZY 100/150)

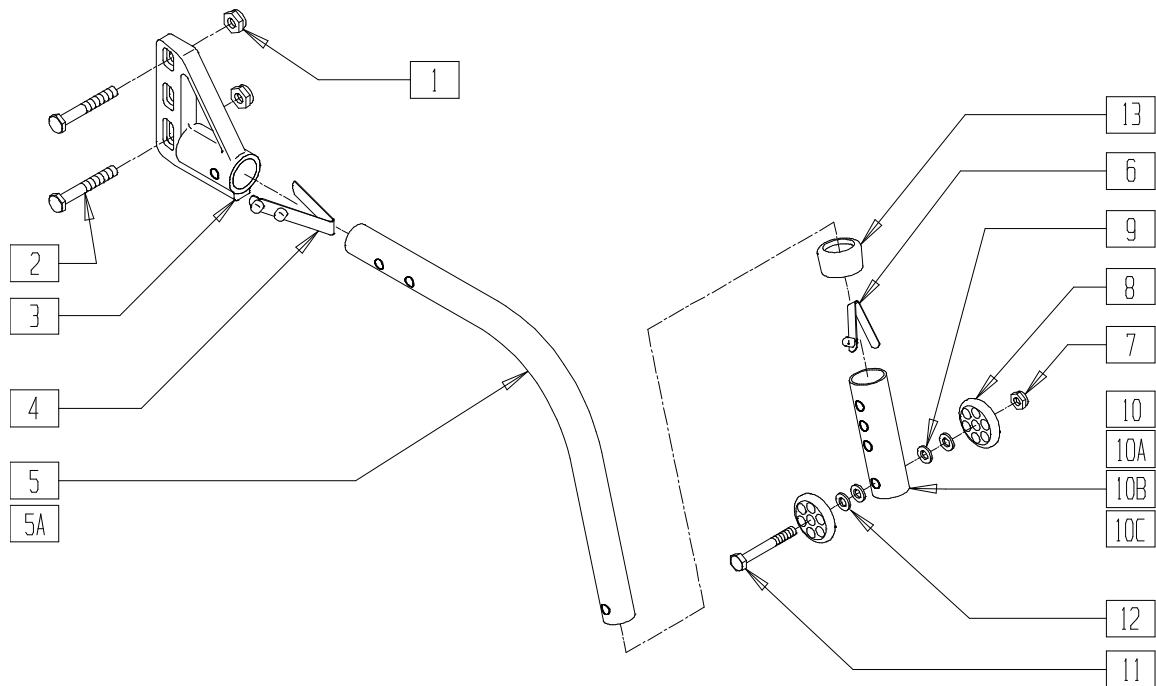


BRZ10X17

ITEM	NUMBER	DESCRIPTION	QTY
1	BZ110	ANTI-TIP (BR 100/150) (PR)	1

# ANTI-TIP (QUICKIE 2/2HP/GP/GPV/GPV Titanium/GPSA/GPS/KIDZ/LX/LXI/LXJ/M6/R2/ RECLINER/REVOLUTION/RX/T45/TI/TRIUMPH/TS/XTR)

(Quickie GPS, GPS Ti and Triumph discontinued 2/01- parts only)



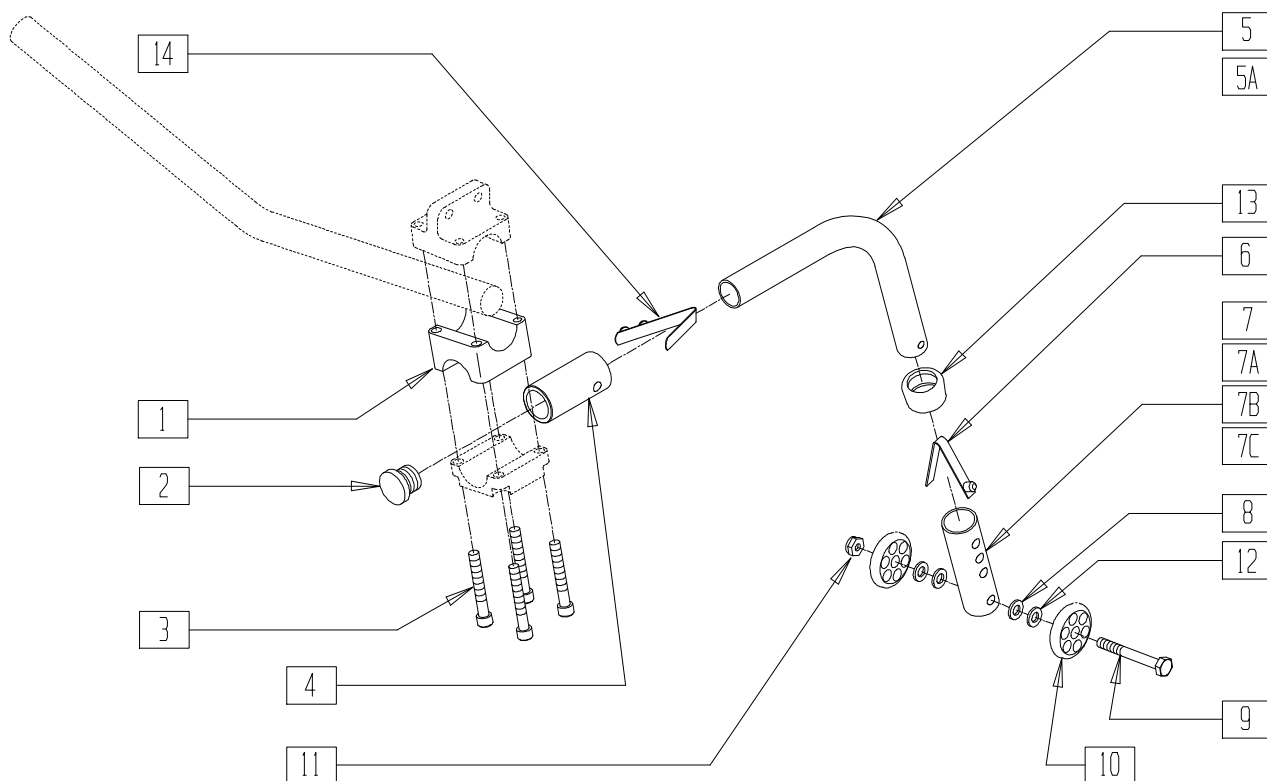
AT0X02

ITEM	NUMBER	DESCRIPTION	QTY
1	201110	1/4-28 NYLOCK NUT	2
2	221181	1/4-28 x 2 1/2 G8 HEX C/S	2
3	920407	ANTI-TIP RECEIVERS (PR)	1
4	301109	SNAP BUTTON DUAL ONE SIDE	1
5	521490- 521497	ANTI-TIP TUBE CLR SMALL, SMALL EXT, REG, REG EXT (EA)	1
5A	521716- 521728	ANTI-TIP TUBE BLK SMALL, SMALL EXT, REG, REG EXT (EA)	1
6	301100	1/4" SNAP BUTTON SINGLE B-130	1
7	201100-QU	1/4-28 NYLOCK NUT THIN	1
8	561032	ANTI-TIP WHEEL	2
9	262110-QU	1/4 AN WASHER FLAT THIN	2
10	521508	ANTI-TIP ADJ SLEEVE (4H)	1
10A	521514	ANTI-TIP SLEEVE TUBE (5H)	1
10B	521504	ANTI-TIP ADJ SLEEVE BLK (4H)	1
10C	521587	ANTI-TIP ADJ SLEEVE BLK (5H)	1
11	221192	1/4-28 x 2 G8 HEX C/S	1
12	262130	6mm WASHER WAVE	2
13	563065	3/4" ANTI-RATTLE	1
4-13*	880490- 880497	ANTI-TIP ASSEMBLY CLR SMALL, SMALL EXT, REG, REG EXT (EA)	
4-9, 10A,13	880498, 880499	ANTI-TIP ASSEMBLY CLR W/REG LONG SLEEVE (EA)	
4-9,10A, 11-13	880976, 880977	ANTI-TIP REGULAR EXT CLR W/LONG SLEEVE (EA)	

ITEM	NUMBER	DESCRIPTION	QTY
4-9,10A, 11-13	900732	ANTI-TIP REGULAR EXT CLR W/LONG SLEEVE (PR)	
4-13*	900696, 900697	ANTI-TIP ASSEMBLY CLR SMALL EXT (PR)	
	900701, 900703	ANTI-TIP ASSEMBLY CLR SMALL (PR)	
	1-9, 10A,13	900714	ANTI-TIP LONG SLEEVE W/REC CLR (PR)
1-13	900721- 900724	ANTI-TIP ASSEMBLY CLR W/REC (PR)	
7-9,10B, 11-13	881512	ANTI-TIP SLEEVE W/WHEELS BLK (4H)	
7-9,10C, 11-13	881513	ANTI-TIP SLEEVE W/WHEELS BLK (5H)	
4,5A,6-9, 10B,11-13	882906- 882911	ANTI-TIP ASSEMBLY BLK SMALL, SMALL EXT, REG, REG EXT (EA)	
4,5A,6-9, 10B,11-13	882900, 882901	ANTI-TIP ASSEMBLY BLK REGULAR (EA)	
4,5A,6-9, 10C,11-13	882922, 882923	ANTI-TIP ASSEMBLY BLK REG EXT W/LONG SLEEVE (EA)	
1-4,5A,6-9, 10C,11-13	900835	ANTI-TIP ASSEMBLY BLK REG EXT W/LONG SLEEVE (PR)	
1-4,5A,6-9, 10B,11-13	900830- 900833	ANTI-TIP ASSEMBLY W/REC BLK SMALL, SMALL EXT, REG, REG EXT (PR)	

NOTE: WHEN USING PADDED SWING-AWAY ARMS, ANTI-TIP RECEIVERS ARE MOUNTED ON OUTSIDE OF FRAME.  
\*PLEASE ORDER BLACK ANTI-TIP TUBES AND ASSEMBLIES WHEREVER POSSIBLE.

# ANTI-TIP LOW-MOUNT POSITION (QUICKIE REVOLUTION)



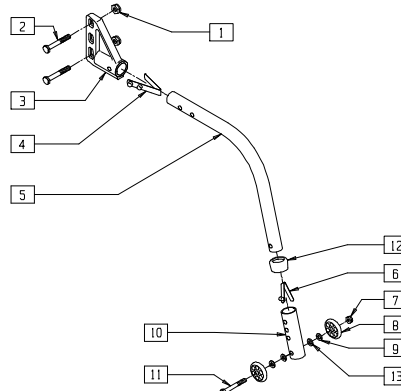
2D000X12

ITEM	NUMBER	DESCRIPTION	QTY
1	550213	ANTI-TIP SADDLE LOW MOUNT GPS	1
2	560735	7/8" ROUND TUBE PLUG	1
3	226163	1/4-28 x 2 SOC C/S	4
4	521234	ANTI-TIP RECEIVER TUBE GPS	1
1-4	880931	ANTI-TIP RECEIVER ASSEMBLY UNDER MOUNT GPS	
5	521491-521494	UNDER MOUNT GPS SMALL, REG (EA)	1
5A	521716-521719	ANTI-TIP TUBE BLK SMALL, REG (EA)	1
6	301100	1/4" SNAP BUTTON SINGLE B-130	1
7	521508	ANTI-TIP ADJ SLEEVE (4H)	1
7A	521514	ANTI-TIP SLEEVE TUBE (5H)	1
7B	521504	ANTI-TIP ADJ SLEEVE BLK (4H)	1
7C	521587	ANTI-TIP SLEEVE TUBE BLK (5H)	1
8	262110-QU	1/4 AN WASHER FLAT THIN	2
9	221192	1/4-28 x 2 G8 HEX C/S	1
10	561032	ANTI-TIP WHEEL	2

ITEM	NUMBER	DESCRIPTION	QTY
11	201100-QU	1/4-28 NYLOCK NUT THIN	1
12	262130	6mm WASHER WAVE	2
13	563065	3/4" ANTI-RATTLE	1
14	301109	SNAP BUTTON DUAL ONE SIDE	1
7B,8-13	881512	ANTI-TIP SLEEVE W/WHEELS BLK (4H)	
7C,8-13	881513	ANTI-TIP SLEEVE W/WHEELS BLK (5H)	
5-14	880490, 880491	ANTI-TIP ASSEMBLY SMALL (EA)	
5,6,7A, 8-14	880498, 880499	ANTI-TIP ASSEMBLY REG W/LONG SLEEVE (EA)	
5-14	900701	ANTI-TIP ASSEMBLY SMALL (PR)	
5,6,7A 8-14	900709	ANTI-TIP ASSEMBLY REG W/LONG SLEEVE (PR)	
1-14	900698	ANTI-TIP ASSEMBLY SM EXT W/REC RV	
5A,6,7B, 8-14	882906, 882907	ANTI-TIP ASSEMBLY SMALL BLK (EA)	
5A,6,7C, 8-14	882912, 882913	ANTI-TIP ASSEMBLY REG BLK LONG SLEEVE (EA)	



## ANTI-TIP (QUICKIE CARBON) (Discontinued 3/1/95 - parts only)



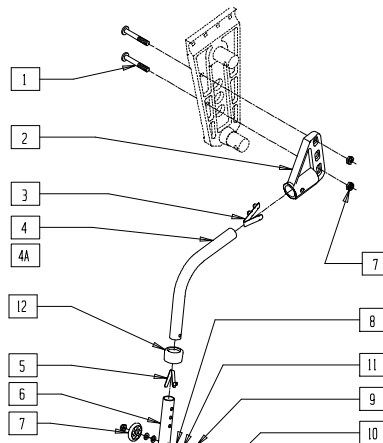
AT0X01A

ITEM	NUMBER	DESCRIPTION	QTY
1	330000-OU	1/4-28 NYLOCK NUT ALUM	2
2	221211	1/4-28 x 3 1/4 G8 HEX C/S	2
3	920407	ANTI-TIP RECEIVERS (PR)	1
4	301109	SNAP BUTTON DUAL ONE SIDE	1
5	521490, 521491, 521494, 521495	ANTI-TIP TUBE (EA)	1
6	301100	1/4" SNAP BUTTON SINGLE B-130	1
7	201100-OU	1/4-28 NYLOCK NUT THIN	1
8	561032	ANTI-TIP WHEEL	2

ITEM	NUMBER	DESCRIPTION	QTY
9	262110-OU	1/4 AN WASHER FLAT THIN	2
10	521508	ANTI-TIP ADJ SLEEVE (4H)	1
11	221192	1/4-28 x 2 G8 HEX C/S	1
12	563065	3/4" ANTI-RATTLE	1
13	262130	6mm WASHER WAVE	2
4-13	880490, 880491, 880494, 880495	ANTI-TIP ASSEMBLY (EA)	
1-13	900728, 900729	ANTI-TIP ASSEMBLY W/REC QC (PR)	

NOTE: WHEN USING PADDED SWING-AWAY ARMS, ANTI-TIP RECEIVERS ARE MOUNTED ON OUTSIDE OF FRAME.

## ANTI-TIP (QUICKIE EX) (Discontinued 2/14/97- parts only)



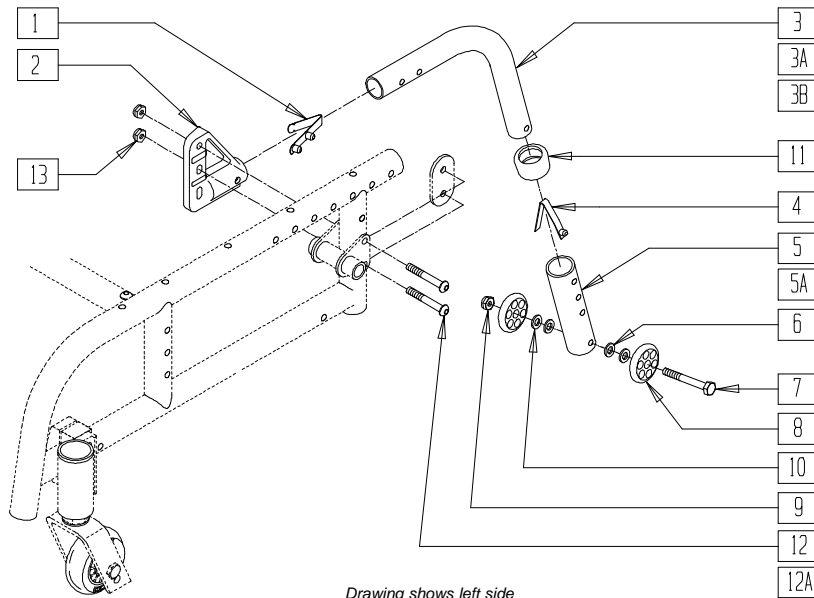
Drawing shows left side

SP00X09

ITEM	NUMBER	DESCRIPTION	QTY
1	226122	1/4-28 x 1.10 BH C/S	2
2	920407	ANTI-TIP RECEIVERS (PR)	1
3	301109	SNAP BUTTON DUAL ONE SIDE	1
4	521490, 521494	ANTI-TIP TUBE R	1
4A	521491, 521495	ANTI-TIP TUBE L	1
5	301100	1/4" SNAP BUTTON SINGLE B-130	1
6	521508	ANTI-TIP ADJ SLEEVE (4H)	1
7	201100-OU	1/4-28 NYLOCK NUT THIN	3
8	262110-OU	1/4 AN WASHER FLAT THIN	2
9	561032	ANTI-TIP WHEEL	2
10	221192	1/4-28 x 2 G8 HEX C/S	1

ITEM	NUMBER	DESCRIPTION	QTY
11	262130	6mm WASHER WAVE	2
12	563065	3/4" ANTI-RATTLE	1
3-12	880490	ANTI-TIP ASSEMBLY SMALL R	
3,4A,5-12	880491	ANTI-TIP ASSEMBLY SMALL L	
3-12	880494	ANTI-TIP ASSEMBLY REGULAR R	
3,4A,5-12	880495	ANTI-TIP ASSEMBLY REGULAR L	
3-12	900701	ANTI-TIP ASSEMBLY SMALL (PR)	
3-12	900703	ANTI-TIP ASSEMBLY REG (PR)	
1-12	900725	ANTI-TIP ASSEMBLY W/REC REG EX (PR)	
1-12	900727	ANTI-TIP ASSEMBLY W/REC SM EX (PR)	

## ANTI-TIP (QUICKIE KIDZ)



Drawing shows left side

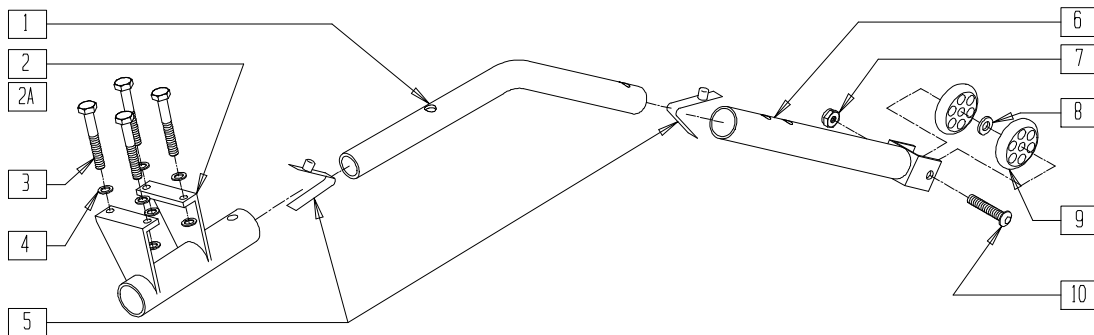
KDZ0X13A

ITEM	NUMBER	DESCRIPTION	QTY
1	301109	SNAP BUTTON DUAL ONE SIDE	1
2	920407	ANTI-TIP RECIEVERS (PR)	1
3	521480-521495	ANTI-TIP TUBE CLR KIDZ, SMALL (EA)	1
3A	521482, 521483	ANTI-TIP TUBE BLK KIDZ (EA)	1
3B	521716, 521717	ANTI-TIP TUBE BLK SMALL (EA)	1
4	301100	1/4" SNAP BUTTON SINGLE B-130	1
5	521508	ANTI-TIP ADJ SLEEVE (4H)	1
5A	521504	ANTI-TIP ADJ SLEEVE BLK (4H)	1
6	262110-OU	1/4 AN WASHER FLAT THIN	2
7	221192	1/4-28 x 2 G8 HEX C/S	1
8	561032	ANTI-TIP WHEEL	2
9	201100-QU	1/4-28 NYLOCK NUT THIN	1
10	262130	6mm WASHER WAVE	2

ITEM	NUMBER	DESCRIPTION	QTY
11	563065	3/4" ANTI-RATTLE	1
12	221181	1/4-28 x 2 1/2 G8 HEX	2
12A	226150	1/4-28 x 2 BH C/S	2
13	201110	1/4-28 NYLOCK NUT	2
5A,6-10	881512	ANTI-TIP SLEEVE W/WHEELS BLK (4H)	
1,3-11	880488-880495	ANTI-TIP ASSEMBLY CLR KIDZ, SMALL (EA)	
1,3A,4,5A,6-10	882904-882907	ANTI-TIP ASSEMBLY BLK KIDZ, SMALL (EA)	
1-11	900721-900726	ANTI-TIP ASSEMBLY W/RECEIVER CLR KIDZ, SMALL (PR)	
1,2,3B,4,5A,6-13	900830	ANTI-TIP ASSEMBLY W/RECEIVER BLK SMALL (PR)	
1,2,3B,4,5A,6-11,12A,13	900836	ANTI-TIP ASSM W/RECEIVER BLK KIDZ (PR)	

## ANTI-TIP (QUICKIE ST/DT)

(Discontinued 7/1/98 - parts only)

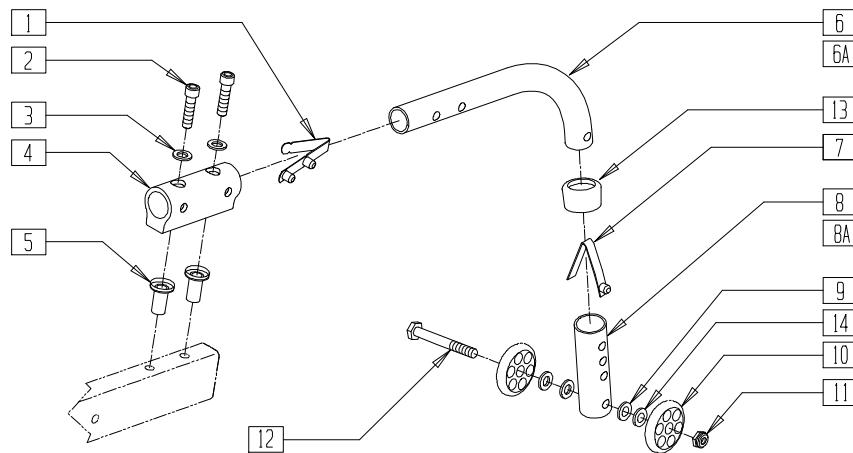


RG000X08

ITEM	NUMBER	DESCRIPTION	QTY
1	527546	ANTI-TIP BENT EXT ANO	1
2	500582	ANTI-TIP BRACKET R	1
2A	500583	ANTI-TIP BRACKET L	1
3	221151-QU	1/4-28 x 1 3/4 G8 HEX C/S	4
4	262100-QU	1/4 AN WASHER FLAT	8
5	301100	1/4" SNAP BUTTON SINGLE B-130	2
7	201135	1/4-20 NYLOCK NUT LOW SS	1
8	561028	1/4" NYLON WASHER	1

ITEM	NUMBER	DESCRIPTION	QTY
9	561032	ANTI-TIP WHEEL	2
10	226080	1/4-20 x 1 1/4 BH C/S SS	1
6-10	880951	ANTI-TIP WHEEL ASSEMBLY ANO	
1-10	881480	RIGID ANTI-TIP W/BRKT R	
1,2A,3-10	881481	RIGID ANTI-TIP W/BRKT L	
1-10	900735	RIGID ANTI-TIP W/BRKT (PR)	
1,3,6-8	880950	ANTI-TIP EXT ASSEMBLY	

## ANTI-TIP (QUICKIE T45)



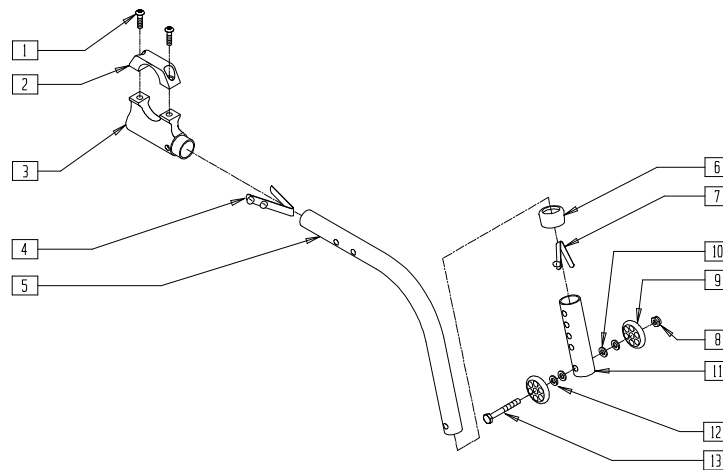
TSR00X13A

ITEM	NUMBER	DESCRIPTION	QTY
1	301109	SNAP BUTTON DUAL ONE SIDE	1
2	226112	1/4-28 x 1 SOC C/S BLK	2
3	262114	1/4 WASHER HI COLLAR LOCK ZN	2
4	500745	ANTI-TIP RECEIVER P2	1
5	341503	RIVNUT 1/4" x 28 RIBBED	2
6	521480, 521481	ANTI-TIP TUBE CLR KIDZ (EA)	1
6A	521482, 521483	ANTI-TIP TUBE BLK KIDZ (EA)	1
7	301100	1/4" SNAP BUTTON SINGLE B-130	1
8	521508	ANTI-TIP ADJ SLEEVE (4H)	1
8A	521504	ANTI-TIP ADJ SLEEVE (4H) BLK	1
9	262110-QU	1/4 AN WASHER FLAT THIN	2
10	561032	ANTI-TIP WHEEL	2

ITEM	NUMBER	DESCRIPTION	QTY
11	201100-QU	1/4-28 NYLOCK NUT THIN	1
12	221192	1/4-28 x 2 G8 HEX C/S	1
13	563065	3/4" ANTI-RATTLE	1
14	262130	6mm WASHER WAVE	2
2-4	900715	ANTI-TIP RECEIVER W/HWDR P2	
8A,9-13	881512	ANTI-TIP SLV W/WHEELS BLK (4H)	
1,6-13	880488, 880489	ANTI-TIP ASSEMBLY CLR KIDZ (EA)	
1,6A,7, 8A,9-13	882904, 882905	ANTI-TIP ASSEMBLY BLK KIDZ (EA)	
1-4,6-14	900730	ANTI-TIP ASSEMBLY W/REC T45 CLR (PR)	
1-4,6A,7, 8A,9-13	900837	ANTI-TIP ASSEMBLY W/REC T45 BLK (PR)	

## ANTI-TIP (Quickie TNT)

(Discontinued - parts only; fits Quickie TNT prior to serial number TNT-3176)



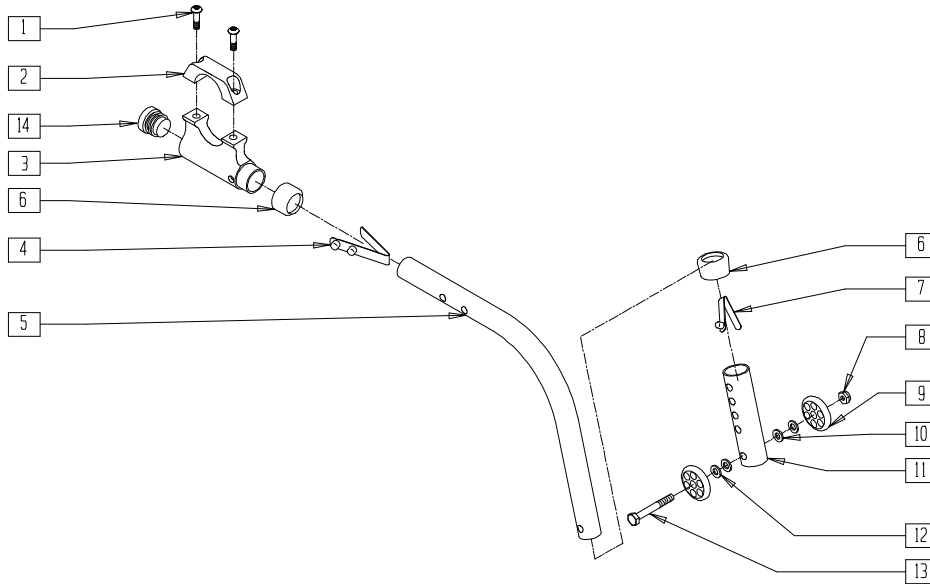
TNT00X05

ITEM	NUMBER	DESCRIPTION	QTY
1	226171	1/4-28 x 1/2" SOC HD C/S	2
2	550555	ANTI-TIP CLAMP UPPER QTNT	1
3	881137	ANTI-TIP HOUSING W/CLAMP ASSEMBLY	1
1-3	881131	ANTI-TIP RECEIVER ASSEMBLY QTNT	
4	301109	SNAP BUTTON DUAL ONE SIDE	1
5	550422- 550423	ANTI-TIP SUPPORT TUBE QTNT (EA)	1
6	563065	3/4" ANTI-RATTLE	1
7	301100	1/4" SNAP BUTTON SINGLE B-130	1

ITEM	NUMBER	DESCRIPTION	QTY
8	201100-QU	1/4-28 NYLOCK NUT THIN	1
9	561032	ANTI-TIP WHEEL	2
10	262110-QU	1/4 AN WASHER FLAT THIN	2
11	521501	ANTI-TIP ADJ SLEEVE (4H) QTNT	1
12	262130	6mm WASHER WAVE	2
13	221192	1/4-28 x 2 G8 HEX C/S	1
4-13	880988, 880989	ANTI-TIP ASSEMBLY QTNT (EA)	
1-13	900736	ANTI-TIP ASSEMBLY QTNT (EA)	

## ANTI-TIP (Quickie TNT)

(Effective beginning serial number TNT-3176)(Discontinued 2/01-Parts only.)

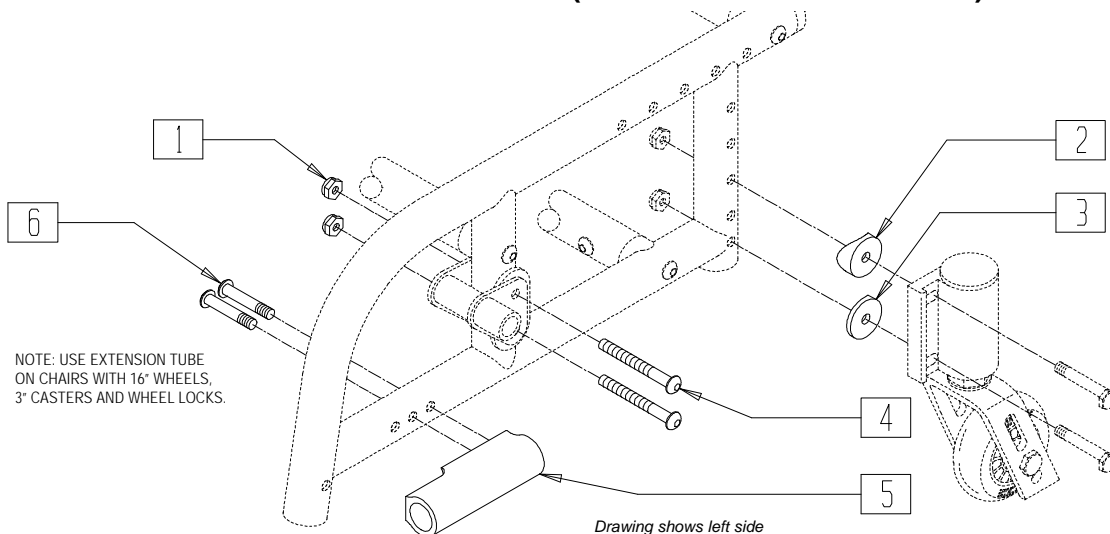


TNT00X05A

ITEM	NUMBER	DESCRIPTION	QTY
1	226171	1/4-28 x 1/2" SOC HD C/S	2
2	550555	ANTI-TIP CLAMP UPPER BLK QTNT	1
4	301109	SNAP BUTTON DUAL ONE SIDE	1
5	550422, 550423	ANTI-TIP SUPPORT TUBE (5H) BLK TNT (EA)	1
6	563065	3/4" ANTI-RATTLE	1
7	301100	1/4" SNAP BUTTON SINGLE B-130	1
8	201100-QU	1/4-28 NYLOCK NUT THIN	1
9	561032	ANTI-TIP WHEEL	2
10	262110-QU	1/4 AN WASHER FLAT THIN	2
11	521587	ANTI-TIP SLEEVE TUBE (5H) BLK	1
12	262130	6mm WASHER WAVE	2

ITEM	NUMBER	DESCRIPTION	QTY
13	221192	1/4-28 x 2 G8 HEX C/S	1
14	560735	7/8" ROUND TUBE PLUG	1
3,6,14	881137	ANTI-TIP HOUSING W/CAP	
1-3,6,14	881136	ANTI-TIP RECEIVER ASSEMBLY QTNT NEW	
6,8-13	880437	ANTI-TIP SLEEVE W/WHEELS (5H) QTNT	
4-13	880991, 880992	ANTI-TIP ASSEMBLY (5H) QTNT (EA)	
1-14	900737	ANTI-TIP ASSEMBLY W/REC (5H) QTNT (PR)	

## QUICKIE KIDZ CONVERSION KIT (STANDARD TO REVERSE)



NOTE: USE EXTENSION TUBE  
ON CHAIRS WITH 16" WHEELS,  
3" CASTERS AND WHEEL LOCKS.

Drawing shows left side

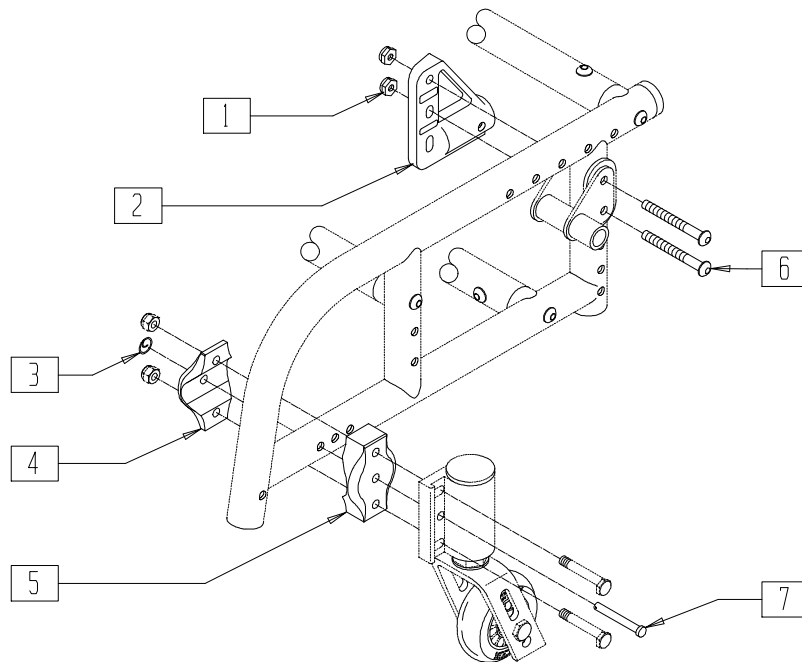
KDZ00X26

ITEM	NUMBER	DESCRIPTION	QTY
1	201100-QU	1/4-28 NYLOCK NUT THIN	4
2	561004	1" SADDLE 1/4" HOLE	2
3	561086	1" HALF SADDLE 1/4" HOLE	2
4	226140	1/4-28 x 1 3/4 BH C/S	4
5	500746	ANTI-TIP RECEIVER FRONT KZ	2

ITEM	NUMBER	DESCRIPTION	QTY
6	226130	1/4-28 x 1 1/2 BH C/S	4
5,6	920410	FRONT ANTI-TIP REC FRAME MOUNT (PR)	
1-6	920356	CONVERSION KIT STANDARD TO REVERSE KIDZ	

## QUICKIE KIDZ CONVERSION KIT (REVERSE TO STANDARD)

NOTE: USE EXTENSION TUBE ON CHAIRS WITH 16" WHEELS, 3" CASTERS AND WHEEL LOCKS.

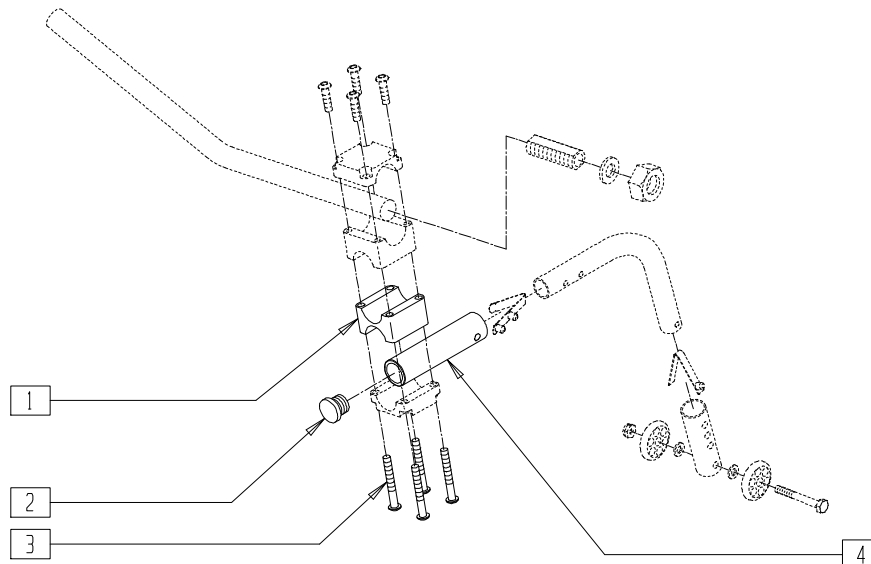


KDZ00X27a

ITEM	NUMBER	DESCRIPTION	QTY
1	201110-QU	1/4-28 NYLOCK NUT	2
2	540181, 540182	ANTI-TIP RECEIVER (EA)	1
	920407	ANTI-TIP RECEIVERS (PR)	
3	349034	SAFETY COTTER	2
4	500306	INNER CLAMP HALF	2

ITEM	NUMBER	DESCRIPTION	QTY
5	500307	OUTER CLAMP HALF	2
6	226150	1/4-28 x 2 BH C/S	4
7	349027	1/4 x 2 CLEVIS PIN	2
1-7	920357	CONVERSION KIT REVERSE TO STANDARD KIDZ	

## ANTI-TIP RECEIVER - HIGH-MOUNT POSITION (QUICKIE GPS/ST/DT/TRIUMPH) (Quickie GPS and Triumph discontinued 2/01-Parts only.)



Drawing shows left side

GBL00X05

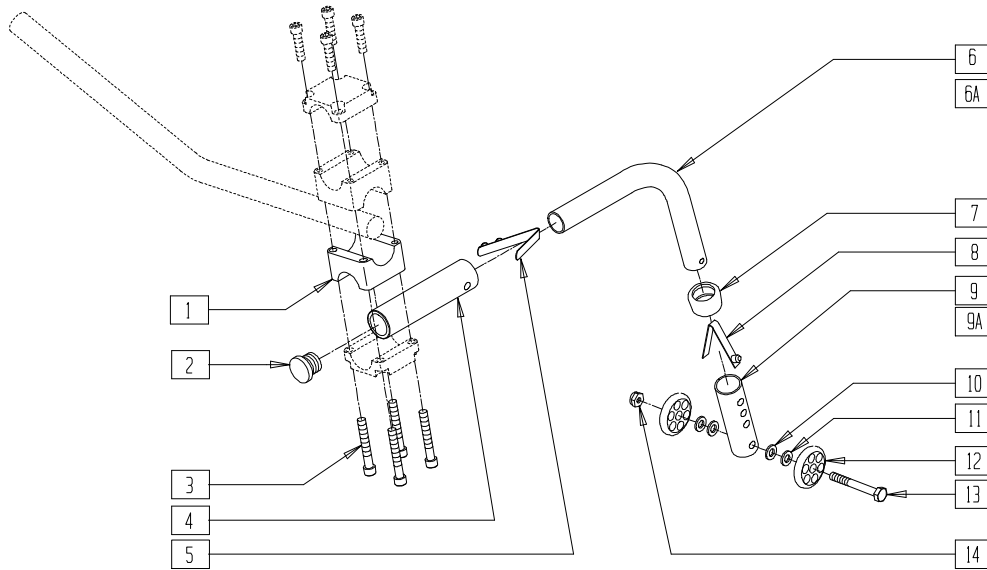
ITEM	NUMBER	DESCRIPTION	QTY
1	550215	ANTI-TIP SADDLE HI-MOUNT GPS	1
2	560735	7/8" ROUND TUBE PLUG	1
3	226163	1/4-28 x 2 SOC C/S	4

ITEM	NUMBER	DESCRIPTION	QTY
4	521234	ANTI-TIP RECEIVER TUBE GPS	1
1-4	880932	ANTI-TIP RECEIVER ASSEMBLY OVER MOUNT GPS	

NOTE: FOR ANTI-TIP PARTS, SEE ANTI-TIP - LOW-MOUNT POSITION ON PAGE 5.12.

## ANTI-TIP - LOW-MOUNT POSITION (QUICKIE GPS/ST/DT/TRIUMPH)

(Quickie GPS and Triumph discontinued 2/01-Parts only.)



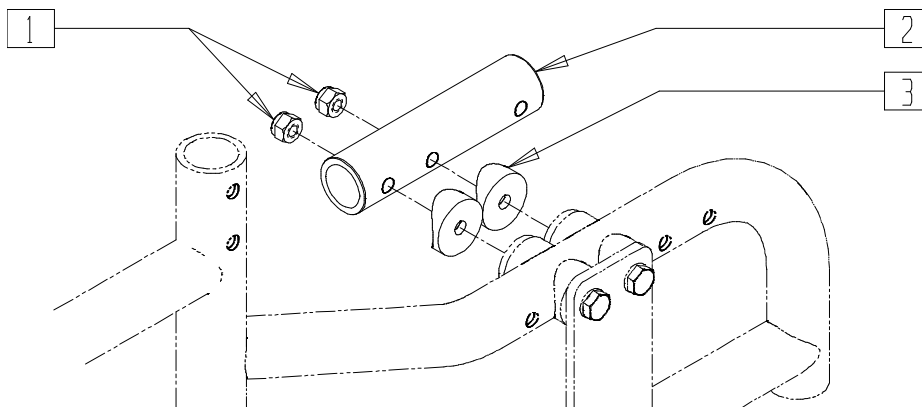
Drawing shows left side

GBL00X04

ITEM	NUMBER	DESCRIPTION	QTY
1	550213	ANTI-TIP SADDLE LOW MOUNT GPS	1
2	560735	7/8" ROUND TUBE PLUG	1
3	226163	1/4-28 x 2 SOC C/S	4
4	521234	ANTI-TIP RECEIVER TUBE GPS	1
5	301109	SNAP BUTTON DUAL ONE SIDE	1
6	521490- 521495	ANTI-TIP TUBE CLR (SM, SM EXT, REG) (EA)	1
6A	521716- 521719	ANTI-TIP TUBE BLACK (SM, SM EXT, REG) (EA)	1
7	563065	3/4" ANTI-RATTLE	1
8	301100	1/4" SNAP BUTTON SINGLE B-130	1
9	521508	ANTI-TIP ADJ SLEEVE (4H)	1
9A	521504	ANTI-TIP ADJ SLEEVE (4H) BLK	1
10	262110-QU	1/4 AN WASHER FLAT THIN	2
11	262130	6mm WASHER WAVE	2

ITEM	NUMBER	DESCRIPTION	QTY
12	561032	ANTI-TIP WHEEL	2
13	221192	1/4-28 x 2 G8 HEX C/S	1
14	201100-QU	1/4-28 NYLOCK NUT THIN	1
1-4	880931	ANTI-TIP REC ASSM UNDR MNT GPS	
7,9-14	880482	ANTI-TIP SLEEVE W/WHLS CLR (4H)	
1,9A,10-14	881512	ANTI-TIP SLV W/WHLS BLK (4H)	
6-14	880490- 880495	ANTI-TIP ASSEMBLY CLR (SM, REG) (EA)	
6A,7,8, 9A,10-14	882900, 882901	ANTI-TIP ASSEMBLY BLACK (SMALL) (EA)	
6A,7,8, 9A,10-14	882906, 882907	ANTI-TIP ASSEMBLY BLACK (REGULAR) (EA)	
6-14	900701, 900703	ANTI-TIP ASSEMBLY CLR (SM, REG) (PR)	
6A,7-14	900830, 900832	ANTI-TIP ASSEMBLY BLACK (SM, REG) (PR)	

## ANTI-TIP RECEIVER (QUICKIE TS)

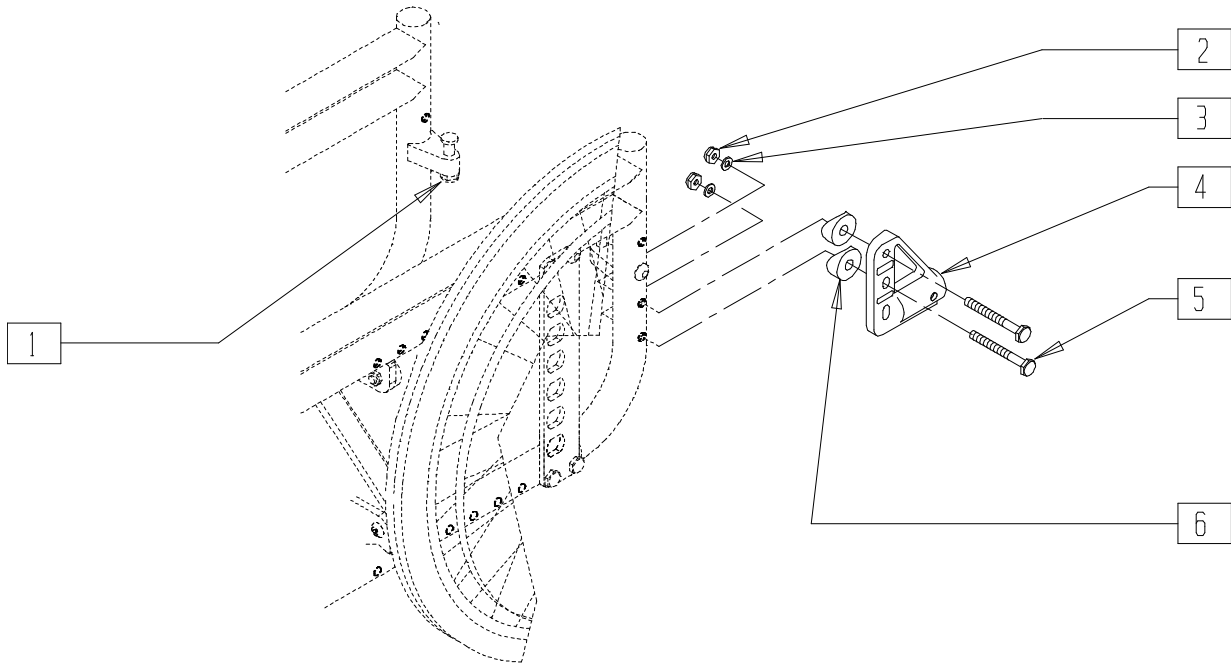


QTS00X04

ITEM	NUMBER	DESCRIPTION	QTY
1	201110	1/4-28 NYLOCK NUT	2
2	521234	ANTI-TIP TUBE GPS	1

ITEM	NUMBER	DESCRIPTION	QTY
3	561004	1" SADDLE 1/4" HOLE	2
1-3	920388	ANTI-TIP RECEIVER ASSEMBLY QTS	

## REVERSE ANTI-TIP RECEIVER (ZIPPIE GS)

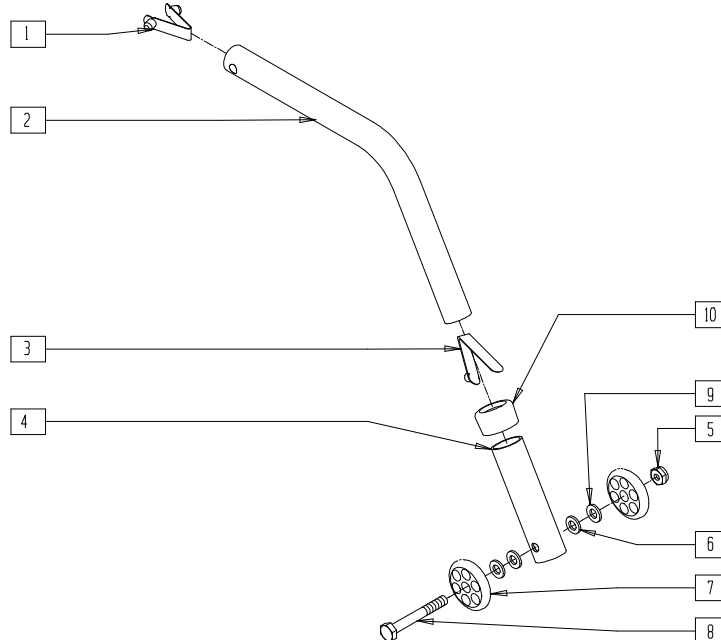


ZGS00X42

ITEM	NUMBER	DESCRIPTION	QTY
1	920220	S/A LATCH ASSEMBLY W/BOLT	1
2	201110	1/4-28 NYLOCK NUT	2
3	262100-QU	1/4 AN WASHER FLAT	2

ITEM	NUMBER	DESCRIPTION	QTY
4	920407	ANTI-TIP RECEIVERS (PR)	1
5	221151-QU	1/4-28 x 1 3/4 G8 HEX C/S	2
6	561003	3/4" SADDLE THIN	2

## ANTI-TIP (ZIPPIE)

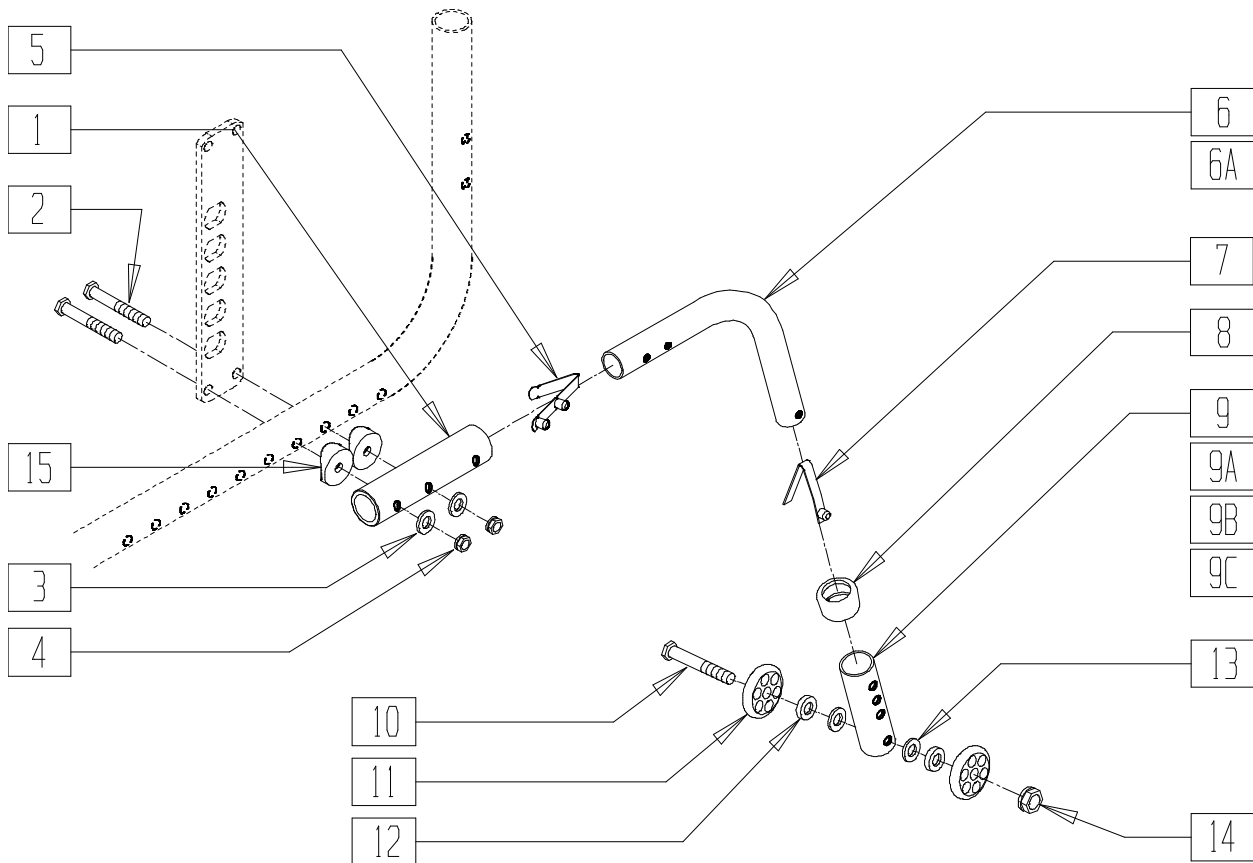


BZY00X8

ITEM	NUMBER	DESCRIPTION	QTY
1	301110	1/4" SNAP BUTTON DOUBLE	1
2	521513	ANTI-TIP MAIN TUBE BZ/ZP	1
3	301100	1/4" SNAP BUTTON SINGLE B-130	1
4	521516	ANTI-TIP SLEEVE BZ/ZP	1
5	201100-QU	1/4-28 NYLOCK NUT THIN	1
6	262110-QU	1/4 AN WASHER FLAT THIN	2

ITEM	NUMBER	DESCRIPTION	QTY
7	561032	ANTI-TIP WHEEL	2
8	221192	1/4-28 x 2 G8 HEX C/S	1
9	262130	6mm WASHER WAVE	2
10	563065	3/4" ANTI-RATTLE	1
1-10	880503	ANTI-TIP TUBE BZ/ZP (EA)	
	900704	BZ/ZP ANTI-TIP O/S (PR)	

# ANTI-TIP (ZIPPIE GS)



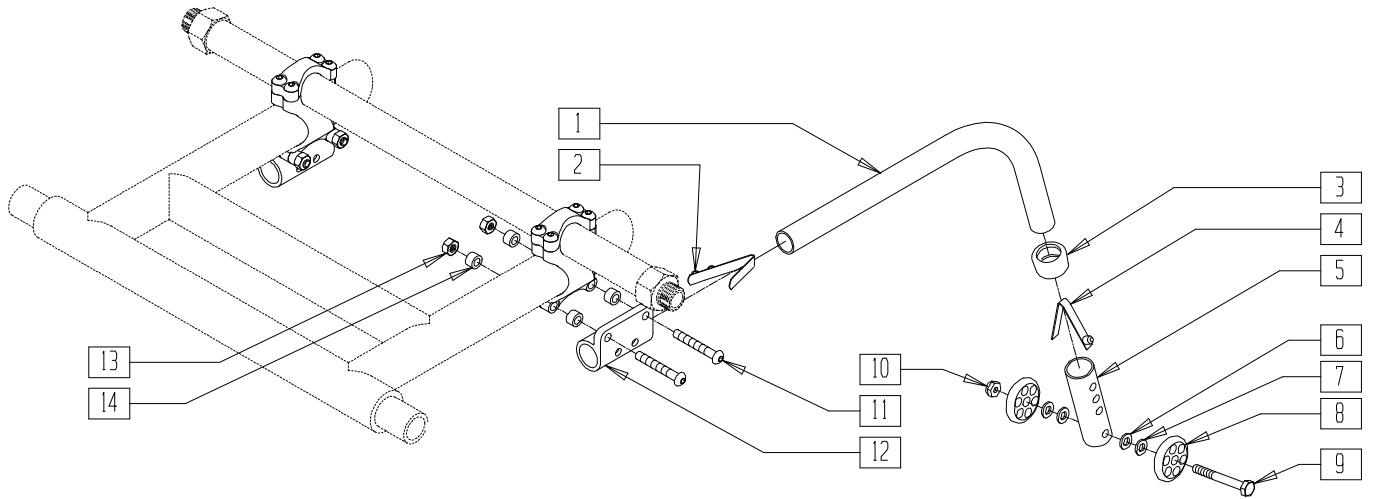
ZGS0X25A

ITEM	NUMBER	DESCRIPTION	QTY
1	521234	ANTI-TIP RECEIVER TUBE	1
2	221201	1/4-28 x 3 G8 HEX C/S	2
3	262110-OU	1/4 AN WASHER FLAT THIN	2
4	201110	1/4-28 NYLOCK NUT	2
5	301109	SNAP BUTTON DUAL ONE SIDE	1
6	521506	ANTI-TIP MAIN TUBE CLR P2	1
	521470, 521471	ANTI-TIP TUBE CLR LOW PROFILE (EA)	
	521480, 521481	ANTI-TIP TUBE CLR KIDZ (EA)	
	521490, 521491	ANTI-TIP TUBE CLR SMALL (EA)	
	521494, 521495	ANTI-TIP TUBE CLR REG (EA)	
	521475	ANTI-TIP MAIN TUBE BLK	
6A	521472, 521473	ANTI-TIP TUBE BLK LOW PROFILE (EA)	1
	521482, 521483	ANTI-TIP TUBE BLK KIDZ (EA)	
	521716- 521719	ANTI-TIP TUBE BLK SMALL REG (EA)	
7	301100	1/4" SNAP BUTTON SINGLE B-130	1
8	563065	3/4" ANTI-RATTLE	1
9	521508	ANTI-TIP ADJUSTABLE SLEEVE (4H)	1

ITEM	NUMBER	DESCRIPTION	QTY
9A	521514	ANTI-TIP SLEEVE (5H)	1
9B	521504	ANTI-TIP ADJUSTABLE SLEEVE (4H) BLK	1
9C	521587	ANTI-TIP SLEEVE (5H) BLK	1
10	221192	1/4-28 x 2 G8 HEX C/S	1
11	561032	ANTI-TIP WHEEL	2
12	262130	6mm WASHER WAVE	2
13	262110-OU	1/4 AN WASHER FLAT	2
14	201100-OU	1/4-28 NYLOCK NUT THIN	1
15	561004	1" SADDLE 1/4" HOLE	2
1-15	900225- 900228	ANTI-TIP LONG SLEEVE W/REC ZGS CLR KIDZ, SMALL, REG	
8,9B,10-15	881512	ANTI-TIP SLEEVE W/WHEELS BLK (4H)	
8,9C,10-15	881513	ANTI-TIP SLEEVE W/WHEELS BLK (5H)	
5,6A,7,8, 9C,10-15	882916, 882917	ANTI-TIP KIDZ ZGS BLK W/LONG SLEEVE (EA)	
	882912, 882913	ANTI-TIP ASSEMBLY BLK W/REG LONG SLEEVE (EA)	
	882920, 882921	ANTI-TIP ASSEMBLY ZGS BLK LOW PROFILE (EA)	
	900838	ANTI-TIP KIDZ LONG SLV W/REC BLK (PR)	
1-5,6A,7,8, 9C,10-15	900839	ANTI-TIP REG LONG SLV W/REC BLK (PR)	
	900840	ANTI-TIP W/RECEIVER BLK ZGS (PR)	



## ANTI-TIP (QUICKIE XTR)



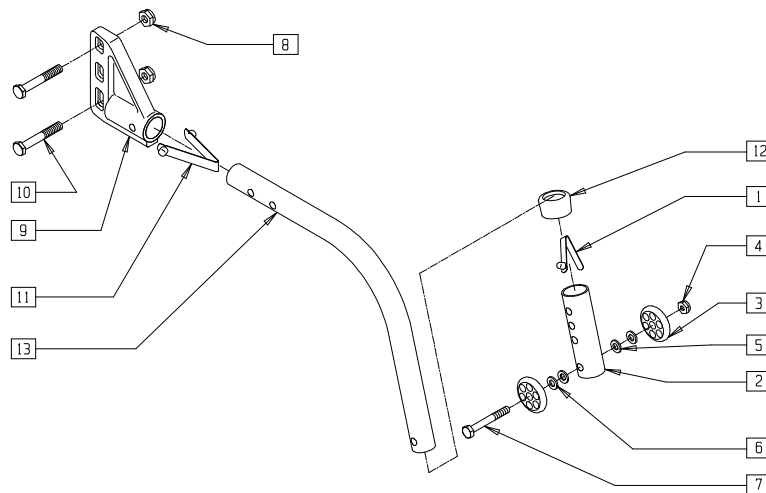
SUS0X22A

ITEM	NUMBER	DESCRIPTION	QTY
1	301109	SNAP BUTTON DUAL ONE SIDE	1
2	521736, 521737	MED ANTI-TIP TUBE BLK	1
3	563065	3/4" ANTI-RATTLE	1
4	301100	1/4" SNAP BUTTON SINGLE	1
5	521504	ANTI-TIP ADJ SLEEVE (4H) BLK	1
6	262100-QU	1/4 AN WASHER FLAT	2
7	262130	6mm WASHER WAVE	2
8	561032	ANTI-TIP WHEEL	2
9	221192	1/4-28 x 2 G8 HEX C/S	1

ITEM	NUMBER	DESCRIPTION	QTY
10	201100-QU	1/4-28 NYLOCK NUT THIN	2
11	226147	1/4-28 x 1.85 BH C/S BLK ZN	2
12	540187	ANTI-TIP RECEIVER XTR	1
13	481380	ANTI-TIP SPACER XTR	4
14	204110	1/4-28 NYLOCK NUT BLK ZN	2
11-14	920018*	ANTI-TIP ASSEMBLY RETRO KIT	1
1-10	881128,	MED ANTI-TIP ASSEMBLY BLK	
	881129		
	920009	ANTI-TIP REC ASSEMBLY (PR)	

\* FOR REPLACEMENT PARTS FOR THE QUICKIE XTR ANTI-TIP PRIOR TO 12/99, ORDER KIT P/N 920018.

## ANTI-TIP (QUICKIE M6)

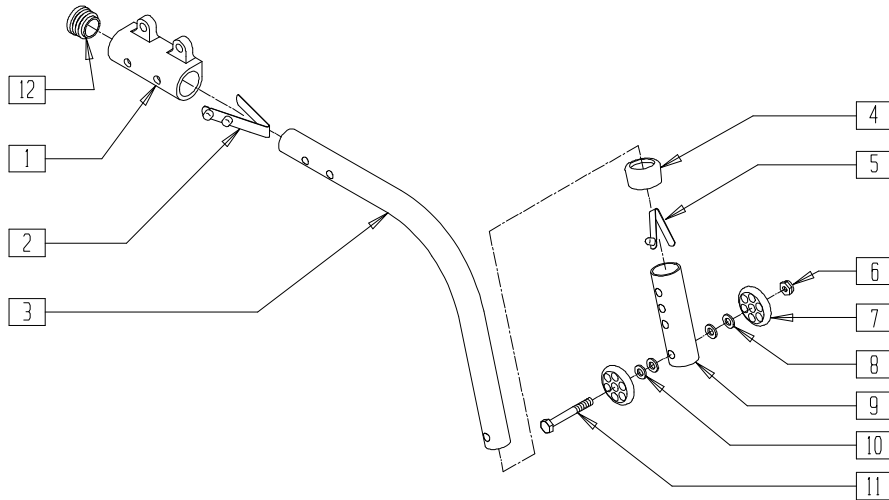


MAG00X34

ITEM	NUMBER	DESCRIPTION	QTY
1	301100	1/4" SNAP BTTN SINGLE	1
2	521587	ANTI-TIP SLEEVE TUBE (5H) BLK	1
3	561032	ANTI-TIP WHEEL	2
4	201100-QU	1/4-28 NYLOCK NUT THIN	1
5	262110-QU	1/4 AN WASHER FLAT THIN	2
6	262130	6mm WASHER WAVE	2
7	221192	1/4-28 x 2 G8 HEX C/S	1
8	201110	1/4-28 NYLOCK NUT	2
9	540181, 540182	ANTI-TIP RECEIVER (EA)	1

ITEM	NUMBER	DESCRIPTION	QTY
9	920407	ANTI-TIP RECEIVER (PR)	1
10	221192	1/4-28 x 2 G8 HEX C/S	2
11	301109	SNAP BUTTON DUAL ONE SIDE	1
12	563065	3/4" ANTI-RATTLE	1
13	521718, 521719	ANTI-TIP TUBE REG BLK	1
1-7, 11-13	882900, 882901	ANTI-TIP ASSEMBLY REG BLK	

## ANTI-TIP (QUICKIE R2)

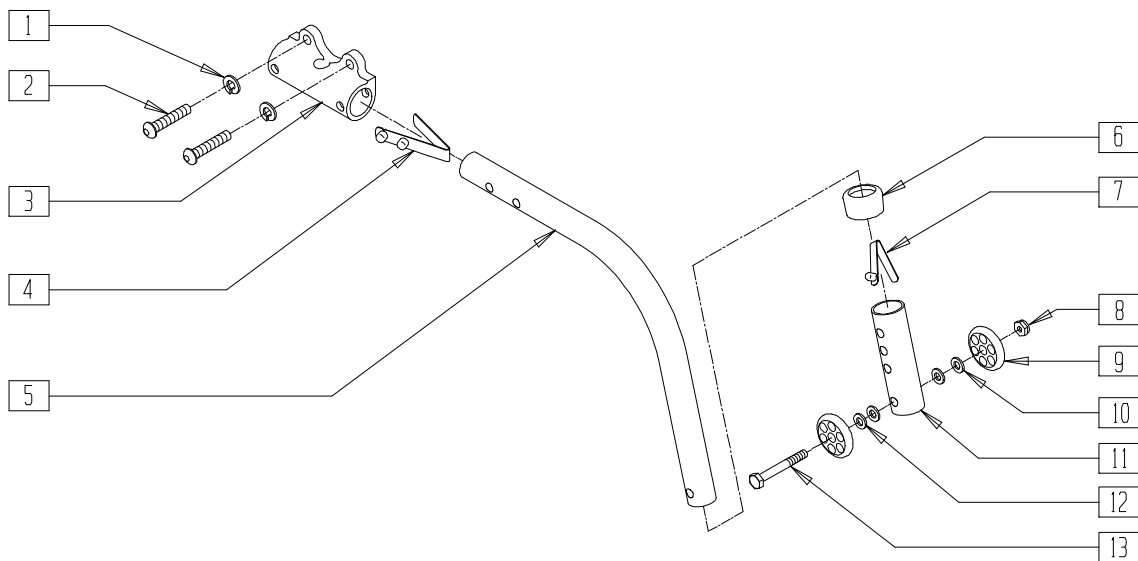


R200X11A

ITEM	NUMBER	DESCRIPTION	QTY
1	550039	ANTI-TIP HOUSING R2 FIXED	1
2	301109	SNAP BUTTON DUAL ONE SIDE	1
3	521727, 521728	ANTI-TIP TUBE EXT REG BLACK (EA)	1
4	563065	3/4" ANTI-RATTLE	1
5	301100	1/4" SNAP BTTN SINGLE	1
6	201100-QU	1/4-28 NYLOCK NUT THIN	1
7	561032	ANTI-TIP WHEEL	1

ITEM	NUMBER	DESCRIPTION	QTY
8	262130	6MM WASHER WAVE	1
9	521504	ANTI-TIP ADJ SLEEVE (4H) BLACK	1
10	262110-QU	1/4 AN WASHER FLAT THIN	1
11	221192	1/4-28 x 2 G8 HEX C/S	1
12	560735	7/8" ROUND TUBE PLUG	1
4,6-11	881512	ANTI-TIP SLV W/WHLS BLK (4H)	
2,3,5	882910, 882911	ANTI-TIP ASSM REG EXTEND BLK (EA)	
1-12	900841	ANTI-TIP ASSY W/REC R2	

## ANTI-TIP (QUICKIE Ti Titanium)

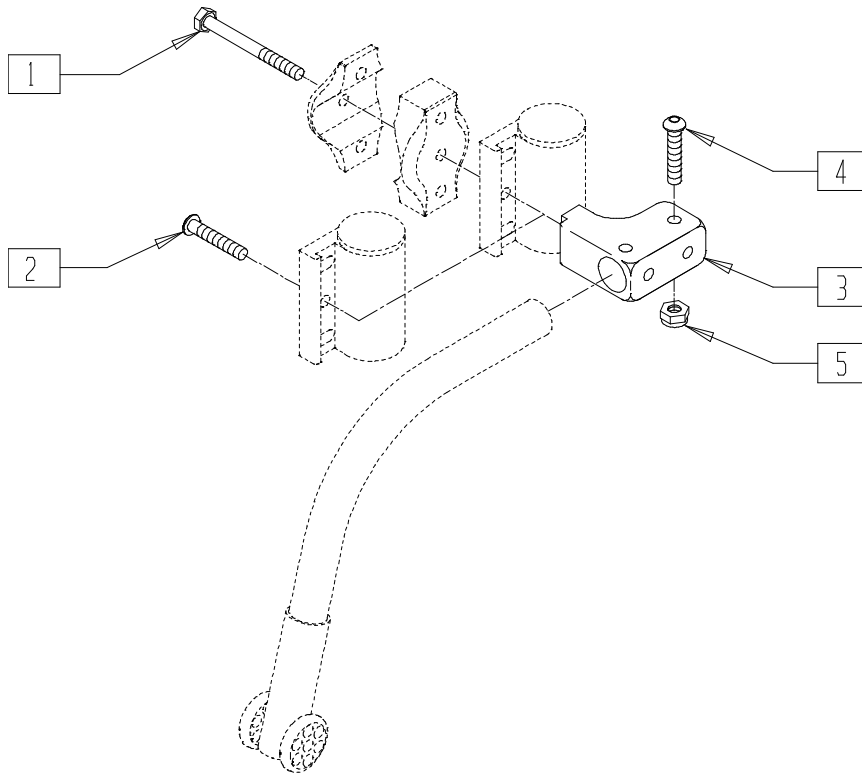


QTIX07

ITEM	NUMBER	DESCRIPTION	QTY
1	262133	WASHER, LOCK, M6	2
2	230055	BHCS,M6 x 1 x 25MM,TORX.T-25	2
3	550079	ANTI-TIP HOUSING, FIXED, AXLE MOUNT	1
4	301109	SNAP BUTTON DUAL ONE SIDE	1
5	521727, 521728	ANTI-TIP TUBE EXT REG BLACK (EA)	1
6	563065	3/4" ANTI-RATTLE	1
7	301100	1/4" SNAP BTTN SINGLE	1
8	201100-QU	1/4-28 NYLOCK NUT THIN	1
9	561032	ANTI-TIP WHEEL	2

ITEM	NUMBER	DESCRIPTION	QTY
10	262130	6MM WASHER WAVE	2
11	521587	ANTI-TIP SLEEVE TUBE	2
12	262110-QU	1/4 AN WASHER FLAT THIN	1
13	221192	1/4-28 x 2 G8 HEX C/S	1
6,8-13	881513	ANTI-TIP SLV W/WHLS BLK (4H)	
4-13	882922 882923	A/T REG EXTND W/LNG SLV BLK (EA)	
1-13	882924, 882925	ANTI TIP ASSM (EA)	

## FRONT ANTI-TIP (QUICKIE 2/KIDZ/LX/RECLINER/Rx/TS,ZIPPIE/ZIPPIE 2/GS/TS)

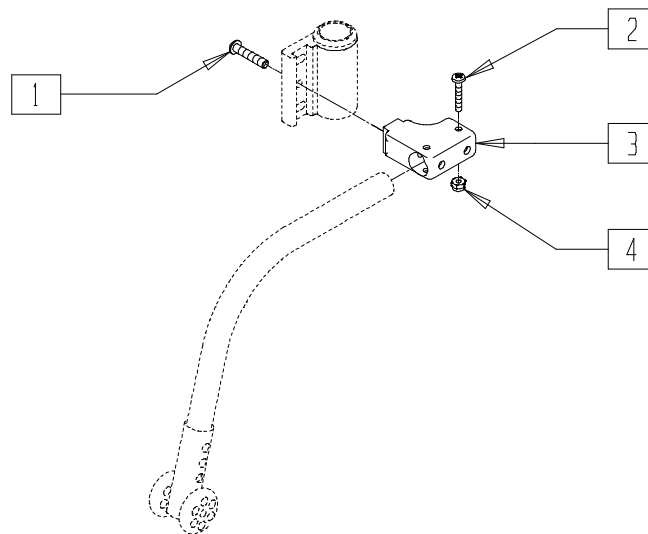


KDZ00X28A

ITEM	NUMBER	DESCRIPTION	QTY
1	221181	1/4-28 x 2 1/2 G8 HEX C/S	1
2	226129	1/4-28 x 1 1/4 BH C/S	1
3	505340	ANTI-TIP RECEIVER BLOCK FRONT	1

ITEM	NUMBER	DESCRIPTION	QTY
4	226029-QU	10-32 x 1 1/8 BH C/S BLK	1
5	200100-QU	10-32 NYLOCK NUT	1
1-5	920408	FRNT ANTI-TIP REC CSTR MNT (PR)	

## FRONT ANTI TIP (HIGH ANGLE CASTER BARREL) (QUICKIE 2) (Effective 8/15/02)



Q202X18

ITEM	NUMBER	DESCRIPTION	QTY
1	226129	1/4-28 x 1 1/4 BH C/S	1
2	226069-QU	1/4-20 x 1/2 BH C/S BLK	1
3	505341	FRONT ANTI-TIP H/D CASTER	1

ITEM	NUMBER	DESCRIPTION	QTY
4	200100-QU	10-32 NYLOCK NUT	1
1-4	922050	FRNT ANTI-TIP REC H/A CSTR Q2	

# ANTI-TIP TUBE REFERENCE GUIDE

WHEELCHAIR MODEL	SEAT TO FLOOR HEIGHT	REAR WHEEL	ANTI-TIP	PART NUMBER		
				EACH	PAIR (W/O RECEIVERS)	PAIR (W/RECEIVERS)
Breezy 500	17 1/2", 18 1/2"	All	SMALL	880986	900773	N/A
Breezy 510 Standard and Breezy 510 Recliner	15"-16 1/2"	All	SMALL	880981	900770	N/A
	17"	Any 20" or any 22" low/full poly				
	17 1/2"	Any 20" or 22" full poly/pneu w/8" low poly caster (*)				
	18"-18 1/2"	Any 20"				
	17"	22" pneu or 24" low poly	SMALL	880986	900773	N/A
	17 1/2"	All other config w/ 17 1/2" STF (*)				
	18"-18 1/2"	Any 22"/24"				
	19"	Any 22" or 24" low poly				
19"	Any 24" full poly/pneu	REGULAR	880983	900771	N/A	
19 1/2"-20 1/2"	All					
Breezy 600 Standard	15"-17"	All	SMALL	880490 (RIGHT) 880491 (LEFT)	900701	900792
	17 1/2"	Any 20" or any 22"/24" low poly or 22" full poly/pneu w/8" low poly caster (*)				
	18"-18 1/2"	Any 20" or any 22" low poly or any 24" full poly				
	19"	Any 22" full poly	REGULAR	880494 (RIGHT) 880495 (LEFT)	900703	900793
	17 1/2"	All other configurations w/17 1/2" STF (*)				
	18"-18 1/2"	Any 22" full poly/pneu or 24" low poly/pneu				
	19"	Any 22" pneu or any 24"				
19 1/2"-20 1/2"	All					
Breezy 510 Ultra-Hemi and Breezy 600 Ultra-Hemi	13"-14"	All	KIDZ W/LONG SLEEVE	881260 (RIGHT) 881261 (LEFT)	900240	900790
	14 1/2"	Any 20"				
	15"	Any 20" full poly/pneu or Any 22" low/full poly				
	15 1/2"	Any 20" full poly/pneu w/8" low poly caster or any 22" low poly (*)	SMALL	880490 (RIGHT) 880491 (LEFT)	900701	900792
	14 1/2"	Any 22" or 24"				
	15"	Any 20"/24" low poly or 22" pneu				
	15 1/2"	All other configurations w/15 1/2" STF (*)				
	16"	All				
	16 1/2"	Any 20"/24" or 22" low poly				
	16 1/2"	Any 22" full poly/pneu	SMALL W/LNG SLEEVE	881262 (RIGHT) 881263 (LEFT)	900241	900791
	17"	All	REGULAR	880494 (RIGHT) 880495 (LEFT)	900703	900793
	17 1/2"	Any 20" or 22" low/full poly				
	17 1/2"	Any 22" pneu or any 24"				
18"	All					

## FRONT ANTI-TIP REFERENCE GUIDE

<b>CASTER</b>	<b>3 1/4" FORK</b>	<b>3 1/4" + 3/4" FORK AND STEM</b>	<b>3 1/4" + 1 1/2" FORK AND STEM</b>
---------------	------------------------	--	--

3" MICRO	880488, 880489	880488, 880489	880488, 880489
----------	-------------------	-------------------	-------------------

<b>CASTER</b>	<b>4 1/4" FORK</b>	<b>4 1/4" + 3/4" FORK AND STEM</b>	<b>4 1/4" + 1 1/2" FORK AND STEM</b>
---------------	------------------------	--	--

3" MICRO	880488, 880489	880488, 880489	880490, 880491
5" REGULAR	880488, 880489	880488, 880489	880490, 880491

<b>CASTER</b>	<b>5" FORK</b>	<b>5" + 3/4" FORK AND STEM</b>	<b>5" + 1 1/2" FORK AND STEM</b>
---------------	--------------------	------------------------------------	--------------------------------------

3" MICRO	880488, 880489	880490, 880491	880490, 880491
5" REGULAR	880490, 880491	880490, 880491	880494, 880495
6" REGULAR	880490, 880491	880490, 880491	880494, 880495
8" REGULAR	880494, 880495	880494, 880495	880494, 880495

<b>CASTER</b>	<b>8" x 2" FORK</b>	<b>8" x 2" + 3/4" FORK AND STEM</b>	<b>8" x 2" + 1 1/2" FORK AND STEM</b>
---------------	-------------------------	---	---

8" x 2"	880494, 880495	880494, 880495	880498, 880499
---------	-------------------	-------------------	-------------------

<b>CASTER</b>	<b>6" FORK</b>	<b>6" + 3/4" FORK AND STEM</b>	<b>6" + 1 1/2" FORK AND STEM</b>
---------------	--------------------	------------------------------------	--------------------------------------

3" MICRO	880490, 880491	880490, 880491	880494, 880495
5" REGULAR	880494, 880495	880494, 880495	880494, 880495
6" REGULAR	880494, 880495	880494, 880495	880494, 880495
8" REGULAR	880494, 880495	880494, 880495	880498, 880499

<b>CASTER</b>	<b>7" FORK</b>	<b>7" + 3/4" FORK AND STEM</b>	<b>7" + 1 1/2" FORK AND STEM</b>
---------------	--------------------	------------------------------------	--------------------------------------

3" MICRO	880494, 880495	880494, 880495	880494, 880495
5" REGULAR	880494, 880495	880494, 880495	880498, 880499
6" REGULAR	880494, 880495	880494, 880495	880498, 880499
8" REGULAR	880498, 880499	880498, 880499	SPECIALIZED SPECIALIZED

<b>KIDZ REVERSE CONFIGURATION</b>			
	<b>TOP</b>	<b>MIDDLE</b>	<b>BOTTOM</b>
12"/16" WHEEL	880488, 880489	880488, 880489	880488, 880489

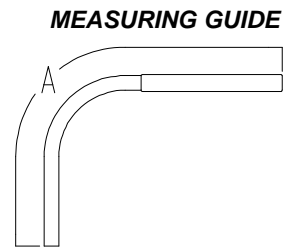
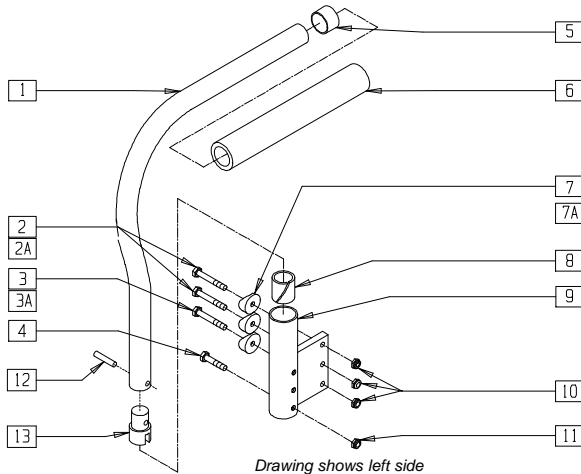


# Padded Swing-Away and Flip-up Armrests

## IN THIS SECTION

Padded Swing-away Armrest (Quickie 2/2HP).....	6.1	Padded Swing-away Armrest (Quickie XTR/R2 Rigid) .....	6.5
Padded Swing-away Armrest (Quickie GP/GPSA/GPV Titanium) .....	6.1	Padded Swing-away Armrest (Quickie XTR/R2 Rigid)(Effective) .....	6.5
Padded Swing-away Armrest (Quickie LX/LXI/Rx) ...	6.2	Armrest (Quickie ST/DT) .....	6.6
Padded Swing-away Armrest (Aluminum Breezy) (Disc.) .....	6.2	Armrest (Quickie Ti Titanium) .....	6.7
Padded Swing-away Armrest (Quickie Carbon) (Disc.) .....	6.3	Adjustable Locking Flip-up Armrest Assembly (Quickie 2 Depth-adjustable Back/TS, Zippie/Zippie 2) .....	6.8
Padded Swing-away Armrest (Quickie Revolution) (Disc.) .....	6.3	Adjustable Locking Flip-up Armrest Assembly (Quickie T45) .....	6.9
Padded Swing-away Armrest (Quickie GPS/Triumph/Revolution) .....	6.4	Length Adjustable Locking Flip-up Armrest Assembly (Quickie 2 TS/Zippie GS/TS) .....	6.10
Padded Swing-away Armrest (Quickie R2 Adjustable/TNT) .....	6.4	Flip-up Armrest (Zippie/Zippie 2/GS/TS) .....	6.11

## PADDED SWING-AWAY ARMREST (QUICKIE 2/2HP)



MGUIDE6

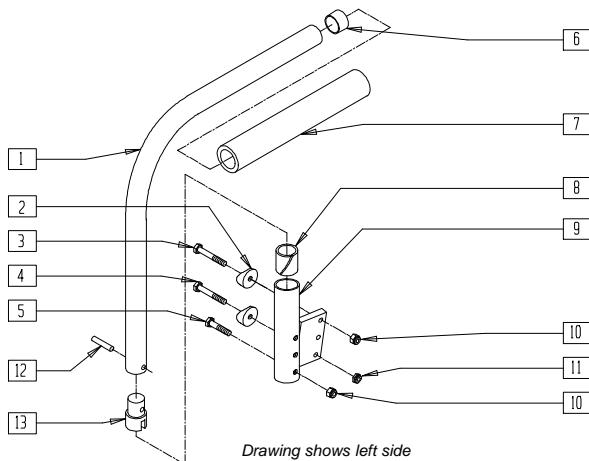
ARMREST	"A"
KIDS	25"
MED	29"
REG	31"

ARMX01

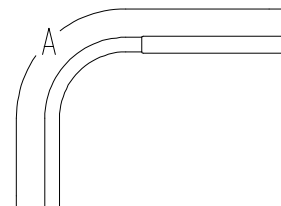
ITEM	NUMBER	DESCRIPTION	QTY
2	221191	1/4-28 x 2 1/4 G8 HEX C/S	2
2A	221192	1/4-28 x 2 G8 HEX C/S	2
3	221151-QU	1/4-28 x 1 3/4 G8 HEX C/S	1
3A	221192	1/4-28 x 2 G8 HEX C/S	1
4	221133	1/4-28 x 1 1/2 G8 HEX C/S	1
5	561002	1" INSERT PLUG .083	1
6	920070	9 x .940 x .200 FOAM GRIP	1
7	561004	1" SADDLE 1/4" HOLE	3
7A	561001	1 1/8" SADDLE 1/4" HOLE	3
8	560400	1" ID NY-LINER	1
9	540100, 540102	PADDED ARM REC STRT F (EA)	1
10	201110	1/4-28 NYLOCK NUT	3

ITEM	NUMBER	DESCRIPTION	QTY
11	201100-QU	1/4-28 NYLOCK NUT THIN	1
12	341200	1/4 x 1 ROLL PIN	1
13	483006	ARMREST PLUG	1
7,12,13	920351	S/A PADDED ARM PLUG KIT	
2,3A,7A,10	920154	PADDED ARM REC HDWR KIT 1 1/8 F	
	880320- 880330	PADDED ARM BENT F (EA)	
1,5,6,12,13	900400	PADDED ARMS Q2 KIDZ F (PR)	
	900401	PADDED ARMS Rx KIDZ/MED F (PR)	
	900402	PADDED ARMS REG F (PR)	
2A,3,4,7-11	900510	ARM REC SINGLE CYL F 3/4" (PR)	
2,3A,4,7A, 8-11	900512	ARM REC SINGLE CYL F 7/8" (PR)	

## PADDED SWING-AWAY ARMREST (QUICKIE GP/GPSA/GPV Titanium)



### MEASURING GUIDE



MGUIDE6

ARMREST	"A"
KIDS	24 3/4"
MED	28 3/4"
REG	31 1/4"

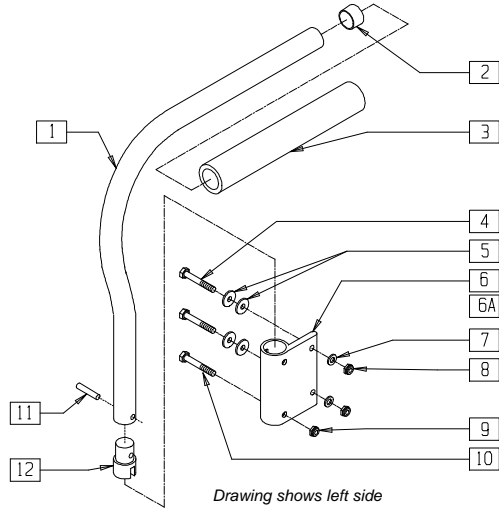
ARMX02

ITEM	NUMBER	DESCRIPTION	QTY
2	561004	1" SADDLE 1/4" HOLE	2
3	221181	1/4-28 x 2 1/2 G8 HEX C/S	1
4	221193	1/4-28 x 2 3/4 G8 HEX C/S	1
5	221133	1/4-28 x 1 1/2 G8 HEX C/S	1
6	561002	1" INSERT PLUG .083	1
7	920070	9 x .940 x .200 FOAM GRIP	1
8	560400	1" ID NY-LINER	1
9	540120, 540122	PADDED ARM REC ANGLE NF (EA)	1
10	201110	1/4-28 NYLOCK NUT	2
11	201100-QU	1/4-28 NYLOCK NUT THIN	1

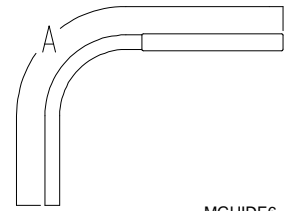
ITEM	NUMBER	DESCRIPTION	QTY
12	341200	1/4 x 1 ROLL PIN	1
13	483006	ARMREST PLUG	1
2,12,13	920351	S/A PADDED ARM PLUG KIT	
1,6,7,12,13	880300	PADDED ARMREST KIDS STRT NF (EA)	
	880302	PADDED ARMREST MED STRT NF (EA)	
	880304	PADDED ARMREST REG STRT NF (EA)	
	900440	PADDED ARMS KIDS NF (PR)	
	900441	PADDED ARMS MED NF (PR)	
	900442	PADDED ARMS REG NF (PR)	
2-5,8-11	900530	ARM REC SINGLE CYL NF (PR)	



## PADDED SWING-AWAY ARMREST (QUICKIE LX/LXI/Rx)



### MEASURING GUIDE



MGUIDE6

ARMREST	"A"
Rx KIDS	28 3/4"
Rx STD	32"
LX/LXI KIDS	29"
LX/LXI STD	32"

ARMX03

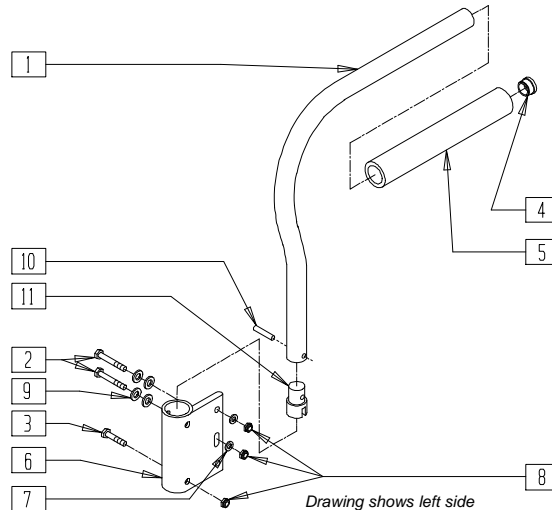
ITEM	NUMBER	DESCRIPTION	QTY
2	561002	1" INSERT PLUG .083	1
3	920070	9 x .940 x .200 FOAM GRIP	1
4	221192	1/4-28 x 2 G8 HEX C/S	2
5	262100-QU	1/4 AN WASHER FLAT	4
6	551000-QU	Rx ARM RECEIVER	1
6A	551008	S/A ARM RECEIVER LX	1
7	262110-QU	1/4 AN WASHER FLAT THIN	2
8	201110-QU	1/4-28 NYLOCK NUT	2
9	201100-QU	1/4-28 NYLOCK NUT THIN	1
10	221133	1/4-28 x 1 1/2 G8 HEX C/S	1
11	341200	1/4 x 1 ROLL PIN	1
12	483006	ARMREST PLUG	1

ITEM	NUMBER	DESCRIPTION	QTY
1-3,11,12	*880328	PADDED ARM REG BENT R F (Rx ARM, SERIAL #36749)	
	*880330	PADDED ARM REG BENT L F (Rx ARM, SERIAL #36749)	
	880324, 880326	PADDED ARM Rx KIDS/MED BENT F (EA)	
1-12	900590	Rx ARM ASSEMBLY (PR)	
	900591	Rx KIDS ARM ASSEMBLY (PR)	
1-5,6A, 7-12	900592	LX/LXI ARM ASSEMBLY (PR)	
	900593	LX/LXI KIDS ARM ASSEMBLY (PR)	

\*SAME AS ADULT Q2 AS OF 2/8/93

## PADDED SWING-AWAY ARMREST (ALUMINUM BREEZY)

(Discontinued 10/15/93 - parts only; fits serial numbers prior to BZ-200000)



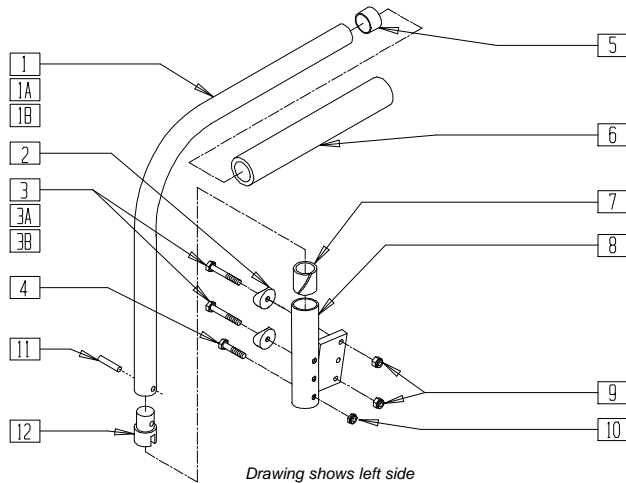
BZY00X14

ITEM	NUMBER	DESCRIPTION	QTY
2	221151-QU	1/4-28 x 1 3/4 G8 HEX C/S	2
3	221133	1/4-28 x 1 1/2 G8 HEX C/S	1
4	561002	1" INSERT PLUG .083	1
5	920070	9 x .940 x .200 FOAM GRIP	1
6	551004	BZ PADDED ARM RECEIVER	1
7	262100-QU	1/4 AN WASHER FLAT	2
8	201100-QU	1/4-28 NYLOCK NUT THIN	3

ITEM	NUMBER	DESCRIPTION	QTY
9	262110-QU	1/4" AN WASHER FLAT THIN	4
10	341200	1/4 x 1 ROLL PIN	1
11	483006	ARMREST PLUG	1
1,4,5,10,11	880320, 880322	PADDED ARM KIDS BENT F (EA)	
	900400	PADDED ARMS Q2/BZ KIDS F (PR)	
1-11	900580	BZ PADDED ARM ASSEMBLY (PR)	

# PADDED SWING-AWAY ARMREST (QUICKIE CARBON)

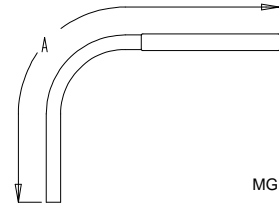
(Discontinued 3/1/95 - parts only)



Drawing shows left side

COMP3X12

## MEASURING GUIDE



MGUIDE6

ARMREST	"A"
KIDS	24 3/4"
MED	28 3/4"
REG	31 1/4"

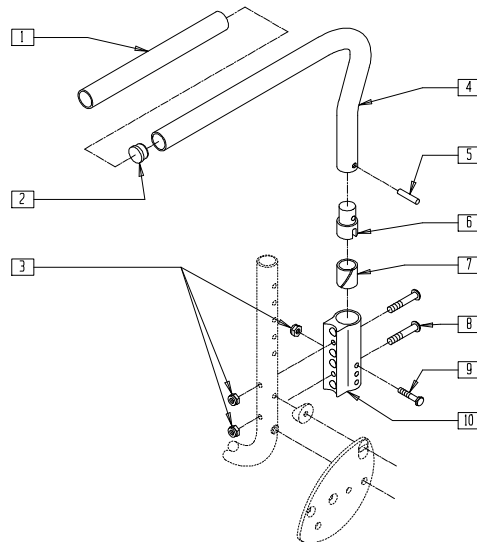
ITEM	NUMBER	DESCRIPTION	QTY
2	561017	1 3/8" SADDLE 1/4" HOLE	2
3	221201	1/4-28 x 3 G8 HEX C/S	2
3A	221211	1/4-28 x 3 1/4 G8 HEX C/S	2
3B	221193	1/4-28 x 2 3/4 G8 HEX C/S	2
4	221133	1/4-28 x 1 1/2 G8 HEX C/S	1
5	561002	1" INSERT PLUG .083	1
6	920070	9 x .940 x .200 FOAM GRIP	1
7	560400	1" ID NY-LINER	1
8	540150, 540152	QC PADDED ARM REC ANGLE (EA)	1
9	330000-QU	1/4-28 NYLOCK NUT ALUM	2
10	201100-QU	1/4-28 NYLOCK NUT THIN	1
11	341200	1/4 x 1 ROLL PIN	1

ITEM	NUMBER	DESCRIPTION	QTY
12	483006	ARMREST PLUG	1
1,5,6,11,12	880300	PADDED ARMREST KIDS STRT NF (EA)	
1A,5,6, 11,12	880302	PADDED ARMREST MED STRT NF (EA)	
1B,5,6, 11,12	880304	PADDED ARMREST REG STRT NF (EA)	
1,5,6,11,12	900440	PADDED ARMS KIDS NF (PR)	
1A,5,6, 11,12	900441	PADDED ARMS MED NF (PR)	
1B,5,6, 11,12	900442	PADDED ARMS REG NF (EA)	
2,3B,4, 7-10	900522	QC ARMREST REC W/HWDR STD (PR)	

NOTE: WITH ANTI-TIP, ORDER ITEM 3A.

# PADDED SWING-AWAY ARMREST (QUICKIE REVOLUTION)

(Discontinued 5/11/98 - parts only; fits Revolution prior to serial number RV-5967)



2D000X07

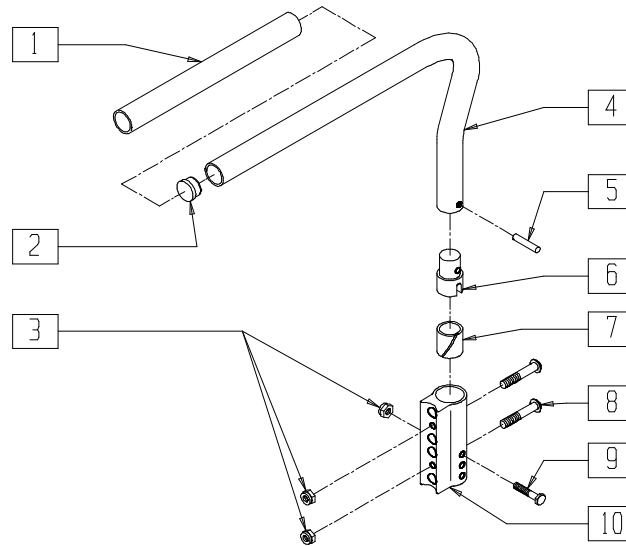
ITEM	NUMBER	DESCRIPTION	QTY
1	920070	9 x .940 x .200 FOAM GRIP	1
2	561002	1" INSERT PLUG .083	1
3	201100-QU	1/4-28 NYLOCK NUT THIN	3
5	341200	1/4 x 1 ROLL PIN	1
6	483006	ARMREST PLUG	1
7	560400	1" ID NY-LINER	1

ITEM	NUMBER	DESCRIPTION	QTY
8	226130	1/4-28 x 1 1/2 BH C/S	2
9	221133	1/4-28 x 1 1/2 G8 HEX C/S	1
10	550225	PADDED ARM REC 4 HOLE	1
1,2,4-6	880312, 880313	S/A PADDED ARM RV (EA)	
1-6	900445	S/A PADDED ARM RV (PR)	

## PADDED SWING-AWAY ARMREST (QUICKIE GPS/TRIUMPH/REVOLUTION)

(Effective 5/11/98; fits Revolution beginning serial number RV-5967)

(Quickie GPS and Triumph discontinued 2/01-Parts only)



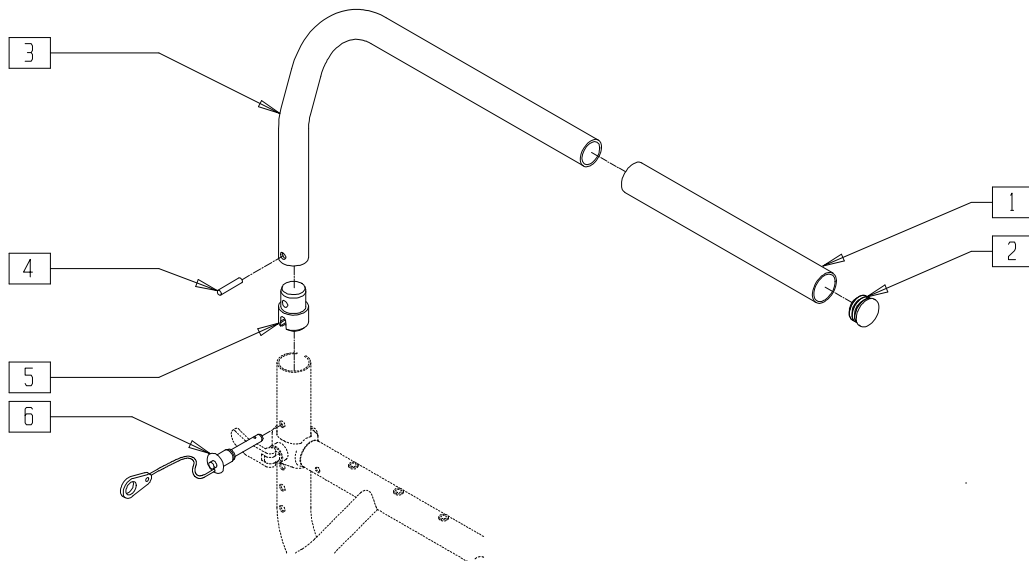
2D000X7A

ITEM	NUMBER	DESCRIPTION	QTY
1	920070	9 x .940 x .200 FOAM GRIP	1
2	561002	1" INSERT PLUG .083	1
3	201100-QU	1/4-28 NYLOCK NUT THIN	3
5	341200	1/4 x 1 ROLL PIN	1
6	483006	ARMREST PLUG	1
7	560400	1" ID NY-LINER	1
8	226110	1/4-28 x 1 BH C/S	2
9	221133	1/4-28 x 1 1/2 G8 HEX C/S	1
10	550225	PADDED ARM REC 4 HOLE	1

ITEM	NUMBER	DESCRIPTION	QTY
1,2,4-6	880312, 880313	S/A PADDED ARM RV (EA)	
	880310, 880311	PADDED ARM GPS (EA)	
	900445	S/A PADDED ARM RV (PR)	
1-6	900444	S/A PADDED ARMS GPS (PR)	
3,7-10	880335	PADDED ARM REC 4 HOLE W/HDWR NEW (EA)	

## PADDED SWING-AWAY ARMREST (QUICKIE R2 ADJUSTABLE/TNT)

(Quickie TNT discontinued 2/01 - parts only)



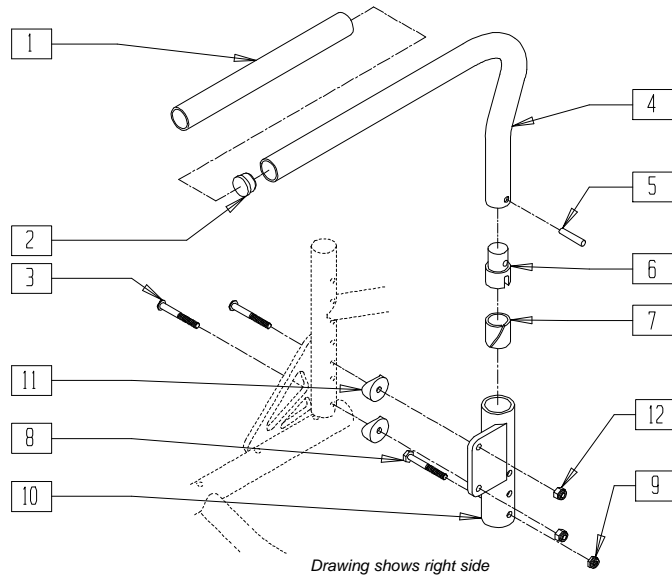
TNT00X19

ITEM	NUMBER	DESCRIPTION	QTY
1	560300	9 x .940 x .200 FOAM GRIP	1
2	561002	1" INSERT PLUG .083	1
4	341200	1/4 x 1 ROLL PIN	1
5	483006	ARMREST PLUG	1

ITEM	NUMBER	DESCRIPTION	QTY
6	349020	STROLLER HANDLE RELEASE PIN	1
1-5	881254, 881255	PADDED ARMREST QTNT (EA)	
1-6	900411	PADDED ARMS QTNT NEW (PR)	

# PADDED SWING-AWAY ARMREST (QUICKIE XTR/R2 RIGID)

(Effective 10/02)



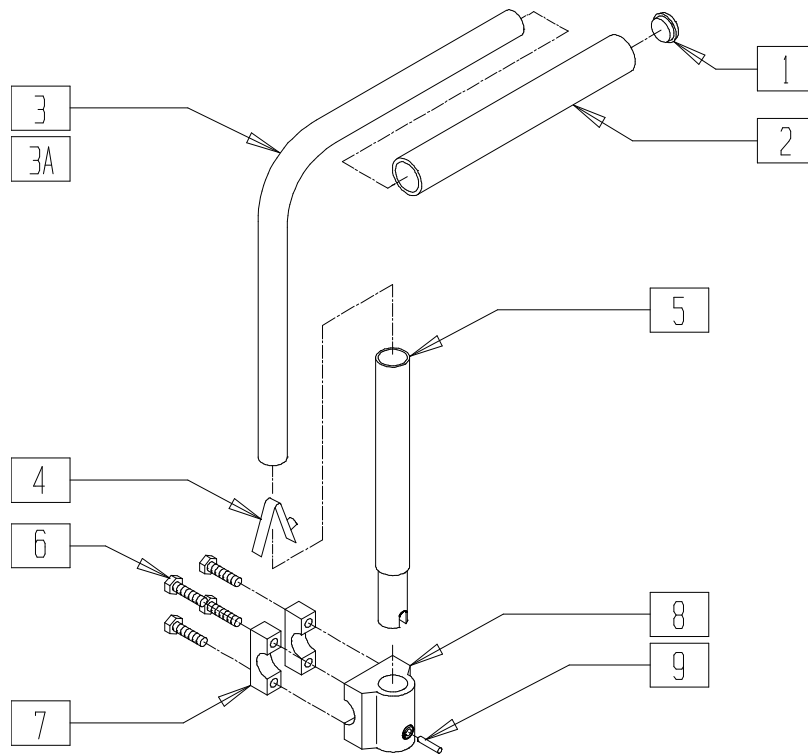
*Drawing shows right side*

SUS00X21

ITEM	NUMBER	DESCRIPTION	QTY
1	560300	9 x .940 x .200 FOAM GRIP	1
2	561002	1" INSERT PLUG	1
3	226150	1/4-28 x 2 BH C/S	2
5	341200	1/4 x 1 ROLL PIN	1
6	483006	ARMREST PLUG	1
7	560400	1" ID NY-LINER	1
8	221133	1/4-28 x 1 1/2 G8 HEX C/S	1
9	201100-QU	1/4-28 NYLOCK NUT THIN	1
10	540103, 540104	PADDED ARM RECEIVER (EA)	1

ITEM	NUMBER	DESCRIPTION	QTY
11	561004	1" SADDLE 1/4" HOLE	2
12	201110	1/4-28 NYLOCK NUT	2
1,2,4-6	881254 881255	PADDED ARM QTNT (EA)	
3,7-10	880234	PADDED ARM RECEIVER R W/HARDWARE XTR/R2	
3,7-10	880235	PADDED ARM REC L W/HDWR XTR/R2	

# ARMREST (QUICKIE ST/DT)

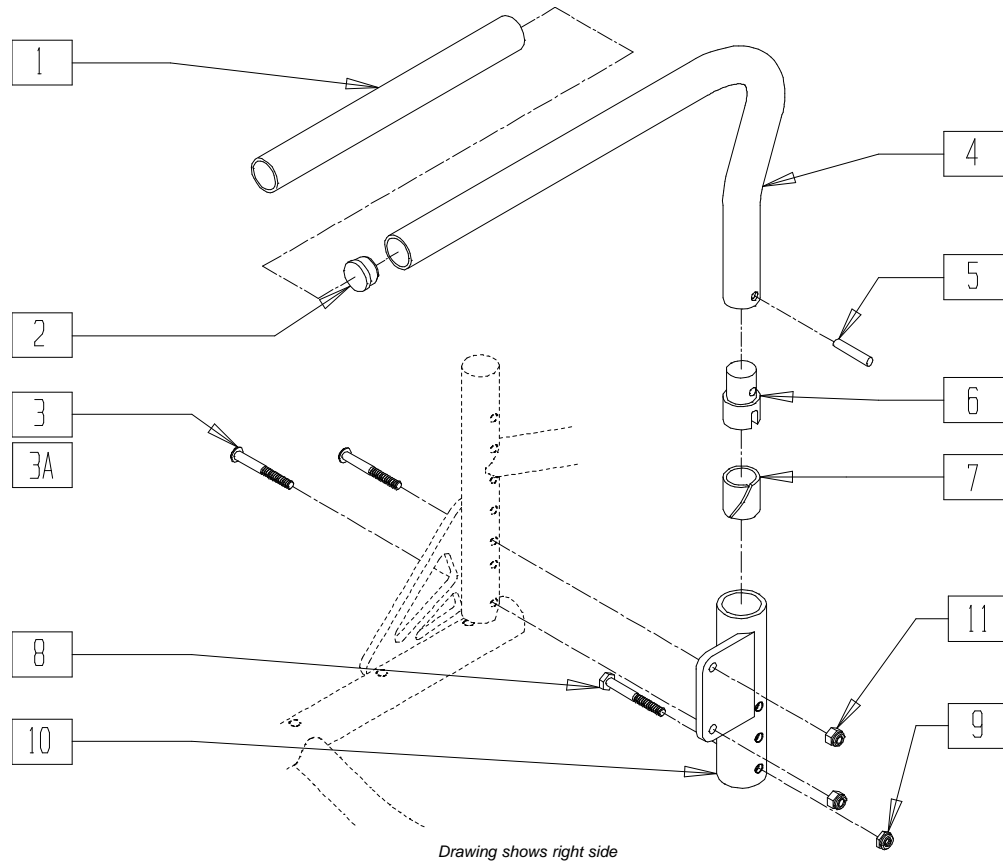


RG000X07

ITEM	NUMBER	DESCRIPTION	QTY
1	560142	ARMREST END CAP 3/4"	1
2	560310	ARMREST FOAM 8" x .570	1
3	521690	ARMREST ARM STD ANO	1
3A	521691	ARMREST ARM LONG ANO	1
4	301100	1/4" SNAP BUTTON SINGLE B-130	1
5	521695	ARMREST UPRIGHT EXT ASSEMBLY	1
6	226115	1/4 x 20 x 1 HEX C/S SS	4

ITEM	NUMBER	DESCRIPTION	QTY
7	550207	CAMBER TUBE MNTG CLMP ANO	2
8	501550	ARMREST MOUNTING BRACKET ANO	1
9	341130	1/4 x 1 1/8 ROLL PIN SS	1
1-4	880316	RIGID ARM STD	
1,2,3A,4	880318	RIGID ARM LONG	
6-9	880238	RIGID ARM MNTG BRACKET ASSEMBLY	

# PADDED SWING-AWAY ARMREST(QUICKIE Ti Titanium)



Drawing shows right side

QT10X17

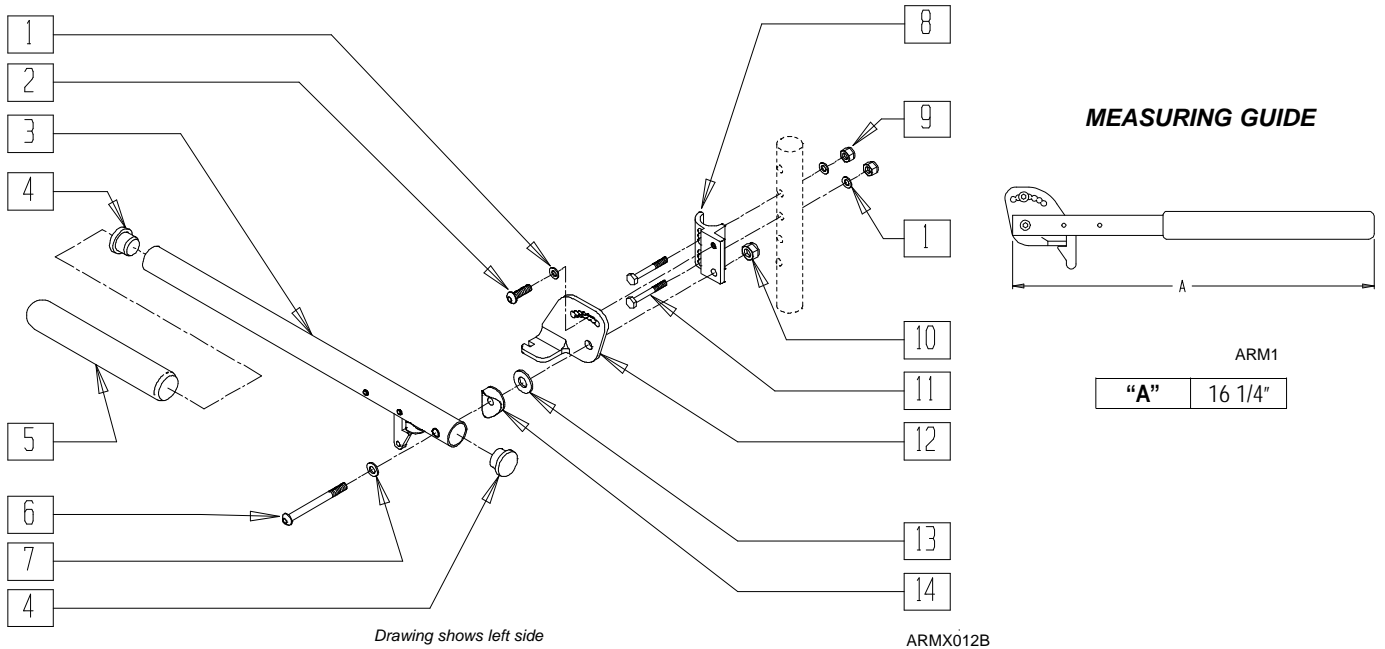
ITEM	NUMBER	DESCRIPTION	QTY
1	560300	9 x .940 x .200 FOAM	1
2	561002	1" INSERT PLUG	1
3*	230026	BHCS,M6 x 1 x 45MM,TORX,T-25	2
3A**	230056	BHCS,M6 x 1 x 50MM,TORX,T-25	2
5	341200	1/4 x 1 ROLL PIN	1
6	483006	ARMREST PLUG	1
7	560400	1" ID NY-LINER	1
8	221133	1/4-28 x 1 1/2 G8 HEX C/S	1
9	201100-QU	1/4-28 NYLOCK NUT THIN	1
10	540103, 540104	PADDED ARM RECEIVER (EA)	1

ITEM	NUMBER	DESCRIPTION	QTY
11	200113	NUT, HEX, NYLOCK, M6 x 1	2
1,2,4,5,6	881254, 881255	PADDED ARMREST QTNT	
3,7-11	881722 881723	PADDED ARMREST REC Ti, FIXED BACK (EA)	
3A,7-11	881724 881725	PADDED ARMREST REC Ti, FOLDING BACK (EA)	
3,7-11	900412	PADDED ARMS REC TI FXD BK (PR)	
3A,7-11	900413	PADDED ARMS REC TI FLD BK (PR)	

\*USE ITEM 3 FOR FIXED BACK MODELS.

\*\*USE ITEM 3A FOR FOLDING BACK MODELS.

# ADJUSTABLE LOCKING FLIP-UP ARMREST ASSEMBLY (QUICKIE 2 DEPTH-ADJUSTABLE BACK/TS,ZIPPIE/2)

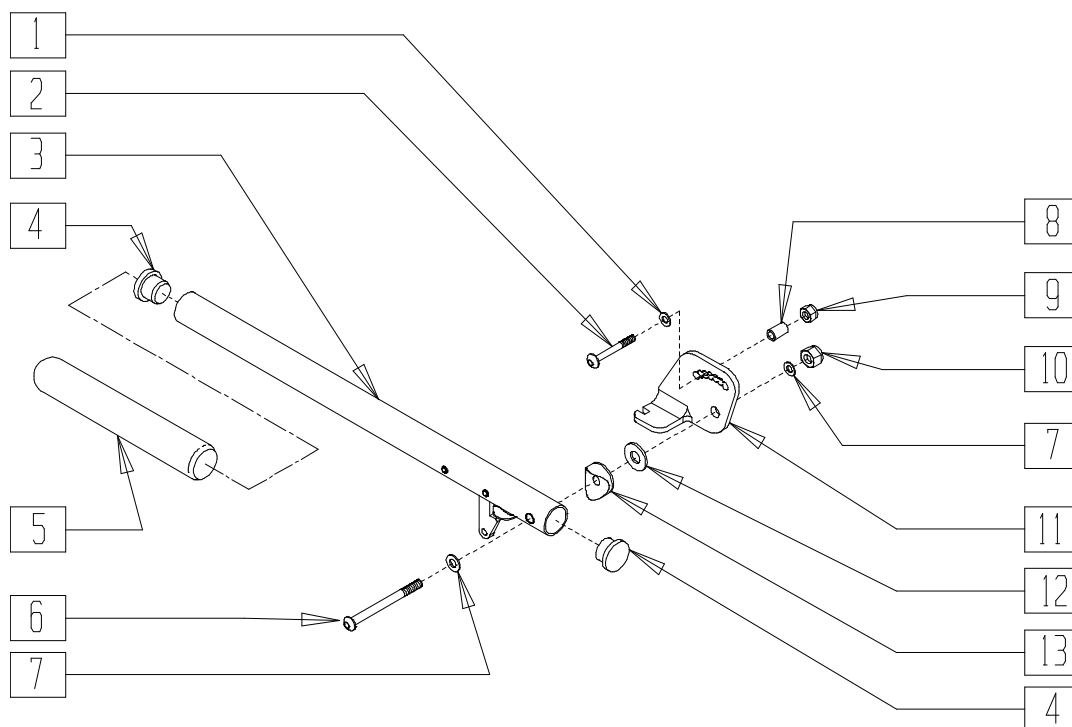


ITEM	NUMBER	DESCRIPTION	QTY
1	262100-QU	1/4 AN WASHER FLAT	3
2	221060	1/4-28 x 1/2 BH C/S	1
4	561062	1" INSERT PLUG .065 RIBS	2
5	560640	9 x .93 x .155 FOAM GRIP	1
6	226198	5/16-18 x 2 BH C/S SHT THREAD	1
7	263100	5/16 AN WASHER FLAT	1
8	550168, 550169	ADJ LOCK FLIP-UP ARM MOUNT (EA)	1
9	201100-QU	1/4-28 NYLOCK NUT THIN	2
10	202102	5/16-18 NYLOCK NUT THIN	1
11	221133	1/4-28 x 1 1/2 G8 HEX C/S	

ITEM	NUMBER	DESCRIPTION	QTY
12	550474, 550475	ADJ FLIP-BACK ARM BRACKET (EA)	1
13	561016	1" WASHER 5/16" HOLE	1
14	561006	1" SADDLE 5/16" HOLE	1
3-5	880274	ADJ FLIP-BACK TUBE W/LATCH	1
1,2,6,8-10*	881272, 881273	ADJ LOCK FLIP-UP ARMREST RETRO (EA)	
1-8,8A, 9-12,12A,	880272, 880273	ADJ LOCK FLIP-UP ARMREST	
13,14,14A	900449	ADJ LOCK FLIP-UP ARMREST ASSM (PR)	

\* NOTE: FOR ARMRESTS PRIOR TO 7/22/96 USE RETRO FIT KIT TO REPLACE ADJUSTABLE FLIP-UP ARM CLAMP.

# ADJUSTABLE LOCKING FLIP-UP ARMREST ASSEMBLY (QUICKIE T45)



Drawing shows left side

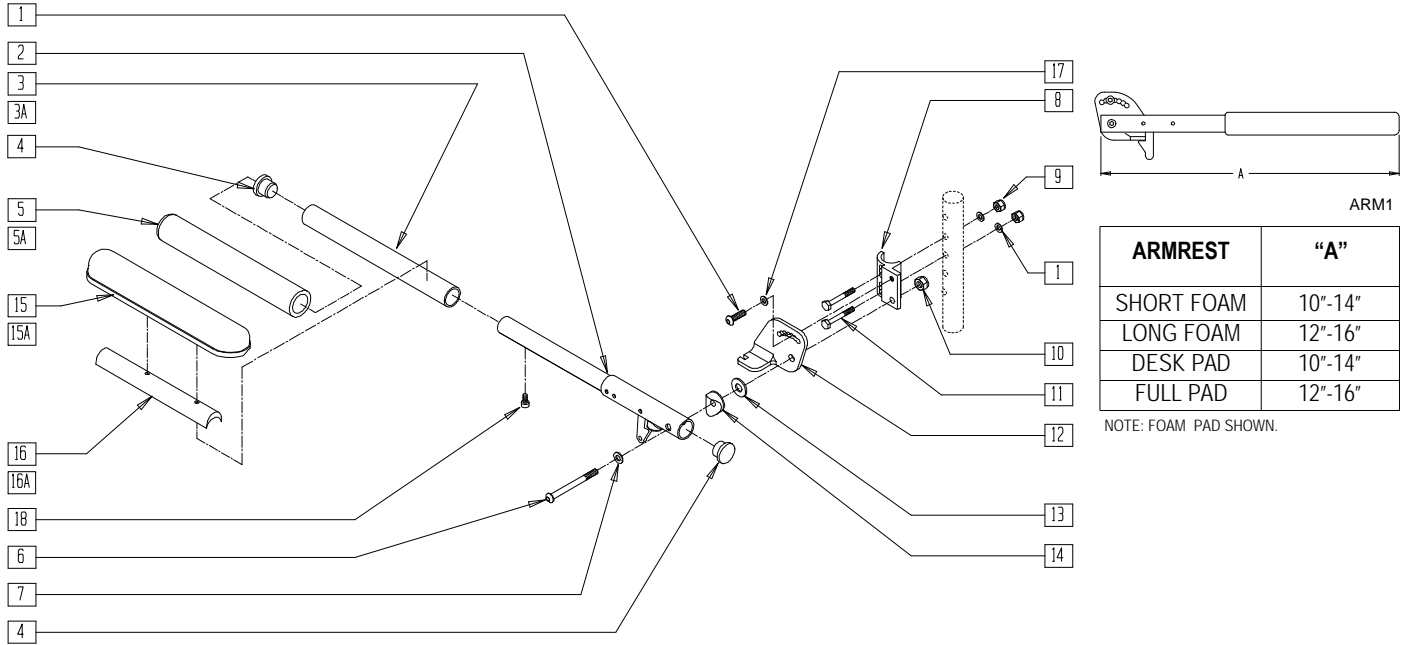
TSR00X15

ITEM	NUMBER	DESCRIPTION	QTY
1	262100-QU	1/4 AN WASHER FLAT	1
2	226129	1/4-28 x 1 1/4 BH C/S	1
4	561002	1" INSERT PLUG .083	2
5	920070	9 x .940 x .200 FOAM GRIP	1
6	222200	5/16-24 x 2 1/2 HEX C/S	1
7	263100	5/16 AN WASHER FLAT	2
8	481096	BUSHING .312 OD x .250 ID x .75	1
9	201100-QU	1/4-28 NYLOCK NUT THIN	1
10	202100-MJ	5/16-24 NYLOCK NUT THIN	1

ITEM	NUMBER	DESCRIPTION	QTY
11	550474, 550475	ADJ FLIP BACK ARM BRACKET (EA)	1
12	561016	1" WASHER 5/16" HOLE	1
13	561006	1" SADDLE 5/16" HOLE	1
1-13	880366, 880367	ADJ LOCK FLIP-UP ARMREST T45 (EA)	
	900450	ADJ LOCK FLIP-UP ARMREST ASSMT45 (PR)	
3-5	880274	ADJ FLIP BACK TUBE W/LATCH	



# LENGTH ADJUSTABLE LOCKING FLIP-UP ARMREST ASSEMBLY (QUICKIE 2/TS/ZIPPIE GS/TS)



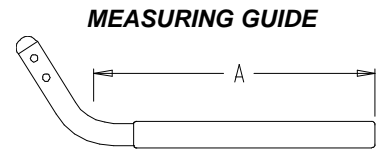
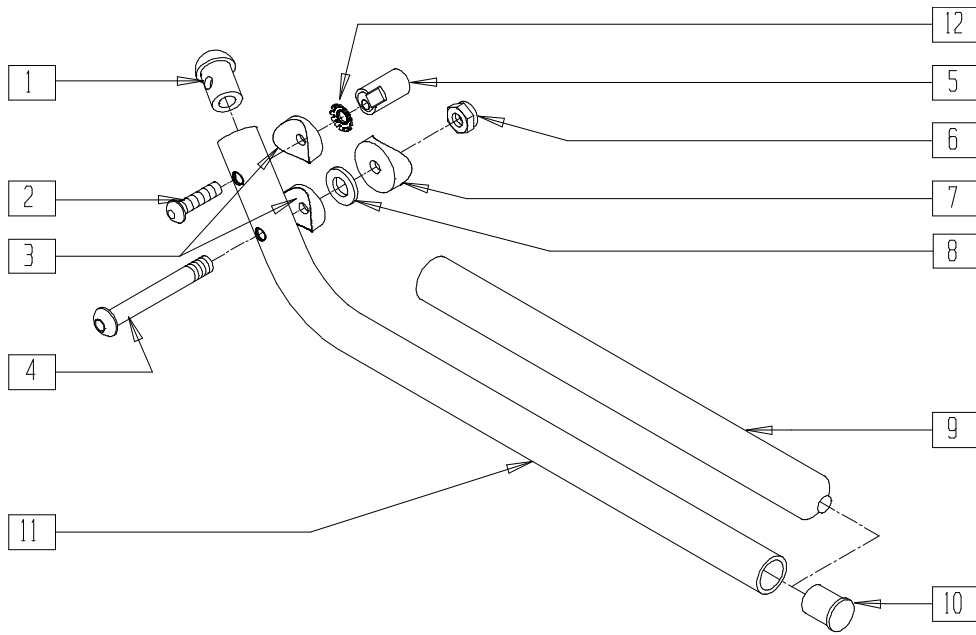
Drawing shows left side

ARMX012C

ITEM	NUMBER	DESCRIPTION	QTY
1	221060	1/4-28 x 1/2 BH C/S	1
2	880305	ADJ FLIP BACK TUBE W/LATCH	1
3	520496	GRW ADJ LOCKING ARM SLEEVE 10"-14"	1
3A	520497	GRW ADJ LOCKING ARM SLEEVE 12"-16"	1
4	561002	1" INSERT PLUG .083	3
5	560299	7 x .940 x .20 FOAM GRIP	1
5A	560300	9 x .940 x .20 FOAM GRIP	1
6	226198	5/16-18 x 2 BH C/S SHT THREAD	1
7	263100	5/16 AN WASHER FLAT	1
8	550168, 550169	ADJ LOCK FLIP-UP ARM MOUNT (EA)	1
9	201100-QU	1/4-28 NYLOCK NUT THIN	2
10	202102	5/16-18 NYLOCK NUT THIN	1
11	221133	1/4-28 x 1 1/2 G8 HEX C/S	2
12	550474, 550475	ADJ FLIP-BACK ARM BRACKET (EA)	1
13	561016	1" WASHER 5/16" HOLE	1
14	561006	1" SADDLE 5/16" HOLE	1
15	561024	ARMREST PAD 10" DESK	1
15A	561031	ARMREST PAD 14" FULL	1
16	551390	ADJ LOCKING FLIP-UP ADPTR 10"-14"	1
16A	551392	ADJ LOCKING FLIP-UP ADPTR 12"-16"	1
17	262100-QU	1/4 AN WASHER FLAT	3
18	226043	10-32 X 1/2 BH C/S BLK	1
3A,4,5A	882074	FOAM PAD LONG ADJ LNG	
3-5	882075	FOAM PAD SHT ADJ LNG	
4,15,16	882071, 882072	DESK PAD ADJ LENGTH ARMREST	
4,15A,16A	882070, 882073	FULL PAD ADJ LENGTH ARMREST	
1-3A,4,5A, 6-8,8A, 9-12,12A, 13,14,17,18	900454	ADJ LENGTH LOCKING FLIP-UP ASSEMBLY FOAM LONG (PR)	

ITEM	NUMBER	DESCRIPTION	QTY
1-3A,4,5A, 6-14,17,18	881294	ADJ LENGTH LOCKING FLIP-UP ASSEMBLY FOAM LONG R	
1-3A,4,5A, 6-8A,9-11, 12A-14,17,18	881295	ADJ LENGTH LOCKING FLIP-UP ASSEMBLY FOAM LONG L	
1-8,8A, 9-12,12A, 13,14,17,18	900455	ADJ LENGTH LOCKING FLIP-UP ASSEMBLY FOAM SHORT (PR)	
1-14,17	881296	ADJ LNGTH LKG F-UP ASSM FOAM SHT R	
1-7,8A, 9-11,12A, 13,14,17,18	881297	ADJ LNGTH LKG F-UP L ASSM FOAM SHT	
1,2,4,6-8A, 9-12A,13, 14,15A, 16A,17,18	900452	ADJ LENGTH LOCKING FLIP-UP ASSEMBLY FULL (PR)	
1,2,4, 6-14,15A, 16A,17,18	881290	ADJ LENGTH LKG FLIP-UP ASSM FULL R	
1,2,4,6-8A, 9-11,12A, 13,14,15A, 16A,17,18	881291	ADJ LENGTH LKG FLIP-UP ASSM FULL L	
1,2,4,6-8, 8A,9-12, 12A,13, 14-17,18	900453	ADJ LENGTH LKG FLIP-UP ASSM DESK (PR)	
1,2,4, 6-17	881292	ADJ LENGTH LKG FLIP-UP ASSM DESK R	
1,2,4,6-8A, 9-11,12A, 13-17,18	881293	ADJ LENGTH LKG FLIP-UP ASSM DESK L	

# FLIP-UP ARMREST (ZIPP/2/GS/TS)



MGUIDE14

SEAT DEPTH	"A"
10"-13"	9 1/8"
14"-16"	11 1/8"

Drawing shows right side

Z00X4

ITEM	NUMBER	DESCRIPTION	QTY
1	561034	SHORT DOME PLUG	1
2	226130	1/4-28 x 1 1/2 BH C/S	1
3	561003	3/4" SADDLE THIN	2
4	226155	1/4-28 x 2 1/4 BH C/S	1
5	483041	FLIP-UP ARM CAM ZP/P5	1
6	201100-QU	1/4-28 NYLOCK NUT THIN	1
7	561004	1" SADDLE 1/4" HOLE	1
8	262110-QU	1/4 AN WASHER FLAT THIN	1
9	560599	8 x .705 x .200 FOAM GRIP	1

ITEM	NUMBER	DESCRIPTION	QTY
10	561000-QU	3/4" INSERT PLUG .083	1
12	267350	1/4 WASHER INT LOCK ZN	1
1-12	880268,	ZP FLIP-UP ARM ASSEMBLY 10"-13"	
	880269	(SEAT DEPTH) (EA)	
	900446	FLIP-UP ARM ASSEMBLY 10"-13" ZP (PR)	
	880270,	FLIP-UP ARM ASSEMBLY 14"-16" ZP/P5	
880271	(SEAT DEPTH) (EA)		
	900448	FLIP-UP ARM ASSEMBLY 14"-16" ZP/P5 (PR)	

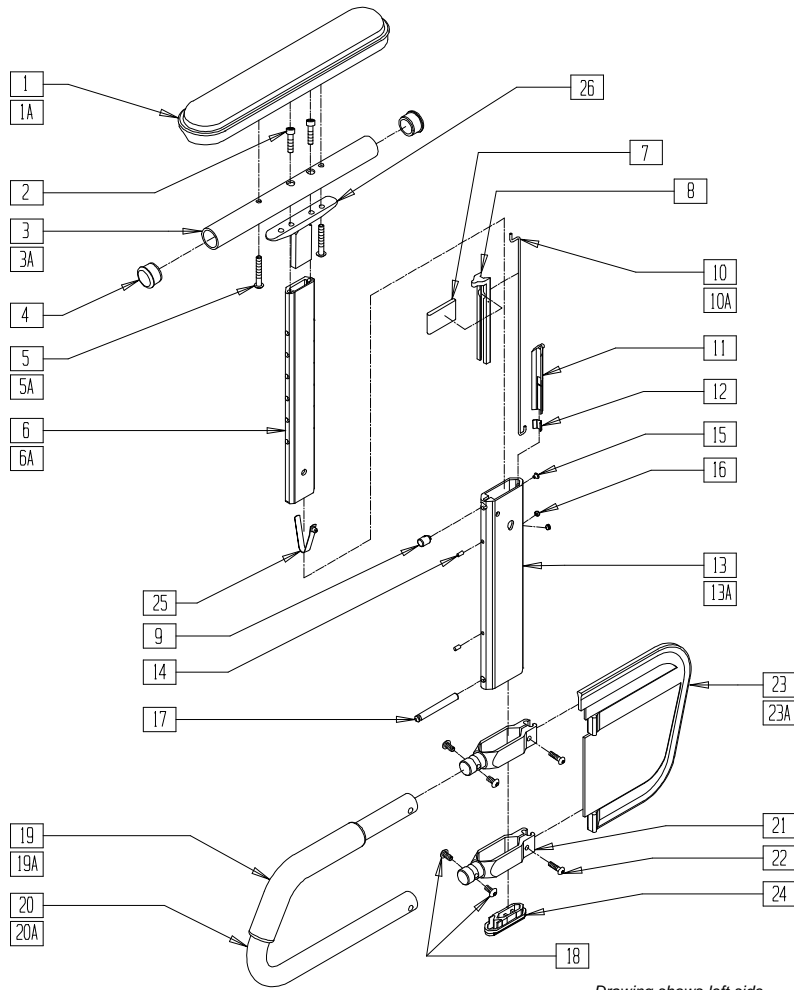
# Single and Dual Side Frame Mounted Armrests and Armrest Receivers

## IN THIS SECTION

Height-adjustable Armrest (Zippie GS) (Disc.) .....	7.1	Flip-back Height-adjustable Armrest (Breezy 500/503) .....	7.20
Height-adjustable Armrest (Zippie GS) .....	7.2	Flip-back Height-adjustable Armrest (Breezy 2 (Disc.)/510/600) .....	7.21
Height-adjustable Armrest (Zippie TS).....	7.3	Flip-back Height-adjustable Armrest (Breezy 510/600 Ultra-hemi).....	7.22
Dual-post Armrest (Quickie M6/TS/T45).....	7.4	<b>Armrest Receivers</b>	
Dual-Post Height-Adjustable Armrest (Quickie TS/T45).....	7.5	Standard Height-adjustable Armrest Receiver (Quickie 2/LX/Recliner/Rx/Breezy/Zippie/GS) .....	7.23
Dual-post Armrest (Breezy 510 Recliner) .....	7.6	Height-adjustable Armrest Receiver (Rigid Chairs) (Quickie GP/GPV Titanium).....	7.23
Dual-Post Height-Adjustable Armrest (Breezy 510 Recliner) .....	7.6	Height-adjustable Armrest Receiver (Quickie Ex) .....	7.24
Armrest (Quickie Kidz//Zippie/Zippie GS/TS/ New Zippie TS) .....	7.7	Kids Armrest Receiver (Quickie 2/GPS/TS/LX/Rx/Revolution/Zippie/TS/Breezy) (GPS Disc).....	7.24
Armrest (Quickie ST/DT) .....	7.8	Dual-Post and Dual-Post Height Adjustable Armrest Receiver (Quickie T45) .....	7.25
Flip-back Armrest (Quickie 2/2HP) .....	7.9	Dual-Post and Dual-Post Height Adjustable Armrest Receiver (Quickie TS) .....	7.25
Flip-back Armrest (Quickie 2HPTi/Rx) .....	7.10	Dual-Post and Dual-Post Height Adjustable Flip-Back Armrest Receiver (Quickie TS) .....	7.26
Flip-back Armrest (Quickie LX/LXI).....	7.11	Dual-Post Height Adjustable Armrest Receiver (Quickie M6) .....	7.27
Flip-back Height-Adjustable Armrest (Quickie 2/2HP) .....	7.12	Dual-Post Armrest Receiver (Breezy 510 Recliner) .....	7.28
Flip-back Height-adjustable Armrest (Quickie LX/LXI).....	7.13		
Flip-back Height-adjustable Armrest (Quickie 2HPTi/Rx) .....	7.14		
Flip-Back Armrest (Desk) (Breezy 100/150) .....	7.15		
Flip-Back Armrest (Full) (Breezy 100/150) .....	7.15		
Flip-back Armrest (Aluminum and Chrome Breezy) (Disc.) .....	7.16		
Flip-back Armrest (Breezy 2/500/510) .....	7.17		
Flip-back Armrest (Breezy 600) .....	7.18		
Flip-back Armrest (Breezy 500/503/510/510 Ultra-hemi/600 Ultra-hemi) .....	7.19		

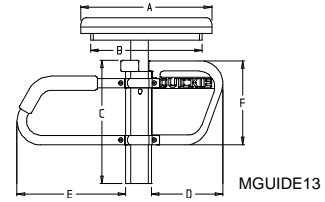
# HEIGHT-ADJUSTABLE ARMREST (MANUAL PRODUCTS/ZIPPIE GS)

(Discontinued 9/99 - parts only)

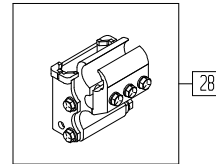
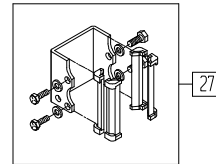


Drawing shows left side

## MEASURING GUIDE



	ADULT		ADULT SHT		KIDZ		PED	
	STD	FULL	STD	FULL	STD	FULL	STD	FULL
<b>A</b>	10"	14"	10"	14"	10"	14"	10"	14"
<b>B</b>	8 7/8"	12 3/8"	8 7/8"	12 3/8"	8 7/8"	12 3/8"	8 7/8"	12 3/8"
<b>C</b>	8 7/8"	8 7/8"	8 7/8"	8 7/8"	8 7/8"	8 7/8"	7 1/4"	7 1/4"
<b>D</b>	5 7/8"	5 7/8"	5 7/8"	5 7/8"	4 1/8"	4 1/8"	4 1/8"	4 1/8"
<b>E</b>	8 5/8"	8 5/8"	6 5/8"	6 5/8"	6 3/4"	6 3/4"	6 3/4"	6 3/4"
<b>F</b>	6 5/8"	6 5/8"	6 5/8"	6 5/8"	5 1/8"	5 1/8"	5 1/8"	5 1/8"



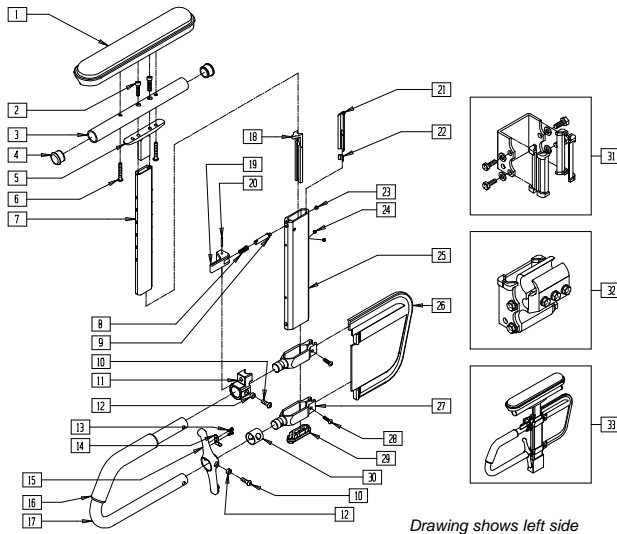
ARMX013C

ITEM	NUMBER	DESCRIPTION	QTY
1	561024	ARMREST PAD 10" DESK	1
1A	561031	ARMREST PAD 14" FULL	1
2	226031	10-32 x 1 1/4 SOC C/S BLK	2
3	521810	HT ADJ PAD TUBE 10" DESK MANUAL	1
3A	521811	HT ADJ PAD TUBE 14" FULL MANUAL	2
4	560735	7/8" ROUND TUBE PLUG	2
5	226038	10-32 x 1 3/8 BH C/S BLK	2
5A	226032-QU	10-32 x 1 1/2 BH C/S BLK	2
6	550481	HT ADJ ARM INNER TUBE	1
6A	550478	HT ADJ ARM INNER TUBE PED	1
7	561130, 561131	HT ADJ ARM HANDLE (EA)	1
8	561132	HT ADJ ARM FRONT LINER	1
9	481090	HT ADJ UPPER PIN	1
10	321150	HT ADJ ACTUATOR ROD	1
10A	321152	HT ADJ ARM ACTUATOR ROD SHORT	1
11	561133	HT ADJ LINER SPRING	1
12	321151	HT ADJ LINER SPRING	1
13	550480	HT ADJ ARM OUTER TUBE	1
13A	550479	HT ADJ ARM OUTER TUBE PED	1
14	341102	1/8 x 1/4 ROLL PIN	2
15	330092	#4 x 5/32 STICK SCREW	1
16	225098	10-32 x 1/8 SET SCR W/PATCH BLK	2

ITEM	NUMBER	DESCRIPTION	QTY
17	481091	HT ADJ RECEIVER PIN	1
18	226018-QU	10-32 x 3/8 BH C/S W/PATCH BLK	2
19	560610	5" x .705 x .125 FOAM TUBE	1
19A	560627	7 1/2" x .705 x .125 FOAM TUBE	1
20	521820	HT ADJ TRANSFER TUBE STD	1
20A	521821	HT ADJ TRANSFER TUBE KIDS	1
21	550482	HT ADJ SKIRT CLAMP	2
22	226020-QU	10-32 x 5/8 BH C/S BLK	2
23	561140	HT ADJ SKIRT GUARD STD	1
23A	561141	HT ADJ SKIRT GUARD KIDS	1
24	561135	HT ADJ ARM BOTTOM PLUG	1
25	301111	SNAP BUTTON ARM STOP	1
26	505084	HT ADJ ARMREST GUSSET	1
27	880230	HT ADJ REC STD W/O CLMP	1
28	880240	HT ADJ REC STD W/CLAMP	1
1-5, 5A,6A, 25,26	880170, 880171	HT ADJ UPPR ARM PED DESK PAD (EA)	1
	880188, 880190	HT ADJ UPPR ARM ASSM DESK PD (EA)	
1A,2, 3A,4,5	880172, 880173	HT ADJ UPPR ARM PED FULL PAD (EA)	1
6A,25,26	880189, 880191	HT ADJ UPPR ARM ASSM FULL PD (EA)	

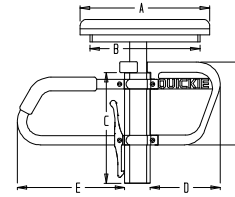
# HEIGHT-ADJUSTABLE ARMREST (MANUAL PRODUCTS/ ZIPPIE GS)

(Effective 9/99)



Drawing shows left side

## MEASURING GUIDE



MGUIDE13a

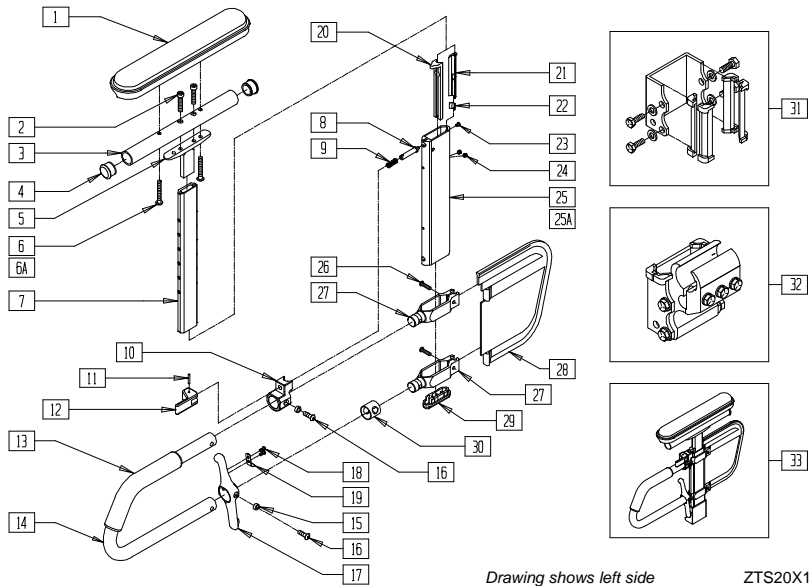
	ADULT		ADULT SHT		KIDZ		PED	
	STD	FULL	STD	FULL	STD	FULL	STD	FULL
<b>A</b>	10"	14"	10"	14"	10"	14"	10"	14"
<b>B</b>	8 7/8"	12 3/8"	8 7/8"	12 3/8"	8 7/8"	12 3/8"	8 7/8"	12 3/8"
<b>C</b>	8 7/8"	8 7/8"	8 7/8"	8 7/8"	8 7/8"	8 7/8"	7 1/4"	7 1/4"
<b>D</b>	5 7/8"	5 7/8"	5 7/8"	5 7/8"	4 1/8"	4 1/8"	4 1/8"	4 1/8"
<b>E</b>	8 5/8"	8 5/8"	6 5/8"	6 5/8"	6 3/4"	6 3/4"	6 3/4"	6 3/4"
<b>F</b>	6 5/8"	6 5/8"	6 5/8"	6 5/8"	5 1/8"	5 1/8"	5 1/8"	5 1/8"

ARMX013D

ITEM	NUMBER	DESCRIPTION	QTY
1	561024	ARMREST PAD 10" DESK	1
	561031	ARMREST PAD 14" FULL	
2	226031	10-32 x 1 1/4 SOC C/S BLK	2
3	521810	HT ADJ PAD TUBE 10" DESK MANUAL	1
	521811	HT ADJ PAD TUBE 14" FULL MANUAL	
4	560735	7/8" ROUND TUBE PLUG	2
5	505084	HT ADJ ARMREST GUSSET	1
6	226038	10-32 x 1 3/8 BH C/S BLK	2
	226032-QU	10-32 x 1 1/2 BH C/S BLK	
7	550481	HT ADJ ARM INNER TUBE	1
	550478	HT ADJ ARM INNER TUBE PED	
8	321107	RELEASE PIN SPRING	1
9	481258	UPPER ARM RELEASE PIN	1
10	226056	10-32 x 1/2 BH C/S BLK W/PATCH	4
11	560266	UPPER RELEASE PIN HOUSING	1
12	481257	RECEIVER RELEASE LEVER BUSHING	4
13	281045	#6 x 1/4 PAN PHIL S/M/S	2
	321721	LEVER RETURN SPRING	
15	501551	RECEIVER RELEASE LEVER STD	1
	501552	RECEIVER RELEASE LEVER KIDZ	
	501553	RECEIVER RELEASE LEVER PEDS	
16	560610	5" x .705 x .125 FOAM TUBE	1
	560627	7 1/2" x .705 x .125 FOAM TUBE	
17	521820	HT ADJ TRANSFER TUBE STD	1
	521821	HT ADJ TRANSFER TUBE KIDS	
18	561109	ARMREST LEVER FLIP-BACK HT ADJ	1
19	341088	3/32 x 5/8 ROLL PIN	1
20	561132	HT ADJ ARM FRONT LINER	1
21	561133	HT ADJ ARM REAR LINER	1
22	321151	HT ADJ LINER SPRING	1
23	330092	#4 x 5/32 STICK SCREW	1
24	225098	10-32 x 1/8 SET SCR W/PATCH B	2
	550480	HT ADJ ARM OUTER TUBE	
25	550479	HT ADJ ARM OUTER TUBE PED	1
	561140	HT ADJ SKIRT GUARD STD	
26	561141	HT ADJ SKIRT GUARD KIDS	1
	550482	HT ADJ SKIRT CLAMP	
27	550482	HT ADJ SKIRT CLAMP	2
28	226020-QU	10-32 x 5/8 BH C/S BLK	2
29	561135	HT ADJ ARM BOTTOM PLUG	1
30	562825	RELEASE LEVER INNER SLEEVE	1
31	880230	HT ADJ REC STD W/O CLAMP	1
32	880240	HT ADJ REC STD W/CLAMP	1
1-7	880170-880173	HT ADJ UPPER ARM ASSEMBLY (EA)	

ITEM	NUMBER	DESCRIPTION	QTY
1-7	880188-880191	HT ADJ UPPER ARM ASSM FULL PAD	
8,9,11,18,19	888003,888004	HT ADJ UPPER ARM REL ASSM (EA)	
13-15	888000	HT ADJ REC REL LEVER ASSM STD	
	888001	HT ADJ REC REL LEVER ASSM KIDS	
	888002	HT ADJ REC REL LEVER ASSM PEDS	
8-30	882080,882081	HT ADJ LOWER DC ARM ASSM PED (EA)	
	882082-882085	HT ADJ LOWER DC ARM ASSM (EA)	
	880220-880223	HT ADJ PED W/ARM PAD (EA)	
1-30	880200-880203	HT ADJ STD W/ARM PAD (EA)	
	880204-880207	HT ADJ KIDS W/ARM PAD (EA)	
	880935,880936	HT ADJ SHT W/DESK ARM PAD ZGS (EA)	
	880937,880938	HT ADJ SHT W/FULL ARM PAD ZGS (EA)	
	900738	HT ADJ ASSEMBLY SHT W/DESK ARM ZGS	
	900739	HT ADJ ASSEMBLY SHT W/FULL ARM ZGS	
	900650-900657	HT ADJ ASSEMBLY W/ARM W/REC AND CLAMP (PR)	
33	900658,900659,900668,900669	HT ADJ ASSEMBLY W/REC QUICKIE EX (PR)	
	888800,888801	HT ADJ ARM UPGRADE KIT STD (EA)	
	888802,888803	HT ADJ ARM UPGRADE KIT KIDS (EA)	
	888804,888805	HT ADJ ARM UPGRADE KIT PEDS (EA)	
	921900	HT ADJ SNGL PST UPGRD KIT STD (PR)	
8-15,18-20,29,30	921901	HT ADJ SNGL PST UPGRD KIT KIDS (PR)	
	921902	HT ADJ SNGL PST UPGRD KIT PEDS (PR)	
	900644	HT ADJ ASSM PED W/DESK ARM (PR)	
1-30	900645	HT ADJ ASSM PED W/FULL ARM (PR)	
	900646	HT ADJ ASSM PED W/DSK ARM KIDS (PR)	
	900647	HT ADJ ASSM PED W/FL ARM KIDS (PR)	

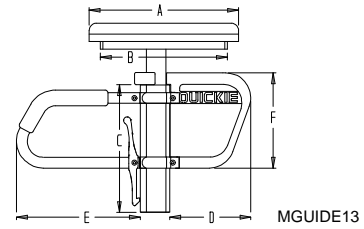
# HEIGHT-ADJUSTABLE ARMREST (ZIPPIE TS) (Effective 7/21/2002)



Drawing shows left side

ZTS20X10

## MEASURING GUIDE



MGUIDE13

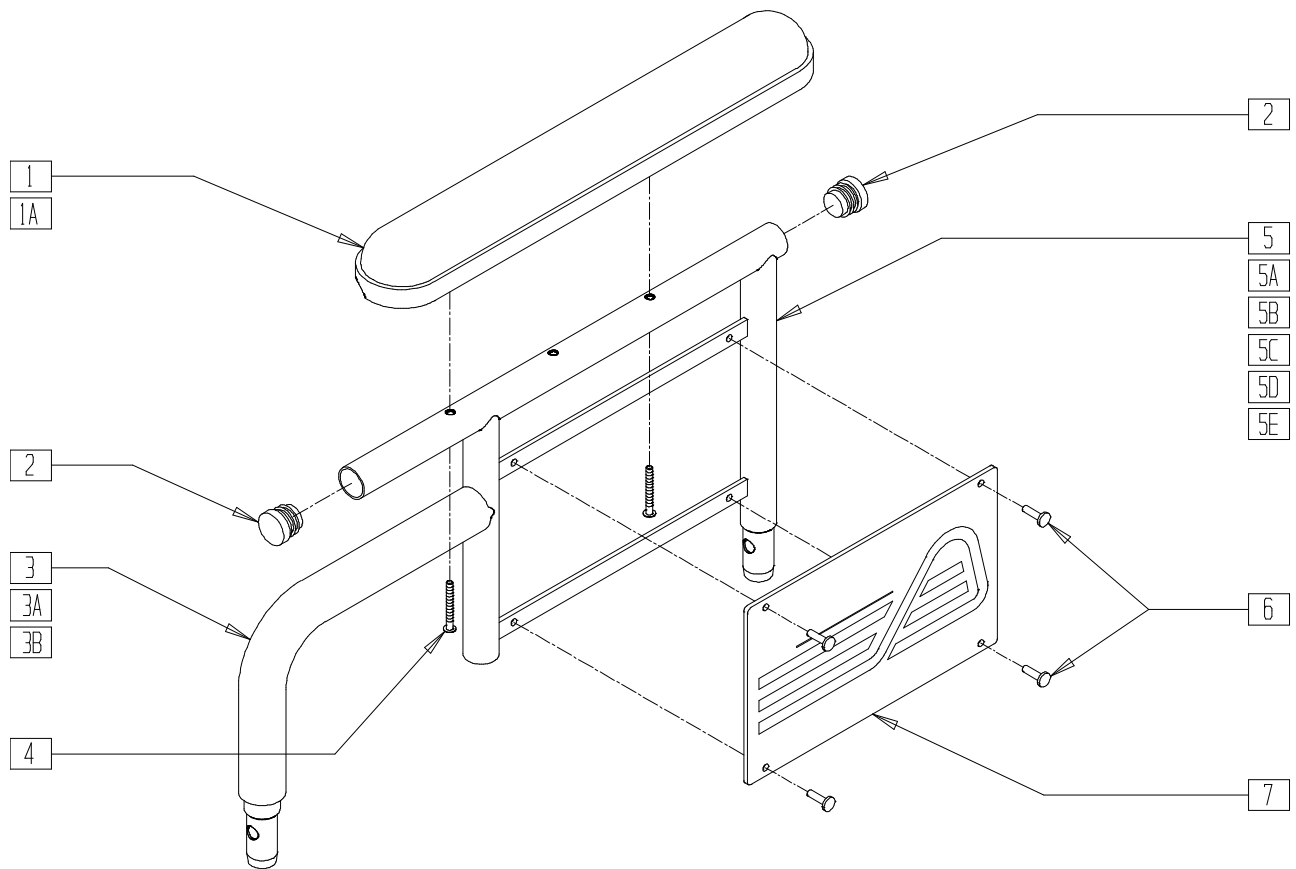
	STD		KIDS		PED	
	DSK	FULL	DSK	FULL	DSK	FULL
<b>A</b>	10"	14"	10"	14"	10"	14"
<b>B</b>	8 7/8"	12 3/8"	8 7/8"	12 3/8"	8 7/8"	12 3/8"
<b>C</b>	8 7/8"	8 7/8"	8 7/8"	8 7/8"	7 1/4"	7 1/4"
<b>D</b>	5 7/8"	5 7/8"	4 1/8"	4 1/8"	4 1/8"	4 1/8"
<b>E</b>	6 5/8"	6 5/8"	6 3/4"	6 3/4"	6 3/4"	6 3/4"
<b>F</b>	6 5/8"	6 5/8"	5 1/8"	5 1/8"	5 1/8"	5 1/8"

ITEM	NUMBER	DESCRIPTION	QTY
1	561024	ARMREST PAD 10" DESK	1
	561031	ARMREST PAD 14" FULL	
2	226031	10-32 x 1 1/4 SOC C/S BLK	2
	521810	HT ADJ PAD TUBE 10" DESK MANUAL	
3	521811	HT ADJ PAD TUBE 14" FULL MANUAL	1
	560735	7/8" ROUND TUBE PLUG	
4	505084	HT ADJ ARMREST GUSSET	1
6	*226038	10-32 x 1 3/8 BH C/S BLK	1,2
6A	226032-QU	10-32 x 1 1/2 BH C/S BLK	1
7	550481	HT ADJ ARM INNER TUBE	1
	550478	HT ADJ ARM INNER TUBE PED	
8	481258	UPPER ARM RELEASE PIN	1
9	321107	RELEASE PIN SPRING	1
10	560266	UPPER RELEASE PIN HOUSING	1
11	341088	3/32 x 5/8 ROLL PIN	1
12	561109	ARMREST LEVER FLIP-BACK HT ADJ	1
13	560610	5" x .705 x .125 FOAM TUBE	1
	560627	7 1/2" x .705 x .125 FOAM TUBE	
14	521820	HT ADJ TRANSFER TUBE STD	1
	521821	HT ADJ TRANSFER TUBE KIDS	
15	481257	RECEIVER RELEASE LEVER BUSHING	2
16	226056	10-32 x 1/2 BH C/S BLK W/PATCH	1
17	501551	RECEIVER RELEASE LEVER STD	1
	501552	RECEIVER RELEASE LEVER KIDZ	
	501553	RECEIVER RELEASE LEVER PEDS	
18	281045	#6 x 1/4 PAN PHIL S/M/S	2
19	321721	LEVER RETURN SPRING	1
20	561132	HT ADJ ARM FRONT LINER	1
21	561133	HT ADJ ARM REAR LINER	1
22	321151	HT ADJ LINER SPRING	1
23	330092	#4 x 5/32 STICK SCREW	1
24	225098	10-32 x 1/8 SET SCR W/PATCH B	2
25	550479	HT ADJ ARM OUTER TUBE PED	1
25A	550480	HT ADJ ARM OUTER TUBE	1
26	226020-QU	10-32 x 5/8 BH C/S BLK	2
27	550482	HT ADJ SKIRT CLAMP	2
28	561140	HT ADJ SKIRT GUARD STD	1
	561141	HT ADJ SKIRT GUARD KIDS	
29	561135	HT ADJ ARM BOTTOM PLUG	1
30	562825	RELEASE LEVER INNER SLEEVE	1

ITEM	NUMBER	DESCRIPTION	QTY
31	882679	HT ADJ REC W/O CLAMP ZTS	
32	882680	HT ADJ REC W/CLAMP ZTS	
1-6,6A,7	*880188	HT ADJ UPPR ARM ASSM DESK PD (EA)	
1-7	*880189	HT ADJ UPPR ARM ASSM FULL PD (EA)	
1-6,6A,7	880170, 880171	HT ADJ UPPR ARM PED DESK PAD (EA)	
1-7	*880172 *880173	HT ADJ UPPR ARM PED FULL PAD (EA)	
17-19	888000	HT ADJ REC REL LEVER ASSM STD	
	888001	HT ADJ REC REL LEVER ASSM KDS	
	888002	HT ADJ REC REL LEVER ASSM PEDS	
20-24, 25A,29	882086	HT ADJ OUTER DC TBE PED ASSM	
20-25,29	882087	HT ADJ OUTER DC TUBE ASSM	
8-12	888003, 888004	HT ADJ UPPER ARM REL ASSM (EA)	
8-30	882084, 882085	HT ADJ LOWER DC ARM ASSM STD (EA)	
8-30	882082, 882083	HT ADJ LOWER DC ARM ASSM KDS (EA)	
8-24,25A, 26-30	882080, 882081	HT ADJ LOWER DC ARM ASSM PED (EA)	
1-30	880200, 880201	HT ADJ STD W/DESK ARM PAD (EA)	
	880204, 880205	HT ADJ KDS W/DESK ARM PAD (EA)	
	880220, 880221	HT ADJ PED W/DSK ARM PAD (EA)	
	880202,	HT ADJ STD W/FULL ARM PAD (EA)	
	880203	HT ADJ STD W/FULL ARM PAD (EA)	
	880206, 880207	HT ADJ KDS W/FULL ARM PAD (EA)	
	880222, 880223	HT ADJ PED W/FULL ARM PAD (EA)	
	900855	HT ADJ ASSM STD W/DSK PAD ZTS (PR)	
	900856	HT ADJ ASSM KIDS W/DSK PAD ZTS (PR)	
33	900857	HT ADJ ASSM PED W/DSK PAD ZTS (PR)	
	900858	HT ADJ ASSM STD W/FULL PAD ZTS (PR)	
	900859	HT ADJ ASSM KIDS W/FLL PAD ZTS (PR)	
	900860	HT ADJ ASSM PED W/FULL PAD ZTS (PR)	

NOTE: \* FULL PAD HAS QTY 2 FOR PART # 226038 NOTE: \*\* PLEASE SPECIFY LEFT OR RIGHT WHEN ORDERING.

# DUAL-POST ARMREST (QUICKIE M6/T45/TS)

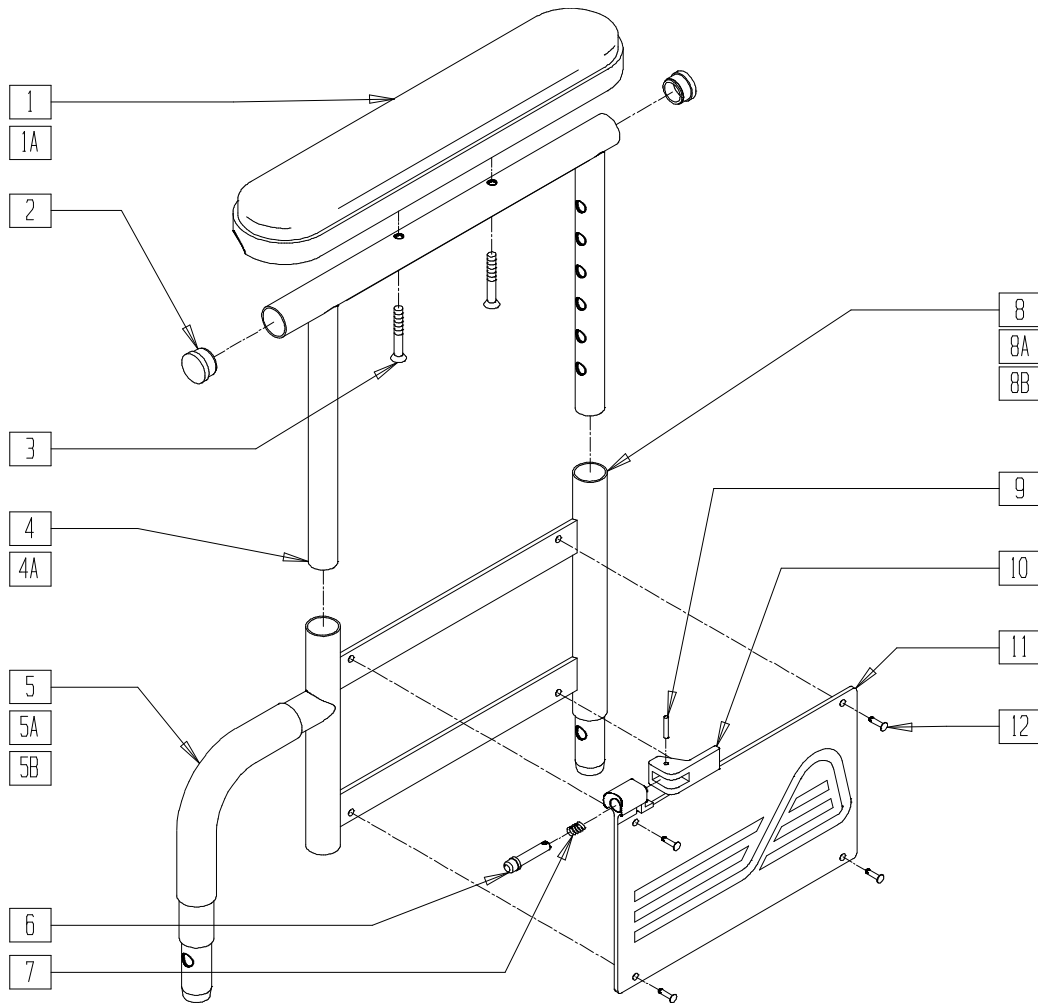


QTS30X06

ITEM	NUMBER	DESCRIPTION	QTY
1	561024	ARMREST PAD 10" DESK	1
1A	561031	ARMREST PAD 14" FULL	1
2	560735	7/8" ROUND TUBE PLUG	2
3	560514	FOAM 8" x .840 TUBE	1
3A	560614	11" x .840 FOAM TUBE	1
3B	560515	FOAM 6" x .840 TUBE	1
4	226038	10-32 x 1 3/8 BH C/S BLK	2
5	541124	ARM FRAME FIXED DESK PAD REG	1
5A	541125	ARM FRAME FIXED FULL PAD REG	1
5B	541126	ARM FRAME FIXED DESK PAD LONG	1
5C	541127	ARM FRAME FIXED FULL PAD LONG	1
5D	541150	ARM FRAME FIXED DESK PAD SHORT	1
5E	541151	ARM FRAME FIXED FULL PAD SHORT	1
6	240155	RIVET 3/16 x 3/8 TUBULAR ALUM	4

ITEM	NUMBER	DESCRIPTION	QTY
7	562744, 562745	ARMREST FRAME PANEL FIXED	1
1-7	881590, 881591	ARM ASSM FIX DESK PAD REG	
1A,2-4,5A, 6,7	881592, 881593	ARM ASSM FIX FULL PAD REG	
1-3A,4,5B, 6,7	881594, 881595	ARM ASSM FIX DESK PAD LONG	
1A,2-4,5C, 6,7	881596, 881597	ARM ASSM FIX FULL PAD LONG	
1,2,3B,4, 5D,6,7	881616, 881617	ARM ASSM FIX DESK PAD SHORT	
1A,2,3B,4, 5E,6,7	881618, 881619	ARM ASSM FIX FULL PAD SHORT	

# DUAL-POST HEIGHT-ADJUSTABLE ARMREST (QUICKIE TS/T45)



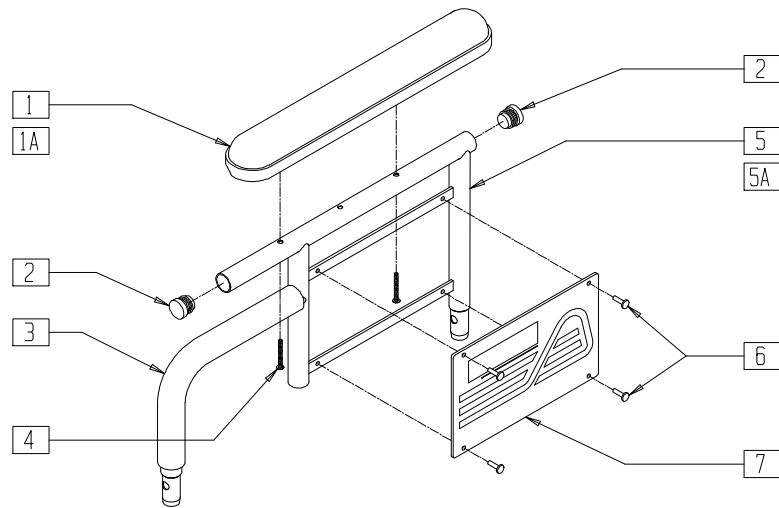
QTS30X05

ITEM	NUMBER	DESCRIPTION	QTY
1	561024	ARMREST PAD 10" DESK	1
1A	561031	ARMREST PAD 14" FULL	1
2	560735	7/8" ROUND TUBE PLUG	2
3	226038	10-32 x 1 3/8 BH C/S BLK	2
4	521840	DUAL POST ADJ UPPER ARM DESK	1
4A	521842	DUAL POST ADJ UPPER ARM FULL	1
5	560514	FOAM 8" x .840 TUBE	1
5A	560614	11" x .840 FOAM TUBE	1
5B	560515	FOAM 6" x .840 TUBE	1
6	341132	ARMREST PIN W/SHOULDER	1
7	341141	.650L x 6 COIL SPRING	1
8	540224, 540225	ARM FRAME LOWER HT ADJ REG	1
8A	540226, 540227	ARM FRME LOWER HT ADJ LONG	1
8B	540236, 540237	ARM FRAME LOWER HT ADJ SHORT	1
9	341088	3/32 x 5/8 ROLL PIN	1
10	561109	ARMREST LEVER FLIP-BACK HT ADJ	1
11	562740, 562741	ARMREST PANEL DUAL POST (EA)	1
12	240155	RIVET 3/16 x 3/8 TUBULAR ALUM	4

ITEM	NUMBER	DESCRIPTION	QTY
1-12	881560, 881561	ARM ASSM HT ADJ DESK PAD REG	
1A,2,3,4A, 5-12	881566, 881567	ARM ASSM HT ADJ FULL PAD REG	
1-4,5A, 6-12	881564, 881565	ARM ASSM HT ADJ DESK PAD LONG	
1A,2-4,5A, 6-12	881562, 881563	ARM ASSM HT AD FULL PAD LONG	
5-12	881556, 881557	ARM ASSM HT ADJ FULL PAD REG	
5A,6-12	881558, 881559	ARM ASSM LOWER HT ADJ LONG	
1-4	881550, 881551	ARM ASSM UPPER HT AD DESK PD	
1A,2,3,4A	881552, 881553	ARM ASSM UPPER HT AD FULL PD	
1-4,5B, 6-12	881682, 881683	ARM ASSM HT AD DESK PAD SHORT	
1A,2-4, 5B,6-12	881684, 881685	ARM ASSM HT AD FULL PAD SHORT	
5B,6-12	881686, 881687	ARM ASSM LOWER HT ADJ SHORT	



## DUAL-POST ARMREST (BREEZY 510 RECLINER)

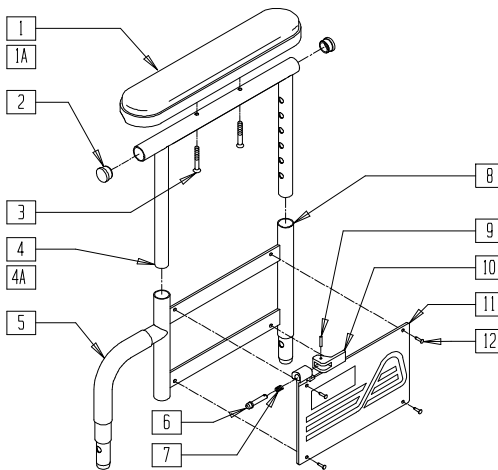


BRECX14

ITEM	NUMBER	DESCRIPTION	QTY
1	561024	ARMREST PAD 10" DESK	1
1A	561031	ARMREST PAD 14" FULL	1
2	560735	7/8" ROUND TUBE PLUG	2
3	560514	FOAM 8" x .840 TUBE	1
4	226038	10-32 x 1 3/8 BH C/S BLK	2
5	541124	FIXED HEIGHT SHT ARM DESK PAD	1
5A	541125	FIXED HEIGHT SHT ARM FULL PAD	1

ITEM	NUMBER	DESCRIPTION	QTY
6	240155	RIVET 3/16 x 3/8 TUBULAR ALUMINUM	4
7	562752, 562753	ARMREST PANEL FIXED BR RCLNR (EA)	1
1-7	881542, 881543	DUAL-POST ARM DESK (EA)	
1A-4, 5A,6-7	881544, 881545	DUAL-POST ARM FULL (EA)	

## DUAL-POST HEIGHT-ADJUSTABLE ARMREST(BREEZY 510 RECLINER)

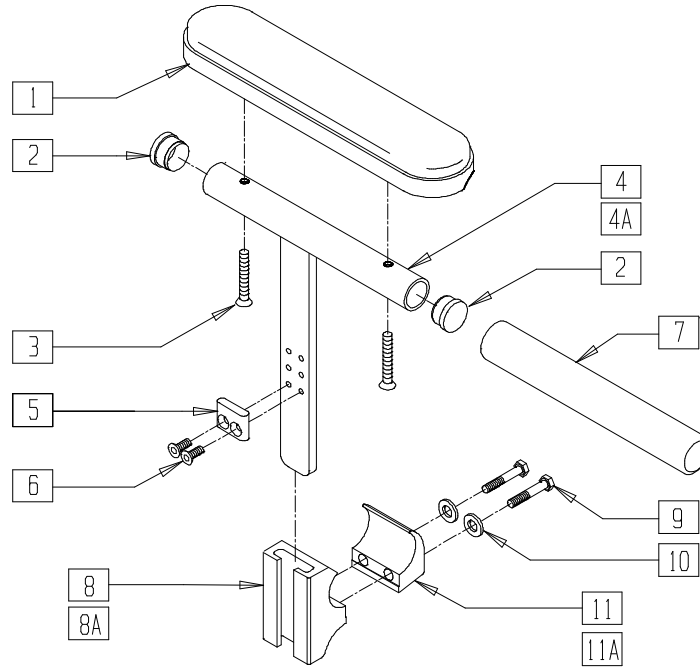


BRECX09

ITEM	NUMBER	DESCRIPTION	QTY
1	561024	ARMREST PAD 10" DESK	1
1A	561031	ARMREST PAD 14" FULL	1
2	560735	7/8" ROUND TUBE PLUG .049	2
3	226038	10-32 x 1 3/8 BH C/S BLK	2
4	521840	DUAL POST ADJ UPPER ARM DESK	1
4A	521842	DUAL POST ADJ UPPER ARM FULL	1
5	560514	FOAM 8" x .840 TUBE	1
6	341132	ARMREST PIN W/SHOULDER	1
7	321141	.650L x 6 COIL SPRING	1
8	540224, 540225	DUAL POST ADJ LWR ARM SHORT (EA)	1
9	341088	3/32 x 5/8 ROLL PIN	1
10	561109	ARMREST LEVER FLIP-BACK HT ADJ	1

ITEM	NUMBER	DESCRIPTION	QTY
11	562754, 562755	ARMREST PANEL DUAL POST (EA)	1
12	240155	RIVET 3/16 x 3/8 TUBULAR ALUMINUM	4
1-12	881546, 881547	DUAL POST ADJ ARM DESK RCLNR (EA)	
1A,2,3,4A, 5-12	881548, 881549	DUAL POST ADJ ARM FULL RCLNR (EA)	
5-12	881540, 881541	DUAL POST UPPER ARM ADJ DESK (EA)	
1-4	881550, 881551	DUAL POST UPPER ARM ADJ DESK (EA)	
1A,2,3, 4A	881552, 881553	DUAL POST UPPER ARM ADJ FULL (EA)	

# ARMREST (QUICKIE KIDZ, ZIPPIE/ ZIPPIE GS/TS/NEW ZIPPIETS)

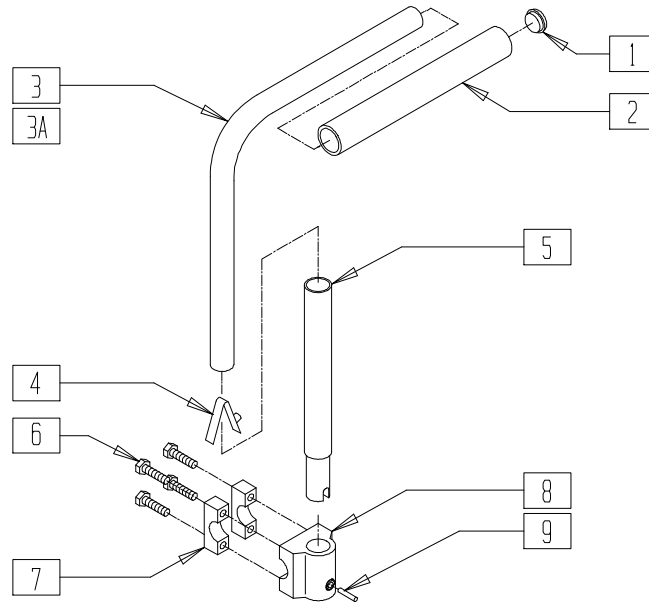


ARMRSTX01

ITEM	NUMBER	DESCRIPTION	QTY
1	560780	ARMREST PAD SMALL 9"	
2	561007	7/8" INSERT PLUG .083	1,2
3	226038	10-32 x 1 3/8 BH C/S BLK	2
4	550360	KIDZ STD ARM WELDMENT	1
4A	550361	KIDZ TALL ARM WELDMENT	1
5	550105-QU	KIDZ ARM STOP	1
6	226012	10-32 x 1/2 FH C/S BLK	2
7	560309	ARMREST FOAM KIDZ	1
8	502038	TPHA & SG CLAMP 1"	1
8A	550325	SIDE GUARD/KIDZ ARM REC	1
9	221127	1/4-28 x 1 3/8 HEX C/S	2
10	262110-QU	1/4 AN WASHER FLAT THIN	2
11	502037	TPHAR & SGR CLAMP 1"	1
11A	550251	CLMP P300 CHRNG/ADJ FL KDS	
1-6	880162, 880163	KIDS ARM STD (EA)	
1-3,4A	880164, 880165	KIDZ ARM TALL (EA)	
8A,9,10, 11A	881200	SIDE GUARD/KIDZ ARM REC W/CLMP	

ITEM	NUMBER	DESCRIPTION	QTY
8-11	882681	T-PST/SDE GUARD REC W/CLMP ZTS	
2,4-7	885010, 885011	KIDZ ARM STD W/FOAM (EA)	
2,4A, 5-7	885012, 885013	KIDZ ARM TALL W/FOAM (EA) (EA)	
1-6,8A, 9,10,11A	900693	KIDZ ARM ASSM STD W/REC	
1-3,4A,5, 8A,9,10,11A	900694	KIDZ ARM ASSM TALL W/REC	
2,4-7,8A, 9,10,11A	900755	KIDZ ARM ASSM STD W/FOAM W/REC	
2,4A,5-7, 8A,9,10,11A	900756	KIDZ ARM ASSM TALL W/FOAM W/REC	
1-5,8-11	900795	KIDZ ARM ASSM STD W/REC ZTS	
1-3,4A,5, 6,8-11	900796	KIDZ ARM ASSM TALL W/REC ZTS	
2,4-11	900797	KDZ ARM ASSM STD W/FM W/RC ZTS	
2,4A,5-11	900798	KDZ ARM ASSM TLL W/FM W/RC ZTS	

# ARMREST (QUICKIE ST/DT)

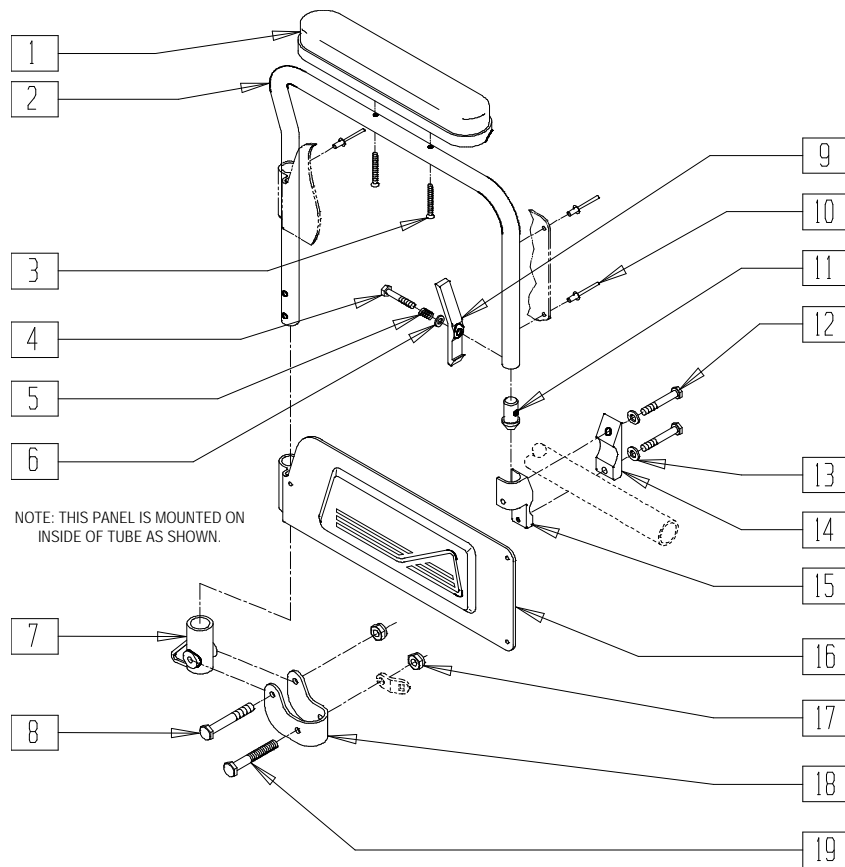


RG000X07

ITEM	NUMBER	DESCRIPTION	QTY
1	560142	ARMREST END CAP 3/4"	1
2	560310	ARMREST FOAM 8" x .570	1
3	521690	ARMREST ARM STD ANO	1
3A	521691	ARMREST ARM LONG ANO	1
4	301100	1/4" SNAP BUTTON SINGLE B-130	1
5	521695	ARMREST UPRIGHT EXT ASSEMBLY	1
6	226115	1/4 x 20 x 1 HEX C/S SS	4

ITEM	NUMBER	DESCRIPTION	QTY
7	550207	CAMBER TUBE MNTG CLMP ANO	2
8	501550	ARMREST MOUNTING BRACKET ANO	1
9	341130	1/4 x 1 1/8 ROLL PIN SS	1
1-4	880316	RIGID ARM STD	
1,2,3A,4	880318	RIGID ARM LONG	
6-9	880238	RIGID ARM MNTG BRACKET ASSEMBLY	

# FLIP-BACK ARMREST (QUICKIE 2/2HP)



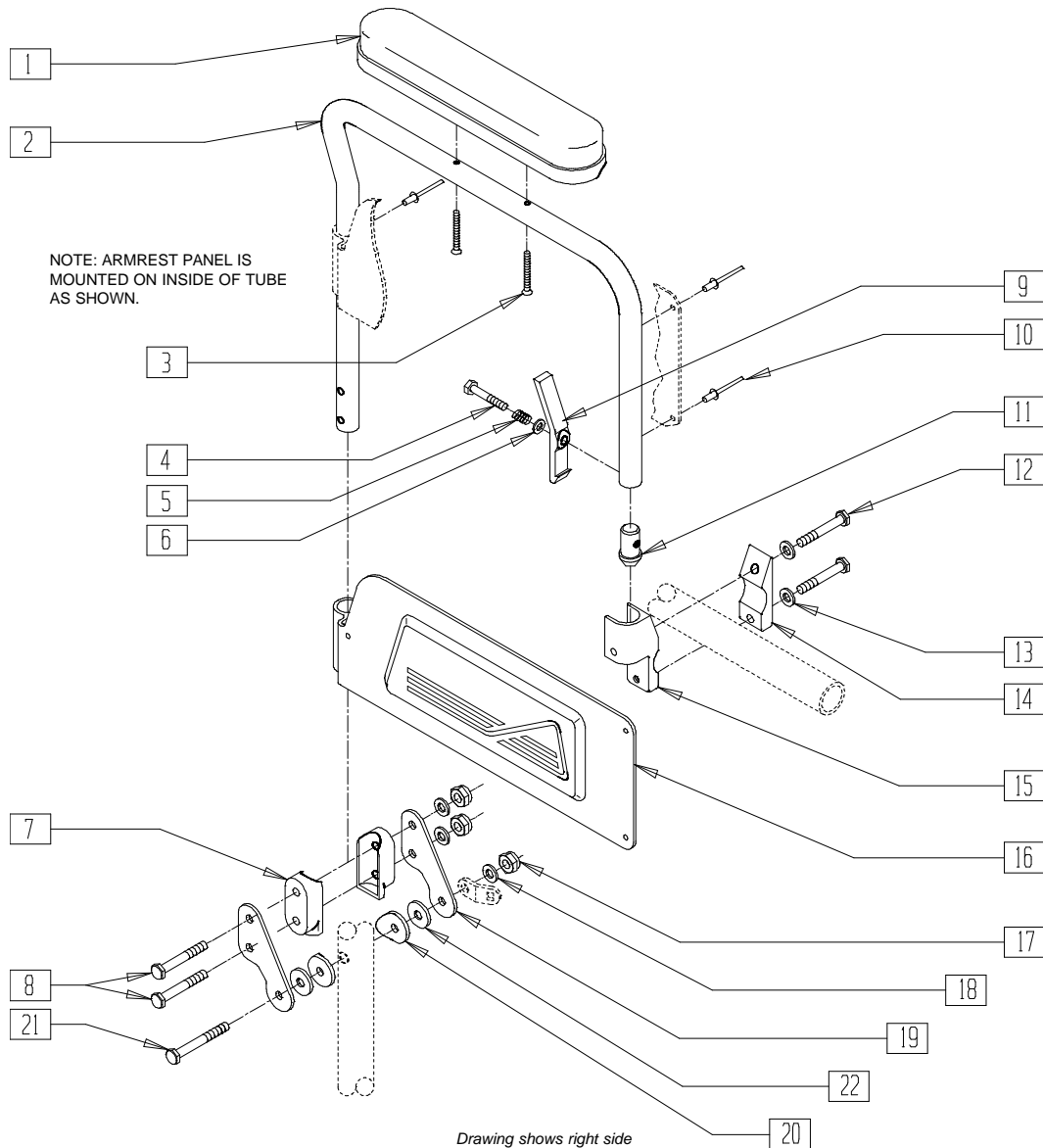
Drawing shows right side

ARMX13

ITEM	NUMBER	DESCRIPTION	QTY
1	561024	ARMREST PAD 10" DESK	1
2	524008, 524009	FLIP-BACK ARM TUBE Q2/Rx (EA)	1
3	226030-QU	10-32 x 1 1/4 BH C/S BLK	2
4	221124	1/4-28 x 1 1/4 G8 HEX C/S	1
5	321141	.650L x 6 COIL SPRING	1
6	262110-QU	1/4 AN WASHER FLAT THIN	1
7	561080	ARM RECEIVER BR	1
8	221151-QU	1/4-28 x 1 3/4 G8 HEX C/S	1
9	561067	ARM LATCH LEVER	1
10	240116	RIVET POP AD64ABS BLK	3
11	561075	ARM DOME PLUG BR	1
12	221127	1/4-28 x 1 3/8 HEX C/S	2
13	262100-QU	1/4 AN WASHER FLAT	2
14	550256	CLAMP ADJ FL STD	1

ITEM	NUMBER	DESCRIPTION	QTY
15	550102, 550103	FRONT ARM RECEIVER (EA)	1
16	562726, 562727	ARMREST PANEL FLIP-BACK Q2/Rx (EA)	1
17	201110	1/4-28 NYLOCK NUT	2
18	505352	FLPBK ARM PIVOT BRACKET	1
19	221192	1/4-28 x 2 G8 HEX C/S	1
12-15	880106, 880107	FLPBK FRONT RECEIVER W/CLAMP (EA)	
7,17-19	880108	FLPBK ARM REAR REC W/BACKET	
1-11,16-19	880256, 880257	FLPBK ARM ASSEMBLY DESK Q2 (EA)	
1-19	880258, 880859	FLPBK ARM ASSEMBLY DESK W/RECEIVER Q2 (EA)	
	900695	FLPBK ARM ASSM DSK W/REC Q2 PR	

# FLIP-BACK ARMREST (QUICKIE 2HPTi/Rx)



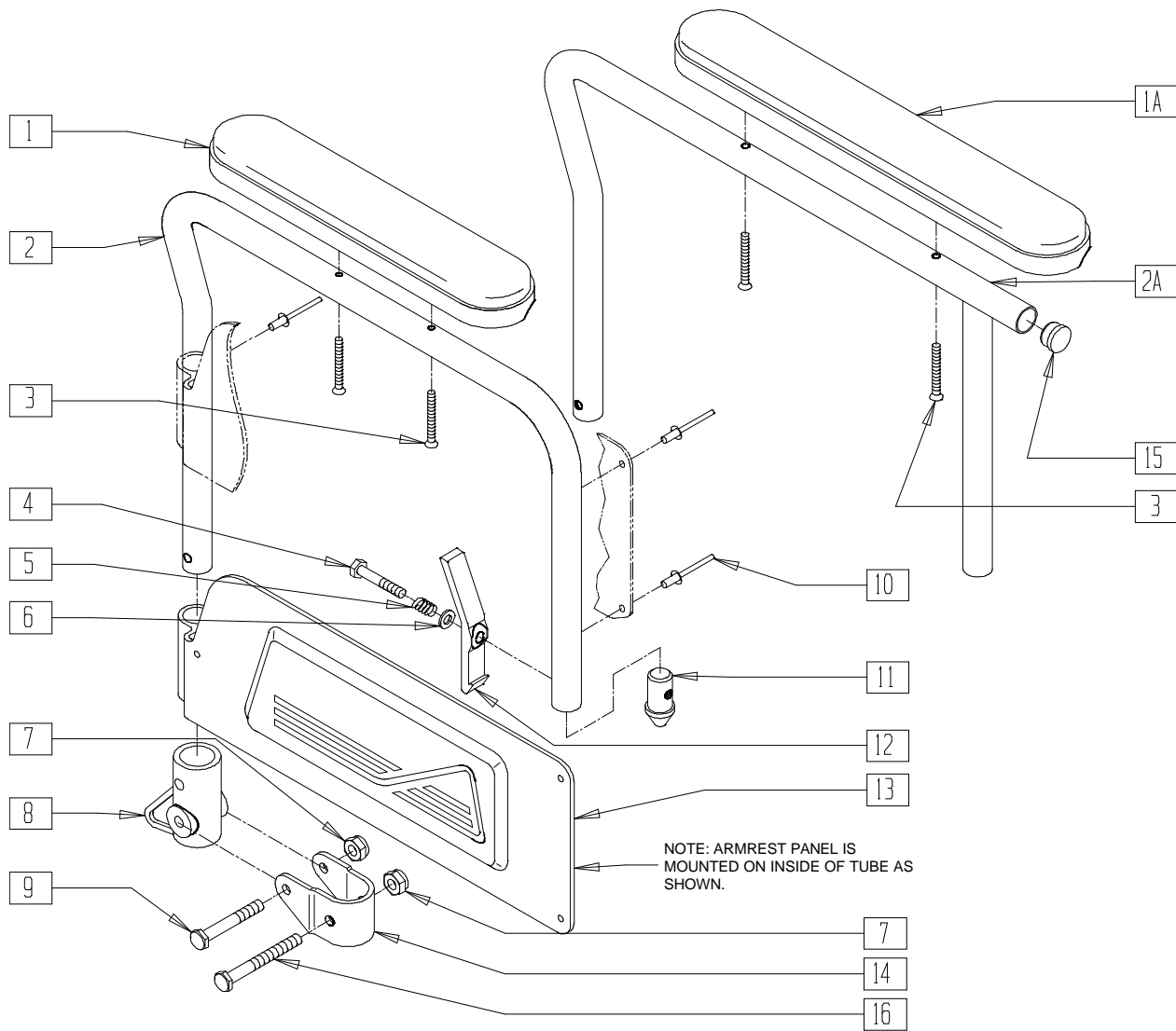
RXARMA

ITEM	NUMBER	DESCRIPTION	QTY
1	561024	ARMREST PAD 10" DESK	1
2	524008, 524009	FLIP-BACK ARM TUBE Q2/Rx (EA)	1
3	226030-QU	10-32 X 1 1/4 BH C/S BLK	2
4	221124	1/4-28 x 1 1/4 G8 HEX C/S	1
5	321141	.650L x 6 COIL SPRING	1
6	262110-QU	1/4 AN WASHER FLAT THIN	1
7	562613	3/4" DOUBLE SADDLE CLOSED	2
8	221192	1/4-28 x 2 G8 HEX C/S	2
9	561067	ARM LATCH LEVER	1
10	240116	RIVET POP AD64ABS BLK	3
11	561075	ARM DOME PLUG BZ	1
12	221127	1/4-28 x 1 3/8 HEX C/S	2
13	262100-QU	1/4 AN WASHER FLAT	2
14	550256	CLAMP ADJ FL STD	1
15	550102, 550103	FRONT ARM RECEIVER (EA)	1

ITEM	NUMBER	DESCRIPTION	QTY
16	562726, 562727	ARMREST PANEL FLPBK Q2/Rx (EA)	1
17	201110	1/4-28 NYLOCK NUT	3
18	262100-QU	1/4 AN WASHER FLAT	3
19	505158	ARMREST PIVOT PLATE W/NOTCH	2
20	561086	1" HALF SADDLE 1/4" HOLE	2
21	221191	1/4-28 x 2 1/4 G8 HEX C/S	1
22*	561016	1" WASHER 5/16" HOLE (QUICKIE 2HPTi)	2
12-15	880106, 880107	FLPBK FRONT REC W/CLAMP (EA)	
1-11, 16-21	881222, 881223	FLPBK ARM ASSEMBLY DESK Rx/HPTi (EA)	
1-21	881224, 881225	FLPBK ARM DESK W/RECEIVER Rx/HPTi (EA)	
	900774	FLPBK ARMS DESK W/REC Rx/HPTi (PR)	

\* ITEM 22 USED WITH QUICKIE 2HPTi.

# FLIP-BACK ARMREST (QUICKIE LX/LXI)



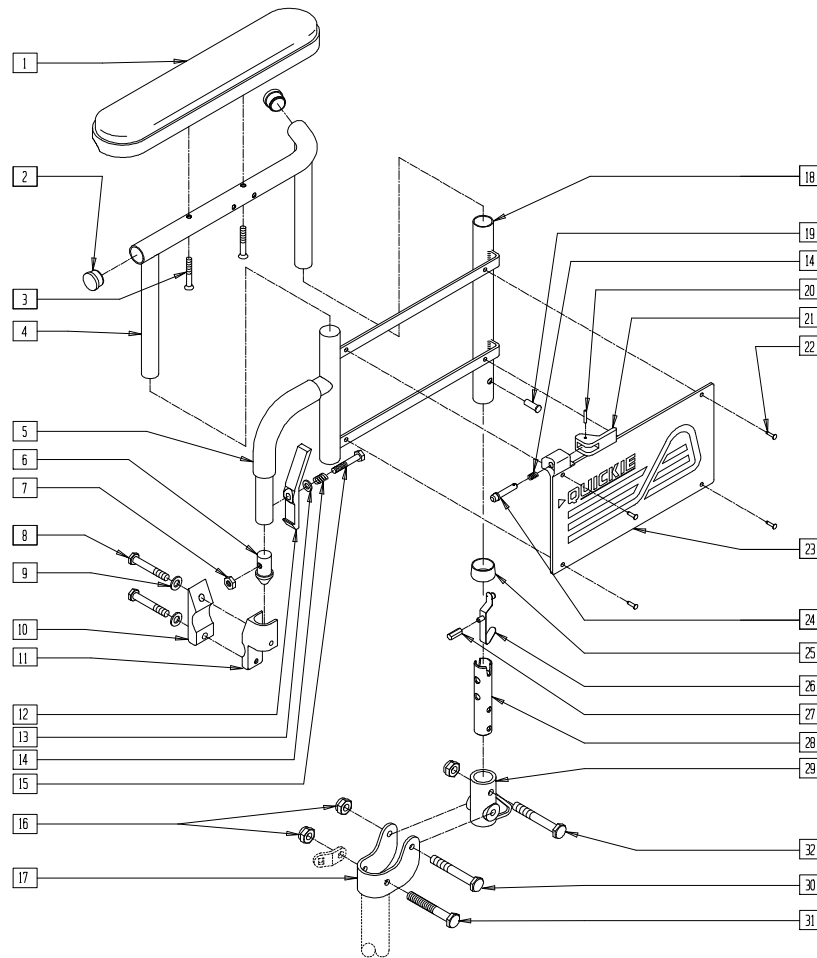
Drawing shows right side

ARMX17

ITEM	NUMBER	DESCRIPTION	QTY
1	561024	ARMREST PAD 10" DESK	1
1A	561031	ARMREST PAD 14" FULL	1
2	524010, 524011	ARMREST TUBE LX (EA)	1
2A	524012, 524013	ARMREST TUBE FULL LX (EA)	1
3	226030-QU	10-32 x 1 1/4 BH C/S BLK	2
4	221124	1/4-28 x 1 1/4 G8 HEX C/S	1
5	321141	.650L x 6 COIL SPRING	1
6	262100-QU	1/4 AN WASHER FLAT	1
7	201110	1/4-28 NYLOCK NUT	2
8	561080	ARM RECEIVER BR	1
9	221151-QU	1/4-28 x 1 3/4 G8 HEX C/S	1
10	240114	RIVET POP AD64ABS	3

ITEM	NUMBER	DESCRIPTION	QTY
11	561075	ARM DOME PLUG BZ	1
12	561067	ARM LATCH LEVER	1
13	562726, 562727	ARMREST PANEL FLIP-BACK Q2/Rx (EA)	1
14	505351	ARMREST PIVOT BRACKET 1 1/8"	1
15	560761	3/4" INSERT PLUG .049 (18GA)	1
16	221192	1/4-28 x 2 G8 HEX C/S	1
1-14,16	880368, 880369	FLIP-BACK ARM ASSEMBLY DESK LX (EA)	
1A,2A, 3-16	880376, 880377	FLIP-BACK ARM ASSEMBLY FULL LX (EA)	
1-14,16	920587	FLIP-BACK ARM ASSEMBLY DESK LX (PR)	
1,2A,3-16	920588	FLIP-BACK ARM ASSEMBLY FULL LX (PR)	

# FLIP-BACK HEIGHT-ADJUSTABLE ARMREST (QUICKIE 2/2HP)

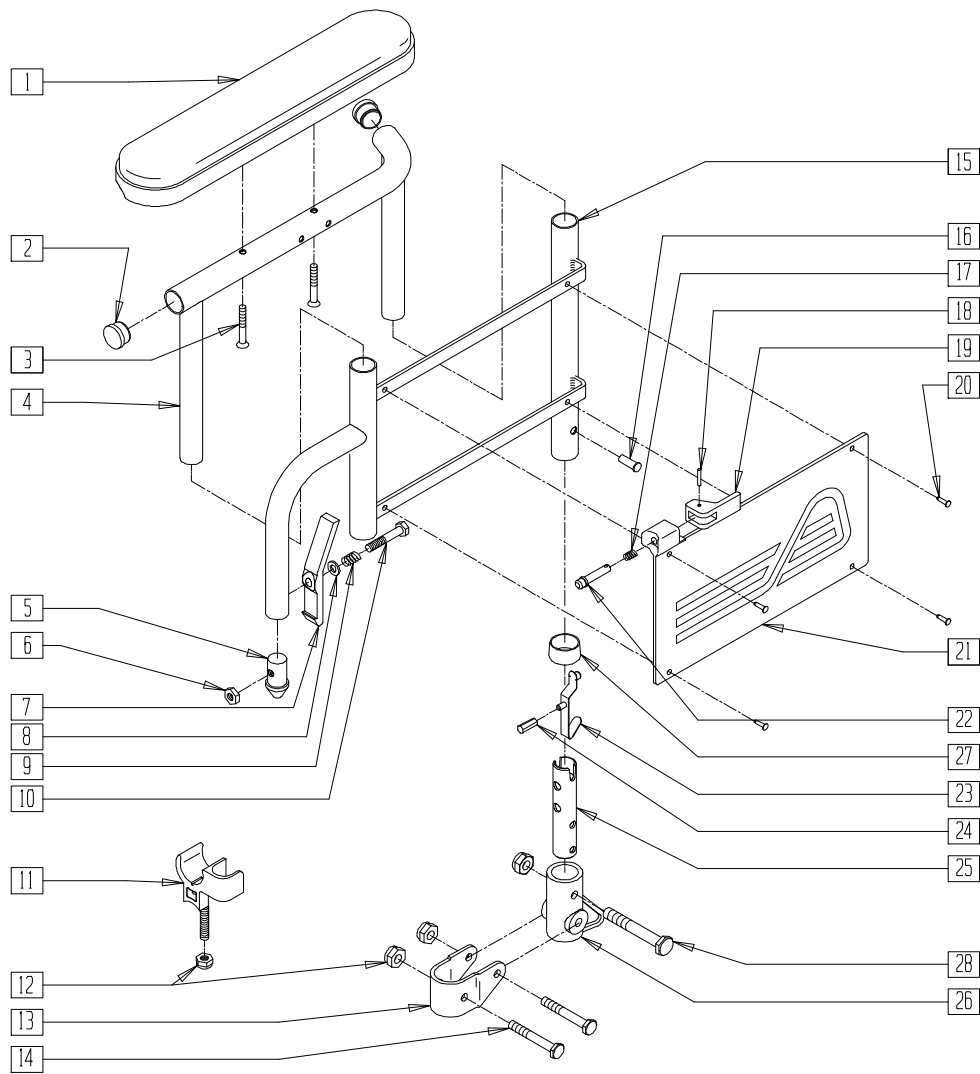


ARMX14

ITEM	NUMBER	DESCRIPTION	QTY		
1	561024	ARMREST PAD 10" DESK	1		
	561031	ARMREST PAD 14" FULL			
2	560735	7/8" ROUND TUBE PLUG	2		
3	226030-OU	10-32 x 1 1/4 BH C/S BLK	2		
4	521830, 521831	FLIP-BACK HT ADJ UPPER DESK ARM (EA)	1		
	521832, 521833	FLIP-BACK HT ADJ UPPER FULL ARM (EA)			
	5	560610		5" x .705 x .125 FOAM TUBE	1
	6	561065		ARMREST DOME PLUG BR	1
7	201100-OU	1/4-28 NYLOCK NUT THIN	1		
8	221127	1/4-28 x 1 3/8 HEX C/S	2		
9	262100-OU	1/4 AN WASHER FLAT	2		
10	550256	CLAMP ADJ FULL STD	1		
11	550102, 550103	FRONT ARM RECEIVER (EA)	1		
12	561067	ARM LATCH LEVER			
13	262100-OU	1/4 AN WASHER FLAT	1		
14	321141	.650L x 6 COIL SPRING	2		
15	221124	1/4-28 x 1 1/4 G8 HEX C/S	1		
16	201110	1/4-28 NYLOCK NUT	3		
17	505352	FLIP-BACK ARM PIVOT BRACKET	1		
19	240160	RIVET 1/4 x 1 1/16 TUBULAR STEEL	1		
20	341088	3/32 x 5/8 ROLL PIN	1		
21	561109	ARMREST LEVER FLIP-BACK HT ADJ	1		
22	240155	RIVET 3/16 x 3/8 TUBULAR ALUM	4		
23	562738, 562739	ARMREST PANEL FLIP-BACK HT ADJ Q2 (EA)	1		

ITEM	NUMBER	DESCRIPTION	QTY
24	341132	ARMREST PIN W/SHOULDER	1
25	563065	3/4" ANTI-RATTLE	1
26	301117	SNAP BUTTON OPPOSING THREAD	1
27	560708	FLIP-BACK BUTTON PLASTIC Q2	1
28	540255	FLIP-BACK HT ADJ ARM RECEIVER POST	1
29	561080	ARM RECEIVER BR	2
30	221151-OU	1/4-28 x 1 3/4 G8 HEX C/S	1
31	221192	1/4-28 x 2 G8 HEX C/S	1
32	221130	1/4-28 x 1 1/2 HEX C/S	1
8-11	880106, 880107	FLIP-BACK FRONT REC W/CLAMP (EA)	
18,23	880306, 880307	FLIP-BACK HT ADJ LOWER ARM W/PANEL (EA)	
26-28	880261	RECEIVER POST W/BUTTON	
1-4	880292, 880293	FLIP-BACK HT ADJ UPPER ARM W/DESK (EA)	
	880294, 880295	FLIP-BACK HT ADJ UPPER ARM ASSEMBLY FULL (EA)	
	5-7,12-15 18-25	880288, 880289	
1-7,12-15, 18-25	880296, 880297	FLIP-BACK HT ADJ ARM ASSEMBLY DESK (EA)	
	880396, 880397	FLIP-BACK HT ADJ ARM ASSEMBLY FULL (EA)	
	1-32	923220	
	923221	FLIP-BACK HT ADJ FULL ARM RETRO (PR)	
16,29,32	880009	RETRO KIT BR FLIP-BACK HT ADJ ARM	

# FLIP-BACK HEIGHT-ADJUSTABLE ARMREST (QUICKIE LX/LXI)



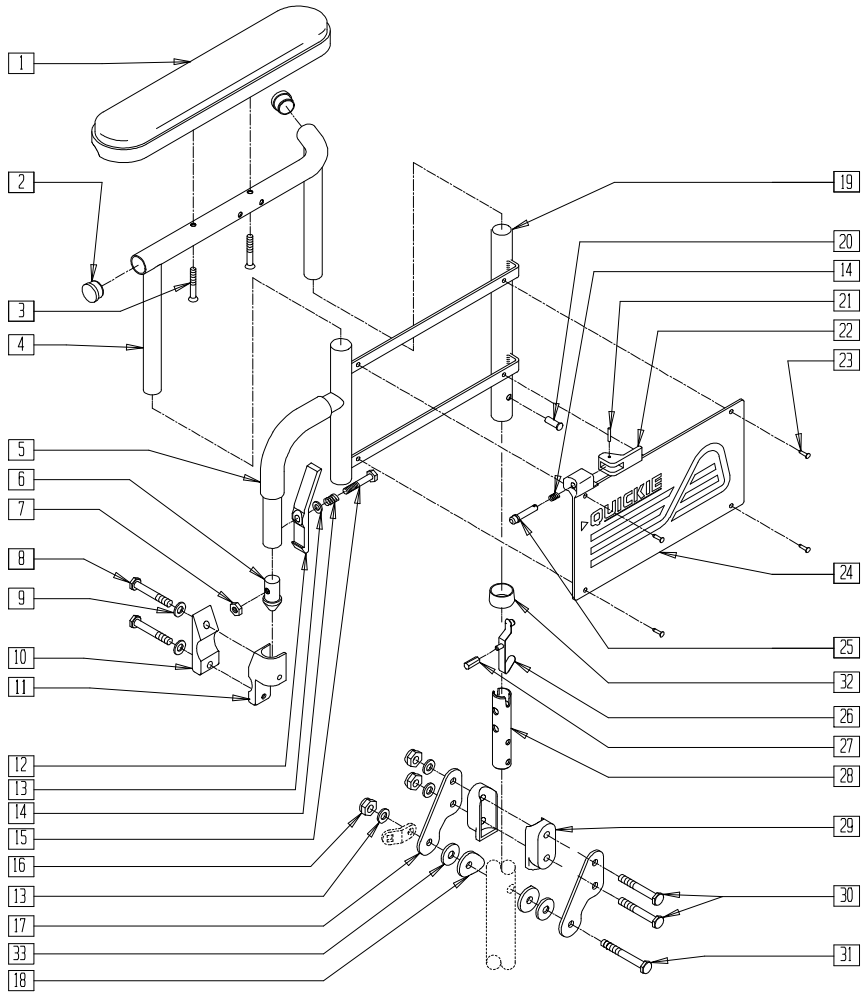
ARMX16

ITEM	NUMBER	DESCRIPTION	QTY
1	561024	ARMREST PAD 10" DESK	1
	561031	ARMREST PAD 14" FULL	
2	560735	7/8" ROUND TUBE PLUG	2
3	226030-OU	10-32 x 1 1/4 BH C/S BLK	2
4	521830-521833	FLIP-BACK HT ADJ UPPER ARM (EA)	1
5	561075	ARM DOME PLUG BZ	1
6	201100-OU	1/4-28 NYLOCK NUT THIN	1
7	561067	ARM LATCH LEVER	3
8	262100-OU	1/4 AN WASHER FLAT	3
9	321141	.650L x 6 COIL SPRING	3
10	221124	1/4-28 x 1 1/4 G8 HEX C/S	1
11	561113, 561114	ARM SADDLE FLIP-BACK BR/LXI (EA)	1
12	201110	1/4-28 NYLOCK NUT	4
13	505351	ARMREST PIVOT BRACKET 1 1/8"	1
14	221151-OU	1/4-28 x 1 3/4 G8 HEX C/S	2
16	240160	RIVET 1/4 x 1 1/16 TUBULAR STEEL	1
17	321141	.650L x 6 COIL SPRING	1
18	341088	3/32 x 5/8 ROLL PIN	1

ITEM	NUMBER	DESCRIPTION	QTY
19	561109	ARMREST LEVER FLIP-BACK HT ADJ	1
20	240155	RIVET 3/16 x 3/8 TUBULAR ALUM	4
21	562738, 562739	ARMREST PANEL FLIP-BACK HT ADJ Q2 (EA)	1
22	341132	ARMREST PIN W/SHOULDER	1
23	301117	SNAP BUTTON OPPOSING THREAD	1
24	560709	FLIP-BACK BUTTON PLASTIC BR	1
25	540255	FLIP-BACK HT ADJ ARM RECEIVER POST	1
26	561080	ARM RECEIVER BR	1
27	563065	3/4" ANTI-RATTLE	1
28	221130	1/4-28 x 1 1/2 HEX C/S	1
15,21,27	880314, 880315	FLIP-BACK HT ADJ LOWER ARM W/PANEL LX (EA)	
5-10, 15-22,27	880284, 880285	FLIP-BACK HT ADJ LOWER ARM	
1-10,15-22 25,27	880386-880389	FLIP-BACK HT ADJ ARM ASSEMBLY LX (EA)	
1-28	923228, 923229	FLIP-BACK HT ADJ ARM LX RETRO (PR)	
12,26,28	880009	RETRO KIT BR FLIP-BACK HT ADJ ARM	



# FLIP-BACK HEIGHT-ADJUSTABLE ARMREST (QUICKIE 2HPTi/Rx)



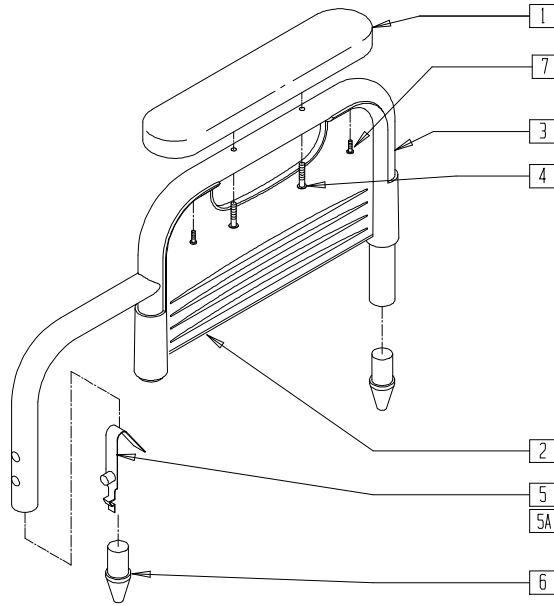
RXHTADJ

ITEM	NUMBER	DESCRIPTION	QTY
1	561024	ARMREST PAD 10" DESK	1
	561031	ARMREST PAD 14" FULL	
2	560735	7/8" ROUND TUBE PLUG	2
3	226030-QU	10-32 x 1 1/4 BH C/S BLK	2
4	521830, 521831	FLIP-BACK HT ADJ UPPER DESK ARM (EA)	1
	521832, 521833	FLIP-BACK HT ADJ UPPER FULL ARM (EA)	
	560610	5" x .705 x .125 FOAM TUBE	
5	560610	5" x .705 x .125 FOAM TUBE	1
6	561065	ARMREST DOME PLUG BR	1
7	201100-QU	1/4-28 NYLOCK NUT THIN	1
8	221127	1/4-28 x 1 3/8 HEX C/S	2
9	262100-QU	1/4 AN WASHER FLAT	2
10	550256	CLAMP ADJ FULL STD	1
11	550102, 550103	FRONT ARM RECEIVER (EA)	1
12	561067	ARM LATCH LEVER	1
13	262100-QU	1/4 AN WASHER FLAT	1
14	321141	.650L x 6 COIL SPRING	2
15	221124	1/4-28 x 1 1/4 G8 HEX C/S	1
16	201110	1/4-28 NYLOCK NUT	2
17	505158	ARMREST PIVOT PLATE W/NOTCH	2
18	561086	1" HALF SADDLE 1/4" HOLE	2
20	240160	RIVET 1/4 x 1 1/16 TUBULAR STEEL	1
21	341088	3/32 x 5/8 ROLL PIN	1
22	561109	ARMREST LEVER CLIP-BACK HT ADJ	1
23	240155	RIVET 3/16 x 3/8 TUBULAR ALUM	4

ITEM	NUMBER	DESCRIPTION	QTY
24	562738,	ARMREST PANEL FLIP-BACK HT ADJ Q2 (EA)	1
	562739		
25	341132	ARMREST PIN W/SHOULDER	1
26	301117	SNAP BUTTON OPPOSING THREAD	1
27	560708	FLIP-BACK BUTTON PLASTIC Q2	1
28	540255	FLIP-BACK HT ADJ ARM RECEIVER POST	1
29	561080	ARM RECEIVER BR	2
30	221151-QU	1/4-28 x 1 3/4 G8 HEX C/S	1
31	221192	1/4-28 x 2 G8 HEX C/S	1
32	563065	3/4" ANTI-RATTLE	1
33*	561016	1" WASHER 5/16" HOLE (QUICKIE 2HPTi)	2
8-11	880106, 880107	FLIP-BACK FRONT RECEIVER W/CLAMP	
14,19-24, 32	880306, 880307	FLIP-BACK HT ADJ LOWER ARM W/PANEL (EA)	
26-28	880261	RECEIVER POST W/BUTTON	
1-4	880292- 880295	FLIP-BACK HT ADJ UPPER ARM ASSEMBLY (EA)	
5-7,12-15, 19-25,32	880288, 880289	FLIP-BACK HT ADJ LOWER ARM ASSEMBLY (EA)	
1-7,12-15, 19-25,32	880296, 880297, 880396, 880397	FLIP-BACK HT ADJ ARM ASSEMBLY (EA)	
1-32	923232, 923233	FLIP-BACK HT ADJ DESK ARM Rx/HPTi	

\* ITEM 33 USED WITH QUICKIE 2HPTi.

## FLIP-BACK ARMREST (DESK) (BREEZY 100/150)



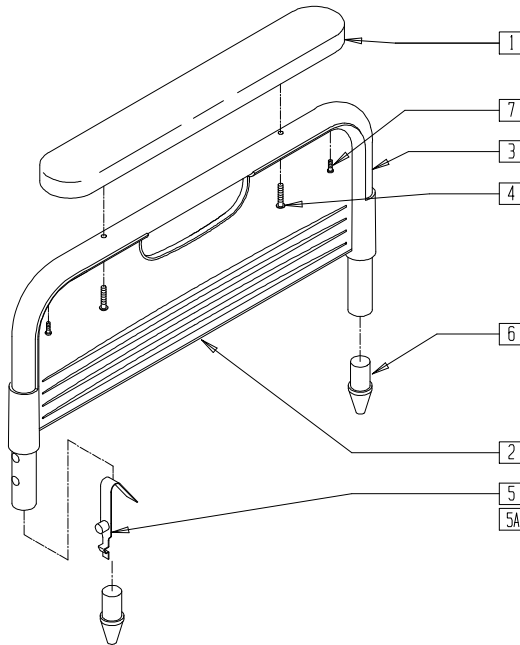
BRZ10X10A

ITEM	NUMBER	DESCRIPTION	QTY
1,4	222-0529	10" ARM PAD (HARD) (PR)	
	222-0531	10" ARM PAD (PADDED) (PR)	
5	222-0611*	DETENT BUTTON FOR ARMREST (EA)	1
5A	222-0831*	RPO BREEZY LONGER DETENT BUTTON	1

ITEM	NUMBER	DESCRIPTION	QTY
1-7	222-0577L	ARMREST ASSEMBLY (HARD) L (EA)	
	222-0577R	ARMREST ASSEMBLY (HARD) R (EA)	
	222-0578L	ARMREST ASSEMBLY (PADDED) L (EA)	
	222-0578R	ARMREST ASSEMBLY (PADDED) R (EA)	
2,7	222-0610	DESK LENGTH PANEL AND SCREWS (EA)	

\*NOTE: P/N 222-0611 IS 1" LONG, P/N 222-0831 IS 1 3/4" LONG. CHANGED TO 1 3/4" \*10/02.

## FLIP-BACK ARMREST (FULL) (BREEZY 100/150)



BRZ10X11

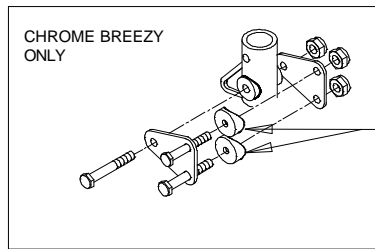
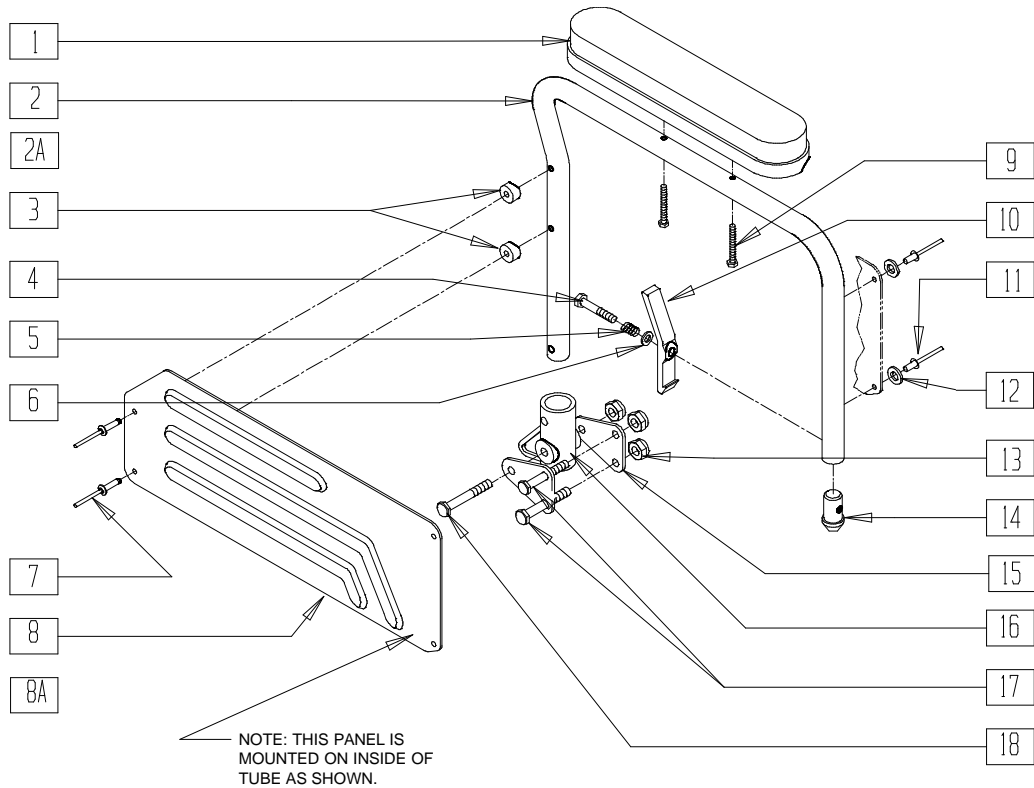
ITEM	NUMBER	DESCRIPTION	QTY
1,4	222-0528	17" ARM PAD (HARD) (PR)	
	222-0530	17" ARM PAD (PADDED) (PR)	
5	222-0611*	DETENT BUTTON FOR ARMREST (EA)	1
5A	222-0831*	RPO BREEZY LONGER DETENT BUTTON	1

ITEM	NUMBER	DESCRIPTION	QTY
1-7	222-0579L	17" ARMREST ASSEMBLY (HARD) L (EA)	
	222-0579R	17" ARMREST ASSEMBLY (HARD) R (EA)	
	222-0580L	17" ARMREST ASSEMBLY (PADDED) L (EA)	
	222-0580R	17" ARMREST ASSEMBLY (PADDED) R (EA)	
2,7	222-0616	FULL LENGTH PANEL AND SCREWS (EA)	

\*NOTE: P/N 222-0611 IS 1" LONG, P/N 222-0831 IS 1 3/4" LONG.

# FLIP-BACK ARMREST (ALUMINUM AND CHROME BREEZY)

(Discontinued 10/15/93 - parts only; fits Breezy prior to serial number BZ-200000)



*Drawing shows right side*

BZY00X7

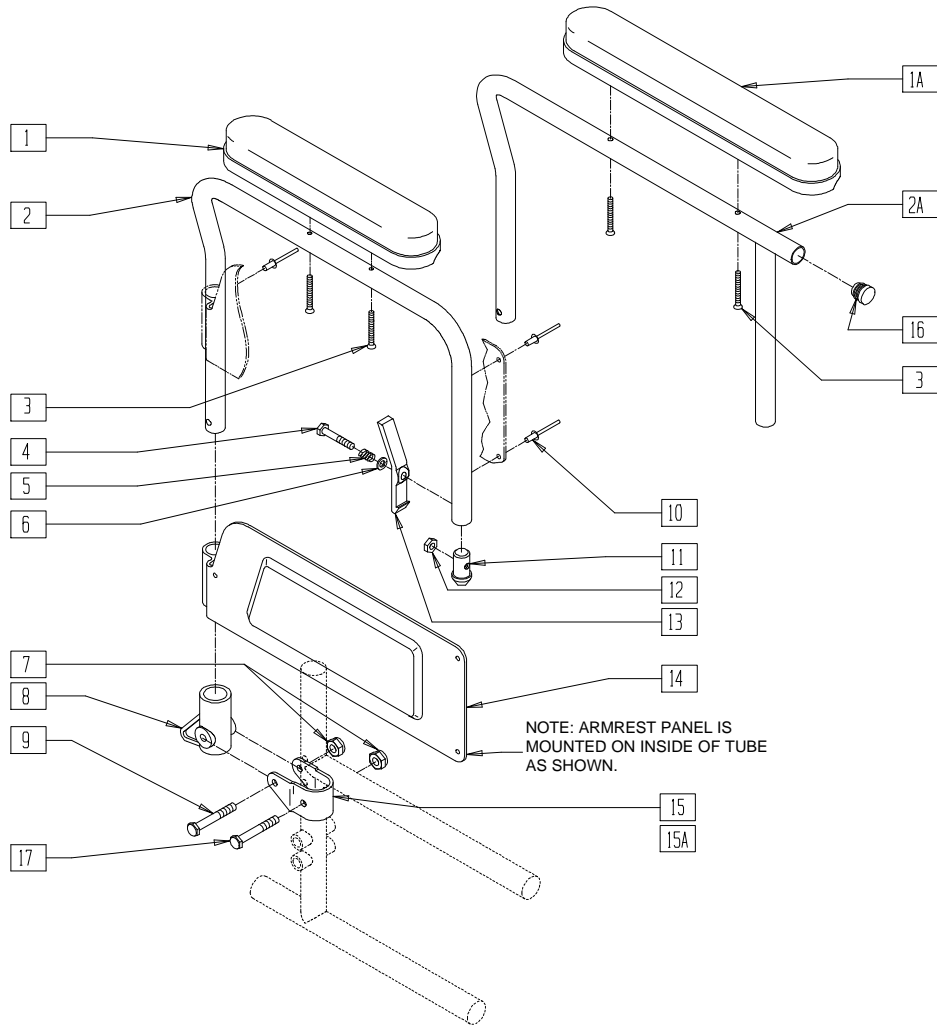
ITEM	NUMBER	DESCRIPTION	QTY
1	561024	ARMREST PAD 10" DESK	1
2	524000	ARM TUBE R BZ (SPECIFY COLOR) (BLK ONLY CHROME BZ)	1
2A	524002	ARM TUBE L BZ (SPECIFY COLOR) (BLK ONLY CHROME BZ)	1
3	561081	SIDE GUARD SADDLE BZ	2
4	221124	1/4-28 x 1 1/4 G8 HEX C/S	1
5	321141	.650L x 6 COIL SPRING	1
6	262100-QU	1/4 AN WASHER FLAT	1
7	240114	RIVET POP AD64ABS	2
8	562700	ARMREST PANEL R BZ O/S	1
8A	562701	ARMREST PANEL L BZ O/S	1
9	281145	10-32 x 1 1/4 HEX M/S	2
10	561067	ARM LATCH LEVER	1
11	240115	RIVET POP AD68ABS	2
12	561069	SIDE GUARD WASHER BZ	2
13	201110	1/4-28 NYLOCK NUT	3

ITEM	NUMBER	DESCRIPTION	QTY
14	561075	ARM DOME PLUG BZ	1
15	505300	ARM PLATE BZ	2
16	561080	ARM RECEIVER BR	1
17	221192	1/4-28 x 2 G8 HEX C/S	2
18	221150	1/4-28 x 2 G8 HEX C/S	1
19	561004	1" SADDLE 1/4" HOLE (CHROME BREEZY ONLY)	2
1-18	880251	ARM DESK BREEZY PNTD R (SPECIFY COLOR)	
1,2A,3-8A, 9-18	880250	ARM DESK BREEZY PNTD L (SPECIFY COLOR)	
1-18	900581	FLPBK ARM ASSM DESK BZ (PR) (SPECIFY COLOR)	
1-19	880252, 880253 900582	BC PIVOT ARMREST ASSEMBLY DESK (BLK ONLY) FLPBK ARM ASSEMBLY DESK BC (PR)	

# FLIP-BACK ARMREST (BREEZY 2/500/510)

(Breezy beginning serial number BZ-200000) (Breezy 2 discontinued 5/98 - parts only)

(Breezy 500 and 510 discontinued 3/00 - parts only)



Drawing shows right side

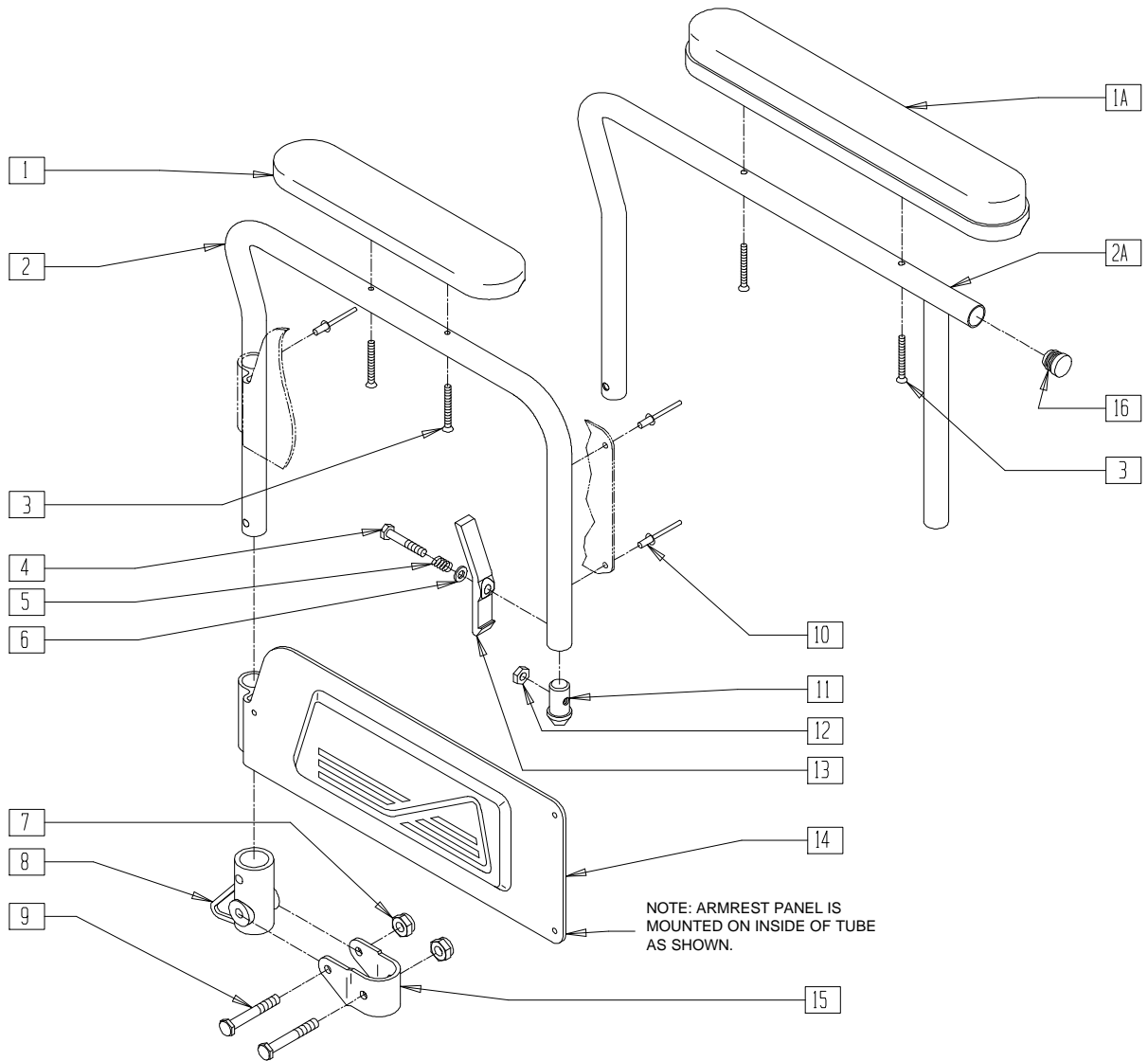
BZ00X08A

ITEM	NUMBER	DESCRIPTION	QTY
1	561024	ARMREST PAD 10" DESK	1
1A	561031	ARMREST PAD 14" FULL	1
2	524004, 524005	ARMREST TUBE DESK BR (EA)	1
2A	524006, 524007	ARMREST TUBE FULL BR (EA)	1
3	281146	10-32 x 1 1/4 OVAL HD MACH SCREW	2
4	221127	1/4-28 x 1 3/8 HEX C/S	1
5	321141	.650L x 6 COIL SPRING	1
6	262100-OU	1/4 AN WASHER FLAT	1
7	201110	1/4-28 NYLOCK NUT	2
8	561080	ARM RECEIVER BR	1
9	221160	1/4-28 x 2 HEX C/S	2
10	240114	RIVET POP AD64ABS	3
11	561065	ARMREST DOME PLUG BR	1
12	201100-OU	1/4-28 NYLOCK NUT THIN	1
13	561067	ARM LATCH LEVER	1
14	562736, 562737	ARMREST PANEL GENERIC (EA)	1

ITEM	NUMBER	DESCRIPTION	QTY
15	505151	ARMREST PIVOT BRACKET BR	1
15A	505351	ARMREST PIVOT BRACKET 1 1/8"	1
16	560741	3/4" INSERT PLUG RIBBED	1
17	221150	1/4-28 x 1 3/4 HEX C/S	1
7-9,15,17	880382	FLPBK HT ADJ ARM REC W/BRKT BR (EA)	
7-9,15A,17	880384	FLPBK HT ADJ ARM REC W/BRKT B2	
1-15,17	880254, 880255	FLPBK ARMREST ASSEMBLY DESK BR (EA)	
1A,2A, 3-17	880264, 880265	FLPBK ARM ASSEMBLY FULL PAINTED BR (EA)	
1-15,17	920583	FLPBK ARM ASSM DESK PNTD BR (PR)	
1,2A,3-17	920584	FLPBK ARM ASSM FULL PNTD (PR)	
1-14, 15A,17	880372, 880373	FLPBK ARM ASSEMBLY DESK PAINTED B2 (EA)	
1A,2A,3-14, 15A,16,17	880374, 880375	FLPBK ARM ASSEMBLY FULL PAINTED B2 (EA)	
1-14,15A,17	920585	FLPBK ARM ASSM DESK PNTD B2 (PR)	
1,2A,3-14, 15A,16,17	920586	FLPBK ARM ASSM FULL PNTD B2 (PR)	

# FLIP-BACK ARMREST (BREEZY 600)

(Effective 5/98)



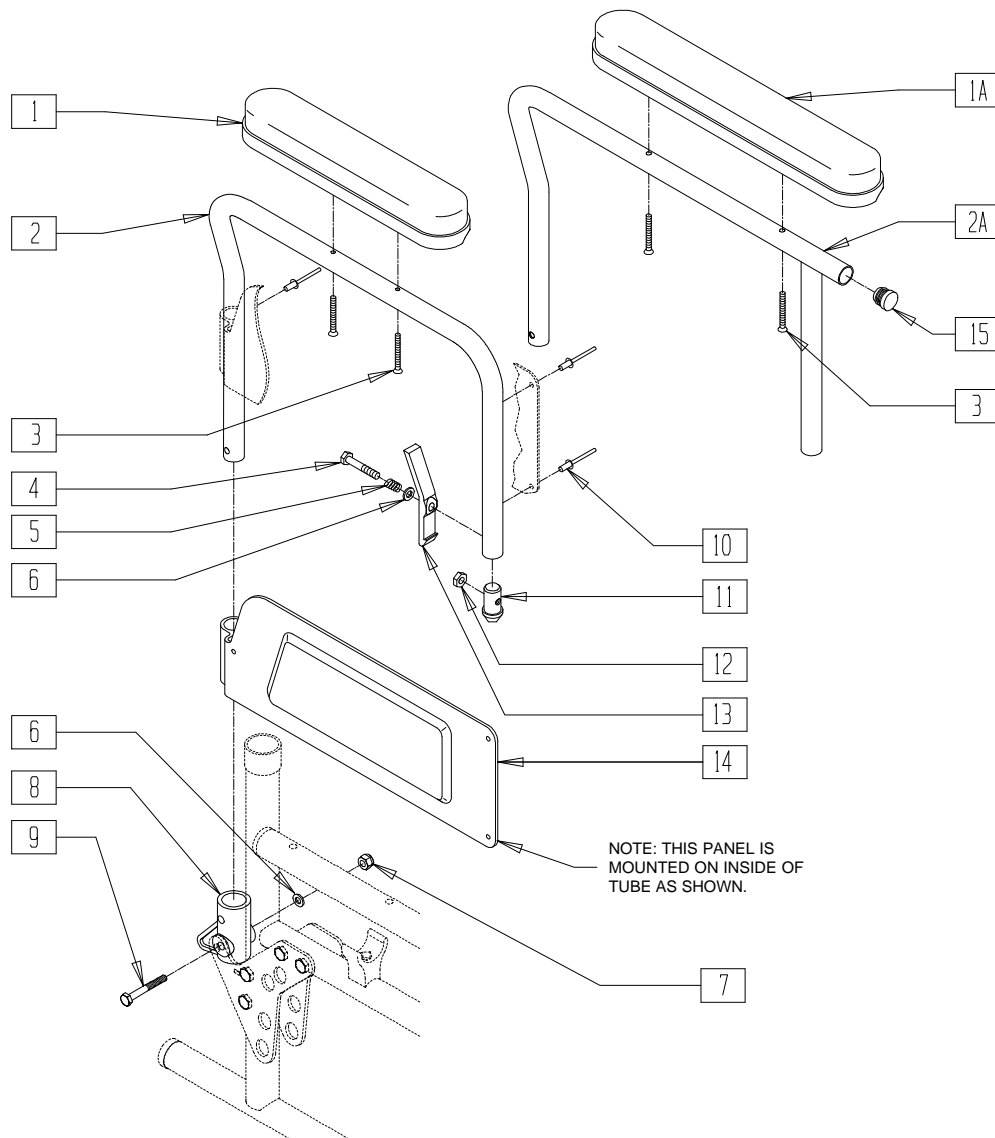
BASIC02

ITEM	NUMBER	DESCRIPTION	QTY
1	561155	10" ARM PAD PLST B500	1
	561158	14" ARM PAD PLST B500	
1A	561024	ARMREST PAD 10" DESK	1
	561031	ARMREST PAD 14" FULL	
2	524014, 524015	ARMREST TUBE 14" PLASTIC (EA)	1
	524006, 524007	ARMREST TUBE FULL BR (EA)	
3	281146	10/32 x 1 1/4 OVAL HD MACH SCREW	2
4	221127	1/4-28 x 1 3/8 HEX C/S	1
5	321141	.650L x 6 COIL SPRING	1
6	262100-QU	1/4 AN WASHER FLAT	1
7	201110	1/4-28 NYLOCK NUT	2
8	561080	ARM RECEIVER BR	1
9	221150	1/4-28 x 1 3/4 HEX C/S	2
10	240114	RIVET POP AD64ABS	3
11	561065	ARMREST DOME PLUG BR	1
12	201100-QU	1/4-28 NYLOCK NUT THIN	1
13	561067	ARM LATCH LEVER	1

ITEM	NUMBER	DESCRIPTION	QTY
14	562736, 562737	ARMREST PANEL GENERIC (EA)	1
	15	505351	
16	560741	3/4" INSERT PLUG RIBBED	1
7-9,15	880382	FLPBK HT ADJ ARM REC W/BRKT BZ	
1A,2-6, 10-14	881100, 881101	FLPBK ARM ASSEMBLY DESK B500 (EA)	
	881102, 881103	FLPBK ARM ASSEMBLY FULL B500 (EA)	
1-6, 10-14	881104, 881105	FLPBK ARM W/DESK PLST B500 (EA)	
1,2A,3-6, 10-14,16	881106, 881107	FLPBK ARM W/FULL PLST B500 (EA)	
1A,2-15	920564	FLPBK ARM ASSM DESK PNTD BLK (PR)	
1A,2A,3-16	920565	FLPBK ARM ASSM FULL PNTD BLK (PR)	
1-15	920566	FLPBK ARM ASSM DSK PLST PAD BLK (PR)	
1,2A,3-16	920567	FLPBK ARM ASSM FLL PLST PAD BLK (PR)	

# FLIP-BACK ARMREST (BREEZY 500/503/510/510 ULTRA-HEMI/600 ULTRA-HEMI)

(Effective 3/00)



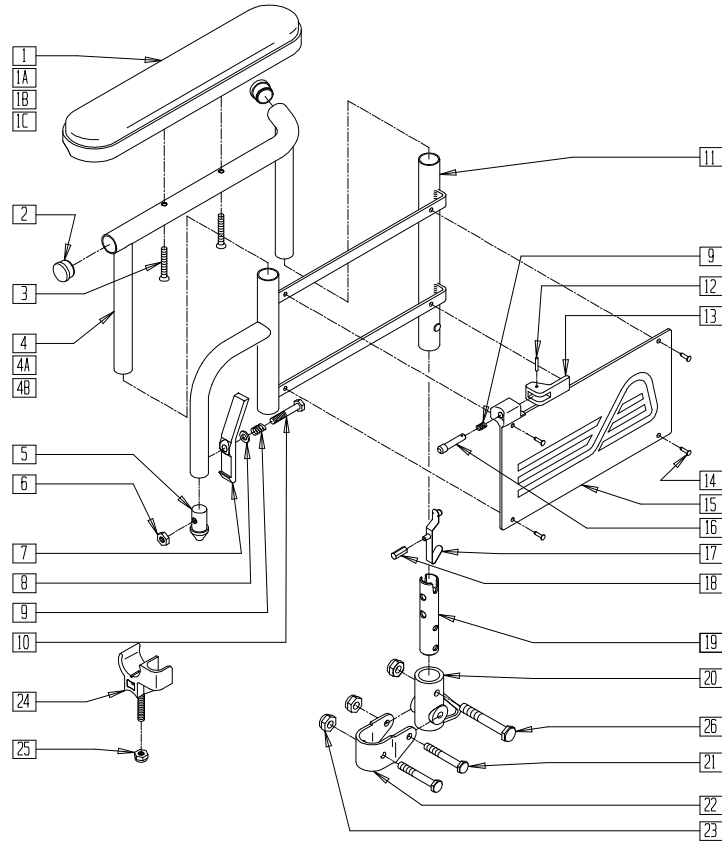
Drawing shows right side

BZ600X07

ITEM	NUMBER	DESCRIPTION	QTY
1	561024	ARMREST PAD 10" DESK	1
1A	561031	ARMREST PAD 14" FULL	1
2	524004, 524005	ARMREST TUBE DESK BR (EA)	1
2A	524006, 524007	ARMREST TUBE FULL BR (EA)	1
3	226038	10-32 x 1 3/8 BH C/S BLK	2
4	221127	1/4-28 x 1 3/8 HEX C/S	1
5	321141	.650L x 6 COIL SPRING	1
6	262100-QU	1/4 AN WASHER FLAT	2
7	201110-QU	1/4-28 NYLOCK NUT	1
8	561080	ARM RECEIVER BR	1
9	221160	1/4-28 x 2 HEX C/S	1
10	240114	RIVET POP AD64ABS	3

ITEM	NUMBER	DESCRIPTION	QTY
11	561065	ARMREST DOME PLUG BR	1
12	201100-QU	1/4-28 NYLOCK NUT THIN	1
13	561067	ARM LATCH LEVER	1
14	562736, 562737	ARMREST PANEL GENERIC (EA)	1
15	560741	3/4" INSERT PLUG RIBBED	1
1-14	881274, 881275	FLPBK ARM ASSEMBLY DESK HEMI	
	920526	FLPBK ASSM DESK HEMI (PR)	
	920528	FLPBKASSM DESK HEMI (PR)	
1A,2A-15	881276, 881277	FLPBK ARM ASSEMBLY FULL HEMI	
	920527	FLPBK ASSM FULL HEMI (PR)	
	920529	FLPBK ASSM FULL HEMI (PR)	

# FLIP-BACK HEIGHT-ADJUSTABLE ARMREST (BREEZY 500/503)



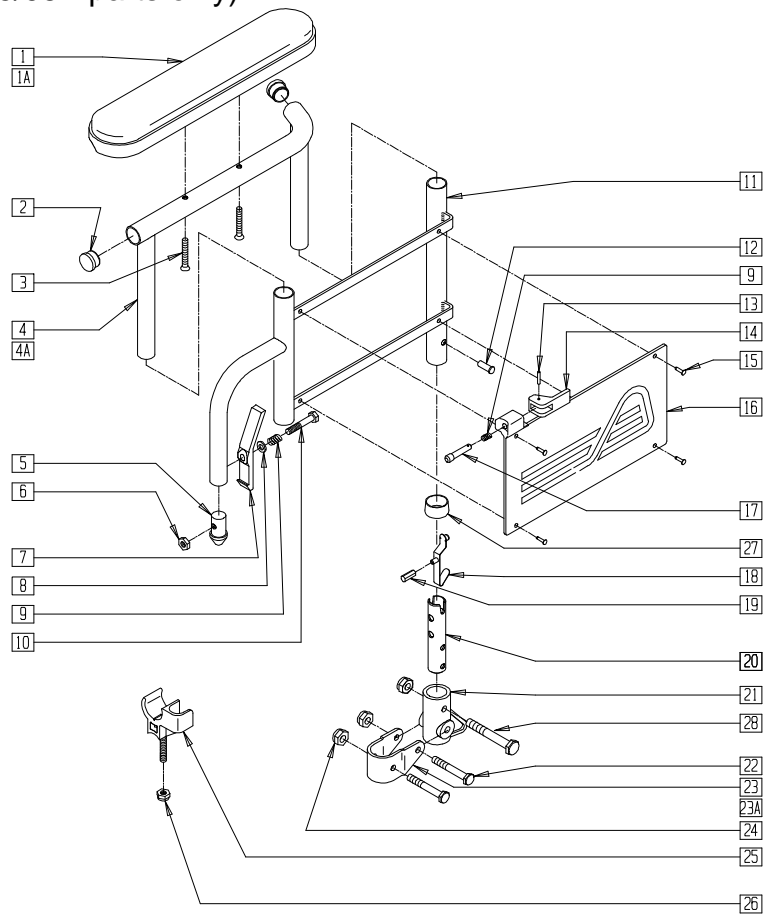
ARMX15A

ITEM	NUMBER	DESCRIPTION	QTY
1	561024	ARMREST PAD 10" DESK	1
1A	561031	ARMREST PAD 14" FULL	1
1B	561155	10" ARM PAD PLASTIC B500	1
1C	561158	14" ARM PAD PLASTIC B500	1
2	560735	7/8" ROUND TUBE PLUG	2
3	226030-QU	10-32 x 1 1/4 BH C/S BLK	2
4	521830, 521831	FLIP-BACK HT ADJ UPPER DESK ARM (EA)	1
4A	521832, 521833	FLIP-BACK HT ADJ UPPER FULL ARM (EA)	1
4B	521838, 521839	FLIP-BACK HT ADJ UPPER ARM B500 (EA)	1
5	561065	ARMREST DOME PLUG BR	1
6	201100-QU	1/4-28 NYLOCK NUT THIN	1
7	561067	ARM LATCH LEVER	1
8	262100-QU	1/4 AN WASHER FLAT	1
9	321141	.650L x 6 COIL SPRING	2
10	221127	1/4-28 x 1 3/8 HEX C/S	1
12	341088	3/32 x 5/8 ROLL PIN	1
13	561109	ARMREST LEVER FLIP-BACK HT ADJ	1
14	240155	RIVET 3/16 x 3/8 TUBULAR ALUM	4
15	562746, 562747	ARMREST PANEL GNRC FLIP-BACK HT ADJ (EA)V	1
16	341132	ARMREST PIN W/SHOULDER	1
17	301117	SNAP BUTTON OPPOSING THREAD	1
18	560709	FLIP-BACK BUTTON PLASTIC BR/LXI	1
19	540255	FLIP-BACK HT ADJ ARM RECEIVER POST	1
20	561080	ARM RECEIVER BR	1
21	221150	1/4-28 x 1 3/4 HEX C/S	2
22	505151	ARMREST PIVOT BRACKET BR	1
23	201110-QU	1/4-28 NYLOCK NUT	2
24	561113, 561114	ARM SADDLE FLIP-BACK BR/LXI	1

ITEM	NUMBER	DESCRIPTION	QTY
25	201120	1/4-28 AUTOMATION NUT	1
26	221130	1/4-28 x 1 1/2 HEX C/S	1
17-19	880266	RECEIVER POST W/BUTTON BR/LXI	
20-23,26	880382	FLIP-BACK HT ADJ ARM REC W/BRKT BR	
24,25	880383	ARM SADDLES W/HDWR	
1-4	880292, 880293	FLIP-BACK HT ADJ UPPER ARM W/DESK (EA)	
1A,2,3,4A	880294, 880295	FLIP-BACK HT ADJ UPPER ARM ASSEMBLY FULL (EA)	
5-15	880102, 880104	FLIP-BACK HT ADJ LOWER ARM ASSEMBLY B500 (EA)	
1-19	881110, 881111	FLIP-BACK HT ADJ ARM W/DESK B500 (EA)	
1A,2,3,4A, 5-19	881112, 881113	FLIP-BACK HT ADJ ARM W/FULL B500 (EA)	
1-23,26	920570	FLIP-BACK HT ADJ ARM W/DESK BLK (PR)	
1A,2,3,4A, 5-23,26	920571	FLIP-BACK HT ADJ W/FULL BLK (PR)	
1B,2-4	880078, 880079	FLIP-BACK HT ADJ ARM W/DESK PLASTIC (EA)	
1C,2,3,4B	880080, 880081	FLIP-BACK HT ADJ ARM W/FULL PLASTIC (EA)	
1B,2-19	881114, 881115	FLIP-BACK HT ADJ ARM W/DESK PAD PLASTIC (EA)	
1C,2,3,4B, 5-19	881116, 881117	FLIP-BACK HT ADJ ARM W/FULL PAD PLASTIC (EA)	
1B,2-23, 26	920572	FLIP-BACK HT ADJ ARM W/DESK PLASTIC BLK (PR)	
1C,2,3,4B 5-23,26	920573	FLIP-BACK HT ADJ ARM W/FULL PLASTIC BLK (PR)	
20,23,26	880009	RETRO KIT BR FLIP-BACK HT ADJ ARM	

# FLIP-BACK HEIGHT-ADJUSTABLE ARMREST (BREEZY 2/510/600)

(Breezy 2 discontinued 5/98 - parts only)



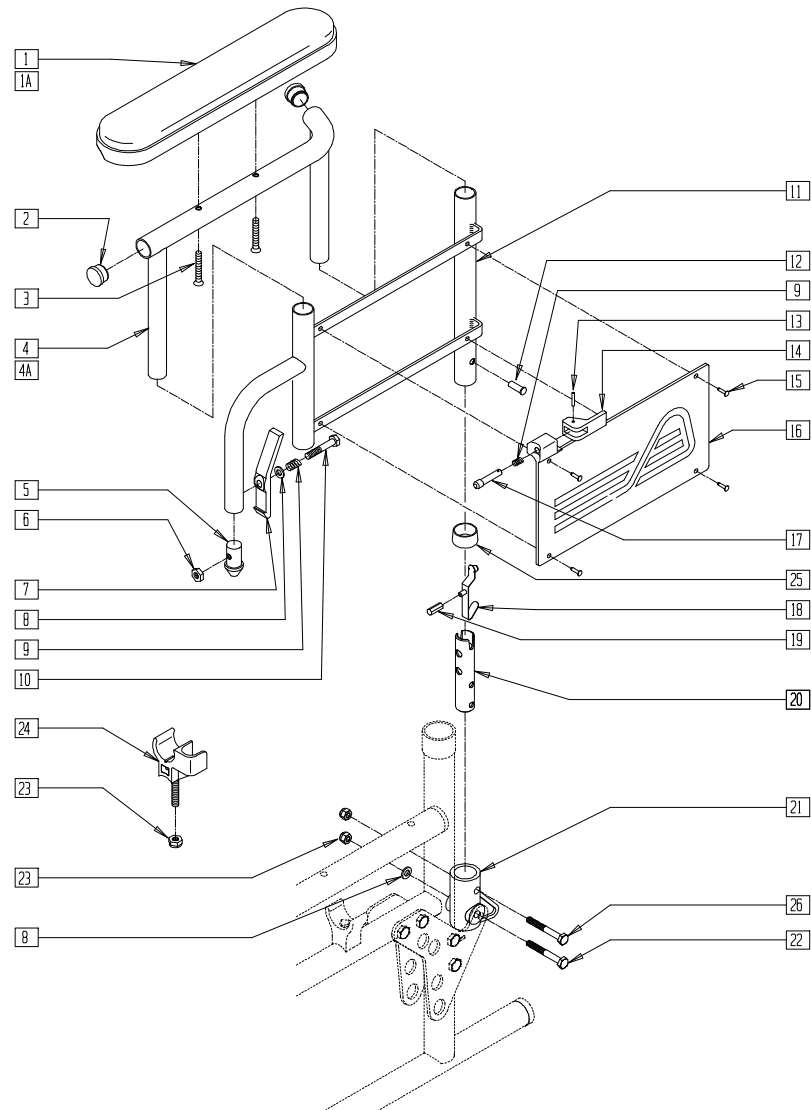
ARMX15

ITEM	NUMBER	DESCRIPTION	QTY
1	561024	ARMREST PAD 10" DESK	1
1A	561031	ARMREST PAD 14" FULL	1
2	560735	7/8" ROUND TUBE PLUG	2
3	226030-QU	10-32 x 1 1/4 BH C/S BLK	2
4	521830, 521831	FLIP-BACK HT ADJ UPPER DESK ARM (EA)	1
4A	521832, 521833	FLIP-BACK HT ADJ UPPER FULL ARM (EA)	1
5	561065	ARMREST DOME PLUG BR	1
6	201100-QU	1/4-28 NYLOCK NUT THIN	1
7	561067	ARM LATCH LEVER	1
8	262100-QU	1/4 AN WASHER FLAT	1
9	321141	.650L x 6 COIL SPRING	2
10	221127	1/4-28 x 1 3/8 HEX C/S	1
12	240160	RIVET 1/4 x 1 1/16 TUBULAR STEEL	1
13	341088	3/32 x 5/8 ROLL PIN	1
14	561109	ARMREST LEVER FLIP-BACK HT ADJ	1
15	240155	RIVET 3/16 x 3/8 TUBULAR ALUM	4
16	562746, 562747	ARMREST PANEL GNRC FLIP-BACK HT ADJ (EA)	1
17	341132	ARMREST PIN W/SHOULDER	1
18	301117	SNAP BUTTON OPPOSING THREAD	1
19	560709	FLIP-BACK BUTTON PLASTIC BR/LXI	1
20	540255	FLIP-BACK HT ADJ ARM REC POST	1
21	561080	ARM RECEIVER BR	1
22	221160	1/4-28 x 1 3/4 HEX C/S	2
23	505151	ARMREST PIVOT BRACKET BR	1
23A	505351	ARMREST PIVOT BRACKET 1 1/8" (BREEZY 2)	1
24	201110-QU	1/4-28 NYLOCK NUT	3

ITEM	NUMBER	DESCRIPTION	QTY
25	561113, 561114	ARM SADDLE FLIP-BACK BR/LXI	1
26	201120	1/4-28 AUTOMATION NUT	1
27	563065	3/4" ANTI-RATTLE	1
28	221130	1/4-28 x 1 1/2 HEX C/S	1
18-20	880266	RECEIVER POST W/BUTTON BR/LXI	
21-24, 28	880382	FLIP-BACK HT ADJ ARM RECEIVER W/BRACKET BR (BREEZY)	
21,22, 23A,24	880384	FLIP-BACK HT ADJ ARM RECEIVER W/BRACKET B2 (BREEZY 2)	
25,26	880383	ARM SADDLES W/HDWR	
1-4	880292- 880295	FLIP-BACK HT ADJ UPPER ARM ASSEMBLY (EA)	
9,11-17, 27	880308, 880309	FLIP-BACK HT ADJ LOWER ARM W/PANEL (BREEZY) (EA)	
5-17,27	880286, 880287	FLIP-BACK HT ADJ LOWER ARM ASSEMBLY BR (EA)	
1-20,27	880298, 880299, 880398, 880399	FLIP-BACK HT ADJ ARM ASSEMBLY BR (EA)	
1-28	923224	FLIP-BACK HT ADJ DESK ARM BR RETRO (PR)	
	923225	FLIP-BACK HT ADJ FULL ARM BR RETRO (PR)	
	923226	FLIP-BACK HT ADJ DESK ARM BREEZY 2 RETRO (PR)	
	923227	FLIP-BACK HT ADJ FULL ARM BREEZY 2 RETRO (PR)	
22,24,28	880009	RETRO KIT BR FLIP-BACK HT ADJ ARM	



# FLIP-BACK HEIGHT-ADJUSTABLE ARMREST (BREEZY 510/600 ULTRA-HEMI)



BZ600X06

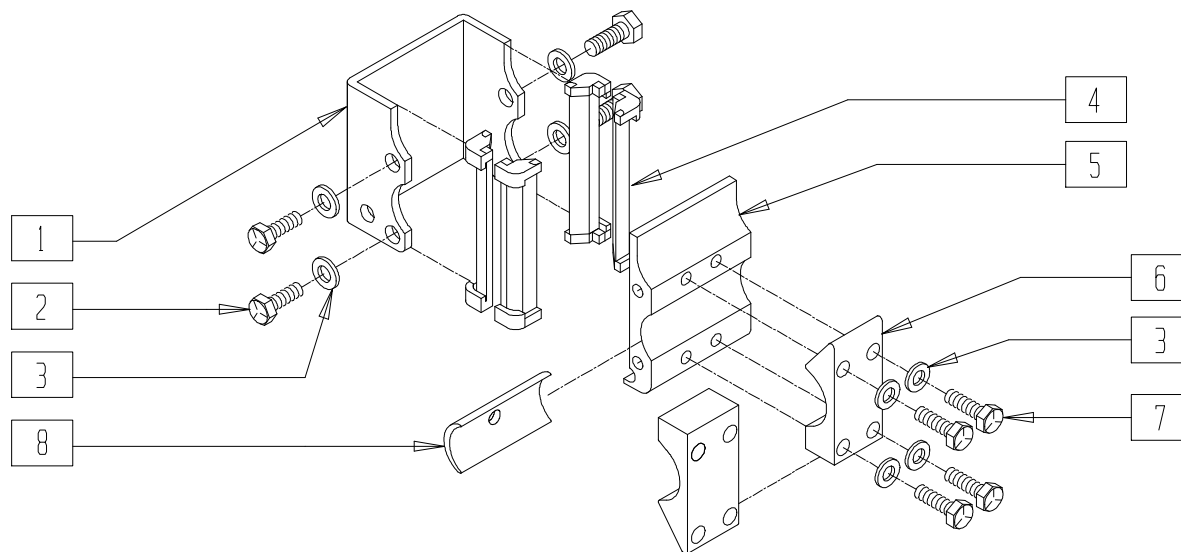
ITEM	NUMBER	DESCRIPTION	QTY
1	561024	ARMREST PAD 10" DESK	1
1A	561031	ARMREST PAD 14" FULL	1
2	560735	7/8" ROUND TUBE PLUG	2
3	226030-OU	10-32 x 1 1/4 BH C/S BLK	2
4	521830, 521831	FLIP-BACK HT ADJ UPPER DESK ARM (EA)	1
4A	521832, 521833	FLIP-BACK HT ADJ UPPER FULL ARM (EA)	1
5	561065	ARMREST DOME PLUG BR	1
6	201100-OU	1/4-28 NYLOCK NUT THIN	1
7	561067	ARM LATCH LEVER	1
8	262100-OU	1/4 AN WASHER FLAT	2
9	321141	.650L x 6 COIL SPRING	2
10	221127	1/4-28 x 1 3/8 HEX C/S	1
12	240160	RIVET 1/4 x 1 1/16 TUBULAR STEEL	1
13	341088	3/32 x 5/8 ROLL PIN	1
14	561109	ARMREST LEVER FLIP-BACK HT ADJ	1
15	240155	RIVET 3/16 x 3/8 TUBULAR ALUM	4
16	562746, 562747	ARMREST PANEL GNRC FLIP-BACK HT ADJ (EA)	1
17	341132	ARMREST PIN W/SHOULDER	1
18	301117	SNAP BUTTON OPPOSING THREAD	1
19	560709	FLIP-BACK BUTTON PLASTIC BR/LXI	1
20	540255	FLIP-BACK HT ADJ ARM REC POST	1

ITEM	NUMBER	DESCRIPTION	QTY
21	561080	ARM RECEIVER BR	1
22	221160	1/4-28 x 2 HEX C/S	1
23	201120	1/4-28 AUTOMATION NUT	2
24	561113, 561114	ARM SADDLE FLIP-BACK BR/LXI	1
25	563065	3/4" ANTI-RATTLE	1
26	221130	1/4-28 x 1 1/2 HEX C/S	1
18-20	880266	RECEIVER POST W/BUTTON BR/LXI	
23,24	880371	ARM SADDLES W/HDWR BR	
1-4	880292- 880295	FLIP-BACK HT ADJ UPPER ARM ASSEMBLY (EA)	
9,11-16, 27	880308, 880309	FLIP-BACK HT ADJ LOWER ARM W/PANEL (BREEZY) (EA)	
5-17,25	880286, 880287	FLIP-BACK HT ADJ LOWER ARM ASSEMBLY BR (EA)	
1-20, 25,26	880298, 880299, 880398, 880399	FLIP-BACK HT ADJ ARM ASSEMBLY BR (EA)	
1-26	920533	FLIP-BACK HT ADJ ASSM DESK HEMI B600	
	920534	FLIP-BACK HT ADJ ASSM FULL HEMI B600	
	920535	FLIP-BACK HT ADJ ASSM DESK HEMI B510	
	920536	FLIP-BACK HT ADJ ASSM FULL HEMI B510	
21-23,26	880009	RETRO KIT BR FLIP-BACK HT ADJ ARM	

# ADULT ARMREST RECEIVERS

## STANDARD HEIGHT-ADJUSTABLE ARMREST RECEIVER

(QUICKIE 2/LX/RECLINER/Rx/BREEZY/ZIPPIE/ZIPPIEGS)



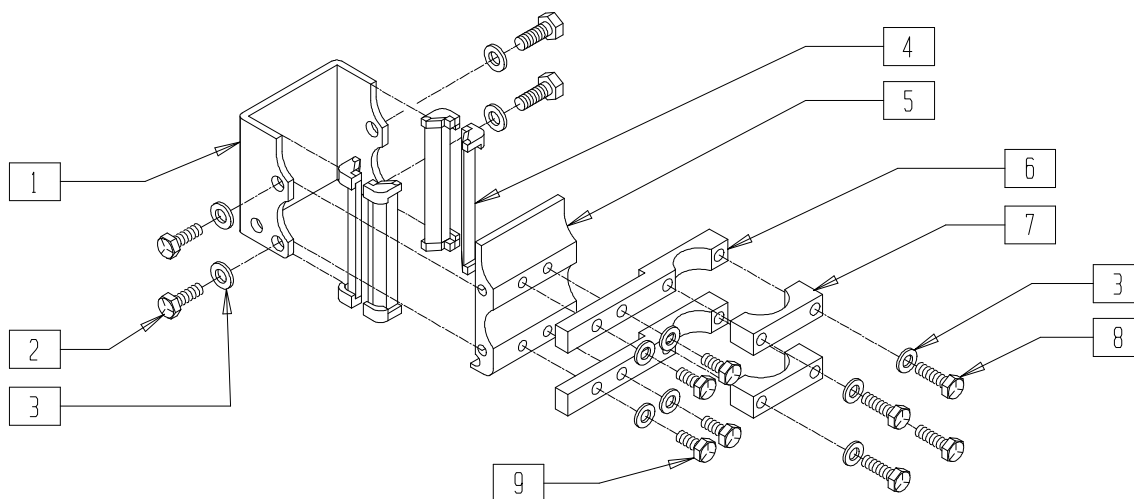
ArmRec01

ITEM	NUMBER	DESCRIPTION	QTY
1	550485	HT ADJ REC CHANNEL	1
2	221096	1/4-28 x 5/8 HEX C/S	4
3	262100-QU	1/4 AN WASHER FLAT	7
4	561134	HT ADJ RECEIVER LINER	4
5	550483	HT ADJ REC STD	1
6	550490	HT ADJ REC CLAMP 4 HOLE	1

ITEM	NUMBER	DESCRIPTION	QTY
7	221133	1/4-28 x 1 1/2 G8 HEX C/S	1
8	550486	HT ADJ REC SPACER	4
1-5	880230	HT ADJ REC STD W/O CLAMP	
1-7	880240	HT ADJ REC STD W/CLAMP	
1-8	880245	HT ADJ REC STD W/CLAMP AND SPACER	

## HEIGHT-ADJUSTABLE ARMREST RECEIVER (RIGID CHAIRS)

(QUICKIE GP/GPV Titanium)

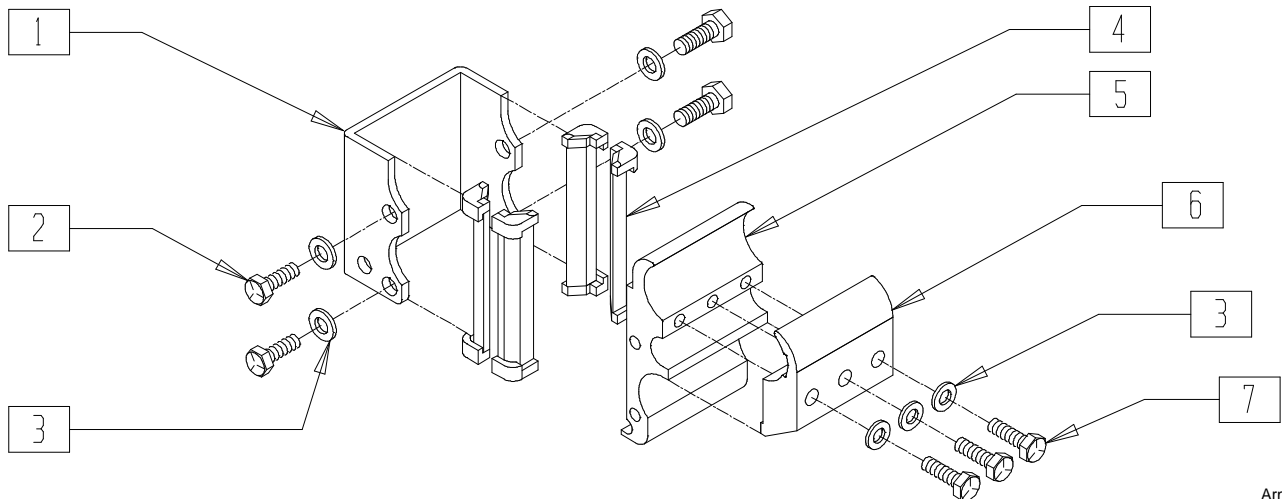


ArmRec02

ITEM	NUMBER	DESCRIPTION	QTY
1	550485	HT ADJ REC CHANNEL	1
2	221096	1/4-28 x 5/8 HEX C/S	4
3	262100-QU	1/4 AN WASHER FLAT	12
4	561134	HT ADJ RECEIVER LINER	4
5	550483	HT ADJ REC STD	1
6	500755	HT ADJ REC ARM CLAMP RIGID	2

ITEM	NUMBER	DESCRIPTION	QTY
7	550210	LOW LOCK CLAMP	2
8	221124	1/4-28 x 1 1/4 G8 HEX C/S	4
9	221100	1/4-28 x 3/4 HEX C/S	4
1-9	880242, 880243	HT ADJ REC NF W/CLAMP (EA)	

## HEIGHT-ADJUSTABLE ARMREST RECEIVER (QUICKIE EX)



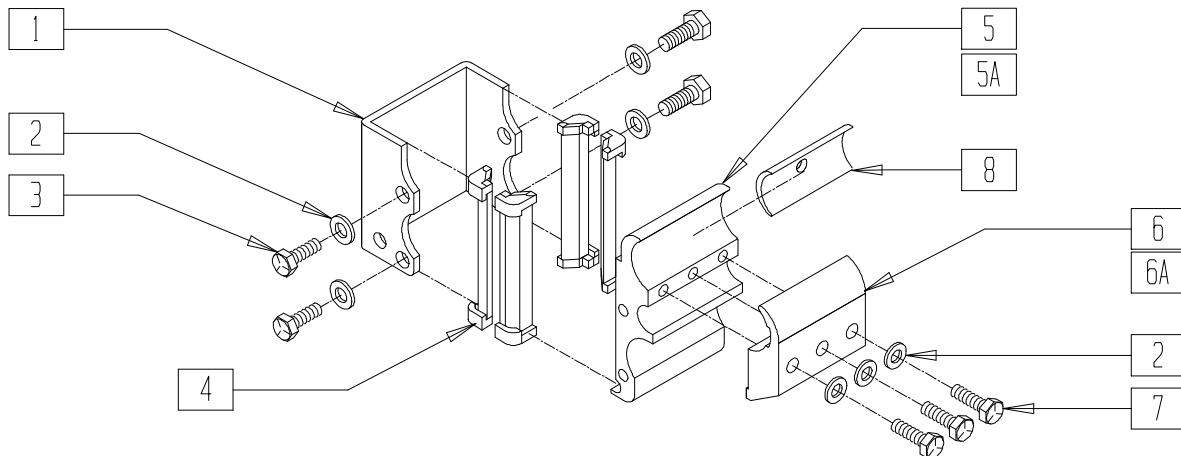
ArmRec03

ITEM	NUMBER	DESCRIPTION	QTY
1	550485	HT ADJ REC CHANNEL	1
2	221096	1/4-28 x 5/8 HEX C/S	4
3	262100-QU	1/4 AN WASHER FLAT	7
4	561134	HT ADJ RECEIVER LINER	4
5	550483	HT ADJ REC STD	1

ITEM	NUMBER	DESCRIPTION	QTY
6	550495	HT ADJ REC CLAMP LOW 1 1/8"	1
7	221127	1/4-28 x 1 3/8 HEX C/S	1
1-5	880247	HT ADJ ARM REC EX	
1-7	880248	HT ADJ ARM REC W/CLAMP EX	

## KIDS ARMREST RECEIVER (QUICKIE2/GPS/TS/LX/Rx/REVOLUTION/ZIPPIE/TS/BREEZY)

(Quickie GPS discontinued 2/1/01 - parts only) (Zippie TS effective 7/29/02)

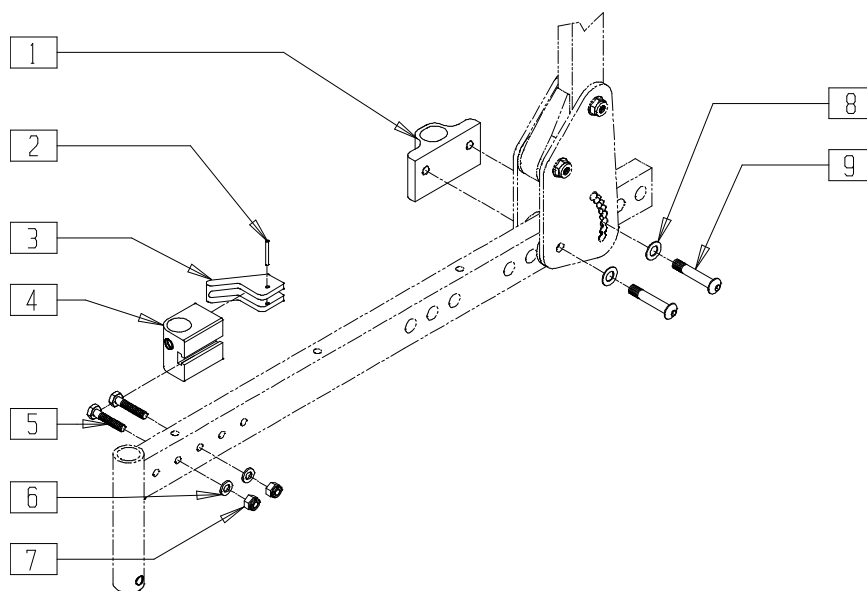


ArmRec04

ITEM	NUMBER	DESCRIPTION	QTY
1	550485	HT ADJ REC CHANNEL	1
2	262100-QU	1/4 AN WASHER FLAT	7
3	221096	1/4-28 x 5/8 HEX C/S	4
4	561134	HT ADJ RECEIVER LINER	4
5	550483	HT ADJ REC STD	1
5A	550528	HT ADJ REC ZIPPIE	1
6	550490	HT ADJ REC CLAMP 4 HOLE	1
6A	550529	HT ADJ REC CLAMP ZIPPIE	1
7	221133	1/4-28 x 1 1/2 G8 HEX C/S	1
8	550486	HT ADJ REC SPACER	4

ITEM	NUMBER	DESCRIPTION	QTY
1-4,5A, 6A,7	880240	HT ADJ REC STD W/CLAMP	
1-5	880230	HT ADJ REC STD W/O CLAMP	
1-5	880231	HT ADJ REC KDS W/O CLAMP	
1-6,9	880236, 880237	HT ADJ REC W/ARM CLAMP (EA)	
1-7	880241	HT ADJ REC KDS W/ CLAMP	
1-8	880249	HT ADJ REC KIDS W/CLMP & SPCR	
1-4,5A	882679	HT ADJ REC W/O CLAMP ZTS	
1-4,5A, 6A,7	882680	HT ADJ REC W/CLAMP ZTS	

## DUAL-POST AND DUAL-POST HEIGHT-ADJUSTABLE ARMREST RECEIVER (QUICKIE T45)



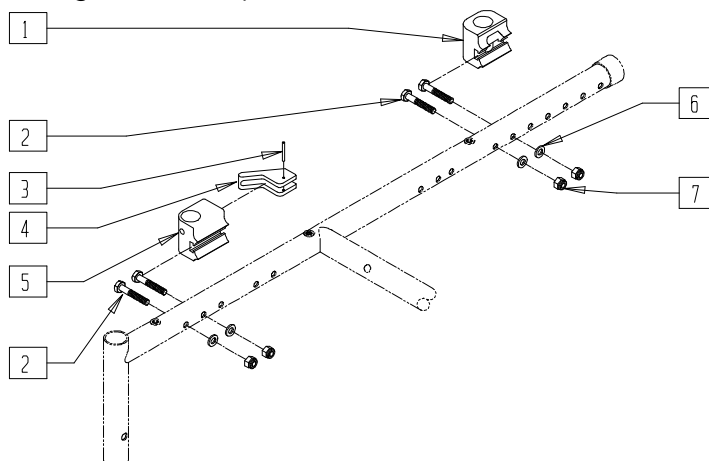
TSR00X16

ITEM	NUMBER	DESCRIPTION	QTY
1	500737	T45 ARM REC REAR	1
2	341088	3/32 x 5/8 ROLL PIN	1
3	561730	RELEASE HNDL DUAL POST PLST	1
4	500740, 500741	ARMREST RECEIVER FRONT P2 (EA)	1
5	221124	1/4-28 x 1 1/4 G8 HEX C/S	2
6	262110-QU	1/4 AN WASHER FLAT THIN	2

ITEM	NUMBER	DESCRIPTION	QTY
7	201100-QU	1/4-28 NYLOCK NUT THIN	2
8	263100	5/16 AN WASHER FLAT	2
9	226195	5/16 -18 x 1.82 BH C/S	2
2-7	880432, 880433	ARM REC FRONT ASSEMBLY P2 (EA)	
1,8,9	880435	ARM REC REAR ASSEMBLY T45 (EA)	

## DUAL-POST AND DUAL-POST HEIGHT-ADJUSTABLE ARMREST RECEIVER (QUICKIE TS)

(Effective 12/15/95, beginning QT-12900)

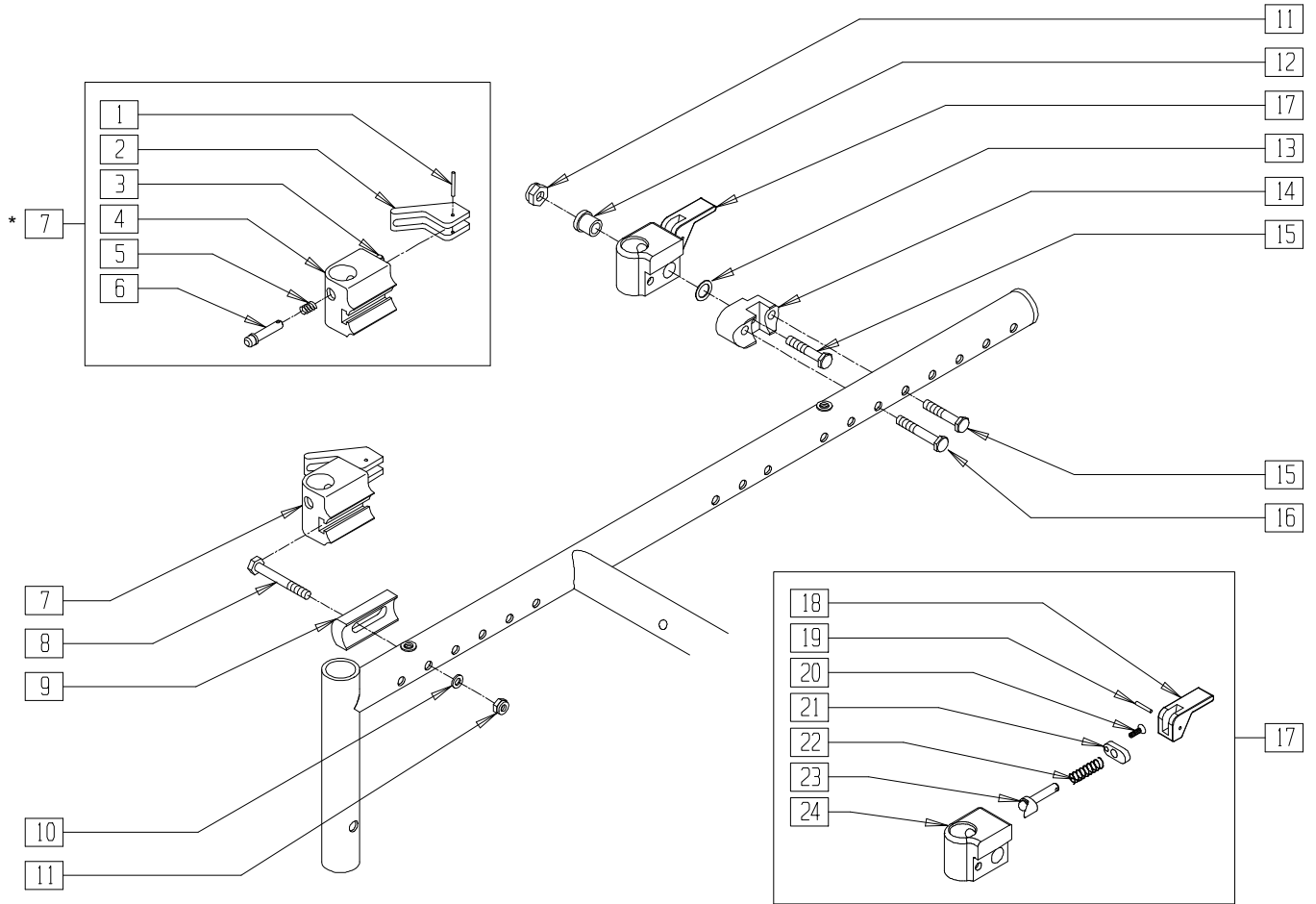


DP00X03A

ITEM	NUMBER	DESCRIPTION	QTY
1	500733	ADJ QUAD REC REAR STD P300	1
2	221133	1/4-28 x 1 1/2 G8 HEX C/S	2
6	262100-QU	1/4 AN WASHER FLAT	2
7	201110-QU	1/4-28 NYLOCK NUT	2

ITEM	NUMBER	DESCRIPTION	QTY
1,2,6,7	880454	DUAL POST REC REAR STD (EA)	
2-7	880452, 880453	DUAL POST REC FRONT P3/L QTS ASSEMBLY (EA)	

# DUAL-POST AND DUAL-POST HEIGHT ADJUSTABLE FLIP BACK ARMREST RECEIVER (QUICKIE TS)



QTS30X07B

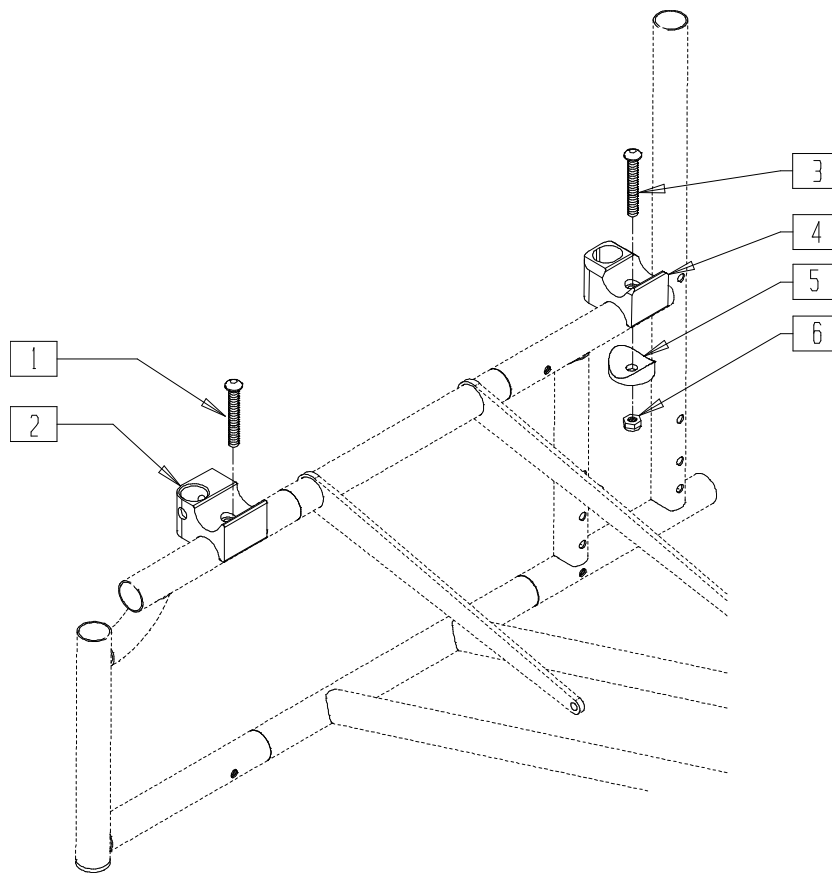
ITEM	NUMBER	DESCRIPTION	QTY
1	341088	3/32 x 5/8 ROLL PIN	1
2	561730	RELEASE HNDL DUAL POST PLST	1
3	341195	1/4 x 5/8 ROLL PIN	1
4*	500731	ADJ QUAD REC FRNT R P300	1
	500732	ADJ QUAD REC FRNT L P300	
5	321702	SPRING ADJ QUAD ARM P3	1
6	341132	ARMREST PIN W/SHOULDER	1
7*	880336	ADJ QUAD REC FRNT R SUBASSM P3	1
	880337	ADJ QUAD REC FRNT L SUBASSM P3	
8	221192	1/4-28 x 2 G8 HEX C/S	1
9	550055	DUAL POST ARM SPACER QTS	1
10	262100-OU	1/4 AN WASHER FLAT	1
11	201110-OU	1/4-28 NYLOCK NUT	1
12	481159	BUSHING STEEL .257 ID	1
13	561273	1/2 X 3/4 X .060 NYLON WASHER	1
14	550774	ARM REC PIVOT BRKT STD QT	1
15	221124-OU	1/4-28 x 1 1/4 G8 HEX C/S	2
16	221133	1/4-28 x 1 1/2 G8 HEX C/S	1

ITEM	NUMBER	DESCRIPTION	QTY
17	882468	D-POST FLP REC ASSM R QTS	1
	882469	D-POST FLP REC ASSM L QTS	
18	561109	ARMREST LEVER FLIP-BACK HT ADJ	1
19	341088	3/32 x 5/8 ROLL PIN	1
20	281073	6-32 x 1/2 FHCS BLK	1
21	505679	RECEIVER PIN RET PLT CSNK	1
22	321010	COMPRESSION SPRING	1
23	540219	RELEASE PIN ASSEMBLY 90D	1
24	550810	D-PST ARM REC FLIP BCK L QT	1
	550811	D-PST ARM REC FLIP BCK R QT	
11-17	881654	F-B ARMREST RCVR W/HDWR RR QTS	
	881655	F-B ARMREST RCVR W/HDWR LR QTS	
7-11	881656	F-B ARMREST RCVR W/HDWR RF QTS	
	881657	F-B ARMREST RCVR W/HDWR LF QTS	
11-17	921391	F-B ARMREST RCVR W/HDWR REAR (PR)	
7-11	921392	F-B ARMREST RCVR W/HDWR FRT (PR)	
7-17	921393	F-B ARMREST RCVR W/HDWR QTS (PR)	

\* 880337 (ADJ QUAD REC FRNT L SUBASSM P3) IS SHOWN.

NOTE: LEFT SIDE P300 FRNT RECEIVERS & RECEIVER SUB-ASSEMBLIES ARE USED ON THE RIGHT SIDE OF THE QTS WHEELCHAIR - IF PURCHASING ITEM 4 OR 7, ORDER ACCORDINGLY. IF PURCHASING FULL ASSEMBLIES W/HDWR, ORDER AS PER DESCRIPTION.

# DUAL-POST HEIGHT-ADJUSTABLE ARMREST RECIEVER (QUICKIE M6)

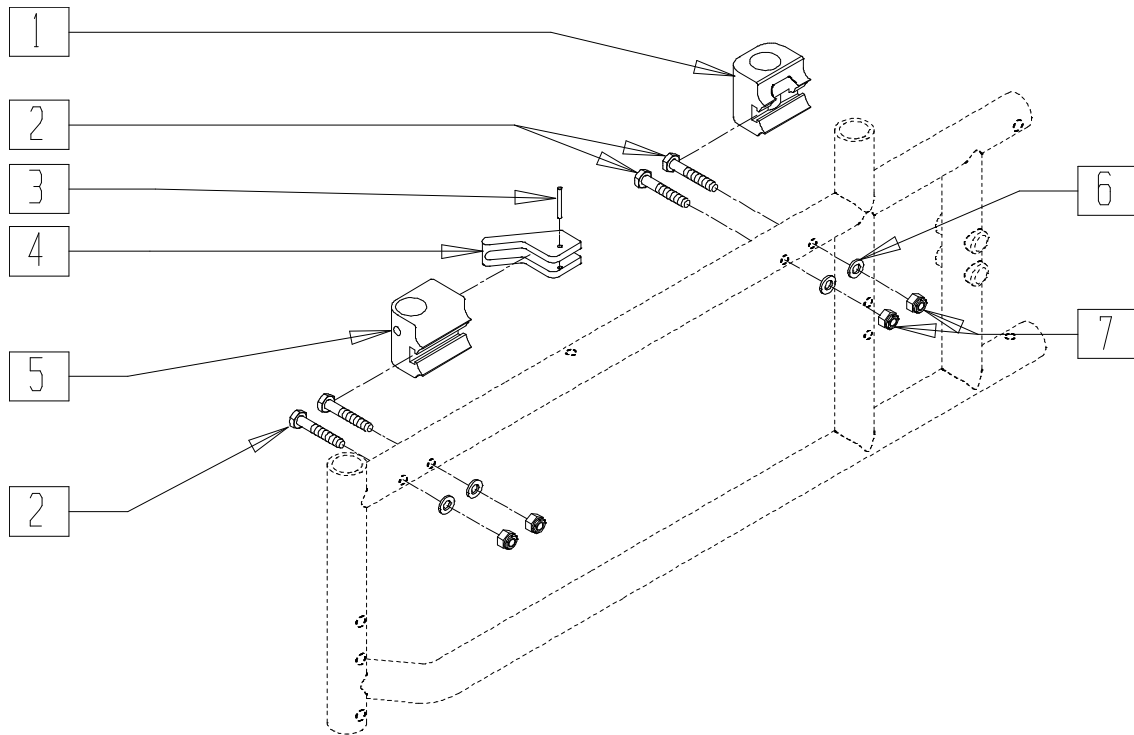


MAG00X21A

ITEM	NUMBER	DESCRIPTION	QTY
1	226123	1/4-20 x 1 BH C/S BLK ZN	1
3	226140	1/4-28 x 1 3/4 BH C/S	1
4	550047	RECEIVER ARMREST SEAT SADDLE	1
5	561004	1" SADDLE 1/4" HOLE	1

ITEM	NUMBER	DESCRIPTION	QTY
6	201110-OU	1/4-28 NYLOCK NUT	1
3-6	881258	DUAL POST REC REAR STD	
1,2	881351, 881352	DUAL POST REC FRONT ASSEMBLY	

# DUAL-POST ARMREST RECEIVER (BREEZY 510 RECLINER)



BRECX11

ITEM	NUMBER	DESCRIPTION	QTY
1	500733	ADJ QUAD REC REAR STD	1
2	221133	1/4-28 x 1 1/2 G8 HEX C/S	2
6	262100-QU	1/4 AN WASHER FLAT	2
7	201110-QU	1/4-28 NYLOCK NUT	2
1,2,6,7	880454	DUAL POST REC REAR STD (EA)	2

ITEM	NUMBER	DESCRIPTION	QTY
3,4,5	881377, 881378	ADJ QUAD REC FRNT LT B510 (EA)	
2-7	881387, 881388	DUAL POST RECEIVER FRONT B510 ASSM (EA)	





# Axle Plates and Axles

## IN THIS SECTION

### **AXLE PLATES**

Axle Plate (Breezy 500/503/510/510 Ultra-hemi/ 600 Ultra-hemi) .....	8.1
Amputee Axle Plate (Breezy 500/503/510) .....	8.1
Double-slotted Axle Plate (Quickie 1/GP/GPV/GPV Titanium) .....	8.2
Double-slotted Amputee Axle Plate (Quickie 1/GP/GPV/GPV Titanium) .....	8.2
Axle Plate (Quickie 2/2HP/2HPTi, Zippie/Zippie 2 ) .....	8.3
Offset Axle Plate (Quickie 2/2HP) .....	8.3
Curved Axle Plate Indexed (Quickie 2/2HP/2HPTi) ..	8.4
Amputee Axle Plate (Quickie 2/Zippie 2) .....	8.4
Axle Plate/Anti-tip Bracket/Armrest Receiver (Quickie Carbon) (Disc.) .....	8.5
Axle Plate (Quickie GP/GPV/GPV Titanium) .....	8.5
Adjustable Axle Plate (Quickie LX/LXI) .....	8.6
Axle Plate (Quickie M6) .....	8.6
Axle Plate (Quickie TS) (Disc.) .....	8.7
Axle Plate (Quickie TS) .....	8.7
Axle Plate (Zippie/Zippie 2) .....	8.8
Universal Axle Plate (Zippie GS) .....	8.8

### **AXLE ASSEMBLIES**

Axle Assembly - Extended Range Axle Clamp (Quickie GPS/Triumph) (Disc.) .....	8.9
Axle Assembly - Low-mount (Quickie GPS/Triumph) (Disc.) .....	8.9
Axle Assembly (Quickie R2) .....	8.10
Axle Assembly (Quickie Revolution) .....	8.10
Axle Assembly (Quickie ST/DT) (Disc.) .....	8.11
Axle Assembly (Quickie ST/DT) .....	8.11
Axle Assembly (Quickie TNT) (Disc.) .....	8.12
Axle Assembly (Quickie TS Self-propel Option) .....	8.12
Axle Assembly (Quickie Ti Titanium) .....	8.13
Camber Tube Reference Guide .....	8.13
Axle Assembly (Quickie XTR) .....	8.14

### **AXLE BRACKETS**

Quick-Release Axle Bracket (Breezy 2(Disc)/600, Quickie LX/LXI/Recliner/Rx) ..	8.14
Quick-Release Axle Bracket (Breezy 510) (Disc.) ..	8.15
Quick-Release Axle Bracket (Breezy 510/Quickie Rx) .....	8.15
Quick-Release Axle Bracket (Breezy 510 Recliner) .....	8.15

### **AXLE BRACKETS (CONTINUED)**

Quick-Release Axle Bracket (Quickie Kidz) .....	8.16
Axle Bracket (Standard Threaded Axles) (Quickie LX/Recliner/Rx) .....	8.16
Threaded Offset Axle Bracket (Breezy 2) (Disc.) .....	8.16
Threaded Offset Axle Bracket (Breezy 510) (Disc.) .....	8.17
Threaded Offset Axle Bracket (Breezy 600) .....	8.17
Axle Bracket (Zippie TS) Amputee Axle Bracket (Quickie TS) .....	8.18
Axle Bracket (12")(Zippie TS) .....	8.18

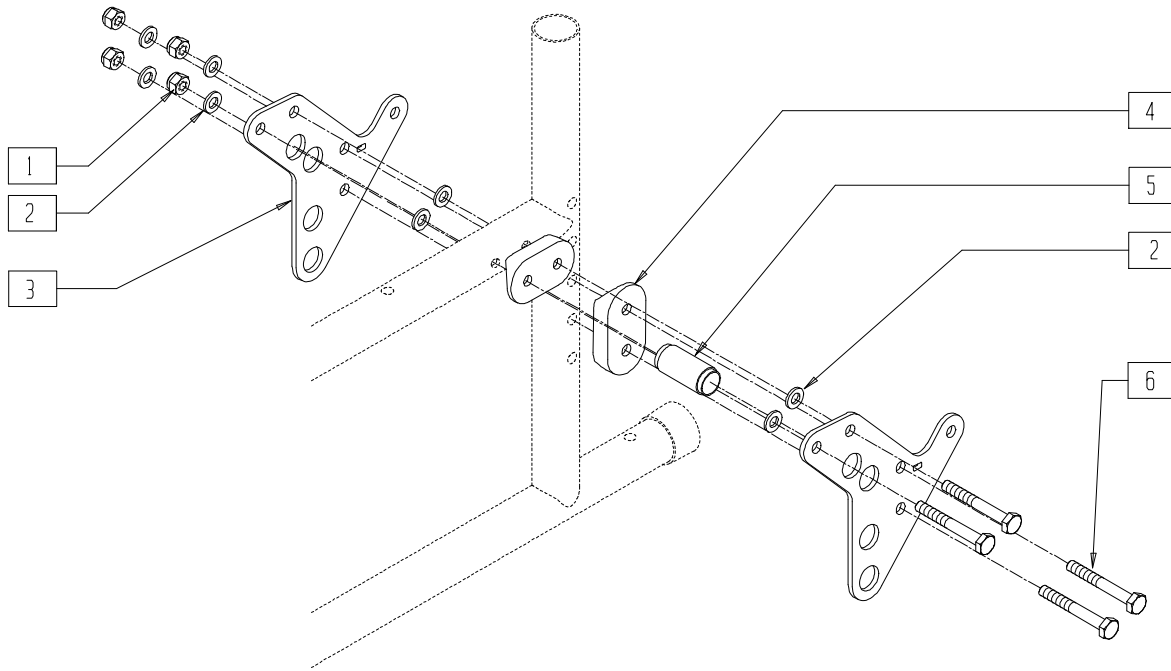
### **AXLE SLEEVES**

Axle Sleeve (For Indexed Axle Plate) .....	8.19
Axle Sleeve (For Adjustable Axle Plate) (Quickie LX/LXI) .....	8.19
Axle Sleeve (Quickie M6) .....	8.19
Axle Sleeve (Amputee, Non-indexed Axle, and Curved Axle Plates) .....	8.20

### **AXLES**

Quick-Release Axle (Most Quickie Products with compatible Hubs) .....	8.20
Quick-Release Axle (Breezy 510 Recliner) .....	8.20
Quick-Release Axle (Breezy 510/600 Ultra-hemi) ..	8.21
Quick-Release Axle with Nut (Quickie M6) .....	8.21
Quad-Release Axle Nut (Disc.) .....	8.21
Quad-Release Axle Nut (Push-Button) .....	8.22
Big Button Axle (Spoke Wheels) .....	8.22
Quick-Release Axle Wrench .....	8.22
Threaded Rear Axle (Chrome Breezy) .....	8.23
Threaded Axle (Breezy 510/600 Ultra-hemi) .....	8.23
Threaded Rear Axle (Breezy 500/510) (Disc.) .....	8.23
Threaded Rear Axle (Breezy 510, Quickie Rx/Recliner) .....	8.24
Threaded Rear Axle (Breezy 510 Recliner) .....	8.24
Threaded Rear Axle (Adjustable Axle Plate) (Quickie LX/LXI/TS) .....	8.24
Threaded Rear Axle (Standard Axle Plate) (Quickie LX) .....	8.25
Threaded Rear Axle (Quickie Rx/Recliner) .....	8.25
Threaded Axle (Quickie T45) .....	8.25
Axle Reference Guide .....	8.26
Axle Reference Guide (continued) .....	8.27

## AXLE PLATE (BREEZY 500/503/510/510 ULTRA-HEMI/600 ULTRA-HEMI)



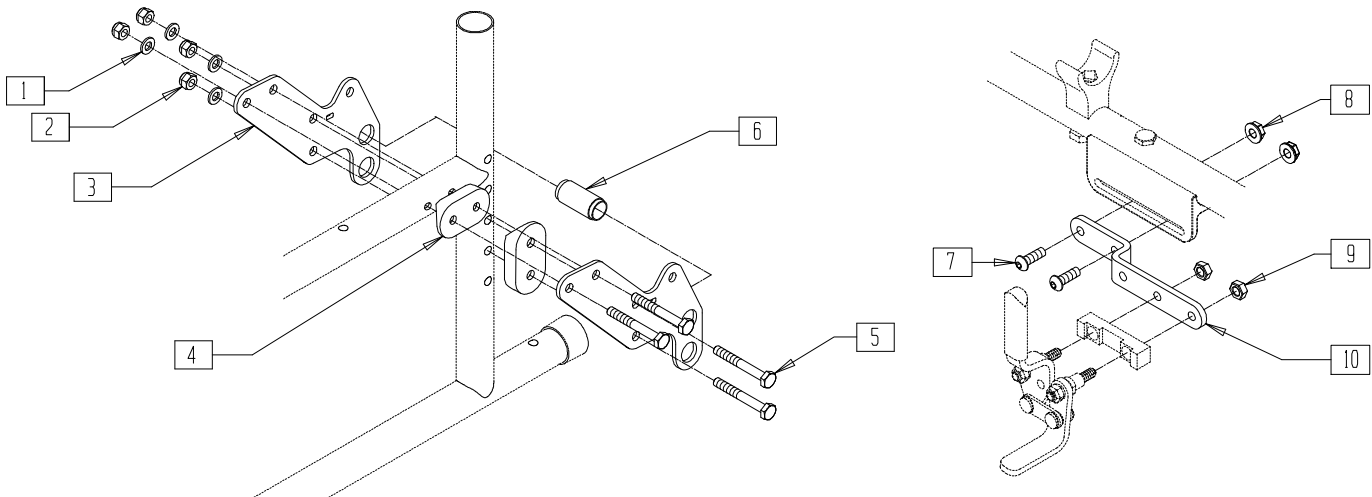
BR510X07

ITEM	NUMBER	DESCRIPTION	QTY
1	201110-QU	1/4-28 NYLOCK NUT	4
2	262110-QU	1/4 AN WASHER FLAT	4
3	500390	AXLE PLATE BREEZY 520	2
4	561085	1 1/8" HALF SADDLE 2 HOLE QTS	2

ITEM	NUMBER	DESCRIPTION	QTY
5	560169	AXLE PLATE SPACER BREEZY	1
6	221160	1/4-28 x 2 HEX C/S	4
1-3,5	920086	AXLE PLATE ASSEMBLY HEMI B600	
1-6	920087	AXLE PLATE ASSEMBLY BR500/510	

## AMPUTEE AXLE PLATE (BREEZY 500/503/510)

(Effective Breezy 500 beginning S/N 503665 and Breezy 510 beginning S/N 503630)



BR510X05

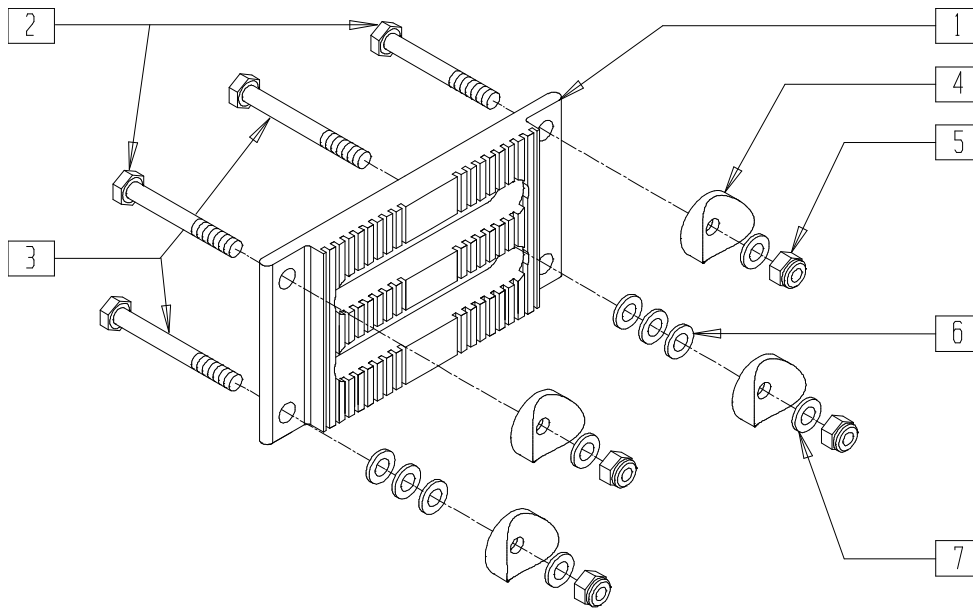
WLKEXT01

ITEM	NUMBER	DESCRIPTION	QTY
1	201110-QU	1/4-28 NYLOCK NUT	4
2	262110-QU	1/4 AN WASHER FLAT	4
3	500201	AMPUTEE AXLE PLATE BREEZY	2
4	561085	1 1/8" HALF SADDLE 2 HOLE QTS	2

ITEM	NUMBER	DESCRIPTION	QTY
5	221160	1/4-28 x 2 HEX C/S	4
6*	560169	AXLE PLATE SPACER BREEZY	1
1-10	920093	AXLE PLATE ASSEMBLY AMPUTEE BREEZY	

NOTE: SPACER 560169 CAN RECEIVE EITHER THREADED OR NON-THREADED AXLES.  
NOTE: PARTS 7-10 REQUIRED FOR AMPUTEE AXLE PLATE AND ARE INCLUDED FOR WHEEL LOCK CLEARANCE.

## DOUBLE-SLOTTED AXLE PLATE (QUICKIE 1/GP/GPV/GPV TITANIUM)

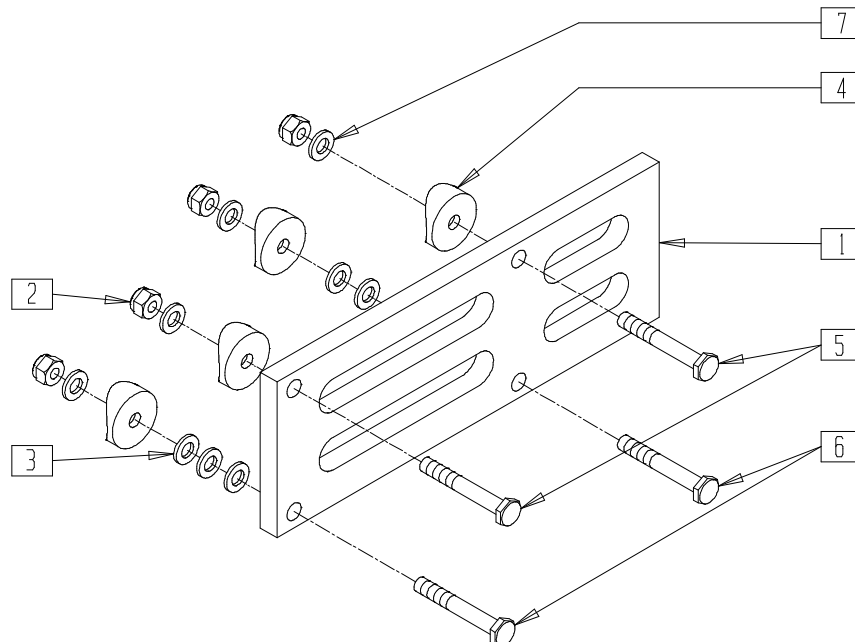


AX0X01

ITEM	NUMBER	DESCRIPTION	QTY
1	501002	AXLE PLATE Q1/GP INDEX	1
2	330100	1/4-28 x 2 HEX C/S Ti	2
3	330101	1/4-28 x 2 1/4 HEX C/S Ti	2
4	561004	1" SADDLE 1/4" HOLE	4

ITEM	NUMBER	DESCRIPTION	QTY
5	330000-QU	1/4-28 NYLOCK NUT ALUMINUM	4
6	262100-QU	1/4 AN WASHER FLAT	6
7	262110-QU	1/4 AN WASHER FLAT THIN	4
2-7	920210	Q1 AXLE PLATE HARDWARE KIT	

## DOUBLE-SLOTTED AMPUTEE AXLE PLATE (QUICKIE 1/GP/GPV/GPV TITANIUM)



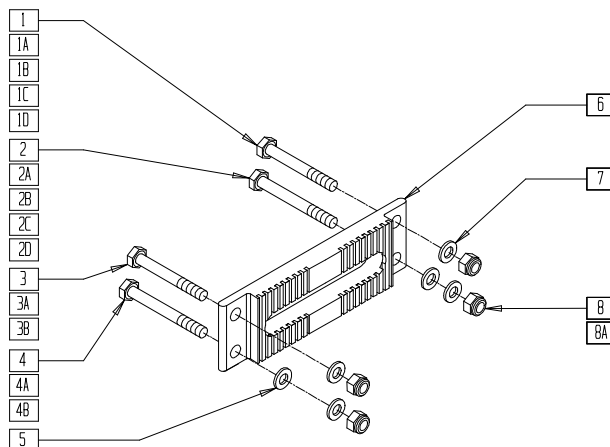
AX0X02

ITEM	NUMBER	DESCRIPTION	QTY
1	501001	AXLE PLATE AMPUTEE Q1	1
2	330000-QU	1/4-28 NYLOCK NUT ALUMINUM	4
3	262100-QU	1/4 AN WASHER FLAT	6
4	561004	1" SADDLE 1/4" HOLE	4

ITEM	NUMBER	DESCRIPTION	QTY
5	330100	1/4-28 x 2 HEX C/S Ti	2
6	330101	1/4-28 x 2 1/4 HEX C/S Ti	2
7	262110-QU	1/4 AN WASHER FLAT THIN	4
2-7	920210	AXLE PLATE HARDWARE KIT	

## AXLE PLATE (QUICKIE 2/2HP/2HPTi, ZIPPIE/ZIPPIE 2)

(Quickie 2HP Ti discontinued parts only.)



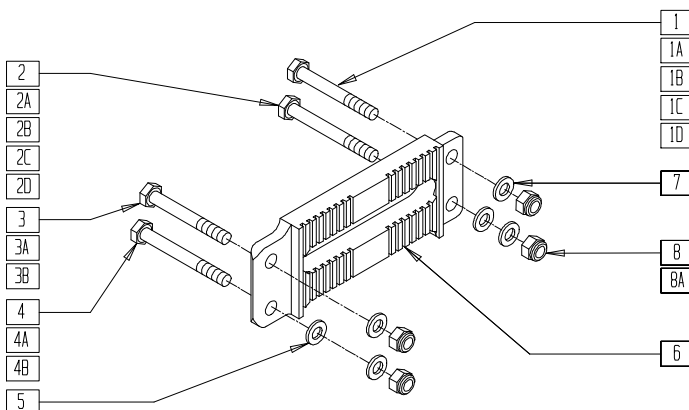
AX0X04A

ITEM	NUMBER	DESCRIPTION	QTY
1	330100	1/4-28 x 2 HEX C/S Ti	1
1A	221191	1/4-28 x 2 1/4 G8 HEX C/S	1
1B	221181	1/4-28 x 2 1/2 G8 HEX C/S	1
1C	330099	1/4-28 x 1 3/4 HEX C/S Ti	1
1D	221151-QU	1/4-28 x 1 3/4 G8 HEX C/S	1
2	330100	1/4-28 x 2 HEX C/S Ti	1
2A	221181	1/4-28 x 2 1/2 G8 HEX C/S	1
2B	221193	1/4-28 x 2 3/4 G8 HEX C/S	1
2C	330099	1/4-28 x 1 3/4 HEX C/S Ti	1
2D	221151-QU	1/4-28 x 1 3/4 G8 HEX C/S	1
3	330100	1/4-28 x 2 HEX C/S Ti	1
3A	330099	1/4-28 x 1 3/4 HEX C/S Ti	1
3B	221151-QU	1/4-28 x 1 3/4 G8 HEX C/S	1

ITEM	NUMBER	DESCRIPTION	QTY
4	330100	1/4-28 x 2 HEX C/S Ti	1
4A	330099	1/4-28 x 1 3/4 HEX C/S Ti	1
4B	221151-QU	1/4-28 x 1 3/4 G8 HEX C/S Ti	1
5	262100-QU	1/4 AN WASHER FLAT	2
6	502000	AXLE PLATE Q2/HP/ZP2 INDEX	1
7	262110-QU	1/4 AN WASHER FLAT THIN	4
8	201110	1/4-28 NYLOCK NUT	4
8A	330000-QU	1/4-28 NYLOCK NUT ALUM	4
1D,2D,3B, 4B,5,7,8	920211	Q2 AXLE PLATE HDWR KIT (Q2/2HP/ZP/ZP2)	
1-7, 8A	920216	AXLE PLATE HDWR KIT HP/T2 (FOR 2HP TITANIUM)	

## OFFSET AXLE PLATE (QUICKIE 2/2HP)

(Effective 8/1/02)

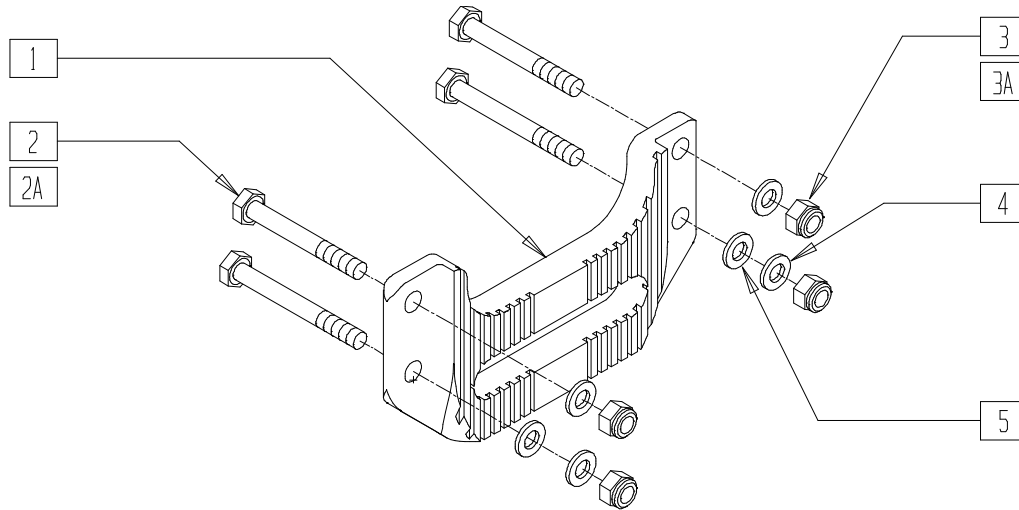


Q202X07

ITEM	NUMBER	DESCRIPTION	QTY
1	330100	1/4-28 x 2 HEX C/S Ti	1
1A	221191	1/4-28 x 2 1/4 G8 HEX C/S	1
1B	221181	1/4-28 x 2 1/2 G8 HEX C/S	1
1C	330099	1/4-28 x 1 3/4 HEX C/S Ti	1
1D	221151-QU	1/4-28 x 1 3/4 G8 HEX C/S	1
2	330100	1/4-28 x 2 HEX C/S Ti	1
2A	221181	1/4-28 x 2 1/2 G8 HEX C/S	1
2B	221193	1/4-28 x 2 3/4 G8 HEX C/S	1
2C	330099	1/4-28 x 1 3/4 HEX C/S Ti	1
2D	221151-QU	1/4-28 x 1 3/4 G8 HEX C/S	1
3	330100	1/4-28 x 2 HEX C/S Ti	1
3A	330099	1/4-28 x 1 3/4 HEX C/S Ti	1
3B	221151-QU	1/4-28 x 1 3/4 G8 HEX C/S	1

ITEM	NUMBER	DESCRIPTION	QTY
4	330100	1/4-28 x 2 HEX C/S Ti	1
4A	330099	1/4-28 x 1 3/4 HEX C/S Ti	1
4B	221151-QU	1/4-28 x 1 3/4 G8 HEX C/S Ti	1
5	262100-QU	1/4 AN WASHER FLAT	2
6	550645	OFFSET AXLE PLATE	1
7	262110-QU	1/4 AN WASHER FLAT THIN	4
8	201110	1/4-28 NYLOCK NUT	4
8A	330000-QU	1/4-28 NYLOCK NUT ALUM	4
1D,2D,3B, 4B,5,7,8	920211	Q2 AXLE PLATE HDWR KIT (Q2/2HP)	
1C,2C,3A, 4A,5,7,8A	920216	AXLE PLATE HDWR KIT HP/T2 (HP/Q2)	

## CURVED AXLE PLATE INDEXED (QUICKIE 2/2HP/2HPTi)



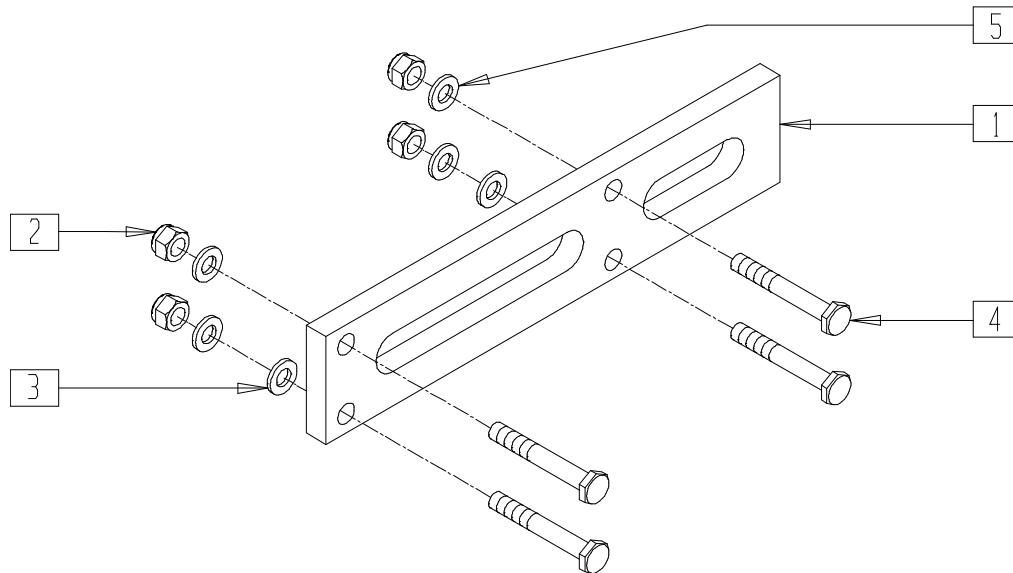
AX0X12A

ITEM	NUMBER	DESCRIPTION	QTY
1	502018	AXLE PLATE INDEX CRVD HVY BLK (EA)	1
	920019	AXLE PLATE INDEX CRVD HVY BLK (PR)	
2	221151-OU	1/4-28 x 1 3/4 G8 HEX C/S	4
2A	330099	1/4-28 x 1 3/4 HEX C/S Ti	4
3	201110	1/4-28 NYLOCK NUT	4
3A	330000-OU	1/4-28 NYLOCK NUT ALUMINUM	4

ITEM	NUMBER	DESCRIPTION	QTY
4	262110-OU	1/4 AN WASHER FLAT THIN	4
5	262100-OU	1/4 AN WASHER FLAT	2
2-5	920211	Q2 AXLE PLATE HDWR KIT (Q2/2HP)	
2A,3A, 4,5	920216	AXLE PLATE HARDWARE KIT HP/T2 (HP/Q2HPTi)	

NOTE: THE CURVED AXLE PLATE IS RECOMMENDED TO ACHIEVE HIGHEST REAR SEAT HEIGHT ON A ROUNDED REAR SEAT FRAME AND LOWEST REAR SEAT HEIGHT ON A STRAIGHT SIDE FRAME.

## AMPUTEE AXLE PLATE (QUICKIE 2, ZIPPIE 2)



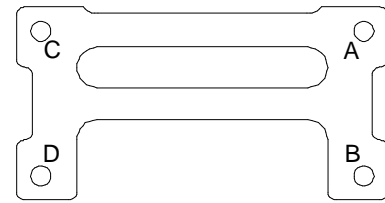
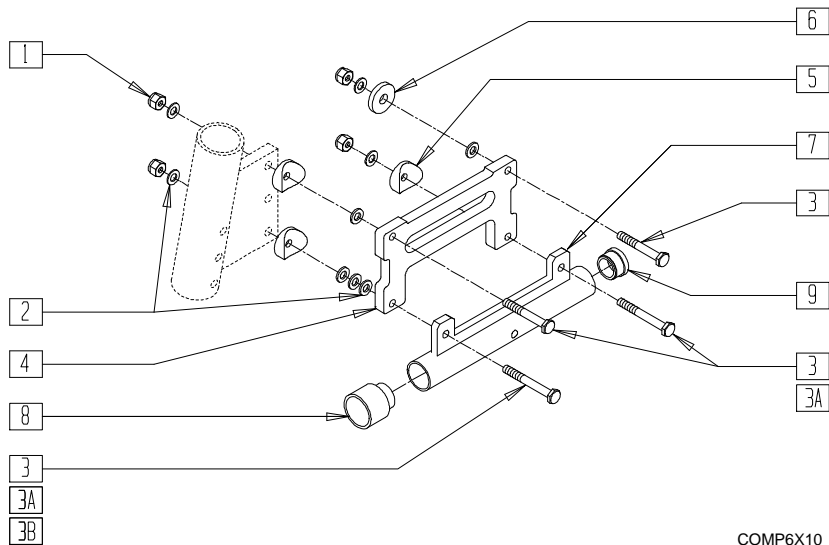
AX0X05

ITEM	NUMBER	DESCRIPTION	QTY
1	502002	AXLE PLATE AMPUTEE Q2	1
2	201110	1/4-28 NYLOCK NUT	4
3	262100-OU	1/4 AN WASHER FLAT	2

ITEM	NUMBER	DESCRIPTION	QTY
4	221151-OU	1/4-28 x 1 3/4 G8 HEX C/S	4
5	262110-OU	1/4 AN WASHER FLAT THIN	4
2-5	920211	Q2 AXLE PLATE HDWR KIT	

# AXLE PLATE/ANTI-TIP BRACKET/ARMREST RECEIVER (QUICKIE CARBON)

(Discontinued 3/1/95 - parts only)



AXGUIDE2

### AXLE PLATE BOLT HOLE GUIDE

ACCESSORY	HOLE A	HOLE B	HOLE C	HOLE D
AXLE PLATE	330105	330105	330105	330105
ARMREST REC.	330105	330105	221201	221201
ANTI-TIP	330105	221201	330105	221201
ANTI-TIP & ARMREST REC.	330105	221201	221201	221211

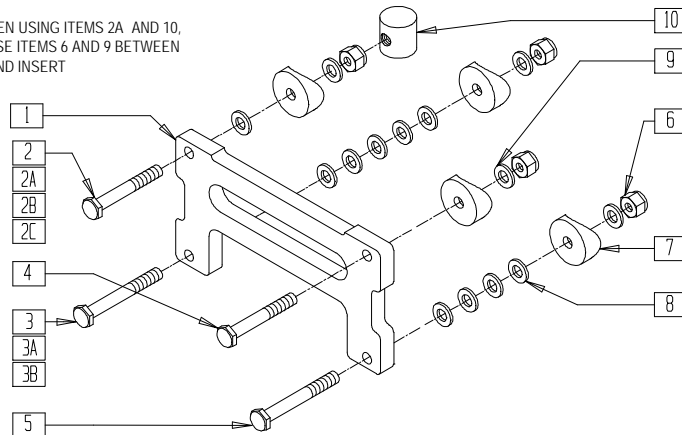
COMP6X10

ITEM	NUMBER	DESCRIPTION	QTY
1	330000-QU	1/4-28 NYLOCK NUT ALUMINUM	4
2	262100-QU	1/4 AN WASHER FLAT	12
3	330105	1/4-28 x 2 1/2 HEX C/S Ti	1
3A	221201	1/4-28 x 3 G8 HEX C/S	2
3B	221211	1/4-28 x 3 1/4 G8 HEX C/S	1
4	501004	GP AXLE PLATE (Q1/GP/CARBON)	1
5	561017	1 3/8" SADDLE 1/4" HOLE	3
6	561026	3/4" WASHER 1/4" HOLE	1

ITEM	NUMBER	DESCRIPTION	QTY
7	540180	QC ANTI-TIP RECEIVER	1
8	561018	1" TUBE END BUSHING THICK	1
9	561002	1" INSERT PLUG .083	1
1-3,5,6	920208	QC AXLE PLT HARDWARE KIT STD	
1-3,3A,5,6	920205	QC AXLE PLATE HARDWARE KIT FOR ARM	
1-3,3A,3B,5,6	920206	QC AXLE PLATE HDWR KIT W/AT/ARM	

# AXLE PLATE (QUICKIE GP/GPV/GPV Titanium)

NOTE: WHEN USING ITEMS 2A AND 10, DO NOT USE ITEMS 6 AND 9 BETWEEN SADDLE AND INSERT



### AXLE BOLT GUIDE

CHAIR	OPTION (W/Ti HARDWARE)	BOLT TYPE			
		2B	3A	4	5
Q2HPTi	PADDED ARMREST OR ANTI-TIP			4	5
Q2HPTi	PADDED ARMREST AND ANTI-TIP	2C	3B	4	5

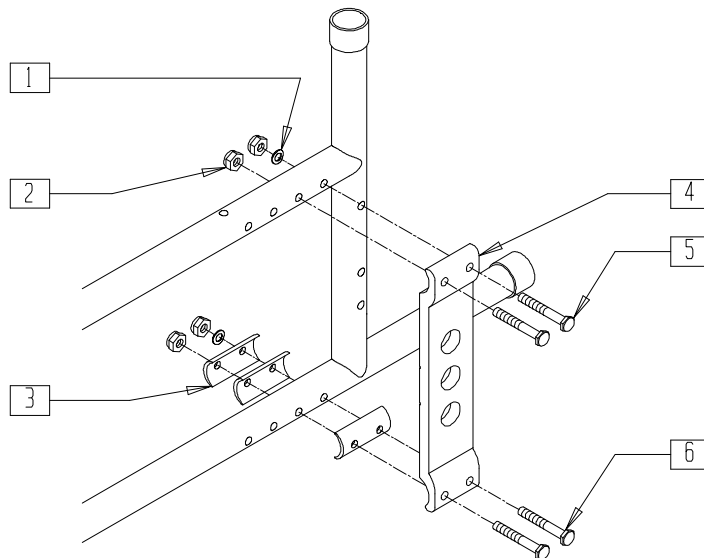
AX0X03A

ITEM	NUMBER	DESCRIPTION	QTY
1	501004	GP AXLE PLATE	1
2	330100	1/4-28 x 2 HEX C/S Ti	2
2A	221133	1/4-28 x 1 1/2 G8 HEX C/S	2
2B	221181	1/4-28 x 2 1/2 G8 HEX C/S	1
2C	221193	1/4-28 x 2 3/4 G8 HEX C/S	1
3	330101	1/4-28 x 2 1/4 HEX C/S Ti	2
3A	221193	1/4-28 x 2 3/4 G8 HEX C/S	1
3B	221201	1/4-28 x 3 G8 HEX C/S	1

ITEM	NUMBER	DESCRIPTION	QTY
4	330100	1/4-28 x 2 HEX C/S Ti	1
5	330101	1/4-28 x 2 1/4 HEX C/S Ti	1
6	330000-QU	1/4-28 NYLOCK NUT ALUM	4
7	561004	1" SADDLE 1/4" HOLE	4
8	262100-QU	1/4 AN WASHER FLAT	10
9	262110-QU	1/4 AN WASHER FLAT THIN	4
10	483007	H/M CASTER/GPV COMP INSERT	1
4-9	920212	GP AXLE PLATE HDWR KIT Ti	

NOTE: ORDER PART NUMBERS 221133 (ITEM 2A) AND 483007 (ITEM 10) FOR CUSTOM SQUEEZE FRAMES BELOW 8" IN REAR FRAME HEIGHT WHERE TOP AXLE HOLE IS BLOCKED.

## ADJUSTABLE AXLE PLATE (QUICKIE LX/LXI)

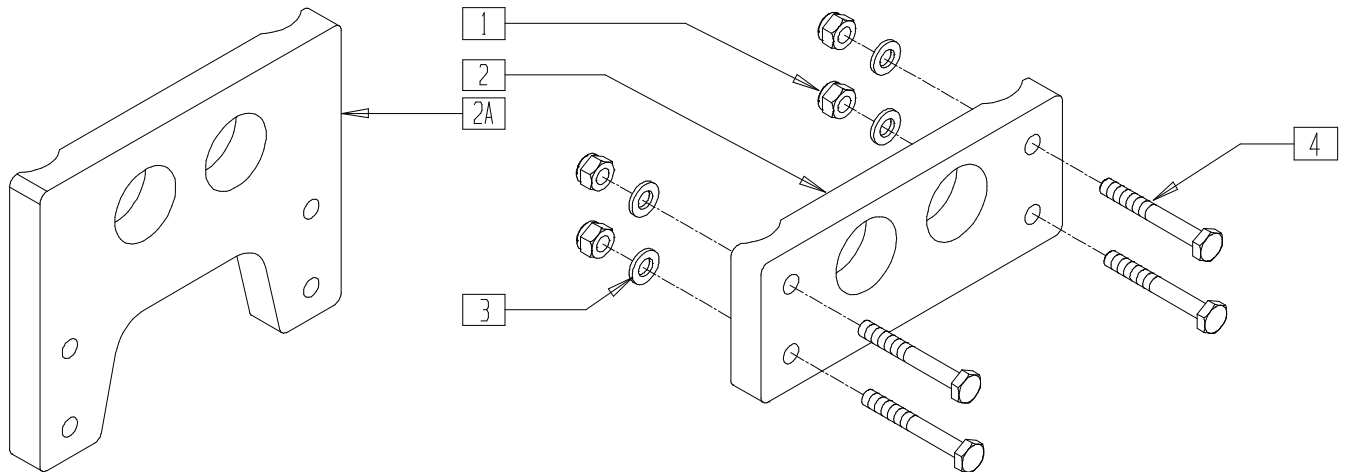


RX0X07

ITEM	NUMBER	DESCRIPTION	QTY
1	262130	6mm WASHER WAVE	2
2	201110	1/4-28 NYLOCK NUT	4
3	550486	HEIGHT ADJ RECEIVER SPACER	3
4	550370	AXLE PLATE VERTICAL	1

ITEM	NUMBER	DESCRIPTION	QTY
5	221151-OU	1/4-28 x 1 3/4 G8 HEX C/S	2
6	221192	1/4-28 x 2 G8 HEX C/S	2
1-3,5,6	920059	ADJ AXLE PLATE HDWR KIT LX	

## AXLE PLATE (QUICKIE M6)



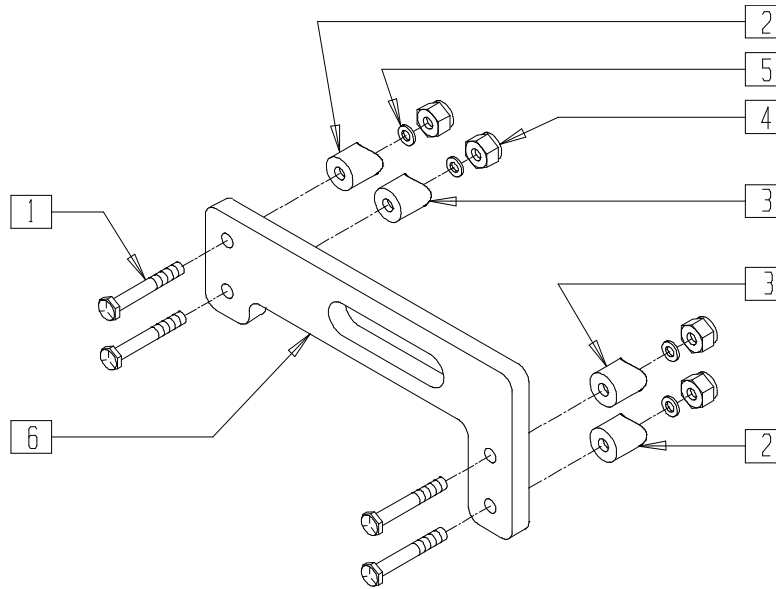
MAG00X22A

ITEM	NUMBER	DESCRIPTION	QTY
1	201110-OU	1/4-28 NYLOCK NUT	4
2	550056	PLATE AXLE	1
2A	502023	AXLE PLATE LOWER	1

ITEM	NUMBER	DESCRIPTION	QTY
3	262110-OU	1/4 AN WASHER FLAT THIN	4
4	221151	1/4-28 x 1 3/4 G8 HEX C/S	4
1,3,4	920097	AXLE PLT HDWR KIT M6	

## AXLE PLATE (QUICKIE TS)

(Discontinued 12/15/95 - parts only; fits Quickie TS prior to QT-12900)



Drawing shows left side

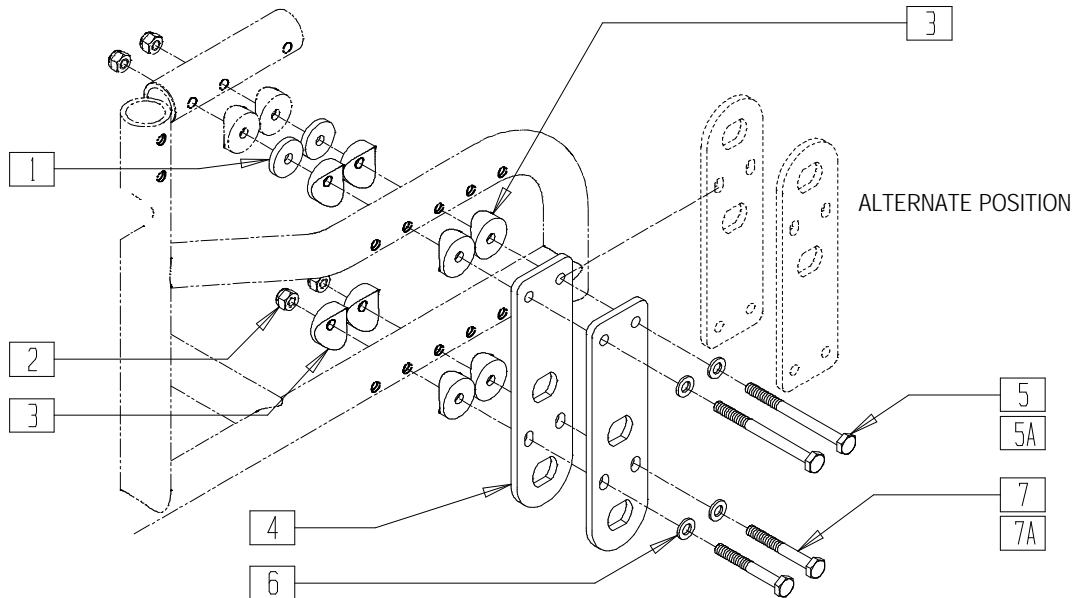
AZ00X14A

ITEM	NUMBER	DESCRIPTION	QTY
1	221181	1/4-28 x 2 1/2 G8 HEX C/S	4
2	483071	SADDLE 1 1/8" ALUMINUM 1/4" HOLE	2
3	483072	HALF SADDLE 1 1/8" ALUMINUM 1/4" HOLE	2

ITEM	NUMBER	DESCRIPTION	QTY
4	201110	1/4-28 NYLOCK NUT	4
5	262110-QU	1/4 AN WASHER FLAT THIN	4
1-5	920209	QT AXLE PLATE HARDWARE KIT	
6	501010	AXLE PLATE QT	1

## AXLE PLATE (QUICKIE TS)

(Effective 12/15/95, beginning QT-12900)



QTS00X03A

ITEM	NUMBER	DESCRIPTION	QTY
1	561016	1" WASHER 5/16" HOLE	2
2	201110	1/4-28 NYLOCK NUT	4
3	561004	1" SADDLE 1/4" HOLE	10
4	502008	AXLE PLATE QTS	2-4
5	221201	1/4-28 x 3 G8 HEX C/S	2
5A	221211	1/4-28 x 3 1/4 G8 HEX C/S	2

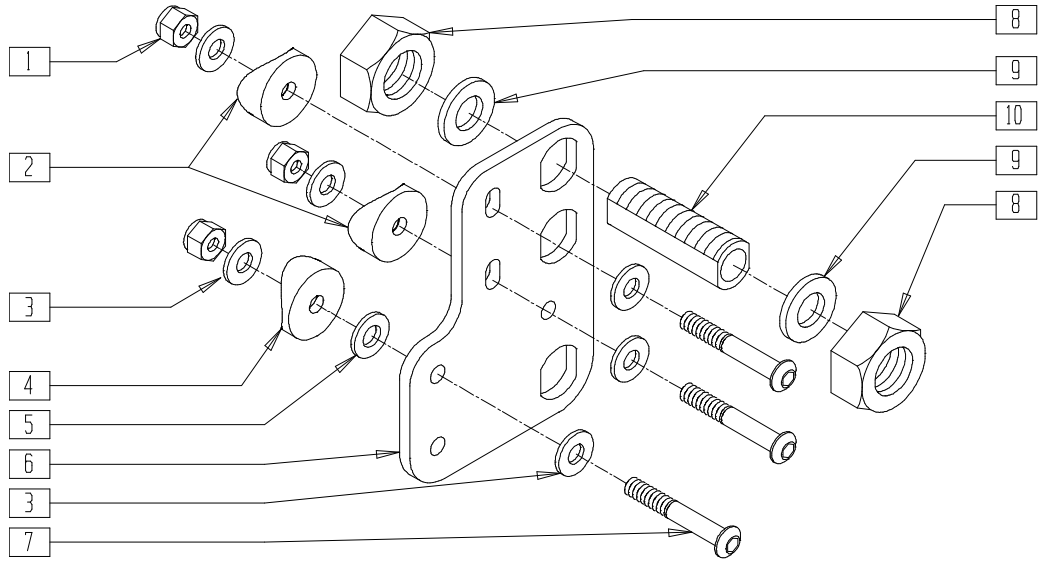
ITEM	NUMBER	DESCRIPTION	QTY
6	262100-QU	1/4 AN WASHER FLAT	4
7	221192	1/4-28 x 2 G8 HEX C/S	2
7A	221191	1/4-28 x 2 1/4 G8 HEX C/S	2
2,4,5A,7A	920447*	AXLE PLATE REPAIR KIT QTS	
	920448	AXLE PLT REINFORCEMENT KIT QTS	

\* STANDARD REPLACEMENT KIT FOR 20", 22", 24" WHEELS.



## AXLE PLATE (ZIPPIE/ZIPPIE 2)

(For 12" and 16" wheels only)(Effective 11/13/96)

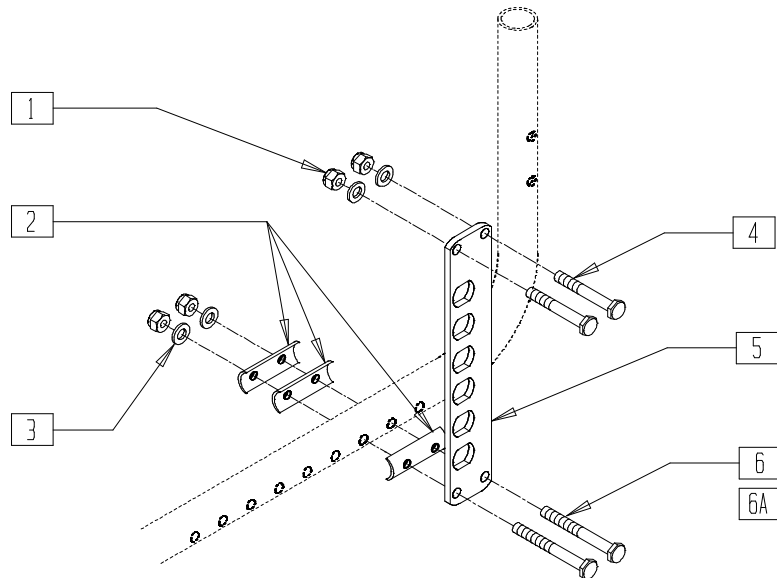


AX0X025

ITEM	NUMBER	DESCRIPTION	QTY
1	201110	1/4-28 NYLOCK NUT	3
2	561001	1 1/8" SADDLE 1/4" HOLE	2
3	262110-QU	1/4 AN WASHER FLAT	6
4	561004	1" SADDLE 1/4" HOLE	1
5	261201	WASHER 1/4 SHIM STEEL	1
6	501009	AXLE PLATE 12"/16" WHEEL	1

ITEM	NUMBER	DESCRIPTION	QTY
7	226150	1/4-28 x 2 BH C/S	3
8	204000	3/4-16 NUT	2
9	265100	3/4 x 18 WASHER NARROW	2
10	481065	AXLE SLEEVE SS	1
8-10	920121	AXLE SLEEVE WITH HARDWARE (NON-INDEX)	
1-10	920369	AXLE PLATE 12"-16" WHEEL W/HDWR	

## UNIVERSAL AXLE PLATE (ZIPPIE GS)



ZGS00X36

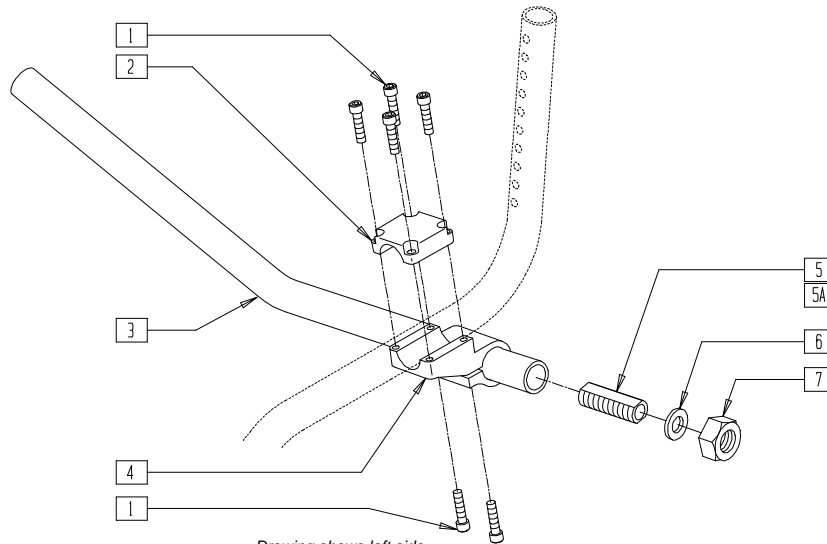
ITEM	NUMBER	DESCRIPTION	QTY
1	201110	1/4-28 NYLOCK NUT	4
2	562843	CAMBER WASHER ZGS	3
3	262100-QU	1/4 AN WASHER FLAT	4
4	221151-QU	1/4-28 x 1 3/4 G8 HEX C/S	2

ITEM	NUMBER	DESCRIPTION	QTY
5	505260	AXLE PLATE	1
6	221192	1/4-28 x 2 G8 HEX C/S	2
6A*	221201	1/4-28 x 3 G8 HEX C/S W/GPS	2
1-4,6	920522	AXLE PLATE HARDWARE KIT	

\* ITEM 6A IS TO BE USED WITH THE ANTI-TIP RECEIVER ONLY.

## AXLE ASSEMBLY - EXTENDED RANGE AXLE CLAMP (QUICKIE GPS/TRIUMPH)

(Quickie GPS and Triumph discontinued 2/01 - parts only)



Drawing shows left side

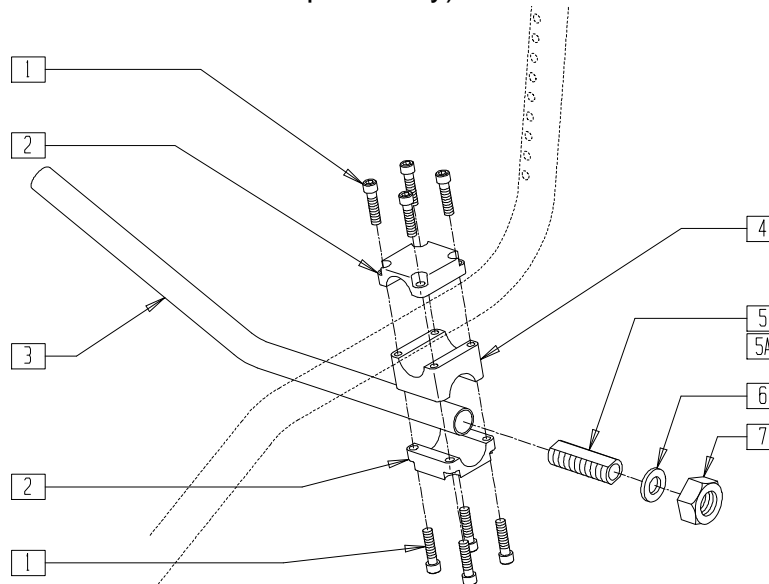
GBL00X7A

ITEM	NUMBER	DESCRIPTION	QTY
1	226107	1/4-28 x 7/8 SOC C/S	6
2	550211	AXLE CLAMP CAMBER TUBE	1
3	525200- 525236, 525240	CAMBER TUBE	1
4	500210	EXTENDED AXLE CLAMP TR	1
5	481065	AXLE SLEEVE SS	1

ITEM	NUMBER	DESCRIPTION	QTY
5A	481069	AXLE SLEEVE 1°	1
6	265100	3/4 x 18 WASHER NARROW	1
7	204000	3/4-16 NUT	1
1,2,4	920084	EXTEND AXLE CLAMP ASSM TR	
5-7	920116	AXLE SLEEVE W/HARDWARE GPS	
5A,6,7	920114	AXLE SLEEVE 1° W/HARDWARE (TRIUMPH)	

## AXLE ASSEMBLY - LOW-MOUNT (QUICKIE GPS/TRIUMPH)

(Quickie GPS and Triumph discontinued 2/01 - parts only)



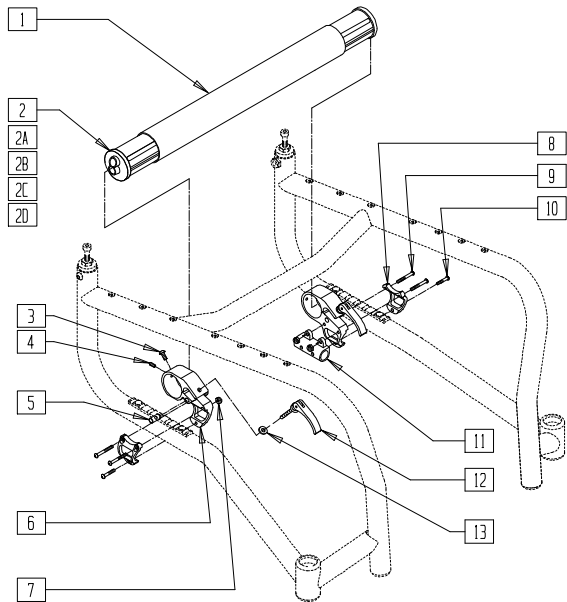
Drawing shows left side

GBL00X07

ITEM	NUMBER	DESCRIPTION	QTY
1	226107	1/4-28 x 7/8 SOC C/S	8
2	550211	AXLE CLAMP CAMBER TUBE	2
3	525200- 525236, 525240	CAMBER TUBE	1
4	550212	AXLE SADDLE GPS	1
5	481065	AXLE SLEEVE SS	1

ITEM	NUMBER	DESCRIPTION	QTY
5A	481069	AXLE SLEEVE 1°	1
6	265100	3/4 x 18 WASHER NARROW	1
7	204000	3/4-16 NUT	1
1,2,4	880930	AXLE CLAMP ASSEMBLY	
5-7	920116	AXLE SLEEVE W/HARDWARE GPS	
5A,6,7	920114	AXLE SLEEVE 1° W/HARDWARE (TRIUMPH)	

# AXLE ASSEMBLY (QUICKIE R2)

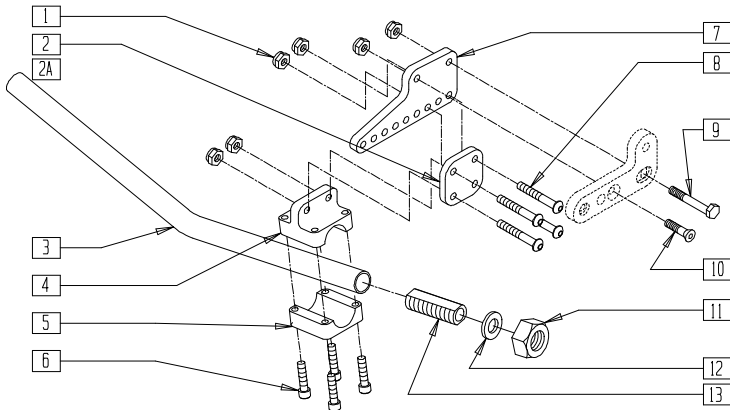


R200X05

ITEM	NUMBER	DESCRIPTION	QTY
1	526242-526248	CAMBER TUBE (14" - 20") R2	1
2	550085	CAMBER TUBE INSERT 0°/12° R2	2
2A	550086	CAMBER TUBE INSERT 3°/12° R2	2
2B	550087	CAMBER TUBE INSERT 4° R2	2
2C	550088	CAMBER TUBE INSERT 8° R2	2
2D	550089	CAMBER TUBE INSERT 16° R2	2
3	226069-QU	1/4-20 x 1/2 BH C/S BLK	2
4	330008	1/4-20 SPRING PLUNGER	2
5	330002	RETAINING PIN OR R2	2
6	505630, 505631	AXLE BRACKET R2 (EA)	2

ITEM	NUMBER	DESCRIPTION	QTY
7	201100-QU	1/4-28 NYLOCK NUT THIN	4
8	550025	AXLE BRKT CLAMP R2 FIXED	2
9	226147	1/4-28 x 1.85 BH C/S BLK ZN	4
10	227110	1/4-28 x 1 BH C/S BLK ZN	2
11	550039	ANTI-TIP HOUSING R2 FIXED	2
12	341650	OR CLAMP BLACK R2	2
13	561026	3/4" WASHER 1/4" HOLE	4
3-6,12,13	881928, 881929	AXLE BRKT SUB-ASSM R2 (EA)	
3-10,12,13	881935, 881936	AXLE BRKT ASSEMBLY (EA)	

# AXLE ASSEMBLY (QUICKIE REVOLUTION)



2D00X05

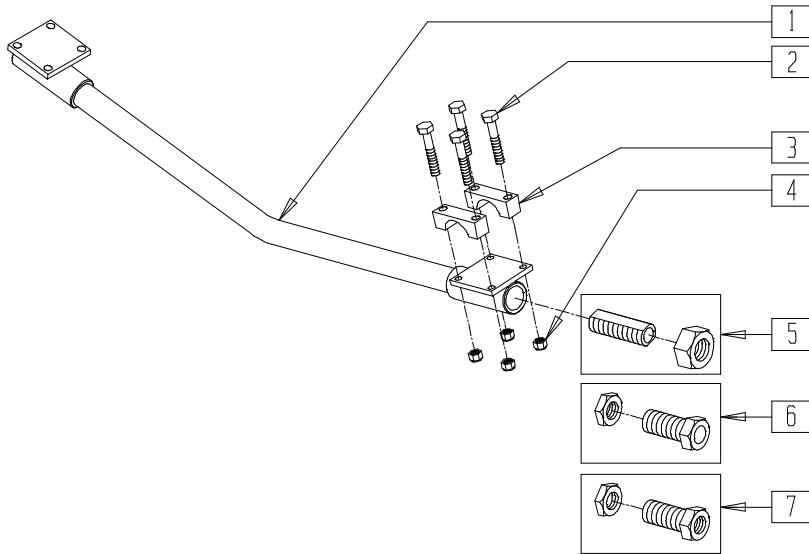
ITEM	NUMBER	DESCRIPTION	QTY
1	201100-QU	1/4-28 NYLOCK NUT THIN	6
2	501028	SPACER PLATE + 3/4 RV	1
2A	501029	SPACER PLATE + 1-1/2 RV	1
3	525200-525236	CAMBER TUBE	1
4	550200-550203	AXLE CLAMP RV	1
5	550211	AXLE CLAMP CAMBER TUBE	1
6	226107	1/4-28 x 7/8 SOC C/S	4

ITEM	NUMBER	DESCRIPTION	QTY
7	501025	AXLE ADJ PLATE RV	1
8	227110	1/4-28 x 1 BH C/S BLK ZN	4
9	481344	1/4-28 x 7/8 ECCENTRIC BOLT BLK	1
10	226099	1/4-28 x 7/8 FH C/S	1
11	204000	3/4-16 NUT	1
12	265100	3/4 x 18 WASHER NARROW	1
13	481065	AXLE SLEEVE SS	1
11-13	920116	AXLE SLEEVE W/HDWR GPS	

NOTE: WHEN CHANGING DEGREE OF CAMBER, BOTH ITEMS 3 AND 4 MUST BE CHANGED.

# AXLE ASSEMBLY (QUICKIE ST/DT)

(Discontinued 7/1/98 - parts only)



RG000X05

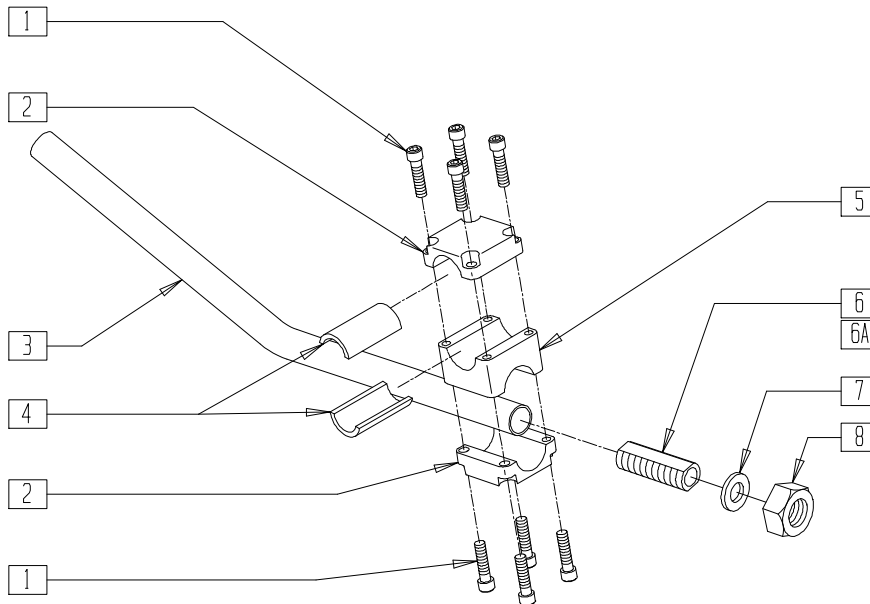
ITEM	NUMBER	DESCRIPTION	QTY
1	525140-525145	CAMBER TUBE RIGID (SPECIFY WIDTH)	1
2	221133	1/4-28 x 1 1/2 G8 HEX C/S	4
3	550207	CAMBER TUBE MNTG CLAMP ANO	2
4	201136	1/4-20 NYLOCK NUT HIGH	4

ITEM	NUMBER	DESCRIPTION	QTY
5	481066	AXLE SLEEVE SS SHORT	1
	204000	3/4-16 NUT	
6*	481410	AXLE SLEEVE PHIL WOOD 15/32" QR	1
7**	481059	AXLE SLEEVE PHIL WOOD 7/16" THRD	1

\* PART 6 USED WITH QR PHIL WOOD HUB.

\*\* PART 7 USED WITH THREADED PHIL WOOD HUB.

# AXLE ASSEMBLY (QUICKIE ST/DT)

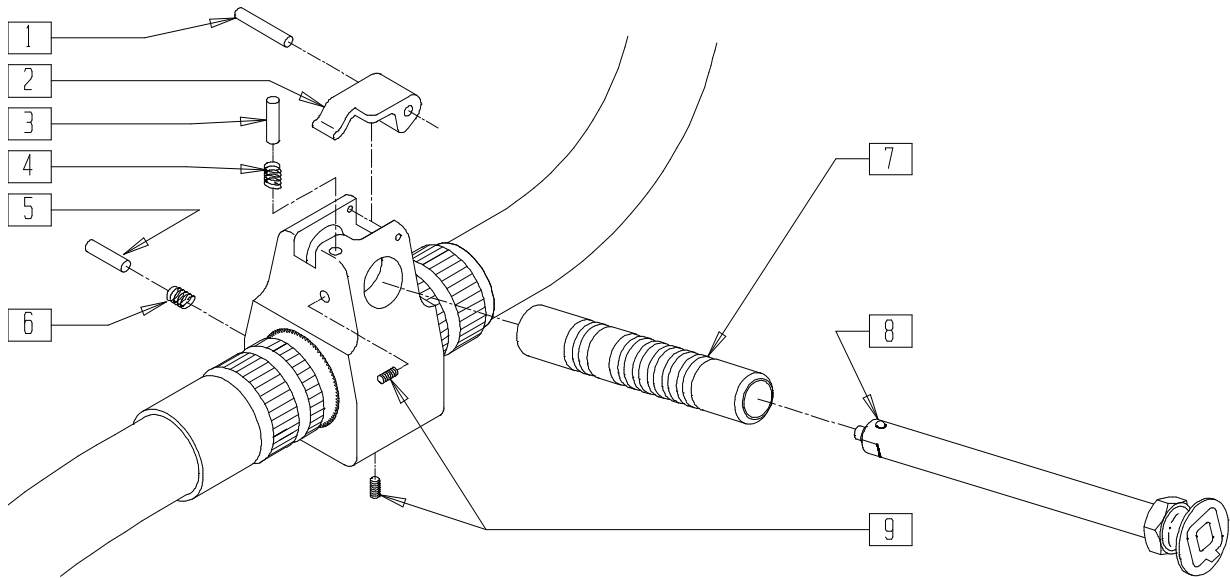


RBV00X16

ITEM	NUMBER	DESCRIPTION	QTY
1	226107	1/4-28 x 7/8 SOC C/S	8
2	550211	AXLE CLAMP CAMBER TUBE	2
3	525200-525240	CAMBER TUBE	1
4	520029	SHIM CAMBER CLAMP	2
5	550213	ANTI-TIP SADDLE LO-MNT GPS	1
6	481065	AXLE SLEEVE SS	1

ITEM	NUMBER	DESCRIPTION	QTY
6A	481069	AXLE SLEEVE 1°	1
7	265100	3/4 x 18 WASHER NARROW	1
8	204000	3/4-16 NUT	1
6-8	920116	AXLE SLEEVE W/HDWR GPS	
6A,7,8	920114	AXLE SLEEVE 1° W/HDWR	
1,2,5	880931	ANTI-TIP REC ASSM UNDR MNT GPS	

## AXLE ASSEMBLY (Quickie TNT) (Quickie TNT discontinued 2/01-Parts only.)



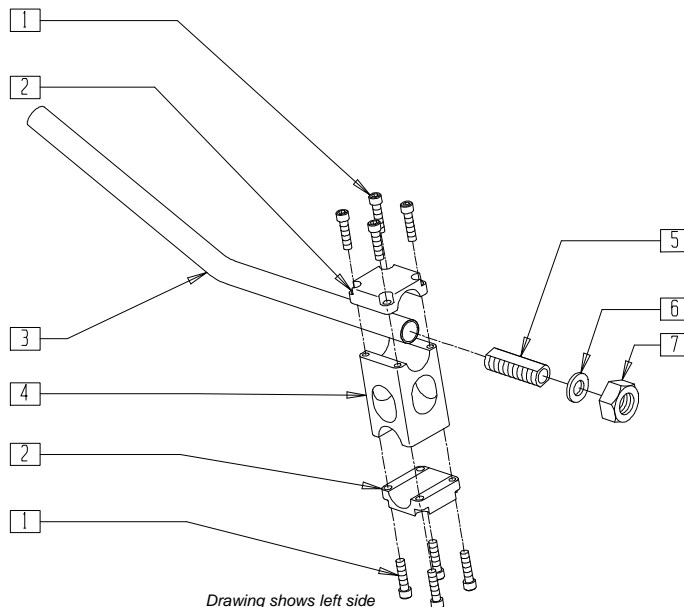
TNT00X04

ITEM	NUMBER	DESCRIPTION	QTY
1	481165	AXLE LEVER PIN TNT	1
2	560265	AXLE BLOCK LEVER TNT	1
3	481194	RELEASE PIN AXLE LUG ADJ	1
4	321170	AXLE LUG SPRING	1
5	481195	QUICK RELEASE PIN AXLE TNT	1
6	321143	.219 x 1.00 SPRING	1

ITEM	NUMBER	DESCRIPTION	QTY
7	481199	ADJUSTABLE AXLE LUG TNT	1
8	349058	AXLE PIN AND NUT STANDARD AND LONG (SPECIFY CHAIR AND COLOR)	1
9	226170	2/56 x 1/4" SOC HD C/S	2

NOTE: THE AXLE SHOULD PROPERLY ENGAGE THE AXLE RECEIVER. CHECK TO SEE IF RECEIVER IS INSTALLED PROPERLY INTO THE AXLE BLOCK ASSEMBLY. IMPROPER ENGAGEMENT OCCURS WITH UNEQUALLY SPACED POSITIONING GROOVES TOWARD THE INSIDE. RECONFIGURE AS NECESSARY, SO THAT THE REAR WHEEL AXLE PROPERLY ENGAGES THE AXLE RECEIVER.

## AXLE ASSEMBLY (QUICKIE TS SELF-PROPEL OPTION)



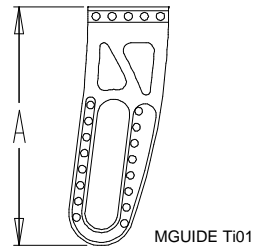
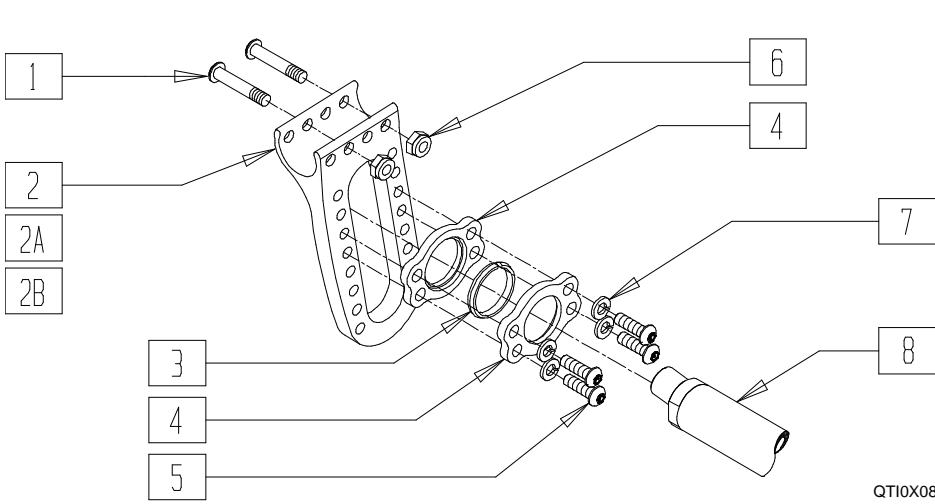
Drawing shows left side

QTS00X08

ITEM	NUMBER	DESCRIPTION	QTY
1	226107	1/4-28 x 7/8 SOC C/S	8
2	550211	AXLE CLAMP CAMBER TUBE	2
3	525200- 525216	CAMBER TUBE	1
4	500213	AXLE SADDLE + 1 1/2"	1

ITEM	NUMBER	DESCRIPTION	QTY
5	481069	AXLE SLEEVE 1°	1
6	265100	3/4 x 18 WASHER NARROW	1
7	204000	3/4-16 NUT	1
1,2,4	880934	AXLE CLAMP ASSEMBLY + 1 1/2"	
5-7	920114	AXLE SLEEVE 1° W/HARDWARE	

# AXLE ASSEMBLY(QUICKIE Ti Titanium)



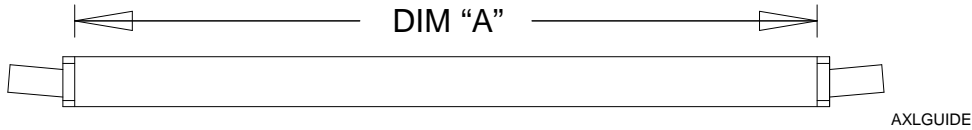
## AXLE PLATE MEASURING GUIDE

AXLE PLATE	DIM A	PART #
SMALL RH	5 7/16"	502026
SMALL LH	5 7/16"	502027
MED RH	7 3/8"	502024
MED LH	7 3/8"	502025
LARGE RH	9 3/8"	502028
LARGE LH	9 3/8"	502029

ITEM	NUMBER	DESCRIPTION	QTY
1	230025	BHCS, M6 x 1 x 40MM, TORX, T-25	4
2	502026 502027	AXLE PLATE, COMPRESSION SLEEVE 14-15 (EA)	1
2A	502025 502024	AXLE PLATE, COMPRESSION SLEEVE, 16-17(EA)	1
2B	502029 502028	AXLE PLATE, COMPRESSION SLEEVE, 18-19 (EA)	1

ITEM	NUMBER	DESCRIPTION	QTY
3	481274	SLEEVE, COMPRESSION	2
4	502047	CLAMP, COMPRESSION SLEEVE	4
*5	230024	BHCS, M6 x 1 x 20mm, TORX, T-25	8,4*
6	200113	NUT, HEX, NYLOCK, M6 x 1	4
7	262133	WASHER, LOCK, M6	8
8	882510- 882568	ASSEMBLY, CAMBER TUBE	1

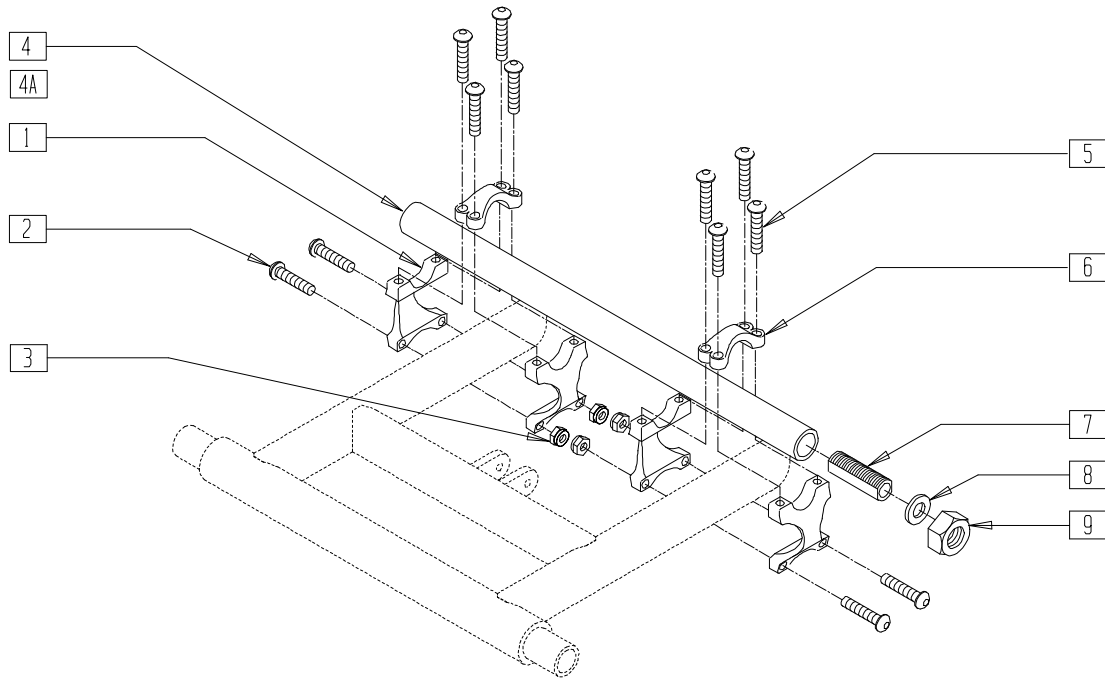
\*NOTE: WHEN USING ANTI-TIPS SUBSTITUTE P/N 230055 IN COMPRESSION SLEEVE CLAMP LOWER HOLE LOCATIONS. SEE ANTI-TIPS PAGE 5.15 FOR PARTS.



## CAMBER TUBE REFERENCE GUIDE

CAMBER ANGLE	WHEEL CLEARANCE GAP	CHAIR WIDTH											
		13" WIDE		14" WIDE		15" WIDE		16" WIDE		17" WIDE		18" WIDE	
		DIM "A"	PART #	DIM "A"	PART #	DIM "A"	PART #	DIM "A"	PART #	DIM "A"	PART #	DIM "A"	PART #
0 DEG	1.00"	12.50	882511	13.50	882518	14.50	882526	15.50	882535	16.50	882544	17.50	882553
	1.25"	13.00	882515	14.00	882522	15.00	882531	16.00	882540	17.00	882549	18.00	882558
	1.50"	13.50	882518	14.50	882526	15.50	882535	16.50	882544	17.50	882553	18.50	882562
2 DEG	1.00"	12.00	882510	13.00	882516	14.00	882523	15.00	882532	16.00	882541	17.00	882550
	1.25"	12.50	882512	13.50	882519	14.50	882527	15.50	882536	16.50	882545	17.50	882554
	1.50"	13.00	882516	14.00	882523	15.00	882532	16.00	882541	17.00	882550	18.00	882559
4 DEG	0.75	12.50	882513	13.50	882520	14.50	882528	15.50	882537	16.50	882546	17.50	882555
	1.00	12.75	882514	13.75	882521	14.75	882530	15.75	882539	16.75	882548	17.75	882557
	1.25	13.25	882517	14.25	882525	15.25	882534	16.25	882543	17.25	882552	18.25	882561
	1.50	13.75	882521	14.75	882530	15.75	882539	16.75	882548	17.75	882557	18.75	882564
8 DEG	0.75	14.00	882524	15.00	882533	16.00	882542	17.00	882551	18.00	882560	19.00	882565
	1.00	14.50	882529	15.50	882538	16.50	882547	17.50	882556	18.50	882563	19.50	882566
	1.25	15.00	882533	16.00	882542	17.00	882551	18.00	882560	19.00	882565	20.00	882567
	1.50	15.50	882538	16.50	882547	17.50	882556	18.50	882563	19.50	882566	20.50	882568

## AXLE ASSEMBLY (QUICKIE XTR)



SUS00X23

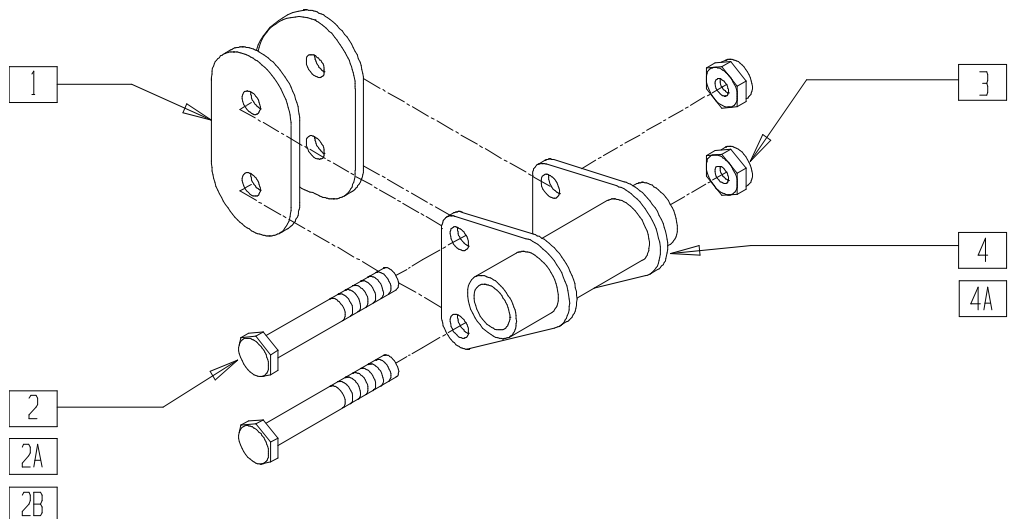
ITEM	NUMBER	DESCRIPTION	QTY
1	506150	SWING ARM CLAMP XTR	4
2	226066	1/4-28 x 1.1" BH C/S BLK	4
3	202300	1/4-28 NYLOCK NUT THIN BLK ZN	4
4	525200-525226	CAMBER TUBE	1
4A	525140	CAMBER TUBE 13" TO FIT 14" CHAIR	1
5	226078	1/4-20 x 3/4 BH C/S W/PATCH	8

ITEM	NUMBER	DESCRIPTION	QTY
6	506152	AXLE CLAMP XTR	2
7	481069	AXLE SLEEVE 1°	2
8	265100	3/4-18 WASHER NARROW	2
9	204000	3/4-16 NUT	2
7,8,9	920114	AXLE SLEEVE 1° W/HARDWARE	
1-3,5,6	880927	AXLE CLAMP ASSEMBLY XTR	

## QUICK-RELEASE AXLE BRACKET (BREEZY 2/600, QUICKIE LX/LXI/RECLINER/Rx)

(Breezy 2 discontinued 5/98 - parts only; fits Breezy 2 beginning serial number B2-1000)

(Fits Rx beginning serial number Rx-20282)



AX0X06C

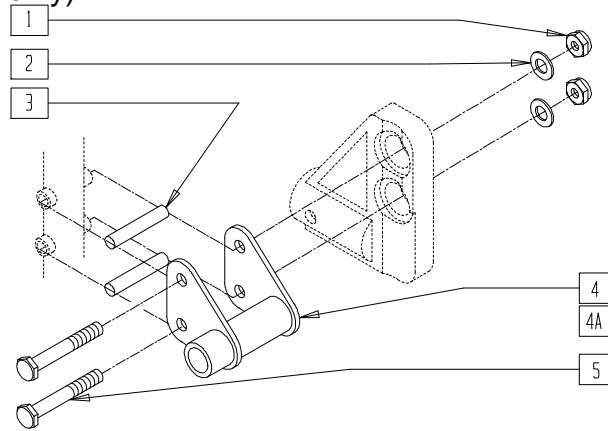
ITEM	NUMBER	DESCRIPTION	QTY
1	561085*	1 1/8" HALF SADDLE 2 HOLE OTS	2
2	221192	1/4-28 x 2 G8 HEX C/S	2
2A	221160	1/4-28 x 2 HEX C/S	2
2B	221170	1/4-28 x 2 1/4 HEX C/S	2

\* HALF SADDLES USED ON Rx BEGINNING SERIAL NUMBER Rx-36744.  
NOTE: ITEMS 2A AND 2B ARE USED IN BREEZY MODELS ONLY.

ITEM	NUMBER	DESCRIPTION	QTY
3	201110	1/4-28 NYLOCK NUT	2
4	505312	AXLE BRKT OR R BR/Rx/QT	1
4A	505313	AXLE BRKT OR L BR/Rx/QT	1
1-4,4A	920184	OR AXLE BRACKET ASSM BZ/Rx 1/8 (PR)	

## QUICK-RELEASE AXLE BRACKET (BREEZY 510)

(Discontinued 03/00 - parts only)



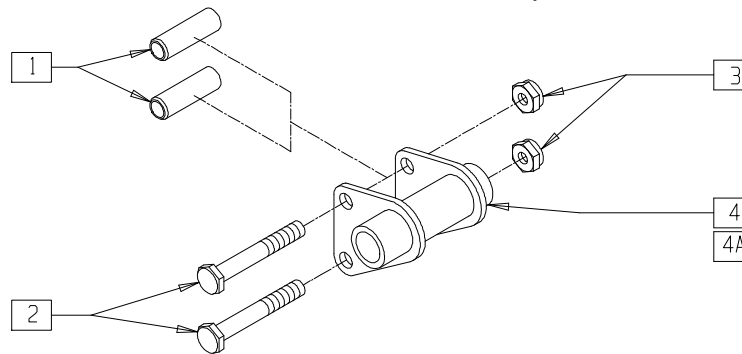
BZ00X10

ITEM	NUMBER	DESCRIPTION	QTY
1	201110-QU	1/4-28 NYLOCK NUT	4
2	262100-QU	1/4 AN WASHER FLAT	4
3	561098	AXLE BRACKET BUSHING PLASTIC	4
4	505312	AXLE BRACKET OR R BR/Rx/QT	1

ITEM	NUMBER	DESCRIPTION	QTY
4A	505313	AXLE BRACKET OR L BR/Rx/QT	1
5	221160	1/4-28 x 2 HEX C/S	4
1,3,4,4A,5	920163	QR AXLE BRACKET W/HDWR BR (PR)	

## QUICK-RELEASE AXLE BRACKET (BREEZY 510/QUICKIE Rx)

(Fits Breezy 510 prior to serial number BZ-200000 and Rx prior to serial number Rx-20282)

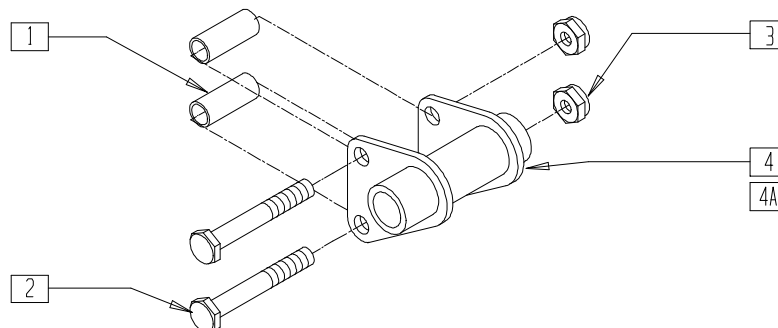


AX0X011

ITEM	NUMBER	DESCRIPTION	QTY
1	561098	AXLE BRACKET BUSHING PLASTIC	2
2	221150	1/4-28 x 1 3/4 HEX C/S	2
3	201110	1/4-28 NYLOCK NUT	2

ITEM	NUMBER	DESCRIPTION	QTY
4	505310	QR AXLE PLATE BZ/Rx R O/S	1
4A	505311	QR AXLE PLATE BZ/Rx L O/S	1
1-4,4A	920162	QR AXLE BRKT ASSM BZ/Rx 1" (PR)	

## QUICK-RELEASE AXLE BRACKET (BREEZY 510 RECLINER)



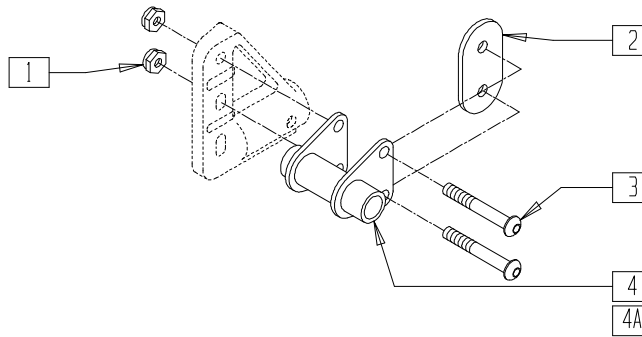
BREX08

ITEM	NUMBER	DESCRIPTION	QTY
1	561098	AXLE BRACKET BUSHING PLASTIC	2
2	221160	1/4-28 x 2 HEX C/S	2
3	201110	1/4-28 NYLOCK NUT	2
4	505312	AXLE BRACKET OR R BR/Rx/QT	1

ITEM	NUMBER	DESCRIPTION	QTY
4A	505313	AXLE BRACKET OR L BR/Rx/QT	1
1-4	920083	QR AXLE PLT L B510 RECLINER	
1-3,4A	920082	QR AXLE PLT R B510 RECLINER	



## QUICK-RELEASE AXLE BRACKET (QUICKIE KIDZ)

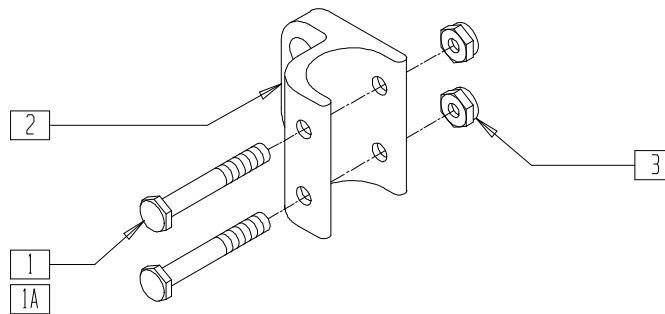


AX0X015

ITEM	NUMBER	DESCRIPTION	QTY
1	201110	1/4-28 NYLOCK NUT	2
2	561085	1 1/8" HALF SADDLE 2 HOLE QTS	1
3	226150	1/4-28 x 2 BH C/S	2

ITEM	NUMBER	DESCRIPTION	QTY
4	505314	AXLE BRACKET QR R KIDZ GP	1
4A	505315	AXLE BRACKET QR L KIDZ GP	1

## AXLE BRACKET (STANDARD THREADED AXLES) (QUICKIE LX/RECLINER/Rx) (Fits Quickie Rx beginning serial number Rx-20282)

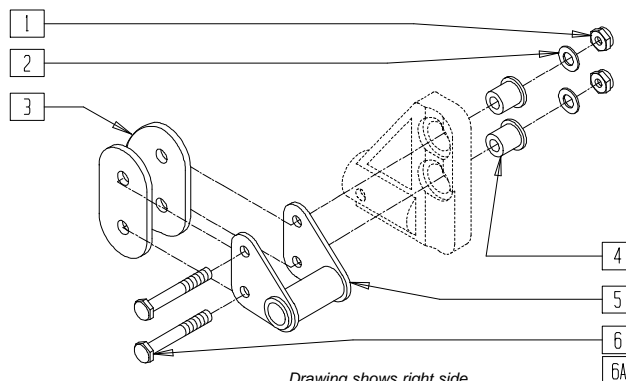


AX0X012

ITEM	NUMBER	DESCRIPTION	QTY
1	221192	1/4-28 x 2 G8 HEX C/S	2
1A	221191	1/4-28 x 2 1/4 G8 HEX C/S	2
2	503000	AXLE BRACKET BZ/Rx/LX	1
3	201110	1/4-28 NYLOCK NUT	2

ITEM	NUMBER	DESCRIPTION	QTY
1-3	920182	AXLE BRACKET ASSEMBLY BZ/Rx 1 1/8" (PR)	
1A,2,3	920181	AXLE BRACKET ASSEMBLY Rx 1 1/8" AT (RECLINER) (PR)	

## THREADED OFFSET AXLE BRACKET (BREEZY 2) (Breezy 2 Discontinued 5/98 - parts only)



Drawing shows right side

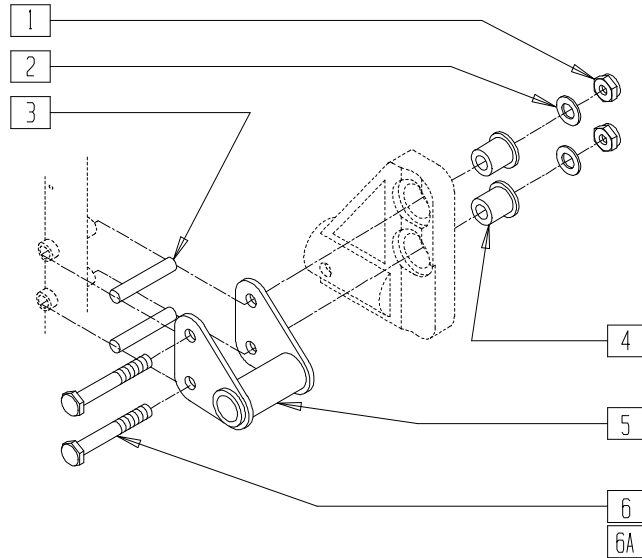
BZ00X21

ITEM	NUMBER	DESCRIPTION	QTY
1	201110	1/4-28 NYLOCK NUT	2
2	262100-OU	1/4 AN WASHER FLAT	2
3	561085	1 1/8" HALF SADDLE 2 HOLE QTS	2
4	281190	ANTI-TIP SPACER BR	2
5	505309	AXLE BRACKET THREADED BR	1

ITEM	NUMBER	DESCRIPTION	QTY
6	221150	1/4-28 x 1 3/4 HEX C/S	2
6A	221190-OU	1/4-28 x 2 3/4 HEX C/S	2
1-3,5,6	920155	AXLE BRKT THRD W/HWDR BR (PR)	
1-5,6A	920157	AXLE BRACKET THRD ANTI-TIP W/HARDWARE B2 (PR)	

## THREADED OFFSET AXLE BRACKET (BREEZY 510)

(Discontinued - 03/00 parts only)

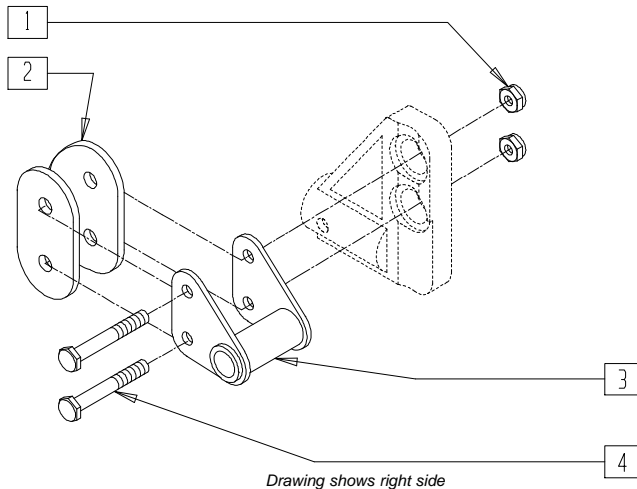


BZ00X19

ITEM	NUMBER	DESCRIPTION	QTY
1	201110	1/4-28 NYLOCK NUT	1
2	262100-QU	1/4 AN WASHER FLAT	2
3	561098	AXLE BRACKET BUSHING PLASTIC	2
4	281190	ANTI-TIP SPACER BR	2
5	505309	AXLE BRACKET THREADED BR	1

ITEM	NUMBER	DESCRIPTION	QTY
6	221160	1/4-28 x 2 HEX C/S	2
6A	221190-QU	1/4-28 x 2 3/4 HEX C/S	2
1,3,5,6	920188	AXLE BRACKET THREADED W/HARDWARE BR (PR)	
1-5,6A	920189	AXLE BRKT THRD AT W/HDWR (PR)	

## THREADED OFFSET AXLE BRACKET (BREEZY 600)

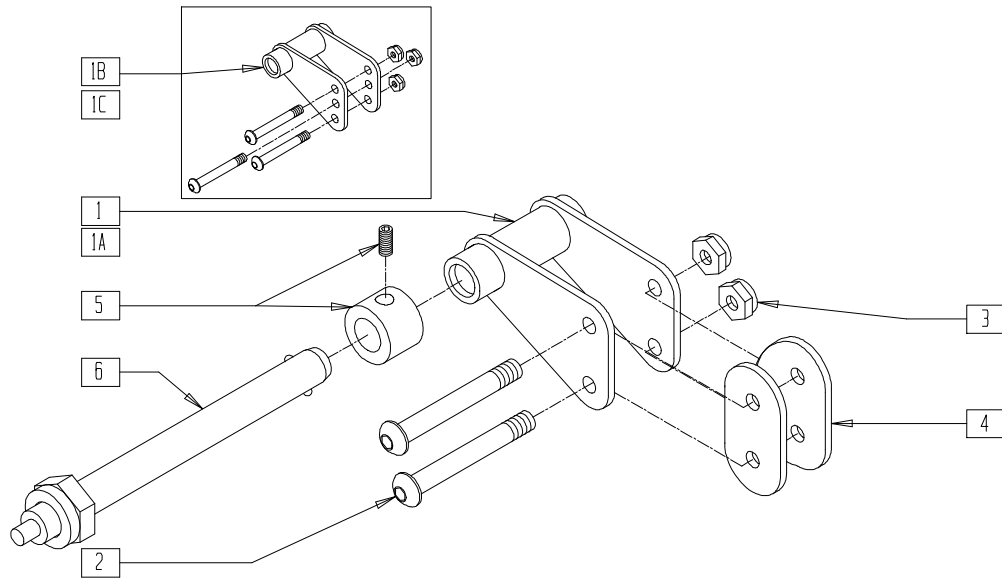


BZ00X21A

ITEM	NUMBER	DESCRIPTION	QTY
1	201110-QU	1/4-28 NYLOCK NUT	2
2	561085	1 1/8" HALF SADDLE 2 HOLE QTS	2
3	505309	AXLE BRACKET THREADED BR	1

ITEM	NUMBER	DESCRIPTION	QTY
4	221160	1/4-28 x 2 HEX C/S	2
	221170	1/4-28 x 2 1/4 HEX C/S	

## AXLE BRACKET (ZIPPIE TS) AMPUTEE AXLE BRACKET (QUICKIE TS) (Fits Quickie TS prior to QT-12900)



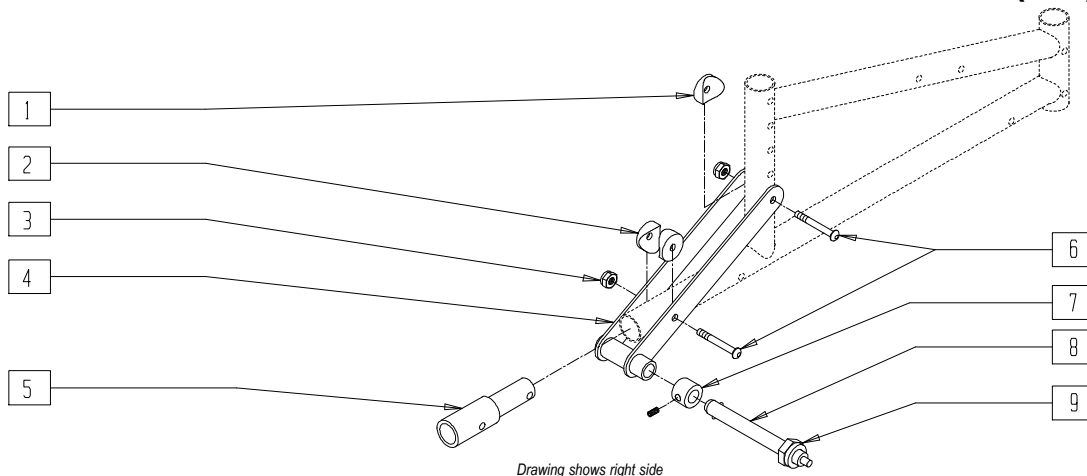
Z00X10

ITEM	NUMBER	DESCRIPTION	QTY
1*	505320	QR AXLE PLATE R ZP TS	1
1A*	505321	QR AXLE PLATE L ZP TS	1
1B*	505322	QR AXLE PLATE R ZP X-LG	1
1C*	505323	QR AXLE PLATE L ZP X-LG	1
2	226140	1/4-28 x 1 3/4 BH C/S	2-3
3	201110	1/4-28 NYLOCK NUT	2-3
4	561085	1 1/8" HALF SADDLE 2 HOLE QTS	2
5	920117	MAG SPACER 6S W/SET SCREW	1

ITEM	NUMBER	DESCRIPTION	QTY
6	920129	QR AXLE W/NUT	1
5,6	920138	QR AXLE W/SPACER FOR 6S MAG	
1-4,6	920132	ZP TS OR AXLE ASSEMBLY SPK (PR)	
1,1A,2-6	920142	ZP TS OR AXLE 6S MAG W/HDWR (PR)	
1B,2-6	920135	ZP TS OR AXLE ASSEMBLY SPOKE X-LONG (PR)	
1B,1C,2-6	920143	ZP TS OR AXLE 6S MAG W/HARDWARE X-LONG (PR)	

NOTE: WHEN USING MAG WITH A HEIGHT ADJUSTABLE ARM, ORDER PART NUMBERS 920129 AND 920117.  
NOTE: ITEM 4 USED ON QUICKIE TS BEGINNING SERIAL NUMBER QT-2802.  
\* ORDER ITEMS 1 AND 1A FOR QUICKIE TS AMPUTEE AXLE PLATE.

## AXLE BRACKET (12") (ZIPPIE TS)



Drawing shows right side

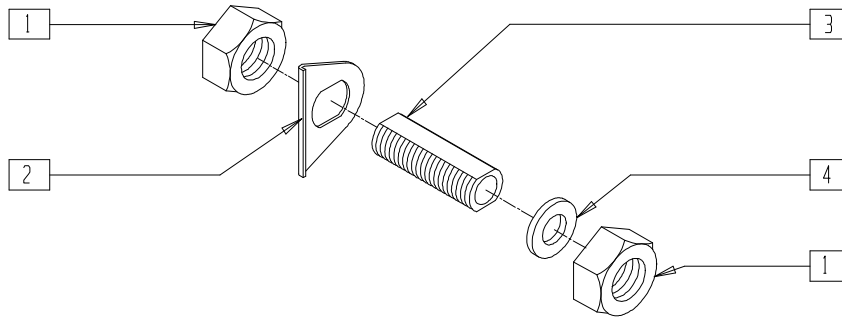
Z00X19A

ITEM	NUMBER	DESCRIPTION	QTY
1	561001	1 1/8" SADDLE 1/4" HOLE	1
2	561004	1" SADDLE 1/4" HOLE	2
3	201100-OU	1/4-28 NYLOCK NUT THIN	2
5	483097	ANTI-TIP INSERT 12" WHEEL	1
6	226140	1/4-28 x 1 3/4 BH C/S	2
*7	920117	MAG SPACER 6S W/SET SCREW	1

ITEM	NUMBER	DESCRIPTION	QTY
8	349010	QUICK RELEASE AXLE	1
9	203100	1/2-20 NYLOCK NUT	1
1-6	920161	QR AXLE PLATE TS 12" WHEEL W/AT REC	
7-9	920118	QR AXLE 12S MAG W/NUT AND SPACER	

\*ITEM 7, MAG SPACER, NOT REQUIRED EFFECTIVE SERIAL NUMBER ZP-32173.

## AXLE SLEEVE (FOR INDEXED AXLE PLATE)

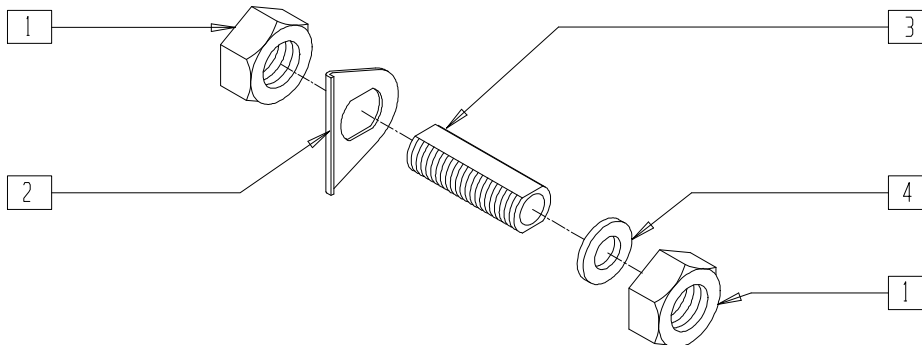


AX0X09

ITEM	NUMBER	DESCRIPTION	QTY
1	204000	3/4-16 NUT	2
2	505015	INDEX AXLE WASHER	1
3	481065	AXLE SLEEVE SS	1

ITEM	NUMBER	DESCRIPTION	QTY
4	265100	3/4 x 18 WASHER NARROW	1
1-4	920120	AXLE SLEEVE W/HARDWARE INDEX	

## AXLE SLEEVE (FOR ADJUSTABLE AXLE PLATE) (QUICKIE LX/LXI) (Threaded axle only)



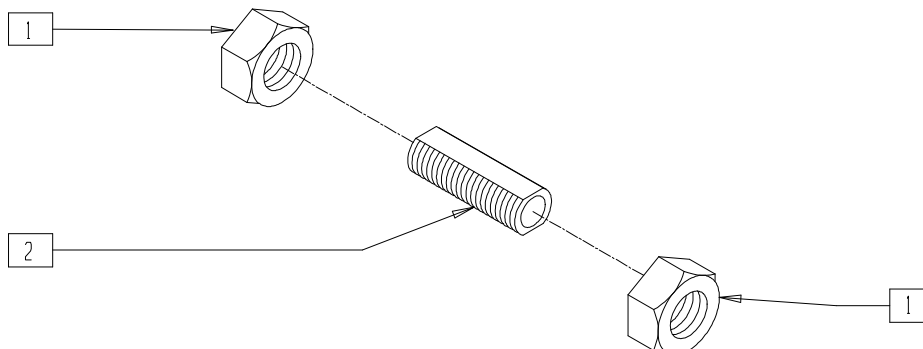
AX0X024

ITEM	NUMBER	DESCRIPTION	QTY
1	204000	3/4-16 NUT	2
2	505015	INDEX AXLE WASHER	1
3	481112	AXLE SLEEVE 7/16" ID	1

ITEM	NUMBER	DESCRIPTION	QTY
4	265100	3/4 x 18 WASHER NARROW	1
1-4	920099	AXLE SLEEVE 7/16" ID W/HARDWARE	

NOTE: AXLE SLEEVE AVAILABLE FOR THREADED AXLES.

## AXLE SLEEVE (QUICKIE M6)

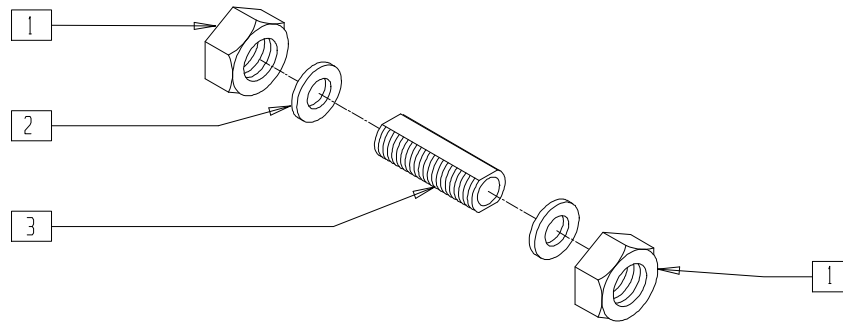


MAG00X32

ITEM	NUMBER	DESCRIPTION	QTY
1	203119	1"-14 JAM NUT	2
2	481268	SLEEVE 5/8" AXLE	1

ITEM	NUMBER	DESCRIPTION	QTY
1,2	920537	AXLE SLEEVE W/HDWR M6	

## AXLE SLEEVE (AMPUTEE, NON-INDEXED AXLE, AND CURVED AXLE PLATES)



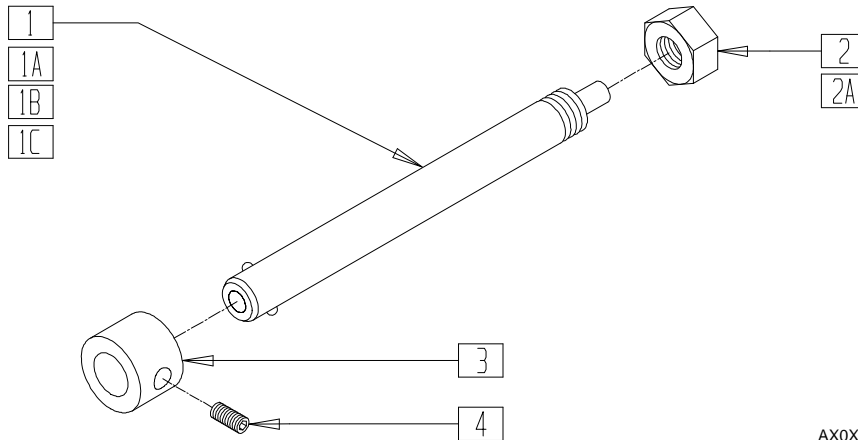
AX0X09A

ITEM	NUMBER	DESCRIPTION	QTY
1	204000	3/4-16 NUT	2
2	265100	3/4 x 18 WASHER NARROW	2

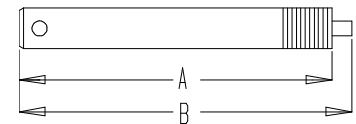
ITEM	NUMBER	DESCRIPTION	QTY
3	481065	AXLE SLEEVE SS	1
1-3	920121	AXLE SLEEVE W/HDWR (NON-INDEX)	

## QUICK-RELEASE AXLE (MOST QUICKIE PRODUCTS WITH COMPATIBLE HUBS)

(Quickie GPS, GPS Ti and Triumph discontinued 2/01 parts only.)



### MEASURING GUIDE



AXGUIDE

PART NUMBER	"A"	"B"	WEIGHT
920119	4 3/4"	5"	4.0 oz
920129	5 3/8"	5 5/8"	3.8 oz
920130	5 3/4"	6"	4.0 oz
920137	5 3/4"	6"	2.7 oz
920138	5 3/8"	5 5/8"	4.3 oz

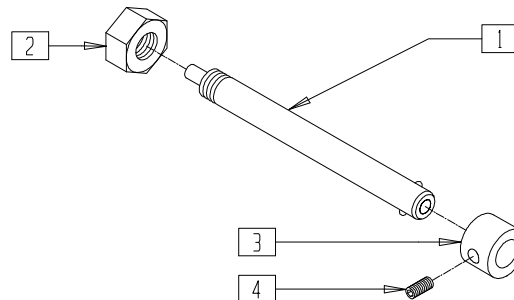
AX0X010

ITEM	NUMBER	DESCRIPTION	QTY
2	203100	1/2-20 NYLOCK NUT	1
2A	330010	1/2-20 NYLOCK NUT ALUMINUM	1
3	483057	MAG AXLE SPACER W/HOLE	1
4	225100	1/4-20 x 1/4 SET SCREW	1
3,4	920117	MAG SPACER 6S W/SET SCREW	
1,2	920119	QR AXLE MAG W/NUT	

ITEM	NUMBER	DESCRIPTION	QTY
1A,2	920129*	QR AXLE W/NUT	
1A,2-4	920138	QR AXLE W/SPACER FOR 6S MAG	
1B,2	920130	QR AXLE NON-RECESS HUB W/NUT	
1C,2A	920137	QR AXLE W/NUT Ti	

\* NOTE: 920129 DISCONTINUED 9/21/98 - PARTS ONLY

## QUICK-RELEASE AXLE (BREEZY 510 RECLINER)

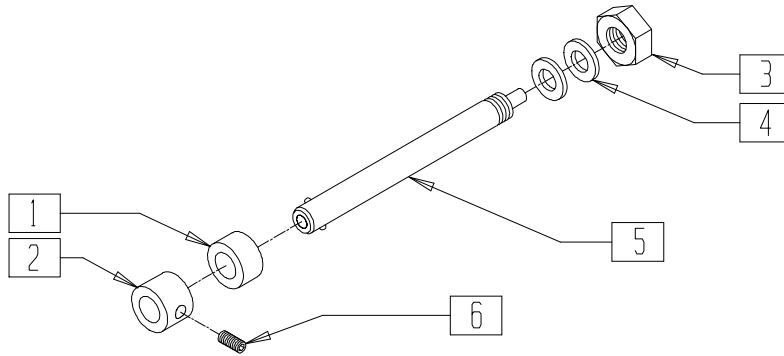


BREX06A

ITEM	NUMBER	DESCRIPTION	QTY
2	203100	1/2-20 NYLOCK NUT	1
3	483057	MAG AXLE SPACER W/HOLE	1
4	225100	1/4-20 x 1/4 SET SCREW	1

ITEM	NUMBER	DESCRIPTION	QTY
3,4	920117	MAG SPACER 6S W/SET SCREW	
1-4	920138	QUICK RELEASE W/SPACER FOR 6S MAG	

## QUICK-RELEASE AXLE (BREEZY 510/600 ULTRA HEMI)

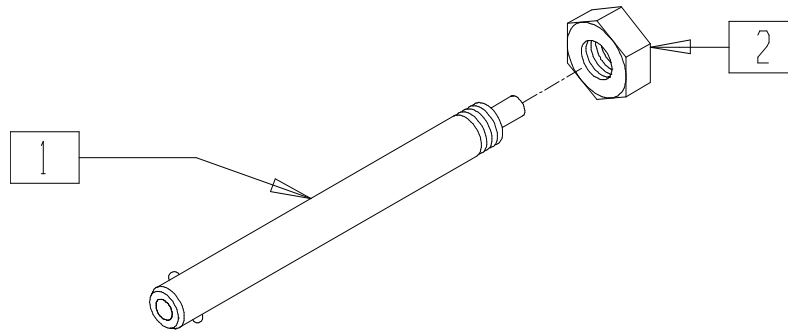


BZ600X08

ITEM	NUMBER	DESCRIPTION	QTY
1	483058	1 AD WHEEL SPACER	1
2	483057	MAG AXLE SPACER W/HOLE	1
3	203100	1/2-20 NYLOCK NUT	1
4	264100	1/2 AN WASHER FLAT	2

ITEM	NUMBER	DESCRIPTION	QTY
6	225100	1/4-20 x 1/4 SET SCREW	1
3,5	921139	QR AXLE W/NUT BR	
2,6	920117	MAG SPACER 6S W/SET SCREW	
1-6	920626	AXLE QR B510/B600 HEMI	

## QUICK-RELEASE AXLE WITH NUT (QUICKIE M6)

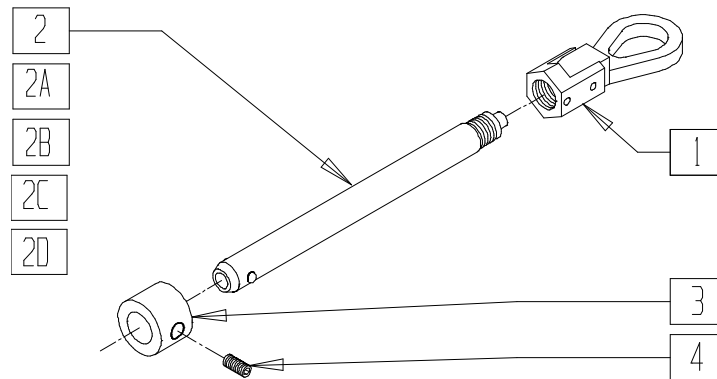


MAG00X23

ITEM	NUMBER	DESCRIPTION	QTY
1	349003	QR AXLE HEAVY DUTY	1
2	203109	5/8-18 NUT, NYLOCK, THIN	1

ITEM	NUMBER	DESCRIPTION	QTY
1,2	920538	QR AXLE W/NUT M6	

## QUAD-RELEASE AXLE NUT



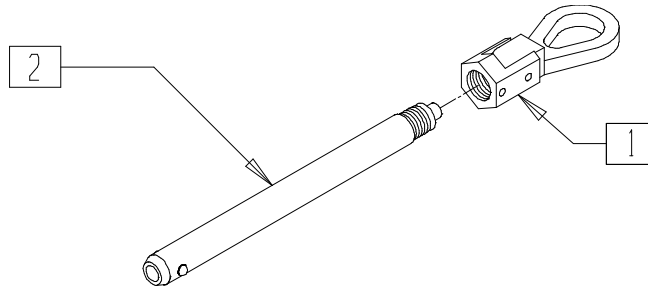
AC0X017

ITEM	NUMBER	DESCRIPTION	QTY
1	920139	QUAD RELEASE AXLE NUT	1
3	483057	MAG AXLE SPACER W/HOLE	1
4	225100	1/4-20 x 1/4 SET SCREW	1
3,4	920117	MAG SPACER 6S W/SET SCREW	
1,2	920170*	QR AXLE STANDARD W/QUAD NUT	

ITEM	NUMBER	DESCRIPTION	QTY
1,2A	920171	QR AXLE MAG W/QUAD NUT	
1,2B,3,4	920172	QR AXLE MAG W/SPACER AND QUAD NUT	
1,2C	920173	QR AXLE TI W/QUAD NUT	
1,2D	920174	QR AXLE NON-RECESS W/QUAD NUT	

\* NOTE: 920170 DISCONTINUED 9/21/98 - PARTS ONLY

## QUAD-RELEASE AXLE NUT (PUSH-BUTTON) (Effective 9/21/98)

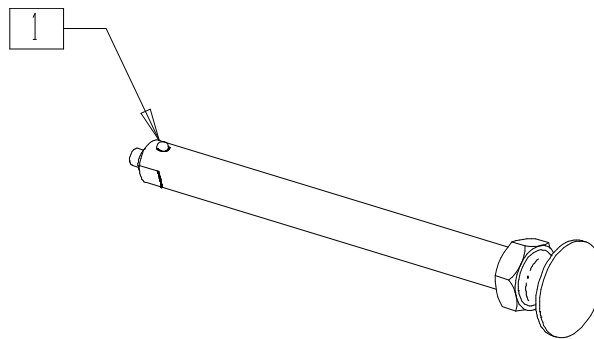


AX0X027

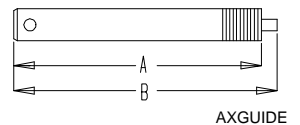
ITEM	NUMBER	DESCRIPTION	QTY
1	920139	QUAD RELEASE AXLE NUT	1

ITEM	NUMBER	DESCRIPTION	QTY
2	922170	QR AXLE W/QUAD NUT PUSH BUTTON	

## BIG BUTTON AXLE (SPOKE WHEELS) (Effective 9/21/98)



### MEASURING GUIDE



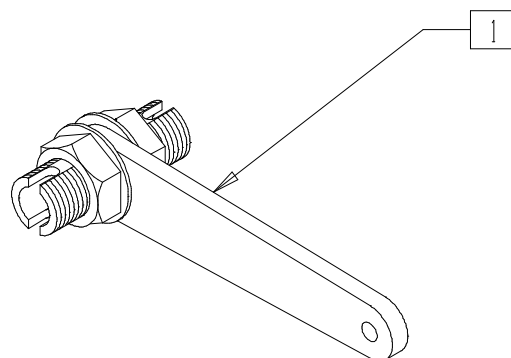
AXGUIDE

PART NUMBER	"A"	"B"
349057	5 3/16"	5 9/16"

AX0X026

ITEM	NUMBER	DESCRIPTION	QTY
1	349057	AXLE PIN AND NUT CLEAR LONG	1

## QUICK-RELEASE AXLE WRENCH

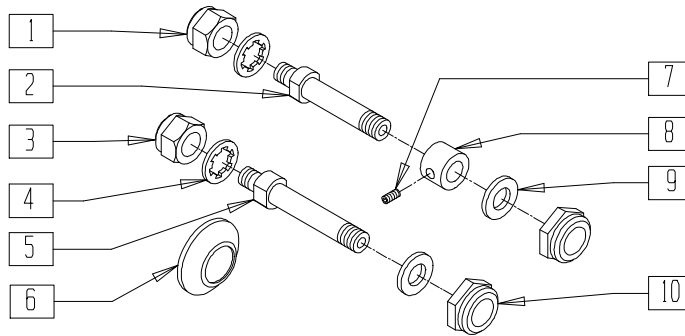


AX0X022

ITEM	NUMBER	DESCRIPTION	QTY
1	920115	QR AXLE WRENCH	1

## THREADED REAR AXLE (CHROME BREEZY)

(Fits Chrome Breezy prior to serial number BZ-200000)

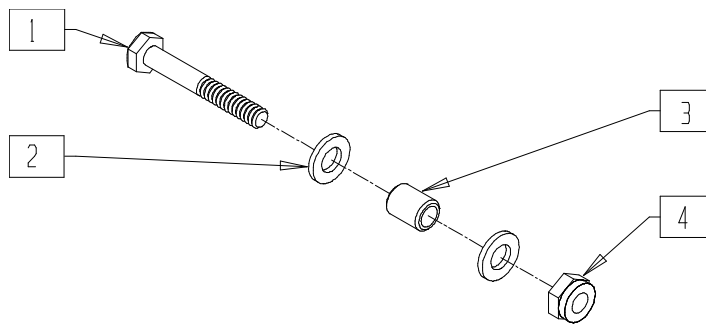


AX0X21

ITEM	NUMBER	DESCRIPTION	QTY
1	202223	7/16-20 NYLOCK NUT THIN	1
3	202225	7/16-20 NYLOCK NUT	1
4	263123	7/16 INTERNAL TOOTH LOCK WSHR	2
6	561068	SIX SPOKE MAG AXLE CAP	1
7	225100	1/4-20 x 1/4 SET SCREW	1
8	483057	MAG AXLE SPACER W/HOLE	1

ITEM	NUMBER	DESCRIPTION	QTY
9	264100	1/2 AN WASHER FLAT	1
10	203100	1/2-20 NYLOCK NUT	1
7,8	920117	MAG SPACER 6S W/SET SCREW	
1,2,4,9,10	920128	AXLE SPOKE W/HDWR BZ/RX O/S	
3-5,9,10	920126	Rx/BZ REAR AXLE W/HDWR 12S MAG	

## THREADED AXLE (BREEZY 510/600 ULTRA-HEMI)



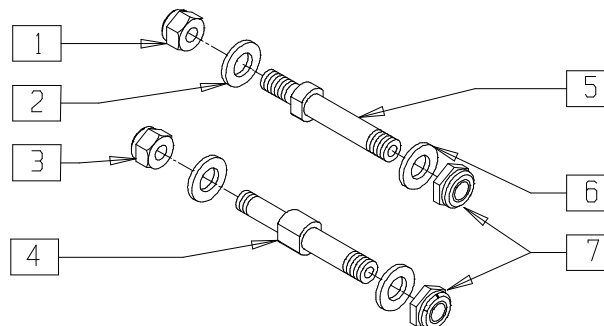
BR600X03A

ITEM	NUMBER	DESCRIPTION	QTY
1	221194	1/2-20 x 5 G8 HEX C/S	1
2	264100	1/2 AN WASHER FLAT	2
3	481213	AXLE SPACER BR	1

ITEM	NUMBER	DESCRIPTION	QTY
4	203100	1/2-20 NYLOCK NUT	1
1-4	920085	THREADED AXLE ASSEMBLY BR	

## THREADED REAR AXLE (BREEZY 500/510)

(Discontinued - parts only)



BZ00X11

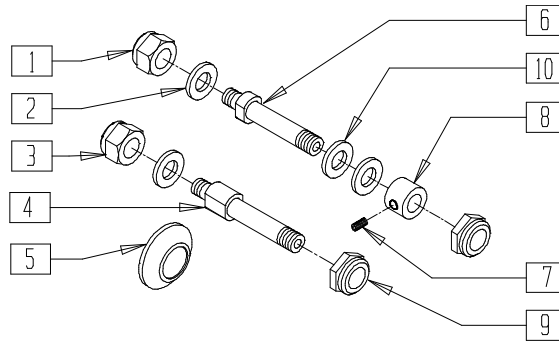
ITEM	NUMBER	DESCRIPTION	QTY
1	202223	7/16-20 NYLOCK NUT THIN	1
2	263123	7/16 INTERNAL TOOTH LOCK WSHR	2
3	202225	7/16-20 NYLOCK NUT	1
6	264100	1/2 AN WASHER FLAT	1

ITEM	NUMBER	DESCRIPTION	QTY
7	203100	1/2-20 NYLOCK NUT	1
1,2,5-7	920177	AXLE SPOKE W/HARDWARE BR	
2-4,6,7	920176	AXLE MAG W/HARDWARE BR	



## THREADED REAR AXLE (BREEZY 510, QUICKIE Rx/RECLINER)

(Fits Breezy prior to serial number BZ-200000, Rx prior to serial number Rx-46101 and Quickie Recliner prior to serial number QR-3308)

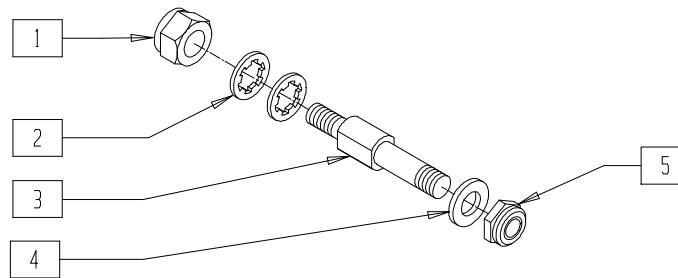


AX0X10A

ITEM	NUMBER	DESCRIPTION	QTY
1	202223	7/16-20 NYLOCK NUT THIN	1
2	263120	7/16 AN WASHER	1
3	202225	7/16-20 NYLOCK NUT	1
5	561068	SIX SPOKE MAG AXLE CAP	1
7	225100	1/4-20 x 1/4 SET SCREW	1
8	483057	MAG AXLE SPACER W/HOLE	1

ITEM	NUMBER	DESCRIPTION	QTY
9	203100	1/2-20 NYLOCK NUT	1
10	264100	1/4 AN WASHER FLAT	2
7,8	920117	MAG SPACER 6S W/SET SCREW	
1,2,6,9,10	920146	AXLE SPOKE W/HDWR 1 1/8" BZ/Rx	
2,3,4,9	920147	AXLE MAG W/HDWR 1 1/8" BZ	
1,2,6-9	920148	AXLE MAG W/SPACER 1 1/8" BZ/Rx	

## THREADED REAR AXLE (BREEZY 510 RECLINER)

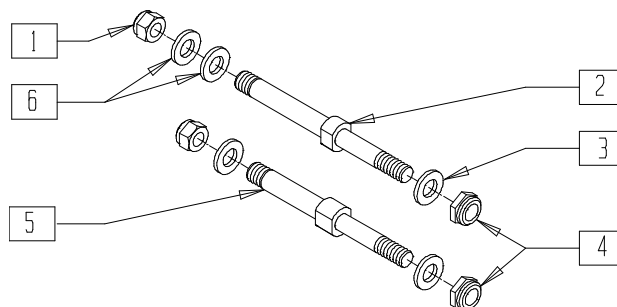


BREX13A

ITEM	NUMBER	DESCRIPTION	QTY
1	202225	7/16-20 NYLOCK NUT	1
2	263123	7/16 INTERNAL TOOTH LOCK WASHER	2
3	481413	AXLE BR RECLINER	1
4	264100	1/2 AN WASHER FLAT	1

ITEM	NUMBER	DESCRIPTION	QTY
5	203100	1/2-20 NYLOCK NUT	1
1-5	920081	AXLE THRD W/HDWR B510 RECLINER (EA)	

## THREADED REAR AXLE (ADJUSTABLE AXLE PLATE) (QUICKIE LX/LXI/TS)

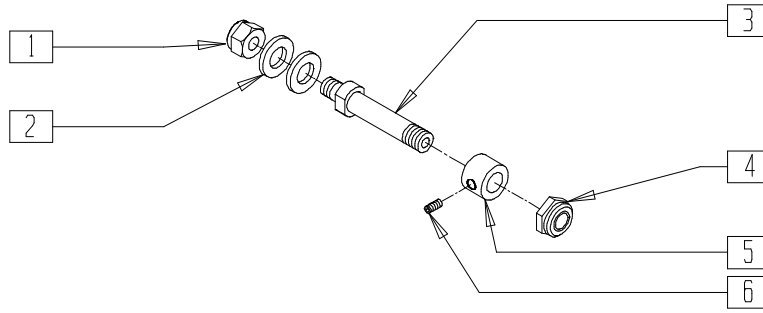


AX0X023

ITEM	NUMBER	DESCRIPTION	QTY
1	203100	1/2-20 NYLOCK NUT	1
3	263120	7/16 AN WASHER	1
4	202223	7/16-20 NYLOCK NUT THIN	1
6	264100	1/2 AN WASHER FLAT	2

ITEM	NUMBER	DESCRIPTION	QTY
1-4,6	920109	AXLE THREADED SPOKE (ADJUSTABLE AXLE PLATE) LX	
1,3-6	920108	AXLE THREADED MAG (ADJUSTABLE AXLE PLATE) LX	

## THREADED REAR AXLE (STANDARD AXLE PLATE) (QUICKIE LX)



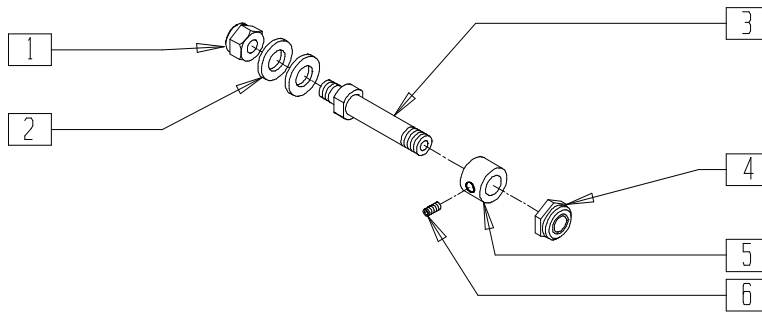
AX0X10B

ITEM	NUMBER	DESCRIPTION	QTY
1	202223	7/16-20 NYLOCK NUT THIN	1
2	263120	7/16 AN WASHER	2
4	203100	1/2-20 NYLOCK NUT	1
5	483057	MAG AXLE SPACER W/HOLE	1
6	225100	1/4-20 x 1/4 SET SCREW	1

ITEM	NUMBER	DESCRIPTION	QTY
5,6	920117	MAG SPACER 6S W/SET SCREW	
1-6	920106	AXLE THREADED MAG (STANDARD AXLE PLATE) LX	
1-4	920107	AXLE THREADED SPOKE (STANDARD AXLE PLATE) LX	

## THREADED REAR AXLE (QUICKIE Rx/RECLINER)

(Fits Quickie Rx beginning serial number Rx-46101 and Quickie Recliner beginning serial number QR-3308)

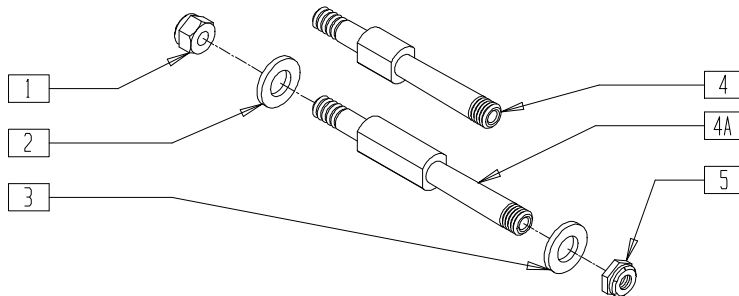


AX0X10B

ITEM	NUMBER	DESCRIPTION	QTY
1	202223	7/16-20 NYLOCK NUT THIN	1
2	263120	7/16 AN WASHER	2
4	203100	1/2-20 NYLOCK NUT	1
5	483057	MAG AXLE SPACER W/HOLE	1

ITEM	NUMBER	DESCRIPTION	QTY
6	225100	1/4-20 x 1/4 SET SCREW	1
5,6	920117	MAG SPACER 6S W/SET SCREW	
1-4	920156	AXLE SPOKE W/HARDWARE Rx	
1-6	920158	AXLE MAG W/SPACER Rx	

## THREADED AXLE (QUICKIE T45)



TSR00X14

ITEM	NUMBER	DESCRIPTION	QTY
1	202225	7/16-20 NYLOCK NUT	1
2	263120	7/16 AN WASHER	1
3	264100	1/2 AN WASHER FLAT	1
4	481121	AXLE THREADED T45	1
4A	481120	AXLE THREADED WIDE T45	1

ITEM	NUMBER	DESCRIPTION	QTY
5	203100	1/2-20 NYLOCK NUT	1
1-3,4A,5	920102	AXLE THREADED WIDE W/HARDWARE T45	
1-5	920103	AXLE THREADED STANDARD W/HARDWARE T45	

# AXLE REFERENCE GUIDE

## BREEZY PRIOR TO SERIAL NUMBER BZ-200000

AXLE	22" MAG	24" MAG 12 SPOKE	24" MAG 6 SPOKE	SPOKE WHEEL
BREEZY 1 1/8" THREADED AXLE W/PIVOT ARMS	920182 (PAIR) 920147	N/A	920182 (PAIR) 920147	920182 (PAIR) 920146
BREEZY 1 1/8" THREADED AXLE W/ADJ FL ARMS	920182 (PAIR) 920148	N/A	920182 (PAIR) 920148	920182 (PAIR) 920146
BREEZY 1 1/8" QR AXLE W/PIVOT ARMS	920184 (PAIR) 920119	N/A	920184 (PAIR) 920119	920184 (PAIR) 349057
BREEZY 1 1/8" QR AXLE W/ADJ FL ARMS	920184 (PAIR) 920138	N/A	920184 (PAIR) 920138	920184 (PAIR) 349057
BREEZY (ALUM) THREADED AXLE W/PIVOT ARMS	920126	920126	920126	920128
BREEZY (ALUM) THREADED AXLE W/ADJ FL ARMS	920128 920117	920140	920140	920128
BREEZY (ALUM) QR AXLE W/PIVOT ARMS	920162 (PAIR) 920119	920162 (PAIR) 920119	920162 (PAIR) 920119	920162 (PAIR) 349057
BREEZY (ALUM) QR AXLE W/ADJ FL ARMS	920162 (PAIR) 920118	920162 (PAIR) 920138	920162 (PAIR) 920119	920162 (PAIR) 349057
CHROME BREEZY THREADED AXLE	920128 920117	920128 920117	920140	920128
CHROME BREEZY QR AXLE	920162 (PAIR) 920118	920162 (PAIR) 920118	920162 (PAIR) 920138	920162 (PAIR) 349057

## BREEZY BEGINNING SERIAL NUMBER BZ-200000

AXLE	20" MAG	22" MAG	24" MAG	SPOKE WHEEL
BR THREADED AXLE	920176	920176	920176	920177
BR QUICK RELEASE	920163 920138	920163 920138	920163 920138	920163 349057
BR QR FOR ANTI-TIP	920183 920138	920183 920138	920183 920138	920183 349057
BR THREADED AXLE OFFSET	920188 920176	920188 920176	920188 920176	920188 920176
BR THREADED AXLE OFFSET FOR ANTI-TIP	920189 920176	920189 920176	920189 920176	920189 920177

## BREEZY ULTRA HEMI

AXLE	20" MAG	22" MAG	24" MAG	SPOKE WHEEL
ULTRA HEMI THREADED AXLE	920085	920085	920085	N/A
ULTRA HEMI QUICK RELEASE	920119	920119	920119	N/A

## BREEZY 500

AXLE	20" MAG	22" MAG	24" MAG	SPOKE WHEEL
BR THREADED AXLE	N/A	N/A	920176	N/A

## QUICKIE EX

AXLE	22" MAG	24" MAG 12 SPOKE	24" MAG 6 SPOKE	SPOKE WHEEL
QUICKIE EX	920119	N/A	920119	349057
QUICKIE EX QUAD Q.R.	920171	N/A	920171	920170

## QUICKIE GPS

AXLE	22" MAG	24" MAG 12 SPOKE	24" MAG 6 SPOKE	SPOKE WHEEL
QUICKIE GPS	920119	N/A	920119	349057
QUICKIE GPS QUAD Q.R.	920171	N/A	920171	920170

## QUICKIE KIDZ

AXLE	12" MAG	14" MAG	20" MAG	20" SPOKE
QUICKIE KIDZ	920119	920119	920138	349057
QUICKIE KIDZ QUAD Q.R.	920171	920171	920172	920170

## QUICKIE LX

AXLE	20" MAG	22" MAG	24" MAG 6 SPOKE	SPOKE WHEEL
QUICK RELEASE STD AXLE PLATE	920180 920138	920180 920138	920180 920138	920180 349057
THREADED STD AXLE PLATE	920182 920106	920182 920106	920147 920182	920146 920182
QUICK RELEASE ADJ AXLE PLATE	920138	920138	920138	349057
THREADED ADJ AXLE PLATE	920108	920108	920108	920109
STD AXLE PLATE QUAD Q.R. AXLE	920180 920172	920180 920172	920180 920172	920170
ADJ AXLE PLATE QUAD Q.R. AXLE	920171	920171	920171	920170

## QUICKIE LXI

AXLE	20" MAG	22" MAG	24" MAG 6 SPOKE	SPOKE WHEEL
QUICK RELEASE ADJ AXLE PLATE	920138	920138	920138	349057
THREADED ADJ AXLE PLATE	920108	920108	920108	920109
ADJ AXLE PLATE QUAD Q.R. AXLE	920171	920171	920171	920170

NOTE: SEE PAGE 7.23 AND 7.24 FOR AXLES WITH QUAD NUTS.

CONTINUED ON NEXT PAGE

## AXLE REFERENCE GUIDE (CONTINUED)

QUICKIE RECLINER PRIOR TO 1/94				
AXLE	22" MAG	24" MAG 12 SPOKE	24" MAG 6 SPOKE	SPOKE WHEEL
QUICKIE RECLINER THREADED AXLE	920182 (PAIR) 920148	N/A	920182 (PAIR) 920148	920182 (PAIR) 920146
QUICKIE RECLINER QR AXLE	920184 (PAIR) 920138	N/A	920184 (PAIR) 920138	920184 (PAIR) 920129
QUICKIE RECLINER QUAD QR AXLE	N/A	N/A	920184 (PAIR) 920171	920148 (PAIR) 920170
QUICKIE RECLINER QR AXLE STD	920138	N/A	920138	920170
QUICKIE RCLNR/ BREEZY Q.R. AXLE STD	920184 (PAIR) 920118	N/A	920126	920184 (PAIR) 920129

QUICKIE RECLINER BEGINNING 1/94				
AXLE	20" MAG	24" MAG 12 SPOKE	24" MAG 6 SPOKE	SPOKE WHEEL
QUICKIE RECLINER THREADED AXLE	920181 920158	N/A	920181 920158	920181 920156
QUICKIE RECLINER QR AXLE	920180 920138	N/A	920180 920138	920180 349057

RIGID CHAIRS, QUICKIE 2/2HP/2HPTi/GP/GPV/Ti/TR/QC/QR STD				
AXLE	22" MAG	24" MAG 12 SPOKE	24" MAG 6 SPOKE	SPOKE WHEEL
QUICKIE 2/2HP/ 2HPTi/GP/ GPV/Ti/TR/QC/ QR STD AXLE	N/A	920119	920119	349057
QUICKIE GP/GPV/ QC/Ti/HP/HPTi/TR QUAD QR AXLE	N/A	N/A	920171	920170

QUICKIE Rx PRIOR TO 1/94				
AXLE	22" MAG	24" MAG 12 SPOKE	24" MAG 6 SPOKE	SPOKE WHEEL
QUICKIE Rx 1 1/8" THREADED AXLE	920182 (PAIR) 920148	N/A	920182 (PAIR) 920148	920182 (PAIR) 920156
QUICKIE Rx 1 1/8" QR AXLE	920184 (PAIR) 920138	N/A	920184 (PAIR) 920138	920184 (PAIR) 349057
QUICKIE Rx 1 1/8" QUAD QR AXLE	920184 920172	N/A	920184 (PAIR) 920172	920184 (PAIR) 920170
QUICKIE Rx (FLAT SIDE) THREADED AXLE	920128 920117	920128 920117	920140	920128
QUICKIE Rx (FLAT SIDE) QR AXLE	920162 (PAIR) 920118	920162 (PAIR) 920118	920162 (PAIR) 920138	920162 (PAIR) 920129
QUICKIE Rx RECLINER 1 1/8" THREADED AXLE	920182 (PAIR) 920146 920117	N/A	920182 (PAIR) 920148	920182 (PAIR) 920156

QUICKIE Rx BEGINNING 1/94 (EFFECTIVE 9/21/98)				
AXLE	22" MAG	24" MAG 12 SPOKE	24" MAG 6 SPOKE	SPOKE WHEEL
QUICKIE Rx THREADED	920182 920158	N/A	920182 920158	920182 920156
QUICKIE Rx THRD W/ANTI-TIP	920181 920158	N/A	920181 920158	920181 920156
QUICKIE Rx QR W/ANTI-TIP	920180 920138	N/A	920180 920138	920180 920129

QUICKIE T45				
AXLE	16"-20" MAG			
QUICKIE T45	920103			
QUICKIE T45 W/ ADJ LOCKING ARM	920102			

Quickie TNT		
AXLE	24" SPOKE	24" HEAT TREATED
Quickie TNT	349058, 349055, 349056	349058, 349055, 349056

QUICKIE TS (PRIOR TO QT-12900), ZIPPIE				
AXLE	22" MAG	24" MAG 12 SPOKE	24" MAG 6 SPOKE	SPOKE WHEEL
QUICKIE TS QR AXLE	N/A	N/A	920119	349057
QUICKIE TS QUAD QR AXLE	N/A	N/A	920171	920170
ZIPPIE TS QR AXLE STD	920134 (PAIR)	920134 (PAIR)	920142 (PAIR)	920132 (PAIR)
ZIPPIE TS QR AXLE X-LARGE	920136 (PAIR)	920136 (PAIR)	920143 (PAIR)	920135 (PAIR)
ZIPPIE TS QUAD QR AXLE STANDARD	N/A	N/A	920185 (PAIR) 920172	920186 (PAIR) 920170
ZIPPIE TS QUAD QR AXLE X-LARGE	N/A	N/A	920185 (PAIR) 920172	920186 (PAIR) 920170

QUICKIE TS (BEGINNING QT-12900)				
AXLE	22" MAG	24" MAG 12 SPOKE	24" MAG 6 SPOKE	SPOKE WHEEL
QUICKIE TS QR AXLE	N/A	N/A	920119	349057
QUICKIE TS QUAD QR AXLE	N/A	N/A	920171	920170

QUICKIE R2				
AXLE	22" MAG	24" MAG 12 SPOKE	24" MAG 6 SPOKE	SPOKE WHEEL
QUICKIE R2 QR AXLE	N/A	N/A	920119	349057
QUICKIE R2 QUAD QR AXLE	N/A	N/A	920171	922170

QUICKIE M6				
AXLE	22" MAG	24" MAG 12 SPOKE	24" MAG 6 SPOKE	SPOKE WHEEL
QUICKIE M6 QR AXLE	N/A	N/A	N/A	920538

NOTE: SEE PAGE 7.23 AND 7.24 FOR AXLES WITH QUAD NUTS.

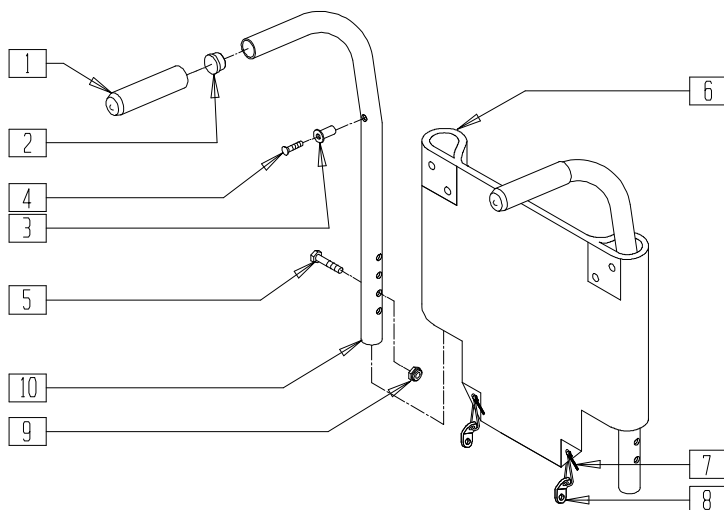
# Folding Chair Backrests and Upholstery

## IN THIS SECTION

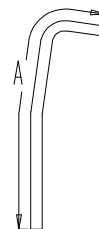
Backrest and Upholstery (Quickie Rx) (Disc.) .....	9.1	Stroller Handle Extension - Removable (Quickie 2 Depth Adjustable Back/ Quickie 2 Stroller handle) .....	9.10
Backrest and Upholstery (Quickie LX/LXI) .....	9.1	Backrest Stabilizer Bar (Quickie 2/2HP/2HD) .....	9.11
3/4" Push Handle Backrest and Upholstery (Quickie 2/2HP) (Disc.) .....	9.2	7/8" Push Handle backrest, Stabilizer Bar, and Upholstery (Quickie M6) .....	9.12
7/8" Push Handle Backrest and Upholstery (Quickie 2/2HP/2HPTi) .....	9.2	Back Frame (Quickie Revolution) .....	9.13
3/4" Non-Push Handle Backrest and Upholstery (Quickie 2/2HP) (Disc.) .....	9.3	Push Handle Backrest (Quickie Revolution) .....	9.13
7/8" Non-Push Handle Backrest and Upholstery (Quickie 2/2HP/2HPTi) .....	9.3	Backrest (Quickie Revolution) .....	9.14
Angle Adjustable Backrest (Quickie 2/2HP) .....	9.4	Backrest Upholstery (Quickie Revolution) .....	9.14
Adjustable Back Upholstery (Quickie 2/2HP/Heavy Duty Option) .....	9.5	Back Upholstery (Quickie Revolution) .....	9.15
Adjustable Back Upholstery Measuring Guide .....	9.5	Backrest and Upholstery (Quickie Recliner) .....	9.16
Precision Backrest (Quickie 2/2HP) .....	9.6	Headrest Extension and Upholstery (Quickie Recliner) .....	9.17
Backrest (Quickie2 Depth Adjustable Back/ Stroller handles) .....	9.7	Sling Back (Quickie Recliner) .....	9.17
Swing-Away Adjustable Stroller Handle (Quickie 2 Depth Adjustable Back) .....	9.8	Backrest (Quickie Recliner) .....	9.18
Removable Stroller Handle (Quickie 2/2HP) .....	9.9	Solid Back and Cushion .....	9.19
Solid Back (Quickie 2 Depth Adjustable Back) .....	9.10	Removable Solid Seat and Back (Velcro®) .....	9.20
		Backrest Cushion (Quickie 2/2HP/2HPTi/Rx) .....	9.20
		Back Upholstery Measuring Guides .....	9.21

# BACKREST AND UPHOLSTERY (QUICKIE Rx)

(Discontinued 4/1/96 - parts only)



## MEASURING GUIDE



MGUIDE3

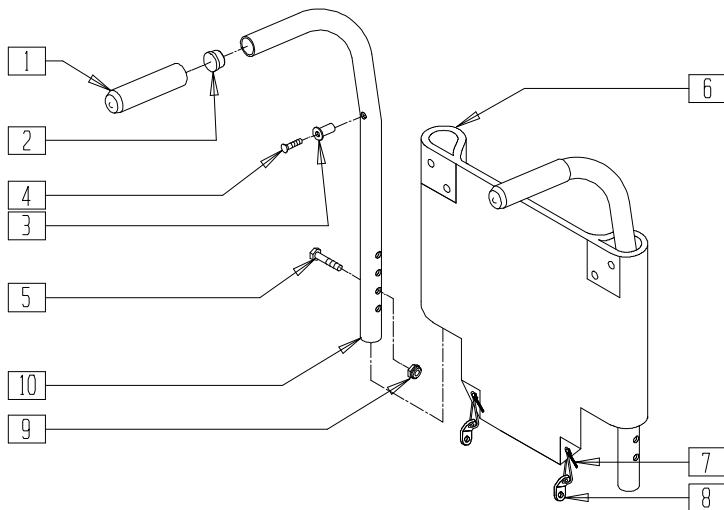
BACK TUBE	"A"
14"	23 1/2"
17"	26 1/2"
19"	28 1/2"

NOTE: DIMENSIONS ARE FOR BACK TUBE ONLY AND DO NOT INCLUDE FOAM GRIP.

ITEM	NUMBER	DESCRIPTION	QTY
1	560661	QUICKIE GRIP 7/8"	2
2	561007	7/8" INSERT PLUG .083	2
3	341497	10-32 x .020-.130 RIVNUT GOLD	2
4	281120	10-32 x 5/8 PAN HD PHIL	2
5	221151-QU	1/4-28 x 1 3/4 G8 HEX C/S	2
6	684010-684094	BACK UPHOLSTERY 11"-20" (Q2/Rx)	1
7	560410	ZIP TIE BLK	2
8	560227	2 HOLE TOGGLE BENT PLASTIC	2

ITEM	NUMBER	DESCRIPTION	QTY
9	201110	1/4-28 NYLOCK NUT	2
1-3,10	842019	Rx BCK TBE LOW (14") PH 8° W/FOAM	
	842020	Rx BCK TBE REG (17") PH 8° W/FOAM	
	842022	Rx BCK TBE TALL (19") PH 8° W/FOAM	
	842023	Rx BACK TUBE LOW PH W/FOAM	
	842024	Rx BACK TUBE REG PH W/FOAM	
1-10	683810-683984	BACK ASSEMBLY 11"-20" Rx	

# BACKREST AND UPHOLSTERY (QUICKIE LX/LXI)



## MEASURING GUIDE



MGUIDE3

BACK TUBE	"A"	DESCRIPTION
14"-17"	26 1/2"	MED
16"-19"	28 1/2"	TALL

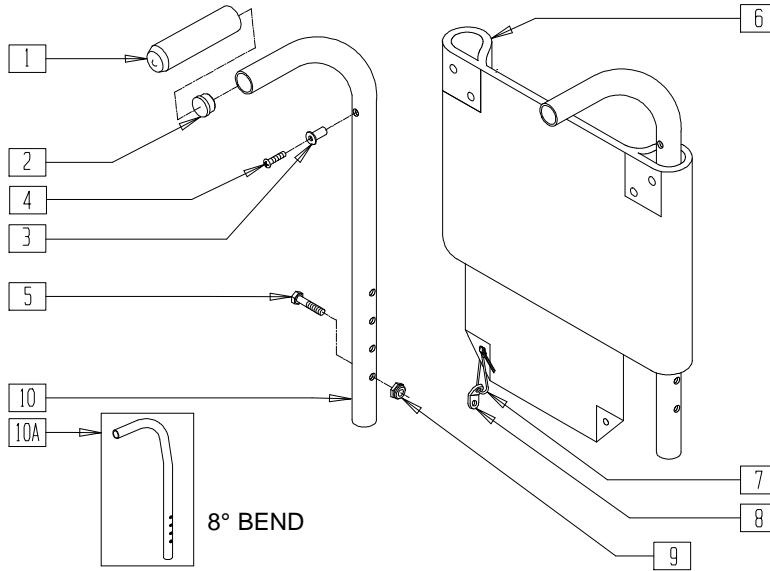
ITEM	NUMBER	DESCRIPTION	QTY
1	560661	QUICKIE GRIP 7/8"	2
2	561007	7/8" INSERT PLUG .083	2
3	341497	10-32 x .020-.130 RIVNUT GOLD	2
4	281120	10-32 x 5/8 PAN HD PHIL	2
5	221151-QU	1/4-28 x 1 3/4 G8 HEX C/S	2
6	684010-684094	BACK UPHOLSTERY 11"-20" (Q2/Rx)	1
7	560410	ZIP TIE BLK	2

ITEM	NUMBER	DESCRIPTION	QTY
8	560227	2 HOLE TOGGLE BENT PLASTIC	2
9	201110	1/4-28 NYLOCK NUT	2
1-3,10	842094	LX/LXI BCK TBE 14"-17" PH 8° W/FOAM	
	842095	LX/LXI BCK TBE 16"-19" PH 8° W/FOAM	
	842096	LX/LXI BCK TBE 14"-17" PH W/FOAM	
	842097	LX/LXI BACK TUBE 16"-19" PH W/FOAM	
1-10	683040-683077	BACK ASSEMBLY 11"-19" LX	

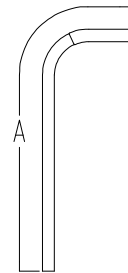
NOTE: DIMENSIONS ARE FOR BACK TUBE ONLY AND DO NOT INCLUDE FOAM GRIP.

## 3/4" PUSH HANDLE BACKREST AND UPHOLSTERY (QUICKIE 2/2HP)

(Discontinued 4/9/90 - parts only; fits Quickie 2/2HP prior to serial number Q2-72487)



### MEASURING GUIDE



MGUIDE1

BACK-TUBE	"A"
LOW	21 1/4"
MED	25"
TALL	28 1/2"

NOTE: ABOVE DIMENSIONS ARE FOR BACK TUBE ONLY AND DO NOT INCLUDE FOAM GRIP.

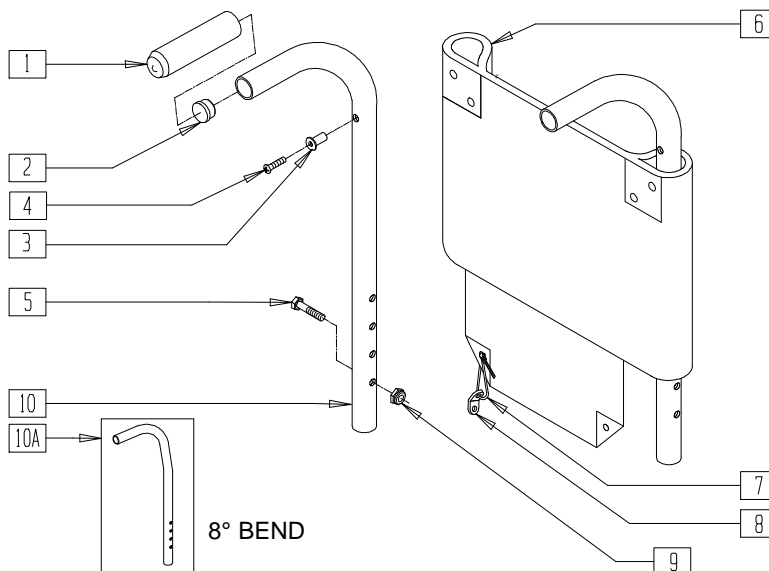
BK0X06

ITEM	NUMBER	DESCRIPTION	QTY
1	560662	QUICKIE GRIP 3/4"	2
2	561000-QU	3/4" INSERT PLUG .083	2
3	341497	10-32 x .020-.130 RIVNUT GOLD	2
4	281120	10-32 x 5/8 PAN HD PHIL	2
5	221133	1/4-28 x 1 1/2 G8 HEX C/S	2
6	684010-684094	BACK UPHOLSTERY 11"-20" (Q2/2HP)	1

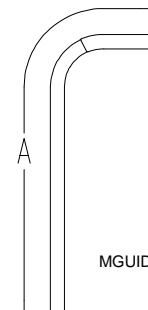
ITEM	NUMBER	DESCRIPTION	QTY
7	560410	ZIP TIE BLK	2
8	560227	2 HOLE TOGGLE BENT PLASTIC	2
9	201110	1/4-28 NYLOCK NUT	2
1-3,10A	842010-842018	BACK TUBE PUSH HANDLE 3/4 W/FOAM (Q2/2HP)	
1-10; 1-9,10A	682102-682918	BACK ASSEMBLY PUSH HANDLE 3/4 11"-20" (Q2/2HP)	

## 7/8" PUSH HANDLE BACKREST AND UPHOLSTERY (QUICKIE 2/2HP/2HPTi)

(Effective 4/9/90 )



### MEASURING GUIDE



MGUIDE1

BACK TUBE	"A"
LOW	21 1/4"
MED	25"
TALL	28 1/2"

NOTE: ABOVE DIMENSIONS ARE FOR BACK TUBE ONLY AND DO NOT INCLUDE FOAM GRIP.

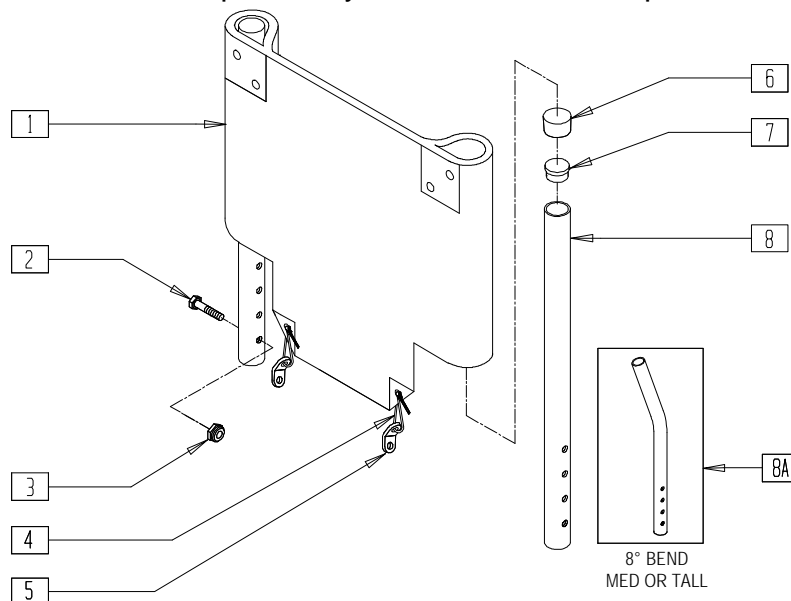
BK0X10

ITEM	NUMBER	DESCRIPTION	QTY
1	560661	QUICKIE GRIP 7/8"	2
2	561007	7/8" INSERT PLUG .083	2
3	341497	10-32 x .020-.130 RIVNUT GOLD	2
4	281120	10-32 x 5/8 PAN HD PHIL	2
5	221151-QU	1/4-28 x 1 3/4 G8 HEX C/S	2
6	684010-684094	BACK UPHOLSTERY 11"-20" (Q2/2HP)	1

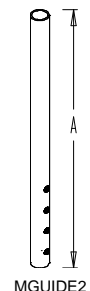
ITEM	NUMBER	DESCRIPTION	QTY
7	560410	ZIP TIE BLK	2
8	560227	2 HOLE TOGGLE BENT PLASTIC	2
9	201110	1/4-28 NYLOCK NUT	2
1-3,10A	842130-842138	BACK TUBE PUSH HANDLE 7/8" W/FOAM (Q2/2HP)	
1-10	682001-	BACK ASSEMBLY PUSH HANDLE 7/8"	
1-9,10A	682089	11"-20" (Q2/2HP)	

### 3/4" NON-PUSH HANDLE BACKREST AND UPHOLSTERY (QUICKIE 2/2HP)

(Discontinued 4/9/90 - parts only; fits Quickie 2/2HP prior to serial number Q2-72487)



#### MEASURING GUIDE



MGUIDE2

BACK TUBE	"A"
LOW	15"
MED	18 1/2"
TALL	22"

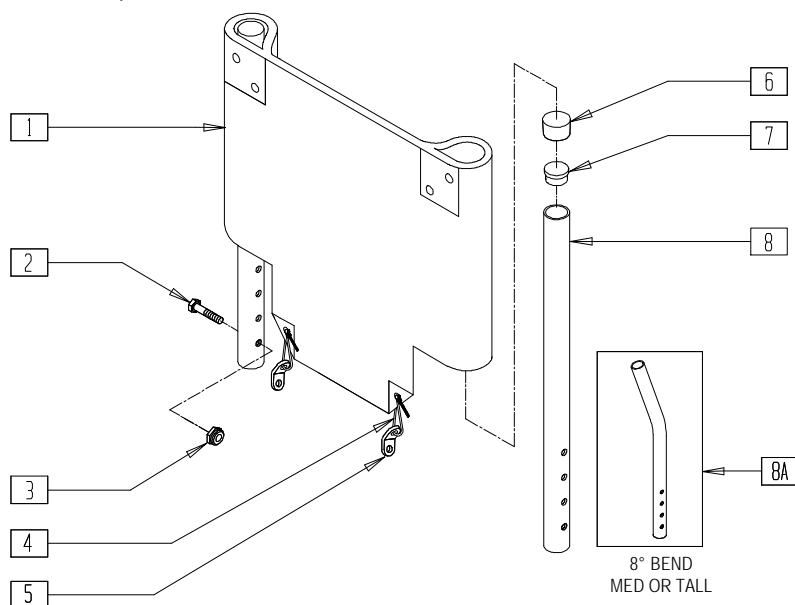
BK0X07

ITEM	NUMBER	DESCRIPTION	QTY
1	684010-684094	BACK UPHOLSTERY 11"-20" (Q2/2HP)	1
2	221133	1/4-28 x 1 1/2 G8 HEX C/S	2
3	201110	1/4-28 NYLOCK NUT	2
4	560410	ZIP TIE BLACK	2
5	560227	2 HOLE TOGGLE BENT PLASTIC	2

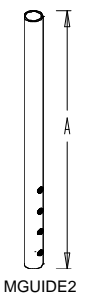
ITEM	NUMBER	DESCRIPTION	QTY
6	561010	3/4" CAP	2
7	561000-QU	3/4" INSERT PLUG .083	2
6-8	842000-842008	BACK TUBE LOW, MED, TALL 3/4" (Q2/2HP)	
1-8; 1-7,8A	682100-682916	BACK ASSEMBLY 3/4 11"-20" (Q2/2HP)	

### 7/8" NON-PUSH HANDLE BACKREST AND UPHOLSTERY (QUICKIE 2/2HP/2HPTi)

(Effective 4/9/90)



#### MEASURING GUIDE



MGUIDE2

BACK TUBE	"A"
LOW	15"
MED	18 1/2"
TALL	22"

BK0X07A

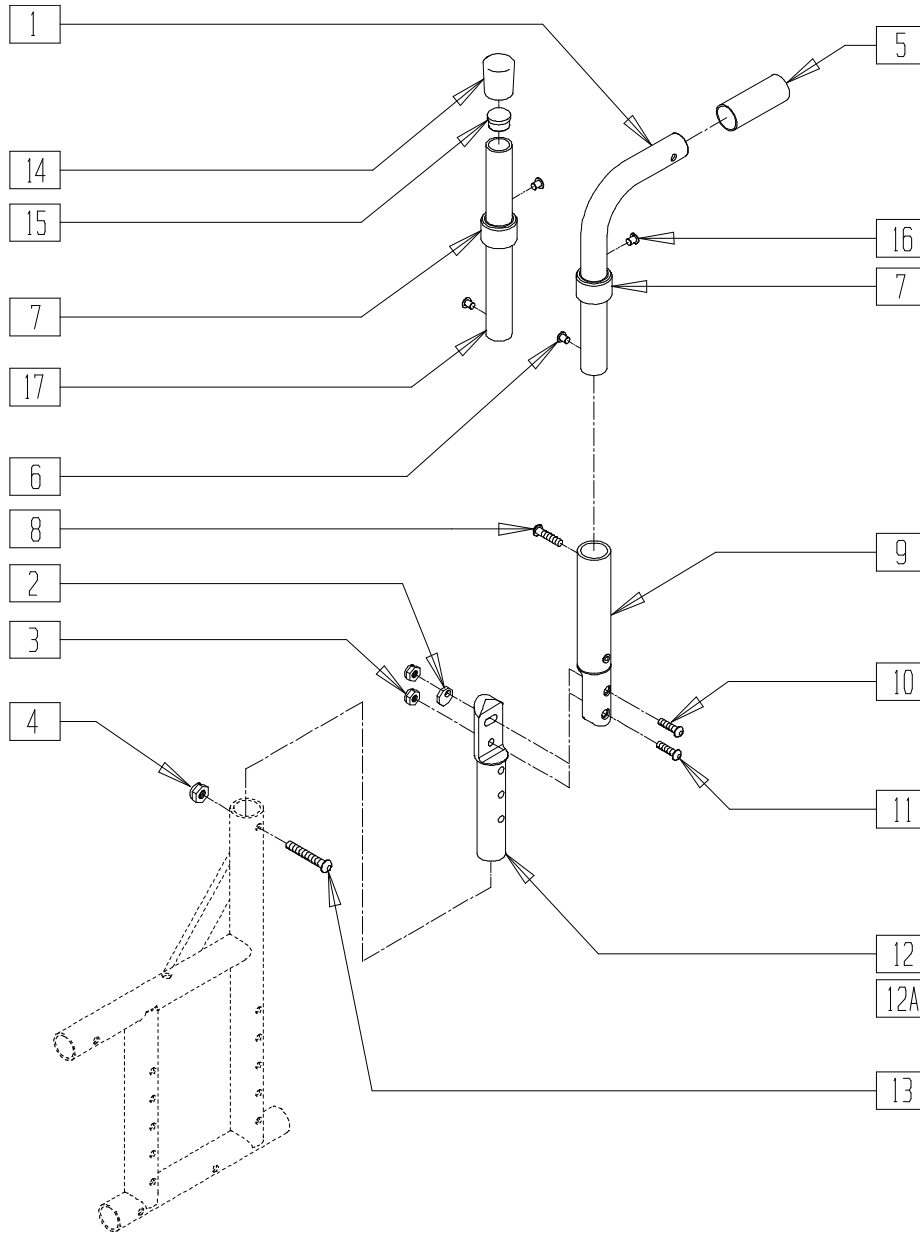
ITEM	NUMBER	DESCRIPTION	QTY
1	684010-684094	BACK UPHOLSTERY 11"-20" (Q2/2HP)	1
2	221151-QU	1/4-28 x 1 3/4 G8 HEX C/S	2
3	201110	1/4-28 NYLOCK NUT	2
4	560410	ZIP TIE BLACK	2
5	560227	2 HOLE TOGGLE BENT PLASTIC	2

ITEM	NUMBER	DESCRIPTION	QTY
6	561013	7/8" CAP	2
7	561007	7/8" INSERT PLUG .083	2
6-8	842120-842128	BACK TUBE LOW, MED, TALL 7/8" (Q2/2HP)	
1-8; 1-7,8A	682000-682087	BACK ASSEMBLY 7/8 11"-20" (Q2/2HP)	



# ANGLE ADJUSTABLE BACKREST (QUICKIE 2/2HP)

(Effective 10/23/99 beginning serial number Q2-242051)



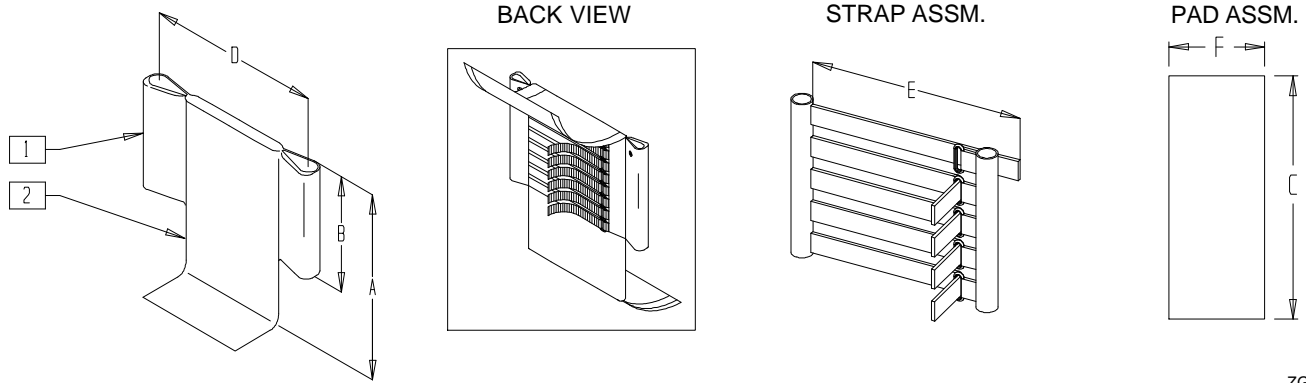
Q220X06

ITEM	NUMBER	DESCRIPTION	QTY
2	341017	WASHER ECCENTRIC	1
3	202300	1/4-28 NYLOCK NUT THIN BLK	2
4	201110-QU	1/4-28 NYLOCK NUT	1
5	560661	QUICKIE GRIP 7/8"	1
6	341503	RIVNUT 1/4" x 28 RIBBED	2
7	561083	1 1/8" TUBE END BUSHING THIN	1
8	226100	1/4-28 x 3/4 BH C/S	1
9	820723, 820724	ADJ BCK BRCKT W/INSERT TUBE (EA)	1
10	226122	1/4-28 x 1.10 BH C/S	1
11	226131	1/4-28 x 1 1/4 BH C/S SHLDR	1
12	483550	ADJ BACK BRACKET ECC/REC	1
12A	483557	ADJ BACK BRACKET TALL REC	1

ITEM	NUMBER	DESCRIPTION	QTY
13	226130	1/4-28 x 1 1/2 BH C/S	1
14	561013	7/8" CAP	1
15	561007	7/8" INSERT PLUG .083	1
16	341497	10-32 x .020-.130 RIVNUT GOLD	1
1,5-7, 16	820730- 820735	PSH HNDL Q2 (LOW, MED, TALL) ANG ADJ 7/8" (EA)	
6,7,14-17	820736- 820741	BCK TUBE Q2 (LOW, MED, TALL) ANG ADJ 7/8" (EA)	
2-3,9-12	820742- 820744	BACK TUBE Q2 ANGL ADJ (EA)	
2,3, 9-12A	820743- 820745	BACK TUBE Q2 ANGL ADJ TALL(EA)	

NOTE: MUST HAVE NEW STYLE REAR SIDE FRAME EFFECTIVE 10/23/99 TO USE ANGLE ADJUSTABLE BACKREST

# ADJUSTABLE BACK UPHOLSTERY (QUICKIE 2/2HP/HEAVY DUTY OPTION)



ZGS0X45

ITEM	NUMBER	DESCRIPTION	QTY
1	680230-680238	ADJ STRAP ASSEMBLY, GROWING ADJ BACK (SPECIFY WIDTH/HEIGHT)	
	680370-680384	BACK UPH (18" LOW- 22" HIGH) Q2 H/D	

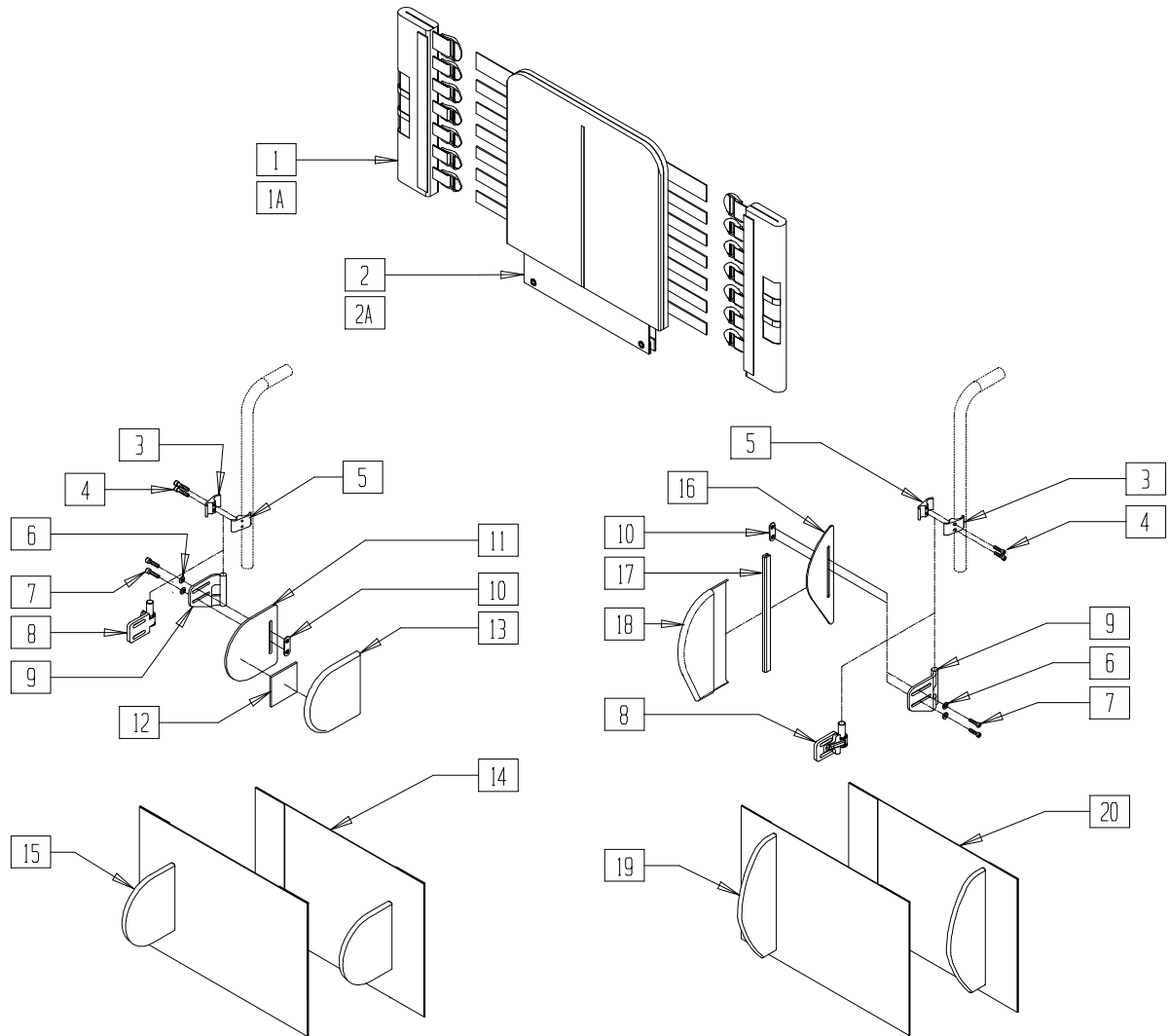
ITEM	NUMBER	DESCRIPTION	QTY
2	684480-684488	ADJ BACK STRAP COVER 10"-16" SHT, MED, TALL ZGS (SPECIFY WIDTH/HEIGHT)	

## ADJUSTABLE BACK UPHOLSTERY MEASURING GUIDE

	HEIGHT TABLE	STRAP ASSM.	PAD ASSM
	BACK HEIGHT "A"	NO. OF STRAPS	HEIGHT "B" LENGTH "C"
LOW	11"-14"	5	6 1/2" 25"
LOW	12"-16"	6	8 1/2" 29"
MEDIUM	14"-18"	8	10 1/2" 33"
TALL	16"-20"	9	12 1/2" 37"

		WIDTH "D"					
		SMALL 10"-12"	MED 12"-14"	LARGE 14"-16"	XLARGE 16"-18"	XLARGE 18"-20"	XLARGE 20"-22"
STRAP ASSM	STRAP LENGTH "E"	9 1/2"	13 1/2"	17 1/2"	17 1/2"	21 1/2"	21 1/2"
PAD ASSM	WIDTH "F"	8"	10"	12"	14"	16"	18"

# PRECISION BACKREST (QUICKIE 2/2HP)

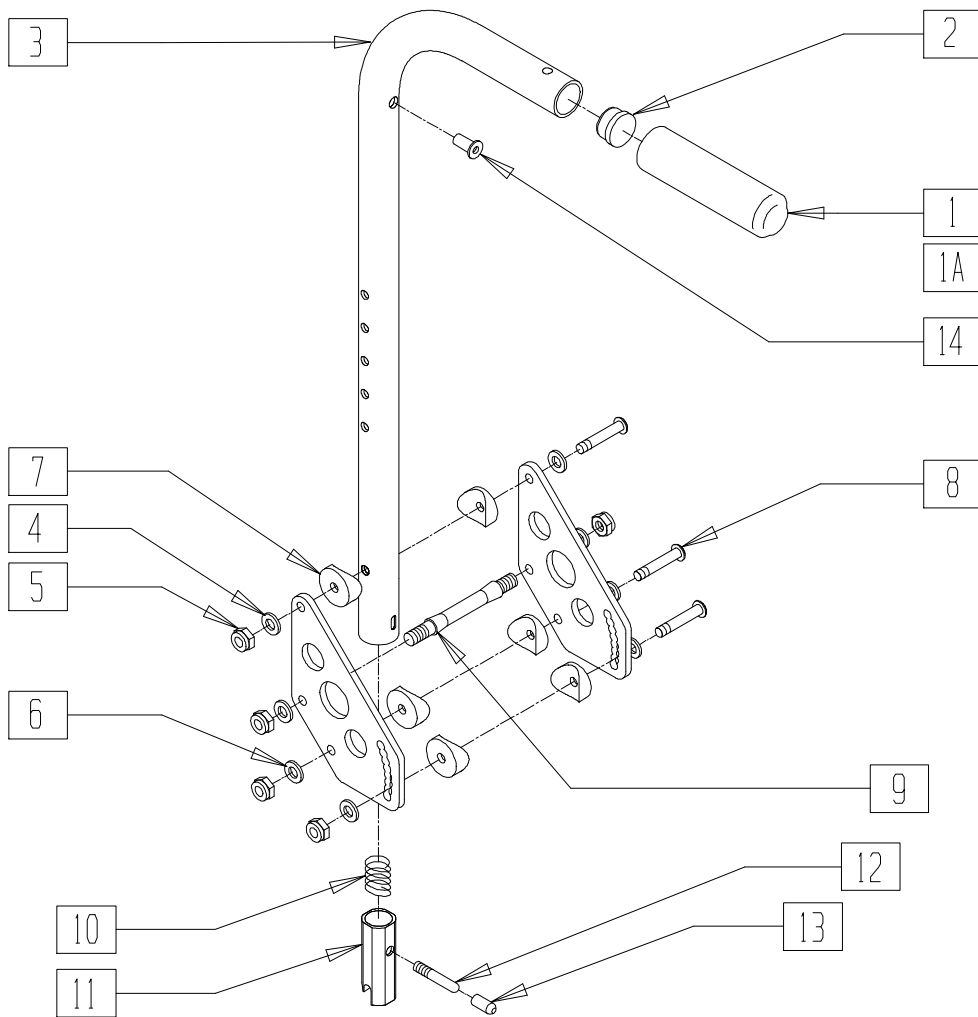


Q202X15

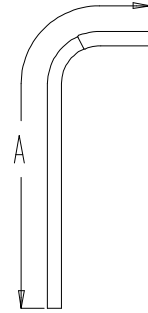
ITEM	NUMBER	DESCRIPTION	QTY
1	683358, 683360	J BCK UPH BCK CANE CVR MED (EA)	1
1A	683357, 683359	J BCK UPH BCK CANE CVR TALL (EA)	1
2	683301- 683317	JAY BACK UPHLSTRY 12"-20" WIDE MED	1
2A	683302- 683318	JAY BACK UPHLSTRY 12"-20" WIDE TALL	1
3	500912	LATERAL CLAMP C-BORE STEEL	2
4	226246	10-32 x 5/8 SOC HD C/S BLK	4
5	500911	LATERAL CLAMP THREADED STEEL	2
6	455032	#10 AN WASHER	4
7	226043	10-32 x 1/2 BH C/S BL	4
8	880147, 880149	LATERAL BRKT S/A ASSM JP BACK (EA)	1
9	541141, 541142	LATERAL BRACKET WELDMENT (EA)	1
10	881109	1" NUT PLATE W/THREADED INSERT	2
11	500914	SYMMETRIC LATERAL PANEL	2
12	751314	2" x 2" VELCRO LOOP	2
13	B672	BASE EXTENDED LATERAL	
14	683321- 683329	J BCK EXT LAT CVR SYM UND 12"-20"W	1
15	683330- 683338	J BCK EXT LAT CVR SYM OVE 12"-20"W	1

ITEM	NUMBER	DESCRIPTION	QTY
16	501140	ASYMMETRIC LATERAL PANEL	2
17	697100	ASYMMTRC LTRL PANEL EDGE TRIM	2
18	683319, 683320	J BCK UPH INT LAT CVR ASYM (EA)	1
19	683348- 683356	J BCK EXT LAT CVR ASY OVE 12"-20"W	1
20	683339- 683347	J BCK EXT LAT CVR ASY UND 12"-20"W	1
3-5	682491	LATERAL MOUNT CLAMP ASSM 7/8"	
1-7, 9-15	682419- 682435	PRECISION BCK UPH 12"-20" MED FXD SYM LAT	
1-8, 10-15	682420- 682436	PRECISION BCK UPH 12"-20" MED S/A SYM LAT	
1A,2A,3-7, 9-15	682437- 682453	PRECISION BCK UPH 12"-20" TALL FXD SYM LAT	
1A,2A,3-8, 10-15	682438- 682454	PRECISION BCK UPH 12"-20" TALL S/A SYM LAT	
1-7,9,10, 16-20	682455- 682471	PRECISION BCK UPH 12"-20" MED FXD ASSLAT	
1-8,10, 16-20	682456- 682472	PRECISION BCK UPH 12"-20" MED S/A ASS LAT	
1A,2A,3-7, 9,10,16-20	682473- 682489	PRECISION BCK UPH 12"-20" TALL FXD ASS LAT	
1A,2A,3-8, 10,16-20	682474- 682490	PRECISION BCK UPH 12"-20" TALL S/A ASS LAT	

# BACKREST (QUICKIE 2 DEPTH ADJUSTABLE BACK/STROLLER HANDLES)



## MEASURING GUIDE



MGUIDE1

BACK TUBE	"A"
STD	25 3/4"
MED	28 3/4"
TALL	31 3/4"

NOTE: ABOVE DIMENSIONS ARE FOR BACK TUBE ONLY AND DO NOT INCLUDE FOAM GRIP.

Drawing shows right side

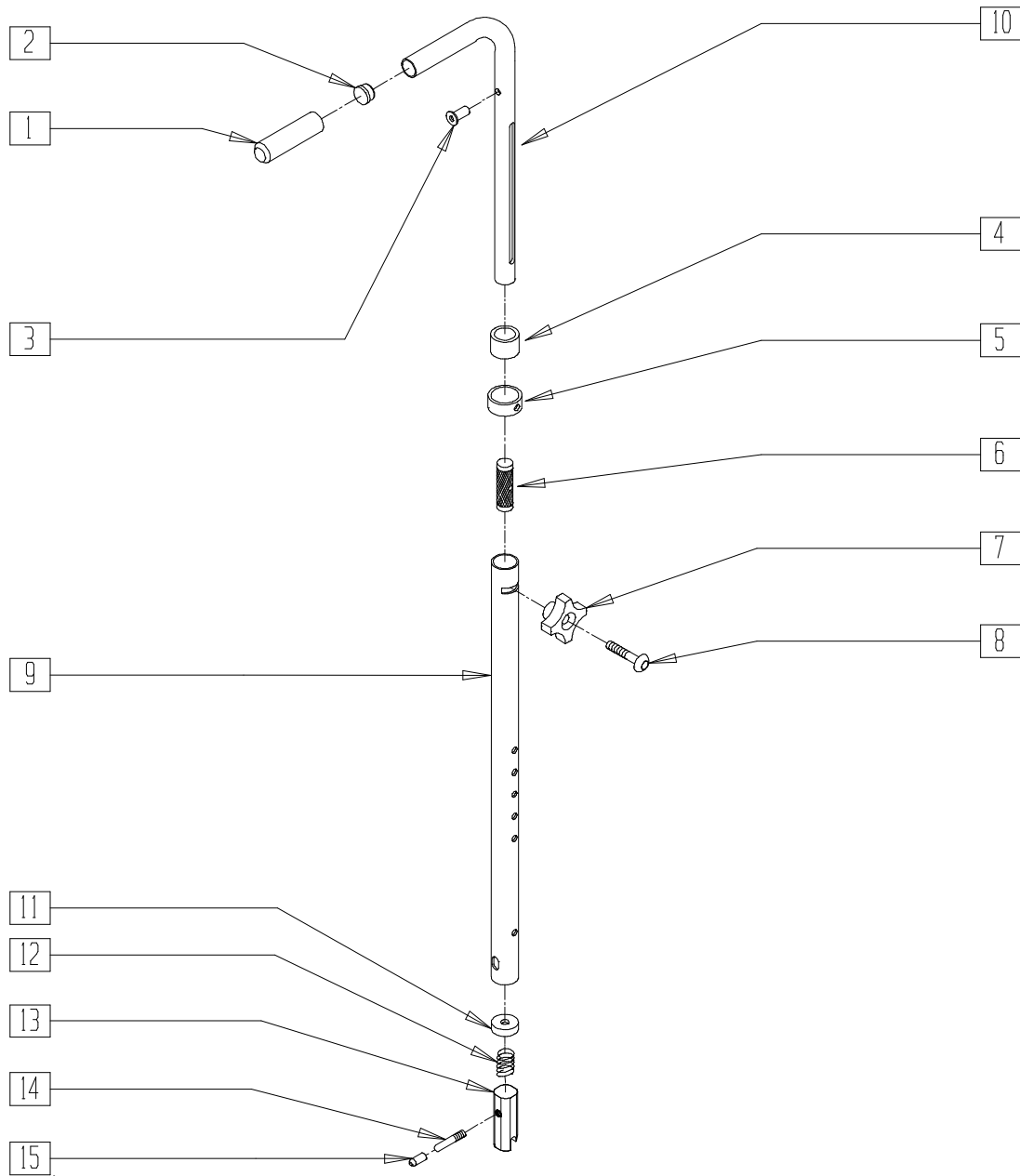
Q200X05

ITEM	NUMBER	DESCRIPTION	QTY
1	560663	QUICKIE GRIP 1"	1
1A	560660	QUICKIE GRIP 1" W/HOLE	1
2	561002	1" INSERT PLUG .083	1
4	500192	BACK PLATE ZP/P5/QT/EX/Q2 DEPTH	2
5	201100-QU	1/4-28 NYLOCK NUT THIN	5
6	262100-QU	1/4 AN WASHER FLAT	8
7	561004	1" SADDLE 1/4" HOLE	6
8	226150	1/4-28 x 2 BH C/S	3
9	481042	BACK RELEASE STOP PIN QTS	1
10	321110	S/A LATCH SPRING	1
11	483019	BACK RELEASE LATCH	1
12	481084	BACK RELEASE PIN Z2/QT/EX	1
13	560502	ANTI-TIP LEVER COVER	1
14	341497	10-32 x .020-.130 RIVNUT GOLD	1
5-9	920321	BACK PLATE HARDWARE KIT	
15-13	920328	BACKREST LATCH KIT	
1-3,14	842079	STRL HANDLE W/FOAM MED ZPS/QT	
	842080	STRL HNDL W/FOAM STD ZPS/P5/QT	
	842081	STRL HANDLE W/FOAM TALL ZPS/QT	

ITEM	NUMBER	DESCRIPTION	QTY
1-3,10-14	920389	STRL HNDL W/LTCH MED ZPS/P5/QTS	
	920390	STRL HANDLE W/LATCH ZPS/P5/QT	
	920391	STRL HNDL W/LATCH TALL ZPS/P5/QT	
1-14	920299	STRL HANDLE MED AND PLATE ASSM	
	920345	STRL HANDLE STD AND PLATE ASSM	
	920347	STRL HANDLE TALL AND PLATE ASSM	
1A,2,3,14	842066	EXT STROLLER HANDLE MED	
	842067	EXT STROLLER HANDLE STD	
	842068	EXT STROLLER HANDLE TALL	
1A,2,3,	920423	EXT STROLLER HNDL MED W/LATCH	
	920421	EXT STROLLER HNDL STD W/LATCH	
	920424	EXT STROLLER HNDL TALL W/LATCH	
1A,2-14	920375	EXT STRLR HNDL MED AND PLT ASSM	
	920348	EXT STRLR HNDL STD AND PLT ASSM	
	920349	EXT STRLR HNDL TALL AND PLT ASSM	

NOTE: HOLE ON TOP OF STROLLER HANDLE (FOR STROLLER HANDLE EXTENSION) EFFECTIVE 12/21/93. BEGINNING SERIAL NUMBER ZP-32105.

# SWING-AWAY ADJUSTABLE STROLLER HANDLE (QUICKIE 2 DEPTH ADJUSTABLE BACK)



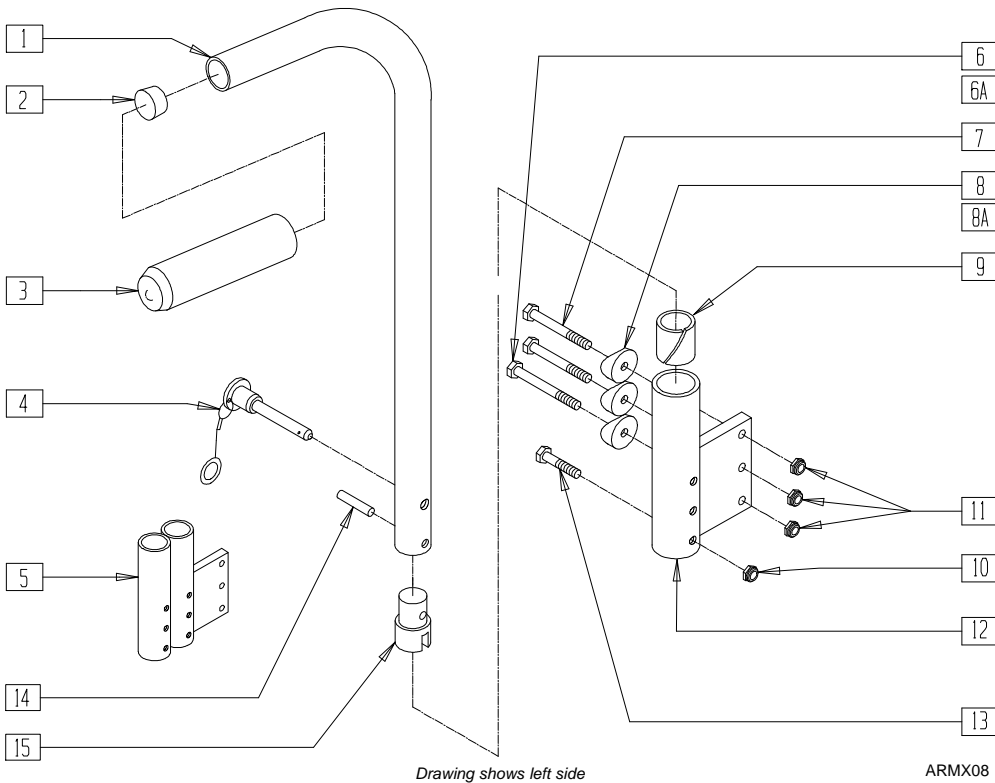
Drawing shows right side

ZPSH1X01

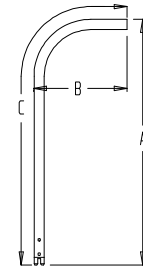
ITEM	NUMBER	DESCRIPTION	QTY
1	560662	QUICKIE GRIP 3/4"	1
2	561000-OU	3/4" INSERT PLUG .083	1
3	341500	10-32 x .010-.080 RIVNUT	1
4	561082	1" TUBE END BUSHING THIN	1
5	483096	S/A ADJ STROLLER RING ZP/QT	1
6	483095	S/A ADJ STROLLER INSERT ZP/QT	1
7	349018	KNOB S/A ADJ STROLLER ZP	1
8	226136	1/4-20 x 1 1/2 BH C/S BLK	1
9	521791, 521792	S/A ADJ BACK TUBE ONLY ZP/QT (EA)	1

ITEM	NUMBER	DESCRIPTION	QTY
10	521793, 521794	S/A ADJ STROLLER TUBE PUSH HANDLE ZP/QT (EA)	1
11	483020	S/A SPRING RETAINER	1
12	321110	S/A LATCH SPRING	1
13	483019	BACK RELEASE LATCH	1
14	481084	BACK RELEASE PIN Z2/QT/EX	1
15	560502	ANTI-TIP LEVER COVER	1
1-10	842082, 842083	S/A ADJ STROLLER HANDLES (PR) W/FOAM (EA)	
1-10	920306	S/A ADJ STROLLER HANDLES (PR)	
11-15	920291	BACKREST SLIDER LATCH KIT	

# REMOVABLE STROLLER HANDLE (QUICKIE 2/2HP)



## MEASURING GUIDE



M15

ARMREST	REG	TALL
"A"	26"	32"
"B"	9"	9"
"C"	31 7/8"	43 3/8"

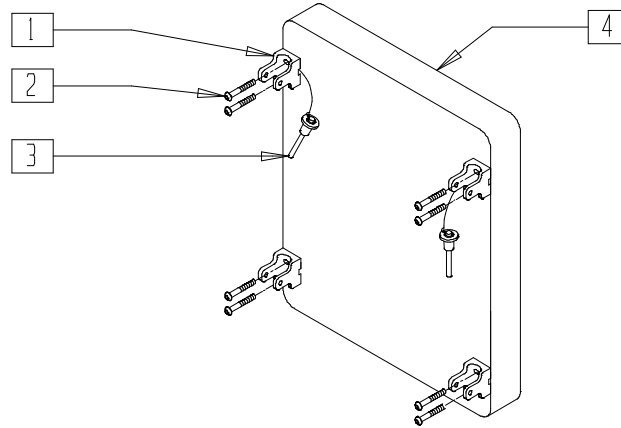
ITEM	NUMBER	DESCRIPTION	QTY
	2	1" INSERT PLUG .083	1
	3	9 x .940 x .200 FOAM GRIP	1
	4	STROLLER HANDLE RELEASE PIN	1
	5	540130, PADDED ARM RECEIVER STRAIGHT 540132 DOUBLE FOLDING FRAME (EA)	1
	6	221151-QU 1/4-28 x 1 3/4 G8 HEX C/S	1
	6A	221192 1/4-28 x 2 G8 HEX C/S	1
	7	221191 1/4-28 x 2 1/4 G8 HEX C/S	2
	8	561004 1" SADDLE 1/4" HOLE	3
	8A	561001 1-1/8" SADDLE 1/4" HOLE	3
	9	560400 1" ID NY-LINER	1
	10	201100-QU 1/4-28 NYLOCK NUT THIN	1
	11	201110 1/4-28 NYLOCK NUT	3
	12	540100, PADDED ARM RECEIVER STRAIGHT 540102 FOLDING FRAME (EA)	1

ITEM	NUMBER	DESCRIPTION	QTY
	13	221133 1/4-28 x 1 1/2 G8 HEX C/S	1
	14	341200 1/4 x 1 ROLL PIN	1
	15	483029 PUSH HANDLE PLUG	1
1-3,14,15	880360	STROLLER HANDLE REG STRAIGHT F (EA)	
	880362	STROLLER HANDLE TALL STRAIGHT F (EA)	
	900420	STROLLER HANDLE REG F (PR)	
	900421	STROLLER HANDLES TALL F (PR)	
4,6-13	900500	STROLLER REC SINGLE CYL F 3/4" (PR)	
4,6A,7,8A,9-13	900502	STROLLER RECEIVER SINGLE CYL FOLDING FRAME 7/8" (PR)	
4-11,13	900501	ARM/STROLLER RECEIVER DOUBLE CYL F 3/4" (PR)	
4,5,6A,7,8A,9-11,13	900503	ARM/STROLLER RECEIVER DOUBLE CYL F 7/8" (PR)	

NOTE: ORDER ITEM 5 FOR CHAIRS WITH PADDED ARMS AND STROLLER HANDLES.

## SOLID BACK (QUICKIE 2 DEPTH ADJUSTABLE BACK)

(Effective 12/15/95, beginning QT-12900)

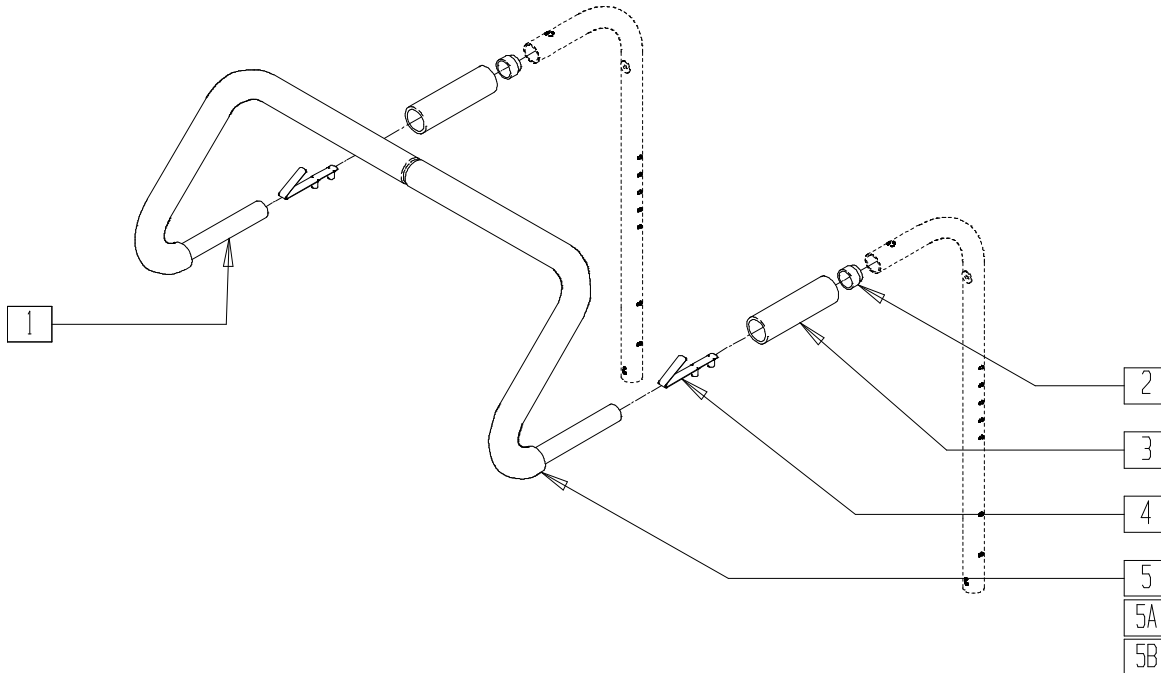


DAB0X04

ITEM	NUMBER	DESCRIPTION	QTY
1	562609	BRACKET SEAT QTS/BACK Z2	4
2	226101	1/4-20 x 3/4 BH C/S	8
3	349020	STROLLER HANDLE RELEASE PIN	2
1-3	920350	Q2 DEPTH ADJ BACK HARDWARE KIT	
4	731480- 731489	PLY BACK BLK Q2 DEPTH 11-20 x 20 Q2 DEPTH	

ITEM	NUMBER	DESCRIPTION	QTY
4	733000- 733032	PLY BACK BLK Q2 DEPTH (11-13 x 12-18)	
1-4	681100- 681109	PLY BCK ASSM BLK Q2 DAB (11-20 x 20)	
	681321- 681332	PLY BCK ASSM BLK Q2 DAB (11-13 x 12-18)	

## STROLLER HANDLE EXTENSION - REMOVABLE (QUICKIE 2 DEPTH ADJUSTABLE BACK)



ARMX10

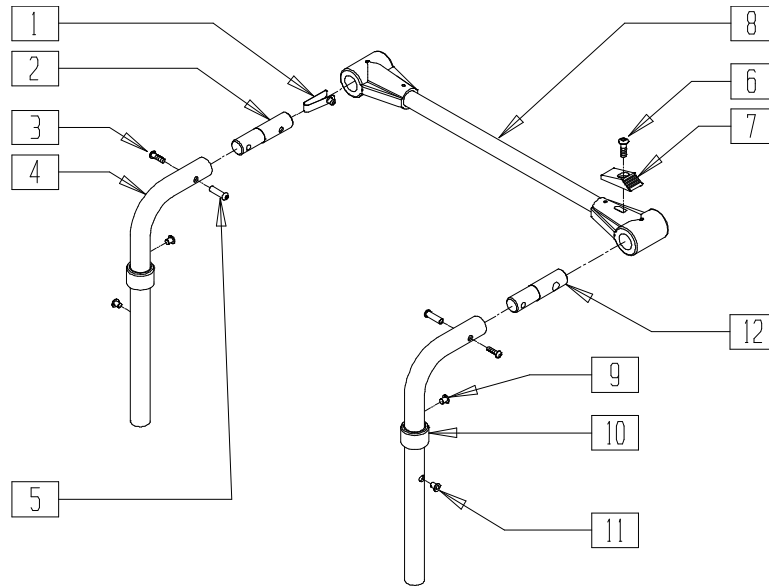
ITEM	NUMBER	DESCRIPTION	QTY
2	561082	1" TUBE END BUSHING THIN	2
3	560660	QUICKIE GRIP 1" W/HOLE	2
4	301108	5/16 SNAP BUTTON DUAL ONE SIDE	2
5	560615	STROLLER EXTENSION GRIP 10"-13"	2
5A	560616	STROLLER EXTENSION GRIP 14"-17"	2
5B	560617	STROLLER EXTENSION GRIP 18"-20"	2

ITEM	NUMBER	DESCRIPTION	QTY
1-5	842050- 842053	STROLLER EXTENSION ASSEMBLY 10"-13"	
1-4,5A	842054- 842057	STROLLER EXTENSION ASSEMBLY 14"-17"	
1-4,5B	842058, 842059, 842063	STROLLER EXTENSION ASSEMBLY 18"-20"	

NOTE: NOT AVAILABLE WITH SWING-AWAY ADJUSTABLE STROLLER HANDLES.

# BACKREST STABILIZER BAR (QUICKIE 2/2HP/2 HD)

(Effective 10/23/99 beginning serial number Q2-242051)



Q220X12

ITEM	NUMBER	DESCRIPTION	QTY
1	301100	1/4" SNAP BUTTON SINGLE	1
2	483533	STABILIZER BAR PIVOT PIN Q2	1
3	226020	10-32 x 5/8 BH C/S BLK	2
5	221213	10-32 x 7/8" HEX SEX BOLT QTNT	2
6	226110	1/4-28 x 1 BH C/S	1
7	560143	STABILIZER LATCH RELEASE BR	1
9	341497	10-32 x .020-.130 RIVNUT GOLD	2
10	561083	1-1/8" TUBE END BUSHING THIN	2
11	341503	RIVNUT 1/4" x 28 RIBBED	2
12	483534	STABILIZER BAR LOCKING PIN Q2	1

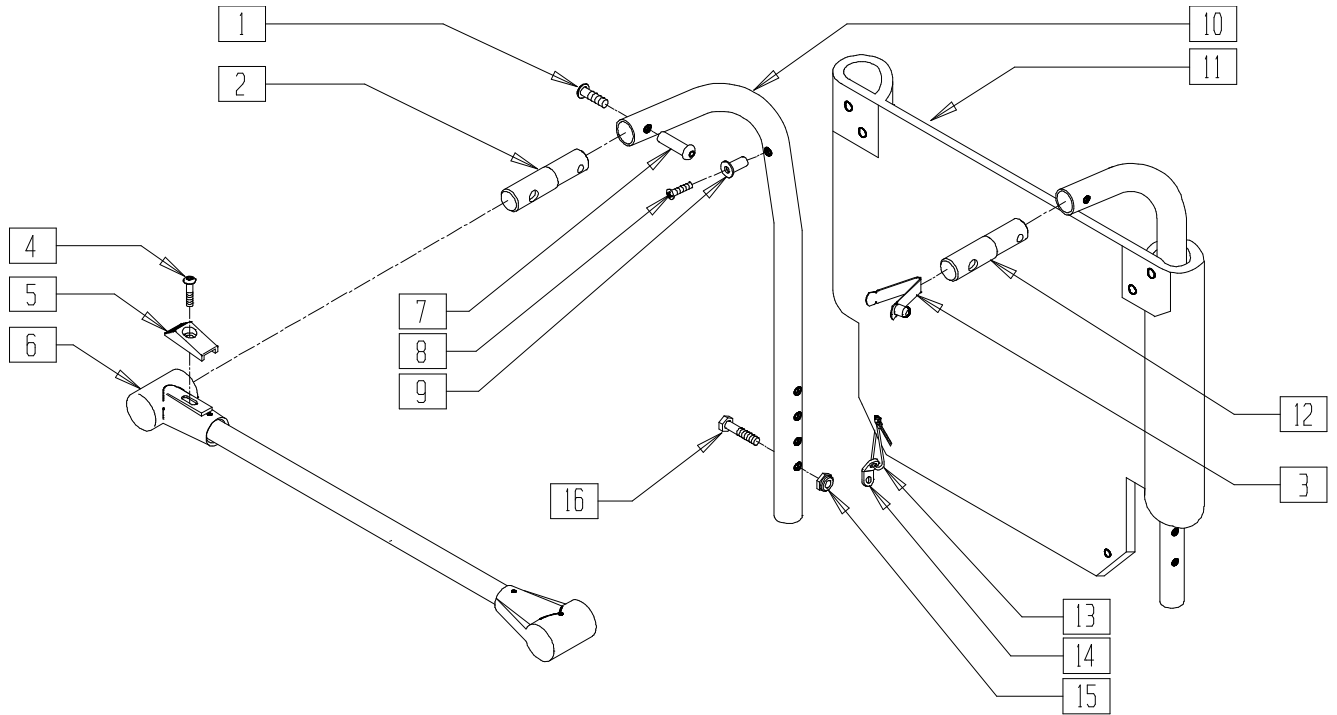
ITEM	NUMBER	DESCRIPTION	QTY
6-8	820700- 820704	STABILIZER BAR (HEAVY DUTY) (18"- 22")	
4,9-11*	820710- 820715	PSH HNDL Q2 ADJ (LOW, MED, TALL) W/STABLIZER (EA)	
	820720- 820722	PUSH HANDLE (LOW, MED, TALL) W/STABLIZER	
4,9**	820726, 820727	PUSH HANDLE 8° TALL AND MEDIUM W/STABLIZER	
1-3,5,12	885015	STABILIZER PIN ASSEMBLY	

\* USED WITH THE QUICKIE 2 ANGLE ADJUSTABLE BACKRESTS.

\*\* USED WITH THE QUICKIE 2 STANDARD BACKRESTS.



# 7/8" PUSH HANDLE BACKREST, STABILIZER BAR, AND UPHOLSTERY (QUICKIE M6)

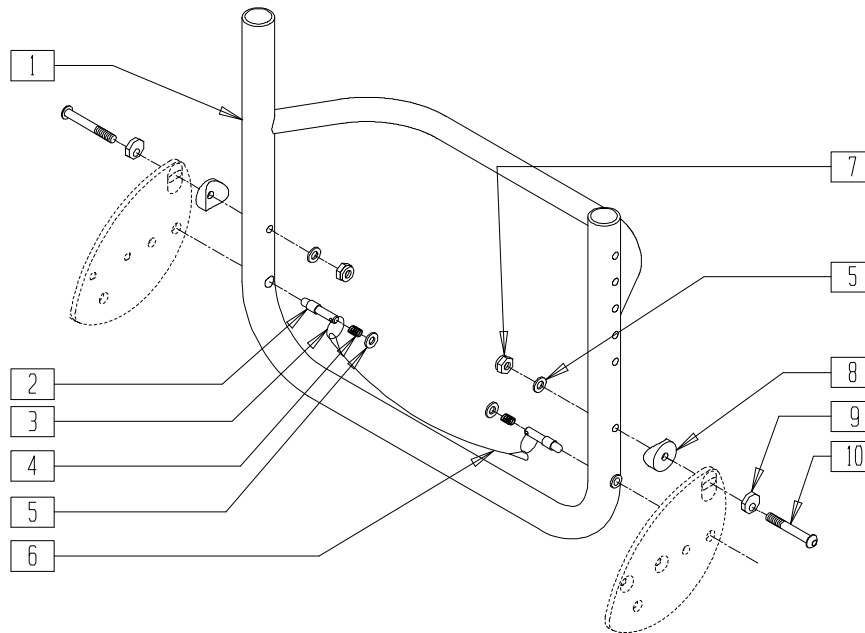


MAG00X25

ITEM	NUMBER	DESCRIPTION	QTY
1	226020	10-32 x 5/8 BH C/S BLK	2
2	483534	STABILIZER BAR LOCKING PIN Q2	1
3	301100	1/4" SNAP BUTTON SINGLE	2
4	226110	1/4-28 x 1 BH C/S	1
5	560143	STABILIZER LATCH RELEASE BR	1
7	221213	10-32 x 7/8" HEX SEX BOLT QTNT	2
8	281120	10/32 x 5/8 PAN HD PHIL	2
9	341497	10-32 x .020-.130 RIVNUT GOLD	2
11	680385- 680388	BACK UPHOLSTERY 24"-30" TALL HEAVY DUTY	1
12	483533	STABILIZER BAR PIVOT PIN Q2	1
13	560410	ZIP TIE BLK	2

ITEM	NUMBER	DESCRIPTION	QTY
14	560227	2 HOLE TOGGLE BENT PLASTIC	2
15	201110	1/4-28 NYLOCK NUT	2
16	221133	1/4-28 x 1 1/2 G8 HEX C/S	2
4-6	820705- 820708	STABILIZER CROSS BAR ASSEMBLY 24"-30"	
9,10	820728	PUSH HANDLE 8" TALL W/STABLIZER (EA)	
1-16	682093	22" BCK ASSM 8° PH STABLIZER	
	682094	24" BCK ASSM 8° PH STABLIZER	
	682095	26" BCK ASSM 8° PH STABLIZER	
	682096	28" BCK ASSM 8° PH STABLIZER	
	682097	30" BCK ASSM 8° PH STABLIZER	

## BACK FRAME (QUICKIE REVOLUTION)

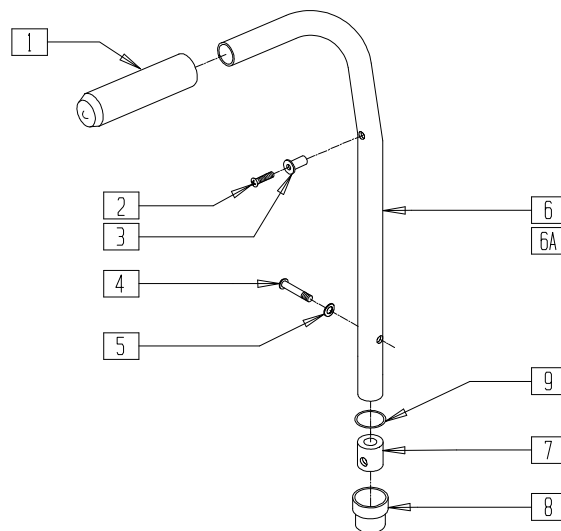


2D000X02

ITEM	NUMBER	DESCRIPTION	QTY
1	524154-524160	BCK FRME W/BSHNG 14"-20" RV PNTD (SPECIFY COLOR)	1
2	481223	BACKREST PIN	2
3	342015	LANYARD ATTACH RING	2
4	321163	SPRING .300 x 7/8 LONG	2
5	262100-QU	1/4 AN WASHER FLAT	4
6	139103-139110	LANYARD 13"-20"	1

ITEM	NUMBER	DESCRIPTION	QTY
7	201110	1/4-28 NYLOCK NUT	2
8	561086	1" HALF SADDLE 1/4" HOLE	2
9	341017	WASHER ECCENTRIC	2
10	226148	1/4-28 x 1.85 BH C/S	2
2-6	881503-881510	BACKREST REL CABLE ASSEMBLY 13"-20" RV	
1-10	840164-840170	BCK FRME ASSM 14"-20" RV PNTD (SPECIFY COLOR)	

## PUSH HANDLE BACKREST (QUICKIE REVOLUTION)



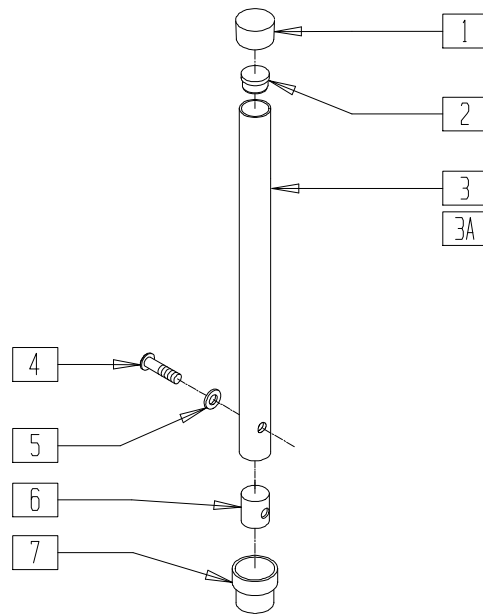
2D000X08

ITEM	NUMBER	DESCRIPTION	QTY
1	560662	QUICKIE GRIP 3/4"	1
2	281120	10/32 x 5/8 PAN HD PHIL	1
3	341500	10-32 x .010-.080 RIVNUT	1
4	226120	1/4-20 x 1 BH C/S	1
5	262130	6mm WASHER WAVE	1
7	483022	FRAME INSERT HEMI	1
8	561082	1" TUBE END BUSHING THIN	1

ITEM	NUMBER	DESCRIPTION	QTY
9	342013	PLUG O-RING RUBBER HEMI	1
7,9	880140	FRAME INSERT W/O-RING HEMI	
1,3,6	842030	BACK TUBE 8" PH REG/P100-TL/RV	
1,3,6A	842031	BACK TUBE PH LOW W/FOAM RV	
1-7,9	842070	BACK TUBE 8" PH REG ASSEMBLY RV	
1-5,6A,7,9	842071	BACK TUBE PH LOW ASSEMBLY RV	

NOTE: ITEM 8 FITS QUICKIE REVOLUTION PRIOR TO 8/17/98.

## BACKREST (QUICKIE REVOLUTION)



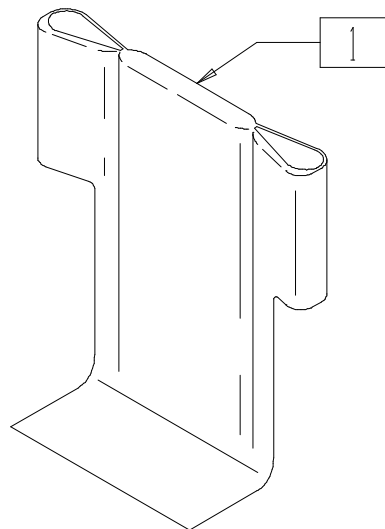
2D000X06

ITEM	NUMBER	DESCRIPTION	QTY
1	561010	3/4" CAP	1
2	561000-OU	3/4" INSERT PLUG .083	1
4	226101	1/4-20 x 3/4 BH C/S	1
5	262130	6mm WASHER WAVE	1

ITEM	NUMBER	DESCRIPTION	QTY
6	483001	Q2 FRAME/FOOT RETAINING PLUG	1
7	561082	1" TUBE END BUSHING THIN	1
1-6	840102	BACK ADJUSTABLE TUBE 12"-16" RIGID	
1,2,3A,4-6	840104	BACK ADJUSTABLE TUBE 16"-20" RIGID	

NOTE: ITEM 7 FITS QUICKIE REVOLUTION PRIOR TO 8/17/98.

## BACKREST UPHOLSTERY (QUICKIE REVOLUTION)

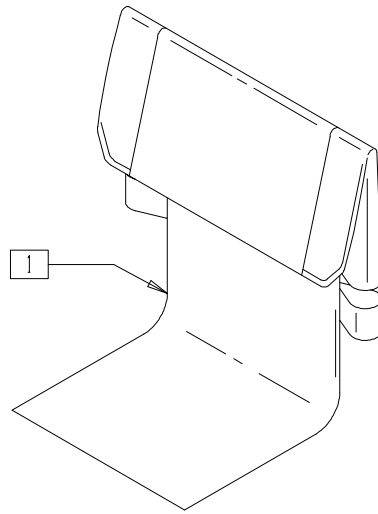


2D000X10

ITEM	NUMBER	DESCRIPTION	QTY
1	680330- 680931	BACK UPHOLSTERY 14"-20" WIDTH 12"-16" TO 16"-20" DEPTH RV	1

NOTE: REVOLUTION USES ABOVE UPHOLSTERY WITH PUSH HANDLE BACKREST, FOR REVOLUTION WITH NON-PUSH HANDLE BACKREST, SEE PAGE 8.14.

## BACK UPHOLSTERY (REVOLUTION)

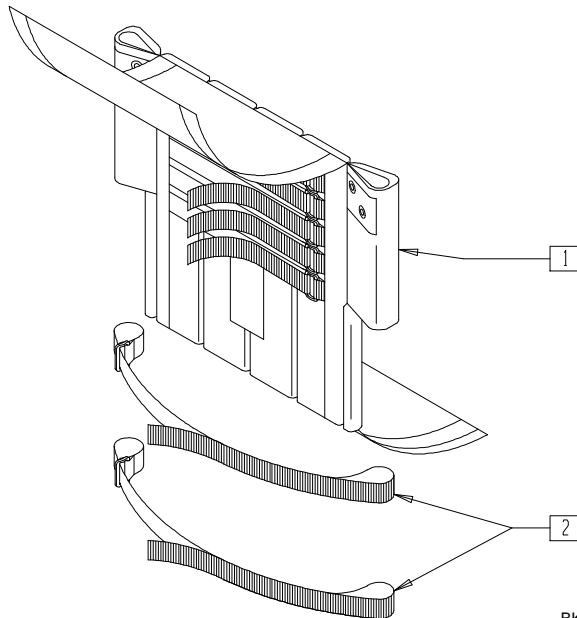


GBL00X2B

ITEM	NUMBER	DESCRIPTION	QTY
1	680301- 680909	BACK UPHOLSTERY WITH TAIL 14"-20" FOLDING BACK	1

NOTE: REVOLUTION USES ABOVE UPHOLSTERY WITH NON-PUSH HANDLE BACKREST. FOR REVOLUTION WITH PUSH HANDLE BACKREST, SEE PAGE 8.13.

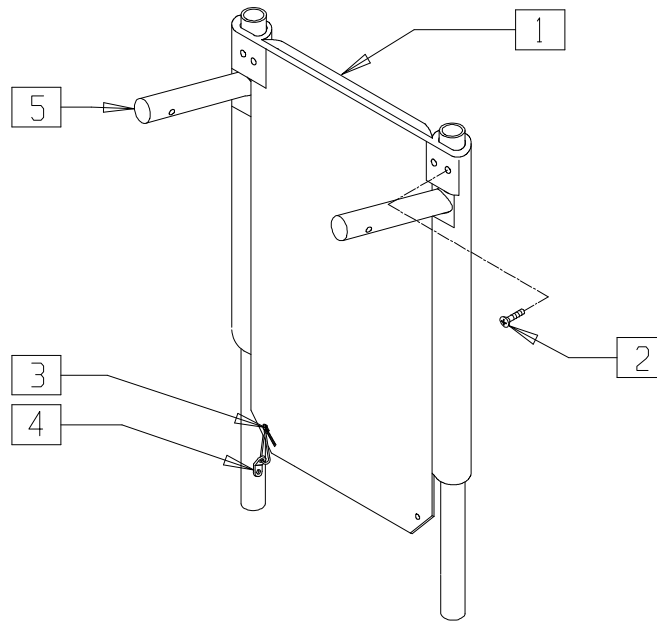
## TENSION ADJUSTABLE BACK UPHOLSTERY (SOME QUICKIEPRODUCTS)



BK0X09

ITEM	NUMBER	DESCRIPTION	QTY
1,2	684037- 684099	ADJ BACK UPH 14"-20" LOW, MED,TALL	

# BACKREST AND UPHOLSTERY (QUICKIE RECLINER)



REC00X16

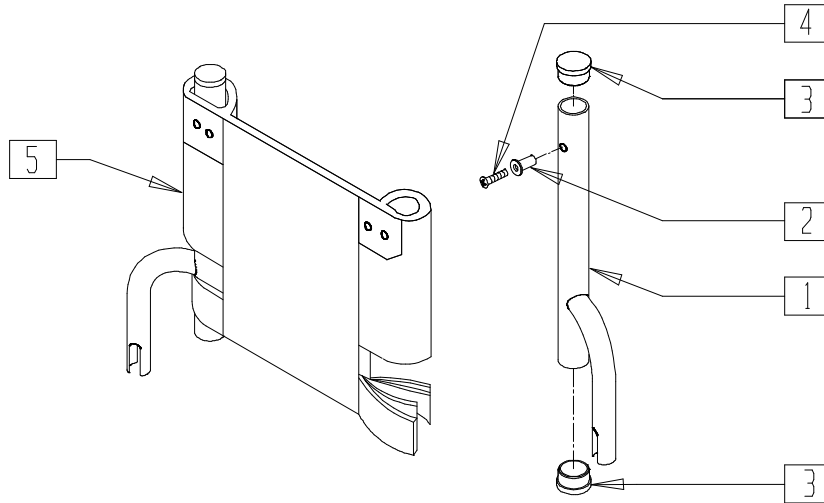
ITEM	NUMBER	DESCRIPTION	QTY
1	684250-684284	BACK UPHOLSTERY RECLINER 14" LOW - 20" TALL	1
2	281120	10-32 x 5/8 PAN PHIL	2
3	560410	ZIP TIE BLK	2

ITEM	NUMBER	DESCRIPTION	QTY
4	560227	2 HOLE TOGGLE BENT PLASTIC	2
5	842143	BACK TUBE PNTD BLK RECLINER	2
1-5	681204-681210	BACK ASSEMBLY W/UPHOLSTERY RECLINER 14"-20" TALL (24")	

NOTE: 18" (LOW) AND 20" (MEDIUM) BACK HEIGHTS DISCONTINUED, PARTS ONLY.

# HEADREST EXTENSION AND UPHOLSTERY (QUICKIE RECLINER)

(Effective serial number QR-2035)

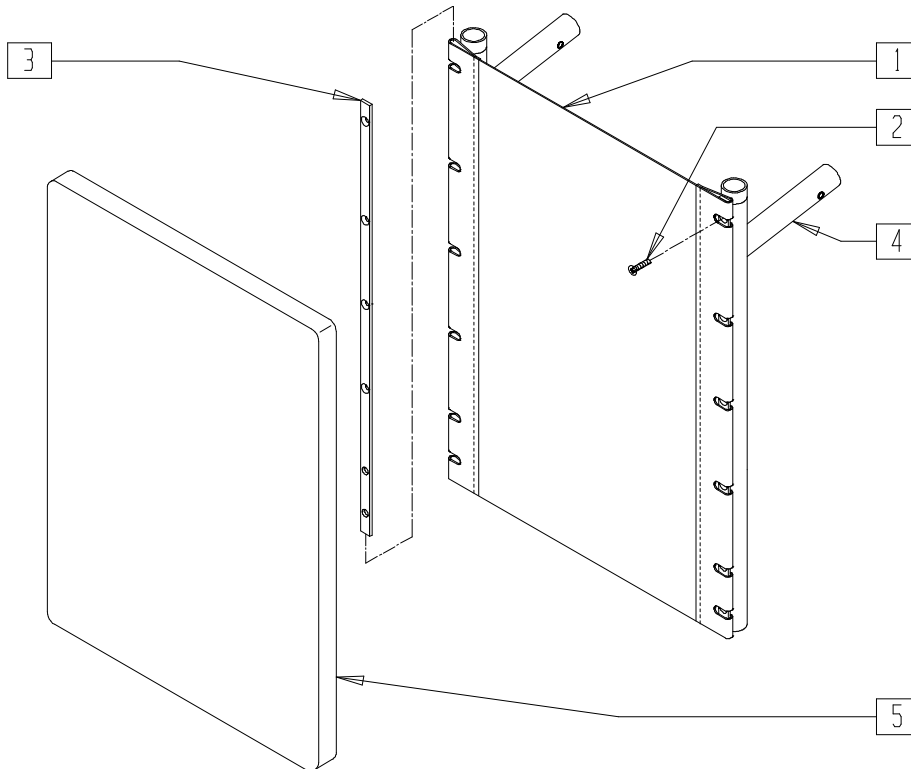


REC00X21

ITEM	NUMBER	DESCRIPTION	QTY
2	341497	10-32 x .020-.130 RIVNUT GOLD	2
3	561002	1" INSERT PLUG .083	4
4	281120	10-32 x 5/8 PAN HD PHIL	2
1-3	661201, 661202	HEADREST TUBE W/INSERT (EA)	1

ITEM	NUMBER	DESCRIPTION	QTY
5	684136- 684196	HEADREST OFFSET UPHOLSTERY RECLINER 14"-20"	1
1-5	681236- 681296	HEADREST OFFSET ASSEMBLY RECLINER 14"-20"	

# SLING BACK (QUICKIE RECLINER)



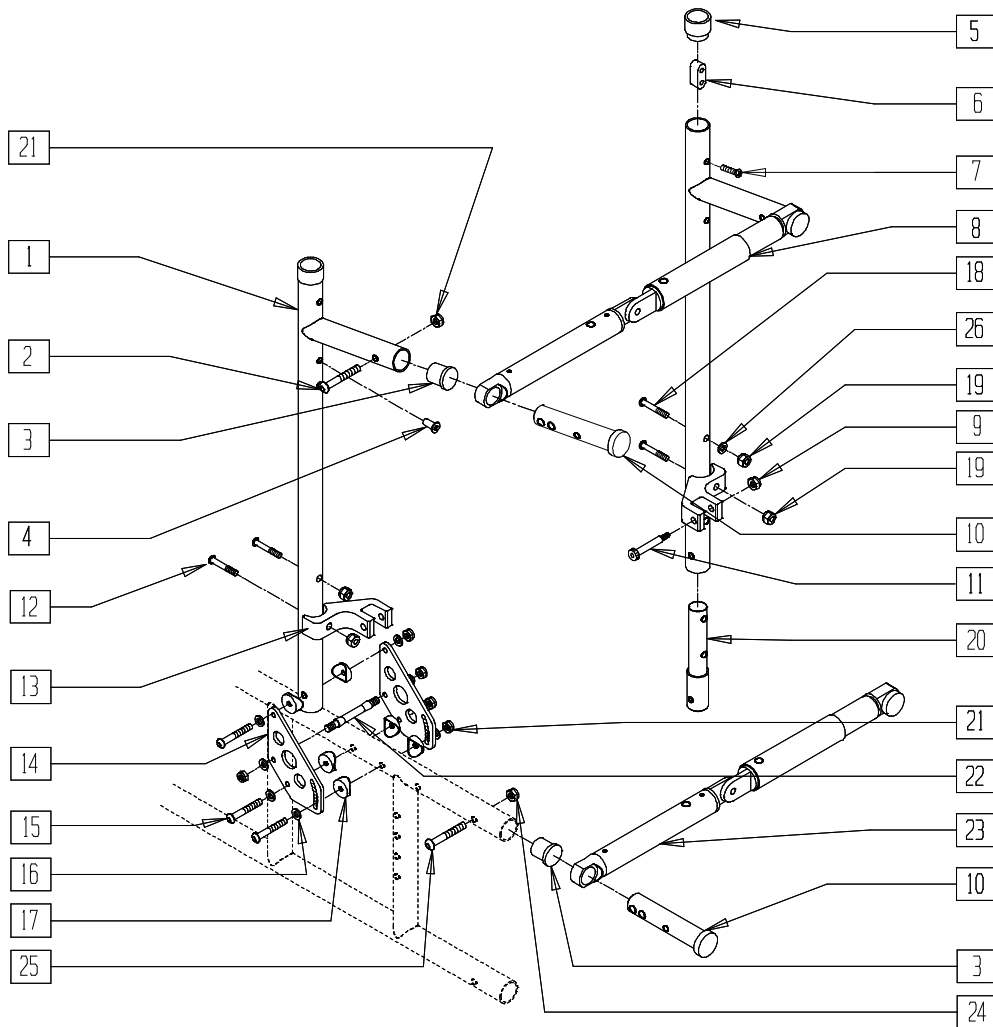
REC00X25

ITEM	NUMBER	DESCRIPTION	QTY
1	684214- 684220	BACK SLING RECLINER 14"-20"	1
2	281119	10-32 x 5/8 FH SOC ZN	8
3	500103	BACK UPHOLSTERY RAIL RECLINER	2
4	842143	BACK TUBE PNTD BLK RECLINER	2

ITEM	NUMBER	DESCRIPTION	QTY
1-4	681304- 681310	BACK ASSEMBLY W/SLING RECLINER 14"-20"	
5	684221- 684227	BACK CUSHION RECLINER 14"-20"	

# BACKREST (QUICKIE RECLINER)

(Effective serial number QR-2035)



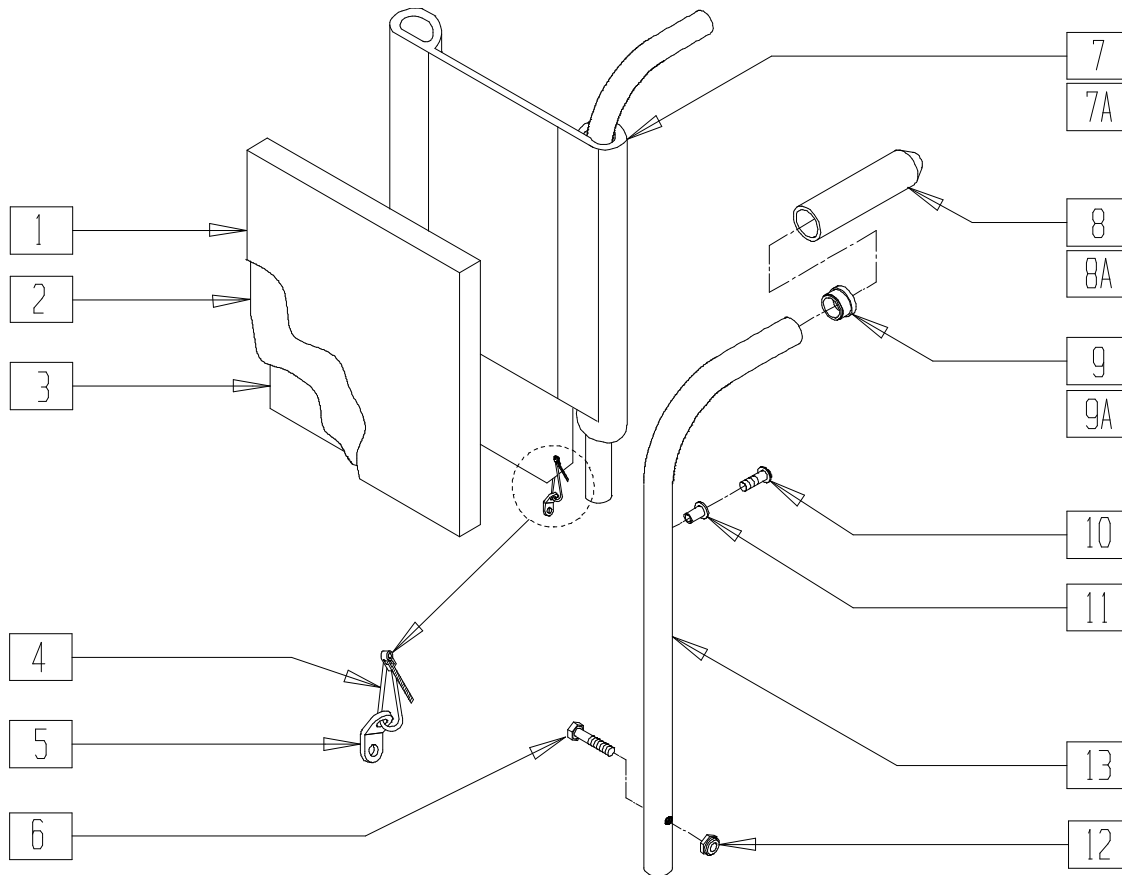
REC00X18

ITEM	NUMBER	DESCRIPTION	QTY
1,4-7	842143	BACK TUBE PNTD BLK RECLINER	
2	226125	1/4-28 x 1 1/8 BH C/S	2
3	560406	FRAME BUSHING	2
4	341497	10-32 x .020-.130 RIVNUT GOLD	8
5	561082	1" TUBE END BUSHING THIN	2
6	505271	HDRST RETAINING BUTTON RECLINE	2
7	281120	10-32 x 5/8 PAN HD PHIL	2
8	842164-842170	TENSION ADJUST ASSEMBLY 14"-20"	1
9	200105	10-24 NYLOCK NUT	2
10	483084	PIVOT PIN RECLINER 5/16" HOLE	2
11	225104	1/4 x 1 1/4 HEX SOC SHLDR SCRW	2
12	226195	5/16-18 x 1.82 BH C/S	2
13	550460	CYLINDER BRACKET RECLINER	2
14	500192	BACK PLATE ZP/P5/QT/EX/Q2 DEPTH	4

ITEM	NUMBER	DESCRIPTION	QTY
15	226150	1/4-28 x 2 BH C/S	6
16	262100-QU	1/4 AN WASHER FLAT	16
17	561004	1" SADDLE 1/4" HOLE	10
18	222256	5/16-18 x 1 1/2 BH C/S	2
19	202102	5/16-18 NYLOCK NUT THIN	4
20	520988	BACK PIVOT TUBE RECLINER	2
21	201100-QU	1/4-28 NYLOCK NUT THIN	12
22	481042	BACK RELEASE STOP PIN QTS	2
23	842147-842150	BACK STABILIZER ASSEMBLY RECLINER 17"-20"	1
24	201100-QU	1/4-28 NYLOCK NUT THIN	2
25	226129	1/4-28 x 1 1/4 BH C/S	2
26	263100	5/16 AN WASHER FLAT	2
12-22,26	920342	BACKREST HARDWARE RECLINER	

NOTE: CHAIRS 17" AND WIDER REQUIRE BOTH A TENSION ADJUSTMENT ASSEMBLY (ITEM 8) AND A BACK STABILIZER ASSEMBLY (ITEM 23).

# SOLID BACK AND CUSHION



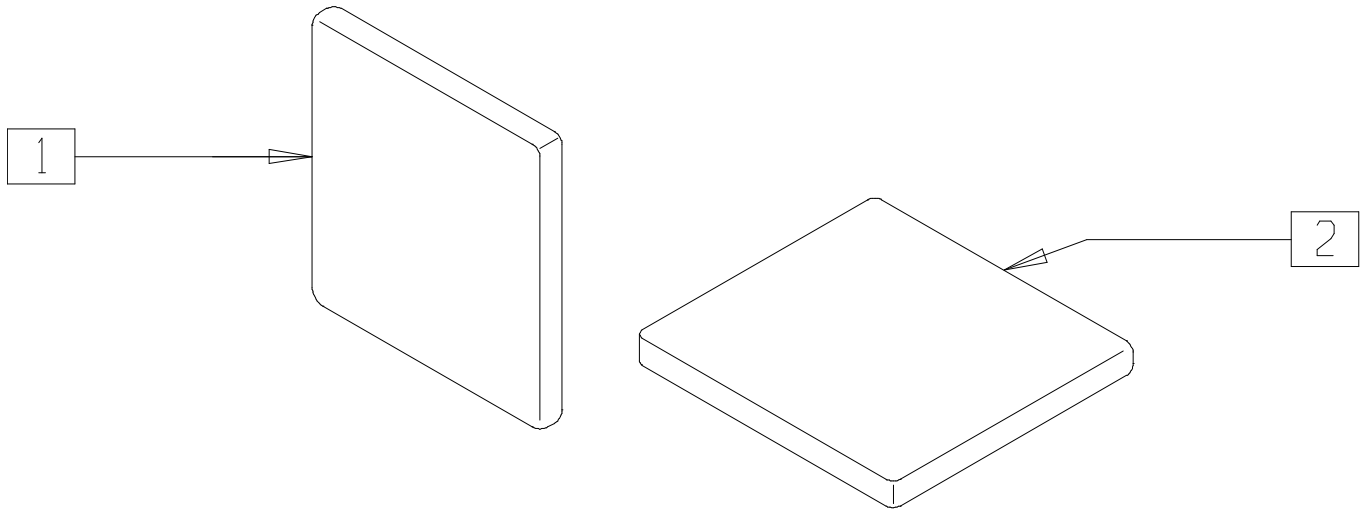
AC0X014

ITEM	NUMBER	DESCRIPTION	QTY
1	689121-689153	SOLID BACK COVER Q2 11"-15"	1
2	109021-109063	SOLID BACK FOAM 1"	1
3	581221-581253	LEXAN BACK	1
4	560410	ZIP TIE BLK	2
5	560227	2 HOLE TOGGLE BENT PLASTIC	2
6	221133	1/4-28 x 1 1/2 G8 HEX C/S	2
7	689060	SOLID BACK SLING PUSH HANDLE Q2/Rx (SPECIFY DIMENSIONS)	1
7A	689100	SOLID BCK SLING NON-PUSH HANDLE Q2/Rx (SPECIFY DIMENSIONS)	1

ITEM	NUMBER	DESCRIPTION	QTY
8	560662	QUICKIE GRIP 3/4"	1
8A	560661	QUICKIE GRIP 7/8"	1
9	561007	7/8"INSERT PLUG .083	2
9A	561000-QU	3/4" INSERT PLUG .083	2
10	281120	10-32 x 5/8 PAN HD PHIL	2
11	341497	10-32 x .020-.130 RIVNUT GOLD	2
12	201110	1/4-28 NYLOCK NUT	2
1-3	689221-689253	SOLID BACK CUSHION W/LEXAN	
8,9,11,13	842130-842138	Q2 BACK TUBE PUSH HANDLE 7/8" W/FOAM (SPECIFY SIZE)	
8A,9A,11,13	842023-842025	Rx BCK TUBE PUSH HANDLE W/FOAM (SPECIFY SIZE)	



## REMOVABLE SOLID SEAT AND BACK (VELCRO®)

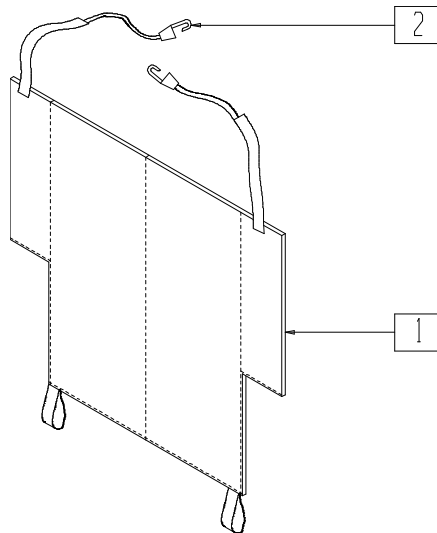


AC0X037

ITEM	NUMBER	DESCRIPTION	QTY
1	450780	REMOVABLE R-BACK INSERT (16"-20" WIDTH) (SPECIFY DIMENSIONS)	1

ITEM	NUMBER	DESCRIPTION	QTY
2	450781	REMOVABLE SEAT INSERT (16"-20" WIDTH) (SPECIFY DIMENSIONS)	1

## BACKREST CUSHION (QUICKIE 2/2HP/2HPTi/Rx)



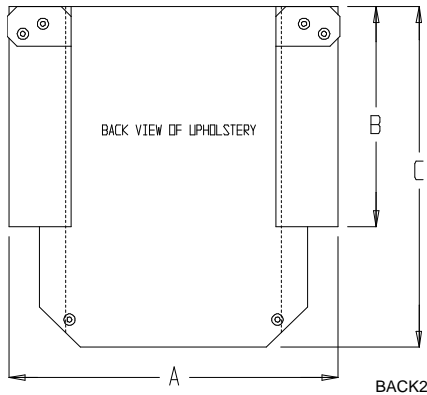
BK0X010

ITEM	NUMBER	DESCRIPTION	QTY
1,2	750600-750684	BACK CUSHION 12"-20"	

ITEM	NUMBER	DESCRIPTION	QTY
2	560230	PLASTIC HOOKS ACW#705	2

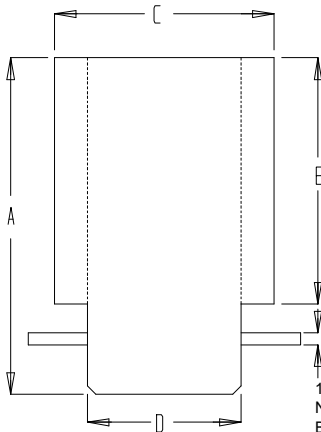
# BACK UPHOLSTERY MEASURING GUIDES

## MEASURING GUIDE QUICKIE 2/Rx BACK UPHOLSTERY



DESCRIPTION	"A"	"B"	"C"
BACK UPHOLSTERY 12" LOW	12 3/4"	7 1/2"	14 1/4"
BACK UPHOLSTERY 12" MED	12 3/4"	10 1/2"	17 1/4"
BACK UPHOLSTERY 12" TALL	12 3/4"	13 1/2"	20 1/4"
BACK UPHOLSTERY 16" LOW	16 3/4"	7 1/2"	14 1/4"
BACK UPHOLSTERY 16" MED	16 3/4"	10 1/2"	17 1/4"
BACK UPHOLSTERY 16" TALL	16 3/4"	13 1/2"	20 1/4"
BACK UPHOLSTERY 18" LOW	17 3/4"	7 1/2"	14 1/4"
BACK UPHOLSTERY 18" MED	17 3/4"	10 1/2"	17 1/4"
BACK UPHOLSTERY 18" TALL	17 3/4"	13 1/2"	20 1/4"

## MEASURING GUIDE BACK UPHOLSTERY - NON-FOLDING CHAIRS (QUICKIE CARBON/GP/GPV/GPV COMPETITION/Ti)



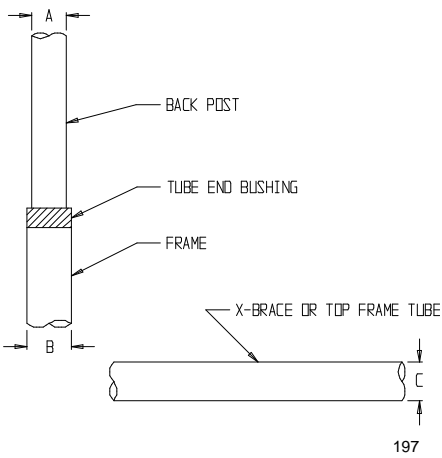
1" WIDE VELCRO  
NOTE: FOLDING  
BACK UPHOLSTERY  
HAS 2" VELCRO  
BACK1

	NON-FOLDING BACK HEIGHT			
	8"-9"	10"-11"	12"-13"	14"-16"
"A"	19 1/4"	21 1/4"	23 1/4"	25 1/4"
"B"	14 1/4"	16 1/4"	18 1/4"	20 1/4"

	BACK WIDTH			
	12"	13"	14"	15"
"C"	12 1/2"	13 1/2"	14 1/2"	15 1/2"
"D"	8 1/4"	9 1/4"	10 1/4"	11 1/4"

	BACK WIDTH				
	16"	17"	18"	19"	20"
"C"	16 1/2"	17 1/2"	18 1/2"	19 1/2"	20 1/2"
"D"	12 1/4"	13 1/4"	14 1/4"	15 1/4"	16 1/4"

## BACKREST AND SEAT TUBE DIAMETER MEASURING GUIDE



This guide will determine the backrest and seat tube diameter of Quickie chairs. Keep this chart with your Quickie Insert Reference Manual and use it when ordering an insert seating system. To use, follow these four easy steps.

1. Choose the appropriate chair.
2. Use the "A" dimension.
3. Use the "B" dimension.
4. Use the "C" dimension.

CHAIR	"A"	"B"	"C"	CHAIR	"A"	"B"	"C"
BREEZY	7/8"	1 1/8"	1"	QUICKIE GP/GPV/Ti	3/4"	1"	1"
QUICKIE 2/HP/HPTi	7/8"	1 1/8"	1"	QUICKIE RECLINER	1"	-	1"
QUICKIE 2 DEPTH ADJ	1"	-	1"	QUICKIE Rx	7/8"	1 1/8"	1"
QUICKIE CARBON	3/4"	1"	-	QUICKIE Ti (NF)	3/4"	-	1"
QUICKIE CARBON (NF)	3/4"	-	-	QUICKIE TS	1"	-	1"
QUICKIE GP (NF)	3/4"	-	1"	ZIPP/IE/ZIPP/IE2/	1"	-	1"
QUICKIE GPV (NF)	3/4"	-	1"	ZIPP/IE TS			

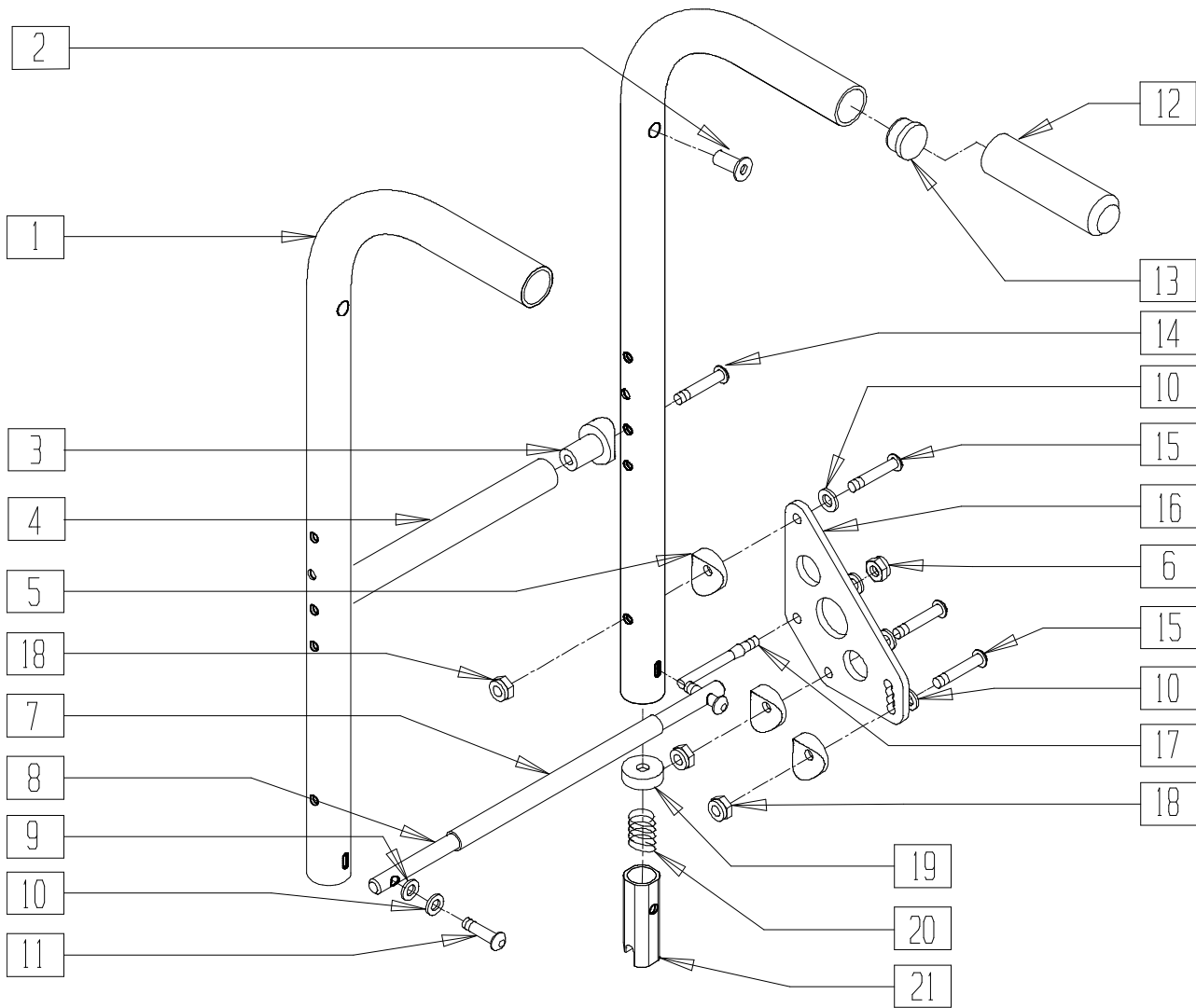
# Pediatric and Positioning Chairs Backrests and Upholstery

## IN THIS SECTION

Backrest (Zippie/ Zippie TS) (Disc.).....	10.1	Adjustable Back Upholstery (Zippie GS) .....	10.10
Backrest (Quickie TS/Zippie/ Zippie 2/ Zippie TS) .	10.2	Solid Seat and Solid Back	
Swing-Away Adjustable Stroller Handle		(Zippie/Zippie TS) (Disc).....	10.10
(Quickie TS/Zippie/ Zippie 2/ GS/TS) .....	10.3	Solid Seat and Solid Back (Zippie 2) .....	10.11
Swing-Away Adjustable Stroller Handle Retro Kit		Solid Seat and Solid Back	
(Quickie TS/ Zippie TS/GS) .....	10.4	(Zippie/Zippie GS/TS) .....	10.11
Standard Back Cane (Zippie GS) .....	10.5	Solid Seat and Solid Back (Quickie TS) .....	10.12
Height-Adjustable Push Handle (Zippie GS) .....	10.6	Solid Back (Quickie T45) .....	10.12
Height-Adjustable Back Cane (Zippie GS) .....	10.7	Backrest and Upholstery (Quickie Kidz) (Disc.) ...	10.13
Removable Stroller Handle (Zippie GS) .....	10.8	Backrest and Upholstery (Quickie Kidz) .....	10.14
Rigidizer (New Zippie TS).....	10.8	Folding Backrest (Quickie Kidz) .....	10.15
Stroller Handle Extension -Removable		Stroller Handle (Quickie Kidz).....	10.16
(Quickie TS/Zippie/ Zippie 2/GS/TS) .....	10.9	60° Reclining Back Assembly (Quickie TS) .....	10.17
Stroller Handle Extension -Removable		Back Frame (Reclining Back) (Quickie T45) .....	10.18
(Quickie T45) .....	10.9	Back Frame (Fixed Back) (Quickie T45) .....	10.19

# BACKREST (ZIPP/ ZIPP TS)

(Discontinued 5/24/93 - parts only)



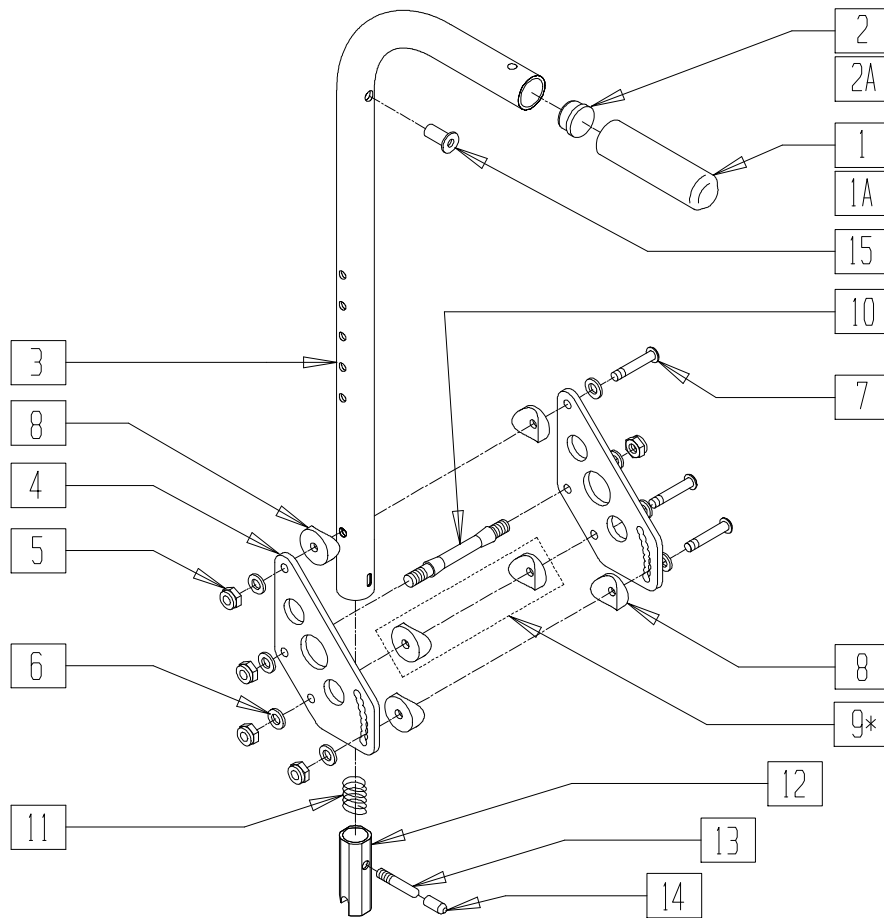
Z00X5

ITEM	NUMBER	DESCRIPTION	QTY
1,2,12,13	842080	STRLR HNDL W/FOAM STD ZPS/P5/QT	
2	341497	10-32 x .020-.130 RIVNUT GOLD	2
3	483038	STRUT SADDLE ZP/P5/KZ	2
4	522802-522808	STRUT TUBE 10"-16" KP/KZ	1
5	561004	1" SADDLE 1/4" HOLE	6
6	201100-QU	1/4-28 NYLOCK NUT THIN	2
7	560601	5 1/2" x .310 x .100 FOAM GRIP	1
8	550512-550518	BACK RELEASE BAR 10"-16" ZP	1
9	561028	1/4" NYLON WASHER	2
10	262100-QU	1/4 AN WASHER FLAT	8
11	226111	1/4-28 x 1 BH C/S SHOULDER	2

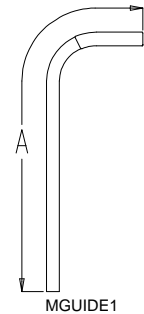
ITEM	NUMBER	DESCRIPTION	QTY
12	560663	QUICKIE GRIP 1"	2
13	561002	1" INSERT PLUG .083	2
14	226130	1/4-28 x 1 1/2 BH C/S	2
15	226140	1/4-28 x 1 3/4 BH C/S	6
16	500192	BACK PLATE ZP/P5/QT/EX/Q2 DEPTH	2
17	481036	BACK PLATE STOP PIN ZP/P5/EX	2
18	201110	1/4-28 NYLOCK NUT	6
19	483020	S/A SPRING RETAINER	2
20	321110	S/A LATCH SPRING	2
21	483019	BACK RELEASE LATCH	2
5,10,15,18	920312	BACK PLATE HDWR KIT ZP/P5 O/S	
6,9-11,17,19-21	920313	BACKREST LATCH KIT ZP/P5 O/S	

# BACKREST (ZIPPIE/ZIPPIE 2/ZIPPIE TS)

(Effective 11/1/2002)



## MEASURING GUIDE



BACK TUBE	"A"
STD	25 3/4"
MED	28 3/4"
TALL	31 3/4"

NOTE: ABOVE DIMENSIONS ARE FOR BACK TUBE ONLY AND DO NOT INCLUDE FOAM GRIP.

Drawing shows right side

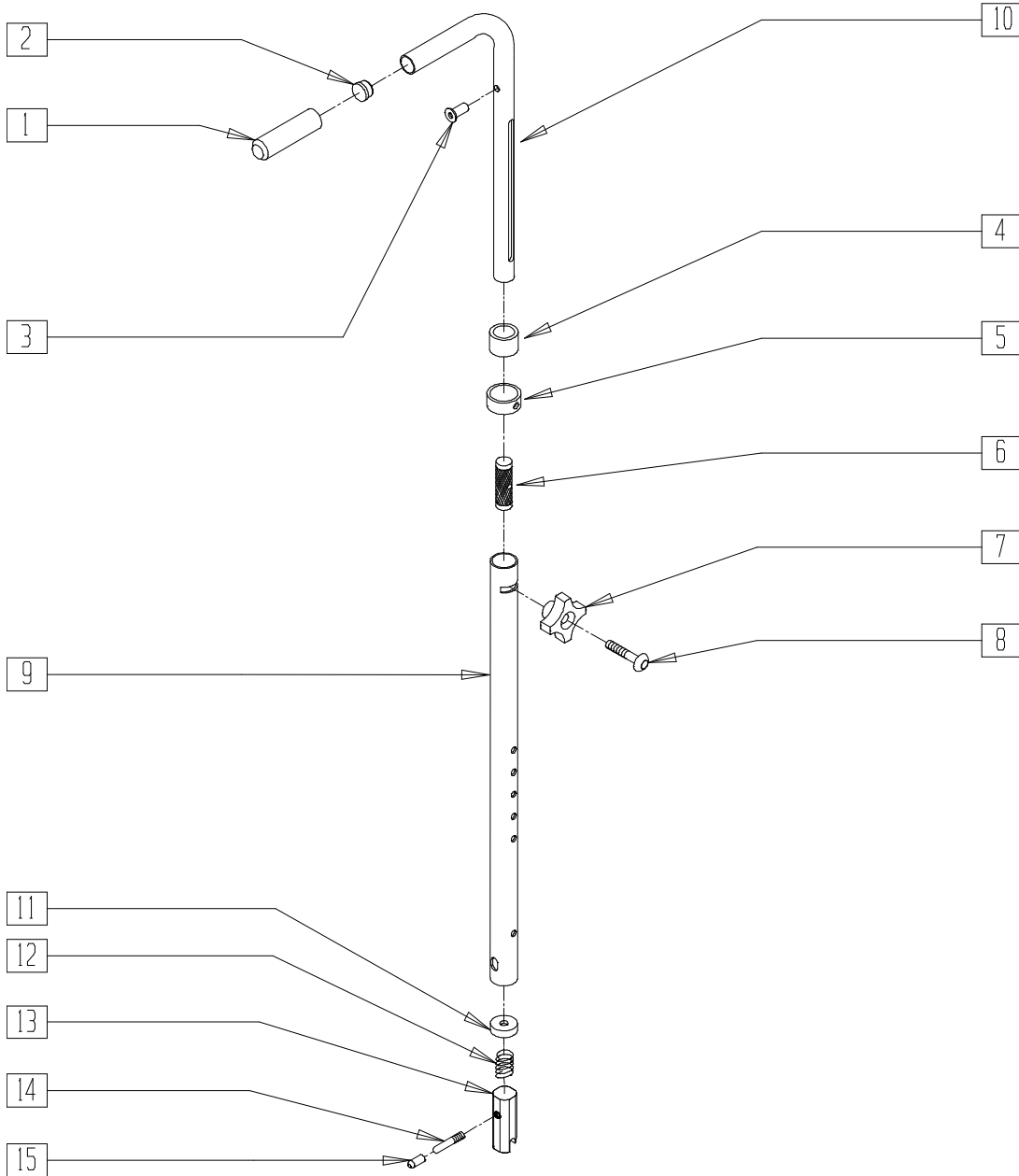
ZP200X05A

ITEM	NUMBER	DESCRIPTION	QTY
1	560663	QUICKIE GRIP 1"	1
1A	560660	QUICKIE GRIP 1" W/HOLE	1
2	561002	1" INSERT PLUG .083	1
2A	561082	1" TUBE END BUSHING THIN	1
4	500192	BACK PLATE ZP/P5/QT/EX/Q2 DEPTH	2
5	201100-QU	1/4-28 NYLOCK NUT THIN	5
6	262100-QU	1/4 AN WASHER FLAT	8
7	226150	1/4-28 x 2 BH C/S	4
8	561004	1" SADDLE 1/4" HOLE	4,6
9*	482000	SADDLE SMALL 1.00 TUBE .25 HOLE	2
10	481042	BACK RELEASE STOP PIN QTS	1
11	321110	S/A LATCH SPRING	1
12	483019	BACK RELEASE LATCH	1
13	481084	BACK RELEASE PIN Z2/QT/EX	1
14	560502	ANTI-TIP LEVER COVER	1
15	341497	10-32 x .020-.130 RIVNUT GOLD	1
5-8	920321	BACK PLATE HARDWARE KIT	
5-9	920921	BACK PLATE HARDWARE KIT ZTS	
5-8,10-14	920328	BACKREST LATCH KIT	
1-3,15	842079	STRL HANDLE W/FOAM MED ZPS/QT	
	842080	STRL HNDL W/FOAM STD ZPS/P5/QT	
	842081	STRL HANDLE W/FOAM TALL ZPS/QT	

ITEM	NUMBER	DESCRIPTION	QTY
1-3,11-15	920389	STRL HNDL W/LTCH MED ZPS/P5/QTS	
	920390	STRL HANDLE W/LATCH ZPS/P5/QT	
	920391	STRL HNDL W/LATCH TALL ZPS/P5/QT	
1-8,10-15	920299	STRL HANDLE MED AND PLATE ASSM	
	920345	STRL HANDLE STD AND PLATE ASSM	
	920347	STRL HANDLE TALL AND PLATE ASSM	
1-15	920999	STRL HNDL M AND PLTE ASSM ZTS	
	920945	STRL HNDL STD AND PLT ASSM ZTS	
	920947	STRL HNDL T AND PLT ASSM ZTS	
1A,2A,3,15	842066	EXT STROLLER HANDLE MED	
	842067	EXT STROLLER HANDLE STD	
	842068	EXT STROLLER HANDLE TALL	
1A,2A,3,11-15	920423	EXT STROLLER HNDL MED W/LATCH	
	920421	EXT STROLLER HNDL STD W/LATCH	
	920424	EXT STROLLER HNDL TALL W/LATCH	
1A,2A,3,3-8,10-15	920375	EXT STRLR HNDL MED AND PLT ASSM	
	920348	EXT STRLR HNDL STD AND PLT ASSM	
	920349	EXT STRLR HNDL TALL AND PLT ASSM	
1-15	920981	EXT STRLR HNDL M PLST ASSM ZTS	
	920948	EXT STRLR HNDL STD PLT ASM ZTS	
	920949	EXT STRLR HNDL T PLT ASSM ZTS	

NOTE: HOLE ON TOP OF STROLLER HANDLE (FOR STROLLER HANDLE EXTENSION) EFFECTIVE 12/21/93. BEGINNING SERIAL NUMBER ZP-32105.  
NOTE: \*9 QTY OF 2 ARE USED ONLY ON ZIPPIE TS BEGINNING 11/01/02

# SWING-AWAY ADJUSTABLE STROLLER HANDLE (QUICKIE TS/ZIPPIE/2/GS/TS)



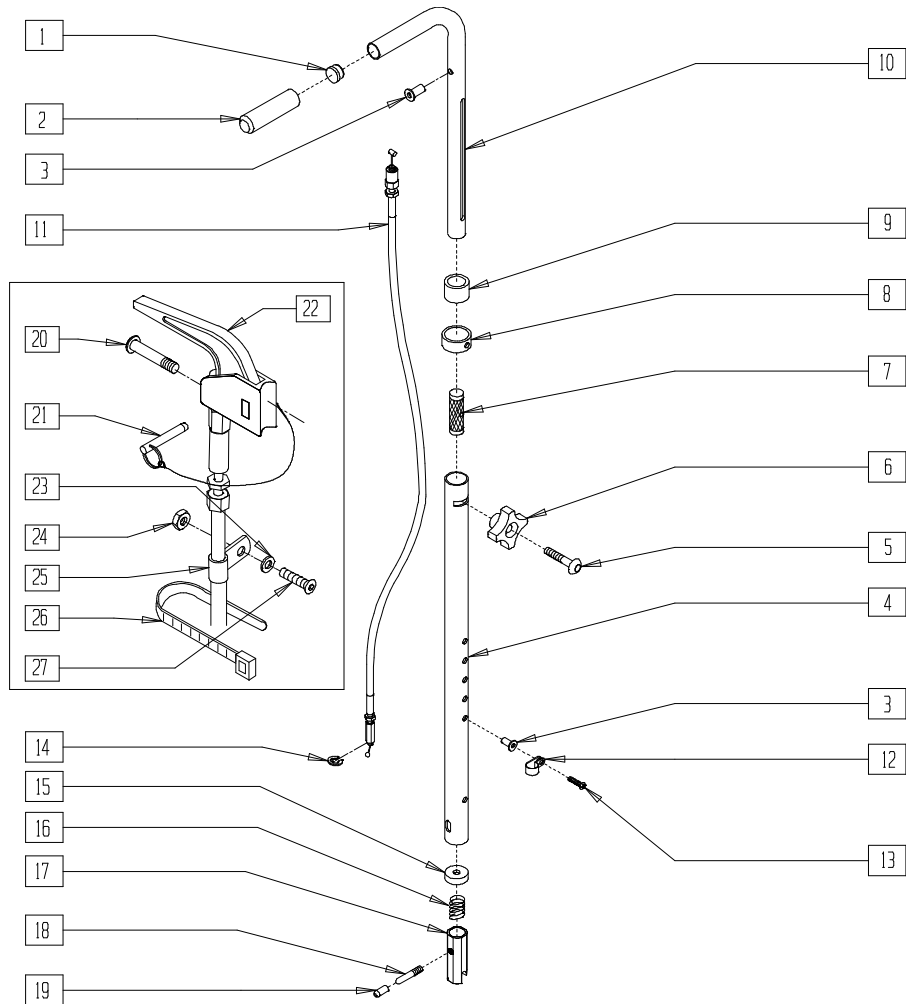
Drawing shows right side

ZPSH1X01

ITEM	NUMBER	DESCRIPTION	QTY
1	560662	QUICKIE GRIP 3/4"	1
2	561000-QU	3/4" INSERT PLUG .083	1
3	341500	10-32 x .010-.080 RIVNUT	1
4	561082	1" TUBE END BUSHING THIN	1
5	483096	S/A ADJ STROLLER RING ZP/QT	1
6	483095	S/A ADJ STROLLER INSERT ZP/QT	1
7	349018	KNOB S/A ADJ STROLLER ZP	1
8	226136	1/4-20 x 1 1/2 BH C/S BLK	1
9	521791, 521792	S/A ADJ BACK TUBE ONLY ZP/QT (EA)	1

ITEM	NUMBER	DESCRIPTION	QTY
10	521793, 521794	S/A ADJ STROLLER TUBE PUSH HANDLE ZP/QT (EA)	1
11	483020	S/A SPRING RETAINER	1
12	321110	S/A LATCH SPRING	1
13	483019	BACK RELEASE LATCH	1
14	481084	BACK RELEASE PIN Z2/QT/EX	1
15	560502	ANTI-TIP LEVER COVER	1
1-10	842082, 842083	S/A ADJ STROLLER HANDLES (PR) W/FOAM (EA)	
1-10	920306	S/A ADJ STROLLER HANDLES (PR)	
11-15	920291	BACKREST SLIDER LATCH KIT	

# SWING-AWAY ADJUSTABLE STROLLER HANDLE RETRO KIT (QUICKIE TS/ZIPPIE TS/GS)



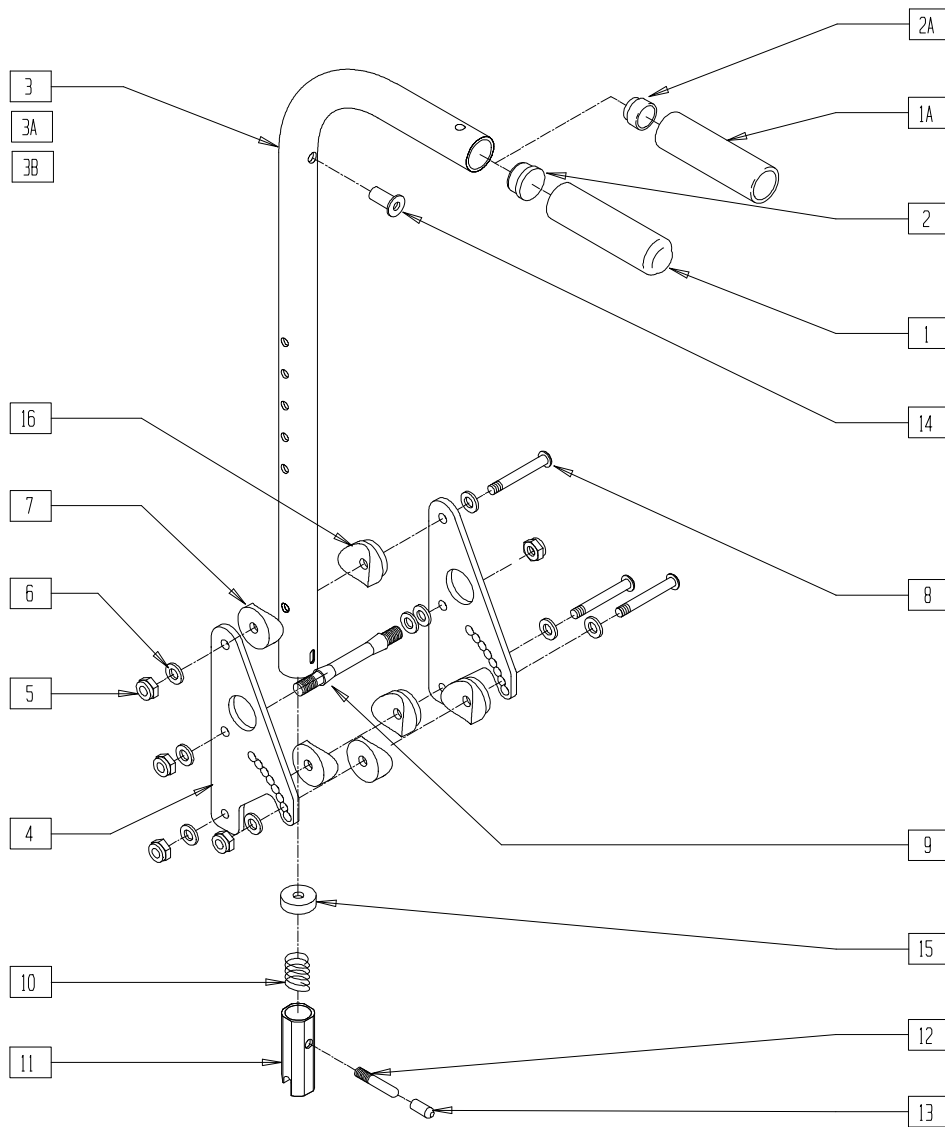
Drawing shows right side

ZP2SH2X0

ITEM	NUMBER	DESCRIPTION	QTY
1	561000-OU	3/4" INSERT PLUG .083	1
2	560662	QUICKIE GRIP 3/4"	1
3	341497	10-32 x .020-.130 RIVNUT GOLD	2
4	521791, 521792	S/A ADJ BACK TUBE ONLY ZP/QT (EA)	1
5	226136	1/4-20 x 1 1/2 BH C/S BLK	1
6	349018	KNOB S/A ADJ STROLLER ZP	1
7	483095	S/A ADJ STROLLER INSERT ZP/QT	1
8	483096	S/A ADJ STROLLER RING ZP/QT	1
9	561082	1" TUBE END BUSHING THIN	1
10	521793, 521794	S/A ADJ STROLLER TUBE PUSH HANDLE ZP/QT (EA)	1
11	342057	CYL LOCK CABLE ASSEMBLY (ZP/TS)	1
	342056	CYL LOCK CABLE ASSEMBLY T45 (QTS)	
12	349511	1/2" ID PLASTIC CLAMP BLK	1
13	281120	10-32 x 5/8 PAN HD PHIL	1
14	342000	1/4" E-CLIP	1
15	483020	S/A SPRING RETAINER	1
16	321110	S/A LATCH SPRING	1
17	483019	BACK RELEASE LATCH	1
18	481084	BACK RELEASE PIN Z2/QT/EX	1
19	560502	ANTI-TIP LEVER COVER	1

ITEM	NUMBER	DESCRIPTION	QTY
20	281120	10-32 x 5/8 PAN HD PHIL	1-2
21	349021	TRIGGER RELEASE PIN TS/QT/P5	1-2
22	580110	CYL LOCK LEVER ASSEMBLY QT/OR/P5	1-2
23	261204	#10 AN WASHER .063	1-2
24	200100	10-32 NYLOCK NUT	1-2
25	349511	1/2" ID PLASTIC CLAMP BLK	1-2
26	560410	ZIP TIE BLACK	1-2
27	226032	10-32 x 1 1/2 BH C/S BLK	1-2
1-10	842082, 842083	S/A ADJ STROLLER HANDLE W/FOAM (EA)	
	920306	S/A ADJ STROLLER HANDLES ZP/Z2 (PR)	
1-19	920304	S/A ADJ STROLLER RETRO KIT QTS (PR)	
1-14, 20-27	842084, 842085	TS ADJ PUSH HANDLE TUBE W/TRIGGER (EA)	
	842073, 842074	QTS ADJ PUSH HANDLE TUBE W/TRIGGER (EA)	
1-14,20-27	920297	S/A ADJ STROLLER 15"-20" QTS (PR)	
1-14, 20-27	920307	S/A ADJ STROLLER 10"-14" TS (INCLUDES TRIGGER ON RIGHT SIDE) (PR)	
	920308	S/A ADJ STROLLER 15"-20" TS (INCLUDES TRIGGER ON BOTH SIDES) (PR)	
15-19	920291	BACKREST SLIDER LATCH KIT	

# STANDARD BACK CANE (ZIPPIE GS)( FOR USE WITH GROWING BACK UPHOLSTERY)



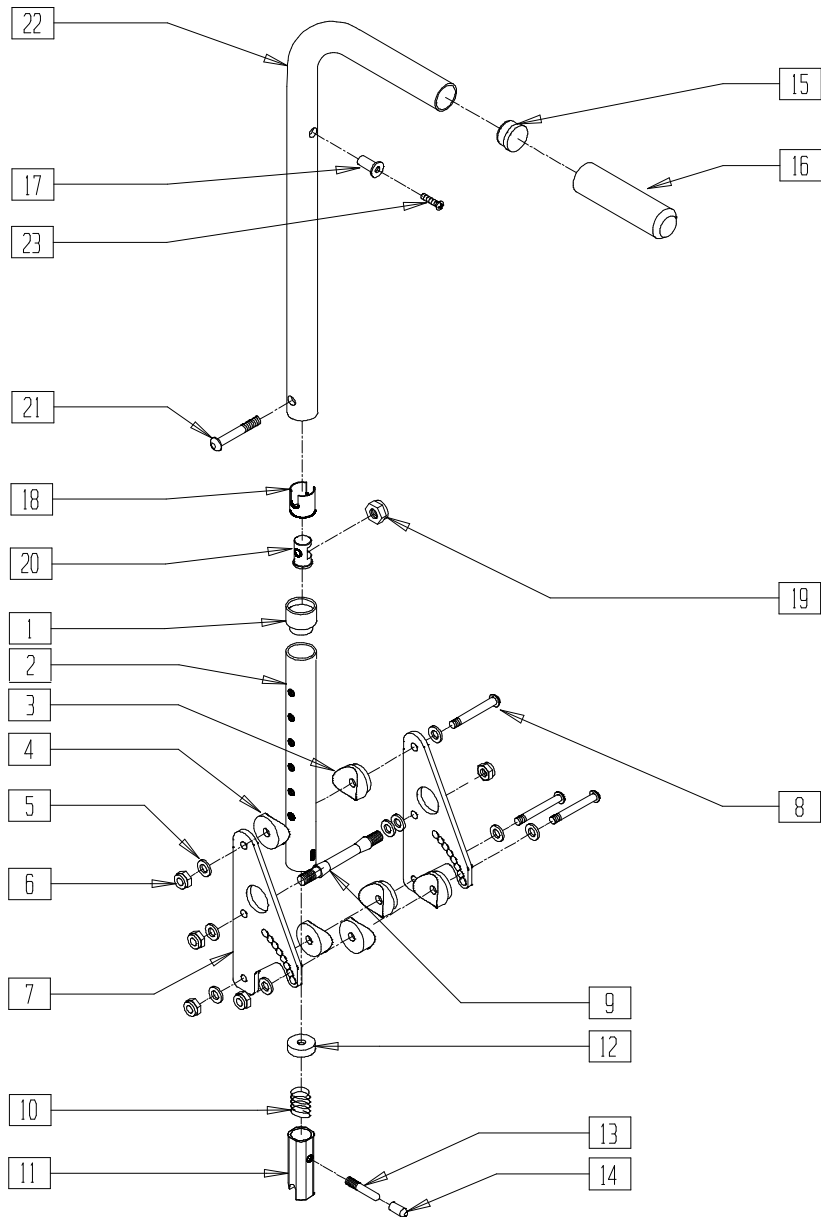
ZGS00X07

ITEM	NUMBER	DESCRIPTION	QTY
1	560663	QUICKIE GRIP 1"	1
1A	560660	QUICKIE GRIP 1" W/HOLE	1
2	561002	1" INSERT PLUG .083	1
2A	561082	1" TUBE END BUSHING THIN	1
4	500197	BACK PLATE ZGS	2
5	201100-QU	1/4-28 NYLOCK NUT THIN	5
6	262100-QU	1/4 AN WASHER FLAT	9
7	561004	1" SADDLE 1/4" HOLE	3
8	226150	1/4-28 x 2 1/4 BH C/S	3
9	481042	BACK RELEASE STOP PIN QTS	1
10	321110	S/A LATCH SPRING	1
11	483019	BACK RELEASE LATCH	1
12	481084	BACK RELEASE PIN Z2/QT/EX	1
13	560502	ANTI-TIP LEVER COVER	1
14	341497	10-32 x .020-.130 RIVNUT GOLD	1
15	483020	S/A SPRING RETAINER	1
16	561087	BACK RELEASE SADDLE RIGID	3
1-3,14	842080	STRL HNDL W/FOAM STD ZPS/P5/QT	
1-3A,14	842081	STRL HNDL W/FOAM TALL ZPS/P5/QT	
1-3B,14	842079	STRL HNDL W/FOAM MED ZPS/P5/QT	

ITEM	NUMBER	DESCRIPTION	QTY
1-3,10-14	920390	STRL HNDL W/LATCH ZPS/P5/QT	
1-3A,10-14	920391	STRL HNDL W/LATCH TALL ZPS/P5/QT	
1-3B,10-14	920389	STRL HNDL W/LATCH MED ZPS/P5/QT	
1A,2A,3,14	842067	EXT STROLLER HANDLE STD	
1A,2A,3A,14	842068	EXT STROLLER HANDLE TALL	
1A,2A,3B,14	842066	EXT STROLLER HANDLE MED	
1A,2A,3,10-14	920421	EXT STROLLER HANDLE STD W/LATCH	
1A,2A,3A,10-14	920424	EXT STROLLER HANDLE TALL W/LATCH	
1A,2A,3B,10-14	920423	EXT STROLLER HANDLE MED W/LATCH	
1-16	920595	STRL HNDL STD AND PLATE ASSM ZGS	
1-3A,4-16	920596	STRL HNDL MED AND PLATE ASSM ZGS	
1-3B,4-16	920597	STRL HNDL TALL AND PLATE ASSM ZGS	
1A,2A,3-16	920555	EXT STRL HNDL STD AND PLATE ASSEMBLY ZGS	
1A,2A,3A,4-16	920556	EXT STRL HNDL MED AND PLATE ASSEMBLY ZGS	
1A,2A,3B,4-16	920557	EXT STRL HNDL TALL AND PLATE ASSEMBLY ZGS	



## HEIGHT-ADJUSTABLE PUSH HANDLE(ZIPPIE GS) (FOR USE WITH GROWING BACK UPHOLSTERY)

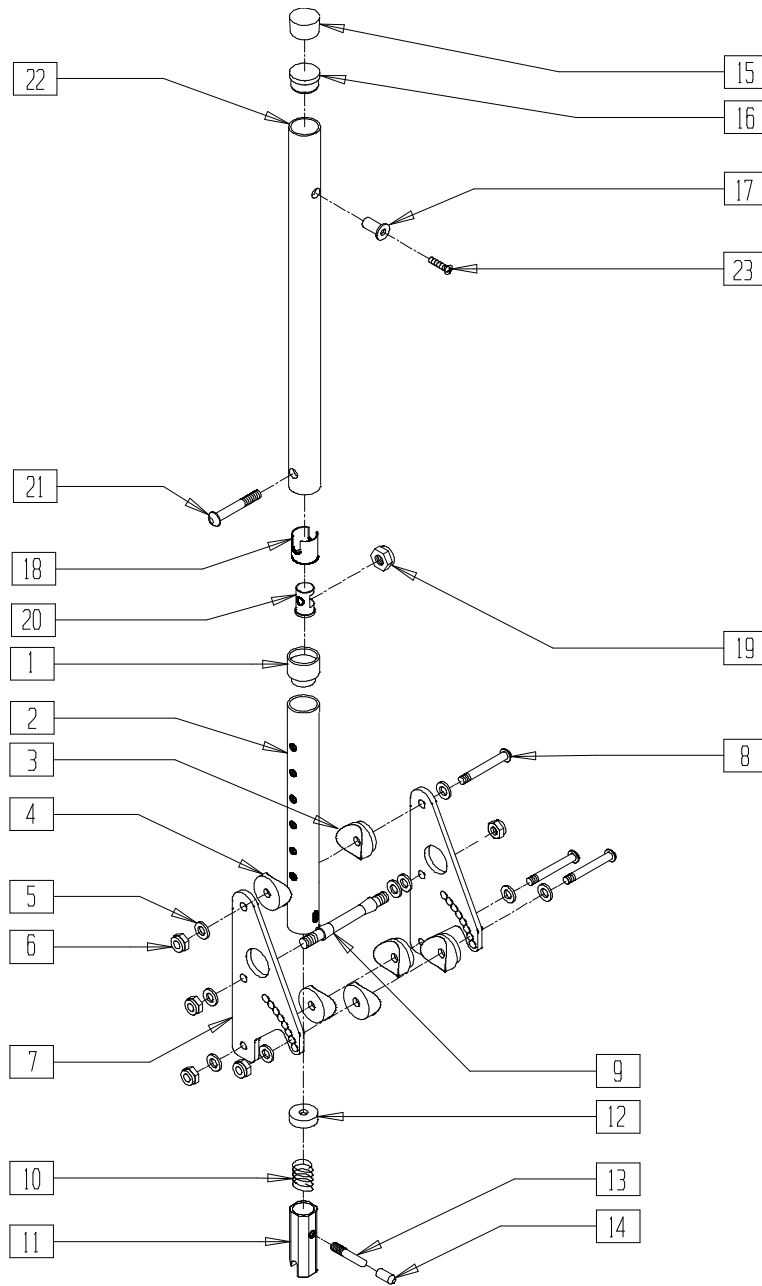


ZGS00X51

ITEM	NUMBER	DESCRIPTION	QTY
1	561082	1" TUBE END BUSHING THIN	1
2	520195	BACK TUBE STEM ZGS	1
3	561087	BACK REL SADDLE RIGID	3
4	561004	1" SADDLE 1/4" HOLE	3
5	262100-QU	1/4" AN WASHER FLAT	9
6	201100-QU	1/4-28 NYLOCK NUT THIN	5
7	500197	BACK PLATE ZGS	2
8	226155	1/4-28 x 2 1/4 BH C/S	3
9	481042	BACK RELEASE STOP PIN	1
10	321110	S/A LATCH SPRING	1
11	483019	BACK RELEASE LATCH	1
12	483020	S/A SPRING RETAINER	1
13	481084	BACK RELEASE PIN Z2/QT/EX	1
14	560502	ANTI-TIP LEVER COVER	1
15	561000-QU	3/4" INSERT PLUG .083	1
16	560662	QUICKIE GRIP 3/4"	1

ITEM	NUMBER	DESCRIPTION	QTY
17	341497	10-32 x .020-.130 RIVNUT GOLD	1
18	560750	BUSHING FOOTREST Q2N	1
19	201110	1/4-28 NYLOCK NUT	1
20	483553	FOOTREST INSERT PLUG Q2N	1
21	226110	1/4-28 x 1 BH C/S	1
23	281120	10/32 x 5/8 PAN HD PHIL	1
1-14	840199	HT ADJ STRLR HANDLE STEM ASSM	
15-17,22,23	880097	HT ADJ STRLR HANDLE STD W/GRIP	
	880098	HT ADJ STRLR HANDLE MED W/GRIP	
	880099	HT ADJ STRLR HANDLE TALL W/GRIP	
	880096	HT ADJ STRLR HANDLE XTL W/GRIP	
15-23	842156	HT ADJ STRLR HANDLE STD W/INSERT	
	842157	HT ADJ STRLR HANDLE MED W/INSERT	
	842158	HT ADJ STRLR HANDLE TALL W/INSERT	
1-23	920490	HT ADJ STRLR HANDLE STD W/STEM	
	920491	HT ADJ STRLR HANDLE MED W/STEM	
	920492	HT ADJ STRLR HANDLE TALL W/STEM	

# HEIGHT-ADJUSTABLE BACK CANE (ZIPPIE GS)



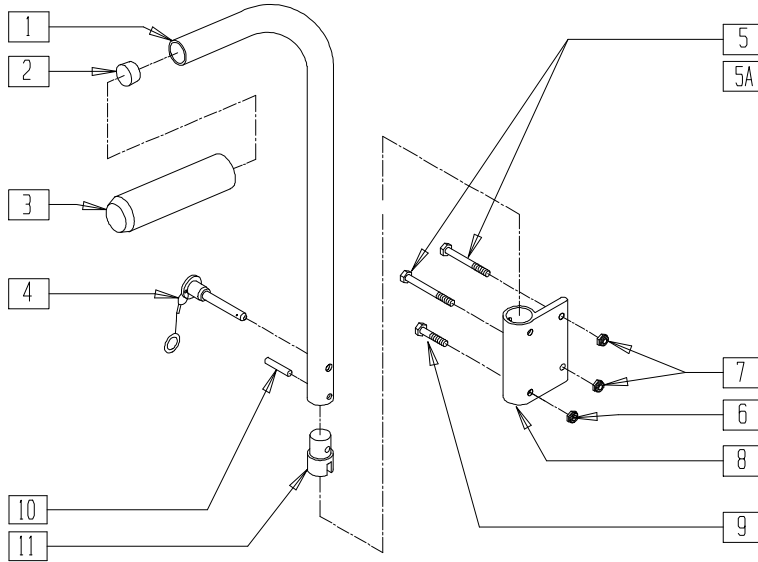
ZGS00X48

ITEM	NUMBER	DESCRIPTION	QTY
1	561082	1" TUBE END BUSHING THIN	1
2	520195	BACK TUBE STEM ZGS	1
3	561087	BACK RELEASE SADDLE RIGID	3
4	561004	1" SADDLE 1/4" HOLE	3
5	262100-OU	1/4" AN WASHER FLAT	9
6	201100-OU	1/4-28 NYLOCK NUT THIN	5
7	500197	BACK PLATE ZGS	2
8	226155	1/4-28 x 2 1/4 BH C/S	3
9	481042	BACK RELEASE STOP PIN	1
10	321110	S/A LATCH SPRING	1
11	483019	BACK RELEASE LATCH	1
12	483020	S/A SPRING RETAINER	1
13	481084	BACK RELEASE PIN Z2/QT/EX	1
14	560502	ANTI-TIP LEVER COVER	1
15	561010	3/4" CAP	1
16	561000-OU	3/4" INSERT PLUG .083	1

ITEM	NUMBER	DESCRIPTION	QTY
17	341497	10-32 x .020-.130 RIVNUT GOLD	1
18	560750	BUSHING FOOTREST Q2N	1
19	201110	1/4-28 NYLOCK NUT	1
20	483553	FOOTREST INSERT PLUG Q2N	1
21	226110	1/4-28 x 1 BH C/S	1
23	281120	10/32 x 5/8 PAN HD PHIL	1
1-14	840199	HT ADJ STRLR HANDLE STEM ASSM	
15-17,22,23	840025	HT ADJ BACK CANE STD	
	840026	HT ADJ BACK CANE MED	
	840027	HT ADJ BACK CANE TALL	
15-23	840028	HT ADJ BACK CANE STD W/INSERT	
	840029	HT ADJ BACK CANE MED W/INSERT	
	840030	HT ADJ BACK CANE TALL W/INSERT	
1-23	840117	HT ADJ BACK CANE STD W/STEM	
	840118	HT ADJ BACK CANE MED W/STEM	
	840119	HT ADJ BACK CANE TALL W/STEM	

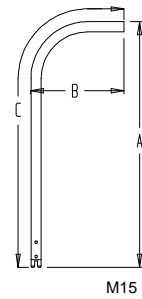
NOTE: NO STROLLER HANDLE EXTENSION AVAILABLE.

# REMOVABLE STROLLER HANDLE (ZIPPIE GS)



Drawing shows left side

## MEASURING GUIDE



STROLLER HANDLE	REG	TALL
"A"	26"	32"
"B"	9"	9"
"C"	31 7/8"	43 3/8"

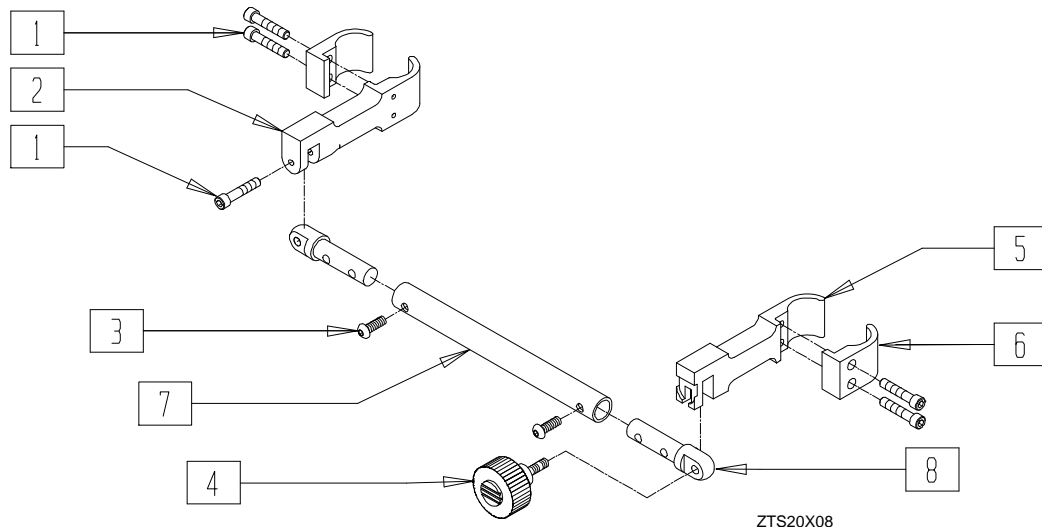
ZGS00X49

ITEM	NUMBER	DESCRIPTION	QTY
2	561002	1" INSERT PLUG .083	1
3	920070	9 x .940 x .200 FOAM GRIP	1
4	349020	STROLLER HANDLE RELEASE PIN	1
5	221151-QU	1/4-28 x 1 3/4 G8 HEX C/S	2
5A	221192	1/4-28 x 2 G8 HEX C/S	2
6	201100-QU	1/4-28 NYLOCK NUT THIN	1
7	201110	1/4-28 NYLOCK NUT	2
8	551008	LX S/A ARM RECEIVER	1

NOTE: ORDER ITEM 5 FOR CHAIRS WITH PADDED ARMS AND STROLLER HANDLES.

ITEM	NUMBER	DESCRIPTION	QTY
9	221133	1/4-28 x 1 1/2 G8 HEX C/S	1
10	341200	1/4 x 1 ROLL PIN	1
11	483029	PUSH HANDLE PLUG	1
1-3,10,11	881431	STROLLER HANDLE REG STRT W/F ZGS	
	881432	STROLLER HANDLE TALL STRT W/F ZGS	
	900418	STROLLER HANDLES REG ZGS (PR)	
	900419	STROLLER HANDLES TALL ZGS (PR)	
4-9	900507	STROLLER REC W/HDWR ZGS (PR)	
4,5A,6-9	900508	STROLLER REC TRNST W/HDWR ZGS (PR)	

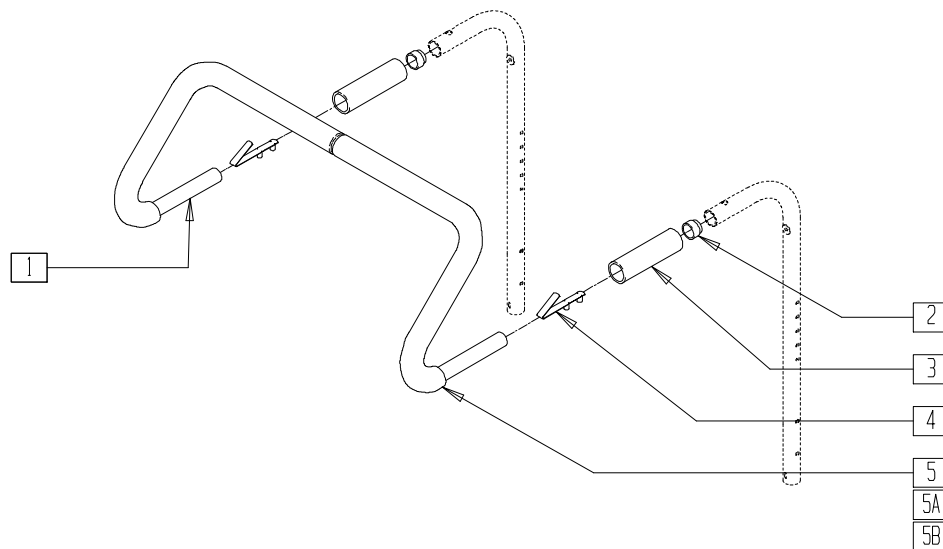
# RIGIDIZER (NEW ZIPPIE TS)



ZTS20X08

ITEM	NUMBER	DESCRIPTION	QTY
1-8	882056-882059	RIGIDIZER 10"-12" THRU 16"-18"	1

## STROLLER HANDLE EXTENSION - REMOVABLE (QUICKIE TS/ZIPPIE/2/GS/TS)



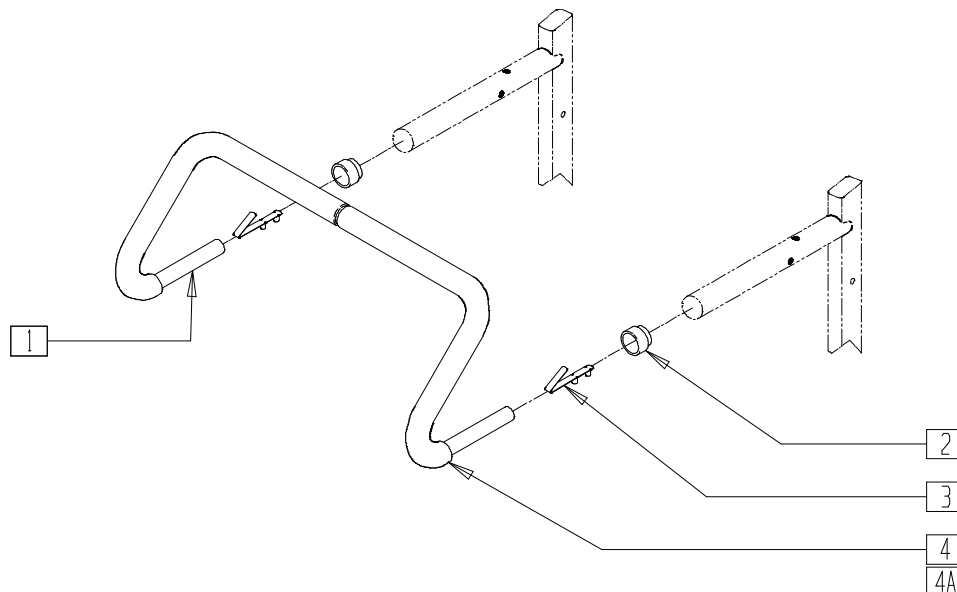
ARMX10

ITEM	NUMBER	DESCRIPTION	QTY
2	561082	1" TUBE END BUSHING THIN	2
3	560660	QUICKIE GRIP 1" W/HOLE	2
4	301108	5/16 SNAP BUTTON DUAL ONE SIDE	2
5	560615	STROLLER EXTENSION GRIP 10"-13"	2
5A	560616	STROLLER EXTENSION GRIP 14"-17"	2
5B	560617	STROLLER EXTENSION GRIP 18"-20"	2

ITEM	NUMBER	DESCRIPTION	QTY
1-5	842050- 842053	STROLLER EXTENSION ASSEMBLY 10"-13"	
1-4,5A	842054- 842057	STROLLER EXTENSION ASSEMBLY 14"-17"	
1-4,5B	842058, 842059, 842063	STROLLER EXTENSION ASSEMBLY 18"-20"	

NOTE: NOT AVAILABLE WITH SWING-AWAY ADJUSTABLE STROLLER HANDLES.  
NOTE: FITS ON BOTH STROLLER HANDLE BACKPOSTS AND REMOVABLE STROLLER HANDLES.

## STROLLER HANDLE EXTENSION - REMOVABLE (QUICKIE T45)

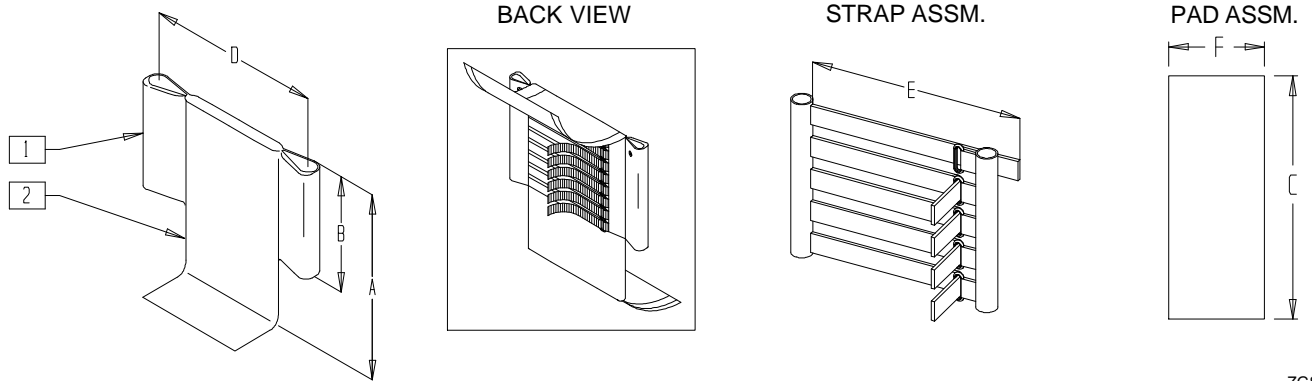


TSR00X30

ITEM	NUMBER	DESCRIPTION	QTY
2	561082	1" TUBE END BUSHING THIN	2
3	301108	5/16 SNAP BUTTON DUAL ONE SIDE	2
4	560616	STROLLER EXTENSION GRIP 14"-17"	2
4A	560617	STROLLER EXTENSION GRIP 18"-20"	2

ITEM	NUMBER	DESCRIPTION	QTY
1-4	842214- 842217	STROLLER EXTENSION ASSEMBLY 14"-17" T45	
1-3,4A	842220- 842222	STROLLER EXTENSION ASSEMBLY 18"-20" T45	

## ADJUSTABLE BACK UPHOLSTERY (ZIPPIE GS)



ZGS0X45

ITEM	NUMBER	DESCRIPTION	QTY
1	680230-680238	ADJ STRAP ASSEMBLY, GROWING ADJ BACK (SPECIFY WIDTH/HEIGHT)	
	680370-680384	BACK UPH (18" LOW- 22" HIGH) Q2 H/D	

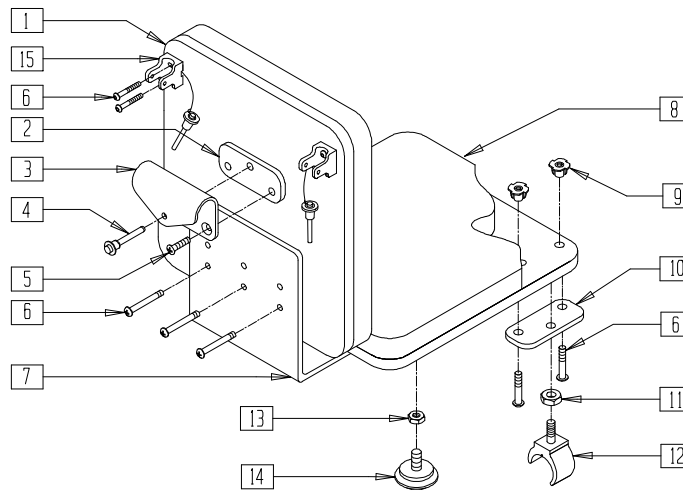
ITEM	NUMBER	DESCRIPTION	QTY
2	684480-684488	ADJ BACK STRAP COVER 10"-16" SHT, MED, TALL ZGS (SPECIFY WIDTH/HEIGHT)	

HEIGHT TABLE		STRAP ASSM.		PAD ASSM
	BACK HEIGHT "A"	NO. OF STRAPS	HEIGHT "B"	LENGTH "C"
SHORT	11"-14"	5	6 1/2"	25"
MEDIUM	12"-16"	6	8 1/2"	29"
TALL	14"-18"	8	10 1/2"	33"
X-TALL	16"-20"	9	12 1/2"	37"

WIDTH TABLE		WIDTH "D"					
		SMALL 10"-12"	MED 12"-14"	LARGE 14"-16"	XLARGE 16"-18"	XLARGE 18"-20"	XLARGE 20"-22"
STRAP ASSM	STRAP LENGTH "E"	9 1/2"	13 1/2"	17 1/2"	17 1/2"	21 1/2"	21 1/2"
PAD ASSM	WIDTH "F"	8"	10"	12"	14"	16"	18"

## SOLID SEAT AND SOLID BACK (ZIPPIE/ZIPPIE TS)

(Discontinued 5/24/93 - parts only)

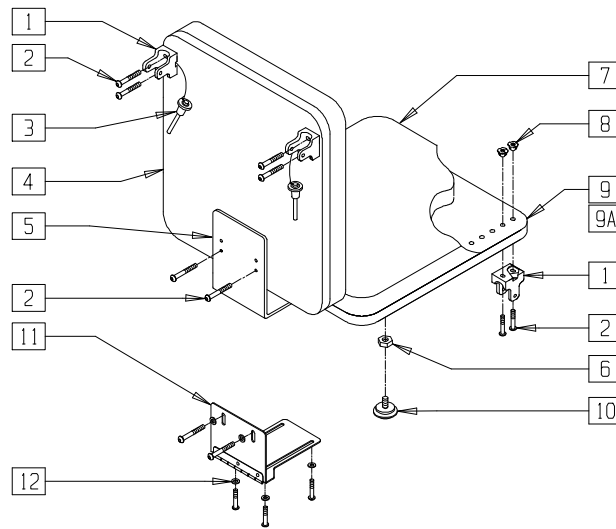


Z00X6C

ITEM	NUMBER	DESCRIPTION	QTY
1,9	735050-735070	PLY BACK 10"-16" (SPECIFY COLOR)	
2	550271	PLY BACK HOOK SPACER	1
3	505070	PLY BACK HOOK	1
4	349020	STROLLER HANDLE RELEASE PIN	3
5	226126	1/4-20 x 1 1/4 FH C/S BLK	2
6	226101	1/4-20 x 3/4 BH C/S	10
7	562607	PLY SEAT BRACKET	1
8,9	735000-735041	PLY SEAT 10"-16" (SPECIFY COLOR)	1

ITEM	NUMBER	DESCRIPTION	QTY
9	341504	1/4-20 T-NUT	7-11
10	500191	PLYWOOD SEAT SADDLE PLATE	2
11	201112	1/4-28 NUT THIN	2
12	561021	LOCKING SEAT SADDLE KIDS	2
13	201121	1/4-20 NUT THIN	2
14	349560	ZP RUBBER STOP	2
15	562609	BRACKET SEAT QTS/BACK	2
2-7,10-14	920314	SEATING HARDWARE KIT ZP/P5 O/S	
4,6,7,10-15	920329	SEATING HDWR KIT ZP/P5 (6 HOLE)	

## SOLID SEAT AND SOLID BACK (ZIPPIE 2)

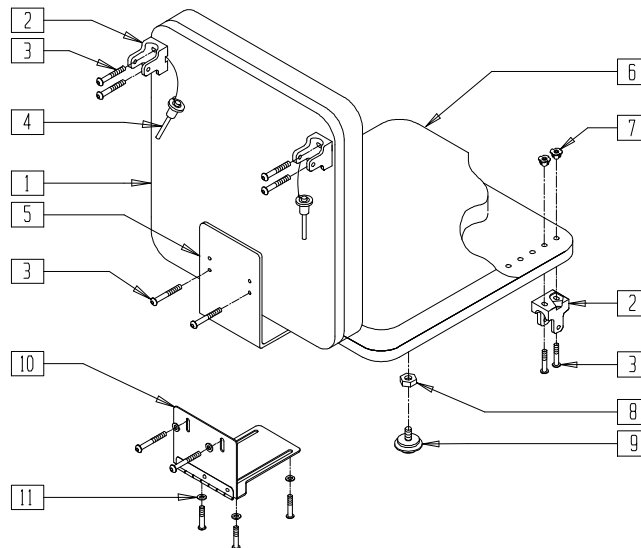


ZP200X07

ITEM	NUMBER	DESCRIPTION	QTY
1	562609	BRACKET SEAT QTS/BACK Z2	2
2	226101	1/4-20 x 3/4 BH C/S	14
3	349020	STROLLER HANDLE RELEASE PIN	2
4,8	735056-735070	PLY BACK 12" LOW - 16" TALL ZPS	
5	505253	QT SEAT/BACK BRACKET NEW	1
6	201121	1/4-20 NUT THIN	2
8	341504	1/4-20 T-NUT	7-11
7,8	735012-735041	PLY SEAT 10"-16"	

ITEM	NUMBER	DESCRIPTION	QTY
8,9	730032 730077	PLY SEAT BOARD W/T-NUT 12 x 10/11 - 16 x 15/16	
8,9A	730036-730077	PLY SEAT BOARD W/T-NUT ZPS 12" LOW TO 16" TALL	
10	349560	ZP RUBBER STOP	2
11	450990	SEAT TO BACK BRKT 90D CV	1
12	262100-OU	1/4 AN WASHER FLAT	4
1-3,6,10	920451	ST/BACK HDWR KT STD BRKT ZP	
1-3, 6,10,12	920452	ST/BCK HDWR KIT HNG BRKT ZP	

## SOLID SEAT AND SOLID BACK (ZIPPIE/ZIPPIE GS/TS)

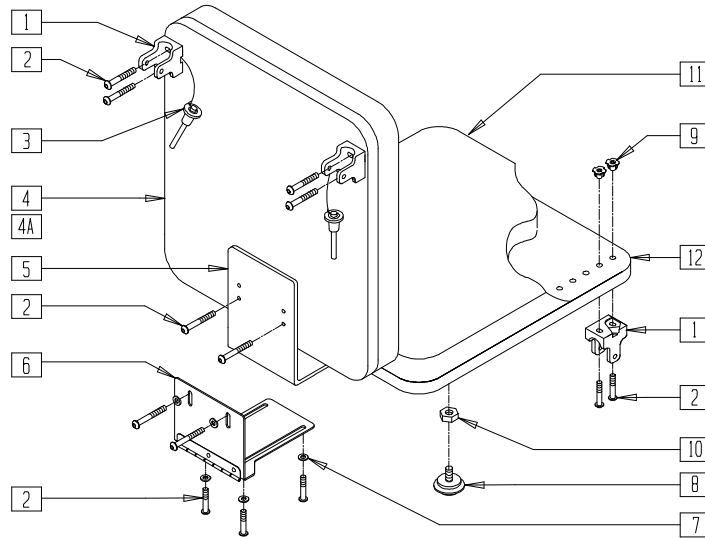


Z00X6A

ITEM	NUMBER	DESCRIPTION	QTY
1,8	735050-735070	PLY BACK 10"-16" (SPECIFY COLOR)	
2	562609	BRACKET SEAT QTS/BACK Z2	4
3	226101	1/4-20 x 3/4 BH C/S	14
4	349020	STROLLER HANDLE RELEASE PIN	2
5	505253	QT SEAT/BACK BRACKET NEW	1
7	341504	1/4-20 T-NUT	7-11
6,7	735000-735041	PLY SEAT 10"-16" (SPECIFY COLOR)	

ITEM	NUMBER	DESCRIPTION	QTY
8	201121	1/4-20 NUT THIN	2
9	349560	ZP RUBBER STOP	2
10	450990	SEAT TO BACK BRKT 90D CV	1
11	262100-OU	1/4 AN WASHER FLAT	6
2-4,8,9	920451	ST/BACK HDWR KT STD BRKT ZP	
2-4, 8,9,11	920452	ST/BCK HDWR KIT HNG BRKT ZP	

## SOLID SEAT AND SOLID BACK (QUICKIE TS)



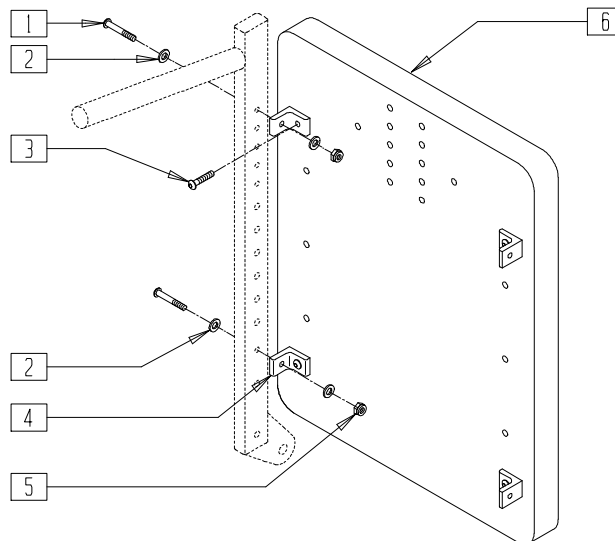
AZ00X08

ITEM	NUMBER	DESCRIPTION	QTY
1	562609	BRACKET SEAT QTS/BACK Z2	4
2	226101	1/4-20 x 3/4 BH C/S	12
3	349020	STROLLER HANDLE RELEASE PIN	2
4	731501-731522	PLY BACK QT (16" x 18" - 20" x 20")	1
4A	731082-731093	PLY BACK BOARD W/T-NUT QT	1
5	505253	QT SEAT/BACK BRACKET NEW	1
6	450990	SEAT TO BACK BRKT 90D CV	1
7	262100-QU	1/4 AN WASHER FLAT	4

ITEM	NUMBER	DESCRIPTION	QTY
8	349560	ZP RUBBER STOP	2
9	341504	1/4-20 T-NUT	18
9,12	730854-730899	PLYWD ST BPLY ST QTRD W/NUT QT	1
10	201121	1/4-20 NUT THIN	2
11	730504-730549	PLY SEAT QT	
1-3,5,8	920326	QT SEATING HARDWARE KIT NEW	
1-3,8,10	920451	ST/BCK HDWR KIT STD BRACKET ZP	

NOTE: WHEN ORDERING QTS SOLID SEAT/BACK, PLEASE SPECIFY HOLE PATTERN.

## SOLID BACK (QUICKIE T45)



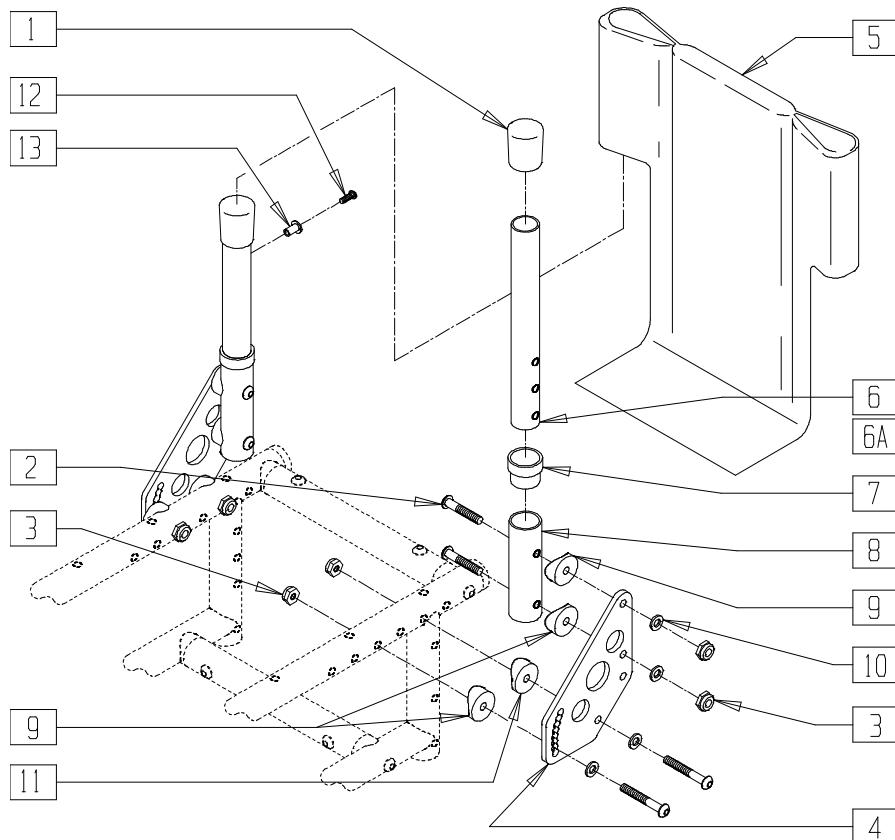
TSR00X17

ITEM	NUMBER	DESCRIPTION	QTY
1	226130	1/4-28 x 1 1/2 BH C/S	4
2	262100-QU	1/4 AN WASHER FLAT	8
3	226101	1/4-20 x 3/4 BH C/S	4
4	550148	SEAT/BACK BRACKET T45	4

ITEM	NUMBER	DESCRIPTION	QTY
5	201110-QU	1/4-28 NYLOCK NUT	4
6	732184-732190	PLY BACK 14" x 20" - 20" x 20" T45	
1-5	881208	HARDWARE KIT T45 SOLID BACK	

# BACKREST AND UPHOLSTERY (QUICKIE KIDZ)

(Discontinued 7/94 - parts only; fits Quickie Kidz prior to serial number KZ-7265)



KDZ00X07

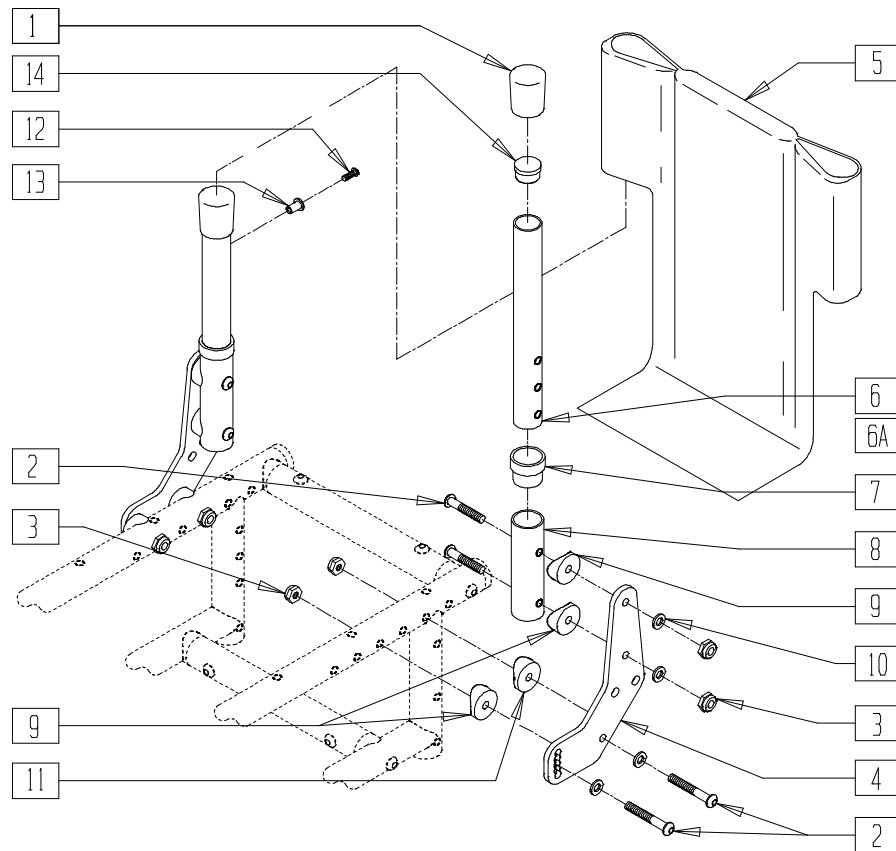
ITEM	NUMBER	DESCRIPTION	QTY
1	561013	7/8" CAP	2
2	226140	1/4-28 x 1 3/4 BH C/S	8
3	201110	1/4-28 NYLOCK NUT	8
4	500193	BACK PLATE KIDZ RIGID O/S	2
5	684230-684234	BACK UPHOLSTERY KIDZ 10"-14" REG	1
	684240-684244	BACK UPHOLSTERY KIDZ 10"-14" TALL	
6,13	840120	BACK TUBE W/RIVNUT 8"-10" KZ O/S	
6A,13	840121	BACK TUBE W/RIVNUT 10"-12" KZ O/S	

ITEM	NUMBER	DESCRIPTION	QTY
7	561310	BC 1" TUBE END BUSHING CM	2
8	520305	BACK TUBE RECEIVER KIDZ	2
9	561004	1" SADDLE 1/4" HOLE	6
10	262110-QU	1/4 AN WASHER FLAT THIN	8
11	561086	1" HALF SADDLE 1/4" HOLE	2
12	281120	10-32 x 5/8 PAN HD PHIL	2
13	341497	10-32 x .020-.130 RIVNUT GOLD	2
2-4,7-11	880610, 880611	KIDZ BACK REC W/PLATE AND HDWR (EA)	



# BACKREST AND UPHOLSTERY (QUICKIE KIDZ)

(Effective serial number KZ-7265)

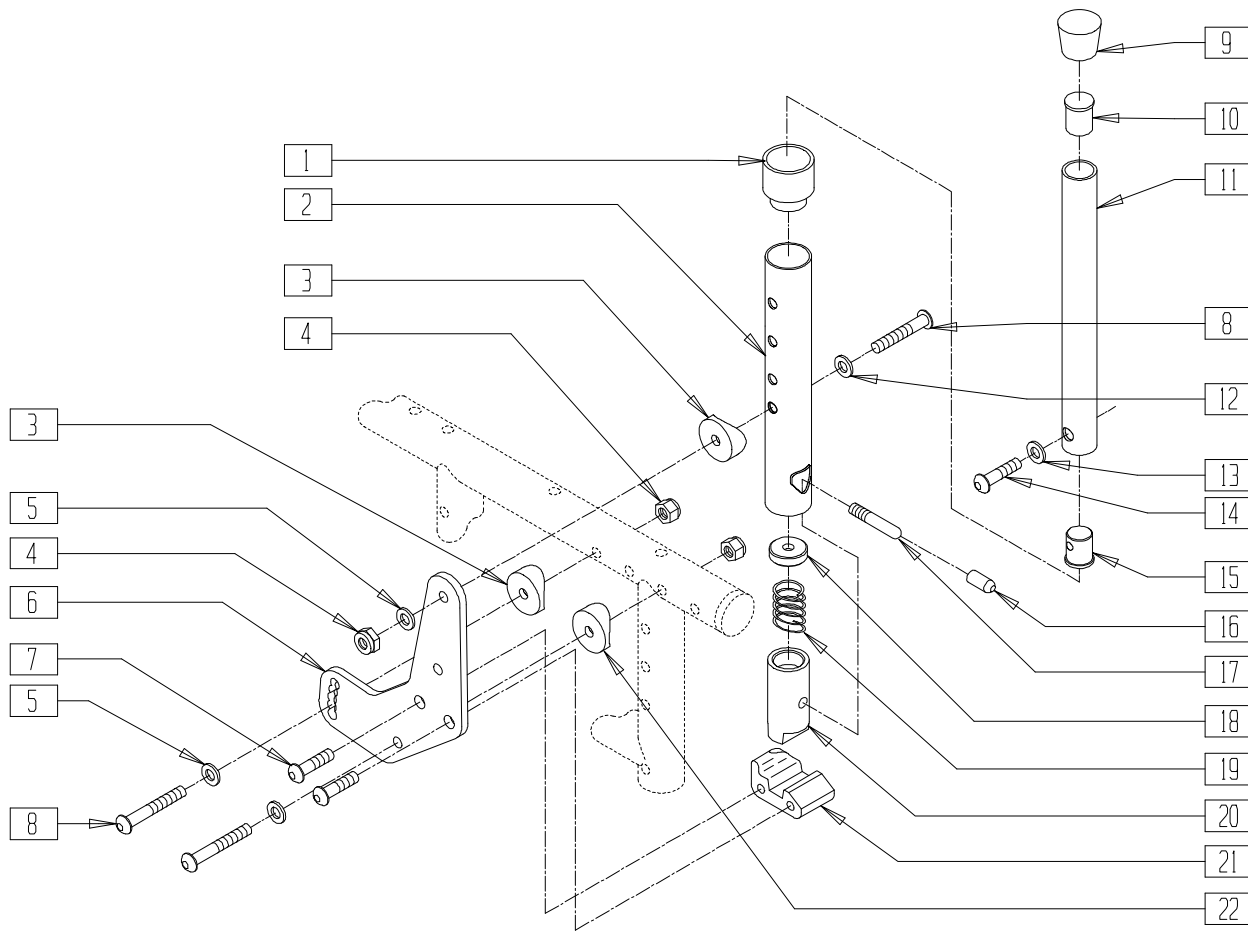


KDZ00X25

ITEM	NUMBER	DESCRIPTION	QTY
1	561013	7/8" CAP	2
2	226140	1/4-28 x 1 3/4 BH C/S	8
3	201110	1/4-28 NYLOCK NUT	8
4	500195	BACK PLATE KIDZ/EX	2
5	684230- 684244	BACK UPHOLSTERY KIDZ 10" REG - 14" TALL	1
6	840122	BACK TUBE W/RIVNUT 8"-10" KIDZ	2
6A	840123	BACK TUBE W/RIVNUT 10"-12" KIDZ	2
7	561310	BC 1" TUBE END BUSHING CM	2

ITEM	NUMBER	DESCRIPTION	QTY
8	520305	BACK TUBE RECEIVER KIDZ	2
9	561004	1" SADDLE 1/4" HOLE	6
10	262110-QU	1/4 AN WASHER FLAT THIN	8
11	561086	1" HALF SADDLE 1/4" HOLE	2
12	281120	10-32 x 5/8 PAN HD PHIL	2
13	341497	10-32 x .020-.130 RIVNUT GOLD	2
14	561007	7/8" INSERT PLUG .083	2
2-4,7-11	880616, 880617	KIDZ BACK RECEIVER W/PLT AND HDWR (EA)	

# FOLDING BACKREST (QUICKIE KIDZ)

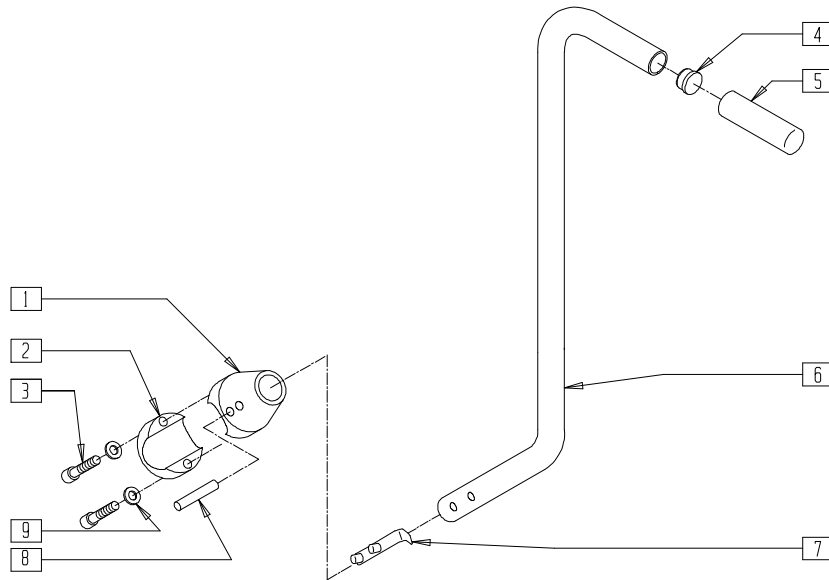


KDZ00X23

ITEM	NUMBER	DESCRIPTION	QTY
1	561082	1" TUBE END BUSHING THIN	2
2	520753	BACKREST TUBE SLOT KIDZ	2
3	561004	1" SADDLE 1/4" HOLE	2
4	201110	1/4-28 NYLOCK NUT	6
5	262110-QU	1/4 AN WASHER FLAT THIN	6
6	500195	BACK PLATE KIDZ/EX	2
7	226182	5/16-18 x 1 BH C/S	4
8	226140	1/4-28 x 1 3/4 BH C/S	6
9	561010	3/4" CAP	2
10	561000-QU	3/4" INSERT PLUG .083	2
9-11	840098	BACK ADJUSTABLE TUBE 8"-10" KIDZ	
13-15	840099	BACK ADJUSTABLE TUBE 10"-12" KIDZ	
12	262100-QU	1/4 AN WASHER FLAT	2
13	262130	6mm WASHER WAVE	2
14	226120	1/4-20 x 1 BH C/S	2

ITEM	NUMBER	DESCRIPTION	QTY
15	483001	O2 FRAME/FOOT RETAINING PLUG	2
16	560502	ANTI-TIP LEVER COVER	2
17	481084	BACK RELEASE PIN Z2/QT/EX	2
18	483020	S/A SPRING RETAINER	2
19	321110	S/A LATCH SPRING	2
20	483806	BACKREST LATCH SLIDER KIDZ	2
21	550340, 550341	BCKRST LATCH BLOCK P2/KIDZ (EA)	1
22	561086	1" HALF SADDLE 1/4" HOLE	2
3-8, 21,22	880670, 880671	BCK PLATE FOLD W/HDWR KIDZ (EA)	
1-5,8, 16-20	840124, 840125	BACKREST TUBE W/LATCH KIDZ (EA)	
1-22	923450	KIDZ FOLDING BACK RETRO 8"-10"	
	923451	KIDZ FOLDING BACK RETRO 10"-12"	

# STROLLER HANDLE (QUICKIE KIDZ)

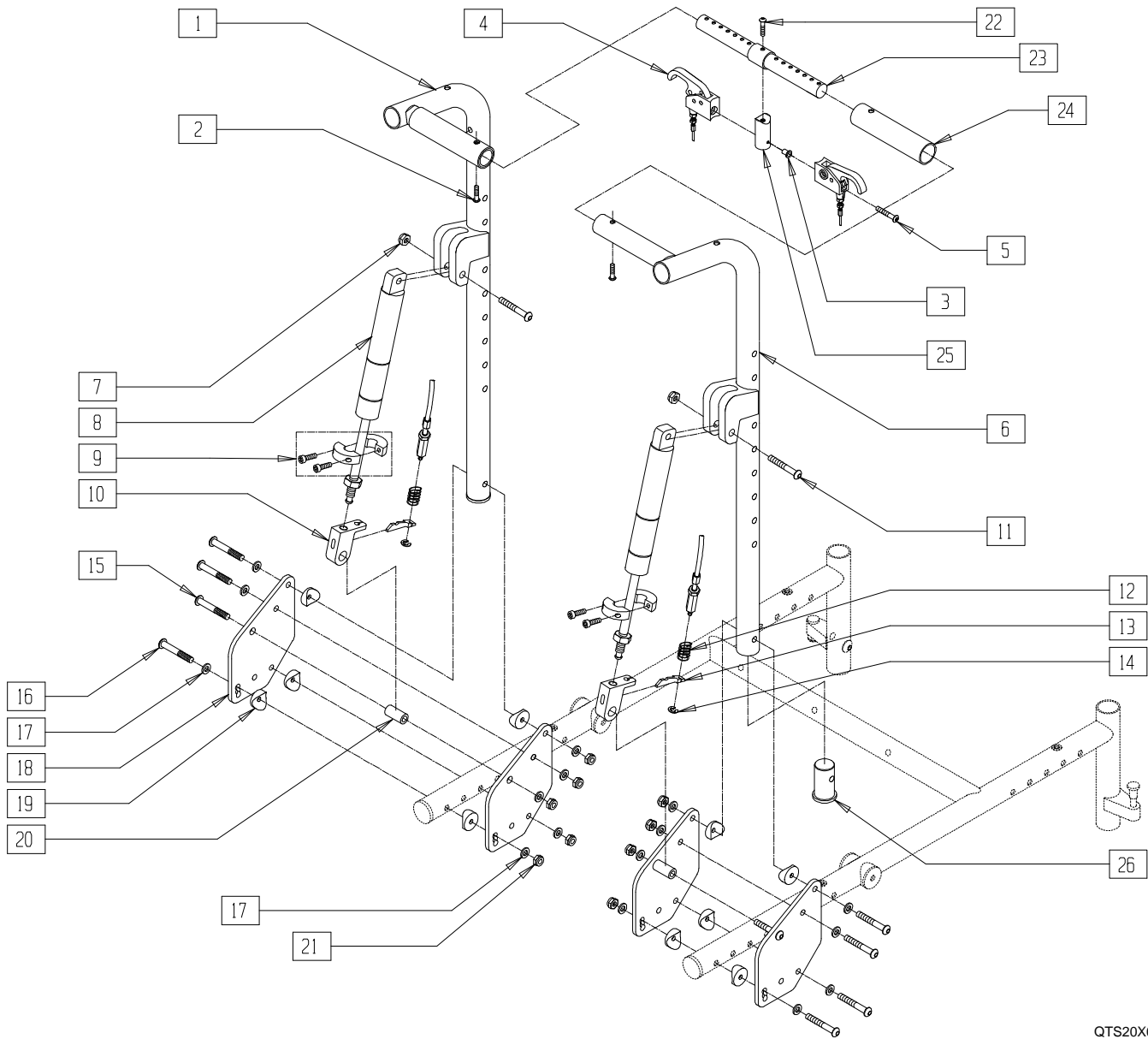


KDZ00X17

ITEM	NUMBER	DESCRIPTION	QTY
1	483030	STROLLER HANDLE RECEIVER TOP KIDZ	1
2	483031	STROLLER HANDLE REC BOTTOM KIDZ	1
3	221126	1/4-20 x 1 1/4 G8 HEX C/S	2
4	482028	3/4" DOME PLUG .125	1
5	560662	QUICKIE GRIP 3/4"	1
6	521605	STROLLER HANDLE KIDZ	1

ITEM	NUMBER	DESCRIPTION	QTY
7	301109	SNAP BUTTON DUAL ONE SIDE	1
8	341201	1/4 x 1 1/4 ROLL PIN	1
9	262100-QU	1/4 AN WASHER FLAT	2
1,8	883030	STROLLER HANDLE RECEIVER W/PIN	
1-3,8,9	842075	STROLLER HANDLE RECEIVER ASSM KIDZ	
4-7	842065	STROLLER HANDLE W/FOAM KIDZ	

# 60° RECLINING BACK ASSEMBLY (QUICKIE TS)

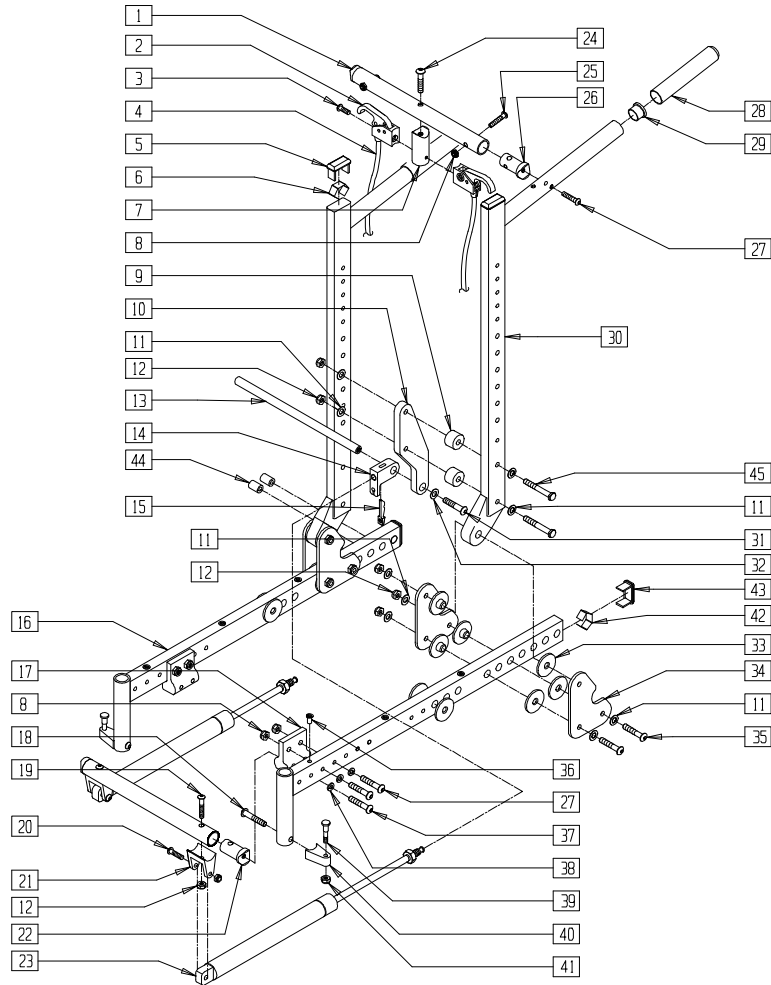


QTS20X09A

ITEM	NUMBER	DESCRIPTION	QTY
1	541502-541505	BACK TUBE WELDMENT MEDIUM/TALL QTS (EA)	1
2	226110	1/4-28 x 1 BH C/S	2
3	341497	10-32 x .020-.130 RIVNUT GOLD	2
4	580110	CYL LOCK LEVER ASSEMBLY QT/OR/P5	2
5	281120	10/32 x 5/8 PAN HD PHIL	2
6	349021	TRIGGER RELEASE PIN TS/QT/P5	2
7	202102	5/16-18 NYLOCK NUT THIN	2
8	342065	BLOC-O-LIFT 200 N x 11.58"	2
9	342049	10mm ID SPLIT COLLAR	2
10	880148	GAS SPRING BLOCK W/BUSHING QTS	2
11	222108	5/16-18 x 1 1/4 BH C/S	2
12	321141	.650L x 6 COIL SPRING	2
13	560686	GAS SPRING LEVER T45	2

ITEM	NUMBER	DESCRIPTION	QTY
14	342000	1/4" E-CLIP	2
15	226198	5/16-18 x 2 BH C/S SHT THREAD	2
16	226150	1/4-28 x 2 BH C/S	8
17	262100-OU	1/4 AN WASHER FLAT	16
18	500215	RECLINING BACK LOWER BRACKET QTS	4
19	561004	1" SADDLE 1/4" HOLE	12
20	483179	RECLINING BACK PIVOT STUD QTS	2
21	201100-OU	1/4-28 NYLOCK NUT THIN	8
22	222256	5/16-18 x 1 1/2 BH C/S	1
23	500775	ADJ BAR QTS RECLINING BACK	1
24	560664	FOAM GRIP RECLINING BACK QTS	2
25	483139	T45 RELEASE LEVER MNTG BLOCK	2
26	483169	RECLINING BACK TUBE PLUG QTS	2
1-26	921585	60° RECLINING BACK RETRO KIT TS	

# BACK FRAME (RECLINING BACK) (QUICKIE T45)

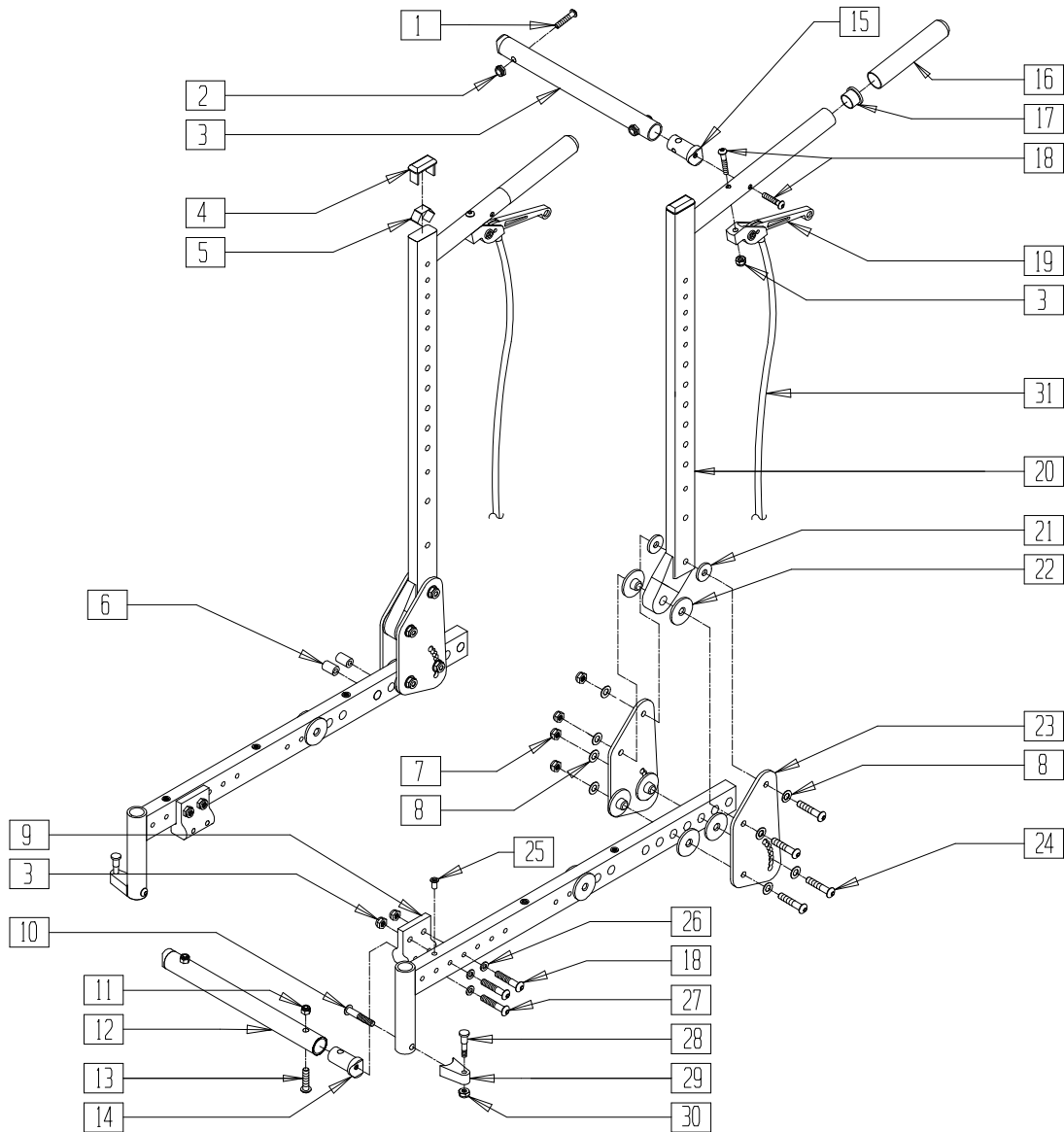


TSR00X02A

ITEM	NUMBER	DESCRIPTION	QTY
1	522874-522880	T45 BACK STRUT TUBE 14"-20"	1
2	580111	CYL LOCK LEVER ASSEMBLY RECLINER	2
3	281120	10/32 x 5/8 PAN HD PHIL	2
4	342057	CYL LOCK CABLE ASSEMBLY	2
5	561372	3/4 x 1 1/2 RECT TUBING CAP	4
6	540190	RECT TUBING CAP SPRING P2	4
7	483139	T45 RELEASE LEVER MNTG BLOCK	1
8	201100-QU	1/4-28 NYLOCK NUT THIN	2,4
9	340405	SPACER 1.00 x .33 x 1.06	4
10	550243	T45 BACK RECLINER BRACKET	2
11	263100	5/16 AN WASHER FLAT	20
12	202102	5/16-18 NYLOCK NUT THIN	14
13	481364-481370	T45 RECLINER PIVOT ROD 14"-20"	1
14	483147	T45 GAS SPRING BLOCK	2
15	560686	GAS SPRING LEVER T45	2
17	550147	T45 GAS SPRING MNTG BRACKET TOP	1,2
18	226190	5/16-18 x 1 3/4 BH C/S SHLDR	2
19	226138	5/16-24 x 1 1/2 BH C/S	4
20	522834-522840	STRUT TUBE T45 14"-20"	1
21	500145	CYLINDER BRACKET T45	2
22	483118	STRUT SADDLE T45	2
23	342064	BLOC-O-LIFT 200 N x 15.88"	2
24	222256	5/16-18 x 1 1/2 BH C/S	1
25	226131	1/4-28 x 1 1/4 BH C/S SHLDR	2

ITEM	NUMBER	DESCRIPTION	QTY
26	483038	STRUT SADDLE ZP/P5/KZ	4
27	226130	1/4-28 x 1 1/2 BH C/S	2,4
28	560663	QUICKIE GRIP 1"	2
29	561002	1" INSERT PLUG .083	2
30	842160	BACK TUBE PNTD T45	2
31	226182	5/16-18 x 1 BH C/S	2
32	263118	5/16 WASHER TYPE BR SERIES	2
33	560800	FRAME BUSHING T45/P3N	16
34	505723	BACK PIVOT PLATE T45	4
35	226195	5/16-18 x 1.82 BH C/S	6
36	341497	10-32 x .020-.130 RIVNUT GOLD	3,6
37	226140	1/4-28 x 1 3/4 BH C/S	2
38	262100-QU	1/4 AN WASHER FLAT	4
39	481023	S/A LATCH STUD NEW	2
40	551310	LATCH STUD SUPPORT BLK	2
41	201100-QU	1/4-28 NYLOCK NUT THIN	2
42	540190	RECT TUBING CAP SPRING P2	1
43	561372	3/4 x 1 1/2" RECT TUBING CAP	1
44	561057	T45 FRAME PLUG PLASTIC	5
45	222243	5/16-18 x 2 3/4 HEX C/S	4
8,16,17,27,36,38,42-44	600162, 600164	SEAT S/F PNTD T45	
2-4,9-15,19,21,23,24,31-35,45	880014-880020	CONV KIT RECLINER BACK T45 14"-20"	
18,39-41	921295	S/A LATCH ASSM BLK W/BOLT CLR	

## BACK FRAME (FIXED BACK TILT) (QUICKIE T45)



TSR00X03A

ITEM	NUMBER	DESCRIPTION	QTY
1	226131	1/4-28 x 1 1/4 BH C/S SHLDR	2
2	522874-522880	T45 BACK STRUT TUBE 14"-20"	1
3	201100-QU	1/4-28 NYLOCK NUT THIN	6
4	561372	3/4 x 1 1/2" RECT TUBING CAP	2
5	540190	RECT TUBING CAP SPRING P2	2
6	561057	T45 FRAME PLUG PLASTIC	10
7	202102	5/16-18 NYLOCK NUT THIN	8
8	263100	5/16 AN WASHER FLAT	16
9	550147	T45 GAS SPRING MNTG BRKT TOP	2
10	226190	5/16-18 x 1 3/4 BH C/S SHLDR	2
11	202102	5/16-18 NYLOCK NUT THIN	2
12	522834-522840	STRUT TUBE T45 14"-20"	1
13	222108	5/16-18 x 1 1/4 BH C/S	2
14	483118	STRUT SADDLE T45	2
15	483038	STRUT SADDLE ZP/P5/KZ	2

ITEM	NUMBER	DESCRIPTION	QTY
16	560663	QUICKIE GRIP 1"	2
17	561002	1" INSERT PLUG .083	2
18	226130	1/4-28 x 1 1/2 BH C/S	4
19	580112	CYL LOCK LEVER ASSEMBLY T45	2
20	842160	BACK TUBE PNTD T45	2
21	561016	1" WASHER 5/16" HOLE	4
22	560800	FRAME BUSHING T45/P3N	16
23	501024	FIXED BACK PIVOT PLATE	4
24	226195	5/16-18 x 1.82 BH C/S	8
25	341512	10/32 x .080 - .130 RIVNUT ZN	6
26	262100-QU	1/4 AN WASHER FLAT	4
27	226140	1/4-28 x 1 3/4 BH C/S	2
28	481023	S/A LATCH STUD NEW	4
29	551310	LATCH STUD SUPPORT BLK	2
30	201100-QU	1/4-28 NYLOCK NUT THIN	1
31	342056	CYL LOCK CABLE ASSEMBLY T45	2
7,8,21-24	880012	CONVERSION KIT FIXED BACK T45	
10,28-30	921295	S/A LATCH ASSEMBLY W/BOLT BLK	

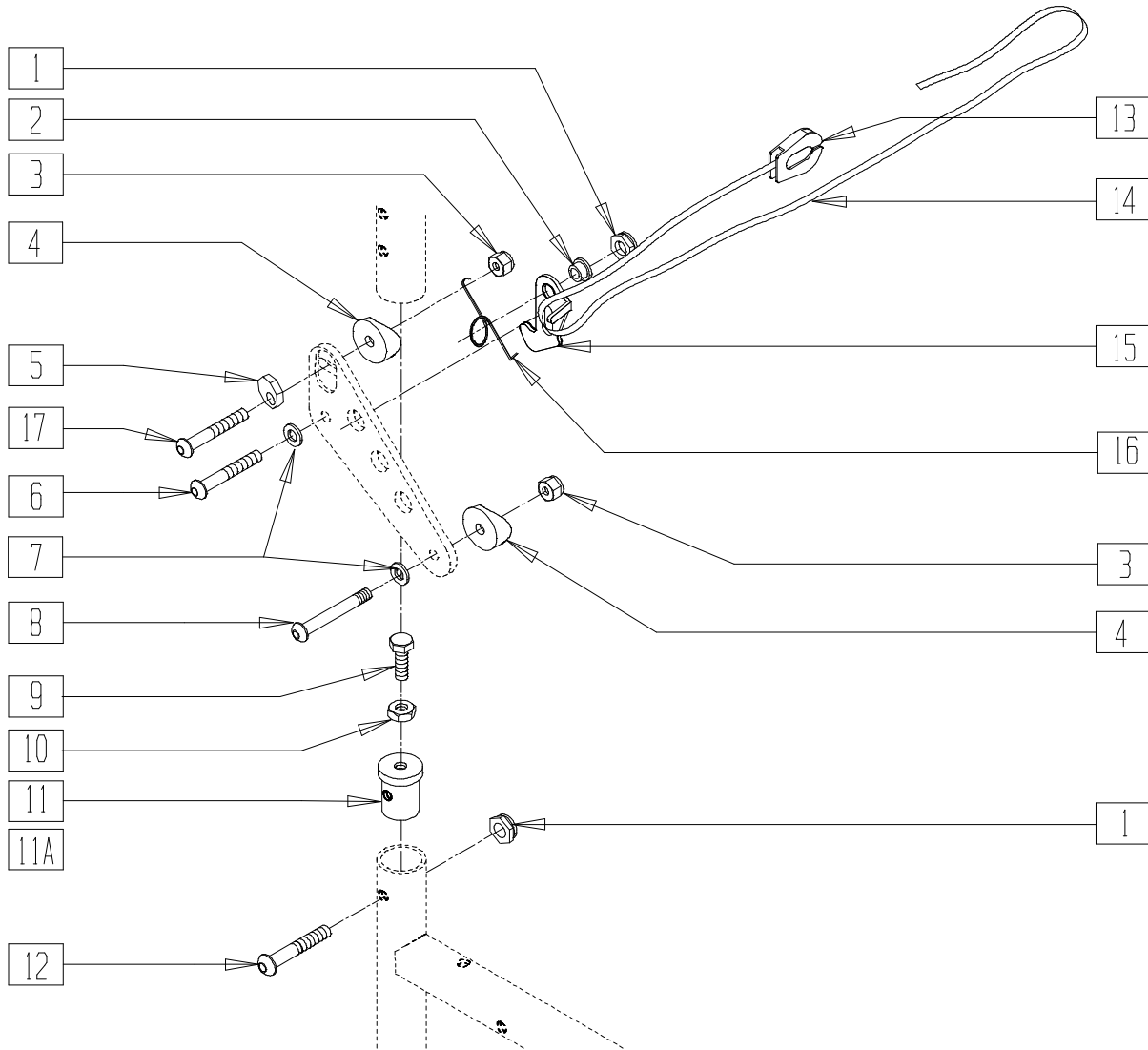
# Rigid Chair Backrests and Upholstery

## IN THIS SECTION

Quick-Release Back Lock (Quickie GP/GPV/GPV Titanium/Triumph/ ST/DT) (Disc.) .....	11.1	Backrest Upholstery (ST/DT) .....	11.15
Backrest and Quick-Release Back Lock (Quickie1/Carbon/GP/GPV/GPV Titanium/Triumph/ St/Dt/GP S/A/R2).....	11.2	Back Upholstery (Quickie <i>TNT/R2</i> (Adjustable Frame).....	11.15
Non-Folding Backrest and Upholstery (Quickie 1/GP/GPV/GPV Titanium).....	11.3	Adjustable Back Upholstery (Quickie GPV Competition/ST/DT) .....	11.16
Backrest and Quick-Release Back Lock (Quickie XTR).....	11.3	Tension Adjustable Back Upholstery (Quickie Carbon/GP/GPS/GPV Titanium/Triumph/ ST/DT/XTR/R2 (Rigid)) .....	11.16
Backrest (Quickie R2 Adjustable/ <i>TNT</i> .....	11.4	Standard Back Upholstery (Fixed Height without Push Handles) (Quickie Ti Titanium) .....	11.17
Backrest and Back Upholstery (Quickie ST/DT) (Disc.).....	11.5	Standard Back Upholstery (Fixed Height with Push Handles) (Quickie Ti Titanium) .....	11.17
Backrest Assembly (Fixed Back)(Quickie ST/DT) ..	11.6	Standard Back Upholstery (Height Adjustable without Push Handles) (Quickie Ti Titanium) .....	11.18
Backrest Assembly (Folding Back) (Quickie ST/DT) .....	11.7	Adjustable Back Upholstery (Quickie Ti Titanium) .....	11.18
Backrest (Quickie GPS) (Disc.).....	11.8	Integral Push Handle Backrest (Quickie GP/GPV/GP S/A/GPV Competition/ Ti/XTR/R2 (Rigid)).....	11.19
Backrest Upholstery and Folding Back (Quickie EX) (Disc.) .....	11.9	Folding Push Handles (Non-Height Adjustable) (Quickie Ti Titanium) .....	11.20
Quick-Release Back Lock (Quickie Carbon) (Disc) .....	11.10	Folding Push Handles (Height Adjustable) (Quickie Ti Titanium) .....	11.20
Titanium Fixed Height Non-Folding Backrest (Quickie Ti Titanium).....	11.11	Bolt-On Push Handle Assembly (Quickie 1/GP/GPV/GPV Titanium/Carbon/GP S/A/ GPV Competition/R2/ <i>TNT/</i> Ti Titanium) .....	11.21
Titanium Fixed Height Folding Backrest (Quickie Ti Titanium) .....	11.12	Stroller Handle (Rigid/Quickie GP/GPV/ GPV Competition/GP S/A) .....	11.22
Aluminum Folding Height Adjustable Backrest (Quickie Ti Titanium) .....	11.13	Back Upholstery Measuring Guides.....	11.23
Folding Backrest Tubes (Quickie 1/Carbon/GP/GPV/ GPV Titanium/Triumph/ST/DT) (Disc).....	11.14	Back Upholstery Measuring Guides (Cont) .....	11.24
Folding Back Upholstery (Quickie 1/GPV/GPV Competition/GPS/GP S/A/ R2 (Non-Adjustable Frame)/GPV Titanium/ Triumph/XTR).....	11.14		

# QUICK-RELEASE BACK LOCK (QUICKIE GP/GPV/GPV Titanium/TRIUMPH/ST/DT)

(Discontinued 9/8/98 - parts only)



Drawing shows right side

BK0X011B

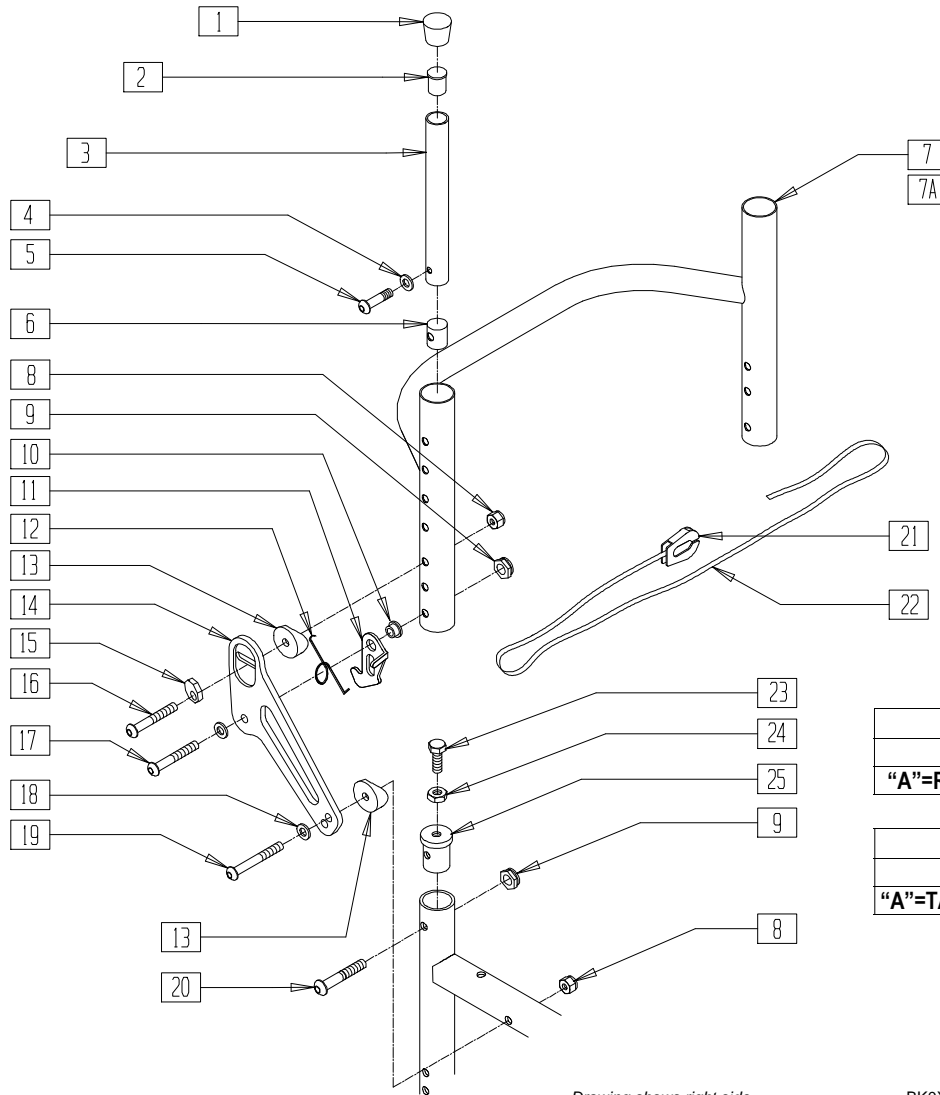
ITEM	NUMBER	DESCRIPTION	QTY
1	201100-QU	1/4-28 NYLOCK NUT THIN	2
2	481039	BACK RELEASE BUSHING RIGID	2
3	201110	1/4-28 NYLOCK NUT	2
4	561087	BACK RELEASE SADDLE RIGID	2
5	341017	WASHER ECCENTRIC	2
6	226140	1/4-28 x 1 3/4 BH C/S	2
7	262100-QU	1/4 AN WASHER FLAT	2
8	226058	1/4-20 x 3/4 SOC C/S	2
9	221105	1/4-20 x 3/4 HEX C/S	2
10	201121	1/4-20 NUT THIN	2
11	483010	Q1/GP BACK REL ANGLE PLUG	2
11A	483055	PLUG BACK REL TI GPV	2
12	226130	1/4-28 x 1 1/2 BH C/S	

ITEM	NUMBER	DESCRIPTION	QTY
13	560221	BACK RELEASE STRAP LOCK RIGID	1
14	750060	BACK RELEASE STRAP 12"-20" RIGID	1
15	505033, 505034	Q1/GP BACK RELEASE BRACKET (EA)	1
16	321121, 321125	BACK RELEASE SPRING RIGID (EA)	1
17	226147	1/4-28 x 1.85 BH C/S	2
1,9,10-12	920191	GP BACK REL PLUG W/HDWR	
1,9,10, 11A,12	920192	Ti BACK REL PLUG W/HDWR	
1-18	920218	GP BACK REL BRKT AND PLUG ASSM	
1-10,11A, 12-17	920219	Ti BCK REL BRKT AND PLUG ASSM	



# BACKREST AND QUICK-RELEASE BACK LOCK (QUICKIE 1/CARBON/GP/GPV/GPV Titanium/TRIUMPH/ST/DT/GP S/A/R2)

(Effective 9/8/98)(Triumph Discontinued 2/01- parts only)



Drawing shows right side

BK0X014A

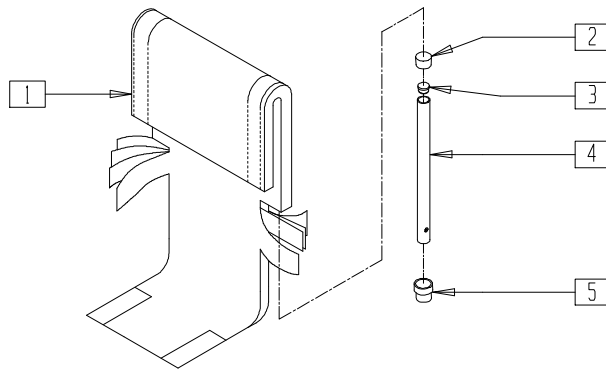
BACK FRAME SIZES			
	8"-12"	11"-14"	12"-16"
"A"=REG SIZE 8"	X	X	X

BACK FRAME SIZES			
	14"-18"	16"-20"	
"A"=TALL SIZE 12"	X	X	

ITEM	NUMBER	DESCRIPTION	QTY
1	561010	3/4" CAP	2
2	561000-QU	3/4" INSERT PLUG .083	2
4	262130	6mm WASHER WAVE	2
5	226101	1/4-20 x 3/4 BH C/S	2
6	483001	O2 FRAME/FOOT RETAINING PLUG	2
7	520440-520450	BCK FRME 12"-20" REG RIGID BLK .115	1
7A	520540-520550	BCK FRME 12"-20" TALL RIGID BLK .115	1
8	201110	1/4-28 NYLOCK NUT	4
9	201100-QU	1/4-28 NYLOCK NUT THIN	4
10	481039	BACK RELEASE BUSHING RIGID	2
11	505033, 505034	Q1/GP BACK RELEASE BRACKET (EA)	1
12	321153, 321154	BCK RELSE SPRING RIGID (NEW) (EA)	1
13	561087	BACK RELEASE SADDLE RIGID	2
14	500170, 500171	BACK RELEASE PIVOT PLATE RIGID BLK (NEW) (EA)	1

ITEM	NUMBER	DESCRIPTION	QTY
15	341018	WASHER ECCENTRIC LARGE	2
16	226147	1/4-28 x 1.85 BH C/S BLK	2
17	226140	1/4-28 x 1 3/4 BH C/S BLK	2
18	226100	1/4-28 x 3/4 BH C/S	4
19	226150	1/4-28 x 2 BH C/S	2
20	226130	1/4-28 x 1 1/2 BH C/S	2
21	560221	BACK RELEASE STRAP LOCK RIGID	1
22	750060	BACK RELEASE STRAP 12"-20" RIGID	1
23	226058	1/4-20 x 3/4 SOC C/S	2
24	201121	1/4-20 NUT THIN	2
25	483010	Q1/GP BACK RELEASE ANGLE PLUG	2
1-6	840100-840104	BACK ADJUSTABLE TUBE RIGID	
7-19	840320-840329	BACK FRAME .115 REG 12"-20" W/BACK RELEASE	
7A,8-19	840330-840339	BACK FRAME .115 TALL 12"-20" W/BACK RELEASE	

# NON-FOLDING BACKREST AND UPHOLSTERY (QUICKIE 1/GP/GPV/GPV Titanium)



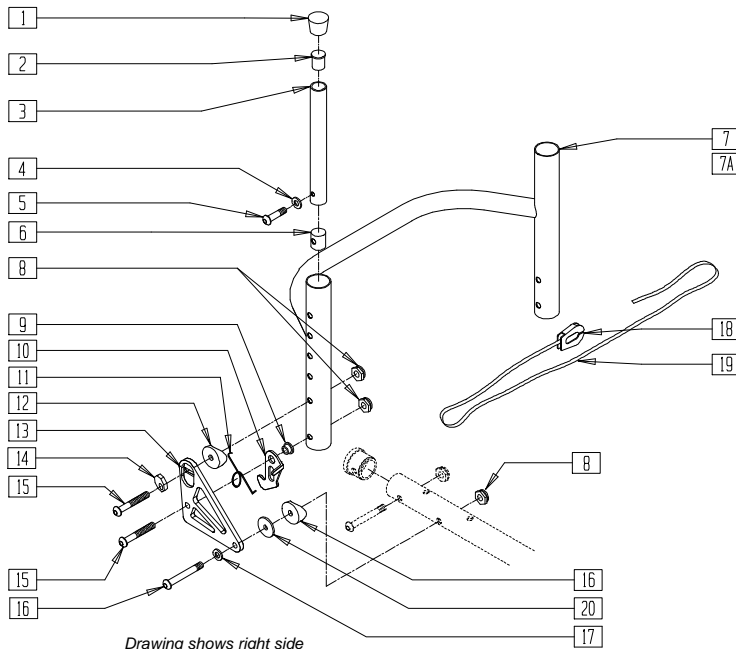
BK0X05A

ITEM	NUMBER	DESCRIPTION	QTY
1	680208-680949	BACK UPHOLSTERY 12"-20" W/TAIL 8"-12" 16"-20"	1
2	561010	3/4" CAP	1

ITEM	NUMBER	DESCRIPTION	QTY
3	561000-QU	3/4" INSERT PLUG .083	1
5	561018	1" TUBE END BUSHING THICK	1
2,3,4	842006*	Q2 BACK TUBE TALL 3/4"	

\* FIELD CUT TO DESIRED LENGTH.

# BACKREST AND QUICK-RELEASE BACK LOCK (QUICKIE XTR)



BACK FRAME SIZES			
	8"-12"	11"-14"	12"-16"
"A"=REG SIZE 8"	X	X	X

BACK FRAME SIZES			
	14"-18"	16"-20"	
"A"=TALL SIZE 12"	X	X	

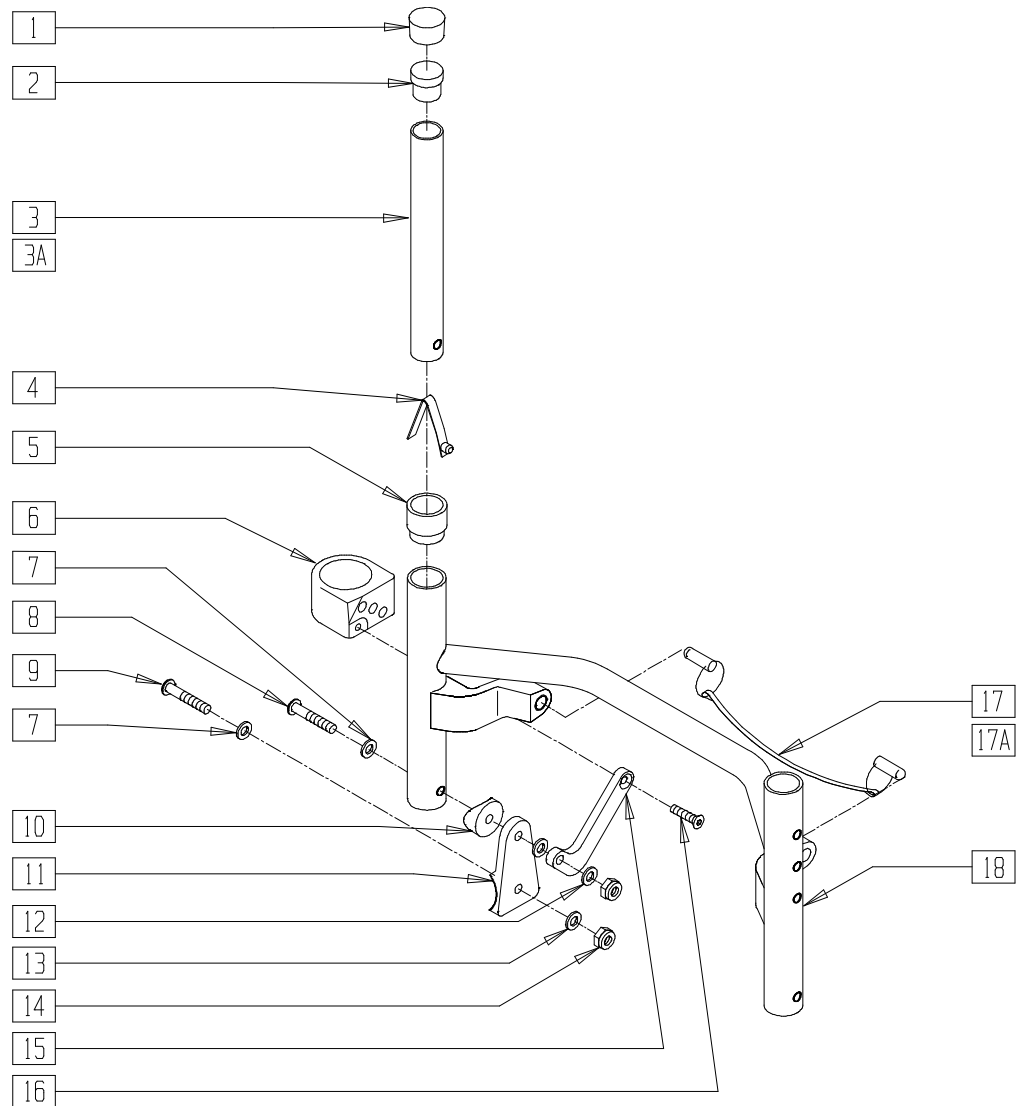
SUS0X36A

ITEM	NUMBER	DESCRIPTION	QTY
1	561010	3/4" CAP	2
2	561000-QU	3/4" INSERT PLUG .083	2
4	262130	6mm WASHER WAVE	2
5	226101	1/4-20 x 3/4 BH C/S	2
6	483001	Q2 FRAME/FOOT RETAINING PLUG	2
7	520442-520548	BACK FRAME 14"-20" REG RIGID BLK .115	1
7A	520542-520548	BACK FRAME 14"-20" TALL RIGID BLK .115	1
8	201100-QU	1/4-28 NYLOCK NUT THIN	6
9	481039	BACK RELEASE BUSHING RIGID	2
10	505033, 505034	Q1/GP BACK RELEASE BRACKET (NEW) (EA)	1
11	321153, 321154	BACK RELEASE SPRING RIGID (NEW) (EA)	1
12	561087	BACK RELEASE SADDLE RIGID	2

ITEM	NUMBER	DESCRIPTION	QTY
13	500110, 500111	BACK PLATE (EA)	2
14	341018	WASHER ECCENTRIC LARGE	2
15	226147	1/4-28 x 1.85 BH C/S BLK	2
16	561001	1 1/8" SADDLE 1/4" HOLE	2
17	262100-QU	1/4" AN WASHER FLAT	2
18	560221	BACK RELEASE STRAP LOCK RIGID	1
19	750060	BACK RELEASE STRAP 12"-20" RIGID	1
20	561026	3/4" WASHER 1/4" HOLE	2
1-6	840100-840104	BACK ADJUSTABLE TUBE RIGID	
7-20	840340-840346	BACK FRAME REG 14"-20" W/BACK RELEASE XTR	
7A,8-20	840350-840356	BACK FRAME .115 TALL 14"-20" W/BACK RELEASE XTR	

# BACKREST (QUICKIE R2 ADJUSTABLE/TNT)

(TNT Discontinued 2/01 - parts only)



TNT0X07B

ITEM	NUMBER	DESCRIPTION	QTY
1	561010	3/4" CAP	2
2	561000	3/4" INSERT PLUG .083	2
3	520800	BACK ADJ TUBE ONLY 8-12 GP	2
3A	520810	BACK ADJ TUBE ONLY 11-14 GP	2
4	301100	1/4" SNAP BTTN SINGLE	2
5**	561082	1" TUBE END BUSHING THIN	2
6	887225, 887226	BACKREST ADJUSTABLE SLIDE W/LINER NEW (EA)	1
7	262130	6mm WASHER WAVE	2
8	226150	1/4-28 x 2 BH C/S	2
9	226140	1/4-28 x 1 3/4 BH C/S	2
10	561004	1" SADDLE 1/4" HOLE	2
11	550536	BACKREST HINGE QTNT	2
12	561111	1/4" NYLON WASHER BLK	4
13	262100-QU	1/4" AN WASHER FLAT	2
14	201100-QU	1/4-28 NYLOCK NUT THIN	4
15	550562, 550563	SLIDER LINK QTNT (EA)	1
16	226059	10-24 x 1/2 FH C/S	2

ITEM	NUMBER	DESCRIPTION	QTY
17	881600- 881607	BCKRST RELSE CABLE ASSEMBLY QTNT 14" - 18"	1
17A	881638, 881639	BCKRST REL CABLE ASSM R2 19" - 20"	
18	521260, 521266	BCK FRAME 14"-20" 8-10 W/BUSHING	1
	521267- 521271	BCK FRAME 14"-18" 10-14 W/BUSHING	
	521274- 521278	BCK FRAME 14"-18" 14-18 W/BUSHING	
	521306, 521307	BCK FRAME 19"-20" 10-14 W/BUSHING	
	521308, 521309	BCK FRAME 19"-20" 14-18 W/BUSHING	
1-4	840128	BACK ADJ TUBE W/CAP 8-12"	
1-3A,4	840129	BACK ADJ TUBE W/CAP 11-14"	
1-5*	840108	BACK ADJ TUBE 8-12" QTNT/R2	2
1-3A,4,5*	840109	BACK ADJ TUBE 11-14" QTNT/R2	2
6-16	920600, 920601	TNT/R2 BCK REL BRKT W/HDW (EA)	

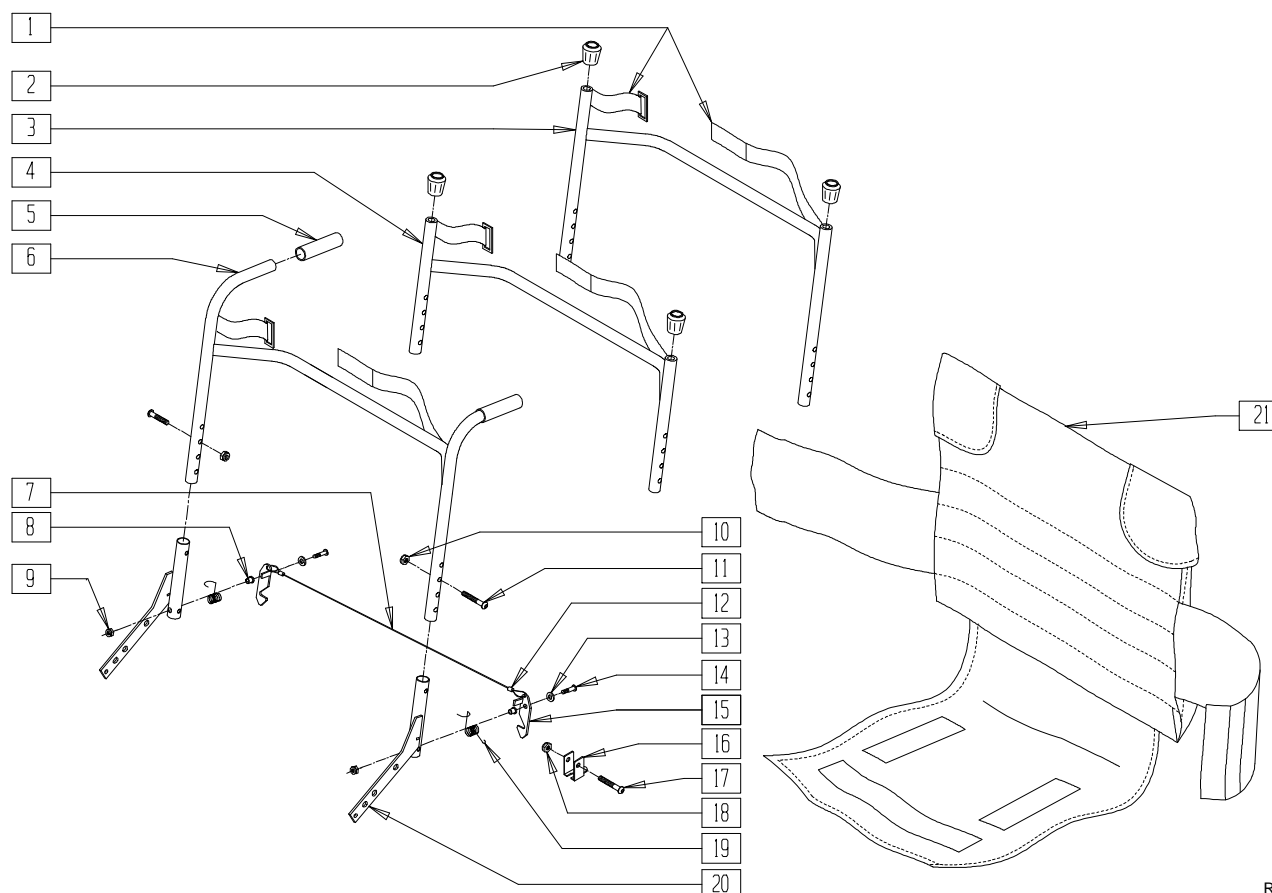
\*\*561082 AVAILABLE ONLY FOR CHAIRS SOLD BEFORE 01/13/01

\*840108 IS USED W/8-10 BACK HIEGHT ON BACKFRAMES.

\*840109 IS USED W/10-14 & 14-18 BACK HIEGHT ON BACKFRAMES.

# BACKREST AND BACK UPHOLSTERY (QUICKIE ST/DT)

(Discontinued 5/6/98 - parts only)

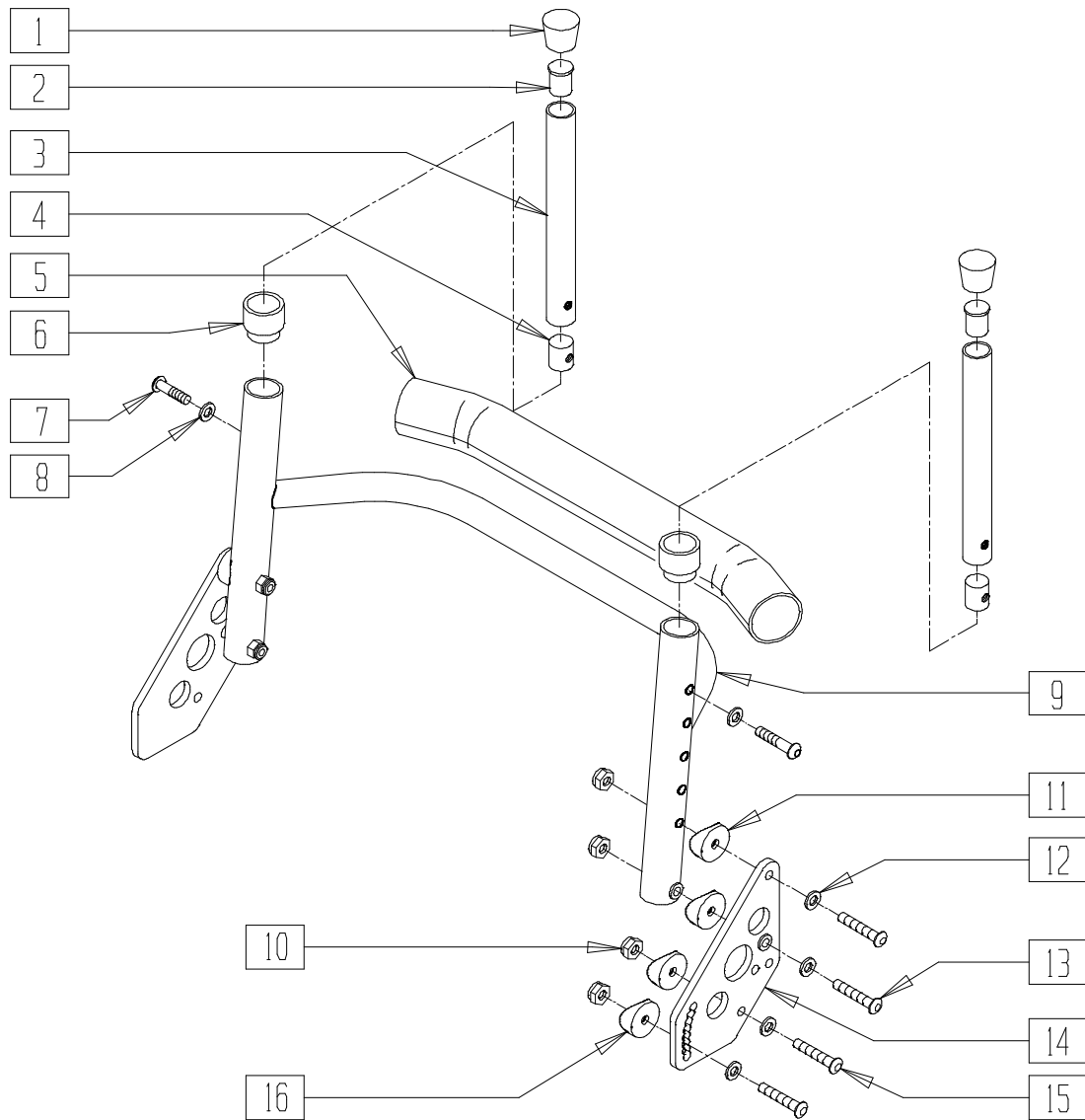


RG000X03

ITEM	NUMBER	DESCRIPTION	QTY
1	684120	BACKREST SUPPORT STRAP (SPECIFY DIMENSIONS)	1
2	560689	CRUTCH TIP	2
5	560662	QUICKIE GRIP 3/4"	2
7	139113	BACKREST RELEASE CABLE ONE/DT	1
8	481305	BACK LOCK PIVOT BUSHING	2
9	200108	10-32 NYLOCK NUT HIGH SS	2
10	201105	1/4-20 NYLOCK NUT THIN	2
11	226082	1/4-20 x 1 BH C/S SS	2
12	481302	BACK LOCK SLEEVES 3/32 COPPER ZN	2
13	262099	3/16 ALUM WASHER BACKUP	2
14	281149	10-32 x 1 1/2 BH C/S SS	2
15	505156, 505157	BACK LOCK PIVOT PNTD (EA)	1
16	341532	BACK LOCKS CHROMED CLIP STY (OLD STYLE-USED PRIOR TO 1990)	2
17	226130	1/4-28 x 1 1/2 BH C/S	2
18	201100-QU	1/4-28 NYLOCK NUT THIN	2

ITEM	NUMBER	DESCRIPTION	QTY
19	321128, 321129	BACK LOCK SPRING (EA)	1
20	527558, 527559	BACKREST SUPPORT RIGID (EA)	1
21	680150- 680752	UPHOLSTERY BACK	1
1-3	680012- 680020	BACKREST ASSEMBLY STD 12"-20" W/STRAP	
1,2,4	680022- 680030	BACKREST ASSEMBLY SHORT 12"-20" W/STRAP	
1,5,6	680032- 680040	BACKREST ASSEMBLY PH 8° 12"-20" W/STRAP (SPECIFY STD OR TALL)	
8,9,13-15, 19,20	880780, 880781	BACKREST SUPPORT ASSEMBLY (EA)	
7-9,12-15, 19,20	920402	BACKREST SUPPORT ASSEMBLY (SPECIFY WIDTH ) (PR)	
7-9, 12-15,19	880832	BACKREST LATCH RELEASE ASSEMBLY ONE/DT	

# BACKREST ASSEMBLY(FIXED BACK)(QUICKIE ST/DT)

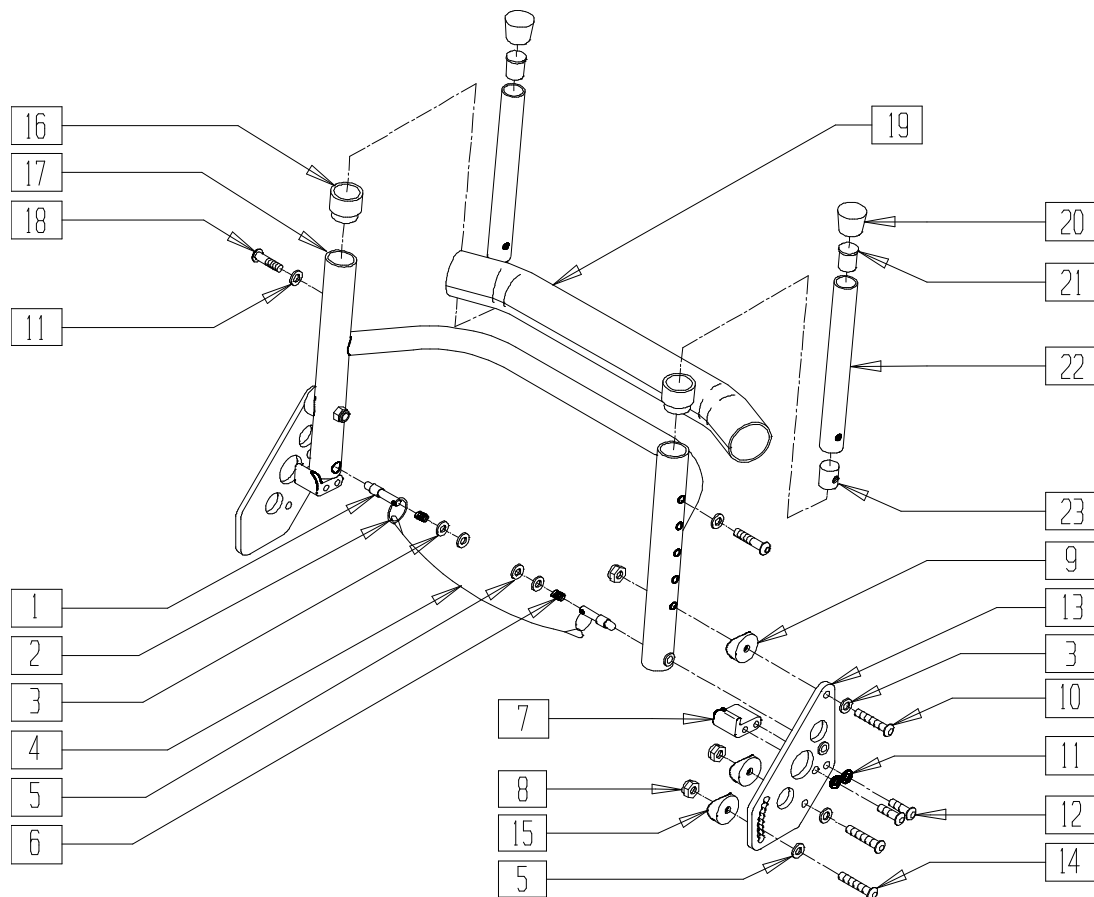


RBY00X17

ITEM	NUMBER	DESCRIPTION	QTY
1	561010	3/4" CAP	2
2	561000-QU	3/4" INSERT PLUG .083	2
4	483001	O2 FRAME/FOOT RETAINING PLUG	2
5	750751	CROSSBAR PAD	1
6	561082	1" TUBE END BUSHING THIN	2
7	226101	1/4-20 x 3/4 BH C/S	2
8	262130	6mm WASHER WAVE	2
9	520212	BACK FRAME 12" HQR PACER	1
6,9	520413- 520430	BACK FRME 13"-20" W/BUSHING HQR	
10	201100-QU	1/4-28 NYLOCK NUT THIN	8

ITEM	NUMBER	DESCRIPTION	QTY
11	561004	1" SADDLE 1/4" HOLE	4
12	262110-QU	1/4 AN WASHER FLAT THIN	8
13	226140	1/4-28 x 1 3/4 BH C/S	4
14	501185, 501186	BACK PLT W/BUSHING HQR (EA)	1
15	226130	1/4-28 x 1 1/2 BH C/S	4
16	561087	BACK REL SADDLE RIGID	4
1-4,6-8	840100- 840104	BACK ADJ TUBE RIGID	
10-14	920440, 920441	BACK PLTE FIXED W/HDWR HQR (EA)	

# BACKREST ASSEMBLY (FOLDING BACK) (QUICKIE ST/DT)



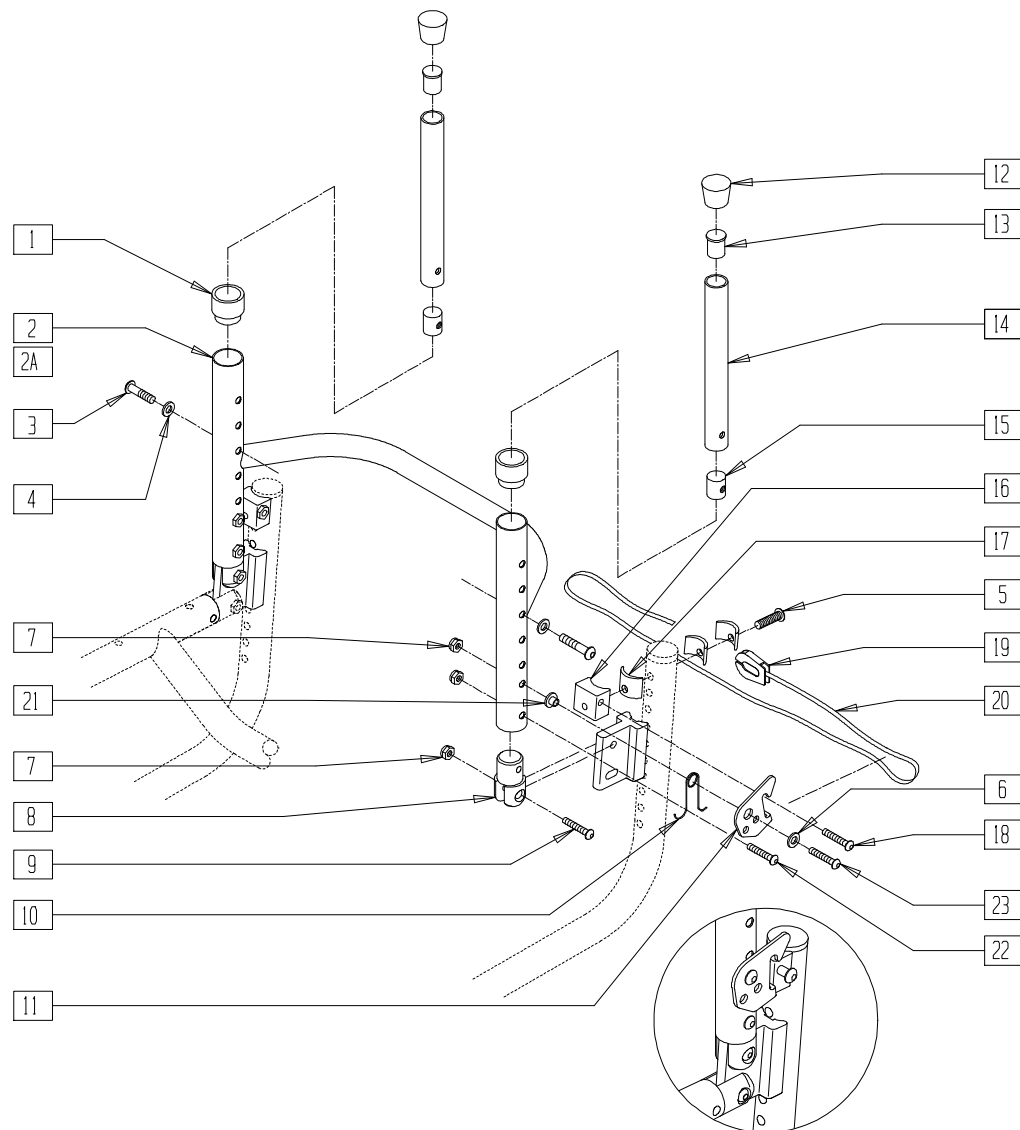
RBYOX18A

ITEM	NUMBER	DESCRIPTION	QTY
1	481223	BACKREST PIN	2
2	342015	LANYARD ATTACH RING	2
3	262100-QU	1/4 AN WASHER FLAT	2
5	262110-QU	1/4 AN WASHER FLAT THIN	6
6	321163	SPRING .300 x 7/8 LONG	2
1-6	881503-881510	BACKREST REL CABLE ASSM	
7	505905, 505906	BACKREST STOP HOR (EA)	1
8	201100-QU	1/4-28 NYLOCK NUT THIN	6
9	561004	1" SADDLE 1/4" HOLE	2
10	226140	1/4-28 x 1 3/4 BH C/S	2
11	262130	6mm WASHER WAVE	4
12	226100	1/4-28 x 3/4 BH C/S	4
13	501185, 501186	BACK PLT W/BUSHING HOR (EA)	1

ITEM	NUMBER	DESCRIPTION	QTY
14	226130	1/4-28 x 1 1/2 BH C/S	4
15	561087	BACK REL SADDLE RIGID	4
16	561082	1" TUBE END BUSHING THIN	2
17	520212	BACK FRAME 12" HOR PACER	1
18	226101	1/4-20 x 3/4 BH C/S	2
19	750751	CROSSBAR PAD	1
20	561010	3/4" CAP	2
21	561000-QU	3/4" INSERT PLUG .083	2
22	840100-840104	BACK ADJ TUBE 8-12 RIGID	
23	483001	O2 FRAME/FOOT RETAINING PLUG	2
16,17	520413-520430	BACK FRAME 13" - 20" W/BUSHING HOR	
5,7-13	920412, 920413	BCK REL BRKT ASSM FLDG HOR (EA)	
	920442	BCK REL BRKT ASSM FLDG HOR (PR)	

# BACKREST (QUICKIE GPS)

(Discontinued 2/01 - parts only)



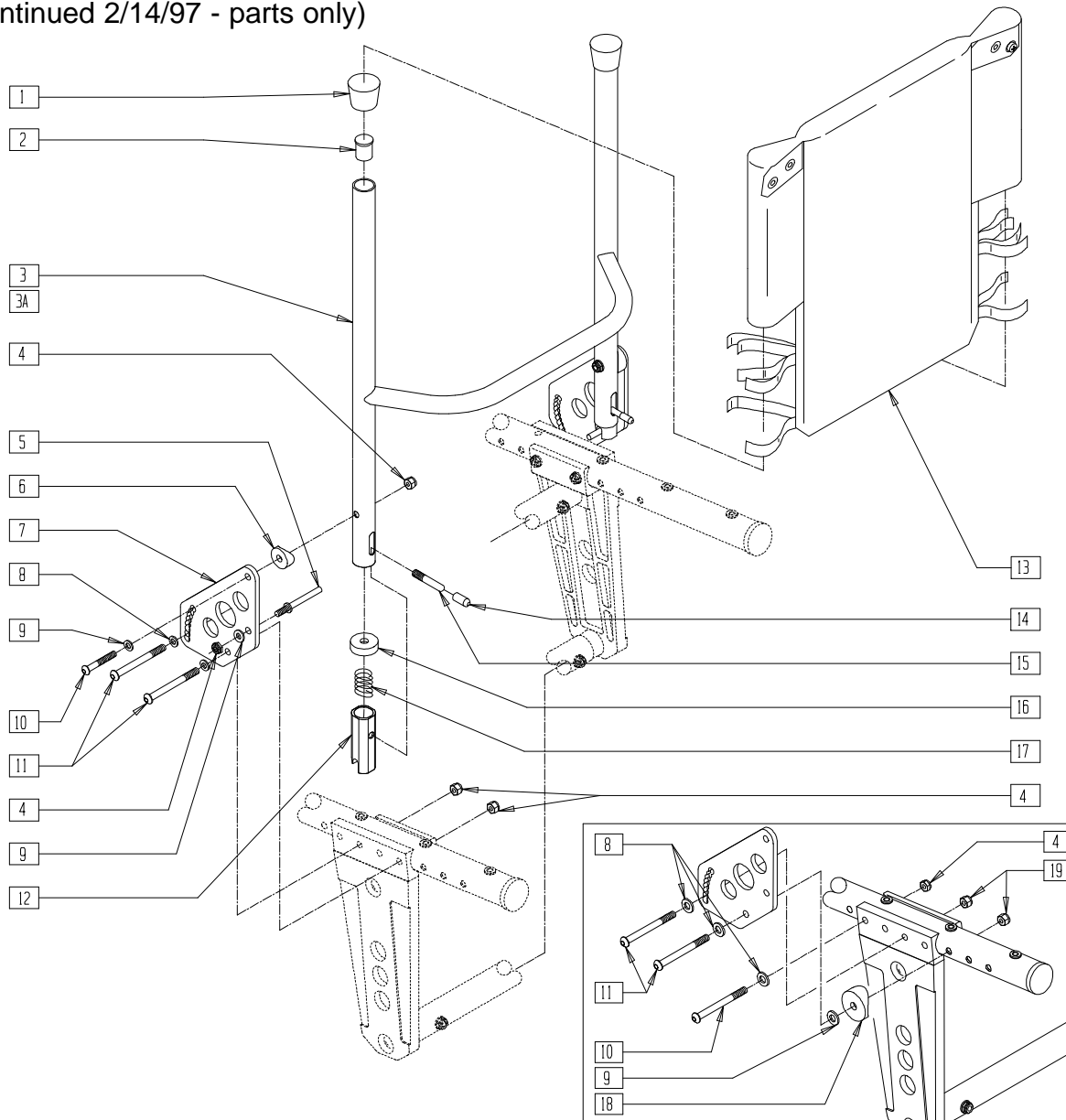
GBL00X02

ITEM	NUMBER	DESCRIPTION	QTY
1	561082	1" TUBE END BUSHING THIN	2
2	840322- 840328	BACK FRAME .115 REG BLK 14"-20" W/BACK RELEASE	1
2A	840332- 840338	BACK FRAME .115 TALL BLK 14"-20" W/BACK RELEASE	1
3	226101	1/4-20 x 3/4 BH C/S	2
4	262130	6mm WASHER WAVE	2
5	226140	1/4-28 x 1 3/4 BH C/S	4
6	262100-QU	1/4 AN WASHER FLAT	2
7	201110	1/4-28 NYLOCK NUT	4
8	481043	CLEVIS BACKREST	2
9	226129	1/4-28 x 1 1/4 BH C/S	2
10	321122, 321123	BACK RELEASE SPRING GPS (EA)	1
11	505076, 505077	BACKREST LATCH GPS (EA)	1
12	561010	3/4" CAP	2
13	561000-QU	3/4" INSERT PLUG .083	2
14	840100- 840104	BACK ADJ TUBE 8-12 RIGID	

ITEM	NUMBER	DESCRIPTION	QTY
15	483001	O2 FRAME/FOOT RETAINING PLUG	2
16	550216	LATCH BLOCK GPS	2
17	550488	BACKREST ADJUSTABLE SPACER GPS	6
18	226130	1/4-28 x 1 1/2 BH C/S	2
19	560221	BACK RELEASE STRAP LOCK RIGID	1
20	750060	BACK RELEASE STRAP 12"-20" RIGID	1
21	481039	BACK RELEASE BUSHING RIGID	2
22	226110	1/4-28 x 1 BH C/S	2
23	226140	1/4-28 x 1 3/4 BH C/S	2
24	262130	6mm WASHER WAVE	2
2,3,11-14	840101- 840104	BACK ADJUSTABLE TUBE RIGID 11"-14" - 16"-20"	
5,16-18	842175	LATCH BLOCK W/HARDWARE GPS	
9,10, 17-20,22	920355	BACK RELEASE BRCKT ASSM GPS	
1,7,21, 23	840360- 840366	BACK FRAME ASSEMBLY 14"-20" REG .115 GPS	
1A,7,21 23	840370- 840376	BACK FRAME ASSEMBLY 14"-20" TALL .115 GPS	

# BACKREST UPHOLSTERY AND FOLDING BACK (QUICKIE EX)

(Discontinued 2/14/97 - parts only)



### CENTER OF GRAVITY ADJUSTMENT

PARTS ILLUSTRATED IN BOX ABOVE ARE USED TO CHANGE THE CENTER OF GRAVITY. THESE PARTS ARE INCLUDED WHEN THE CHAIR IS PURCHASED AND ARE AVAILABLE AS INDIVIDUAL PARTS.

SP00X02

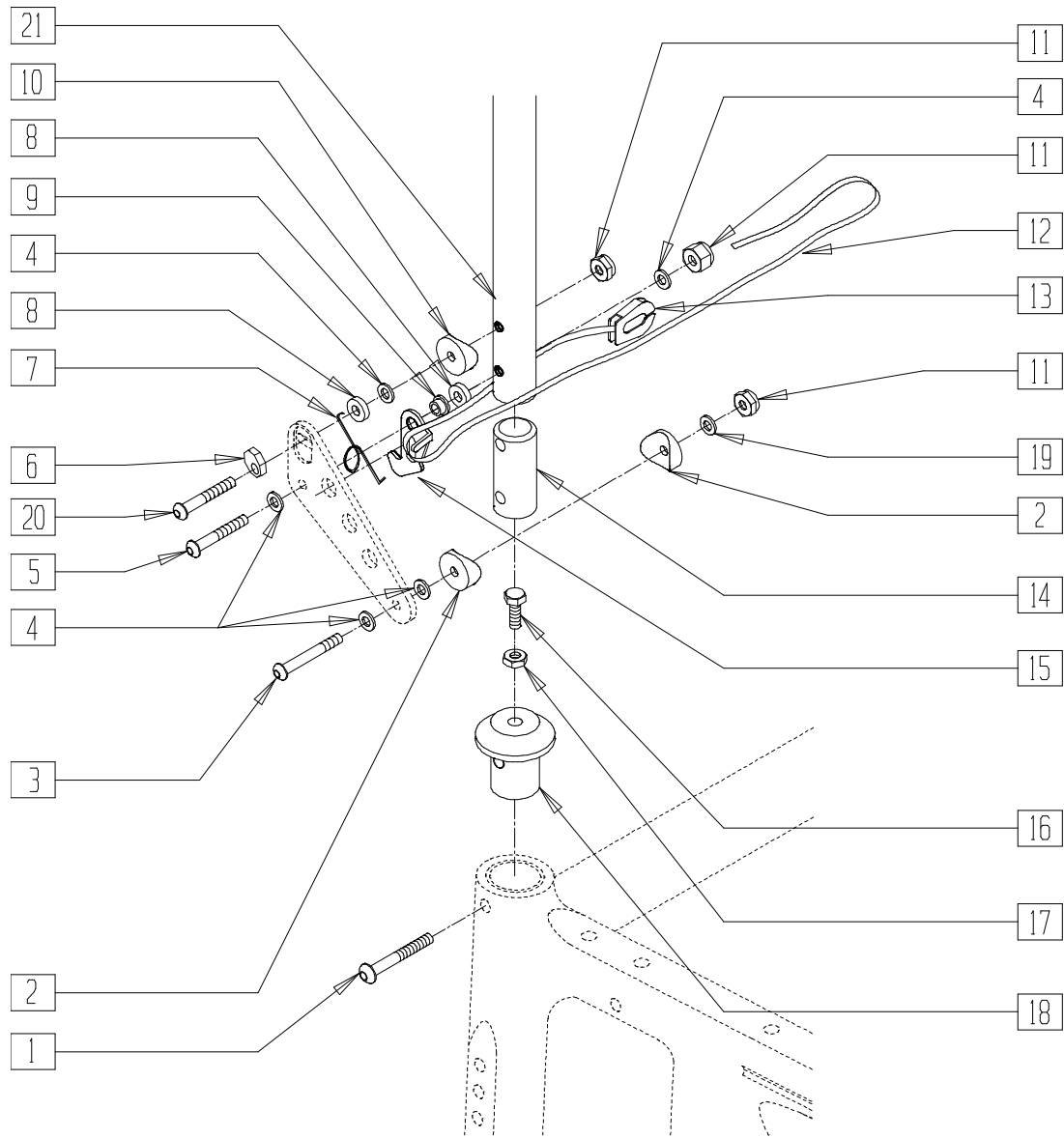
ITEM	NUMBER	DESCRIPTION	QTY
1	561014	1" MED CAP	2
2	561002	1" INSERT PLUG .083	2
3	520124-520128	BACK FRAME EX 14"-18" REG	1
3A	520134-520138	BACK FRAME EX 14"-18" TALL	1
1-3	840134-840138	BACK FRAME ASSM 14"-18" REG EX	
1,2,3A	840144-840148	BACK FRAME ASSM 14"-18" TALL EX	
4	201100-QU	1/4-28 NYLOCK NUT THIN	6
5	481036	BACK PLT STOP PIN ZP/P5/EX	2
6	561004	1" SADDLE 1/4" HOLE	2
7	500192	BACK PLT ZP/P5/QT/EX/Q2 DPTH	2
8	262110-QU	1/4 AN WASHER FLAT THIN	4

ITEM	NUMBER	DESCRIPTION	QTY
9	262100-QU	1/4 AN WASHER FLAT	4
10	226140	1/4-28 x 1 3/4 BH C/S	2
11	226150	1/4-28 x 2 BH C/S	4
12	483019	BACK RELEASE LATCH	2
13	684304-684320	BCK UPH EX 14" MED - 20" TALL (SPECIFY DIMENSION)	1
14	560502	ANTI-TIP LEVER COVER	2
15	481084	BACK RELEASE PIN Z2/QT/EX	2
16	483020	S/A SPRING RETAINER	2
17	321110	S/A LATCH SPRING	2
18	561001	1 1/8" SADDLE 1/4" HOLE	2
19	201110	1/4-28 NYLOCK NUT	2
4-11	920290	BACK PLATE W/HDRW EX (PR)	
12,14-17	920291	BACKREST SLIDER LATCH KIT (PR)	



# QUICK-RELEASE BACK LOCK (QUICKIE CARBON)

(Discontinued 3/1/95 - parts only)



Drawing shows right side

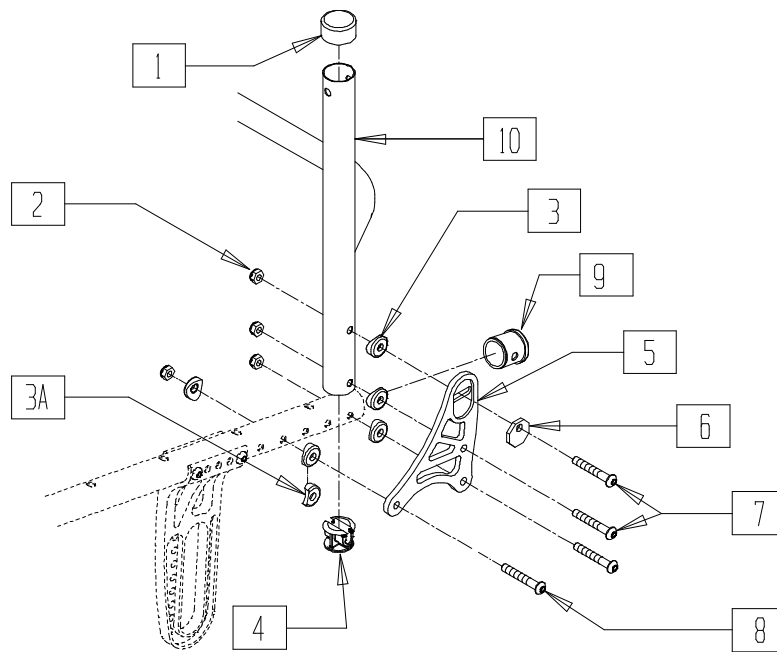
COMP2X3A

ITEM	NUMBER	DESCRIPTION	QTY
1	226130	1/4-28 x 1 1/2 BH C/S	2
2	561017	1 3/8" SADDLE 1/4" HOLE	4
3	226155	1/4-28 x 2 1/4 BH C/S	2
4	262100-OU	1/4 AN WASHER FLAT	12
5	226150	1/4-28 x 2 BH C/S	2
6	341017	WASHER ECCENTRIC	2
7	321153, 321154	BACK REL SPRING RIGID (NEW)	2
8	561026	3/4" WASHER 1/4" HOLE	4
9	481039	BACK RELEASE BUSHING RIGID	5
10	561087	BACK RELEASE SADDLE RIGID	2
11	201110-OU	1/4-28 NYLOCK NUT	2
12	750060	BACK RELEASE STRAP 12"-20" RIGID	1

ITEM	NUMBER	DESCRIPTION	QTY
13	560221	BACK RELEASE STRAP LOCK RIGID	1
14	483106	OC BACK REST SLEEVE F BACK	2
15	505033, 505034	Q1/GP BACK RELEASE BRACKET	1
16	226107	1/4-28 x 7/8 SOC C/S	2
17	201112	1/4-28 NUT THIN	2
18	483104	OC BACKREST INSERT F BACK	2
19	262110-OU	1/4 AN WASHER FLAT THIN	2
20	226147	1/4-28 x 1.85 BH C/S BLK ZN	2
21	520442	BACK FRAME 14" REG RGD BLK .115	1
1-20	920400*	OC BCK RELSE BRACKET ASSEMBLY	
1-14, 16-21	840380- 840384	BACK FRAME .115 14"-18" W/BACK RELEASE OC	

\* ASSEMBLY 920400 WORKS ONLY WITH .115 WALL BACK FRAMES.

# TITANIUM FIXED HEIGHT NON-FOLDING BACKREST(QUICKIE Ti Titanium)



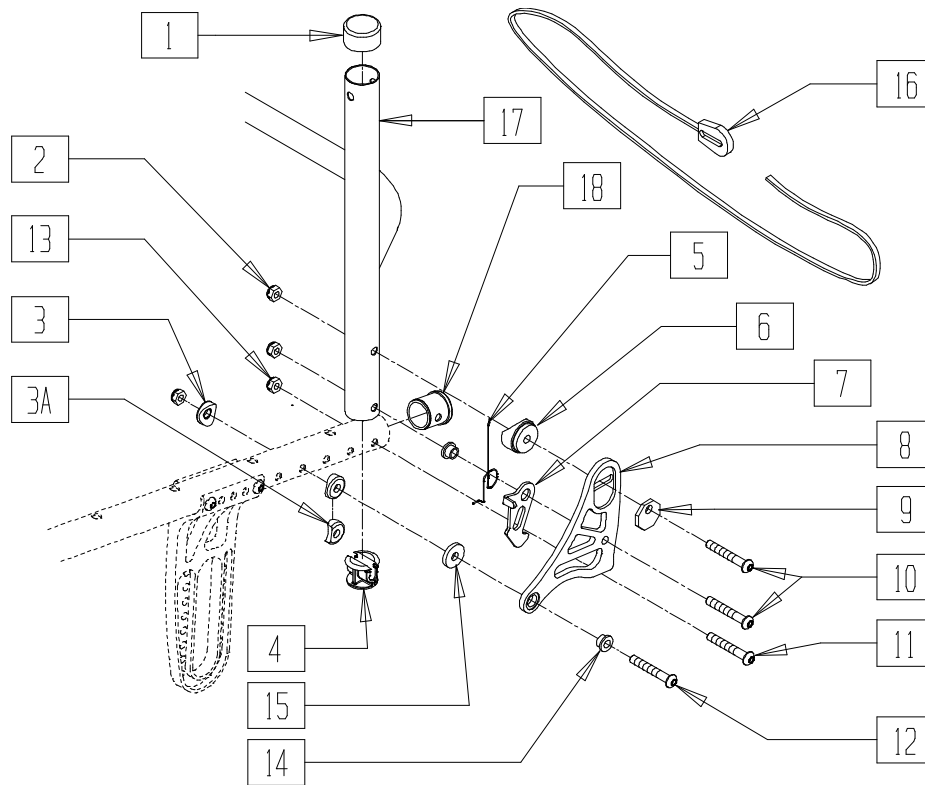
QT10X12

ITEM	NUMBER	DESCRIPTION	QTY
1	561014	1" MED CAP	1
2	200113	NUT, NYLOCK, M6 x 1	4
3	482000	SADDLE, SMALL, 1.00 TUBE, .25 HOLE	5
3A*	482001	SDLE SML 1.00 TUBE.25 HL PRTL	1
4	340038	PLUG, TUBE, 1.00 OD x .035 THK	1
5	500420- 500425	BRACKET, FIXED BACK, 1S,2S,3S (EA)	1
6	341018	WASHER, ECCENTRIC, LARGE	1

ITEM	NUMBER	DESCRIPTION	QTY
7	230025	BHCS, M6 x 1 x 40 MM, TORX, T-25	3
8	230026	BHCS, M6 x 1 x 45MM, TORX, T-25	1
9	340046	CAP, 1.00, .51	1
10	545601 545665	WLDMNT, BKRST, FXD, (13W, 7T-18W, 15T)	
2-8	881531 881533	BACK BRKT ASSM, FXD (PR)	

\*NOTE: USE 482001 WHEN BRACKET BUTS UP AGAINST AXLEPLATE

# TITANIUM FIXED HEIGHT FOLDING BACKREST(QUICKIE Ti Titanium)



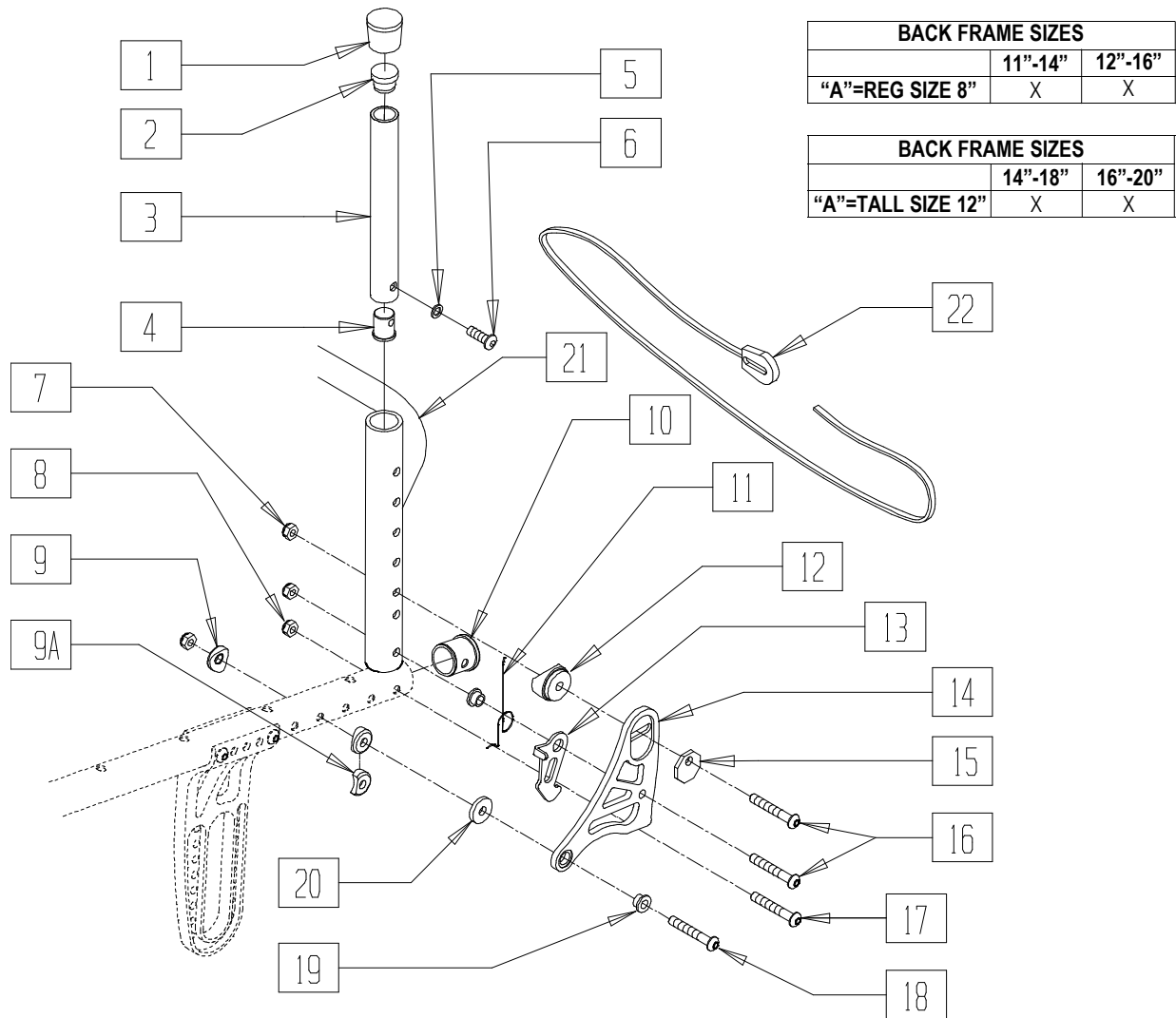
QT10X05

ITEM	NUMBER	DESCRIPTION	QTY
1	561014	1" MED CAP	1
2	200113	NUT, NYLOCK, M6 x 1	4
3	482000	SADDLE, SMALL, 1.00 TUBE, .25 HOLE	2
3A*	482001	SDLE, SML 1.00 TUBE, 25 HL PRTL	1
4	340038	PLUG, TUBE, 1.00 OD X .035 THK	1
5	321153 321154	BACK RELEASE SPRING RIGID (EA)	1
6	561087	BACK RELEASE SADDLE RIGID	1
7	505033 505034	Q1/GP BACK REL BRACKET (EA)	1
8	500430- 500435	BRACKET, FOLDING BACK, 1S,2S,3S (EA)	1

\*NOTE: USE 482001 WHEN BRACKET BUTS AGAINST AXLEPLATE

ITEM	NUMBER	DESCRIPTION	QTY
9	341018	WASHER, ECCENTRIC, LARGE	1
10	230026	BHCS, M6 x 1 x 45 MM, TORX, T-25	3
11	227140	1/4-28 x 1 3/4 BH C/S BLK ZN	1
12	230056	BHCS, M6 x 1 x 50MM, TORX, T-25	1
13	201100	1/4-28 NYLOCK NUT THIN	1
14	481039	BACK RELEASE BUSHING RIGID	2
15	561026	3/4" WASHER 1/4" HOLE	1
16	560221 750060	BACK RELEASE STRAP LOCK RIGID BACK RELEASE STRAP 12-20" RIGID	1 1
17	545601- 545665	WLDMNT, BKRST, FXD, (13W, 7T-18W, 15T)	
18	340046	CAP, 1.00, .51	1
2-10,12, 14-16	881534- 881536	BACK BRKT ASSM, FLDG (PR)	

# ALUMINUM FOLDING HEIGHT ADJUSTABLE BACKREST(QUICKIE Ti Titanium)



BACK FRAME SIZES		
	11"-14"	12"-16"
"A"=REG SIZE 8"	X	X

BACK FRAME SIZES		
	14"-18"	16"-20"
"A"=TALL SIZE 12"	X	X

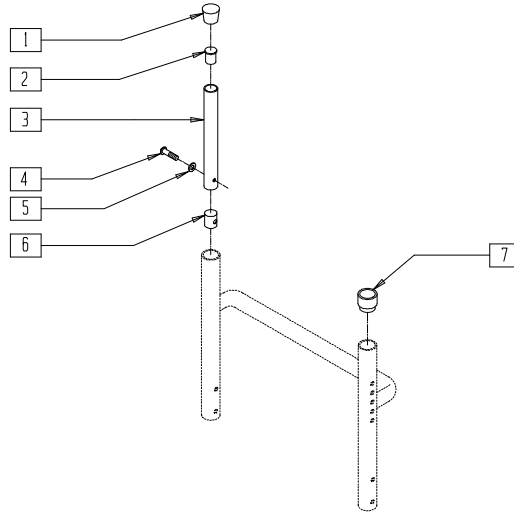
QT10X09

ITEM	NUMBER	DESCRIPTION	QTY
1	561010	3/4" CAP	1
2	561000	3/4" INSERT PLUG .083	1
3	520810	BACK ADJ TUBE ONLY 11-14 GP	1
	520820	BACK ADJ TUBE ONLY 12-16 GP	
	520830	BACK ADJ TUBE ONLY 14-18 GP	
	520840	BACK ADJ TUBE ONLY 16-20 GP	
4	483001	Q2 FRAME/FOOT RETAINING PLUG	1
5	262130	6MM WASHER WAVE	1
6	226101	1/4-20 x 3/4 BHCS	1
7	200113	NUT, NYLOCK, M6 X 1	3
8	201100	1/4-28 NYLOCK NUT THIN	1
9	482000	SADDLE, SMALL, 1.00 TUBE, .25 HOLE	2
9A*	482001	SDLE SML 1.00 TUBE.25 HL PRTL	1
10	340046	CAP, 1.00, .51	16
11	321153	BACK RELEASE SPRING RIGID	1
	321154	(EA)	
12	561087	BACK RELEASE SADDLE RIGID	1
13	505033	Q1/GP BACK REL BRACKET	1
	505034	(EA)	

ITEM	NUMBER	DESCRIPTION	QTY
14	500430-500435	BRACKET, FOLDING BACK, 1S,2S,3S (EA)	1
15	341018	WASHER, EXCCENTRIC, LARGE	1
16	230026	BHCS, M6 x 1 x 45 MM, TORX, T-25	3
17	227140	1/4-28 x 1 3/4 BH C/S BLK ZN	
18	230056	BHCS, M6 x 1 x 50MM, TORX, T-25	1
19	481039	BACK RELEASE BUSHING RIGID	2
20	561026	3/4" WASHER 1/4" HOLE	1
21	520441-520446	BACK FRAME REG, RGD, BLK, .115 13"-18"	1
	520541-520546	BACK FRAME, TALL, RGD, BLK, .115 13"-18"	1
22	560221	BACK RELEASE STRAP LOCK RIGID	1
	750060	BACK RELEASE STRAP 12-20" RIGID	1
1-6	840100-840104	BACK ADJ TUBE RIGID 8"-12" THRU 16"-20"	
	7,9,11-16, 18-20,22	881534 881536	BACK BRKT ASSM, FLDG (PR)

\*NOTE: USE 482001 WHEN BRACKET BUTS AGAINST AXLEPLATE

**FOLDING BACKREST TUBES (QUICKIE 1/CARBON/GP/GPV/  
GPV Titanium/TRIUMPH/ST/DT)  
(Discontinued 8/17/98 - parts only)**



BK0X01

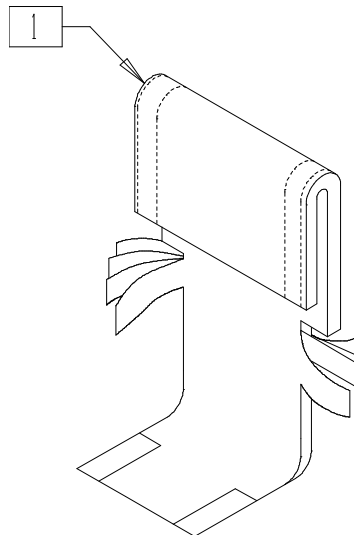
ITEM	NUMBER	DESCRIPTION	QTY
1	561010	3/4" CAP	1
2	561000-QU	3/4" INSERT PLUG .083	1
4	226101	1/4-20 x 3/4 BH C/S	1
5	262130	6mm WASHER WAVE	1

ITEM	NUMBER	DESCRIPTION	QTY
6	483001	O2 FRAME/FOOT RETAINING PLUG	1
7	561082	1" TUBE END BUSHING THIN	1
1-7	840100- 840104	BACK ADJUSTABLE TUBE 8"-20" RIGID	

NOTE: FOR BACK FRAME SEE PAGE 10.2.

**FOLDING BACK UPHOLSTERY (QUICKIE 1/GPV/GPV COMPETITION/GPS/GP S/A/  
R2 (RIGID)/GPV Titanium/TRIUMPH/XTR))**

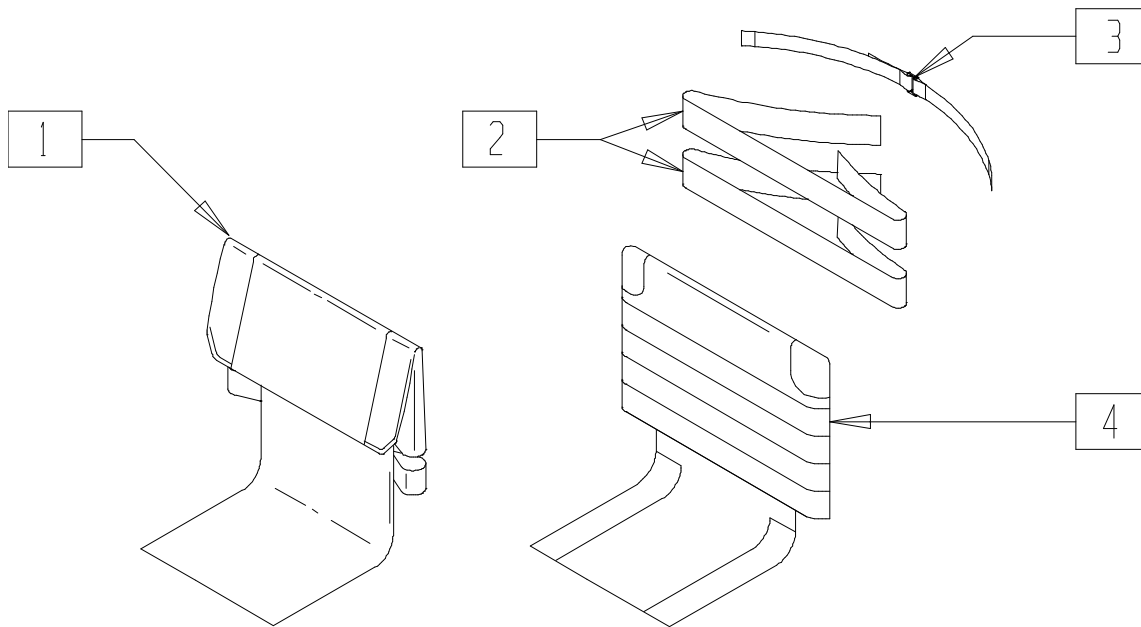
(Quickie GPS and Triumph discontinued 2/01-Parts only.)



BK0X03A

ITEM	NUMBER	DESCRIPTION	QTY
1	680208- 680949	BACK UPHOLSTERY 12"-20" W/TAIL 8"-12" 16"-20"	1

## BACKREST UPHOLSTERY (ST/DT)



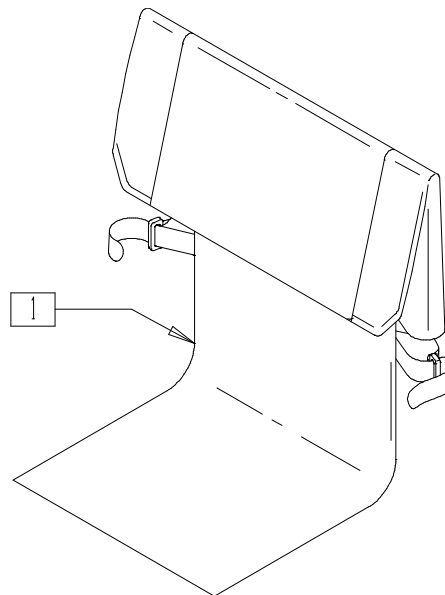
RIGD\_UPH1

ITEM	NUMBER	DESCRIPTION	QTY
1	680208, 680301- 680909	BACK UPHOLSTERY W/TAIL 14"-20"	1
2	741500	ANKLE/BACK STRAP 3D	1

ITEM	NUMBER	DESCRIPTION	QTY
3	750096	SIDE GRD/BCK STRP (SPECIFY DIM)	1
4	684442- 684460	SPORTS ADJUSTABLE BACK W/TAIL 12LA - 20SA	

## BACK UPHOLSTERY (Quickie TNT/R2 (ADJUSTABLE))

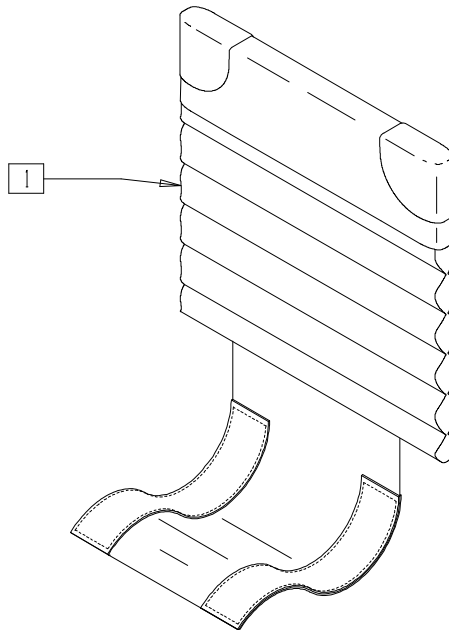
(Quickie TNT discontinued 2/01-Parts only)



TNT00X14

ITEM	NUMBER	DESCRIPTION	QTY
1	687380- 687394	BACK UPHOLSTERY W/TAIL QTNT	1

## ADJUSTABLE BACK UPHOLSTERY (QUICKIE GPV COMPETITION/ST/DT)



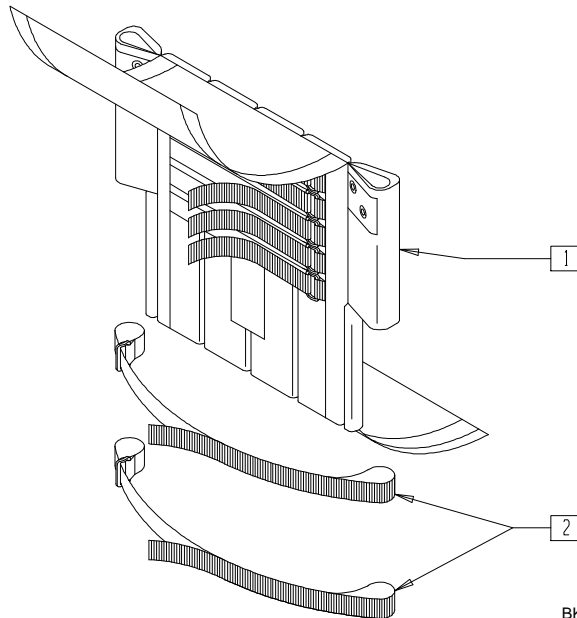
BK0X013

ITEM	NUMBER	DESCRIPTION	QTY
1	685904-685910	BACK UPHOLSTERY QUICKIE ADJUSTABLE SA 14"-20"	1
	685914-685920	BACK UPHOLSTERY QUICKIE ADJUSTABLE MA 14"-20"	

ITEM	NUMBER	DESCRIPTION	QTY
1	685924-685930	BACK UPHOLSTERY QUICKIE ADJUSTABLE LA 14"-20"	1
	685934-685940	BACK UPHOLSTERY QUICKIE ADJUSTABLE X-LA 14"-20"	

## TENSION ADJUSTABLE BACK UPHOLSTERY (QUICKIE CARBON/GP/GPS/GPV/GPV Titanium/TRIUMPH/ST/DT/XTR/R2 (RIGID))

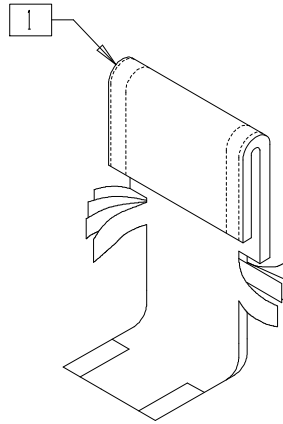
(Quickie GPS and Triumph discontinued 2/01-Parts only)



BK0X09

ITEM	NUMBER	DESCRIPTION	QTY
1,2	684037-684099	ADJ BACK UPH 14"-20" LOW, MED, TALL	

**STANDARD BACK UPHOLSTERY (FIXED HEIGHT WITHOUT PUSH HANDLES)  
(QUICKIE TI Titanium)**

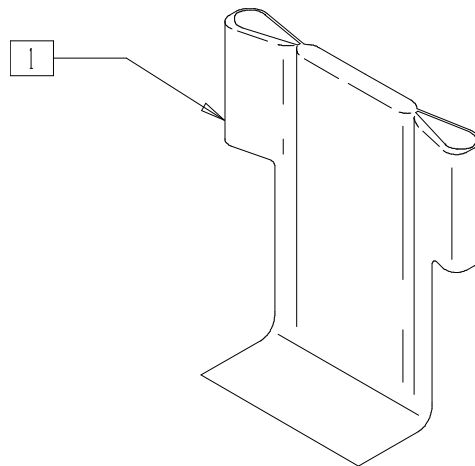


BK0X03A

ITEM	NUMBER	DESCRIPTION	QTY
1	680213	BACK UPH 13" 8-12" W/TAIL	1
	680308	BACK UPH 14" 8-12" W/TAIL	
	680408	BACK UPH 15" 8-12" W/TAIL	
	680508	BACK UPH 16" 8-12" W/TAIL	
	680608	BACK UPH 17" 8-12" W/TAIL	
	680708	BACK UPH 18" 8-12" W/TAIL	
	680201	BACK UPH 13" 11-15" W/TAIL	
	680301	BACK UPH 14" 11-15" W/TAIL	
	680401	BACK UPH 15" 11-15" W/TAIL	
	680501	BACK UPH 16" 11-15" W/TAIL	
	680601	BACK UPH 17" 11-15" W/TAIL	
	680701	BACK UPH 18" 11-15" W/TAIL	

ITEM	NUMBER	DESCRIPTION	QTY
1	680203	BACK UPH 13" 12-16" W/TAIL	1
	680303	BACK UPH 14" 12-16" W/TAIL	
	680403	BACK UPH 15" 12-16" W/TAIL	
	680503	BACK UPH 16" 12-16" W/TAIL	
	680603	BACK UPH 17" 12-16" W/TAIL	
	680703	BACK UPH 18" 12-16" W/TAIL	
	680205	BACK UPH 13" 14-18" W/TAIL	
	680305	BACK UPH 14" 14-18" W/TAIL	
	680405	BACK UPH 15" 14-18" W/TAIL	
	680505	BACK UPH 16" 14-18" W/TAIL	
	680605	BACK UPH 17" 14-18" W/TAIL	
	680705	BACK UPH 18" 14-18" W/TAIL	

**STANDARD BACK UPHOLSTERY (FIXED HEIGHT WITH PUSH HANDLES)  
(QUICKIE TI Titanium)**



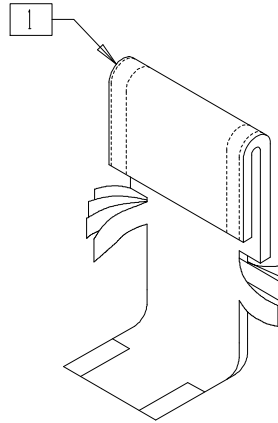
QT10X16

ITEM	NUMBER	DESCRIPTION	QTY
1	680443	BCK UPH 13" 11-14/12-16 RGD	1
	680454	BCK UPH 14" 11-14/12-16 RGD	
	680455	BCK UPH 15" 11-14/12-16 RGD	
	680456	BCK UPH 16" 11-14/12-16 RGD	
	680457	BCK UPH 17" 11-14/12-16 RGD	
	680458	BCK UPH 18" 11-14/12-16 RGD	

ITEM	NUMBER	DESCRIPTION	QTY
1	680463	BCK UPH 13" WID. 14-18 RGD	1
	680464	BCK UPH 14" WID. 14-18 RGD	
	680465	BCK UPH 15" WID. 14-18 RGD	
	680466	BCK UPH 16" WID. 14-18 RGD	
	680467	BCK UPH 17" WID. 14-18 RGD	
	680468	BCK UPH 18" WID. 14-18 RGD	



# STANDARD BACK UPHOLSTERY(HEIGHT-ADJUSTABLE WITHOUT PUSH HANDLES) (QUICKIE TI Titanium)

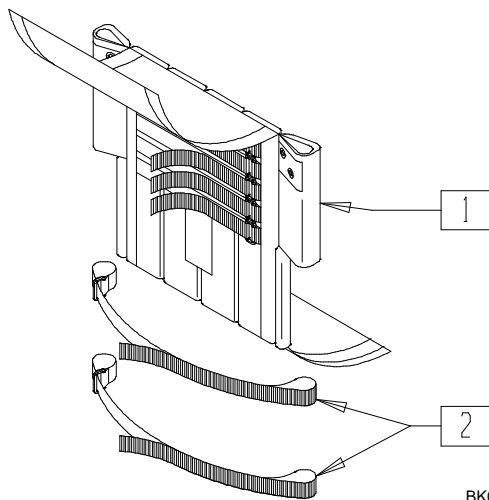


BK0X03A

ITEM	NUMBER	DESCRIPTION	QTY
1	680201	BACK UPH 13" 11-15" W/TAIL	1
	680301	BACK UPH 14" 11-15" W/TAIL	
	680401	BACK UPH 15" 11-15" W/TAIL	
	680501	BACK UPH 16" 11-15" W/TAIL	
	680601	BACK UPH 17" 11-15" W/TAIL	
	680701	BACK UPH 18" 11-15" W/TAIL	
	680203	BACK UPH 13" 12-16" W/TAIL	
	680303	BACK UPH 14" 12-16" W/TAIL	
	680403	BACK UPH 15" 12-16" W/TAIL	
	680503	BACK UPH 16" 12-16" W/TAIL	
	680603	BACK UPH 17" 12-16" W/TAIL	
	680703	BACK UPH 18" 12-16" W/TAIL	

ITEM	NUMBER	DESCRIPTION	QTY
1	680205	BACK UPH 13" 14-18" W/TAIL	1
	680305	BACK UPH 14" 14-18" W/TAIL	
	680405	BACK UPH 15" 14-18" W/TAIL	
	680505	BACK UPH 16" 14-18" W/TAIL	
	680605	BACK UPH 17" 14-18" W/TAIL	
	680705	BACK UPH 18" 14-18" W/TAIL	
	680207	BACK UPH 13" 16-20" W/TAIL	
	680307	BACK UPH 14" 16-20" W/TAIL	
	680407	BACK UPH 15" 16-20" W/TAIL	
	680507	BACK UPH 16" 16-20" W/TAIL	
	680607	BACK UPH 17" 16-20" W/TAIL	
	680707	BACK UPH 18" 16-20" W/TAIL	

## ADJUSTABLE BACK UPHOLSTERY (QUICKIE TI Titanium)



BK0X09

### HEIGHT ADJUSTABLE BACK GUIDE

BACK HEIGHT	DESCRIPTION
11"-14"	LOW
12"-16"	MEDIUM
14"-18"	MEDIUM
16"-20"	TALL

### FIXED HEIGHT BACK GUIDE

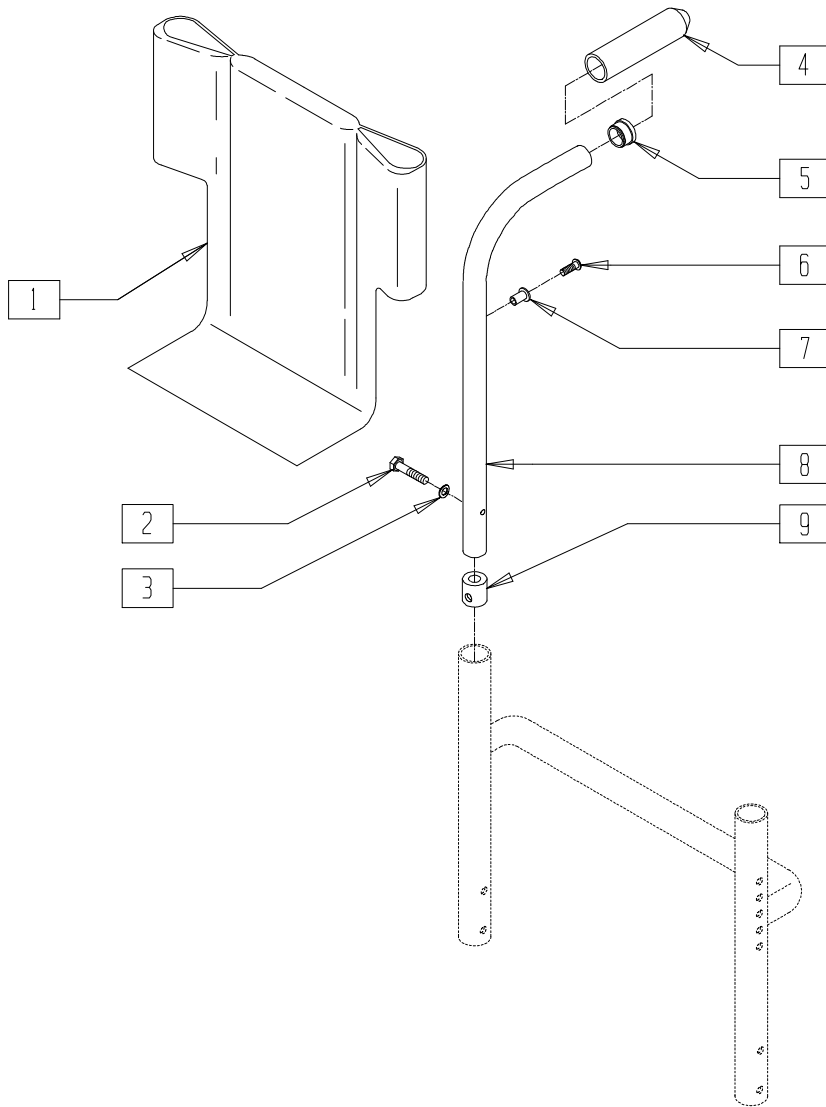
BACK HEIGHT	DESCRIPTION
10"	LOW
11"	LOW
12"	MED
13"	MED
14"	MED
15"	MED

ITEM	NUMBER	DESCRIPTION	QTY
1,2	684027	ADJ BACK UPH 13" LOW	1
	684037	ADJ BACK UPH 14" LOW	
	684047	ADJ BACK UPH 15" LOW	
	684057	ADJ BACK UPH 16" LOW	
	684067	ADJ BACK UPH 17" LOW	
	684077	ADJ BACK UPH 18" LOW	
	684028	ADJ BACK UPH 13" MED	
	684038	ADJ BACK UPH 14" MED	
	684048	ADJ BACK UPH 15" MED	

ITEM	NUMBER	DESCRIPTION	QTY
1,2	684058	ADJ BACK UPH 16" MED	1
	684068	ADJ BACK UPH 17" MED	
	684078	ADJ BACK UPH 18" MED	
	684029	ADJ BACK UPH 13" TALL	
	684039	ADJ BACK UPH 14" TALL	
	684049	ADJ BACK UPH 15" TALL	
	684059	ADJ BACK UPH 16" TALL	
	684069	ADJ BACK UPH 17" TALL	
	684079	ADJ BACK UPH 18" TALL	

# INTEGRAL PUSH HANDLE BACKREST

(QUICKIE GP/GPV/GP S/A/GPV COMPETITION/GPV Titanium/Ti Titanium/XTR/R2 (RIGID))

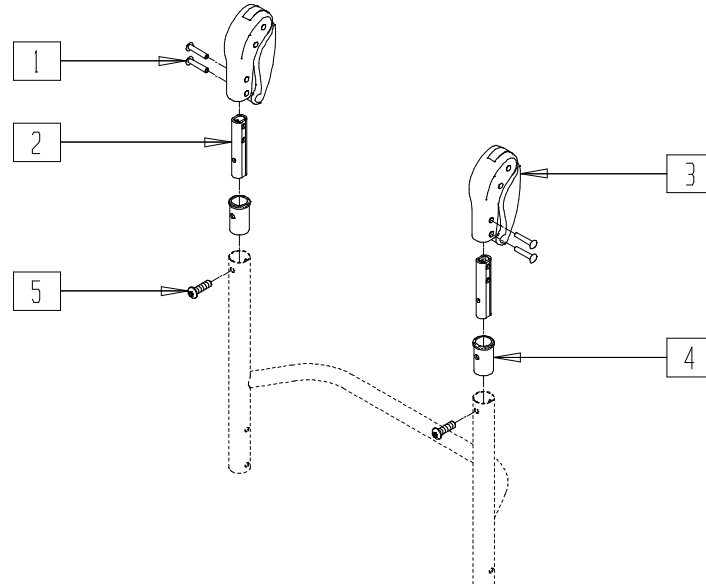


BK00X50A

ITEM	NUMBER	DESCRIPTION	QTY
1	680442-680443	BACK UPH 11-14/12-16 RDG 12"-13"	1
	680454-680460	BACK UPH 11-14/12-16 RDG 14"-20"	
	680462-680470	BACK UPH 14-18 RDG 12"-20"	
	680472-680480	BACK UPH 16-20 RDG 12"-20"	
2	226101	1/4-20 x 3/4 BH C/S	1
3	262130	6mm WASHER WAVE	1

ITEM	NUMBER	DESCRIPTION	QTY
4	560662	QUICKIE GRIP 3/4"	1
5	561000-QU	3/4" INSERT PLUG .083	1
6	281120	10/32 x 5/8 PAN HD PHIL	1
7	341497	10-32 x .020-.130 RIVNUT GOLD	1
9	483001	Q2 FRAME/FOOT RETAINING PLUG	1
4,5,7,8	880096-880099	HT ADJ STROLLER HANDLE W/GRIP	
2-5, 7-9	882196-882199	BACK ADJ PUSH HANDLE 11"-14" - 18"-20"	

## FOLDING PUSH HANDLES(NON- HEIGHT ADJUSTABLE)(QUICKIE TI Titanium)

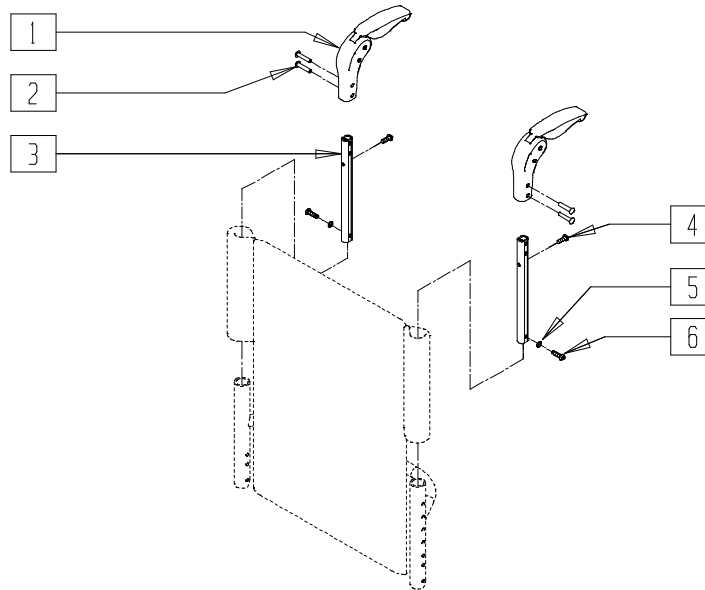


QT10X25

ITEM	NUMBER	DESCRIPTION	QTY
4	520148	ADAPTER, FLDG PUSH HANDLE	1
5	230057	BHCS,M6 x 1 x 30mm,TORX,T-25,PATCH	1
1-3	882604	FOLDING PUSH HANDLE W/INST FXD HT (EA)	

ITEM	NUMBER	DESCRIPTION	QTY
1-5	900164	FOLDING PUSH HANDLE ASSM, FXD HT (EA)	

## FOLDING PUSH HANDLES (HEIGHT ADJUSTABLE)(QUICKIE TI Titanium)



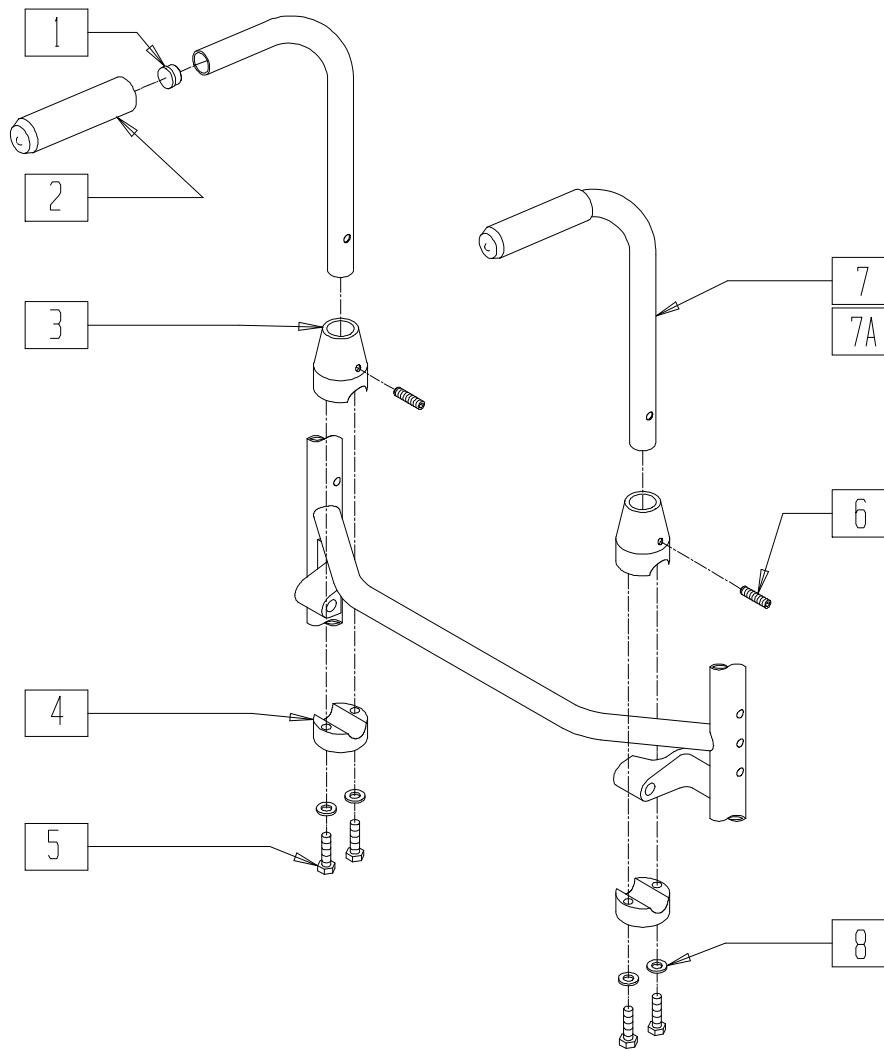
QT10X06

ITEM	NUMBER	DESCRIPTION	QTY
4	281127	#12 x .75 PAN HEAD PHIL	1
5	262130	6MM WASHER, WAVE	1
6	230024	BHCS, M6 x 1 x 20mm, TORX, T-25	1

ITEM	NUMBER	DESCRIPTION	QTY
1-3	882605- 882608	FOLDING PUSH HANDLE W/INSERT (11-14 THRU 16-20)(EA)	
1-6	900165- 900168	FOLDING PUSH HANDLE ASSM (11-14 THRU 16-20)(EA)	

# BOLT-ON PUSH HANDLE ASSEMBLY (QUICKIE 1/GP/GPV/GPV Titanium/ CARBON/GP S/A/GPV COMPETITION/R2/Ti Titanium/TNT)

(Quickie Carbon discontinued 3/1/95 and Quickie TNT discontinued 2/01-Parts only)

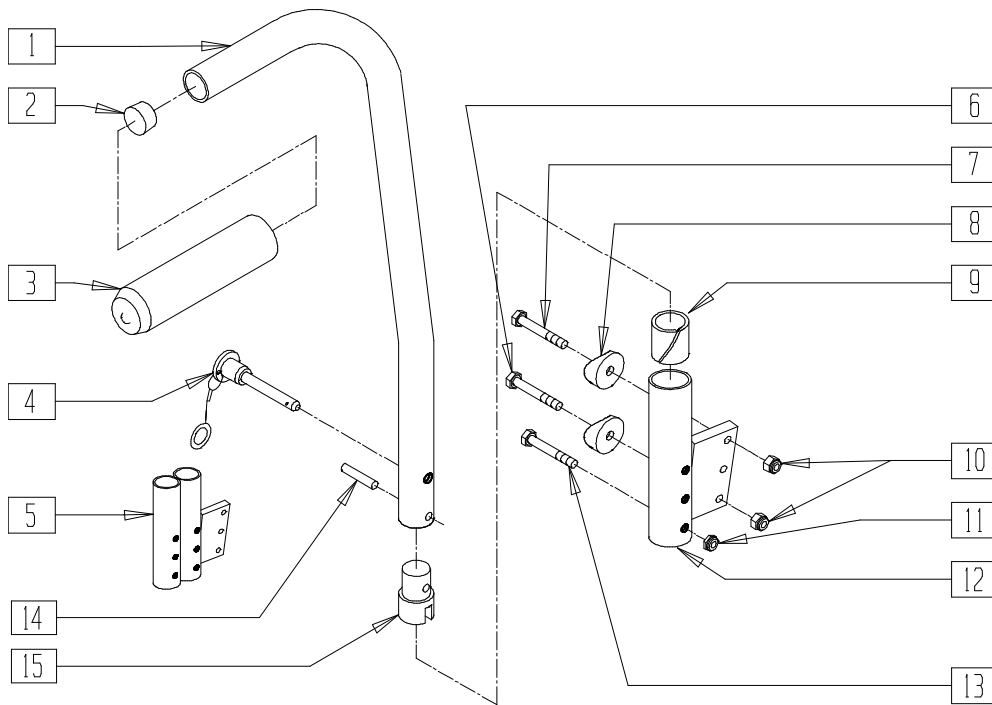


TNT00X13

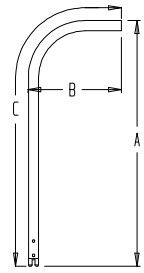
ITEM	NUMBER	DESCRIPTION	QTY
1	561000-QU	3/4" INSERT PLUG .083	2
2	560662	QUICKIE GRIP 3/4"	2
3	483015	PUSH BACK RECEIVER TOP RIGID BLK	2
4	483016	PUSH BACK RECEIVER BOTTOM RIGID BLK	2
5	221126	1/4-20 x 1 1/4 G8 HEX C/S	4
6	225200	1/4-20 x 1 SET SCREW	2
8	262100-QU	1/4 AN WASHER FLAT	4

ITEM	NUMBER	DESCRIPTION	QTY
1,2,7	842161, 842162	PUSH HNDL W/F QTNT/R2	
1,2,7A	842161, 842162	PUSH HNDL TUBE W/F RIGID BLK (EA)	
1-8	900300	PUSH HANDLE ASSM RIGID BLK	
1-7A,8	900301	PUSH HANDLE ASSM QTNT	

# STROLLER HANDLE (RIGID/QUICKIE GP/GPV/GPV COMPETITION/GP S/A)



## MEASURING GUIDE



M15

ARMREST	REG	TALL
"A"	27"	31"
"B"	8"	8"
"C"	33 1/2"	39 1/4"

Drawing shows left side

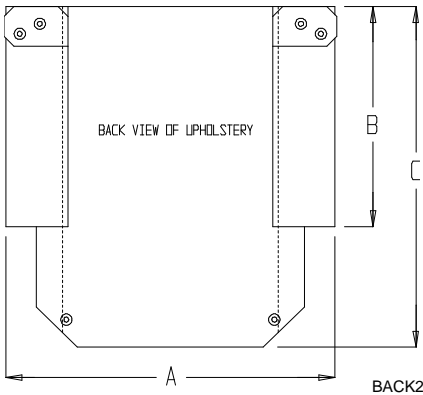
ARMX09

ITEM	NUMBER	DESCRIPTION	QTY
2	561002	1" INSERT PLUG .083	1
3	920070	9 x .940 x .200 FOAM GRIP	1
4	349020	STROLLER HANDLE RELEASE PIN	1
5	540140, 540142	PADDED ARM RECEIVER ANGLE DOUBLE NON-FOLDING FRAME (EA)	1
6	221181	1/4-28 x 2 1/2 G8 HEX C/S	1
7	221193	1/4-28 x 2 3/4 G8 HEX C/S	1
8	561004	1" SADDLE 1/4" HOLE	2
9	560400	1" ID NY-LINER	1
10	201110	1/4-28 NYLOCK NUT	2
11	201100-OU	1/4-28 NYLOCK NUT THIN	1
12	540120, 540122	PADDED ARM RECEIVER ANGLE NF (EA)	1

ITEM	NUMBER	DESCRIPTION	QTY
13	221133	1/4-28 x 1 1/2 G8 HEX C/S	1
14	341200	1/4 x 1 ROLL PIN	1
15	483029	PUSH HANDLE PLUG	1
1-3, 14,15	880354, 880356	STROLLER HANDLE TALL BENT NF (EA)	
	880350, 880352	STROLLER HANDLE REG BENT NF (EA)	
1-3,14,15	900460	STROLLER HANDLES REG NF (PR)	
	900462	STROLLER HANDLES TALL NF (PR)	
4,6-13	900520	STROLLER RECEIVER SINGLE CYL NF (PR)	
4-11,13	900521	STROLLER RECEIVER DOUBLE CYL NF (PR)	

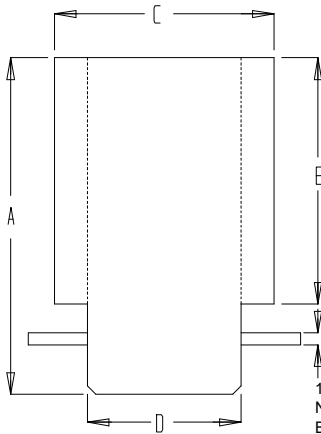
# BACK UPHOLSTERY MEASURING GUIDES

## MEASURING GUIDE QUICKIE 2/Rx BACK UPHOLSTERY



DESCRIPTION	"A"	"B"	"C"
BACK UPHOLSTERY 12" LOW	12 3/4"	7 1/2"	14 1/4"
BACK UPHOLSTERY 12" MED	12 3/4"	10 1/2"	17 1/4"
BACK UPHOLSTERY 12" TALL	12 3/4"	13 1/2"	20 1/4"
BACK UPHOLSTERY 16" LOW	16 3/4"	7 1/2"	14 1/4"
BACK UPHOLSTERY 16" MED	16 3/4"	10 1/2"	17 1/4"
BACK UPHOLSTERY 16" TALL	16 3/4"	13 1/2"	20 1/4"
BACK UPHOLSTERY 18" LOW	17 3/4"	7 1/2"	14 1/4"
BACK UPHOLSTERY 18" MED	17 3/4"	10 1/2"	17 1/4"
BACK UPHOLSTERY 18" TALL	17 3/4"	13 1/2"	20 1/4"

## MEASURING GUIDE BACK UPHOLSTERY - NON-FOLDING CHAIRS (QUICKIE CARBON/GP/GPV/GPV COMPETITION/Ti)

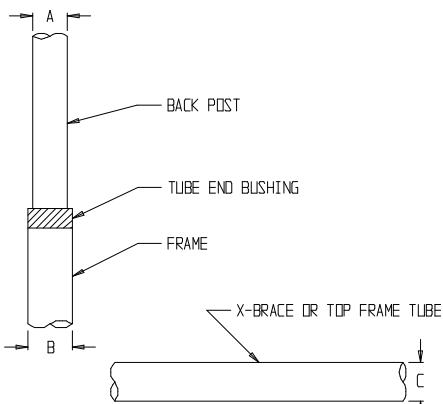


1" WIDE VELCRO  
NOTE: FOLDING  
BACK UPHOLSTERY  
HAS 2" VELCRO  
BACK1

	NON-FOLDING BACK HEIGHT			
	8"-9"	10"-11"	12"-13"	14"-16"
"A"	19 1/4"	21 1/4"	23 1/4"	25 1/4"
"B"	14 1/4"	16 1/4"	18 1/4"	20 1/4"

	BACK WIDTH			
	12"	13"	14"	15"
"C"	12 1/2"	13 1/2"	14 1/2"	15 1/2"
"D"	8 1/4"	9 1/4"	10 1/4"	11 1/4"

	BACK WIDTH				
	16"	17"	18"	19"	20"
"C"	16 1/2"	17 1/2"	18 1/2"	19 1/2"	20 1/2"
"D"	12 1/4"	13 1/4"	14 1/4"	15 1/4"	16 1/4"



197

## BACKREST AND SEAT TUBE DIAMETER MEASURING GUIDE

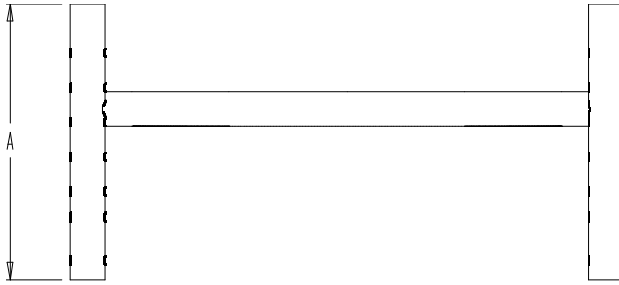
This guide will determine the backrest and seat tube diameter of Quickie chairs. Keep this chart with your Quickie Insert Reference Manual and use it when ordering an insert seating system. To use, follow these four easy steps.

1. Choose the appropriate chair.
2. Use the "A" dimension.
3. Use the "B" dimension.
4. Use the "C" dimension.

CHAIR	"A"	"B"	"C"	CHAIR	"A"	"B"	"C"
BREEZY	7/8"	1 1/8"	1"	QUICKIE GP/GPV/Ti	3/4"	1"	1"
QUICKIE 2/HP/HPTi	7/8"	1 1/8"	1"	QUICKIE RECLINER	1"	-	1"
QUICKIE 2 DEPTH ADJ	1"	-	1"	QUICKIE Rx	7/8"	1 1/8"	1"
QUICKIE CARBON	3/4"	1"	-	QUICKIE Ti (NF)	3/4"	-	1"
QUICKIE CARBON (NF)	3/4"	-	-	QUICKIE TS	1"	-	1"
QUICKIE GP (NF)	3/4"	-	1"	ZIPPIE/ZIPPIE2/ ZIPPIE TS	1"	-	1"
QUICKIE GPV (NF)	3/4"	-	1"				

# BACK UPHOLSTERY MEASURING GUIDES (CONTINUED)

## MEASURING GUIDE BACK FRAME SIZE

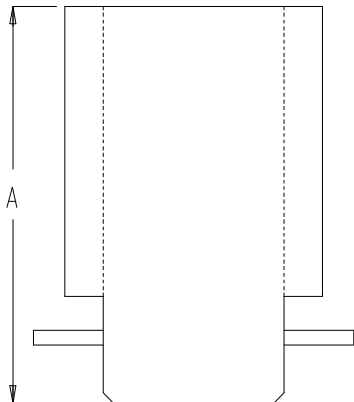


BACK FRAME SIZES			
	8"-12"	11"-14"	12"-16"
"A"=REG SIZE 8"	X	X	X

BACK FRAME SIZES			
	14"-18"	16"-20"	
"A"=TALL SIZE 12"	X	X	

MGUIDE55

## MEASURING GUIDE BACK UPHOLSTERY - FOLDING CHAIRS



FOLDING BACK HEIGHT				
	10"-14"	12"-16"	14"-18"	16"-20"
"A"	19 1/4"	21 1/4"	23 1/4"	25 1/4"

NOTE: NON-FOLDING UPHOLSTERY HAS A 1" TAB AND THE FOLDING UPHOLSTERY HAS A 2" TAB.

BACK3





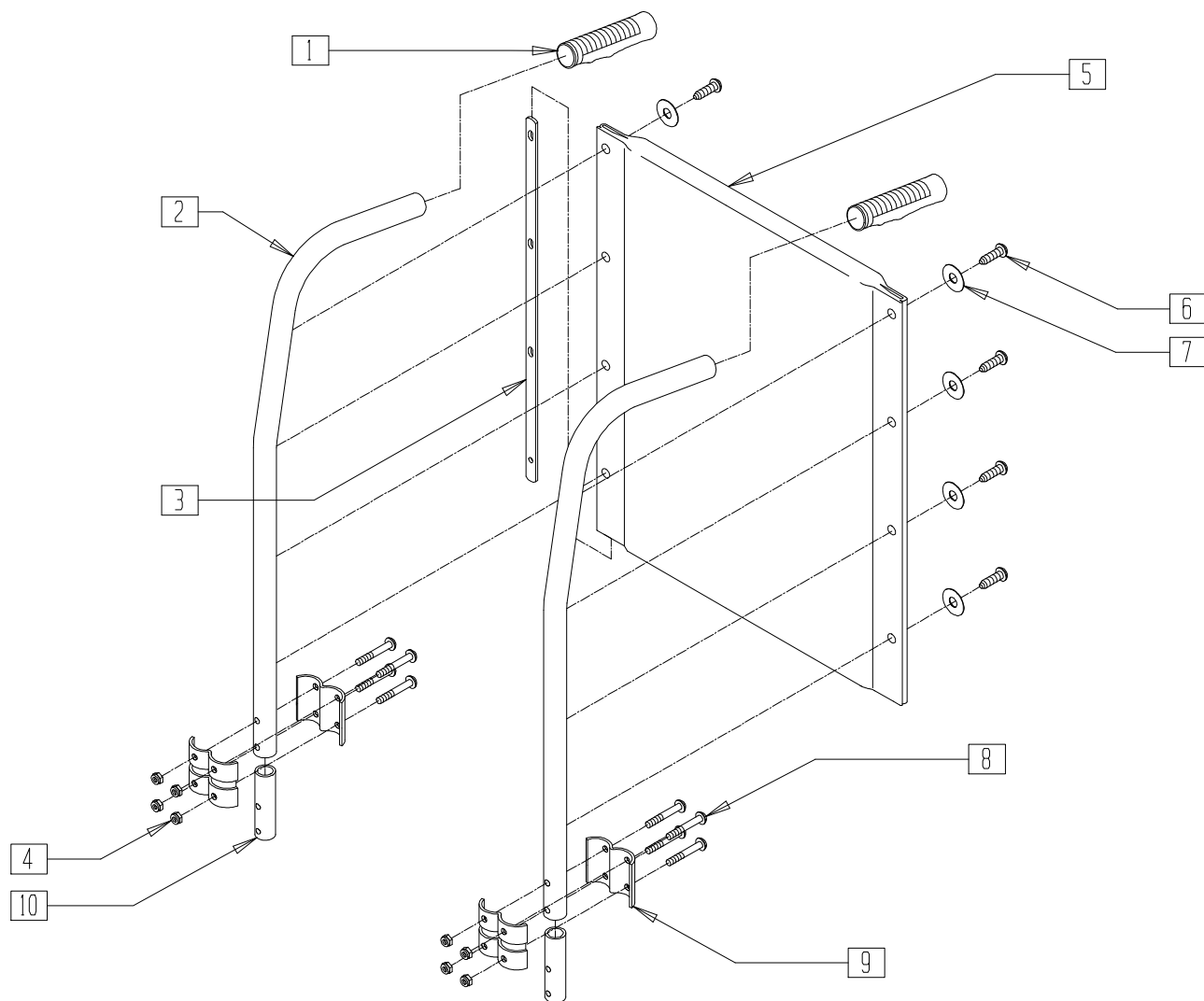
# Breezy Chair Backrests and Upholstery

## IN THIS SECTION

Push Handle Backrest and Upholstery (Breezy 100/150) .....	12.1	Push Handle Backrest and Upholstery (Breezy 2) (Disc.).....	12.7
Back Recline Assembly and Upholstery* (Breezy 100/150) .....	12.2	Push Handle Backrest and Upholstery (Breezy 2) (Disc.).....	12.7
Recline Headrest and Backrest* (Breezy 100/150) .....	12.3	Push Handle Backrest and Upholstery (Breezy 600) .....	12.8
Push Handle Backrest and Upholstery (Breezy 503) .....	12.4	Push Handle Backrest and Upholstery (Breezy 510 Ultra Hemi/600 Ultra Hemi).....	12.9
Push Handle Backrest and Upholstery (Aluminum and Chrome Breezy) (Disc.).....	12.5	Backrest (Breezy 510 Recliner).....	12.10
Push Handle Backrest and Upholstery (Breezy) (Disc.).....	12.5	Backrest Upholstery (Breezy 510 Recliner).....	12.11
Push Handle Backrest and Upholstery (Breezy) (Disc.).....	12.6	Headrest Extension and Upholstery (Breezy 510 Recliner).....	12.12
Push Handle Backrest and Upholstery (Breezy 500/510) .....	12.6	Standard Back Kit and Upholstery (Breezy 510 Recliner).....	12.13

\* BACK RECLINE ASSEMBLY AND HEADREST (PAGES 12.2 AND 12.3) ARE SOLD AS ACCESSORIES ONLY.

# PUSH HANDLE BACKREST AND UPHOLSTERY (BREEZY 100/150)

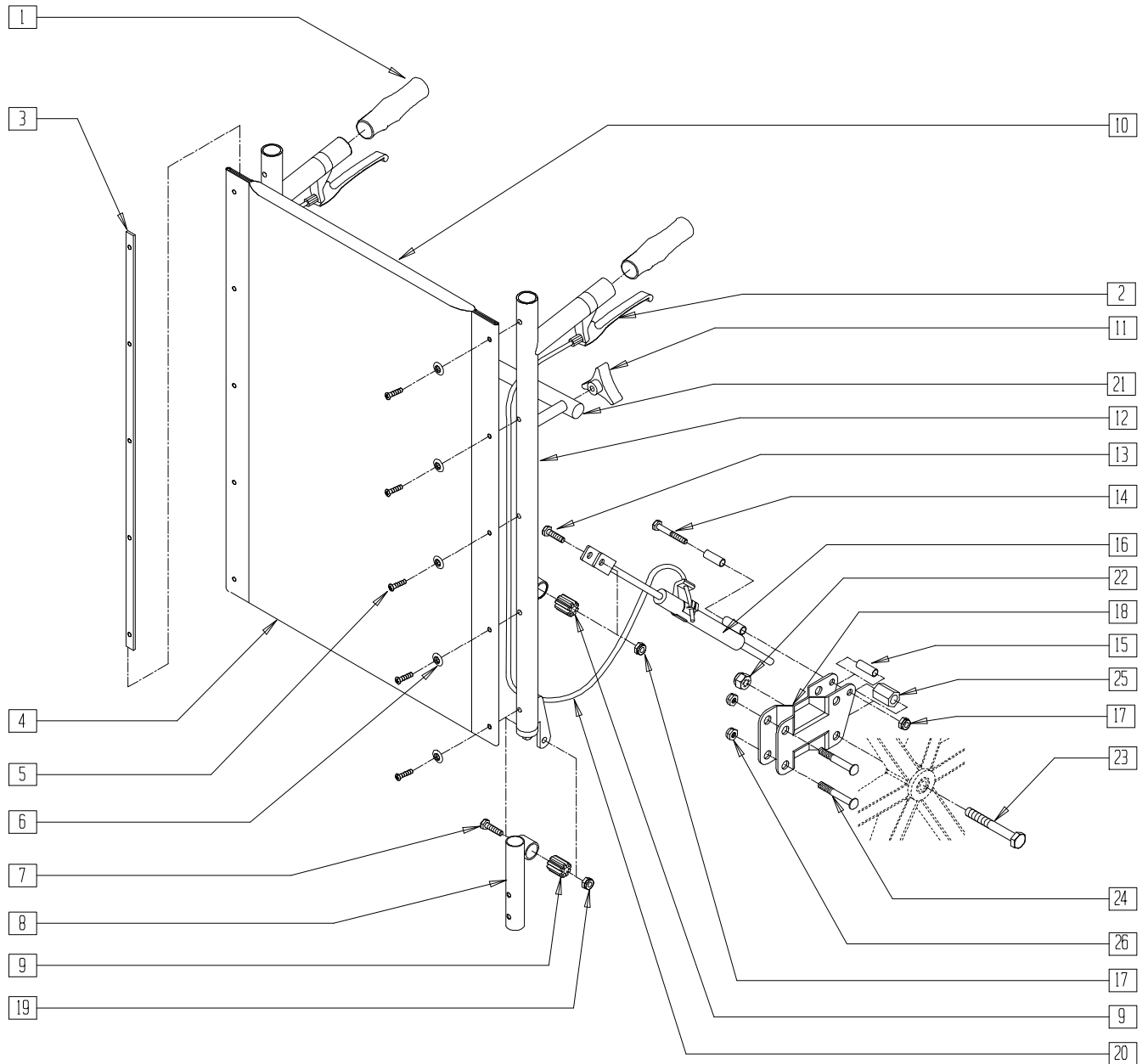


BRZ10X04

ITEM	NUMBER	DESCRIPTION	QTY
1	222-0798	FOAM GRIP HANDLE (BZ150)	1
5	222-0794	BACK UPHOLSTERY 16"	1
	222-0795	BACK UPHOLSTERY 18"	
	222-0796	BACK UPHOLSTERY 20"	
10	222-0815	BACK CANE INSERT (BZ100)	2
1,2,10	222-0642	BACK CANE W/GRIP (EA)	
1,2,10	222-0832	BACK CANE W/FOAM GRIP AND INSERT	
3,6,7	222-0647	BACK UPHOLSTERY INSERTS, SCREWS, AND WASHERS	
4,8,9	222-0524	BACK CANE BRACKET W/HARDWARE (PR)	

ITEM	NUMBER	DESCRIPTION	QTY
3,5-7	222-0518	16" BACK UPHOLSTERY W/HARDWARE (EA)	
	222-0519	18" BACK UPHOLSTERY W/HARDWARE (EA)	
	222-0520	20" BACK UPHOLSTERY W/HARDWARE (EA)	
1-10	222-0525	16" BACKREST ASSM W/UPHOLSTERY (EA)	
	222-0526	18" BACKREST ASSM W/UPHOLSTERY (EA)	
	222-0527	20" BACKREST ASSM W/UPHOLSTERY (EA)	

# BACK RECLINE ASSEMBLY AND UPHOLSTERY (BREEZY 100/150)



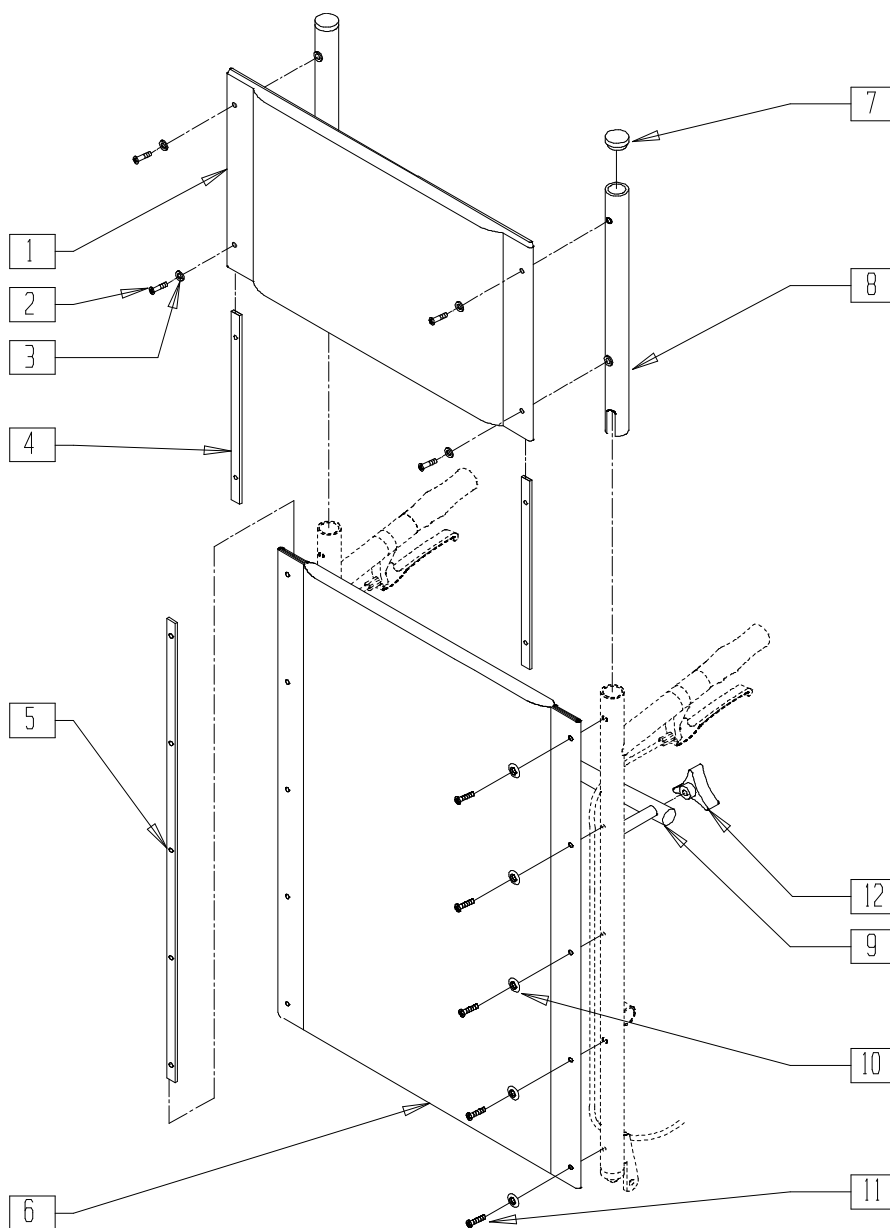
BRZ10X03

ITEM	NUMBER	DESCRIPTION	QTY
2	222-0651	BACK CANE RELEASE LEVER	2
11	222-0650	RECLINING BACK CANE KNOB	2
16	222-0652L	MECH LOCK ACTUATOR RECLINE BACK L	2
	222-0652R	MECH LOCK ACTUATOR RECLINE BACK R	
20	222-0654	"MECH" LOCK ACTUATOR CABLE	1
21	222-0655	16" RECLINING BACKREST SPREADER BAR	1
	222-0656	18" RECLINING BACKREST SPREADER BAR	
	222-0657	20" RECLINING BACKREST SPREADER BAR	

ITEM	NUMBER	DESCRIPTION	QTY
1,2,7-9, 11-13, 17,19	222-0649	RECLINING BACK CANE ASSEMBLY	1
18,22-26	222-0814	AMPUTEE AXLE KIT BLK (1/2") (BR150) (EA)	1
	AMPT *	AMPUTEE AXLE KIT (BR100/150) (PR)	

\* BREEZY 100 USES CHROME AXLE PLATES AND HARDWARE AND 7/16" AXLE BOLT. BREEZY 150 USES BLACK AXLE PLATES AND HARDWARE AND 1/2" AXLE BOLT.

# RECLINE HEADREST AND BACKREST (BREEZY 100/150)



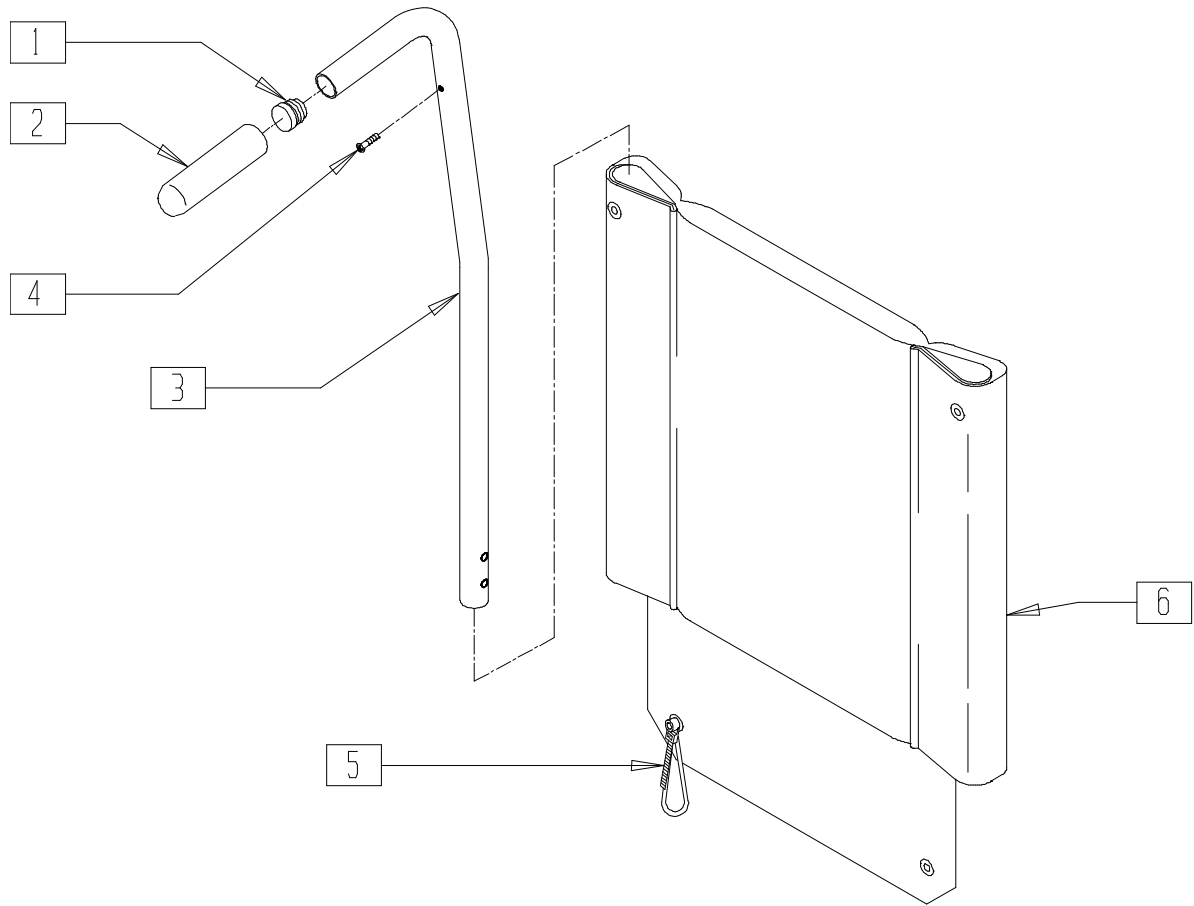
BRZ10X15

ITEM	NUMBER	DESCRIPTION	QTY
9	222-0655	16" RECLINING BACKREST SPREADER BAR	1
	222-0656	18" RECLINING BACKREST SPREADER BAR	
	222-0657	20" RECLINING BACKREST SPREADER BAR	
12	222-0650	RECLINING BACK CANE KNOB	2
1-4,7,8	222-0658	16" HEADREST ASSM W/HARDWARE	1
	222-0659	18" HEADREST ASSM W/HARDWARE	
	222-0660	20" HEADREST ASSM W/HARDWARE	

ITEM	NUMBER	DESCRIPTION	QTY
1-4	222-0618	16" HEADREST UPHOLSTERY W/HDWR	1
	222-0619	18" HEADREST UPHOLSTERY W/HDWR	
	222-0620	20" HEADREST UPHOLSTERY W/HDWR	
5,6,10,11	222-0661	16" RECLINE BACK UPH W/HDWR	1
	222-0662	18" RECLINE BACK UPH W/HDWR	
	222-0663	20" RECLINE BACK UPH W/HDWR	
1-6,9-11	222-0664	16" RECLINER GROWTH KIT	1
	222-0665	18" RECLINER GROWTH KIT	
	222-0666	20" RECLINER GROWTH KIT	

# PUSH HANDLE BACKREST AND UPHOLSTERY (BREEZY 503)

(Effective 09/17/01)



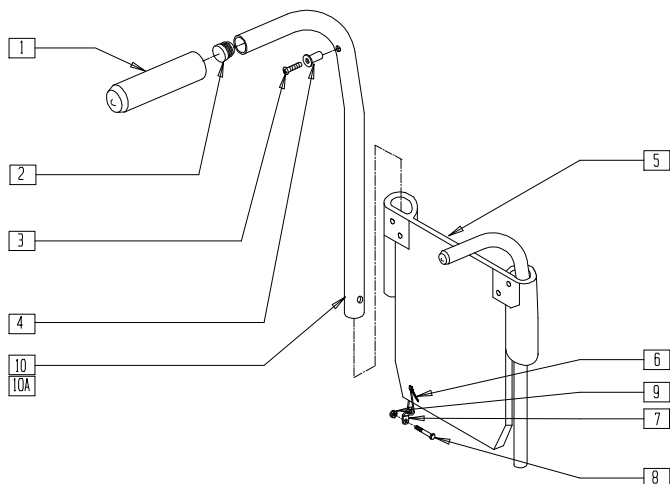
BASIC503

ITEM	NUMBER	DESCRIPTION	QTY
1	560735	7/8" ROUND TUBE PLUG	2
2	560661	QUICKIE GRIP 7/8"	2
4	281127	#12 x 3/4" PAN HD PHIL S/TAP	2
5	560410	ZIP TIE BLK	2
6	687609	BACK UPH 16" HINGE BR (PURCH)	1
	687311	BACK UPH 18" HINGE BR (PURCH)	

ITEM	NUMBER	DESCRIPTION	QTY
1-3	880685	PSH HNDL SUB-ASSM 8D W/FOM 503	2
1-4	842127	PUSH HANDLE 8D W/FOAM BL	2
1-6	683907	BACK ASSM 8D 16" B3	1
	683908	BACK ASSM 8D 18" B3	

## PUSH HANDLE BACKREST AND UPHOLSTERY (ALUMINUM AND CHROME BREEZY)

(Discontinued 10/15/93 - parts only, fits serial numbers prior to BZ-200000)



BZY00X10

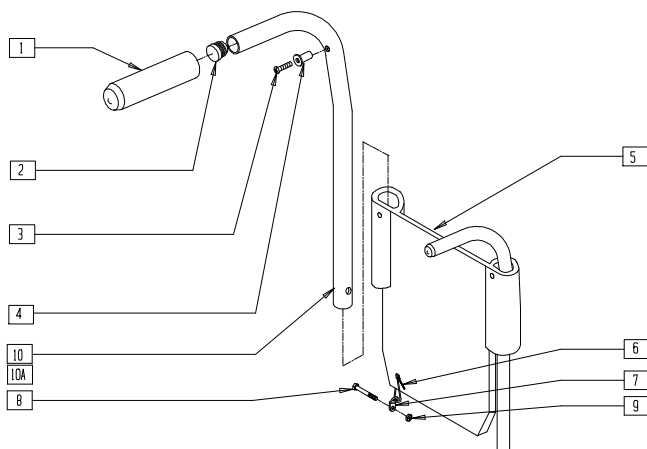
ITEM	NUMBER	DESCRIPTION	QTY
1	560661	QUICKIE GRIP 7/8"	2
2	560735	7/8" ROUND TUBE PLUG	2
3	281141	10-32 x 1 OVAL HD MACH SCREW	2
4	341497	10-32 x .020-.130 RIVNUT GOLD	2
5	685810- 685815	BZ BACK UPHOLSTERY 16"-20"	1
6	560410	ZIP TIE BLACK	2
7	505002	2 HOLE TOGGLE BENT STEEL	2
8	221160	1/4-28 x 2 HEX C/S	2

ITEM	NUMBER	DESCRIPTION	QTY
9	201110	1/4-28 NYLOCK NUT	2
1,2,4,10	842020	BACK TUBE 17" PH (SPECIFY COLOR) (BLK ONLY CHROME BZ)	
1,2,4,10A	842022	BACK TUBE 19" PH (SPECIFY COLOR) (BLK ONLY CHROME BZ)	
1-10	684000, 684002	BACK ASSEMBLY CB 17" (SPECIFY COLOR) (BLK ONLY CHROME BZ)	
1-9,10A	684006, 684008	BACK ASSEMBLY CB 19" (SPECIFY COLOR) (BLK ONLY CHROME BZ)	

## PUSH HANDLE BACKREST AND UPHOLSTERY (BREEZY)

(Discontinued 7/31/95 - parts only)

(Fits Breezy beginning serial number BZ-200000 and prior to serial number BZ-300000)



BZ00X04

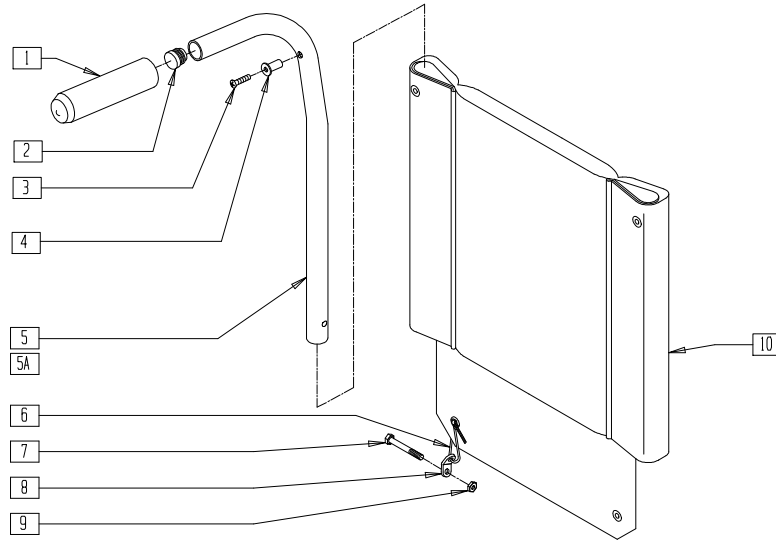
ITEM	NUMBER	DESCRIPTION	QTY
1	560661	QUICKIE GRIP 7/8"	2
2	560735	7/8" ROUND TUBE PLUG	2
3	281141	10-32 x 1 OVAL HD MACH SCREW	2
4	341497	10-32 x .020-.130 RIVNUT GOLD	2
5	685818- 685834	BACK UPHOLSTERY BR 14" WIDE REG - 20" WIDE TALL	1
6	560410	ZIP TIE BLACK	2
7	505002	2 HOLE TOGGLE BENT STEEL	2

ITEM	NUMBER	DESCRIPTION	QTY
8	221150	1/4-28 x 1 3/4 HEX C/S	2
9	201110	1/4-28 NYLOCK NUT	2
1,2,4,10	842111, 842113	PUSH HANDLE W/FOAM REG BR	
1,2,4,10A	842115, 842117	PUSH HANDLE W/FOAM TALL BR	
1-10	683857- 683898	BACK ASSEMBLY BREEZY	

## PUSH HANDLE BACKREST AND UPHOLSTERY (BREEZY)

(Discontinued - parts only)

(Fits Breezy beginning serial number BZ-300000 and prior to serial number BZ-351000)



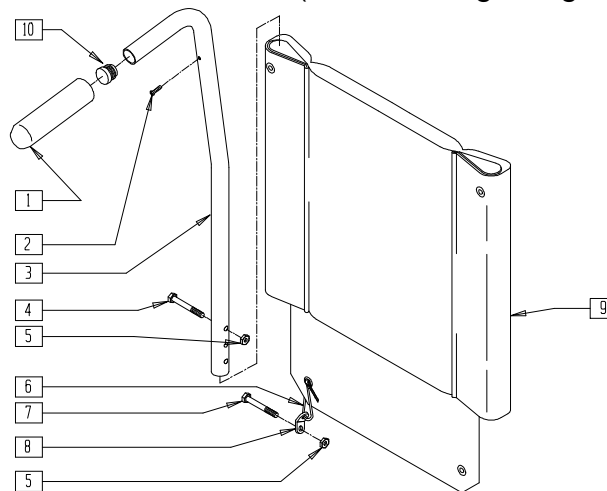
BZ00X04A

ITEM	NUMBER	DESCRIPTION	QTY
1	560661	QUICKIE GRIP 7/8"	2
2	560735	7/8" ROUND TUBE PLUG	2
3	281141	10-32 x 1 OVAL HD MACH SCREW	2
4	341497	10-32 x .020-.130 RIVNUT GOLD	2
6	560410	ZIP TIE BLK	2
7	221150	1/4-28 x 1 3/4 HEX C/S	2
8	505002	2 HOLE TOGGLE BENT STEEL	2

ITEM	NUMBER	DESCRIPTION	QTY
9	201110	1/4-28 NYLOCK NUT	2
10	685844-685850	BACK UPHOLSTERY 14"-20" HINGE BR	1
1,2,4,5	842111	PUSH HANDLE W/FOAM REG BR	
1,2,4,5A	842115	PUSH HANDLE W/FOAM TALL BR	
1-10	683831-683893	BACK ASSEMBLY 14"-20" HINGE BR	

## PUSH HANDLE BACKREST AND UPHOLSTERY (BREEZY 500/510)

(Effective beginning serial number BZ-351000)



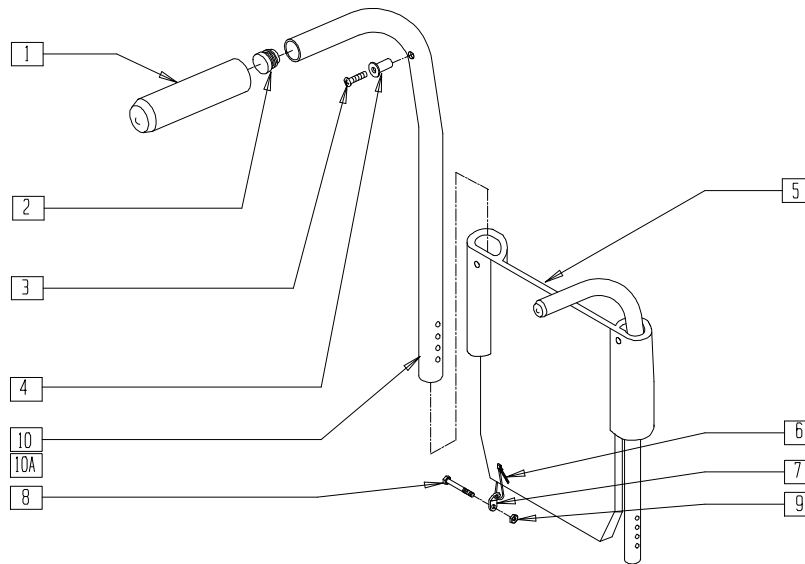
BASIC06

ITEM	NUMBER	DESCRIPTION	QTY
1	560661	QUICKIE GRIP 7/8"	2
2	281127	#12 x 3/4" PAN HD PHIL S/TAP	2
4	221130	1/4-28 x 1 1/2 HEX C/S	2
5	201110	1/4-28 NYLOCK NUT	2
6	560410	ZIP TIE BLK	2
7	221150	1/4-28 x 1 3/4 HEX C/S	2
8	505002	2 HOLE TOGGLE BENT STEEL	2

ITEM	NUMBER	DESCRIPTION	QTY
9	685844	BACK UPHOLSTERY 14" HINGE BR	1
	687609	BACK UPHOLSTERY 16" HINGE BR (PURCH)	
	687611	BACK UPHOLSTERY 18" HINGE BR (PURCH)	
	685850	BACK UPHOLSTERY 20" HINGE BR	
10	560735	7/8" ROUND TUBE PLUG	2
1-5,7	842121	PUSH HANDLE 8" W/FOAM BR	
1-10	683863-683867	BACK ASSEMBLY 8" 14"-20" BR	

## PUSH HANDLE BACKREST AND UPHOLSTERY (BREEZY 2)

(Discontinued 7/31/95 - parts only; fits Breezy 2 prior to serial number B2-5000)



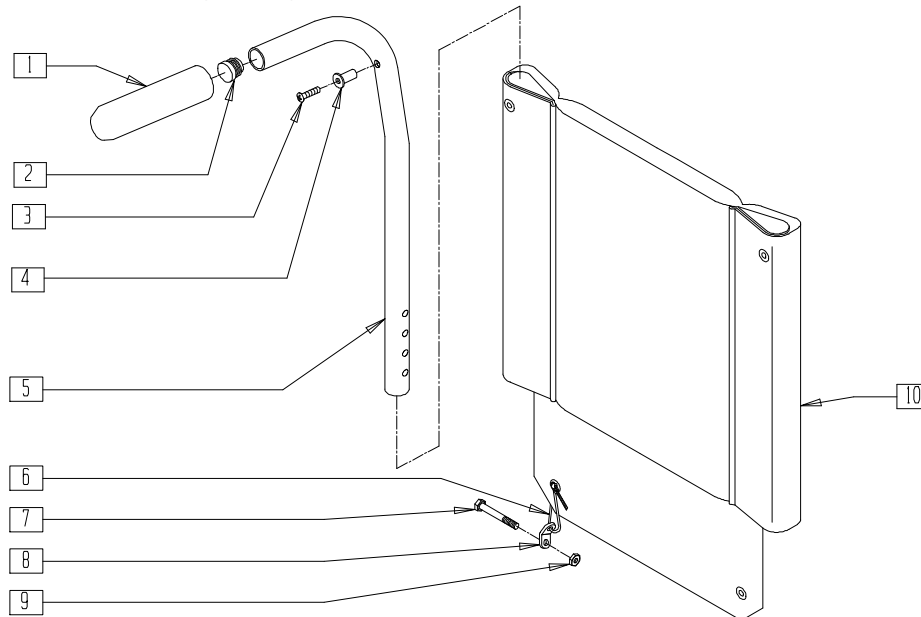
BZ00X20

ITEM	NUMBER	DESCRIPTION	QTY
1	560661	QUICKIE GRIP 7/8"	2
2	560735	7/8" ROUND TUBE PLUG	2
3	281127	#12 x 3/4" PAN HD PHIL S/TAP	2
5	685818-685824	BACK UPHOLSTERY BR 14" WIDE REG - 20" WIDE REG	1
6	560410	ZIP TIE BLK	2
7	505002	2 HOLE TOGGLE BENT STEEL	2

ITEM	NUMBER	DESCRIPTION	QTY
8	221160	1/4-28 x 2 HEX C/S	2
9	201110	1/4-28 NYLOCK NUT	2
1,2,4,10	842119	PUSH HNDL W/FOAM ADJ B2 (14"-18") (EA)	
1,2,4,10A	842110	PUSH HNDL W/FOAM ADJ 20" B2 (EA)	
1-10	683835-683895	BACK ASSEMBLY 14"-20" B2 (EA)	

## PUSH HANDLE BACKREST AND UPHOLSTERY (BREEZY 2)

(Discontinued 5/98 - parts only)(Beginning serial number B2-5000)



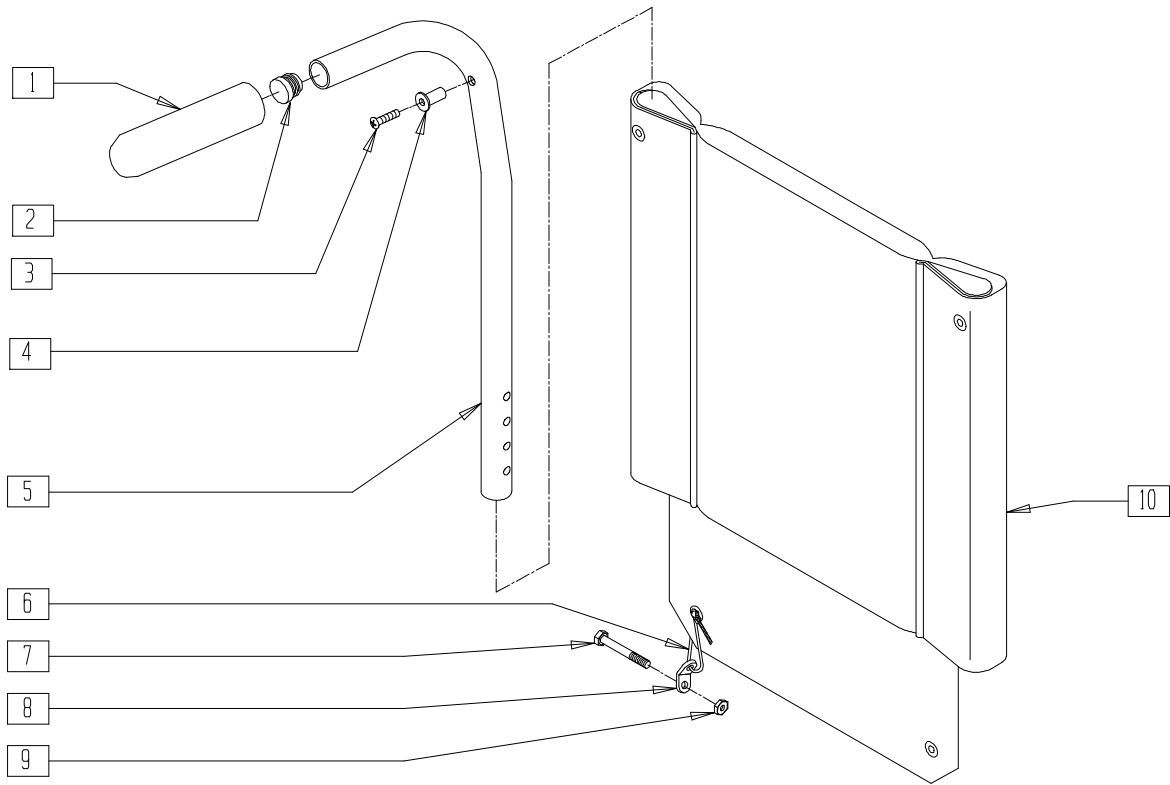
BZ00X04B

ITEM	NUMBER	DESCRIPTION	QTY
1	560661	QUICKIE GRIP 7/8"	2
2	560735	7/8" ROUND TUBE PLUG	2
3	281127	#12 x 3/4" PAN HD PHIL S/TAP	2
6	560410	ZIP TIE BLK	2
7	221150	1/4-28 x 1 3/4 HEX C/S	2
8	505002	2 HOLE TOGGLE BENT STEEL	2

ITEM	NUMBER	DESCRIPTION	QTY
9	201110	1/4-28 NYLOCK NUT	2
10	685844-685850	BACK UPHOLSTERY 14"-20" HINGE BR	1
1,2,4,5	842119	PUSH HANDLE W/FOAM ADJ B2	
1-10	683836-683896	BACK ASSEMBLY 14"-20" HINGE B2	



# PUSH HANDLE BACKREST AND UPHOLSTERY (BREEZY 600)

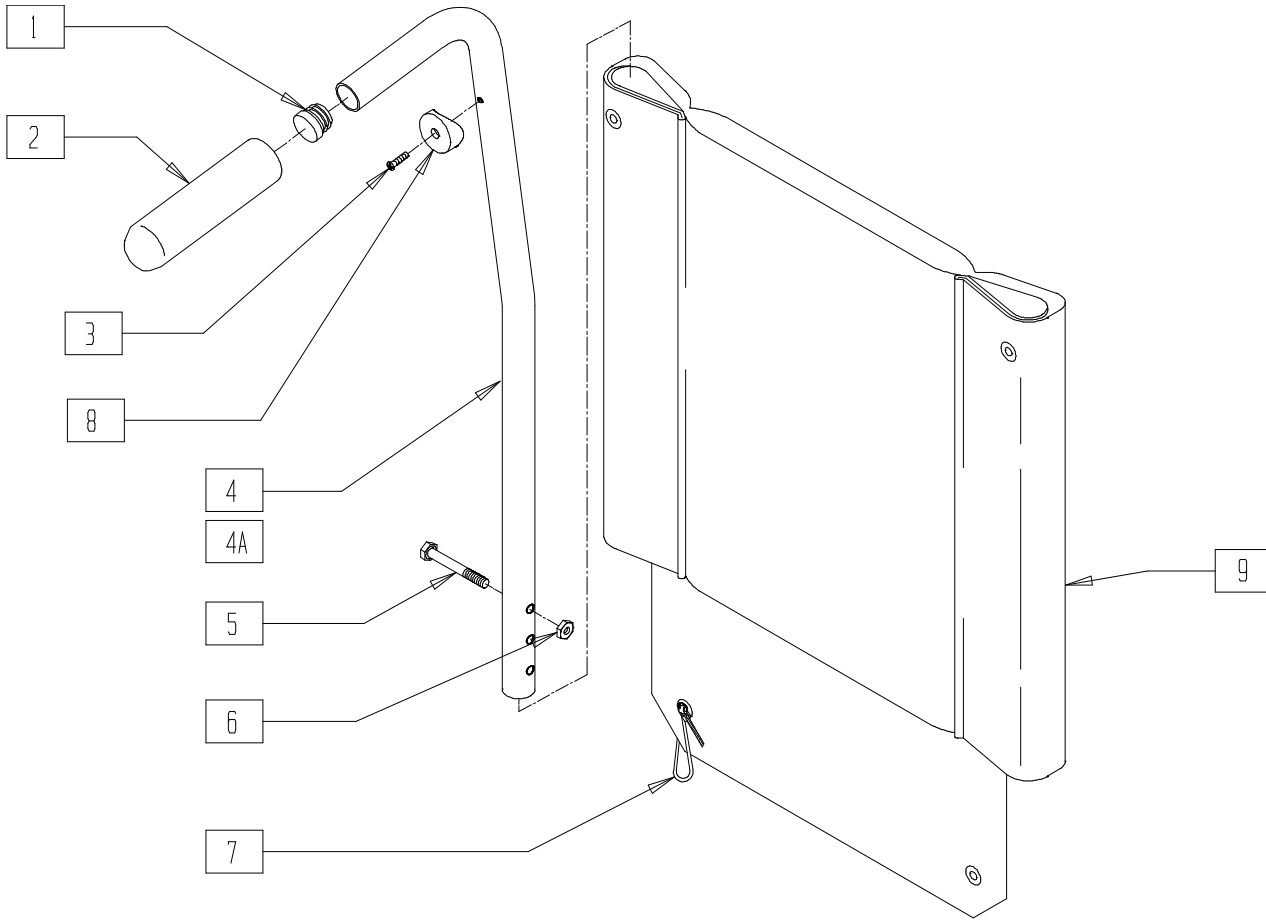


BZ00X04C

ITEM	NUMBER	DESCRIPTION	QTY
1	560661	QUICKIE GRIP 7/8"	2
2	560735	7/8" ROUND TUBE PLUG	2
3	281141	10-32 x 1 OVAL HD MACH SCW	2
6	560410	ZIP TIE BLK	2
7	221160	1/4-28 x 2 HEX C/S	2
8	505002	2 HOLE TOGGLE BENT STEEL	2
9	201110-QU	1/4-28 NYLOCK NUT	2

ITEM	NUMBER	DESCRIPTION	QTY
10	685844	BACK UPH 14" HINGE BR	1
	687609	BACK UPH 16" HINGE BR (PURCH)	
	687611	BACK UPH 18" HINGE BR (PURCH)	
	685850	BACK UPH 20" HINGE BR	
1,2,4,5	842119	PUSH HANDLE W/FOAM ADJ B2	
1-10	680080- 680086	BACK ASSEMBLY B600	

# PUSH HANDLE BACKREST AND UPHOLSTERY (BREEZY/ 510 ULTRA-HEMI/ 600 ULTRA-HEMI)

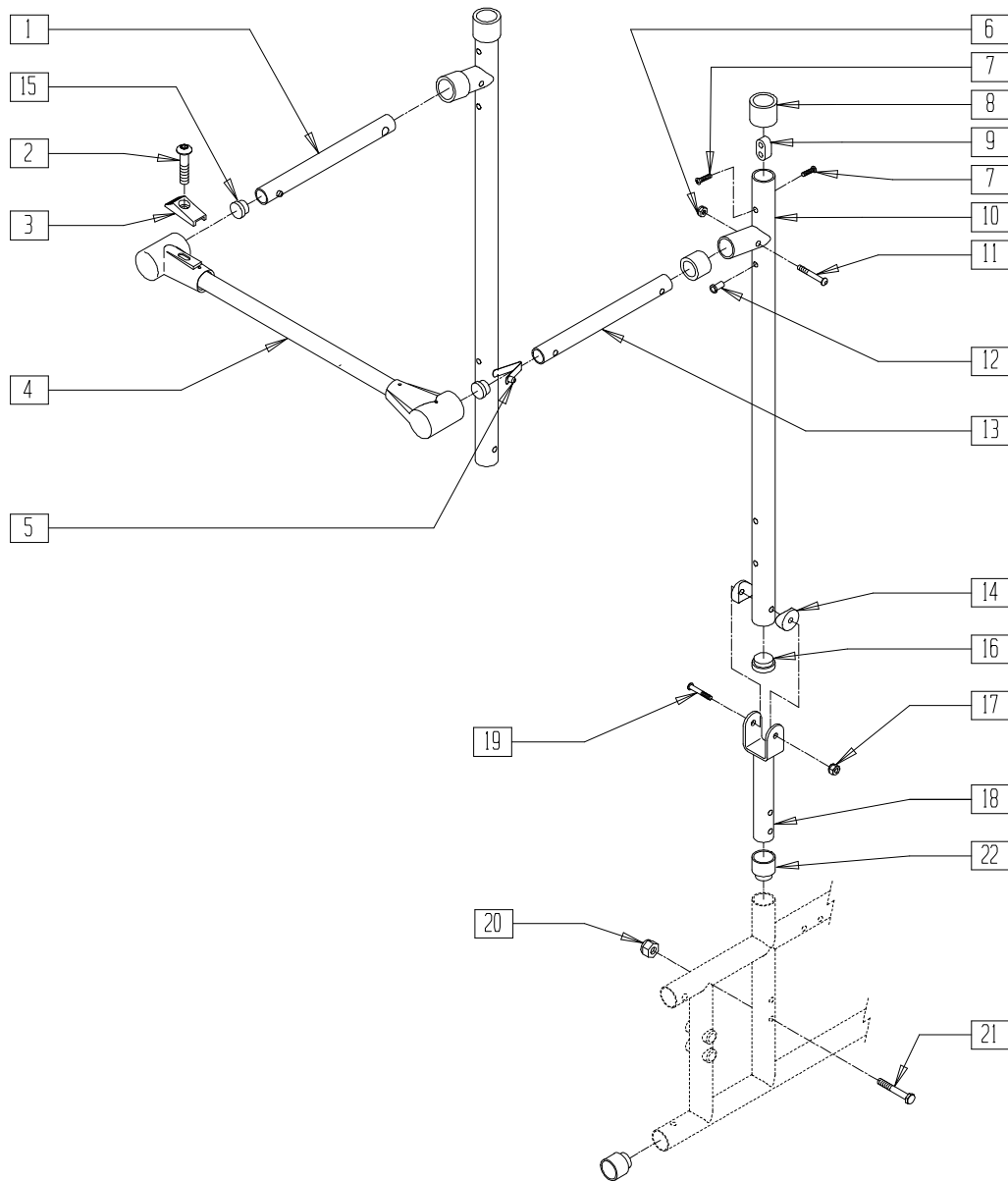


BZ600X05

ITEM	NUMBER	DESCRIPTION	QTY
1	560735	7/8" ROUND TUBE PLUG	2
2	560661	QUICKIE GRIP 7/8"	2
3	281127	#12 x 3/4" PAN HD PHIL S/TAP	2
5	221130	1/4-28 x 1 1/2 HEX C/S	2
6	201110-QU	1/4-28 NYLOCK NUT	2
7	560410	ZIP TIE BLK	2
8	561086	1" HALF SADDLE 1/4" HOLE	1
9	685844	BACK UPHOLSTERY 14" HINGE BR	1
	687609	BACK UPHOLSTERY 16" HINGE BR (PURCH)	
	687611	BACK UPHOLSTERY 18" HINGE BR (PURCH)	
	685850	BACK UPHOLSTERY 20" HINGE BR	

ITEM	NUMBER	DESCRIPTION	QTY
1-6,8	842250	PUSH HANDLE 8° W/FOAM HEMI	
1-4A,5,6,8	842251	PUSH HANDLE 8° TALL W/FOAM HEMI	
1-9	680360	BACK ASSM 14" 8° HEMI	
	680362	BACK ASSM 16" 8° HEMI	
	680364	BACK ASSM 18" 8° HEMI	
	680366	BACK ASSM 20" 8° HEMI	
1-4A,5-9	680361	BACK ASSM 14" TALL 8° HEMI	
	680363	BACK ASSM 16" TALL 8° HEMI	
	680365	BACK ASSM 18" TALL 8° HEMI	
	680367	BACK ASSM 20" TALL 8° HEMI	

# BACKREST (BREEZY 510 RECLINER)

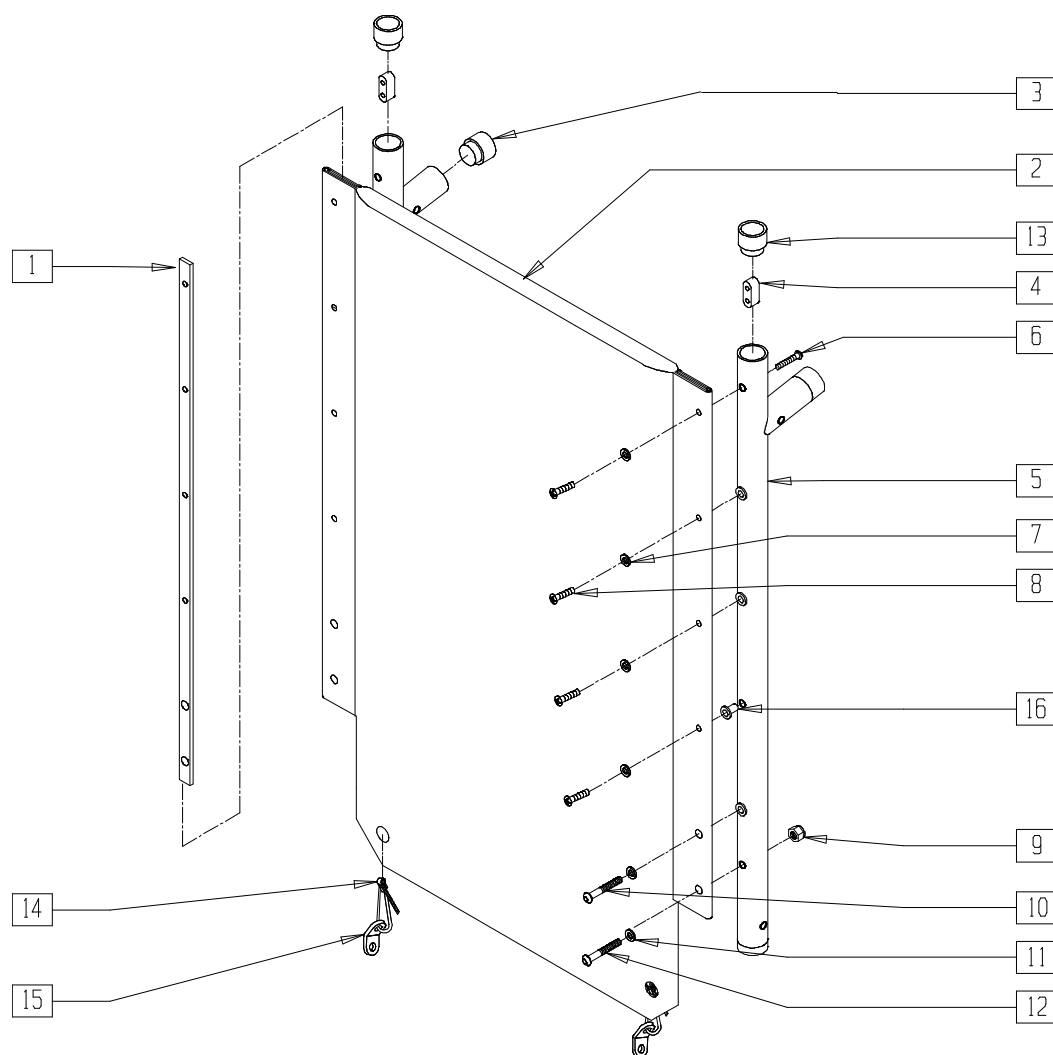


BREX05

ITEM	NUMBER	DESCRIPTION	QTY
1	524252	STABILIZER BAR LCKING BR RCLNR	1
2	226110	1/4-28 x 1 BH C/S	1
3	560143	STABILIZER LATCH RELEASE BR	1
5	301110	1/4" SNAP BUTTON DOUBLE	1
6	201100-QU	1/4-28 NYLOCK NUT THIN	2
7	281120	10/32 x 5/8 PAN HD PHIL	2
8	561082	1" TUBE END BUSHING THIN	2
9	505271	HDRST RTNG BTTN RCLNR	2
10	521018	BACK TUBE 22/24" BR RCLNR	2
11	226129	1/4-28 x 1 1/4 BH C/S	2
12	341497	10-32 x .020-.130 RIVNUT GOLD	2
13	524250	STABILIZER BAR PIVOT BR RCLNR	1
14	561006	1" SADDLE 5/16" HOLE	2
15	560762	3/4" INSERT PLUG .065	2

ITEM	NUMBER	DESCRIPTION	QTY
16	561002	1" INSERT PLUG .083	2
17	202103	5/16-18 NYLOCK NUT THICK	2
18	505173	PIVOT BRKT BR RCLNR	1
19	226198	5/16-18 X 2 BH C/S SHT THREAD	2
20	201110-QU	1/4-28 NYLOCK NUT	1
21	221133	1/4-28 x 1 1/2 G8 HEX C/S	1
22	561310	BC 1" TUBE END BUSHING CM	4
2-4	842254- 842260	STABILIZER ASSEMBLY BR RCLNR 14"-20"	
1,5,6, 11,13,15	842108, 842109	PUSH HANDLE EXT BR RCLNR	
7-10,12-17	842107	BACK TUBE PH 22/24" B51 RECLINER	
16-21	920419	BACK BRACKET W/HDWR B51 RECLNR	

# BACKREST UPHOLSTERY (BREEZY 510 RECLINER)

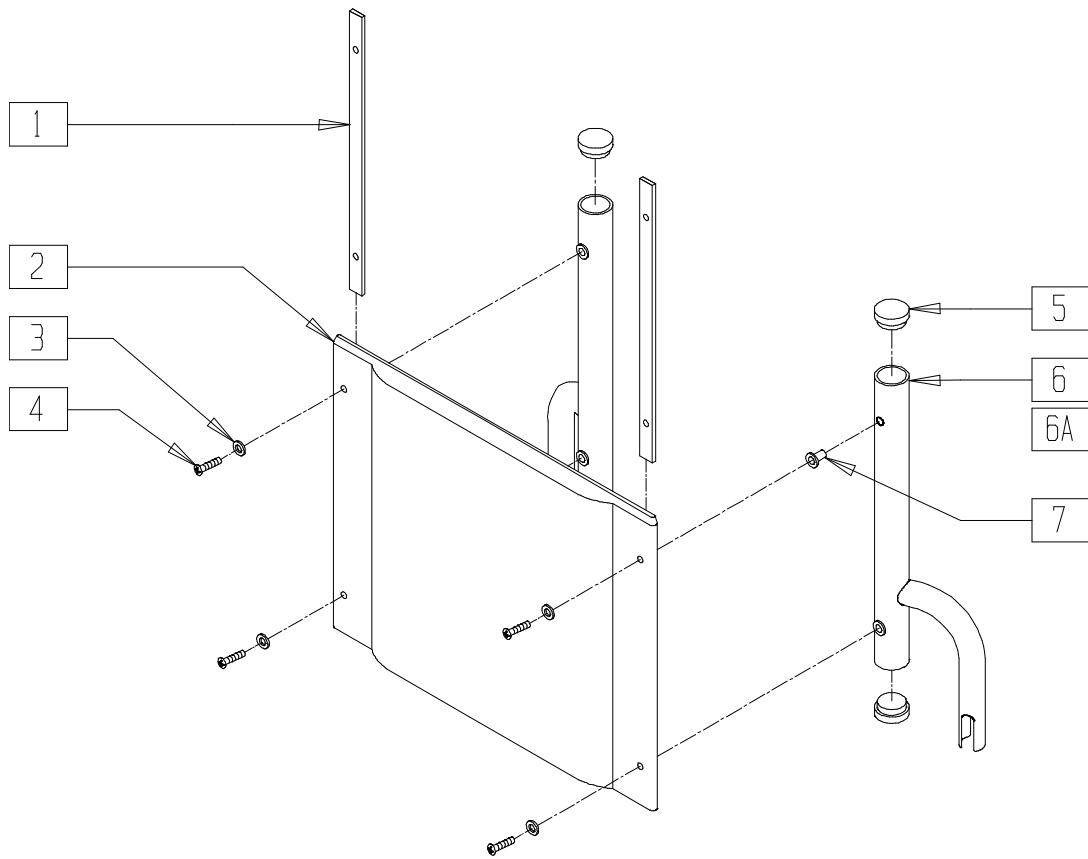


BREX01

ITEM	NUMBER	DESCRIPTION	QTY
1	505327	BACK UPHOLSTERY RAIL 22" BR RECLINER	2
2	681374-681380	BACK UPHOLSTERY RECLINER 22" BR	1
3	561002	1" INSERT PLUG .083	2
4	505271	HDRST RTNG BUTTON RECLINER	2
5,16	521018	BACK TUBE 22/24" BR RECLINER	
6	281120	10/32 x 5/8 PAN HD PHIL	2
7	340105	WASHER SEAT SLING BR	8
8	281141	10/32 x 1 OVAL HD MACH SCW	8

ITEM	NUMBER	DESCRIPTION	QTY
9	202102	5/16-18 NYLOCK NUT THIN	2
10	226198	5/16-18 x 2 BH C/S SHT THREAD	2
11	264107	5/16 WASHER FINISHING	4
12	226190	5/16-18 x 1 3/4 BH C/S SHLDR	2
13	561082	1" TUBE END BUSHING THIN	2
14	560410	ZIP TIE BLACK	2
15	505002	2 HOLE TOGGLE BENT STEEL	2
16	341497	10-32 x .020-.130 RIVNUT GOLD	8
1-13,16	842284-842290	BACKREST ASSM 14"-20" B510 RECLINER	

# HEADREST EXTENSION AND UPHOLSTERY (BREEZY 510 RECLINER)

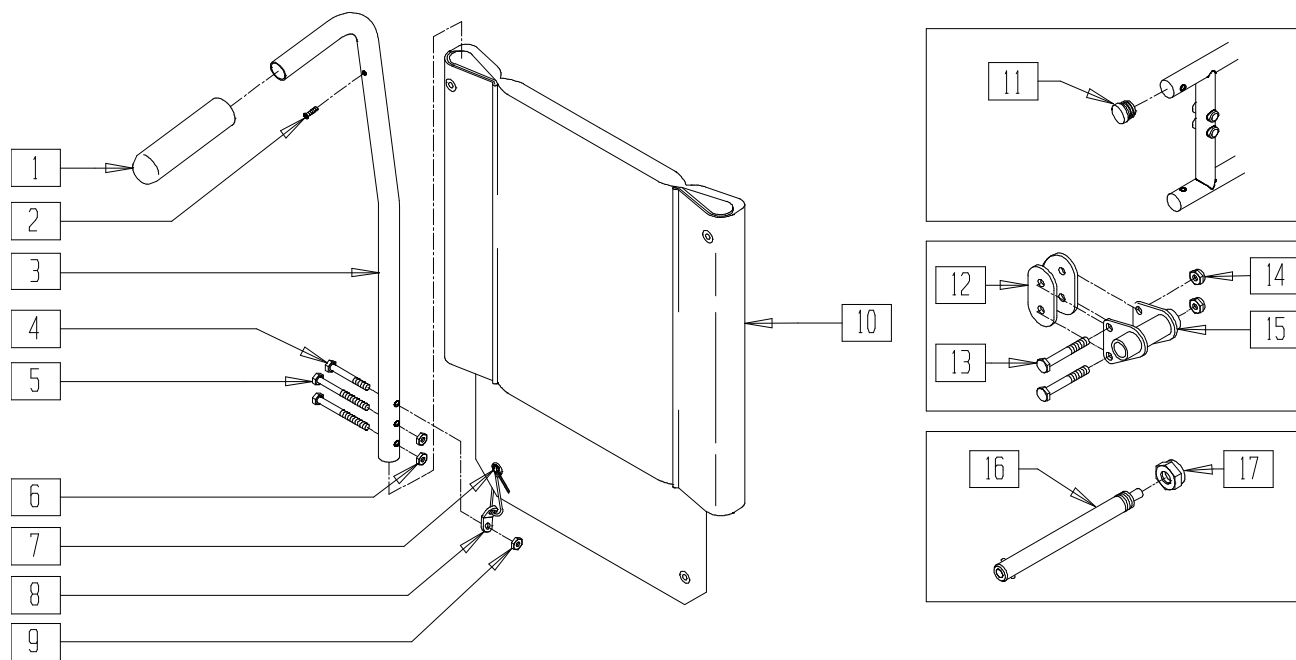


BREX03

ITEM	NUMBER	DESCRIPTION	QTY
1	505326	HEADREST RAIL BR RCLNR	2
2	684344- 684350	HEADREST UPHOLSTERY 14" - 20" BR RECLINER	1
3	340105	WASHER SEAT SLING BR	4
4	281141	10/32 x 1 OVAL HD MACH SCREW	4
5	561002	1" INSERT PLUG .083	4

ITEM	NUMBER	DESCRIPTION	QTY
7	341497	10-32 x .020-.130 RIVNUT	4
4-7	661203	HDRST TUBE R B51 RCLNR (EA)	
4,5,6A,7	661204	HDRST TUBE L B51 RCLNR (EA)	
1-7	842264- 842270	HEADREST ASSM 14" -20" B510 RECLINER	

# STANDARD BACK KIT AND UPHOLSTERY (BREEZY 510 RECLINER)



BREX15

ITEM	NUMBER	DESCRIPTION	QTY
1	560661	QUICKIE GRIP 7/8"	2
2	281127	#12 x 3/4" PAN HD PHIL S/TAP	2
4	221150	1/4-28 x 1 3/4 HEX C/S	2
5	221160	1/4-28 x 2 HEX C/S	4
6	201110	1/4-28 NYLOCK NUT	4
7	560410	ZIP TIE BLACK	2
8	505002	2 HOLE TOGGLE BENT STEEL	2
9	201100	1/4-28 NYLOCK NUT THIN	2
10	685844	BACK UPHOLSTERY 14" HINGE BR	1
	687609	BACK UPHOLSTERY 16" BR (PURCH)	
	687611	BACK UPHOLSTERY 18" BR (PURCH)	
	685850	BACK UPHOLSTERY 20" HINGE BR	
11	561062	1" INSERT PLUG .065 RIBS	2
12	561085	1 1/8" HALF SADDLE 2 HOLE QTS	2

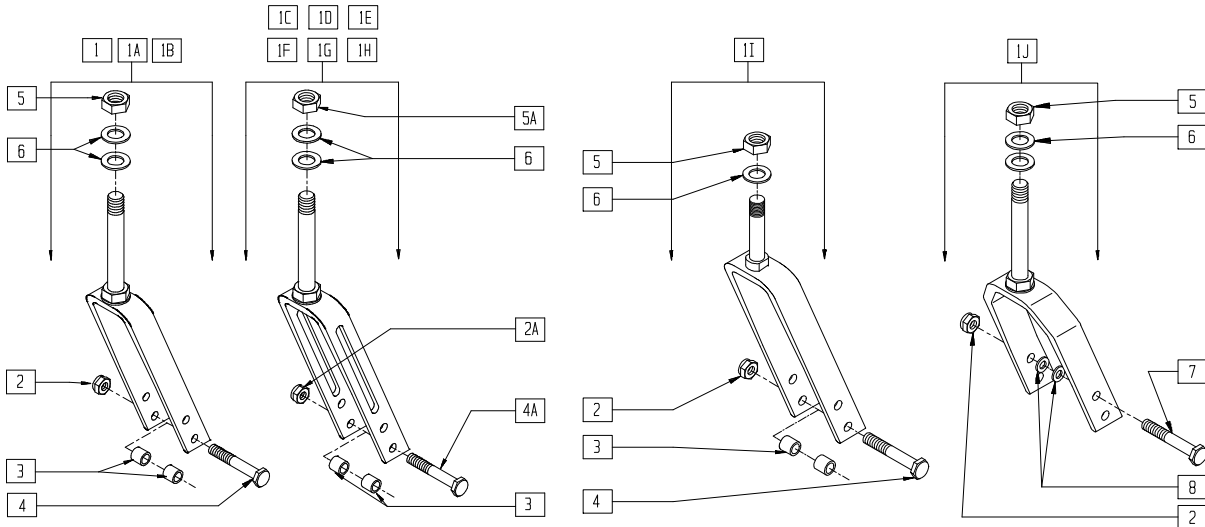
ITEM	NUMBER	DESCRIPTION	QTY
13	221160	1/4-28 x 2 HEX C/S	2
14	201110	1/4-28 NYLOCK NUT	2
15	505316, 505317	QR AXLE BRACKET BR RECLINER(EA)	1
17	203100	1/2-20 NYLOCK NUT	1
16,17	920119	QUICK RELEASE MAG W/NUT	
	920129	QUICK RELEASE W/NUT	
	920130	OK RELSE NON-RECESS HUB W/NUT	
1-6,9	842121	PUSH HANDLE 8" W/FOAM BR	
1-11	683863, 683865- 683867	BACK ASSEMBLY 14"-20" 8° BR	
1-17	923470- 923473	BACK KIT 14"-20" QR B510 RECLINER	

# Casters and Forks

## IN THIS SECTION

Fork and Stem Assemblies (Quickie 2/2HP/GP/GPSA/Kidz/LX/LXI/Recliner/Rx/TS, Zippie/Zippie 2/GS/TS) .....	13.1
Forks .....	13.1
Caster Stems .....	13.2
Caster Stems (Pin Lock) .....	13.2
Caster Pin Locks.....	13.3
High Angle Caster Pin Locks(Quickie 2/2HP) .....	13.4
Caster Stems (Quickie T45) .....	13.5
Quick-release Caster Stem and Fork Assembly .....	13.6
Multi Position Fork (Quickie 2/2HP).....	13.7
Multi Position Fork with Pin Lock Plate (Quickie 2/2HP) .....	13.8
Quick-release Fork and Caster Stem (Quickie Revolution) .....	13.9
Fork and Stem Assembly (Quickie Revolution) ....	13.10
Fork and Stem Assemblies (Quickie T45) .....	13.10
Fork and Stem Assembly (Quickie <i>TNT</i> )(Disc.) .....	13.11
Fork and Caster Assembly (Quickie ST/DT) .....	13.12
Fork and Stem Assembly (Quickie XTR) .....	13.13
Frog Leg MC5/FL6 (Suspension Fork) Assembly (Quickie Products) .....	13.13
Fork, Stem, and Caster Assembly (Quickie R2) ...	13.14
Fork and Stem Assembly(Quickie R2).....	13.14
Fork, Stem, and Caster Assembly (Quickie TS) ...	13.15
Fork, Stem, and Caster Assembly (Quickie M6)...	13.16
Fork, Stem, and Caster Assembly (Quickie Ti Titanium .....	13.16
Fork and Stem Assembly (Breezy 500) .....	13.17
Fork and Stem Assembly (Breezy 510/510 Recliner/600) .....	13.18
Caster Rims and Hardware .....	13.19
Caster Tires and Tubes .....	13.19
Caster/Tire Assemblies (Tire, Caster and Bearings)(Quickie Chairs) .....	13.20
Caster/Polyurethane Tire Assemblies 1.5" Wide (Quickie 2/2HP/GP/GPSA/GPV/LX/LXI/Recliner/ Revolution/T45/TS, Zippie/Zippie GS/TS) .....	13.20
5"and 6" Aluminum Caster/Tire Assemblies .....	13.21
Casters (Quickie XTR).....	13.21
Caster/Tire Assemblies (Breezy 500/510/510 Recliner/2 (Disc.)/600) .....	13.22
Caster Plate .....	13.23
High Angle Caster Plate(Quickie 2/2HP) .....	13.23
Caster Plate (Quickie 2HP/2HPTi/GP/ GPS/GPV/Kidz//GPV Titanium/Triumph) .....	13.24
Caster Plate (Quickie EX) (Disc.) .....	13.25
Caster Plate (Quickie Carbon) (Disc.) .....	13.26
Caster Assembly (Quickie <i>TNT</i> ) (Disc.) .....	13.26
Caster Assembly (Quickie <i>TNT</i> ) (Disc.) .....	13.27
Caster Plate (Quickie Revolution) .....	13.27
Caster Plate (Quickie XTR) .....	13.28
Caster Plate (Zippie GS) .....	13.28
Caster Plate (New Zippie TS).....	13.29
Swing-away Caster Plate (Quickie T45).....	13.30
Bolt-on Front End and Caster Assembly (Breezy 510/510 Recliner/2/600)(Disc.).....	13.30
(Breezy 100) .....	13.31
Bolt-on Front End and Caster Assembly (Breezy 150) .....	13.32

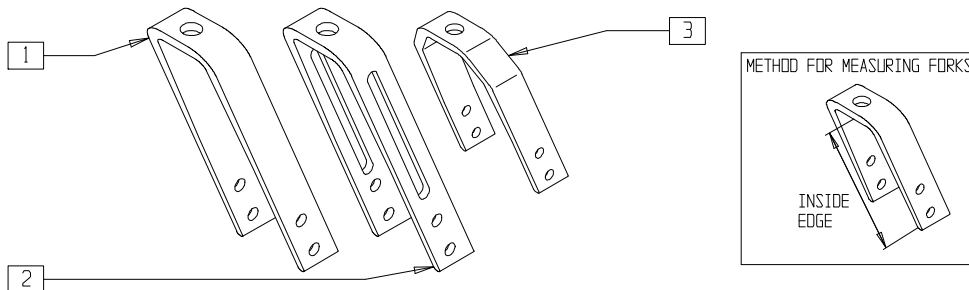
# FORK AND STEM ASSEMBLIES (QUICKIE 2/2HP/GP/GPSA/KIDZ/LX/LXI/RECLINER/Rx/TS ZIPPIE/ZIPPIE2/GS/TS)



ITEM	NUMBER	DESCRIPTION	QTY
1	780800-780817 781800-781808	5 1/4" STEM W/HARDWARE	
1A	780640, 780840-780857, 781809-781817	6" STEM W/HARDWARE	
1B	780880-780897, 781818-781826	7" STEM W/HARDWARE	
1C	780950	3 1/4" GP STD STEM W/STD HDWR (KIDZ) (SLOTTED)	
1D	780400	4 1/4" GP STD STEM W/HARDWARE (SLOTTED)	
1E	780814-780827	5 1/4" GP STEM W/HARDWARE (SLOTTED)	
1F	780852-780867	6" STEM W/HARDWARE (SLOTTED)	

ITEM	NUMBER	DESCRIPTION	QTY
1G	780894-780907	7" STEM W/HARDWARE (GP SLOTTED)	
1H	780951-780963	3 1/4" GP STEM W/HARDWARE (SLOTTED)	
1I	780981-780988, 781827-781835	4 3/4" FORK STD STEM W/HARDWARE	
1J	787111-787113	8" x 2" FORK AND STEM W/HARDWARE	
2	202100-MJ	5/16-24 NYLOCK NUT THIN	1
2A	330005	5/16-24 NYLOCK NUT ALUMINUM	1
3	481113	SPACER 5/16 x .380	2
4	222200	5/16-24 x 2 1/2 HEX C/S	1
4A	330110	5/16-24 x 2 1/2 HEX C/S Ti	1
5	203100	1/2-20 NYLOCK NUT	1
5A	330010	1/2-20 NYLOCK NUT ALUMINUM	1
6	264100	1/2 AN WASHER FLAT	2
7	222253	5/16-24 x 3 1/4 HEX C/S	1
8	263110-QU	5/16 AN WASHER FLAT	2

## FORKS

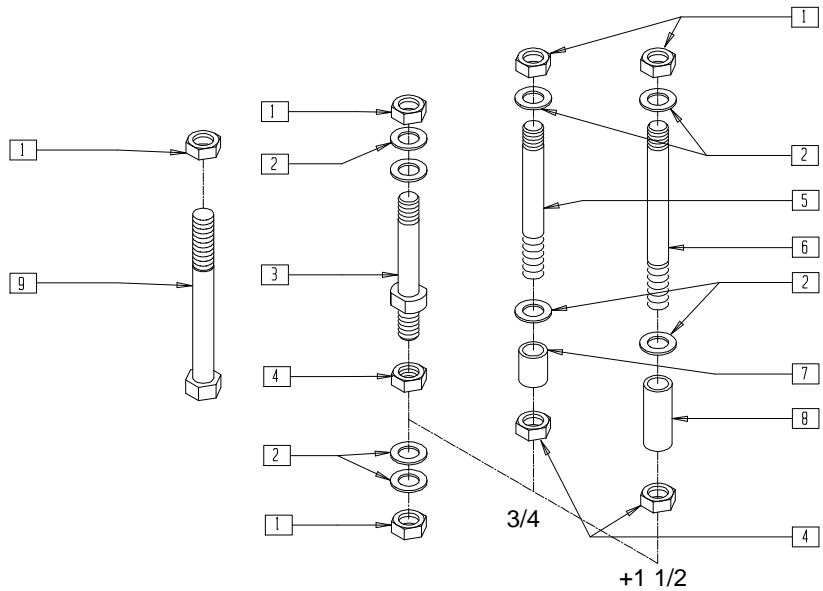


ITEM	NUMBER	DESCRIPTION	QTY
1	550283	4 3/4" FORK ONLY BR	1
	550386	4 3/4" FORK #26 BLK	
	550280	5 1/4" FORK ONLY	
	550581	5 1/4" FORK ONLY CLEAR	
	550290	6" FORK ONLY BLK	
	550582	6" FORK ONLY CLEAR	
	550300	7" FORK ONLY BLK	
	550583	7" FORK ONLY CLEAR	

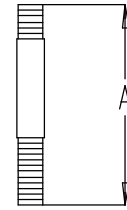
ITEM	NUMBER	DESCRIPTION	QTY
2	550274	3 1/4" SLOTTED FORK	1
	550279	4 1/4" FORK ONLY SLOTTED	
	550284	5 1/4" FORK ONLY SLOTTED BLK	
	550294	6" FORK ONLY SLOTTED BLK	
	550303	7" FORK ONLY SLOTTED BLK	
3	550730	8" x 2" FORK ONLY	1



# CASTER STEMS



## MEASURING GUIDE



AXGUIDE1

PART NUMBER	"A"
920050	3 5/8"
920100	4 3/8"
920110	5 1/8"

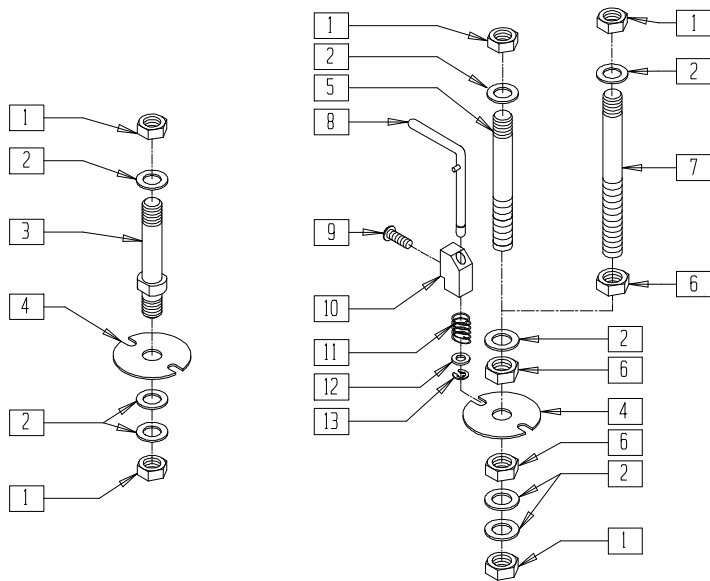
NOTE: CASTER STEM DIAMETER IS 1/2".

CF0X010B

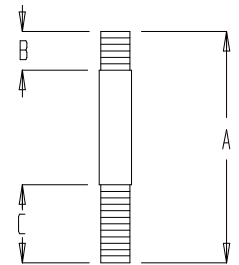
ITEM	NUMBER	DESCRIPTION	QTY
1	203100	1/2-20 NYLOCK NUT	2
2	264100	1/2 AN WASHER FLAT	2-4
4	203110	1/2-20 JAM NUT	1
7	521560	+ 3/4" CASTER STEM SPACER BLK	1
	521585	+ 3/4" CASTER STEM SPACER CLR	
8	521562	+ 1 1/2" CASTER STEM SPACER BLK	1
	521586	+ 1 1/2" CASTER STEM SPACER CLR	

ITEM	NUMBER	DESCRIPTION	QTY
9	222292	1/2-20 X 4" GR.8 HEX C/S	1
1-3	920050	REG CASTER STEM W/HARDWARE	
1,2,4,5,7	920100	+3/4" CASTER STEM W/HARDWARE BLK	
	920507	+3/4" CASTER STEM W/HARDWARE CLR	
1,2,4-6,8	920110	+ 1 1/2" CASTER STEM W/HDWR BLK	
	920508	+ 1 1/2" CASTER STEM W/HDWR CLR	
1,2,9	920056	BL CASTER STEM W/HARDWARE	

# CASTER STEMS (PIN LOCK)



## MEASURING GUIDE



72

PART NUMBER	"A"	"B"	"C"
920051	3 1/2"	11/16"	11/16"
920101	4 3/8"	9/16"	1 15/16"
920111	5 1/8"	5/8"	2 3/4"

NOTE: CASTER STEM DIAMETER IS 1/2".

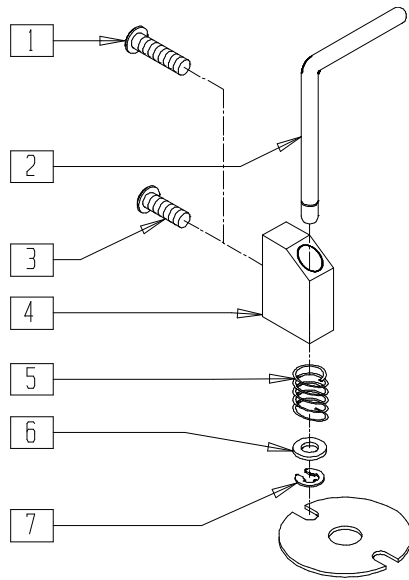
CF0X012A

ITEM	NUMBER	DESCRIPTION	QTY
1	203100	1/2-20 NYLOCK NUT	4
2	264100	1/2 AN WASHER FLAT	10
4	505012	CASTER PIN LOCK PLATE	2
6	203110	1/2-20 JAM NUT	2
8	880761, 880762	PIN LOCK ARM W/PIN S/A (EA)	1
9	226090	1/4-28 x 5/8 BH C/S	2
10	500262	CASTER PIN LOCK BLOCK S/A BLK	1
11	321141	.650L x 6 COIL SPRING	

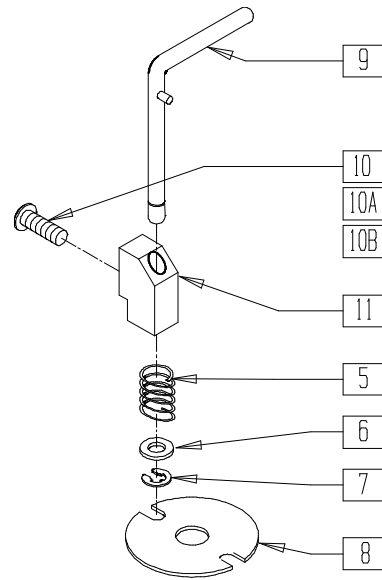
ITEM	NUMBER	DESCRIPTION	QTY
12	262100	1/4 AN WASHER FLAT	1
13	342000	1/4" E-CLIP	1
1-4	920051	REG CASTER STEM P/L W/HARDWARE	
1,2,4,5,6	920101	+3/4" CASTER STEM P/L W/HARDWARE	
1,2,4,6,7	920111	+1 1/2" CSTR STEM P/L W/HARDWARE	
1,2,4-6,	900800	CASTER PIN LOCK	
8-13		W/ 3/4" STEM ASSEMBLY	
1,2,4,	900802	CASTER PIN LOCK	
6-13		W/ 1-1/2" STEM ASSEMBLY	

# CASTER PIN LOCKS

(QUICKIE 1)  
(Discontinued-parts only)



(QUICKIE 2/GP/GPS/2HP/2HPTi/KIDZ/RECLINER/  
QTS/Ti/LX/LXI, BREEZY, ZIPPIE/2/TS)



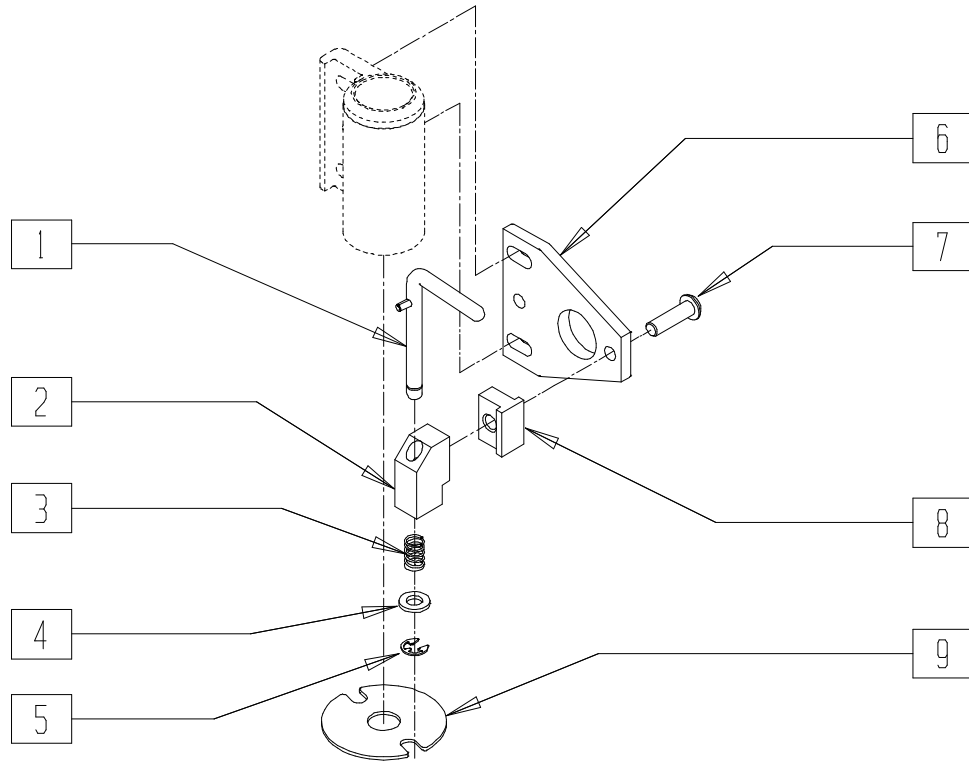
AC0X05

ITEM	NUMBER	DESCRIPTION	QTY
1	221151-QU	1/4-28 x 1 3/4 G8 HEX C/S (W/O CSTR ADPT)	1
2	880760	PIN LOCK ARM ONLY (Q1 AND Q2)	1
3	221112	1/4-28 x 1 HEX C/S W/CASTER ADAPT	1
4	500160	CASTER PIN LOCK BLK NF (Q1 AND Q2)	1
5	321141	.650L x 6 COIL SPRING	1
6	262100-QU	1/4 AN WASHER FLAT	1
7	342000	1/4" E-CLIP	1
8	505012	CASTER PIN LOCK PLATE	1
9	880761, 880762	PIN LOCK ARM W/PIN S/A (EA)	1

ITEM	NUMBER	DESCRIPTION	QTY
10	226090	1/4-28 x 5/8 BH C/S	1
10A	221151-QU	1/4-28 x 1 3/4 G8 HEX C/S	1
10B	221192	1/4-28 x 2 G8 HEX C/S	1
11	500262	CASTER PIN LOCK BLOCK S/A BLK	1
5-7,9,11	880750, 880751	CASTER PIN LOCK S/A (EA)	
5-9,10B,11	900807	CASTER PIN LOCK ASSEMBLY GP/GPV	
1-8	900804	CASTER PIN LOCK KIT TRIANGULAR CASTER (NON S/A OFF CHAIR) (PR)	
5-11	900806	CASTER PIN LOCK ASSEMBLY S/A OFF CHAIR (PR)	

# HIGH ANGLE CASTER PIN LOCKS (QUICKIE 2/2HP)

(Effective 8/1/02)

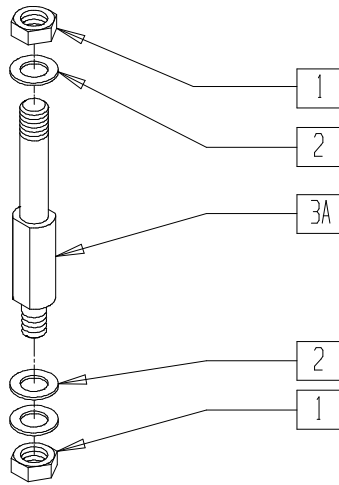
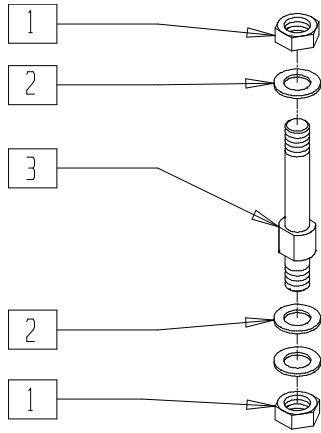


Q202X17

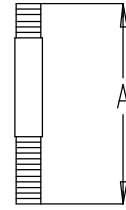
ITEM	NUMBER	DESCRIPTION	QTY
1	880761, 880762	PIN LOCK ARM W/PIN S/A (EA)	1
2	500262	CASTER PIN LOCK BLOCK S/A BLK	1
3	321141	.650L x 6 COIL SPRING	1
4	262100-OU	1/4 AN WASHER FLAT	1
5	342000	1/4" E-CLIP	1
6	505667	PIN LOCK PLT HI-ANGLE CASTER	1

ITEM	NUMBER	DESCRIPTION	QTY
7	226168	1/4-28 x .875 BH C/S	1
8	505666	PIN LOCK BLOCK HI-ANGLE CSTR	1
9	505012	CASTER PIN LOCK PLATE 1	1
1-5	880750, 880751	CASTER PIN LOCK S/A (EA)	
1-8	882700 882701	HI ANGLE CSTR PINLOCK ASSM (EA)	

# CASTER STEMS (QUICKIE T45)



## MEASURING GUIDE



AXGUIDE1

PART NUMBER	"A"
481710	4"
481715	5"

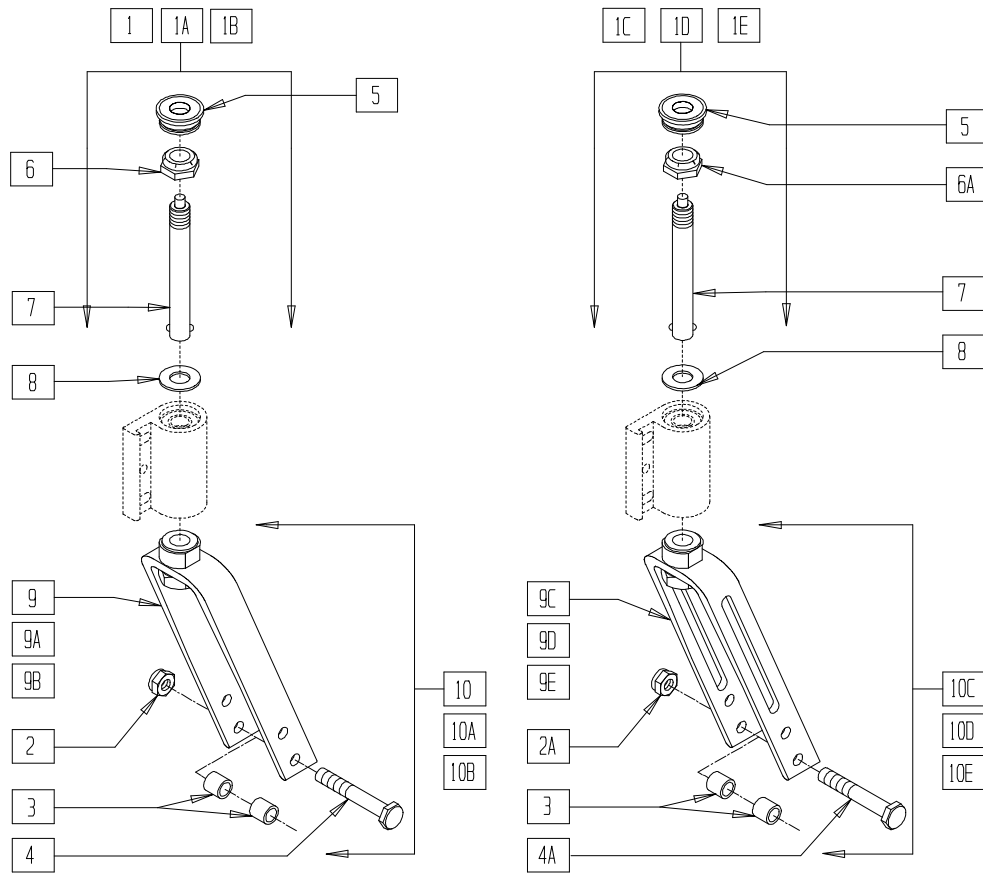
NOTE: CASTER STEM DIAMETER IS 1/2".

CFX012

ITEM	NUMBER	DESCRIPTION	QTY
1	203100	1/2-20 NYLOCK NUT	2
2	264100	1/2 AN WASHER FLAT	3

ITEM	NUMBER	DESCRIPTION	QTY
3	481710	CASTER STEM P2/T45	1
3A	481715	CASTER STEM T45	1

# QUICK-RELEASE CASTER STEM AND FORK ASSEMBLY



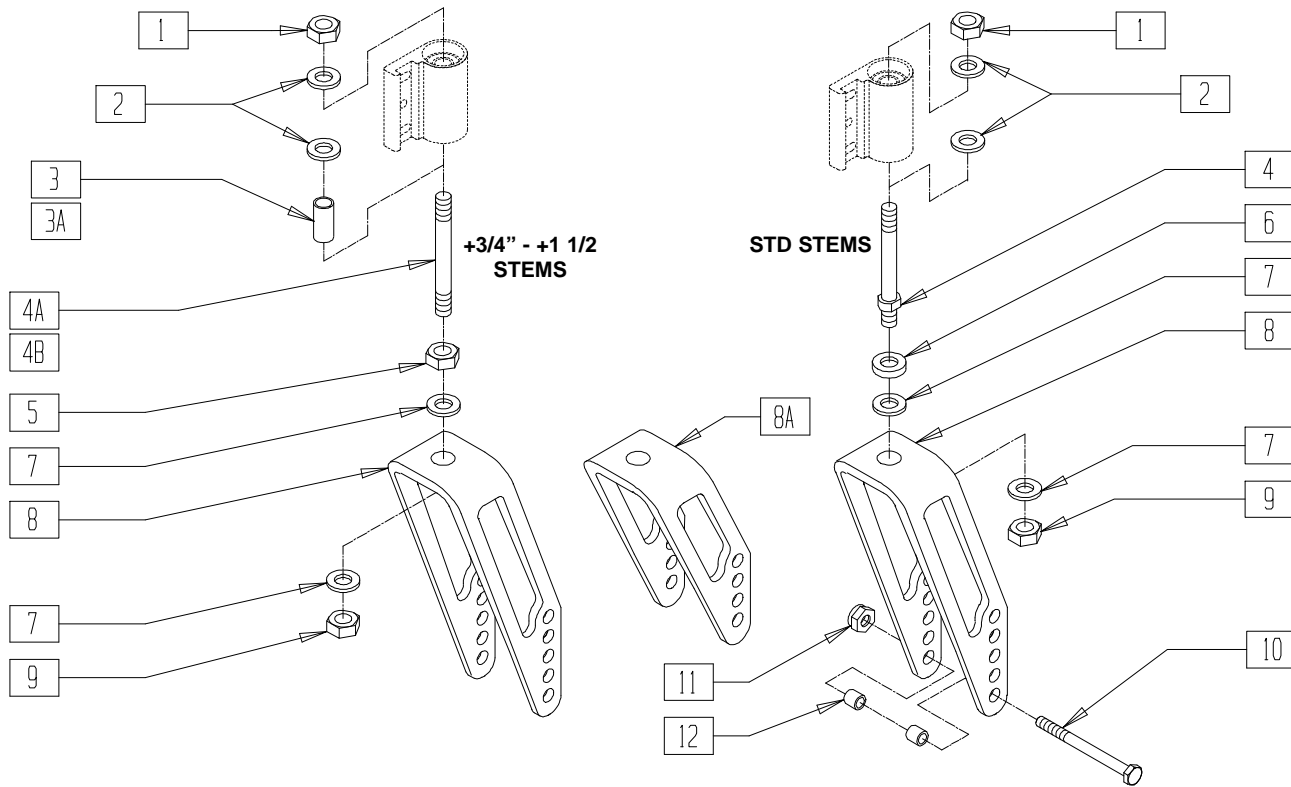
CFX010

ITEM	NUMBER	DESCRIPTION	QTY
1	780798	5 1/4" FORK AND STEM ASSEMBLY QR	1
1A	780838	6" FORK AND STEM ASSEMBLY QR	1
1B	780878	6" FORK AND STEM ASSEMBLY QR	1
1C	780829	5 1/4" SLTD FORK AND STEM ASSM QR	1
1D	780869	6" SLOTTED FORK AND STEM ASSM QR	1
1E	780909	7" SLOTTED FORK AND STEM ASSM QR	1
2	202100-MJ	5/16-24 NYLOCK NUT THIN	1
2A	330005	5/16-24 NYLOCK NUT ALUMINUM	1
3	481113	SPACER 5/16 x .380	2
4	222200	5/16-24 x 2 1/2 HEX C/S	1
4A	330110	5/16-24 x 2 1/2 HEX C/S Ti	1
5	561170	CASTER CAP PLASTIC W/HOLE (EA)	1
	920029	MODIFIED CASTER CAP (PR)	
6	203100	1/2-20 NYLOCK NUT	1
6A	330010	1/2-20 NYLOCK NUT ALUMINUM	1
7	349006	QUICK RELEASE CASTER STEM	1

ITEM	NUMBER	DESCRIPTION	QTY
8	264100	1/2 AN WASHER FLAT	1
6-8	920123	CASTER STEM W/HARDWARE QR	
6A,7,8	920127	CASTER STEM W/HARDWARE SLOTTED QR	
9	780592	5 1/4" FORK AND ADAPTER QR	1
9A	780692	6" FORK AND ADAPTER QR	1
9B	780792	7" FORK AND ADAPTER QR	1
9C	780593	6" SLOTTED FORK AND ADAPTER QR	1
9D	780693	6" SLOTTED FORK AND ADAPTER QR	1
9E	780793	7" SLOTTED FORK AND ADAPTER QR	1
10	780797	5 1/4" FORK W/HARDWARE QR	1
10A	780837	6" FORK W/HARDWARE QR	1
10B	780877	7" FORK W/HARDWARE QR	1
10C	780828	5 1/4" SLOTTED FORK W/HARDWARE QR	1
10D	780868	6" SLOTTED FORK W/HARDWARE QR	1
10E	780908	7" SLOTTED FORK W/HARDWARE QR	1

# MULTI-POSITION FORK (QUICKIE 2/2HP)

(Effective 8/1/02)



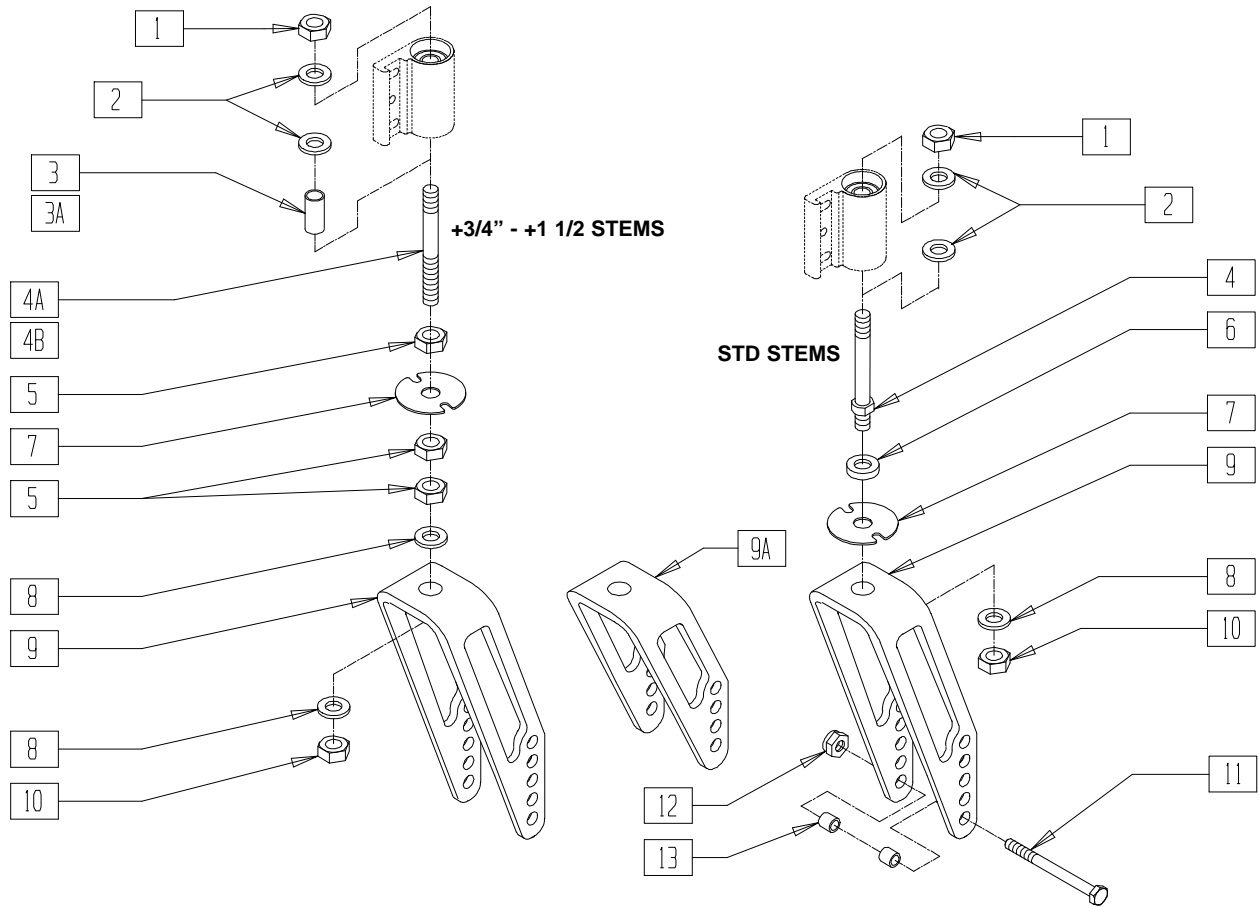
Q202X16

ITEM	NUMBER	DESCRIPTION	QTY
1	203100	1/2-20 NYLOCK NUT	1
2	264100	1/2 AN WASHER FLAT	2
3	521560	+3/4" CASTER STEM SPACER BLK	1
3A	521562	+1 1/2 CASTER STEM SPACER BLK	1
4	481712	CASTER STEM P1/P5	1
4A	481004	CASTER STEM +3/4"	1
4B	481006	CASTER STEM + 1-1/2	1
5	203110	1/2-20 JAM NUT	1
6	483254	SPACER .50 ID x .88 OD x .125	1
7	264100	1/2 AN WASHER FLAT	2
8	550644	MULTI-POSITION FORK TALL	1
8A	550646	MULTI-POSITION FORK SHORT	1
9	203100	1/2-20 NYLOCK NUT	1
10	222200	5/16-24 x 2 1/2 HEX C/S	1
11	202100-MJ	5/16-24 NYLOCK NUT THIN	1
12	481113	SPACER 5/16 x .380	2
4,6,7, 8,9	780236	MULTI POS FORK TALL STD STEM	
4A,5,7, 8,9	780237	MULTI POS FORK TALL 3/4 STEM	

ITEM	NUMBER	DESCRIPTION	QTY
4B,5,7, 8A,9	780238	MULTI POS FORK TALL 1 1/2 STEM	
4,6,7, 8A,9	780239	MULTI POS FORK SHORT STD STEM	
4A,5,7, 8A,9	780240	MULTI POS FORK SHORT 3/4 STEM	
4B,5,7, 8A,9	780241	MULTI POS FORK SHORT 1 1/2 STEM	
1,2,4, 6-12	780330	M/P FORK TALL STD STM W/HDWR	
1-3,4A, 5,7-12	780331	M/P FORK TALL 3/4 STM W/HDWR	
1,2,3A,4B, 5,7-12	780332	M/P FORK TALL 1 1/2 STM W/HDWR	
1,2,4,6,7, 8A,9-12	780333	M/P FORK SHRT STD STM W/HDWR	
1-3,4A,5, 7,8A,9-12	780334	M/P FORK SHRT 3/4 STM W/HDWR	
1,2,3A,4B, 5,7,8A,9-12	780335	M/P FORK SHRT 1 1/2 STM W/HDWR	

# MULTI-POSITION FORK W/PINLOCK PLATE (QUICKIE 2/2HP)

(Effective 8/1/02)

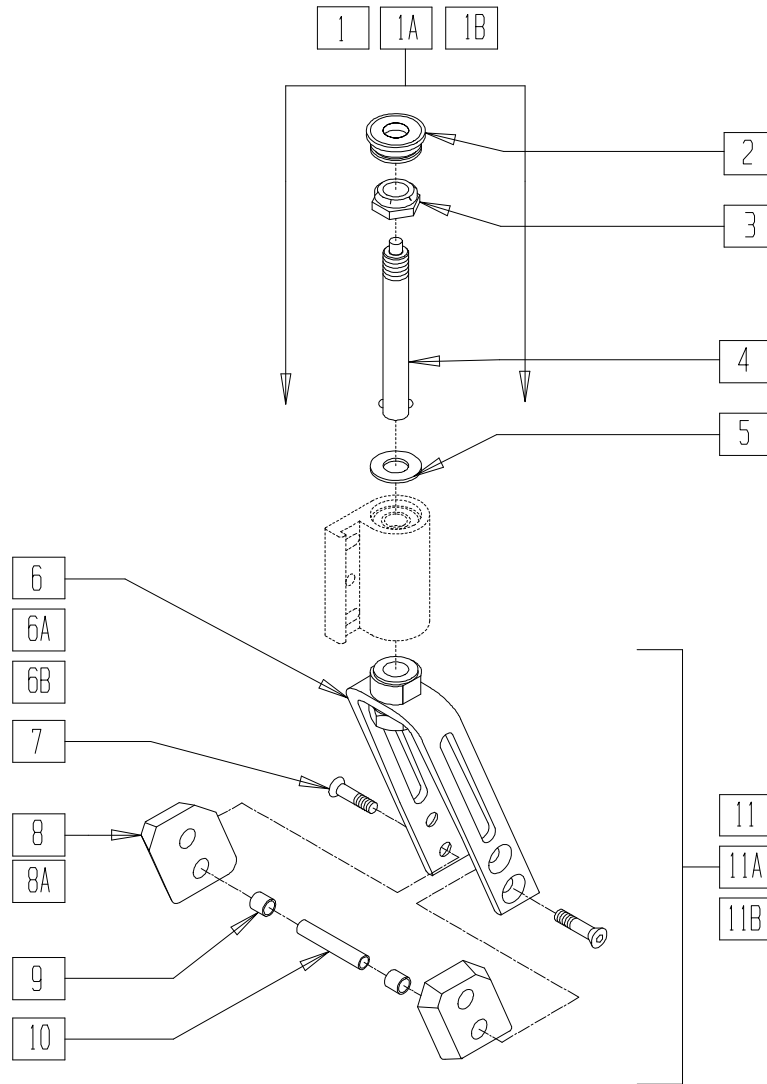


Q202X08

ITEM	NUMBER	DESCRIPTION	QTY
1	203100	1/2-20 NYLOCK NUT	1
2	264100	1/2 AN WASHER FLAT	2
3	521560	+3/4" CASTER STEM SPACER BLK	1
3A	521562	+1 1/2 CASTER STEM SPACER BLK	1
4	481712	CASTER STEM P1/P5	1
4A	481005	CASTER STEM +3/4" PIN LOCK	1
4B	481007	CASTER STEM + 1-1/2 PIN LOCK	1
5	203110	1/2-20 JAM NUT	1
6	483254	SPACER .50 ID x .88 OD x .125	1
7	505012	CASTER PIN LOCK PLATE	1
8	264100	1/2 AN WASHER FLAT	1,2
9	550644	MULTI-POSITION FORK TALL	1
9A	550646	MULTI-POSITION FORK SHORT	1
10	203100	1/2-20 NYLOCK NUT	1
11	222200	5/16-24 x 2 1/2 HEX C/S	1
12	202100-MJ	5/16-24 NYLOCK NUT THIN	1
13	481113	SPACER 5/16 x .380	2
4,6, 7-10	780242, 780243	M/P FORK TALL STD STEM PL	
4A,5, 7-10	780244, 780245	M/P FORK TALL 3/4 STEM PL	

ITEM	NUMBER	DESCRIPTION	QTY
4B,5, 7-10	780246, 780247	M/P FORK TALL 1 1/2 STEM PL	
4,6-8, 9A,10	780248, 780249	M/P FORK SHORT STD STEM PL	
4A,5,7, 8,9A,10	780254, 780255	M/P FORK SHORT 3/4 STEM PL	
4B,5,7, 8,9A,10	780256, 780257	M/P FORK SHORT 1 1/2 STEM PL	
1,2,4,6, 7-13	780336, 780337	M/P FRK TALL STD STM PL W/HDWR	
1-3,4A, 5,7-13	780338, 780339	M/P FRK TALL 3/4 STM PL W/HDWR	
1,2,3A,4B, 5,7-13	780340, 780341	M/P FRK TALL 1 1/2 STM PL W/HDWR	
1,2,4,6-8, 9A,10-13	780342, 780343	M/P FRK SHORT STD STM PL W/HDWR	
1,2,3,4A,5, 7,8,9A,10-13	780344, 780345	M/P FRK SHORT 3/4 STM PL W/HDWR	
1,2,3A,4B,5, 7,8,9A,10-13	780346, 780347	MP FRK SHORT 1 1/2 STM PL W/HDWR	

# QUICK-RELEASE FORK AND CASTER STEM (QUICKIE REVOLUTION)



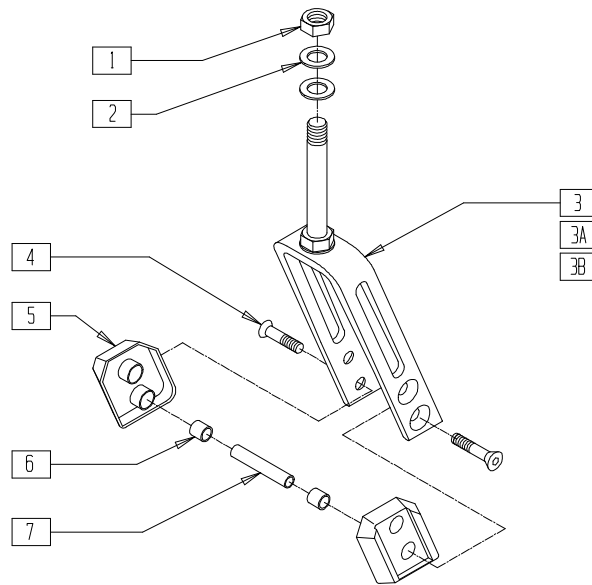
CFX011

ITEM	NUMBER	DESCRIPTION	QTY
1	781614	5 1/4" SLTD C-S FORK AND STEM ASSM	1
1A	781643	6" SLTD C-S FORK AND STEM ASSM QR	1
1B	781673	7" SLTD C-S FORK AND STEM ASSM QR	1
2	561170	CASTER CAP PLASTIC W/HOLE (EA)	1
	920029	MODIFIED CASTER CAP (PR)	
3	330010	1/2-20 NYLOCK NUT ALUMINUM	1
4	349006	QUICK RELEASE CASTER STEM	1
5	264100	1/2 AN WASHER FLAT	1
3-5	920127	CASTER STEM W/HDWR SLOTTED QR	
6	781613	5 1/4" SLOTTED C-S FORK AND ADAPT QR	1

ITEM	NUMBER	DESCRIPTION	QTY
6A	781642	6" SLOTTED C-S FORK AND ADAPT QR	1
6B	781672	7" SLOTTED C-S FORK AND ADAPT QR	1
7	226105	1/4-28 x 3/4 FH C/S BLK	2
8	562130	FORK DEFLECTOR R	1
8A	562131	FORK DEFLECTOR L	1
9	481113	SPACER 5/16 x .380	2
10	481220	CASTER AXLE RV	1
11	781615	5 1/4" SLOTTED C-S FORK W/HDWR QR	1
11A	781644	6" SLOTTED C-S FORK W/HDWR QR	1
11B	781674	7" SLOTTED C-S FORK W/HDWR QR	1



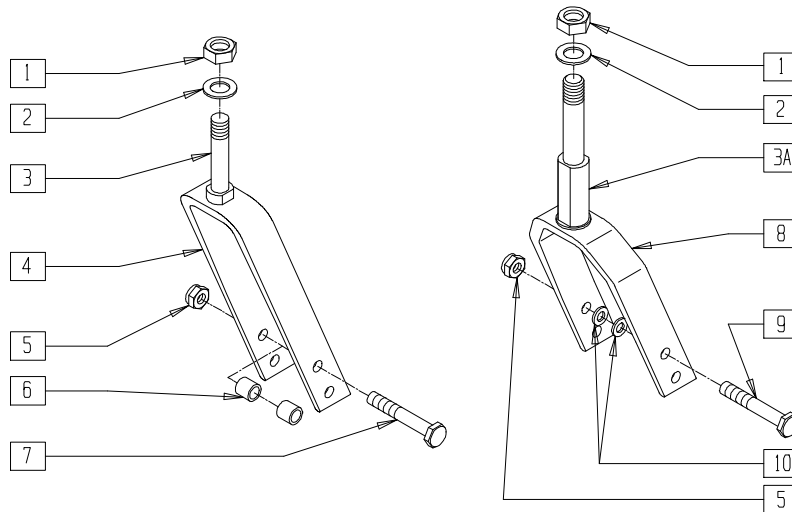
## FORK AND STEM ASSEMBLY (QUICKIE REVOLUTION)



ITEM	NUMBER	DESCRIPTION	QTY
1	330010	1/2-20 NYLOCK NUT ALUMINUM	1
2	264100	1/2 AN WASHER FLAT	2
3	550289	5 1/4" FORK ONLY SLOTTED C-S	1
3A	550297	6" FORK ONLY SLOTTED C-S	1
3B	550305	7" FORK ONLY SLOTTED C-S	1
4	226105	1/4-28 x 3/4 FH C/S BLK	2
5	562130, 562131	FORK DEFLECTOR (EA)	1

ITEM	NUMBER	DESCRIPTION	QTY
6	481113	SPACER 5/16 x .380	2
7	481220	CASTER AXLE RV	1
1-7	781616- 781627	5 1/4" SLOTTED COUNTERSUNK FORK AND STEM W/HARDWARE	
1,2,3A,4, 5,5A,6,7	781645- 781656	6" SLOTTED COUNTERSUNK FORK AND STEM W/HARDWARE	
1,2,3B,4, 5,5A,6,7	781675- 781686	7" SLOTTED COUNTERSUNK FORK AND STEM W/HARDWARE	

## FORK AND STEM ASSEMBLIES (QUICKIE T45)



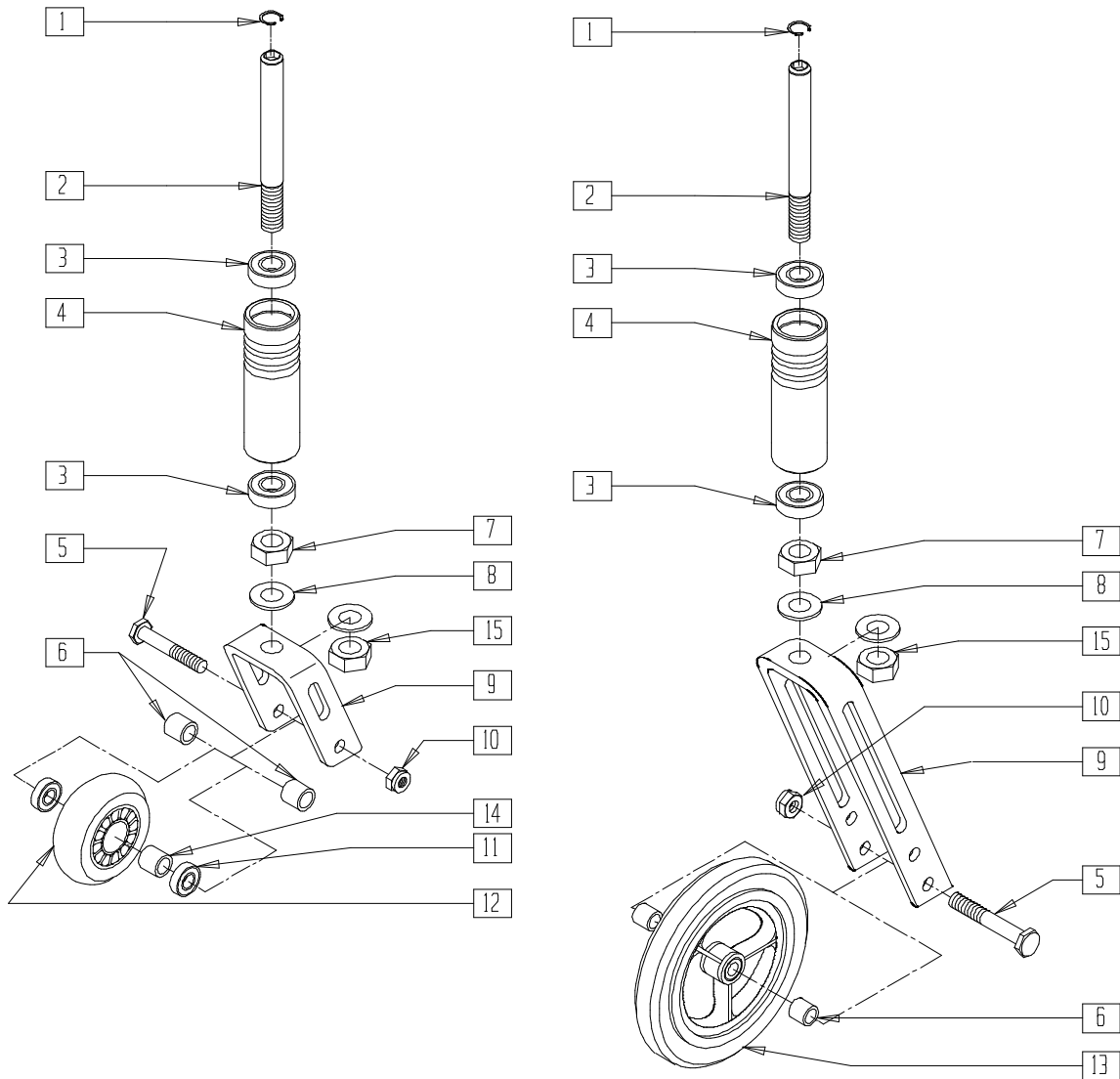
TSR00X26

ITEM	NUMBER	DESCRIPTION	QTY
1	203100	1/2-20 NYLOCK NUT	2
2	264100	1/2 AN WASHER FLAT	3
3	481710	CASTER STEM P2/T45	1
3A	481715	CASTER STEM T45	1
4	550290	6" FORK ONLY BLK	1
5	202100-MJ	5/16-24 NYLOCK NUT THIN	1
6	481113	SPACER 5/16 x .380	2
7	222200	5/16-24 x 2 1/2 HEX C/S	1
8	550730	8" x 2" FORK ONLY	1
9	222253	5/16-24 x 3 1/4 HEX C/S	1

ITEM	NUMBER	DESCRIPTION	QTY
10	263110-OU	5/16 AN WASHER FLAT	2
1-3A,8	780602	8" x 2" FORK W/T45 STEM	
1-4	780603	6" FORK W/P2 STEM	
1-3A,4	780604	6" FORK W/T45 STEM	
1-3,5,8-10	787120	CASTER FORK ASSEMBLY DBL BEARING	
1-3A,5, 8-10	780872	8" x 2" FORK W/T45 STEM W/HARDWARE	
1-7	780873	6" FORK W/P2 STEM W/HARDWARE	
1-3A,4-7	780874	6" FORK W/T45 STEM W/HARDWARE	

# FORK AND STEM ASSEMBLY (Quickie TNT)

(Quickie TNT discontinued 2/01 parts only)

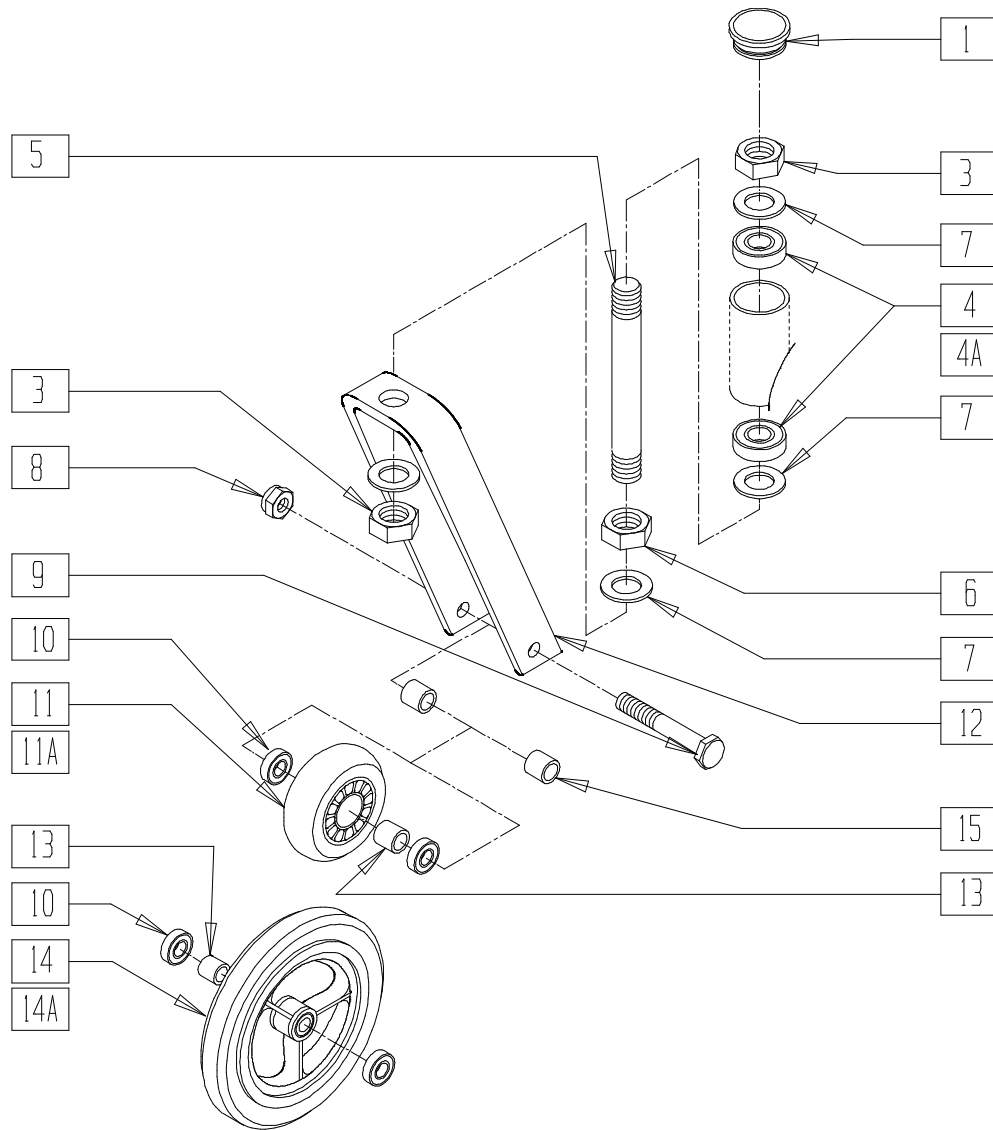


TNT00X10A

ITEM	NUMBER	DESCRIPTION	QTY
1	342085	1/2" EXTERNAL SNAP RING	1
2	481190-481193	FORK STEM	1
3	349500	1 1/8" x 1/2" BEARING	2
4	527935-527938	CASTER SPOOL	1
5	222200	5/16-24 x 2 1/2 HEX C/S	1
6	481013	BEARING SPACER	2
7	203110	1/2-20 JAM NUT	1
8	264100	1/2 AN WASHER	2
9	550407, 550408	FORK ONLY QTNT	1
10	202100-MJ	5/16-24 NYLOCK NUT THIN	1

ITEM	NUMBER	DESCRIPTION	QTY
11	349502	7/8 x 5/16 BEARING	2
11,12,14	920025	3" MICRO CASTER W/BEARINGS	
13	400155	5" PLASTIC W/LOW POLY AND BEARING	1
14	481013	BEARING SPACER	1
15	203101	1/2-20 LIGHT HEX NUT THIN	1
1-10,15	780930-780933	FORK W/STEM W/HARDWARE QTNT	
3,4	780020-780023	CASTER SPOOL W/BEARING	
1-5,7-12,14,15	780992, 780993	3" FORK W/STEM W/WHEEL QTNT	
1-10,13,15	780994 780995	5" FORK W/STEM W/WHEEL QTNT	

# FORK AND CASTER ASSEMBLY (QUICKIE ST/DT)

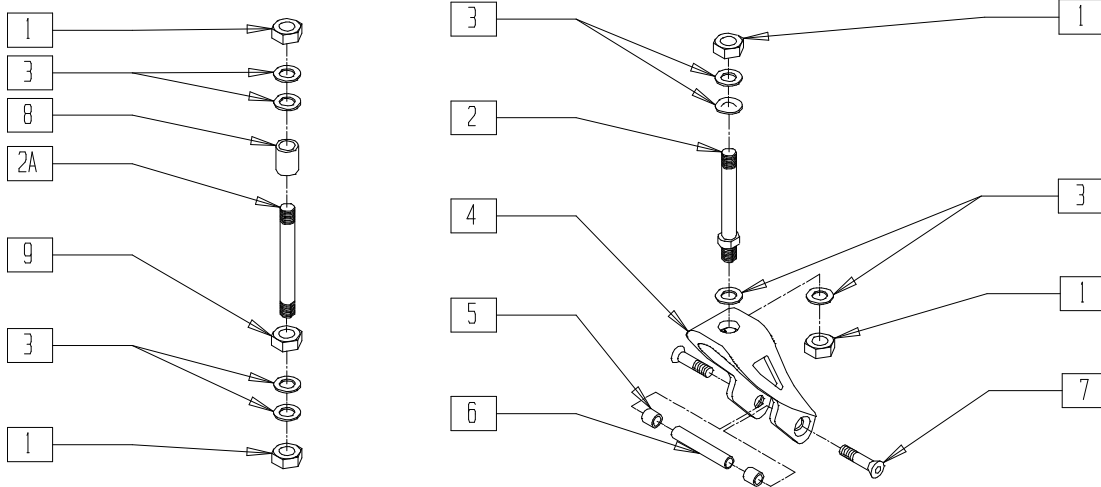


RG00X04A

ITEM	NUMBER	DESCRIPTION	QTY
1	561070	CASTER CAP PLASTIC (EA)	1
	920028	CASTER CAP PLASTIC (PR)	
3	203100	1/2-20 NYLOCK NUT	2
4	349500	1 1/8" x 1/2" BEARING	2
4A	349521	BEARING CASTER HOUSING AEF PERC (NON-RECESSED BEARING-OLD STYLE)	2
5	480098	CASTER STEM REG 3D	1
6	203110	1/2-20 JAM NUT	1
7	264100	1/2 AN WASHER FLAT	4
8	202100-MJ	5/16-24 NYLOCK NUT THIN	1
9	222200	5/16-24 x 2 1/2 HEX C/S	1
10	349502	7/8 x 5/16 BEARING	2
11A	400107	3" MICRO CASTER LIGHTED	1
12	550274	3 1/4" SLOTTED FORK	1
	550279	4 1/4" FORK ONLY SLTD	
	550386	4 3/4" FORK #26 BLK	
	550284	5 1/4" FORK ONLY SLOTTED BLK	
	550294	6" FORK ONLY SLOTTED BLK	
	550303	7" FORK ONLY SLOTTED BLK	

ITEM	NUMBER	DESCRIPTION	QTY
13	481013	BEARING SPACER	1
15	481113	SPACER 5/16 x .380	2
3,5-7	920052	CASTER STEM W/HDWR SHDW ONE/DT	
10,11,13	400092	3" MICRO CASTER W/BRNGS	
10,13,14	400095	5" CASTER SOFT ROLL W/BRNGS	
10,13,14A	400155	5" PLST W/LOW POLY AND BEARING	
3,5-7,12	780372	3 1/4" FORK STD STEM #24	
	780371	4 1/4" FORK STD STEM #25	
	780410	4 3/4" FORK STD STEM #26	
	780373	5 1/4" FORK STD STEM ST/DT	
	780374	6" FORK STD STEM ST/DT	
	780375	7" FORK STD STEM ST/DT	
3,5-9,12,13	780996	3 1/4" FORK STD STEM #24 W/HDWR	
	780989	4 1/4" FORK STD STEM #25 W/HDWR	
	780990	4 3/4" FORK STD STEM #26 W/HDWR	
	780997	5 1/4" FORK STD STEM W/HDWR ST/DT	
	780998	6" FORK STD STEM W/HDWR ST/DT	
	780999	7" FORK STD STEM W/HDWR ST/DT	

## FORK AND STEM ASSEMBLY (QUICKIE XTR)

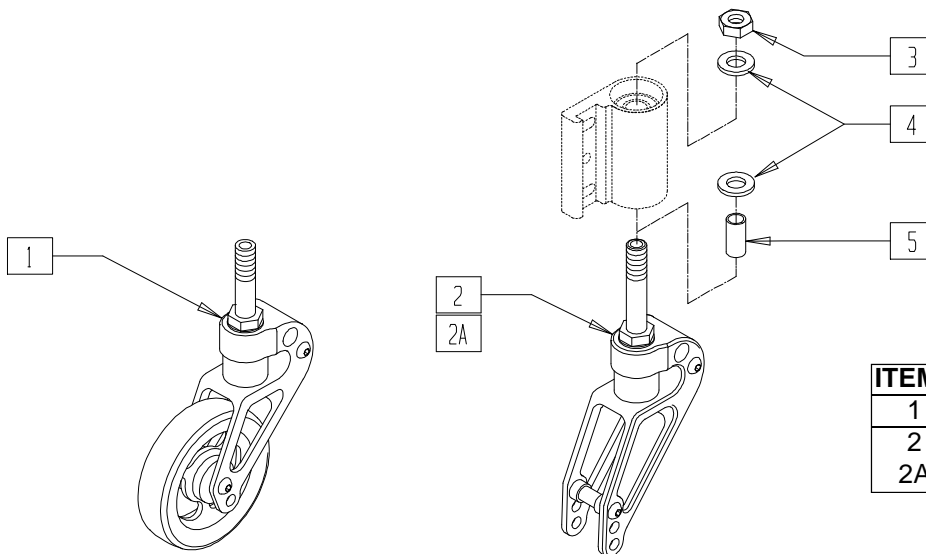


SUS00X25

ITEM	NUMBER	DESCRIPTION	QTY
1	203100	1/2-20 NYLOCK NUT	2
2	481650	CASTER STEM XTR	1
2A	481653	CASTER STEM +1" XTR	1
3	264100	1/2 AN WASHER FLAT	4
4	506154	3" FORK ONLY	1
5	481652	BEARING SPACER	2
6	481651	CASTER AXLE	1

ITEM	NUMBER	DESCRIPTION	QTY
7	226076	1/4-28 x 1/2 FH C/S BLK	2
8	521554	+1" CASTER STEM SPACER XTR	1
9	203110	1/2-20 JAM NUT	1
1,2,3	920057	STD CASTER STEM W/HARDWARE XTR	
1,2A,3,8,9	920058	+1 CASTER STEM W/HARDWARE XTR	
1-7	780940	3" SLOTTED STD STEM W/HARDWARE XTR	
1,2A,3-9	780941	3" SLOTTED +1" STEM W/HARDWARE XTR	

## FROG LEG MC5/FL6 (SUSPENSION FORK) ASSEMBLY (QUICKIE PRODUCTS)



ITEM	STYLE	CHAIR
1	MC5	XTR
2	FL6	QUICKIE
2A		2/2HP

Q202X14

ITEM	NUMBER	DESCRIPTION	QTY
1*	788737	FROG LEG FORK AND CASTER	1
	921480	FROG LEG FORK AND CASTER (PR)	1
2**	921488	FROG LEG 6 INCH 2.5" STEM	1
2A**	921489	FROG LEG 6 INCH 4" STEM	1
3	203100	1/2-20 NYLOCK NUT	1

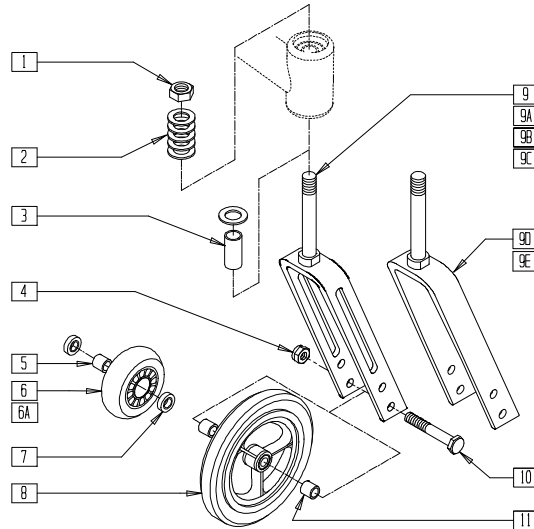
ITEM	NUMBER	DESCRIPTION	QTY
4	264100	1/2 AN WASHER FLAT	2
5	521562	+1 1/2 CASTER STEM SPACER BLK	1,2
2-4	921498	FROG LEG 6" W/2.5"STEM W/HDWR	
2A,3-5	921499	FROG LEG 6" W/4"STEM W/HDWR	

NOTE: \* SPECIAL FROGLEGG CASTER AND FORK ASSEMBLY :PARTS NOT SOLD SEPARATELY.

\*\* FROGLEGG FL6 CASTER HOLE LOCATIONS: 6" CASTER FITS IN BOTTOM HOLE, 5" CASTER FITS IN BOTTOM AND MIDDLE HOLE, 4" CASTER FITS IN ALL HOLES.

NOTE: ITEM 2A FOR FROG LEG 6" WITH 4" CASTER STEM NEEDS A QUANTITY OF 2 EA FOR ITEM 5 (CASTER STEM SPACER).

## FORK, STEM, AND CASTER ASSEMBLY (QUICKIE R2)



R200X02B

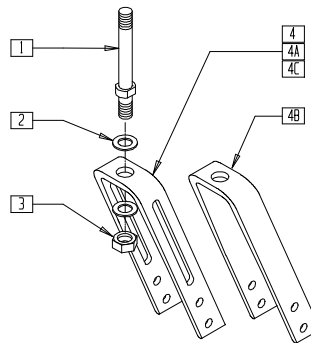
ITEM	NUMBER	DESCRIPTION	QTY
1	203100	5/16-24 NYLOCK NUT THIN	1
2	264100	1/2 AN WASHER FLAT	2
3*	521560	+3/4" CASTER STEM SPACER BLK	1
4	202100-MJ	5/16-24 NYLOCK NUT THIN	1
5	481013	BEARING SPACER	1
6A	400107**	3" MICRO CASTER LIGHTED	1
	920077**	3" MICRO CASTER LIGHTED (PR)	1
7	349502	7/8 x 5/16 BEARING	2
8	400115	CASTER 4" PLASTIC/POLY W/BRNG	1
	400155	5" PLST W/LOW POLY AND BRNG	1
	400148	5" PLASTIC W/WIDE POLY AND BRNG	1
9	780636	3 1/4" SLOTTED +3/4 STEM	1
9A	780574	4 1/4" SLOTTED STD STEM	1
9B	780637	4 1/4" SLOTTED +3/4 STEM	1
9C	780575	5 1/4" GP STD STEM	1

ITEM	NUMBER	DESCRIPTION	QTY
9D	780420	4 3/4" STD STEM BLK	1
9E	780638	4-3/4 FORK +3/4 STEM	1
10	222200	5/16-24 x 2 1/2 HEX C/S	1
11	481113	SPACER 5/16 x .380	2
5-7	400092	3" MICRO CASTER W/BRNG	
	920025	3" MICRO CASTER W/BRNG (PR)	
1-4,9-11	780402	3 1/4 SLOTTED +3/4 STEM W/HDWR	
1,2,4,9A-11	780403	4 1/4 SLTD STD STEM W/HDWR	
1-4,9B-11	780404	4 1/4 SLOTTED +3/4 STEM W/HDWR	
1,2,4,9D-11	780405	4 3/4" FORK STD STEM W/HDWR	
1-4,9E-11	780406	4 3/4 FORK +3/4 STEM W/HDWR	
1,2,4,9C-11	780407	5 1/4 SLOTTED STD STEM W/HDWR	

\* USED ONLY WITH + 3/4 STEM ASSEMBLIES.

\*\* P/N 400107 AND 920077 3" MICRO CASTERS LIGHTED INCLUDE BEARINGS

## FORK AND STEM ASSEMBLY (QUICKIE R2)



R200X02A

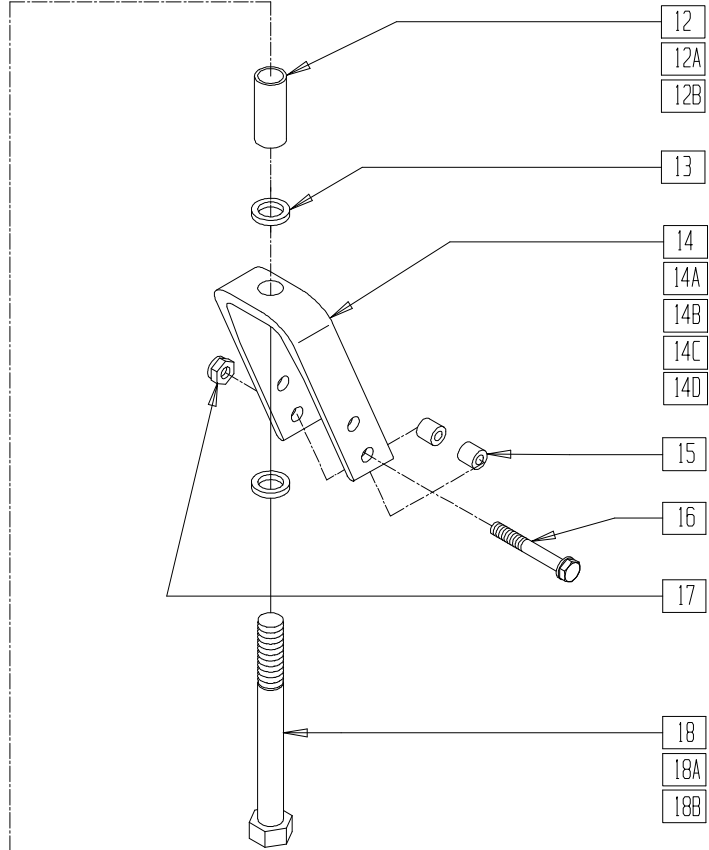
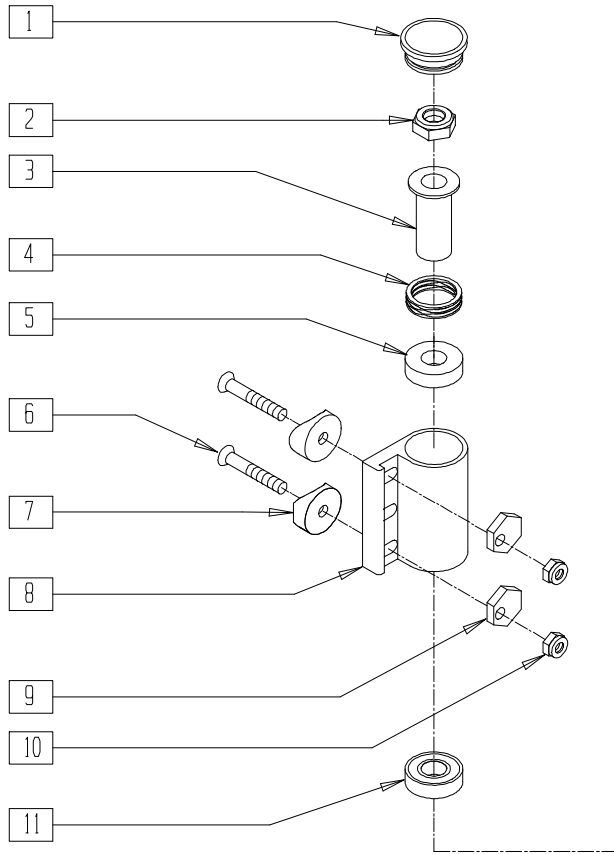
ITEM	NUMBER	DESCRIPTION	QTY
1	481063	CASTER STEM STD	1
	*481111	CASTER STEM 4.37 (CH) B500	1
2	264100	1/2 AN WASHER FLAT	2
3	203100	5/16-24 NYLOCK NUT THIN	1
4	550274	3 1/4" SLOTTED FORK	1
4A	550279	4 1/4" FORK ONLY SLTD	1
4B	550386	4 3/4" FORK #26 BLACK	1
4C	550284	5-1/4" FORK ONLY SLOTTED BLK	1

ITEM	NUMBER	DESCRIPTION	QTY
1-4	780636	3-1/4 SLOTTED +3/4 STEM	
1-4A	780574	4-1/4 SLTD STD STEM	
1-4A	780637	4-1/4 SLOTTED +3/4 STEM	
1-4B	780420	4 3/4" STD STEM BLK	
1-4B	780638	4-3/4 SLOTTED +3/4 STEM	
1-4C	780575	5-1/4 GP STD STEM	

\* 481111 (CASTER STEM 4.37) USED W/ + 3/4 STEM ASSEMBLIES.

# FORK, STEM, AND CASTER ASSEMBLY (QUICKIE TS)

(Effective 3/25/99)

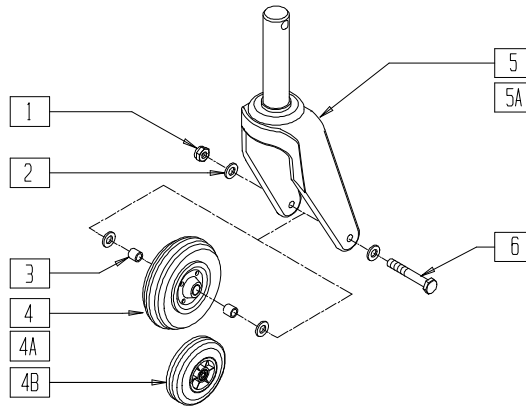


QTS20X01

ITEM	NUMBER	DESCRIPTION	QTY
1	561070	CASTER CAP PLASTIC	1
2	203100	1/2-20 NYLOCK NUT	1
3	481511	FLANGE BUSHING REG B51	1
4	321166	SPRING ANTI FLUTTER SS B51	1
5	349643	BUSHING BRNZ B51	1
6	226198	5/16-18 x 2 BH C/S SHT THREAD	2
7	561119	1" HALF SADDLE 5/16" HOLE	2
8	501503, 501504	CASTER PLATE ONLY H/D BLK (EA)	1
9	341019	WASHER ECCENTRIC HEAVY DUTY	2
10	202102	5/16-18 NYLOCK NUT THIN	2
11	349500	1 1/8 x 1/2 BEARING	1

ITEM	NUMBER	DESCRIPTION	QTY
14D	550730	8" x 2" FORK ONLY BLK	1
15	481113	SPACER 5/16 x 2 .380	2,4
16	222200	5/16-24 x 2 1/2 HEX C/S	1
17	202100-MJ	5/16-24 NYLOCK NUT THIN	1
18	222290	1/2-20 x 3 1/4" G8 HEX C/S	1
18A	222292	1/2-20 x 4" G8 HEX C/S	1
18B	222291	1/2-20 x 4 3/4" G8 HEX C/S	1
2-5,11-14, 18-18B	781696- 781698	4 3/4" STD BLT STEM W/HDWR BLK (STD, +3/4, +1 1/2)	
2-5,11-13, 14A,18-18B	781687- 781693	5 1/4" (STD, +3/4, +1 1/2) BLT STEM W/HDWR BLK	
2-5,11-13, 14B,18-18B	781688- 781694	6" (STD, +3/4, +1 1/2)STEM W/HDWR BLK	
2-5,11-13, 14C,18-18B	781689- 781695	7" (STD, +3/4, +1 1/2)STEM W/HDWR BLK	
2-5,11-13, 14D,18-18B	781840- 781842	8" x 2" FORK STD BLT STEM W/HDWR	
5,8,11	780198	CASTER PLT R W/BRNG H/D QTS	
5,8A,11	780199	CASTER PLT L W/BRNG H/D QTS	
1,6,7,9,10	920015	CASTER PLT H/D HDWR KIT PLST CAP	

## FORK, STEM AND CASTER ASSEMBLY (QUICKIE M6)

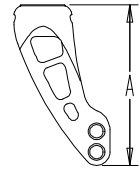
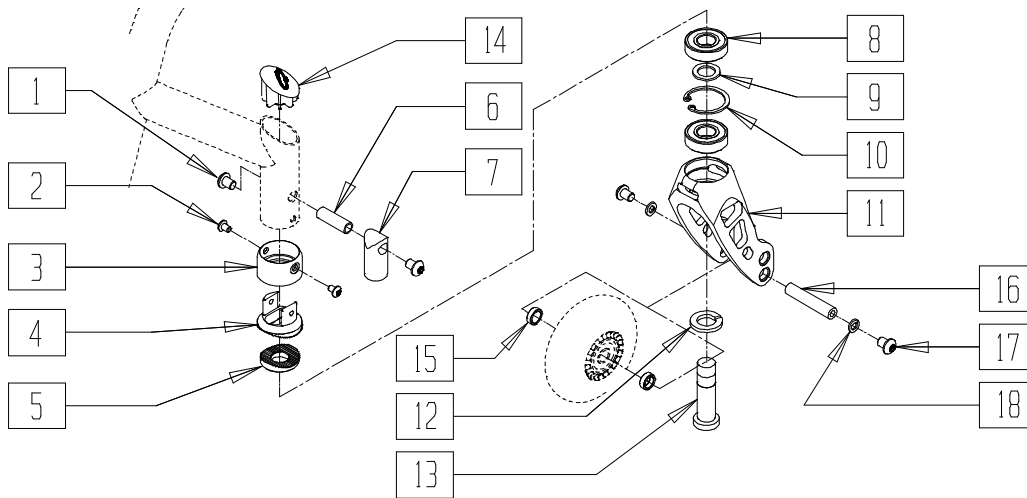


MAG00X30A

ITEM	NUMBER	DESCRIPTION	QTY
1	203100	5/16-24 NYLOCK NUT THIN	1
2	263100	5/16 AN WASHER FLAT	4
3	481113	SPACER 5/16 x .380	2
4	400700	8" x 2" CMPST W/PNEU AND BRNGS	1
4A	400702	8" x 2" CMPST W/PNEU INS AND BRNGS	1
4B	400095	5" CASTER SOFT ROLL W/BRNGS	1
5	780364	FORK & STEM ASSEMBLY 8"	1
5A	780366	FORK & STEM ASSEMBLY 5"	

ITEM	NUMBER	DESCRIPTION	QTY
6	222253	5/16-24 x 3 1/4 HEX C/S	1
1,2,4-6	788740	8 x 2 PNEU FORK & CSTR ASSM	
1,2,4A,5,6	788741	8 x 2 PNEU INSERT FORK CSTR ASSM	
1-4B,5,6	788742	5" SOFTROLL FORK & CSTR ASSM	
1-4B,5A,6	788743	5" LWR FORK AND CSTR ASSM	
1-3,5,6	780365	FORK & STEM ASSM 5"/8" W/HDWR	
1-3,5A,6	780367	FORK & STEM ASSM LWR W/HDWR	

## FORK, STEM, AND CASTER ASSEMBLY (QUICKIE Ti TITANIUM)



MGUIDE Ti04

### FORK MEASURING GUIDE

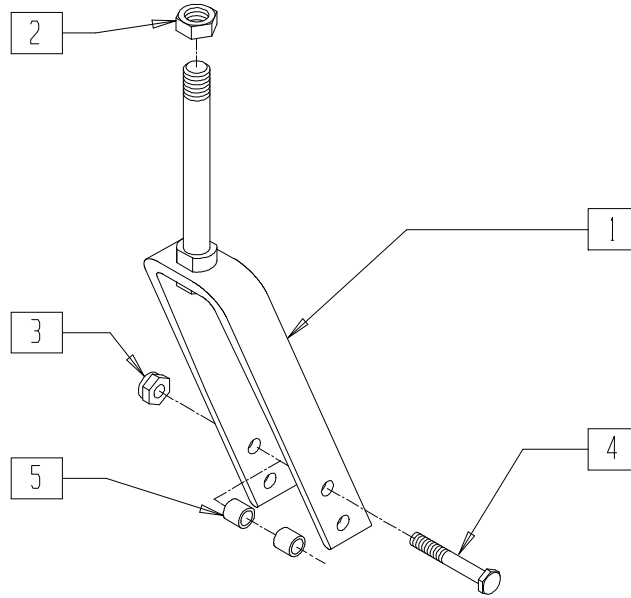
FORK	DIM A	PART #
SHORT	3 7/8"	922109
TALL	4 3/8"	922110

QT10X04

ITEM	NUMBER	DESCRIPTION	QTY
1	230022	BHCS M6 x 1 x 8mm TORX T-25, PATCH	2
2	230020	BHCS, M4 x .7 x 6mm, TORX, T-25	2
3	483515	CUP, SPLINE, ANGLE ADJ	1
4	502050	SPLINE, CASTER, ANGLE ADJ, UPPER	1
5	502051	SPLINE, CASTER, ANGLE ADJ, LOWER	1
6	481338	SLEEVE, PIVOT, ANGLE ADJ	1
7	502049	PIVOT, CASTER, ANGLE ADJ	1
12	265161	WASHER, LOCK, M12	1

ITEM	NUMBER	DESCRIPTION	QTY
13	481398	SHCS, M12 x 1.75, ANGLE ADJ	1
14	340045	CAP. O., 1.00, 30 DEG	1
15	481353	SPACER, BEARING	2
16	481483	AXLE, CASTER, 1.58 LG	1
17	230028	BHCS, M5x.8x8MM, TORX, T-25 PATCH	2
18	262132	WASHER, LOCK, M5	2
8-11	922109	ASSY FORK INTEGRAL BEARINGS SHT	1
	922110	ASSY FORK INTEGRAL BEARINGS TALL	

# FORK AND STEM ASSEMBLY (BREEZY 500)



CF0X01B

ITEM	NUMBER	DESCRIPTION	QTY
2	203100	1/2-20 NYLOCK NUT	1
3	202100-MJ	5/16-24 NYLOCK NUT THIN	1
4	222200	5-16-24 x 2 1/2 HEX C/S	1

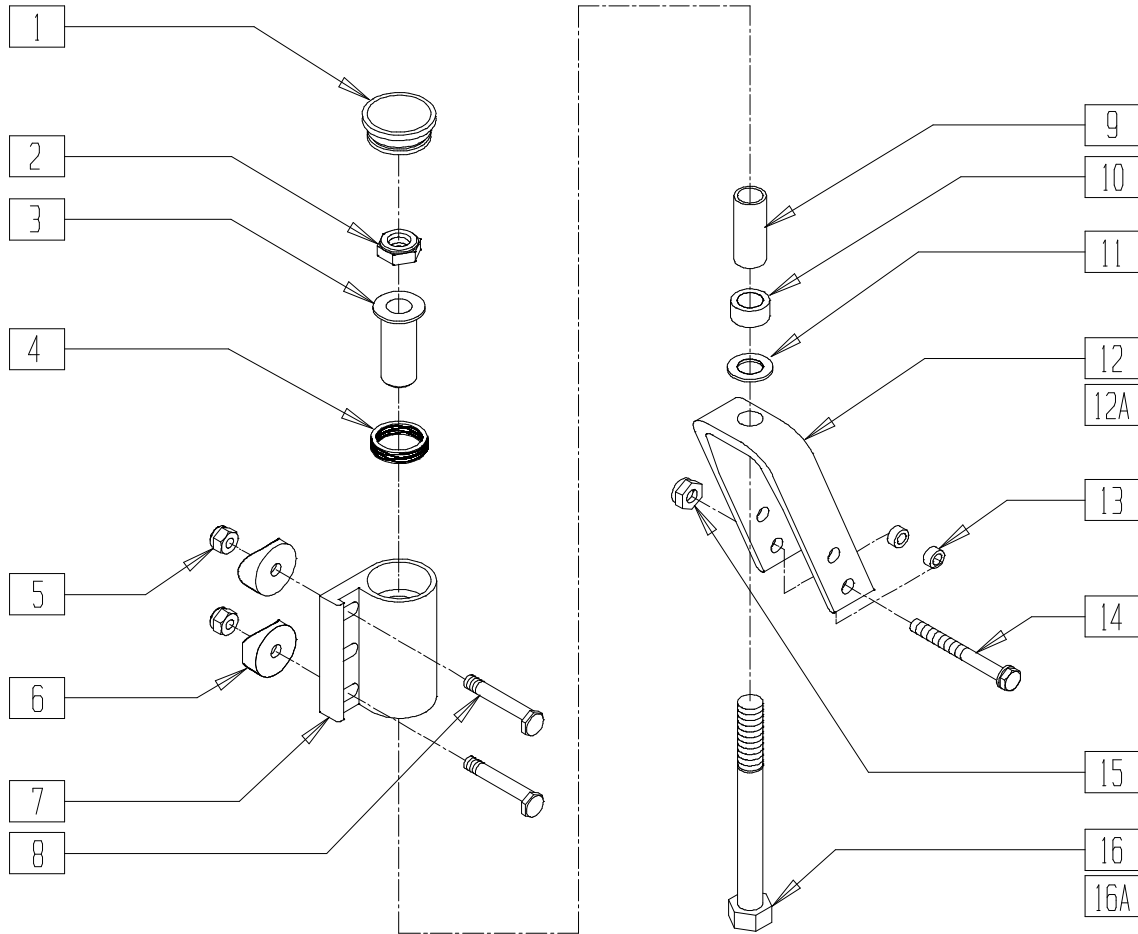
ITEM	NUMBER	DESCRIPTION	QTY
5	481013	BEARING SPACER	2
1-4	780871	6" FORK STD STEM W/ HDWR B500	1

NOTE: CASTER HOUSING FOUND IN SECTION 4 BREEZY FRAME.



# FORK AND STEM ASSEMBLY(BREEZY 510/510 RECLINER/600)

(Effective 9/15/99 - beginning serial number BZ-463854)

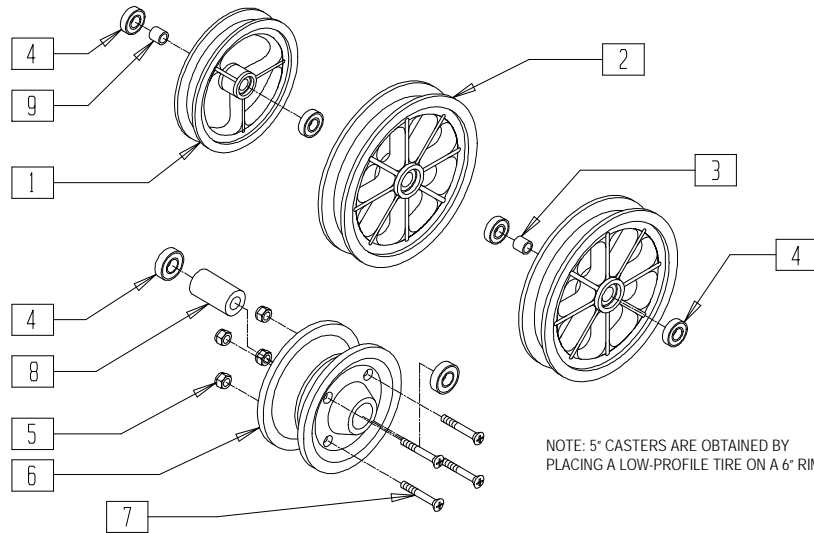


CF0X015

ITEM	NUMBER	DESCRIPTION	QTY
1	561070	CASTER CAP PLASTIC	1
2	203111	1/2-20 HEX JAM NUT W/TORQ-PTCH	1
3	481511	FLANGE BUSHING REG B51	1
4	321166	SPRING ANTI FLUTTER SS B51	1
5	201120	1/4-28 AUTOMATION NUT	2
6	561086	1" HALF SADDLE 1/4" HOLE	2
7	780003, 780004	CASTER PLT B510 (EA)	1
8	481017	1/4-28 x 1.688 ECCENTRIC BOLT	2
9	521586	+1 1/2 CASTER STEM SPACER CLR	1
10	481510	CASTER STEM SPACER B51	1
11	264100	1/2 AN WASHER FLAT	1
12	550582	6" FORK ONLY CLEAR	1
12A	550283	4 3/4" FORK ONLY BR	1
13	481113	SPACER 5/16 x .380	2
14	222200	5/16-24 x 2 1/2 HEX C/S	1
15	202100-MJ	5/16-24 NYLOCK NUT THIN	1
16	222291	1/2-20 x 4-3/4" GR 8 HEX C/S	1
16A	222290	1/2-20 x 3-1/4" GR 8 HEX C/S	1

ITEM	NUMBER	DESCRIPTION	QTY
1-8,10,11, 16A	780150, 780151	CASTER PLT STD STEM W/O FORK (EA)	
	921500	CASTER PLT ASSEMBLY W/STD STEM (PR)	
1-11,16	780152, 780153	CASTER PLT +1 1/2 STEM W/O FORK (EA)	
	921501	CASTER PLT ASSM W/+1 1/2" STEM (PR)	
1-8,10,11, 12A,13-16A	780441, 780442	4-3/4" STD STEM W/CASTER PLT (EA)	
	921503	CASTER PLT ASSM W/4 3/4" STD STM (PR)	
1-11,12A, 13-16	780443, 780444	4-3/4" +1 1/2 STEM W/CASTER PLT (EA)	
	921505	CASTER PLT ASSM W/4 3/4 +1/2" STEM (PR)	
	780618, 780619	6" STD STEM W/CASTER PLT BR (EA)	
	921502	CASTER PLT ASSM W/6" STD STEM (PR)	
1-16	780656, 780657	6" +1 1/2 STEM W/CASTER PLT BR (EA)	
	921504	CASTER PLT ASSM W/6 +1 1/2" STEM (PR)	

## CASTER RIMS AND HARDWARE



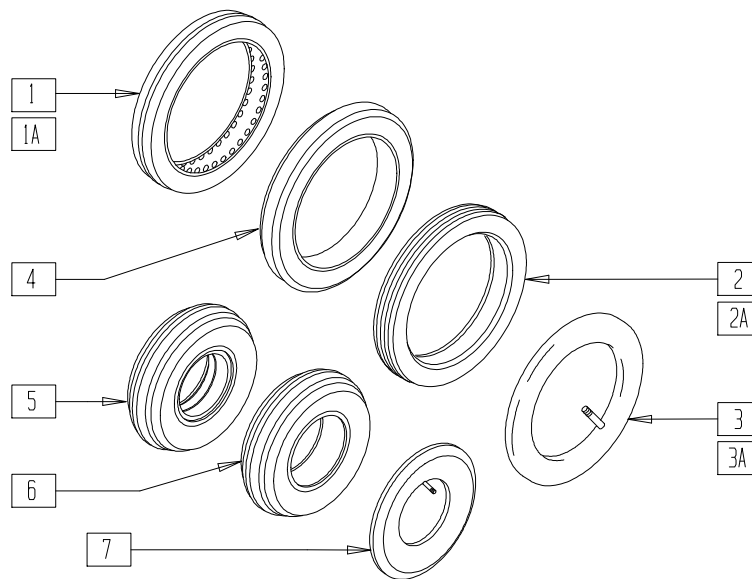
CF0X02A

ITEM	NUMBER	DESCRIPTION	QTY
1,4,9	400152	6" PLASTIC CASTER W/BEARINGS	
2	400200	8" PLASTIC CASTER ONLY	1
2-4	400202	8" PLASTIC CASTER W/BEARINGS	
3	481013	BEARING SPACER	1
4	349502	7/8 x 5/16 BEARING	2

ITEM	NUMBER	DESCRIPTION	QTY
5-7	400020	HUB CMPST 8" x 2" CASTER W/HDWR	
8	483714	P100 BEARING SPACER	1
9	481613	BEARING SPACER .450 CASTER	1
4-8	400704	8" x 2" CMPST CASTER W/BEARINGS	

NOTE: ITEM 1 MAY REQUIRE SPECIAL MOUNTING TOOLS AND/OR MAY BE DIFFICULT TO MOUNT. FOR COMPLETE ASSEMBLY, SEE *CASTER/TIRE ASSEMBLIES* ON PAGE 13.15.

## CASTER TIRES AND TUBES



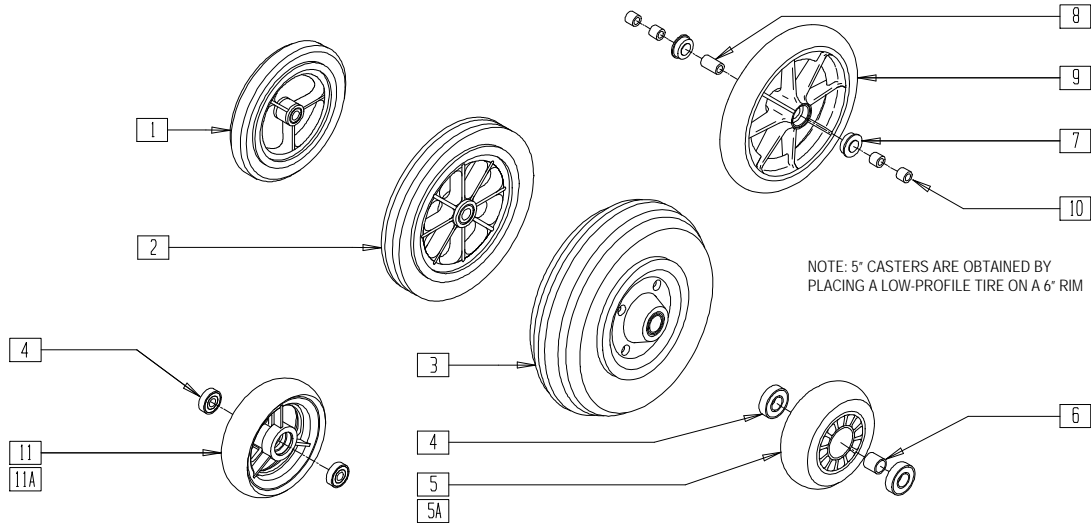
CF0X03

ITEM	NUMBER	DESCRIPTION	QTY
1	384250	8" POLYURETHANE TIRE	1
1A	384245	6" SEMI PNEU POLYURETHANE TIRE	1
2	383250	8" PNEUMATIC TIRE	1
2A	383240	6" PNEUMATIC TIRE	1
3	382250	8" TUBE	1
3A	382245	6" TUBE	1

ITEM	NUMBER	DESCRIPTION	QTY
4	384246	5" LOW POLYURETHANE TIRE	1
5	384701	TIRE FOAMED INSERT 8" x 2"	1
6	384700	TIRE PNEUMATIC 8" x 2"	1
7	384730	INNER TUBE CASTER 8" x 2"	1
2,3	383255	8" PNEUMATIC TIRE AND TUBE	

NOTE: ITEM 4 MAY REQUIRE SPECIAL MOUNTING TOOLS AND/OR MAY BE DIFFICULT TO MOUNT. FOR COMPLETE ASSEMBLY, SEE *CASTER/TIRE ASSEMBLIES* ON PAGE 13.15.

## CASTER/TIRE ASSEMBLIES (TIRE, CASTER AND BEARINGS) (QUICKIE CHAIRS)



CF0X04B

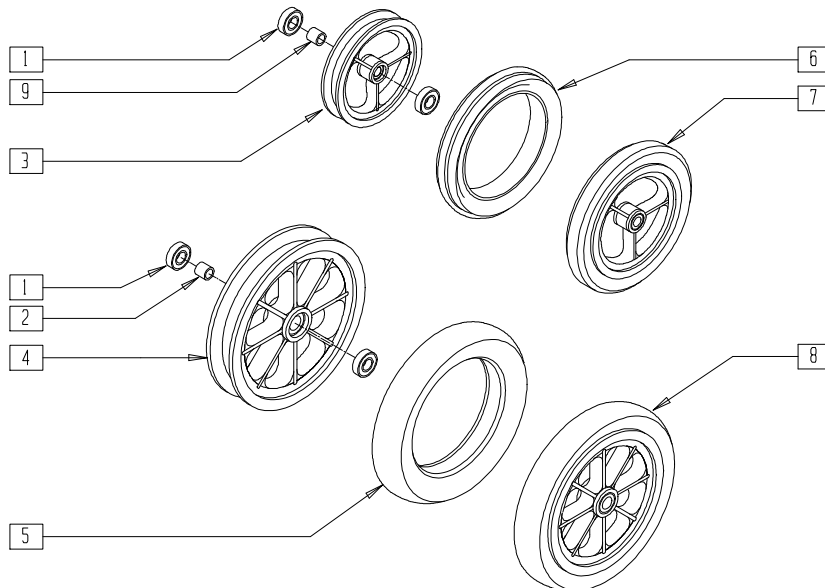
ITEM	NUMBER	DESCRIPTION	QTY
1	400154	6" PLST W/SEMI PNEU (POLY) BEARING	1
	400156	6" PLASTIC W/PNEU AND BEARINGS	
	400155	5" PLASTIC W/LOW POLY AND BEARINGS	
	400095	5" CASTER SOFT ROLL W/BEARINGS	
2	400204	8" PLASTIC W/POLY AND BEARINGS	1
	400206	8" PLASTIC W/PNEU AND BEARINGS	
3	400700	8" x 2" CMPST W/PNEU AND BEARINGS	1
	400702	8" x 2" CMPST W/PNEU INSERT AND BRNG	
4	349502	7/8 x 5/16 BEARINGS	2
4-6	400090	3" MICRO CASTER ONLY (EA)	1
	920025	3" MICRO CASTER W/BEARINGS (PR)	

ITEM	NUMBER	DESCRIPTION	QTY
4,5A,6	400107**	3" MICRO CASTER LIGHTED	1
	920077**	3" MICRO CASTER LIGHTED (PR)	
6	481013	BEARING SPACER	1
7	349528*	5/16 ID FLANGED BEARING	2
8	481099*	BEARING SPACER .960	1
9	384252*	8" x 1 1/2" POLYURETHANE TIRE	1
	400200	8" PLASTIC CASTER ONLY	
10	400207	SPACER 5/16 x .380	4
4,11A	400108**	4" MICRO CASTER LIGHTED	1
4,11	400115	4" PLASTIC W/POLY AND BEARINGS	

\* PART NUMBERS 349528, 481099, AND 384252 ARE USED FOR PARTS ONLY.

\*\* PART NUMBERS 400107, 400108, AND 920077 MICRO CASTERS LIGHTED INCLUDE BEARINGS

## CASTER/POLYURETHANE TIRE ASSEMBLIES (1.5" WIDE) (QUICKIE 2/2HP/GP/GPS/GPSA/GPV/LX/LX/RECLINER/REVOLUTION/T45/TS, ZIPPY GS/TS)

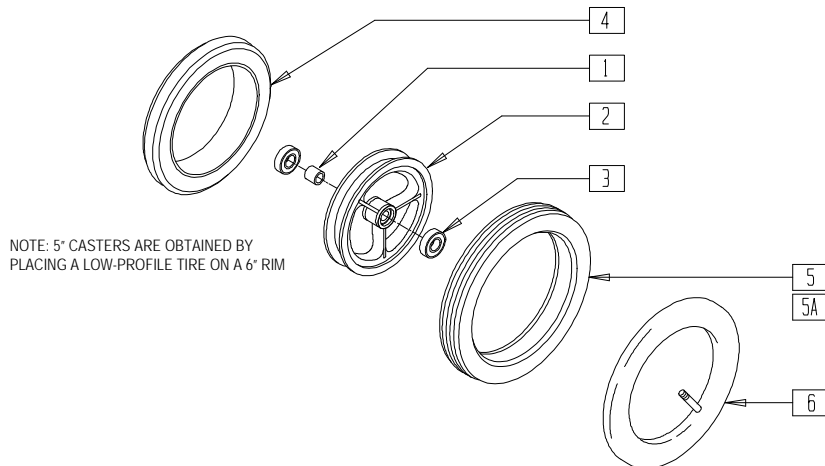


NU\_CSTRSA

ITEM	NUMBER	DESCRIPTION	QTY
1	349502	7/8 x 5/16 BEARING	2
2	481013	BEARING SPACER	1
3	400151	6" PLASTIC CASTER ONLY	1
4	400200	8" PLASTIC CASTER ONLY	1
5	384252	8" x 1 1/2" POLYURETHANE TIRE	1

ITEM	NUMBER	DESCRIPTION	QTY
6	384244	6" x 1 1/2" POLYURETHANE TIRE	1
9	481613	BEARING SPACER .450 CASTER	1
1,9,7	400148	5" PLST W/WIDE POLY AND BRNGS (1.5")	
	400157	6" PLST W/WIDE POLY AND BRNG (1.5")	
1,2,8	400705	8" PLST W/WIDE POLY AND BRNG (1.5")	

## 5" AND 6" ALUMINUM CASTER/TIRE ASSEMBLIES



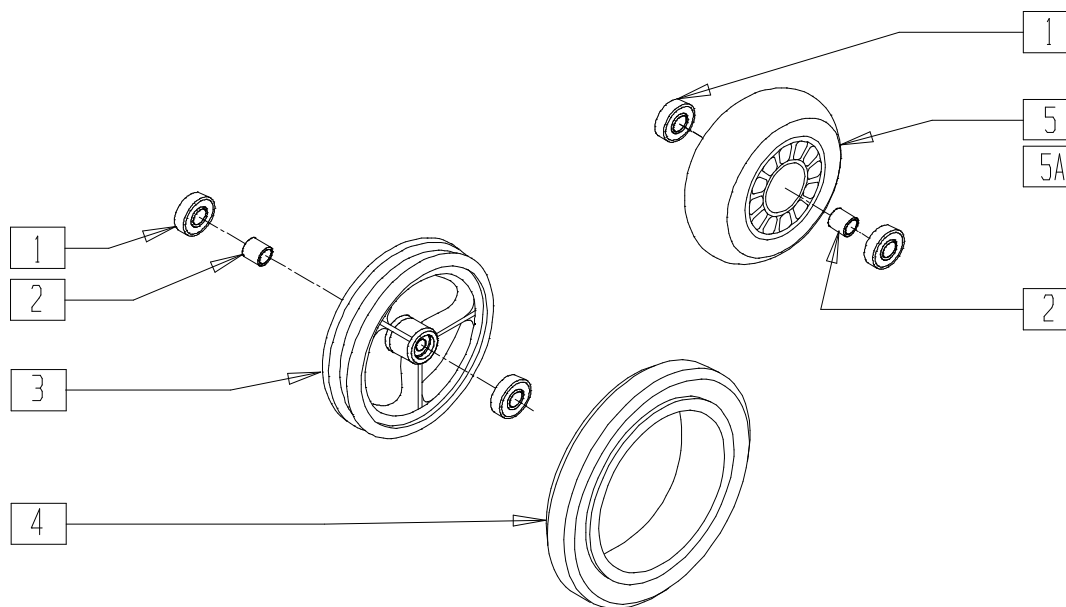
NOTE: 5" CASTERS ARE OBTAINED BY PLACING A LOW-PROFILE TIRE ON A 6" RIM

ALU0X01

ITEM	NUMBER	DESCRIPTION	QTY
1	481013	BEARING SPACER	1
2	500605	HUB 6"	1
3	349502	7/8 x 5/16 BEARING	2
4	384246	5" LOW POLYURETHANE TIRE	1
5	384245	6" SEMI PNEU (POLY) TIRE	1

ITEM	NUMBER	DESCRIPTION	QTY
5A,6	383245	6" PNEUMATIC TIRE & TUBE	1
1-3	400160	6" ALUM CASTER W/BEARINGS	
1-3,5	400162	6" ALUM W/SEMI PNEU (POLY) BRNGS	
1-4	400163	5" ALUM W/LOW POLY AND BEARINGS	
1-3,5A,6	400164	6" ALUM W/PNEU AND BEARINGS	

## CASTER WHEELS (QUICKIE XTR)



SUS0X31A

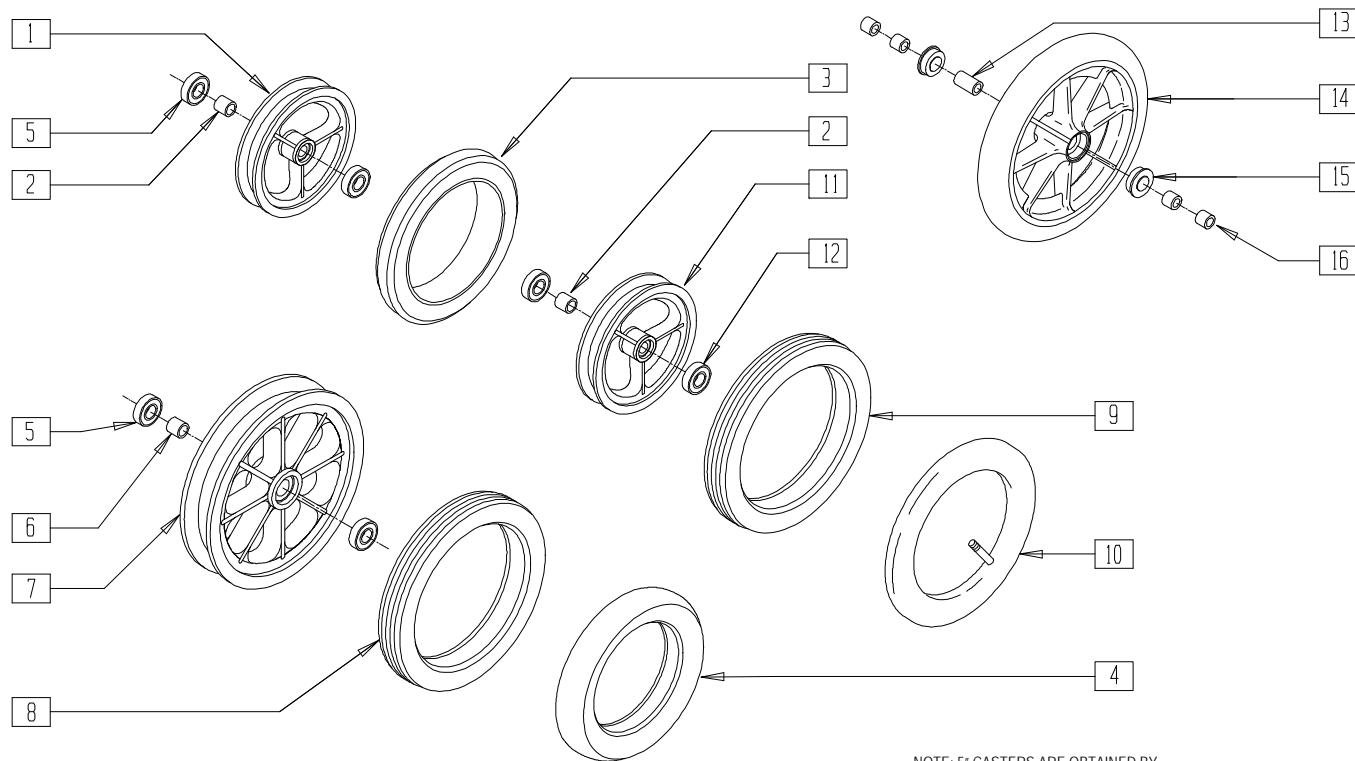
ITEM	NUMBER	DESCRIPTION	QTY
1	349502	7/8 x 5/16 BEARING	2
2	481013	BEARING SPACER	1
4	384246	5" LOW POLYURETHANE TIRE	1

ITEM	NUMBER	DESCRIPTION	QTY
5A	400107*	3" MICRO CASTER LIGHTED	1
1-4	400155	5" PLASTIC W/LOW POLY AND BEARING	
1,2,5	400092	3" MICRO CASTER W/BEARING	

NOTE: 5" CASTERS ARE OBTAINED BY PLACING A LOW PROFILE TIRE ON A 6" RIM.  
\*3" P/N 400107 MICRO CASTERS LIGHTED INCLUDE BEARINGS

## CASTER/TIRE ASSEMBLIES BREEZY 500/510/510 RECLINER/2/600)

(Breezy 2 discontinued 5/98 - parts only; Fits Breezy effective serial number BZ-200000)



NOTE: 5" CASTERS ARE OBTAINED BY  
PLACING A LOW-PROFILE TIRE ON A 6" RIM

BZ00X13A

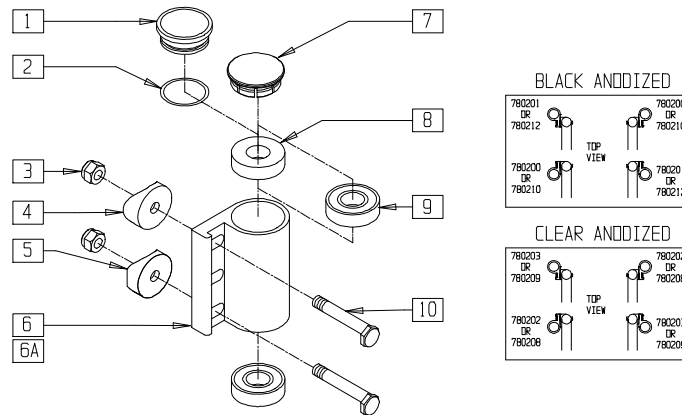
ITEM	NUMBER	DESCRIPTION	QTY
1	400151	6" PLASTIC CASTER ONLY	1
	400200	8" PLASTIC CASTER ONLY	
2	481613	BEARING SPACER .450 CASTER	1
3	384246	5" LOW POLYURETHANE TIRE	1
4	384244	6"x1 1/2" POLYURETHANE TIRE	1
	384252	8"x1 1/2" POLYURETHANE TIRE	
5	349505	BEARING 22mm x 8mm BR	1
6	481013	BEARING SPACER	1
8	384251	8" POLYURETHANE TIRE BR	1
	384245	6" SEMI PNEU (POLY) TIRE	
	383245	6" PNEUMATIC TIRE AND TUBE	
9	383250	8" PNEUMATIC TIRE	1
10	382250	8" TUBE	1
12	349502	7/8 x 5/16 BEARING	2

ITEM	NUMBER	DESCRIPTION	QTY
13	481099	BEARING SPACER .960	1
14	384252	8"x1 1/2 POLYURETHANE TIRE	1
	400200	8" PLASTIC CASTER ONLY	
15	349528	5/16 ID FLANGED BEARING	2
16	400207	SPACER 5/16 x.380	4
	1,5,6	400145	
		400205	8" PLASTIC CASTER W/BEARINGS BR
9,10	383255	8" PNEUMATIC TIRE AND TUBE	
1,5,6,8	400203	8" PLST W/LOW POLY AND BRNGS BR	
1,5,6,9,10	400208	8" PLST W/PNEUMATIC AND BRNGS BR	
1-3,5	400153	5" PLST W/LOW POLY AND BRNGS BR	
1,2,4,12	400157	6" PLASTIC W/WIDE POLY AND BRNGS	
1,4,6,12	400705	8" PLASTIC W/WIDE POLY AND BRNGS	
1,5,6,8	901011	B500 CASTER REPLACEMENT KIT	

NOTE: ITEM 3 MAY REQUIRE SPECIAL TOOL AND OR MAY BE DIFFICULT TO MOUNT. FOR COMPLETE ASSEMBLY, SEE CASTER/TIRE ASSEMBLIES ON PAGE 12.15.

# CASTER PLATE (FOR SWING-AWAY FRAMES)

(Discontinued 8/1/02 Quickie 2/2HP)



CF0X06

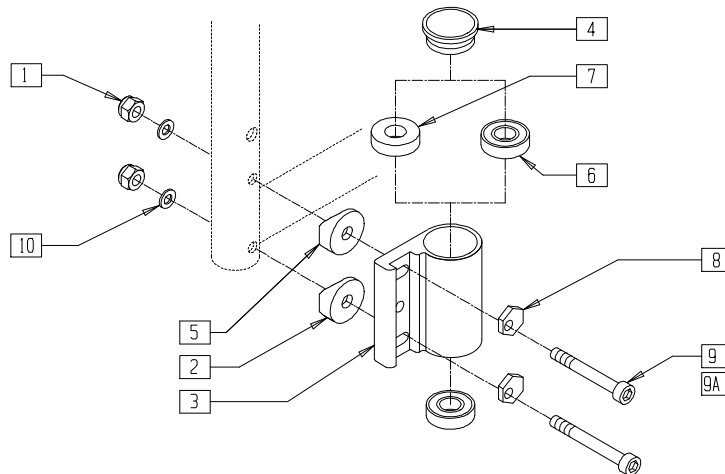
ITEM	NUMBER	DESCRIPTION	QTY
1,2*	880554	CASTER CAP W/O-RING ALUM CLR	1
2*	342006	CASTER CAP O-RING RUBBER	1
3	201120	1/4-28 AUTOMATION NUT	2
4	561004	1" SADDLE 1/4" HOLE	1
5	561086	1" HALF SADDLE 1/4" HOLE	1
6	501520, 501522	CASTER PLATE BLACK ONLY (EA)	1
6A	501519, 501521	CASTER PLATE ONLY CLEAR (EA)	1
7	561070 920028	CASTER CAP PLASTIC (EA) CASTER CAP PLASTIC (PR)	1
8	561050	ANTI-FLUTTER BUSHING	1

ITEM	NUMBER	DESCRIPTION	QTY
9	349500	1 1/8 x 1/2 BEARING	1,2
10	481017	1/4-28 x 1.688 ECCENTRIC BOLT	2
6,9	780210, 780212	CASTER PLATE DOUBLE BEARING BLK (5" CASTER) (EA)	
6A,9	780208, 780201	CASTER PLATE DOUBLE BEARING CLR (EA)	
6,8,9	780208, 780201	CASTER PLATE SINGLE BEARING BLK (EA)	
6A,8,9	780202, 780203	CASTER PLATE SINGLE BEARING CLR (EA)	
1-5,10	920079	CASTER PLATE HDWR KIT ALUM CAP CLR	
1,3-5,10	920201	CASTER PLATE HDWR KIT PLASTIC CAP	

\* USED ON CHAIRS PRIOR TO 4/99

# HIGH ANGLE CASTER PLATE (QUICKIE 2/2HP)

(Effective 8/1/02)



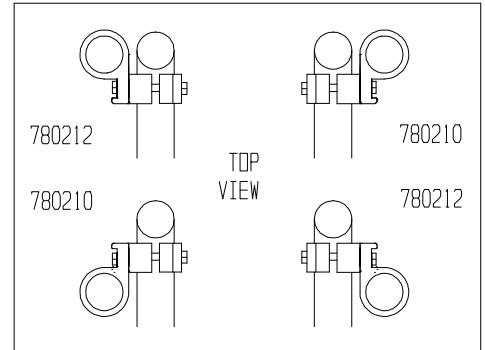
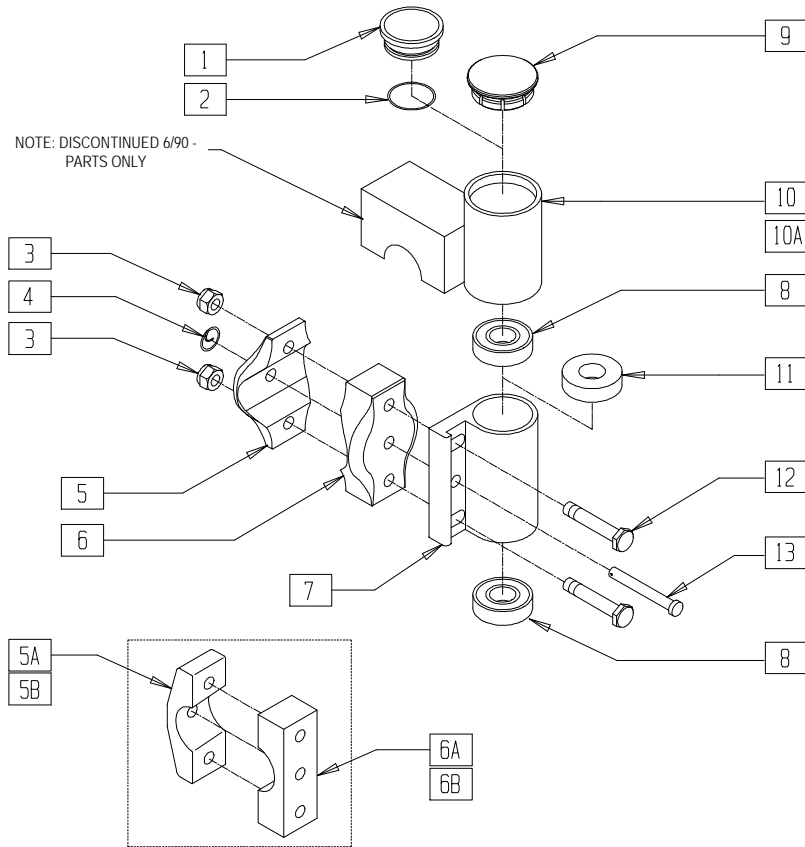
Q202X06

ITEM	NUMBER	DESCRIPTION	QTY
1	201120	1/4-28 AUTOMATION NUT	2
2	561086	1" HALF SADDLE 1/4" HOLE	1
3	551269, 551270	HA 1/4" CASTER HOUSING (EA)	1
4	561070 920028	CASTER CAP PLASTIC (EA) CASTER CAP PLASTIC (PR)	1
5	561004	1" SADDLE 1/4" HOLE	1
6	349500	1 1/8 x 1/2 BEARING	1,2
7	561050	ANTI-FLUTTER BUSHING	1

ITEM	NUMBER	DESCRIPTION	QTY
8	262128	WASHER ECCENTRIC HD 1/4" HOLE	2
9	225204	1/4-28 x 2 SOC HD C/S	2
9A	226257	1/4-28 x 2-1/4 SOC HD C/S	2
10	262100-QU	1/4 AN WASHER FLAT	2
1-3,5,8-10	920474	CASTER PLATE HI ANGLE HDWR KIT	
3,6	780204, 780205	CASTER PLATE HI ANG DBL BRNG (EA)	
3,6,7	780206, 780207	CASTER PLATE HI ANG SNG BRNG (EA)	

# CASTER PLATE(QUICKIE 2HP/2HPTi/GP/GPS/GPV/GPV Titanium/KIDZ/TRIUMPH)

(Quickie GPS and Triumph discontinued 2/01-Parts only)



CF0X08B

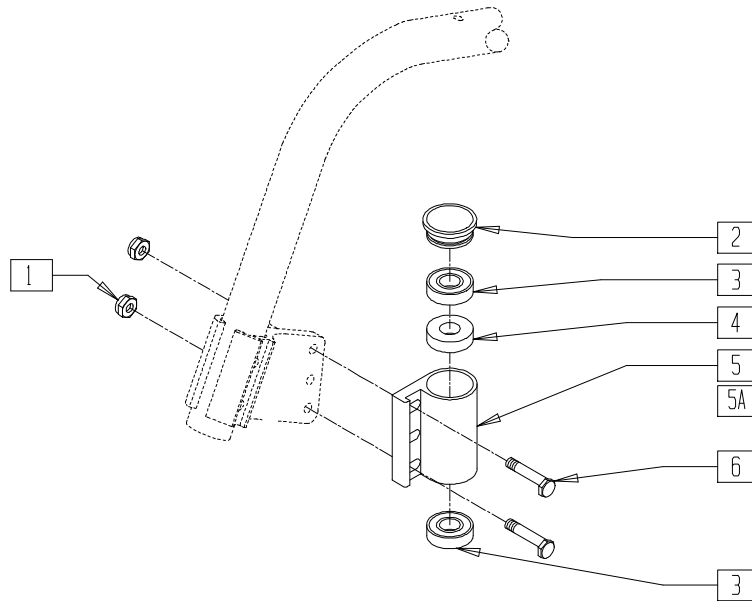
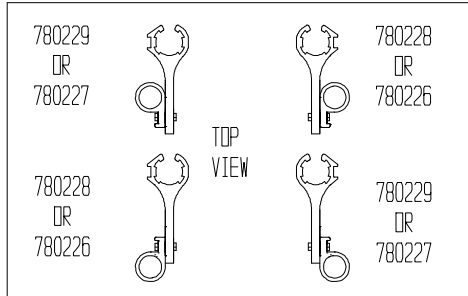
ITEM	NUMBER	DESCRIPTION	QTY
1,2*	880554	CASTER CAP W/O-RING ALUM CLR	
2*	342006	CASTER CAP O-RING RUBBER	1
3	201120	1/4-28 AUTOMATION NUT	2
4	349034	SAFETY COTTER	1
5	500306	INNER CLAMP HALF	1
5A	550762	CASTER CLAMP R LXJ RECESS	1
5B	550763	CASTER CLAMP L LXJ RECESS	1
6	500307	OUTER CLAMP HALF	1
6A	550760	CASTER CLAMP R LXJ	1
6B	550761	CASTER CLAMP L LXJ	1
8	349500	1 1/8 x 1/2 BEARING	1-2
9	561070	CASTER CAP PLASTIC (EA)	1
	920028	CASTER CAP PLASTIC (PR)	
10	561100	CASTER PLATE COVER R GP/2HP	1

ITEM	NUMBER	DESCRIPTION	QTY
10A	561102	CASTER PLATE COVER L GP/2HP	1-2
11	561050	ANTI-FLUTTER BUSHING	1
12	481017	1/4-28 x 1.688 ECCENTRIC BOLT	2
13	349027	1/4 x 2 CLEVIS PIN	1
7,8	780210, 780212	CASTER PLT DBL BEARING BLK (EA)	
	780208, 780209	CASTER PLT DBL BEARING CLR (EA)	
7,8,11	780200, 780201	CASTER PLT SINGLE BRNG BLK (EA)	
3-9 12,13	780060, 780061	CASTER PLT GP COMPLETE BLK (EA)	
	780040, 780041	CASTER PLT GP COMPLETE CLR (EA)	

\* USED ON CHAIRS PRIOR TO 4/99

# CASTER PLATE (QUICKIE EX)

(Discontinued 2/14/97 - parts only)



Drawing shows left side

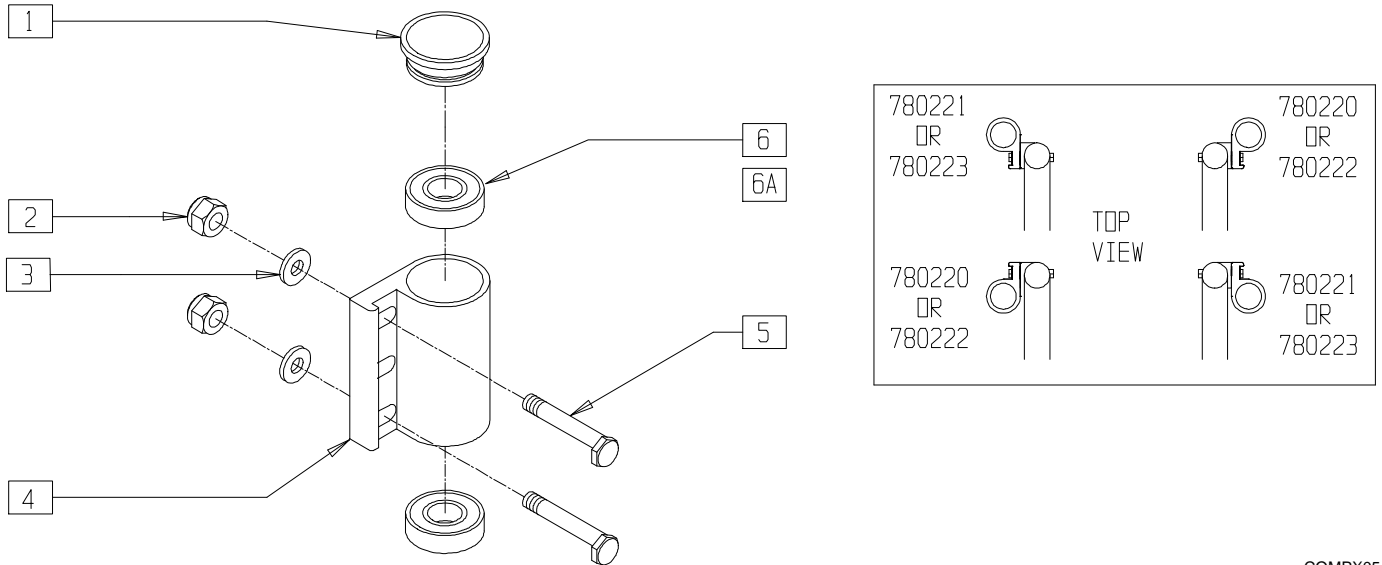
SP00X10

ITEM	NUMBER	DESCRIPTION	QTY
1	201120	1/4-28 AUTOMATION NUT	2
2	561070	CASTER CAP PLASTIC (EA)	1
	920028	CASTER CAP PLASTIC (PR)	
3	349500	1 1/8 x 1/2 BEARING	1-2
4	561050	ANTI-FLUTTER BUSHING	1
6	481344	1/4-28 x 7/8 ECCENTRIC BOLT BLK	2
3-5	780200	CASTER PLATE R SINGLE BEARING BLK	

ITEM	NUMBER	DESCRIPTION	QTY
3,4,5A	780201	CASTER PLATE L SINGLE BEARING BLK	
3,5	780210	CASTER PLATE R DBL BEARING BLK	
3,5A	780212	CASTER PLATE L DBL BEARING BLK	
1-3,5,6	780226	CASTER PLATE ASSM BEARING R EX	
1-3,5A,6	780227	CASTER PLATE ASSM BEARING L EX	
1-6	780228	CASTER PLATE ASSM BUSHING R EX	
1-5,6A	780229	CASTER PLATE ASSM BUSHING L EX	



## CASTER PLATE (QUICKIE CARBON) (Discontinued 3/1/95 - parts only)



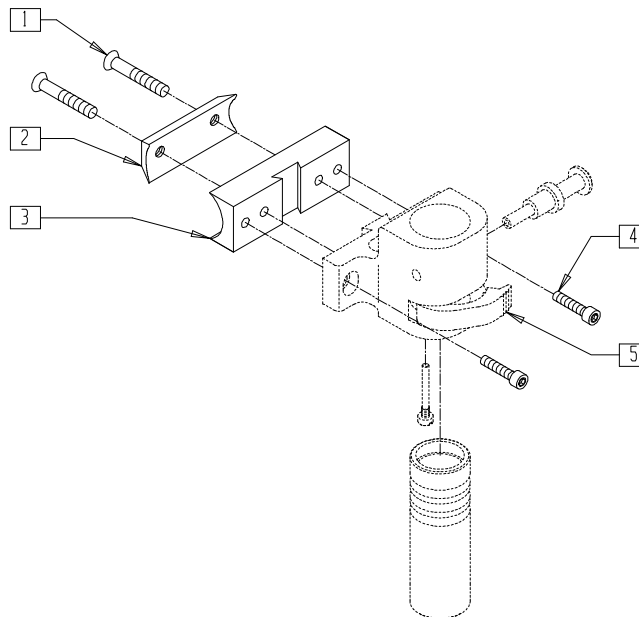
COMPX05

ITEM	NUMBER	DESCRIPTION	QTY
1	561070	CASTER CAP PLASTIC (EA)	1
	920028	CASTER CAP PLASTIC (PR)	
2	201120	1/4-28 AUTOMATION NUT	2
3	262120	1/4 SAE WASHER	2
5	481083	QC ECCENTRIC BOLT	2
6	349500	1 1/8 x 1/2 BEARING	1

ITEM	NUMBER	DESCRIPTION	QTY
6A	561050	ANTI-FLUTTER BUSHING	1
1-6,6A	780220, 780221	QC CASTER PLATE ASSEMBLY BUSHING (EA) (SPECIFY CLR/BLK)	
1-6	780222, 780223	QC CASTER PLATE ASSEMBLY BEARING (EA) (SPECIFY CLR/BLK)	

## CASTER ASSEMBLY (Quickie TNT)

(Discontinued 2/08/99 parts only)(replaced by caster stem assembly on page 12.21)



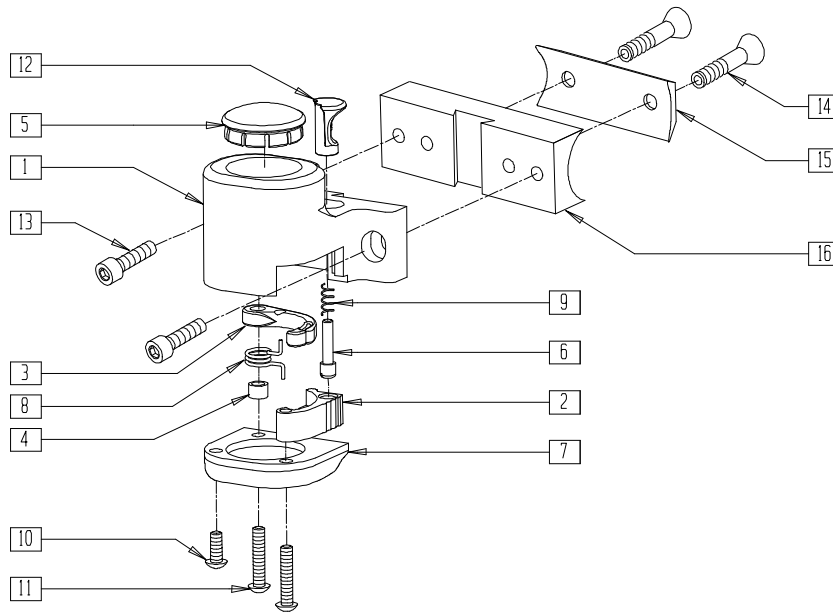
TNT00X06

ITEM	NUMBER	DESCRIPTION	QTY
1	226149	1/4-20 x 1 3/4" FH SOC C/S	2
2	550385, 551385	CASTER MOUNT CLAMP QTNT	1
	550389, 551389	CASTER REC MOUNT QTNT	

ITEM	NUMBER	DESCRIPTION	QTY
4	226074	1/4-20 x 1/2 SOC C/S	2
5	780130- 780133	CASTER PLATE ASSEMBLY QTNT (SPECIFY COLOR)	1

# CASTER ASSEMBLY (Quickie TNT)

(Quickie TNT discontinued 2/01-Parts only.)

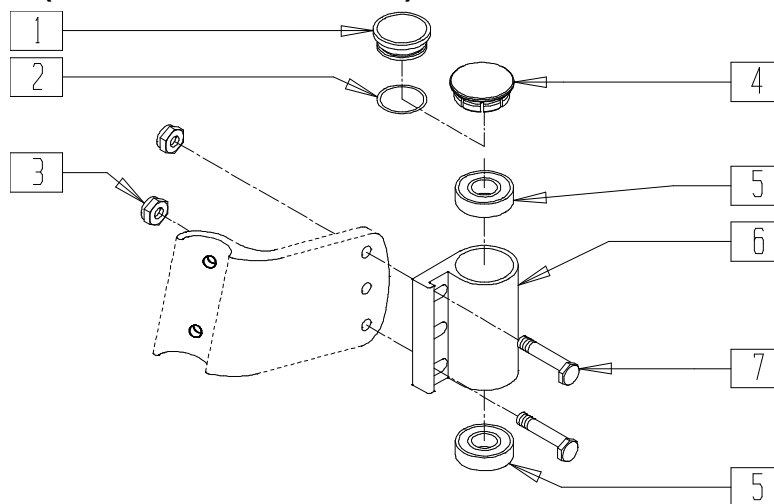


TNT00X6A

ITEM	NUMBER	DESCRIPTION	QTY
1	550430-550433	CSTR HOUSING LOCKING (SPECIFY COLOR)	1
2	500240, 500241	CASTER LEVER QTNT BLK (EA)	1
3	560177	CASTER LOCK QTNT	1
4	481169	LOCK SLEEVE QTNT	1
5	561261	SWING ARM CAP XTR	1
6	481127	CASTER PIN QTNT	1
7	500070-500073	BOTTOM CASTER PLATE QTNT (SPECIFY COLOR)	1
8	321167, 321169	SPRING TORSION QTNT	1

ITEM	NUMBER	DESCRIPTION	QTY
9	321168	SPRING .25 x 7/16	1
10	221300	10-32 x 1/2 SOC C/S BLK W/PATCH	1
11	226116	10-32 x 1" SOC C/S BLK	2
12	560178	CASTER BUTTON QTNT	1
13	226074	1/4-20 x 1/2 SOC C/S	2
14	226149	1/4-20 x 1 3/4 FH SOC C/S	2
15	550385, 551385	CASTER MOUNT CLAMP QTNT (SPECIFY COLOR)	1
16	550389, 551389	CASTER REC MOUNT QTNT (SPECIFY COLOR)	1
1-16	780130, 780133	CASTER PLATE ASSM QTNT (EA)	

## CASTER PLATE (QUICKIE REVOLUTION)



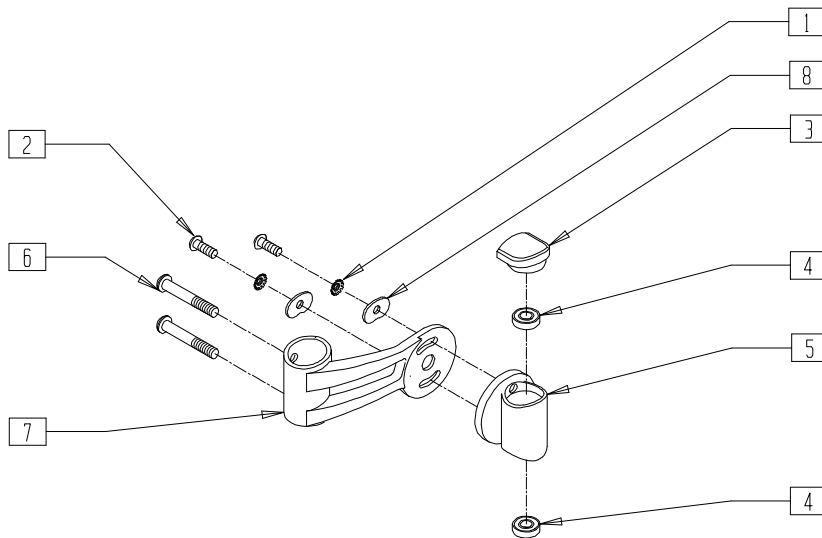
2D000X04

ITEM	NUMBER	DESCRIPTION	QTY
1,2*	880554	CASTER CAP W/O-RING ALUM CLR	
2*	342006	CASTER CAP O-RING RUBBER	1
3	201120	1/4-28 AUTOMATION NUT	2
4	561070	CASTER CAP PLASTIC (EA)	1
	920028	CASTER CAP PLASTIC (PR)	
5	349500	1 1/8" x 1/2" BEARING	2

ITEM	NUMBER	DESCRIPTION	QTY
7	481344	1/4-28 x 7/8 ECCENTRIC BOLT BLK	2
5,6	780210, 780212	CASTER PLATE DOUBLE BEARING BLK (EA)	
3-7	780230, 780231	CASTER PLATE ASSEMBLY BEARING RV (EA)	

\* USED ON CHAIRS PRIOR TO 499

## CASTER PLATE (QUICKIE XTR)

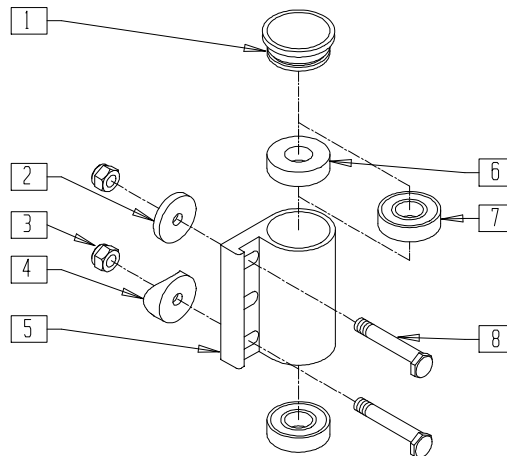


SUS00X28

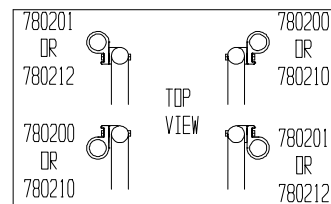
ITEM	NUMBER	DESCRIPTION	QTY
1	261535	1/4" WASHER STAR EXTERNAL	2
2	226154	1/4-20 x 1/2 BH C/S W/PATCH	2
3	561260	PLASTIC CASTER CAP	1
4	349500	1 1/8 x 1/2 BEARING	2
6	226079	1/4-20 x 1 1/2 BH C/S W/PATCH	2

ITEM	NUMBER	DESCRIPTION	QTY
7	506105, 506106	CASTER HOUSING ARM R XTR (EA)	1
8	481655	CASTER HOUSING WASHER XTR	2
4,5	780010	CASTER PLATE W/BEARINGS XTR	
1-8	780232	CASTER FLANGE ASSEMBLY R XTR	
1-7A,8	780233	CASTER FLANGE ASSEMBLY L XTR	

## CASTER PLATE (ZIPPIE GS)



BLACK ANODIZED

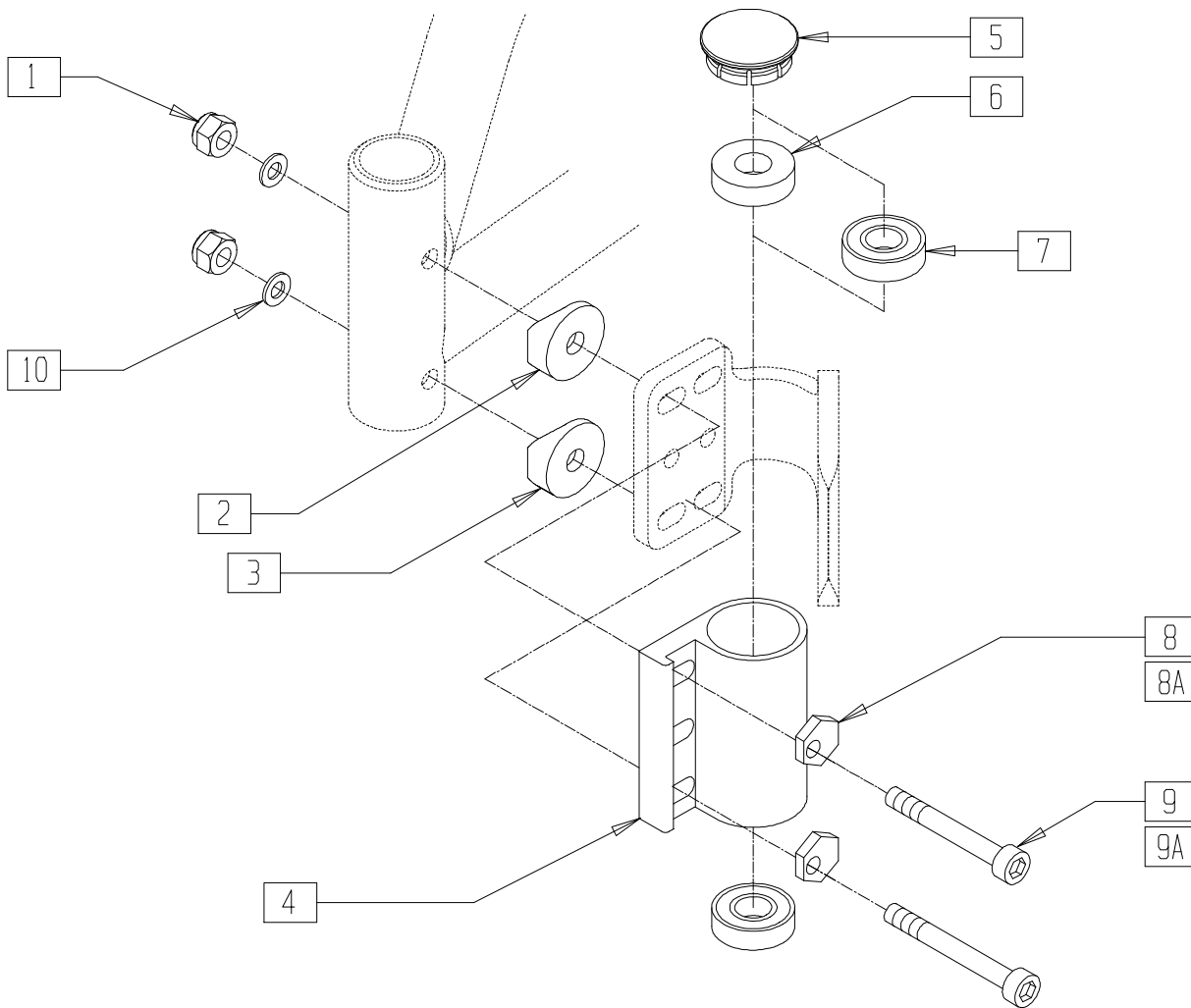


ZGS00X34

ITEM	NUMBER	DESCRIPTION	QTY
1	561070	CASTER CAP PLASTIC (EA)	1
	920028	CASTER CAP PLASTIC (PR)	
2	561086	1" HALF SADDLE 1/4" HOLE	1
3	201120	1/4-28 AUTOMATION NUT	2
4	561004	1" SADDLE 1/4" HOLE	1
5	501520, 501522	CASTER PLATE ONLY BLK	1

ITEM	NUMBER	DESCRIPTION	QTY
6	561050	ANTI-FLUTTER BUSHING	1
7	349500	1 1/8 x 1/2 BEARING	1-2
8	481017	1/4-28 x 1.6988 ECCENTRIC BOLT	2
5,7	780210, 780212	CASTER PLATE DOUBLE BEARING BLK (5" CASTER) (EA)	
5-7	780200, 780201	CASTER PLATE SINGLE BEARING BLK (EA)	

# CASTER PLATE (NEW ZIPPIE TS)



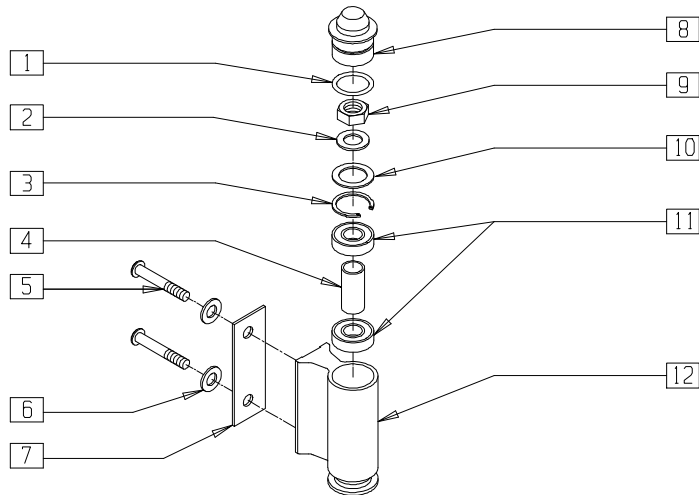
ZTS20X04

ITEM	NUMBER	DESCRIPTION	QTY
1	201120	1/4-28 AUTOMATION NUT	2
2	561086	1" HALF SADDLE 1/4" HOLE	1
3	561004	1" SADDLE 1/4" HOLE	1
4	501520, 501522	CASTER PLATE BLACK ONLY (EA)	1
5	561070 920028	CASTER CAP PLASTIC (EA) CASTER CAP PLASTIC (PR)	1
6	561050	ANTI-FLUTTER BUSHING	1
7	349500	1 1/8 x 1/2 BEARING	1,2
8	262128	WASHER ECCENTRIC HD 1/4" HOLE	2

ITEM	NUMBER	DESCRIPTION	QTY
*8A	481430	ECCENTRIC WASHER TRANSPORT	2
9	225204	1/4-28 x 2 SOC HD C/S	2
*9A	226257	1/4-28 x 2-1/4 SOC HD C/S	2
10	262110-QU	1/4 AN WASHER FLAT	2
4,6,7	780200, 780201	CASTER PLATE SNGLE BRNG BLK (EA)	
4,7	780210, 780212	CASTER PLATE DBL BRNG BLK (EA)	
1-3,5, 8-10	920474	CASTER PLATE HI ANGLE HDWR KIT	

NOTE: \* IS STANDARD HARDWARE FOR TRANSPORT OPTION.

## SWING-AWAY CASTER PLATE (QUICKIE T45)



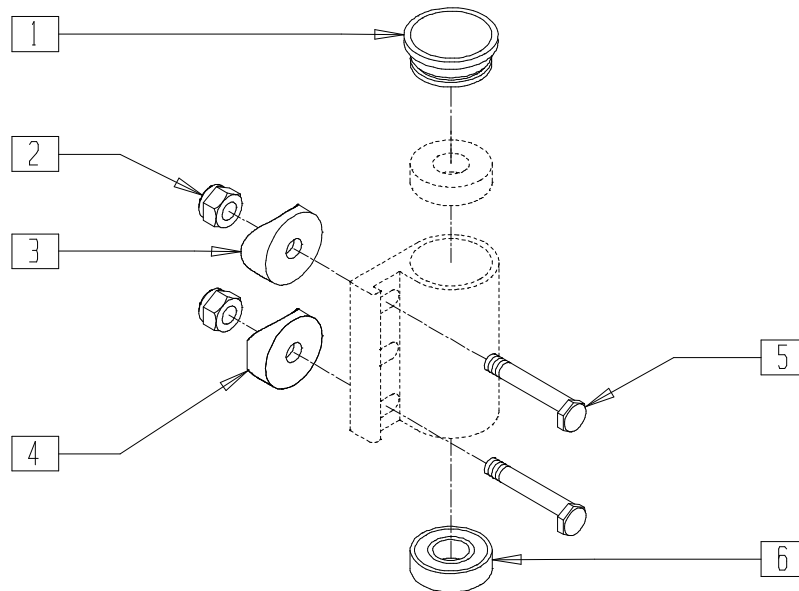
TSR00X27

ITEM	NUMBER	DESCRIPTION	QTY
1	342006	CASTER CAP O-RING RUBBER	1
2	264100	1/2 AN WASHER FLAT	1
3	342019	1 1/8 OD SNAP RING	1
4	521564	MAG BEARING SPACER	1
5	226190	5/16-18 x 1 3/4 BH C/S SHLDR	2
6	263100	5/16 AN WASHER FLAT	2
7	505296	CASTER SPACER T45	1

ITEM	NUMBER	DESCRIPTION	QTY
8	561371	CASTER CAP P2	1
9	203100	1/2-20 NYLOCK NUT	1
10	180065	ANTI-FLUTTER WASHER P2	1
11	349500	1 1/8 x 1/2 BEARING	2
12	501515	CASTER HOUSING ONLY T45	1
1,8	880589	CASTER CAP W/O-RING P2	
1-12	920098	CASTER ASSM W/HARDWARE T45 (EA)	

## CASTER PLATE (BREEZY 510/510 RECLINER/2/600)

(Discontinued 9/99 - parts only)

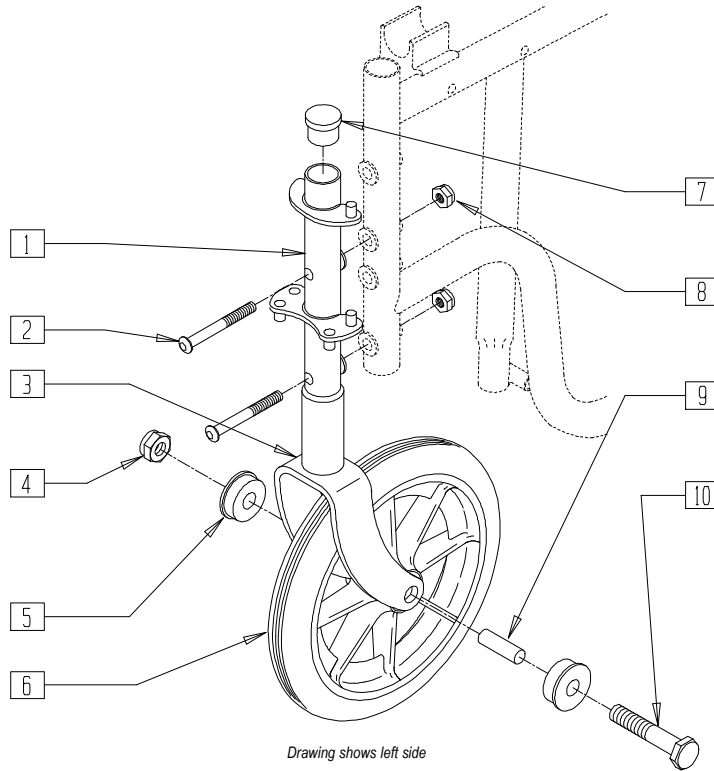


BZ00X14A

ITEM	NUMBER	DESCRIPTION	QTY
1	561070	CASTER CAP PLASTIC	1
2	201120	1/4-28 AUTOMATION NUT	2
3	561004	1" SADDLE 1/4" HOLE	1

ITEM	NUMBER	DESCRIPTION	QTY
4	561086	1" HALF SADDLE 1/4" HOLE	1
5	481017	1/4-28 x 1.688 ECCENTRIC BOLT	2
6	349500	BEARING 1 1/8" x 1/2" BR	1

# BOLT-ON FRONT END AND CASTER ASSEMBLY (BREEZY 100)



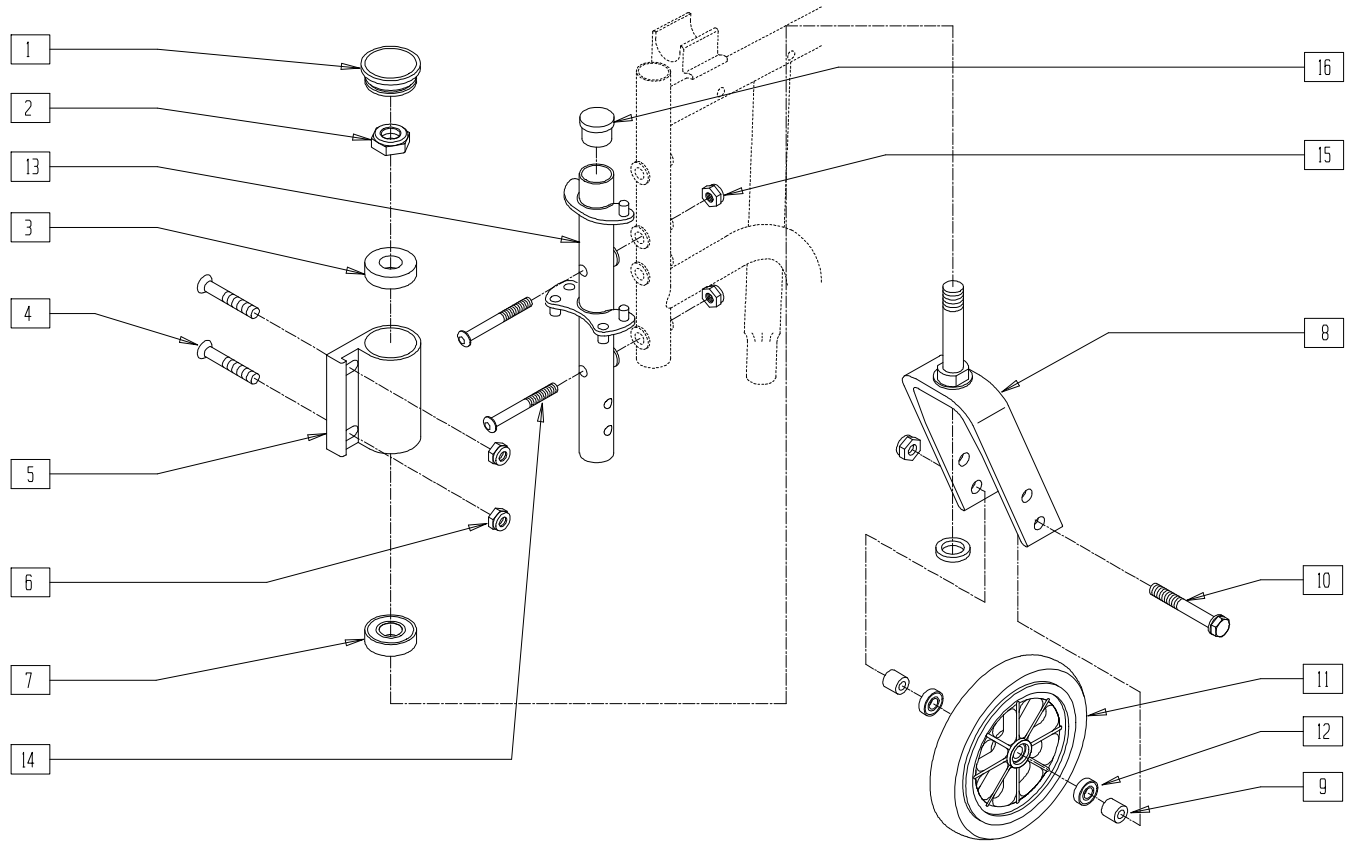
Drawing shows left side

BRZ10X05

ITEM	NUMBER	DESCRIPTION	QTY
4-6,9,10	222-0637	8" CASTER W/BEARINGS AND HDWR	1
1-3,7,8	222-0614L	BOLT ON FRNT END W/FRK L (BZ100) (EA)	1
	222-0614R	BOLT ON FRNT END W/FRK R (BZ100) (EA)	

ITEM	NUMBER	DESCRIPTION	QTY
1-10	222-0533L	BOLT ON FRNT END W/CSTR L (BZ100) (EA)	1
	222-0533R	BOLT ON FRNT END W/CSTR R (BZ100) (EA)	

# BOLT-ON FRONT END AND CASTER ASSEMBLY (BREEZY 150)



BZ150X02

ITEM	NUMBER	DESCRIPTION	QTY
1	222-0785	CASTER STEM CAP	1
8	222-0780	8" WHEEL CASTER FORK W/STEM	1
13	222-0777L	BOLT ON FRNT END W/FRK L (BZ150)(EA)	1
	222-0777R	BOLT ON FRNT END W/FRK R (BZ150)(EA)	
3,7	222-0782	CASTER STEM BEARINGS	2
10-12	222-0784	8" WHEEL W/CASTER BEARINGS	1

ITEM	NUMBER	DESCRIPTION	QTY
8,13-16	222-0778L	BOLT ON FRNT END W/FRK L (BZ150)(EA)	1
	222-0778R	BOLT ON FRNT END W/FRK R (BZ150)(EA)	
1-16	222-0779L	BOLT ON FRNT END W/CSTR L (BZ150)(EA)	1
	222-0779R	BOLT ON FRNT END W/CSTR R (BZ150)(EA)	
1-7	222-0781L	CASTER PLATE AND MOUNT HDWR L	1
	222-0781R	CASTER PLATE AND MOUNT HDWR R	



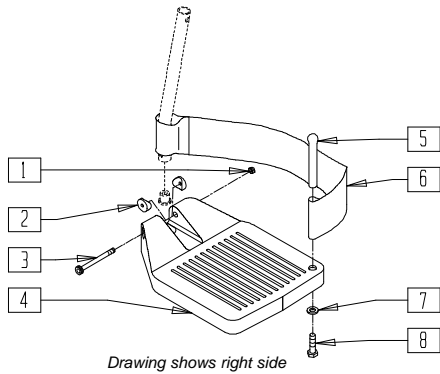


# Footrests

## IN THIS SECTION

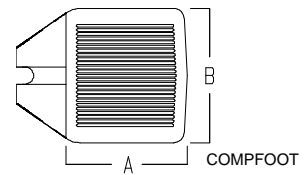
Composite Footplate.....	14.1	ELR Aluminum Footplate (All Quickie Products) ..	14.15
Footrest Extension Tube (Manual)(Disc.) .....	14.1	Aluminum Footplate (M6) .....	14.15
Footrest Extension Tube (Breezy) .....	14.2	Rigid Footrest (Quickie 1/GP 60°/70°).....	14.16
Double D Footrest Extension Tube (Standard and“V” Hangers)(Disc.) .....	14.2	Footrest (Quickie Carbon Rigid) (Disc.).....	14.16
Double D Footrest Extension Tube (Standard and“V” Hangers).....	14.3	Footrest (Quickie EX) (Disc.).....	14.17
Footrest Extension Tube Clamp-on Hangers (Breezy) (Disc.).....	14.3	Footrest (Quickie GPV/GPV Titanium) .....	14.17
Footrest Extension Tube (“V” Hangers)(Disc.) .....	14.4	Footrest (Quickie ST).....	14.18
Flip-up Footrest with Plastic Cover and Heel Loop (Disc.).....	14.4	Footrest (Quickie XTR).....	14.18
Loop Footrest with Foam (Disc.) .....	14.5	Tubular Footrest (Quickie Ti Titanium).....	14.19
Footrest Extension.....	14.5	Tubular Footrest w/cover (Quickie Ti Titanium) ....	14.19
Loop Footrest Extension Tube (Disc.) .....	14.6	Tubular Footrest w/Flared Cover (Quickie Ti Titanium).....	14.20
Reverse-mount Footrest (Disc.).....	14.6	Quickie Ti Titanium Footrest replacement info .....	14.20
Foam Footplate.....	14.7	Platform Footrest (Quickie R2) .....	14.21
Foam Footplate Reference Guide .....	14.7	Platform Footrest (Quickie GPS/Revolution/Triumph).....	14.21
Angle-adjustable Footplate (Disc.).....	14.8	Platform Footrest (Quickie DT) .....	14.22
Adult Angle-adjustable Footplate .....	14.9	Platform Footrest (Quickie GP).....	14.22
Adult Angle-adjustable Footplate Reference Guide.....	14.9	Platform Footrest (Quickie GPV/ GPV Competition/GPV Titanium).....	14.23
Adult Angle-adjustable Footplate (70°,80°,90° Front Drilled - Footplate Mount Directly to Hanger - Heavy Duty Hangers) .....	14.10	Platform Footrest (Quickie TNT) (Disc.) .....	14.23
Adult Angle-adjustable Footplate - 90° Reference Guide.....	14.10	Platform Footrest (Quickie Kidz).....	14.24
Flip-up Footplate 10”-16” (Disc.).....	14.11	High-mount Footrest (Quickie Kidz) .....	14.24
High-mount Extension Tube.....	14.11	Platform Footrest (Quickie XTR).....	14.25
Kids Angle-adjustable Footplate Assembly - Extension Mount .....	14.12	Platform Footrest (Quickie Ti Titanium) .....	14.26
Kids Angle-adjustable Footplate Assembly (70°,80°,90° Front Drilled - Footplate Mount Directly to Hanger - Heavy Duty Hangers) .....	14.12	Quickie Ti Titanium Platform Footrest replacement info .....	14.26
Swing-away Footplate (Breezy 100/150).....	14.13	(Quickie GP/GPV/Ti) (Disc.) .....	14.27
Heel Loop (Breezy 100/150).....	14.13	Platform Flip-up Footrest (Quickie 2) (Disc.) .....	14.28
Extended Footplate - Composite (Disc.).....	14.14	Platform Flip-up Footrest (Quickie 2/GP/GPV/ GPSA/LX/LXI/Rx/,Zippie/Zippie GS/TS) .....	14.29
		Platform Flip-up Footrest Reference Guide.....	14.30
		90° Solid Footboard .....	14.31
		Angle Adjustable Locking Footplate (Quickie 2) ...	14.32
		Contracture Footrest System (Quickie TS).....	14.33

# COMPOSITE FOOTPLATE



Drawing shows right side

## MEASURING GUIDE



PART NUMBER	"A"	"B"
921161	4 1/2"	6"
921162	5 1/2"	6"
921163	6 1/2"	6"

FT0X01

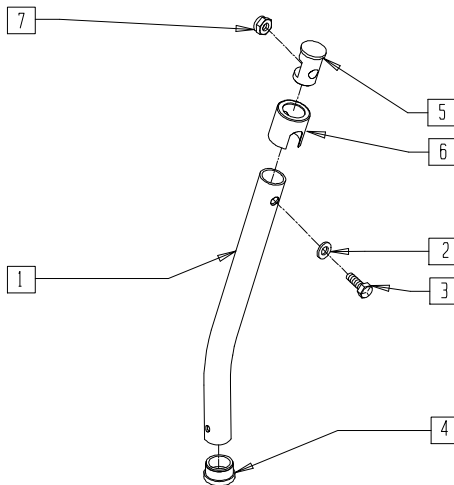
ITEM	NUMBER	DESCRIPTION	QTY
1	201100-QU	1/4-28 NYLOCK NUT THIN	1
2	561003*	3/4" SADDLE THIN	2
3	226165	1/4-28 x 2 1/2 SOC C/S	1
4	561200	CMPST FOOTPLATE 14"-15" (16"-18" "V")	1
	561210	CMPST FOOTPLATE 16"-17" (19"-20" "V")	
	561220	CMPST FOOTPLATE 18"-20"	
5	561040	HEEL LOOP PEG	1
6	741151-741153	HEEL LOOP 14"-20" CMPST (EA)	1
	902270-902272	HEEL LOOP 14"-20" CMPST (PR)	
	741154-741156	HEEL LOOP 14"-20" CMPST HEMI (EA)	
	902260-902262	HEEL LOOP 14"-20" CMPST HEMI (PR)	
	741210-741212	HEEL LOOP 14"-20" BREEZY (EA)	

ITEM	NUMBER	DESCRIPTION	QTY
6	902290-902292	HEEL LOOP 14"-20" BREEZY (PR)	1
7	262110-OU	1/4 AN WASHER FLAT THIN	1
8	221110	1/4-20 x 1 HEX C/S	1
1,3,4	921180-921185	CMPST FOOTPLATE ASSEMBLY (EA)	
	921151-921153	CMPST FOOTPLATE ASSEMBLY (PR)	
1,3-8	921190-921195	CMPST FOOTPLATE ASSEMBLY W/HEEL LOOP (EA)	
	921161-921163	CMPST FOOTPLATE ASSEMBLY W/HEEL LOOPS (PR)	
	921167-921169	CMPST FOOTPLATE ASSEMBLY HEMI W/HEEL LOOPS (PR)	
	921140-921145	CMPST FOOTPLATE ASSEMBLY HEMI W/HEEL LOOP (EA)	

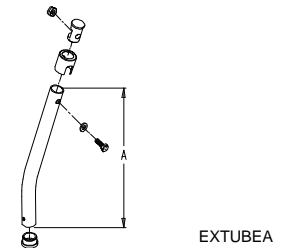
NOTE: ORDER ITEM 2 PRIOR TO 8/13/01

# FOOTREST EXTENSION TUBE (MANUAL)

(Discontinued for 60°, 70°, and 70° "V" style Hangers 10/23/99- Parts only)



## MEASURING GUIDE



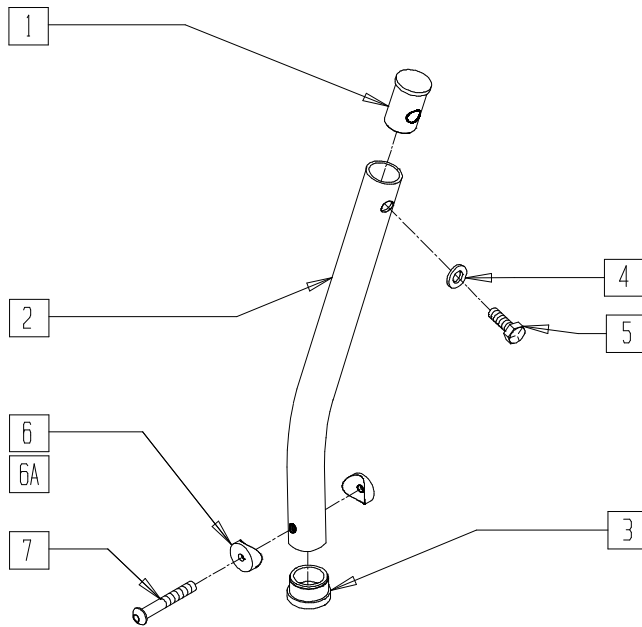
	"A"
SHORT	6 5/8"
MED	9"
LONG	11 5/8"
X-LONG	13 1/2"

FT0X02B

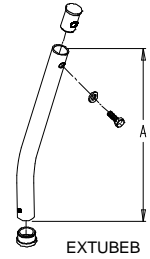
ITEM	NUMBER	DESCRIPTION	QTY
1	521010	FOOTREST EXT TUBE ONLY SHT BLK	1
	521011	FOOTREST EXT TUBE ONLY MED BLK	
	521012	FOOTREST EXT TUBE ONLY LNG BLK	
	521013	FOOTREST EXT TUBE ONLY X-LNG BLK	
2	262130	6mm WASHER WAVE	1
3	221110	1/4-20 x 1 HEX C/S	1
4	561000-QU	3/4" INSERT PLUG .083	1

ITEM	NUMBER	DESCRIPTION	QTY
5	483553	FOOTREST INSERT PLUG Q2	1
6	560750	BUSHING FOOTREST Q2N	1
7	201136	1/4-20 NYLOCK NUT	1
1-7	921221	FOOTREST EXT TUBE SHT ASSM BLK (EA)	
	921222	FOOTREST EXT TUBE MED ASSM BLK (EA)	
	921223	FOOTREST EXT TUBE LNG ASSM BLK (EA)	
	921224	F/REST EXT TUBE X-LNG ASSM BLK (EA)	

# FOOTREST EXTENSION TUBE (BREEZY)



## MEASURING GUIDE



	"A"
SHORT	6 5/8"
MED	9"
LONG	11 5/8"
X-LONG	13 1/2"

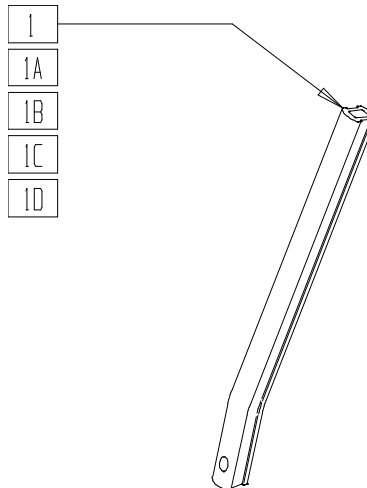
FT0X02E

ITEM	NUMBER	DESCRIPTION	QTY
1	483001	O2 FRAME/FOOT RETAINING PLUG	1
2	522610	FOOTREST EXT TUBE ONLY SHT	1
	522611	FOOTREST EXT TUBE ONLY MED	
	522612	FOOTREST EXT TUBE ONLY LONG	
	522613	FOOTREST EXT TUBE ONLY X-LONG	
3	560741	3/4" INSERT PLUG RIBBED	1
4	262130	6mm WASHER WAVE	1
5	221110	1/4-20 x 1 HEX C/S	1
6	561003	3/4" SADDLE THIN	2
6A	561055	3/4" SADDLE 1" OD	2

ITEM	NUMBER	DESCRIPTION	QTY
7	226167	1/4-28 X 1.625 BH C/S BLK	1
1-7	921441	FOOTREST EXT TUBE SHT ASSM CLR	
	921442	FOOTREST EXT TUBE MED ASSM CLR	
	921443	FOOTREST EXT TUBE LNG ASSM CLR	
	921444	FOOTREST EXT TUBE X-LNG ASSM CLR	
1-6A,7	921484	F/REST EXT TB SHT ASSM ANG ADJ	
	921485	F/REST EXT TB MED ASSM ANG ADJ	
	921486	F/REST EXT TB LNG ASSM ANG ADJ	
	921487	F/RST EXT TB XLNG ASSM ANG ADJ	

# DOUBLE D FOOTREST EXTENSION TUBE (STANDARD AND "V" HANGERS)

(Effective 10/23/99 - discontinued 8/13/01- Parts only)



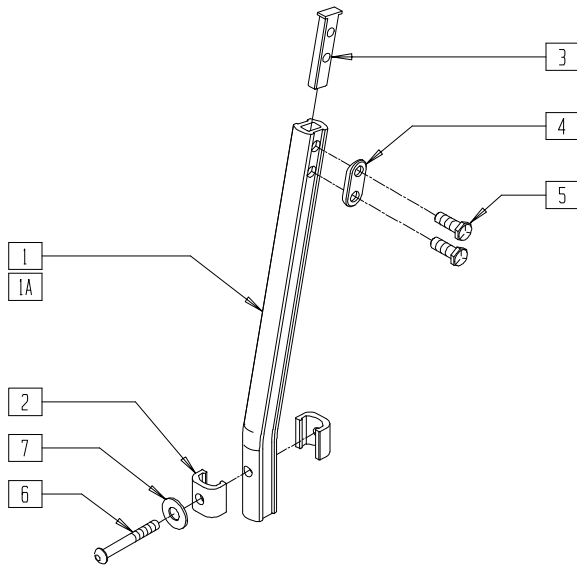
FTEXT01A

ITEM	NUMBER	DESCRIPTION	QTY
1	550764	S/A HANGER EXT D2 SHORT BLK	1
1A	550765	S/A HANGER EXT D2 MED BLK	1
1B	550766	S/A HANGER EXT D2 LONG BLK	1

ITEM	NUMBER	DESCRIPTION	QTY
1C	523135,	FOOTREST EXT TUBE "V" D2 MED (EA)	1
	523136		
1D	523137,	FOOTREST EXT TUBE "V" D2 LONG (EA)	1
	523138		

# DOUBLE D FOOTREST EXTENSION TUBE (STANDARD AND "V" HANGERS)

(Effective 8/13/01)



## MEASURING GUIDE



PGUIDE01

STD	"A"	"V"	"A"
SHORT	7"	SHORT	7"
MED	9 1/2"	MED	9"
LONG	12"	LONG	11"
X-LONG	14"	X-LONG	13"

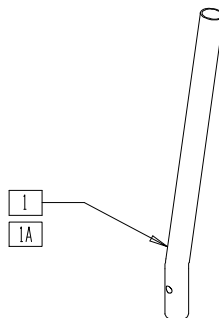
PFT0X04

ITEM	NUMBER	DESCRIPTION	QTY
1	550819	EXT TBE S/A ONLY SHT	1
	550820	EXT TBE S/A ONLY MED	
	550821	EXT TBE S/A ONLY LONG	
	550822	EXT TBE S/A ONLY X-LNG	
1A	550834,	EXT TBE "V" ONLY D2 SHT (EA)	1
	550835,	EXT TBE "V" ONLY D2 MED (EA)	
	550836,		
	550837		
	550838,	EXT TBE "V" ONLY D2 LNG (EA)	
550839	EXT TBE "V" ONLY D2 X-LNG (EA)		
550840,			
550841			
2	483718	HANGER EXTENSION SADDLE	2
3	500078	INSERT D2 EXT TUBE	1
4	483717	HANGER SADDLE	1
5	221102	1/4-28 x 3/4 HEX HEAD C/S BLK W/PTCH	2
6	227140	1/4-28 x 1 3/4 BH C/S BLK ZN	1
7	262120	1/4" SAE WASHER	1
1-5	921759	EXT TBE S/A SHT ASSM PCKT	
	921760	EXT TBE S/A MED ASSM PCKT	
	921761	EXT TBE S/A LNG ASSM PCKT	
	921762	EXT TBE S/A X-LNG ASSM PCKT	

ITEM	NUMBER	DESCRIPTION	QTY
1A,2-5	921681,	EXT TBE "V" D2 SHT ASSM PCKT (EA)	
	921682		
	921683,	EXT TBE "V" D2 MED ASSM PCKT (EA)	
	921684		
1-7	921685,	EXT TBE "V" D2 LNG ASSM PCKT (EA)	
	921686		
	921687,	EXT TBE V D2 X-LNG ASSM PCKT (EA)	
	921688		
1-7	921693	EXT TBE S/A SHT ANG ADJ PCKT	
	921694	EXT TBE S/A MED ANG ADJ PCKT	
	921695	EXT TBE S/A LNG ANG ADJ PCKT	
	921696	EXT TBE S/A XLNG ANG ADJ PCKT	
1A,2-7	921588,	EXT TB V D2 SHT ANG ADJ PCKT (EA)	
	921589		
	921590,	EXT TB V D2 MED ANG ADJ PCKT (EA)	
	921591		
	921592,	EXT TB V D2 LNG ANG ADJ PCKT (EA)	
	921593		
921594,	EXT TB V D2 XLNG ANG AD PCKT (EA)		
921595			

# FOOTREST EXTENSION FOR TUBE CLAMP-ON HANGERS (BREEZY)

(Discontinued - parts only)



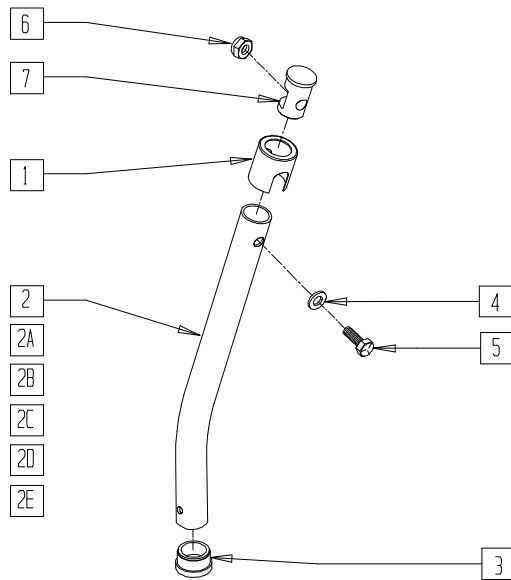
BASIC12

ITEM	NUMBER	DESCRIPTION	QTY
1	521082	FOOTREST EXTENSION TUBE B500/P120	1

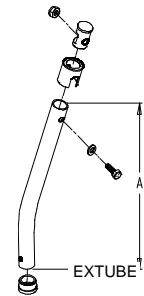
ITEM	NUMBER	DESCRIPTION	QTY
1A	521092	FOOTREST EXTENSION TUBE HEMI BR	1

# FOOTREST EXTENSION TUBE ("V" HANGERS)

(Discontinued 10/23/99- Parts only)



## MEASURING GUIDE



	"A"
SHORT	7"
MED	8 7/8"
LONG	11 3/8"

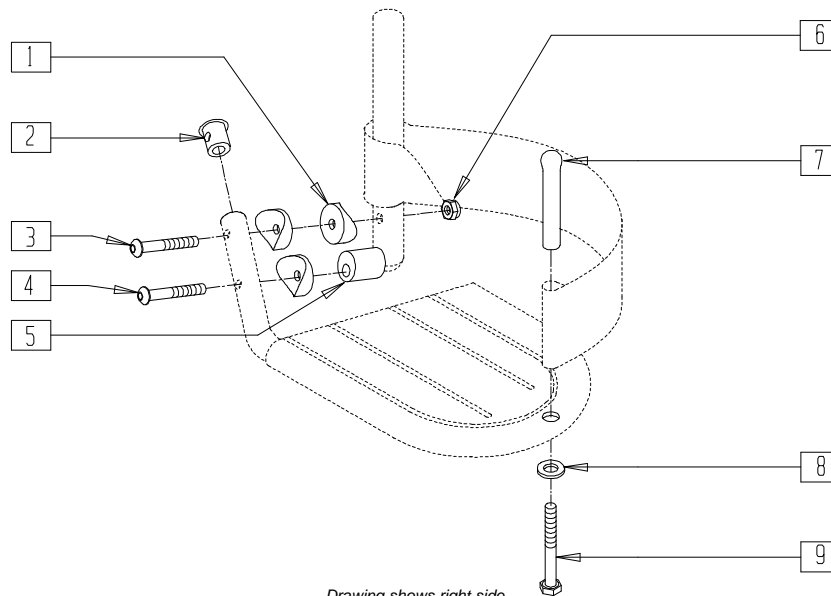
FT0X02C

ITEM	NUMBER	DESCRIPTION	QTY
1	560750	BUSHING FOOTREST O2N	1
2	521040	FOOTPLATE EXT TUBE ONLY "V" SHT R	1
2A	521041	FOOTPLATE EXT TUBE ONLY "V" SHT L	1
2B	521042	FOOTPLATE EXT TUBE ONLY "V" MED R	1
2C	521043	FOOTPLATE EXT TUBE ONLY "V" MED L	1
2D	521044	FOOTPLATE EXT TUBE ONLY "V" LNG R	1
2E	521045	FOOTPLATE EXT TUBE ONLY "V" LNG L	1
3	561000-QU	3/4" INSERT PLUG .083	1
4	262130	6mm WASHER WAVE	1

ITEM	NUMBER	DESCRIPTION	QTY
5	221110	1/4-20 x 1 HEX C/S	1
6	201136	1/4-20 NYLOCK NUT HIGH	1
7	483553	FOOTREST INSERT PLUG O2	1
1-7	921186	"V" FOOTPLATE EXT TUBE SHT R ASSM	
1-2A,3-7	921196	"V" FOOTPLATE EXT TUBE SHT L ASSM	
1-2B,3-7	921187	"V" FOOTPLATE EXT TUBE MED R ASSM	
1-2C,3-7	921197	"V" FOOTPLATE EXT TUBE MED L ASSM	
1-2D,3-7	921188	"V" FOOTPLATE EXT TUBE LNG R ASSM	
1-2E,3-7	921198	"V" FOOTPLATE EXT TUBE LNG L ASSM	

# FLIP-UP FOOTREST WITH PLASTIC COVER AND HEEL LOOP

(Discontinued 11/9/94 - parts only)



Drawing shows right side

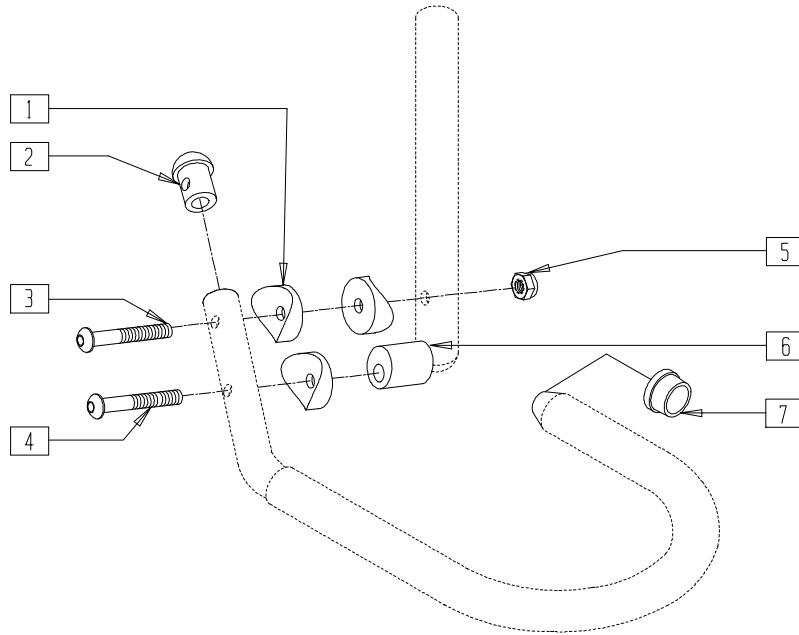
FT0X03

ITEM	NUMBER	DESCRIPTION	QTY
1	561003	3/4" SADDLE THIN	3
2	561034	SHORT DOME PLUG	1
3	226150	1/4-28 x 2 BH C/S	1
4	226130	1/4-28 x 1 1/2 BH C/S	1
5	483003	FLIP FOOT CAM	1

ITEM	NUMBER	DESCRIPTION	QTY
6	201120	1/4-28 AUTOMATION NUT	1
7	561040	HEEL LOOP PEG	1
8	262100-QU	1/4 AN WASHER FLAT	1
9	221140	1/4-20 x 1 3/4 HEX C/S	1

# LOOP FOOTREST WITH FOAM

(Discontinued 11/9/94 - parts only)

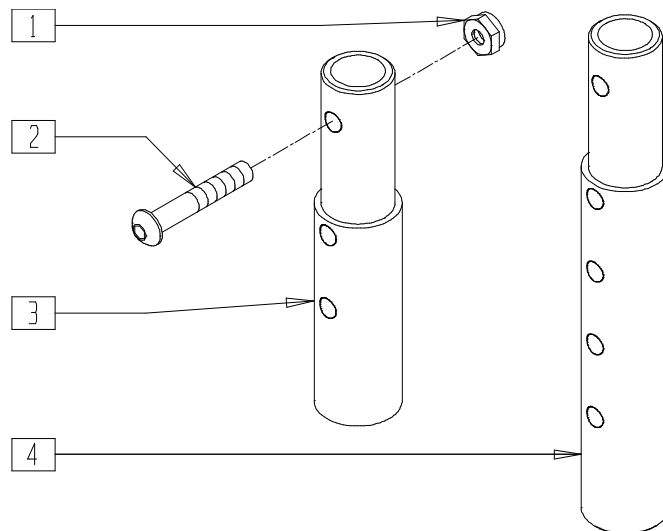


FT0X04

ITEM	NUMBER	DESCRIPTION	QTY
1	561003	3/4" SADDLE THIN	3
2	561034	SHORT DOME PLUG	1
3	226150	1/4-28 x 2 BH C/S	1
4	226130	1/4-28 x 1 1/2 BH C/S	1

ITEM	NUMBER	DESCRIPTION	QTY
5	201120	1/4-28 AUTOMATION NUT	1
6	483003	FLIP FOOT CAM	1
7	561000-QU	3/4" INSERT PLUG .083	1

# FOOTREST EXTENSION



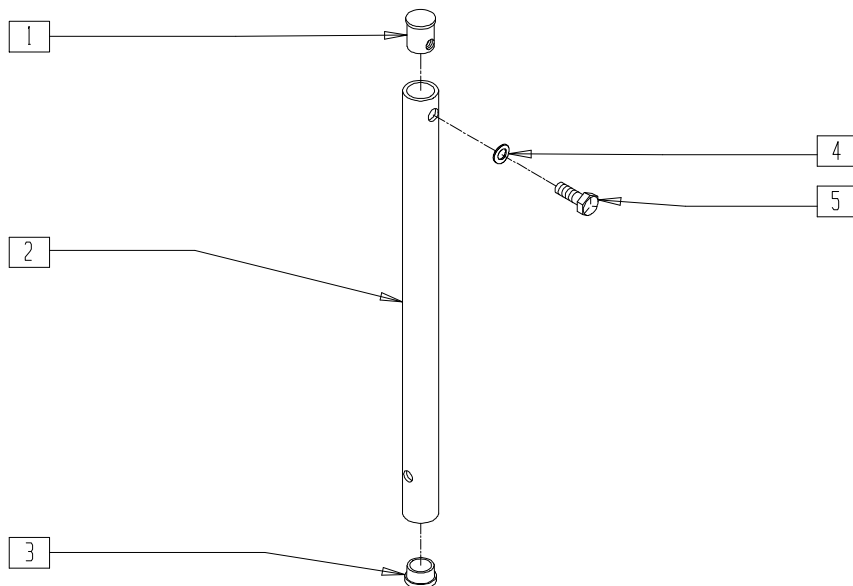
TSR00X07

ITEM	NUMBER	DESCRIPTION	QTY
1	201100-QU	1/4-28 NYLOCK NUT THIN	1
2	226129	1/4-28 x 1 1/4 BH C/S	1
3	500150	2" FOOTREST EXTENSION TUBE	1

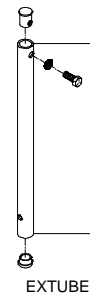
ITEM	NUMBER	DESCRIPTION	QTY
4	483051	4" FOOTREST EXTENSION TUBE T45	1
1-3	881403	2" FTRST EXT TUBE W/HDWR ASSEMBLY	
1,2,4	881404	4" FTRST EXT TUBE W/HDWR ASSEMBLY	

# LOOP FOOTREST EXTENSION TUBE

(Discontinued 11/9/94 - parts only)



## MEASURING GUIDE



EXTUBE1

	"A"
SHORT	5 3/4"
MED	8 3/8"
LONG	10 7/8"
X-LONG	12 7/8"

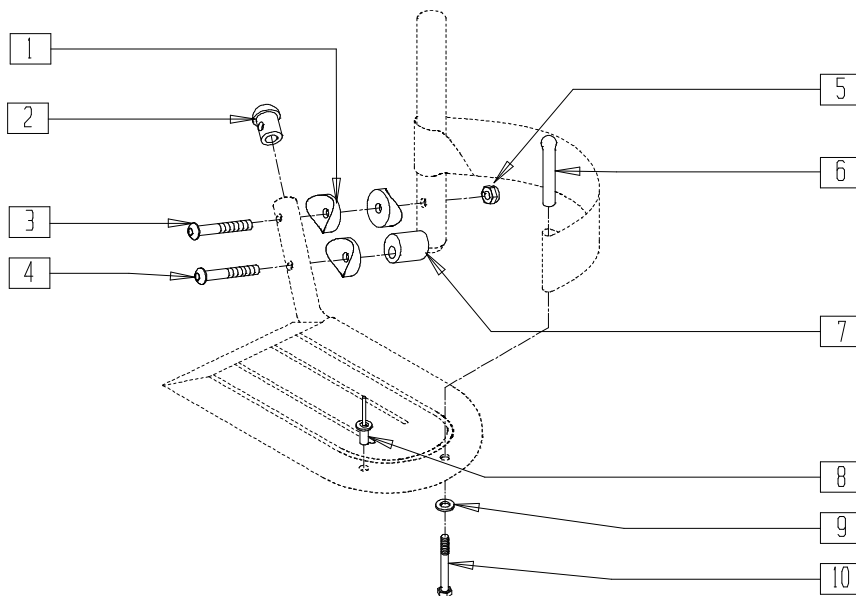
FT0X05

ITEM	NUMBER	DESCRIPTION	QTY
1	483001	Q2 FRAME/FOOT RETAINING PLUG	1
2	521000-521007	FLIP-UP FOOT EXTENSION TUBE ONLY (EA)	1
3	561000-OU	3/4" INSERT PLUG .083	1
4	262130	6mm WASHER WAVE	1
5	221110	1/4-20 x 1 HEX C/S	1

ITEM	NUMBER	DESCRIPTION	QTY
1-5	921210-921217	FLIP-UP FOOT EXTENSION TUBE ASSEMBLY (PR)	
	921200	FLIP-UP FOOT EXT TUBE ASSM SHT (PR)	
	921202	FLIP-UP FOOT EXT TUBE ASSM MED (PR)	
	921204	FLIP-UP FOOT EXT TUBE ASSM LNG (PR)	
	921205	FLIP-UP FOOT EXT TUBE ASSM X-LNG (PR)	

# REVERSE-MOUNT FOOTREST

(Discontinued 11/9/94 - parts only)



Drawing shows right side

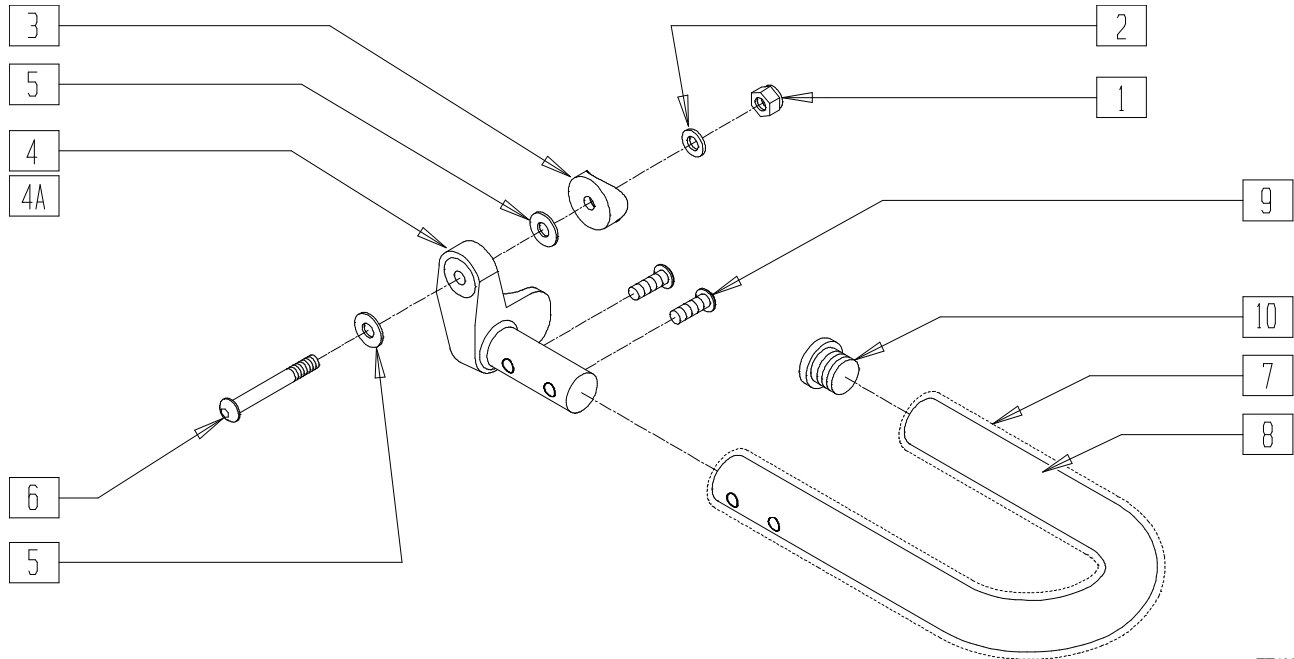
FT0X06

ITEM	NUMBER	DESCRIPTION	QTY
1	561003	3/4" SADDLE THIN	3
2	561034	SHORT DOME PLUG	1
3	226150	1/4-28 x 2 BH C/S	1
4	226130	1/4-28 x 1 1/2 BH C/S	1
5	201120	1/4-28 AUTOMATION NUT	1

ITEM	NUMBER	DESCRIPTION	QTY
6	561040	HEEL LOOP PEG	1
7	483003	FLIP FOOT CAM	1
8	240112	RIVET POP SD46BS BLK	1
9	262100-OU	1/4 AN WASHER FLAT	1
10	221140	1/4-20 x 1 3/4 HEX C/S	1

# FOAM FOOTPLATE

(Effective 8/13/01)



FT0X030A

ITEM	NUMBER	DESCRIPTION	QTY
1	201120	1/4-28 AUTOMATION NUT	1
2	262110-QU	1/4 AN WASHER FLAT THIN	1
3*	561055	3/4" SADDLE 1" OD	1
4	541004, 541005	FTRST MNTG BRKT THREAD-3/8 (EA)	1
5**	262120	1/4" SAE WASHER	1
6***	227140	1/4-28 x 1 3/4 BH C/S BLK ZN	1
7	560650- 560654	LOOP FOAM FOOTREST COVER	1

ITEM	NUMBER	DESCRIPTION	QTY
8	522480- 522484	FOOTREST TUBE LOOP	1
9	226168	1/4-28 x .875 BH C/S	2
10	560735	7/8" ROUND TUBE PLUG	1
1-10	820420- 820429	FOOTREST LOOP (EA)	
	921300- 921304	FOOTREST LOOP (PR)	

\*NOTE: ORDER ITEM 3 PRIOR TO 8/13/01

\*\*NOTE: ONLY 1 WASHER PRIOR TO 8/13/01

\*\*\*NOTE: ORDER PART 226167 PRIOR TO 8/13/01

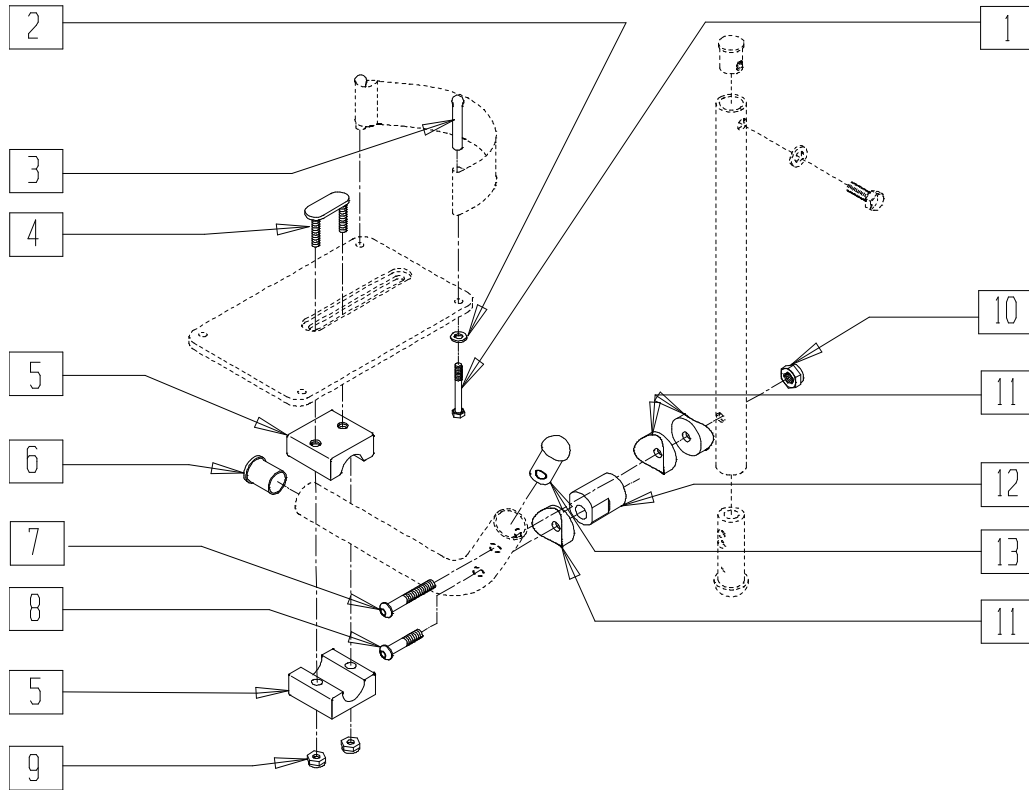
## FOAM FOOTPLATE REFERENCE GUIDE

	11"	12"	13"	14"	15"	16"	17"	18"	19"	20"
<b>Loop Style Footrest</b>										
Right Assembly	820420	820422	820422	820424	820424	820426	820426	820428	820428	820428
Left Assembly	820421	820423	820423	820425	820425	820427	820427	820429	820429	820429
Pair Assembly	921300	921301	921301	921302	921302	921303	921303	921304	921304	921304
<b>Loop Style "V" Footrest</b>										
Right Assembly	N/A	N/A	N/A	820420	820422	820422	820424	820424	820426	820428
Left Assembly	N/A	N/A	N/A	820421	820423	820423	820425	820425	820427	820429
Pair Assembly	N/A	N/A	N/A	921300	921301	921301	921302	921302	921303	921304



# ANGLE-ADJUSTABLE FOOTPLATE

(Discontinued 11/9/94 - parts only)



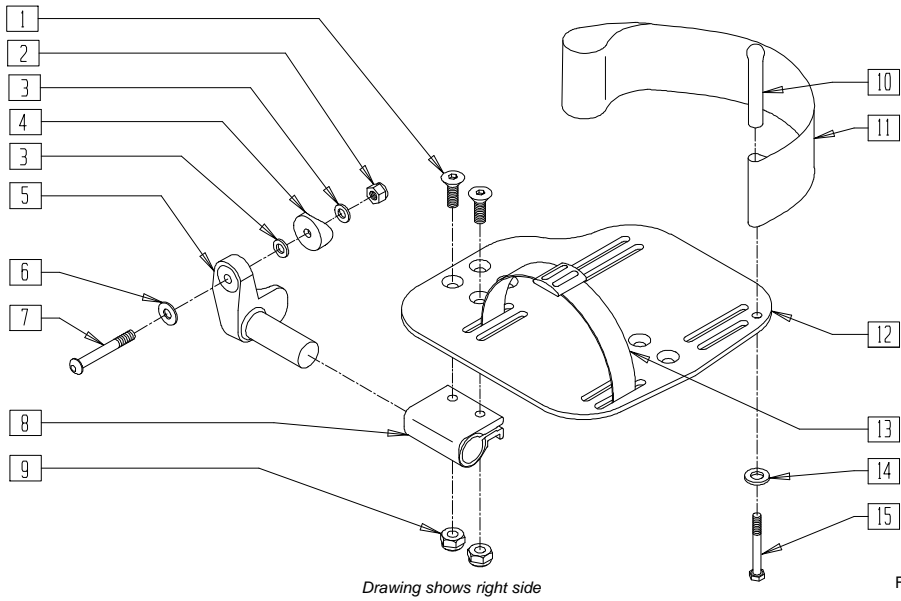
Drawing shows left side

FT0X017

ITEM	NUMBER	DESCRIPTION	QTY
1	221110	1/4-20 x 1 HEX C/S	2
2	262110-QU	1/4 AN WASHER FLAT THIN	2
3	561040	HEEL LOOP PEG	2
4	330120	SOLID FT/ANGLE ADJ DOUBLE T BOLT	1
5	550410	SOLID FOOT/ANGLE ADJ CLAMP	2
6	561000-QU	3/4" INSERT PLUG .083	1
7	226150	1/4-28 x 2 BH C/S	1

ITEM	NUMBER	DESCRIPTION	QTY
8	226130	1/4-28 x 1 1/2 BH C/S	1
9	201105	1/4-20 NYLOCK NUT THIN	2
10	201120	1/4-28 AUTOMATION NUT	1
11	561003	3/4" SADDLE THIN	3
12	483003	FLIP FOOT CAM	1
13	561034	SHORT DOME PLUG	1

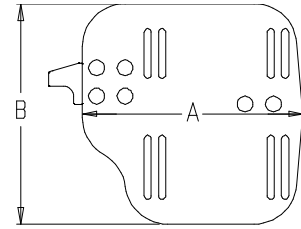
# ADULT ANGLE-ADJUSTABLE FOOTPLATE



Drawing shows right side

FT0X029

## MEASURING GUIDE



MGUIDE17

CHAIR WIDTH	"A"	"B"
10"-11"	3 1/2"	7 1/4"
12"-13"	4 1/2"	7 3/4"
14"-15"	5 1/2"	7 3/4"
16"-17"	6 1/2"	7 3/4"
18"-20"	7 1/2"	7 3/4"

ITEM	NUMBER	DESCRIPTION	QTY
1	226099	1/4-28 x 7/8 FH C/S	2
2	201120	1/4-28 AUTOMATION NUT	1
3	262110-QU	1/4 AN WASHER FLAT THIN	1
4*	561055	3/4" SADDLE 1" OD	1
5	541002, 541003	FOOTREST MNTG BRACKET - 3/8 RAD	1
6**	262120	1/4 SAE WASHER	1
7***	226147	1/4-28 X 1.85 BH C/S BLK ZN	1
8	550350	3/4" CLAMP ADJ FOOTPLATE	1
9	201100-QU	1/4-28 NYLOCK NUT THIN	2
10	561040	HEEL LOOP PEG	1
11	741153, 741252, 741253	HEEL LOOP (EA)	1

ITEM	NUMBER	DESCRIPTION	QTY
12	500656-500665	ADULT ANGLE ADJUSTABLE FOOTPLATE 12"-20"	1
13	740260	TOE-ANKLE STRAP ADJ ADULT FOOTPLATE	1
14	262110-QU	1/4 AN WASHER FLAT THIN	1
15	221110	1/4-20 x 1 HEX C/S	1
1-3,5-9, 12	820460-820536	FOOTPLATE ADULT ADJUSTABLE 10"-20" (EA)	1
1-3,5-12, 14,15	820461-820532	FOOTPLATE ADULT ADJUSTABLE HEEL LOOP 10"-20" (EA)	
1-3,5-9, 12	921320-921466	FOOTPLATE ADULT ADJUSTABLE 10"-20" (PR)	
1-3,5-12, 14,15	921321-921462	FOOTPLATE ADULT HEEL LOOP 10"-20" (PR)	

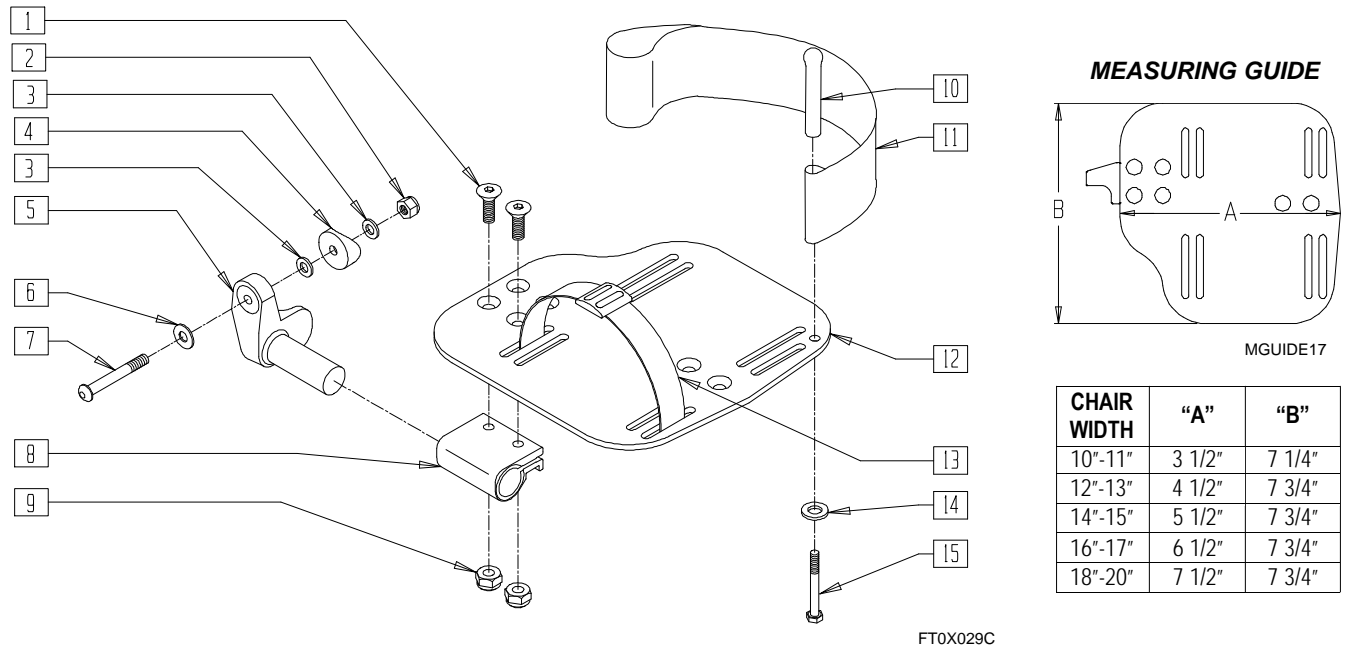
NOTE: FOR HIGH-MOUNT ADULT ANGLE-ADJUSTABLE FOOTPLATE, ORDER HIGH-MOUNT EXTENSION TUBE ON PAGE 14.11.

\*NOTE: ORDER ITEM 4 FOR CHAIRS PRIOR TO 8/13/01 \*\*NOTE: ONLY 1 WASHER PRIOR TO 8/13/01 \*\*\*NOTE: ORDER PART 226167 PRIOR TO 8/13/01

## ADULT ANGLE-ADJUSTABLE FOOTPLATE REFERENCE GUIDE

	10"	11"	12"	13"	14"	15"	16"	17"	18"	19"	20"
<b>Adult Angle-adjustable Footplate</b>											
Right	820524	820524	820526	820526	820460	820460	820464	820464	820468	820468	820468
Right w/HL	820520	820520	820522	820522	820461	820461	820465	820465	820469	820469	820469
Left	820534	820534	820536	820536	820462	820462	820466	820466	820470	820470	820470
Left w/HL	820530	820530	820532	820532	820463	820463	820467	820467	820471	820471	820471
Pair	921464	921464	921466	921466	921320	921320	921322	921322	921324	921324	921324
Pair w/HL	921460	921460	921462	921462	921321	921321	921323	921323	921325	921325	921325
<b>Adult Angle-adjustable "V" Footplate</b>											
Right	N/A	N/A	N/A	N/A	N/A	N/A	820460	820460	820460	820464	820464
Right w/HL	N/A	N/A	N/A	N/A	N/A	N/A	820461	820461	820461	820465	820465
Left	N/A	N/A	N/A	N/A	N/A	N/A	820462	820462	820462	820466	820466
Left w/HL	N/A	N/A	N/A	N/A	N/A	N/A	820463	820463	820463	820467	820467
Pair	N/A	N/A	N/A	N/A	N/A	N/A	921320	921320	921320	921322	921322
Pair w/HL	N/A	N/A	N/A	N/A	N/A	N/A	921321	921321	921321	921323	921323

# ADULT ANGLE-ADJUSTABLE FOOTPLATE (70°,80°,90° FRONT DRILLED - FOOTPLATE MOUNT DIRECTLY TO HANGER - HEAVY DUTY HANGERS)



ITEM	NUMBER	DESCRIPTION	QTY
1	226099	1/4-28 x 7/8 FH C/S	2
2	201120	1/4-28 AUTOMATION NUT	1
3	262110-QU	1/4 AN WASHER FLAT THIN	2-3
4	561004	1" SADDLE 1/4" HOLE	1
5	541000, 541001	FOOTREST MNTG BRACKET - 1" RAD	1
6	262120	1/4 SAE WASHER	1
7	226167	1/4-28 x 1.625 BH C/S BLK	1
8	550350	3/4" CLAMP ADJ FOOTPLATE	1
9	201100-QU	1/4-28 NYLOCK NUT THIN	2
10	561040	HEEL LOOP PEG	1
11	741153, 741252, 741253	HEEL LOOP (EA)	1

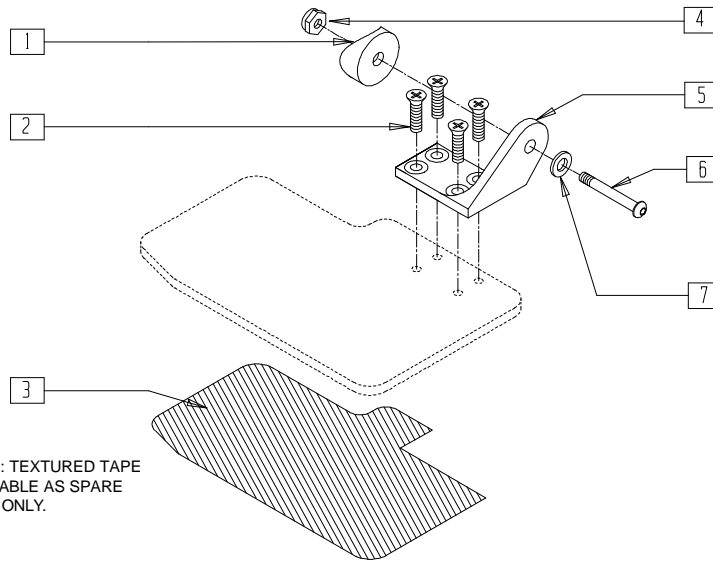
ITEM	NUMBER	DESCRIPTION	QTY
12	500656- 500665	ADULT ANGLE ADJUSTABLE FOOTPLATE 10"-20" (EA)	1
13	740260	TOE-ANKLE STRAP ADJ ADULT FOOTPLATE	1
14	262110-QU	1/4 AN WASHER FLAT THIN	1
15	221110	1/4-20 x 1 HEX C/S	1
1-9,12	820472- 820556	FOOTPLATE ADULT ADJUSTABLE 90° 10"-20" (EA)	
1-12, 14,15	820478- 820552	FOOTPLATE ADULT ADJUSTABLE 90° 10"-20" HL (EA)	
1-9,12	921330- 921476	FOOTPLATE ADULT ADJUSTABLE 90° 10"-20" (PR)	
1-12, 14,15	921333- 921472	FOOTPLATE ADULT ADJUSTABLE 90° 10"-20" HL (PR)	

## ADULT ANGLE-ADJUSTABLE FOOTPLATE - 90° REFERENCE GUIDE

	10"	11"	12"	13"	14"	15"	16"	17"	18"	19"	20"
Right	820544	820544	820546	820546	820472	820472	820474	820474	820476	820476	820476
Right w/HL	820540	820540	820542	820542	820478	820478	820480	820480	820482	820482	820482
Left	820554	820554	820556	820556	820473	820473	820475	820475	820477	820477	820477
Left w/HL	820550	820550	820552	820552	820479	820479	820481	820481	820483	820483	820483
Pair	921474	921474	921476	921476	921330	921330	921331	921331	921332	921332	921332
Pair w/HL	921470	921470	921472	921472	921333	921333	921334	921334	921335	921335	921335

# FLIP-UP FOOTPLATE 10"-16"

(Discontinued 7/5/93 - parts only)



Drawing shows left side

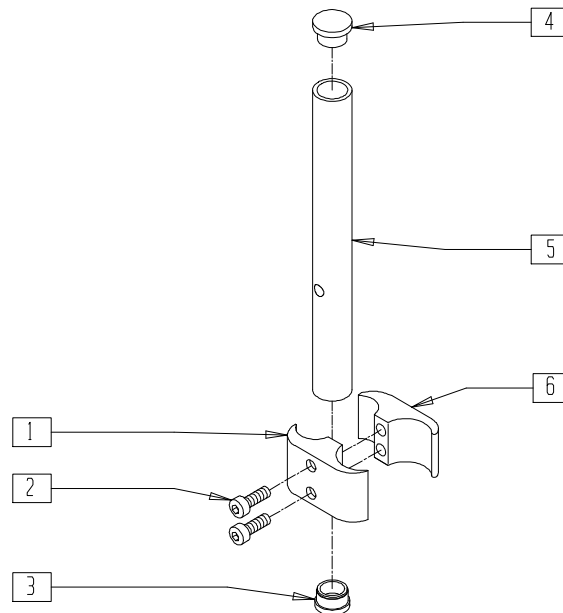
Z00X8

ITEM	NUMBER	DESCRIPTION	QTY
1	561004	1" SADDLE 1/4" HOLE	1
2	226009	10-24 x 3/8 FH C/S W/PATCH	4
3	562808-562816	FOOTPLATE TAPE 10"-14"	1
4	201110	1/4-28 NYLOCK NUT	1

ITEM	NUMBER	DESCRIPTION	QTY
5	500137, 500136	FOOTPLATE HINGE Q2/ZP/P5 (EA)	1
6	226140	1/4-28 x 1 3/4 BH C/S	1
7	262100-QU	1/4 AN WASHER FLAT	1

NOTE: FOR A COMPLETE ASSEMBLY, SEE KIDS ANGLE-ADJUSTABLE FOOTPLATE ASSEMBLY 14.12.

# HIGH-MOUNT EXTENSION TUBE

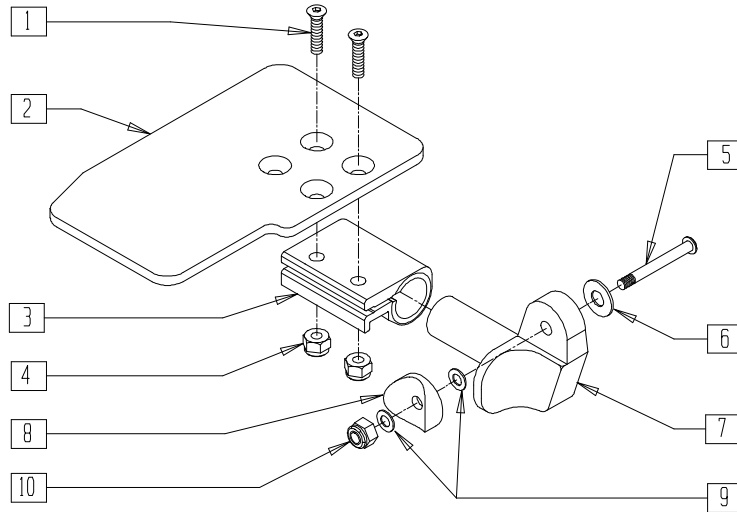


FT0X07

ITEM	NUMBER	DESCRIPTION	QTY
1	550257	CLAMP 1 1/4" RECESS FULL	1
2	226112	1/4-28 x 1 SOC C/S BLK	2
3	561000-QU	3/4" INSERT PLUG .083	1
4	482016	H/M FL FOOT TUBE PLUG	1

ITEM	NUMBER	DESCRIPTION	QTY
5	521100	H/M FL FOOT EXTENSION TUBE	1
6	550258	CLAMP 1 1/4" THREADED	1
1,2,6	880538	HM FR CLAMP ASSEMBLY CLEAR	
1-6	921550	HM FL FOOT CLAMPS AND TUBES (PR)	

# KIDS ANGLE-ADJUSTABLE FOOTPLATE ASSEMBLY - EXTENSION MOUNT



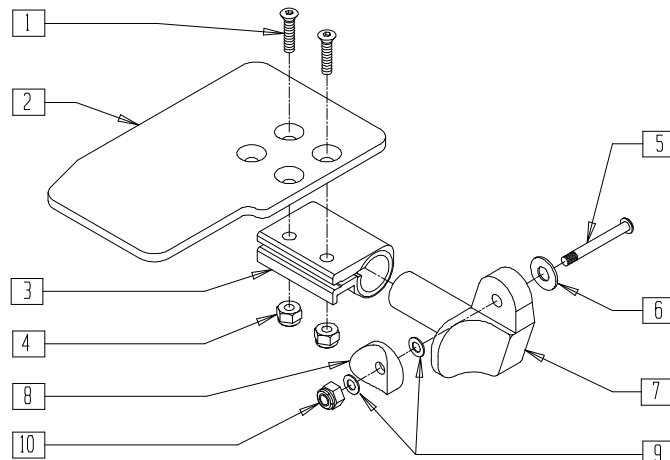
FT0X027

ITEM	NUMBER	DESCRIPTION	QTY
1	226099	1/4-28 x 7/8 FH C/S	2
2	500635-500648	KIDS ANGLE ADJ FOOTPLATE 10"-16" (EA)	1
3	550350	3/4" CLAMP ADJ FOOTPLATE	1
4	201100-QU	1/4-28 NYLOCK NUT THIN	2
5	227140	1/4-28 X 1.85 BH C/S BLK ZN	1
6	262120	1/4 SAE WASHER	1
7	541002-541003	FOOTREST MOUNTING BRACKET - 3/8" RADIUS (EA)	1

ITEM	NUMBER	DESCRIPTION	QTY
8*	561055	3/4" SADDLE 1" OD	1
9	262110-QU	1/4 AN WASHER FLAT THIN	2
10	201120	1/4-28 AUTOMATION NUT	1
1-7,9,10	828850-	KIDS ANGLE ADJ FOOTPLATE EXTENSION MOUNT 10"-16" (EA)	
	828863		
	921280-921286	KIDS ANGLE ADJ FOOTPLATE EXTENSION MOUNT 10"-16" (PR)	

\*NOTE: ORDER ITEM 8 PRIOR TO 8/13/01  
 \*\*NOTE: ORDER PART 226167 PRIOR TO 8/13/01

# KIDS ANGLE-ADJUSTABLE FOOTPLATE ASSEMBLY (70°, 80°, 90° FRONT DRILLED - FOOTPLATE MOUNT DIRECTLY TO HANGER - HEAVY DUTY HANGERS)

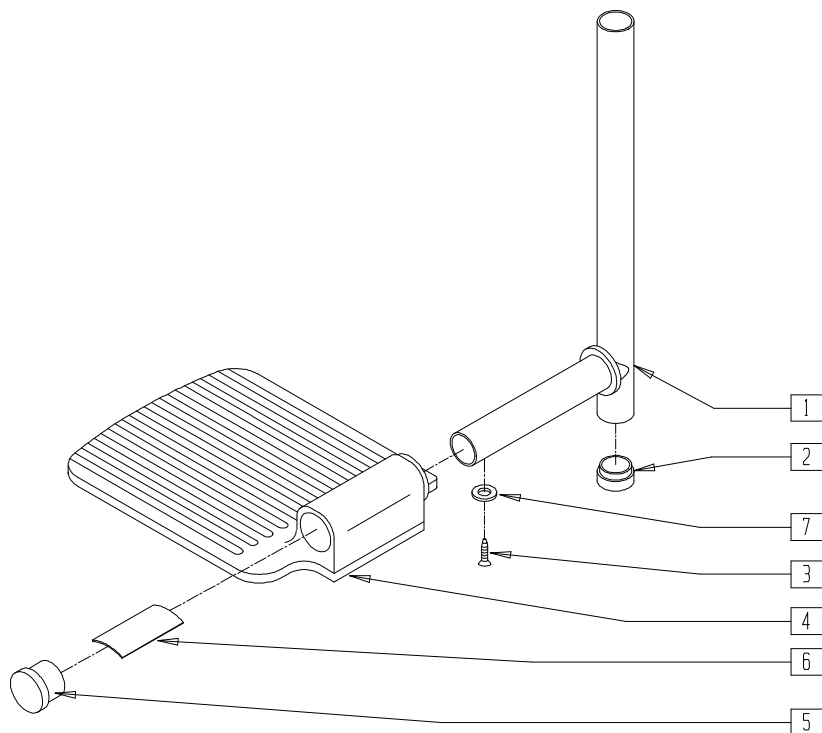


FT0X027

ITEM	NUMBER	DESCRIPTION	QTY
1	226099	1/4-28 x 7/8 FH C/S	2
2	500635-500648	KIDS ANGLE ADJ FOOTPLATE 10"-16" (EA)	1
3	550350	3/4" CLAMP ADJ FOOTPLATE	1
4	201100-QU	1/4-28 NYLOCK NUT THIN	2
5	226150	1/4-28 x 2 BH C/S	1
6	262120	1/4 SAE WASHER	1
7	541000-541001	FOOTREST MOUNTING BRACKET 1" RAD (EA)	1

ITEM	NUMBER	DESCRIPTION	QTY
8	561004	1" SADDLE 1/4" HOLE	1
9	262110-QU	1/4 AN WASHER FLAT THIN	2
10	201110	1/4-28 NYLOCK NUT	1
1-10	828821-828834	KIDS ANGLE ADJ FOOTPLATE ASSEMBLY 10"-16" (EA)	
	921226-921232		

## SWING-AWAY FOOTPLATE (BREEZY 100/150)

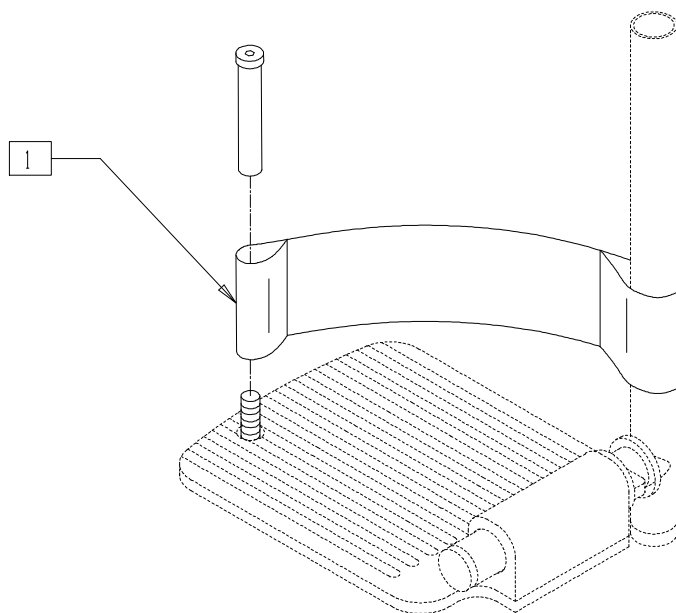


BRZ10X06

ITEM	NUMBER	DESCRIPTION	QTY
1-7	222-0627	SWING-AWAY FOOTREST LOWER ASSEMBLY (EA)	1

ITEM	NUMBER	DESCRIPTION	QTY
4,6	222-0672	COMPOSITE FOOTPLATE W/SPRING (EA)	1

## HEEL LOOP (BREEZY 100/150)

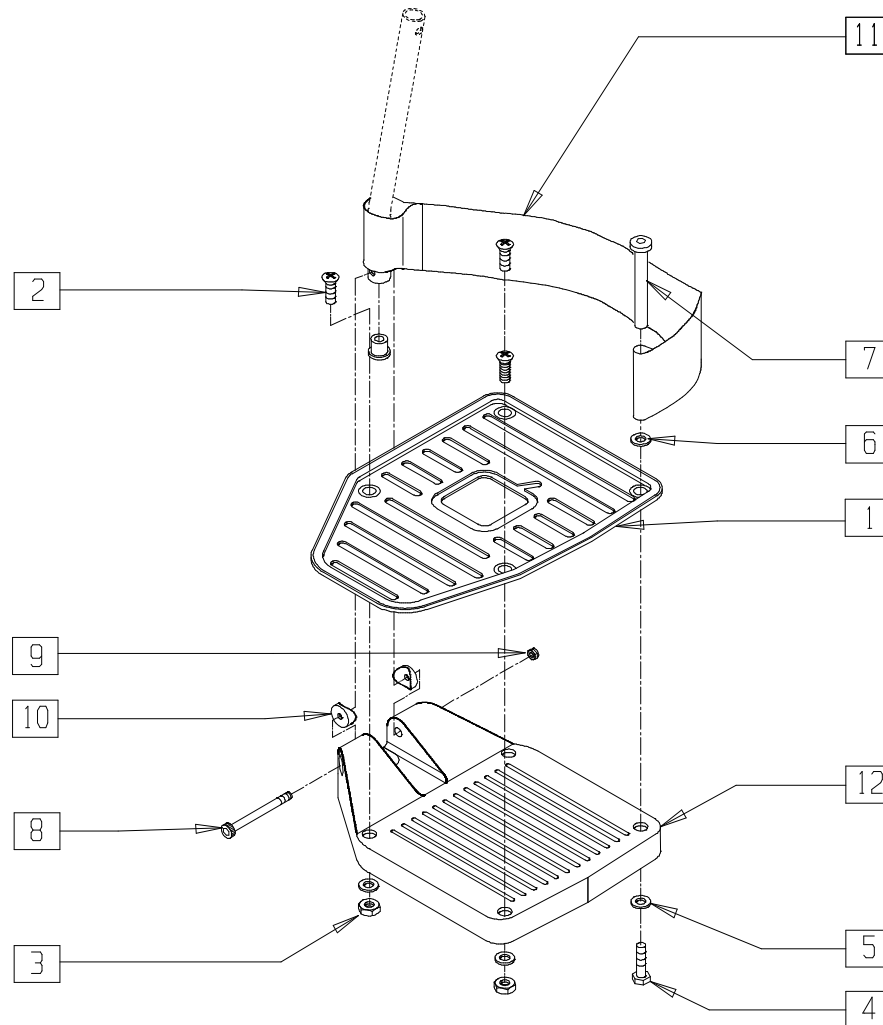


BZ100X14

ITEM	NUMBER	DESCRIPTION	QTY
1	BZ125	HEEL LOOP ASSEMBLY	1

# EXTENDED FOOTPLATE - COMPOSITE

(Discontinued - parts only)



Drawing shows right side

FT0X011

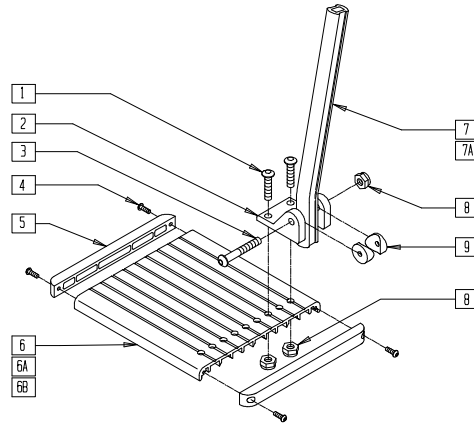
ITEM	NUMBER	DESCRIPTION	QTY
1*	500760-500765	EXTENDED FOOTPLATE 14"-20" (EA)	1
2	226105	1/4-28 x 3/4 FH C/S BLK	3-4
3	201100-QU	1/4-28 NYLOCK NUT THIN	3-4
4	221110	1/4-20 x 1 HEX C/S	1
5	262110-QU	1/4 AN WASHER FLAT THIN	4
6	262110-QU	1/4 AN WASHER FLAT THIN	1
7	561040	HEEL LOOP PEG	1
8	226165	1/4-28 x 2 1/2 SOC C/S	1
9	201100-QU	1/4-28 NYLOCK NUT THIN	1
10	561003	3/4" SADDLE THIN	2
11	741151-741156	HEEL LOOP COMPOSITE OR COMPOSITE HEMI 14"-15" - 18"-20" (EA)	1
	902260-902272	HEEL LOOP COMPOSITE OR COMPOSITE HEMI 14"-15" - 18"-20" (PR)	
12	561200-561220	COMPOSITE FOOTPLATE 14"-20" (EA)	1
1-3,5,8-10,12	828950-828955	EXTENDED FOOTPLATE ASSEMBLY 14"-20" (EA)	
	921030-921032	EXTENDED FOOTPLATE ASSEMBLY 14"-20" (PR)	

ITEM	NUMBER	DESCRIPTION	QTY
1-12	828960-828965	EXTENDED FOOTPLATE ASSEMBLY HL LP 14"-20" (EA)	
	921033-921035	EXTENDED FOOTPLATE ASSEMBLY HL LPS 14"-20" (PR)	
	828970-828975	EXTENDED FOOTPLATE ASSEMBLY HEMI HL LP 14"-20" (EA)	
	921036-921038	EXTENDED FOOTPLATE ASSEMBLY HEMI HP LPS 14"-20" (PR)	
	828900-828905	EXTENDED FOOTPLATE W/HARDWARE 14"-20" (EA)	
	921010-921012	EXTENDED FOOTPLATE W/HARDWARE 14"-20" (PR)	
1-3,5*	828910-828915	EXTENDED FOOTPLATE W/HARDWARE HL LP 14"-20" (EA)	
	921013-921015	EXTENDED FOOTPLATE W/HARDWARE HL LPS 14"-20" (PR)	
1-7,11	828920-828925	EXTENDED FOOTPLATES W/HARDWARE HEMI HL LP 14"-20" (EA)	
	921016-921018	EXTENDED FOOTPLATES W/HARDWARE HEMI HL LPS 14"-20" (PR)	

\*NOTE: TO ACCOMMODATE THE EXTENDED FOOTPLATE, THE COMPOSITE FOOTPLATE MUST BE DRILLED IN THE FIELD OR HAVE PRE-EXISTING HOLES.

# ELR ALUMINUM FOOTPLATE (ALL QUICKIE PRODUCTS)

(Effective 9/15/2002)



Left Side Assembly Shown

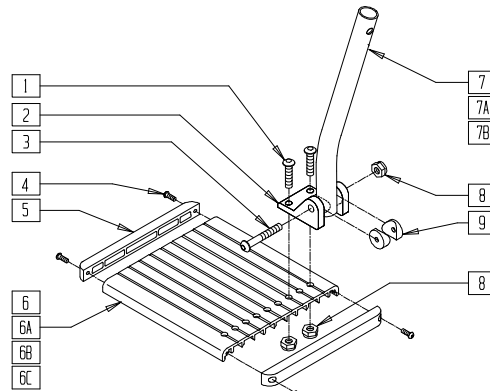
FT0X033

ITEM	NUMBER	DESCRIPTION	QTY
1	226090	1/4-28 x 5/8 BH C/S	2
2	550739	FOOTPLATE MOUNTING BRACKET	1
3	226148	1/4-28 x 1.85 BH C/S	1
4	281043	#4 x 5/8 PAN PHIL S/TAP	4
5	560101	END CAPS FOOTREST	2
6	550748	FOOTPLATE ELR 14"-15"	1
6A	550749	FOOTPLATE ELR 16"-17"	1
6B	550750	FOOTPLATE ELR 18"-20"	1
6C	550795	FOOTPLATE ELR 22"-30"	1
7	550744	FOOTREST EXT TUBE ELR SHT CLR	2
	550745	FOOTREST EXT TUBE ELR LONG CLR	

ITEM	NUMBER	DESCRIPTION	QTY
7A	550764	S/A HANGER EXT D2 SHORT BLACK	2
	550765	S/A HANGER EXT D2 MED BLACK	
8	201100-OU	1/4-28 NYLOCK NUT THIN	3
9	561003	3/4" SADDLE THIN	2
4-6	882337	ELR FOOTPLATE ASSEMBLY 14"-15"	
4,5,6A	882338	ELR FOOTPLATE ASSEMBLY 16"-17"	
4,5,6B	882339	ELR FOOTPLATE ASSEMBLY 18"-20"	
4,5,6C	883157	ELR FOOTPLATE ASSEMBLY 22"-30"	
1-6,8,9	921400	ELR FOOTPLATE KIT 14"-15" (EA)	
1-5,6A,8,9	921401	ELR FOOTPLATE KIT 16"-17" (EA)	
1-5,6B,8,9	921402	ELR FOOTPLATE KIT 18"-20" (EA)	
1-5,6C,8,9	921407	ELR FOOTPLATE KIT 22"-30"	

# ELR ALUMINUM FOOTPLATE (M6)

(Effective 9/15/2002)



Left Side Assembly Shown

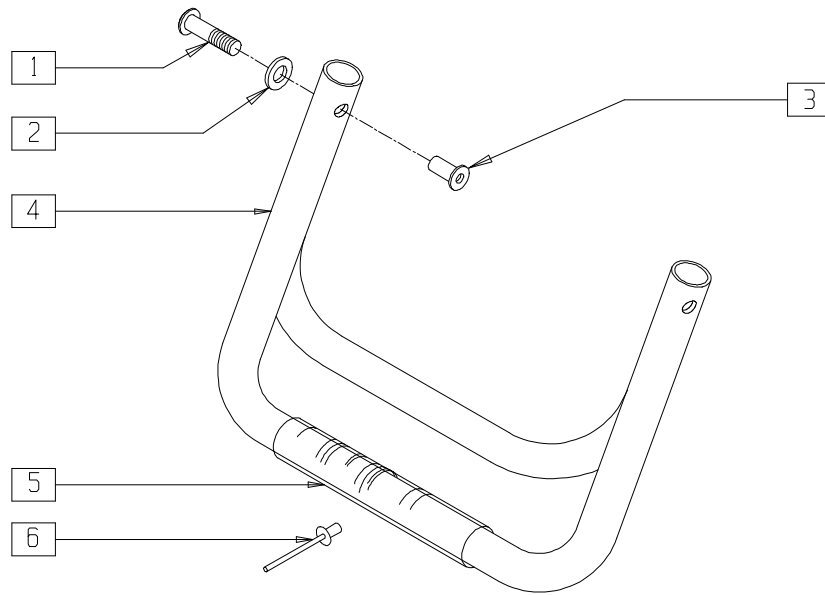
M6FT0X0

ITEM	NUMBER	DESCRIPTION	QTY
1	226090	1/4-28 x 5/8 BH C/S	2
2	550739	FOOTPLATE MOUNTING BRACKET	1
3	226148	1/4-28 x 1.85 BH C/S	1
4	281043	#4 x 5/8 PAN PHIL S/TAP	4
5	560101	END CAPS FOOTREST	2
6	550748	FOOTPLATE ELR 14"-15"	1
6A	550749	FOOTPLATE ELR 16"-17"	1
6B	550750	FOOTPLATE ELR 18"-20"	1
6C	550795	FOOTPLATE ELR 22"-30"	1
7	521010	FOOTREST EXT TUBE ONLY SHT BLK	1
7A	521011	FOOTREST EXT TUBE ONLY MED BLK	1

ITEM	NUMBER	DESCRIPTION	QTY
7B	521012	FOOTREST EXT TUBE ONLY LNG BLK	1
8	201100-OU	1/4-28 NYLOCK NUT THIN	3
9	561003	3/4" SADDLE THIN	2
10**	550860	FOOTPLATE MNT BRCKT RECESSED	1
4-6	882337	ELR FOOTPLATE ASSEMBLY 14"-15"	
4,5,6A	882338	ELR FOOTPLATE ASSEMBLY 16"-17"	
4,5,6B	882339	ELR FOOTPLATE ASSEMBLY 18"-20"	
4,5,6C*	883157	ELR FOOTPLATE ASSEMBLY 22"-30"	
1,3-5,6C, 8,9,11	921399	ALUM FOOTPLATE KIT 22"-30" ANO M6	



## RIGID FOOTREST (QUICKIE 1/GP 60°/70°)



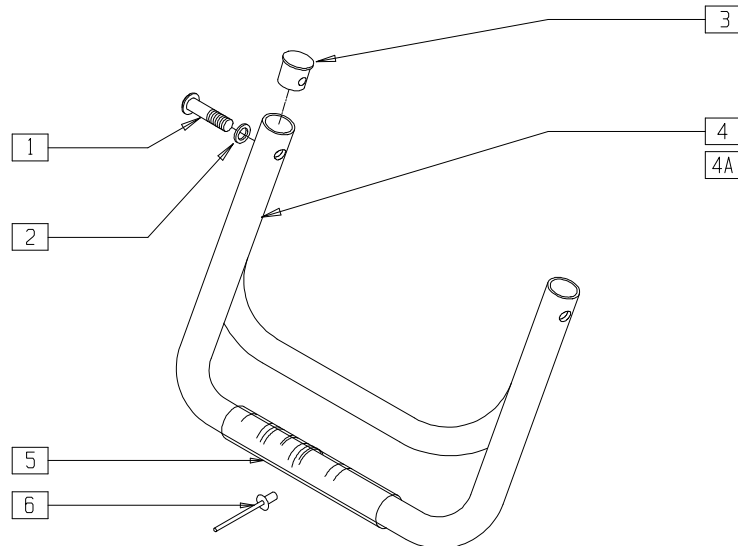
FT0X08

ITEM	NUMBER	DESCRIPTION	QTY
1	281140	10-32 x 1 PAN PHIL	2
2	261204	#10 AN WASHER .063	2
3	341500	10-32 x .010-.080 RIVNUT	2
4-6	800100-800108	RIGID FOOTREST 12"-20"	

ITEM	NUMBER	DESCRIPTION	QTY
5	562400-562416	IMPACT GUARD GP/GPV 12"-20"	1
6	240112	RIVET POP SD46BS BLK	1

## FOOTREST (QUICKIE CARBON RIGID)

(Discontinued 3/1/95 - parts only)



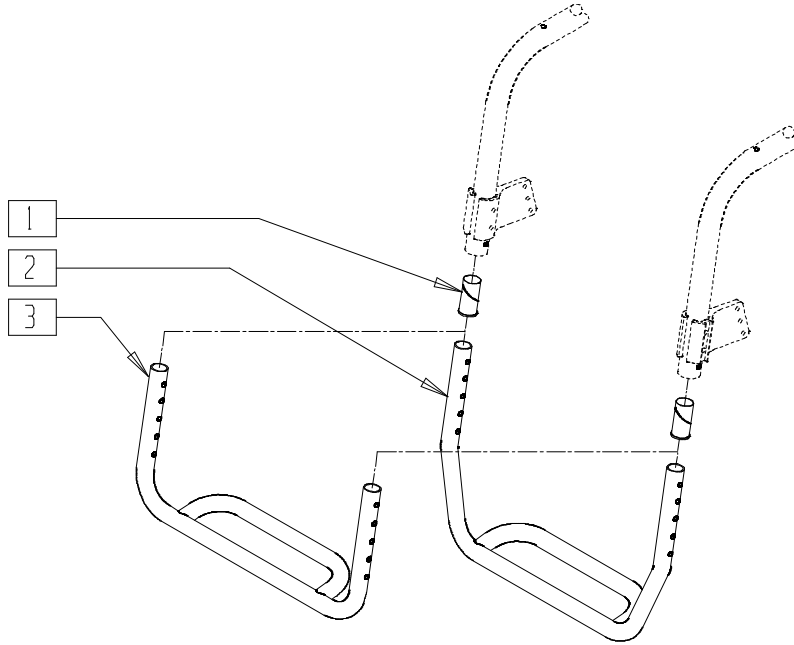
COMP3X04

ITEM	NUMBER	DESCRIPTION	QTY
1	226120	1/4-20 x 1 BH C/S	2
2	262130	6mm WASHER WAVE	2
3	483092	QC FOOTREST PLUG	2
5	562404-562412	IMPACT GUARD GP/QC 14"-18" (CARBON RIGID FOOTREST)	1

ITEM	NUMBER	DESCRIPTION	QTY
6	240112	RIVET POP SD46BS BLK	1
4-6	800202-800206	QC FOOTREST REG 14"-18"	
4A,5,6	800212-800216	QC FOOTREST LONG 14"-18"	

# FOOTREST (QUICKIE EX )

(Discontinued 2/14/97 - parts only)

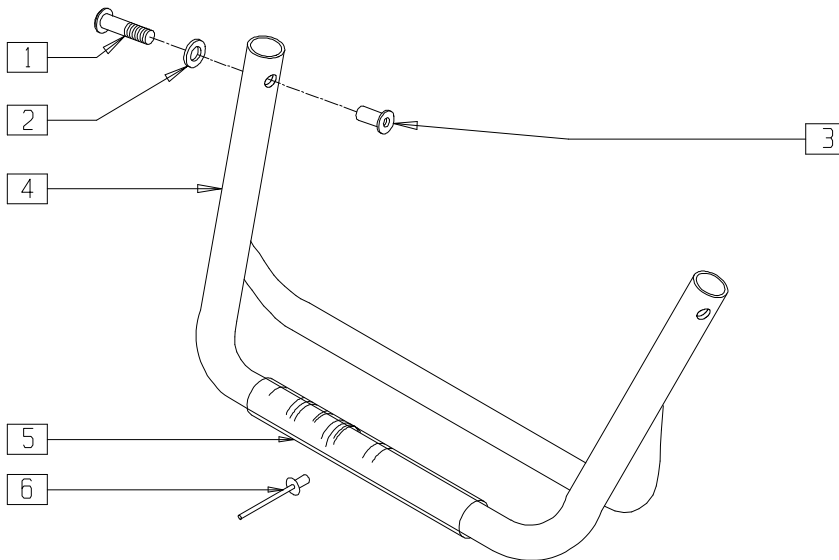


SP00X03

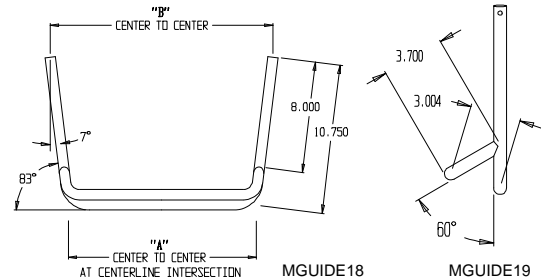
ITEM	NUMBER	DESCRIPTION	QTY
1	560404	7/8-1 1/8 FRAME BUSHING	2
2	522564-522570	EX FOOTREST 14" LONG "V" - 20" LONG "V"	1

ITEM	NUMBER	DESCRIPTION	QTY
3	522554-522560	EX FOOTREST 14" REG - 20" REG	1

# FOOTREST (QUICKIE GPV/GPV Titanium)



### MEASURING GUIDE



FRAME WIDTH	"A"	"B"	FRAME WIDTH	"A"	"B"
14	8.5"	11.125"	18	12.5"	15.125"
15	9.5"	12.125"	19	13.5"	16.125"
16	10.5"	13.125"	20	14.5"	17.125"
17	11.5"	14.125"			

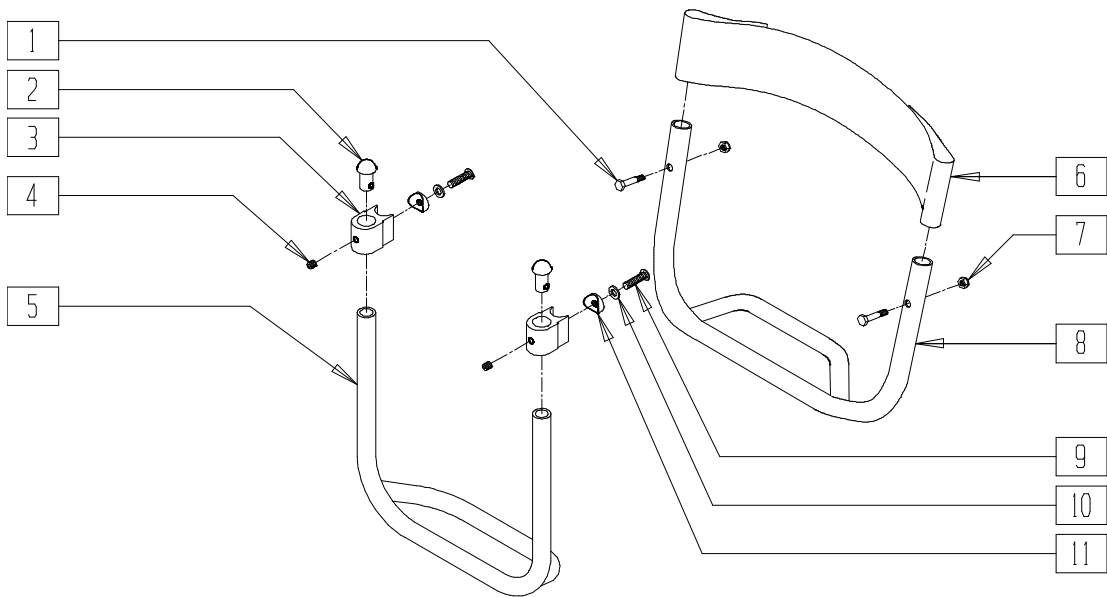
NOTE: 7° ANGLE ON EACH SIDE FOR "V".

FT0X018

ITEM	NUMBER	DESCRIPTION	QTY
1	281140	10-32 x 1 PAN PHIL	2
2	261204	#10 AN WASHER .063	2
3	341500	10-32 x .010 -180 RIVNUT	2
4,5,6	800120-800126	GPV 1 PC FOOTREST 14"-20"	

ITEM	NUMBER	DESCRIPTION	QTY
5	562400-562412	IMPACT GUARD GPV/GPV 14"-20"	1
6	240112	RIVET POP SD46BS BLK	

## FOOTREST (QUICKIE ST)

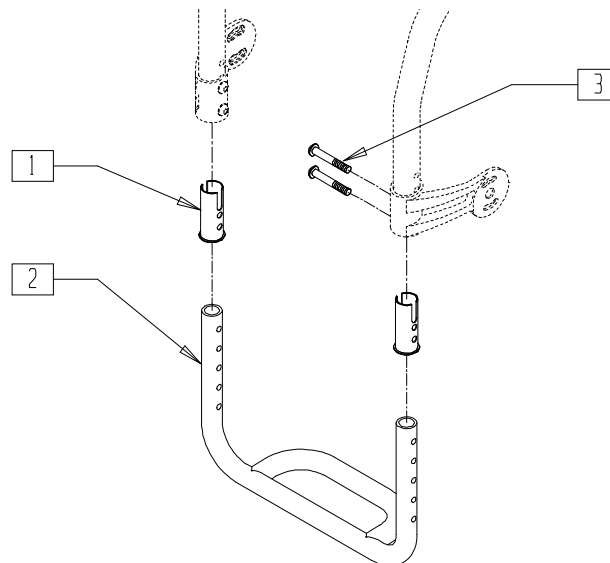


RG000X09

ITEM	NUMBER	DESCRIPTION	QTY
1	226115	1/4 x 20 x 1 HEX C/S SS	2
2	561034	SHORT DOME PLUG	2
3	550382	FOOTREST MOUNTING BRACKET	2
4	225111	1/4-20 x 1/4 SET SCREW SS	2
5	527527	FOOTREST ADJ 12" RIGID SHADOW UP	1
6	740160	CALF STRAP LONG	1
7	201135	1/4-20 NYLOCK NUT LOW SS	2

ITEM	NUMBER	DESCRIPTION	QTY
8	527528, 527680- 527685	FOOTREST RIGID SHADOW 12"-18"	1
9	226115	1/4 x 20 x 1 HEX C/S SS	2
10	261506	1/4 x 1/2 OD WASHER SS	2
11	561003	3/4" SADDLE THIN	2

## FOOTREST (QUICKIE XTR)

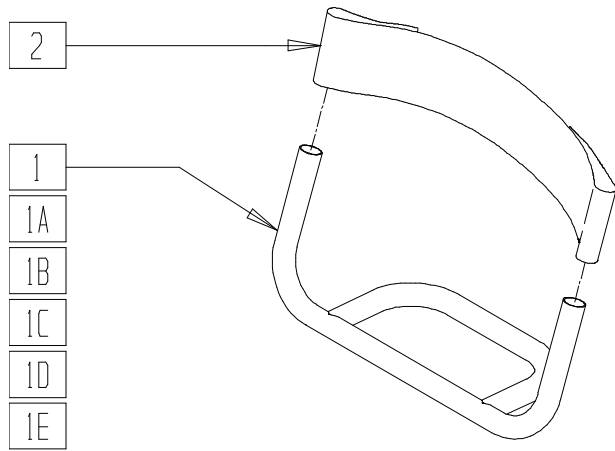


SUS00X26

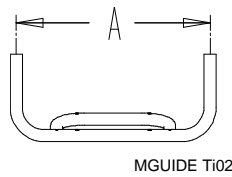
ITEM	NUMBER	DESCRIPTION	QTY
1	561263	FOOTREST BUSHING	2
2	522170- 522176	FOOTREST ONLY 14"-20" XTR	1

ITEM	NUMBER	DESCRIPTION	QTY
2	800180- 800186	FOOTREST 14"-20" ASSM XTR W/INSERT	1
3	226079	1/4-28 x 1 1/2 BH C/S BLK W/PATCH	

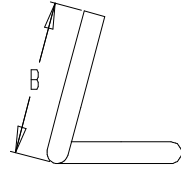
## TUBULAR FOOTREST (QUICKIE Ti Titanium)



QT10X02



MGUIDE Ti02



MGUIDE Ti03

### FOOTREST REFERENCE GUIDE

DIM "A"	DESCRIPTION	LEG STRAP
9"	9W	740130
10"	10W	740130
11"	11W	740130
12"	12W	740131
13"	13W	740131
14"	14W	740131
15"	15W	740132
16"	16W	740132
17"	17W	740132

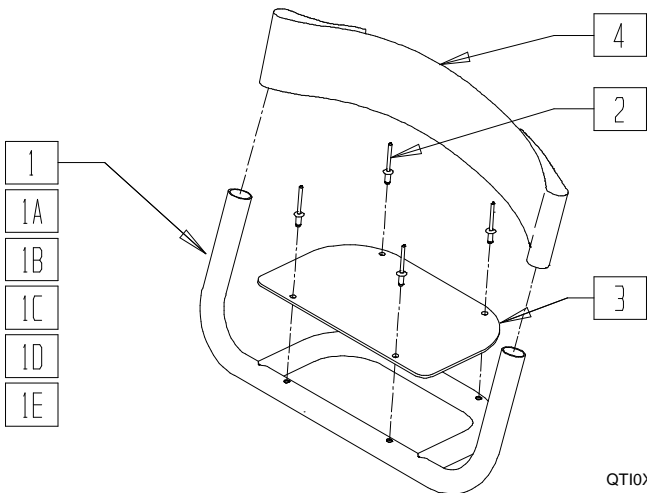
DIM "B"	DESCRIPTION
5 7/16"	SHORT
6 7/16"	TALL

ITEM	NUMBER	DESCRIPTION	QTY
1	545674-545679	WLDMNT FT HNGR FXD (70°, 80°, 85°) FA 9W SHORT AND TALL	1
1A	545680-545687	WLDMNT FT HNGR FXD 70° FA (10W-17W) SHORT	1
1B	545688-545695	WLDMNT FT HNGR FXD 80° FA (10W-17W) SHORT	1
1C	545696	WLDMNT FT HNGR FXD 85° FA (10W-17W) SHORT	1

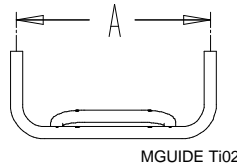
ITEM	NUMBER	DESCRIPTION	QTY
1D	545704-545711	WLDMNT FT HNGR FXD 70° FA (10W-17W) TALL	1
1E	545712-545719	WLDMNT FT HNGR FXD 80° FA (10W-17W) TALL	1
1F	545720-545727	WLDMNT FT HNGR FXD 85° FA (10W-17W) TALL	1
2	740130-740132	LEG STRAP 10"-20" BLK	1

PLEASE REFER TO REPLACEMENT FOOTREST INFORMATION ON PAGE 14.20

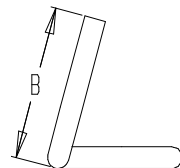
## TUBULAR FOOTREST W/COVER (QUICKIE Ti Titanium)



QT10X10



MGUIDE Ti02



MGUIDE Ti03

### FOOTREST REFERENCE GUIDE

DIM "A"	DESCRIPTION	LEG STRAP
9"	9W	740130
10"	10W	740130
11"	11W	740130
12"	12W	740131
13"	13W	740131
14"	14W	740131
15"	15W	740132
16"	16W	740132
17"	17W	740132

DIM "B"	DESCRIPTION
5 7/16"	SHORT
6 7/16"	TALL

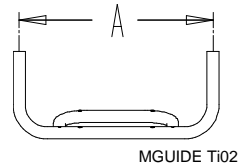
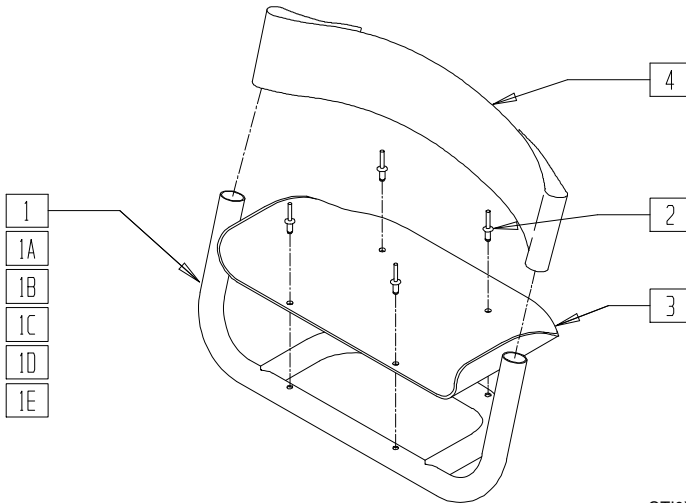
ITEM	NUMBER	DESCRIPTION	QTY
2	240107	RIVET, POP, SSD53SSBS	4
3	560039-560047	PLATE, FOOT HANGER, (9W - 17W)	1
4	740130-740132	LEG STRAP 10"-20" BLK	1
1-3	800330-800338	ASSM, PLT, FTRST 9W-17W 70 FA S	
1A,2-3	800339-800347	ASSM, PLT, FTRST 9W-17W 80 FA S	

ITEM	NUMBER	DESCRIPTION	QTY
1B,2-3	800348-800356	ASSM, PLT, FTRST 9W-17W 85 FA S	
1C,2-3	800357-800365	ASSM, PLT, FTRST 9W-17W 70 FA T	
1D,2-3	800366-800374	ASSM, PLT, FTRST 9W-17W 80 FA T	
1E,2-3	800375-800383	ASSM, PLT, FTRST 9W-17W 85 FA T	

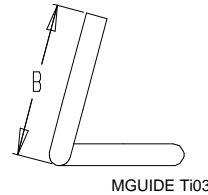
PLEASE REFER TO REPLACEMENT FOOTREST INFORMATION ON PAGE 14.20

# TUBULAR FOOTREST W/FLARED COVER (QUICKIE Ti Titanium)

## FOOTREST REFERENCE GUIDE



DIM "A"	DESCRIPTION	LEG STRAP
9"	9W	740130
10"	10W	740130
11"	11W	740130
12"	12W	740131
13"	13W	740131
14"	14W	740131
15"	15W	740132
16"	16W	740132
17"	17W	740132



DIM "B"	DESCRIPTION
5 7/16"	SHORT
6 7/16"	TALL

QT10X20

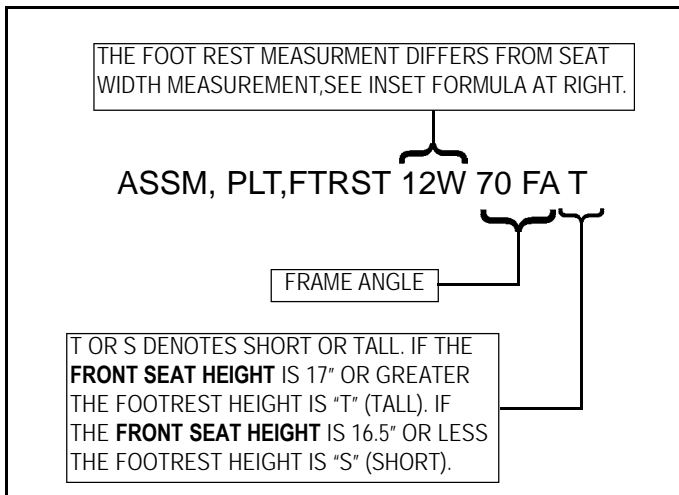
MGUIDE T103

ITEM	NUMBER	DESCRIPTION	QTY
2	240107	RIVET, POP, SSD53SSBS	4
3	560271-560279	PLATE, FOOT HANGER, FLARED (9W - 17W)	1
4	740130-740132	LEG STRAP 10"-20" BLK	
1-3	800430-800438	ASSM PLT FTRST FLRD 9W-17W 70FA S	
1A,2-3	800439-800447	ASSM PLT FTRST FLRD 9W-17W 80FA S	

ITEM	NUMBER	DESCRIPTION	QTY
1B,2-3	800448-800456	ASSM PLT FTRST FLRD 9W-17W 85FA S	
1C,2-3	800457-800465	ASSM PLT FTRST FLRD 9W-17W 70FA T	
1D,2-3	800466-800474	ASSM PLT FTRST FLRD 9W-17W 70FA T	
1E,2-3	800475-800483	ASSM PLT FTRST FLRD 9W-17W 70FA T	

## REPLACEMENT FOOTREST INFORMATION (QUICKIE Ti Titanium)

### FOOTREST DESCRIPTION KEY

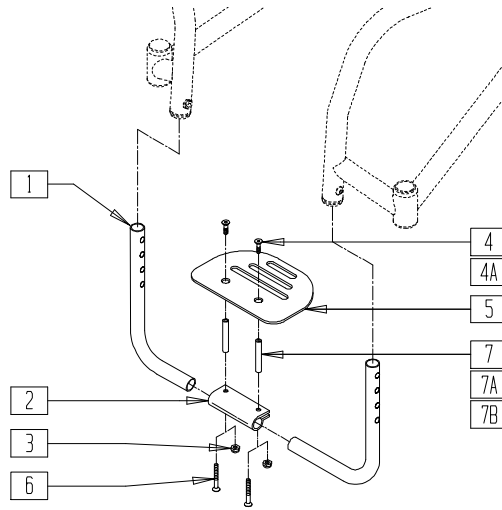


THE SERIAL NUMBER PROVIDES THE FOOTREST WIDTH. IF THE SERIAL NUMBER IS NOT AVAILABLE, USE THE INSET FORMULA (BELOW) TO CALCULATE.

### INSET FORMULA:

0" INSET: (SEAT WIDTH) - 1" = (FOOTREST WIDTH)
1" INSET: (SEAT WIDTH) - 3" = (FOOTREST WIDTH)
2" INSET: (SEAT WIDTH) - 5" = (FOOTREST WIDTH)

# PLATFORM FOOTREST (QUICKIE R2)



## FOOTPLATE REFERENCE GUIDE

	PART NUMBER
14"	500650
15"	500650
16"	500651
17"	500651
18"	500652
19"	500652
20"	500652

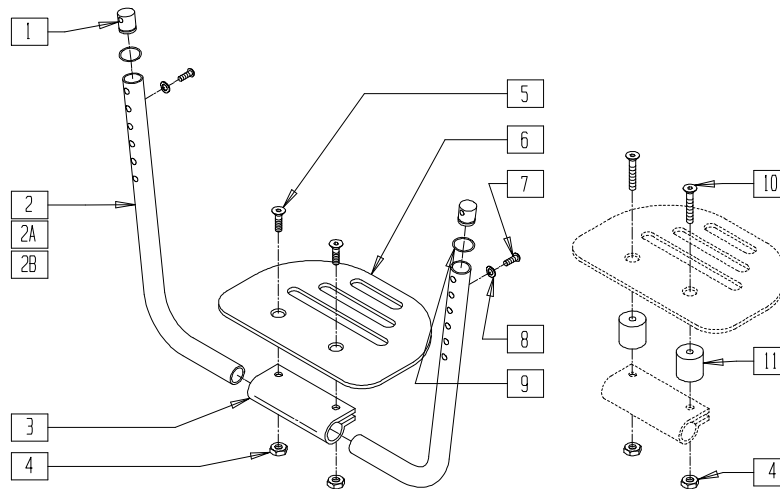
R200X10A

ITEM	NUMBER	DESCRIPTION	QTY
1	522195-522197	FOOTREST TUBE W/INSERTS (14"-20") R2	2
2	550351	PLATFORM FOOTPLATE CLAMP	1
3	201120	1/4-28 AUTOMATION NUT	2
4	226099	1/4-28 x 7/8 FH C/S	2
4A	226121	1/4-20 x 1 FH C/S BLK (2", 4", 6" SPACER)	2

ITEM	NUMBER	DESCRIPTION	QTY
5	500650-500652	PLATFORM FOOTPLATE	1
6	226110	1/4-28 x 1 BH C/S	2
7	481306	ADAPTIVE FOOTREST SPACER 2"	2
7A	481307	ADAPTIVE FOOTREST SPACER 4"	2
7B	481308	ADAPTIVE FOOTREST SPACER 6"	2
1-5	800281-800283	PLATFORM FOOTREST ASSEMBLY (14"-20") R2	

# PLATFORM FOOTREST(QUICKIE GPS/REVOLUTION/TRIUMPH)

(Quickie GPS and Triumph discontinued 2/01-Parts only)

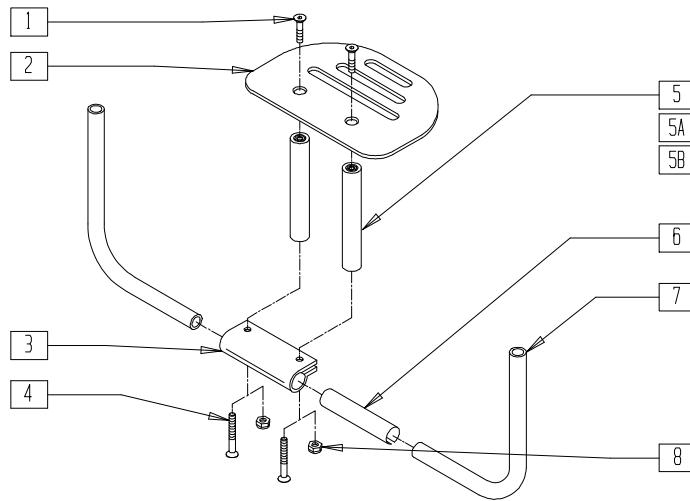


GBL00X6A

ITEM	NUMBER	DESCRIPTION	QTY
1	483032	GPS FOOTREST RETAINING PLUG	2
2	522141-522144	GPS FOOTREST TUBE 14"/15" - 20" (TRIUMPH STD)	2
2A	522166-522169	FOOTREST TUBE 14"/15" - 20" SHORT RV	2
3	550351	PLATFORM FOOTPLATE CLAMP	1
4	201120	1/4-28 AUTOMATION NUT	2
5	226099	1/4-28 x 7/8 FH C/S	2
6	500650	PLATFORM FOOTPLATE 6" x 5 1/2" (14"-15")	1
	500651	PLATFORM FOOTPLATE 8" x 5 1/2" (16"-17")	
	500652	PLATFORM FOOTPLATE 10" x 5 1/2" (18"-20")	
7	226101	1/4-20 x 3/4 BH C/S	2

ITEM	NUMBER	DESCRIPTION	QTY
8	262130	6mm WASHER WAVE	2
9	342013	PLUG O-RING RUBBER HEMI	2
1,9	880585	RETAINING PLUG AND O-RING	
10	226153	1/4-28 x 2 FH C/S BLK	2
11	561180	7/8" PLASTIC SPACER ROUND 1/4" HOLE	2
1-9	880154-880160	GPS/TR PLATFORM FOOTREST ASSEMBLY 14"-20" (GPS/TRIUMPH)	
1,2B,3-9	880141-880144	TRIUMPH PLATFORM FOOTREST ASSEMBLY TALL 14"/15" - 20"	
2A,3-6	880130-880136	RV PLATFORM FOOTREST ASSEMBLY 14"-20" STD (REVOLUTION)	
2-6	880131-880137	RV PLATFORM FOOTREST ASSEMBLY 14"-20" LONG (REVOLUTION)	

## PLATFORM FOOTREST (QUICKIE DT)



### REFERENCE GUIDE

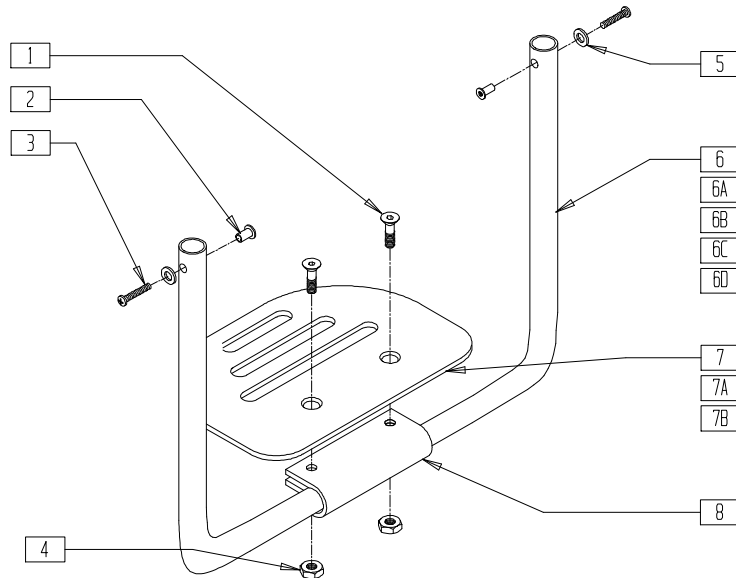
	FOOTPLATE P/N
12"	500649
13"	500649
14"	500650
15"	500650
16"	500651
17"	500651
18"	500652
19"	500652
20"	500652

RG000X10

ITEM	NUMBER	DESCRIPTION	QTY
1	226121	1/4-20 x 1 FH C/S BLK	2
2	500649-500652	PLATFORM FOOTPLATE	1
3,6	881220	PLATFORM F/PLT CLAMP W/SHIM	1
4	221110	1/4-20 x 1 HEX C/S	2
5	481306	ADAPTIVE FOOTREST SPACER 2"	2
5A	481307	ADAPTIVE FOOTREST SPACER 4"	2
5B	481308	ADAPTIVE FOOTREST SPACER 6"	2
7	527885	FOOTREST TUBE DT (QUICKIE DT)	2

ITEM	NUMBER	DESCRIPTION	QTY
8	201136	1/4-20 NYLOCK NUT HIGH	2
1-7	800166-800168	PLATFORM FOOTPLATE W/2" SPACER	
1-4,5A,6,7	800169-800171	PLATFORM FOOTPLATE W/4" SPACER	
1-4,5B,6,7	800172-800174	PLATFORM FOOTPLATE W/6" SPACER	
1-3,6-8	800175-800177	PLATFORM FOOTPLATE DT	

## PLATFORM FOOTREST (QUICKIE GP)



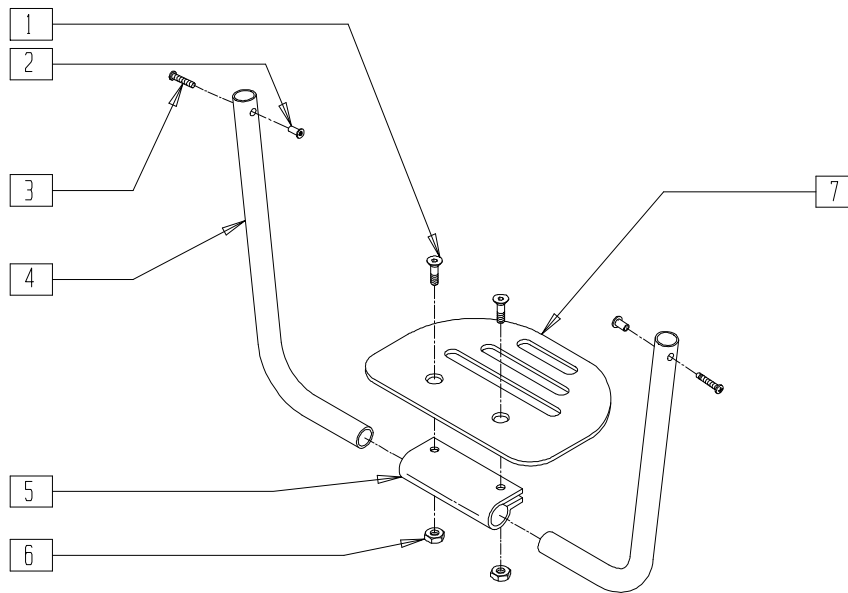
GPFOOT

ITEM	NUMBER	DESCRIPTION	QTY
1	226099	1/4-28 x 7/8 FH C/S	2
2	341500	10-32 x .010-.080 RIVNUT	2
3	281140	10-32 x 1 PAN PHIL	2
4	201120	1/4-28 AUTOMATION NUT	2
5	261204	#10 AN WASHER .063	2
6	522128	GP PLATFORM FOOTREST TUBE 12"-13"	2
6A	522130	GP PLATFORM FOOTREST TUBE 14"-15"	2
6B	522132	GP PLATFORM FOOTREST TUBE 16"-17"	2

ITEM	NUMBER	DESCRIPTION	QTY
6C	522134	GP PLATFORM FOOTREST TUBE 18"-19"	2
6D	522136	GP PLATFORM FOOTREST TUBE 20"	2
7	500650*	PLATFORM FOOTPLATE 6" x 5 1/2"	1
7A	500651*	PLATFORM FOOTPLATE 8" x 5 1/2"	1
7B	500652*	PLATFORM FOOTPLATE 10" x 5 1/2"	1
8	550351	PLATFORM FOOTPLATE CLAMP	1
1-8	800130-800138	GP PLATFORM FOOTREST ASSEMBLY 12"-20"	

\* FOR ORDERING INFORMATION, PLEASE SEE PLATFORM FLIP-UP FOOTREST REFERENCE GUIDE ON PAGE 14.30.

# PLATFORM FOOTREST (QUICKIE GPV/GPV COMPETITION/GPV Titanium)



GPVFOOT

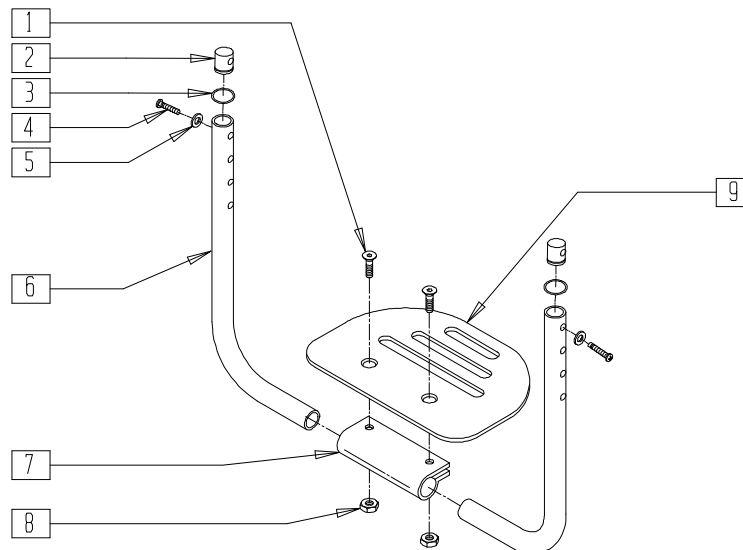
ITEM	NUMBER	DESCRIPTION	QTY
1	226099	1/4-28 x 7/8 FH C/S	2
2	341500	10-32 x .010-.080 RIVNUT	2
3	281140	10-32 x 1 PAN PHIL	2
4	522120	GPV PLATFORM FOOTREST TUBE 14"-15"	2
	522122	GPV PLATFORM FOOTREST TUBE 16"-17"	
	522124	GPV PLATFORM FOOTREST TUBE 18"-19"	
	522126	GPV PLATFORM FOOTREST TUBE 20"	

ITEM	NUMBER	DESCRIPTION	QTY
5	550351	PLATFORM FOOTPLATE CLAMP	1
6	201120	1/4-28 AUTOMATION NUT	2
7	500650*	PLATFORM FOOTPLATE 6" x 5 1/2"	1
	500651*	PLATFORM FOOTPLATE 8" x 5 1/2"	
	500652*	PLATFORM FOOTPLATE 10" x 5 1/2"	
1-7	800140- 800146	GPV PLATFORM FOOTREST ASSEMBLY 14"-20"	

\* FOR ORDERING INFORMATION, PLEASE SEE PLATFORM FLIP-UP FOOTREST REFERENCE GUIDE PAGE 14.30.

# PLATFORM FOOTREST (Quickie TNT)

(Quickie TNT discontinued 2/01-Parts only)



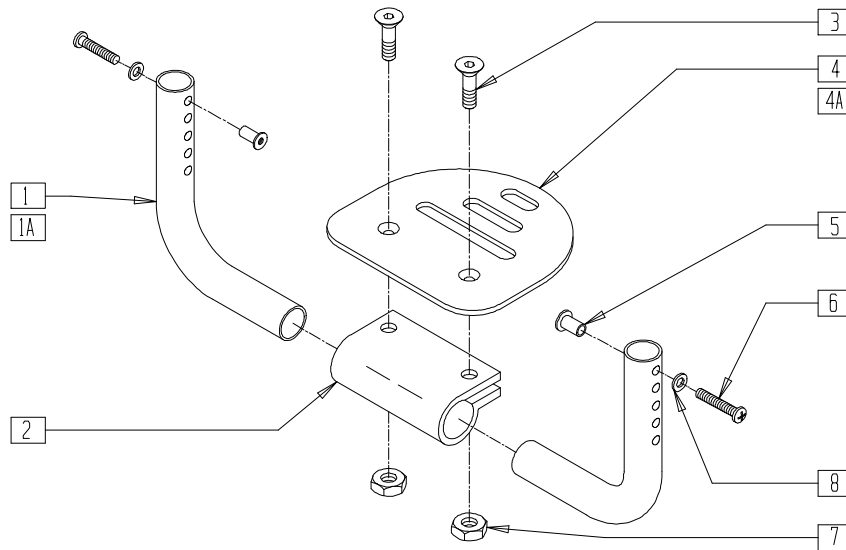
TNT00X11

ITEM	NUMBER	DESCRIPTION	QTY
1	226099	1/4-28 x 7/8 FH C/S	2
2	483032	GPS FOOTREST RETAINING PLUG	2
3	342013	PLUG O-RING RUBBER HEMI	2
2,3	880585	RETAINING PLUG AND O-RING	
4	226120	1/4-20 x 1 BH C/S	2
5	262130	6mm WASHER WAVE	2
6	522247- 522249	FOOTREST TUBE QTNT	2

ITEM	NUMBER	DESCRIPTION	QTY
7	550351	PLATFORM FOOTPLATE CLAMP	1
8	201120	1/4-28 STOVER NUT	2
9	500650- 500652	PLATFORM FOOTPLATE	1
1-9	800300- 800304	PLATFORM FOOTREST ASSEMBLY QTNT	



## PLATFORM FOOTREST (QUICKIE KIDZ)

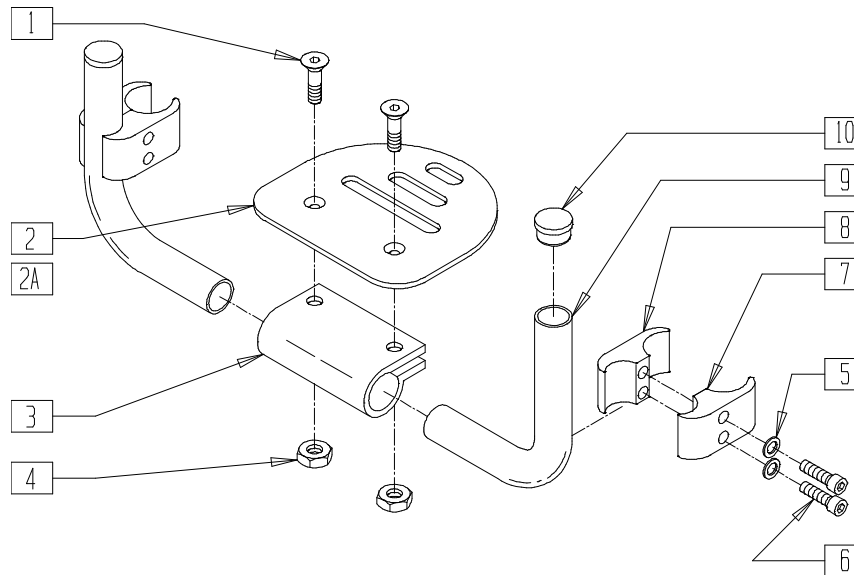


KDZ00X03

ITEM	NUMBER	DESCRIPTION	QTY
1	522116-522118	KIDZ FOOTREST TUBE REG 10"-11",14"	2
1A	522145-522147	KIDZ FOOTREST TUBE LONG 10"-11",14"	2
2	550351	PLATFORM FOOTPLATE CLAMP	1
3	226099	1/4-28 x 7/8 FH C/S	2
4	500650	PLATFORM FOOTPLATE 6" x 5 1/2" (10"-13")	1
4A	500651	PLATFORM FOOTPLATE 8" x 5 1/2" (14")	1

ITEM	NUMBER	DESCRIPTION	QTY
5	341500	10-32 x .010-.080 RIVNUT	2
6	281140	10-32 x 1 PAN PHIL	2
7	201120	1/4-28 AUTOMATION NUT	2
8	261204	#10 AN WASHER .063	2
1-4,4A,5-8	800150-800154	KIDZ REG PLATFORM FOOTPLATE ASSEMBLY 10"-14"	
1A,2-4,4A,5-8	800155-800159	KIDZ LONG PLATFORM FOOTPLATE ASSEMBLY 10"-14"	

## HIGH-MOUNT FOOTREST (QUICKIE KIDZ)

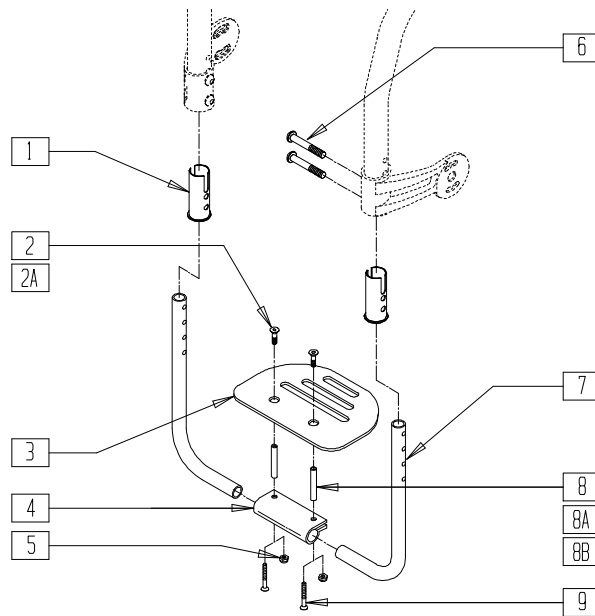


KDZ00X16

ITEM	NUMBER	DESCRIPTION	QTY
1	226099	1/4-28 x 7/8 FH C/S	2
2	500650	PLTFRM FOOTPLATE 6" x 5 1/2" (10"-13")	1
2A	500651	PLTFRM FOOTPLATE 8" x 5 1/2" (14")	1
3	550351	PLTFRM FOOTPLATE CLAMP (SPECIFY BLK)	1
4	201120	1/4-28 AUTOMATION NUT	2
5	262114	1/4 WASHER HI COLLAR LOCK ZN	4
6	226112	1/4-28 x 1 SOC S/C BLK	4

ITEM	NUMBER	DESCRIPTION	QTY
7	550257	CLAMP 1 1/4" RECESS FULL	2
8	550258	CLAMP 1 1/4" THREADED (SPECIFY BLK)	2
9	522106-522108	KIDZ HIGH-MOUNT FOOTREST TUBE 10"-11",14"	2
10	560762	3/4" INSERT PLUG .065	2
1-10	800160-800164	KIDZ HIGH-MOUNT FOOTPLATE ASSEMBLY 10"-14"	

# PLATFORM FOOTREST (QUICKIE XTR)

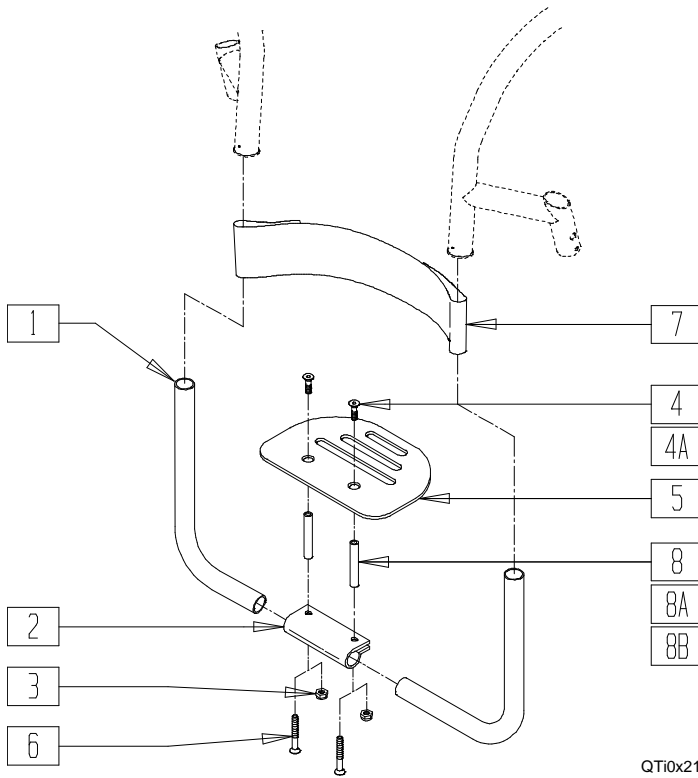


SUS00X40A

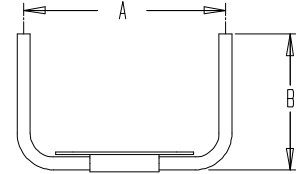
ITEM	NUMBER	DESCRIPTION	QTY
1	561263	FOOTREST BUSHING	2
2	226099	1/4-28 x 7/8 FH C/S	2
2A	226121	1/4-20 x 1 FH C/S BLK (2" 4" 6" SPACER)	2
3	500650- 500652	PLATFORM FOOTPLATE	1
4	550351	PLATFORM FOOTPLATE CLAMP	2
5	201120	1/4-28 AUTOMATION NUT	2

ITEM	NUMBER	DESCRIPTION	QTY
6	226079	1/4-28 x 1 1/2 BH C/S BLK W/PATCH	4
7	522191- 522194	PLATFORM FT TB 14"-20" XTR W/INSERT	2
8	481306	ADAPTIVE FOOTREST SPACER 2"	2
8A	481307	ADAPTIVE FOOTREST SPACER 4"	2
8B	481308	ADAPTIVE FOOTREST SPACER 6"	2
9	226110	1/4-28 x 1 BH C/S	2
2-5,7	800187- 800190	PLATFORM FOOTREST ASSEMBLY 14"-20" XTR	

# PLATFORM FOOTREST (QUICKIE Ti Titanium)



QTi0x21



MGUIDE T105

## PLATFORM FOOTREST REFERENCE GUIDE

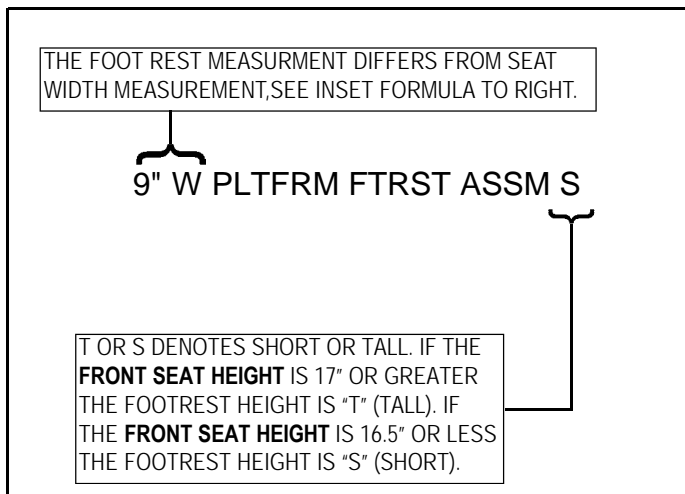
DIM "A"	DIM "B"	ITEM 5	ITEM 1	LEG STRAP
9"	5.44"	500650	522270	740130
9"	6.44"	500650	522271	740130
10"	5.44"	500650	522270	740130
10"	6.44"	500650	522271	740130
11"	5.44"	500650	522270	740130
11"	6.44"	500650	522271	740130
12"	5.44"	500651	522272	740131
12"	6.44"	500651	522273	740131
13"	5.44"	500651	522272	740131
13"	6.44"	500651	522273	740131
14"	5.44"	500652	522272	740131
14"	6.44"	500652	522273	740131
15"	5.44"	500652	522274	740132
15"	6.44"	500652	522275	740132
16"	5.44"	500653	522274	740132
16"	6.44"	500653	522275	740132
17"	5.44"	500653	522274	740132
17"	6.44"	500653	522275	740132

ITEM	NUMBER	DESCRIPTION	QTY
1	522270-522275	FTRST TUBE W/INSRT, 9-17W	2
2	550351	PLATFORM FOOTPLATE CLAMP	1
3	201120	1/4-28 AUTOMATION NUT	2
4	226099	1/4-28 x 7/8 FH C/S	2
4A	226121	1/4-20 x 1 FH C/S BLK (2", 4", 6" SPACER)	2
5	500650-500654	PLTFORM F/PLT 6" x 5 1/2"-14 x 5 1/2"	1

ITEM	NUMBER	DESCRIPTION	QTY
6	221110	1/4-20 x 1 HEX C/S	2
7	740130-740132	LEG STRAP 10"-20" BLK	1
8	481306	ADAPTIVE FOOTREST SPACER 2"	2
8A	481307	ADAPTIVE FOOTREST SPACER 4"	2
8B	481308	ADAPTIVE FOOTREST SPACER 6"	2
1-5	882630-882647	PLATFORM FOOTREST ASSEMBLY	

## REPLACEMENT PLATFORM FOOTREST INFORMATION (QUICKIE Ti Titanium)

### PLATFORM FOOTREST DESCRIPTION KEY



THE SERIAL NUMBER PROVIDES THE FOOTREST WIDTH. IF THE SERIAL NUMBER IS NOT AVAILABLE, USE THE INSET FORMULA (BELOW) TO CALCULATE.

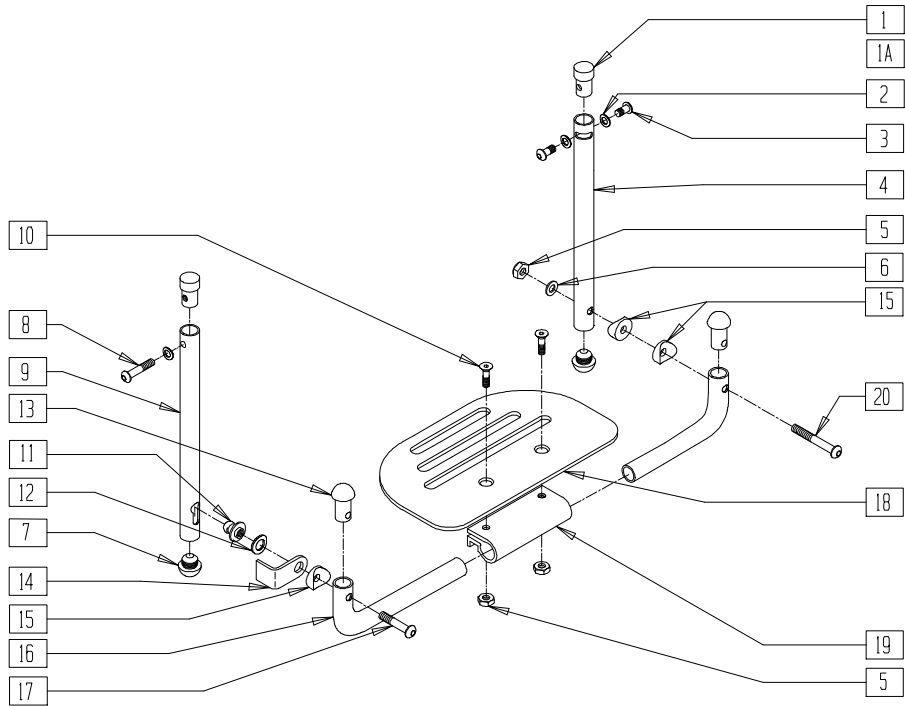
### INSET FORMULA:

0" INSET:	(SEAT WIDTH) - 1" = (FOOTREST WIDTH)
1" INSET:	(SEAT WIDTH) - 3" = (FOOTREST WIDTH)
2" INSET:	(SEAT WIDTH) - 5" = (FOOTREST WIDTH)

# PLATFORM FLIP-UP FOOTREST (QUICKIE GP/GPV/GPV Titanium)

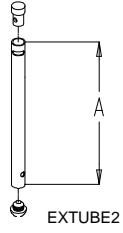
(Discontinued for chairs with S/A hangers 10/23/99- Parts only)

(Available for chairs with fixed front frame only)



FT0X24

### MEASURING GUIDE



	"A"
SHORT	5 3/8"
MED	7 7/8"
LONG	10 3/8"

ITEM	NUMBER	DESCRIPTION	QTY
1	483065	THREADED EXT TUBE PLUG	2
1A	483066	THREADED EXT TUBE PLUG Ti	2
2	262130	6mm WASHER WAVE	2
3	221060	1/4-28 x 1 1/2 BH C/S	2
4	521075-521077	FOOTPLATE EXT TUBE SLOT L 1-PC	1
5	201120	1/4-28 AUTOMATION NUT	3
6	262110-QU	1/4 AN WASHER FLAT THIN	1
7	482028	3/4" DOME PLUG .125	2
8	226110	1/4-28 x 1 BH C/S	1
9	521054-521056	FOOTPLATE EXT TUBE KEYHOLED 1-PC	1
10	226099	1/4-28 x 7/8 FH C/S	2
11	481148	KEYHOLED STUD	1
12	262137	3/8 WASHER CURVED	1
13	561034	SHORT DOME PLUG	2
14	505078	FOOTREST RETAINING BRACKET	1
15	561003	3/4" SADDLE THIN	3

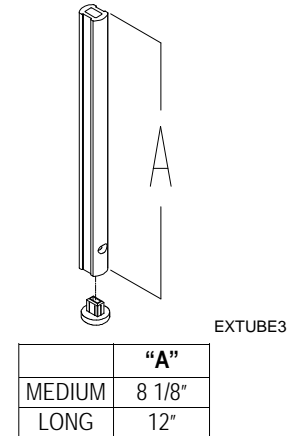
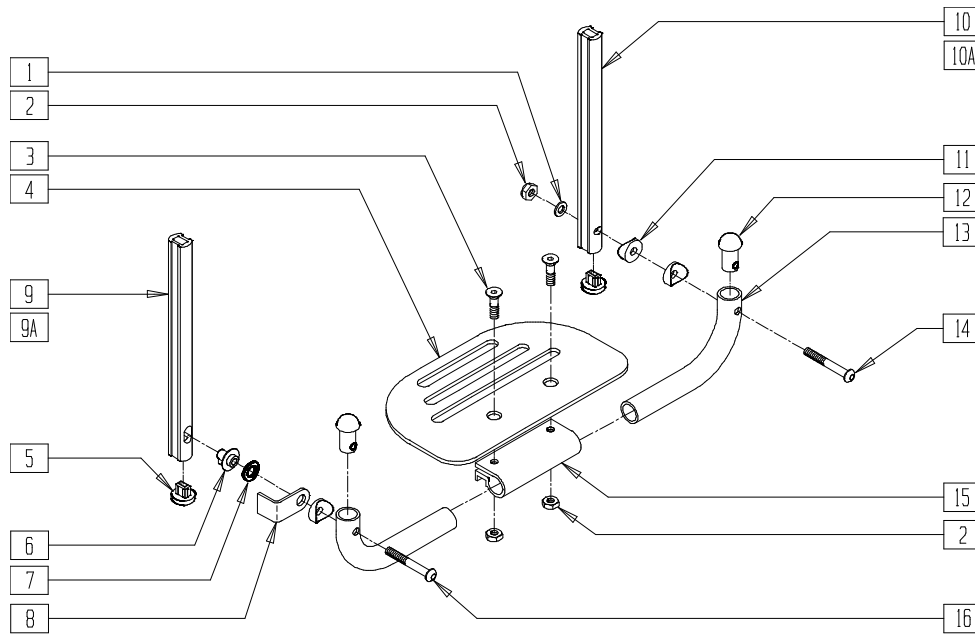
ITEM	NUMBER	DESCRIPTION	QTY
16*	522150-522160	PLATFORM FLIP-UP FOOTPLATE TUBE 10"-20"	2
17	226131	1/4-28 x 1 1/4 BH C/S SHLDR	1
18*	500650-500654	PLATFORM FOOTPLATE	1
19	550351	PLATFORM FOOTPLATE CLAMP	1
20	226150	1/4-28 x 2 BH C/S	1
1-4,7	900105-900107	PLATFORM FLIP-UP EXT L ASSEMBLY	
1A,2-4,7	900125-900127	PLATFORM FLIP-UP EXT L ASSEMBLY Ti	
1,2,7-9	900111-900113	PLATFORM FLIP-UP EXT KEYHOLED	
1A,2,7-9	900131-900133	PLATFORM FLIP-UP EXT KEYHOLED Ti	
1-4,7-9	921242-921248	PLATFORM FLIP-UP EXT TUBE ASSEMBLY (PR)	
5,6,10-20*	900150-900162	PLATFORM FLIP-UP FOOTPLATE ASSEMBLY 10"-22"	

\* FOR ORDERING INFORMATION, PLEASE SEE PLATFORM FLIP-UP FOOTREST REFERENCE GUIDE ON PAGE 14.30.

# PLATFORM FLIP-UP FOOTREST (QUICKIE 2)

(Discontinued 8/13/01-Parts only)

## MEASURING GUIDE



EXTUBE3

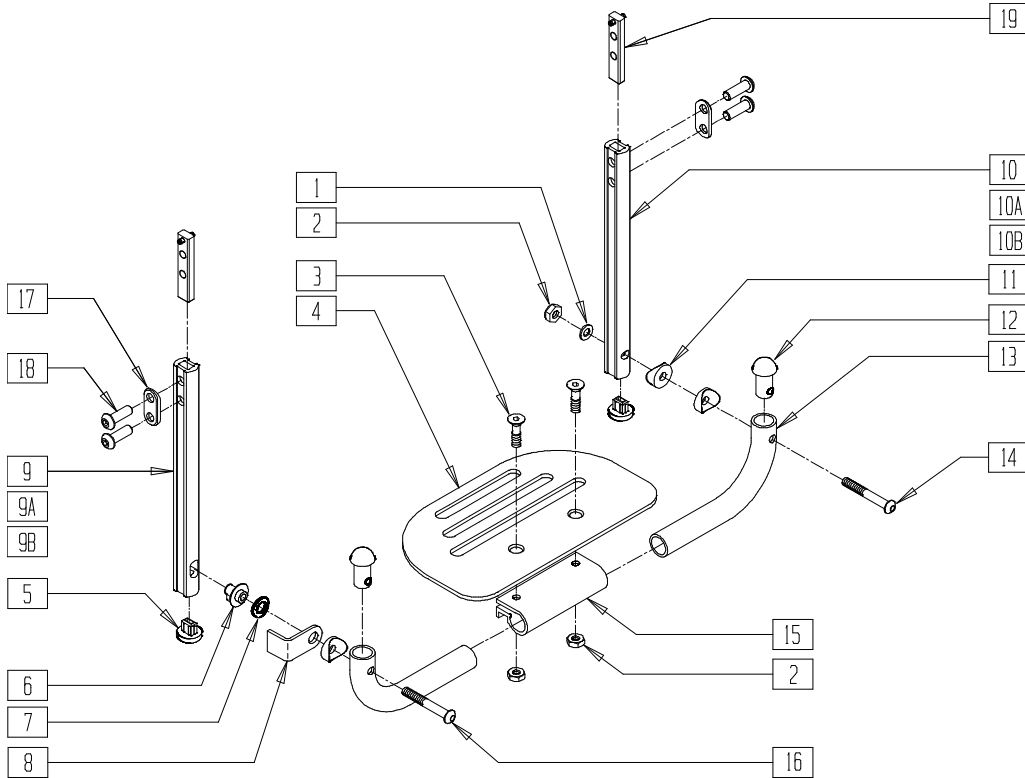
Q220X13

ITEM	NUMBER	DESCRIPTION	QTY
1	262110-OU	1/4 AN WASHER FLAT THIN	1
2	201120	1/4-28 AUTOMATION NUT	3
3	226099	1/4-28 x 7/8 FH C/S	2
4*	500650-500654	PLTFRM F/PLT 6"- 14" x 5 1/2"	1
5	560752	PLUG FOOTREST EXT TUBE Q2 ROUND	2
6	540410	F/UP FOOTREST KEY STUD D2	1
7	262137	3/8 WASHER CURVED	1
8	505078	FOOTREST RETAINING BRACKET	1
9	550587	F/UP FOOTREST KEY EXT MED	1
9A	550588	F/UP FOOTREST KEY EXT LONG	1
10	550585	F/UP FOOTREST SLOTTED EXT MED	1
10A	550586	F/UP FOOTREST SLOTTED EXT LONG	1

ITEM	NUMBER	DESCRIPTION	QTY
11	561003	3/4" SADDLE THIN CERAMIC	3
12	561034	SHORT DOME PLUG	2
13*	522150-522162	PLTFRM F/UP F/PLT TUBE 10"- 22"	2
14	226150	1/4-28 x 2 BH C/S	1
15	550351	PLATFORM FOOTPLATE CLAMP	1
16	226131	1/4-28 x 1 1/4 BH C/S SHLDR	1
5,9,10	921340, 921341	EXT TUBE D2 SHRT PLTFRM BLK (EA)	
5,9A,10A	921342, 921343	EXT TUBE D2 LNG PLTFRM BLK (EA)	
1-4,6-8, 11-16*	900137-900149	PLTFM F/P F/PLT BLK ASSM D2	

\* FOR ORDERING INFORMATION, PLEASE SEE PLATFORM FLIP-UP FOOTREST REFERENCE GUIDE ON PAGE 14.30.

# PLATFORM FLIP-UP FOOTREST (QUICKIE 2/GPSA/LX/LXI/Rx/ZIPPIE/ZIPPIE GS/TS) (Effective 8/13/01)



## MEASURING GUIDE



EXTUBE3

	"A"
SHORT	6 3/8"
MEDIUM	8 1/2"
LONG	11"

Q220X13A

ITEM	NUMBER	DESCRIPTION	QTY
1	262110-QU	1/4 AN WASHER FLAT THIN	1
2	201120	1/4-28 AUTOMATION NUT	3
3	226099	1/4-28 x 7/8 FH C/S	2
4*	500650- 500654	PLTFRM F/PLT 6"- 14" x 5 1/2"	1
5	560752	PLUG FOOTREST EXT TUBE Q2 ROUND	2
6	540410	F/UP FOOTREST KEY STUD D2	1
7	262137	3/8 WASHER CURVED	1
8	505078	FOOTREST RETAINING BRACKET	1
9	550828	EXT TBE F/UP KEY ONLY SHT	1
9A	550829	EXT TBE F/UP KEY ONLY MED	1
9B	550830	EXT TBE F/UP KEY ONLY LNG	1
10	550825	EXT TBE F/UP SLT ONLY SHT	1
10A	550826	EXT TBE F/UP SLT ONLY MED	1
10B	550827	EXT TBE F/UP SLT ONLY LNG	
11	561003	3/4" SADDLE THIN	3
12	561034	SHORT DOME PLUG	2
13*	522150- 522162	PLTFRM F/UP F/PLT TUBE 10"- 22"	2
14	226150	1/4-28 x 2 BH C/S	1

ITEM	NUMBER	DESCRIPTION	QTY
15	550351	PLATFORM FOOTPLATE CLAMP	1
16	226131	1/4-28 x 1 1/4 BH C/S SHLDR	1
17	483717	HANGER SADDLE	2
18	226064	1/4-28 x 3/4 BH C/S BLK W/PTCH	4
19	500078	INSERT D2 EXT TUBE	2
5,9,17-19	921742	EXT TBE F/UP SLT SHT ASSM PCKT	
5,9A,17-19	921743	EXT TBE F/UP SLT MED ASSM PCKT	
5,9B,17-19	921744	EXT TBE F/UP SLT LNG ASSM PCKT	
5,10,17-19	921745	EXT TBE F/UP KEY SHT ASSM PCKT	
5,10A,17-19	921746	EXT TBE F/UP KEY MED ASSM PCKT	
5,10B, 17-19	921747	EXT TBE F/UP KEY LNG ASSM PCKT	
5,9,10, 17-19	921269	S/A EXT TUBE D2 SHT PLTFRM BLK	
5,9A,10A, 17-19	921267	S/A EXT TUBE D2 MED PLTFRM BLK	
5,9B,10B, 17-19	921268	S/A EXT TUBE D2 LNG PLTFRM BLK	
1-4,6-8, 11-16*	900137- 900149	PLTFM F/P F/PLT BLK ASSM D2 (10"-22")	

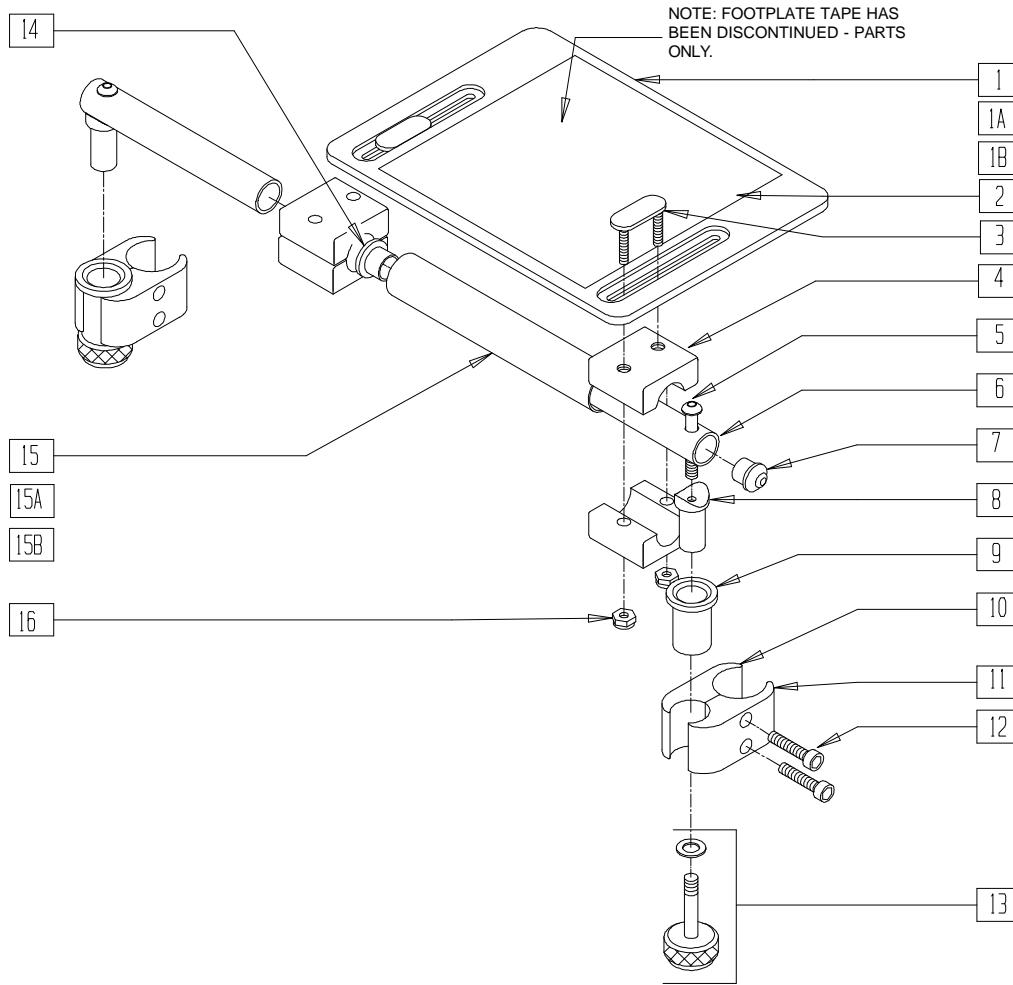
\* FOR ORDERING INFORMATION, PLEASE SEE PLATFORM FLIP-UP FOOTREST REFERENCE GUIDE ON PAGE 14.30.

# PLATFORM FLIP-UP FOOTREST REFERENCE GUIDE

	10"	11"	12"	13"	14"	15"	16"	17"	18"	19"	20"	21"	22"
<b>S/A Reg. (Quickie GP 70°, GP S/A, 2, LX, LXI Recliner, Rx, TS, Zippie, Zippie 2, Zippie GS, TS Swing-away)</b>													
Platform Footplate	500650	500650	500651	500651	500651	500652	500652	500652	500653	500653	500653	500653	500653
Platform Tube	522150	522151	522152	522153	522154	522155	522156	522157	522158	522159	522160	522161	522162
Platform Assembly - (Round Extensions)	900150	900151	900152	900153	900154	900155	900156	900157	900158	900159	900160	900161	900162
Platform Assembly - ("D" Extrusions)	900137	900138	900139	900140	900141	900142	900143	900144	900145	900146	900142	900148	900149
<b>GPV Rigid (Quickie GPV, GPV Competition, GPV Titanium)</b>													
Platform Footplate	N/A	N/A	N/A	N/A	500650	500650	500651	500651	500651	500652	500652	N/A	N/A
Platform Tube	N/A	N/A	N/A	N/A	522150	522151	522152	522153	522154	522155	522156	N/A	N/A
Platform Assembly	N/A	N/A	N/A	N/A	900150	900151	900152	900153	900154	900155	900156	N/A	N/A
<b>S/A "V" (Quickie 2, GP S/A, LX, Recliner, Rx, TS)</b>													
Platform Footplate	N/A	N/A	N/A	500650	500650	500651	500651	500651	500652	500652	500652	500653	500653
Platform Tube	N/A	N/A	N/A	522150	522151	522152	522153	522154	522155	522156	522157	522158	522159
Platform Assembly - (Round Extensions)	N/A	N/A	N/A	900150	900151	900152	900153	900154	900155	900156	900157	900158	900159
Platform Assembly - ("D" Extrusions)	N/A	N/A	N/A	900137	900138	900139	900140	900141	900142	90043	900144	900145	900146

NOTE: FOOTREST EXTENSION TUBES ARE NOT INCLUDED IN THESE ASSEMBLIES, SEE NUMBERS 921242-921248, 921267, AND 921268 ON PAGES 14.27 AND 14.29.

# 90° SOLID FOOTBOARD



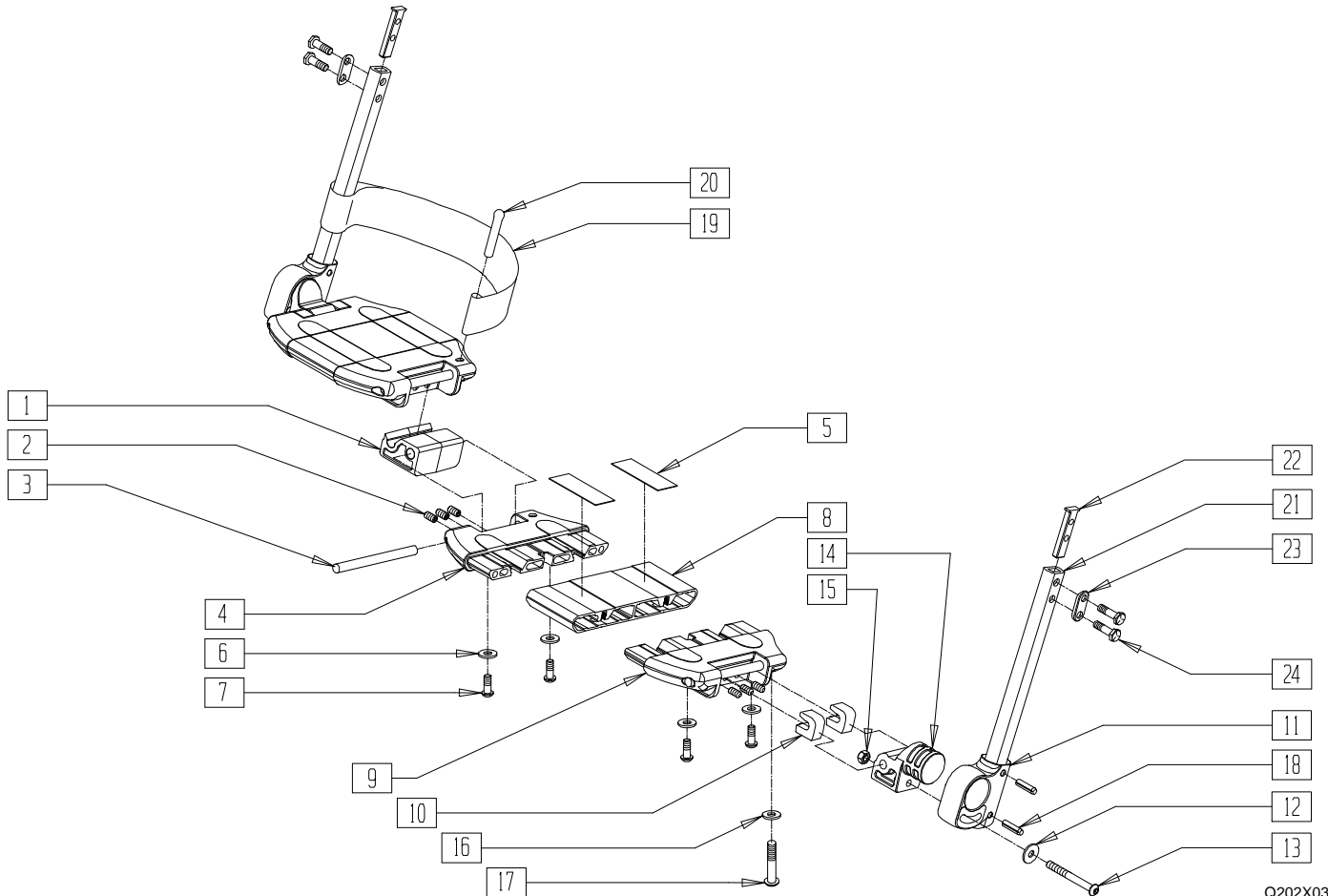
FT0X016

ITEM	NUMBER	DESCRIPTION	QTY
1	562610	SLD FOOTPLATE ONLY 8" x 8" (10"-12" W)	1
1A	562612	SLD FOOTPLATE ONLY 10" x 8" (13"-14" W)	1
1B	500709	SLD FT PLT ALUM ONLY 12" x 8" (15"-16" W)	1
2	562830	SLD FOOTPLATE TAPE 12" x 8"	1
3	330120	SLD FT/ANGLE ADJ DOUBLE T BOLT	2
4	550444	SOLID FOOT/ANG ADJ CLAMP BLK	4
5	226130	1/4-28 x 1 1/2 BH C/S	2
6	521623	SOLID FT PIVOT TUBE BLK	2
7	561034	SHORT DOME PLUG	2
8	483236	SOLID FOOT INSERT SADDLE BLK	2
10	550658	CLAMP 1 1/4" THREADED BLK	2
11	550657	CLAMP 1 1/4" RECESS FULL BLK	2
12	226112	1/4-28 x 1 SOC C/S BLK	4

ITEM	NUMBER	DESCRIPTION	QTY
9,13	880559	SOLID FOOT LOCK KNOB ASSEMBLY	
14	560402	3/4" ID NY-LINER	2
15	521621	SLD FOOT SUPPORT TUBE BLK 10"-12"	1
15A	521622	SLD FOOT SUPPORT TUBE BLK 13"-14"	1
15B	521624	SLD FOOT SUPPORT TUBE BLK 15"-16"	1
16	201105	1/4-20 NYLOCK NUT THIN	4
5-8	880183	SLD FT PLT PIVOT TUBE SUB-ASSM	
1-16	921801	SLD FT PLT ASSEMBLY 8" x 8" (10"-12" W)	
1A-14	921803	SOLID FOOTPLATE ASSEMBLY 10" x 8" (13"-14" W)	
15A,16			
1B-14,	921805	SOLID FOOTPLATE ASSEMBLY 12" x 8" (15"-16" W)	
15B,16			



# ANGLE ADJUSTABLE LOCKING FOOTPLATE (QUICKIE 2)



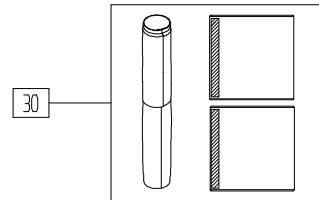
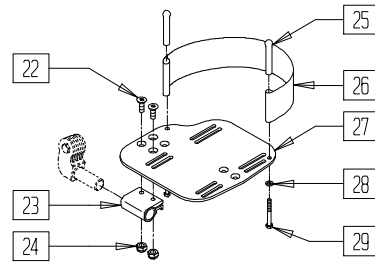
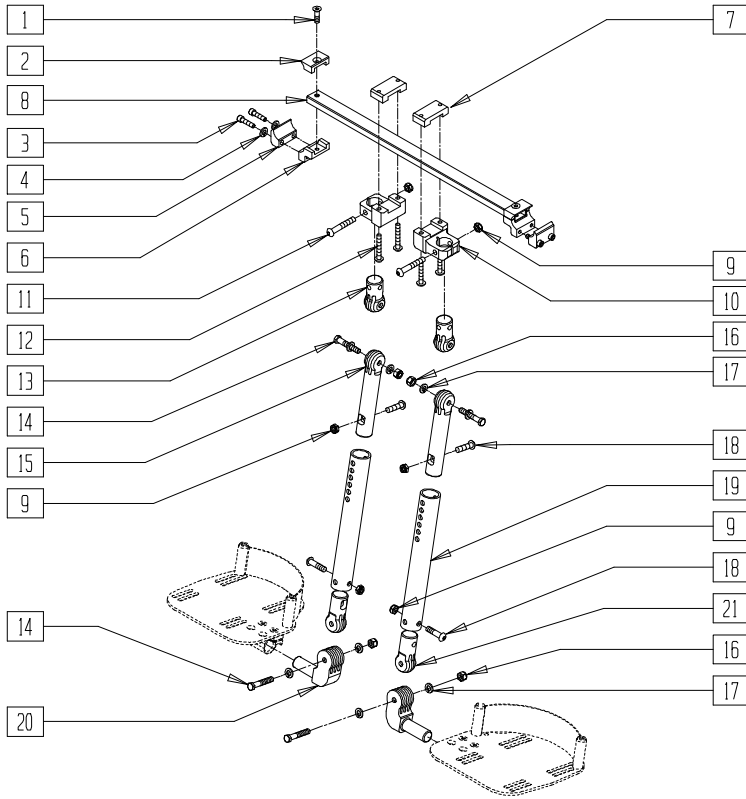
Q202X03

ITEM	NUMBER	DESCRIPTION	QTY
1	560018	FOOT BOARD PINNED SUPPORT	1
2	230030	M6 x 12 SET SCREW CUP POINT	12
3	481283	PIN 8MM x 100 MM	4
4	561575	FOOTBOARD HOLDER LEFT W/HOLE	1
	561576	FOOTBOARD HOLDER RIGHT W/HOLE	
5	360010	FOOT BOARD SKID TAPE	2
6	262100-OU	1/4 AN WASHER FLAT	4
7	230032	M6 x 16 B/H CAP SCREW	8
8	506230-	LOCKING FOOTPLATE 15W-22W	1
	506236,		
	506238		
9	560019	FOOT BOARD HOLDER R	1
	560020	FOOT BOARD HOLDER L	
10	560021	FOOT BOARD SHIM ALIGNMENT	4
11	560024	FOOT YOKE	2
12	250070	M6 WASHER	2
13	210000	M6 x 55 8.8 BUTTON HD CAP SCRW	2
14	560023	FOOT BOARD BEARING SUPPORT	2
15	210001	M6 NYLOCK NUT THIN	2
16	262110-OU	1/4 AN WASHER FLAT THIN	2
17	221110	1/4-20 x 1 HEX C/S	2
18	349583	6 x 25MM GROOVED PIN	2
19	741151- 741153, 741253	HEEL LOOP	1

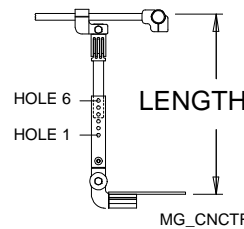
ITEM	NUMBER	DESCRIPTION	QTY
20	561040	HEEL LOOP PEG	2
21	550831	EXT TBE PLTFRM ONLY SHT	2
	550832	EXT TBE PLTFRM ONLY MED	
	550833	EXT TBE PLTFRM ONLY LNG	
22	500078	INSERT D2 EXT TUBE	1
23	483717	HANGER SADDLE	1
24	221102	1/4-28 x 3/4 HEX HEAD C/S BLK W/PTCH	2
11,18, 21-24	921748	EXT TBE PLTFRM SHT ASSM PCKT	
	921749	EXT TBE PLTFRM MED ASSM PCKT	
	921750	EXT TBE PLTFRM LNG ASSM PCKT	
1-10, 12-16, 19,20	820620- 820633, 820637, 820638	LOCKING FOOTPLATE 15"W-22W (EA)	
	921350- 921358	LOCKING FOOTPLATE 15"W-24W (PR)	
	900280- 900286, 900763	LOCKING FOOTPLATE W/SHT EXT ASSM 15"W-22W	
1-24	900290- 900296, 900762	LOCKING FOOTPLATE W/MED EXT ASSM 15"W-22W	
	900172- 900178, 900761	LOCKING FOOTPLATE W/LNG EXT ASSM 15"W-22W	

# CONTRACTURE FOOTREST SYSTEM (QUICKIE TS)

(Effective 4/30/01)



## MEASURING GUIDE



HOLE NUMBER	SHORT	REG	LONG
1	10.62"	12.62"	14.62"
2	11.12"	13.12"	15.12"
3	11.62"	13.62"	15.62"
4	12.12"	14.12"	16.12"
5	12.62"	14.62"	16.62"
6	13.12"	15.12"	17.12"

QTS30X08

ITEM	NUMBER	DESCRIPTION	QTY
1	226259	1/4-28 x 1 FLAT HD C/S BLK	2
2	500524	CONTRACTURE CLAMP TOP	2
3	226112	1/4-28 x 1 SOC C/S BLK	4
4	262114	1/4 WASHER HI COLLAR LOCK ZN	4
5	550667	CONTRACTURE CLAMP RECESSED	2
6	550668	CONTRACTURE CLAMP THREADED	2
7	550465	CLAMP TOP QTS	2
8	524500- 524506	CNTRCT FRM FT/RST TUBE (14" - 20") QTS	1
9	202116	5/16-18 NYLOCK NUT THIN BLK	6
10	483180	OFFSET CLAMP BODY QTS	2
11	226198	5/16-18 x 2 BH C/S SHT THREAD	2
12	227140	1/4-28 x 1 3/4 BH C/S BLK ZN	4
13	483191	EXTERIOR LOCKING JOINT QTS	2
14	222235	5/16-18 x 1 3/4" HEX C/S BLK	4
15	503005	ADJUSTMENT LOCKING JOINT	2
16	202117	5/16-18 NYLOCK NUT THICK BLK	4
17	265103	5/16 WASHER MED BLK LK SPLT	8
18	222109	5/16-18 x 1-1/4" BH C/S BLK ZN	4
19	524041	SHORT CNTRCT FT/RST MNT TUBE	1
	524044	MED CNTRCT FT/RST MNT TUBE	1
	524045	LONG CNTRCT FT/RST MNT TUBE	1
20	483189	FOOTREST JOINT QTS	2
21	483181	INTERIOR LOCKING JOINT QTS	2
22	226099	1/4-28 x 7/8 FH C/S	4
23	550350	3/4" CLMP ADJ FT PLT	2
24	201100-QU	1/4-28 NYLOCK NUT THIN	4

ITEM	NUMBER	DESCRIPTION	QTY
25	561040	HEEL LOOP PEG	4
26	741130	HEEL LOOP 14/15 MULTI PSTN	2
	741131	HEEL LOOP 16/17 MULTI PSTN	
	741132	HEEL LOOP 18-20 MULTI PSTN	
27	500660- 500661	ADLT ANGL ADJ F/PLT 14/15 (EA)	2
	500662- 500663	ADLT ANGL ADJ F/PLT 16/17 (EA)	
	500664- 500665	ADLT ANGL ADJ F/PLT 18-20 (EA)	
28	262110-QU	1/4 AN WASHER FLAT THIN	4
29	221110	1/4-20 X 1 HEX C/S	4
1-6	888816	CNTRCTR CLAMP ASSM QTS	
7,9-12	888815	OFFSET CLAMP ASSM QTS	
1-6,8	882200- 882208	STRUT BAR/BRKTS CFS (14" - 22")	
9,13-21	888810-	CNTRCTR FTRST MNT TBE ASSM SHT	
	888811	CNTRCTR FTRST MNT TBE ASSM MED	
	888812	CNTRCTR FTRST MNT TBE ASSM LNG	
30	731101	COVER PAD CONTRACTURE FTRST	4
1-30	921880- 921886	CONTRACTURE FTRST KIT (14W- 20W SHRT)	
1-30	921910- 921916	CONTRACTURE FTRST KIT (14W- 20W MED)	
1-30	921917- 921923	CONTRACTURE FTRST KIT (14W- 20W LONG)	

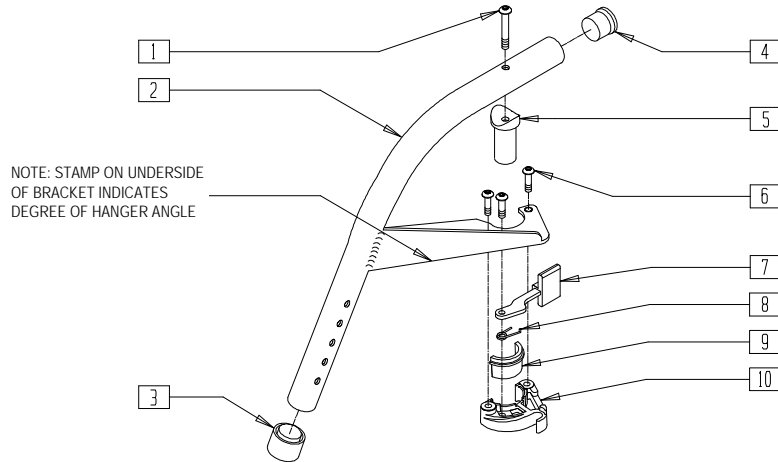
# Front Frame Hangers

## IN THIS SECTION

60° Swing-away Hanger (Quickie 1/GPSA/2/LX/LXI/Rx/Recliner/T45/TS, Zippie)(Disc.) .....	15.1
60° Swing-away Hanger (Older Model Breezys)....	15.1
60° Swing-away Hanger (Quickie 2/GPSA/LX/LXI/ Recliner/TS/T45/Zippie/2/GS/TS) (Disc.).....	15.2
60° Swing-away Hanger (Quickie 2/GPSA/LX/LXI/ Recliner/TS/T45/Zippie/2/GS/TS) .....	15.2
60° Swing-away Hanger (Quickie M6).....	15.3
60° Swing-away Hanger (Breezy 100/150) .....	15.3
60° Swing-away Clamp-on Hanger (Breezy 500/503/510/510 Recliner) .....	15.4
60° Swing-away Bolt-on Hanger (Breezy 500/510/510 Recliner/600/2(Disc.)).....	15.4
Hemi 60° Swing-Away Hanger (Quickie 2(Disc.)/Rx).....	15.5
60° Swing-away Clamp-on Hemi Hanger (Breezy 510/600 Ultra-hemi).....	15.5
70° Swing-away Hanger (Quickie 2(Disc.)/GPSA/LX/LXI/Recliner/Rx/TS/ T45/ Zippie/2/GS/TS)(Disc.) .....	15.6
70° Swing-away Hanger (Quickie 2(Disc.)/GPSA/LX/LXI/Recliner/Rx/TS/ T45/ Zippie/2/GS/TS)(Disc.) .....	15.6
70° Swing-away Hanger(Quickie 2/LX/LXI/TS/ T45/Zippie/Zippie 2/GS/TS) .....	15.7
70° Swing-away Hanger (Older Model Breezys)....	15.7
70° Swing-away Hanger (Breezy 510/510 Recliner/600/2(Disc.)).....	15.8
Hemi 70° Swing-away Hanger (Disc.) .....	15.8
Hemi 70° Swing-away Hanger (Quickie 2) .....	15.9
70° “V” Swing-away Hanger (Disc.).....	15.9
70° “V” Swing-away Hanger (Quickie 2/GPSA/LX/LXI/Recliner/TS).....	15.10
70° “V” Swing-away Hanger (Quickie Rx)(Disc.)..	15.10
70° Swing-away Front Mount Hanger (Quickie 2/Recliner/TS/Zippie 2/GS/TS) .....	15.11
70° Heavy Duty Footrest Hanger (Quickie M6/TS/T45/Zippie/Zippie2/GS/TS).....	15.11
80° Swing-away Front Mount Hanger (Quickie 2/Recliner/TS/Zippie 2/GS/TS) .....	15.12
80° Heavy Duty Footrest Hanger (Quickie M6/TS/T45,Zippie 2/GS/TS) .....	15.12
90° Swing-away Hanger (Quickie 2/GPSA/LX/LXI/Recliner/Rx/TS /Zippie/2/GS/TS) .....	15.13
90° Lift-Off Hanger (Zippie/2/GS/TS).....	15.13
Elevating Legrest (Breezy)(Disc.) .....	15.14
Elevating Legrest (Quickie)(Disc.) .....	15.15
Elevating Legrest (Aluminum Breezy/Breezy 2) (Disc.) .....	15.16
Elevating Legrest (Breezy 100/150) .....	15.17
Elevating Legrest (Breezy) (Disc.).....	15.18
Elevating Legrest (Manual Products) (Disc.) .....	15.19
Elevating Legrest (Quickie/Breezy)(Disc.) .....	15.20
Elevating Legrest (Breezy Products) .....	15.21
Elevating Legrest (Quickie Manual Products) .....	15.22
90° Kids Elevating Legrest (Disc.) .....	15.23
90° Kids Elevating Legrest (Disc.) .....	15.24
90° Kids Elevating Legrest (Manual Products)....	15.25
Elevating Legrest (Quickie M6) .....	15.26
Elevating Legrest Pad Assembly (Disc.).....	15.27
ELR Trough Calf Pad (Disc.) .....	15.27
Kids ELR Trough Calf Pad (Disc.) .....	15.28
ELR Calf Pad (14"-15").....	15.28
ELR Calf Pad (16"-17"/18"-20") .....	15.29
ELR Calf Pad (Quickie M6) .....	15.29
Articulating Legrest Assembly (All Quickie Chairs/ Zippie/2/TS) .....	15.30
Articulating Legrest Assembly (Manual Products).....	15.31
Articulating Legrest Assembly (Breezy/2/Chrome Breezy) .....	15.32
Kids Articulating Legrest Assembly (Disc.) .....	15.33
Kids Articulating Legrest Assembly (Manual Products).....	15.34
Articulating Legrest Pad Assembly .....	15.35
Kids Articulating Legrest Pad Assembly .....	15.35

## 60° SWING-AWAY HANGER

(Discontinued Quickie 1/2/GP/GPSA/LX/LXI/Rx/Recliner/T45/TS/ Zippie/Zippie 2/GS/TS 10/23/99-Parts only) (Used on Quickie 2 prior to serial number Q2-242051)



Drawing shows left side

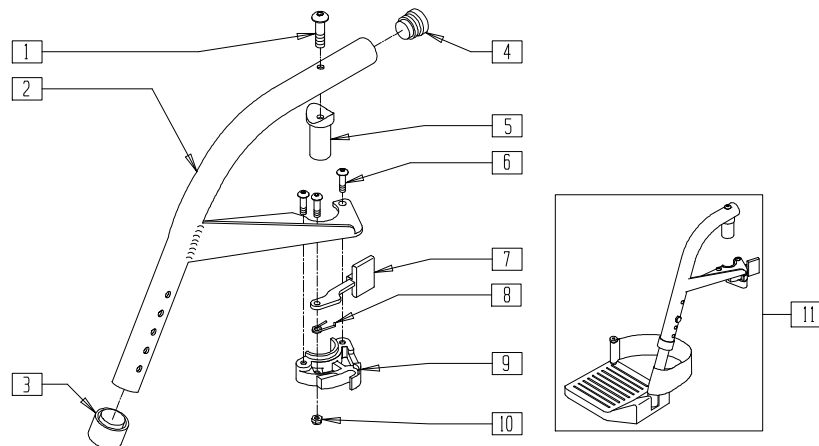
FT0X09A

ITEM	NUMBER	DESCRIPTION	QTY
1	226198	5/16-18 x 2 BH C/S SHT THREAD	1
2	505050, 505052	S/A HANGER ONLY 60° (EA) (SPECIFY COLOR)	1
3	561082	1" TUBE END BUSHING THIN	1
4	561002	1" INSERT PLUG .083	1
5	561074	PIVOT SADDLE PLASTIC .125	1
1.5	880545	PIVOT SADDLE .125 W/SCREW	
6	226010	10-24 x .725 BH C/S W/PATCH	3

ITEM	NUMBER	DESCRIPTION	QTY
7	561079	S/A LATCH LEVER	1
8	321136, 321137	S/A SPRING (EA)	1
9	483282	S/A LATCH BLOCK CASTING INSERT	3
9,10	881500, 881510	S/A LATCH BLOCK (EA)	
1-10	641150, 641170	HANGER 60° PAINTED S/A (EA) (SPECIFY COLOR)	

## 60° SWING-AWAY HANGER (OLDER MODEL BREEZYS)

(Effective serial number BZ-200000 through BZ-350999)



Drawing shows left side

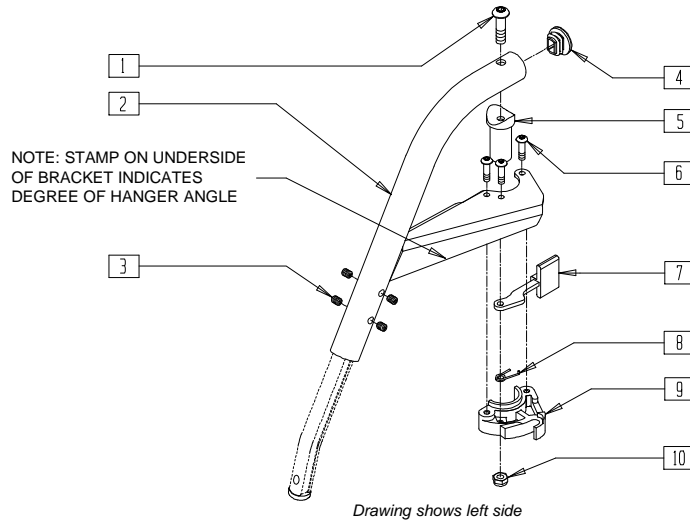
BZY00X08

ITEM	NUMBER	DESCRIPTION	QTY
1	226190	5/16-18 x 1 3/4 BH C/S SHLDR	1
2	505090, 505091	S/A HANGER ONLY 60° BR (EA) (SPECIFY COLOR)	1
3	561018	1" TUBE END BUSHING THICK	1
4	561062	1" INSERT PLUG .065 RIBS	1
5	561320	PIVOT SADDLE .049	1
6	226011	10-24 x .665 BH C/S W/PATCH	3
7	561079	S/A LATCH LEVER	1
8	321136, 321137	S/A SPRING (EA)	1

ITEM	NUMBER	DESCRIPTION	QTY
9,10	561076, 561078	S/A LATCH BLOCK (EA)	
10	200107	10-24 NYLOCK NUT THIN (SPARES)	3
6-10	880808, 880809	S/A LATCH KIT 90°/HEMI/BR (EA)	
1-10	641310, 641311	HANGER 60° PAINTED S/A BR (EA) (SPECIFY COLOR)	
11	923090- 923092	HANGER 60° MED EXT F/PLT BR (PR) (SPECIFY COLOR)	1

## 60° SWING-AWAY HANGER (QUICKIE 2/GPSA/LX/LXI/RECLINER/TS/T45/ ZIPPIE/2/GS/TS)

(Effective 10/23/99 and discontinued 8/13/01)



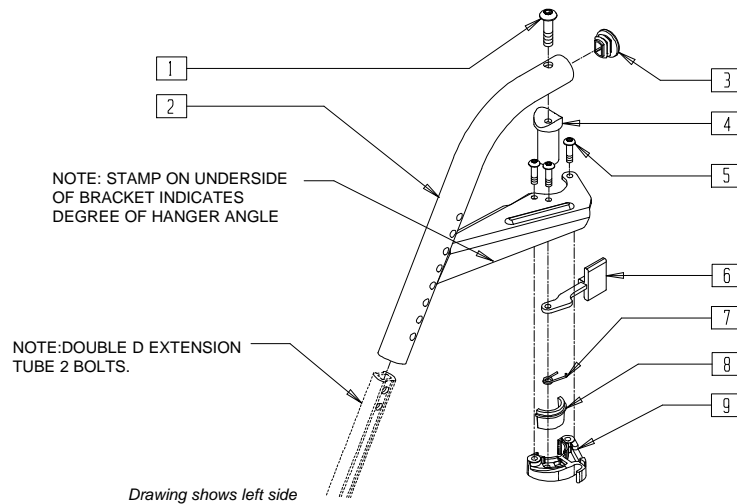
Q220X08

ITEM	NUMBER	DESCRIPTION	QTY
1	226198	5/16-18 x 2 BH C/S SHT THREAD	1
2	504960, 504961	S/A HANGER ONLY 60°	1
3	225112	1/4-20 x 1/4 SS KNRLD CP W/PTCH	4
4	561378	END PLUG DBL "D" S525	1
5	561074	PIVOT SADDLE PLASTIC .125	1
6	226057	10-24 x .725 BH SOC BZ	3
7	561079	S/A LATCH LEVER	1

ITEM	NUMBER	DESCRIPTION	QTY
8	321136, 321137	S/A SPRING (EA)	1
10	200107	10-24 NYLOCK NUT THIN (SPARES)	3
9,10	561076- 561078	S/A LATCH BLOCK (EA)	
6-10	880730- 880731	S/A LATCH KIT (EA)	
1-10	641160- 641161	HANGER 60° D2 PAINTED S/A (EA)	

## 60° SWING-AWAY HANGER (QUICKIE 2/GPSA/LX/LXI/RECLINER/TS/T45/ ZIPPIE/2/GS/TS)

(Effective 08/13/01)



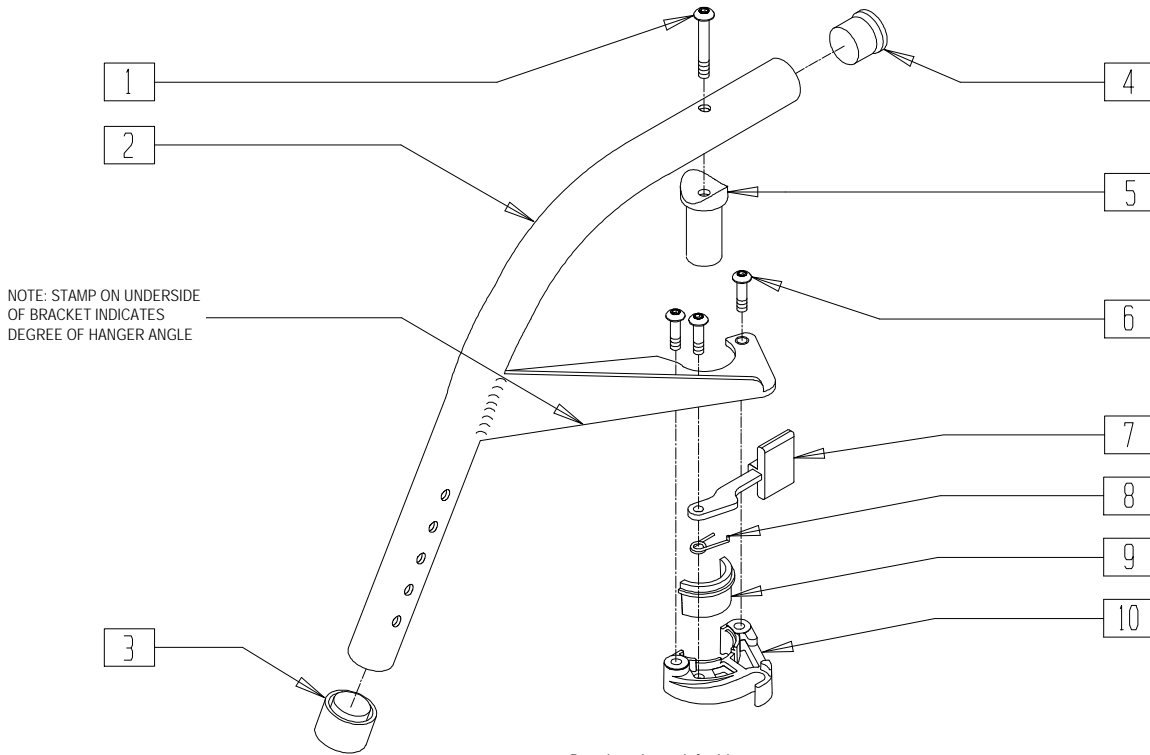
Q220X08B

ITEM	NUMBER	DESCRIPTION	QTY
1	226217	5/16-18 x 2" BH C/S BLK	1
2	504942, 504943	S/A HANGER ONLY 60° D2	1
3	561378	END PLUG DBL "D" S525	1
4	561074	PIVOT SADDLE PLASTIC .125	1
5	226057	10-24 x .725 BH SOC BZ	3
6	561079	S/A LATCH LEVER	1

ITEM	NUMBER	DESCRIPTION	QTY
7	321136, 321137	S/A SPRING (EA)	1
8,9	881500,- 881501	S/A LATCH BLOCK (EA)	
1-9	641550- 641551	HANGER 60° D2 PAINTED S/A BT (EA)	

# 60° SWING-AWAY HANGER (QUICKIE M6)

Effective 9/28/00



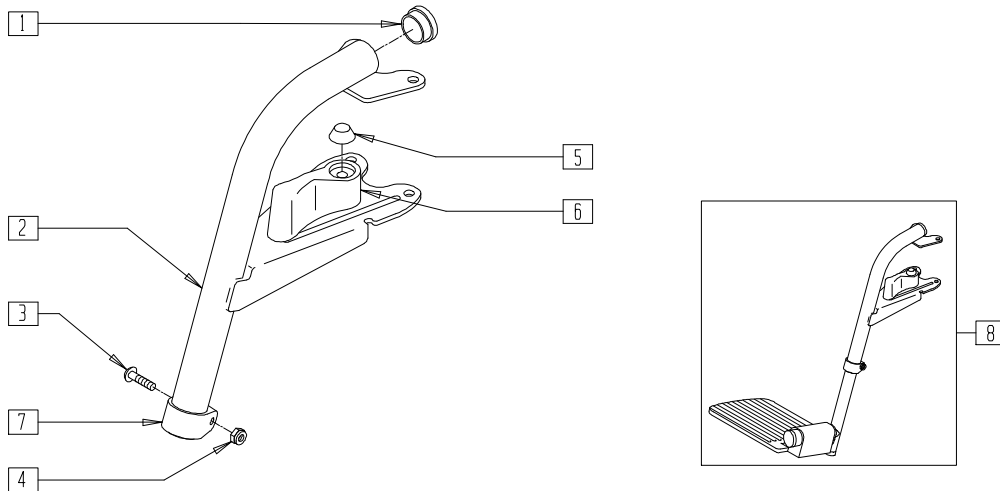
Drawing shows left side

FT0X34

ITEM	NUMBER	DESCRIPTION	QTY
1	226198	5/16-18 x 2 BH C/S SHT THREAD	1
2	505050, 505052	S/A HANGER ONLY 60D (EA) (SPECIFY COLOR)	1
3	561082	1" TUBE END BUSHING THIN	1
4	561002	1" INSERT PLUG .083	1
5	561074	PIVOT SADDLE PLASTIC .125	1
6	226010	10-24 X .725 BH C/S W/PATCH	3
7	561079	S/A LATCH LEVER	1

ITEM	NUMBER	DESCRIPTION	QTY
8	321136, 321137	S/A SPRING (EA)	1
9	483282	S/A LATCH BLOCK CASTING INSERT	1
1,5	880545	PIVOT SADDLE .125 W/SCREW	
9,10	881500, 881501	LATCH BLOCK ASSM (EA)	
1-10	641150, 641170	HANGER 60D PNTD S/A (EA) (SPECIFY COLOR)	

# 60° SWING-AWAY HANGER (BREEZY 100/150)

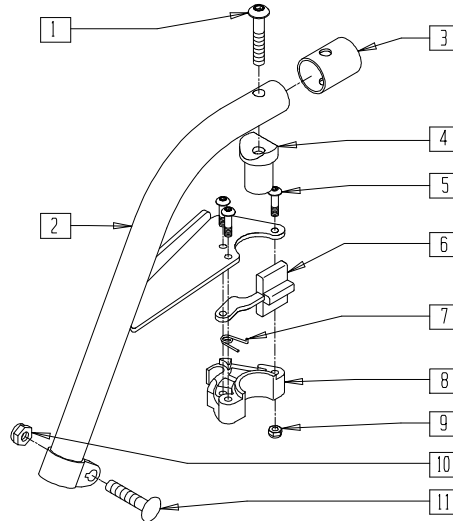


BRZ10X07

ITEM	NUMBER	DESCRIPTION	QTY
8	222-0543L	SWING-AWAY FOOTREST ASSEMBLY L	1
	222-0543R	SWING-AWAY FOOTREST ASSEMBLY R	

ITEM	NUMBER	DESCRIPTION	QTY
1-7	222-0626	SWING-AWAY FOOTREST UPPER ASSEMBLY	1

## 60° SWING-AWAY CLAMP-ON HANGER (BREEZY 500/503/510/510 RECLINER)



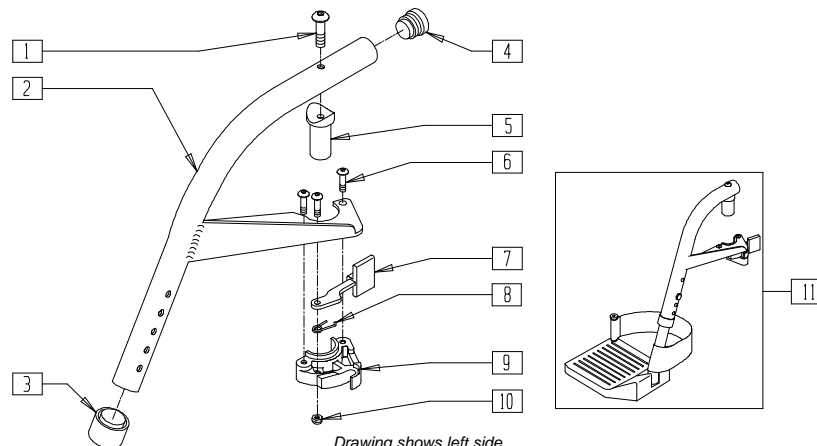
BASIC01

ITEM	NUMBER	DESCRIPTION	QTY
1	226198	5/16-18 x 2 BH C/S SHT THREAD	1
2	505088, 505089	HANGER WELDMENT B500 (EA)	1
3	560769	HANGER TUBE END CAP	1
4	561074	PIVOT SADDLE PLASTIC .125	1
5	226011	10-24 x .665 BH C/S W/PATCH	3
6	561079	S/A LATCH LEVER	1
7	321136, 321137	S/A SPRING (EA)	1

ITEM	NUMBER	DESCRIPTION	QTY
8,9	561076, 561078	S/A LATCH BLOCK (EA)	
9	200107	10-24 NYLOCK NUT THIN	3
10	202102	5/16-18 NYLOCK NUT THIN	1
11	226205	5/16-18 x 1 1/4" CARRIAGE BOLT	1
1-11	641318, 641319	HANGER 60° PAINTED S/A CLAMP-ON	

## 60° SWING-AWAY BOLT-ON HANGER (BREEZY 500/510/510 RECLINER/600/2)

(Breezy chairs prior to BZ-200000 and beginning serial number BZ-351000)  
(Breezy 2 discontinued 5/98 - parts only)



Drawing shows left side

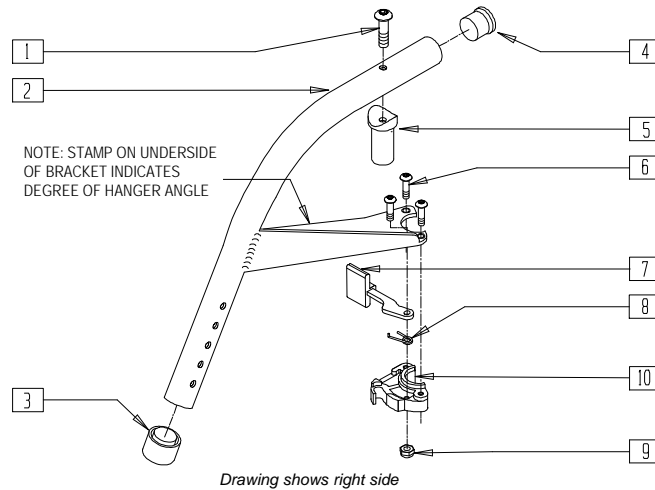
BZY00X08

ITEM	NUMBER	DESCRIPTION	QTY
1	226198	5/16-18 x 2 BH C/S SHT THREAD	1
2	505090, 505091	S/A HANGER ONLY 60° BR (EA) (SPECIFY COLOR)	1
3	561018	1" TUBE END BUSHING THICK	1
4	561062	1" INSERT PLUG .065 RIBS	1
5	561074	PIVOT SADDLE PLASTIC .125	1
1,5	880545	PIVOT SADDLE .125 W/SCREW	
6	226011	10-24 x .665 BH C/S W/PATCH	3
7	561079	S/A LATCH LEVER	1
8	321136, 321137	S/A SPRING (EA)	1

ITEM	NUMBER	DESCRIPTION	QTY
9,10	561076, 561078	S/A LATCH BLOCK (EA)	
10	200107	10-24 NYLOCK NUT THIN (SPARES)	3
6-10	880730, 880731	S/A LATCH KIT (EA)	
1-10	641314, 641315	HANGER 60° PAINTED S/A B2 (EA) (SPECIFY COLOR)	
11	923074- 923076	HANGER 60° MED EXT FOOTPLATE BR (PR) (SPECIFY COLOR)	

## HEMI 60° SWING-AWAY HANGER (QUICKIE 2/Rx)

(Quickie 2 discontinued serial number Q2-242051 - parts only)

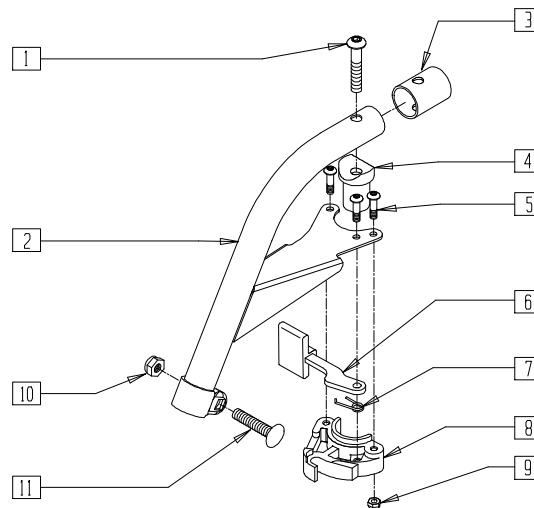


FT0X09B

ITEM	NUMBER	DESCRIPTION	QTY
1	226198	5/16-18 x 2 BH C/S SHT THREAD	1
2	505044, 505045	S/A HANGER ONLY 60° HEMI (EA) (SPECIFY COLOR)	1
3	561082	1" TUBE END BUSHING THIN	1
4	561002	1" INSERT PLUG .083	1
5	561074	PIVOT SADDLE PLASTIC .125	1
1,5	880545	PIVOT SADDLE .125 W/SCREW	
6	226011	10-24 x .665 BH C/S W/PATCH	3
7	561079	S/A LATCH LEVER	1

ITEM	NUMBER	DESCRIPTION	QTY
8	321136, 321137	S/A SPRING (EA)	1
9	200107	10-24 NYLOCK NUT THIN (SPARES)	3
9,10	561076, 561078	S/A LATCH BLOCK (EA)	
6-10	880808, 880809	S/A LATCH KIT 90°/HEMI/BR (EA)	
1-10	641271, 641272	HANGER HEMI 60° PAINTED S/A (EA) S/A LATCH LEVER	

## 60° SWING-AWAY CLAMP-ON HEMI HANGER (BREEZY 510/600 ULTRA-HEMI)



BZ510X02

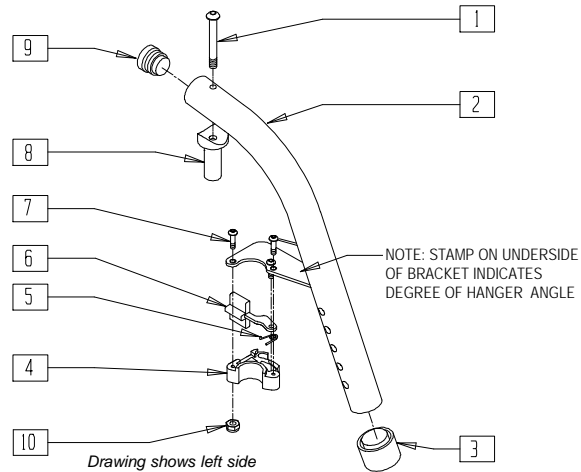
ITEM	NUMBER	DESCRIPTION	QTY
1	226198	5/16-18 x 2 BH C/S SHT THREAD	1
2	505448, 505449	S/A HEMI HANGER ONLY 60° STEEL	1
3	560769	HANGER TUBE END CAP	1
4	561074	PIVOT SADDLE PLASTIC .125	1
5	226011	10-24 x .665 BH C/S W/PATCH	3
6	561079	S/A LATCH LEVER	1
7	321136, 321137	S/A SPRING (EA)	1

ITEM	NUMBER	DESCRIPTION	QTY
8	561076, 561078	S/A LATCH BLOCK (EA)	1
9	200107	10-24 NYLOCK NUT THIN	3
10	202102	5/16-18 NYLOCK NUT THIN	1
11	226205	5/16-18 x 1 1/4" CARRIAGE BOLT	1
1-11	641290, 641291	HANGER HEMI STEEL 60° PNTD S/A	



## 70° SWING-AWAY HANGER (QUICKIE 2/GPSA/LX/LXI/RECLINER/Rx/TS/T45/ ZIPPIE/2/GS/TS)

(Discontinued 10/23/99- Parts only) (Used on Quickie 2 prior to serial number Q2-242051)



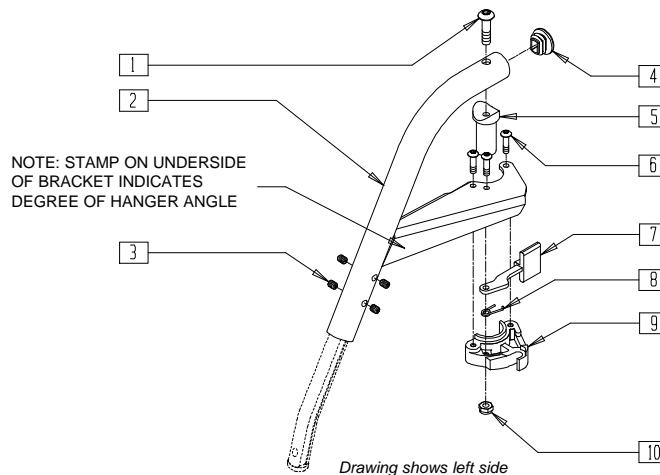
FT0X031

ITEM	NUMBER	DESCRIPTION	QTY
1	226198	5/16-18 x 2 BH C/S SHT THREAD	1
2	505041, 505042	S/A HANGER ONLY 70° (EA) (SPECIFY COLOR)	1
3	561082	1" TUBE END BUSHING THIN	1
5	321136, 321137	S/A SPRING (EA)	1
6	561079	S/A LATCH LEVER	1
7	226010	10-24 x .725 BH C/S W/PATCH	3
8	561074	PIVOT SADDLE PLASTIC .125	1

ITEM	NUMBER	DESCRIPTION	QTY
1,8	880545	PIVOT SADDLE .125 W/SCREW	
9	561002	1" INSERT PLUG .083	1
10	200107	10-24 NYLOCK NUT THIN (SPARES)	3
4,10	561076, 561078	S/A LATCH BLOCK (EA)	
4-7,10	880730, 880731	S/A LATCH KIT (EA)	
1-10	641180, 641182	HANGER 70° PAINTED S/A (EA) (SPECIFY COLOR)	

## 70° SWING-AWAY HANGER (QUICKIE 2/GPSA/LX/LXI/RECLINER/TS/T45/ ZIPPIE/2/GS/TS)

(Effective 10/23/99 and discontinued 8/13/01)



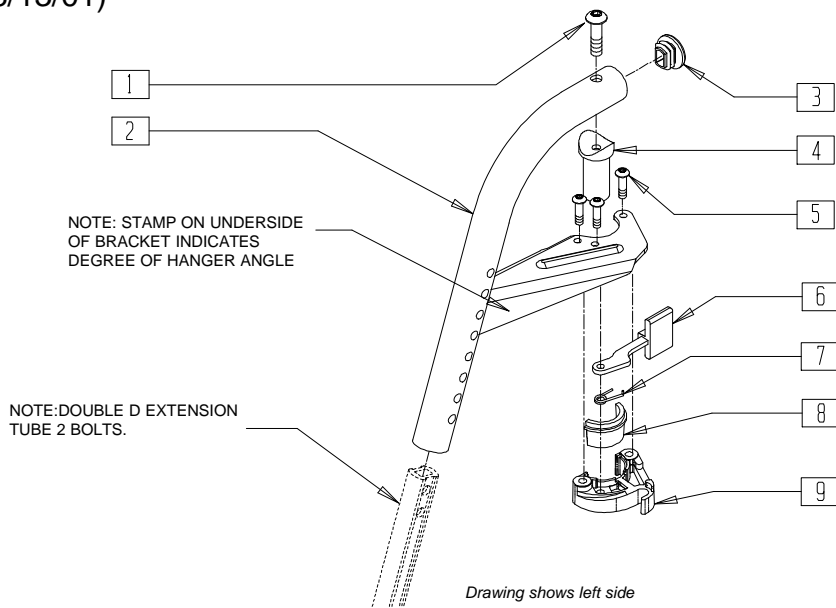
Q220X09

ITEM	NUMBER	DESCRIPTION	QTY
1	226198	5/16-18 x 2 BH C/S SHT THREAD	1
2	504962, 504963	S/A HANGER ONLY 70°	1
3	225112	1/4-20 x 1/4 SS KNRLD CP W/PATCH	4
4	561378	END PLUG DBL "D" S525	1
5	561074	PIVOT SADDLE PLASTIC .125	1
6	226057	10-24 x .725 BH SOC BZ	3
7	561079	S/A LATCH LEVER	1

ITEM	NUMBER	DESCRIPTION	QTY
8	321136, 321137	S/A SPRING (EA)	1
10	200107	10-24 NYLOCK NUT THIN (SPARES)	3
9,10	561076- 561078	S/A LATCH BLOCK (EA)	
6-10	880730- 880731	S/A LATCH KIT (EA)	
1-10	641162- 641163	HANGER 70° D2 PAINTED S/A (EA)	

# 70° SWING-AWAY HANGER (QUICKIE 2/LX/LXI/TS/T45/ZIPPIE/ZIPPIE 2/GS/TS)

(Effective 8/13/01)



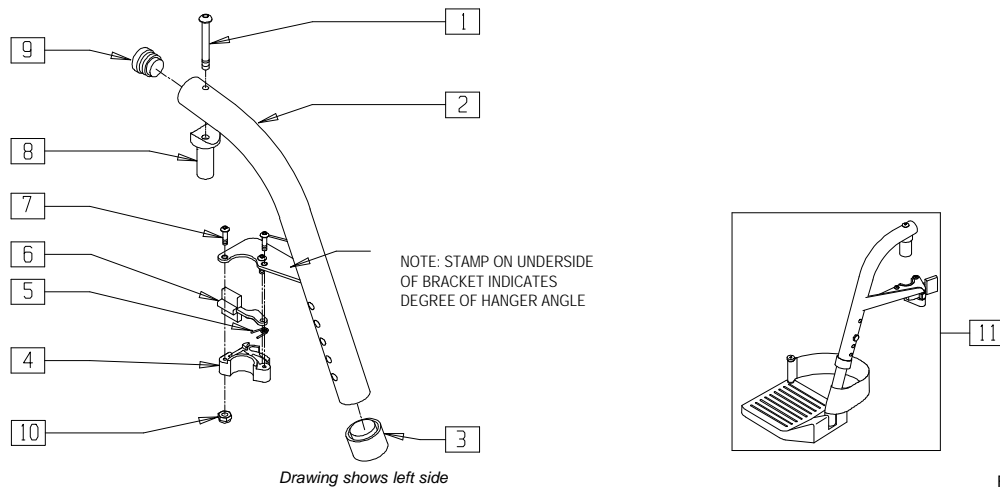
Q220X09B

ITEM	NUMBER	DESCRIPTION	QTY
1	226217	5/16-18 x 2" BH C/S BLK	1
2	504944, 504945	S/A HANGER ONLY 70° D2	1
3	561378	END PLUG DBL "D" S525	1
4	561074	PIVOT SADDLE PLASTIC .125	1
5	226057	10-24 x .725 BH SOC BZ	3
6	561079	S/A LATCH LEVER	1

ITEM	NUMBER	DESCRIPTION	QTY
7	321136, 321137	S/A SPRING (EA)	1
8,9	881500- 881501	S/A LATCH BLOCK (EA)	
1-9	641552- 641553	HANGER 70° D2 PNTD S/A BT (EA)	

# 70° SWING-AWAY HANGER (OLDER MODEL BREEZYS)

(Effective serial number BZ-200000 through BZ-350999)



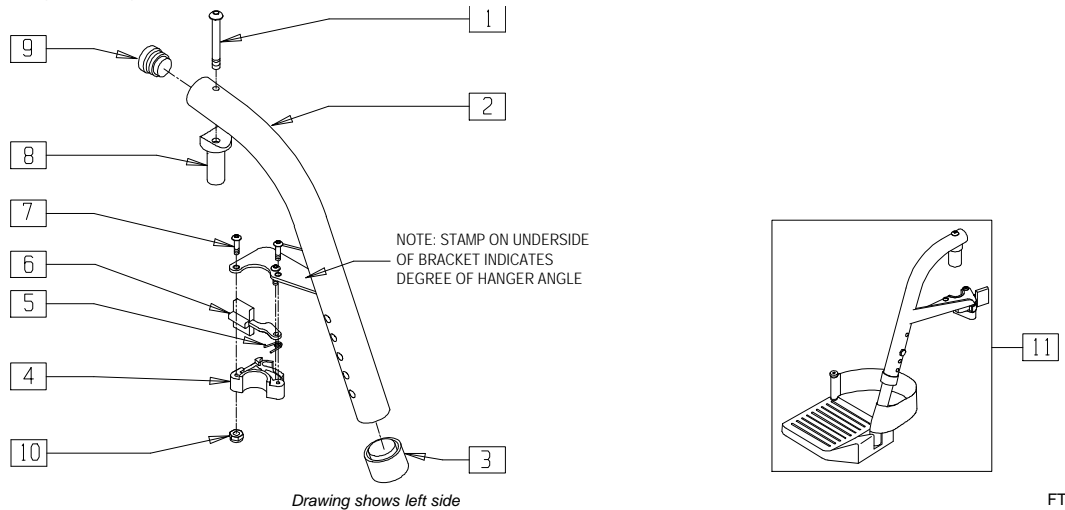
FT0X019

ITEM	NUMBER	DESCRIPTION	QTY
1	226190	5/16-18 x 1 3/4 BH C/S SHLDR	1
2	505086, 505087	S/A HANGER ONLY 70° STEEL (EA) (SPECIFY COLOR)	1
3	561018	1" TUBE END BUSHING THICK	1
5	321136, 321137	S/A SPRING (EA)	1
6	561079	S/A LATCH LEVER	1
7	226011	10-24 x .665 BH C/S W/PATCH	3
8	561320	PIVOT SADDLE .049	1
1,8	880537	PIVOT SADDLE W/SCREW BR	

ITEM	NUMBER	DESCRIPTION	QTY
9	561019	1" INSERT PLUG .049	1
10	200107	10-24 NYLOCK NUT THIN (SPARES)	3
4,10	561076, 561078	S/A LATCH BLOCK (EA)	
4-7,10	880808, 880809	S/A LATCH KIT 90°/HEMI/BRZ (EA)	
1-10	641312, 641313	HANGER 70° PAINTED S/A BR (EA) (SPECIFY COLOR)	
11	923093- 923095	HANGER 70° MED EXT FOOTPLATE BR	1

## 70° SWING-AWAY HANGER (BREEZY 510/510 RECLINER/600/2)

(Breezy effective beginning serial number BZ-351000) (Breezy 2 discontinued 5/98 - parts only)



Drawing shows left side

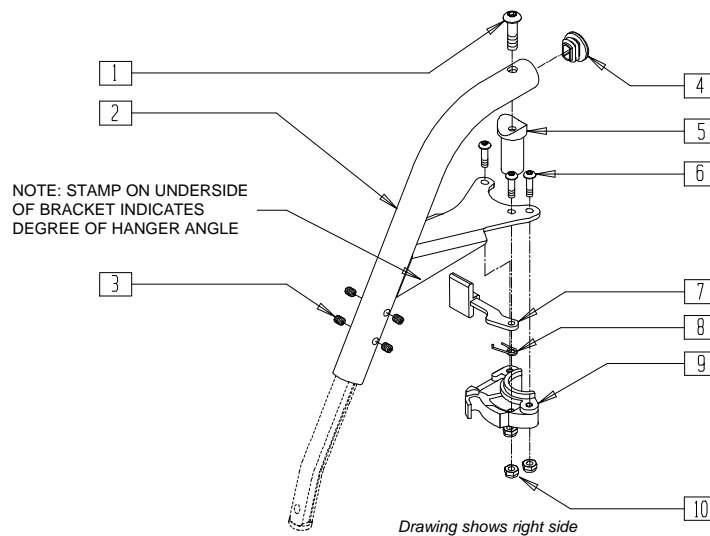
FT0X019

ITEM	NUMBER	DESCRIPTION	QTY
1	226198	5/16-18 x 2 BH C/S SHT THREAD	1
2	505086, 505087	S/A HANGER ONLY 70° STEEL (EA) (SPECIFY COLOR)	1
3	561018	1" TUBE END BUSHING THICK	1
5	321136, 321137	S/A SPRING (EA)	1
6	561079	S/A LATCH LEVER	1
7	226011	10-24 x .665 BH C/S W/PATCH	3
8	561074	PIVOT SADDLE PLASTIC .125	1
1,8	880545	PIVOT SADDLE .125 W/SCREW	

ITEM	NUMBER	DESCRIPTION	QTY
9	561019	1" INSERT PLUG .049	1
10	200107	10-24 NYLOCK NUT THIN	3
4,10	561076, 561078	S/A LATCH BLOCK (EA)	
4-7,10	880808, 880809	S/A LATCH KIT 90°/HEMI/BRZ (EA)	
1-10	641316, 641317	HANGER 70° PAINTED S/A BR (EA) (SPECIFY COLOR)	
11	923077- 923079	HANGER 70° MEDIUM EXT FOOTPLATE BREEZY	1

## HEMI 70° SWING-AWAY HANGER

(Discontinued 8/13/01)



Drawing shows right side

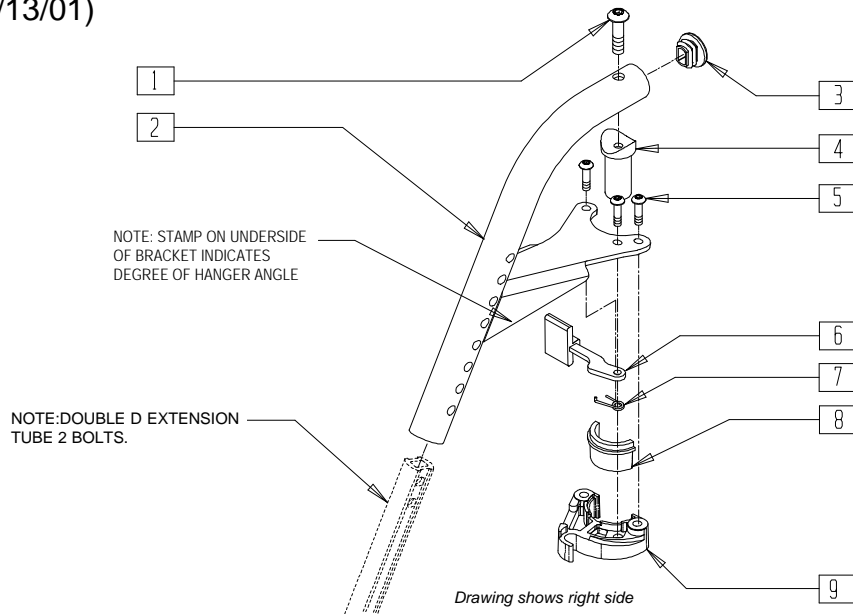
Q220X07

ITEM	NUMBER	DESCRIPTION	QTY
1	226198	5/16-18 x 2 BH C/S SHT THREAD	1
2	504970, 504971	S/A HANGER ONLY HEMI D2	1
3	225112	1/4-20 x 1/4 SS KNRLD CP W/PTCH	4
4	561378	END PLUG DBL "D" S525	1
5	561074	PIVOT SADDLE PLASTIC .125	1
6	226057	10-24 x .725 BH SOC BZ	3
7	561079	S/A LATCH LEVER	1

ITEM	NUMBER	DESCRIPTION	QTY
8	321136, 321137	S/A SPRING (EA)	1
10	200107	10-24 NYLOCK NUT THIN (SPARES)	3
9,10	561076- 561078	S/A LATCH BLOCK (EA)	
6-10	880730- 880731	S/A LATCH KIT (EA)	
1-10	641166- 641167	HANGER 70° HEMI D2 PAINTED (EA)	

# HEMI 70° SWING-AWAY HANGER (QUICKIE 2)

(Effective 8/13/01)



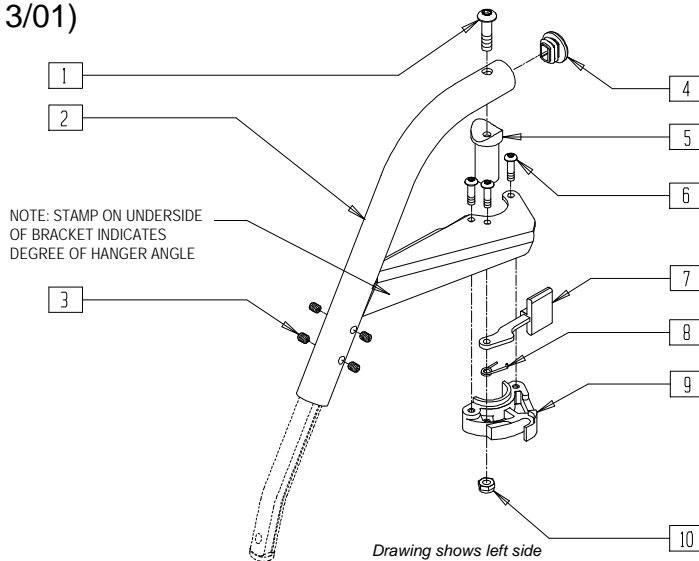
Q220X07B

ITEM	NUMBER	DESCRIPTION	QTY
1	226217	5/16-18 x 2" BH C/S BLK	1
2	504940, 504941	S/A HANGER ONLY R HEMI D2	1
3	561378	END PLUG DBL "D" S525	1
4	561074	PIVOT SADDLE PLASTIC .125	1
5	226057	10-24 x .725 BH SOC BZ	3
6	561079	S/A LATCH LEVER	1

ITEM	NUMBER	DESCRIPTION	QTY
7	321136, 321137	S/A SPRING (EA)	1
8,9	881500- 881501	S/A LATCH BLOCK ASSM	
1-9	641506- 641507	HANGER 70° HEMI D2 PNTD BT	

# 70° "V" SWING-AWAY HANGER

(Discontinued 8/13/01)

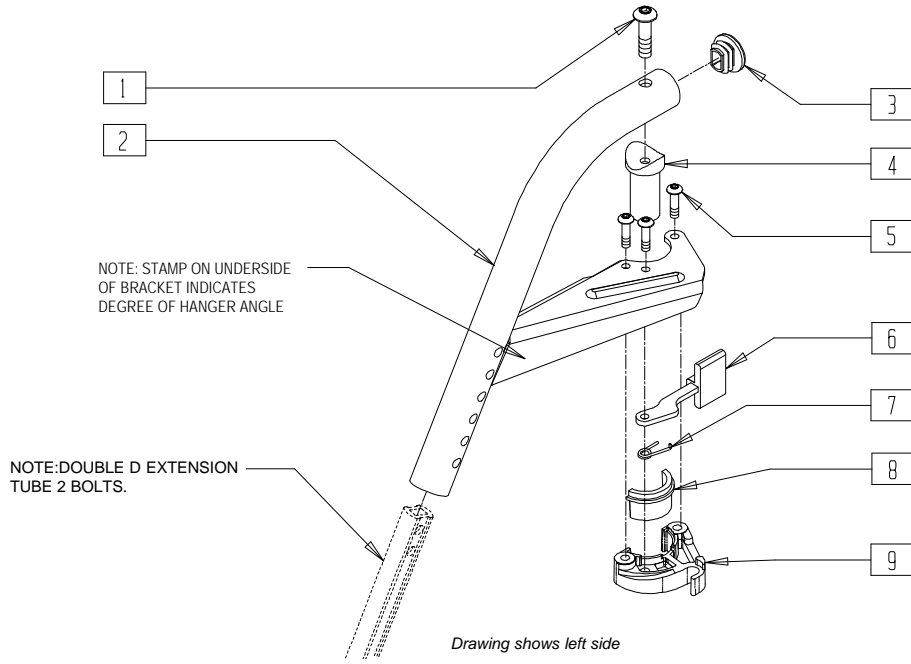


Q220X10

ITEM	NUMBER	DESCRIPTION	QTY
1	226198	5/16-18 x 2 BH C/S SHT THREAD	1
2	504964, 504965	S/A HANGER ONLY 70° "V"	1
3	225112	1/4-20 x 1/4 SS KNRLD CP W/PTCH	4
4	561378	END PLUG DBL "D" S525	1
5	561074	PIVOT SADDLE PLASTIC .125	1
6	226057	10-24 x .725 BH SOC BZ	3
7	561079	S/A LATCH LEVER	1

ITEM	NUMBER	DESCRIPTION	QTY
8	321136, 321137	S/A SPRING (EA)	1
10	200107	10-24 NYLOCK NUT THIN (SPARES)	3
9,10	561076, 561078	S/A LATCH BLOCK (EA)	
6-10	880730- 880731	S/A LATCH KIT (EA)	
1-10	641164- 641165	HANGER 70° "V" D2 PAINTED S/A	

# 70°"V" SWING-AWAY HANGER (QUICKIE 2/GPSA/LX/LXI/RECLINER/TS) (Effective 8/13/01)

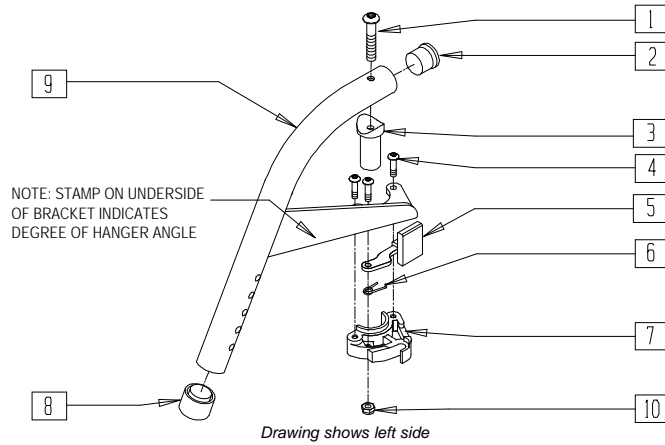


Q220X09B

ITEM	NUMBER	DESCRIPTION	QTY
1	226217	5/16-18 x 2" BH C/S BLK	1
2	504946, 504947	S/A HANGER ONLY 70° "V" D2	1
3	561378	END PLUG DBL "D" S525	1
4	561074	PIVOT SADDLE PLASTIC .125	1
5	226057	10-24 x .725 BH SOC BZ	3
6	561079	S/A LATCH LEVER	1

ITEM	NUMBER	DESCRIPTION	QTY
7	321136, 321137	S/A SPRING (EA)	1
8,9	881500- 881501	S/A LATCH BLOCK ASSM	
1-9	641554- 641555	HANGER 70° "V" D2 PNT S/A BT (EA)	

# 70° "V" SWING-AWAY HANGER (QUICKIE Rx) (Discontinued 10/23/99- Parts only)

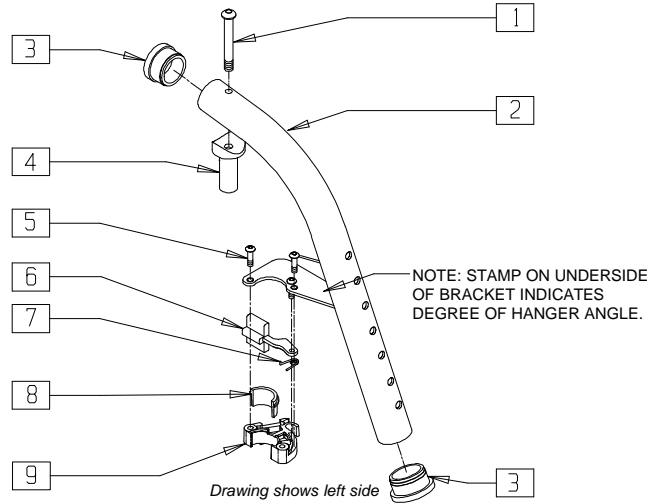


FT0X028

ITEM	NUMBER	DESCRIPTION	QTY
1	226198	5/16-18 x 2 BH C/S SHT THREAD	1
2	561002	1" INSERT PLUG .083	1
3	561074	PIVOT SADDLE PLASTIC .125	1
1,3	880545	PIVOT SADDLE .125 W/SCREW	
4	226010	10-24 x .725 BH C/S W/PATCH	3
5	561079	S/A LATCH LEVER	1
6	321136, 321137	S/A SPRING (EA)	1
8	561082	1" TUBE END BUSHING THIN	1

ITEM	NUMBER	DESCRIPTION	QTY
9	505051, 505053	S/A HANGER ONLY "V" 70° (EA) (SPECIFY COLOR)	1
10	200107	10-24 NYLOCK NUT THIN	3
7,10	561076, 561078	S/A LATCH BLOCK (EA)	
4-7,10	880730, 880731	S/A LATCH KIT (EA)	
1-10	641183, 641184	HANGER 70° "V" PAINTED S/A (EA) (SPECIFY COLOR)	

## 70° SWING-AWAY FRONT MOUNT HANGER (QUICKIE 2/RECLINER/TS/ ZIPPIE 2/GS/TS)

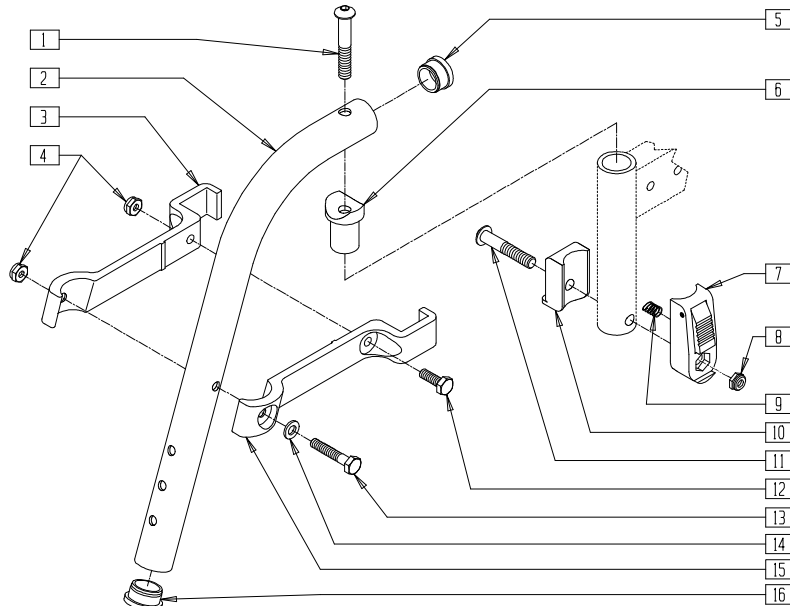


ZGS00X47B

ITEM	NUMBER	DESCRIPTION	QTY
1	226217	5/16-18 x 2" BH C/S BLK	1
2	505344, 505345	S/A HANGER ONLY 70° F/MNT (EA) (SPECIFY COLOR)	1
3	561002	1" INSERT PLUG .083	2
4	561074	PIVOT SADDLE PLASTIC .125	1
5	226057	10/24 x .725 BTTN HD SOC BZ	3
6	561079	S/A LATCH LEVER	1

ITEM	NUMBER	DESCRIPTION	QTY
7	321136, 321137	S/A SPRING (EA)	1
8,9	881500, 881501	S/A LATCH BLOCK ASSM	
1-9	641142, 641143	HANGER 70° PNTD S/A FRONT MOUNT (SPECIFY COLOR)	

## 70° HEAVY DUTY FOOTREST HANGER (QUICKIE M6/TS/T45/ZIPPIE/ZIPPIE 2/GS/TS)



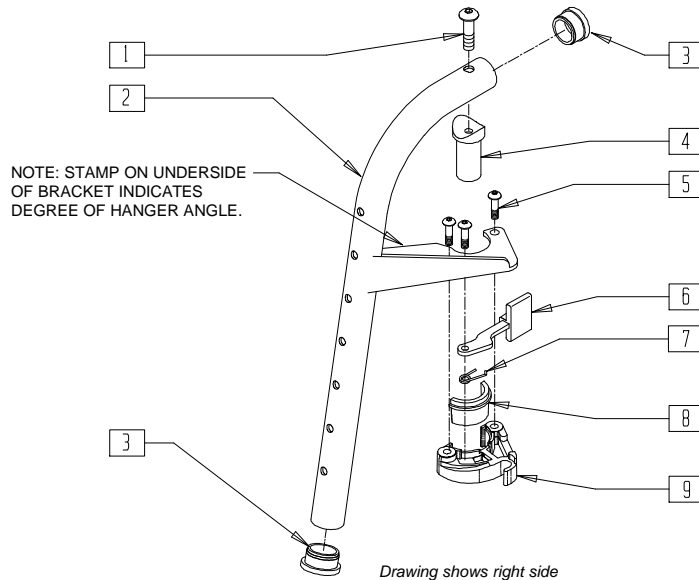
TSR00X08

ITEM	NUMBER	DESCRIPTION	QTY
1	226198	5/16-18 x 2 BH C/S SHT THREAD	1
2	523912	HANGER TUBE 70° HD	1
3	550152	T45 HANGER BRACKET 70° R	1
4	201100-QU	1/4-28 NYLOCK NUT THIN	2
5	561002	1" INSERT PLUG .083	1
6	561074	PIVOT SADDLE PLASTIC .125	1
7	880053	FOOTREST BLOCK T45	1
8	202102	5/16-18 NYLOCK NUT THIN	1
9	321141	.650 x 6 COIL SPRING	1
10	560684	T45 FOOTREST BLOCK RECESSED	1

ITEM	NUMBER	DESCRIPTION	QTY
11	226194	5/16-18 x 1.63 BH C/S	1
12	221100	1/4-28 x 3/4 HEX C/S	1
13	221127	1/4-28 x 1 3/8 HEX C/S	1
14	262100-QU	1/4 AN WASHER FLAT	1
15	550153	T45 HANGER BRACKET 70° L	1
16*	561002	1" INSERT PLUG .083	1
7-11	920720	FOOTREST BLOCK ASSEMBLY W/BOLT HD	
1-6,12-15	641210, 641211	HANGER 70° PAINTED HD	

\* ORDER ITEM 16 WHEN NOT USING FOOTREST EXTENSION.

## 80° SWING-AWAY FRONT MOUNT HANGER (QUICKIE 2/RECLINER/TS/ ZIPPIE 2/GS/TS)

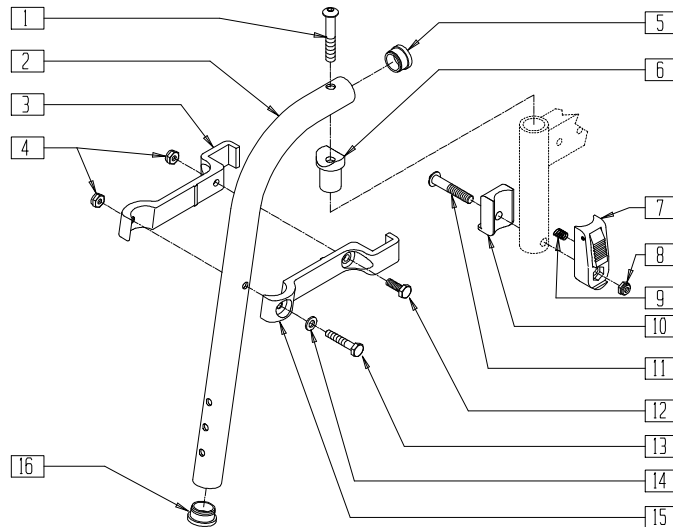


ZGS00X46B

ITEM	NUMBER	DESCRIPTION	QTY
1	226217	5/16-18 x 2" BH C/S BLK	1
2	505346, 505347	S/A HANGER ONLY 80° F/MNT (EA) (SPECIFY COLOR)	1
3	561002	1" INSERT PLUG .083	2
4	561074	PIVOT SADDLE PLASTIC .125	1
5	226057	10/24 x .725 BTTN HD SOC BZ	3
6	561079	S/A LATCH LEVER	1

ITEM	NUMBER	DESCRIPTION	QTY
7	321136, 321137	S/A SPRING (EA)	1
8,9	881500, 881501	S/A LATCH BLOCK ASSM)	
1-9	641144, 641145	HANGER 80° PNTD S/A FRONT MOUNT (SPECIFY COLOR)	

## 80° HEAVY DUTY FOOTREST HANGER (QUICKIE M6/T45/TS/ZIPPIE 2/GS/TS)



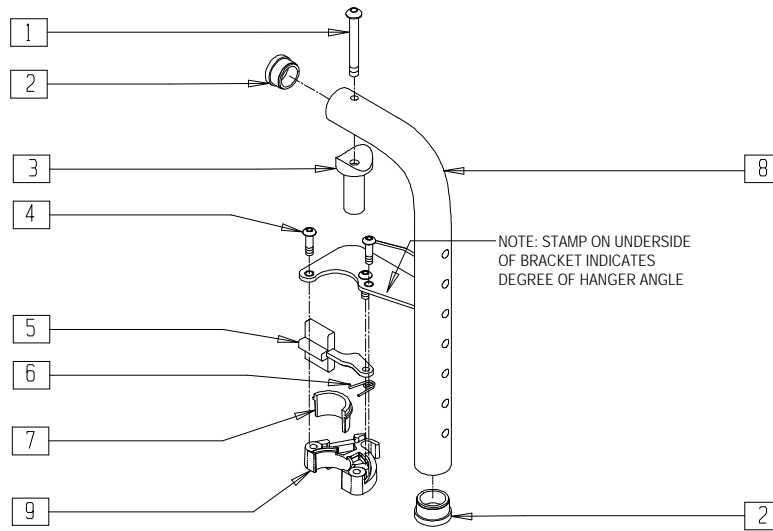
TSR00X09

ITEM	NUMBER	DESCRIPTION	QTY
1	226198	5/16-18 x 2 BH C/S SHT THREAD	1
2	523913	HANGER TUBE 80° HD	1
3	550154	T45 HANGER BRACKET 80° R	1
4	201100-QU	1/4-28 NYLOCK NUT THIN	2
5	561002	1" INSERT PLUG .083	1
6	561074	PIVOT SADDLE PLASTIC .125	1
7	880053	FOOTREST BLOCK T45	1
8	202102	5/16-18 NYLOCK NUT THIN	1
9	321141	.650L x 6 COIL SPRING	1
10	560684	T45 FOOTREST BLOCK RECESSED	1

ITEM	NUMBER	DESCRIPTION	QTY
11	226194	5/16-18 x 1.63 BH C/S	1
12	221100	1/4-28 x 3/4 HEX C/S	1
13	221127	1/4-28 x 1 3/8 HEX C/S	1
14	262100-QU	1/4 AN WASHER FLAT	1
15	550155	T45 HANGER BRACKET 80° L	1
16*	561002	1" INSERT PLUG .083	1
7-11	920720	FOOTREST BLOCK ASSEMBLY W/BOLT HD	
1-6,12-15	641200, 641201	HANGER 80° PAINTED HD	

\* ORDER ITEM 16 WHEN NOT USING FOOTREST EXTENSION.

# 90° SWING-AWAY HANGER (QUICKIE 2/GP-SA/LX/LXI/RECLINER/Rx/TS/ZIPPIE/2/GS/TS)



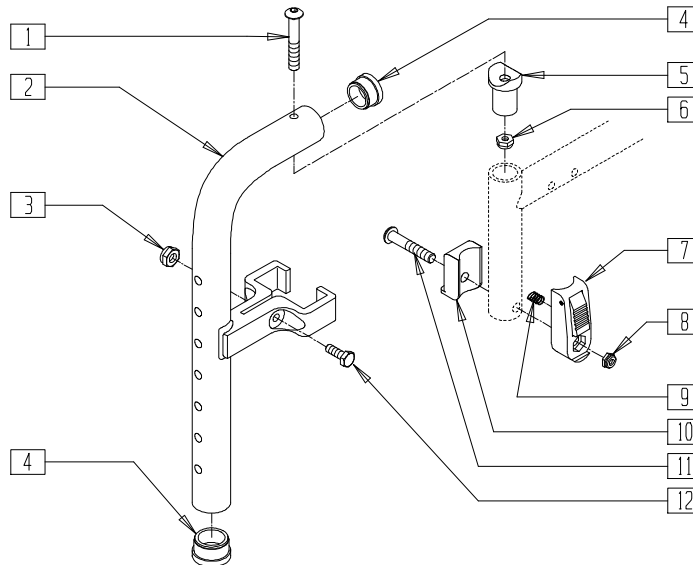
Drawing shows left side

FT0X020B

ITEM	NUMBER	DESCRIPTION	QTY
1	226217	5/16-18 x 2" BH C/S BLK	1
2	561002	1" INSERT PLUG .083	2
3	561074	PIVOT SADDLE PLASTIC .125	1
1,3	880545	PIVOT SADDLE .125 W/SCREW	
4	226011	10-24 x .665 BH C/S W/PATCH	3
5	226057	10/24 x .725 BTTN HD SOC BZ	3
6	321136, 321137	S/A SPRING (EA)	1

ITEM	NUMBER	DESCRIPTION	QTY
8	505039, 505040	S/A HANGER ONLY 90° (EA) (SPECIFY COLOR)	1
7,9	881500, 881501	S/A LATCH BLOCK ASSM	
1-9	641556 641557	HANGER 90° PAINTED S/A (EA) (SPECIFY COLOR)	

# 90° LIFT-OFF HANGER (ZIPPIE 1/2/GS/TS)



TSR00X19

ITEM	NUMBER	DESCRIPTION	QTY
1	226198	5/16 -18 x 2 BH C/S SHT THREAD	1
3	201100	1/4-28 NYLOCK NUT THIN	1
4	561002	1" INSERT PLUG .083	2
5	561074	PIVOT SADDLE PLASTIC .125	1
6	202103	5/16-18 NYLOCK NUT THICK	1
7	880053	FOOTREST BLOCK T45	1
8	202102	5/16-18 NYLOCK NUT THIN	1

ITEM	NUMBER	DESCRIPTION	QTY
9	321141	.650L x 6 COIL SPRING	1
10	560684	T45 FOOTREST BLOCK RECESSED	1
11	226194	5/16-18 x 1.63 BH C/S	1
12	221100-QU	1/4-28 x 3/4 HEX C/S	1
7-11	920720	FOOTREST BLOCK ASSM W/BOLT HD	
1-6,12	885005	90° F/D H/D L/O HNGR ASSM PNTD	

NOTE: THIS HANGER HAS BEEN TESTED AND APPROVED FOR OCCUPANTS THAT WEIGH LESS THAN 150 POUNDS.

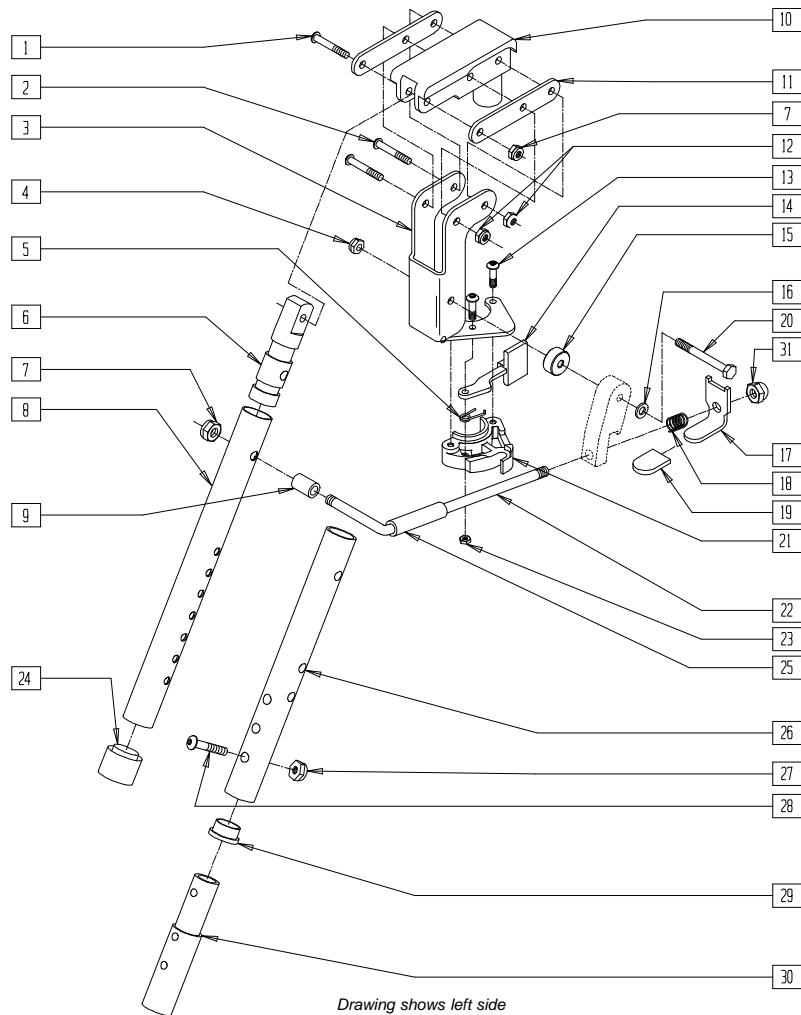


# ELEVATING LEGREST

(Most Quickie chairs, Breezy Aluminum, Chrome Breezy, Breezy 2, Kids 90°)

(Discontinued 7/31/95 - parts only; fits Breezy prior to BZ-200000)

(For complete assembly, see page 15.21)



Drawing shows left side

BZ00X07

ITEM	NUMBER	DESCRIPTION	QTY
1	226138	5/16-24 x 1 1/2 BH C/S	1
2	226140	1/4-28 x 1 3/4 BH C/S	2
3	505163, 505164	ELR BRACKET (EA)	1
4	201110	1/4-28 NYLOCK NUT	1
5	321136, 321137	S/A SPRING (EA)	1
6	540252	ELR PIVOT PRS	1
	540251	ELR PIVOT .049 (ALL BREEZY MODELS)	
7	202100-MJ	5/16-24 NYLOCK NUT THIN	2
8	505096	ELR TUBE ONLY (QUICKIE)	1
	505098	ELR TUBE (STEEL BR)	
9	560782	ELR ROD SPACER	1
10	561375	ELR PIVOT/COVER .125 (BREEZY 2/QUICKIE/KIDS 90°)	1
	561376	ELR PIVOT/COVER .049 (CHROME BR)	
11	505085	ELR SUPPORT STRIP	2
12	201100	1/4-28 NYLOCK NUT THIN	2
13	226011	10-24 x .665 BH C/S	3
14	561079	S/A LATCH LEVER	1

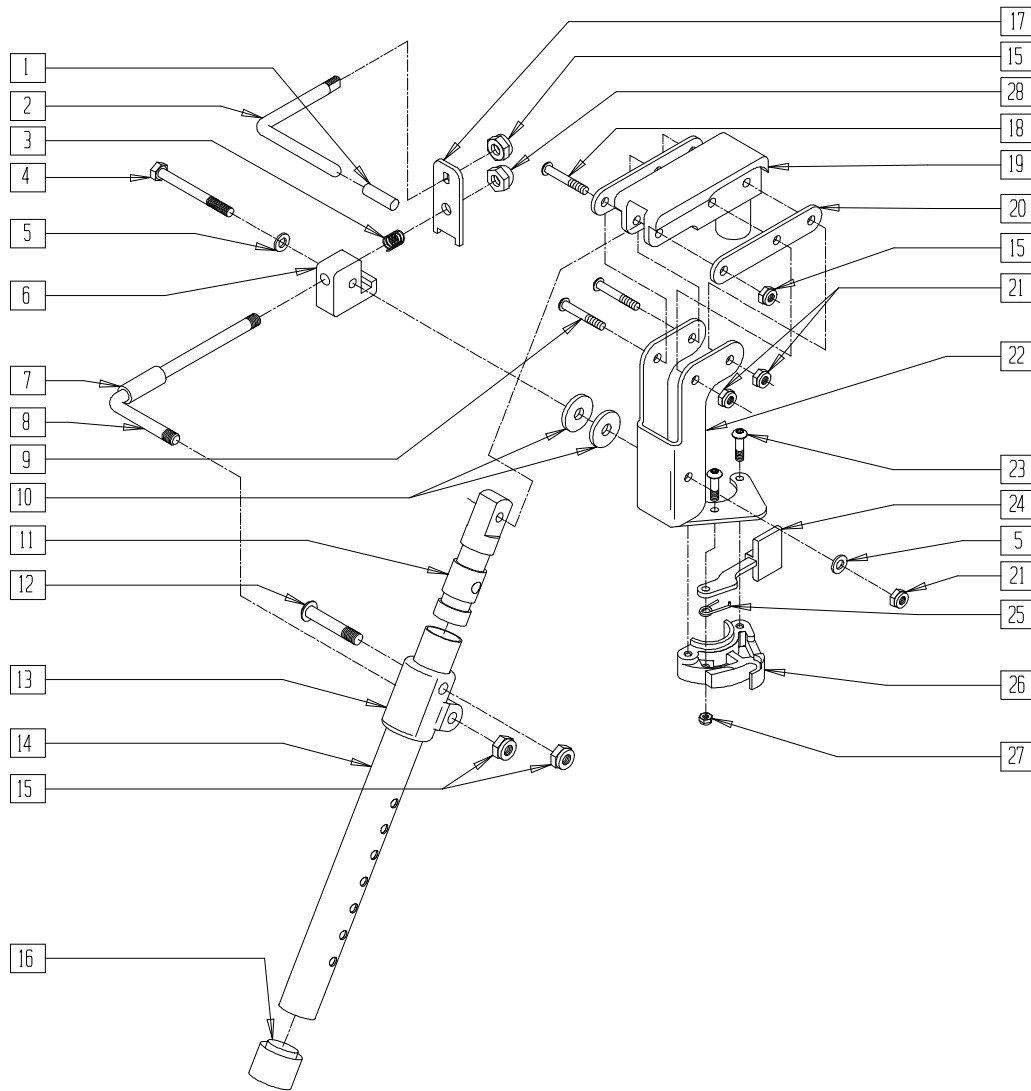
ITEM	NUMBER	DESCRIPTION	QTY
15	560781	ELR BLOCK SPACER	1
16	262100-QU	1/4 AN WASHER FLAT	1
17	505075	ELR RELEASE LEVER	1
18	321140	ELR LEG SPRING	1
19	560504	RELEASE LEVER PLASTIC COVER	1
20	221200	1/4-28 x 3 HEX C/S	1
21,23	561076, 561078	S/A LATCH BLOCK (EA)	
22	481501	ELR ROD O/S	1
23	200107	10-24 NYLOCK NUT THIN (SPARES)	3
24	561018	1" TUBE END BUSHING THICK	1
25	560784	ELR ADJUSTMENT STOP	1
26	505097	ELR KIDS TUBE	1
27	201100	1/4-28 NYLOCK NUT THIN	1
28	226129	1/4-28 x 1 1/4 BH C/S	1
29	561002	1" INSERT PLUG .083	1
30	500150	2" FOOTREST EXT TUBE	1
31	202109	5/16-24 ACORN NUT HEX	1
5,13,14 21,23	880808, 880809	S/A LATCH KIT 90°/HEMI/BR (EA)	

NOTE: ITEMS 26-30 USED WITH KIDS 90° ELEVATING LEGREST. ITEM 25 NOT USED ON KIDS 90° ELEVATING LEGREST.

# ELEVATING LEGREST (Most Quickie chairs)

(Discontinued 3/23/97; parts only)

(For complete assembly, see page 15.22)



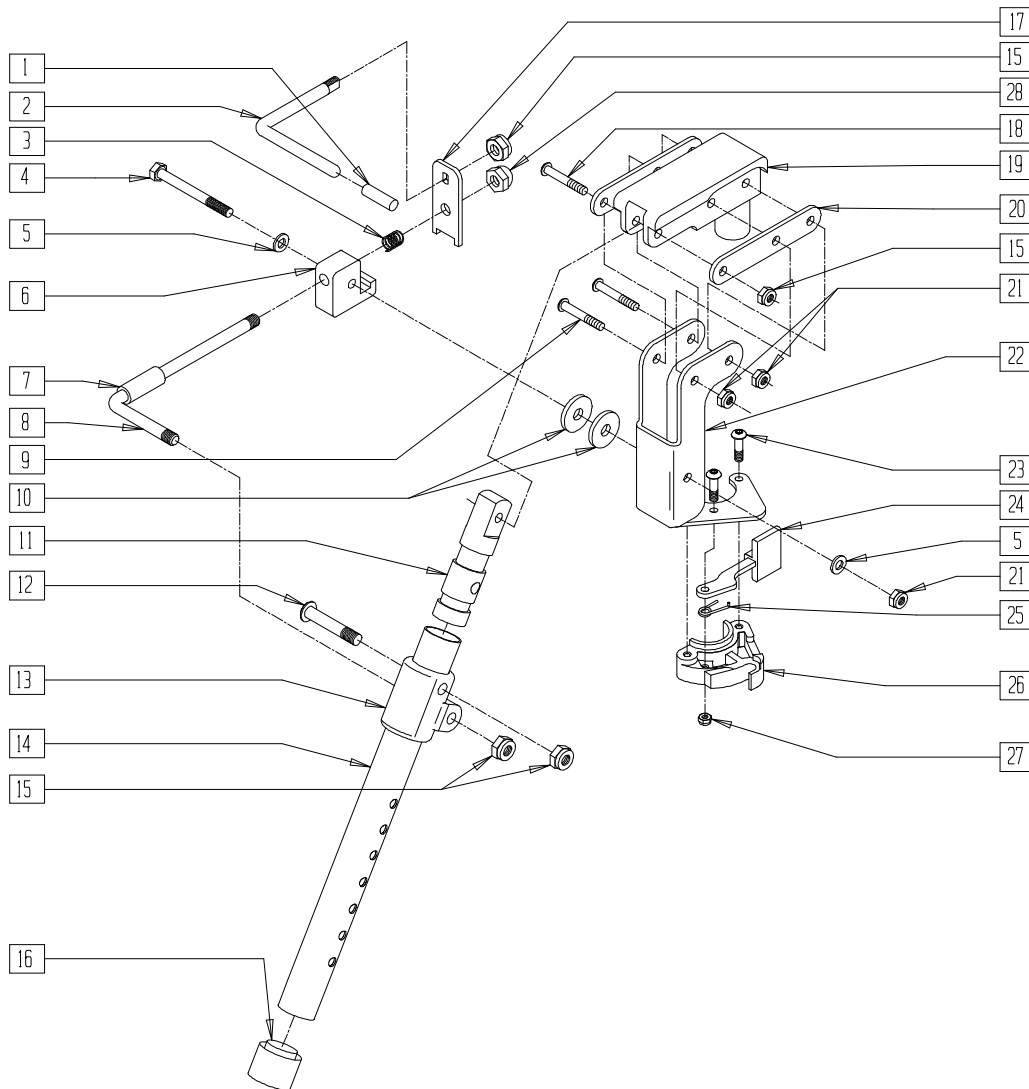
BZ00X22

ITEM	NUMBER	DESCRIPTION	QTY
1	561049	ELR RELEASE ROD COVER	1
2	481503	ELR RELEASE ROD	1
3	321139	.750L x 5 COIL SPRING	1
4	221193	1/4-28 x 2 3/4 G8 HEX C/S	2
5	262100-QU	1/4 AN WASHER FLAT	2
6	550506	ELR LATCH BLOCK	1
7	560785	ELR ADJUSTMENT STOP NEW	1
8	481502	ELR ROD	1
9	226140	1/4-28 x 1 3/4 BH C/S	2
10	561016	1" WASHER 5/16" HOLE	2
11	540252	ELR PIVOT PRS	1
12	226138	5/16-24 x 1 1/2 BH C/S	1
13	560430	ELR ROD UPPER PIVOT	1
14	505096	ELR TUBE ONLY	1
15	202100-MJ	5/16-24 NYLOCK NUT THIN	4
16	561082	1" TUBE END BUSHING THIN	1
17	505169	ELR RELEASE LEVER FLAT	1

ITEM	NUMBER	DESCRIPTION	QTY
18	226138	5/16-24 x 1 1/2 BH C/S	1
19	561375	ELR PIVOT/COVER .125	1
20	505085	ELR SUPPORT STRIP	2
21	201100	1/4-28 NYLOCK NUT THIN	3
22	505163, 505164	ELR BRACKET (EA)	1
23	226011	10-24 x .665 BH C/S W/PATCH	3
24	561079	S/A LATCH LEVER	1
25	321136, 321137	S/A SPRING (EA)	1
27	200107	10-24 NYLOCK NUT THIN	3
28	202109	5/16-24 ACORN NUT HEX	1
26,27	561076, 561078	S/A LATCH BLOCK (EA)	
23-27	880808, 880809	S/A LATCH KIT 90°/HEMI/BR (EA)	

## ELEVATING LEGREST (ALUMINUM BREEZY/BREEZY 2)

(Discontinued 3/23/97) (For complete assembly, see page 15.21)

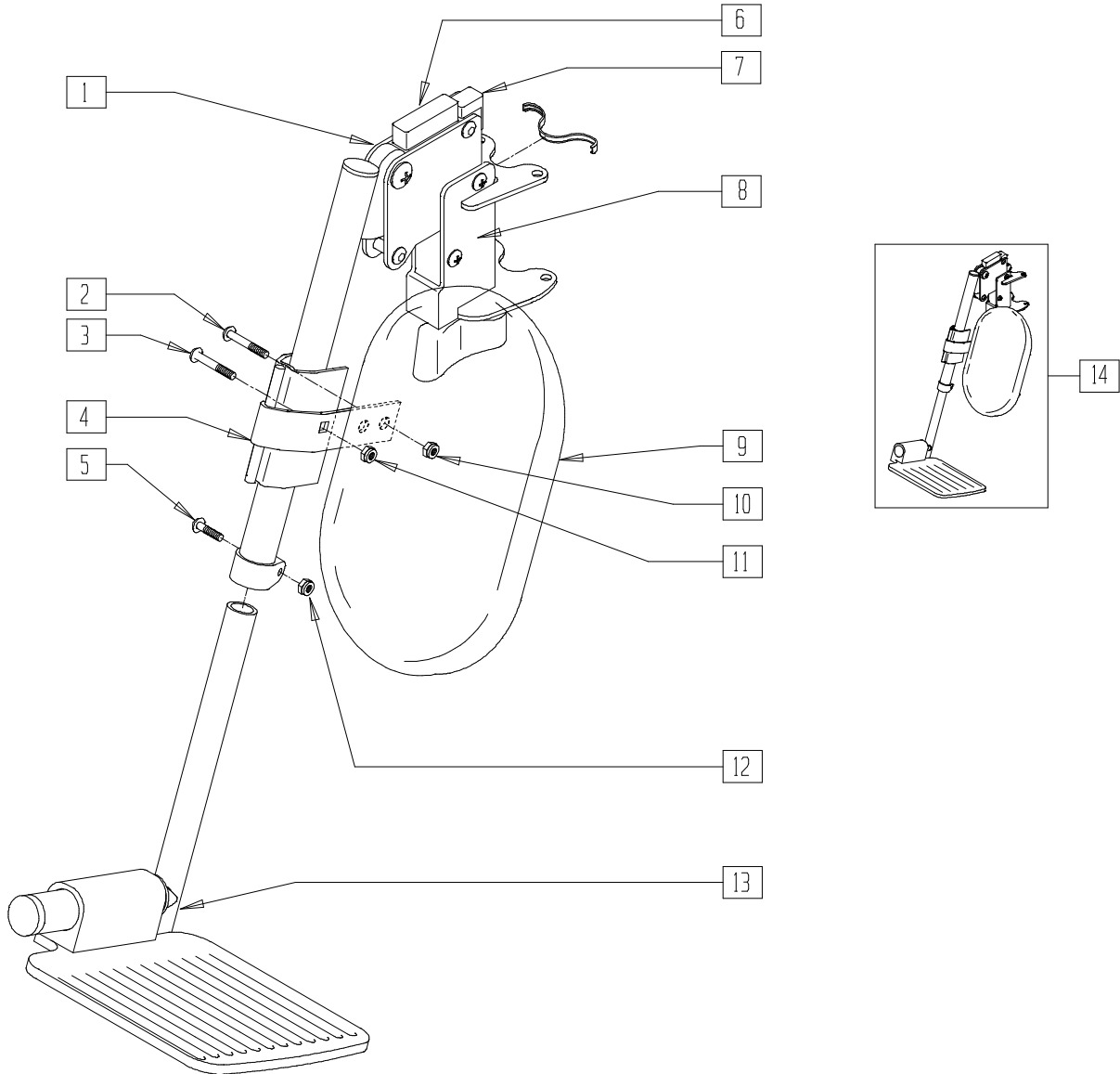


BZ00X22

ITEM	NUMBER	DESCRIPTION	QTY
1	561049	ELR RELEASE ROD COVER	1
2	481503	ELR RELEASE ROD	1
3	321139	.750L x 5 COIL SPRING	1
4	221193	1/4-28 x 2 3/4 G8 HEX C/S	2
5	262100-OU	1/4 AN WASHER FLAT	1
6	550506	ELR LATCH BLOCK	1
7	560785	ELR ADJUSTMENT STOP NEW	1
8	481502	ELR ROD	1
9	226140	1/4-28 x 1 3/4 BH C/S	2
10	561016	1" WASHER 5/16" HOLE	2
11	540251	ELR PIVOT .049	1
12	226138	5/16-24 x 1 1/2 BH C/S	1
13	560430	ELR ROD UPPER PIVOT	1
14	505098	ELR TUBE (STEEL) (SPECIFY COLOR)	1
15	202100-MJ	5/16-24 NYLOCK NUT THIN	4
16	561018	1" TUBE END BUSHING THICK	1
17	505169	ELR RELEASE LEVER FLAT	1

ITEM	NUMBER	DESCRIPTION	QTY
18	226138	5/16-24 x 1 1/2 BH C/S	1
19	561375	ELR PIVOT/COVER .125	1
20	505085	ELR SUPPORT STRIP	2
21	201100	1/4-28 NYLOCK NUT THIN	3
22	505163, 505164	ELR BRACKET (EA)	1
23	226010	10-24 x .725 BH C/S	3
24	561079	S/A LATCH LEVER	1
25	321136, 321137	S/A SPRING (EA)	1
27	200107	10-24 NYLOCK NUT THIN	3
28	202109	5/16-24 ACORN NUT HEX	1
26,27	561076, 561078	S/A LATCH BLOCK (EA)	
23-27	880730, 880731	S/A LATCH KIT (EA)	

# ELEVATING LEGREST (BREEZY 100/150)



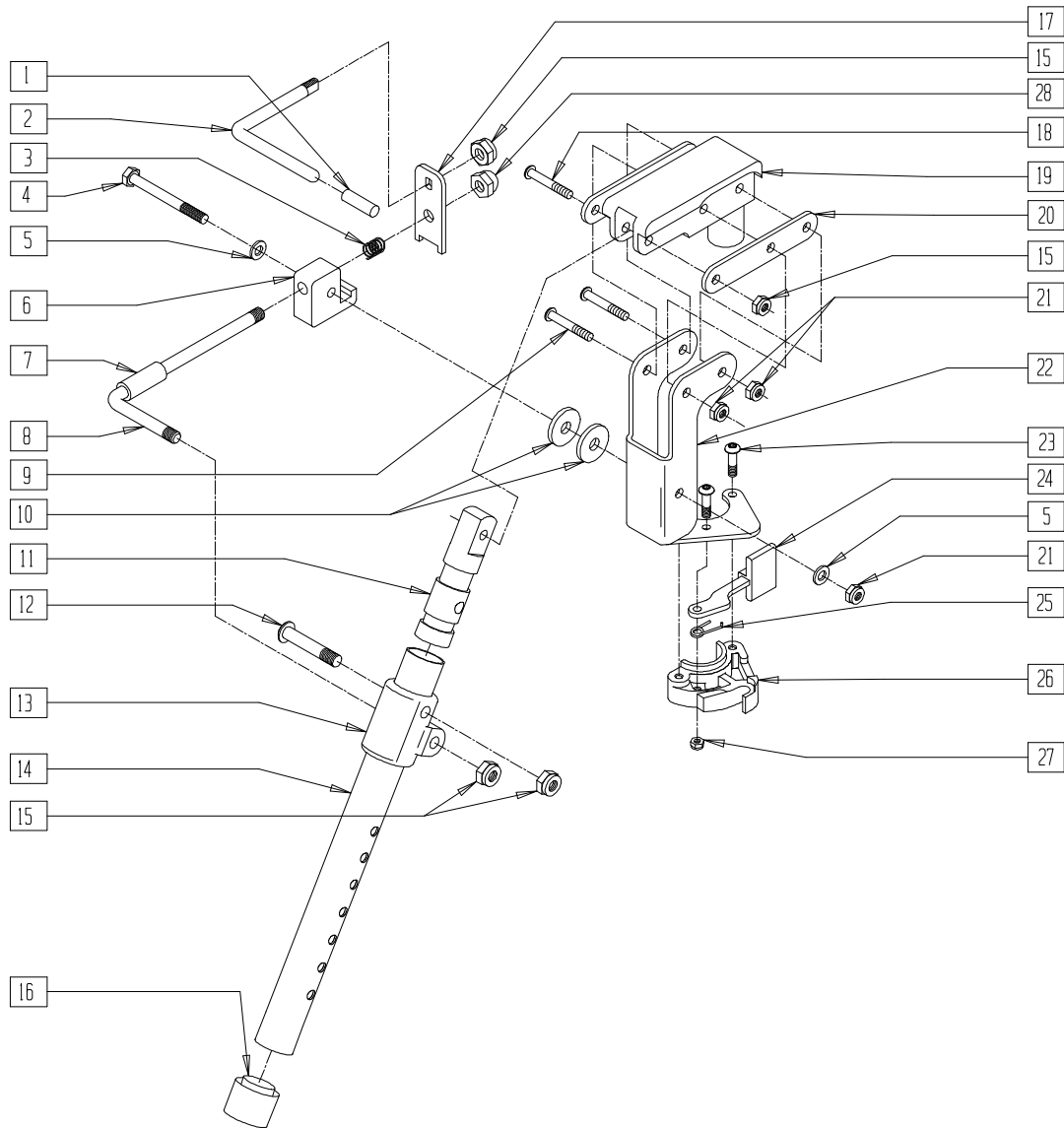
BRZ10X08

ITEM	NUMBER	DESCRIPTION	QTY
6	222-0617	ELR RELEASE CAP (EA)	1
7	222-0675	ELR SPACER CAP FOR UPPER ASSEMBLY (EA)	1
8	222-0671	ELR LATCHING ASSEMBLY	1
9	222-0674	ELR CALF PAD (EA)	1
13	222-0676	LOWER ELEVATING LEGREST ASSEMBLY	1

ITEM	NUMBER	DESCRIPTION	QTY
14	222-0770L	ELEVATING LEGREST ASSEMBLY L	1
	222-0770R	ELEVATING LEGREST ASSEMBLY R	
2-4,10,11	222-0545	ELR CALF PAD HARDWARE ASSEMBLY	1
1,5-7,12	222-0544	UPPER ELEVATING LEGREST ASSEMBLY	1

# ELEVATING LEGREST (BREEZY)

(Discontinued 3/23/97)



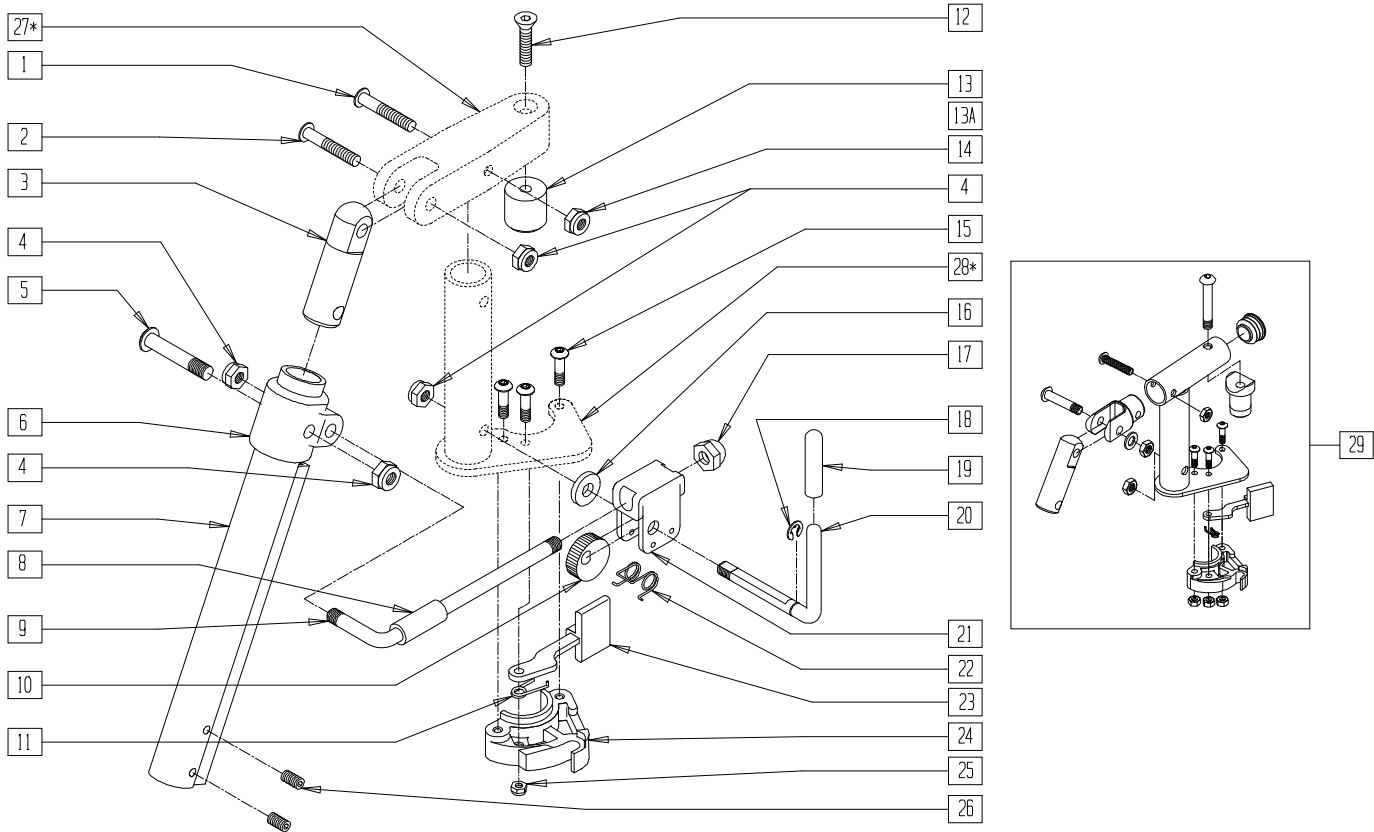
BZ00X22A

ITEM	NUMBER	DESCRIPTION	QTY
1	561049	ELR RELEASE ROD COVER	1
2	481503	ELR RELEASE ROD	1
3	321139	.750L x 5 COIL SPRING	1
4	221190-OU	1/4-28 x 2 3/4 HEX C/S	2
5	262100-OU	1/4 AN WASHER FLAT	1
6	550506	ELR LATCH BLOCK	1
7	560785	ELR ADJUSTMENT STOP NEW	1
8	481502	ELR ROD	1
9	226140	1/4-28 x 1 3/4 BH C/S	2
10	561016	1" WASHER 5/16" HOLE	2
11	540251	ELR PIVOT .049	1
12	226138	5/16-24 x 1 1/2 BH C/S	1
13	560430	ELR ROD UPPER PIVOT	1
14	505098	ELR TUBE (STEEL)	1
15	202100-MJ	5/16-24 NYLOCK NUT THIN	4
16	561018	1" TUBE END BUSHING THICK	1
17	505169	ELR RELEASE LEVER FLAT	1

ITEM	NUMBER	DESCRIPTION	QTY
18	226138	5/16-24 x 1 1/2 BH C/S	1
19	561376	ELR PIVOT/COVER .049	1
20	505085	ELR SUPPORT STRIP	2
21	201100	1/4-28 NYLOCK NUT THIN	3
22	505163, 505164	ELR BRACKET (EA)	1
23	226010	10-24 x .725 BH C/S	3
24	561079	S/A LATCH LEVER	1
25	321136, 321137	S/A SPRING (EA)	1
27	200107	10-24 NYLOCK NUT THIN	3
28	202109	5/16-24 ACORN NUT HEX	1
26,27	561076, 561078	S/A LATCH BLOCK (EA)	
23-27	880730, 880731	S/A LATCH KIT (EA)	

# ELEVATING LEGREST (MANUAL PRODUCTS)

(Discontinued - parts only; effective beginning 3/24/97 and ending 3/31/99)



F70X032

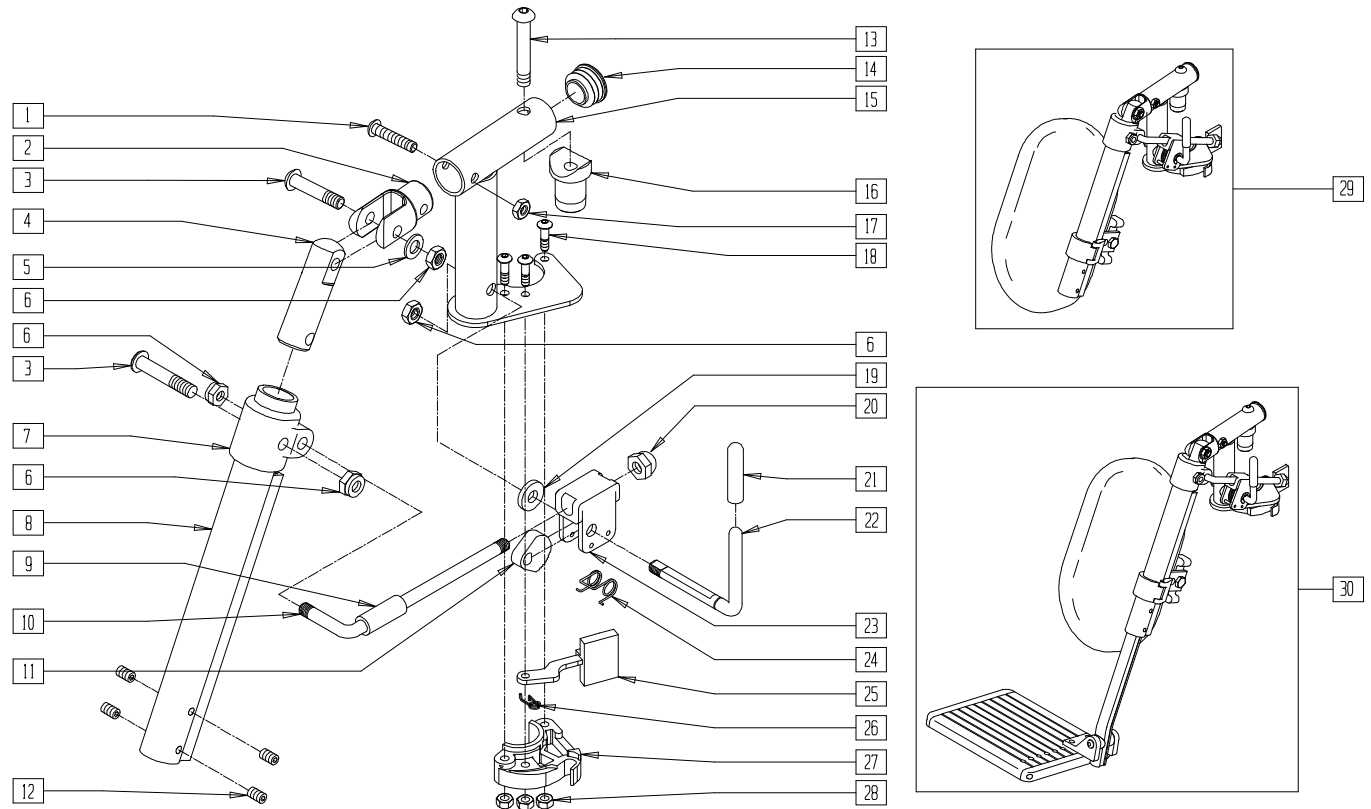
ITEM	NUMBER	DESCRIPTION	QTY
1	226130	1/4-28 x 1 1/2 BH C/S	1
2	226138	5/16-24 x 1 1/2 BH C/S	1
3	540252	ELR PIVOT PRS	1
4	202100-MJ	5/16-24 NYLOCK NUT THIN	4
5	226138	5/16-24 x 1 1/2 BH C/S	1
6	560420	ELR UPPER PIVOT PLST	1
7	550736	ELR ADJUSTMENT TUBE	1
8	560784	ELR ADJUSTMENT STOP	1
9	481117	ELR LOCK ROD	1
10	481119	ELR CAM LOCKING POWDERED METAL	1
11	321136, 321137	S/A SPRING (EA)	1
12	226072	1/4-20 x 1/2 FH C/S BLK	1
13	483126	ELR PLUG .125	1
13A	483124	ELR PLUG .049	1
14	201100	1/4-28 NYLOCK NUT THIN	1
15	226010	10-24 x .725 BH C/S W/PATCH	3
16	561059	3/4 OD x .318 ID WASHER	1

ITEM	NUMBER	DESCRIPTION	QTY
17	202109	5/16-24 ACORN NUT HEX	1
18	342000	1/4" E-CLIP	1
19	561049	ELR RELEASE ROD COVER	1
18-20	882410	ELR ACTUATION ARM ASSEMBLY	
20	481122	ELR ACTUATION ARM	1
21	880990	ELR LOCK HOUSING W/PIN	1
22	321106	ELR TORSION SPRING	1
23	561079	S/A LATCH LEVER	1
24,25	561076, 561078	S/A LATCH BLOCK (EA)	
25	200107	10-24 NYLOCK NUT THIN	3
26	225112	1/4-20 x 1/4 SS KNRLD CP W/PATCH	2
4,8-10, 16-22	881077	ELR LOCK ROD/ARM ASSEMBLY	
29	882417, 882418	ELR PIVOT BLOCK ASSEMBLY	
	882419, 882420	ELR PVT BLOCK ASSEMBLY W/.049 SDL (BR)	

\* FOR ITEMS 27 (P/N 550738) AND 28 (P/N 505126, 505127), ORDER ITEM 29 (P/N 882417-882420). ITEM 29 REPLACES DISCONTINUED PIVOT BLOCK ASSEMBLIES.

# ELEVATING LEGREST (QUICKIE/BREEZY PRODUCTS)

(Starting 4/99)(Quickie discontinued 11/25/02)



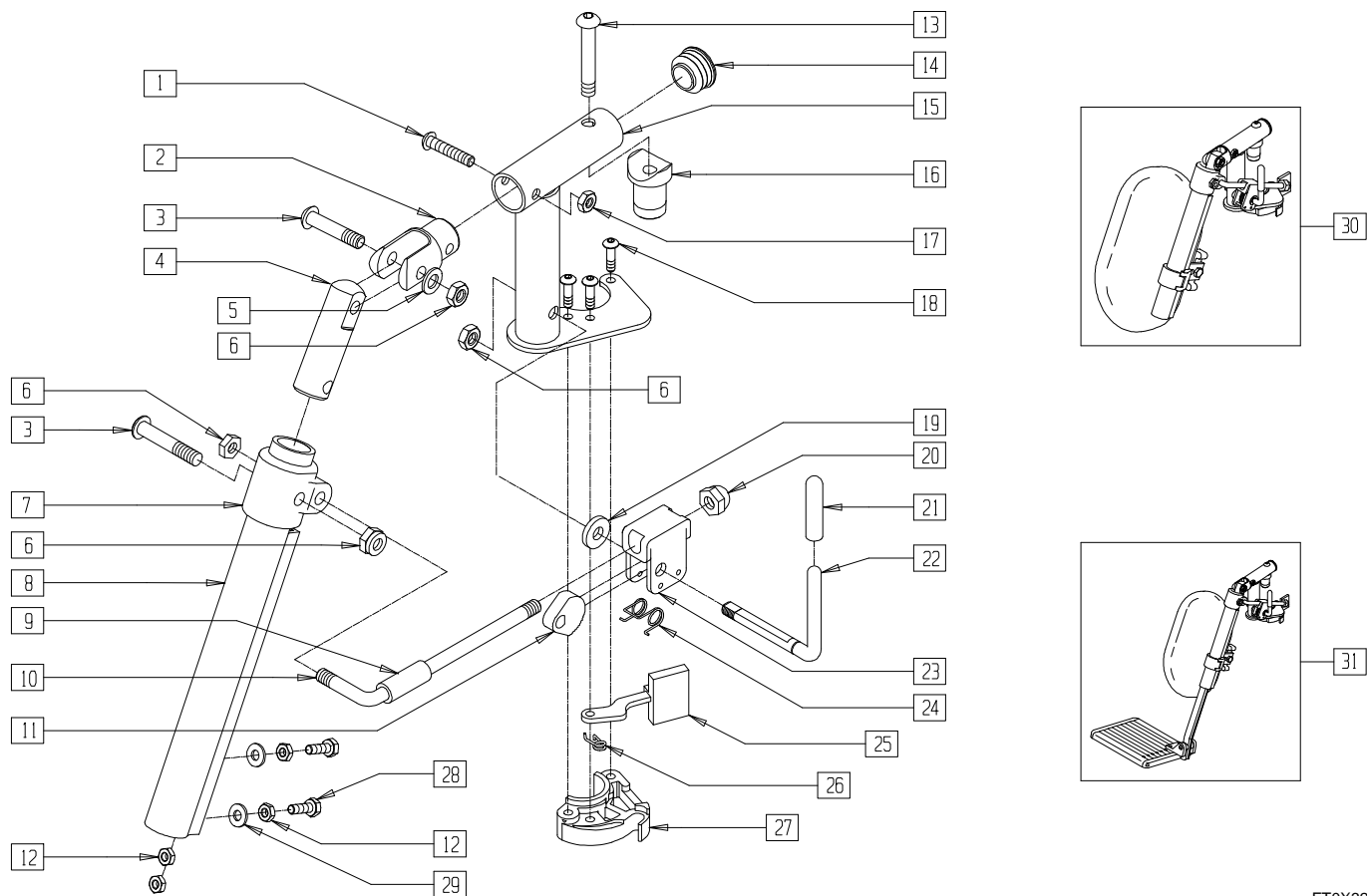
FT0X32A

ITEM	NUMBER	DESCRIPTION	QTY
1	226129	1/4-28 x 1 1/4 BH C/S	1
2	505281	ELR CLEVIS	1
3	226138	5/16-24 x 1 1/2 BH C/S	2
4	540252	ELR PIVOT PRS	1
5	263100	5/16 AN WASHER FLAT	1
6	202100-MJ	5/16-24 NYLOCK NUT THIN	4
7	560420	ELR UPPER PIVOT PLST	1
8	550736	ELR ADJUSTMENT TUBE	1
9	560784	ELR ADJUSTMENT STOP	1
10	481117	ELR LOCK ROD	1
11	481119	ELR CAM LOCKING POWDERED METAL	1
12	225112	1/4-20 x 1/4 SS KNRLD CP W/PTCH	4
13	226198	5/16-18 x 2 BH C/S SHT THREAD	1
14	561062	1" INSERT PLUG .065 RIBS	1
15	505278, 505279	ELR HANGER BRACKET NEW	1
16	561074	PIVOT SADDLE PLASTIC .125	1
	561320	PIVOT SADDLE .049 (BREEZY)	
17	201100-OU	1/4-28 NYLOCK NUT THIN	1
18	226010	10-24 x .725 BH C/S W/PATCH	3
19	561059	3/4 OD x .318 ID WASHER	1
20	202109	5/16-24 ACORN NUT HEX	1
21	561049	ELR RELEASE ROD COVER	1
22	481122	ELR ACTUATION ARM	1
23	880990	ELR LOCK HOUSING W/PIN	1
24	321106	ELR TORSION SPRING	1
25	561079	S/A LATCH LEVER	1

ITEM	NUMBER	DESCRIPTION	QTY
26	321136, 321137	S/A SPRING	1
27,28	561076, 561078	S/A LATCH BLOCK (EA)	
28	200107	10-24 NYLOCK NUT THIN	3
21,22	882410	ELR ACTUATION ARM ASSEMBLY	
6,9-11, 19-24	881077	ELR LOCK ROD/ARM ASSEMBLY	
1-6,13-18, 25-28	882417, 882418 882419, 882420	ELR PIVOT BLOCK ASSEMBLY ELR PVT BLK ASSEMBLY W/.049 SDL (BR)	
1-28	641444, 641445 641446, 641447	ELR HNGR W/O PAD PNTD (EA) ELR HNGR W/O PAD PNTD (BREEZY) (EA)	
29	923082 923041 923061	ELR HNGR ASSM 14-15 W/PAD (PR) ELR HNGR ASSM W/PAD 16,17" (PR) ELR HNGR ASSM W/PAD 18,20" (PR)	1
13,16,29	923069 923042 923062	ELR HNGR ASSM 14" W/PAD BR (PR) ELR HNGR ASSM W/PAD 16" BR (PR) ELR HNGR ASSM W/PAD 18,20" BR (PR)	
30	923088 923084 923085	ELR HNGR REG EXT 14,15" F/PLT (PR) ELR HNGR REG EXT 16,17" F/PLT (PR) ELR HNGR REG EXT 18,20" F/PLT (PR)	1
13,16,30	923083 923080 923081	ELR HNGR REG EXT 14" F/PLT BR (PR) ELR HNGR REG EXT 16" F/PLT BR (PR) ELR HNGR REG EXT 18" F/PLT BR (PR)	

# ELEVATING LEGREST (BREEZY PRODUCTS)

(Effective 11/25/02)



FT0X32B

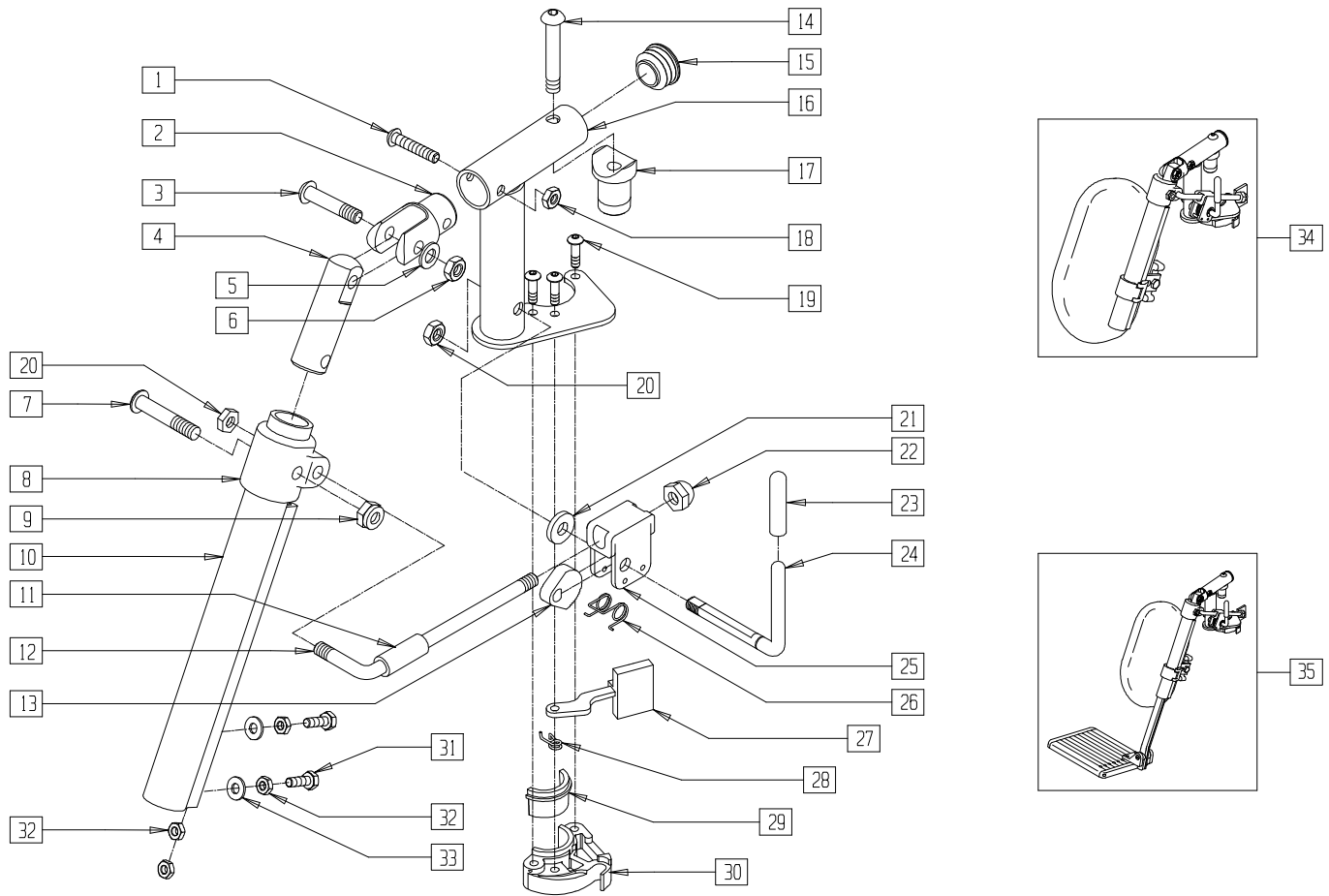
ITEM	NUMBER	DESCRIPTION	QTY
1	226129	1/4-28 x 1 1/4 BH C/S	1
2	505281	ELR CLEVIS	1
3	226138	5/16-24 x 1 1/2 BH C/S	2
4	540252	ELR PIVOT PRS	1
5	263100	5/16 AN WASHER FLAT	1
6	202100-MJ	5/16-24 NYLOCK NUT THIN	4
7	560420	ELR UPPER PIVOT PLST	1
8	550722	ELR ADJUSTMENT TUBE	1
9	560784	ELR ADJUSTMENT STOP	1
10	481117	ELR LOCK ROD	1
11	481119	ELR CAM LOCKING POWDERED METAL	1
12	201112	1/4-28 NUT THIN	4
13	226198	5/16-18 x 2 BH C/S SHT THREAD	1
14	561062	1" INSERT PLUG .065 RIBS	1
15	505278, 505279	ELR HANGER BRACKET NEW (EA)	1
16	561074	PIVOT SADDLE PLASTIC .125	1
17	201100-QU	1/4-28 NYLOCK NUT THIN	1
18	226010	10-24 x .725 BH C/S W/PATCH	3
19	561059	3/4 OD x .318 ID WASHER	1
20	202109	5/16-24 ACORN NUT HEX	1
21	561049	ELR RELEASE ROD COVER	1
22	481122	ELR ACTUATION ARM	1

ITEM	NUMBER	DESCRIPTION	QTY
23	880990	ELR LOCK HOUSING W/PIN	1
24	321106	ELR TORSION SPRING	1
25	561079	S/A LATCH LEVER	1
26	321136, 321137	S/A SPRING (EA)	1
27	483280, 483281	S/A LATCH BLOCK CASTING (EA)	1
28	221100	1/4-28 x 3/4 HEX C/S	2
29	262110-QU	1/4 AN WASHER FLAT THIN	2
21,22	882410	ELR ACTUATION ARM ASSEMBLY	
6,9-11, 19-24	881077	ELR LOCK ROD/ARM ASSEMBLY	
1-6,13-18, 25-29	882419, 882420	ELR PVT BLK ASSEMBLY W/.049 SDL (BR)	
1-29	641456, 641457	ELR HNGR W/O PAD PNTD (BREEZY) (EA)	
13,16,30	923069	ELR HNGR ASSM 14" W/PAD BR (PR)	
	923042	ELR HNGR ASSM W/PAD 16" BR (PR)	
	923062	ELR HNGR ASSM W/PAD 18.20" BR (PR)	
13,16,31	923083	ELR HNGR REG EXT 14" F/PLT BR (PR)	
	923080	ELR HNGR REG EXT 16" F/PLT BR (PR)	
	923081	ELR HNGR REG EXT 18" F/PLT BR (PR)	



# ELEVATING LEGREST (QUICKIE MANUAL PRODUCTS)

(Effective 11/25/02)



Left Side Assembly Shown

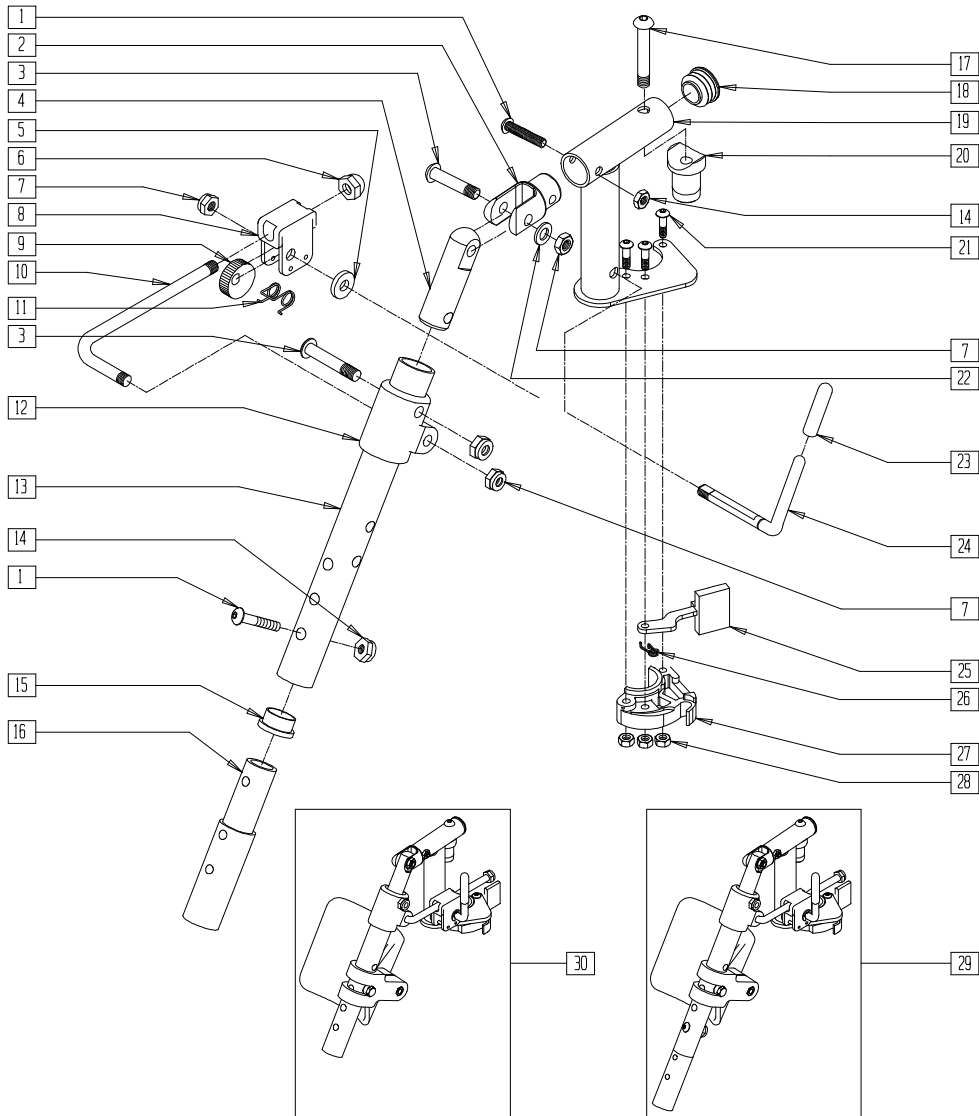
FT0X32C

ITEM	NUMBER	DESCRIPTION	QTY
1	226129	1/4-28 x 1 1/4 BH C/S	1
2	505281	ELR CLEVIS	1
3	226138	5/16-24 x 1 1/2 BH C/S	1
4	540252	ELR PIVOT PRS	1
5	263100	5/16 AN WASHER FLAT	1
6	202100-MJ	5/16-24 NYLOCK NUT THIN	1
7	226138	5/16-24 x 1 1/2 BH C/S	1
8	560420	ELR UPPER PIVOT PLST	1
9	202100-MJ	5/16-24 NYLOCK NUT THIN	1
10	550722	ELR ADJUSTMENT TUBE	1
11	560784	ELR ADJUSTMENT STOP	1
12	481117	ELR LOCK ROD	1
13	481119	ELR CAM LOCKING POWDERED METAL	1
14	226217	5/16-18 x 2" BH C/S BLK	1
15	561062	1" INSERT PLUG .065 RIBS	1
16	505278, 505279	ELR HANGER BRKT NEW (EA)	1
17	561074	PIVOT SADDLE PLASTIC .125	1
18	201100-OU	1/4-28 NYLOCK NUT THIN	1
19	226057	10/24 x .725 BTTN HD SOC BZ	3
20	202100-MJ	5/16-24 NYLOCK NUT THIN	2
21	561059	3/4 OD x .318 ID WASHER	1
22	202109	5/16-24 ACORN NUT HEX	1
23	561049	ELR RELEASE ROD COVER	1

ITEM	NUMBER	DESCRIPTION	QTY
24	481122	ELR ACTUATION ARM	1
25	880990	ELR LOCK HOUSING W/PIN	1
26	321106	ELR TORSION SPRING	1
27	561079	S/A LATCH LEVER	1
28	321136, 321137	S/A SPRING (EA)	1
29	483282	S/A LATCH BLOCK CASTING INSERT	
31	221100	1/4-28 x 3/4 HEX C/S	2
32	201112	1/4-28 NUT THIN	4
33	262110-OU	1/4 AN WASHER FLAT THIN	2
11-13,20-26	881077	ELR LOCK ROD/ARM ASSEMBLY	
29,30	881500, 881501	LATCH BLOCK ASSM (EA)	
23,24	882410	ELR ACTUATION ARM ASSEMBLY	
1-6,14-19, 27-30	882413, 882414	ELR PIVOT BLOCK ASSM (EA)	
1-33	641452, 641453	ELR HNGR W/O PAD PNTD MNL (EA)	
34	923082	ELR HNGR ASSM 14-15 W/PAD (PR)	
	923041	ELR HNGR ASSM W/PAD 16-17"	
	923061	ELR HNGR ASSM W/PAD 18-20"	
35	923088	ELR HNGR REG EXT 14 15" F/PLT	
	923084	ELR HNGR REG EXT 16 17" F/PLT	
	923085	ELR HNGR REG EXT 18-20" F/PLT	

# 90° KIDS ELEVATING LEGREST

(Discontinued - parts only; beginning 3/24/94 and ending 3/31/99)

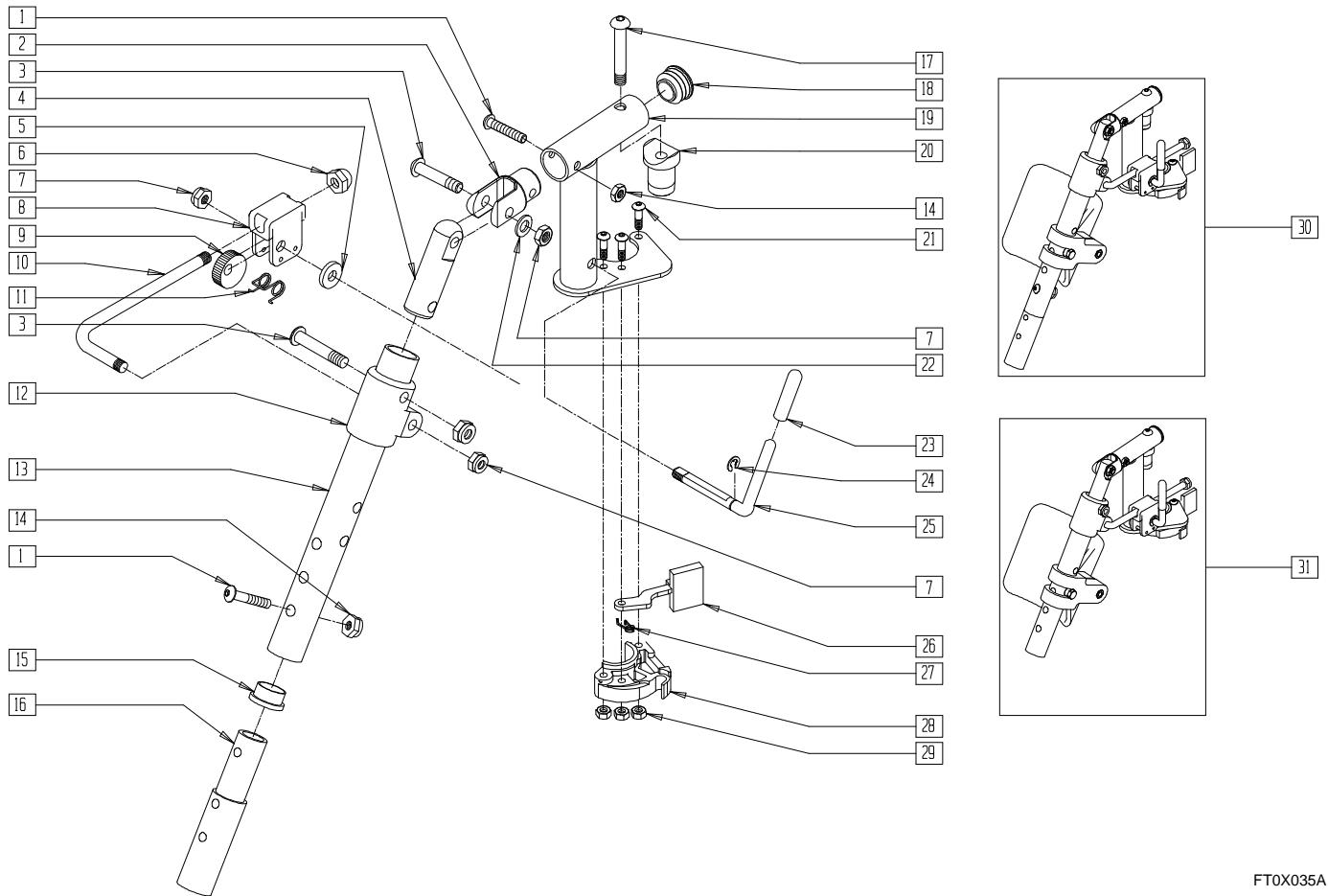


FT0X035

ITEM	NUMBER	DESCRIPTION	QTY
1	226129	1/4-28 x 1 1/4 BH C/S	2
2	505281	ELR CLEVIS	1
3	226138	5/16-24 x 1 1/2 BH C/S	2
4	540252	ELR PIVOT PRS	1
5	561059	3/4" OD x .318 ID WASHER	1
6	202109	5/16-24 ACORN NUT HEX	1
7	202100-MJ	5/16-24 NYLOCK NUT THIN	4
8	880990	ELR LOCK HOUSING W/PIN	1
9	481119	ELR CAM LOCKING POWDERED METAL	1
10	481505	ELR ROD 90°	1
11	321106	ELR TORSION SPRING	1
12	560430	ELR ROD UPPER PIVOT	1
13	505097	ELR KIDS TUBE	1
14	201100-QU	1/4-28 NYLOCK NUT THIN	2
15	561002	1" INSERT PLUG .083	1
16	500150	2" FOOTREST EXT TUBE	1
17	226198	5/16-18 x 2 BH C/S SHT THREAD	1
18	561062	1" INSERT PLUG .065 RIBS	1
19	505278, 505279	ELR HANGER BRACKET NEW	1
20	561074	PIVOT SADDLE PLASTIC .125	1

ITEM	NUMBER	DESCRIPTION	QTY
21	226010	10-24 x .725 BH C/S W/PATCH	1
22	263100	5/16 AN WASHER FLAT	3
23	561049	ELR RELEASE ROD COVER	1
24	481123	ELR ACTUATION ARM 90° KIDS	1
25	561079	S/A LATCH LEVER	1
26	321136, 321137	S/A SPRING (EA)	1
28	200107	10-24 NYLOCK NUT THIN	3
27,28	561076, 561078	S/A LATCH BLOCK (EA)	
1,14,16	881403	2" FTRST EXT TUBE W/HARDWARE ASSMBLY	
1-4,7,14, 17-22, 25-28	882417, 882418	ELR PIVOT BLOCK ASSEMBLY	
1-15, 17-28	641458, 641459	ELR HANGER 90° W/O PAD PNTD (EA)	
1-14, 16-28	641468, 641469	HANGER ELR 90° W/O PAD 2" EXT (EA)	
29	923068	ELR HNGR ASSM 90° W/PAD 2" EXT (PR)	1
30	923067	ELR HNGR ASSM 90° W/PAD (PR)	1

# 90° KIDS ELEVATING LEGREST (Discontinued)(Beginning 4/99 and ending 11/24/02)



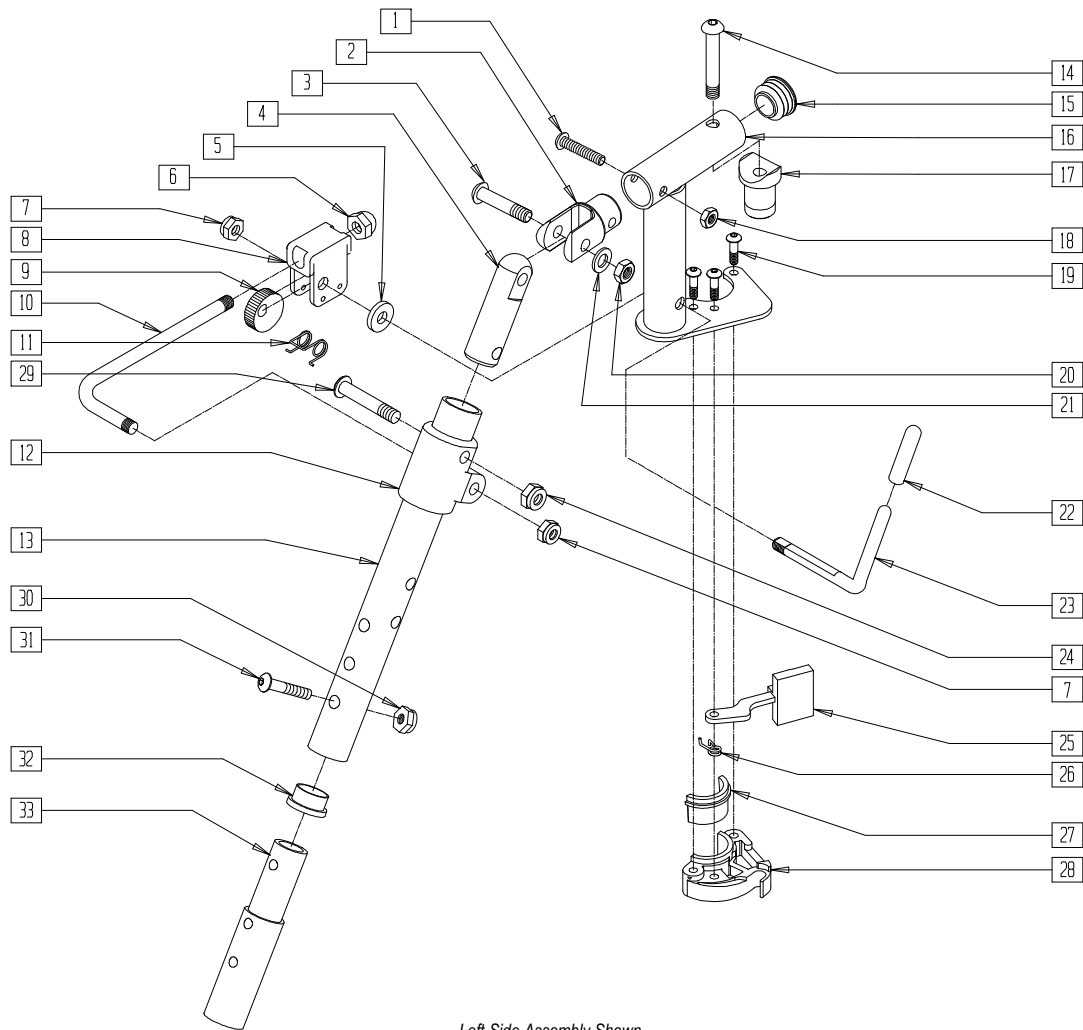
FT0X035A

ITEM	NUMBER	DESCRIPTION	QTY
1	226129	1/4-28 x 1 1/4 BH C/S	2
2	505281	ELR CLEVIS	1
3	226138	5/16-24 x 1 1/2 BH C/S	2
4	540252	ELR PIVOT PRS	1
5	561059	3/4" OD x .318" ID WASHER	1
6	202109	5/16-24 ACORN NUT HEX	1
7	202100-MJ	5/16-24 NYLOCK NUT THIN	4
8	880990	ELR LOCK HOUSING W/PIN	1
9	481119	ELR CAM LOCKING POWDERED METAL	1
10	481505	ELR ROD 90°	1
11	321106	ELR TORSION SPRING	1
12	560430	ELR ROD UPPER PIVOT	1
13	505097	ELR KIDS TUBE	1
14	201100-QU	1/4-28 NYLOCK NUT THIN	2
15	561002	1" INSERT PLUG .083	1
16	500150	2" FOOTREST EXT TUBE	1
17	226198	5/16-18 x 2 BH C/S SHT THREAD	1
18	561062	1" INSERT PLUG .065 RIBS	1
19	505278, 505279	ELR HANGER BRACKET NEW	1
20	561074	PIVOT SADDLE PLASTIC .125	1
21	226010	10-24 x .725 BH C/S W/PATCH	1
22	263100	5/16 AN WASHER FLAT	3

ITEM	NUMBER	DESCRIPTION	QTY
23	561049	ELR RELEASE ROD COVER	1
24	342000	1/4" E-CLIP	1
25	481123	ELR ACTUATION ARM 90° KIDS	1
26	561079	S/A LATCH LEVER	1
27	321136, 321137	S/A SPRING (EA)	1
29	200107	10-24 NYLOCK NUT THIN	1
28,29	561076, 561078	S/A LATCH BLOCK (EA)	
1,14,16	881403	2" FTRST EXT TUBE W/HARDWARE ASSEMBLY	
1-15, 17-29	641458, 641459	ELR HANGER 90° W/O PAD PNTD (EA)	
1-14, 16-29	641468, 641469	HANGER ELR 90° W/O PAD 2" EXT (EA)	
30	923068	ELR HNGR ASSM 90° W/PAD 2" EXT (PR)	1
31	923067	ELR HANGER ASSEMBLY 90° W/PAD (PR)	1
1-4,7,14, 17-22, 26-29	882417, 882418	ELR PIVOT BLOCK ASSEMBLY (EA)	

# 90° KIDS ELEVATING LEGREST (MANUAL PRODUCTS)

(Effective 11/25/02)



Left Side Assembly Shown

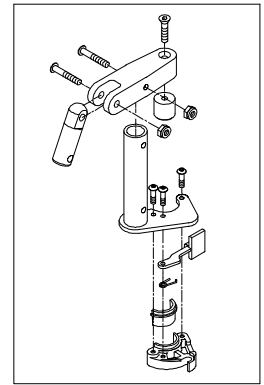
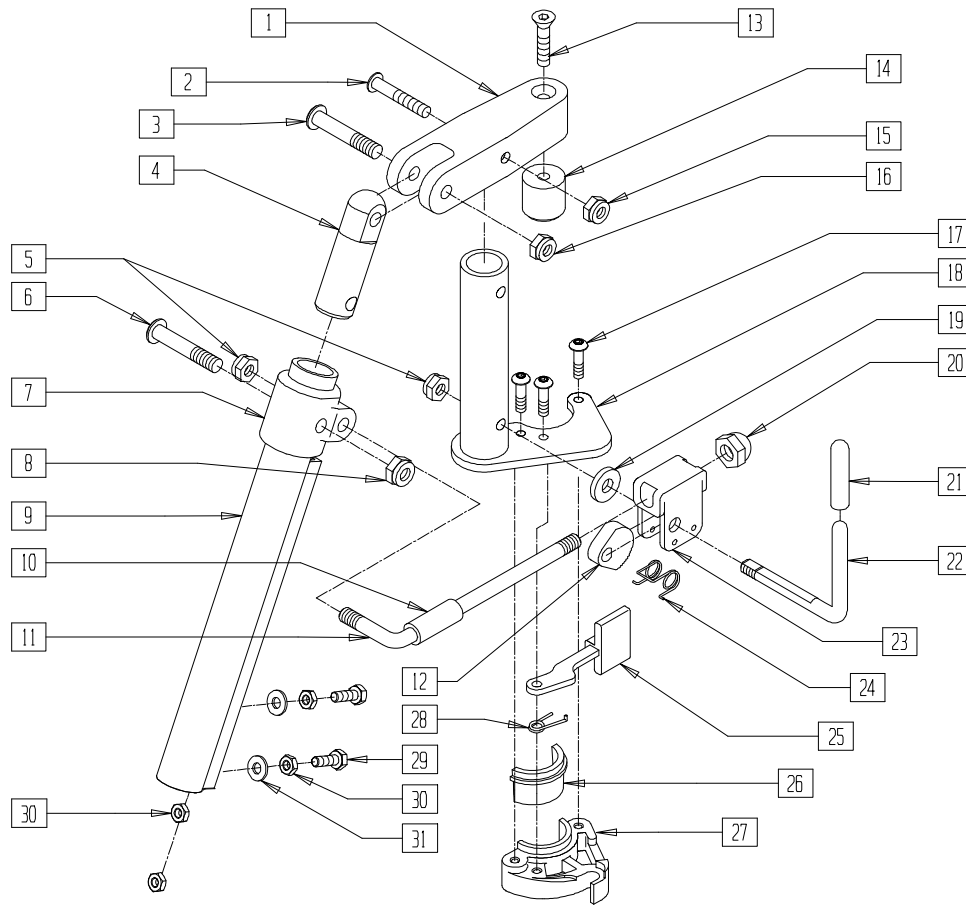
FT0X035B

ITEM	NUMBER	DESCRIPTION	QTY
1	226129	1/4-28 x 1 1/4 BH C/S	1
2	505281	ELR CLEVIS	1
3	226138	5/16-24 x 1 1/2 BH C/S	1
4	540252	ELR PIVOT PRS	1
5	561059	3/4 OD x .318 ID WASHER	1
6	202109	5/16-24 ACORN NUT HEX	1
7	202100-MJ	5/16-24 NYLOCK NUT THIN	2
8	880990	ELR LOCK HOUSING W/PIN	1
9	481119	ELR CAM LOCKING POWDERED METAL	1
10	481505	ELR LOCK ROD 90D	1
11	321106	ELR TORSION SPRING	1
12	560430	ELR ROD UPPER PIVOT	1
13	505097	ELR KIDS TUBE	1
14	226217	5/16-18 x 2" BH C/S BLK	1
15	561062	1" INSERT PLUG .065 RIBS	1
16	505278	ELR HANGER BRKT R NEW	1
	505279	ELR HANGER BRKT L NEW	
17	561074	PIVOT SADDLE PLASTIC .125	1
18	201100-QU	1/4-28 NYLOCK NUT THIN	1
19	226057	10/24 x .725 BTTN HD SOC BZ	3
20	202100-MJ	5/16-24 NYLOCK NUT THIN	1
21	263100	5/16 AN WASHER FLAT	1

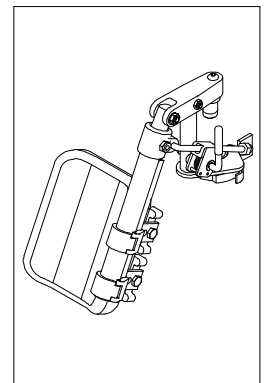
ITEM	NUMBER	DESCRIPTION	QTY
22	561049	ELR RELEASE ROD COVER	1
23	481123	ELR ACTUATION ARM 90 DEG KDS	1
24	202100-MJ	5/16-24 NYLOCK NUT THIN	1
25	561079	S/A LATCH LEVER	1
26	321136	S/A SPRING L	1
	321137	S/A SPRING R	
27	483282	S/A LATCH BLOCK CASTING INSERT	1
29	226138	5/16-24 x 1 1/2 BH C/S	1
30	201100-QU	1/4-28 NYLOCK NUT THIN	1
31	226129	1/4-28 x 1 1/4 BH C/S	1
32	561002	1" INSERT PLUG .083	1
33	500150	2" FOOTREST EXT TUBE	1
30,31,33	881403	2" FTRST EXT TUBE W/HDWR ASSM	
27,28	881500	LATCH BLOCK ASSM R	
	881501	LATCH BLOCK ASSM L	
22,23	882411	ELR 90D ACTUATION ARM ASSM	
1-4,14-21,	882413	ELR PIVOT BLOCK ASSM R	
25-28	882414	ELR PIVOT BLOCK ASSM L	
1-28,32	641458	ELR HNGR 90D W/O PAD PNTD R	
	641459	ELR HNGR 90D W/O PAD PNTD L	
1-28,30,	641468	HANGER ELR 90 W/O PAD R 2" EXT	
31,33	641469	HANGER ELR 90 W/O PAD L 2" EXT	

# ELEVATING LEGREST (QUICKIE M6)

(Effective 11/25/02)



ELR Pivot Block Assembly



ELR and Calf Pad assembly

Left Side Assembly Shown

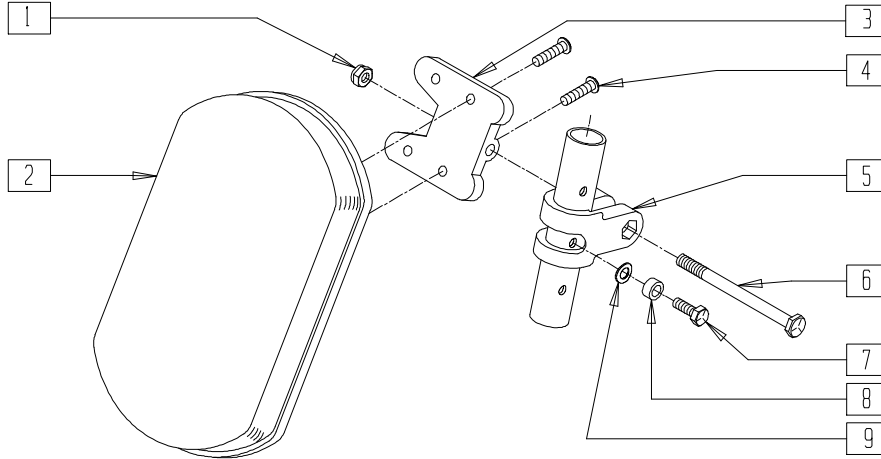
M6ELRX02

ITEM	NUMBER	DESCRIPTION	QTY
1	550712	ELR PIVOT BLOCK M6	1
2	226130	1/4-28 x 1 1/2 BH C/S	1
3	226138	5/16-24 x 1 1/2 BH C/S	1
4	540252	ELR PIVOT PRS	1
5	202100-MJ	5/16-24 NYLOCK NUT THIN	2
6	226138	5/16-24 x 1 1/2 BH C/S	1
7	560420	ELR UPPER PIVOT PLST	1
8	202100-MJ	5/16-24 NYLOCK NUT THIN	1
9	550722	ELR ADJUSTMENT TUBE	1
10	560787	ELR ADJUSTABLE STOP, STEEL	1
11	481117	ELR LOCK ROD	1
12	481119	ELR CAM LOCKING POWDERED METAL	1
13	226121	1/4-20 x 1 FH C/S BLK	1
14	483126	ELR PLUG .125	1
15	201100-QU	1/4-28 NYLOCK NUT THIN	1
16	202100-MJ	5/16-24 NYLOCK NUT THIN	1
17	226057	10/24 x .725 BTTN HD SOC BZ	3
18	505376, 505377	ELR HANGER BRKT STL (EA)	1
19	561059	3/4 OD x .318 ID WASHER	1
20	202109	5/16-24 ACORN NUT HEX	1

ITEM	NUMBER	DESCRIPTION	QTY
21	561049	ELR RELEASE ROD COVER	1
22	481122	ELR ACTUATION ARM	1
23	880990	ELR LOCK HOUSING W/PIN	1
24	321106	ELR TORSION SPRING	1
25	561079	S/A LATCH LEVER	1
26	483282	S/A LATCH BLOCK CASTING INSERT	
28	321136, 321137	S/A SPRING (EA)	1
29	221100	1/4-28 x 3/4 HEX C/S	2
30	201112	1/4-28 NUT THIN	4
31	262110-QU	1/4 AN WASHER FLAT THIN	2
26,27	881500	LATCH BLOCK ASSM R	
	881501	LATCH BLOCK ASSM L	
5,10-12, 19-24	881083, 881144	ELR LOCK ROD/ARM ASSM M6 (EA)	
21,22	882410	ELR ACTUATION ARM ASSEMBLY	
1-4,13-18, 25-28	882426, 882427	ELR PIVOT BLCK ASSMBLY, M6 (EA)	
1-31	641462, 641463	ELR HANGER W/O PAD PNTD M6 (EA)	

# ELEVATING LEGREST PAD ASSEMBLY

(Discontinued 8/91- parts only)



Drawing shows left side

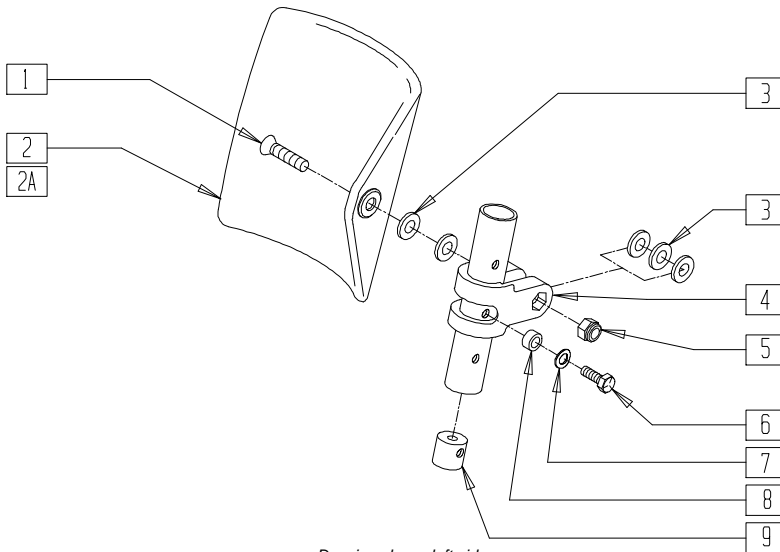
FT0X014

ITEM	NUMBER	DESCRIPTION	QTY
1	202102	5/16-18 NYLOCK NUT THIN	1
2	755010	ALR/ELR PAD	1
3	561096	ALR/ELR CALF PAD BRACKET	1
4	281182	1/4-20 x 5/8 PAN PHIL	2
5	561097	ELR ELV TUBE CLAMP	1

ITEM	NUMBER	DESCRIPTION	QTY
6	222255	5/16-18 x 3 1/2 HEX C/S	1
7	221126	1/4-20 x 1 1/4 G8 HEX C/S	1
8	483027	1/4 x 1/4 ALUMINUM SPACER BLK	1
9	262130	6mm WASHER WAVE	1
1-9	880557	ELR PAD ASSM (EA)	

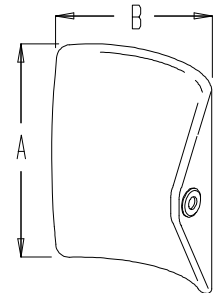
# ELR TROUGH CALF PAD

(Discontinued 3/23/97 - parts only)



Drawing shows left side

## MEASURING GUIDE



CALFPAD

PART NUMBER	"A"	"B"
755014	5 1/4"	5 3/4"
755012	6 1/4"	6 1/2"

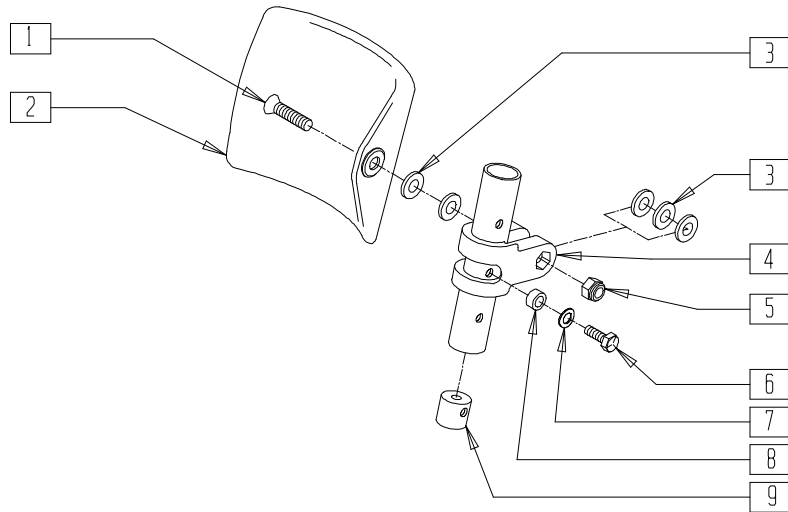
BZ00X17A

ITEM	NUMBER	DESCRIPTION	QTY
1	226196	5/16-18 x 2 BH C/S ZN	1
2	755012	CALF PAD TROUGH STYLE 17"-20"	1
2A	755014	CALF PAD TROUGH STYLE 14"-16"	1
3	561016	1" WASHER 5/16" HOLE	5
4	561097	ELR ELEVATING TUBE CLAMP	1
5	202102	5/16-18 NYLOCK NUT THIN	1

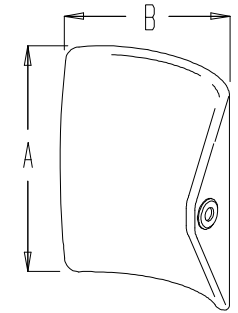
ITEM	NUMBER	DESCRIPTION	QTY
6	221126	1/4-20 x 1 1/4 G8 HEX C/S	1
7	262130	6mm WASHER WAVE	1
8	483027	1/4 x 1/4 ALUMINUM SPACER BLK	1
9	500151	KIDS ALR RETAINING PLUG	1
1-9	880543	ELR TROUGH PAD ASSEMBLY 17"-20"	
1,2A,3-9	880535	ELR TROUGH PAD ASSEMBLY 14"-16"	

# KIDS ELR TROUGH CALF PAD

(Discontinued 3/23/97 - parts only)



## MEASURING GUIDE



CALFPAD

PART NUMBER	"A"	"B"
755013	3 1/4"	4 1/2"

Drawing shows left side

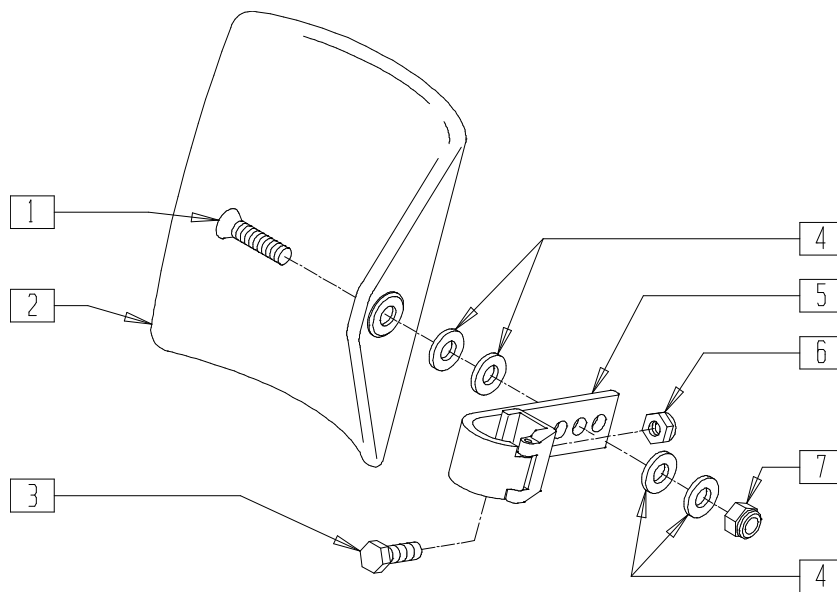
BZ00X17B

ITEM	NUMBER	DESCRIPTION	QTY
1	226196	5/16-18 x 2 BH C/S ZN	1
2	755013	CALF PAD TROUGH STYLE KIDS	1
3	561016	1" WASHER 5/16" HOLE	5
4	561097	ELR ELEVATING TUBE CLAMP	1
5	202102	5/16-18 NYLOCK NUT THIN	1

ITEM	NUMBER	DESCRIPTION	QTY
6	221126	1/4-20 x 1 1/4 G8 HEX C/S	1
7	262130	6mm WASHER WAVE	1
8	483027	1/4 x 1/4 ALUM SPACER BLK	1
9	500151	KIDS ALR RETAINING PLUG	1
1-9	880533	ELR TROUGH PAD ASSEMBLY KIDS	

# ELR CALF PAD (14"-15")

(Effective 3/24/97)



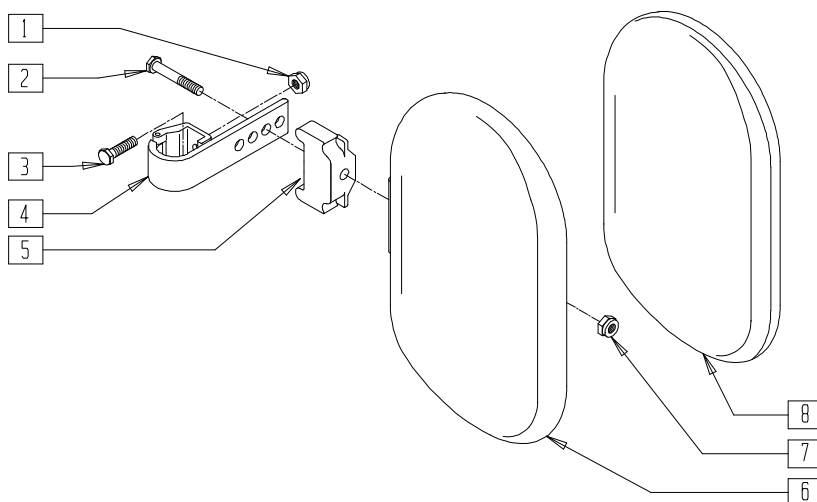
FT0X036

ITEM	NUMBER	DESCRIPTION	QTY
1	222108	5/16-18 x 1 1/4 BH C/S	1
2	755014	CALF PAD TROUGH STYLE 14"/16"	1
3	221096	1/4-28 x 5/8 HEX C/S	1
4	561016	1" WASHER 5/16" HOLE	4

ITEM	NUMBER	DESCRIPTION	QTY
5	881413	CALF PAD BRACKET ASSEMBLY	1
6	201100-OU	1/4-28 NYLOCK NUT	1
7	202102	5/16-18 NYLOCK NUT THIN	1
1-7	881414	CALF PAD J-HOOK 14"-15" ASSEMBLY	

## ELR CALF PAD (16"-17"/18"-20")

(Effective 3/24/97)



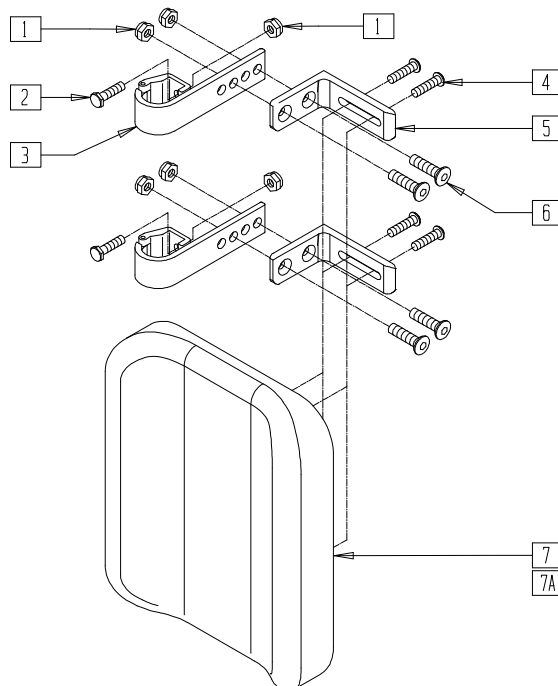
FT0X034

ITEM	NUMBER	DESCRIPTION	QTY
1	201110-QU	1/4-28 NYLOCK NUT	1
2	222242	5/16-18 x 2 1/2 HEX C/S (16"-17")	1
	222255	5/16-18 x 3 1/2 HEX C/S (18"-20")	
3	221096	1/4-28 x 5/8 HEX C/S	1
4	881413	CALF PAD BRACKET ASSEMBLY	1
5	560199	ELR CALF HINGE SPACER	1
6	560108	CALF PAD MOLDED 16"-20"	1

ITEM	NUMBER	DESCRIPTION	QTY
7	202103	5/16-18 NYLOCK NUT THICK	1
8	751045	CALF PAD COVER (ALL QUICKIE MODELS)	1
	751046	CALF PAD COVER (BREEZY)	
1-4,6,7	881416	CALF MOLDED 16"-17" ASSEMBLY	
1-7	881412	CALF PAD MOLDED 18"-20" ASSEMBLY	

## ELR CALF PAD (QUICKIE M6)

(Effective 11/25/02)



M6ELRX01

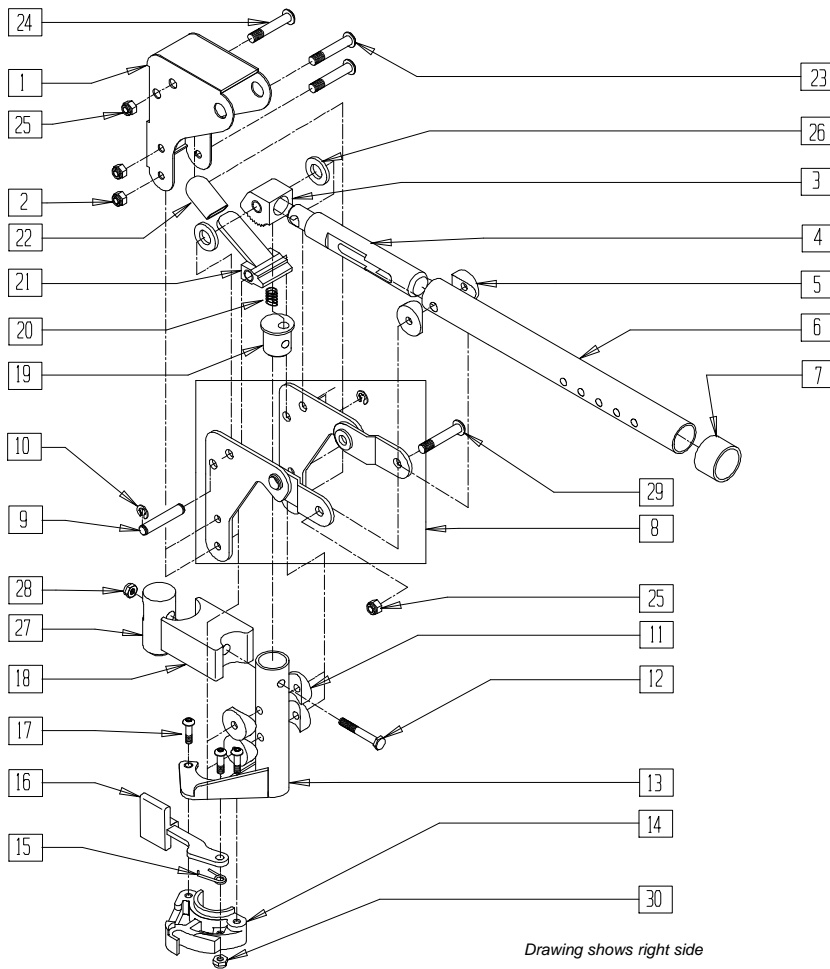
ITEM	NUMBER	DESCRIPTION	QTY
1	201100-QU	1/4-28 NYLOCK NUT THIN	6
2	221096	1/4-28 x 5/8 HEX C/S	2
3	881413	CALF PAD BRACKET ASSEMBLY	2
4	226091	1/4-20 x 5/8 BH C/S	4
5	554082	MOUNTING BRACKET, CALF PAD, M6	2

ITEM	NUMBER	DESCRIPTION	QTY
6	226105	1/4-28 x 3/4 FH C/S BLK	4
7	755018	CALF PAD ELR R M6	1
7A	755021	CALF PAD ELR L M6	1
1-7	755016	ELR CALF PAD ASSM R M6 22"-30"	
1-6,7A	755019	ELR CALF PAD ASSM L M6 22"-30"	

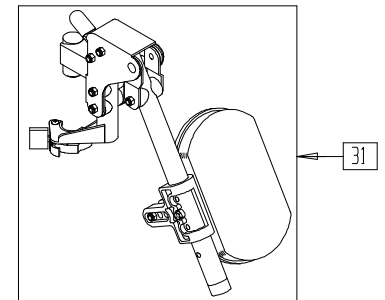


# ARTICULATING LEGREST ASSEMBLY

(Fits all Quickie chairs/Zippie/2/TS)(Discontinued 12/12/02)



THIS ASSEMBLY REQUIRES ROUND STYLE EXTENSION TUBES.



Drawing shows right side

FTOX021

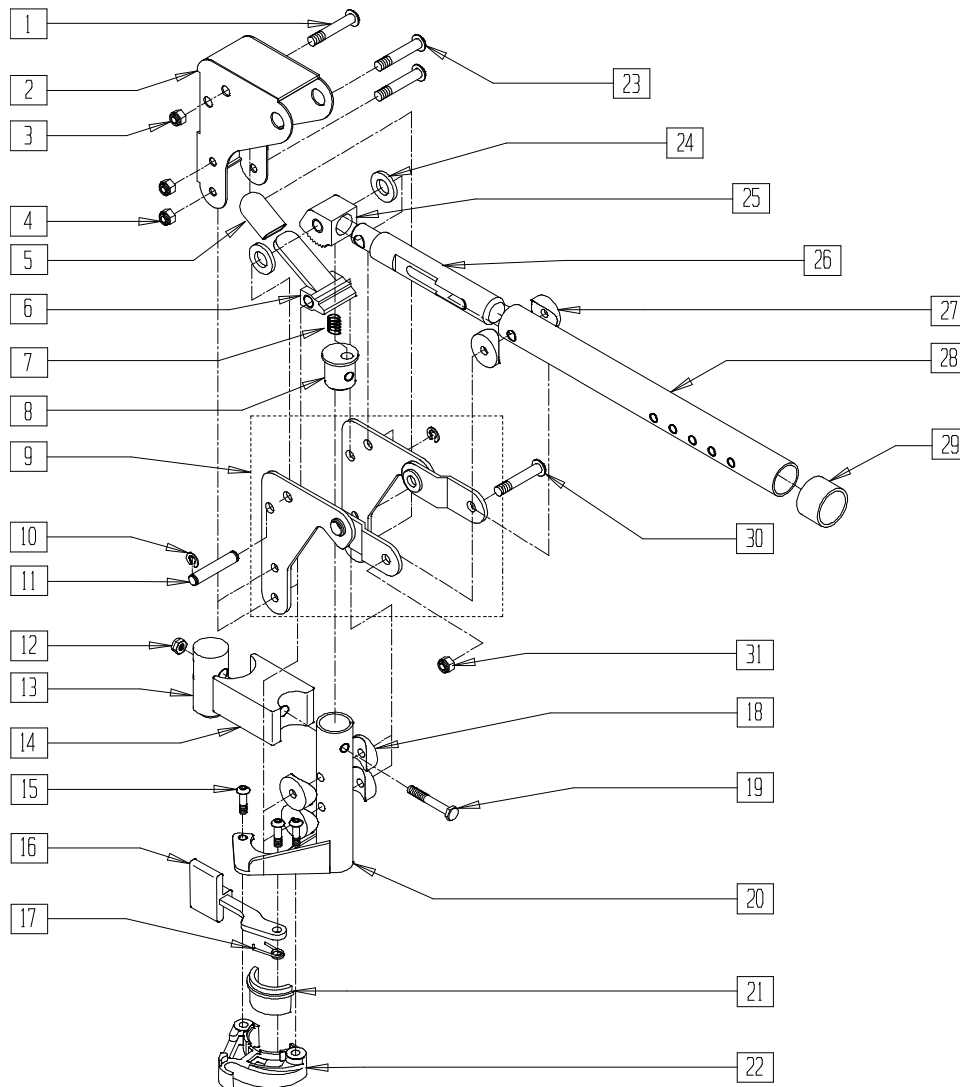
ITEM	NUMBER	DESCRIPTION	QTY
1	562720	ALR COVER STD	1
2	201100-QU	1/4-28 NYLOCK NUT THIN	2
3	505900	ALR RATCHET BLOCK	1
4	483062	ALR RATCHET ROD	1
	483510	BC ALR SPRING PLUG (BREEZY 2)	
5	561006	1" SADDLE 5/16" HOLE	2
6	505026	ALR TUBE ONLY (SPECIFY COLOR)	1
	505094	BC ALR ELEVATING TUBE (BREEZY 2)	
7	561082	1" TUBE END BUSHING THIN	1
8	880526, 880527	ALR BRACKET W/LINK (EA)	1
9	481052	ALR RETAINING STUD	1
10	342000	1/4" E-CLIP	2
11	561004	1" SADDLE 1/4" HOLE	4
12	221201	1/4-28 x 3 G8 HEX C/S	1
13	505027, 505028	ALR S/A TUBE ONLY (EA) (SPECIFY COLOR)	1
	505092, 505093	BC ALR S/A TUBE ONLY (EA) (BREEZY 2)	
14,30	561076, 561078	S/A LATCH BLOCK (EA)	
15	321136, 321137	S/A SPRING (EA)	1

ITEM	NUMBER	DESCRIPTION	QTY
16	561079	S/A LATCH LEVER	1
17	226011	10-24 x .665 BH C/S W/PATCH	3
18	500178	ALR PIVOT SADDLE BLOCK	1
19	483060	ALR SPRING PLUG	1
	483510	BC ALR SPRING PLUG (BREEZY 2)	
20	321141	.650L x 6 COIL SPRING	1
21	505902	ALR RELEASE LEVER	1
22	560501	ALR RELEASE LEVER COVER	1
23	226150	1/4-28 x 2 BH C/S	2
24	226198	5/16-18 x 2 BH C/S SHT THREAD	1
25	202102	5/16-18 NYLOCK NUT THIN	2
26	561016	1" WASHER 5/16" HOLE	2
27	500177	ALR PIVOT SADDLE .125	1
28	201110	1/4-28 NYLOCK NUT	1
29	226195	5/16-18 x 1.82 BH C/S	1
30	200107	10-24 NYLOCK NUT THIN	3
14-17,30	880808, 880809	S/A LATCH KIT 90°/HEM/BRZ	
1-30	641430, 641431	HANGER ALR W/O PAD PAINTED S/A (EA) (SPECIFY COLOR)	
31	923052	ALR HANGER ASSEMBLY W/PAD (PR) (SPECIFY COLOR)	

NOTE: WHEN USING AN ARTICULATING LEGREST ASSEMBLY, THE PULL-TO-LOCK WHEEL LOCK MUST BE USED (SEE SECTION 21).

# ARTICULATING LEGREST ASSEMBLY (MANUAL PRODUCTS)

(Effective 11/25/02)



Drawing Shows Right Side

FT0X021A

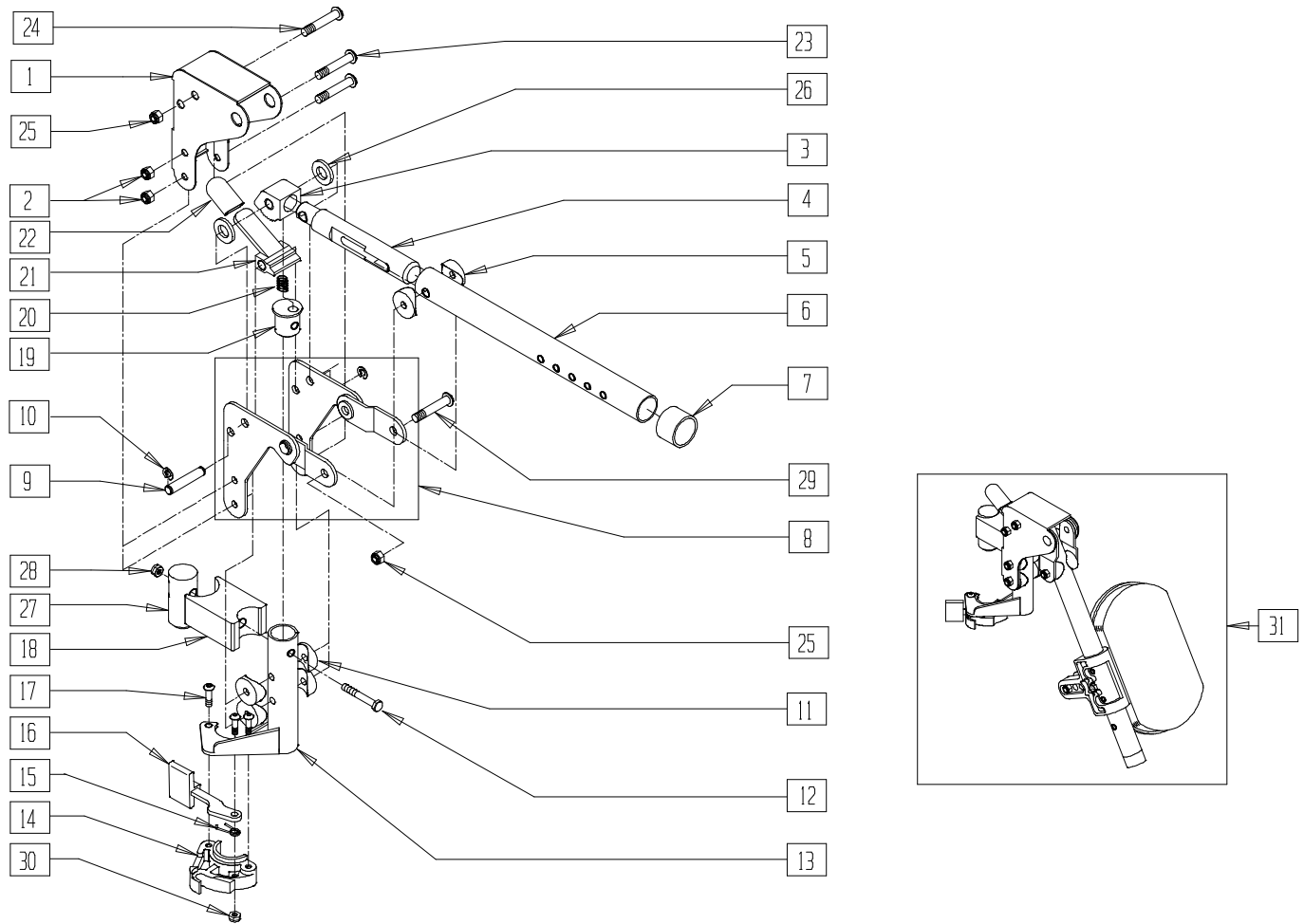
ITEM	NUMBER	DESCRIPTION	QTY
1	226198	5/16-18 x 2 BH C/S SHT THREAD	1
2	560720	ALR COVER STD	1
3	202102	5/16-18 NYLOCK NUT THIN	1
4	201100-QU	1/4-28 NYLOCK NUT THIN	2
5	560501	ALR RELEASE LEVER COVER	1
6	505902	ALR RELEASE LEVER	1
7	321141	650L x 6 COIL SPRING	1
8	483060	ALR SPRING PLUG	1
9	880526, 880527	ALR BRACKET W/LINK (EA)	1
10	342000	1/4" E-CLIP	2
11	481052	ALR RETAINING STUD	1
12	201110-QU	1/4-28 NYLOCK NUT	1
13	500177	ALR PIVOT SADDLE .125	1
14	500178	ALR PIVOT SADDLE BLOCK	1
15	226057	10/24 x .725 BTTN HD SOC BZ	3
16	561079	S/A LATCH LEVER	1
17	321136	S/A SPRING L	1
	321137	S/A SPRING R	

ITEM	NUMBER	DESCRIPTION	QTY
18	561004	1" SADDLE 1/4" HOLE	3
19	221201	1/4-28 x 3 G8 HEX C/S	1
20	505027	ALR S/A TUBEONLY R BLACK	1
	505028	ALR S/A TUBEONLY L BLACK	
21	483282	S/A LATCH BLOCK CASTING INSERT	1
23	226150	1/4-28 x 2 BH C/S	2
24	561016	1" WASHER 5/16" HOLE	2
25	505900	ALR RATCHET BLOCK	1
26	483062	ALR RATCHET ROD	1
27	561006	1" SADDLE 5/16" HOLE	2
28	505026	ALR TUBE ONLY	1
29	561082	1" TUBE END BUSHING THIN	1
30	226195	5/16-18 x 1.82 BH C/S	1
31	202102	5/16-18 NYLOCK NUT THIN	1
	21,22	881500, 881501	
1-31	641464	HANGER ALR W/O PAD PNTD R	
	641465	HANGER ALR W/O PAD PNTD L	
1-31	923051	ALR HANGER ASSM W/PAD ALUM LB	

NOTE: ALR USES ROUND EXTENSION TUBES, ALSO USES COMPOSITE FOOTPLATE OR ADULT ANGLE ADJUSTABLE FOOTPLATES.

# ARTICULATING LEGREST ASSEMBLY (BREEZY/2/CHROME BREEZY)

(Fits Breezy beginning with serial number BZ-200000 and all Chrome Breezy chairs)



Drawing shows right side

FT0X023

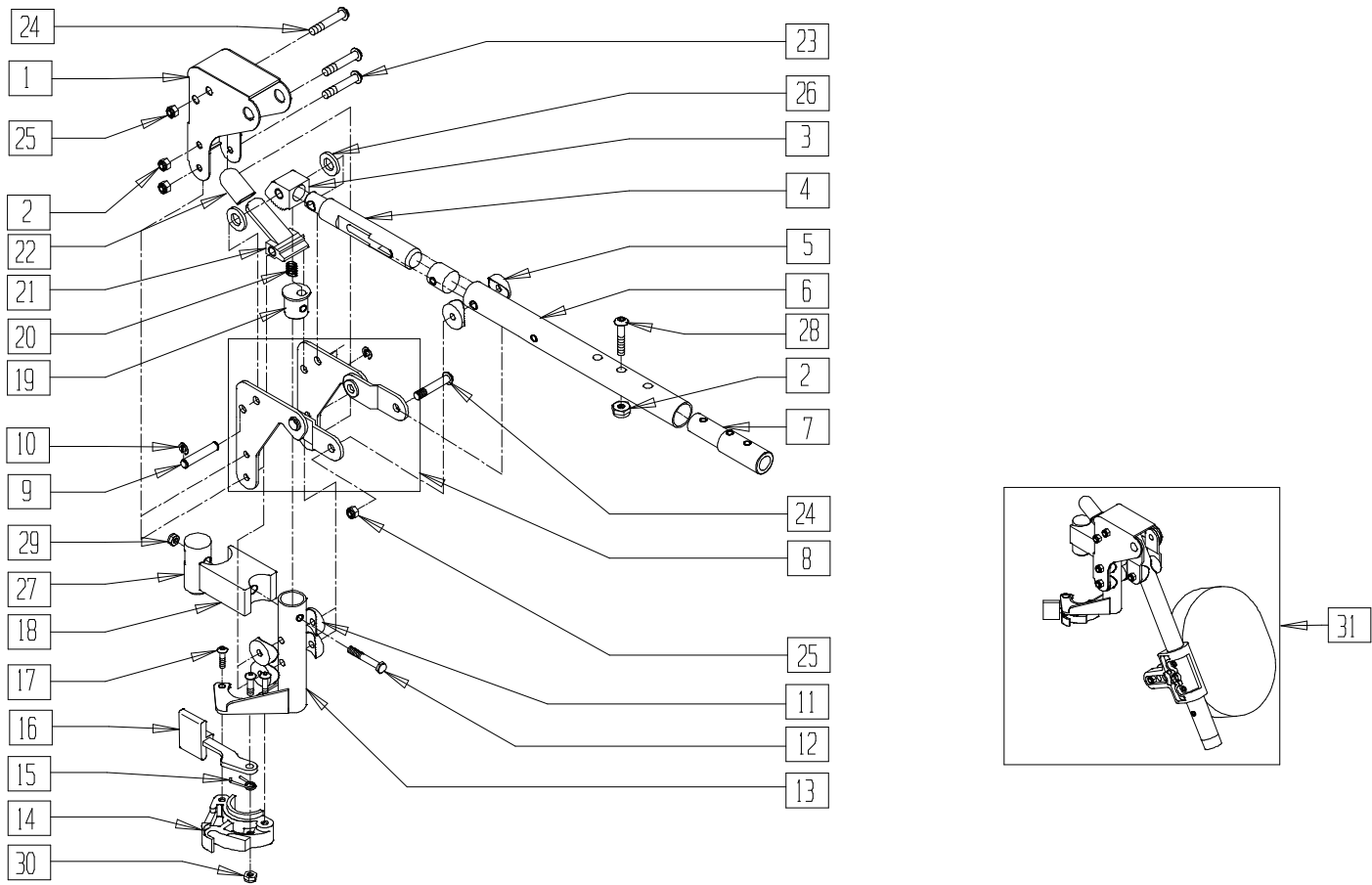
ITEM	NUMBER	DESCRIPTION	QTY
1	562720	ALR COVER STD	1
2	201100-OU	1/4-28 NYLOCK NUT THIN	2
3	505900	ALR RATCHET BLOCK	1
4	483511	BR ALR RATCHET ROD	1
5	561006	1" SADDLE 5/16" HOLE	2
6	505094	BC ALR ELEVATING TUBE	1
7	561018	1" TUBE END BUSHING THICK	1
8	880526, 880527	ALR BRACKET W/LINK (EA)	1
9	481052	ALR RETAINING STUD	1
10	342000	1/4" E-CLIP	2
11	561004	1" SADDLE 1/4" HOLE	4
12	221201	1/4-28 x 3 G8 HEX C/S	1
13	505092, 505093	BR ALR S/A TUBE ONLY (EA)	1
14,30	561076, 561078	S/A LATCH BLOCK (EA)	
15	321136, 321137	S/A SPRING (EA)	1
16	561079	S/A LATCH LEVER	1

ITEM	NUMBER	DESCRIPTION	QTY
17	226011	10-24 x .665 BH C/S W/PATCH	3
18	500178	ALR PIVOT SADDLE BLOCK	1
19	483510	BR ALR SPRING PLUG	1
20	321141	.650L x 6 COIL SPRING	1
21	505902	ALR RELEASE LEVER	1
22	560501	ALR RELEASE LEVER COVER	1
23	226150	1/4-28 x 2 BH C/S	2
24	226198	5/16-18 x 2 BH C/S SHT THREAD	1
25	202102	5/16-18 NYLOCK NUT THIN	2
26	561016	1" WASHER 5/16" HOLE	2
27	483512	BR ALR PIVOT SADDLE .049	1
28	201110	1/4-28 NYLOCK NUT	1
29	226195	5/16-18 x 1.82 BH C/S	1
30	200107	10-24 NYLOCK NUT THIN	3
14-17,30	880808, 880809	S/A LATCH KIT 90°/HEMI/BRZ	
1-30	641320, 641321	BR ALR HANGER W/O PAD (EA) (SPECIFY COLOR)	
31	923056	ALR HNGR ASSM W/PAD BC/BR (PR) (SPECIFY COLOR)	1

NOTE: WHEN USING AN ARTICULATING LEGREST ASSEMBLY, THE PULL-TO-LOCK WHEEL LOCK MUST BE USED (SEE SECTION 21).

# KIDS ARTICULATING LEGREST ASSEMBLY

(Discontinued 11/25/02)



Drawing shows right side

FT0X025

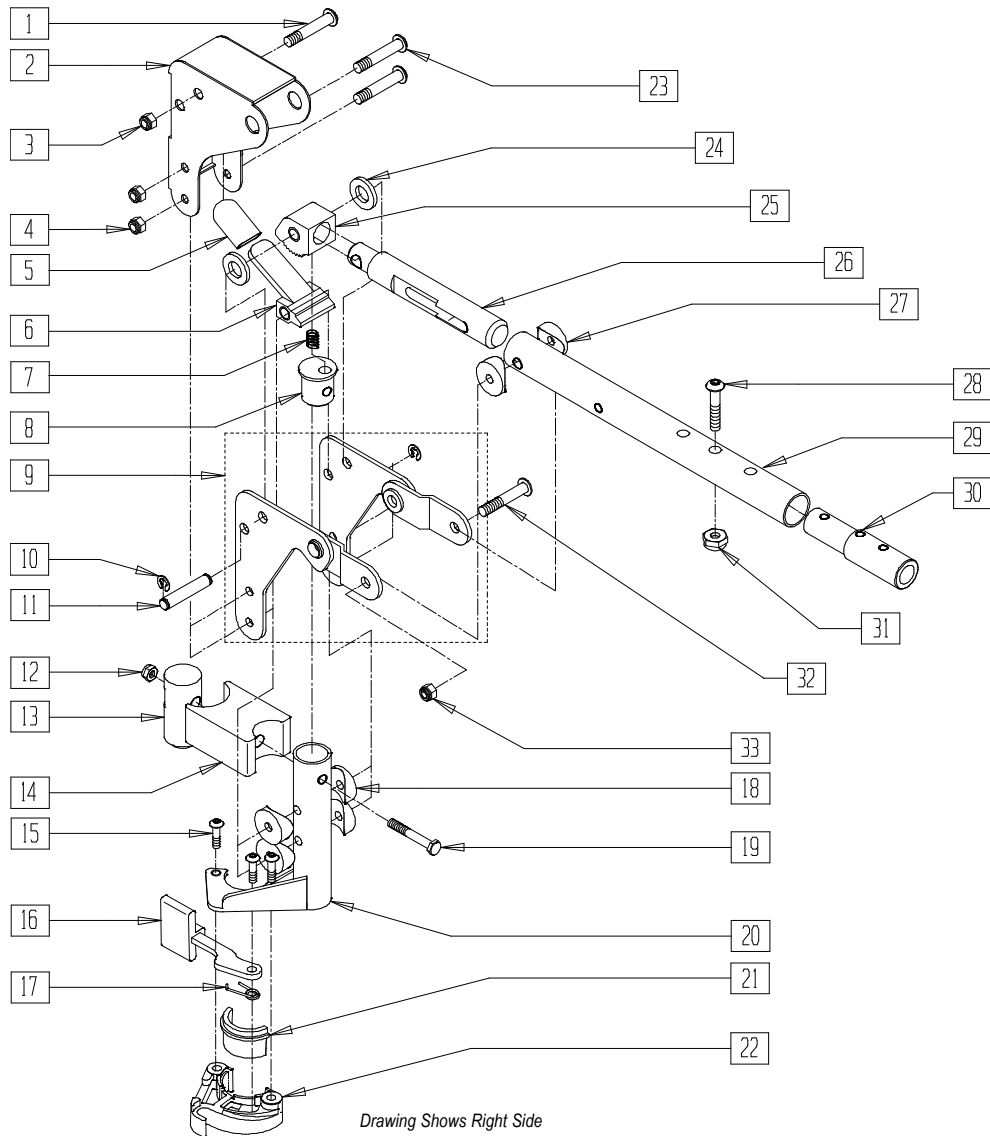
ITEM	NUMBER	DESCRIPTION	QTY
1	562720	ALR COVER STD	1
2	201100-QU	1/4-28 NYLOCK NUT THIN	3
3	505900	ALR RATCHET BLOCK	1
4	483062	ALR RATCHET ROD	1
5	561006	1" SADDLE 5/16" HOLE	2
6	505025	KIDS ALR LEGREST TUBE 11"-13" (SPECIFY COLOR)	1
7	500150	2" FOOTREST EXT TUBE	1
8	880526, 880527	ALR BRACKET W/LINK (EA)	1
9	481052	ALR RETAINING STUD	1
10	342000	1/4" E-CLIP	2
11	561004	1" SADDLE 1/4" HOLE	4
12	221201	1/4-28 x 3 G8 HEX C/S	1
13	505027, 505028	ALR S/A TUBE ONLY (EA) (SPECIFY COLOR)	1
14,30	561076, 561078	S/A LATCH BLOCK (EA)	
15	321136, 321137	S/A SPRING (EA)	1
16	561079	S/A LATCH LEVER	1
17	226011	10-24 x .665 BH C/S W/PATCH	3

ITEM	NUMBER	DESCRIPTION	QTY
18	500178	ALR PIVOT SADDLE BLOCK	1
19	483060	ALR SPRING PLUG	1
20	321141	.650L x 6 COIL SPRING	1
21	505902	ALR RELEASE LEVER	1
22	560501	ALR RELEASE LEVER COVER	1
23	226150	1/4-28 x 2 BH C/S	2
24	226195	5/16-18 x 1.82 BH C/S	2
25	202102	5/16-18 NYLOCK NUT THIN	2
26	561016	1" WASHER 5/16" HOLE	2
27	500177	ALR PIVOT SADDLE .125	1
28	226129	1/4-28 x 1 1/4 BH C/S	1
29	201110	1/4-28 NYLOCK NUT	1
30	200107	10-24 NYLOCK NUT THIN	3
14-17,30	880808, 880809	S/A LATCH KIT 90°/HEMI/BRZ	
1-30	641432, 641433	KIDS ALR HANGER ASSEMBLY W/O PAD 2" EXT (EA) (SPECIFY COLOR)	
31	923053	KIDS ALR HANGER ASSEMBLY W/PAD (PR) (SPECIFY COLOR)	1
2,7,28	881403	2" FOOTREST EXTENSION TUBE W/HARDWARE ASSEMBLY	

NOTE: WHEN USING AN ARTICULATING LEGREST ASSEMBLY, THE PULL-TO-LOCK WHEEL LOCK MUST BE USED (SEE SECTION 21).

# KIDS ARTICULATING LEGREST ASSEMBLY (MANUAL PRODUCTS)

(Effective 11/25/02)



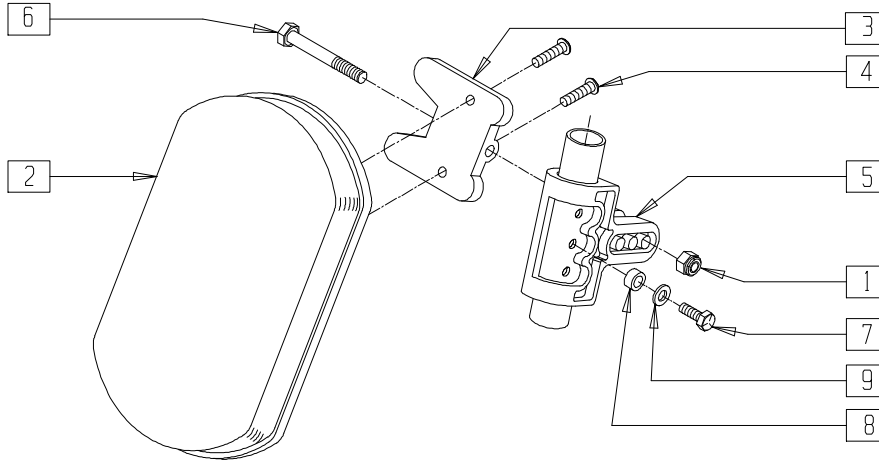
Drawing Shows Right Side

FT0X025A

ITEM	NUMBER	DESCRIPTION	QTY
1	226198	5/16-18 x 2 BH C/S SHT THREAD	1
2	560720	ALR COVER STD	1
3	202102	5/16-18 NYLOCK NUT THIN	1
4	201100-QU	1/4-28 NYLOCK NUT THIN	2
5	560501	ALR RELEASE LEVER COVER	1
6	505902	ALR RELEASE LEVER	1
7	321141	650L x 6 COIL SPRING	1
8	483060	ALR SPRING PLUG	1
9	880526, 880527	ALR BRACKET W/LINK (EA)	1
10	342000	1/4" E-CLIP	2
11	481052	ALR RETAINING STUD	1
12	201110-QU	1/4-28 NYLOCK NUT	1
13	500177	ALR PIVOT SADDLE .125	1
14	500178	ALR PIVOT SADDLE BLOCK	1
15	226057	10/24 x .725 BTTN HD SOC BZ	3
16	561079	S/A LATCH LEVER	1
17	321136	S/A SPRING L	1
	321137	S/A SPRING R	
18	561004	1" SADDLE 1/4" HOLE	3

ITEM	NUMBER	DESCRIPTION	QTY
19	221201	1/4-28 x 3 G8 HEX C/S	1
20	505027	ALR S/A TUBE ONLY BLACK	1
	505028	(EA)	
21	483282	S/A LATCH BLOCK CASTING INSERT	1
23	226150	1/4-28 x 2 BH C/S	2
24	561016	1" WASHER 5/16" HOLE	2
25	505900	ALR RATCHET BLOCK	1
26	483062	ALR RATCHET ROD	1
27	561006	1" SADDLE 5/16" HOLE	2
28	226129	1/4-28 x 1 1/4 BH C/S	1
29	505025	KIDS ALR LEGREST TUBE 11"-13"	1
30	500150	2" FOOTREST EXT TUBE	1
31	201100-QU	1/4-28 NYLOCK NUT THIN	1
32	226195	5/16-18 x 1.82 BH C/S	1
33	202102	5/16-18 NYLOCK NUT THIN	1
28,30,31	881403	2" FTRST EXT TUBE W/HDWR ASSM	
21,22	881500	LATCH BLOCK ASSM R	
	881501	LATCH BLOCK ASSM L	
1-31	641432	KIDS ALR HNGR W/O PAD R 2" EXT	
	641433	KIDS ALR HNGR W/O PAD L 2" EXT	

# ARTICULATING LEGREST PAD ASSEMBLY



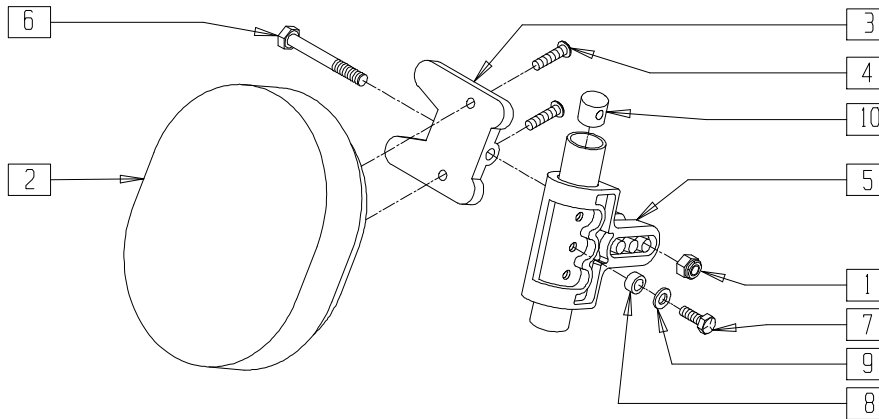
Drawing shows left side

FT0X022

ITEM	NUMBER	DESCRIPTION	QTY
1	202103	5/16-18 NYLOCK NUT THICK	1
2	755010	ALR/ELR PAD	1
3	561096	ALR/ELR CALF PAD BRACKET	1
4	281182	1/4-20 x 5/8 PAN PHIL	2
5	561099	CALF CLAMP ALR	1
6	222255	5/16-18 x 3 1/2 HEX C/S	1

ITEM	NUMBER	DESCRIPTION	QTY
7	221126	1/4-20 x 1 1/4 G8 HEX C/S	1
8	483027	1/4 x 1/4 ALUMINUM SPACER BLK	1
9	262130	6mm WASHER WAVE	1
1-6	881399	ALR CALF PAD W/BRACKET	
1,3-9	881398	ALR CALF CLAMP ASSM W/O PAD	
1-9	881400	ALR CALF PAD ASSEMBLY (EA)	

# KIDS ARTICULATING LEGREST PAD ASSEMBLY



Drawing shows left side

FT0X024

ITEM	NUMBER	DESCRIPTION	QTY
1	202103	5/16-18 NYLOCK NUT THICK	1
2	755020	4 x 5 OVAL PAD	1
3	561096	ALR/ELR CALF PAD BRACKET	1
4	281181	1/4-20 x 3/4 PAN PHIL	2
5	561099	CALF CLAMP ALR	1
6	222255	5/16-18 x 3 1/2 HEX C/S	1

ITEM	NUMBER	DESCRIPTION	QTY
7	221126	1/4-20 x 1 1/4 G8 HEX C/S	1
8	483027	1/4 x 1/4 ALUMINUM SPACER	1
9	262130	6mm WASHER WAVE	1
10	500151	KIDS ALR RETAINING PLUG	1
1-6	881401	KIDS ALR OVAL PAD W/BRACKET	
1-10	881402	KIDS ALR OVAL PAD ASSEMBLY (EA)	

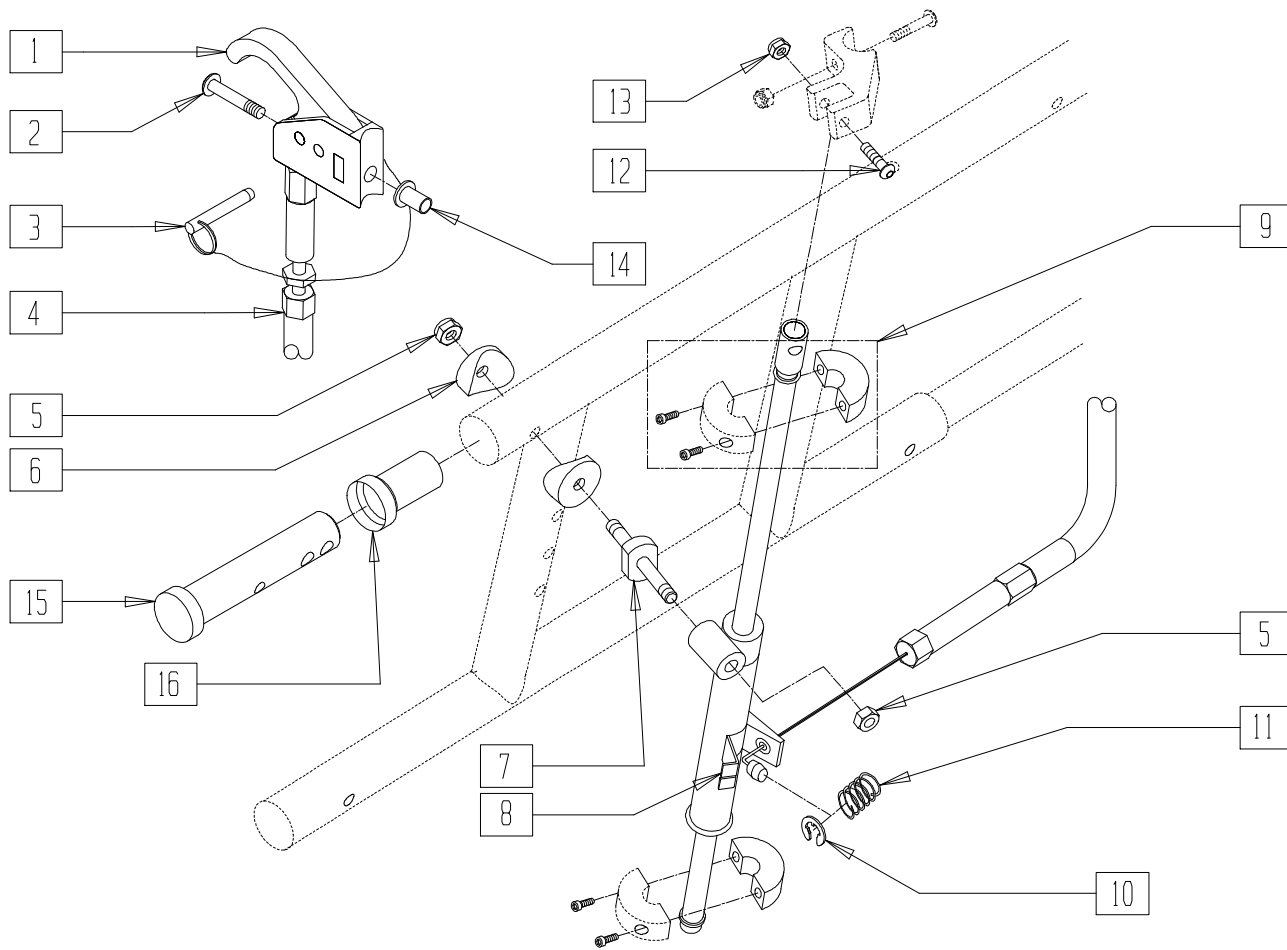
# Mechanical Lock and Strut Assemblies

## IN THIS SECTION

Locking Mechanism (Quickie Recliner) .....	16.1	Strut Assembly - Gas Cylinders	
Locking Mechanism (Quickie TS) (Disc.) .....	16.2	(Growing Frame) (Quickie TS).....	16.4
Strut Assembly (Quickie TS) (Disc.) .....	16.2	Locking Mechanism (Zippie TS) (Disc.).....	16.5
Strut Assembly (Quickie TS).....	16.3	Locking Mechanism (Zippie TS) .....	16.6
Locking Mechanism (Quickie TS) .....	16.3	Locking Mechanism (New Zippie TS).....	16.7
Locking Mechanism (Growing Frame)		Locking Mechanism (Breezy 100/150) .....	16.7
(QuickieTS) .....	16.4	Locking Mechanism (Breezy 510 Recliner).....	16.8

Note: Gas Struts for the Quickie TS and T45 reclining backs are located in the Pediatric and Positioning Frame section.

# LOCKING MECHANISM (QUICKIE RECLINER)



Drawing shows left side

REC0X22B

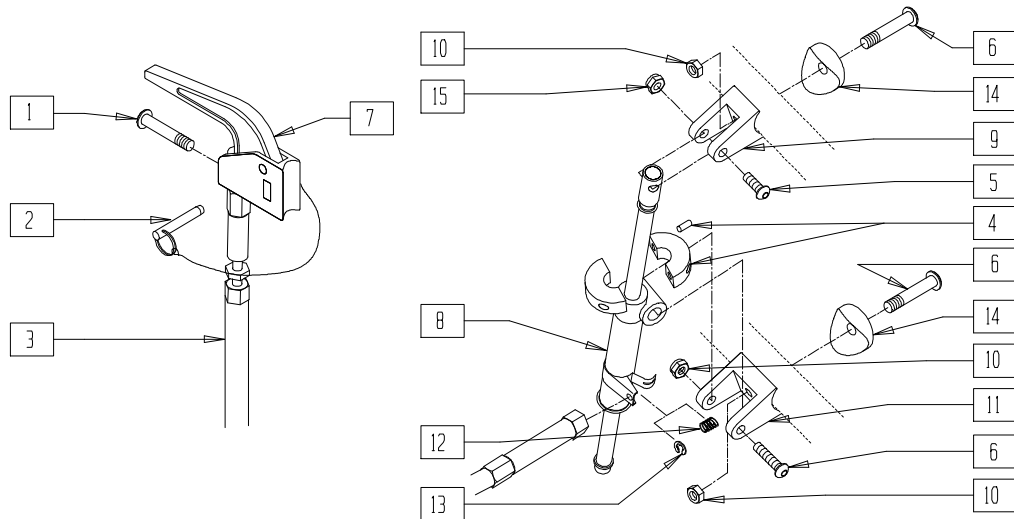
ITEM	NUMBER	DESCRIPTION	QTY
1	580111	CYL LOCK LEVER ASSEMBLY RECLINER	1
2	281120	10-32 x 5/8 PAN HD PHIL	1
3	349021	TRIGGER RELEASE PIN TS/QT/P5	1
4	342057	CYLINDER LOCK CABLE ASSEMBLY	1
5	202100-MJ	5/16-24 NYLOCK NUT THIN	2
6	483710	SADDLE ALUMINUM 1" THIN	2
7	481080	PIVOT STUD RECLINER	1
8	342051, 342052	MECH CYLINDER LOCK	1
9	342049	10mm ID SPLIT COLLAR	2

ITEM	NUMBER	DESCRIPTION	QTY
10	342000	1/4" E-CLIP	1
11	321141	.650L x 6 COIL SPRING	1
12	225104	1/4 x 1 1/4 HEX SOC SHLDR SCREW	1
13	200105	10-24 NYLOCK NUT	1
14	341497	10-32 x .020-.130 RIVNUT GOLD	1
15	483084	PIVOT PIN RECLINER 5/16" HOLE	1
16	560406	FRAME BUSHING	1
1-14	920337, 920338	MECH CYL LOCK ASSEMBLY RECLINER	



## LOCKING MECHANISM (QUICKIE TS)

(Discontinued 12/15/95 - parts only; fits Quickie TS prior to QT-12900)



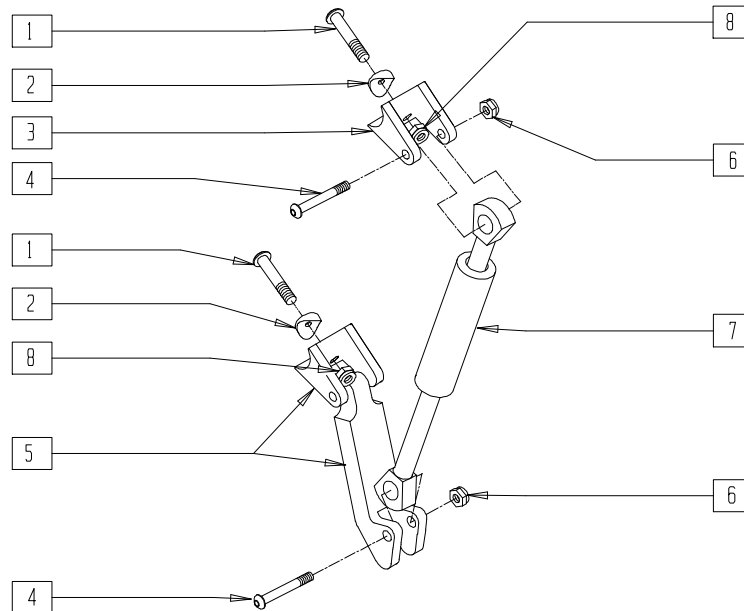
AZ00X3A

ITEM	NUMBER	DESCRIPTION	QTY
1	281120	10-32 x 5/8 PAN HD PHIL	1
2	349021	TRIGGER RELEASE PIN TS/QT/P5	1
3	342057	CYLINDER LOCK CABLE ASSEMBLY	1
4	342049	10mm ID SPLIT COLLAR	1
5	226129	1/4-28 x 1 1/4 BH C/S	1
6	226190	5/16-18 x 1 3/4 BH C/S SHLDR	3
7	580110	CYL LOCK LEVER ASSEMBLY QT/QR/P5	1
8	342051, 342052	MECH CYLINDER LOCK	1

ITEM	NUMBER	DESCRIPTION	QTY
9	500142	QT CYLINDER BRACKET 1"	1
10	202102	5/16-18 NYLOCK NUT THIN	3
11	500143	QT CYLINDER BRACKET 1 1/2"	1
12	321141	.650L x 6 COIL SPRING	1
13	342000	1/4" E-CLIP	1
14	483710	SADDLE ALUMINUM 1" THIN	2
15	201100-OU	1/4-28 NYLOCK NUT THIN	1
1-15	920323, 920303	MECH CYLINDER LOCK ASSEMBLY QT	

## STRUT ASSEMBLY (QUICKIE TS)

(Discontinued 12/15/95 - parts only; fits chairs prior to QT-12900)



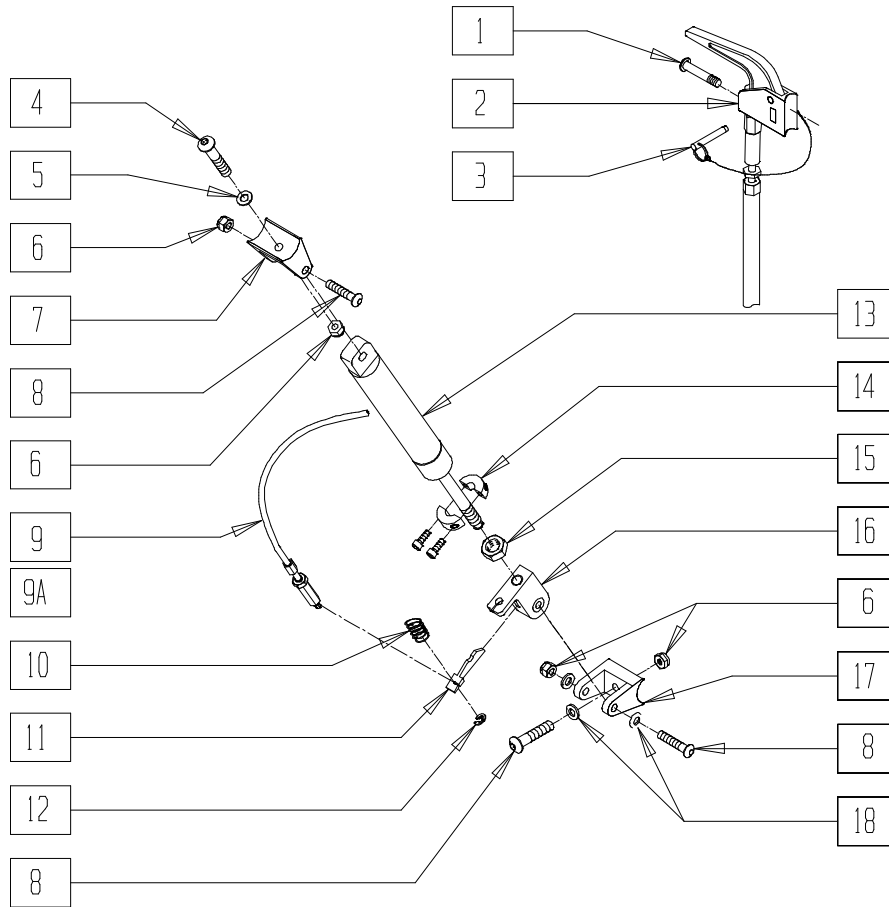
AZ00X02

ITEM	NUMBER	DESCRIPTION	QTY
1	226190	5/16-18 x 1 3/4 BH C/S SHLDR	2
2	483710	SADDLE ALUMINUM 1" THIN	2
3	500142	QT CYLINDER BRACKET 1"	1
4	226129	1/4-28 x 1 1/4 BH C/S	2
5	523970	BRACKET GAS STRUT WELDMENT QT	1

ITEM	NUMBER	DESCRIPTION	QTY
6	201100-QU	1/4-28 NYLOCK NUT THIN	4
7	342060	CYLINDER GAS LOCK	1
8	202102	5/16-18 NYLOCK NUT THIN	2
1-8	920324	QT GAS STRUT ASSEMBLY	

# STRUT ASSEMBLY (QUICKIE TS)

(Effective 12/15/95, beginning QT-12900)



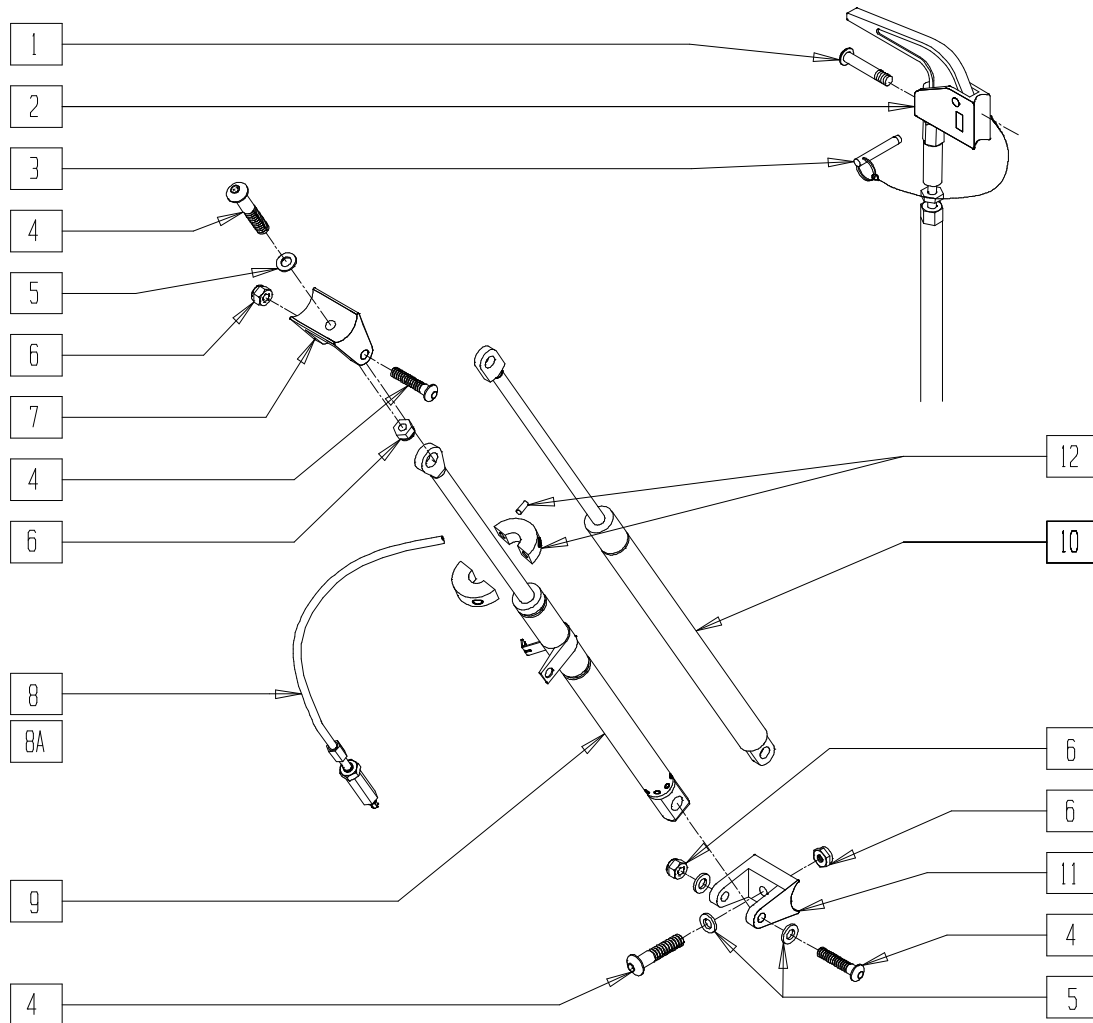
QTS00X02

ITEM	NUMBER	DESCRIPTION	QTY
1	281120	10-32 x 5/8 PAN HD PHIL	1
2	580110	CYL LOCK LEVER ASSEMBLY QT/QR/P5	1
3	349021	TRIGGER RELEASE PIN TS/QT/P5	1
4	226190	5/16-18 x 1 3/4 BH C/S SHOULDER	1
5	263100	5/16 AN WASHER FLAT	1
6	202102	5/16-18 NYLOCK NUT THIN	5
7	500145	CYLINDER BRACKET T45	1
8	226194	5/16-18 x 1.63 BH C/S	3
9	342057	CYLINDER LOCK CABLE ASSEMBLY	1
9A	342056	CYLINDER LOCK CABLE ASSEMBLY T45 (QTS W/SWING-AWAY ADJ STROLLER)	1

ITEM	NUMBER	DESCRIPTION	QTY
10	321141	.650L x 6 COIL SPRING	1
11	560686	GAS SPRING LEVER T45	1
12	342000	1/4" E-CLIP	1
14	342049	10mm ID SPLIT COLLAR	1
13,15	342064	BLOC-O-LIFT 200N x 15.88"	
16	880148	GAS SPRING BLOCK W/BUSHING QTS	1
17	500146	CYLINDER BRACKET LOWER QTS	1
18	263110-OU	5/16 AN WASHER FLAT THIN	3
1-18	920371	GAS SPRING STRUT ASSEMBLY	
1-8,9A, 10-18	920379	GAS SPRING STRUT ASSEMBLY ADJ STRLR	

# LOCKING MECHANISM (QUICKIE TS)

(Effective 11/15/96)



QTS00X07

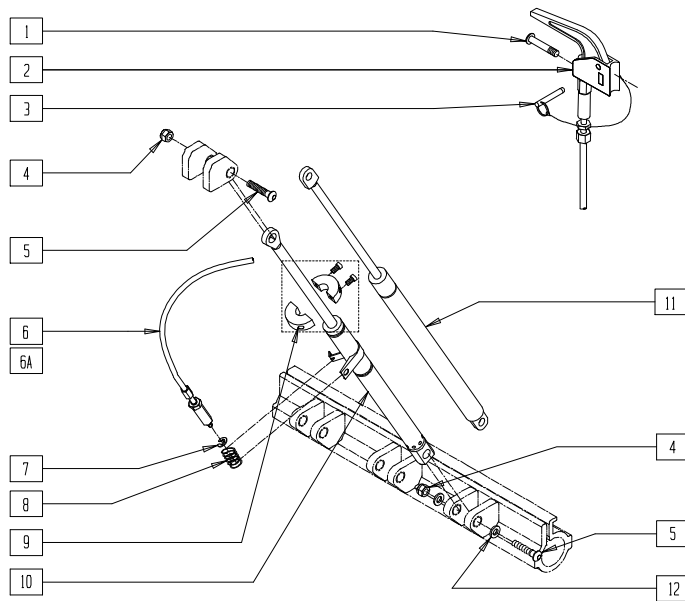
ITEM	NUMBER	DESCRIPTION	QTY
1	281120	10-32 x 5/8 PAN HD PHIL	2
2	580110	CYL LOCK LEVER ASSEMBLY QT/OR/P5	2
3	349021	TRIGGER RELEASE PIN TS/QT/P5	2
4	226194	5/16-18 x 1.63 BH C/S	12
5	263100	5/16 AN WASHER FLAT	6
6	202102	5/16-18 NYLOCK NUT THIN	12
7	500217	CYLINDER BRKT QTS	3
8	342056	CYLINDER LOCK CABLE ASSEMBLY T45	2

NOTE: ITEM 8 USED WITH TALL STROLLER HANDLES.

ITEM	NUMBER	DESCRIPTION	QTY
8A	342057	CYLINDER LOCK CABLE ASSEMBLY	2
9	342039	MECH LOCK IN-LINE	2
10	920404	GAS DAMPER	1
11	500217	CYLINDER BRACKET QTS	3
12	342049	10mm ID SPLIT COLLAR	1
1-7, 8A, 9-12	920411	MECH LOCK ASSEMBLY STD CABLE QTS	
1-12	920414	MECH LOCK ASSEMBLY LONG CABLE	

# LOCKING MECHANISM (GROWING FRAME) (QUICKIE TS)

(Effective 3/25/99)



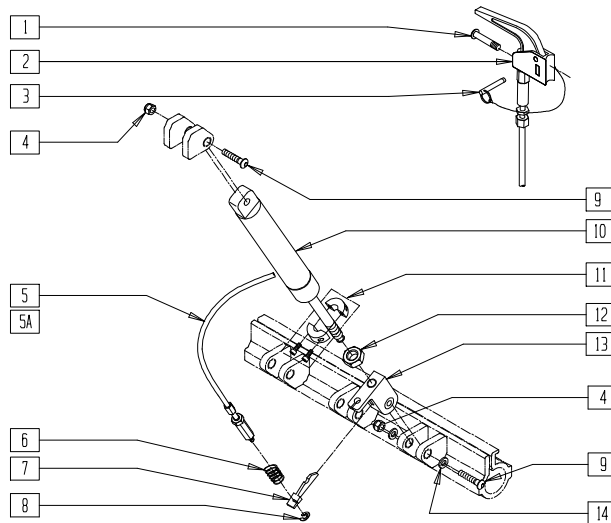
QTS20X04

ITEM	NUMBER	DESCRIPTION	QTY
1	281120	10-32 x 5/8 PAN HD PHIL	2
2	580110	CYL LOCK LEVER ASSM QT/OR/P5	2
3	349021	TRIGGER REL PIN TS/QT/P5	2
4	202102	5/16-18 NYLOCK NUT THIN	12
5	226194	5/16-18 x 1.63 BH C/S	12
6	342057	CYL LOCK CABLE ASSEMBLY	2
6A	342056	CYL LOCK CABLE ASSMEMBLY T45	2

ITEM	NUMBER	DESCRIPTION	QTY
7	342000	1/4" E-CLIP	2
8	321141	.650 x 6 COIL SPRING	2
9	342049	10 mm ID SPLIT COLLAR	2
10	342039	MECH LOCK IN-LINE	2
11	920404	GAS DAMPER	1
12	263110-QU	5/16 AN WASHER FLAT THIN	12

# STRUT ASSEMBLY - GAS CYLINDERS (GROWING FRAME) (QUICKIE TS)

(Effective 3/25/99)



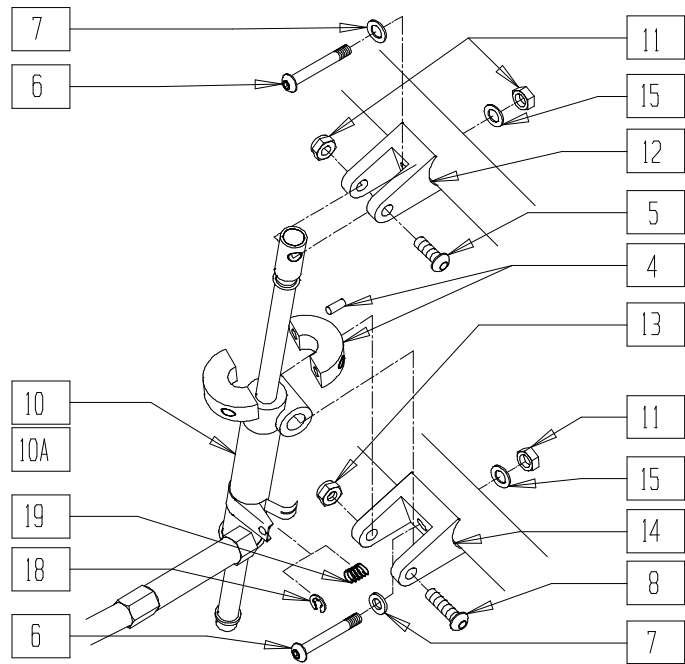
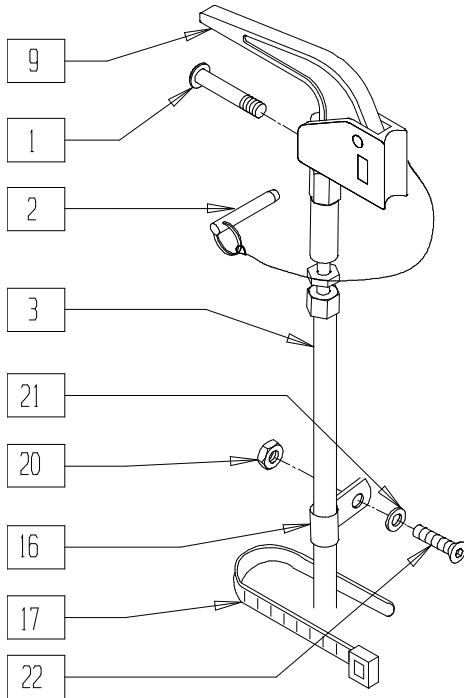
QTS20X02A

ITEM	NUMBER	DESCRIPTION	QTY
1	281120	10-32 x 5/8 PAN HD PHIL	2
2	580110	CYL LOCK LEVER ASSM QT/OR/P5	2
3	349021	TRIGGER REL PIN TS/QT/P5	2
4	202102	5/16-18 NYLOCK NUT THIN	2
5	342057	CYLINDER LOCK CABLE ASSEMBLY	2
5A	342056	CYL LOCK CABLE ASSM T45 (QTS W/ S/A ADJ STROLLER)	2
6	321141	.650 x 6 COIL SPRING	2

ITEM	NUMBER	DESCRIPTION	QTY
7	560686	GAS SPRING LEVER T45	2
8	342000	1/4" E-CLIP	2
9	226194	5/16-18 x 1.63 BH C/S	2
10,12	342064	BLOC-O-LIFT 200N x 15.88"	
11	342049	10mm ID SPLIT COLLAR	2
13	880148	GAS SPRING BLOCK W/BUSHING QTS	2
14	263110-QU	5/16 AN WASHER FLAT THIN	4

# LOCKING MECHANISM (ZIPPIE TS)

(Discontinued 11/16/99; fits Zippie TS prior to serial number ZP-56988)



Z00X12

ITEM	NUMBER	DESCRIPTION	QTY
1	281120	10-32 x 5/8 PAN HD PHIL	1
2	349021	TRIGGER RELEASE PIN TS/QT/P5	1
3	342057	CYLINDER LOCK CABLE ASSEMBLY	1
4*	342049	10mm ID SPLIT COLLAR	1
5	226129	1/4-28 x 1 1/4 BH C/S	1
6	226130	1/4-28 x 1 1/2 BH C/S	2
7	262100-OU	1/4 AN WASHER FLAT	2
8	226190	5/16-18 x 1 3/4 BH C/S SHLDR	1
9	580110	CYL LOCK LEVER ASSEMBLY QT/OR/P5	1
10	342078	MECH CYLINDER LOCK R BR RECLINER	1
10A	342079	MECH CYLINDER LOCK L BR RECLINER	1
11	201100-QU	1/4-28 NYLOCK NUT THIN	1
12	500140	CYLINDER BRACKET 1" TS/P5	1
13	202102	5/16-18 NYLOCK NUT THIN	1

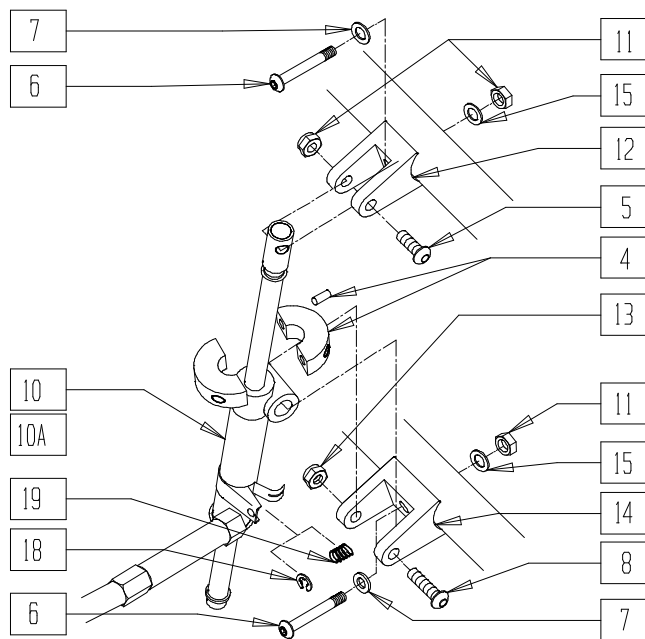
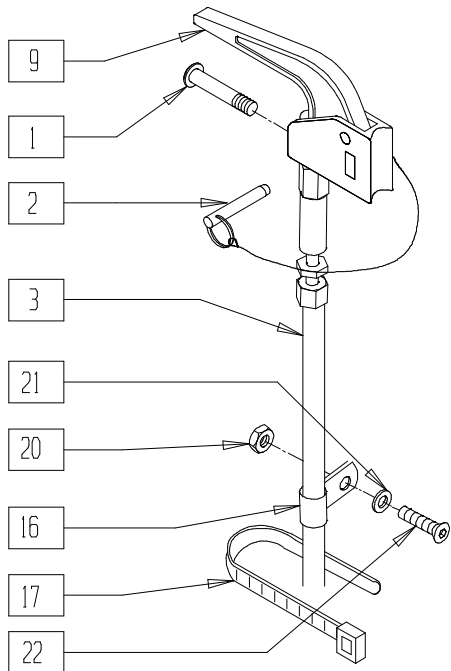
ITEM	NUMBER	DESCRIPTION	QTY
14	500141	CYLINDER BRACKET TS 1 1/2"	1
15	262130	6mm WASHER WAVE	2
16	349511	1/2" ID PLASTIC CLAMP BLK	1
17	560410	ZIP TIE BLACK	1
18	342000	1/4" E-CLIP	1
19	321141	.650L x 6 COIL SPRING	1
20	200100	10-32 NYLOCK NUT	1
21	261204	#10 AN WASHER .063	1
22	226032	10-32 x 1 1/2 BH C/S BLK	1
1-22	920315	MECH CYL LOCK ASSEMBLY 30° R TS	
1-10A, 11-22	920305	MECH CYL LOCK ASSEMBLY 30° L TS	
1-3,5-22	920415	MECH CYL LOCK ASSEMBLY 45° R TS	
1-3,5-9, 10A,11-22	920405	MECH CYL LOCK ASSEMBLY 45° L TS	

NOTE: 45° MECHANICAL CYLINDER LOCK ASSEMBLY IS STANDARD BEGINNING 11/13/93.

\*NOTE: ITEM 4 REQUIRED ON ALL MECH LOCK ASSEMBLIES FOR CHAIRS WITH THE FOLLOWING CONFIGURATIONS: FIXED FRONT 15" AND 16"; 10" SEAT DEPTH; S/A MODELS WITH 6" AND 8" CASTERS. AND 2" EXTENSIONS: FIXED MODELS WITH 8" CASTER AND 2" EXTENSION.

# LOCKING MECHANISM (ZIPPIE TS)

(Effective beginning serial number ZP-56988)

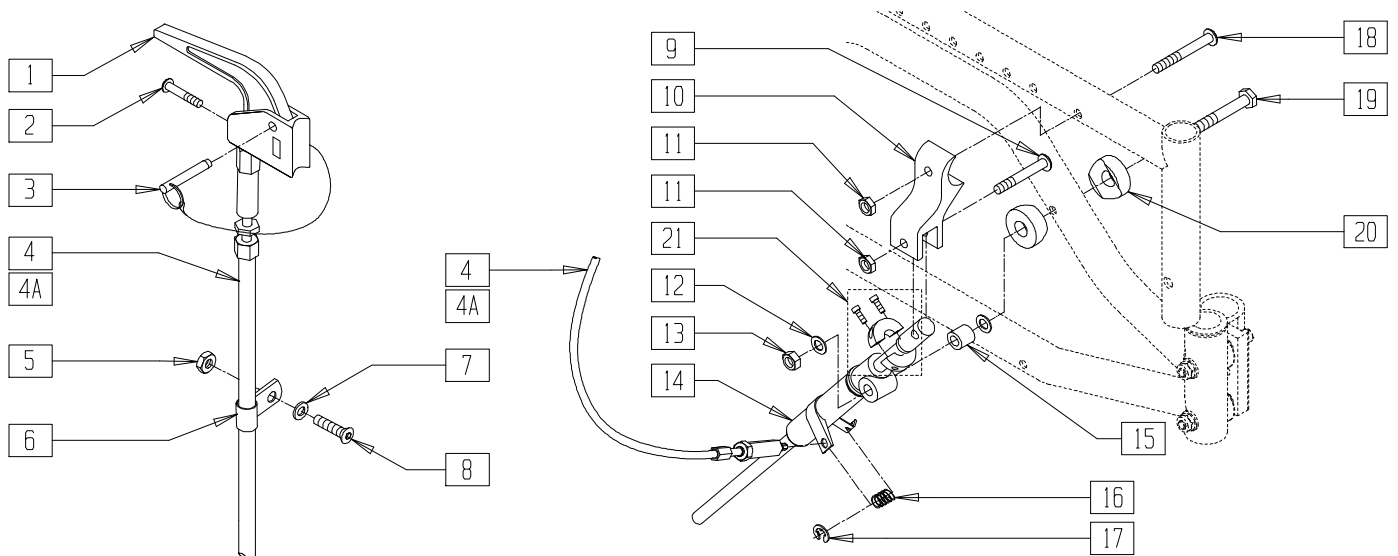


Z00X12

ITEM	NUMBER	DESCRIPTION	QTY
1	281120	10-32 x 5/8 PAN HD PHIL	1
2	349021	TRIGGER RELEASE PIN TS/QT/P5	1
3	342057	CYLINDER LOCK CABLE ASSEMBLY	1
4	342049	10mm ID SPLIT COLLAR	1
5	226129	1/4-28 x 1 1/4 BH C/S	1
6	226130	1/4-28 x 1 1/2 BH C/S	2
7	262100-QU	1/4 AN WASHER FLAT	2
8	226190	5/16-18 x 1 3/4 BH C/S SHLDR	1
9	580110	CYL LOCK LEVER ASSEMBLY QT/OR/P5	1
10	342078	MECH CYLINDER LOCK R BR RECLINER	1
10A	342079	MECH CYLINDER LOCK L BR RECLINER	1
11	201100-QU	1/4-28 NYLOCK NUT THIN	1
12	500140	CYLINDER BRACKET 1" TS/P5	1
13	202102	5/16-18 NYLOCK NUT THIN	1

ITEM	NUMBER	DESCRIPTION	QTY
14	500141	CYLINDER BRACKET TS 1 1/2"	1
15	262130	6mm WASHER WAVE	2
16	349511	1/2" ID PLASTIC CLAMP BLK	1
17	560410	ZIP TIE BLACK	1
18	342000	1/4" E-CLIP	1
19	321141	.650L x 6 COIL SPRING	1
20	200100	10-32 NYLOCK NUT	1
21	261204	#10 AN WASHER .063	1
22	226032	10-32 x 1 1/2 BH C/S BLK	1
1-3,5-22	920493	MECH CYL LOCK ASSEMBLY R TS 45° NEW	
1-3,5-9,10A,11-22	920494	MECH CYL LOCK ASSEMBLY L TS 45° NEW	

## LOCKING MECHANISM (NEW ZIPPIE TS)



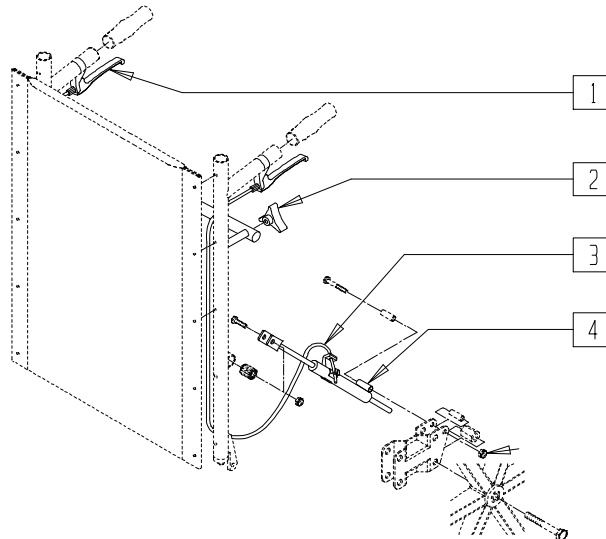
ZTS20x05

ITEM	NUMBER	DESCRIPTION	QTY
1	580110	CYL LOCK LEVER ASSM QT/OR/P5	1
2	281120	10/32 x 5/8 PAN HD PHIL	1
3	349021	TRIGGER REL PIN TS/QT/P5	1
4	342057*	CYL LOCK CABLE ASSM	1
4A	342056*	CYL LOCK CABLE ASSM T45	1
5	200100	10-32 NYLOCK NUT	1
6	349511	1/2" ID PLST CLAMP BLK	1
7	261204	#10 AN WASHER .063	1
8	226032-QU	10-32 x 1 1/2 BH C/S BLK	1
9	226131	1/4-28 x 1 1/4 BH C/S SHLDR	1
10	500609	FLDG ZTS MCHLCK MNT SEAT FRM	1
11	201100-QU	1/4-28 NYLOCK NUT THIN	2

ITEM	NUMBER	DESCRIPTION	QTY
12	262100-OU	1/4 AN WASHER FLAT	2
13	201110-OU	1/4-28 NYLOCK NUT	1
14	342078, 342079	MECH CYLINDER LOCK BR RCLNR (EA)	1
15	520916	FLDG ZTS MCHLCK PVT SPCR FRM	1
16	321141	.650L x 6 COIL SPRING	1
17	342000	1/4" E-CLIP	1
18	226130	1/4-28 x 1 1/2 BH C/S	1
19	221193	1/4-28 x 2 3/4 G8 HEX C/S	1
20	561004	1" SADDLE 1/4" HOLE	2
21	342049	10mm ID SPLIT COLLAR	1

\* NOTES:- ITEM 4 USED WITH SMALL (10-12) AND MEDIUM (12-14) FRAME WIDTHS.  
- ITEM 4A USED WITH LARGE (14-16) AND X-LARGE (16-18) FRAME WIDTHS.

## LOCKING MECHANISM (BREEZY 100/150)

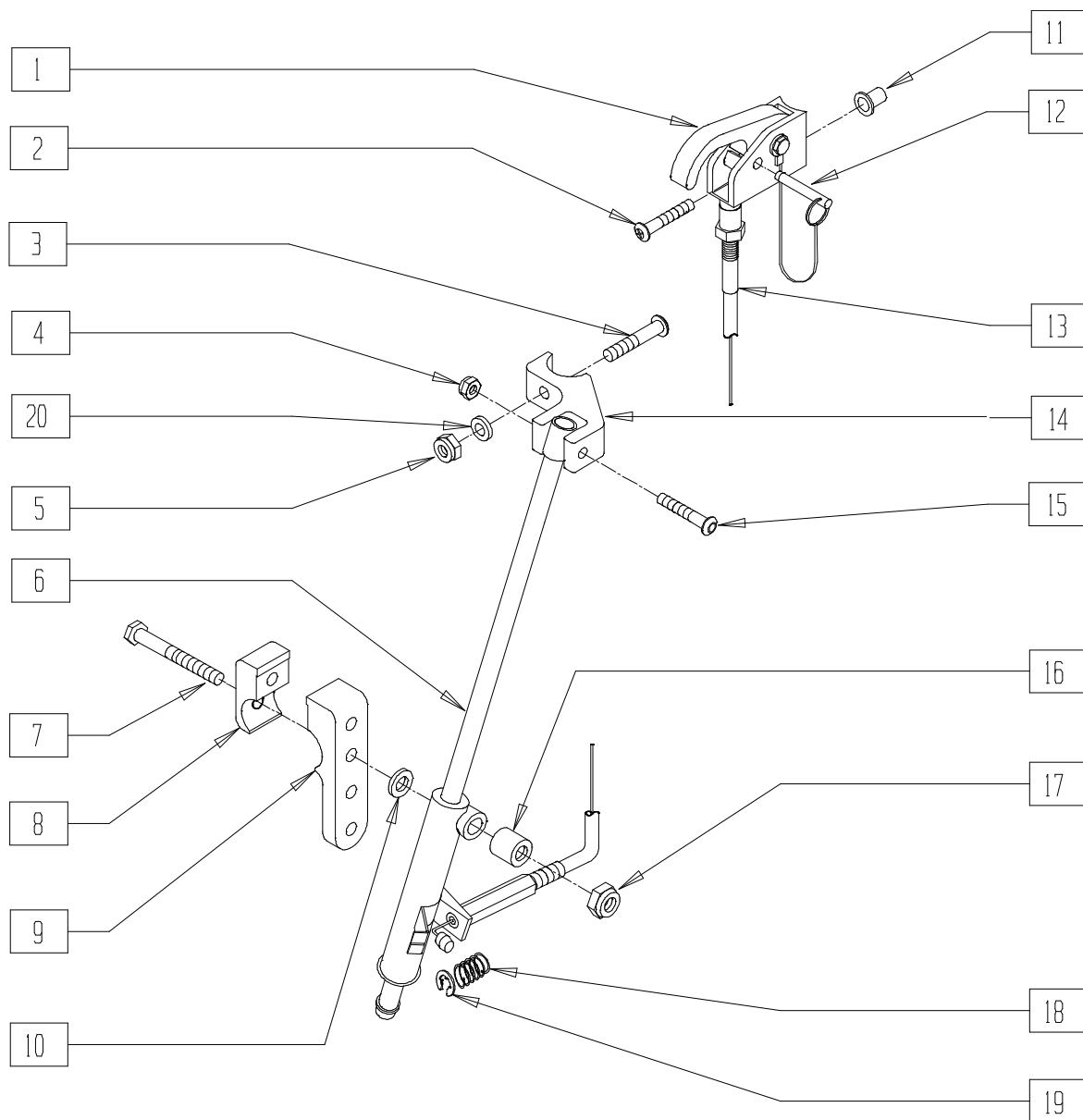


BRZ10X03A

ITEM	NUMBER	DESCRIPTION	QTY
1	222-0651	BACK CANE RELEASE LEVER	2
2	222-0650	RECLINING BACK CANE KNOB	2

ITEM	NUMBER	DESCRIPTION	QTY
3	222-0654	"MECH" LOCK ACTUATOR CABLE	2
4	222-0652L	MEC LOCK ACTUATOR L	1
	222-0652R	MEC LOCK ACTUATOR R	

# LOCKING MECHANISM (BREEZY 510 RECLINER)



BREX04B

ITEM	NUMBER	DESCRIPTION	QTY
1	580111	CYL LOCK LEVER ASSEMBLY RCLNR	1
2	281120	10-32 x 5/8 PAN HD PHIL	1
3	226198	5/16-18 x 2 BH C/S SHT THREAD	1
4	200105	10-24 NYLOCK NUT	1
5	202102	5/16-18 NYLOCK NUT THIN	1
6	342078, 342079	MECH CYLINDER LOCK BR RCLNR	1
7	222255	5/16-18 x 3 1/2" HEX C/S	1
8	550121	MNTG BRKT SHORT BR RCLNR	1
9	550123	MNTG BRKT LONG BR RCLNR	1
10	561016	1" WASHER 5/16" HOLE	1
11	341497	10-32 x .020-.130 RIVNUT GOLD	1

ITEM	NUMBER	DESCRIPTION	QTY
12	349021	TRIGGER RELEASE PIN TS/QT/P5	1
13	342057	CYLINDER LOCK CABLE ASSEMBLY	1
14	550460	CYLINDER BRACKET RECLINER	1
15	225104	1/4 x 1 1/4 HEX SOC SHOULDER SCREW	1
16	550162	QUICK CONNECT SPACER 15"/17"/19"	1
17	202102	5/16-18 NYLOCK NUT THIN	1
18	321141	.650L x 6 COIL SPRING	1
19	342000	1/4" E-CLIP	1
20	263100	5/16 AN WASHER FLAT	1
1,2,4,6, 7-20	920429, 920439	MECH LOCK ASSEMBLY B510 RCLNR (EA)	



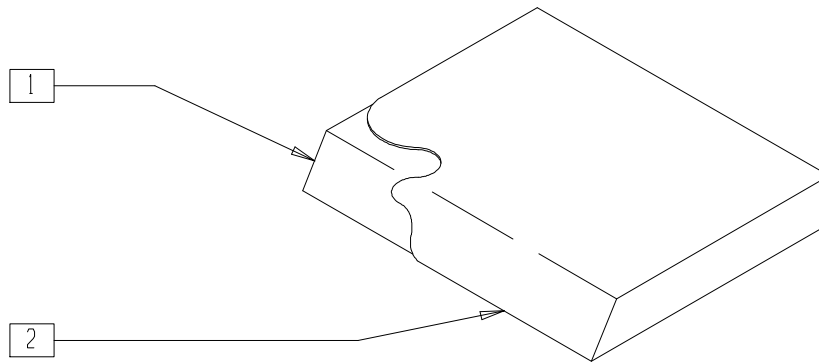
# Seats and Slings

## IN THIS SECTION

Standard Seat Cushion.....	17.1	Seat Sling and Cushion (Quickie Kidz) .....	17.5
Seat Sling (Quickie 2/GP/GPV/GPV Titanium/GPS/ GPSA/LX/LXI/Recliner/Revolution/Rx/Triumph/ XTR) (Disc.) .....	17.1	Seat Sling and Cushion (Quickie ST/DT) .....	17.6
Seat Sling (Quickie 2/2HP) .....	17.2	Seat Sling and Cushion (Quickie R2/TNT).....	17.6
Adjustable Seat Sling Measurement Guide .....	17.2	Seat Sling (Quickie M6).....	17.7
Padded Seat Sling (Breezy 500/510/510 Recliner/2(Disc.)/600).....	17.3	Seat Cushion (Quickie M6).....	17.7
Non-padded Seat Sling and Cushion (Breezy 500/510/510 Recliner/2(Disc.)/600).....	17.3	Solid Seat .....	17.8
Seat Sling (Breezy 100/150).....	17.4	Seat Pan (Quickie T45) .....	17.8
Seat Sling (Quickie EX) (Disc.).....	17.5	Growing Seat Pan (Zipie GS/TS ) .....	17.9
		Seat Pan (Quickie TS) .....	17.10
		Seat Sling and Cushion (Quickie Ti Titanium) .....	17.11
		Seat Sling Cushion Rail Guide .....	17.11

NOTE: FOR QUICKIE TS, ZIPPIE AND ZIPPIE 2 SOLID SEATS, SEE SOLID SEATS AND BACKS IN PEDIATRIC AND POSITIONING CHAIRS BACKRESTS/UPHOLSTERY, SECTION 10.

# STANDARD SEAT CUSHION



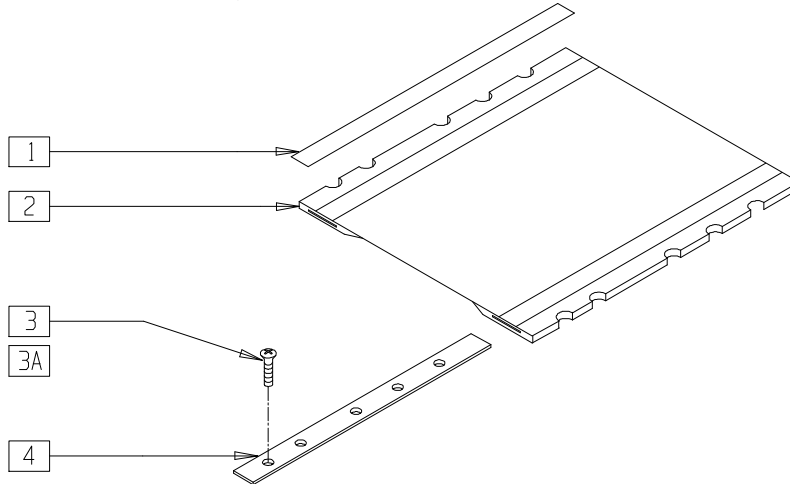
SS0X01

ITEM	NUMBER	DESCRIPTION	QTY
1	105002-105962	SEAT FOAM (11" x 10" x 2"- 20" x 20" x 2")	1
	105975-105994	SEAT FOAM (21" x 12" x 2"- 22" x 21" x 2")	
	106025-106029	SEAT FOAM (24" x 14" x 2"- 24" x 18" x 2")	
	106031-106033	SEAT FOAM (24" x 19" x 2"- 24" x 21" x 2")	
	106047-106053	SEAT FOAM (22" x 22" x 2"- 26" x 22" x 2")	
	106060-106063	SEAT FOAM (28" x 18" x 2"- 28" x 21" x 2")	
	106065-106070	SEAT FOAM (28" x 22" x 2"- 30" x 22" x 2")	
2	701962, 701972	SEAT COVER (21" x 13" x 2"- 21" x 20" x 2")	1
	702302-702372	SEAT COVER (21" x 13" x 2"- 21" x 20" x 2")	
	702382, 702383	SEAT COVER (21" x 21" x 2"- 21" x 22" x 2")	

ITEM	NUMBER	DESCRIPTION	QTY
2	702392-702472	SEAT COVER (22" x 13" x 2"- 22" x 21" x 2")	1
	702482, 702492	SEAT COVER (24" x 14" x 2"- 24" x 15" x 2")	
	702602-702652	SEAT COVER (24" x 16" x 2"- 24" x 21" x 2")	
	702660-702676	SEAT COVER (22" x 22" x 2"- 30" x 22" x 2")	
1,2	700002-700972	SEAT CUSHION W/COVER AND FOAM (11" x 10" x 2"- 20" x 21" x 2")	1
	702090-702098	SEAT CUSHION W/COVER AND FOAM (22" x 18" x 2"- 22" x 21" x 2")	
	702080	SEAT CUSHION W/COVER AND FOAM (21" x 13" x 2")	
	702099-702106	SEAT CUSHION W/COVER AND FOAM (24" x 14" x 2"- 24" x 21" x 2")	
	702116-702229	SEAT CUSHION W/COVER AND FOAM (20" x 22" x 2"- 28" x 22" x 2")	
	702230-702234	SEAT CUSHION W/COVER AND FOAM (30" x 18" x 2"- 30" x 22" x 2")	

# SEAT SLING (QUICKIE 2/GP/GPV/GPV Titanium/GPS/GPSA/LX/LXI/RECLINER/ REVOLUTION/Rx/RECLINER/TRIUMPH/XTR)

(Quickie 2 discontinued 10/23/99, ending serial number Q2-242050)



SS0X01A

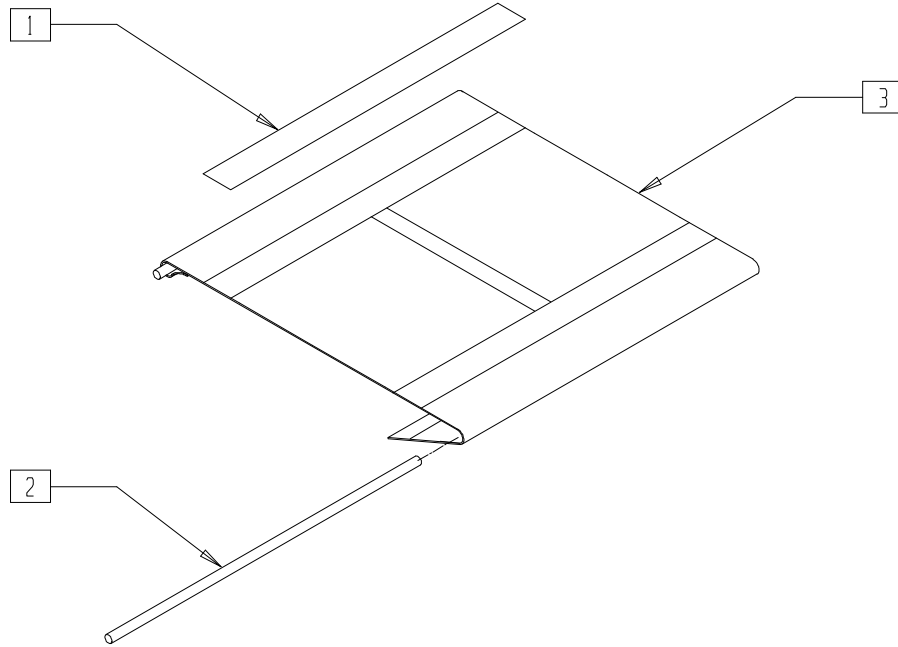
ITEM	NUMBER	DESCRIPTION	QTY
1	901170	SEAT SLING VELCRO® STRIP	2
2	720000-720907	SEAT SLING 11" x 10"- 20" x 20"	1
3	281120	10-32 x 5/8 PAN HD PHIL	8-12

ITEM	NUMBER	DESCRIPTION	QTY
3A*	281122	10-32 x 3/4 PAN PHIL	8-12
4	505100-505119	SEAT RAIL 10"- 23"	2

\* ITEM 3A IS USED ON RIGID CHAIRS.

# SEAT SLING (QUICKIE 2/2HP)

(Effective 10/23/99, beginning serial number Q2-242051)

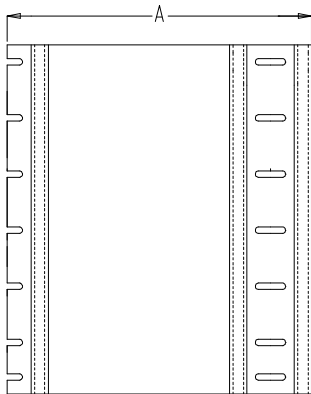


Q220X1

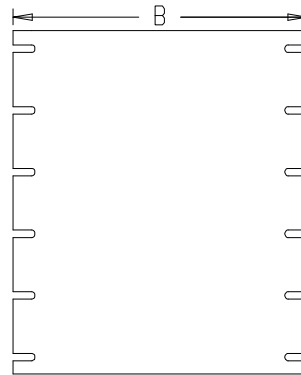
ITEM	NUMBER	DESCRIPTION	QTY
1	901169	SEAT SLING VELCRO® STRIP 2"	2
2	580226-580236	SEAT SLING RETAINING ROD	2

ITEM	NUMBER	DESCRIPTION	QTY
3	722580-722738	SEAT SLING (11" - 22") x (10" - 20")	1

## ADJUSTABLE SEAT SLING MEASUREMENT GUIDE



SLING1

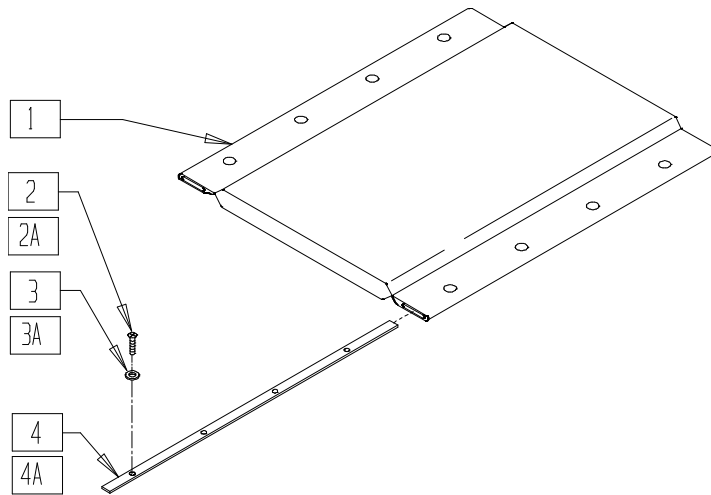


MGUIDE20

CHAIR WIDTH	"A" SLING WIDTH (UNFOLDED)	"B" SLING WIDTH (FOLDED)
10"	12"	9"
11"	13"	10"
12"	14"	11"
13"	15"	12"
14"	16"	13"
15"	17"	14"
16"	18"	15"
17"	19"	16"
18"	20"	17"
19"	21"	18"
20"	22"	19"

## PADDED SEAT SLING (BREEZY 500/510/510 RECLINER/2/600)

(Breezy 2 Discontinued 5/98 - parts only)



BZ00X05A

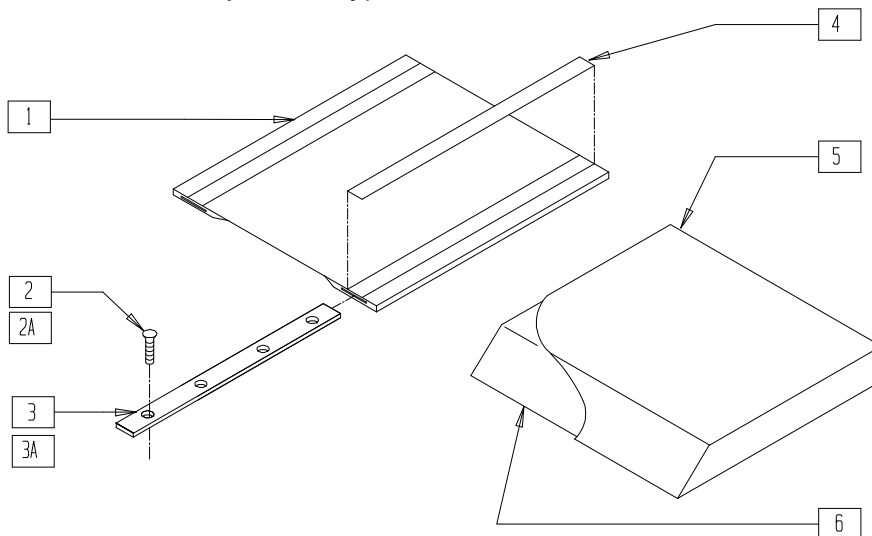
ITEM	NUMBER	DESCRIPTION	QTY
1	720913-720940	PADDED SEAT BR/B2 14" x 16" - 20" x 18"	1
	721162	PADDED SEAT 16" x 16" BR	
	721164	PADDED SEAT 18" x 16" BR	
2*	281141	10-32 x 1 OVAL HD MACH SCREW	8

ITEM	NUMBER	DESCRIPTION	QTY
2A	281129	#12 x 1 OVAL PHIL S/TAP	8
3*	340105	WASHER SEAT SLING BR	8
3A	340115	#12 WASHER BRASS FINISH	8
4	505664	SEAT RAIL 16" BR	2
4A	505665	SEAT RAIL 18" BR	2

\* ITEM 2 AND 3 ARE USED ONLY WITH BREEZY 600 CHAIRS.

## NON-PADDED SEAT SLING AND CUSHION (BREEZY 500/510/510 RECLINER/2/600)

(Breezy 2 Discontinued 5/98 - parts only)



BZY00X11A

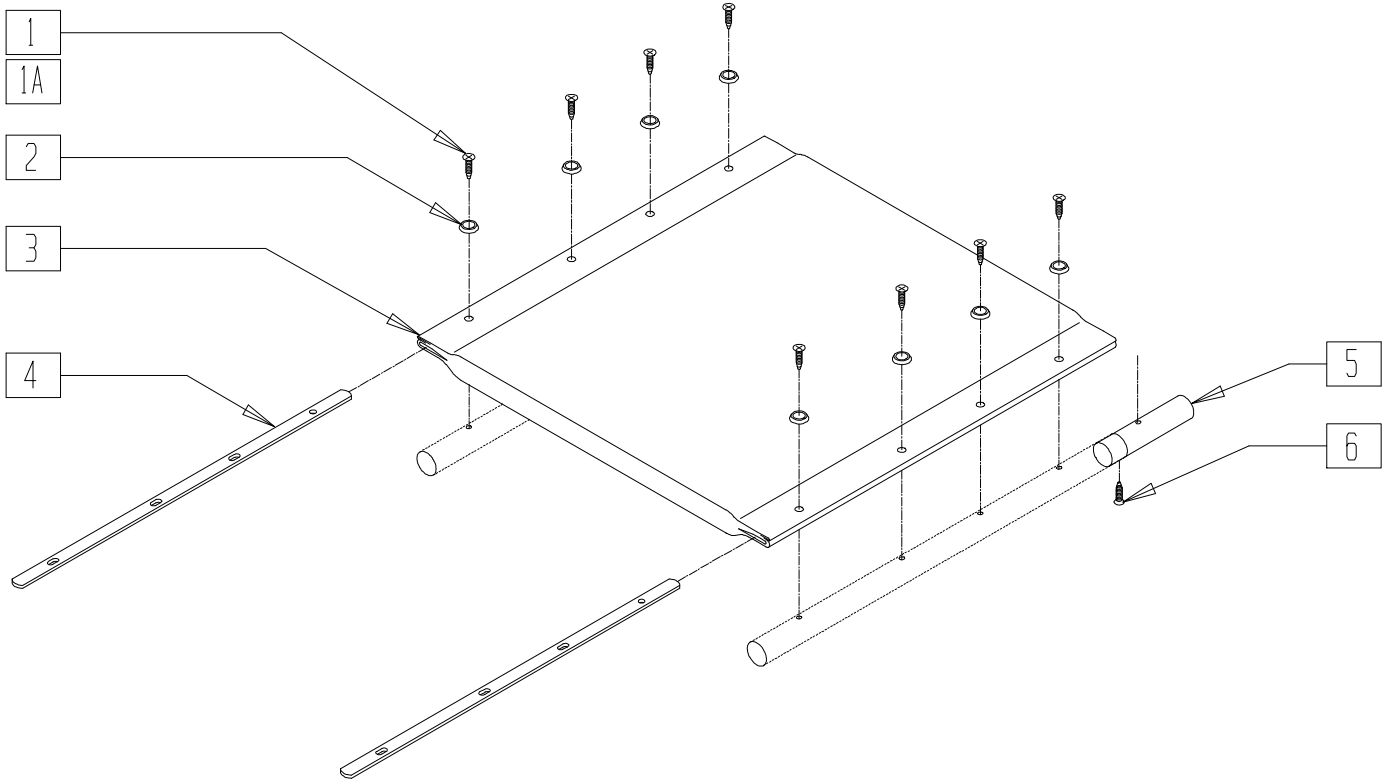
ITEM	NUMBER	DESCRIPTION	QTY
1	720908-720914;	BR SEAT SLING 14" x 16" - 20" x 16" AND 14" x 18" - 20" x 18"	1
	721908-721914		
	721957-721963		
	721965-721967		
	SEAT SLING (15"-19"x16" BZ600 ONLY)		
2**	281141	10/32 x 1 OVAL HD MCH SCW	8,10

ITEM	NUMBER	DESCRIPTION	QTY
2A	281129	#12 X 1" OVAL PHIL S/TAP	8,10
3	505664	SEAT RAIL 16" BR	2
3A	505665	SEAT RAIL 18" BR	2
4	901170	SEAT SLING VELCRO® STRIP	2
5*	701342-701942	SEAT COVER	1
6*	105342-105942	SEAT FOAM	1
5,6*	700342-700942	SEAT CUSHION (W/COVER AND FOAM)	

\* WIDTHS AVAILABLE INCLUDE 14", 16", 18" AND 20". DEPTHS AVAILABLE INCLUDE 16" AND 18".

\*\* ITEM 2 IS USED ONLY ON BREEZY 600 CHAIRS.

# SEAT SLING (BREEZY 100/150)



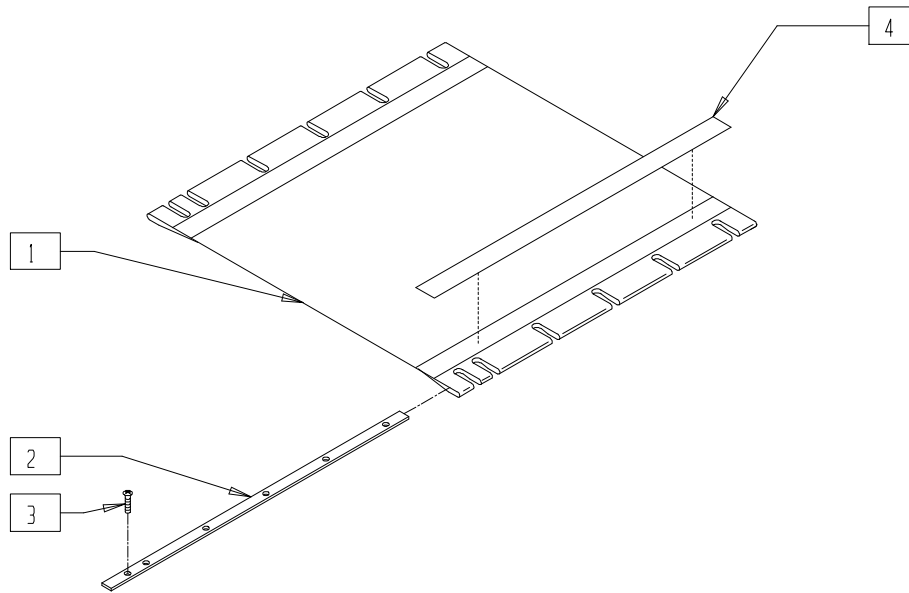
BRZ10X12

ITEM	NUMBER	DESCRIPTION	QTY
1-4	222-0521	SEAT UPH 16" x 16" W/HDWR (BZ100)	1
	222-0522	SEAT UPH 18" x 16" W/HDWR (BZ100)	
	222-0523	SEAT UPH 20" x 16" W/HDWR (BZ100)	
1,2,4	222-0633	SEAT UPHOLSTERY INSERTS, SCREWS, AND WASHERS COMPLETE (BZ100)	1
5,6	222-0786	2" SEAT EXTENSION KIT (BZ150)	1

ITEM	NUMBER	DESCRIPTION	QTY
1A,2-6	222-0788	SEAT UPH 16" x 16" W/HDWR (BZ150)	1
	222-0789	SEAT UPH 18" x 16" W/HDWR (BZ150)	
	222-0790	SEAT UPH 20" x 16" W/HDWR (BZ150)	
	222-0791	SEAT UPH 16" x 18" W/HDWR (BZ150)	
	222-0792	SEAT UPH 18" x 18" W/HDWR (BZ150)	
	222-0793	SEAT UPH 20" x 18" W/HDWR (BZ150)	

## SEAT SLING (QUICKIE EX)

(Discontinued 2/14/97 - parts only)

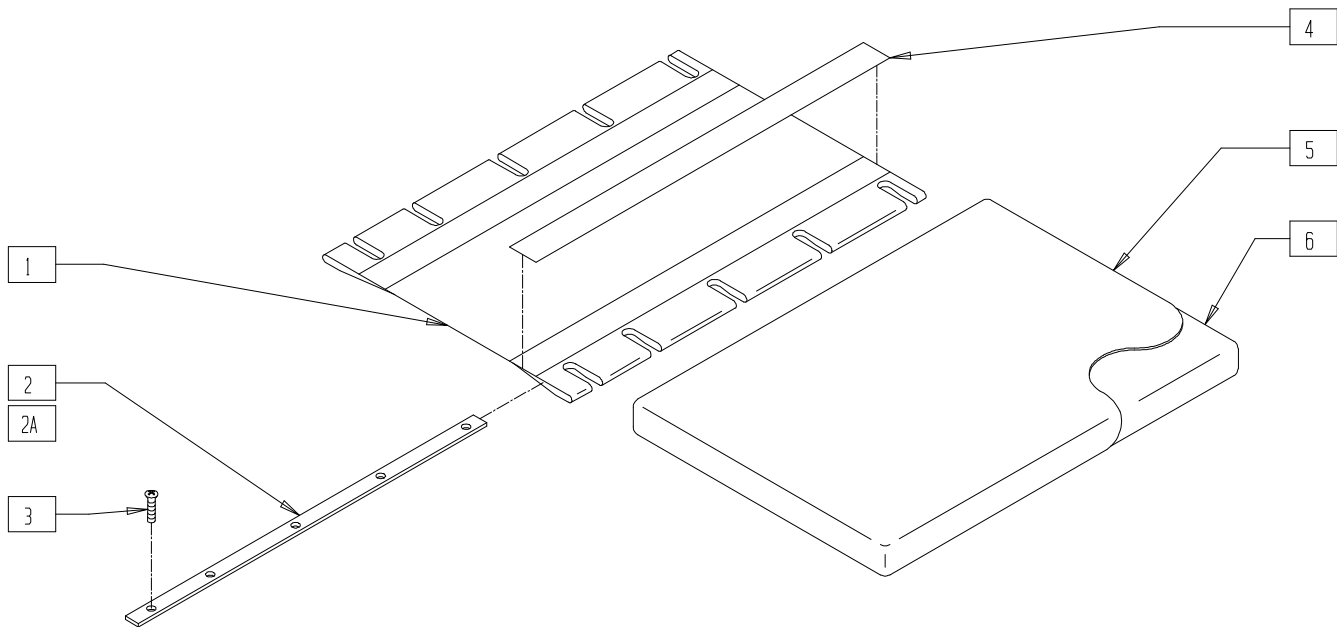


SP00X06

ITEM	NUMBER	DESCRIPTION	QTY
1	720306-720704	SEAT SLING 14" x 18" - 18" x 18" (18" DEPTH ONLY)	1
2	505111	SEAT RAIL 18" EX	2

ITEM	NUMBER	DESCRIPTION	QTY
3	281119	10-32 x 5/8 FH SOC ZN	12
4	901170	SEAT SLING VELCRO® STRIP	2

## SEAT SLING AND CUSHION (QUICKIE KIDZ)

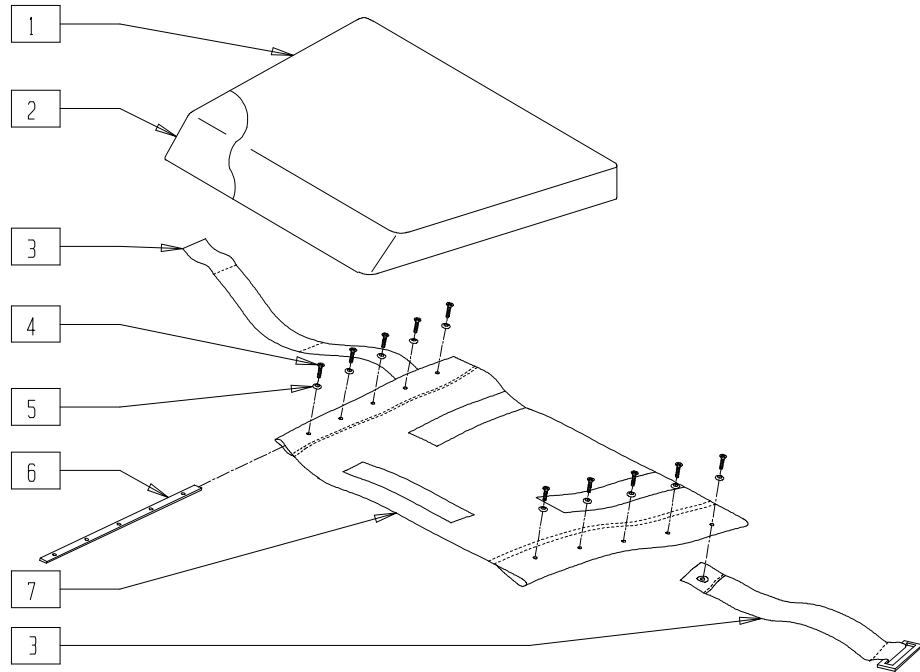


KDZ00X05

ITEM	NUMBER	DESCRIPTION	QTY
1	720000-720302	SEAT SLING (10"-14" WIDTH, 8"-14" DEPTH)	1
2	505112	SEAT RAIL 10"	2
2A	505102	SEAT RAIL 14"	2
3	281120	10-32 x 5/8 PAN HD PHIL	8,10
4	901170	SEAT SLING VELCRO® STRIP	2

ITEM	NUMBER	DESCRIPTION	QTY
5	700992-701322	SEAT COVER (10"-14" WIDTH, 8"-14" DEPTH)	1
6	104890-105322	SEAT FOAM (2" HEIGHT, 10"-14" WIDTH, 8"-14" DEPTH)	1
5,6	700025-700322	SEAT CUSHION W/COVER AND FOAM (2" HEIGHT, 10"-14" WIDTH, 8"-14" DEPTH)	

## SEAT SLING AND CUSHION (QUICKIE ST/DT)



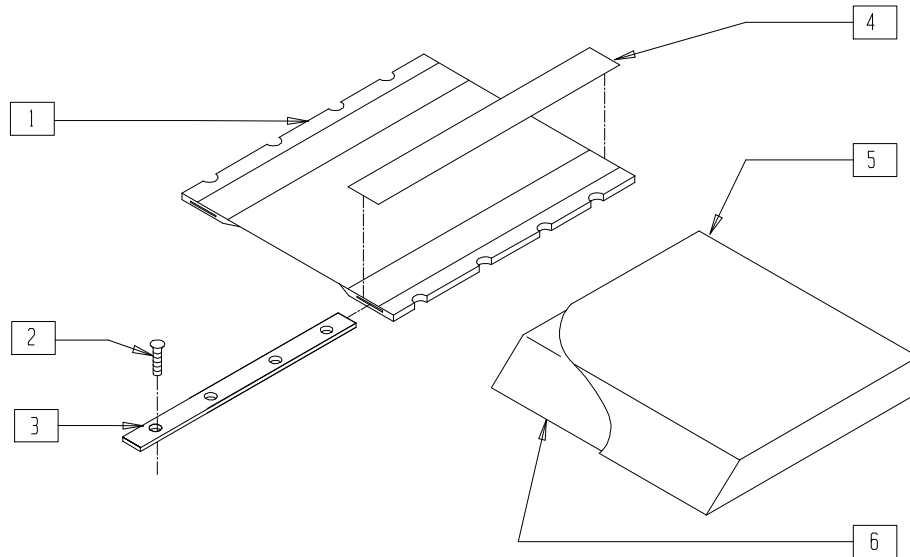
RG000X12

ITEM	NUMBER	DESCRIPTION	QTY
1	701990	RIGID SEAT COVER ONLY (SPECIFY DIMENSIONS)	1
2	106010	SEAT FOAM ONLY (SPEC DIM) DT	1
1,2	700978	RIGID CUSHION (FOAM AND COVER) (SPECIFY DIMENSIONS) (2" HEIGHT ONLY)	

ITEM	NUMBER	DESCRIPTION	QTY
3	751020	POSITION BLT HK/LP CLS (SPECIFY DIM)	1
4	226014	10-32 x 3/4 FH C/S BLK	10
5	340106	WASHER UPH #8	10
6	505101- 505110	SEAT RAIL 13"-18"	2
7	721050	UPH SEAT SLING (SPECIFY DIMENSIONS)	1

NOTE: HOLES IN SEAT SLING ARE NOT PREPUNCHED.

## SEAT SLING AND CUSHION (Quickie R2/TNT) (Quickie TNT discontinued 2/01-parts only)

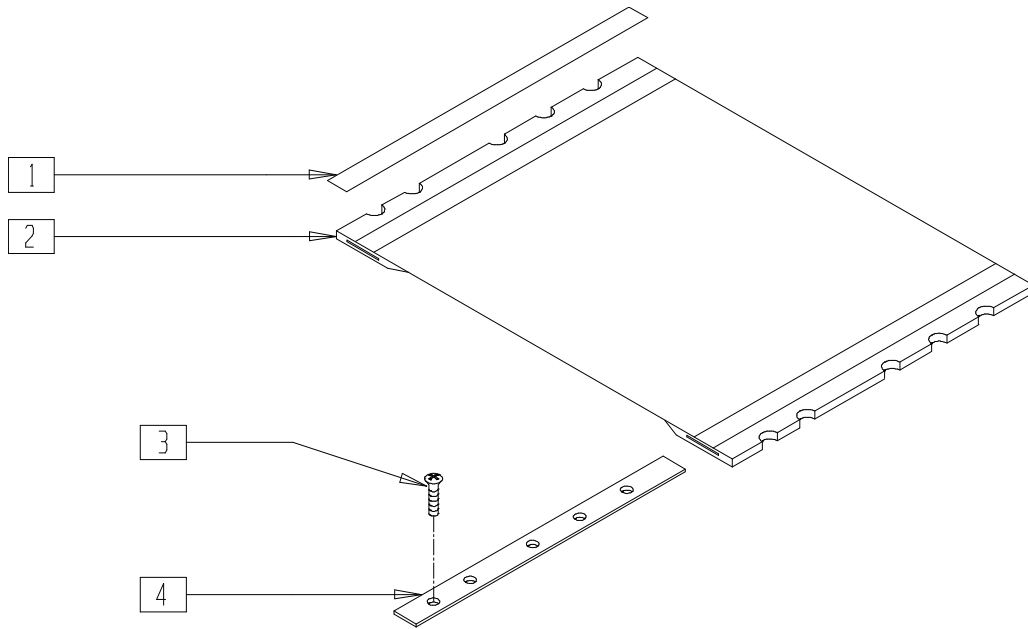


TNT000X12

ITEM	NUMBER	DESCRIPTION	QTY
1	721114- 721158	SEAT SLING QTNT 14" x 14" -18" x 18"	1
2	281122	10-32 x 3/4 PAN PHIL	8
3	505360- 505364	SEAT RAIL QTNT 14"-18"	2
4	901169	SEAT SLING VELCRO® STRIP 2"	2

ITEM	NUMBER	DESCRIPTION	QTY
5	701322- 701742	SEAT COVER 14" x 14" x 2" - 18" x 18" x 2"	1
6	105322- 105742	SEAT FOAM 14" x 14" x 2" - 18" x 18" x 2"	1
5,6	700322- 700742	SEAT CUSHION W/COVER AND FOAM 14" x 14" - 18" x 18"	

## SEAT SLING (QUICKIE M6)

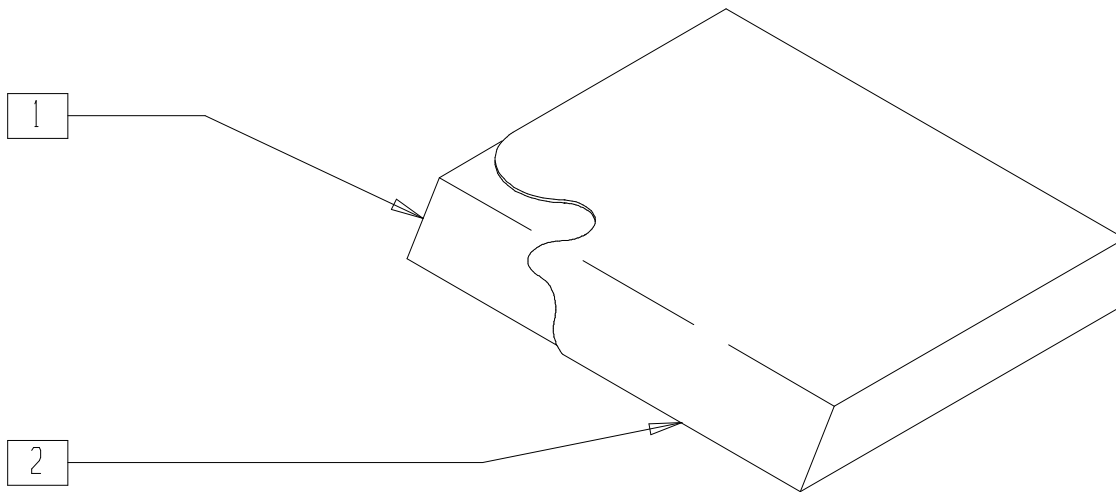


MAG00X35

ITEM	NUMBER	DESCRIPTION	QTY
1	901170	SEAT SLING VELCRO® STRIP	2
2	721215-721239	SEAT SLING RFCD 22"-30" x 18"-22" x 2"	1
3	281120	10/32 x 5/8 PAN HD PHIL	12-16

ITEM	NUMBER	DESCRIPTION	QTY
4	505110, 505115-505118	SEAT RAIL 18"-22"	2

## SEAT CUSHION (QUICKIE M6)



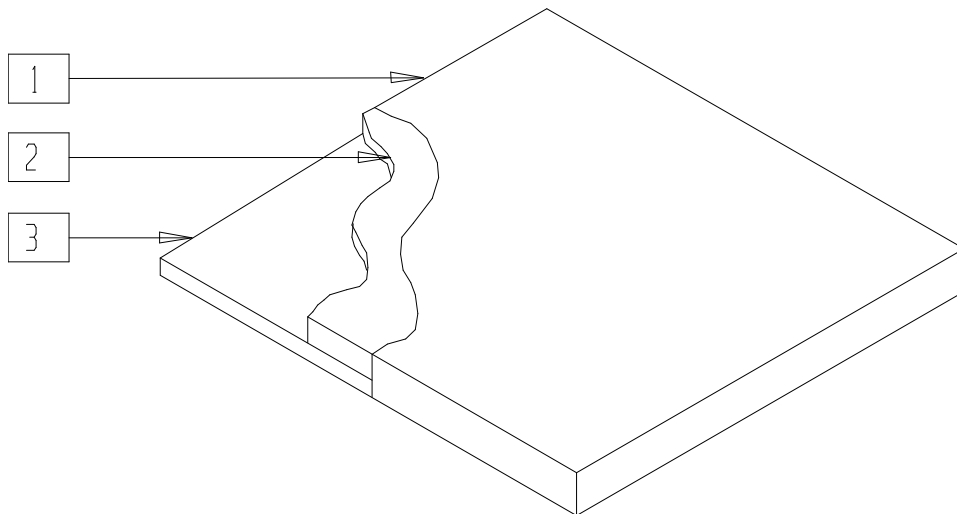
SS0X01

ITEM	NUMBER	DESCRIPTION	QTY
1	105991-105994, 106029-106070	SEAT FOAM 22"-30" x 18"-22" x 2"	1
2	702442-702472, 702622-702676	SEAT COVER 22"-30" x 18"-22" x 2"	1

ITEM	NUMBER	DESCRIPTION	QTY
1,2	702095-702098, 702103-702234	SEAT CUSHION 22"-30" x 18"-22" x 2"	



# SOLID SEAT



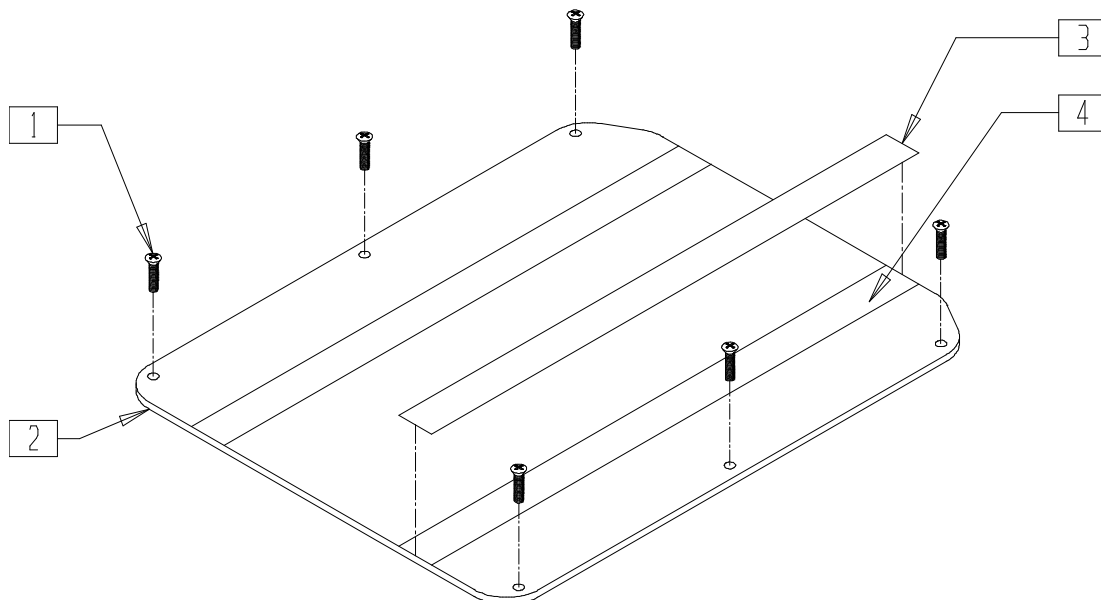
AC0X015

ITEM	NUMBER	DESCRIPTION	QTY
1	701001-701431	SEAT COVER 11" x 10" x 1" TO 15" x 15" x 1"	1
3	581010-581054	LEXAN SEAT	1

ITEM	NUMBER	DESCRIPTION	QTY
1-3	689311-689751	SOLID SEAT CUSHION W/LEXAN 11" x 10" x 1" TO 15" x 15" x 1"	

NOTE: FOR SOLID SEAT OVER 15" x 15", SEE REMOVABLE SOLID SEAT AND BACK (VELCRO®) ON PAGE 9.20.

# SEAT PAN (QUICKIE T45)

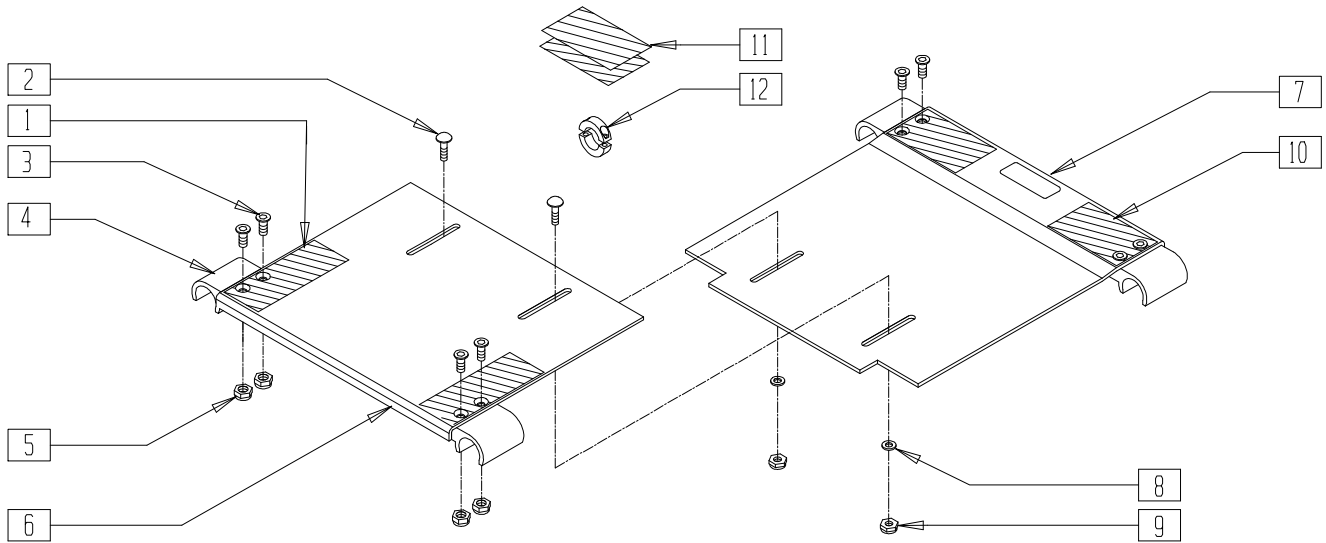


TSR00X18

ITEM	NUMBER	DESCRIPTION	QTY
1	281120	10-32 x 5/8 PAN HD PHIL	6
2,4	688201-688242	SEAT PAN ASSM T45 14" x 15" - 20" x 20"	

ITEM	NUMBER	DESCRIPTION	QTY
3	901172	LOW SEAT VELCRO® STRIP NON PS P300	2
4	901176	2" SEAT PAN VELCRO® STRIP PS	2

# GROWING SEAT PAN (ZIPPIE GS/TS)

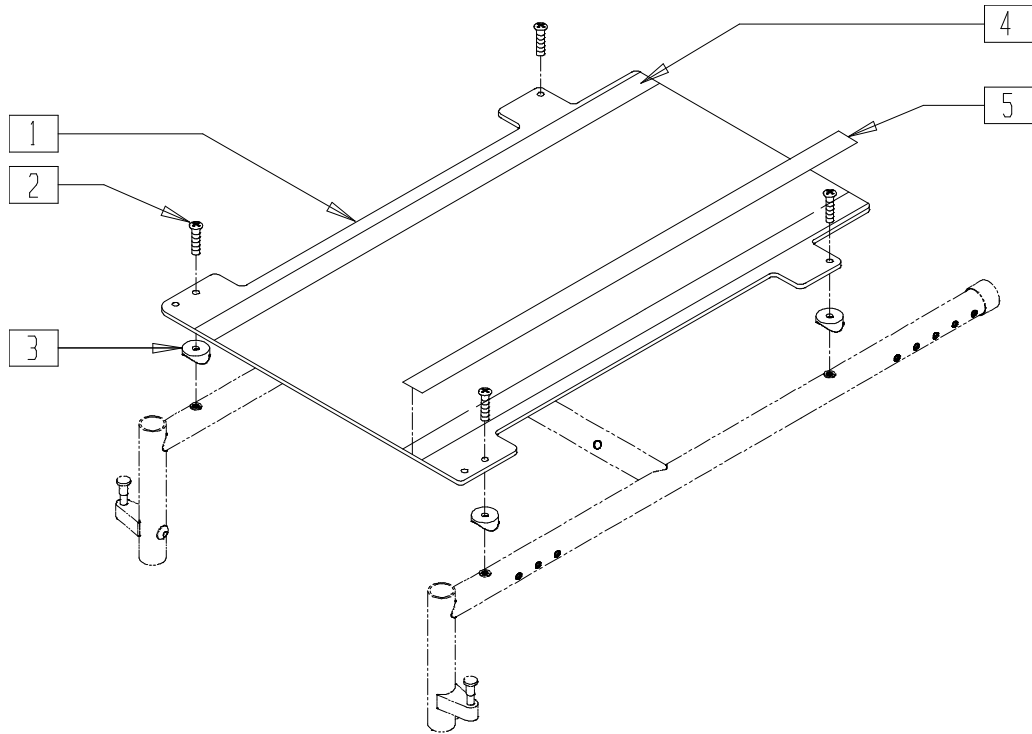


ZGS0X44A

ITEM	NUMBER	DESCRIPTION	QTY
1	751047	HOOK FASTENER ZGS FRONT	2
2	455036	1/4-28 x 9/16 SPEC ROUND HD	2
3	226105	1/4-28 x 3/4 FH C/S BLK	8
4	560112	SEAT SNAP ZGS	4
5	201110	1/4-28 NYLOCK NUT	8
6	124340-124348	SEAT PAN SHT, MED, LRG 10" x 10" 10"-14" x 10"-14" ZGS	1
	124359-124365	SEAT PAN SHT, MED, LRG, XLRG 10" x 16", 10"-16" x 16" ZGS	
7	124350-124358	SEAT PAN OFFSET SHT, MED, LRG 10"-14" x 10"-14" ZGS	1
	124370-124376	SEAT PAN OFFSET SHT XLRG 10"-16" x 16" ZGS	

ITEM	NUMBER	DESCRIPTION	QTY
8	262100-QU	1/4 AN WASHER FLAT	2
9	201100-QU	1/4-28 NYLOCK NUT THIN	2
10	751048	HOOK FASTENER ZGS REAR	2
11	751049	HOOK FASTENER ZGS FLOATING	2
12	342048	ADJ SEAT STOP 1"	2
1-12	703200-703203	SEAT PAN ASSEMBLY (10"-18" W) SHORT	
	703210-703213	SEAT PAN ASSEMBLY (10"-18" W) MED	
	703220-703223	SEAT PAN ASSEMBLY (10"-18" W) LONG	
	703230-703233	SEAT PAN ASSEMBLY (10"-18" W) XLONG	

# SEAT PAN (QUICKIE TS)

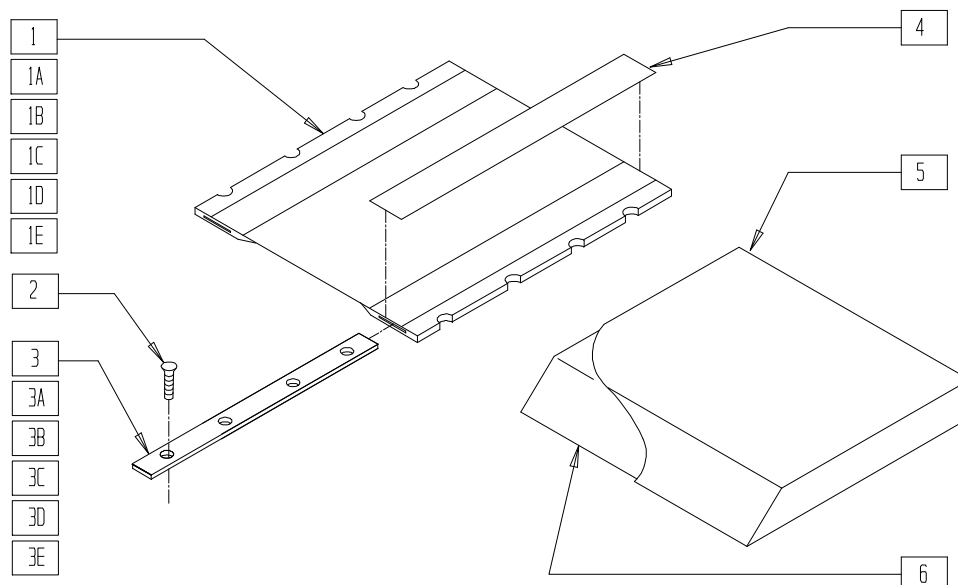


QTS30X08A

ITEM	NUMBER	DESCRIPTION	QTY
1,4	688174	SEAT PAN 14" x 14-17" SHORT FRAME	
	688175	SEAT PAN 15" x 14-17" SHORT FRAME	
	688176	SEAT PAN 16" x 14-17" SHORT FRAME	
	688177	SEAT PAN 17" x 14-17" SHORT FRAME	
	688178	SEAT PAN 18" x 14-17" SHORT FRAME	
	688179	SEAT PAN 19" x 14-17" SHORT FRAME	
	688180	SEAT PAN 20" x 14-17" SHORT FRAME	
1,4	688160	SEAT PAN 14" x 16-19" REG FRAME	
	688161	SEAT PAN 15" x 16-19" REG FRAME	
	688162	SEAT PAN 16" x 16-19" REG FRAME	
	688163	SEAT PAN 17" x 16-19" REG FRAME	
	688164	SEAT PAN 18" x 16-19" REG FRAME	
	688165	SEAT PAN 19" x 16-19" REG FRAME	
	688166	SEAT PAN 20" x 16-19" REG FRAME	

ITEM	NUMBER	DESCRIPTION	QTY
1,4	688167	SEAT PAN 14" x 19-22" LONG FRAME	
	688168	SEAT PAN 15" x 19-22" LONG FRAME	
	688169	SEAT PAN 16" x 19-22" LONG FRAME	
	688170	SEAT PAN 17" x 19-22" LONG FRAME	
	688171	SEAT PAN 18" x 19-22" LONG FRAME	
	688172	SEAT PAN 19" x 19-22" LONG FRAME	
	688173	SEAT PAN 20" x 19-22" LONG FRAME	
2	281122	10-32 x 3/4 PAN PHIL	4
3	561087	BACK RELEASE SADDLE RIGID	4
4	901176	2" SEAT VELCRO® STRIP NON PS	2
5	901175	2" SEAT VELCRO® STRIP NON PS	2

## SEAT SLING AND CUSHION (QUICKIE Ti Titanium)



QT10X23

ITEM	NUMBER	DESCRIPTION	QTY
1	720204- 720209	SEAT SLING 13" x 14" -13" x 19"	1
1A	720302- 720307	SEAT SLING 14" x 14" -14" x 19"	1
1B	720402- 720407	SEAT SLING 15" x 14" -15" x 19"	1
1C	720502- 720507	SEAT SLING 16" x 14" -16" x 19"	1
1D	720601- 720606	SEAT SLING 17" x 14" -17" x 19"	1
1E	720700- 720705	SEAT SLING 18" x 14" -18" x 19"	1

ITEM	NUMBER	DESCRIPTION	QTY
2	230029	BHCS, M5 x .8 x 12MM,TORX,T-25	10-14
3	505102	SEAT RAIL 14"	2
3A	505104	SEAT RAIL 15"	2
3B	505106	SEAT RAIL 16"	2
3C	505108	SEAT RAIL 17"	2
3D	505110	SEAT RAIL 18"	2
3E	505115	SEAT RAIL 19"	2
4	901169	SEAT SLING VELCRO® STRIP 2"	2
5,6	700242- 700752	SEAT CUSHION W/COVER AND FOAM 13" x 14" - 18" x 19"	

## SEAT SLING - CUSHION - RAIL GUIDE (QUICKIE Ti Titanium)

DIMENSIONS	SLING P/N	CUSHION P/N	RAIL PN
13"W x 14"D	720204	700242	505102
13"W x 15"D	720205	700252	505104
13"W x 16"D	720206	700262	505106
13"W x 17"D	720207	700272	505108
13"W x 18"D	720208	700277	505110
13"W x 19"D	720209	700267	505115
14"W x 14"D	720302	700322	505102
14"W x 15"D	720303	700332	505104
14"W x 16"D	720304	700342	505106
14"W x 17"D	720305	700352	505108
14"W x 18"D	720306	700362	505110
14"W x 19"D	720307	700372	505115
15"W x 14"D	720402	700422	505102
15"W x 15"D	720403	700432	505104
15"W x 16"D	720404	700442	505106
15"W x 17"D	720405	700452	505108
15"W x 18"D	720406	700462	505110
15"W x 19"D	720407	700472	505115

DIMENSIONS	SLING P/N	CUSHION P/N	RAIL PN
16"W x 14"D	720502	700522	505102
16"W x 15"D	720503	700532	505104
16"W x 16"D	720504	700542	505106
16"W x 17"D	720505	700552	505108
16"W x 18"D	720506	700562	505110
16"W x 19"D	720507	700572	505115
17"W x 14"D	720601	700602	505102
17"W x 15"D	720602	700612	505104
17"W x 16"D	720603	700622	505106
17"W x 17"D	720604	700632	505108
17"W x 18"D	720605	700642	505110
17"W x 19"D	720606	700652	505115
18"W x 14"D	720700	700702	505102
18"W x 15"D	720701	700712	505104
18"W x 16"D	720702	700722	505106
18"W x 17"D	720703	700732	505108
18"W x 18"D	720704	700742	505110
18"W x 19"D	720705	700752	505115

# Trays and Custom Trays

## IN THIS SECTION

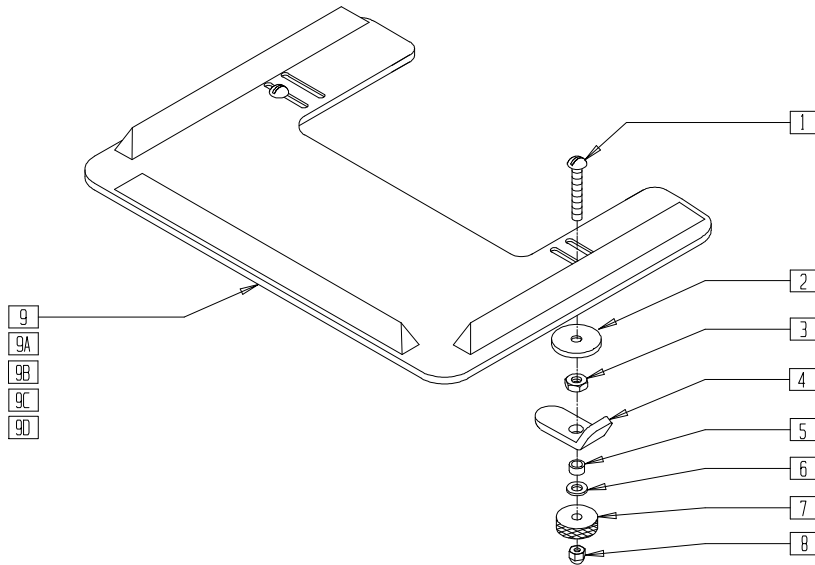
### STANDARD TRAYS

Tray Table .....	18.1
Tray (Quickie Kidz) .....	18.1

### CUSTOM TRAYS

Tray Ribs.....	18.2
Tray Hardware .....	18.3
Padded Stomach Cutout.....	18.3
Protractor Pad.....	18.4
Hinged Overlay (Non-removable) .....	18.4
Removable Hinged Overlay.....	18.5

# TRAY TABLE

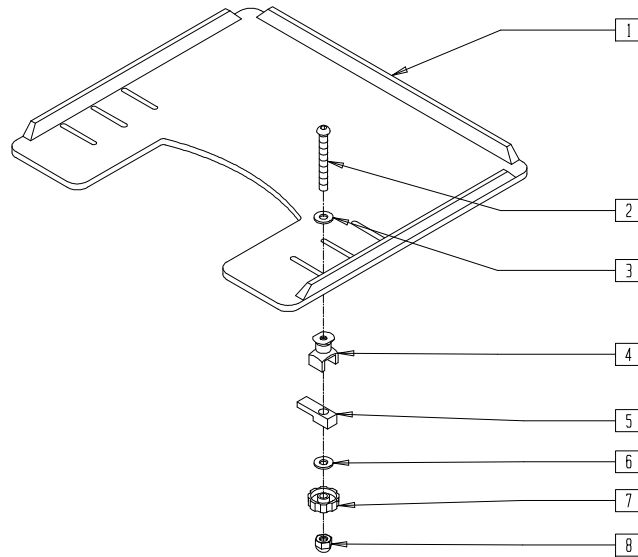


AC0X012A

ITEM	NUMBER	DESCRIPTION	QTY
1	226199	5/16-18 x 3 1/2 CARR BOLT	2
2	263112	5/16 WASHER FENDER	2
3	202110	5/16-18 NUT THIN	2
4	550400	TRAY CLAMP	2
5	550400	BEARING SPACER	2
6	263100	5/16 AN WASHER FLAT	2
7	483026	KNURLED TRAY KNOB	2
8	202112	5/16-18 ACORN NUT	2
1-8	881051	TRAY HARDWARE KIT TUFFAK NEW STYLE	

ITEM	NUMBER	DESCRIPTION	QTY
9	562619	TRAY TOP EX-SM W/RAIL 10"-12"	1
9A	562620	TRAY TOP SM W/RAIL 13"-14"	1
9B	562621	TRAY TOP MED W/RAIL 15"-17"	1
9C	562622	TRAY TOP LRG W/RAIL 18"-20"	1
9D	562623	TRAY TOP X-LRG W/RAIL 21"-22"	1
1-9	902306	TRAY ASSEMBLY EX-SM TUFFAK 10"-12"	
1-8,9A	902303	TRAY ASSEMBLY SM TUFFAK 13"-14"	
1-8,9B	902304	TRAY ASSEMBLY MED TUFFAK 15"-17"	
1-8,9C	902305	TRAY ASSEMBLY LRG TUFFAK 18"-20"	
1-8,9D	902309	TRAY ASSEMBLY X-LRG TUFFAK 21"-22"	

# TRAY (QUICKIE KIDZ)

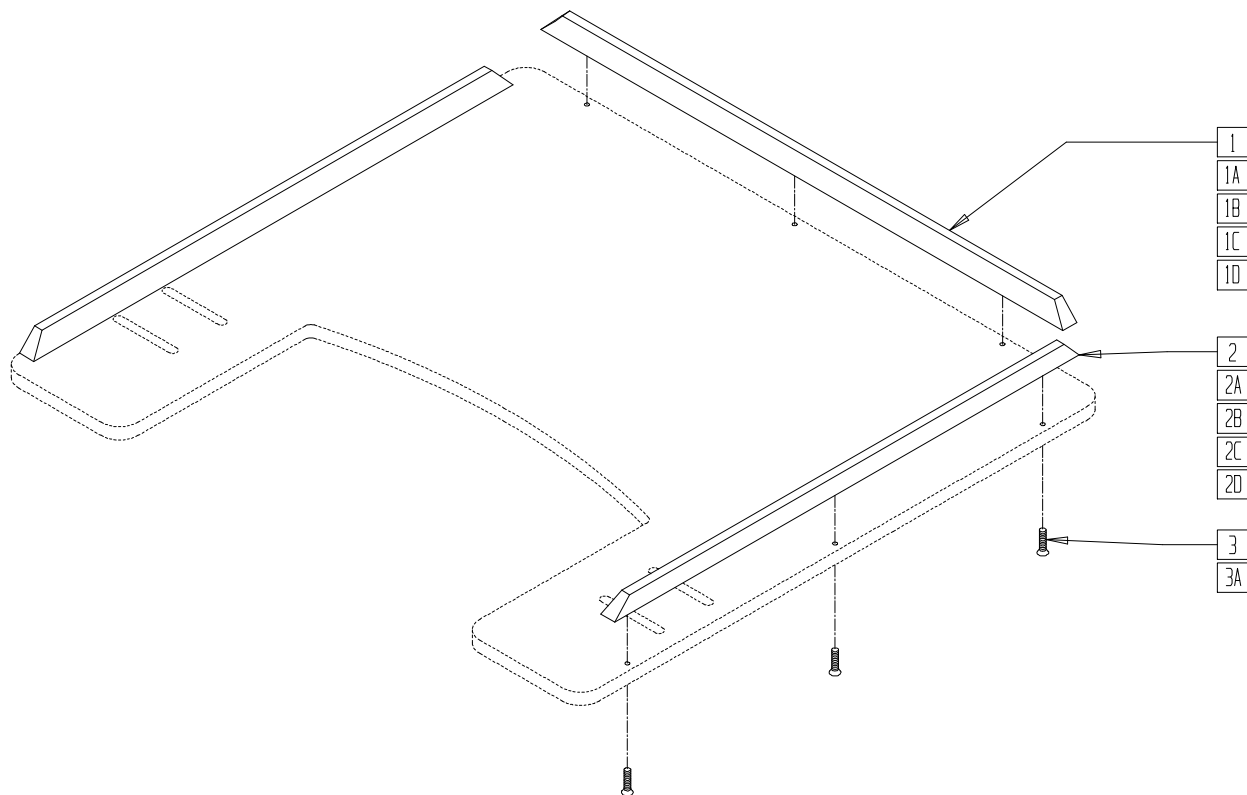


AC0X025

ITEM	NUMBER	DESCRIPTION	QTY
1	562619	TRAY TOP EX-SM W/RAIL 10"-12"	1
	562620	TRAY TOP SM W/RAIL 13"-14"	
	562621	TRAY TOP MED W/RAIL 15"-17"	
	562622	TRAY TOP LRG W/RAIL 18"-20"	
2	2021	5/16-18 x 2 3/4 BUTTON HD C/S	2
3	2709	.625 x .315 x .031 NYLON WASHER	2
4	14240	TRAY BUSHING	2
5	14230	TRAY LOCK BAR	2

ITEM	NUMBER	DESCRIPTION	QTY
6	2705	1/4" FLAT WASHER	2
7	14220	TRAY KNOB	2
8	202114	5/16-18 ACORN LOCK NUT	2
2-8	881053	TRAY HARDWARE ADJ ARM PWR (14219)	
1-8	902330	TRAY ASSM X-SM TUFFAK 10"-12"/CAM	
	902331	TRAY ASSM SM TUFFAK 13"-14"/CAM	
	902331	TRAY ASSM MED TUFFAK 15"-17"/CAM	
	902333	TRAY ASSM LRG TUFFAK 18"-20"/CAM	

# TRAY RIBS



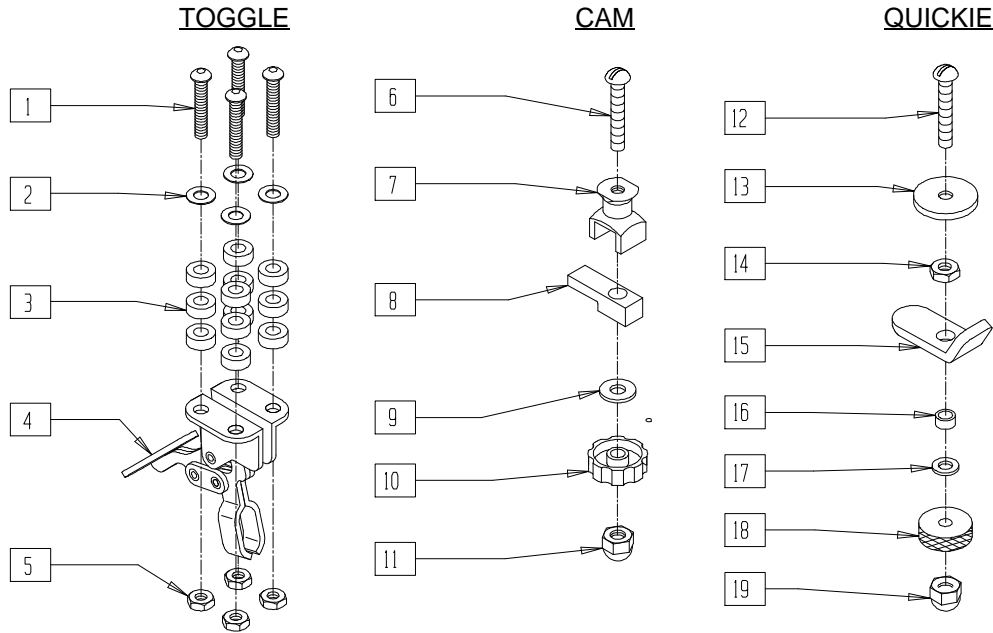
AC0X032

ITEM	NUMBER	DESCRIPTION	QTY
STANDARD WOOD RIBS			
1	9004	19" WOOD TRAY RIBS (EA)	1
	9005	21" WOOD TRAY RIBS (EA)	
	9006-QU	23 1/2" WOOD TRAY RIBS (EA)	
2	9003	15 1/2" WOOD TRAY RIBS (EA)	2
	9004	19" WOOD TRAY RIBS (EA)	
	9005	21" WOOD TRAY RIBS (EA)	
HEAVY-DUTY RIBS FOR WOOD TRAYS			
1A	9010	19" HD RIB FOR WOOD TRAY (EA)	1
	9013	21" HD RIB FOR WOOD TRAY (EA)	
	9016	23 1/2" HD RIB FOR WOOD TRAY (EA)	
2A	9007-QU	15 1/2" HD RIB FOR WOOD TRAY (EA)	2
	9010	19" HD RIB FOR WOOD TRAY (EA)	
	9013	21" HD RIB FOR WOOD TRAY (EA)	
HEAVY-DUTY RIBS FOR 3/8" TUFFAK TRAYS			
1B	9011-QU	19" HD RIB FOR 3/8" TUFFAK (EA)	1
	9014	21" HD RIB FOR 3/8" TUFFAK (EA)	
	9017	23 1/2" HD RIB FOR 3/8" TUFFAK (EA)	
2B	9008-QU	15 1/2" HD RIB FOR 3/8" TUFFAK (EA)	2
	9011	19" HD RIB FOR 3/8" TUFFAK (EA)	
	9014	21" HD RIB FOR 3/8" TUFFAK (EA)	

ITEM	NUMBER	DESCRIPTION	QTY
HEAVY-DUTY RIBS FOR 1/4" TUFFAK TRAYS			
1C	9012-QU	19" HD RIB FOR 1/4" TUFFAK (EA)	1
	9015	21" HD RIB FOR 1/4" TUFFAK (EA)	
	9018	23 1/2" HD RIB 1/4" TUFFAK (EA)	
2C	9009	15 1/2" HD RIB 1/4" TUFFAK (EA)	2
	9012	19" HD RIB 1/4" TUFFAK (EA)	
	9015	21" HD RIB 1/4" TUFFAK (EA)	
ALUMINUM RIBS			
1D	14081	19" ALUMINUM TRAY RIB	1
	14082	21" ALUMINUM TRAY RIB	
	14083	23 1/2" ALUMINUM TRAY RIB	
2D	14080-QU	15 1/2" ALUMINUM TRAY RIB	2
	14081	19" ALUMINUM TRAY RIB	
	14082	21" ALUMINUM TRAY RIB	
HARDWARE			
3	2268	#6 x 5/8" OVAL PHILLIPS SCREW	9
3A	230047	#6 x 3/4" FH PHIL S/M SCREW	9

NOTE: ONE 19" RIB AND TWO 15 1/2" RIBS FIT THE EXTRA-SMALL, SMALL, 9-0 AND 9-1 TRAY TABLES.  
 ONE 21" RIB AND TWO 19" RIBS FIT THE MEDIUM AND 9-2 TRAY TABLES.  
 ONE 23 1/2" RIB AND TWO 21" RIBS FIT THE LARGE, 9-2, 9-5, AND 9-6 TRAY TABLES.

# TRAY HARDWARE

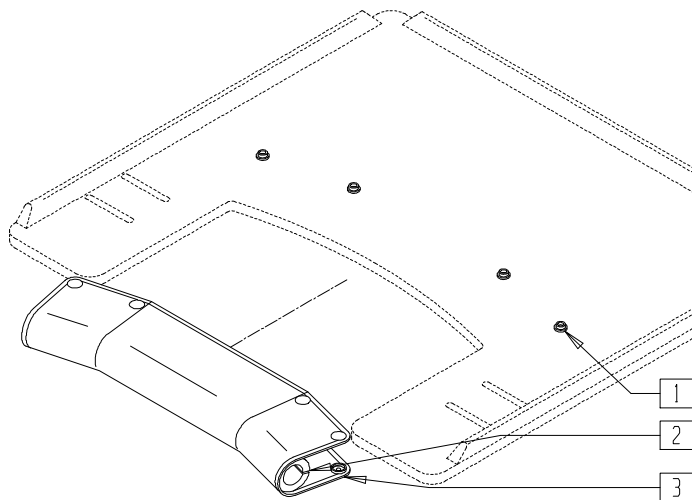


AC0X028

ITEM	NUMBER	DESCRIPTION	QTY
1	2249	5/16-18 x 1 1/2 BH C/S BLK	8
2	2709	.625 x .135 x .031 NYLON WASHER	8
3	2710	.609 x .250 x .250 NYLON SPACER	24
4	202110	5/16-18 NUT THIN	8
5	2021	5/16-18 x 2 3/4 BUTTON HD C/S	2
6	14240	TRAY BUSHING	2
7	14230	TRAY LOCK BAR	2
8	2705	1/4" FLAT WASHER	2
9	14220	TRAY KNOB	2
10	202114	5/16-18 ACORN LOCK NUT	2
11	226199	5/16-18 x 3 1/2 CARR BOLT	2
12	263112	5/16 WASHER FENDER	2

ITEM	NUMBER	DESCRIPTION	QTY
14	202110	5/16-18 NUT THIN	2
15	550400	TRAY CLAMP	2
16	481013	BEARING SPACER	2
17	263100	5/16 AN WASHER FLAT	2
18	483026	KNURLED TRAY KNOB	2
19	202112	5/16-18 ACORN NUT	2
1-5	4099	TOGGLE CLAMP - HIDEAWAY	
6-11	881053	TRAY HARDWARE ADJ ARM PWR (14219)	
12-19	881051	TRAY HDWR KIT TUFFAK NEW STYLE (9QH)	

## PADDED STOMACH CUTOUT

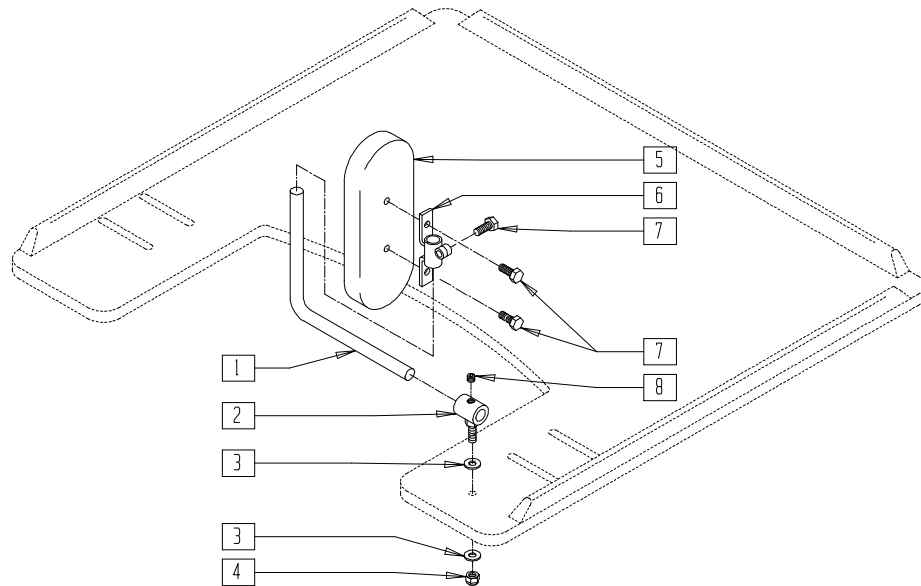


AC0X031

1-3	9PS	PADDED STOMACH CUT OUT (SPECIFY COLOR)	
-----	-----	--	--



# PROTRACTOR PAD

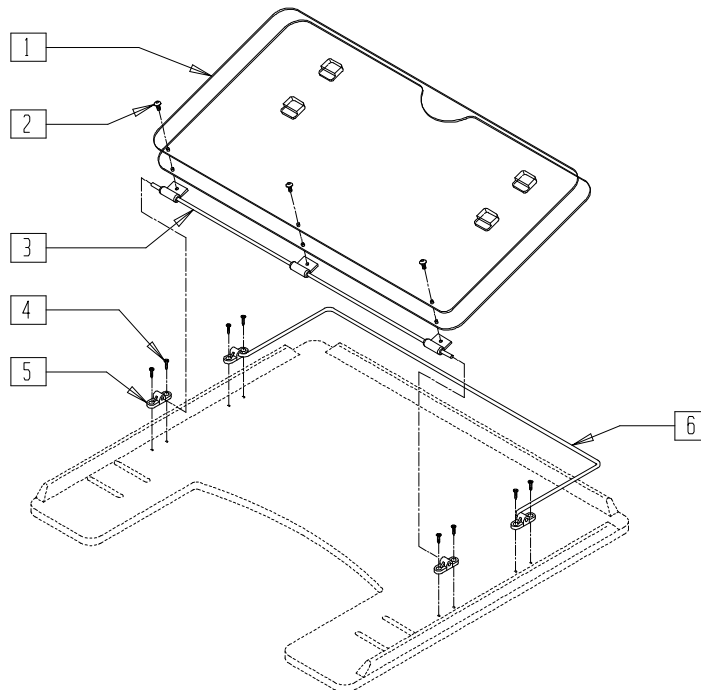


AC0X034

ITEM	NUMBER	DESCRIPTION	QTY
1	450752	HEADREST ADJUSTMENT BAR	2
2	450751	HEADREST PAD BUSHING	2
3	250101	#12 SAE FLAT WASHER	4
4	2301	1/4-20 NYLON INSERT LOCK NUT	2
5	15013-15022	PAD	2

ITEM	NUMBER	DESCRIPTION	QTY
6	450750	HEADREST PAD BRACKET	2
7	221105	1/4-20 x 3/4" HEX C/S	6
8	2270	5/16-18 x 1/4" SOC SET SCREW	2
1-8	14980	TRAY PROTRACTOR PAD ASSEMBLY (PR) (SPECIFY COLOR AND SIZE)	

# HINGED OVERLAY (NON-REMOVABLE)

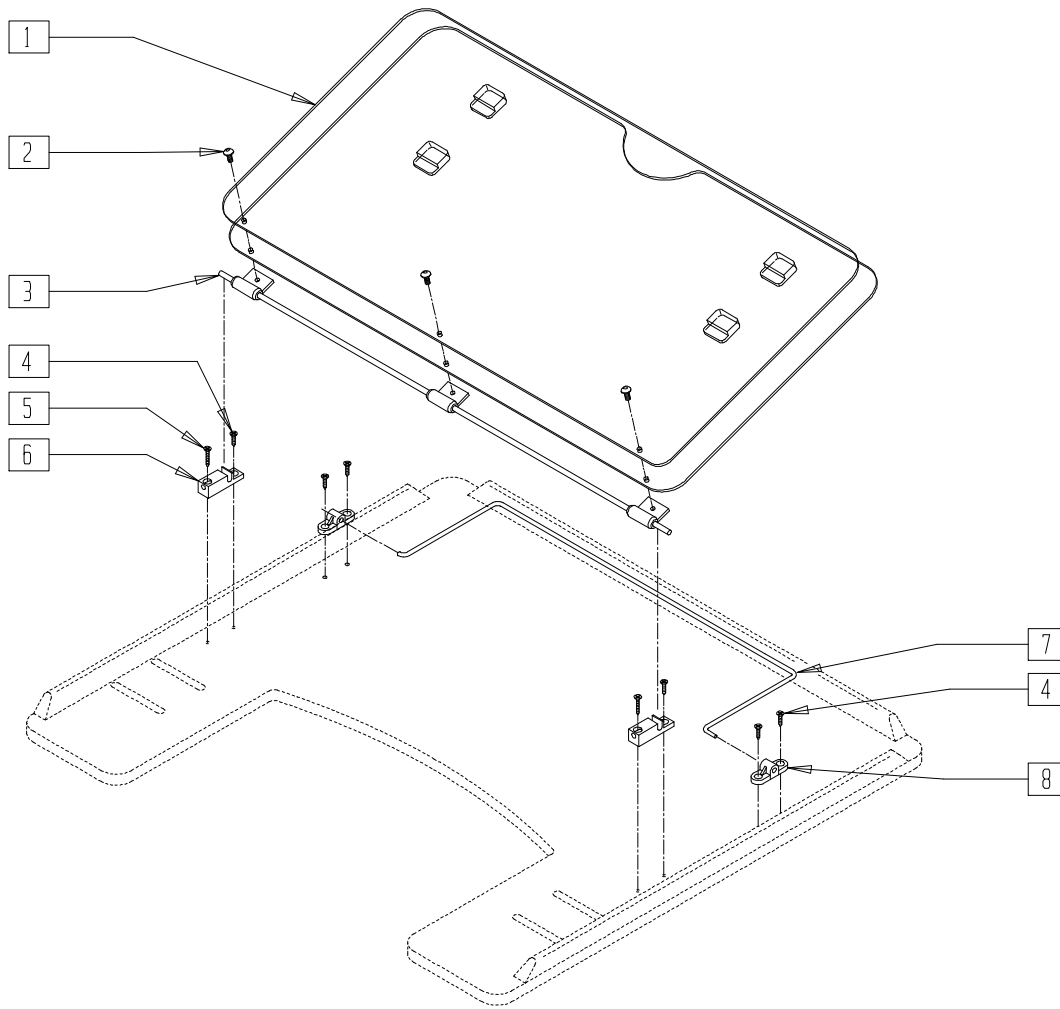


AC0X038

ITEM	NUMBER	DESCRIPTION	QTY
1,2	17916-17918	OVERLAY	
2	226017	10-32 x 3/8 BH C/S BLK	3
3	17922-17929	OVERLAY PIVOT BAR	1
4	2266	#6 x 1/2" FL DH PHL SCREW	8

ITEM	NUMBER	DESCRIPTION	QTY
5	4061	TRAY OVERLAY MOUNTING BRACKET	4
6	17925-17928	OVERLAY ROD	1
1-6	17919-17921	OVERLAY ASSEMBLY	

# REMOVABLE HINGED OVERLAY



AC0X029

ITEM	NUMBER	DESCRIPTION	QTY
1	17916-17939	OVERLAY	1
2	226017	10-32 x 3/8 BH C/S BLK	3
3	17922-17929	HINGED OVERLAY PIVOT BAR	1
4	2266	#6 x 1/2" FL DH PHL SCREW	4
5	230047	#6 x 3/4" FH PHIL S/M SCREW	2

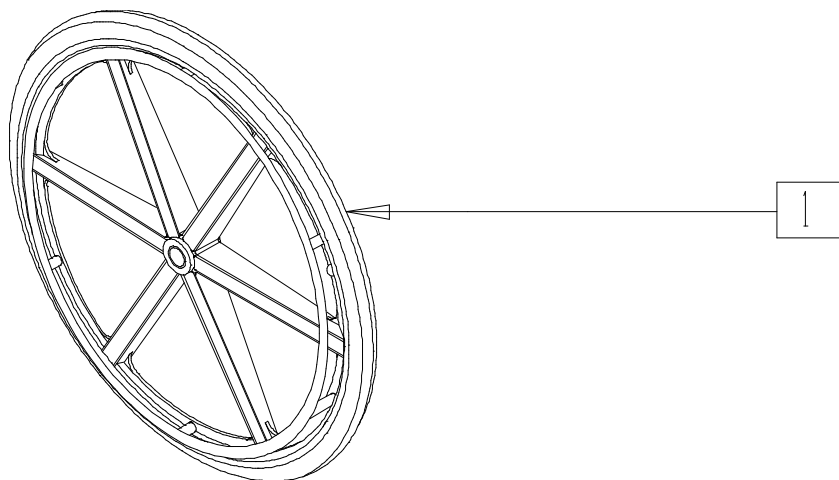
ITEM	NUMBER	DESCRIPTION	QTY
6	14232	TRAY OVERLAY - QUICK RELEASE	2
7	17925-17928	TRAY OVERLAY ROD	1
8	4061	TRAY OVERLAY MOUNTING BRACKET	2
1-8	17903-17906	OVERLAY ASSEMBLY	

# Wheels

## IN THIS SECTION

Six-spoke Mag Assembly (20"/22"/24") (Most Quickie/Breezy Products) .....	19.1	Handrim, Screw Mount 6-hole (20"/22"/24" Mag Wheel).....	19.8
Six-spoke Mag Assembly (Breezy 50/503).....	19.1	Handrim, Screw Mount 6-hole (20"/22"/24" Spoke Wheel, Painted Handrim).....	19.9
Six-spoke Mag Assembly with Composite Handrim (Breezy 510/510 Recliner/2(Disc.)/600) ...	19.2	Handrim, Screw Mount 6-hole (20"/22"/24" Mag Wheel, Painted Handrim).....	19.9
Six-spoke Mag Assembly (Quickie LX/LXI) .....	19.2	22" Screw Mount 6-hole Handrim (for 24" Spoke Wheel) (Quickie M6) .....	19.10
Six-spoke Mag Rim Assembly (20"/22"/24") .....	19.3	Projection Handrim (20"/22"/24"/26" Spoke Wheels).....	19.10
Composite Handrim (Breezy 500/510/510 Recliner/2/600).....	19.3	Projection Handrim 6-Spoke (20"/22"/24" Mag Wheels) .....	19.11
Rear Wheel Rim Assembly - Spoke (Disc.) .....	19.4	Handrims (Tab Mount, 18"/22"/23"/24"/26" Spoke Wheels)...	19.11
Rear Wheel Rim Assembly - Spoke .....	19.4	Wheel Assembly - Knobbie Tire (Quickie XTR)....	19.12
Rear Wheel Assembly - Spoke .....	19.5	Tires and Tubes .....	19.13
Rear Wheel Rim Assembly - Spoke (Quickie TNT) (Disc.) .....	19.5	Rear Wheel (Quickie Kidz/T45/TS) .....	19.13
Rear Wheel Assembly - Spoke (Quickie TNT) (Disc.) .....	19.6	Rear Wheel Retro Kit (12") (Zippie TS) .....	19.14
Rear Wheel Assembly (Quickie M6).....	19.6	Tire Reference Guide .....	19.15
Rear Wheel Assembly (Breezy 100).....	19.7		
Rear Wheel Assembly (Breezy 150).....	19.7		
Handrim, Screw Mount 6-hole (20"/22"/24" Spoke Wheel).....	19.8		

## SIX-SPOKE MAG ASSEMBLY (20"/22"/24")(MOST QUICKIE/ BREEZY PRODUCTS)



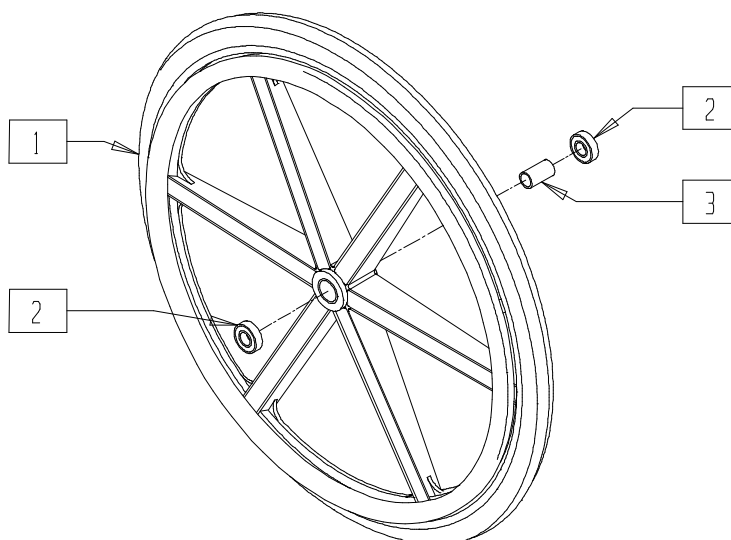
WHL00X12

ITEM	NUMBER	DESCRIPTION	QTY
1	760062-760088	REAR WHEEL MAG ASSEMBLY 20"	1
	760800-760807	REAR WHEEL MAG ASSEMBLY PAINTED HR 20" BR	
	760030-760056	REAR WHEEL MAG ASSEMBLY 22"	

\*NOTE: P/N 760830 COMES WITHOUT HAND RIM.

ITEM	NUMBER	DESCRIPTION	QTY
1	760830*, 760831, 760844, 760845	REAR WHEEL MAG ASSEM PAINTED HR 22" BR	1
	760720-760782	REAR WHEEL MAG ASSEMBLY 24"	
	760790-760796	REAR WHEEL MAG ASSEMBLY PAINTED HR 24" BR	
	760890-760895	24" MAG L POLY HR COMP BR	

## SIX-SPOKE MAG ASSEMBLY (BREEZY 500/503) (MOST QUICKIE/ BREEZY PRODUCTS)

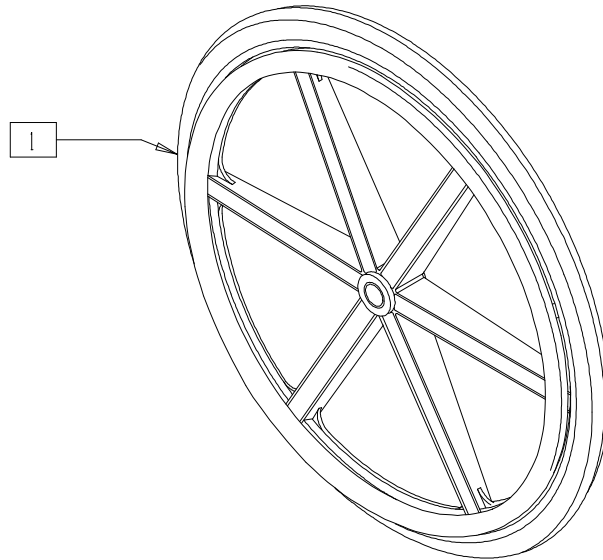


BASIC11

ITEM	NUMBER	DESCRIPTION	QTY
2	349500	BEARING 1 1/8 x 1/2	2
3	521564	MAG BEARING SPACER	1
1,2	760890	24" MAG LPOLY HR COMP BR	

ITEM	NUMBER	DESCRIPTION	QTY
1-3	760892	24" MAG W/MOLD ON TIRE HR PAINTED	
	760893	24" MAG W/MOLD ON TIRE HR PLASTIC	

**SIX-SPOKE MAG ASSEMBLY WITH COMPOSITE HANDRIM**  
**(BREEZY 510/510 RECLINER/2/600)**  
 (Breezy 2 discontinued 5/98 - parts only)

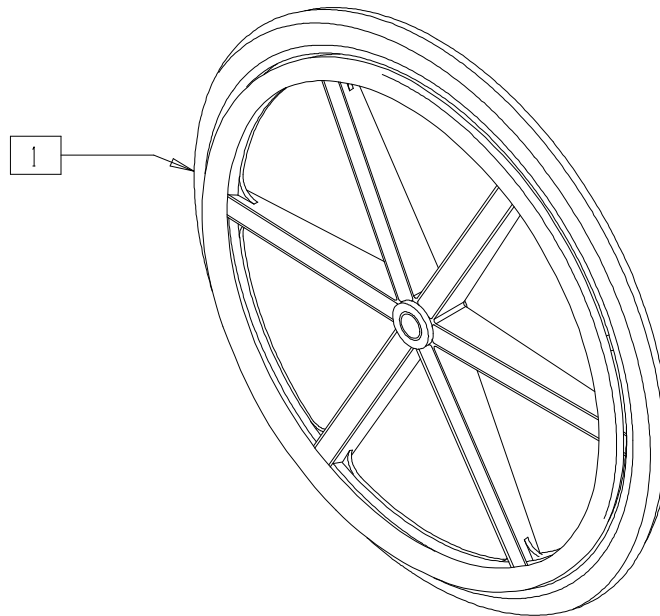


WH0X21

ITEM	NUMBER	DESCRIPTION	QTY
1	760910-760916	20" MAG HR COMP BR	1
	760918-760924	22" MAG HR COMP BR	

ITEM	NUMBER	DESCRIPTION	QTY
1	760890-760905	24" MAG HR COMP BR	1

**SIX-SPOKE MAG ASSEMBLY WITH LOW POLY(QUICKIE LX/LXI)**

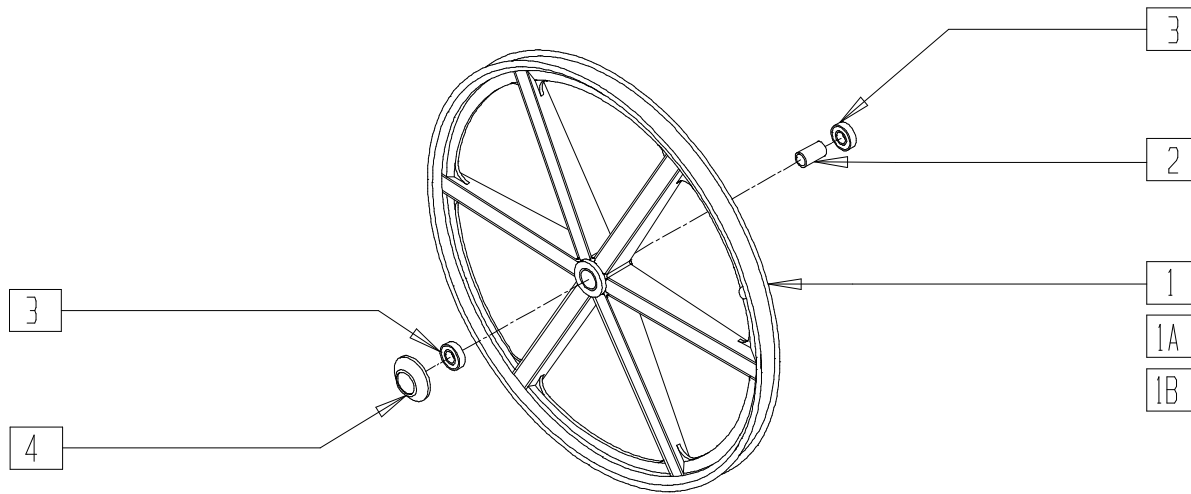


WH0X24

ITEM	NUMBER	DESCRIPTION	QTY
1	760020-760024	20" MAG 6-SPOKE LOW POLY	1

ITEM	NUMBER	DESCRIPTION	QTY
1	760025-760029	22" MAG 6-SPOKE LOW POLY	1

# SIX-SPOKE MAG RIM ASSEMBLY (20"/22"/24")



WHL0X12

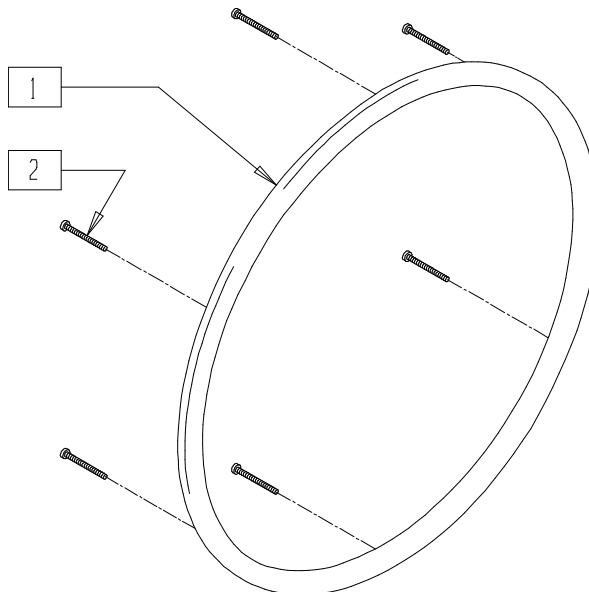
ITEM	NUMBER	DESCRIPTION	QTY
1	364371	20" MAG RIM 6 SPOKE	1
1A	364373	22" MAG RIM 6 SPOKE	1
1B	364376	24" MAG RIM 6 SPOKE	1
2	521564	MAG BEARING SPACER	1
3	349500	1 1/8 x 1/2 BEARING	2
4	561068	SIX SPOKE MAG AXLE CAP	1

ITEM	NUMBER	DESCRIPTION	QTY
1-3	401094	20" MAG W/BEARING 6 SPOKE	
1A,2,3	401093	22" MAG W/BEARING 6 SPOKE	
1B,2,3	401092	24" MAG W/BEARING 6 SPOKE	
1-3	401095*	20" MAG W/BEARING 6 SPOKE BR	
1A,2,3	401096*	22" MAG W/BEARING 6 SPOKE BR	
1B,2,3	401097*	24" MAG W/BEARING 6 SPOKE BR	

NOTE: ORDER MAG AXLE CAP (P/N 561068) FOR CHAIRS WITH THREADED AXLES ONLY FITS ONLY 20" RIMS.  
 \* FITS BREEZY CHAIRS BEGINNING WITH SERIAL NUMBER BZ-200000.

# COMPOSITE HANDRIM (BREEZY 500/510/510 RECLINER/2/600)

(Breezy 2 discontinued 5/98 - parts only)



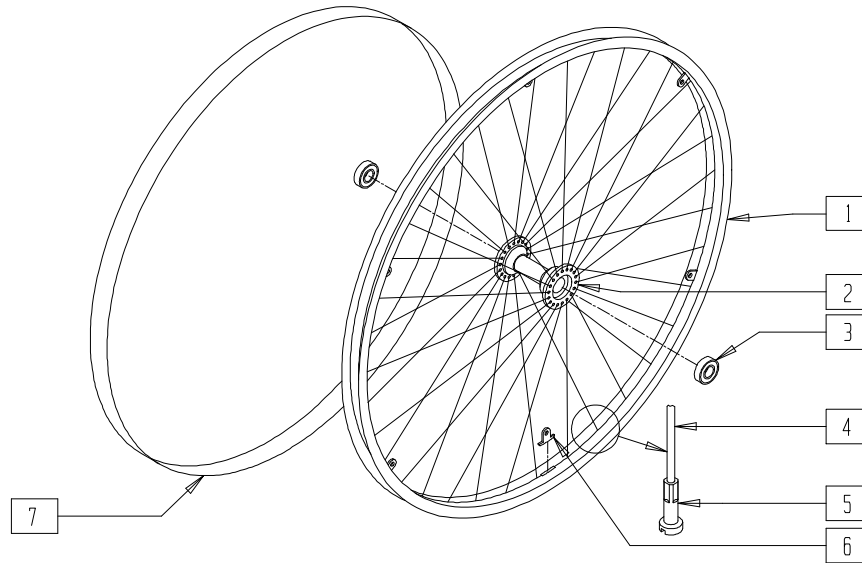
WH0X20

ITEM	NUMBER	DESCRIPTION	QTY
1	561246	20" COMPOSITE HANDRIM	1
	561248	22" COMPOSITE HANDRIM	
	561250	24" COMPOSITE HANDRIM	
2	220100	#10 x 2 1/4 SELF TAPPING SCREW	6

ITEM	NUMBER	DESCRIPTION	QTY
1,2	426022	20" HR 6SMT COMPOSITE W/HDWR	
	426021	22" HR 6SMT COMPOSITE W/HDWR	
	426020	24" HR 6SMT COMPOSITE W/HDWR	

## REAR WHEEL RIM ASSEMBLY - SPOKE

(Discontinued 9/21/98 - parts only)



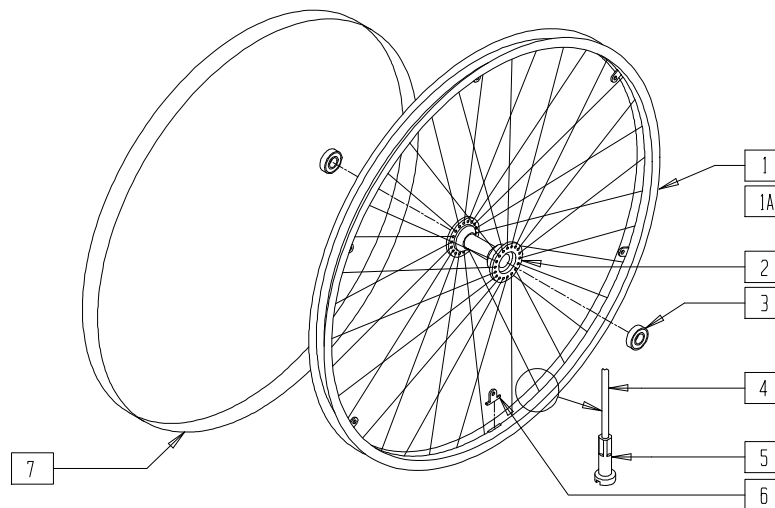
WH0X02

ITEM	NUMBER	DESCRIPTION	QTY
1	364250-364325	WHEEL RIM 20"-26"	1
2	363250	REAR WHEEL HUB W/BEARINGS	1
3	349500	1 1/8 x 1/2 BEARING	2
4	362250-362325	SPOKES	36

ITEM	NUMBER	DESCRIPTION	QTY
5	361250	SPOKE NIPPLE 5/8" BRASS ZN	36
6	505068	HR SCREW MT TAB	6
7	381250-381300	RIM STRIP 20"-26"	1
1-7	401010-401025	RIM ASSEMBLY 20"-26"	

## REAR WHEEL RIM ASSEMBLY - SPOKE

(Effective 9/21/98)



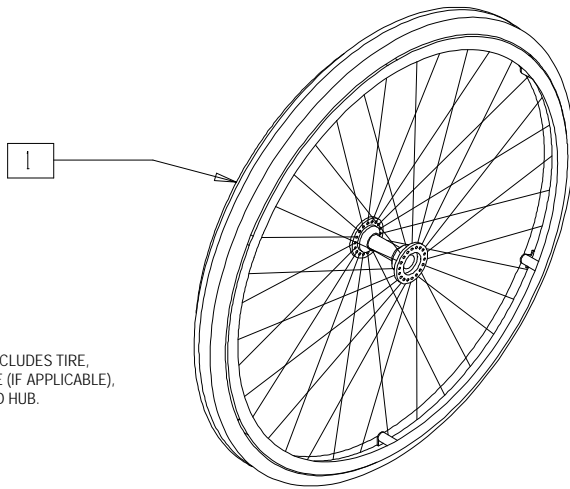
WH0X02A

ITEM	NUMBER	DESCRIPTION	QTY
1	364250-364325	WHEEL RIM 20"-26"	1
1A	364231	18" WHEEL RIM (4-HOLE)	1
2*	363255	REAR WHL HUB W/BEARINGS PUSH BUTTON	1
3	349500	1 1/8 x 1/2 BEARING	2
4	362250-362325	SPOKES	36

ITEM	NUMBER	DESCRIPTION	QTY
5	361250	SPOKE NIPPLE 5/8" BRASS ZN	36
6	505068	HR SCREW MT TAB	6
7	381245-381300	RIM STRIP 18"-26"	1
1-7	401070-401077	RIM ASSEMBLY PUSH BUTTON 20"-26"	
1A,2-5,7	401069	RIM ASSEMBLY (4T) PUSH BUTTON 18"	

\* ITEM 2 REQUIRES BIG BUTTON AXLE

# REAR WHEEL ASSEMBLY - SPOKE



NOTE: COMPLETE ASSEMBLY INCLUDES TIRE, RIM, HANDRIM, BEARINGS, TUBE (IF APPLICABLE), RIM STRIP, SPOKE, NIPPLES AND HUB.

WH0X01

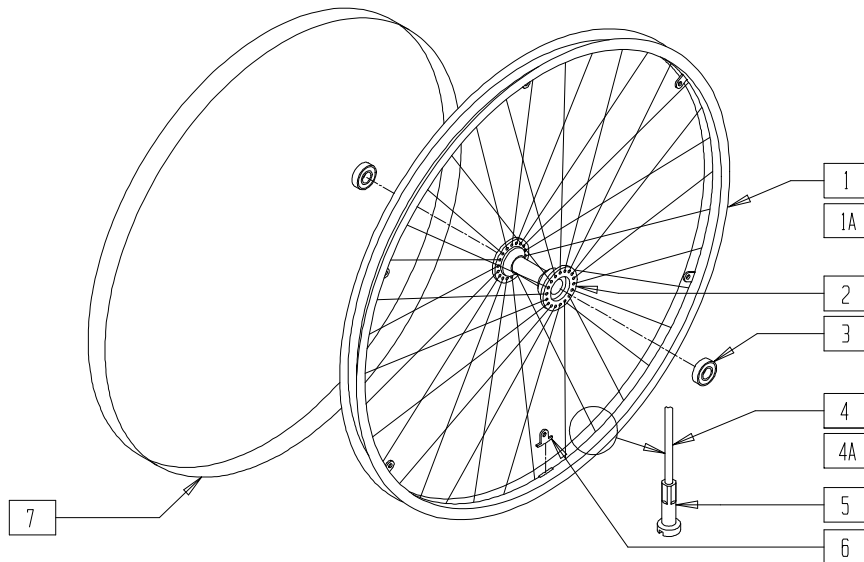
ITEM	NUMBER	DESCRIPTION	QTY
1	760195-760200	REAR WHEEL ASSEMBLY 18"	1
	760090-760136	REAR WHEEL ASSEMBLY 20"	
	760140-760205	REAR WHEEL ASSEMBLY 22"	
	760260-760421	REAR WHEEL ASSEMBLY 24"	

ITEM	NUMBER	DESCRIPTION	QTY
1	760600-760610	REAR WHEEL ASSEMBLY 24" CLINCHER	1
	760505-760545	REAR WHEEL ASSEMBLY 26" CLINCHER	
	760550-760560	REAR WHEEL ASSEMBLY 26" CLINCHER	

NOTE: 22" THRU 26" ASSEMBLIES REQUIRE BIG BUTTON AXLE AS OF 9/21/98.

# REAR WHEEL RIM ASSEMBLY - SPOKE (Quickie TNT)

(Quickie TNT discontinued 2/01-Parts only.)



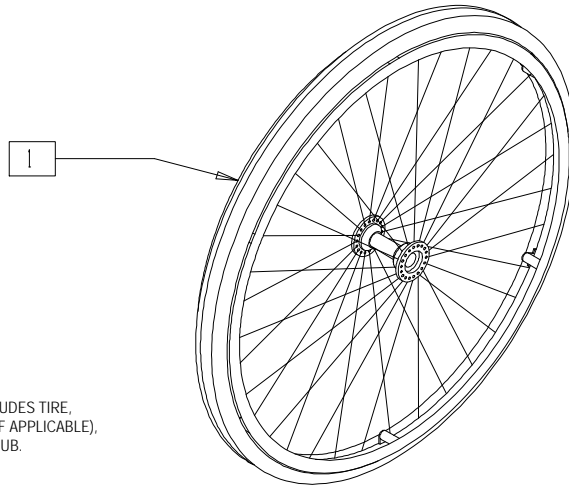
TNT00X16

ITEM	NUMBER	DESCRIPTION	QTY
1	364301	24" WHEEL RIM (540mm) SLOTTED	1
1A	369011	24" HT/26" RIM 36H (559 x 23)	1
2	363253, 363254	2" WHEEL HUB W/BEARINGS	1
3	349500	1 1/8 x 1/2 BEARING	2
4	362300	QP SPOKE 244mm x 2.0	36
4A	362506	QP SPOKE 254mm x 2.0 (14g)	36

ITEM	NUMBER	DESCRIPTION	QTY
5	361250	SPOKE NIPPLE 5/8" BRASS ZN	36
6	505068	HR SCREW MT TAB	6
7	381275	24" RIM STRIP	1
1-7	401018, 401019	24" RIM ASSEMBLY	
1A,2,3, 4A,5-7	401028, 401029	24" HT RIM ASSEMBLY	



## REAR WHEEL ASSEMBLY - SPOKE (QUICKIE TNT) (Quickie TNT discontinued 2/01-Parts only.)



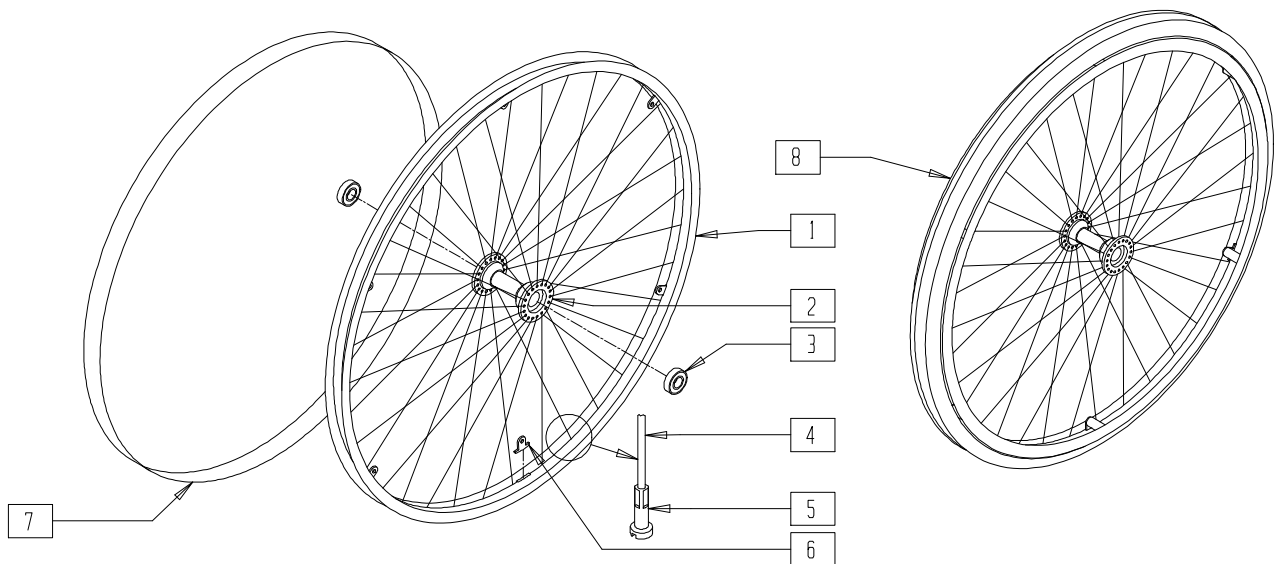
NOTE: COMPLETE ASSEMBLY INCLUDES TIRE, RIM, HANDRIM, BEARINGS, TUBE (IF APPLICABLE), RIM STRIP, SPOKE, NIPPLES AND HUB.

TNT00X17

ITEM	NUMBER	DESCRIPTION	QTY
1	762700-762788	REAR WHEEL ASSEMBLY PURPLE	1

ITEM	NUMBER	DESCRIPTION	QTY
1	763700-763788	REAR WHEEL ASSEMBLY TURO	1

## REAR WHEEL ASSEMBLY (QUICKIE M6)

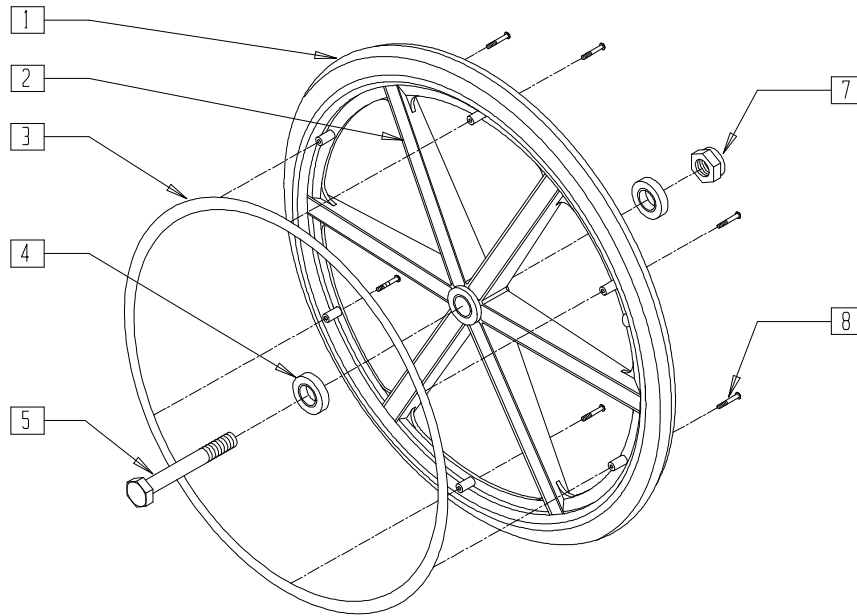


MAG00X24

ITEM	NUMBER	DESCRIPTION	QTY
1	364340	24" x L25 WHEEL RIM 36 HOLE	1
2	362813	HUB HEAVY DUTY	1
3	349538	BEARING BALL 5/8" ID	2
4	362274	QP SPOKE 225mm x 2mm	36
5	361250	SPOKE NIPPLE 5/8" BRASS ZN	36
6	505068	HR SCREW MOUNT TAB	6
7	381301	RIM STRIP 24 x 1.75/2.125	1

ITEM	NUMBER	DESCRIPTION	QTY
8	761780	24" x 2.125" SPOKE PNEU ANO	1
	761781	24" x 2.125" SPOKE PNEU PLASTIC	
	761782	24" x 2.125" SPOKE PNEU OMIT HR	
	761783	24 x 2.125 SPOKE PNEU INSERT ANO	
	761784	24 x 2.125 SPOKE PNEU INSRT PLASTIC	
	761785	24 x 2.125 SPOKE PNEU INSERT OMIT	
1-7	401023	24" x 2.125 RIM ASSEMBLY	

## REAR WHEEL ASSEMBLY (BREEZY 100)

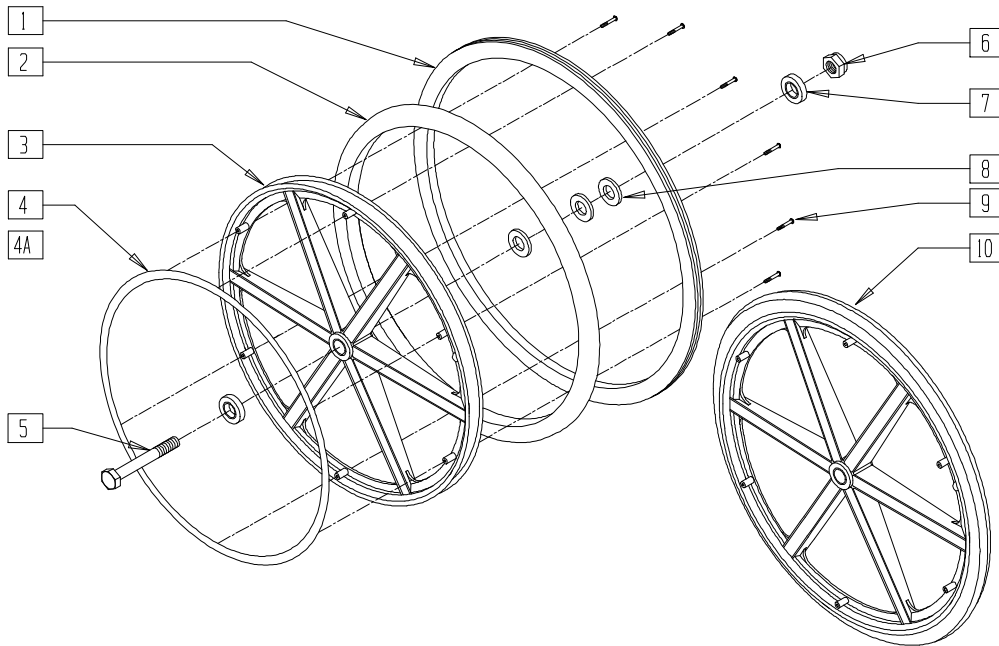


BRZ10X13

ITEM	NUMBER	DESCRIPTION	QTY
4	222-0541	REAR WHEEL BEARING KIT (EA)	4
3,8	222-0542	HANDRIM AND HARDWARE (EA)	

ITEM	NUMBER	DESCRIPTION	QTY
5,7	222-0622	7/16" AXLE BOLT AND NUT (PR)	
1-8	222-0535	MAG WHEEL W/HANDRIM	

## REAR WHEEL ASSEMBLY (BREEZY 150)



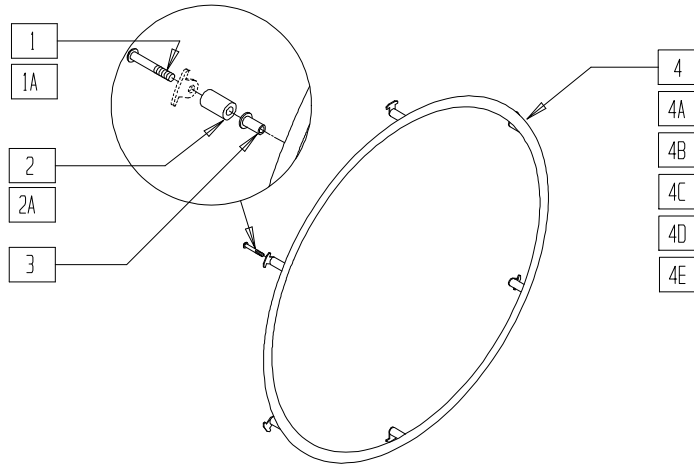
BZ150X03

ITEM	NUMBER	DESCRIPTION	QTY
1	222-0805	PNEU TIRE FOR 24" MAG RIM	1
2	222-0812	AIRLESS INSERT	1
7	222-0808	REAR WHEEL BEARING KIT (EA) (BZ150)	4
11*	222-0806	PNEUMATIC TUBE	1
5,6	222-0809	1/2" AXLE BOLT AND NUT (PR)	
4,9	222-0801	ALUM HR BLK ANO W/HARDWARE	
4A,9	222-0811	ALUM HANDRIM BLK ANO W/HARDWARE	

ITEM	NUMBER	DESCRIPTION	QTY
1-4A,7,8	222-0810	24" WHEEL, MAG RIM W/PNEU TIRE/AIRLESS INSERT, HR, AND BEARINGS	
4,7,8,10	222-0800	24" WHEEL, MAG RIM W/SOLID TIRE, HANDRIM AND BEARINGS	
1,3,4A,7,8	222-0804	24" WHEEL, MAG RIM W/PNEU TIRE, HANDRIM AND BEARINGS	

NOTE: ITEM 4 (ALUMINUM HANDRIM) IS USED FOR 24" SOLID WHEEL. ITEM 4A (ALUMINUM HANDRIM) IS USED FOR 24" PNEUMATIC AND PNEUMATIC AIRLESS WHEEL.  
\* PNEUMATIC TUBE NOT SHOWN.

## HANDRIM, SCREW MOUNT 6-HOLE (20"/22"/24" SPOKE WHEEL)

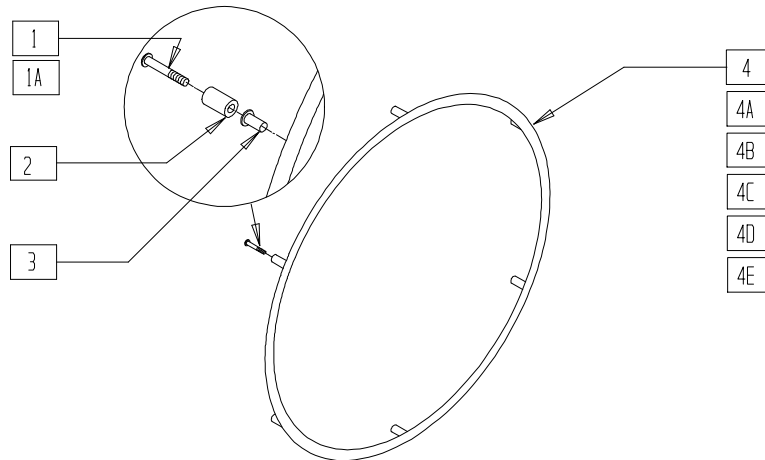


WH0X16

ITEM	NUMBER	DESCRIPTION	QTY
1	281170	10-32 x 1 5/8 PAN HD PHIL SS (REG)	6
1A	281175	10-32 x 2 1/8 PAN PHIL SS (LONG)	6
2	561036	HANDRIM SPACER (REG)	6
2A	561038	HANDRIM SPACER (LONG)	6
3	341497	10-32 x .020-.130 RIVNUT GOLD	6
3,4	529500	24" HR (6H) W/RIVNUTS	
3,4A	529501	24" HR PLASTIC (6H) W/RIVNUTS	
3,4B	529470	20" HR (6H) W/RIVNUTS	
3,4C	529471	20" HR PLASTIC (6H) W/RIVNUTS	
3,4D	529484	22" HR (6H) W/RIVNUTS	
3,4E	529485	22" HR PLASTIC (6H) W/RIVNUTS	
1-4	426000	24" HR 6SMT W/HARDWARE	

ITEM	NUMBER	DESCRIPTION	QTY
1A,2A,3,4	426002	24" HR 6SMT LT W/HARDWARE	
1,2,3,4A	426004	24" HR 6SMT PLASTIC W/HARDWARE	
1A,2A,3,4A	426006	24" HR 6SMT LT PLASTIC W/HARDWARE	
1,2,3,4B	425931	20" HR 6SMT W/HARDWARE	
1,2,3,4C	425933	20" HR 6SMT PLASTIC W/HARDWARE	
1A,2A,3,4B	425936	20" HR 6SMT LT W/HARDWARE	
1A,2A,3,4C	425937	20" HR 6SMT LT PLASTIC W/HARDWARE	
1,2,3,4D	425941	22" HR 6SMT W/HARDWARE	
1,2,3,4E	425943	22" HR 6SMT PLASTIC W/HARDWARE	
1A,2A,3,4D	425945	22" HR 6SMT LT W/HARDWARE	
1A,2A,3,4E	425947	22" HR 6SMT LT PLASTIC W/HARDWARE	

## HANDRIM, SCREW MOUNT 6-HOLE (20"/22"/24" MAG WHEEL)



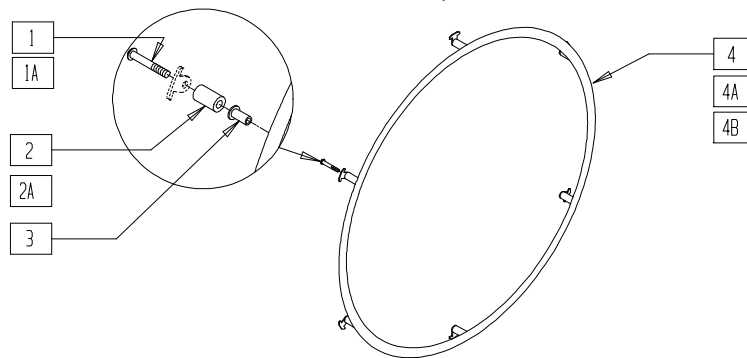
WH0X06

ITEM	NUMBER	DESCRIPTION	QTY
1	281175	10-32 x 2 1/8 PAN PHIL SS (REG)	6
1A	281183	10-32 x 2 9/16 PAN PHIL (LONG)	6
2	561037	HANDRIM SPACER MAG	6
3	341497	10-32 x .020-.130 RIVNUT GOLD	6
3,4	529500	24" HR (6H) W/RIVNUTS	
3,4A	529501	24" HR PLASTIC (6H) W/RIVNUTS	
3,4B	529470	20" HR (6H) W/RIVNUTS	
3,4C	529471	20" HR PLASTIC (6H) W/RIVNUTS	
3,4D	529484	22" HR (6H) W/RIVNUTS	
3,4E	529485	22" HR PLASTIC (6H) W/RIVNUTS	
1,3,4	426009	24" HR 6SMT 6MAG W/HARDWARE	
1A,2,3,4	426010	24" HR 6SMT LT 6MAG W/HARDWARE	
1,3,4A	426013	24" HR 6SMT 6MAG PLASTIC W/HARDWARE	

ITEM	NUMBER	DESCRIPTION	QTY
1A,2,3,4A	426014	24" HR 6SMT LT 6MAG W/HARDWARE	
1,3,4B	425934	20" HR 6SMT 6MAG W/HARDWARE	
1,3,4C	425935	20" HR 6SMT 6MAG PLASTIC W/HDWR	
1A,2,3,4B	425938	20" HR 6SMT LT 6MAG W/HARDWARE	
1A,2,3,4C	425939	20" HR 6SMT LT 6MAG PLASTIC W/HARDWARE	
1,3,4D	425951	22" HR 6SMT 6MAG W/HARDWARE	
1,3,4E	425953	22" HR 6SMT 6MAG PLASTIC W/HARDWARE	
1A,2,3,4D	425955	22" HR 6SMT LT 6MAG W/HARDWARE	
1A,2,3,4E	425957	22" HR 6SMT LT 6MAG PLASTIC W/HDWR	

## HANDRIM, SCREW MOUNT 6-HOLE (20"/22"/24" SPOKE WHEEL, PAINTED HANDRIM)

(Fits Breezy beginning with serial number BZ-200000)



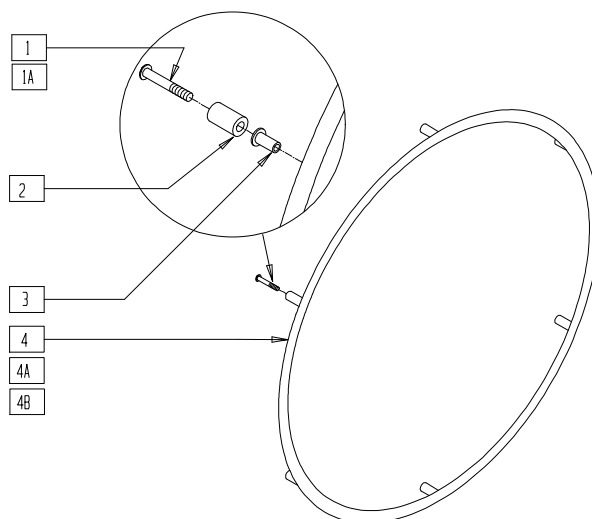
WH0X17

ITEM	NUMBER	DESCRIPTION	QTY
1	281170	10-32 x 1 5/8 PAN PHIL SS (REG)	6
1A	281175	10-32 x 2 1/8 PAN PHIL (LONG)	6
2	561036	HANDRIM SPACER (REG)	6
2A	561038	HANDRIM SPACER (LONG)	6
3	341497	10-32 x .020-.130 RIVNUT GOLD	6
3,4	529497	24" SCW MT HR 6061 PAINTED W/RIVNUT	
3,4A	529488	22" SCW MT HR PAINTED 6061 W/RIVNUT	
3,4B	529477	20" SCW MT HR PAINTED 6061 W/RIVNUT	

ITEM	NUMBER	DESCRIPTION	QTY
1-4	426001	24" SCW MT HR PAINTED W/HARDWARE	
1A,2A, 3,4	426003	24" SCW MT LT PAINTED W/HARDWARE	
1-3,4A	425024	22" HR 6SMT PAINTED W/HARDWARE	
1A,2A, 3,4A	425025	22" HR 6SMT LT PAINTED W/HARDWARE	
1,2,3,4B	425014	20" SCW MT HR PAINTED W/HARDWARE	
1A,2A, 3,4B	425015	20" SCW MT LT PAINTED W/HARDWARE	

## HANDRIM, SCREW MOUNT 6-HOLE (20"/22"/24", MAG WHEEL, PAINTED HANDRIM)

(Fits Breezy beginning with serial number BZ-200000)

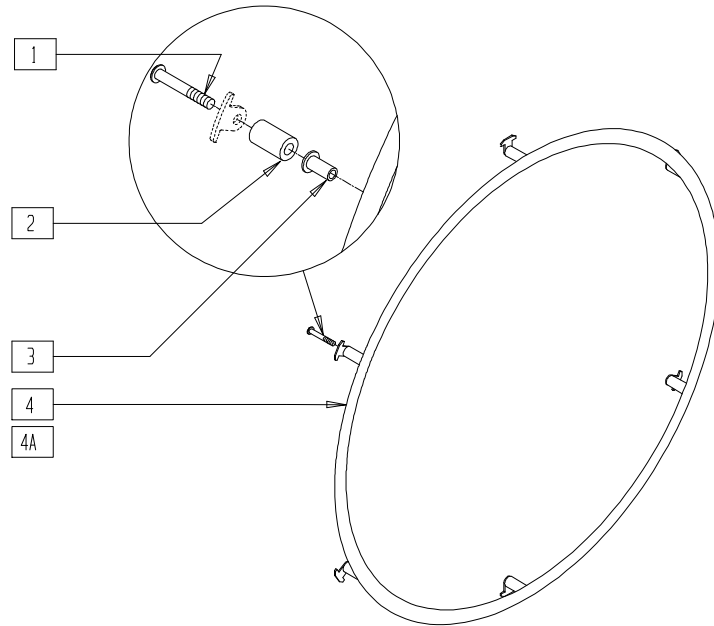


WH0X18

ITEM	NUMBER	DESCRIPTION	QTY
1	281183	10-32 x 2 9/16 PAN PHIL (LONG)	6
1A	281175	10-32 x 2 1/8 PAN PHIL SS	6
2	561037	HANDRIM SPACER MAG	6
3	341497	10-32 x .020-.130 RIVNUT GOLD	6
3,4	529497	24" SCW MT HR 6061 PAINTED W/RIVNUT	
3,4A	529488	22" SCW MT HR PAINTED 6061 W/RIVNUT	
3,4B	529477	20" SCW MT HR PAINTED 6061 W/RIVNUT	

ITEM	NUMBER	DESCRIPTION	QTY
1-4	426007	24" SCW MT LT PAINTED 6S W/HARDWARE	
1A,3,4	426005	24" SCW MT HR PAINTED 6S W/HDWR	
1A,3,4A	425026	22" HR 6SMT PAINTED 6MAG W/HARDWARE	
1-3,4A	425027	22" HR 6SMT LT PAINTED 6MAG W/HDWR	
1A,3,4B	425016	20" SCW MT HR PAINTED 6S W/HDWR	
1-3,4B	425017	20" SCW MT LT PAINTED 6S W/HARDWARE	

## 22" SCREW MOUNT 6-HOLE HANDRIM (FOR 24" SPOKE WHEEL)(QUICKIE M6)

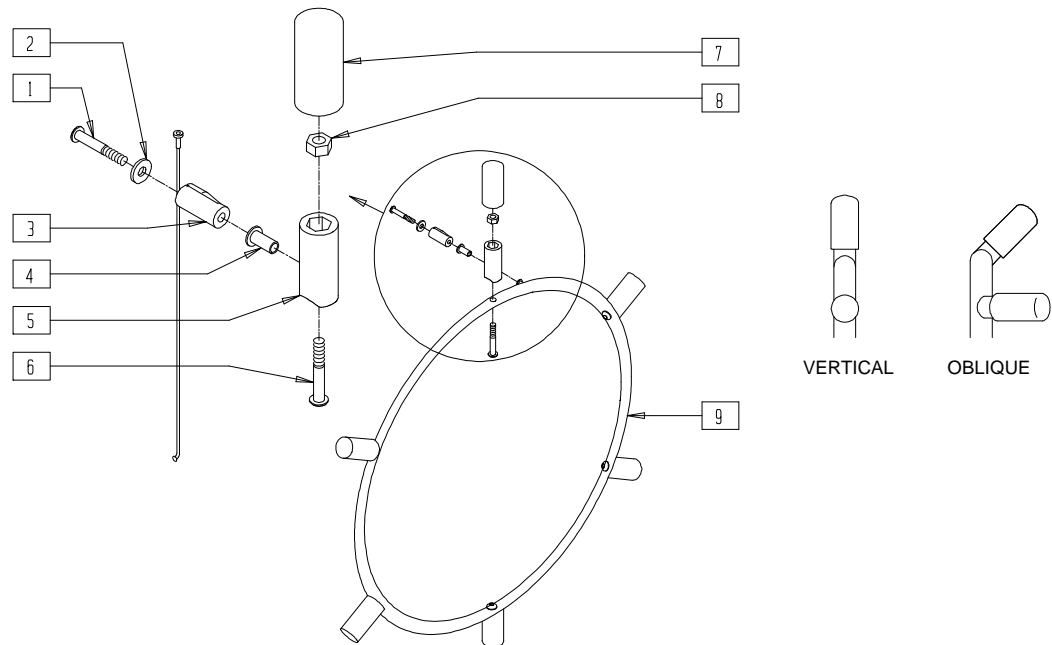


MAG00X27

ITEM	NUMBER	DESCRIPTION	QTY
1	281175	10-32 x 2 1/8 PAN PHIL SS	6
2	561038	HANDRIM SPACER (LONG)	6
3	341497	10-32 x .020-.130 RIVNUT GOLD	6

ITEM	NUMBER	DESCRIPTION	QTY
3,4	529484	22" HR (6H) W/RIVNUTS	
3,4A	529485	22" HR PLASTIC (6H) W/RIVNUTS	
1-4	425941	22" HR 6SMT W/HDWR	
1-3,4A	425943	22" HR 6SMT PLASTIC W/HDWR	

## PROJECTION HANDRIM (20"/22"/24"/26" SPOKE WHEELS)

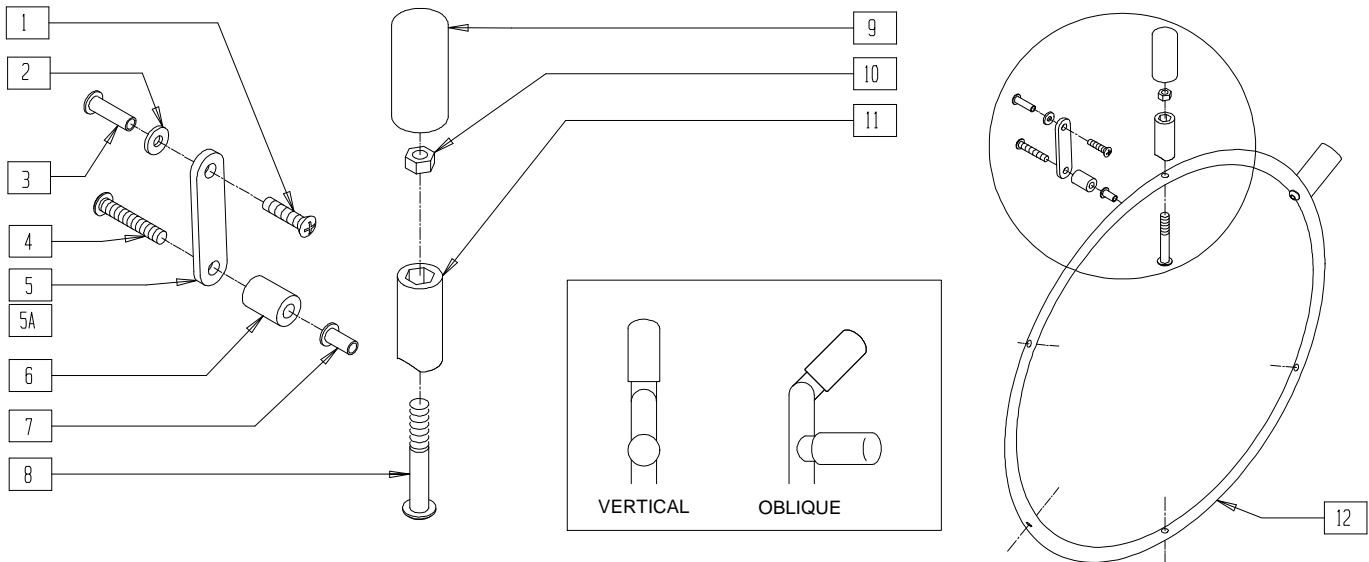


WH0X04

ITEM	NUMBER	DESCRIPTION	QTY
1	281170	10-32 x 1 5/8 PAN PHIL SS	6
2	261300	3/16 WASHER FLAT	6
3	561046	PROJECTION SPOKE MOUNT	6
4	341497	10-32 x .020-.130 RIVNUT GOLD	6
5	561044	PROJECTION PEG	6-12
6	226155	1/4-28 x 2 1/4 BH C/S	6-12
7	560600	1 1/2 x .705 x .187 FOAM GRIP	6-12

ITEM	NUMBER	DESCRIPTION	QTY
8	201100-QU	1/4-28 NYLOCK NUT THIN	6-12
4,9	529640,	PROJECTION HANDRIM W/RIVNUTS	
	529641	8 VERT OR OBLQ	
	529740,	PROJECTION HANDRIM W/RIVNUTS	
	529741	12 VERT OR OBLQ	
1-9	427000- 427007	PROJECTION HANDRIM 20"/22"/24"/26" 6,8,10,12,VERT OR OBLQ W/HARDWARE	

## PROJECTION HANDRIM 6-SPOKE (20"/22"/24" MAG WHEELS)

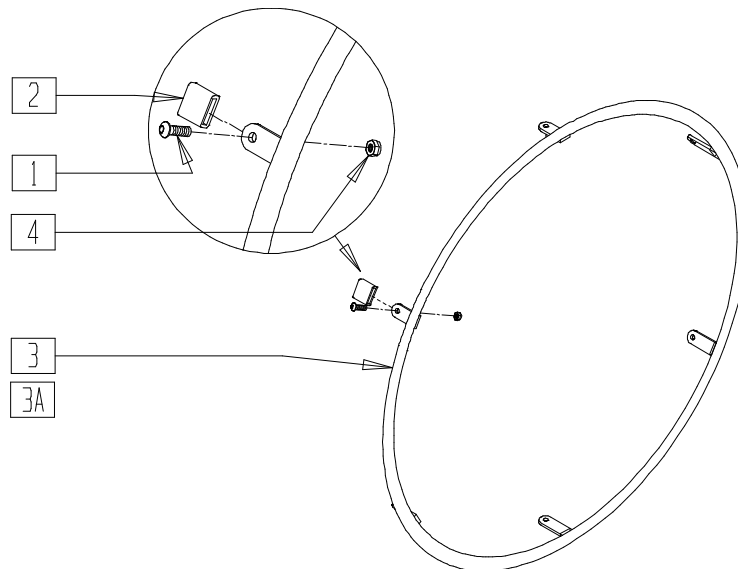


WH0X09

ITEM	NUMBER	DESCRIPTION	QTY
1	281120	10/32 x 5/8 PAN HD PHIL	6
2	261300	3/16 WASHER FLAT	6
3	341509	10-32 x .900 HEX RIVNUT BLK	6
4	281147	10-32 x 1 1/4 PAN PHIL	6
5	505004	2 HOLE TOGGLE (20"/24" MAG)	6
5A	505007	2 HOLE TOGGLE 1.625 (22" MAG)	6
6	561037	HANDRIM SPACER MAG	6
7	341497	10-32 x .020-.130 RIVNUT GOLD	6
8	226155	1 1/4-28 x 2 1/4 BH C/S	6-12

ITEM	NUMBER	DESCRIPTION	QTY
9	560600	1 1/2 x .705 x .187 FOAM GRIP	6-12
10	201100-QU	1/4-28 NYLOCK NUT THIN	6-12
11	561044	PROJECTION PEG	6-12
7,12	529640,	PROJECTION HANDRIM W/RIVNUTS 8 VERT OR OBLO	
	529641		
	529740, 529741	PROJECTION HANDRIM W/RIVNUTS 12 VERT OR OBLO	
1-12	427506- 427515	PROJECTION HANDRIM 6MAG VERT OR OBLO W/HARDWARE	

## HANDRIMS (TAB MOUNT, 18"/22"/23"/24"/26" SPOKE WHEELS)

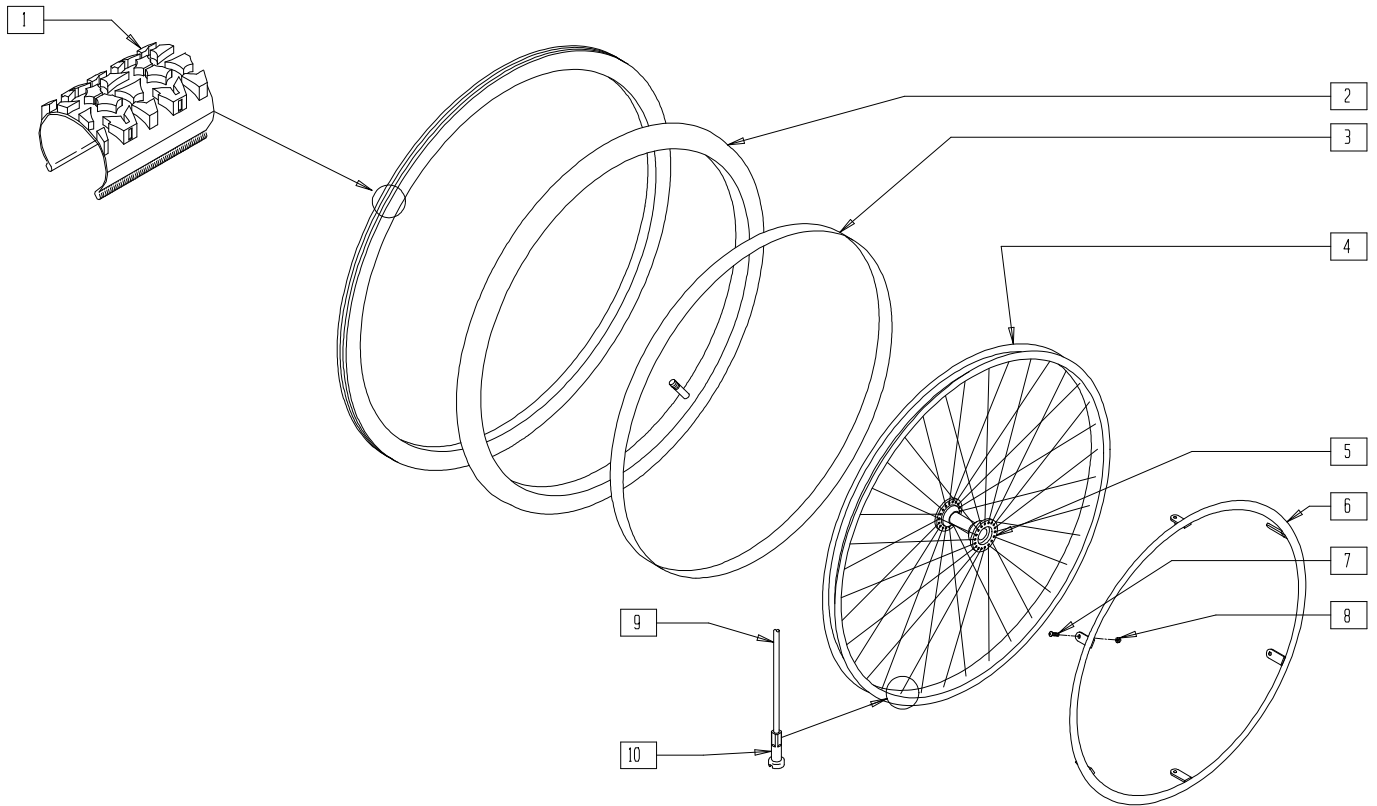


WH0X03

ITEM	NUMBER	DESCRIPTION	QTY
1	281110	10/32 x 1/2 PAN PHIL	4-6
2	580300	HANDRIM TAB COVER	4-6
3	529100- 529411	HANDRIM TAB MOUNT	1
3A	529120- 529121	HANDRIM TAB MOUNT (4T)	1

ITEM	NUMBER	DESCRIPTION	QTY
4	200100	10-32 NYLOCK NUT	4-6
1-4	425020- 425056	HANDRIM TAB MOUNT W/HARDWARE	
1,2,3A,4	425008, 425009	HANDRIM TAB MOUNT (4T) W/HARDWARE	

# WHEEL ASSEMBLY - KNOBBIE TIRE (QUICKIE XTR)

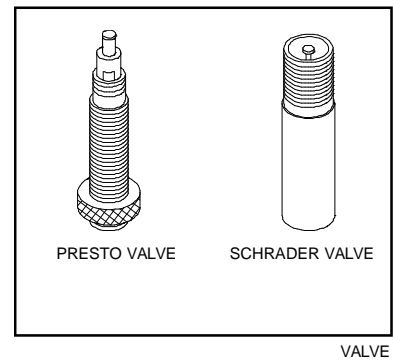
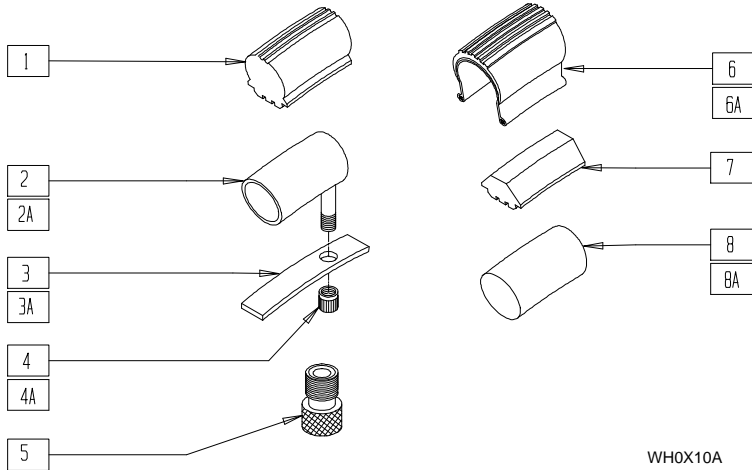


SUS00X32

ITEM	NUMBER	DESCRIPTION	QTY
1	384604	TIRE CS 24 x 2.1 SMOKER	1
2	382334	TUBE	1
3	381244	RIM STRIP	1
4	364337	RIM	1
5	363255	HUB	1
6	529100, 529101	HANDRIM	1
7	281110	10-32 x 1/2 PAN PHIL	4

ITEM	NUMBER	DESCRIPTION	QTY
8	200100	10-32 NYLOCK NUT	4
9	362275	SPOKE (RIGID)	36
10	361250	SPOKE NIPPLE 5/8" BRASS ZN	36
4,5,9,10	401075	RIM ASSEMBLY	
1-10	762007, 762017	WHEEL ASSEMBLY	
1-5,7-10	762046		

# TIRES AND TUBES



VALVE

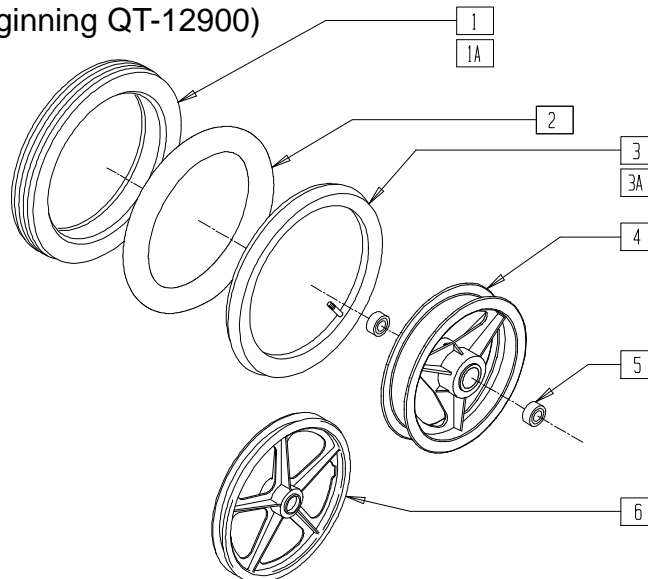
WH0X10A

ITEM	NUMBER	DESCRIPTION	QTY
1	386252	24" POLY TIRE STANDARD	1
	386242	22" POLY TIRE STANDARD	
	386232	20" POLY TIRE STANDARD	
2	382260-382355	INNER TUBE 18"-26"	1
2A	382375	24" x 2.125" TUBE (M6)	1
3	381245-381300	RIM STRIP 18"-26"	1
3A	381301	RIM STRIP 24 x 1.75"/2.125" (M6)	1
4	381240	VALVE STEM CAP (O)	1
4A	381240	(04) VALVE STEM CAP (M6)	1
5	381230	VALVE ADAPTER PRESTA	1
6	385230-385325	PNEUMATIC TIRE 18"-26"	1

ITEM	NUMBER	DESCRIPTION	QTY
6	385354	24" x 1 3/8 KNOBBIE TIRE	1
	389020	24" x 1" HI PRESSURE CLINCHER TIRE	
	385350	24" KEVLAR TIRE	
	389030	26" x 1" HI PRESSURE CLINCHER TIRE	
6A	384614	TIRE 24" x 2.125" (M6)	1
7	386254	24" POLY LOW PROFILE	1
	386262	20" LP POLY TIRE BR	
	386263	22" LP POLY TIRE BR (QUICKIE LX)	
	386264	24" LP POLY TIRE BR	
8	382413	16" AIRLESS INSERT	1
	382414	18" AIRLESS INSERT	
	382404	20" AIRLESS INSERT	
	382405	22" AIRLESS INSERT	
	382410	24" AIRLESS INSERT	
8A	382420	AIRLESS INSERT 24" x 2.125" (M6)	

NOTE: FOR ADDITIONAL INFORMATION ON TIRES, SEE TIRE REFERENCE GUIDE ON 19.15.

## REAR WHEEL (QUICKIE KIDZ/T45/TS) (Quickie TS effective 12/15/95, beginning QT-12900)



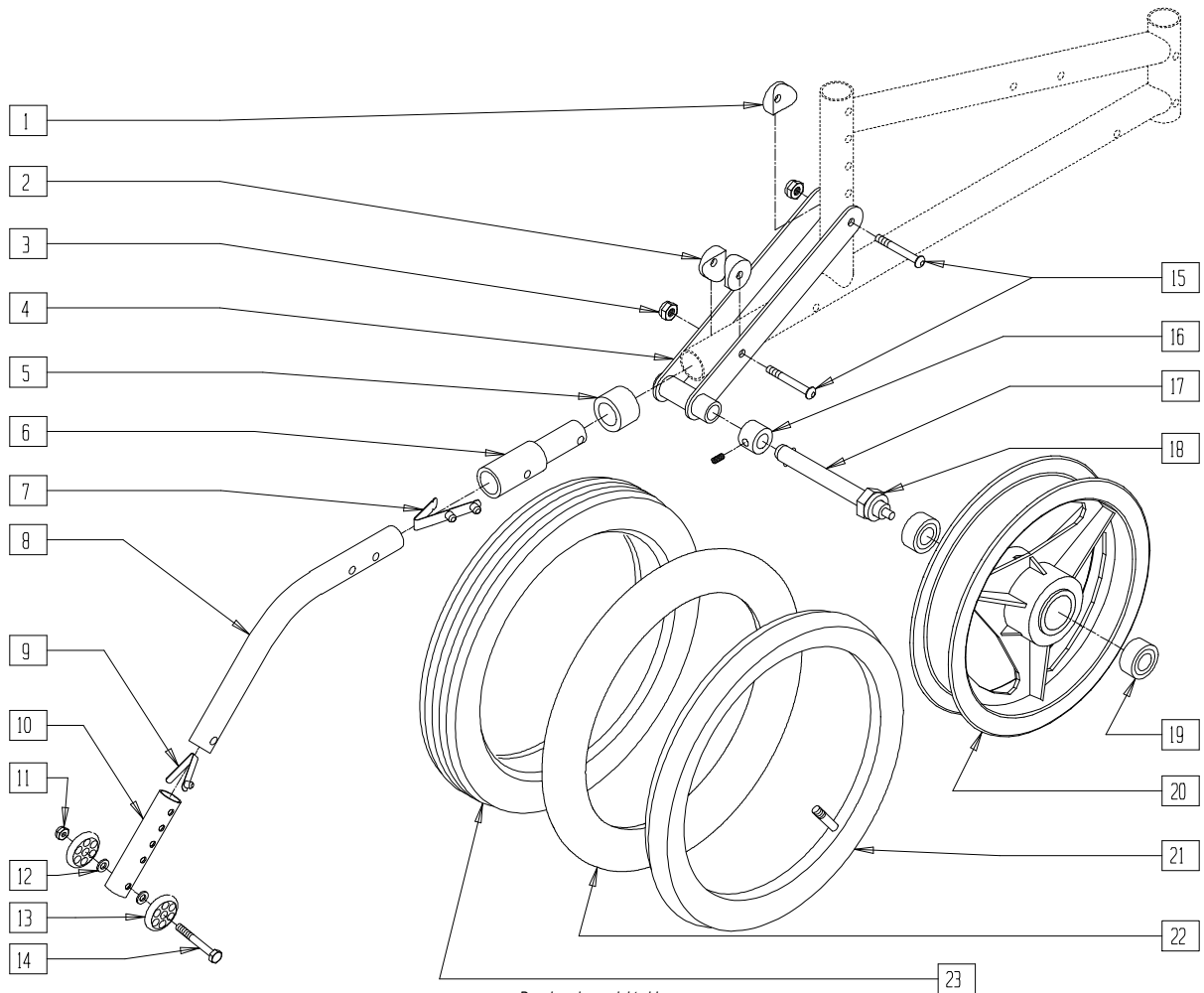
KDZ00X11

ITEM	NUMBER	DESCRIPTION	QTY
1	384707	TIRE PNEU 12 1/2 x 2 1/4 STRT	1
1A	384706	TIRE PNEU 12-1/2" x 2	1
1B	385237	16" x 1.75" PNEU TIRE	1
2	382402	12 1/2" x 2 1/4" AIRLESS INSERT	1
3	384734	INNER TUBE 12 1/2" x 2 1/4"	1
3A	384738	INNER TUBE 16" x 1.75"	1

ITEM	NUMBER	DESCRIPTION	QTY
5	349500	1 1/8 x 1/2 BEARING	2
4,5	400730	12" MAG RIM W/BEARING	
5,6	400741	16" MAG W/BEARINGS	
1,3-5	400731	12" MAG PNEUMATIC STREET	
1B,3A,5,6	760010	16" MAG PNEUMATIC	
1A,2,4,5	400733	RR MAG 12" PNEU INSERT	



# REAR WHEEL RETRO KIT (12") (ZIPPIE TS)



Drawing shows right side

Z00X19

ITEM	NUMBER	DESCRIPTION	QTY
1	561001	1 1/8" SADDLE 1/4" HOLE	1
2	561004	1" SADDLE 1/4" HOLE	2
3	201100	1/4-28 NYLOCK NUT THIN	2
5	561018	1" TUBE END BUSHING THICK	1
6	483097	ANTI-TIP INSERT 12" WHEEL	1
7	301109	SNAP BUTTON DUAL ONE SIDE	1
8	521519	ANTI-TIP MAIN TUBE TS 12" WHEEL	1
9	301100	1/4" SNAP BUTTON SINGLE	1
10	521516	ANTI-TIP SLEEVE BZ/ZP	1
11	201100	1/4-28 NYLOCK NUT THIN	1
12	262110-QU	1/4 AN WASHER FLAT THIN	2
13	561032	ANTI-TIP WHEEL	2
14	221192	1/4-28 x 2 G8 HEX C/S	1
7-14	880510	ANTI-TIP TUBE TS 12" WHEEL (EA)	
7-14	900705	ANTI-TIP ASSEMBLY TS 12" WHEEL (PR)	
15	226140	1/4-28 x 1 3/4 BH C/S	2
16	920117	MAG SPACER 6S W/SET SCREW	1

ITEM	NUMBER	DESCRIPTION	QTY
17	349010	QUICK RELEASE AXLE	1
18	203100	1/2-20 NYLOCK NUT	1
16-18	920118	OR AXLE 12S MAG W/NUT AND SPACER	
19	349500	1 1/8 x 1/2 BEARING	2
19,20	400730	12" MAG RIM W/BEARING	
21	384734	INNER TUBE 12 1/2" x 2 1/4"	1
22	382402	12 1/2" x 2 1/4" AIRLESS INSERT	1
23	384706	TIRE PNEU 12 1/2" x 2 1/4"	1
1-4,6,15	920161	OR AXLE PLATE TS 12" WHEEL W/AT REC	
19,20,21,23	400732	12" MAG PNEUMATIC	
19,20,22,23	400733	RR MAG 12" PNEUMATIC INSERT	
1-4,6-15, 17-21,23	923570	TS 12" WHEEL/AT RETRO KIT	
1-4,6-15, 17-20,22,23	923571	TS 12" MAG INSERT/AT RETRO KIT	

NOTE: ITEM 16, MAG SPACER, NOT REQUIRED EFFECTIVE SERIAL NUMBER ZP-32173.

# TIRE REFERENCE GUIDE

(Shading indicates item is available)

Tire Type	Size	Tire Part #	Tube Part #	12" Mag Kidz	12" Mag Zippie	18" Spoke	20" Spoke	20" Mag	22" Spoke	22" Mag	24" Spoke	24" Mag	26" Spoke	24" Tennis BB	26" Tennis BB	24" HT Tennis BB	26" HT Tennis BB
<b>Kevlar</b>	24"	385350	382325														
<b>Pneumatic</b>	12"	384707	384736														
	12"	384706	384736														
	18"	385230	382260														
	20"	385250	382275														
	22"	385275	382300														
	24"	385300	382325														
<b>Latex Tubular</b>	24"	389004	N/A														
	26"	389006	N/A														
<b>Turbo Tread Black HT</b>	24"	389012	384545														
<b>Turbo Tread Tan HT</b>	26"	388999	384550														
<b>Low Profile Polyurethane (Breezy/LX)</b>	20"	386262	N/A					*									
	22"	386263	N/A						*								
	24"	386264	N/A									*					
<b>Low Profile Polyurethane (Quickie)</b>	24"	386254	N/A														
<b>High Profile Polyurethane</b>	20"	386232	N/A														
	22"	386242	N/A														
	24"	386252	N/A														
<b>Knobbie Standard</b>	24"	385354	382325														
<b>Knobbie HT</b>	24"	389015	384547														
<b>High Pressure Clincher</b>	24"	389020	382330														
	26"	389030	382355														
<b>Airless Insert</b>	12"	N/A	382402														
	18"	N/A	382414														
	20"	N/A	382404														
	22"	N/A	382405														
	24"	N/A	382410														

\* BREEZY AND LX SERIES ONLY

## KEVLAR (Specialized)

- Air-filled inner tube, Kevlar reinforced tire, flat resistant, light, shock absorbent on rough terrain, maneuverable, good traction, 4 oz. lighter than standard pneumatic tire.
- psi per Sidewall: 24" x 1 3/8"

## PNEUMATIC (Cheng Shin)

- Air-filled tires, light, shock absorbent, maneuverable, good traction.
- psi per Sidewall, 20"-26" x 1 3/8"

## LATEX TUBULAR (also known as Continental, Sew Ups, Gum Rubber)

- Ultra lightweight, stretches to fit different rims, minimal roll resistance for maximum shock absorbency.
- psi per Sidewall, 24"-26" x 1"

## TURBO TREAD (Specialized)

- For heat-treated rims, high-pressure tire, uses an inner tube which allows for repairs, lightest weight tire, easy installation, minimal roll resistance, durable, good traction.

- psi per sidewall, 24" x 1" (559 x 25) black sidewall
- psi per Sidewall, 26" x 1" (700 x 23cm), tan sidewall

## LOW-PROFILE POLYURETHANE

- Airless, no tread, low maintenance, flat free, maneuverable.

## HIGH-PROFILE POLYURETHANE

- Airless, small tread, minimal traction, low maintenance, flat free, maneuverable.

## KNOBBIE STANDARD (Primo V-Trak)

- All terrain, deep tread for increased traction, added floatation in sand, loose dirt and snow, puncture resistance.
- psi per Sidewall, 24" x 1 3/8"

## KNOBBIE HEAT-TREATED (Specialized)

- For heat-treated rims, all terrain, deep tread for increased traction, added floatation in sand, loose dirt and snow, puncture resistance.
- psi per Sidewall, 24" x 1 1/2" (559)

## HIGH-PRESSURE CLINCHER (Primo)

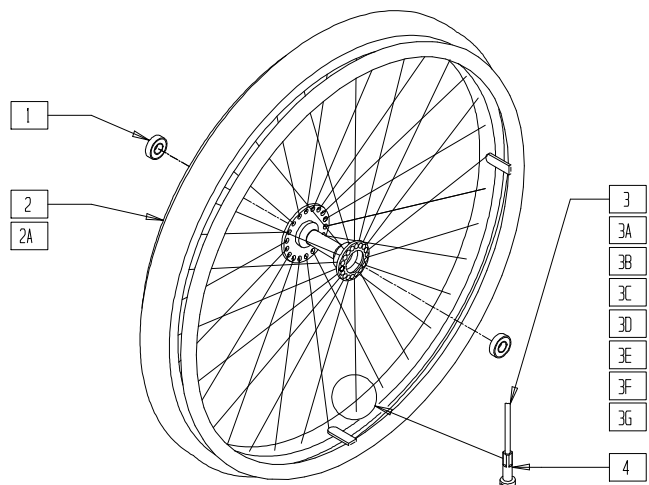
- High performance tire option for everyday user, extremely lightweight, uses an inner tube which allows for repairs, says "Primo" on sidewall.

# Wheels (Quickie Performance)

## IN THIS SECTION

Basketball Wheel Rim Assembly .....	20.1	Handrim (Tab Mount) .....	20.5
Tennis Wheel Rim Assembly .....	20.1	Handrim, Screw Mount 6-Hole (24") .....	20.6
Wheel Rim (18"-26") .....	20.2	Ultimate Handrim .....	20.6
Wheel Rim (24" Heat Treated).....	20.2	Quickie Performance Hub.....	20.7
Wheel Rim (26" Heat Treated).....	20.3	Tires and Tubes .....	20.7
X-core Wheel (559mm) (Disc.) .....	20.3		
24"-26" (540,559,590 mm) Spinergy Wheel Assembly .....	20.4		

## BASKETBALL WHEEL RIM ASSEMBLY

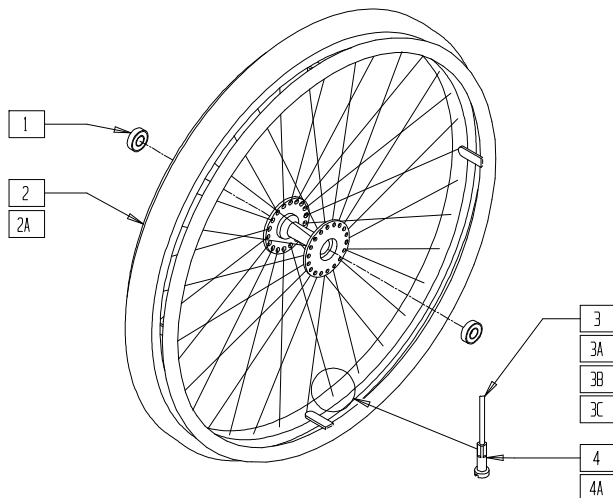


WH0X12

ITEM	NUMBER	DESCRIPTION	QTY
1	349500	1 1/8 x 1/2 BEARING	2
3	362502	QP SPOKE 234mm x 2.0 (14g)	18
3A	362505	QP SPOKE 246mm x 2.0 (14g)	18
3B	362504	QP SPOKE 242mm x 2.0 (14g)	18
3C	362506	QP SPOKE 254mm x 2.0 (14g)	18
3D	362521	QP SPOKE 258mm x 2.0 (14g)	18
3E	362325	QP SPOKE 270mm x 2.0 (14g)	18
3F	362508	QP SPOKE 274mm x 2.0 (14g)	18
3G	362509	QP SPOKE 286mm x 2.0 (14g)	18
4	361250	SPOKE NIPPLE 5/8" BRASS ZN	36

ITEM	NUMBER	DESCRIPTION	QTY
1-3, 3A,4	761110- 761119, 761200, 761201	24" BASKETBALL WHEEL	
1,2,3B, 3C,4	761140- 761149	24" HT BASKETBALL WHEEL	
1,2A,3B, 3E,4	761160- 761167, 761250, 761251	26" BASKETBALL WHEEL	
1,2A,3F, 3G,4	761182- 761188	26" HT BASKETBALL WHEEL	

## TENNIS WHEEL RIM ASSEMBLY

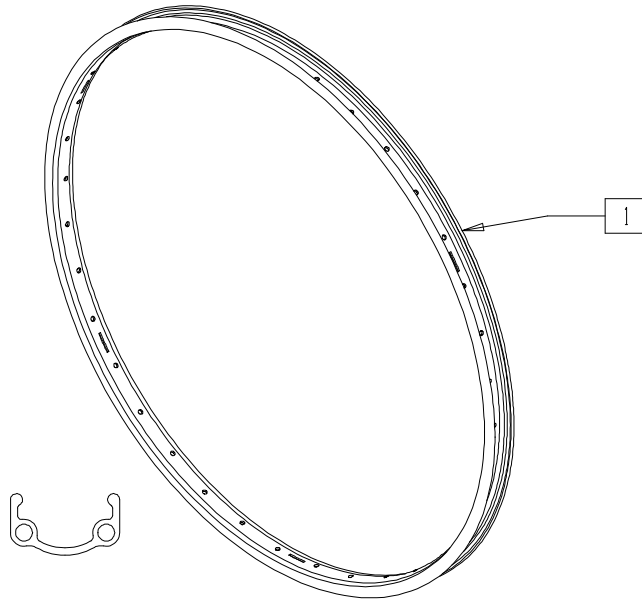


WH0X11

ITEM	NUMBER	DESCRIPTION	QTY
1	349500	1 1/8 x 1/2 BEARING	2
3	362501	QP SPOKE 232mm x 1.8 (15g)	36
3A	362520	QP SPOKE 240mm x 1.8 (15g)	36
3B	362521	QP SPOKE 258mm x 2.0 (14g)	36
3C	362508	QP SPOKE 274mm x 2.0 (14g)	36
4	361252	1.8mm BRASS NIPPLE QP	36
4A	361250	SPOKE NIPPLE 5/8" BRASS ZN	36
1-4	761100- 761109, 761210, 761211	24" TENNIS WHEEL	

ITEM	NUMBER	DESCRIPTION	QTY
1,2, 3A,4	761130- 761139	24" HT TENNIS WHEEL	
1,2A, 3B,4A	761150- 761157, 761260, 761261	26" TENNIS WHEEL	
1,2A, 3C,4A	761172- 761178	26" HT TENNIS WHEEL	

# WHEEL RIM (18" - 26")

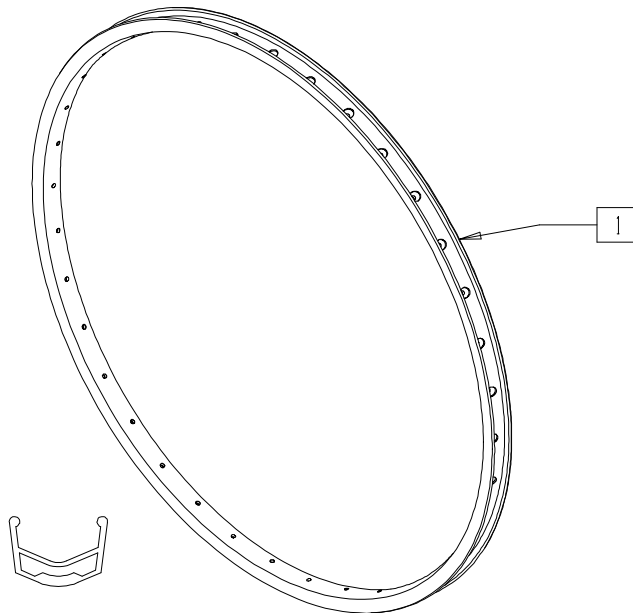


PFM0X01

ITEM	NUMBER	DESCRIPTION	QTY
1	364230	18" WHEEL RIM	1
	364250	20" WHEEL RIM	

ITEM	NUMBER	DESCRIPTION	QTY
1	364275	22" WHEEL RIM	1
	364300	24" WHEEL RIM (540mm)	
	364325	26" WHEEL RIM (590mm)	

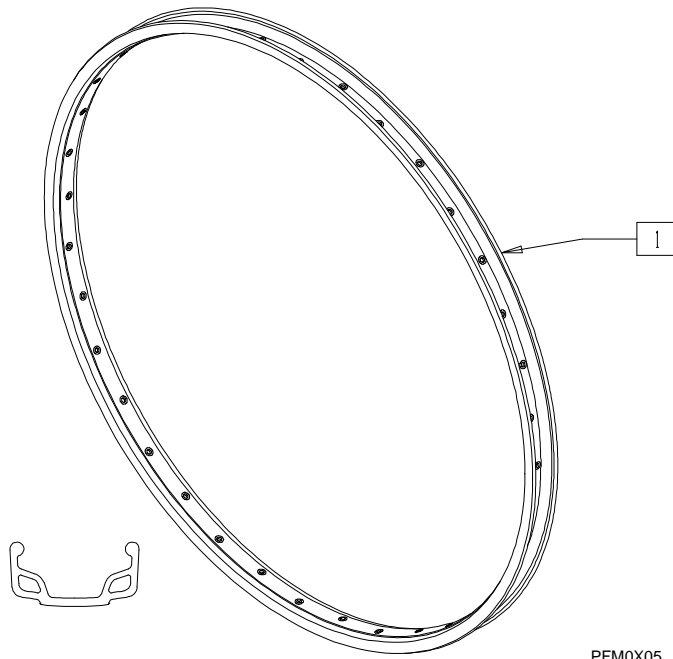
# WHEEL RIM (24" HEAT TREATED)



PFM0X04

ITEM	NUMBER	DESCRIPTION	QTY
1	369011	24" HT/26" RIM 36H (559mm x 23mm) QP	1

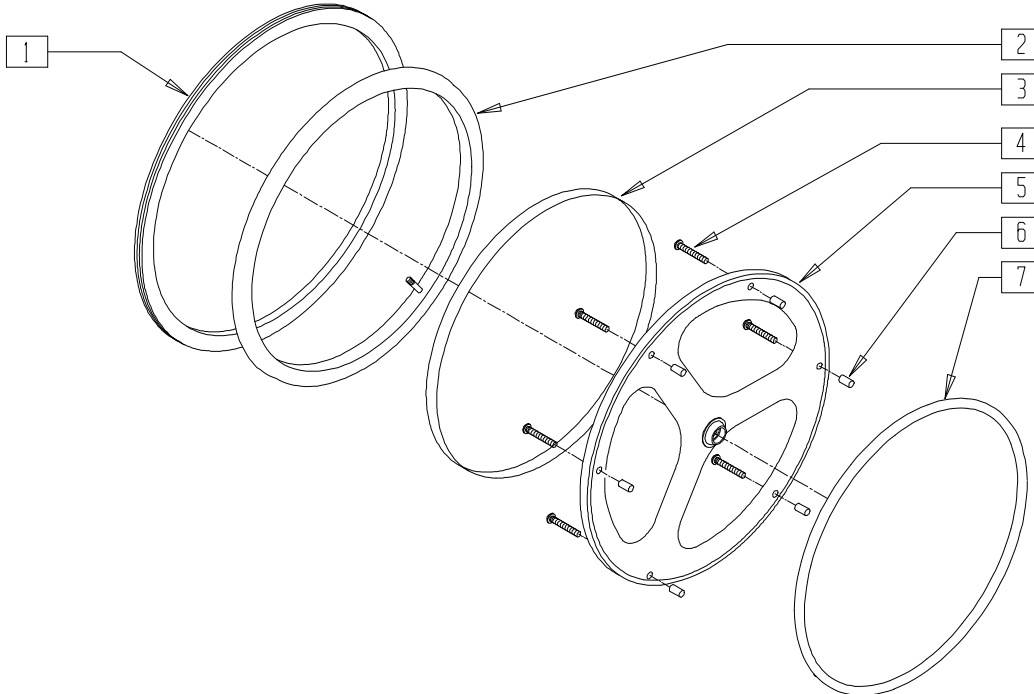
# WHEEL RIM (26" HEAT TREATED)



ITEM	NUMBER	DESCRIPTION	QTY
1	369007	26" HT/700C RIM SUN M25 36H QP	1

# X-CORE WHEEL (559mm)

(Discontinued 10/25/00 - parts only)

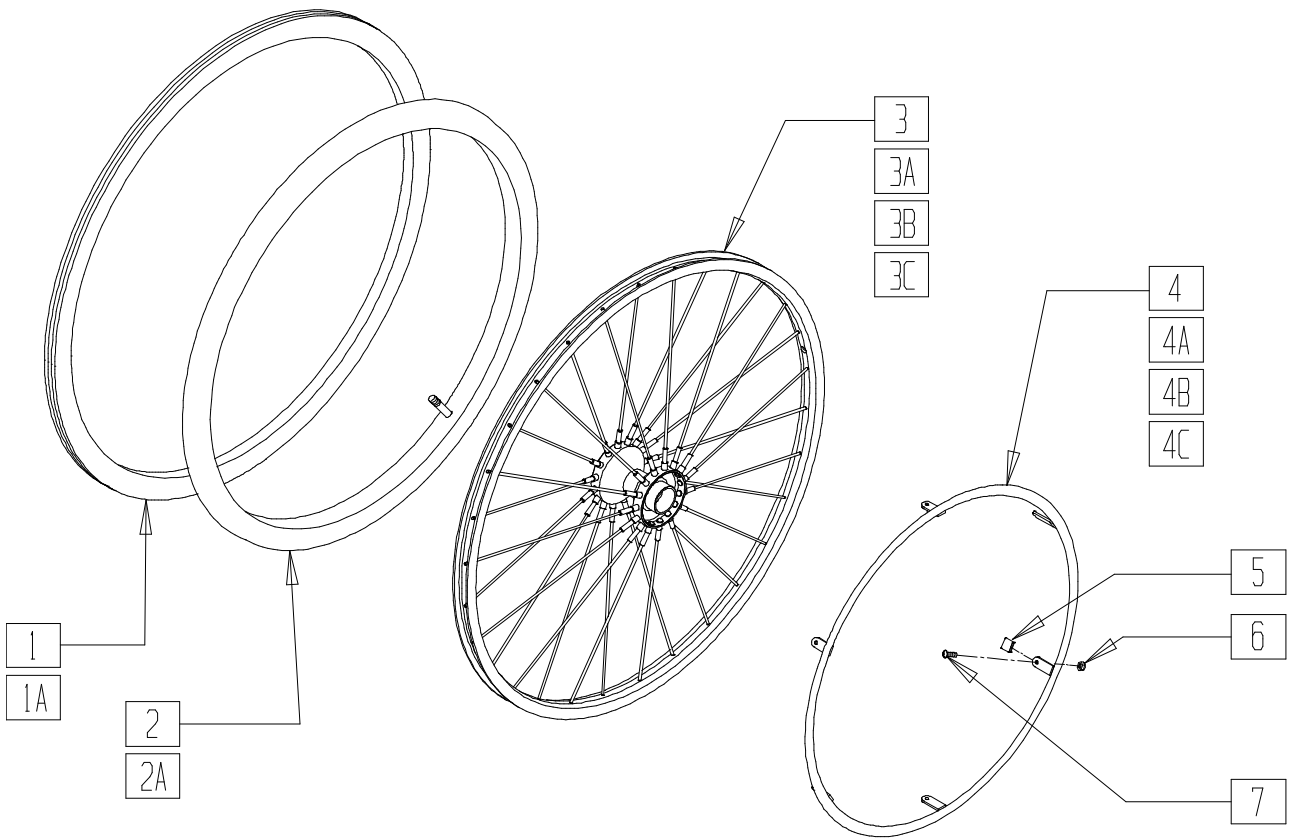


WHL0X27A

ITEM	NUMBER	DESCRIPTION	QTY
1	389012	QP 24" x 1" HT TURBO TREAD	1
2	384545	QP 24" HT INNER TUBE 559mm	1
3	381350	QP 26" HT RIM STRIP	1
4	226065	10-32 x 2" TRUSS PHIL M/S	6
5	364378	24" X-CORE 3 SPK MAG RIM CRBN	1

ITEM	NUMBER	DESCRIPTION	QTY
6	505107	SPACER X-CORE HANDRIM	6
7	529530	QP X-CORE HD RIM W/RVNUT	1
4-7	401150	24" X-CORE 3 SPK MAG CRBN W/HR	
1-7	900115	24" MAG X-CORE TRB W/ALUM HR (PR)	

# 24"-26" (540,559,590 mm) SPINERGY WHEEL ASSEMBLY

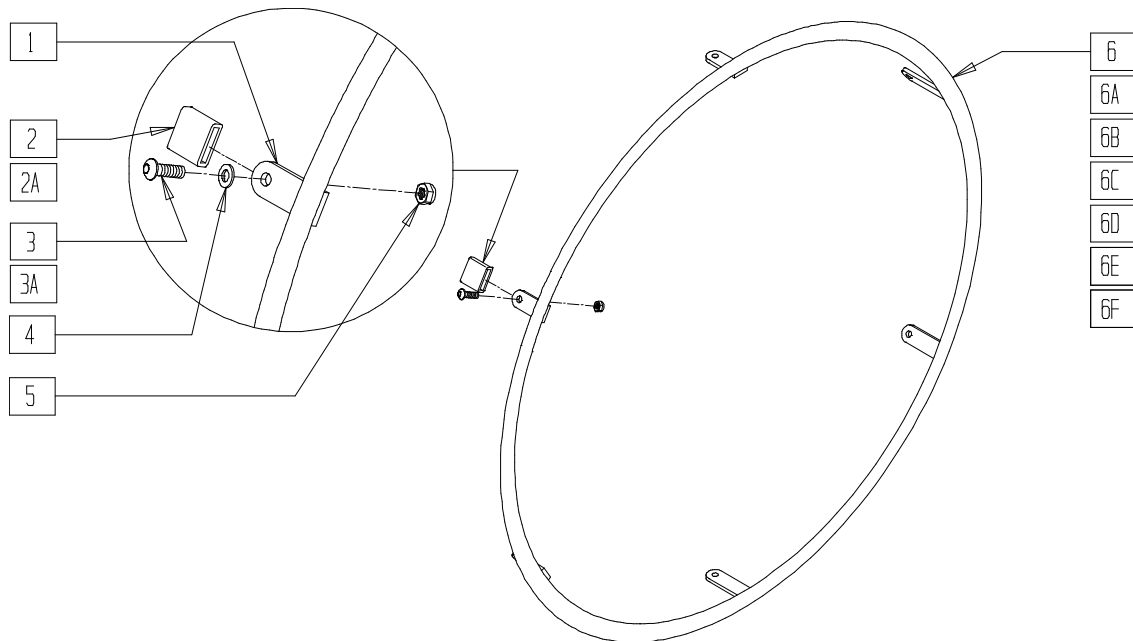


WHL\_SPOXB

ITEM	NUMBER	DESCRIPTION	QTY
1	389020	24" x 1" HI PRES CLNCHR TIRE	1
1A	389030	26" x 1" HI PRES CLNCHR TIRE	1
2	382330	24" TUBE PRESTA VALVE (540MM)	1
2A	382355	26" TUBE PRESTA VALVE (590MM)	1
4	529201	24" HR (6T) HTBB/BB PLST	1
4A	529529	OP 24" HR .065 (6)TAB ANO	1
4B	529401	26" HR 6T PLST BB/TN	1
4C	529400	26" HR 6T BB/TN	1
5	580301	HR TAB COVER BLK	6
6	200100-OU	10-32 NYLOCK NUT	6
7	281110	10-32 x 1/2 PAN PHIL	6
1-3,4A,5-7	761803	24" SPNRGY STD W/PL HR YLW 540	
1-3,4,5-7	761820	24" SPNRGY STD W/HR YLW 540	

ITEM	NUMBER	DESCRIPTION	QTY
1A,2A-3B, 4B,5-7	761809	26" SPNRGY STD W/PL HR YLW 590	
1A,2A,3B, 4C,5-7	761810	26" SPNRGY STD W/HR YLW 590	
1-2,3A, 4-7	761822	24" SPNRGY STD W/HR BLK 540	
1-2,3A,4A, 5-7	761823	24" SPNRGY STD W/PL BLK 540	
1A,2A,3A, 3C,4C,5-7	761833	26" SPNRGY STD W/HR BLK 590	
1A,2A,3C, 4B,5-7	761834	26" SPNRGY STD W/PL BLK 590	

# HANDRIM (TAB MOUNT)



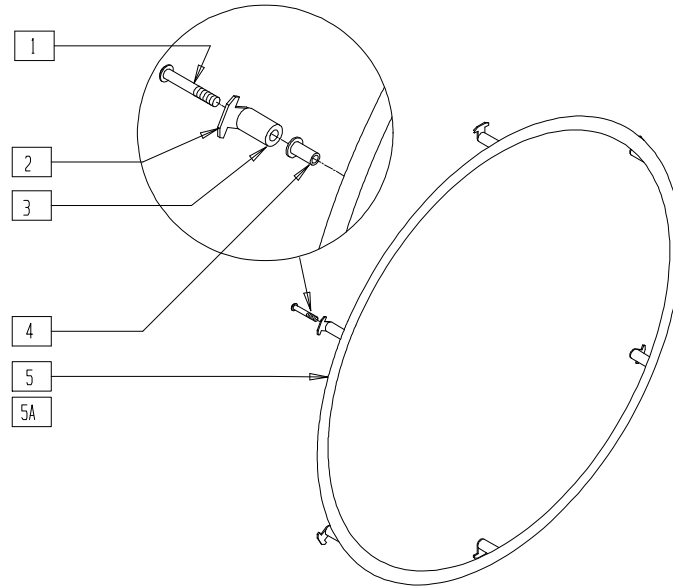
PFMOX08

ITEM	NUMBER	DESCRIPTION	QTY
	2	HANDRIM TAB COVER	6
	2A	HR TAB COVER BLK	6
	3	10/32 x 1/2 PAN PHIL	6
	3A	10-32 x 5/8 PAN HD PHIL	6
	4	1/4" NYLON WASHER	6
	5	10-32 NYLOCK NUT	6
	6	24" HR (6T) HTBB/BB	1
	6A	24" HR (6T) PLASTIC HTBB/BB	1
	6B	26" HR (6T) BB/TN	1
	6C	26" HR (6T) PLASTIC BB/TNNS	1
	6D	QP 24" x .049 HR 6 TAB	1
	6E	QP 26" HR .065 (6T) PLASTIC	1
	6F	QP 26" HR .065 (6T)	1

ITEM	NUMBER	DESCRIPTION	QTY
1-3,5,6	425030	24" HR (6T) BB/HTBB W/HARDWARE	
1-3,5,6A	425032	24" HR (6T) PLASTIC BB/TN W/HARDWARE	
1A-3,5,6B	425050	26" HR (6T) BB/TN W/HARDWARE	
1A-3,5,6C	425052	26" HR (6T) PLASTIC BB/TN W/HARDWARE	
1A,2A,3A,4,5,6E	426051	QP 26" HR .065 HTTN W/HARDWARE PLASTIC	
1A,2A,3A,4,5,6D	425038	QP 24" HR .049 W/HARDWARE (6T)	
1A,2A,3A,4,5,6F	426050	QP 26" HR .065 W/HARDWARE (6T)	



# HANDRIM, SCREW MOUNT 6-HOLE (24")

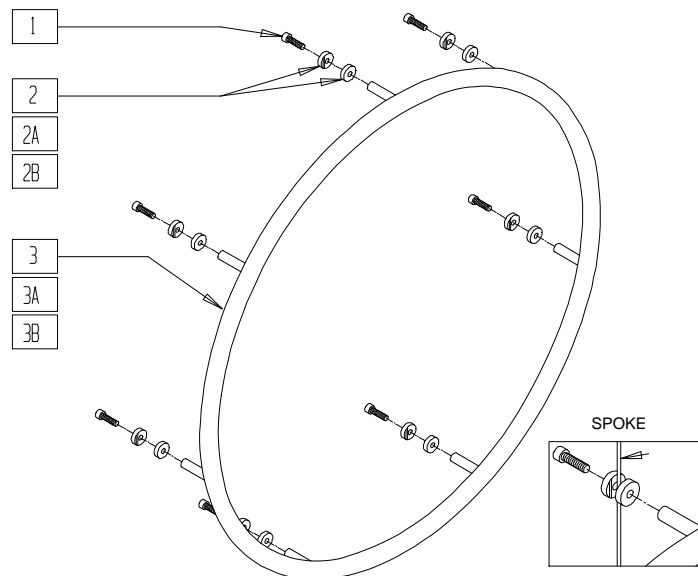


PFM0X07

ITEM	NUMBER	DESCRIPTION	QTY
1	281170	10-32 x 1 5/8 PAN PHIL SS	6
2	505068	HR SCREW MOUNT TAB	6
3	561036	HANDRIM SPACER (REG)	6
4	341497	10-32 x .020-.130 RIVNUT GOLD	6

ITEM	NUMBER	DESCRIPTION	QTY
4,5	529501	24" HR PLASTIC (6H) W/RIVNUTS	
4,5A	529514	QP 24" x .049 HR SCREW MT/RIVNUTS	
1,3-5	426004	24" HR 6SMT PLASTIC W/HARDWARE	
1-3,5A	426015	QP 24" HR .049 W/HARDWARE SMT	

# ULTIMATE HANDRIM



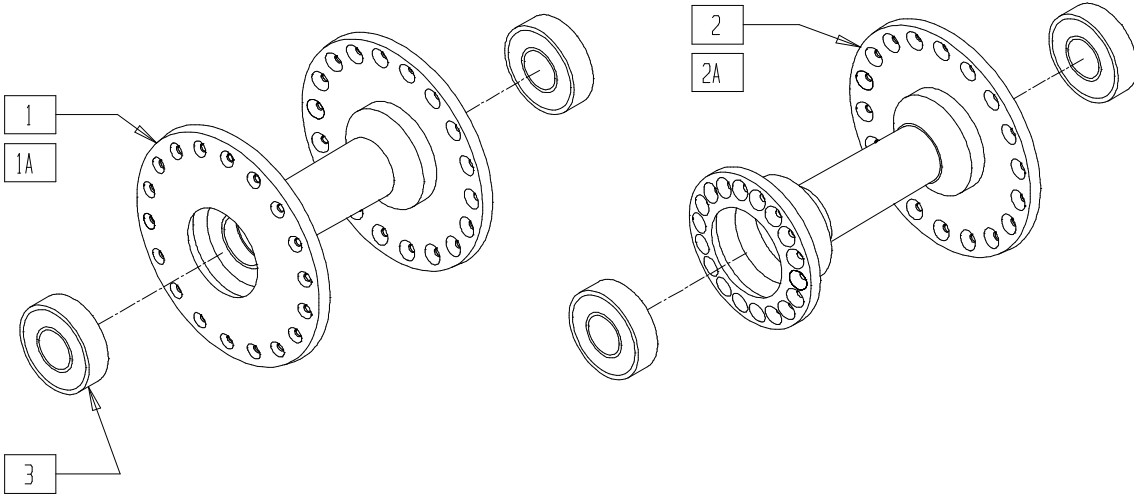
PFM0X06

ITEM	NUMBER	DESCRIPTION	QTY
1	226003	6-32 x 1/2 SOC C/S	7
2	483042	QP AERO SPOKE CLIP	14
2A	483043	QP SPOKE CLIP 1.8 (15g)	14
2B	483044	QP SPOKE CLIP 2.0 (14g)	14
3	529505	ULTIMATE HR TAB 1/2" QP	1
3A	529506	ULTIMATE HR TAB 5/8" QP	1
3B	529507	ULTIMATE HR TAB 3/4" QP	1
1,2A,3	426950	QP ULTIMATE HR TAB 1/2 W/1.8 HARDWARE	

ITEM	NUMBER	DESCRIPTION	QTY
1,2B,3	426952	QP ULTIMATE HR TAB 1/2 W/2.0 HDWR	
1-3	426954	QP ULTIMATE HR TAB W/AERO HDWR	
1,2A,3A	426960	QP ULTIMATE HR TAB 5/8 W/1.8 HDWR	
1,2B,3A	426962	QP ULTIMATE HR TAB 5/8 W/2.0 HDWR	
1,2,3A	426964	QP ULTIMATE HR TAB 5/8 W/AERO HDWR	
1,2A,3B	426970	QP ULTIMATE HR TAB 3/4 W/1.8 HDWR	

NOTE: WHEN ORDERING ULTIMATE HANDRIMS, PLEASE SPECIFY DIAMETER OF HANDRIM (12"-20"), NUMBER OF SPOKES IN WHEEL, NUMBER OF ATTACHING POINTS, AND BLACK OR RAW ALUMINUM FINISH.

# QUICKIE PERFORMANCE HUB

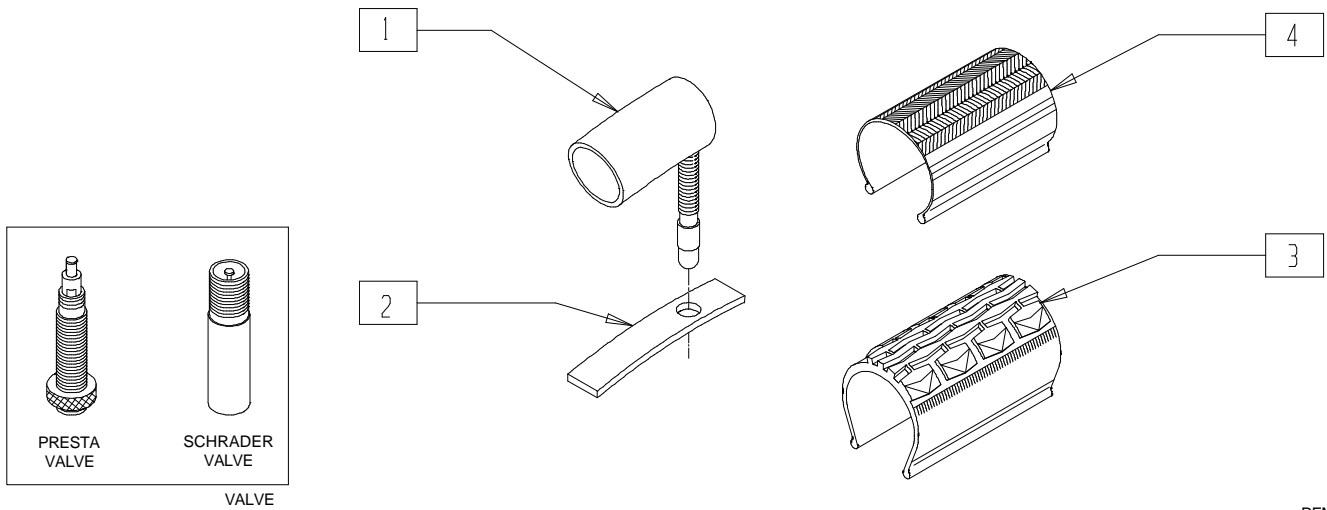


- PFM0X03

ITEM	NUMBER	DESCRIPTION	QTY
3	349500	1 1/8 x 1/2 BEARING	2
1,3	363244	QP HUB TENNIS 36H W/BEARING (EA)	
	363344	QP HUB TENNIS 36H W/BEARING (PR)	
1A,3	363240	QP HUB TENNIS 32H W/BEARING (EA)	
	363340	QP HUB TENNIS 32H W/BEARING (PR)	

ITEM	NUMBER	DESCRIPTION	QTY
2,3	363246	QP HUB HI-LO 36H OR W/BEARING (EA)	
	363346	QP HUB HI-LO 36H OR W/BEARING (PR)	
2A,3	363242	QP HUB BB 32H W/BEARING (EA)	
	363342	QP HUB BB 32H W/BEARING (PR)	

# TIRES AND TUBES



PFM0X02

ITEM	NUMBER	DESCRIPTION	QTY
1	382330	24" TUBE PRESTA VALVE (540mm)	1
	382355	26" TUBE PRESTA VALVE (590mm)	
	384550	QP 26" HT INNER TUBE (700C)	
	384545	QP 24" HT INNER TUBE (559mm)	
	384547	24" x 1 1/2" HT TUBE PRESTA QP (559mm)	
2	381275-381350	RIM STRIP	1

ITEM	NUMBER	DESCRIPTION	QTY
3	385350	24" KEVLAR TIRE	1
4	389020	24" x 1" HI PRES CLNCHR TIRE (540mm)	1
	389030	26" x 1" HI PRES CLNCHR TIRE (590mm)	
	388999	26" x 1" HT TIRE TURBO GY (700 x 23)	
	389012	QP 24" x 1" HT TURBO BLK WR/BD 559	

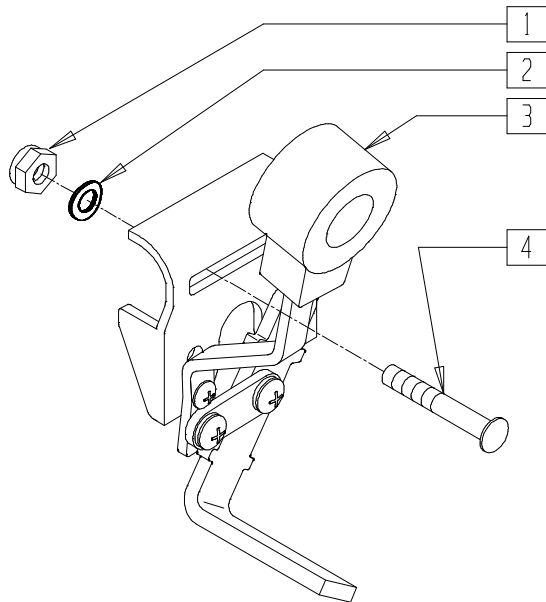
NOTE: FOR ADDITIONAL TIRE INFORMATION, PLEASE SEE TIRE REFERENCE GUIDE ON 19.15.

# Wheel Locks and Grade Aids

## IN THIS SECTION

Wheel Lock (Breezy 100/150) .....	21.1	Wheel Lock (Quickie <i>TNT</i> ) (Disc.) .....	21.14
Wheel Lock (Push-to-lock) (Breezy 500/503/510/2(Disc.)/600) .....	21.1	High Wheel Lock (Push-to-lock) (Quickie <i>TNT</i> ) ...	21.15
Wheel Lock (Pull-to-lock) (Breezy 500/503/510/2(Disc.)/600) .....	21.2	Wheel Lock (Quickie T45) .....	21.15
Wheel Lock (Push-to-lock) (Breezy 510 Recliner) .....	21.2	High Push Swing-away Wheel Lock.....	21.16
Wheel Lock (Pull-to-lock) (Breezy 510 Recliner) .....	21.3	High-mount Scissor Wheel Lock .....	21.17
High Wheel Lock (Push-to-lock) .....	21.4	High-mount Scissor Wheel Lock (Quickie Revolution) .....	21.18
High Wheel Lock (Pull-to-lock) .....	21.5	High-Mount Scissor Wheel Lock (Quickie XTR) .....	21.19
One Hand Wheel Lock (Quickie 2) .....	21.6	High Mount Scissor Wheel Lock (Quickie R2) ....	21.20
High Wheel Lock (Push-to-lock) (Quickie M6) .....	21.6	High Mount Scissor Wheel Lock (Quickie Ti Titanium) .....	21.21
Wheel Lock (Push-to-lock) (Quickie EX) (Disc.).....	21.7	Standard/High Mount Wheel Lock (Quickie ST/DT/Heat) .....	21.22
Wheel Lock (Pull-to-lock) (Quickie EX) (Disc.).....	21.7	Low Wheel Lock Assembly (Quickie Carbon) (Disc.) .....	21.23
Wheel Lock (Push to Lock)(Quickie Ti Titanium).....	21.8	Low Mount Wheel Lock .....	21.24
Wheel Lock (Pull to Lock)(Quickie Ti Titanium).....	21.9	Foot Lock/12" Wheel (Quickie TS, Zippie/TS/TS Swing-away) .....	21.25
High Wheel Lock Push (Long Slide)(Zippie TS).....	21.9	Wheel Lock Extension Handle (Breezy 100/150) .....	21.26
High Wheel Lock Pull (Long Slide)(Zippie TS) .....	21.10	Wheel Lock Extension Handle (Breezy 500/503/510/510 Recliner/2(Disc.)/600)..	21.26
Wheel Lock (Push-to-lock) with/without Grade Aid (Quickie R2) .....	21.11	High Wheel Lock Extension Handle .....	21.27
Wheel Lock (Pull-to-lock) with/without Grade Aid (Quickie R2).....	21.12	High Wheel Lock Extension Handle (Quickie M6) .....	21.27
Short-throw High-mount Wheel Lock (Quickie XTR) .....	21.13	Grade Aid Only Assembly .....	21.28
High Wheel Lock (Push-to-lock) (Quickie St/Dt).....	21.13		
Wheel Lock (Quickie <i>TNT</i> ) (Disc.) .....	21.14		

## WHEEL LOCK (BREEZY 100/150)



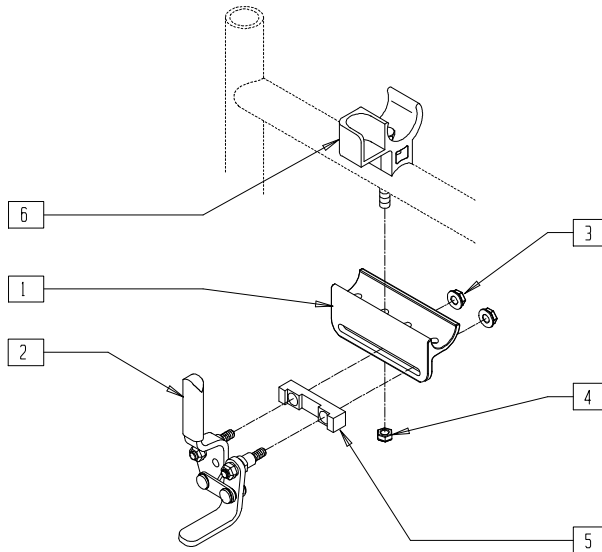
BRZ10X24

ITEM	NUMBER	DESCRIPTION	QTY
3	222-0669	WHEEL LOCK TIP BLK (PR)	

ITEM	NUMBER	DESCRIPTION	QTY
1-4	222-0532R	WHEEL LOCK ASSEMBLY R (EA)	1
	222-0532L	WHEEL LOCK ASSEMBLY L (EA)	

## WHEEL LOCK (PUSH-TO-LOCK) (BREEZY 500/503/510/2/600)

(Breezy 2 discontinued 5/98 - parts only)



*Drawing shows left side*

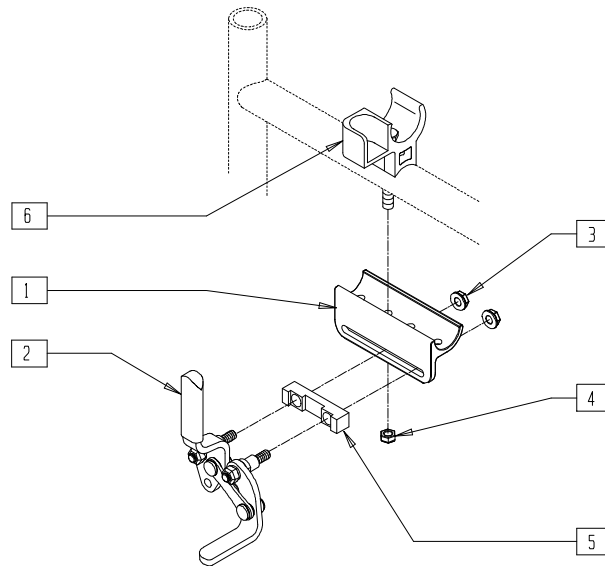
WHLCKX1A

ITEM	NUMBER	DESCRIPTION	QTY
1	505261	WHEEL LOCK MOUNT BR	1
2	880893, 880894	WHEEL LOCK ARM SUB-ASSEMBLY PUSH (EA)	1
3	201111	1/4-28 SERRATED FLANG NUT W/PATCH	2
4	201120	1/4-28 AUTOMATION NUT	1
5	500181	BRKT WHEEL LOCK STUD SUPPORT BR	1

ITEM	NUMBER	DESCRIPTION	QTY
6	561113, 561114	ARM SADDLE FLIP-BACK BR/LXI	1
1-6	882350, 882351	WHL LOCK PUSH W/MOUNT BR (EA)	
	901536	WHL LOCK ASSM PUSH W/MOUNT BR (PR)	

## WHEEL LOCK (PULL-TO-LOCK) (BREEZY 500/503/510/2/600)

(Breezy 2 discontinued 5/98 - parts only)



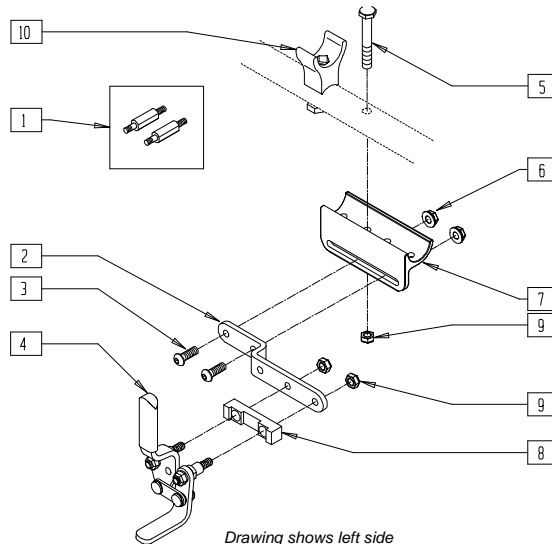
Drawing shows left side

WHLCKX2A

ITEM	NUMBER	DESCRIPTION	QTY
1	505261	WHEEL LOCK MOUNT BR	1
2	880895, 880896	WHEEL LOCK ARM SUB-ASSEMBLY PULL (EA)	1
3	201111	1/4-28 SERRATED FLANG NUT W/PATCH	2
4	201120	1/4-28 AUTOMATION NUT	1

ITEM	NUMBER	DESCRIPTION	QTY
5	500181	BRKT WHEEL LOCK STUD SUPPORT BR	1
6	561113, 561114	ARM SADDLE FLIP-BACK BR/LXI	1
1-6	882352, 882353	WHEEL LOCK PULL W/MOUNT BR (EA)	
	901537	WHEEL LOCK ASSM PULL W/MOUNT BR	

## WHEEL LOCK (PUSH-TO-LOCK) (BREEZY 510 RECLINER)



Drawing shows left side

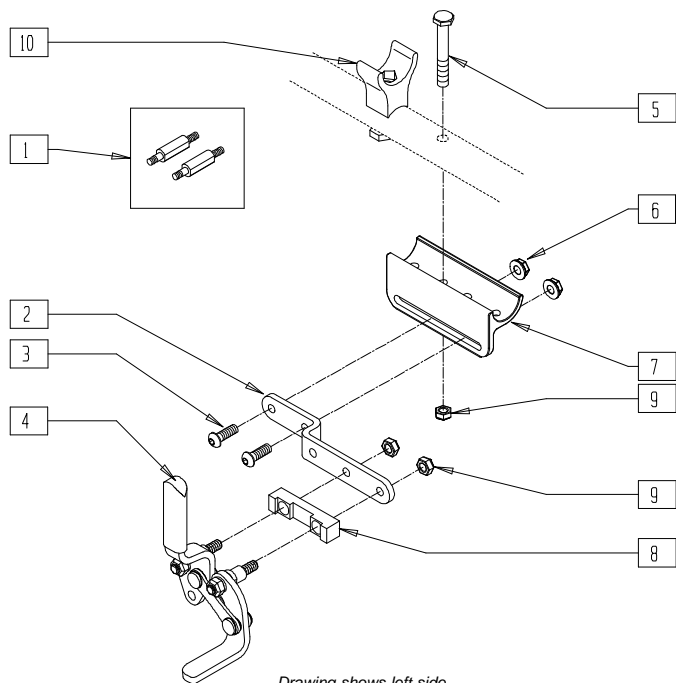
BRECX10B

ITEM	NUMBER	DESCRIPTION	QTY
*1	481094	WHEEL LOCK STUD SHORT BREEZY	2
2	505139	WHEEL LOCK EXT BR RCLNR	1
3	226100	1/4-28 x 3/4 BH C/S	2
4	880893, 880894	WHEEL LOCK ARM SUB-ASSEMBLY PUSH (EA)	1
5	221133	1/4-28 x 1 1/2 G8 HEX C/S	1
6	201111	1/4-28 SERRATED FLANG NUT W/PATCH	2
7	505261	WHEEL LOCK MOUNT BR	1

ITEM	NUMBER	DESCRIPTION	QTY
8	500181	BRKT WHEEL LOCK STUD SUPPORT BR	1
9	201120	1/4-28 AUTOMATION NUT	3
10	561092	SEAT SADDLE BR	2
2-10	882354, 882355	WHEEL LOCK PUSH ASSEMBLY B510 RECLINER (EA)	
	901538	WHEEL LOCK PUSH ASSM B51 RCLNR (PR)	

\* ITEM 1 USED ONLY WITH STANDARD BACK KIT AND 20" WHEELS FORWARD MOUNTED OR 22"/24" WHEELS REVERSE MOUNTED.

# WHEEL LOCK (PULL-TO-LOCK) (BREEZY 510 RECLINER)



Drawing shows left side

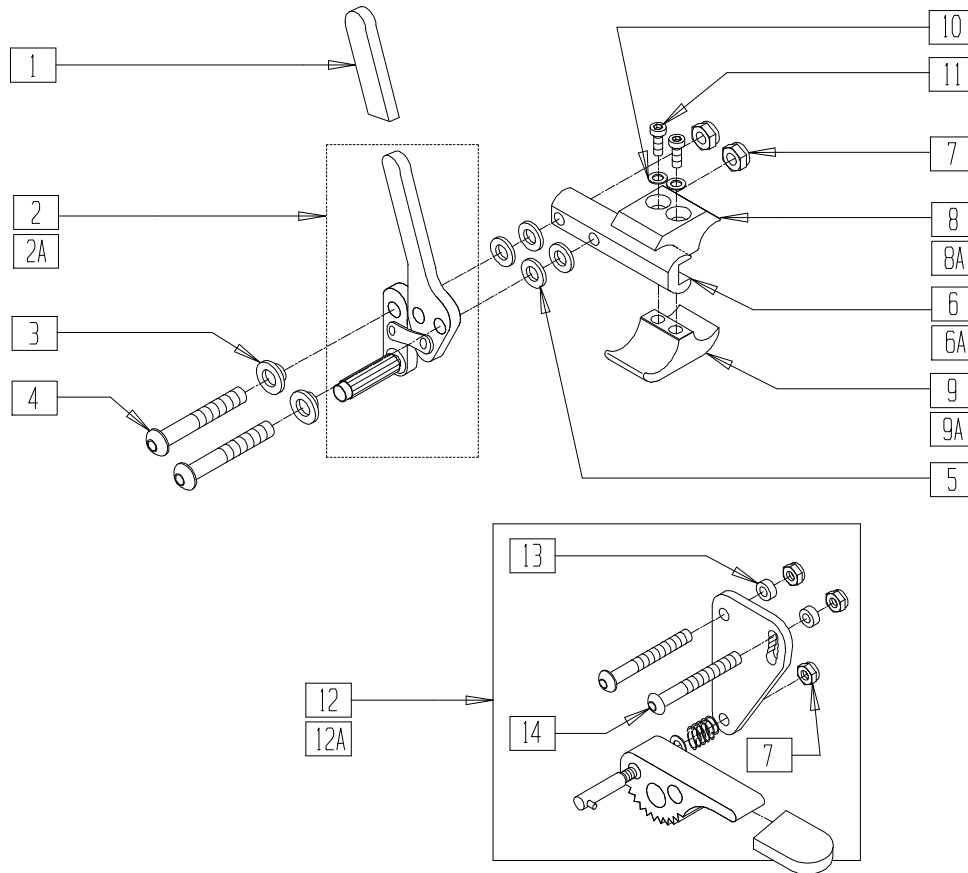
BREX12B

ITEM	NUMBER	DESCRIPTION	QTY
*1	481414	WHEEL LOCK EXT STUD BR RCLNR	2
2	505139	WHEEL LOCK EXT BR RCLNR	1
3	226100	1/4-28 x 3/4 BH C/S	2
4	880895, 880896	WHEEL LOCK ARM SUB-ASSEMBLY PULL (EA)	1
5	221133	1/4-28 x 1 1/2 G8 HEX C/S	1
6	201111	1/4-28 SERRATED FLANG NUT W/PATCH	2
7	505261	WHEEL LOCK MOUNT BR	1

ITEM	NUMBER	DESCRIPTION	QTY
8	500181	BRKT WHEEL LOCK STUD SUPPORT BR	1
9	201120	1/4-28 AUTOMATION NUT	3
10	561092	SEAT SADDLE BR	2
2-10	882356, 882357	WHEEL LOCK PULL ASSEMBLY B510 RECLINER (EA)	
	901539	WHEEL LOCK PULL ASSM B51 RCLNR (PR)	

\* ITEM 1 USED ONLY WITH STANDARD BACK KIT AND 20" WHEELS FORWARD MOUNTED OR 22"/24" WHEELS REVERSE MOUNTED.

# HIGH WHEEL LOCK (PUSH-TO-LOCK)

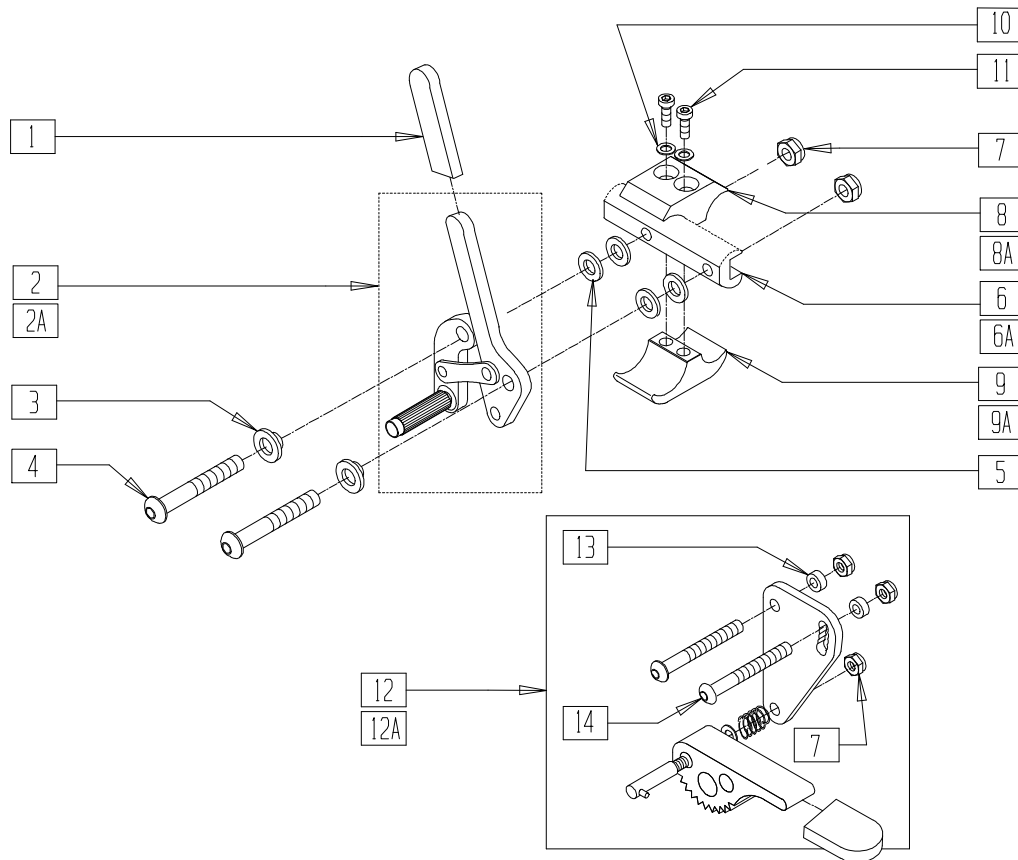


WLOX06C

ITEM	NUMBER	DESCRIPTION	QTY
1	560500	HB PLASTIC COVER	1
2,11	880530, 880532	WHEEL LOCK ARM ASSEMBLY PUSH W/GRIP AND PLASTIC COVER (EA)	
2A,11	880732, 880735	WHEEL LOCK ARM ASSEMBLY PUSH BLK W/GRIP AND PLASTIC COVER (EA)	
3	560126	.250 ID .312 OD BUSHING PLASTIC	2
4	226110	1/4-28 x 1 BH C/S	2
5	561028	1/4" NYLON WASHER	4
6	550265	WHEEL LOCK SLIDE BLOCK 3 1/2"	1
6A	550374	WHEEL LOCK SLIDE BLOCK 3 1/2" BLK	1
7	201100-QU	1/4-28 NYLOCK NUT THIN	2
8	550259	CLAMP 1 1/4" RECESS HALF CLR	1
8A	550659	CLAMP 1 1/4" RECESS HALF BLK	1
9	550258	CLAMP 1 1/4" THREADED CLR	1
9A	550658	CLAMP 1 1/4" THREADED BLK	1
10	262114	1/4 WASHER HI COLLAR LOCK ZN	2
11	226112	1/4-28 x 1 SOC C/S BLK	2
12	880916, 880917	GRADE AID PLATE W/WHEEL AND HARDWARE (EA)	1
12A	880912, 880913	GRADE AID ASSM BLK N/CLAMP (EA)	1
13	483027	1/4 x 1/4 ALUMINUM SPACER BLK	2
14	226130	1/4-28 x 1 1/2 BH C/S	2
8-11	880539	WHL LCK CLAMP ASSM CLR	
1-11	880570, 880571	WHEEL LOCK PUSH W/CLAMP CLR (EA)	
1-7	880560, 880561	WHEEL LOCK PUSH W/O CLAMP CLR (EA)	
1-7,12	880562, 880563	WHEEL LOCK PUSH W/GRADE AID W/O CLAMP CLR (EA)	

ITEM	NUMBER	DESCRIPTION	QTY
1-12	880572, 880573	WHEEL LOCK PUSH W/GRADE AID AND CLAMP CLR (EA)	
1-11	901550	WHEEL LOCK PUSH W/CLAMP CLR (PR)	
1-12	901552	WHEEL LOCK PUSH W/GRADE AID AND CLAMP CLR (PR)	
8A,9A, 10,11	880594	WHEEL LOCK 1 AD CLAMP ASSEMBLY BLK	
1,2A,3-5, 6A,7	881750, 881751	WHEEL LOCK PUSH W/O CLAMP BLK (EA)	
1,2A,3-5, 6A,7,12A	881754, 881755	WHEEL LOCK PUSH W/GA W/O CLAMP BLK (EA)	
1,2A,3-5, 6A,7,8A, 9A,10,11	881965, 881966	WHEEL LOCK PUSH W/CLAMP BLK (EA)	
1,2A,3, 6A,7	881762, 881763	WHEEL LOCK PUSH REV W/O CLAMP BLK (EA)	
1,2A,3,5, 6A,7,8A, 9-11,12A	881969, 881970	WHEEL LOCK PUSH W/GRADE AID W/CLAMP BLK (EA)	
1,2A,3-5, 6A,7,8A, 9A,10,11	881973, 881974	WHEEL LOCK PUSH REV W/CLAMP BLK (EA)	
1,2A,3-5, 6A,7,8A, 9A,10,11	901551	WHEEL LOCK PUSH W/CLAMP BLK (PR)	
1,2A,3,5, 6A,7,8A, 9-11,12A	901557	WHEEL LOCK PUSH W/GRADE AID W/CLAMP BLK (PR)	
1,2A,3-5, 6A,7,8A, 9A,10,11	901542	WHEEL LOCK PUSH REV W/CLAMP BLK (PR)	

# HIGH WHEEL LOCK (PULL-TO-LOCK)



WLOX07B

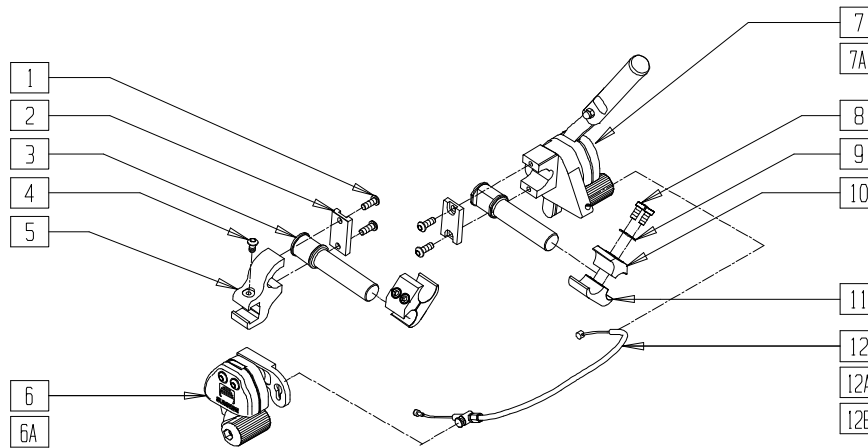
ITEM	NUMBER	DESCRIPTION	QTY
1	560500-QU	HB PLASTIC COVER	1
1,2	880534, 880536	WHEEL LOCK ARM ASSEMBLY PULL W/GRIP AND PLASTIC COVER CLR (EA)	
1,2A	881796, 881797	WHEEL LOCK ARM ASSEMBLY PULL W/GRIP BLK	
3	560126	.250 ID .312 OD BUSHING PLASTIC	2
4	226110	1/4-28 x 1 BH C/S	2
5	561028	1/4" NYLON WASHER	4
6	550265	WHEEL LOCK SLIDE BLOCK 3 1/2" CLR	1
6A	550374	WHEEL LOCK SLIDE BLOCK 3 1/2" BLK	1
7	201100-OU	1/4-28 NYLOCK NUT THIN	2
8	550259	CLAMP 1 1/4" RECESS HALF CLR	1
8A	550659	CLAMP 1 1/4" RECESS HALF BLK	1
9	550258	CLAMP 1 1/4" THREADED CLR	1
9A	550658	CLAMP 1 1/4" THREADED BLK	1
10	262114	1/4 WASHER HI COLLAR LOCK ZN	2
11	226112	1/4-28 x 1 SOC C/S BLK	2
12	880916, 880917	GRADE AID PLATE W/WHEEL AND HARDWARE (EA)	1
12A	880912, 880913	GRADE AID PLATE W/WHEEL BLK AND HARDWARE (EA)	1
13	483027	1/4 x 1/4 ALUMINUM SPACER BLK	2
14	226130	1/4-28 x 1 1/2 BH C/S	2
8-11	880539	WHEEL LOCK CLAMP ASSM CLR	
1-11	880576, 880577	WHEEL LOCK PULL W/CLAMP CLR (EA)	
1-7	880566, 880567	WHEEL LOCK PULL W/O CLAMP CLR (EA)	
1-3,5-12	880578, 880579	WHEEL LOCK PULL W/GRADE AID AND CLAMP CLR (EA)	

ITEM	NUMBER	DESCRIPTION	QTY
1-11	901554	WHEEL LOCK PULL W/CLAMP CLR (PR)	
1-3, 5-12	901552	WHEEL LOCK PULL W/GRADE AID AND CLAMP CLR (PR)	
8A,9A, 10,11	880594	WHEEL LOCK 1 AD CLAMP ASSM BLK	
1,2A,3-5, 6A,7	881752, 881753	WHEEL LOCK PULL W/O CLAMP BLK (EA)	
1,2A,3-5, 6A,7,12A	881756, 881757	WHEEL LOCK PULL W/GRADE AID W/O CLAMP BLK (EA)	
1,2A,3-5, 6A,7,8A, 9A,10,11	881967, 881968	WHEEL LOCK PULL W/CLAMP BLK (EA)	
1,2A,3-5, 6A,7	881764, 881765	WHEEL LOCK PULL REV W/O CLAMP BLK (EA)	
1,2A,3-5, 6A,7,8A,9A 10,11,12A	881971, 881972	WHEEL LOCK PULL W/GRADE AID W/CLAMP BLK (EA)	
1,2A,3-5, 6A,7,8A, 9A,10,11	881975, 881976	WHEEL LOCK PULL REV W/CLAMP BLK (EA)	
1,2A,3-5, 6A,7,8A, 9A,10,11	901555	WHEEL LOCK PULL W/CLAMP BLK (PR)	
1,2A,3-5, 6A,7,8A, 9A,10, 11,12A	901558	WHEEL LOCK PULL W/GRADE AID W/CLAMP BLK (PR)	
1,2A,3-5, 6A,7,8A, 9A,10,11	901543	WHEEL LOCK PULL REV W/CLAMP BLK (PR)	



# ONE HAND WHEEL LOCK (QUICKIE 2)

(Effective 8/1/02)

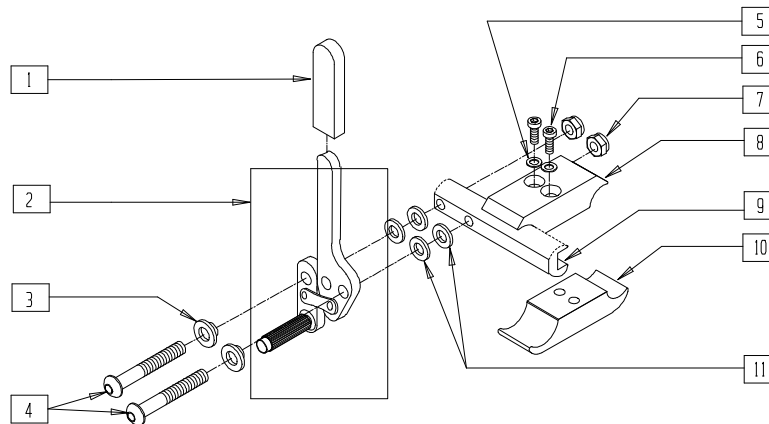


Q202X05

ITEM	NUMBER	DESCRIPTION	QTY
1	230032	M6 x 16 B/H CAP SCREW	4
2	501032	CLAMP CAP	2
3	501031	WHEEL LOCK EXTENSION	2
4	230052	M6 x 1 x 10 BH C/S BLK	1
5	501033	REMOTE LOCK CLAMP	1
6	922102	REMOTE LOCK ASSEMBLY RIGHT	1
6A	922101	REMOTE LOCK ASSEMBLY LEFT	1
7	922104	HAND LOCK ASSEMBLY RIGHT	1
7A	922103	HAND LOCK ASSEMBLY LEFT	1
8	226112	1/4-28 x 1 SOC C/S BLK	2
9	262114	1/4 WASHER HI COLLAR	2
10	550658	CLAMP 1 1/4" THREADED BLK	1
11	550659	CLAMP 1 1/4" RECESS HALF BLK	1
12	341760	WHEEL LOCK CABLE SHORT (11"-14")	1

ITEM	NUMBER	DESCRIPTION	QTY
12A	341761	WHEEL LOCK CABLE MEDIUM (15"-18")	1
12B	341762	WHEEL LOCK CABLE LONG (19"-22")	1
8-10	880594	WHL LCK/1AD CLMP ASSM BLK	2
3-8-10	882027	UNILATL 1 HND PSH LCK ASSY KT	
1-12	902004	UNILTERAL 1HAND PSH LOCK SH RH	
1-11,12A	902006	UNILTERAL 1HAND PSH LOCK MD RH	
1-11,12B	902008	UNILTERAL 1HAND PSH LOCK LG RH	
1-5,6A,	902003	UNILTERAL 1HAND PSH LOCK SH LH	
7A,8-12			
1-5,6A,7A	902005	UNILTERAL 1HAND PSH LOCK MD LH	
8-11,12A			
1-5,6A,7A	902007	UNILTERAL 1HAND PSH LOCK LG LH	
8-11,12B			

# HIGH WHEEL LOCK (PUSH-TO-LOCK) (QUICKIE M6)



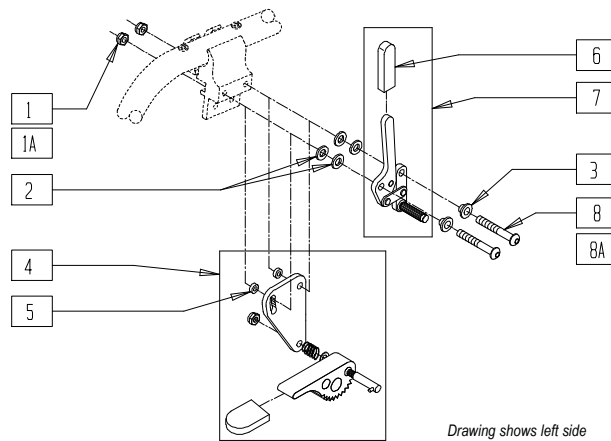
MAG00X28

ITEM	NUMBER	DESCRIPTION	QTY
1,2	880732, 880735	WHEEL LOCK ARM ASSEMBLY W/GRIP BLK AND PLASTIC COVER	
3	560126	.250 ID .312 OD BUSHING PLST	2
4	226110	1/4-28 x 1 BH C/S	2
5	262114	1/4 WASHER HI COLLAR LOCK ZN	2
6	226112	1/4-28 x 1 SOC C/S BLK	2
7	201100-QU	1/4-28 NYLOCK NUT THIN	2
8	550568	CLAMP 2 1/4" RECESS BLK M6	1
9	550447	WHEEL LOCK SLIDE BLOCK	1

ITEM	NUMBER	DESCRIPTION	QTY
10	550576	CLAMP 2 1/4" THREADED BLK	1
11	561028	1/4" NYLON WASHER	4
1-4,7,9,11	881758, 881759	WHEEL LOCK PUSH W/O CLAMP BLK (EA)	
1-11	881985, 881986	WHEEL LOCK PUSH W/GROWING CLAMP BLK (EA)	
	901561	WHL LOCK PUSH W/GRW CLAMP BLK (PR)	

## WHEEL LOCK (PUSH-TO-LOCK) (QUICKIE EX)

(Discontinued 2/14/97 - parts only)



Drawing shows left side

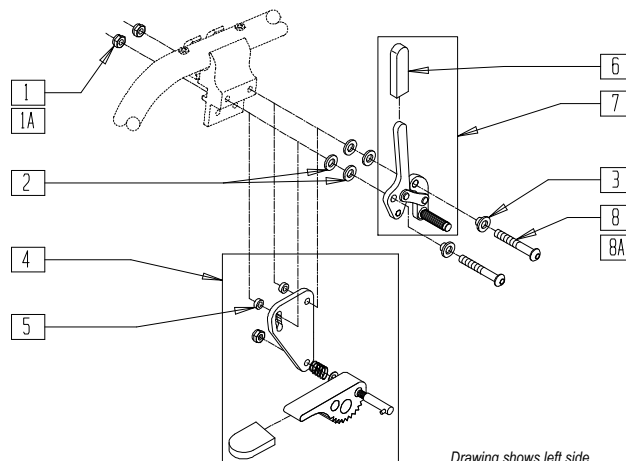
SP00X04

ITEM	NUMBER	DESCRIPTION	QTY
1	201110	1/4-28 NYLOCK NUT	2
1A	201100-QU	1/4-28 NYLOCK NUT THIN	2
2	561028	1/4" NYLON WASHER	4
3	560126	.250 ID .312 OD BUSHING PLASTIC	2
4	880916, 880917	GRADE AID PLATE W/WHEEL AND HARDWARE (EA)	1
5	483027	1/4 x 1/4 ALUM SPACER BLK	2
6	560500-QU	HB PLASTIC COVER	1
8	226130	1/4-28 x 1 1/2 BH C/S	2
8A	226150	1/4-28 x 2 BH C/S	2

ITEM	NUMBER	DESCRIPTION	QTY
2,6,7	880530, 880532	WHEEL LOCK ARM ASSEMBLY PUSH W/GRIP (EA)	
1A,2,3, 6-8	880596, 880597	WHEEL LOCK PUSH W/HDWR EX (EA)	
1A,2-7, 8A	880632, 880633	WHEEL LOCK PUSH W/GRADE AID EX (EA)	
1-3,6-8	901562	WHEEL LOCK PUSH W/HDWR EX (PR)	
1A,2-7,8A	901564	WHEEL LOCK PUSH W/GRADE AID EX (PR)	

## WHEEL LOCK (PULL-TO-LOCK) (QUICKIE EX)

(Discontinued 2/14/97 - parts only)



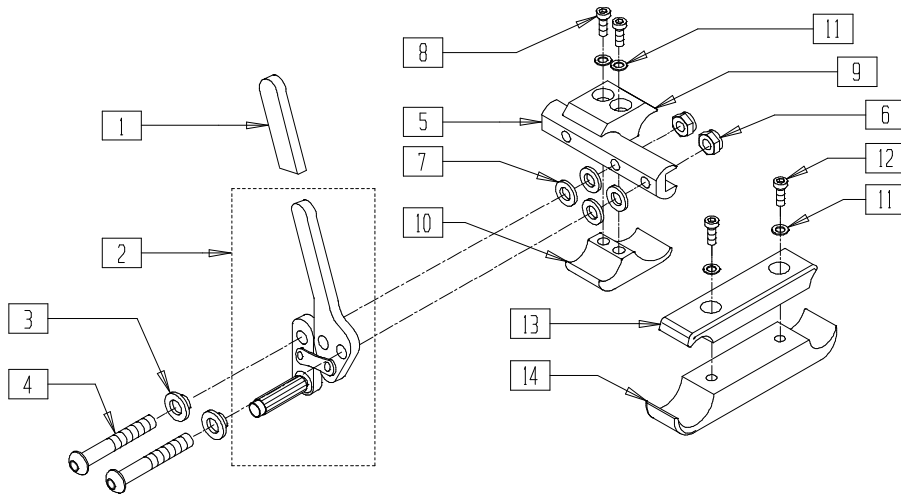
Drawing shows left side

SP00X05

ITEM	NUMBER	DESCRIPTION	QTY
1	201110	1/4-28 NYLOCK NUT	2
1A	201100-QU	1/4-28 NYLOCK NUT THIN	2
2	561028	1/4" NYLON WASHER	4
3	560126	.250 ID .312 OD BUSHING PLASTIC	2
4	880916, 880917	GRADE AID PLATE W/WHL & HDWR (EA)	1
5	483027	1/4 x 1/4 ALUM SPACER BLK	2
6	560500	HB PLASTIC COVER	1
8	226130	1/4-28 x 1 1/2 BH C/S	2
8A	226150	1/4-28 x 2 BH C/S	2

ITEM	NUMBER	DESCRIPTION	QTY
2,6,7	880534, 880536	WHEEL LOCK ARM ASSEMBLY PULL W/GRIP (EA)	
1A,2,3, 6-8	880598, 880599	WHEEL LOCK PULL W/HDWR EX (EA)	
1A,2-7, 8A	880634, 880635	WHEEL LOCK PULL W/GRADE AID EX (EA)	
1-3,6-8	901563	WHEEL LOCK PULL W/HDWR EX (PR)	
1A,2-7,8A	901565	WHEEL LOCK PULL W/GRADE AID EX (PR)	

# WHEEL LOCK (PUSH-TO-LOCK)(QUICKIE Ti Titanium)



**WHEEL LOCK CLAMP ASSEMBLY NUMBERS**

GAP	CAMBER			
	0°	2°	4°	8°
0.75"	880594	880594	880594	881098
1.0"	880594	880594	881098	881098
1.25"	880594	881098	881098	881098
1.5"	880594	881098	881098	881098

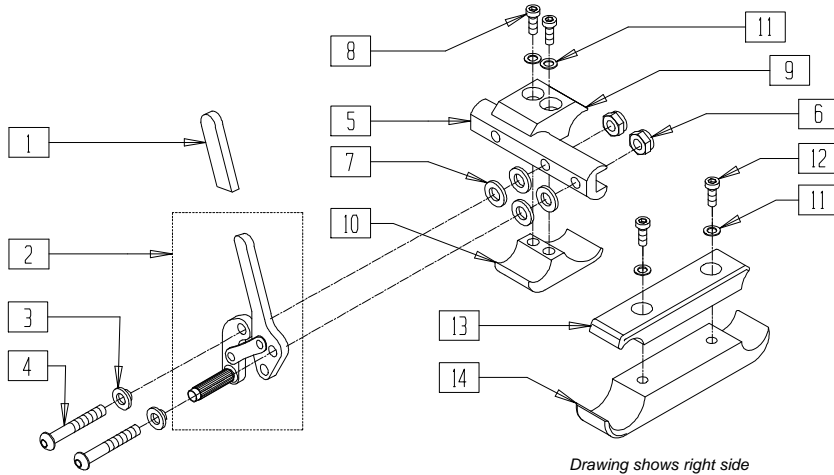
*Drawing shows right side*

QT10X14

ITEM	NUMBER	DESCRIPTION	QTY
1	560500-QU	HB PLASTIC COVER	1
1,2	880732, 880735	WHEEL LOCK ARM ASSM W/GRIP BLK (EA)	
3	560126	.250 ID .312 OD BUSHING PLST	2
4	226110	1/4-28 x 1 BH C/S	2
5	550374	WHEEL LOCK SLIDE BLOCK 3 1/2" BLK	1
6	201100-QU	1/4-28 NYLOCK NUT THIN	2
7	561028	1/4" NYLON WASHER	4
8	226112	1/4-28 x 1 SOC C/S BLK	2
9	550659	CLAMP 1 1/4" RECESS HALF BLK	1
10	550658	CLAMP 1 1/4" THREADED BLK	1
11	262114	1/4 WASHER HI COLLAR LOCK ZN	2
12	226107	1/4-28 x 7/8 SOC C/S	2

ITEM	NUMBER	DESCRIPTION	QTY
13	550093	WHL LCK CLMP THRU 3.5"	1
14	550092	WHL LCK CLMP THRD 3.5"	1
8-11	880594	WHL LCK/1AD CLMP ASSM BLK	
11-14	881098	WHEEL LOCK CLAMP ASSM LONG	
1-7	881750, 881751	WHEEL LOCK PUSH ASSM W/O CLAMP BLK (EA)	
1-11	881965, 881966	WHEEL LOCK PUSH W/CLAMP BLK	
	901551	WHL LOCK PUSH W/CLAMP BLK (PR)	
1-7, 11-14	881978, 881979	WHEEL LOCK PUSH ASSM WITH LONG CLAMP	
	901574	WHL LOCK PUSH W/LNG CLAMP (PR)	

# WHEEL LOCK (PULL-TO-LOCK) (QUICKIE Ti Titanium)



Drawing shows right side

## WHEEL LOCK CLAMP ASSM NUMBERS

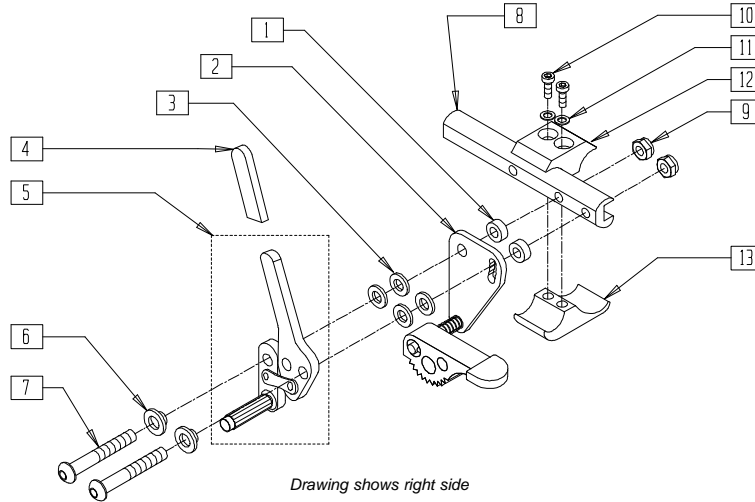
GAP	CAMBER			
	0°	2°	4°	8°
0.75"	880594	880594	880594	881098
1.0"	880594	880594	881098	881098
1.25"	880594	881098	881098	881098
1.5"	880594	881098	881098	881098

QT10X15

ITEM	NUMBER	DESCRIPTION	QTY
1	560500-QU	HB PLASTIC COVER	1
1,2	881796, 881797	WHLLCK ARM ASM R PLL W/GRIP BLK (EA)	
3	560126	.250 ID .312 OD BUSHING PLST	2
4	226110	1/4-28 x 1 BH C/S	2
5	550374	WHEEL LOCK SLIDE BLOCK 3 1/2" BLK	1
6	201100-QU	1/4-28 NYLOCK NUT THIN	2
7	561028	1/4" NYLON WASHER	4
8	226112	1/4-28 x 1 SOC C/S BLK	2
9	550659	CLAMP 1 1/4" RECESS HALF BLK	1
10	550658	CLAMP 1 1/4" THREADED BLK	1
11	262114	1/4 WASHER HI COLLAR LOCK ZN	2
12	226107	1/4-28 x 7/8 SOC C/S	2

ITEM	NUMBER	DESCRIPTION	QTY
13	550093	WHL LCK CLMP THRU 3.5"	1
14	550092	WHL LCK CLMP THRD 3.5"	1
8-11	880594	WHL LCK/1AD CLMP ASSM BLK	
11-14	881098	WHEEL LOCK CLAMP ASSM LONG	
1-7	881752, 881753	WHEEL LOCK PULL ASSM W/O CLAMP BLK (EA)	
1-11	881967, 881968	WHEEL LOCK PULL W/CLAMP BLK (EA)	
	901555	WHL LOCK PULL W/CLAMP BLK (PR)	
1-7, 11-14	882017, 882018	WHL LOCK PULL W/LONG CLMP (EA)	
	901581	WHL LOCK PULL W/LNG CLAMP (PR)	

# HIGH WHEEL LOCK PUSH (LONG SLIDE) (ZIPPIE TS)



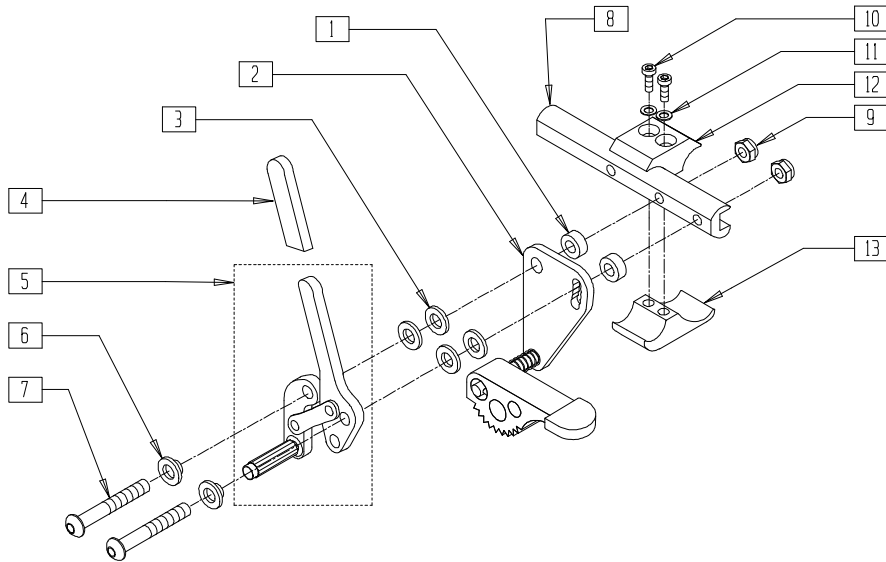
Drawing shows right side

ZTS20X06

ITEM	NUMBER	DESCRIPTION	QTY
1	483027	1/4 x 1/4 ALUM SPACER BLK	2
2	880904, 880905	GRADE AID PLATE W/WHEEL BLK (EA)	1
3	561028	1/4" NYLON WASHER	4
4	560500-QU	HB PLASTIC COVER	1
4,5	880732, 880735	WHL LCK ARM ASSM W/GRIP BLK (EA)	1
6	560126	.250 ID .312 OD BUSHING PLST	2
7	226110	1/4-28 x 1 BH C/S	2
	226130	1/4-28 x 1 1/2 BH C/S (W/GRADE AID)	
8	550447	WHL LCK SLIDE BLOCK LNG	1

ITEM	NUMBER	DESCRIPTION	QTY
9	201100-QU	1/4-28 NYLOCK NUT THIN	2
10	226112	1/4-28 x 1 SOC C/S BLK	2
11	262114	1/4 WASHER HI COLLAR LOCK ZN	2
12	550659	CLAMP 1 1/4" RECESS HALF BLK	1
13	550658	CCLAMP 1 1/4" THREADED BLK	1
10-13	880594	WHL LCK/ 1AD CLMP ASSM BLK	
3-9	881946, 881947	WHEEL LOCK PUSH LG W/O CLAMP (EA)	
1-9	882023, 882024	WHL LCK PUSH LG W/GRADE AID (EA)	

# HIGH WHEEL LOCK PULL (LONG SLIDE) (ZIPPIE TS)



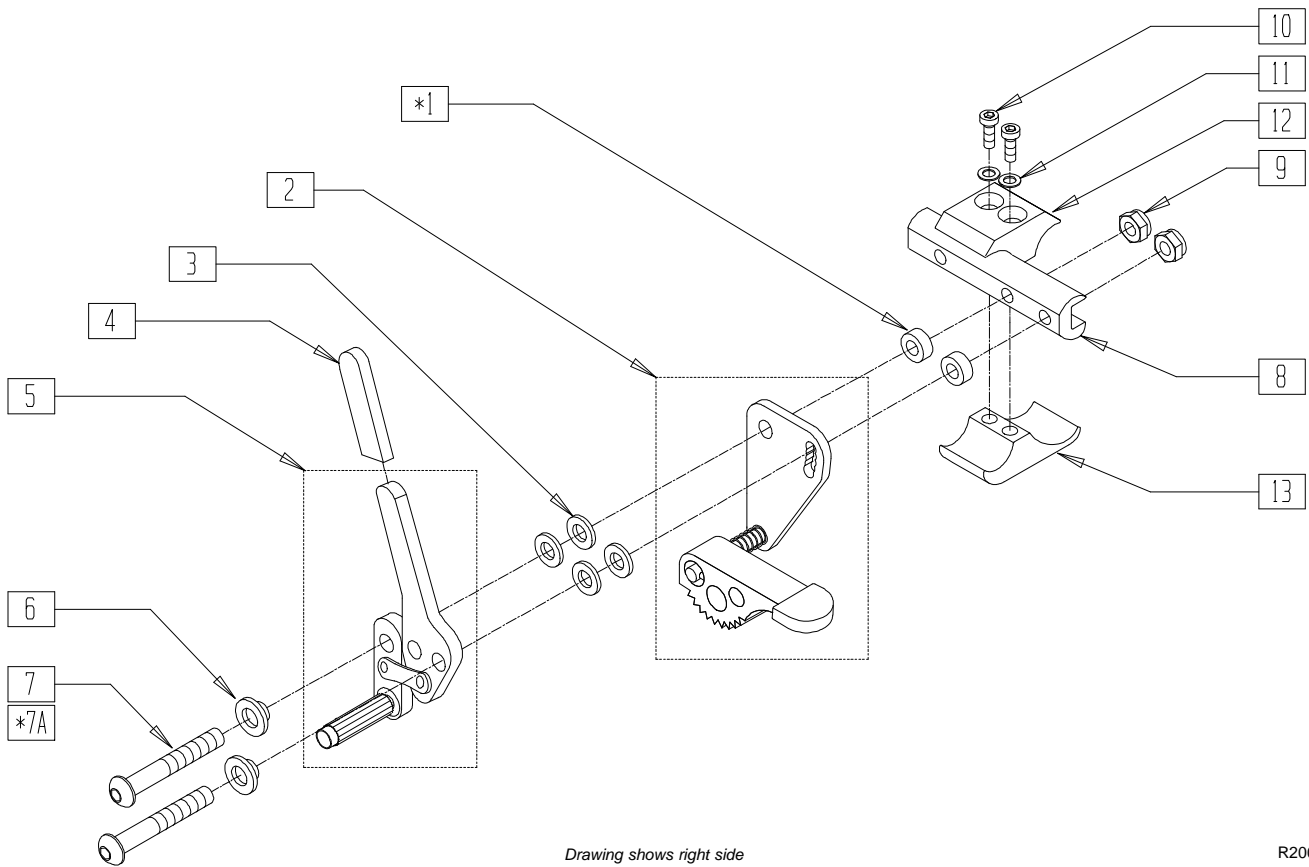
Drawing shows right side

ZTS20X07

ITEM	NUMBER	DESCRIPTION	QTY
1	483027	1/4 x 1/4 ALUM SPACER BLK	2
2	880904, 880905	GRADE AID PLATE W/WHEEL BLK (EA)	1
3	561028	1/4" NYLON WASHER	4
4	560500-QU	HB PLASTIC COVER	1
4,5	881796, 881797	WHEEL LOCK ARM ASSM PULL W/GRIP BLK (EA)	
6	560126	.250 ID .312 OD BUSHING PLST	2
7	226110	1/4-28 x 1 BH C/S	2
	226130	1/4-28 x 1 1/2 BH C/S (W/GRADE AID)	
8	550447	WHL LCK SLIDE BLOCK LNG	1

ITEM	NUMBER	DESCRIPTION	QTY
9	201100-QU	1/4-28 NYLOCK NUT THIN	2
10	226112	1/4-28 x 1 SOC C/S BLK	2
11	262114	1/4 WASHER HI COLLAR LOCK ZN	2
12	550659	CLAMP 1 1/4" RECESS HALF BLK	1
13	550658	CCLAMP 1 1/4" THREADED BLK	1
10-13	880594	WHL LCK/ 1AD CLMP ASSM BLK	
3-9	881948, 881949	WHL LCK PULL LG W/O CLMP (EA)	
1-9	882025, 882026	WHL LCK PULL LG W/GRADE AID (EA)	

# WHEEL LOCK (PUSH-TO-LOCK) WITH/ WITHOUT GRADE AID (QUICKIE R2)



Drawing shows right side

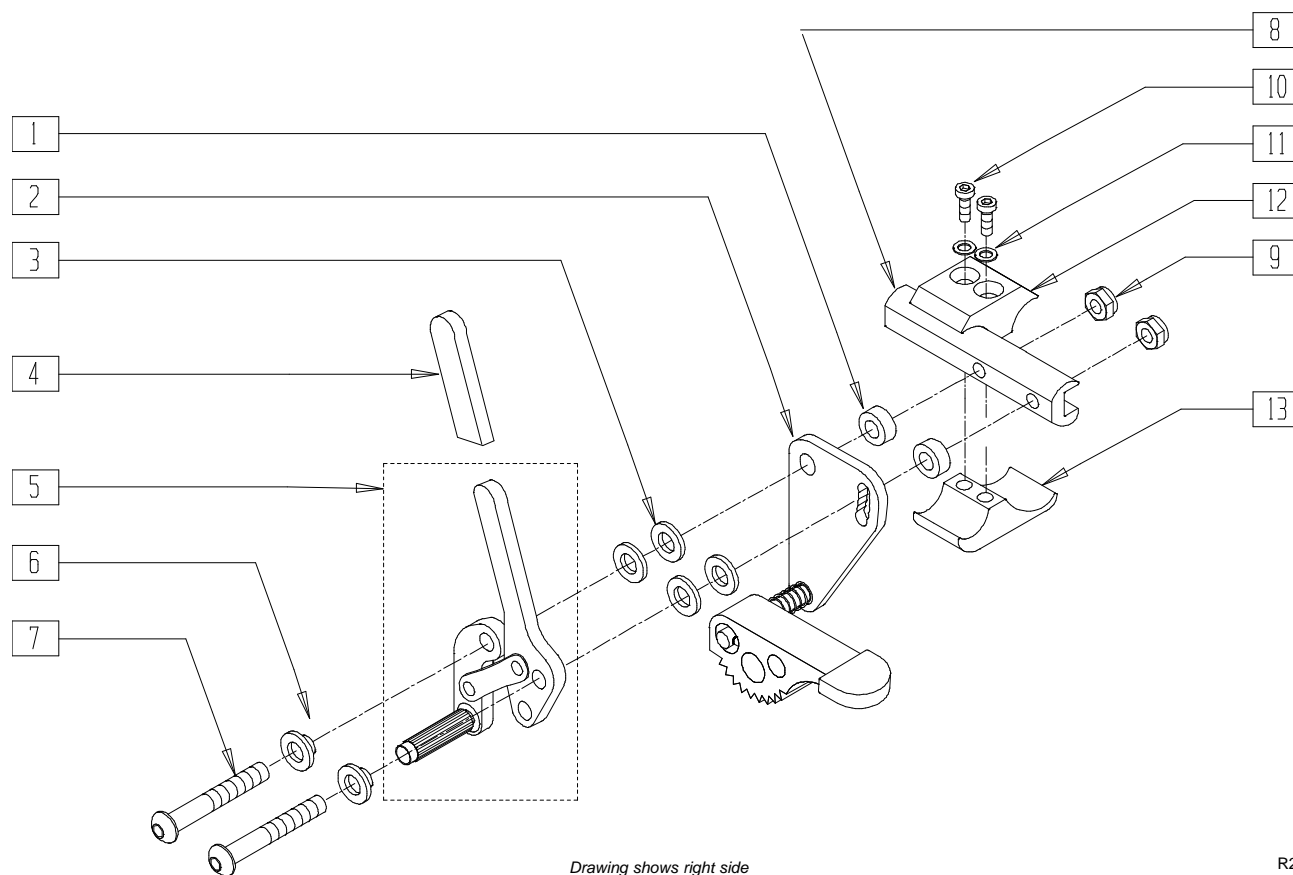
R200X08A

ITEM	NUMBER	DESCRIPTION	QTY
*1	483027	1/4 x 1/4 ALUM SPACER BLK	2
2	880904, 880905	GRADE AID PLATE W/WHEEL BLK (EA)	1
3	561028	1/4" NYLON WASHER	4
4	560500-QU	HB PLASTIC COVER	1
5	880732, 880735	WHL LCK ARM ASSM W/GRIP BLK (EA)	1
6	560126	.250 ID .312 OD BUSHING PLST	2
7	226110	1/4-28 x 1 BH C/S	4
*7A	226130	1/4-28 x 1 1/2 BH C/S	4
8	550374	WHEEL LOCK SLIDE BLOCK 3 1/2" BLK	1
9	201100-QU	1/4-28 NYLOCK NUT THIN	2
10	226112	1/4-28 x 1 SOC C/S BLK	2
11	262114	1/4 WASHER HI COLLAR LOCK ZN	2

ITEM	NUMBER	DESCRIPTION	QTY
12	550443	WHEEL LOCK CLAMP RECESS R2	1
13	550442	WHEEL LOCK CLAMP THREADED R2	1
10-13	881097	WHEEL LOCK CLAMP ASSM BLK	
3-9	881750	WHEEL LOCK PUSH ASSM W/O CLAMP BLK (EA)	
1-6,7A,9	881754, 881755	WHEEL LOCK PUSH W/GA N/CLAMP BLK	
3-13	881953	WHEEL LOCK PUSH ASSM W/CLAMP BLK R2 (EA)	
	881954	WHL LCK PUSH W/CLMP BLK R2 (PR)	
1-6,7A, 8-13	881992, 881993	WHL LCK PSH W/GA W/CLMP BLK R2 (EA)	
	901583	WHL LCK PSH W/GA BLK R2 (PR)	

\*NOTE- ITEM 1 AND \*7A USED ONLY WITH GRADE AID

# WHEEL LOCK (PULL-TO-LOCK) WITH/WITHOUT GRADE AID (QUICKIE R2)



Drawing shows right side

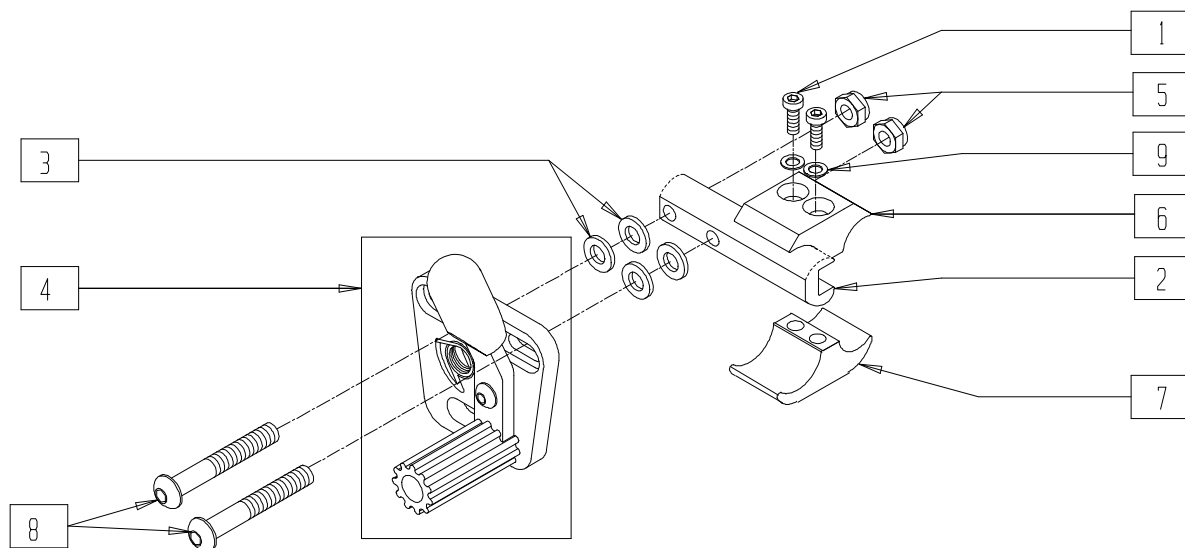
R200X09A

ITEM	NUMBER	DESCRIPTION	QTY
*1	483027	1/4 x 1/4 ALUM SPACER BLK	2
2	880904, 880905	GRADE AID PLATE W/WHEEL BLK (EA)	1
3	561028	1/4" NYLON WASHER	4
4	560500-OU	HB PLASTIC COVER	1
4,5	880796, 880797	WHEEL LOCK ARM ASSM PULL W/GRIP BLK (EA)	
6	560126	.250 ID .312 OD BUSHING PLST	2
7	226110	1/4-28 x 1 BH C/S	2
*7A	226130	1/4-28 x 1 1/2 BH C/S	
8	550374	WHEEL LOCK SLIDE BLOCK 3 1/2" BLK	1
9	201100-OU	1/4-28 NYLOCK NUT THIN	2
10	226112	1/4-28 x 1 SOC C/S BLK	2
11	262114	1/4 WASHER HI COLLAR LOCK ZN	2

ITEM	NUMBER	DESCRIPTION	QTY
12	550443	WHEEL LOCK CLAMP RECESS R2	1
13	550442	WHEEL LOCK CLAMP THREADED R2	1
10-13	881097	WHEEL LOCK CLAMP ASSM BLK	
3-9	881752, 881753	WHEEL LOCK PULL ASSM W/O CLAMP BLK (EA)	
1-6,7A,9	881756, 881757	WHEEL LOCK PULL W/GA W/O CLAMP BLK (EA)	
3-13	881955, 881956	WHEEL LOCK PULL ASSM W/CLAMP BLK R2 (EA)	
	901573	WHL LCK PULL W/CLMP BLK R2 (PR)	
1-6,7A, 8-13	881995, 881996	WHEEL LOCK PULL W/GA W/CLAMP BLK R2 (EA)	
	901584	WHL LCK PLL W/GA W/CLMP BLK R2 (PR)	

\*NOTE- ITEM 1 AND \*7A USED ONLY WITH GRADE AID

## SHORT-THROW HIGH PUSH WHEEL LOCK (QUICKIE XTR)

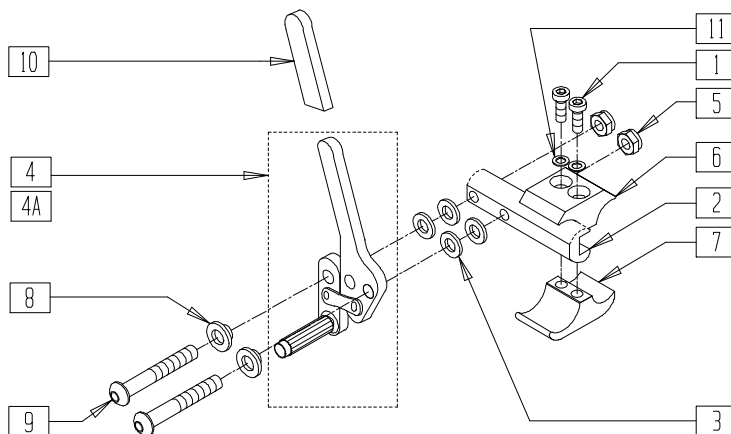


SUS00X41

ITEM	NUMBER	DESCRIPTION	QTY
1	226112	1/4-28 x 1 SOC C/S BLK	2
2	550374	WHEEL LOCK SLIDE BLOCK 3 1/2" BLK	1
3	561028	1/4" NYLON WASHER	4
4	880054, 880055	WHEEL LOCK ADJ (EA)	1
5	201100-QU	1/4-28 NYLOCK NUT THIN	2
6	550064	WHL LOCK CLAMP 1 1/8" RECESS XTR	1

ITEM	NUMBER	DESCRIPTION	QTY
7	550065	WHEEL LOCK CLAMP 1 1/8" THRD XTR	1
8	226168	1/4-28 x .875 BH C/S	2
9	262114	1/4 WASHER HI COLLAR LOCK ZN	2
2-5,8	881095, 881096	WHEEL LOCK PUSH W/O CLAMP (EA)	
1-9	901529	WHEEL LOCK ADJ W/CLAMP XTR (PR)	

## HIGH WHEEL LOCK (PUSH-TO-LOCK) (QUICKIE ST/DT)



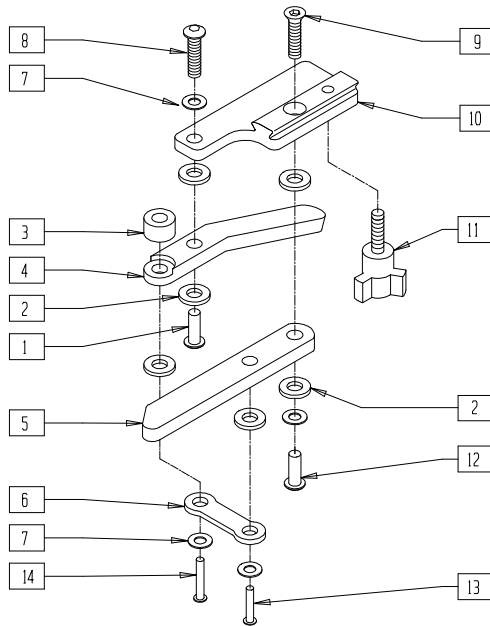
RBV00X23

ITEM	NUMBER	DESCRIPTION	QTY
1	226112	1/4-28 x 1 SOC C/S BLK	2
2	550374	WHEEL LOCK SLIDE BLOCK 3 1/2" BLK	1
3	561028	1/4" NYLON WASHER	4
4,10	880530, 880532	WHEEL LOCK ARM ASSM PUSH W/GRIP CLR AND PLASTIC COVER (EA)	
4A,10	880732, 880735	WHEEL LOCK ARM ASSM W/GRIP BLK AND PLASTIC COVER (EA)	
5	201100-QU	1/4-28 NYLOCK NUT THIN	2
6	550724	CLAMP 3/4"-3/4" TOP HALF ST/DT	1

ITEM	NUMBER	DESCRIPTION	QTY
7	550725	CLAMP 3/4"-3/4" THRD HALF ST/DT	1
8	560126	.250 ID .312 OD BUSHING PLASTIC	2
9	226110	1/4-28 x 1 BH C/S	2
10	560500	HB PLASTIC COVER	1
11	262114	1/4 WASHER HI COLLAR LOCK ZN	2
1-4,4A, 5-11	880993, 880994 901580	WHEEL LOCK PUSH W/CLAMP ST/DT (EA)	
		WHEEL LOCK PUSH W/CLAMP ST/DT (PR)	



## WHEEL LOCK (Quickie TNT) (Discontinued 11/6/98 - parts only)

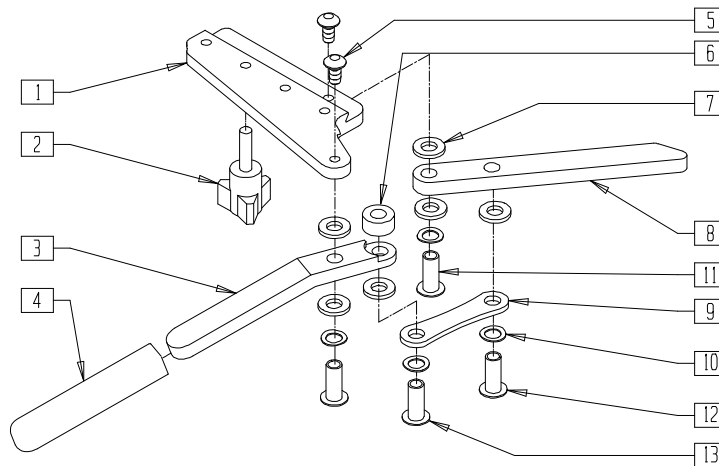


TNT00X09

ITEM	NUMBER	DESCRIPTION	QTY
1	341508	10-32 x .620 SLOT RIVNUT	1
2	561028	1/4" NYLON WASHER	6
3	483027	1/4 x 1/4 ALUM SPACER BLK	1
4	550565	WHEEL LOCK LEVER QTNT	1
5	550566	WHEEL LOCK ARM QTNT	1
6	505005	2 HOLE TOGGLE PULL SS	1
7	262130	6mm WASHER WAVE	4

ITEM	NUMBER	DESCRIPTION	QTY
8	226018	10-32 x 3/8 BH C/S W/PATCH BLK	1
9	281119	10/32 x 5/8 FH SOC ZN	1
10	550570, 550571	WHEEL LOCK BRACKET QTNT (EA)	1
11	341524	10/32 x 3/4 THUMB SCREW	1
12	341528	10-32 x .410 SLOT RIVNUT	1
13	240120	RIVET ST 1/4 x 5/8	1

## WHEEL LOCK (Quickie TNT) (Effective 11/6/98) (Quickie TNT discontinued 2/01-Parts only.)



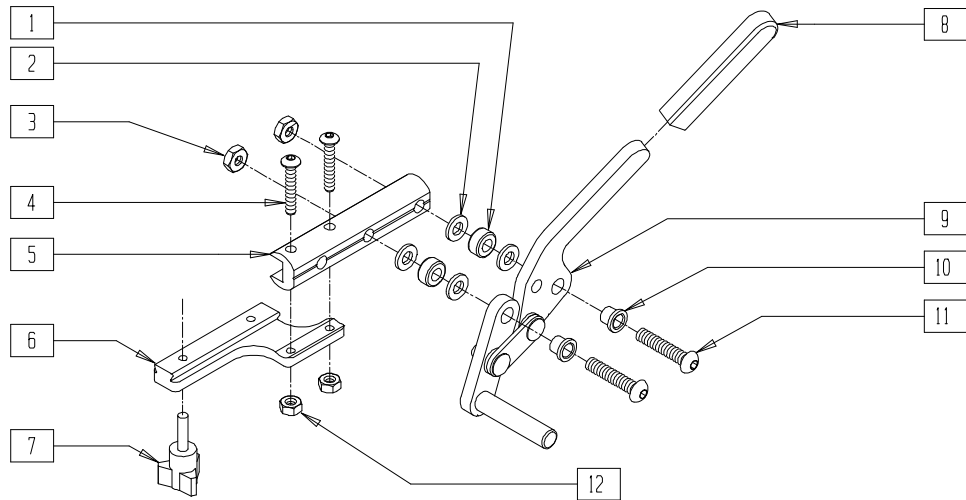
TNT00X20

ITEM	NUMBER	DESCRIPTION	QTY
1	500182, 500183	WHEEL LOCK BRKT QTNT (NEW) (EA)	1
2	341524	10-32 x 3/4 THUMB SCREW	1
3	550565	WHEEL LOCK LEVER QTNT	1
4	560500	HB PLASTIC COVER	1
5	226018	10-32 x 3/8 BH C/S W/PATCH BLK	2
6	483027	1/4 x 1/4 ALUM SPACER BLK	1
7	561028	1/4" NYLON WASHER	6

ITEM	NUMBER	DESCRIPTION	QTY
8	550566	WHEEL LOCK ARM QTNT	1
9	505005	2 HOLE TOGGLE PULL SS	1
10	262130	6mm WASHER WAVE	4
11	341508	10-32 x .620 SLOT RIVNUT	2
1-13	880920,	WHEEL LOCK ASSEMBLY QTNT (EA)	
	880921		
	901575	WHEEL LOCK ASSEMBLY QTNT (PR)	

## HIGH WHEEL LOCK (PUSH-TO-LOCK) (Quickie TNT)

(Discontinued 2/01-Parts only)

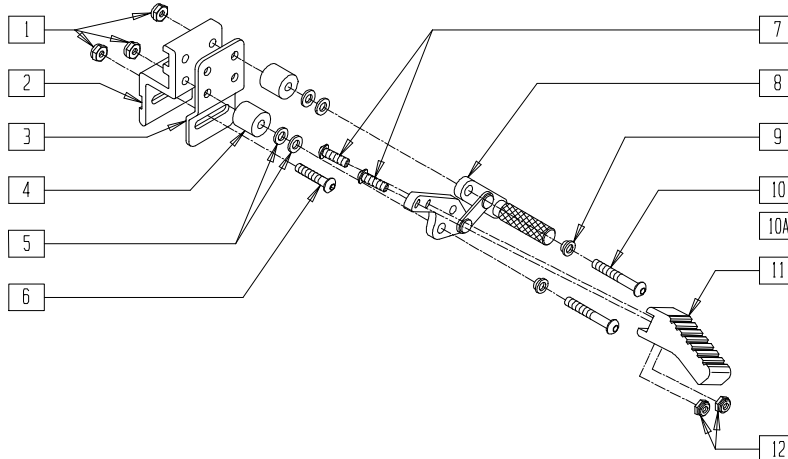


WLCK\_TNT

ITEM	NUMBER	DESCRIPTION	QTY
1	483027	1/4 x 1/4 ALUM SPACER BLK	2
2	561028	1/4" NYLON WASHER	4
3	201100-QU	1/4-28 NYLOCK NUT THIN	2
4	226052	10-32 x 1 1/8" BH C/S	2
5	550594	HIGH PUSH WHL LOCK SLIDE BLK QTNT	1
6	550595, 550596	HIGH PUSH WHEEL LOCK BRACKET QTNT (EA)	1
7	341524	10/32 x 3/4 THUMB SCREW	1
8	560500-QU	HB PLASTIC COVER	1

ITEM	NUMBER	DESCRIPTION	QTY
9	880732, 880735	WHEEL LOCK ARM ASSEMBLY W/GRIP BLK (EA)	1
10	560126	.250 ID .312 OD BUSHING PLST	2
11	226129	1/4-28 x 1 1/4 BH C/S	2
12	200101-QU	10-32 NYLOCK NUT THIN	2
1-7,9-12	880908, 880909	WHEEL LOCK ASSEMBLY PUSH BLK QTNT (EA)	
	900170	WHEEL LOCK ASSM PUSH BLK QTNT	

## WHEEL LOCK (QUICKIE T45)



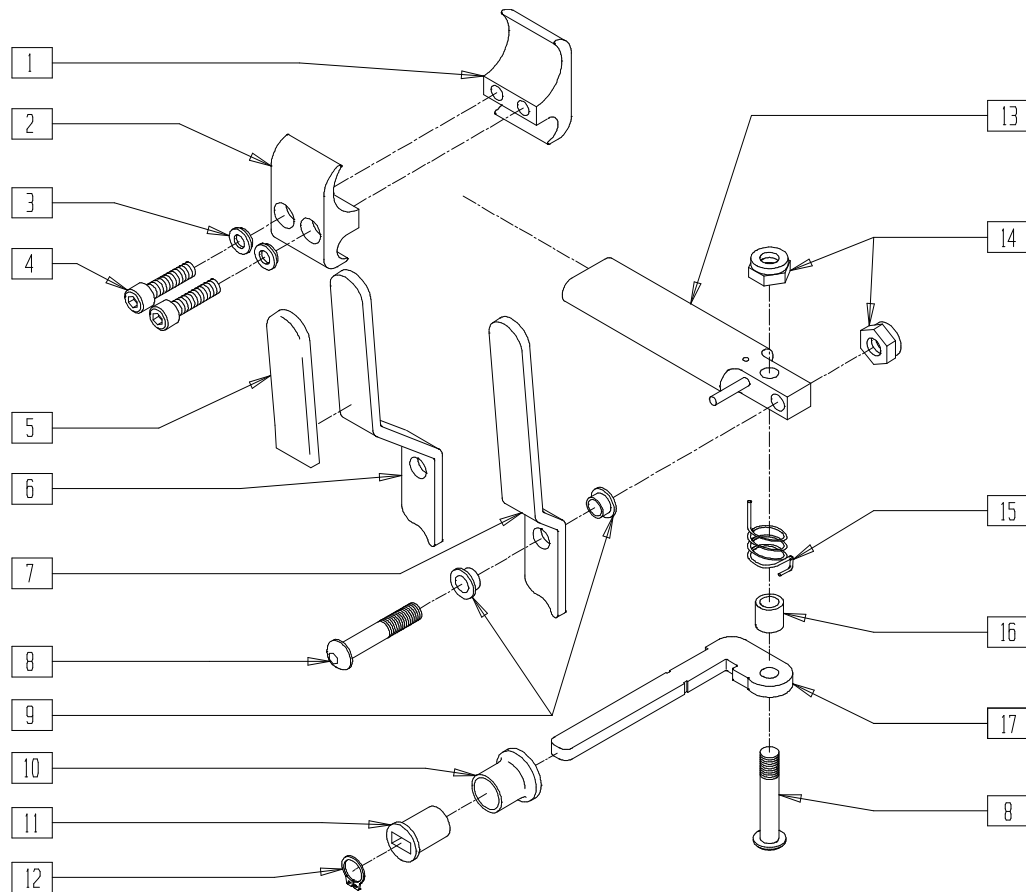
TSR00X06A

ITEM	NUMBER	DESCRIPTION	QTY
1	201100-QU	1/4-28 NYLOCK NUT THIN	3
2	550167	WHEEL LOCK MOUNTING BLOCK	1
3	550165	WHEEL LOCK MOUNTING SUPPORT T45	1
4*	483094	WHEEL LOCK SPACER T45	1
5	561028	1/4" NYLON WASHER	2
6	221124-QU	1/4-28 x 1 1/4 G8 HEX C/S	4
7	226100	1/4-28 x 3/4 BH C/S	2
8	880733, 880734	FT LOCK ARM ASSM PUSH W/GRIP	1
9	560126	.250 ID .312 OD BUSHING PLASTIC	2

ITEM	NUMBER	DESCRIPTION	QTY
10	226129	1/4-28 x 1 1/4 BH C/S	2
10A*	226150	1/4-28 x 2 BH C/S	2
11	560680	T45 FOOT PEDAL	1
12	201100	1/4-28 NYLOCK NUT THIN	2
1-3,5-10	880840, 880841	FOOT WHEEL LOCK W/BLOCK	
1-8,10A	880842, 880843	FOOT WHEEL LOCK W/BLK AND SPACER	
1-3,5-10	901570	FOOT WHEEL LOCK ASSM W/BLOCK (PR)	
1-8,10A	901571	FT WHL LCK ASSM W/BLK AND SPCR (PR)	

\* ITEMS 4 AND 10A ARE USED WITH ADJUSTABLE LOCKING FLIP-UP ARMREST.

# HIGH PUSH SWING-AWAY WHEEL LOCK

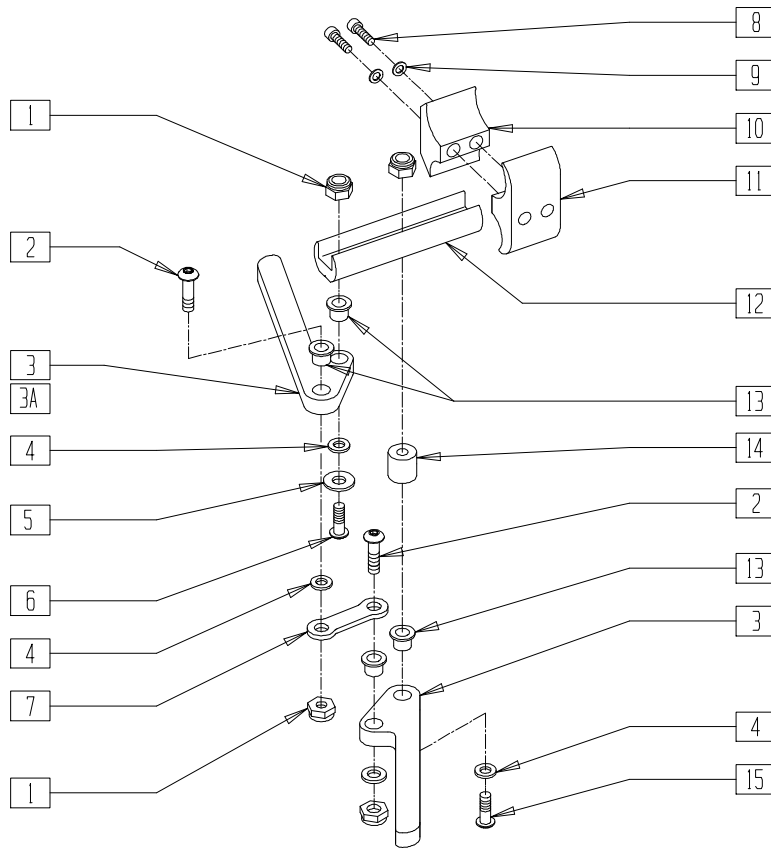


WLOX12

ITEM	NUMBER	DESCRIPTION	QTY
1	551258	CLAMP 1" THREADED HALF	1
2	551257	CLAMP 1" RECESS HALF	1
3	262114	1/4 WASHER HI COLLAR LOCK ZN	2
4	226112	1/4-28 x 1 SOC C/S BLK	2
5	560500	HB PLASTIC COVER	1
6	500304, 500305	WHEEL LOCK CAM LEVER WIDE (EA)	1
7	500302, 500303	WHEEL LOCK CAM LEVER (EA)	1
8	226131	1/4-28 x 1 1/4 BH C/S SHOULDER	2
9	262115	1/4" NYLON FLANGE BUSHING	2
13	880701, 880702	WHEEL LOCK ADJ BAR W/PIN (EA)	1
14	201120	1/4-28 AUTOMATION NUT	2
15	321778, 321779	SPRING WHEEL LOCK (EA)	1

ITEM	NUMBER	DESCRIPTION	QTY
16	481157	WHEEL LOCK SPACER	1
10-12,17	880514	WHEEL LOCK ARM 2" KNURL ASSEMBLY	
5,7-17	880790, 880791	HI PUSH S/A WHEEL LOCK (EA)	
1-5,7-17	880794, 880795	HI PUSH S/A WHEEL LOCK W/CLAMP (EA)	
5,6,8-17	880792, 880793	HI PUSH S/A WHEEL LOCK WIDE (EA)	
1-6,8-17	880796, 880797	HI PUSH S/A WHEEL LOCK WIDE W/CLAMP (EA)	
1-5,7-17	901520	HI PUSH S/A WHEEL LOCK W/CLAMP (PR)	
1-6,8-17	901521	HI PUSH S/A WHEEL LOCK WIDE W/CLAMP (PR)	

# HIGH-MOUNT SCISSOR WHEEL LOCK

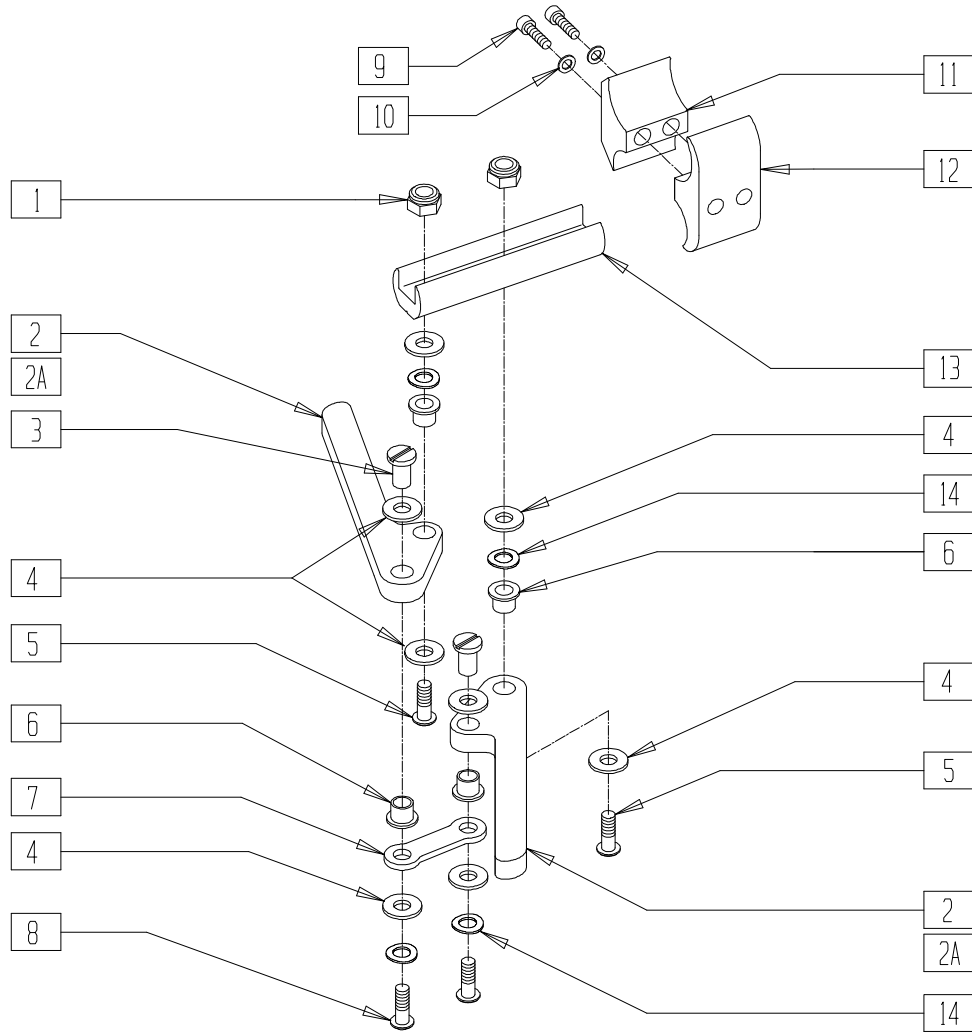


WL00X10

ITEM	NUMBER	DESCRIPTION	QTY
1	201100-QU	1/4-28 NYLOCK NUT THIN	4
2	226100	1/4-28 x 3/4 BH C/S	2
3	550232	HI-MOUNT SCISSOR WHEEL LOCK ARM	2
3A	550231	HI-MOUNT SCISSOR WHL LOCK ARM LONG	2
4	561028	1/4" NYLON WASHER	4
5	262120	1/4 SAE WASHER	1
6	226122	1/4-28 x 1.10 BH C/S	1
7	504995	TOGGLE LINK 1.125	1
8	226112	1/4-28 x 1 SOC C/S BLK	2
9	262114	1/4 WASHER HI COLLAR LOCK ZN	2
10	550259	CLAMP 1 1/4" RECESS HALF CLR	1
11	550258	CLAMP 1 1/4" THREADED CLR	1
12	550374	WHEEL LOCK SLIDE BLOCK 3 1/2" BLK	1
13	560126	.250 ID .312 OD BUSHING PLASTIC	4

ITEM	NUMBER	DESCRIPTION	QTY
14	483027	1/4 x 1/4 ALUMINUM SPACER BLK	2
15	226130	1/4-28 x 1 1/2 BH C/S	1
8-11	880539	WHEEL LOCK CLAMP ASSEMBLY CLR	
1-7	880608,	WHEEL LOCK SCISSOR HI-MOUNT (EA)	
12-15	880609		
1-15	901501,	WHEEL LOCK SCISSOR W/CLAMP (EA)	
	901503		
1-3,3A,4-7,12-15	901505	WHEEL LOCK SCISSOR W/CLAMP (PR)	
	880612,	WHEEL LOCK SCISSOR HI-MOUNT LONG W/CLAMP (EA)	
	880613		
1,2,3A,4-15	901507,	WHEEL LOCK SCISSOR LONG W/CLAMP (EA)	
	901509		
	901510	WHEEL LOCK SCISSOR LONG W/CLAMP (PR)	

# HIGH-MOUNT SCISSOR WHEEL LOCK (QUICKIE REVOLUTION)

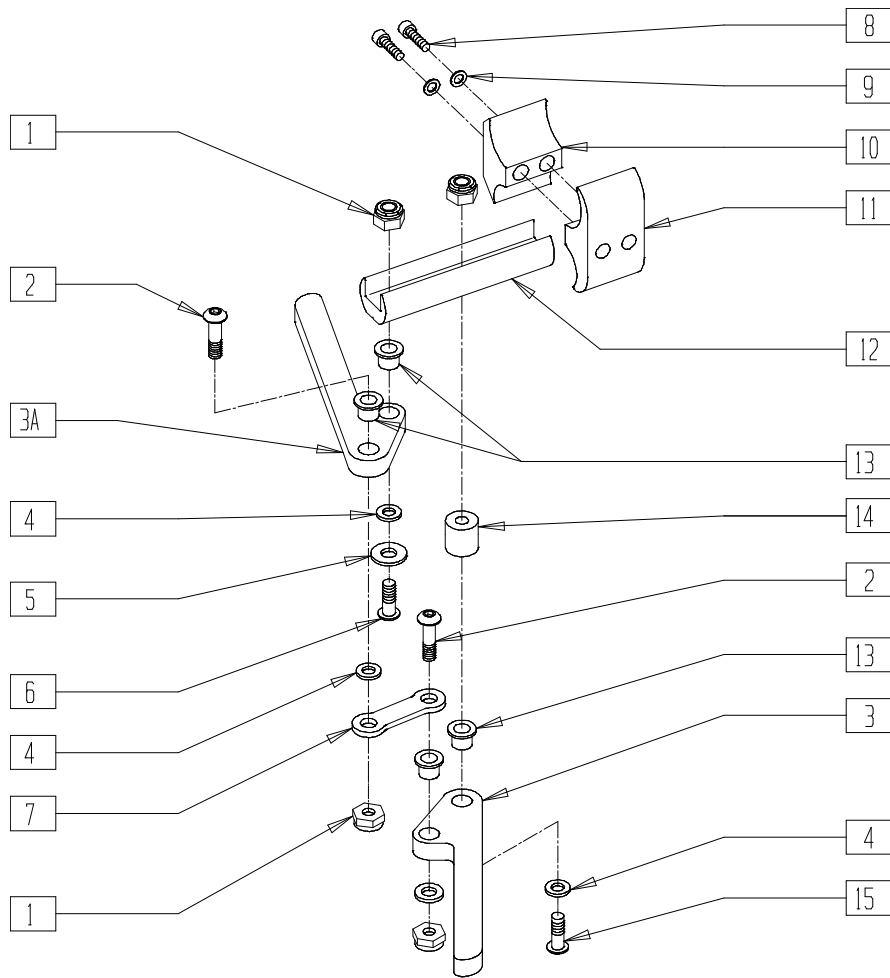


WL00X13

ITEM	NUMBER	DESCRIPTION	QTY
1	201100-OU	1/4-28 NYLOCK NUT THIN	2
2	550232	HI-MOUNT SCISSOR WHEEL LOCK ARM BLK	2
2A	550231	HI-MOUNT SCISSOR WHL LOCK ARM LONG	2
3	341508	10-32 x .620 SLOT RIVNUT	2
4	561028	1/4" NYLON WASHER	8
5	226122	1/4-28 x 1.10 BH C/S	2
6	560126	.250 ID .312 OD BUSHING PLASTIC	4
7	504995	TOGGLE LINK 1.125	1
8	226023	10-32 x 7/16 BH C/S BLK	2
9	226112	1/4-28 x 1 SOC C/S BLK	2
10	262114	1/4 WASHER HI COLLAR LOCK ZN	2
11	550658	CLAMP 1 1/4" THREADED BLK	1
12	550659	CLAMP 1 1/4" RECESS HALF BLK	1

ITEM	NUMBER	DESCRIPTION	QTY
13	550374	WHEEL LOCK SLIDE BLOCK 3 1/2" BLK	1
14	262130	6mm WASHER WAVE	4
9-12	880594	WHEEL LOCK CLAMP ASSEMBLY BLK	
1-8,	880720,	WHEEL LOCK SCISSOR	
13,14	880721	HI-MOUNT REG RV (EA)	
1,2,2A,	880722,	WHEEL LOCK SCISSOR	
3-8,13,14	880723	HI-MOUNT LONG RV (EA)	
1-14	901511,	WHEEL LOCK SCISSOR REG	
	901512	RV W/CLAMP (EA)	
1,2,2A,	901515,	WHEEL LOCK SCISSOR LONG	
3-14	901516	RV W/CLAMP (EA)	
1-14	901514	WHL LCK SCISSOR REG RV	
		W/CLMP (PR)	
1,2,2A,	901517	WHL LCK SCISSOR LONG RV	
3-14		W/CLMP (PR)	

# HIGH-MOUNT SCISSOR WHEEL LOCK (QUICKIE XTR)

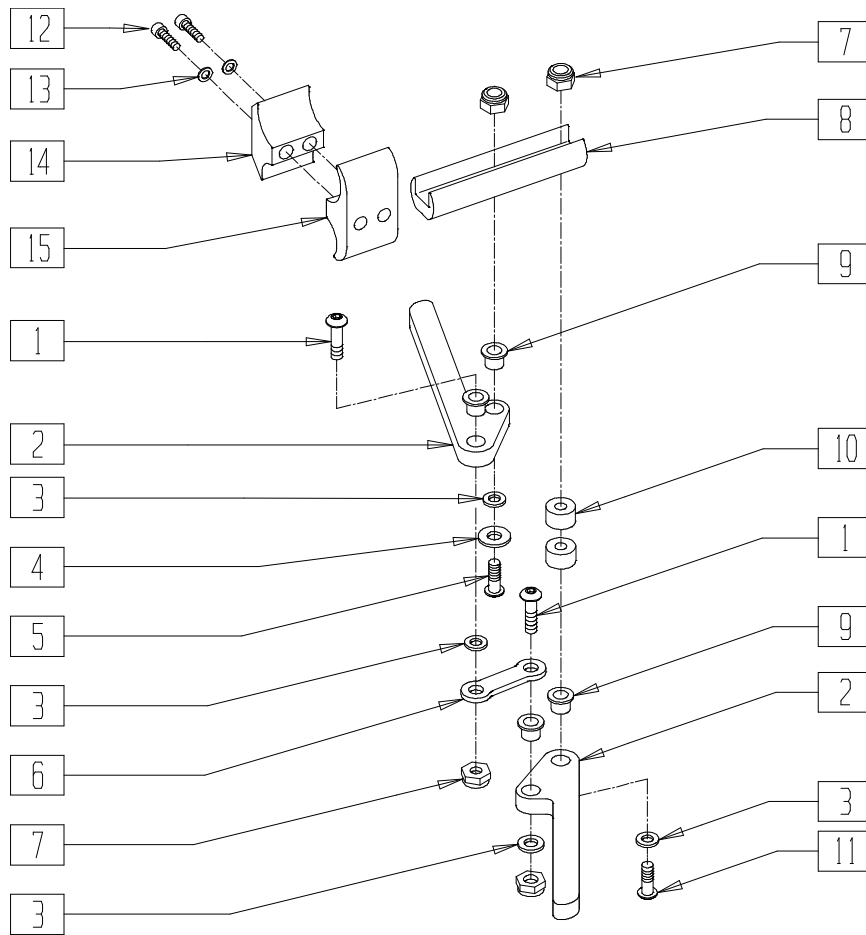


SUS00X35

ITEM	NUMBER	DESCRIPTION	QTY
1	201100-QU	1/4-28 NYLOCK NUT THIN	4
2	226100	1/4-28 x 3/4 BH C/S	2
3	550232	HI-MNT SCISSOR WHEEL LOCK ARM BLK	1
3A	550231	HI-MNT SCISSOR WHEEL LOCK ARM LNG	1
4	561028	1/4" NYLON WASHER	4
5	262120	1/4 SAE WASHER	1
6	226122	1/4-28 x 1.10 BH C/S	1
7	504995	TOGGLE LINK 1.125	1
8	226112	1/4-28 x 1 SOC C/S BLK	2
9	262114	1/4 WASHER HI COLLAR LOCK ZN	2
10	550064	WHEEL LOCK CLAMP 1 1/8" REC XTR	1

ITEM	NUMBER	DESCRIPTION	QTY
11	550065	WHEEL LOCK CLAMP 1 1/8" THRD XTR	1
12	550374	WHEEL LOCK SLIDE BLOCK 3 1/2" BLK	1
13	560126	.250 ID .312 OD BUSHING PLASTIC	4
14	483027	1/4 x 1/4 ALUMINUM SPACER BLK	2
15	226130	1/4-28 x 1 1/2 BH C/S	1
8-11	881054	WHEEL LOCK CLAMP ASSEMBLY XTR	
1-3,3A,4-7,12-15	880612, 880613	WHEEL LOCK SCISSOR HI-MNT LONG (EA)	
1-15	881055, 881056	WHEEL LOCK SCISSOR W/CLAMP LONG XTR	
	901576	WHEEL LOCK SCISSOR W/CLAMP XTR (PR)	

# HIGH-MOUNT SCISSOR WHEEL LOCK (QUICKIE R2)



Drawing shows right side

R200X07

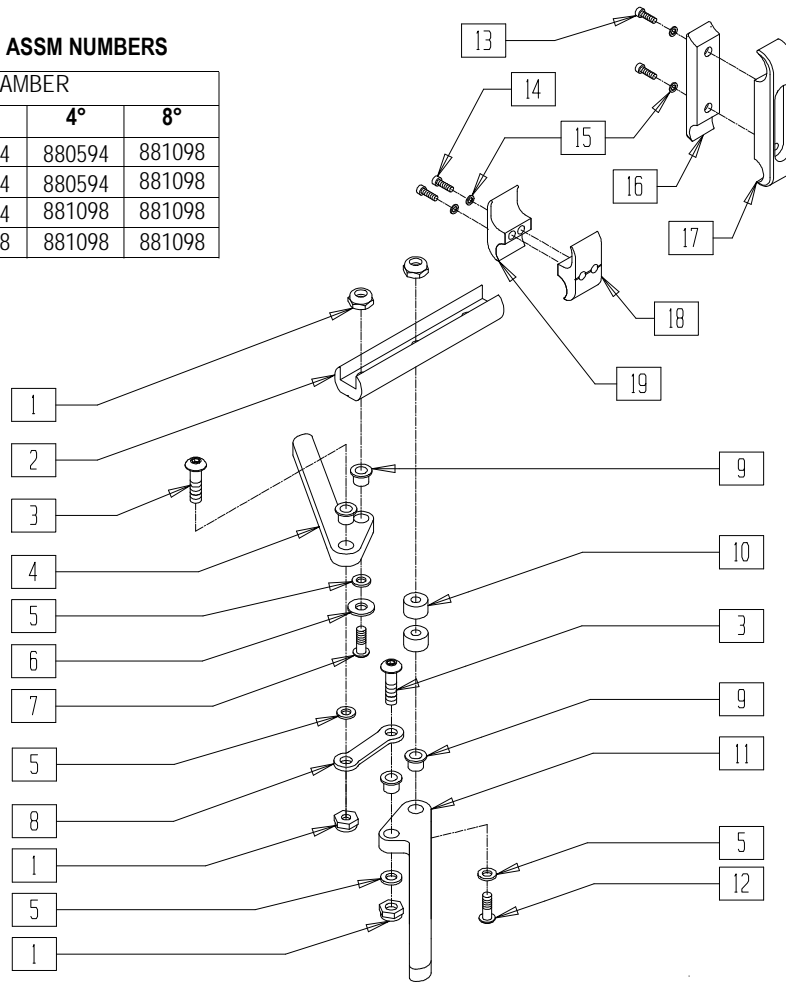
ITEM	NUMBER	DESCRIPTION	QTY
1	226100	1/4-28 x 3/4 BH C/S	2
2	550232	HI-MNT SCISSOR WHEEL LOCK ARM BLK	2
3	561028	1/4" NYLON WASHER	4
4	262120	1/4" SAE WASHER	1
5	226122	1/4-28 x 1.10 BH C/S	1
6	504995	TOGGLE LINK 1.125	1
7	201100-QU	1/4-28 NYLOCK NUT THIN	4
8	550374	WHEEL LOCK SLIDE BLOCK 3 1/2" BLK	1
9	560126	.250 ID .312 OD BUSHING PLST	4
10	483027	1/4 x 1/4 ALUM SPACER BLK	2

ITEM	NUMBER	DESCRIPTION	QTY
11	226130	1/4-28 x 1 1/2 BH C/S	1
12	226112	1/4-28 x 1 SOC C/S BLK	2
13	262114	1/4 WASHER HI COLLAR LOCK ZN	2
14	550443	WHEEL LOCK CLAMP RECESS R2	1
15	550442	WHEEL LOCK CLAMP THREADED R2	1
12-15	881097	WHEEL LOCK CLAMP ASSY BLK	
1-11	880608, 880609	WHEEL LOCK SCISSOR HI-MNT BLK (EA)	
1-15	901546, 901547	WHEEL LOCK SCISSOR W/CLAMP BLK R2 (EA)	

# HIGH-MOUNT SCISSOR WHEEL LOCK (QUICKIE Ti TITANIUM)

## WHEEL LOCK CLAMP ASSM NUMBERS

GAP	CAMBER			
	0°	2°	4°	8°
0.75"	880594	880594	880594	881098
1.0"	880594	880594	880594	881098
1.25"	880594	880594	881098	881098
1.5"	880594	881098	881098	881098



Drawing Shows Right Side

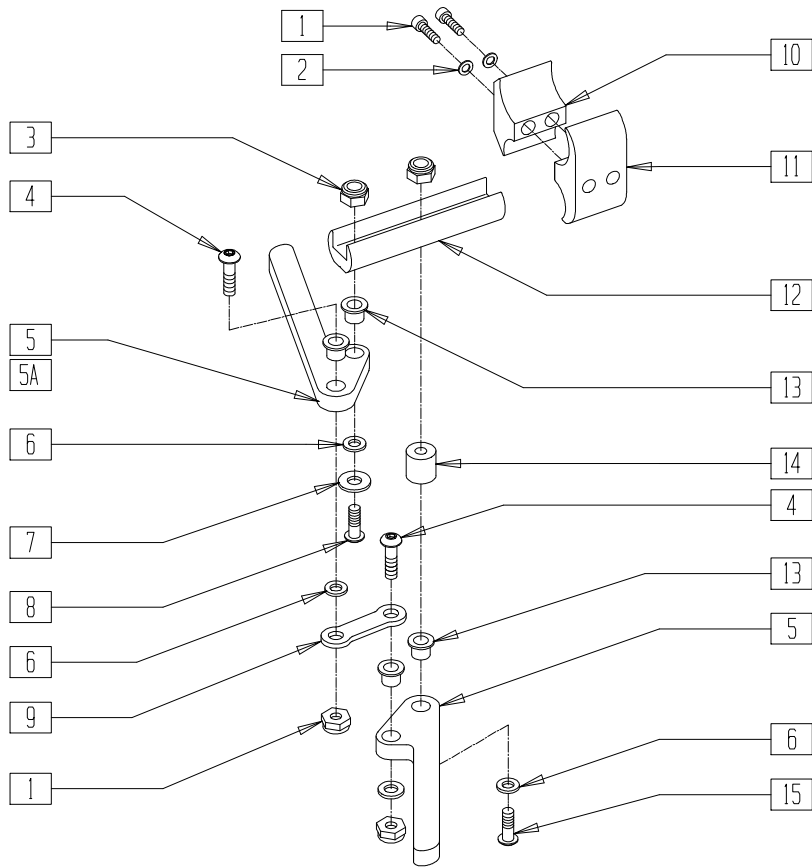
QT10X13

ITEM	NUMBER	DESCRIPTION	QTY
1	201100-QU	1/4-28 NYLOCK NUT THIN	4
2	550374	WHL LCK SLIDE BLOCK 3 1/2" BLK	1
3	226100	1/4-28 x 3/4 BH C/S	2
4	550232	HI-MNT SCISSOR WHL LCK ARM BLK	2
5	561028	1/4" NYLON WASHER	4
6	262120	1/4" SAE WASHER	1
7	226122	1/4-28 x 1.10 BH C/S	1
8	504995	TOGGLE LINK 1.125	1
9	560126	.250 ID .312 OD BUSHING PLST	4
10	483027	1/4 x 1/4 ALUM SPACER BLK	2
11	550231	HI-MNT SCSSOR WHL LOCK ARM LNG	1
12	226130	1/4-28 x 1 1/2 BH C/S	1

ITEM	NUMBER	DESCRIPTION	QTY
13	226107	1/4-28 x 7/8 SOC C/S	2
14	226112	1/4-28 x 1 SOC C/S BLK	2
15	262114	1/4 WASHER HI COLLAR LOCK ZN	2
16	550093	WHL LCK CLMP THRU 3.5"	1
17	550092	WHL LCK CLMP THRD 3.5"	1
18	550658	CLAMP 1 1/4" THREADED BLK	1
19	550659	CLAMP 1 1/4" RECESS HALF BLK	1
14,15,18,19	880594	WHL LCK/1AD CLMP ASSM BLK	
13,15-17	881098	WHEEL LOCK CLAMP ASSM LONG	
1-12	881438, 881439	WHL LCK ASSM SCSSR HI MT T3 (EA)	



# STANDARD/HIGH MOUNT SCISSOR WHEEL LOCK (QUICKIE ST/DT/HEAT)



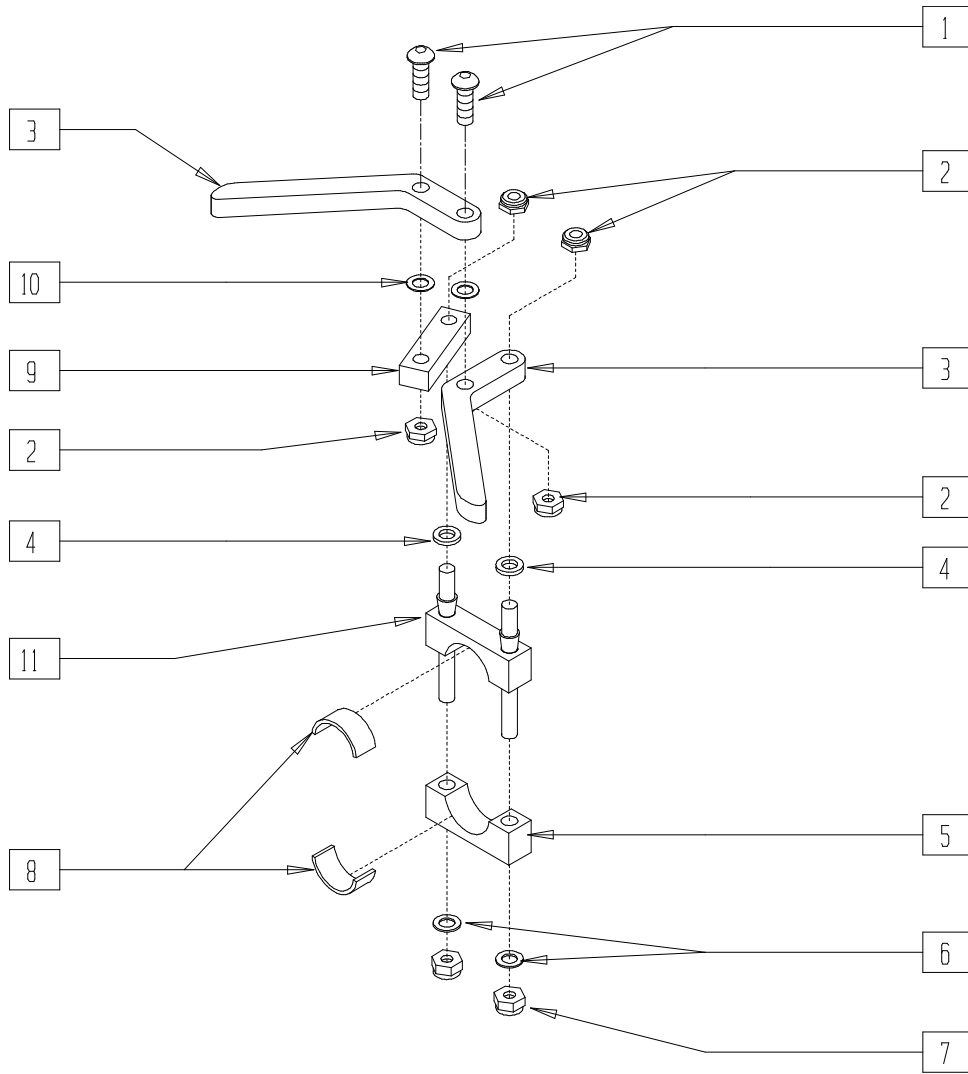
RG000X14

ITEM	NUMBER	DESCRIPTION	QTY
1	226112	1/4-28 x 1 SOC C/S BLK	2
2	262114	1/4 WASHER HI COLLAR LOCK ZN	2
3	201100-QU	1/4-28 NYLOCK NUT THIN	4
4	226100	1/4-28 x 3/4 BH C/S	2
5	550232	HI-MNT SCISSOR WHEEL LOCK ARM	2
5A	550231	HI-MNT SCISSOR WHEEL LOCK ARM LONG	2
6	561028	1/4" NYLON WASHER	4
7	262120	1/4 SAE WASHER	1
8	226122	1/4-28 x 1.10 BH C/S	1
9	504995	TOGGLE LINK 1.125	1
10	550724	CLAMP 3/4"- 3/4" TOP HALF ST/DT	1
11	550725	CLAMP 3/4"- 3/4" THRD HALF ST/DT	1
12	550374	WHEEL LOCK SLIDE BLOCK 3 1/2" BLK	1
13	560126	.250 ID .312 OD BUSHING PLASTIC	4

ITEM	NUMBER	DESCRIPTION	QTY
14	483027	1/4 x 1/4 ALUM SPACER BLK	1
15	226130	1/4-28 x 1 1/2 BH C/S	1
1,2,10,11	880582	WHEEL LOCK CLAMP ASSEMBLY ST/DT	
3-9,12-15	880608, 880609	WHEEL LOCK SCISSOR HI-MOUNT (EA)	
1-15	880804, 880805	WHEEL LOCK SCISSOR W/CLAMP (EA)	
	901518	WHEEL LOCK SCISSOR W/CLAMP (PR)	
	880612, 880613	WHEEL LOCK SCISSOR HI-MOUNT LONG (EA)	
1-5,5A, 6-15	880806, 880807	WHEEL LOCK SCISSOR W/CLAMP LONG BLK (EA)	
	901519	WHEEL LOCK SCISSOR W/CLAMP LONG BLK (PR)	

# LOW SCISSOR WHEEL LOCK ASSEMBLY (QUICKIE CARBON)

(Discontinued 3/1/95 - parts only)



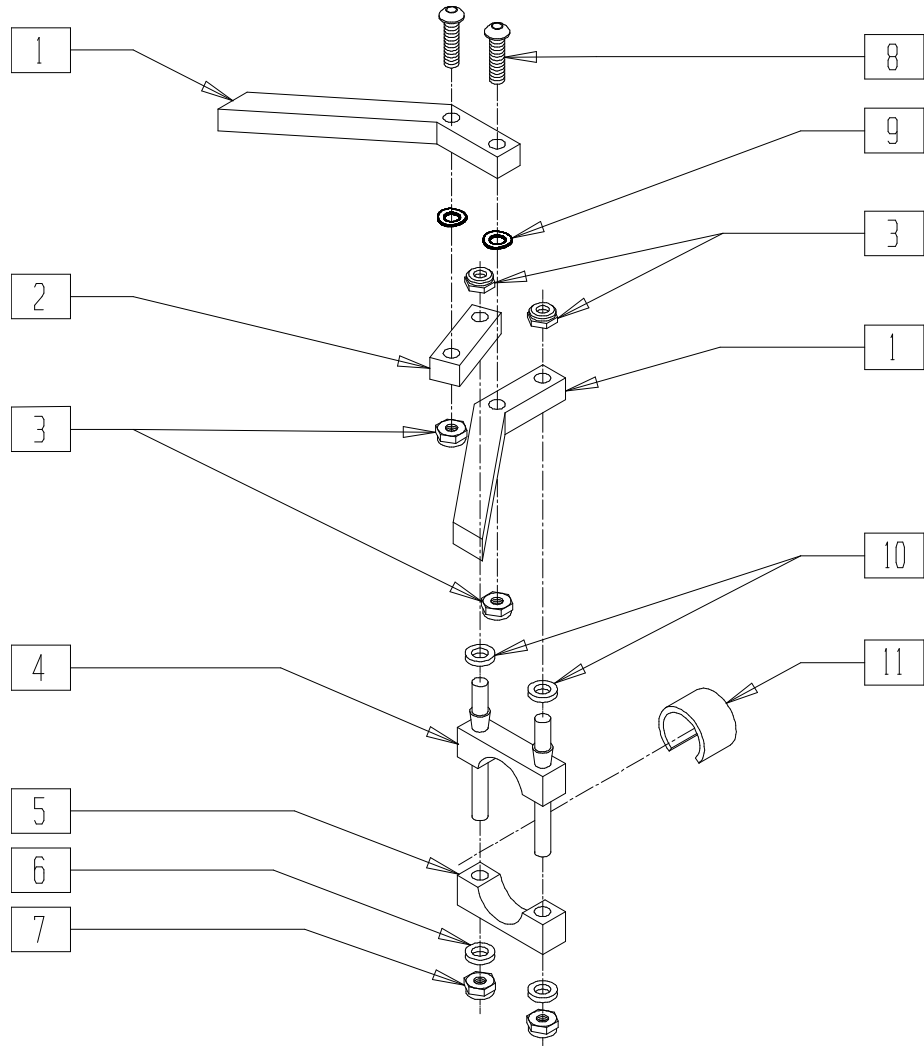
COMP3X08

ITEM	NUMBER	DESCRIPTION	QTY
1	226110	1/4-28 x 1 BH C/S	2
2	201100	1/4-28 NYLOCK NUT THIN	4
3	550230	LOW LOCK ARM	2
4	561328	1/4" x .032 NYLON WASHER	2
5	550210	LOW LOCK CLAMP	1
6	262100-OU	1/4 AN WASHER FLAT	2
7	201110	1/4-28 NYLOCK NUT	2
8	562835	QC LOW LOCK CLAMP PAD	1

ITEM	NUMBER	DESCRIPTION	QTY
9	550240	LOW LOCK TOGGLE	1
10	262130	6mm WASHER WAVE	2
11	880540	QC LOW LOCK CLAMP W/STUDS	1
13 5,8	880542	QC LOW LOCK CLAMP W/PAD	
1-4,9-11	880604, 880605	QC LOW LOCK W/O CLAMP (EA)	
1-11	901502	QC LOW LOCK ASSEMBLY(PR)	

# LOW MOUNT WHEEL LOCK

(ST/DT discontinued 7/1/98 - parts only)



RG000X06

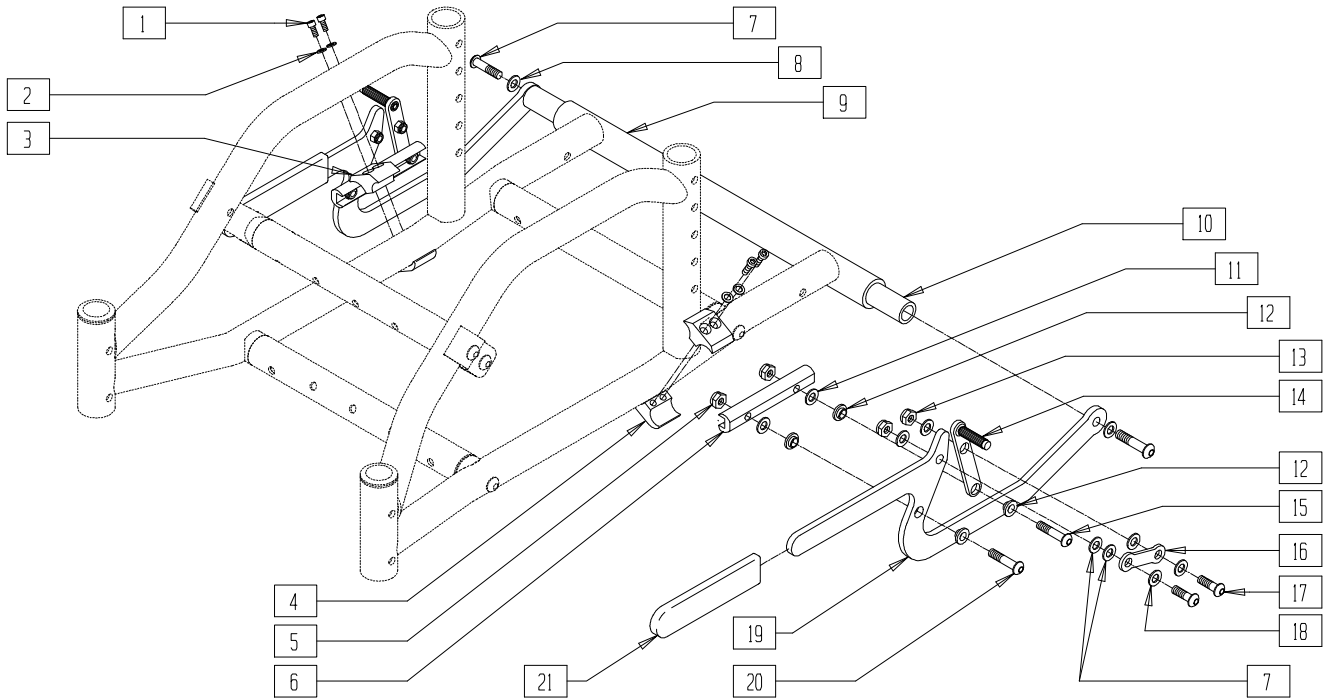
ITEM	NUMBER	DESCRIPTION	QTY
1	550230	LOW LOCK ARM	2
2	550240	LOW LOCK TOGGLE	1
3	201100-QU	1/4-28 NYLOCK NUT THIN	4
4	880525	LOW LOCK CLAMP W/STUDS ONE/DT	1
5	550210	LOW LOCK CLAMP BLK	1
6	262100-QU	1/4 AN WASHER FLAT	2
7	201110-QU	1/4-28 NYLOCK NUT	2
8	226110	1/4-28 x 1 BH C/S	2
9	262130	6mm WASHER WAVE	2
10	561028	1/4" NYLON WASHER	2
11*	580075	WHEEL LOCK SHIM LOW	1

ITEM	NUMBER	DESCRIPTION	QTY
2-10	880601, 880603	LOW LOCK W/CLAMP (EA)	
	901500	LOW LOCK ASSM (PR)	
1-4,8-10	880600, 880602	LOW LOCK NO CLAMP (EA)	
	880641, 880643	LOW LOCK W/O CLAMP ONE/DT (EA)	
1-11	880681, 880683	LOW LOCK W/CLAMP ONE/DT (EA)	
	901506	LOW LOCK ASSEMBLY ONE/DT (PR)	

\* PART NUMBER 580075 USED WITH ST/DT DISCONTINUED - PARTS ONLY.

# FOOT LOCK/12" WHEEL (QUICKIE TS, ZIPPY/ZIPPY TS)

(Effective 12/15/95, beginning serial number QT-12900)



Drawing shows Zippie TS frame.

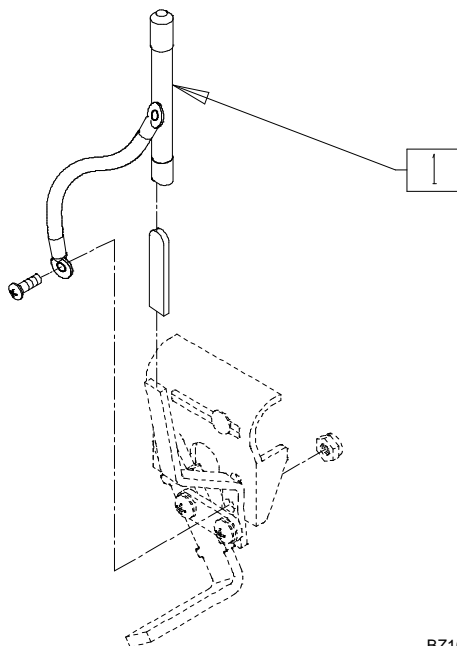
WL00X11A

ITEM	NUMBER	DESCRIPTION	QTY
1	226112	1/4-28 x 1 SOC C/S BLK	4
2	262114	1/4 WASHER HI COLLAR LOCK ZN	4
3	550659	CLAMP 1 1/4" RECESS HALF BLK	2
4	550658	CLAMP 1 1/4" THREADED BLK	2
5	201100-QU	1/4-28 NYLOCK NUT THIN	4
6	550268	WHEEL LOCK FOOT SLIDE BLOCK	2
7	226061	1/4-20 x 1 BH C/S W/PATCH	2
8	262110-QU	1/4 AN WASHER FLAT THIN	2
9	560612	8 x .705 x .188 FOAM TUBE	1
9,10	880710-	FOOTLOCK TUBE W/FOAM 10"-19"	1
	880719		
	880725	FOOTLOCK TUBE W/FOAM 20"	
11	561028	1/4" NYLON WASHER	14

ITEM	NUMBER	DESCRIPTION	QTY
12	262115	1/4" NYLON FLANGE BUSHING	8
13	201100-QU	1/4-28 NYLOCK NUT THIN	4
14	880531	LOCK TOGGLE AND GRIP	2
15	226122	1/4-28 x 1.10 BH C/S	2
16	504995	TOGGLE LINK 1.125	2
17	226100	1/4-28 x 3/4 BH C/S	4
18	262130	6mm WASHER WAVE	4
19	505153	FOOT WHEEL LOCK LEVER	2
20	226110	1/4-28 x 1 BH C/S	2
21	560305	4 x .375 ID x .125 FOAM GRIP	2
1-4	880594	WHL LCK/1AD CLMP ASSM BLK	
1-21	900740- 900750	FOOT WHEEL LOCK ASSEMBLY (10"-20")	

NOTE: FOOTLOCK IS NOT AVAILABLE ON FOLDING ZIPPY TS.

## WHEEL LOCK EXTENSION HANDLE (BREEZY 100/150)

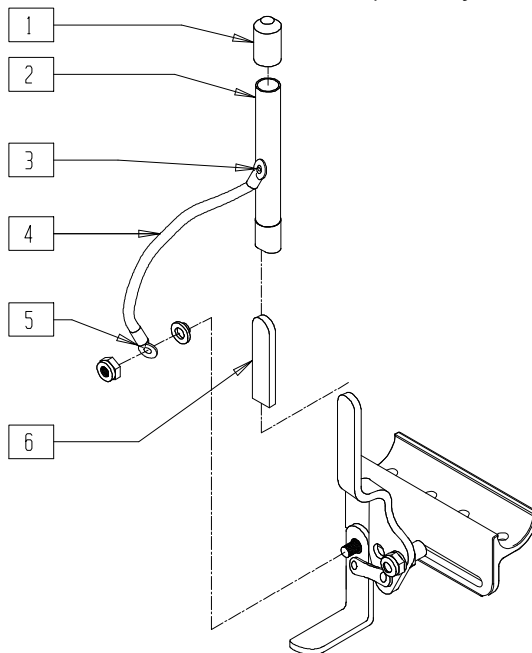


BZ100X13

ITEM	NUMBER	DESCRIPTION	QTY
1	BZ140	WHEEL LOCK EXTENSION (PR)	1

## WHEEL LOCK EXTENSION HANDLE (BREEZY 500/503/510/510 RECLINER/600/2)

(Breezy 2 discontinued 5/98 - parts only)



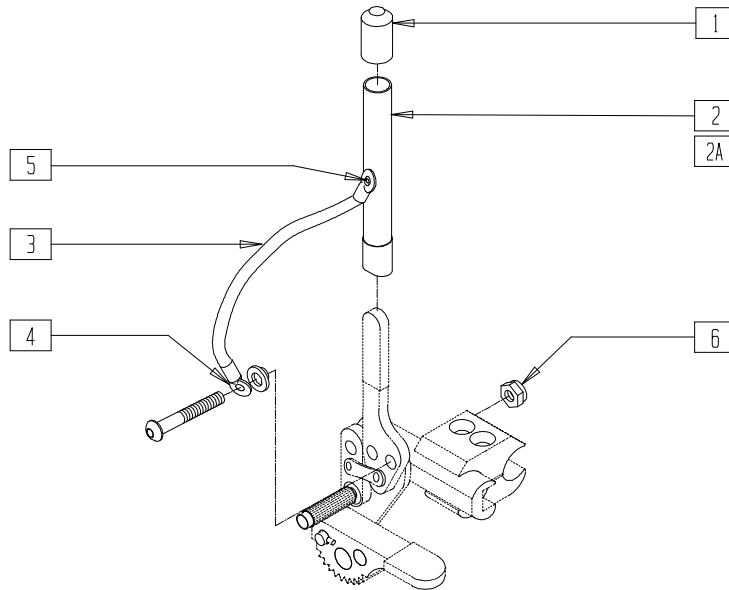
WLOX16A

ITEM	NUMBER	DESCRIPTION	QTY
1	560600	1 1/2 x .705 x .187 FOAM GRIP	1
3	240104	RIVET POP SD44BSLF BLK	1
4,5	880555	WHEEL LOCK EXT STRAP	

ITEM	NUMBER	DESCRIPTION	QTY
6*	560507	WHEEL LOCK PLASTIC COVER BR	1
1-5	880696	WHEEL LOCK 6" EXT TUBE ASSEM (EA)	
	920032	WHEEL LOCK 6" EXT TUBES (PR)	

\* ORDER ITEM 6 WHEN USING ITEM 2.

# HIGH WHEEL LOCK EXTENSION HANDLE (MOST BREEZY AND QUICKIE PRODUCTS)

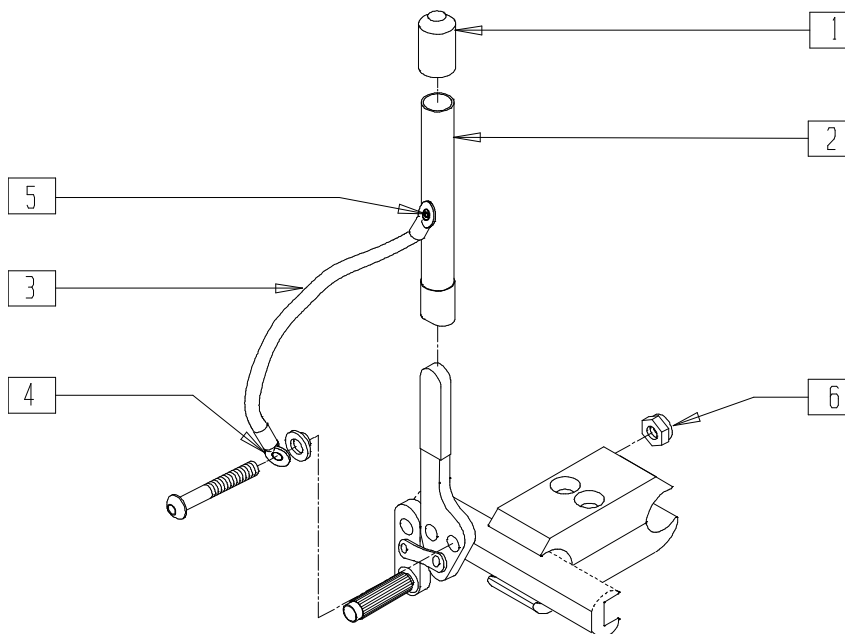


WLOX08

ITEM	NUMBER	DESCRIPTION	QTY
1	560600	1 1/2 x .705 x .187 FOAM GRIP	1
3,4	880555	WHEEL LOCK EXT STRAP	
5	240104	RIVET POP SD44BSLF BLK	1
6	201100	1/4-28 NYLOCK NUT THIN	1

ITEM	NUMBER	DESCRIPTION	QTY
1-6	880696	WHEEL LOCK 6" EXT TUBE ASSM (EA)	
1,2A,3-6	880697	WHEEL LOCK 9" EXT TUBE ASSM (EA)	
1-6	920032	WHEEL LOCK 6" EXT TUBES (PR)	
1,2A,3-6	920034	WHEEL LOCK 9" EXT TUBES (PR)	

# HIGH WHEEL LOCK EXTENSION HANDLE (QUICKIE M6)

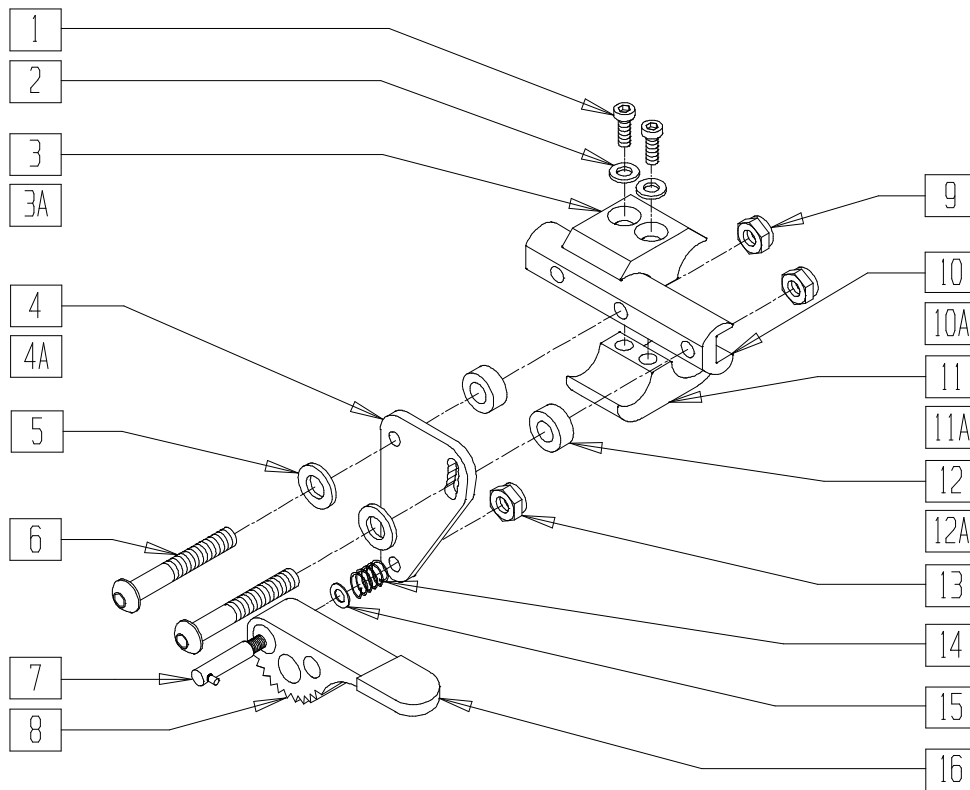


MAG00X29

ITEM	NUMBER	DESCRIPTION	QTY
1	560600	1-1/2" x .705 x .187 FOAM GRIP	1
3,4	880555	WHEEL LOCK EXT STRAP	
5	240104	1 RIVET POP SD44BSLF BLK	1
6	201100	1/4-28 NYLOCK NUT THIN	1

ITEM	NUMBER	DESCRIPTION	QTY
1-6	880696	WHEEL LOCK 6" EXT TUBE ASSEMBLY (EA)	
	920032	WHEEL LOCK 6" EXT TUBES (PR)	

# GRADE AID ONLY ASSEMBLY



WLOX09A

ITEM	NUMBER	DESCRIPTION	QTY
1	226112	1/4-28 x 1 SOC C/S BLK	2
2	262114	1/4 WASHER HI COLLAR LOCK ZN	2
3	550259	CLAMP 1 1/4" RECESS HALF CLR	1
3A	550659	CLAMP 1 1/4" RECESS HALF BLK	1
4	500174	GRADE AID PLATE	1
4A	500274	GRADE AID PLATE BLK	1
5	561028	1/4" NYLON WASHER	2
6	226122	1/4-28 x 1.10 BH C/S	2
7	481021	GRADE AID ROD W/PIN WHEEL LOCK	1
8	561090, 561091	GRADE AID WHEEL NEW	1
9	201100-QU	1/4-28 NYLOCK NUT THIN	2
10	550265	WHEEL LOCK SLIDE BLOCK 3 1/2" CLR	1
10A	550374	WHEEL LOCK SLIDE BLOCK 3 1/2" BLK	1
11	550258	CLAMP 1 1/4" THREADED CLR	1
11A	550658	CLAMP 1 1/4" THREADED BLK	1
12	483101	1/4 x 1/4 ALUM SPACER CLEAR	2
12A	483027	1/4 x 1/4 ALUM SPACER BLK	2
13	201100-QU	1/4-28 NYLOCK NUT THIN	1

ITEM	NUMBER	DESCRIPTION	QTY
14	321130	GRADE AID SPRING	1
15	263110-QU	5/16 AN WASHER FLAT THIN	1
16	560503	GRADE AID HANDLE COVER	1
1-3,11	880539	WHEEL LOCK CLAMP ASSM CLR	
1,2,3A,11A	880594	WHEEL LOCK/1AD CLAMP ASSM BLK	
4,7,8, 13-16	880906, 880907	GRADE AID PLATE W/WHEEL CLR (EA)	
4A,7,8, 13-16	880904, 880905	GRADE AID PLATE W/WHEEL BLK (EA)	
4-10, 12-16	883170, 883171	GRADE AID ASSM CLR NO CLAMP (EA)	
4A,5-9,10A, 12A,13-16	880912, 880913	GRADE AID ASSM BLK NO CLAMP (EA)	
1-16	883172, 883173	GRADE AID ASSM CLR W/CLAMP (EA)	
1,2,3A,4A, 5-9,10A,	880914, 880915	GRADE AID ASSM BLK W/CLAMP (EA)	
11A,12A, 13-16	900904	GRADE AID ASSM BLK W/CLAMP (PR)	
1-16	900905	GRADE AID ASSM CLR W/CLAMP (PR)	



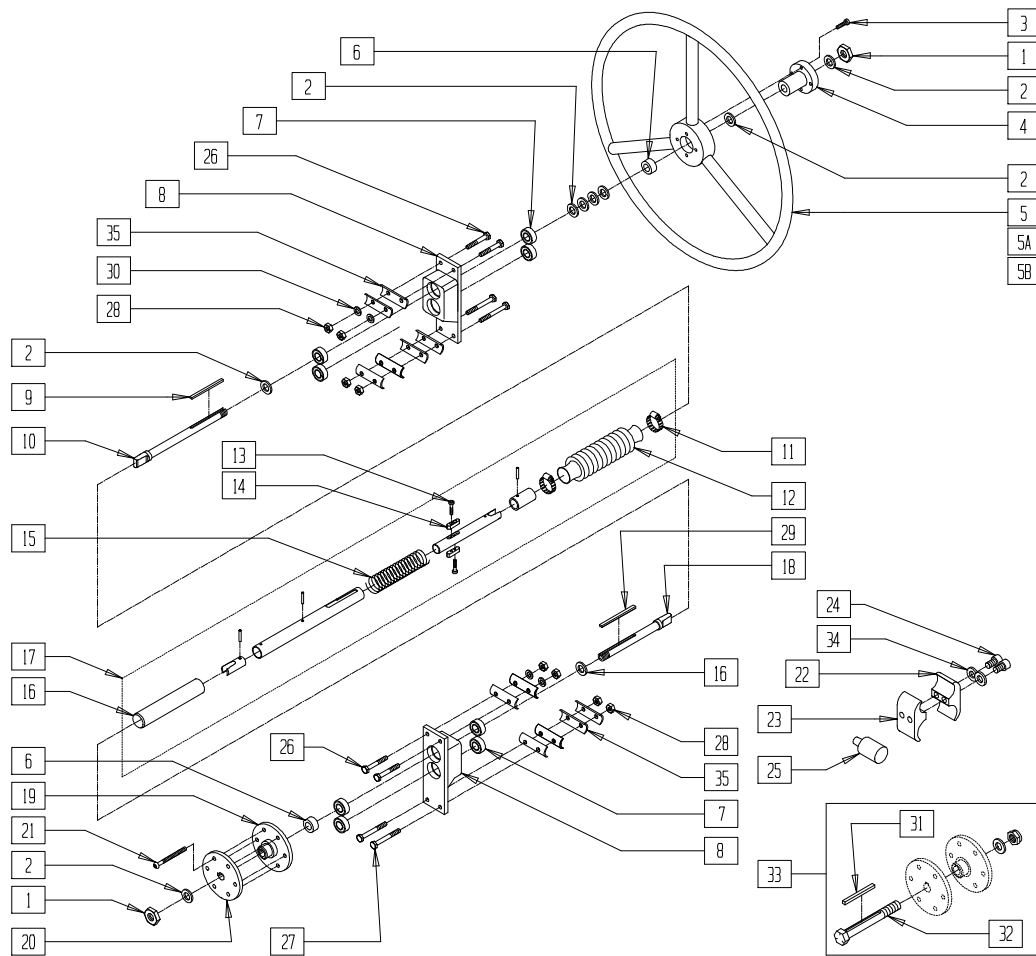


# One-Arm Drive

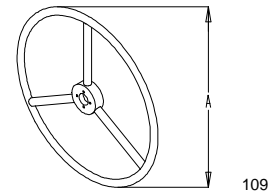
## IN THIS SECTION

One-arm Drive Retro Kit Assembly (Zippie GS) .....	22.1	One-arm Drive Retro Kit Assembly (Breezy 510) (Disc.).....	22.6
One-arm Drive Retro Kit Assembly (Zippie TS/ New Zippie TS) .....	22.2	One-arm Drive Retro Kit Assembly (Breezy 510) (Disc.).....	22.7
One-arm Drive Retro Kit Assembly (Quickie 2/2HP/2HPTi/Zippie 2).....	22.3	One-arm Drive Retro Kit Assembly (Breezy 510) .....	22.8
One-arm Drive Retro Kit Assembly (Quickie TS) .....	22.4	One-arm Drive Retro Kit Assembly (Breezy 2(Disc.)/600) .....	22.9
One-arm Drive Retro Kit Assembly (Quickie LX/LXI).....	22.5		

# ONE-ARM DRIVE RETRO KIT ASSEMBLY (ZIPPIE GS)

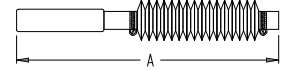


## MEASURING GUIDE

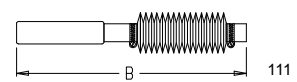


WHEEL SIZE	STD	SMALL
20"	16 1/2"	-
22"	18"	16 1/2"
24"	19 1/4"	18"

UNLOCKED (OPEN)



LOCKED (CLOSED)



CHAIR WIDTH	"A"	"B"
13"	9 3/4"	8"
14"	10 3/4"	9"
15"	11 3/4"	10"
16"	12 3/4"	11"
17"	13 3/4"	12"
18"	14 3/4"	13"
19"	15 3/4"	14"
20"	16 3/4"	15"

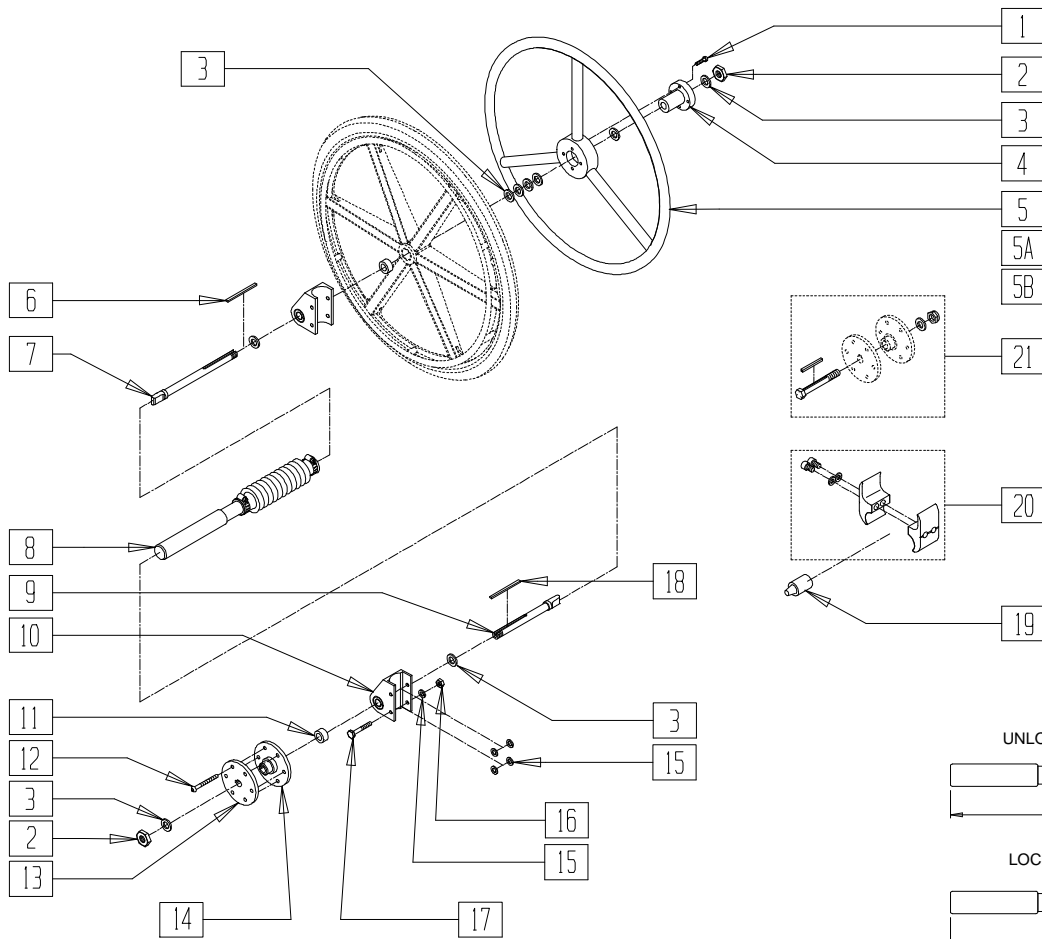
AC0X049A

ITEM	NUMBER	DESCRIPTION	QTY
1	203100	1/2-20 NYLOCK NUT	2
2	264100	1/2 AN WASHER FLAT	9
3	226015	10-32 x 3/4 SOC C/S BLK	4
4	500634	1 AD HUB CENTER	1
5	529801	1 AD HR ONLY 20" STD/22" SM	1
5A	529800	1 AD HR ONLY 22" STD/24" SM	1
5B	529802	1 AD HR ONLY 24" STD	1
6	483058	1 AD WHEEL SPACER	2
7	349500	1 1/8 x 1/2 BEARING	4
7,8	880820	1 AD AXLE PLATE W/BEARINGS BLK	
	880858	1 AD AXLE PLATE W/BEARINGS ZGS	
9	341274	3/16 SQ x 1 1/2 KEY STL	3
10	481131	1 AD HANDRIM DRIVE SHAFT	1
11	342012	1 AD BOOT CLAMP	2
12	560691	1 AD RUBBER BOOT BLK .875	1
13	226002	6-32 x 3/4 SOC C/S BLK	2
14	481136	1 AD KEY C/BORE	2
16	560661	QUICKIE GRIP 7/8"	1
17	880812-880819	1 AD SHAFT ASSEMBLY 13"-20"	1
18	481132	1 AD WHEEL DRIVE SHAFT	1
19	500631	WHEEL HUB 1 ARM DRIVE W/TAP	1
20	500630	1 AD WHEEL HUB W/O TAP	1
21	226166	1/4-28 x 2 1/2 BH C/S	6
22	550658	CLAMP 1 1/4" THREADED BLK	2

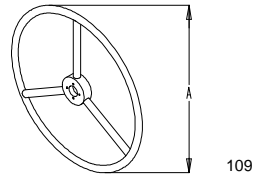
ITEM	NUMBER	DESCRIPTION	QTY
23	550659	CLAMP 1 1/4" RECESS HALF BLK	2
24	226112	1/4-28 x 1 SOC C/S BLK	4
25	482030	1 AD DRIVE RECEIVER	2
26	221192	1/4-28 x 2 G8 HEX C/S	8
27	221193	1/4-28 x 2 3/4 G8 HEX C/S	4
28	201110-OU	1/4-28 NYLOCK NUT	8
29	341277	3/16 SQ x 2 3/8 KEY STL	1
30	262110-OU	1/4 AN WASHER FLAT THIN	8
31	341278	3/16" SQ x 2 1/4" KEY STL	1
32	330014	1 AD ALIGNMENT BOLT	1
33	330015	1 AD ALIGNMENT TOOL ASSEMBLY	1
34	262114	A1 1/4 WASHER HI COLLAR	2
35	562843	CAMBER WASHER ZGS	12
22-24,34	880594	WHL LCK/1AD CLMP ASSM BLK	
22-24,34	880728*	1 AD CLAMP ASSEMBLY 13"	
1,2,6-10 18-21, 25-30,35	881078	1 AD HDWR KIT ZGS	
1-30, 33,34	923575- 923580	1 AD 13"-18" RETRO (20" STD/22" SM HR) ZGS	
1-4,5A, 6-30,33,34	923585- 923590	1 AD 13"-18" RETRO (22" STD/24" SM HR) ZGS	
1-4,5B, 6-30,33,34	923593- 923598	1 AD 13"-18" RETRO (24" STD HR) ZGS	

\* PART NUMBER 880728 IS USED ON 14"-20" WIDE WHEELCHAIRS PRIOR TO Q2-16996 AND ALL 13" WIDE WHEELCHAIRS.

# ONE-ARM DRIVE RETRO KIT ASSEMBLY (ZIPPIE TS/NEW ZIPPIE TS)

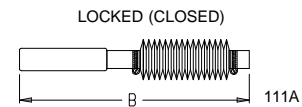
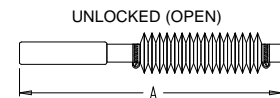


## MEASURING GUIDE



WHEEL SIZE	STD "A"	SMALL "A"
20"	16 1/2"	-
22"	18"	16 1/2"
24"	19 1/4"	18"

FRAME WIDTH	"B"	"C"
13"	9 3/4"	8"
14"	10 3/4"	9"
15"	11 3/4"	10"
16"	12 3/4"	11"
17"	13 3/4"	12"
18"	14 3/4"	13"
19"	15 3/4"	14"
20"	16 3/4"	15"

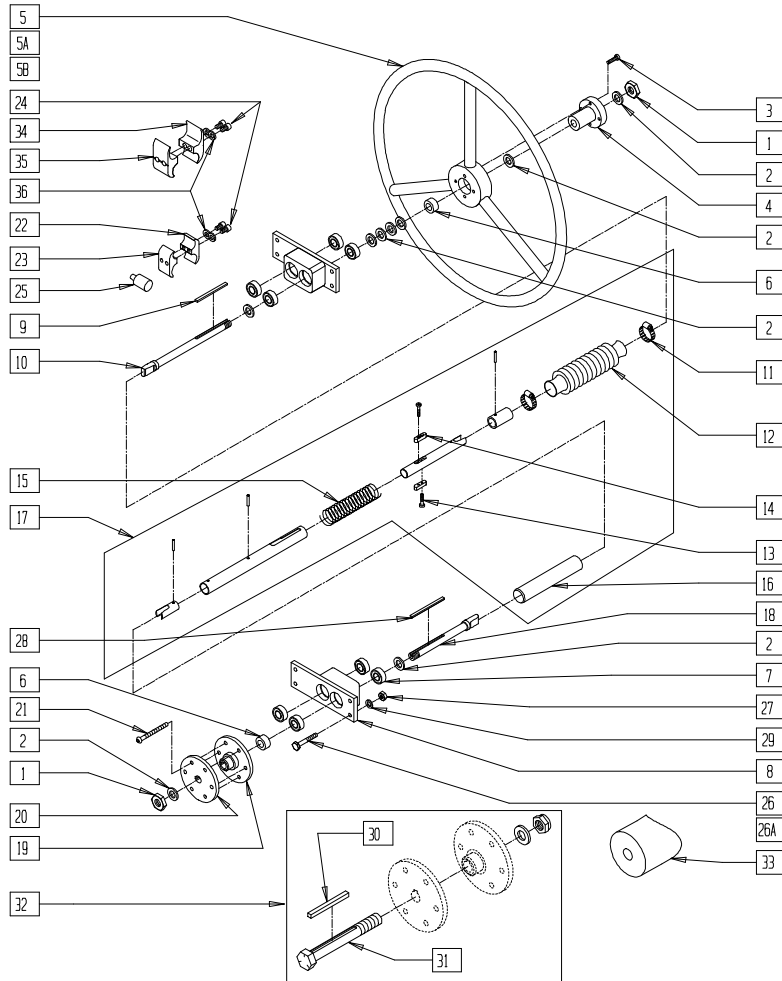


AC0X048A

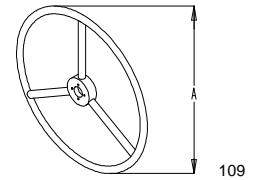
ITEM	NUMBER	DESCRIPTION	QTY
1	226015	10-32 x 3/4 SOC C/S BLK	1
2	203100	1/2-20 NYLOCK NUT	2
3	264100	1/2 AN WASHER FLAT	8
4	500634	1 AD HUB CENTER	1
5	529801	1 AD HR ONLY 20" STD/24"SM	1
5A	529800	1 AD HR ONLY 22" STD/22"SM	1
5B	529802	1 AD HR ONLY 24" STD	1
6	341274	3/16 SQ x 1-1/2 KEY STL	1
7	481131	1 AD HANDRIM DRIVE SHAFT	1
8	880812-880817	1 AD SHAFT ASSM (13" - 18")	1
9	481132	1 AD WHEEL DRIVE SHAFT	1
10	880834	1 AD AXLE PLATE W/BEARINGS LX	2
11	483057	MAG AXLE SPACER W/HOLE	1
	483058	1 AD WHEEL SPACER	1
12	226166	1/4-28 x 2 1/2 BH C/S BLK	1
13	500630	1 AD WHEEL HUB W/O TAP	1
14	500631	WHEEL HUB 1 ARM DRIVE W/TAP	1
15	262110-QU	1/4 AN WASHER FLAT THIN	4
16	201110-QU	1/4-28 NYLOCK NUT	1

ITEM	NUMBER	DESCRIPTION	QTY
17	221192	1/4-28 x 2 G8 HEX C/S	4
18	341277	3/16" SQ x 2-3/8" KEY	1
19	482030	1 AD DRIVE RECEIVER	2
20	880594	WHL LCK 1AD CLAMP ASSM BLK	
21	330015	1AD ALIGNMENT TOOL ASSM	
2,3,7,9-19	881081	1 AD HDWR KIT TS	
1-20	923780-923783	1AD 20 STD/22SM HR (13" - 16") RTRO TS	
1-4,5A,6-20	923788-923791	1AD 22 STD/24SM HR (13" - 16") RTRO TS	
1-4,5B,6-20	923794-923797	1AD 24 STD HR (13" - 16") RTRO TS	
1-20	923850, 923853	1 AD RTRO 20 STD/22SM (17" AND 18") HR TS	
1-4,5A,6-20	923851, 923854	1 AD RTRO 22 STD/24SM (17" AND 18") HR TS	
1-4,5B,6-20	923852, 923855	1 AD RTRO 22 STD (17" AND 18") HR TS	

# ONE-ARM DRIVE RETRO KIT ASSEMBLY (QUICKIE 2/2HP/2HPTi/ZIPPIE 2)

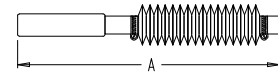


## MEASURING GUIDE

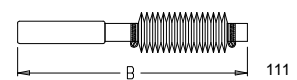


WHEEL SIZE	STD	SMALL
20"	16 1/2"	-
22"	18"	16 1/2"
24"	19 1/4"	18"

UNLOCKED (OPEN)



LOCKED (CLOSED)



CHAIR WIDTH	"A"	"B"
13"	9 3/4"	8"
14"	10 3/4"	9"
15"	11 3/4"	10"
16"	12 3/4"	11"
17"	13 3/4"	12"
18"	14 3/4"	13"
19"	15 3/4"	14"
20"	16 3/4"	15"

ACOX018

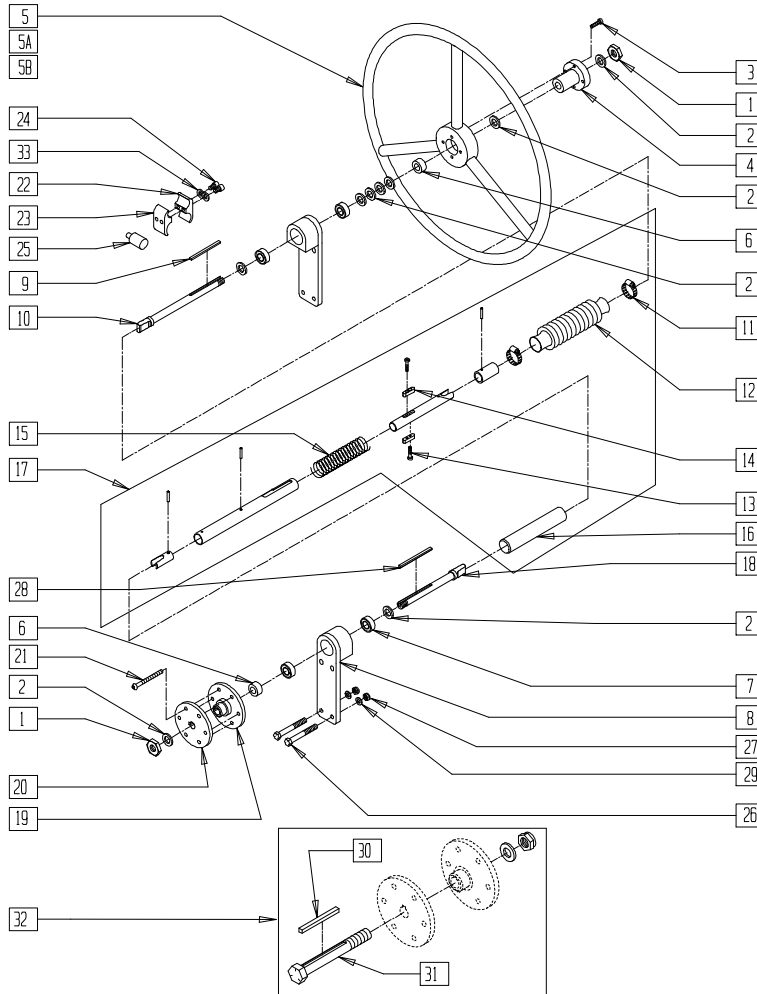
ITEM	NUMBER	DESCRIPTION	QTY
1	203100	1/2-20 NYLOCK NUT	2
2	264100	1/2 AN WASHER FLAT	9
3	226015	10-32 x 3/4 SOC C/S BLK	4
4	500634	1 AD HUB CENTER	1
5	529801	1 AD HR ONLY 20" STD/22" SM	1
5A	529800	1 AD HR ONLY 22" STD/24" SM	1
5B	529802	1 AD HR ONLY 24" STD	1
6	483058	1 AD WHEEL SPACER	2
7	349500	1 1/8 x 1/2 BEARING	4
7,8	880820	1 AD AXLE PLATE W/BEARINGS BLK	1
9	341274	3/16 SQ x 1 1/2 KEY STL	3
10	481131	1 AD HANDRIM DRIVE SHAFT	1
11	342012	1 AD BOOT CLAMP	2
12	560691	1 AD RUBBER BOOT BLK .875	1
13	226002	6-32 x 3/4 SOC C/S BLK	2
14	481136	1 AD KEY C/BORE	2
16	560661	QUICKIE GRIP 7/8"	1
17	880812-880819	1 AD SHAFT ASSEMBLY 13"-20"	1
18	481132	1 AD WHEEL DRIVE SHAFT	1
19	500631	WHEEL HUB 1 ARM DRIVE W/TAP	1
20	500630	1 AD WHEEL HUB W/O TAP	1
21	226166	1/4-28 x 2 1/2 BH C/S	6
22	550658	CLAMP 1 1/4" THREADED BLK	2
23	550659	CLAMP 1 1/4" RECESS HALF BLK	2

ITEM	NUMBER	DESCRIPTION	QTY
24	226112	1/4-28 x 1 SOC C/S BLK	4
25	482030	1 AD DRIVE RECEIVER	2
26	221192	1/4-28 x 2 G8 HEX C/S	8
26A	221193	1/4-28 x 2 3/4 G8 HEX C/S	4
27	201110	1/4-28 NYLOCK NUT	8
28	341277	3/16 SQ x 2 3/8 KEY STL	1
29	262110-QU	1/4 AN WASHER FLAT THIN	8
30	341278	3/16" SQ x 2 1/4" KEY STL	1
31	330014	1 AD ALIGNMENT BOLT	1
32	330015	1 AD ALIGNMENT TOOL ASSEMBLY	1
33	483071	SADDLE 1 1/8" ALUMINUM 1/4" HOLE	1
34	550245	1 AD CLAMP RECESSED 14"-20"	1
35	550244	1 AD CLAMP THREADED 14"-20"	1
36	262114	1/4 WASHER HI COLLAR LOCK ZN	2
22-24,36	880594*	WHEEL LOCK 1 AD CLAMP ASSM BLK	
24,34-36	880729*	1 AD CLAMP ASSEMBLY 14"-20"	
1-21, 25-29,32	923532	1 AD 13" RETRO (20" STD/22" SM HR)	
	923533-923539	1 AD RETRO 14"-20" (20" STD/22" SM HR)	
1-4,5A, 6-21, 25-29,32	923512	1 AD 13" RETRO (22" STD/24" SM HR)	
	923513-923519	1 AD RETRO 14"-20" (22" STD/24" SM HR)	
1-4,5B, 6-21, 25-29,32	923522	1 AD 13" (24" STD HR)	
	923523-923529	1 AD RETRO 14"-20" (24" STD HR)	

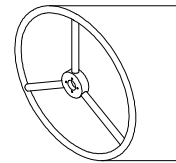
\* PART NUMBER 880594 IS USED ON 14"-20" WIDE WHEELCHAIRS PRIOR TO Q2-16996 AND ALL 13" WIDE WHEELCHAIRS. PART NUMBER 880729 IS USED ON 14"-20" WIDE WHEELCHAIRS BEGINNING Q2-16996.

NOTE: WHEN USING ONE-ARM DRIVE AND HEIGHT-ADJUSTABLE ARMS OR ADJUSTABLE LOCKING FLIP-BACK ARMS ON A ZIPPIE 2, ITEM 33 IS MOUNTED BETWEEN THE AXLE PLATES AND THE FRAME. WHEN ITEM 33 IS USED, CHAIR WILL REQUIRE A 2" LONGER ONE-ARM DRIVE SHAFT AND ITEM 26A IS USED.

# ONE-ARM DRIVE RETRO KIT ASSEMBLY (QUICKIE TS)



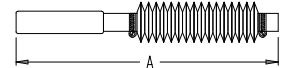
## MEASURING GUIDE



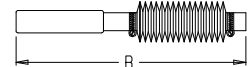
109

WHEEL SIZE	STD	SMALL
20"	16 1/2"	-
22"	18"	16 1/2"
24"	19 1/4"	18"

UNLOCKED (OPEN)



LOCKED (CLOSED)



111

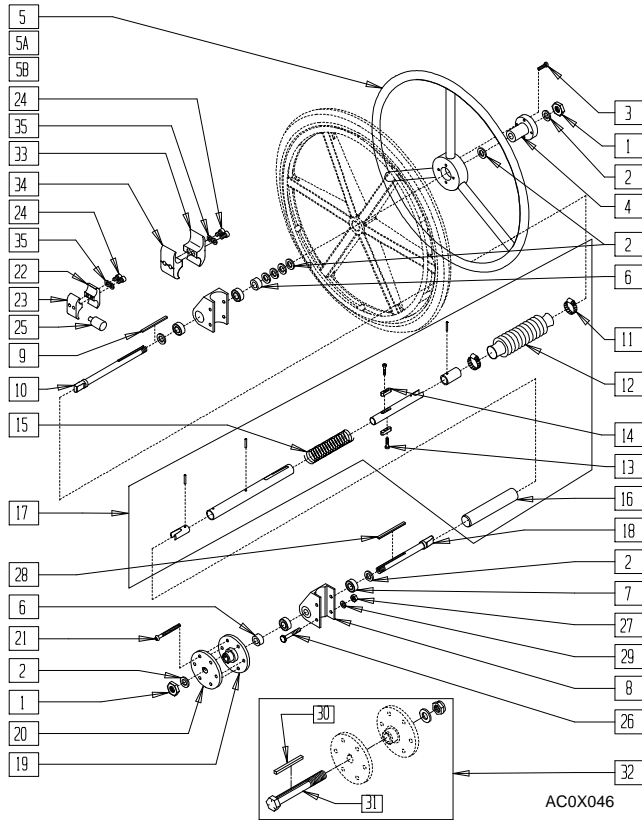
CHAIR WIDTH	"A"	"B"
13"	9 3/4"	8"
14"	10 3/4"	9"
15"	11 3/4"	10"
16"	12 3/4"	11"
17"	13 3/4"	12"
18"	14 3/4"	13"
19"	15 3/4"	14"
20"	16 3/4"	15"

QTS20X17

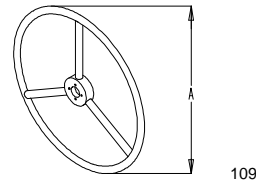
ITEM	NUMBER	DESCRIPTION	QTY
1	203100	1/2-20 NYLOCK NUT	2
2	264100	1/2 AN WASHER FLAT	9
3	226015	10-32 x 3/4 SOC C/S BLK	4
4	500634	1 AD HUB CENTER	1
5	529801	1 AD HR ONLY 20" STD/22" SM	1
5A	529800	1 AD HR ONLY 22" STD/24" SM	1
5B	529802	1 AD HR ONLY 24" STD	1
6	483058	1 AD WHEEL SPACER	2
7	349500	1 1/8 x 1/2 BEARING	4
7,8	880899	1 AD AXLE PLATE W/BEARINGS ZGS	
9	341274	3/16 SQ x 1 1/2 KEY STL	3
10	481131	1 AD HANDRIM DRIVE SHAFT	1
11	342012	1 AD BOOT CLAMP	2
12	560691	1 AD RUBBER BOOT BLK .875	1
13	226002	6-32 x 3/4 SOC C/S BLK	2
14	481136	1 AD KEY C/BORE	2
16	560661	QUICKIE GRIP 7/8"	1
17	880812-880819	1 AD SHAFT ASSEMBLY 13"-20"	1
18	481132	1 AD WHEEL DRIVE SHAFT	1
19	500631	WHEEL HUB 1 ARM DRIVE W/TAP	1

ITEM	NUMBER	DESCRIPTION	QTY
20	500630	1 AD WHEEL HUB W/O TAP	1
21	226166	1/4-28 x 2 1/2 BH C/S BLK	6
22	550658	CLAMP 1 1/4" THREADED BLK	2
23	550659	CLAMP 1 1/4" RECESS HALF BLK	2
24	226112	1/4-28 x 1 SOC C/S BLK	4
25	482030	1 AD DRIVE RECEIVER	2
26	221192	1/4-28 x 2 G8 HEX C/S	8
27	201110-QU	1/4-28 NYLOCK NUT	8
28	341277	3/16 SQ x 2 3/8 KEY STL	1
29	262110-QU	1/4 AN WASHER FLAT THIN	8
30	341278	3/16" SQ x 2 1/4" KEY STL	1
31	330014	1 AD ALIGNMENT BOLT	1
32	330015	1 AD ALIGNMENT TOOL ASSEMBLY	1
33	262114	1/4 WASHER HI COLLAR LOCK ZN	2
22-24,33	880594	WHEEL LOCK CLAMP ASSEMBLY BLK	
1-35	923800-923806	1AD (14"- 20") RETRO (20" STD/22" SM HR) QT	
1-4,5A, 6-35	923810-923816	1AD (14"- 20") RETRO (22" STD/24" SM HR) QT	
1-4,5B, 6-35	923820-923826	1AD (14" - 20") RETRO (24" STD HR) QTS	

# ONE-ARM DRIVE RETRO KIT ASSEMBLY (QUICKIE LX/LXI)

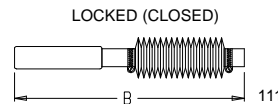
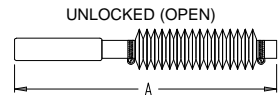


## MEASURING GUIDE



WHEEL SIZE	STD "A"	SMALL "A"
20"	16 1/2"	-
22"	18"	16 1/2"
24"	19 1/4"	18"

FRAME WIDTH	"B"	"C"
13"	9 3/4"	8"
14"	10 3/4"	9"
15"	11 3/4"	10"
16"	12 3/4"	11"
17"	13 3/4"	12"
18"	14 3/4"	13"
19"	15 3/4"	14"
20"	16 3/4"	15"



AC0X046

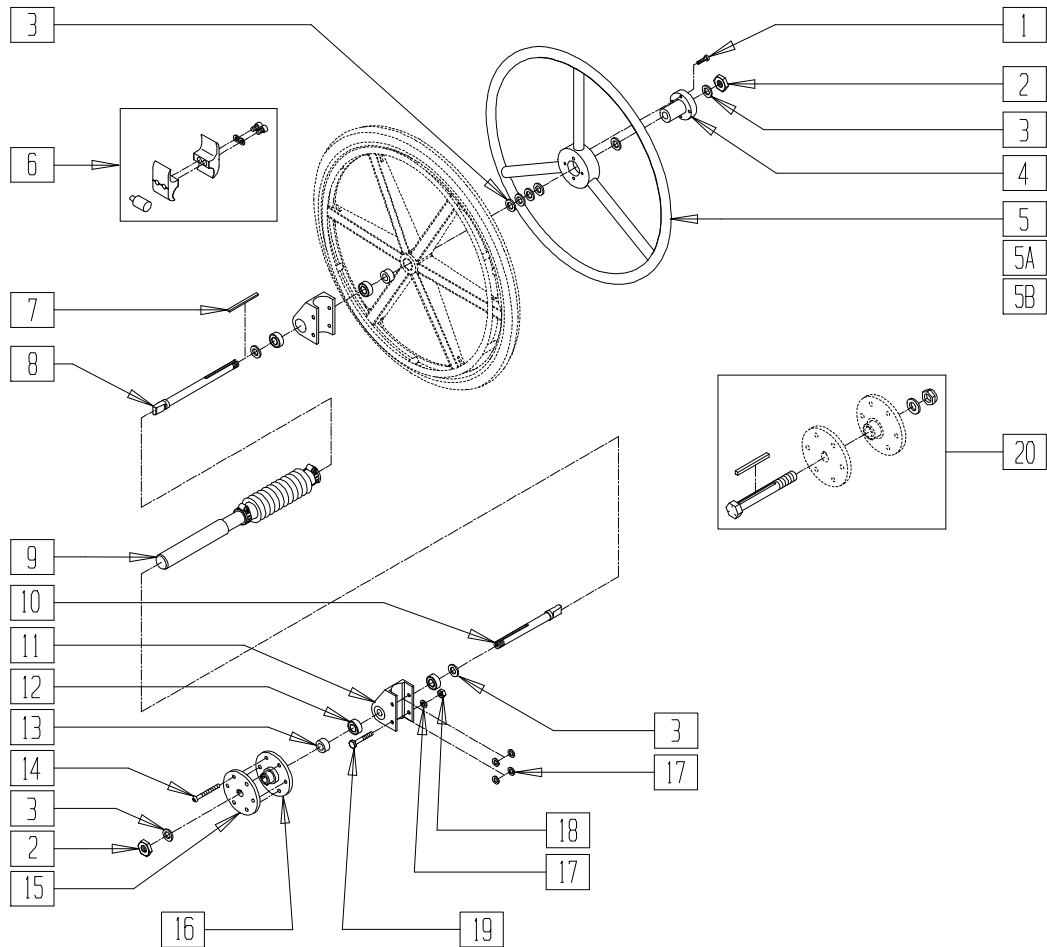
ITEM	NUMBER	DESCRIPTION	QTY
1	203100	1/2-20 NYLOCK NUT	2
2	264100	1/2 AN WASHER FLAT	16
3	226015	10-32 x 3/4 SOC C/S BLK	4
4	500634	1 AD HUB CENTER	1
5	529801	1 AD HR ONLY 20" STD/22" SM	1
5A	529800	1 AD HR ONLY 22" STD/24" SM	1
5B	529802	1 AD HR ONLY 24" STD	1
6	483058	1 AD WHEEL SPACER	2
	483057	MAG AXLE SPACER W/HOLE	
	225100	1/4-20 x 1/4 SET SCREW	
7	349500	1 1/8 x 1/2 BEARING	4
7,8	880834	1 AD AXLE PLATE W/BEARINGS LX	
9	341274	3/16 SQ x 1 1/2 KEY STL	1
10	481131	1 AD HANDRIM DRIVE SHAFT	1
	481331	1 AD HR DRIVE SHAFT FLIP BACK HT ARM	
11	342012	1 AD BOOT CLAMP	2
12	560691	1 AD RUBBER BOOT BLK .875	1
13	226002	6-32 x 3/4 SOC C/S BLK	2
14	481136	1 AD KEY C/BORE	2
16	560661	QUICKIE GRIP 7/8"	1
17	880812-880819	1 AD SHAFT ASSEMBLY 13"-20"	1
18	481132	1 AD WHEEL DRIVE SHAFT	1
	481332	1 AD WHEEL DRV SHAFT FLIP BACK HT ARM	
	481332	1 AD WHEEL DRV SHAFT FLIP BACK HT ARM	
19	500631	WHEEL HUB 1 ARM DRIVE W/TAP	1
20	500630	1 AD WHEEL HUB W/O TAP	1
21	226166	1/4-28 x 2 1/2 BH C/S	6
22	550658	CLAMP 1 1/4" THREADED BLK	2
23	550659	CLAMP 1 1/4" RECESS HALF BLK	2
24	226112	1/4-28 x 1 SOC C/S BLK	4

ITEM	NUMBER	DESCRIPTION	QTY
25	482030	1 AD DRIVE RECEIVER	2
26	221192	1/4-28 x 2 G8 HEX C/S	4
27	201110	1/4-28 NYLOCK NUT	4
28	341277	3/16 SQ x 2 3/8 KEY STL	1
29	262110-OU	1/4 AN WASHER FLAT THIN	4
30	341278	3/16 SQ x 2 1/4 KEY STL	1
31	330014	1 AD ALIGNMENT BOLT	1
32	330015	1 AD ALIGNMENT TOOL ASSEMBLY	1
33	550245	1 AD CLAMP RECESSED 14"-20"	1
34	550244	1 AD CLAMP THREADED 14"-20"	1
35	262114	1/4 WASHER HI COLLAR LOCK ZN	2
22-24,35	880594	WHEEL LOCK 1 AD CLAMP ASSM BLK	
24,33-35	880729"	1 AD CLAMP ASSEMBLY 14"-20"	
1-21, 25-29,32	923542	1 AD 13" RETRO (20" STD/22" SM HR) LX	
	923543-923549	1 AD RETRO (20" STD/22" SM HR) LX/B2 14"-20"	
1-4,5A, 6-21, 25-29,32	923552	1 AD 13" RETRO (22" STD/24" SM HR) LX	
	923553-923559	1 AD RETRO (22" STD/24" SM HR) LX/B2 14"-20"	
1-4,5B, 6-21, 25-29,32	923562	1 AD 13" RETRO (24" STD HR) LX	
	923563-923569	1 AD RETRO (24" STD HR) LX/B2 14"-20"	
1-21,25-29, 31,32	923750	1 AD 13" (20" STD/22" SM HR) FBAA LX	
	923751-923757	1 AD (20" STD/22" SM HR) FBAA LX 14"-20"	
1-4,5A, 6-21, 25-29,31,32	923758	1 AD 13" (22" STD/24" SM HR) FBAA LX	
	923759-923765	1 AD (22" STD/24" SM HR) FBAA LX 14"-20"	
1-4,5B, 6-21, 25-29,31,32	923766	1 AD 13" (24" STD HR) FBAA LX/B6	
	923767-923773	1 AD (24" STD HR) FBAA LX/B6 14"-20"	

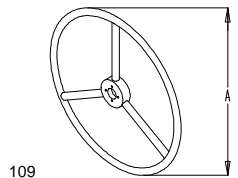
\* PART NUMBER 880729 IS USED ON 14"-20" WIDE WHEELCHAIRS BEGINNING Q2-16996.

# ONE-ARM DRIVE RETRO KIT ASSEMBLY (BREEZY 510)

(Prior to Serial Number BZ-464463) (Discontinued - Parts only)



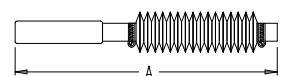
## MEASURING GUIDE



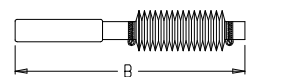
109

WHEEL SIZE	STD	SMALL
20"	16 1/2"	-
22"	18"	16 1/2"
24"	19 1/4"	18"

UNLOCKED (OPEN)



LOCKED (CLOSED)



111

CHAIR WIDTH	"A"	"B"
14"	10 3/4"	9"
15"	11 3/4"	10"
16"	12 3/4"	11"
17"	13 3/4"	12"
18"	14 3/4"	13"
19"	15 3/4"	14"
20"	16 3/4"	15"

BR510X06A

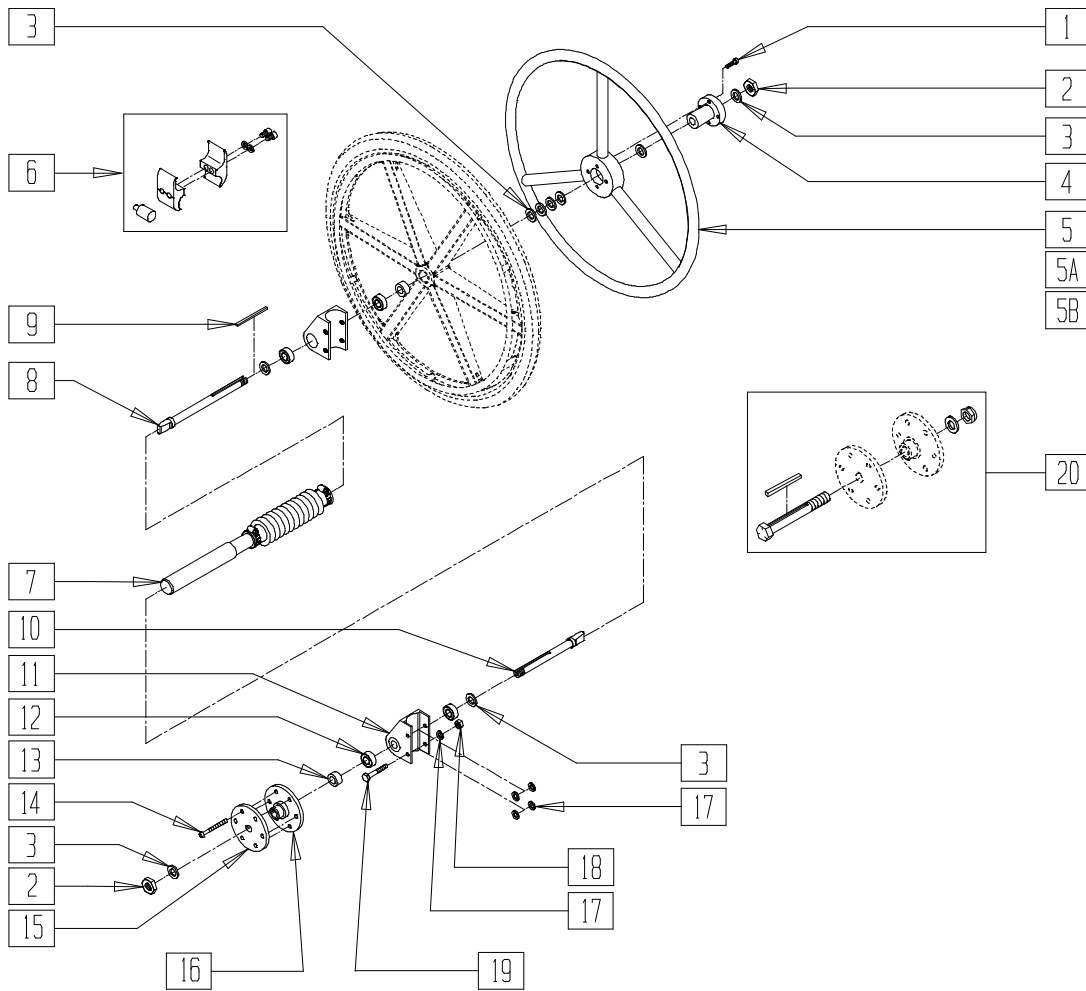
ITEM	NUMBER	DESCRIPTION	QTY
1	226015	10-32 x 3/4 SOC C/S BLK	1
2	203100	1/2-20 NYLOCK NUT	2
3	264100	1/2 AN WASHER FLAT	8
4	500634	1 AD HUB CENTER	1
5	529801	1 AD HR ONLY 20" STD/24"SM	1
5A	529800	1 AD HR ONLY 22" STD/22"SM	1
5B	529802	1 AD HR ONLY 24" STD	1
6	880539	WHL LCK CLAMP ASSM CLR	1
7	341274	3/16 SQ x 1-1/2 KEY STL	1
8	481131	1 AD HANDRIM DRIVE SHAFT	1
10	481132	1 AD WHEEL DRIVE SHAFT	1
11	880901	1 AD AXLE PLATE W/BEARINGS BR	1
12	349500	1 1/8 x 1/2 BEARING	2
13	483057	MAG AXLE SPACER W/HOLE	1

ITEM	NUMBER	DESCRIPTION	QTY
14	226166	1/4-28 x 2 1/2 BH C/S BLK	1
15	500630	1 AD WHEEL HUB W/O TAP	1
16	500631	WHEEL HUB 1 ARM DRIVE W/TAP	1
17	262110-QU	1/4 AN WASHER FLAT THIN	4
18	201110-QU	1/4-28 NYLOCK NUT	1
19	221170-QU	1/4-28 x 2 1/4 HEX C/S	4
20	330015	1AD ALIGNMENT TOOL ASSM	3
11,12	880901	1 AD AXLE PLATE W/BEARINGS BR	1
1-20	924014- 924020	1AD RTRO 20" STD HRBR OLD (14" - 20")	
1-4,5A, 6-20	924024- 924030	1AD RTRO 22" STD HRBR OLD (14" - 20")	
1-4,5B, 6-20	924034- 924040	1AD RTRO 24" STD HRBR OLD (14" - 20")	

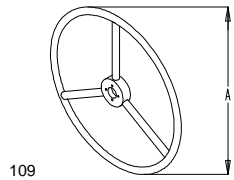
# ONE-ARM DRIVE RETRO KIT ASSEMBLY (BREEZY 510)

(After Serial Number BZ-464463 and Prior to Serial Number BZ-511067)

(Discontinued - Parts only)

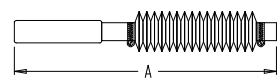


## MEASURING GUIDE

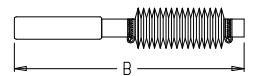


WHEEL SIZE	STD	SMALL
20"	16 1/2"	-
22"	18"	16 1/2"
24"	19 1/4"	18"

UNLOCKED (OPEN)



LOCKED (CLOSED)



111

CHAIR WIDTH	"A"	"B"
14"	10 3/4"	9"
15"	11 3/4"	10"
16"	12 3/4"	11"
17"	13 3/4"	12"
18"	14 3/4"	13"
19"	15 3/4"	14"
20"	16 3/4"	15"

BR510X06A

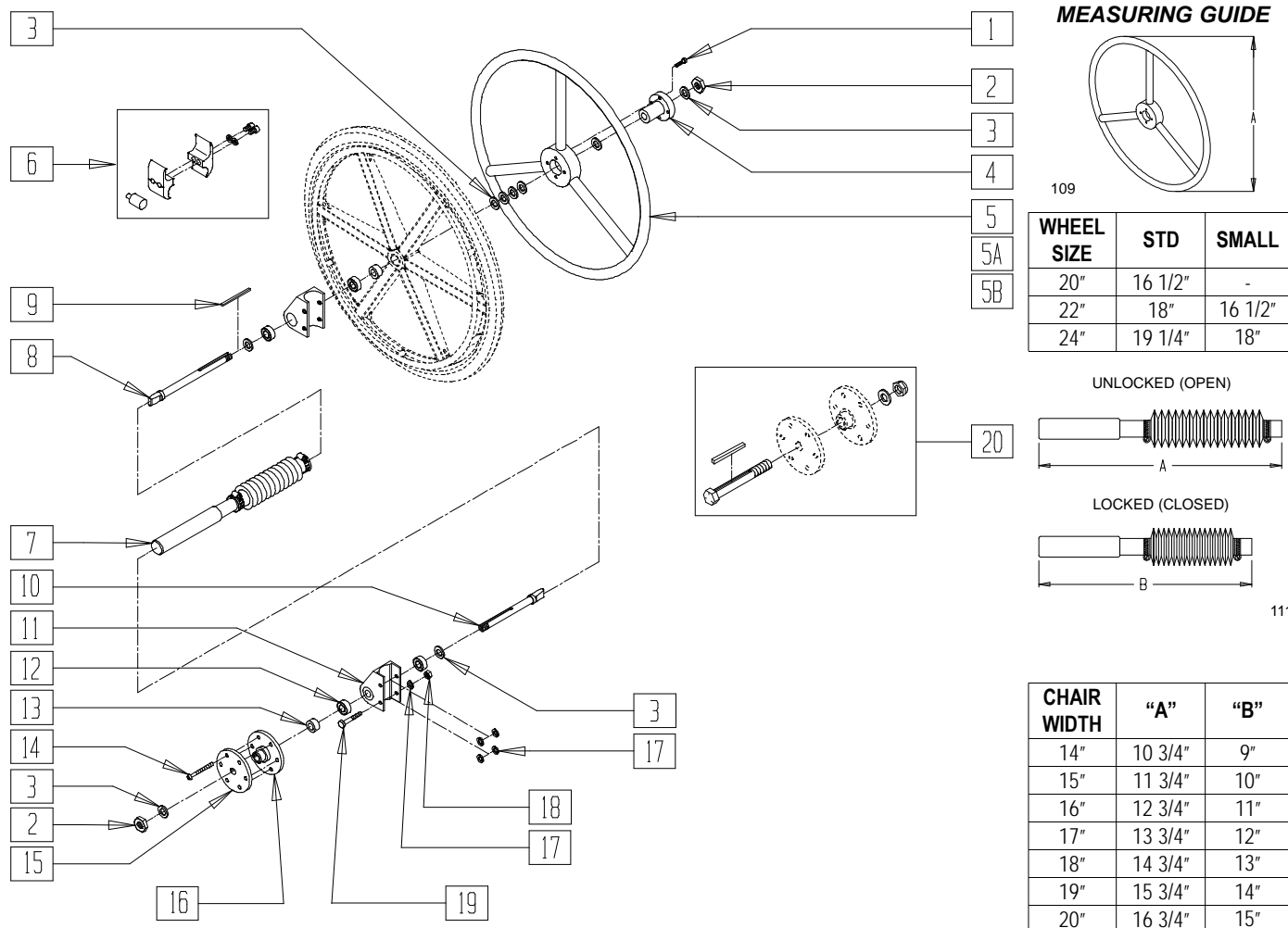
ITEM	NUMBER	DESCRIPTION	QTY
1	226015	10-32 x 3/4 SOC C/S BLK	1
2	203100	1/2-20 NYLOCK NUT	2
3	264100	1/2 AN WASHER FLAT	8
4	500634	1 AD HUB CENTER	1
5	529801	1 AD HR ONLY 20" STD/24" SM	1
5A	529800	1 AD HR ONLY 22" STD/22" SM	1
5B	529802	1 AD HR ONLY 24" STD	1
6	880539	WHL LCK CLAMP ASSM CLR	1
7	341274	3/16 SQ x 1-1/2 KEY STL	1
8	481131	1 AD HANDRIM DRIVE SHAFT	1
10	481132	1 AD WHEEL DRIVE SHAFT	1
11	880901	1 AD AXLE PLATE W/BEARINGS BR	1
12	349500	1 1/8 x 1/2 BEARING	2
13	483057	MAG AXLE SPACER W/HOLE	1

ITEM	NUMBER	DESCRIPTION	QTY
14	226166	1/4-28 x 2 1/2 BH C/S BLK	1
15	500630	1 AD WHEEL HUB W/O TAP	1
16	500631	WHEEL HUB 1 ARM DRIVE W/TAP	1
17	262110-OU	1/4 AN WASHER FLAT THIN	4
18	201110-OU	1/4-28 NYLOCK NUT	1
19	221170-OU	1/4-28 x 2 1/4 HEX C/S	1
20	330015	1AD ALIGNMENT TOOL ASSM	3
11,12	880901	1 AD AXLE PLATE W/BEARINGS BR	1
1-20	923614-923620	1AD (14- 20) RTRO 20 STD HR BR	
1-4,5A, 6-20	923624-923630	1AD (14- 20) RTRO 22 STD HR BR	
1-4,5B, 6-20	923634-923640	1AD (14- 20) RTRO 24 STD HR BR	



# ONE-ARM DRIVE RETRO KIT ASSEMBLY (BREEZY 510)

(Effective Starting Serial Number BZ-511067)



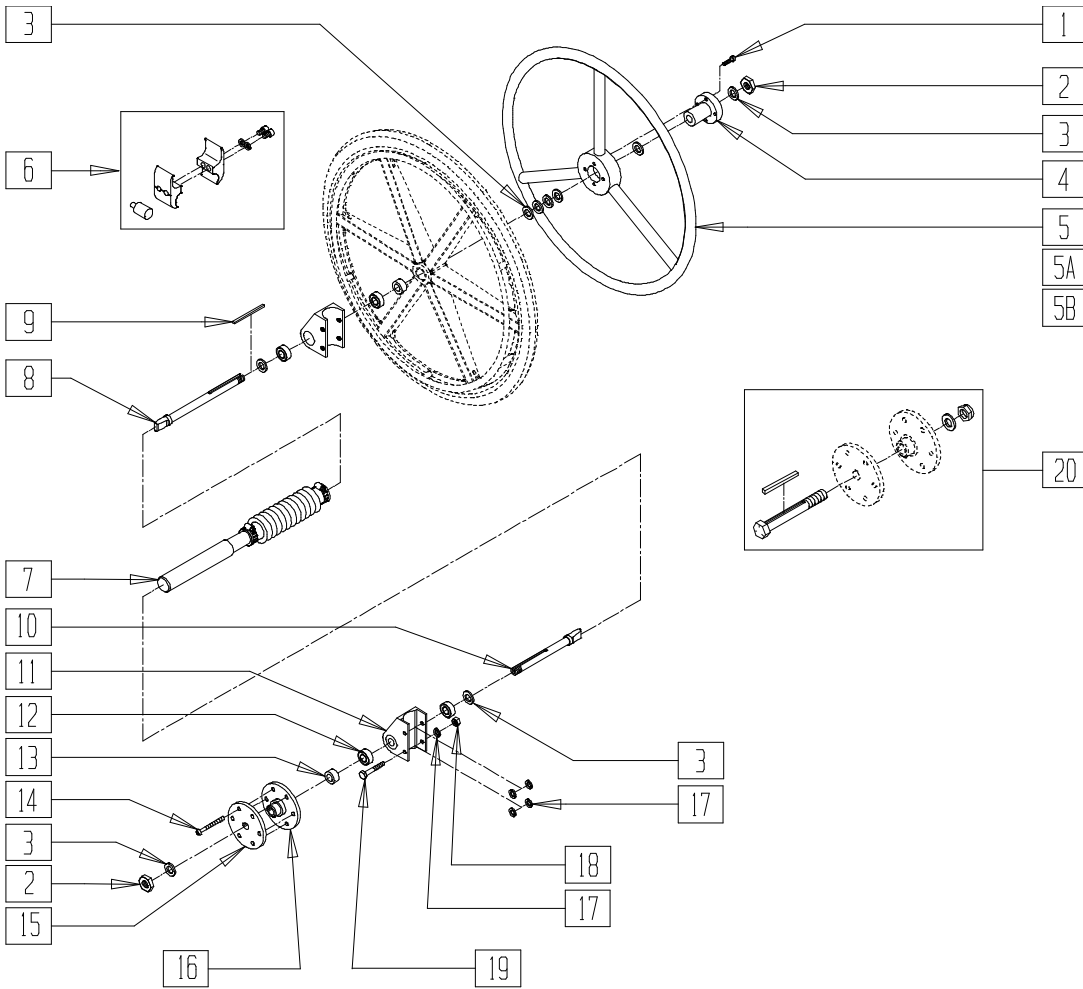
BR510X06A

ITEM	NUMBER	DESCRIPTION	QTY
1	226015	10-32 x 3/4 SOC C/S BLK	1
2	203100	1/2-20 NYLOCK NUT	2
3	264100	1/2 AN WASHER FLAT	8
4	500634	1 AD HUB CENTER	1
5	529801	1 AD HR ONLY 20" STD/24"SM	1
5A	529800	1 AD HR ONLY 22" STD/22"SM	1
5B	529802	1 AD HR ONLY 24" STD	1
6	880539	WHL LCK CLAMP ASSM CLR	1
7	341274	3/16 SQ x 1-1/2 KEY STL	1
8	481131	1 AD HANDRIM DRIVE SHAFT	1
10	481132	1 AD WHEEL DRIVE SHAFT	1
11	880901	1 AD AXLE PLATE W/BEARINGS BR	1
12	349500	1 1/8 x 1/2 BEARING	2
13	483057	MAG AXLE SPACER W/HOLE	1
14	226166	1/4-28 x 2 1/2 BH C/S BLK	1

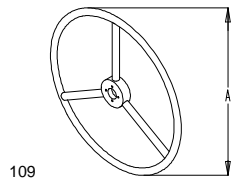
ITEM	NUMBER	DESCRIPTION	QTY
15	500630	1 AD WHEEL HUB W/O TAP	1
16	500631	WHEEL HUB 1 ARM DRIVE W/TAP	1
17	262110-QU	1/4 AN WASHER FLAT THIN	4
18	201110-QU	1/4-28 NYLOCK NUT	1
19	221170-QU	1/4-28 x 2 1/4 HEX C/S	1
20	330015	1AD ALIGNMENT TOOL ASSM	3
1-4,8-11, 13-20	881059	1 AD HDWR KIT BR	
1-20	923914- 923920	1AD (14 -20") RTRO 20 STD HR BR	
1-4,5A, 6-20	923924- 923930	1AD (14 -20") RTRO 22 STD HR BR	
1-4,5B, 6-20	923934- 923940	1AD 14 RTRO 24 STD HR BR	

# ONE-ARM DRIVE RETRO KIT ASSEMBLY (BREEZY 2/600)

(Breezy 2 Discontinued 5/98 - Parts only)

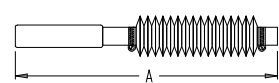


## MEASURING GUIDE

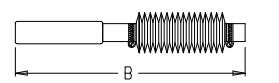


WHEEL SIZE	STD	SMALL
20"	16 1/2"	-
22"	18"	16 1/2"
24"	19 1/4"	18"

UNLOCKED (OPEN)



LOCKED (CLOSED)



111

CHAIR WIDTH	"A"	"B"
14"	10 3/4"	9"
15"	11 3/4"	10"
16"	12 3/4"	11"
17"	13 3/4"	12"
18"	14 3/4"	13"
19"	15 3/4"	14"
20"	16 3/4"	15"

BR510X06A

ITEM	NUMBER	DESCRIPTION	QTY
1	226015	10-32 x 3/4 SOC C/S BLK	1
2	203100	1/2-20 NYLOCK NUT	2
3	264100	1/2 AN WASHER FLAT	8
4	500634	1 AD HUB CENTER	1
5	529801	1 AD HR ONLY 20" STD/24" SM	1
5A	529800	1 AD HR ONLY 22" STD/22" SM	1
5B	529802	1 AD HR ONLY 24" STD	1
6	880539	WHL LCK CLAMP ASSM CLR	1
7	341274	3/16 SQ x 1-1/2 KEY STL	1
8	481131	1 AD HANDRIM DRIVE SHAFT	1
10	481132	1 AD WHEEL DRIVE SHAFT	1
11	880901	1 AD AXLE PLATE W/BEARINGS BR	1
12	349500	1 1/8 x 1/2 BEARING	2
13	483057	MAG AXLE SPACER W/HOLE	1

ITEM	NUMBER	DESCRIPTION	QTY
14	226166	1/4-28 x 2 1/2 BH C/S BLK	1
15	500630	1 AD WHEEL HUB W/O TAP	1
16	500631	WHEEL HUB 1 ARM DRIVE W/TAP	1
17	262110-QU	1/4 AN WASHER FLAT THIN	4
18	201110-QU	1/4-28 NYLOCK NUT	1
19	221170-QU	1/4-28 x 2 1/4 HEX C/S	1
20	330015	1AD ALIGNMENT TOOL ASSM	3
11,12	880901	1 AD AXLE PLATE W/BEARINGS BR	1
1-20	923674-923680	1AD (14- 20) RTRO 20 STD HR B2	
1-4,5A, 6-20	923684-923690	1AD (14- 20) RTRO 22 STD HR B2	
1-4,5B, 6-20	923714-923720	1AD (14- 20) RTRO 24 STD HR B2	

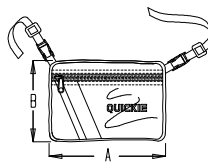
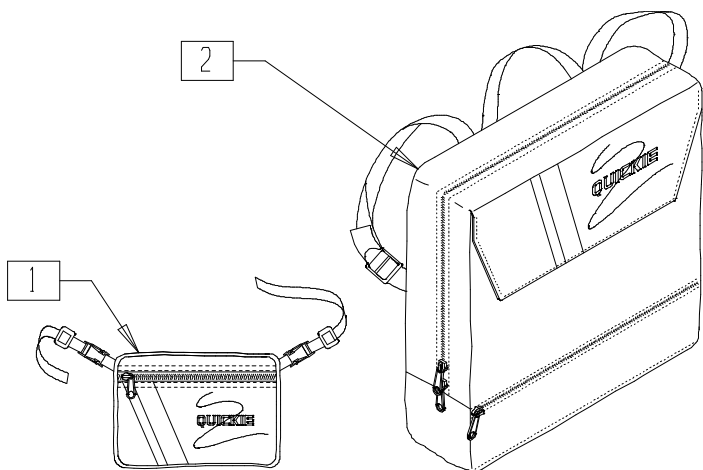
# Accessories

## IN THIS SECTION

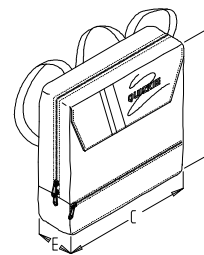
Backpacks and Seat Pouches.....	23.1	Plastic Side Guard (Quickie ST/DT) (Disc.) .....	23.12
Basketball Roller		Plastic Side Guard (Quickie Heat/ST/DT) .....	23.13
(Quickie 1/GP/GPV/GPV Titanium) .....	23.1	Plastic Side Guard (Quickie XTR) .....	23.13
Platform Footplate Basketball Roller		Plastic Side Guard (Quickie <i>TNT</i> )(Disc.) .....	23.14
(Quickie GP/GPS/GPV(Disc.)/GPV Competition/ <i>TNT</i> (Disc.)/Triumph(Disc.)/XTR).....	23.2	Aluminum Folding Side Guard	
Battery and Vent Tray (Quickie T45) .....	23.2	(Quickie GPS)(Disc.) .....	23.14
Quickie Caddy .....	23.3	Aluminum Side Guard (Quickie Revolution) .....	23.15
Crutch Holder (Quickie 2/2HP/2HPTi/Rx, Breezy 2 (Disc.)/510/600, Zippie/TS) .....	23.3	Aluminum Side Guard (Quickie Triumph)(Disc.)...23.15	
Crutch Holder		Side Guard and Side Guard w/Fender	
(Quickie 1/GP/GPV/GPV Titanium) .....	23.4	(Quickie Ti Titanium).....	23.16
Foot Assist Bar (Quickie TS) (Disc.).....	23.4	Plastic Side Guard(R2) .....	23.16
Impact Guard (Plastic) (Disc.).....	23.5	Fabric Side Guard	
Impact Guards (Neoprene)		(Quickie 1/Carbon/GP/GPV/GPV Ti/GPS/R2/ Revolution/ <i>TNT</i> /Triumph(Disc.)) .....	23.17
(Quickie Carbon/EX/GPS/R2/ <i>TNT</i> /Triumph/XTR) ..23.5		Fabric Side Guard	
Oxygen Tank Holder (Breezy 500/510) .....	23.6	(Quickie 2/2HP/2HPTi/Rx/LX/LXI/XTR) .....	23.17
Oxygen Tank, IV, and Extension Pole		Fabric Side Guard	
(Breezy 100/150) .....	23.7	(Quickie 2/2HP/2HPTi/EX/Revolution).....	23.18
Leg Straps.....	23.8	Spoke Guard.....	23.18
Parts Replacement Kit .....	23.8	Spoke Guard (Sport).....	23.19
Anti-fold Assembly (Breezy 100) .....	23.9	Spoke Guard Reference Guide (Sport) .....	23.19
Positioning Belt Mount .....	23.9	Calf Pad (Breezy 100/150) .....	23.20
Aircraft Buckle Positioning Belts .....	23.10	Chart Pocket (Breezy 100/150) .....	23.20
Aircraft Buckle Positioning Belts .....	23.10	Travel Wheel (Quickie 2/2HP) .....	23.21
Pivot Point Adjustment Kit (Breezy 510 Recliner).23.11		Step Tube (Breezy 510) (Disc.) .....	23.22
Quickie Plastic Side Guard .....	23.11	Tool Kit .....	23.22
Plastic Side Guard (Quickie Carbon) (Disc.) .....	23.12	Touch-up Paint.....	23.22

# BACKPACKS AND SEAT POUCHES

## MEASURING GUIDE



AC0X019A



AC0X02B

SEAT POUCH	
"A"	"B"
8"	6"

BACKPACK			
	"C"	"D"	"E"
<b>KIDS</b>	12"	12"	4"
<b>ADULT</b>	13 1/2"	13 1/2"	4"

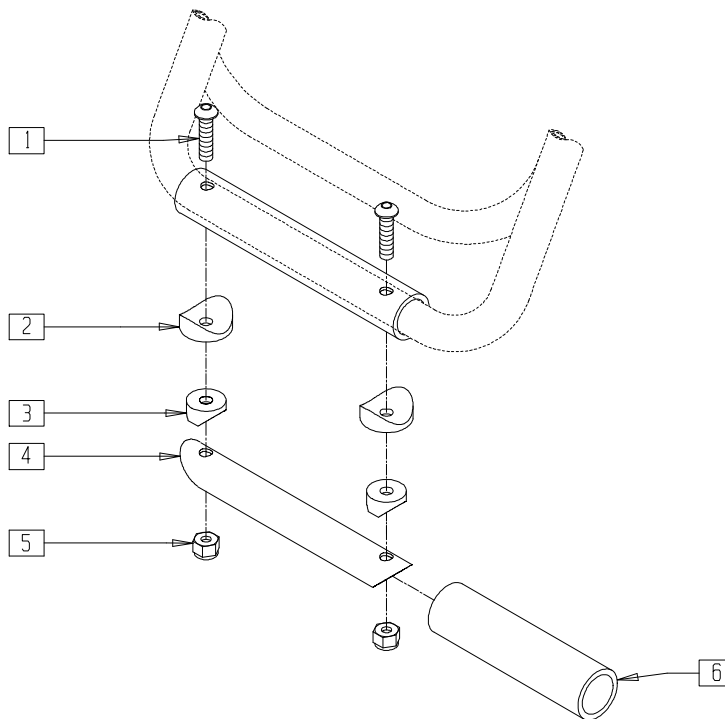
AC0X02A

ITEM	NUMBER	DESCRIPTION	QTY
1	750304-750306	SEAT POUCH	

ITEM	NUMBER	DESCRIPTION	QTY
2	750120-750125	BACKPACK	1

NOTE: KIDS BACKPACKS DO NOT HAVE ADJUSTABLE STRAPS WITH BUCKLES.

# BASKETBALL ROLLER (QUICKIE 1/GP/GPV/GPV Titanium)

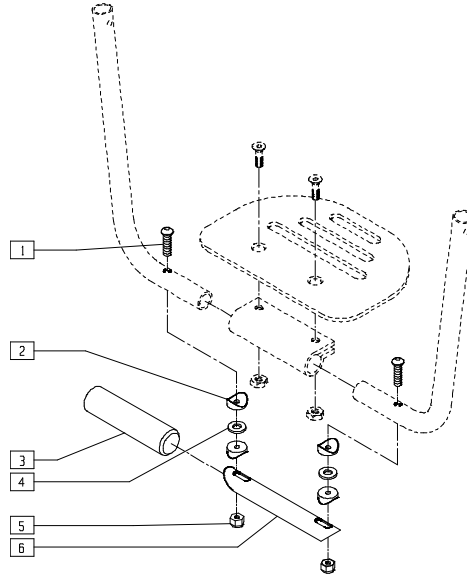


AC0X003

ITEM	NUMBER	DESCRIPTION	QTY
1	226130	1/4-28 x 1 1/2 BH C/S	2
2	561004	1" SADDLE 1/4" HOLE	2
3	561003	3/4" SADDLE THIN	2
4	521520	BB ROLLER ALUMINUM TUBE	1

ITEM	NUMBER	DESCRIPTION	QTY
5	201110	1/4-28 NYLOCK NUT	2
6	580100	BB ROLLER PLASTIC TUBE	1
1-6	900100	BASKETBALL ROLLER Q1	

## PLATFORM FOOTPLATE BASKETBALL ROLLER QUICKIE GP/GPS/GPV/GPV COMPETITION/TNT/TRIUMPH/XTR) (Quickie GPS, TNT and Triumph discontinued 2/01-Parts only)

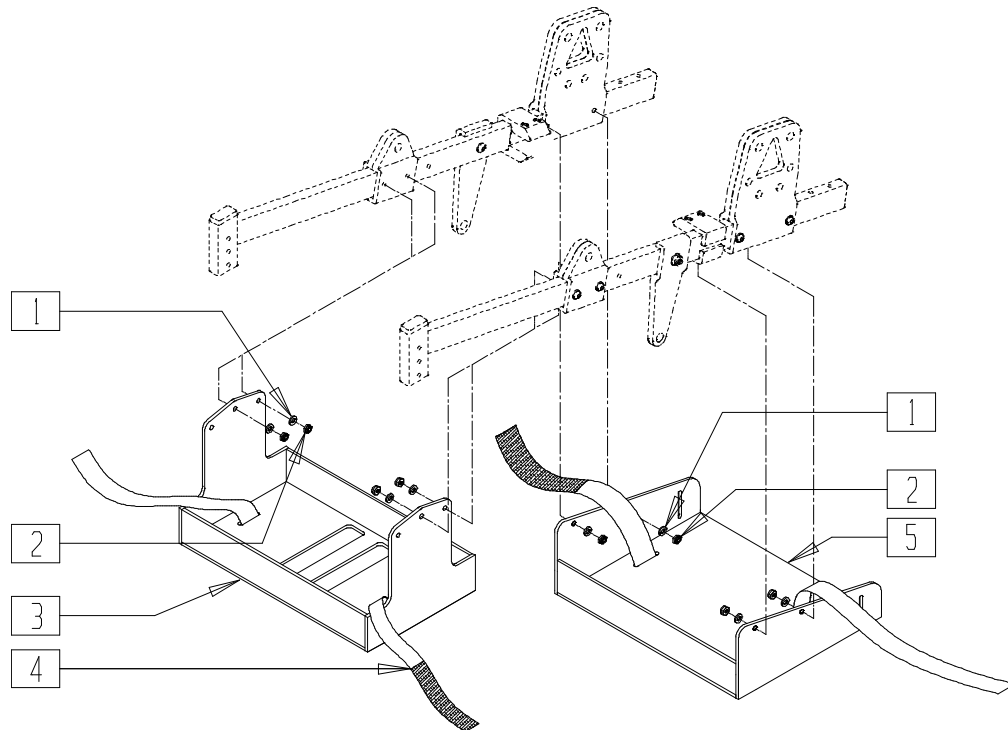


AC0X03A

ITEM	NUMBER	DESCRIPTION	QTY
1	226130	1/4-28 x 1 1/2 BH C/S	2
2	561003	3/4" SADDLE THIN	4
3	580100	BB ROLLER PLASTIC TUBE	1
4	561026	3/4" WASHER 1/4" HOLE	2

ITEM	NUMBER	DESCRIPTION	QTY
5	201110	1/4-28 NYLOCK NUT	2
6	521520	BB ROLLER ALUMINUM TUBE	1
1-6	900099	BASKETBALL ROLLER PLATFORM FT PLT	

## BATTERY AND VENT TRAY (QUICKIE T45)

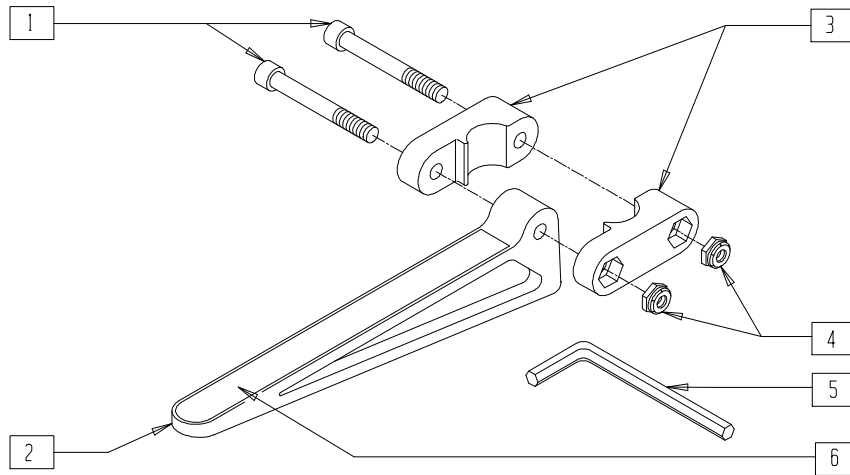


TSR00X04

ITEM	NUMBER	DESCRIPTION	QTY
1	262100-QU	1/4 AN WASHER FLAT	4
2	201100	1/4-28 NYLOCK NUT THIN	4
3	505826-505830	BATTERY TRAY T45	1

ITEM	NUMBER	DESCRIPTION	QTY
4	751040	VENT TRAY STRAP PRS/T45	2
5	505816-505820	VENTILATOR TRAY T45	1

# QUICKIE CADDY



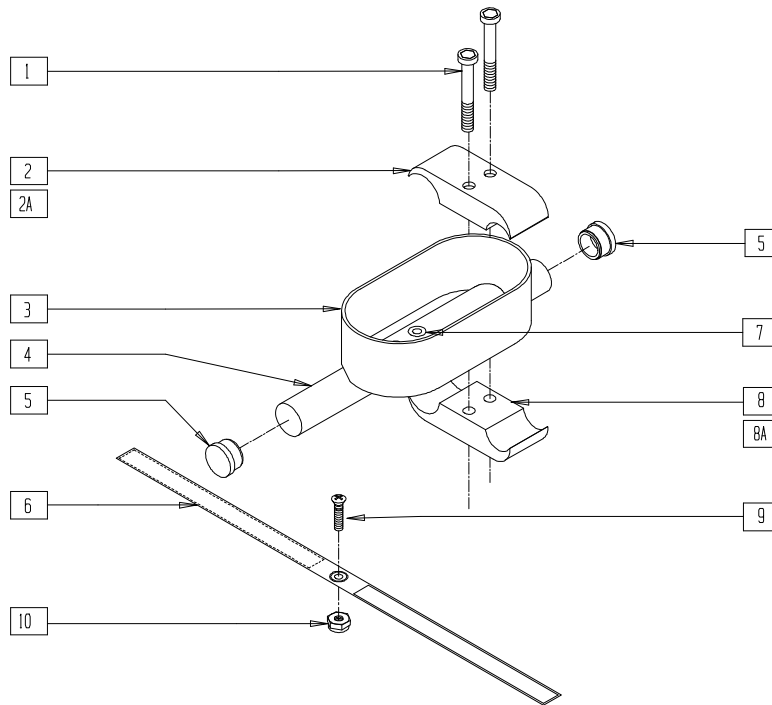
AC0X016

ITEM	NUMBER	DESCRIPTION	QTY
1	226128	1/4-28 x 1 1/4 SOC C/S	2
2	561105	CADDY ARM	1
3	561104	CADDY CLAMP	2
4	201100-QU	1/4-28 NYLOCK NUT THIN	2

ITEM	NUMBER	DESCRIPTION	QTY
5	349998	3/16" ALLEN WRENCH	1
6	580050	CADDY TAPE	1
1-6	902350	QUICKIE CADDY (PR)	

# CRUTCH HOLDER (QUICKIE 2/2HP/2HPTi/Rx, BREEZY 2/510/600, ZIPPIE/TS)

(Breezy 2 discontinued 5/98 - parts only)



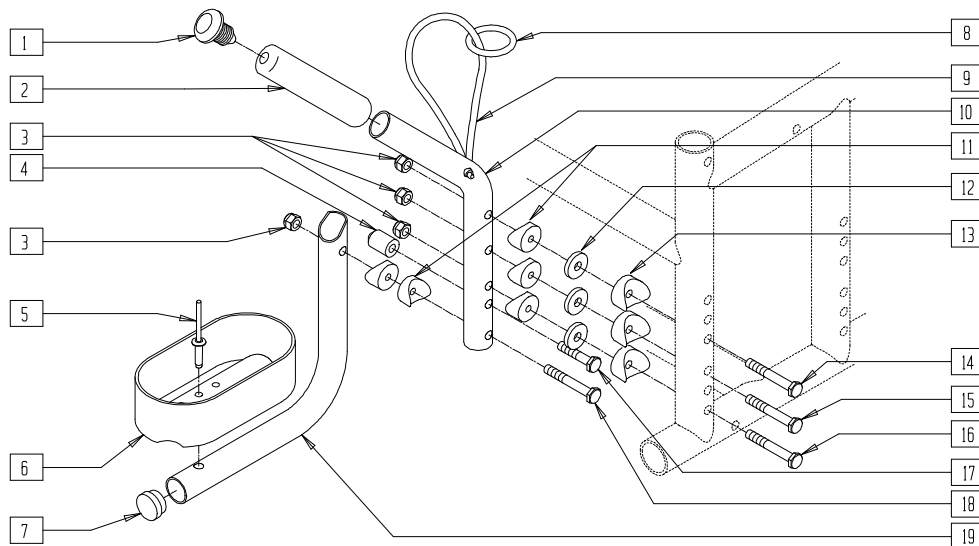
AC0X06

ITEM	NUMBER	DESCRIPTION	QTY
1	226112	1/4-28 x 1 SOC C/S BLK	2
2	550277	CLAMP 2 1/4" RECESS CLR	1
2A	550287	CLAMP 1 1/8" - 3/4" W/RECESS	1
3	562501	CRUTCH HOLDER CUP	1
4	521101	CRUTCH HOLDER SUPPORT TUBE F	1
5	561000	3/4" INSERT PLUG .083	2
6	750495	CRUTCH HOLDER STRAP F	1
7	240108	RIVET POP SSD64SSBS	1
8	550276	CLAMP 2 1/4" THREADED CLR	1

ITEM	NUMBER	DESCRIPTION	QTY
8A	550288	CLAMP 1 1/8" - 3/4" THREADED	1
9	281110	10-32 x 1/2 PAN PHIL	1
10	200100	10-32 NYLOCK NUT	1
1-5,7,8	880802	CRUTCH HOLDER F	
1,2A,3-5,7,8A	880803	CRUTCH HOLDER CURVED REAR S/F	
1-10	901002	CRUTCH HOLDER ASSEMBLY F	
1-2A,3-7,8A,9,10	901004	CRUTCH HOLDER ASSEMBLY Q2 CURVED REAR	
1-8,8A	901005	CRUTCH HOLDER ASSEMBLY BRZ	

NOTE: ORDER STEP TUBE (PAGE 21.23) FOR BREEZY BEGINNING SERIAL NUMBER BZ-200000.

## CRUTCH HOLDER (QUICKIE 1/GP/GPV/GPV Titanium)



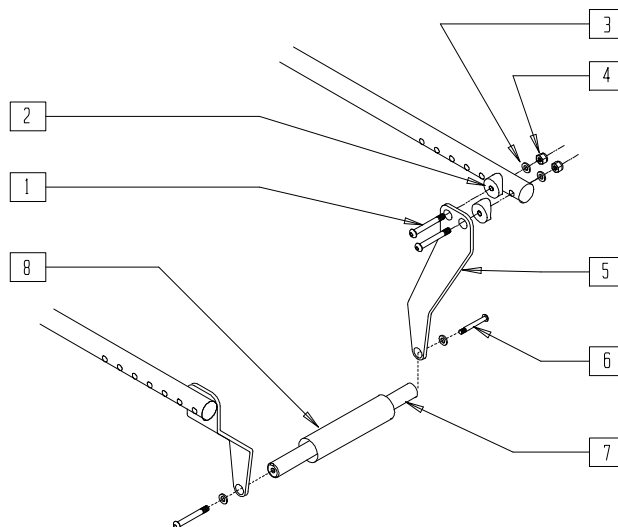
AC0X033

ITEM	NUMBER	DESCRIPTION	QTY
1	560997	3/4" PLUG RIBBED .083	1
2	560606	4 1/2 x .705 x .125 FOAM GRIP	1
3	201110	1/4-28 NYLOCK NUT	3
4	482014	CRUTCH HOLDER STUD	1
5	240108	RIVET POP SSD64SSBS	1
6	562501	CRUTCH HOLDER CUP	1
7	561000-OU	3/4" INSERT PLUG .083	1
8	560225	1" PLASTIC O-RING	1
9	880558	CRUTCH HOLDER BUNGIE CORD	1
10	521500	CRUTCH HOLDER MAIN TUBE	1
11	561003	3/4" SADDLE THIN	5

ITEM	NUMBER	DESCRIPTION	QTY
12	561026	3/4" WASHER 1/4" HOLE	3
13	561004	1" SADDLE 1/4" HOLE	3
14	221201	1/4-28 x 3 G8 HEX C/S	1
15	221211	1/4-28 x 3 1/4 G8 HEX C/S	1
16	221193	1/4-28 x 2 3/4 G8 HEX C/S	1
17	221126	1/4-28 x 1 1/4 G8 HEX C/S	1
18	221192	1/4-28 x 2 G8 HEX C/S	1
19	521502	CRUTCH HOLDER CUP SUPPORT	1
1-19	901000, 901001	CRUTCH HOLDER SIDE	

## FOOT ASSIST BAR (QUICKIE TS)

(Discontinued 11/95 - parts only)



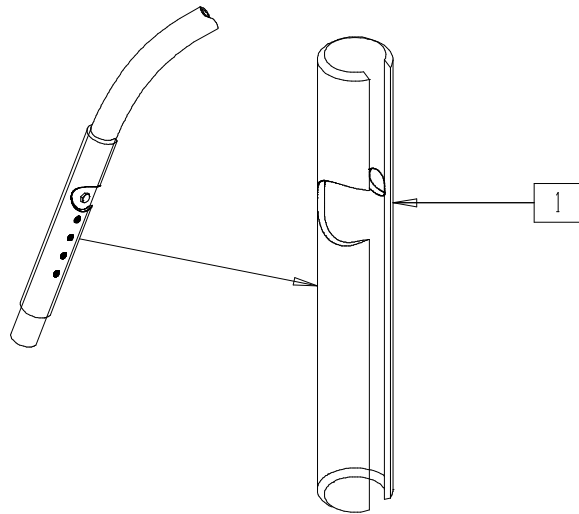
AZ00X13

ITEM	NUMBER	DESCRIPTION	QTY
1	226140	1/4-28 x 1 3/4 BH C/S	4
2	561004	1" SADDLE 1/4" HOLE	4
3	262100-OU	1/4 AN WASHER FLAT	6
4	201110	1/4-28 NYLOCK NUT	4
5	505254	FOOT ASSIST BRACKET	2
6	226110	1/4-28 x 1 BH C/S	2

ITEM	NUMBER	DESCRIPTION	QTY
7	550530- 550534	FOOT ASSIST BAR QT 16"-20"	1
8	560609	FOAM 5" x .705" ID TUBE	1
1-8	839900- 839904	FOOT ASSIST ASSEMBLY 16"-20"	

# IMPACT GUARD (PLASTIC)

(Discontinued - available with old style only)



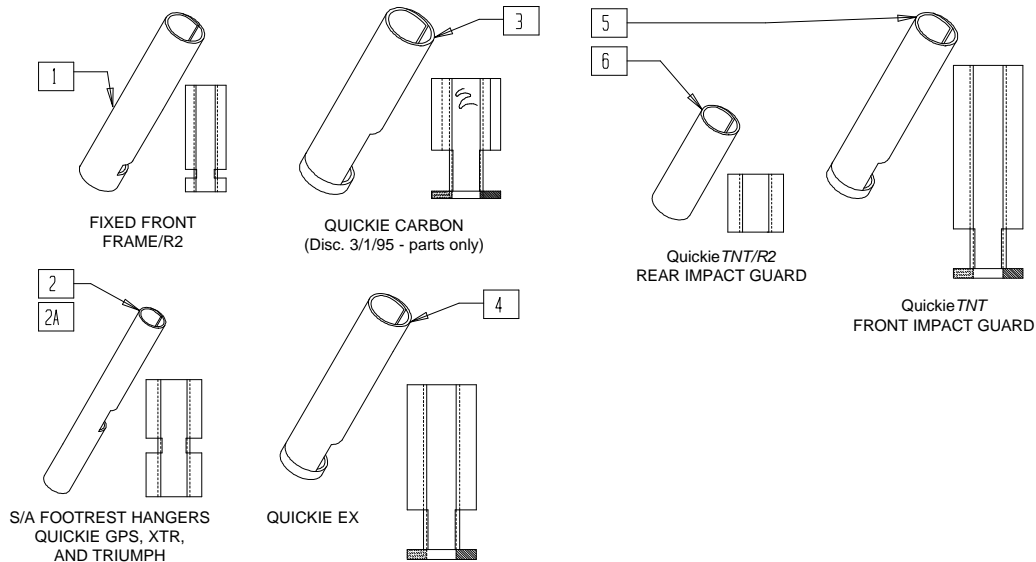
AC0X08

ITEM	NUMBER	DESCRIPTION	QTY
1	562200	IMPACT GUARD 9" CLEAR W/HOLE R (NON S/A)	1
	562202	IMPACT GUARD 9" CLEAR W/HOLE L (NON S/A)	
	562204	IMPACT GUARD 9" CLEAR W/O HOLE R (S/A)	

ITEM	NUMBER	DESCRIPTION	QTY
1	562206	IMPACT GUARD 9" CLEAR W/O HOLE L (S/A)	1
	900050	IMPACT GUARDS 9" CLEAR W/HOLE (NONE S/A) (PR)	
	900051	IMPACT GUARDS 9" W/O HOLE (S/A) (PR)	

# IMPACT GUARDS (NEOPRENE)(QUICKIE CARBON/EX/GPS/R2/TNT/TRIUMPH/XTR)

(Quickie TNT, Triumph and GPS discontinued 2/01-Parts only)



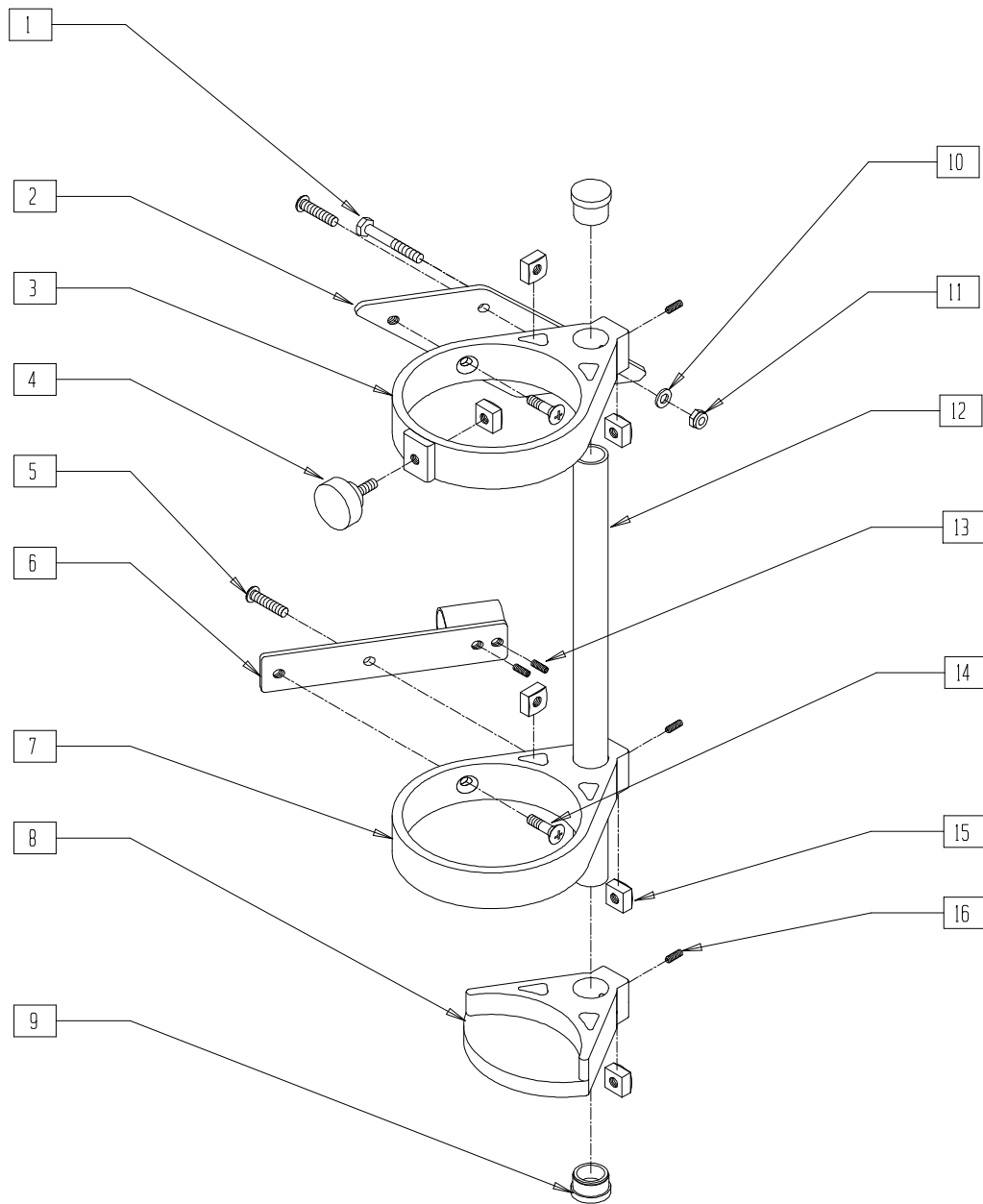
IG0X01

ITEM	NUMBER	DESCRIPTION	QTY
1	750316	IMPACT GUARDS NEOPRENE FIXED (PR)	1
2	750317	IMPACT GUARDS NEOPRENE S/A AND GPS (PR)	1
2A	750319	IMPACT GUARDS NEOPRENE TRIUMPH (PR)	1

ITEM	NUMBER	DESCRIPTION	QTY
3	750315	IMPACT GUARDS NEOPRENE QC (PR)	1
4	750318	IMPACT GUARDS NEOPRENE EX (PR)	1
5	750352	IMPACT GUARD QTNT	1
6	750350	BACK FRAME GUARD QTNT	1



# OXYGEN TANK HOLDER (BREEZY 500/510)

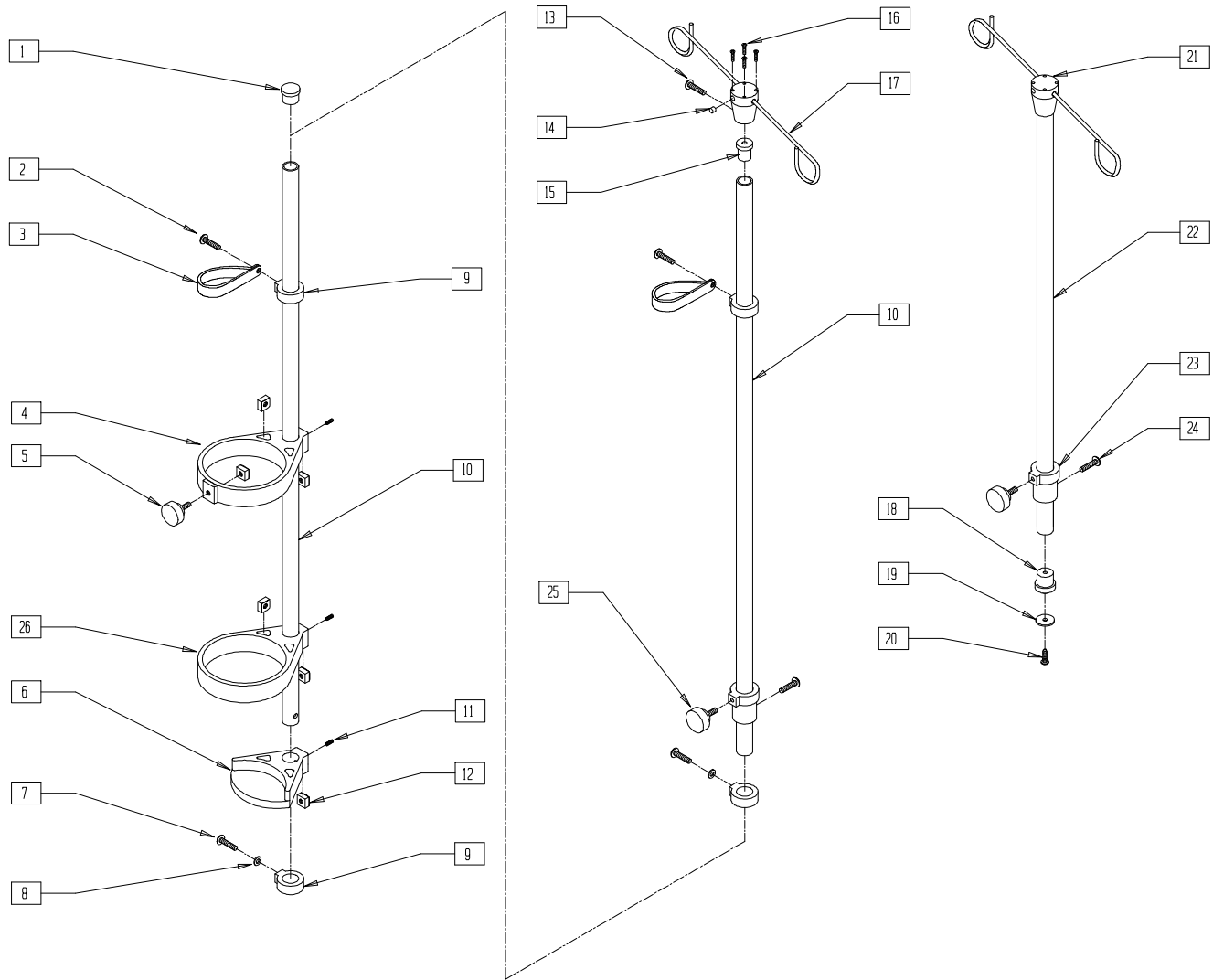


OXYHLDR4

ITEM	NUMBER	DESCRIPTION	QTY
1	221160	1/4-28 x 2 HEX C/S	1
2	505738	O2 UPPER SUPPORT BRACKET	1
3	561991	O2 UPPER TANK RING	1
4	349033	O2 KNOB 1/4-20 x 3/4	1
5	281186	1/4-20 x 3/4 TRUSS PHIL	2
6	505737	O2 LOWER SUPPORT BRACKET	1
7	561990	O2 LOWER TANK RING	1
8	561992	O2 TANK STOP	1
9	561029	7/8" INSERT PLUG O2	2

ITEM	NUMBER	DESCRIPTION	QTY
10	262100-QU	1/4 AN WASHER FLAT	1
11	201110	1/4-28 NYLOCK NUT	1
12	521102	O2 STRUT TUBE	1
13	225103	1/4-20 x 3/8 SET SCREW SS	2
14	226068	1/4-20 x .35 FLAT HEAD	2
15	201104	1/4-20 SQUARE NUT	6
16	225107	1/4-20 x 1 1/4 SET SCREW	3
1-16	880000	O2 TANK HOLDER ASSEMBLY	

# OXYGEN TANK, IV, AND EXTENSION POLE (BREEZY 100/150)

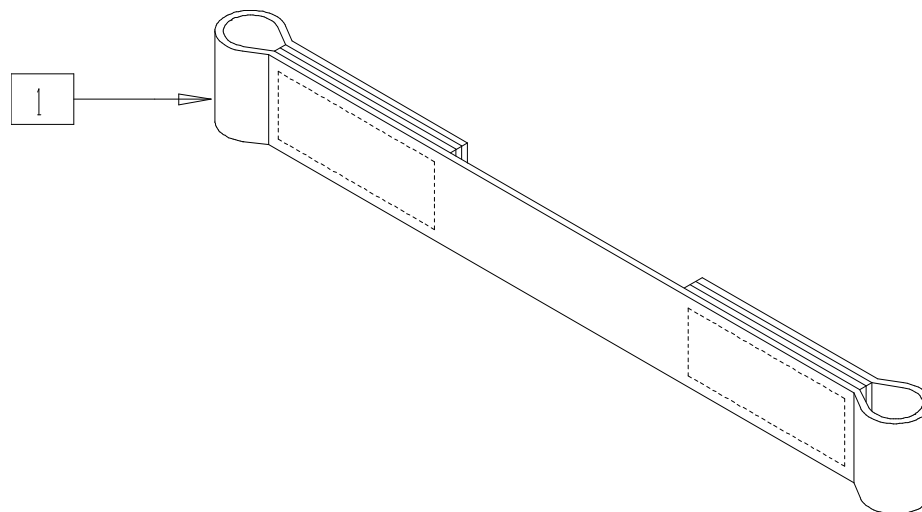


BRZ10X29

ITEM	NUMBER	DESCRIPTION	QTY
25	222-0760	IV POLE ADJUSTMENT COLLAR KNOB	1
1,10	222-0758	LOWER TANK TUBE/SHAFT	1
7-9	222-0752	LOWER CLAMP ASSEMBLY	1
2,3,9	222-0753	UPPER CLAMP ASSEMBLY	1
5,11,12,26	222-0754	UPPER OXYGEN TANK RING ASSEM	1
4,11,12	222-0755	LOWER OXYGEN TANK RING ASSEM	1
6,11,12	222-0756	OXYGEN RING FOOT MOUNT ASSEM	1
15,12	222-0757	UPPER RING LOCKING KNOB ASSEM	1
10,15, 18-20	222-0759	UPPER (IV POLE) TUBE/ SHAFT ASSEMBLY	1
5,23,24	222-0761	IV POLE ADJUSTMENT COLLAR ASSM	1

ITEM	NUMBER	DESCRIPTION	QTY
13,14,16, 17,21	222-0762	IV POLE HOOK ASSEMBLY	1
1-12	BZ102	O2 TANK HOLDER ASSEMBLY	1
2-13, 15-21, 23,26	BZ103	O2 TANK HOLDER W/IV POLE ASSEMBLY	1
2,3,7-10, 13-21, 23,24,25	BZ104	IV POLE ASSEMBLY	1
5,13-25	BZ105	IV POLE EXTENSION ASSEMBLY	1

# LEG STRAPS



FT0X015

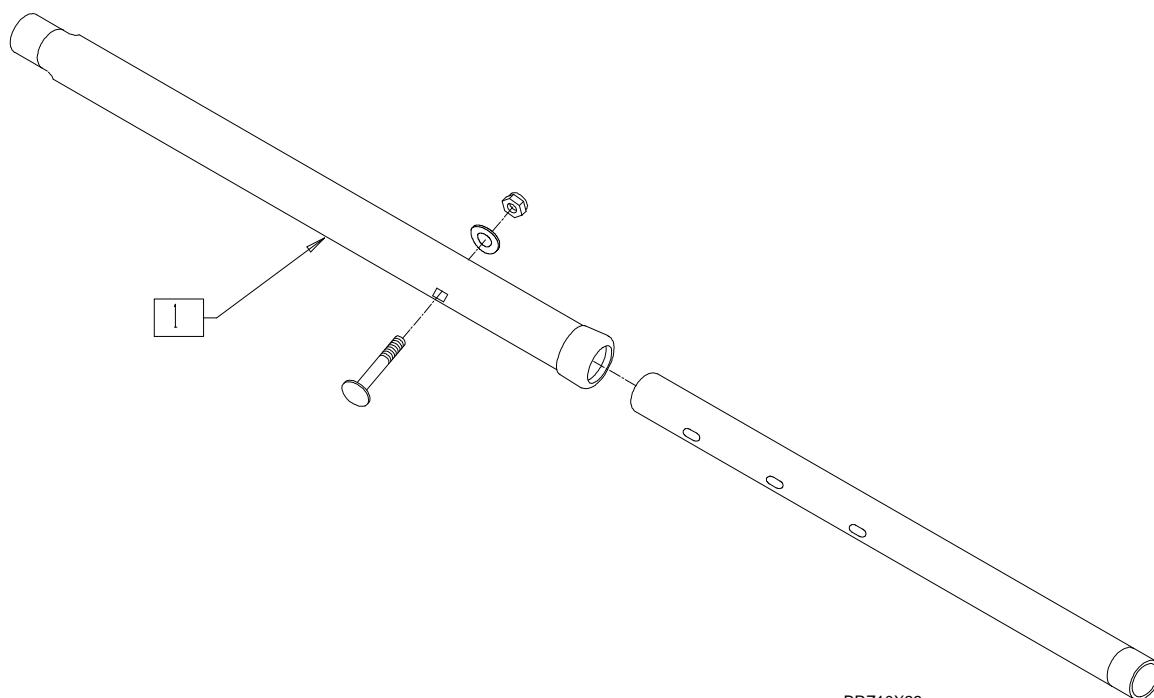
ITEM	NUMBER	DESCRIPTION	QTY
1	740111-740132	LEG STRAP 10"-20" (EA)	1

## PARTS REPLACEMENT KIT

ITEM	NUMBER	DESCRIPTION	QTY
1	201100	1/4-28 NYLOCK NUT THIN	6
2	201110	1/4-28 NYLOCK NUT	6
3	201120	1/4-28 AUTOMATION NUT	6
4	202100-MJ	5/16-24 NYLOCK NUT THIN	6
5	203100	1/2-20 NYLOCK NUT	6
6	203110	1/2-20 JAM NUT	6
7	204000	3/4-16 NUT	6
8	221110	1/4-20 x 1 HEX C/S	6
9	221112	1/4-28 x 1 HEX C/S	6
10	221124	1/4-28 x 1 1/4 G8 HEX C/S	6
11	221126	1/4-20 x 1 1/4 G8 HEX C/S	6
12	221133	1/4-28 x 1 1/2 G8 HEX C/S	6
13	221140	1/4-20 x 1 3/4 HEX C/S	6
14	221151-OU	1/4-28 x 1 3/4 G8 HEX C/S	6
15	221192	1/4-28 x 2 G8 HEX C/S	6
16	221191	1/4-28 x 2 1/4 G8 HEX C/S	6
17	221181	1/4-28 x 2 1/2 G8 HEX C/S	6
18	221193	1/4-28 x 2 3/4 G8 HEX C/S	6
19	221201	1/4-28 x 3 G8 HEX C/S	6
20	221211	1/4-28 x 3 1/4 G8 HEX C/S	6
21	225100	1/4-20 x 1/4 SET SCREW	6
22	225200	1/4-20 x 1 SET SCREW	6
23	226120	1/4-20 x 1 BH C/S	6
24	226130	1/4-28 x 1 1/2 BH C/S	6
25	226145	1/4-28 x 1 3/4 FH C/S	6
26	226150	1/4-28 x 2 BH C/S	6
27	226165	1/4-28 x 2 1/2 SOC C/S	6
28	262100-OU	1/4 AN WASHER FLAT	24

ITEM	NUMBER	DESCRIPTION	QTY
29	262110-OU	1/4 AN WASHER FLAT THIN	6
30	262130	6mm WASHER WAVE	6
31	264100	1/2 AN WASHER FLAT	6
32	264110	12mm WASHER WAVE	6
33	265100	3/4 x 18 WASHER NARROW	6
34	281120	10-32 x 5/8 PAN HD PHIL	24
35	341500	10-32 x .010-.080 RIVNUT	6
36	349010	QUICK RELEASE AXLE	2
37	349500	1 1/8 x 1/2 BEARING	10
38	349502	7/8 x 5/16 BEARING	10
39	382250	8" TUBE	6
40	383250	8" PNEUMATIC TIRE	2
41	385610	24" PNEUMATIC TIRE AND TUBE	6
42	481017	1/4-28 x 1.688 ECCENTRIC BOLT	6
43	481065	AXLE SLEEVE SS	2
44	483001	O2 FRAME/FOOT RETAINING PLUG	6
45	483002	O1 BACKREST RETAINING PLUG	6
46	483003	FLIP FOOT CAM	6
47	483011	QR CASTER STEM NUT	6
48	505015	INDEX AXLE WASHER	6
49	561004	1" SADDLE 1/4" HOLE	12
50	561014	1" MED CAP	10
51	561034	SHORT DOME PLUG	6
52	561042	LONG DOME PLUG	6
53	561050	ANTI-FLUTTER BUSHING	6
54	920050	REG CASTER STEM W/HARDWARE	2
1-54	920228	PARTS REPLACEMENT KIT MANUAL CHAIR	

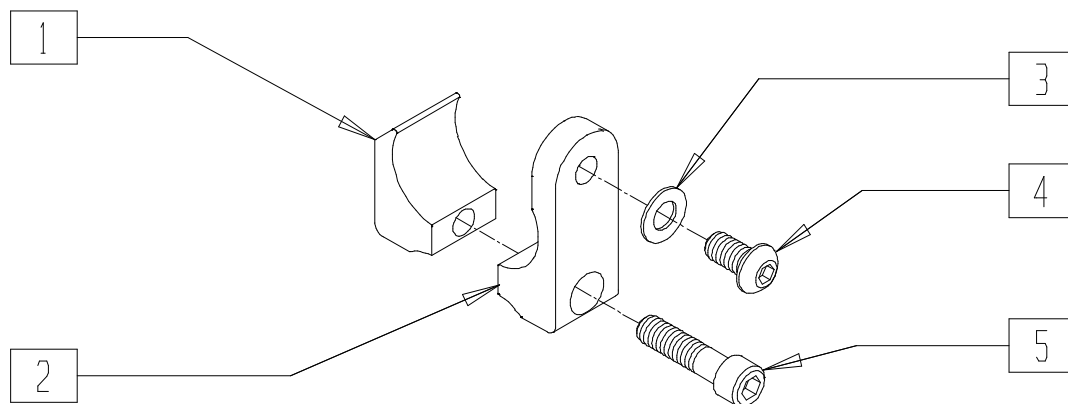
## ANTI-FOLD ASSEMBLY (BREEZY 100)



BRZ10X23

ITEM	NUMBER	DESCRIPTION	QTY
1	BZ170	ANTI-FOLDING DEVICE (BR100)	1

## POSITIONING BELT MOUNT (MANUAL PRODUCT)

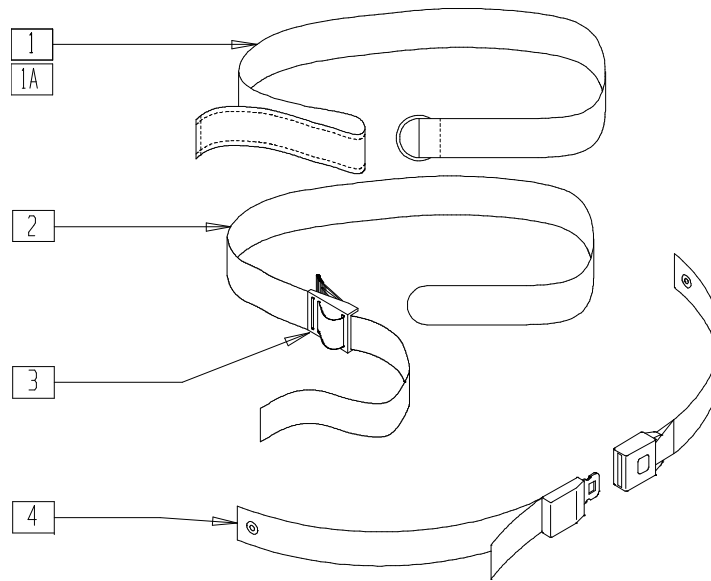


Q202X12

ITEM	NUMBER	DESCRIPTION	QTY
1	551267	SEAT BELT CLAMP L	2
2	551268	SEAT BELT CLAMP R	2
3	262100-QU	1/4 AN WASHER FLAT	2

ITEM	NUMBER	DESCRIPTION	QTY
4	226049	1/4-20 x 3/8 BH C/S	2
5	221116	1/4-20 x 1 SOC HD BLK	2
1-5	900116	POSITION BELT ATTACHMENT KIT	

## POSITIONING BELTS (MANUAL PRODUCT)

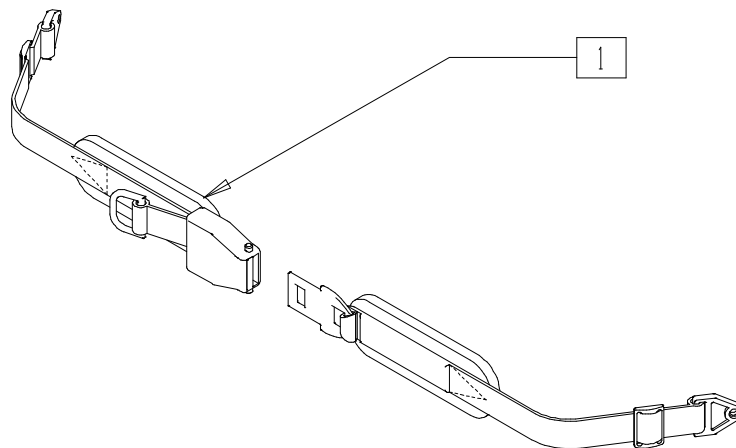


AC0X010

ITEM	NUMBER	DESCRIPTION	QTY
1	750200	POSITIONING BELT LONG VELCRO®	1
1A	750204	POSITIONING BELT SHORT VELCRO®	1
2,3	750210	POSITIONING BELT LONG BUCKLE	
	750214	POSITIONING BELT SHORT BUCKLE	

ITEM	NUMBER	DESCRIPTION	QTY
3	560200	2" PLASTIC BUCKLE	1
4	750269	POSITIONING BELT W/METAL BUCKLE STD.	1
	750268	POSITIONING BELT W/METAL BUCKLE SHT	

## AIRCRAFT BUCKLE POSITIONING BELTS (MANUAL PRODUCT)

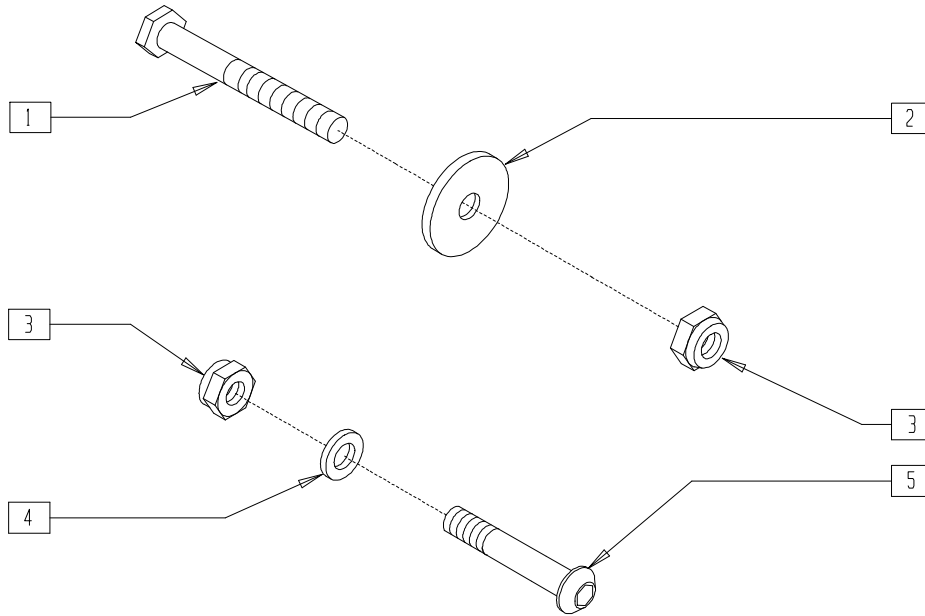


MAG00X31A

ITEM	NUMBER	DESCRIPTION	QTY
1	450418-OU	BELT 2" AIRCRAFT BUCKLE	1
	450423-OU	BELT 2" AIRCRAFT BUCKLE W/PAD	
	450424	BELT 2" AIRCRAFT BKL LONG W/PAD	
	450425	BELT 2" AIRCRAFT BKL LONG	
	450419-OU	BELT 2" AIRCRAFT BKL W/QUAD LP	

ITEM	NUMBER	DESCRIPTION	QTY
1	468419	BELT 2" AIRCRT BKL W/QD LP CZ	
	920918	POS BELT ATT KIT W/2" AIR BKL	
	920919	POS BLT ATT KT W/2" AIR BKL PD	

## PIVOT POINT ADJUSTMENT KIT (BREEZY 510 RECLINER)

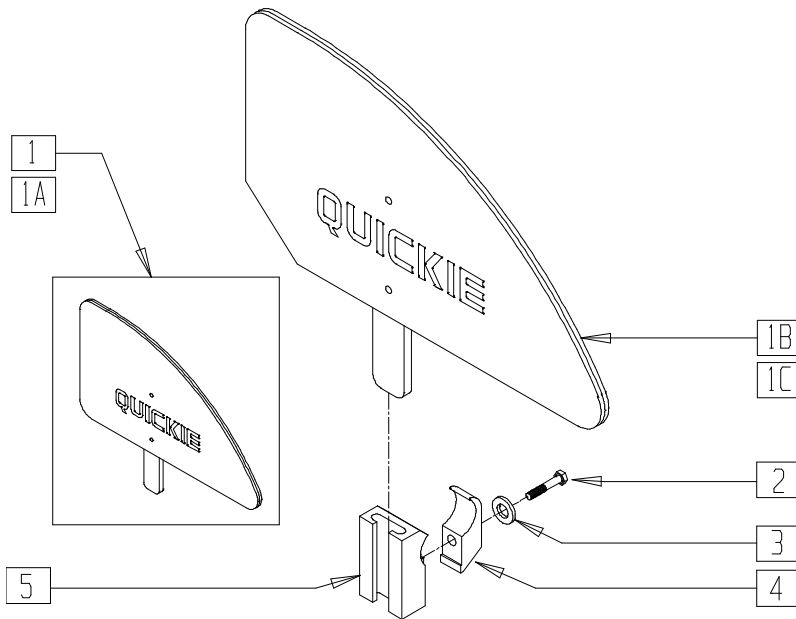


BREX07

ITEM	NUMBER	DESCRIPTION	QTY
1	222242	5/16-18 x 2 1/2 HEX C/S	2
2	561016	1" WASHER 5/16" HOLE	4
3	202102	5/16-18 NYLOCK NUT THIN	4

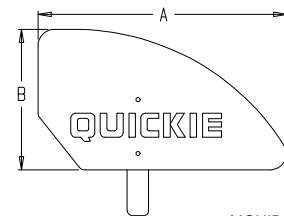
ITEM	NUMBER	DESCRIPTION	QTY
4	263100	5/16 AN WASHER FLAT	2
5	226198	5/16-18 x 2 BH C/S SHT THREAD	2
1-5	920300	PIVOT PNT ADJUSTMENT KIT B51 RCLNR	

## QUICKIE PLASTIC SIDE GUARD



Drawing shows right side

### MEASURING GUIDE



MGUIDE27

	"A"	"B"
ADULT	12 3/4"	8 5/8"
KIDS	11 1/2"	6 1/2"

NOTE: STANDARD (ADULT) SIDE GUARD FITS 14"-20" DEPTHS. KIDS SIDE GUARD FITS 10"-13" DEPTHS.

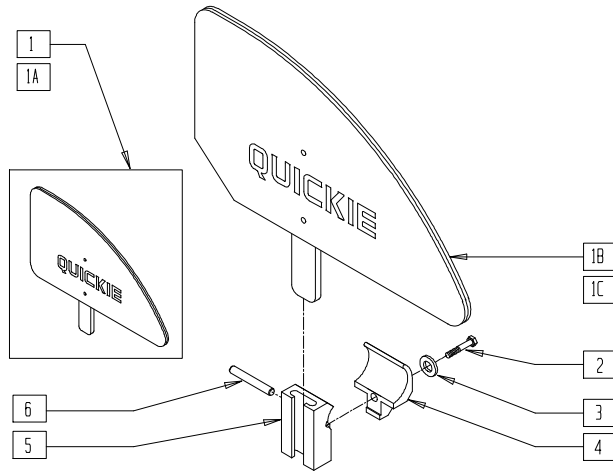
AC0X013

ITEM	NUMBER	DESCRIPTION	QTY
1	881150	PLASTIC SIDE GUARD KIDS R	1
1A	881151	PLASTIC SIDE GUARD KIDS L	1
1B	881152	PLASTIC SIDE GUARD STD R	1
1C	881153	PLASTIC SIDE GUARD STD L	1
2	221127	1/4-28 x 1 3/8 HEX C/S	1
3	262110-QU	1/4 AN WASHER FLAT THIN	1
4	550251	CLAMP P300 CHARGING/ADJ FL KIDS	1

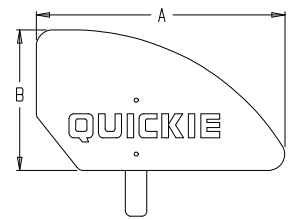
ITEM	NUMBER	DESCRIPTION	QTY
5	550325	SIDE GUARD/KIDZ ARM RECEIVER	1
2-5	881200	SIDE GUARD/KIDZ ARM RECEIVER W/CLAMP	
1,1A, 2-5	901111	PLASTIC SIDE GUARD KIDS ASSM W/CLAMP (PR)	
1B,1C, 2-5	901110	PLASTIC SIDE GUARD STD ASSM W/CLAMP (PR)	

# PLASTIC SIDE GUARD (QUICKIE CARBON)

(Discontinued 3/1/95 - parts only)



## MEASURING GUIDE



MGUIDE27

	"A"	"B"
ADULT	12 3/4"	8 5/8"
KIDS	11 1/2"	6 1/2"

Drawing shows right side

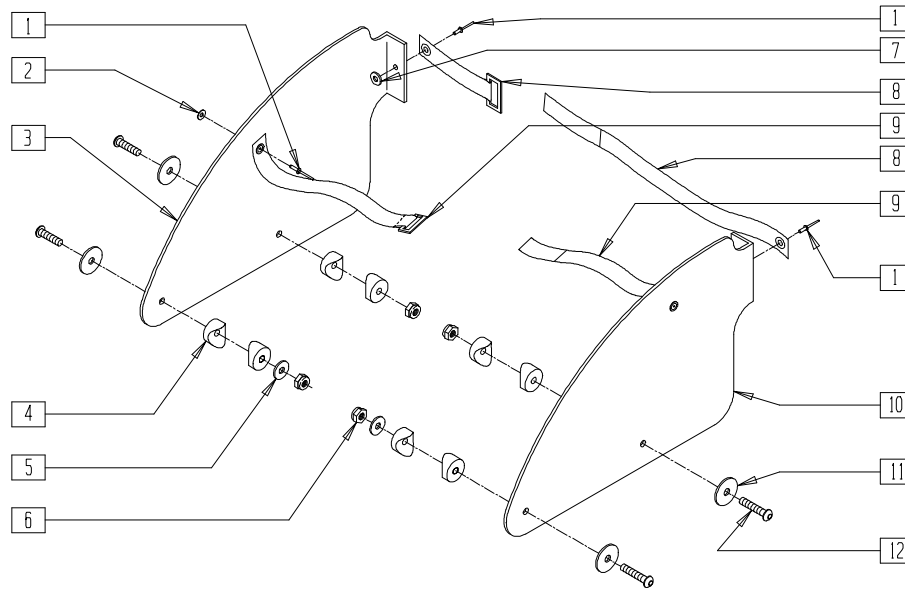
COMP3X09

ITEM	NUMBER	DESCRIPTION	QTY
1	881150	PLASTIC SIDE GUARD KIDS R	1
1A	881151	PLASTIC SIDE GUARD KIDS L	1
1B	881152	PLASTIC SIDE GUARD STD R	1
1C	881153	PLASTIC SIDE GUARD STD L	1
2	221124	1/4-28 x 1 1/4 G8 HEX C/S	1
3	262110-QU	1/4 AN WASHER FLAT THIN	1

ITEM	NUMBER	DESCRIPTION	QTY
4	550252	OC ARM/GUARD CLAMP	1
5	550326	OC SIDE GUARD RECEIVER	1
6	483091	OC CLAMP PIN	1
2-6	881201	OC PLASTIC SIDE GUARD RECEIVER	
1,1A,2-6	901112	OC PLASTIC SIDE GUARD ASSEM KIDS	
1B,1C,2-6	901113	OC PLASTIC SIDE GUARD ASSEM STD	

# PLASTIC SIDE GUARD (QUICKIE ST/DT)

(Discontinued 7/1/98 - parts only)

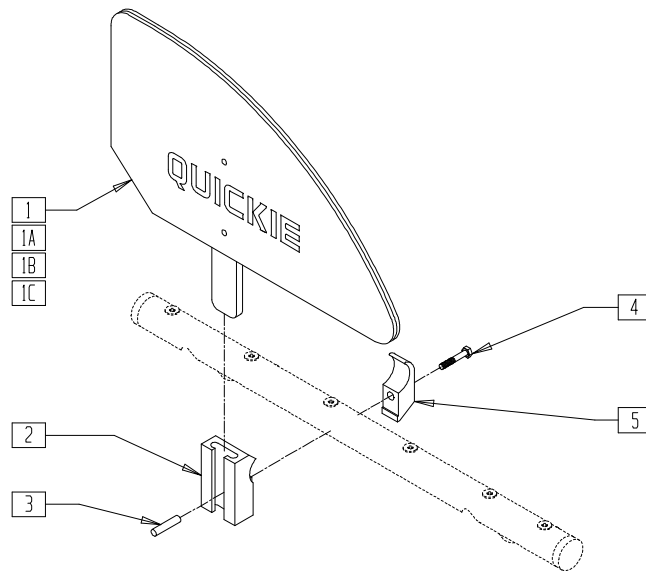


RG000X11

ITEM	NUMBER	DESCRIPTION	QTY
1	240192	RIVET POP AD66ABSLF	4
2	340106	WASHER UPH #8	4
4	561003	3/4" SADDLE THIN	8
5	262100-QU	1/4 AN WASHER FLAT	2
6	201135	1/4-20 NYLOCK NUT LOW SS	4
7	262099	3/16 ALUMINUM WASHER BACKUP	1
8	750096	SIDE GUARD/BACK STRAP (SPECIFY DIMENSION)	1
9	750087	SIDE GUARD SEAT STRAP (SPECIFY DIMENSION)	1

ITEM	NUMBER	DESCRIPTION	QTY
11	261504	1/4 x 5/8 OD WASHER SS	4
12	226136	1/4-20 x 1 1/2 BH C/S BLK	4
1-3,7-9	901122-901129,901140	SIDE GUARD RIGID 12"-20" HIGH (9 3/4" TALL) (PR)	
	901132-901139,901141	SIDE GUARD RIGID 12"-20" LOW (8 1/4" TALL) (PR)	

## PLASTIC SIDE GUARD (QUICKIE HEAT/ST/DT)

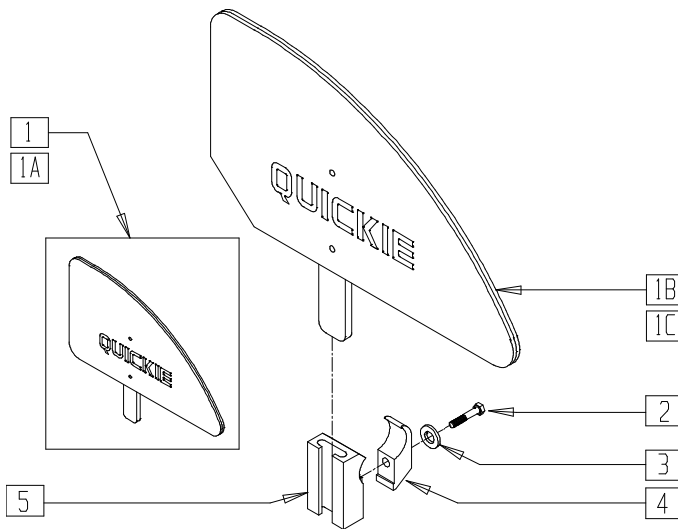


RG000X13

ITEM	NUMBER	DESCRIPTION	QTY
1	881150	PLST SIDE GUARD KDS R	1
1A	881151	PLST SIDE GUARD KDS L	1
1B	881152	PLST SIDE GUARD STD R	1
1C	881153	PLST SIDE GUARD STD L	1
2	550326	QC SIDE GUARD REC	1

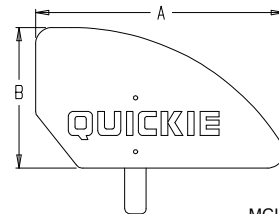
ITEM	NUMBER	DESCRIPTION	QTY
3	341130	1/4 x 1 1/8 ROLL PIN SS	1
4	226112	1/4-28 x 1 SOC C/S BLK	1
5	550723	HB CLAMP 3/4" NO NOTCH ST/DT	1
1B,1C,2-4	901130	SIDE GUARD ASSM STD HQR	
1,1A-5	901131	SIDE GUARD ASSM KIDS HQR	

## PLASTIC SIDE GUARD (QUICKIE XTR)



Drawing shows right side

### MEASURING GUIDE



MGUIDE27

	"A"	"B"
ADULT	12 3/4"	8 5/8"
KIDS	11 1/2"	6 1/2"

NOTE: STANDARD (ADULT) SIDE GUARD FITS 14-20" DEPTHS. KIDS SIDE GUARD FITS 10-13" DEPTHS.

AC0X013

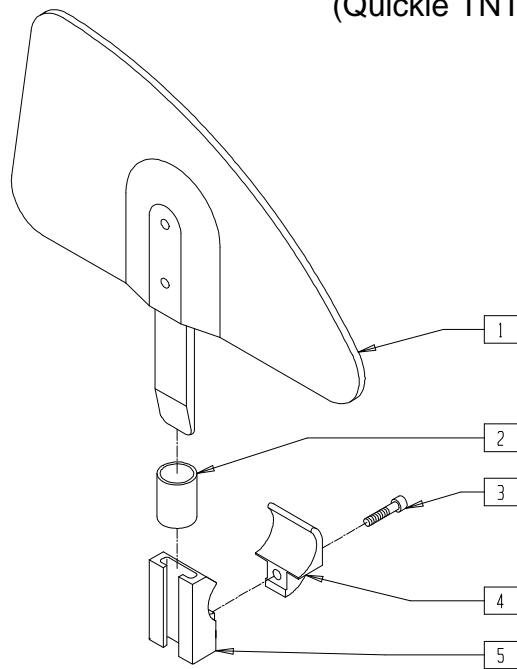
ITEM	NUMBER	DESCRIPTION	QTY
1	881150	PLASTIC SIDE GUARD KIDS R	1
1A	881151	PLASTIC SIDE GUARD KIDS L	1
1B	881152	PLASTIC SIDE GUARD STD R	1
1C	881153	PLASTIC SIDE GUARD STD L	1
2	221127	1/4-28 x 1 3/8 HEX C/S	1
3	262110-QU	1/4 AN WASHER FLAT THIN	1
4	550063	PLASTIC SIDE GUARD CLAMP XTR	1

ITEM	NUMBER	DESCRIPTION	QTY
5	550062	PLASTIC SIDE GUARD REC 1 1/8" XTR	1
2-5	881207	SIDE GUARD/KIDS ARM REC W/CLAMP XTR	
1,1A	901090	PLASTIC SIDE GUARD KIDS ASSM W/CLAMP XTR (PR)	
1B,1C	901091	PLASTIC SIDE GUARD STD ASSM W/CLAMP XTR (PR)	



## PLASTIC SIDE GUARD (Quickie TNT)

(Quickie TNT discontinued 2/01-Parts only)



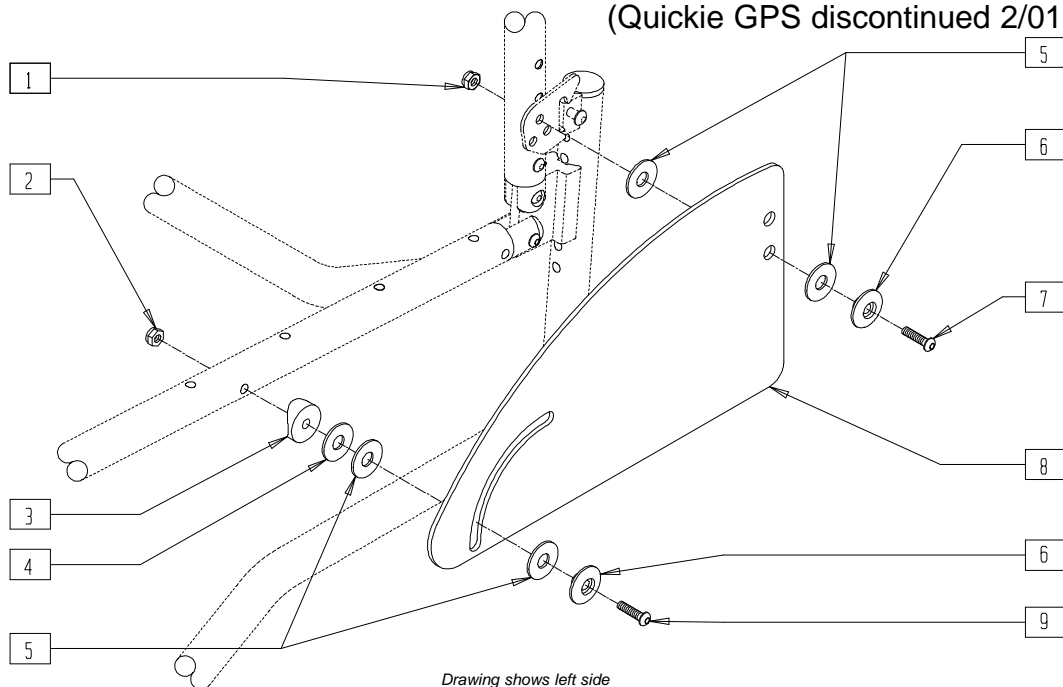
TNT00X03

ITEM	NUMBER	DESCRIPTION	QTY
1	881140, 881141	PLASTIC SIDE GUARD Q7NT (EA)	1
2	580400	SIDE GUARD STOP Q7NT	1
3	226142	1/4-20 x 1 SOC HD C/S	1

ITEM	NUMBER	DESCRIPTION	QTY
4	550425	SIDE GUARD CLAMP BLK Q7NT	1
5	550428	SIDE GUARD RECEIVER BLK Q7NT	1
3-5	881210	PLASTIC SIDE GUARD REC W/CLAMP Q7NT	
1-5	901101	PLASTIC SIDE GUARDS Q7NT (PR)	

## ALUMINUM FOLDING SIDE GUARD (QUICKIE GPS)

(Quickie GPS discontinued 2/01-Parts only)



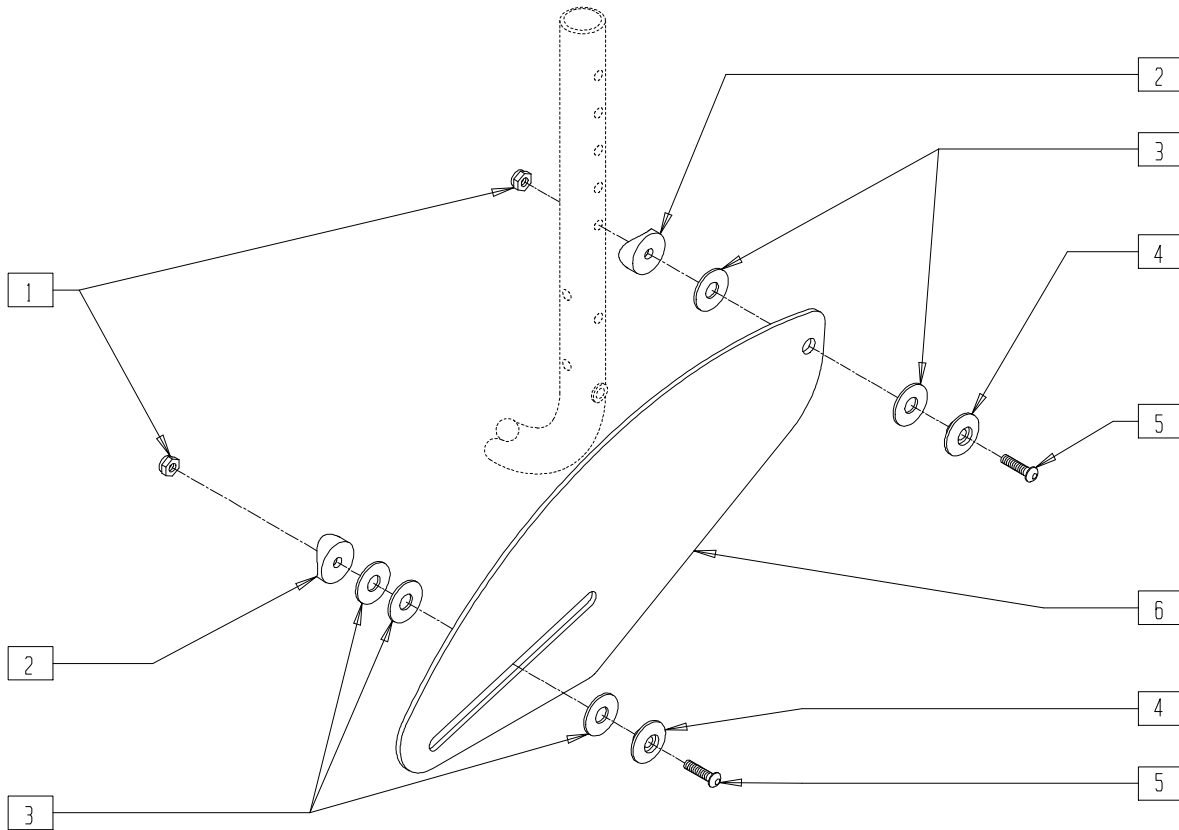
*Drawing shows left side*

GBL00X08

ITEM	NUMBER	DESCRIPTION	QTY
1	201110	1/4-28 NYLOCK NUT	1
2	201100-OU	1/4-28 NYLOCK NUT THIN	1
3	561004	1" SADDLE 1/4" HOLE	1
4	561016	1" WASHER 5/16" HOLE	1
5	561043	1" WASHER 3/8" HOLE	4

ITEM	NUMBER	DESCRIPTION	QTY
6	481046	SIDE GUARD BUSHING	2
7	226150	1/4-28 x 2 BH C/S	1
8	500117	SIDE GUARD ALUMINUM GPS	1
9	226140	1/4-28 x 1 3/4 BH C/S	1
1-9	881205	SIDE GUARD ALUMINUM W/HDWR (EA)	

## ALUMINUM SIDE GUARD (QUICKIE REVOLUTION)



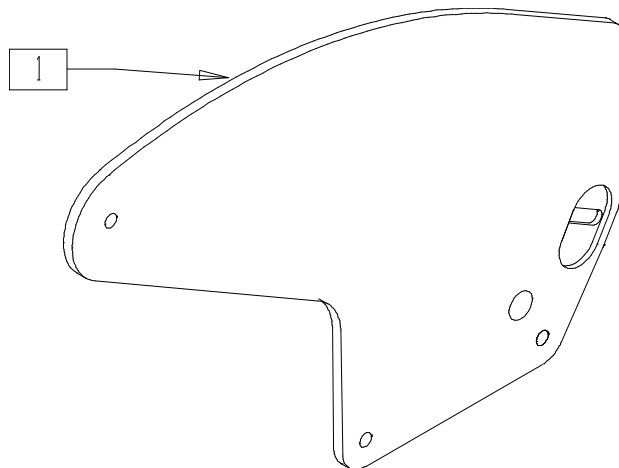
2D000X09

ITEM	NUMBER	DESCRIPTION	QTY
1	201100-QU	1/4-28 NYLOCK NUT THIN	2
2	561004	1" SADDLE 1/4" HOLE	2
3	561043	1" WASHER 3/8" HOLE	5
4	481046	SIDE GUARD BUSHING	2

ITEM	NUMBER	DESCRIPTION	QTY
5	227140	1/4-28 x 1 3/4 BH C/S BLK ZN	2
6	500118	SIDE GUARD ALUMINUM RV	1
1-6	881206	SIDE GUARD ALUMINUM RV W/HDWR (EA)	

## ALUMINUM SIDE GUARD (QUICKIE TRIUMPH)

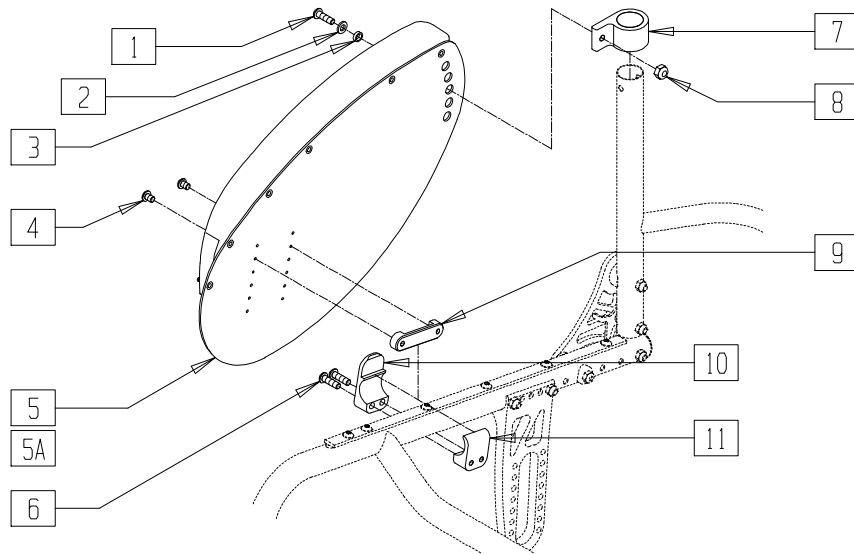
(Quickie Triumph discontinued 2/01-Parts only)



AC0X026

ITEM	NUMBER	DESCRIPTION	QTY
1	500138, 500139	PIVOT PLATE/SIDE GUARD .115 (EA)	1

# SIDEGUARD AND SIDEGUARD W/FENDER ASSEMBLY

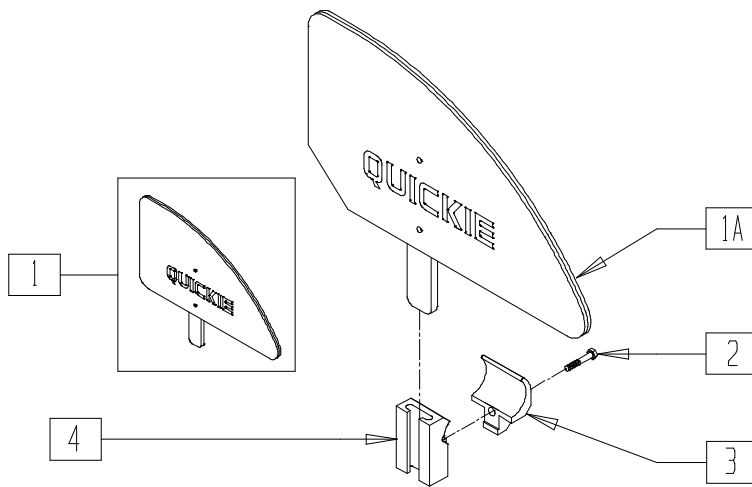


QT10X26

ITEM	NUMBER	DESCRIPTION	QTY
1	230023	BHCS,M6 x 1 x 16MM,TORX,T-25	1
2	250104	WASHER, FLAT, M6	1
3	481490	SPACER, SIDEGUARD	1
4	230022	BHCS,M6x1x8MM,TORX,T-25 PATCH	2
5	500189 500190	SIDEGUARD W/FENDER ASSM (EA)	
5A	500299	SIDEGUARD, PLATE, NO FENDER	2
6	230023	BHCS,M6 x 1 x 16MM,TORX,T-25	2
7	483313	PIVOT SIDEGUARD	
8	200113	NUT, HEX, NYLOCK, M6 x 1	1

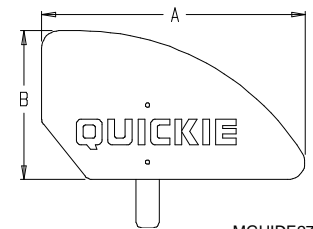
ITEM	NUMBER	DESCRIPTION	QTY
9	483311	CLAMP, C-CLIP, SIDEGUARD	1
10	483310	CLAMP, OUTBRD, SIDEGUARD	1
11	483312	CLAMP, INBRD, SIDEGUARD	1
6,10,11	883162	SIDEGUARD CLAMP ASSM	
1-5,6-11	901022,	SIDEGUARD W/FENDER AND MNTG HARDWARE	
	901023		
	920544		
1-4,5A, 6-11	901024	SIDEGUARD (NO FENDER) AND MNTG HARDWARE	
	920545		

## PLASTIC SIDE GUARD (QUICKIE R2)



Drawing shows right side

### MEASURING GUIDE



MGUIDE27

	"A"	"B"
<b>ADULT</b>	12 3/4"	8 5/8"
<b>KIDS</b>	11 1/2"	6 1/2"

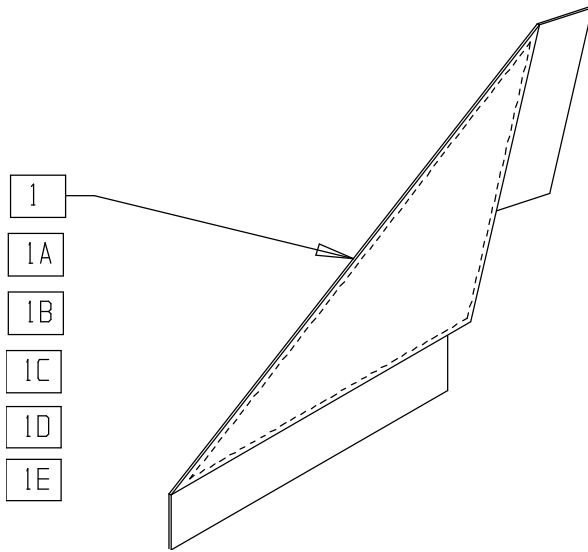
R200X12

ITEM	NUMBER	DESCRIPTION	QTY
1	881152, 881153	PLASTIC SIDE GUARD STD (EA)	1
2	226142	1/4-20 x 1 SOC HD C/S	1
3	550425	SIDE GUARD CLAMP BLK QTNT	1

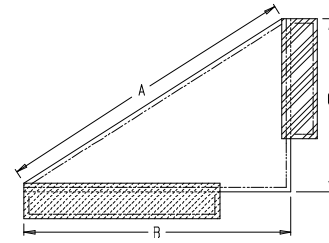
ITEM	NUMBER	DESCRIPTION	QTY
4	550428	SIDE GUARD RECEIVER BLK QTNT	1
1-4	901093	PLST SIDE GUARD KIDS AC (PR)	
1A,2-4	901092	PLST SIDE GUARD STD AC (PR)	

# FABRIC SIDE GUARD (QUICKIE 1/CARBON/GP/GPV/GPVTitanium/GPS/R2/REVOLUTION/TNT/TRIUMPH)

(Quickie GPS, TNT and Triumph discontinued 2/01-Parts only)



## MEASURING GUIDE



MGUIDE26

	"A"	"B"	"C"
<b>ADULT</b>	17 7/8"	15"	10"
<b>KIDS</b>	16"	12 3/4"	9 3/4"

NOTE: VELCRO STRIPS ARE 2" WIDE.

AC0X011

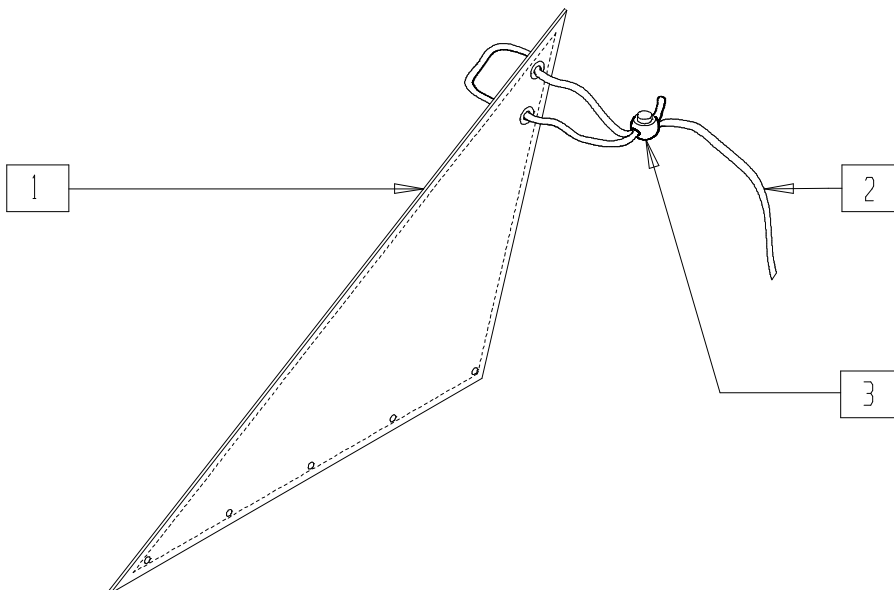
ITEM	NUMBER	DESCRIPTION	QTY
1	750400	SIDE GUARD REG Q1 R	1
1A	750401	SIDE GUARD REG Q1 L	1
1B	750402	SIDE GUARD KIDS Q1 R	1

ITEM	NUMBER	DESCRIPTION	QTY
1C	750403	SIDE GUARD KIDS Q1 L	1
1D	901100	SIDE GUARDS KIDS NF (PR)	1
1E*	901102	SIDE GUARDS KIDS NF/REV (PR)	1

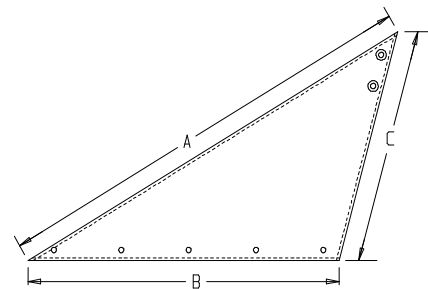
\* 1E FITS REVOLUTION WITH NON-PUSH HANDLE BACKREST. FOR REVOLUTION WITH PUSH HANDLE BACKREST, SEE FABRIC SIDE GUARD (QUICKIE EX/REVOLUTION) ON PAGE 23.18.

# FABRIC SIDE GUARD (QUICKIE 2/2HP/2HPTi/Rx/LX/LXI/XTR)

(Prior to 10/23/99 before serial number Q2-242051)



## MEASURING GUIDE



MGUIDE25

	"A"	"B"	"C"
<b>ADULT</b>	20"	11"	15"
<b>KIDS</b>	18"	11 1/2"	12 1/2"

NOTE: SIDE GUARD LACE IS 40".

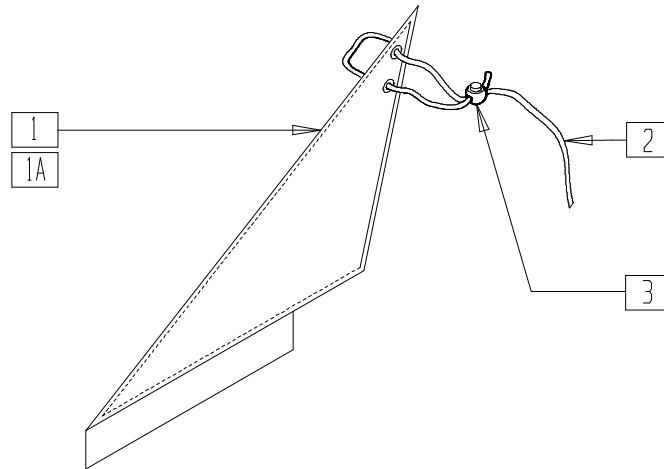
AC0X011A

ITEM	NUMBER	DESCRIPTION	QTY
1	750331	SIDE GUARD KIDS Q2 10" DEPTH	1
	750332	SIDE GUARD KIDS Q2 11" DEPTH	
	750430	SIDE GUARD REG Q2	
	750432	SIDE GUARD KIDS Q2	
2	750050	SIDE GUARD LACE Q2	1

ITEM	NUMBER	DESCRIPTION	QTY
3	560220	B-LOCK	1
1-3	901103	SIDE GUARD KIDS Q2 10" DEPTH (PR)	
	901105	SIDE GUARD KIDS Q2 11" DEPTH (PR)	
	901104	SIDE GUARD KIDS FOLDING (PR)	
	901106	SIDE GUARD REG FOLDING (PR)	

# FABRIC SIDE GUARD (QUICKIE 2/2HP/2HPTi/EX/REVOLUTION)

(Effective 10/23/99 beginning serial number Q2-242051)



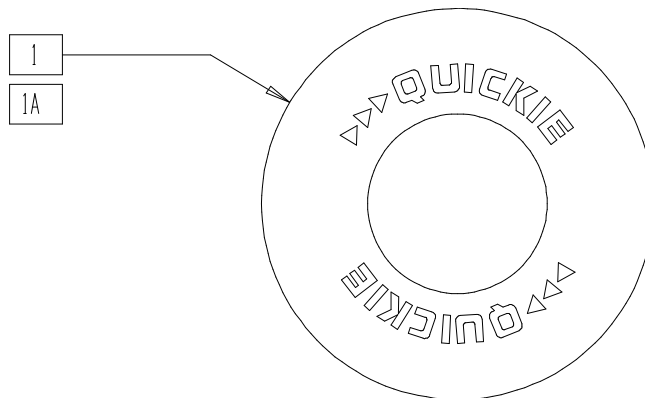
AC0X024

ITEM	NUMBER	DESCRIPTION	QTY
1	750434, 750435	SIDE GUARD REG W/VELCRO (EA)	1
1A	750240, 750241	SIDE GUARD FABRIC SHORT Q2 (EA)	1

ITEM	NUMBER	DESCRIPTION	QTY
3	560220	B-LOCK	2
1-3	901109	SIDE GUARDS REG EX/RV (PR)	
1A,2,3	901121	SIDE GUARDS KIDS FABRIC Q2 NEW (PR)	

NOTE: FITS REVOLUTION WITH PUSH HANDLE BACKREST. FOR REVOLUTION WITH NON-PUSH HANDLE BACKREST, SEE FABRIC SIDE GUARD (QUICKIE 1/CARBON/GP/GPV/GPS/REVOLUTION/TI/TNT/TRIUMPH) ON PAGE 23.17.

## SPOKE GUARD

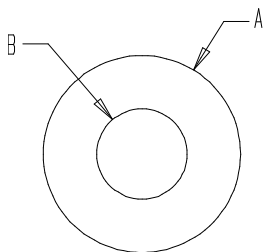


WH0X1A

ITEM	NUMBER	DESCRIPTION	QTY
1	902041- 902056	SPOKE GUARDS CLR (PR)	1

ITEM	NUMBER	DESCRIPTION	QTY
1A	902001- 902038	SPOKE GUARDS BLK (PR)	

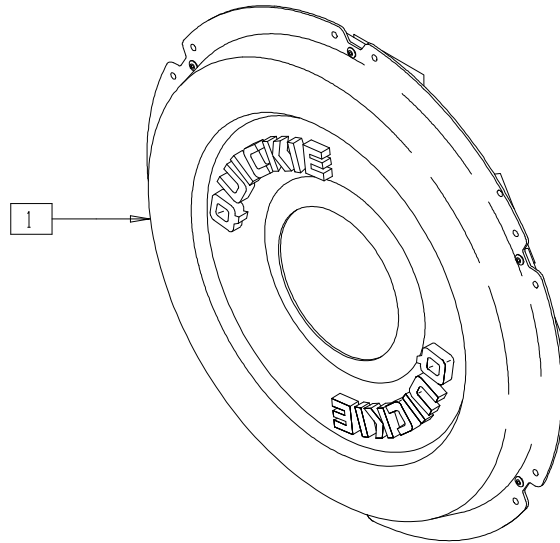
### MEASURING GUIDE



SG1

SPOKE GUARD	PART NUMBER	DIA. A	DIA. B	SPOKE GUARD	PART NUMBER	DIA. A	DIA. B
SPOKE GUARDS 20" CLEAR	902041	15 7/8"	8 1/4"	SPK GUARDS 24" CLR 6-SPK MAG	902049	19 1/4"	10 3/8"
SPOKE GUARDS 22" CLEAR	902043	18 1/8"	8 1/4"	SPOKE GUARDS 24" PROJECTION CLEAR 6-SPOKE	902053	24 1/4"	10 3/8"
SPOKE GUARDS 24" CLEAR	902048	19 1/4"	10 1/4"	SPOKE GUARDS 20" BLACK	902001	15 7/8"	8 1/4"
SPOKE GUARDS 26" CLEAR	902050	21 7/8"	10 1/4"	SPOKE GUARDS 22" BLACK	902011	18 1/8"	8 1/4"
SPOKE GUARDS 20"/22" PROJECTION CLEAR	902044	16 3/4"	8 1/4"	SPOKE GUARDS 24" QUICKIE SCR MT BLACK (540mm)	902021	19 5/8"	10 1/4"
SPOKE GUARDS 24"/26" PROJECTION CLEAR	902052	21 1/4"	10 1/4"	SPOKE GUARDS 24" QUICKIE HT TAB MT BLACK (559mm)	902025	20 3/8"	10 1/4"
SPOKE GUARDS 24" QP CLR	902054	20 1/2"	10 1/4"	SPOKE GUARDS 26" QUICKIE TAB MT BLACK	902037	21 7/8"	10 1/4"
SPOKE GUARDS 26" QP CLR	902056	23 1/2"	10 1/4"	SPOKE GUARDS 26" HT BLACK	902038	23 3/8"	10 1/4"

# SPOKE GUARD (SPORT)



SPKGUARD

ITEM	NUMBER	DESCRIPTION	QTY
1	902072-902077	SPK GRD 24" SPRT HI PRFL W/TIE	1

## SPOKE GUARD REFERENCE GUIDE (SPORT)

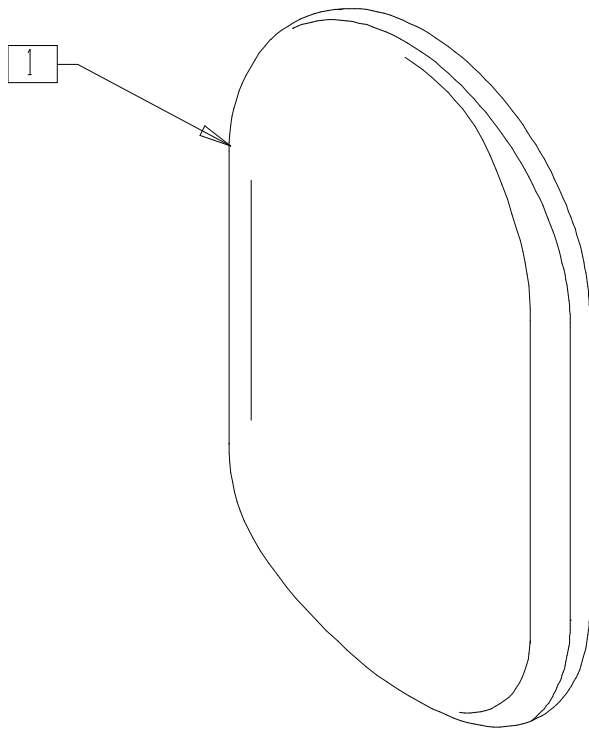
Wheel/ Hand Rim	24" Sport Hi Profile 902072	24" Sport Low Profile 902073	24" H.T. Sport Hi Profile 902076	24" H.T. Sport Low Profile 902077
24" STD RIM (540) ANODIZED or PAINTED HR REG or LONG TAB	◆	◆		
24" STD RIM (540) ANODIZED or PAINTED HR SHORT TAB		◆		
24" STD RIM (540) PLASTIC COATED HR REG or LONG TAB	◆	◆		
24" STD RIM (540) PLASTIC COATED HR SHORT TAB		◆		
24" STD RIM (540) ANY STYLE HR SCREW TAB	◆◆	◆◆		
24" H.T. RIM (559) ANODIZED or PAINTED HR REG or LONG TAB			◆	◆
24" H.T. RIM (559) ANODIZED or PAINTED HR SHORT TAB				◆

Wheel/ Hand Rim	24" Sport Hi Profile 902072	24" Sport Low Profile 902073	24" H.T. Sport Hi Profile 902076	24" H.T. Sport Low Profile 902077
24" H.T. RIM (559) PLASTIC COATED HR REG or LONG TAB			◆	◆
24" H.T. RIM (559) PLASTIC COATED HR SHORT TAB				◆
26" STD RIM (590) ANY STYLE HR REG or LONG TAB			◆◆◆	◆◆◆
26" STD RIM (590) ANY STYLE HR SHORT TAB				◆◆◆
26" STD RIM (590) ANY STYLE HR SCREW TAB			◆◆◆	◆◆◆
26" H.T. RIM (700C) ANY STYLE HR REG or LONG TAB			◆◆◆	◆◆◆
26" H.T. RIM (700C) ANY STYLE HR SHORT TAB			◆◆◆	◆◆◆

- ◆ BEST FIT
- ◆◆ EFFORT TO INSTALL: DAMAGE TO SPOKE GUARD OR WHEEL MAY OCCUR, BUT THEY WILL FIT AND FUNCTION O.K.
- ◆◆◆ EXTRA LARGE HANDRIM/WHEEL ASSEMBLY; SPOKE GUARDS NOT DESIGNED FOR THIS SIZE, BUT THEY WILL FIT AND FUNCTION O.K.

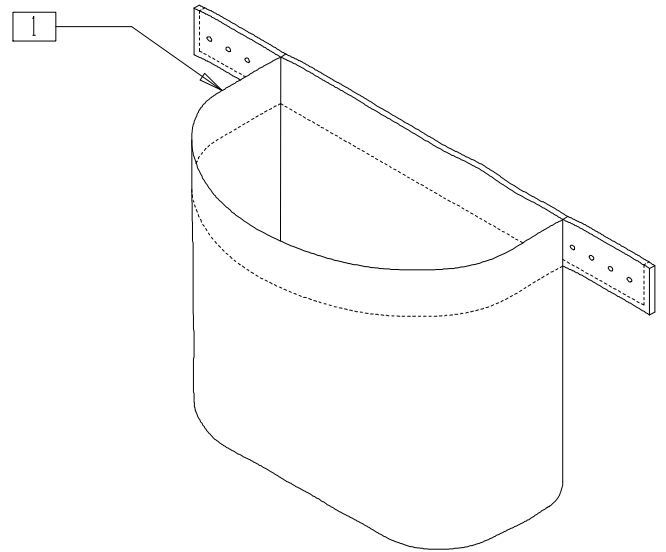
# CALF PAD (BREEZY 100/150)

# CHART POCKET (BREEZY 100/150)



BRZ10X20

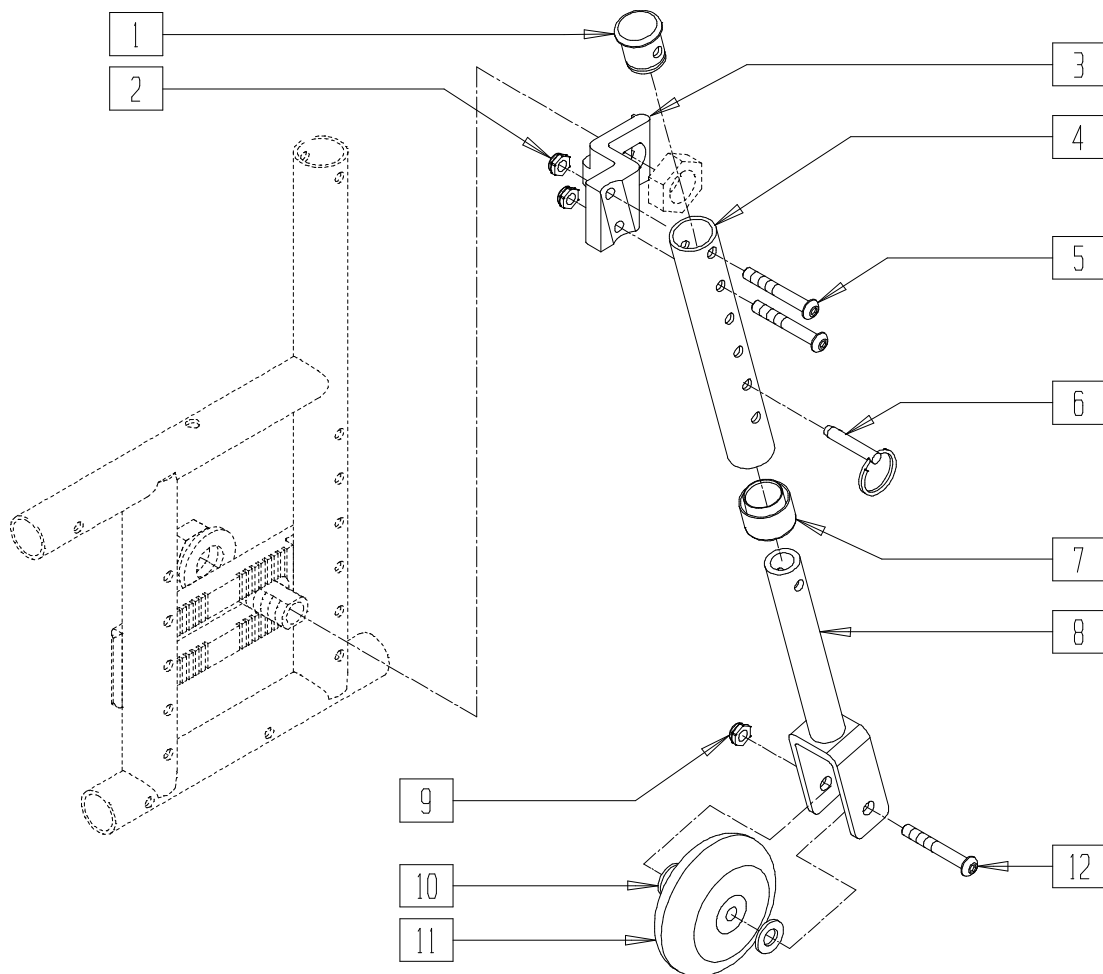
ITEM	NUMBER	DESCRIPTION	QTY
1	BZ150	CALF PAD COVER (PR)	1



BRZ10X21

ITEM	NUMBER	DESCRIPTION	QTY
1	BZ130	CHART POCKET	1

# TRAVEL WHEEL (QUICKIE 2/2HP)



TRWHLX07

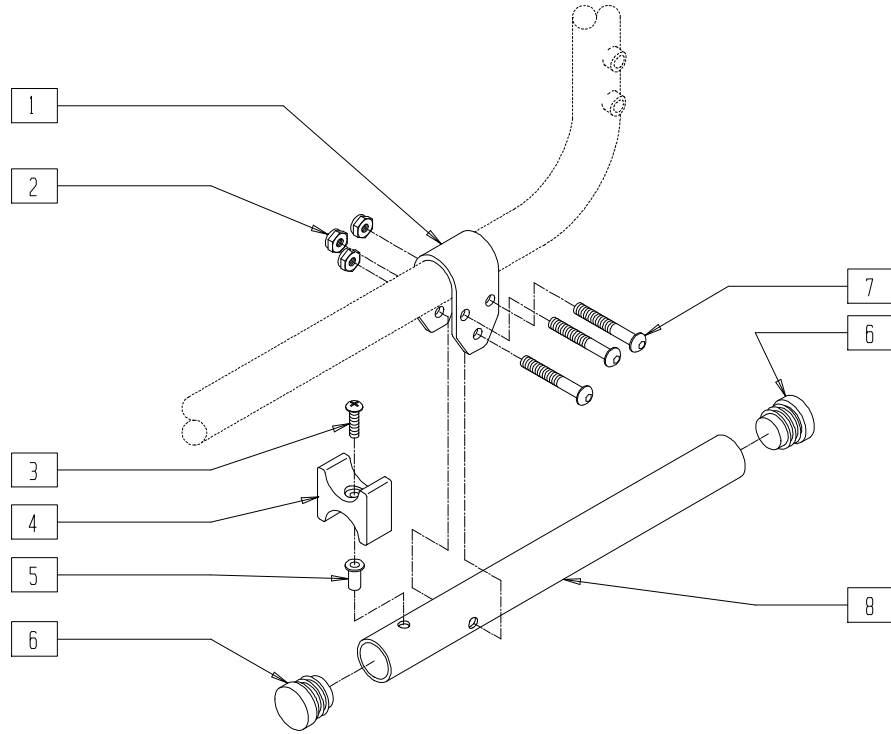
ITEM	NUMBER	DESCRIPTION	QTY
1	560999	1" INSERT PLUG .083 W/1/4 HOLE	1
2	201100-OU	1/4-28 NYLOCK NUT THIN	2
3	550090, 550091	BRKT TRAVEL WHL REC MNT (EA)	1
4	528031	TRAVEL WHEEL MOUNT TUBE Q2	1
5	227140	1/4-28 x 1 3/4 BH C/S BLK ZN	2
6	330027	QUICK RELEASE PIN 1/4"	1
7	561018	1" TUBE END BUSHING THICK	1

ITEM	NUMBER	DESCRIPTION	QTY
8	542160	FORK EXT WELDMENT TRVL WHL Q2	1
9	202102	5/16 NYLOCK NUT THIN	1
10	263100	5/16 AN WASHER FLAT	2
11	400092	MICRO CASTER W/BEARING	1
12	226190	5/16-18 x 1.75 BHCS	1
1-12	880082, 880083	TRAVEL WHEEL ASSM W/HARDWARE (EA)	
1-12	920035	TRAVEL WHL ASSM W/HDWR (PR)	



# STEP TUBE (BREEZY 510)

(Discontinued 2/10/97 - parts only)

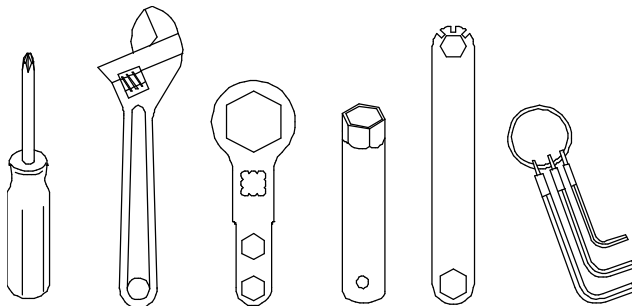


BZ00X18

ITEM	NUMBER	DESCRIPTION	QTY
1	505154	STEP TUBE BRACKET	1
2	201100-QU	1/4-28 NYLOCK NUT THIN	3
3	281122	10-32 x 3/4 PAN PHIL	1
4	561030	SUSPENSION SADDLE STD	1
5	341497	10-32 x .020-.130 RIVNUT GOLD	1

ITEM	NUMBER	DESCRIPTION	QTY
6	561062	1" INSERT PLUG .065 RIBS	2
7	226130	1/4-28 x 1 1/2 BH C/S	3
8	521236	STEP TUBE	1
3-6,8	880698	STEP TUBE W/HARDWARE BR	
1-8	880699	STEP TUBE ASSEMBLY BR	

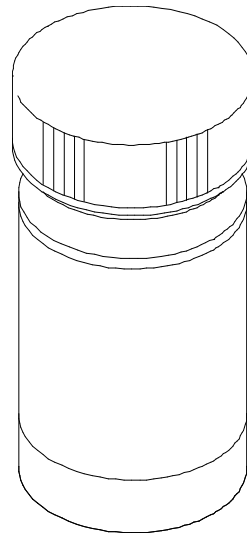
## TOOL KIT



TOOL

ITEM	NUMBER	DESCRIPTION	QTY
1	349999	TOOL KIT (INCLUDING CASE)	1

## TOUCH-UP PAINT



AC0X022

ITEM	NUMBER	DESCRIPTION	QTY
1	160450-160562	TOUCH-UP PAINT	1