

Manual Products Parts Manual

Policies, Procedures, Warranty, and Glossary Section 0	Breezy Chair Backrest and UpholsterySection 11
Folding FramesSection 1	Casters and Forks.....Section 12
Pediatric and Positioning FramesSection 2	FootrestsSection 13
Rigid Frames.....Section 3	Front Frame Hangers.....Section 14
Breezy Frames.....Section 4	Mechanical Lock and Strut Assemblies.....Section 15
Anti-tipsSection 5	Seats and SlingsSection 16
Armrests.....Section 6	Trays and Custom TraysSection 17
Axle Plates and AxlesSection 7	WheelsSection 18
Folding Chair Backrests and UpholsterySection 8	Wheels (Quickie Performance).....Section 19
Pediatric and Positioning Backrest and UpholsterySection 9	Wheel Locks and Grade AidsSection 20
Ridgid Chair Backrest and UpholsterySection 10	One-Arm DriveSection 21
	AccessoriesSection 22
	Manual Parts Pricing GuideSection 23

Note: Quickie Sports products were previously known as “Shadow”



*This document printed partially on recycled paper
and partially on recyclable paper.*

POLICIES, PROCEDURES, AND WARRANTY

MANUAL OVERVIEW:

Your new “user-friendly” parts manual will help you place orders for wheelchair parts. Use this manual as a tool to easily locate and order the correct parts for your customers.

The parts manual is categorized by frame types, component types and accessories. Refer to the table of contents to locate the section for the items you need. For example, reference the frame sections in the beginning of the parts manual for the frame parts. Reference the component sections for others types of parts (i.e. for parts relating to backrests, refer to the section labeled “Backrests”).

Each item is shown in an “exploded view” illustration. Below each drawing is a legend that has an item number, part number, product description, and quantity used per assembly. Some parts may be included in an assembly but may not be available for purchase separately. Such parts will be included in the drawing but will not be called out individually in the legend below the drawing. Prices for parts are located in the Quickie Parts Pricing Guide, and are in numerical order by part number.

FREE FREIGHT:

Orders of \$100.00 or more will be shipped free freight via ground transportation.

Orders under \$100.00 are subject to a \$10.00 service charge.

ORDER QUANTITY:

Product should be ordered in case quantity increments.

GENERAL RETURNED GOODS POLICY:

Advance authorization must be received from Sunrise Medical customer service prior to returning merchandise. All returns must be channeled through an authorized Sunrise Medical supplier.

Your request for return authorization must be phoned to 800-333-4000 and include:

- ◆Reason for return
- ◆Item number and quantity
- ◆Invoice number, original sales order number, or original purchase order number and date.
- ◆Serial number if applicable

Returned merchandise is subject to a 20% restocking fee.

Sunrise Medical Home Healthcare Group will accept new, non-modified merchandise for return in its original packaging if returned within 60 days of receipt. Obsolete and discontinued product will not be accepted for return. Specialized and/or modified products can not be returned.

SHORTAGES AND SHIPPING DAMAGE:

Please inspect your order immediately. Claims for shortages and shipping damage must be made within 10 days of receipt of merchandise. Damaged merchandise should be retained in original carton and reported to carrier. Claims after 10 days will not be honored.

WARRANTY:

See individual product warranty inserts in owner’s manual for warranty information by product line. All claims and repairs should be processed through a Sunrise supplier. All returns and repairs require a return merchandise authorization (RMA) number, which is obtained by calling customer service at 1-800-333-4000. Warranty returns should be shipped freight prepaid to the manufacturing facility or certified repair facility specified by customer service. A valid return merchandise authorization number should be visible on the outside of the box for immediate processing. Merchandise without a valid return merchandise authorization number will be refused. Warranty returns should be received within 30 days of authorization.

REBUILT EXCHANGE:

Rebuilt exchange parts pricing is available only with the return of defective parts within 30 days. Rebuilt exchanges available for certain products only.

WARRANTY LIMITATIONS:

We do not warrant damage due to:

- ◆Neglect, misuse, or improper installation or repair
- ◆Use of parts or changes not authorized by Sunrise Medical
- ◆Exceeding the maximum weight limit specified for product

The warranty is void if the original serial number is removed or altered.

Except for express warranties made within product warranty guides, all other warranties, including implied warranties of merchantability and warranties of fitness for a particular purpose are excluded. Remedied for breach of express warranties are limited to repair or replacement of the goods. In no event shall damages for breach of any warranty include any consequential damages or exceed the cost of non-conforming goods sold.

Sunrise Medical reserves the right to change this policy and any products herein without notification.

GLOSSARY OF ABBREVIATIONS

ABD	Abductor	H	Hole	PSH	Push
AD	Arm Drive	HB	High Brake	PTTRN	Pattern
ADJ	Adjustable	HD	Head	PWR	Power
ADPT	Adapter	HDRST	Headrest	Q1	Quickie 1
ALR	Articulating Legrest	HDWR	Hardware	Q2	Quickie 2
ALUM	Aluminum	HEX	Hexagon	Q2HP	Quickie 2HP
AMH	Adjustable Mounting Hardware	HH	Hemi-height	QC	Quickie Carbon
ANO	Anodized	HK	Hook	QR	Quick-release
ASSM	Assembly	HL	Heel Loops	QRx	Quickie Rx
AT	Anti-tip	HM	High Mount	QTi	Quickie Titanium
BB	Basketball	HNDL	Handle	QT/QTS	Quickie Tilt-n-Space
BC	Breezy Chrome	HNGR	Hanger	R	Right
BCK	Back	HP	High Pressure	RCLNR	Recliner
BCKBRD	Backboard	HR	Handrim	REC	Receiver
BH	Button Head	HT	Height	REG	Regular
BKL	Buckle	ID	Inner Dimension	REL	Release
B-LOCK	Back Lock	KDS	Kids	REV	Reverse
BLK	Black	KVLR	Kevlar	RH	Right-hand
BLU	Blue	KZ	Quickie Kidz	RNUT(S)	Rivnut(s)
BR	Breezy	L	Left	RR	Rear
BRD	Board	LH	Left-hand	RV	Quickie Revolution
BRNG	Bearing	LK	Lock	S/A	Swing-away
BRKT	Bracket	LNG	Long	S/F	Side Frame
BSHNG	Bushing	LO	Lift-off	SCW	Screw
BTTN	Button	LPS	Loops	SHLDR	Shoulder
BTRY	Battery	LRG	Large	SHT	Short
BZ	Breezy	LT	Long Tab	SLD	Solid
CHRGR	Charger	LTRL	Lateral	SLNG	Sling
CLMP	Clamp	LX	Quickie LX	SLTD	Slotted
CLR	Clear	LXI	Quickie LXI	SM	Small
COMP	Complete	MACH	Machine	SNGL	Single
CMPST	Composite	MECH	Mechanism	SOC	Socket
CRM	Chrome	MED	Medium	SPCR	Spacer
C/S	Cap Screw	mm	Millimeter	SPEC CLR	Specify Color
C-S	Countersunk	MNT	Mount	SPK	Spoke
CSTR	Caster	MNTG	Mounting	SQZ	Squeeze
CV	Conventional	M/S	Machine Screw	SS	Stainless Steel
CVRS	Covers	NAUG	Naugahyde	ST	Seat
CYL	Cylinder	NF	Non-folding	S/TAP	Self-tapping
CZ	Cozy	NR	Non-recessed	STD	Standard
DAB	Depth-adjustable Back	OBLQ	Oblique	STL	Style
DBL	Double	OD	Outer Dimension	STRLR	Stroller
DL	Desk Length	O/S	Old Style	STRT	Straight
DRV	Drive	P1	Quickie P100	T	Tab
EA	Each	P2	Quickie P200	THRD	Threaded
ELR	Elevating Legrest	P3	Quickie P300	Ti	Titanium
EXT	Extension	P5	Zippie P500	TL	Tall
EXTND	Extended	PED	Pediatric	TNNS	Tennis
F	Folding Frame	PH	Push Handle	TS	Tilt-in-space
FL	Full-length	PHIL	Phillips	UNTHRD	Unthreaded
FL FT	Flip-up Footrest	PLT	Plate	UPH	Upholstery
FLP	Flip	PLST	Plastic	VERT	Vertical
FT	Foot	PLY	Plywood	W/	With
F/REST	Footrest	P/L	Pin Lock	WD	Wide
FRNT	Front	PNEU	Pneumatic	W/O	Without
FT PLT	Footplate	PNK	Pink	WHL	Wheel
F/UP	Flip-up	PNT	Paint	YLW	Yellow
GP	Quickie GP	PNTD	Painted	Z2	Zippie 2
GPS	Quickie GPS	POLY	Polyurethane	ZN	Zinc
GPV	Quickie GPV	PR	Pair	ZP	Zippie
GNRC	Generic	PROJ	Projection	ZP2	Zippie 2
		PRPL	Purple		

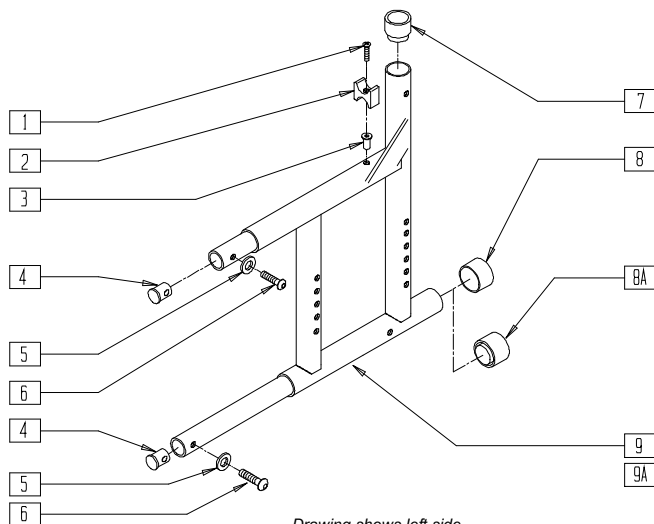
Folding Frames

IN THIS SECTION

Rear Side Frame (Quickie 2/2HP)	1.1	Fixed-Front Side Frame 60°/70°(Quickie 2 HP)	1.7
Hemi Rear Side Frame (Quickie 2)	1.1	Swing-away Front Side Frame (Quickie M6).....	1.8
Depth-adjustable Back Hemi Frame (Quickie 2) (Disc.).....	1.2	Swing-away Front Side Frame (Quickie 2/2HP/Recliner)	1.8
Depth-adjustable Back Frame (Quickie 2)	1.2	Hemi Swing-away Front Side Frame (Quickie 2)	1.9
Rounded Rear Side Frame (Quickie 2/2HP)	1.3	Swing-away Front Side Frame (Extra Long Hemi)(Quickie 2)	1.9
Hemi Rounded Rear Side Frame (Quickie 2).....	1.3	Cross Tube Assembly (11"-13") (Quickie 2).....	1.10
Titanium Rear Side Frame (Quickie 2HP) (Disc.).....	1.4	Cross Tube Assembly (14"-20") (Quickie 2)	1.10
Titanium Rear Side Frame (Quickie 2HP) (Disc.).....	1.4	Cross Tube Assembly (18"-22") (Quickie 2HD)	1.11
Rear Side Frame (Quickie Recliner)	1.5	Cross Tube Assembly (Quickie M6).....	1.11
Rear Side Frame (Quickie M6).....	1.5	Cross Tube Extensions (Quickie 2)	1.12
Rear Side Frame (Quickie Rx) (Disc.).....	1.6	Frame (Quickie LX/LXI)	1.12
Hemi Rear Side Frame (Quickie Rx) (Disc.)	1.6	Frame (Quickie Revolution)	1.13
Titanium Fixed-Front Side Frame 70° (Quickie 2HP) (Disc.).....	1.7		

REAR SIDE FRAME (QUICKIE 2/2HP)

(1" rear side frame discontinued 4/9/90 - replace with 1-1/8" rear frame and 7/8" backrest tube)



Drawing shows left side

Q20X01A

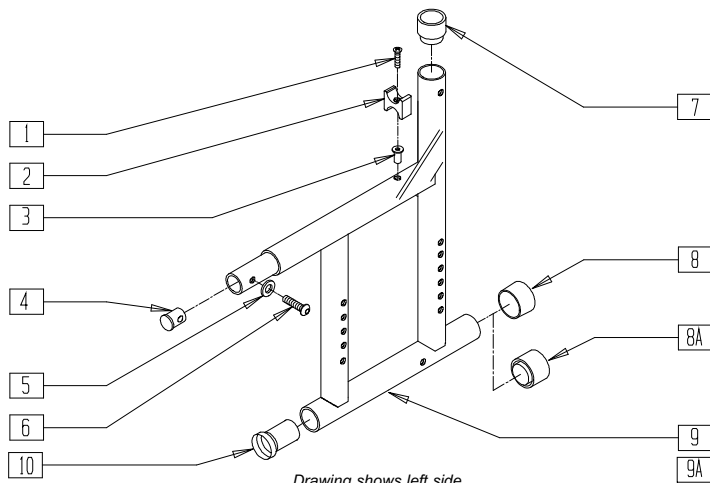
ITEM	NUMBER	DESCRIPTION	QTY
1	281122	10-32 x 3/4 PAN PHIL	1
2	561030	SUSPENSION SADDLE STD	1
3	341497	10-32 x .020-.130 RIVNUT GOLD	1
4	483001	Q2 FRAME/FOOT RETAINING PLUG	2
5	262130	6mm WASHER WAVE	2
6	226120	1/4-20 x 1 BH C/S	2
7	561083	1-1/8" TUBE END BUSHING THIN	1

ITEM	NUMBER	DESCRIPTION	QTY
8	561014	1" MED CAP	1
8A	561018	1" TUBE END BUSHING THICK1	
1-9	620120	REAR S/F PAINTED Q2 R 1 1/8 (SPECIFY COLOR)	
1-8,9A	620121	REAR S/F PAINTED Q2 L 1 1/8 (SPECIFY COLOR)	

NOTE: ORDER ITEM 8A FOR CHAIRS WITH ANTI-TIP TUBES THAT MOUNT IN FRAME TUBE.
NOTE: ALSO USED WITH EXTRA LONG HEMI FRONT SIDE FRAME.

HEMI REAR SIDE FRAME (QUICKIE 2)

(1" rear side frame discontinued 4/9/90 - replace with 1-1/8" rear frame and 7/8" backrest tube)



Drawing shows left side

Q20X02A

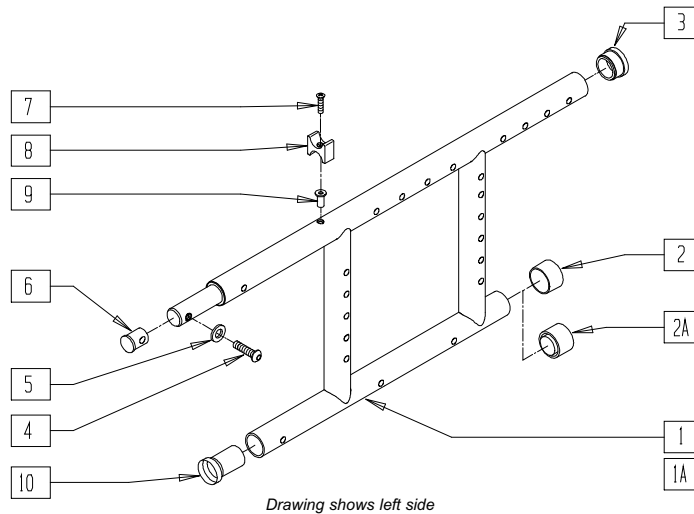
ITEM	NUMBER	DESCRIPTION	QTY
1	281122	10-32 x 3/4 PAN PHIL	1
2	561030	SUSPENSION SADDLE STD	1
3	341497	10-32 x .020-.130 RIVNUT GOLD	1
4	483001	Q2 FRAME/FOOT RETAINING PLUG	1
5	262130	6mm WASHER WAVE	1
6	226120	1/4-20 x 1 BH C/S	1
7	561083	1-1/8" TUBE END BUSHING THIN	1

ITEM	NUMBER	DESCRIPTION	QTY
8	561014	1" MED CAP	1
8A	561018	1" TUBE END BUSHING THICK	1
10	560406	FRAME BUSHING	1
1-10	620130	REAR S/F PNTD Q2 HEMI R 1 1/8 (SPECIFY COLOR)	
1-8,9A,10	620131	REAR S/F PNTD Q2 HEMI L 1 1/8 (SPECIFY COLOR)	

NOTE: ORDER ITEM 8A FOR CHAIRS WITH ANTI-TIP TUBES THAT MOUNT IN FRAME TUBE.

DEPTH-ADJUSTABLE BACK HEMI FRAME (QUICKIE 2)

(Discontinued 8/2/98 - parts only)



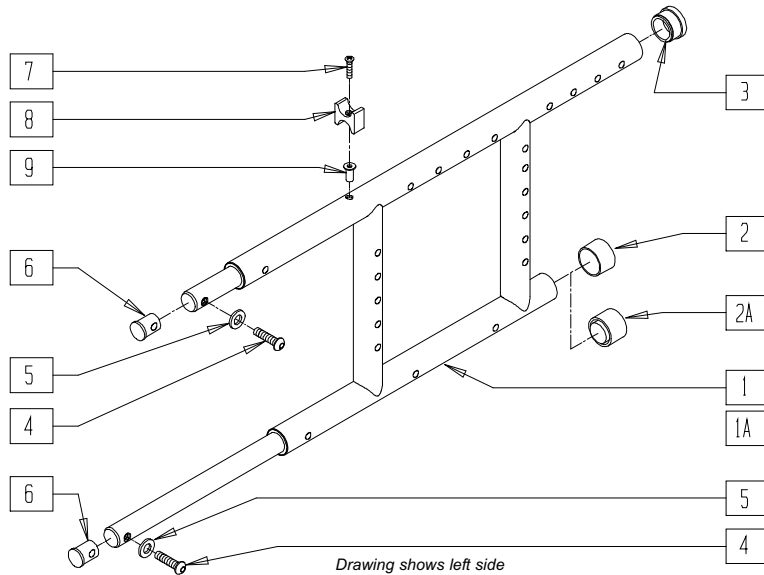
DAB00X1A

ITEM	NUMBER	DESCRIPTION	QTY
2	561014	1" MED CAP	1
2A	561018	1" TUBE END BUSHING THICK	1
3	561002	1" TUBE END BUSHING THICK	1
4	226120	1/4-20 x 1 BH C/S	2
5	262130	6mm WASHER WAVE	2
6	483001	Q2 FRAME/FOOT RETAINING PLUG	2
7	281122	10-32 x 3/4 PAN PHIL	1

ITEM	NUMBER	DESCRIPTION	QTY
8	561030	SUSPENSION SADDLE STD	1
9	341497	10-32 x .020-.130 RIVNUT GOLD	1
10	560406	FRAME BUSHING	1
1-10	620167	REAR S/F DAB HEMI PNTD R Q2 (SPECIFY COLOR)	
1A-10	620168	REAR S/F DAB HEMI PNTD L Q2 (SPECIFY COLOR)	

NOTE: ORDER ITEM 2A FOR CHAIRS WITH ANTI-TIP TUBES THAT MOUNT IN FRAME TUBE.

DEPTH-ADJUSTABLE BACK FRAME (QUICKIE 2)



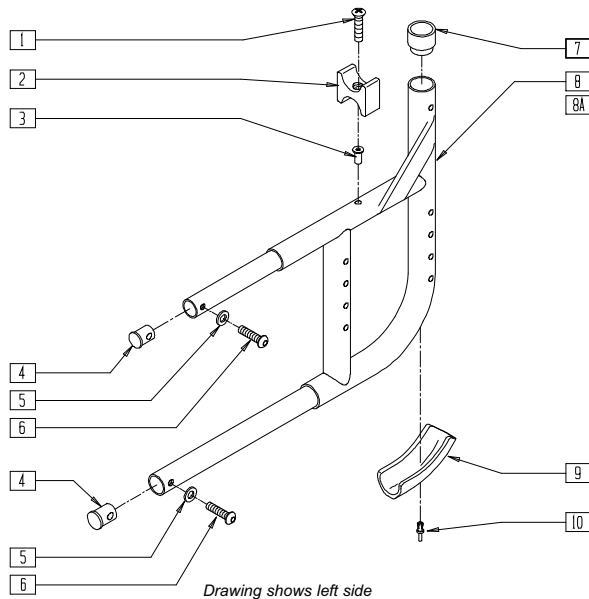
DAB00X01

ITEM	NUMBER	DESCRIPTION	QTY
2	561014	1" MED CAP	1
2A	561018	1" TUBE END BUSHING THICK	1
3	561002	1" INSERT PLUG .083	1
4	226120	1/4-20 x 1 BH C/S	2
5	262130	6mm WASHER WAVE	2
6	483001	Q2 FRAME/FOOT RETAINING PLUG	2
7	281122	10-32 x 3/4 PAN PHIL	1

ITEM	NUMBER	DESCRIPTION	QTY
8	561030	SUSPENSION SADDLE STD	1
9	341497	10-32 x .020-.130 RIVNUT GOLD	1
1-9	620161	REAR S/F DAB PNTD R Q2 (SPECIFY COLOR)	
1A,2-9	620163	REAR S/F DAB PNTD L Q2 (SPECIFY COLOR)	

NOTE: ORDER ITEM 2A FOR CHAIRS WITH ANTI-TIP TUBES THAT MOUNT IN FRAME TUBE.

ROUNDED REAR SIDE FRAME (QUICKIE 2/2HP)



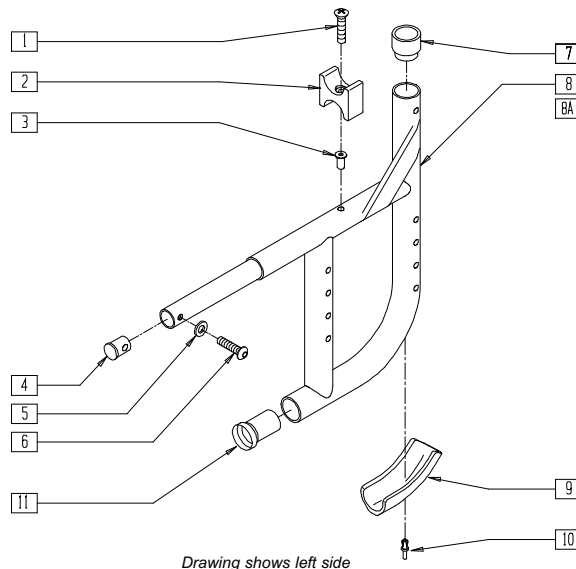
Q20X10B

ITEM	NUMBER	DESCRIPTION	QTY
1	281122	10-32 x 3/4 PAN PHIL	1
2	561030	SUSPENSION SADDLE STD	1
3	341497	10-32 x .020-.130 RIVNUT GOLD	1
4	483001	Q2 FRAME/FOOT RETAINING PLUG	2
5	262130	6mm WASHER WAVE	2
6	226120	1/4-20 x 1 BH C/S	2
7	561083	1 1/8" TUBE END BUSHING THIN	1

ITEM	NUMBER	DESCRIPTION	QTY
9	560409	REAR FRAME BUMPER Q2	1
10	240210	RIVET 3/16 PLASTIC	1
1-10	620145	REAR S/F PNTD Q2 CURVED R (SPECIFY COLOR)	
1-7,8A, 9,10	620146	REAR S/F PNTD Q2 CURVED L (SPECIFY COLOR)	

NOTE: ALSO USED WITH EXTRA LONG HEMI FRONT SIDE FRAME.

HEMI ROUNDED REAR SIDE FRAME (QUICKIE 2)



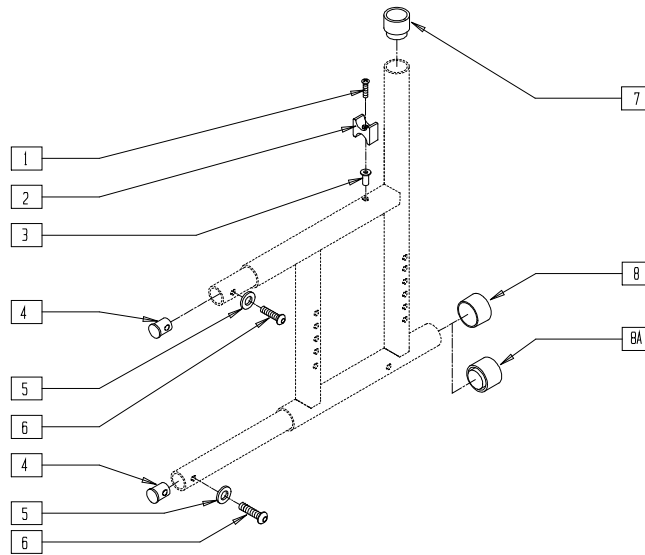
Q20X10C

ITEM	NUMBER	DESCRIPTION	QTY
1	281122	10-32 x 3/4 PAN PHIL	1
2	561030	SUSPENSION SADDLE STD	1
3	341497	10-32 x .020-.130 RIVNUT GOLD	1
4	483001	Q2 FRAME/FOOT RETAINING PLUG	1
5	262130	6mm WASHER WAVE	1
6	226120	1/4-20 x 1 BH C/S	1
7	561083	1 1/8" TUBE END BUSHING THIN	1

ITEM	NUMBER	DESCRIPTION	QTY
9	560409	REAR FRAME BUMPER Q2	1
10	240210	RIVET 3/16 PLASTIC	1
11	560408	FRAME BUSHING 3/4-1 1/8	1
1-11	620165	REAR S/F PNTD Q2 HEMI R CURVED (SPECIFY COLOR)	
1-7,8A, 9-11	620166	REAR S/F PNTD Q2 HEMI L CURVED (SPECIFY COLOR)	

TITANIUM REAR SIDE FRAME (QUICKIE 2HP)

(Discontinued 5/2/94 - parts only; fits chairs prior to Q2-152546)



Drawing shows left side

Q2T0X01

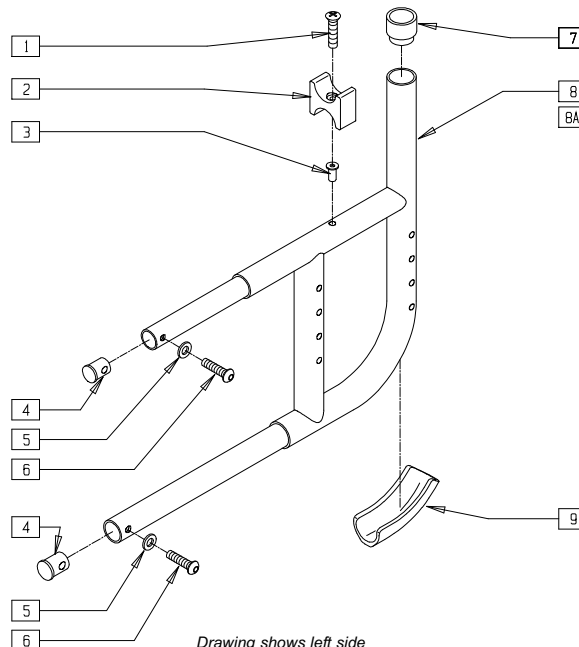
ITEM	NUMBER	DESCRIPTION	QTY
1	281122	10-32 x 3/4 PAN PHIL	1
2	561030	SUSPENSION SADDLE STD	1
3	341497	10-32 x .020-.130 RIVNUT GOLD	1
4	483001	Q2 FRAME/FOOT RETAINING PLUG	2
5	262130	6mm WASHER WAVE	2

ITEM	NUMBER	DESCRIPTION	QTY
6	226120	1/4-20 x 1 BH C/S	2
7	561300	1" TUBE END BUSHING THIN HPTI	1
8	561014	1" MED CAP	1
8A	561018	1" TUBE END BUSHING THICK	1

NOTE: ORDER ITEM 8A FOR CHAIRS WITH ANTI-TIP TUBES THAT MOUNT IN FRAME TUBE.

TITANIUM REAR SIDE FRAME (QUICKIE 2HP)

(Discontinued 8/25/98 - parts only)



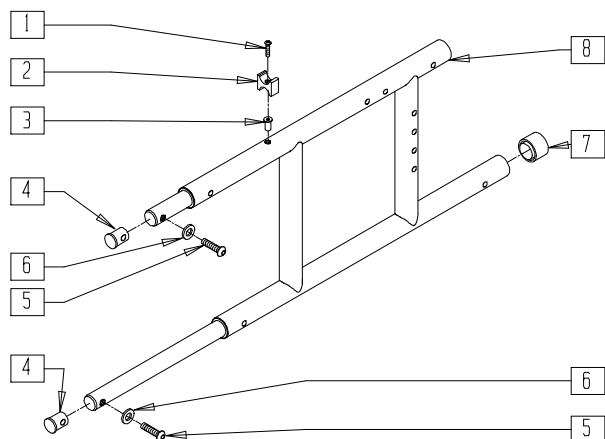
Drawing shows left side

Q20X10B

ITEM	NUMBER	DESCRIPTION	QTY
1	281122	10-32 x 3/4 PAN PHIL	1
2	561030	SUSPENSION SADDLE STD	1
3	341497	10-32 x .020-.130 RIVNUT GOLD	1
4	483001	Q2 FRAME/FOOT RETAINING PLUG	2
5	262130	6mm WASHER WAVE	2

ITEM	NUMBER	DESCRIPTION	QTY
6	226120	1/4-20 x 1 BH C/S	2
7	561310	BC 1" TUBE END BUSHING CM	1
9	560413	REAR FRAME BUMPER GPS	1
1-9	620152	REAR S/F ASSM R TI CURVED	
1-7,8A,9	620153	REAR S/F ASSM L TI CURVED	

REAR SIDE FRAME (QUICKIE RECLINER)



Drawing shows left side

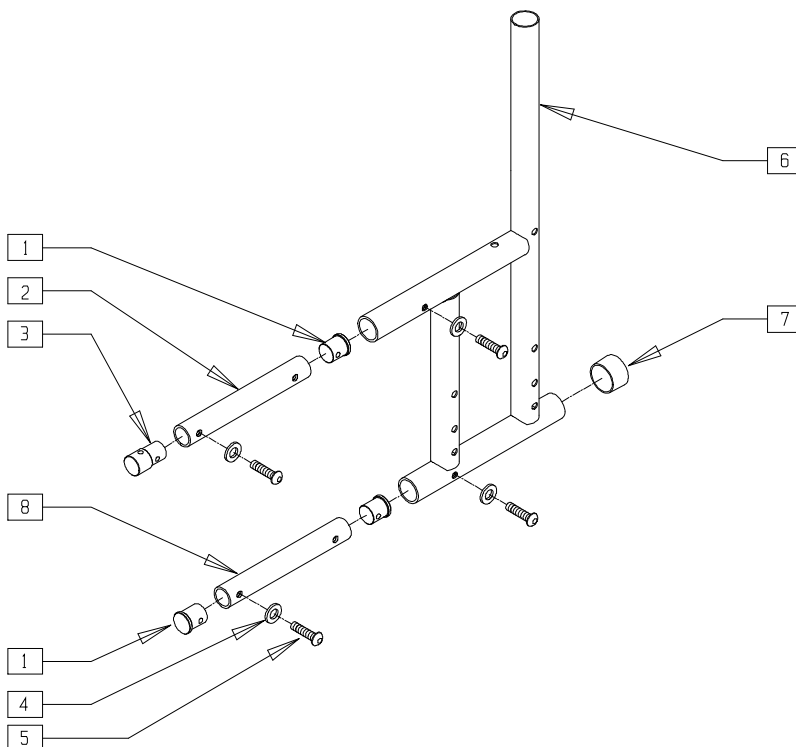
REC00X17

ITEM	NUMBER	DESCRIPTION	QTY
1	281122	10-32 x 3/4 PAN PHIL	1
2	561030	SUSPENSION SADDLE STD	1
3	341497	10-32 x .020-.130 RIVNUT GOLD	1
4	483001	Q2 FRAME/FOOT RETAINING PLUG	2
5	226120	1/4-20 x 1 BH C/S	2

ITEM	NUMBER	DESCRIPTION	QTY
6	262130	6mm WASHER WAVE	2
7	561018	1" TUBE END BUSHING THICK	1
1-8	620143, 620144	REAR S/F PNTD RECLINER NEW (EA) (SPECIFY COLOR)	

NOTE: FOR LOCKING MECHANISM, SEE SECTION 15, MECHANICAL LOCK AND STRUT ASSEMBLIES.

REAR SIDE FRAME (QUICKIE M6)



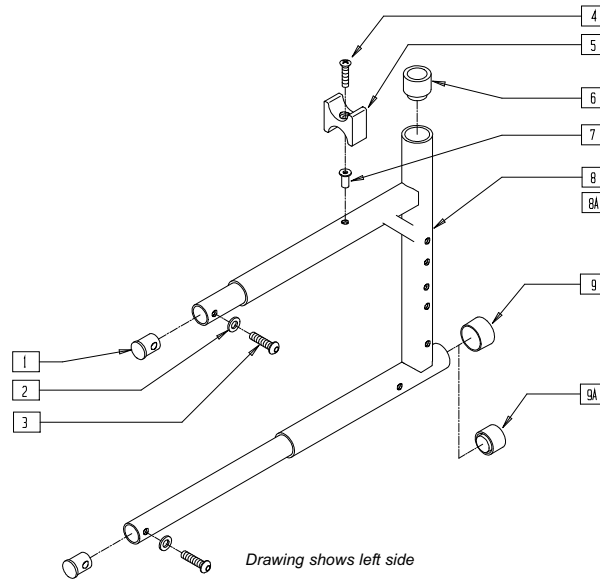
MAG00X18

ITEM	NUMBER	DESCRIPTION	QTY
1	483224	PLUG THREADED INSERT	3
2	520507	TUBE S/F CONNECTING TOP	1
3	483223	PLUG DUAL THREADED INSERT	1
4	262130	6mm WASHER WAVE	4

ITEM	NUMBER	DESCRIPTION	QTY
5	226123	1/4-20 x 1 BH C/S BLK ZN	4
7	561014	1" MED CAP	1
8	520508	TUBE S/F CONNECTING BOTTOM	1
1-8	620135	REAR S/F PNTD M6 1"	

REAR SIDE FRAME (QUICKIE Rx)

(Discontinued 4/1/96 - parts only) (Fits Quickie Rx beginning serial number Rx-20282)



RX0X01A

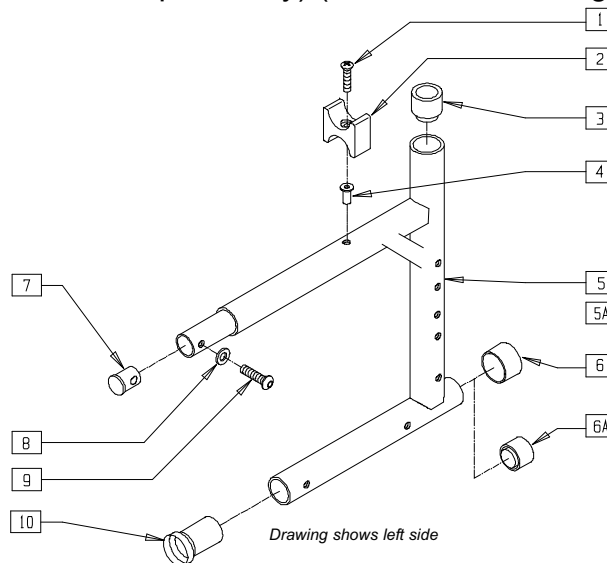
ITEM	NUMBER	DESCRIPTION	QTY
1	483001	Q2 FRAME/FOOT RETAINING PLUG	2
2	262130	6mm WASHER WAVE	2
3	226120	1/4-20 x 1 BH C/S	2
4	281122	10-32 x 3/4 PAN PHIL	1
5	561030	SUSPENSION SADDLE STD	1
6	561083	1 1/8" TUBE END BUSHING THIN	1
7	341497	10-32 x .020-.130 RIVNUT GOLD	1

ITEM	NUMBER	DESCRIPTION	QTY
9	561014	1" MED CAP	1
9A	561018	1" TUBE END BUSHING THICK	1
1-9	650118	REAR S/F PNTD Rx R 1 1/8 L/G (SPECIFY COLOR)	
1-7,8A,9	650119	REAR S/F PNTD Rx L 1 1/8 L/G (SPECIFY COLOR)	

NOTE: ORDER ITEM 9A FOR CHAIRS WITH ANTI-TIP TUBES THAT MOUNT IN FRAME TUBE.
NOTE: FOR SERIAL NUMBERS PRIOR TO Rx-20282, ORDER NEW REAR SIDE FRAMES.

HEMI REAR SIDE FRAME (QUICKIE Rx)

(Discontinued 4/1/96 - parts only) (Fits Quickie Rx beginning serial number Rx-20282)



RX0X02

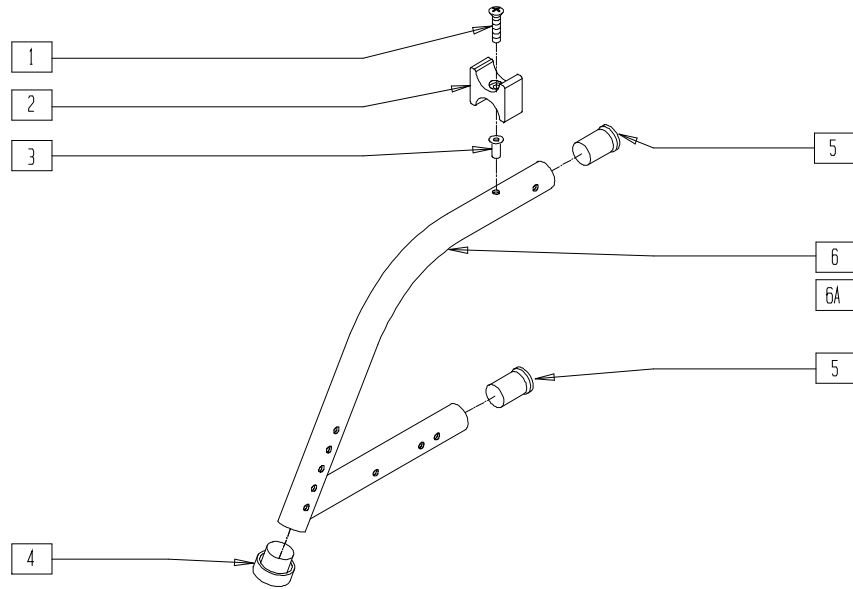
ITEM	NUMBER	DESCRIPTION	QTY
1	281122	10-32 x 3/4 PAN PHIL	1
2	561030	SUSPENSION SADDLE STD	1
3	561083	1 1/8" TUBE END BUSHING THIN	1
4	341497	10-32 x .020-.130 RIVNUT GOLD	1
6	561014	1" MED CAP	1
6A	561018	1" TUBE END BUSHING THICK	1
7	483001	Q2 FRAME/FOOT RETAINING PLUG	1

ITEM	NUMBER	DESCRIPTION	QTY
8	262130	6mm WASHER WAVE	1
9	226120	1/4-20 x 1 BH C/S	1
10	560406	FRAME BUSHING	1
1-10	650120	RR S/F PNTD Rx HEMI R 1 1/8 LG (SPECIFY COLOR)	
1-4,5A,6-10	650121	RR S/F PNTD Rx HEMI L 1 1/8 LG (SPECIFY COLOR)	

NOTE: ORDER ITEM 6A FOR CHAIRS WITH ANTI-TIP TUBES THAT MOUNT IN FRAME TUBE.
NOTE: FOR SERIAL NUMBERS PRIOR TO Rx-20282, ORDER NEW REAR SIDE FRAMES.

TITANIUM FIXED-FRONT SIDE FRAME 70°(QUICKIE 2HP)

(Discontinued 8/25/98 - parts only)

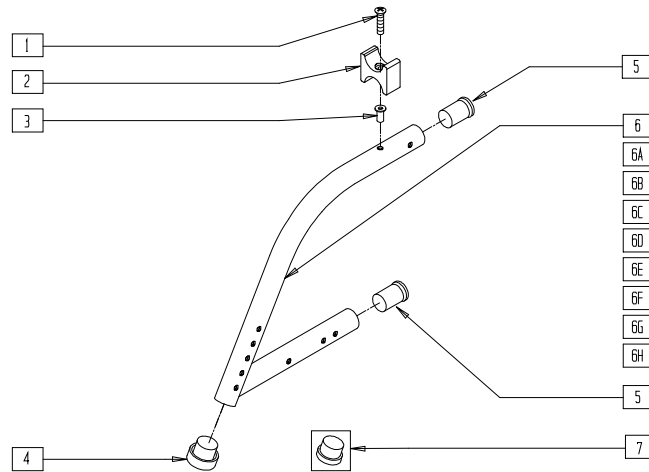


Q2T0X02

ITEM	NUMBER	DESCRIPTION	QTY
1	281122	10-32 x 3/4 PAN PHIL	1
2	561030	SUSPENSION SADDLE STD	1
3	341497	10-32 x .020-.130 RIVNUT GOLD	1
4	561018	1" TUBE END BUSHING THICK	1

ITEM	NUMBER	DESCRIPTION	QTY
5	561330	FRAME BUSHING CB/HPTi	2
1-6	621410	Ti FRNT S/F ASSEMBLY REG 70°	
1-6A	621411	Ti FRNT S/F ASSEMBLY LNG 70°	

FIXED-FRONT SIDE FRAME 60°/70° (QUICKIE 2HP)



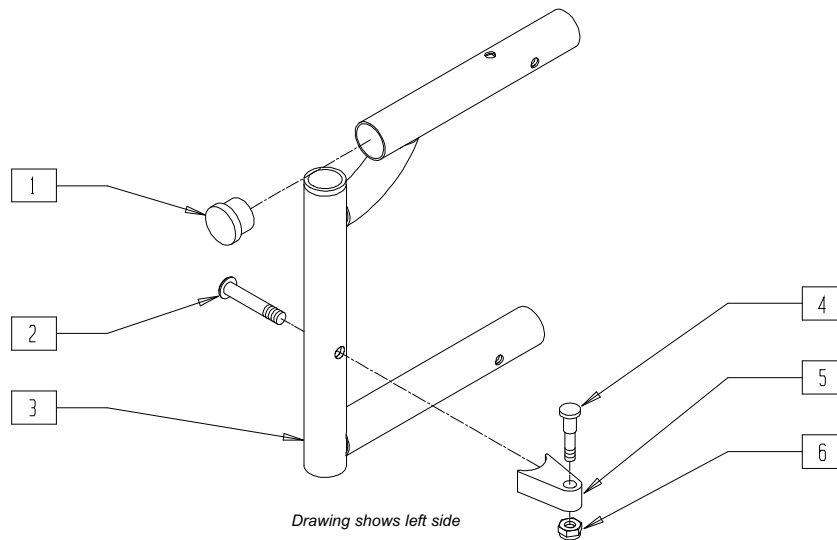
Q20X04B

ITEM	NUMBER	DESCRIPTION	QTY
1	281122	10-32 x 3/4 PAN PHIL	1
2	561030	SUSPENSION SADDLE STD	1
3	341497	10-32 x .020-.130 RIVNUT GOLD	1
4	561082	1" TUBE END BUSHING THIN	1
5	560406	FRAME BUSHING	2
1-6	621200	FRONT S/F SHT 60° PNTD Q2 FIXED (SPECIFY COLOR)	
1-5,6A	621300	FRONT S/F REG 60° PNTD Q2 FIXED (SPECIFY COLOR)	
1-5,6B	621400	FRONT S/F LNG 60° PNTD Q2 FIXED (SPECIFY COLOR)	
1-5,6C	640304	FRONT S/F X-LNG 60° PNTD Q2 FIXED (SPECIFY COLOR)	

ITEM	NUMBER	DESCRIPTION	QTY
1-5,6D	621301	FRONT S/F SHT PNTD 70° Q2 FIXED (SPECIFY COLOR)	
1-5,6E	621302	FRONT S/F REG PNTD 70° Q2 FIXED (SPECIFY COLOR)	
1-5,6F	621402	FRONT S/F LNG PNTD 70° Q2 FIXED (SPECIFY COLOR)	
1-5,6G	640305	FRONT S/F X-LNG 70° Q2 FIXED (SPECIFY COLOR)	
1-5,6H	621303	FRNT S/F PNTD 80D Q2 FIXED (SPECIFY COLOR)	
7	561002	1" INSERT PLUG .083	1
5-7	621100	FRONT S/F KIDS 60° PNTD Q2 FIXED (SPECIFY COLOR)	

NOTE: 70° SIDE FRAME EFFECTIVE 4/89.

SWING-AWAY FRONT SIDE FRAME (QUICKIE M6)

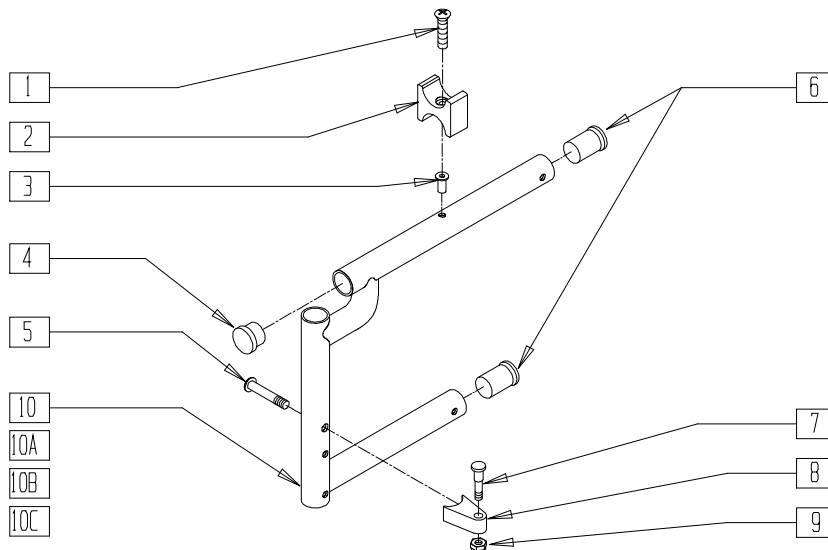


MAG00X19

ITEM	NUMBER	DESCRIPTION	QTY
1	561019	1" INSERT PLUG .049	1
2	226190	5/16-18 x 1 3/4 BH C/S SHLDR	1
3	540866	WELDMNT S/F FRONT HD-650 SHT	1
	540865	WELDMNT S/F FRONT HD-650 LNG	
4	481023	S/A LATCH STUD NEW	1

ITEM	NUMBER	DESCRIPTION	QTY
5	551310	LATCH STUD SUPPORT BLK	1
6	201100-QU	1/4-28 NYLOCK NUT THIN	1
2,4-6	921295	S/A LATCH ASSM BLK W/BOLT CLR	1
1,3	640250	FRONT S/F REG PAINTED S/A	
	640260	FRONT S/F LONG PAINTED S/A	

SWING-AWAY FRONT SIDE FRAME (QUICKIE 2/2HP/RECLINER)



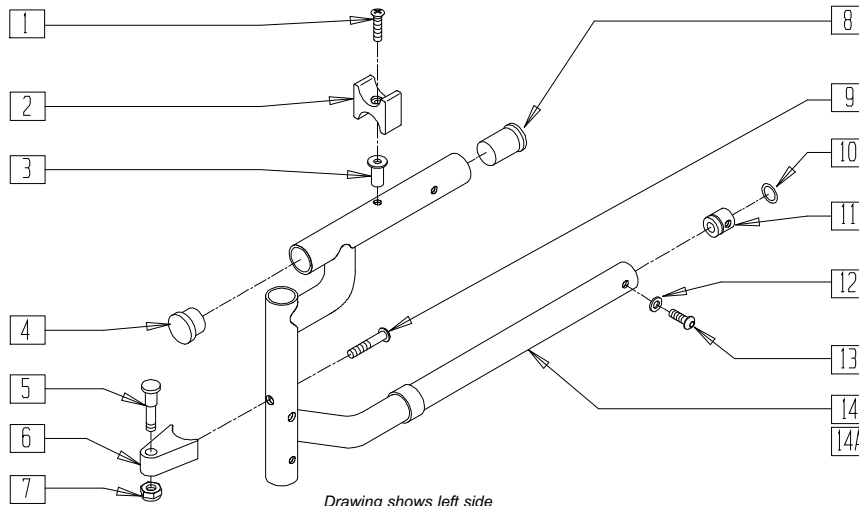
Drawing shows left side

Q20X03A

ITEM	NUMBER	DESCRIPTION	QTY
1	281122	10-32 x 3/4 PAN PHIL	1
2	561030	SUSPENSION SADDLE STD	1
3	341497	10-32 x .020-.130 RIVNUT GOLD	1
4	561002	1" INSERT PLUG .083	1
5	226190	5/16-18 x 1 3/4 BH C/S SHLDR	1
6	560406	FRAME BUSHING	2
7	481023	S/A LATCH STUD NEW	1
8	551310	LATCH STUD SUPPORT BLK	1
9	201100	1/4-28 NYLOCK NUT THIN	1

ITEM	NUMBER	DESCRIPTION	QTY
1-4,6,10	640105	FRONT S/F KIDS PAINTED S/A NEW (SPECIFY COLOR)	
1-4,6,10A	640200	FRONT S/F REG PAINTED S/A (SPECIFY COLOR)	
1-4,6,10B	640300	FRONT S/F LNG PAINTED S/A (SPECIFY COLOR)	
1-4,6,10C	640301	FRONT S/F X-LONG PAINTED S/A (SPECIFY COLOR)	
5,7-9	921295	S/A LATCH ASSM W/BOLT	

HEMI SWING-AWAY FRONT SIDE FRAME (QUICKIE 2)



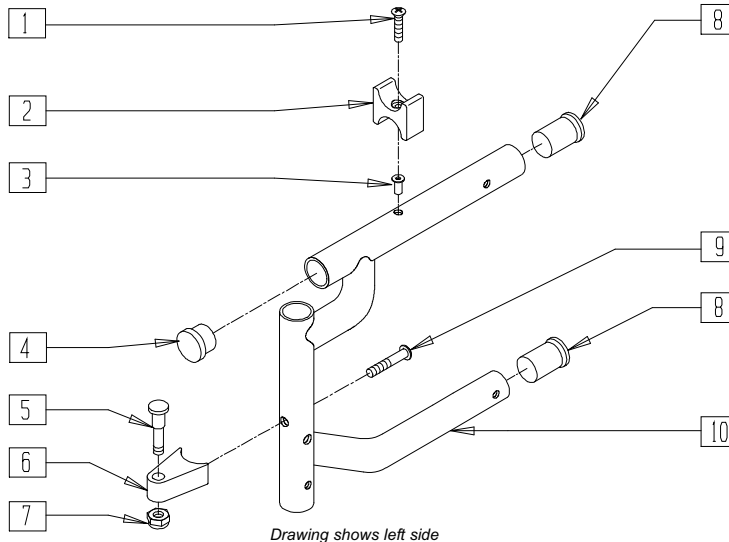
Q20X05B

ITEM	NUMBER	DESCRIPTION	QTY
1	281122	10-32 x 3/4 PAN PHIL	1
2	561030	SUSPENSION SADDLE STD	1
3	341497	10-32 x .020-.130 RIVNUT GOLD	1
4	561002	1" INSERT PLUG .083	1
5	481023	S/A LATCH STUD NEW	1
6	550310	LATCH STUD SUPPORT	1
7	201100	1/4-28 NYLOCK NUT THIN	1
8	560406	FRAME BUSHING	1
9	226190	5/16-18 x 1 3/4 BH C/S SHLDR	1
10	342013	PLUG O-RING RUBBER HEMI	1

ITEM	NUMBER	DESCRIPTION	QTY
11	483022	FRAME INSERT HEMI	1
12	262130	6mm WASHER WAVE	1
13	226101	1/4-20 x 3/4 BH C/S	1
5-7,9	921295	S/A LATCH ASSEMBLY BLK W/BOLT CLR	
10,11	880140	FRAME INSERT W/O-RING HEMI	
1-4,8,	640412,	FRONT S/F STD HEMI PNTD S/A (EA)	
11-14	640413	(SPECIFY COLOR)	
1-4,8,	640414,	FRONT S/F LNG HEMI PNTD S/A (EA)	
11-13,14A	640415	(SPECIFY COLOR)	

SWING-AWAY FRONT SIDE FRAME (EXTRA LONG HEMI) (QUICKIE 2)

(Effective 10/23/99 Serial number Q2-242051)



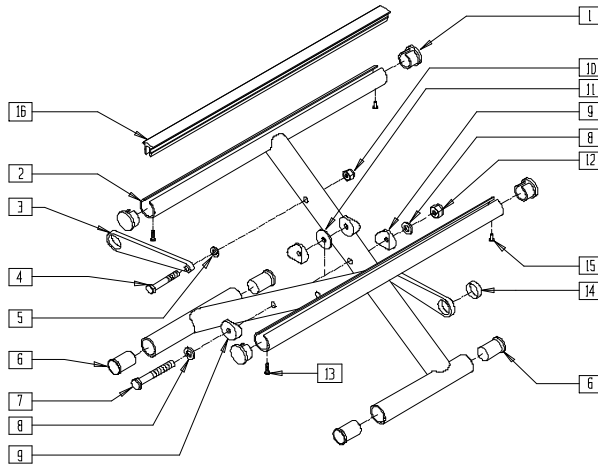
Q220X14

ITEM	NUMBER	DESCRIPTION	QTY
1	281122	10-32 x 3/4 PAN PHIL	1
2	561030	SUSPENSION SADDLE STD	1
3	341497	10-32 x .020-.130 RIVNUT GOLD	1
4	561002	1" INSERT PLUG .083	1
5	481023	S/A LATCH STUD NEW	1
6	551310	LATCH STUD SUPPORT	1

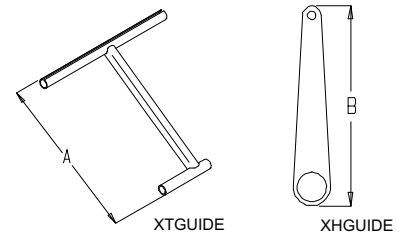
ITEM	NUMBER	DESCRIPTION	QTY
7	201100	1/4-28 NYLOCK NUT THIN	1
8	560406	FRAME BUSHING	2
9	226190	5/16-18 x 1 3/4 BH C/S SHLDR	1
5-7,9	921295	S/A LATCH ASSM W/BOLT	
1-4,8,10	640306, 640307	FRNT S/F XTRA-LNG HEMI PNTD (EA) (SPECIFY COLOR)	

CROSS TUBE ASSEMBLY (11"- 13") (QUICKIE 2)

(Effective 10/23/99 Serial number Q2-242051)



MEASURING GUIDE



CHAIR WIDTH	"A"	"B"
12"	15 3/8"	3 3/4"
13"	16 1/8"	4 1/8"

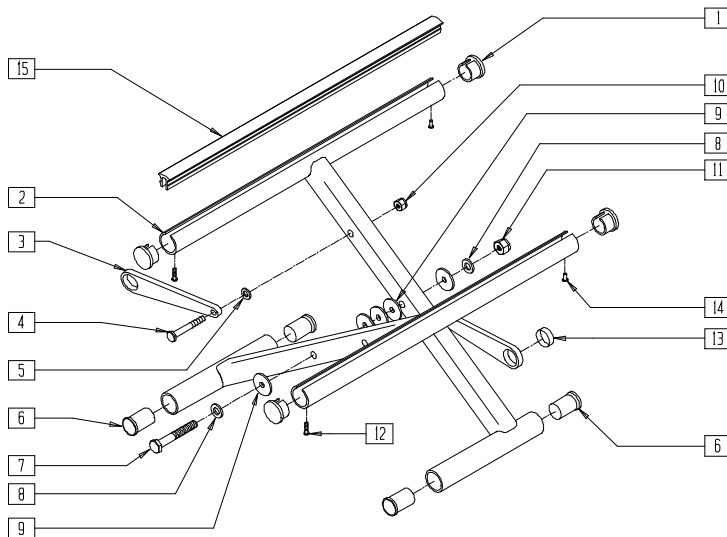
Q220X03A

ITEM	NUMBER	DESCRIPTION	QTY
1	483552	SEAT RAIL END PLUG	4
3	923600, 923601	X-HINGE 12"-13" (PR)	1
4	221151-QU	1/4-28 x 1 3/4 G8 HEX C/S	2
5	561028	1/4" NYLON WASHER	2
6	560402	3/4" NY-LINER	4
7	226300	5/16-24 x 3 G8 HHCS	1
8	263110-QU	5/16 AN WASHER FLAT THIN	2
9	561006	1" SADDLE 5/16" HOLE	4
10	201110-QU	1/4-28 NYLOCK NUT	2

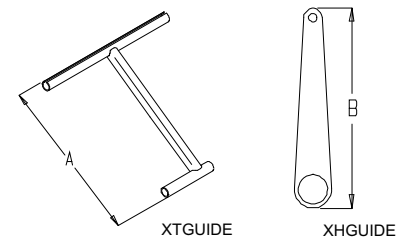
ITEM	NUMBER	DESCRIPTION	QTY
11	561016	1" WASHER 5/16" HOLE	1
12	202100	5/16-24 NYLOCK NUT	1
13	281131	#10 3/8" SELF TAPPING SCREW	2
14	580200	TEFLON STRIP BEARING	2
15	240111	RIVET POP AD55H BLK	2
16	580020- 580028	SEAT RAIL INSERT STRIP (10" - 18")	2
1-15	673500- 673517	X-TUBE ASSM (11"- 13") x (10"- 18") CHNL	

CROSS TUBE ASSEMBLY (14"- 20") (QUICKIE 2)

(Effective 10/23/99 Serial number Q2-242051)



MEASURING GUIDE



CHAIR WIDTH	"A"	"B"
14"	17"	4 1/2"
15"	17 3/4"	5"
16"	18 1/2"	5 1/2"
17"	19 1/2"	5 7/8"
18"	20 3/8"	6 3/8"
19"	21 1/4"	6 7/8"
20"	22 1/8"	7 1/4"

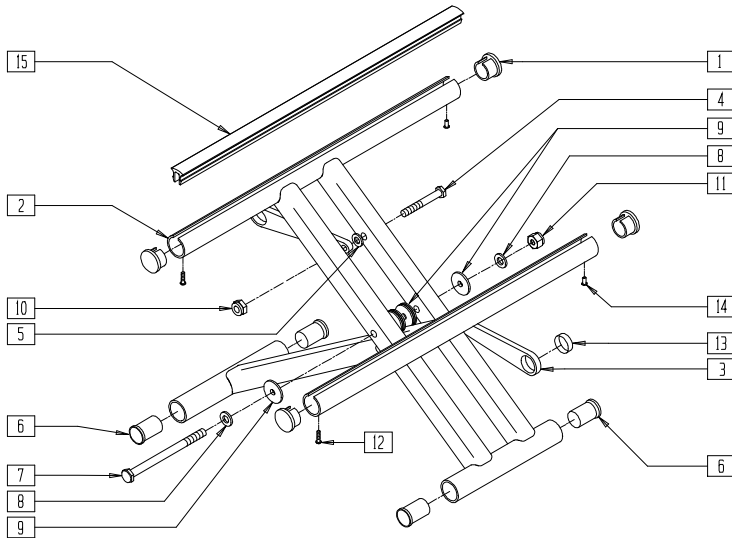
Q220X02A

ITEM	NUMBER	DESCRIPTION	QTY
1	483552	SEAT RAIL END PLUG	4
3	923602- 923608	X-HINGE (14"- 20") BLK (PR)	2
4	221151-QU	1/4-28 x 1 3/4 G8 HEX C/S	2
5	561028	1/4" NYLON WASHER	2
6	560402	3/4" NY-LINER	4
7	226300	5/16-24 x 3 G8 HHCS	1
8	263110-QU	5/16 AN WASHER FLAT THIN	2
9	561016	1" WASHER 5/16" HOLE	5

ITEM	NUMBER	DESCRIPTION	QTY
10	201110-QU	1/4-28 NYLOCK NUT	1
11	202100-MJ	5/16-24 NYLOCK NUT THIN	1
12	281131	#10 3/8" SELF TAPPING SCREW	2
13	580200	TEFLON STRIP BEARING	2
14	240111	RIVET POP AD55H BLK	2
15	580020- 580030	SEAT RAIL INSERT STRIP (10" - 20")	2
1-14	673518- 673591	X-TUBE ASSM (14"- 20") x (10"- 20") CHNL	

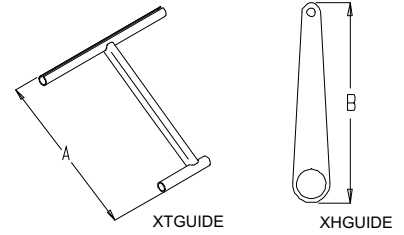
CROSS TUBE ASSEMBLY (18"- 22") (QUICKIE 2HD)

(Effective 10/23/99 Serial number Q2-242051)



Q220X01A

MEASURING GUIDE

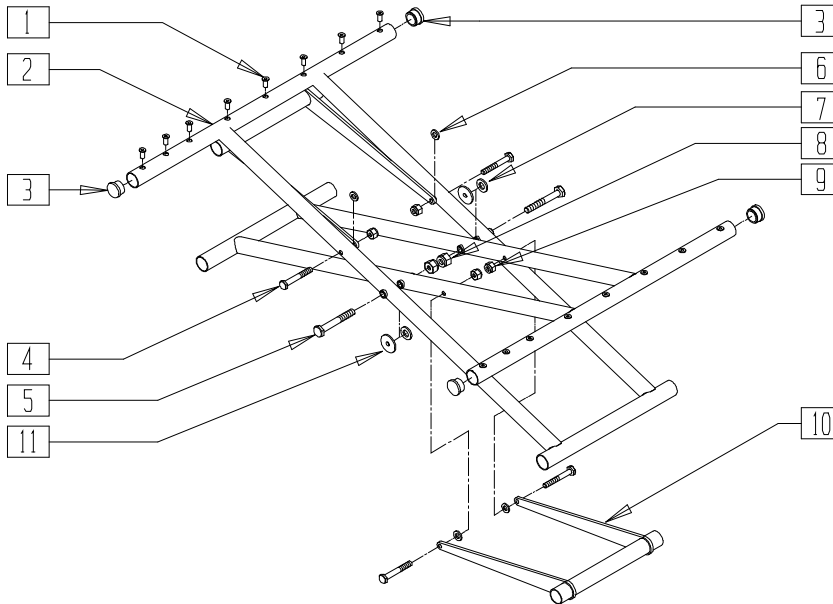


CHAIR WIDTH	"A"	"B"
18"	20 3/8"	6 3/8"
19"	21 1/4"	6 7/8"
20"	22 1/8"	7 1/4"
21"	23"	7 5/8"
22"	24"	8 1/8"

ITEM	NUMBER	DESCRIPTION	QTY
1	483552	SEAT RAIL END PLUG	4
3	923606-923610	X-HINGE 18"- 22" BLK (PR)	2
4	221151-QU	1/4-28 x 1 3/4 G8 HEX C/S	2
5	561028	1/4" NYLON WASHER	2
6	560402	3/4" NY-LINER	4
7	222263	5/16-24 X 4-3/8 HHCS GR8	1
8	263110-QU	5/16 AN WASHER FLAT THIN	2
9	561016	1" WASHER 5/16" HOLE	8

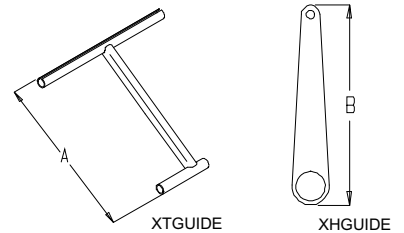
ITEM	NUMBER	DESCRIPTION	QTY
10	201110-QU	1/4-28 NYLOCK NUT	2
11	202100-MJ	5/16-24 NYLOCK NUT THIN	1
12	281131	#10 3/8" SELF TAPPING SCREW	2
13	580200	TEFLON STRIP BEARING	2
14	240111	RIVET POP AD55H BLK	2
15	580021-580030	SEAT RAIL INSERT STRIP (11" - 20")	2
1-14	673592-673639	X-TUBE ASSM (18"- 22") x (11"- 20") CHNL HD	

CROSS TUBE ASSEMBLY (QUICKIE M6)



MAG00X20

MEASURING GUIDE



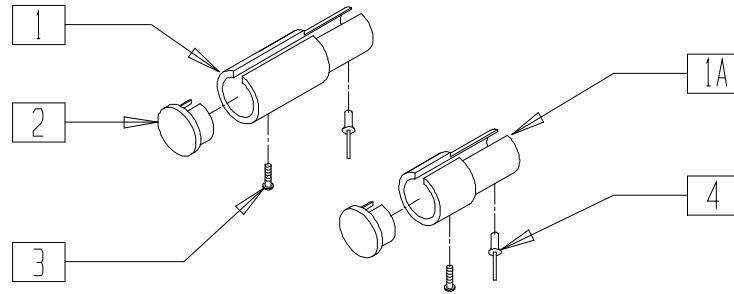
CHAIR WIDTH	"A"	"B"
22"	23.98"	8.06"
24"	25.82"	9.02"
26"	27.68"	9.93"
28"	29.56"	10.90"
30"	31.46"	11.87"

ITEM	NUMBER	DESCRIPTION	QTY
1	341497	10-32 x .020-.130 RIVNUT GOLD	16
3	561019	1" INSERT PLUG .049	4
4	221151-QU	1/4-28 x 1 3/4 G8 HEX C/S	4
5	222249	5/16-24 x 3 G8 HEX C/S	2
6	561028	1/4" NYLON WASHER	4
7	561016	1" WASHER 5/16" HOLE	2

ITEM	NUMBER	DESCRIPTION	QTY
8	202100-MJ	5/16-24 NYLOCK NUT THIN	2
9	201110	1/4-28 NYLOCK NUT	4
10	540650-540654	WELDMENT X-HINGE 22"-30" WIDE	1
11	561043	1" WASHER 3/8" HOLE	2
1-11	673645-673669	X-TUBE ASSM (22"- 30") x (18"- 22") M6	

CROSS TUBE EXTENSIONS (QUICKIE 2)

(Effective 10/23/99 Serial number Q2-242051)

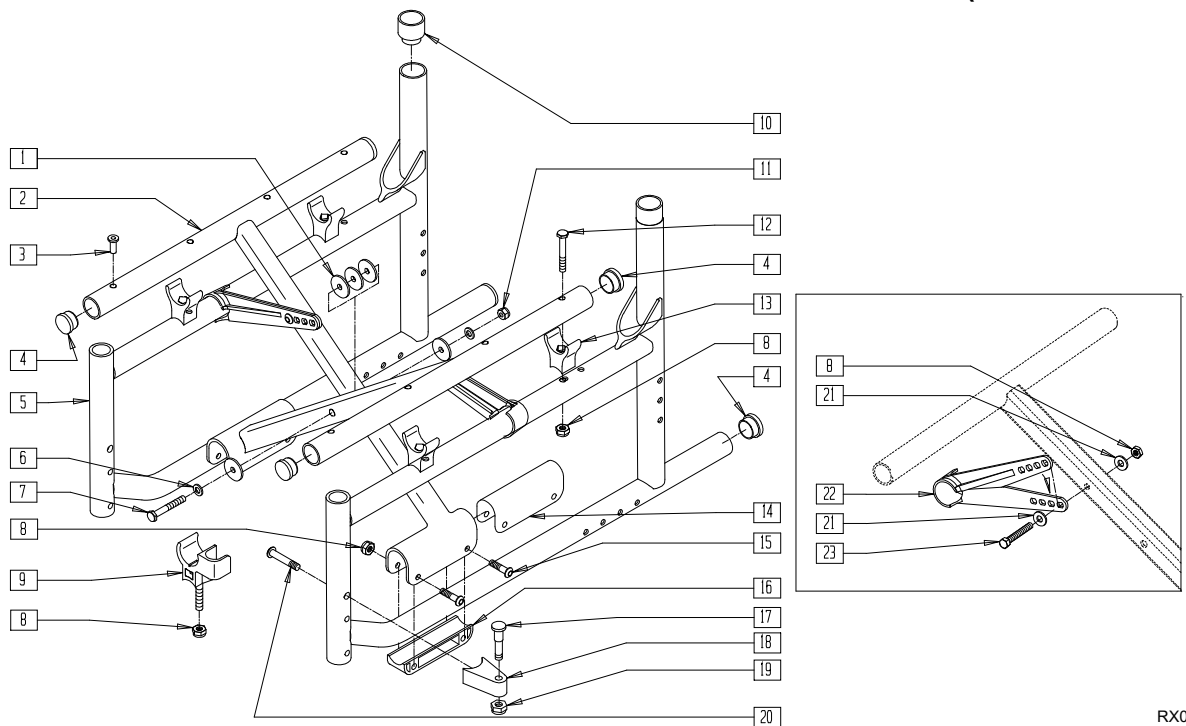


Q220X04

ITEM	NUMBER	DESCRIPTION	QTY
1	530462	SEAT RAIL EXTENSION 2" CHNL	2
1A	530461	SEAT RAIL EXTENSION 1" CHNL	2
2	483552	SEAT RAIL PLUG Q2N	2

ITEM	NUMBER	DESCRIPTION	QTY
3	281131	#10 x 3/8 PAN PHIL S/TAP SCREW	2
4	240111	RIVET POP AD55H BLK	2

FRAME (QUICKIE LX/LXI)



RX0X06B

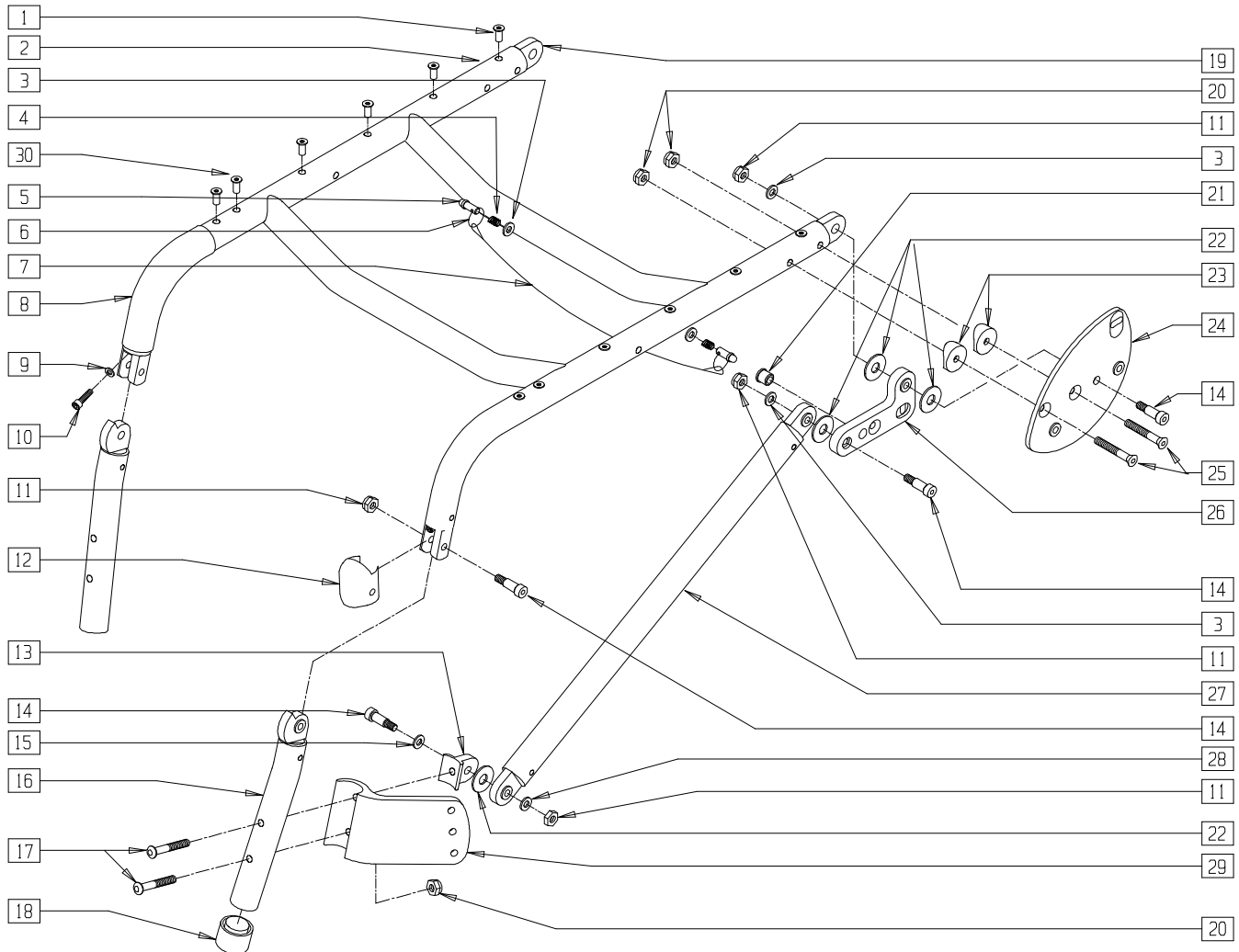
ITEM	NUMBER	DESCRIPTION	QTY
1	561016	1" WASHER 5/16" HOLE	5
3	341497	10-32 x .020-.130 RIVNUT GOLD	8
4	561002	1" INSERT PLUG .083	6
4,5,10**	620380-620382	SIDE FRAME LX	
6	263110-QU	5/16" AN WASHER FLAT THIN	2
7	226300	5/16-24 x 3 G8 HH C/S	1
8	201110	1/4-28 NYLOCK NUT	6
9*	561113, 561114	ARM SADDLE FLIP-BACK LX/BR (EA)	2
10	561083	1 1/8" TUBE END BUSHING THIN	2
11	202104	5/16-24 NYLOCK NUT	1
12	221192	1/4-28 x 2 G8 HEX C/S	2
13	561175	SEAT SADDLE REAR BR	2-4
14	561558	BRACKET BUSHING (X-TUBE BR)	2

ITEM	NUMBER	DESCRIPTION	QTY
15	221151	1/4-28 x 1 3/4 G8 HEX C/S	4
16	561557	PIVOT BLOCK (PLASTIC)	2
17	481023	S/A LATCH STUD NEW	2
18	551310	LATCH STUD SUPPORT BLK	2
19	201100	1/4-28 NYLOCK NUT THIN	2
20	226190	5/16-18 x 1 3/4 BH C/S SHLDR	2
21	262100-QU	1/4" AN WASHER FLAT	4
22	887730-887732	X-HINGE PLASTIC 12"-22" (PR)	1
23	221151	1/4-28 x 1 3/4 G8 HEX C/S	2
17-20	921295	S/A LATCH ASSEMBLY BLK W/BOLT CLR	
1-4,6-8, 11,14-16 21-23	672033-672933	X-TUBE ASSEMBLY LX	

NOTE: *ITEM 9 USED WITH FLIP-BACK ARM.

** WHEN REPLACING SIDE FRAME CUSTOMER SERVICE RECOMENDS ORDERING BOTH SIDES WHEN NEW GUSSET IS ABSENT ON CURRENT CHAIR.

FRAME (QUICKIE REVOLUTION)



2D000X01

ITEM	NUMBER	DESCRIPTION	QTY
1	341491	10-32 x .130-.225 RIVNUT GOLD	4-8
2	661030	SEAT FRAME PNTD RV (SPECIFY DIMENSIONS AND COLOR)	1
3	262100-QU	1/4 AN WASHER FLAT	4
4	321162	SPRING .300 x 1/2 LONG	2
5	481222	FOLDING LATCH PIN	2
6	342015	LANYARD ATTACH RING	2
7	139103- 139110	LANYARD 13"-20"	1
8	560611	7" x .940 x .125 FOAM GRIP	2
9	261206	#10 WASHER HI-COLLAR LOCK ZN	2
10	221300	10-32 x 1/2 SOC C/S BLK W/PATCH	2
11	201105	1/4-20 NYLOCK NUT THIN	8
12	561555	KNEE CAP	2
13	550338, 550339	CASTER HINGE RV (EA)	1
14	226094	5/16 x 5/8 LG SHLDR BOLT	8
15	263110	5/16" AN WASHER FLAT THIN	2
16	621160, 621161	FRNT FRAME ASSEMBLY PNTD RV (EA) (SPECIFY COLOR)	1
17	226267	1/4-28 x 1 5/8 BH C/S W/PATCH	4

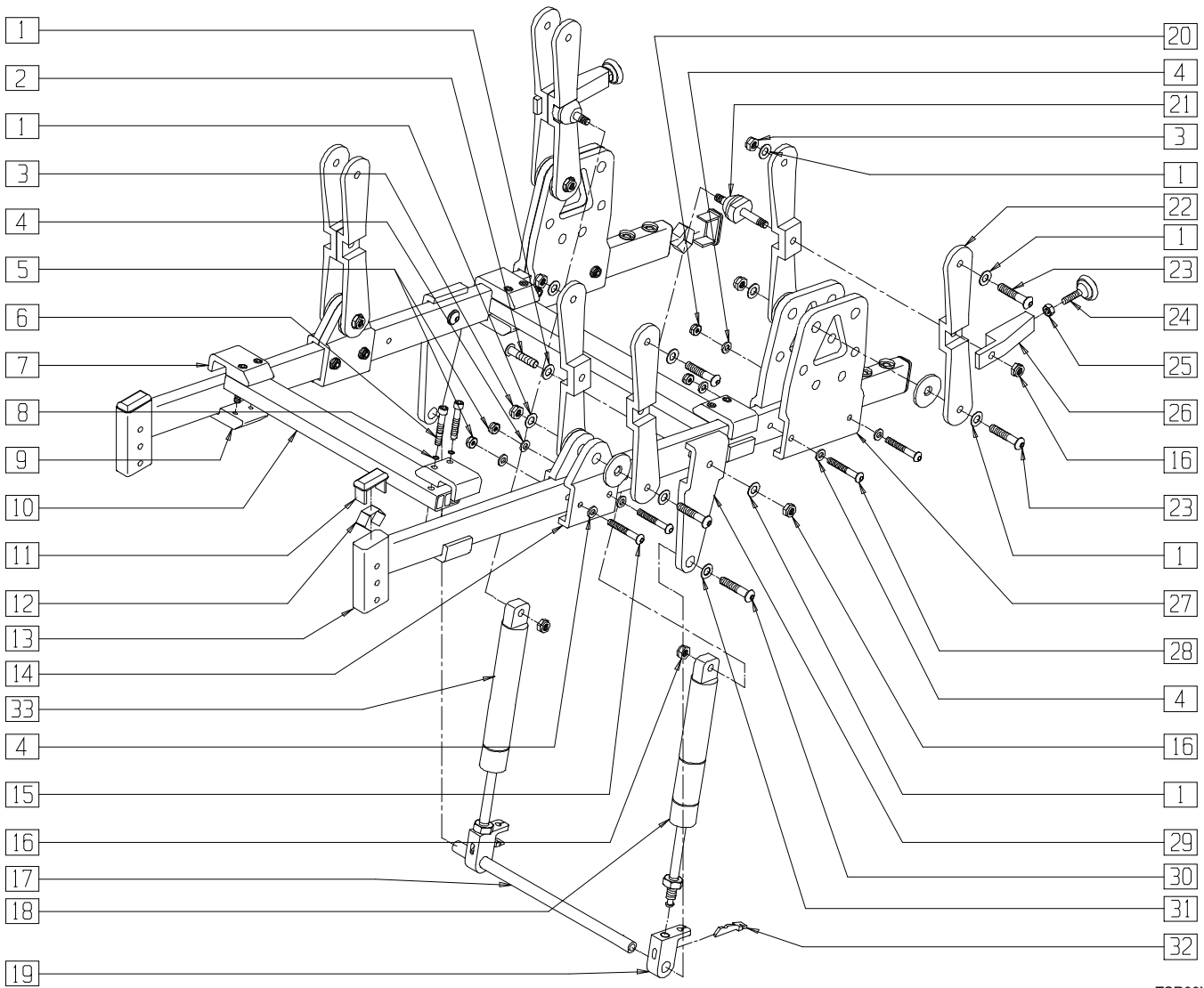
ITEM	NUMBER	DESCRIPTION	QTY
18	561082	1" TUBE END BUSHING THIN	2
19	483155	HINGE BLOCK FRAME RV	2
20	201100	1/4-28 NYLOCK NUT THIN	6
21	481221	FOLDING LATCH BUSHING	2
22	561043	1" WASHER 3/8" HOLE	6
23	561004	1" SADDLE 1/4" HOLE	4
24	501120, 501121	SIDE PLATE W/BUSHING RV (EA)	1
25	226132	1/4-28 x 1 1/2 FH SOC SCREW BLK	4
26	501126, 501127	HINGE BRKT W/BUSHING RV (EA)	1
27	661064- 661068	BOTTOM FRAME ASSEMBLY PNTD 14"-18" RV (SPECIFY COLOR)	2
28	262110	1/4 AN WASHER FLAT THIN	2
29	550328, 550329	CASTER BRACKET RV (EA)	1
30	341497	10-32 x .020-.130 RIVNUT GOLD	4
3-7	881524- 881530	FRAME REL CABLE ASSEMBLY RV 14"-20"	
1,2,8-30	620014- 620018	FRAME PNTD 14"-18" RV (SPECIFY WIDTH AND COLOR)	

Pediatric and Positioning Frames

IN THIS SECTION

Base Frame (Quickie T45)	2.1	Frame (Zippie) (Disc.).....	2.12
Back Frame (Reclining Back) (Quickie T45)	2.2	Frame (Zippie)	2.13
Back Frame (Fixed Back) (Quickie T45)	2.3	Frame (Fixed Front) (Zippie TS) (Disc.)	2.14
Frame (Quickie TS) (Disc.).....	2.4	Frame (Fixed Front) (Zippie TS).....	2.15
Frame (Quickie TS)	2.5	Frame (Swing-away) (Zippie TS) (Disc.)	2.16
Standard Rigid Seat Frame (Quickie TS).....	2.6	Frame (Swing-away) (Zippie TS).....	2.17
Contracture Rigid Seat Frame (Quickie TS).....	2.7	Rear Side Frame (Zippie 2).....	2.18
Standard Growing Seat Frame (Quickie TS).....	2.8	Swing-away Front Side Frame (Zippie 2).....	2.18
Growing Contracture Seat Frame (Quickie TS).....	2.9	Cross Tube Assembly (Zippie 2).....	2.19
Rigid Base Frame (Regular and Flared)		Frame (Zippie GS).....	2.19
(Quickie TS).....	2.10	Cross Tube Assembly (Zippie GS)	2.20
Growing Frame (Regular and Flared)		Folding Side Frame (Zippie GS).....	2.20
(Quickie TS)	2.11	Frame (Quickie Kidz).....	2.21

BASE FRAME (QUICKIE T45)

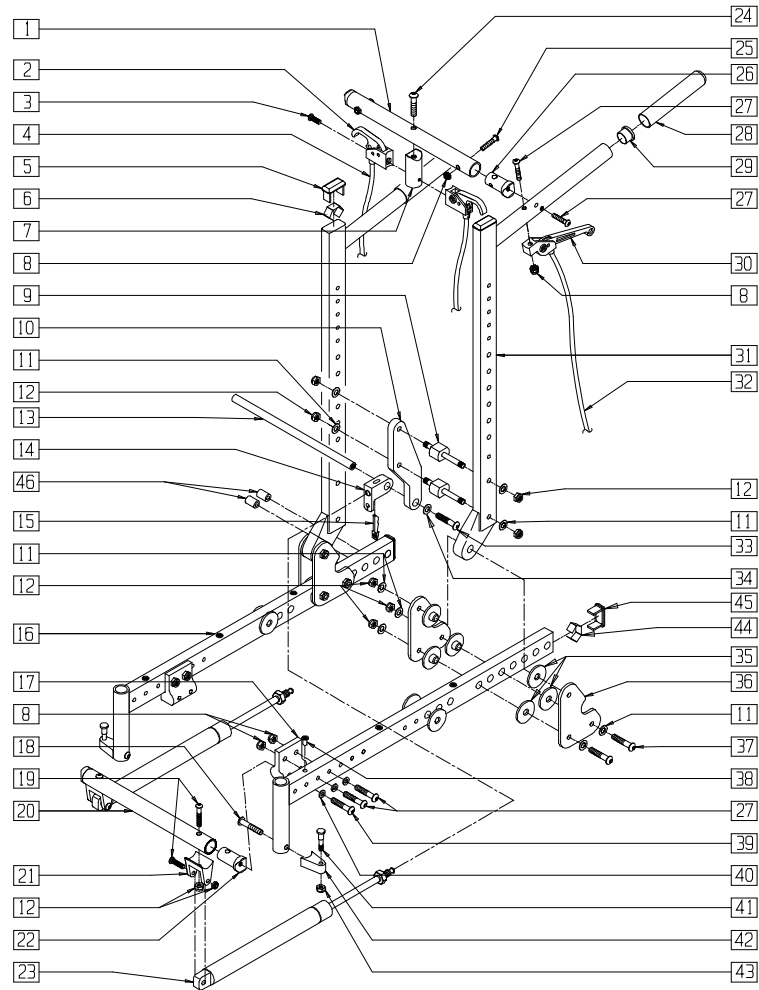


TSR00X01

ITEM	NUMBER	DESCRIPTION	QTY
1	263100	5/16 AN WASHER FLAT	20
2	222256	5/16-18 x 1 1/2 BH C/S	2
3	202103	5/16-18 NYLOCK NUT THICK	8
4	262100-QU	1/4 AN WASHER FLAT	16
5	201100-QU	1/4-28 NYLOCK NUT THIN	4
6	226114	1/4-28 x 1 1/2 SOC C/S BLK	8
7	550248	T45 STRUT CLAMP RECESSED	4
8	262114	1/4 WASHER HI COLLAR LOCK ZN	8
9	550247	T45 STRUT CLAMP THREADED	4
10	522904- 522910	LATERAL STRUT T45 14"-20"	2
11	561372	3/4 x 1 1/2 RECT TUBING CAP	2
12	540190	RECT TUBING CAP SPRING P2	2
13	600160	BASE S/F PNTD T45	4
14	550145	LINK MNTG BLOCK T45	2
15	226150	1/4-28 x 2 BH C/S	4
16	202102	5/16-18 NYLOCK NUT THIN	6
17	481354- 481360	T45 TILT PIVOT ROD 14"-20"	1

ITEM	NUMBER	DESCRIPTION	QTY
18	342068	BLOCK-O-LIFT W/SPRING 200N x 11.58	1
	342066	BLOCK-O-LIFT W/SPRING 300N x 11.58 HD	
19	483147	T45 GAS SPRING BLOCK	2
20	201112	1/4-28 NUT THIN	4
21	481085	STUD GAS SPRING MNT	2
22	550144	(04) LINK T45	8
23	226198	5/16-18 x 2 BH C/S SHT THREAD	8
24	349560	ZP RUBBER STOP	2
25	201121	1/4-20 NUT THIN	2
26	550149	RECLINE LIMIT BAR	2
27	550146	AXLE PLATE T45	4
28	226150	1/4-28 x 2 BH C/S	4
29	550143	GAS SPRING PIVOT BRKT	2
30	226182	5/16-18 x 1 BH C/S	2
31	263118	5/16 WASHER TYPE B R SERIES	2
32	560686	GAS SPRING LEVER T45	2
	342065	BLOCK-O-LIFT W/O SPRING 200N x 11.58	
33	342065	BLOCK-O-LIFT W/O SPRING 200N x 11.58	1
	342067	BLOCK-O-LIFT W/O SPRING 300N x 11.58 HD	

BACK FRAME (RECLINING BACK) (QUICKIE T45)

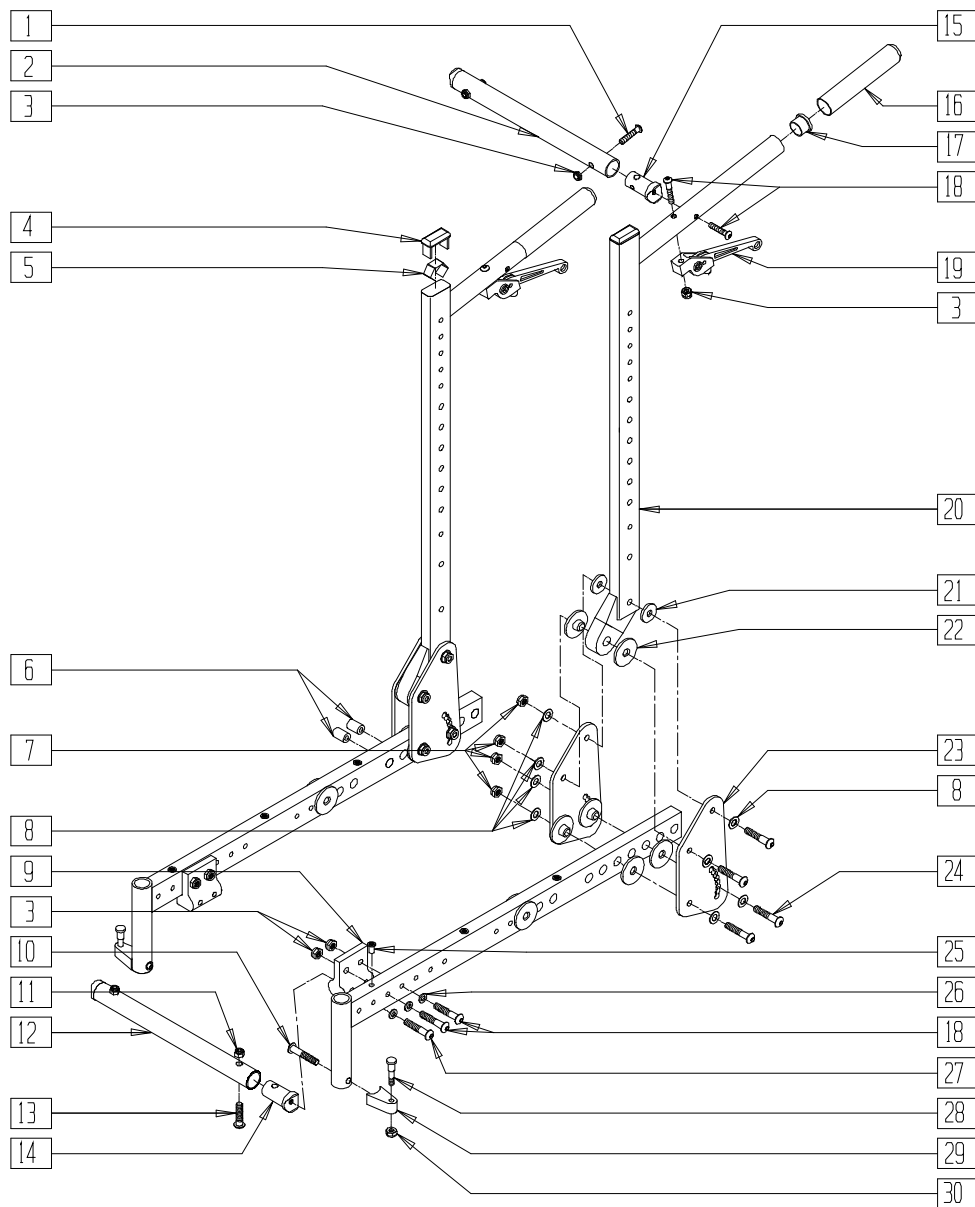


TSR00X02

ITEM	NUMBER	DESCRIPTION	QTY
1	522874-522880	T45 BACK STRUT TUBE 14"-20"	1
2	580111	CYL LOCK LEVER ASSEMBLY RECLINER	2
3	281120	10/32 x 5/8 PAN HD PHIL	2
4	342057	CYL LOCK CABLE ASSEMBLY	2
5	561372	3/4 x 1 1/2 RECT TUBING CAP	4
6	540190	RECT TUBING CAP SPRING P2	4
7	483139	T45 RELEASE LEVER MNTG BLOCK	1
8	201100	1/4-28 NYLOCK NUT THIN	2,4
9	481350	T45 BACK ASSEMBLY STUD	4
10	550243	T45 BACK RECLINER BRACKET	2
11	263100	5/16 AN WASHER FLAT	20
12	202102	5/16-18 NYLOCK NUT THIN	18
13	481364-481370	T45 RECLINER PIVOT ROD 14"-20"	1
14	483147	T45 GAS SPRING BLOCK	2
15	560686	GAS SPRING LEVER T45	2
17	550147	T45 GAS SPRING MNTG BRACKET TOP	1,2
18	226190	5/16-18 x 1 3/4 BH C/S SHLDR	2
19	226138	5/16-24 x 1 1/2 BH C/S	4
20	522834-522840	STRUT TUBE T45 14"-20"	1
21	500145	CYLINDER BRACKET T45	2
22	483118	STRUT SADDLE T45	2
23	342064	BLOC-O-LIFT 200 N x 15.88"	2
24	222256	5/16-18 x 1 1/2 BH C/S	1
25	226131	1/4-28 x 1 1/4 BH C/S SHLDR	2

ITEM	NUMBER	DESCRIPTION	QTY
26	483038	STRUT SADDLE ZP/P5/KZ	4
27	226130	1/4-28 x 1 1/2 BH C/S	2,4
28	560663	QUICKIE GRIP 1"	2
29	561002	1" INSERT PLUG .083	2
30	580112	CYL LOCK LEVER ASSEMBLY T45	2
31	842160	BACK TUBE PNTD T45	2
32	342056	CYL LOCK CABLE ASSEMBLY T45	2
33	226182	5/16-18 x 1 BH C/S	2
34	263118	5/16 WASHER TYPE BR SERIES	2
35	560800	FRAME BUSHING T45/P3N	16
36	505723	BACK PIVOT PLATE T45	4
37	226195	5/16-18 x 1.82 BH C/S	6
38	341497	10-32 x .020-130 RIVNUT GOLD	6
39	226140	1/4-28 x 1 3/4 BH C/S	2
40	262100-QU	1/4 AN WASHER FLAT	4
41	481023	S/A LATCH STUD NEW	2
42	551310	LATCH STUD SUPPORT BLK	2
43	201100	1/4-28 NYLOCK NUT THIN	2
44	540190	RECT TUBING CAP SPRING P2	1
45	561372	3/4 x 1 1/2" RECT TUBING CAP	1
46	561057	T45 FRAME PLUG PLASTIC	5
8,16,17,27,38,40,44-46	600162, 600164	CONV KIT RECLINER BACK T45 14"-20"	
2-4,9-15,19,21,23,24,33-37	880014-880020	CONV KIT RECLINER BACK T45 14"-20"	
18,41-43	921295	S/A LATCH ASSEMBLY W/BOLT BLK	

BACK FRAME (FIXED BACK) (QUICKIE T45)



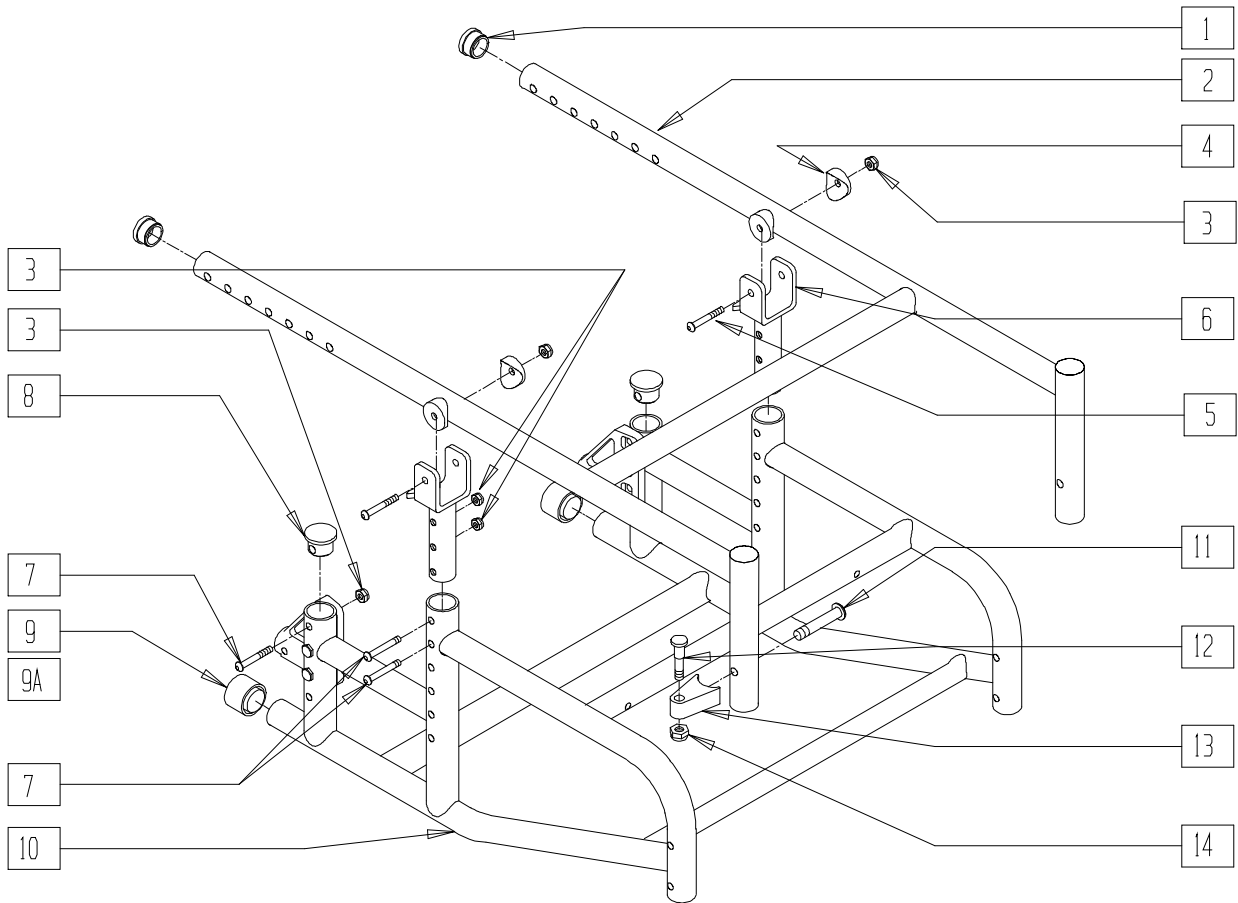
TSR00X03

ITEM	NUMBER	DESCRIPTION	QTY
1	226131	1/4-28 x 1 1/4 BH C/S SHLDR	2
2	522874-522880	T45 BACK STRUT TUBE 14"-20"	1
3	201100	1/4-28 NYLOCK NUT THIN	6
4	561372	3/4 x 1 1/2" RECT TUBING CAP	2
5	540190	RECT TUBING CAP SPRING P2	2
6	561057	T45 FRAME PLUG PLASTIC	10
7	202102	5/16-18 NYLOCK NUT THIN	8
8	263100	5/16 AN WASHER FLAT	16
9	550147	T45 GAS SPRING MNTG BRKT TOP	2
10	226190	5/16-18 x 1 3/4 BH C/S SHLDR	2
11	202102	5/16-18 NYLOCK NUT THIN	2
12	522834-522840	STRUT TUBE T45 14"-20"	1
13	222108	5/16-18 x 1 1/4 BH C/S	2
14	483118	STRUT SADDLE T45	2
15	483038	STRUT SADDLE ZP/P5/KZ	2

ITEM	NUMBER	DESCRIPTION	QTY
16	560663	QUICKIE GRIP 1"	2
17	561002	1" INSERT PLUG .083	2
18	226130	1/4-28 x 1 1/2 BH C/S	4
19	580112	CYL LOCK LEVER ASSEMBLY T45	2
20	842160	BACK TUBE PNTD T45	2
21	561016	1" WASHER 5/16" HOLE	4
22	560800	FRAME BUSHING T45/P3N	16
23	501024	FIXED BACK PIVOT PLATE	4
24	226195	5/16-18 x 1.82 BH C/S	8
25	341512	10/32 x .080 - .130 RIVNUT ZN	6
26	262100-QU	1/4 AN WASHER FLAT	4
27	226140	1/4-28 x 1 3/4 BH C/S	2
28	481023	S/A LATCH STUD NEW	4
29	551310	LATCH STUD SUPPORT BLK	2
30	201100	1/4-28 NYLOCK NUT THIN	1
7,8,21-24	880012	CONVERSION KIT FIXED BACK T45	
10,28-30	921295	S/A LATCH ASSEMBLY W/BOLT BLK	

FRAME (QUICKIE TS)

(Discontinued 12/15/95 - parts only; fits chairs prior to QT-12900)



AZ00X01

ITEM	NUMBER	DESCRIPTION	QTY
1	483089	SEAT TUBE PLUG S/A TS/P5	2
1-2	661001- 661014	SEAT FRAME PNTD QT O/S 16" REG - 20" LONG (SPECIFY COLOR)	1
3	201110	1/4-28 NYLOCK NUT	8
4	561004	1" SADDLE 1/4" HOLE	4
5	226150	1/4-28 x 2 BH C/S	2
6	505250	TILT BRACKET ZP TS 30°	2
7	226130	1/4-28 x 1 1/2 BH C/S	6
8	483070	PLUG ALUM 1 1/8 QT	2

ITEM	NUMBER	DESCRIPTION	QTY
9	561014	1" MED CAP	2
9A*	561018	1" TUBE END BUSHING THICK	2
11	226190	5/16-18 x 1 3/4 BH C/S SHLDR	1
12	481023	S/A LATCH STUD NEW	1
13	551310	LATCH STUD SUPPORT BLK	1
14	201100	1/4-28 NYLOCK NUT THIN	1
11-14	921295	S/A LATCH ASSEMBLY W/BOLT BLK	1
3,7-10	661951- 661965	FRAME PNTD QT W/REC O/S 16" REG-20" LONG (SPECIFY COLOR)	

* 9A USED WITH ANTI-TIPS.

NOTE: 18"-20" SEAT DEPTHS REQUIRE A LONG FRAME.

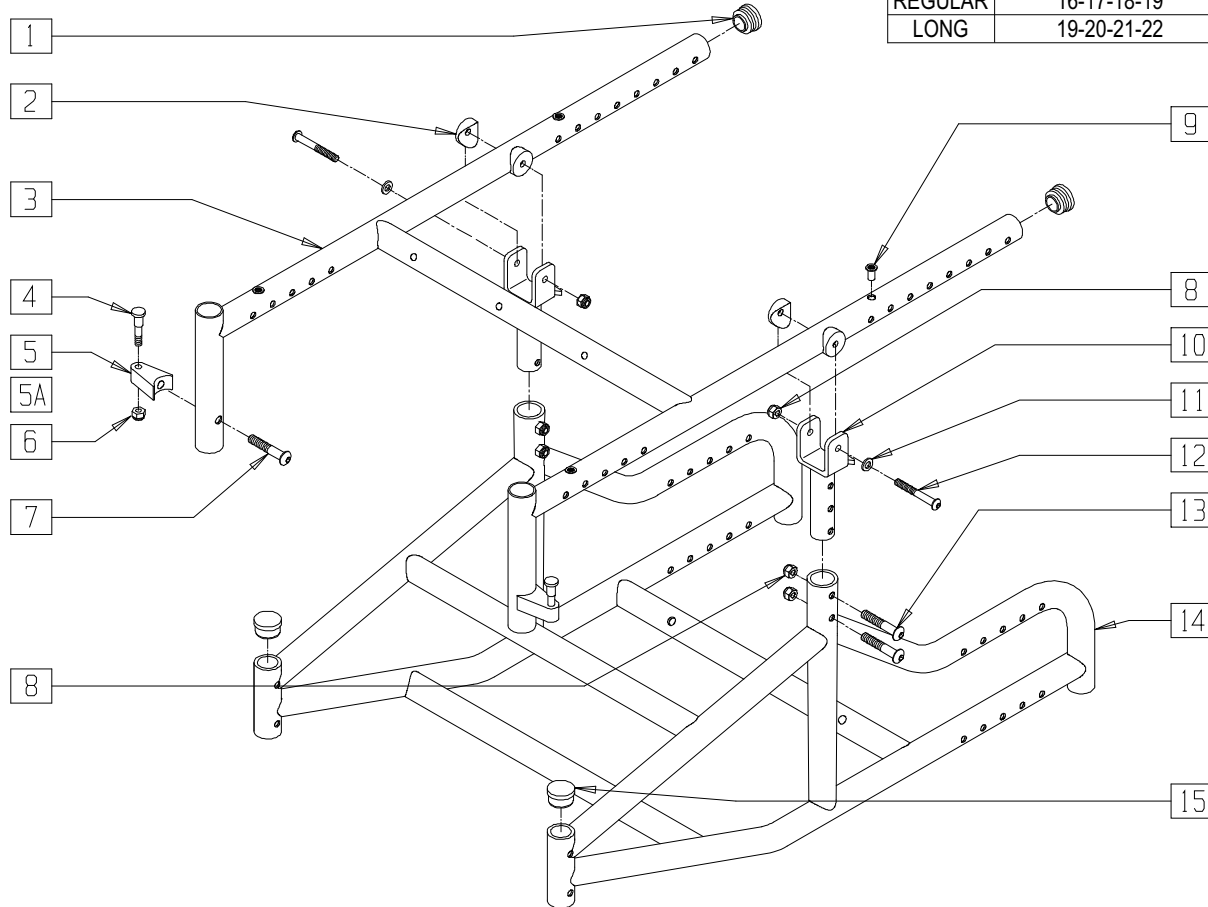
NOTE: FOR LOCKING MECHANISM AND STRUT ASSEMBLY, SEE SECTION 15, MECHANICAL LOCK AND STRUT ASSEMBLIES.

FRAME (QUICKIE TS)

(Effective 8/19/96, beginning QT-14956)

(Replacement frame for Quickie TS beginning QT-12900 and prior to QT-14956)

FRAME TYPE	FRAME DEPTH/ BACK POST LOCATION
SHORT	14-15-16-17
REGULAR	16-17-18-19
LONG	19-20-21-22



QTS00X6A

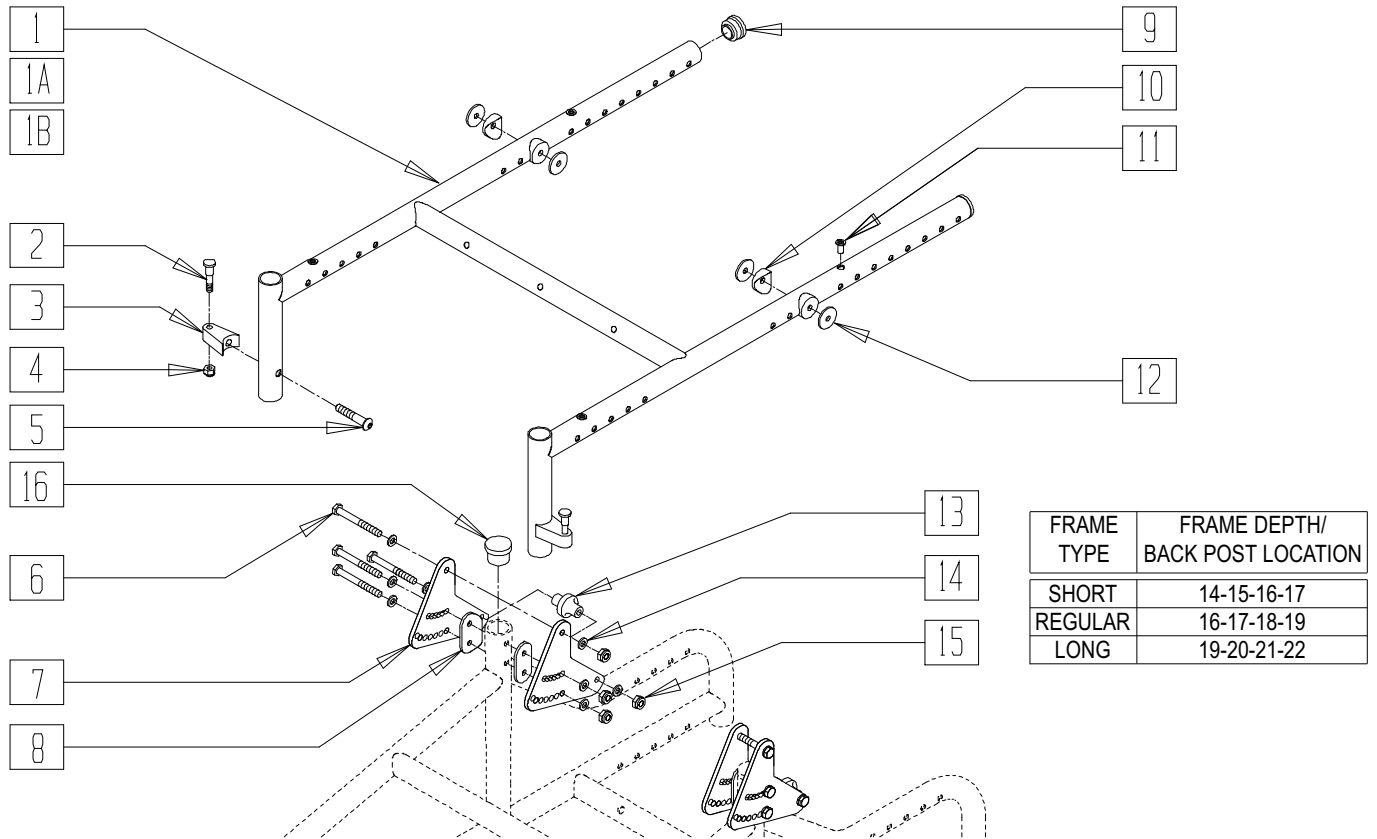
ITEM	NUMBER	DESCRIPTION	QTY
1	561062	1" INSERT PLUG .065 RIBS	2
2	561004	1" SADDLE 1/4" HOLE	4
3	661034- 661050	SEAT FRAME PNTD QTS (SPECIFY COLOR)	1
4	481023	S/A LATCH STUD NEW	2
5	550310	LATCH STUD SUPPORT	2
5A	551310	LATCH STUD SUPPORT BLK	2
6	201100	1/4-28 NYLOCK NUT THIN	2
7	226190	5/16-18 x 1 3/4 BH C/S SHLDR	2
8	201110	1/4-28 NYLOCK NUT	6

ITEM	NUMBER	DESCRIPTION	QTY
9	341497	10-32 x .020-.130 RIVNUT GOLD	4
10	505251	TILT BRKT ZP TS 45°	2
11	262100-QU	1/4 AN WASHER FLAT	2
12	226150	1/4-28 x 2 BH C/S	2
13	226130	1/4-28 x 1 1/2 BH C/S	4
14	661974- 661990	FRAME PNTD QTS (SPECIFY COLOR)	1
15	561005	1" INSERT PLUG .125	2
4-7	920220	S/A LATCH ASSEMBLY W/BOLT	
4,5A,6,7	921295	S/A LATCH ASSEMBLY W/BOLT BLK	

NOTE: FOR LOCKING MECHANISM AND STRUT ASSEMBLY, SEE SECTION 15, MECHANICAL LOCK AND STRUT ASSMBLIES.

STANDARD RIGID SEAT FRAME (QUICKIE TS)

(Effective 3/25/99, beginning serial number QT-25025)



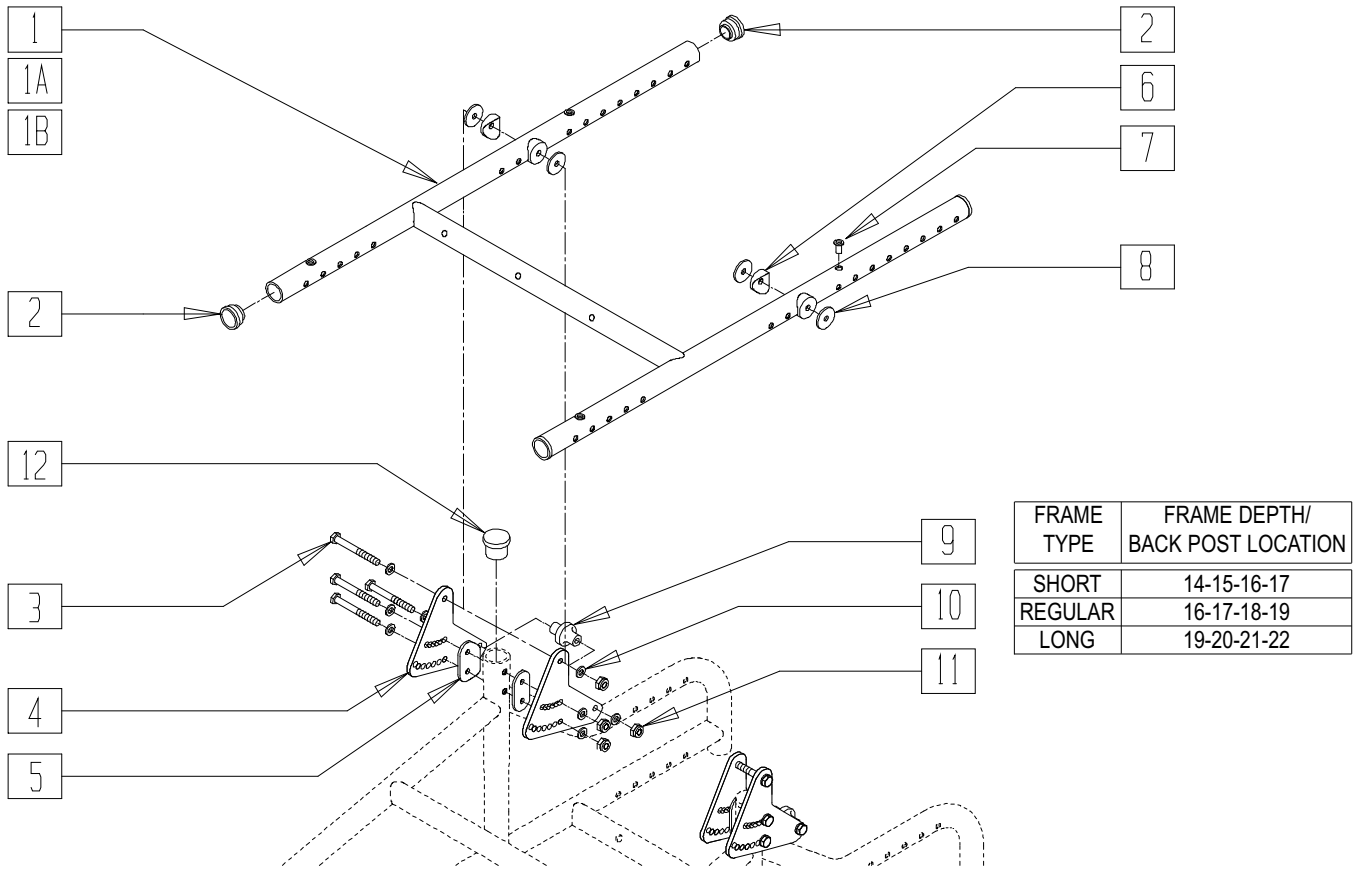
QTS30X09

ITEM	NUMBER	DESCRIPTION	QTY
1,9,11	661051	SEAT FRAME RIGID SHORT 14" W QTS	1
	661052	SEAT FRAME RIGID SHORT 15" W QTS	
	661053	SEAT FRAME RIGID SHORT 16" W QTS	
	661054	SEAT FRAME RIGID SHORT 17" W QTS	
	661055	SEAT FRAME RIGID SHORT 18" W QTS	
	661056	SEAT FRAME RIGID SHORT 19" W QTS	
	661057	SEAT FRAME RIGID SHORT 20" W QTS	
1A,9,11	661034	SEAT FRAME RIGID REG 14" W QTS	1
	661035	SEAT FRAME RIGID REG 15" W QTS	
	661036	SEAT FRAME RIGID REG 16" W QTS	
	661037	SEAT FRAME RIGID REG 17" W QTS	
	661038	SEAT FRAME RIGID REG 18" W QTS	
	661039	SEAT FRAME RIGID REG 19" W QTS	
	661040	SEAT FRAME RIGID REG 20" W QTS	
1B,9,11	661044	SEAT FRAME RIGID LONG 14" W QTS	1
	661045	SEAT FRAME RIGID LONG 15" W QTS	
	661046	SEAT FRAME RIGID LONG 16" W QTS	
	661047	SEAT FRAME RIGID LONG 17" W QTS	
	661048	SEAT FRAME RIGID LONG 18" W QTS	
	661049	SEAT FRAME RIGID LONG 19" W QTS	
	661050	SEAT FRAME RIGID LONG 20" W QTS	

ITEM	NUMBER	DESCRIPTION	QTY
2	481023	S/A LATCH STUD NEW	1
3	550310	LATCH STUD SUPPORT	1
4	201100	1/4-28 NYLOCK NUT THIN	1
5	226190	5/16-18 x 1 3/4 BH C/S SHOULDER	1
6	221191	1/4-28 x 2 1/4 G8 HEX C/S	4
7	500014	TILT BRACKET QTS	2
8	561085	1-1/8" HALF SADDLE 2 HOLE QTS	2
9	561062	1" INSERT PLUG .065 RIBS	2
10	561004	1" SADDLE 1/4" HOLE	2
11	341497	10-32 x .020-.130 RIVNUT GOLD	4
12	561043	1" WASHER 3/8" HOLE	2
13	560223	PIVOT STOP SPACER	2
14	262100-QU	1/4 AN WASHER FLAT	8
15	201110-QU	1/4-28 NYLOCK NUT	4
16	483107	FRAME INSERT PLUG QTS	1
2-5	920220	S/A LATCH ASSEMBLY W/BOLT	
6-8,10,12-16	920017	TILT BRACKET W/HDWR QTS	

CONTRACTURE RIGID SEAT FRAME (QUICKIE TS)

(Contracture Seat Frame is for Contracture Footrest system only)



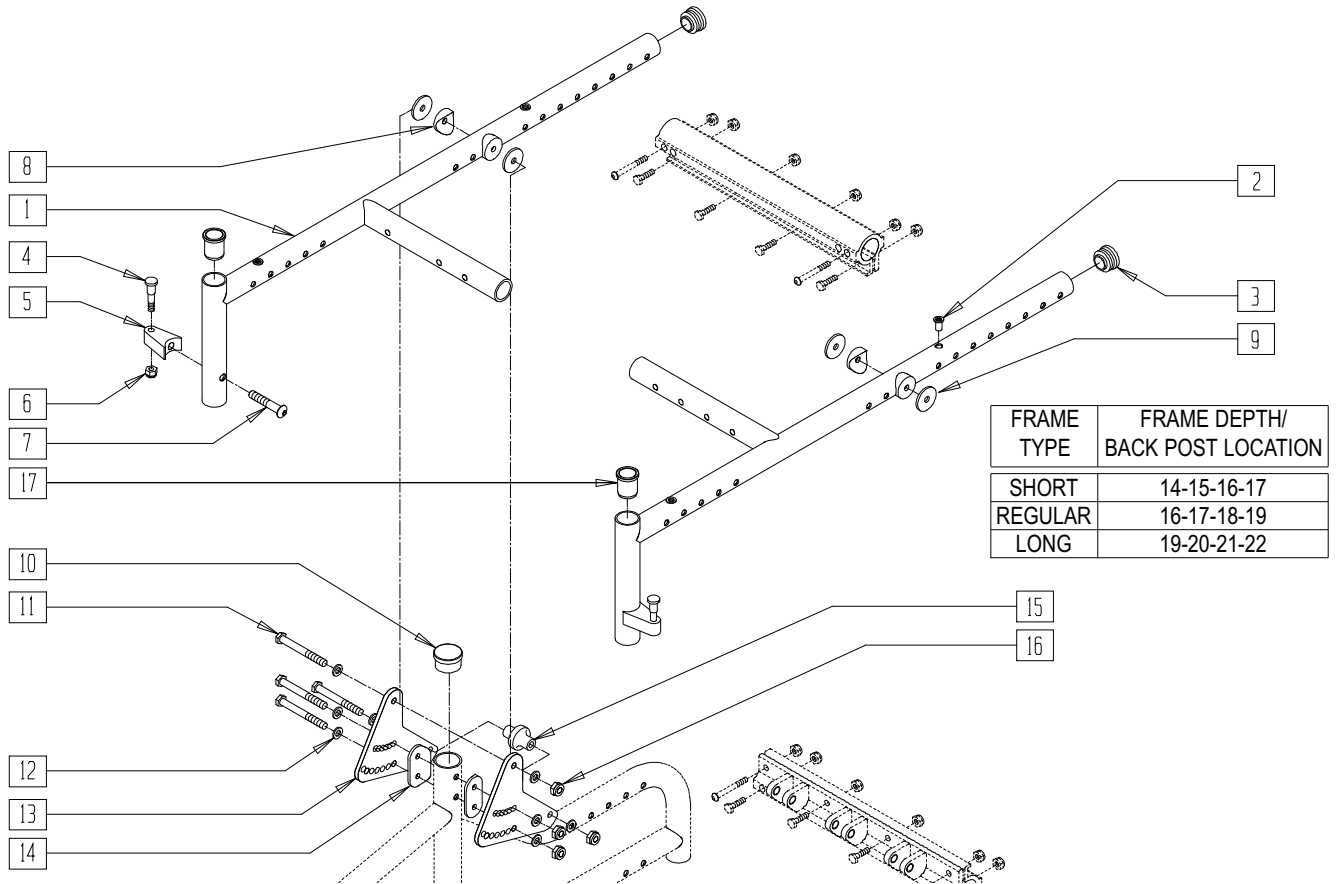
QTS30X10

ITEM	NUMBER	DESCRIPTION	QTY
1,2,7	661370	ST FRM RIGID CNTRCTR SHT 14" W QTS	1
	661371	ST FRM RIGID CNTRCTR SHT 15" W QTS	
	661372	ST FRM RIGID CNTRCTR SHT 16" W QTS	
	661373	ST FRM RIGID CNTRCTR SHT 17" W QTS	
	661374	ST FRM RIGID CNTRCTR SHT 18" W QTS	
	661375	ST FRM RIGID CNTRCTR SHT 19" W QTS	
1A,2,7	661376	ST FRM RIGID CNTRCTR SHT 20" W QTS	1
	661377	ST FRM RIGID CNTRCTR REG 14" W QTS	
	661378	ST FRM RIGID CNTRCTR REG 15" W QTS	
	661379	ST FRM RIGID CNTRCTR REG 16" W QTS	
	661380	ST FRM RIGID CNTRCTR REG 17" W QTS	
	661381	ST FRM RIGID CNTRCTR REG 18" W QTS	
1B,2,7	661382	ST FRM RIGID CNTRCTR REG 19" W QTS	1
	661383	ST FRM RIGID CNTRCTR REG 20" W QTS	
	661384	ST FRM RIGID CNTRCTR LNG 14" W QTS	
	661385	ST FRM RIGID CNTRCTR LNG 15" W QTS	
	661386	ST FRM RIGID CNTRCTR LNG 16" W QTS	
	661387	ST FRM RIGID CNTRCTR LNG 17" W QTS	
	661388	ST FRM RIGID CNTRCTR LNG 18" W QTS	
	661389	ST FRM RIGID CNTRCTR LNG 19" W QTS	
	661390	ST FRM RIGID CNTRCTR LNG 20" W QTS	

ITEM	NUMBER	DESCRIPTION	QTY
2	341497	1" INSERT PLUG .065 RIBS	4
3	221191	1/4-28 x 2 1/4 G8 HEX	4
4	500014	TILT BRACKET QTS	2
5	561085	1-1/8" HALF SADDLE	2
6	561004	1" SADDLE 1/4" HOLE	2
7	341497	10-32 x .020- .130 RIVNUT GOLD	4
8	561043	1" WASHER 3/8" HOLE	2
9	560223	PIVOT STOP SPACER	1
10	262100-QU	1/4 AN WASHER FLAT	8
11	201110-QU	1/4-28 NYLOCK NUT	4
12	483107	FRAME INSERT PLUG QTS	1
3-6, 8-12	920017	TILT BRACKET W/HDWR QTS	

STANDARD GROWING SEAT FRAME (QUICKIE TS)

(Effective 3/25/99, beginning serial number QT-25025)



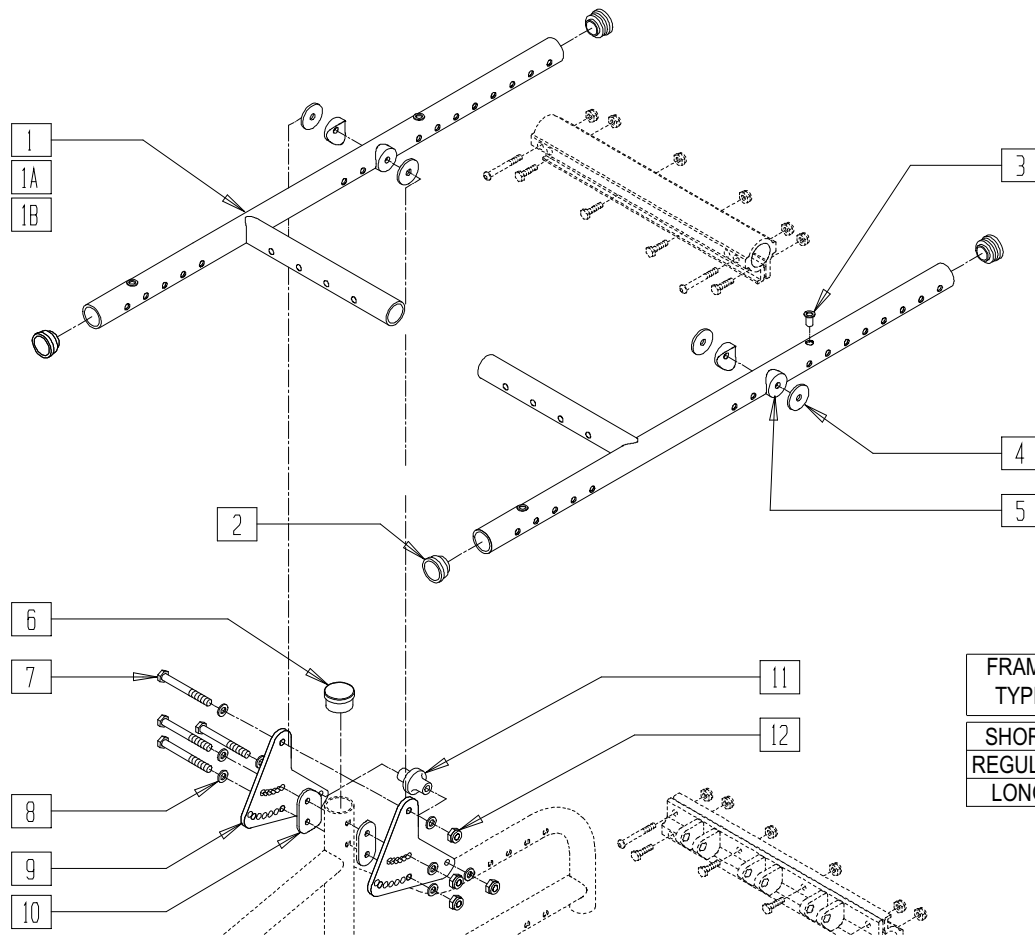
QTS30X12A

ITEM	NUMBER	DESCRIPTION	QTY
2	341497	10-32 x .020-.130 RIVNUT GOLD	2
3	561062	1" INSERT PLUG .065 RIBS	2
4	481023	S/A LATCH STUD NEW	2
5	551310	LATCH STUD SUPPORT BLK	2
6	201100	1/4-28 NYLOCK NUT THIN	8
7	226190	5/16-18 x 1 3/4 BH C/S SHOULDER	16
8	561004	1" SADDLE 1/4" HOLE	2
9	561043	1" WASHER 3/8" HOLE	2
10	483107	FRAME INSERT PLUG QTS	1
11	221191	1/4-28 X 2 1/4 G8 HEX C/S	4
12	262100-QU	1/4 AN WASHER FLAT	8

ITEM	NUMBER	DESCRIPTION	QTY
13	500014	TILT BRACKET QTS	2
14	561085	1-1/8" HALF SADDLE 2 HOLE QTS	2
15	560223	PIVOT STOP SPACER	1
16	201110-QU	1/4-28 NYLOCK NUT	4
17	483087	BUSHING S/A TS	2
4-7	921295	S/A LATCH ASSEMBLY W/BOLT BLK	
8-16	920017	TILT BRACKET W/HDWR QTS	
1,2,6-11,17	661169	SEAT FRAME GROWING SHORT QTS	
	661170	SEAT FRAME GROWING REG QTS	
	661171	SEAT FRAME GROWING LONG QTS	

GROWING CONTRACTURE SEAT FRAME (QUICKIE TS)

(Contracture Seat Frame is for Contracture Footrest system only)



FRAME TYPE	FRAME DEPTH/ BACK POST LOCATION
SHORT	14-15-16-17
REGULAR	16-17-18-19
LONG	19-20-21-22

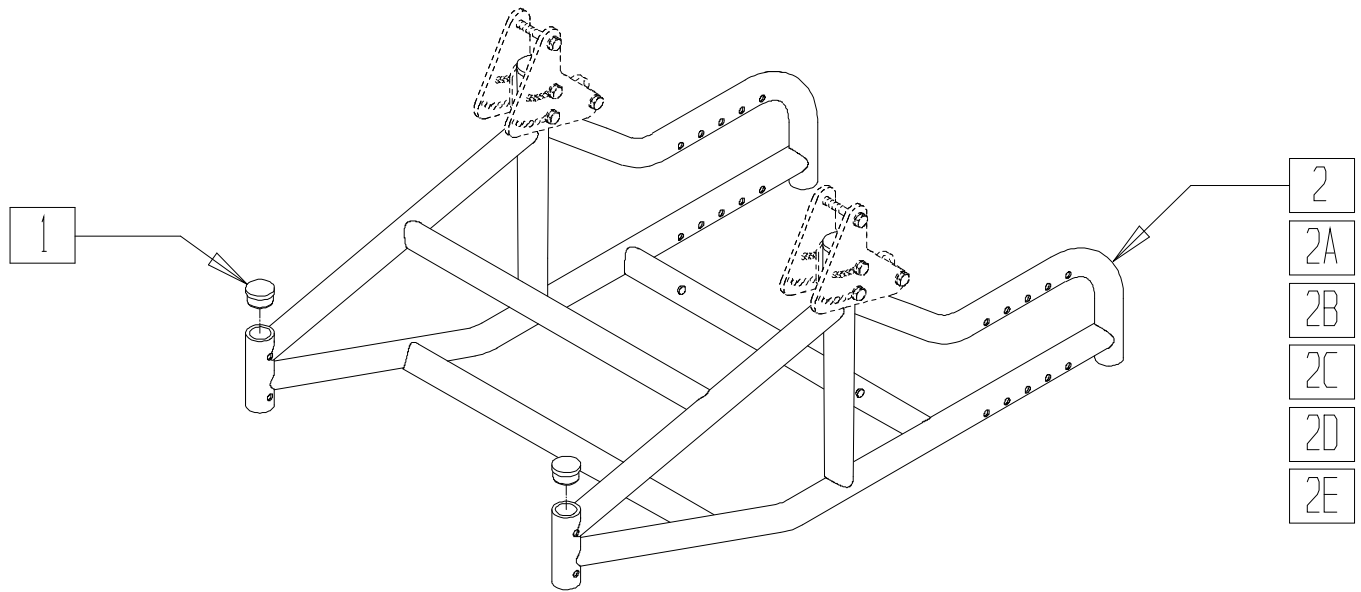
QTS30X14A

ITEM	NUMBER	DESCRIPTION	QTY
1	661400,	SEAT FRM GRWNG CNTRC SHT R QTS	1
	661401	SEAT FRM GRWNG CNTRC SHT L QTS	
1A	661402,	SEAT FRM GRWNG CNTRC REG R QTS	1
	661403	SEAT FRM GRWNG CNTRC REG L QTS	
1B	661404,	SEAT FRM GRWNG CNTRC LNG R QTS	1
	661405	SEAT FRM GRWNG CNTRC LNG L QTS	
2	561062	1" INSERT PLUG .065 RIBS	4
3	341497	10-32 x .020-.130 RIVNUT GOLD	4
4	561043	1" WASHER 3/8" HOLE	2
5	561004	1" SADDLE 1/4" HOLE	2
6	483107	FRAME INSERT PLUG QTS	2

ITEM	NUMBER	DESCRIPTION	QTY
7	221191	1/4-28 X 2 1/4 G8 HEX C/S	4
8	262100-QU	1/4 AN WASHER FLAT	8
9	500014	TILT BRACKET QTS	2
10	561085	1-1/8" HALF SADDLE 2 HOLE QTS	4
11	560223	PIVOT STOP SPACER	1
12	201110-QU	1/4-28 NYLOCK NUT	4
4-12	920017	TILT BRACKET W/HDWR QTS	
1-7	661410	CNTRC GRW SHRT SEAT FRM PNT QTS	
1A-7	661411	CNTRC GRW REG SEAT FRM PNT QTS	
1B-7	661412	CNTRC GRW LNG SEAT FRM PNT QTS	

RIGID BASE FRAME (REGULAR AND FLARED)(QUICKIE TS)

(Effective 3/25/99, beginning serial number QT-25025)



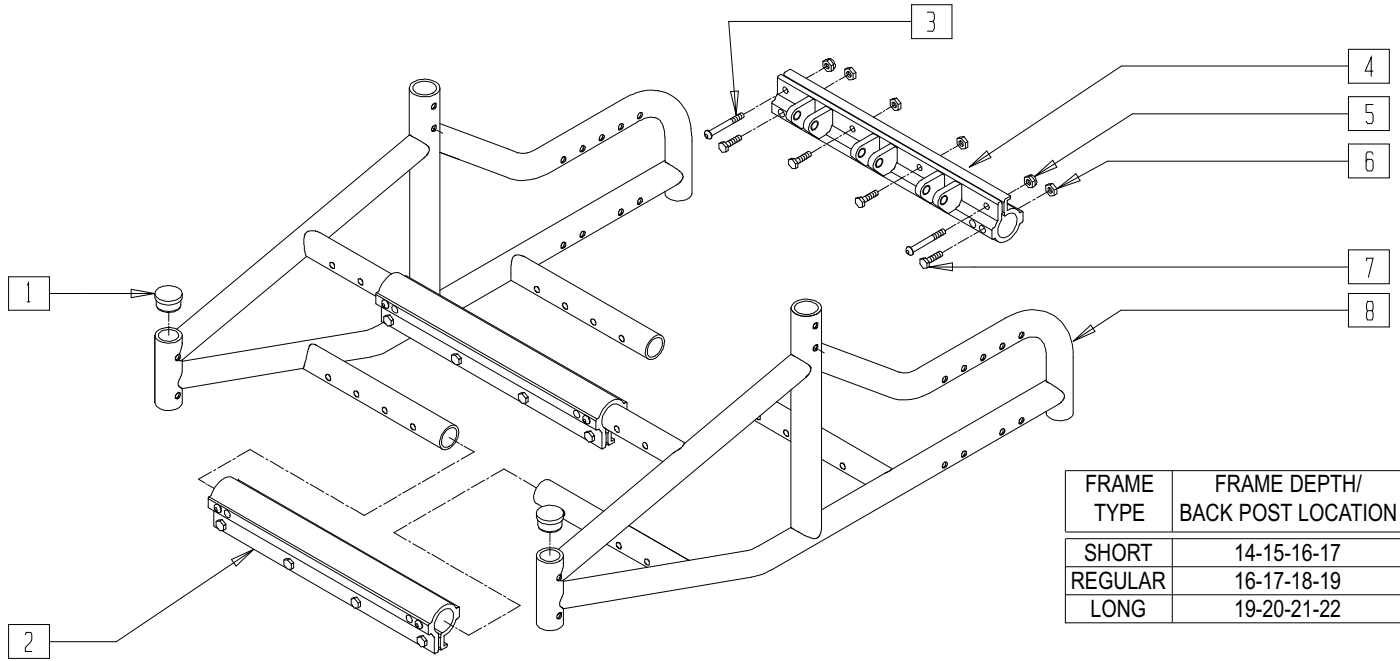
QTS30X11

ITEM	NUMBER	DESCRIPTION	QTY
1	561005	1" INSERT PLUG .125	2
1,2	662124	BASE FRM RIG STRT SHT 14" W QTS	
	662125	BASE FRM RIG STRT SHT 15" W QTS	
	662126	BASE FRM RIG STRT SHT 16" W QTS	
	662127	BASE FRM RIG STRT SHT 17" W QTS	
	662128	BASE FRM RIG STRT SHT 18" W QTS	
	662129	BASE FRM RIG STRT SHT 19" W QTS	
	662130	BASE FRM RIG STRT SHT 20" W QTS	
1,2A	661974	BASE FRM RIG STRT REG 14" W QTS	
	661975	BASE FRM RIG STRT REG 15" W QTS	
	661976	BASE FRM RIG STRT REG 16" W QTS	
	661977	BASE FRM RIG STRT REG 17" W QTS	
	661978	BASE FRM RIG STRT REG 18" W QTS	
	661979	BASE FRM RIG STRT REG 19" W QTS	
	661980	BASE FRM RIG STRT REG 20" W QTS	
1,2B	661984	BASE FRM RIG STRT LNG 14" W QTS	
	661985	BASE FRM RIG STRT LNG 15" W QTS	
	661986	BASE FRM RIG STRT LNG 16" W QTS	
	661987	BASE FRM RIG STRT LNG 17" W QTS	
	661988	BASE FRM RIG STRT LNG 18" W QTS	
	661989	BASE FRM RIG STRT LNG 19" W QTS	
	661990	BASE FRM RIG STRT LNG 20" W QTS	

ITEM	NUMBER	DESCRIPTION	QTY
1,2C	662118	BASE FRM RIG FLRD SHT 15" W QTS	
	662119	BASE FRM RIG FLRD SHT 16" W QTS	
	662120	BASE FRM RIG FLRD SHT 17" W QTS	
	662121	BASE FRM RIG FLRD SHT 18" W QTS	
	662122	BASE FRM RIG FLRD SHT 19" W QTS	
	662123	BASE FRM RIG FLRD SHT 20" W QTS	
	1,2D	662100	BASE FRM RIG FLRD REG 14" W QTS
662101		BASE FRM RIG FLRD REG 15" W QTS	
662102		BASE FRM RIG FLRD REG 16" W QTS	
662103		BASE FRM RIG FLRD REG 17" W QTS	
662104		BASE FRM RIG FLRD REG 18" W QTS	
662105		BASE FRM RIG FLRD REG 19" W QTS	
1,2E	662106	BASE FRM RIG FLRD REG 20" W QTS	
	662110	BASE FRM RIG FLRD LNG 14" W QTS	
	662111	BASE FRM RIG FLRD LNG 15" W QTS	
	662112	BASE FRM RIG FLRD LNG 16" W QTS	
	662113	BASE FRM RIG FLRD LNG 17" W QTS	
	662114	BASE FRM RIG FLRD LNG 18" W QTS	
	662115	BASE FRM RIG FLRD LNG 19" W QTS	
662116	BASE FRM RIG FLRD LNG 20" W QTS		

GROWING FRAME (REGULAR AND FLARED) (QUICKIE TS)

(Effective 3/25/99, beginning serial number QT-25025)



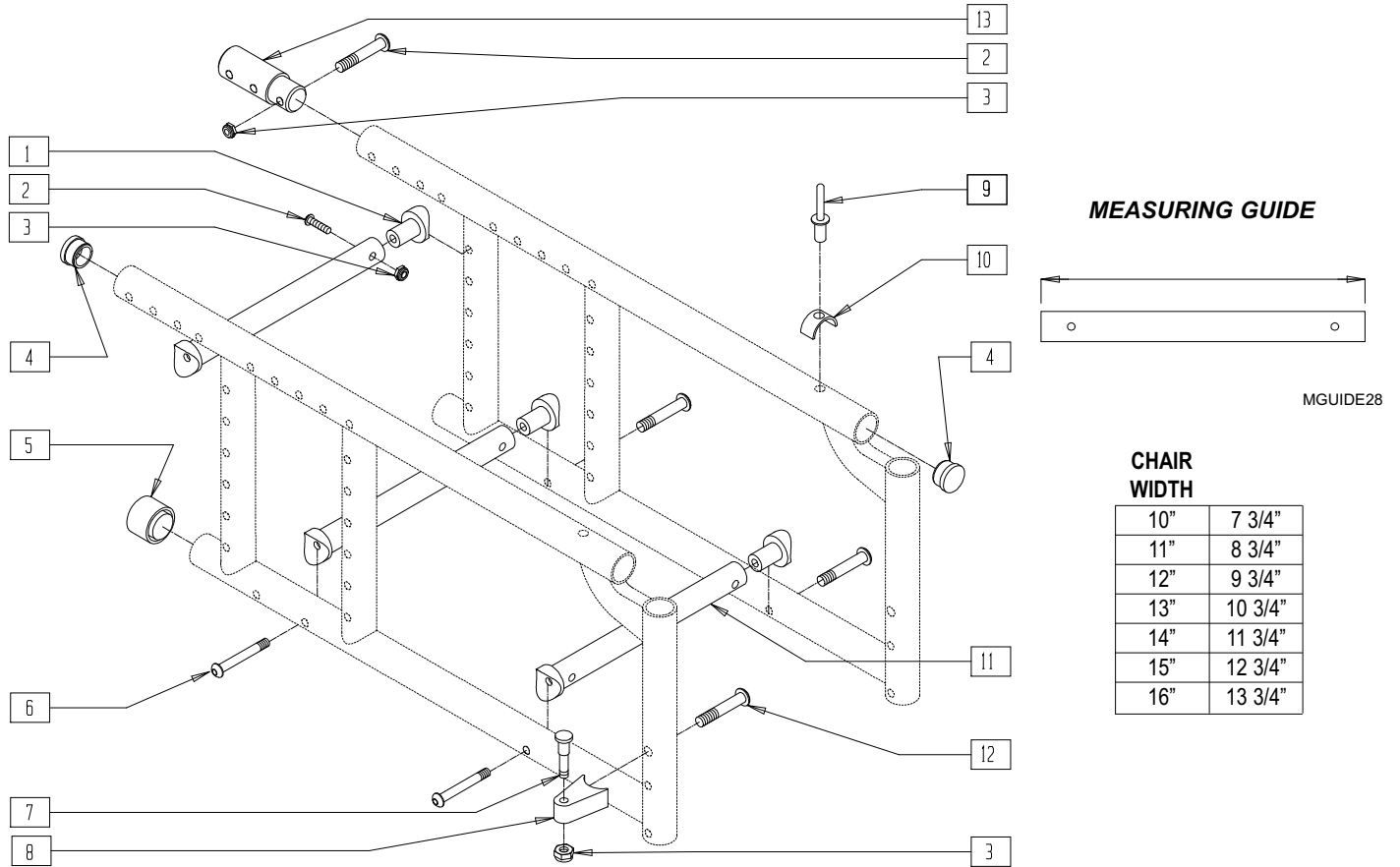
QTS30X13

ITEM	NUMBER	DESCRIPTION	QTY
1	561005	1" INSERT PLUG .125	2
2	550393	FRAME CLAMP TUBE QTS	2
3	226198	5/16-18 x 2 BH C/S SHT THREAD	8
4	540144	FRAME CLAMP LOWER WLDMNT QTS	1
5	202102	5/16-18 NYLOCK NUT THIN	8
6	201112	1/4-28 NUT THIN	16
7	221100	1/4-28 X 3/4 HEX C/S	16

ITEM	NUMBER	DESCRIPTION	QTY
1-7	661994	BASE FRAME GRWNG STRT SHT QTS	
	661995	BASE FRAME GRWNG STRT REG QTS	
	661996	BASE FRAME GRWNG STRT LNG QTS	
	661999	BASE FRAME GRWNG FLRD SHT QTS	
	661997	BASE FRAME GRWNG FLRD REG QTS	
	661998	BASE FRAME GRWNG FLRD LNG QTS	

FRAME (ZIPPIE)

(Discontinued 11/13/96; parts only)

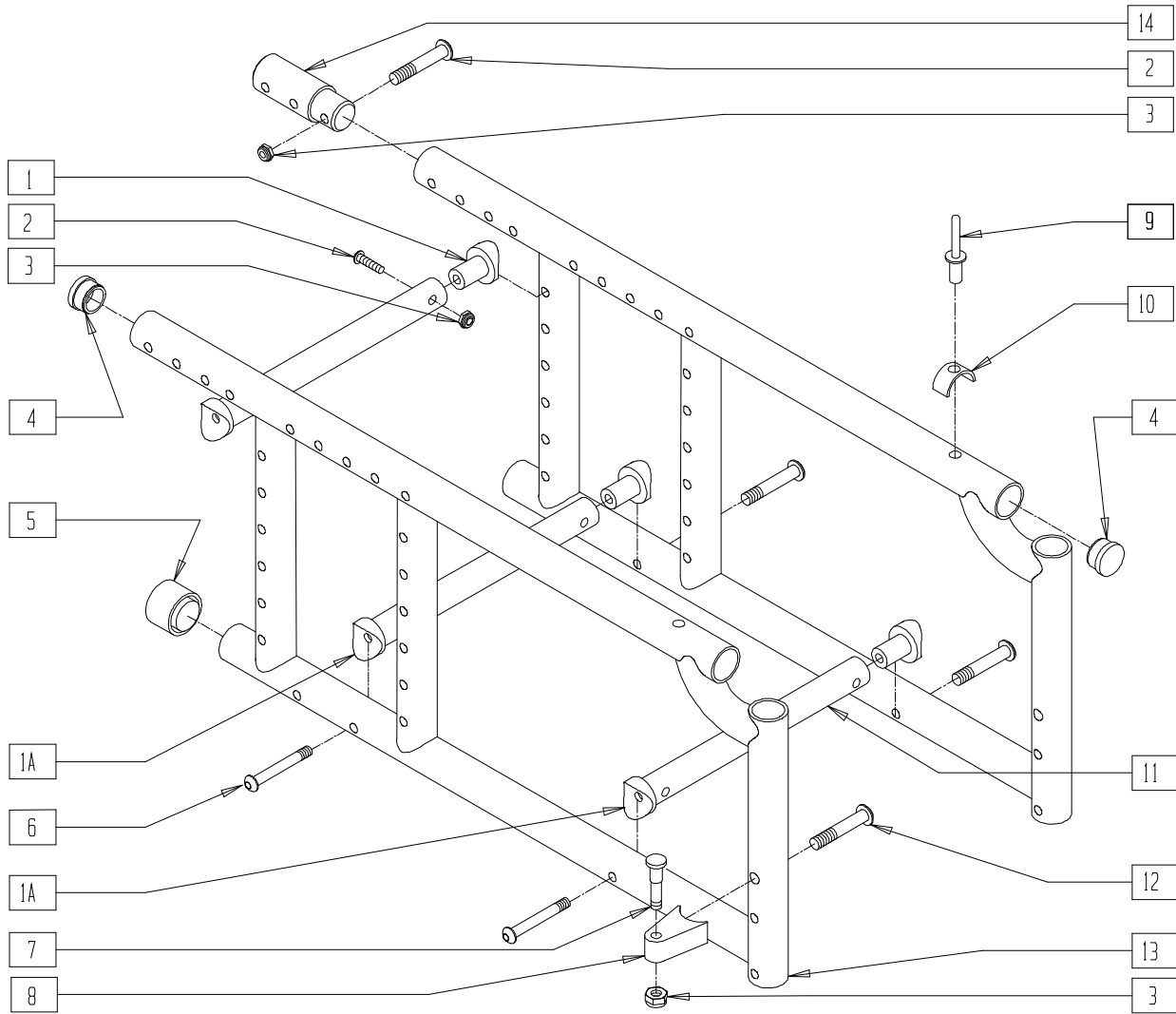


Z00X11

ITEM	NUMBER	DESCRIPTION	QTY
1	483038	STRUT SADDLE ZP/P5/KZ	6
2	226129	1/4-28 x 1 1/4 BH C/S	6
3	201100	1/4-28 NYLOCK NUT THIN	8
4	561002	1" INSERT PLUG .083	4
5	561014	1" MED CAP	2
6	226130	1/4-28 x 1 1/2 BH C/S	6
7	481023	S/A LATCH STUD NEW	2
8	551310	LATCH STUD SUPPORT BLK	2
9	240108	RIVET POP SSD64SSBS	2
10	550489	SEAT STOP	2

ITEM	NUMBER	DESCRIPTION	QTY
11	522802-522808	STRUT TUBE (10"-16") ZP/KZ	3
6,11	675012-675018	ZP/KIDZ GROWTH TUBE KIT 10"-16"	
12	226190	5/16-18 x 1 3/4 BH C/S SHLDR	2
13	483040	REAR FRAME EXT .083 (15"-16") ZP	2
1-3,6	920343	STRUT TUBE HDWR KIT ZP/KIDZ	
2,3,13	920318	ZP REAR FRAME EXT 2" W/HDWR	
3,7,8,12	921295	S/A LATCH ASSEMBLY W/BOLT BLK	

FRAME (ZIPPIE)
(Effective 11/13/96)



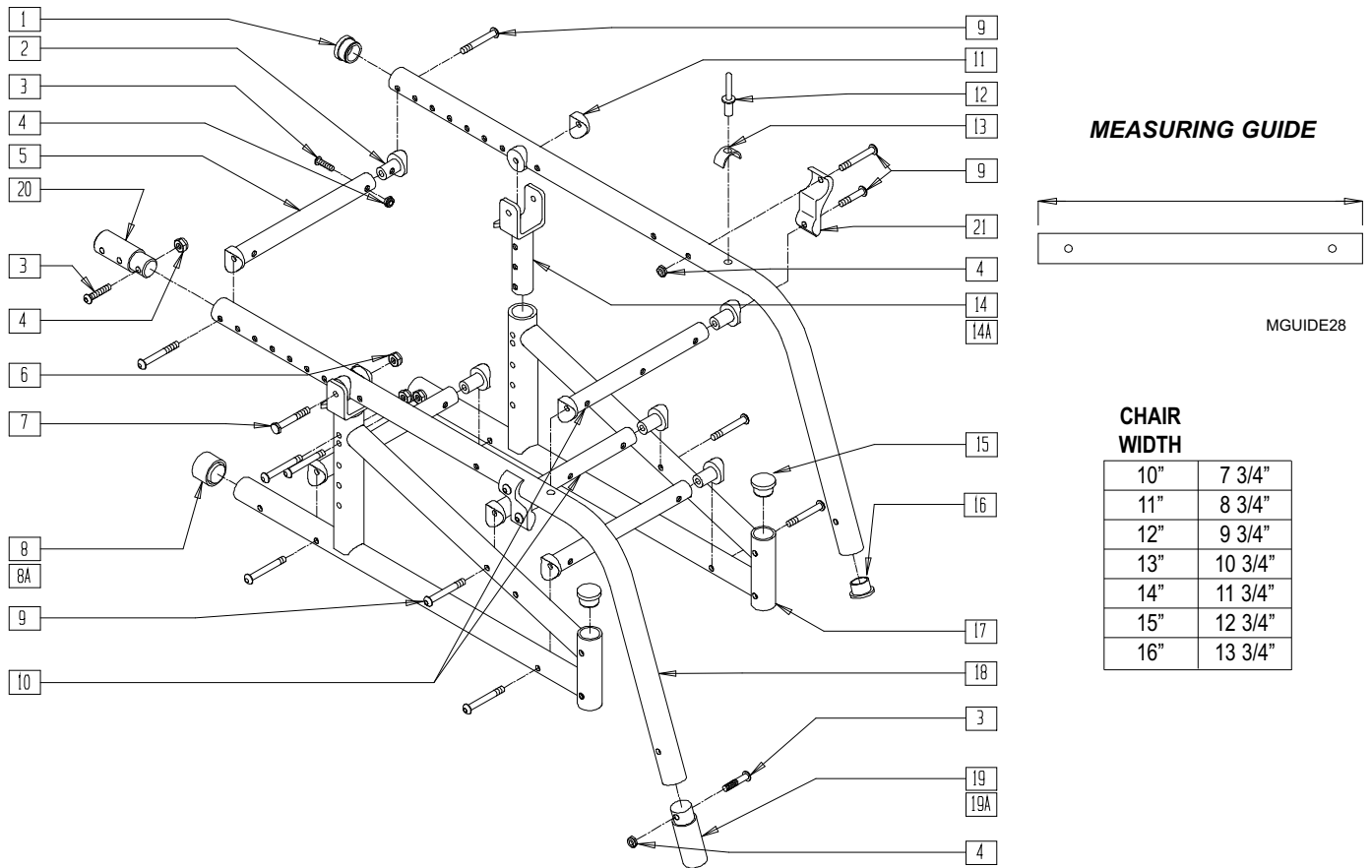
Z00X11A

ITEM	NUMBER	DESCRIPTION	QTY
1	483173	STRUT SADDLE 1 1/8 ZP (11"-12")	2
1A	483038	STRUT SADDLE ZP/P5/KZ (13"-16")	4-6
2	226129	1/4-28 x 1 1/4 BH C/S	6
3	201100	1/4-28 NYLOCK NUT THIN	8
4	561002	1" INSERT PLUG .083	4
5	561014	1" MED CAP	2
6	226130	1/4-28 x 1 1/2 BH C/S	6
7	481023	S/A LATCH STUD NEW	2
8	551310	LATCH STUD SUPPORT BLK	2
9	240108	RIVET POP SSD64SSBS	2
10	550489	SEAT STOP	2

ITEM	NUMBER	DESCRIPTION	QTY
11	522802-522808	STRUT TUBE 10"-16" ZP/KZ	3
	675012-675018	ZP/KIDZ GROWTH TUBE KIT 10"-16"	
12	226190	5/16-18 x 1 3/4 BH C/S SHLDR	2
14	483040	REAR FRAME EXT .083 15"-16" ZP	2
1-3,6	920394	STRUT TUBE HDWR KIT ZP/ 1 1/8" (11"-12")	
	920343	STRUT TUBE HDWR KIT ZP/KIDZ (13"-16")	
2,3,14	920318	ZP REAR FRAME EXT 2" W/HDWR	
4,5,9,10,13	920730	SIDE FRAME ASSEMBLY ZP 1 1/8" (SPECIFY COLOR)	
3,7,8,12	921295	S/A LATCH ASSEMBLY W/BOLT BLK	

FRAME (FIXED FRONT) (ZIPPIE TS)

(Discontinued 11/16/99; fits Zippie TS prior to serial number ZP-56988)



Z00X1

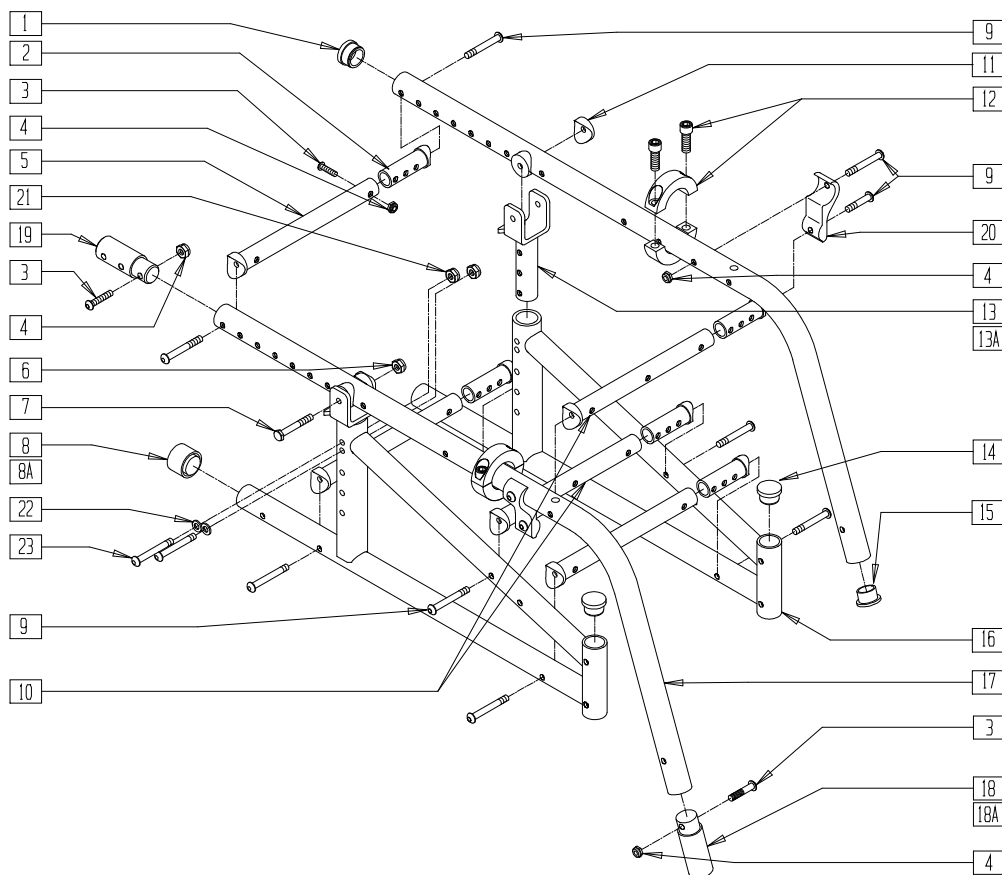
ITEM	NUMBER	DESCRIPTION	QTY
1	483039	1" INSERT PLUG ALUM ZP TS	2
2	483184	STRUT SADDLE ZGS	10
3	226129	1/4-28 x 1 1/4 BH C/S	12-14
4	201100	1/4-28 NYLOCK NUT THIN	12-14
5	522802-522806	STRUT TUBE (10"-14") ZP/KZ	3
6	201110	1/4-28 NYLOCK NUT	4
7	226150	1/4-28 x 2 BH C/S	2
8	561014	1" MED CAP	2
8A	561018	1" TUBE END BUSHING THICK	2
9	226130	1/4-28 x 1 1/2 BH C/S	14
10	522829***	STRUT TUBE 10" ZPTS GRW	2
	522830***	STRUT TUBE 12" ZPTS GRW	
	522831***	STRUT TUBE 14" ZPTS GRW	
11	561004	1" SADDLE 1/4" HOLE	4
12	240108	RIVET POP SSD64SSBS	2
13	550489	SEAT STOP	2
14	505251	TILT BRACKET ZP TS 45°	2
14A	505250	TILT BRACKET ZP TS 30°	2

ITEM	NUMBER	DESCRIPTION	QTY
15	561005	1" INSERT PLUG .125	2
16	561002	1" INSERT PLUG .083	2
8,15,17	660903	S/F PNTD ZP TS 1 1/8" (SPECIFY COLOR)	
2-4,9	920344	STRUT TUBE HARDWARE KIT ZP TS	
1,12,13,16,18	660900	TILT SEAT TUBE PNTD ZP TS (SPECIFY COLOR)	
19	483052	FOOTREST EXT 3" ZP TS	2
19A	483053	FOOTREST EXT 5" ZP TS	2
20	483040*	REAR FRAME EXT .083 (15"-16") ZP	2
21	550119	STRUT TUBE MOUNT BRACKET	2
3,4,19	920316	TS 3" FOOTREST EXT W/HARDWARE	
3,4,19A	920317	TS 5" FOOTREST EXT W/HARDWARE	
3,4,20	920318*	ZP REAR FRAME EXT 2" W/HARDWARE	
5,9,10	675080-675082	ZP TS GROWTH TUBE KIT (10"-16")	
4,9,14,21	901730	45° TS RETRO KIT	
6-9,11,14,15,17	920301	ZP TS SIDE FRAME W/HARDWARE	

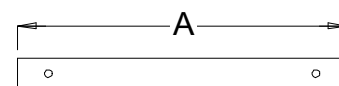
NOTE: WHEN GROWING CHAIR TO 15" OR 16", AN ADDITIONAL CYLINDER LOCK MECH IS NEEDED, ITEM 8A USED WITH 12" REAR WHEEL.
 NOTE: FOR LOCKING MECHANISM, SEE SECTION 15, MECHANICAL LOCK AND STRUT ASSEMBLIES.
 * THESE ITEMS USED FOR CHAIRS WITH (15"-16") SEAT DEPTH (17"-19" FRAME DEPTH).
 *** FOR SERIAL NUMBERS PRIOR TO ZP-56988, THESE PARTS MUST BE REPLACED AS SETS.

FRAME (FIXED FRONT) (ZIPPIE TS)

(Effective beginning serial number ZP-56988)



MEASURING GUIDE



MGUIDE28

CHAIR WIDTH

		A
SMALL	10"	7 3/4"
	11"	7 3/4"
	12"	7 3/4"
MEDIUM	12"	9 3/4"
	13"	9 3/4"
	14"	9 3/4"
LARGE	14"	11 3/4"
	15"	11 3/4"
	16"	11 3/4"

ZTS00X02A

ITEM	NUMBER	DESCRIPTION	QTY
1	483039	1" INSERT PLUG ALUM ZP TS	2
2	483184	STRUT SADDLE GROWING	10
3	226129	1/4-28 x 1 1/4 BH C/S	12-14
4	201100-QU	1/4-28 NYLOCK NUT THIN	12-14
5	522802-522806	STRUT TUBE (10"-14") ZP/KZ	3
6	201110	1/4-28 NYLOCK NUT	2
7	226150	1/4-28 x 2 BH C/S	2
8	561014	1" MED CAP	2
8A	561018	1" TUBE END BUSHING THICK	2
9	226130	1/4-28 x 1 1/2 BH C/S	10
10	522829***	STRUT TUBE 10" ZPTS GRW	2
	522830***	STRUT TUBE 12" ZPTS GRW	
	522831***	STRUT TUBE 14" ZPTS GRW	
11	561004	1" SADDLE 1/4" HOLE	4
12	342048	ADJ SEAT STOP 1"	2
13	505251	TILT BRACKET ZP TS 45°	2
13A	505250	TILT BRACKET ZP TS 30°	2
14	561005	1" INSERT PLUG .125	2
15	561002	1" INSERT PLUG .083	2

ITEM	NUMBER	DESCRIPTION	QTY
8,14,16	660903	S/F PNTD ZP TS 1 1/8" (SPECIFY COLOR)	
2-4,9	920461***	STRUT TUBE HDWR KT ZP TS GRW	
1,15,17	660900**	TILT SEAT TUBE PNTD ZP TS (SPECIFY COLOR)	
18	483052	FOOTREST EXT 3" ZP TS	2
18A	483053	FOOTREST EXT 5" ZP TS	2
19	483040*	REAR FRAME EXT .083 (15"-16") ZP	2
20	550119	STRUT TUBE MOUNT BRACKET	2
21	201100-QU	1/4-28 NYLOCK NUT THIN	4
22	262110-QU	1/4" AN WASHER FLAT THIN	4
23	221127	14-28 x 1 3/8 HEX C/S	4
3,4,18	920316	TS 3" FOOTREST EXT W/HDWR	
3,4,18A	920317	TS 5" FOOTREST EXT W/HDWR	
3,4,19	920318*	ZP REAR FRAME EXT 2" W/HDWR	
5,9,10	675080-675082	TS STRUT TUBE KIT SMALL, MEDIUM, LARGE GROWING	
4,9,13,20	901730	45° TS RETRO KIT	
6-9,11,13,14,16	920301	ZP TS SIDE FRAME W/HDWR	

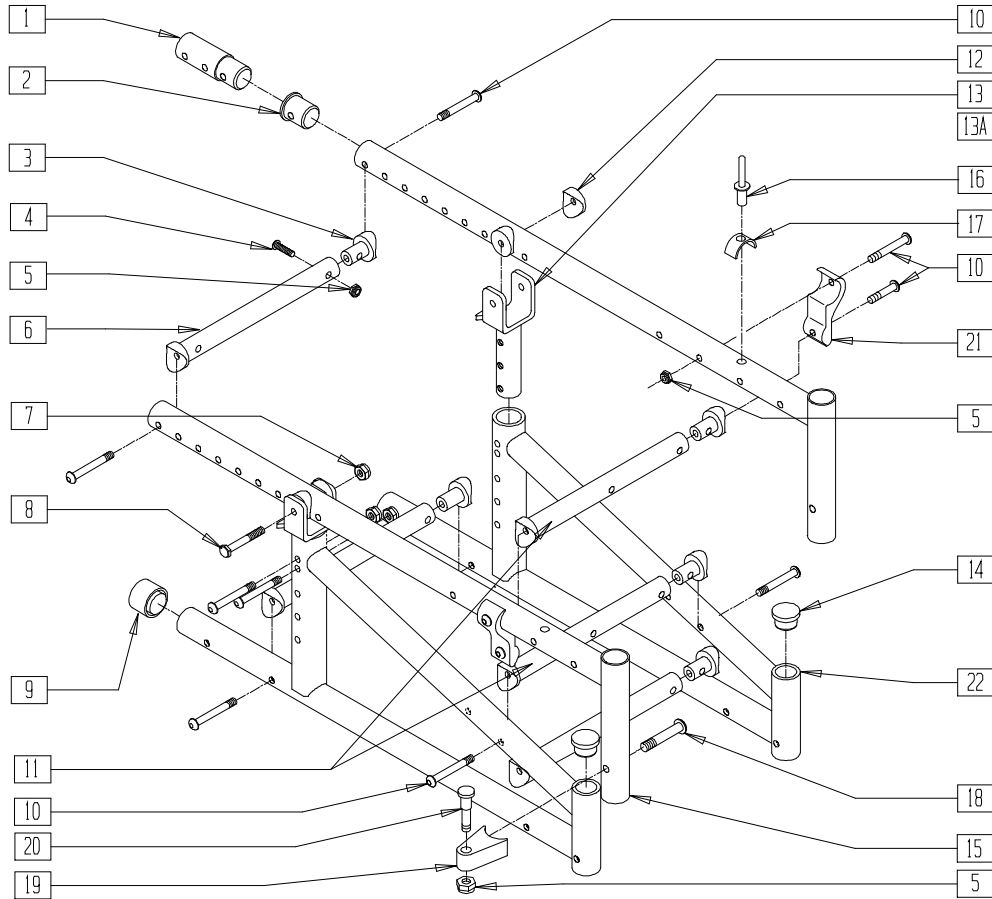
* THESE ITEMS USED FOR CHAIRS WITH 17"-18" SEAT DEPTH (19"-20" FRAME DEPTH).

** FOR SERIAL NUMBERS PRIOR TO ZP-56988, THESE PARTS MUST BE REPLACED AS A PAIR. THE MECH CYLINDER(S) MUST ALSO BE REPLACED. SEE LOCKING MECHANISM ON PAGE 15.5.

*** FOR SERIAL NUMBERS PRIOR TO ZP-56988, THESE PARTS MUST BE REPLACED AS SETS.

FRAME (SWING-AWAY) (ZIPPY TS)

(Discontinued 11/16/99; fits Zippy TS prior to serial number ZP-56988)



MEASURING GUIDE



MGUIDE28

CHAIR WIDTH

10"	7 3/4"
11"	8 3/4"
12"	9 3/4"
13"	10 3/4"
14"	11 3/4"
15"	12 3/4"
16"	13 3/4"

Z00X18

ITEM	NUMBER	DESCRIPTION	QTY
1	483088*	REAR FRAME EXT .065 15"-16" ZP	2
2	483089	SEAT TUBE PLUG S/A TS/P5	2
3	483038	STRUT SADDLE ZP/P5/KZ	10
4	226129	1/4-28 x 1 1/4 BH C/S	10
5	201100	1/4-28 NYLOCK NUT THIN	14
6	522802-522808	STRUT TUBE ZP/KZ 10"-16"	3
7	201110	1/4-28 NYLOCK NUT	2
8	226150	1/4-28 x 2 BH C/S	2
9	561018	1" TUBE END BUSHING THICK	2
10	226130	1/4-28 x 1 1/2 BH C/S	14
11	522829***	STRUT TUBE TS 10" ZP TS	2
	522830***	STRUT TUBE TS 12" ZP TS	
	522831***	STRUT TUBE TS 14" ZP TS	
12	561004	1" SADDLE 1/4" HOLE	4
13	505251	TILT BRACKET ZP TS 45°	2
13A	505250	TILT BRACKET ZP TS 30°	2

ITEM	NUMBER	DESCRIPTION	QTY
14	561005	1" INSERT PLUG .125	2
16	240108	RIVET POP SSD64SSBS	2
17	550489	SEAT STOP	2
18	226190	5/16-18 x 1 3/4 BH C/S SHLDR	2
19	551310	LATCH STUD SUPPORT BLK	2
20	481023	S/A LATCH STUD NEW	2
21	550119	STRUT TUBE MOUNT BRACKET	2
1,4,5	920309*	TS S/A 2" SEAT EXT W/HDWR	
2,15-17	660899	SEAT TUBE S/A PNTD TS/P5 (10"-14") (SPECIFY COLOR)	
3-5,10	920344	STRUT TUBE HDWR KIT ZP TS	
5,18-20	921295	S/A LATCH ASSEMBLY W/BOLT BLK	
6,10,11	675080-*** 675082	TS STRUT TUBE KIT SMALL, MEDIUM, LARGE GROWING	
13,5,10,21	901730	45° TS RETRO KIT	
7,8,10, 12-14,22	920301	ZP TS SIDE FRAME W/HDWR	

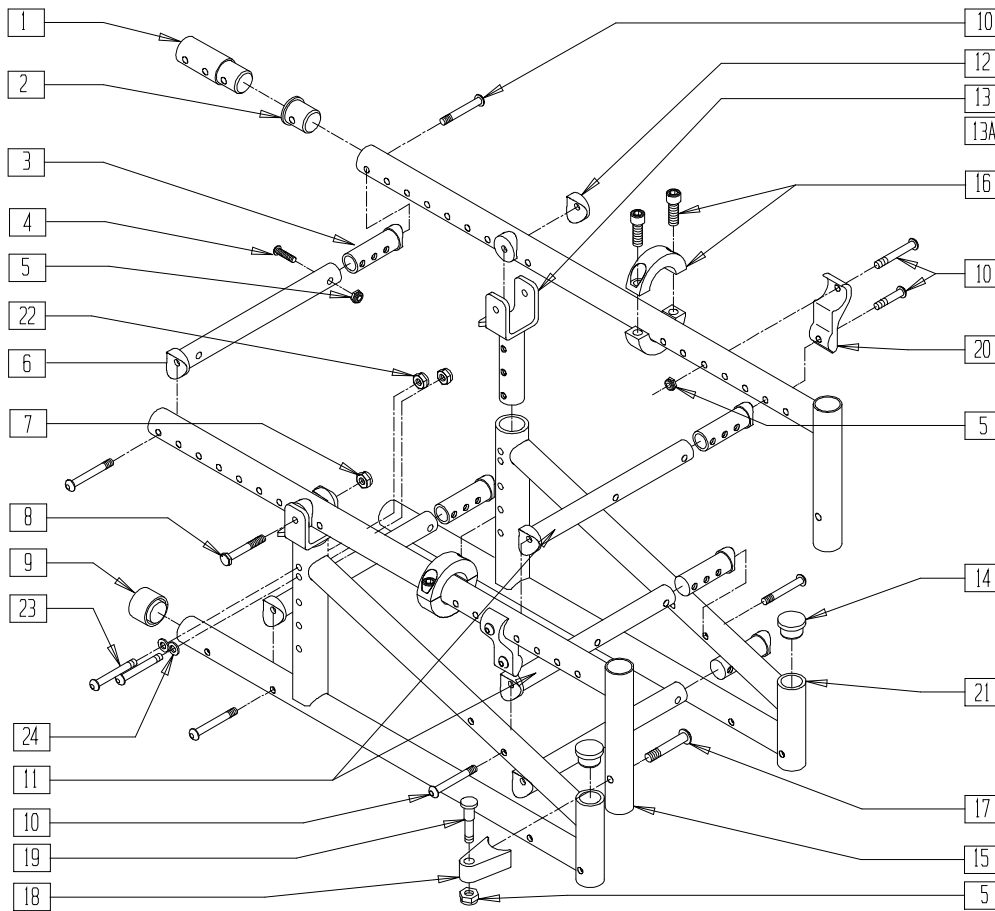
NOTE: WHEN GROWING CHAIR TO 15" OR 16", AN ADDITIONAL MECH CYLINDER LOCK IS NEEDED.

* THESE ITEMS USED FOR CHAIRS WITH 15"-16" SEAT DEPTH (17"-19" FRAME DEPTH).

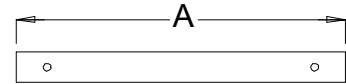
*** FOR SERIAL NUMBERS PRIOR TO ZP-56988, THESE PARTS MUST BE REPLACED AS SETS.

FRAME (SWING-AWAY) (ZIPPIE TS)

(Effective beginning serial number ZP-56988)



MEASURING GUIDE



MGUIDE28

		CHAIR WIDTH A	
		CHAIR WIDTH	A
SMALL	10"	7 3/4"	
	11"	7 3/4"	
	12"	7 3/4"	
MEDIUM	12"	9 3/4"	
	13"	9 3/4"	
LARGE	14"	9 3/4"	
	14"	11 3/4"	
	15"	11 3/4"	
	16"	11 3/4"	

ZTS00X01A

ITEM	NUMBER	DESCRIPTION	QTY
1	483088*	REAR FRAME EXT .065 15"-16" ZP	2
2	483089	SEAT TUBE PLUG S/A TS/P5	2
3	483184	STRUT SADDLE ZGS	10
4	226129	1/4-28 x 1 1/4 BH C/S	10
5	201100-QU	1/4-28 NYLOCK NUT THIN	14
6	522802-*** 522806	STRUT TUBE ZP/KZ 10"-14"	3
7	201110	1/4-28 NYLOCK NUT	2
8	226150	1/4-28 x 2 BH C/S	2
9	561018	1" TUBE END BUSHING THICK	2
10	226130	1/4-28 x 1 1/2 BH C/S	10
11	522829***	STRUT TUBE TS 10" ZP TS	2
	522830***	STRUT TUBE TS 12" ZP TS	
	522831***	STRUT TUBE TS 14" ZP TS	
12	561004	1" SADDLE 1/4" HOLE	4
13	505251	TILT BRACKET ZP TS 45°	2
13A	505250	TILT BRACKET ZP TS 30°	2
14	561005	1" INSERT PLUG .125	2

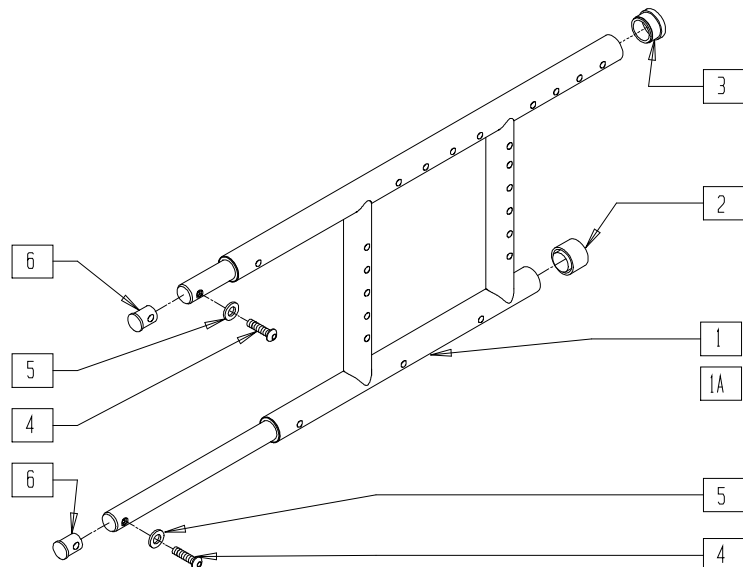
ITEM	NUMBER	DESCRIPTION	QTY
16	342048	ADJ SEAT STOP 1"	2
17	226190	5/16-18 x 1 3/4 BH C/S SHLDR	2
18	551310	LATCH STUD SUPPORT BLK	2
19	481023	S/A LATCH STUD NEW	2
20	550119	STRUT TUBE MOUNT BRACKET	2
22	201100-QU	1/4-28 NYLOCK NUT THIN	4
23	221127	1/4-28 x 1 3/8 HEX C/S	4
24	262110-QU	1/4 AN WASHER FLAT THIN	4
1,4,5	920309*	TS S/A 2" SEAT EXT W/HDWR	
2,15	660908-** 660909	SEAT TUBE S/A TS 19"-20" (NEW) (SPECIFY COLOR)	
3-5,10	920461	STRUT TUBE HDWR KT ZP TS GRW	
5,17-19	921295	S/A LATCH ASSEMBLY W/BOLT BLK	
6,10,11	675080-*** 675082	TS STRUT TUBE KIT SMALL, MEDIUM, LARGE GROWING	
5,10,13,20	901730	45° TS RETRO KIT	
7,8,10, 12-14,21	920301	ZP TS SIDE FRAME W/HDWR	

* THESE ITEMS USED FOR CHAIRS WITH 17"-18" SEAT DEPTH (19"-20" FRAME DEPTH).

** FOR SERIAL NUMBERS PRIOR TO ZP-56988, THESE PARTS MUST BE REPLACED AS A PAIR. THE MECH CYLINDER(S) MUST ALSO BE REPLACED. SEE LOCKING MECHANISM ON PAGE 15.5.

*** FOR SERIAL NUMBERS PRIOR TO ZP-56988, THESE PARTS MUST BE REPLACED AS SETS.

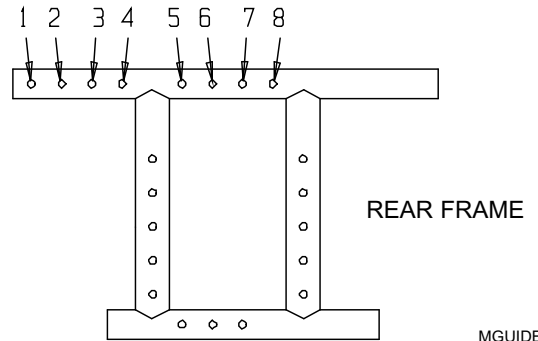
REAR SIDE FRAME (ZIPPIE 2)



Drawing shows left side

ZP200X01

MEASURING GUIDE



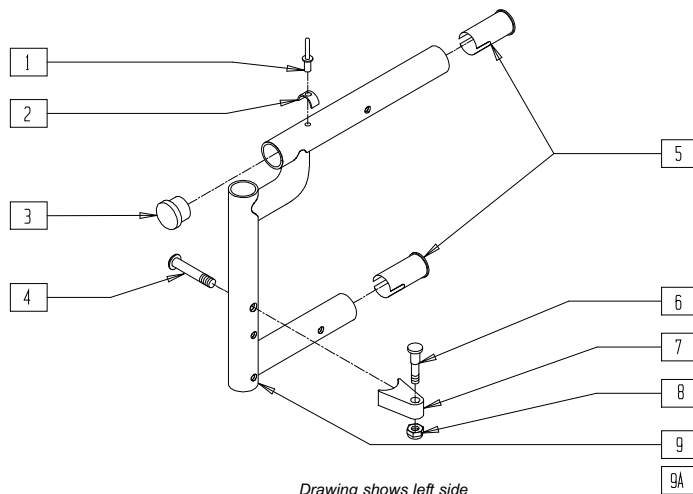
MGUIDE8

SEAT DEPTH	KIDS FRONT	REG. FRONT	SEAT DEPTH	KIDS FRONT	REG FRONT
10"	4 & 5	6 & 8	14"	1 & 3	2 & 4
11"	4 & 5	5 & 7	15"	N/A	2 & 4
12"	2 & 4	4 & 5	16"	N/A	1 & 3
13"	2 & 4	4 & 5			

ITEM	NUMBER	DESCRIPTION	QTY
2	561014	1" MED CAP	1
3	561002	1" INSERT PLUG .083	1
4	226120	1/4-20 x 1 BH C/S	2
5	262130	6mm WASHER WAVE	2

ITEM	NUMBER	DESCRIPTION	QTY
6	483001	Q2 FRAME/FOOT RETAINING PLUG	2
1-6	620160	REAR S/F PNTD R Z2 (SPECIFY COLOR)	
1A,2-6	620162	REAR S/F PNTD L Z2 (SPECIFY COLOR)	

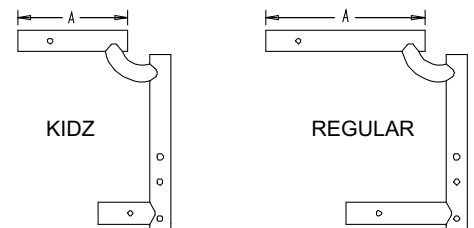
SWING-AWAY FRONT SIDE FRAME (ZIPPIE 2)



Drawing shows left side

ZP200X02

MEASURING GUIDE



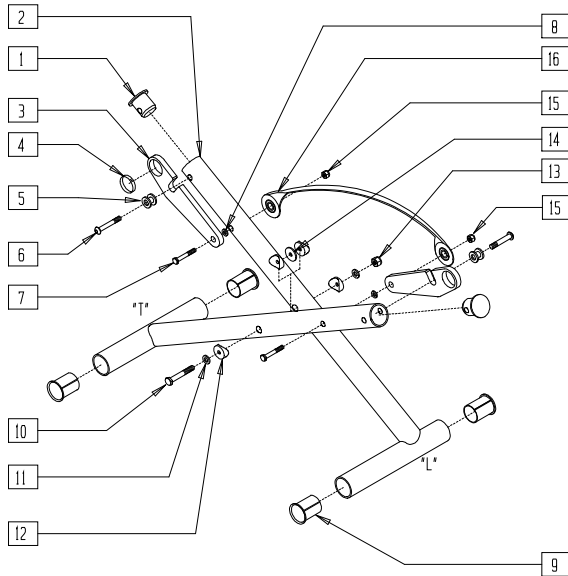
MGUIDE29

FRAME LENGTH	"A"
KIDS	5 1/4"
REG	7 3/8"

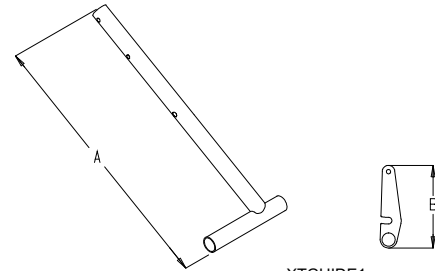
ITEM	NUMBER	DESCRIPTION	QTY
1	240108	RIVET POP SSD64SSBS	1
2	550489	SEAT STOP	1
3	561002	1" INSERT PLUG .083	1
4	226190	5/16-18 x 1 3/4 BH C/S SHLDR	1
5	560406	FRAME BUSHING	2
6	481023	S/A LATCH STUD NEW	1
7	551310	LATCH STUD SUPPORT BLK	1

ITEM	NUMBER	DESCRIPTION	QTY
8	201100	1/4-28 NYLOCK NUT THIN	1
1-3,5,9	640201	Z2 FRONT S/F REG PNTD S/A (SPECIFY COLOR)	
1-3,5,9A	640106	FRONT S/F KIDS S/A PNTD Z2 (SPECIFY COLOR)	
4,6-8	921295	S/A LATCH ASSM W/BOLT BLK	

CROSS TUBE ASSEMBLY (ZIPPIE 2)



MEASURING GUIDE



XTGUIDE1

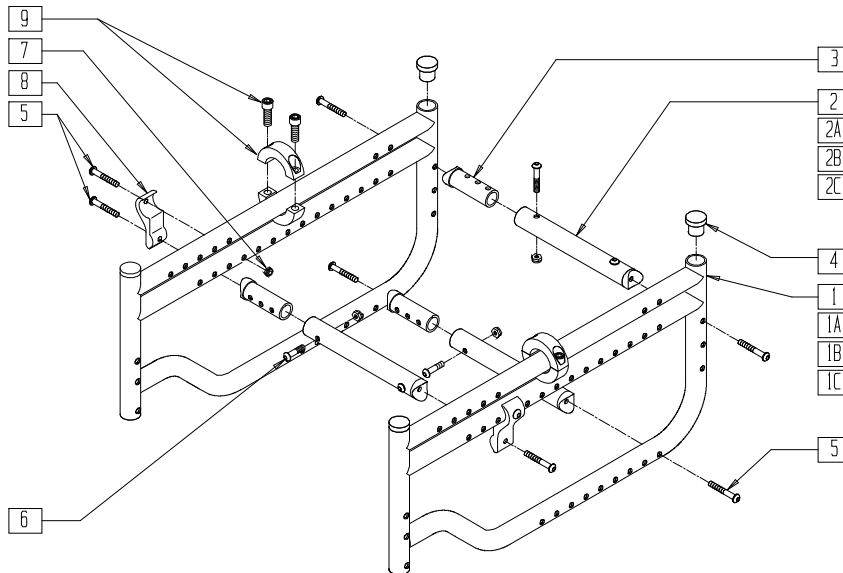
SEAT WIDTH	"A"	"B"
12"	13 3/8"	3 9/16"
13"	14 1/4"	4"
14"	15 1/8"	4 7/16"
15"	16"	4 7/8"
16"	16 7/8"	5 5/16"

ZP200X03

ITEM	NUMBER	DESCRIPTION	QTY
1	483120	Z2 X-TUBE PLUG	2
3	500510-500514	X-HINGE 12"-16" Z2	1
4	580200	TEFLON STRIP BEARING(S)	2
5	481089	Z2 X-HINGE SPACER	2
6	226130	1/4-28 x 1 1/2 BH C/S	2
7	221192	1/4-28 x 2 G8 HEX C/S	2
8	561028	1/4" NYLON WASHER	2
9	560402	3/4" ID NY-LINER	4

ITEM	NUMBER	DESCRIPTION	QTY
10	222249	5/16-24 x 3 G8 HEX C/S	1
11	263110-QU	5/16 AN WASHER FLAT THIN	2
12	561006	1" SADDLE 5/16" HOLE	4
13	202100-MJ	5/16-24 NYLOCK NUT THIN	1
14	561016	1" WASHER 5/16" HOLE	1
15	201110	1/4-28 NYLOCK NUT	2
16	750550	Z2 FOLDING STRAP	1
1-16	671101-671105	Z2 X-TUBE ASSEMBLY 12"-16"	

FRAME (ZIPPIE GS)

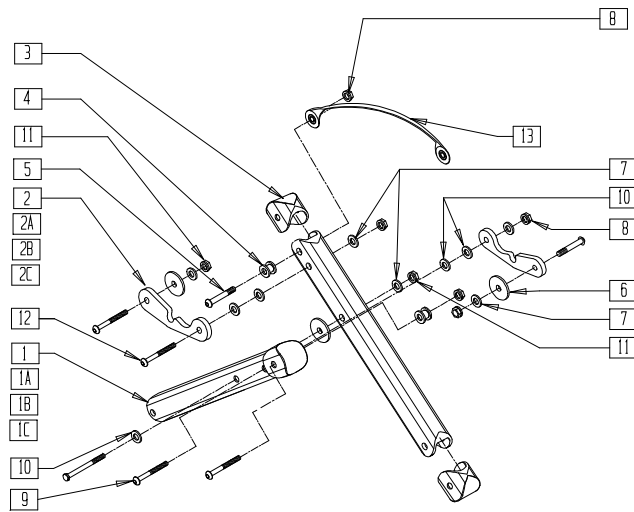


ZGS00X33

ITEM	NUMBER	DESCRIPTION	QTY
1,4	600010	SIDE FRM ASSM RIGID SHT 10"-14" ZGS	2
1A,4	600011	SIDE FRM ASSM RIGID REG 12"-16" ZGS	2
1B,4	600012	SIDE FRM ASSM RIGID LNG 14"-18" ZGS	2
1C,4	600013	SIDE FRM ASSM RIGID X-LNG 16"-20" ZGS	2
2	522802	STRUT TUBE 10"-11"-12"	3
2A	522804	STRUT TUBE 12"-13"-14"	3
2B	522806	STRUT TUBE 14"-15"-16"	3
2C	522808	STRUT TUBE 16"-17"-18"	3

ITEM	NUMBER	DESCRIPTION	QTY
3	483184	STRUT SADDLE ZGS	6
4	561005	1" INSERT PLUG .125	2
5	226130	1/4-28 x 1 1/2 BH C/S	8
6	226129	1/4-28 x 1 1/4 BH C/S	6
7	201100	1/4-28 NYLOCK NUT THIN	8
8	550119	STRUT TUBE MOUNT BRACKET	2
9	342048	ADJ SEAT STOP 1"	2

CROSS TUBE ASSEMBLY (ZIPPIE GS)

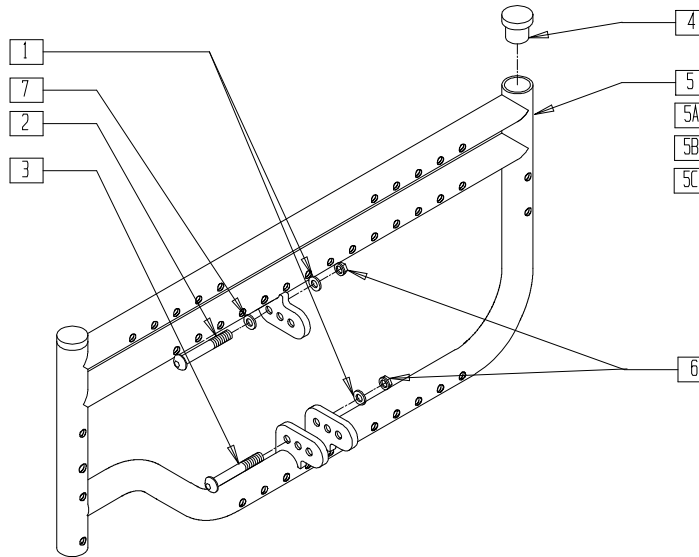


ZGS00X32

ITEM	NUMBER	DESCRIPTION	QTY
1-13	673100	X-TUBE ASSEMBLY 10"-12" ZGS	
1A,2A,3-13	673101	X-TUBE ASSEMBLY 12"-14" ZGS	
1B,2B,3-13	673102	X-TUBE ASSEMBLY 14"-16" ZGS	
1C,2C,3-13	673103	X-TUBE ASSEMBLY 16"-18" ZGS	
2	500520	X-HINGE ZGS SM 10"-12" ZGS	2
2A	500521	X-HINGE ZGS MED 12"-14" ZGS	2
2B	500522	X-HINGE ZGS LRG 14"-16" ZGS	2
2C	500523	X-HINGE ZGS X-LRG 16"-18" ZGS	2
3	562845	END CAP OVAL TUBE ZGS	4
4	481089	Z2 X-HINGE SPACER	2

ITEM	NUMBER	DESCRIPTION	QTY
5	226150	1/4-28 x 2 BH C/S	2
6	561016	1" WASHER 5/16" HOLE	3
7	262100-QU	1/4" AN WASHER FLAT	5
8	201110	1/4-28 NYLOCK NUT	2
9	221181	1/4-28 x 2 1/2 G8 HEX C/S	1
10	561028	1/4 NYLON WASHER	5
11	201100	1/4 NYLOCK NUT THIN	5
12	226140	1/4-28 x 1 3/4 BH C/S	2
13	750552	ZGS FOLDING STRAP	1

FOLDING SIDE FRAME (ZIPPIE GS)

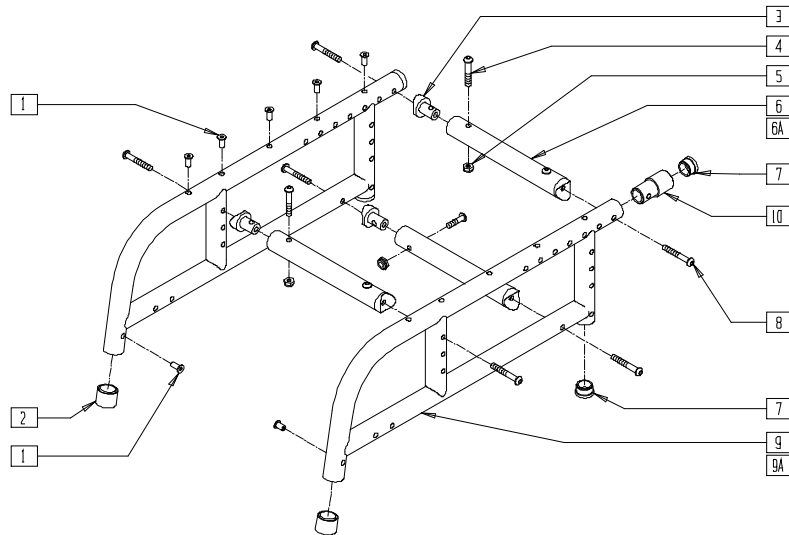


ZGS00X31

ITEM	NUMBER	DESCRIPTION	QTY
1	262100-QU	1/4 AN WASHER FLAT	2
2	226111	1/4-28 x 1 BH C/S SHLDR	1
3	226150	1/4-28 x 2 BH C/S	1
4	561005	1" INSERT PLUG .125	1
4,5	600020, 600030	SIDE F SHORT 10"-14" ZGS	
4,5A	600021, 600031	SIDE F REGULAR 12"-16" ZGS	

ITEM	NUMBER	DESCRIPTION	QTY
4,5B	600022, 600032	SIDE F LONG 14"-18" ZGS	
4,5C	600023, 600033	SIDE F X-LONG 16"-20" ZGS	
6	201100	1/4-28 NYLOCK NUT THIN	2
7	561028	1/4 NYLON WASHER	1

FRAME (QUICKIE KIDZ)



KDZ00X02

ITEM	NUMBER	DESCRIPTION	QTY
1	341497	10-32 x .020-.130 RIVNUT GOLD	10-12
2	561082	1" TUBE END BUSHING THIN	2
3	483038	STRUT SADDLE ZP/P5/KZ	6
4	226129	1/4-28 x 1 1/4 BH C/S	6
5	201100	1/4-28 NYLOCK NUT THIN	6
6	522802-522806	STRUT TUBE ZP/KZ 10"-14"	3
6A	675012-675016	ZP/KIDZ GROWTH TUBE KIT 10"-14"	1

ITEM	NUMBER	DESCRIPTION	QTY
7	561002	1" INSERT PLUG .083	4
8	226130	1/4-28 x 1 1/2 BH C/S	6
10*	483059	FRAME EXT WHEEL LOCKS KIDZ	2
1,2,7,9	620102	S/F PNTD KIDZ REG 8"-10" DEPTH (SPECIFY COLOR)	
1,2,7,9A	620103	S/F PNTD KIDZ LONG 11"-14" DEPTH (SPECIFY COLOR)	
3-5,8	920343	STRUT TUBE HDWR KIT ZP/KIDZ	

*NOTE: ORDER ITEM 10 FOR CHAIRS WITH 16" WHEELS.

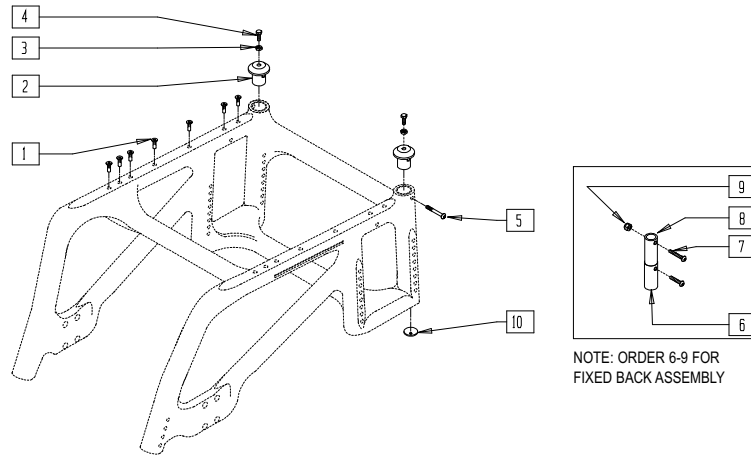
Rigid Frames

IN THIS SECTION

Frame (Quickie Carbon) (Disc.).....	3.1	AdjustableFrame (Quickie R2).....	3.7
Frame (Quickie EX) (Disc.).....	3.1	Frame (Quickie ST/DT) (Disc.).....	3.8
Frame (Quickie GP 70°).....	3.2	Frame (Quickie ST/DT).....	3.8
Frame (Quickie 1 (Disc.)/GP Swing-away).....	3.2	Frame (Quickie Ti Titanium).....	3.9
Frame (Quickie GPS)(Disc.).....	3.3	Frame (Quickie TNT)(Disc.).....	3.9
Frame (Quickie GPS 75°)(Disc.).....	3.3	Frame (Quickie Triumph)(Disc.).....	3.10
Frame (Quickie GPS Titanium 75°)(Disc.).....	3.4	Frame (Quickie XTR).....	3.11
Frame (Quickie GPV/GPV Competition).....	3.5	Rock Shox™ (Quickie XTR).....	3.11
Frame (Quickie R2).....	3.6		

FRAME (QUICKIE CARBON)

(Discontinued 3/1/95 - parts only)



NOTE: ORDER 6-9 FOR
FIXED BACK ASSEMBLY

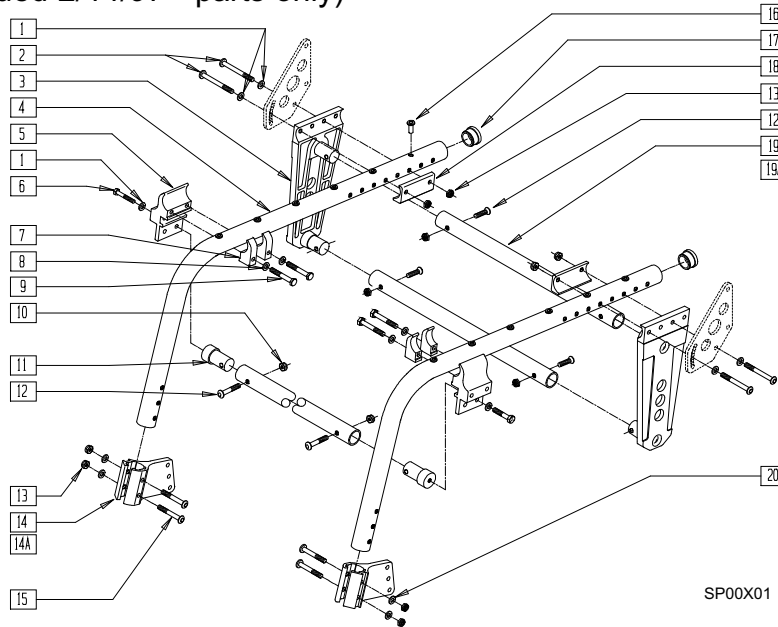
QCB0X01

ITEM	NUMBER	DESCRIPTION	QTY
1	341510	RIVNUT S10 P175	12
2	483104	QC BACKREST INSERT F BACK	2
3	201112	1/4-28 NUT THIN	2
4	221100	1/4-28 x 3/4 HEX C/S	2
5	226130	1/4-28 x 1 1/2 BH C/S	2

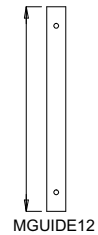
ITEM	NUMBER	DESCRIPTION	QTY
6	226110	1/4-28 x 1 BH C/S	2
7	226125	1/4-28 x 1 1/8 BH C/S	2
8	483105	QC BACK SUPPORT NF BACK	2
9	201100	1/4-28 NYLOCK NUT THIN	2
10	561023	QC 1" DOME CAP	2

FRAME (QUICKIE EX)

(Discontinued 2/14/97 - parts only)



MEASURING GUIDE



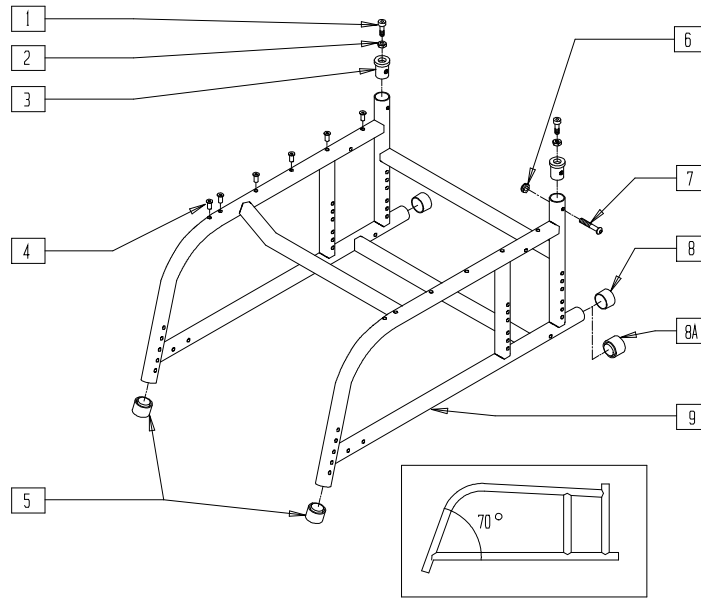
CHAIR WIDTH	
14"	12 7/8"
15"	13 7/8"
16"	14 7/8"
17"	15 7/8"
18"	16 7/8"
19"	17 7/8"
20"	18 7/8"

SP00X01

ITEM	NUMBER	DESCRIPTION	QTY
1	262110	1/4 AN WASHER FLAT THIN	6
2	226150	1/4-28 x 2 BH C/S	4
3	501006	AXLE PLATE EX	2
5	550254	BRAKE CLAMP EX	2
6	221100	1/4-28 x 3/4 HEX C/S	2
7	550253	WHEEL LOCK CLAMP EX	4
8	262100-QU	1/4" AN WASHER FLAT	4
9	221124	1/4-28 x 1 1/4 G8 HEX C/S	4
10	201100	1/4-28 NYLOCK NUT THIN	2
11	483034	STRUT END EX	2
12	226129	1/4-28 x 1 1/4 BH C/S	6
13	201110	1/4-28 NYLOCK NUT	8
14	550318	CASTER PLATE BRACKET R EX	1

ITEM	NUMBER	DESCRIPTION	QTY
14A	550319	CASTER PLATE BRACKET L EX	1
15	226140	1/4-28 x 1 3/4 BH C/S	4
16	341497	10-32 x .020-130 RIVNUT GOLD	12
17	561103	1 1/8" INSERT PLUG .083	2
18	550476	AXLE PLATE CLAMP EX	2
19	522784- 522790	STRUT TUBE 14"-20" EX	3
19A	675064- 675070	EX GROWTH TUBE KIT 14"-20"	1
20	262130	6mm WASHER WAVE	4
5,7-9	880595	WHEEL LOCK CLAMP EX	
4,16,17	605050	SIDE FRAME PNTD EX (SPECIFY COLOR)	2

FRAME (QUICKIE GP 70°)



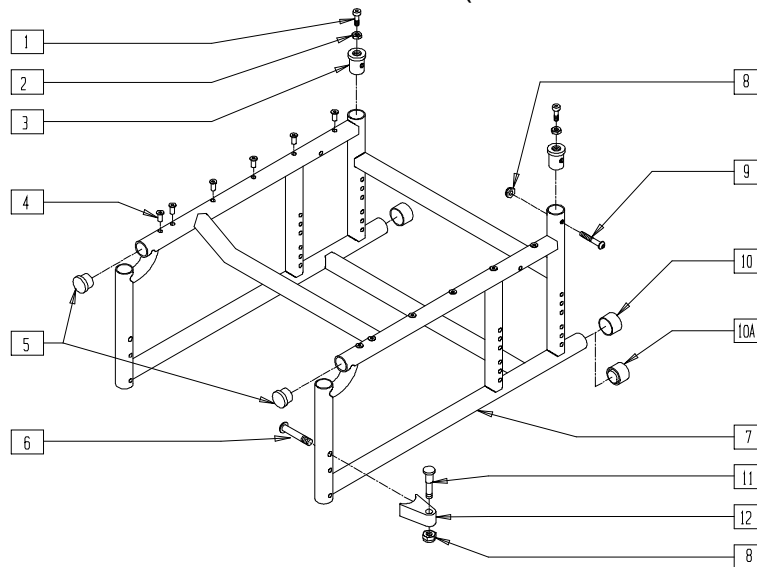
Q10X05

ITEM	NUMBER	DESCRIPTION	QTY
1	226058	1/4-20 x 3/4 SOC C/S	2
2	201121	1/4-20 NUT THIN	2
3	483010	Q1/GP BACK REL ANGLE PLUG	2
4	341497	10-32 x .020-.130 RIVNUT GOLD	8-14
5	561082	1" TUBE END BUSHING THIN	2
6	201100	1/4-28 NYLOCK NUT THIN	2

ITEM	NUMBER	DESCRIPTION	QTY
7	226130	1/4-28 x 1 1/2 BH C/S	2
8	561014	1" MED CAP	2
8A	561018	1" TUBE END BUSHING THICK	2
1-9	601998	FRAME STD GP 70° PAINTED (SPECIFY DIMENSIONS AND COLOR)	

NOTE: ORDER ITEM 8A FOR CHAIRS WITH ANTI-TIP TUBES THAT MOUNT IN FRAME TUBE.

FRAME (QUICKIE 1/GP SWING-AWAY) (Quickie 1 discontinued 12/90 - parts only)



Q10X03

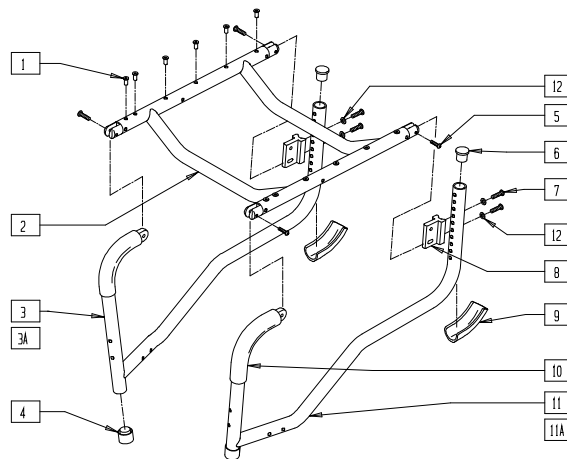
ITEM	NUMBER	DESCRIPTION	QTY
1	226058	1/4-20 x 3/4 SOC C/S	2
2	201121	1/4-20 NUT THIN	2
3	483010	Q1/GP BACK REL ANGLE PLUG	2
4	341497	10-32 x .020-.130 RIVNUT GOLD	8-14
5	561002	1" INSERT PLUG .083	2
6	226190	5/16-18 x 1 3/4 BH C/S SHLDR	2
8	201100	1/4-28 NYLOCK NUT THIN	4
9	226130	1/4-28 x 1 1/2 BH C/S	2

ITEM	NUMBER	DESCRIPTION	QTY
10	561014	1" MED CAP	2
10A*	561018	1" TUBE END BUSHING THICK	2
11	481023	S/A LATCH STUD NEW	2
12	550310	LATCH STUD SUPPORT	2
6,8,11,12	920220	S/A LATCH ASSEMBLY W/BOLT	
1-5,7-10	603898	FRAME STD GP S/A PAINTED (SPECIFY DIMENSIONS AND COLOR)	

*NOTE: ORDER ITEM 10A FOR CHAIRS WITH ANTI-TIP TUBES THAT MOUNT IN FRAME TUBE.

FRAME (QUICKIE GPS)

(Discontinued 2/01-Parts only.)



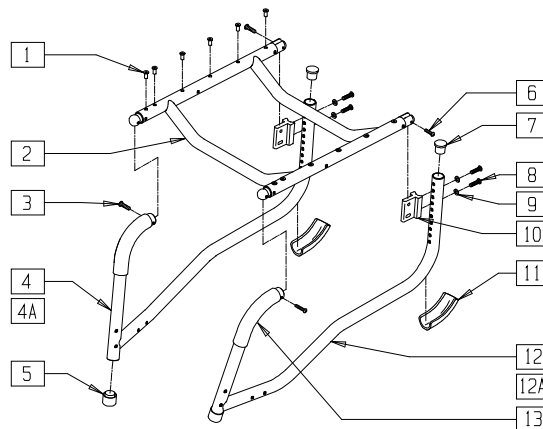
GBL00X01

ITEM	NUMBER	DESCRIPTION	QTY
1	341497	10-32 x .020-.130 RIVNUT GOLD	12
1,2,5	661020	SEAT FRAME PNTD 85° GPS (SPECIFY DIMENSIONS AND COLOR)	1
3,4,6, 9,10	600004- 600008	S/F REG PNTD R 85° GPS 14"-18" (SPECIFY COLOR)	1
3A,4,6, 9,10	600014- 600018	S/F TALL PNTD R 85° GPS 14"-18" (SPECIFY COLOR)	1
4	561082	1" TUBE END BUSHING THIN	2
5	226100	1/4-28 x 3/4 BH C/S	4
6	561002	1" INSERT PLUG .083	2
7	226130	1/4-28 x 1 1/2 BH C/S	4
8	550214	SEAT ADJ BRACKET	2

ITEM	NUMBER	DESCRIPTION	QTY
9	560413	REAR FRAME BUMPER GPS	2
10	560611	7 x .940 x .125 FOAM GRIP	2
12	262130	6mm WASHER WAVE	4
4,6,9, 10,11	600104- 600108	S/F REG PNTD L 85° GPS 14"-18" (SPECIFY COLOR)	1
4,6,9 10,11A	600114- 600118	S/F TALL PNTD L 85° GPS 14"-18" (SPECIFY COLOR)	1
1-12	600054- 600058	FRAME PNTD REG 85° GPS 14"-18" (SPECIFY DIMENSIONS AND COLOR)	
1,2,3A, 4-10, 11A,12	600064- 600068	FRAME PNTD TALL 85° GPS 14"-18" (SPECIFY DIMENSIONS AND COLOR)	

FRAME (QUICKIE GPS 75°)

(Discontinued 2/01-Parts only.)

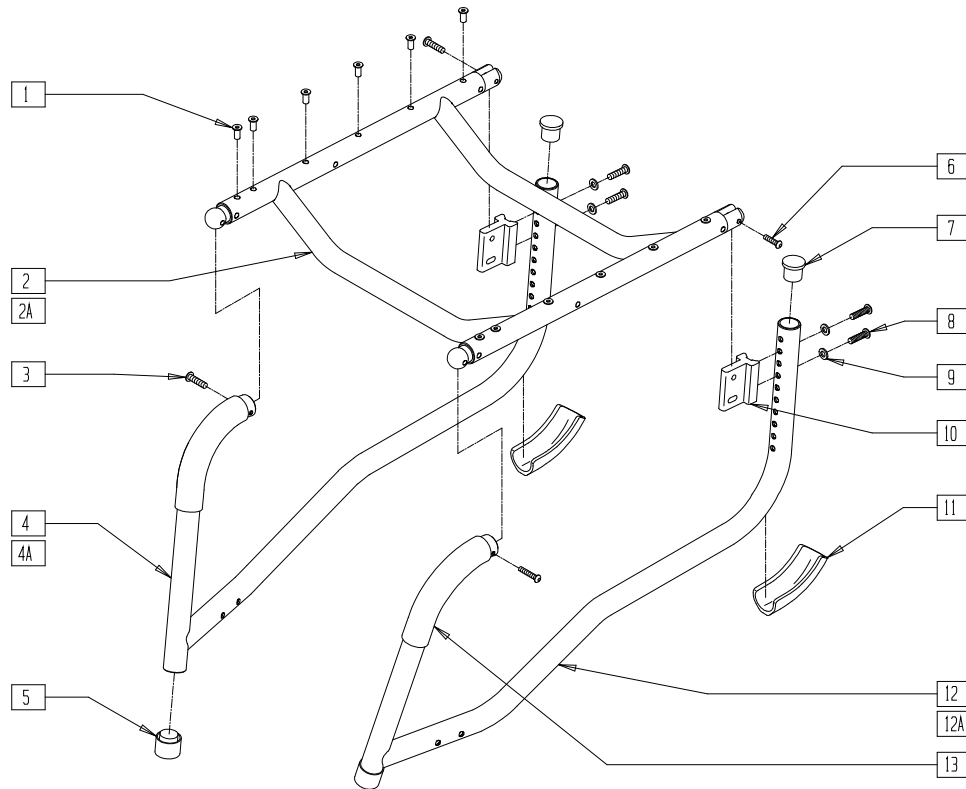


GBL00X25

ITEM	NUMBER	DESCRIPTION	QTY
1	341497	10-32 x .020-.130 RIVNUT GOLD	12
2	661021	SEAT FRAME PNTD 75° GPS (SPECIFY DIMENSIONS AND COLOR)	1
3	226110	1/4-28 x 1 BH C/S	2
4,5,7, 11,13	600024- 600028	S/F REG PNTD 14"-18" 75° R GPS (SPECIFY COLOR)	
4A,5,7, 11,13	600034- 600038	S/F TALL PNTD 14"-18" 75° R GPS (SPECIFY COLOR)	
5	561082	1" TUBE END BUSHING THIN	2
6	226100	1/4-28 x 3/4 BH C/S	2
7	561002	1" INSERT PLUG .083	2
8	226130	1/4-28 x 1 1/2 BH C/S	4

ITEM	NUMBER	DESCRIPTION	QTY
9	262130	6mm WASHER WAVE	4
10	550214	SEAT ADJ BRACKET	2
11	560413	REAR FRAME BUMPER GPS	2
13	560611	7 x .940 x .125 FOAM GRIP	2
5,7,11, 12,13	600124- 600128	S/F REG PNTD 14"-18" 75° L GPS (SPECIFY COLOR)	
5,7,11, 12A,13	600134- 600138-	S/F TALL PNTD 14"-18" 75° L GPS (SPECIFY COLOR)	
1-13	600074- 600078	FRAME PNTD REG 14"-18" 75° GPS (SPECIFY COLOR)	
1-11, 12A,13	600084- 600088	FRAME PNTD TALL 14"-18" 75° GPS (SPECIFY COLOR)	

FRAME (QUICKIE GPS TITANIUM 75°)
 (Discontinued 2/01-Parts only.)

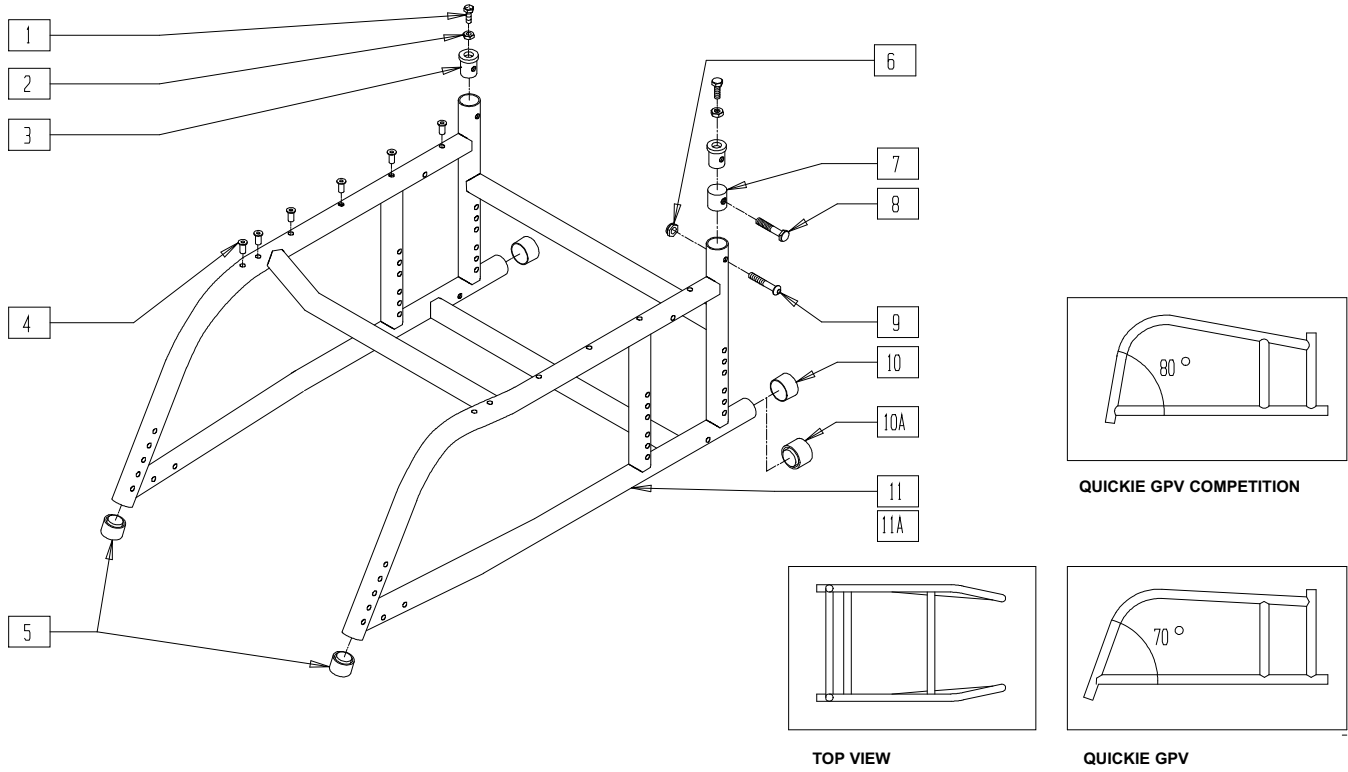


GBL00X26

ITEM	NUMBER	DESCRIPTION	QTY
1	341497	10-32 x .020-.130 RIVNUT GOLD	12
2	661022	SEAT FRAME PNTD 75° GPS Ti (SPECIFY DIMENSIONS AND COLOR)	1
2A	661024- 661028	SEAT FRAME Ti 14"-18" GPS (SPECIFY WIDTH)	1
3	226110	1/4-28 x 1 BH C/S	2
4,5,7, 11,13	600144- 600148	S/F REG Ti 14"-18" 75° R GPS	1
4A,5, 7,11,13	600154- 600158	S/F TALL Ti 14"-18" 75° R GPS	1
5	561018	1" TUBE END BUSHING THICK	2
6	226100	1/4-28 x 3/4 BH C/S	2
7	560995	1" INSERT PLUG .036	2
8	226130	1/4-28 x 1 1/2 BH C/S	4
9	262130	6mm WASHER WAVE	4

ITEM	NUMBER	DESCRIPTION	QTY
10	550214	SEAT ADJ BRACKET	2
11	560413	REAR FRAME BUMPER GPS	2
13	560611	7 x .940 x .125 FOAM GRIP	2
5,7,11, 12,13	600244- 600248	S/F REG Ti 14"-18" 75° L GPS	
5,7,11, 12A,13	600254- 600258	S/F TALL Ti 14"-18" 75° L GPS	
1-13	600174- 600178	FRAME Ti/AL REG 14"-18" 75° GPS	
1-3,4A, 5-13	600184- 600188	FRAME Ti/AL TALL 14"-18" 75° GPS	
1,2A, 3-13	600094- 600098	FRAME Ti REG 14"-18" 75° GPS	
1,2A,3, 4A,5-13	600194- 600198	FRAME Ti TALL 14"-18" 75° GPS	

FRAME (QUICKIE GPV/GPV COMPETITION)



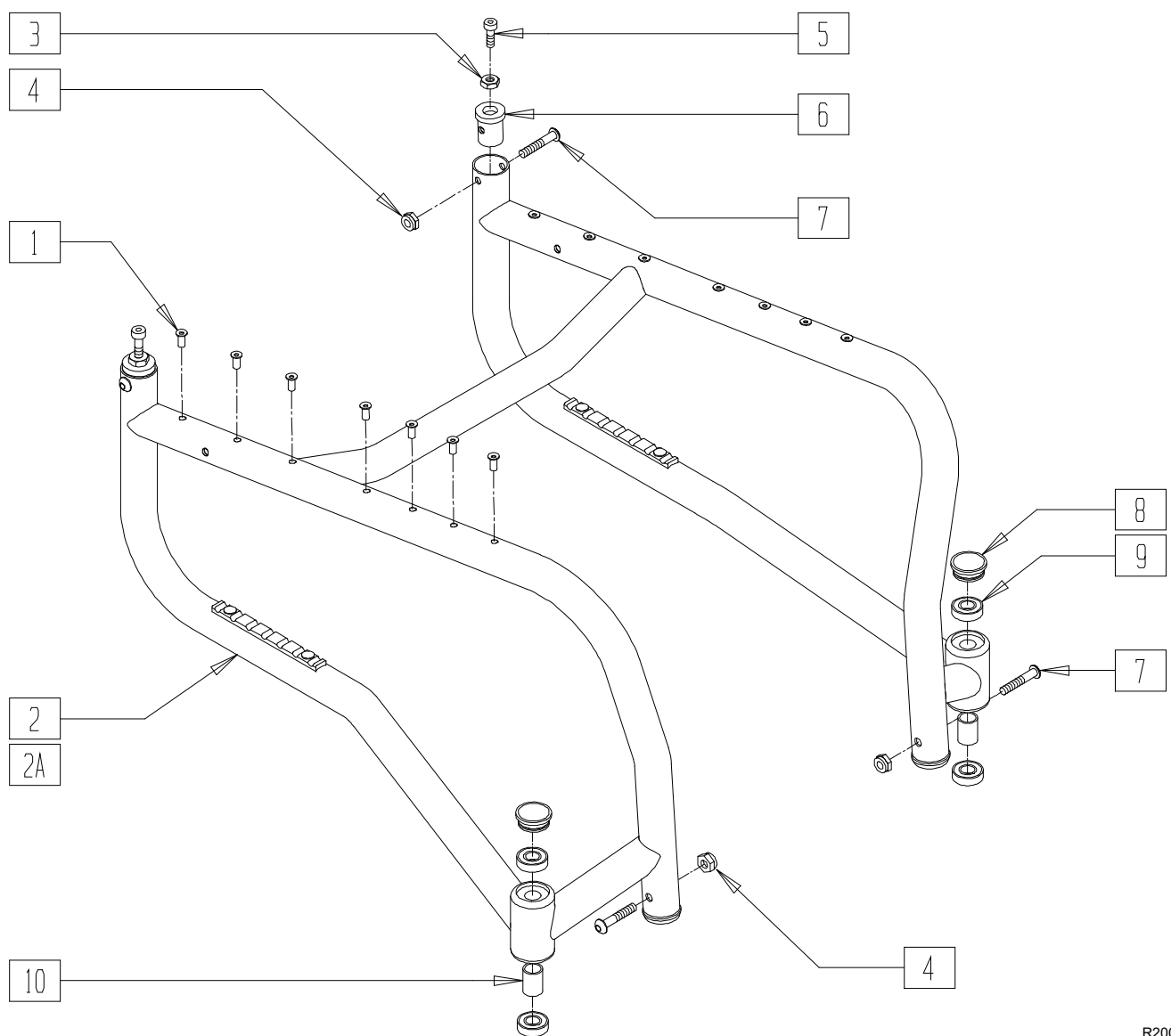
Q10X04

ITEM	NUMBER	DESCRIPTION	QTY
1	226058	1/4-20 x 3/4 SOC C/S	2
2	201121	1/4-20 NUT THIN	2
3	483010	Q1/GP BACK REL ANGLE PLUG	2
4	341497	10-32 x .020-.130 RIVNUT GOLD	8-14
5	561082	1" TUBE END BUSHING THIN	2
6	201100	1/4-28 NYLOCK NUT THIN	2
7	483007	H/M CASTER/GPV COMP INSERT	2
8	221130	1/4-28 x 1 1/2 HEX C/S	2

ITEM	NUMBER	DESCRIPTION	QTY
9	226130	1/4-28 x 1 1/2 BH C/S	2
10	561014	1" MED CAP	2
10A	561018	1" TUBE END BUSHING THICK	2
1-6, 9-11	602498	FRAME STD GPV 70° PNTD (SPECIFY DIMENSIONS AND COLOR)	
1-6, 9, 10, 11A	602499	FRAME GPV 80° COMPETITION PNTD (SPECIFY DIMENSIONS AND COLOR)	

NOTE: ORDER ITEM 10A FOR CHAIRS WITH ANTI-TIP TUBES THAT MOUNT IN FRAME TUBE.

FRAME (QUICKIE R2)

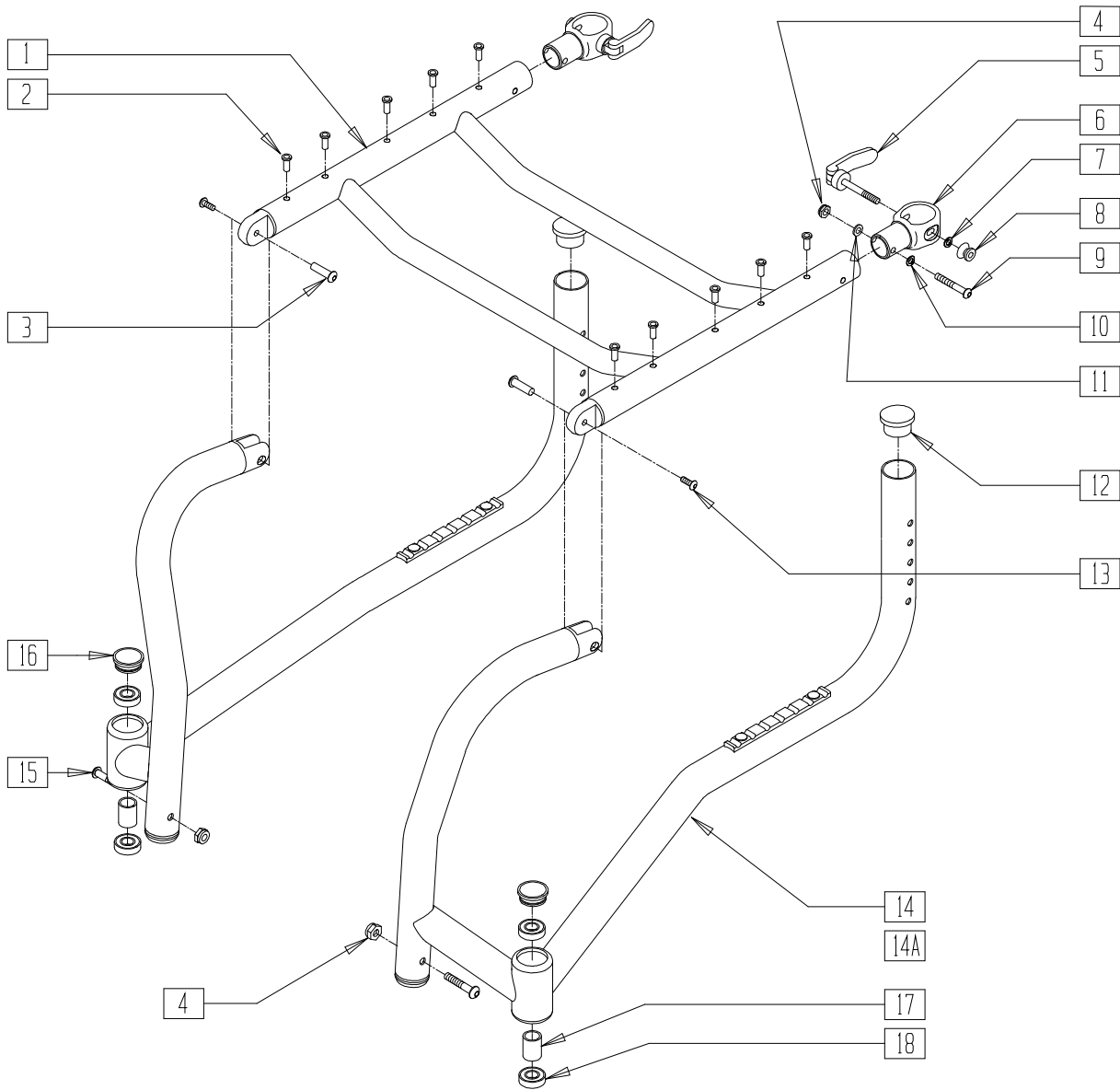


R200X01

ITEM	NUMBER	DESCRIPTION	QTY
1	341497	10-32 x .020-.130 RIVNUT GOLD	8-14
3	201121	1/4-20 NUT THIN	2
4	201100-QU	1/4-28 NYLOCK NUT THIN	4
5	226058	1/4-20 x 3/4 SOC C/S	2
6	483251	BACKREST REL PLUG A/C	2
7	226130	1/4-28 x 1 1/2 BH C/S	4
8	561070	CASTER CAP PLASTIC	2
	920028	CASTER CAP PLASTIC (PR)	1

ITEM	NUMBER	DESCRIPTION	QTY
9	349500	1 1/8 x 1/2 BEARING	4
10	521626	CASTER STEM SPACER R2	2
1-10	602700- 602766	FRAME PTD RIGID R2 2" SQZ (14" x 12" - 20" x 18")	
1,2A,3-10	602800- 602866	FRAME PTD RIGID R2 3" SQZ (14" x 12" - 20" x 18")	

ADJUSTABLE FRAME (QUICKIE R2)

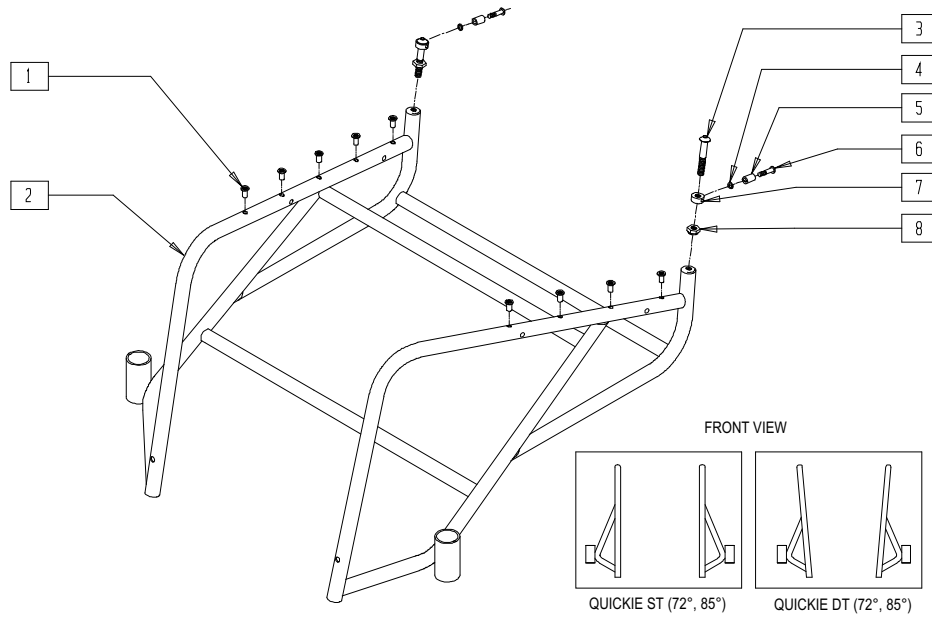


R200X04

ITEM	NUMBER	DESCRIPTION	QTY
1-11,13	660600-660666	SEAT FRAME PNTD R2 (14" x 12" - 20" x 18")	
2	341497	10-32 x .020-.130 RIVNUT GOLD	10-14
3	221213	10-32 x 7/8" HEX SEX BOLT QTNT	2
4	201100-QU	1/4-28 NYLOCK NUT THIN	2
6	887256	SQUEEZE CLAMP W/LINER R2	2
9	226140	1/4-28 x 1 3/4 BH C/S	2
10	262130	6mm WASHER WAVE	2
11	262100-QU	1/4" AN WASHER FLAT	2
12	560110	END PLUG BACKREST QTNT	2
13	226051	10-32 x 3/8" BH C/S	2

ITEM	NUMBER	DESCRIPTION	QTY
5,7,8	881934	QR CLAMP ASSM W/WASHER BLK	
15	226130	1/4-28 x 1 1/2 BH C/S	2
16	561070	CASTER CAP PLASTIC	2
	920028	CASTER CAP PLASTIC (PR)	
17	521626	CASTER STEM SPACER R2	2
18	349500	1 1/8 x 1/2 BEARING	4
12,14-20	603210, 603211	FRM PTD ADJ R2 1 O/S SPC DIM (EA) (14" WIDE CHAIRS)	
12,14A, 15-20	603212, 603213	FRM PTD ADJ R2 2 O/S SPC DIM (EA) (15"-20" WIDE CHAIRS)	

FRAME (QUICKIE ST/DT) (Discontinued - parts only)

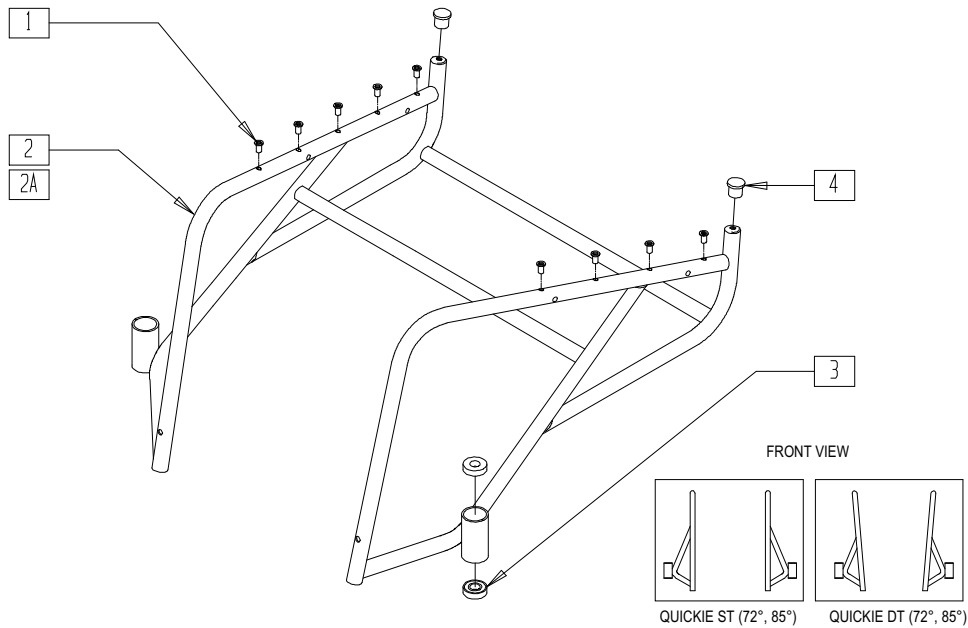


RG00X2A

ITEM	NUMBER	DESCRIPTION	QTY
1	341497	10-32 x .020-.130 RIVNUT GOLD	10
2	523200	RIGID FRAME (SPECIFY COLOR AND DIMENSIONS)	1
3	226196	5/16-18 x 2 BH C/S ZN	2
4	261524	#10 WASHER LOCK SS	2

ITEM	NUMBER	DESCRIPTION	QTY
5	481310	BACK LOCK SPACER	2
6	281124	10-32 x 3/4 BH C/S SS	2
7	920112	BACKLOCK COLLAR	2
8	201216	5/16-18 JAM NUT SS	2
3-8	880833	FRAME HARDWARE KIT ONE/DT	

FRAME (QUICKIE ST/DT)

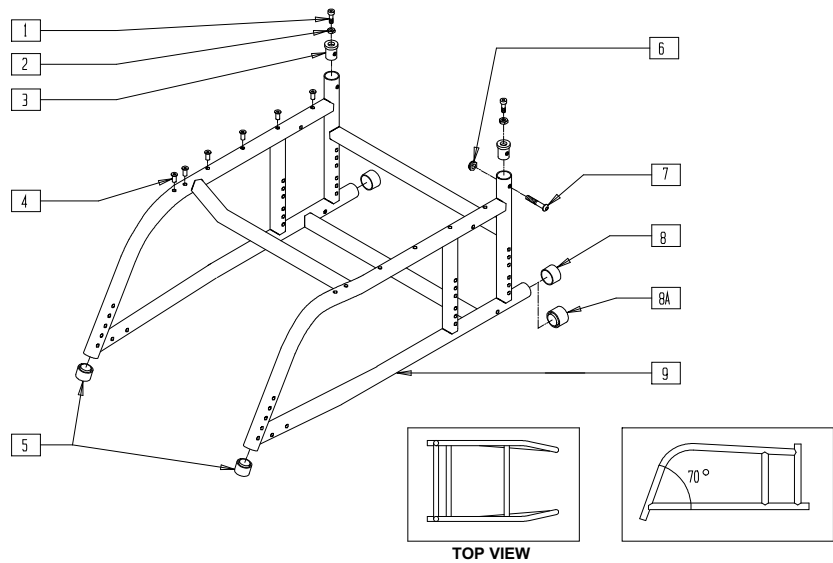


RG00X2B

ITEM	NUMBER	DESCRIPTION	QTY
1	341497	10-32 x .020-.130 RIVNUT GOLD	10
2	605100-605111	FRAME ASSEMBLY ST (SPECIFY WIDTH, SLING DEPTH)	1

ITEM	NUMBER	DESCRIPTION	QTY
2A	605112-605123	FRAME ASSEMBLY DT (SPECIFY WIDTH, SLING DEPTH)	1
3	349500	1 1/8 x 1/2 BEARING	4
4	560761	3/4 INSERT PLUG .049 (18GA)	2

FRAME (QUICKIE Ti TITANIUM)



Q10X06

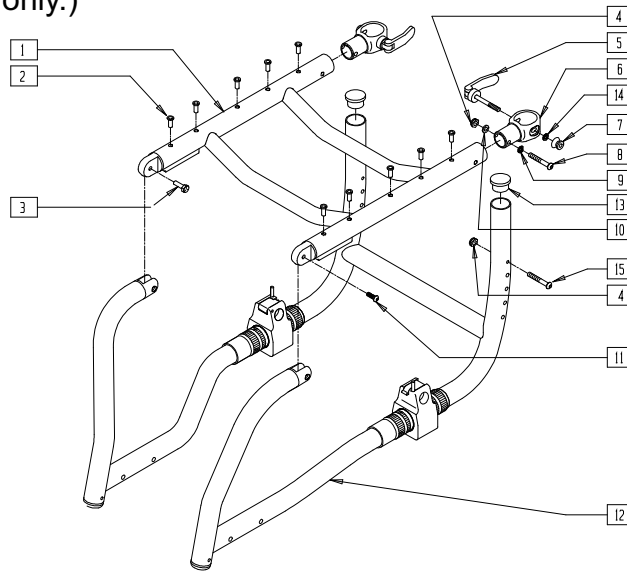
ITEM	NUMBER	DESCRIPTION	QTY
1	226058	1/4-20 x 3/4 SOC C/S	2
2	201121	1/4-20 NUT THIN	2
3	483055	PLUG BACK REL Ti GPV	2
4	341497	10-32 x .020-.130 RIVNUT GOLD	8-14
5	561018	1" TUBE END BUSHING THICK	2
6	201100	1/4-28 NYLOCK NUT THIN	2
7	226130	1/4-28 x 1 1/2 BH C/S	2

ITEM	NUMBER	DESCRIPTION	QTY
8	561014	1" MED CAP	2
8A	561018	1" TUBE END BUSHING THICK	2
1-9	604100-604116	FRAME GPV Ti W/HDWR (SPECIFY DIMENSIONS)	

NOTE: ORDER ITEM 8A FOR CHAIRS WITH ANTI-TIP TUBES THAT MOUNT IN FRAME TUBE.

FRAME (QuickieTNT)

(Discontinued 2/01-Parts only.)

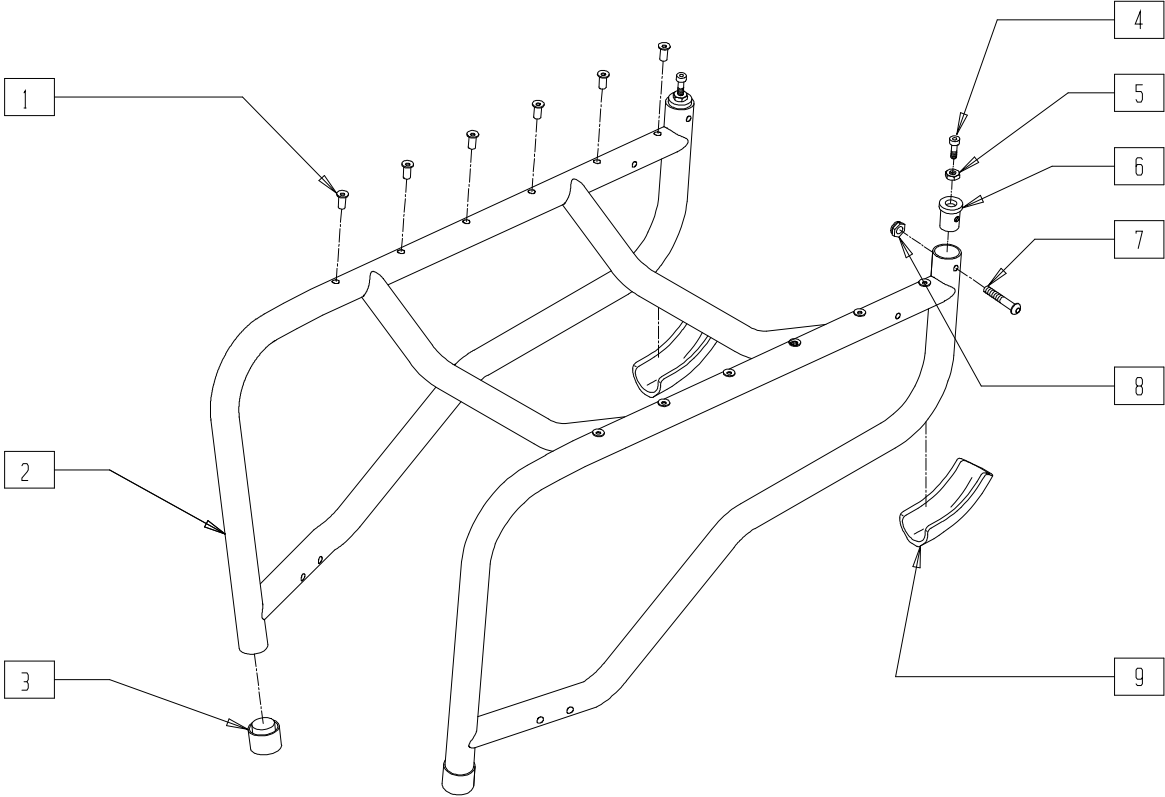


TNT00X01

ITEM	NUMBER	DESCRIPTION	QTY
1,2,5-7, 9-11	660501-660550	SEAT FRAME QTNT	1
2	341497	10-32 x .020-.130 RIVNUT GOLD	10-12
3	221213	10-32 x 7/8" HEX SEX BOLT QTNT	2
4	201100	1/4-28 NYLOCK NUT THIN	4
5,7,14	881934	Q-RELSE CLAMP ASSEMBLY QTNT	
6	887255	SQUEEZE CLMP W/LINER BLK NEW	2
8	226140	1/4-28 x 1 3/4 BH C/S	2

ITEM	NUMBER	DESCRIPTION	QTY
9	262130	6mm WASHER WAVE	2
10	262120	1/4 AN WASHER FLAT	2
11	226051	10-32 x 3/8" BH C/S	2
12	660400-660449	RR FRAME W/FRONTS QTNT	1
13	560110	END PLUG BACKREST QTNT	2
14	262120	1/4" SAE WASHER	2
15	226130	1/4-28 x 1 1/2 BH C/S	2

FRAME (QUICKIE TRIUMPH)
 (Discontinued 2/01-Parts only.)

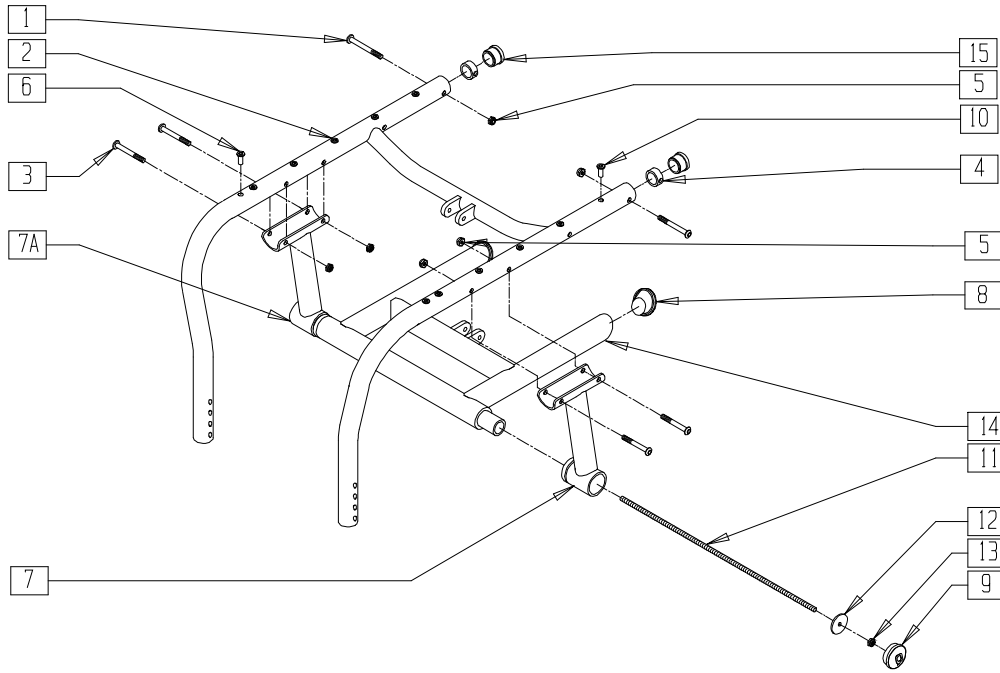


COMP0X01

ITEM	NUMBER	DESCRIPTION	QTY
1	341497	10-32 x .020-.130 RIVNUT GOLD	8-12
3	561082	1" TUBE END BUSHING THIN	2
4	226058	1/4-20 x 3/4 SOC C/S	2
5	201121	1/4-20 NUT THIN	2
6	483010	Q1/GP BACK REL ANGLE PLUG	2

ITEM	NUMBER	DESCRIPTION	QTY
7	226130	1/4-28 x 1 1/2 BH C/S	2
8	201100	1/4-28 NYLOCK NUT THIN	2
9	560413	REAR FRAME BUMPER GPS	2
1-9	600040	FRAME TRIUMPH PAINTED (SPECIFY DIMENSIONS AND COLOR)	

FRAME (QUICKIE XTR)



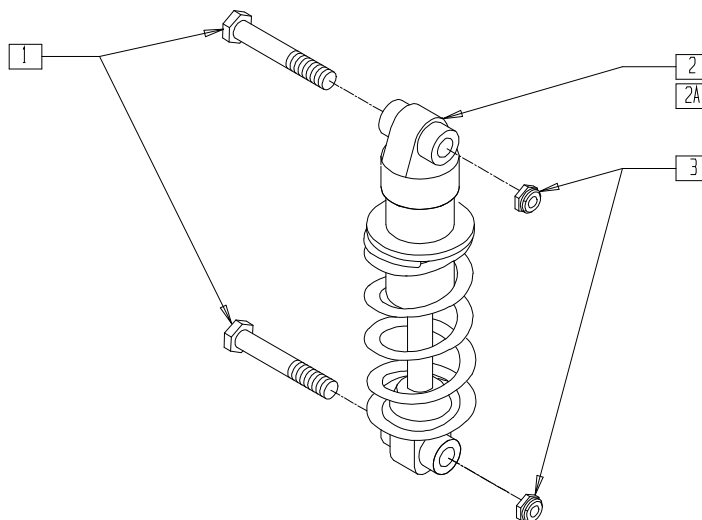
SUS00X20B

ITEM	NUMBER	DESCRIPTION	QTY
1	226147	1/4-28 x 1.85 BH C/S BLK ZN	2
3	227140	1/4-28 x 1 3/4 BH C/S BLK ZN	4
4	483241	TUBE PLUG ALUM .865 OD XTR	2
5	201100	1/4-28 NYLOCK NUT THIN	6
6	341497	10-32 x .020-.130 RIVNUT GOLD	4-6
7	881031	V BRACKET W/BUSHING L XTR	1
7A	881030	V BRACKET W/BUSHING R XTR	1
8	561262	1 3/8" ANGLE TUBE END CAP	2
9	561261	SWING ARM CAP XTR	2

ITEM	NUMBER	DESCRIPTION	QTY
10	341491	10-32 x .130-.225 RIVNUT GOLD	6
11	331070-331076	1/4-20 x 14.70 ALL THREAD 14"-20" XTR	1
12	481654	SWING ARM WASHER XTR	2
13	201105	1/4-20 NYLOCK NUT THIN	2
15	562761	1" PLUG UNIVERSAL STYLE	2
8,14	660260-660266	SWING ARM 14"-20"	1
1,2,4,5,6,10	660210-660244	SEAT FRAME 14"-20" x 14"-18" PNTD XTR	

NOTE: THE BACK 4 RIVNUTS ARE LONGER THAN THE FRONT RIVNUTS.

ROCK SHOX™ (QUICKIE XTR)



ROCKSHX2A

ITEM	NUMBER	DESCRIPTION	QTY
1	222242	5/16-18 x 2 1/2 HEX C/S	2
2	880888	SHOCK ASSEM "ROCK SHOX"™ LIGHT	1

ITEM	NUMBER	DESCRIPTION	QTY
2A	880889	SHOCK ASSEM "ROCK SHOX"™ HEAVY	1
3	202103	5/16-18 NYLOCK NUT THICK	2

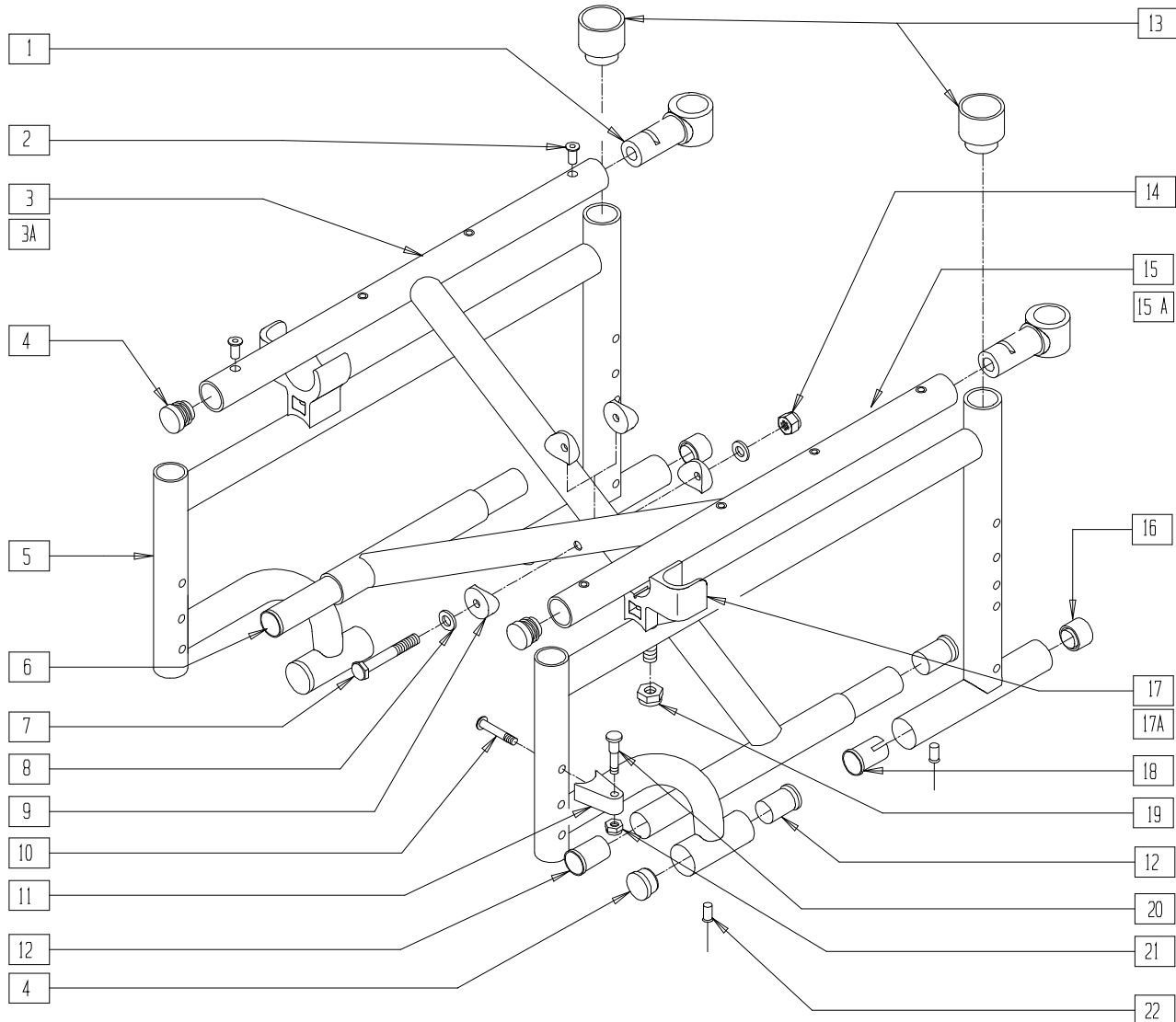
Breezy Frames

IN THIS SECTION

Frame (Breezy Aluminum) (Disc.)	4.1	Frame (Breezy 510 Ultra-hemi)	4.8
Frame (Breezy Chrome) (Disc.)	4.2	Frame (Breezy 510 Recliner)	4.9
Frame (Breezy Standard) (Disc.)	4.3	Frame (Breezy 2) (Disc.)	4.10
Frame (Breezy Standard) (Disc.)	4.4	Frame (Breezy 2) (Disc.)	4.11
Frame (Breezy 500)	4.5	Frame (Breezy 600)	4.12
Frame (Breezy 510) (Disc.)	4.6	Frame (Breezy 600 Ultra-hemi)	4.13
Frame (Breezy 510)	4.7	Frame (Breezy 100/150)	4.14

FRAME (BREEZY ALUMINUM)

(Discontinued 10/15/93 - parts only; fits Breezy prior to serial number BZ-200000)



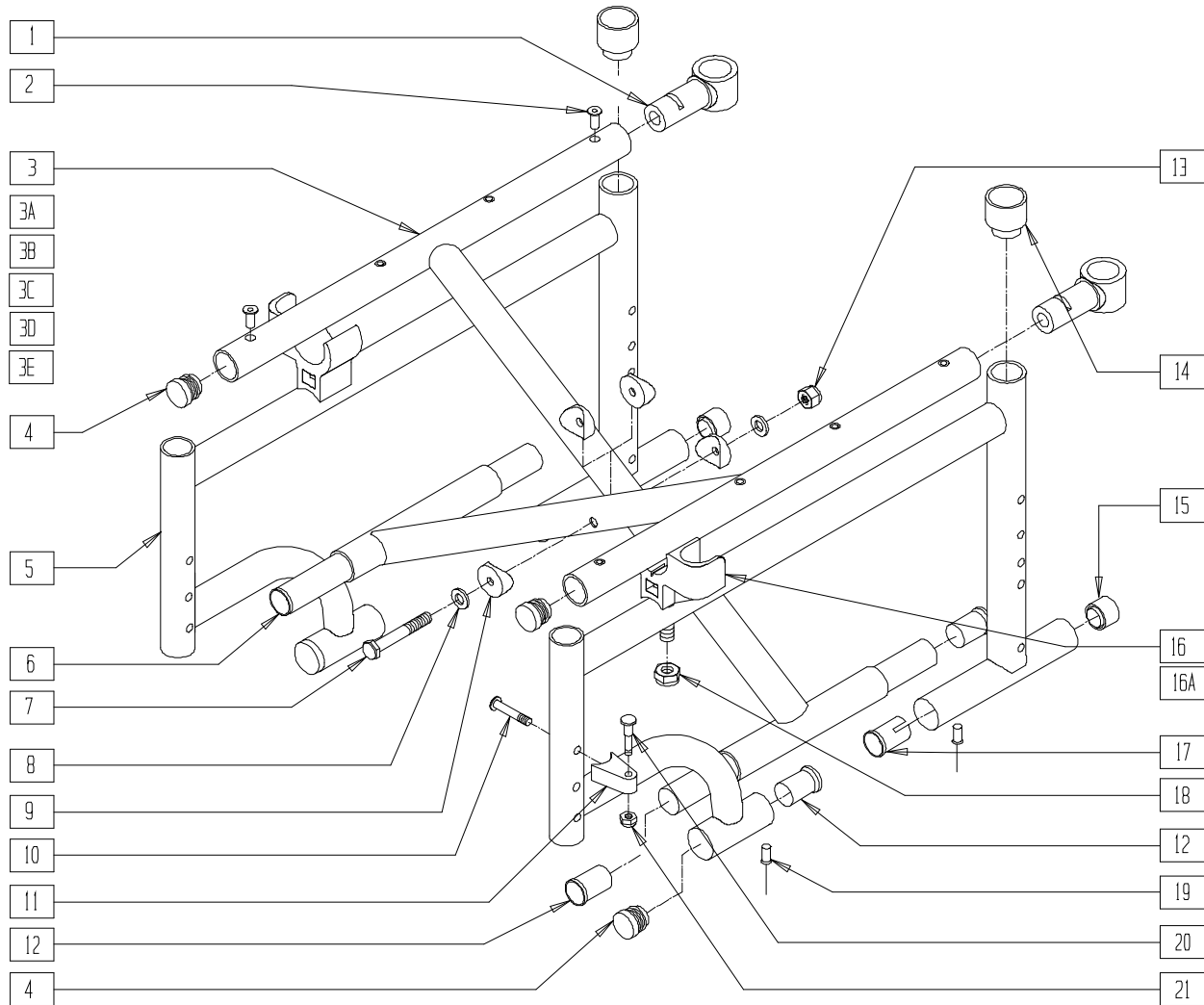
BZY00X2

ITEM	NUMBER	DESCRIPTION	QTY
1	561071	BZ BACK TUBE SLIDER NEW	2
2	341497	10-32 x .020-.130 RIVNUT GOLD	8
4	561062	1" INSERT PLUG .065 RIBS	4
5	523618	SIDE FRAME 1 1/8" ONLY BZ (SPECIFY COLOR)	1
6	521542	FRAME INSERT TUBE BZ	2
7	222249	5/16-24 x 3 G8 HEX C/S	1
8	263110-QU	5/16 AN WASHER FLAT THIN	2
9	561006	1" SADDLE 5/16" HOLE	4
10	226190	5/16-18 x 1 3/4 BH C/S SHLDR	2
11	550310	LATCH STUD SUPPORT	2
12	560402	3/4" ID NY-LINER	6
13	561084	1 1/8" TUBE END BUSHING THIN BZ	2
14	202100-MJ	5/16-24 NYLOCK NUT THIN	1
16	561018	1" TUBE END BUSHING THICK	2
17	561064	ARM SADDLE BR R	1

ITEM	NUMBER	DESCRIPTION	QTY
17A	561066	ARM SADDLE BR L	1
18	560406	FRAME BUSHING	2
19	201100	1/4-28 NYLOCK NUT THIN	2
20	481023	S/A LATCH STUD NEW	2
21	201100	1/4-28 NYLOCK NUT THIN	2
22	240108	RIVET POP SSD64SSBS	4
11,20,21	880556	S/A LATCH BLOCK ASSEMBLY	
1-4,6-9, 12,14,15	673070	BZ X-TUBE ASSEMBLY 16" x 16" PNTD (SPECIFY COLOR)	
1-4,6-9, 12,14,15A	673080	BZ X-TUBE ASSEMBLY 18" x 16" PNTD (SPECIFY COLOR)	
1-9, 12-19,22	611006	BZ FRAME 16" PNTD 1 1/8" (SPECIFY COLOR)	
1,2,3A,4-9 12-14,15A 16-19,22	611008	BZ FRAME 18" PNTD 1 1/8" (SPECIFY COLOR)	

FRAME (BREEZY CHROME)

(Discontinued 10/15/93 - parts only; fits Breezy prior to serial number BZ-200000)



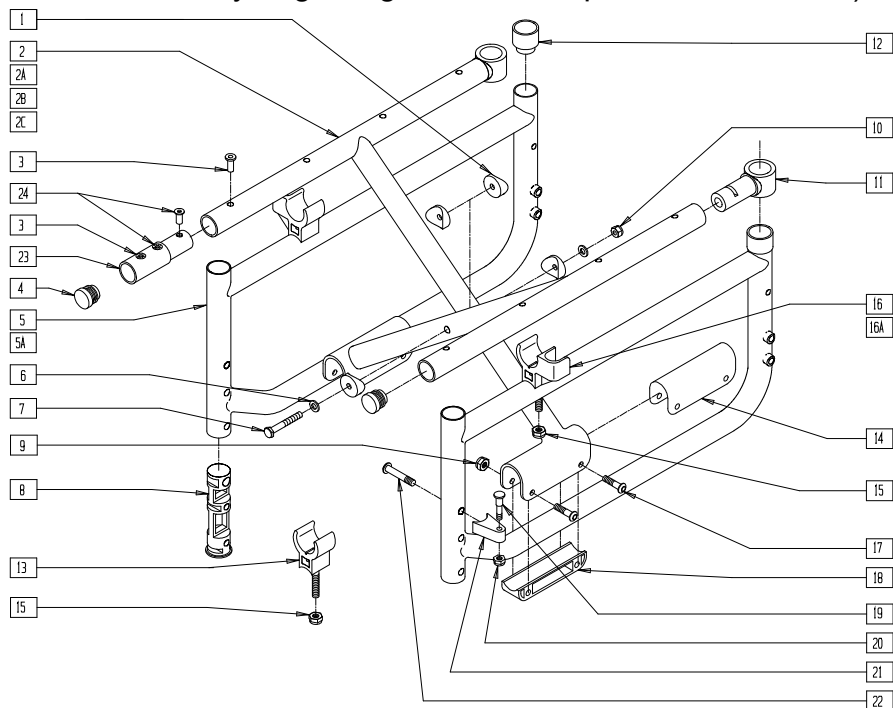
BZY00X2B

ITEM	NUMBER	DESCRIPTION	QTY
1	561350	BC BACK TUBE SLIDER CM	2
2	341497	10-32 x .020-.130 RIVNUT GOLD	8
4	561062	1" INSERT PLUG .065 RIBS	2
5	523651	BC SIDE FRAME ONLY	2
6	521542	FRAME INSERT TUBE BZ	2
7	222249	5/16-24 x 3 G8 HEX C/S	1
8	263110-QU	5/16 AN WASHER FLAT THIN	2
9	561006	1" SADDLE 5/16" HOLE	4
10	226190	5/16-18 x 1 3/4 BH C/S SHLDR	2
11	550310	LATCH STUD SUPPORT	2
12	561340	BC 1" NYLINER CM	6
13	202100-MJ	5/16-24 NYLOCK NUT THIN	1
14	561310	BC 1" TUBE END BUSHING CM	2
15	561018	1" TUBE END BUSHING THICK	2
16	561064	ARM SADDLE BR R	1
16A	561066	ARM SADDLE BR L	1
17	561330	FRAME BUSHING CB/HPTI	2
18	201100	1/4-28 NYLOCK NUT THIN	2
19	240108	RIVET POP SSD64SSBS	4
20	481023	S/A LATCH STUD NEW	2

ITEM	NUMBER	DESCRIPTION	QTY
21	201100	1/4-28 NYLOCK NUT THIN	2
11,20,21	880556	S/A LATCH BLOCK ASSEMBLY	
1-3,3A,4,6-9,12,13,19	673071	BC X-TUBE ASSEMBLY 16" x 16"	
1,2,3B,3C,4,6-9,12,13,19	673081	BC X-TUBE ASSEMBLY 18" x 16"	
1,2,3D,3E,4,6-9,12,13,19	673091	BC X-TUBE ASSEMBLY 20" x 16"	
1-3,3A,4-9,12-16,16A,17-19	611010	BC FRAME ASSEMBLY 16" x 16"	
1,2,3B,3C,4-9,12-16,16A,17-19	611012	BC FRAME ASSEMBLY 18" x 16"	
1,2,3D,3E,4-9,12-16,16A,17-19	611014	BC FRAME ASSEMBLY 20" x 16"	

FRAME (BREEZY STANDARD)

(Discontinued 7/31/95; Fits Breezy beginning BZ-200000, prior to BZ-300000)



BZ00X01

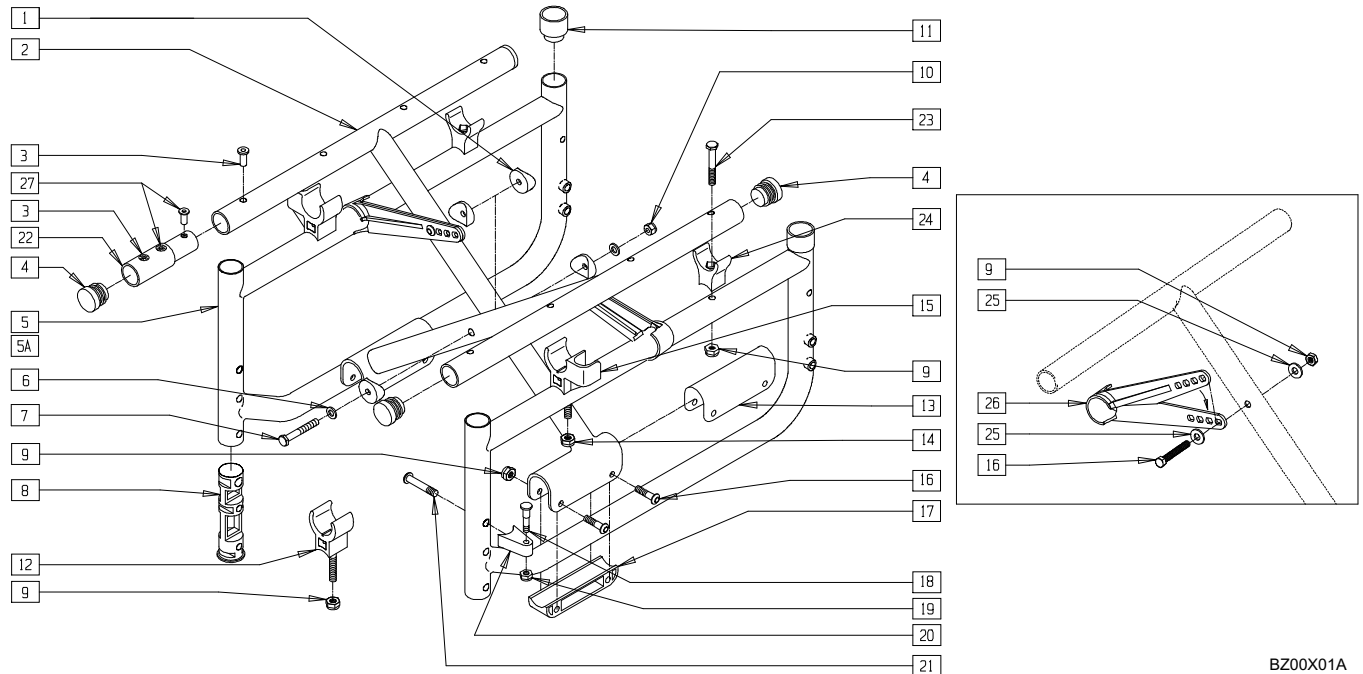
ITEM	NUMBER	DESCRIPTION	QTY
1	561006	1" SADDLE 5/16" HOLE	4
3	341497	10-32 x .020-.130 RIVNUT GOLD	1.8
4	561002	1" INSERT PLUG .083	2
5,8,12	620185	SIDE FRAME REG PAINTED BR (EA)	
5A,8,12	620186	SIDE FRAME LONG PAINTED BR (EA)	
6	263110-QU	5/16 AN WASHER FLAT THIN	2
7	222249	5/16-24 x 3 G8 HEX C/S	1
8	561556	FRAME INSERT PLASTIC	2
9	201110	1/4-28 NYLOCK NUT	4
10	202104	5/16-24 NYLOCK NUT	1
11	561071	BZ BACK TUBE SLIDER NEW	2
12	561310	BC 1" TUBE END BUSHING CM	2
13*	561092	SEAT SADDLE BZ (L AND R)	2
14	561558	BRACKET BUSHING X-TUBE BR/LXI	2
15*	201118	1/4-28 NUT W/EXT STARWASHER	2
16*	561066	ARM SADDLE BR L	1
16A*	561064	ARM SADDLE BR R	1
15,16,16A	880383	ARM SADDLES W/HARDWARE	
17	226140	1/4-28 x 1 3/4 BH C/S	4
18	561557	PIVOT BLOCK (PLASTIC)	2
19	481023	S/A LATCH STUD NEW	2
20	201100	1/4-28 NYLOCK NUT THIN	2
21	550310	LATCH STUD SUPPORT	2
22	226190	5/16-18 x 1 3/4 BH C/S SHLDR	2
24	341491	10-32 x .130-.225 RIVNUT GOLD	2
19-22	920220	S/A LATCH ASSEMBLY W/BOLT	
3,4,23,24	920153	X-TUBE EXTENSION 2" W/HDWR BR	
1-4,6,7,9-11,14,17,18	673063	X-TUBE ASSM 14" x 16" PIVOT BR	
1,2A,3,4,6,7,9-11,14,17,18	673073	X-TUBE ASSM 16" x 16" PIVOT BR	

ITEM	NUMBER	DESCRIPTION	QTY
1,2B,3,4,6,7,9-11,14,17,18	673083	X-TUBE ASSM 18" x 16" PIVOT BR	
1,2C,3,4,6,7,9-11,14,17,18	673093	X-TUBE ASSM 20" x 16" PIVOT BR	
1-4,6,7,9-11,14,17,18,23,24	672438	X-TUBE ASSM 14" x 18" PIVOT BR	
1,2A,3,4,6,7,9-11,14,17,18,23,24	672538	X-TUBE ASSM 16" x 18" PIVOT BR	
1,2B,3,4,6,7,9-11,14,17,18,23,24	672638	X-TUBE ASSM 18" x 18" PIVOT BR	
1,2C,3,4,6,7,9-11,14,17,18,23,24	673038	X-TUBE ASSM 20" x 18" PIVOT BR	
1-12,14,17,18	611024*	FRAME ASSM 14" x 16" PIVOT BR (SPECIFY COLOR)	
1-12A,14,17,18	611026*	FRAME ASSM 16" x 16" PIVOT BR (SPECIFY COLOR)	
1-12B,14,17,18	611028*	FRAME ASSM 18" x 16" PIVOT BR (SPECIFY COLOR)	
1-12C,14,17,18	611030*	FRAME ASSM 20" x 16" PIVOT BR (SPECIFY COLOR)	
1-4,5A,6-12,14,17,18	611034*	FRAME ASSM 14" x 18" PIVOT BR (SPECIFY COLOR)	
1,2A,3,4,5A,6-12,14,17,18	611036*	FRAME ASSM 16" x 18" PIVOT BR (SPECIFY COLOR)	
1,2B,3,4,5A,6-12,14,17,18	611038*	FRAME ASSM 18" x 18" PIVOT BR (SPECIFY COLOR)	
1,2C,3,4,5A,6-12,14,17,18	611040*	FRAME ASSM 20" x 18" PIVOT BR (SPECIFY COLOR)	

* ITEMS 13, 15 AND 16/16A MUST BE ORDERED SEPARATELY.
NOTE: ORDER ITEMS 13 AND 15 WHEN NOT USING A FLIP-BACK ARM.

FRAME (BREEZY STANDARD)

(Discontinued 2/10/97 - parts only) (Fits Breezy beginning BZ-300000, prior to BZ-351000)



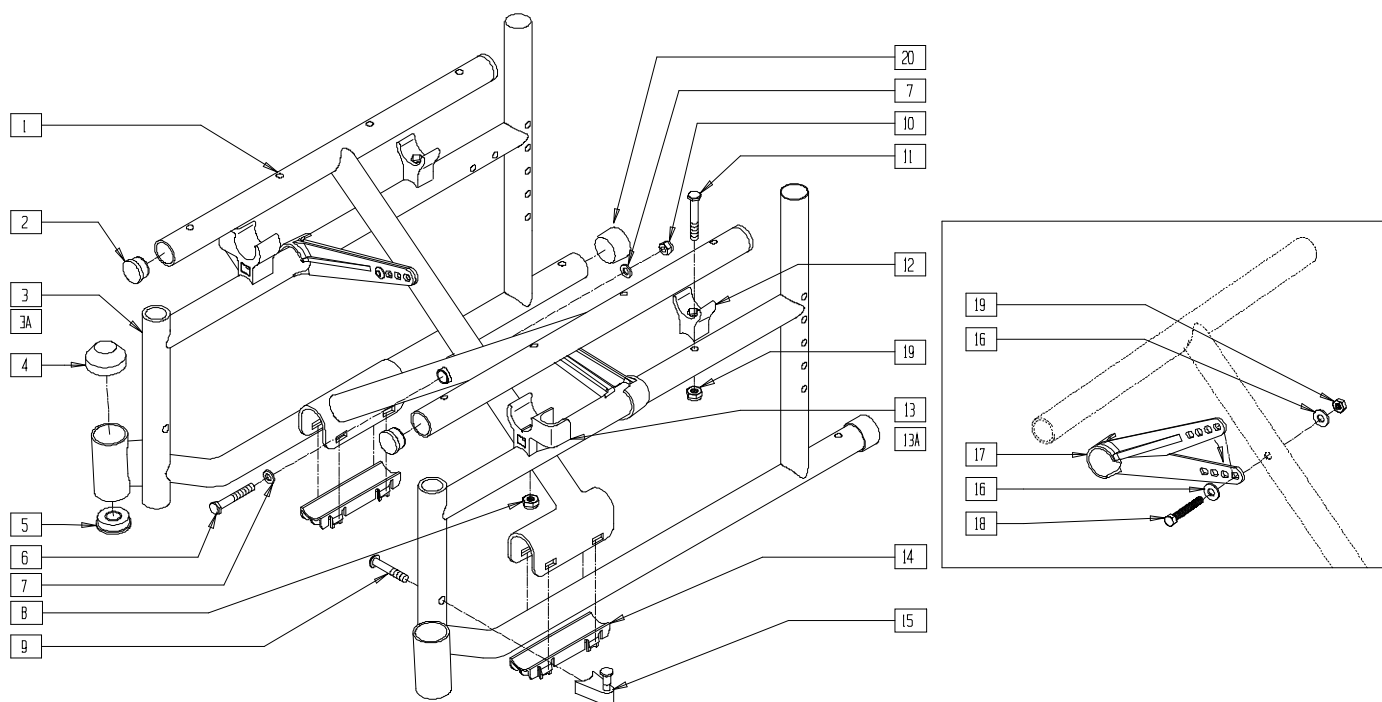
BZ00X01A

ITEM	NUMBER	DESCRIPTION	QTY
1	561006	1" SADDLE 5/16" HOLE	4
3	341497	10-32 x .020-.130 RIVNUT GOLD	1,8
4	561002	1" INSERT PLUG .083	2
5,8,9,11, 23,24	620185	SIDE FRAME REG PAINTED BR	
5A,8,9,11, 23,24	620186	SIDE FRAME LONG PAINTED BR	
6	263110-QU	5/16 AN WASHER FLAT THIN	2
7	222249	5/16-24 x 3 G8 HEX C/S	1
8	561556	FRAME INSERT PLASTIC	2
9*	201110	1/4-28 NYLOCK NUT	4
10	202104	5/16-24 NYLOCK NUT	1
11	561310	BC 1" TUBE END BUSHING CM	2
12*	561092	SEAT SADDLE BR (L AND R)	2
13	561558	BRACKET BUSHING X-TUBE BR/LXI	2
14	201110	1/4-28 NYLOCK NUT	2
15*	561113, 561114	ARM SADDLE FLIP-BACK BR/LXI (EA)	1
14,15	880371	ARM SADDLES W/HARDWARE	
16	226140	1/4-28 x 1 3/4 BH C/S	4
17	561557	PIVOT BLOCK (PLASTIC)	2
18	481023	S/A LATCH STUD NEW	2
19	201100	1/4-28 NYLOCK NUT THIN	2
20	550310	LATCH STUD SUPPORT	2
21	226190	5/16-18 x 1 3/4 BH C/S SHLDR	2
23	221160	1/4-28 x 2 HEX C/S	2
24	561175	SEAT SADDLE REAR BR/LXI	2
25	262100-QU	1/4 AN WASHER FLAT	2
26	887730- 887732	X-HINGE ASSEMBLY PLASTIC 12"-22"	2
27	341491	10-32 x .130-.225 RIVNUT GOLD	2
18-21	920220	S/A LATCH ASSEMBLY W/BOLT	
3,4,22,27	920153	X-TUBE EXTENSION 2" W/HDWR BR	

ITEM	NUMBER	DESCRIPTION	QTY
1-4,6,7,9, 10,13,16, 17,25,26	672444	X-TUBE ASSM 14" x 15"/16" HINGE BR	
	672644	X-TUBE ASSM 16" x 15"/16" HINGE BR	
	672844	X-TUBE ASSM 18" x 15"/16" HINGE BR	
	673044	X-TUBE ASSM 20" x 15"/16" HINGE BR	
1-4,6,7,9, 10,13,16, 17,22, 25-29	672454	X-TUBE ASSM 14" x 17"/18" HINGE BR	
	672654	X-TUBE ASSM 16" x 17"/18" HINGE BR	
	672854	X-TUBE ASSM 18" x 17"/18" HINGE BR	
	673054	X-TUBE ASSM 20" x 17"/18" HINGE BR	
1-11,13,16, 17,25-26	611144*	FRAME ASSM 14" x 16" HINGE BR (SPECIFY COLOR)	
	611146*	FRAME ASSM 16" x 16" HINGE BR (SPECIFY COLOR)	
	611148*	FRAME ASSM 18" x 16" HINGE BR (SPECIFY COLOR)	
	611150*	FRAME ASSM 20" x 16" HINGE BR (SPECIFY COLOR)	
1-4,5A, 6-12,14, 17,18,22, 23,25-27	611154*	FRAME ASSM 14" x 18" HINGE BR (SPECIFY COLOR)	
	611156*	FRAME ASSM 16" x 18" HINGE BR (SPECIFY COLOR)	
	611158*	FRAME ASSM 18" x 18" PIVOT BR (SPECIFY COLOR)	
	611160*	FRAME ASSM 20" x 18" PIVOT BR (SPECIFY COLOR)	

* ITEMS 9, 12 AND 15 MUST BE ORDERED SEPARATELY.
NOTE: ORDER ITEMS 12 AND 14 WHEN NOT USING A FLIP-BACK ARM.

FRAME (BREEZY 500)



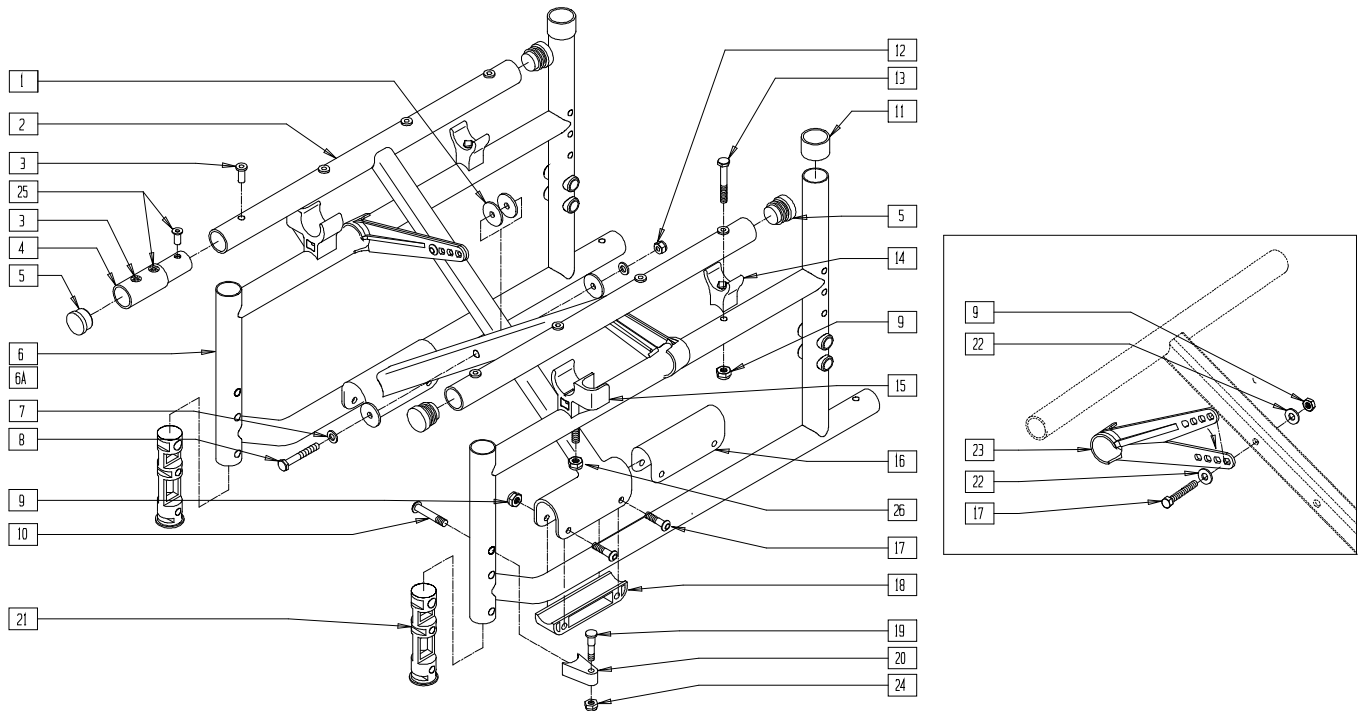
BR510X03

ITEM	NUMBER	DESCRIPTION	QTY
2	561062	1" INSERT PLUG .065 RIBS	4
3,11, 12,19	620375, 620376	SIDE FRAME PAINTED B500	
4	560776	CAP STEM HOUSING	2
5	349516	1/2 ID FLANGED BEARING	2
6	222249	5/16-24 x 3 G8 HEX C/S	1
7	263110-QU	5/16 AN WASHER FLAT THIN	2
8	201120	1/4-28 AUTOMATION NUT	2
9	226190	5/16-18 x 1 3/4 BH C/S SHLDR	2
10	202104	5/16-24 NYLOCK NUT	1
11	221160	1/4-28 x 2 HEX C/S	2
12	561175	SEAT SADDLE REAR BR/LXI	2
13	561113, 561114	ARM SADDLE FLIP-BACK BR/LXI	1

ITEM	NUMBER	DESCRIPTION	QTY
8,13	880371	ARM SADDLES W/HARDWARE BR (PR)	
14	560258	X-TUBE END CAP BUSHING	2
15	880689	S/A LATCH BLOCK ASSEMBLY BR	2
16	262100-QU	1/4 AN WASHER FLAT	4
17	887730- 887732	X-HINGE PLASTIC 12"-22" (PR)	1
18	226140	1/4-28 x 1 3/4 BH C/S	2
19	201110-QU	1/4-28 NYLOCK NUT	4
20	561310	BR 1" TUBE END BUSHING CM	2
9,15	920483	S/A LATCH ASSEMBLY W/BOLT BR	
1,2,6,7,10, 14,16-19	672660, 672662	X-TUBE ASSM 16" x 16" STEEL X-TUBE ASSM 18" x 16" STEEL	

FRAME (BREEZY 510)

(Discontinued 9/99 - parts only; Effective beginning serial number BZ-351000)



BZ00X24A

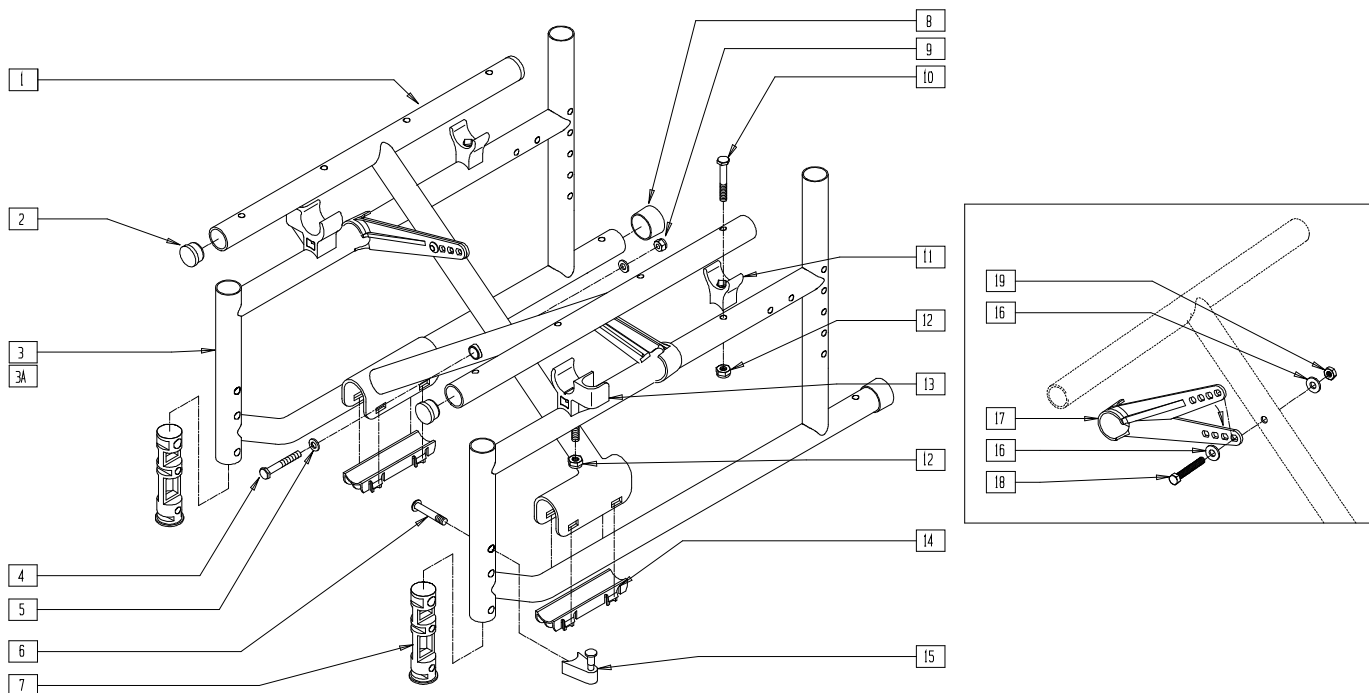
ITEM	NUMBER	DESCRIPTION	QTY
1	561016	1" WASHER 5/16" HOLE	4
3	341497	10-32 x .020-.130 RIVNUT GOLD	8
5	561002	1" INSERT PLUG .083	4
3,4,5,27	920153	X-TUBE EXTENSION 2" W/HDWR BR	
6,9,11,13,14	620185	SIDE FRAME REG PAINTED BR (EA)	
6A,9,11,13,14	620186	SIDE FRAME LONG PAINTED BR (EA)	
7	263110-QU	5/16 AN WASHER FLAT THIN	2
8	222249	5/16-24 x 3 G8 HEX C/S	1
9*	201120	1/4-28 AUTOMATION NUT	6
10	226190	5/16-18 x 1 3/4 BH C/S SHLDR	2
11	561310	BC 1" TUBE END BUSHING CM	2
12	202104	5/16-24 NYLOCK NUT	1
13	221160	1/4-28 x 2 HEX C/S	2
14*	561175	SEAT SADDLE REAR BR/LXI	2
15*	561113, 561114	ARM SADDLE FLIP-BACK BR/LXI (EA)	1
9,15	880371	ARM SADDLES W/HARDWARE BR	
16	561558	BRACKET BUSHING X-TUBE BR/LXI	2
17	226140	1/4-28 x 1 3/4 BH C/S	6
18	561557	PIVOT BLOCK (PLASTIC)	2
19	481023	S/A LATCH STUD NEW	2
20	550310	LATCH STUD SUPPORT	2
21	561556	FRAME INSERT PLASTIC	2
22	262100-QU	1/4 AN WASHER FLAT	4
23	887730-887732	X-HINGE PLASTIC 12"-22" (PR)	1
24	201100	1/4-28 NYLOCK NUT THIN	2
25	341491	10-32 x .130-.225 RIVNUT GOLD	4
26	201110-QU	1/4-28 NYLOCK NUT	4
10,19,20,21	920220	S/A LATCH ASSEMBLY W/BOLT	

ITEM	NUMBER	DESCRIPTION	QTY
1-3,5,7-9,12,16-18,22,23	672444	X-TUBE ASSM 14" x 15"/16" HINGE BR	
	672644	X-TUBE ASSM 16" x 15"/16" HINGE BR	
	672844	X-TUBE ASSM 18" x 15"/16" HINGE BR	
	673044	X-TUBE ASSM 20" x 15"/16" HINGE BR	
1-5,7-9,12,16-18,22,23,25	672454	X-TUBE ASSM 14" x 17"/18" HINGE BR	
	672654	X-TUBE ASSM 16" x 17"/18" HINGE BR	
	672854	X-TUBE ASSM 18" x 17"/18" HINGE BR	
	673054	X-TUBE ASSM 20" x 17"/18" HINGE BR	
1-3,5,7-12,14,16-18,21-23	611144*	FRAME ASSM 14" x 16" HINGE BR (SPECIFY COLOR)	
	611146*	FRAME ASSM 16" x 16" HINGE BR (SPECIFY COLOR)	
	611148*	FRAME ASSM 18" x 16" HINGE BR (SPECIFY COLOR)	
	611150*	FRAME ASSM 20" x 16" HINGE BR (SPECIFY COLOR)	
1-5,7-12,14,16-18,21-23,25	611154*	FRAME ASSM 14" x 18" HINGE BR (SPECIFY COLOR)	
	611156*	FRAME ASSM 16" x 18" HINGE BR (SPECIFY COLOR)	
	611158*	FRAME ASSM 18" x 18" HINGE BR (SPECIFY COLOR)	
	611160*	FRAME ASSM 20" x 18" HINGE BR (SPECIFY COLOR)	

* ITEMS 9, 14 AND 15 MUST BE ORDERED SEPARATELY.

NOTE: ORDER ITEMS 13 AND 15 WHEN NOT USING A FLIP-BACK ARM.

FRAME (BREEZY 510)



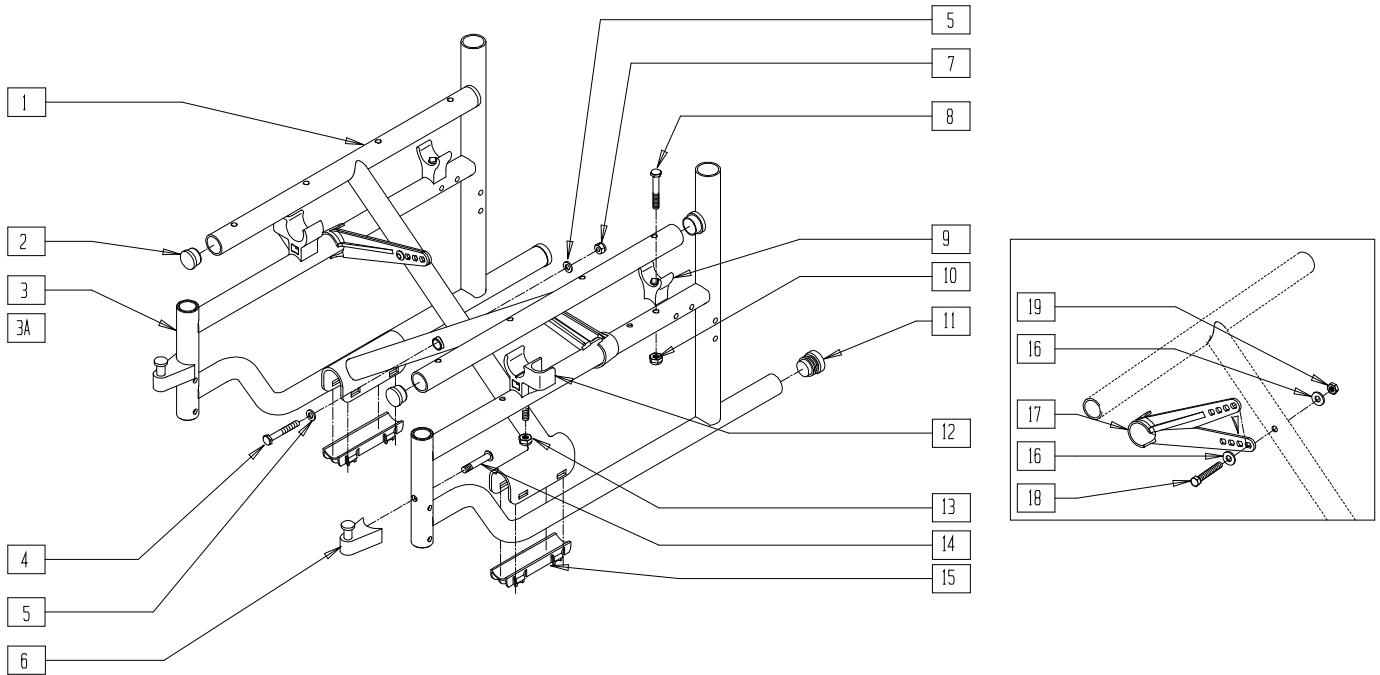
BR510X1A

ITEM	NUMBER	DESCRIPTION	QTY
2	561062	1" INSERT PLUG .065 RIBS	4
3,7,8,10-12	620195	SIDE FRAME REG PAINTED BR (EA)	
3A,7,8,10-12	620196	SIDE FRAME LONG PAINTED BR (EA)	
4	222249	5/16-24 x 3 G8 HEX C/S	1
5	263110-QU	5/16 AN WASHER FLAT THIN	2
6	226190	5/16-18 x 1 3/4 BH C/S SHLDR	2
7	561556	FRAME INSERT PLASTIC	2
8	561310	BC 1" TUBE END BUSHING CM	2
9	202104	5/16-24 NYLOCK NUT	1
10	221160	1/4-28 x 2 HEX C/S	2
11*	561175	SEAT SADDLE REAR BR/LXI	2
12*	201120	1/4-28 AUTOMATION NUT	4
13*	561113, 561114	ARM SADDLE FLIP-BACK BR/LXI (EA)	1
12,13	880371	ARM SADDLES W/HWDR BR	
14	560258	X-TUBE END CAP BUSHING	2
15	880689	S/A LATCH BLOCK ASSEMBLY BR	2
16	262100-QU	1/4 AN WASHER FLAT	4
17	887730- 887732	X-HINGE PLASTIC 12"-22" (PR)	1
18	226140	1/4-28 x 1 3/4 BH C/S	2
19	201110-QU	1/4-28 NYLOCK NUT	2
12,13	880371	ARM SADDLES W/HARDWARE BR	
6,15	920483	S/A LATCH ASSEMBLY W/BOLT BR	
1,2,4,5,9, 12,14, 16-19	672445	X-TUBE ASSEMBLY 14" x 16" STEEL	

* ITEMS 11, 12 AND 13 MUST BE ORDERED SEPARATELY.
NOTE: ORDER ITEMS 10 AND 13/13A WHEN NOT USING A FLIP-BACK ARM.

ITEM	NUMBER	DESCRIPTION	QTY
1,2,4,5, 9,12, 14,16-19	672660	X-TUBE ASSEMBLY 16" x 16" STEEL	
	672662	X-TUBE ASSEMBLY 18" x 16" STEEL	
	673045	X-TUBE ASSEMBLY 20" x 16" STEEL	
	672455	X-TUBE ASSEMBLY 14" x 18" STEEL	
	672661	X-TUBE ASSEMBLY 16" x 18" STEEL	
	672663	X-TUBE ASSEMBLY 18" x 18" STEEL	
	673055	X-TUBE ASSEMBLY 20" x 18" STEEL	
1-5,7-12, 14,16-19	611244*	FRAME ASSEMBLY 14" x 16" HINGE BR (SPECIFY COLOR)	
	611246*	FRAME ASSEMBLY 16" x 16" HINGE BR (SPECIFY COLOR)	
	611248*	FRAME ASSEMBLY 18" x 16" HINGE BR (SPECIFY COLOR)	
	611250*	FRAME ASSEMBLY 20" x 16" HINGE BR (SPECIFY COLOR)	
1,2,3A,4,5, 7-12, 14,16-19	611254*	FRAME ASSEMBLY 14" x 18" HINGE BR (SPECIFY COLOR)	
	611256*	FRAME ASSEMBLY 16" x 18" HINGE BR (SPECIFY COLOR)	
	611258*	FRAME ASSEMBLY 18" x 18" HINGE BR (SPECIFY COLOR)	
	611260*	FRAME ASSEMBLY 20" x 18" HINGE BR (SPECIFY COLOR)	

FRAME (BREEZY 510 ULTRA-HEMI)

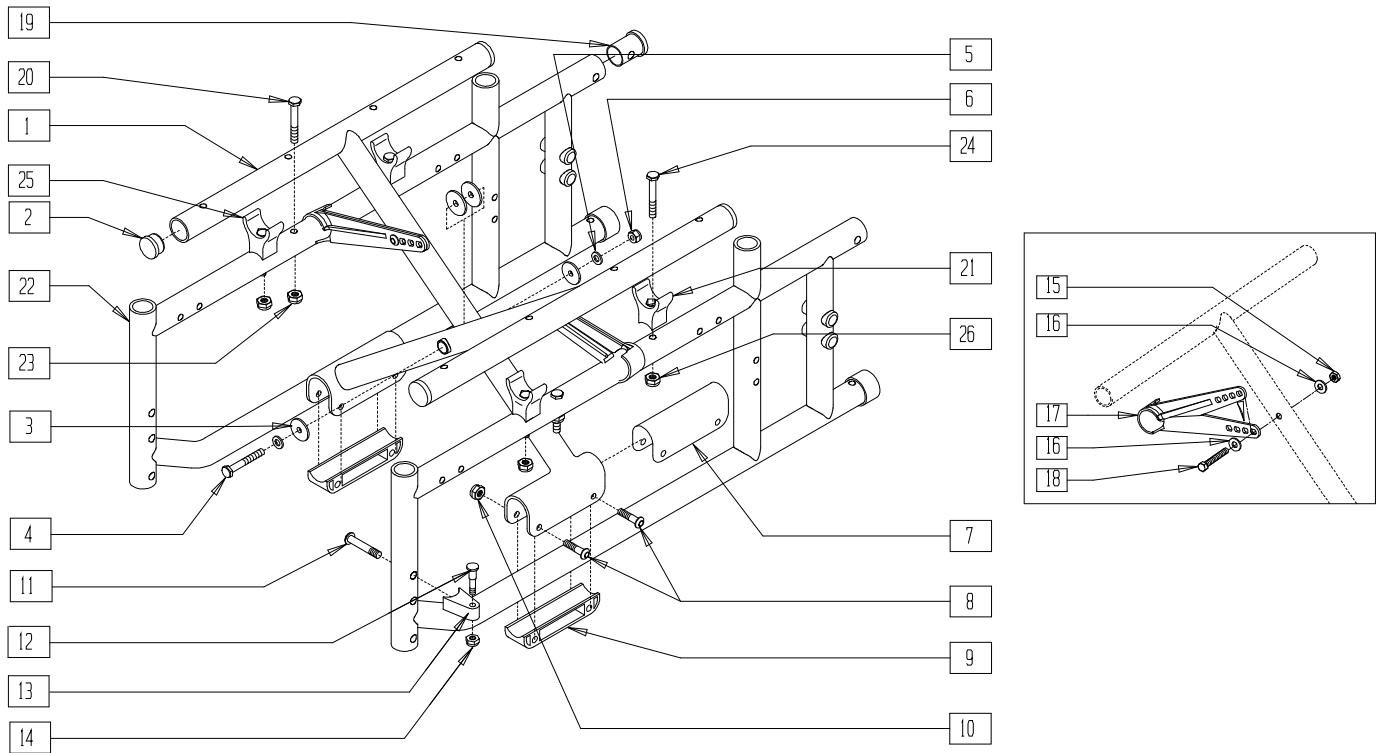


BZ510X01

ITEM	NUMBER	DESCRIPTION	QTY
	2	1" INSERT PLUG .065 RIBS	2
	4	5/16-24 x 3 G8 HEX C/S	1
	5	263110-QU 5/16 AN WASHER FLAT THIN	2
	6	880689 S/A LATCH BLOCK ASSEMBLY BR	2
	7	202104 5/16-24 NYLOCK NUT	1
	8	221160 1/4-28 x 2 HEX C/S	2
	9	561175 SEAT SADDLE REAR BR/LXI	2
	10	201110-QU 1/4-28 NYLOCK NUT	4
	11	561002 1" INSERT PLUG .083	2
	12	561113, 561114 ARM SADDLE FLIP-BACK BR/LXI (EA)	1
	13	201120 1/4-28 AUTOMATION NUT	2
	12,13	880371 ARM SADDLES W/HDWR BR (PR)	
	14	226190 5/16-18 x 1 3/4 BH C/S SHLDR	2
	15	560258 X-TUBE END CAP BUSHING	2
	16	262100-QU 1/4 AN WASHER FLAT	4
	17	887730-884432 X-HINGE ASSEMBLY PLASTIC 12"-22" (PR)	2
	18	226140 1/4-28 x 1 3/4 BH C/S	2
	19	201110-QU 1/4-28 NYLOCK NUT	2
	6,14	920483 S/A LATCH ASSEMBLY W/BOLT BR	

ITEM	NUMBER	DESCRIPTION	QTY
	672670	X-TUBE ASSEMBLY 14" x 16" HEMI STEEL	
	672672	X-TUBE ASSEMBLY 16" x 16" HEMI STEEL	
	672674	X-TUBE ASSEMBLY 18" x 16" HEMI STEEL	
	672676	X-TUBE ASSEMBLY 20" x 16" HEMI STEEL	
1,2,4,5, 10,15	672680	X-TUBE ASSEMBLY 14" x 18" HEMI STEEL	
	672682	X-TUBE ASSEMBLY 16" x 18" HEMI STEEL	
	672684	X-TUBE ASSEMBLY 18" x 18" HEMI STEEL	
	672686	X-TUBE ASSEMBLY 20" x 18" HEMI STEEL	
3,8-11	620275	SIDE FRAME 16" DEPTH HEMI B510	
3A,8-11	620276	SIDE FRAME 18" DEPTH HEMI B510	
	611230	FRAME ASSEMBLY 14" x 16" HEMI B510	
1-5,7-11, 15-19	611231	FRAME ASSEMBLY 16" x 16" HEMI B510	
	611232	FRAME ASSEMBLY 18" x 16" HEMI B510	
	611233	FRAME ASSEMBLY 20" x 16" HEMI B510	
1,2,3A,4, 5,7-11, 15-19	611234	FRAME ASSEMBLY 14" x 18" HEMI B510	
	611235	FRAME ASSEMBLY 16" x 18" HEMI B510	
	611236	FRAME ASSEMBLY 18" x 18" HEMI B510	
	611237	FRAME ASSEMBLY 20" x 18" HEMI B510	

FRAME (BREEZY 510 RECLINER)



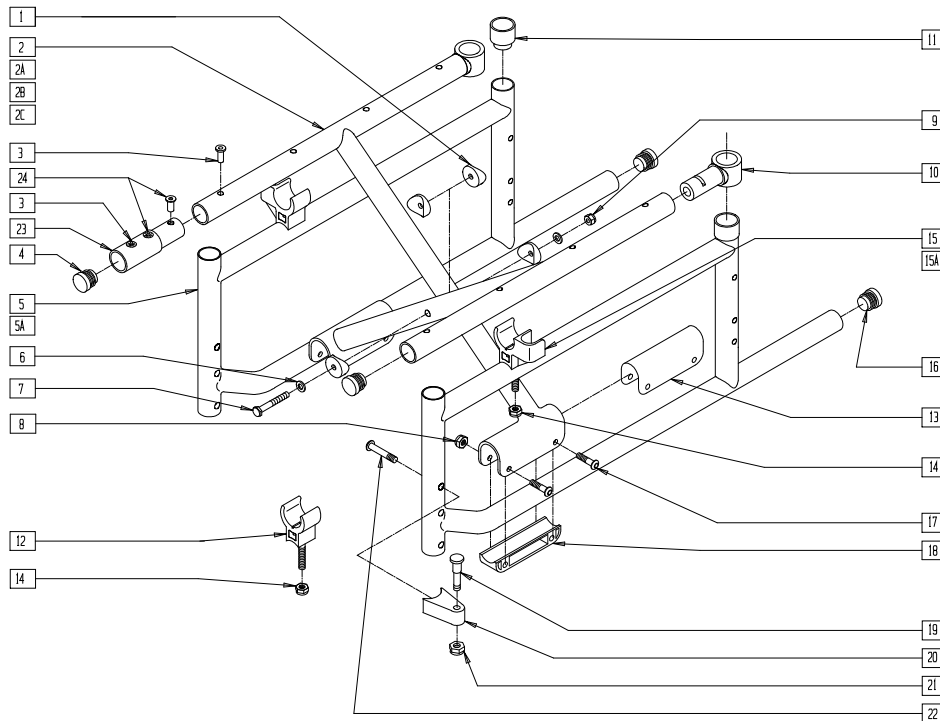
BREX02

ITEM	NUMBER	DESCRIPTION	QTY
2	561002	1" INSERT PLUG .083	4
3	561016	1" WASHER 5/16" HOLE	4
4	222249	5/16-24 x 3 G8 HEX C/S	1
5	263110-QU	5/16 AN WASHER FLAT THIN	2
6	202104	5/16-24 NYLOCK NUT	1
7	561558	BRACKET BUSHING X-TUBE BR/LXI	2
8	226140	1/4-28 x 1 3/4 BH C/S	2
9	561557	PIVOT BLOCK PLASTIC	2
10	201110	1/4-28 NYLOCK NUT	4
11-14	920220	S/A LATCH ASSEMBLY W/BOLT	
15	201110	1/4-28 NYLOCK NUT	2
16	262100-QU	1/4 AN WASHER FLAT	4
17	887730-887732	X-HINGE PLASTIC 12"-22" (PR)	1
18	226140	1/4-28 x 1 3/4 BH C/S	2
19	483116	SIDE FRAME PLUG BR RCLNR	2
20	221133	1/4-28 x 1 1/2 G8 HEX C/S	2
21	561175	SEAT SADDLE REAR BR/LXI	2
23	201120	1/4-28 AUTOMATION NUT	2
24	221160	1/4-28 x 2 HEX C/S	4
25	561175	SEAT SADDLE REAR BR/LXI	2
26	201110	1/4-28 NYLOCK NUT	4

ITEM	NUMBER	DESCRIPTION	QTY	
1-10, 15-18	672444	X-TUBE ASSEMBLY 14" x 15/16" HINGE BR		
	672644	X-TUBE ASSEMBLY 16" x 15/16" HINGE BR		
	672844	X-TUBE ASSEMBLY 18" x 15/16" HINGE BR		
	673044	X-TUBE ASSEMBLY 20" x 15/16" HINGE BR		
	672454	X-TUBE ASSEMBLY 14" x 17/18" HINGE BR		
	672654	X-TUBE ASSEMBLY 16" x 17/18" HINGE BR		
	672854	X-TUBE ASSEMBLY 18" x 17/18" HINGE BR		
	673054	X-TUBE ASSEMBLY 20" x 17/18" HINGE BR		
	20-26	620180	SIDE FRAME REG PNTD B51 RECLINER (SPECIFY COLOR)	
		620181	SIDE FRAME LNG PNTD B51 RECLINER (SPECIFY COLOR)	
620157		SIDE FRAME REGULAR CHROME B51 RECLINER		
620158		SIDE FRAME LONG CHROME B51 RECLINER		
1-26	611044-611061	FRAME ASSEMBLY RECLINER BR 14"-20" x 16" AND 14"-20" x 18"		

FRAME (BREEZY 2)

(Discontinued 7/31/95; fits Breezy 2 prior to serial number B2-5000)



BZ00X03

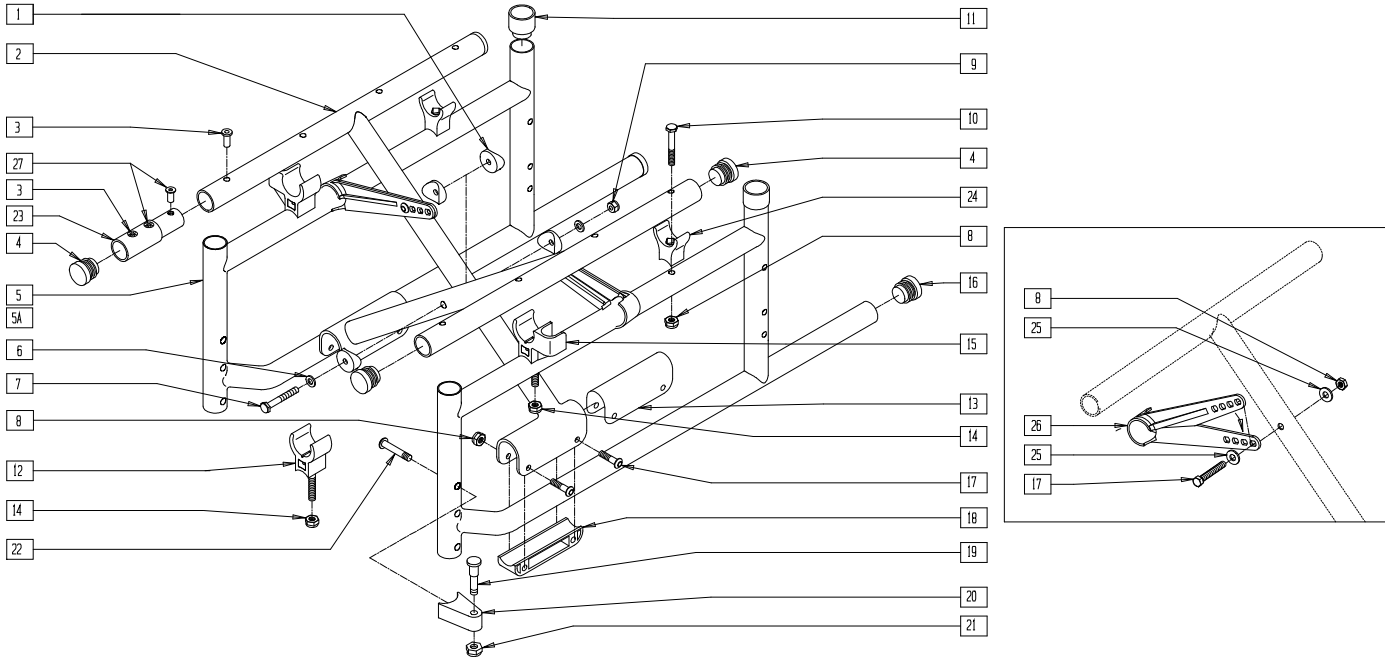
ITEM	NUMBER	DESCRIPTION	QTY
1	561006	1" SADDLE 5/16" HOLE	4
3	341497	10-32 x .020-.130 RIVNUT GOLD	1,8
4	561002	1" INSERT PLUG .083	2
5,11,16	620271	SIDE FRAME 15"-16" B600	
5A,11,16	620272	SIDE FRAME 17"-18" B600	
6	263110-QU	5/16 AN WASHER FLAT THIN	2
7	222249	5/16-24 x 3 G8 HEX C/S	1
8	201120	1/4-28 AUTOMATION NUT	4
9	202104	5/16-24 NYLOCK NUT	1
10	561071	BZ BACK TUBE SLIDER NEW	2
11	561084	1 1/8" TUBE END BUSHING THIN BZ	2
12*	561092	SEAT SADDLE BR (EA)	2
13	561558	BRACKET BUSHING X-TUBE BR/LXI	2
14*	201120	1/4-28 AUTOMATION NUT	2
15*	561066	ARM SADDLE BR L	1
15A*	561064	ARM SADDLE BR R	1
16	561002	1" INSERT PLUG .083	2
17	226140	1/4-28 x 1 3/4 BH C/S	4
18	561557	PIVOT BLOCK (PLASTIC)	2
19	481023	S/A LATCH STUD NEW	2
20	550310	LATCH STUD SUPPORT	2
21	201100	1/4-28 NYLOCK NUT THIN	2
22	226190	5/16-18 x 1 3/4 BH C/S SHLDR	2
24	341491	10-32 x .130-.225 RIVNUT GOLD	2
19-22	920220	S/A LATCH ASSM W/BOLT	
3,4,23,24	920153	X-TUBE EXTENSION 2" W/HDWR BR	
1-4,6-10,13,16-18	673063	X-TUBE ASSM 14" x 16" PIVOT BR	
1,2A,3,4,6-10,13,16-18	673073	X-TUBE ASSM 16" x 16" PIVOT BR	
1,2B,3,4,6-10,13,16-18	673083	X-TUBE ASSM 18" x 16" PIVOT BR	

ITEM	NUMBER	DESCRIPTION	QTY
1,2C,3,4,6-10,13,16-18	673093	X-TUBE ASSM 20" x 16" PIVOT BR	
1-4,6-10,13,16-18,23,24	672438	X-TUBE ASSM 14" x 18" PIVOT BR	
1,2A,3,4,6-10,13,16-18,23,24	672538	X-TUBE ASSM 16" x 18" PIVOT BR	
1,2B,3,4,6-10,13,16-18,23,24	672638	X-TUBE ASSM 18" x 18" PIVOT BR	
1,2C,3,4,6-10,13,16-18,23,24	673038	X-TUBE ASSM 20" x 18" PIVOT BR	
1-11,13,16-18	611124*	FRAME ASSM 14" x 16" PIVOT B2 (SPECIFY COLOR)	
1,2A,3-11,13,16-18	611126*	FRAME ASSM 16" x 16" PIVOT B2 (SPECIFY COLOR)	
1,2B,3-11,13,16-18	611128*	FRAME ASSM 18" x 16" PIVOT B2 (SPECIFY COLOR)	
1,2C,3-11,13,16-18	611130*	FRAME ASSM 20" x 16" PIVOT B2 (SPECIFY COLOR)	
1-4,5A,6-11,13,16-18	611134*	FRAME ASSM 14" x 18" PIVOT B2 (SPECIFY COLOR)	
1,2A,3,4,5A,6-11,13,16-18	611136*	FRAME ASSM 16" x 18" PIVOT B2 (SPECIFY COLOR)	
1,2B,3,4,5A,6-11,13,16-18	611138*	FRAME ASSM 18" x 18" PIVOT B2 (SPECIFY COLOR)	
1,2C,3,4,5A,6-11,13,16-18	611140*	FRAME ASSM 20" x 18" PIVOT B2 (SPECIFY COLOR)	

* ITEMS 12, 14 AND 15/15A MUST BE ORDERED SEPARATELY.
NOTE: ORDER ITEMS 12 AND 14 WHEN NOT USING A FLIP-BACK ARM.

FRAME (BREEZY 2)

(Discontinued 5/98 - parts only; fits breezy 2 beginning B2-5000)



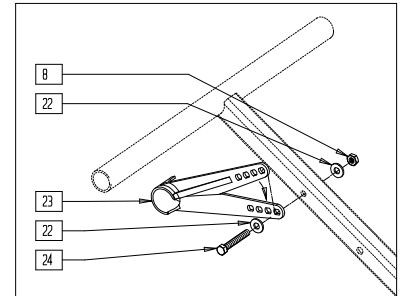
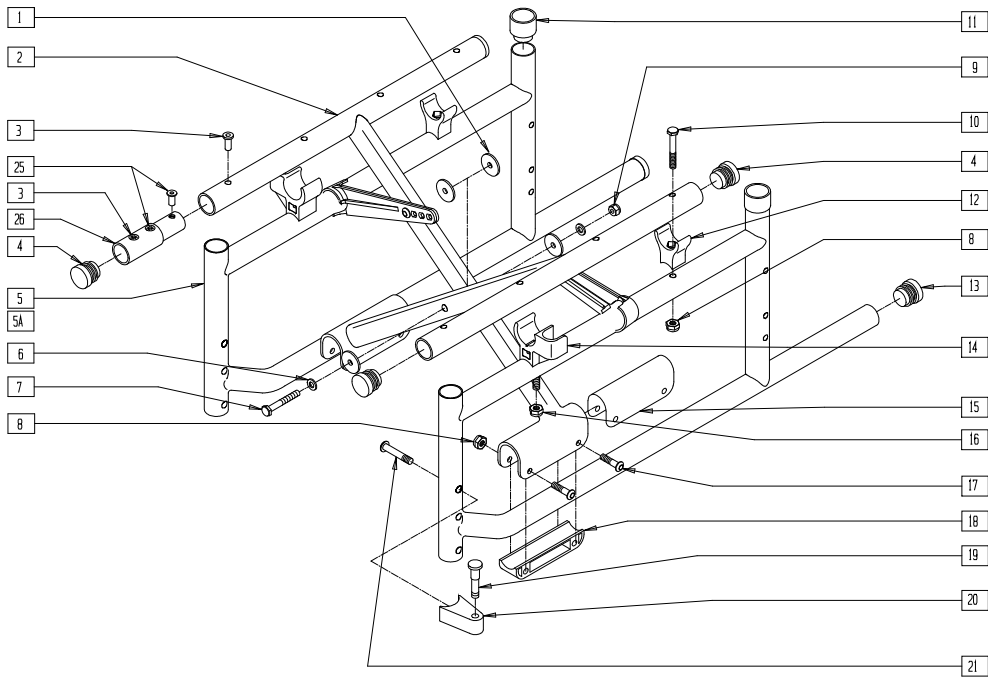
BZ00X03A

ITEM	NUMBER	DESCRIPTION	QTY
1	561006	1" SADDLE 5/16" HOLE	4
3	341497	10-32 x .020-.130 RIVNUT GOLD	1,8-12
4	561002	1" INSERT PLUG .083	2
5,8,10, 11,16,24	620257	SIDE FRAME REG ALUM HINGE B2 (EA)	
5A,8,10, 11,16,24	620258	SIDE FRAME LNG ALUM HINGE B2 (EA)	
6	263110-QU	5/16 AN WASHER FLAT THIN	2
7	222249	5/16-24 x 3 G8 HEX C/S	1
8	201110	1/4-28 NYLOCK NUT	6
9	202104	5/16-24 NYLOCK NUT	1
10	221160	1/4-28 x 2 HEX C/S	2
11	561084	1 1/8" TUBE END BUSHING THIN BZ	2
12*	561092	SEAT SADDLE BR (L AND R)	2
13	561558	BRACKET BUSHING X-TUBE BR/LXI	2
14*	201120	1/4-28 AUTOMATION NUT	2
15*	561113, 561114	ARM SADDLE FLIP-BACK BR/LXI (EA)	1
14,15	880371	ARM SADDLES W/HARDWARE BR	
16	561002	1" INSERT PLUG .083	2
17	226140	1/4-28 x 1 3/4 BH C/S	6
18	561557	PIVOT BLOCK (PLASTIC)	2
19	481023	S/A LATCH STUD NEW	2
20	550310	LATCH STUD SUPPORT	2
21	201100	1/4-28 NYLOCK NUT THIN	2
22	226190	5/16-18 x 1 3/4 BH C/S SHLDR	2
24	561175	SEAT SADDLE REAR BR/LXI	2
25	262100-QU	1/4 AN WASHER FLAT	4
26	887730- 887732	X-HINGE PLASTIC 12"-22"	2
27	341491	10-32 x .130-.225 RIVNUT GOLD	4
19-22	920220	S/A LATCH ASSEMBLY W/BOLT	
3,4,23,27	920153	X-TUBE EXTENSION 2" W/HDWR BR	

ITEM	NUMBER	DESCRIPTION	QTY
1-4,6-9, 13,17, 18,25,26	672444	X-TUBE ASSM 14" x 15/16" HINGE BR	
1,2A,3,4, 6-9,13,17, 18,25,26	672644	X-TUBE ASSM 16" x 15/16" HINGE BR	
1-4,6-9, 13,17, 18,25,26	672844	X-TUBE ASSM 18" x 15/16" HINGE BR	
	673044	X-TUBE ASSM 20" x 15/16" HINGE BR	
	672454	X-TUBE ASSM 14" x 17/18" HINGE BR	
1-4,6-9, 13,17,18, 23,25-27	672654	X-TUBE ASSM 16" x 17/18" HINGE BR	
	672854	X-TUBE ASSM 18" x 17/18" HINGE BR	
	673054	X-TUBE ASSM 20" x 17/18" HINGE BR	
	611164*	FRAME ASSM 14" x 15/16" HINGE B2 (SPECIFY COLOR)	
1-11,13, 16-18, 24-26	611166*	FRAME ASSM 16" x 15/16" HINGE B2 (SPECIFY COLOR)	
	611168*	FRAME ASSM 18" x 15/16" HINGE B2 (SPECIFY COLOR)	
	611170*	FRAME ASSM 20" x 15/16" HINGE B2 (SPECIFY COLOR)	
	611174*	FRAME ASSM 14" x 17/18" HINGE B2 (SPECIFY COLOR)	
1-4,5A, 6-11,13, 16-18, 23-27	611176*	FRAME ASSM 16" x 17/18" HINGE B2 (SPECIFY COLOR)	
	611178*	FRAME ASSM 18" x 17/18" HINGE B2 (SPECIFY COLOR)	
	611180*	FRAME ASSM 20" x 17/18" HINGE B2 (SPECIFY COLOR)	

* ITEMS 12, 14 AND 15 MUST BE ORDERED SEPARATELY.
NOTE: ORDER ITEMS 12 AND 14 WHEN NOT USING A FLIP-BACK ARM.

FRAME (BREEZY 600)

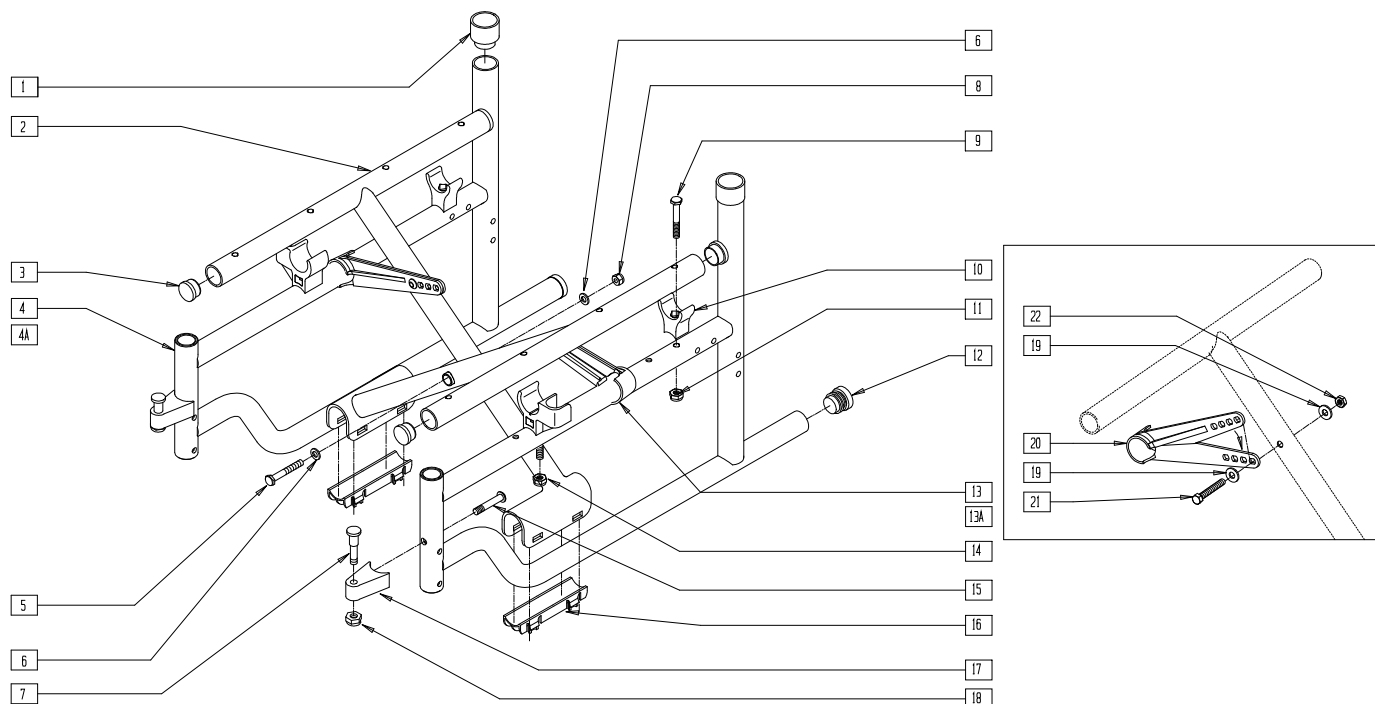


BZ00X03B

ITEM	NUMBER	DESCRIPTION	QTY
1	561016	1" WASHER 5/16" HOLE	4
3	341497	10-32 x .020-.130 RIVNUT GOLD	1, 8,12
4	561002	1" INSERT PLUG .083	2
5,8,10-13	620271	SIDE FRAME 15",16" B600	
5A,8,10-13	620272	SIDE FRAME 17",18" B600	
6	263110-QU	5/16 AN WASHER FLAT THIN	2
7	222249	5/16-24 x 3 G8 HEX C/S	1
8	201110	1/4-28 NYLOCK NUT	6
9	202104	5/16-24 NYLOCK NUT	1
10	221160	1/4-28 x 2 HEX C/S	2
11	561084	1 1/8" TUBE END BUSHNG THIN BZ	2
12	561175	SEAT SADDLE REAR BR/LXI	2
13	561002	1" INSERT PLUG .083	2
14	561113, 561114	ARM SADDLE FLIP-BACK BR/LXI (EA)	1
15	561658	BRACKET BUSHING X-TUBE BR/LXI	2
16	201120	1/4-28 AUTOMATION NUT	2
14,16	880371	ARM SADDLES W/HDWR BR (PR)	
17	226140	1/4-28 x 1 3/4 BH C/S	6
18	561557	PIVOT BLOCK (PLASTIC)	2
19,20	880689	S/A LATCH BLOCK ASSEMBLY BR	2
21	226190	5/16-18 X 1 3/4 BH C/S SHLDR	2

ITEM	NUMBER	DESCRIPTION	QTY
22	262100-QU	1/4" AN WASHER FLAT	2
23	887730- 887732	X-HINGE PLASTIC 12"-22" (PR)	1
24	226140	1/4-28 x 1 3/4 BH C/S	2
25	341491	10-32 x .130-.225 RNUT GOLD	2
20,21	920483	S/A LATCH ASSEMBLY W/BOLT BR	
3,4,25,26	920151	X-TUBE EXTENSION 2" W/HDWR B60	
1-4,6-9,	672444	X-TUBE ASSM 14" x 15/16" B600	
15,17,18,	672644	X-TUBE ASSM 16" x 15/16" B600	
21-24	672844	X-TUBE ASSM 18" x 15/16" B600	
	673044	X-TUBE ASSM 20" x 15/16" B600	
1-4,6-9,	672454	X-TUBE ASSM 14" x 17/18" B600	
15,17,18,	672654	X-TUBE ASSM 16" x 17/18" B600	
21-26	672854	X-TUBE ASSM 18" x 17/18" B600	
	673054	X-TUBE ASSM 20" x 17/18" B600	
1-13,15,	611200	FRAME ASSM 14" x 15/16" B600	
17,18,	611201	FRAME ASSM 16" x 15/16" B600	
21-24	611202	FRAME ASSM 18" x 15/16" B600	
	611203	FRAME ASSM 20" x 15/16" B600	
1-4,5A,	611210	FRAME ASSM 14" x 17/18" B600	
6-13,15,	611211	FRAME ASSM 16" x 17/18" B600	
17,18,	611212	FRAME ASSM 18" x 17/18" B600	
21-26	611213	FRAME ASSM 20" x 17/18" B600	

FRAME (BREEZY 600 ULTRA-HEMI)

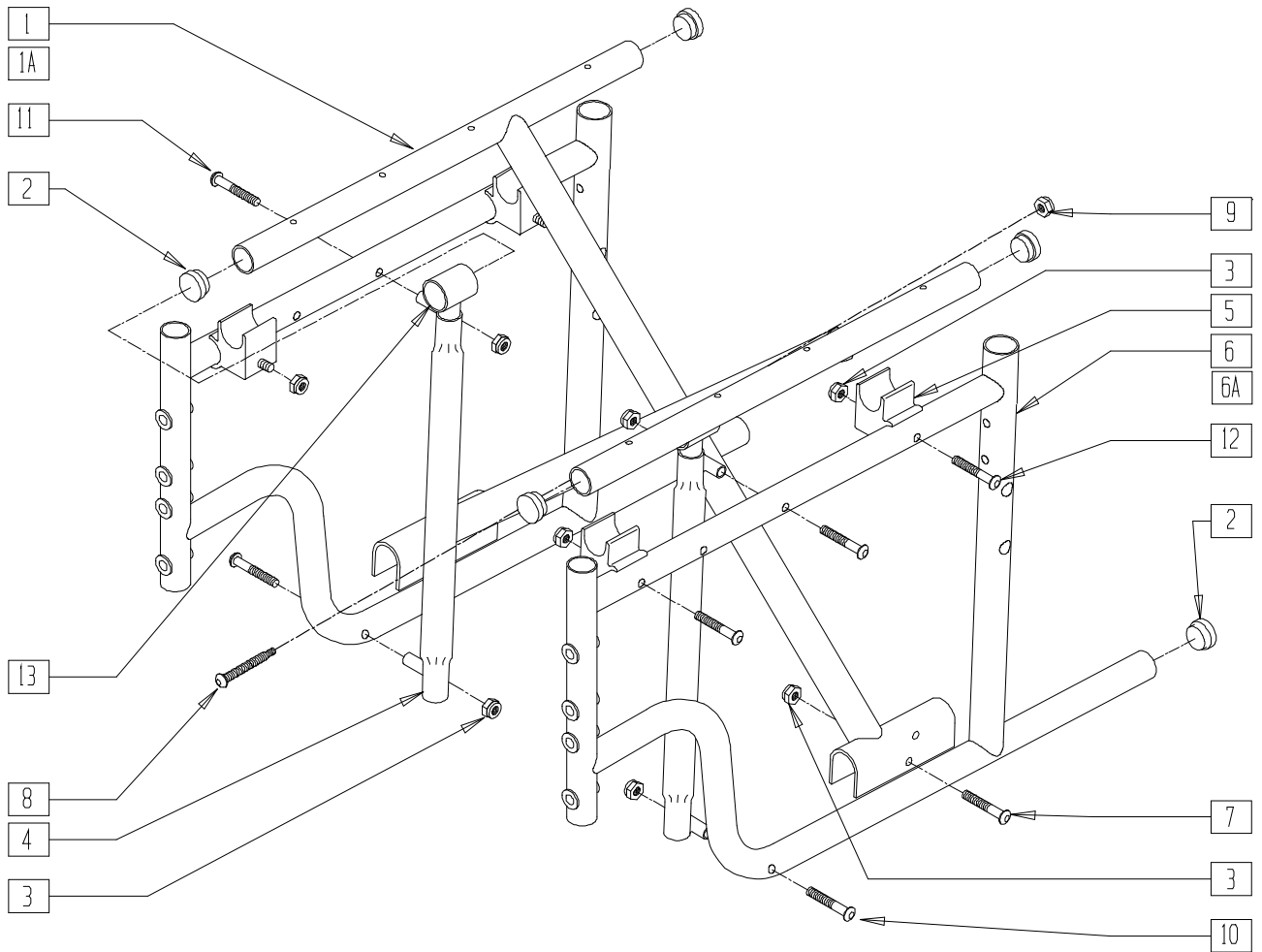


BZ620X01

ITEM	NUMBER	DESCRIPTION	QTY
1	561084	1 1/8" TUBE END BUSHNG THIN BR	2
3	561062	1" INSERT PLUG .065 RIBS	2
5	222249	5/16-24 x 3 G8 HEX C/S	1
6	263110-QU	5/16 AN WASHER FLAT THIN	2
7	880689	S/A LATCH BLOCK ASSEMBLY BR	2
8	202104	5/16-24 NYLOCK NUT	1
9	221160	1/4-28 x 2 HEX C/S	2
10	561175	SEAT SADDLE REAR BR/LXI	2
11	201110-QU	1/4-28 NYLOCK NUT	4
12	561002	1" INSERT PLUG .083	2
13	561113, 561114	ARM SADDLE FLIP-BACK BR/LXI (EA)	1
14	201120	1/4-28 AUTOMATION NUT	2
13,14	880371	ARM SADDLES W/HDWR BR (PR)	
15	226190	5/16-18 x 1 3/4 BH C/S SHLDR	2
16	561557	PIVOT BLOCK PLASTIC	2
17	262100-QU	1/4 AN WASHER FLAT	4
18	887730- 887732	X-HINGE PLASTIC 14"-17" BR/ 15"-17" LX (PR)	1
19	226140	1/4-28 x 1 3/4 BH C/S	2
20	201110-QU	1/4-28 NYLOCK NUT	2
7,15	920483	S/A LATCH ASSEMBLY W/BOLT BR	

ITEM	NUMBER	DESCRIPTION	QTY
2,3,5,6, 8,11,16, 17-20	672670	X-TUBE ASSEMBLY 14" x 16" L HEMI STEEL	
	672672	X-TUBE ASSEMBLY 16" x 16" HEMI STEEL	
	672674	X-TUBE ASSEMBLY 18" x 16" HEMI STEEL	
	672676	X-TUBE ASSEMBLY 20" x 16" HEMI STEEL	
	672680	X-TUBE ASSEMBLY 14" x 18" HEMI STEEL	
	672682	X-TUBE ASSEMBLY 16" x 18" HEMI STEEL	
	672684	X-TUBE ASSEMBLY 18" x 18" HEMI STEEL	
	672686	X-TUBE ASSEMBLY 20" x 18" HEMI STEEL	
1,4,9-12	620273	SIDE FRAME 16" DEPTH HEMI B600	
1,4A,9-12	620274	SIDE FRAME 18" DEPTH HEMI B600	
1-6,8-12, 16-20	611220	FRAME ASSEMBLY 14" x 16" HEMI B600	
	611221	FRAME ASSEMBLY 16" x 16" HEMI B600	
	611222	FRAME ASSEMBLY 18" x 16" HEMI B600	
	611223	FRAME ASSEMBLY 20" x 16" HEMI B600	
1-3,4A,5, 6,8-12, 16-20	611224	FRAME ASSEMBLY 14" x 18" HEMI B600	
	611225	FRAME ASSEMBLY 16" x 18" HEMI B600	
	611226	FRAME ASSEMBLY 18" x 18" HEMI B600	
	611227	FRAME ASSEMBLY 20" x 18" HEMI B600	

FRAME (BREEZY 100/150)



BRZ10X01

ITEM	NUMBER	DESCRIPTION	QTY
1	222-0538	16" X-BRACE ASSEMBLY (BZ100)	1
	222-0539	18" X-BRACE ASSEMBLY (BZ100)	
	222-0540	20" X-BRACE ASSEMBLY (BZ100)	
1A	222-0771	16" x 16" X-BRACE ASSEMBLY (BZ150)	1
	222-0772	18" x 16" X-BRACE ASSEMBLY (BZ150)	
	222-0773	20" x 16" X-BRACE ASSEMBLY (BZ150)	
	222-0774	16" x 18" X-BRACE ASSEMBLY (BZ150)	
	222-0775	18" x 18" X-BRACE ASSEMBLY (BZ150)	
	222-0776	20" x 18" X-BRACE ASSEMBLY (BZ150)	

ITEM	NUMBER	DESCRIPTION	QTY
6	222-0536L	SIDE FRAME L (BZ100)	1
	222-0536R	SIDE FRAME R (BZ100)	
6A	222-0799L	SIDE FRAME L (BZ150)	1
	222-0799R	SIDE FRAME R (BZ150)	
13	222-0787	ALUM SLIDE TUBE (BZ150)	2
2,3,7-9	222-0638	CROSS BRACE HARDWARE KIT	
3,4,10,11	222-0537	VERTICAL SLIDE/GLIDE ASSEMBLY W/HARDWARE	
3,5,12	222-0648	SEAT SUPPORT W/HARDWARE (PR)	

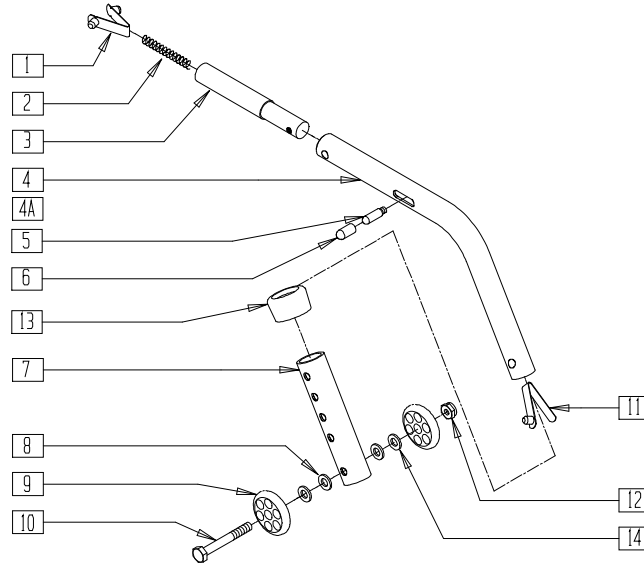
Anti-tips

IN THIS SECTION

Anti-Tip (Quickie TS/Recliner) (Disc).....	5.1	Quickie Kidz Conversion Kit	
Anti-Tip (Zippie)	5.1	(Standard to Reverse).....	5.10
Anti-Tip (Breezy) (Disc.)	5.2	Quickie Kidz Conversion Kit	
Anti-Tip		(Reverse to Standard).....	5.11
(Breezy 600/Breezy 510 and 600 Ultra-hemi)	5.3	Anti-Tip Receiver - High-mount Position	
Anti-Tip (Breezy 500/510/510 Recliner).....	5.4	(Quickie GPS/ST/DT/Triumph).....	5.11
Anti-Tip (Breezy 100/150).....	5.4	Anti-Tip - Low-mount Position	
Anti-Tip (Quickie 2/2HP/GP/GPSA/GPS/GPSTI/ KIDZ/LX/LXI/LXJ/M6/R2/Recliner/Revolution/Rx/T45/ TI/TRIUMPH/TS/XTR)	5.5	(Quickie GPS/ST/DT/Triumph)	5.12
Anti-Tip Low-mount Position		Anti-Tip Receiver (Quickie TS)	5.12
(Quickie Revolution)	5.6	Reverse Anti-Tip Receiver (Zippie GS)	5.13
Anti-Tip (Quickie Carbon) (Disc.).....	5.7	Anti-Tip (Zippie GS)	5.13
Anti-Tip (Quickie EX) (Disc.).....	5.7	Anti-Tip (Quickie XTR)	5.14
Anti-Tip (Quickie Kidz)	5.8	Anti-Tip (Quickie M6)	5.14
Anti-Tip (Quickie ST/DT) (Disc.)	5.8	Anti-Tip (Quickie R2)	5.15
Anti-Tip (Quickie T45).....	5.9	Front Anti-Tip (Quickie 2/Kidz/LX/Recliner/Rx/TS, Zippie/Zippie 2/GS/TS)	5.16
Anti-Tip (Quickie <i>TNT</i>) (Disc.).....	5.9	Anti-Tip Reference Guide	5.17
Anti-Tip (Quickie <i>TNT</i>) (Disc.).....	5.10	Anti-Tip Reference Guide (continued)	5.18
		Front Anti-Tip Reference Guide	5.19

ANTI-TIP (QUICKIE TS/RECLINER)

(Discontinued 1/1/94 - parts only; fits Recliner prior to serial number QR-3308;
Fits Rx prior to serial number Rx-46101)

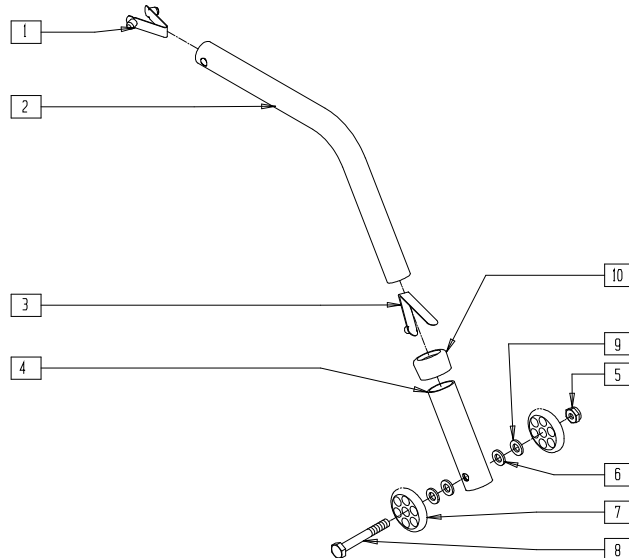


AC0X01

ITEM	NUMBER	DESCRIPTION	QTY
1	301110	1/4" SNAP BUTTON DOUBLE	1
2	321132	ANTI-TIP SPRING	1
3	561089	ANTI-TIP SLIDER COURSE	1
4	521510	ANTI-TIP MAIN TUBE R	1
4A	521511	ANTI-TIP MAIN TUBE L	1
5	481014	1/4-20 x .88 REL PIN	1
6	560502	ANTI-TIP LEVER COVER	1
7	521514	ANTI-TIP SLEEVE TUBE (5H)	1
8	262110	1/4 AN WASHER FLAT THIN	2

ITEM	NUMBER	DESCRIPTION	QTY
9	561032	ANTI-TIP WHEEL	2
10	221192	1/4-28 x 2 G8 HEX C/S	1
11	301100	1/4" SNAP BUTTON SINGLE B-130	1
12	201100	1/4-28 NYLOCK NUT THIN	1
13	563065	3/4" ANTI-RATTLE	1
14	262130	6mm WASHER WAVE	2
1-14	880500	ANTI-TIP ASSEMBLY ADULT R	
1-3,4A,5-14	880501	ANTI-TIP ASSEMBLY ADULT L	
1-14	900702	ANTI-TIP ASSEMBLY ADULT (PR)	

ANTI-TIP (ZIPPIE)



BZY00X8

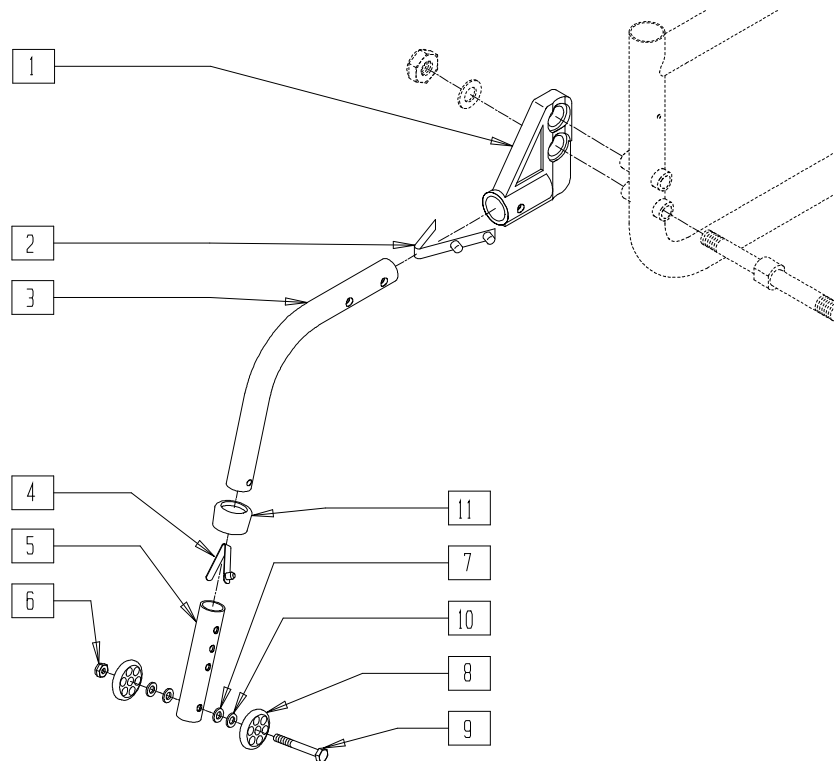
ITEM	NUMBER	DESCRIPTION	QTY
1	301110	1/4" SNAP BUTTON DOUBLE	1
2	521513	ANTI-TIP MAIN TUBE BZ/ZP	1
3	301100	1/4" SNAP BUTTON SINGLE B-130	1
4	521516	ANTI-TIP SLEEVE BZ/ZP	1
5	201100	1/4-28 NYLOCK NUT THIN	1
6	262110	1/4 AN WASHER FLAT THIN	2

ITEM	NUMBER	DESCRIPTION	QTY
7	561032	ANTI-TIP WHEEL	2
8	221192	1/4-28 x 2 G8 HEX C/S	1
9	262130	6mm WASHER WAVE	2
10	563065	3/4" ANTI-RATTLE	1
1-10	880503	ANTI-TIP TUBE BZ/ZP (EA)	
	900704	BZ/ZP ANTI-TIP O/S (PR)	

ANTI-TIP (BREEZY)

(Discontinued - parts only)

(Effective beginning serial number BZ-200000 and prior to serial number BZ-351000)



Drawing shows right side

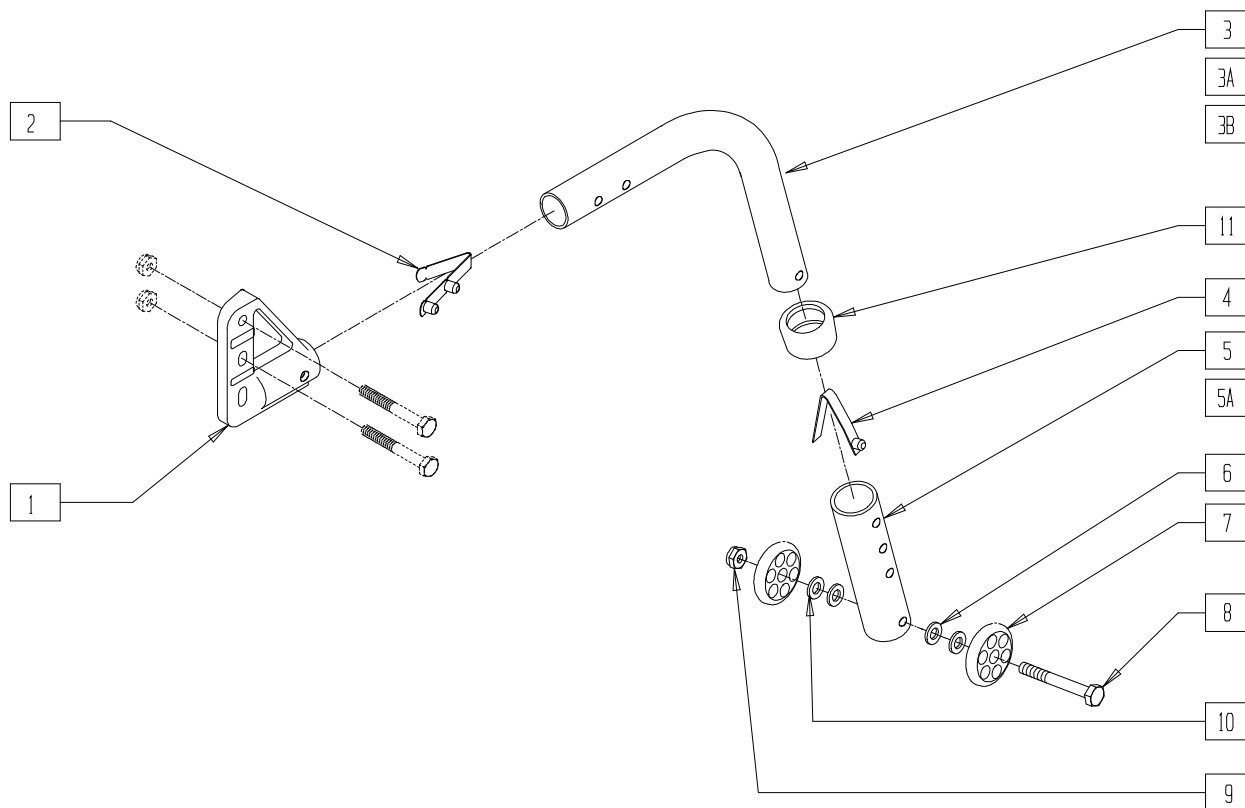
BZ00X09

ITEM	NUMBER	DESCRIPTION	QTY
1	920397	ANTI-TIP RECEIVER BR (PR)	1
	920398	ANTI-TIP REC W/HDWR BR (QR AXLE) (PR)	1
2	301109	SNAP BUTTON DUAL ONE SIDE	1
3	521490, 521491	ANTI-TIP TUBE SMALL	1
	521494, 521495	ANTI-TIP TUBE REG	
4	301100	1/4" SNAP BUTTON SINGLE B-130	1
5	521508	ANTI-TIP ADJUSTMENT SLEEVE (4H)	1
6	201100	1/4-28 NYLOCK NUT THIN	1
7	262110	1/4 AN WASHER FLAT THIN	2

ITEM	NUMBER	DESCRIPTION	QTY
8	561032	ANTI-TIP WHEEL	2
9	221160	1/4-28 x 2 HEX C/S	1
10	262130	6mm WASHER WAVE	2
11	563065	3/4" ANTI-RATTLE	1
2-9	880490-880495	ANTI-TIP ASSEMBLY (EA)	
	900701, 900703	ANTI-TIP ASSEMBLY (PR)	
1-9	900706, 900708, 900716, 900718	ANTI-TIP ASSEMBLY W/RECEIVER (PR)	

NOTE: THREADED AXLE PICTURED. FOR ILLUSTRATION OF QUICK-RELEASE AXLE MOUNTING, SEE QUICK RELEASE AXLE BRACKET, PAGE 7.14.

ANTI-TIP (BREEZY 600/BREEZY 510 AND 600 ULTRA-HEMI)



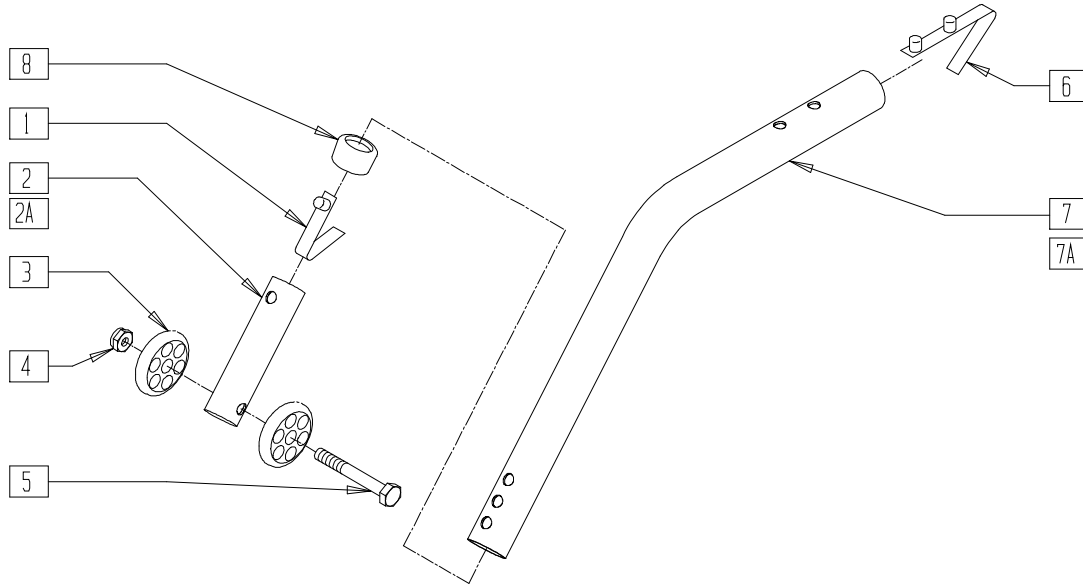
Drawing shows right side

BZ600X04

ITEM	NUMBER	DESCRIPTION	QTY
1	920407	ANTI-TIP RECEIVERS (PR)	1
2	301109	SNAP BUTTON DUAL ONE SIDE	1
3	521480, 521481	ANTI-TIP TUBE KIDZ	1
3A	521490, 521491	ANTI-TIP TUBE SMALL	1
3B	521494, 521495	ANTI-TIP TUBE REG	1
4	301100	1/4" SNAP BUTTON SINGLE B-130	1
5	521514	ANTI-TIP SLEEVE TUBE (5H)	1
5A	521508	ANTI-TIP ADJ SLEEVE (4H)	1
6	262110-QU	1/4 AN WASHER FLAT THIN	2
7	561032	ANTI-TIP WHEEL	2
8	221160	1/4-28 x 2 HEX C/S	1
9	201100-QU	1/4-28 NYLOCK NUT THIN	1
10	262130	6mm WASHER WAVE	2
11	563065	3/4" ANTI-RATTLE	1
2--11	881260, 881261	ANTI-TIP ASSEMBLY SM (5H) BR	
	900240	ANTI-TIP ASSEMBLY SM (5H) HEMI BR	

ITEM	NUMBER	DESCRIPTION	QTY
1-11	900790	ANTI-TIP ASSM SM (5H) W/REC HEMI BR	
2,3A,4 5A-11	880490, 880491	ANTI-TIP ASSEMBLY SMALL (EA)	
	900701	ANTI-TIP ASSEMBLY SMALL (PR)	
1,2,3A,4, 5A,6-11	900792	ANTI-TIP ASSEMBLY SM (4H) W/RECEIVERS HEMI BR	
2,3A,4-11	881262, 881263	ANTI-TIP ASSEMBLY (5H) BR (EA)	
	900241	ANTI-TIP ASSEMBLY 5-HOLE HEMI BR (PR)	
1,2,3A,4-11	900791	ANTI-TIP ASSM 5-HOLE W/REC HEMI BR	
2,3B,4, 5A-11	880494, 880495	ANTI-TIP ASSEMBLY REG (EA)	
	900703	ANTI-TIP ASSEMBLY REG (PR)	
1,2,3B,4, 5A,6-11	900793	ANTI-TIP ASSEMBLY (4H) W/RECEIVERS HEMI BR	

ANTI-TIP (BREEZY 500/510/510 RECLINER)
 (Effective beginning serial number BZ-351000)

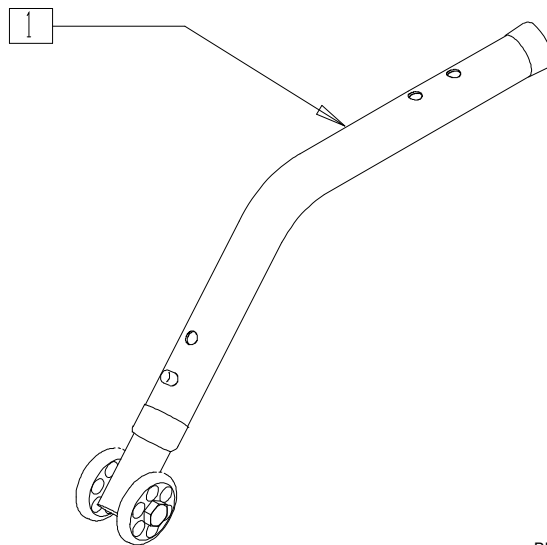


BASIC03A

ITEM	NUMBER	DESCRIPTION	QTY
1	301100	1/4" SNAP BUTTON SINGLE B-130	1
2	521543	ANTI-TIP ADJ 3/4"	1
2A	521544	ANTI-TIP ADJ 3/4" 4.7"	1
3	561032	ANTI-TIP WHEEL	2
4	201100	1/4-28 NYLOCK NUT THIN	1
5	221150	1/4-28 x 1 3/4 HEX C/S	1
6	301109	SNAP BUTTON DUAL ONE SIDE	1
7	521547	ANTI-TIP TUBE SHORT BR	1

ITEM	NUMBER	DESCRIPTION	QTY
7A	521548	ANTI-TIP TUBE REGULAR BR	1
8	563065	3/4" ANTI-RATTLE	1
1-8	880981	ANTI-TIP ASSEMBLY SHORT BR (EA)	
	900770	ANTI-TIP ASSEMBLY SHORT BR (PR)	
1,2A-8	880986	ANTI-TIP ASSEMBLY BR (EA)	
	900773	ANTI-TIP ASSEMBLY BR (PR)	
1-7A,8	880983	ANTI-TIP ASSEMBLY REG BR (EA)	
	900771	ANTI-TIP ASSEMBLY REG BR (PR)	

ANTI-TIP (BREEZY 100/150)

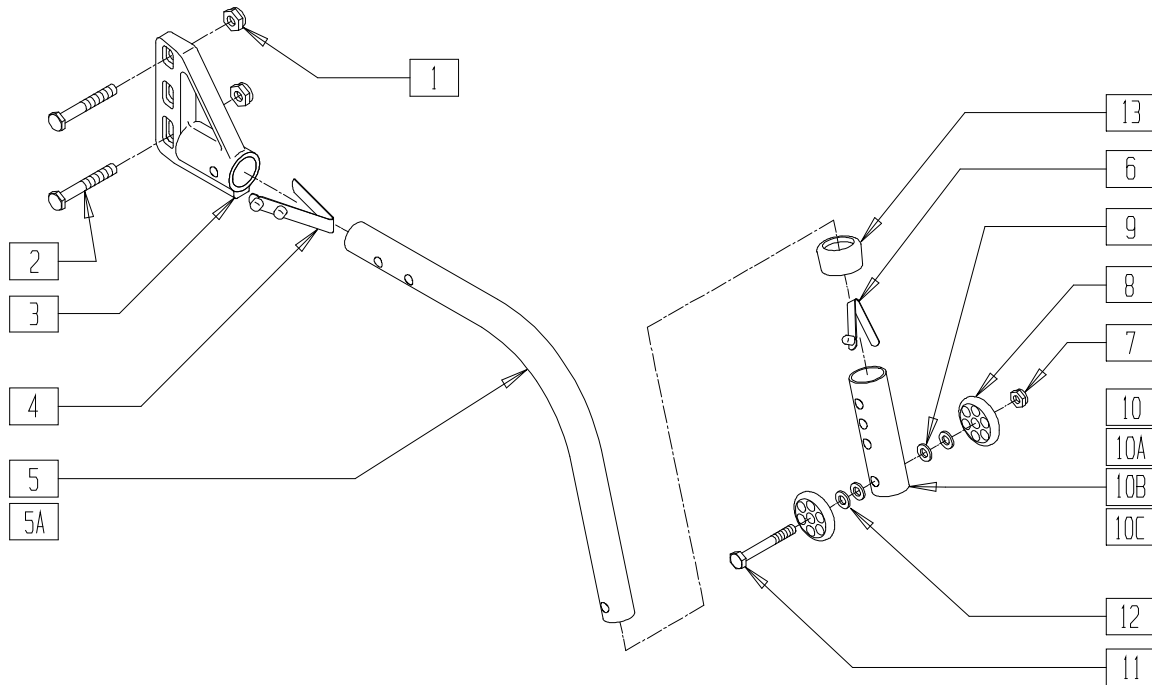


BRZ10X17

ITEM	NUMBER	DESCRIPTION	QTY
1	BZ110	ANTI-TIP (BR 100/150) (PR)	1

ANTI-TIP (QUICKIE 2/2HP/GP/GPSA/GPS/GPSTI/KIDZ/LX/LXI/LXJ/M6/R2/ RECLINER/REVOLUTION/RX/T45/TI/TRIUMPH/TS/XTR)

(Quickie GPS, GPS Ti and Triumph discontinued 2/01- parts only)



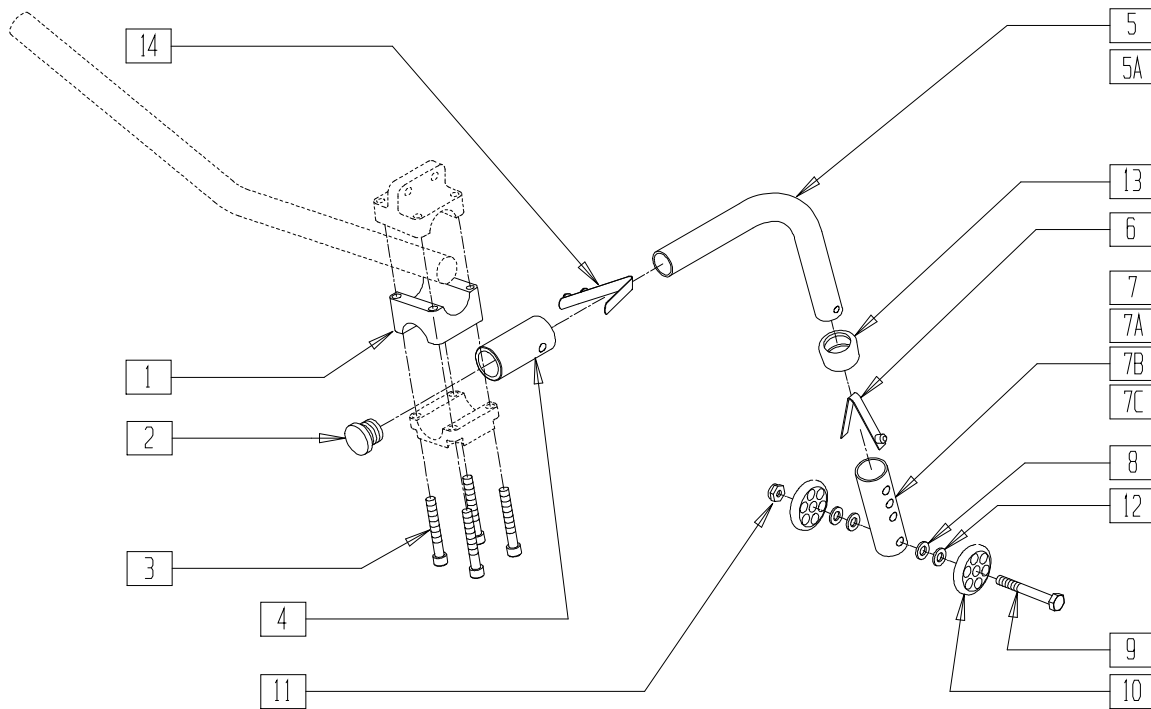
ATOX02

ITEM	NUMBER	DESCRIPTION	QTY
1	201110	ANTI-TIP ADJ SLEEVE (4H)	2
2	221181	1/4-28 x 2 1/2 G8 HEX C/S	2
3	920407	ANTI-TIP RECEIVERS (PR)	1
4	301109	SNAP BUTTON DUAL ONE SIDE	1
5	521490- 521497	ANTI-TIP TUBE CLR SMALL, SMALL EXT, REG, REG EXT (EA)	1
5A	521716- 521728	ANTI-TIP TUBE BLK SMALL, SMALL EXT, REG, REG EXT (EA)	1
6	301100	1/4" SNAP BUTTON SINGLE B-130	1
7	201100	1/4-28 NYLOCK NUT THIN	1
8	561032	ANTI-TIP WHEEL	2
9	262110	1/4 AN WASHER FLAT THIN	2
10	521508	ANTI-TIP ADJ SLEEVE (4H)	1
10A	521514	ANTI-TIP SLEEVE TUBE (5H)	1
10B	521504	ANTI-TIP ADJ SLEEVE BLK (4H)	1
10C	521587	ANTI-TIP ADJ SLEEVE BLK (5H)	1
11	221192	1/4-28 x 2 G8 HEX C/S	1
12	262130	6mm WASHER WAVE	2
13	563065	3/4" ANTI-RATTLE	1
4-13*	880490- 880497	ANTI-TIP ASSEMBLY CLR SMALL, SMALL EXT, REG, REG EXT (EA)	
4-9, 10A,13	880498, 880499	ANTI-TIP ASSEMBLY CLR W/REG LONG SLEEVE (EA)	
4-9,10A, 11-13	880976, 880977	ANTI-TIP REGULAR EXT CLR W/LONG SLEEVE (EA)	

ITEM	NUMBER	DESCRIPTION	QTY
4-9,10A, 11-13	900732	ANTI-TIP REGULAR EXT CLR W/LONG SLEEVE (PR)	
4-13*	900696, 900697	ANTI-TIP ASSEMBLY CLR SMALL EXT (PR)	
	900701, 900703	ANTI-TIP ASSEMBLY CLR SMALL (PR)	
	900714	ANTI-TIP LONG SLEEVE W/REG CLR (PR)	
1-9, 10A,13	900714	ANTI-TIP LONG SLEEVE W/REG CLR (PR)	
1-13	900721- 900724	ANTI-TIP ASSEMBLY CLR W/REG (PR)	
7-9,10B, 11-13	881512	ANTI-TIP SLEEVE W/WHEELS BLK (4H)	
7-9,10C, 11-13	881513	ANTI-TIP SLEEVE W/WHEELS BLK (5H)	
4,5A,6-9, 10B,11-13	882906- 882911	ANTI-TIP ASSEMBLY BLK SMALL, SMALL EXT, REG, REG EXT (EA)	
4,5A,6-9, 10B,11-13	882900, 882901	ANTI-TIP ASSEMBLY BLK REGULAR (EA)	
4,5A,6-9, 10C,11-13	882922, 882923	ANTI-TIP ASSEMBLY BLK REG EXT W/LONG SLEEVE (EA)	
1-4,5A,6-9, 10C,11-13	900835	ANTI-TIP ASSEMBLY BLK REG EXT W/LONG SLEEVE (PR)	
1-4,5A,6-9, 10B,11-13	900830- 900833	ANTI-TIP ASSEMBLY W/REG BLK SMALL, SMALL EXT, REG, REG EXT (PR)	

NOTE: WHEN USING PADDED SWING-AWAY ARMS, ANTI-TIP RECEIVERS ARE MOUNTED ON OUTSIDE OF FRAME.
*PLEASE ORDER BLACK ANTI-TIP TUBES AND ASSEMBLIES WHEREVER POSSIBLE.

ANTI-TIP LOW-MOUNT POSITION (QUICKIE REVOLUTION)



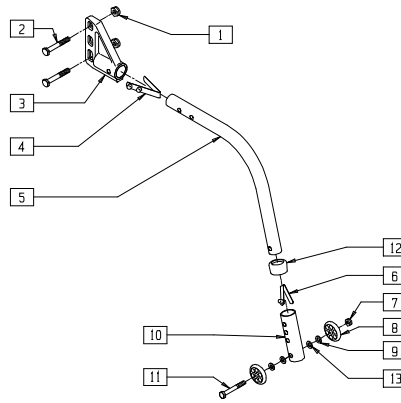
2D000X12

ITEM	NUMBER	DESCRIPTION	QTY
1	550213	ANTI-TIP SADDLE LOW MOUNT GPS	1
2	560735	7/8" ROUND TUBE PLUG	1
3	226163	1/4-28 x 2 SOC C/S	4
4	521234	ANTI-TIP RECEIVER TUBE GPS	1
1-4	880931	ANTI-TIP RECEIVER ASSEMBLY UNDER MOUNT GPS	
5	521491-521494	UNDER MOUNT GPS SMALL, REG (EA)	1
5A	521716-521719	ANTI-TIP TUBE BLK SMALL, REG (EA)	1
6	301100	1/4" SNAP BUTTON SINGLE B-130	1
7	521508	ANTI-TIP ADJ SLEEVE (4H)	1
7A	521514	ANTI-TIP SLEEVE TUBE (5H)	1
7B	521504	ANTI-TIP ADJ SLEEVE BLK (4H)	1
7C	521587	ANTI-TIP SLEEVE TUBE BLK (5H)	1
8	262110	1/4 AN WASHER FLAT THIN	2
9	221192	1/4-28 x 2 G8 HEX C/S	1
10	561032	ANTI-TIP WHEEL	2

ITEM	NUMBER	DESCRIPTION	QTY
11	201100	1/4-28 NYLOCK NUT THIN	1
12	262130	6mm WASHER WAVE	2
13	563065	3/4" ANTI-RATTLE	1
14	301109	SNAP BUTTON DUAL ONE SIDE	1
7B,8-13	881512	ANTI-TIP SLEEVE W/WHEELS BLK (4H)	
7C,8-13	881513	ANTI-TIP SLEEVE W/WHEELS BLK (5H)	
5-14	880490, 880491	ANTI-TIP ASSEMBLY SMALL (EA)	
5,6,7A, 8-14	880498, 880499	ANTI-TIP ASSEMBLY REG W/LONG SLEEVE (EA)	
5-14	900701	ANTI-TIP ASSEMBLY SMALL (PR)	
5,6,7A 8-14	900709	ANTI-TIP ASSEMBLY REG W/LONG SLEEVE (PR)	
1-14	900698	ANTI-TIP ASSEMBLY SM EXT W/REC RV	
5A,6,7B, 8-14	882906, 882907	ANTI-TIP ASSEMBLY SMALL BLK (EA)	
5A,6,7C, 8-14	882912, 882913	ANTI-TIP ASSEMBLY REG BLK LONG SLEEVE (EA)	

ANTI-TIP (QUICKIE CARBON)

(Discontinued 3/1/95 - parts only)



AT0X01A

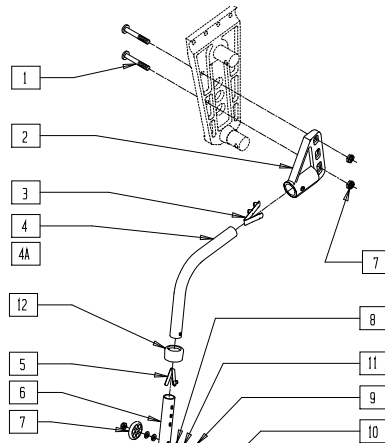
ITEM	NUMBER	DESCRIPTION	QTY
1	330000-QU	1/4-28 NYLOCK NUT ALUM	2
2	221211	1/4-28 x 3 1/4 G8 HEX C/S	2
3	920407	ANTI-TIP RECEIVERS (PR)	1
4	301109	SNAP BUTTON DUAL ONE SIDE	1
5	521490, 521491, 521494, 521495	ANTI-TIP TUBE (EA)	1
6	301100	1/4" SNAP BUTTON SINGLE B-130	1
7	201100	1/4-28 NYLOCK NUT THIN	1
8	561032	ANTI-TIP WHEEL	2

ITEM	NUMBER	DESCRIPTION	QTY
9	262110	1/4 AN WASHER FLAT THIN	2
10	521508	ANTI-TIP ADJ SLEEVE (4H)	1
11	221192	1/4-28 x 2 G8 HEX C/S	1
12	563065	3/4" ANTI-RATTLE	1
13	262130	6mm WASHER WAVE	2
4-13	880490, 880491, 880494, 880495	ANTI-TIP ASSEMBLY (EA)	
1-13	900728, 900729	ANTI-TIP ASSEMBLY W/REC QC (PR)	

NOTE: WHEN USING PADDED SWING-AWAY ARMS, ANTI-TIP RECEIVERS ARE MOUNTED ON OUTSIDE OF FRAME.

ANTI-TIP (QUICKIE EX)

(Discontinued 2/14/97- parts only)



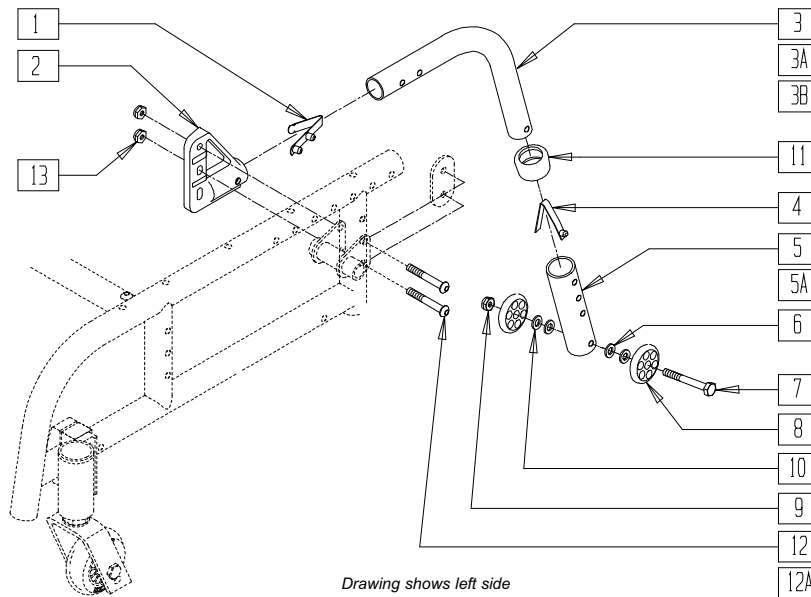
Drawing shows left side

SP00X09

ITEM	NUMBER	DESCRIPTION	QTY
1	226122	1/4-28 x 1.10 BH C/S	2
2	920407	ANTI-TIP RECEIVERS (PR)	1
3	301109	SNAP BUTTON DUAL ONE SIDE	1
4	521490, 521494	ANTI-TIP TUBE R	1
4A	521491, 521495	ANTI-TIP TUBE L	1
5	301100	1/4" SNAP BUTTON SINGLE B-130	1
6	521508	ANTI-TIP ADJ SLEEVE (4H)	1
7	201100	1/4-28 NYLOCK NUT THIN	3
8	262110	1/4 AN WASHER FLAT THIN	2
9	561032	ANTI-TIP WHEEL	2
10	221192	1/4-28 x 2 G8 HEX C/S	1

ITEM	NUMBER	DESCRIPTION	QTY
11	262130	6mm WASHER WAVE	2
12	563065	3/4" ANTI-RATTLE	1
3-12	880490	ANTI-TIP ASSEMBLY SMALL R	
3,4A,5-12	880491	ANTI-TIP ASSEMBLY SMALL L	
3-12	880494	ANTI-TIP ASSEMBLY REGULAR R	
3,4A,5-12	880495	ANTI-TIP ASSEMBLY REGULAR L	
3-12	900701	ANTI-TIP ASSEMBLY SMALL (PR)	
	900703	ANTI-TIP ASSEMBLY REG (PR)	
1-12	900725	ANTI-TIP ASSEMBLY W/REC REG EX (PR)	
	900727	ANTI-TIP ASSEMBLY W/REC SM EX (PR)	

ANTI-TIP (QUICKIE KIDZ)



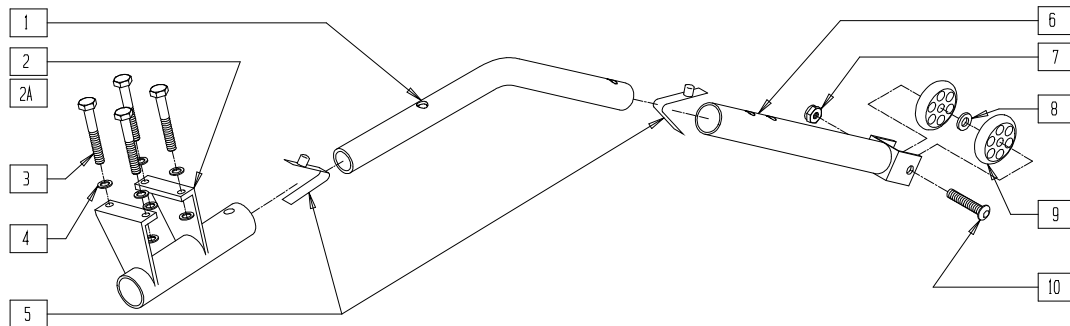
Drawing shows left side

KDZ0X13A

ITEM	NUMBER	DESCRIPTION	QTY
1	301109	SNAP BUTTON DUAL ONE SIDE	1
2	920407	ANTI-TIP RECIEVERS (PR)	1
3	521480- 521495	ANTI-TIP TUBE CLR KIDZ, SMALL (EA)	1
3A	521482, 521483	ANTI-TIP TUBE BLK KIDZ (EA)	1
3B	521716, 521717	ANTI-TIP TUBE BLK SMALL (EA)	1
4	301100	1/4" SNAP BUTTON SINGLE B-130	1
5	521508	ANTI-TIP ADJ SLEEVE (4H)	1
5A	521504	ANTI-TIP ADJ SLEEVE BLK (4H)	1
6	262110	1/4 AN WASHER FLAT THIN	2
7	221192	1/4-28 x 2 G8 HEX C/S	1
8	561032	ANTI-TIP WHEEL	2
9	201100	1/4-28 NYLOCK NUT THIN	1
10	262130	6mm WASHER WAVE	2

ITEM	NUMBER	DESCRIPTION	QTY
11	563065	3/4" ANTI-RATTLE	1
12	221181	1/4-28 x 2 1/2 G8 HEX	2
12A	226150	1/4-28 x 2 BH C/S	2
13	201110	1/4-28 NYLOCK NUT	2
5A,6-10	881512	ANTI-TIP SLEEVE W/WHEELS BLK (4H)	
1,3-11	880488- 880495	ANTI-TIP ASSEMBLY CLR KIDZ, SMALL (EA)	
1,3A,4, 5A,6-10	882904- 882907	ANTI-TIP ASSEMBLY BLK KIDZ, SMALL (EA)	
1-11	900721- 900726	ANTI-TIP ASSEMBLY W/RECEIVER CLR KIDZ, SMALL (PR)	
1,2,3B,4, 5A,6-13	900830	ANTI-TIP ASSEMBLY W/RECEIVER BLK SMALL (PR)	
1,2,3B,4 5A,6-11, 12A,13	900836	ANTI-TIP ASSM W/RECEIVER BLK KIDZ (PR)	

ANTI-TIP (QUICKIE ST/DT) (Discontinued 7/1/98 - parts only)

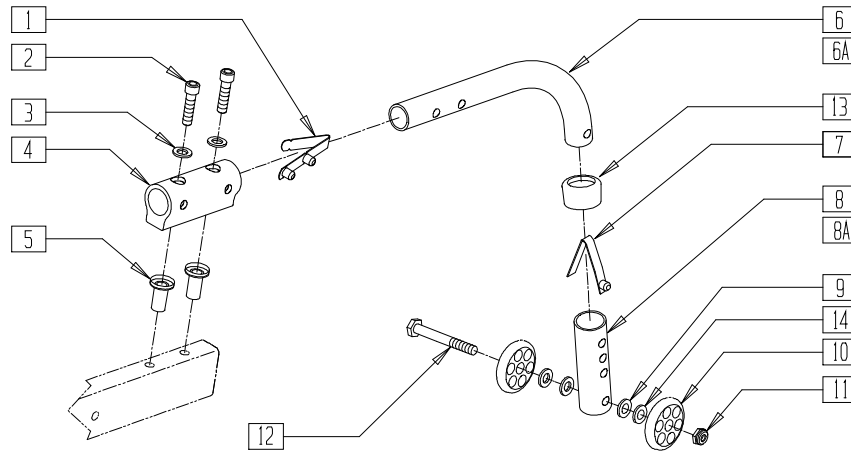


RG000X08

ITEM	NUMBER	DESCRIPTION	QTY
1	527546	ANTI-TIP BENT EXT ANO	1
2	500582	ANTI-TIP BRACKET R	1
2A	500583	ANTI-TIP BRACKET L	1
3	221151-QU	1/4-28 x 1 3/4 G8 HEX C/S	4
4	262100-QU	1/4 AN WASHER FLAT	8
5	301100	1/4" SNAP BUTTON SINGLE B-130	2
7	201135	1/4-20 NYLOCK NUT LOW SS	1
8	561028	1/4" NYLON WASHER	1

ITEM	NUMBER	DESCRIPTION	QTY
9	561032	ANTI-TIP WHEEL	2
10	226080	1/4-20 x 1 1/4 BH C/S SS	1
6-10	880951	ANTI-TIP WHEEL ASSEMBLY ANO	
1-10	881480	RIGID ANTI-TIP W/BRKT R	
1,2A,3-10	881481	RIGID ANTI-TIP W/BRKT L	
1-10	900735	RIGID ANTI-TIP W/BRKT (PR)	
1,3,6-8	880950	ANTI-TIP EXT ASSEMBLY	

ANTI-TIP (QUICKIE T45)



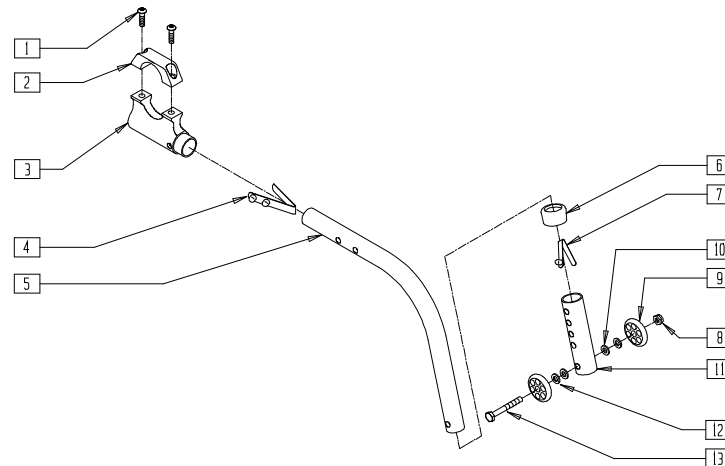
TSR00X13A

ITEM	NUMBER	DESCRIPTION	QTY
1	301109	SNAP BUTTON DUAL ONE SIDE	1
2	226112	1/4-28 x 1 SOC C/S BLK	2
3	262114	1/4 WASHER HI COLLAR LOCK ZN	2
4	500745	ANTI-TIP RECEIVER P2	1
5	341503	RIVNUT 1/4" x 28 RIBBED	2
6	521480, 521481	ANTI-TIP TUBE CLR KIDZ (EA)	1
6A	521482, 521483	ANTI-TIP TUBE BLK KIDZ (EA)	1
7	301100	1/4" SNAP BUTTON SINGLE B-130	1
8	521508	ANTI-TIP ADJ SLEEVE (4H)	1
8A	521504	ANTI-TIP ADJ SLEEVE (4H) BLK	1
9	262110	1/4 AN WASHER FLAT THIN	2
10	561032	ANTI-TIP WHEEL	2

ITEM	NUMBER	DESCRIPTION	QTY
11	201100	1/4-28 NYLOCK NUT THIN	1
12	221192	1/4-28 x 2 G8 HEX C/S	1
13	563065	3/4" ANTI-RATTLE	1
14	262130	6mm WASHER WAVE	2
2-4	900715	ANTI-TIP RECEIVER W/HDWR P2	
8A,9-13	881512	ANTI-TIP SLV W/WHEELS BLK (4H)	
1,6-13	880488, 880489	ANTI-TIP ASSEMBLY CLR KIDZ (EA)	
1,6A,7, 8A,9-13	882904, 882905	ANTI-TIP ASSEMBLY BLK KIDZ (EA)	
1-4,6-14	900730	ANTI-TIP ASSEMBLY W/REC T45 CLR (PR)	
1-4,6A,7, 8A,9-13	900837	ANTI-TIP ASSEMBLY W/REC T45 BLK (PR)	

ANTI-TIP (QuickieTNT)

(Discontinued - parts only; fits QuickieTNT prior to serial number TNT-3176)



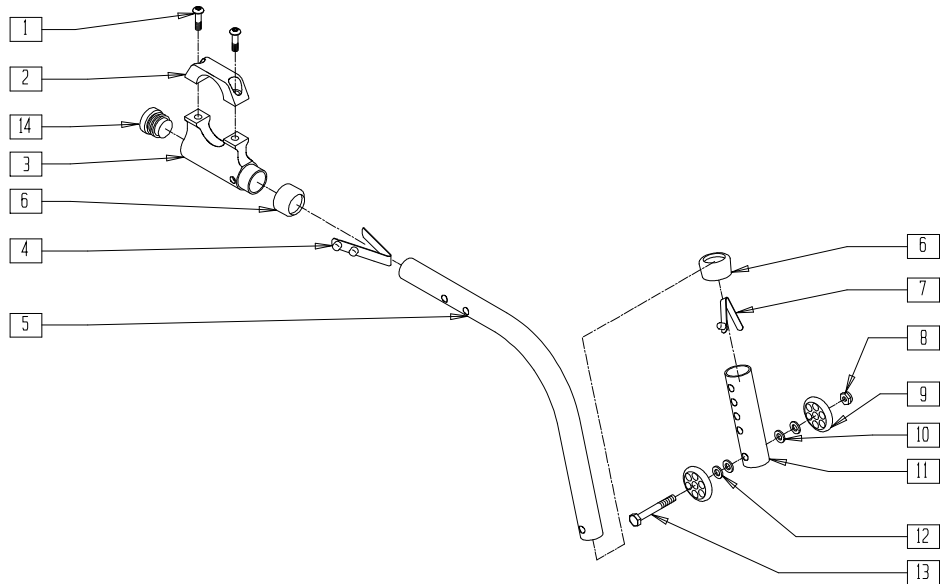
TNT00X05

ITEM	NUMBER	DESCRIPTION	QTY
1	226171	1/4-28 x 1/2" SOC HD C/S	2
2	550555	ANTI-TIP CLAMP UPPER QTNT	1
3	881137	ANTI-TIP HOUSING W/CLAMP ASSEMBLY	1
1-3	881131	ANTI-TIP RECEIVER ASSEMBLY QTNT	
4	301109	SNAP BUTTON DUAL ONE SIDE	1
5	550422- 550423	ANTI-TIP SUPPORT TUBE QTNT (EA)	1
6	563065	3/4" ANTI-RATTLE	1
7	301100	1/4" SNAP BUTTON SINGLE B-130	1

ITEM	NUMBER	DESCRIPTION	QTY
8	201100	1/4-28 NYLOCK NUT THIN	1
9	561032	ANTI-TIP WHEEL	2
10	262110	1/4 AN WASHER FLAT THIN	2
11	521501	ANTI-TIP ADJ SLEEVE (4H) QTNT	1
12	262130	6mm WASHER WAVE	2
13	221192	1/4-28 x 2 G8 HEX C/S	1
4-13	880988, 880989	ANTI-TIP ASSEMBLY QTNT (EA)	
1-13	900736	ANTI-TIP ASSEMBLY QTNT (EA)	

ANTI-TIP (Quickie TNT)

(Effective beginning serial number TNT-3176)(Discontinued 2/01-Parts only.)

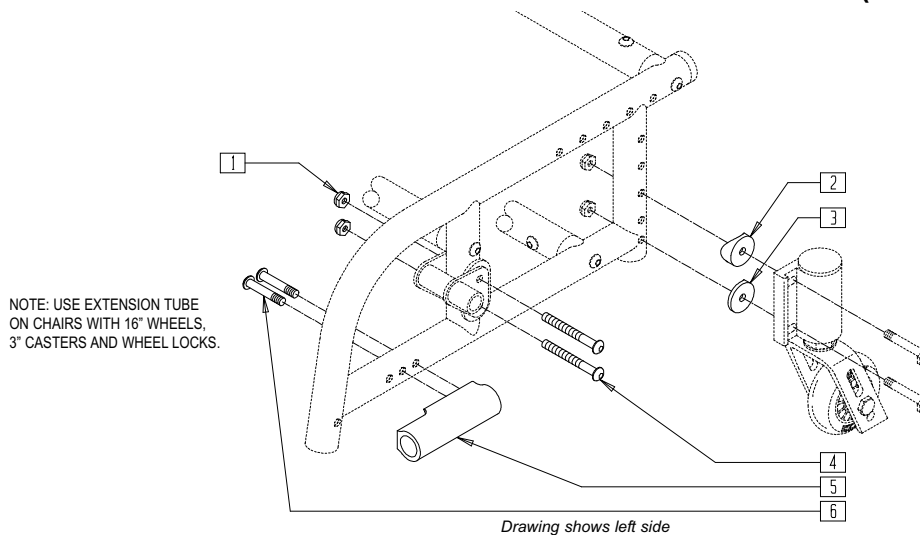


TNT00X05A

ITEM	NUMBER	DESCRIPTION	QTY
1	226171	1/4-28 x 1/2" SOC HD C/S	2
2	550555	ANTI-TIP CLAMP UPPER BLK QTNT	1
4	301109	SNAP BUTTON DUAL ONE SIDE	1
5	550422, 550423	ANTI-TIP SUPPORT TUBE (5H) BLK TNT (EA)	1
6	563065	3/4" ANTI-RATTLE	1
7	301100	1/4" SNAP BUTTON SINGLE B-130	1
8	201100	1/4-28 NYLOCK NUT THIN	1
9	561032	ANTI-TIP WHEEL	2
10	262110	1/4 AN WASHER FLAT THIN	2
11	521587	ANTI-TIP SLEEVE TUBE (5H) BLK	1
12	262130	6mm WASHER WAVE	2

ITEM	NUMBER	DESCRIPTION	QTY
13	221192	1/4-28 x 2 G8 HEX C/S	1
14	560735	7/8" ROUND TUBE PLUG	1
3,6,14	881137	ANTI-TIP HOUSING W/CAP	
1-3,6,14	881136	ANTI-TIP RECEIVER ASSEMBLY QTNT NEW	
6,8-13	880437	ANTI-TIP SLEEVE W/WHEELS (5H) QTNT	
4-13	880991, 880992	ANTI-TIP ASSEMBLY (5H) QTNT (EA)	
1-14	900737	ANTI-TIP ASSEMBLY W/REC (5H) QTNT (PR)	

QUICKIE KIDZ CONVERSION KIT (STANDARD TO REVERSE)

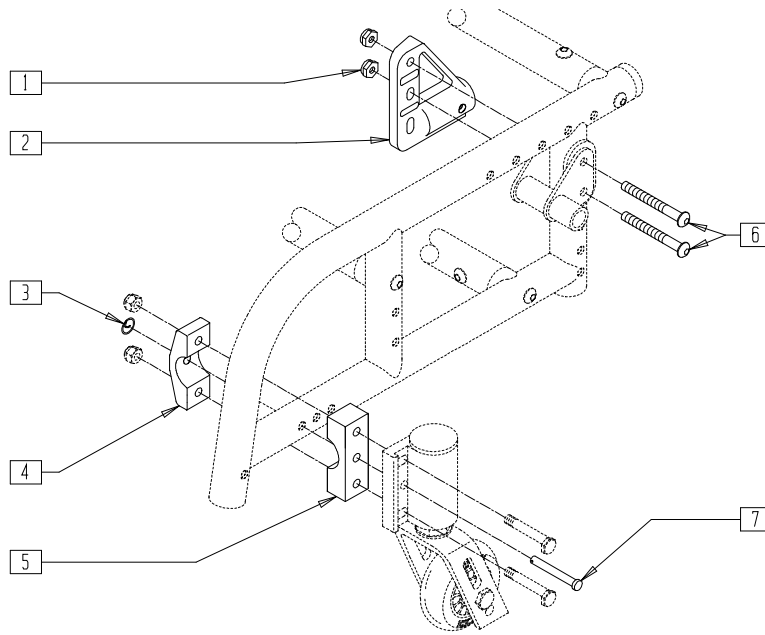


KDZ00X26

ITEM	NUMBER	DESCRIPTION	QTY
1	201100	1/4-28 NYLOCK NUT THIN	4
2	561004	1" SADDLE 1/4" HOLE	2
3	561086	1" HALF SADDLE 1/4" HOLE	2
4	226140	1/4-28 x 1 3/4 BH C/S	4
5	500746	ANTI-TIP RECEIVER FRONT KZ	2

ITEM	NUMBER	DESCRIPTION	QTY
6	226130	1/4-28 x 1 1/2 BH C/S	4
5,6	920410	FRONT ANTI-TIP REC FRAME MOUNT (PR)	
1-6	920356	CONVERSION KIT STANDARD TO REVERSE KIDZ	

QUICKIE KIDZ CONVERSION KIT (REVERSE TO STANDARD)



NOTE: USE EXTENSION TUBE
ON CHAIRS WITH 16" WHEELS,
3" CASTERS AND WHEEL LOCKS.

Drawing shows left side

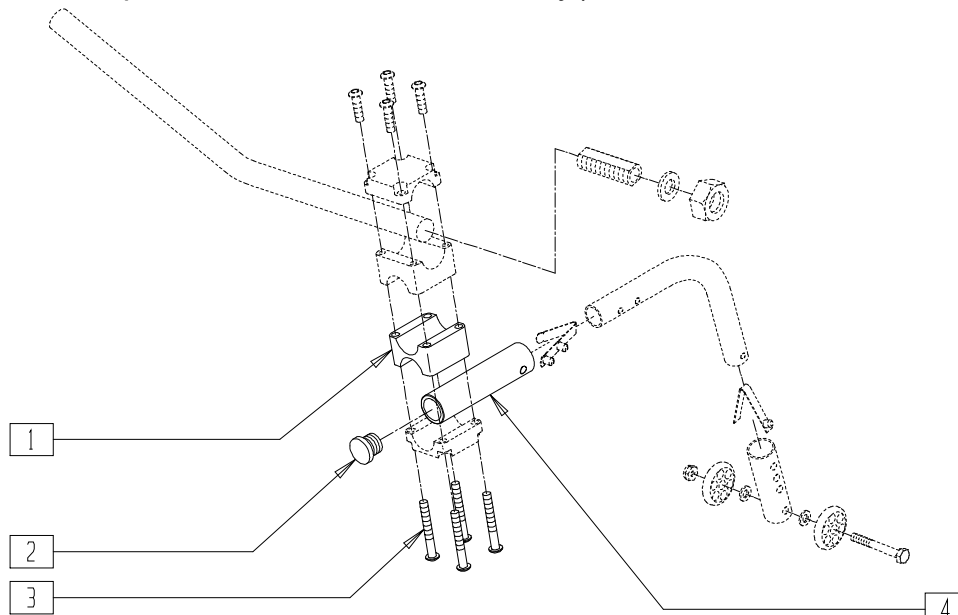
KDZ00X27

ITEM	NUMBER	DESCRIPTION	QTY
1	201110	1/4-28 NYLOCK NUT	2
2	920407	ANTI-TIP RECEIVERS (PR)	1
3	349034	SAFETY COTTER	2
4	550322	CASTER CLAMP GP W/RECESS	2
5	550320	CASTER PLATE CLAMP GP	2

ITEM	NUMBER	DESCRIPTION	QTY
6	226150	1/4-28 x 2 BH C/S	4
7	349027	1/4 x 2 CLEVIS PIN	2
1-7	920357	CONVERSION KIT REVERSE TO STANDARD KIDZ	

ANTI-TIP RECEIVER - HIGH-MOUNT POSITION (QUICKIE GPS/ST/DT/TRIUMPH)

(Quickie GPS and Triumph discontinued 2/01-Parts only.)



Drawing shows left side

GBL00X05

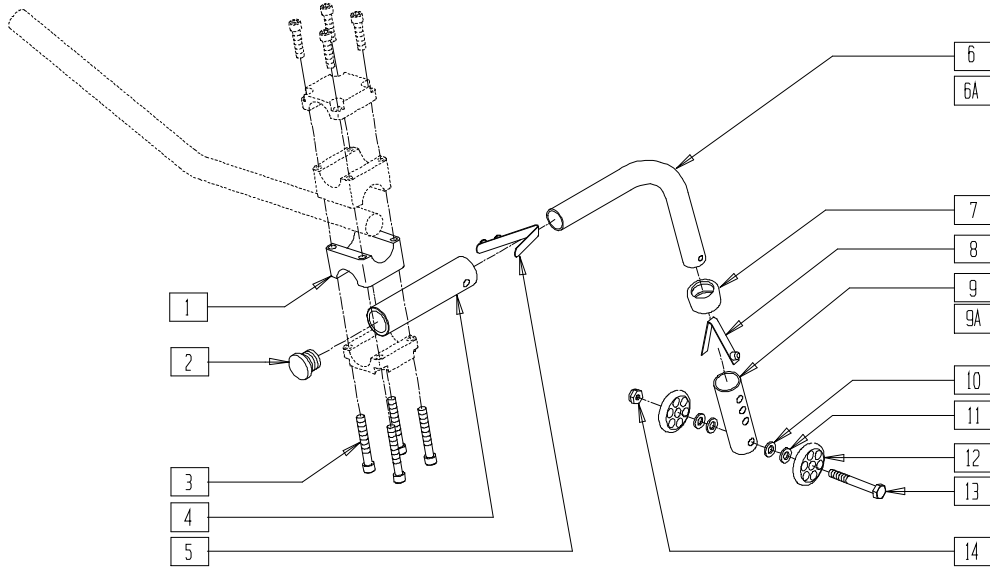
ITEM	NUMBER	DESCRIPTION	QTY
1	550215	ANTI-TIP SADDLE HI-MOUNT GPS	1
2	560735	7/8" ROUND TUBE PLUG	1
3	226163	1/4-28 x 2 SOC C/S	4

ITEM	NUMBER	DESCRIPTION	QTY
4	521234	ANTI-TIP RECEIVER TUBE GPS	1
1-4	880932	ANTI-TIP RECEIVER ASSEMBLY OVER MOUNT GPS	

NOTE: FOR ANTI-TIP PARTS, SEE ANTI-TIP - LOW-MOUNT POSITION ON PAGE 5.12.

ANTI-TIP - LOW-MOUNT POSITION (QUICKIE GPS/ST/DT/TRIUMPH)

(Quickie GPS and Triumph discontinued 2/01-Parts only.)



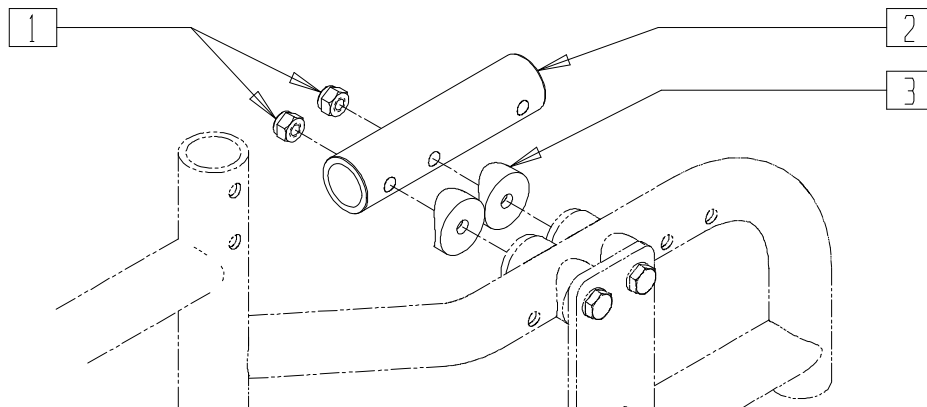
Drawing shows left side

GBL00X04

ITEM	NUMBER	DESCRIPTION	QTY
1	550213	ANTI-TIP SADDLE LOW MOUNT GPS	1
2	560735	7/8" ROUND TUBE PLUG	1
3	226163	1/4-28 x 2 SOC C/S	4
4	521234	ANTI-TIP RECEIVER TUBE GPS	1
5	301109	SNAP BUTTON DUAL ONE SIDE	1
6	521490- 521495	ANTI-TIP TUBE CLR (SM, SM EXT, REG) (EA)	1
6A	521716- 521719	ANTI-TIP TUBE BLACK (SM, SM EXT, REG) (EA)	1
7	563065	3/4" ANTI-RATTLE	1
8	301100	1/4" SNAP BUTTON SINGLE B-130	1
9	521508	ANTI-TIP ADJ SLEEVE (4H)	1
9A	521504	ANTI-TIP ADJ SLEEVE (4H) BLK	1
10	262110-QU	1/4 AN WASHER FLAT THIN	2
11	262130	6mm WASHER WAVE	2

ITEM	NUMBER	DESCRIPTION	QTY
12	561032	ANTI-TIP WHEEL	2
13	221192	1/4-28 x 2 G8 HEX C/S	1
14	201100-QU	1/4-28 NYLOCK NUT THIN	1
1-4	880931	ANTI-TIP REC ASSM UNDR MNT GPS	
7,9-14	880482	ANTI-TIP SLEEVE W/WHLS CLR (4H)	
1,9A,10-14	881512	ANTI-TIP SLV W/WHLS BLK (4H)	
6-14	880490- 880495	ANTI-TIP ASSEMBLY CLR (SM, REG) (EA)	
6A,7,8, 9A,10-14	882900, 882901	ANTI-TIP ASSEMBLY BLACK (SMALL) (EA)	
6A,7,8, 9A,10-14	882906, 882907	ANTI-TIP ASSEMBLY BLACK (REGULAR) (EA)	
6-14	900701, 900703	ANTI-TIP ASSEMBLY CLR (SM, REG) (PR)	
6A,7-14	900830, 900832	ANTI-TIP ASSEMBLY BLACK (SM, REG) (PR)	

ANTI-TIP RECEIVER (QUICKIE TS)

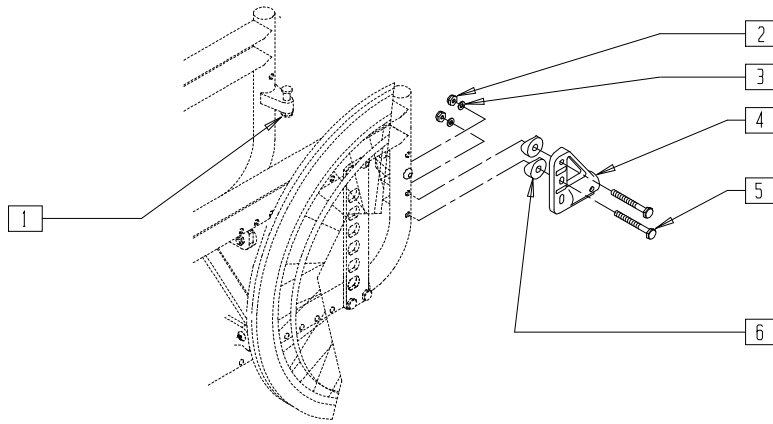


QTS00X04

ITEM	NUMBER	DESCRIPTION	QTY
1	201110	1/4-28 NYLOCK NUT	2
2	521234	ANTI-TIP TUBE GPS	1

ITEM	NUMBER	DESCRIPTION	QTY
3	561004	1" SADDLE 1/4" HOLE	2
1-3	920388	ANTI-TIP RECEIVER ASSEMBLY QTS	

REVERSE ANTI-TIP RECEIVER (ZIPPIE GS)

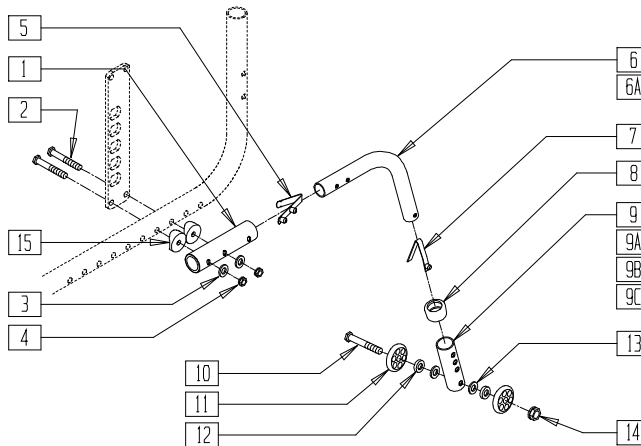


ZGS00X42

ITEM	NUMBER	DESCRIPTION	QTY
1	920220	S/A LATCH ASSEMBLY W/BOLT	1
2	201110	1/4-28 NYLOCK NUT	2
3	262100-QU	1/4 AN WASHER FLAT	2

ITEM	NUMBER	DESCRIPTION	QTY
4	920407	ANTI-TIP RECEIVERS (PR)	1
5	221151-QU	1/4-28 x 1 3/4 G8 HEX C/S	2
6	561003	3/4" SADDLE THIN	2

ANTI-TIP (ZIPPIE GS)

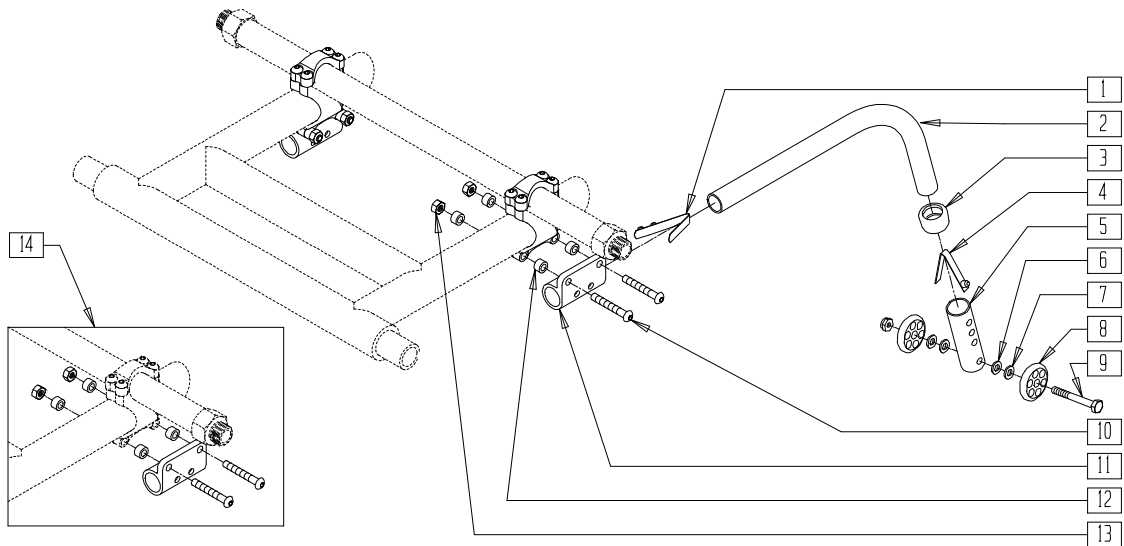


ZGS00X25A

ITEM	NUMBER	DESCRIPTION	QTY		
1	521234	ANTI-TIP RECEIVER TUBE	1		
2	221201	1/4-28 x 3 G8 HEX C/S	2		
3	262110	1/4 AN WASHER FLAT THIN	2		
4	201110	1/4-28 NYLOCK NUT	2		
5	301109	SNAP BUTTON DUAL ONE SIDE	1		
6	521506	ANTI-TIP MAIN TUBE CLR P2	1		
	521470, 521471	ANTI-TIP TUBE CLR LOW PROFILE (EA)			
	521480, 521481	ANTI-TIP TUBE CLR KIDZ (EA)			
	521490, 521491	ANTI-TIP TUBE CLR SMALL (EA)			
	521494, 521495	ANTI-TIP TUBE CLR REG (EA)			
	521475	ANTI-TIP MAIN TUBE BLK			
6A	521472, 521473	ANTI-TIP TUBE BLK LOW PROFILE (EA)	1		
	521482, 521483	ANTI-TIP TUBE BLK KIDZ (EA)			
	521716- 521719	ANTI-TIP TUBE BLK SMALL,REG (EA)			
	7	301100		1/4" SNAP BUTTON SINGLE B-130	1
	8	563065		3/4" ANTI-RATTLE	1
9	521508	ANTI-TIP ADJUSTABLE SLEEVE (4H)	1		

ITEM	NUMBER	DESCRIPTION	QTY
9A	521514	ANTI-TIP SLEEVE (5H)	1
9B	521504	ANTI-TIP ADJUSTABLE SLEEVE (4H) BLK	1
9C	521587	ANTI-TIP SLEEVE (5H) BLK	1
10	221192	1/4-28 x 2 G8 HEX C/S	1
11	561032	ANTI-TIP WHEEL	2
12	262130	6mm WASHER WAVE	2
13	262110	1/4 AN WASHER FLAT	2
14	201100	1/4-28 NYLOCK NUT THIN	1
15	561004	1" SADDLE 1/4" HOLE	2
1-15	900225- 900228	ANTI-TIP LONG SLEEVE W/REC ZGS CLR KIDZ, SMALL, REG	
8,9B,10-15	881512	ANTI-TIP SLEEVE W/WHEELS BLK (4H)	
8,9C,10-15	880513	ANTI-TIP SLEEVE W/WHEELS BLK (5H)	
5,6A,7,8, 9C,10-15	882916, 882917	ANTI-TIP KIDZ ZGS BLK W/LONG SLEEVE (EA)	
	882912, 882913	ANTI-TIP ASSEMBLY BLK W/REG LONG SLEEVE (EA)	
	882920, 882921	ANTI-TIP ASSEMBLY ZGS BLK LOW PROFILE (EA)	
	900838	ANTI-TIP KIDZ LONG SLV W/REC BLK (PR)	
1-5,6A,7,8, 9C,10-15	900839	ANTI-TIP REG LONG SLV W/REC BLK (PR)	
	900840	ANTI-TIP W/RECEIVER BLK ZGS (PR)	

ANTI-TIP (QUICKIE XTR)



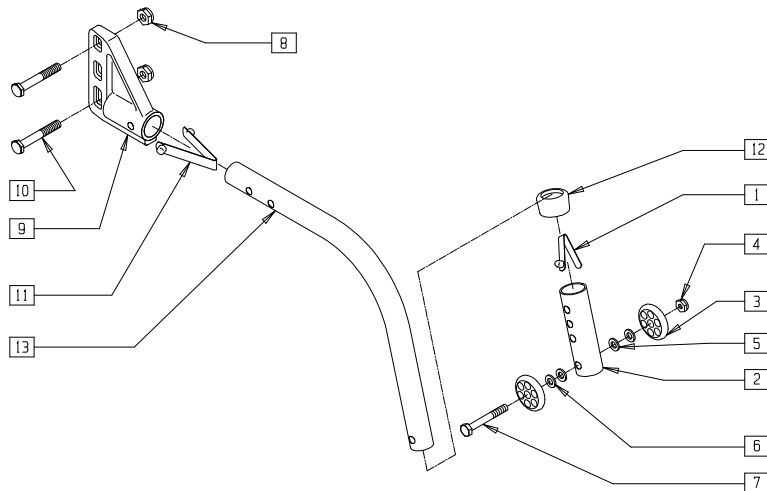
SUS0X22A

ITEM	NUMBER	DESCRIPTION	QTY
1	301109	SNAP BUTTON DUAL ONE SIDE	1
2	521736, 521737	MED ANTI-TIP TUBE BLK	1
3	563065	3/4" ANTI-RATTLE	1
4	301100	1/4" SNAP BUTTON SINGLE	1
5	521504	ANTI-TIP ADJ SLEEVE (4H) BLK	1
6	262100-QU	1/4 AN WASHER FLAT	2
7	262130	6mm WASHER WAVE	2
8	561032	ANTI-TIP WHEEL	2

ITEM	NUMBER	DESCRIPTION	QTY
9	221192	1/4-28 x 2 G8 HEX C/S	1
10	226147	1/4-28 x 1.85 BH C/S BLK ZN	2
11	540187	ANTI-TIP RECEIVER XTR	1
12	481380	ANTI-TIP SPACER XTR	4
13	204110	1/4-28 NYLOCK NUT BLK ZN	2
14	920018*	ANTI-TIP ASSEMBLY RETRO KIT	1
1-9	881128,	MED ANTI-TIP ASSEMBLY BLK	
	881129		
	920009	ANTI-TIP REC ASSEMBLY (PR)	

* FOR REPLACEMENT PARTS FOR THE QUICKIE XTR ANTI-TIP PRIOR TO 12/99, ORDER KIT P/N 920018.

ANTI-TIP (QUICKIE M6)

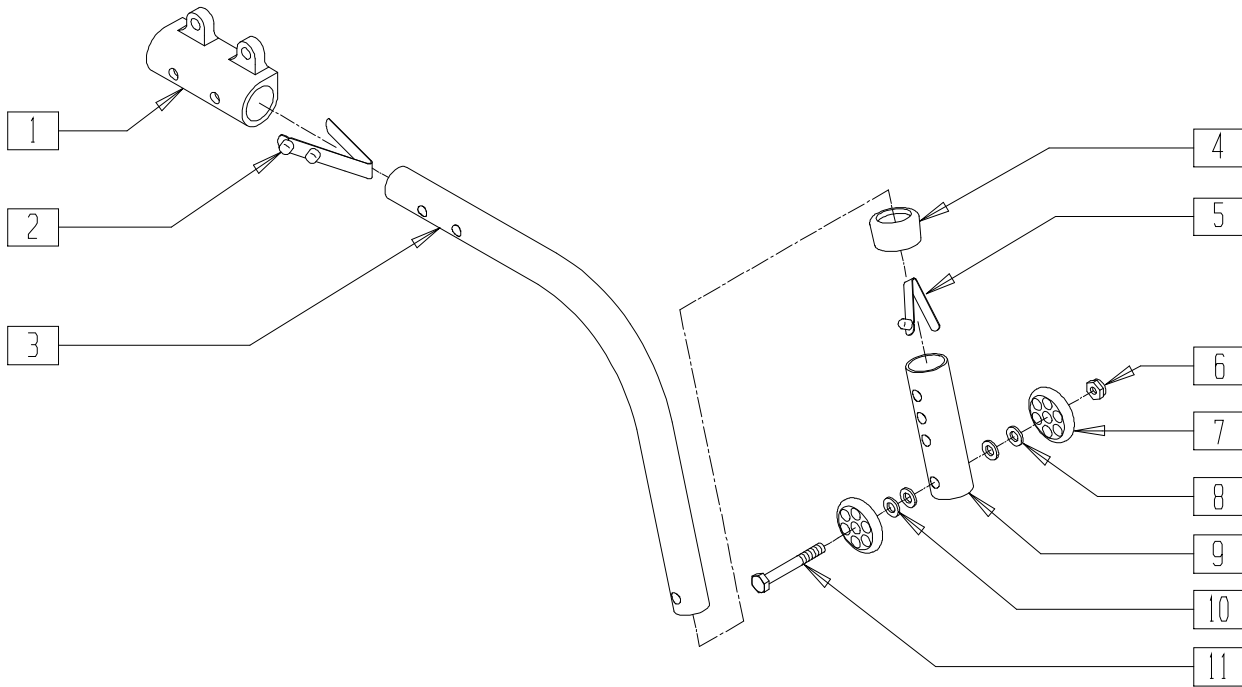


MAG00X34

ITEM	NUMBER	DESCRIPTION	QTY
1	301100	1/4" SNAP BTTN SINGLE	1
2	521587	ANTI-TIP SLEEVE TUBE (5H) BLK	1
3	561032	ANTI-TIP WHEEL	2
4	201100-QU	1/4-28 NYLOCK NUT THIN	1
5	262110-QU	1/4 AN WASHER FLAT THIN	2
6	262130	6mm WASHER WAVE	2
7	221192	1/4-28 x 2 G8 HEX C/S	1
8	201110	1/4-28 NYLOCK NUT	2
9	540181, 540182	ANTI-TIP RECEIVER (EA)	1

ITEM	NUMBER	DESCRIPTION	QTY
9	920407	ANTI-TIP RECEIVER (PR)	1
10	221192	1/4-28 x 2 G8 HEX C/S	2
11	301109	SNAP BUTTON DUAL ONE SIDE	1
12	563065	3/4" ANTI-RATTLE	1
13	521718, 521719	ANTI-TIP TUBE REG BLK	1
1-7, 11-13	882900, 882901	ANTI-TIP ASSEMBLY REG BLK	

ANTI-TIP (QUICKIE R2)

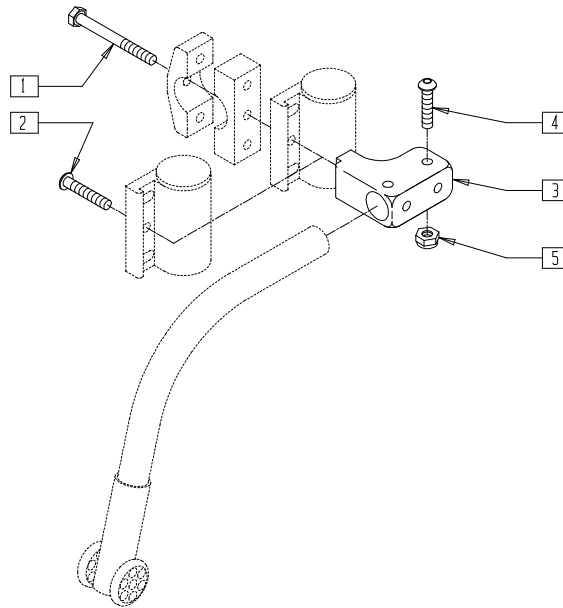


R200X11

ITEM	NUMBER	DESCRIPTION	QTY
1	550039	ANTI-TIP HOUSING R2 FIXED	1
2	301109	SNAP BUTTON DUAL ONE SIDE	1
3	521727, 521728	ANTI-TIP TUBE EXT REG BLACK (EA)	1
4	563065	3/4" ANTI-RATTLE	1
5	301100	1/4" SNAP BTTN SINGLE	1
6	201100-QU	1/4-28 NYLOCK NUT THIN	1
7	561032	ANTI-TIP WHEEL	1

ITEM	NUMBER	DESCRIPTION	QTY
8	262130	6MM WASHER WAVE	1
9	521504	ANTI-TIP ADJ SLEEVE (4H) BLACK	1
10	262110-QU	1/4 AN WASHER FLAT THIN	1
11	221192	1/4-28 X 2 G8 HEX C/S	1
4,6-11	881512	ANTI-TIP SLV W/WHLS BLK (4H)	
2,3,5	882910, 882911	ANTI-TIP ASSM REG EXTEND BLK (EA)	
1-11	900841	ANTI-TIP ASSY W/REC R2	

FRONT ANTI-TIP (QUICKIE 2/KIDZ/LX/RECLINER/Rx/TS,ZIPPIE/ZIPPIE 2/GS/TS)



KDZ00X28

ITEM	NUMBER	DESCRIPTION	QTY
1	221181	1/4-28 x 2 1/2 G8 HEX C/S	1
2	226129	1/4-28 x 1 1/4 BH C/S	1
3	505340	ANTI-TIP RECEIVER BLOCK FRONT	1

ITEM	NUMBER	DESCRIPTION	QTY
4	226029	10-32 x 1 1/8 BH C/S BLK	1
5	200100	10-32 NYLOCK NUT	1
1-5	920408	FRNT ANTI-TIP REC CSTR MNT (PR)	

ANTI-TIP TUBE REFERENCE GUIDE

WHEELCHAIR MODEL	WHEEL SIZE	ANTI-TIP	PART NUMBER		
			EACH	PAIR (W/O RECEIVERS)	PAIR (W/RECEIVERS)
QUICKIE 2/GP/QTS*/TI W/AMPUTEE AXLE PLATE	20",22"	SMALL EXTENDED (BLK)	882908 (RIGHT) 882909 (LEFT)	N/A	900831
	22",24",26"	REG EXTENDED (BLK)	882910 (RIGHT) 882911 (LEFT)	N/A	900833
QUICKIE 2 (ROUNDED REAR FRAME)	26"	REGULAR WITH LONG SLEEVE (BLK)	882912 (RIGHT) 882913 (LEFT)	N/A	900835
QUICKIE CARBON (DISCONTINUED)	22"	SMALL (CLR)	880490 (RIGHT) 880491 (LEFT)	900701	900728
	24"	REGULAR (CLR)	880494 (RIGHT) 880495 (LEFT)	900703	900729
QUICKIE EX (DISCONTINUED)	22"	SMALL (CLR)	880490 (RIGHT) 880491 (LEFT)	900701	900727
	24"	REGULAR (CLR)	880494 (RIGHT) 880495 (LEFT)	900703	900725
QUICKIE GPS (DISCONTINUED)	22"	SMALL (BLK)	882906 (RIGHT) 882907 (LEFT)	N/A	ORDER RECEIVERS SEPARATELY
	24",26"	REGULAR WITH LONG SLEEVE, NO RECEIVER	882900 (RIGHT) 882901 (LEFT)	N/A	ORDER RECEIVERS SEPARATELY
QUICKIE KIDZ	12",16"	KIDZ (BLK)	882904 (RIGHT) 882905 (LEFT)	N/A	900836
	20",22"	SMALL (BLK)	882906 (RIGHT) 882907 (LEFT)	N/A	900830
QUICKIE RECLINER	20",22"	SMALL EXTENDED (BLK)	882908 (RIGHT) 882909 (LEFT)	N/A	900831
	22",24",26"	REGULAR EXTENDED (BLK)	882910 (RIGHT) 882911 (LEFT)	N/A	900833
QUICKIE REVOLUTION	22",24"	SMALL (BLK)	882906 (RIGHT) 882907 (LEFT)	N/A	N/A
	26"	REGULAR (BLK)	882912 (RIGHT) 882913 (LEFT)	N/A	N/A
Quickie <i>TNT</i> (DISCONTINUED)	24",24" HT	TNT (BLK)	880991 (RIGHT) 880992 (LEFT)	N/A	900737
QUICKIE TRIUMPH (DISCONTINUED)	24",26"	REGULAR WITH LONG SLEEVE NO RECEIVER	880494 (RIGHT) 880495 (LEFT)	N/A	ORDER RECEIVERS SEPARATELY
QUICKIE TS **	12",20",22"	SMALL EXTENDED	882908 (RIGHT) 882909 (LEFT)	N/A	N/A
	20",22",24"	REGULAR WITH LONG SLEEVE	882912 (RIGHT) 882913 (LEFT)	N/A	N/A
ZIPPPIE/ZIPPPIE 2	20",22"	SMALL	882906 (RIGHT) 882907 (LEFT)	N/A	N/A
ZIPPPIE TS	20",22"	SMALL EXTENDED	882908 (RIGHT) 882909 (LEFT)	N/A	900831
	22", 24"	REG EXTENDED	882910 (RIGHT) 882911 (LEFT)	N/A	900833
QUICKIE ST/DT	20",22"	SMALL (BLK)	882906 (RIGHT) 882907 (LEFT)	N/A	900830
	24",26"	REGULAR (BLK)	882900 (RIGHT) 882901 (LEFT)	N/A	900832
QUICKIE XTR	24",26"	MEDIUM (BLK)	881128 (RIGHT) 881129 (LEFT)	N/A	920009
QUICKIE T45	16",20"	KIDZ	882904 (RIGHT) 882905 (LEFT)	N/A	900837
QUICKIE R2	24",26"	REGULAR (BLK)	882910 (RIGHT) 882911 (LEFT)	N/A	900841
QUICKIE LX/LXI	20",22",24"	REGULAR WITH LONG SLEEVE (BLK)	882912 (RIGHT) 882913 (LEFT)	N/A	N/A

* FITS QUICKIE TS PRIOR TO QT-12900
 ** FITS QUICKIE TS BEGINNING QT-12900

Continued on next page

ANTI-TIP TUBE REFERENCE GUIDE (CONTINUED)

WHEELCHAIR MODEL	SEAT TO FLOOR HEIGHT	ANTI-TIP	PART NUMBER		
			EACH	PAIR (W/O RECEIVERS)	PAIR (W/RECEIVERS)
ZIPPIE GS STANDARD CONFIGURATION	13.5" - 14.5"	LOW-PROFILE (BLK)	882920 (RIGHT) 882921 (LEFT)	N/A	900840
	14.5" - 16.75"	KIDZ (BLK)	882916 (RIGHT) 882917 (LEFT)	N/A	900838
	16.5" - 18.5"	SMALL (CLR)	880836 (RIGHT) 880837 (LEFT)	N/A	900226
	18.0" - 20.0"	REGULAR (BLK)	882912 (RIGHT) 882913 (LEFT)	N/A	900839
ZIPPIE GS REVERSE CONFIGURATION	13.5" - 14.5"	LOW-PROFILE	882916 (LEFT) 882917 (RIGHT)	N/A	900838
	14.5" - 16"	KIDZ (CLR)	880836 (LEFT) 880837 (RIGHT)	N/A	900226
	16" - 19.5"	SMALL	882912 (LEFT) 882913 (RIGHT)	N/A	900839
	19.5" - 21"	REGULAR (CLR)	880511 (LEFT) 880512 (RIGHT)	N/A	900229

WHEELCHAIR MODEL	SEAT TO FLOOR HEIGHT	REAR WHEEL	ANTI-TIP	PART NUMBER		
				EACH	PAIR (W/O RECEIVERS)	PAIR (W/RECEIVERS)
Breezy 500	17 1/2", 18 1/2"	All	SMALL	880986	900773	N/A
Breezy 510 Standard and Breezy 510 Recliner	15"-16 1/2"	All	SMALL	880981	900770	N/A
	17"	Any 20" or any 22" low/full poly				
	17 1/2"	Any 20" or 22" full poly/pneu w/8" low poly caster (*)				
	18"-18 1/2"	Any 20"	SMALL	880986	900773	N/A
	17"	22" pneu or 24" low poly				
	17 1/2"	All other config w/ 17 1/2" STF (*)				
	18"-18 1/2"	Any 22"/24"				
19"	Any 22" or 24" low poly	REGULAR	880983	900771	N/A	
19"	Any 24" full poly/pneu					
19 1/2"-20 1/2"	All					
Breezy 600 Standard	15"-17"	All	SMALL	880490 (RIGHT) 880491 (LEFT)	900701	900792
	17 1/2"	Any 20" or any 22"/24" low poly or 22" full poly/pneu w/8" low poly caster (*)				
	18"-18 1/2"	Any 20" or any 22" low poly or any 24" full poly				
	19"	Any 22" full poly	REGULAR	880494 (RIGHT) 880495 (LEFT)	900703	900793
	17 1/2"	All other configurations w/17 1/2" STF (*)				
	18"-18 1/2"	Any 22" full poly/pneu or 24" low poly/pneu				
19"	Any 22" pneu or any 24"					
19 1/2"-20 1/2"	All					
Breezy 510 Ultra-Hemi and Breezy 600 Ultra-Hemi	13"-14"	All	KIDZ W/LONG SLEEVE	881260 (RIGHT) 881261 (LEFT)	900240	900790
	14 1/2"	Any 20"				
	15"	Any 20" full poly/pneu or Any 22" low/full poly				
	15 1/2"	Any 20" full poly/pneu w/8" low poly caster or any 22" low poly (*)	SMALL	880490 (RIGHT) 880491 (LEFT)	900701	900792
	14 1/2"	Any 22" or 24"				
	15"	Any 20"/24" low poly or 22" pneu				
	15 1/2"	All other configurations w/15 1/2" STF (*)	SMALL W/LNG SLEEVE	881262 (RIGHT) 881263 (LEFT)	900241	900791
	16"	All				
	16 1/2"	Any 20"/24" or 22" low poly	REGULAR	880494 (RIGHT) 880495 (LEFT)	900703	900793
	16 1/2"	Any 22" full poly/pneu				
	17"	All				
	17 1/2"	Any 20" or 22" low/full poly				
	17 1/2"	Any 22" pneu or any 24"				
18"	All					

FRONT ANTI-TIP REFERENCE GUIDE

CASTER	3 1/4" FORK	3 1/4" + 3/4" FORK AND STEM	3 1/4" + 1 1/2" FORK AND STEM
--------	----------------	--------------------------------	----------------------------------

3" MICRO	880488, 880489	880488, 880489	880488, 880489
----------	-------------------	-------------------	-------------------

CASTER	4 1/4" FORK	4 1/4" + 3/4" FORK AND STEM	4 1/4" + 1 1/2" FORK AND STEM
--------	----------------	--------------------------------	----------------------------------

3" MICRO	880488, 880489	880488, 880489	880490, 880491
5" REGULAR	880488, 880489	880488, 880489	880490, 880491

CASTER	5" FORK	5" + 3/4" FORK AND STEM	5" + 1 1/2" FORK AND STEM
--------	------------	----------------------------	------------------------------

3" MICRO	880488, 880489	880490, 880491	880490, 880491
5" REGULAR	880490, 880491	880490, 880491	880494, 880495
6" REGULAR	880490, 880491	880490, 880491	880494, 880495
8" REGULAR	880494, 880495	880494, 880495	880494, 880495

CASTER	8" x 2" FORK	8" x 2" + 3/4" FORK AND STEM	8" x 2" + 1 1/2" FORK AND STEM
--------	-----------------	---------------------------------	-----------------------------------

8" x 2"	880494, 880495	880494, 880495	880498, 880499
---------	-------------------	-------------------	-------------------

CASTER	6" FORK	6" + 3/4" FORK AND STEM	6" + 1 1/2" FORK AND STEM
--------	------------	----------------------------	------------------------------

3" MICRO	880490, 880491	880490, 880491	880494, 880495
5" REGULAR	880494, 880495	880494, 880495	880494, 880495
6" REGULAR	880494, 880495	880494, 880495	880494, 880495
8" REGULAR	880494, 880495	880494, 880495	880498, 880499

CASTER	7" FORK	7" + 3/4" FORK AND STEM	7" + 1 1/2" FORK AND STEM
--------	------------	----------------------------	------------------------------

3" MICRO	880494, 880495	880494, 880495	880494, 880495
5" REGULAR	880494, 880495	880494, 880495	880498, 880499
6" REGULAR	880494, 880495	880494, 880495	880498, 880499
8" REGULAR	880498, 880499	880498, 880499	SPECIALIZED SPECIALIZED

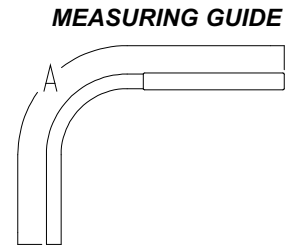
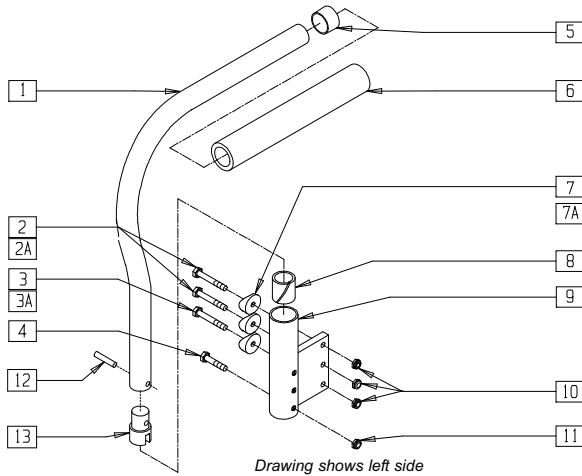
KIDZ REVERSE CONFIGURATION			
	TOP	MIDDLE	BOTTOM
12"/16" WHEEL	880488, 880489	880488, 880489	880488, 880489

Armrests

IN THIS SECTION

Padded Swing-away Armrest (Quickie 2/2HP).....	6.1	Height-adjustable Dual-post Armrest Receiver (Quickie M6)	6.17
Padded Swing-away Armrest (Quickie GP/GPSA/Ti)	6.1	Armrest (Quickie Kidz).....	6.17
Padded Swing-away Armrest (Quickie LX/LXI/Rx)...	6.2	Armrest With Foam Pad (Quickie Kidz/Zippie/Zippie GS/TS).....	6.18
Padded Swing-away Armrest (Aluminum Breezy) (Disc.).....	6.2	Armrest (Quickie ST/DT)	6.18
Padded Swing-away Armrest (Quickie Carbon) (Disc.)	6.3	Armrest (Desk) (Breezy 100/150).....	6.19
Padded Swing-away Armrest (Quickie Revolution) (Disc.).....	6.3	Armrest (Full) (Breezy 100/150)	6.19
Padded Swing-away Armrest (Quickie GPS/Triumph/Revolution).....	6.4	Flip-back Height-adjustable Armrest (Quickie 2/2HP)	6.20
Padded Swing-away Armrest (Quickie R2 Adjustable/TNT)	6.5	Flip-back Height-adjustable Armrest (Quickie LX/LXI).....	6.21
Padded Swing-away Armrest (Quickie XTR/R2 Rigid)	6.5	Flip-back Height-adjustable Armrest (Quickie 2HPTi/Rx)	6.22
Height-adjustable Armrest (Disc.).....	6.6	Flip-back Height-adjustable Armrest (Breezy 500/503)	6.23
Height-adjustable Armrest (Zippie GS) (Disc.)	6.7	Flip-back Height-adjustable Armrest (Breezy 2 (Disc.)/510/600).....	6.24
Height-adjustable Armrest (Zippie GS).....	6.8	Flip-back Height-adjustable Armrest (Breezy 510/600 Ultra-hemi).....	6.25
Height-adjustable Armrest (Manual Products) (Disc.).....	6.9	Adjustable Locking Flip-up Armrest Assembly (Quickie 2 Depth-adjustable Back/TS, Zippie/Zippie 2).....	6.26
Height-adjustable Armrest (Manual Products).....	6.10	Adjustable Locking Flip-up Armrest Assembly (Quickie T45)	6.26
Height-adjustable Armrest Receivers.....	6.11	Length Adjustable Locking Flip-up Armrest Assembly (Zippie GS/TS)	6.27
Dual-post Armrest (Breezy 510 Recliner).....	6.12	Flip-up Armrest (Zippie/Zippie 2/GS/TS)	6.28
Dual-post Height-adjustable Armrest (Breezy 510 Recliner).....	6.12	Flip-back Armrest (Quickie 2/2HP)	6.28
Dual-post Height-adjustable Armrest (Quickie TS/T45).....	6.13	Flip-back Armrest (Quickie LX/LXI)	6.29
Dual-post Armrest (TS/T45).....	6.14	Flip-back Armrest (Quickie 2HPTi/Rx).....	6.30
Dual-post Armrest Receiver (Breezy 510 Recliner).....	6.14	Flip-back Armrest (Aluminum and Chrome Breezy) (Disc.).....	6.31
Dual-post Armrest Receiver and Dual-post Height-adjustable Armrest Receiver (Quickie T45).....	6.15	Flip-back Armrest (Breezy 600).....	6.32
Dual-post Armrest Receiver and Dual-post Height-adjustable Armrest Receiver (Quickie TS).....	6.15	Flip-back Armrest (Breezy 2 (Disc.)/510/600).....	6.33
Dual-post and Dual-post Height-adjustable Flip Back Armrest Receiver (Quickie TS).....	6.16	Flip-back Armrest (Breezy 500/503/510/510 Ultra-hemi/600 Ultra-hemi)	6.34

PADDED SWING-AWAY ARMREST (QUICKIE 2/2HP)



MGUIDE6

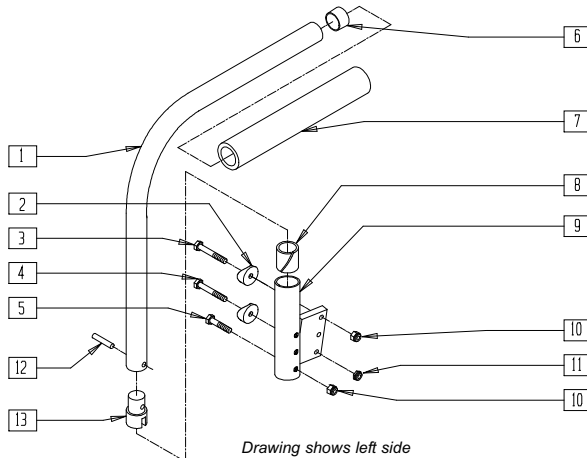
ARMREST	"A"
KIDS	25"
MED	29"
REG	31"

ARMX01

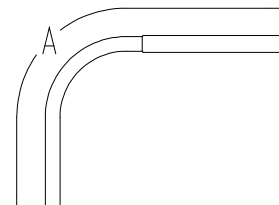
ITEM	NUMBER	DESCRIPTION	QTY
2	221191	1/4-28 x 2 1/4 G8 HEX C/S	2
2A	221192	1/4-28 x 2 G8 HEX C/S	2
3	221151-QU	1/4-28 x 1 3/4 G8 HEX C/S	1
3A	221192	1/4-28 x 2 G8 HEX C/S	1
4	221133	1/4-28 x 1 1/2 G8 HEX C/S	1
5	561002	1" INSERT PLUG .083	1
6	920070	9 x .940 x .200 FOAM GRIP	1
7	561004	1" SADDLE 1/4" HOLE	3
7A	561001	1 1/8" SADDLE 1/4" HOLE	3
8	560400	1" ID NY-LINER	1
9	540100, 540102	PADDED ARM REC STRT F (EA)	1
10	201110	1/4-28 NYLOCK NUT	3

ITEM	NUMBER	DESCRIPTION	QTY
11	201100	1/4-28 NYLOCK NUT THIN	1
12	341200	1/4 x 1 ROLL PIN	1
13	483006	ARMREST PLUG	1
7,12,13	920351	S/A PADDED ARM PLUG KIT	
2,3A,7A,10	920154	PADDED ARM REC HDWR KIT 1 1/8 F	
	880320- 880330	PADDED ARM BENT F (EA)	
1,5,6,12,13	900400	PADDED ARMS Q2 KIDZ F (PR)	
	900401	PADDED ARMS Rx KIDZ/MED F (PR)	
	900402	PADDED ARMS REG F (PR)	
2A,3,4,7-11	900510	ARM REC SINGLE CYL F 3/4" (PR)	
2,3A,4,7A, 8-11	900512	ARM REC SINGLE CYL F 7/8" (PR)	

PADDED SWING-AWAY ARMREST (QUICKIE GP/GPSA/TI)



MEASURING GUIDE



MGUIDE6

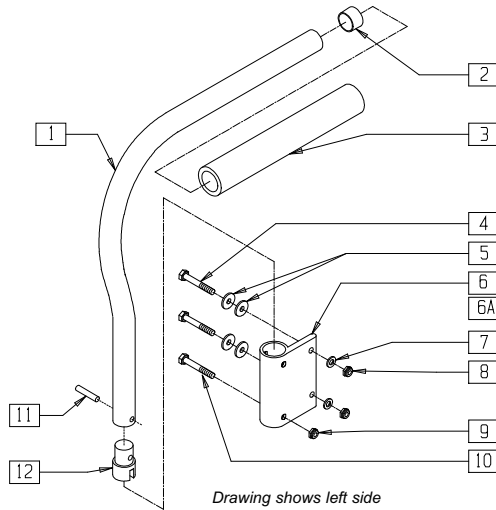
ARMREST	"A"
KIDS	24 3/4"
MED	28 3/4"
REG	31 1/4"

ARMX02

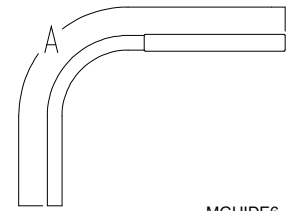
ITEM	NUMBER	DESCRIPTION	QTY
2	561004	1" SADDLE 1/4" HOLE	2
3	221181	1/4-28 x 2 1/2 G8 HEX C/S	1
4	221193	1/4-28 x 2 3/4 G8 HEX C/S	1
5	221133	1/4-28 x 1 1/2 G8 HEX C/S	1
6	561002	1" INSERT PLUG .083	1
7	920070	9 x .940 x .200 FOAM GRIP	1
8	560400	1" ID NY-LINER	1
9	540120, 540122	PADDED ARM REC ANGLE NF (EA)	1
10	201110	1/4-28 NYLOCK NUT	2
11	201100	1/4-28 NYLOCK NUT THIN	1

ITEM	NUMBER	DESCRIPTION	QTY
12	341200	1/4 x 1 ROLL PIN	1
13	483006	ARMREST PLUG	1
2,12,13	920351	S/A PADDED ARM PLUG KIT	
	880300	PADDED ARMREST KIDS STRT NF (EA)	
	880302	PADDED ARMREST MED STRT NF (EA)	
1,6,7,12,13	880304	PADDED ARMREST REG STRT NF (EA)	
	900440	PADDED ARMS KIDS NF (PR)	
	900441	PADDED ARMS MED NF (PR)	
	900442	PADDED ARMS REG NF (PR)	
2-5,8-11	900530	ARM REC SINGLE CYL NF (PR)	

PADDED SWING-AWAY ARMREST (QUICKIE LX/LXI/Rx)



MEASURING GUIDE



MGUIDE6

ARMREST	"A"
Rx KIDS	28 3/4"
Rx STD	32"
LX/LXI KIDS	29"
LX/LXI STD	32"

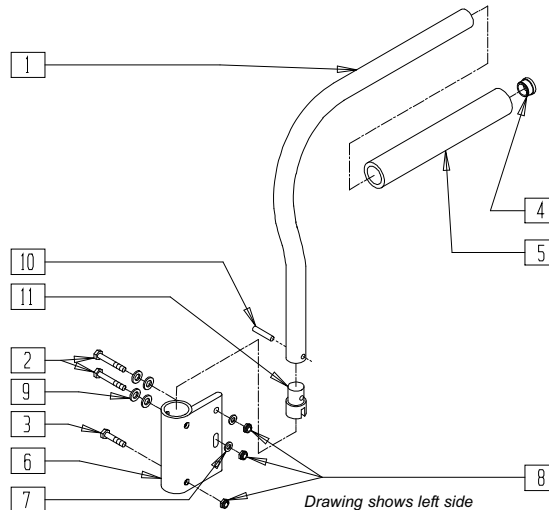
ARMX03

ITEM	NUMBER	DESCRIPTION	QTY
2	561002	1" INSERT PLUG .083	1
3	920070	9 x .940 x .200 FOAM GRIP	1
4	221192	1/4-28 x 2 G8 HEX C/S	2
5	262100-QU	1/4 AN WASHER FLAT	4
6	551000-QU	Rx ARM RECEIVER	1
6A	551008	S/A ARM RECEIVER LX	1
7	262110	1/4 AN WASHER FLAT THIN	2
8	201110	1/4-28 NYLOCK NUT	2
9	201100	1/4-28 NYLOCK NUT THIN	1
10	221133	1/4-28 x 1 1/2 G8 HEX C/S	1
11	341200	1/4 x 1 ROLL PIN	1
12	483006	ARMREST PLUG	1

ITEM	NUMBER	DESCRIPTION	QTY
1-3,11,12	*880328	PADDED ARM REG BENT R F (Rx ARM, SERIAL #36749)	
	*880330	PADDED ARM REG BENT L F (Rx ARM, SERIAL #36749)	
	880324, 880326	PADDED ARM Rx KIDS/MED BENT F (EA)	
1-12	900590	Rx ARM ASSEMBLY (PR)	
	900591	Rx KIDS ARM ASSEMBLY (PR)	
1-5,6A, 7-12	900592	LX/LXI ARM ASSEMBLY (PR)	
	900593	LX/LXI KIDS ARM ASSEMBLY (PR)	

*SAME AS ADULT Q2 AS OF 2/8/93

PADDED SWING-AWAY ARMREST (ALUMINUM BREEZY) (Discontinued 10/15/93 - parts only; fits serial numbers prior to BZ-200000)



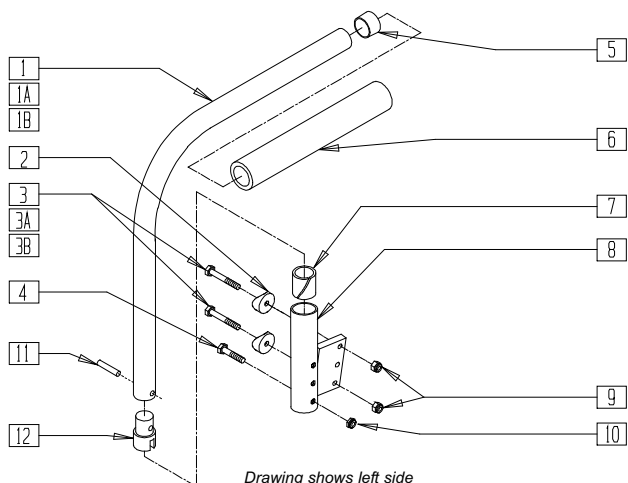
BZY00X14

ITEM	NUMBER	DESCRIPTION	QTY
2	221151-QU	1/4-28 x 1 3/4 G8 HEX C/S	2
3	221133	1/4-28 x 1 1/2 G8 HEX C/S	1
4	561002	1" INSERT PLUG .083	1
5	920070	9 x .940 x .200 FOAM GRIP	1
6	551004	BZ PADDED ARM RECEIVER	1
7	262100-QU	1/4 AN WASHER FLAT	2
8	201100	1/4-28 NYLOCK NUT THIN	3

ITEM	NUMBER	DESCRIPTION	QTY
9	262110	1/4" AN WASHER FLAT THIN	4
10	341200	1/4 x 1 ROLL PIN	1
11	483006	ARMREST PLUG	1
1,4,5,10,11	880320,	PADDED ARM KIDS BENT F (EA)	
	880322		
1-11	900400	PADDED ARMS Q2/BZ KIDS F (PR)	
	900580	BZ PADDED ARM ASSEMBLY (PR)	

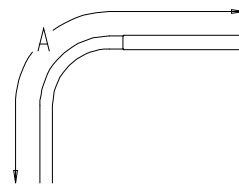
PADDED SWING-AWAY ARMREST (QUICKIE CARBON)

(Discontinued 3/1/95 - parts only)



Drawing shows left side

MEASURING GUIDE



MGUIDE6

ARMREST	"A"
KIDS	24 3/4"
MED	28 3/4"
REG	31 1/4"

COMP3X12

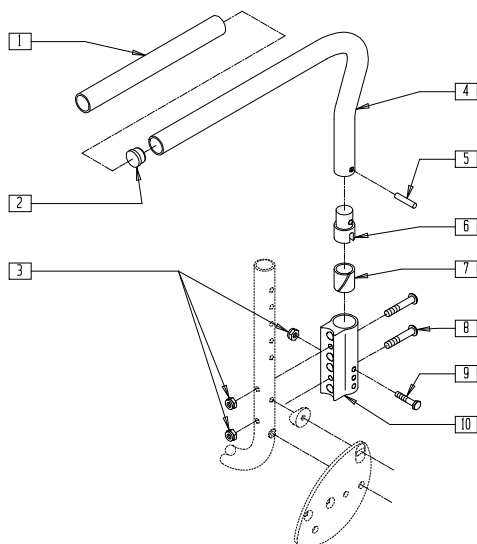
ITEM	NUMBER	DESCRIPTION	QTY
2	561017	1 3/8" SADDLE 1/4" HOLE	2
3	221201	1/4-28 x 3 G8 HEX C/S	2
3A	221211	1/4-28 x 3 1/4 G8 HEX C/S	2
3B	221193	1/4-28 x 2 3/4 G8 HEX C/S	2
4	221133	1/4-28 x 1 1/2 G8 HEX C/S	1
5	561002	1" INSERT PLUG .083	1
6	920070	9 x .940 x .200 FOAM GRIP	1
7	560400	1" ID NY-LINER	1
8	540150, 540152	QC PADDED ARM REC ANGLE (EA)	1
9	330000-QU	1/4-28 NYLOCK NUT ALUM	2
10	201100	1/4-28 NYLOCK NUT THIN	1
11	341200	1/4 x 1 ROLL PIN	1

ITEM	NUMBER	DESCRIPTION	QTY
12	483006	ARMREST PLUG	1
1,5,6,11,12	880300	PADDED ARMREST KIDS STRT NF (EA)	
1A,5,6, 11,12	880302	PADDED ARMREST MED STRT NF (EA)	
1B,5,6, 11,12	880304	PADDED ARMREST REG STRT NF (EA)	
1,5,6,11,12	900440	PADDED ARMS KIDS NF (PR)	
1A,5,6, 11,12	900441	PADDED ARMS MED NF (PR)	
1B,5,6, 11,12	900442	PADDED ARMS REG NF (EA)	
2,3B,4, 7-10	900522	QC ARMREST REC W/HWDR STD (PR)	

NOTE: WITH ANTI-TIP, ORDER ITEM 3A.

PADDED SWING-AWAY ARMREST (QUICKIE REVOLUTION)

(Discontinued 5/11/98 - parts only; fits Revolution prior to serial number RV-5967)



2D000X07

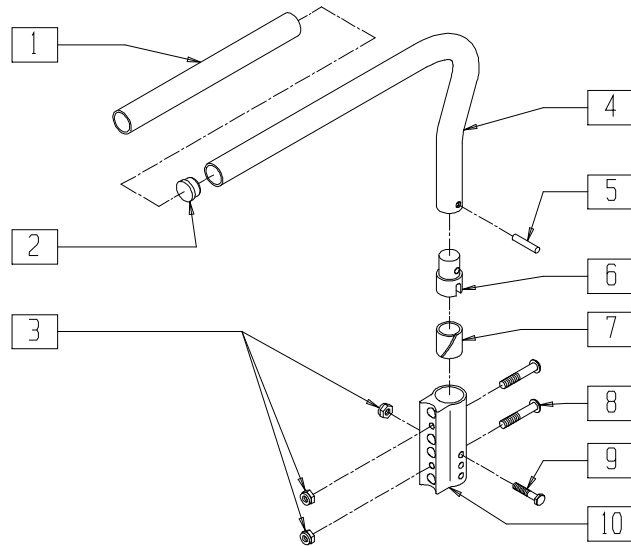
ITEM	NUMBER	DESCRIPTION	QTY
1	920070	9 x .940 x .200 FOAM GRIP	1
2	561002	1" INSERT PLUG .083	1
3	201100	1/4-28 NYLOCK NUT THIN	3
5	341200	1/4 x 1 ROLL PIN	1
6	483006	ARMREST PLUG	1
7	560400	1" ID NY-LINER	1

ITEM	NUMBER	DESCRIPTION	QTY
8	226130	1/4-28 x 1 1/2 BH C/S	2
9	221133	1/4-28 x 1 1/2 G8 HEX C/S	1
10	550225	PADDED ARM REC 4 HOLE	1
1,2,4-6	880312, 880313	S/A PADDED ARM RV (EA)	
1-6	900445	S/A PADDED ARM RV (PR)	

PADDED SWING-AWAY ARMREST (QUICKIE GPS/TRIUMPH/REVOLUTION)

(Effective 5/11/98; fits Revolution beginning serial number RV-5967)

(Quickie GPS and Triumph discontinued 2/01-Parts only)

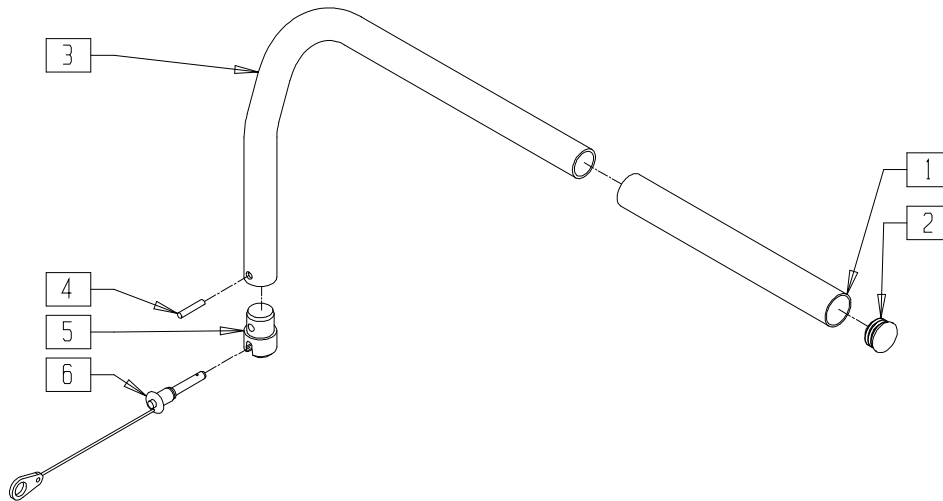


2D000X7A

ITEM	NUMBER	DESCRIPTION	QTY
1	920070	9 x .940 x .200 FOAM GRIP	1
2	561002	1" INSERT PLUG .083	1
3	201100-QU	1/4-28 NYLOCK NUT THIN	3
5	341200	1/4 x 1 ROLL PIN	1
6	483006	ARMREST PLUG	1
7	560400	1" ID NY-LINER	1
8	226110	1/4-28 x 1 BH C/S	2
9	221133	1/4-28 x 1 1/2 G8 HEX C/S	1
10	550225	PADDED ARM REC 4 HOLE	1

ITEM	NUMBER	DESCRIPTION	QTY
1,2,4-6	880312,	S/A PADDED ARM RV (EA)	
	880313		
	880310, 880311	PADDED ARM GPS (EA)	
1-6	900445	S/A PADDED ARM RV (PR)	
	900444	S/A PADDED ARMS GPS (PR)	
3,7-10	880335	PADDED ARM REC 4 HOLE W/HDWR NEW (EA)	

PADDED SWING-AWAY ARMREST (Quickie R2 ADJUSTABLE/TNT)
 (Quickie TNT discontinued 2/01 - parts only)

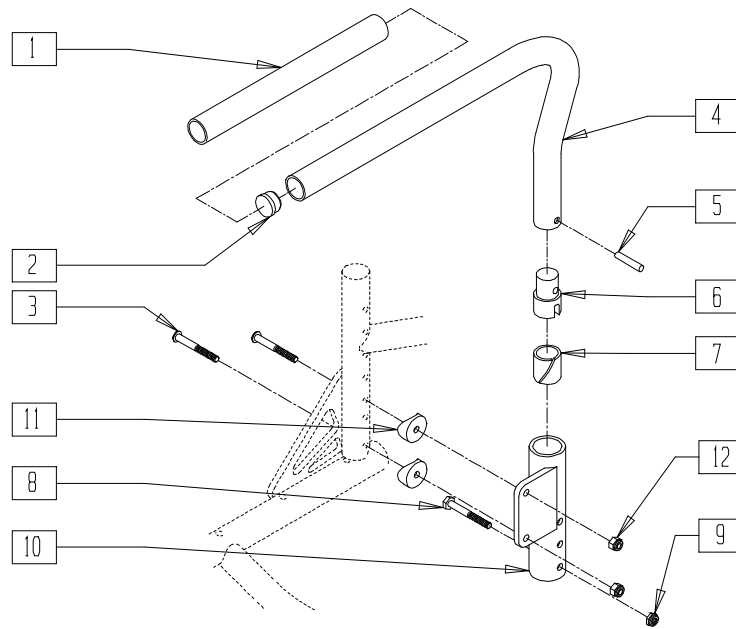


TNT00X19

ITEM	NUMBER	DESCRIPTION	QTY
1	920070	9 x .940 x .200 FOAM GRIP	1
2	561002	1" INSERT PLUG .083	1
4	341200	1/4 x 1 ROLL PIN	1
5	483006	ARMREST PLUG	1

ITEM	NUMBER	DESCRIPTION	QTY
6	349020	STROLLER HANDLE RELEASE PIN	1
1-5	881254, 881255	PADDED ARMS QTNT (EA)	
1-6	900411	PADDED ARMS QTNT NEW (PR)	

PADDED SWING-AWAY ARMREST (QUICKIE XTR/R2 RIGID)



Drawing shows right side

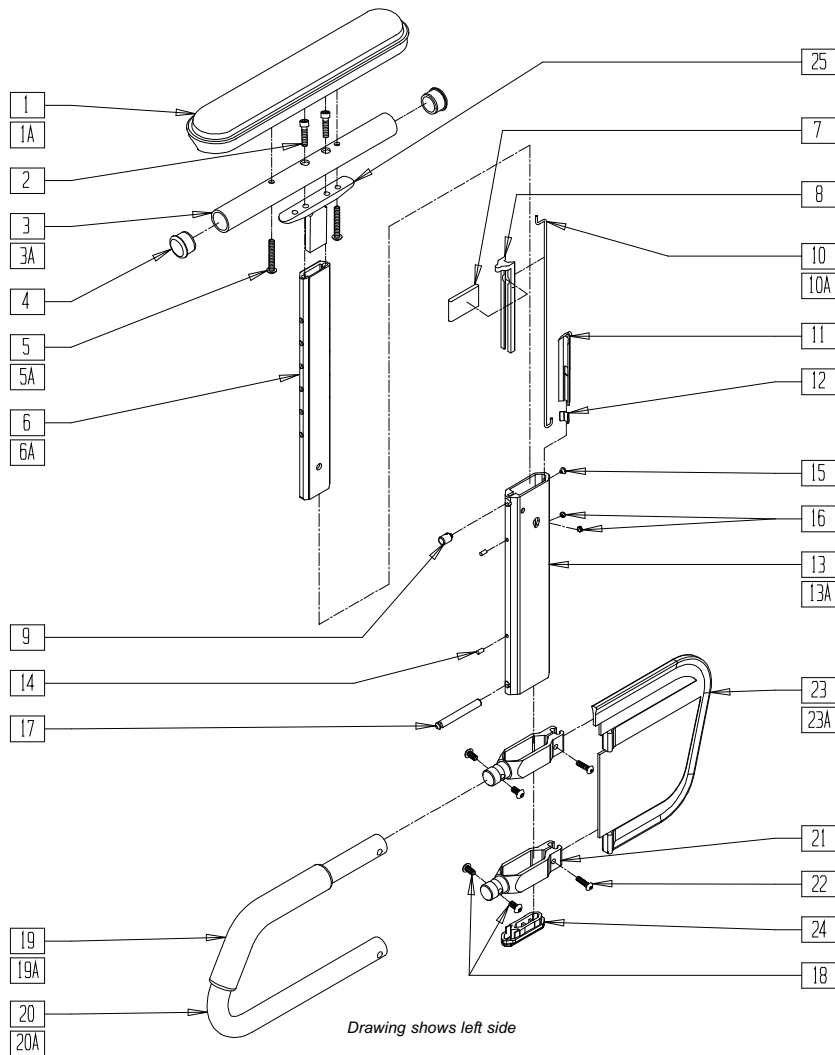
SUS00X21

ITEM	NUMBER	DESCRIPTION	QTY
1	920070	9 x .940 x .200 FOAM GRIP	1
2	561002	1" INSERT PLUG	1
3	226155	1/4-28 x 2 1/4 BH C/S	2
5	341200	1/4 x 1 ROLL PIN	1
6	483006	ARMREST PLUG	1
7	560400	1" ID NY-LINER	1
8	221133	1/4-28 x 1 1/2 G8 HEX C/S	1
9	201100	1/4-28 NYLOCK NUT THIN	1
10	540103 540104	PADDED ARM RECEIVER (EA)	1

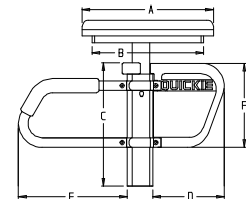
ITEM	NUMBER	DESCRIPTION	QTY
11	561004	1" SADDLE 1/4" HOLE	2
12	201110	1/4-28 NYLOCK NUT	2
1,2,4,5,6	880312, 880313	S/A PADDED ARM RV	
3,8-12	880234	PADDED ARM RECEIVER R W/HARDWARE XTR	
3,8,9,10A, 11,12	880235	PADDED ARM RECEIVER L W/HARDWARE XTR	

HEIGHT-ADJUSTABLE ARMREST

(Discontinued 9/99 - parts only)



MEASURING GUIDE



MGUIDE13

	ADULT		KIDZ		PED	
	STD	FULL	STD	FULL	STD	FULL
A	10"	14"	10"	14"	10"	14"
B	8 7/8"	12 3/8"	8 7/8"	12 3/8"	8 7/8"	12 3/8"
C	8 7/8"	8 7/8"	8 7/8"	8 7/8"	7 1/4"	7 1/4"
D	5 7/8"	5 7/8"	4 1/8"	4 1/8"	4 1/8"	4 1/8"
E	8 5/8"	8 5/8"	6 3/4"	6 3/4"	6 3/4"	6 3/4"
F	6 5/8"	6 5/8"	5 1/8"	5 1/8"	5 1/8"	5 1/8"

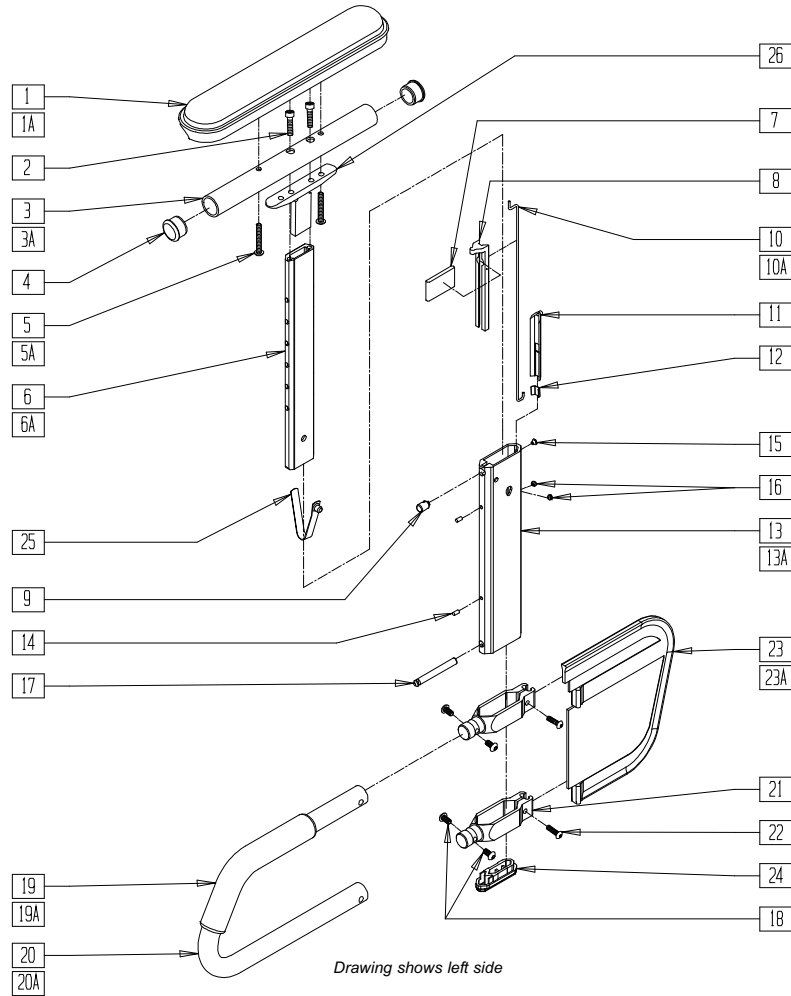
ARMX013F

ITEM	NUMBER	DESCRIPTION	QTY
1	561024	ARMREST PAD 10" DESK	1
1A	561031	ARMREST PAD 14" FULL	1
2	226031	10-32 x 1 1/4 SOC C/S BLK	2
3	521810	HT ADJ PAD TUBE 10" DESK MANUAL	1
3A	521811	HT ADJ PAD TUBE 14" FULL MANUAL	2
4	560735	7/8" ROUND TUBE PLUG	2
5	226038	10-32 x 1 3/8 BH C/S BLK	2
5A	226032-QU	10-32 x 1 1/2 BH C/S BLK	2
6	550481	HT ADJ ARM INNER TUBE	1
6A	550478	HT ADJ ARM INNER TUBE PED	1
7	561130, 561131	HT ADJ ARM HANDLE (EA)	1
8	561132	HT ADJ ARM FRONT LINER	1
9	481090	HT ADJ UPPER PIN	1
10	321150	HT ADJ ACTUATOR ROD	1
10A	321152	HT ADJ ARM ACTUATOR ROD SHORT	1
11	561133	HT ADJ LINER SPRING	1
12	321151	HT ADJ LINER SPRING	1
13	550480	HT ADJ ARM OUTER TUBE	1

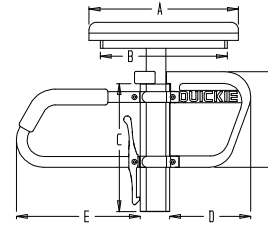
ITEM	NUMBER	DESCRIPTION	QTY
13A	550479	HT ADJ ARM OUTER TUBE PED	1
14	341102	1/8 x 1/4 ROLL PIN	2
15	330092	#4 x 5/32 STICK SCREW	1
16	225098	10-32 x 1/8 SET SCR W/PATCH BLK	2
17	481091	HT ADJ RECEIVER PIN	1
18	226018-QU	10-32 x 3/8 BH C/S W/PATCH BLK	2
19	560610	5" x .705 x .125 FOAM TUBE	1
19A	560627	7 1/2" x .705 x .125 FOAM TUBE	1
20	521820	HT ADJ TRANSFER TUBE STD	1
20A	521821	HT ADJ TRANSFER TUBE KIDS	1
21	550482	HT ADJ SKIRT CLAMP	2
22	226020-QU	10-32 x 5/8 BH C/S BLK	2
23	561140	HT ADJ SKIRT GUARD STD	1
23A	561141	HT ADJ SKIRT GUARD KIDS	1
24	561135	HT ADJ ARM BOTTOM PLUG	1
25	505084	HT ADJ ARMREST GUSSET	1
1-6	880170- 880173	HT ADJ UPPR ARM PED DESK PAD (EA)	
	880188- 880191	HT ADJ UPPR ARM ASSM DESK PD (EA)	

HEIGHT-ADJUSTABLE ARMREST (ZIPPIE GS)

(Discontinued 9/99 - parts only)



MEASURING GUIDE



MGUIDE13

	ADULT		ADULT SHT		KIDZ		PED	
	STD	FULL	STD	FULL	STD	FULL	STD	FULL
A	10"	14"	10"	14"	10"	14"	10"	14"
B	8 7/8"	12 3/8"	8 7/8"	12 3/8"	8 7/8"	12 3/8"	8 7/8"	12 3/8"
C	8 7/8"	8 7/8"	8 7/8"	8 7/8"	8 7/8"	8 7/8"	7 1/4"	7 1/4"
D	5 7/8"	5 7/8"	5 7/8"	5 7/8"	4 1/8"	4 1/8"	4 1/8"	4 1/8"
E	8 5/8"	8 5/8"	6 5/8"	6 5/8"	6 3/4"	6 3/4"	6 3/4"	6 3/4"
F	6 5/8"	6 5/8"	6 5/8"	6 5/8"	5 1/8"	5 1/8"	5 1/8"	5 1/8"

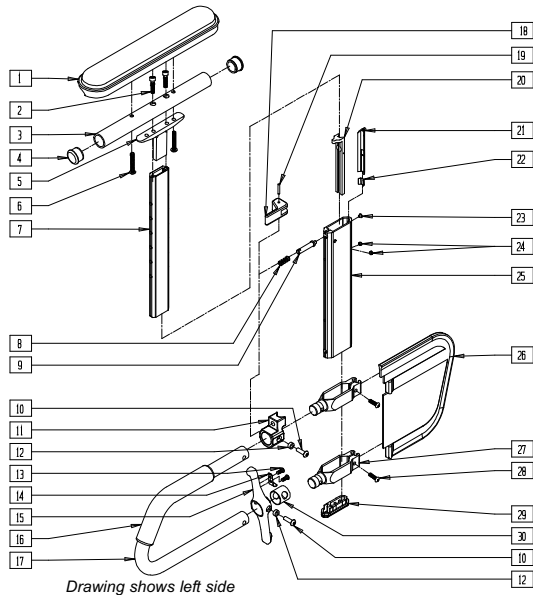
ARMX013C

ITEM	NUMBER	DESCRIPTION	QTY
1	561024	ARMREST PAD 10" DESK	1
1A	561031	ARMREST PAD 14" FULL	1
2	226031	10-32 x 1 1/4 SOC C/S BLK	2
3	521810	HT ADJ PAD TUBE 10" DESK MANUAL	1
3A	521811	HT ADJ PAD TUBE 14" FULL MANUAL	1
4	560735	7/8" ROUND TUBE PLUG	2
5	226038	10-32 x 1 3/8 BH C/S BLK	2
5A	226032	10-32 x 1 1/2 BH C/S BLK	2
6	550481	HT ADJ ARM INNER TUBE	1
6A	550478	HT ADJ ARM INNER TUBE PED	1
7	561130, 561131	HT ADJ ARM HANDLE R	1
8	561132	HT ADJ ARM FRONT LINER	1
9	481090	HT ADJ UPPER PIN	1
10	321150	HT ADJ ACTUATOR ROD	1
10A	321152	HT ADJ ARM ACTUATOR ROD SHT	1
11	561133	HT ADJ ARM REAR LINER	1
12	321151	HT ADJ LINER SPRING	1

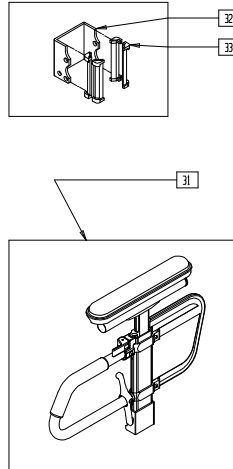
ITEM	NUMBER	DESCRIPTION	QTY
13	550480	HT ADJ ARM OUTER TUBE	1
13A	550479	HT ADJ ARM OUTER TUBE PED	1
14	341102	1/8 x 1/4 ROLL PIN	2
15	330092	#4 x 5/32 STICK SCREW	1
16	225098	10-32 x 1/8 SET SCR W/PATCH BLK	2
17	481091	HT ADJ RECEIVER PIN	1
18	226018	10-32 x 3/8 BH C/S W/PATCH BLK	2
19	560610	5" x .705 x .125 FOAM TUBE	1
19A	560627	7 1/2" x .705 x .125 FOAM TUBE	1
20	521820	HT ADJ TRANSFER TUBE STD	1
20A	521821	HT ADJ TRANSFER TUBE KIDS	1
21	550482	HT ADJ SKIRT CLAMP	2
22	226020	10-32 x 5/8 BH C/S BLK	2
23	561140	HT ADJ SKIRT GUARD STD	1
23A	561141	HT ADJ SKIRT GUARD KIDS	1
24	561135	HT ADJ ARM BOTTOM PLUG	1
25	301111	SNAP BUTTON ARM STOP	1
26	505084	HT ADJ ARMREST GUSSET	1

HEIGHT-ADJUSTABLE ARMREST (ZIPPIE GS)

(Effective 9/99)

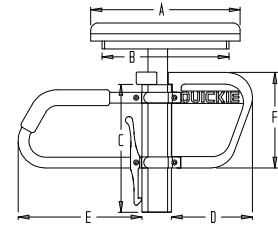


Drawing shows left side



ARMX013E

MEASURING GUIDE



MGUIDE13

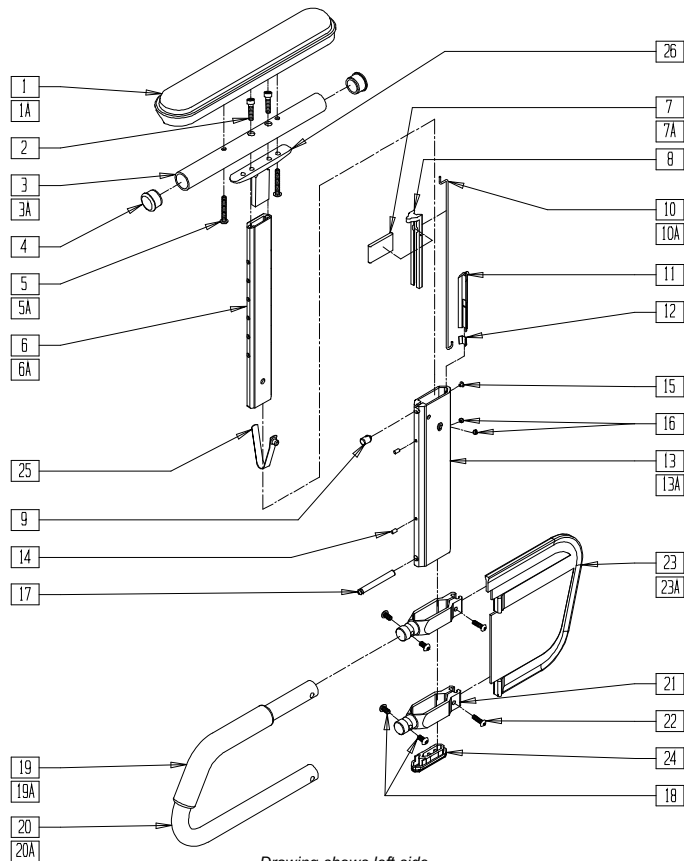
	ADULT		ADULT SHT		KIDZ		PED	
	STD	FULL	STD	FULL	STD	FULL	STD	FULL
A	10"	14"	10"	14"	10"	14"	10"	14"
B	8 7/8"	12 3/8"	8 7/8"	12 3/8"	8 7/8"	12 3/8"	8 7/8"	12 3/8"
C	8 7/8"	8 7/8"	8 7/8"	8 7/8"	8 7/8"	8 7/8"	7 1/4"	7 1/4"
D	5 7/8"	5 7/8"	5 7/8"	5 7/8"	4 1/8"	4 1/8"	4 1/8"	4 1/8"
E	8 5/8"	8 5/8"	6 5/8"	6 5/8"	6 3/4"	6 3/4"	6 3/4"	6 3/4"
F	6 5/8"	6 5/8"	6 5/8"	6 5/8"	5 1/8"	5 1/8"	5 1/8"	5 1/8"

ITEM	NUMBER	DESCRIPTION	QTY
1	561024	ARMREST PAD 10" DESK	1
	561031	ARMREST PAD 14" FULL	
2	226031	10-32 x 1 1/4 SOC C/S BLK	2
	521810	HT ADJ PAD TUBE 10" DESK MANUAL	
3	521811	HT ADJ PAD TUBE 14" FULL MANUAL	1
	560735	7/8" ROUND TUBE PLUG	
4	505084	HT ADJ ARMREST GUSSET	1
6	226038	10-32 x 1 3/8 BH C/S BLK	2
	226032	10-32 x 1 1/2 BH C/S BLK	
7	550481	HT ADJ ARM INNER TUBE	1
	550478	HT ADJ ARM INNER TUBE PED	
8	321107	RELEASE PIN SPRING	1
9	481258	UPPER ARM RELEASE PIN	1
10	226056	10-32 x 1/2 BH C/S BLK W/PATCH	4
11	560266	UPPER RELEASE PIN HOUSING	1
12	481257	RECEIVER RELEASE LEVER BUSHING	4
13	281045	#6 x 1/4 PAN PHIL S/M/S	2
14	321721	LEVER RETURN SPRING	1
15	501551	RECEIVER RELEASE LEVER STD	1
	501552	RECEIVER RELEASE LEVER KIDZ	
	501553	RECEIVER RELEASE LEVER PEDS	
16	560610	5" x .705 x .125 FOAM TUBE	1
	560627	7 1/2" x .705 x .125 FOAM TUBE	
17	521820	HT ADJ TRANSFER TUBE STD	1
	521821	HT ADJ TRANSFER TUBE KIDS	
18	561109	ARMREST LEVER FLIP-BACK HT ADJ	1
19	341088	3/32 x 5/8 ROLL PIN	1
20	561132	HT ADJ ARM FRONT LINER	1
21	561133	HT ADJ ARM REAR LINER	1
22	321151	HT ADJ LINER SPRING	1
23	330092	#4 x 5/32 STICK SCREW	1
24	225098	10-32 x 1/8 SET SCR W/PATCH B	2
25	550480	HT ADJ ARM OUTER TUBE	1
	550479	HT ADJ ARM OUTER TUBE PED	
26	561140	HT ADJ SKIRT GUARD STD	1
	561141	HT ADJ SKIRT GUARD KIDS	
27	550482	HT ADJ SKIRT CLAMP	2
28	226020	10-32 x 5/8 BH C/S BLK	2
29	561135	HT ADJ ARM BOTTOM PLUG	1
30	562825	RELEASE LEVER INNER SLEEVE	1
1-7	880170-880173	HT ADJ UPPER ARM ASSEMBLY (EA)	

ITEM	NUMBER	DESCRIPTION	QTY
1-7	880188-880191	HT ADJ UPPER ARM ASSM FULL PAD	
8,9,11,18,19	888003,888004	HT ADJ UPPER ARM REL ASSM (EA)	
13-15	888000	HT ADJ REC REL LEVER ASSM STD	
	888001	HT ADJ REC REL LEVER ASSM KIDS	
	888002	HT ADJ REC REL LEVER ASSM PEDS	
8-30	882080,882081	HT ADJ LOWER DC ARM ASSM PED (EA)	
	882082-882085	HT ADJ LOWER DC ARM ASSM (EA)	
	880220-880223	HT ADJ PED W/ARM PAD (EA)	
1-30	880200-880203	HT ADJ STD W/ARM PAD (EA)	
	880204-880207	HT ADJ KIDS W/ARM PAD (EA)	
	880935,880936	HT ADJ SHT W/DESK ARM PAD ZGS (EA)	
	880937,880938	HT ADJ SHT W/FULL ARM PAD ZGS (EA)	
	900738	HT ADJ ASSEMBLY SHT W/DESK ARM ZGS	
	900739	HT ADJ ASSEMBLY SHT W/FULL ARM ZGS	
	31	900650-900657	HT ADJ ASSEMBLY W/ARM W/REC AND CLAMP (PR)
900658,900659,900668,900669		HT ADJ ASSEMBLY W/REC QUICKIE EX (PR)	
888800,888801		HT ADJ ARM UPGRADE KIT STD (EA)	
888802,888803		HT ADJ ARM UPGRADE KIT KIDS (EA)	
888804,888805		HT ADJ ARM UPGRADE KIT PEDS (EA)	
8-15,18-20,29,30,32,33	921900	HT ADJ SNGL PST UPGRD KIT STD (PR)	
	921901	HT ADJ SNGL PST UPGRD KIT KIDS (PR)	
	921902	HT ADJ SNGL PST UPGRD KIT PEDS (PR)	
1-30	900644	HT ADJ ASSM PED W/DESK ARM (PR)	
	900645	HT ADJ ASSM PED W/FULL ARM (PR)	
	900646	HT ADJ ASSM PED W/DSK ARM KIDS (PR)	
	900647	HT ADJ ASSM PED W/FL ARM KIDS (PR)	

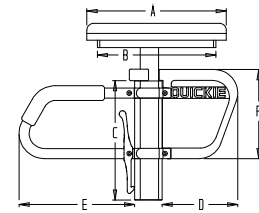
HEIGHT-ADJUSTABLE ARMREST (MANUAL PRODUCTS)

(Discontinued 9/99 - parts only)



Drawing shows left side

MEASURING GUIDE



MGUIDE13

	ADULT		KIDZ		PED	
	STD	FULL	STD	FULL	STD	FULL
A	10"	14"	10"	14"	10"	14"
B	8 7/8"	12 3/8"	8 7/8"	12 3/8"	8 7/8"	12 3/8"
C	8 7/8"	8 7/8"	8 7/8"	8 7/8"	7 1/4"	7 1/4"
D	5 7/8"	5 7/8"	4 1/8"	4 1/8"	4 1/8"	4 1/8"
E	8 5/8"	8 5/8"	6 3/4"	6 3/4"	6 3/4"	6 3/4"
F	6 5/8"	6 5/8"	5 1/8"	5 1/8"	5 1/8"	5 1/8"

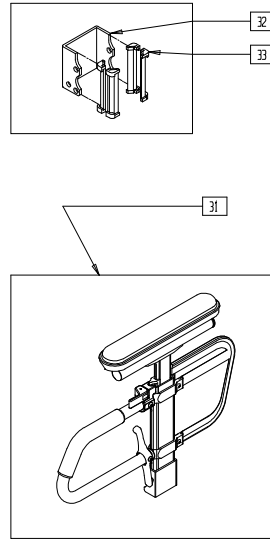
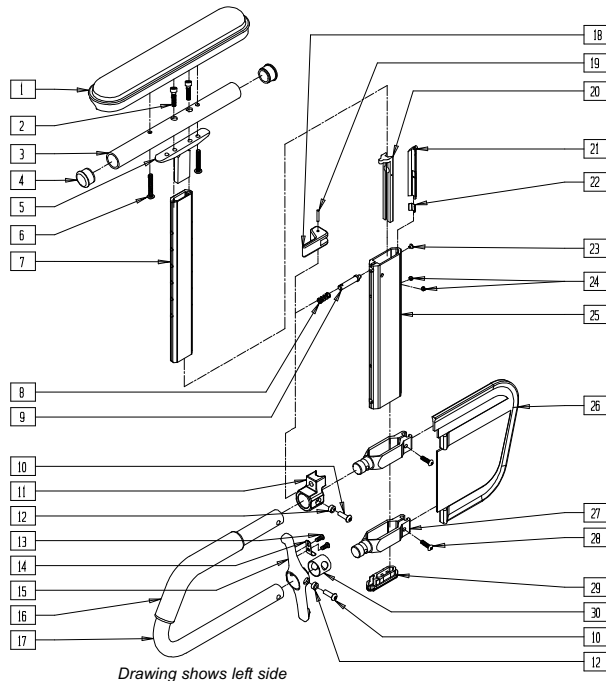
ARMX013C

ITEM	NUMBER	DESCRIPTION	QTY
1	561024	ARMREST PAD 10" DESK	1
1A	561031	ARMREST PAD 14" FULL	1
2	226031	10-32 x 1 1/4 SOC C/S BLK	2
3	521810	HT ADJ PAD TUBE 10" DESK MANUAL	1
3A	521811	HT ADJ PAD TUBE 14" FULL MANUAL	1
4	560735	7/8" ROUND TUBE PLUG	2
5	226038	10-32 x 1 3/8 BH C/S BLK	2
5A	226032	10-32 x 1 1/2 BH C/S BLK	2
6	550481	HT ADJ ARM INNER TUBE	1
6A	550478	HT ADJ ARM INNER TUBE PED	1
7	561130	HT ADJ ARM HANDLE R	1
7A	561131	HT ADJ ARM HANDLE L	1
8	561132	HT ADJ ARM FRONT LINER	1
9	481090	HT ADJ UPPER PIN	1
10	321150	HT ADJ ACTUATOR ROD	1
10A	321152	HT ADJ ARM ACTUATOR ROD SHORT	1
11	561133	HT ADJ ARM REAR LINER	1
12	321151	HT ADJ LINER SPRING	1

ITEM	NUMBER	DESCRIPTION	QTY
13	550480	HT ADJ ARM OUTER TUBE	1
13A	550479	HT ADJ ARM OUTER TUBE PED	1
14	341102	1/8 x 1/4 ROLL PIN	2
15	330092	#4 x 5/32 STICK SCREW	1
16	225098	10-32 x 1/8 SET SCR W/PATCH BLK	2
17	481091	HT ADJ RECEIVER PIN	1
18	226018	10-32 x 3/8 BH C/S W/PATCH BLK	2
19	560610	5" x .705 x .125 FOAM TUBE	1
19A	560627	7 1/2" x .705 x .125 FOAM TUBE	1
20	521820	HT ADJ TRANSFER TUBE STD	1
20A	521821	HT ADJ TRANSFER TUBE KIDS	1
21	550482	HT ADJ SKIRT CLAMP	2
22	226020	10-32 x 5/8 BH C/S BLK	2
23	561140	HT ADJ SKIRT GUARD STD	1
23A	561141	HT ADJ SKIRT GUARD KIDS	1
24	561135	HT ADJ ARM BOTTOM PLUG	1
25	301111	SNAP BUTTON ARM STOP	1
26	505084	HT ADJ ARMREST GUSSET	1

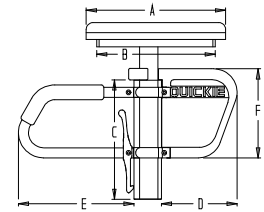
HEIGHT-ADJUSTABLE ARMREST (MANUAL PRODUCTS)

(Effective 9/99)



ARMX013E

MEASURING GUIDE



MGUIDE13

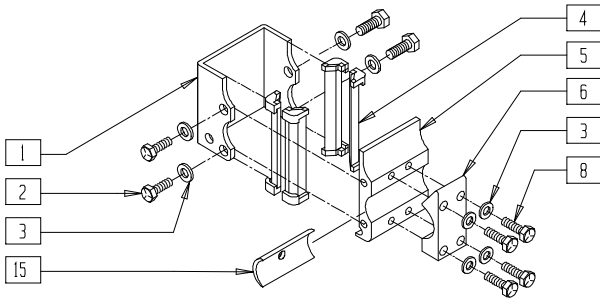
	ADULT		KIDZ		PED	
	STD	FULL	STD	FULL	STD	FULL
A	10"	14"		14"	10"	14"
B	8 7/8"	12 3/8"	8 7/8"	12 3/8"	8 7/8"	12 3/8"
C	8 7/8"	8 7/8"	8 7/8"	8 7/8"	7 1/4"	7 1/4"
D	5 7/8"	5 7/8"	10"	4 1/8"	4 1/8"	4 1/8"
E	8 5/8"	8 5/8"	6 3/4"	6 3/4"	6 3/4"	6 3/4"
F	6 5/8"	6 5/8"	5 1/8"	5 1/8"	5 1/8"	5 1/8"

ITEM	NUMBER	DESCRIPTION	QTY
1	561024	ARMREST PAD 10" DESK	1
	561031	ARMREST PAD 14" FULL	
2	226031	10-32 x 1 1/4 SOC C/S BLK	2
3	521810	HT ADJ PAD TUBE 10" DESK MANUAL	1
	521811	HT ADJ PAD TUBE 14" FULL MANUAL	
4	560735	7/8" ROUND TUBE PLUG	2
5	505084	HT ADJ ARMREST GUSSET	1
6	226038	10-32 x 1 3/8 BH C/S BLK	2
	226032	10-32 x 1 1/2 BH C/S BLK	
7	550481	HT ADJ ARM INNER TUBE	1
	550478	HT ADJ ARM INNER TUBE PED	
8	321107	RELEASE PIN SPRING	1
9	481258	UPPER ARM RELEASE PIN	1
10	226056	10-32 x 1/2 BH C/S BLK W/PATCH	4
11	560266	UPPER RELEASE PIN HOUSING	1
12	481257	RECEIVER RELEASE LEVER BUSHING	4
13	281045	#6 x 1/4 PAN PHIL S/M/S	2
14	321721	LEVER RETURN SPRING	1
15	501551	RECEIVER RELEASE LEVER STD	1
	501552	RECEIVER RELEASE LEVER KIDZ	
	501553	RECEIVER RELEASE LEVER PEDS	
16	560610	5" x .705 x .125 FOAM TUBE	1
	560627	7 1/2" x .705 x .125 FOAM TUBE	
17	521820	HT ADJ TRANSFER TUBE STD	1
	521821	HT ADJ TRANSFER TUBE KIDS	
18	561109	ARMREST LEVER FLIP-BACK HT ADJ	1
19	341088	3/32 x 5/8 ROLL PIN	1
20	561132	HT ADJ ARM FRONT LINER	1
21	561133	HT ADJ ARM REAR LINER	1
22	321151	HT ADJ LINER SPRING	1
23	330092	#4 x 5/32 STICK SCREW	1
24	225098	10-32 x 1/8 SET SCR W/PATCH B	2
25	550480	HT ADJ ARM OUTER TUBE	1
	550479	HT ADJ ARM OUTER TUBE PED	
26	561140	HT ADJ SKIRT GUARD STD	1
	561141	HT ADJ SKIRT GUARD KIDS	
27	550482	HT ADJ SKIRT CLAMP	2

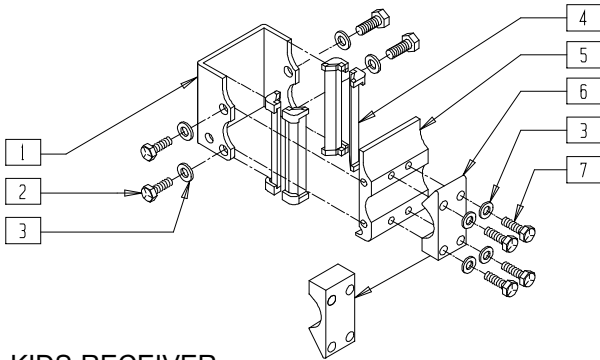
ITEM	NUMBER	DESCRIPTION	QTY
28	226020	10-32 x 5/8 BH C/S BLK	2
29	561135	HT ADJ ARM BOTTOM PLUG	1
30	562825	RELEASE LEVER INNER SLEEVE	1
1-7	880170- 880173, 880188- 880191	HT ADJ UPPER ARM ASSEMBLY (EA)	
	8,9,11 18,19	888003, 888004	HT ADJ UPPER ARM REL ASSM (EA)
	13-15	888000	HT ADJ REC REL LEVER ASSM STD
		888001	HT ADJ REC REL LEVER ASSM KDS
8-30	888002	HT ADJ REC REL LEVER ASSM PEDS	
	882080, 882081	HT ADJ LOWER DC ARM ASSM PED (EA)	
	882082- 882085	HT ADJ LOWER DC ARM ASSM (EA)	
1-30	880220- 880223	HT ADJ LOWER DC ARM ASSM (EA)	
	880200- 880203	HT ADJ STD W/ARM PAD (EA)	
	880204- 880207	HT ADJ KIDS W/ARM PAD (EA)	
	900650- 900657	HT ADJ ASSEMBLY W/ARM W/REC AND CLAMP (PR)	
31	900658, 900659, 900668, 900669	HT ADJ ASSEMBLY W/REC QUICKIE EX (PR)	
	888800, 888801	HT ADJ ARM UPGRD KIT STD (EA)	
	888802, 888803	HT ADJ ARM UPGRD KIT KIDS (EA)	
	888804, 888805	HT ADJ ARM UPGRD KIT PEDS (EA)	
	921900	HT ADJ SNGL PST UPGRAD KIT STD (PR)	
8-15, 18-20, 29,30,	921901	HT ADJ SNGL PST UPGRAD KIT KIDS (PR)	
	921902	HT ADJ SNGL PST UPGRAD KIT PEDS (PR)	

HEIGHT-ADJUSTABLE ARMREST RECEIVERS

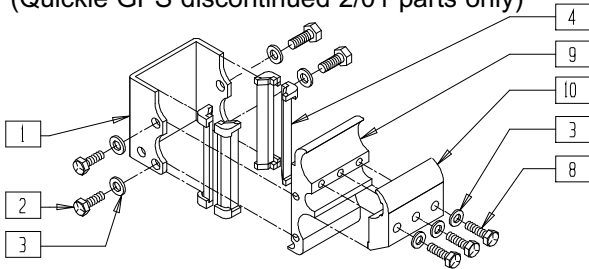
QUICKIE RECLINER (22" WHEEL ONLY)



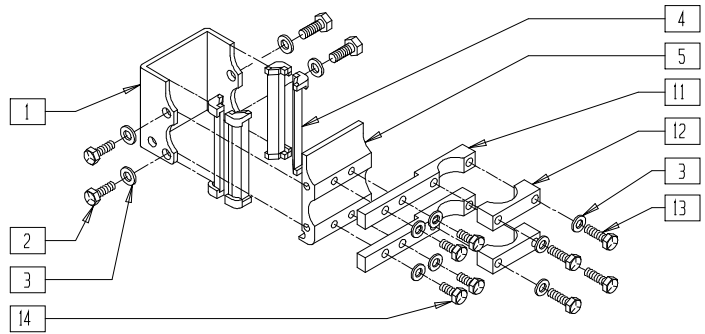
STANDARD RECEIVER QUICKIE 2/LX/RECLINER/Rx/BREEZY/ ZIPPIE/ZIPPIE GS



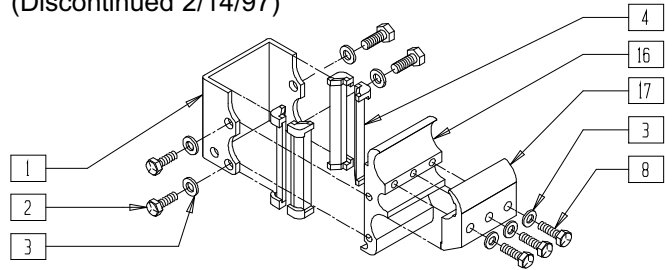
KIDS RECEIVER QUICKIE 2/GPS/LX/Rx/ZIPPIE/BREEZY (Quickie GPS discontinued 2/01 parts only)



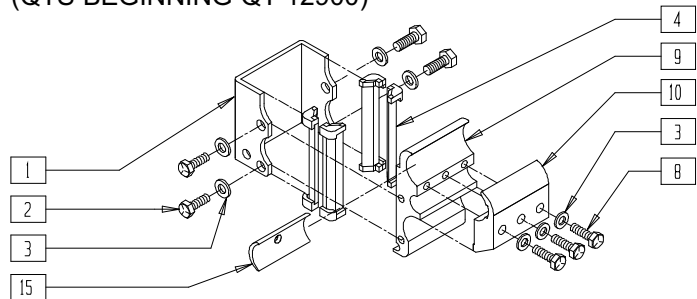
RIGID RECEIVER QUICKIE GP/TI



QUICKIE EX RECEIVER (Discontinued 2/14/97)



KIDS RECEIVER QUICKIE TS/REVOLUTION (QTS BEGINNING QT-12900)

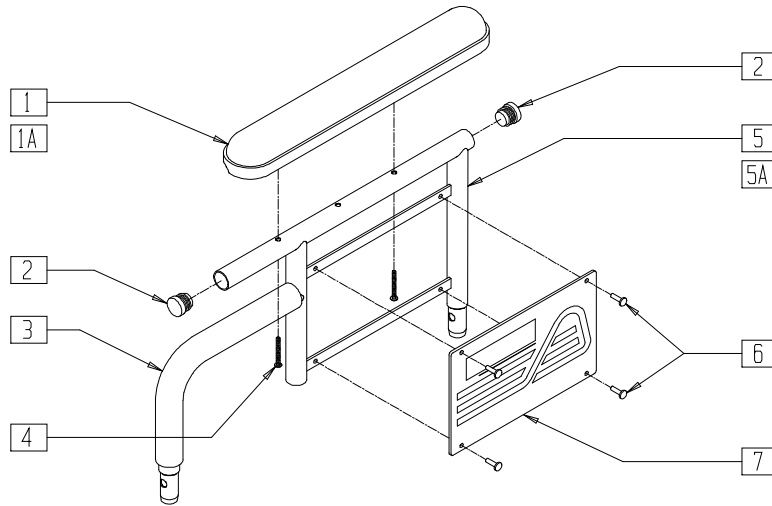


NEWARMR3

ITEM	NUMBER	DESCRIPTION	QTY
1	550485	HT ADJ REC CHANNEL	1
2	221096	1/4-28 x 5/8 HEX C/S	4
3	262100-QU	1/4 AN WASHER FLAT	4-42
4	561134	HT ADJ RECEIVER LINER	4
5	550483	HT ADJ REC STD	1
6	550490	HT ADJ REC CLAMP 4 HOLE	1
7	221127	1/4-28 x 1 3/8 HEX C/S	4
8	221133	1/4-28 x 1 3/8 HEX C/S	4
9	550484	HT ADJ REC LOW	1
10	550491	HT ADJ REC CLAMP LOW	1
11	500755	HT ADJ REC ARM CLAMP RIGID	2
12	550210	LOW LOCK CLAMP	2
13	221124	1/4-28 x 1 1/4 G8 HEX C/S	4
14	221100	1/4-28 x 3/4 HEX C/S	1

ITEM	NUMBER	DESCRIPTION	QTY
15	550486	HT ADJ REC SPACER	1
16	550494	HT ADJ REC LOW 1 1/8"	1
17	550495	HT ADJ REC CLAMP LOW 1 1/8"	1
1-5	880230	HT ADJ REC STD W/O CLAMP	
1-4,9	880231	HT ADJ REC KIDS W/O CLAMP	
1-7	880240	HT ADJ REC STD W/CLAMP	
1-7,15	880245	HT ADJ REC STD W/CLAMP AND SPACER	
1-4,8-10	880241	HT ADJ REC KIDS W/CLAMP	
1-5,7,11-14	880242, 880243	HT ADJ REC NF W/CLAMP (EA)	
1-4,16	880247	HT ADJ ARM REC EX	
1-4,8,16,17	880248	HT ADJ ARM REC W/CLAMP EX	
1-4,8-10,15	880249	HT ADJ REC KIDS W/CLAMP AND SPACER	

DUAL-POST ARMREST (BREEZY 510 RECLINER)

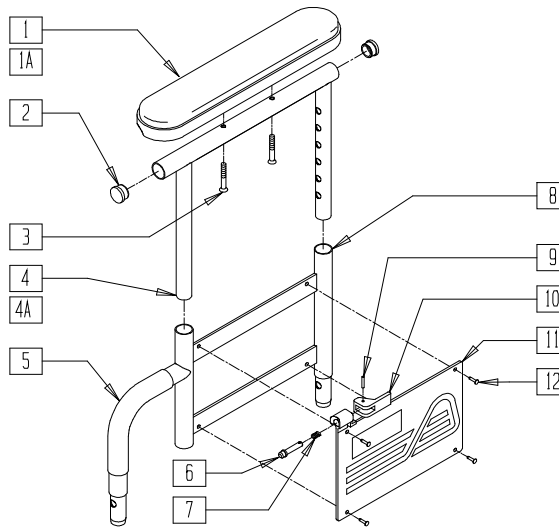


BRECX14

ITEM	NUMBER	DESCRIPTION	QTY
1	561024	ARMREST PAD 10" DESK	1
1A	561031	ARMREST PAD 14" FULL	1
2	560735	7/8" ROUND TUBE PLUG	2
3	560514	FOAM 8" x .840 TUBE	1
4	226038	10-32 x 1 3/8 BH C/S BLK	2
5	541124	FIXED HEIGHT SHT ARM DESK PAD	1
5A	541125	FIXED HEIGHT SHT ARM FULL PAD	1

ITEM	NUMBER	DESCRIPTION	QTY
6	240155	RIVET 3/16 x 3/8 TUBULAR ALUMINUM	4
7	562752, 562753	ARMREST PANEL FIXED BR RCLNR (EA)	1
1-7	881542, 881543	DUAL-POST ARM DESK (EA)	
1A-4, 5A,6-7	881544, 881545	DUAL-POST ARM FULL (EA)	

DUAL-POST HEIGHT-ADJUSTABLE ARMREST(BREEZY 510 RECLINER)

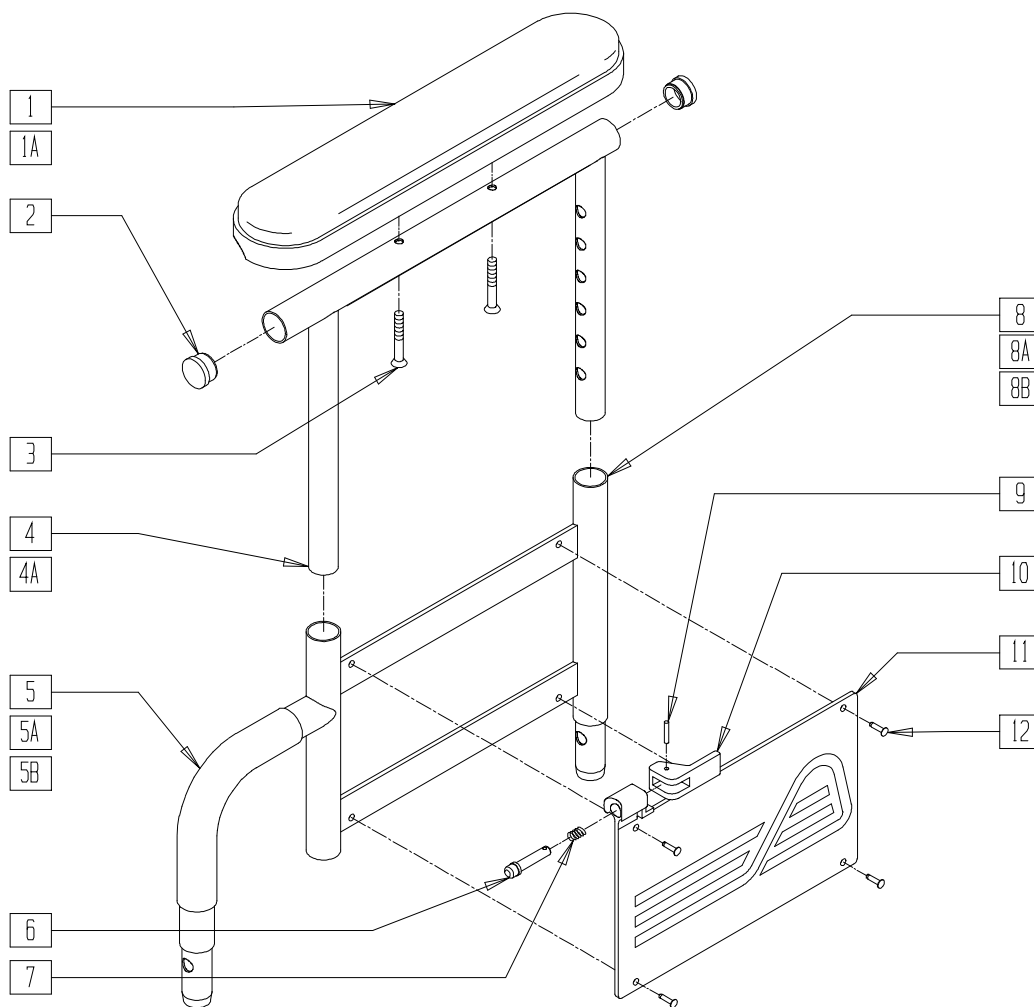


BRECX09

ITEM	NUMBER	DESCRIPTION	QTY
1	561024	ARMREST PAD 10" DESK	1
1A	561031	ARMREST PAD 14" FULL	1
2	560735	7/8" ROUND TUBE PLUG .049	2
3	226038	10-32 x 1 3/8 BH C/S BLK	2
4	521840	DUAL POST ADJ UPPER ARM DESK	1
4A	521842	DUAL POST ADJ UPPER ARM FULL	1
5	560514	FOAM 8" x .840 TUBE	1
6	341132	ARMREST PIN W/SHOULDER	1
7	321141	.650L x 6 COIL SPRING	1
8	540224, 540225	DUAL POST ADJ LWR ARM SHORT (EA)	1
9	341088	3/32 x 5/8 ROLL PIN	1
10	561109	ARMREST LEVER FLIP-BACK HT ADJ	1

ITEM	NUMBER	DESCRIPTION	QTY
11	562754, 562755	ARMREST PANEL DUAL POST (EA)	1
12	240155	RIVET 3/16 x 3/8 TUBULAR ALUMINUM	4
1-12	881546, 881547	DUAL POST ADJ ARM DESK RCLNR (EA)	
1A,2,3,4A, 5-12	881548, 881549	DUAL POST ADJ ARM FULL RCLNR (EA)	
5-12	881540, 881541	DUAL POST UPPER ARM ADJ DESK (EA)	
1-4	881550, 881551	DUAL POST UPPER ARM ADJ DESK (EA)	
1A,2,3, 4A	881552, 881553	DUAL POST UPPER ARM ADJ FULL (EA)	

DUAL-POST HEIGHT-ADJUSTABLE ARMREST (QUICKIE TS/T45)

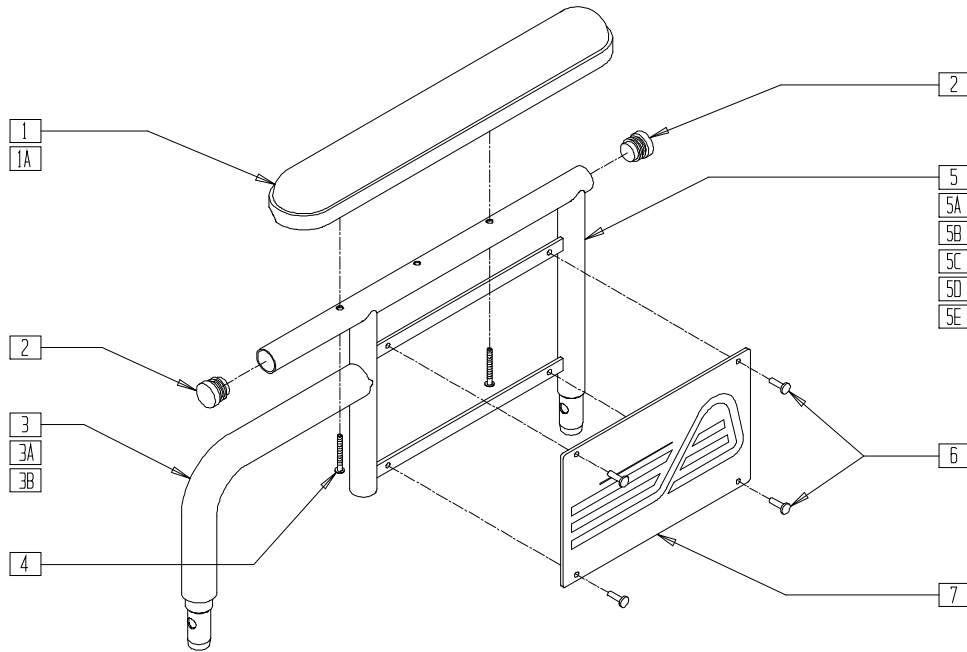


QTS30X05

ITEM	NUMBER	DESCRIPTION	QTY
1	561024	ARMREST PAD 10" DESK	1
1A	561031	ARMREST PAD 14" FULL	1
2	560735	7/8" ROUND TUBE PLUG	2
3	226038	10-32 x 1 3/8 BH C/S BLK	2
4	521840	DUAL POST ADJ UPPER ARM DESK	1
4A	521842	DUAL POST ADJ UPPER ARM FULL	1
5	560514	FOAM 8" x .840 TUBE	1
5A	560614	11" x .840 FOAM TUBE	1
5B	560515	FOAM 6" x .840 TUBE	1
6	341132	ARMREST PIN W/SHOULDER	1
7	341141	.650L x 6 COIL SPRING	1
8	540224, 540225	ARM FRAME LOWER HT ADJ REG	1
8A	540226, 540227	ARM FRME LOWER HT ADJ LONG	1
8B	540236, 540237	ARM FRAME LOWER HT ADJ SHORT	1
9	341088	3/32 x 5/8 ROLL PIN	1
10	561109	ARMREST LEVER FLIP-BACK HT ADJ	1
11	562740, 562741	ARMREST PANEL DUAL POST (EA)	
12	240155	RIVET 3/16 x 3/8 TUBULAR ALUM	4

ITEM	NUMBER	DESCRIPTION	QTY
1-12	881560, 881561	ARM ASSM HT ADJ DESK PAD REG	
1A,2,3,4A, 5-12	881566, 881567	ARM ASSM HT ADJ FULL PAD REG	
1-4,5A, 6-12	881564, 881565	ARM ASSM HT ADJ DESK PAD LONG	
1A,2-4,5A, 6-12	881562, 881563	ARM ASSM HT AD FULL PAD LONG	
5-12	881556, 881557	ARM ASSM HT ADJ FULL PAD REG	
5A,6-12	881558, 881559	ARM ASSM LOWER HT ADJ LONG	
1-4	881550, 881551	ARM ASSM UPPER HT AD DESK PD	
1A,2,3,4A	881552, 881553	ARM ASSM UPPER HT AD FULL PD	
1-4,5B, 6-12	881682, 881683	ARM ASSM HT AD DESK PAD SHORT	
1A,2-4, 5B,6-12	881684, 881685	ARM ASSM HT AD FULL PAD SHORT	
5B,6-12	881686, 881687	ARM ASSM LOWER HT ADJ SHORT	

DUAL-POST ARMREST (QUICKIE T45/TS)

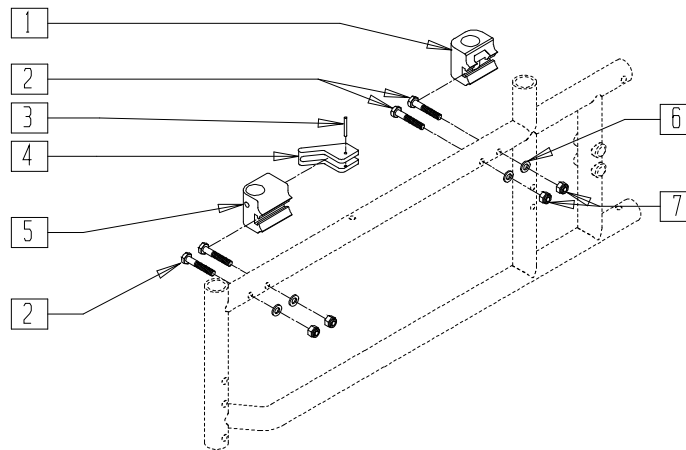


QTS30X06

ITEM	NUMBER	DESCRIPTION	QTY
1	561024	ARMREST PAD 10" DESK	1
1A	561031	ARMREST PAD 14" FULL	1
2	560735	7/8" ROUND TUBE PLUG	2
3	560514	FOAM 8" x .840 TUBE	1
3A	560614	11" x .840 FOAM TUBE	1
3B	560515	FOAM 6" x .840 TUBE	1
4	226038	10-32 x 1 3/8 BH C/S BLK	2
5	541124	ARM FRAME FIXED DESK PAD REG	1
5A	541125	ARM FRAME FIXED FULL PAD REG	1
5B	541126	ARM FRAME FIXED DESK PAD LONG	1
5C	541127	ARM FRAME FIXED FULL PAD LONG	1
5D	541150	ARM FRAME FIXED DESK PAD SHORT	1
5E	541151	ARM FRAME FIXED FULL PAD SHORT	1
6	240155	RIVET 3/16 x 3/8 TUBULAR ALUM	4

ITEM	NUMBER	DESCRIPTION	QTY
7	562744, 562745	ARMREST FRAME PANEL FIXED	1
1-7	881590, 881591	ARM ASSM FIX DESK PAD REG	
1A,2-4,5A, 6,7	881592, 881593	ARM ASSM FIX FULL PAD REG	
1-3A,4,5B, 6,7	881594, 881595	ARM ASSM FIX DESK PAD LONG	
1A,2-4,5C, 6,7	881596, 881597	ARM ASSM FIX FULL PAD LONG	
1,2,3B,4, 5D,6,7	881616, 881617	ARM ASSM FIX DESK PAD SHORT	
1A,2,3B,4, 5E,6,7	881618, 881619	ARM ASSM FIX FULL PAD SHORT	

DUAL-POST ARMREST RECEIVER (BREEZY 510 RECLINER)

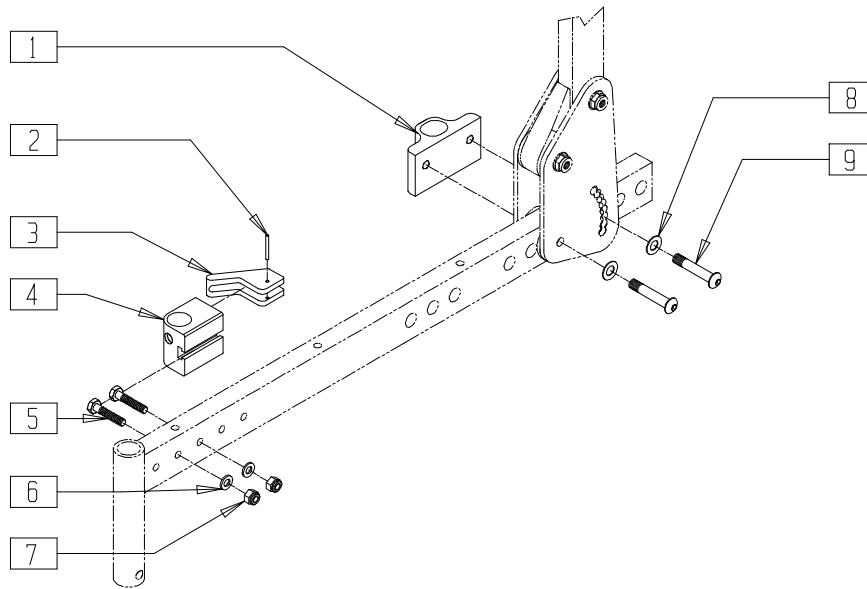


BRECX11

ITEM	NUMBER	DESCRIPTION	QTY
1	500733	ADJ QUAD REC REAR STD P300	1
2	221133	1/4-28 x 1 1/2 G8 HEX C/S	2
6	262100	1/4 AN WASHER FLAT	2
7	201110	1/4-28 NYLOCK NUT	2

ITEM	NUMBER	DESCRIPTION	QTY
1,2,6,7	880454	DUAL POST REC REAR STD (EA)	
2-7	880452, 880453	DUAL POST RECEIVER FRONT P3 QTS ASSEMBLY (EA)	

DUAL-POST ARMREST RECEIVER AND DUAL-POST HEIGHT-ADJUSTABLE ARMREST RECEIVER (QUICKIE T45)



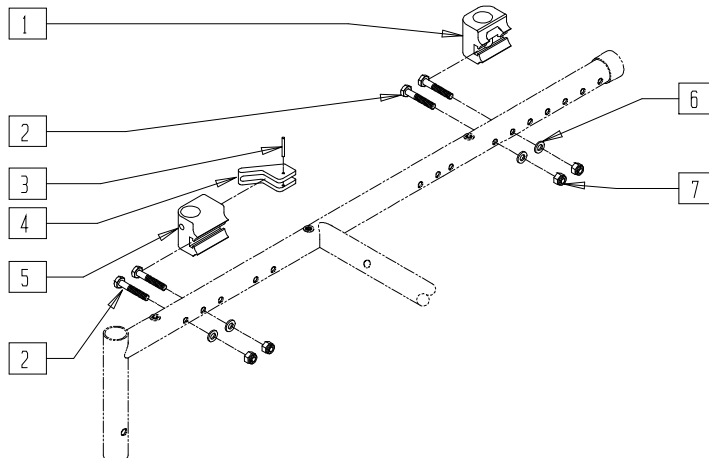
TSR00X16

ITEM	NUMBER	DESCRIPTION	QTY
1	500737	T45 ARM REC REAR	1
2	341088	3/32 x 5/8 ROLL PIN	1
3	561730	RELEASE HNDL DUAL POST PLST	1
4	500740, 500741	ARMREST RECEIVER FRONT P2 (EA)	1
5	221124	1/4-28X1 1/4 G8 HEX C/S	2
6	262110	1/4 AN WASHER FLAT THIN	2

ITEM	NUMBER	DESCRIPTION	QTY
7	201100	1/4-28 NYLOCK NUT THIN	2
8	263100	5/16 AN WASHER FLAT	2
9	226195	5/16 -18 x 1.82 BH C/S	2
2-7	880432, 880433	ARM REC FRONT ASSEMBLY P2 (EA)	
1,8,9	880435	ARM REC REAR ASSEMBLY T45 (EA)	

DUAL-POST ARMREST RECEIVER AND DUAL-POST HEIGHT-ADJUSTABLE ARMREST RECEIVER (QUICKIE TS)

(Effective 12/15/95, beginning QT-12900)

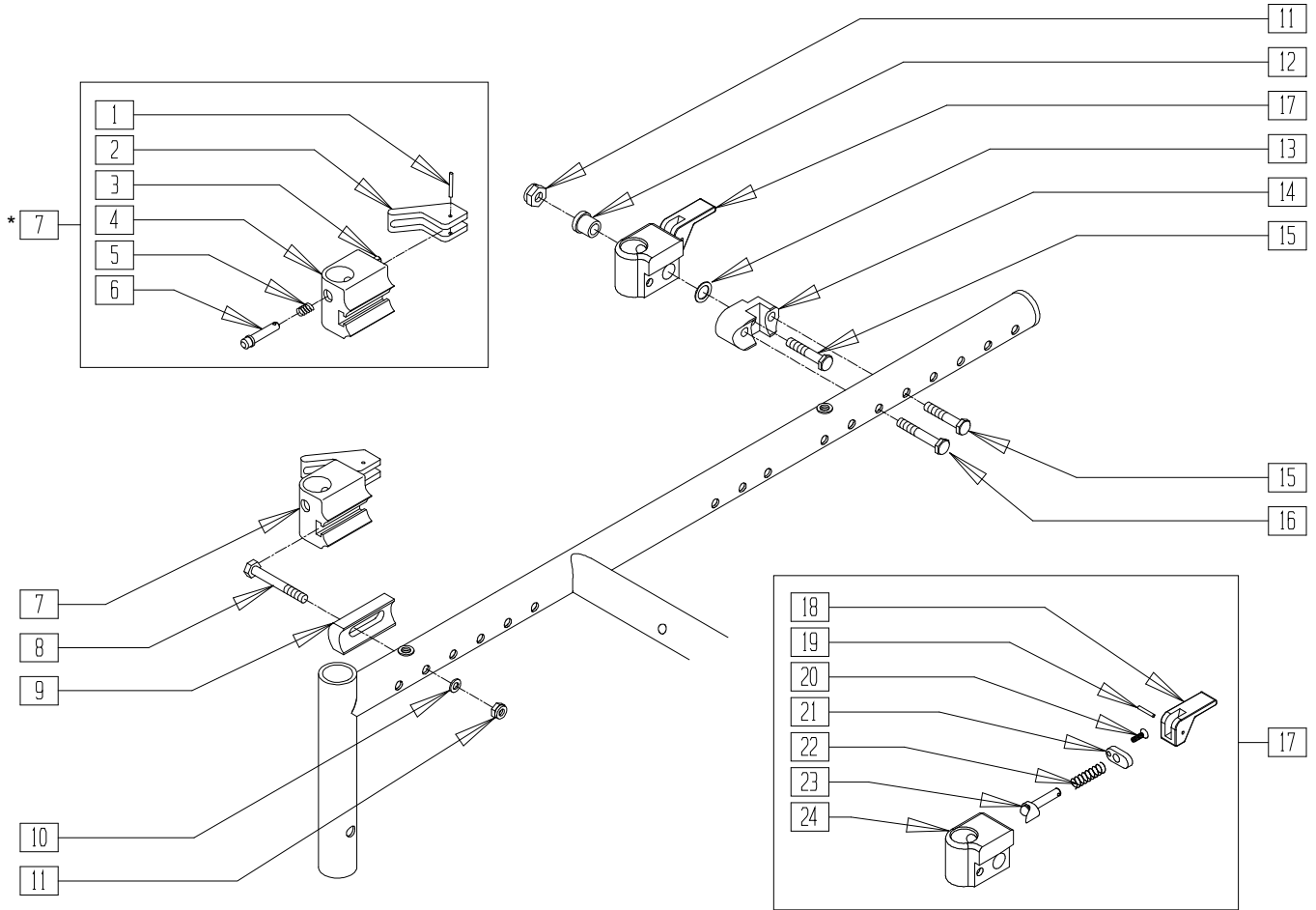


DP00X03A

ITEM	NUMBER	DESCRIPTION	QTY
1	500733	ADJ QUAD REC REAR STD P300	1
2	221133	1/4-28 x 1 1/2 G8 HEX C/S	2
6	262100-QU	1/4 AN WASHER FLAT	2
7	201110-QU	1/4-28 NYLOCK NUT	2

ITEM	NUMBER	DESCRIPTION	QTY
1,2,6,7	880454	DUAL POST REC REAR STD (EA)	
2-7	880452, 880453	DUAL POST REC FRONT P3/L QTS ASSEMBLY (EA)	

DUAL-POST AND DUAL-POST HEIGHT ADJUSTABLE FLIP BACK ARMREST RECEIVER (QUICKIE TS)



QTS30X07B

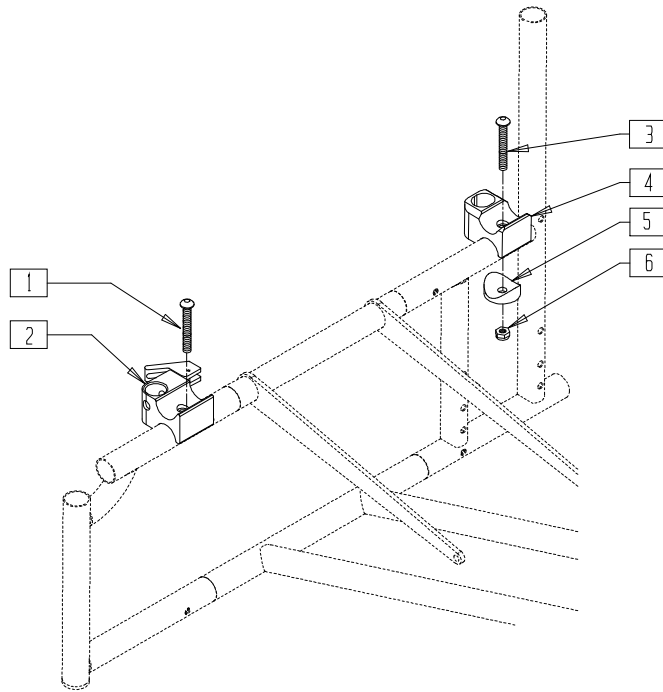
ITEM	NUMBER	DESCRIPTION	QTY
1	341088	3/32 X 5/8 ROLL PIN	1
2	561730	RELEASE HNDL DUAL POST PLST	1
3	341195	1/4 X 5/8 ROLL PIN	1
4*	500731	ADJ QUAD REC FRNT R P300	1
	500732	ADJ QUAD REC FRNT L P300	
5	321702	SPRING ADJ QUAD ARM P3	1
6	341132	ARMREST PIN W/SHOULDER	1
7*	880336	ADJ QUAD REC FRNT R SUBASSM P3	1
	880337	ADJ QUAD REC FRNT L SUBASSM P3	
8	221192	1/4-28 X 2 G8 HEX C/S	1
9	550055	DUAL POST ARM SPACER QTS	1
10	262100-QU	1/4 AN WASHER FLAT	1
11	201110-QU	1/4-28 NYLOCK NUT	1
12	481159	BUSHING STEEL .257 ID	1
13	561273	1/2 X 3/4 X .060 NYLON WASHER	1
14	550774	ARM REC PIVOT BRKT STD QT	1
15	221124-QU	1/4-28 X 1 1/4 G8 HEX C/S	2
16	221133	1/4-28 X 1 1/2 G8 HEX C/S	1

ITEM	NUMBER	DESCRIPTION	QTY
17	882468	D-POST FLP REC ASSM R QTS	1
	882469	D-POST FLP REC ASSM L QTS	
18	561109	ARMREST LEVER FLIP-BACK HT ADJ	1
19	341088	3/32 X 5/8 ROLL PIN	1
20	281073	6-32 X 1/2 FHCS BLK	1
21	505679	RECEIVER PIN RET PLT CSNK	1
22	321010	COMPRESSION SPRING	1
23	540219	RELEASE PIN ASSEMBLY 90D	1
24	550810	D-PST ARM REC FLIP BCK L QT	1
	550811	D-PST ARM REC FLIP BCK R QT	
11-17	881654	F-B ARMREST RCVR W/HDWR RR QTS	
	881655	F-B ARMREST RCVR W/HDWR LR QTS	
7-11	881656	F-B ARMREST RCVR W/HDWR RF QTS	
	881657	F-B ARMREST RCVR W/HDWR LF QTS	
11-17	921391	F-B ARMREST RCVR W/HDWR REAR (PR)	
7-11	921392	F-B ARMREST RCVR W/HDWR FRT (PR)	
7-17	921393	F-B ARMREST RCVR W/HDWR QTS (PR)	

* 880337 (ADJ QUAD REC FRNT L SUBASSM P3) IS SHOWN.

NOTE: LEFT SIDE P300 FRNT RECEIVERS & RECEIVER SUB-ASSEMBLIES ARE USED ON THE RIGHT SIDE OF THE QTS WHEELCHAIR - IF PURCHASING ITEM 4 OR 7, ORDER ACCORDINGLY. IF PURCHASING FULL ASSEMBLIES W/HDWR, ORDER AS PER DESCRIPTION.

HEIGHT-ADJUSTABLE DUAL-POST ARMREST RECIEVER (QUICKIE M6)

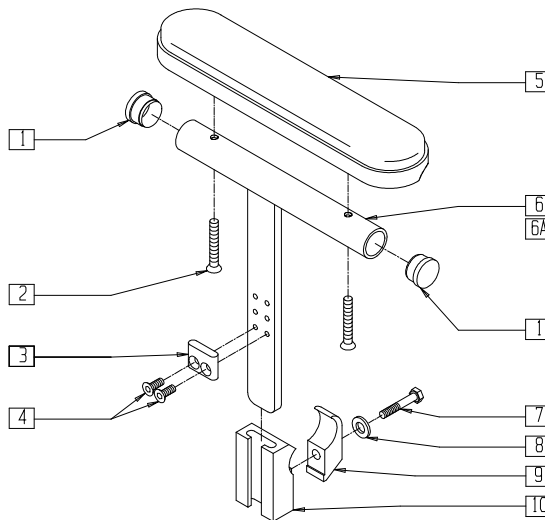


MAG00X21

ITEM	NUMBER	DESCRIPTION	QTY
1	226123	1/4-20 x 1 BH C/S BLK ZN	1
3	226140	1/4-28 x 1 3/4 BH C/S	1
4	550047	RECEIVER ARMRST SEAT SADDLE	1
5	561004	1" SADDLE 1/4" HOLE	1

ITEM	NUMBER	DESCRIPTION	QTY
6	201110-QU	1/4-28 NYLOCK NUT	1
3-6	881258	DUAL POST REC REAR STD	
1,2	881256, 881257	DUAL POST REC FRONT ASSEMBLY	

ARMREST (QUICKIE KIDZ)

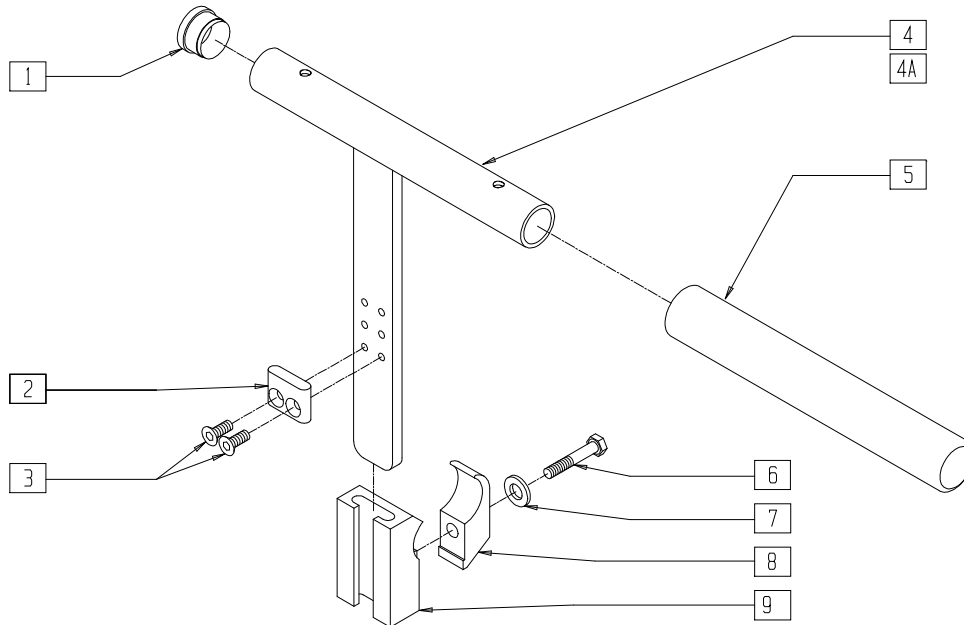


KDZ00X24

ITEM	NUMBER	DESCRIPTION	QTY
1	561007	7/8" INSERT PLUG .083	2
2	226038	10-32 x 1 3/8 BH C/S BLK	2
3	550105-QU	KIDZ ARM STOP	1
4	226012	10-32 x 1/2 FH C/S BLK	2
5	560780	ARMREST PAD SMALL 9"	1
6	550360	KIDZ STD ARM WELDMENT	1
6A	550361	KIDZ TALL ARM WELDMENT	1
7	221127	1/4-28 x 1 3/8 HEX C/S	1
8	262110	1/4 AN WASHER FLAT THIN	1
9	550251	CLAMP P300 CHARGING/ADJ FL KDS	1

ITEM	NUMBER	DESCRIPTION	QTY
10	550325	SIDE GUARD/KIDZ ARM RECEIVER	1
7-10	881200	SIDE GUARD/KIDZ ARM REC W/CLAMP	
1-6	880162, 880163	KIDZ ARM STD (EA)	
1-5,6A	880164, 880165	KIDZ ARM TALL (EA)	
1-10	900693	KIDZ ARM ASSM STD W/REC	
1-5,6A, 7-10	900694	KIDZ ARM ASSEMBLY TALL W/REC (PR)	

ARMREST WITH FOAM PAD (QUICKIE KIDZ, ZIPPIE/ZIPPIE GS/TS)

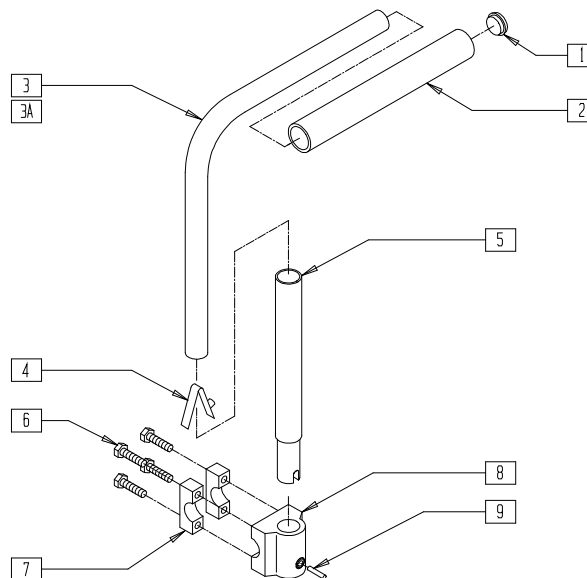


KDZ00X50

ITEM	NUMBER	DESCRIPTION	QTY
1	561007	7/8" INSERT PLUG .083	1
2	550105-QU	KIDZ ARM STOP	1
3	226012	10-32 x 1/2 FH C/S BLK	2
4	550360	KIDZ STD ARM WELDMENT	1
4A	550361	KIDZ TALL ARM WELDMENT	1
5	560309	ARMREST FOAM KIDZ	1
6	221127	1/4-28 x 1 3/8 HEX C/S	1
7	262110-QU	1/4 AN WASHER FLAT THIN	1
8	550251	CLAMP P300 CHARGING/ADJ FL KDS	1

ITEM	NUMBER	DESCRIPTION	QTY
9	550325	SIDE GUARD/KIDZ ARM RECEIVER	1
1-5	885010, 885011	KIDZ ARM STD W/FOAM (EA)	
1-4A,5	885012, 885013	KIDZ ARM TALL W/FOAM (EA)	
1-9	900755	KIDZ ARM ASSY STD W/FOAM W/RECEIVER (PR)	
1-4A,5-9	900756	KIDZ ARM ASSY TALL W/FOAM W/RECEIVER (PR)	

ARMREST (QUICKIE ST/DT)

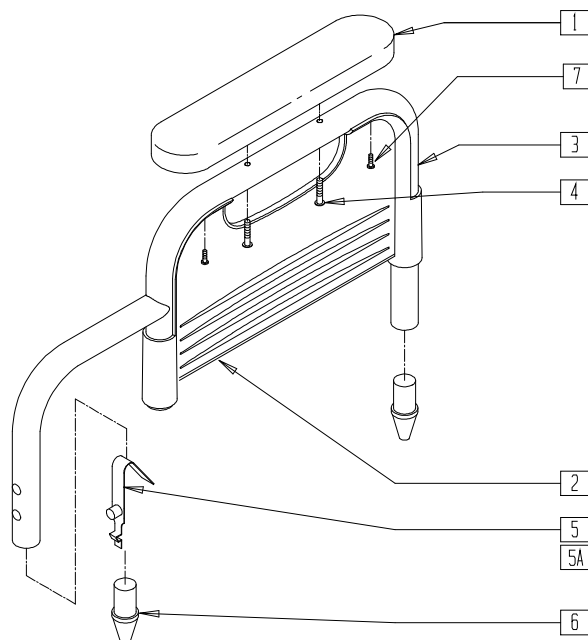


RG000X07

ITEM	NUMBER	DESCRIPTION	QTY
1	560142	ARMREST END CAP 3/4"	1
2	560310	ARMREST FOAM 8" x .570	1
3	521690	ARMREST ARM STD ANO	1
3A	521691	ARMREST ARM LONG ANO	1
4	301100	1/4" SNAP BUTTON SINGLE B-130	1
5	521695	ARMREST UPRIGHT EXT ASSEMBLY	1
6	226115	1/4 x 20 x 1 HEX C/S SS	4

ITEM	NUMBER	DESCRIPTION	QTY
7	550207	CAMBER TUBE MNTG CLMP ANO	2
8	501550	ARMREST MOUNTING BRACKET ANO	1
9	341130	1/4 x 1 1/8 ROLL PIN SS	1
1-4	880316	RIGID ARM STD	
1,2,3A,4	880318	RIGID ARM LONG	
6-9	880238	RIGID ARM MNTG BRACKET ASSEMBLY	

ARMREST (DESK) (BREEZY 100/150)



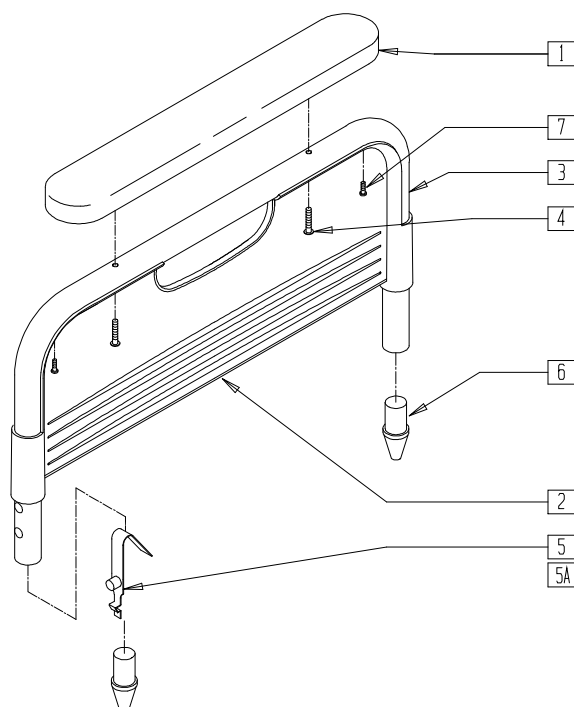
BRZ10X10A

ITEM	NUMBER	DESCRIPTION	QTY
1,4	222-0529	10" ARM PAD (HARD) (PR)	
	222-0531	10" ARM PAD (PADDED) (PR)	
5	222-0611*	DETENT BUTTON FOR ARMREST (EA)	1
5A	222-0831*	RPO BREEZY LONGER DETENT BUTTON	1

ITEM	NUMBER	DESCRIPTION	QTY
1-7	222-0577L	ARMREST ASSEMBLY (HARD) L (EA)	
	222-0577R	ARMREST ASSEMBLY (HARD) R (EA)	
	222-0578L	ARMREST ASSEMBLY (PADDED) L (EA)	
	222-0578R	ARMREST ASSEMBLY (PADDED) R (EA)	
2,7	222-0610	DESK LENGTH PANEL AND SCREWS (EA)	

*NOTE: P/N 222-0611 IS 1" LONG, P/N 222-0831 IS 1 3/4" LONG.

ARMREST (FULL) (BREEZY 100/150)



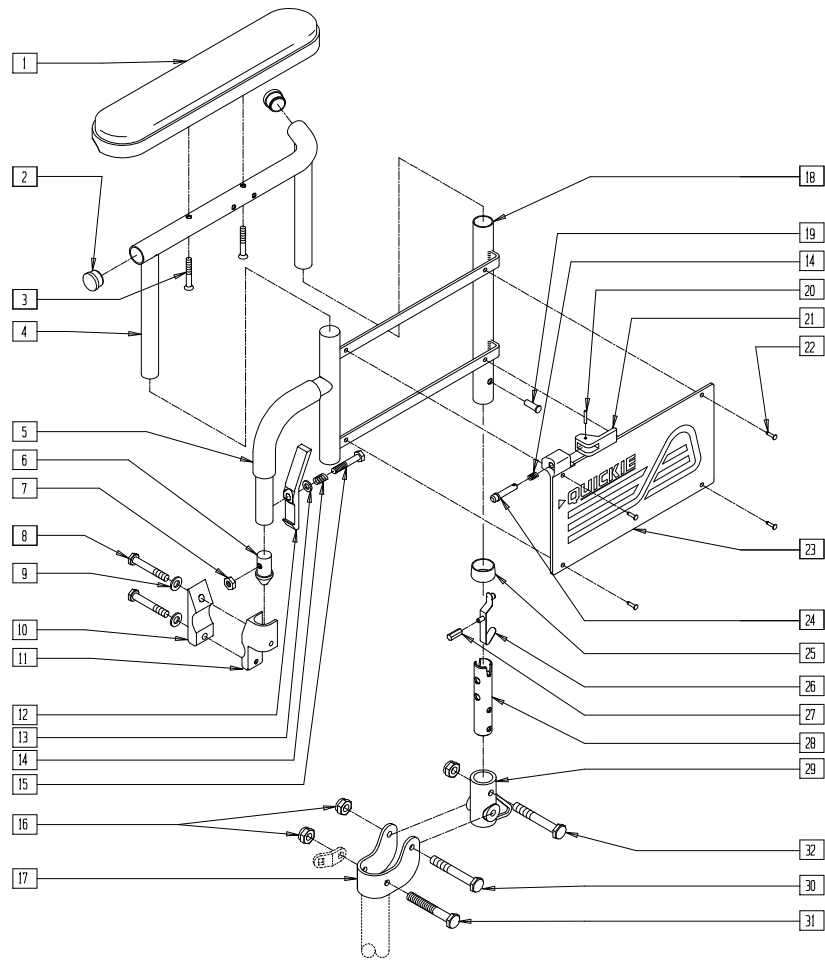
BRZ10X11

ITEM	NUMBER	DESCRIPTION	QTY
1,4	222-0528	17" ARM PAD (HARD) (PR)	
	222-0530	17" ARM PAD (PADDED) (PR)	
5	222-0611*	DETENT BUTTON FOR ARMREST (EA)	1
5A	222-0831*	RPO BREEZY LONGER DETENT BUTTON	1

ITEM	NUMBER	DESCRIPTION	QTY
1-7	222-0579L	17" ARMREST ASSEMBLY (HARD) L (EA)	
	222-0579R	17" ARMREST ASSEMBLY (HARD) R (EA)	
	222-0580L	17" ARMREST ASSEMBLY (PADDED) L (EA)	
	222-0580R	17" ARMREST ASSEMBLY (PADDED) R (EA)	
2,7	222-0616	FULL LENGTH PANEL AND SCREWS (EA)	

*NOTE: P/N 222-0611 IS 1" LONG, P/N 222-0831 IS 1 3/4" LONG.

FLIP-BACK HEIGHT-ADJUSTABLE ARMREST (QUICKIE 2/2HP)

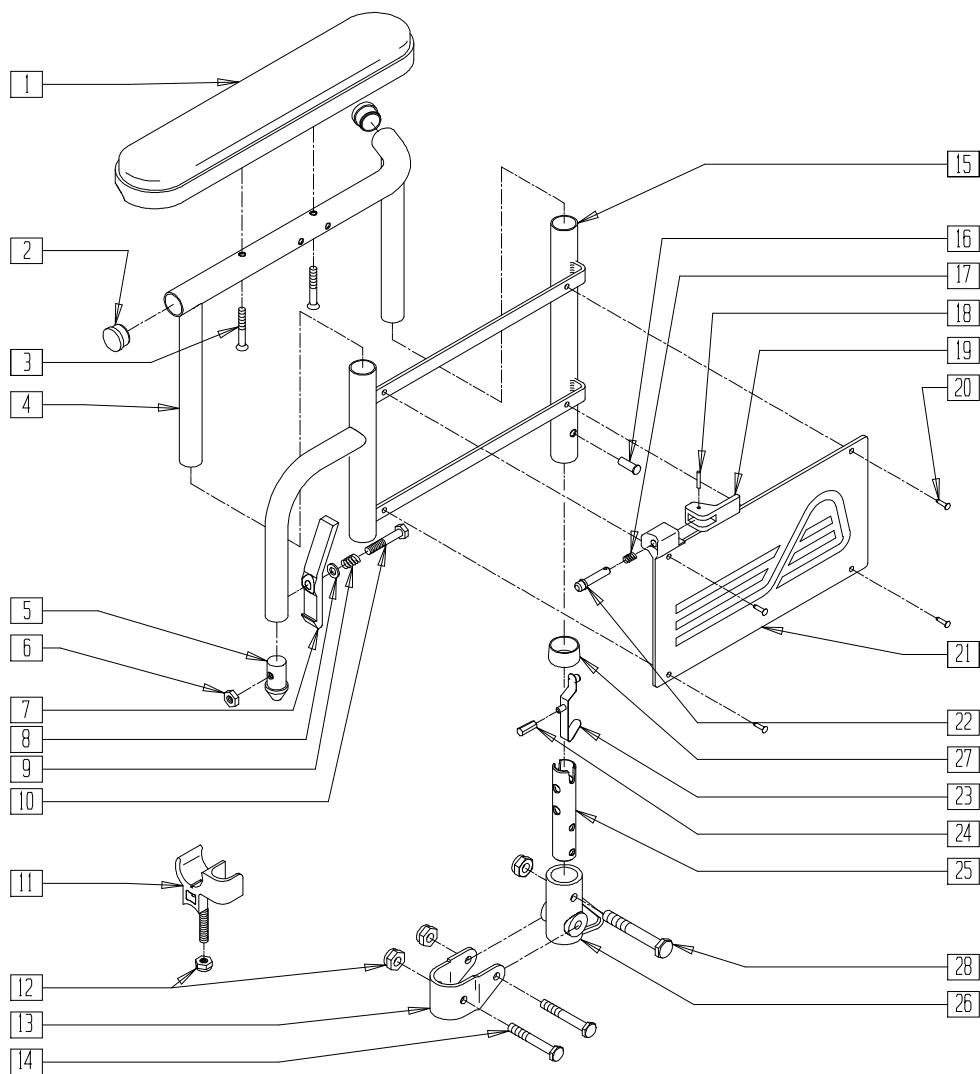


ARMX14

ITEM	NUMBER	DESCRIPTION	QTY
1	561024	ARMREST PAD 10" DESK	1
	561031	ARMREST PAD 14" FULL	
2	560735	7/8" ROUND TUBE PLUG	2
3	226038	FLIP-BACK HT ADJ UPPER	2
4	521830, 521831	FLIP-BACK HT ADJ UPPER DESK ARM (EA)	1
	521832, 521833	FLIP-BACK HT ADJ UPPER FULL ARM (EA)	1
	560610	5" x .705 x .125 FOAM TUBE	1
6	561065	ARMREST DOME PLUG BR	1
7	201100	1/4-28 NYLOCK NUT THIN	1
8	221127	1/4-28 x 1 3/8 HEX C/S	2
9	262100-QU	1/4 AN WASHER FLAT	2
10	550256	CLAMP ADJ FULL STD	1
11	550102, 550103	FRONT ARM RECEIVER (EA)	1
12	561067	ARM LATCH LEVER	1
13	262100-QU	1/4 AN WASHER FLAT	1
14	321141	.650L x 6 COIL SPRING	2
15	221124	1/4-28 x 1 1/4 G8 HEX C/S	1
16	201110	1/4-28 NYLOCK NUT	3
17	505352	FLIP-BACK ARM PIVOT BRACKET	1
19	240160	RIVET 1/4 x 1 1/16 TUBULAR STEEL	1
20	341088	3/32 x 5/8 ROLL PIN	1
21	561109	ARMREST LEVER FLIP-BACK HT ADJ	1
22	240155	RIVET 3/16 x 3/8 TUBULAR ALUM	4
23	562738, 562739	ARMREST PANEL FLIP-BACK HT ADJ Q2 (EA)	1

ITEM	NUMBER	DESCRIPTION	QTY
24	341132	ARMREST PIN W/SHOULDER	1
25	563065	3/4" ANTI-RATTLE	1
26	301117	SNAP BUTTON OPPOSING THREAD	1
27	560708	FLIP-BACK BUTTON PLASTIC Q2	1
28	540255	FLIP-BACK HT ADJ ARM RECEIVER POST	1
29	561080	ARM RECEIVER BR	2
30	221151-QU	1/4-28 x 1 3/4 G8 HEX C/S	1
31	221192	1/4-28 x 2 G8 HEX C/S	1
32	221130	1/4-28 x 1 1/2 HEX C/S	1
8-11	880106, 880107	FLIP-BACK FRONT REC W/CLAMP (EA)	
18,23	880306, 880307	FLIP-BACK HT ADJ LOWER ARM W/PANEL (EA)	
26-28	880261	RECEIVER POST W/BUTTON	
1-4	880292, 880293	FLIP-BACK HT ADJ UPPER ARM W/DESK (EA)	
	880294, 880295	FLIP-BACK HT ADJ UPPER ARM ASSEMBLY FULL (EA)	
5-7,12-15 18-25	880288, 880289	FLIP-BACK HT ADJ LOWER ARM ASSEMBLY (EA)	
1-7,12-15, 18-25	880296, 880297	FLIP-BACK HT ADJ ARM ASSEMBLY DESK (EA)	
	880396, 880397	FLIP-BACK HT ADJ ARM ASSEMBLY FULL (EA)	
1-32	923220	FLIP-BACK HT ADJ DESK ARM RETRO (PR)	
	923221	FLIP-BACK HT ADJ FULL ARM RETRO (PR)	
16,29,32	880009	RETRO KIT BR FLIP-BACK HT ADJ ARM	

FLIP-BACK HEIGHT-ADJUSTABLE ARMREST (QUICKIE LX/LXI)

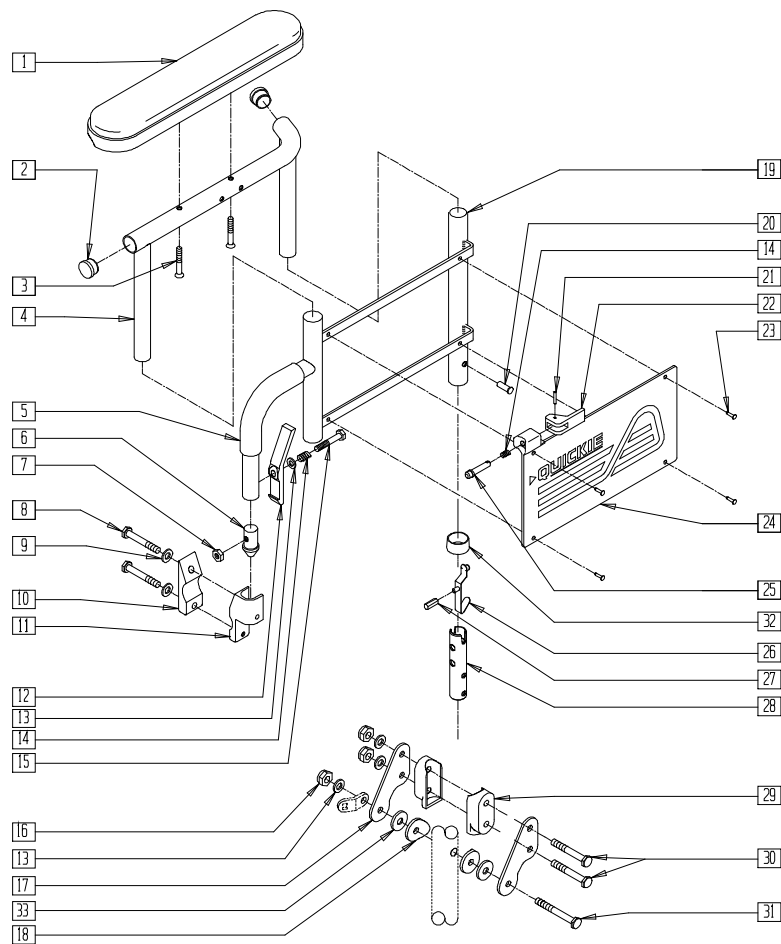


ARMX16

ITEM	NUMBER	DESCRIPTION	QTY
1	561024	ARMREST PAD 10" DESK	1
	561031	ARMREST PAD 14" FULL	
2	560735	7/8" ROUND TUBE PLUG	2
3	226038	10-32 x 1 3/8 BH C/S BLK	2
4	521830-521833	FLIP-BACK HT ADJ UPPER ARM (EA)	1
5	561075	ARM DOME PLUG BZ	1
6	201100	1/4-28 NYLOCK NUT THIN	1
7	561067	ARM LATCH LEVER	3
8	262100-QU	1/4 AN WASHER FLAT	3
9	321141	.650L x 6 COIL SPRING	3
10	221124	1/4-28 x 1 1/4 G8 HEX C/S	1
11	561113, 561114	ARM SADDLE FLIP-BACK BR/LXI (EA)	1
12	201110	1/4-28 NYLOCK NUT	4
13	505351	ARMREST PIVOT BRACKET 1 1/8"	1
14	221151-QU	1/4-28 x 1 3/4 G8 HEX C/S	2
16	240160	RIVET 1/4 x 1 1/16 TUBULAR STEEL	1
17	321141	.650L x 6 COIL SPRING	1
18	341088	3/32 x 5/8 ROLL PIN	1

ITEM	NUMBER	DESCRIPTION	QTY
19	561109	ARMREST LEVER FLIP-BACK HT ADJ	1
20	240155	RIVET 3/16 x 3/8 TUBULAR ALUM	4
21	562738, 562739	ARMREST PANEL FLIP-BACK HT ADJ Q2 (EA)	1
22	341132	ARMREST PIN W/SHOULDER	1
23	301117	SNAP BUTTON OPPOSING THREAD	1
24	560709	FLIP-BACK BUTTON PLASTIC BR	1
25	540255	FLIP-BACK HT ADJ ARM RECEIVER POST	1
26	561080	ARM RECEIVER BR	1
27	563065	3/4" ANTI-RATTLE	1
28	221130	1/4-28 x 1 1/2 HEX C/S	1
15,21,27	880314, 880315	FLIP-BACK HT ADJ LOWER ARM W/PANEL LX (EA)	
5-10, 15-22,27	880284, 880285	FLIP-BACK HT ADJ LOWER ARM	
1-10,15-22, 25,27	880386-880389	FLIP-BACK HT ADJ ARM ASSEMBLY LX (EA)	
1-28	923228, 923229	FLIP-BACK HT ADJ ARM LX RETRO (PR)	
12,26,28	880009	RETRO KIT BR FLIP-BACK HT ADJ ARM	

FLIP-BACK HEIGHT-ADJUSTABLE ARMREST (QUICKIE 2HPTi/Rx)



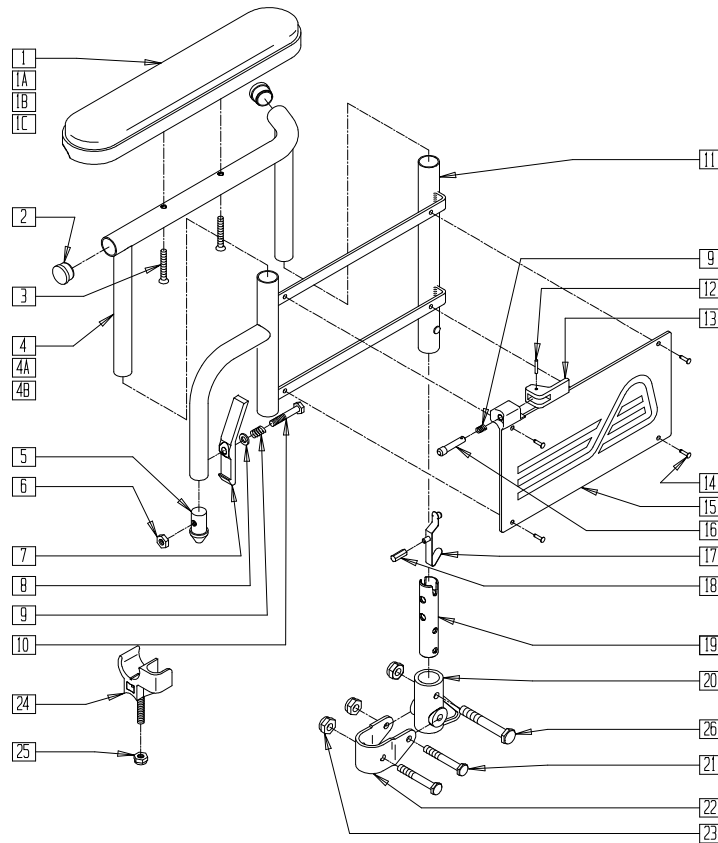
RXHTADJ

ITEM	NUMBER	DESCRIPTION	QTY
1	561024	ARMREST PAD 10" DESK	1
	561031	ARMREST PAD 14" FULL	
2	560735	7/8" ROUND TUBE PLUG	2
3	226038	10-32 x 1 3/8 BH C/S BLK	2
4	521830, 521831	FLIP-BACK HT ADJ UPPER DESK ARM (EA)	1
	521832, 521833	FLIP-BACK HT ADJ UPPER FULL ARM (EA)	
	560610	5" x .705 x .125 FOAM TUBE	
6	561065	ARMREST DOME PLUG BR	1
7	201100	1/4-28 NYLOCK NUT THIN	1
8	221127	1/4-28 x 1 3/8 HEX C/S	2
9	262100-QU	1/4 AN WASHER FLAT	2
10	550256	CLAMP ADJ FULL STD	1
11	550102, 550103	FRONT ARM RECEIVER (EA)	1
12	561067	ARM LATCH LEVER	1
13	262100-QU	1/4 AN WASHER FLAT	1
14	321141	.650L x 6 COIL SPRING	2
15	221124	1/4-28 x 1 1/4 G8 HEX C/S	1
16	201110	1/4-28 NYLOCK NUT	2
17	505158	ARMREST PIVOT PLATE W/NOTCH	2
18	561086	1" HALF SADDLE 1/4" HOLE	2
20	240160	RIVET 1/4 x 1 1/16 TUBULAR STEEL	1
21	341088	3/32 x 5/8 ROLL PIN	1
22	561109	ARMREST LEVER CLIP-BACK HT ADJ	1
23	240155	RIVET 3/16 x 3/8 TUBULAR ALUM	4

ITEM	NUMBER	DESCRIPTION	QTY
24	562738,	ARMREST PANEL FLIP-BACK HT ADJ Q2 (EA)	1
	562739		
25	341132	ARMREST PIN W/SHOULDER	1
26	301117	SNAP BUTTON OPPOSING THREAD	1
27	560708	FLIP-BACK BUTTON PLASTIC Q2	1
28	540255	FLIP-BACK HT ADJ ARM RECEIVER POST	1
29	561080	ARM RECEIVER BR	2
30	221151-QU	1/4-28 x 1 3/4 G8 HEX C/S	1
31	221192	1/4-28 x 2 G8 HEX C/S	1
32	563065	3/4" ANTI-RATTLE	1
33*	561016	1" WASHER 5/16" HOLE (QUICKIE 2HPTi)	2
8-11	880106, 880107	FLIP-BACK FRONT RECEIVER W/CLAMP	
14,19-24, 32	880306, 880307	FLIP-BACK HT ADJ LOWER ARM W/PANEL (EA)	
26-28	880261	RECEIVER POST W/BUTTON	
1-4	880292- 880295	FLIP-BACK HT ADJ UPPER ARM ASSEMBLY (EA)	
5-7,12-15, 19-25,32	880288, 880289	FLIP-BACK HT ADJ LOWER ARM ASSEMBLY (EA)	
1-7,12-15, 19-25,32	880296, 880297, 880396, 880397	FLIP-BACK HT ADJ ARM ASSEMBLY (EA)	
1-32	923232, 923233	FLIP-BACK HT ADJ DESK ARM Rx/HPTi	

* ITEM 33 USED WITH QUICKIE 2HPTi.

FLIP-BACK HEIGHT-ADJUSTABLE ARMREST (BREEZY 500/503)



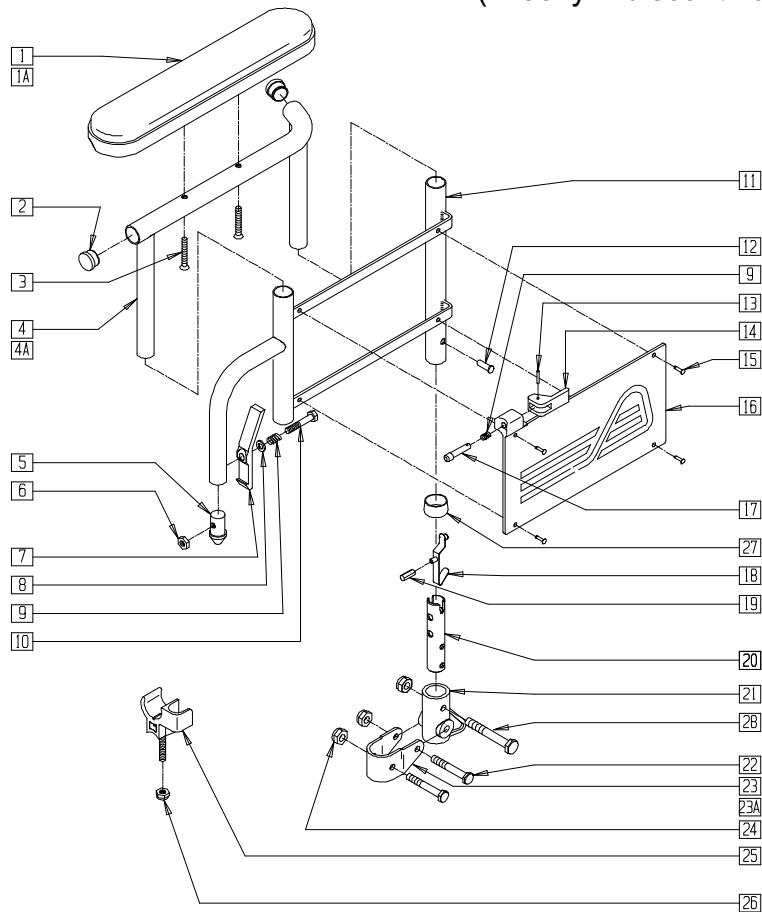
ARMX15A

ITEM	NUMBER	DESCRIPTION	QTY
1	561024	ARMREST PAD 10" DESK	1
1A	561031	ARMREST PAD 14" FULL	1
1B	561155	10" ARM PAD PLASTIC B500	1
1C	561158	14" ARM PAD PLASTIC B500	1
2	560735	7/8" ROUND TUBE PLUG	2
3	226038	10-32 x 1 3/8 BH C/S BLK	2
4	521830, 521831	FLIP-BACK HT ADJ UPPER DESK ARM (EA)	1
4A	521832, 521833	FLIP-BACK HT ADJ UPPER FULL ARM (EA)	1
4B	521838, 521839	FLIP-BACK HT ADJ UPPER ARM B500 (EA)	1
5	561065	ARMREST DOME PLUG BR	1
6	201100	1/4-28 NYLOCK NUT THIN	1
7	561067	ARM LATCH LEVER	1
8	262100-QU	1/4 AN WASHER FLAT	1
9	321141	.650L x 6 COIL SPRING	2
10	221127	1/4-28 x 1 3/8 HEX C/S	1
12	341088	3/32 x 5/8 ROLL PIN	1
13	561109	ARMREST LEVER FLIP-BACK HT ADJ	1
14	240155	RIVET 3/16 x 3/8 TUBULAR ALUM	4
15	562746, 562747	ARMREST PANEL GNRC FLIP-BACK HT ADJ (EA)V	1
16	341132	ARMREST PIN W/SHOULDER	1
17	301117	SNAP BUTTON OPPOSING THREAD	1
18	560709	FLIP-BACK BUTTON PLASTIC BR/LXI	1
19	540255	FLIP-BACK HT ADJ ARM RECEIVER POST	1
20	561080	ARM RECEIVER BR	1
21	221150	1/4-28 x 1 3/4 HEX C/S	2
22	505151	ARMREST PIVOT BRACKET BR	1
23	201110	1/4-28 NYLOCK NUT	2
24	561113, 561114	ARM SADDLE FLIP-BACK BR/LXI	1

ITEM	NUMBER	DESCRIPTION	QTY
25	201120	1/4-28 AUTOMATION NUT	1
26	221130	1/4-28 x 1 1/2 HEX C/S	1
17-19	880266	RECEIVER POST W/BUTTON BR/LXI	
20-23,26	880382	FLIP-BACK HT ADJ ARM REC W/BRKT BR	
24,25	880383	ARM SADDLES W/HDWR	
1-4	880292, 880293	FLIP-BACK HT ADJ UPPER ARM W/DESK (EA)	
1A,2,3,4A	880294, 880295	FLIP-BACK HT ADJ UPPER ARM ASSEMBLY FULL (EA)	
5-15	880102, 880104	FLIP-BACK HT ADJ LOWER ARM ASSEMBLY B500 (EA)	
1-19	881110, 881111	FLIP-BACK HT ADJ ARM W/DESK B500 (EA)	
1A,2,3,4A, 5-19	881112, 881113	FLIP-BACK HT ADJ ARM W/FULL B500 (EA)	
1-23,26	920570	FLIP-BACK HT ADJ ARM W/DESK BLK (PR)	
1A,2,3,4A, 5-23,26	920571	FLIP-BACK HT ADJ W/FULL BLK (PR)	
1B,2-4	880078, 880079	FLIP-BACK HT ADJ ARM W/DESK PLASTIC (EA)	
1C,2,3,4B	880080, 880081	FLIP-BACK HT ADJ ARM W/FULL PLASTIC (EA)	
1B,2-19	881114, 881115	FLIP-BACK HT ADJ ARM W/DESK PAD PLASTIC (EA)	
1C,2,3,4B, 5-19	881116, 881117	FLIP-BACK HT ADJ ARM W/FULL PAD PLASTIC (EA)	
1B,2-23, 26	920572	FLIP-BACK HT ADJ ARM W/DESK PLASTIC BLK (PR)	
1C,2,3,4B 5-23,26	920573	FLIP-BACK HT ADJ ARM W/FULL PLASTIC BLK (PR)	
20,23,26	880009	RETRO KIT BR FLIP-BACK HT ADJ ARM	

FLIP-BACK HEIGHT-ADJUSTABLE ARMREST (BREEZY 2/510/600)

(Breezy 2 discontinued 5/98 - parts only)

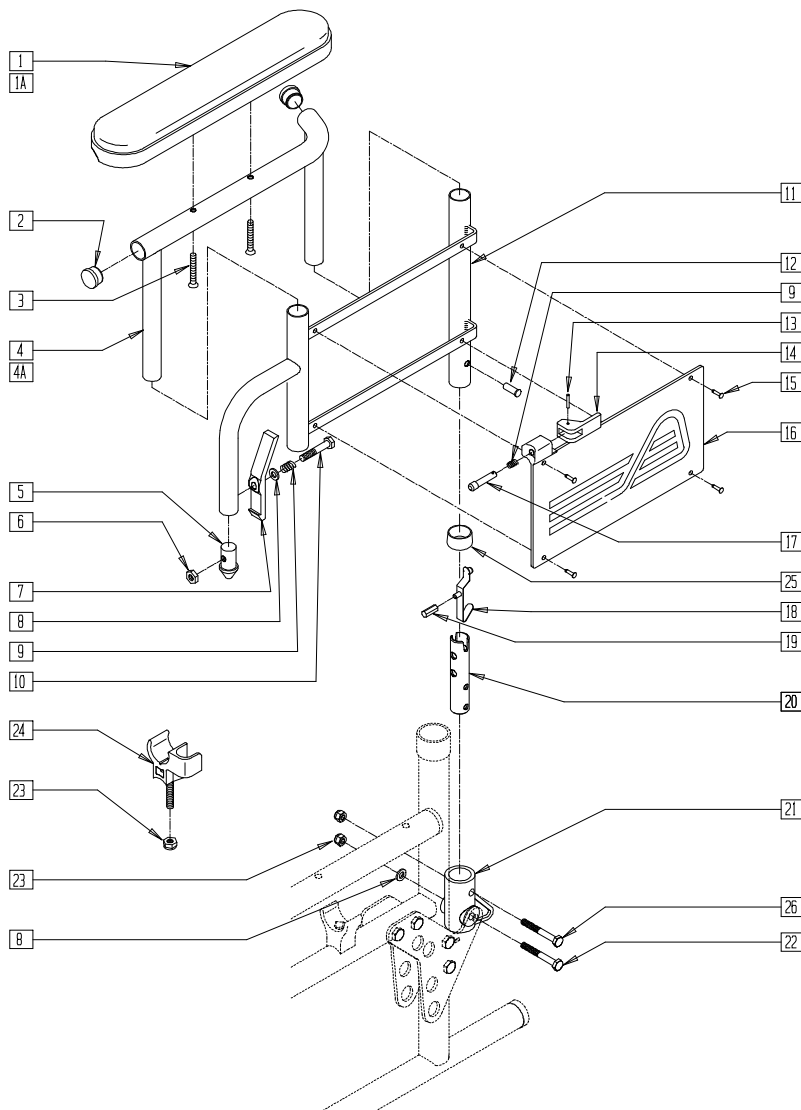


ARMX15

ITEM	NUMBER	DESCRIPTION	QTY
1	561024	ARMREST PAD 10" DESK	1
1A	561031	ARMREST PAD 14" FULL	1
2	560735	7/8" ROUND TUBE PLUG	2
3	226038	10-32 x 1 3/8 BH C/S BLK	2
4	521830, 521831	FLIP-BACK HT ADJ UPPER DESK ARM (EA)	1
4A	521832, 521833	FLIP-BACK HT ADJ UPPER FULL ARM (EA)	1
5	561065	ARMREST DOME PLUG BR	1
6	201100	1/4-28 NYLOCK NUT THIN	1
7	561067	ARM LATCH LEVER	1
8	262100-QU	1/4 AN WASHER FLAT	1
9	321141	.650L x 6 COIL SPRING	2
10	221127	1/4-28 x 1 3/8 HEX C/S	1
12	240160	RIVET 1/4 x 1 1/16 TUBULAR STEEL	1
13	341088	3/32 x 5/8 ROLL PIN	1
14	561109	ARMREST LEVER FLIP-BACK HT ADJ	1
15	240155	RIVET 3/16 x 3/8 TUBULAR ALUM	4
16	562746, 562747	ARMREST PANEL GNRC FLIP-BACK HT ADJ (EA)	1
17	341132	ARMREST PIN W/SHOULDER	1
18	301117	SNAP BUTTON OPPOSING THREAD	1
19	560709	FLIP-BACK BUTTON PLASTIC BR/LXI	1
20	540255	FLIP-BACK HT ADJ ARM REC POST	1
21	561080	ARM RECEIVER BR	1
22	221160	1/4-28 x 1 3/4 HEX C/S	2
23	505151	ARMREST PIVOT BRACKET BR	1
23A	505351	ARMREST PIVOT BRACKET 1 1/8" (BREEZY 2)	1
24	201110-QU	1/4-28 NYLOCK NUT	3

ITEM	NUMBER	DESCRIPTION	QTY
25	561113, 561114	ARM SADDLE FLIP-BACK BR/LXI	1
26	201120	1/4-28 AUTOMATION NUT	1
27	563065	3/4" ANTI-RATTLE	1
28	221130	1/4-28 x 1 1/2 HEX C/S	1
18-20	880266	RECEIVER POST W/BUTTON BR/LXI	
21-24, 28	880382	FLIP-BACK HT ADJ ARM RECEIVER W/BRACKET BR (BREEZY)	
21,22, 23A,24	880384	FLIP-BACK HT ADJ ARM RECEIVER W/BRACKET B2 (BREEZY 2)	
25,26	880383	ARM SADDLES W/HDWR	
1-4	880292- 880295	FLIP-BACK HT ADJ UPPER ARM ASSEMBLY (EA)	
9,11-17, 27	880308, 880309	FLIP-BACK HT ADJ LOWER ARM W/PANEL (BREEZY) (EA)	
5-17,27	880286, 880287	FLIP-BACK HT ADJ LOWER ARM ASSEMBLY BR (EA)	
1-20,27	880298, 880299, 880398, 880399	FLIP-BACK HT ADJ ARM ASSEMBLY BR (EA)	
1-28	923224	FLIP-BACK HT ADJ DESK ARM BR RETRO (PR)	
	923225	FLIP-BACK HT ADJ FULL ARM BR RETRO (PR)	
	923226	FLIP-BACK HT ADJ DESK ARM BREEZY 2 RETRO (PR)	
	923227	FLIP-BACK HT ADJ FULL ARM BREEZY 2 RETRO (PR)	
22,24,28	880009	RETRO KIT BR FLIP-BACK HT ADJ ARM	

FLIP-BACK HEIGHT-ADJUSTABLE ARMREST (BREEZY 510/600 ULTRA-HEMI)

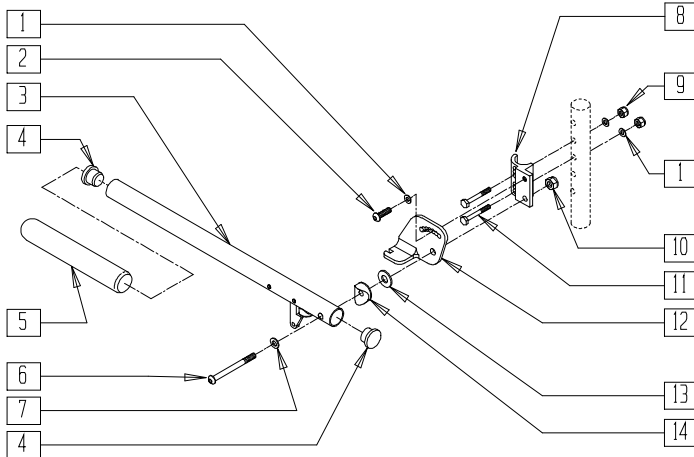


BZ600X06

ITEM	NUMBER	DESCRIPTION	QTY
1	561024	ARMREST PAD 10" DESK	1
1A	561031	ARMREST PAD 14" FULL	1
2	560735	7/8" ROUND TUBE PLUG	2
3	226038	10-32 x 1 3/8 BH C/S BLK	2
4	521830, 521831	FLIP-BACK HT ADJ UPPER DESK ARM (EA)	1
4A	521832, 521833	FLIP-BACK HT ADJ UPPER FULL ARM (EA)	1
5	561065	ARMREST DOME PLUG BR	1
6	201100-QU	1/4-28 NYLOCK NUT THIN	1
7	561067	ARM LATCH LEVER	1
8	262100-QU	1/4 AN WASHER FLAT	2
9	321141	.650L x 6 COIL SPRING	2
10	221127	1/4-28 x 1 3/8 HEX C/S	1
12	240160	RIVET 1/4 x 1 1/16 TUBULAR STEEL	1
13	341088	3/32 x 5/8 ROLL PIN	1
14	561109	ARMREST LEVER FLIP-BACK HT ADJ	1
15	240155	RIVET 3/16 x 3/8 TUBULAR ALUM	4
16	562746, 562747	ARMREST PANEL GNRC FLIP-BACK HT ADJ (EA)	1
17	341132	ARMREST PIN W/SHOULDER	1
18	301117	SNAP BUTTON OPPOSING THREAD	1
19	560709	FLIP-BACK BUTTON PLASTIC BR/LXI	1
20	540255	FLIP-BACK HT ADJ ARM REC POST	1

ITEM	NUMBER	DESCRIPTION	QTY
21	561080	ARM RECEIVER BR	1
22	221160	1/4-28 x 2 HEX C/S	1
23	201120	1/4-28 AUTOMATION NUT	2
24	561113, 561114	ARM SADDLE FLIP-BACK BR/LXI	1
25	563065	3/4" ANTI-RATTLE	1
26	221130	1/4-28 x 1 1/2 HEX C/S	1
18-20	880266	RECEIVER POST W/BUTTON BR/LXI	
23,24	880371	ARM SADDLES W/HDWR BR	
1-4	880292- 880295	FLIP-BACK HT ADJ UPPER ARM ASSEMBLY (EA)	
9,11-16, 27	880308, 880309	FLIP-BACK HT ADJ LOWER ARM W/PANEL (BREEZY) (EA)	
5-17,25	880286, 880287	FLIP-BACK HT ADJ LOWER ARM ASSEMBLY BR (EA)	
1-20, 25,26	880298, 880299, 880398, 880399	FLIP-BACK HT ADJ ARM ASSEMBLY BR (EA)	
1-26	920533	FLIP-BACK HT ADJ ASSM DESK HEMI B600	
	920534	FLIP-BACK HT ADJ ASSM FULL HEMI B600	
	920535	FLIP-BACK HT ADJ ASSM DESK HEMI B510	
	920536	FLIP-BACK HT ADJ ASSM FULL HEMI B510	
21-23,26	880009	RETRO KIT BR FLIP-BACK HT ADJ ARM	

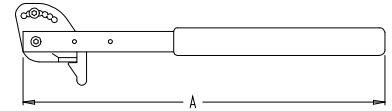
ADJUSTABLE LOCKING FLIP-UP ARMREST ASSEMBLY (QUICKIE 2 DEPTH-ADJUSTABLE BACK/TS,ZIPPIE/ZIPPIE 2)



Drawing shows left side

ARMX012B

MEASURING GUIDE



ARM1

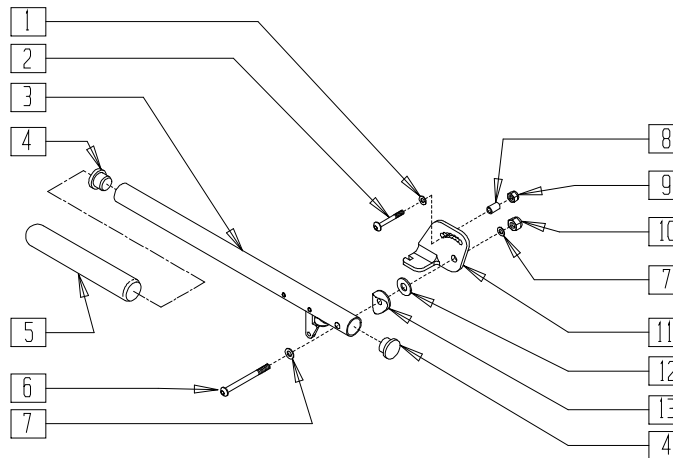
"A"	16 1/4"
-----	---------

ITEM	NUMBER	DESCRIPTION	QTY
1	262100-QU	1/4 AN WASHER FLAT	3
2	221060	1/4-28 x 1/2 BH C/S	1
4	561062	1" INSERT PLUG .065 RIBS	2
5	560640	9 x .93 x .155 FOAM GRIP	1
6	226198	5/16-18 x 2 BH C/S SHT THREAD	1
7	263100	5/16 AN WASHER FLAT	1
8	550168, 550169	ADJ LOCK FLIP-UP ARM MOUNT (EA)	1
9	201100	1/4-28 NYLOCK NUT THIN	2
10	202102	5/16-18 NYLOCK NUT THIN	1
11	221133	1/4-28 x 1 1/2 G8 HEX C/S	

ITEM	NUMBER	DESCRIPTION	QTY
12	550474, 550475	ADJ FLIP-BACK ARM BRACKET (EA)	1
13	561016	1" WASHER 5/16" HOLE	1
14	561006	1" SADDLE 5/16" HOLE	1
3-5	880274	ADJ FLIP-BACK TUBE W/LATCH	1
1,2,6,8-10*	881272, 881273	ADJ LOCK FLIP-UP ARMREST RETRO (EA)	
1-8,8A, 9-12,12A,	880272, 880273	ADJ LOCK FLIP-UP ARMREST	
13,14,14A	900449	ADJ LOCK FLIP-UP ARMREST ASSM (PR)	

* NOTE: FOR ARMRESTS PRIOR TO 7/22/96 USE RETRO FIT KIT TO REPLACE ADJUSTABLE FLIP-UP ARM CLAMP.

ADJUSTABLE LOCKING FLIP-UP ARMREST ASSEMBLY (QUICKIE T45)



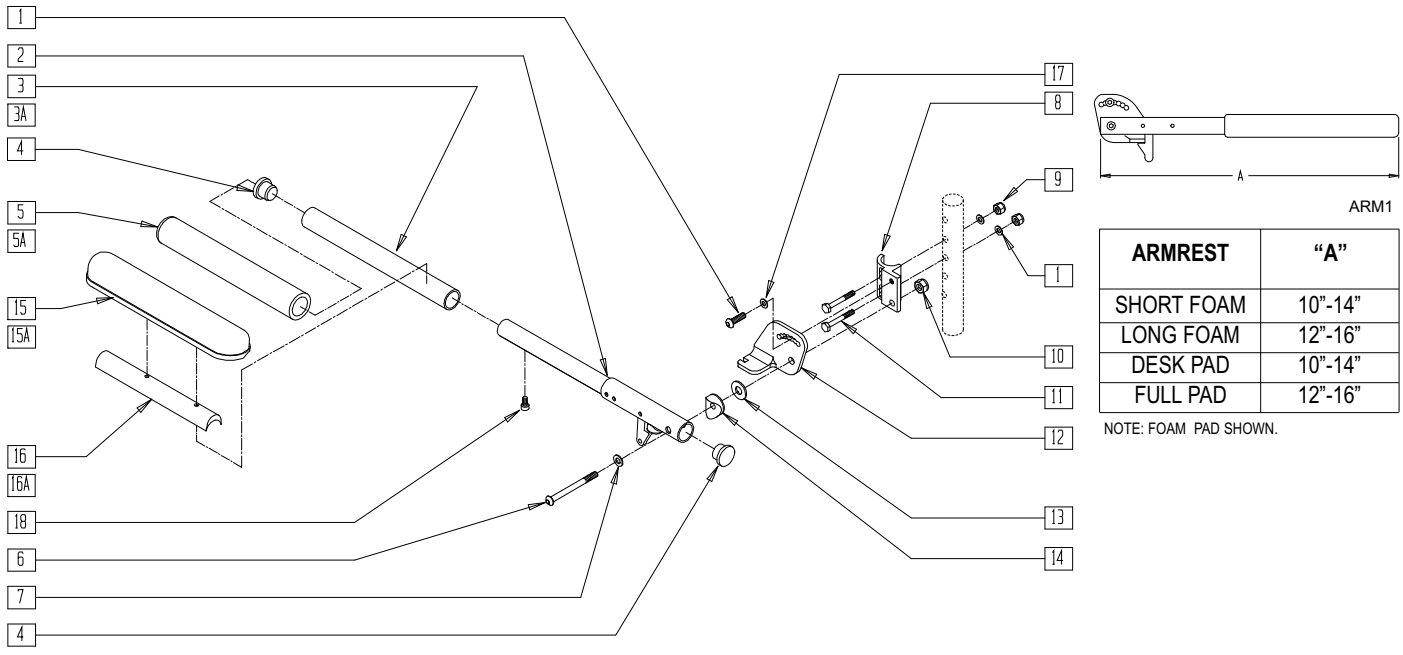
Drawing shows left side

TSR00X15

ITEM	NUMBER	DESCRIPTION	QTY
1	262100-QU	1/4 AN WASHER FLAT	1
2	226129	1/4-28 x 1 1/4 BH C/S	1
4	561002	1" INSERT PLUG .083	2
5	920070	9 x .940 x .200 FOAM GRIP	1
6	222200	5/16-24 x 2 1/2 HEX C/S	1
7	263100	5/16 AN WASHER FLAT	2
8	481096	BUSHING .312 OD x .250 ID x .75	1
9	201100	1/4-28 NYLOCK NUT THIN	1

ITEM	NUMBER	DESCRIPTION	QTY
10	202100-MJ	5/16-24 NYLOCK NUT THIN	1
11	550474, 550475	ADJ FLIP BACK ARM BRACKET (EA)	1
12	561016	1" WASHER 5/16" HOLE	1
13	561006	1" SADDLE 5/16" HOLE	1
1-13	880366, 880367	ADJ LOCK FLIP-UP ARMREST T45 (EA)	
	900450	ADJ LOCK FLIP-UP ARMREST ASSM T45 (PR)	
3-5	880274	ADJ FLIP BACK TUBE W/LATCH	

LENGTH ADJUSTABLE LOCKING FLIP-UP ARMREST ASSEMBLY(ZIPPIE GS/TS)



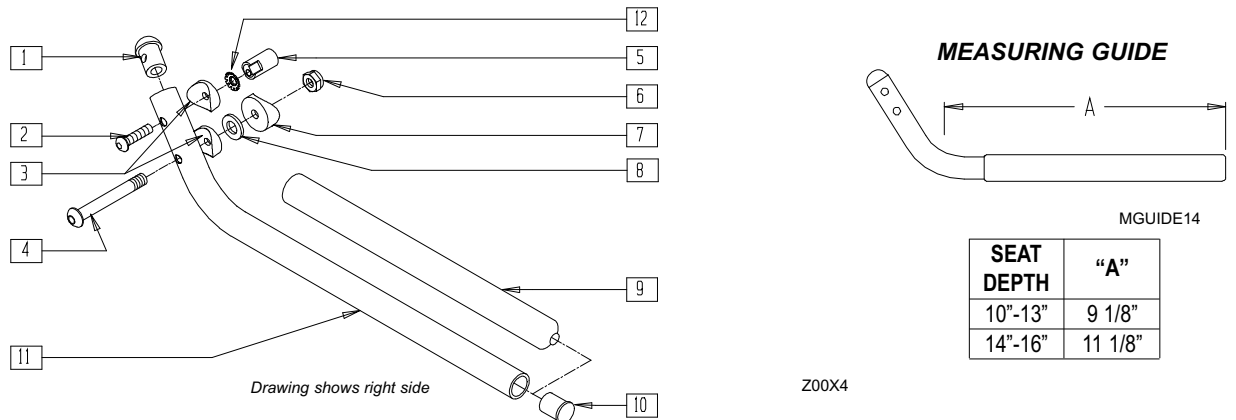
Drawing shows left side

ARMX012C

ITEM	NUMBER	DESCRIPTION	QTY
1	221060	1/4-28 x 1/2 BH C/S	1
2	880305	ADJ FLIP BACK TUBE W/LATCH	1
3	520496	GRW ADJ LOCKING ARM SLEEVE 10"-14"	1
3A	520497	GRW ADJ LOCKING ARM SLEEVE 12"-16"	1
4	561002	1" INSERT PLUG .083	3
5	560299	7 x .940 x .20 FOAM GRIP	1
5A	560300	9 x .940 x .20 FOAM GRIP	1
6	226198	5/16-18 x 2 BH C/S SHT THREAD	1
7	263100	5/16 AN WASHER FLAT	1
8	550168, 550169	ADJ LOCK FLIP-UP ARM MOUNT (EA)	1
9	201100	1/4-28 NYLOCK NUT THIN	2
10	202102	5/16-18 NYLOCK NUT THIN	1
11	221133	1/4-28 x 1 1/2 G8 HEX C/S	2
12	550474, 550475	ADJ FLIP-BACK ARM BRACKET (EA)	1
13	561016	1" WASHER 5/16" HOLE	1
14	561006	1" SADDLE 5/16" HOLE	1
15	561024	ARMREST PAD 10" DESK	1
15A	561031	ARMREST PAD 14" FULL	1
16	551390	ADJ LOCKING FLIP-UP ADPTR 10"-14"	1
16A	551392	ADJ LOCKING FLIP-UP ADPTR 12"-16"	1
17	262100-QU	1/4 AN WASHER FLAT	3
18	226043	10-32 X 1/2 BH C/S BLK	1
3A,4,5A	882074	FOAM PAD LONG ADJ LNG	
3-5	882075	FOAM PAD SHT ADJ LNG	
4,15,16	882071, 882072	DESK PAD ADJ LENGTH ARMREST	
4,15A,16A	882070, 882073	FULL PAD ADJ LENGTH ARMREST	
1-3A,4,5A, 6-8,8A, 9-12,12A, 13,14,17,18	900454	ADJ LENGTH LOCKING FLIP-UP ASSEMBLY FOAM LONG (PR)	

ITEM	NUMBER	DESCRIPTION	QTY
1-3A,4,5A, 6-14,17,18	881294	ADJ LENGTH LOCKING FLIP-UP ASSEMBLY FOAM LONG R	
1-3A,4,5A, 6-8A,9-11, 12A-14,17,18	881295	ADJ LENGTH LOCKING FLIP-UP ASSEMBLY FOAM LONG L	
1-8,8A, 9-12,12A, 13,14,17,18	900455	ADJ LENGTH LOCKING FLIP-UP ASSEMBLY FOAM SHORT (PR)	
1-14,17	881296	ADJ LNGTH LKG F-UP ASSM FOAM SHT R	
1-7,8A, 9-11,12A, 13,14,17,18	881297	ADJ LNGTH LKG F-UP L ASSM FOAM SHT	
1,2,4,6-8A, 9-12A,13, 14,15A, 16A,17,18	900452	ADJ LENGTH LOCKING FLIP-UP ASSEMBLY FULL (PR)	
1,2,4, 6-14,15A, 16A,17,18	881290	ADJ LENGTH LKG FLIP-UP ASSM FULL R	
1,2,4,6-8A, 9-11,12A, 13,14,15A, 16A,17,18	881291	ADJ LENGTH LKG FLIP-UP ASSM FULL L	
1,2,4,6-8, 8A,9-12, 12A,13, 14-17,18	900453	ADJ LENGTH LKG FLIP-UP ASSM DESK (PR)	
1,2,4, 6-17	881292	ADJ LENGTH LKG FLIP-UP ASSM DESK R	
1,2,4,6-8A, 9-11,12A, 13-17,18	881293	ADJ LENGTH LKG FLIP-UP ASSM DESK L	

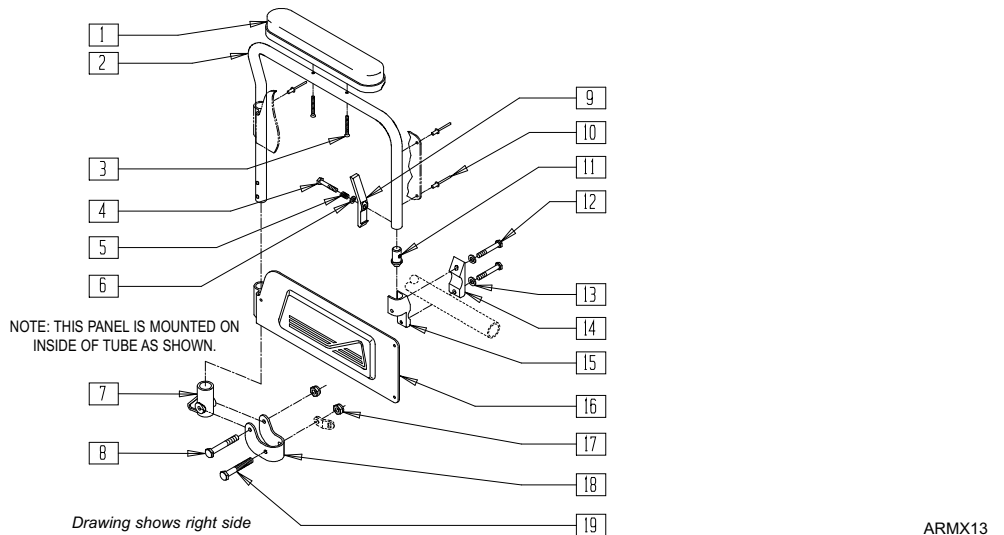
FLIP-UP ARMREST (ZIPPIE/ZIPPIE 2/GS/TS)



ITEM	NUMBER	DESCRIPTION	QTY
1	561034	SHORT DOME PLUG	1
2	226130	1/4-28 x 1 1/2 BH C/S	1
3	561003	3/4" SADDLE THIN	2
4	226155	1/4-28 x 2 1/4 BH C/S	1
5	483041	FLIP-UP ARM CAM ZP/P5	1
6	201100-QU	1/4-28 NYLOCK NUT THIN	1
7	561004	1" SADDLE 1/4" HOLE	1
8	262110	1/4 AN WASHER FLAT THIN	1
9	560599	8 x .705 x .200 FOAM GRIP	1

ITEM	NUMBER	DESCRIPTION	QTY
10	561000-QU	3/4" INSERT PLUG .083	1
12	267350	1/4 WASHER INT LOCK ZN	1
1-12	880268,	ZP FLIP-UP ARM ASSEMBLY 10"-13"	
	880269	(SEAT DEPTH) (EA)	
	900446	FLIP-UP ARM ASSEMBLY 10"-13" ZP (PR)	
	880270,	FLIP-UP ARM ASSEMBLY 14"-16" ZP/P5	
880271	(SEAT DEPTH) (EA)		
900448	FLIP-UP ARM ASSEMBLY 14"-16" ZP/P5 (PR)		

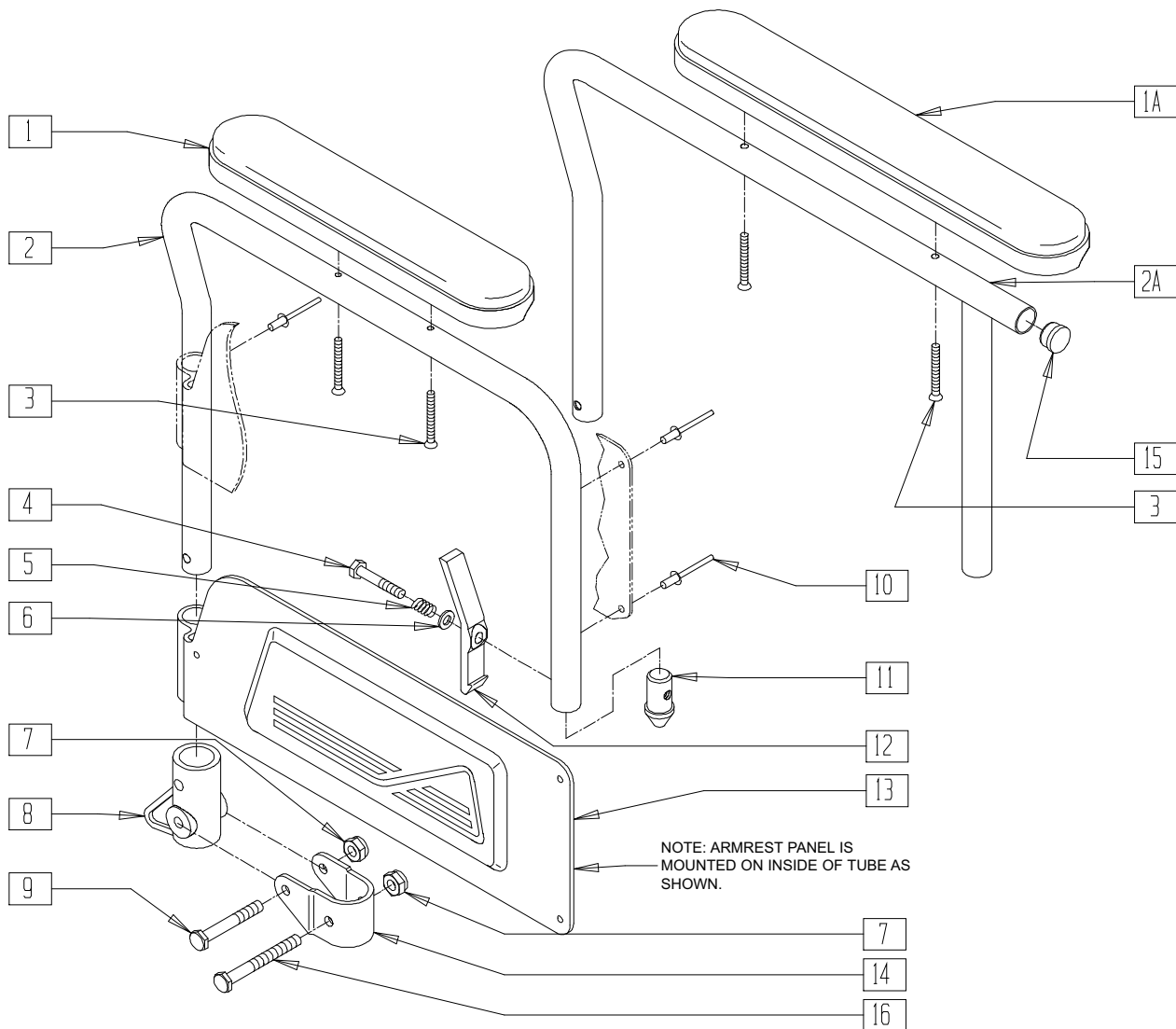
FLIP-BACK ARMREST (QUICKIE 2/2HP)



ITEM	NUMBER	DESCRIPTION	QTY
1	561024	ARMREST PAD 10" DESK	1
2	524008, 524009	FLIP-BACK ARM TUBE Q2/Rx (EA)	1
3	226038	10-32 x 1 3/8 C/S BLK	2
4	221124	1/4-28 x 1 1/4 G8 HEX C/S	1
5	321141	.650L x 6 COIL SPRING	1
6	262110	1/4 AN WASHER FLAT THIN	1
7	561080	ARM RECEIVER BR	1
8	221151-QU	1/4-28 x 1 3/4 G8 HEX C/S	1
9	561067	ARM LATCH LEVER	1
10	240116	RIVET POP AD64ABS BLK	3
11	561075	ARM DOME PLUG BR	1
12	221127	1/4-28 x 1 3/8 HEX C/S	2
13	262100-QU	1/4 AN WASHER FLAT	2
14	550256	CLAMP ADJ FL STD	1

ITEM	NUMBER	DESCRIPTION	QTY
15	550102, 550103	FRONT ARM RECEIVER (EA)	1
16	562726, 562727	ARMREST PANEL FLIP-BACK Q2/Rx (EA)	1
17	201110	1/4-28 NYLOCK NUT	2
18	505352	FLPBK ARM PIVOT BRACKET	1
19	221192	1/4-28 x 2 G8 HEX C/S	1
12-15	880106, 880107	FLPBK FRONT RECEIVER W/CLAMP (EA)	
7,17-19	880108	FLPBK ARM REAR REC W/BRACKET	
1-11,16-19	880256, 880257	FLPBK ARM ASSEMBLY DESK Q2 (EA)	
1-19	880258, 880859	FLPBK ARM ASSEMBLY DESK W/RECEIVER Q2 (EA)	
	900695	FLPBK ARM ASSM DSK W/REC Q2 PR	

FLIP-BACK ARMREST (QUICKIE LX/LXI)



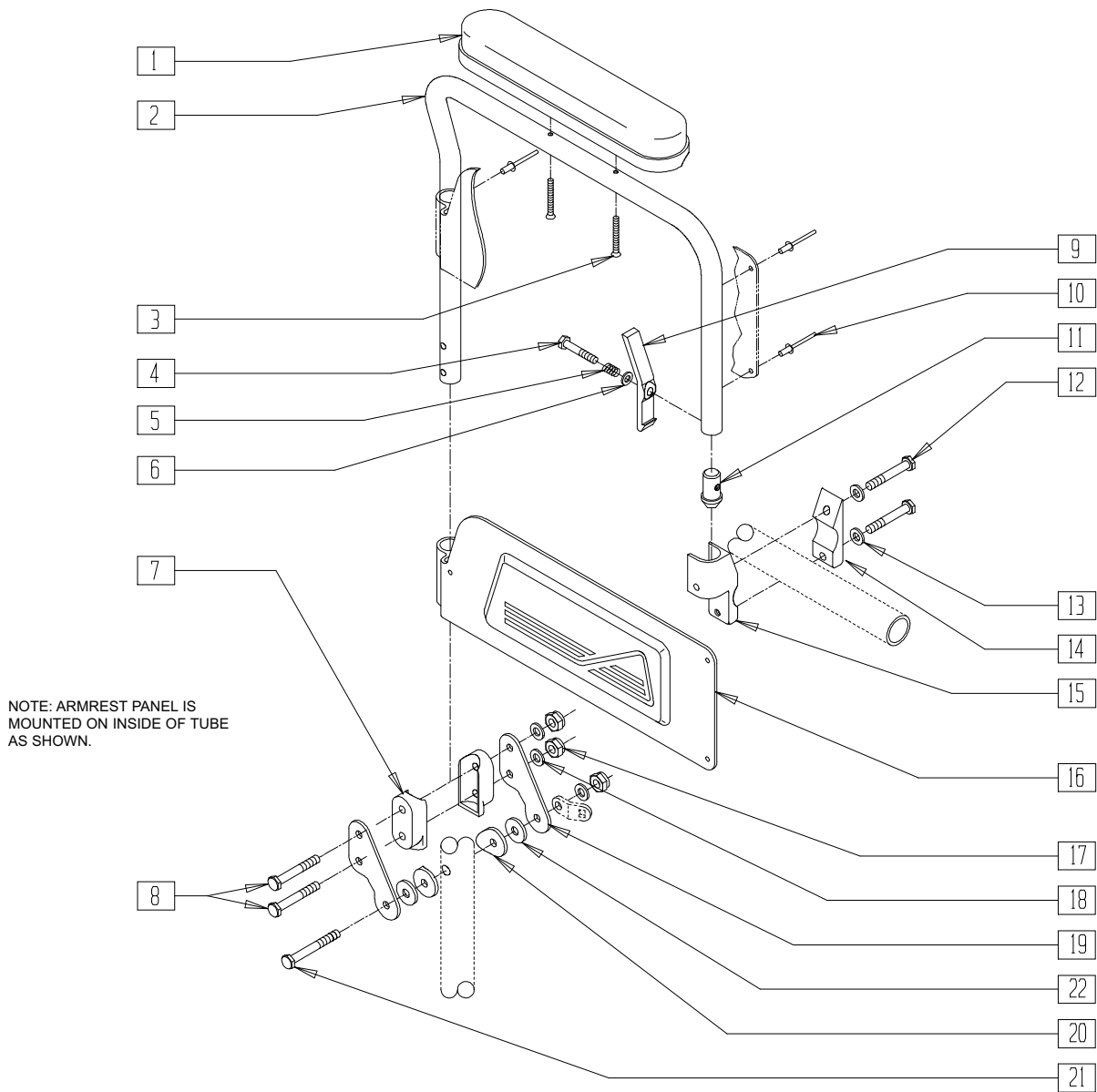
Drawing shows right side

ARMX17

ITEM	NUMBER	DESCRIPTION	QTY
1	561024	ARMREST PAD 10" DESK	1
1A	561031	ARMREST PAD 14" FULL	1
2	524010, 524011	ARMREST TUBE LX (EA)	1
2A	524012, 524013	ARMREST TUBE FULL LX (EA)	1
3	226038	10-32 x 1 3/8 BH C/S BLK	2
4	221124	1/4-28 x 1 1/4 G8 HEX C/S	1
5	321141	.650L x 6 COIL SPRING	1
6	262100-QU	1/4 AN WASHER FLAT	1
7	201110	1/4-28 NYLOCK NUT	2
8	561080	ARM RECEIVER BR	1
9	221151-QU	1/4-28 x 1 3/4 G8 HEX C/S	1
10	240114	RIVET POP AD64ABS	3

ITEM	NUMBER	DESCRIPTION	QTY
11	561075	ARM DOME PLUG BZ	1
12	561067	ARM LATCH LEVER	1
13	562726, 562727	ARMREST PANEL FLIP-BACK Q2/Rx (EA)	1
14	505351	ARMREST PIVOT BRACKET 1 1/8"	1
15	560761	3/4" INSERT PLUG .049 (18GA)	1
16	221192	1/4-28 x 2 G8 HEX C/S	1
1-14,16	880368, 880369	FLIP-BACK ARM ASSEMBLY DESK LX (EA)	
1A,2A, 3-16	880376, 880377	FLIP-BACK ARM ASSEMBLY FULL LX (EA)	
1-14,16	920587	FLIP-BACK ARM ASSEMBLY DESK LX (PR)	
1,2A,3-16	920588	FLIP-BACK ARM ASSEMBLY FULL LX (PR)	

FLIP-BACK ARMREST (QUICKIE 2HPTi/Rx)



Drawing shows right side

RXARM

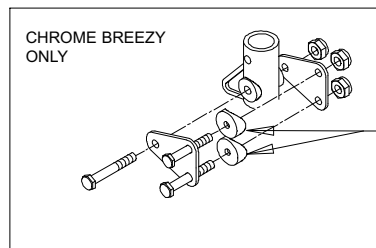
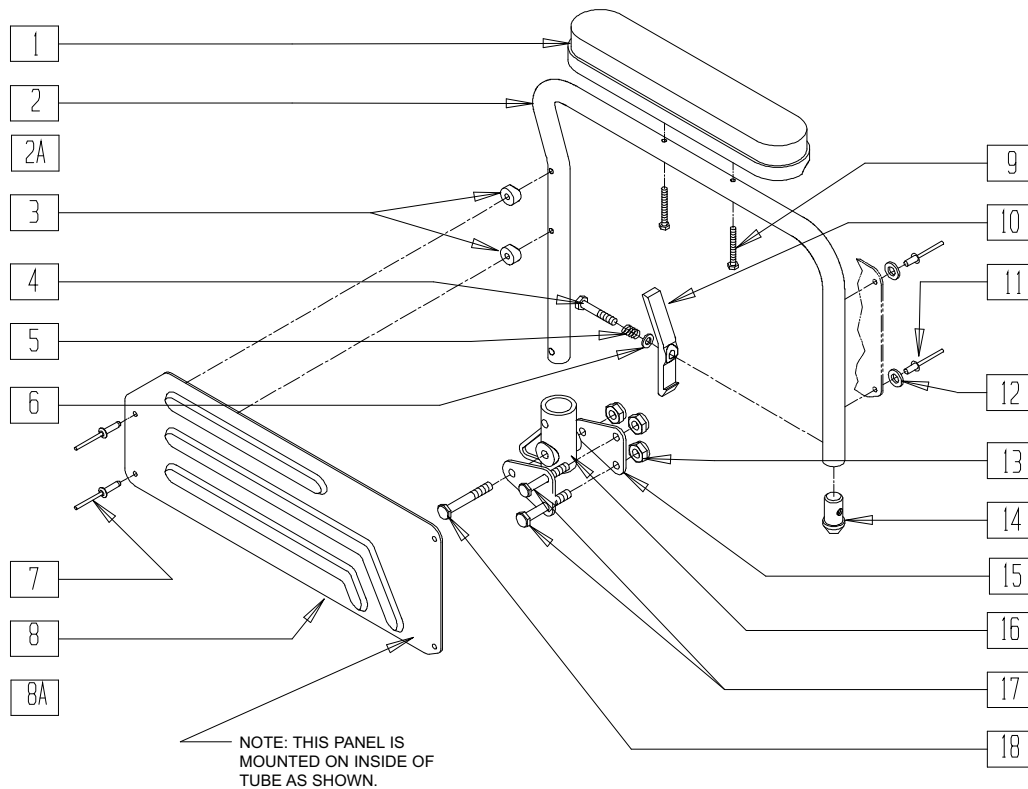
ITEM	NUMBER	DESCRIPTION	QTY
1	561024	ARMREST PAD 10" DESK	1
2	524008, 524009	FLIP-BACK ARM TUBE Q2/Rx (EA)	1
3	226038	10-32 x 1 3/8 C/S BLK	2
4	221124	1/4-28 x 1 1/4 G8 HEX C/S	1
5	321141	.650L x 6 COIL SPRING	1
6	262110	1/4 AN WASHER FLAT THIN	1
7	562613	3/4" DOUBLE SADDLE CLOSED	2
8	221192	1/4-28 x 2 G8 HEX C/S	2
9	561067	ARM LATCH LEVER	1
10	240116	RIVET POP AD64ABS BLK	3
11	561075	ARM DOME PLUG BZ	1
12	221127	1/4-28 x 1 3/8 HEX C/S	2
13	262100-QU	1/4 AN WASHER FLAT	2
14	550256	CLAMP ADJ FL STD	1
15	550102, 550103	FRONT ARM RECEIVER (EA)	1

ITEM	NUMBER	DESCRIPTION	QTY
16	562726, 562727	ARMREST PANEL FLPBK Q2/Rx (EA)	1
17	201110	1/4-28 NYLOCK NUT	3
18	262100-QU	1/4 AN WASHER FLAT	3
19	505158	ARMREST PIVOT PLATE W/NOTCH	2
20	561086	1" HALF SADDLE 1/4" HOLE	2
21	221191	1/4-28 x 2 1/4 G8 HEX C/S	1
22*	561016	1" WASHER 5/16" HOLE (QUICKIE 2HPTi)	2
12-15	880106, 880107	FLPBK FRONT REC W/CLAMP (EA)	
1-11, 16-21	881222, 881223	FLPBK ARM ASSEMBLY DESK Rx/HPTi (EA)	
1-21	881224, 881225	FLPBK ARM DESK W/RECEIVER Rx/HPTi (EA)	
	900774	FLPBK ARMS DESK W/REC Rx/HPTi (PR)	

* ITEM 22 USED WITH QUICKIE 2HPTi.

FLIP-BACK ARMREST (ALUMINUM AND CHROME BREEZY)

(Discontinued 10/15/93 - parts only; fits Breezy prior to serial number BZ-200000)



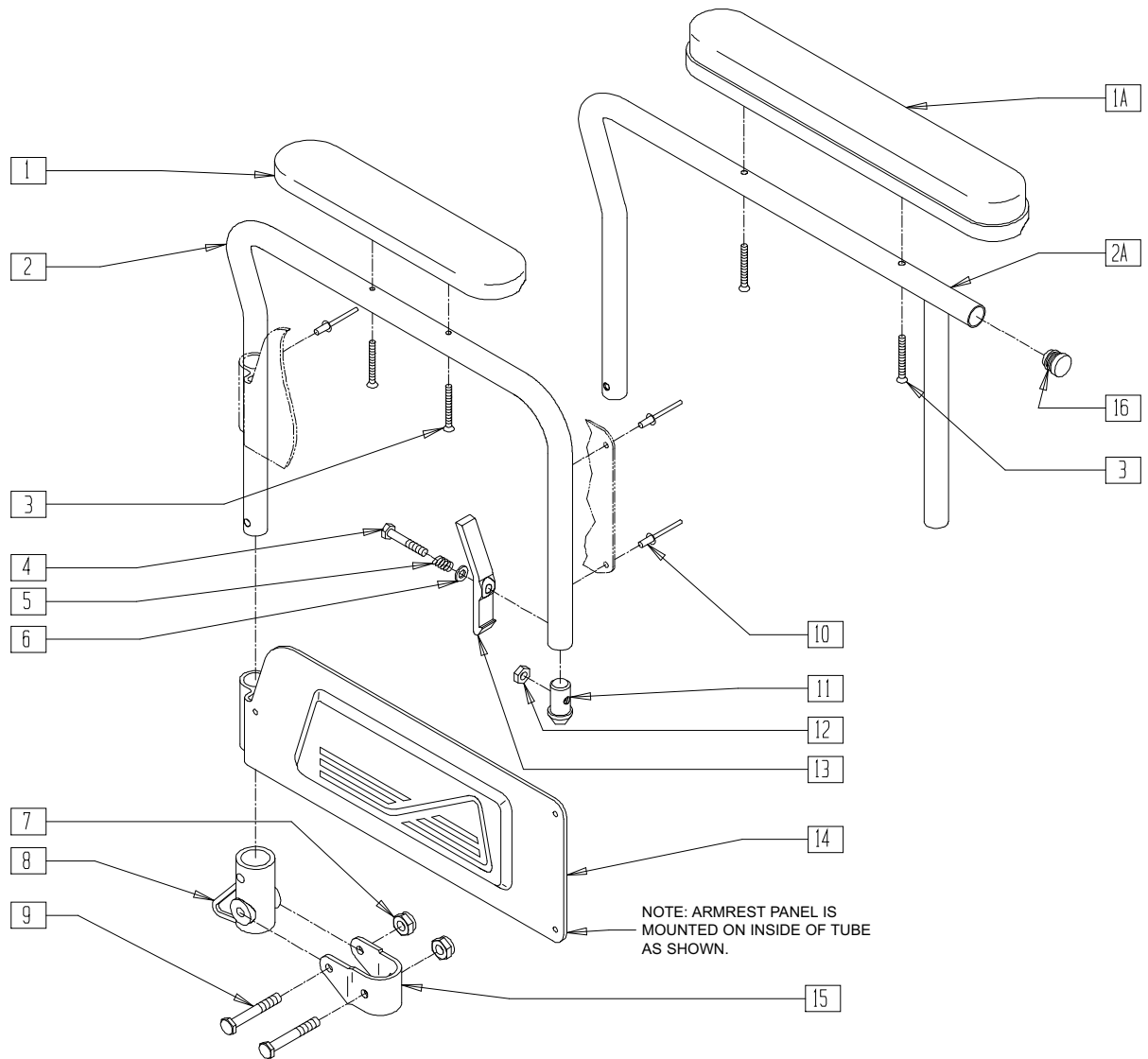
Drawing shows right side

BZY00X7

ITEM	NUMBER	DESCRIPTION	QTY
1	561024	ARMREST PAD 10" DESK	1
2	524000	ARM TUBE R BZ (SPECIFY COLOR) (BLK ONLY CHROME BZ)	1
2A	524002	ARM TUBE L BZ (SPECIFY COLOR) (BLK ONLY CHROME BZ)	1
3	561081	SIDE GUARD SADDLE BZ	2
4	221124	1/4-28 x 1 1/4 G8 HEX C/S	1
5	321141	.650L x 6 COIL SPRING	1
6	262100-QU	1/4 AN WASHER FLAT	1
7	240114	RIVET POP AD64ABS	2
8	562700	ARMREST PANEL R BZ O/S	1
8A	562701	ARMREST PANEL L BZ O/S	1
9	281145	10-32 x 1 1/4 HEX M/S	2
10	561067	ARM LATCH LEVER	1
11	240115	RIVET POP AD68ABS	2
12	561069	SIDE GUARD WASHER BZ	2
13	201110	1/4-28 NYLOCK NUT	3

ITEM	NUMBER	DESCRIPTION	QTY
14	561075	ARM DOME PLUG BZ	1
15	505300	ARM PLATE BZ	2
16	561080	ARM RECEIVER BR	1
17	221192	1/4-28 x 2 G8 HEX C/S	2
18	221150	1/4-28 x 2 G8 HEX C/S	1
19	561004	1" SADDLE 1/4" HOLE (CHROME BREEZY ONLY)	2
1-18	880251	ARM DESK BREEZY PNTD R (SPECIFY COLOR)	
1,2A,3-8A, 9-18	880250	ARM DESK BREEZY PNTD L (SPECIFY COLOR)	
1-18	900581	FLPBK ARM ASSM DESK BZ (PR) (SPECIFY COLOR)	
1-19	880252, 880253 900582	BC PIVOT ARMREST ASSEMBLY DESK (BLK ONLY) FLPBK ARM ASSEMBLY DESK BC (PR)	

FLIP-BACK ARMREST (BREEZY 600)



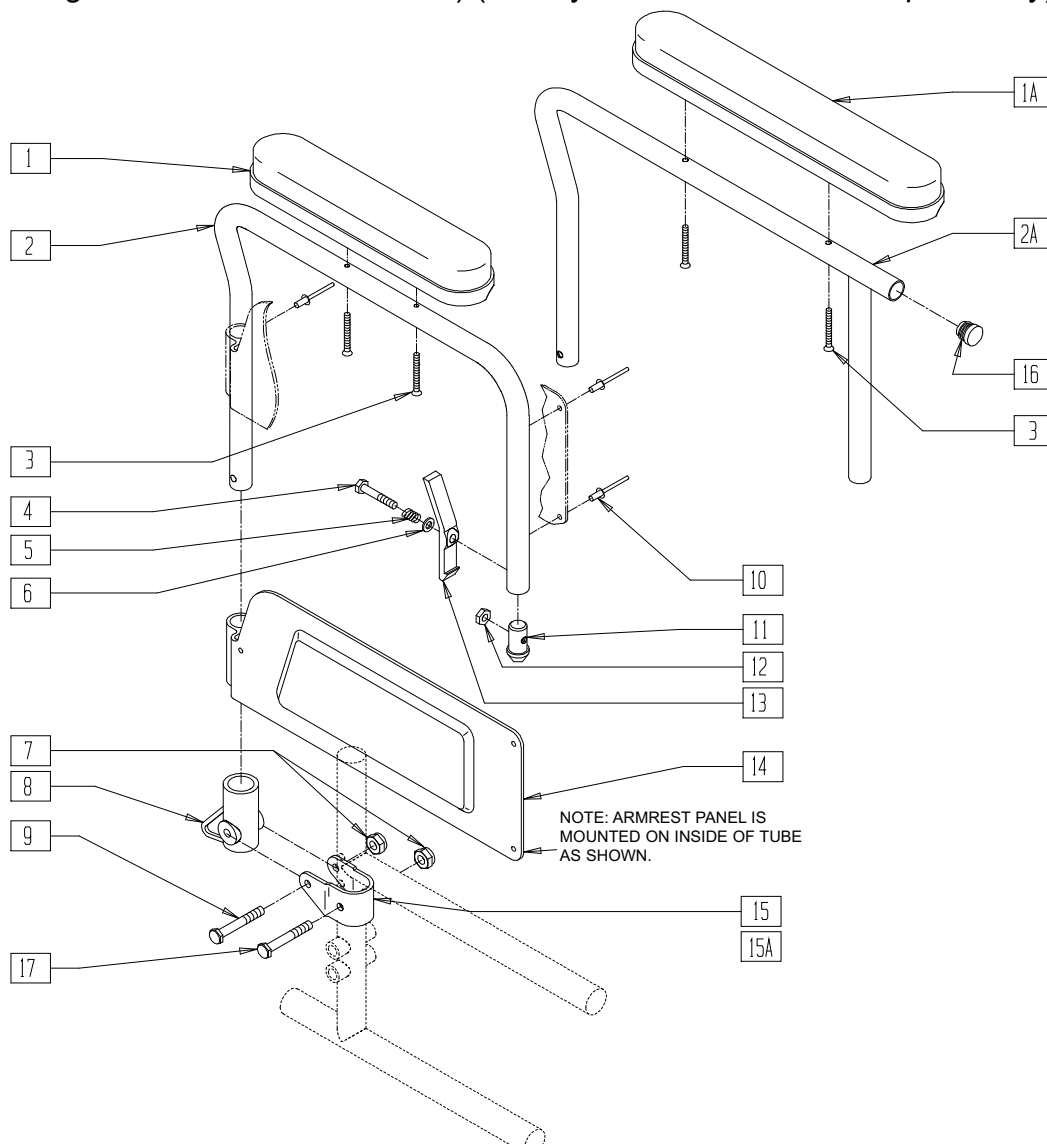
BASIC02

ITEM	NUMBER	DESCRIPTION	QTY
1	561155	10" ARM PAD PLST B500	1
	561158	14" ARM PAD PLST B500	
1A	561024	ARMREST PAD 10" DESK	1
	561031	ARMREST PAD 14" FULL	
2	524014, 524015	ARMREST TUBE 14" PLASTIC (EA)	1
2A	524006, 524007	ARMREST TUBE FULL BR (EA)	1
3	281146	10/32 x 1 1/4 OVAL HD MACH SCREW	2
4	221127	1/4-28 x 1 3/8 HEX C/S	1
5	321141	.650L x 6 COIL SPRING	1
6	262100-QU	1/4 AN WASHER FLAT	1
7	201110	1/4-28 NYLOCK NUT	2
8	561080	ARM RECEIVER BR	1
9	221150	1/4-28 x 1 3/4 HEX C/S	2
10	240114	RIVET POP AD64ABS	3
11	561065	ARMREST DOME PLUG BR	1
12	201100	1/4-28 NYLOCK NUT THIN	1
13	561067	ARM LATCH LEVER	1

ITEM	NUMBER	DESCRIPTION	QTY
14	562736, 562737	ARMREST PANEL GENERIC (EA)	1
	15	505351	
16	560741	3/4" INSERT PLUG RIBBED	1
7-9,15	880382	FLPBK HT ADJ ARM REC W/BRKT BZ	
1A,2-6, 10-14	881100, 881101	FLPBK ARM ASSEMBLY DESK B500 (EA)	
1A,2A,3-6, 10-14,16	881102, 881103	FLPBK ARM ASSEMBLY FULL B500 (EA)	
1-6, 10-14	881104, 881105	FLPBK ARM W/DESK PLST B500 (EA)	
1,2A,3-6, 10-14,16	881106, 881107	FLPBK ARM W/FULL PLST B500 (EA)	
1A,2-15	920564	FLPBK ARM ASSM DESK PNTD BLK (PR)	
1A,2A,3-16	920565	FLPBK ARM ASSM FULL PNTD BLK (PR)	
1-15	920566	FLPBK ARM ASSM DSK PLST PAD BLK (PR)	
1,2A,3-16	920567	FLPBK ARM ASSM FLL PLST PAD BLK (PR)	

FLIP-BACK ARMREST (BREEZY 2/510/600)

(Breezy beginning serial number BZ-200000) (Breezy 2 discontinued 5/98 - parts only)



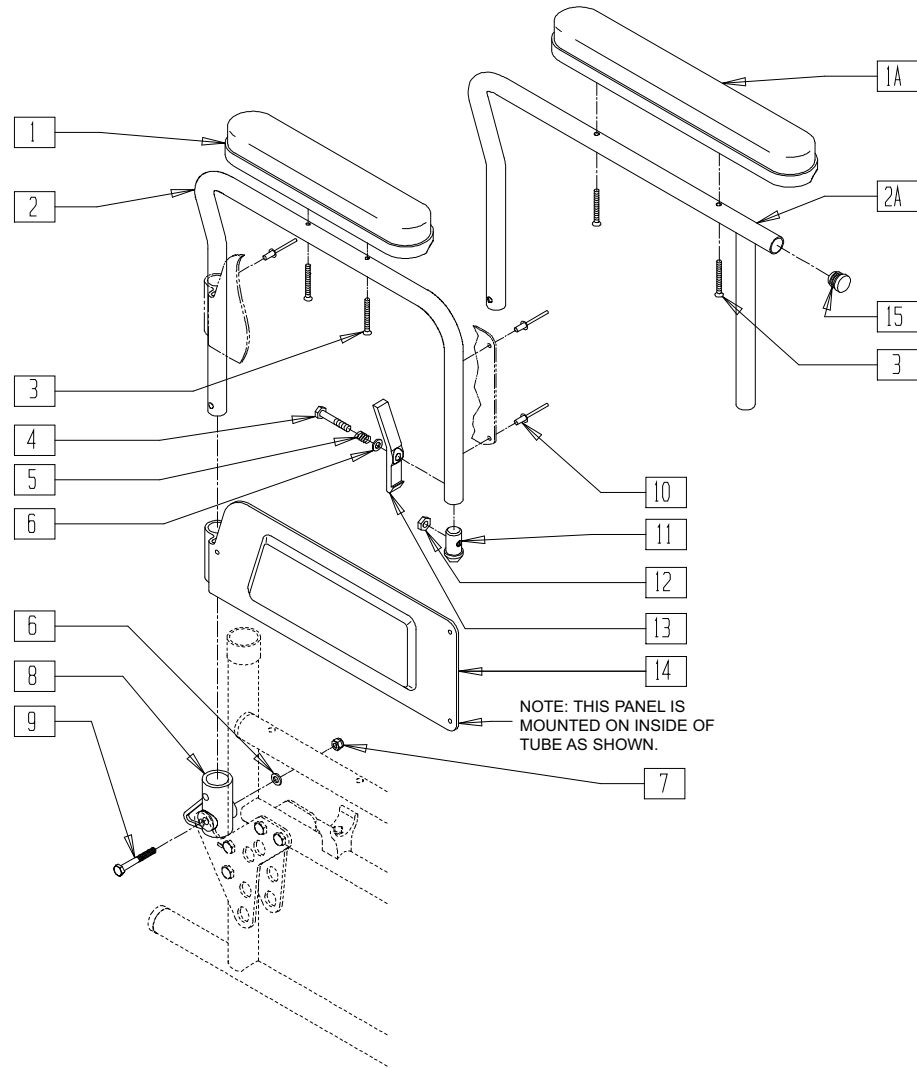
Drawing shows right side

BZ00X08A

ITEM	NUMBER	DESCRIPTION	QTY
1	561024	ARMREST PAD 10" DESK	1
1A	561031	ARMREST PAD 14" FULL	1
2	524004, 524005	ARMREST TUBE DESK BR (EA)	1
2A	524006, 524007	ARMREST TUBE FULL BR (EA)	1
3	281146	10-32 x 1 1/4 OVAL HD MACH SCREW	2
4	221127	1/4-28 x 1 3/8 HEX C/S	1
5	321141	.650L x 6 COIL SPRING	1
6	262100-QU	1/4 AN WASHER FLAT	1
7	201110	1/4-28 NYLOCK NUT	2
8	561080	ARM RECEIVER BR	1
9	221160	1/4-28 x 2 HEX C/S	2
10	240114	RIVET POP AD64ABS	3
11	561065	ARMREST DOME PLUG BR	1
12	201100	1/4-28 NYLOCK NUT THIN	1
13	561067	ARM LATCH LEVER	1
14	562736, 562737	ARMREST PANEL GENERIC (EA)	1

ITEM	NUMBER	DESCRIPTION	QTY
15	505151	ARMREST PIVOT BRACKET BR	1
15A	505351	ARMREST PIVOT BRACKET 1 1/8"	1
16	560741	3/4" INSERT PLUG RIBBED	1
17	221150	1/4-28 x 1 3/4 HEX C/S	1
7-9,15,17	880382	FLPBK HT ADJ ARM REC W/BRKT BR (EA)	
7-9,15A,17	880384	FLPBK HT ADJ ARM REC W/BRKT B2	
1-15,17	880254, 880255	FLPBK ARMREST ASSEMBLY DESK BR (EA)	
1A,2A, 3-17	880264, 880265	FLPBK ARM ASSEMBLY FULL PAINTED BR (EA)	
1-15,17	920583	FLPBK ARM ASSM DESK PNTD BR (PR)	
1,2A,3-17	920584	FLPBK ARM ASSM FULL PNTD (PR)	
1-14, 15A,17	880372, 880373	FLPBK ARM ASSEMBLY DESK PAINTED B2 (EA)	
1A,2A,3-14, 15A,16,17	880374, 880375	FLPBK ARM ASSEMBLY FULL PAINTED B2 (EA)	
1-14,15A,17	920585	FLPBK ARM ASSM DESK PNTD B2 (PR)	
1,2A,3-14, 15A,16,17	920586	FLPBK ARM ASSM FULL PNTD B2 (PR)	

FLIP-BACK ARMREST (BREEZY 500/503/510/510 ULTRA-HEMI/600 ULTRA-HEMI)



Drawing shows right side

BZ600X07

ITEM	NUMBER	DESCRIPTION	QTY
1	561024	ARMREST PAD 10" DESK	1
1A	561031	ARMREST PAD 14" FULL	1
2	524004, 524005	ARMREST TUBE DESK BR (EA)	1
2A	524006, 524007	ARMREST TUBE FULL BR (EA)	1
3	226038	10-32 x 1 3/8 BH C/S BLK	2
4	221127	1/4-28 x 1 3/8 HEX C/S	1
5	321141	.650L x 6 COIL SPRING	1
6	262100-QU	1/4 AN WASHER FLAT	2
7	201110-QU	1/4-28 NYLOCK NUT	1
8	561080	ARM RECEIVER BR	1
9	221160	1/4-28 x 2 HEX C/S	1
10	240114	RIVET POP AD64ABS	3

ITEM	NUMBER	DESCRIPTION	QTY
11	561065	ARMREST DOME PLUG BR	1
12	201100-QU	1/4-28 NYLOCK NUT THIN	1
13	561067	ARM LATCH LEVER	1
14	562736, 562737	ARMREST PANEL GENERIC (EA)	1
15	560741	3/4" INSERT PLUG RIBBED	1
1-14	881274, 881275	FLPBK ARM ASSEMBLY DESK HEMI	
	920526	FLPBK ASSM DESK HEMI B600 (PR)	
	920528	FLPBKASSM DESK HEMI B510 (PR)	
1A,2A-15	881276, 881277	FLPBK ARM ASSEMBLY FULL HEMI	
	920527	FLPBK ASSM FULL HEMI B600 (PR)	
	920529	FLPBK ASSM FULL HEMI B510 (PR)	

Axle Plates and Axles

IN THIS SECTION

AXLE PLATES

Axle Plate (Breezy 500/510/600 Ultra-hemi)	7.1
Amputee Axle Plate (Breezy 500/510).....	7.1
Double-slotted Axle Plate (Quickie 1/GP/GPV/Ti) ...	7.2
Double-slotted Amputee Axle Plate (Quickie 1/GP/GPV/Ti).....	7.2
Axle Plate (Quickie 2/2HP/2HPTi, Zippie/Zippie 2)	7.3
Curved Axle Plate Indexed (Quickie 2/2HP/2HPTi) ..	7.3
Amputee Axle Plate (Quickie 2, Zippie 2).....	7.4
Axle Plate Hardware (Quickie Carbon) (Disc.)	7.4
Axle Plate/Armrest Receiver (Quickie Carbon) (Disc.)	7.5
Axle Plate/Anti-tip Bracket (Quickie Carbon) (Disc.)	7.5
Axle Plate/Anti-tip Bracket/Armrest Receiver (Quickie Carbon) (Disc.)	7.6
Axle Plate (Quickie GP/GPV/Ti)	7.6
Adjustable Axle Plate (Quickie LX/LXI).....	7.7
Axle Plate (Quickie M6)	7.7
Axle Plate (Quickie TS) (Disc.)	7.8
Axle Plate (Quickie TS).....	7.8
Axle Plate (Zippie/Zippie 2)	7.9
Universal Axle Plate (Zippie GS)	7.9

AXLE ASSEMBLIES

Axle Assembly - Extended Range Axle Clamp (Quickie GPS/Triumph) (Disc.)	7.10
Axle Assembly - Low-mount (Quickie GPS/Triumph) (Disc.)	7.10
Axle Assembly (Quickie R2).....	7.11
Axle Assembly (Quickie Revolution)	7.11
Axle Assembly (Quickie ST/DT) (Disc.)	7.12
Axle Assembly (Quickie ST/DT)	7.12
Axle (Quickie TNT) (Disc.)	7.13
Axle Assembly (Quickie TS Self-propel Option)	7.13
Axle Assembly (Quickie XTR).....	7.14

AXLE BRACKETS

Quick-Release Axle Bracket (Breezy 2(Disc)/600, Quickie LX/LXI/Recliner/Rx) ..	7.14
Quick-Release Axle Bracket (Breezy 510) (Disc.) ..	7.15
Quick-Release Axle Bracket (Breezy 510/Quickie Rx).....	7.15
Quick-Release Axle Bracket (Breezy 510 Recliner).....	7.15

AXLE BRACKETS (CONTINUED)

Quick-Release Axle Bracket (Quickie Kidz).....	7.16
Axle Bracket (Standard Threaded Axles) (Quickie LX/Recliner/Rx)	7.16
Threaded Offset Axle Bracket (Breezy 2) (Disc.).....	7.16
Threaded Offset Axle Bracket (Breezy 510) (Disc.).....	7.17
Threaded Offset Axle Bracket (Breezy 600).....	7.17
Axle Bracket (Zippie TS) Amputee Axle Bracket (Quickie TS)	7.18
Axle Bracket (12")(Zippie TS)	7.18

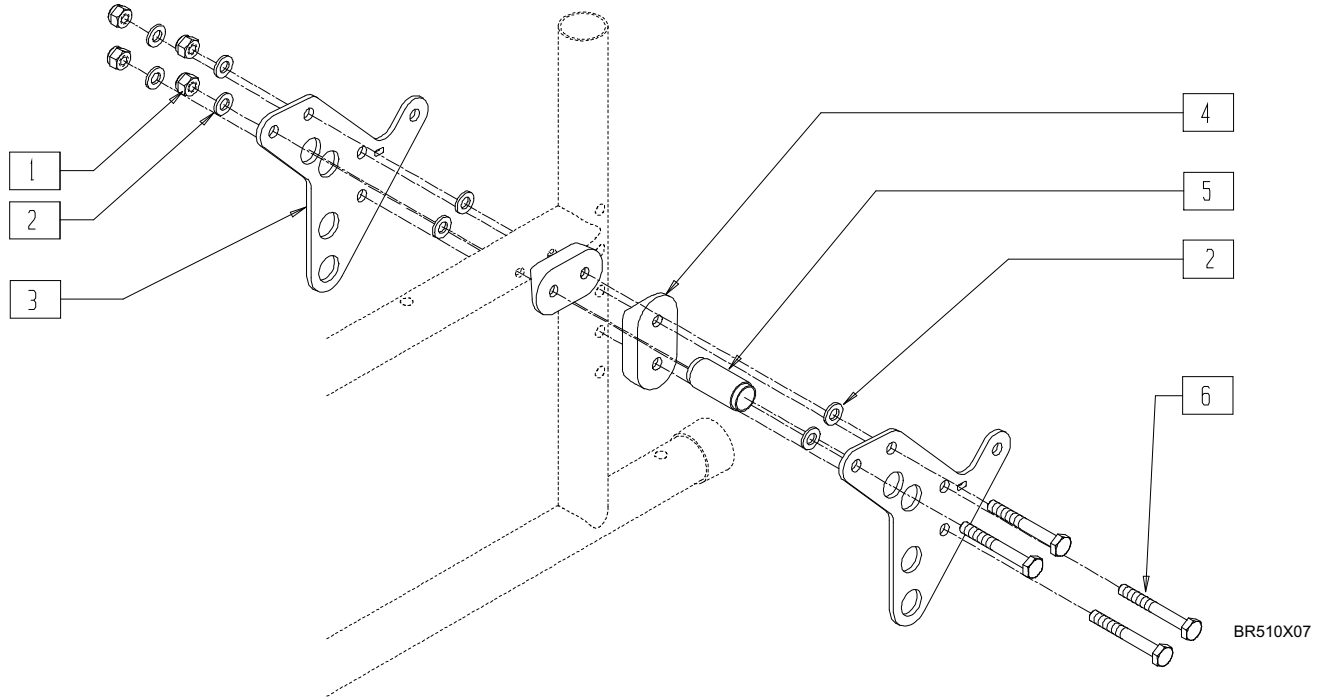
AXLE SLEEVES

Axle Sleeve (For Indexed Axle Plate).....	7.19
Axle Sleeve (For Adjustable Axle Plate) (Quickie LX/LXI).....	7.19
Axle Sleeve (Quickie M6)	7.19
Axle Sleeve (Amputee, Non-indexed Axle, and Curved Axle Plates)	7.20

AXLES

Quick-Release Axle (Quickie 2/2HP/2HP Ti/GP/GPS GPS Ti/ST/DT/Ti/Triumph/R2/Revolution/XTR)	7.20
Quick-Release Axle (Breezy 510 Recliner)	7.20
Quick-Release Axle (Breezy 510/600 Ultra-hemi) ..	7.21
Quick-Release Axle with Nut (Quickie M6).....	7.21
Quad-Release Axle Nut (Disc.).....	7.21
Quad-Release Axle Nut (Push-Button)	7.22
Big Button Axle (Spoke Wheels).....	7.22
Quick-Release Axle Wrench	7.22
Threaded Rear Axle (Chrome Breezy)	7.23
Threaded Axle (Breezy 510/600 Ultra-hemi)	7.23
Threaded Rear Axle (Breezy 500/510) (Disc.)	7.23
Threaded Rear Axle (Breezy 510, Quickie Rx/Recliner)	7.24
Threaded Rear Axle (Breezy 510 Recliner).....	7.24
Threaded Rear Axles (Adjustable Axle Plate) (Quickie LX/LXI/TS)	7.24
Threaded Rear Axle (Standard Axle Plate) (Quickie LX)	7.25
Threaded Rear Axle (Quickie Rx/Recliner).....	7.25
Threaded Axle (Quickie T45).....	7.25
Axle Reference Guide.....	7.26
Axle Reference Guide (continued)	7.27

AXLE PLATE (BREEZY 500/510/600 ULTRA-HEMI)



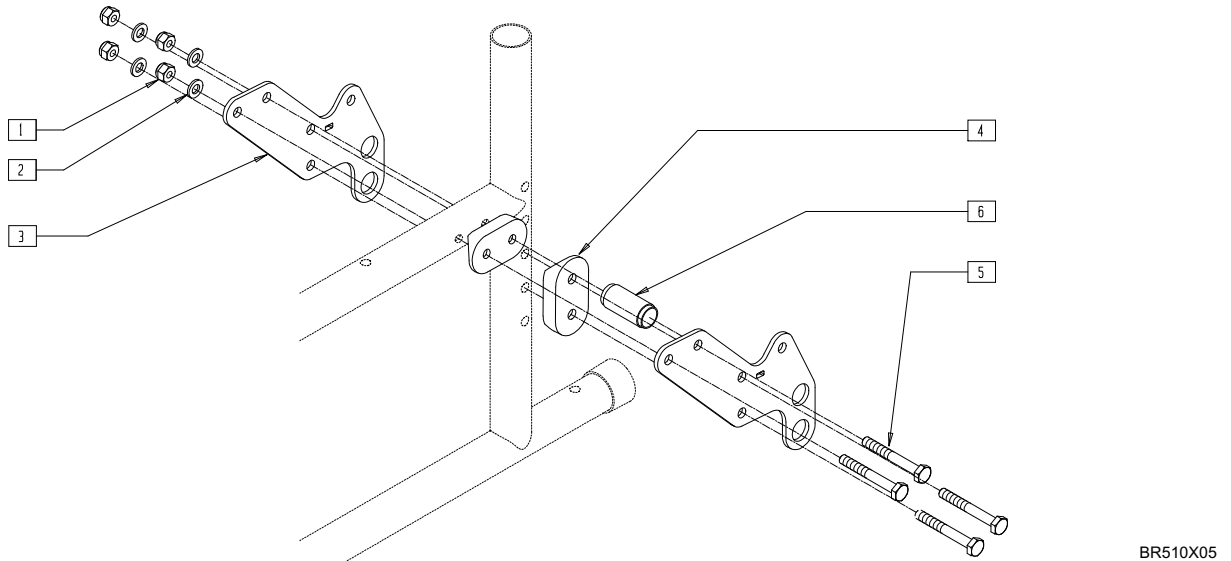
ITEM	NUMBER	DESCRIPTION	QTY
1	201110-QU	1/4-28 NYLOCK NUT	4
2	262110-QU	1/4 AN WASHER FLAT	4
3	500390	AXLE PLATE BREEZY 520	2
4	561085	1 1/8" HALF SADDLE 2 HOLE QTS	2

ITEM	NUMBER	DESCRIPTION	QTY
5	560169	AXLE PLATE SPACER BREEZY	1
6	221160	1/4-28 x 2 HEX C/S	4
1-3,5	920086	AXLE PLATE ASSEMBLY HEMI B600	
1-6	920087	AXLE PLATE ASSEMBLY BR500/510	

* ITEM 4A IS TO BE USED WITH THE BREEZY 600 ULTRA-HEMI ONLY.

AMPUTEE AXLE PLATE (BREEZY 500/510)

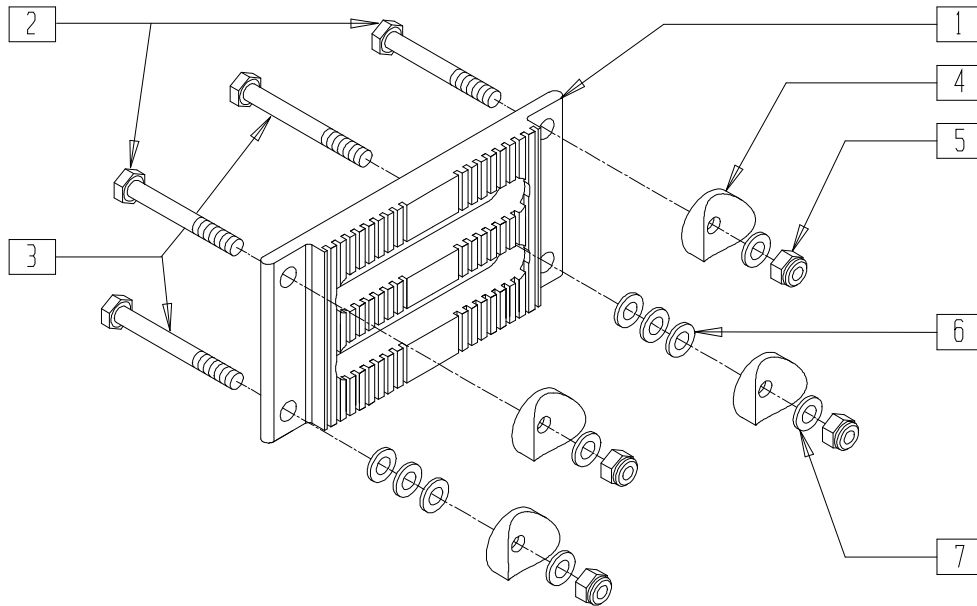
(Effective Breezy 500 beginning S/N 503665 and Breezy 510 beginning S/N 503630)



ITEM	NUMBER	DESCRIPTION	QTY
1	201110-QU	1/4-28 NYLOCK NUT	4
2	262110-QU	1/4 AN WASHER FLAT	4
3	500201	AMPUTEE AXLE PLATE BREEZY	2
4	561085	1 1/8" HALF SADDLE 2 HOLE QTS	2

ITEM	NUMBER	DESCRIPTION	QTY
5	221160	1/4-28 x 2 HEX C/S	4
6	560169	AXLE PLATE SPACER BREEZY	1
1-6	920093	AXLE PLATE ASSEMBLY AMPUTEE BREEZY	

DOUBLE-SLOTTED AXLE PLATE (QUICKIE 1/GP/GPV/Ti)

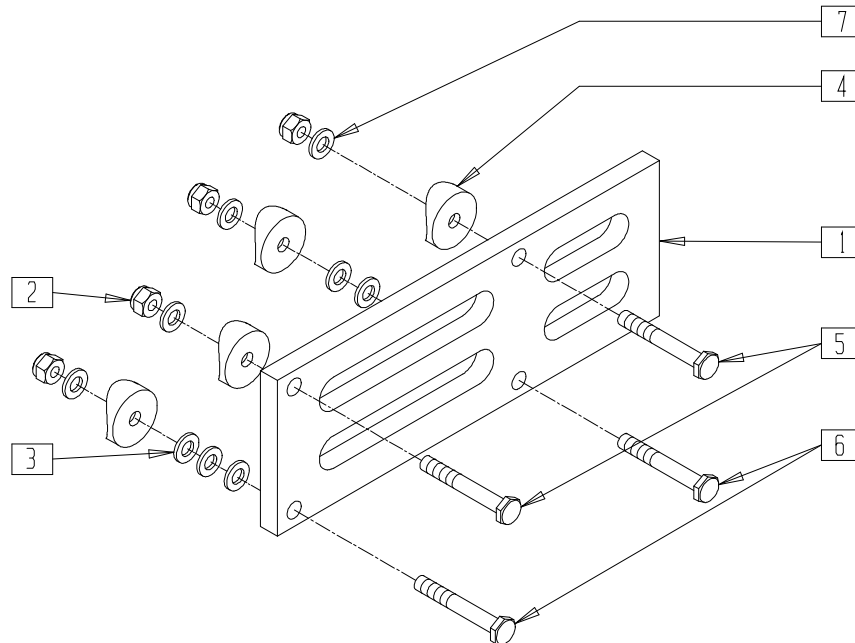


AX0X01

ITEM	NUMBER	DESCRIPTION	QTY
1	501002	AXLE PLATE Q1/GP INDEX	1
2	330100	1/4-28 x 2 HEX C/S Ti	2
3	330101	1/4-28 x 2 1/4 HEX C/S Ti	2
4	561004	1" SADDLE 1/4" HOLE	4

ITEM	NUMBER	DESCRIPTION	QTY
5	330000-QU	1/4-28 NYLOCK NUT ALUMINUM	4
6	262100-QU	1/4 AN WASHER FLAT	6
7	262110	1/4 AN WASHER FLAT THIN	4
2-7	920210	Q1 AXLE PLATE HARDWARE KIT	

DOUBLE-SLOTTED AMPUTEE AXLE PLATE (QUICKIE 1/GP/GPV/Ti)



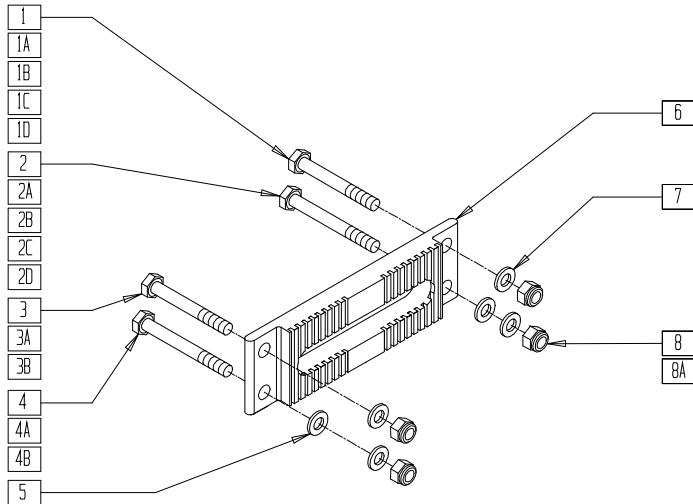
AX0X02

ITEM	NUMBER	DESCRIPTION	QTY
1	501001	AXLE PLATE AMPUTEE Q1	1
2	330000-QU	1/4-28 NYLOCK NUT ALUMINUM	4
3	262100-QU	1/4 AN WASHER FLAT	6
4	561004	1" SADDLE 1/4" HOLE	4

ITEM	NUMBER	DESCRIPTION	QTY
5	330100	1/4-28 x 2 HEX C/S Ti	2
6	330101	1/4-28 x 2 1/4 HEX C/S Ti	2
7	262110	1/4 AN WASHER FLAT THIN	4
2-7	920210	AXLE PLATE HARDWARE KIT	

AXLE PLATE (QUICKIE 2/2HP/2HPTi, ZIPPIE/ZIPPIE 2)

(Quickie 2HP Ti discontinued parts only.)



AXLE BOLT GUIDE

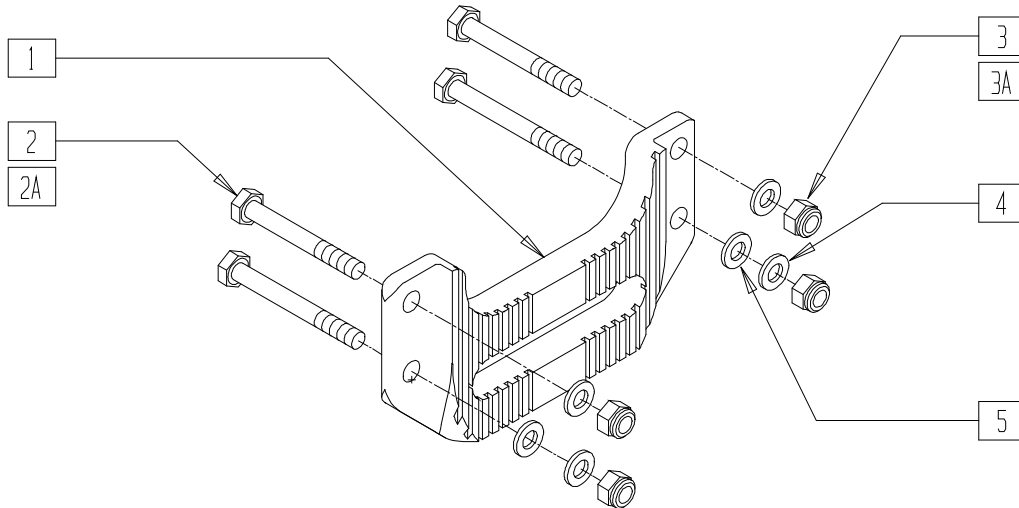
CHAIR	OPTION (W/Ti HARDWARE)	BOLT TYPE			
		1	2	3	4
2HP	Ti HARDWARE ONLY	1	2	3	4
2HP	PADDED ARMREST OR ANTI-TIP	1A	2A	3	4
2HP	PADDED ARMREST AND ANTI-TIP	1B	2B	3	4

AX0X04A

ITEM	NUMBER	DESCRIPTION	QTY
1	330100	1/4-28 x 2 HEX C/S Ti	1
1A	221191	1/4-28 x 2 1/4 G8 HEX C/S	1
1B	221181	1/4-28 x 2 1/2 G8 HEX C/S	1
1C	330099	1/4-28 x 1 3/4 HEX C/S Ti	1
1D	221151-QU	1/4-28 x 1 3/4 G8 HEX C/S	1
2	330100	1/4-28 x 2 HEX C/S Ti	1
2A	221181	1/4-28 x 2 1/2 G8 HEX C/S	1
2B	221193	1/4-28 x 2 3/4 G8 HEX C/S	1
2C	330099	1/4-28 x 1 3/4 HEX C/S Ti	1
2D	221151-QU	1/4-28 x 1 3/4 G8 HEX C/S	1
3	330100	1/4-28 x 2 HEX C/S Ti	1
3A	330099	1/4-28 x 1 3/4 HEX C/S Ti	1
3B	221151-QU	1/4-28 x 1 3/4 G8 HEX C/S	1

ITEM	NUMBER	DESCRIPTION	QTY
4	330100	1/4-28 x 2 HEX C/S Ti	1
4A	330099	1/4-28 x 1 3/4 HEX C/S Ti	1
4B	221151-QU	1/4-28 x 1 3/4 G8 HEX C/S Ti	1
5	262100-QU	1/4 AN WASHER FLAT	2
6	502000	AXLE PLATE Q2/HP/ZP2 INDEX	1
7	262110	1/4 AN WASHER FLAT THIN	4
8	201110	1/4-28 NYLOCK NUT	4
8A	330000-QU	1/4-28 NYLOCK NUT ALUM	4
1D,2D,3B, 4B,5,7,8	920211	Q2 AXLE PLATE HDWR KIT (Q2/2HP/ZP/ZP2)	
1C,2C,3A, 4A,5,7,8A	920216	AXLE PLATE HDWR KIT HP/T2 (HP/Q2/HPTi)	

CURVED AXLE PLATE INDEXED (QUICKIE 2/2HP/2HPTi)



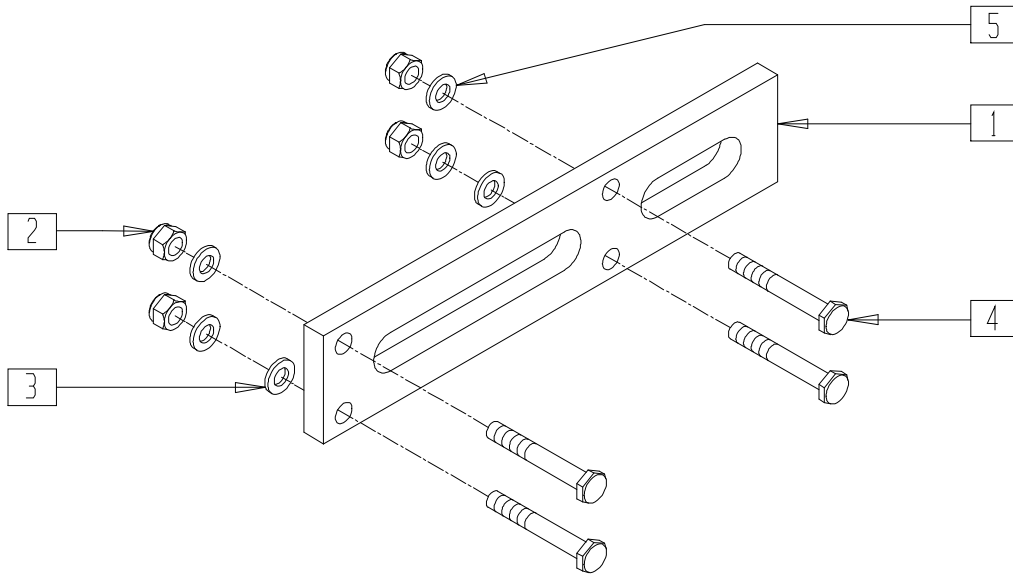
AX0X12

ITEM	NUMBER	DESCRIPTION	QTY
1	502018	AXLE PLATE INDEX CRVD HVY BLK (EA)	1
	920019	AXLE PLATE INDEX CRVD HVY BLK (PR)	
2	221151-QU	1/4-28 x 1 3/4 G8 HEX C/S	4
2A	330099	1/4-28 x 1 3/4 HEX C/S Ti	4
3	201110	1/4-28 NYLOCK NUT	4
3A	330000-QU	1/4-28 NYLOCK NUT ALUMINUM	4

ITEM	NUMBER	DESCRIPTION	QTY
4	262110	1/4 AN WASHER FLAT THIN	4
5	262100-QU	1/4 AN WASHER FLAT	2
2-5	920211	Q2 AXLE PLATE HDWR KIT (Q2/2HP)	
2A,3A, 4,5	920216	AXLE PLATE HARDWARE KIT HP/T2 (HP/Q2/HPTi)	

NOTE: THE CURVED AXLE PLATE IS RECOMMENDED TO ACHIEVE HIGHEST REAR SEAT HEIGHT ON A ROUNDED REAR SEAT FRAME AND LOWEST REAR SEAT HEIGHT ON A STRAIGHT SIDE FRAME.

AMPUTE E AXLE PLATE (QUICKIE 2, ZIPPIE 2)

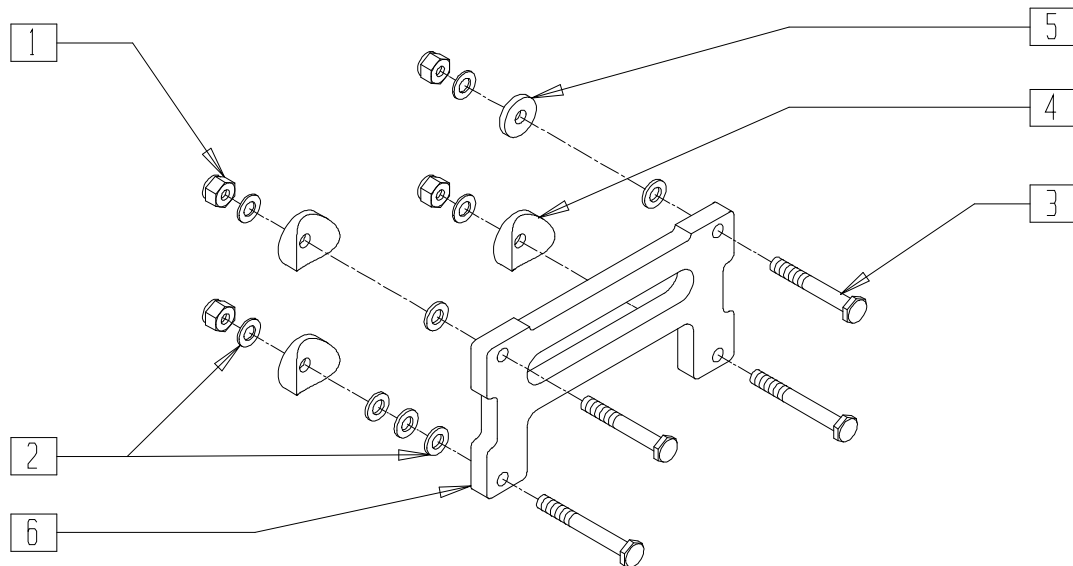


AX0X05

ITEM	NUMBER	DESCRIPTION	QTY
1	502002	AXLE PLATE AMPUTEE Q2	1
2	201110	1/4-28 NYLOCK NUT	4
3	262100-QU	1/4 AN WASHER FLAT	2

ITEM	NUMBER	DESCRIPTION	QTY
4	221151-QU	1/4-28 x 1 3/4 G8 HEX C/S	4
5	262110	1/4 AN WASHER FLAT THIN	4
2-5	920211	Q2 AXLE PLATE HDWR KIT	

AXLE PLATE HARDWARE (QUICKIE CARBON) (Discontinued 3/1/95 - parts only)



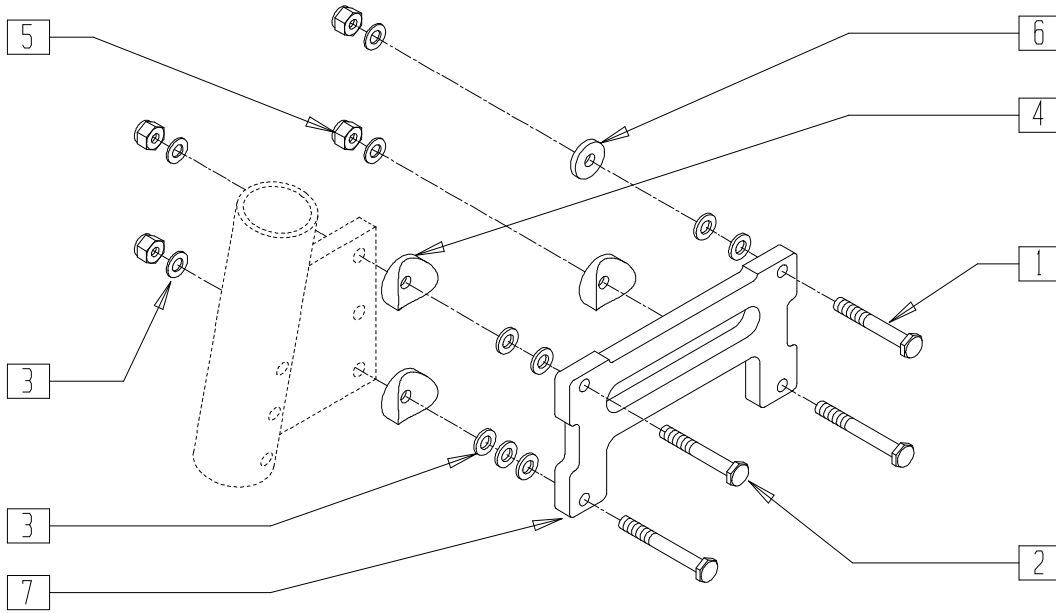
QCB0X03

ITEM	NUMBER	DESCRIPTION	QTY
1	330000-QU	1/4-28 NYLOCK NUT ALUMINUM	4
2	262100-QU	1/4 AN WASHER FLAT	12
3	330105	1/4-28 x 2 1/2 HEX C/S Ti	4
4	561017	1 3/8" SADDLE 1/4" HOLE	3

ITEM	NUMBER	DESCRIPTION	QTY
5	561026	3/4" WASHER 1/4" HOLE	1
1-5	920208	QC AXLE PLT HARDWARE KIT STANDARD	
6	501004	GP AXLE PLATE (GP/GPV/TI/CARBON)	1

AXLE PLATE/ARMREST RECEIVER (QUICKIE CARBON)

(Discontinued 3/1/95 - parts only)



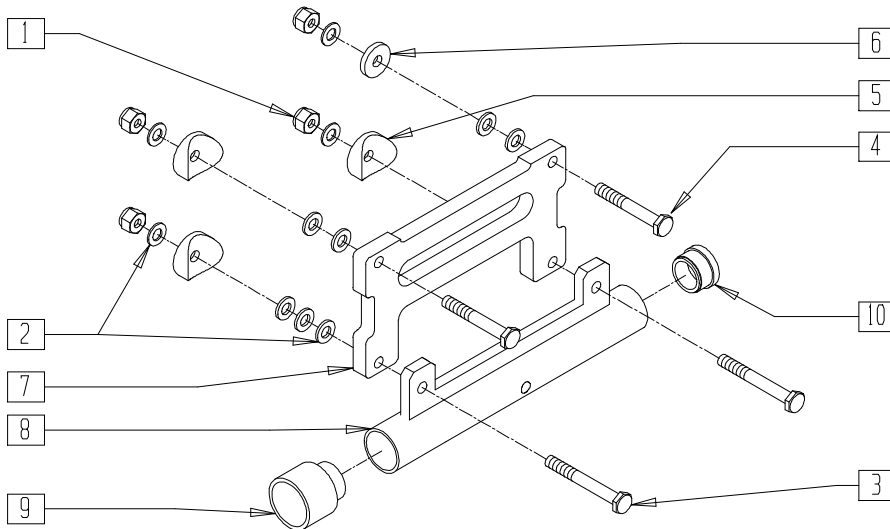
COMP5X10

ITEM	NUMBER	DESCRIPTION	QTY
1	330105	1/4-28 x 2 1/2 HEX C/S Ti	2
2	221201	1/4-28 x 3 G8 HEX C/S	2
3	262100-QU	1/4 AN WASHER FLAT	14
4	561017	1 3/8" SADDLE 1/4" HOLE	3
5	330000-QU	1/4-28 NYLOCK NUT ALUMINUM	4

ITEM	NUMBER	DESCRIPTION	QTY
6	561026	3/4" WASHER 1/4" HOLE	1
1-6	920205	QC AXLE PLATE HARDWARE KIT FOR ARM	
7	501004	GP AXLE PLATE (G1/GP/CARBON INDEX)	1

AXLE PLATE/ANTI-TIP BRACKET (QUICKIE CARBON)

(Discontinued 3/1/95 - parts only)



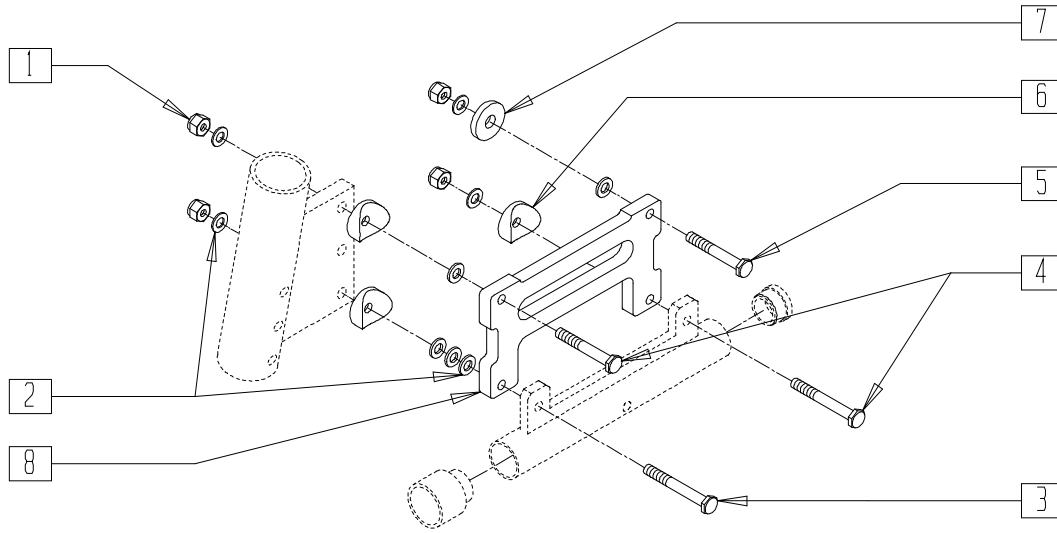
COMP4X10

ITEM	NUMBER	DESCRIPTION	QTY
1	330000-QU	1/4-28 NYLOCK NUT ALUMINUM	4
2	262100-QU	1/4 AN WASHER FLAT	14
3	221193	1/4-28 x 2 3/4 G8 HEX C/S	2
4	330105	1/4-28 x 2 1/2 HEX C/S Ti	2
5	561017	1 3/8" SADDLE 1/4" HOLE	3
6	561026	3/4" WASHER 1/4" HOLE	1

ITEM	NUMBER	DESCRIPTION	QTY
1-6	920207	QC AXLE PLT HDWR KIT FOR ANTI-TIP	
7	501004	GP AXLE PLATE (Q1/GP/CARBON)	1
8	540180	QC ANTI-TIP RECEIVER	1
9	561018	1" TUBE END BUSHING THICK	1
10	561002	1" INSERT PLUG .083	1

AXLE PLATE/ANTI-TIP BRACKET/ARMREST RECEIVER (QUICKIE CARBON)

(Discontinued 3/1/95 - parts only)



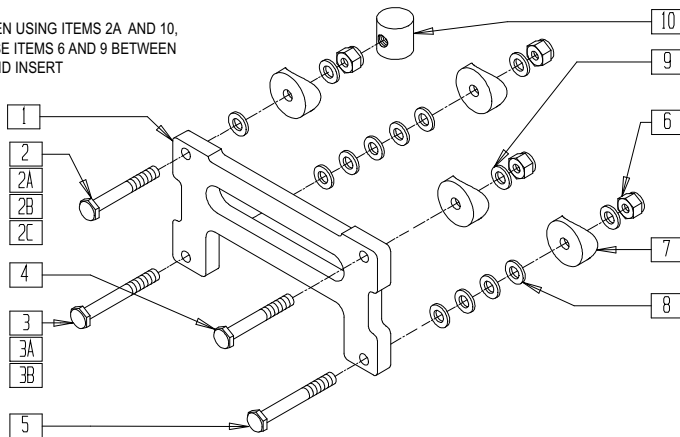
COMP6X10

ITEM	NUMBER	DESCRIPTION	QTY
1	330000-QU	1/4-28 NYLOCK NUT ALUMINUM	4
2	262100-QU	1/4 AN WASHER FLAT	12
3	221211	1/4-28 x 3 1/4 G8 HEX C/S	1
4	221201	1/4-28 x 3 G8 HEX C/S	2
5	330105	1/4-28 x 2 1/2 HEX C/S Ti	1

ITEM	NUMBER	DESCRIPTION	QTY
6	561017	1 3/8" SADDLE 1/4" HOLE	3
7	561026	3/4" WASHER 1/4" HOLE	1
1-7	920206	QC AXLE PLATE HDWR KIT W/AT/ARM	
8	501004	GP AXLE PLATE (Q1/GP/CARBON)	1

AXLE PLATE (QUICKIE GP/GPV/Ti)

NOTE: WHEN USING ITEMS 2A AND 10, DO NOT USE ITEMS 6 AND 9 BETWEEN SADDLE AND INSERT



AXLE BOLT GUIDE

CHAIR	OPTION (W/Ti HARDWARE)	BOLT TYPE			
		2B	3A	4	5
Q2HPTi	PADDED ARMREST OR ANTI-TIP				
Q2HPTi	PADDED ARMREST AND ANTI-TIP				

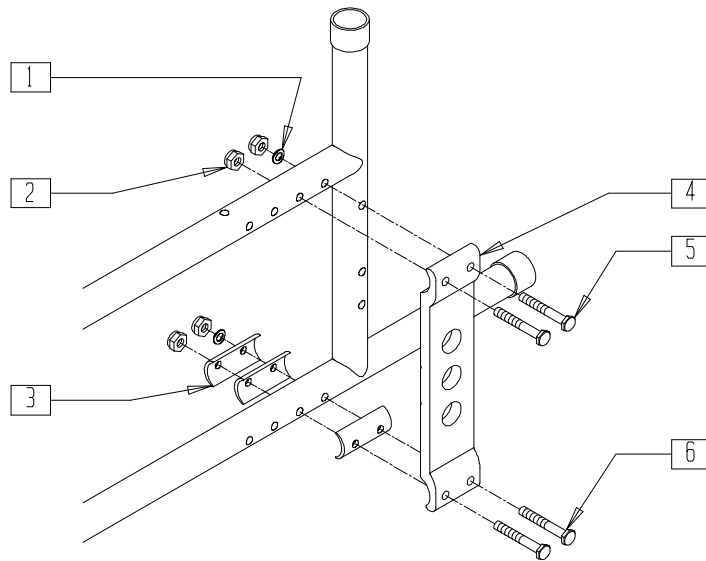
AX0X03A

ITEM	NUMBER	DESCRIPTION	QTY
1	501004	GP AXLE PLATE	1
2	330100	1/4-28 x 2 HEX C/S Ti	2
2A	221133	1/4-28 x 1 1/2 G8 HEX C/S	2
2B	221181	1/4-28 x 2 1/2 G8 HEX C/S	1
2C	221193	1/4-28 x 2 3/4 G8 HEX C/S	1
3	330101	1/4-28 x 2 1/4 HEX C/S Ti	2
3A	221193	1/4-28 x 2 3/4 G8 HEX C/S	1
3B	221201	1/4-28 x 3 G8 HEX C/S	1

ITEM	NUMBER	DESCRIPTION	QTY
4	330100	1/4-28 x 2 HEX C/S Ti	1
5	330101	1/4-28 x 2 1/4 HEX C/S Ti	1
6	330000-QU	1/4-28 NYLOCK NUT ALUM	4
7	561004	1" SADDLE 1/4" HOLE	4
8	262100-QU	1/4 AN WASHER FLAT	10
9	262110	1/4 AN WASHER FLAT THIN	4
10	483007	H/M CASTER/GPV COMP INSERT	1
2-10	920212	GP AXLE PLATE HDWR KIT Ti	

NOTE: ORDER PART NUMBERS 221133 (ITEM 2A) AND 483007 (ITEM 10) FOR CUSTOM SQUEEZE FRAMES BELOW 8" IN REAR FRAME HEIGHT WHERE TOP AXLE HOLE IS BLOCKED.

ADJUSTABLE AXLE PLATE (QUICKIE LX/LXI)

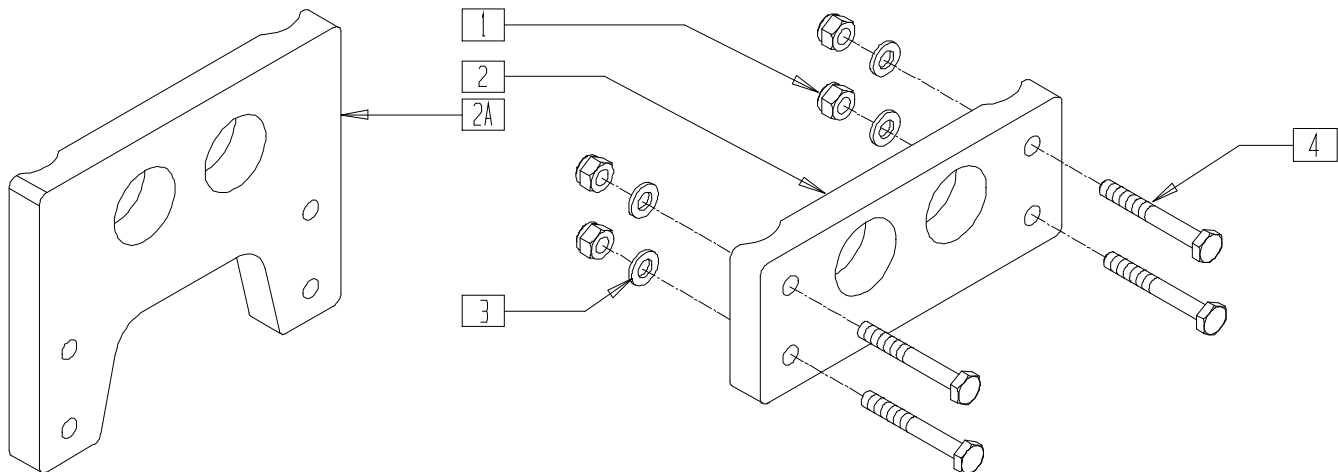


RX0X07

ITEM	NUMBER	DESCRIPTION	QTY
1	262130	6mm WASHER WAVE	2
2	201110	1/4-28 NYLOCK NUT	4
3	550486	HEIGHT ADJ RECEIVER SPACER	3
4	550370	AXLE PLATE VERTICAL	1

ITEM	NUMBER	DESCRIPTION	QTY
5	221151-QU	1/4-28 x 1 3/4 G8 HEX C/S	2
6	221192	1/4-28 x 2 G8 HEX C/S	2
1-3,5,6	920059	ADJ AXLE PLATE HDWR KIT LX	

AXLE PLATE (QUICKIE M6)



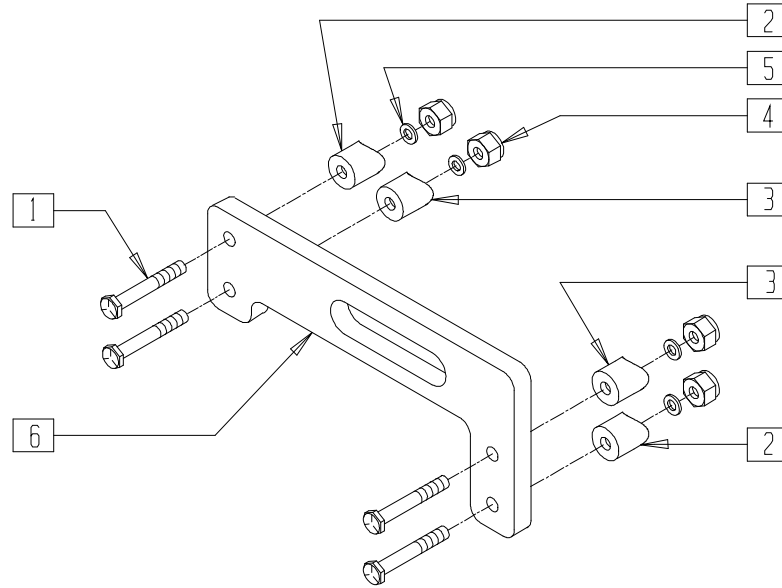
MAG00X22A

ITEM	NUMBER	DESCRIPTION	QTY
1	201110-QU	1/4-28 NYLOCK NUT	4
2	550056	PLATE AXLE	1
2A	502023	AXLE PLATE LOWER	1

ITEM	NUMBER	DESCRIPTION	QTY
3	262110	1/4 AN WASHER FLAT THIN	4
4	221151	1/4-28 x 1 3/4 G8 HEX C/S	4
1,3,4	920097	AXLE PLT HDWR KIT M6	

AXLE PLATE (QUICKIE TS)

(Discontinued 12/15/95 - parts only; fits Quickie TS prior to QT-12900)



Drawing shows left side

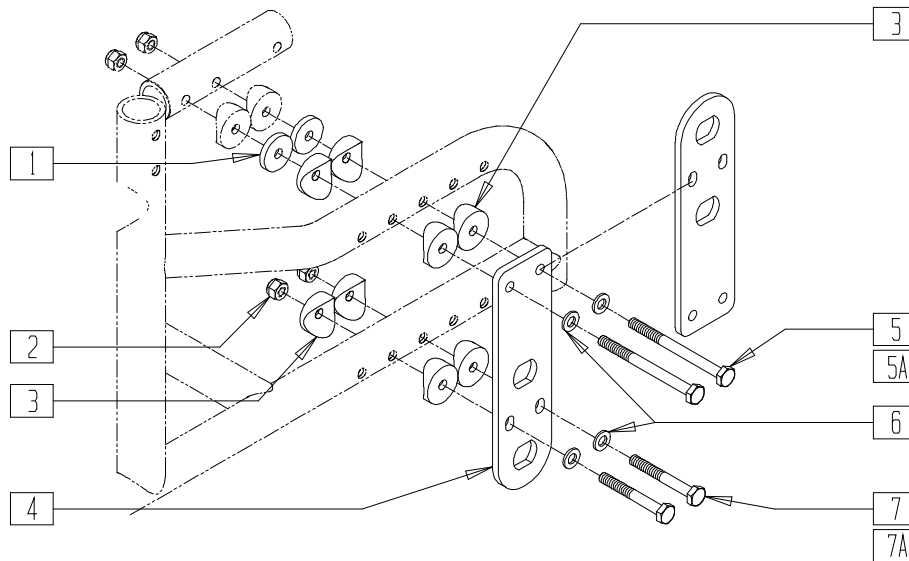
AZ00X14A

ITEM	NUMBER	DESCRIPTION	QTY
1	221181	1/4-28 x 2 1/2 G8 HEX C/S	4
2	483071	SADDLE 1 1/8" ALUMINUM 1/4" HOLE	2
3	483072	HALF SADDLE 1 1/8" ALUMINUM 1/4" HOLE	2

ITEM	NUMBER	DESCRIPTION	QTY
4	201110	1/4-28 NYLOCK NUT	4
5	262110	1/4 AN WASHER FLAT THIN	4
1-5	920209	QT AXLE PLATE HARDWARE KIT	
6	501010	AXLE PLATE QT	1

AXLE PLATE (QUICKIE TS)

(Effective 12/15/95, beginning QT-12900)



QTS00X03

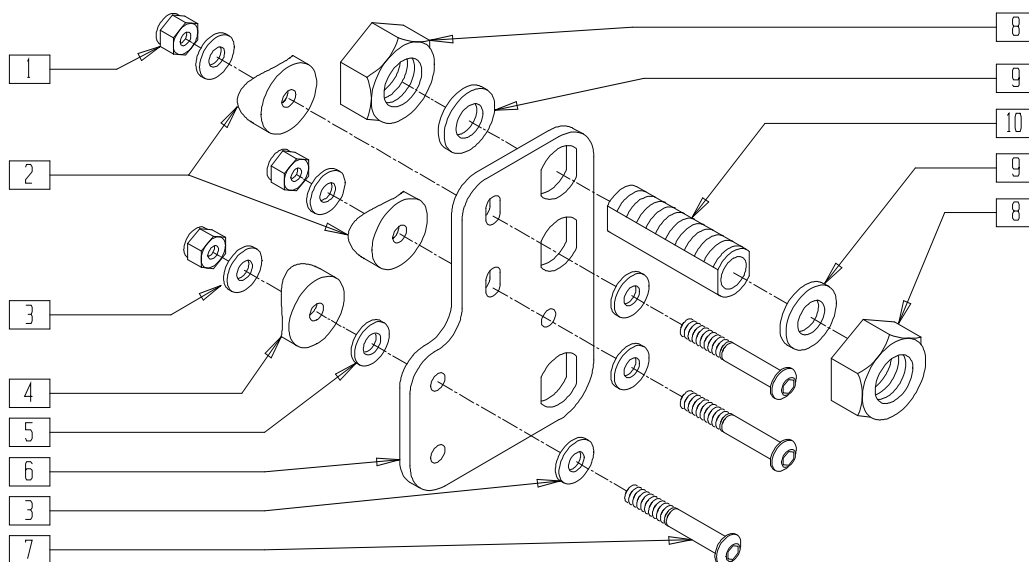
ITEM	NUMBER	DESCRIPTION	QTY
1	561016	1" WASHER 5/16" HOLE	2
2	201110	1/4-28 NYLOCK NUT	4
3	561004	1" SADDLE 1/4" HOLE	10
4	502008	AXLE PLATE QTS	1-4
5	221201	1/4-28 x 3 G8 HEX C/S	2
5A	221211	1/4-28 x 3 1/4 G8 HEX C/S	2

ITEM	NUMBER	DESCRIPTION	QTY
6	262100-QU	1/4 AN WASHER FLAT	4
7	221192	1/4-28 x 2 G8 HEX C/S	2
7A	221191	1/4-28 x 2 1/4 G8 HEX C/S	2
2,4,	920447*	AXLE PLATE REPAIR KIT QTS	
5A,7A	920448	AXLE PLT REINFORCEMENT KIT QTS	

* STANDARD REPLACEMENT KIT FOR 20", 22", 24" WHEELS.

AXLE PLATE (ZIPP/ZIPPIE 2)

(Effective 11/13/96)

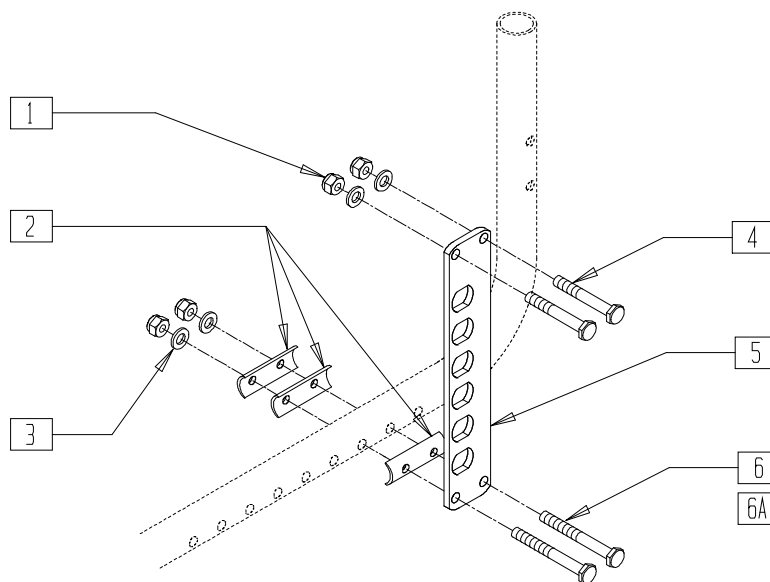


AX0X025

ITEM	NUMBER	DESCRIPTION	QTY
1	201110	1/4-28 NYLOCK NUT	3
2	561001	1 1/8" SADDLE 1/4" HOLE	2
3	262110	1/4 AN WASHER FLAT	6
4	561004	1" SADDLE 1/4" HOLE	1
5	261201	WASHER 1/4 SHIM STEEL	1
6	501009	AXLE PLATE 12"-16" WHEEL	1

ITEM	NUMBER	DESCRIPTION	QTY
7	226150	1/4-28 x 2 BH C/S	3
8	204000	3/4-16 NUT	2
9	265100	3/4 x 18 WASHER NARROW	2
10	481065	AXLE SLEEVE SS	1
8-10	920121	AXLE SLEEVE WITH HARDWARE (NON-INDEX)	
1-10	920369	AXLE PLATE 12"-16" WHEEL W/HDWR	

UNIVERSAL AXLE PLATE (ZIPP/ZIPPIE GS)



ZGS00X36

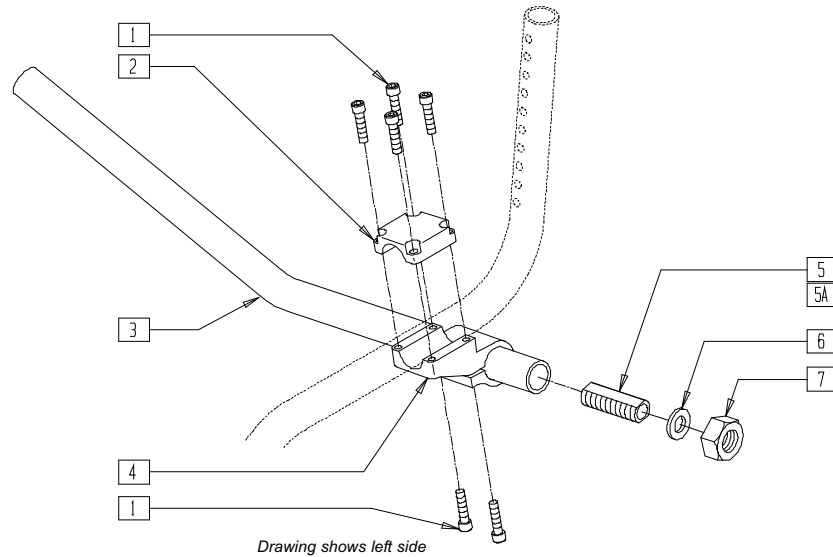
ITEM	NUMBER	DESCRIPTION	QTY
1	201110	1/4-28 NYLOCK NUT	4
2	562843	CAMBER WASHER ZGS	3
3	262100-QU	1/4 AN WASHER FLAT	4
4	221151-QU	1/4-28 x 1 3/4 G8 HEX C/S	2

ITEM	NUMBER	DESCRIPTION	QTY
5	505260	AXLE PLATE	1
6	221192	1/4-28 x 2 G8 HEX C/S	2
6A*	221201	1/4-28 x 3 G8 HEX C/S W/GPS	2
1-4,6	920522	AXLE PLATE HARDWARE KIT	

* ITEM 6A IS TO BE USED WITH THE ANTI-TIP RECEIVER ONLY.

AXLE ASSEMBLY - EXTENDED RANGE AXLE CLAMP (QUICKIE GPS/TRIUMPH)

(Quickie GPS and Triumph discontinued 2/01 - parts only)



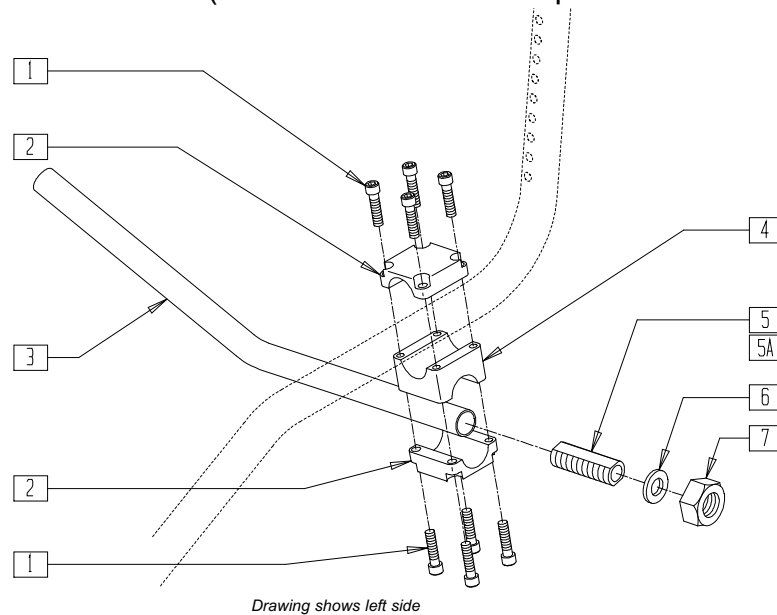
GBL00X7A

ITEM	NUMBER	DESCRIPTION	QTY
1	226107	1/4-28 x 7/8 SOC C/S	6
2	550211	AXLE CLAMP CAMBER TUBE	1
3	525200- 525236, 525240	CAMBER TUBE	1
4	500210	EXTENDED AXLE CLAMP TR	1
5	481065	AXLE SLEEVE SS	1

ITEM	NUMBER	DESCRIPTION	QTY
5A	481069	AXLE SLEEVE 1°	1
6	265100	3/4 x 18 WASHER NARROW	1
7	204000	3/4-16 NUT	1
1,2,4	920084	EXTEND AXLE CLAMP ASSM TR	
5-7	920116	AXLE SLEEVE W/HARDWARE GPS	
5A,6,7	920114	AXLE SLEEVE 1° W/HARDWARE (TRIUMPH)	

AXLE ASSEMBLY - LOW-MOUNT (QUICKIE GPS/TRIUMPH)

(Quickie GPS and Triumph discontinued 2/01 - parts only)

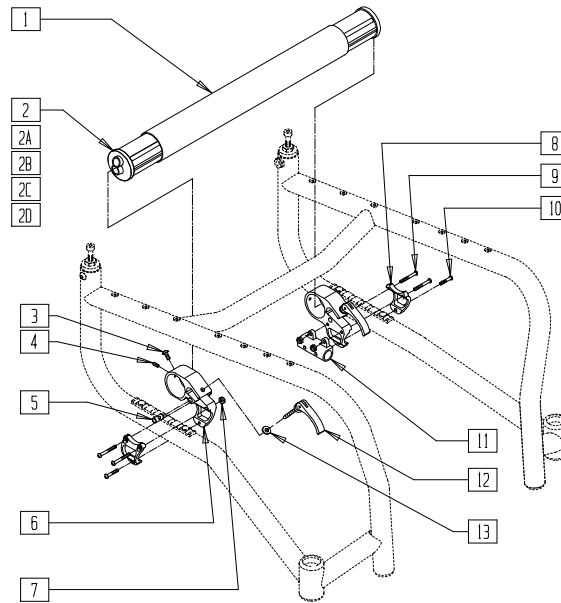


GBL00X07

ITEM	NUMBER	DESCRIPTION	QTY
1	226107	1/4-28 x 7/8 SOC C/S	8
2	550211	AXLE CLAMP CAMBER TUBE	2
3	525200- 525236, 525240	CAMBER TUBE	1
4	550212	AXLE SADDLE GPS	1
5	481065	AXLE SLEEVE SS	1

ITEM	NUMBER	DESCRIPTION	QTY
5A	481069	AXLE SLEEVE 1°	1
6	265100	3/4 x 18 WASHER NARROW	1
7	204000	3/4-16 NUT	1
1,2,4	880930	AXLE CLAMP ASSEMBLY	
5-7	920116	AXLE SLEEVE W/HARDWARE GPS	
5A,6,7	920114	AXLE SLEEVE 1° W/HARDWARE (TRIUMPH)	

AXLE ASSEMBLY (QUICKIE R2)

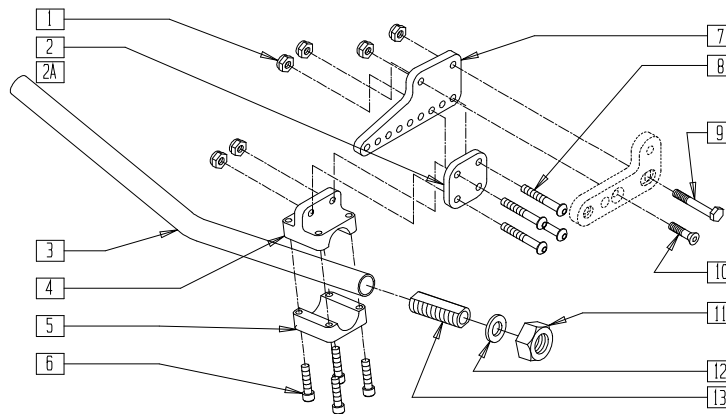


R200X05

ITEM	NUMBER	DESCRIPTION	QTY
1	526242-526248	CAMBER TUBE (14" - 20") R2	1
2	550085	CAMBER TUBE INSERT 0°/12° R2	2
2A	550086	CAMBER TUBE INSERT 3°/12° R2	2
2B	550087	CAMBER TUBE INSERT 4° R2	2
2C	550088	CAMBER TUBE INSERT 8° R2	2
2D	550089	CAMBER TUBE INSERT 16° R2	2
3	226069-QU	1/4-20 x 1/2 BH C/S BLK	2
4	330008	1/4-20 SPRING PLUNGER	2
5	330002	RETAINING PIN QR R2	2
6	505630, 505631	AXLE BRACKET R2 (EA)	2

ITEM	NUMBER	DESCRIPTION	QTY
7	201100-QU	1/4-28 NYLOCK NUT THIN	4
8	550025	AXLE BRKT CLAMP R2 FIXED	2
9	226147	1/4-28 x 1.85 BH C/S BLK ZN	4
10	227110	1/4-28 X 1 BH C/S BLK ZN	2
11	550039	ANTI-TIP HOUSING R2 FIXED	2
12	341650	QR CLAMP BLACK R2	2
13	561026	3/4" WASHER 1/4" HOLE	4
3-6,12,13	881928, 881929	AXLE BRKT SUB-ASSM R2 (EA)	
3-10,12,13	881935, 881936	AXLE BRKT ASSEMBLY (EA)	

AXLE ASSEMBLY (QUICKIE REVOLUTION)



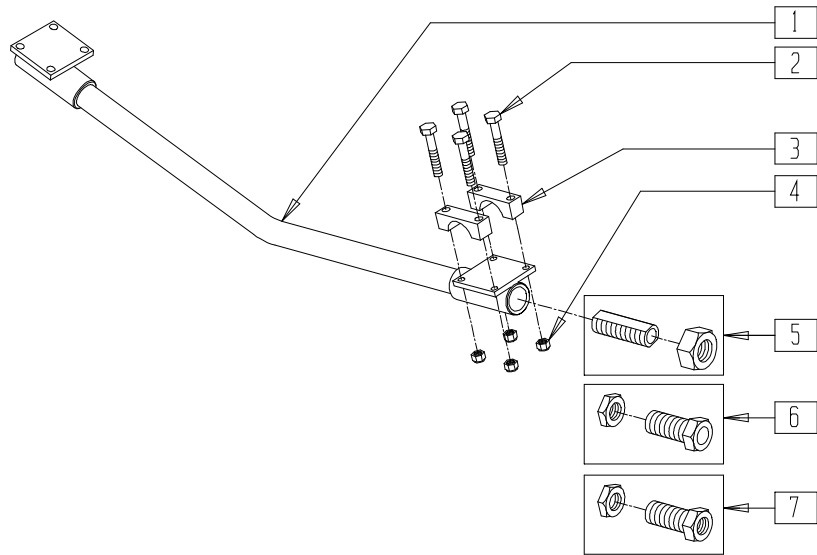
2D000X05

ITEM	NUMBER	DESCRIPTION	QTY
1	201100	1/4-28 NYLOCK NUT THIN	6
2	501028	SPACER PLATE + 3/4 RV	1
2A	501029	SPACER PLATE + 1-1/2 RV	1
3	525200-525236	CAMBER TUBE	1
4	550200-550203	AXLE CLAMP RV	1
5	550211	AXLE CLAMP CAMBER TUBE	1
6	226107	1/4-28 x 7/8 SOC C/S	4

ITEM	NUMBER	DESCRIPTION	QTY
7	501025	AXLE ADJ PLATE RV	1
8	227110	1/4-28 x 1 BH C/S BLK ZN	4
9	481344	1/4-28 x 7/8 ECCENTRIC BOLT BLK	1
10	226099	1/4-28 x 7/8 FH C/S	1
11	204000	3/4-16 NUT	1
12	265100	3/4 x 18 WASHER NARROW	1
13	481065	AXLE SLEEVE SS	1
11-13	920116	AXLE SLEEVE W/HDWR GPS	

NOTE: WHEN CHANGING DEGREE OF CAMBER, BOTH ITEMS 3 AND 4 MUST BE CHANGED.

AXLE ASSEMBLY (QUICKIE ST/DT) (Discontinued 7/1/98 - parts only)



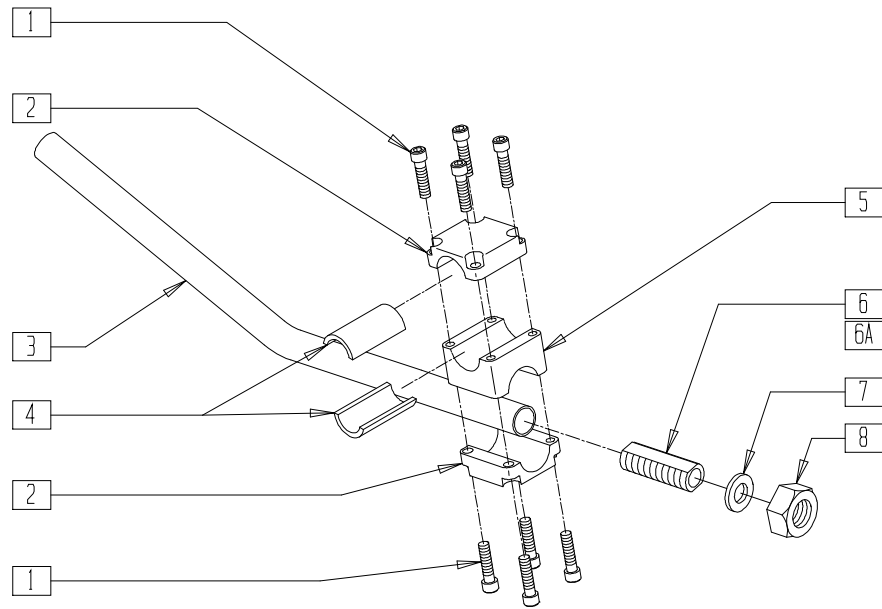
RG000X05

ITEM	NUMBER	DESCRIPTION	QTY
1	525140-525145	CAMBER TUBE RIGID (SPECIFY WIDTH)	1
2	221133	1/4-28 x 1 1/2 G8 HEX C/S	4
3	550207	CAMBER TUBE MNTG CLAMP ANO	2
4	201136	1/4-20 NYLOCK NUT HIGH	4

ITEM	NUMBER	DESCRIPTION	QTY
5	481066	AXLE SLEEVE SS SHORT	1
	204000	3/4-16 NUT	
6*	481410	AXLE SLEEVE PHIL WOOD 15/32" QR	1
7**	481059	AXLE SLEEVE PHIL WOOD 7/16" THRD	1

* PART 6 USED WITH QR PHIL WOOD HUB.
** PART 7 USED WITH THREADED PHIL WOOD HUB.

AXLE ASSEMBLY (QUICKIE ST/DT)



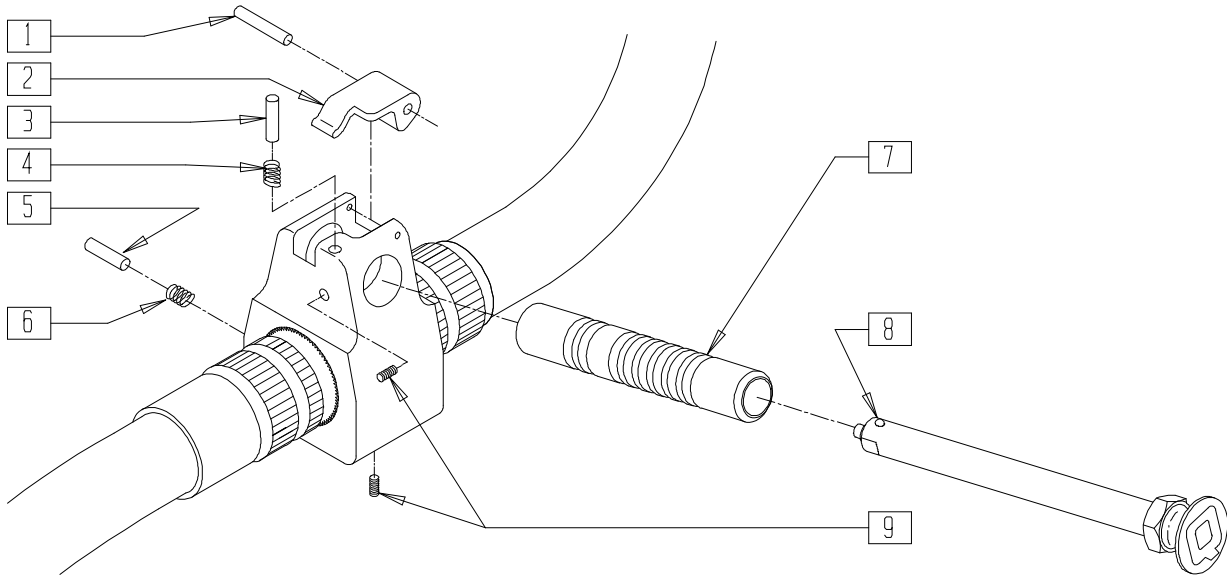
RBY00X16

ITEM	NUMBER	DESCRIPTION	QTY
1	226107	1/4-28 x 7/8 SOC C/S	8
2	550211	AXLE CLAMP CAMBER TUBE	2
3	525200-525240	CAMBER TUBE	1
4	520029	SHIM CAMBER CLAMP	2
5	550213	ANTI-TIP SADDLE LO-MNT GPS	1
6	481065	AXLE SLEEVE SS	1

ITEM	NUMBER	DESCRIPTION	QTY
6A	481069	AXLE SLEEVE 1°	1
7	265100	3/4 x 18 WASHER NARROW	1
8	204000	3/4-16 NUT	1
6-8	920116	AXLE SLEEVE W/HDWR GPS	
6A,7,8	920114	AXLE SLEEVE 1° W/HDWR	
1,2,5	880931	ANTI-TIP REC ASSM UNDR MNT GPS	

AXLE ASSEMBLY (Quickie TNT)

(Quickie TNT discontinued 2/01-Parts only.)



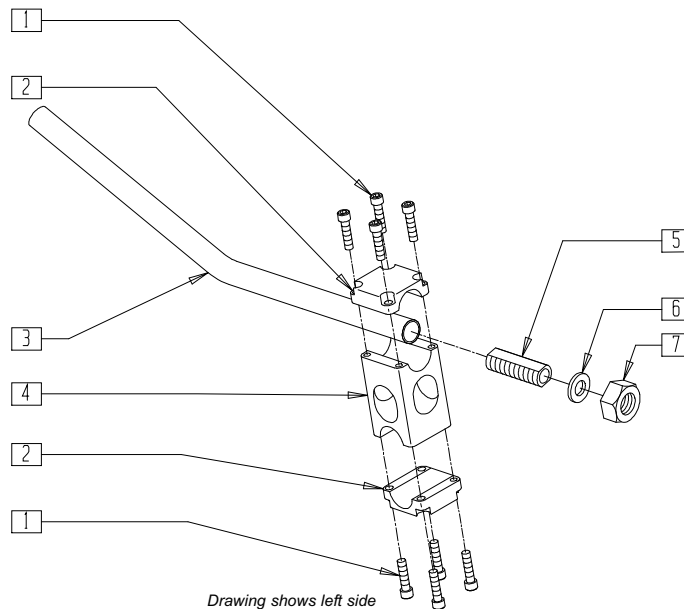
TNT00X04

ITEM	NUMBER	DESCRIPTION	QTY
1	481165	AXLE LEVER PIN TNT	1
2	560265	AXLE BLOCK LEVER TNT	1
3	481194	RELEASE PIN AXLE LUG ADJ	1
4	321170	AXLE LUG SPRING	1
5	481195	QUICK RELEASE PIN AXLE TNT	1
6	321143	.219 x 1.00 SPRING	1

ITEM	NUMBER	DESCRIPTION	QTY
7	481199	ADJUSTABLE AXLE LUG TNT	1
8	349058	AXLE PIN AND NUT STANDARD AND LONG (SPECIFY CHAIR AND COLOR)	1
9	226170	2/56 x 1/4" SOC HD C/S	2

NOTE: THE AXLE SHOULD PROPERLY ENGAGE THE AXLE RECEIVER. CHECK TO SEE IF RECEIVER IS INSTALLED PROPERLY INTO THE AXLE BLOCK ASSEMBLY. IMPROPER ENGAGEMENT OCCURS WITH UNEQUALLY SPACED POSITIONING GROOVES TOWARD THE INSIDE. RECONFIGURE AS NECESSARY, SO THAT THE REAR WHEEL AXLE PROPERLY ENGAGES THE AXLE RECEIVER.

AXLE ASSEMBLY (QUICKIE TS SELF-PROPEL OPTION)



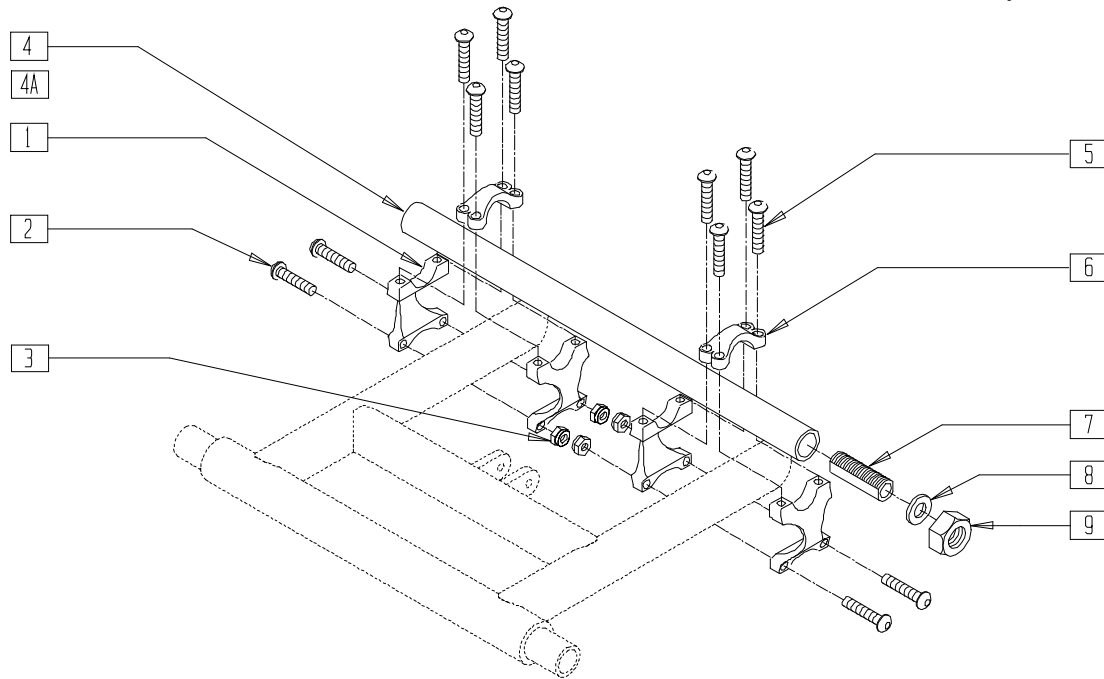
Drawing shows left side

QTS00X08

ITEM	NUMBER	DESCRIPTION	QTY
1	226107	1/4-28 x 7/8 SOC C/S	8
2	550211	AXLE CLAMP CAMBER TUBE	2
3	525200- 525216	CAMBER TUBE	1
4	500213	AXLE SADDLE + 1 1/2"	1

ITEM	NUMBER	DESCRIPTION	QTY
5	481069	AXLE SLEEVE 1°	1
6	265100	3/4 x 18 WASHER NARROW	1
7	204000	3/4-16 NUT	1
1,2,4	880934	AXLE CLAMP ASSEMBLY + 1 1/2"	
5-7	920114	AXLE SLEEVE 1° W/HARDWARE	

AXLE ASSEMBLY (QUICKIE XTR)



SUS00X23

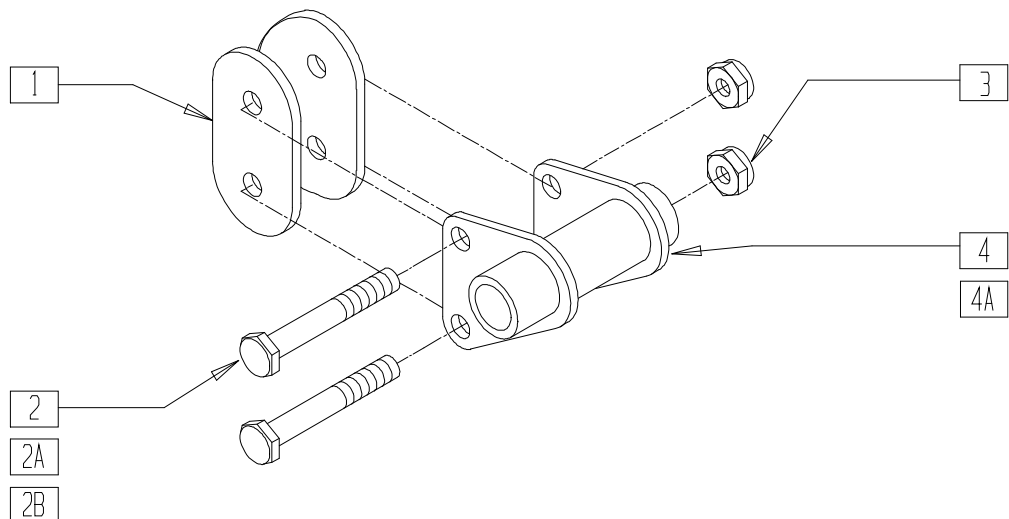
ITEM	NUMBER	DESCRIPTION	QTY
1	506150	SWING ARM CLAMP XTR	4
2	226066	1/4-28 X 1.1" BH C/S BLK	4
3	202300	1/4-28 NYLOCK NUT THIN BLK ZN	4
4	525200-525226	CAMBER TUBE	1
4A	525140	CAMBER TUBE 13" TO FIT 14" CHAIR	1
5	226078	1/4-20 x 3/4 BH C/S W/PATCH	8

ITEM	NUMBER	DESCRIPTION	QTY
6	506152	AXLE CLAMP XTR	2
7	481069	AXLE SLEEVE 1°	2
8	265100	3/4-18 WASHER NARROW	2
9	204000	3/4-16 NUT	2
7,8,9	920114	AXLE SLEEVE 1° W/HARDWARE	
1-3,5,6	880927	AXLE CLAMP ASSEMBLY XTR	

QUICK-RELEASE AXLE BRACKET (BREEZY 2/600, QUICKIE LX/LXI/RECLINER/Rx)

(Breezy 2 discontinued 5/98 - parts only; fits Breezy 2 beginning serial number B2-1000)

(Fits Rx beginning serial number Rx-20282)



AX0X06C

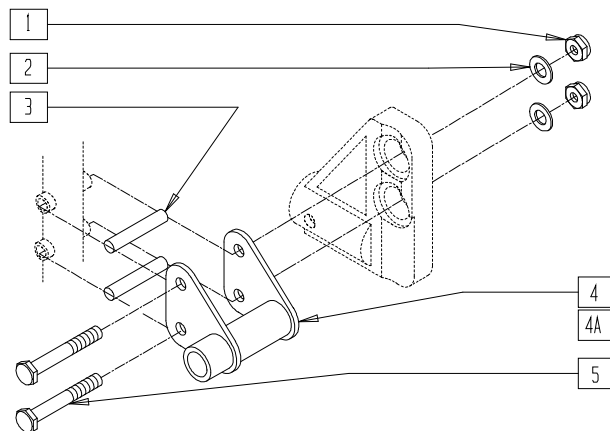
ITEM	NUMBER	DESCRIPTION	QTY
1	561085*	1 1/8" HALF SADDLE 2 HOLE QTS	2
2	221192	1/4-28 x 2 G8 HEX C/S	2
2A	221160	1/4-28 x 2 HEX C/S	2
2B	221170	1/4-28 x 2 1/4 HEX C/S	2

* HALF SADDLES USED ON Rx BEGINNING SERIAL NUMBER Rx-36744.
NOTE: ITEMS 2A AND 2B ARE USED IN BREEZY MODELS ONLY.

ITEM	NUMBER	DESCRIPTION	QTY
3	201110	1/4-28 NYLOCK NUT	2
4	505312	AXLE BRKT QR R BR/Rx/QT	1
4A	505313	AXLE BRKT QR L BR/Rx/QT	1
1-4,4A	920184	QR AXLE BRACKET ASSM BZ/Rx 1 1/8 (PR)	

QUICK-RELEASE AXLE BRACKET (BREEZY 510)

(Discontinued - parts only)



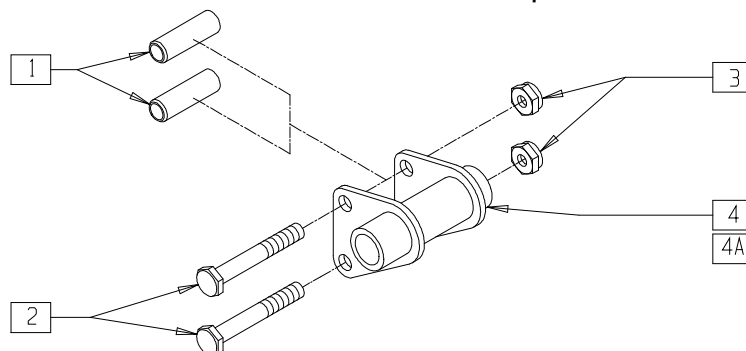
BZ00X10

ITEM	NUMBER	DESCRIPTION	QTY
1	201110-QU	1/4-28 NYLOCK NUT	2
2	262100-QU	1/4 AN WASHER FLAT	2
3	561098	AXLE BRACKET BUSHING PLASTIC	2
4	505312	AXLE BRACKET QR R BR/Rx/QT	1

ITEM	NUMBER	DESCRIPTION	QTY
4A	505313	AXLE BRACKET QR L BR/Rx/QT	1
5	221160	1/4-28 x 2 HEX C/S	2
1,3,4,4A,5	920163	QR AXLE BRACKET W/HDWR BR (PR)	

QUICK-RELEASE AXLE BRACKET (BREEZY 510/QUICKIE Rx)

(Fits Breezy 510 prior to serial number BZ-200000 and Rx prior to serial number Rx-20282)

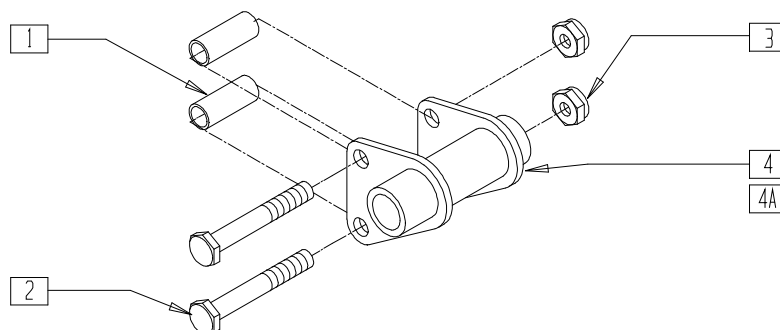


AX0X011

ITEM	NUMBER	DESCRIPTION	QTY
1	561098	AXLE BRACKET BUSHING PLASTIC	2
2	221150	1/4-28 x 1 3/4 HEX C/S	2
3	201110	1/4-28 NYLOCK NUT	2

ITEM	NUMBER	DESCRIPTION	QTY
4	505310	QR AXLE PLATE BZ/Rx R O/S	1
4A	505311	QR AXLE PLATE BZ/Rx L O/S	1
1-4,4A	920162	QR AXLE BRKT ASSM BZ/Rx 1" (PR)	

QUICK-RELEASE AXLE BRACKET (BREEZY 510 RECLINER)

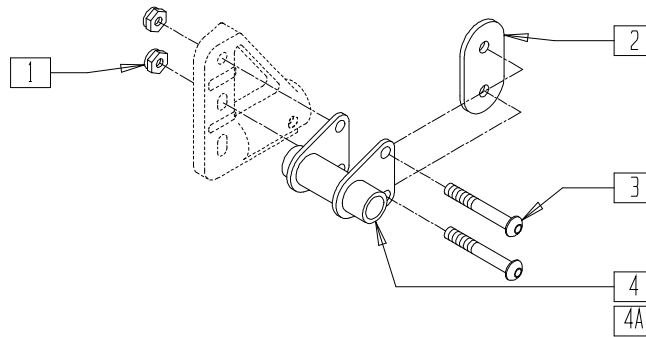


BREX08

ITEM	NUMBER	DESCRIPTION	QTY
1	561098	AXLE BRACKET BUSHING PLASTIC	2
2	221160	1/4-28 x 2 HEX C/S	2
3	201110	1/4-28 NYLOCK NUT	2
4	505312	AXLE BRACKET QR R BR/Rx/QT	1

ITEM	NUMBER	DESCRIPTION	QTY
4A	505313	AXLE BRACKET QR L BR/Rx/QT	1
1-4	920083	QR AXLE PLT L B510 RECLINER	
1-3,4A	920082	QR AXLE PLT R B510 RECLINER	

QUICK-RELEASE AXLE BRACKET (QUICKIE KIDZ)

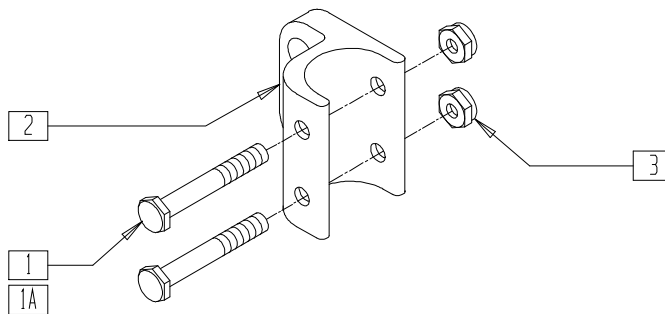


AX0X015

ITEM	NUMBER	DESCRIPTION	QTY
1	201110	1/4-28 NYLOCK NUT	2
2	561085	1 1/8" HALF SADDLE 2 HOLE QTS	1
3	226150	1/4-28 x 2 BH C/S	2

ITEM	NUMBER	DESCRIPTION	QTY
4	505314	AXLE BRACKET QR R KIDZ GP	1
4A	505315	AXLE BRACKET QR L KIDZ GP	1

AXLE BRACKET (STANDARD THREADED AXLES) (QUICKIE LX/RECLINER/Rx) (Fits Quickie Rx beginning serial number Rx-20282)

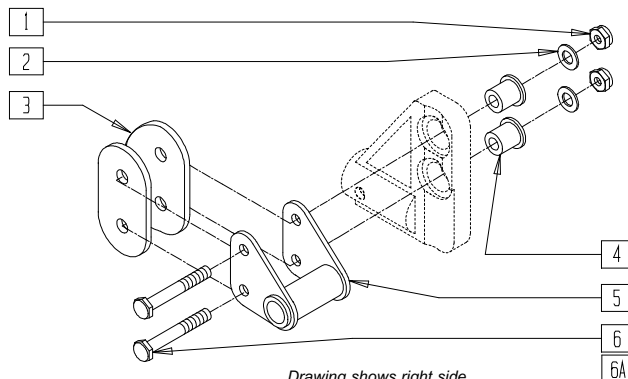


AX0X012

ITEM	NUMBER	DESCRIPTION	QTY
1	221192	1/4-28 x 2 G8 HEX C/S	2
1A	221191	1/4-28 x 2 1/4 G8 HEX C/S	2
2	503000	AXLE BRACKET BZ/Rx/LX	1
3	201110	1/4-28 NYLOCK NUT	2

ITEM	NUMBER	DESCRIPTION	QTY
1-3	920182	AXLE BRACKET ASSEMBLY BZ/Rx 1 1/8" (PR)	
1A,2,3	920181	AXLE BRACKET ASSEMBLY Rx 1 1/8" AT (RECLINER) (PR)	

THREADED OFFSET AXLE BRACKET (BREEZY 2) (Breezy 2 Discontinued 5/98 - parts only)



Drawing shows right side

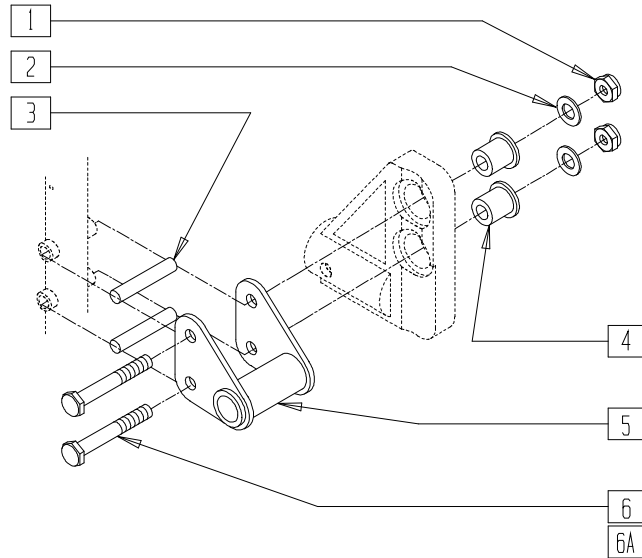
BZ00X21

ITEM	NUMBER	DESCRIPTION	QTY
1	201110	1/4-28 NYLOCK NUT	2
2	262100-QU	1/4 AN WASHER FLAT	2
3	561085	1 1/8" HALF SADDLE 2 HOLE QTS	2
4	281190	ANTI-TIP SPACER BR	2
5	505309	AXLE BRACKET THREADED BR	1

ITEM	NUMBER	DESCRIPTION	QTY
6	221150	1/4-28 x 1 3/4 HEX C/S	2
6A	221190-QU	1/4-28 x 2 3/4 HEX C/S	2
1-3,5,6	920155	AXLE BRKT THRD W/HWDR BR (PR)	
1-5,6A	920157	AXLE BRACKET THRD ANTI-TIP W/HARDWARE B2 (PR)	

THREADED OFFSET AXLE BRACKET (BREEZY 510)

(Discontinued - parts only)

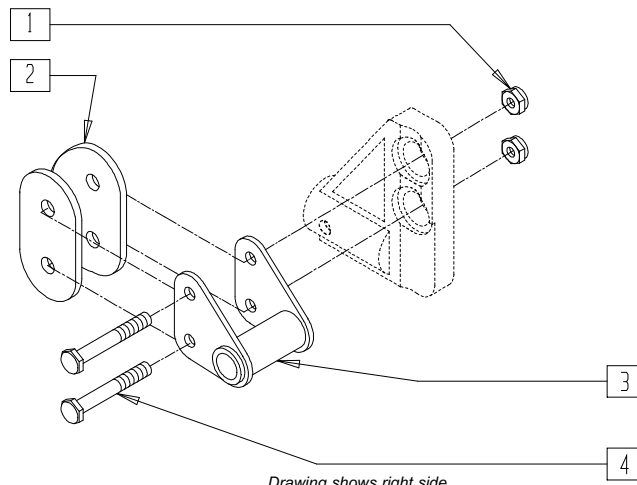


BZ00X19

ITEM	NUMBER	DESCRIPTION	QTY
1	201110	1/4-28 NYLOCK NUT	1
2	262100-QU	1/4 AN WASHER FLAT	2
3	561098	AXLE BRACKET BUSHING PLASTIC	2
4	281190	ANTI-TIP SPACER BR	2
5	505309	AXLE BRACKET THREADED BR	1

ITEM	NUMBER	DESCRIPTION	QTY
6	221160	1/4-28 x 2 HEX C/S	2
6A	221190-QU	1/4-28 x 2 3/4 HEX C/S	2
1,3,5,6	920188	AXLE BRACKET THREADED W/HARDWARE BR (PR)	
1-5,6A	920189	AXLE BRKT THRD AT W/HDWR (PR)	

THREADED OFFSET AXLE BRACKET (BREEZY 600)



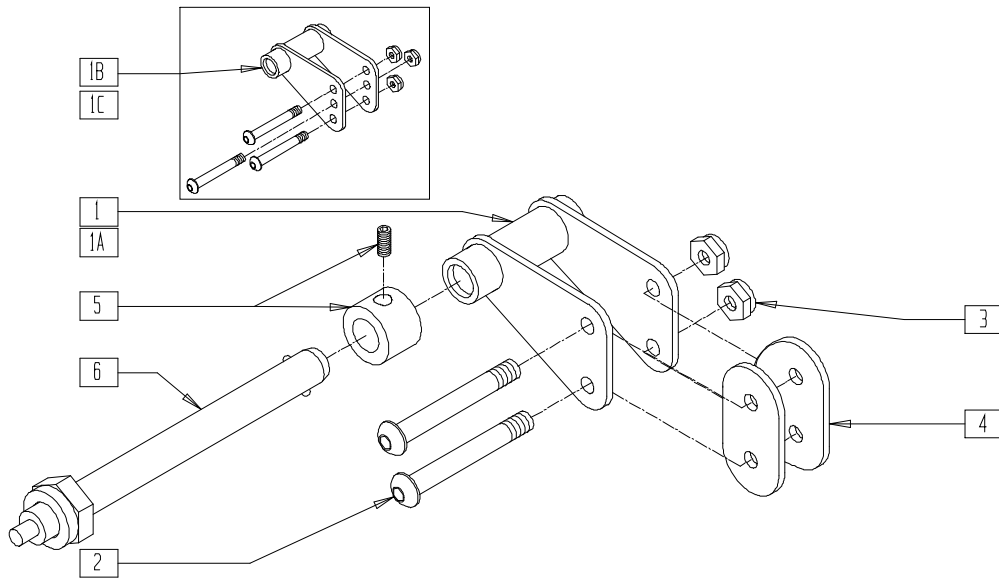
Drawing shows right side

BZ00X21A

ITEM	NUMBER	DESCRIPTION	QTY
1	201110-QU	1/4-28 NYLOCK NUT	2
2	561085	1 1/8" HALF SADDLE 2 HOLE QTS	2
3	505309	AXLE BRACKET THREADED BR	1

ITEM	NUMBER	DESCRIPTION	QTY
4	221160	1/4-28 x 2 HEX C/S	2
	221170	1/4-28 x 2 1/4 HEX C/S	

AXLE BRACKET (ZIPPIE TS) AMPUTEE AXLE BRACKET (QUICKIE TS) (Fits Quickie TS prior to QT-12900)



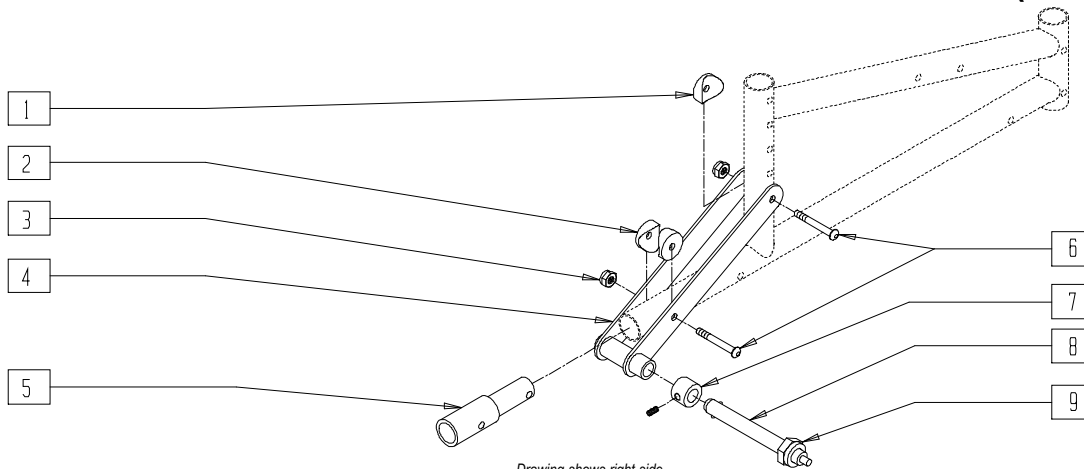
Z00X10

ITEM	NUMBER	DESCRIPTION	QTY
1*	505320	QR AXLE PLATE R ZP TS	1
1A*	505321	QR AXLE PLATE L ZP TS	1
1B*	505322	QR AXLE PLATE R ZP X-LG	1
1C*	505323	QR AXLE PLATE L ZP X-LG	1
2	226140	1/4-28 x 1 3/4 BH C/S	2-3
3	201110	1/4-28 NYLOCK NUT	2-3
4	561085	1 1/8" HALF SADDLE 2 HOLE QTS	2
5	920117	MAG SPACER 6S W/SET SCREW	1

ITEM	NUMBER	DESCRIPTION	QTY
6	920129	QR AXLE W/NUT	1
5,6	920138	QR AXLE W/SPACER FOR 6S MAG	
1-4,6	920132	ZP TS QR AXLE ASSEMBLY SPK (PR)	
1,1A,2-6	920142	ZP TS QR AXLE 6S MAG W/HDWR (PR)	
1B,2-6	920135	ZP TS QR AXLE ASSEMBLY SPOKE X-LONG (PR)	
1B,1C,2-6	920143	ZP TS QR AXLE 6S MAG W/HARDWARE X-LONG (PR)	

NOTE: WHEN USING MAG WITH A HEIGHT ADJUSTABLE ARM, ORDER PART NUMBERS 920129 AND 920117.
NOTE: ITEM 4 USED ON QUICKIE TS BEGINNING SERIAL NUMBER QT-2802.
NOTE: ZIPPIE TS 12" AXLE PLATE FOUND ON PAGE 18.14.
* ORDER ITEMS 1 AND 1A FOR QUICKIE TS AMPUTEE AXLE PLATE.

AXLE BRACKET (12") (ZIPPIE TS)



Drawing shows right side

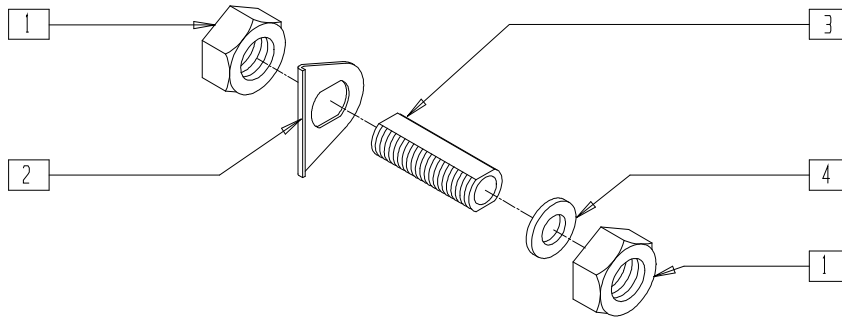
Z00X19A

ITEM	NUMBER	DESCRIPTION	QTY
1	561001	1 1/8" SADDLE 1/4" HOLE	1
2	561004	1" SADDLE 1/4" HOLE	2
3	201100	1/4-28 NYLOCK NUT THIN	2
5	483097	ANTI-TIP INSERT 12" WHEEL	1
6	226140	1/4-28 x 1 3/4 BH C/S	2
7	920117	MAG SPACER 6S W/SET SCREW	1

ITEM	NUMBER	DESCRIPTION	QTY
8	349010	QUICK RELEASE AXLE	1
9	203100	1/2-20 NYLOCK NUT	1
1-6	920161	QR AXLE PLATE TS 12" WHEEL W/AT REC	
7-9	920118	QR AXLE 12S MAG W/NUT AND SPACER	

NOTE: ITEM 7, MAG SPACER, NOT REQUIRED EFFECTIVE SERIAL NUMBER ZP-32173.

AXLE SLEEVE (FOR INDEXED AXLE PLATE)



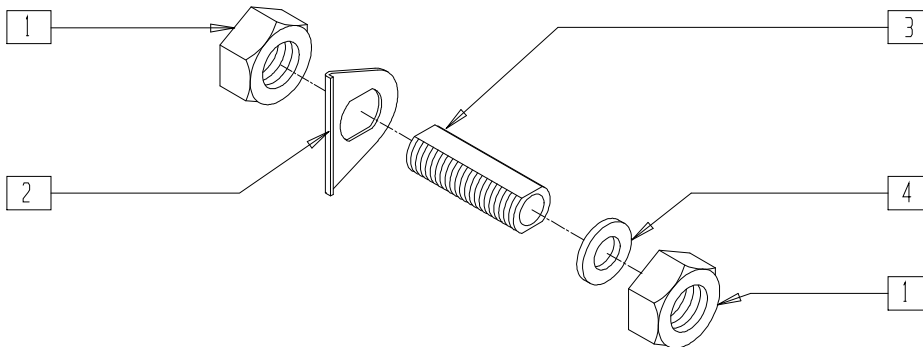
AX0X09

ITEM	NUMBER	DESCRIPTION	QTY
1	204000	3/4-16 NUT	2
2	505015	INDEX AXLE WASHER	1
3	481065	AXLE SLEEVE SS	1

ITEM	NUMBER	DESCRIPTION	QTY
4	265100	3/4 x 18 WASHER NARROW	1
1-4	920120	AXLE SLEEVE W/HARDWARE INDEX	

AXLE SLEEVE (FOR ADJUSTABLE AXLE PLATE) (QUICKIE LX/LXI)

(Threaded axle only)



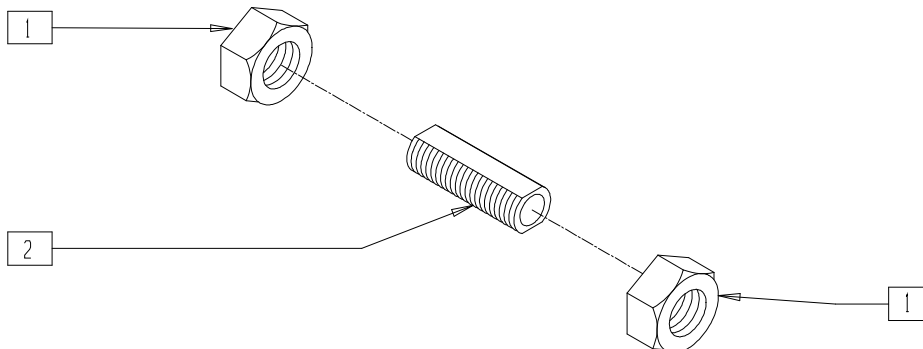
AX0X024

ITEM	NUMBER	DESCRIPTION	QTY
1	204000	3/4-16 NUT	2
2	505015	INDEX AXLE WASHER	1
3	481112	AXLE SLEEVE 7/16" ID	1

ITEM	NUMBER	DESCRIPTION	QTY
4	265100	3/4 x 18 WASHER NARROW	1
1-4	920099	AXLE SLEEVE 7/16" ID W/HARDWARE	

NOTE: AXLE SLEEVE AVAILABLE FOR THREADED AXLES.

AXLE SLEEVE (QUICKIE M6)

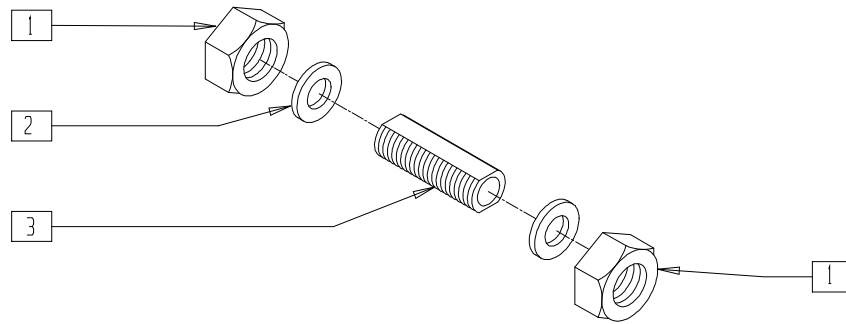


MAG00X32

ITEM	NUMBER	DESCRIPTION	QTY
1	203119	1"-14 JAM NUT	2
2	481268	SLEEVE 5/8" AXLE	1

ITEM	NUMBER	DESCRIPTION	QTY
1,2	920537	AXLE SLEEVE W/HDWR M6	

AXLE SLEEVE (AMPUTEE, NON-INDEXED AXLE, AND CURVED AXLE PLATES)



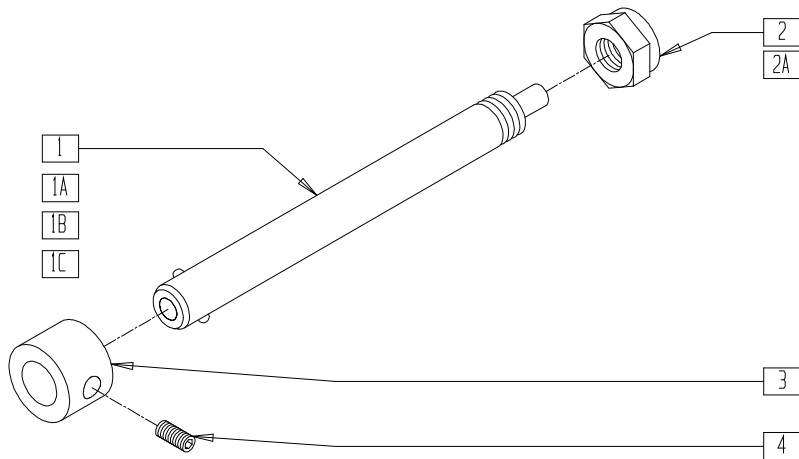
AX0X09A

ITEM	NUMBER	DESCRIPTION	QTY
1	204000	3/4-16 NUT	2
2	265100	3/4 x 18 WASHER NARROW	2

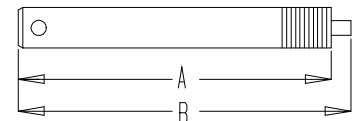
ITEM	NUMBER	DESCRIPTION	QTY
3	481065	AXLE SLEEVE SS	1
1-3	920121	AXLE SLEEVE W/HDWR (NON-INDEX)	

QUICK-RELEASE AXLE (QUICKIE 2 1/2HP/2HP Ti/GP/GPS/GPS Ti/ ST/DT/Ti/ TRIUMPH/R2/REVOLUTION/XTR)

(Quickie GPS, GPS Ti and Triumph discontinued 2/01 parts only.)



MEASURING GUIDE



AXGUIDE

PART NUMBER	"A"	"B"	WEIGHT
920119	4 3/4"	5"	4.0 oz
920129	5 3/8"	5 5/8"	3.8 oz
920130	5 3/4"	6"	4.0 oz
920137	5 3/4"	6"	2.7 oz
920138	5 3/8"	5 5/8"	4.3 oz

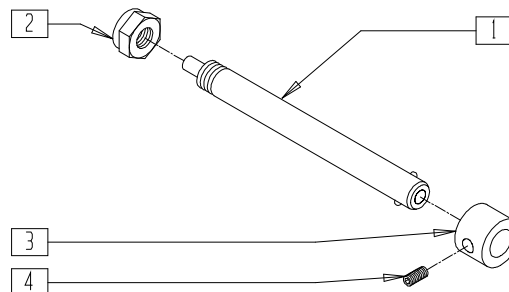
AX0X010

ITEM	NUMBER	DESCRIPTION	QTY
2	203100	1/2-20 NYLOCK NUT	1
2A	330010	1/2-20 NYLOCK NUT ALUMINUM	1
3	483057	MAG AXLE SPACER W/HOLE	1
4	225100	1/4-20 x 1/4 SET SCREW	1
3,4	920117	MAG SPACER 6S W/SET SCREW	
1,2	920119	QR AXLE W/NUT	

ITEM	NUMBER	DESCRIPTION	QTY
1A,2	920129*	QR AXLE W/NUT	
1A,2-4	920138	QR AXLE W/SPACER FOR 6S MAG	
1B,2	920130	QR AXLE NON-RECESS HUB W/NUT	
1C,2A	920137	QR AXLE W/NUT Ti	

* NOTE: 920129 DISCONTINUED 9/21/98 - PARTS ONLY

QUICK-RELEASE AXLE (BREEZY 510 RECLINER)

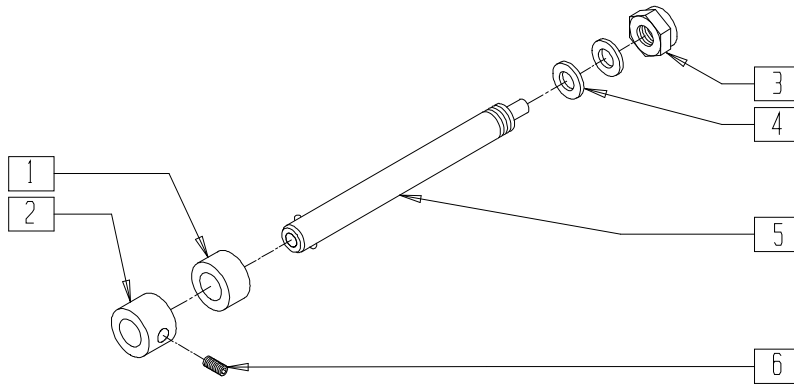


BREX06A

ITEM	NUMBER	DESCRIPTION	QTY
2	203100	1/2-20 NYLOCK NUT	1
3	483057	MAG AXLE SPACER W/HOLE	1
4	225100	1/4-20 x 1/4 SET SCREW	1

ITEM	NUMBER	DESCRIPTION	QTY
3,4	920117	MAG SPACER 6S W/SET SCREW	
1-4	920138	QUICK RELEASE W/SPACER FOR 6S MAG	

QUICK-RELEASE AXLE (BREEZY 510/600 ULTRA HEMI)

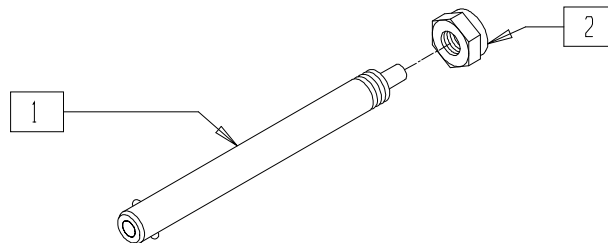


BZ600X08

ITEM	NUMBER	DESCRIPTION	QTY
1	483058	1 AD WHEEL SPACER	1
2	483057	MAG AXLE SPACER W/HOLE	1
3	203100	1/2-20 NYLOCK NUT	1
4	264100	1/2 AN WASHER FLAT	2
5	349007	QUICK RELEASE AXLE QUAD	1

ITEM	NUMBER	DESCRIPTION	QTY
6	225100	1/4-20 x 1/4 SET SCREW	1
3,5	921139	QR AXLE W/NUT BR	
2,6	920117	MAG SPACER 6S W/SET SCREW	
1-6	920626	AXLE QR B510/B600 HEMI	

QUICK-RELEASE AXLE WITH NUT (QUICKIE M6)



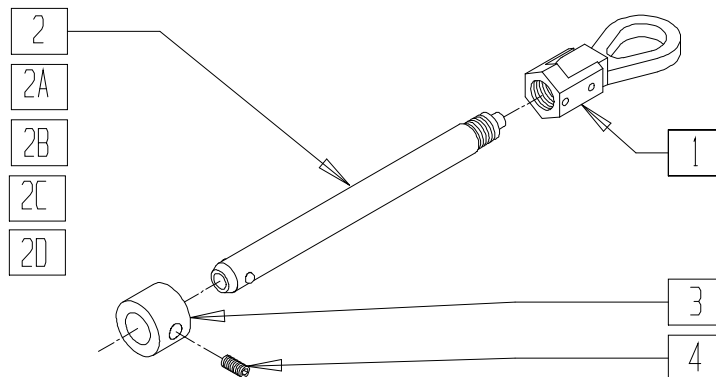
MAG00X23

ITEM	NUMBER	DESCRIPTION	QTY
1	349003	QR AXLE HEAVY DUTY	1
2	203109	5/8-18 NUT, NYLOCK, THIN	1

ITEM	NUMBER	DESCRIPTION	QTY
1,2	920538	QR AXLE W/NUT M6	

QUAD-RELEASE AXLE NUT

(Discontinued 9/21/98 - parts only)



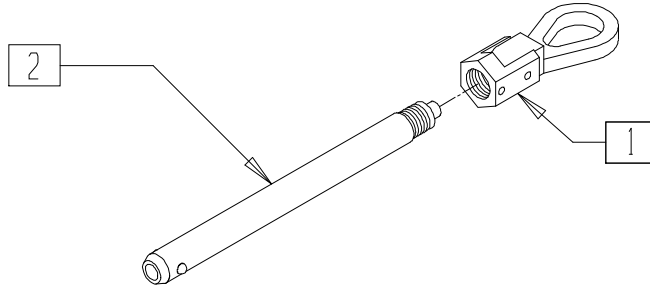
AC0X017

ITEM	NUMBER	DESCRIPTION	QTY
1	920139	QUAD RELEASE AXLE NUT	1
3	483057	MAG AXLE SPACER W/HOLE	1
4	225100	1/4-20 x 1/4 SET SCREW	1
3,4	920117	MAG SPACER 6S W/SET SCREW	
1,2	920170*	QR AXLE STANDARD W/QUAD NUT	

ITEM	NUMBER	DESCRIPTION	QTY
1,2A	920171	QR AXLE MAG W/QUAD NUT	
1,2B,3,4	920172	QR AXLE MAG W/SPACER AND QUAD NUT	
1,2C	920173	QR AXLE TI W/QUAD NUT	
1,2D	920174	QR AXLE NON-RECESS W/QUAD NUT	

* NOTE: 920170 DISCONTINUED 9/21/98 - PARTS ONLY

QUAD-RELEASE AXLE NUT (PUSH-BUTTON) (Effective 9/21/98)

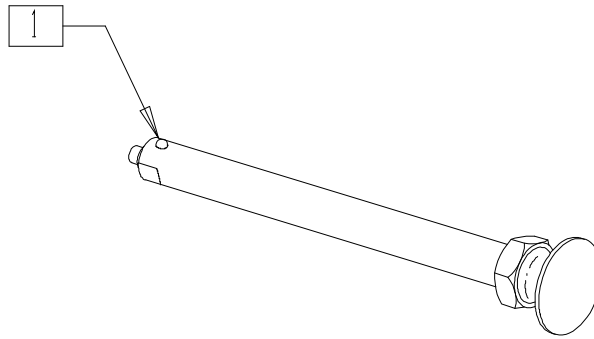


AX0X027

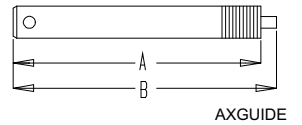
ITEM	NUMBER	DESCRIPTION	QTY
1	920139	QUAD RELEASE AXLE NUT	1

ITEM	NUMBER	DESCRIPTION	QTY
2	922170	QR AXLE W/QUAD NUT PUSH BUTTON	

BIG BUTTON AXLE (SPOKE WHEELS) (Effective 9/21/98)



MEASURING GUIDE



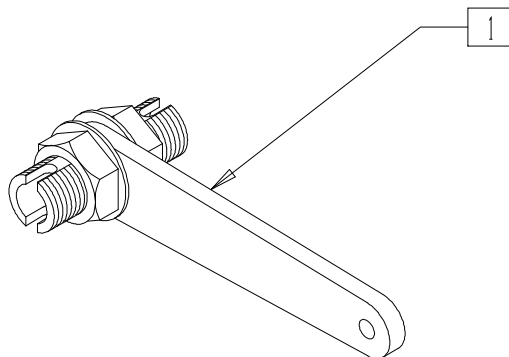
AXGUIDE

PART NUMBER	"A"	"B"
349057	5 3/16"	5 9/16"

AX0X026

ITEM	NUMBER	DESCRIPTION	QTY
1	349057	AXLE PIN AND NUT CLEAR LONG	1

QUICK-RELEASE AXLE WRENCH

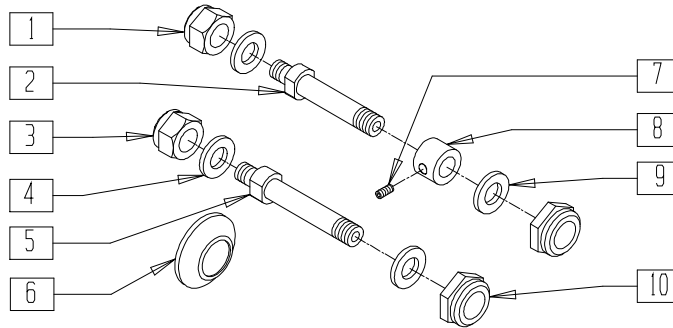


AX0X022

ITEM	NUMBER	DESCRIPTION	QTY
1	920115	QR AXLE WRENCH	1

THREADED REAR AXLE (CHROME BREEZY)

(Fits Chrome Breezy prior to serial number BZ-200000)

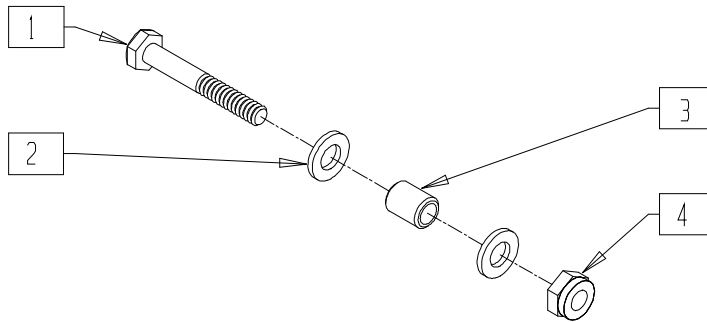


AX0X21

ITEM	NUMBER	DESCRIPTION	QTY
1	202223	7/16-20 NYLOCK NUT THIN	1
3	202225	7/16-20 NYLOCK NUT	1
4	263123	7/16 INTERNAL TOOTH LOCK WSHR	2
6	561068	SIX SPOKE MAG AXLE CAP	1
7	225100	1/4-20 x 1/4 SET SCREW	1
8	483057	MAG AXLE SPACER W/HOLE	1

ITEM	NUMBER	DESCRIPTION	QTY
9	264100	1/2 AN WASHER FLAT	1
10	203100	1/2-20 NYLOCK NUT	1
7,8	920117	MAG SPACER 6S W/SET SCREW	
1,2,4,9,10	920128	AXLE SPOKE W/HDWR BZ/RX O/S	
3-5,9,10	920126	Rx/BZ REAR AXLE W/HDWR 12S MAG	

THREADED AXLE (BREEZY 510/600 ULTRA-HEMI)



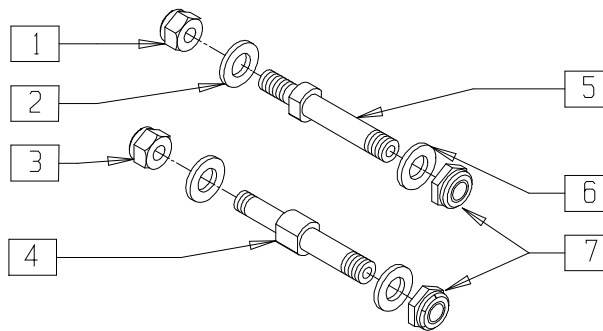
BR600X03

ITEM	NUMBER	DESCRIPTION	QTY
1	221194	1/2-20 x 5 G8 HEX C/S	1
2	264100	1/2 AN WASHER FLAT	2
3	481213	AXLE SPACER BR	1

ITEM	NUMBER	DESCRIPTION	QTY
4	203100	1/2-20 NYLOCK NUT	1
1-4	920085	THREADED AXLE ASSEMBLY BR	

THREADED REAR AXLE (BREEZY 500/510)

(Discontinued - parts only)



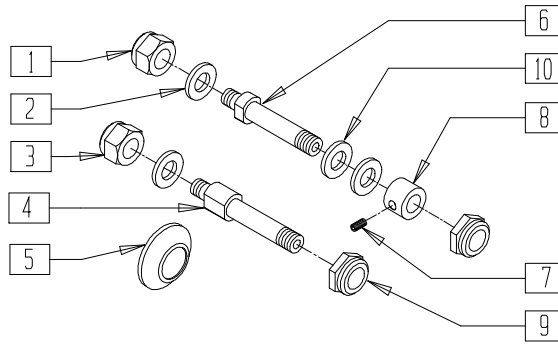
BZ00X11

ITEM	NUMBER	DESCRIPTION	QTY
1	202223	7/16-20 NYLOCK NUT THIN	1
2	263123	7/16 INTERNAL TOOTH LOCK WSHR	2
3	202225	7/16-20 NYLOCK NUT	1
6	264100	1/2 AN WASHER FLAT	1

ITEM	NUMBER	DESCRIPTION	QTY
7	203100	1/2-20 NYLOCK NUT	1
1,2,5-7	920177	AXLE SPOKE W/HARDWARE BR	
2-4,6,7	920176	AXLE MAG W/HARDWARE BR	

THREADED REAR AXLE (BREEZY 510, QUICKIE Rx/RECLINER)

(Fits Breezy prior to serial number BZ-200000, Rx prior to serial number Rx-46101 and Quickie Recliner prior to serial number QR-3308)

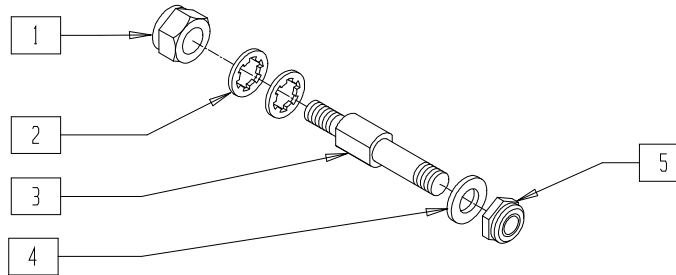


AX0X10A

ITEM	NUMBER	DESCRIPTION	QTY
1	202223	7/16-20 NYLOCK NUT THIN	1
2	263120	7/16 AN WASHER	1
3	202225	7/16-20 NYLOCK NUT	1
5	561068	SIX SPOKE MAG AXLE CAP	1
7	225100	1/4-20 x 1/4 SET SCREW	1
8	483057	MAG AXLE SPACER W/HOLE	1

ITEM	NUMBER	DESCRIPTION	QTY
9	203100	1/2-20 NYLOCK NUT	1
10	264100	1/4 AN WASHER FLAT	2
7,8	920117	MAG SPACER 6S W/SET SCREW	
1,2,6,9,10	920146	AXLE SPOKE W/HDWR 1 1/8" BZ/Rx	
2,3,4,9	920147	AXLE MAG W/HDWR 1 1/8" BZ	
1,2,6-9	920148	AXLE MAG W/SPACER 1 1/8" BZ/Rx	

THREADED REAR AXLE (BREEZY 510 RECLINER)

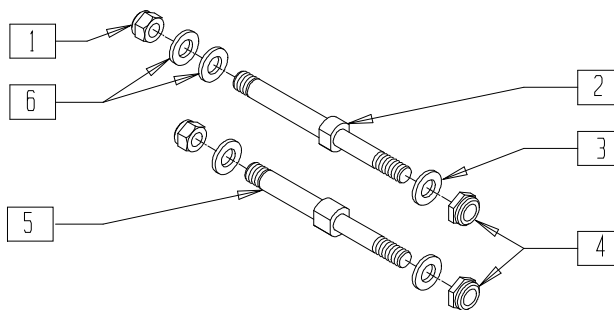


BREX13A

ITEM	NUMBER	DESCRIPTION	QTY
1	202225	7/16-20 NYLOCK NUT	1
2	263123	7/16 INTERNAL TOOTH LOCK WASHER	2
3	481413	AXLE BR RECLINER	1
4	264100	1/2 AN WASHER FLAT	1

ITEM	NUMBER	DESCRIPTION	QTY
5	203100	1/2-20 NYLOCK NUT	1
1-5	920081	AXLE THRD W/HDWR B510 RECLINER (EA)	

THREADED REAR AXLE (ADJUSTABLE AXLE PLATE) (QUICKIE LX/LXI/TS)

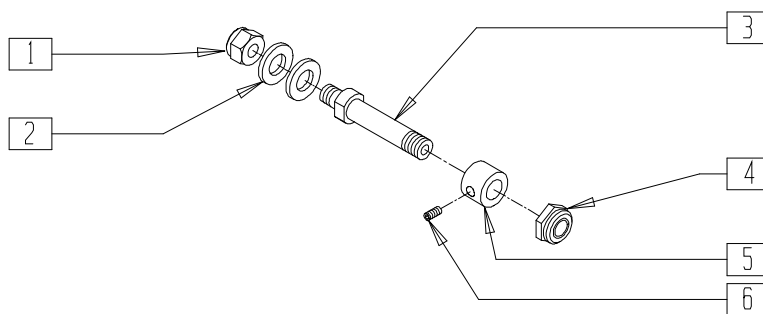


AX0X023

ITEM	NUMBER	DESCRIPTION	QTY
1	203100	1/2-20 NYLOCK NUT	1
3	263120	7/16 AN WASHER	1
4	202223	7/16-20 NYLOCK NUT THIN	1
6	264100	1/2 AN WASHER FLAT	2

ITEM	NUMBER	DESCRIPTION	QTY
1-4,6	920109	AXLE THREADED SPOKE (ADJUSTABLE AXLE PLATE) LX	
1,3-6	920108	AXLE THREADED MAG (ADJUSTABLE AXLE PLATE) LX	

THREADED REAR AXLE (STANDARD AXLE PLATE) (QUICKIE LX)



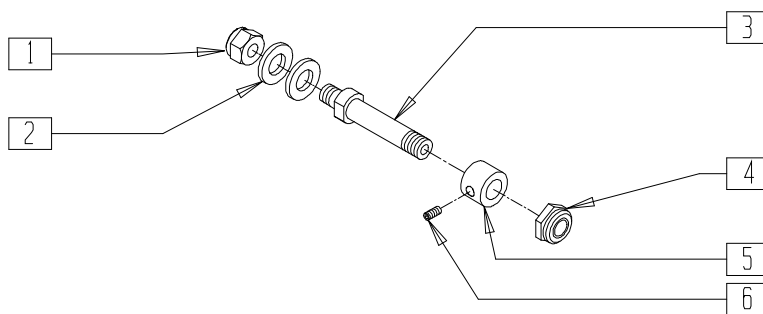
AX0X10B

ITEM	NUMBER	DESCRIPTION	QTY
1	202223	7/16-20 NYLOCK NUT THIN	1
2	263120	7/16 AN WASHER	2
4	203100	1/2-20 NYLOCK NUT	1
5	483057	MAG AXLE SPACER W/HOLE	1
6	225100	1/4-20 x 1/4 SET SCREW	1

ITEM	NUMBER	DESCRIPTION	QTY
5,6	920117	MAG SPACER 6S W/SET SCREW	
1-6	920106	AXLE THREADED MAG (STANDARD AXLE PLATE) LX	
1-4	920107	AXLE THREADED SPOKE (STANDARD AXLE PLATE) LX	

THREADED REAR AXLE (QUICKIE Rx/RECLINER)

(Fits Quickie Rx beginning serial number Rx-46101 and Quickie Recliner beginning serial number QR-3308)

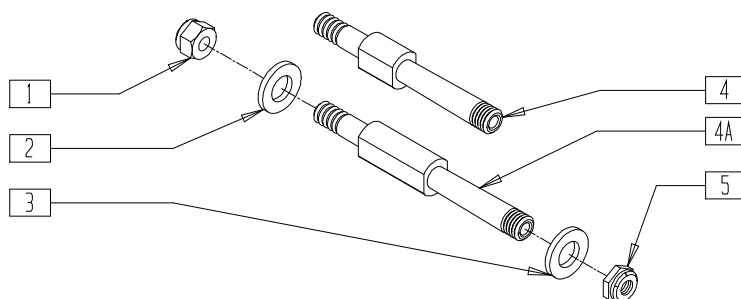


AX0X10B

ITEM	NUMBER	DESCRIPTION	QTY
1	202223	7/16-20 NYLOCK NUT THIN	1
2	263120	7/16 AN WASHER	2
4	203100	1/2-20 NYLOCK NUT	1
5	483057	MAG AXLE SPACER W/HOLE	1

ITEM	NUMBER	DESCRIPTION	QTY
6	225100	1/4-20 x 1/4 SET SCREW	1
5,6	920117	MAG SPACER 6S W/SET SCREW	
1-4	920156	AXLE SPOKE W/HARDWARE Rx	
1-6	920158	AXLE MAG W/SPACER Rx	

THREADED AXLE (QUICKIE T45)



TSR00X14

ITEM	NUMBER	DESCRIPTION	QTY
1	202225	7/16-20 NYLOCK NUT	1
2	263120	7/16 AN WASHER	1
3	264100	1/2 AN WASHER FLAT	1
4	481121	AXLE THREADED T45	1
4A	481120	AXLE THREADED WIDE T45	1

ITEM	NUMBER	DESCRIPTION	QTY
5	203100	1/2-20 NYLOCK NUT	1
1-3,4A,5	920102	AXLE THREADED WIDE W/HARDWARE T45	
1-5	920103	AXLE THREADED STANDARD W/HARDWARE T45	

AXLE REFERENCE GUIDE

BREEZY PRIOR TO SERIAL NUMBER BZ-200000

AXLE	22" MAG	24" MAG 12 SPOKE	24" MAG 6 SPOKE	SPOKE WHEEL
BREEZY 1 1/8" THREADED AXLE W/PIVOT ARMS	920182 (PAIR) 920147	N/A	920182 (PAIR) 920147	920182 (PAIR) 920146
BREEZY 1 1/8" THREADED AXLE W/ADJ FL ARMS	920182 (PAIR) 920148	N/A	920182 (PAIR) 920148	920182 (PAIR) 920146
BREEZY 1 1/8" QR AXLE W/PIVOT ARMS	920184 (PAIR) 920119	N/A	920184 (PAIR) 920119	920184 (PAIR) 349057
BREEZY 1 1/8" QR AXLE W/ADJ FL ARMS	920184 (PAIR) 920138	N/A	920184 (PAIR) 920138	920184 (PAIR) 349057
BREEZY (ALUM) THREADED AXLE W/PIVOT ARMS	920126	920126	920126	920128
BREEZY (ALUM) THREADED AXLE W/ADJ FL ARMS	920128 920117	920140	920140	920128
BREEZY (ALUM) QR AXLE W/PIVOT ARMS	920162 (PAIR) 920119	920162 (PAIR) 920119	920162 (PAIR) 920119	920162 (PAIR) 349057
BREEZY (ALUM) QR AXLE W/ADJ FL ARMS	920162 (PAIR) 920118	920162 (PAIR) 920138	920162 (PAIR) 920119	920162 (PAIR) 349057
CHROME BREEZY THREADED AXLE	920128 920117	920128 920117	920140	920128
CHROME BREEZY QR AXLE	920162 (PAIR) 920118	920162 (PAIR) 920118	920162 (PAIR) 920138	920162 (PAIR) 349057

BREEZY BEGINNING SERIAL NUMBER BZ-200000

AXLE	20" MAG	22" MAG	24" MAG	SPOKE WHEEL
BR THREADED AXLE	920176	920176	920176	920177
BR QUICK RELEASE	920163 920138	920163 920138	920163 920138	920163 349057
BR QR FOR ANTI-TIP	920183 920138	920183 920138	920183 920138	920183 349057
BR THREADED AXLE OFFSET	920188 920176	920188 920176	920188 920176	920188 920176
BR THREADED AXLE OFFSET FOR ANTI-TIP	920189 920176	920189 920176	920189 920176	920189 920177

BREEZY ULTRA HEMI

AXLE	20" MAG	22" MAG	24" MAG	SPOKE WHEEL
ULTRA HEMI THREADED AXLE	920085	920085	920085	N/A
ULTRA HEMI QUICK RELEASE	920119	920119	920119	N/A

BREEZY 500

AXLE	20" MAG	22" MAG	24" MAG	SPOKE WHEEL
BR THREADED AXLE	N/A	N/A	920176	N/A

QUICKIE EX

AXLE	22" MAG	24" MAG 12 SPOKE	24" MAG 6 SPOKE	SPOKE WHEEL
QUICKIE EX	920119	N/A	920119	349057
QUICKIE EX QUAD Q.R.	920171	N/A	920171	920170

QUICKIE GPS

AXLE	22" MAG	24" MAG 12 SPOKE	24" MAG 6 SPOKE	SPOKE WHEEL
QUICKIE GPS	920119	N/A	920119	349057
QUICKIE GPS QUAD Q.R.	920171	N/A	920171	920170

QUICKIE KIDZ

AXLE	12" MAG	14" MAG	20" MAG	20" SPOKE
QUICKIE KIDZ	920119	920119	920138	349057
QUICKIE KIDZ QUAD Q.R.	920171	920171	920172	920170

QUICKIE LX

AXLE	20" MAG	22" MAG	24" MAG 6 SPOKE	SPOKE WHEEL
QUICK RELEASE STD AXLE PLATE	920180 920138	920180 920138	920180 920138	920180 349057
THREADED STD AXLE PLATE	920182 920106	920182 920106	920147 920182	920146 920182
QUICK RELEASE ADJ AXLE PLATE	920138	920138	920138	349057
THREADED ADJ AXLE PLATE	920108	920108	920108	920109
STD AXLE PLATE QUAD Q.R. AXLE	920180 920172	920180 920172	920180 920172	920170
ADJ AXLE PLATE QUAD Q.R. AXLE	920171	920171	920171	920170

QUICKIE LXI

AXLE	20" MAG	22" MAG	24" MAG 6 SPOKE	SPOKE WHEEL
QUICK RELEASE ADJ AXLE PLATE	920138	920138	920138	349057
THREADED ADJ AXLE PLATE	920108	920108	920108	920109
ADJ AXLE PLATE QUAD Q.R. AXLE	920171	920171	920171	920170

NOTE: SEE PAGE 7.23 AND 7.24 FOR AXLES WITH QUAD NUTS.

CONTINUED ON NEXT PAGE

AXLE REFERENCE GUIDE (CONTINUED)

QUICKIE RECLINER PRIOR TO 1/94				
AXLE	22" MAG	24" MAG 12 SPOKE	24" MAG 6 SPOKE	SPOKE WHEEL
QUICKIE RECLINER THREADED AXLE	920182 (PAIR) 920148	N/A	920182 (PAIR) 920148	920182 (PAIR) 920146
QUICKIE RECLINER QR AXLE	920184 (PAIR) 920138	N/A	920184 (PAIR) 920138	920184 (PAIR) 920129
QUICKIE RECLINER QUAD QR AXLE	N/A	N/A	920184 (PAIR) 920171	920148 (PAIR) 920170
QUICKIE RECLINER QR AXLE STD	920138	N/A	920138	920170
QUICKIE RCLNR/ BREEZY Q.R. AXLE STD	920184 (PAIR) 920118	N/A	920126	920184 (PAIR) 920129

QUICKIE RECLINER BEGINNING 1/94				
AXLE	20" MAG	24" MAG 12 SPOKE	24" MAG 6 SPOKE	SPOKE WHEEL
QUICKIE RECLINER THREADED AXLE	920181 920158	N/A	920181 920158	920181 920156
QUICKIE RECLINER QR AXLE	920180 920138	N/A	920180 920138	920180 349057

RIGID CHAIRS, QUICKIE 2/2HP/2HPTI/GP/GPV/TI/TR/QC/QR STD				
AXLE	22" MAG	24" MAG 12 SPOKE	24" MAG 6 SPOKE	SPOKE WHEEL
QUICKIE 2/2HP/ 2HPTI/GP/ GPV/TI/TR/QC/ QR STD AXLE	N/A	920119	920119	349057
QUICKIE GP/GPV/ QC/TI/HP/HPTI/TR QUAD QR AXLE	N/A	N/A	920171	920170

QUICKIE Rx PRIOR TO 1/94				
AXLE	22" MAG	24" MAG 12 SPOKE	24" MAG 6 SPOKE	SPOKE WHEEL
QUICKIE Rx 1 1/8" THREADED AXLE	920182 (PAIR) 920148	N/A	920182 (PAIR) 920148	920182 (PAIR) 920156
QUICKIE Rx 1 1/8" QR AXLE	920184 (PAIR) 920138	N/A	920184 (PAIR) 920138	920184 (PAIR) 349057
QUICKIE Rx 1 1/8" QUAD QR AXLE	920184 920172	N/A	920184 (PAIR) 920172	920184 (PAIR) 920170
QUICKIE Rx (FLAT SIDE) THREADED AXLE	920128 920117	920128 920117	920140	920128
QUICKIE Rx (FLAT SIDE) QR AXLE	920162 (PAIR) 920118	920162 (PAIR) 920118	920162 (PAIR) 920138	920162 (PAIR) 920129
QUICKIE Rx RECLINER 1 1/8" THREADED AXLE	920182 (PAIR) 920146 920117	N/A	920182 (PAIR) 920148	920182 (PAIR) 920156

NOTE: SEE PAGE 7.23 AND 7.24 FOR AXLES WITH QUAD NUTS.

QUICKIE Rx BEGINNING 1/94 (EFFECTIVE 9/21/98)				
AXLE	22" MAG	24" MAG 12 SPOKE	24" MAG 6 SPOKE	SPOKE WHEEL
QUICKIE Rx THREADED	920182 920158	N/A	920182 920158	920182 920156
QUICKIE Rx THRD W/ANTI-TIP	920181 920158	N/A	920181 920158	920181 920156
QUICKIE Rx QR W/ANTI-TIP	920180 920138	N/A	920180 920138	920180 920129

QUICKIE T45				
AXLE	16"-20" MAG			
QUICKIE T45	920103			
QUICKIE T45 W/ ADJ LOCKING ARM	920102			

Quickie TNT				
AXLE	24" SPOKE	24" HEAT TREATED		
Quickie TNT	349058, 349055, 349056	349058, 349055, 349056		

QUICKIE TS (PRIOR TO QT-12900), ZIPPIE				
AXLE	22" MAG	24" MAG 12 SPOKE	24" MAG 6 SPOKE	SPOKE WHEEL
QUICKIE TS QR AXLE	N/A	N/A	920119	349057
QUICKIE TS QUAD QR AXLE	N/A	N/A	920171	920170
ZIPPIE TS QR AXLE STD	920134 (PAIR)	920134 (PAIR)	920142 (PAIR)	920132 (PAIR)
ZIPPIE TS QR AXLE X-LARGE	920136 (PAIR)	920136 (PAIR)	920143 (PAIR)	920135 (PAIR)
ZIPPIE TS QUAD QR AXLE STANDARD	N/A	N/A	920185 (PAIR) 920172	920186 (PAIR) 920170
ZIPPIE TS QUAD QR AXLE X-LARGE	N/A	N/A	920185 (PAIR) 920172	920186 (PAIR) 920170

QUICKIE TS (BEGINNING QT-12900)				
AXLE	22" MAG	24" MAG 12 SPOKE	24" MAG 6 SPOKE	SPOKE WHEEL
QUICKIE TS QR AXLE	N/A	N/A	920119	349057
QUICKIE TS QUAD QR AXLE	N/A	N/A	920171	920170

QUICKIE R2				
AXLE	22" MAG	24" MAG 12 SPOKE	24" MAG 6 SPOKE	SPOKE WHEEL
QUICKIE R2 QR AXLE	N/A	N/A	920119	349057
QUICKIE R2 QUAD QR AXLE	N/A	N/A	920171	922170

QUICKIE M6				
AXLE	22" MAG	24" MAG 12 SPOKE	24" MAG 6 SPOKE	SPOKE WHEEL
QUICKIE M6 QR AXLE	N/A	N/A	N/A	920538

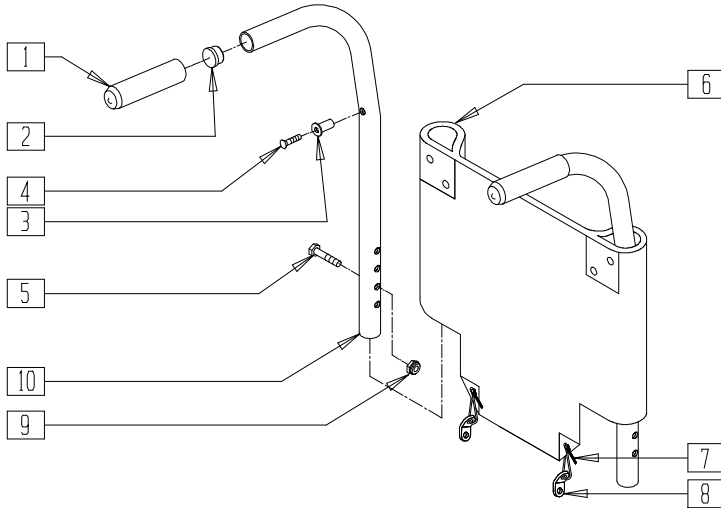
Folding Chair Backrests and Upholstery

IN THIS SECTION

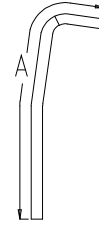
Backrest and Upholstery (Quickie Rx) (Disc.)	8.1	Stroller Handle Extension - Removable (Quickie 2 Depth Adjustable Back/TS/ Quickie 2 Stroller handle)	8.9
Backrest and Upholstery (Quickie LX/LXI)	8.1	Backrest Stabilizer Bar (Quickie 2 Heavy Duty Option)	8.10
3/4" Push Handle Backrest and Upholstery (Quickie 2/2HP) (Disc.)	8.2	7/8" Push Handle backrest, Stabilizer Bar, and Upholstery (Quickie M6)	8.11
7/8" Push Handle Backrest and Upholstery (Quickie 2/2HP/2HPTi).....	8.2	Back Frame (Quickie Revolution).....	8.12
3/4" Non-Push Handle Backrest and Upholstery (Quickie 2/2HP) (Disc.).....	8.3	Push Handle Backrest (Quickie Revolution).....	8.12
7/8"Non-Push Handle Backrest and Upholstery (Quickie 2/2HP/2HPTi).....	8.3	Backrest (Quickie Revolution)	8.13
Angle Adjustable Backrest (Quickie 2/2HP)	8.4	Backrest Upholstery (Quickie Revolution)	8.13
Adjustable Back Upholstery (Quickie 2/2HP/Heavy Duty Option)	8.5	Back Upholstery (Quickie Revolution)	8.14
Backrest (Quickie2 Depth Adjustable Back/ Stroller handles).....	8.6	Backrest and Upholstery (Quickie Recliner).....	8.14
Swing-Away Adjustable Stroller Handle (Quickie 2 Depth Adjustable Back)	8.7	Headrest Extension and Upholstery (Quickie Recliner)	8.15
Removable Stroller Handle (Quickie 2/2HP.....	8.8	Backrest (Quickie Recliner)	8.16
Solid Back (Quickie 2 Depth Adjustable Back/TS)	8.9	Solid Back and Cushion	8.17
		Removable Solid Seat and Back (Velcro®)	8.18
		Backrest Cushion (Quickie 2/2HP/2HPTi/Rx).....	8.18
		Back Upholstery Measuring Guides	8.19

BACKREST AND UPHOLSTERY (QUICKIE Rx)

(Discontinued 4/1/96 - parts only)



MEASURING GUIDE



MGUIDE3

BACK TUBE	"A"
14"	23 1/2"
17"	26 1/2"
19"	28 1/2"

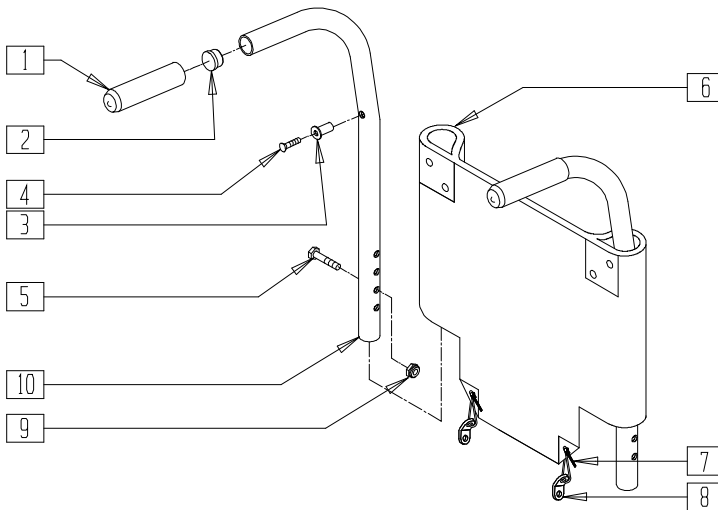
NOTE: DIMENSIONS ARE FOR BACK TUBE ONLY AND DO NOT INCLUDE FOAM GRIP.

BK0X08A

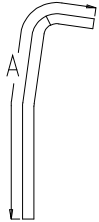
ITEM	NUMBER	DESCRIPTION	QTY
1	560661	QUICKIE GRIP 7/8"	2
2	561007	7/8" INSERT PLUG .083	2
3	341497	10-32 x .020-.130 RIVNUT GOLD	2
4	281120	10-32 x 5/8 PAN HD PHIL	2
5	221151-QU	1/4-28 x 1 3/4 G8 HEX C/S	2
6	684010-684094	BACK UPHOLSTERY 11"-20" (Q2/Rx)	1
7	560410	ZIP TIE BLK	2
8	560227	2 HOLE TOGGLE BENT PLASTIC	2

ITEM	NUMBER	DESCRIPTION	QTY
9	201110	1/4-28 NYLOCK NUT	2
1-3,10	842019	Rx BCK TBE LOW (14") PH 8° W/FOAM	
	842020	Rx BCK TBE REG (17") PH 8° W/FOAM	
	842022	Rx BCK TBE TALL (19") PH 8° W/FOAM	
	842023	Rx BACK TUBE LOW PH W/FOAM	
	842024	Rx BACK TUBE REG PH W/FOAM	
1-10	842025	Rx BACK TUBE TALL PH W/FOAM	
	683810-683984	BACK ASSEMBLY 11"-20" Rx	

BACKREST AND UPHOLSTERY (QUICKIE LX/LXI)



MEASURING GUIDE



MGUIDE3

BACK TUBE	"A"
14"-17"	26 1/2"
16"-19"	28 1/2"

NOTE: DIMENSIONS ARE FOR BACK TUBE ONLY AND DO NOT INCLUDE FOAM GRIP.

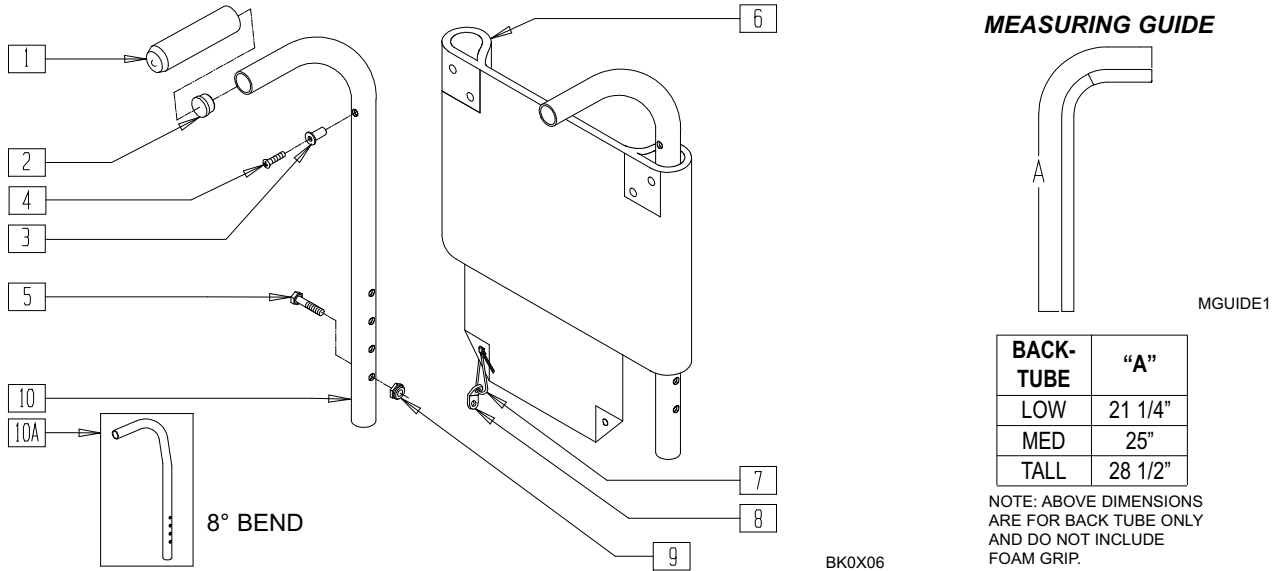
BK0X08

ITEM	NUMBER	DESCRIPTION	QTY
1	560661	QUICKIE GRIP 7/8"	2
2	561007	7/8" INSERT PLUG .083	2
3	341497	10-32 x .020-.130 RIVNUT GOLD	2
4	281120	10-32 x 5/8 PAN HD PHIL	2
5	221151-QU	1/4-28 x 1 3/4 G8 HEX C/S	2
6	684010-684094	BACK UPHOLSTERY 11"-20" (Q2/Rx)	1
7	560410	ZIP TIE BLK	2

ITEM	NUMBER	DESCRIPTION	QTY
8	560227	2 HOLE TOGGLE BENT PLASTIC	2
9	201110	1/4-28 NYLOCK NUT	2
1-3,10	842094	LX/LXI BCK TBE 14"-17" PH 8° W/FOAM	
	842095	LX/LXI BCK TBE 16"-19" PH 8° W/FOAM	
	842096	LX/LXI BCK TBE 14"-17" PH W/FOAM	
	842097	LX/LXI BACK TUBE 16"-19" PH W/FOAM	
1-10	683040-683077	BACK ASSEMBLY 11"-19" LX	

3/4" PUSH HANDLE BACKREST AND UPHOLSTERY (QUICKIE 2/2HP)

(Discontinued 4/9/90 - parts only; fits Quickie 2/2HP prior to serial number Q2-72487)

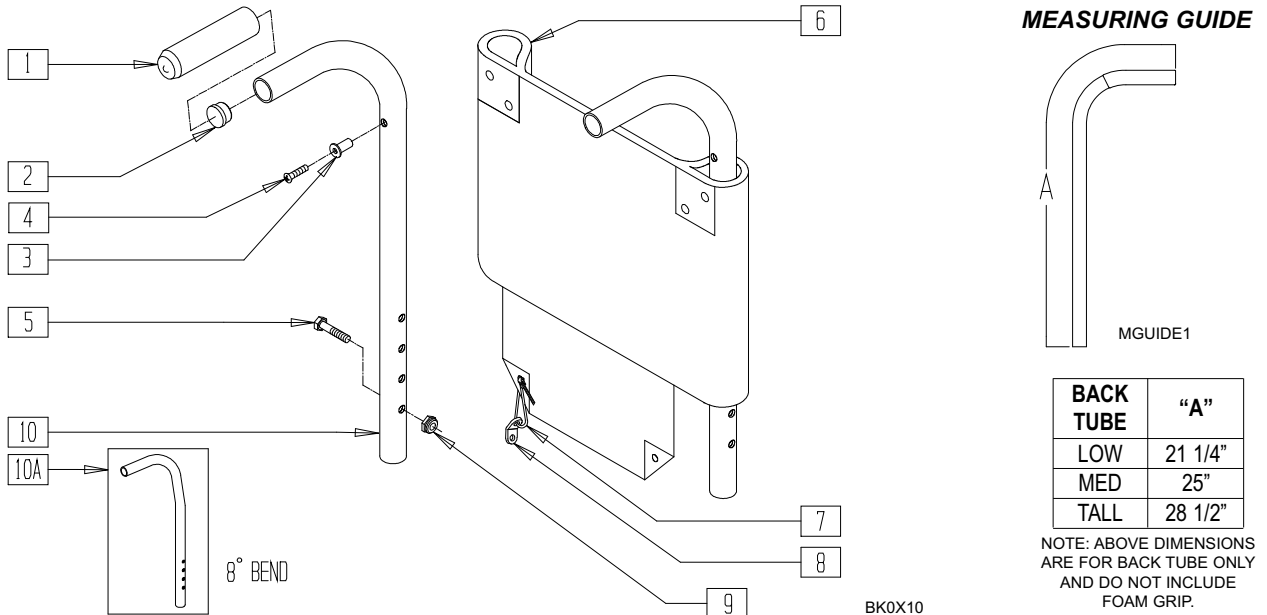


BK0X06

ITEM	NUMBER	DESCRIPTION	QTY
1	560662	QUICKIE GRIP 3/4"	2
2	561000-QU	3/4" INSERT PLUG .083	2
3	341497	10-32 x .020-.130 RIVNUT GOLD	2
4	281120	10-32 x 5/8 PAN HD PHIL	2
5	221133	1/4-28 x 1 1/2 G8 HEX C/S	2
6	684010-684094	BACK UPHOLSTERY 11"-20" (Q2/2HP)	1

ITEM	NUMBER	DESCRIPTION	QTY
7	560410	ZIP TIE BLK	2
8	560227	2 HOLE TOGGLE BENT PLASTIC	2
9	201110	1/4-28 NYLOCK NUT	2
1-3,10A	842010-842018	BACK TUBE PUSH HANDLE 3/4 W/FOAM (Q2/2HP)	
1-10; 1-9,10A	682102-682918	BACK ASSEMBLY PUSH HANDLE 3/4 11"-20" (Q2/2HP)	

7/8" PUSH HANDLE BACKREST AND UPHOLSTERY (QUICKIE 2/2HP/2HPTi)



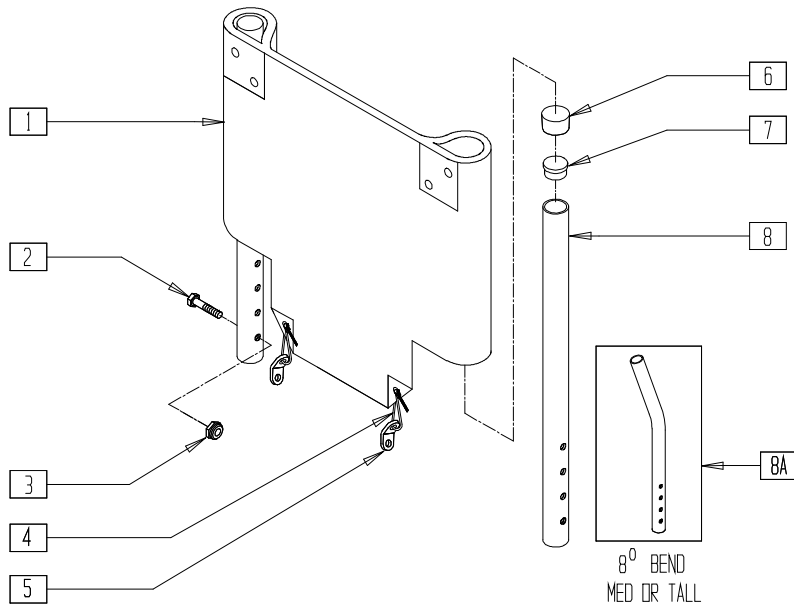
BK0X10

ITEM	NUMBER	DESCRIPTION	QTY
1	560661	QUICKIE GRIP 7/8"	2
2	561007	7/8" INSERT PLUG .083	2
3	341497	10-32 x .020-.130 RIVNUT GOLD	2
4	281120	10-32 x 5/8 PAN HD PHIL	2
5	221151-QU	1/4-28 x 1 3/4 G8 HEX C/S	2
6	684010-684094	BACK UPHOLSTERY 11"-20" (Q2/2HP)	1

ITEM	NUMBER	DESCRIPTION	QTY
7	560410	ZIP TIE BLK	2
8	560227	2 HOLE TOGGLE BENT PLASTIC	2
9	201110	1/4-28 NYLOCK NUT	2
1-3,10A	842130-842138	BACK TUBE PUSH HANDLE 7/8" W/FOAM (Q2/2HP)	
1-10	682001-	BACK ASSEMBLY PUSH HANDLE 7/8" 11"-20" (Q2/2HP)	
1-10A	682089		

3/4" NON-PUSH HANDLE BACKREST AND UPHOLSTERY (QUICKIE 2/2HP)

(Discontinued 4/9/90 - parts only; fits Quickie 2/2HP prior to serial number Q2-72487)



MEASURING GUIDE



MGUIDE2

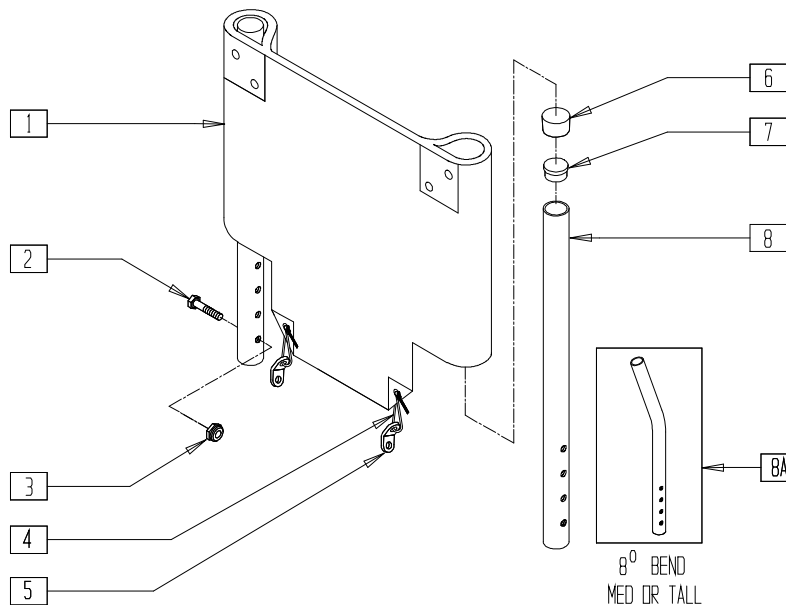
BACK TUBE	"A"
LOW	15"
MED	18 1/2"
TALL	22"

BK0X07

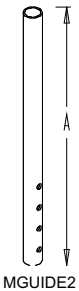
ITEM	NUMBER	DESCRIPTION	QTY
1	684010-684094	BACK UPHOLSTERY 11"-20" (Q2/2HP)	1
2	221133	1/4-28 x 1 1/2 G8 HEX C/S	2
3	201110	1/4-28 NYLOCK NUT	2
4	560410	ZIP TIE BLACK	2
5	560227	2 HOLE TOGGLE BENT PLASTIC	2

ITEM	NUMBER	DESCRIPTION	QTY
6	561010	3/4" CAP	2
7	561000-QU	3/4" INSERT PLUG .083	2
6-8	842000-	BACK TUBE LOW, MED, TALL 3/4"	
6-8A	842008	(Q2/2HP)	
1-8; 1-7,8A	682100- 682916	BACK ASSEMBLY 3/4 11"-20" (Q2/2HP)	

7/8" NON-PUSH HANDLE BACKREST AND UPHOLSTERY (QUICKIE 2/2HP/2HP Ti)



MEASURING GUIDE



MGUIDE2

BACK TUBE	"A"
LOW	15"
MED	18 1/2"
TALL	22"

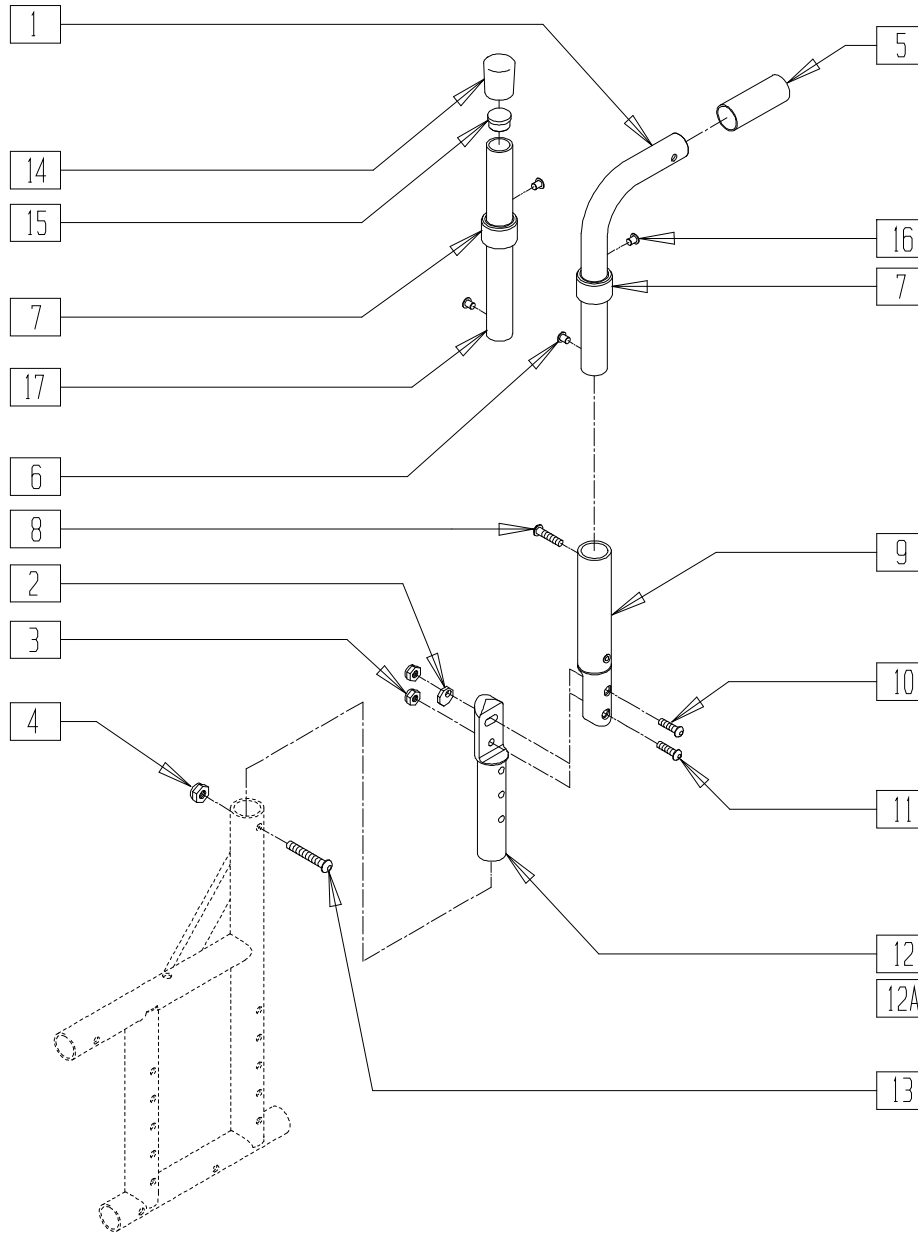
BK0X07A

ITEM	NUMBER	DESCRIPTION	QTY
1	684010-684094	BACK UPHOLSTERY 11"-20" (Q2/2HP)	1
2	221151-QU	1/4-28 x 1 3/4 G8 HEX C/S	2
3	201110	1/4-28 NYLOCK NUT	2
4	560410	ZIP TIE BLACK	2
5	560227	2 HOLE TOGGLE BENT PLASTIC	2

ITEM	NUMBER	DESCRIPTION	QTY
6	561013	7/8" CAP	2
7	561007	7/8" INSERT PLUG .083	2
6-8	842120-	BACK TUBE LOW, MED, TALL 7/8"	
6-8A	842128	(Q2/2HP)	
1-8; 1-7,8A	682000- 682087	BACK ASSEMBLY 7/8 11"-20" (Q2/2HP)	

ANGLE ADJUSTABLE BACKREST (QUICKIE 2/2HP)

(Effective 10/23/99 beginning serial number Q2-242051)



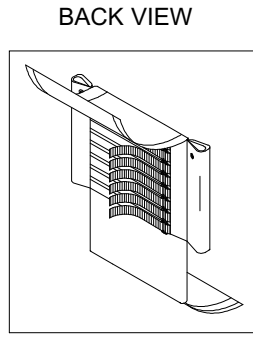
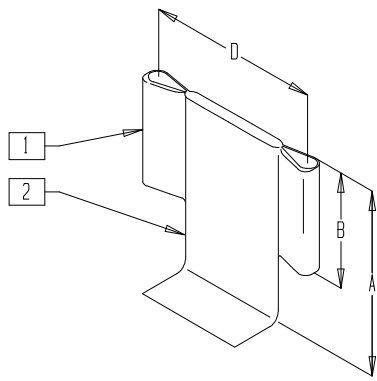
Q220X06

ITEM	NUMBER	DESCRIPTION	QTY
2	341017	WASHER ECCENTRIC	1
3	202300	1/4-28 NYLOCK NUT THIN BLK	2
4	201110-QU	1/4-28 NYLOCK NUT	1
5	560661	QUICKIE GRIP 7/8"	1
6	341503	RIVNUT 1/4" x 28 RIBBED	2
7	561083	1 1/8" TUBE END BUSHING THIN	1
8	226100	1/4-28 x 3/4 BH C/S	1
9	820723, 820724	ADJ BCK BRCKT W/INSERT TUBE (EA)	1
10	226122	1/4-28 x 1.10 BH C/S	1
11	226131	1/4-28 x 1 1/4 BH C/S SHLDR	1
12	483550	ADJ BACK BRACKET ECC/REC	1
12A	483557	ADJ BACK BRACKET TALL REC	1

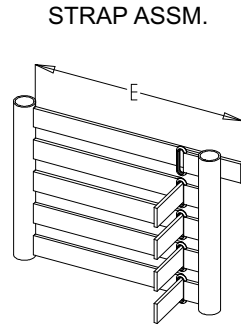
ITEM	NUMBER	DESCRIPTION	QTY
13	226130	1/4-28 x 1 1/2 BH C/S	1
14	561013	7/8" CAP	1
15	561007	7/8" INSERT PLUG .083	1
16	341497	10-32 x .020-.130 RIVNUT GOLD	1
1,5-7, 16	820730- 820735	PSH HNDL Q2 (LOW, MED, TALL) ANG ADJ 7/8" (EA)	
6,7,14-17	820736- 820741	BCK TUBE Q2 (LOW, MED, TALL) ANG ADJ 7/8" (EA)	
2-3,9-12	820742- 820744	BACK TUBE Q2 ANGL ADJ (EA)	
2,3, 9-12A	820743- 820745	BACK TUBE Q2 ANGL ADJ TALL(EA)	

NOTE: MUST HAVE NEW STYLE REAR SIDE FRAME EFFECTIVE 10/23/99 TO USE ANGLE ADJUSTABLE BACKREST

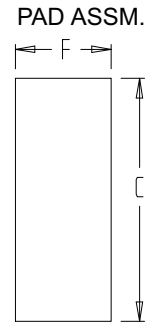
ADJUSTABLE BACK UPHOLSTERY (QUICKIE 2/2HP/HEAVY DUTY OPTION)



BACK VIEW



STRAP ASSM.



PAD ASSM.

ZGS0X45

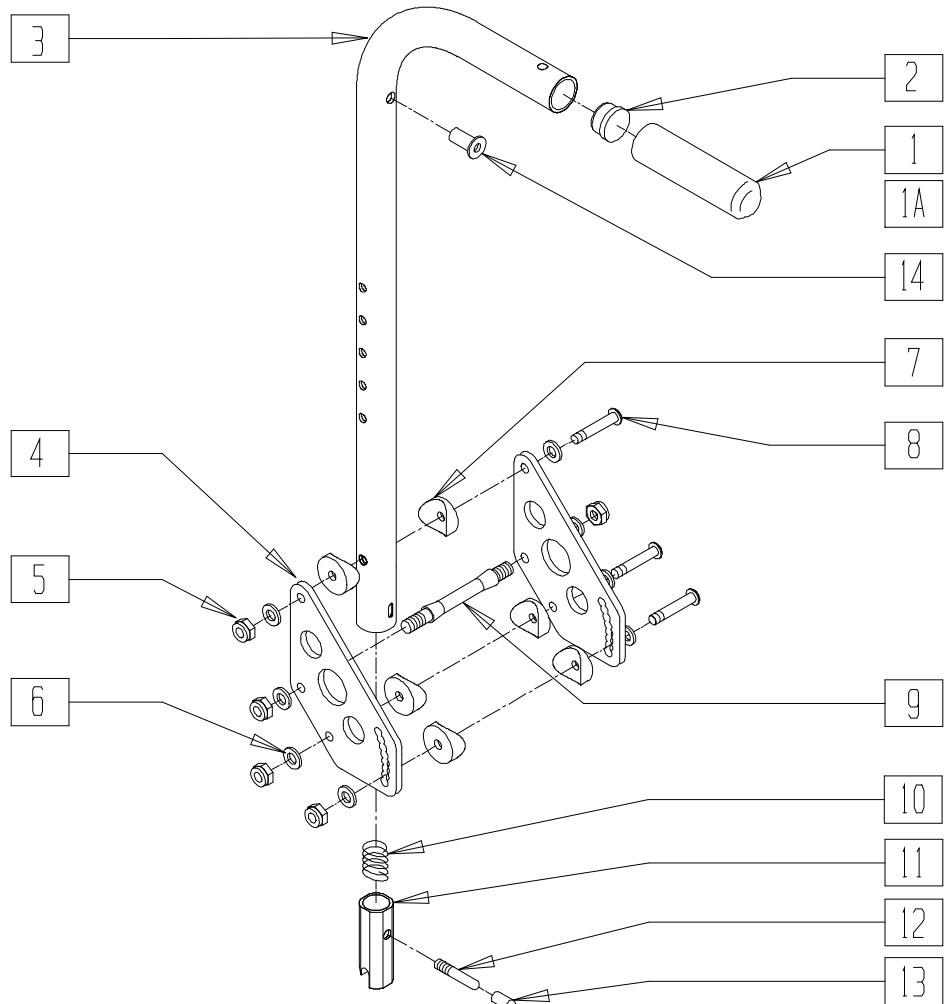
ITEM	NUMBER	DESCRIPTION	QTY
1	680230-680238	ADJ STRAP ASSEMBLY, GROWING ADJ BACK (SPECIFY WIDTH/HEIGHT)	
	680370-680384	BACK UPH (18" LOW- 22" HIGH) Q2 H/D	

ITEM	NUMBER	DESCRIPTION	QTY
2	684480-684488	ADJ BACK STRAP COVER 10"-16" SHT, MED, TALL ZGS (SPECIFY WIDTH/HEIGHT)	

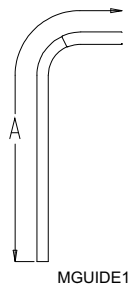
HEIGHT TABLE		STRAP ASSM.		PAD ASSM
	BACK HEIGHT "A"	NO. OF STRAPS	HEIGHT "B"	LENGTH "C"
LOW	11"-14"	5	6 1/2"	25"
MEDIUM	12"-16"	6	8 1/2"	29"
TALL	14"-18"	8	10 1/2"	33"
X-TALL	16"-20"	9	12 1/2"	37"

WIDTH TABLE		WIDTH "D"					
		SMALL 10"-12"	MED 12"-14"	LARGE 14"-16"	XLARGE 16"-18"	XLARGE 18"-20"	XLARGE 20"-22"
STRAP ASSM	STRAP LENGTH "E"	9 1/2"	13 1/2"	17 1/2"	17 1/2"	21 1/2"	21 1/2"
PAD ASSM	WIDTH "F"	8"	10"	12"	14"	16"	18"

BACKREST (QUICKIE 2 DEPTH ADJUSTABLE BACK/STROLLER HANDLES)



MEASURING GUIDE



BACK TUBE	"A"
STD	25 3/4"
MED	28 3/4"
TALL	31 3/4"

NOTE: ABOVE DIMENSIONS ARE FOR BACK TUBE ONLY AND DO NOT INCLUDE FOAM GRIP.

Drawing shows right side

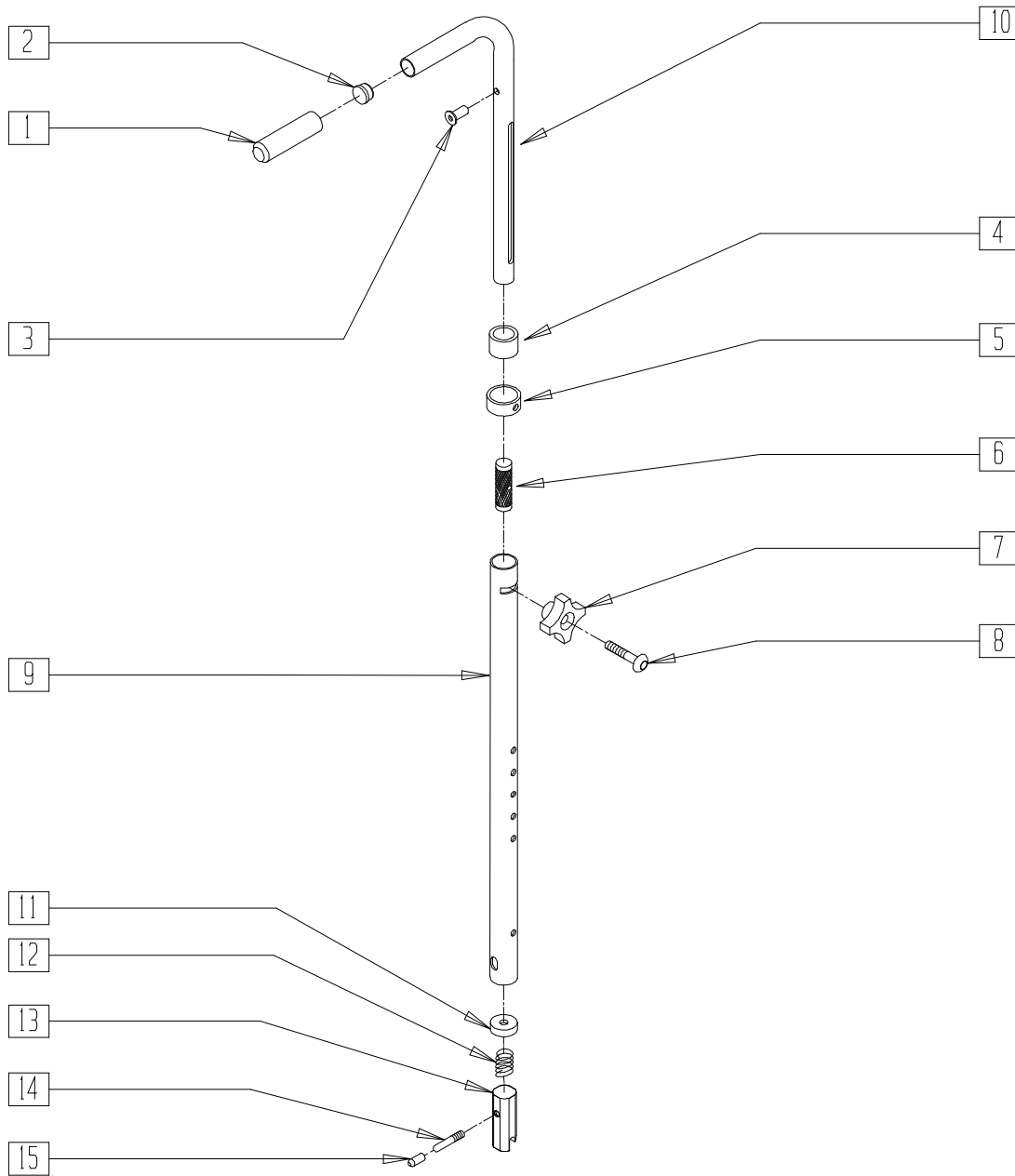
ZP200X05

ITEM	NUMBER	DESCRIPTION	QTY
1	560663	QUICKIE GRIP 1"	1
1A	560660	QUICKIE GRIP 1" W/HOLE	1
2	561002	1" INSERT PLUG .083	1
4	500192	BACK PLATE ZP/P5/QT/EX/Q2 DEPTH	2
5	201100	1/4-28 NYLOCK NUT THIN	5
6	262100-QU	1/4 AN WASHER FLAT	8
7	561004	1" SADDLE 1/4" HOLE	6
8	226150	1/4-28 x 2 BH C/S	3
9	481042	BACK RELEASE STOP PIN QTS	1
10	321110	S/A LATCH SPRING	1
11	483019	BACK RELEASE LATCH	1
12	481084	BACK RELEASE PIN Z2/QT/EX	1
13	560502	ANTI-TIP LEVER COVER	1
14	341497	10-32 x .020-.130 RIVNUT GOLD	1
5-9	920321	BACK PLATE HARDWARE KIT	
15-13	920328	BACKREST LATCH KIT	
1-3,14	842079	STRL HANDLE W/FOAM MED ZPS/QT	
	842080	STRL HNDL W/FOAM STD ZPS/P5/QT	
	842081	STRL HANDLE W/FOAM TALL ZPS/QT	

ITEM	NUMBER	DESCRIPTION	QTY
1-3,10-14	920389	STRL HNDL W/LTCH MED ZPS/P5/QTS	
	920390	STRL HANDLE W/LATCH ZPS/P5/QT	
	920391	STRL HNDL W/LATCH TALL ZPS/P5/QT	
1-14	920299	STRL HANDLE MED AND PLATE ASSM	
	920345	STRL HANDLE STD AND PLATE ASSM	
	920347	STRL HANDLE TALL AND PLATE ASSM	
1A,2,3,14	842066	EXT STROLLER HANDLE MED	
	842067	EXT STROLLER HANDLE STD	
	842068	EXT STROLLER HANDLE TALL	
1A,2,3	920423	EXT STROLLER HNDL MED W/LATCH	
	920421	EXT STROLLER HNDL STD W/LATCH	
	920424	EXT STROLLER HNDL TALL W/LATCH	
1A,2-14	920375	EXT STRLR HNDL MED AND PLT ASSM	
	920348	EXT STRLR HNDL STD AND PLT ASSM	
	920349	EXT STRLR HNDL TALL AND PLT ASSM	

NOTE: HOLE ON TOP OF STROLLER HANDLE (FOR STROLLER HANDLE EXTENSION) EFFECTIVE 12/21/93. BEGINNING SERIAL NUMBER ZP-32105.

SWING-AWAY ADJUSTABLE STROLLER HANDLE (QUICKIE 2 DEPTH ADJUSTABLE BACK)



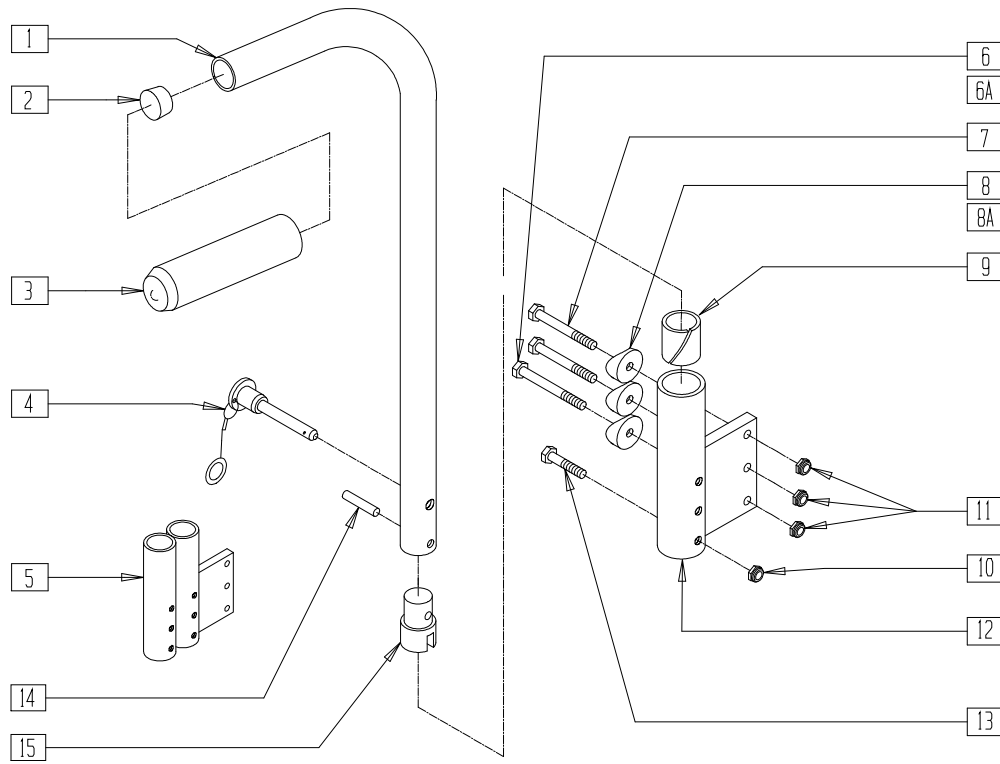
Drawing shows right side

ZPSH1X01

ITEM	NUMBER	DESCRIPTION	QTY
1	560662	QUICKIE GRIP 3/4"	1
2	561000-QU	3/4" INSERT PLUG .083	1
3	341500	10-32 x .010-.080 RIVNUT	1
4	561082	1" TUBE END BUSHING THIN	1
5	483096	S/A ADJ STROLLER RING ZP/QT	1
6	483095	S/A ADJ STROLLER INSERT ZP/QT	1
7	349018	KNOB S/A ADJ STROLLER ZP	1
8	226136	1/4-20 x 1 1/2 BH C/S BLK	1
9	521791, 521792	S/A ADJ BACK TUBE ONLY ZP/QT (EA)	1

ITEM	NUMBER	DESCRIPTION	QTY
10	521793, 521794	S/A ADJ STROLLER TUBE PUSH HANDLE ZP/QT (EA)	1
11	483020	S/A SPRING RETAINER	1
12	321110	S/A LATCH SPRING	1
13	483019	BACK RELEASE LATCH	1
14	481084	BACK RELEASE PIN Z2/QT/EX	1
15	560502	ANTI-TIP LEVER COVER	1
1-10	842082, 842083	S/A ADJ STROLLER HANDLES (PR) W/FOAM (EA)	
1-10	920306	S/A ADJ STROLLER HANDLES (PR)	
11-15	920291	BACKREST SLIDER LATCH KIT	

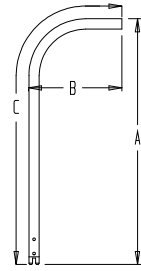
REMOVABLE STROLLER HANDLE (QUICKIE 2/2HP)



Drawing shows left side

ARMX08

MEASURING GUIDE



M15

ARMREST	REG	TALL
"A"	26"	32"
"B"	9"	9"
"C"	31 7/8"	43 3/8"

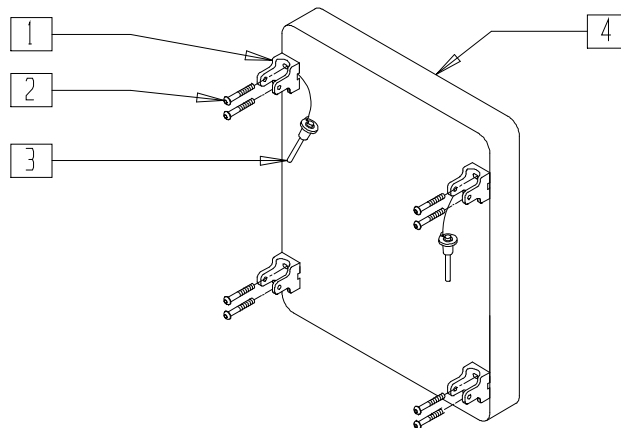
ITEM	NUMBER	DESCRIPTION	QTY
	2	1" INSERT PLUG .083	1
	3	9 x .940 x .200 FOAM GRIP	1
	4	STROLLER HANDLE RELEASE PIN	1
	5	PADDED ARM RECEIVER STRAIGHT DOUBLE FOLDING FRAME (EA)	1
	6	1/4-28 x 1 3/4 G8 HEX C/S	1
	6A	1/4-28 x 2 G8 HEX C/S	1
	7	1/4-28 x 2 1/4 G8 HEX C/S	2
	8	1" SADDLE 1/4" HOLE	3
	8A	1-1/8" SADDLE 1/4" HOLE	3
	9	1" ID NY-LINER	1
	10	1/4-28 NYLOCK NUT THIN	1
	11	1/4-28 NYLOCK NUT	3
	12	PADDED ARM RECEIVER STRAIGHT FOLDING FRAME (EA)	1

ITEM	NUMBER	DESCRIPTION	QTY
	13	1/4-28 x 1 1/2 G8 HEX C/S	1
	14	1/4 x 1 ROLL PIN	1
	15	PUSH HANDLE PLUG	1
1-3,14,15	880360	STROLLER HANDLE REG STRAIGHT F (EA)	
	880362	STROLLER HANDLE TALL STRAIGHT F (EA)	
	900420	STROLLER HANDLE REG F (PR)	
	900421	STROLLER HANDLES TALL F (PR)	
4,6-13	900500	STROLLER REC SINGLE CYL F 3/4" (PR)	
4,6A,7, 8A,9-13	900502	STROLLER RECEIVER SINGLE CYL FOLDING FRAME 7/8" (PR)	
4-11,13	900501	ARM/STROLLER RECEIVER DOUBLE CYL F 3/4" (PR)	
4,5,6A,7, 8A,9-11, 13	900503	ARM/STROLLER RECEIVER DOUBLE CYL F 7/8" (PR)	

NOTE: ORDER ITEM 5 FOR CHAIRS WITH PADDED ARMS AND STROLLER HANDLES.

SOLID BACK (QUICKIE 2 DEPTH ADJUSTABLE BACK/TS)

(Quickie TS effective 12/15/95, beginning QT-12900)



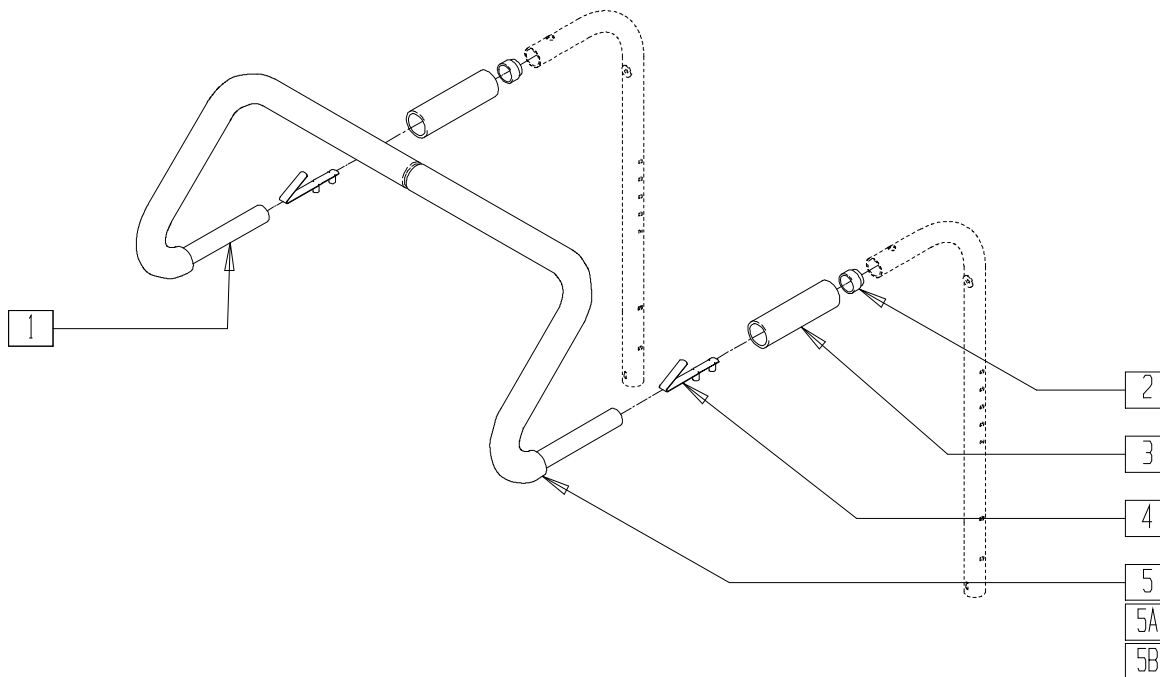
DAB0X04

ITEM	NUMBER	DESCRIPTION	QTY
1	562609	BRACKET SEAT QTS/BACK Z2	4
2	226101	1/4-20 x 3/4 BH C/S	8
3	349020	STROLLER HANDLE RELEASE PIN	2
1-3	920350	Q2 DEPTH ADJ BACK HARDWARE KIT	
4	731480-731489	PLY BACK BLK Q2 DEPTH 11-20 x 20 Q2 DEPTH	

ITEM	NUMBER	DESCRIPTION	QTY
4	733000-733032	PLY BACK BLK Q2 DEPTH (11-13 x 12-18)	
1-4	681100-681109	PLY BCK ASSM BLK Q2 DAB (11-20 x 20)	
	681321-681332	PLY BCK ASSM BLK Q2 DAB (11-13 x 12-18)	

STROLLER HANDLE EXTENSION - REMOVABLE

(QUICKIE 2 DEPTH ADJUSTABLE BACK/TS/ QUICKIE 2 STROLLER HANDLE)



ARMX10

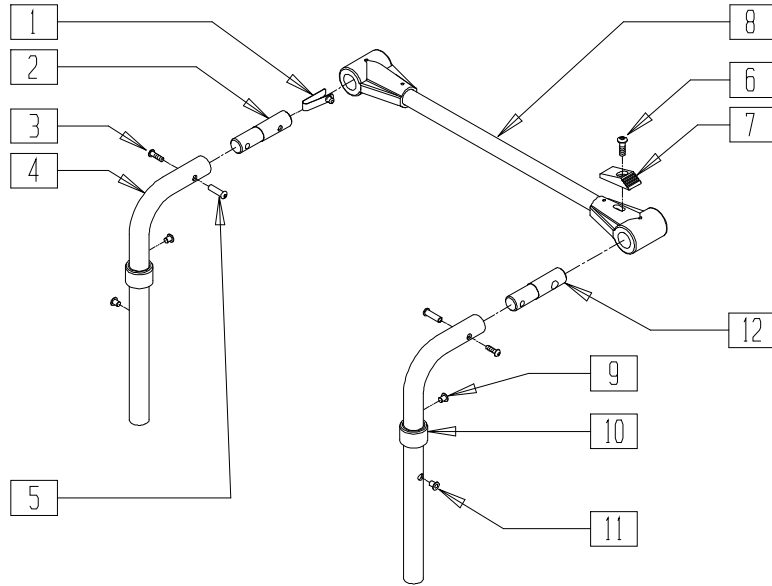
ITEM	NUMBER	DESCRIPTION	QTY
2	561082	1" TUBE END BUSHING THIN	2
3	560660	QUICKIE GRIP 1" W/HOLE	2
4	301108	5/16 SNAP BUTTON DUAL ONE SIDE	2
5	560615	STROLLER EXTENSION GRIP 10"-13"	2
5A	560616	STROLLER EXTENSION GRIP 14"-17"	2
5B	560617	STROLLER EXTENSION GRIP 18"-20"	2

ITEM	NUMBER	DESCRIPTION	QTY
1-5	842050-842053	STROLLER EXTENSION ASSEMBLY 10"-13"	
1-4,5A	842054-842057	STROLLER EXTENSION ASSEMBLY 14"-17"	
1-4,5B	842058, 842059, 842063	STROLLER EXTENSION ASSEMBLY 18"-20"	

NOTE: NOT AVAILABLE WITH SWING-AWAY ADJUSTABLE STROLLER HANDLES.

BACKREST STABILIZER BAR (QUICKIE 2 HD)

(Effective 10/23/99 beginning serial number Q2-242051)



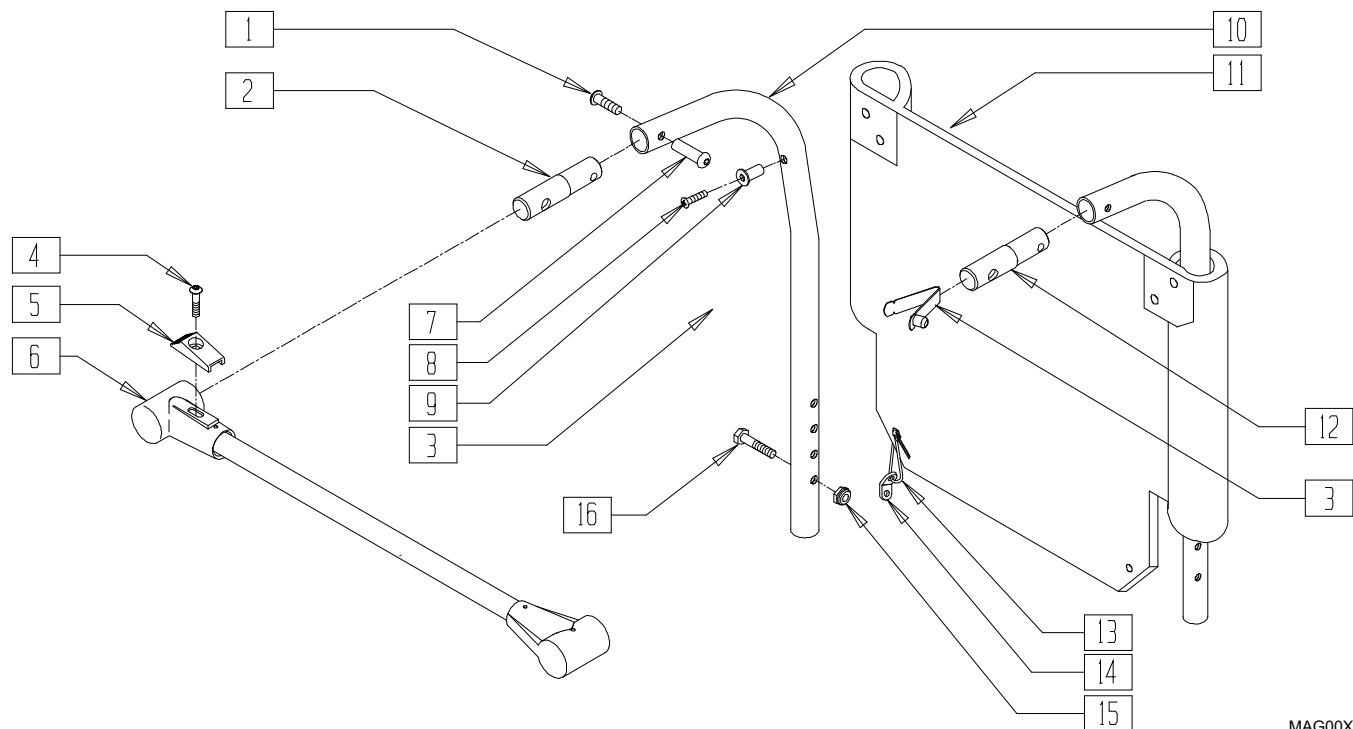
Q220X12

ITEM	NUMBER	DESCRIPTION	QTY
1	301100	1/4" SNAP BUTTON SINGLE	1
2	483533	STABILIZER BAR PIVOT PIN Q2	1
3	226020	10-32 x 5/8 BH C/S BLK	2
5	221213	10-32 x 7/8" HEX SEX BOLT QTNT	2
6	226110	1/4-28 x 1 BH C/S	1
7	560143	STABILIZER LATCH RELEASE BR	1
9	341497	10-32 x .020-.130 RIVNUT GOLD	2
10	561083	1-1/8" TUBE END BUSHING THIN	2
11	341503	RIVNUT 1/4" x 28 RIBBED	2
12	483534	STABILIZER BAR LOCKING PIN Q2	1

ITEM	NUMBER	DESCRIPTION	QTY
6-8	820700-820704	STABILIZER BAR (HEAVY DUTY) (18"- 22")	
4,9-11*	820710-820715	PSH HNDL Q2 ADJ (LOW, MED, TALL) W/STABILIZER (EA)	
	820720-820722	PUSH HANDLE (LOW, MED, TALL) W/STABILIZER	
4,9**	820726, 820727	PUSH HANDLE 8° TALL AND MEDIUM .. W/STABILIZER	
1-3,5,12	885015	STABILIZER PIN ASSEMBLY	

* USED WITH THE QUICKIE 2 ANGLE ADJUSTABLE BACKRESTS.
 ** USED WITH THE QUICKIE 2 STANDARD BACKRESTS.

7/8" PUSH HANDLE BACKREST, STABILIZER BAR, AND UPHOLSTERY (QUICKIE M6)

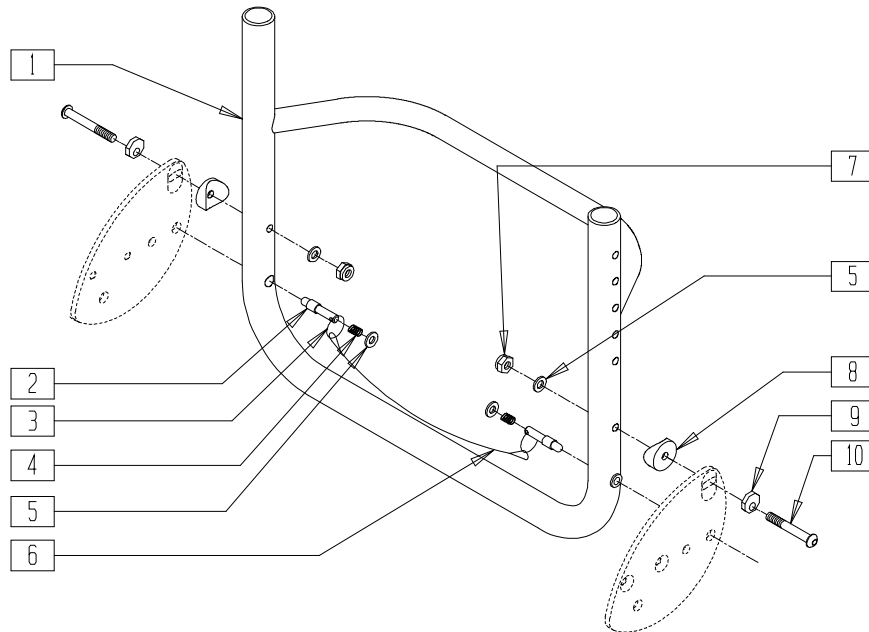


MAG00X25

ITEM	NUMBER	DESCRIPTION	QTY
1	226020	10-32 x 5/8 BH C/S BLK	2
2	483534	STABILIZER BAR LOCKING PIN Q2	1
3	301100	1/4" SNAP BUTTON SINGLE	2
4	226110	1/4-28 x 1 BH C/S	1
5	560143	STABILIZER LATCH RELEASE BR	1
7	221213	10-32 x 7/8" HEX SEX BOLT QTNT	2
8	281120	10/32 x 5/8 PAN HD PHIL	2
9	341497	10-32 x .020-.130 RIVNUT GOLD	2
11	680385- 680388	BACK UPHOLSTERY 24"-30" TALL HEAVY DUTY	1
12	483533	STABILIZER BAR PIVOT PIN Q2	1
13	560410	ZIP TIE BLK	2

ITEM	NUMBER	DESCRIPTION	QTY
14	560227	2 HOLE TOGGLE BENT PLASTIC	2
15	201110	1/4-28 NYLOCK NUT	2
16	221133	1/4-28 x 1 1/2 G8 HEX C/S	2
4-6	820705- 820708	STABILIZER CROSS BAR ASSEMBLY 24"-30"	
9,10	820727	PUSH HANDLE 8° TALL W/STABLIZER (EA)	
1-16	682093	22" BCK ASSM 8° PH STABLIZER	
	682094	24" BCK ASSM 8° PH STABLIZER	
	682095	26" BCK ASSM 8° PH STABLIZER	
	682096	28" BCK ASSM 8° PH STABLIZER	
	682097	30" BCK ASSM 8° PH STABLIZER	

BACK FRAME (QUICKIE REVOLUTION)

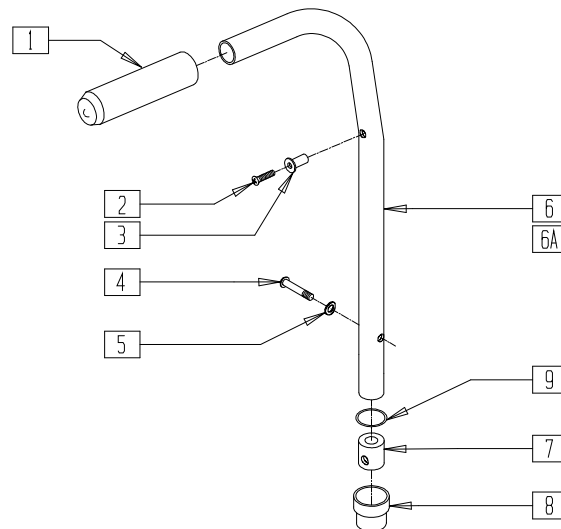


2D000X02

ITEM	NUMBER	DESCRIPTION	QTY
1	524154-524160	BCK FRME W/BSHNG 14"-20" RV PNTD (SPECIFY COLOR)	1
2	481223	BACKREST PIN	2
3	342015	LANYARD ATTACH RING	2
4	321163	SPRING .300 x 7/8 LONG	2
5	262100-QU	1/4 AN WASHER FLAT	4
6	139103-139110	LANYARD 13"-20"	1

ITEM	NUMBER	DESCRIPTION	QTY
7	201110	1/4-28 NYLOCK NUT	2
8	561086	1" HALF SADDLE 1/4" HOLE	2
9	341017	WASHER ECCENTRIC	2
10	226148	1/4-28 x 1.85 BH C/S	2
2-6	881503-881510	BACKREST REL CABLE ASSEMBLY 13"-20" RV	
1-10	840164-840170	BCK FRME ASSM 14"-20" RV PNTD (SPECIFY COLOR)	

PUSH HANDLE BACKREST (QUICKIE REVOLUTION)



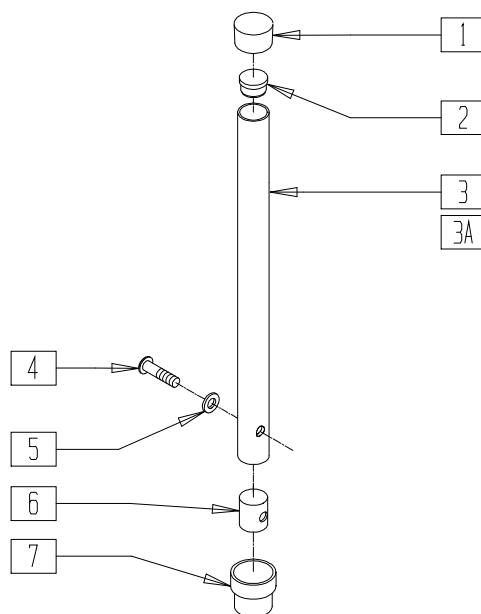
2D000X08

ITEM	NUMBER	DESCRIPTION	QTY
1	560662	QUICKIE GRIP 3/4"	1
2	281120	10/32 x 5/8 PAN HD PHIL	1
3	341500	10-32 x .010-.080 RIVNUT	1
4	226120	1/4-20 x 1 BH C/S	1
5	262130	6mm WASHER WAVE	1
7	483022	FRAME INSERT HEMI	1
8	561082	1" TUBE END BUSHING THIN	1

ITEM	NUMBER	DESCRIPTION	QTY
9	342013	PLUG O-RING RUBBER HEMI	1
7,9	880140	FRAME INSERT W/O-RING HEMI	
1,3,6	842030	BACK TUBE 8° PH REG/P100-TL/RV	
1,3,6A	842031	BACK TUBE PH LOW W/FOAM RV	
1-7,9	842070	BACK TUBE 8° PH REG ASSEMBLY RV	
1-5,6A,7,9	842071	BACK TUBE PH LOW ASSEMBLY RV	

NOTE: ITEM 8 FITS QUICKIE REVOLUTION PRIOR TO 8/17/98.

BACKREST (QUICKIE REVOLUTION)



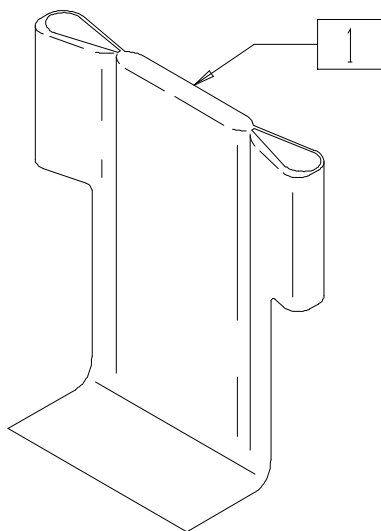
2D000X06

ITEM	NUMBER	DESCRIPTION	QTY
1	561010	3/4" CAP	1
2	561000-QU	3/4" INSERT PLUG .083	1
4	226101	1/4-20 x 3/4 BH C/S	1
5	262130	6mm WASHER WAVE	1

ITEM	NUMBER	DESCRIPTION	QTY
6	483001	Q2 FRAME/FOOT RETAINING PLUG	1
7	561082	1" TUBE END BUSHING THIN	1
1-6	840102	BACK ADJUSTABLE TUBE 12"-16" RIGID	
1,2,3A,4-6	840104	BACK ADJUSTABLE TUBE 16"-20" RIGID	

NOTE: ITEM 7 FITS QUICKIE REVOLUTION PRIOR TO 8/17/98.

BACKREST UPHOLSTERY (QUICKIE REVOLUTION)



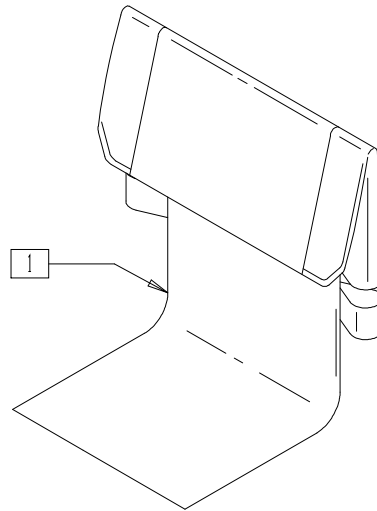
2D000X10

ITEM	NUMBER	DESCRIPTION	QTY
1	680330- 680931	BACK UPHOLSTERY 14"-20" WIDTH 12"-16" TO 16"-20" DEPTH RV	1

NOTE: REVOLUTION USES ABOVE UPHOLSTERY WITH PUSH HANDLE BACKREST, FOR REVOLUTION WITH NON-PUSH HANDLE BACKREST, SEE PAGE 8.14.

BACK UPHOLSTERY (REVOLUTION)

(Quickie GPS and Triumph discontinued 2/01-Parts only)

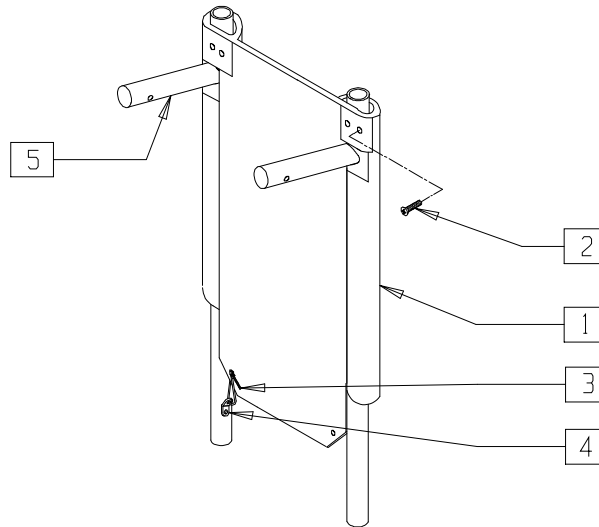


GBL00X2B

ITEM	NUMBER	DESCRIPTION	QTY
1	680301-680909	BACK UPHOLSTERY WITH TAIL 14"-20" FOLDING BACK	1

NOTE: REVOLUTION USES ABOVE UPHOLSTERY WITH NON-PUSH HANDLE BACKREST. FOR REVOLUTION WITH PUSH HANDLE BACKREST, SEE PAGE 8.13.

BACKREST AND UPHOLSTERY (QUICKIE RECLINER)



REC00X16

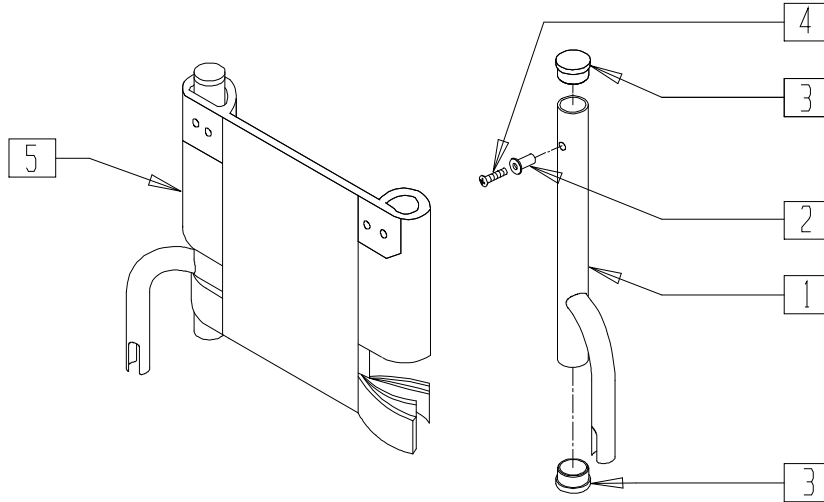
ITEM	NUMBER	DESCRIPTION	QTY
1	684250-684284	BACK UPHOLSTERY RECLINER 14" LOW - 20" TALL	1
2	281120	10-32 x 5/8 PAN PHIL	2
3	560410	ZIP TIE BLK	2

ITEM	NUMBER	DESCRIPTION	QTY
4	560227	2 HOLE TOGGLE BENT PLASTIC	2
5	842143	BACK TUBE PNTD BLK RECLINER	2
1-5	681204-681210	BACK ASSEMBLY W/UPHOLSTERY RECLINER 14"-20" TALL (24")	

NOTE: 18" (LOW) AND 20" (MEDIUM) BACK HEIGHTS DISCONTINUED, PARTS ONLY.

HEADREST EXTENSION AND UPHOLSTERY (QUICKIE RECLINER)

(Effective serial number QR-2035)



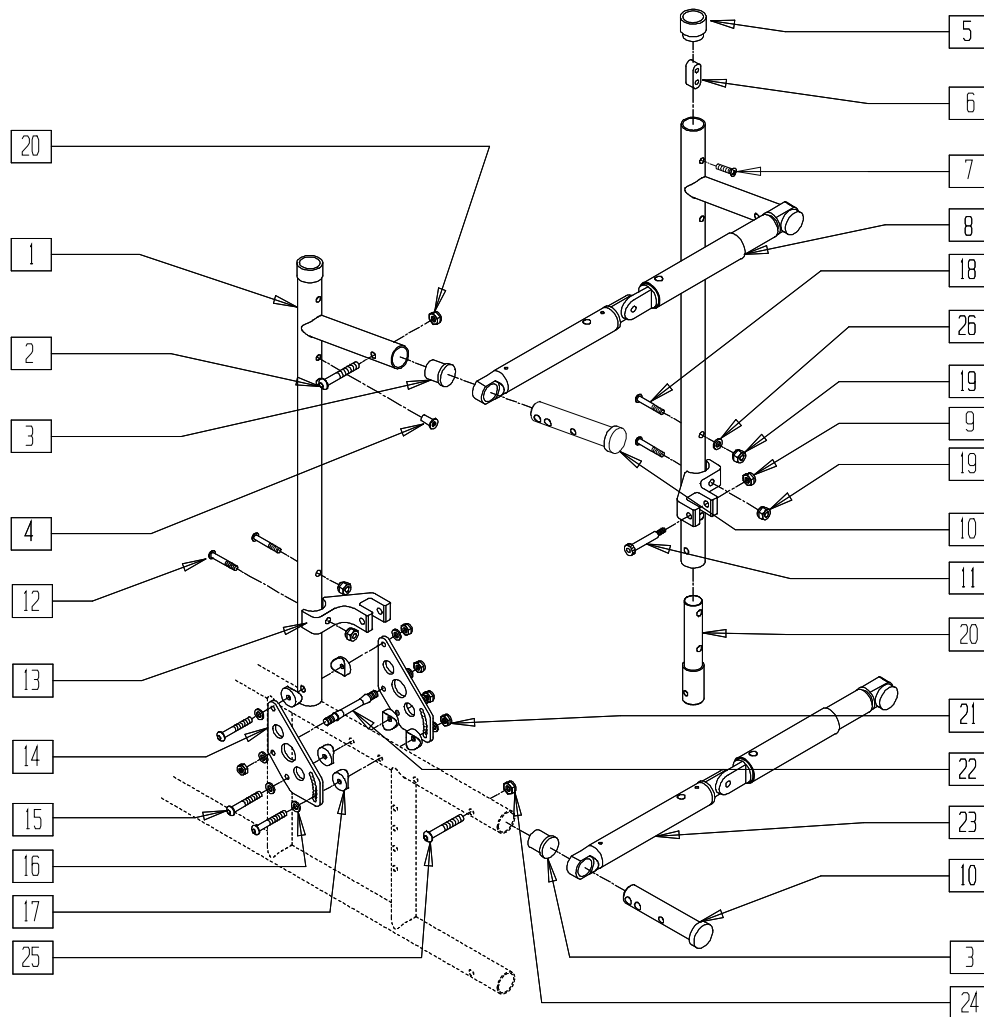
REC00X21

ITEM	NUMBER	DESCRIPTION	QTY
2	341497	10-32 x .020-.130 RIVNUT GOLD	2
3	561002	1" INSERT PLUG .083	4
4	281120	10-32 x 5/8 PAN HD PHIL	2
1-3	661201, 661202	HEADREST TUBE W/INSERT (EA)	1

ITEM	NUMBER	DESCRIPTION	QTY
5	684136- 684196	HEADREST OFFSET UPHOLSTERY RECLINER 14"-20"	1
1-5	681236- 681296	HEADREST OFFSET ASSEMBLY RECLINER 14"-20"	

BACKREST (QUICKIE RECLINER)

(Effective serial number QR-2035)



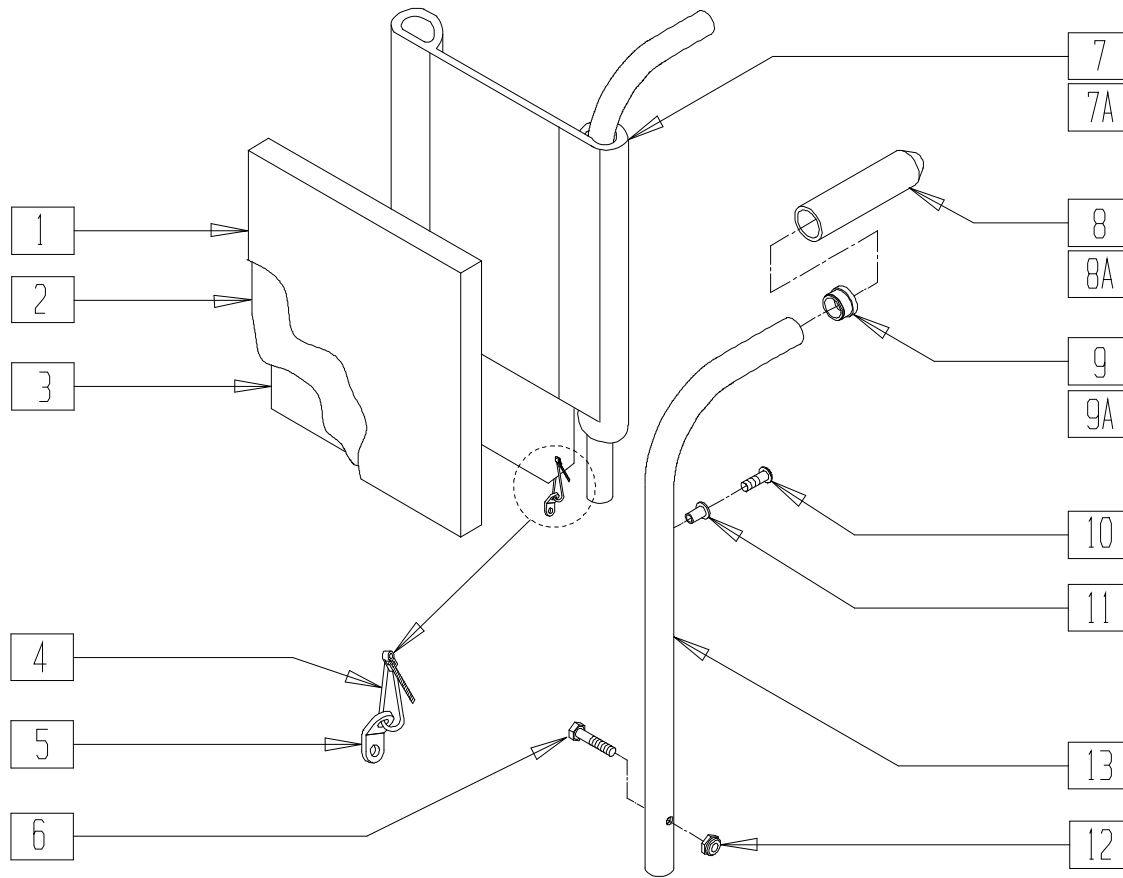
REC00X18

ITEM	NUMBER	DESCRIPTION	QTY
1,4-7	842143	BACK TUBE PNTD BLK RECLINER	
2	226125	1/4-28 x 1 1/8 BH C/S	2
3	560406	FRAME BUSHING	2
4	341497	10-32 x .020-.130 RIVNUT GOLD	8
5	561082	1" TUBE END BUSHING THIN	2
6	505271	HDRST RETAINING BUTTON RECLINE	2
7	281120	10-32 x 5/8 PAN HD PHIL	2
8	842164-842170	TENSION ADJUST ASSEMBLY 14"-20"	1
9	200105	10-24 NYLOCK NUT	2
10	483084	PIVOT PIN RECLINER 5/16" HOLE	2
11	225104	1/4 x 1 1/4 HEX SOC SHLDR SCRW	2
12	226195	5/16-18 x 1.82 BH C/S	2
13	550460	CYLINDER BRACKET RECLINER	2
14	500192	BACK PLATE ZP/P5/QT/EX/Q2 DEPTH	4

ITEM	NUMBER	DESCRIPTION	QTY
15	226150	1/4-28 x 2 BH C/S	6
16	262100-QU	1/4 AN WASHER FLAT	16
17	561004	1" SADDLE 1/4" HOLE	10
18	222256	5/16-18 x 1 1/2 BH C/S	2
19	202102	5/16-18 NYLOCK NUT THIN	4
20	520988	BACK PIVOT TUBE RECLINER	2
21	201100	1/4-28 NYLOCK NUT THIN	12
22	481042	BACK RELEASE STOP PIN QTS	2
23	842147-842150	BACK STABILIZER ASSEMBLY RECLINER 17"-20"	1
24	201100	1/4-28 NYLOCK NUT THIN	2
25	226129	1/4-28 x 1 1/4 BH C/S	2
26	263100	5/16 AN WASHER FLAT	2
12-22,26	920342	BACKREST HARDWARE RECLINER	

NOTE: CHAIRS 17" AND WIDER REQUIRE BOTH A TENSION ADJUSTMENT ASSEMBLY (ITEM 8) AND A BACK STABILIZER ASSEMBLY (ITEM 23).

SOLID BACK AND CUSHION

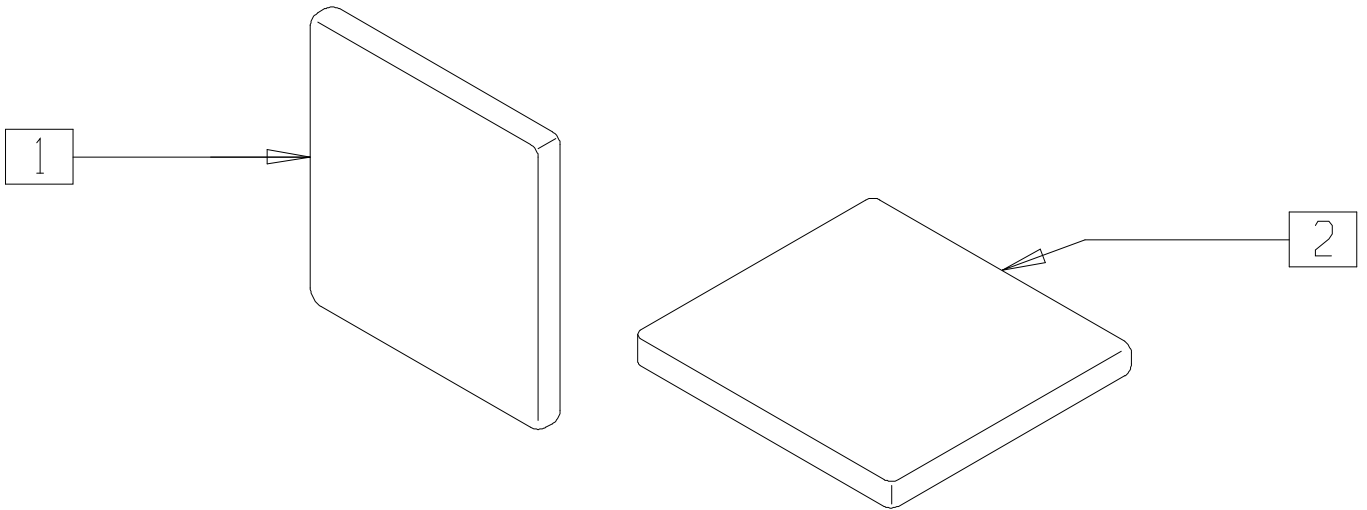


AC0X014

ITEM	NUMBER	DESCRIPTION	QTY
1	689121-689153	SOLID BACK COVER Q2 11"-15"	1
2	109021-109063	SOLID BACK FOAM 1"	1
3	581221-581253	LEXAN BACK	1
4	560410	ZIP TIE BLK	2
5	560227	2 HOLE TOGGLE BENT PLASTIC	2
6	221133	1/4-28 x 1 1/2 G8 HEX C/S	2
7	689060	SOLID BACK SLING PUSH HANDLE Q2/Rx (SPECIFY DIMENSIONS)	1
7A	689100	SOLID BCK SLING NON-PUSH HANDLE Q2/Rx (SPECIFY DIMENSIONS)	1

ITEM	NUMBER	DESCRIPTION	QTY
8	560662	QUICKIE GRIP 3/4"	1
8A	560661	QUICKIE GRIP 7/8"	1
9	561007	7/8"INSERT PLUG .083	2
9A	561000-QU	3/4" INSERT PLUG .083	2
10	281120	10-32 x 5/8 PAN HD PHIL	2
11	341497	10-32 x .020-.130 RIVNUT GOLD	2
12	201110	1/4-28 NYLOCK NUT	2
1-3	689221-689253	SOLID BACK CUSHION W/LEXAN	
8,9,11,13	842130-842138	Q2 BACK TUBE PUSH HANDLE 7/8" W/FOAM (SPECIFY SIZE)	
8A,9A,11,13	842023-842025	Rx BCK TUBE PUSH HANDLE W/FOAM (SPECIFY SIZE)	

REMOVABLE SOLID SEAT AND BACK (VELCRO®)

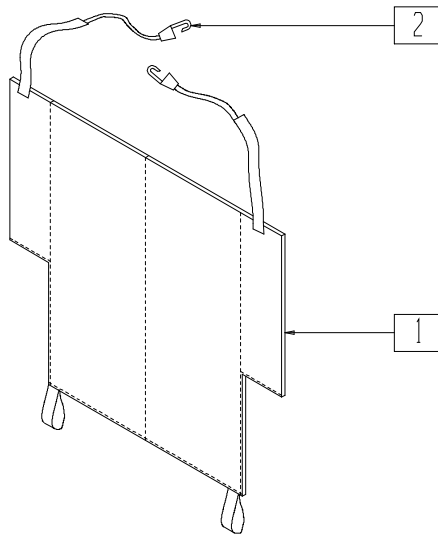


AC0X037

ITEM	NUMBER	DESCRIPTION	QTY
1	450780	REMOVABLE R-BACK INSERT (16"-20" WIDTH) (SPECIFY DIMENSIONS)	1

ITEM	NUMBER	DESCRIPTION	QTY
2	450781	REMOVABLE SEAT INSERT (16"-20" WIDTH) (SPECIFY DIMENSIONS)	1

BACKREST CUSHION (QUICKIE 2/2HP/2HPTi/Rx)



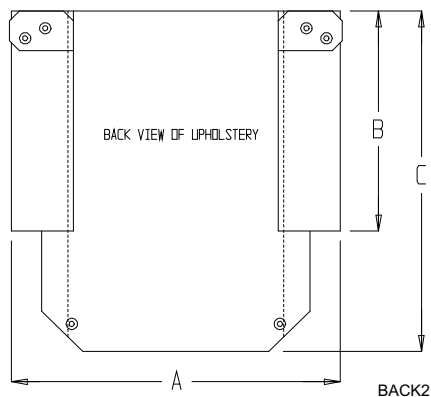
BK0X010

ITEM	NUMBER	DESCRIPTION	QTY
1,2	750600- 750684	BACK CUSHION 12"-20"	

ITEM	NUMBER	DESCRIPTION	QTY
2	560230	PLASTIC HOOKS ACW#705	2

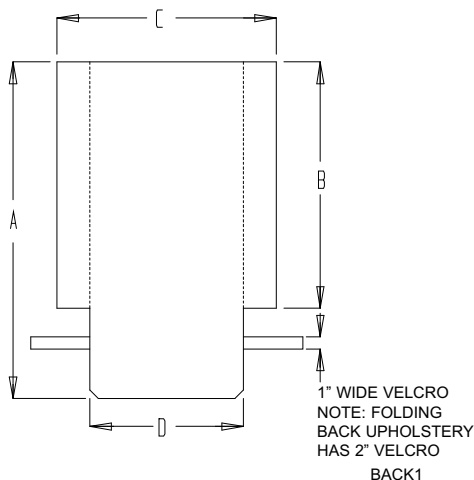
BACK UPHOLSTERY MEASURING GUIDES

MEASURING GUIDE QUICKIE 2/Rx BACK UPHOLSTERY



DESCRIPTION	"A"	"B"	"C"
BACK UPHOLSTERY 12" LOW	12 3/4"	7 1/2"	14 1/4"
BACK UPHOLSTERY 12" MED	12 3/4"	10 1/2"	17 1/4"
BACK UPHOLSTERY 12" TALL	12 3/4"	13 1/2"	20 1/4"
BACK UPHOLSTERY 16" LOW	16 3/4"	7 1/2"	14 1/4"
BACK UPHOLSTERY 16" MED	16 3/4"	10 1/2"	17 1/4"
BACK UPHOLSTERY 16" TALL	16 3/4"	13 1/2"	20 1/4"
BACK UPHOLSTERY 18" LOW	17 3/4"	7 1/2"	14 1/4"
BACK UPHOLSTERY 18" MED	17 3/4"	10 1/2"	17 1/4"
BACK UPHOLSTERY 18" TALL	17 3/4"	13 1/2"	20 1/4"

MEASURING GUIDE BACK UPHOLSTERY - NON-FOLDING CHAIRS (QUICKIE CARBON/GP/GPV/GPV COMPETITION/Ti)



	NON-FOLDING BACK HEIGHT			
	8"-9"	10"-11"	12"-13"	14"-16"
"A"	19 1/4"	21 1/4"	23 1/4"	25 1/4"
"B"	14 1/4"	16 1/4"	18 1/4"	20 1/4"

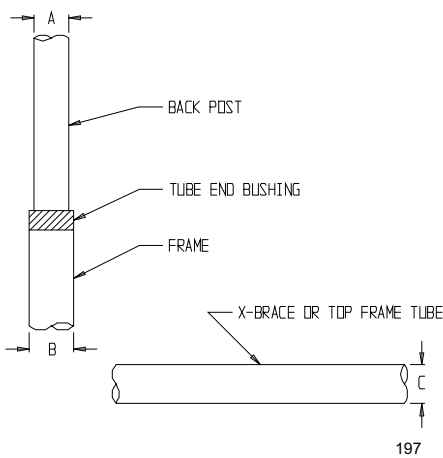
	BACK WIDTH			
	12"	13"	14"	15"
"C"	12 1/2"	13 1/2"	14 1/2"	15 1/2"
"D"	8 1/4"	9 1/4"	10 1/4"	11 1/4"

	BACK WIDTH				
	16"	17"	18"	19"	20"
"C"	16 1/2"	17 1/2"	18 1/2"	19 1/2"	20 1/2"
"D"	12 1/4"	13 1/4"	14 1/4"	15 1/4"	16 1/4"

BACKREST AND SEAT TUBE DIAMETER MEASURING GUIDE

This guide will determine the backrest and seat tube diameter of Quickie chairs. Keep this chart with your Quickie Insert Reference Manual and use it when ordering an insert seating system. To use, follow these four easy steps.

1. Choose the appropriate chair.
2. Use the "A" dimension.
3. Use the "B" dimension.
4. Use the "C" dimension.



CHAIR	"A"	"B"	"C"	CHAIR	"A"	"B"	"C"
BREEZY	7/8"	1 1/8"	1"	QUICKIE GP/GPV/Ti	3/4"	1"	1"
QUICKIE 2/HP/HPTi	7/8"	1 1/8"	1"	QUICKIE RECLINER	1"	-	1"
QUICKIE 2 DEPTH ADJ	1"	-	1"	QUICKIE Rx	7/8"	1 1/8"	1"
QUICKIE CARBON	3/4"	1"	-	QUICKIE Ti (NF)	3/4"	-	1"
QUICKIE CARBON (NF)	3/4"	-	-	QUICKIE TS	1"	-	1"
QUICKIE GP (NF)	3/4"	-	1"	ZIPP/IE/ZIPP/IE2/	1"	-	1"
QUICKIE GPV (NF)	3/4"	-	1"	ZIPP/IE TS			

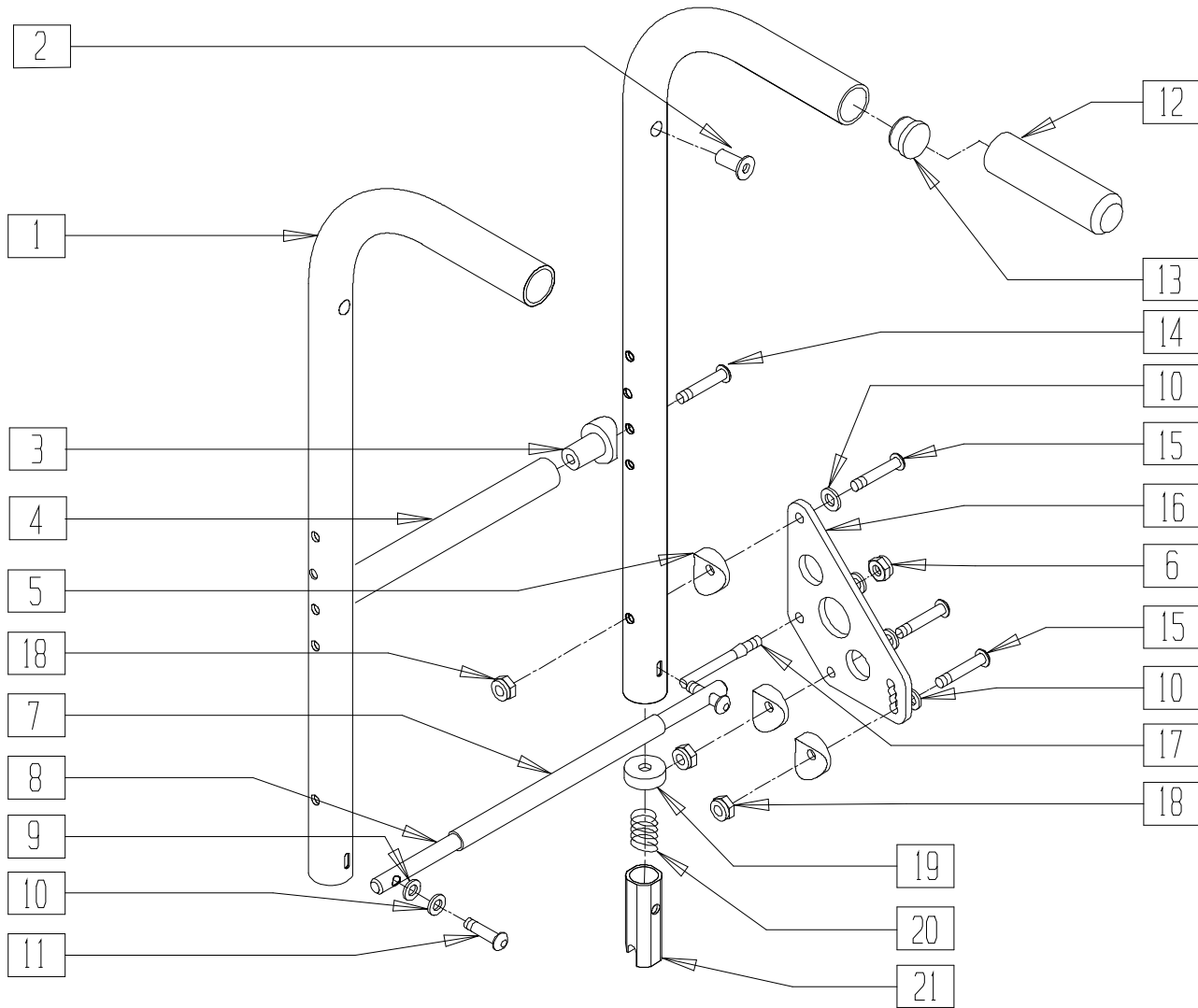
Pediatric and Positioning Chairs Backrests and Upholstery

IN THIS SECTION

Backrest (Zippie/ Zippie TS) (Disc.).....	9.1	Solid Seat and Solid Back (Zippie/Zippie TS) (Disc).....	9.10
Backrest (Quickie TS/Zippie/ Zippie 2/ Zippie TS) ...	9.2	Solid Seat and Solid Back (Zippie 2)	9.11
Swing-Away Adjustable Stroller Handle (Quickie TS/Zippie/ Zippie 2/ Zippie GS).....	9.3	Solid Seat and Solid Back (Zippie/Zippie GS/TS)	9.11
Swing-Away Adjustable Stroller Handle Retro Kit (Quickie TS/ Zippie TS)	9.4	Solid Seat and Solid Back (Quickie TS)	9.12
Standard Back Cane (Zippie GS)	9.5	Solid Back (Quickie T45)	9.12
Height-Adjustable Push Handle (Zippie GS)	9.6	Backrest and Upholstery (Quickie Kidz) (Disc.)	9.13
Height-Adjustable Back Cane (Zippie GS)	9.7	Backrest and Upholstery (Quickie Kidz)	9.14
Removable Stroller Handle (Zippie GS)	9.8	Folding Backrest (Quickie Kidz)	9.15
Stroller Handle Extension -Removable (Quickie TS/Zippie/ Zippie 2/GS/TS)	9.9	Stroller Handle (Quickie Kidz).....	9.16
Stroller Handle Extension -Removable (Quickie T45)	9.9	60° Reclining Back Assembly (Quickie TS).....	9.17
Adjustable Back Upholstery (Zippie GS)	9.10	Back Frame (Reclining Back) (Quickie T45)	9.18
		Back Frame (Fixed Back) (Quickie T45)	9.19

BACKREST (ZIPPIE/ ZIPPIE TS)

(Discontinued 5/24/93 - parts only)

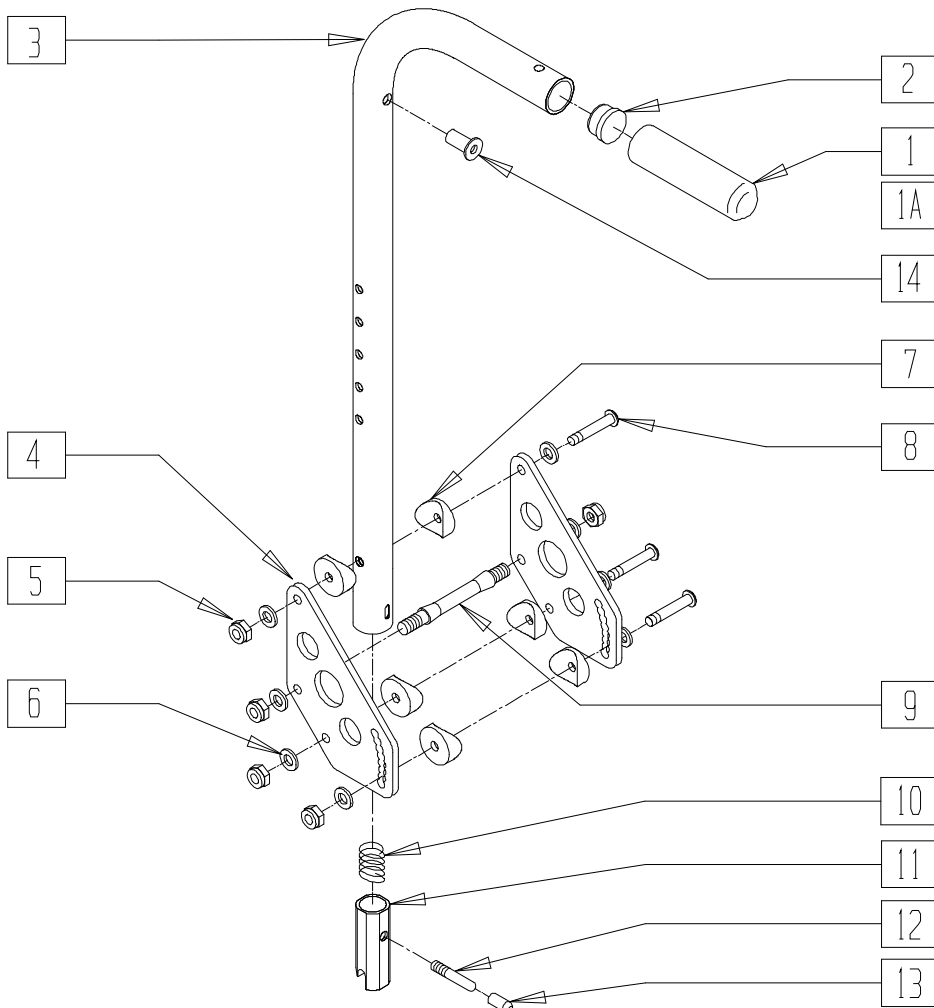


Z00X5

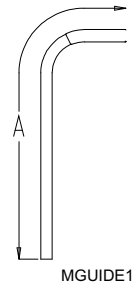
ITEM	NUMBER	DESCRIPTION	QTY
1,2,12,13	842080	STRLR HNDL W/FOAM STD ZPS/P5/QT	
2	341497	10-32 x .020-.130 RIVNUT GOLD	2
3	483038	STRUT SADDLE ZP/P5/KZ	2
4	522802-522808	STRUT TUBE 10"-16" KP/KZ	1
5	561004	1" SADDLE 1/4" HOLE	6
6	201100	1/4-28 NYLOCK NUT THIN	2
7	560601	5 1/2" x .310 x .100 FOAM GRIP	1
8	550512-550518	BACK RELEASE BAR 10"-16" ZP	1
9	561028	1/4" NYLON WASHER	2
10	262100-QU	1/4 AN WASHER FLAT	8
11	226111	1/4-28 x 1 BH C/S SHOULDER	2

ITEM	NUMBER	DESCRIPTION	QTY
12	560663	QUICKIE GRIP 1"	2
13	561002	1" INSERT PLUG .083	2
14	226130	1/4-28 x 1 1/2 BH C/S	2
15	226140	1/4-28 x 1 3/4 BH C/S	6
16	500192	BACK PLATE ZP/P5/QT/EX/Q2 DEPTH	2
17	481036	BACK PLATE STOP PIN ZP/P5/EX	2
18	201110	1/4-28 NYLOCK NUT	6
19	483020	S/A SPRING RETAINER	2
20	321110	S/A LATCH SPRING	2
21	483019	BACK RELEASE LATCH	2
5,10,15,18	920312	BACK PLATE HDWR KIT ZP/P5 O/S	
6,9-11,17,19-21	920313	BACKREST LATCH KIT ZP/P5 O/S	

BACKREST (QUICKIE TS/ZIPPIE/ZIPPIE 2/ZIPPIE TS)



MEASURING GUIDE



MGUIDE1

BACK TUBE	"A"
STD	25 3/4"
MED	28 3/4"
TALL	31 3/4"

NOTE: ABOVE DIMENSIONS ARE FOR BACK TUBE ONLY AND DO NOT INCLUDE FOAM GRIP.

Drawing shows right side

ZP200X05

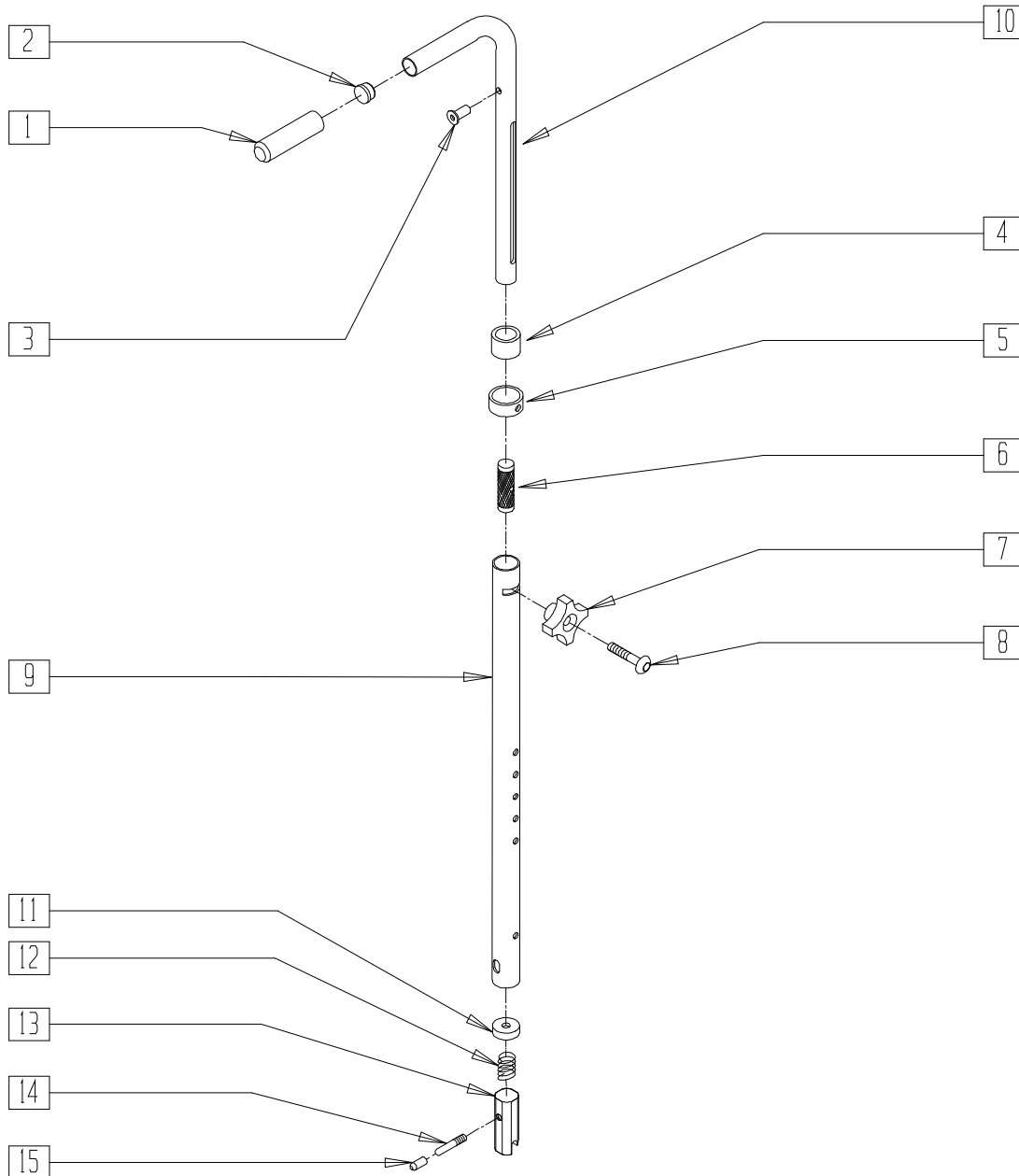
ITEM	NUMBER	DESCRIPTION	QTY
1	560663	QUICKIE GRIP 1"	1
1A	560660	QUICKIE GRIP 1" W/HOLE	1
2	561002	1" INSERT PLUG .083	1
4	500192	BACK PLATE ZP/P5/QT/EX/Q2 DEPTH	2
5	201100	1/4-28 NYLOCK NUT THIN	5
6	262100-QU	1/4 AN WASHER FLAT	8
7	561004	1" SADDLE 1/4" HOLE	6
8	226150	1/4-28 x 2 BH C/S	3
9	481042	BACK RELEASE STOP PIN QTS	1
10	321110	S/A LATCH SPRING	1
11	483019	BACK RELEASE LATCH	1
12	481084	BACK RELEASE PIN Z2/QT/EX	1
13	560502	ANTI-TIP LEVER COVER	1
14	341497	10-32 x .020-.130 RIVNUT GOLD	1
5-9	920321	BACK PLATE HARDWARE KIT	
15-13	920328	BACKREST LATCH KIT	
1-3,14	842079	STRL HANDLE W/FOAM MED ZPS/QT	
	842080	STRL HNDL W/FOAM STD ZPS/P5/QT	
	842081	STRL HANDLE W/FOAM TALL ZPS/QT	

ITEM	NUMBER	DESCRIPTION	QTY
1-3,10-14	920389	STRL HNDL W/LTCH MED ZPS/P5/QTS	
	920390	STRL HANDLE W/LATCH ZPS/P5/QT	
	920391	STRL HNDL W/LATCH TALL ZPS/P5/QT	
1-14	920299	STRL HANDLE MED AND PLATE ASSM	
	920345	STRL HANDLE STD AND PLATE ASSM	
	920347	STRL HANDLE TALL AND PLATE ASSM	
1A,2,3,14	842066	EXT STROLLER HANDLE MED	
	842067	EXT STROLLER HANDLE STD	
	842068	EXT STROLLER HANDLE TALL	
1A,2,3	920423	EXT STROLLER HNDL MED W/LATCH	
	920421	EXT STROLLER HNDL STD W/LATCH	
	920424	EXT STROLLER HNDL TALL W/LATCH	
1A,2-14	920375	EXT STRLR HNDL MED AND PLT ASSM	
	920348	EXT STRLR HNDL STD AND PLT ASSM	
	920349	EXT STRLR HNDL TALL AND PLT ASSM	

NOTE: HOLE ON TOP OF STROLLER HANDLE (FOR STROLLER HANDLE EXTENSION) EFFECTIVE 12/21/93. BEGINNING SERIAL NUMBER ZP-32105.

SWING-AWAY ADJUSTABLE STROLLER HANDLE

(QUICKIE TS/ZIPPIE/ZIPPIE 2/ZIPPIE GS/ZIPPIE TS)



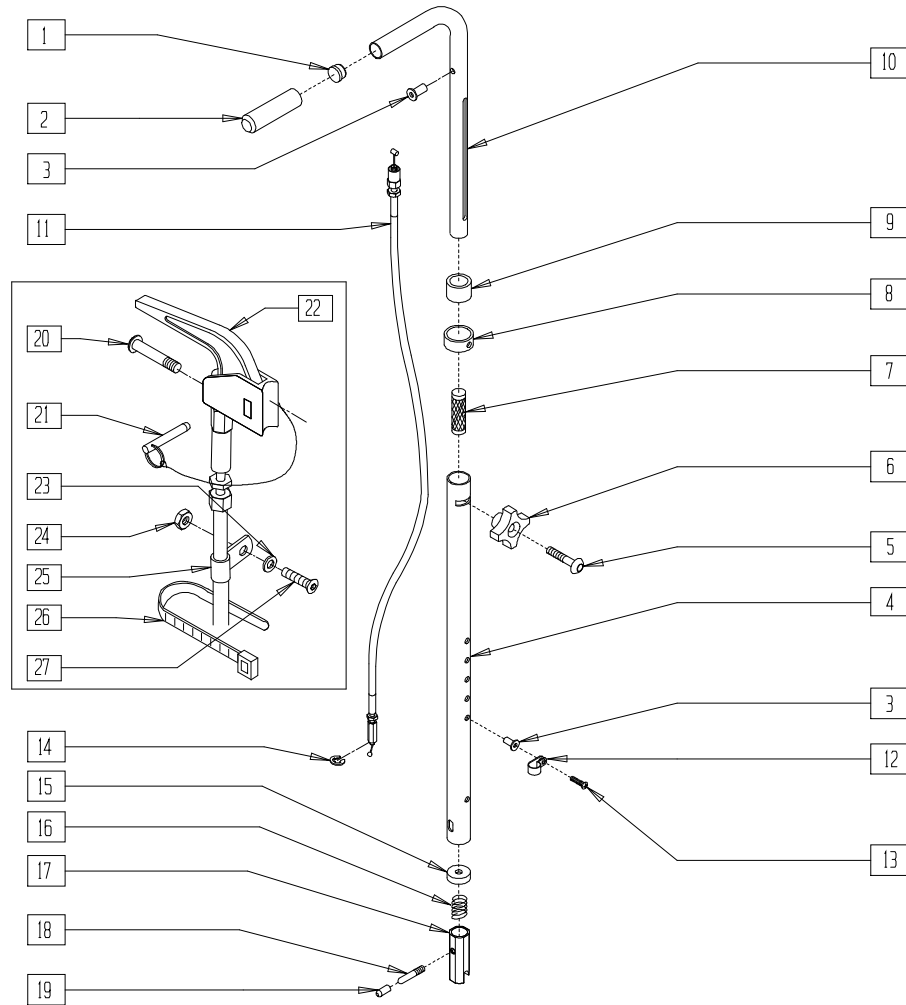
Drawing shows right side

ZPSH1X01

ITEM	NUMBER	DESCRIPTION	QTY
1	560662	QUICKIE GRIP 3/4"	1
2	561000-QU	3/4" INSERT PLUG .083	1
3	341500	10-32 x .010-.080 RIVNUT	1
4	561082	1" TUBE END BUSHING THIN	1
5	483096	S/A ADJ STROLLER RING ZP/QT	1
6	483095	S/A ADJ STROLLER INSERT ZP/QT	1
7	349018	KNOB S/A ADJ STROLLER ZP	1
8	226136	1/4-20 x 1 1/2 BH C/S BLK	1
9	521791, 521792	S/A ADJ BACK TUBE ONLY ZP/QT (EA)	1

ITEM	NUMBER	DESCRIPTION	QTY
10	521793, 521794	S/A ADJ STROLLER TUBE PUSH HANDLE ZP/QT (EA)	1
11	483020	S/A SPRING RETAINER	1
12	321110	S/A LATCH SPRING	1
13	483019	BACK RELEASE LATCH	1
14	481084	BACK RELEASE PIN Z2/QT/EX	1
15	560502	ANTI-TIP LEVER COVER	1
1-10	842082, 842083	S/A ADJ STROLLER HANDLES (PR) W/FOAM (EA)	
1-10	920306	S/A ADJ STROLLER HANDLES (PR)	
11-15	920291	BACKREST SLIDER LATCH KIT	

SWING-AWAY ADJUSTABLE STROLLER HANDLE RETRO KIT (QUICKIE TS/ZIPPIE TS)



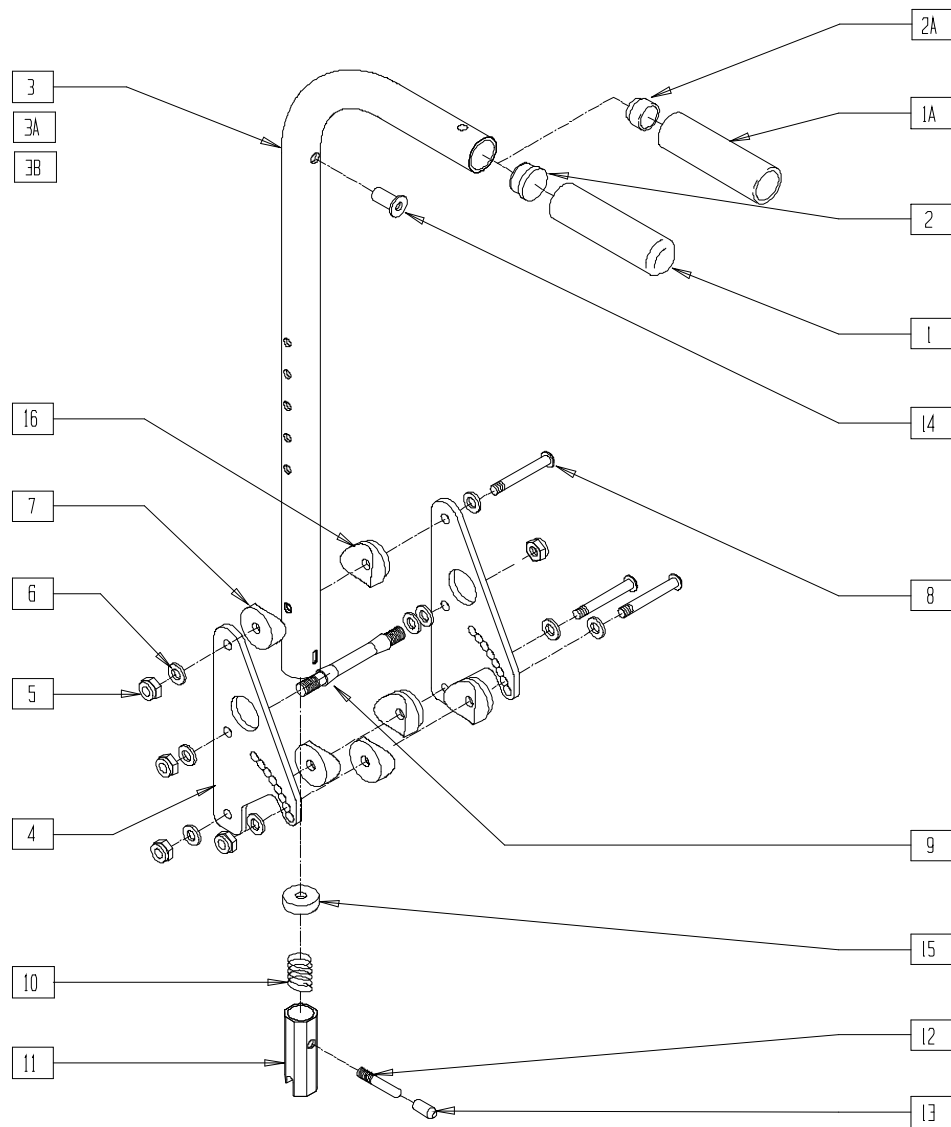
Drawing shows right side

ZP2SH2X0

ITEM	NUMBER	DESCRIPTION	QTY
1	561000-QU	3/4" INSERT PLUG .083	1
2	560662	QUICKIE GRIP 3/4"	1
3	341497	10-32 x .020-.130 RIVNUT GOLD	2
4	521791, 521792	S/A ADJ BACK TUBE ONLY ZP/QT (EA)	1
5	226136	1/4-20 x 1 1/2 BH C/S BLK	1
6	349018	KNOB S/A ADJ STROLLER ZP	1
7	483095	S/A ADJ STROLLER INSERT ZP/QT	1
8	483096	S/A ADJ STROLLER RING ZP/QT	1
9	561082	1" TUBE END BUSHING THIN	1
10	521793, 521794	S/A ADJ STROLLER TUBE PUSH HANDLE ZP/QT (EA)	1
11	342057	CYL LOCK CABLE ASSEMBLY (ZP/TS)	1
	342056	CYL LOCK CABLE ASSEMBLY T45 (QTS)	
12	349511	1/2" ID PLASTIC CLAMP BLK	1
13	281120	10-32 x 5/8 PAN HD PHIL	1
14	342000	1/4" E-CLIP	1
15	483020	S/A SPRING RETAINER	1
16	321110	S/A LATCH SPRING	1
17	483019	BACK RELEASE LATCH	1
18	481084	BACK RELEASE PIN Z2/QT/EX	1
19	560502	ANTI-TIP LEVER COVER	1

ITEM	NUMBER	DESCRIPTION	QTY
20	281120	10-32 x 5/8 PAN HD PHIL	1-2
21	349021	TRIGGER RELEASE PIN TS/QT/P5	1-2
22	580110	CYL LOCK LEVER ASSEMBLY QT/QR/P5	1-2
23	261204	#10 AN WASHER .063	1-2
24	200100	10-32 NYLOCK NUT	1-2
25	349511	1/2" ID PLASTIC CLAMP BLK	1-2
26	560410	ZIP TIE BLACK	1-2
27	226032	10-32 x 1 1/2 BH C/S BLK	1-2
1-10	842082, 842083	S/A ADJ STROLLER HANDLE W/FOAM (EA)	
	920306	S/A ADJ STROLLER HANDLES ZP/Z2 (PR)	
1-19	920304	S/A ADJ STROLLER RETRO KIT QTS (PR)	
1-14, 20-27	842084, 842085	TS ADJ PUSH HANDLE TUBE W/TRIGGER (EA)	
	842073, 842074	QTS ADJ PUSH HANDLE TUBE W/TRIGGER (EA)	
1-14,20-27	920297	S/A ADJ STROLLER 15"-20" QTS (PR)	
1-14, 20-27	920307	S/A ADJ STROLLER 10"-14" TS (INCLUDES TRIGGER ON RIGHT SIDE) (PR)	
	920308	S/A ADJ STROLLER 15"-20" TS (INCLUDES TRIGGER ON BOTH SIDES) (PR)	
15-19	920291	BACKREST SLIDER LATCH KIT	

STANDARD BACK CANE (ZIPPIE GS)

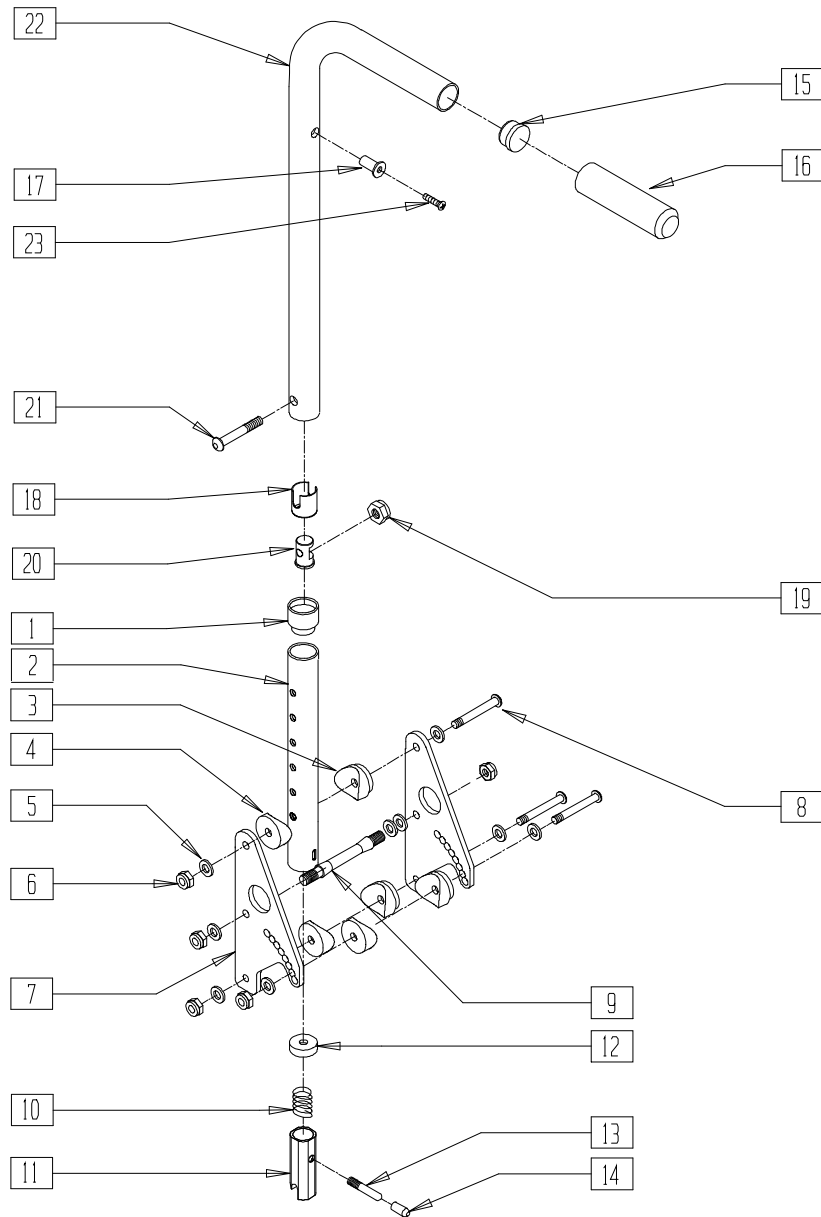


ZGS00X07

ITEM	NUMBER	DESCRIPTION	QTY
1	560663	QUICKIE GRIP 1"	1
1A	560660	QUICKIE GRIP 1" W/HOLE	1
2	561002	1" INSERT PLUG .083	1
2A	561082	1" TUBE END BUSHING THIN	1
4	500197	BACK PLATE ZGS	2
5	201100	1/4-28 NYLOCK NUT THIN	5
6	262100-QU	1/4 AN WASHER FLAT	9
7	561004	1" SADDLE 1/4" HOLE	3
8	226150	1/4-28 x 2 1/4 BH C/S	3
9	481042	BACK RELEASE STOP PIN QTS	1
10	321110	S/A LATCH SPRING	1
11	483019	BACK RELEASE LATCH	1
12	481084	BACK RELEASE PIN Z2/QT/EX	1
13	560502	ANTI-TIP LEVER COVER	1
14	341497	10-32 x .020-.130 RIVNUT GOLD	1
15	483020	S/A SPRING RETAINER	1
16	561087	BACK RELEASE SADDLE RIGID	3
1-3,14	842080	STRL HNDL W/FOAM STD ZPS/P5/QT	
1-3A,14	842081	STRL HNDL W/FOAM TALL ZPS/P5/QT	
1-3B,14	842079	STRL HNDL W/FOAM MED ZPS/P5/QT	

ITEM	NUMBER	DESCRIPTION	QTY
1-3,10-14	920390	STRL HNDL W/LATCH ZPS/P5/QT	
1-3A,10-14	920391	STRL HNDL W/LATCH TALL ZPS/P5/QT	
1-3B,10-14	920389	STRL HNDL W/LATCH MED ZP'S/QTS	
1A,2A,3,14	842067	EXT STROLLER HANDLE STD	
1A,2A,3A,14	842068	EXT STROLLER HANDLE TALL	
1A,2A,3B,14	842066	EXT STROLLER HANDLE MED	
1A,2A,3,10-14	920421	EXT STROLLER HANDLE STD W/LATCH	
1A,2A,3A,10-14	920424	EXT STROLLER HANDLE TALL W/LATCH	
1A,2A,3B,10-14	920423	EXT STROLLER HANDLE MED W/LATCH	
1-16	920595	STRL HNDL STD AND PLATE ASSM ZGS	
1-3A,4-16	920596	STRL HNDL MED AND PLATE ASSM ZGS	
1-3B,4-16	920597	STRL HNDL TALL AND PLATE ASSM ZGS	
1A,2A,3-16	920555	EXT STRL HNDL STD AND PLATE ASSEMBLY ZGS	
1A,2A,3A,4-16	920556	EXT STRL HNDL MED AND PLATE ASSEMBLY ZGS	
1A,2A,3B,4-16	920557	EXT STRL HNDL TALL AND PLATE ASSEMBLY ZGS	

HEIGHT-ADJUSTABLE PUSH HANDLE (ZIPPIE GS)

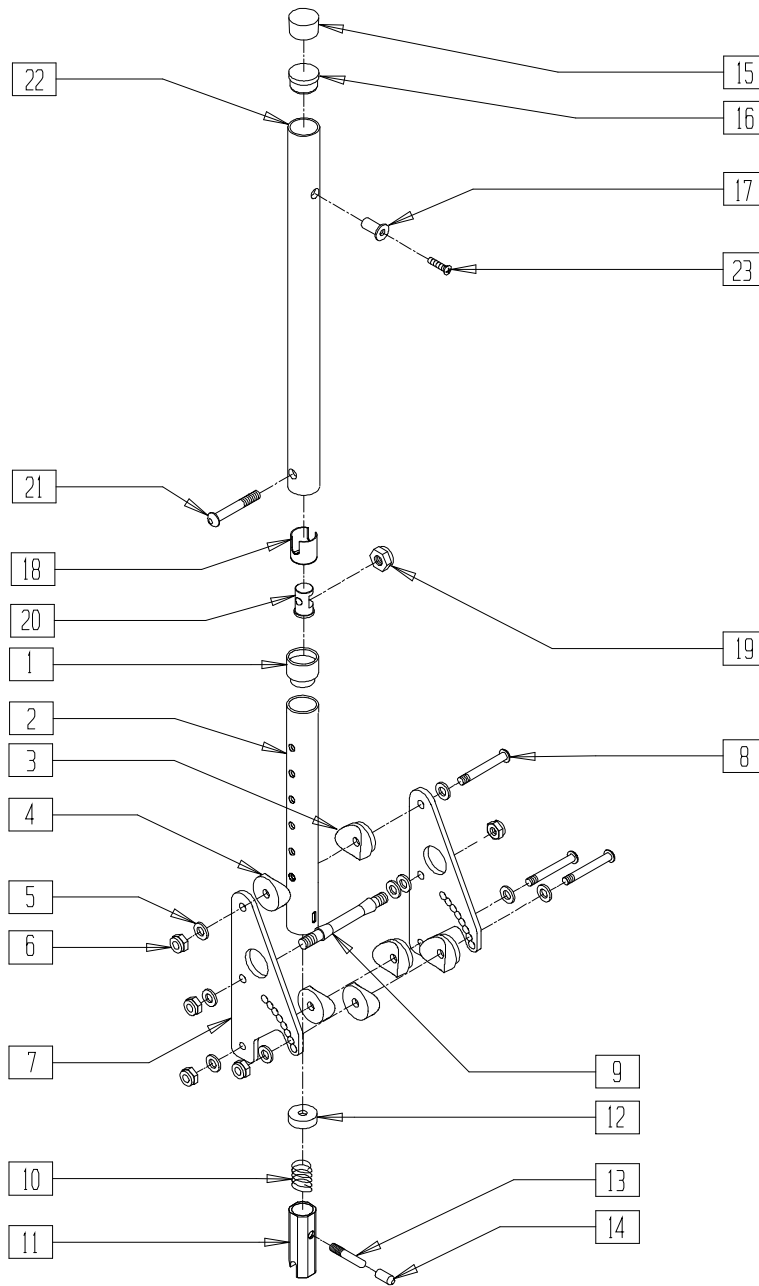


ZGS00X51

ITEM	NUMBER	DESCRIPTION	QTY
1	561082	1" TUBE END BUSHING THIN	1
2	520195	BACK TUBE STEM ZGS	1
3	561087	BACK REL SADDLE RIGID	3
4	561004	1" SADDLE 1/4" HOLE	3
5	262100-QU	1/4" AN WASHER FLAT	9
6	201100	1/4-28 NYLOCK NUT THIN	5
7	500197	BACK PLATE ZGS	2
8	226155	1/4-28 x 2 1/4 BH C/S	3
9	481042	BACK RELEASE STOP PIN	1
10	321110	S/A LATCH SPRING	1
11	483019	BACK RELEASE LATCH	1
12	483020	S/A SPRING RETAINER	1
13	481084	BACK RELEASE PIN Z2/QT/EX	1
14	560502	ANTI-TIP LEVER COVER	1
15	561000-QU	3/4" INSERT PLUG .083	1
16	560662	QUICKIE GRIP 3/4"	1

ITEM	NUMBER	DESCRIPTION	QTY
17	341497	10-32 x .020-.130 RIVNUT GOLD	1
18	560750	BUSHING FOOTREST Q2N	1
19	201110	1/4-28 NYLOCK NUT	1
20	483553	FOOTREST INSERT PLUG Q2N	1
21	226110	1/4-28 x 1 BH C/S	1
23	281120	10/32 x 5/8 PAN HD PHIL	1
1-14	840199	HT ADJ STRLR HANDLE STEM ASSM	
15-17,22,23	880097	HT ADJ STRLR HANDLE STD W/GRIP	
	880098	HT ADJ STRLR HANDLE MED W/GRIP	
	880099	HT ADJ STRLR HANDLE TALL W/GRIP	
	880096	HT ADJ STRLR HANDLE XTL W/GRIP	
15-23	842156	HT ADJ STRLR HANDLE STD W/INSERT	
	842157	HT ADJ STRLR HANDLE MED W/INSERT	
	842158	HT ADJ STRLR HANDLE TALL W/INSERT	
1-23	920490	HT ADJ STRLR HANDLE STD W/STEM	
	920491	HT ADJ STRLR HANDLE MED W/STEM	
	920492	HT ADJ STRLR HANDLE TALL W/STEM	

HEIGHT-ADJUSTABLE BACK CANE (ZIPPIE GS)



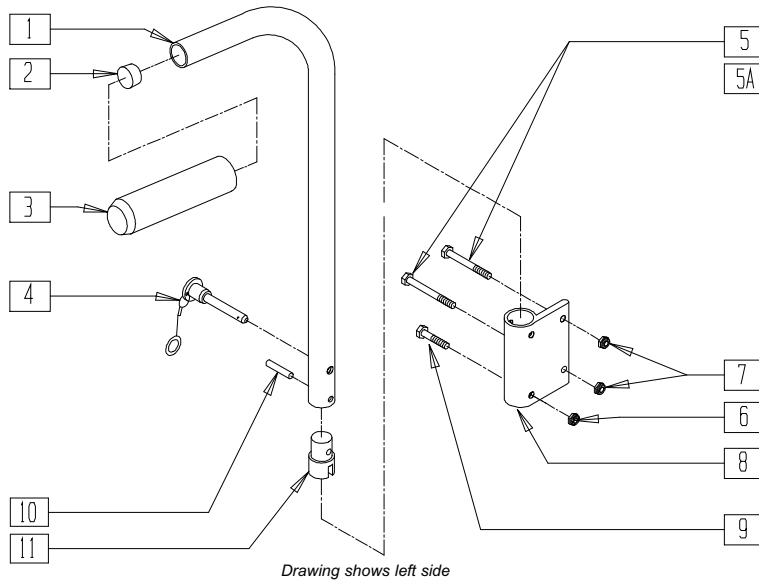
ZGS00X48

ITEM	NUMBER	DESCRIPTION	QTY
1	561082	1" TUBE END BUSHING THIN	1
2	520195	BACK TUBE STEM ZGS	1
3	561087	BACK RELEASE SADDLE RIGID	3
4	561004	1" SADDLE 1/4" HOLE	3
5	262100-QU	1/4" AN WASHER FLAT	9
6	201100	1/4-28 NYLOCK NUT THIN	5
7	500197	BACK PLATE ZGS	2
8	226155	1/4-28 x 2 1/4 BH C/S	3
9	481042	BACK RELEASE STOP PIN	1
10	321110	S/A LATCH SPRING	1
11	483019	BACK RELEASE LATCH	1
12	483020	S/A SPRING RETAINER	1
13	481084	BACK RELEASE PIN Z2/QT/EX	1
14	560502	ANTI-TIP LEVER COVER	1
15	561010	3/4" CAP	1
16	561000-QU	3/4" INSERT PLUG .083	1

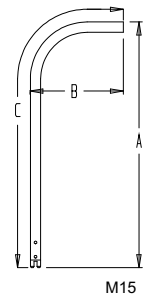
ITEM	NUMBER	DESCRIPTION	QTY
17	341497	10-32 x .020-.130 RIVNUT GOLD	1
18	560750	BUSHING FOOTREST Q2N	1
19	201110	1/4-28 NYLOCK NUT	1
20	483553	FOOTREST INSERT PLUG Q2N	1
21	226110	1/4-28 x 1 BH C/S	1
23	281120	10/32 x 5/8 PAN HD PHIL	1
1-14	840199	HT ADJ STRLR HANDLE STEM ASSM	
15-17,22,23	840025	HT ADJ BACK CANE STD	
	840026	HT ADJ BACK CANE MED	
	840027	HT ADJ BACK CANE TALL	
15-23	840028	HT ADJ BACK CANE STD W/INSERT	
	840029	HT ADJ BACK CANE MED W/INSERT	
	840030	HT ADJ BACK CANE TALL W/INSERT	
1-23	840117	HT ADJ BACK CANE STD W/STEM	
	840118	HT ADJ BACK CANE MED W/STEM	
	840119	HT ADJ BACK CANE TALL W/STEM	

NOTE: NO STROLLER HANDLE EXTENSION AVAILABLE.

REMOVABLE STROLLER HANDLE (ZIPPIE GS)



MEASURING GUIDE



STROLLER HANDLE	REG	TALL
"A"	26"	32"
"B"	9"	9"
"C"	31 7/8"	43 3/8"

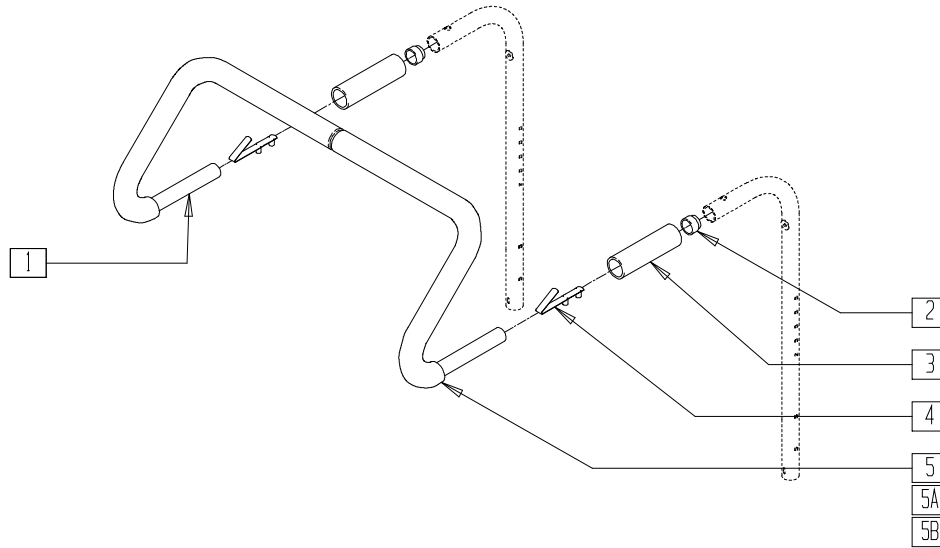
ZGS00X49

ITEM	NUMBER	DESCRIPTION	QTY
2	561002	1" INSERT PLUG .083	1
3	920070	9 x .940 x .200 FOAM GRIP	1
4	349020	STROLLER HANDLE RELEASE PIN	1
5	221151-QU	1/4-28 x 1 3/4 G8 HEX C/S	2
5A	221192	1/4-28 x 2 G8 HEX C/S	2
6	201100	1/4-28 NYLOCK NUT THIN	1
7	201110	1/4-28 NYLOCK NUT	2
8	551008	LX S/A ARM RECEIVER	1

NOTE: ORDER ITEM 5 FOR CHAIRS WITH PADDED ARMS AND STROLLER HANDLES.

ITEM	NUMBER	DESCRIPTION	QTY
9	221133	1/4-28 x 1 1/2 G8 HEX C/S	1
10	341200	1/4 x 1 ROLL PIN	1
11	483029	PUSH HANDLE PLUG	1
1-3,10,11	881431	STROLLER HANDLE REG STRT W/F ZGS	
	881432	STROLLER HANDLE TALL STRT W/F ZGS	
	900418	STROLLER HANDLES REG ZGS (PR)	
	900419	STROLLER HANDLES TALL ZGS (PR)	
4-9	900507	STROLLER REC W/HDWR ZGS (PR)	
4,5A,6-9	900508	STROLLER REC TRNST W/HDWR ZGS (PR)	

STROLLER HANDLE EXTENSION - REMOVABLE (QUICKIE TS/ZIPPIE/ZIPPIE 2/GS/TS)



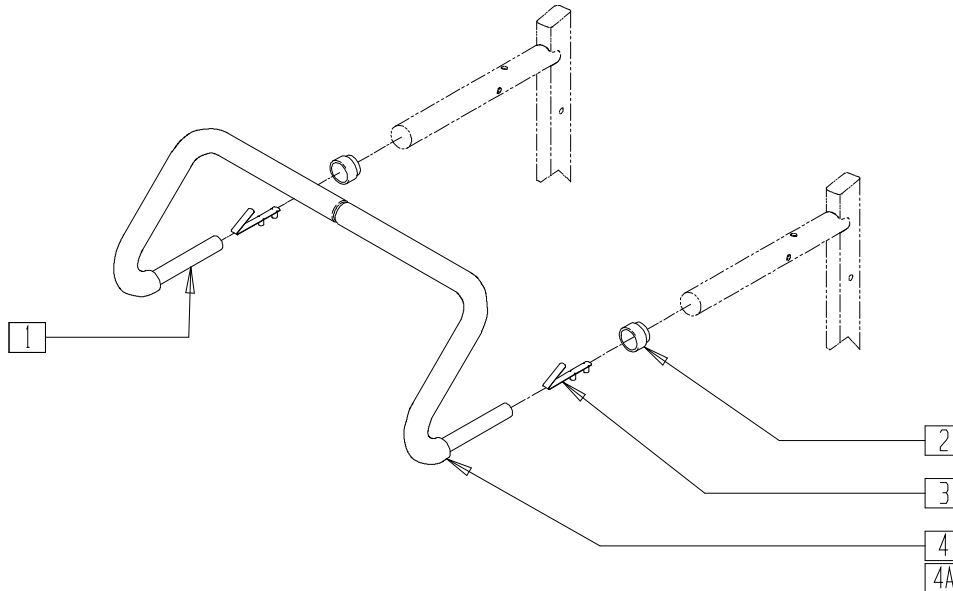
ARMX10

ITEM	NUMBER	DESCRIPTION	QTY
2	561082	1" TUBE END BUSHING THIN	2
3	560660	QUICKIE GRIP 1" W/HOLE	2
4	301108	5/16 SNAP BUTTON DUAL ONE SIDE	2
5	560615	STROLLER EXTENSION GRIP 10"-13"	2
5A	560616	STROLLER EXTENSION GRIP 14"-17"	2
5B	560617	STROLLER EXTENSION GRIP 18"-20"	2

ITEM	NUMBER	DESCRIPTION	QTY
1-5	842050-842053	STROLLER EXTENSION ASSEMBLY 10"-13"	
1-4,5A	842054-842057	STROLLER EXTENSION ASSEMBLY 14"-17"	
1-4,5B	842058, 842059, 842063	STROLLER EXTENSION ASSEMBLY 18"-20"	

NOTE: NOT AVAILABLE WITH SWING-AWAY ADJUSTABLE STROLLER HANDLES.
NOTE: FITS ON BOTH STROLLER HANDLE BACKPOSTS AND REMOVABLE STROLLER HANDLES.

STROLLER HANDLE EXTENSION - REMOVABLE (QUICKIE T45)

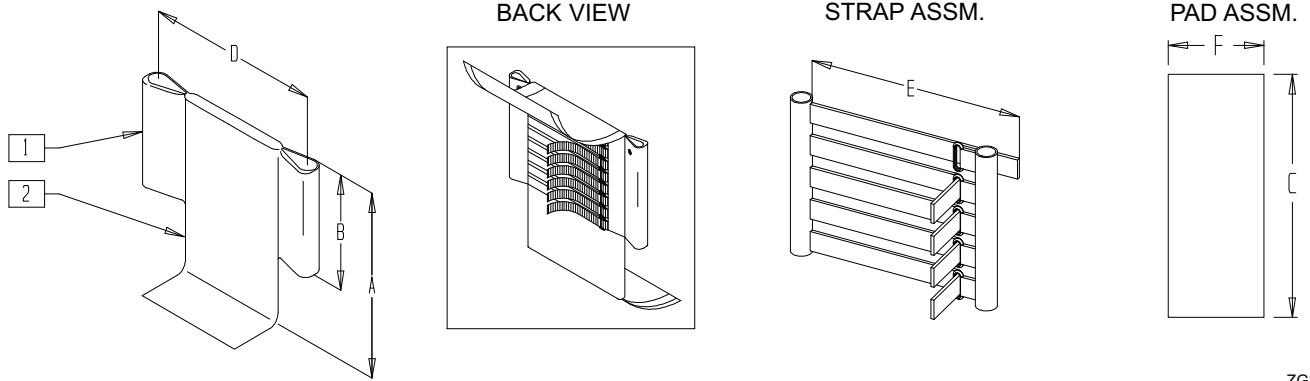


TSR00X30

ITEM	NUMBER	DESCRIPTION	QTY
2	561082	1" TUBE END BUSHING THIN	2
3	301108	5/16 SNAP BUTTON DUAL ONE SIDE	2
4	560616	STROLLER EXTENSION GRIP 14"-17"	2
4A	560617	STROLLER EXTENSION GRIP 18"-20"	2

ITEM	NUMBER	DESCRIPTION	QTY
1-4	842214-842217	STROLLER EXTENSION ASSEMBLY 14"-17" T45	
1-3,4A	842220-842222	STROLLER EXTENSION ASSEMBLY 18"-20" T45	

ADJUSTABLE BACK UPHOLSTERY (ZIPPIE GS)



ZGS0X45

ITEM	NUMBER	DESCRIPTION	QTY
1	680230-680238	ADJ STRAP ASSEMBLY, GROWING ADJ BACK (SPECIFY WIDTH/HEIGHT)	
	680370-680384	BACK UPH (18" LOW- 22" HIGH) Q2 H/D	

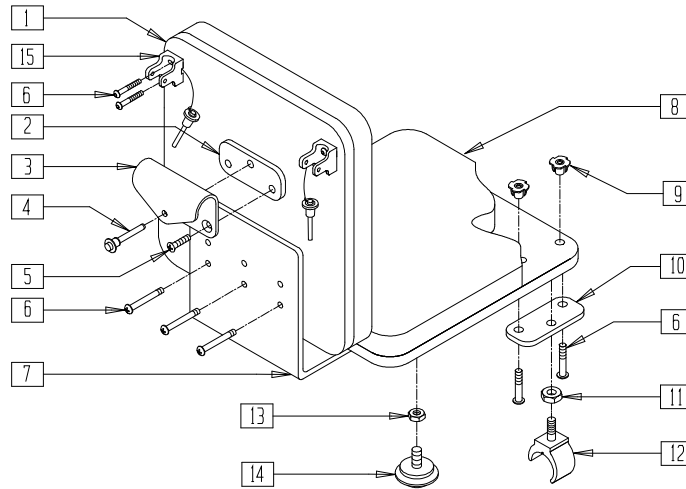
ITEM	NUMBER	DESCRIPTION	QTY
2	684480-684488	ADJ BACK STRAP COVER 10"-16" SHT, MED, TALL ZGS (SPECIFY WIDTH/HEIGHT)	

HEIGHT TABLE		STRAP ASSM.	PAD ASSM
	BACK HEIGHT "A"	NO. OF STRAPS	HEIGHT "B"
LOW	11"-14"	5	6 1/2"
MEDIUM	12"-16"	6	8 1/2"
TALL	14"-18"	8	10 1/2"
X-TALL	16"-20"	9	12 1/2"

WIDTH TABLE		WIDTH "D"					
		SMALL 10"-12"	MED 12"-14"	LARGE 14"-16"	XLARGE 16"-18"	XLARGE 18"-20"	XLARGE 20"-22"
STRAP ASSM	STRAP LENGTH "E"	9 1/2"	13 1/2"	17 1/2"	17 1/2"	21 1/2"	21 1/2"
PAD ASSM	WIDTH "F"	8"	10"	12"	14"	16"	18"

SOLID SEAT AND SOLID BACK (ZIPPIE/ZIPPIE TS)

(Discontinued 5/24/93 - parts only)

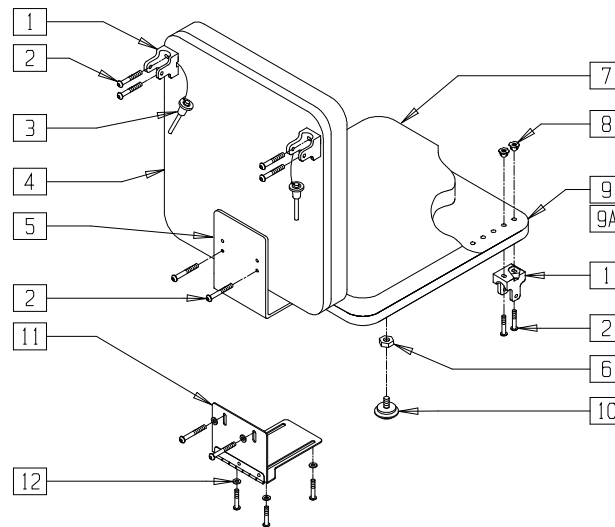


Z00X6C

ITEM	NUMBER	DESCRIPTION	QTY
1,9	735050-	PLY BACK 10"-16" (SPECIFY COLOR)	
2	550271	PLY BACK HOOK SPACER	1
3	505070	PLY BACK HOOK	1
4	349020	STROLLER HANDLE RELEASE PIN	1
5	226126	1/4-20 x 1 1/4 FH C/S BLK	2
6	226101	1/4-20 x 3/4 BH C/S	10
7	562607	PLY SEAT BRACKET	1
8,9	735000-735041	PLY SEAT 10"-16" (SPECIFY COLOR)	1

ITEM	NUMBER	DESCRIPTION	QTY
9	341504	1/4-20 T-NUT	7-11
10	500191	PLYWOOD SEAT SADDLE PLATE	2
11	201112	1/4-28 NUT THIN	2
12	561021	LOCKING SEAT SADDLE KIDS	2
13	201121	1/4-20 NUT THIN	2
14	349560	ZP RUBBER STOP	2
15	562609	BRACKET SEAT QTS/BACK	2
2-7,10-14	920314	SEATING HARDWARE KIT ZP/P5 O/S	
4,6,7,10-15	920329	SEATING HDWR KIT ZP/P5 (6 HOLE)	

SOLID SEAT AND SOLID BACK (ZIPPIE 2)

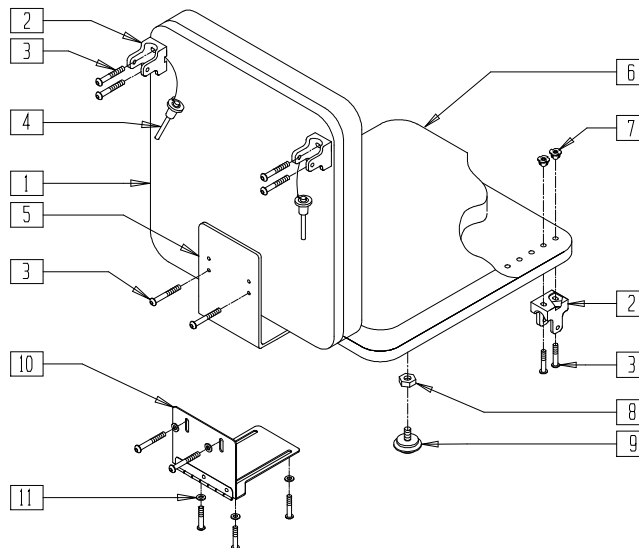


ZP200X07

ITEM	NUMBER	DESCRIPTION	QTY
1	562609	BRACKET SEAT QTS/BACK Z2	2
2	226101	1/4-20 x 3/4 BH C/S	14
3	349020	STROLLER HANDLE RELEASE PIN	2
4,8	735056-735070	PLY BACK 12" LOW - 16" TALL ZPS	
5	505253	QT SEAT/BACK BRACKET NEW	1
6	201121	1/4-20 NUT THIN	2
8	341504	1/4-20 T-NUT	7-11
7,8	735012-735041	PLY SEAT 10"-16"	

ITEM	NUMBER	DESCRIPTION	QTY
8,9	730032	PLY SEAT BOARD W/T-NUT	
	730077	12 x 10/11 - 16 x 15/16	
8,9A	730036-730077	PLY SEAT BOARD W/T-NUT ZPS	
		12" LOW TO 16" TALL	
10	349560	ZP RUBBER STOP	2
11	450990	SEAT TO BACK BRKT 90D CV	1
12	262100-QU	1/4 AN WASHER FLAT	4
1-3,6,10	920451	ST/BACK HDWR KT STD BRKT ZP	
1-3,6,10,12	920452	ST/BCK HDWR KIT HNG BRKT ZP	

SOLID SEAT AND SOLID BACK (ZIPPIE/ZIPPIE GS/TS)

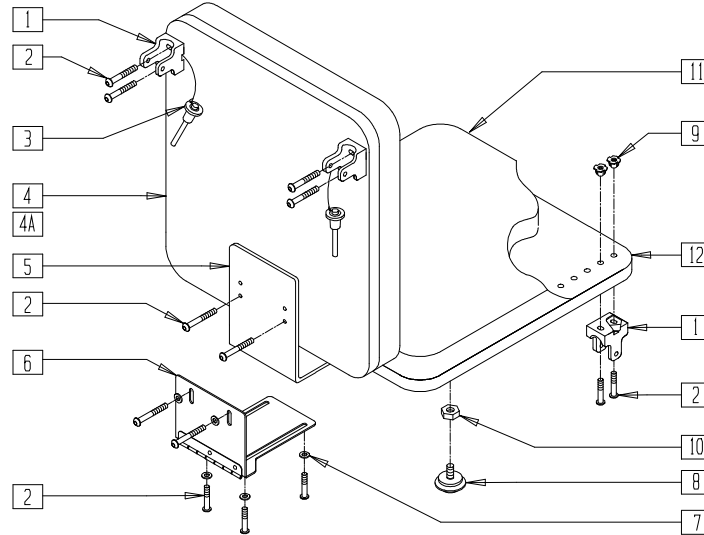


Z00X6A

ITEM	NUMBER	DESCRIPTION	QTY
1,8	735050-735070	PLY BACK 10"-16" (SPECIFY COLOR)	
2	562609	BRACKET SEAT QTS/BACK Z2	4
3	226101	1/4-20 x 3/4 BH C/S	14
4	349020	STROLLER HANDLE RELEASE PIN	2
5	505253	QT SEAT/BACK BRACKET NEW	1
7	341504	1/4-20 T-NUT	7-11
6,7	735000-735041	PLY SEAT 10"-16" (SPECIFY COLOR)	

ITEM	NUMBER	DESCRIPTION	QTY
8	201121	1/4-20 NUT THIN	2
9	349560	ZP RUBBER STOP	2
10	450990	SEAT TO BACK BRKT 90D CV	1
11	262100-QU	1/4 AN WASHER FLAT	6
2-4,8,9	920451	ST/BACK HDWR KT STD BRKT ZP	
2-4,8,9,11	920452	ST/BCK HDWR KIT HNG BRKT ZP	

SOLID SEAT AND SOLID BACK (QUICKIE TS)



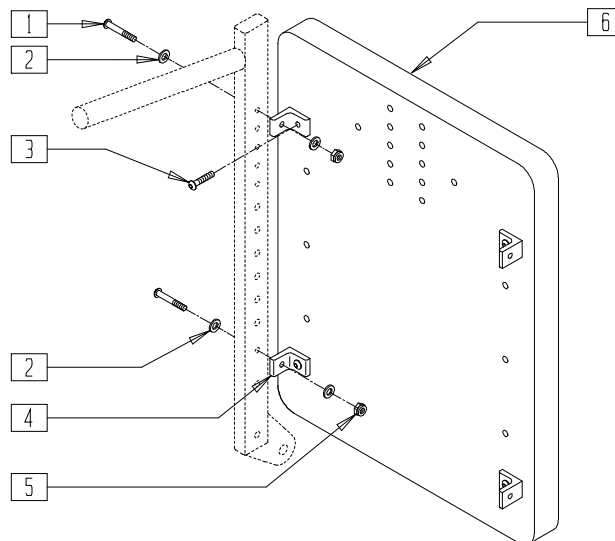
AZ00X08

ITEM	NUMBER	DESCRIPTION	QTY
1	562609	BRACKET SEAT QTS/BACK Z2	4
2	226101	1/4-20 x 3/4 BH C/S	12
3	349020	STROLLER HANDLE RELEASE PIN	2
4	731501-730522	PLY BACK QT (16" x 18" - 20" x 20")	1
4A	731082-731093	PLY BACK BOARD W/T-NUT QT	1
5	505253	QT SEAT/BACK BRACKET NEW	1
6	450990	SEAT TO BACK BRKT 90D CV	1
7	262100-QU	1/4 AN WASHER FLAT	4

ITEM	NUMBER	DESCRIPTION	QTY
8	349560	ZP RUBBER STOP	2
9	341504	1/4-20 T-NUT	18
9,12	730854-730899	PLYWD ST BPLY ST QTRD W/NUT QT	1
10	201121	1/4-20 NUT THIN	2
11	730504-730549	PLY SEAT QT	
1-3,5,8	920326	QT SEATING HARDWARE KIT NEW	
1-3,8,10	920451	ST/BCK HDWR KIT STD BRACKET ZP	

NOTE: WHEN ORDERING QTS SOLID SEAT/BACK, PLEASE SPECIFY HOLE PATTERN.

SOLID BACK (QUICKIE T45)



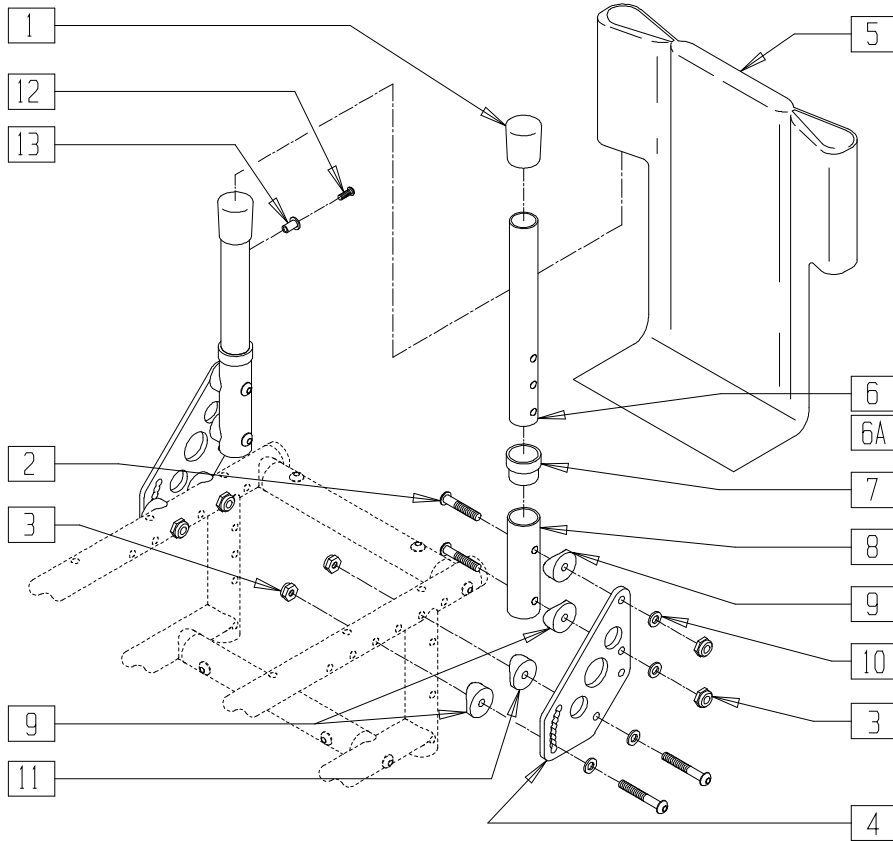
TSR00X17

ITEM	NUMBER	DESCRIPTION	QTY
1	226130	1/4-28 x 1 1/2 BH C/S	4
2	262100-QU	1/4 AN WASHER FLAT	8
3	226101	1/4-20 x 3/4 BH C/S	4
4	550148	SEAT/BACK BRACKET T45	4

ITEM	NUMBER	DESCRIPTION	QTY
5	201110-QU	1/4-28 NYLOCK NUT	4
6	732184-732190	PLY BACK 14" x 20" - 20" x 20" T45	
1-5	881208	HARDWARE KIT T45 SOLID BACK	

BACKREST AND UPHOLSTERY (QUICKIE KIDZ)

(Discontinued 7/94 - parts only; fits Quickie Kidz prior to serial number KZ-7265)



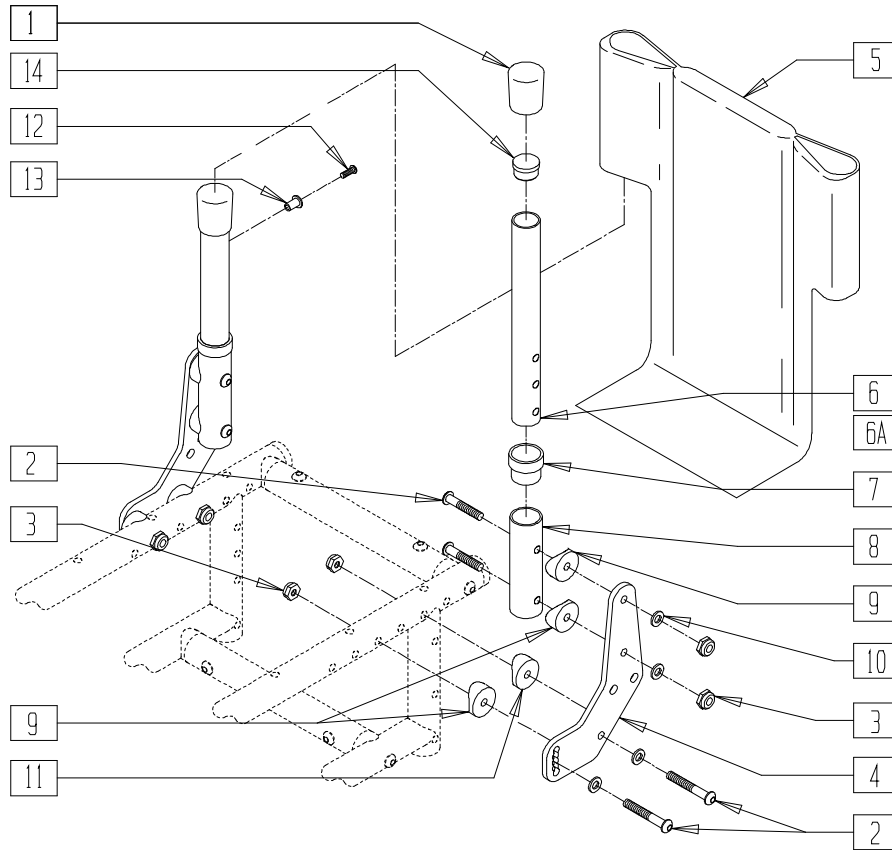
KDZ00X07

ITEM	NUMBER	DESCRIPTION	QTY
1	561013	7/8" CAP	2
2	226140	1/4-28 x 1 3/4 BH C/S	8
3	201110	1/4-28 NYLOCK NUT	8
4	500193	BACK PLATE KIDZ RIGID O/S	2
5	684230-684234	BACK UPHOLSTERY KIDZ 10"-14" REG	1
	684240-684244	BACK UPHOLSTERY KIDZ 10"-14" TALL	
6,13	840120	BACK TUBE W/RIVNUT 8"-10" KZ O/S	
6A,13	840121	BACK TUBE W/RIVNUT 10"-12" KZ O/S	

ITEM	NUMBER	DESCRIPTION	QTY
7	561310	BC 1" TUBE END BUSHING CM	2
8	520305	BACK TUBE RECEIVER KIDZ	2
9	561004	1" SADDLE 1/4" HOLE	6
10	262110	1/4 AN WASHER FLAT THIN	8
11	561086	1" HALF SADDLE 1/4" HOLE	2
12	281120	10-32 x 5/8 PAN HD PHIL	2
13	341497	10-32 x .020-.130 RIVNUT GOLD	2
2-4,7-11	880610, 880611	KIDZ BACK REC W/PLATE AND HDWR (EA)	

BACKREST AND UPHOLSTERY (QUICKIE KIDZ)

(Effective serial number KZ-7265)

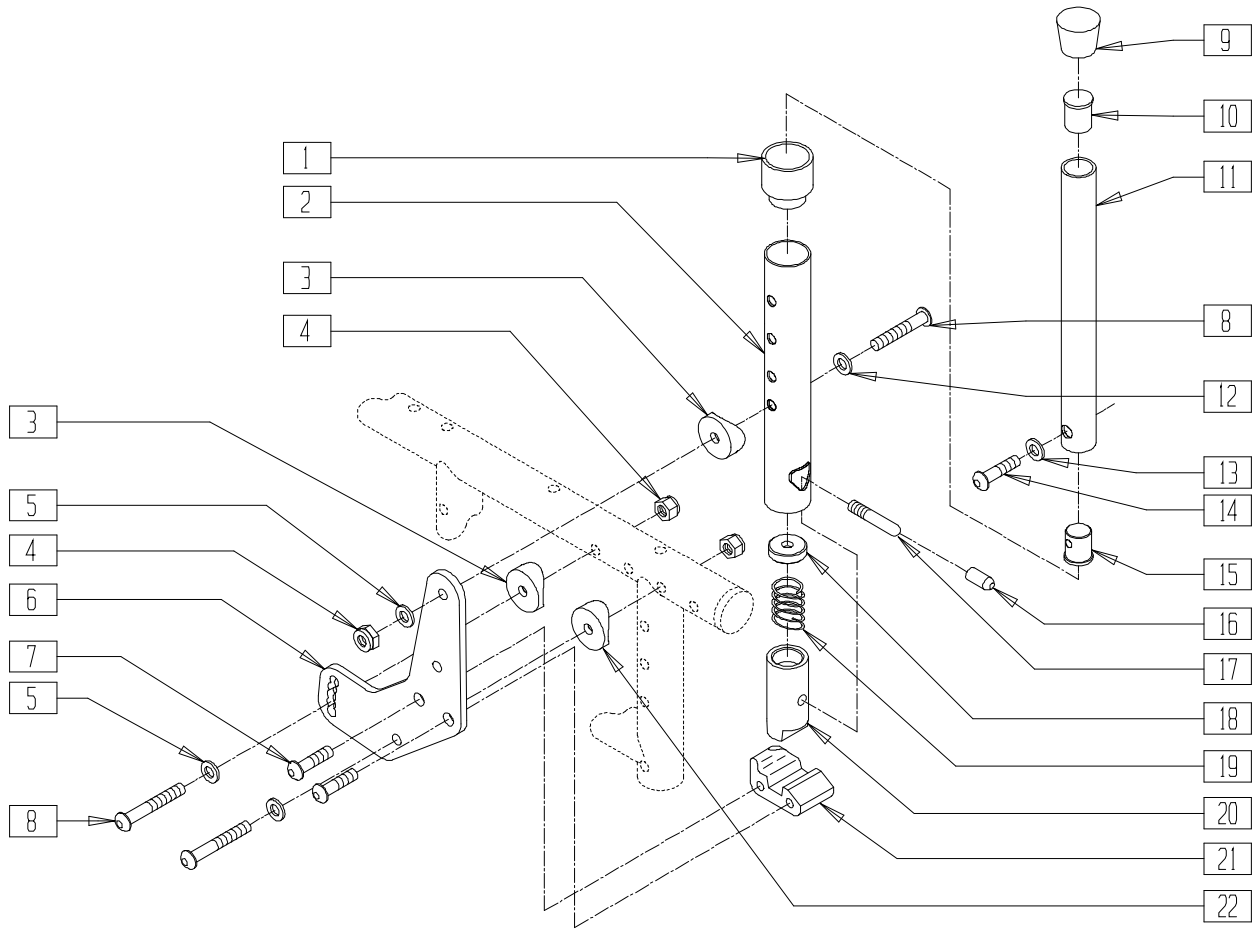


KDZ00X25

ITEM	NUMBER	DESCRIPTION	QTY
1	561013	7/8" CAP	2
2	226140	1/4-28 x 1 3/4 BH C/S	8
3	201110	1/4-28 NYLOCK NUT	8
4	500195	BACK PLATE KIDZ/EX	2
5	684230- 684244	BACK UPHOLSTERY KIDZ 10" REG - 14" TALL	1
6	840122	BACK TUBE W/RIVNUT 8"-10" KIDZ	2
6A	840123	BACK TUBE W/RIVNUT 10"-12" KIDZ	2
7	561310	BC 1" TUBE END BUSHING CM	2

ITEM	NUMBER	DESCRIPTION	QTY
8	520305	BACK TUBE RECEIVER KIDZ	2
9	561004	1" SADDLE 1/4" HOLE	6
10	262110	1/4 AN WASHER FLAT THIN	8
11	561086	1" HALF SADDLE 1/4" HOLE	2
12	281120	10-32 x 5/8 PAN HD PHIL	2
13	341497	10-32 x .020-.130 RIVNUT GOLD	2
14	561007	7/8" INSERT PLUG .083	2
2-4,7-11	880616, 880617	KIDZ BACK RECEIVER W/PLT AND HDWR (EA)	

FOLDING BACKREST (QUICKIE KIDZ)

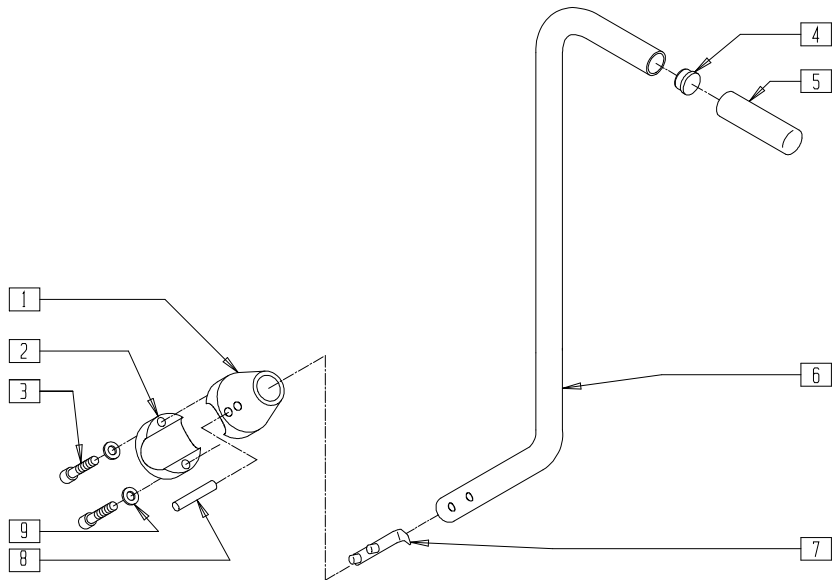


KDZ00X23

ITEM	NUMBER	DESCRIPTION	QTY
1	561082	1" TUBE END BUSHING THIN	2
2	520753	BACKREST TUBE SLOT KIDZ	2
3	561004	1" SADDLE 1/4" HOLE	2
4	201110	1/4-28 NYLOCK NUT	6
5	262110	1/4 AN WASHER FLAT THIN	6
6	500195	BACK PLATE KIDZ/EX	2
7	226182	5/16-18 x 1 BH C/S	4
8	226140	1/4-28 x 1 3/4 BH C/S	6
9	561010	3/4" CAP	2
10	561000-QU	3/4" INSERT PLUG .083	2
9-11	840098	BACK ADJUSTABLE TUBE 8"-10" KIDZ	
13-15	840099	BACK ADJUSTABLE TUBE 10"-12" KIDZ	
12	262100-QU	1/4 AN WASHER FLAT	2
13	262130	6mm WASHER WAVE	2
14	226120	1/4-20 x 1 BH C/S	2

ITEM	NUMBER	DESCRIPTION	QTY
15	483001	Q2 FRAME/FOOT RETAINING PLUG	2
16	560502	ANTI-TIP LEVER COVER	2
17	481084	BACK RELEASE PIN Z2/QT/EX	2
18	483020	S/A SPRING RETAINER	2
19	321110	S/A LATCH SPRING	2
20	483806	BACKREST LATCH SLIDER KIDZ	2
21	550340, 550341	BCKRST LATCH BLOCK P2/KIDZ (EA)	1
22	561086	1" HALF SADDLE 1/4" HOLE	2
3-8, 21,22	880670, 880671	BCK PLATE FOLD W/HDRW KIDZ (EA)	
1-5,8, 16-20	840124, 840125	BACKREST TUBE W/LATCH KIDZ (EA)	
1-22	923450 923451	KIDZ FOLDING BACK RETRO 8"-10" KIDZ FOLDING BACK RETRO 10"-12"	

STROLLER HANDLE (QUICKIE KIDZ)

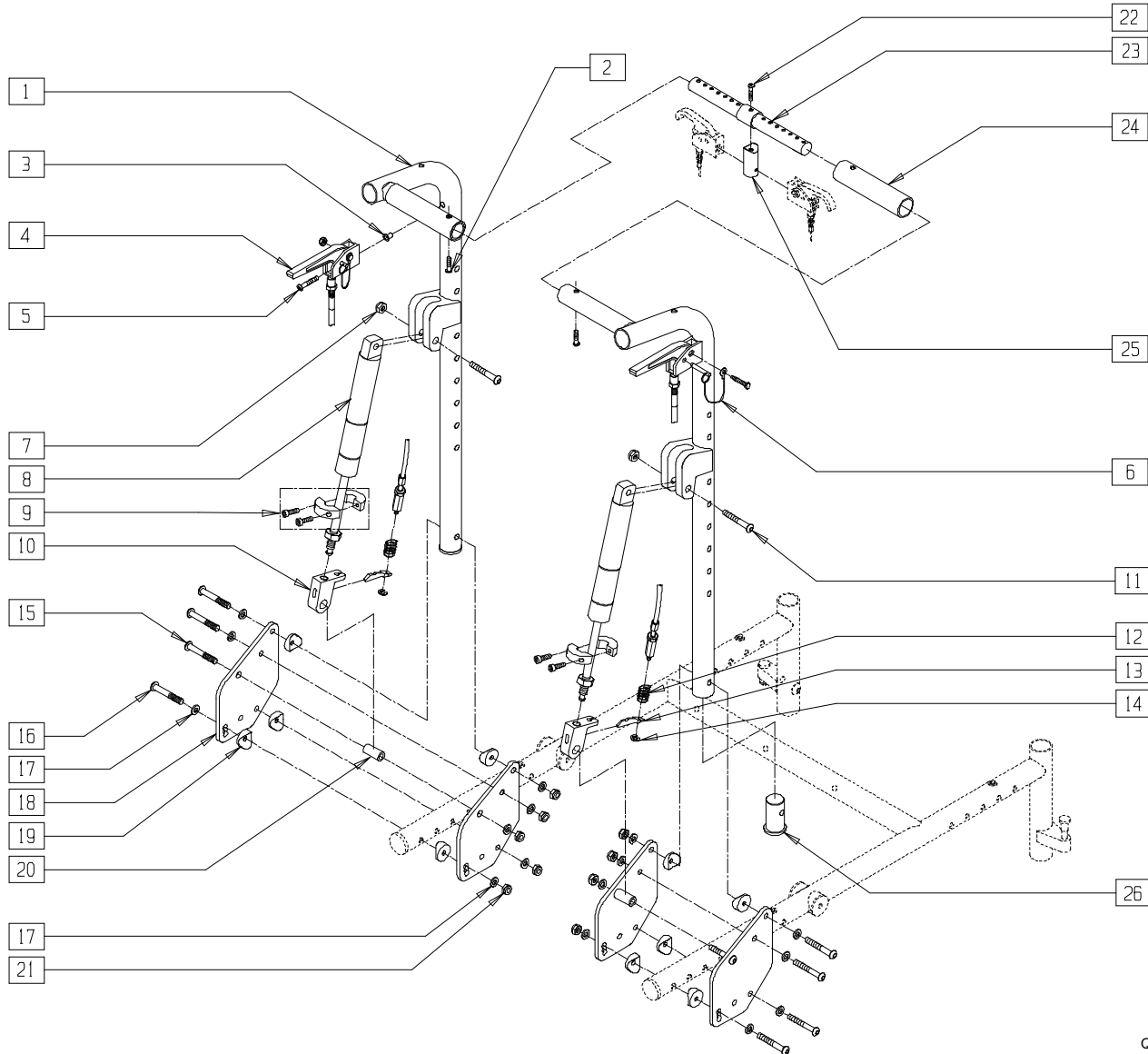


KDZ00X17

ITEM	NUMBER	DESCRIPTION	QTY
1	483030	STROLLER HANDLE RECEIVER TOP KIDZ	1
2	483031	STROLLER HANDLE REC BOTTOM KIDZ	1
3	221126	1/4-20 x 1 1/4 G8 HEX C/S	2
4	482028	3/4" DOME PLUG .125	1
5	560662	QUICKIE GRIP 3/4"	1
6	521605	STROLLER HANDLE KIDZ	1

ITEM	NUMBER	DESCRIPTION	QTY
7	301109	SNAP BUTTON DUAL ONE SIDE	1
8	341201	1/4 x 1 1/4 ROLL PIN	1
9	262100-QU	1/4 AN WASHER FLAT	2
1,8	883030	STROLLER HANDLE RECEIVER W/PIN	
1-3,8,9	842075	STROLLER HANDLE RECEIVER ASSM KIDZ	
4-7	842065	STROLLER HANDLE W/FOAM KIDZ	

60° RECLINING BACK ASSEMBLY (QUICKIE TS)

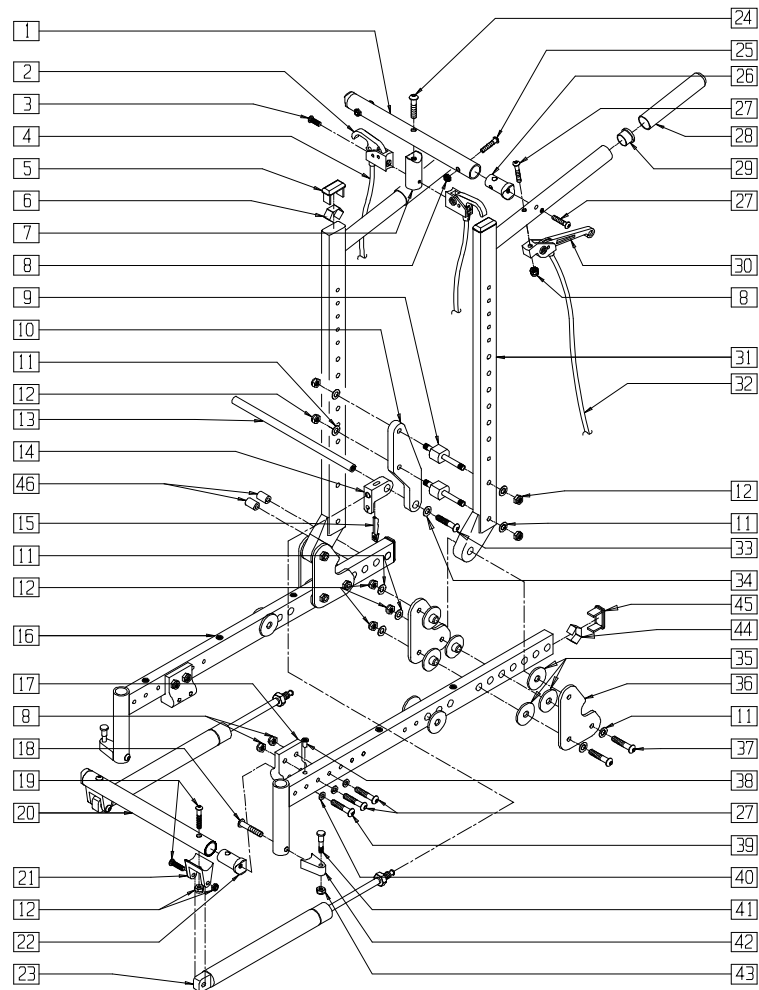


QTS20X09

ITEM	NUMBER	DESCRIPTION	QTY
1	541502-541505	BACK TUBE WELDMENT MEDIUM/TALL QTS (EA)	1
2	226110	1/4-28 x 1 BH C/S	2
3	341497	10-32 x .020-.130 RIVNUT GOLD	2
4	580110	CYL LOCK LEVER ASSEMBLY QT/QR/P5	2
5	281120	10/32 x 5/8 PAN HD PHIL	2
6	349021	TRIGGER RELEASE PIN TS/QT/P5	2
7	202102	5/16-18 NYLOCK NUT THIN	2
8	342065	BLOC-O-LIFT 200 N x 11.58"	2
9	342049	10mm ID SPLIT COLLAR	2
10	880148	GAS SPRING BLOCK W/BUSHING QTS	2
11	222108	5/16-18 x 1 1/4 BH C/S	2
12	321141	.650L x 6 COIL SPRING	2
13	560686	GAS SPRING LEVER T45	2

ITEM	NUMBER	DESCRIPTION	QTY
14	342000	1/4" E-CLIP	2
15	226198	5/16-18 x 2 BH C/S SHT THREAD	2
16	226150	1/4-28 x 2 BH C/S	8
17	262100-QU	1/4 AN WASHER FLAT	16
18	500215	RECLINING BACK LOWER BRACKET QTS	4
19	561004	1" SADDLE 1/4" HOLE	12
20	483179	RECLINING BACK PIVOT STUD QTS	2
21	201100-QU	1/4-28 NYLOCK NUT THIN	8
22	222256	5/16-18 x 1 1/2 BH C/S	1
23	500775	ADJ BAR QTS RECLINING BACK	1
24	560664	FOAM GRIP RECLINING BACK QTS	2
25	483139	T45 RELEASE LEVER MNTG BLOCK	2
26	483169	RECLINING BACK TUBE PLUG QTS	2
1-26	921585	60° RECLINING BACK RETRO KIT TS	

BACK FRAME (RECLINING BACK) (QUICKIE T45)

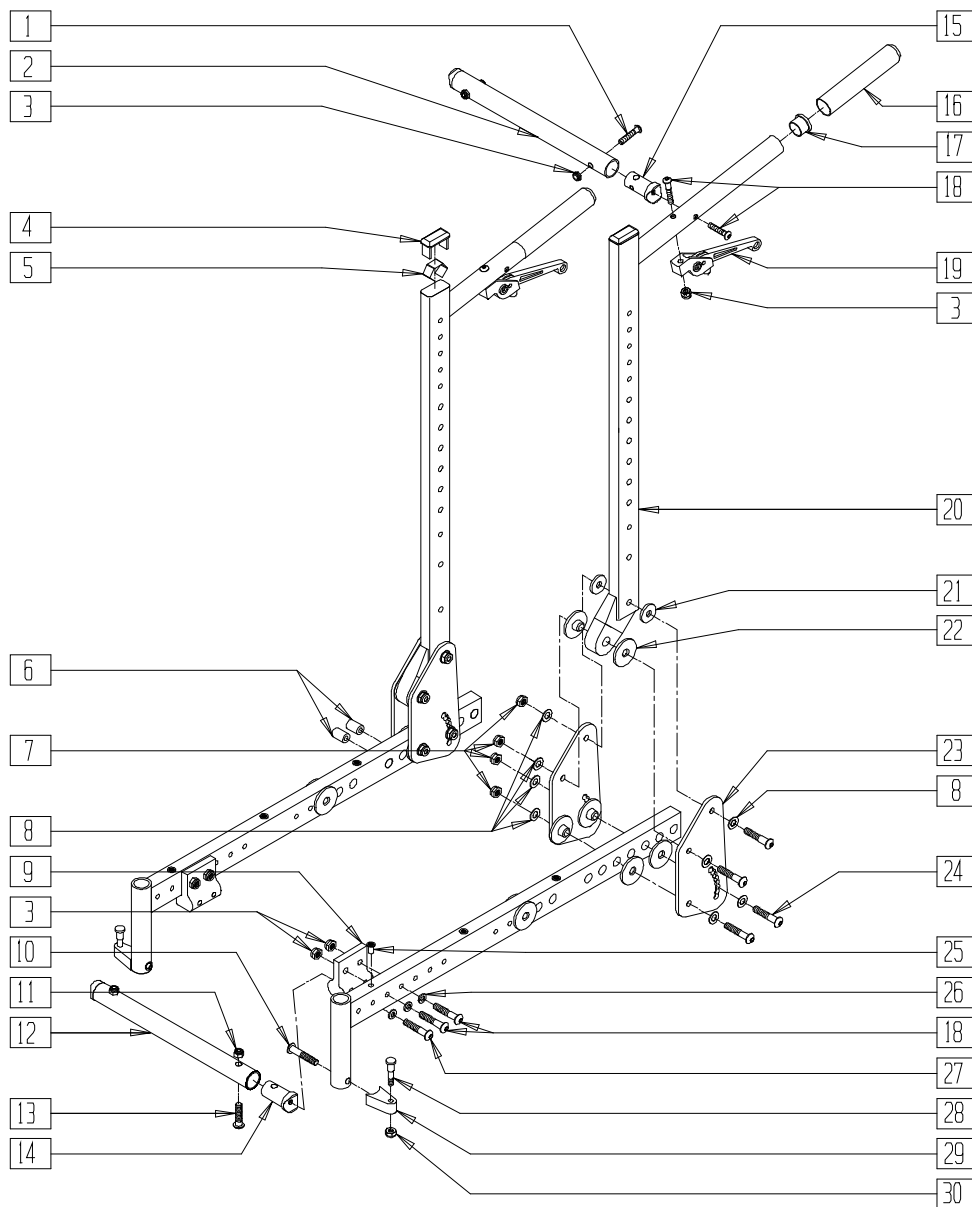


TSR00X02

ITEM	NUMBER	DESCRIPTION	QTY
1	522874-522880	T45 BACK STRUT TUBE 14"-20"	1
2	580111	CYL LOCK LEVER ASSEMBLY RECLINER	2
3	281120	10/32 x 5/8 PAN HD PHIL	2
4	342057	CYL LOCK CABLE ASSEMBLY	2
5	561372	3/4 x 1 1/2 RECT TUBING CAP	4
6	540190	RECT TUBING CAP SPRING P2	4
7	483139	T45 RELEASE LEVER MNTG BLOCK	1
8	201100	1/4-28 NYLOCK NUT THIN	2,4
9	481350	T45 BACK ASSEMBLY STUD	4
10	550243	T45 BACK RECLINER BRACKET	2
11	263100	5/16 AN WASHER FLAT	20
12	202102	5/16-18 NYLOCK NUT THIN	18
13	481364-481370	T45 RECLINER PIVOT ROD 14"-20"	1
14	483147	T45 GAS SPRING BLOCK	2
15	560686	GAS SPRING LEVER T45	2
17	550147	T45 GAS SPRING MNTG BRACKET TOP	1,2
18	226190	5/16-18 x 1 3/4 BH C/S SHLDR	2
19	226138	5/16-24 x 1 1/2 BH C/S	4
20	522834-522840	STRUT TUBE T45 14"-20"	1
21	500145	CYLINDER BRACKET T45	2
22	483118	STRUT SADDLE T45	2
23	342064	BLOC-O-LIFT 200 N x 15.88"	2
24	222256	5/16-18 x 1 1/2 BH C/S	1
25	226131	1/4-28 x 1 1/4 BH C/S SHLDR	2

ITEM	NUMBER	DESCRIPTION	QTY
26	483038	STRUT SADDLE ZP/P5/KZ	4
27	226130	1/4-28 x 1 1/2 BH C/S	2,4
28	560663	QUICKIE GRIP 1"	2
29	561002	1" INSERT PLUG .083	2
30	580112	CYL LOCK LEVER ASSEMBLY T45	2
31	842160	BACK TUBE PNTD T45	2
32	342056	CYL LOCK CABLE ASSEMBLY T45	2
33	226182	5/16-18 x 1 BH C/S	2
34	263118	5/16 WASHER TYPE BR SERIES	2
35	560800	FRAME BUSHING T45/P3N	16
36	505723	BACK PIVOT PLATE T45	4
37	226195	5/16-18 x 1.82 BH C/S	6
38	341497	10-32 x .020-.130 RIVNUT GOLD	6
39	226140	1/4-28 x 1 3/4 BH C/S	2
40	262100-QU	1/4 AN WASHER FLAT	4
41	481023	S/A LATCH STUD NEW	2
42	551310	LATCH STUD SUPPORT BLK	2
43	201100	1/4-28 NYLOCK NUT THIN	2
44	540190	RECT TUBING CAP SPRING P2	1
45	561372	3/4 x 1 1/2" RECT TUBING CAP	1
46	561057	T45 FRAME PLUG PLASTIC	5
8,16,17,27,38,40,44-46	600162, 600164	CONV KIT RECLINER BACK T45 14"-20"	
2-4,9-15,19,21,23,24,33-37	880014-880020	CONV KIT RECLINER BACK T45 14"-20"	
18,41-43	921295	S/A LATCH ASSEMBLY W/BOLT BLK	

BACK FRAME (FIXED BACK) (QUICKIE T45)



TSR00X03

ITEM	NUMBER	DESCRIPTION	QTY
1	226131	1/4-28 x 1 1/4 BH C/S SHLDR	2
2	522874-522880	T45 BACK STRUT TUBE 14"-20"	1
3	201100	1/4-28 NYLOCK NUT THIN	6
4	561372	3/4 x 1 1/2" RECT TUBING CAP	2
5	540190	RECT TUBING CAP SPRING P2	2
6	561057	T45 FRAME PLUG PLASTIC	10
7	202102	5/16-18 NYLOCK NUT THIN	8
8	263100	5/16 AN WASHER FLAT	16
9	550147	T45 GAS SPRING MNTG BRKT TOP	2
10	226190	5/16-18 x 1 3/4 BH C/S SHLDR	2
11	202102	5/16-18 NYLOCK NUT THIN	2
12	522834-522840	STRUT TUBE T45 14"-20"	1
13	222108	5/16-18 x 1 1/4 BH C/S	2
14	483118	STRUT SADDLE T45	2
15	483038	STRUT SADDLE ZP/P5/KZ	2

ITEM	NUMBER	DESCRIPTION	QTY
16	560663	QUICKIE GRIP 1"	2
17	561002	1" INSERT PLUG .083	2
18	226130	1/4-28 x 1 1/2 BH C/S	4
19	580112	CYL LOCK LEVER ASSEMBLY T45	2
20	842160	BACK TUBE PNTD T45	2
21	561016	1" WASHER 5/16" HOLE	4
22	560800	FRAME BUSHING T45/P3N	16
23	501024	FIXED BACK PIVOT PLATE	4
24	226195	5/16-18 x 1.82 BH C/S	8
25	341512	10/32 x .080 - .130 RIVNUT ZN	6
26	262100-QU	1/4 AN WASHER FLAT	4
27	226140	1/4-28 x 1 3/4 BH C/S	2
28	481023	S/A LATCH STUD NEW	4
29	551310	LATCH STUD SUPPORT BLK	2
30	201100	1/4-28 NYLOCK NUT THIN	1
7,8,21-24	880012	CONVERSION KIT FIXED BACK T45	
10,28-30	921295	S/A LATCH ASSEMBLY W/BOLT BLK	

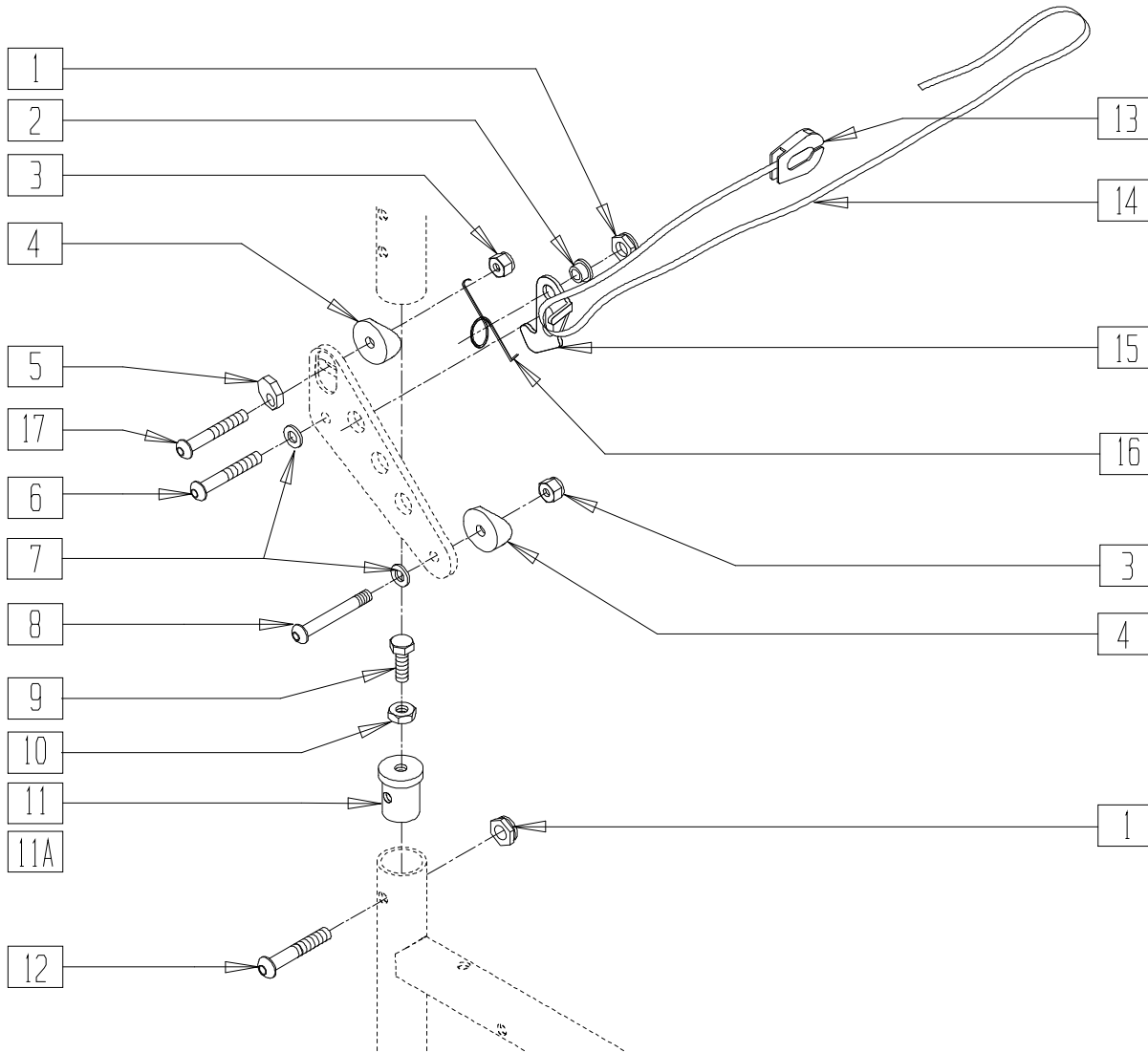
Rigid Chair Backrests and Upholstery

IN THIS SECTION

Quick-Release Back Lock (Quickie GP/GPV/Ti/Triumph/ST/DT) (Disc.).....	10.1	Folding Back Upholstery (Quickie 1/GPV/GPV Competition/GPS/GP S/A/ R2 (Non-Adjustable Frame)/Ti/Triumph/XTR).....	10.11
Backrest and Quick-Release Back Lock (Quickie1/Carbon/GP/GPV/Ti/Triumph/St/Dt/ GP S/A/R2)	10.2	Backrest Upholstery (ST/DT).....	10.12
Non-Folding Backrest and Upholstery (Quickie 1/GP/GPV/Ti).....	10.3	Back Upholstery (Quickie <i>TNT</i> /R2 (Adjustable Frame)	10.12
Backrest and Quick-Release Back Lock (Quickie XTR)	10.3	Adjustable Back Upholstery (Quickie GPV Competition/ST/DT)	10.13
Backrest (Quickie R2 Adjustable Frame/ <i>TNT</i>	10.4	Tension Adjustable Back Upholstery (Quickie Carbon/GP/GPS/Ti/Triumph/ST/DT/ XTR/R2 (Non-Adjustable Frame))	10.13
Backrest and Back Upholstery (Quickie ST/DT) (Disc.).....	10.5	Integral Push Handle Backrest (Quickie GP/GPV/GP S/A/GPV Competition/ Ti/XTR/R2 (Fixed Frame))	10.14
Backrest Assembly (Fixed Back)(Quickie ST/DT) ..	10.6	Push Handle Assembly (Quickie 1/GP/GPV/Ti/Carbon/GP S/A/ GPV Competition/R2/ <i>TNT</i>)	10.15
Backrest Assembly (Folding Back) (Quickie ST/DT)	10.7	Stroller Handle (Rigid/Quickie GP/GPV/ GPV Competition/GP S/A).....	10.16
Backrest (Quickie GPS) (Disc.)	10.8	Back Upholstery Measuring Guides	10.17
Backrest Upholstery and Folding Back (Quickie EX) (Disc.)	10.9	Back Upholstery Measuring Guides (Cont)	10.18
Quick-Release Back Lock (Quickie Carbon) (Disc)	10.10		
Folding Backrest Tubes (Quickie 1/Carbon/GP/GPV/ Ti/Triumph/ST/DT) (Disc)	10.11		

QUICK-RELEASE BACK LOCK (QUICKIE GP/GPV/Ti/TRIUMPH/ST/DT)

(Discontinued 9/8/98 - parts only)



Drawing shows right side

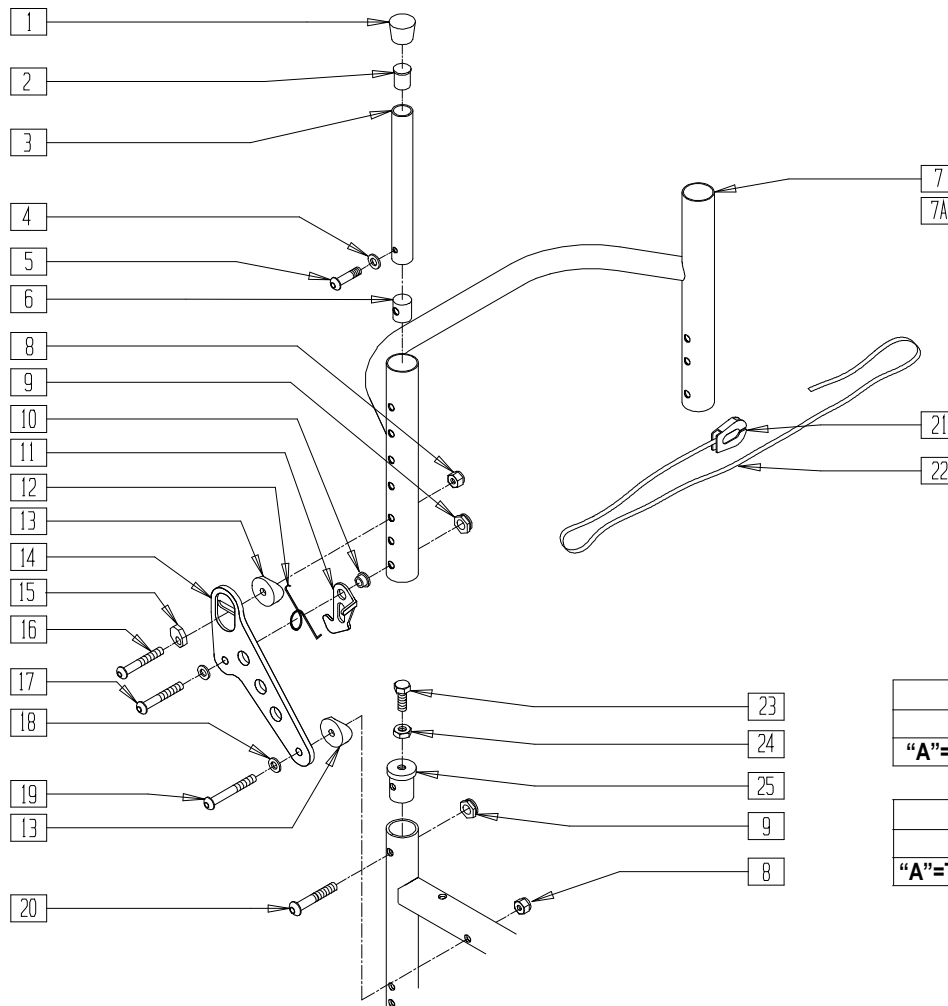
BK0X011B

ITEM	NUMBER	DESCRIPTION	QTY
1	201100	1/4-28 NYLOCK NUT THIN	2
2	481039	BACK RELEASE BUSHING RIGID	2
3	201110	1/4-28 NYLOCK NUT	2
4	561087	BACK RELEASE SADDLE RIGID	2
5	341017	WASHER ECCENTRIC	2
6	226140	1/4-28 x 1 3/4 BH C/S	2
7	262100-QU	1/4 AN WASHER FLA	2
8	226058	1/4-20 x 3/4 SOC C/S	2
9	221105	1/4-20 x 3/4 HEX C/S	2
10	201121	1/4-20 NUT THIN	2
11	483010	Q1/GP BACK REL ANGLE PLUG	2
11A	483055	PLUG BACK REL Ti GPV	2
12	226130	1/4-28 x 1 1/2 BH C/S	

ITEM	NUMBER	DESCRIPTION	QTY
13	560221	BACK RELEASE STRAP LOCK RIGID	1
14	750060	BACK RELEASE STRAP 12"-20" RIGID	1
15	505033, 505034	Q1/GP BACK RELEASE BRACKET (EA)	1
16	321121, 321125	BACK RELEASE SPRING RIGID (EA)	1
17	226147	1/4-28 x 1.85 BH C/S	2
1,9,10-12	920191	GP BACK REL PLUG W/HDWR	
1,9,10, 11A,12	920192	Ti BACK REL PLUG W/HDWR	
1-18	920218	GP BACK REL BRKT AND PLUG ASSM	
1-10,11A, 12-17	920219	Ti BCK REL BRKT AND PLUG ASSM	

BACKREST AND QUICK-RELEASE BACK LOCK (QUICKIE 1/CARBON/GP/GPV/Ti/TRIUMPH/ST/DT/GP S/A/R2)

(Triumph Discontinued 2/01- parts only)



BACK FRAME SIZES			
	8"-12"	11"-14"	12"-16"
"A"-REG SIZE 8"	X	X	X

BACK FRAME SIZES			
	14"-18"	16"-20"	
"A"-TALL SIZE 12"	X	X	

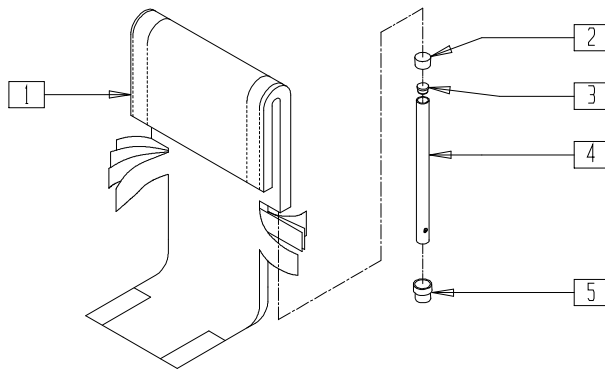
Drawing shows right side

BK0X014

ITEM	NUMBER	DESCRIPTION	QTY
1	561010	3/4" CAP	2
2	561000-QU	3/4" INSERT PLUG .083	2
4	262130	6mm WASHER WAVE	2
5	226101	1/4-20 x 3/4 BH C/S	2
6	483001	Q2 FRAME/FOOT RETAINING PLUG	2
7	520440-520450	BCK FRME 12"-20" REG RIGID BLK .115	1
7A	520540-520550	BCK FRME 12"-20" TALL RIGID BLK .115	1
8	201110	1/4-28 NYLOCK NUT	4
9	201100	1/4-28 NYLOCK NUT THIN	4
10	481039	BACK RELEASE BUSHING RIGID	2
11	505033, 505034	Q1/GP BACK RELEASE BRACKET (EA)	1
12	321153, 321154	BCK RELSE SPRING RIGID (NEW) (EA)	1
13	561087	BACK RELEASE SADDLE RIGID	2
14	500170, 500171	BACK RELEASE PIVOT PLATE RIGID BLK (NEW) (EA)	1

ITEM	NUMBER	DESCRIPTION	QTY
15	341018	WASHER ECCENTRIC LARGE	2
16	226147	1/4-28 x 1.85 BH C/S BLK	2
17	226140	1/4-28 x 1 3/4 BH C/S BLK	2
18	226100	1/4-28 x 3/4 BH C/S	4
19	226150	1/4-28 x 2 BH C/S	2
20	226130	1/4-28 x 1 1/2 BH C/S	2
21	560221	BACK RELEASE STRAP LOCK RIGID	1
22	750060	BACK RELEASE STRAP 12"-20" RIGID	1
23	226058	1/4-20 x 3/4 SOC C/S	2
24	201121	1/4-20 NUT THIN	2
25	483010	Q1/GP BACK RELEASE ANGLE PLUG	2
1-6	840100-840104	BACK ADJUSTABLE TUBE RIGID	
7-19	840320-840329	BACK FRAME .115 REG 12"-20" W/BACK RELEASE	
7A,8-19	840330-840339	BACK FRAME .115 TALL 12"-20" W/BACK RELEASE	

NON-FOLDING BACKREST AND UPHOLSTERY (QUICKIE 1/GP/GPV/Ti)



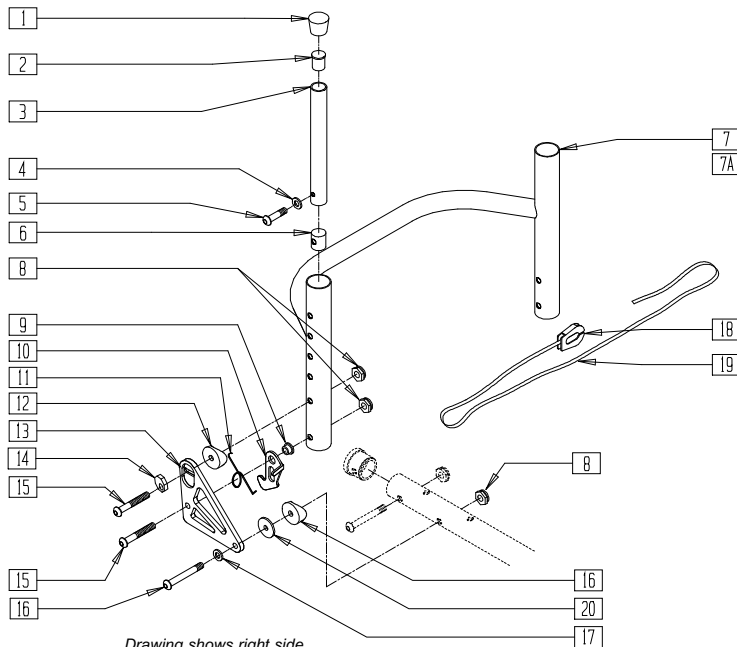
BK0X05A

ITEM	NUMBER	DESCRIPTION	QTY
1	681002-681085	BACK UPHOLSTERY GP NON-FOLDING BACK 12"-20" (Q1/GP/GPV/Ti)	1
2	561010	3/4" CAP	1

ITEM	NUMBER	DESCRIPTION	QTY
3	561000-QU	3/4" INSERT PLUG .083	1
5	561018	1" TUBE END BUSHING THICK	1
2,3,4	842006*	Q2 BACK TUBE TALL 3/4"	

* FIELD CUT TO DESIRED LENGTH.

BACKREST AND QUICK-RELEASE BACK LOCK (QUICKIE XTR)



Drawing shows right side

BACK FRAME SIZES			
	8"-12"	11"-14"	12"-16"
"A"=REG SIZE 8"	X	X	X

BACK FRAME SIZES			
	14"-18"	16"-20"	
"A"=TALL SIZE 12"	X	X	

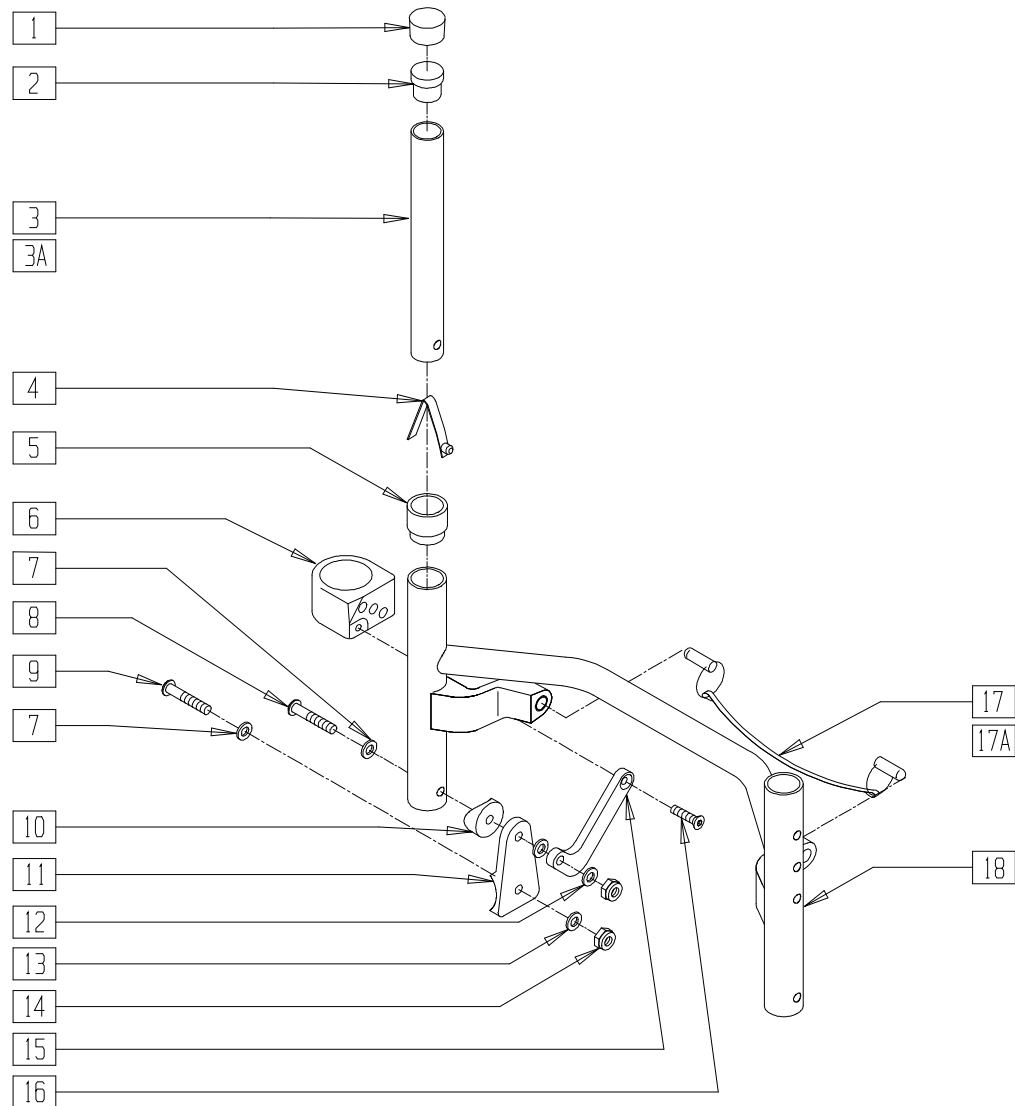
SUS0X36A

ITEM	NUMBER	DESCRIPTION	QTY
1	561010	3/4" CAP	2
2	561000-QU	3/4" INSERT PLUG .083	2
4	262130	6mm WASHER WAVE	2
5	226101	1/4-20 x 3/4 BH C/S	2
6	483001	Q2 FRAME/FOOT RETAINING PLUG	2
7	520442-520548	BACK FRAME 14"-20" REG RIGID BLK .115	1
7A	520542-520548	BACK FRAME 14"-20" TALL RIGID BLK .115	1
8	201100	1/4-28 NYLOCK NUT THIN	6
9	481039	BACK RELEASE BUSHING RIGID	2
10	505033, 505034	Q1/GP BACK RELEASE BRACKET (NEW) (EA)	1
11	321153, 321154	BACK RELEASE SPRING RIGID (NEW) (EA)	1
12	561087	BACK RELEASE SADDLE RIGID	2

ITEM	NUMBER	DESCRIPTION	QTY
13	500110, 500111	BACK PLATE (EA)	2
14	341018	WASHER ECCENTRIC LARGE	2
15	226147	1/4-28 x 1.85 BH C/S BLK	2
16	561001	1 1/8" SADDLE 1/4" HOLE	2
17	262100-QU	1/4" AN WASHER FLAT	2
18	560221	BACK RELEASE STRAP LOCK RIGID	1
19	750060	BACK RELEASE STRAP 12"-20" RIGID	1
20	561026	3/4" WASHER 1/4" HOLE	2
1-6	840100-840104	BACK ADJUSTABLE TUBE RIGID	
7-20	840340-840346	BACK FRAME REG 14"-20" W/BACK RELEASE XTR	
7A,8-20	840350-840356	BACK FRAME .115 TALL 14"-20" W/BACK RELEASE XTR	

BACKREST (QUICKIE R2 ADJUSTABLE FRAME/TNT)

(TNT Discontinued 2/01 - parts only)



TNT0X07B

ITEM	NUMBER	DESCRIPTION	QTY
1	561010	3/4" CAP	2
2	561000	3/4" INSERT PLUG .083	2
3	520800	BACK ADJ TUBE ONLY 8-12 GP	2
3A	520810	BACK ADJ TUBE ONLY 11-14 GP	2
4	301100	1/4" SNAP BTTN SINGLE	2
5**	561082	1" TUBE END BUSHING THIN	2
6	887225, 887226	BACKREST ADJUSTABLE SLIDE W/LINER NEW (EA)	1
7	262130	6mm WASHER WAVE	2
8	226150	1/4-28 x 2 BH C/S	2
9	226140	1/4-28 x 1 3/4 BH C/S	2
10	561004	1" SADDLE 1/4" HOLE	2
11	550536	BACKREST HINGE QTNT	2
12	561111	1/4" NYLON WASHER BLK	4
13	262100-QU	1/4" AN WASHER FLAT	2
14	201100-QU	1/4-28 NYLOCK NUT THIN	4
15	550562, 550563	SLIDER LINK QTNT (EA)	1
16	226059	10-24 x 1/2 FH C/S	2

ITEM	NUMBER	DESCRIPTION	QTY
17	881600- 881607	BCKRST RELSE CABLE ASSEMBLY QTNT 14" - 18"	1
17A	881638, 881639	BCKRST REL CABLE ASSM R2 19" - 20"	
18	521260, 521266	BCK FRAME 14"-20" 8-10 W/BUSHING	1
	521267- 521271	BCK FRAME 14"-18" 10-14 W/BUSHING	
	521274- 521278	BCK FRAME 14"-18" 14-18 W/BUSHING	
	521306, 521307	BCK FRAME 19"-20" 10-14 W/BUSHING	
	521308, 521309	BCK FRAME 19"-20" 14-18 W/BUSHING	
1-4	840128	BACK ADJ TUBE W/CAP 8-12"	
1-3A,4	840129	BACK ADJ TUBE W/CAP 11-14"	
1-5*	840108	BACK ADJ TUBE 8-12" QTNT/R2	2
1-3A,4,5*	840109	BACK ADJ TUBE 11-14" QTNT/R2	2
6-16	920600, 920601	TNT/R2 BCK REL BRKT W/HWDR (EA)	

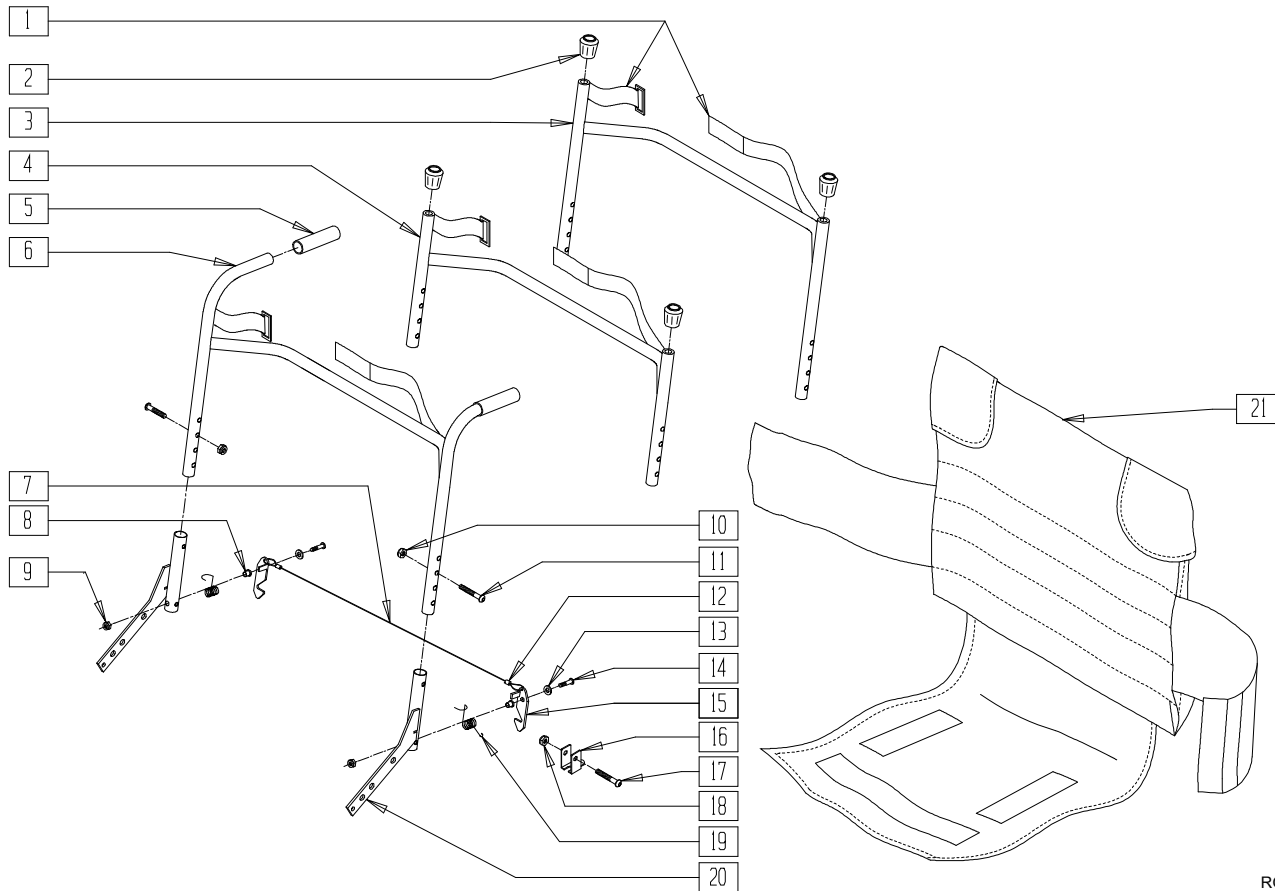
**561082 AVAILABLE ONLY FOR CHAIRS SOLD BEFORE 01/13/01

*840108 IS USED W/8-10 BACK HIEGHT ON BACKFRAMES.

*840109 IS USED W/10-14 & 14-18 BACK HIEGHT ON BACKFRAMES.

BACKREST AND BACK UPHOLSTERY (QUICKIE ST/DT)

(Discontinued 5/6/98 - parts only)

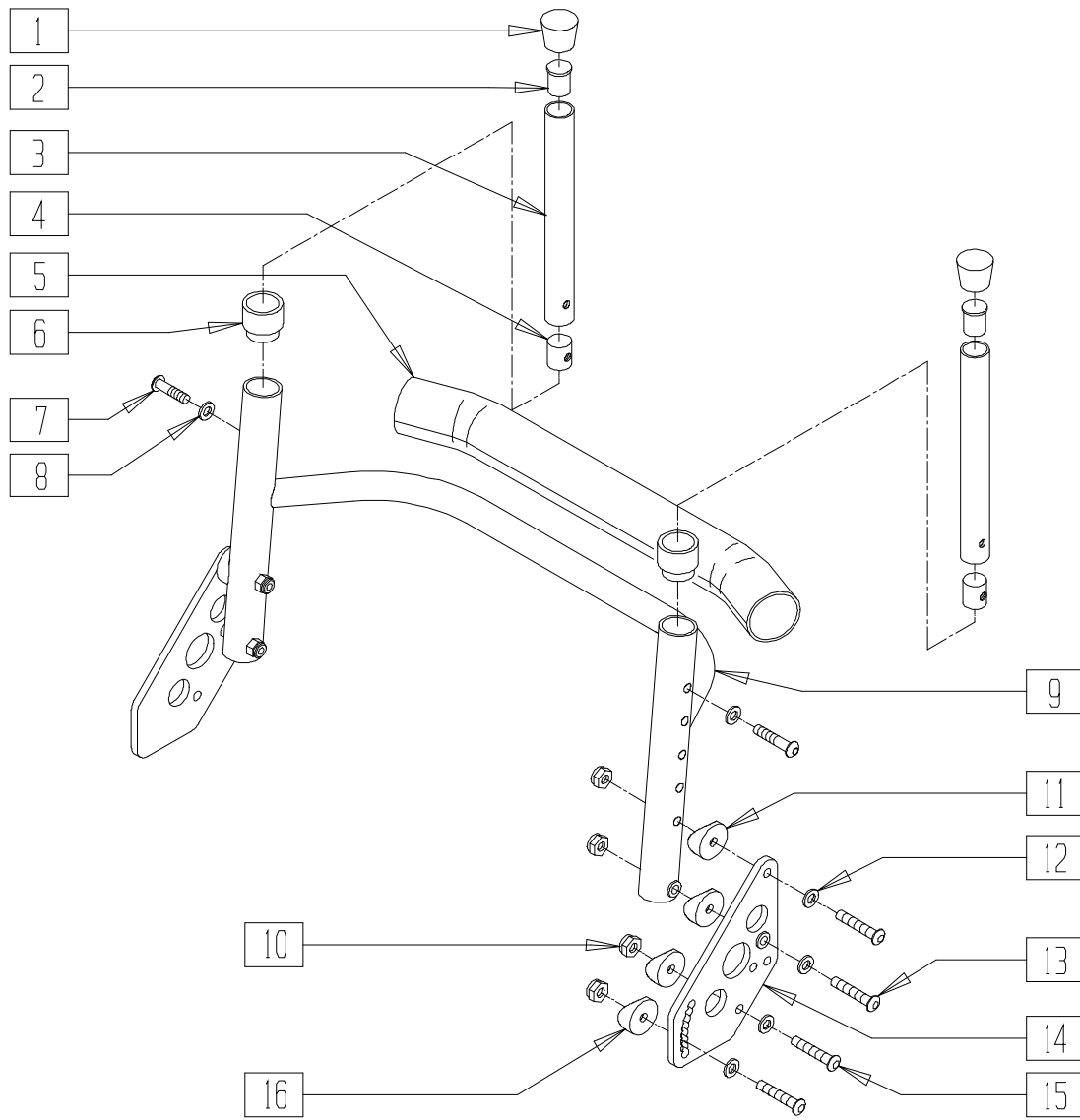


RG000X03

ITEM	NUMBER	DESCRIPTION	QTY
1	684120	BACKREST SUPPORT STRAP (SPECIFY DIMENSIONS)	1
2	560689	CRUTCH TIP	2
5	560662	QUICKIE GRIP 3/4"	2
7	139113	BACKREST RELEASE CABLE ONE/DT	1
8	481305	BACK LOCK PIVOT BUSHING	2
9	200108	10-32 NYLOCK NUT HIGH SS	2
10	201105	1/4-20 NYLOCK NUT THIN	2
11	226082	1/4-20 x 1 BH C/S SS	2
12	481302	BACK LOCK SLEEVES 3/32 COPPER ZN	2
13	262099	3/16 ALUM WASHER BACKUP	2
14	281149	10-32 x 1 1/2 BH C/S SS	2
15	505156, 505157	BACK LOCK PIVOT PNTD (EA)	1
16	341532	BACK LOCKS CHROMED CLIP STY (OLD STYLE-USED PRIOR TO 1990)	2
17	226130	1/4-28 x 1 1/2 BH C/S	2
18	201100	1/4-28 NYLOCK NUT THIN	2

ITEM	NUMBER	DESCRIPTION	QTY
19	321128, 321129	BACK LOCK SPRING (EA)	1
20	527558, 527559	BACKREST SUPPORT RIGID (EA)	1
21	680150- 680752	UPHOLSTERY BACK	1
1-3	680012- 680020	BACKREST ASSEMBLY STD 12"-20" W/STRAP	
1,2,4	680022- 680030	BACKREST ASSEMBLY SHORT 12"-20" W/STRAP	
1,5,6	680032- 680040	BACKREST ASSEMBLY PH 8° 12"-20" W/STRAP (SPECIFY STD OR TALL)	
8,9,13-15, 19,20	880780, 880781	BACKREST SUPPORT ASSEMBLY (EA)	
7-9,12-15, 19,20	920402	BACKREST SUPPORT ASSEMBLY (SPECIFY WIDTH) (PR)	
7-9, 12-15,19	880832	BACKREST LATCH RELEASE ASSEMBLY ONE/DT	

BACKREST ASSEMBLY(FIXED BACK)(QUICKIE ST/DT)

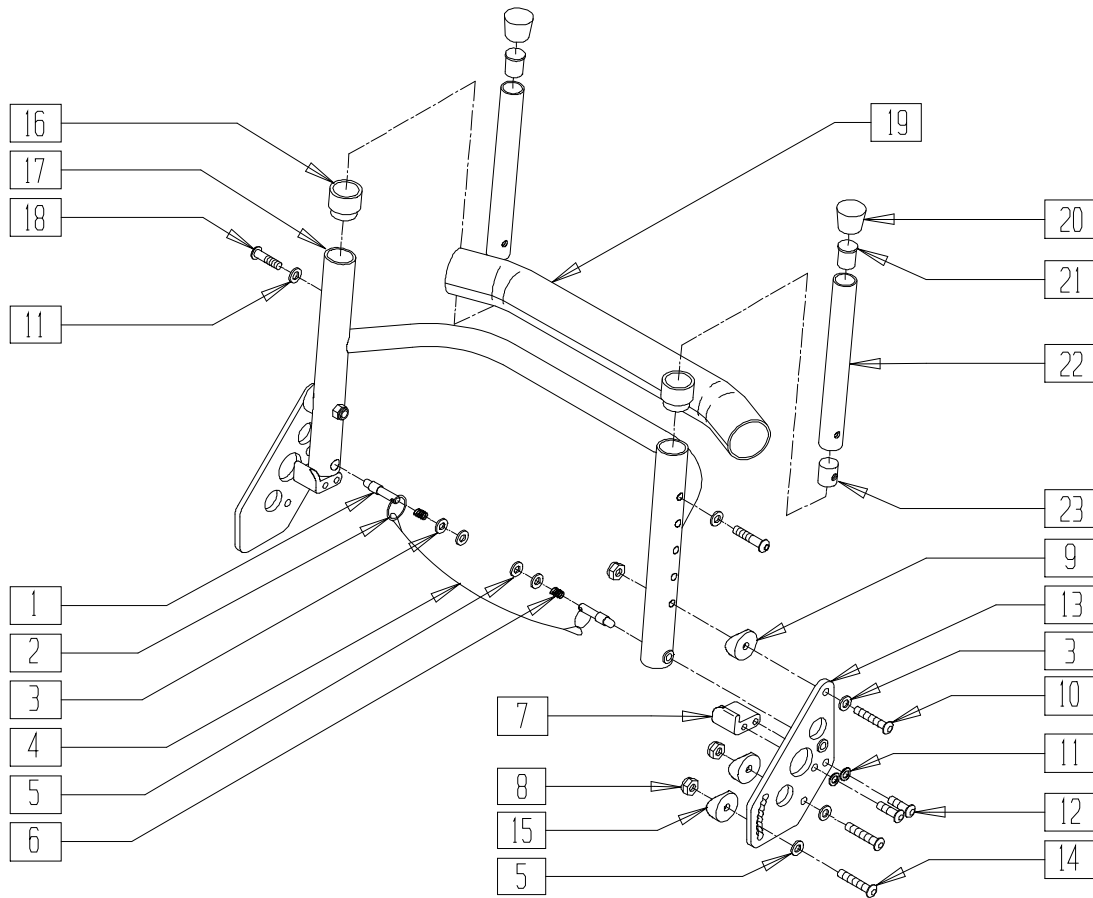


RBY00X17

ITEM	NUMBER	DESCRIPTION	QTY
1	561010	3/4" CAP	2
2	561000-QU	3/4" INSERT PLUG .083	2
4	483001	Q2 FRAME/FOOT RETAINING PLUG	2
5	750751	CROSSBAR PAD	1
6	561082	1" TUBE END BUSHING THIN	2
7	226101	1/4-20 x 3/4 BH C/S	2
8	262130	6mm WASHER WAVE	2
9	520212	BACK FRAME 12" HQR PACER	1
6,9	520413-520430	BACK FRME 13"-20" W/BUSHING HQR	
10	201100-QU	1/4-28 NYLOCK NUT THIN	8

ITEM	NUMBER	DESCRIPTION	QTY
11	561004	1" SADDLE 1/4" HOLE	4
12	262110-QU	1/4 AN WASHER FLAT THIN	8
13	226140	1/4-28 x 1 3/4 BH C/S	4
14	501185, 501186	BACK PLT W/BUSHING HQR (EA)	1
15	226130	1/4-28 x 1 1/2 BH C/S	4
16	561087	BACK REL SADDLE RIGID	4
1-4,6-8	840100-840104	BACK ADJ TUBE RIGID	
10-14	920440, 920441	BACK PLTE FIXED W/HDWR HQR (EA)	

BACKREST ASSEMBLY (FOLDING BACK) (QUICKIE ST/DT)



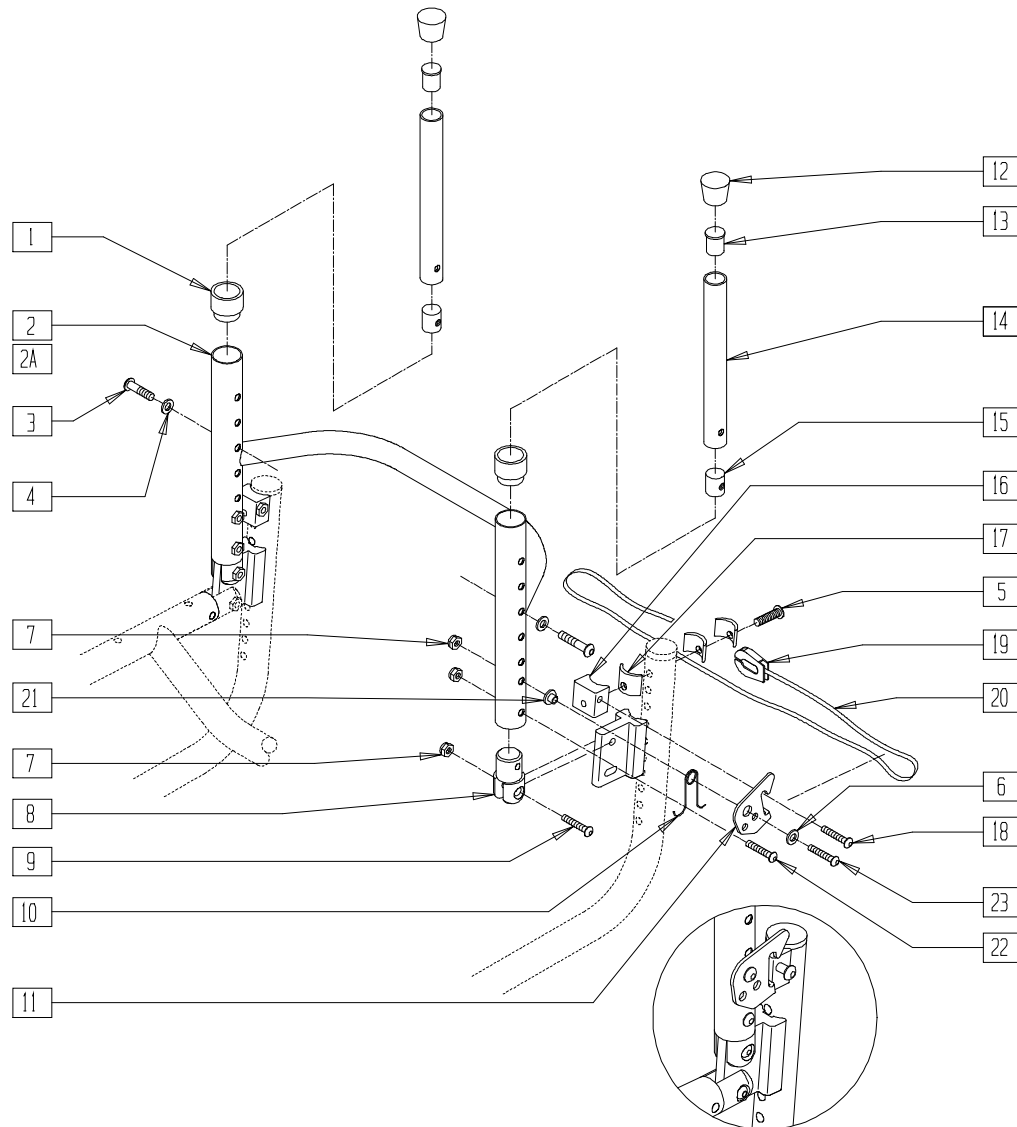
RBV0X18A

ITEM	NUMBER	DESCRIPTION	QTY
1	481223	BACKREST PIN	2
2	342015	LANYARD ATTACH RING	2
3	262100-QU	1/4 AN WASHER FLAT	2
5	262110-QU	1/4 AN WASHER FLAT THIN	6
6	321163	SPRING .300 x 7/8 LONG	2
1-6	881503-881510	BACKREST REL CABLE ASSM	
7	505905, 505906	BACKREST STOP HQR (EA)	1
8	201100-QU	1/4-28 NYLOCK NUT THIN	6
9	561004	1" SADDLE 1/4" HOLE	2
10	226140	1/4-28 x 1 3/4 BH C/S	2
11	262130	6mm WASHER WAVE	4
12	226100	1/4-28 x 3/4 BH C/S	4
13	501185, 501186	BACK PLT W/BUSHING HQR (EA)	1

ITEM	NUMBER	DESCRIPTION	QTY
14	226130	1/4-28 x 1 1/2 BH C/S	4
15	561087	BACK REL SADDLE RIGID	4
16	561082	1" TUBE END BUSHING THIN	2
17	520212	BACK FRAME 12" HQR PACER	1
18	226101	1/4-20 x 3/4 BH C/S	2
19	750751	CROSSBAR PAD	1
20	561010	3/4" CAP	2
21	561000-QU	3/4" INSERT PLUG .083	2
22	840100-840104	BACK ADJ TUBE 8-12 RIGID	
23	483001	Q2 FRAME/FOOT RETAINING PLUG	2
16,17	520413-520430	BACK FRAME 13" - 20" W/BUSHING HQR	
5,7-13	920412, 920413	BCK REL BRKT ASSM FLDG HQR (EA)	
	920442	BCK REL BRKT ASSM FLDG HQR (PR)	

BACKREST (QUICKIE GPS)

(Discontinued 2/01 - parts only)



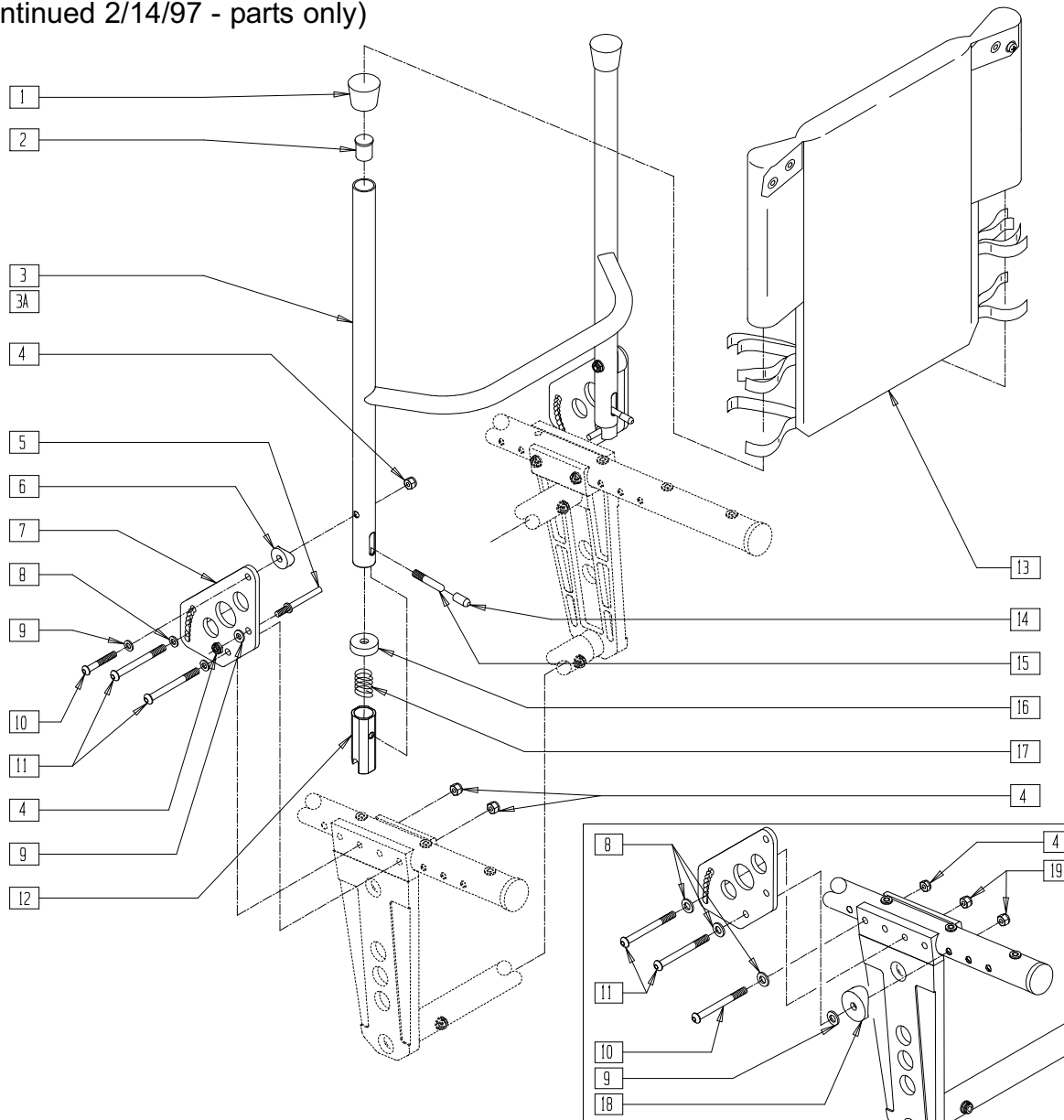
GBL00X02

ITEM	NUMBER	DESCRIPTION	QTY
1	561082	1" TUBE END BUSHING THIN	2
2	840322-840328	BACK FRAME .115 REG BLK 14"-20" W/BACK RELEASE	1
2A	840332-840338	BACK FRAME .115 TALL BLK 14"-20" W/BACK RELEASE	1
3	226101	1/4-20 x 3/4 BH C/S	2
4	262130	6mm WASHER WAVE	2
5	226140	1/4-28 x 1 3/4 BH C/S	4
6	262100-QU	1/4 AN WASHER FLAT	2
7	201110	1/4-28 NYLOCK NUT	4
8	481043	CLEVIS BACKREST	2
9	226129	1/4-28 x 1 1/4 BH C/S	2
19	321122, 321123	BACK RELEASE SPRING GPS (EA)	1
11	505076, 505077	BACKREST LATCH GPS (EA)	1
12	561010	3/4" CAP	2
13	561000-QU	3/4" INSERT PLUG .083	2
14	840100-840104	BACK ADJ TUBE 8-12 RIGID	

ITEM	NUMBER	DESCRIPTION	QTY
15	483001	Q2 FRAME/FOOT RETAINING PLUG	2
16	550216	LATCH BLOCK GPS	2
17	550488	BACKREST ADJUSTABLE SPACER GPS	6
18	226130	1/4-28 x 1 1/2 BH C/S	2
19	560221	BACK RELEASE STRAP LOCK RIGID	1
20	750060	BACK RELEASE STRAP 12"-20" RIGID	1
21	481039	BACK RELEASE BUSHING RIGID	2
22	226110	1/4-28 x 1 BH C/S	2
23	226140	1/4-28 x 1 3/4 BH C/S	2
	262130	6mm WASHER WAVE	2
2,3,11-14	840101-840104	BACK ADJUSTABLE TUBE RIGID 11"-14" - 16"-20"	
5,16-18	842175	LATCH BLOCK W/HARDWARE GPS	
9,10,17-20,22	920355	BACK RELEASE BRCKT ASSM GPS	
1,7,21,23	840360-840366	BACK FRAME ASSEMBLY 14"-20" REG .115 GPS	
1A,7,21,23	840370-840376	BACK FRAME ASSEMBLY 14"-20" TALL .115 GPS	

BACKREST UPHOLSTERY AND FOLDING BACK (QUICKIE EX)

(Discontinued 2/14/97 - parts only)



CENTER OF GRAVITY ADJUSTMENT

PARTS ILLUSTRATED IN BOX ABOVE ARE USED TO CHANGE THE CENTER OF GRAVITY. THESE PARTS ARE INCLUDED WHEN THE CHAIR IS PURCHASED AND ARE AVAILABLE AS INDIVIDUAL PARTS.

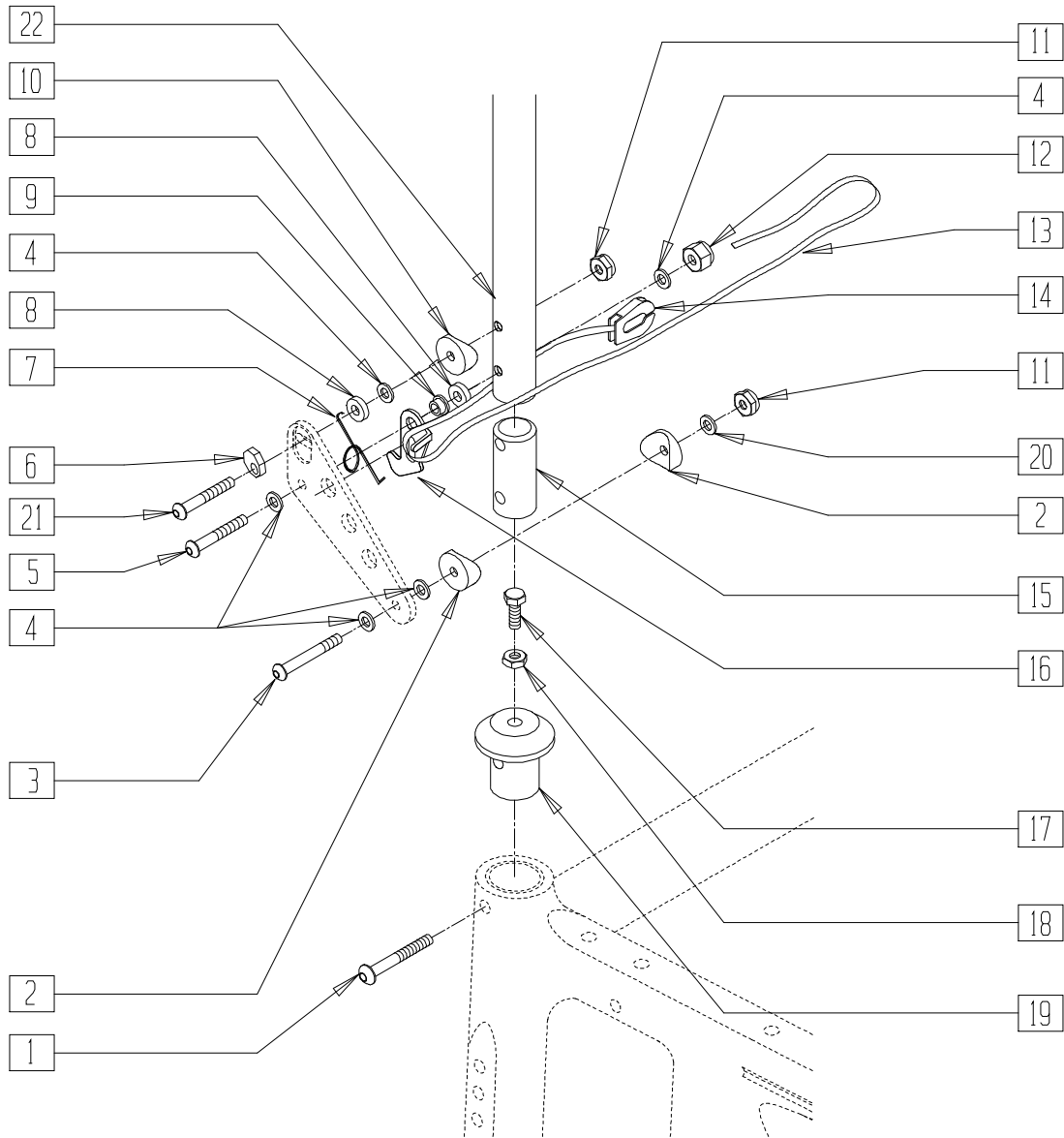
SP00X02

ITEM	NUMBER	DESCRIPTION	QTY
1	561014	1" MED CAP	2
2	561002	1" INSERT PLUG .083	2
3	520124-520128	BACK FRAME EX 14"-18" REG	1
3A	520134-520138	BACK FRAME EX 14"-18" TALL	1
1-3	840134-840138	BACK FRAME ASSM 14"-18" REG EX	
1,2,3A	840144-840148	BACK FRAME ASSM 14"-18" TALL EX	
4	201100	1/4-28 NYLOCK NUT THIN	6
5	481036	BACK PLT STOP PIN ZP/P5/EX	2
6	561004	1" SADDLE 1/4" HOLE	2
7	500192	BACK PLT ZP/P5/QT/EX/Q2 DPTH	2
8	262110	1/4 AN WASHER FLAT THIN	4

ITEM	NUMBER	DESCRIPTION	QTY
9	262100-QU	1/4 AN WASHER FLAT	4
10	226140	1/4-28 x 1 3/4 BH C/S	2
11	226150	1/4-28 x 2 BH C/S	4
12	483019	BACK RELEASE LATCH	2
13	684304-684320	BCK UPH EX 14" MED - 20" TALL (SPECIFY DIMENSION)	1
14	560502	ANTI-TIP LEVER COVER	2
15	481084	BACK RELEASE PIN Z2/QT/EX	2
16	483020	S/A SPRING RETAINER	2
17	321110	S/A LATCH SPRING	2
18	561001	1 1/8" SADDLE 1/4" HOLE	2
19	201110	1/4-28 NYLOCK NUT	2
4-11	920290	BACK PLATE W/HDWR EX (PR)	
12,14-17	920291	BACKREST SLIDER LATCH KIT (PR)	

QUICK-RELEASE BACK LOCK (QUICKIE CARBON)

(Discontinued 3/1/95 - parts only)



Drawing shows right side

COMP2X3A

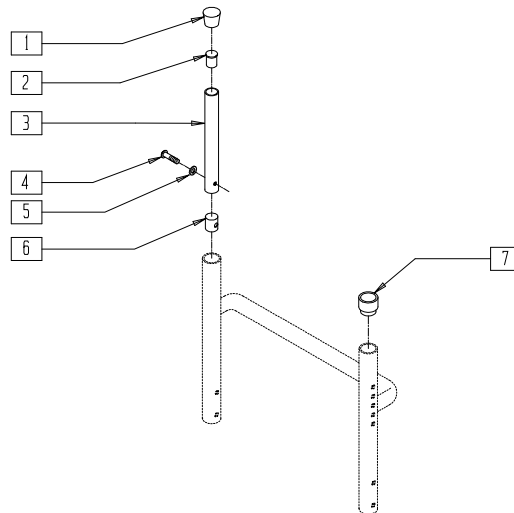
ITEM	NUMBER	DESCRIPTION	QTY
1	226130	1/4-28 x 1 1/2 BH C/S	2
2	561017	1 3/8" SADDLE 1/4" HOLE	4
3	226155	1/4-28 x 2 1/4 BH C/S	2
4	262100-QU	1/4 AN WASHER FLAT	12
5	226150	1/4-28 x 2 BH C/S	2
6	341017	WASHER ECCENTRIC	2
7	321153, 321154	BACK REL SPRING RIGID (NEW)	2
8	561026	3/4" WASHER 1/4" HOLE	4
9	481039	BACK RELEASE BUSHING RIGID	5
10	561087	BACK RELEASE SADDLE RIGID	2
11	201100	1/4-28 NYLOCK NUT THIN	4
12	201110	1/4-28 NYLOCK NUT	2
13	750060	BACK RELEASE STRAP 12"-20" RIGID	1

ITEM	NUMBER	DESCRIPTION	QTY
14	560221	BACK RELEASE STRAP LOCK RIGID	1
15	483106	QC BACK REST SLEEVE F BACK	2
16	505033, 505034	Q1/GP BACK RELEASE BRACKET	1
17	226107	1/4-28 x 7/8 SOC C/S	2
18	201112	1/4-28 NUT THIN	2
19	483104	QC BACKREST INSERT F BACK	2
20	262110	1/4 AN WASHER FLAT THIN	2
21	226147	1/4-28 x 1.85 BH C/S BLK ZN	2
22	520442	BACK FRAME 14" REG RGD BLK .115	1
1-21	920400*	QC BCK RELSE BRACKET ASSEMBLY	
1-14, 16-22	840380- 840384	BACK FRAME .115 14"-18" W/BACK RELEASE QC	

* ASSEMBLY 920400 WORKS ONLY WITH .155 WALL BACK FRAMES.

FOLDING BACKREST TUBES (QUICKIE 1/CARBON/GP/GPV/Ti/TRIUMPH/ST/DT)

(Discontinued 8/17/98 - parts only)



BK0X01

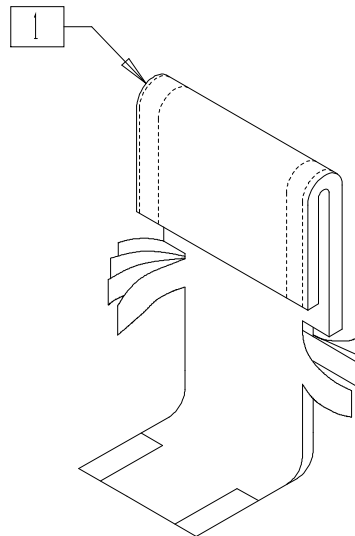
ITEM	NUMBER	DESCRIPTION	QTY
1	561010	3/4" CAP	1
2	561000-QU	3/4" INSERT PLUG .083	1
4	226101	1/4-20 x 3/4 BH C/S	1
5	262130	6mm WASHER WAVE	1

ITEM	NUMBER	DESCRIPTION	QTY
6	483001	Q2 FRAME/FOOT RETAINING PLUG	1
7	561082	1" TUBE END BUSHING THIN	1
1-7	840100- 840104	BACK ADJUSTABLE TUBE 8"-20" RIGID	

NOTE: FOR BACK FRAME SEE PAGE 10.2.

FOLDING BACK UPHOLSTERY (QUICKIE 1/GPV/GPV COMPETITION/GPS/GP S/A/R2 (NON-ADJUSTABLE FRAME/Ti/TRIUMPH/XTR))

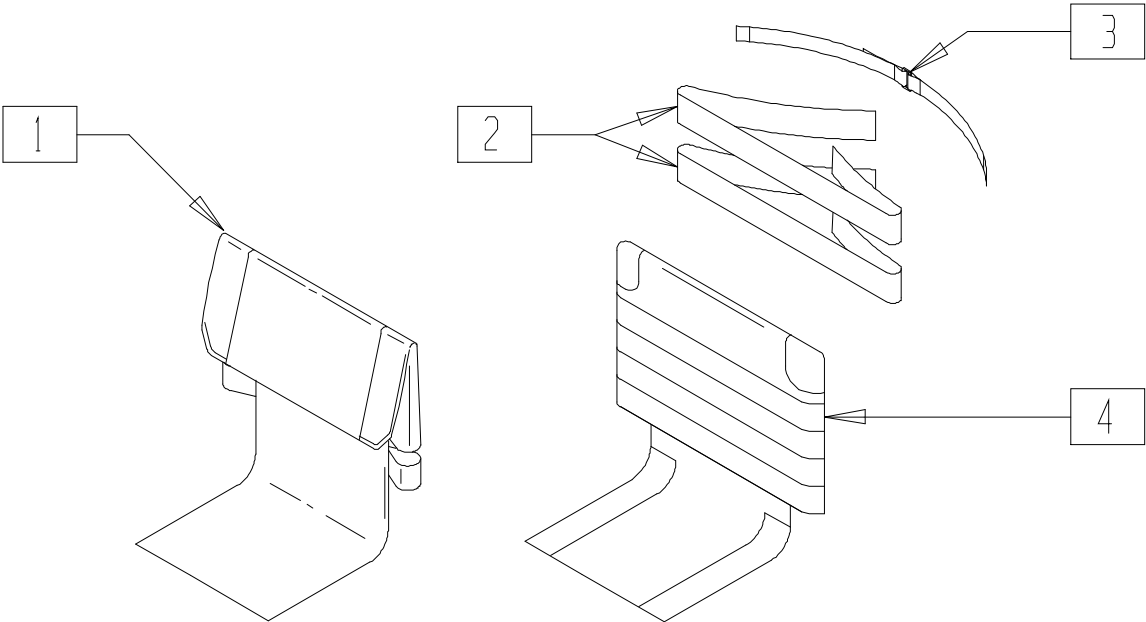
(Quickie GPS and Triumph discontinued 2/01-Parts only.)



BK0X03A

ITEM	NUMBER	DESCRIPTION	QTY
1	680208- 680949	BACK UPHOLSTERY 12"-20" W/TAIL 8"-12" 16"-20"	1

BACKREST UPHOLSTERY (ST/DT)



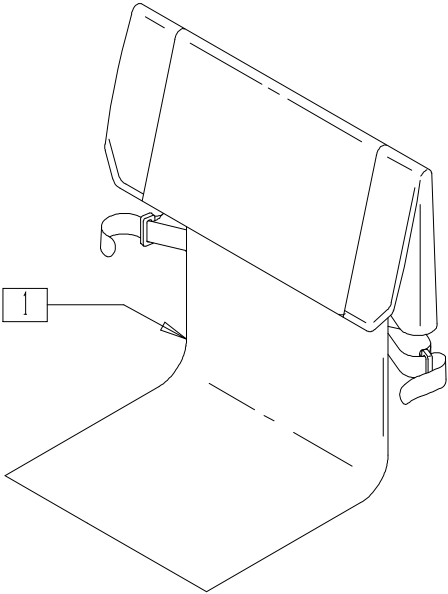
RIGD_UPH

ITEM	NUMBER	DESCRIPTION	QTY
1	680208, 680301- 680909	BACK UPHOLSTERY W/TAIL 14"-20"	1
2	741500	ANKLE/BACK STRAP 3D	1

ITEM	NUMBER	DESCRIPTION	QTY
3	750096	SIDE GRD/BCK STRP (SPECIFY DIM)	1
4	684442- 684460	SPORTS ADJUSTABLE BACK W/TAIL 12LA - 20SA	

BACK UPHOLSTERY (QuickieTNT/ R2 (ADJUSTABLE FRAME))

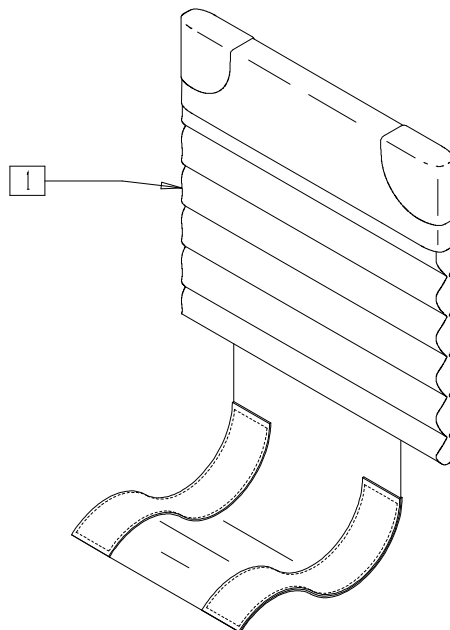
(Quickie TNT discontinued 2/01-Parts only)



TNT00X14

ITEM	NUMBER	DESCRIPTION	QTY
1	687380- 687394	BACK UPHOLSTERY W/TAIL QTNT	1

ADJUSTABLE BACK UPHOLSTERY (QUICKIE GPV COMPETITION/ST/DT)



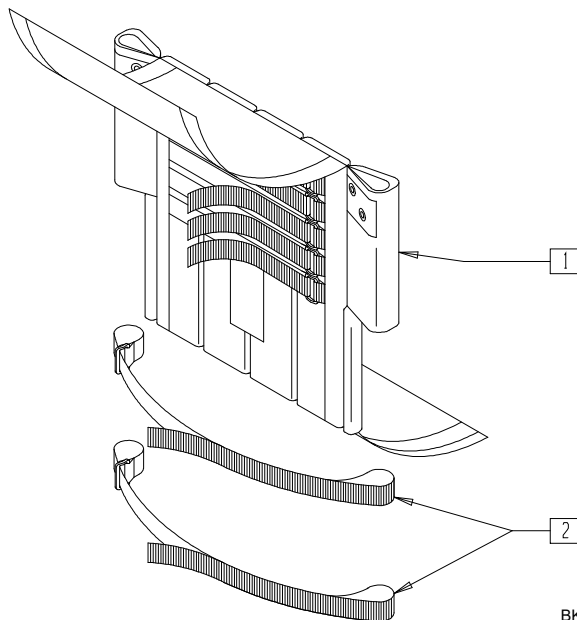
BK0X013

ITEM	NUMBER	DESCRIPTION	QTY
1	685904-685910	BACK UPHOLSTERY QUICKIE ADJUSTABLE SA 14"-20"	1
	685914-685920	BACK UPHOLSTERY QUICKIE ADJUSTABLE MA 14"-20"	

ITEM	NUMBER	DESCRIPTION	QTY
1	685924-685930	BACK UPHOLSTERY QUICKIE ADJUSTABLE LA 14"-20"	1
	685934-685940	BACK UPHOLSTERY QUICKIE ADJUSTABLE X-LA 14"-20"	

TENSION ADJUSTABLE BACK UPHOLSTERY (QUICKIE CARBON/GP/GPV/GPS/Ti/TRIUMPH/ST/DT/XTR/R2 (NON-ADJUSTABLE FRAME))

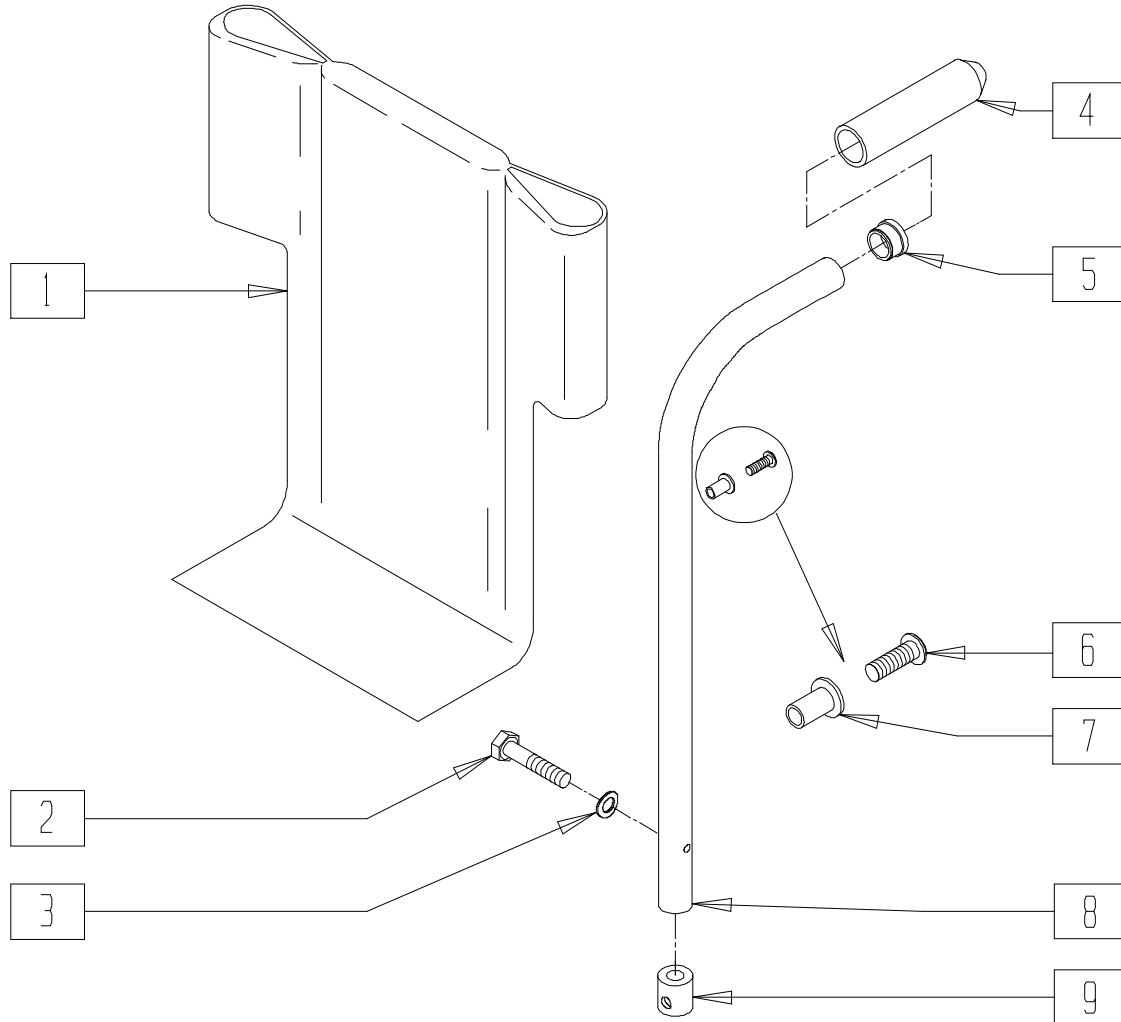
(Quickie GPS and Triumph discontinued 2/01-Parts only)



BK0X09

ITEM	NUMBER	DESCRIPTION	QTY
1,2	684037-684099	ADJ BACK UPH 14"-20" LOW, MED, TALL	

INTEGRAL PUSH HANDLE BACKREST (QUICKIE GP/GPV/GP S/A/GPV COMPETITION/Ti/XTR/R2 (FIXED FRAME))



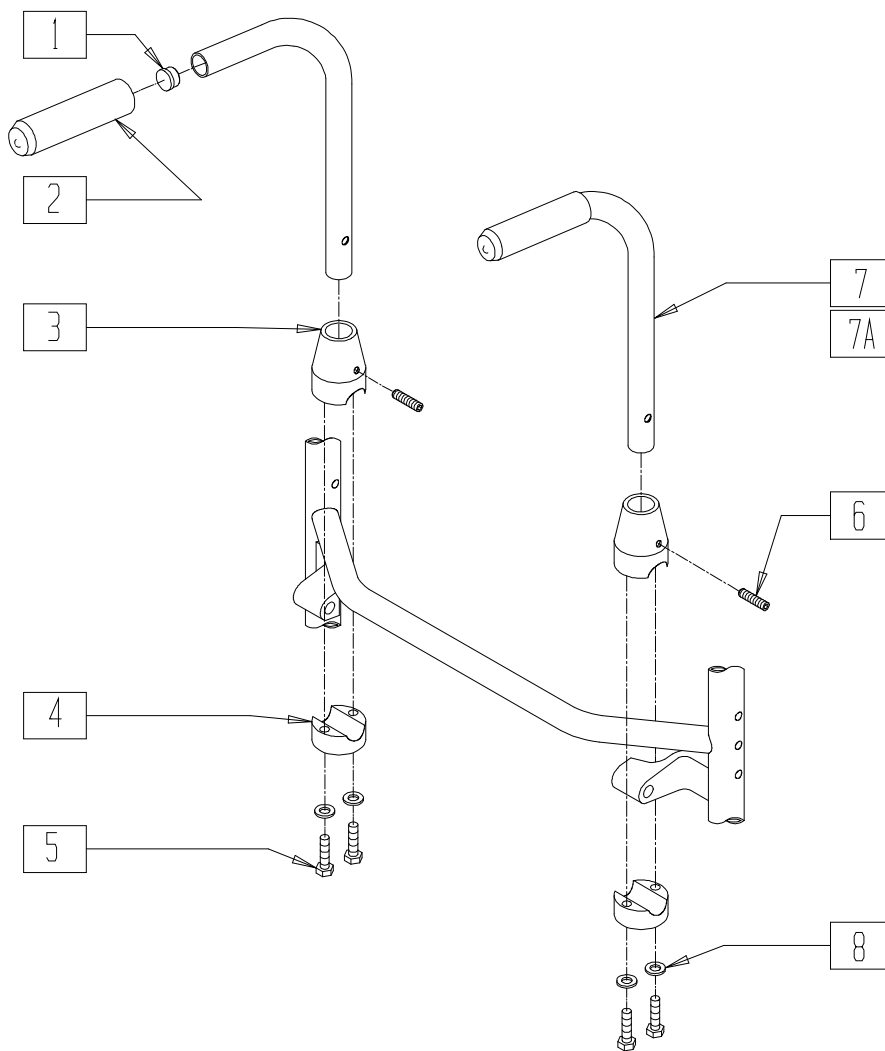
BK00X50

ITEM	NUMBER	DESCRIPTION	QTY
1	680442-680443	BACK UPH 11-14/12-16 RDG 12"-13"	1
	680454-680460	BACK UPH 11-14/12-16 RDG 14"-20"	
	680462-680470	BACK UPH 14-18 RDG 12"-20"	
	680472-680480	BACK UPH 16-20 RDG 12"-20"	
2	226101	1/4-20 x 3/4 BH C/S	1
3	262130	6mm WASHER WAVE	1

ITEM	NUMBER	DESCRIPTION	QTY
4	560662	QUICKIE GRIP 3/4"	1
5	561000-QU	3/4" INSERT PLUG .083	1
6	281120	10/32 x 5/8 PAN HD PHIL	1
7	341497	10-32 x .020-.130 RIVNUT GOLD	1
9	483001	Q2 FRAME/FOOT RETAINING PLUG	1
4,5,7,8	880096-880099	HT ADJ STROLLER HANDLE W/GRIP	
2-5,	882196-	BACK ADJ PUSH HANDLE 11"-14" - 18"-20"	
7-9	882199		

PUSH HANDLE ASSEMBLY (QUICKIE 1/GP/GPV/Ti/ CARBON/GP S/A/GPV COMPETITION/R2/TNT)

(Quickie TNT discontinued 2/01-Parts only)

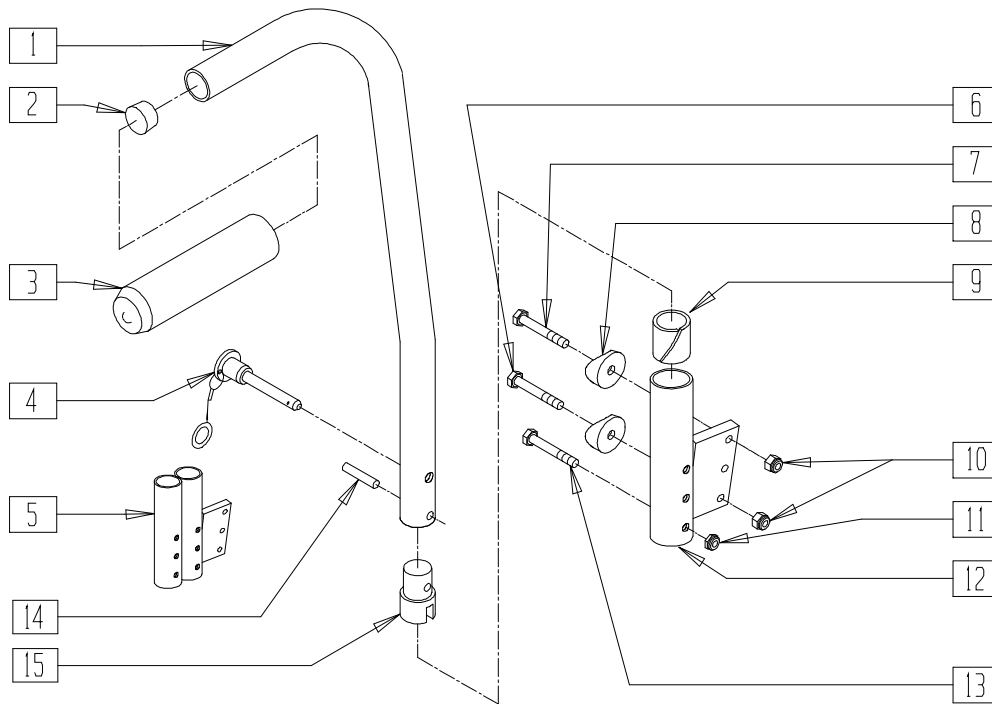


TNT00X13

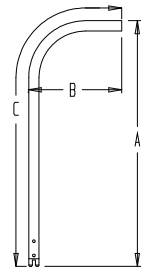
ITEM	NUMBER	DESCRIPTION	QTY
1	561000-QU	3/4" INSERT PLUG .083	2
2	560662	QUICKIE GRIP 3/4"	2
3	483015	PUSH BACK RECEIVER TOP RIGID BLK	2
4	483016	PUSH BACK RECEIVER BOTTOM RIGID BLK	2
5	221126	1/4-20 x 1 1/4 G8 HEX C/S	4
6	225200	1/4-20 x 1 SET SCREW	2
8	262100-QU	1/4 AN WASHER FLAT	4

ITEM	NUMBER	DESCRIPTION	QTY
1,2,7	842161, 842162	PUSH HNDL W/F QTNT/R2	
1,2,7A	842161, 842162	PUSH HNDL TUBE W/F RIGID BLK (EA)	
1-8	900300	PUSH HANDLE ASSM RIGID BLK	
1-7A,8	900301	PUSH HANDLE ASSM QTNT	

STROLLER HANDLE (RIGID/QUICKIE GP/GPV/GPV COMPETITION/GP S/A)



MEASURING GUIDE



M15

ARMREST	REG	TALL
"A"	27"	31"
"B"	8"	8"
"C"	33 1/2"	39 1/4"

Drawing shows left side

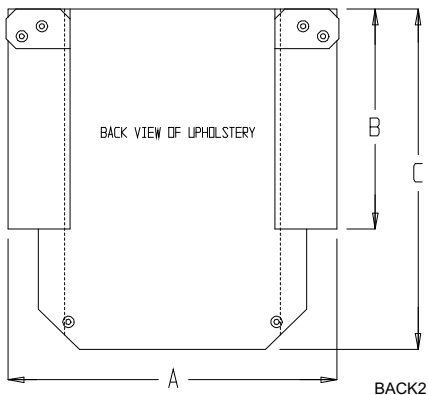
ARMX09

ITEM	NUMBER	DESCRIPTION	QTY
2	561002	1" INSERT PLUG .083	1
3	920070	9 x .940 x .200 FOAM GRIP	1
4	349020	STROLLER HANDLE RELEASE PIN	1
5	540140, 540142	PADDED ARM RECEIVER ANGLE DOUBLE NON-FOLDING FRAME (EA)	1
6	221181	1/4-28 x 2 1/2 G8 HEX C/S	1
7	221193	1/4-28 x 2 3/4 G8 HEX C/S	1
8	561004	1" SADDLE 1/4" HOLE	2
9	560400	1" ID NY-LINER	1
10	201110	1/4-28 NYLOCK NUT	2
11	201100	1/4-28 NYLOCK NUT THIN	1
12	540120, 540122	PADDED ARM RECEIVER ANGLE NF (EA)	1

ITEM	NUMBER	DESCRIPTION	QTY
13	221133	1/4-28 x 1 1/2 G8 HEX C/S	1
14	341200	1/4 x 1 ROLL PIN	1
15	483029	PUSH HANDLE PLUG	1
1-3, 14,15	880354,	STROLLER HANDLE TALL	
	880356	BENT NF (EA)	
	880350, 880352	STROLLER HANDLE REG BENT NF (EA)	
1-3,14,15	900460	STROLLER HANDLES REG NF (PR)	
	900462	STROLLER HANDLES TALL NF (PR)	
4,6-13	900520	STROLLER RECEIVER SINGLE CYL NF (PR)	
4-11,13	900521	STROLLER RECEIVER DOUBLE CYL NF (PR)	

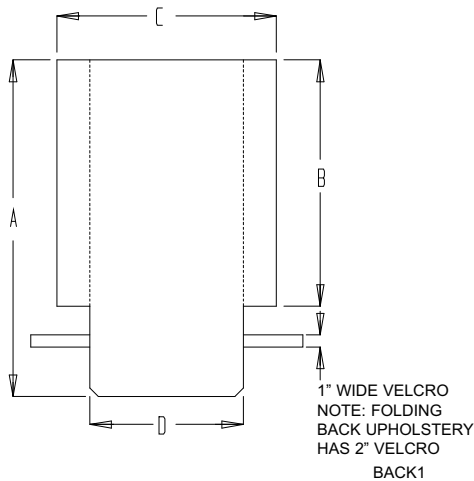
BACK UPHOLSTERY MEASURING GUIDES

MEASURING GUIDE QUICKIE 2/Rx BACK UPHOLSTERY



DESCRIPTION	"A"	"B"	"C"
BACK UPHOLSTERY 12" LOW	12 3/4"	7 1/2"	14 1/4"
BACK UPHOLSTERY 12" MED	12 3/4"	10 1/2"	17 1/4"
BACK UPHOLSTERY 12" TALL	12 3/4"	13 1/2"	20 1/4"
BACK UPHOLSTERY 16" LOW	16 3/4"	7 1/2"	14 1/4"
BACK UPHOLSTERY 16" MED	16 3/4"	10 1/2"	17 1/4"
BACK UPHOLSTERY 16" TALL	16 3/4"	13 1/2"	20 1/4"
BACK UPHOLSTERY 18" LOW	17 3/4"	7 1/2"	14 1/4"
BACK UPHOLSTERY 18" MED	17 3/4"	10 1/2"	17 1/4"
BACK UPHOLSTERY 18" TALL	17 3/4"	13 1/2"	20 1/4"

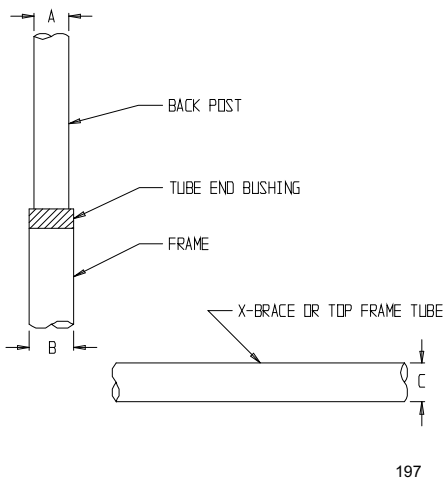
MEASURING GUIDE BACK UPHOLSTERY - NON-FOLDING CHAIRS (QUICKIE CARBON/GP/GPV/GPV COMPETITION/Ti)



	NON-FOLDING BACK HEIGHT			
	8"-9"	10"-11"	12"-13"	14"-16"
"A"	19 1/4"	21 1/4"	23 1/4"	25 1/4"
"B"	14 1/4"	16 1/4"	18 1/4"	20 1/4"

	BACK WIDTH			
	12"	13"	14"	15"
"C"	12 1/2"	13 1/2"	14 1/2"	15 1/2"
"D"	8 1/4"	9 1/4"	10 1/4"	11 1/4"

	BACK WIDTH				
	16"	17"	18"	19"	20"
"C"	16 1/2"	17 1/2"	18 1/2"	19 1/2"	20 1/2"
"D"	12 1/4"	13 1/4"	14 1/4"	15 1/4"	16 1/4"



BACKREST AND SEAT TUBE DIAMETER MEASURING GUIDE

This guide will determine the backrest and seat tube diameter of Quickie chairs. Keep this chart with your Quickie Insert Reference Manual and use it when ordering an insert seating system. To use, follow these four easy steps.

1. Choose the appropriate chair.
2. Use the "A" dimension.
3. Use the "B" dimension.
4. Use the "C" dimension.

CHAIR	"A"	"B"	"C"	CHAIR	"A"	"B"	"C"
BREEZY	7/8"	1 1/8"	1"	QUICKIE GP/GPV/Ti	3/4"	1"	1"
QUICKIE 2/HP/HPTi	7/8"	1 1/8"	1"	QUICKIE RECLINER	1"	-	1"
QUICKIE 2 DEPTH ADJ	1"	-	1"	QUICKIE Rx	7/8"	1 1/8"	1"
QUICKIE CARBON	3/4"	1"	-	QUICKIE Ti (NF)	3/4"	-	1"
QUICKIE CARBON (NF)	3/4"	-	-	QUICKIE TS	1"	-	1"
QUICKIE GP (NF)	3/4"	-	1"	ZIPPY/ZIPPY2/ ZIPPY TS	1"	-	1"
QUICKIE GPV (NF)	3/4"	-	1"				

BACK UPHOLSTERY MEASURING GUIDES (CONTINUED)

MEASURING GUIDE

BACK FRAME SIZE



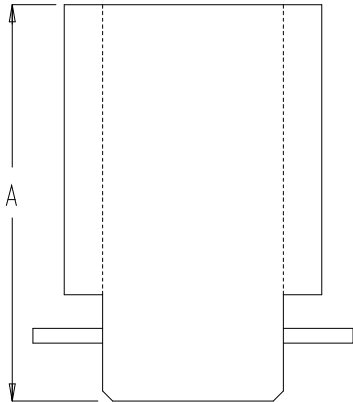
BACK FRAME SIZES			
	8"-12"	11"-14"	12"-16"
"A"=REG SIZE 8"	X	X	X

BACK FRAME SIZES			
	14"-18"	16"-20"	
"A"=TALL SIZE 12"	X	X	

MGUIDE55

MEASURING GUIDE

BACK UPHOLSTERY - FOLDING CHAIRS



	FOLDING BACK HEIGHT			
	10"-14"	12"-16"	14"-18"	16"-20"
"A"	19 1/4"	21 1/4"	23 1/4"	25 1/4"

NOTE: NON-FOLDING UPHOLSTERY HAS A 1" TAB AND THE FOLDING UPHOLSTERY HAS A 2" TAB.

BACK3

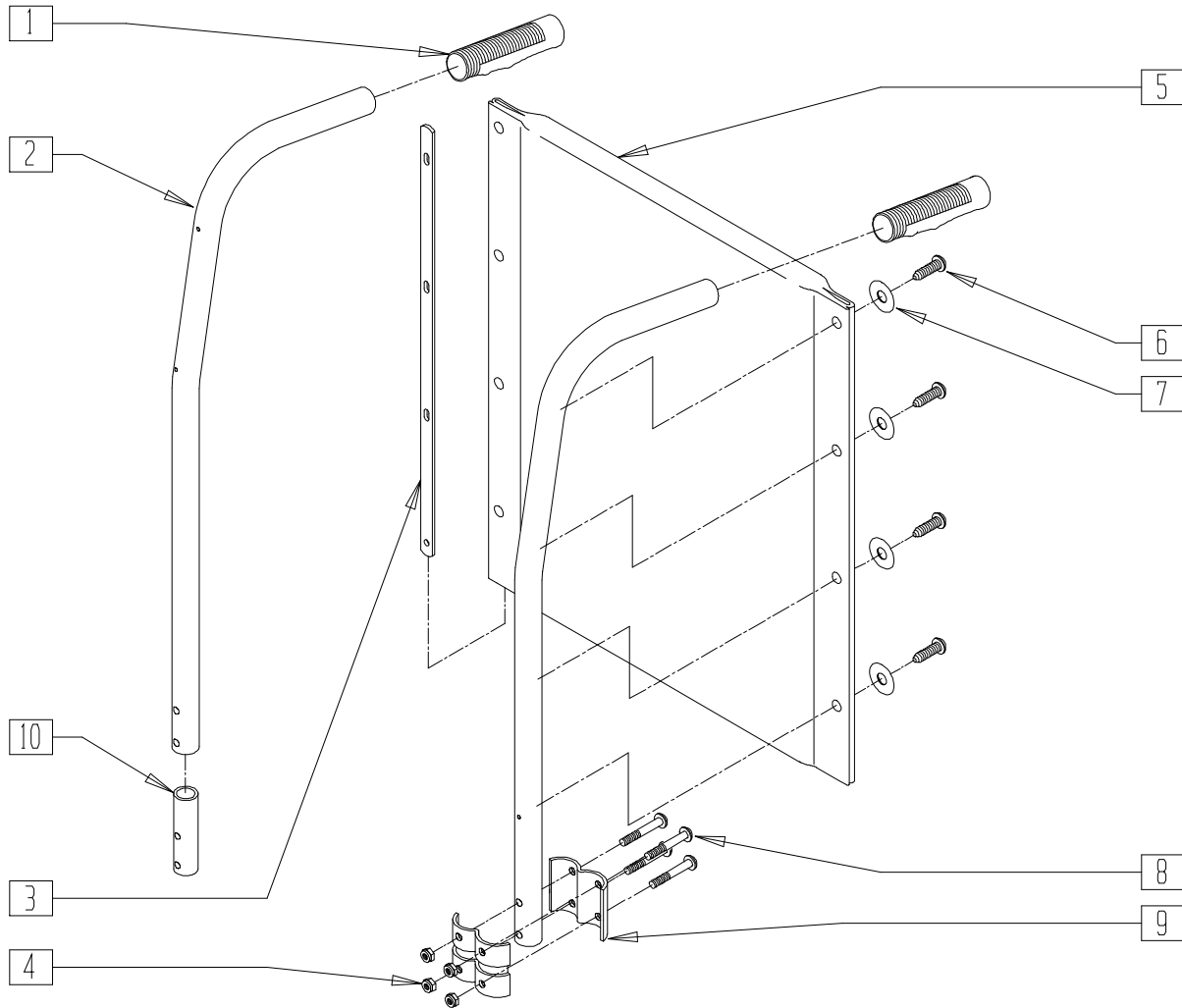
Breezy Chair Backrests and Upholstery

IN THIS SECTION

Push Handle Backrest and Upholstery (Breezy 100).....	11.1	Push Handle Backrest and Upholstery (Breezy 500/510).....	11.7
Push Handle Backrest and Upholstery (Breezy 150).....	11.2	Push Handle Backrest and Upholstery (Breezy 2) (Disc.).....	11.8
Back Recline Assembly and Upholstery* (Breezy 100/150).....	11.3	Push Handle Backrest and Upholstery (Breezy 2) (Disc.).....	11.8
Recline Headrest and Backrest* (Breezy 100/150).....	11.4	Push Handle Backrest and Upholstery (Breezy 600).....	11.9
Push Handle Backrest and Upholstery (Breezy 503).....	11.5	Push Handle Backrest and Upholstery (Breezy 510 and 600 Ultra Hemi)	11.10
Push Handle Backrest and Upholstery (Breezy) (Disc.)	11.6	Backrest (Breezy 510 Recliner)	11.11
Push Handle Backrest and Upholstery (Breezy) (Disc.)	11.6	Backrest Upholstery (Breezy 510 Recliner).....	11.12
Push Handle Backrest and Upholstery (Aluminum and Chrome Breezy) (Disc).....	11.7	Headrest Extension and Upholstery (Breezy 510 Recliner)	11.13
		Standard Back Kit and Upholstery (Breezy 510 Recliner)	11.14

* BACK RECLINE ASSEMBLY AND HEADREST (PAGES 11.3 AND 11.4) ARE SOLD AS ACCESSORIES ONLY.

PUSH HANDLE BACKREST AND UPHOLSTERY (BREEZY 100)

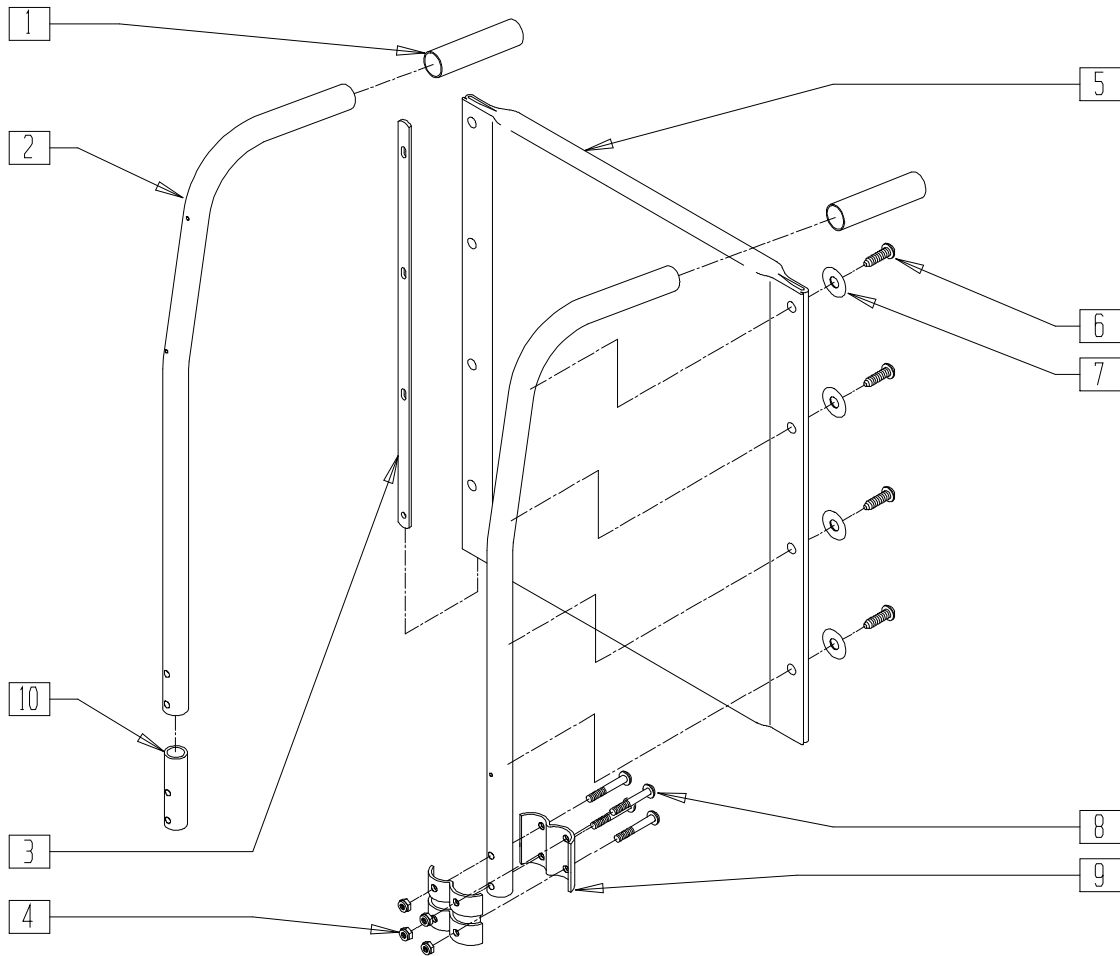


BRZ10X04

ITEM	NUMBER	DESCRIPTION	QTY
1	222-0798	FOAM GRIP HANDLE (BZ150)	1
7	222-0794	BACK UPHOLSTERY 16"	1
	222-0795	BACK UPHOLSTERY 18"	
	222-0796	BACK UPHOLSTERY 20"	
10	222-0815	BACK CANE INSERT (BZ100)	2
1,2,10	222-0642	BACK CANE W/GRIP (EA)	
3,6,7	222-0647	BACK UPHOLSTERY INSERTS, SCREWS, AND WASHERS	
4,8,9	222-0524	BACK CANE BRACKET W/HARDWARE (PR)	

ITEM	NUMBER	DESCRIPTION	QTY
3,5-7	222-0518	16" BACK UPHOLSTERY W/HARDWARE (EA)	
	222-0519	18" BACK UPHOLSTERY W/HARDWARE (EA)	
	222-0520	20" BACK UPHOLSTERY W/HARDWARE (EA)	
1-10	222-0525	16" BACKREST ASSM W/UPHOLSTERY (EA)	
	222-0526	18" BACKREST ASSM W/UPHOLSTERY (EA)	
	222-0527	20" BACKREST ASSM W/UPHOLSTERY (EA)	

PUSH HANDLE BACKREST AND UPHOLSTERY (BREEZY 150)

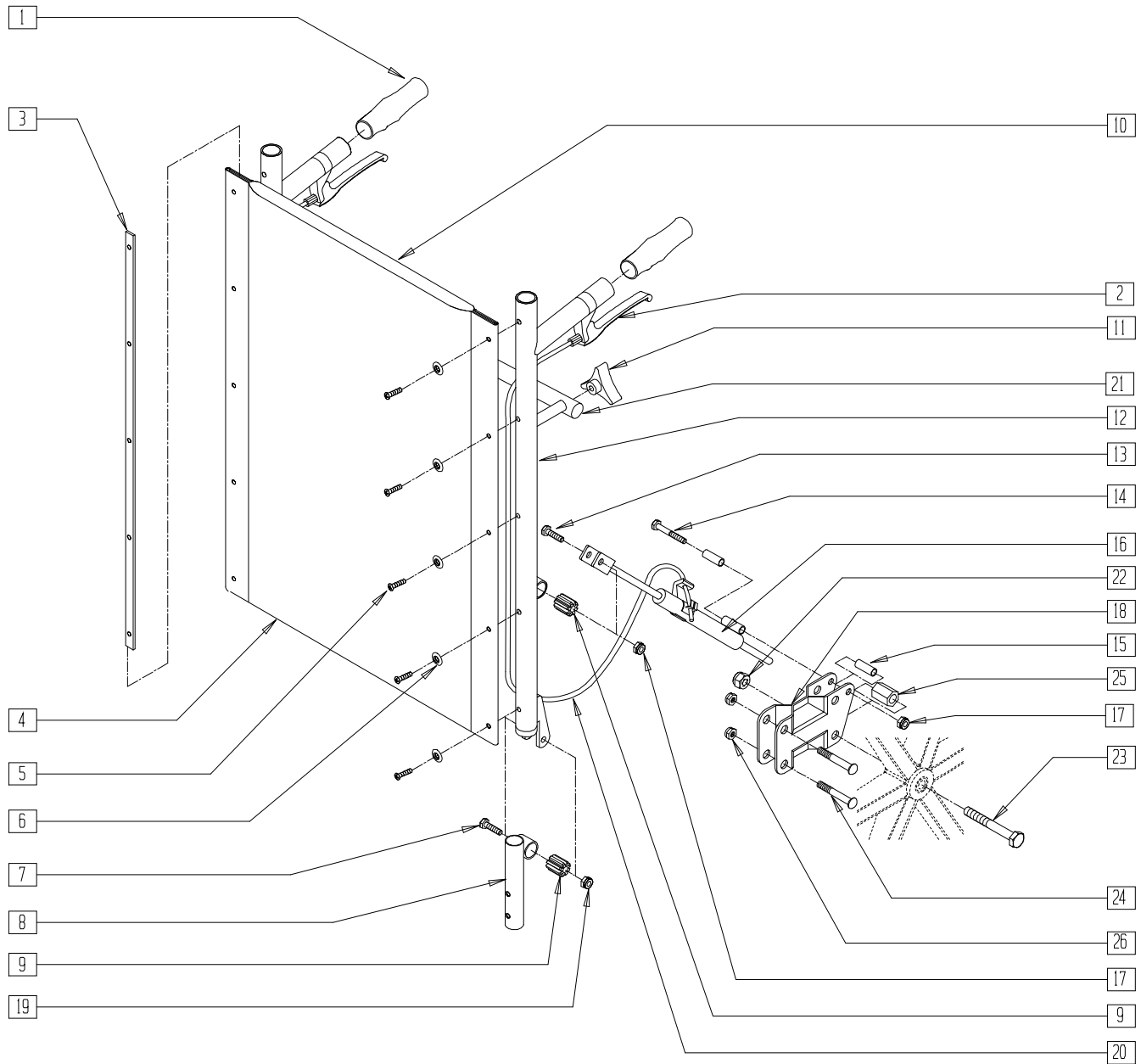


BZ150X01

ITEM	NUMBER	DESCRIPTION	QTY
1	222-0798	FOAM GRIP HANDLE (BZ150)	1
7	222-0794	BACK UPHOLSTERY 16"	1
	222-0795	BACK UPHOLSTERY 18"	
	222-0796	BACK UPHOLSTERY 20"	

ITEM	NUMBER	DESCRIPTION	QTY
4,8,9	222-0524	BACK CANE BRACKET W/HARDWARE	
1,2,10	222-0832	BACK CANE W/FOAM GRIP AND INSERT	

BACK RECLINE ASSEMBLY (BREEZY 100/150)



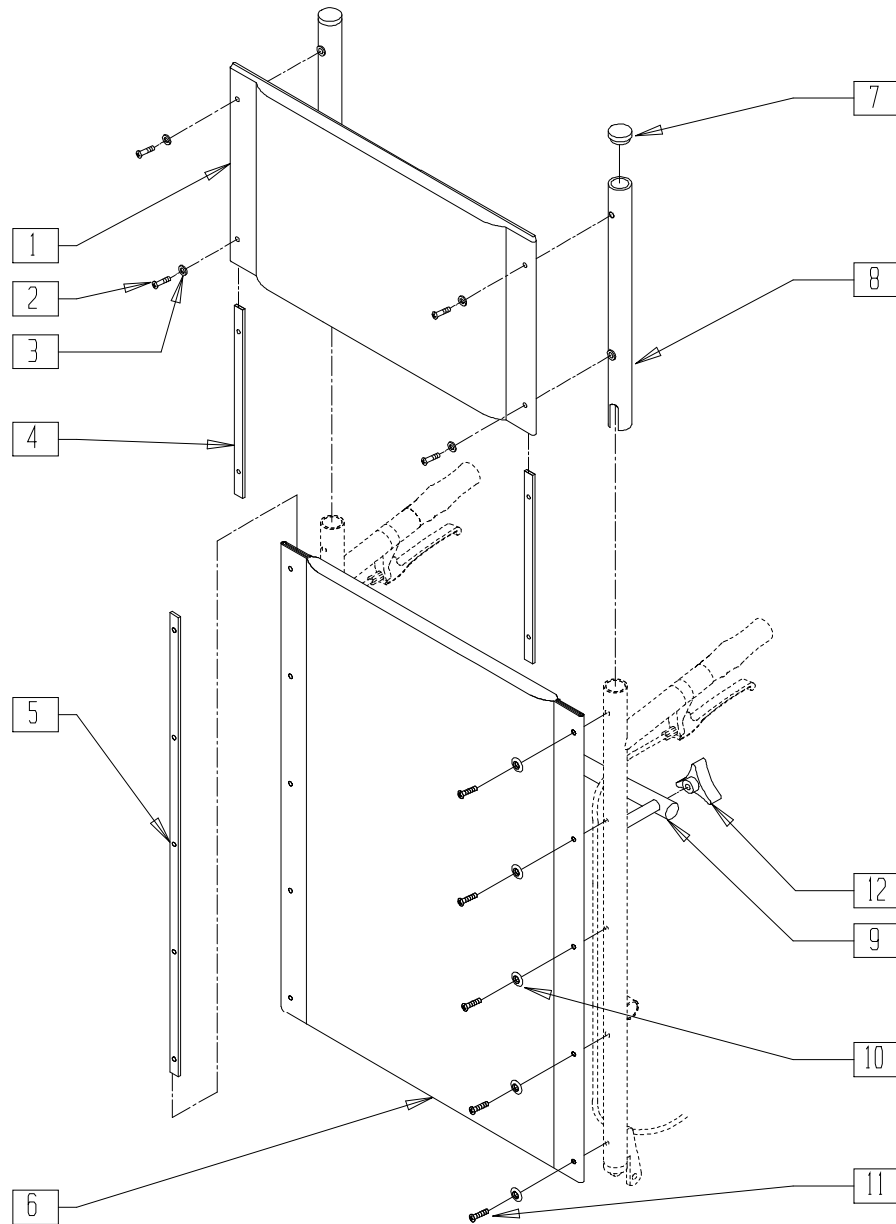
BRZ10X03

ITEM	NUMBER	DESCRIPTION	QTY
2	222-0651	BACK CANE RELEASE LEVER	2
11	222-0650	RECLINING BACK CANE KNOB	2
16	222-0652L	MECH LOCK ACTUATOR RECLINE BACK L	2
	222-0652R	MECH LOCK ACTUATOR RECLINE BACK R	
20	222-0654	"MECH" LOCK ACTUATOR CABLE	1
21	222-0655	16" RECLINING BACKREST SPREADER BAR	1
	222-0656	18" RECLINING BACKREST SPREADER BAR	
	222-0657	20" RECLINING BACKREST SPREADER BAR	

ITEM	NUMBER	DESCRIPTION	QTY
1,2,7-9, 11-13, 17,19	222-0649	RECLINING BACK CANE ASSEMBLY	1
18,22-26	222-0814	AMPUTEE AXLE KIT BLK (1/2") (BR150) (EA)	1
	AMPT *	AMPUTEE AXLE KIT (BR100/150) (PR)	

* BREEZY 100 USES CHROME AXLE PLATES AND HARDWARE AND 7/16" AXLE BOLT. BREEZY 150 USES BLACK AXLE PLATES AND HARDWARE AND 1/2" AXLE BOLT.

RECLINE HEADREST AND BACKREST (BREEZY 100/150)



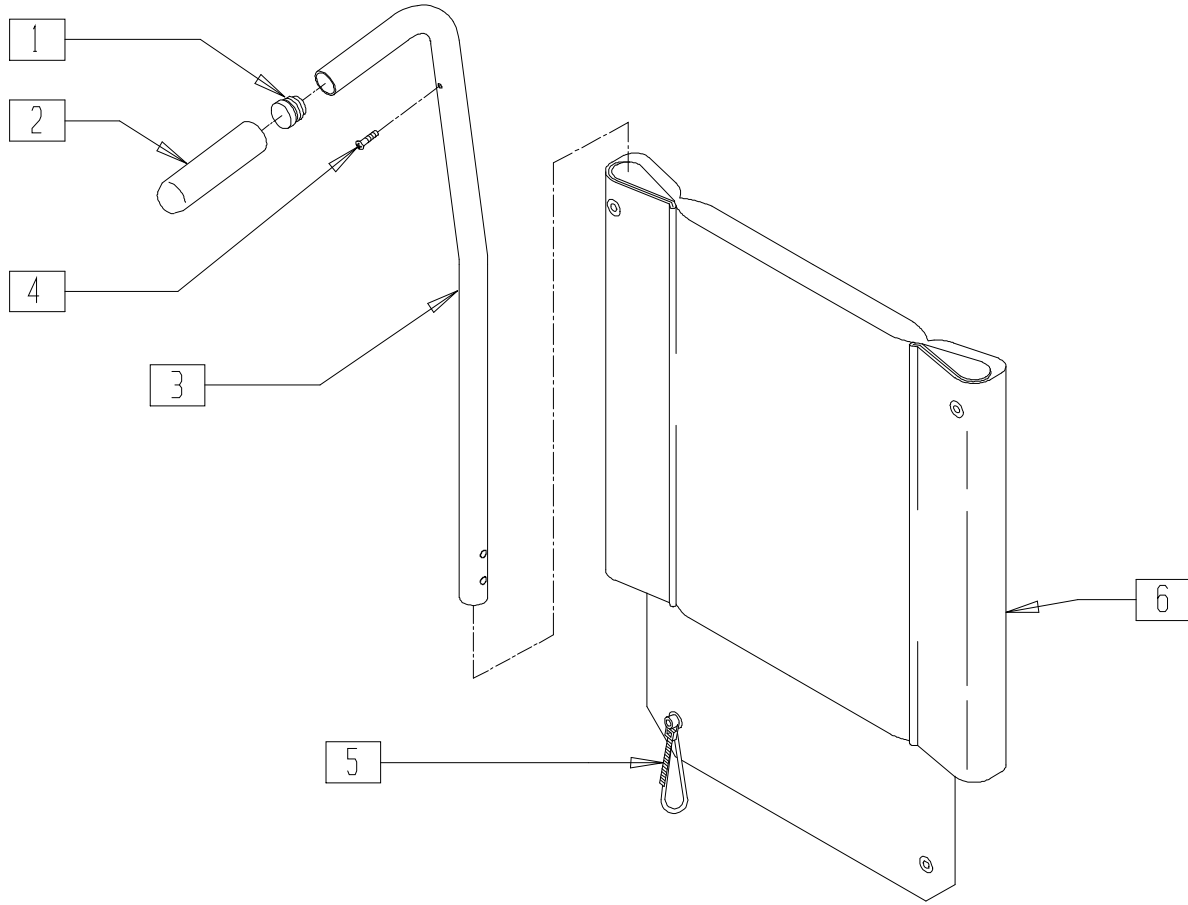
BRZ10X15

ITEM	NUMBER	DESCRIPTION	QTY
9	222-0655	16" RECLINING BACKREST SPREADER BAR	1
	222-0656	18" RECLINING BACKREST SPREADER BAR	
	222-0657	20" RECLINING BACKREST SPREADER BAR	
12	222-0650	RECLINING BACK CANE KNOB	2
1-4,7,8	222-0658	16" HEADREST ASSM W/HARDWARE	1
	222-0659	18" HEADREST ASSM W/HARDWARE	
	222-0660	20" HEADREST ASSM W/HARDWARE	

ITEM	NUMBER	DESCRIPTION	QTY
1-4	222-0618	16" HEADREST UPHOLSTERY W/HDWR	1
	222-0619	18" HEADREST UPHOLSTERY W/HDWR	
	222-0620	20" HEADREST UPHOLSTERY W/HDWR	
5,6,10,11	222-0661	16" RECLINE BACK UPH W/HDWR	1
	222-0662	18" RECLINE BACK UPH W/HDWR	
	222-0663	20" RECLINE BACK UPH W/HDWR	
1-6,9-11	222-0664	16" RECLINER GROWTH KIT	1
	222-0665	18" RECLINER GROWTH KIT	
	222-0666	20" RECLINER GROWTH KIT	

PUSH HANDLE BACKREST AND UPHOLSTERY (BREEZY 503)

(Effective 09/17/01)



BASIC503

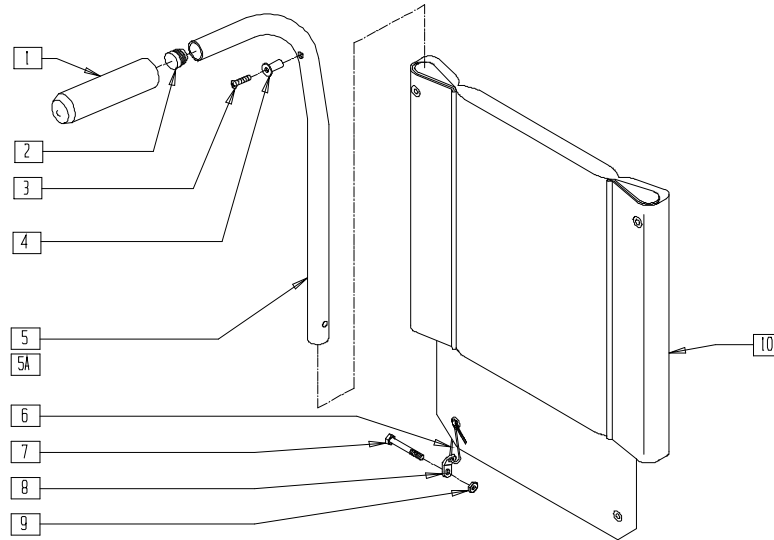
ITEM	NUMBER	DESCRIPTION	QTY
1	560735	7/8" ROUND TUBE PLUG	2
2	560661	QUICKIE GRIP 7/8"	2
4	281127	#12 x 3/4" PAN HD PHIL S/TAP	2
5	560410	ZIP TIE BLK	2
6	687609	BACK UPH 16" HINGE BR (PURCH)	1
	687311	BACK UPH 18" HINGE BR (PURCH)	

ITEM	NUMBER	DESCRIPTION	QTY
1-3	880685	PSH HNDL SUB-ASSM 8D W/FOM 503	2
1-4	842127	PUSH HANDLE 8D W/FOAM BL	2
1-6	683907	BACK ASSM 8D 16" B3	1
	683908	BACK ASSM 8D 18" B3	

PUSH HANDLE BACKREST AND UPHOLSTERY (BREEZY)

(Discontinued - parts only)

(Fits Breezy beginning serial number BZ-300000 and prior to serial number BZ-351000)



BZ00X04A

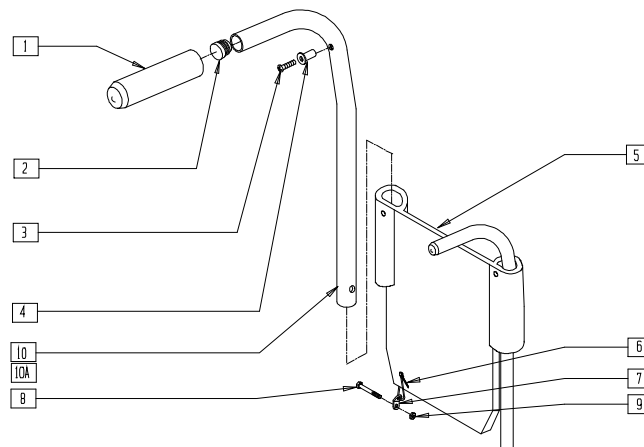
ITEM	NUMBER	DESCRIPTION	QTY
1	560661	QUICKIE GRIP 7/8"	2
2	560735	7/8" ROUND TUBE PLUG	2
3	281141	10-32 x 1 OVAL HD MACH SCREW	2
4	341497	10-32 x .020-.130 RIVNUT GOLD	2
6	560410	ZIP TIE BLK	2
7	221150	1/4-28 x 1 3/4 HEX C/S	2
8	505002	2 HOLE TOGGLE BENT STEEL	2

ITEM	NUMBER	DESCRIPTION	QTY
9	201110	1/4-28 NYLOCK NUT	2
10	685844-685850	BACK UPHOLSTERY 14"-20" HINGE BR	1
1,2,4,5	842111	PUSH HANDLE W/FOAM REG BR	
1,2,4,5A	842115	PUSH HANDLE W/FOAM TALL BR	
1-10	683831-683893	BACK ASSEMBLY 14"-20" HINGE BR	

PUSH HANDLE BACKREST AND UPHOLSTERY (BREEZY)

(Discontinued 7/31/95 - parts only)

(Fits Breezy beginning serial number BZ-200000 and prior to serial number BZ-300000)



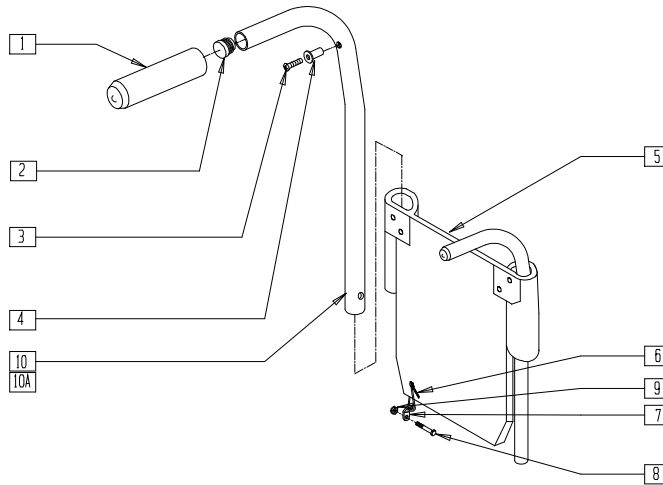
BZ00X04

ITEM	NUMBER	DESCRIPTION	QTY
1	560661	QUICKIE GRIP 7/8"	2
2	560735	7/8" ROUND TUBE PLUG	2
3	281141	10-32 x 1 OVAL HD MACH SCREW	2
4	341497	10-32 x .020-.130 RIVNUT GOLD	2
5	685818-685834	BACK UPHOLSTERY BR 14" WIDE REG - 20" WIDE TALL	1
6	560410	ZIP TIE BLACK	2
7	505002	2 HOLE TOGGLE BENT STEEL	2

ITEM	NUMBER	DESCRIPTION	QTY
8	221150	1/4-28 x 1 3/4 HEX C/S	2
9	201110	1/4-28 NYLOCK NUT	2
1,2,4,10	842111, 842113	PUSH HANDLE W/FOAM REG BR	
1,2,4,10A	842115, 842117	PUSH HANDLE W/FOAM TALL BR	
1-10	683857-683898	BACK ASSEMBLY BREEZY	

PUSH HANDLE BACKREST AND UPHOLSTERY (ALUMINUM AND CHROME BREEZY)

(Discontinued 10/15/93 - parts only, fits serial numbers prior to BZ-200000)



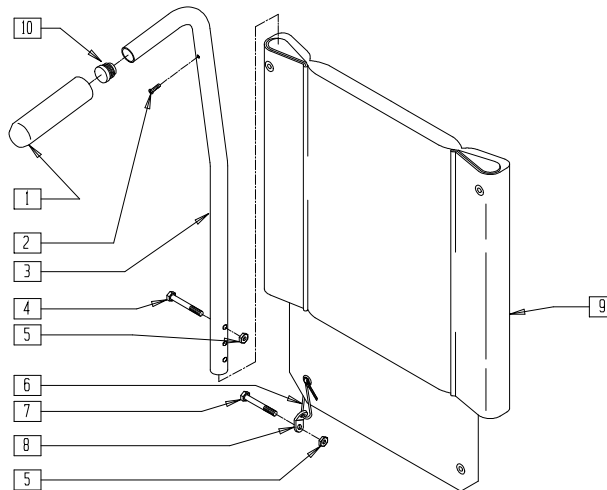
BZY00X10

ITEM	NUMBER	DESCRIPTION	QTY
1	560661	QUICKIE GRIP 7/8"	2
2	560735	7/8" ROUND TUBE PLUG	2
3	281141	10-32 x 1 OVAL HD MACH SCREW	2
4	341497	10-32 x .020-.130 RIVNUT GOLD	2
5	685810-685815	BZ BACK UPHOLSTERY 16"-20"	1
6	560410	ZIP TIE BLACK	2
7	505002	2 HOLE TOGGLE BENT STEEL	2
8	221160	1/4-28 x 2 HEX C/S	2

ITEM	NUMBER	DESCRIPTION	QTY
9	201110	1/4-28 NYLOCK NUT	2
1,2,4,10	842020	BACK TUBE 17" PH (SPECIFY COLOR) (BLK ONLY CHROME BZ)	
1,2,4,10A	842022	BACK TUBE 19" PH (SPECIFY COLOR) (BLK ONLY CHROME BZ)	
1-10	684000, 684002	BACK ASSEMBLY CB 17" (SPECIFY COLOR) (BLK ONLY CHROME BZ)	
1-9,10A	684006, 684008	BACK ASSEMBLY CB 19" (SPECIFY COLOR) (BLK ONLY CHROME BZ)	

PUSH HANDLE BACKREST AND UPHOLSTERY (BREEZY 500/510)

(Effective beginning serial number BZ-351000)



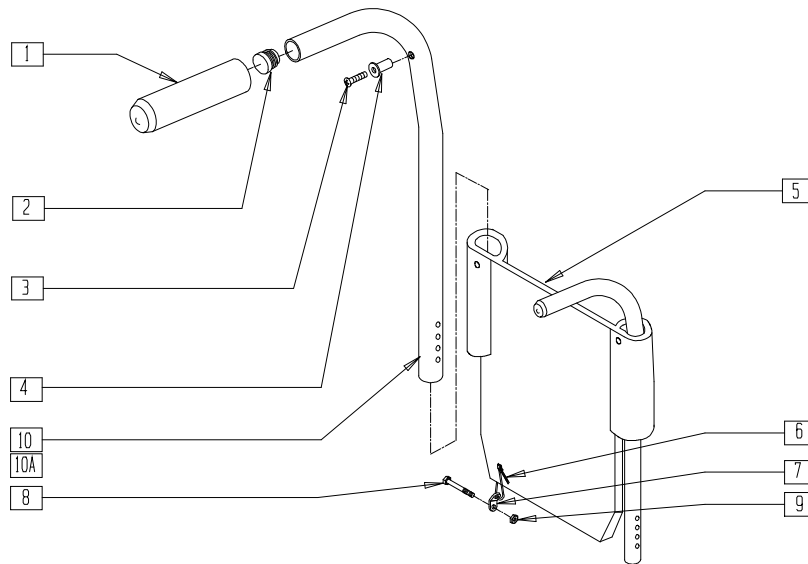
BASIC06

ITEM	NUMBER	DESCRIPTION	QTY
1	560661	QUICKIE GRIP 7/8"	2
2	281127	#12 x 3/4" PAN HD PHIL S/TAP	2
4	221130	1/4-28 x 1 1/2 HEX C/S	2
5	201110	1/4-28 NYLOCK NUT	2
6	560410	ZIP TIE BLK	2
7	221150	1/4-28 x 1 3/4 HEX C/S	2
8	505002	2 HOLE TOGGLE BENT STEEL	2

ITEM	NUMBER	DESCRIPTION	QTY
9	685844	BACK UPHOLSTERY 14" HINGE BR	1
	687609	BACK UPHOLSTERY 16" HINGE BR (PURCH)	
	687611	BACK UPHOLSTERY 18" HINGE BR (PURCH)	
	685850	BACK UPHOLSTERY 20" HINGE BR	
10	560735	7/8" ROUND TUBE PLUG	2
1-5,7	842121	PUSH HANDLE 8° W/FOAM BR	
1-10	683863-683867	BACK ASSEMBLY 8° 14"-20" BR	

PUSH HANDLE BACKREST AND UPHOLSTERY (BREEZY 2)

(Discontinued 7/31/95 - parts only; fits Breezy 2 prior to serial number B2-5000)



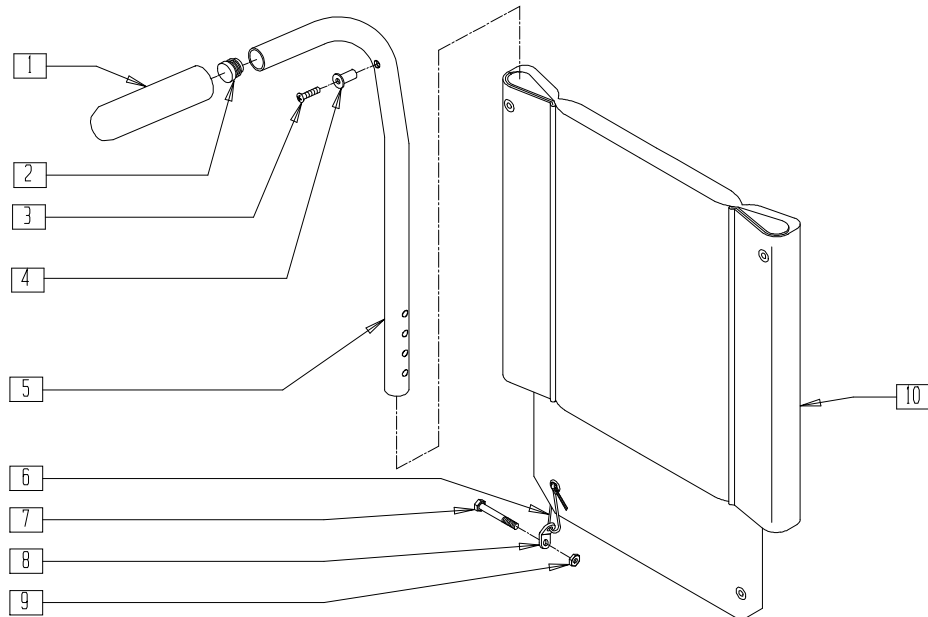
BZ00X20

ITEM	NUMBER	DESCRIPTION	QTY
1	560661	QUICKIE GRIP 7/8"	2
2	560735	7/8" ROUND TUBE PLUG	2
3	281127	#12 x 3/4" PAN HD PHIL S/TAP	2
5	685818-685824	BACK UPHOLSTERY BR 14" WIDE REG - 20" WIDE REG	1
6	560410	ZIP TIE BLK	2
7	505002	2 HOLE TOGGLE BENT STEEL	2

ITEM	NUMBER	DESCRIPTION	QTY
8	221160	1/4-28 x 2 HEX C/S	2
9	201110	1/4-28 NYLOCK NUT	2
1,2,4,10	842119	PUSH HNDL W/FOAM ADJ B2 (14"-18") (EA)	
1,2,4,10A	842110	PUSH HNDL W/FOAM ADJ 20" B2 (EA)	
1-10	683835-683895	BACK ASSEMBLY 14"-20" B2 (EA)	

PUSH HANDLE BACKREST AND UPHOLSTERY (BREEZY 2)

(Discontinued 5/98 - parts only)(Beginning serial number B2-5000)

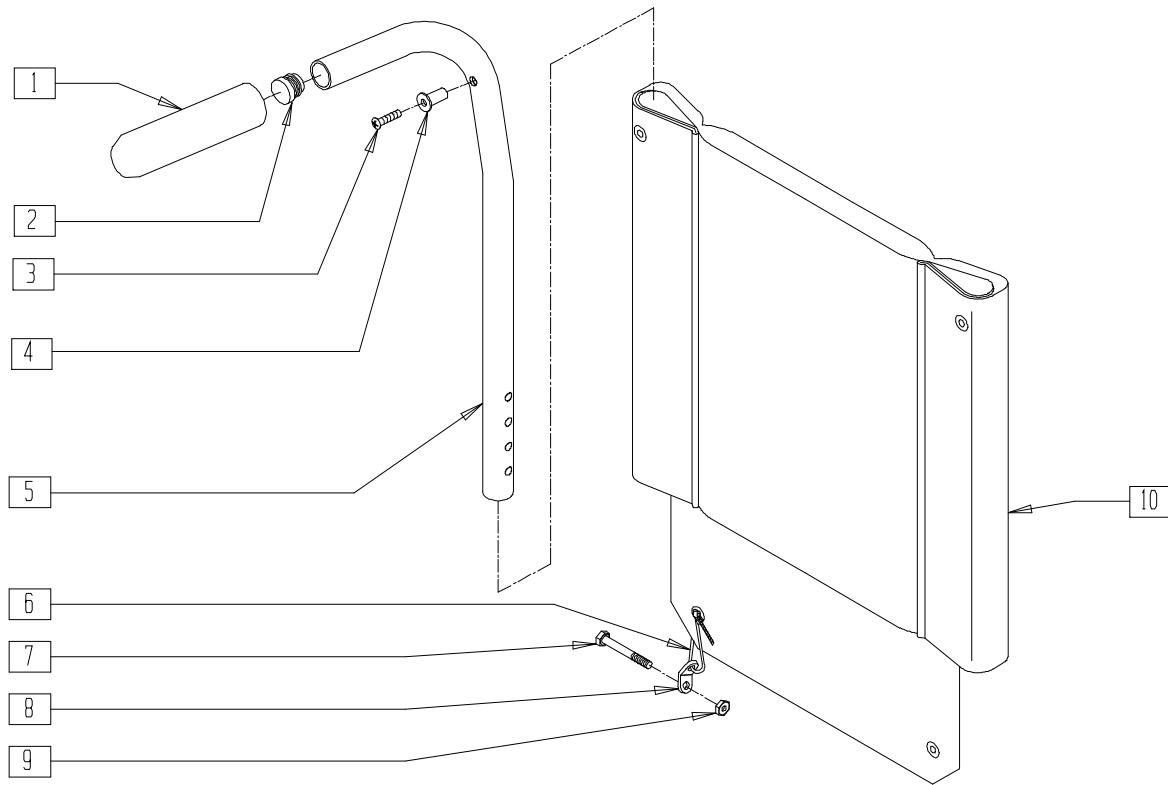


BZ00X04B

ITEM	NUMBER	DESCRIPTION	QTY
1	560661	QUICKIE GRIP 7/8"	2
2	560735	7/8" ROUND TUBE PLUG	2
3	281127	#12 x 3/4" PAN HD PHIL S/TAP	2
6	560410	ZIP TIE BLK	2
7	221150	1/4-28 x 1 3/4 HEX C/S	2
8	505002	2 HOLE TOGGLE BENT STEEL	2

ITEM	NUMBER	DESCRIPTION	QTY
9	201110	1/4-28 NYLOCK NUT	2
10	685844-685850	BACK UPHOLSTERY 14"-20" HINGE BR	1
1,2,4,5	842119	PUSH HANDLE W/FOAM ADJ B2	
1-10	683836-683896	BACK ASSEMBLY 14"-20" HINGE B2	

PUSH HANDLE BACKREST AND UPHOLSTERY (BREEZY 600)

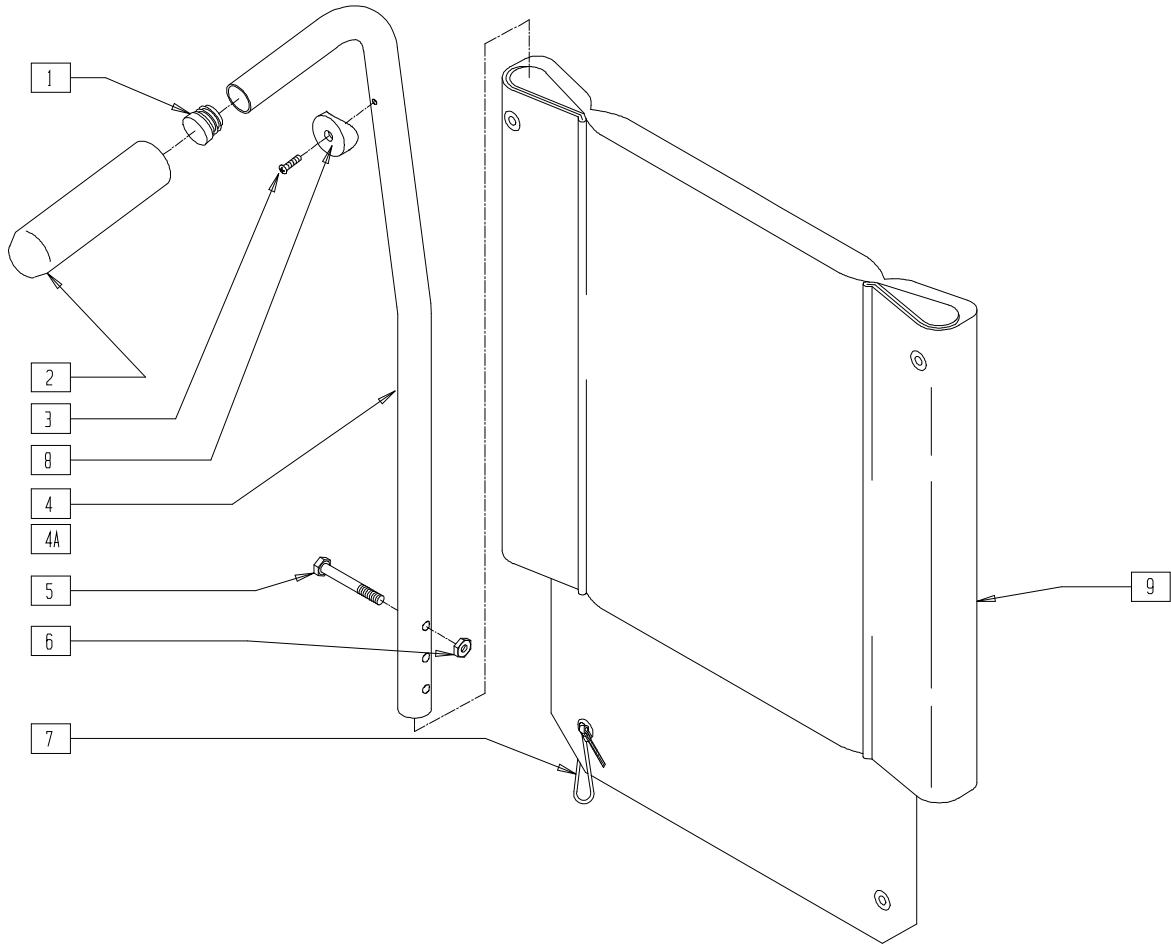


BZ00X04C

ITEM	NUMBER	DESCRIPTION	QTY
1	560661	QUICKIE GRIP 7/8"	2
2	560735	7/8" ROUND TUBE PLUG	2
3	281141	10-32 x 1 OVAL HD MACH SCW	2
6	560410	ZIP TIE BLK	2
7	221160	1/4-28 x 2 HEX C/S	2
8	505002	2 HOLE TOGGLE BENT STEEL	2
9	201110-QU	1/4-28 NYLOCK NUT	2

ITEM	NUMBER	DESCRIPTION	QTY
10	685844	BACK UPH 14" HINGE BR	1
	687609	BACK UPH 16" HINGE BR (PURCH)	
	687611	BACK UPH 18" HINGE BR (PURCH)	
	685850	BACK UPH 20" HINGE BR	
1,2,4,5	842119	PUSH HANDLE W/FOAM ADJ B2	
1-10	680080-680086	BACK ASSEMBLY B600	

PUSH HANDLE BACKREST AND UPHOLSTERY (BREEZY 510 AND 600 ULTRA-HEMI)

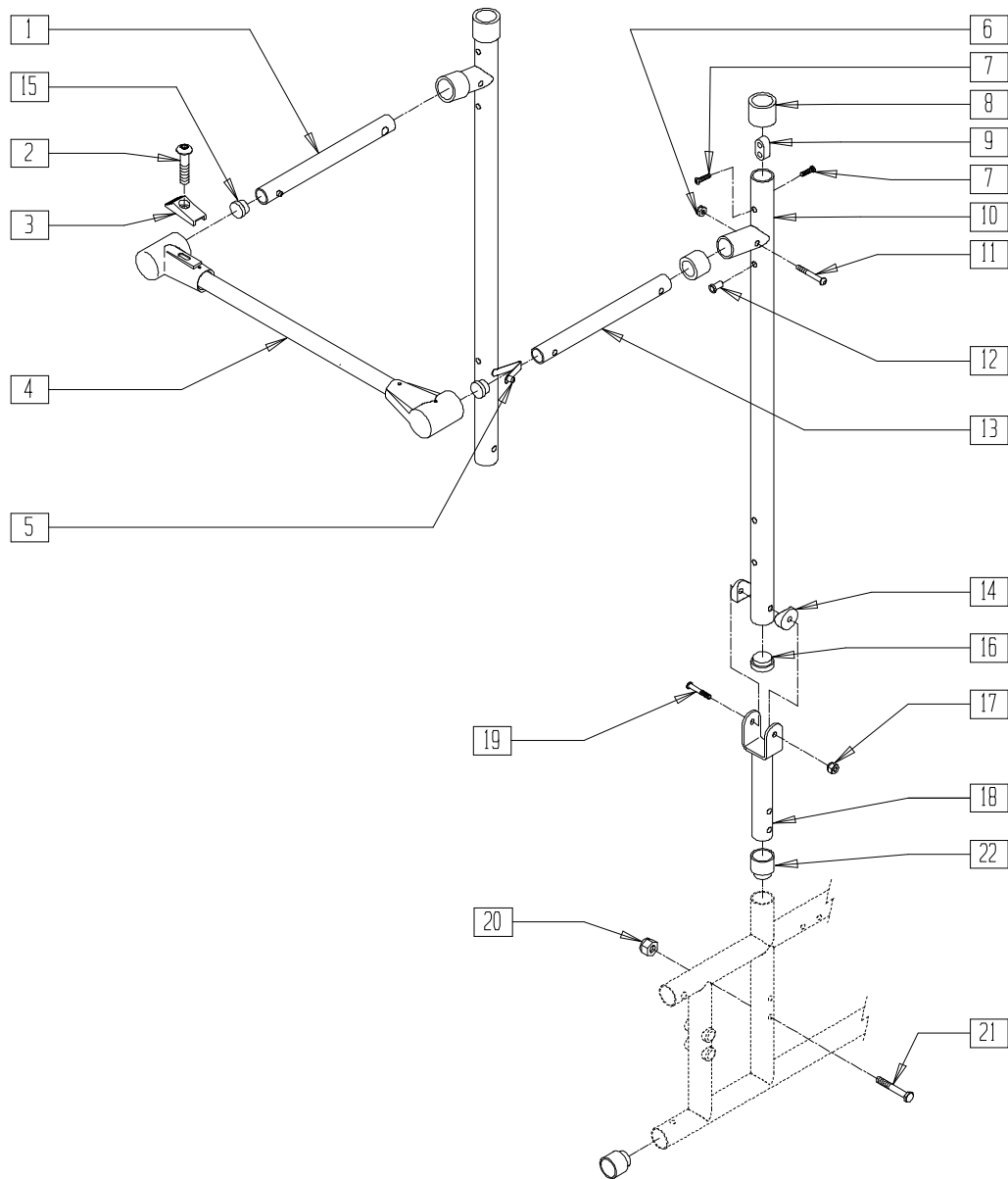


BZ600X05

ITEM	NUMBER	DESCRIPTION	QTY
1	560735	7/8" ROUND TUBE PLUG	2
2	560661	QUICKIE GRIP 7/8"	2
3	281127	#12 x 3/4" PAN HD PHIL S/TAP	2
5	221130	1/4-28 x 1 1/2 HEX C/S	2
6	201110-QU	1/4-28 NYLOCK NUT	2
7	560410	ZIP TIE BLK	2
8	561086	1" HALF SADDLE 1/4" HOLE	1
9	685844	BACK UPHOLSTERY 14" HINGE BR	1
	687609	BACK UPHOLSTERY 16" HINGE BR (PURCH)	
	687611	BACK UPHOLSTERY 18" HINGE BR (PURCH)	
	685850	BACK UPHOLSTERY 20" HINGE BR	

ITEM	NUMBER	DESCRIPTION	QTY
1-6,8	842250	PUSH HANDLE 8° W/FOAM HEMI	
1-4A,5,6,8	842251	PUSH HANDLE 8° TALL W/FOAM HEMI	
1-9	680360	BACK ASSM 14" 8° HEMI	
	680362	BACK ASSM 16" 8° HEMI	
	680364	BACK ASSM 18" 8° HEMI	
	680366	BACK ASSM 20" 8° HEMI	
1-4A,5-9	680361	BACK ASSM 14" TALL 8° HEMI	
	680363	BACK ASSM 16" TALL 8° HEMI	
	680365	BACK ASSM 18" TALL 8° HEMI	
	680367	BACK ASSM 20" TALL 8° HEMI	

BACKREST (BREEZY 510 RECLINER)

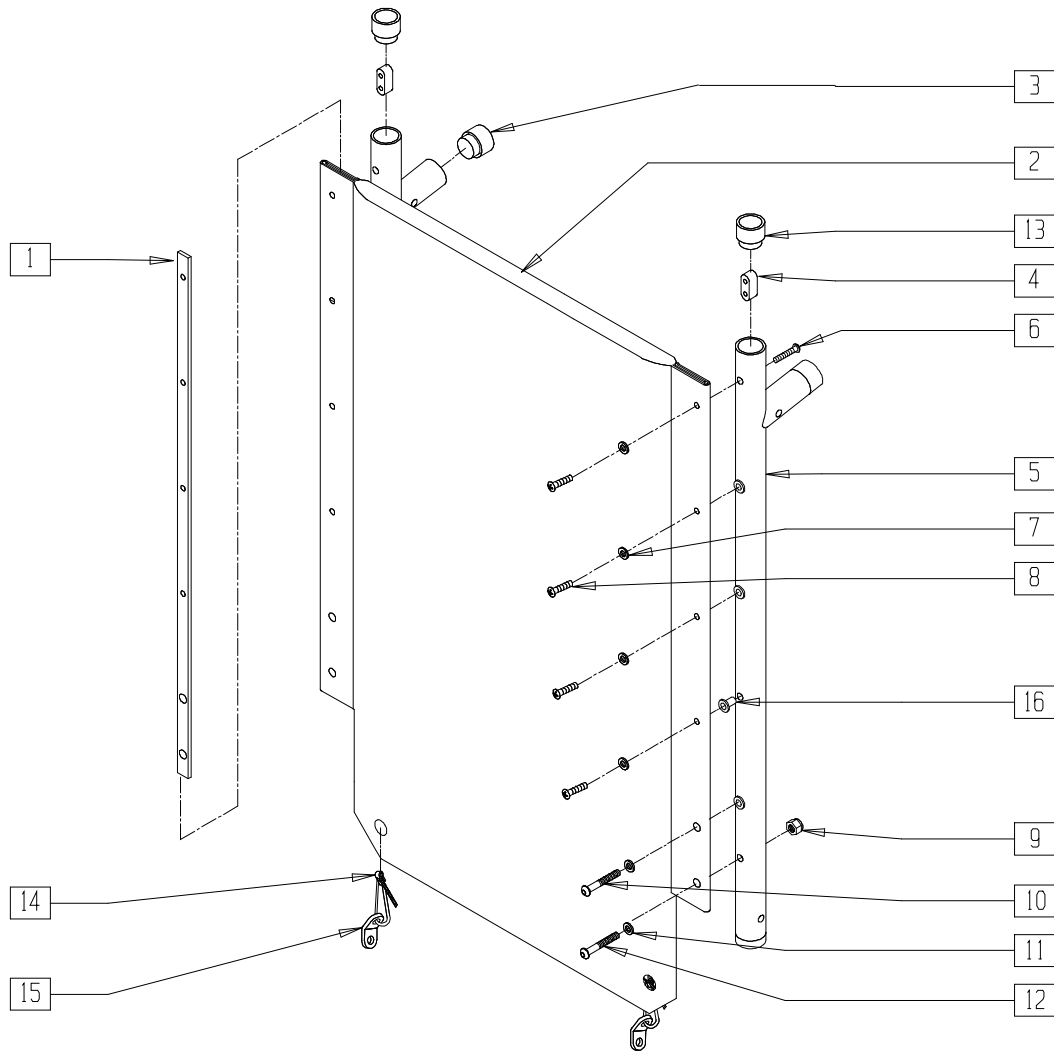


BREX05

ITEM	NUMBER	DESCRIPTION	QTY
1	524252	STABILIZER BAR LCKING BR RCLNR	1
2	226110	1/4-28 x 1 BH C/S	1
3	560143	STABILIZER LATCH RELEASE BR	1
5	301110	1/4" SNAP BUTTON DOUBLE	1
6	201100-QU	1/4-28 NYLOCK NUT THIN	2
7	281120	10/32 x 5/8 PAN HD PHIL	2
8	561082	1" TUBE END BUSHING THIN	2
9	505271	HDRST RTNG BTTN RCLNR	2
10	521018	BACK TUBE 22/24" BR RCLNR	2
11	226129	1/4-28 x 1 1/4 BH C/S	2
12	341497	10-32 x .020-.130 RIVNUT GOLD	2
13	524250	STABILIZER BAR PIVOT BR RCLNR	1
14	561006	1" SADDLE 5/16" HOLE	2
15	560762	3/4" INSERT PLUG .065	2

ITEM	NUMBER	DESCRIPTION	QTY
16	561002	1" INSERT PLUG .083	2
17	202102	5/16-18 NYLOCK NUT THIN	2
18	505173	PIVOT BRKT BR RCLNR	1
19	226195	5/16-18 x 1.82 BH C/S	2
20	201110-QU	1/4-28 NYLOCK NUT	1
21	221133	1/4-28 x 1 1/2 G8 HEX C/S	1
22	561310	BC 1" TUBE END BUSHING CM	4
2-4	842254- 842260	STABILIZER ASSEMBLY BR RCLNR 14"-20"	
1,5,6, 11,13,15	842108, 842109	PUSH HANDLE EXT BR RCLNR	
7-10,12-17	842107	BACK TUBE PH 22/24" B51 RECLINER	
16-21	920419	BACK BRACKET W/HDWR B51 RECLNR	

BACKREST UPHOLSTERY (BREEZY 510 RECLINER)

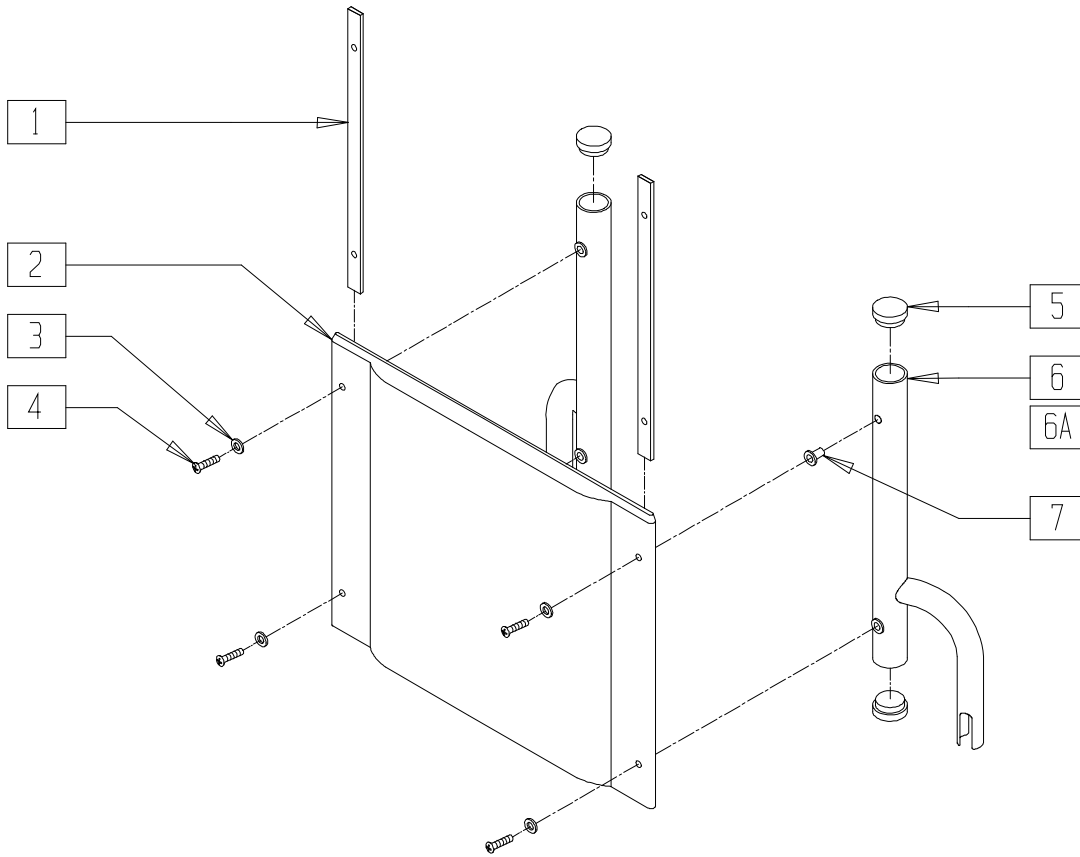


BREX01

ITEM	NUMBER	DESCRIPTION	QTY
1	505327	BACK UPHOLSTERY RAIL 22" BR RECLINER	2
2	681374-681380	BACK UPHOLSTERY RECLINER 22" BR	1
3	561002	1" INSERT PLUG .083	2
4	505271	HDRST RTNG BUTTON RECLINER	2
5,16	521018	BACK TUBE 22/24" BR RECLINER	
6	281120	10/32 x 5/8 PAN HD PHIL	2
7	340105	WASHER SEAT SLING BR	8
8	281141	10/32 x 1 OVAL HD MACH SCW	8

ITEM	NUMBER	DESCRIPTION	QTY
9	202102	5/16-18 NYLOCK NUT THIN	2
10	226198	5/16-18 x 2 BH C/S SHT THREAD	2
11	264107	5/16 WASHER FINISHING	4
12	226190	5/16-18 x 1 3/4 BH C/S SHLDR	2
13	561082	1" TUBE END BUSHING THIN	2
14	560410	ZIP TIE BLACK	2
15	505002	2 HOLE TOGGLE BENT STEEL	2
16	341497	10-32 x .020-.130 RIVNUT GOLD	8
1-13,16	842284-842290	BACKREST ASSM 14"-20" B510 RECLINER	

HEADREST EXTENSION AND UPHOLSTERY (BREEZY 510 RECLINER)

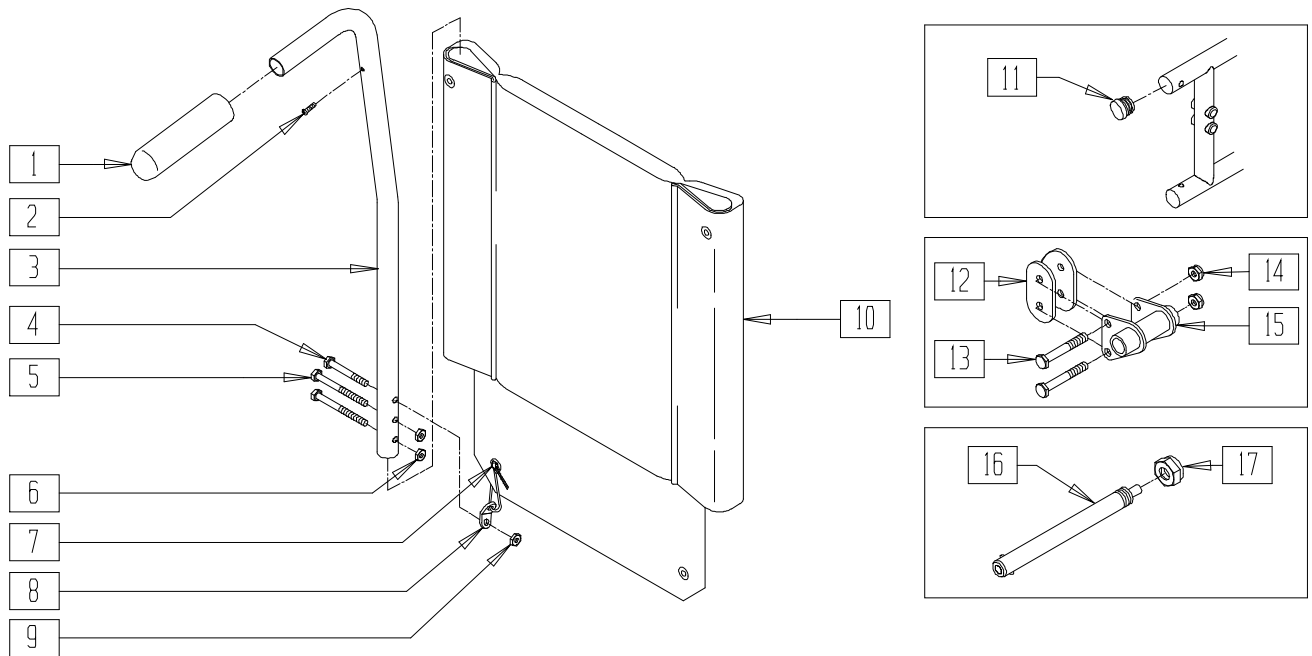


BREX03

ITEM	NUMBER	DESCRIPTION	QTY
1	505326	HEADREST RAIL BR RCLNR	2
2	684344- 684350	HEADREST UPHOLSTERY 14" - 20" BR RECLINER	1
3	340105	WASHER SEAT SLING BR	4
4	281141	10/32 x 1 OVAL HD MACH SCREW	4
5	561002	1" INSERT PLUG .083	4

ITEM	NUMBER	DESCRIPTION	QTY
7	341497	10-32 x .020-.130 RIVNUT	4
4-7	661203	HDRST TUBE R B51 RCLNR (EA)	
4,5,6A,7	661204	HDRST TUBE L B51 RCLNR (EA)	
1-7	842264- 842270	HEADREST ASSM 14" -20" B510 RECLINER	

STANDARD BACK KIT AND UPHOLSTERY (BREEZY 510 RECLINER)



BREX15

ITEM	NUMBER	DESCRIPTION	QTY
1	560661	QUICKIE GRIP 7/8"	2
2	281127	#12 x 3/4" PAN HD PHIL S/TAP	2
4	221150	1/4-28 x 1 3/4 HEX C/S	2
5	221160	1/4-28 x 2 HEX C/S	4
6	201110	1/4-28 NYLOCK NUT	4
7	560410	ZIP TIE BLACK	2
8	505002	2 HOLE TOGGLE BENT STEEL	2
9	201100	1/4-28 NYLOCK NUT THIN	2
10	685844	BACK UPHOLSTERY 14" HINGE BR	1
	687609	BACK UPHOLSTERY 16" BR (PURCH)	
	687611	BACK UPHOLSTERY 18" BR (PURCH)	
	685850	BACK UPHOLSTERY 20" HINGE BR	
11	561062	1" INSERT PLUG .065 RIBS	2
12	561085	1 1/8" HALF SADDLE 2 HOLE QTS	2

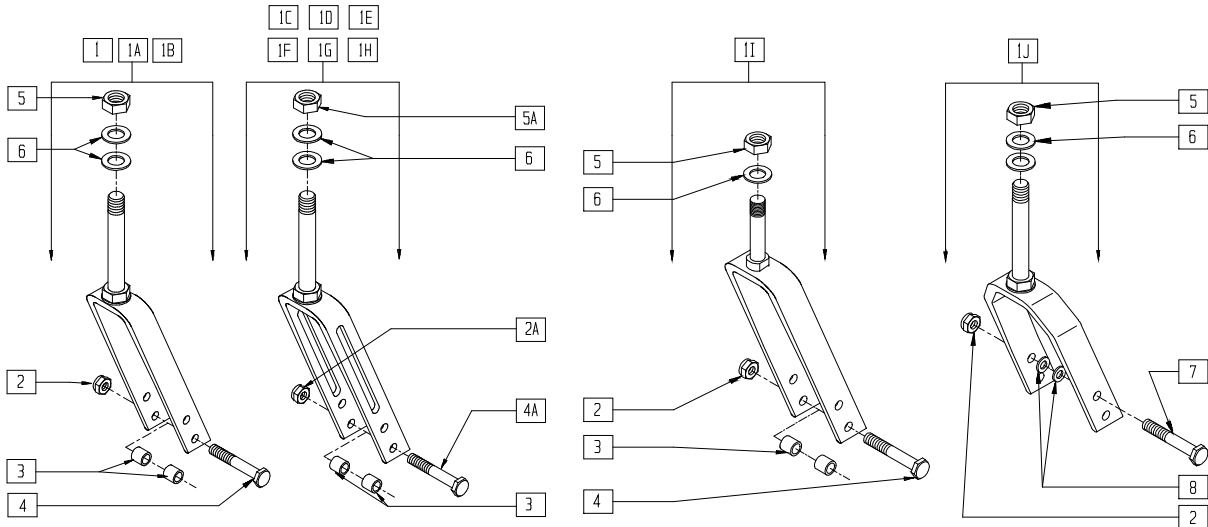
ITEM	NUMBER	DESCRIPTION	QTY
13	221160	1/4-28 x 2 HEX C/S	2
14	201110	1/4-28 NYLOCK NUT	2
15	505316, 505317	QR AXLE BRACKET BR RECLINER(EA)	1
17	203100	1/2-20 NYLOCK NUT	1
16,17	920119	QUICK RELEASE MAG W/NUT	
	920129	QUICK RELEASE W/NUT	
	920130	QK RELSE NON-RECESS HUB W/NUT	
1-6,9	842121	PUSH HANDLE 8° W/FOAM BR	
1-11	683863, 683865- 683867	BACK ASSEMBLY 14"-20" 8° BR	
1-17	923470- 923473	BACK KIT 14"-20" QR B510 RECLINER	

Casters and Forks

IN THIS SECTION

Fork and Stem Assemblies (Quickie 2/2HP/GP/GPSA/Kidz/LX/LXI/Recliner/Rx/TS, Zippie/Zippie 2/GS/TS)	12.1
Forks	12.1
Caster Stems	12.2
Caster Stems (Pin Lock).....	12.2
Caster Pin Locks.....	12.3
Caster Stems (Quickie T45)	12.3
Quick-release Caster Stem and Fork Assembly.....	12.4
Quick-release Fork and Caster Stem (Quickie Revolution)	12.5
Fork and Stem Assembly (Quickie Revolution)	12.6
Fork and Stem Assemblies (Quickie T45)	12.6
Fork and Stem Assembly (Quickie TNT)(Disc.).....	12.7
Fork and Caster Assembly (Quickie ST/DT)	12.8
Fork and Stem Assembly (Quickie XTR).....	12.9
Frog Leg MC5 (Suspension Fork) Assembly (Quickie XTR)	12.9
Fork, Stem, and Caster Assembly (Quickie R2)...	12.10
Fork, Stem, and Caster Assembly (Quickie M6)...	12.10
Fork, Stem, and Caster Assembly (Quickie TS) ...	12.11
Caster Plate (Breezy 510/510 Recliner/2/600)(Disc.).....	12.12
Fork and Stem Assembly (Breezy 500).....	12.12
Fork and Stem Assembly (Breezy 510/510 Recliner/600).....	12.13
Caster Rims and Hardware	12.14
Caster Tires and Tubes	12.14
Caster/Tire Assemblies (Tire, Caster and Bearings)(Quickie Chairs)	12.15
Caster/Polyurethane Tire Assemblies 1 1/2" Wide (Quickie 2/2HP/GP/GPSA/GPV/LX/LXI/Recliner/ Revolution/T45/TS, Zippie/Zippie GS/TS)	12.15
5"and 6" Aluminum Caster/Tire Assemblies	12.16
Casters (Quickie XTR).....	12.16
Caster/Tire Assemblies (Breezy 500/510/510 Recliner/2 (Disc.)/600)	12.17
Caster Plate	12.18
Caster Plate (Quickie 2HP/2HPTi/GP/ GPS/GPV/Kidz/LXJ/Ti/Triumph)	12.19
Caster Plate (Quickie EX) (Disc.)	12.19
Caster Plate (Quickie Carbon) (Disc.)	12.20
Caster Assembly (Quickie TNT) (Disc.).....	12.20
Caster Assembly (Quickie TNT) (Disc.).....	12.21
Caster Plate (Quickie Revolution)	12.21
Caster Plate (Quickie XTR)	12.22
Caster Plate (Zippie GS)	12.22
Swing-away Caster Plate (Quickie T45).....	12.23
Bolt-on Front End and Caster Assembly (Breezy 100)	12.23
Bolt-on Front End and Caster Assembly (Breezy 150)	12.24

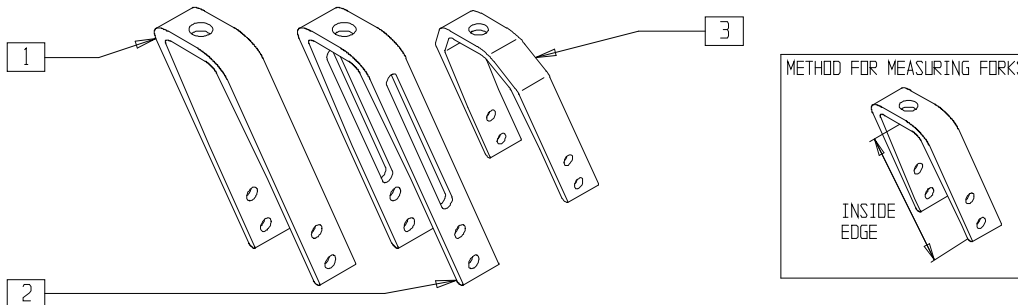
FORK AND STEM ASSEMBLIES (QUICKIE 2/2HP/GP/GPSA/KIDZ/LX/LXI/RECLINER/Rx/TS ZIPPIE/ZIPPIE2/GS/TS)



ITEM	NUMBER	DESCRIPTION	QTY
1	780800-780817 781800-781808	5 1/4" STEM W/HARDWARE	
1A	780640, 780840-780857, 781809-781817	6" STEM W/HARDWARE	
1B	780880-780897, 781818-781826	7" STEM W/HARDWARE	
1C	780950	3 1/4" GP STD STEM W/STD HDWR (KIDZ) (SLOTTED)	
1D	780400	4 1/4" GP STD STEM W/HARDWARE (SLOTTED)	
1E	780814-780827	5 1/4" GP STEM W/HARDWARE (SLOTTED)	
1F	780852-	6" STEM W/HARDWARE	

ITEM	NUMBER	DESCRIPTION	QTY
	780867	(SLOTTED)	
1G	780894-780907	7" STEM W/HARDWARE (GP SLOTTED)	
1H	780951-780963	3 1/4" GP STEM W/HARDWARE (SLOTTED)	
1I	780981-780988, 781827-781835	4 3/4" FORK STD STEM W/HARDWARE	
1J	787111-787113	8" x 2" FORK AND STEM W/HARDWARE	
2	202100-MJ	5/16-24 NYLOCK NUT THIN	1
2A	330005	5/16-24 NYLOCK NUT ALUMINUM	1
3	481013	BEARING SPACER	2
4	222200	5/16-24 x 2 1/2 HEX C/S	1
4A	330110	5/16-24 x 2 1/2 HEX C/S Ti	1
5	203100	1/2-20 NYLOCK NUT	1
5A	330010	1/2-20 NYLOCK NUT ALUMINUM	1
6	264100	1/2 AN WASHER FLAT	2
7	222253	5/16-24 x 3 1/4 HEX C/S	1
8	263110-QU	5/16 AN WASHER FLAT	2

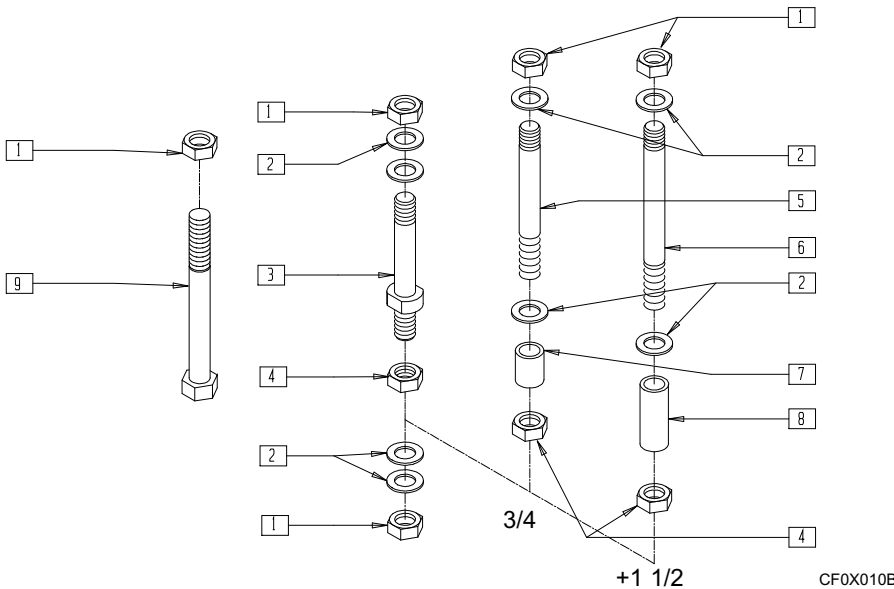
FORKS



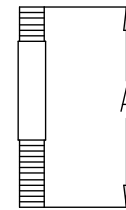
ITEM	NUMBER	DESCRIPTION	QTY
1	550283	4 3/4" FORK ONLY BR	1
	550386	4 3/4" FORK #26 BLK	
	550280	5 1/4" FORK ONLY	
	550581	5 1/4" FORK ONLY CLEAR	
	550290	6" FORK ONLY BLK	
	550582	6" FORK ONLY CLEAR	
	550300	7" FORK ONLY BLK	
	550583	7" FORK ONLY CLEAR	

ITEM	NUMBER	DESCRIPTION	QTY
2	550274	3 1/4" SLOTTED FORK	1
	550279	4 1/4" FORK ONLY SLOTTED	
	550284	5 1/4" FORK ONLY SLOTTED BLK	
	550294	6" FORK ONLY SLOTTED BLK	
	550303	7" FORK ONLY SLOTTED BLK	
3	550730	8" x 2" FORK ONLY	1

CASTER STEMS



MEASURING GUIDE



AXGUIDE1

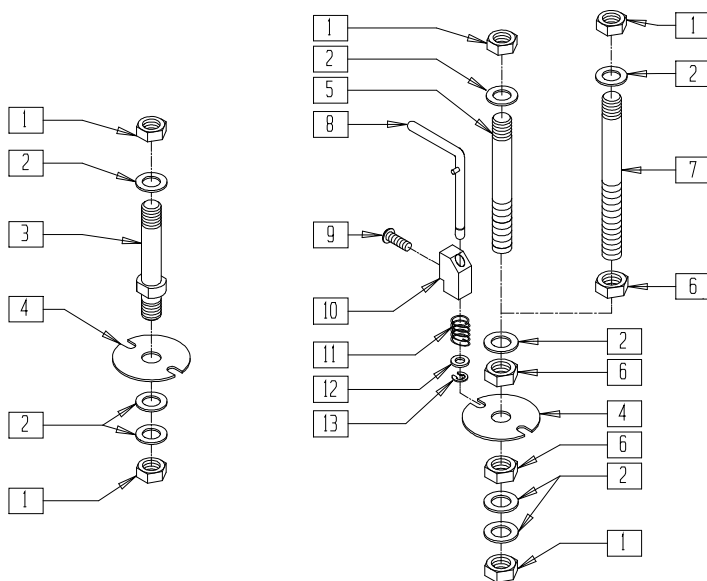
PART NUMBER	"A"
920050	3 5/8"
920100	4 3/8"
920110	5 1/8"

NOTE: CASTER STEM DIAMETER IS 1/2".

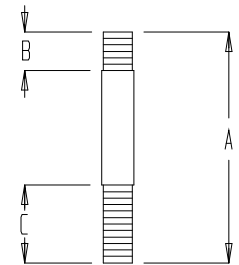
ITEM	NUMBER	DESCRIPTION	QTY
1	203100	1/2-20 NYLOCK NUT	2
2	264100	1/2 AN WASHER FLAT	2-4
4	203110	1/2-20 JAM NUT	1
7	521560	+ 3/4" CASTER STEM SPACER BLK	1
	521585	+ 3/4" CASTER STEM SPACER CLR	
8	521562	+ 1 1/2" CASTER STEM SPACER BLK	1
	521586	+ 1 1/2" CASTER STEM SPACER CLR	

ITEM	NUMBER	DESCRIPTION	QTY
9	222292	1/2-20 X 4" GR.8 HEX C/S	1
1-3	920050	REG CASTER STEM W/HARDWARE	
1,2,4,5,7	920100	+3/4" CASTER STEM W/HARDWARE BLK	
	920507	+3/4" CASTER STEM W/HARDWARE CLR	
1,2,4-6,8	920110	+ 1 1/2" CASTER STEM W/HDWR BLK	
	920508	+ 1 1/2" CASTER STEM W/HDWR CLR	
1,2,9	920056	BL CASTER STEM W/HARDWARE	

CASTER STEMS (PIN LOCK)



MEASURING GUIDE



PART NUMBER	"A"	"B"	"C"
920051	3 1/2"	11/16"	11/16"
920101	4 3/8"	9/16"	1 15/16"
920111	5 1/8"	5/8"	2 3/4"

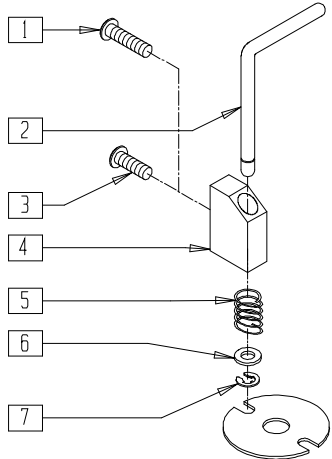
NOTE: CASTER STEM DIAMETER IS 1/2"

ITEM	NUMBER	DESCRIPTION	QTY
1	203100	1/2-20 NYLOCK NUT	4
2	264100	1/2 AN WASHER FLAT	10
4	505012	CASTER PIN LOCK PLATE	2
6	203110	1/2-20 JAM NUT	2
8	880761, 880762	PIN LOCK ARM W/PIN S/A (EA)	1
9	226090	1/4-28 x 5/8 BH C/S	2
10	500262	CASTER PIN LOCK BLOCK S/A BLK	1
11	321141	.650L x 6 COIL SPRING	

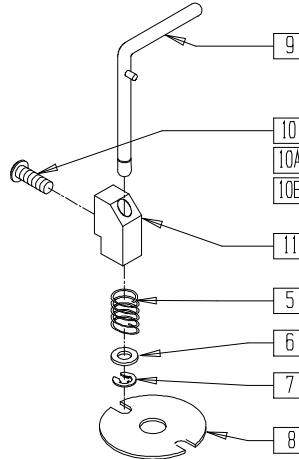
ITEM	NUMBER	DESCRIPTION	QTY
12	262100	1/4 AN WASHER FLAT	1
13	342000	1/4" E-CLIP	1
1-4	920051	REG CASTER STEM P/L W/HARDWARE	
1,2,4,5,6	920101	+3/4" CASTER STEM P/L W/HARDWARE	
1,2,4,6,7	920111	+ 1 1/2" CSTR STEM P/L W/HARDWARE	
1,2,4-6, 8-13	900800	CASTER PIN LOCK W/ 3/4" STEM ASSEMBLY	
1,2,4, 6-13	900802	CASTER PIN LOCK W/ 1-1/2" STEM ASSEMBLY	

CASTER PIN LOCKS

(QUICKIE 1)
(Discontinued-parts only)



(QUICKIE 2/GP/GPS/2HP/2HPT/KIDZ/RECLINER/
QTS/Ti/LX/LXI, BREEZY, ZIPPIE/2/TS)

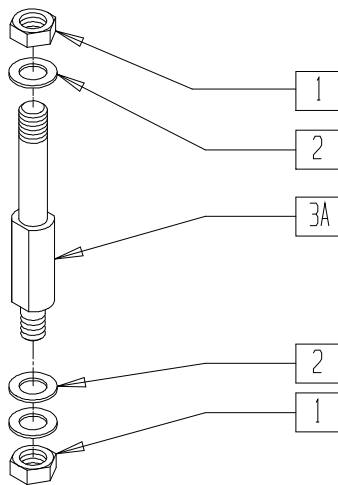
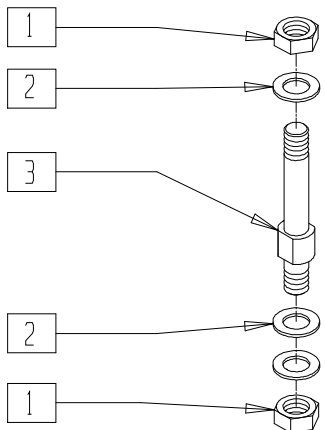


AC0X05

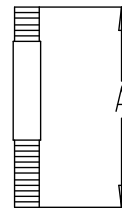
ITEM	NUMBER	DESCRIPTION	QTY
1	221151-QU	1/4-28 x 1 3/4 G8 HEX C/S (W/O CSTR ADPT)	1
2	880760	PIN LOCK ARM ONLY (Q1 AND Q2)	1
3	221112	1/4-28 x 1 HEX C/S W/CASTER ADAPT	1
4	500160	CASTER PIN LOCK BLK NF (Q1 AND Q2)	1
5	321141	.650L x 6 COIL SPRING	1
6	262100-QU	1/4 AN WASHER FLAT	1
7	342000	1/4" E-CLIP	1
8	505012	CASTER PIN LOCK PLATE	1
9	880761, 880762	PIN LOCK ARM W/PIN S/A (EA)	1

ITEM	NUMBER	DESCRIPTION	QTY
10	226090	1/4-28 x 5/8 BH C/S	1
10A	221151-QU	1/4-28 x 1 3/4 G8 HEX C/S	1
10B	221192	1/4-28 x 2 G8 HEX C/S	1
11	500262	CASTER PIN LOCK BLOCK S/A BLK	1
5-7,9,11	880750, 880751	CASTER PIN LOCK S/A (EA)	
5-9,10B,11	900807	CASTER PIN LOCK ASSEMBLY GP/GPV	
1-8	900804	CASTER PIN LOCK KIT TRIANGULAR CASTER (NON S/A OFF CHAIR) (PR)	
5-11	900806	CASTER PIN LOCK ASSEMBLY S/A OFF CHAIR (PR)	

CASTER STEMS (QUICKIE T45)



MEASURING GUIDE



AXGUIDE1

PART NUMBER	"A"
481710	4"
481715	5"

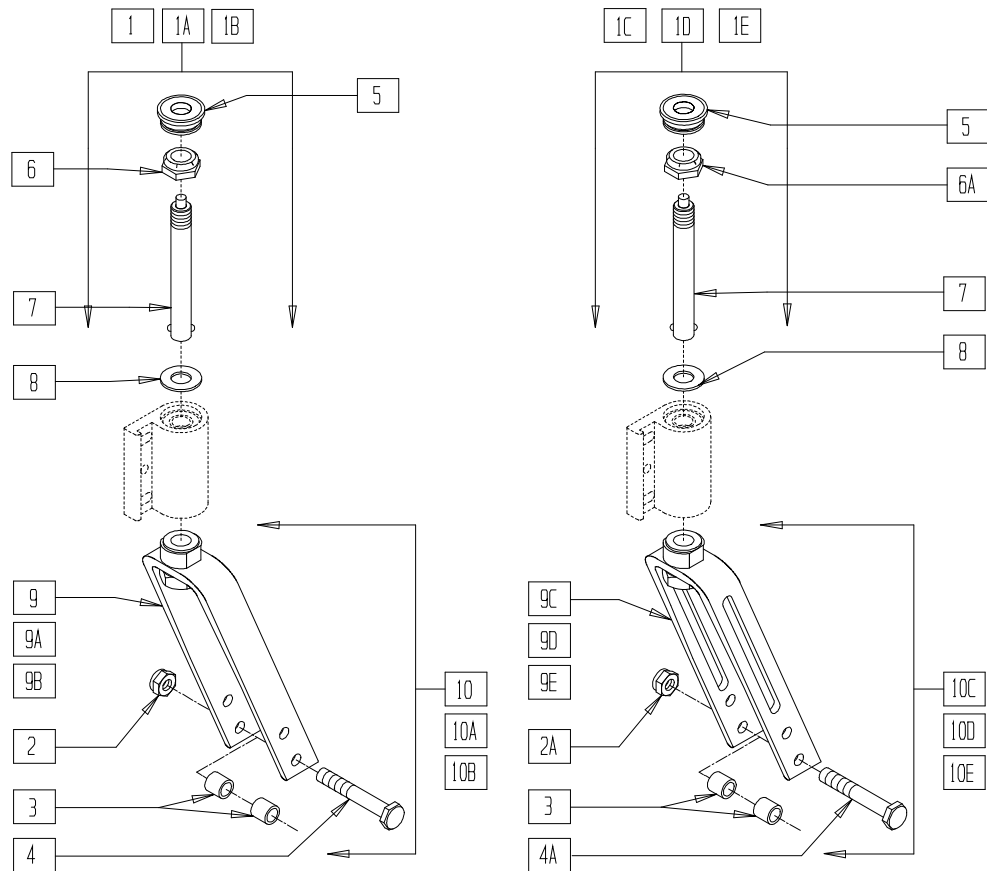
NOTE: CASTER STEM DIAMETER IS 1/2".

CFX012

ITEM	NUMBER	DESCRIPTION	QTY
1	203100	1/2-20 NYLOCK NUT	2
2	264100	1/2 AN WASHER FLAT	3

ITEM	NUMBER	DESCRIPTION	QTY
3	481710	CASTER STEM P2/T45	1
3A	481715	CASTER STEM T45	1

QUICK-RELEASE CASTER STEM AND FORK ASSEMBLY

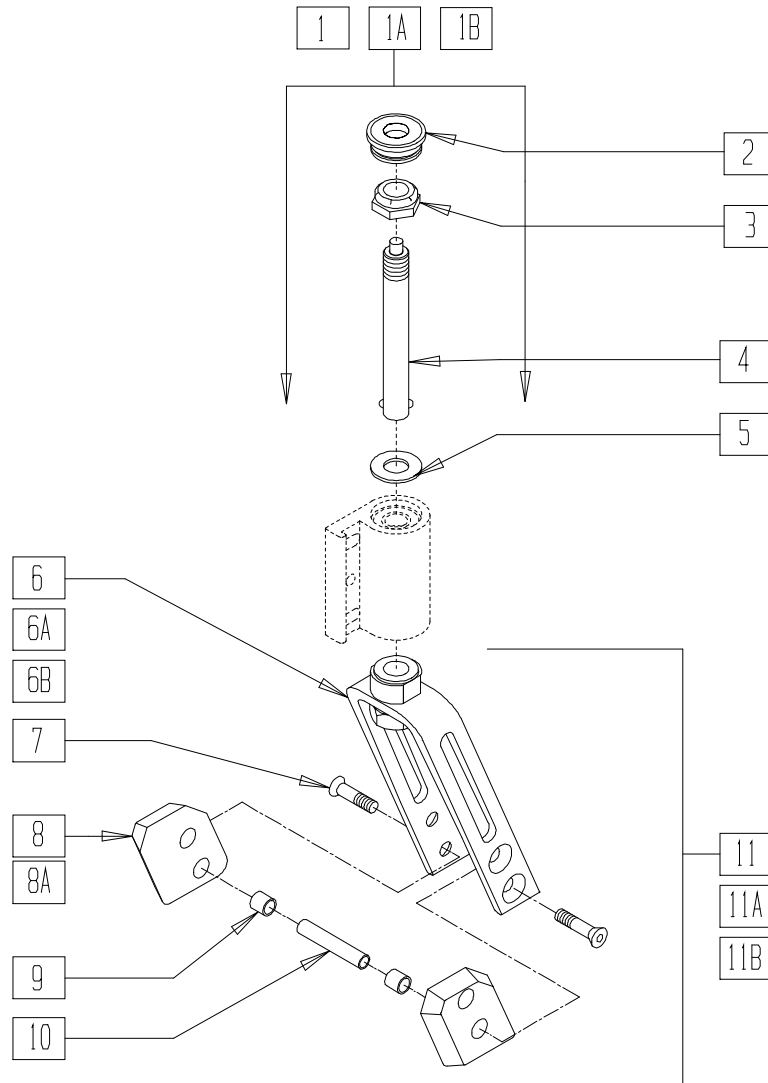


CFX010

ITEM	NUMBER	DESCRIPTION	QTY
1	780798	5 1/4" FORK AND STEM ASSEMBLY QR	1
1A	780838	6" FORK AND STEM ASSEMBLY QR	1
1B	780878	6" FORK AND STEM ASSEMBLY QR	1
1C	780829	5 1/4" SLTD FORK AND STEM ASSM QR	1
1D	780869	6" SLOTTED FORK AND STEM ASSM QR	1
1E	780909	7" SLOTTED FORK AND STEM ASSM QR	1
2	202100-MJ	5/16-24 NYLOCK NUT THIN	1
2A	330005	5/16-24 NYLOCK NUT ALUMINUM	1
3	481113	SPACER 5/16 x .380	2
4	222200	5/16-24 x 2 1/2 HEX C/S	1
4A	330110	5/16-24 x 2 1/2 HEX C/S Ti	1
5	561170	CASTER CAP PLASTIC W/HOLE (EA)	1
	920029	MODIFIED CASTER CAP (PR)	
6	203100	1/2-20 NYLOCK NUT	1
6A	330010	1/2-20 NYLOCK NUT ALUMINUM	1
7	349006	QUICK RELEASE CASTER STEM	1

ITEM	NUMBER	DESCRIPTION	QTY
8	264100	1/2 AN WASHER FLAT	1
6-8	920123	CASTER STEM W/HARDWARE QR	
6A,7,8	920127	CASTER STEM W/HARDWARE SLOTTED QR	
9	780592	5 1/4" FORK AND ADAPTER QR	1
9A	780692	6" FORK AND ADAPTER QR	1
9B	780792	7" FORK AND ADAPTER QR	1
9C	780593	6" SLOTTED FORK AND ADAPTER QR	1
9D	780693	6" SLOTTED FORK AND ADAPTER QR	1
9E	780793	7" SLOTTED FORK AND ADAPTER QR	1
10	780797	5 1/4" FORK W/HARDWARE QR	1
10A	780837	6" FORK W/HARDWARE QR	1
10B	780877	7" FORK W/HARDWARE QR	1
10C	780828	5 1/4" SLOTTED FORK W/HARDWARE QR	1
10D	780868	6" SLOTTED FORK W/HARDWARE QR	1
10E	780908	7" SLOTTED FORK W/HARDWARE QR	1

QUICK-RELEASE FORK AND CASTER STEM (QUICKIE REVOLUTION)

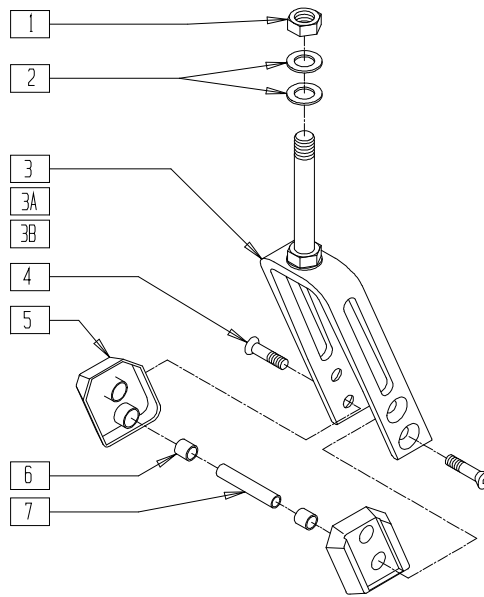


CFX011

ITEM	NUMBER	DESCRIPTION	QTY
1	781614	5 1/4" SLTD C-S FORK AND STEM ASSM	1
1A	781643	6" SLTD C-S FORK AND STEM ASSM QR	1
1B	781673	7" SLTD C-S FORK AND STEM ASSM QR	1
2	561170	CASTER CAP PLASTIC W/HOLE (EA)	1
	920029	MODIFIED CASTER CAP (PR)	
3	330010	1/2-20 NYLOCK NUT ALUMINUM	1
4	349006	QUICK RELEASE CASTER STEM	1
5	264100	1/2 AN WASHER FLAT	1
3-5	920127	CASTER STEM W/HDWR SLOTTED QR	
6	781613	5 1/4" SLOTTED C-S FORK AND ADAPT QR	1

ITEM	NUMBER	DESCRIPTION	QTY
6A	781642	6" SLOTTED C-S FORK AND ADAPT QR	1
6B	781672	7" SLOTTED C-S FORK AND ADAPT QR	1
7	226105	1/4-28 x 3/4 FH C/S BLK	2
8	562130	FORK DEFLECTOR R	1
8A	562131	FORK DEFLECTOR L	1
9	481113	SPACER 5/16 x .380	2
10	481220	CASTER AXLE RV	1
11	781615	5 1/4" SLOTTED C-S FORK W/HDWR QR	1
11A	781644	6" SLOTTED C-S FORK W/HDWR QR	1
11B	781674	7" SLOTTED C-S FORK W/HDWR QR	1

FORK AND STEM ASSEMBLY (QUICKIE REVOLUTION)

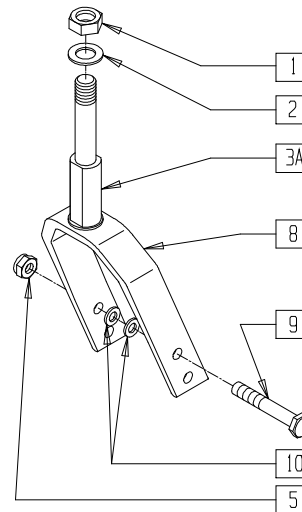
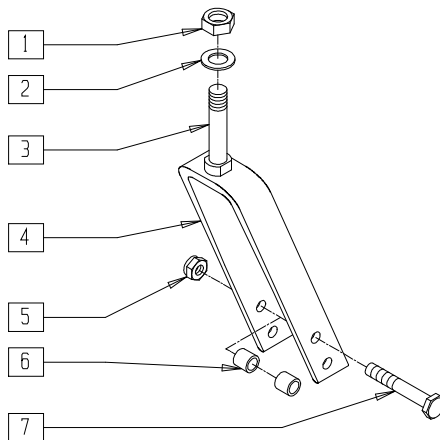


2D000X03

ITEM	NUMBER	DESCRIPTION	QTY
1	330010	1/2-20 NYLOCK NUT ALUMINUM	1
2	264100	1/2 AN WASHER FLAT	2
3	550289	5 1/4" FORK ONLY SLOTTED C-S	1
3A	550297	6" FORK ONLY SLOTTED C-S	1
3B	550305	7" FORK ONLY SLOTTED C-S	1
4	226105	1/4-28 x 3/4 FH C/S BLK	2
5	562130, 562131	FORK DEFLECTOR (EA)	1

ITEM	NUMBER	DESCRIPTION	QTY
6	481113	SPACER 5/16 x .380	2
7	481220	CASTER AXLE RV	1
1-7	781616- 781627	5 1/4" SLOTTED COUNTERSUNK FORK AND STEM W/HARDWARE	
1,2,3A,4, 5,5A,6,7	781645- 781656	6" SLOTTED COUNTERSUNK FORK AND STEM W/HARDWARE	
1,2,3B,4, 5,5A,6,7	781675- 781686	7" SLOTTED COUNTERSUNK FORK AND STEM W/HARDWARE	

FORK AND STEM ASSEMBLIES (QUICKIE T45)



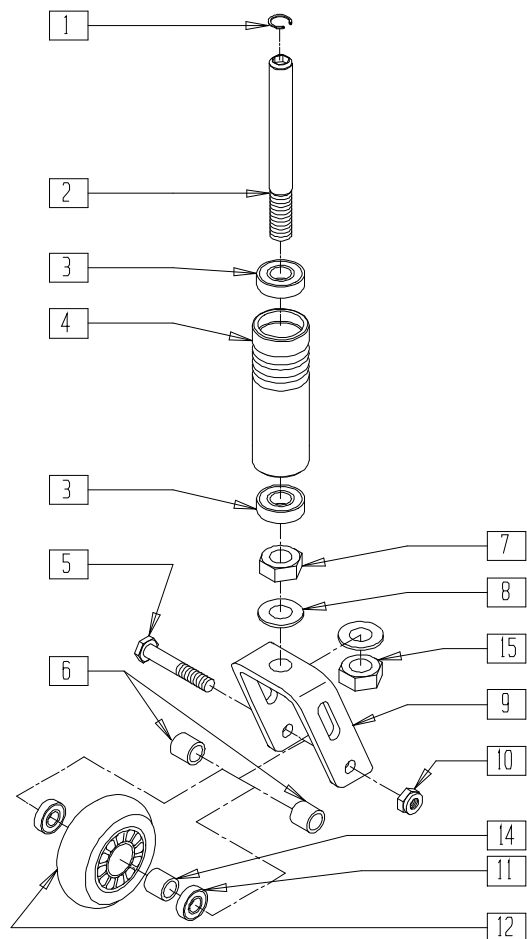
TSR00X26

ITEM	NUMBER	DESCRIPTION	QTY
1	203100	1/2-20 NYLOCK NUT	2
2	264100	1/2 AN WASHER FLAT	3
3	481710	CASTER STEM P2/T45	1
3A	481715	CASTER STEM T45	1
4	550290	6" FORK ONLY BLK	1
5	202100-MJ	5/16-24 NYLOCK NUT THIN	1
6	481113	SPACER 5/16 x .380	2
7	222200	5/16-24 x 2 1/2 HEX C/S	1
8	550730	8" x 2" FORK ONLY	1
9	222253	5/16-24 x 3 1/4 HEX C/S	1

ITEM	NUMBER	DESCRIPTION	QTY
10	263110-QU	5/16 AN WASHER FLAT	2
1-3A,8	780602	8" x 2" FORK W/T45 STEM	
1-4	780603	6" FORK W/P2 STEM	
1-3A,4	780604	6" FORK W/T45 STEM	
1-3,5,8-10	787120	CASTER FORK ASSEMBLY DBL BEARING	
1-3A,5, 8-10	780872	8" x 2" FORK W/T45 STEM W/HARDWARE	
1-7	780873	6" FORK W/P2 STEM W/HARDWARE	
1-3A,4-7	780874	6" FORK W/T45 STEM W/HARDWARE	

FORK AND STEM ASSEMBLY (Quickie TNT)

(Quickie TNT discontinued 2/01 parts only)

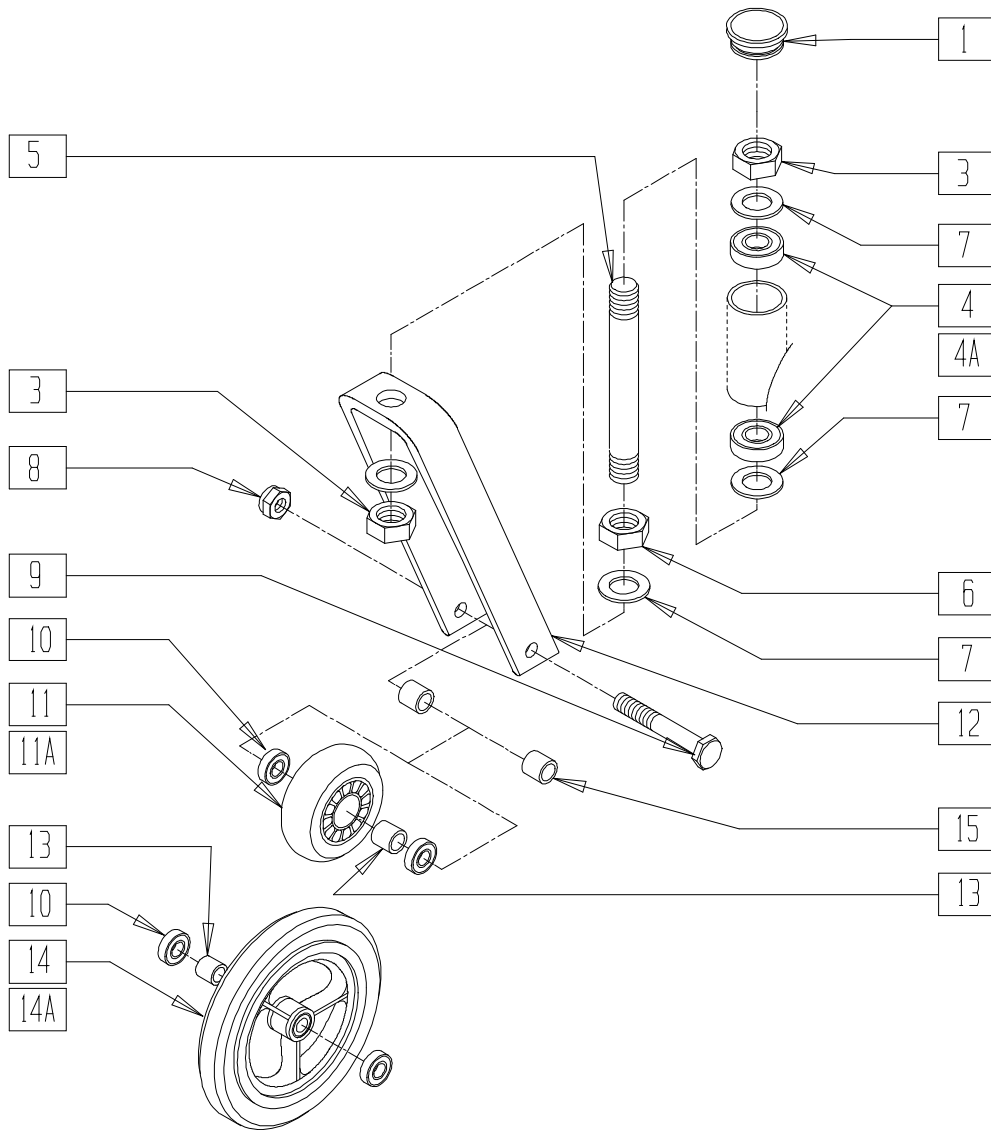


TNT00X10A

ITEM	NUMBER	DESCRIPTION	QTY
1	342085	1/2" EXTERNAL SNAP RING	1
2	481190-481193	FORK STEM	1
3	349500	1 1/8" x 1/2" BEARING	2
4	527935-527938	CASTER SPOOL	1
5	222200	5/16-24 x 2 1/2 HEX C/S	1
6	481013	BEARING SPACER	2
7	203110	1/2-20 JAM NUT	1
8	264100	1/2 AN WASHER	2
9	550407, 550408	FORK ONLY QTNT	1
10	202100-MJ	5/16-24 NYLOCK NUT THIN	1

ITEM	NUMBER	DESCRIPTION	QTY
11	349502	7/8 x 5/16 BEARING	2
11,12,14	920025	3" MICRO CASTER W/BEARINGS	
13	400155	5" PLASTIC W/LOW POLY AND BEARING	1
14	481013	BEARING SPACER	1
15	203101	1/2-20 LIGHT HEX NUT THIN	1
1-10,15	780930-780933	FORK W/STEM W/HARDWARE QTNT	
3,4	780020-780023	CASTER SPOOL W/BEARING	
1-5,7-12, 14,15	780992, 780993	3" FORK W/STEM W/WHEEL QTNT	
1-10,13, 15	780994 780995	5" FORK W/STEM W/WHEEL QTNT	

FORK AND CASTER ASSEMBLY (QUICKIE ST/DT)

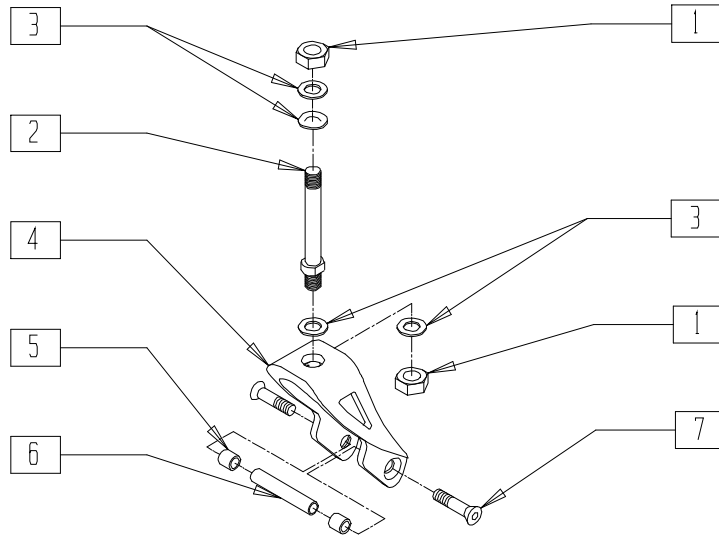
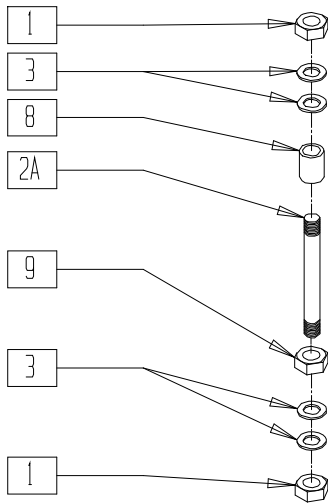


RG00X04A

ITEM	NUMBER	DESCRIPTION	QTY
1	561070	CASTER CAP PLASTIC (EA)	1
	920028	CASTER CAP PLASTIC (PR)	
3	203100	1/2-20 NYLOCK NUT	2
4	349500	1 1/8" x 1/2" BEARING	2
4A	349521	BEARING CASTER HOUSING AEF PERC (NON-RECESSED BEARING-OLD STYLE)	2
5	480098	CASTER STEM REG 3D	1
6	203110	1/2-20 JAM NUT	1
7	264100	1/2 AN WASHER FLAT	4
8	202100-MJ	5/16-24 NYLOCK NUT THIN	1
9	222200	5/16-24 x 2 1/2 HEX C/S	1
10	349502	7/8 x 5/16 BEARING	2
11A	400107	3" MICRO CASTER LIGHTED	1
12	550274	3 1/4" SLOTTED FORK	1
	550279	4 1/4" FORK ONLY SLTD	
	550386	4 3/4" FORK #26 BLK	
	550284	5 1/4" FORK ONLY SLOTTED BLK	
	550294	6" FORK ONLY SLOTTED BLK	
	550303	7" FORK ONLY SLOTTED BLK	

ITEM	NUMBER	DESCRIPTION	QTY
13	481013	BEARING SPACER	1
15	481113	SPACER 5/16 x .380	2
3,5-7	920052	CASTER STEM W/HDWR SHDW ONE/DT	
10,11,13	400092	3" MICRO CASTER W/BRNGS	
10,13,14	400095	5" CASTER SOFT ROLL W/BRNGS	
10,13,14A	400155	5" PLST W/LOW POLY AND BEARING	
3,5-7,12	780372	3 1/4" FORK STD STEM #24	
	780371	4 1/4" FORK STD STEM #25	
	780410	4 3/4" FORK STD STEM #26	
	780373	5 1/4" FORK STD STEM ST/DT	
	780374	6" FORK STD STEM ST/DT	
	780375	7" FORK STD STEM ST/DT	
3,5-9,12,13	780996	3 1/4" FORK STD STEM #24 W/HDWR	
	780989	4 1/4" FORK STD STEM #25 W/HDWR	
	780990	4 3/4" FORK STD STEM #26 W/HDWR	
	780997	5 1/4" FORK STD STEM W/HDWR ST/DT	
	780998	6" FORK STD STEM W/HDWR ST/DT	
	780999	7" FORK STD STEM W/HDWR ST/DT	

FORK AND STEM ASSEMBLY (QUICKIE XTR)

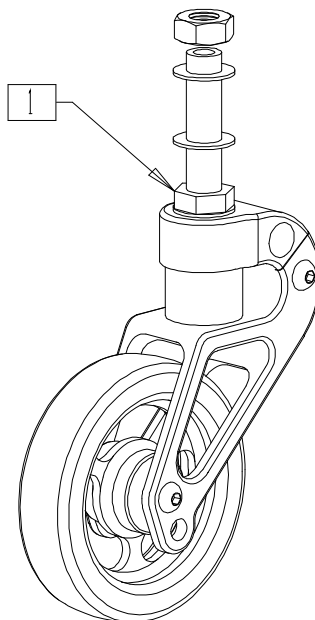


SUS00X25

ITEM	NUMBER	DESCRIPTION	QTY
1	203100	1/2-20 NYLOCK NUT	2
2	481650	CASTER STEM XTR	1
2A	481653	CASTER STEM +1" XTR	1
3	264100	1/2 AN WASHER FLAT	4
4	506154	3" FORK ONLY	1
5	481652	BEARING SPACER	2
6	481651	CASTER AXLE	1

ITEM	NUMBER	DESCRIPTION	QTY
7	226076	1/4-28 x 1/2 FH C/S BLK	2
8	521554	+1" CASTER STEM SPACER XTR	1
9	203110	1/2-20 JAM NUT	1
1,2,3	920057	STD CASTER STEM W/HARDWARE XTR	
1,2A,3,8,9	920058	+1 CASTER STEM W/HARDWARE XTR	
1-7	780940	3" SLOTTED STD STEM W/HARDWARE XTR	
1,2A,3-9	780941	3" SLOTTED +1" STEM W/HARDWARE XTR	

FROG LEG MC5 (SUSPENSION FORK) ASSEMBLY (QUICKIE XTR)



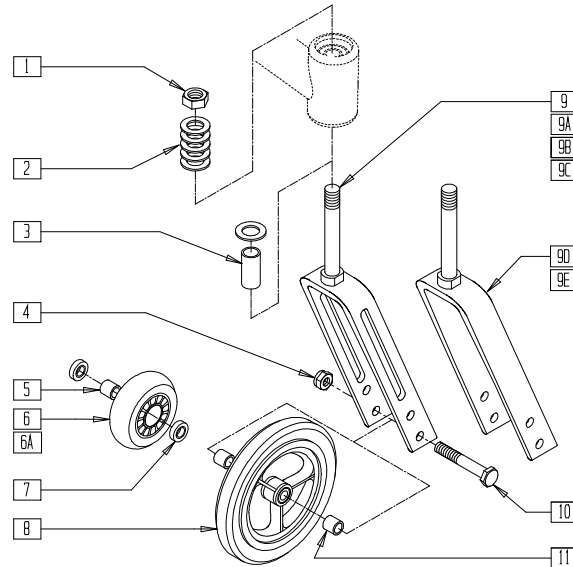
FROGLEGS

ITEM	NUMBER	DESCRIPTION	QTY
1	788737	FROG LEG FORK AND CASTER (EA)	

ITEM	NUMBER	DESCRIPTION	QTY
1	921480	FROG LEG FORK AND CASTER (PR)	

NOTE: SPECIAL FROGLEG CASTER AND FORK ASSEMBLY PARTS; NOT SOLD SEPARATELY.

FORK, STEM, AND CASTER ASSEMBLY (QUICKIE R2)



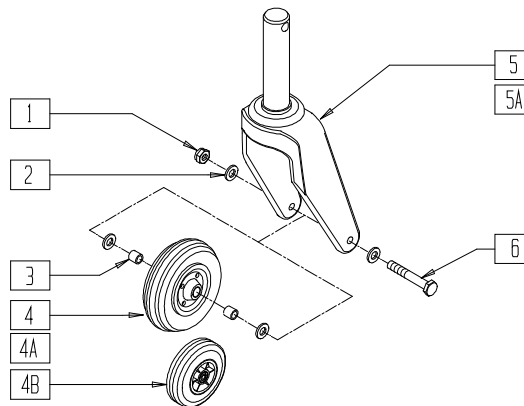
R200X02B

ITEM	NUMBER	DESCRIPTION	QTY
1	203100	5/16-24 NYLOCK NUT THIN	1
2	264100	1/2 AN WASHER FLAT	6
3*	521560	+3/4" CASTER STEM SPACER BLK	1
4	202100-MJ	5/16-24 NYLOCK NUT THIN	1
5	481013	BEARING SPACER	1
6A	400107	3" MICRO CASTER LIGHTED	1
	920077	3" MICRO CASTER LIGHTED (PR)	
7	349502	7/8 x 5/16 BEARING	2
8	400115	CASTER 4" PLASTIC/POLY W/BRNG	1
	400155	5" PLST W/LOW POLY AND BRNG	
	400148	5" PLASTIC W/WIDE POLY AND BRNG	
9	780636	3 1/4" SLOTTED +3/4 STEM	1
9A	780574	4 1/4" SLOTTED STD STEM	1
9B	780637	4 1/4" SLOTTED +3/4 STEM	1
9C	780575	5 1/4" GP STD STEM	1

ITEM	NUMBER	DESCRIPTION	QTY
9D	780420	4 3/4" STD STEM BLK	1
9E	780638	4-3/4 FORK +3/4 STEM	1
10	222200	5/16-24 x 2 1/2 HEX C/S	1
11	481113	SPACER 5/16 x .380	2
5-7	400092	3" MICRO CASTER W/BRNG	
	920025	3" MICRO CASTER W/BRNG (PR)	
1-4,9-11	780402	3 1/4 SLOTTED +3/4 STEM W/HDWR	
1,2,4,9A-11	780403	4 1/4 SLTD STD STEM W/HDWR	
1-4,9B-11	780404	4 1/4 SLOTTED +3/4 STEM W/HDWR	
1,2,4,9D-11	780405	4 3/4" FORK STD STEM W/HDWR	
1-4,9E-11	780406	4 3/4 FORK +3/4 STEM W/HDWR	
1,2,4,9C-11	780407	5 1/4 SLOTTED STD STEM W/HDWR	

* USED ONLY WITH + 3/4 STEM ASSEMBLIES.

FORK, STEM AND CASTER ASSEMBLY (QUICKIE M6)



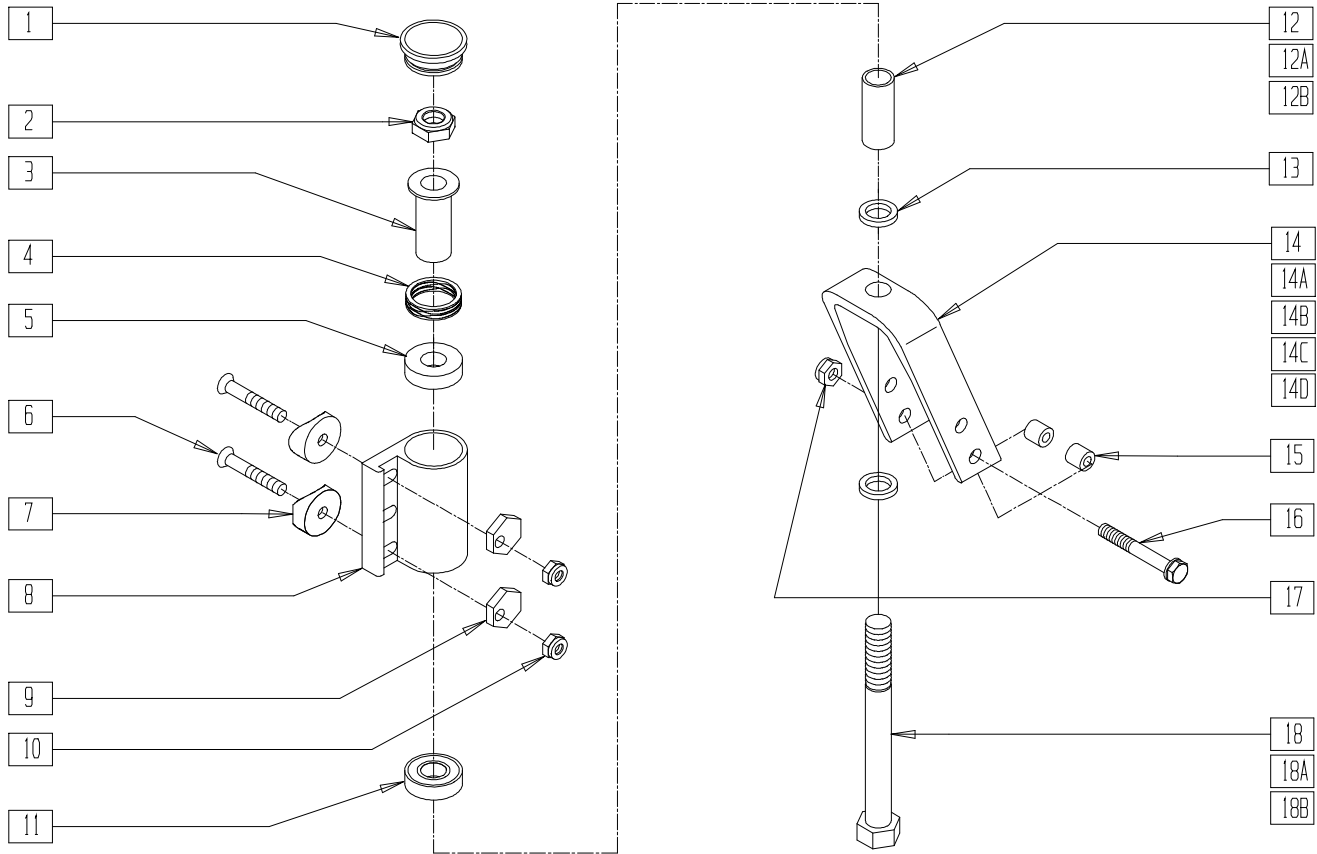
MAG00X30A

ITEM	NUMBER	DESCRIPTION	QTY
1	203100	5/16-24 NYLOCK NUT THIN	1
2	263100	5/16 AN WASHER FLAT	4
3	481113	SPACER 5/16 x .380	2
4	400700	8" x 2" CMPST W/PNEU AND BRNGS	1
4A	400702	8" x 2" CMPST W/PNEU INS AND BRNGS	1
4B	400095	5" CASTER SOFT ROLL W/BRNGS	1
5	780364	FORK & STEM ASSEMBLY 8"	1
5A	780366	FORK & STEM ASSEMBLY 5"	

ITEM	NUMBER	DESCRIPTION	QTY
6	222253	5/16-24 x 3 1/4 HEX C/S	1
1,2,4-6	788740	8 x 2 PNEU FORK & CSTR ASSM	
1,2,4A,5,6	788741	8 x 2 PNEU INSERT FORK CSTR ASSM	
1-4B,5,6	788742	5" SOFTROLL FORK & CSTR ASSM	
1-4B,5A,6	788743	5" LWR FORK AND CSTR ASSM	
1-3,5,6	780365	FORK & STEM ASSM 5 7/8" W/HDWR	
1-3,5A,6	780367	FORK & STEM ASSM LWR W/HDWR	

FORK, STEM, AND CASTER ASSEMBLY (QUICKIE TS)

(Effective 3/25/99)



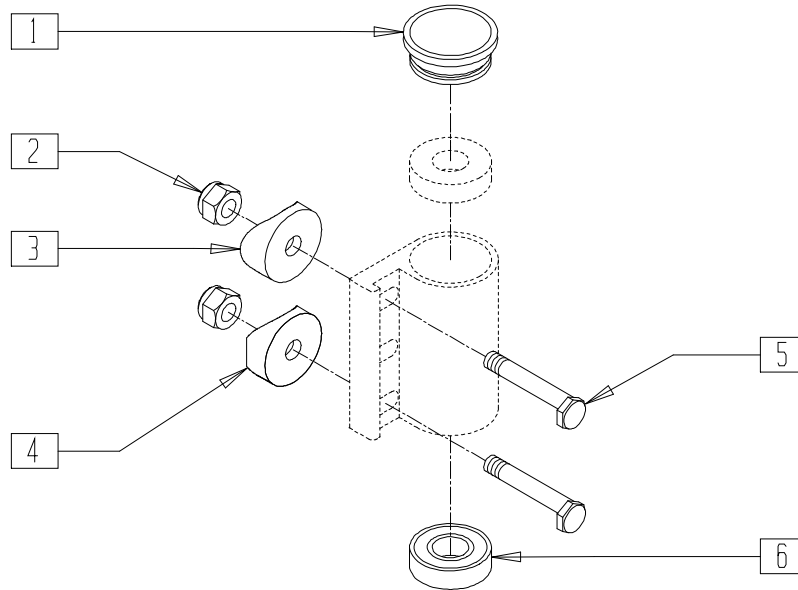
QTS20X01

ITEM	NUMBER	DESCRIPTION	QTY
1	561070	CASTER CAP PLASTIC	1
2	203100	1/2-20 NYLOCK NUT	1
3	481511	FLANGE BUSHING REG B51	1
4	321166	SPRING ANTI FLUTTER SS B51	1
5	349643	BUSHING BRNZ B51	1
6	226198	5/16-18 x 2 BH C/S SHT THREAD	2
7	561119	1" HALF SADDLE 5/16" HOLE	2
8	501503, 501504	CASTER PLATE ONLY H/D BLK (EA)	1
9	341019	WASHER ECCENTRIC HEAVY DUTY	2
10	202102	5/16-18 NYLOCK NUT THIN	2
11	349500	1 1/8 x 1/2 BEARING	1
12	481246	CASTER SPACER STD STEEL	1
12A	481247	CASTER SPACER +3/4 STEEL	1
12B	481248	CASTER SPACER +1 1/2 STEEL	1
13	264101	1/2 WASHER HARDENED FLAT	2
14	550386	4 3/4" FORK #26 BLK	1
14A	550280	5 1/4" FORK ONLY BLK	1
14B	550290	6" FORK ONLY BLK	1
14C	550300	7" FORK ONLY BLK	1

ITEM	NUMBER	DESCRIPTION	QTY
14D	550730	8" x 2" FORK ONLY BLK	1
15	481113	SPACER 5/16 x .380	2,4
16	222200	5/16-24 x 2 1/2 HEX C/S	1
17	202100-MJ	5/16-24 NYLOCK NUT THIN	1
18	222290	1/2-20 x 3 1/4" G8 HEX C/S	1
18A	222292	1/2-20 x 4" G8 HEX C/S	1
18B	222291	1/2-20 x 4 3/4" G8 HEX C/S	1
2-5,11-14, 18-18B	781696- 781698	4 3/4" STD BLT STEM W/HDWR BLK (STD, +3/4, +1 1/2)	
2-5,11-13, 14A,18-18B	781687- 781693	5 1/4" (STD, +3/4, +1 1/2) BLT STEM W/HDWR BLK	
2-5,11-13, 14B,18-18B	781688- 781694	6" (STD, +3/4, +1 1/2)STEM W/HDWR BLK	
2-5,11-13, 14C,18-18B	781689- 781695	7" (STD, +3/4, +1 1/2)STEM W/HDWR BLK	
2-5,11-13, 14D,18-18B	781840- 781842	8" x 2" FORK STD BLT STEM W/HDWR	
5,8,11	780198	CASTER PLT R W/BRNG H/D QTS	
5,8A,11	780199	CASTER PLT L W/BRNG H/D QTS	
1,6,7,9,10	920015	CASTER PLT H/D HDWR KIT PLST CAP	

CASTER PLATE (BREEZY 510/510 RECLINER/2/600)

(Discontinued 9/99 - parts only)

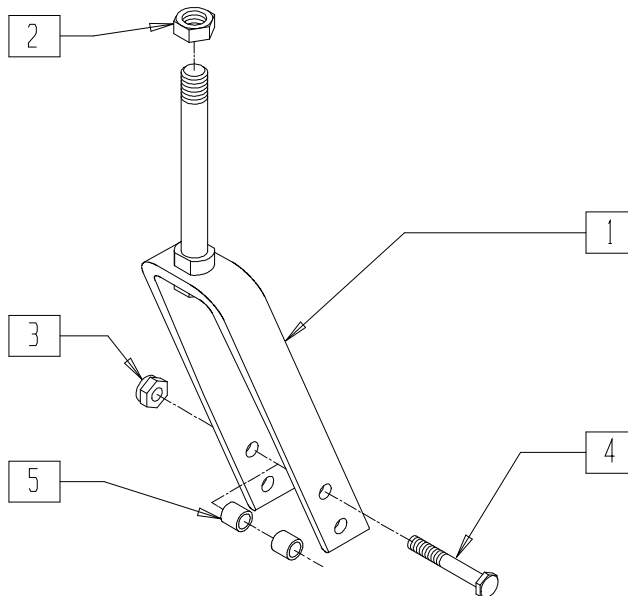


BZ00X14A

ITEM	NUMBER	DESCRIPTION	QTY
1	561070	CASTER CAP PLASTIC	1
2	201120	1/4-28 AUTOMATION NUT	2
3	561004	1" SADDLE 1/4" HOLE	1

ITEM	NUMBER	DESCRIPTION	QTY
4	561086	1" HALF SADDLE 1/4" HOLE	1
5	481017	1/4-28 x 1.688 ECCENTRIC BOLT	2
6	349500	BEARING 1 1/8" x 1/2" BR	1

FORK AND STEM ASSEMBLY (BREEZY 500)



CF0X01B

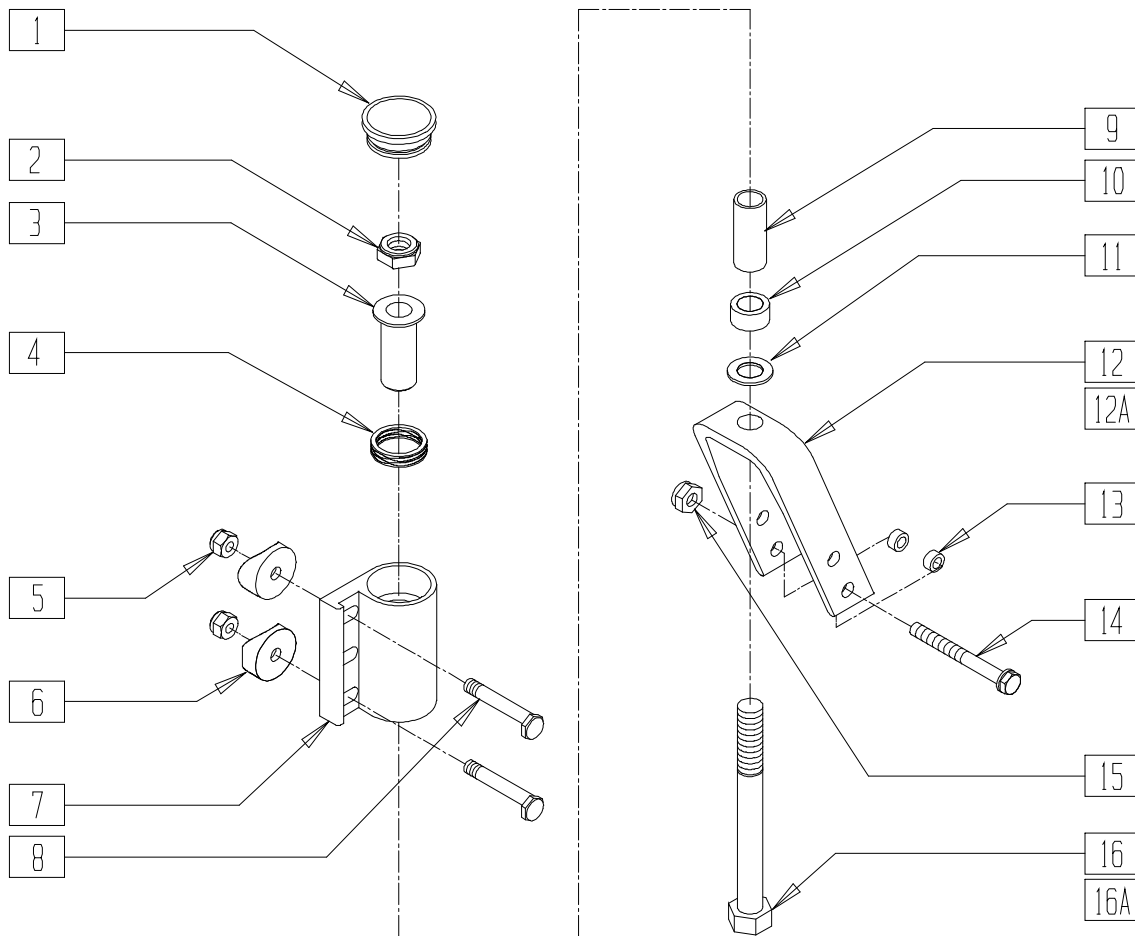
ITEM	NUMBER	DESCRIPTION	QTY
2	203100	1/2-20 NYLOCK NUT	1
3	202100-MJ	5/16-24 NYLOCK NUT THIN	1
4	222200	5-16-24 x 2 1/2 HEX C/S	1

ITEM	NUMBER	DESCRIPTION	QTY
5	481013	BEARING SPACER	2
1-4	780871	6" FORK STD STEM W/ HDWR B500	1

NOTE: CASTER HOUSING FOUND IN SECTION 4 BREEZY FRAME.

FORK AND STEM ASSEMBLY(BREEZY 510/510 RECLINER/600)

(Effective 9/15/99 - beginning serial number BZ-463854)

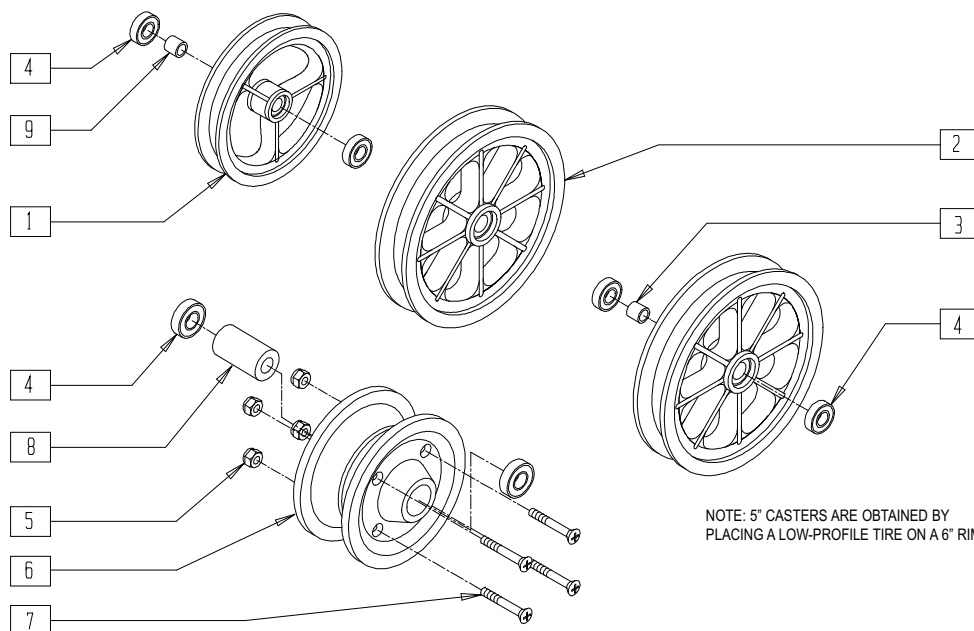


CF0X015

ITEM	NUMBER	DESCRIPTION	QTY
1	561070	CASTER CAP PLASTIC	1
2	203111	1/2-20 HEX JAM NUT W/TORQ-PTCH	1
3	481511	FLANGE BUSHING REG B51	1
4	321166	SPRING ANTI FLUTTER SS B51	1
5	201120	1/4-28 AUTOMATION NUT	2
6	561086	1" HALF SADDLE 1/4" HOLE	2
7	780003, 780004	CASTER PLT B510 (EA)	1
8	481017	1/4-28 x 1.688 ECCENTRIC BOLT	2
9	521586	+1 1/2 CASTER STEM SPACER CLR	1
10	481510	CASTER STEM SPACER B51	1
11	264100	1/2 AN WASHER FLAT	1
12	550582	6" FORK ONLY CLEAR	1
12A	550283	4 3/4" FORK ONLY BR	1
13	481113	SPACER 5/16 x .380	2
14	222200	5/16-24 x 2 1/2 HEX C/S	1
15	202100-MJ	5/16-24 NYLOCK NUT THIN	1
16	222291	1/2-20 x 4-3/4" GR 8 HEX C/S	1
16A	222290	1/2-20 x 3-1/4" GR 8 HEX C/S	1

ITEM	NUMBER	DESCRIPTION	QTY
1-8,10,11, 16A	780150, 780151	CASTER PLT STD STEM W/O FORK (EA)	
	921500	CASTER PLT ASSEMBLY W/STD STEM (PR)	
1-11,16	780152, 780153	CASTER PLT +1 1/2 STEM W/O FORK (EA)	
	921501	CASTER PLT ASSM W/+1 1/2" STEM (PR)	
1-8,10,11, 12A,13-16A	780441, 780442	4-3/4" STD STEM W/CASTER PLT (EA)	
	921503	CASTER PLT ASSM W/4 3/4" STD STM (PR)	
1-11,12A, 13-16	780443, 780444	4-3/4" +1 1/2 STEM W/CASTER PLT (EA)	
	921505	CASTER PLT ASSM W/4 3/4 +1/2" STEM (PR)	
	780618, 780619	6" STD STEM W/CASTER PLT BR (EA)	
	921502	CASTER PLT ASSM W/6" STD STEM (PR)	
1-16	780656, 780657	6" +1 1/2 STEM W/CASTER PLT BR (EA)	
	921504	CASTER PLT ASSM W/6 +1 1/2" STEM (PR)	

CASTER RIMS AND HARDWARE



NOTE: 5" CASTERS ARE OBTAINED BY PLACING A LOW-PROFILE TIRE ON A 6" RIM

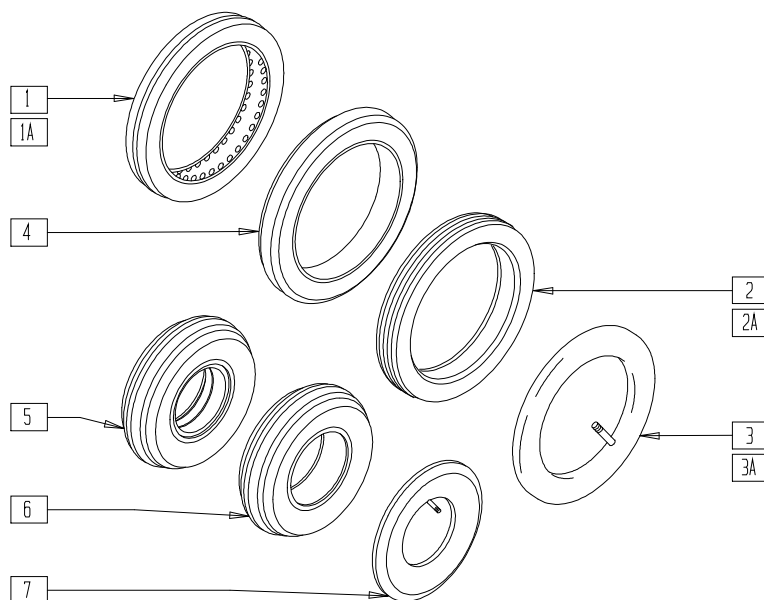
CF0X02A

ITEM	NUMBER	DESCRIPTION	QTY
1,4,9	400152	6" PLASTIC CASTER W/BEARINGS	
2	400200	8" PLASTIC CASTER ONLY	1
2-4	400202	8" PLASTIC CASTER W/BEARINGS	
3	481013	BEARING SPACER	1
4	349502	7/8 x 5/16 BEARING	2

ITEM	NUMBER	DESCRIPTION	QTY
5-7	400020	HUB CMPST 8" x 2" CASTER W/HDWR	
8	483714	P100 BEARING SPACER	1
9	481613	BEARING SPACER .450 CASTER	1
4-8	400704	8" x 2" CMPST CASTER W/BEARINGS	

NOTE: ITEM 1 MAY REQUIRE SPECIAL MOUNTING TOOLS AND/OR MAY BE DIFFICULT TO MOUNT. FOR COMPLETE ASSEMBLY, SEE CASTER/TIRE ASSEMBLIES ON PAGE 12.15.

CASTER TIRES AND TUBES



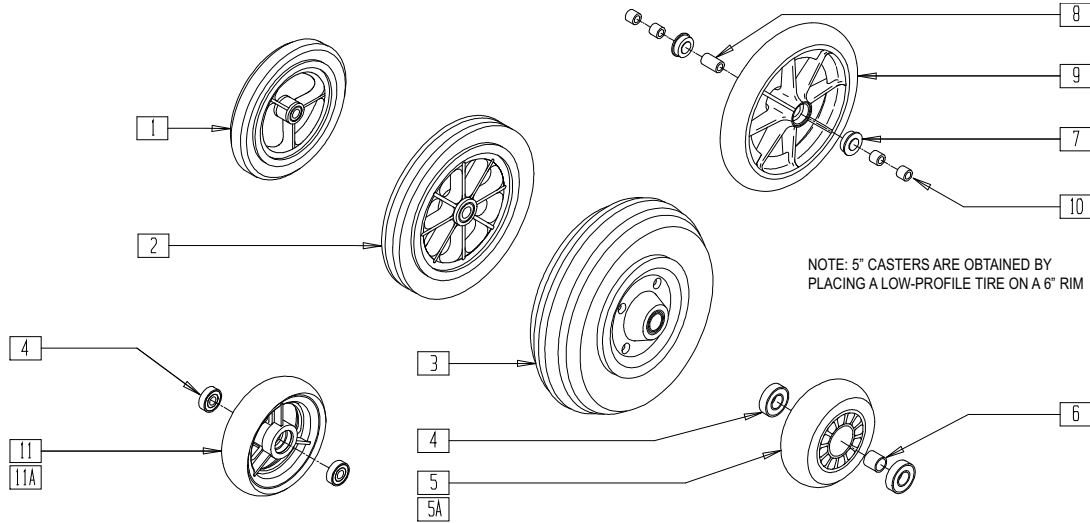
CF0X03

ITEM	NUMBER	DESCRIPTION	QTY
1	384250	8" POLYURETHANE TIRE	1
1A	384245	6" SEMI PNEU POLYURETHANE TIRE	1
2	383250	8" PNEUMATIC TIRE	1
2A	383240	6" PNEUMATIC TIRE	1
3	382250	8" TUBE	1
3A	382245	6" TUBE	1

ITEM	NUMBER	DESCRIPTION	QTY
4	384246	5" LOW POLYURETHANE TIRE	1
5	384701	TIRE FOAMED INSERT 8" x 2"	1
6	384700	TIRE PNEUMATIC 8" x 2"	1
7	384730	INNER TUBE CASTER 8" x 2"	1
2,3	383255	8" PNEUMATIC TIRE AND TUBE	

NOTE: ITEM 4 MAY REQUIRE SPECIAL MOUNTING TOOLS AND/OR MAY BE DIFFICULT TO MOUNT. FOR COMPLETE ASSEMBLY, SEE CASTER/TIRE ASSEMBLIES ON PAGE 12.15.

CASTER/TIRE ASSEMBLIES (TIRE, CASTER AND BEARINGS) (QUICKIE CHAIRS)



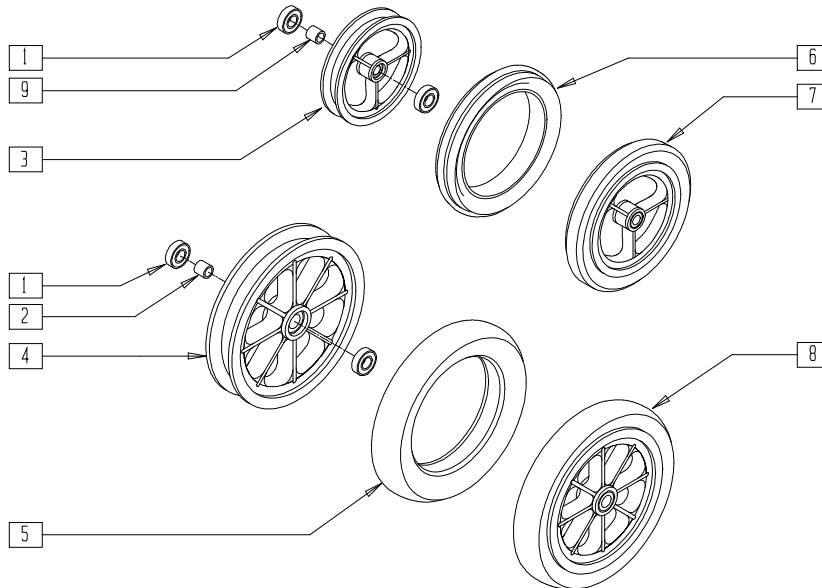
CF0X04B

ITEM	NUMBER	DESCRIPTION	QTY
1	400154	6" PLST W/SEMI PNEU (POLY) BEARING	1
	400156	6" PLASTIC W/PNEU AND BEARINGS	
	400155	5" PLASTIC W/LOW POLY AND BEARINGS	
	400095	5" CASTER SOFT ROLL W/BEARINGS	
2	400204	8" PLASTIC W/POLY AND BEARINGS	1
	400206	8" PLASTIC W/PNEU AND BEARINGS	
3	400700	8" x 2" CMPST W/PNEU AND BEARINGS	1
	400702	8" x 2" CMPST W/PNEU INSERT AND BRNG	
4	349502	7/8 x 5/16 BEARINGS	2
5	400090	3" MICRO CASTER ONLY (EA)	1

ITEM	NUMBER	DESCRIPTION	QTY
5A	400107	3" MICRO CASTER LIGHTED	1
	920077	3" MICRO CASTER LIGHTED (PR)	
6	481013	BEARING SPACER	1
4-6	920025	3" MICRO CASTER W/BEARINGS (PR)	
7	349528*	5/16 ID FLANGED BEARING	2
8	481099*	BEARING SPACER .960	1
9	384252*	8" x 1 1/2" POLYURETHANE TIRE	1
	400200	8" PLASTIC CASTER ONLY	
10	400207	SPACER 5/16 x .380	4
11A	400108	4" MICRO CASTER LIGHTED	1
4,11	400115	4" PLASTIC W/POLY AND BEARINGS	

* PART NUMBERS 349528, 481099, AND 384252 ARE USED FOR PARTS ONLY.

CASTER/POLYURETHANE TIRE ASSEMBLIES (1.5" WIDE) (QUICKIE 2/2HP/GP/ GPS/GPSA/GPV/LX/LXI/RECLINER/REVOLUTION/T45/TS, ZIPPIE GS/TS)

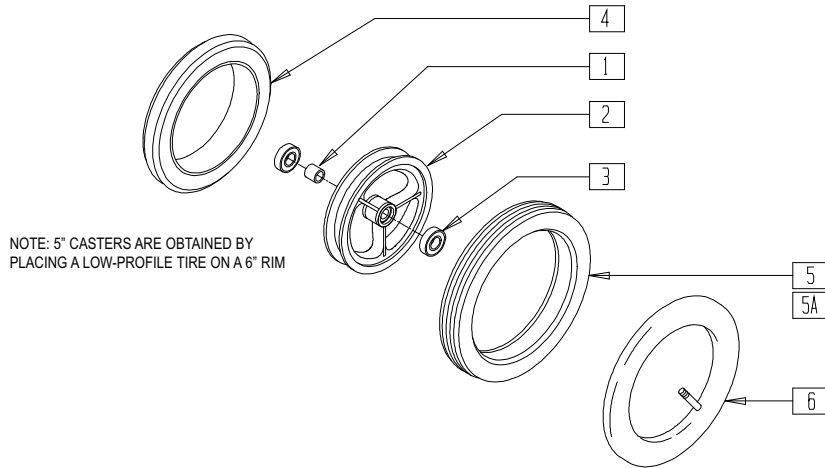


NU_CSTRSA

ITEM	NUMBER	DESCRIPTION	QTY
1	349502	7/8 x 5/16 BEARING	2
2	481013	BEARING SPACER	1
3	400151	6" PLASTIC CASTER ONLY	1
4	400200	8" PLASTIC CASTER ONLY	1
5	384252	8" x 1 1/2" POLYURETHANE TIRE	1

ITEM	NUMBER	DESCRIPTION	QTY
6	384244	6" x 1 1/2" POLYURETHANE TIRE	1
9	481613	BEARING SPACER .450 CASTER	1
1,9,7	400148	5" PLST W/WIDE POLY AND BRNGS (1.5")	
	400157	6" PLST W/WIDE POLY AND BRNG (1.5")	
1,2,8	400705	8" PLST W/WIDE POLY AND BRNG (1.5")	

5" AND 6" ALUMINUM CASTER/TIRE ASSEMBLIES



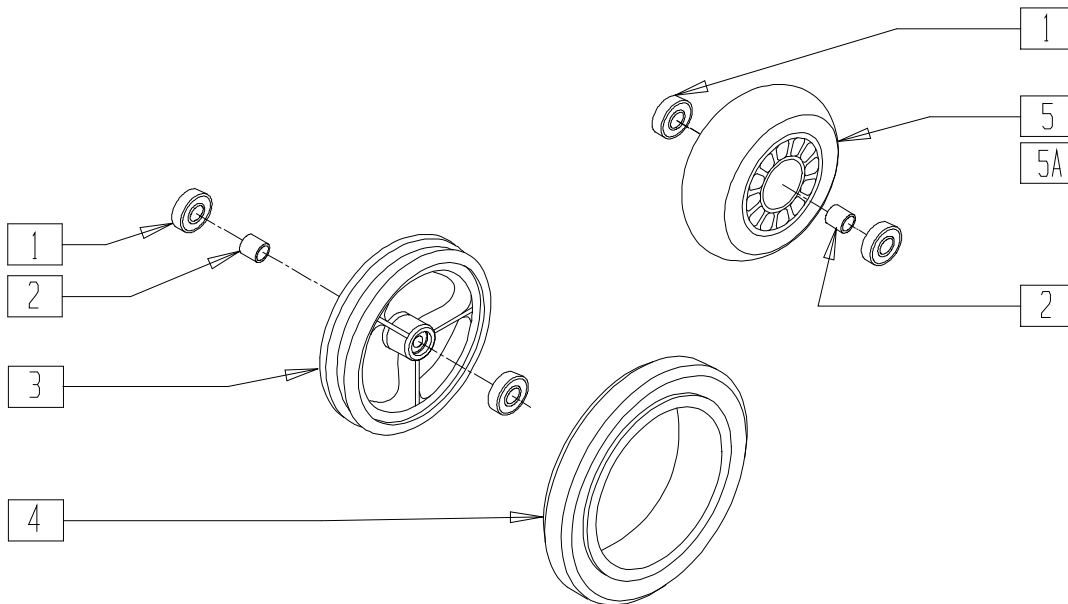
NOTE: 5" CASTERS ARE OBTAINED BY PLACING A LOW-PROFILE TIRE ON A 6" RIM

ALU0X01

ITEM	NUMBER	DESCRIPTION	QTY
1	481013	BEARING SPACER	1
2	500605	HUB 6"	1
3	349502	7/8 X 5/16 BEARING	2
4	384246	5" LOW POLYURETHANE TIRE	1
5	384245	6" SEMI PNEU (POLY) TIRE	1

ITEM	NUMBER	DESCRIPTION	QTY
5A,6	383245	6" PNEUMATIC TIRE & TUBE	1
1-3	400160	6" ALUM CASTER W/BEARINGS	
1-3,5	400162	6" ALUM W/SEMI PNEU (POLY) BRNGS	
1-4	400163	5" ALUM W/LOW POLY AND BEARINGS	
1-3,5A,6	400164	6" ALUM W/PNEU AND BEARINGS	

CASTERS (QUICKIE XTR)



SUS0X31A

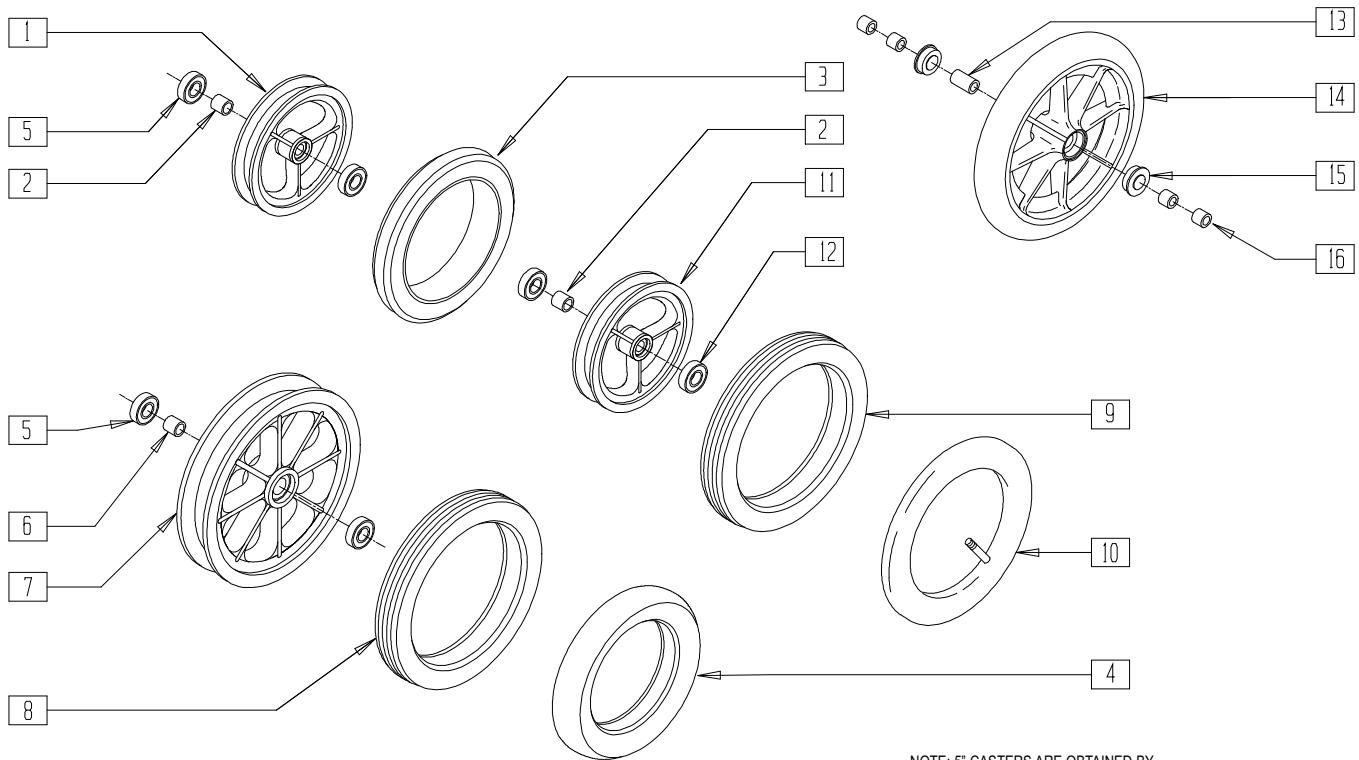
ITEM	NUMBER	DESCRIPTION	QTY
1	349502	7/8 x 5/16 BEARING	2
2	481013	BEARING SPACER	1
4	384246	5" LOW POLYURETHANE TIRE	1

ITEM	NUMBER	DESCRIPTION	QTY
5A	400107	3" MICRO CASTER LIGHTED	1
1-4	400155	5" PLASTIC W/LOW POLY AND BEARING	
1,2,5	400092	3" MICRO CASTER W/BEARING	

NOTE: 5" CASTERS ARE OBTAINED BY PLACING A LOW PROFILE TIRE ON A 6" RIM.

CASTER/TIRE ASSEMBLIES BREEZY 500/510/510 RECLINER/2/600)

(Breezy 2 discontinued 5/98 - parts only; Fits Breezy effective serial number BZ-200000)



NOTE: 5" CASTERS ARE OBTAINED BY PLACING A LOW-PROFILE TIRE ON A 6" RIM

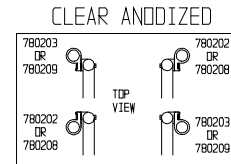
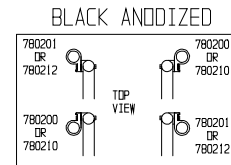
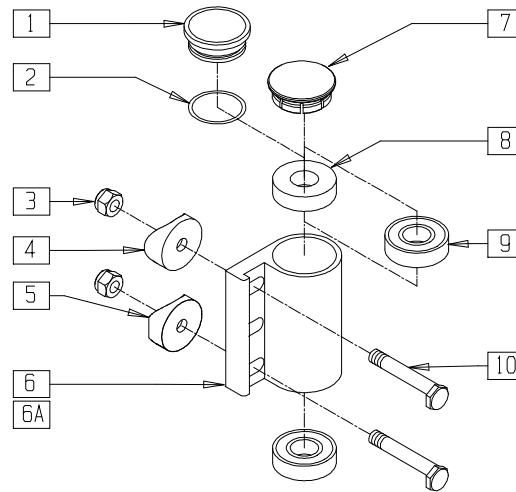
BZ00X13A

ITEM	NUMBER	DESCRIPTION	QTY
1	400151	6" PLASTIC CASTER ONLY	1
	400200	8" PLASTIC CASTER ONLY	
2	481613	BEARING SPACER .450 CASTER	1
3	384246	5" LOW POLYURETHANE TIRE	1
4	384244	6"x1 1/2" POLYURETHANE TIRE	1
	384252	8"x1 1/2" POLYURETHANE TIRE	
5	349505	BEARING 22mm x 8mm BR	1
6	481013	BEARING SPACER	1
8	384251	8" POLYURETHANE TIRE BR	1
	384245	6" SEMI PNEU (POLY) TIRE	
	383245	6" PNEUMATIC TIRE AND TUBE	
9	383250	8" PNEUMATIC TIRE	1
10	382250	8" TUBE	1
12	349502	7/8 x 5/16 BEARING	2

ITEM	NUMBER	DESCRIPTION	QTY
13	481099	BEARING SPACER .960	1
14	384252	8"x1 1/2 POLYURETHANE TIRE	1
	400200	8" PLASTIC CASTER ONLY	
15	349528	5/16 ID FLANGED BEARING	2
16	400207	SPACER 5/16 x.380	4
1,2,5	400145	6" PLASTIC CASTER W/BEARINGS BR	
5-7	400205	8" PLASTIC CASTER W/BEARINGS BR	
9,10	383255	8" PNEUMATIC TIRE AND TUBE	
1,2,5,8	400203	8" PLST W/LOW POLY AND BRNGS BR	
1,2,5,8-10	400208	8" PLST W/PNEUMATIC AND BRNGS BR	
5-7,9,10	400147	5" PLST W/LOW POLY AND BRNGS BR	
1,2,4,12	400157	6" PLASTIC W/WIDE POLY AND BRNGS	
	400705	8" PLASTIC W/WIDE POLY AND BRNGS	
13-16	901011	B500 CASTER REPLACEMENT KIT	

NOTE: ITEM 3 MAY REQUIRE SPECIAL TOOL AND OR MAY BE DIFFICULT TO MOUNT. FOR COMPLETE ASSEMBLY, SEE CASTER/TIRE ASSEMBLIES ON PAGE 12.15.

CASTER PLATE



CF0X06

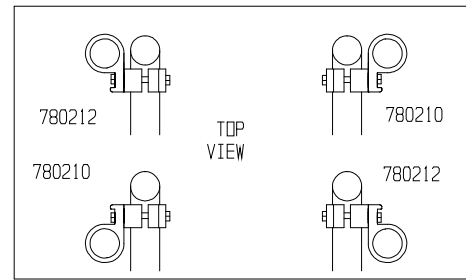
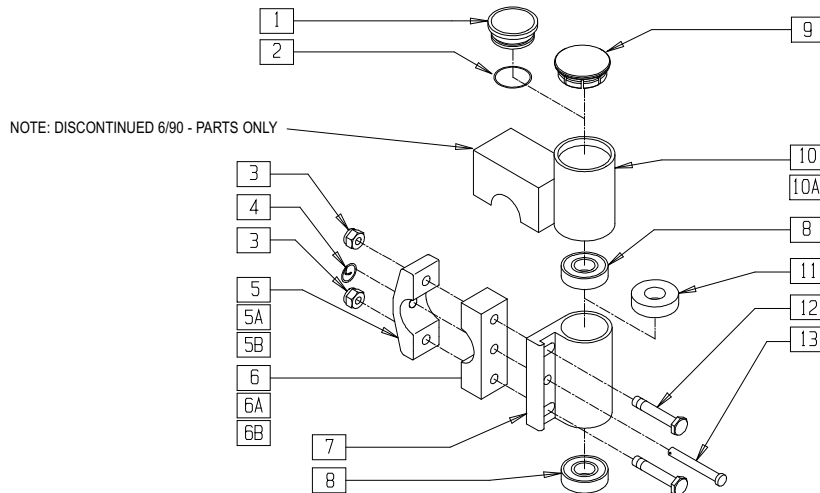
ITEM	NUMBER	DESCRIPTION	QTY
1,2*	880554	CASTER CAP W/O-RING ALUM CLR	1
2*	342006	CASTER CAP O-RING RUBBER	1
3	201120	1/4-28 AUTOMATION NUT	2
4	561004	1" SADDLE 1/4" HOLE	1
5	561086	1" HALF SADDLE 1/4" HOLE	1
6	501520, 501522	CASTER PLATE BLACK ONLY (EA)	1
6A	501519, 501521	CASTER PLATE ONLY CLEAR (EA)	1
7	561070	CASTER CAP PLASTIC (EA)	1
	920028	CASTER CAP PLASTIC (PR)	1
8	561050	ANTI-FLUTTER BUSHING	1

ITEM	NUMBER	DESCRIPTION	QTY
9	349500	1 1/8 x 1/2 BEARING	1,2
10	481017	1/4-28 x 1.688 ECCENTRIC BOLT	2
6,9	780210, 780212	CASTER PLATE DOUBLE BEARING BLK (5" CASTER) (EA)	
6A,9	780208, 780201	CASTER PLATE DOUBLE BEARING CLR (EA)	
6,8,9	780208, 780201	CASTER PLATE SINGLE BEARING BLK (EA)	
6A,8,9	780202, 780203	CASTER PLATE SINGLE BEARING CLR (EA)	
1-5,10	920079	CASTER PLATE HDWR KIT ALUM CAP CLR	
1,3-5,10	920201	CASTER PLATE HDWR KIT PLASTIC CAP	

* USED ON CHAIRS PRIOR TO 4/99

CASTER PLATE(QUICKIE 2HP/2HPTi/GP/GPS/GPV/KIDZ/LXJ/Ti/TRIUMPH)

(Quickie GPS and Triumph discontinued 2/01-Parts only)



CF0X08A

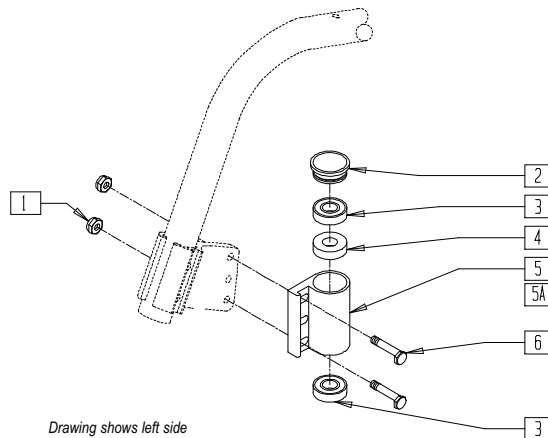
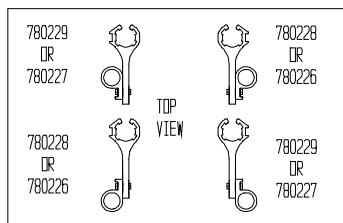
ITEM	NUMBER	DESCRIPTION	QTY
1,2*	880554	CASTER CAP W/O-RING ALUM CLR	
2*	342006	CASTER CAP O-RING RUBBER	1
3	201120	1/4-28 AUTOMATION NUT	2
4	349034	SAFETY COTTER	1
5	500306	INNER CLAMP HALF	1
5A	550762	CASTER CLAMP R LXJ RECESS	1
5B	550763	CASTER CLAMP L LXJ RECESS	1
6	500307	OUTER CLAMP HALF	1
6A	550760	CASTER CLAMP R LXJ	1
6B	550761	CASTER CLAMP L LXJ	1
8	349500	1 1/8 x 1/2 BEARING	1-2
9	561070	CASTER CAP PLASTIC (EA)	1
	920028	CASTER CAP PLASTIC (PR)	
10	561100	CASTER PLATE COVER R GP/2HP	1

ITEM	NUMBER	DESCRIPTION	QTY
10A	561102	CASTER PLATE COVER L GP/2HP	1-2
11	561050	ANTI-FLUTTER BUSHING	1
12	481017	1/4-28 x 1.688 ECCENTRIC BOLT	2
13	349027	1/4 x 2 CLEVIS PIN	1
7,8	780210, 780212	CASTER PLT DBL BEARING BLK (EA)	
	780208, 780209	CASTER PLT DBL BEARING CLR (EA)	
7,8,11	780200, 780201	CASTER PLT SINGLE BRNG BLK (EA)	
	780060, 780061	CASTER PLT GP COMPLETE BLK (EA)	
3-9 12,13	780040, 780041	CASTER PLT GP COMPLETE CLR (EA)	

* USED ON CHAIRS PRIOR TO 4/99

CASTER PLATE (QUICKIE EX)

(Discontinued 2/14/97 - parts only)

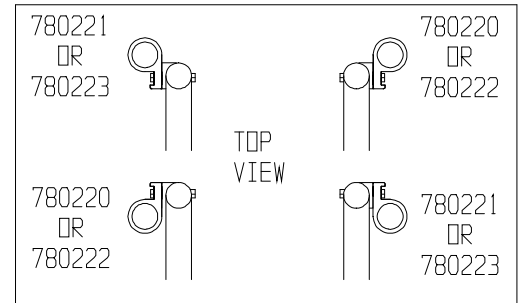
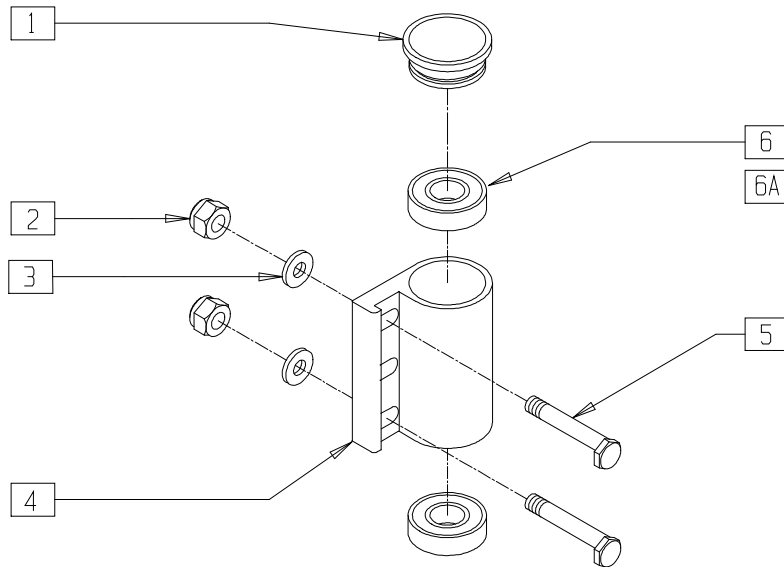


SP00X10

ITEM	NUMBER	DESCRIPTION	QTY
1	201120	1/4-28 AUTOMATION NUT	2
2	561070	CASTER CAP PLASTIC (EA)	1
	920028	CASTER CAP PLASTIC (PR)	
3	349500	1 1/8 x 1/2 BEARING	1-2
4	561050	ANTI-FLUTTER BUSHING	1
6	481344	1/4-28 x 7/8 ECCENTRIC BOLT BLK	2
3-5	780200	CASTER PLATE R SINGLE BEARING BLK	

ITEM	NUMBER	DESCRIPTION	QTY
3,4,5A	780201	CASTER PLATE L SINGLE BEARING BLK	
3,5	780210	CASTER PLATE R DBL BEARING BLK	
3,5A	780212	CASTER PLATE L DBL BEARING BLK	
1-3,5,6	780226	CASTER PLATE ASSM BEARING R EX	
1-3,5A,6	780227	CASTER PLATE ASSM BEARING L EX	
1-6	780228	CASTER PLATE ASSM BUSHING R EX	
1-5,6A	780229	CASTER PLATE ASSM BUSHING L EX	

CASTER PLATE (QUICKIE CARBON) (Discontinued 3/1/95 - parts only)



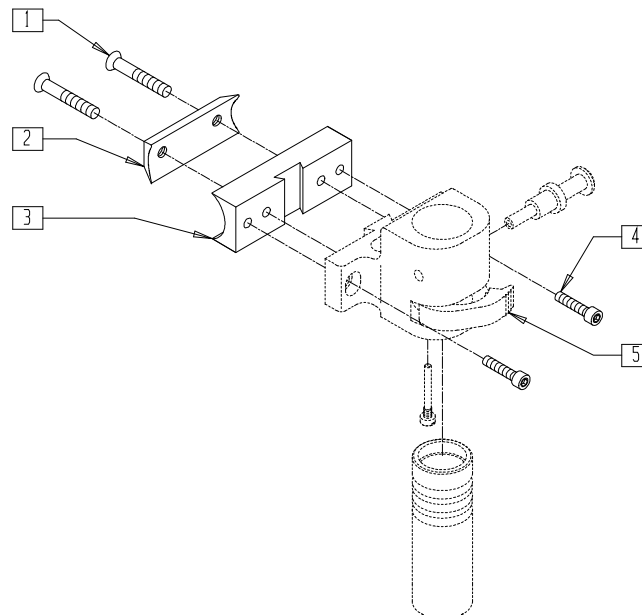
COMPX05

ITEM	NUMBER	DESCRIPTION	QTY
1	561070	CASTER CAP PLASTIC (EA)	1
	920028	CASTER CAP PLASTIC (PR)	
2	201120	1/4-28 AUTOMATION NUT	2
3	262120	1/4 SAE WASHER	2
5	481083	QC ECCENTRIC BOLT	2
6	349500	1 1/8 x 1/2 BEARING	1

ITEM	NUMBER	DESCRIPTION	QTY
6A	561050	ANTI-FLUTTER BUSHING	1
1-6,6A	780220, 780221	QC CASTER PLATE ASSEMBLY BUSHING (EA) (SPECIFY CLR/BLK)	
1-6	780222, 780223	QC CASTER PLATE ASSEMBLY BEARING (EA) (SPECIFY CLR/BLK)	

CASTER ASSEMBLY (Quickie TNT)

(Discontinued 2/08/99 parts only - replaced by caster stem assembly on page 12.21)



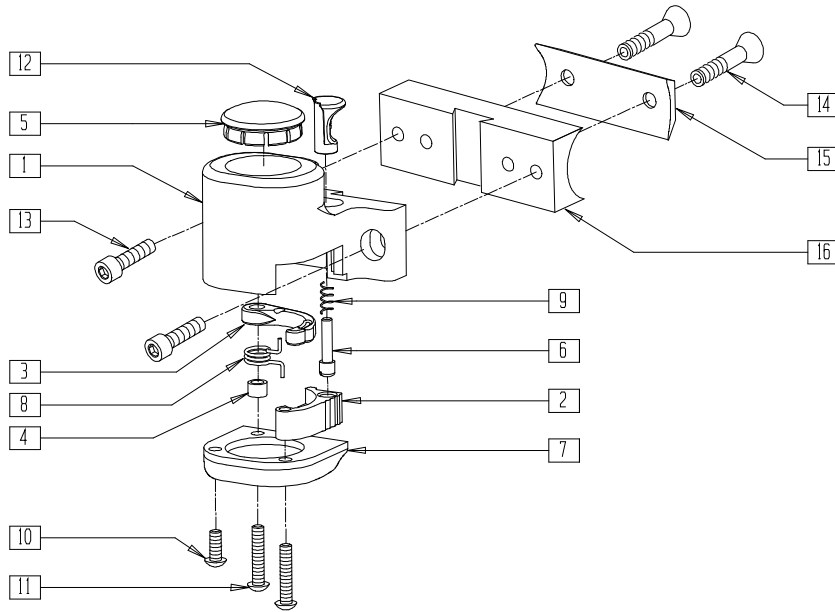
TNT00X06

ITEM	NUMBER	DESCRIPTION	QTY
1	226149	1/4-20 x 1 3/4" FH SOC C/S	2
2	550385,	CASTER MOUNT CLAMP QTNT	1
	551385		
3	550389,	CASTER REC MOUNT QTNT	1
	551389		

ITEM	NUMBER	DESCRIPTION	QTY
4	226074	1/4-20 x 1/2 SOC C/S	2
5	780130-	CASTER PLATE ASSEMBLY QTNT (SPECIFY COLOR)	1
	780133		

CASTER ASSEMBLY (Quickie TNT)

(Quickie TNT discontinued 2/01-Parts only.)

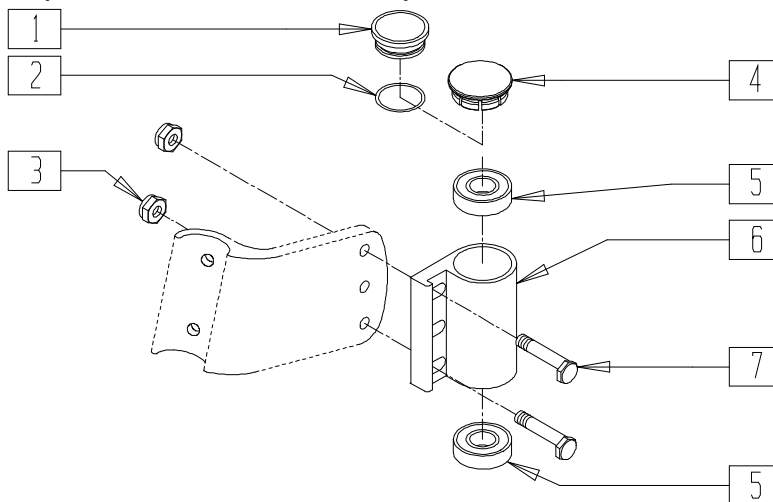


TNT00X6A

ITEM	NUMBER	DESCRIPTION	QTY
1	550430-550433	CSTR HOUSING LOCKING (SPECIFY COLOR)	1
2	500240, 500241	CASTER LEVER QTNT BLK (EA)	1
3	560177	CASTER LOCK QTNT	1
4	481169	LOCK SLEEVE QTNT	1
5	561261	SWING ARM CAP XTR	1
6	481127	CASTER PIN QTNT	1
7	500070-500073	BOTTOM CASTER PLATE QTNT (SPECIFY COLOR)	1
8	321167, 321169	SPRING TORSION QTNT	1

ITEM	NUMBER	DESCRIPTION	QTY
9	321168	SPRING .25 x 7/16	1
10	221300	10-32 x 1/2 SOC C/S BLK W/PATCH	1
11	226116	10-32 x 1" SOC C/S BLK	2
12	560178	CASTER BUTTON QTNT	1
13	226074	1/4-20 x 1/2 SOC C/S	2
14	226149	1/4-20 x 1 3/4 FH SOC C/S	2
15	550385, 551385	CASTER MOUNT CLAMP QTNT (SPECIFY COLOR)	1
16	550389, 551389	CASTER REC MOUNT QTNT (SPECIFY COLOR)	1
1-16	780130, 780133	CASTER PLATE ASSM QTNT (EA)	

CASTER PLATE (QUICKIE REVOLUTION)



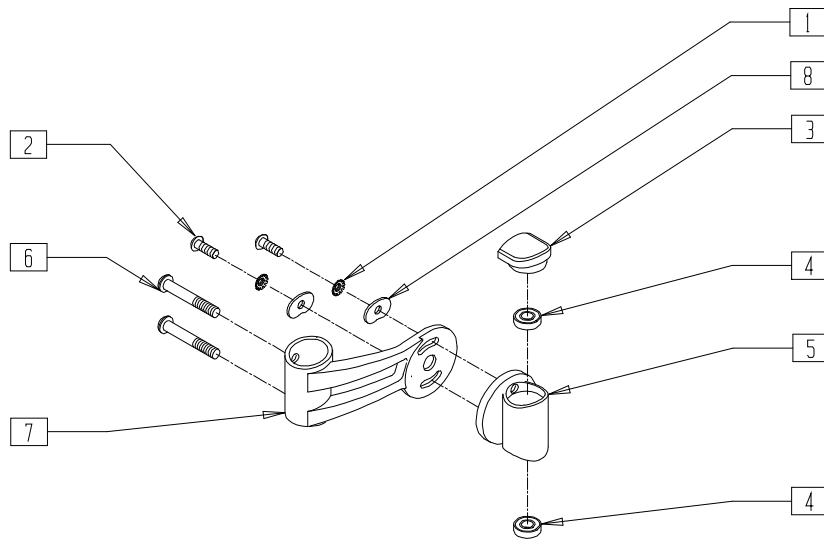
2D000X04

ITEM	NUMBER	DESCRIPTION	QTY
1,2*	880554	CASTER CAP W/O-RING ALUM CLR	
2*	342006	CASTER CAP O-RING RUBBER	1
3	201120	1/4-28 AUTOMATION NUT	2
4	561070	CASTER CAP PLASTIC (EA)	1
	920028	CASTER CAP PLASTIC (PR)	
5	349500	1 1/8" x 1/2" BEARING	2

ITEM	NUMBER	DESCRIPTION	QTY
7	481344	1/4-28 x 7/8 ECCENTRIC BOLT BLK	2
5,6	780210, 780212	CASTER PLATE DOUBLE BEARING BLK (EA)	
3-7	780230, 780231	CASTER PLATE ASSEMBLY BEARING RV (EA)	

* USED ON CHAIRS PRIOR TO 4/99

CASTER PLATE (QUICKIE XTR)

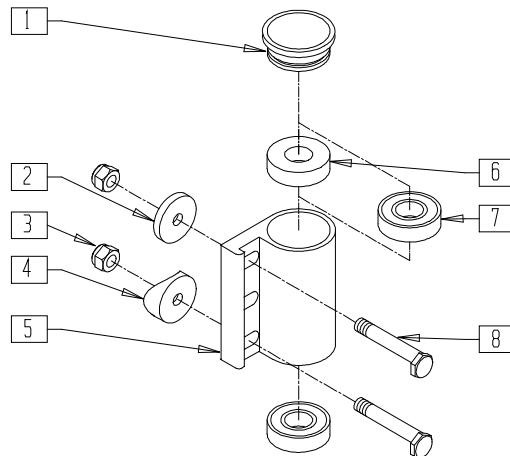


SUS00X28

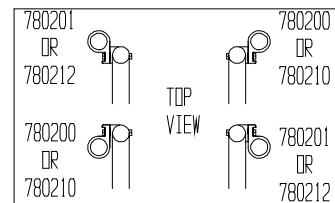
ITEM	NUMBER	DESCRIPTION	QTY
1	261535	1/4" WASHER STAR EXTERNAL	2
2	226154	1/4-20 x 1/2 BH C/S W/PATCH	2
3	561260	PLASTIC CASTER CAP	1
4	349500	1 1/8 x 1/2 BEARING	2
6	226079	1/4-20 x 1 1/2 BH C/S W/PATCH	2

ITEM	NUMBER	DESCRIPTION	QTY
7	506105, 506106	CASTER HOUSING ARM R XTR (EA)	1
8	481655	CASTER HOUSING WASHER XTR	2
4,5	780010	CASTER PLATE W/BEARINGS XTR	
1-8	780232	CASTER FLANGE ASSEMBLY R XTR	
1-7A,8	780233	CASTER FLANGE ASSEMBLY L XTR	

CASTER PLATE (ZIPPIE GS)



BLACK ANODIZED

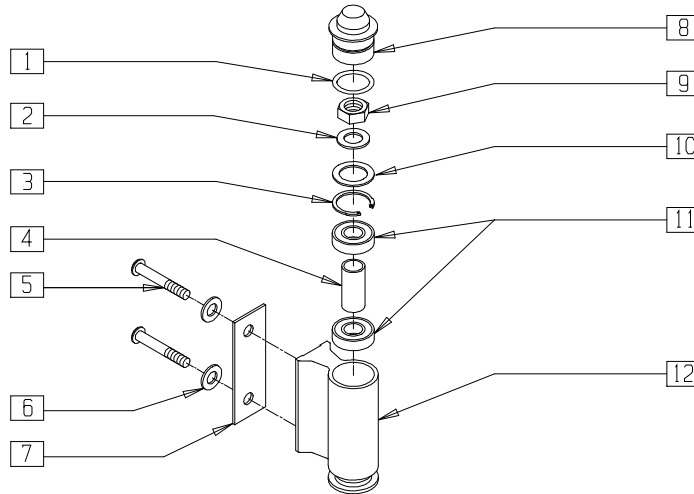


ZGS00X34

ITEM	NUMBER	DESCRIPTION	QTY
1	561070	CASTER CAP PLASTIC (EA)	1
	920028	CASTER CAP PLASTIC (PR)	
2	561086	1" HALF SADDLE 1/4" HOLE	1
3	201120	1/4-28 AUTOMATION NUT	2
4	561004	1" SADDLE 1/4" HOLE	1
5	501520, 501522	CASTER PLATE ONLY BLK	1

ITEM	NUMBER	DESCRIPTION	QTY
6	561050	ANTI-FLUTTER BUSHING	1
7	349500	1 1/8 x 1/2 BEARING	1-2
8	481017	1/4-28 x 1.6988 ECCENTRIC BOLT	2
5,7	780210, 780212	CASTER PLATE DOUBLE BEARING BLK (5" CASTER) (EA)	
5-7	780200, 780201	CASTER PLATE SINGLE BEARING BLK (EA)	

SWING-AWAY CASTER PLATE (QUICKIE T45)

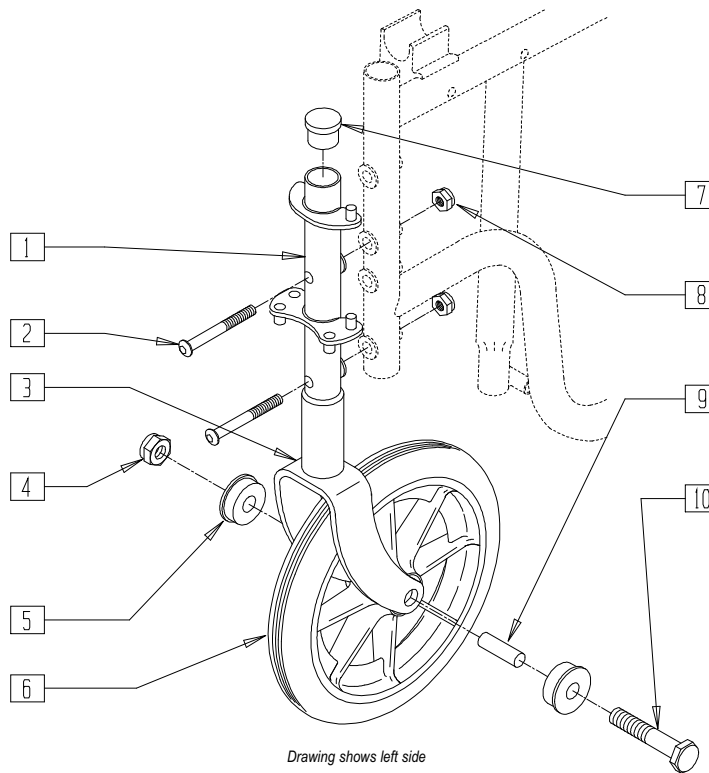


TSR00X27

ITEM	NUMBER	DESCRIPTION	QTY
1	342006	CASTER CAP O-RING RUBBER	1
2	264100	1/2 AN WASHER FLAT	1
3	342019	1 1/8 OD SNAP RING	1
4	521564	MAG BEARING SPACER	1
5	226190	5/16-18 x 1 3/4 BH C/S SHLDR	2
6	263100	5/16 AN WASHER FLAT	2
7	505296	CASTER SPACER T45	1

ITEM	NUMBER	DESCRIPTION	QTY
8	561371	CASTER CAP P2	1
9	203100	1/2-20 NYLOCK NUT	1
10	180065	ANTI-FLUTTER WASHER P2	1
11	349500	1 1/8 x 1/2 BEARING	2
12	501515	CASTER HOUSING ONLY T45	1
1,8	880589	CASTER CAP W/O-RING P2	
1-12	920098	CASTER ASSM W/HARDWARE T45 (EA)	

BOLT-ON FRONT END AND CASTER ASSEMBLY (BREEZY 100)



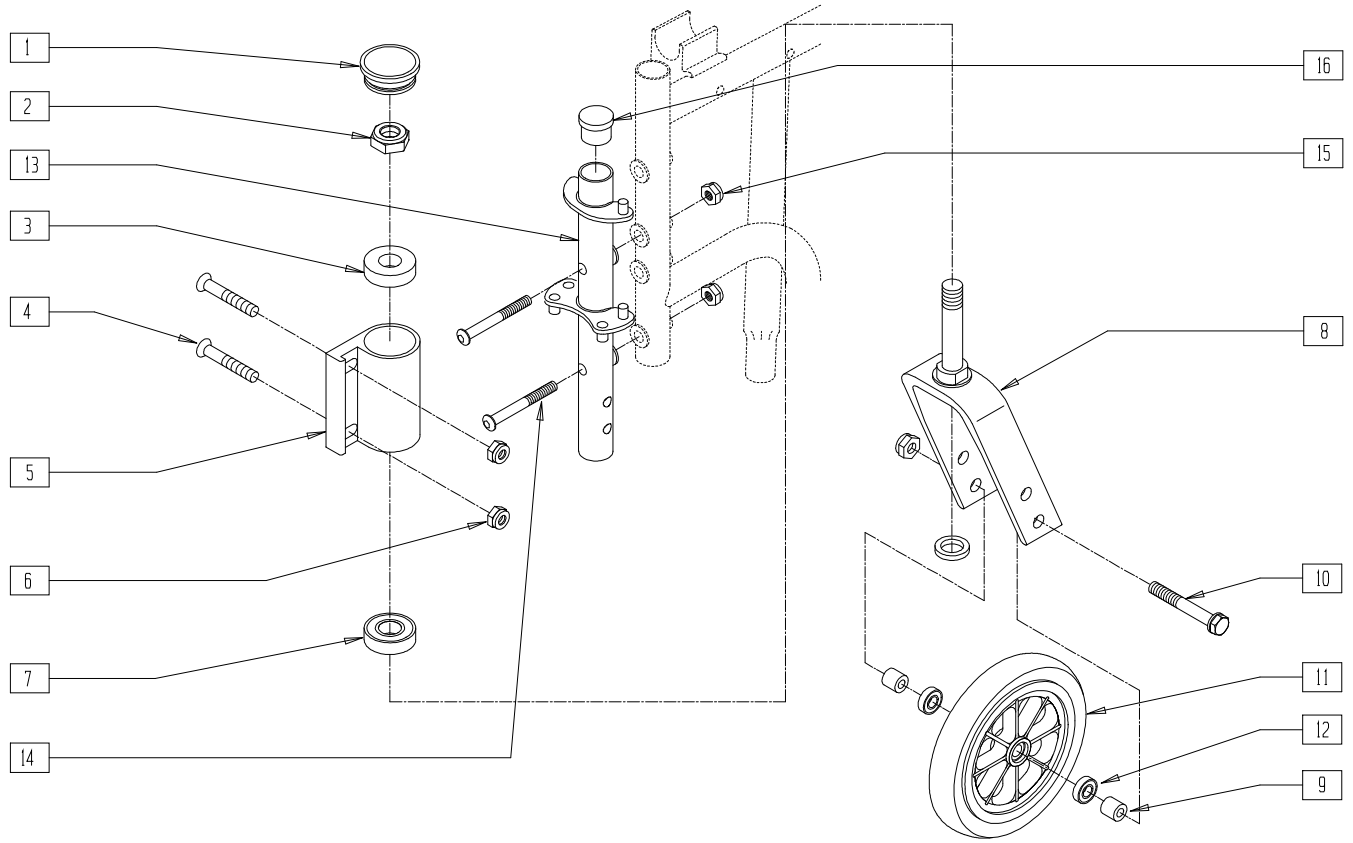
Drawing shows left side

BRZ10X05

ITEM	NUMBER	DESCRIPTION	QTY
4-6,9,10	222-0637	8" CASTER W/BEARINGS AND HDWR	1
1-3,7,8	222-0614L	BOLT ON FRNT END W/FRK L (BZ100) (EA)	1
	222-0614R	BOLT ON FRNT END W/FRK R (BZ100) (EA)	

ITEM	NUMBER	DESCRIPTION	QTY
1-10	222-0533L	BOLT ON FRNT END W/CSTR L (BZ100) (EA)	1
	222-0533R	BOLT ON FRNT END W/CSTR R (BZ100) (EA)	

BOLT-ON FRONT END AND CASTER ASSEMBLY (BREEZY 150)



BZ150X02

ITEM	NUMBER	DESCRIPTION	QTY
1	222-0785	CASTER STEM CAP	1
8	222-0780	8" WHEEL CASTER FORK W/STEM	1
13	222-0777L	BOLT ON FRNT END W/FRK L (BZ150)(EA)	1
	222-0777R	BOLT ON FRNT END W/FRK R (BZ150)(EA)	1
3.7	222-0782	CASTER STEM BEARINGS	2
10-12	222-0784	8" WHEEL W/CASTER BEARINGS	1

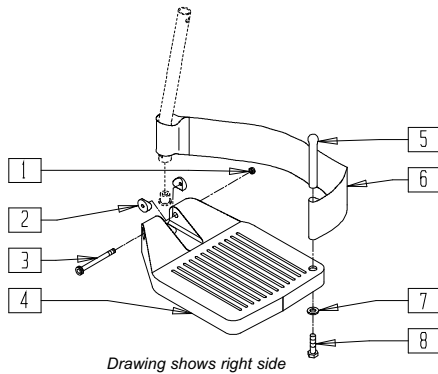
ITEM	NUMBER	DESCRIPTION	QTY
8,13-16	222-0778L	BOLT ON FRNT END W/FRK L (BZ150)(EA)	1
	222-0778R	BOLT ON FRNT END W/FRK R (BZ150)(EA)	1
1-16	222-0779L	BOLT ON FRNT END W/CSTR L (BZ150)(EA)	1
	222-0779R	BOLT ON FRNT END W/CSTR R (BZ150)(EA)	1
1-7	222-0781L	CASTER PLATE AND MOUNT HDWR L	1
	222-0781R	CASTER PLATE AND MOUNT HDWR R	1

Footrests

IN THIS SECTION

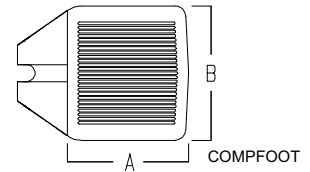
Composite Footplate.....	13.1	Swing-away Footplate (Breezy 100/150).....	13.13
Footrest Extension Tube (Manual)(Disc.).....	13.1	Heel Loop (Breezy 100/150).....	13.13
Footrest Extension Tube (Breezy).....	13.2	Extended Footplate - Composite (Disc.).....	13.14
Double D Footrest Extension Tube (Standard and“V” Hangers)(Disc.).....	13.2	ELR Aluminum Footplate.....	13.15
Double D Footrest Extension Tube (Standard and“V” Hangers).....	13.3	Rigid Footrest (Quickie 1/GP 60°/70°).....	13.15
Footrest Extension Tube Clamp-on Hangers (Breezy) (Disc.).....	13.3	Footrest (Quickie Carbon Rigid) (Disc.).....	13.16
Footrest Extension Tube (“V” Hangers)(Disc.).....	13.4	Footrest (Quickie EX) (Disc.).....	13.16
Flip-up Footrest with Plastic Cover and Heel Loop (Disc.).....	13.4	Footrest (Quickie GPV/Ti).....	13.17
Loop Footrest with Foam (Disc.).....	13.5	Footrest (Quickie ST).....	13.17
Footrest Extension.....	13.5	Footrest (Quickie XTR).....	13.18
Loop Footrest Extension Tube (Disc.).....	13.6	Platform Footrest (Quickie XTR).....	13.18
Reverse-mount Footrest (Disc.).....	13.6	Platform Footrest (Quickie R2).....	13.19
Foam Footplate.....	13.7	Platform Footrest (Quickie GPS/Revolution/Triumph).....	13.19
Loop Style Footrest Reference Guide.....	13.7	Platform Footrest (Quickie DT).....	13.20
Angle-adjustable Footplate (Disc.).....	13.8	Platform Footrest (Quickie GP).....	13.20
Adult Angle-adjustable Footplate.....	13.9	Platform Footrest (Quickie GPV/ GPV Competition/Ti).....	13.21
Adult Angle-adjustable Footplate Reference Guide.....	13.9	Platform Footrest (QuickieTNT) (Disc.).....	13.21
Adult Angle-adjustable Footplate (70°,80°,90° Front Drilled - Footplate Mount		Platform Footrest (Quickie Kidz).....	13.22
Directly to Hanger - Heavy Duty Hangers).....	13.10	High-mount Footrest (Quickie Kidz).....	13.22
Adult Angle-adjustable Footplate - 90° Reference Guide.....	13.10	Platform Flip-up Footrest (Quicke GP/GPV/Ti) (Disc.).....	13.23
Flip-up Footplate 10”-16” (Disc.).....	13.11	Platform Flip-up Footrest (Quickie 2) (Disc.).....	13.24
High-mount Extension Tube.....	13.11	Platform Flip-up Footrest (Quickie 2/GP/GPV/ GPSA/LX/LXI/Rx/,Zippie/Zippie GS/TS).....	13.25
Kids Angle-adjustable Footplate Assembly - Extension Mount.....	13.12	Platform Flip-up Footrest Reference Guide.....	13.26
Kids Angle-adjustable Footplate Assembly (70°,80°,90° Front Drilled - Footplate Mount		90° Solid Footboard.....	13.27
Directly to Hanger - Heavy Duty Hangers).....	13.12	Contracture Footrest System (Quickie TS).....	13.28

COMPOSITE FOOTPLATE



Drawing shows right side

MEASURING GUIDE



PART NUMBER	"A"	"B"
921161	4 1/2"	6"
921162	5 1/2"	6"
921163	6 1/2"	6"

FT0X01

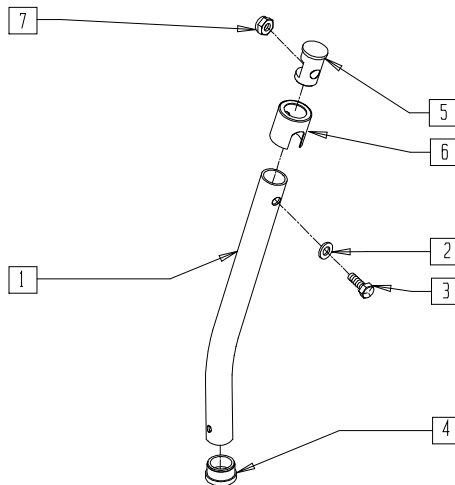
ITEM	NUMBER	DESCRIPTION	QTY
1	201100	1/4-28 NYLOCK NUT THIN	1
2	561003*	3/4" SADDLE THIN	2
3	226165	1/4-28 x 2 1/2 SOC C/S	1
4	561200	CMPST FOOTPLATE 14"-15" (16"-18" "V")	1
	561210	CMPST FOOTPLATE 16"-17" (19"-20" "V")	
	561220	CMPST FOOTPLATE 18"-20"	
5	561040	HEEL LOOP PEG	1
6	741151-741153	HEEL LOOP 14"-20" CMPST (EA)	1
	902270-902272	HEEL LOOP 14"-20" CMPST (PR)	
	741154-741156	HEEL LOOP 14"-20" CMPST HEMI (EA)	
	902260-902262	HEEL LOOP 14"-20" CMPST HEMI (PR)	
	741210-741212	HEEL LOOP 14"-20" BREEZY (EA)	

ITEM	NUMBER	DESCRIPTION	QTY
6	902290-902292	HEEL LOOP 14"-20" BREEZY (PR)	1
7	262110	1/4 AN WASHER FLAT THIN	1
8	221110	1/4-20 x 1 HEX C/S	1
1,3,4	921180-921185	CMPST FOOTPLATE ASSEMBLY (EA)	
	921151-921153	CMPST FOOTPLATE ASSEMBLY (PR)	
1,3-8	921190-921195	CMPST FOOTPLATE ASSEMBLY W/HEEL LOOP (EA)	
	921161-921163	CMPST FOOTPLATE ASSEMBLY W/HEEL LOOPS (PR)	
	921167-921169	CMPST FOOTPLATE ASSEMBLY HEMI W/HEEL LOOPS (PR)	
	921140-921145	CMPST FOOTPLATE ASSEMBLY HEMI W/HEEL LOOP (EA)	

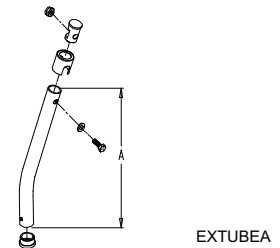
NOTE: ORDER ITEM 2 PRIOR TO 8/13/01

FOOTREST EXTENSION TUBE (MANUAL)

(Discontinued 10/23/99- Parts only)



MEASURING GUIDE



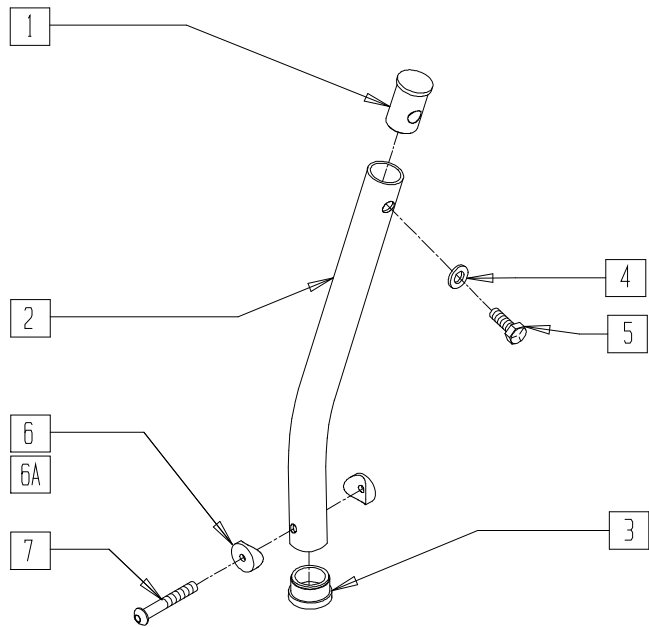
	"A"
SHORT	6 5/8"
MED	9"
LONG	11 5/8"
X-LONG	13 1/2"

FT0X02B

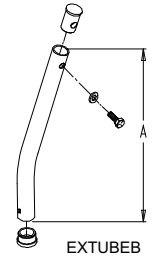
ITEM	NUMBER	DESCRIPTION	QTY
1	521010	FOOTREST EXT TUBE ONLY SHT BLK	1
	521011	FOOTREST EXT TUBE ONLY MED BLK	
	521012	FOOTREST EXT TUBE ONLY LNG BLK	
	521013	FOOTREST EXT TUBE ONLY X-LNG BLK	
2	262130	6mm WASHER WAVE	1
3	221110	1/4-20 x 1 HEX C/S	1
4	561000-QU	3/4" INSERT PLUG .083	1

ITEM	NUMBER	DESCRIPTION	QTY
5	483553	FOOTREST INSERT PLUG Q2	1
6	560750	BUSHING FOOTREST Q2N	1
7	201136	1/4-20 NYLOCK NUT	1
1-7	921221	FOOTREST EXT TUBE SHT ASSM BLK (EA)	
	921222	FOOTREST EXT TUBE MED ASSM BLK (EA)	
	921223	FOOTREST EXT TUBE LNG ASSM BLK (EA)	
	921224	F/REST EXT TUBE X-LNG ASSM BLK (EA)	

FOOTREST EXTENSION TUBE (BREEZY)



MEASURING GUIDE



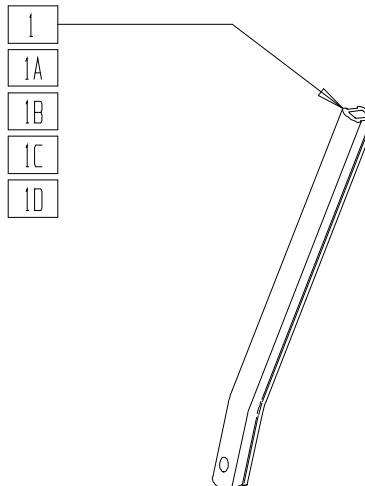
	"A"
SHORT	6 5/8"
MED	9"
LONG	11 5/8"
X-LONG	13 1/2"

FT0X02E

ITEM	NUMBER	DESCRIPTION	QTY
1	483001	Q2 FRAME/FOOT RETAINING PLUG	1
2	522610	FOOTREST EXT TUBE ONLY SHT	1
	522611	FOOTREST EXT TUBE ONLY MED	
	522612	FOOTREST EXT TUBE ONLY LONG	
	522613	FOOTREST EXT TUBE ONLY X-LONG	
3	560741	3/4" INSERT PLUG RIBBED	1
4	262130	6mm WASHER WAVE	1
5	221110	1/4-20 x 1 HEX C/S	1
6	561003	3/4" SADDLE THIN	2
6A	561055	3/4" SADDLE 1" OD	2

ITEM	NUMBER	DESCRIPTION	QTY
7	226167	1/4-28 X 1.625 BH C/S BLK	1
1-7	921441	FOOTREST EXT TUBE SHT ASSM CLR	
	921442	FOOTREST EXT TUBE MED ASSM CLR	
	921443	FOOTREST EXT TUBE LNG ASSM CLR	
	921444	FOOTREST EXT TUBE X-LNG ASSM CLR	
1-6A,7	921484	F/REST EXT TB SHT ASSM ANG ADJ	
	921485	F/REST EXT TB MED ASSM ANG ADJ	
	921486	F/REST EXT TB LNG ASSM ANG ADJ	
	921487	F/RST EXT TB XLNG ASSM ANG ADJ	

DOUBLE D FOOTREST EXTENSION TUBE (STANDARD AND "V" HANGERS) (Discontinued 8/13/01- Parts only)



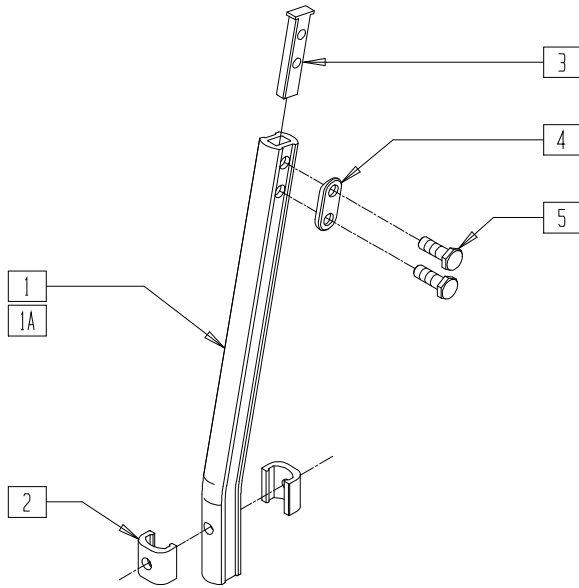
FTEXT01A

ITEM	NUMBER	DESCRIPTION	QTY
1	550764	S/A HANGER EXT D2 SHORT BLK	1
1A	550765	S/A HANGER EXT D2 MED BLK	1
1B	550766	S/A HANGER EXT D2 LONG BLK	1

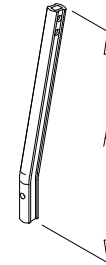
ITEM	NUMBER	DESCRIPTION	QTY
1C	523135, 523136	FOOTREST EXT TUBE "V" D2 MED (EA)	1
1D	523137, 523138	FOOTREST EXT TUBE "V" D2 LONG (EA)	1

DOUBLE D FOOTREST EXTENSION TUBE (STANDARD AND "V" HANGERS)

(Effective 8/13/01)



MEASURING GUIDE



EXTUBE4

STD	"A"	"V"	"A"
SHORT	7"	SHORT	7 7/8"
MED	9 1/2"	MED	8 7/8"
LONG	12"	LONG	11 7/8"
X-LONG	14"	X-LONG	13 7/8"

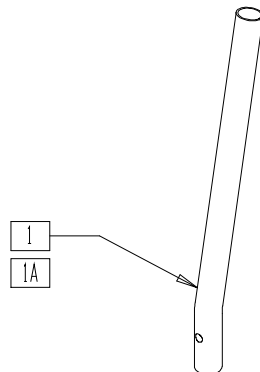
FTEXTV03B

ITEM	NUMBER	DESCRIPTION	QTY
1	550819	EXT TBE S/A ONLY SHT	1
	550820	EXT TBE S/A ONLY MED	
	550821	EXT TBE S/A ONLY LNG	
	550822	EXT TBE S/A ONLY X-LNG	
1A	550834, 550835	EXT TBE "V" ONLY D2 SHT (EA)	1
	550836, 550837	EXT TBE "V" ONLY D2 SHT (EA)	
	550838, 550839	EXT TBE "V" ONLY D2 SHT (EA)	
	550840, 550841	EXT TBE "V" ONLY D2 SHT (EA)	
	2	483718	
3	500078	INSERT D2 EXT TUBE	1

ITEM	NUMBER	DESCRIPTION	QTY
4	483717	HANGER SADDLE	1
5	221102	1/4-28 X 3/4 HEX C/S BLK W/PAT	2
	921689	EXT TBE S/A SHT ASSM	
	921690	EXT TBE S/A MED ASSM	
	921691	EXT TBE S/A LNG ASSM	
1A,2-5	921692	EXT TBE S/A X-LNG ASSM	1
	921681, 921682	EXT TBE "V" D2 SHT ASSM (EA)	
	921683, 921684	EXT TBE "V" D2 MED ASSM (EA)	
	921685, 921686	EXT TBE "V" D2 LNG ASSM (EA)	
	921687, 921688	EXT TBE "V" D2 X-LNG ASSM (EA)	

FOOTREST EXTENSION TUBE CLAMP-ON HANGERS (BREEZY)

(Discontinued - parts only)



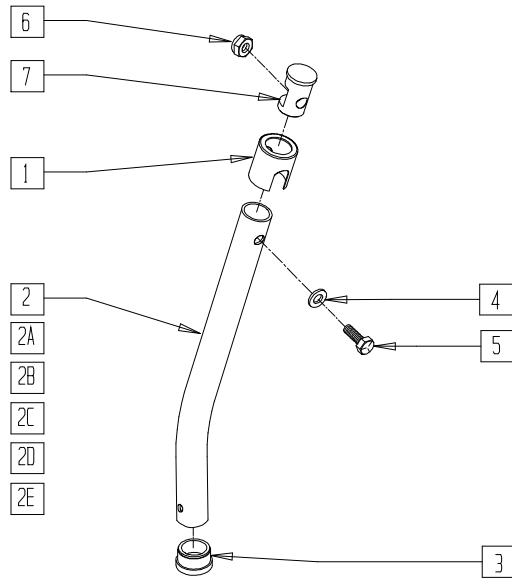
BASIC12

ITEM	NUMBER	DESCRIPTION	QTY
1	521082	FOOTREST EXTENSION TUBE B500/P120	1

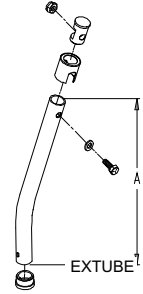
ITEM	NUMBER	DESCRIPTION	QTY
1A	521092	FOOTREST EXTENSION TUBE HEMI BR	1

FOOTREST EXTENSION TUBE ("V" HANGERS)

(Discontinued 10/23/99- Parts only)



MEASURING GUIDE



	"A"
SHORT	7"
MED	8 7/8"
LONG	11 3/8"

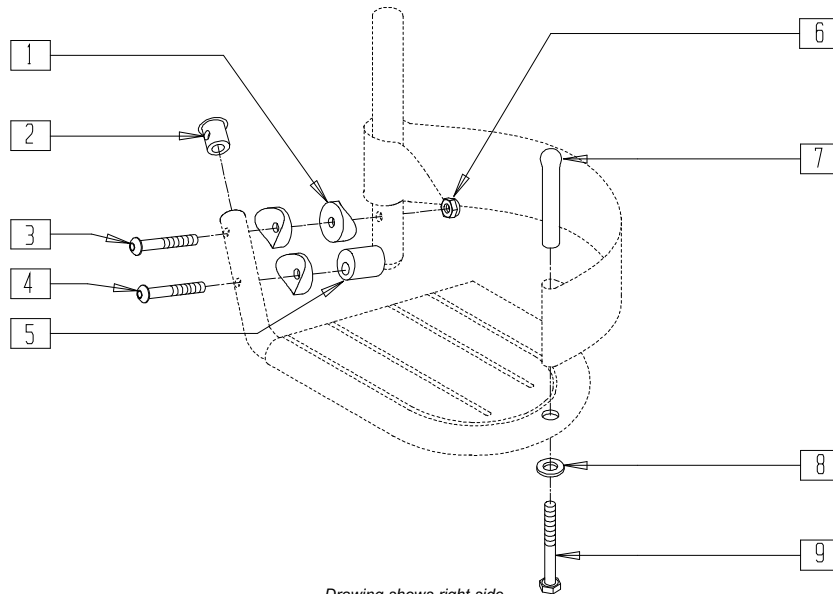
FT0X02C

ITEM	NUMBER	DESCRIPTION	QTY
1	560750	BUSHING FOOTREST Q2N	1
2	521040	FOOTPLATE EXT TUBE ONLY "V" SHT R	1
2A	521041	FOOTPLATE EXT TUBE ONLY "V" SHT L	1
2B	521042	FOOTPLATE EXT TUBE ONLY "V" MED R	1
2C	521043	FOOTPLATE EXT TUBE ONLY "V" MED L	1
2D	521044	FOOTPLATE EXT TUBE ONLY "V" LNG R	1
2E	521045	FOOTPLATE EXT TUBE ONLY "V" LNG L	1
3	561000-QU	3/4" INSERT PLUG .083	1
4	262130	6mm WASHER WAVE	1

ITEM	NUMBER	DESCRIPTION	QTY
5	221110	1/4-20 x 1 HEX C/S	1
6	201136	1/4-20 NYLOCK NUT HIGH	1
7	483553	FOOTREST INSERT PLUG Q2	1
1-7	921186	"V" FOOTPLATE EXT TUBE SHT R ASSM	
1-2A,3-7	921196	"V" FOOTPLATE EXT TUBE SHT L ASSM	
1-2B,3-7	921187	"V" FOOTPLATE EXT TUBE MED R ASSM	
1-2C,3-7	921197	"V" FOOTPLATE EXT TUBE MED L ASSM	
1-2D,3-7	921188	"V" FOOTPLATE EXT TUBE LNG R ASSM	
1-2E,3-7	921198	"V" FOOTPLATE EXT TUBE LNG L ASSM	

FLIP-UP FOOTREST WITH PLASTIC COVER AND HEEL LOOP

(Discontinued 11/9/94 - parts only)



Drawing shows right side

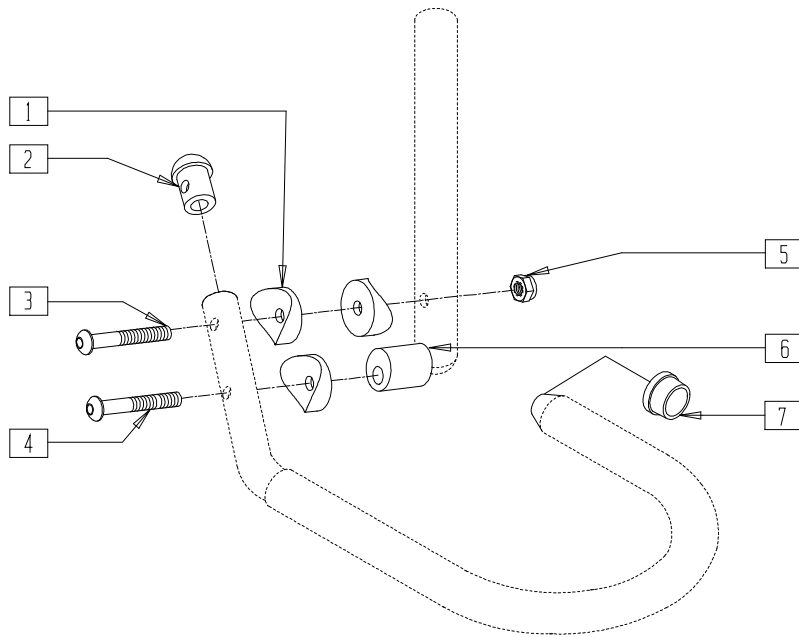
FT0X03

ITEM	NUMBER	DESCRIPTION	QTY
1	561003	3/4" SADDLE THIN	3
2	561034	SHORT DOME PLUG	1
3	226150	1/4-28 x 2 BH C/S	1
4	226130	1/4-28 x 1 1/2 BH C/S	1
5	483003	FLIP FOOT CAM	1

ITEM	NUMBER	DESCRIPTION	QTY
6	201120	1/4-28 AUTOMATION NUT	1
7	561040	HEEL LOOP PEG	1
8	262100-QU	1/4 AN WASHER FLAT	1
9	221140	1/4-20 x 1 3/4 HEX C/S	1

LOOP FOOTREST WITH FOAM

(Discontinued 11/9/94 - parts only)

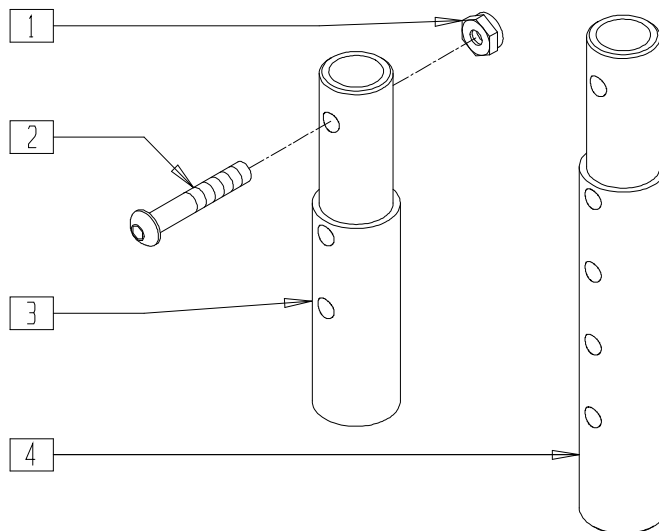


FT0X04

ITEM	NUMBER	DESCRIPTION	QTY
1	561003	3/4" SADDLE THIN	3
2	561034	SHORT DOME PLUG	1
3	226150	1/4-28 x 2 BH C/S	1
4	226130	1/4-28 x 1 1/2 BH C/S	1

ITEM	NUMBER	DESCRIPTION	QTY
5	201120	1/4-28 AUTOMATION NUT	1
6	483003	FLIP FOOT CAM	1
7	561000-QU	3/4" INSERT PLUG .083	1

FOOTREST EXTENSION



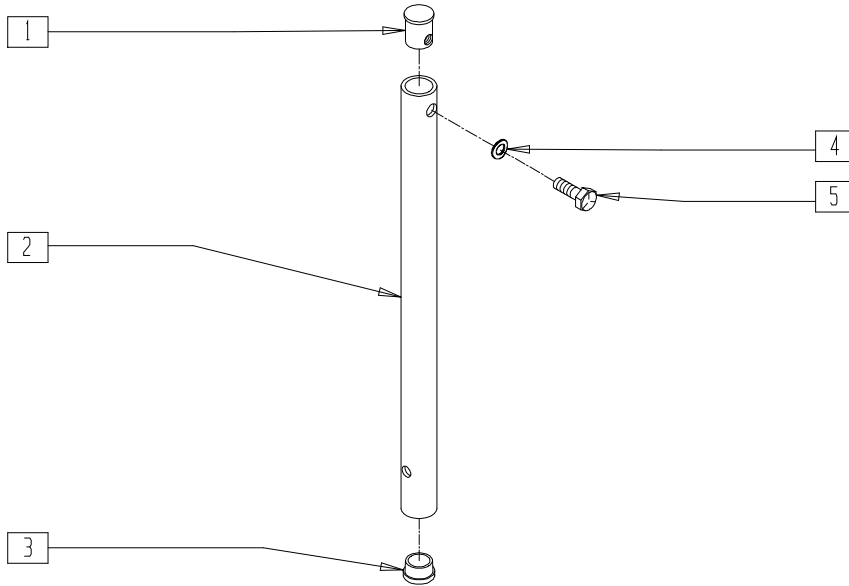
TSR00X07

ITEM	NUMBER	DESCRIPTION	QTY
1	201100	1/4-28 NYLOCK NUT THIN	1
2	226129	1/4-28 x 1 1/4 BH C/S	1
3	500150	2" FOOTREST EXTENSION TUBE	1

ITEM	NUMBER	DESCRIPTION	QTY
4	483051	4" FOOTREST EXTENSION TUBE T45	1
1-3	881403	2" FTRST EXT TUBE W/HDWR ASSEMBLY	
1,2,4	881404	4" FTRST EXT TUBE W/HDWR ASSEMBLY	

LOOP FOOTREST EXTENSION TUBE

(Discontinued 11/9/94 - parts only)



MEASURING GUIDE



	"A"
SHORT	5 3/4"
MED	8 3/8"
LONG	10 7/8"
X-LONG	12 7/8"

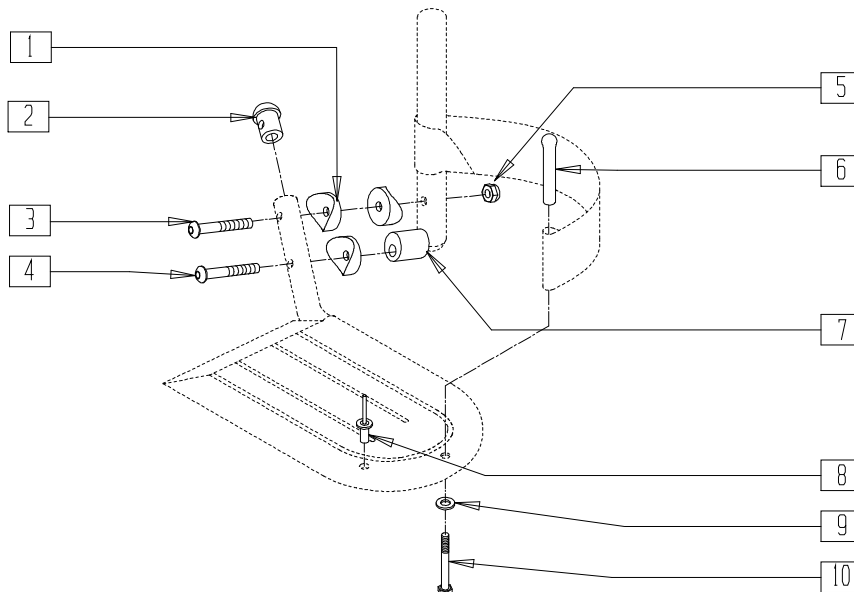
FT0X05

ITEM	NUMBER	DESCRIPTION	QTY
1	483001	Q2 FRAME/FOOT RETAINING PLUG	1
2	521000-521007	FLIP-UP FOOT EXTENSION TUBE ONLY (EA)	1
3	561000-QU	3/4" INSERT PLUG .083	1
4	262130	6mm WASHER WAVE	1
5	221110	1/4-20 x 1 HEX C/S	1

ITEM	NUMBER	DESCRIPTION	QTY
1-5	921210-921217	FLIP-UP FOOT EXTENSION TUBE ASSEMBLY (PR)	
	921200	FLIP-UP FOOT EXT TUBE ASSM SHT (PR)	
	921202	FLIP-UP FOOT EXT TUBE ASSM MED (PR)	
	921204	FLIP-UP FOOT EXT TUBE ASSM LNG (PR)	
	921205	FLIP-UP FOOT EXT TUBE ASSM X-LNG (PR)	

REVERSE-MOUNT FOOTREST

(Discontinued 11/9/94 - parts only)



Drawing shows right side

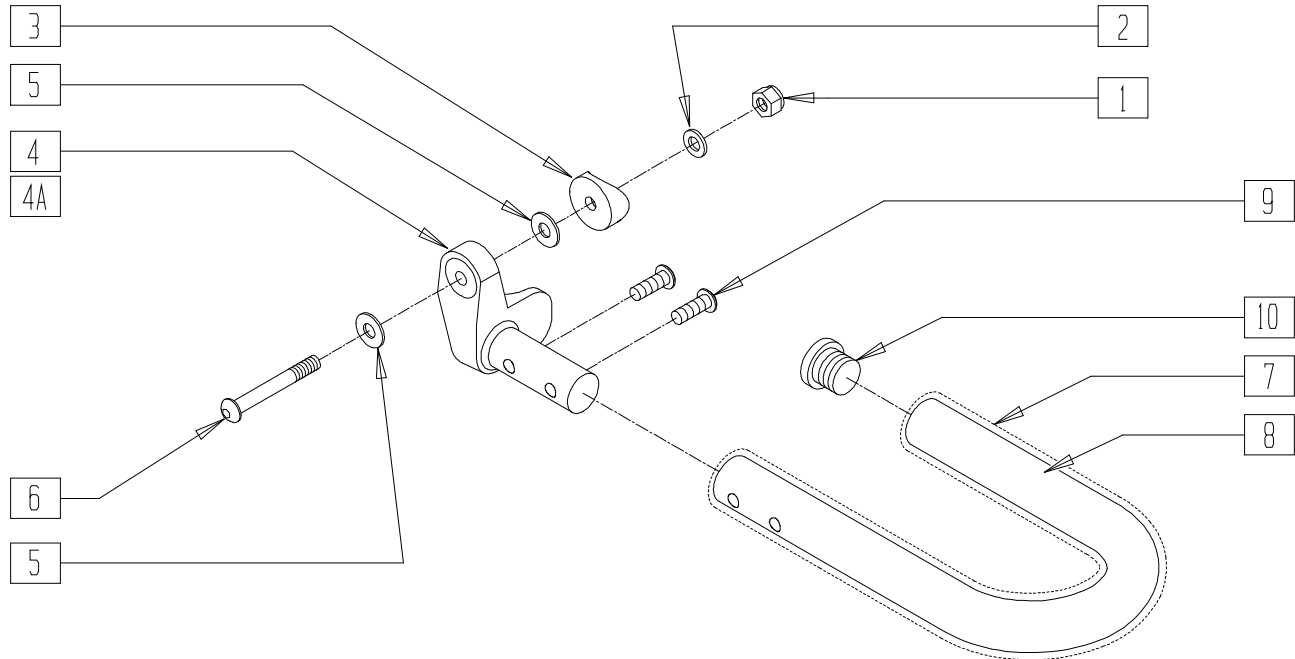
FT0X06

ITEM	NUMBER	DESCRIPTION	QTY
1	561003	3/4" SADDLE THIN	3
2	561034	SHORT DOME PLUG	1
3	226150	1/4-28 x 2 BH C/S	1
4	226130	1/4-28 x 1 1/2 BH C/S	1
5	201120	1/4-28 AUTOMATION NUT	1

ITEM	NUMBER	DESCRIPTION	QTY
6	561040	HEEL LOOP PEG	1
7	483003	FLIP FOOT CAM	1
8	240112	RIVET POP SD46BS BLK	1
9	262100-QU	1/4 AN WASHER FLAT	1
10	221140	1/4-20 x 1 3/4 HEX C/S	1

FOAM FOOTPLATE

(Effective 8/13/01)



FT0X030A

ITEM	NUMBER	DESCRIPTION	QTY
1	201120	1/4-28 AUTOMATION NUT	1
2	262110	1/4 AN WASHER FLAT THIN	1
3*	561055	3/4" SADDLE 1" OD	1
4	541004, 541005	FTRST MNTG BRKT THREAD-3/8 (EA)	1 1
5**	262120	1/4" SAE WASHER	1
6***	227140	1/4-28 X 1 3/4 BH C/S BLK ZN	1
7	560650- 560654	LOOP FOAM FOOTREST COVER	1

ITEM	NUMBER	DESCRIPTION	QTY
8	522480- 522484	FOOTREST TUBE LOOP	1
9	226168	1/4-28 x .875 BH C/S	2
10	560735	7/8" ROUND TUBE PLUG	1
1-10	820420- 820429	FOOTREST LOOP (EA)	
	921300- 921304	FOOTREST LOOP (PR)	

*NOTE: ORDER ITEM 3 PRIOR TO 8/13/01

**NOTE: ONLY 1 WASHER PRIOR TO 8/13/01

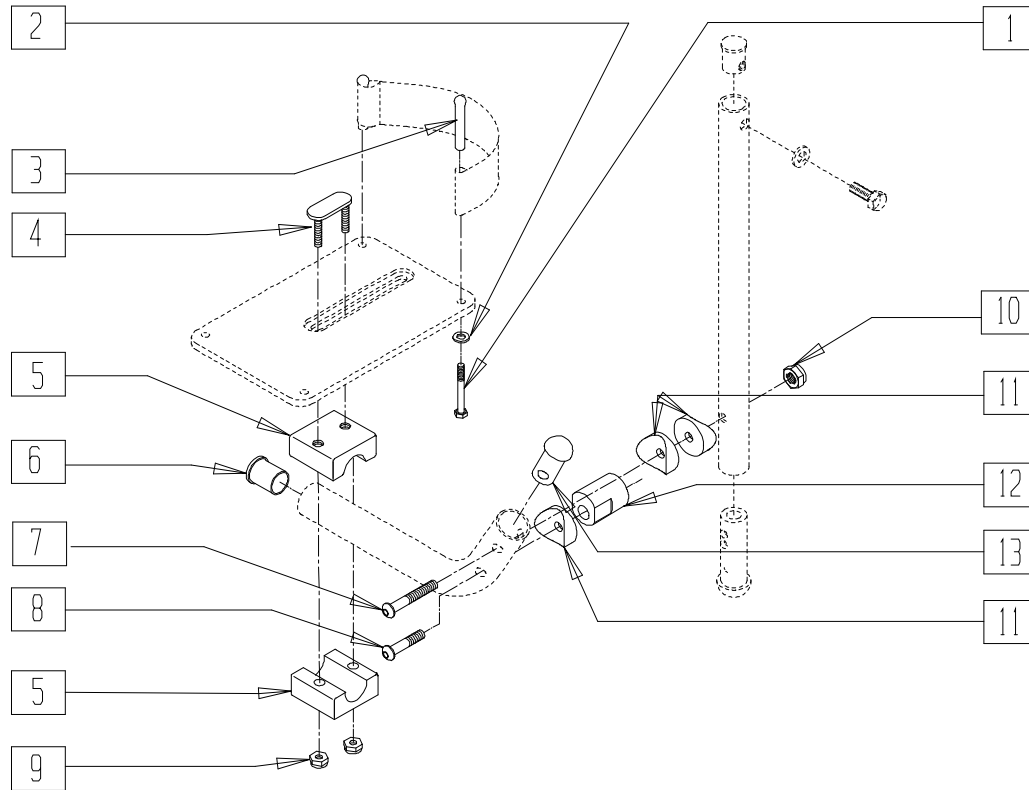
***NOTE: ORDER PART 226167 PRIOR TO 8/13/01

LOOP STYLE FOOTREST REFERENCE GUIDE

	11"	12"	13"	14"	15"	16"	17"	18"	19"	20"
Loop Style Footrest										
Right Assembly	820420	820422	820422	820424	820424	820426	820426	820428	820428	820428
Left Assembly	820421	820423	820423	820425	820425	820427	820427	820429	820429	820429
Pair Assembly	921300	921301	921301	921302	921302	921303	921303	921304	921304	921304
Loop Style "V" Footrest										
Right Assembly	N/A	N/A	N/A	820420	820422	820422	820424	820424	820426	820428
Left Assembly	N/A	N/A	N/A	820421	820423	820423	820425	820425	820427	820429
Pair Assembly	N/A	N/A	N/A	921300	921301	921301	921302	921302	921303	921304

ANGLE-ADJUSTABLE FOOTPLATE

(Discontinued 11/9/94 - parts only)



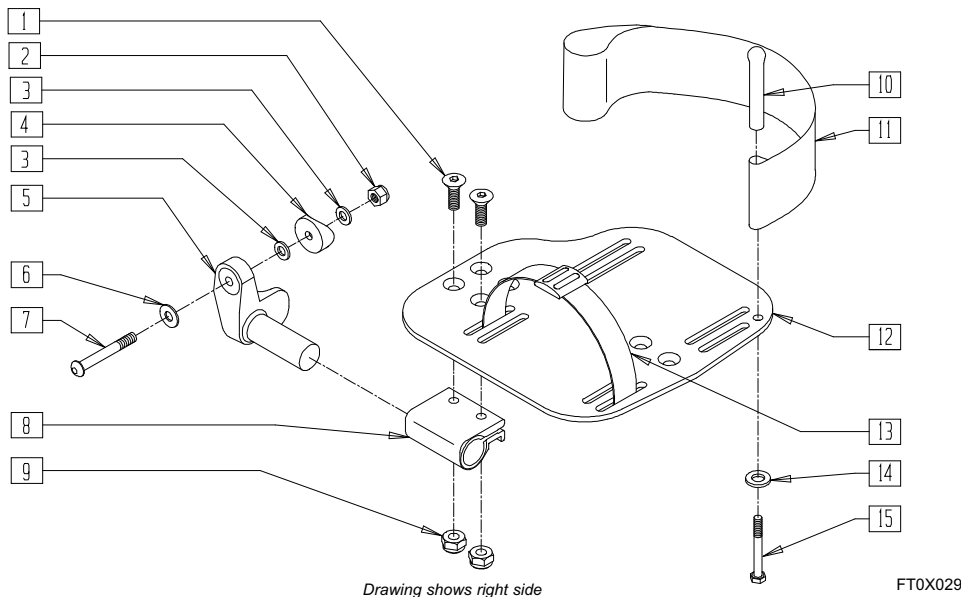
Drawing shows left side

FT0X017

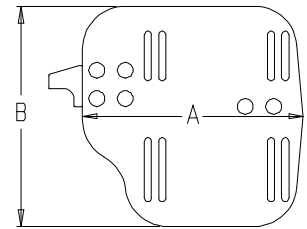
ITEM	NUMBER	DESCRIPTION	QTY
1	221110	1/4-20 x 1 HEX C/S	2
2	262110	1/4 AN WASHER FLAT THIN	2
3	561040	HEEL LOOP PEG	2
4	330120	SOLID FT/ANGLE ADJ DOUBLE T BOLT	1
5	550410	SOLID FOOT/ANGLE ADJ CLAMP	2
6	561000-QU	3/4" INSERT PLUG .083	1
7	226150	1/4-28 x 2 BH C/S	1

ITEM	NUMBER	DESCRIPTION	QTY
8	226130	1/4-28 x 1 1/2 BH C/S	1
9	201105	1/4-20 NYLOCK NUT THIN	2
10	201120	1/4-28 AUTOMATION NUT	1
11	561003	3/4" SADDLE THIN	3
12	483003	FLIP FOOT CAM	1
13	561034	SHORT DOME PLUG	1

ADULT ANGLE-ADJUSTABLE FOOTPLATE



MEASURING GUIDE



MGUIDE17

CHAIR WIDTH	"A"	"B"
10"-11"	3 1/2"	7 1/4"
12"-13"	4 1/2"	7 3/4"
14"-15"	5 1/2"	7 3/4"
16"-17"	6 1/2"	7 3/4"
18"-20"	7 1/2"	7 3/4"

FTOX029

ITEM	NUMBER	DESCRIPTION	QTY
1	226099	1/4-28 x 7/8 FH C/S	2
2	201120	1/4-28 AUTOMATION NUT	1
3	262110	1/4 AN WASHER FLAT THIN	1
4*	561055	3/4" SADDLE 1" OD	1
5	541002, 541003	FOOTREST MNTG BRACKET - 3/8 RAD	1
6**	262120	1/4 SAE WASHER	1
7***	226147	1/4-28 X 1.85 BH C/S BLK ZN	1
8	550350	3/4" CLAMP ADJ FOOTPLATE	1
9	201100	1/4-28 NYLOCK NUT THIN	2
10	561040	HEEL LOOP PEG	1
11	741153, 741252, 741253	HEEL LOOP (EA)	1

ITEM	NUMBER	DESCRIPTION	QTY
12	500656- 500665	ADULT ANGLE ADJUSTABLE FOOTPLATE 12"-20"	1
13	740260	TOE-ANKLE STRAP ADJ ADULT FOOTPLATE	1
14	262110	1/4 AN WASHER FLAT THIN	1
15	221110	1/4-20 x 1 HEX C/S	1
1-3,5-9, 12	820460- 820536	FOOTPLATE ADULT ADJUSTABLE 10"-20" (EA)	1
1-3,5-12 14,15	820461- 820532	FOOTPLATE ADULT ADJUSTABLE HEEL LOOP 10"-20" (EA)	
1-3,5-9, 12	921320- 921466	FOOTPLATE ADULT ADJUSTABLE 10"-20" (PR)	
1-3,5-12, 14,15	921321- 921462	FOOTPLATE ADULT HEEL LOOP 10"-20" (PR)	

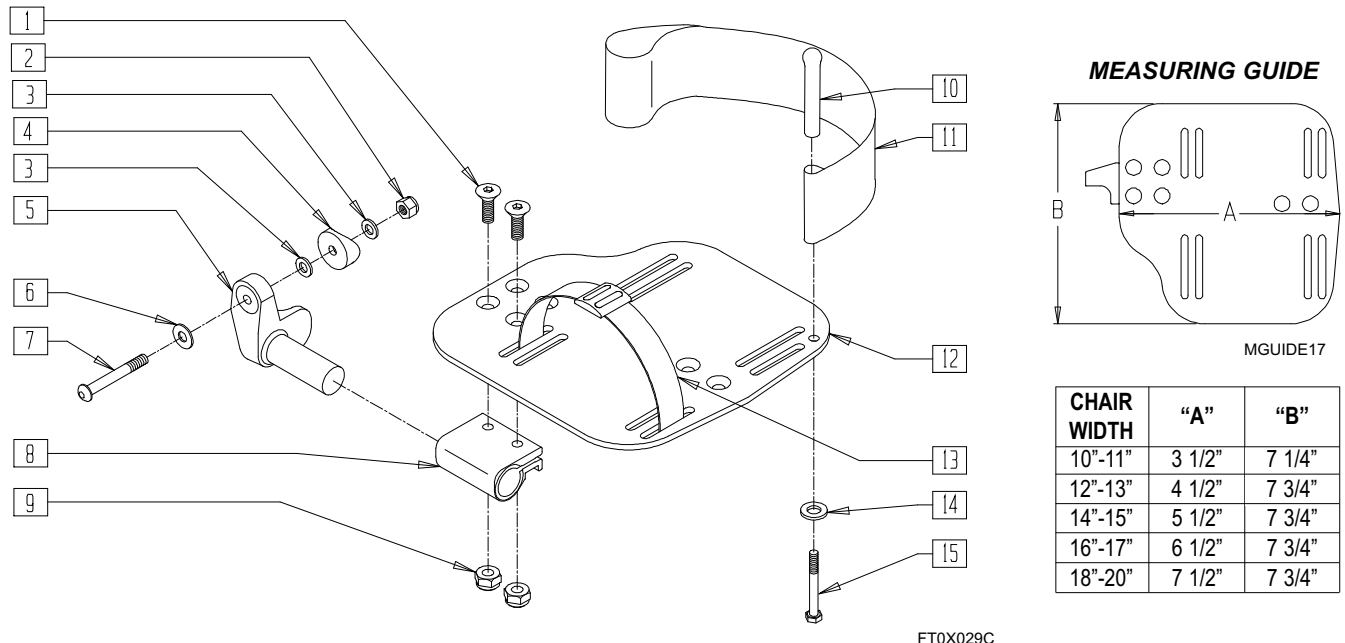
NOTE: FOR HIGH-MOUNT ADULT ANGLE-ADJUSTABLE FOOTPLATE, ORDER HIGH-MOUNT EXTENSION TUBE ON PAGE 13.11.

*NOTE: ORDER ITEM 4 FOR CHAIRS PRIOR TO 8/13/01 **NOTE: ONLY 1 WASHER PRIOR TO 8/13/01 ***NOTE: ORDER PART 226167 PRIOR TO 8/13/01

ADULT ANGLE-ADJUSTABLE FOOTPLATE REFERENCE GUIDE

	10"	11"	12"	13"	14"	15"	16"	17"	18"	19"	20"
Adult Angle-adjustable Footplate											
Right	820524	820524	820526	820526	820460	820460	820464	820464	820468	820468	820468
Right w/HL	820520	820520	820522	820522	820461	820461	820465	820465	820469	820469	820469
Left	820534	820534	820536	820536	820462	820462	820466	820466	820470	820470	820470
Left w/HL	820530	820530	820532	820532	820463	820463	820467	820467	820471	820471	820471
Pair	921464	921464	921466	921466	921320	921320	921322	921322	921324	921324	921324
Pair w/HL	921460	921460	921462	921462	921321	921321	921323	921323	921325	921325	921325
Adult Angle-adjustable "V" Footplate											
Right	N/A	N/A	N/A	N/A	N/A	N/A	820460	820460	820460	820464	820464
Right w/HL	N/A	N/A	N/A	N/A	N/A	N/A	820461	820461	820461	820465	820465
Left	N/A	N/A	N/A	N/A	N/A	N/A	820462	820462	820462	820466	820466
Left w/HL	N/A	N/A	N/A	N/A	N/A	N/A	820463	820463	820463	820467	820467
Pair	N/A	N/A	N/A	N/A	N/A	N/A	921320	921320	921320	921322	921322
Pair w/HL	N/A	N/A	N/A	N/A	N/A	N/A	921321	921321	921321	921323	921323

ADULT ANGLE-ADJUSTABLE FOOTPLATE (70°,80°,90° FRONT DRILLED - FOOTPLATE MOUNT DIRECTLY TO HANGER - HEAVY DUTY HANGERS)



ITEM	NUMBER	DESCRIPTION	QTY
1	226099	1/4-28 x 7/8 FH C/S	2
2	201120	1/4-28 AUTOMATION NUT	1
3	262110	1/4 AN WASHER FLAT THIN	2-3
4	561004	1" SADDLE 1/4" HOLE	1
5	541000, 541001	FOOTREST MNTG BRACKET - 1" RAD	1
6	262120	1/4 SAE WASHER	1
7	226167	1/4-28 x 1.625 BH C/S BLK	1
8	550350	3/4" CLAMP ADJ FOOTPLATE	1
9	201100	1/4-28 NYLOCK NUT THIN	2
10	561040	HEEL LOOP PEG	1
11	741153, 741252, 741253	HEEL LOOP (EA)	1

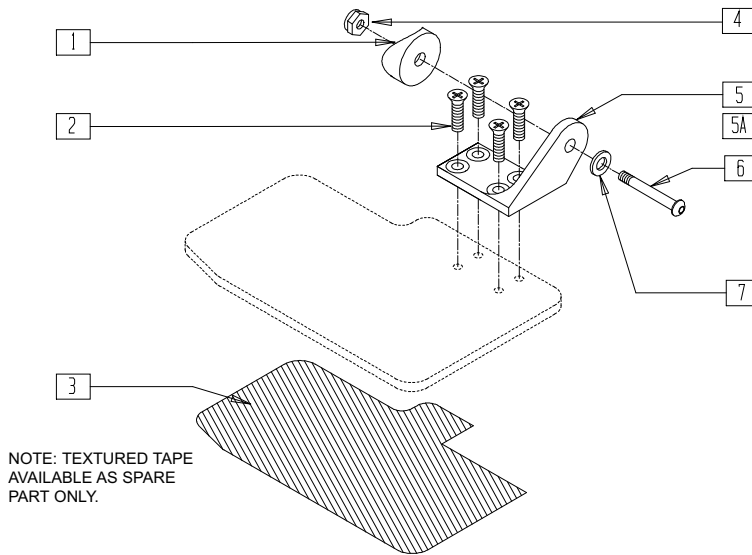
ITEM	NUMBER	DESCRIPTION	QTY
12	500656- 500665	ADULT ANGLE ADJUSTABLE FOOTPLATE 10"-20" (EA)	1
13	740260	TOE-ANKLE STRAP ADJ ADULT FOOTPLATE	1
14	262110	1/4 AN WASHER FLAT THIN	1
15	221110	1/4-20 x 1 HEX C/S	1
1-9,12	820472- 820556	FOOTPLATE ADULT ADJUSTABLE 90° 10"-20" (EA)	
1-12,	820478-	FOOTPLATE ADULT	
14,15	820552	ADJUSTABLE 90° 10"-20" HL (EA)	
1-9,12	921330- 921476	FOOTPLATE ADULT ADJUSTABLE 90° 10"-20" (PR)	
1-12,	921333-	FOOTPLATE ADULT	
14,15	921472	ADJUSTABLE 90° 10"-20" HL (PR)	

ADULT ANGLE-ADJUSTABLE FOOTPLATE - 90° REFERENCE GUIDE

	10"	11"	12"	13"	14"	15"	16"	17"	18"	19"	20"
Right	820544	820544	820546	820546	820472	820472	820474	820474	820476	820476	820476
Right w/HL	820540	820540	820542	820542	820478	820478	820480	820480	820482	820482	820482
Left	820554	820554	820556	820556	820473	820473	820475	820475	820477	820477	820477
Left w/HL	820550	820550	820552	820552	820479	820479	820481	820481	820483	820483	820483
Pair	921474	921474	921476	921476	921330	921330	921331	921331	921332	921332	921332
Pair w/HL	921470	921470	921472	921472	921333	921333	921334	921334	921335	921335	921335

FLIP-UP FOOTPLATE 10"-16"

(Discontinued 7/5/93 - parts only)



Drawing shows left side

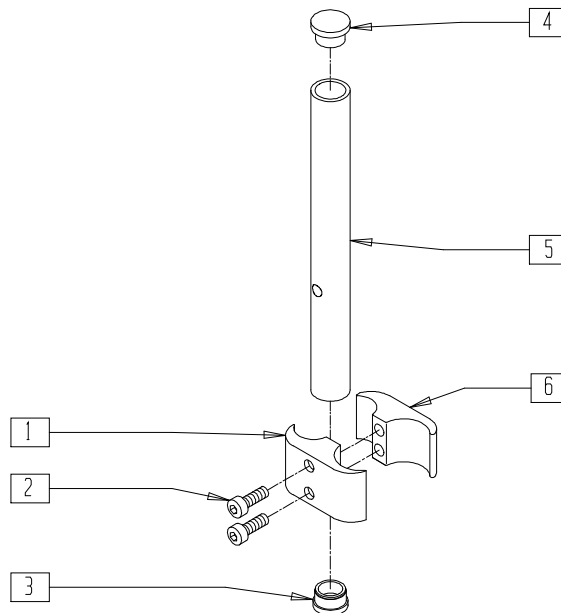
Z00X8

ITEM	NUMBER	DESCRIPTION	QTY
1	561004	1" SADDLE 1/4" HOLE	1
2	226009	10-24 x 3/8 FH C/S W/PATCH	4
3	562808-562816	FOOTPLATE TAPE 10"-14"	1
4	201110	1/4-28 NYLOCK NUT	1

ITEM	NUMBER	DESCRIPTION	QTY
5	500137	FOOTPLATE HINGE L Q2/ZP/P5	1
5A	500136	FOOTPLATE HINGE R Q2/ZP/P5	1
6	226140	1/4-28 x 1 3/4 BH C/S	1
7	262100-QU	1/4 AN WASHER FLAT	1

NOTE: FOR A COMPLETE ASSEMBLY, SEE KIDS ANGLE-ADJUSTABLE FOOTPLATE ASSEMBLY 13.12.

HIGH-MOUNT EXTENSION TUBE

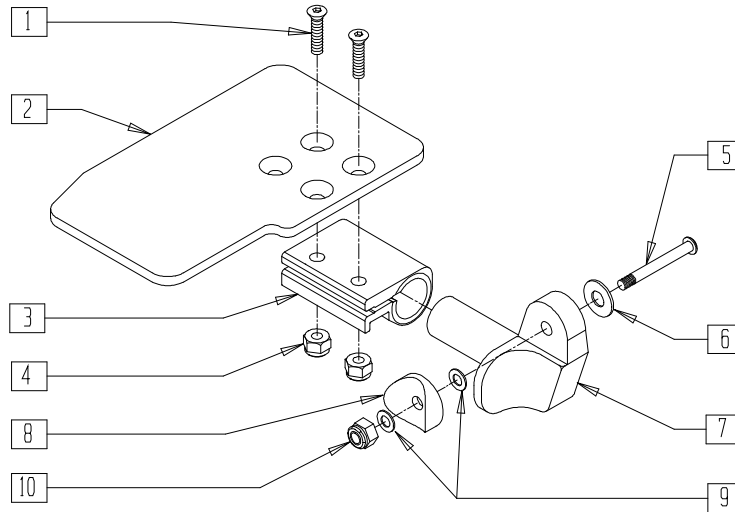


FT0X07

ITEM	NUMBER	DESCRIPTION	QTY
1	550257	CLAMP 1 1/4" RECESS FULL	1
2	226112	1/4-28 x 1 SOC C/S BLK	2
3	561000-QU	3/4" INSERT PLUG .083	1
4	482016	H/M FL FOOT TUBE PLUG	1

ITEM	NUMBER	DESCRIPTION	QTY
5	521100	H/M FL FOOT EXTENSION TUBE	1
6	550258	CLAMP 1 1/4" THREADED	1
1,2,6	880538	HM FR CLAMP ASSEMBLY CLEAR	
1-6	921550	HM FL FOOT CLAMPS AND TUBES (PR)	

KIDS ANGLE-ADJUSTABLE FOOTPLATE ASSEMBLY - EXTENSION MOUNT



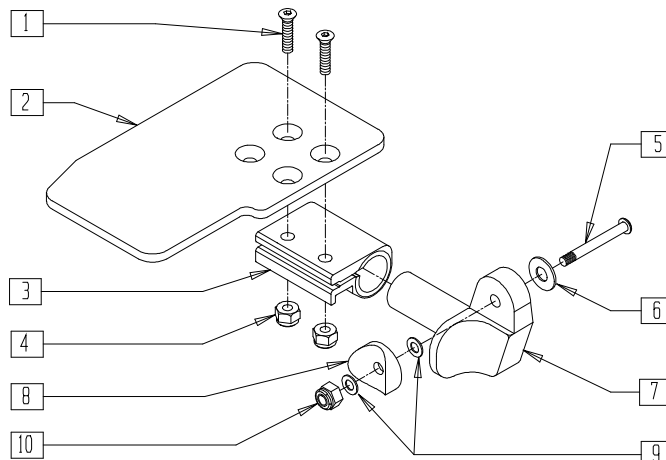
FT0X027

ITEM	NUMBER	DESCRIPTION	QTY
1	226099	1/4-28 x 7/8 FH C/S	2
2	500635-500648	KIDS ANGLE ADJ FOOTPLATE 10"-16" (EA)	1
3	550350	3/4" CLAMP ADJ FOOTPLATE	1
4	201100	1/4-28 NYLOCK NUT THIN	2
5	227140	1/4-28 X 1.85 BH C/S BLK ZN	1
6	262120	1/4 SAE WASHER	1
7	541002-541003	FOOTREST MOUNTING BRACKET - 3/8" RADIUS (EA)	1

ITEM	NUMBER	DESCRIPTION	QTY
8*	561055	3/4" SADDLE 1" OD	1
9	262110	1/4 AN WASHER FLAT THIN	2
10	201120	1/4-28 AUTOMATION NUT	1
1-7,9,10	828850-828863	KIDS ANGLE ADJ FOOTPLATE EXTENSION MOUNT 10"-16" (EA)	
	921280-921286	KIDS ANGLE ADJ FOOTPLATE EXTENSION MOUNT 10"-16" (PR)	

*NOTE: ORDER ITEM 8 PRIOR TO 8/13/01
 **NOTE: ORDER PART 226167 PRIOR TO 8/13/01

KIDS ANGLE-ADJUSTABLE FOOTPLATE ASSEMBLY (70°,80°,90° FRONT DRILLED - FOOTPLATE MOUNT DIRECTLY TO HANGER - HEAVY DUTY HANGERS)



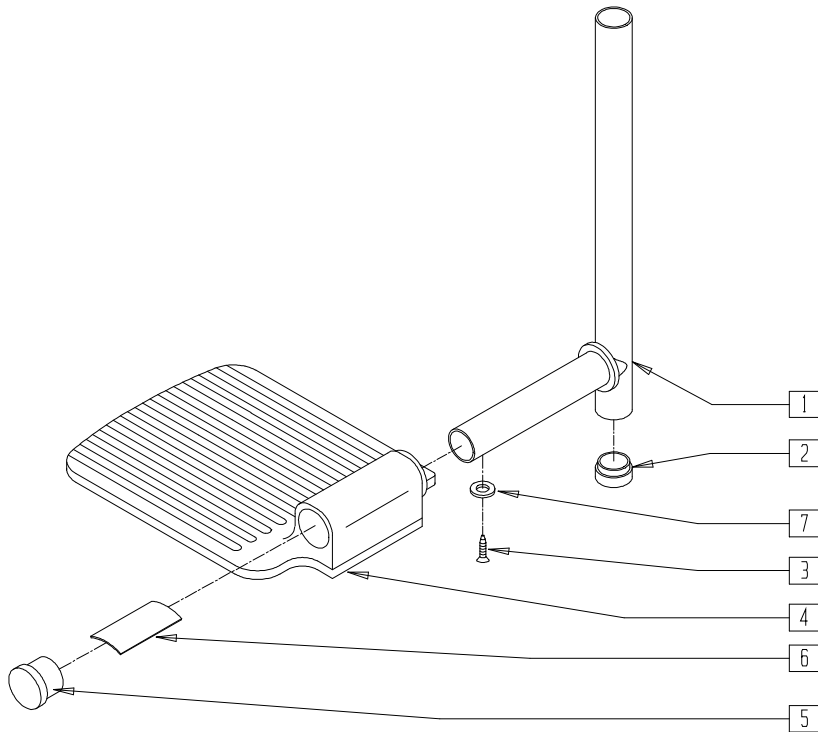
Drawing shows right side

FT0X027

ITEM	NUMBER	DESCRIPTION	QTY
1	226099	1/4-28 x 7/8 FH C/S	2
2	500635-500648	KIDS ANGLE ADJ FOOTPLATE 10"-16" (EA)	1
3	550350	3/4" CLAMP ADJ FOOTPLATE	1
4	201100	1/4-28 NYLOCK NUT THIN	2
5	226150	1/4-28 x 2 BH C/S	1
6	262120	1/4 SAE WASHER	1
7	541000-541001	FOOTREST MOUNTING BRACKET 1" RAD (EA)	1

ITEM	NUMBER	DESCRIPTION	QTY
8	561004	1" SADDLE 1/4" HOLE	1
9	262110	1/4 AN WASHER FLAT THIN	2
10	201110	1/4-28 NYLOCK NUT	1
1-10	828821-828834	KIDS ANGLE ADJ FOOTPLATE ASSEMBLY 10"-16" (EA)	
	921226-921232	KIDS ANGLE ADJ FOOTPLATE 10"-16" (PR)	

SWING-AWAY FOOTPLATE (BREEZY 100/150)

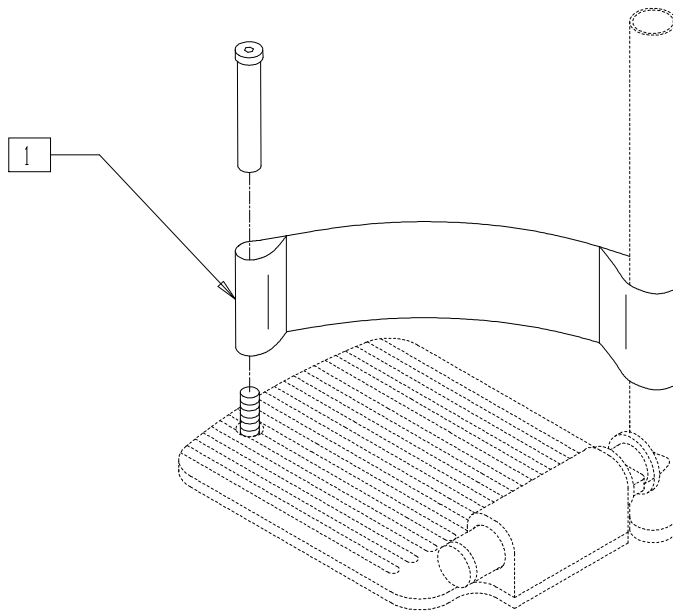


BRZ10X06

ITEM	NUMBER	DESCRIPTION	QTY
1-7	222-0627	SWING-AWAY FOOTREST LOWER ASSEMBLY (EA)	1

ITEM	NUMBER	DESCRIPTION	QTY
4,6	222-0672	COMPOSITE FOOTPLATE W/SPRING (EA)	1

HEEL LOOP (BREEZY 100/150)

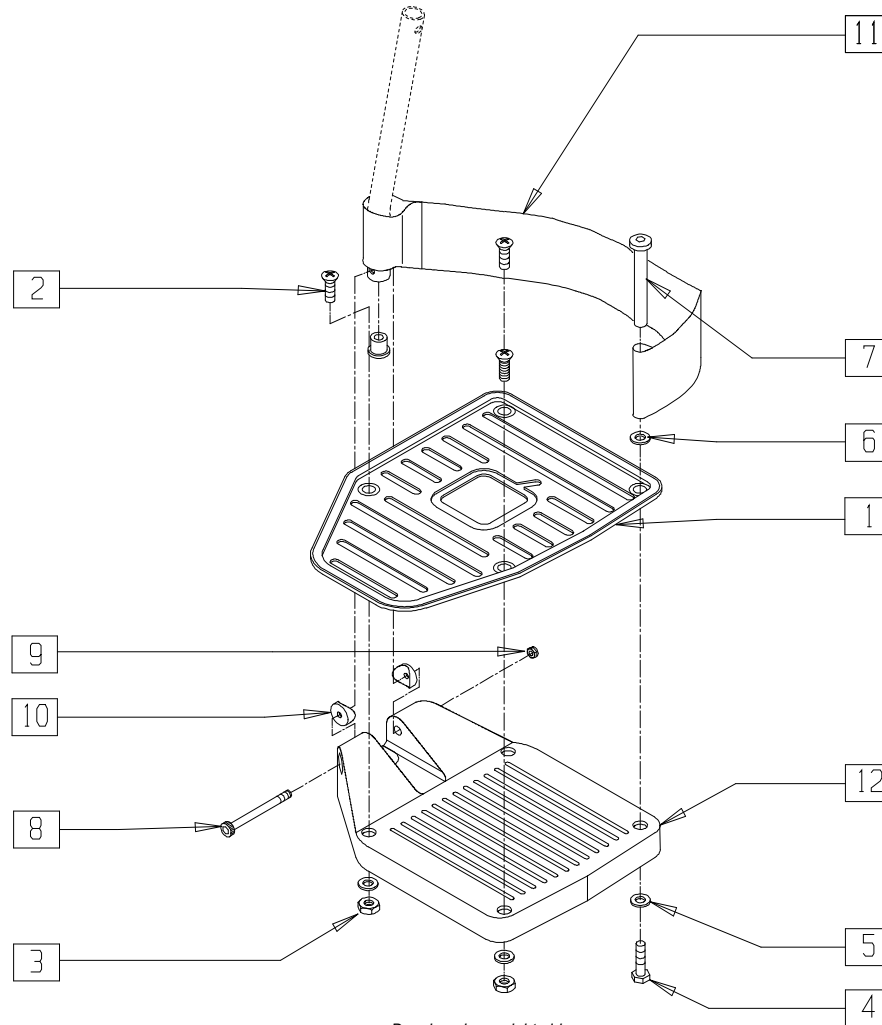


BZ100X14

ITEM	NUMBER	DESCRIPTION	QTY
1	BZ125	HEEL LOOP ASSEMBLY	1

EXTENDED FOOTPLATE - COMPOSITE

(Discontinued - parts only)



Drawing shows right side

FT0X011

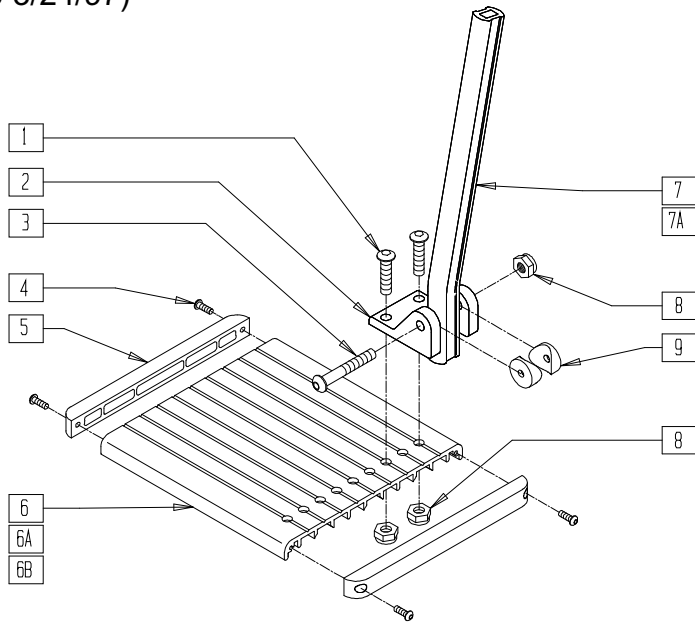
ITEM	NUMBER	DESCRIPTION	QTY
1*	500760-500765	EXTENDED FOOTPLATE 14"-20" (EA)	1
2	226105	1/4-28 x 3/4 FH C/S BLK	3-4
3	201100	1/4-28 NYLOCK NUT THIN	3-4
4	221110	1/4-20 x 1 HEX C/S	1
5	262110	1/4 AN WASHER FLAT THIN	4
6	262110	1/4 AN WASHER FLAT THIN	1
7	561040	HEEL LOOP PEG	1
8	226165	1/4-28 x 2 1/2 SOC C/S	1
9	201100	1/4-28 NYLOCK NUT THIN	1
10	561003	3/4" SADDLE THIN	2
11	741151-741156	HEEL LOOP COMPOSITE OR COMPOSITE HEMI 14"-15" - 18"-20" (EA)	1
	902260-902272	HEEL LOOP COMPOSITE OR COMPOSITE HEMI 14"-15" - 18"-20" (PR)	
12	561200-561220	COMPOSITE FOOTPLATE 14"-20" (EA)	1
1-3,5,8-10,12	828950-828955	EXTENDED FOOTPLATE ASSEMBLY 14"-20" (EA)	
	921030-921032	EXTENDED FOOTPLATE ASSEMBLY 14"-20" (PR)	

ITEM	NUMBER	DESCRIPTION	QTY		
1-12	828960-828965	EXTENDED FOOTPLATE ASSEMBLY HL LP 14"-20" (EA)			
	921033-921035	EXTENDED FOOTPLATE ASSEMBLY HL LPS 14"-20" (PR)			
	828970-828975	EXTENDED FOOTPLATE ASSEMBLY HEMI HL LP 14"-20" (EA)			
	921036-921038	EXTENDED FOOTPLATE ASSEMBLY HEMI HP LPS 14"-20" (PR)			
	1-3,5*	828900-828905		EXTENDED FOOTPLATE W/HARDWARE 14"-20" (EA)	
		921010-921012		EXTENDED FOOTPLATE W/HARDWARE 14"-20" (PR)	
1-7,11		828910-828915	EXTENDED FOOTPLATE W/HARDWARE HL LP 14"-20" (EA)		
	921013-921015	EXTENDED FOOTPLATE W/HARDWARE HL LPS 14"-20" (PR)			
	828920-828925	EXTENDED FOOTPLATES W/HARDWARE HEMI HL LP 14"-20" (EA)			
	921016-921018	EXTENDED FOOTPLATES W/HARDWARE HEMI HL LPS 14"-20" (PR)			

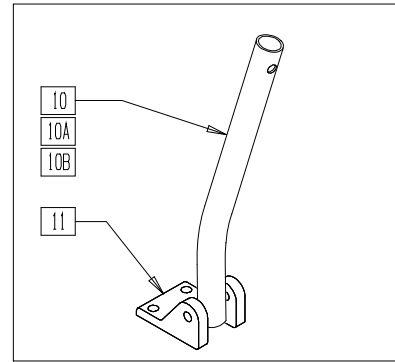
*NOTE: TO ACCOMMODATE THE EXTENDED FOOTPLATE, THE COMPOSITE FOOTPLATE MUST BE DRILLED IN THE FIELD OR HAVE PRE-EXISTING HOLES.

ELR ALUMINUM FOOTPLATE

(Effective 3/24/97)



M6 PARTS



*M6 USES ELR FOOTPLATE ASSEMBLY 18"-20" ONLY

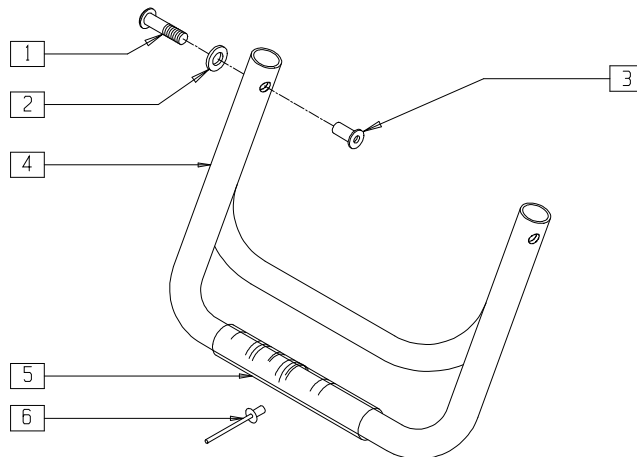
FT0X033A

ITEM	NUMBER	DESCRIPTION	QTY
1	226090	1/4-28 x 5/8 BH C/S	2
2	550739	FOOTPLATE MOUNTING BRACKET	1
3	226148	1/4-28 x 1.85 BH C/S	1
4	281043	#4 x 5/8 PAN PHIL S/TAP	4
5	560101	END CAPS FOOTREST	2
6	550748	FOOTPLATE ELR 14"-15"	1
6A	550749	FOOTPLATE ELR 16"-17"	1
6B	550750	FOOTPLATE ELR 18"-20"	1
4-6	882337	ELR FOOTPLATE ASSEMBLY 14"-15"	
4-6A	882338	ELR FOOTPLATE ASSEMBLY 16"-17"	
4-6B*	882339	ELR FOOTPLATE ASSEMBLY 18"-20"	
7	550744	REG EXTENSION TUBE ELR	1

ITEM	NUMBER	DESCRIPTION	QTY
7A	550745	LONG EXTENSION TUBE ELR	1
8	201100-QU	1/4-28 NYLOCK NUT THIN	3
9**	561003	3/4" SADDLE THIN	2
1-6,8	921400	ELR FOOTPLATE KIT 14"-15" (EA)	
1-5,6A,8	921401	ELR FOOTPLATE KIT 16"-17" (EA)	
1-5,6B,8	921402	ELR FOOTPLATE KIT 18"-20" (EA)	
10	521010	FOOTREST EXT TUBE ONLY SHT BLK	1
10A	521011	FOOTREST EXT TUBE ONLY MED BLK	1
10B	521012	FOOTREST EXT TUBE ONLY LNG BLK	1
11	550860	FOOTPLATE MNT BRCKT RECESSED	1
1,3-6B,8,9,11	921399	ALUM FOOTPLATE KIT 18-20 ANO M6	1

**NOTE: ORDER PART 561003 PRIOR TO 8/13/01

RIGID FOOTREST (QUICKIE 1/GP 60°/70°)



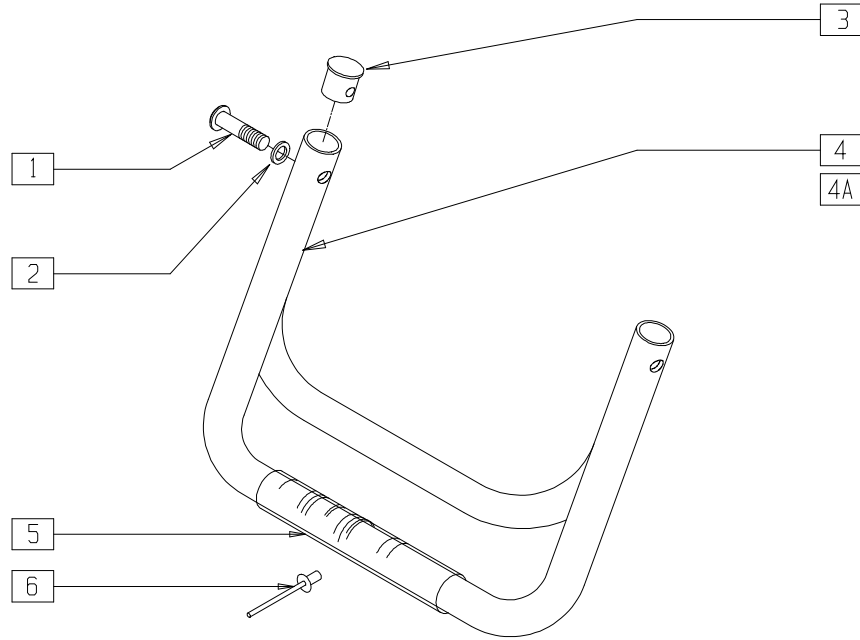
FT0X08

ITEM	NUMBER	DESCRIPTION	QTY
1	281140	10-32 x 1 PAN PHIL	2
2	261204	#10 AN WASHER .063	2
3	341500	10-32 x .010-.080 RIVNUT	2
4-6	800100-800108	RIGID FOOTREST 12"-20"	

ITEM	NUMBER	DESCRIPTION	QTY
5	562400-562416	IMPACT GUARD GP/GPV 12"-20"	1
6	240112	RIVET POP SD46BS BLK	1

FOOTREST (QUICKIE CARBON RIGID)

(Discontinued 3/1/95 - parts only)



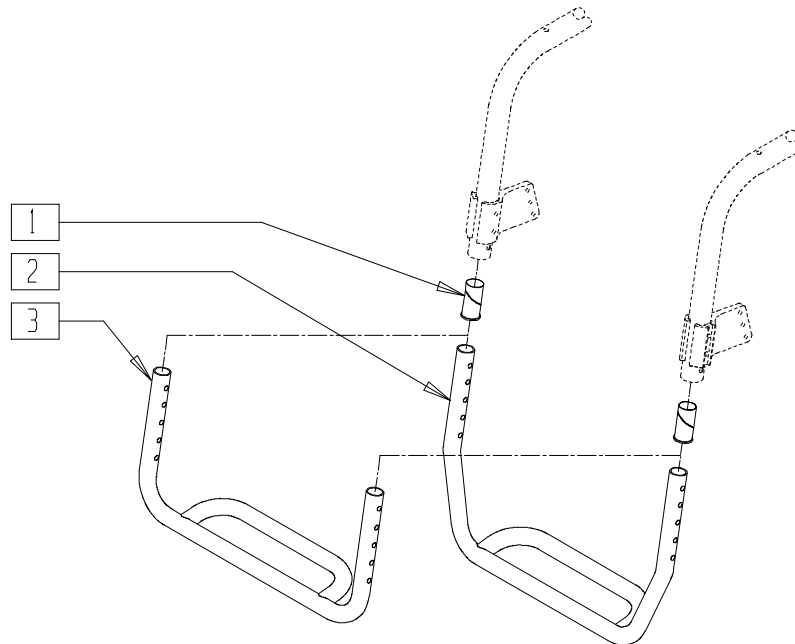
COMP3X04

ITEM	NUMBER	DESCRIPTION	QTY
1	226120	1/4-20 x 1 BH C/S	2
2	262130	6mm WASHER WAVE	2
3	483092	QC FOOTREST PLUG	2
5	562404-562412	IMPACT GUARD GP/QC 14"-18" (CARBON RIGID FOOTREST)	1

ITEM	NUMBER	DESCRIPTION	QTY
6	240112	RIVET POP SD46BS BLK	1
4-6	800202-800206	QC FOOTREST REG 14"-18"	
4A,5,6	800212-800216	QC FOOTREST LONG 14"-18"	

FOOTREST (QUICKIE EX)

(Discontinued 2/14/97 - parts only)

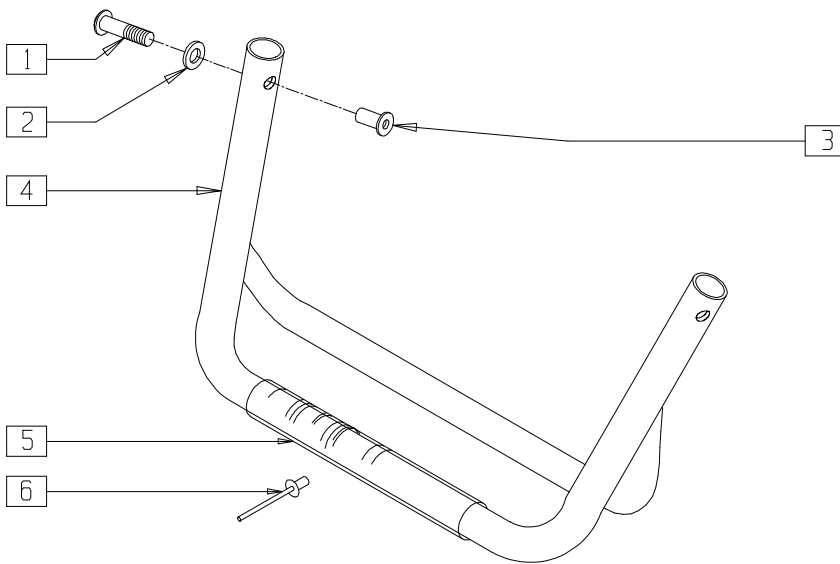


SP00X03

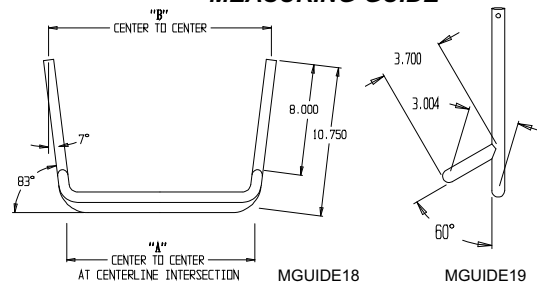
ITEM	NUMBER	DESCRIPTION	QTY
1	560404	7/8-1 1/8 FRAME BUSHING	2
2	522564-522570	EX FOOTREST 14" LONG "V" - 20" LONG "V"	1

ITEM	NUMBER	DESCRIPTION	QTY
3	522554-522560	EX FOOTREST 14" REG - 20" REG	1

FOOTREST (QUICKIE GPV/Ti)



MEASURING GUIDE



FRAME WIDTH	"A"	"B"	FRAME WIDTH	"A"	"B"
14	8.5"	11.125"	18	12.5"	15.125"
15	9.5"	12.125"	19	13.5"	16.125"
16	10.5"	13.125"	20	14.5"	17.125"
17	11.5"	14.125"			

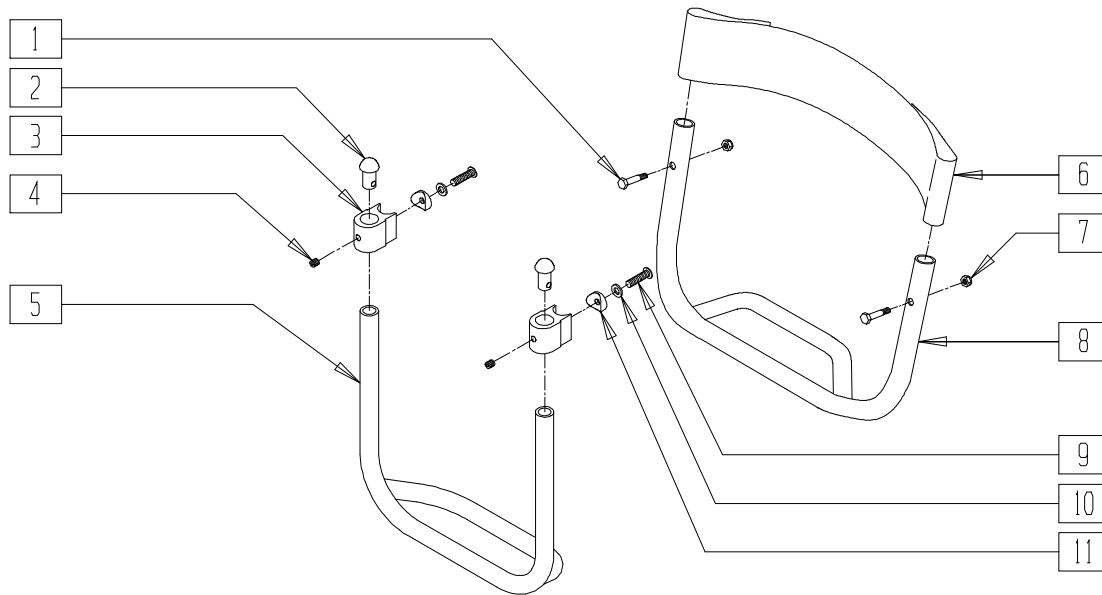
NOTE: 7° ANGLE ON EACH SIDE FOR "V".

FT0X018

ITEM	NUMBER	DESCRIPTION	QTY
1	281140	10-32 x 1 PAN PHIL	2
2	261204	#10 AN WASHER .063	2
3	341500	10-32 x .010 -.180 RIVNUT	2
4,5,6	800120-800126	GPV 1 PC FOOTREST 14"-20"	

ITEM	NUMBER	DESCRIPTION	QTY
5	562400-562412	IMPACT GUARD GP/GPV 14"-20"	1
6	240112	RIVET POP SD46BS BLK	

FOOTREST (QUICKIE ST)

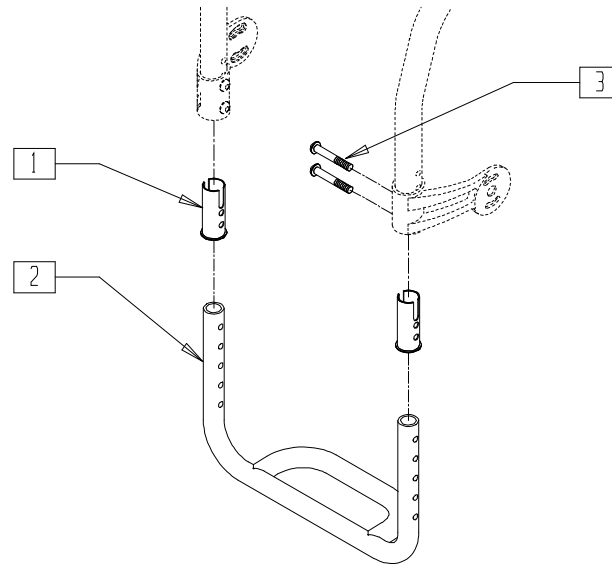


RG000X09

ITEM	NUMBER	DESCRIPTION	QTY
1	226115	1/4 x 20 x 1 HEX C/S SS	2
2	561034	SHORT DOME PLUG	2
3	550382	FOOTREST MOUNTING BRACKET	2
4	225111	1/4-20 x 1/4 SET SCREW SS	2
5	527527	FOOTREST ADJ 12" RIGID SHADOW UP	1
6	740160	CALF STRAP LONG	1
7	201135	1/4-20 NYLOCK NUT LOW SS	2

ITEM	NUMBER	DESCRIPTION	QTY
8	527528, 527680-527685	FOOTREST RIGID SHADOW 12"-18"	1
9	226115	1/4 x 20 x 1 HEX C/S SS	2
10	261506	1/4 x 1/2 OD WASHER SS	2
11	561003	3/4" SADDLE THIN	2

FOOTREST (QUICKIE XTR)

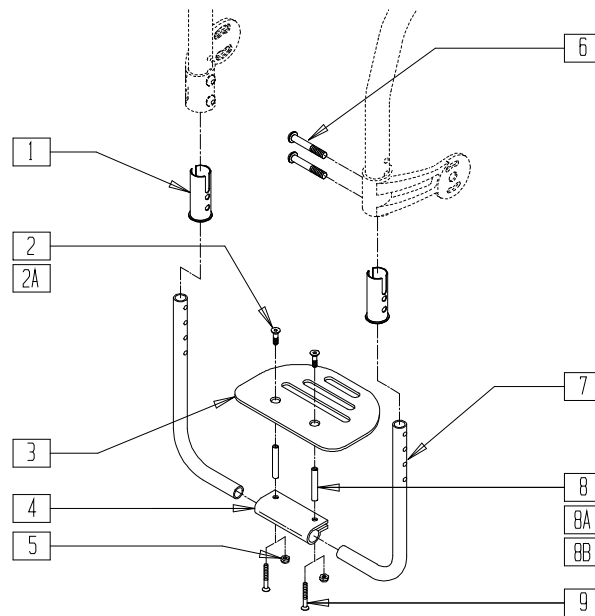


SUS00X26

ITEM	NUMBER	DESCRIPTION	QTY
1	561263	FOOTREST BUSHING	2
2	522170-522176	FOOTREST ONLY 14"-20" XTR	1

ITEM	NUMBER	DESCRIPTION	QTY
2	800180-800186	FOOTREST 14"-20" ASSM XTR W/INSERT	1
3	226079	1/4-28 x 1 1/2 BH C/S BLK W/PATCH	

PLATFORM FOOTREST (QUICKIE XTR)

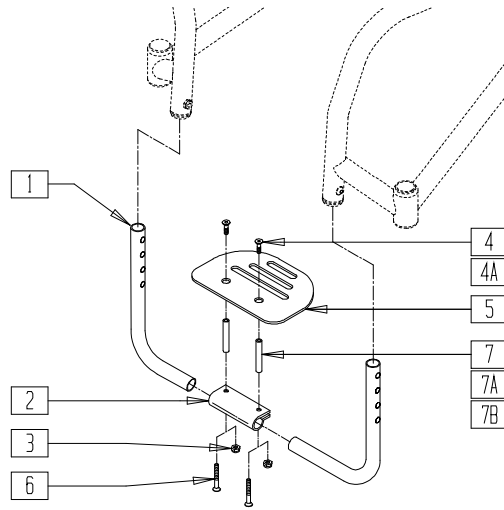


SUS00X40

ITEM	NUMBER	DESCRIPTION	QTY
1	561263	FOOTREST BUSHING	2
2	226099	1/4-28 x 7/8 FH C/S	2
2A	226121	1/4-20 x 1 FH C/S BLK (2", 4", 6" SPACER)	2
3	500650-500652	PLATFORM FOOTPLATE	1
4	550351	PLATFORM FOOTPLATE CLAMP	2
5	201120	1/4-28 AUTOMATION NUT	2

ITEM	NUMBER	DESCRIPTION	QTY
6	226079	1/4-28 x 1 1/2 BH C/S BLK W/PATCH	4
7	522191-522194	PLATFORM FT TB 14"-20" XTR W/INSERT	2
8	481306	ADAPTIVE FOOTREST SPACER 2"	2
8A	481307	ADAPTIVE FOOTREST SPACER 4"	2
8B	481308	ADAPTIVE FOOTREST SPACER 6"	2
9	226110	1/4-28 x 1 BH C/S	2
2-5,7	800187-800190	PLATFORM FOOTREST ASSEMBLY 14"-20" XTR	

PLATFORM FOOTREST (QUICKIE R2)



FOOTPLATE REFERENCE GUIDE

	PART NUMBER
14"	500650
15"	500650
16"	500651
17"	500651
18"	500652
19"	500652
20"	500652

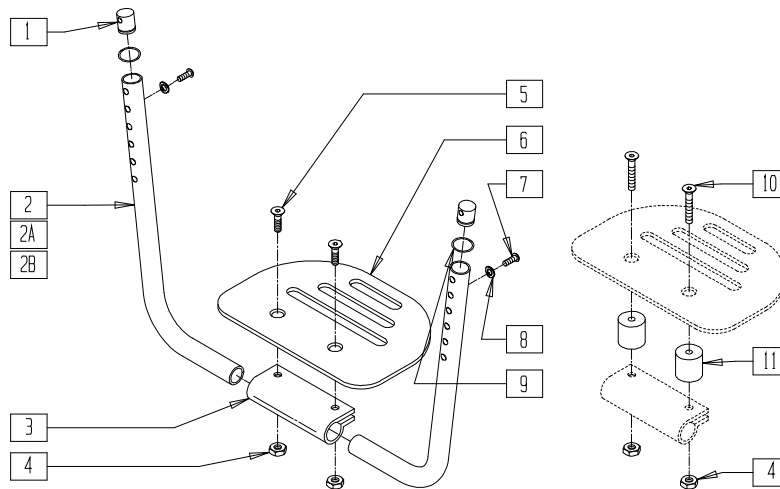
R200X10A

ITEM	NUMBER	DESCRIPTION	QTY
1	522195-522197	FOOTREST TUBE W/INSERTS (14"-20") R2	2
2	550351	PLATFORM FOOTPLATE CLAMP	1
3	201120	1/4-28 AUTOMATION NUT	2
4	226099	1/4-28 x 7/8 FH C/S	2
4A	226121	1/4-20 x 1 FH C/S BLK (2", 4", 6" SPACER)	2

ITEM	NUMBER	DESCRIPTION	QTY
5	500650-500652	PLATFORM FOOTPLATE	1
6	226110	1/4-28 x 1 BH C/S	2
7	481306	ADAPTIVE FOOTREST SPACER 2"	2
7A	481307	ADAPTIVE FOOTREST SPACER 4"	2
7B	481308	ADAPTIVE FOOTREST SPACER 6"	2
1-5	800281-800283	PLATFORM FOOTREST ASSEMBLY (14"-20") R2	

PLATFORM FOOTREST (QUICKIE GPS/REVOLUTION/TRIUMPH)

(Quickie GPS and Triumph discontinued 2/01-Parts only)

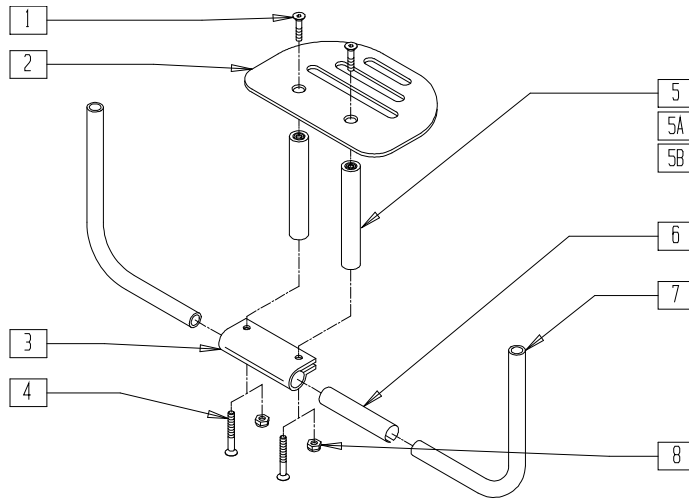


GBL00X6A

ITEM	NUMBER	DESCRIPTION	QTY
1	483032	GPS FOOTREST RETAINING PLUG	2
2	522141-522144	GPS FOOTREST TUBE 14"/15" - 20" (TRIUMPH STD)	2
2A	522166-522169	FOOTREST TUBE 14"/15" - 20" SHORT RV	2
3	550351	PLATFORM FOOTPLATE CLAMP	1
4	201120	1/4-28 AUTOMATION NUT	2
5	226099	1/4-28 x 7/8 FH C/S	2
6	500650	PLATFORM FOOTPLATE 6" x 5 1/2" (14"-15")	1
	500651	PLATFORM FOOTPLATE 8" x 5 1/2" (16"-17")	
	500652	PLATFORM FOOTPLATE 10" x 5 1/2" (18"-20")	
7	226101	1/4-20 x 3/4 BH C/S	2

ITEM	NUMBER	DESCRIPTION	QTY
8	262130	6mm WASHER WAVE	2
9	342013	PLUG O-RING RUBBER HEMI	2
1,9	880585	RETAINING PLUG AND O-RING	
10	226153	1/4-28 x 2 FH C/S BLK	2
11	561180	7/8" PLASTIC SPACER ROUND 1/4" HOLE	2
1-9	880154-880160	GPS/TR PLATFORM FOOTREST ASSEMBLY 14"-20" (GPS/TRIUMPH)	
1,2B,3-9	880141-880144	TRIUMPH PLATFORM FOOTREST ASSEMBLY TALL 14"/15" - 20"	
2A,3-6	880130-880136	RV PLATFORM FOOTREST ASSEMBLY 14"-20" STD (REVOLUTION)	
	2-6	880131-880137	RV PLATFORM FOOTREST ASSEMBLY 14"-20" LONG (REVOLUTION)

PLATFORM FOOTREST (QUICKIE DT)



REFERENCE GUIDE

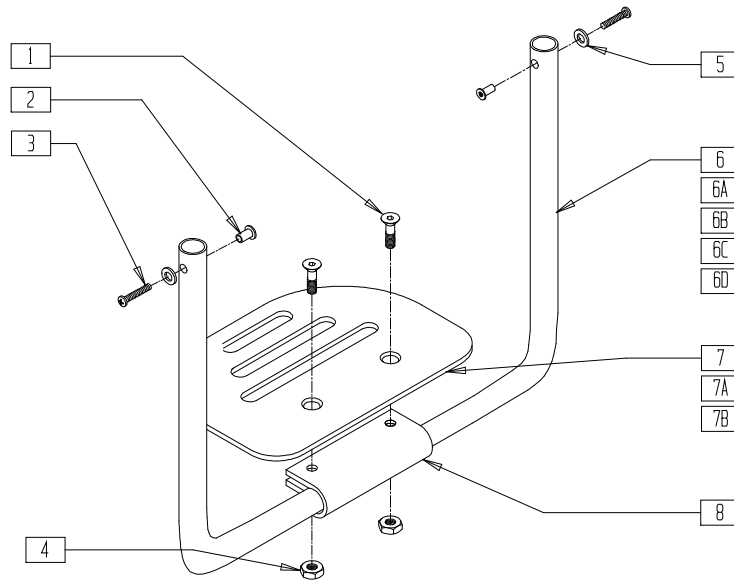
	FOOTPLATE P/N
12"	500649
13"	500649
14"	500650
15"	500650
16"	500651
17"	500651
18"	500652
19"	500652
20"	500652

RG000X10

ITEM	NUMBER	DESCRIPTION	QTY
1	226099	1/4-28 X 7/8 FH C/S	2
2	500649-500652	PLATFORM FOOTPLATE	1
3,6	881220	PLATFORM F/PLT CLAMP W/SHIM	1
4	221110	1/4-20 X 1 HEX C/S	2
5	481306	ADAPTIVE FOOTREST SPACER 2"	2
5A	481307	ADAPTIVE FOOTREST SPACER 4"	2
5B	481308	ADAPTIVE FOOTREST SPACER 6"	2
7	527885	FOOTREST TUBE DT (QUICKIE DT)	2

ITEM	NUMBER	DESCRIPTION	QTY
8	201136	1/4-20 NYLOCK NUT HIGH	2
1A-7	800166-800168	PLATFORM FOOTPLATE W/2" SPACER	
1A-4,5A, 6,7	800169-800171	PLATFORM FOOTPLATE W/4" SPACER	
1A-4,5B, 6,7	800172-800174	PLATFORM FOOTPLATE W/6" SPACER	
1-3,6-8	800175-800177	PLATFORM FOOTPLATE DT	

PLATFORM FOOTREST (QUICKIE GP)



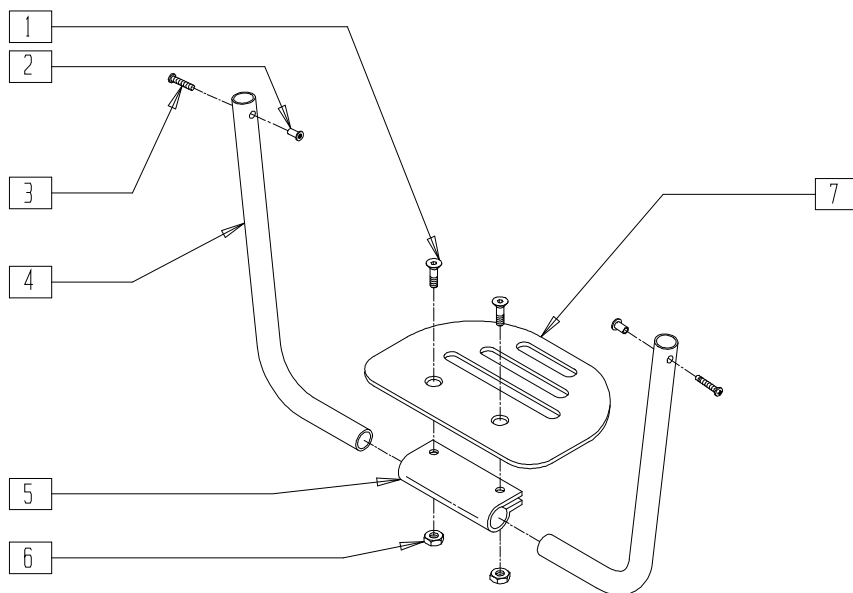
GPFOOT

ITEM	NUMBER	DESCRIPTION	QTY
1	226099	1/4-28 x 7/8 FH C/S	2
2	341500	10-32 x .010-.080 RIVNUT	2
3	281140	10-32 x 1 PAN PHIL	2
4	201120	1/4-28 AUTOMATION NUT	2
5	261204	#10 AN WASHER .063	2
6	522128	GP PLATFORM FOOTREST TUBE 12"-13"	2
6A	522130	GP PLATFORM FOOTREST TUBE 14"-15"	2
6B	522132	GP PLATFORM FOOTREST TUBE 16"-17"	2

ITEM	NUMBER	DESCRIPTION	QTY
6C	522134	GP PLATFORM FOOTREST TUBE 18"-19"	2
6D	522136	GP PLATFORM FOOTREST TUBE 20"	2
7	500650*	PLATFORM FOOTPLATE 6" x 5 1/2"	1
7A	500651*	PLATFORM FOOTPLATE 8" x 5 1/2"	1
7B	500652*	PLATFORM FOOTPLATE 10" x 5 1/2"	1
8	550351	PLATFORM FOOTPLATE CLAMP	1
1-8	800130-800138	GP PLATFORM FOOTREST ASSEMBLY 12"-20"	

* FOR ORDERING INFORMATION, PLEASE SEE PLATFORM FLIP-UP FOOTREST REFERENCE GUIDE ON PAGE 13.25.

PLATFORM FOOTREST (QUICKIE GPV/GPV COMPETITION/Ti)



GPVFOOT

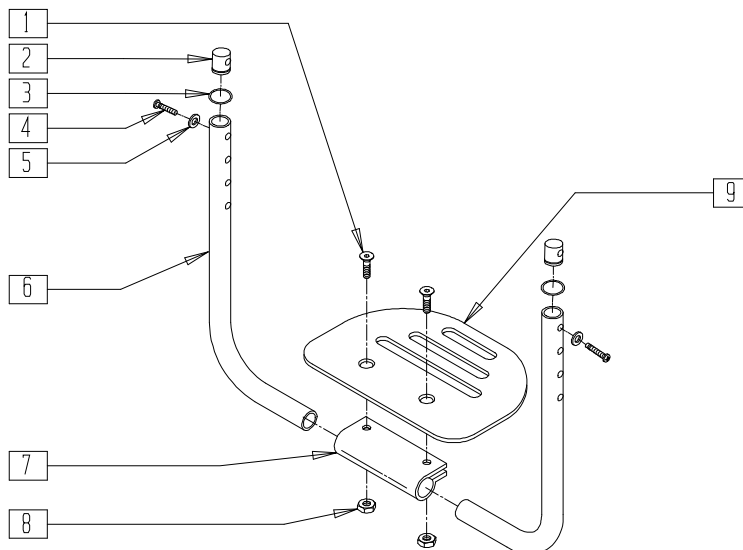
ITEM	NUMBER	DESCRIPTION	QTY
1	226099	1/4-28 x 7/8 FH C/S	2
2	341500	10-32 x .010-.080 RIVNUT	2
3	281140	10-32 x 1 PAN PHIL	2
4	522120	GPV PLATFORM FOOTREST TUBE 14"-15"	2
	522122	GPV PLATFORM FOOTREST TUBE 16"-17"	
	522124	GPV PLATFORM FOOTREST TUBE 18"-19"	
	522126	GPV PLATFORM FOOTREST TUBE 20"	

ITEM	NUMBER	DESCRIPTION	QTY
5	550351	PLATFORM FOOTPLATE CLAMP	1
6	201120	1/4-28 AUTOMATION NUT	2
7	500650*	PLATFORM FOOTPLATE 6" x 5 1/2"	1
	500651*	PLATFORM FOOTPLATE 8" x 5 1/2"	
	500652*	PLATFORM FOOTPLATE 10" x 5 1/2"	
1-7	800140-800146	GPV PLATFORM FOOTREST ASSEMBLY 14"-20"	

* FOR ORDERING INFORMATION, PLEASE SEE PLATFORM FLIP-UP FOOTREST REFERENCE GUIDE PAGE 13.26.

PLATFORM FOOTREST (Quickie TNT)

(Quickie TNT discontinued 2/01-Parts only)

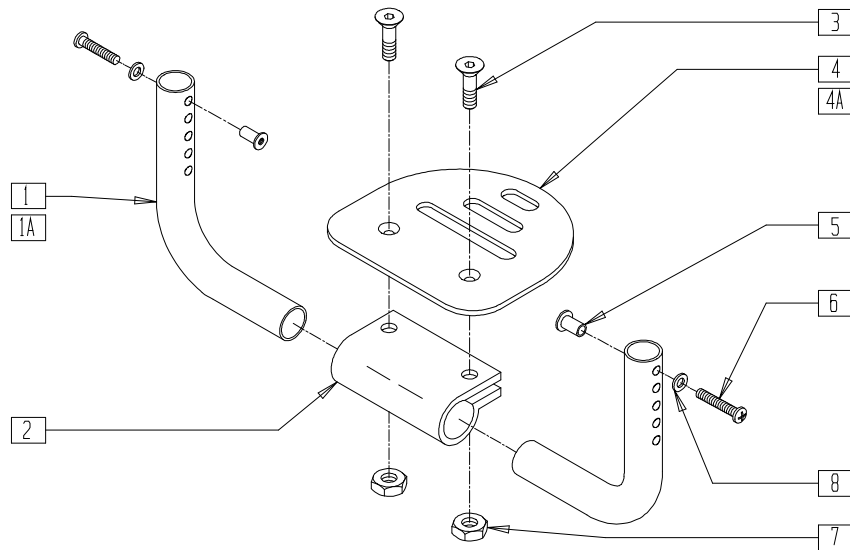


TNT00X11

ITEM	NUMBER	DESCRIPTION	QTY
1	226099	1/4-28 x 7/8 FH C/S	2
2	483032	GPS FOOTREST RETAINING PLUG	2
3	342013	PLUG O-RING RUBBER HEMI	2
2,3	880585	RETAINING PLUG AND O-RING	
4	226120	1/4-20 x 1 BH C/S	2
5	262130	6mm WASHER WAVE	2
6	522247-522249	FOOTREST TUBE QTNT	2

ITEM	NUMBER	DESCRIPTION	QTY
7	550351	PLATFORM FOOTPLATE CLAMP	1
8	201120	1/4-28 STOVER NUT	2
9	500650-500652	PLATFORM FOOTPLATE	1
1-9	800300-800304	PLATFORM FOOTREST ASSEMBLY QTNT	

PLATFORM FOOTREST (QUICKIE KIDZ)

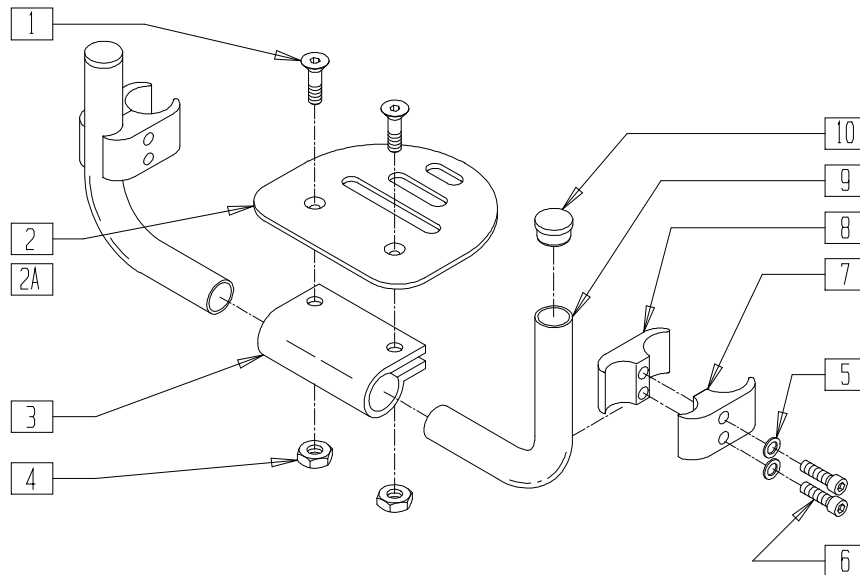


KDZ00X03

ITEM	NUMBER	DESCRIPTION	QTY
1	522116-522118	KIDZ FOOTREST TUBE REG 10"-11", 14"	2
1A	522145-522147	KIDZ FOOTREST TUBE LONG 10"-11", 14"	2
2	550351	PLATFORM FOOTPLATE CLAMP	1
3	226099	1/4-28 x 7/8 FH C/S	2
4	500650	PLATFORM FOOTPLATE 6" x 5 1/2" (10"-13")	1
4A	500651	PLATFORM FOOTPLATE 8" x 5 1/2" (14")	1

ITEM	NUMBER	DESCRIPTION	QTY
5	341500	10-32 x .010-.080 RIVNUT	2
6	281140	10-32 x 1 PAN PHIL	2
7	201120	1/4-28 AUTOMATION NUT	2
8	261204	#10 AN WASHER .063	2
1-4, 4A, 5-8	800150-800154	KIDZ REG PLATFORM FOOTPLATE ASSEMBLY 10"-14"	
1A, 2-4, 4A, 5-8	800155-800159	KIDZ LONG PLATFORM FOOTPLATE ASSEMBLY 10"-14"	

HIGH-MOUNT FOOTREST (QUICKIE KIDZ)



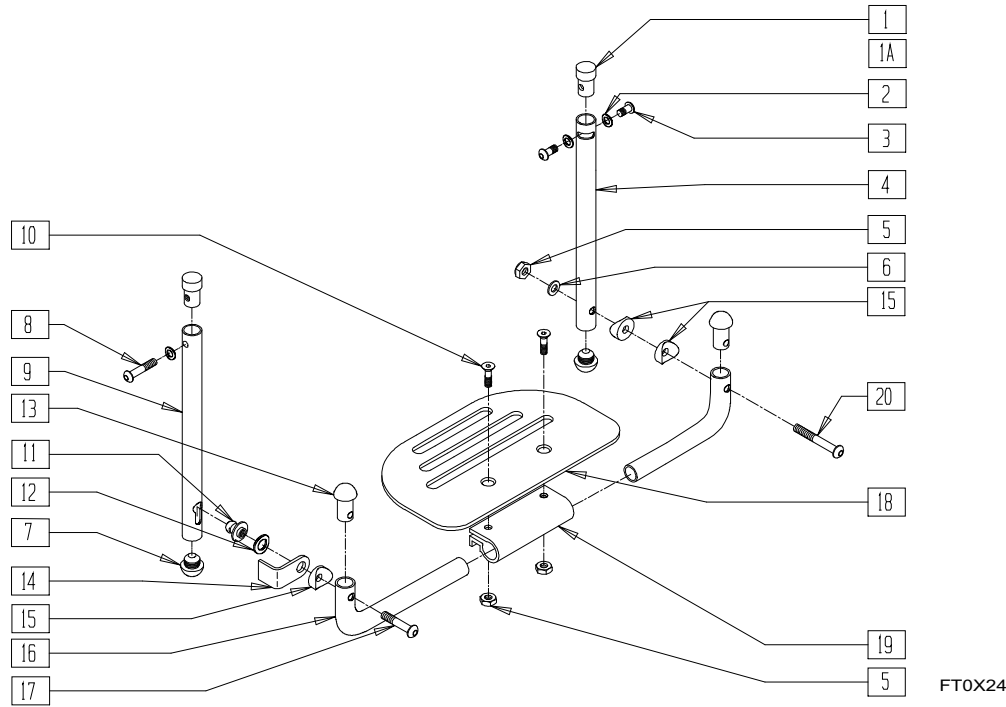
KDZ00X16

ITEM	NUMBER	DESCRIPTION	QTY
1	226099	1/4-28 x 7/8 FH C/S	2
2	500650	PLTFRM FOOTPLATE 6" x 5 1/2" (10"-13")	1
2A	500651	PLTFRM FOOTPLATE 8" x 5 1/2" (14")	1
3	550351	PLTFRM FOOTPLATE CLAMP (SPECIFY BLK)	1
4	201120	1/4-28 AUTOMATION NUT	2
5	262114	1/4 WASHER HI COLLAR LOCK ZN	4
6	226112	1/4-28 x 1 SOC S/C BLK	4

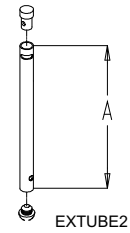
ITEM	NUMBER	DESCRIPTION	QTY
7	550257	CLAMP 1 1/4" RECESS FULL	2
8	550258	CLAMP 1 1/4" THREADED (SPECIFY BLK)	2
9	522106-522108	KIDZ HIGH-MOUNT FOOTREST TUBE 10"-11", 14"	2
10	560762	3/4" INSERT PLUG .065	2
1-10	800160-800164	KIDZ HIGH-MOUNT FOOTPLATE ASSEMBLY 10"-14"	

PLATFORM FLIP-UP FOOTREST (QUICKIE GP/GPV/Ti)

(Discontinued 10/23/99- Parts only)



MEASURING GUIDE



	"A"
SHORT	5 3/8"
MED	7 7/8"
LONG	10 3/8"

ITEM	NUMBER	DESCRIPTION	QTY
1	483065	THREADED EXT TUBE PLUG	2
1A	483066	THREADED EXT TUBE PLUG Ti	2
2	262130	6mm WASHER WAVE	2
3	221060	1/4-28 x 1 1/2 BH C/S	2
4	521075-521077	FOOTPLATE EXT TUBE SLOT L 1-PC	1
5	201120	1/4-28 AUTOMATION NUT	3
6	262110	1/4 AN WASHER FLAT THIN	1
7	482028	3/4" DOME PLUG .125	2
8	226110	1/4-28 x 1 BH C/S	1
9	521054-521056	FOOTPLATE EXT TUBE KEYHOLED 1-PC	1
10	226099	1/4-28 x 7/8 FH C/S	2
11	481148	KEYHOLED STUD	1
12	262137	3/8 WASHER CURVED	1
13	561034	SHORT DOME PLUG	2
14	505078	FOOTREST RETAINING BRACKET	1
15	561003	3/4" SADDLE THIN	3

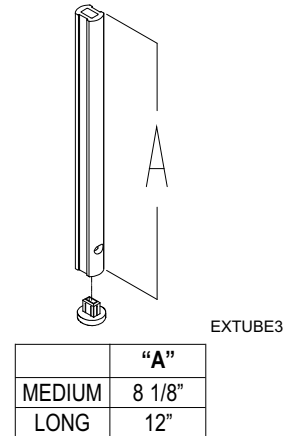
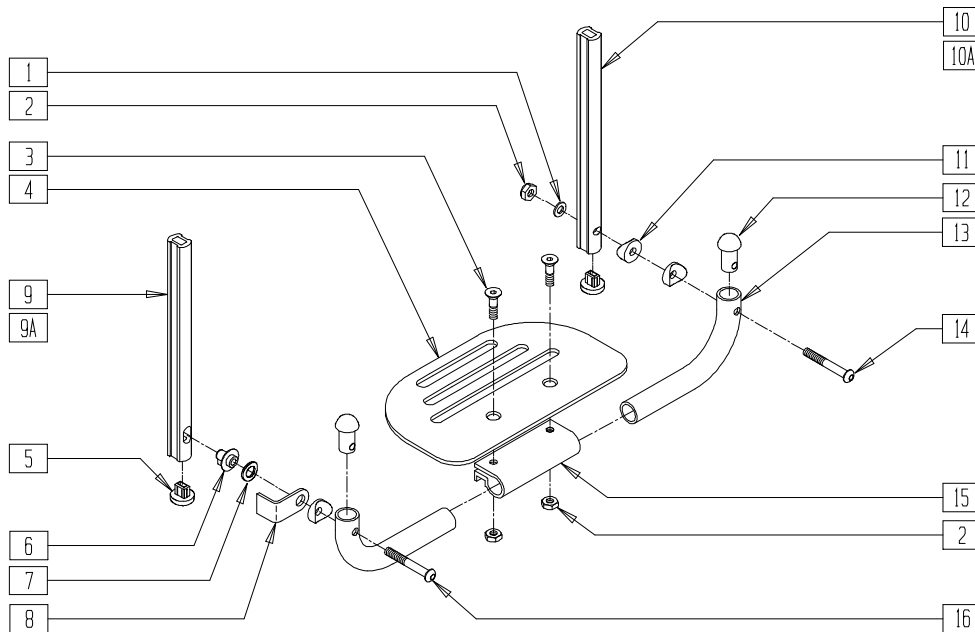
ITEM	NUMBER	DESCRIPTION	QTY
16*	522150-522160	PLATFORM FLIP-UP FOOTPLATE TUBE 10"-20"	2
17	226131	1/4-28 x 1 1/4 BH C/S SHLDR	1
18*	500650-500654	PLATFORM FOOTPLATE	1
19	550351	PLATFORM FOOTPLATE CLAMP	1
20	226150	1/4-28 x 2 BH C/S	1
1-4,7	900105-900107	PLATFORM FLIP-UP EXT L ASSEMBLY	
1A,2-4,7	900125-900127	PLATFORM FLIP-UP EXT L ASSEMBLY Ti	
1,2,7-9	900111-900113	PLATFORM FLIP-UP EXT KEYHOLED	
1A,2,7-9	900131-900133	PLATFORM FLIP-UP EXT KEYHOLED Ti	
1-4,7-9	921242-921248	PLATFORM FLIP-UP EXT TUBE ASSEMBLY (PR)	
5,6,10-20*	900150-900162	PLATFORM FLIP-UP FOOTPLATE ASSEMBLY 10"-22"	

* FOR ORDERING INFORMATION, PLEASE SEE PLATFORM FLIP-UP FOOTREST REFERENCE GUIDE ON PAGE 13.26.

PLATFORM FLIP-UP FOOTREST (QUICKIE 2)

(Discontinued 8/13/01-Parts only)

MEASURING GUIDE



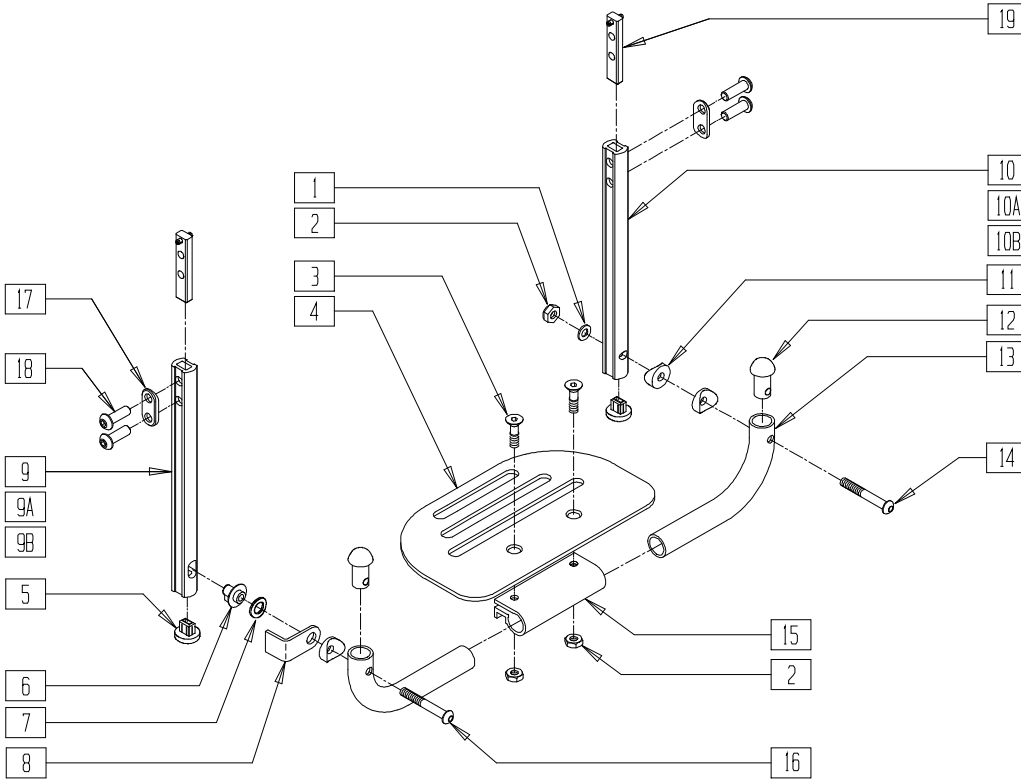
Q220X13

ITEM	NUMBER	DESCRIPTION	QTY
1	262110-QU	1/4 AN WASHER FLAT THIN	1
2	201120	1/4-28 AUTOMATION NUT	3
3	226099	1/4-28 x 7/8 FH C/S	2
4*	500650-500654	PLTFORM F/PLT 6"- 14" x 5 1/2"	1
5	560752	PLUG FOOTREST EXT TUBE Q2 ROUND	2
6	540410	F/UP FOOTREST KEY STUD D2	1
7	262137	3/8 WASHER CURVED	1
8	505078	FOOTREST RETAINING BRACKET	1
9	550587	F/UP FOOTREST KEY EXT MED	1
9A	550588	F/UP FOOTREST KEY EXT LONG	1
10	550585	F/UP FOOTREST SLOTTED EXT MED	1
10A	550586	F/UP FOOTREST SLOTTED EXT LONG	1

ITEM	NUMBER	DESCRIPTION	QTY
11	561003	3/4" SADDLE THIN CERAMIC	3
12	561034	SHORT DOME PLUG	2
13*	522150-522162	PLTFRM F/UP F/PLT TUBE 10"- 22"	2
14	226150	1/4-28 x 2 BH C/S	1
15	550351	PLATFORM FOOTPLATE CLAMP	1
16	226131	1/4-28 x 1 1/4 BH C/S SHLDR	1
5,9,10	921340, 921341	EXT TUBE D2 SHRT PLTFRM BLK (EA)	
5,9A,10A	921342, 921343	EXT TUBE D2 LNG PLTFRM BLK (EA)	
1-4,6-8, 11-16*	900137-900149	PLTFM F/P F/PLT BLK ASSM D2	

* FOR ORDERING INFORMATION, PLEASE SEE PLATFORM FLIP-UP FOOTREST REFERENCE GUIDE ON PAGE 13.26.

PLATFORM FLIP-UP FOOTREST
(QUICKIE 2/GP/GPV/GPSA/LX/LXI/Rx/ZIPPIE/ZIPPIE GS/TS)
 (Effective 8/13/01)



MEASURING GUIDE



	"A"
SHORT	6 3/8"
MEDIUM	8 1/2"
LONG	11"

EXTUBE3

Q220X13A

ITEM	NUMBER	DESCRIPTION	QTY
1	262110-QU	1/4 AN WASHER FLAT THIN	1
2	201120	1/4-28 AUTOMATION NUT	3
3	226099	1/4-28 x 7/8 FH C/S	2
4*	500650- 500654	PLTFORM F/PLT 6"- 14" x 5 1/2"	1
5	560752	PLUG FOOTREST EXT TUBE Q2 ROUND	2
6	540410	F/UP FOOTREST KEY STUD D2	1
7	262137	3/8 WASHER CURVED	1
8	505078	FOOTREST RETAINING BRACKET	1
9	550828	EXT TBE F/UP KEY ONLY SHT	1
9A	550829	EXT TBE F/UP KEY ONLY MED	1
9B	550830	EXT TBE F/UP KEY ONLY LNG	1
10	550825	EXT TBE F/UP SLT ONLY SHT	1
10A	550826	EXT TBE F/UP SLT ONLY MED	1
10B	550827	EXT TBE F/UP SLT ONLY LNG	
11	561003	3/4" SADDLE THIN	3
12	561034	SHORT DOME PLUG	2
13*	522150- 522162	PLTFRM F/UP F/PLT TUBE 10"- 22"	2
14	226150	1/4-28 x 2 BH C/S	1

ITEM	NUMBER	DESCRIPTION	QTY
15	550351	PLATFORM FOOTPLATE CLAMP	1
16	226131	1/4-28 x 1 1/4 BH C/S SHLDR	1
17	483717	HANGER SADDLE	2
18	226064	1/4-28 X 3/4 BH C/S BLK W/PTCH	4
19	505945	INSERT D2 EXT TUBE W/PIN	2
5,9,17-19	921742	EXT TBE F/UP SLT SHT ASSM PCKT	
5,9A,17-19	921743	EXT TBE F/UP SLT MED ASSM PCKT	
5,9B,17-19	921744	EXT TBE F/UP SLT LNG ASSM PCKT	
5,10,17-19	921745	EXT TBE F/UP KEY SHT ASSM PCKT	
5,10A,17-19	921746	EXT TBE F/UP KEY MED ASSM PCKT	
5,10B,17-19	921747	EXT TBE F/UP KEY LNG ASSM PCKT	
5,9,10,17-19	921269	S/A EXT TUBE D2 SHT PLTFRM BLK	
5,9A,10A,17-19	921267	S/A EXT TUBE D2 MED PLTFRM BLK	
5,9B,10B,17-19	921268	S/A EXT TUBE D2 LNG PLTFRM BLK	
1-4,6-8,11-16*	900137- 900149	PLTFM F/P F/PLT BLK ASSM D2 (10"-22")	

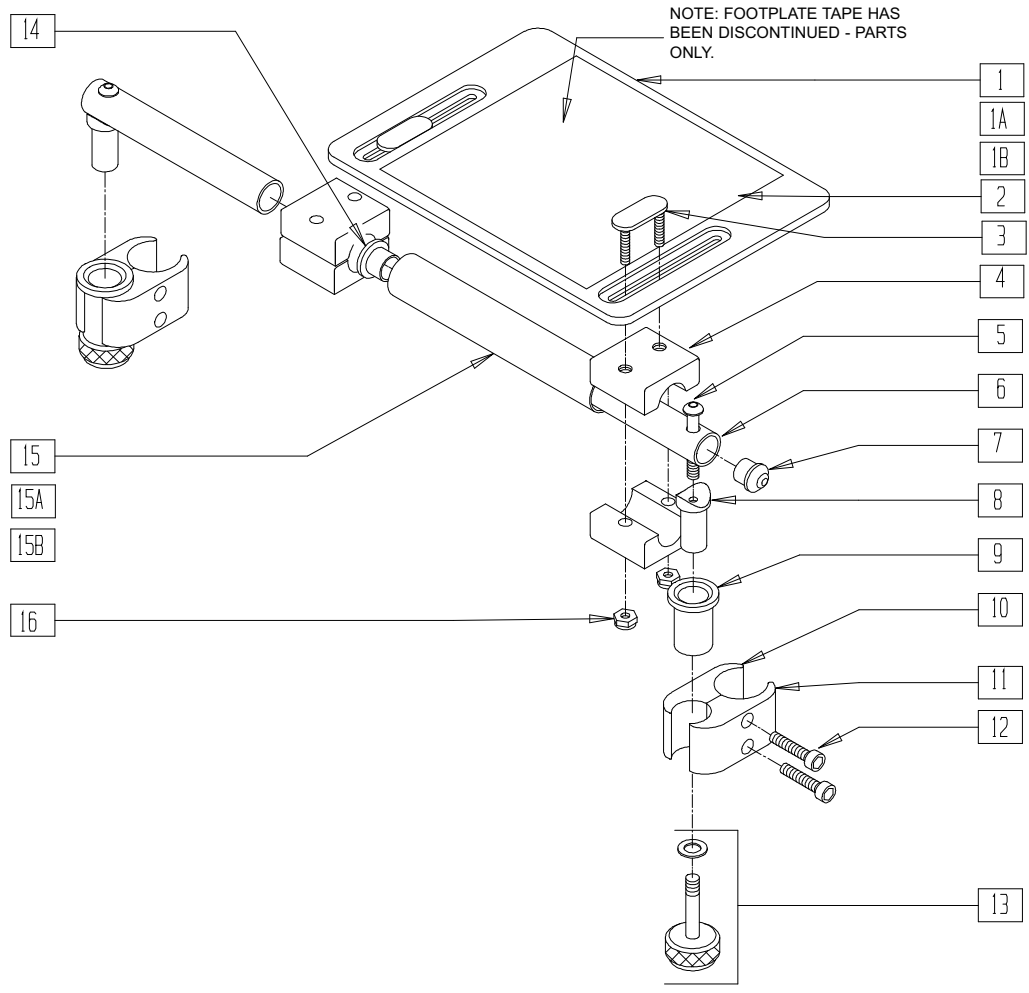
* FOR ORDERING INFORMATION, PLEASE SEE PLATFORM FLIP-UP FOOTREST REFERENCE GUIDE ON PAGE 13.26.

PLATFORM FLIP-UP FOOTREST REFERENCE GUIDE

	10"	11"	12"	13"	14"	15"	16"	17"	18"	19"	20"	21"	22"
GP Rigid or S/A Reg. (Quickie GP 70°, GP S/A, 2, 2HP, 2HPTi, LX, Recliner, Rx, TS, Zippie, Zippie 2, Zippie TS Swing-away)													
Platform Footplate	500650	500650	500651	500651	500651	500652	500652	500652	500653	500653	500653	500653	500653
Platform Tube	522150	522151	522152	522153	522154	522155	522156	522157	522158	522159	522160	522161	522162
Platform Assembly - (Round Extensions)	900150	900151	900152	900153	900154	900155	900156	900157	900158	900159	900160	900161	900162
Platform Assembly - ("D" Extrusions)	900137	900138	900139	900140	900141	900142	900143	900144	900145	900146	900142	900148	900149
GPV Rigid (Quickie GPV, GPV Competition, Ti)													
Platform Footplate	N/A	N/A	N/A	N/A	500650	500650	500651	500651	500651	500652	500652	N/A	N/A
Platform Tube	N/A	N/A	N/A	N/A	522150	522151	522152	522153	522154	522155	522156	N/A	N/A
Platform Assembly	N/A	N/A	N/A	N/A	900150	900151	900152	900153	900154	900155	900156	N/A	N/A
S/A "V" (Quickie 2, GP S/A, LX, Recliner, Rx, TS)													
Platform Footplate	N/A	N/A	N/A	500650	500650	500651	500651	500651	500652	500652	500652	500653	500653
Platform Tube	N/A	N/A	N/A	522150	522151	522152	522153	522154	522155	522156	522157	522158	522159
Platform Assembly - (Round Extensions)	N/A	N/A	N/A	900150	900151	900152	900153	900154	900155	900156	900157	900158	900159
Platform Assembly - ("D" Extrusions)	N/A	N/A	N/A	900137	900138	900139	900140	900141	900142	90043	900144	900145	900146

NOTE: FOOTREST EXTENSION TUBES ARE NOT INCLUDED IN THESE ASSEMBLIES, SEE NUMBERS 921242-921248, 921267, AND 921268 ON PAGES 13.23 AND 13.25.

90° SOLID FOOTBOARD



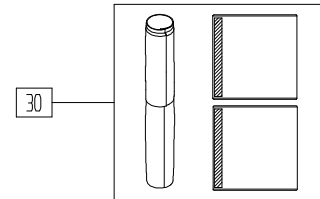
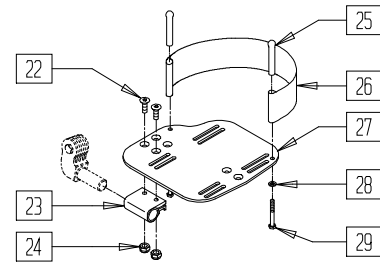
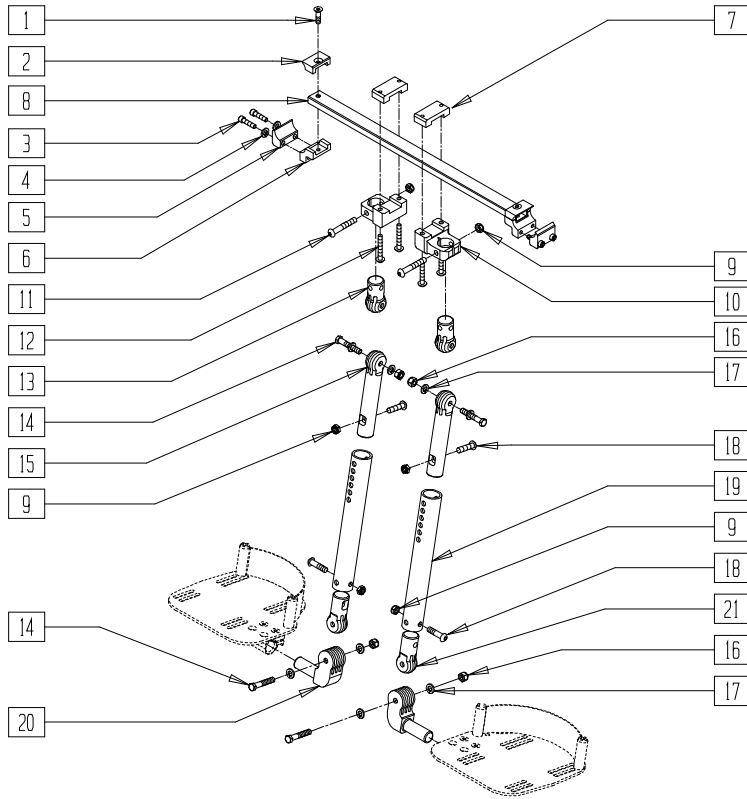
FT0X016

ITEM	NUMBER	DESCRIPTION	QTY
1	562610	SLD FOOTPLATE ONLY 8" x 8" (10"-12" W)	1
1A	562612	SLD FOOTPLATE ONLY 10" x 8" (13"-14" W)	1
1B	500709	SLD FT PLT ALUM ONLY 12" x 8" (15"-16" W)	1
2	562830	SLD FOOTPLATE TAPE 12" x 8"	1
3	330120	SLD FT/ANGLE ADJ DOUBLE T BOLT	2
4	550444	SOLID FOOT/ANG ADJ CLAMP BLK	4
5	226130	1/4-28 x 1 1/2 BH C/S	2
6	521623	SOLID FT PIVOT TUBE BLK	2
7	561034	SHORT DOME PLUG	2
8	483236	SOLID FOOT INSERT SADDLE BLK	2
10	550658	CLAMP 1 1/4" THREADED BLK	2
11	550657	CLAMP 1 1/4" RECESS FULL BLK	2
12	226112	1/4-28 x 1 SOC C/S BLK	4

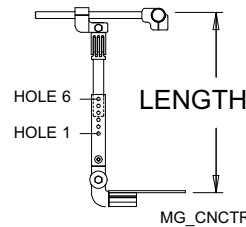
ITEM	NUMBER	DESCRIPTION	QTY
9,13	880559	SOLID FOOT LOCK KNOB ASSEMBLY	
14	560402	3/4" ID NY-LINER	2
15	521621	SLD FOOT SUPPORT TUBE BLK 10"-12"	1
15A	521622	SLD FOOT SUPPORT TUBE BLK 13"-14"	1
15B	521624	SLD FOOT SUPPORT TUBE BLK 15"-16"	1
16	201105	1/4-20 NYLOCK NUT THIN	4
5-8	880183	SLD FT PLT PIVOT TUBE SUB-ASSM	
1-16	921801	SLD FT PLT ASSEMBLY 8" x 8" (10"-12" W)	
1A-14	921803	SOLID FOOTPLATE ASSEMBLY 10" x 8" (13"-14" W)	
15A,16			
1B-14, 15B,16	921805	SOLID FOOTPLATE ASSEMBLY 12" x 8" (15"-16" W)	

CONTRACTURE FOOTREST SYSTEM (QUICKIE TS)

(Effective 4/30/01)



MEASURING GUIDE



HOLE NUMBER	SHORT	REG	LONG
1	10.62"	12.62"	14.62"
2	11.12"	13.12"	15.12"
3	11.62"	13.62"	15.62"
4	12.12"	14.12"	16.12"
5	12.62"	14.62"	16.62"
6	13.12"	15.12"	17.12"

QTS30X08

ITEM	NUMBER	DESCRIPTION	QTY
1	226259	1/4-28 X 1 FLAT HD C/S BLK	2
2	500524	CONTRACTURE CLAMP TOP	2
3	226112	1/4-28 X 1 SOC C/S BLK	4
4	262114	1/4 WASHER HI COLLAR LOCK ZN	4
5	550667	CONTRACTURE CLAMP RECESSED	2
6	550668	CONTRACTURE CLAMP THREADED	2
7	550465	CLAMP TOP QTS	2
8	524500- 524506	CNTRCT FRM FT/RST TUBE (14" - 20") QTS	1
9	202116	5/16-18 NYLOCK NUT THIN BLK	6
10	483180	OFFSET CLAMP BODY QTS	2
11	226198	5/16-18 X 2 BH C/S SHT THREAD	2
12	227140	1/4-28 X 1 3/4 BH C/S BLK ZN	4
13	483191	EXTERIOR LOCKING JOINT QTS	2
14	222235	5/16-18 X 1 3/4" HEX C/S BLK	4
15	503005	ADJUSTMENT LOCKING JOINT	2
16	202117	5/16-18 NYLOCK NUT THICK BLK	4
17	265103	5/16 WASHER MED BLK LK SPLT	8
18	222109	5/16-18 X 1-1/4" BH C/S BLK ZN	4
19	524041	SHORT CNTRCT FT/RST MNT TUBE	1
	524044	MED CNTRCT FT/RST MNT TUBE	1
	524045	LONG CNTRCT FT/RST MNT TUBE	1
20	483189	FOOTREST JOINT QTS	2
21	483181	INTERIOR LOCKING JOINT QTS	2
22	226099	1/4-28 X 7/8 FH C/S	4
23	550350	3/4" CLMP ADJ FT PLT	2
24	201100	1/4-28 NYLOCK NUT THIN	4

ITEM	NUMBER	DESCRIPTION	QTY
25	561040	HEEL LOOP PEG	4
26	741130	HEEL LOOP 14/15 MULTI PSTN	2
	741131	HEEL LOOP 16/17 MULTI PSTN	
	741132	HEEL LOOP 18-20 MULTI PSTN	
27	500660- 500661	ADLT ANGL ADJ F/PLT 14/15 (EA)	2
	500662- 500663	ADLT ANGL ADJ F/PLT 16/17 (EA)	
	500664- 500665	ADLT ANGL ADJ F/PLT 18-20 (EA)	
	28	262110	
29	221110	1/4-20 X 1 HEX C/S	4
1-6	888816	CNTRCTR CLAMP ASSM QTS	
7,9-12	888815	OFFSET CLAMP ASSM QTS	
1-6,8	882200- 882208	STRUT BAR/BRKTS CFS (14" - 22")	
9,13-21	888810-	CNTRCTR FTRST MNT TBE ASSM SHT	
	888811	CNTRCTR FTRST MNT TBE ASSM MED	
	888812	CNTRCTR FTRST MNT TBE ASSM LNG	
30	731101	COVER PAD CONTRACTURE FTRST	4
1-30	921880- 921886	CONTRACTURE FTRST KIT (14W- 20W SHRT)	
1-30	921910- 921916	CONTRACTURE FTRST KIT (14W- 20W MED)	
1-30	921917- 921923	CONTRACTURE FTRST KIT (14W- 20W LONG)	

Front Frame Hangers

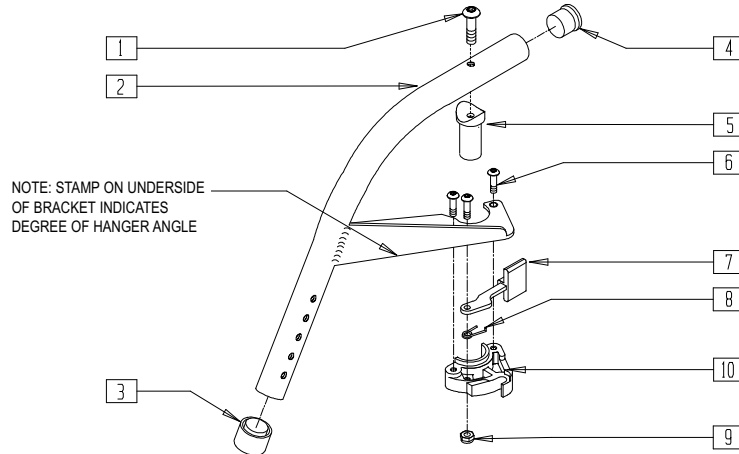
IN THIS SECTION

60° Swing-away Hanger (Quickie 1/GP/2/LX/LXI/M6/Rx/Recliner/T45/TS, Zippie)(Disc.)	14.1
60° Swing-away Hanger (Older Model Breezys).....	14.1
60° Swing-away Hanger (Breezy 100/150)	14.2
60° Swing-away Hanger (Quickie 2)(Disc.)	14.3
60° Swing-away Hanger (Quickie 2/GPSA/LX/ LXI/Recliner/TS/T45/Zippie/Zippie 2/Zippie TS)	14.3
60° Swing-away Clamp-on Hanger (Breezy 500/510/510 Recliner).....	14.4
60° Swing-away Bolt-on Hanger (Breezy 500/510/510 Recliner/600/2(Disc.)).....	14.4
Hemi 60° Swing-Away Hanger (Quickie 2(Disc.)/Rx).....	14.5
60° Swing-away Clamp-on Hanger (Breezy 510/600 Ultra-hemi).....	14.5
70° Swing-away Hanger (Quickie 2(Disc.)/GPSA/LX/LXI/Recliner/Rx/TS/ T45/ Zippie/Zippie 2/GS/TS)(Disc.).....	14.6
70° Swing-away Hanger (Older Model Breezys).....	14.6
70° Swing-away Hanger (Breezy 510/510 Recliner/600/2(Disc.)).....	14.7
70° Swing-away Hanger (Disc.).....	14.7
70° Swing-away Hanger(Quickie 2/LX/LXI/TS/ T45/Zippie/Zippie 2/GS/TS)	14.8
Hemi 70° Swing-away Hanger (Disc.)	14.8
Hemi 70° Swing-away Hanger (Quickie 2)	14.9
70° "V" Swing-away Hanger (Disc.).....	14.9
70° "V" Swing-away Hanger (Quickie 2/GPSA/LX/LXI/Recliner/Rx/TS)	14.10
70° "V" Swing-away Hanger (Quickie Rx)(Disc.)..	14.10
70° Swing-away Front Mount Hanger (Quickie 2/Recliner/TS/Zippie GS/TS)	14.11
70° Heavy Duty Footrest Hanger (Quickie M6/TS/T45/,Zippie GS/TS)	14.11
80° Swing-away Front Mount Hanger (Quickie 2/Recliner/TS/Zippie GS/TS).....	14.12
80° Heavy Duty Footrest Hanger (Quickie M6/TS/T45/,Zippie GS/TS).....	14.12
90° Swing-away Hanger (Quickie 2/GPSA/LX/LXI/Recliner/Rx/TS /Zippie/Zippie 2/GS/TS)	14.13
90° Lift-Off Hanger (Zippie GS)	14.13
Elevating Legrest (Disc.).....	14.14
Elevating Legrest (Disc.).....	14.15
Elevating Legrest (Aluminum Breezy/Breezy 2) (Disc.)	14.16
Elevating Legrest (Breezy 100/150)	14.17
Elevating Legrest (Breezy) (Disc.).....	14.18
Elevating Legrest (Manual Products) (Disc.)	14.19
Elevating Legrest (Manual Products)	14.20
90° Kids Elevating Legrest (Disc.).....	14.21
90° Kids Elevating Legrest	14.22
ELR Trough Calf Pad (Disc.).....	14.23
Kids ELR Trough Calf Pad (Disc.)	14.23
ELR Calf Pad (14"-15").....	14.24
ELR Calf Pad (16"-17"/18"-20")	14.24
Articulating Legrest Assembly.....	14.25
Articulating Legrest Assembly (Chrome Breezy)	14.26
Kids Articulating Legrest Assembly.....	14.27
Elevating Legrest Pad Assembly (Disc.).....	14.28
Articulating Legrest Pad Assembly	14.28
Kids Articulating Legrest Pad Assembly	14.29

60° SWING-AWAY HANGER

(QUICKIE 1/QUICKIE 2/GP/LX/LXI/M6/Rx/RECLINER/T45/TS/ ZIPPIE)

(Discontinued 10/23/99- Parts only) (Used on Quickie 2 prior to serial number Q2-242051)



Drawing shows left side

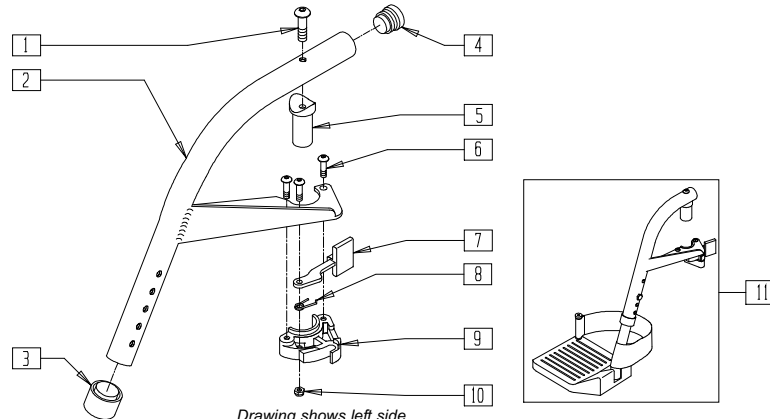
FT0X09

ITEM	NUMBER	DESCRIPTION	QTY
1	226198	5/16-18 x 2 BH C/S SHT THREAD	1
2	505050, 505052	S/A HANGER ONLY 60° (EA) (SPECIFY COLOR)	1
3	561082	1" TUBE END BUSHING THIN	1
4	561002	1" INSERT PLUG .083	1
5	561074	PIVOT SADDLE PLASTIC .125	1
1.5	880545	PIVOT SADDLE .125 W/SCREW	
6	226010	10-24 x .725 BH C/S W/PATCH	3
7	561079	S/A LATCH LEVER	1

ITEM	NUMBER	DESCRIPTION	QTY
8	321136, 321137	S/A SPRING (EA)	1
9	200107	10-24 NYLOCK NUT THIN (SPARES)	3
9,10	561076, 561078	S/A LATCH BLOCK (EA)	
6-10	880730, 887131	S/A LATCH KIT (EA)	
1-10	641150, 641170	HANGER 60° PAINTED S/A (EA) (SPECIFY COLOR)	

60° SWING-AWAY HANGER (OLDER MODEL BREEZYS)

(Effective serial number BZ-200000 through BZ-350999)



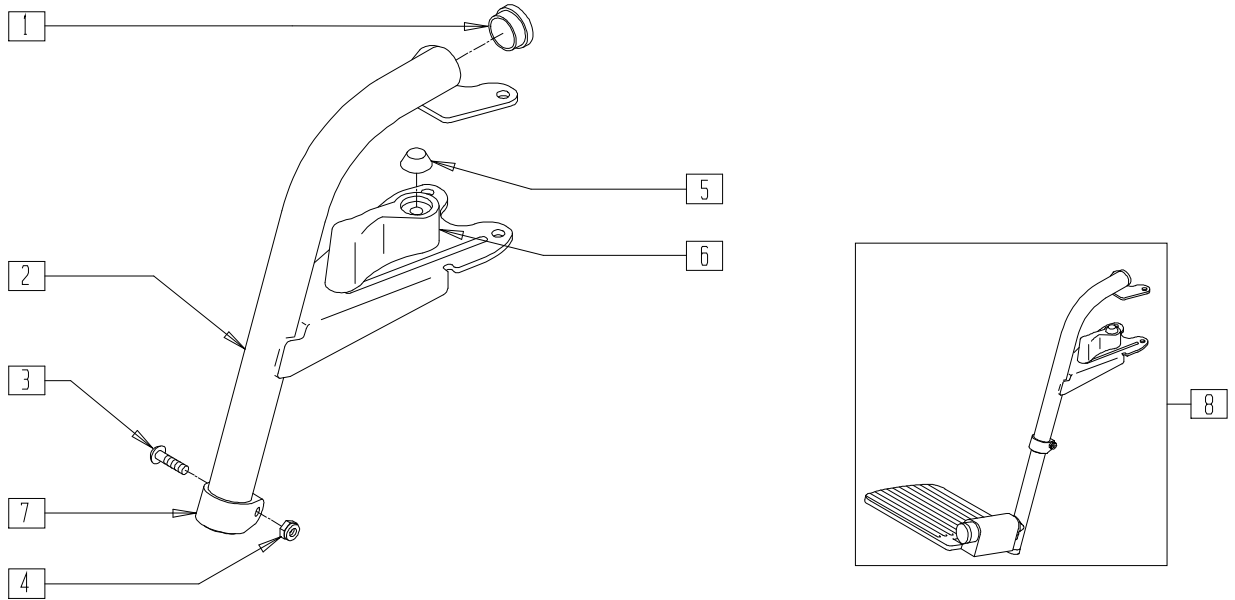
Drawing shows left side

BZY00X08

ITEM	NUMBER	DESCRIPTION	QTY
1	226190	5/16-18 x 1 3/4 BH C/S SHLDR	1
2	505090, 505091	S/A HANGER ONLY 60° BR (EA) (SPECIFY COLOR)	1
3	561018	1" TUBE END BUSHING THICK	1
4	561062	1" INSERT PLUG .065 RIBS	1
5	561320	PIVOT SADDLE .049	1
6	226011	10-24 x .665 BH C/S W/PATCH	3
7	561079	S/A LATCH LEVER	1
8	321136, 321137	S/A SPRING (EA)	1

ITEM	NUMBER	DESCRIPTION	QTY
9,10	561076, 561078	S/A LATCH BLOCK (EA)	
10	200107	10-24 NYLOCK NUT THIN (SPARES)	3
6-10	880808, 880809	S/A LATCH KIT 90°/HEMI/BR (EA)	
1-10	641310, 641311	HANGER 60° PAINTED S/A BR (EA) (SPECIFY COLOR)	
11	923090- 923092	HANGER 60° MED EXT F/PLT BR (PR) (SPECIFY COLOR)	1

60° SWING-AWAY HANGER (BREEZY 100/150)



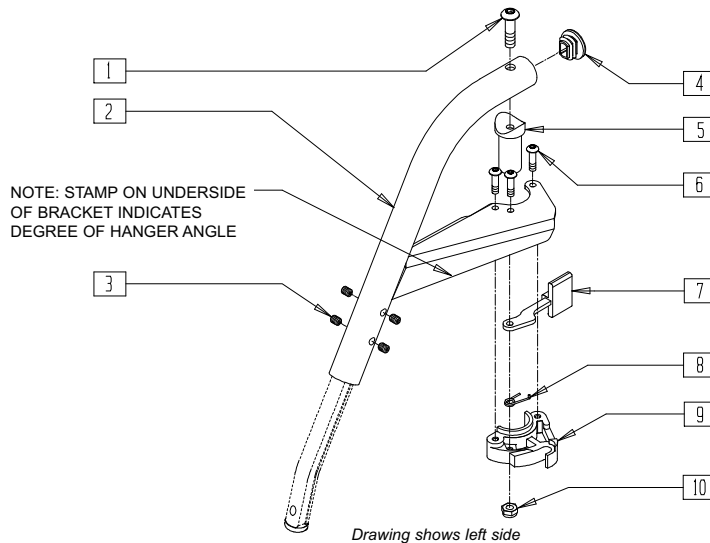
BRZ10X07

ITEM	NUMBER	DESCRIPTION	QTY
8	222-0543L	SWING-AWAY FOOTREST ASSEMBLY L	1
	222-0543R	SWING-AWAY FOOTREST ASSEMBLY R	

ITEM	NUMBER	DESCRIPTION	QTY
1-7	222-0626	SWING-AWAY FOOTREST UPPER ASSEMBLY	1

60° SWING-AWAY HANGER (QUICKIE 2)

(Discontinued 8/13/01)



Drawing shows left side

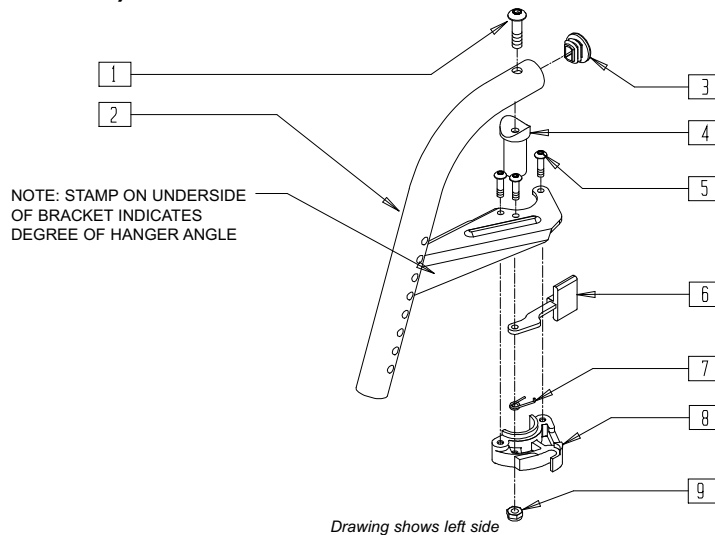
Q220X08

ITEM	NUMBER	DESCRIPTION	QTY
1	226198	5/16-18 x 2 BH C/S SHT THREAD	1
2	504960, 504961	S/A HANGER ONLY 60°	1
3	225112	1/4-20X1/4 SS KNRLD CP W/PTCH	4
4	561378	END PLUG DBL "D" S525	1
5	561074	PIVOT SADDLE PLASTIC .125	1
6	226057	10-24 x .725 BH SOC BZ	3
7	561079	S/A LATCH LEVER	1

ITEM	NUMBER	DESCRIPTION	QTY
8	321136, 321137	S/A SPRING (EA)	1
10	200107	10-24 NYLOCK NUT THIN (SPARES)	3
9,10	561076- 561078	S/A LATCH BLOCK (EA)	
6-10	880730- 880731	S/A LATCH KIT (EA)	
1-10	641160- 641161	HANGER 60° D2 PAINTED S/A (EA)	

60° SWING-AWAY HANGER (QUICKIE 2/GPSA/LX/LXI/RECLINER/TS/T45/ ZIPPIE/ZIPPIE 2/ZIPPIE TS)

(Effective 08/13/01)



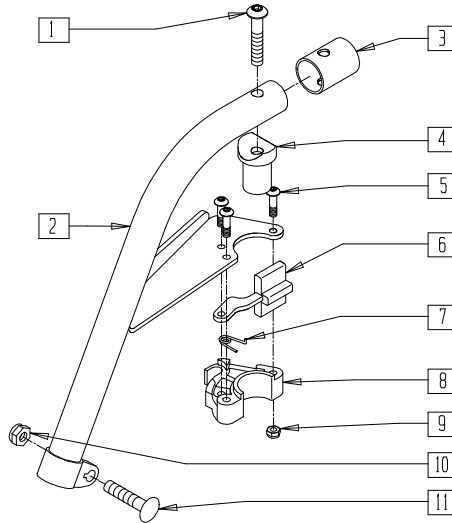
Drawing shows left side

Q220X08A

ITEM	NUMBER	DESCRIPTION	QTY
1	226217	5/16-18 X 2" BH C/S BLK	1
2	504942, 504943	S/A HANGER ONLY 60° D2	1
3	561378	END PLUG DBL "D" S525	1
4	561074	PIVOT SADDLE PLASTIC .125	1
5	226057	10-24 x .725 BH SOC BZ	3
6	561079	S/A LATCH LEVER	1
7	321136, 321137	S/A SPRING (EA)	1

ITEM	NUMBER	DESCRIPTION	QTY
9	200107	10-24 NYLOCK NUT THIN (SPARES)	3
8,9	561076- 561078	S/A LATCH BLOCK (EA)	
5-9	880730- 880731	S/A LATCH KIT (EA)	
1-9	641500- 641501	HANGER 60° D2 PAINTED S/A BT (EA)	

60° SWING-AWAY CLAMP-ON HANGER (BREEZY 500/510/510 RECLINER)



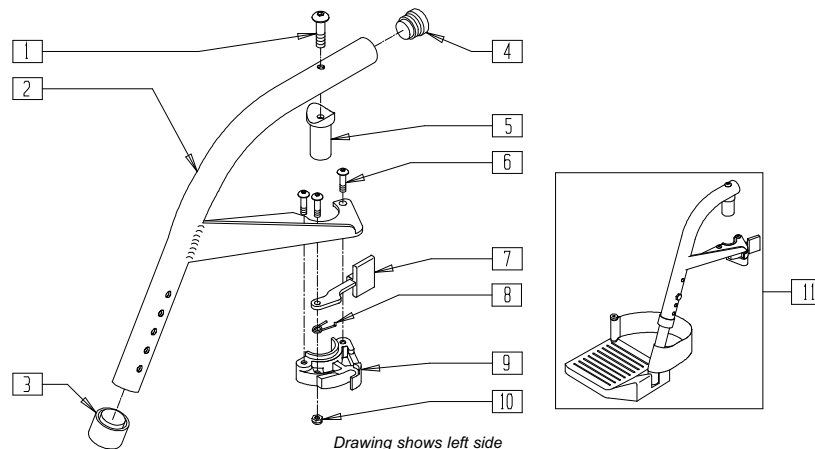
BASIC01

ITEM	NUMBER	DESCRIPTION	QTY
1	226198	5/16-18 x 2 BH C/S SHT THREAD	1
2	505088, 505089	HANGER WELDMENT B500 (EA)	1
3	560769	HANGER TUBE END CAP	1
4	561074	PIVOT SADDLE PLASTIC .125	1
5	226011	10-24 x .665 BH C/S W/PATCH	3
6	561079	S/A LATCH LEVER	1
7	321136, 321137	S/A SPRING (EA)	1

ITEM	NUMBER	DESCRIPTION	QTY
8,9	561076, 561078	S/A LATCH BLOCK (EA)	
9	200107	10-24 NYLOCK NUT THIN	3
10	202102	5/16-18 NYLOCK NUT THIN	1
11	226205	5/16-18 x 1 1/4" CARRIAGE BOLT	1
1-11	641318, 641319	HANGER 60° PAINTED S/A CLAMP-ON	

60° SWING-AWAY BOLT-ON HANGER (BREEZY 500/510/510 RECLINER/600/2)

(Breezy chairs prior to BZ-200000 and beginning serial number BZ-351000)
(Breezy 2 discontinued 5/98 - parts only)



Drawing shows left side

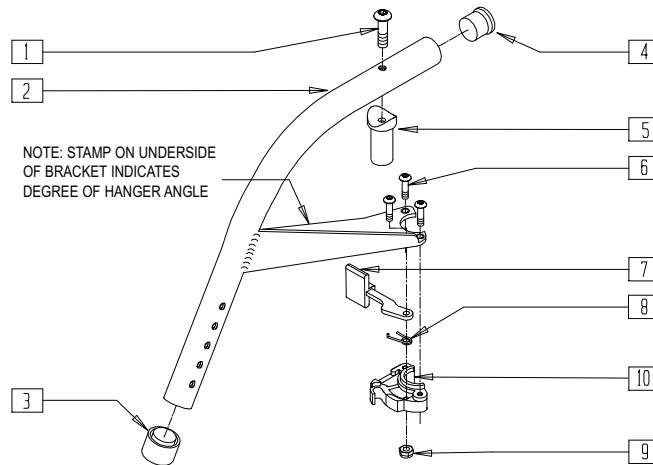
BZY00X08

ITEM	NUMBER	DESCRIPTION	QTY
1	226198	5/16-18 x 2 BH C/S SHT THREAD	1
2	505090, 505091	S/A HANGER ONLY 60° BR (EA) (SPECIFY COLOR)	1
3	561018	1" TUBE END BUSHING THICK	1
4	561062	1" INSERT PLUG .065 RIBS	1
5	561074	PIVOT SADDLE PLASTIC .125	1
1,5	880545	PIVOT SADDLE .125 W/SCREW	
6	226011	10-24 x .665 BH C/S W/PATCH	3
7	561079	S/A LATCH LEVER	1
8	321136, 321137	S/A SPRING (EA)	1

ITEM	NUMBER	DESCRIPTION	QTY
9,10	561076, 561078	S/A LATCH BLOCK (EA)	
10	200107	10-24 NYLOCK NUT THIN (SPARES)	3
6-10	880730, 880731	S/A LATCH KIT (EA)	
1-10	641314, 641315	HANGER 60° PAINTED S/A B2 (EA) (SPECIFY COLOR)	
11	923074- 923076	HANGER 60° MED EXT FOOTPLATE BR (PR) (SPECIFY COLOR)	

HEMI 60° SWING-AWAY HANGER (QUICKIE 2/Rx)

(Quickie 2 discontinued serial number Q2-242051 - parts only)



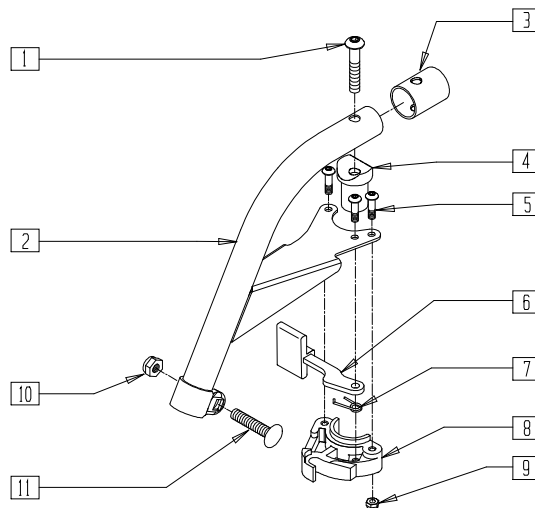
Drawing shows right side

FT0X09B

ITEM	NUMBER	DESCRIPTION	QTY
1	226198	5/16-18 x 2 BH C/S SHT THREAD	1
2	505044, 505045	S/A HANGER ONLY 60° HEMI (EA) (SPECIFY COLOR)	1
3	561082	1" TUBE END BUSHING THIN	1
4	561002	1" INSERT PLUG .083	1
5	561074	PIVOT SADDLE PLASTIC .125	1
1-5	880545	PIVOT SADDLE .125 W/SCREW	
6	226011	10-24 x .665 BH C/S W/PATCH	3
7	561079	S/A LATCH LEVER	1

ITEM	NUMBER	DESCRIPTION	QTY
8	321136, 321137	S/A SPRING (EA)	1
9	200107	10-24 NYLOCK NUT THIN (SPARES)	3
9,10	561076, 561078	S/A LATCH BLOCK (EA)	
6-10	880808, 880809	S/A LATCH KIT 90°/HEMI/BR (EA)	
1-10	641271, 641272	HANGER HEMI 60° PAINTED S/A (EA) S/A LATCH LEVER	

60° SWING-AWAY CLAMP-ON HANGER (BREEZY 510/600 ULTRA-HEMI)

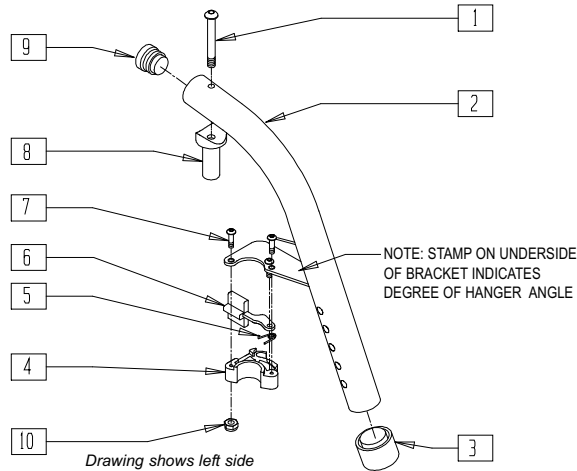


BZ510X02

ITEM	NUMBER	DESCRIPTION	QTY
1	226198	5/16-18 x 2 BH C/S SHT THREAD	1
2	505448, 505449	S/A HEMI HANGER ONLY 60° STEEL	1
3	560769	HANGER TUBE END CAP	1
4	561074	PIVOT SADDLE PLASTIC .125	1
5	226011	10-24 x .665 BH C/S W/PATCH	3
6	561079	S/A LATCH LEVER	1
7	321136, 321137	S/A SPRING (EA)	1

ITEM	NUMBER	DESCRIPTION	QTY
8	561076, 561078	S/A LATCH BLOCK (EA)	1
9	200107	10-24 NYLOCK NUT THIN	3
10	202102	5/16-18 NYLOCK NUT THIN	1
11	226205	5/16-18 x 1 1/4" CARRIAGE BOLT	1
1-11	641290, 641291	HANGER HEMI STEEL 60° PNTD S/A	

**70° SWING-AWAY HANGER (QUICKIE 2/GPSA/LX/LXI/RECLINER/Rx/TS/T45/
ZIPPIE/ZIPPIE 2/GS/TS)**
(Discontinued 10/23/99- Parts only) (Used on Quickie 2 prior to serial number Q2-242051)

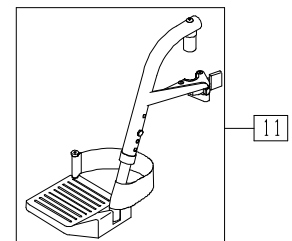
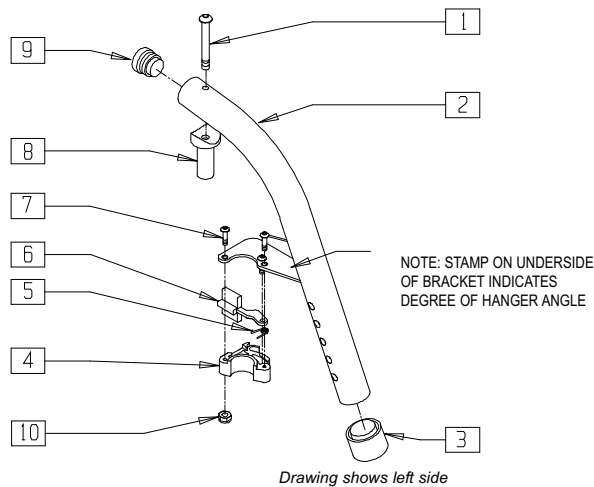


FT0X031

ITEM	NUMBER	DESCRIPTION	QTY
1	226198	5/16-18 x 2 BH C/S SHT THREAD	1
2	505041, 505042	S/A HANGER ONLY 70° (EA) (SPECIFY COLOR)	1
3	561082	1" TUBE END BUSHING THIN	1
5	321136, 321137	S/A SPRING (EA)	1
6	561079	S/A LATCH LEVER	1
7	226010	10-24 x .725 BH C/S W/PATCH	3
8	561074	PIVOT SADDLE PLASTIC .125	1

ITEM	NUMBER	DESCRIPTION	QTY
1,8	880545	PIVOT SADDLE .125 W/SCREW	
9	561002	1" INSERT PLUG .083	1
10	200107	10-24 NYLOCK NUT THIN (SPARES)	3
4,10	561076, 561078	S/A LATCH BLOCK (EA)	
4-7,10	880730, 880731	S/A LATCH KIT (EA)	
1-10	641180, 641182	HANGER 70° PAINTED S/A (EA) (SPECIFY COLOR)	

70° SWING-AWAY HANGER (OLDER MODEL BREEZYS)
(Effective serial number BZ-200000 through BZ-350999)



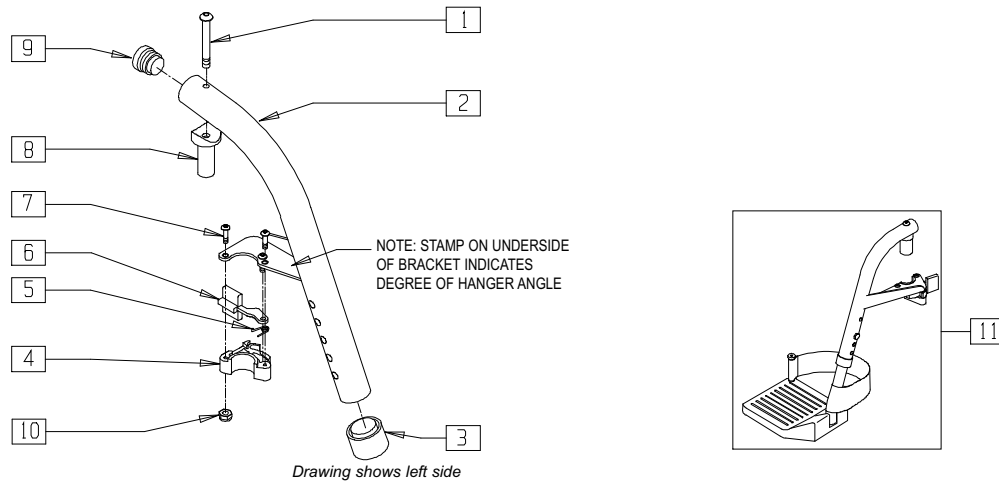
FT0X019

ITEM	NUMBER	DESCRIPTION	QTY
1	226190	5/16-18 x 1 3/4 BH C/S SHLDR	1
2	505086, 505087	S/A HANGER ONLY 70° STEEL (EA) (SPECIFY COLOR)	1
3	561018	1" TUBE END BUSHING THICK	1
5	321136, 321137	S/A SPRING (EA)	1
6	561079	S/A LATCH LEVER	1
7	226011	10-24 x .665 BH C/S W/PATCH	3
8	561320	PIVOT SADDLE .049	1
1,8	880537	PIVOT SADDLE W/SCREW BR	

ITEM	NUMBER	DESCRIPTION	QTY
9	561019	1" INSERT PLUG .049	1
10	200107	10-24 NYLOCK NUT THIN (SPARES)	3
4,10	561076, 561078	S/A LATCH BLOCK (EA)	
4-7,10	880808, 880809	S/A LATCH KIT 90°/HEMI/BRZ (EA)	
1-10	641312, 641313	HANGER 70° PAINTED S/A BR (EA) (SPECIFY COLOR)	
11	923093- 923095	HANGER 70° MED EXT FOOTPLATE BR	1

70° SWING-AWAY HANGER (BREEZY 510/510 RECLINER/600/2)

(Breezy effective beginning serial number BZ-351000) (Breezy 2 discontinued 5/98 - parts only)



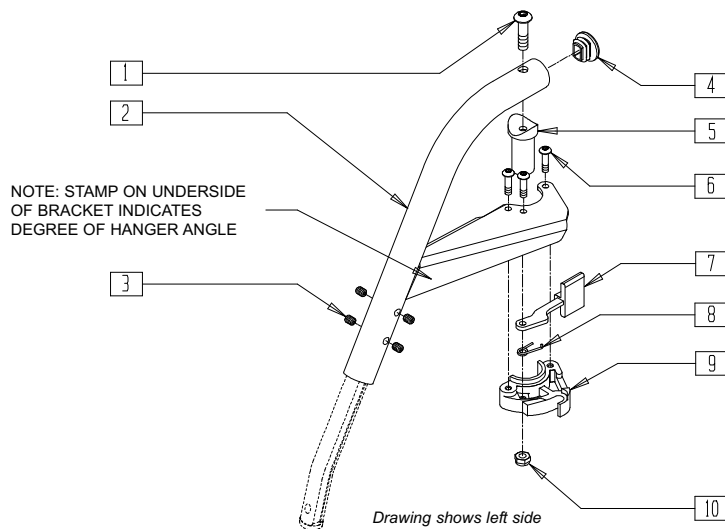
FT0X019

ITEM	NUMBER	DESCRIPTION	QTY
1	226198	5/16-18 x 2 BH C/S SHT THREAD	1
2	505086, 505087	S/A HANGER ONLY 70° STEEL (EA) (SPECIFY COLOR)	1
3	561018	1" TUBE END BUSHING THICK	1
5	321136, 321137	S/A SPRING (EA)	1
6	561079	S/A LATCH LEVER	1
7	226011	10-24 x .665 BH C/S W/PATCH	3
8	561074	PIVOT SADDLE PLASTIC .125	1
1,8	880545	PIVOT SADDLE .125 W/SCREW	

ITEM	NUMBER	DESCRIPTION	QTY
9	561019	1" INSERT PLUG .049	1
10	200107	10-24 NYLOCK NUT THIN	3
4,10	561076, 561078	S/A LATCH BLOCK (EA)	
4-7,10	880808, 880809	S/A LATCH KIT 90°/HEMI/BRZ (EA)	
1-10	641316, 641317	HANGER 70° PAINTED S/A BR (EA) (SPECIFY COLOR)	
11	923077- 923079	HANGER 70° MEDIUM EXT FOOTPLATE BREEZY	1

70° SWING-AWAY HANGER

(Discontinued 8/13/01)



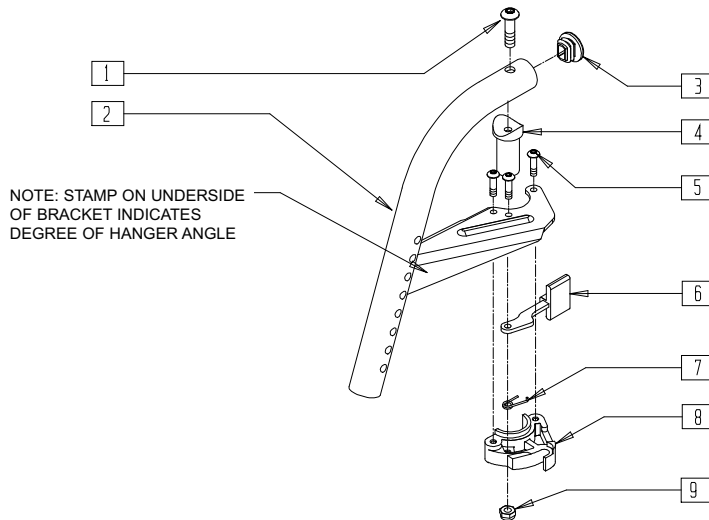
Q220X09

ITEM	NUMBER	DESCRIPTION	QTY
1	226198	5/16-18 x 2 BH C/S SHT THREAD	1
2	504962, 504963	S/A HANGER ONLY 70°	1
3	225112	1/4-20X1/4 SS KNRLD CP W/PTCH	4
4	561378	END PLUG DBL "D" S525	1
5	561074	PIVOT SADDLE PLASTIC .125	1
6	226057	10-24 x .725 BH SOC BZ	3
7	561079	S/A LATCH LEVER	1

ITEM	NUMBER	DESCRIPTION	QTY
8	321136, 321137	S/A SPRING (EA)	1
10	200107	10-24 NYLOCK NUT THIN (SPARES)	3
9,10	561076- 561078	S/A LATCH BLOCK (EA)	
6-10	880730- 880731	S/A LATCH KIT (EA)	
1-10	641162- 641163	HANGER 70° D2 PAINTED S/A (EA)	

70° SWING-AWAY HANGER (QUICKIE 2/LX/LXI/TS/T45/ZIPPIE/ZIPPIE 2/GS/TS)

(Effective 8/13/01)



Drawing shows left side

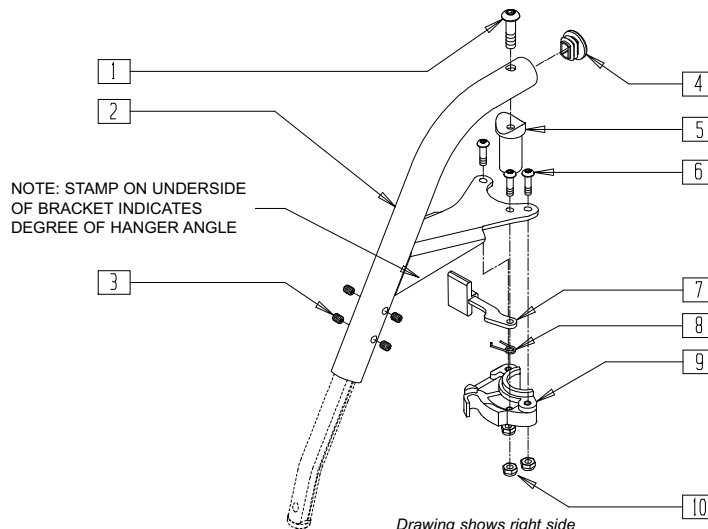
Q220X09A

ITEM	NUMBER	DESCRIPTION	QTY
1	226217	5/16-18 X 2" BH C/S BLK	1
2	504944, 504945	S/A HANGER ONLY 70° D2	1
3	561378	END PLUG DBL "D" S525	1
4	561074	PIVOT SADDLE PLASTIC .125	1
5	226057	10-24 x .725 BH SOC BZ	3
6	561079	S/A LATCH LEVER	1
7	321136, 321137	S/A SPRING (EA)	1

ITEM	NUMBER	DESCRIPTION	QTY
9	200107	10-24 NYLOCK NUT THIN (SPARES)	3
8,9	561076- 561078	S/A LATCH BLOCK (EA)	
5-9	880730- 880731	S/A LATCH KIT (EA)	
1-9	641502- 641503	HANGER 70° D2 PNTD S/A BT (EA)	

HEMI 70° SWING-AWAY HANGER

(Discontinued 8/13/01)



Drawing shows right side

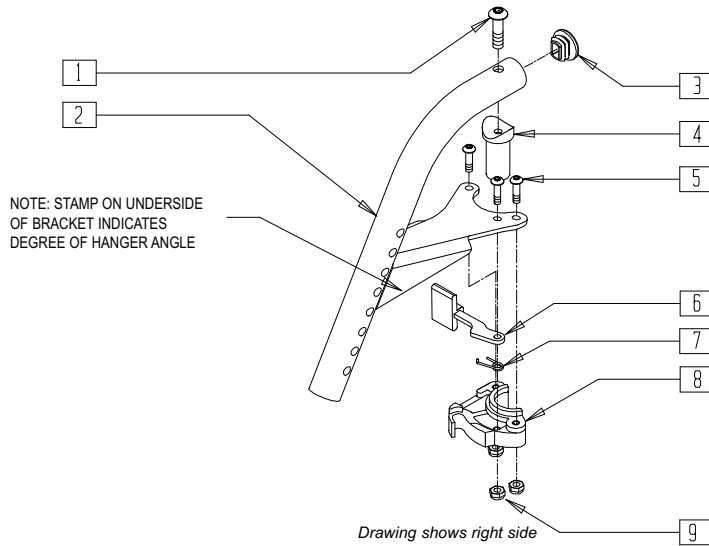
Q220X07

ITEM	NUMBER	DESCRIPTION	QTY
1	226198	5/16-18 x 2 BH C/S SHT THREAD	1
2	504970, 504971	S/A HANGER ONLY HEMI D2	1
3	225112	1/4-20X1/4 SS KNRLD CP W/P TCH	4
4	561378	END PLUG DBL "D" S525	1
5	561074	PIVOT SADDLE PLASTIC .125	1
6	226057	10-24 x .725 BH SOC BZ	3
7	561079	S/A LATCH LEVER	1

ITEM	NUMBER	DESCRIPTION	QTY
8	321136, 321137	S/A SPRING (EA)	1
10	200107	10-24 NYLOCK NUT THIN (SPARES)	3
9,10	561076- 561078	S/A LATCH BLOCK (EA)	
6-10	880730- 880731	S/A LATCH KIT (EA)	
1-10	641166- 641167	HANGER 70° HEMI D2 PAINTED (EA)	

HEMI 70° SWING-AWAY HANGER (QUICKIE 2)

(Effective 8/13/01)



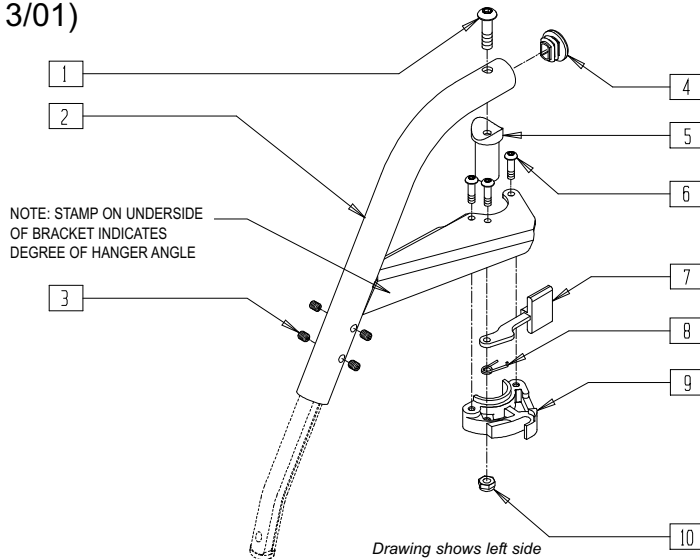
Q220X07A

ITEM	NUMBER	DESCRIPTION	QTY
1	226198	5/16-18 x 2 BH C/S SHT THREAD	1
2	504940, 504941	S/A HANGER ONLY R HEMI D2	1
3	561378	END PLUG DBL "D" S525	1
4	561074	PIVOT SADDLE PLASTIC .125	1
5	226057	10-24 x .725 BH SOC BZ	3
6	561079	S/A LATCH LEVER	1
7	321136, 321137	S/A SPRING (EA)	1

ITEM	NUMBER	DESCRIPTION	QTY
9	200107	10-24 NYLOCK NUT THIN (SPARES)	3
8,9	561076- 561078	S/A LATCH BLOCK (EA)	
5-9	880730- 880731	S/A LATCH KIT (EA)	
1-9	641506- 641507	HANGER 70° HEMI D2 PNTD BT	

70° "V" SWING-AWAY HANGER

(Discontinued 8/13/01)

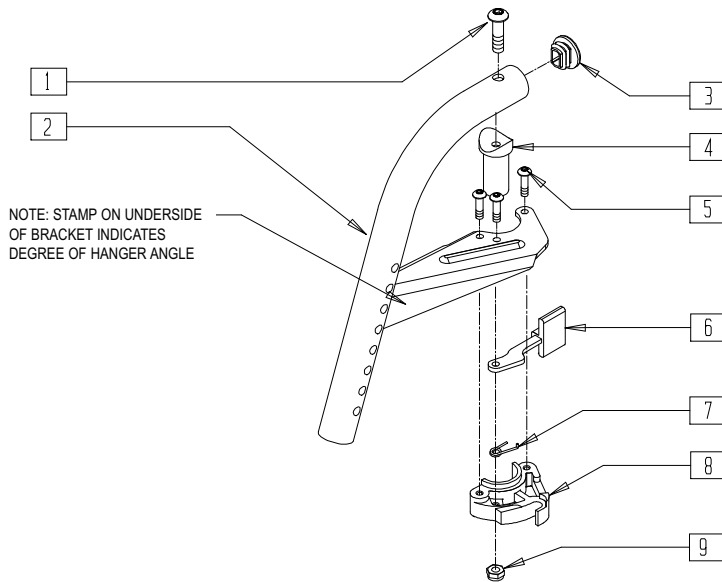


Q220X10

ITEM	NUMBER	DESCRIPTION	QTY
1	226198	5/16-18 x 2 BH C/S SHT THREAD	1
2	504964, 504965	S/A HANGER ONLY 70° "V"	1
3	225112	1/4-20X1/4 SS KNRLD CP W/PTCH	4
4	561378	END PLUG DBL "D" S525	1
5	561074	PIVOT SADDLE PLASTIC .125	1
6	226057	10-24 x .725 BH SOC BZ	3
7	561079	S/A LATCH LEVER	1

ITEM	NUMBER	DESCRIPTION	QTY
8	321136, 321137	S/A SPRING (EA)	1
10	200107	10-24 NYLOCK NUT THIN (SPARES)	3
9,10	561076, 561078	S/A LATCH BLOCK (EA)	
6-10	880730- 880731	S/A LATCH KIT (EA)	
1-10	641164- 641165	HANGER 70° "V" D2 PAINTED S/A	

70°"V" SWING-AWAY HANGER (QUICKIE 2/GPSA/LX/LXI/RECLINER/TS) (Effective 8/13/01)



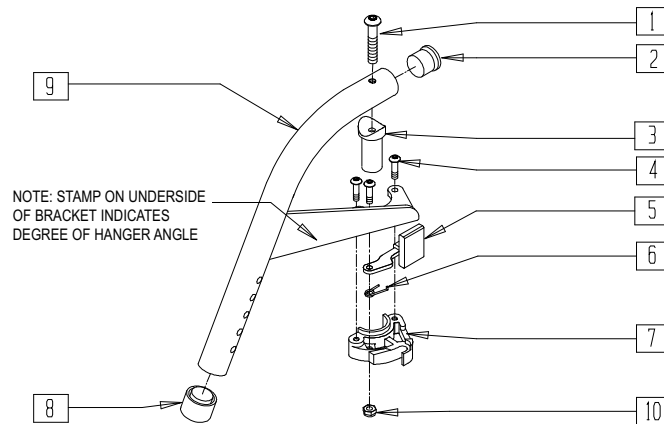
Drawing shows left side

Q220X09A

ITEM	NUMBER	DESCRIPTION	QTY
1	226217	5/16-18 X 2" BH C/S BLK	1
2	504946, 504947	S/A HANGER ONLY 70° "V" D2	1
3	561378	END PLUG DBL "D" S525	1
4	561074	PIVOT SADDLE PLASTIC .125	1
5	226057	10-24 x .725 BH SOC BZ	3
6	561079	S/A LATCH LEVER	1
7	321136, 321137	S/A SPRING (EA)	1

ITEM	NUMBER	DESCRIPTION	QTY
9	200107	10-24 NYLOCK NUT THIN (SPARES)	3
8,9	561076- 561078	S/A LATCH BLOCK (EA)	
5-9	880730- 880731	S/A LATCH KIT (EA)	
1-9	641504- 641505	HANGER 70° "V" D2 PNT S/A BT (EA)	

70° "V" SWING-AWAY HANGER (QUICKIE Rx) (Discontinued 10/23/99- Parts only)



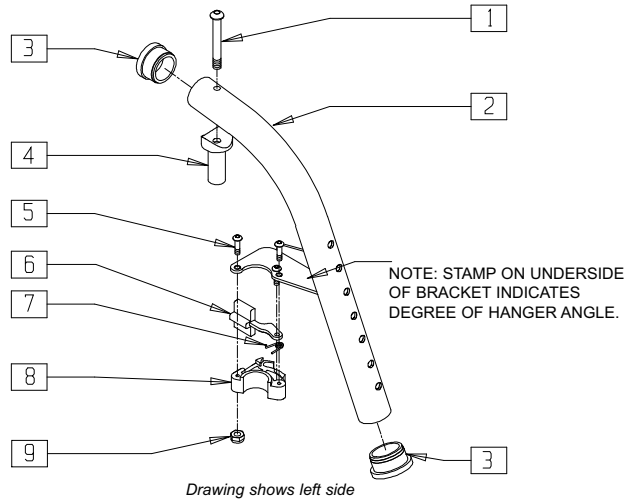
Drawing shows left side

FT0X028

ITEM	NUMBER	DESCRIPTION	QTY
1	226198	5/16-18 x 2 BH C/S SHT THREAD	1
2	561002	1" INSERT PLUG .083	1
3	561074	PIVOT SADDLE PLASTIC .125	1
1,3	880545	PIVOT SADDLE .125 W/SCREW	
4	226010	10-24 x .725 BH C/S W/PATCH	3
5	561079	S/A LATCH LEVER	1
6	321136, 321137	S/A SPRING (EA)	1
8	561082	1" TUBE END BUSHING THIN	1

ITEM	NUMBER	DESCRIPTION	QTY
9	505051, 505053	S/A HANGER ONLY "V" 70° (EA) (SPECIFY COLOR)	1
10	200107	10-24 NYLOCK NUT THIN	3
7,10	561076, 561078	S/A LATCH BLOCK (EA)	
4-7,10	880730, 880731	S/A LATCH KIT (EA)	
1-10	641183, 641184	HANGER 70° "V" PAINTED S/A (EA) (SPECIFY COLOR)	

70° SWING-AWAY FRONT MOUNT HANGER (QUICKIE 2/RECLINER/TS/ZIPPIE GS/TS)

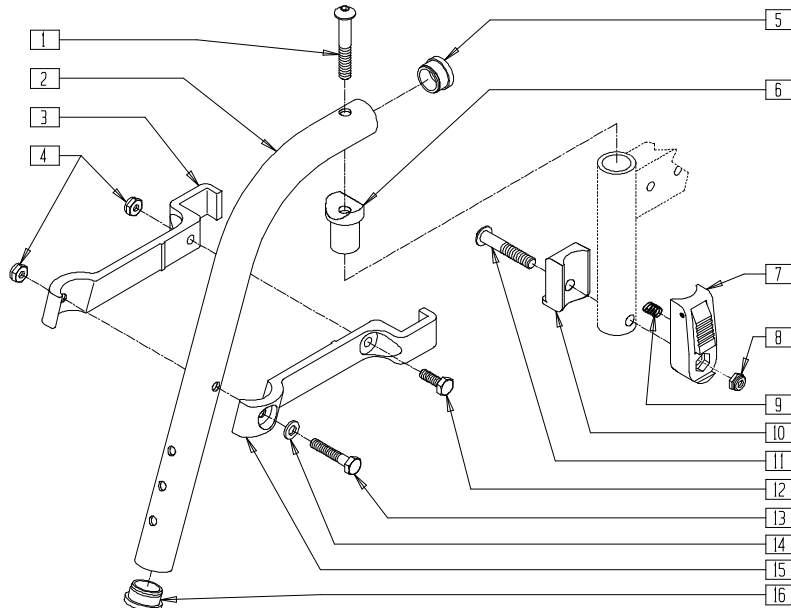


ZGS00X47

ITEM	NUMBER	DESCRIPTION	QTY
1	226198	5/16-18 x 2 BH C/S SHT THREADED	1
2	505344, 505345	S/A HANGER ONLY 70° F/MNT (EA) (SPECIFY COLOR)	1
3	561002	1" INSERT PLUG .083	2
4	561074	PIVOT SADDLE PLASTIC .125	1
5	226010	10-24 x .725 BH C/S W/PATCH	3
6	561079	S/A LATCH LEVER	1
7	321136, 321137	S/A SPRING (EA)	1

ITEM	NUMBER	DESCRIPTION	QTY
8,9	561076, 561078	S/A LATCH BLOCK (EA)	
9	200107	10-24 NYLOCK NUT THIN	1
5-9	880730, 880731	S/A LATCH KIT (EA)	
1-9	641142, 641143	HANGER 70° PNTD S/A FRONT MOUNT (SPECIFY COLOR)	

70° HEAVY DUTY FOOTREST HANGER (QUICKIE M6/TS/T45/ZIPPIE GS/TS)



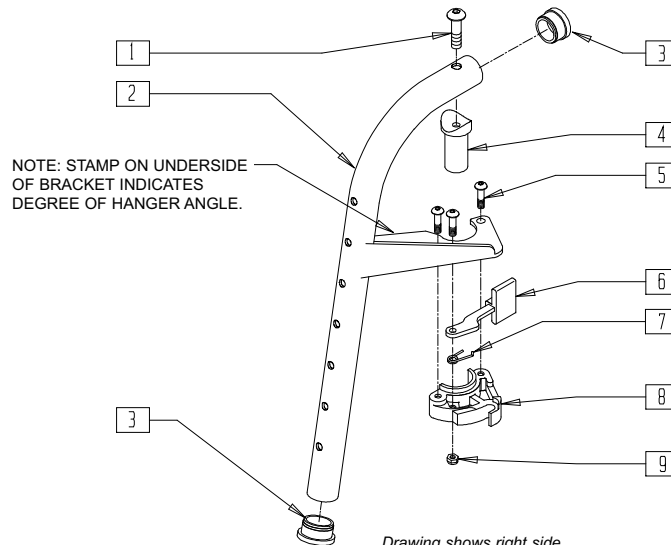
TSR00X08

ITEM	NUMBER	DESCRIPTION	QTY
1	226198	5/16-18 x 2 BH C/S SHT THREAD	1
2	523912	HANGER TUBE 70° HD	1
3	550152	T45 HANGER BRACKET 70° R	1
4	201100	1/4-28 NYLOCK NUT THIN	2
5	561002	1" INSERT PLUG .083	1
6	561074	PIVOT SADDLE PLASTIC .125	1
7	880053	FOOTREST BLOCK T45	1
8	202102	5/16-18 NYLOCK NUT THIN	1
9	321141	.650 x 6 COIL SPRING	1
10	560684	T45 FOOTREST BLOCK RECESSED	1

ITEM	NUMBER	DESCRIPTION	QTY
11	226194	5/16-18 x 1.63 BH C/S	1
12	221100	1/4-28 x 3/4 HEX C/S	1
13	221127	1/4-28 x 1 3/8 HEX C/S	1
14	262100	1/4 AN WASHER FLAT	1
15	550153	T45 HANGER BRACKET 70° L	1
16*	561002	1" INSERT PLUG .083	1
7-11	920720	FOOTREST BLOCK ASSEMBLY W/BOLT HD	
1-6,12-15	641210, 641211	HANGER 70° PAINTED HD	

* ORDER ITEM 16 WHEN NOT USING FOOTREST EXTENSION.

80° SWING-AWAY FRONT MOUNT HANGER (QUICKIE 2/RECLINER/TS/ZIPPIE GS/TS)



NOTE: STAMP ON UNDERSIDE OF BRACKET INDICATES DEGREE OF HANGER ANGLE.

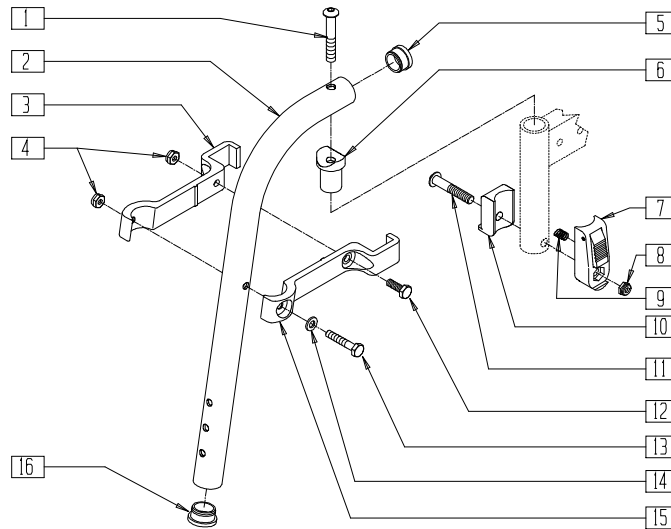
Drawing shows right side

ZGS00X46

ITEM	NUMBER	DESCRIPTION	QTY
1	226198	5/16-18 x 2 BH C/S SHT THREADED	1
2	505346, 505347	S/A HANGER ONLY 80° F/MNT (EA) (SPECIFY COLOR)	1
3	561002	1" INSERT PLUG .083	2
4	561074	PIVOT SADDLE PLASTIC .125	1
5	226010	10-24 x .750 BH C/S W/PATCH	3
6	561079	S/A LATCH LEVER	1
7	321136, 321137	S/A SPRING (EA)	1

ITEM	NUMBER	DESCRIPTION	QTY
8,9	561076, 561078	S/A LATCH BLOCK (EA)	
9	200107	10-24 NYLOCK NUT THIN	3
5-9	880730, 880731	S/A LATCH KIT (EA)	
1-9	641144, 641145	HANGER 80° PNTD S/A FRONT MOUNT (SPECIFY COLOR)	

80° HEAVY DUTY FOOTREST HANGER (QUICKIE M6/T45/TS/ZIPPIE GS/TS)



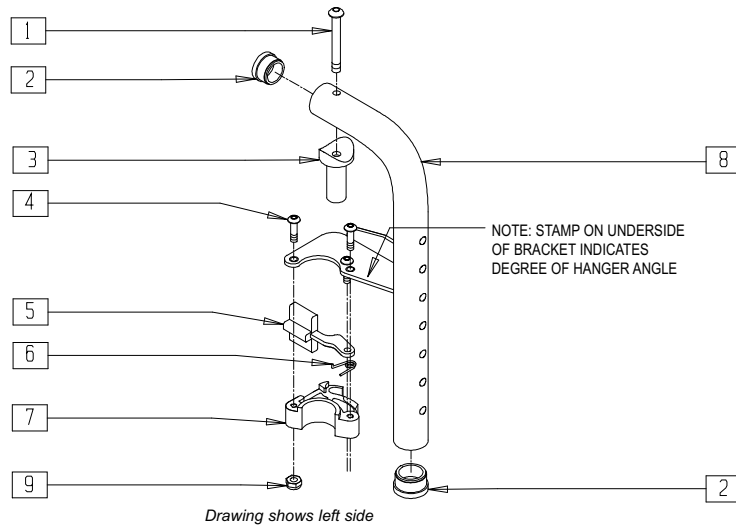
TSR00X09

ITEM	NUMBER	DESCRIPTION	QTY
1	226198	5/16-18 x 2 BH C/S SHT THREAD	1
2	523913	HANGER TUBE 80° HD	1
3	550154	T45 HANGER BRACKET 80° R	1
4	201100	1/4-28 NYLOCK NUT THIN	2
5	561002	1" INSERT PLUG .083	1
6	561074	PIVOT SADDLE PLASTIC .125	1
7	880053	FOOTREST BLOCK T45	1
8	202102	5/16-18 NYLOCK NUT THIN	1
9	321141	.650L x 6 COIL SPRING	1
10	560684	T45 FOOTREST BLOCK RECESSED	1

ITEM	NUMBER	DESCRIPTION	QTY
11	226194	5/16-18 x 1.63 BH C/S	1
12	221100	1/4-28 x 3/4 HEX C/S	1
13	221127	1/4-28 x 1 3/8 HEX C/S	1
14	262100-QU	1/4 AN WASHER FLAT	1
15	550155	T45 HANGER BRACKET 80° L	1
16*	561002	1" INSERT PLUG .083	1
7-11	920720	FOOTREST BLOCK ASSEMBLY W/BOLT HD	
1-6,12-15	641200, 641201	HANGER 80° PAINTED HD	

* ORDER ITEM 16 WHEN NOT USING FOOTREST EXTENSION.

90° SWING-AWAY HANGER (QUICKIE 2/GPSA/LX/LXI/RECLINER/Rx/TS/ ZIPPIE/ZIPPIE 2/GS/TS)

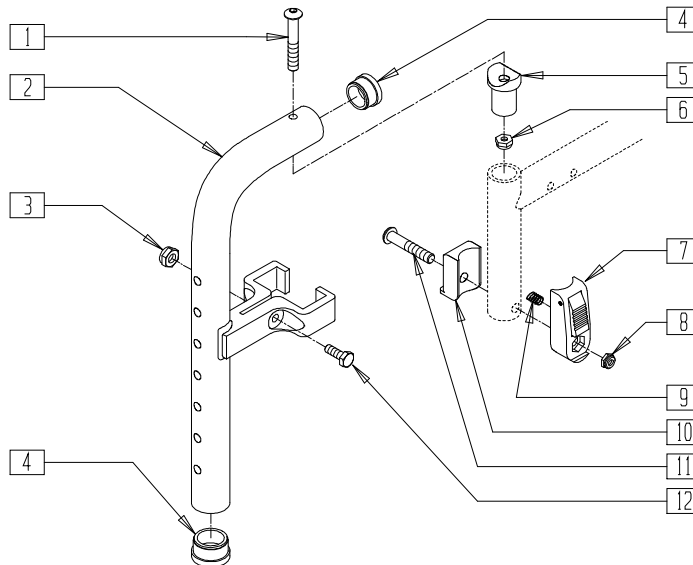


FT0X020

ITEM	NUMBER	DESCRIPTION	QTY
1	226198	5/16-18 x 2 BH C/S SHT THREAD	1
2	561002	1" INSERT PLUG .083	2
3	561074	PIVOT SADDLE PLASTIC .125	1
1,3	880545	PIVOT SADDLE .125 W/SCREW	
4	226011	10-24 x .665 BH C/S W/PATCH	3
5	561079	S/A LATCH LEVER	1
6	321136, 321137	S/A SPRING (EA)	1

ITEM	NUMBER	DESCRIPTION	QTY
8	505039, 505040	S/A HANGER ONLY 90° (EA) (SPECIFY COLOR)	1
9	200107	10-24 NYLOCK NUT THIN	3
7,9	561076, 561078	S/A LATCH BLOCK (EA)	
4-6,7,9	880808, 880809	S/A LATCH KIT 90°/HEMI/BRZ	
1-9	641140, 641141	HANGER 90° PAINTED S/A (EA) (SPECIFY COLOR)	

90° LIFT-OFF HANGER (ZIPPIE GS)



TSR00X19

ITEM	NUMBER	DESCRIPTION	QTY
1	226198	5/16 -18 x 2 BH C/S SHT THREAD	1
3	201100	1/4-28 NYLOCK NUT THIN	1
4	561002	1" INSERT PLUG .083	2
5	561074	PIVOT SADDLE PLASTIC .125	1
6	202103	5/16-18 NYLOCK NUT THICK	1
7	880053	FOOTREST BLOCK T45	1
8	202102	5/16-18 NYLOCK NUT THIN	1

ITEM	NUMBER	DESCRIPTION	QTY
9	321141	.650L x 6 COIL SPRING	1
10	560684	T45 FOOTREST BLOCK RECESSED	1
11	226194	5/16-18 x 1.63 BH C/S	1
12	221100	1/4-28 x 3/4 HEX C/S	1
7-11	920720	FOOTREST BLOCK ASSM W/BOLT HD	
1-6,12	885005	90° F/D H/D L/O HNGR ASSM PNTD	

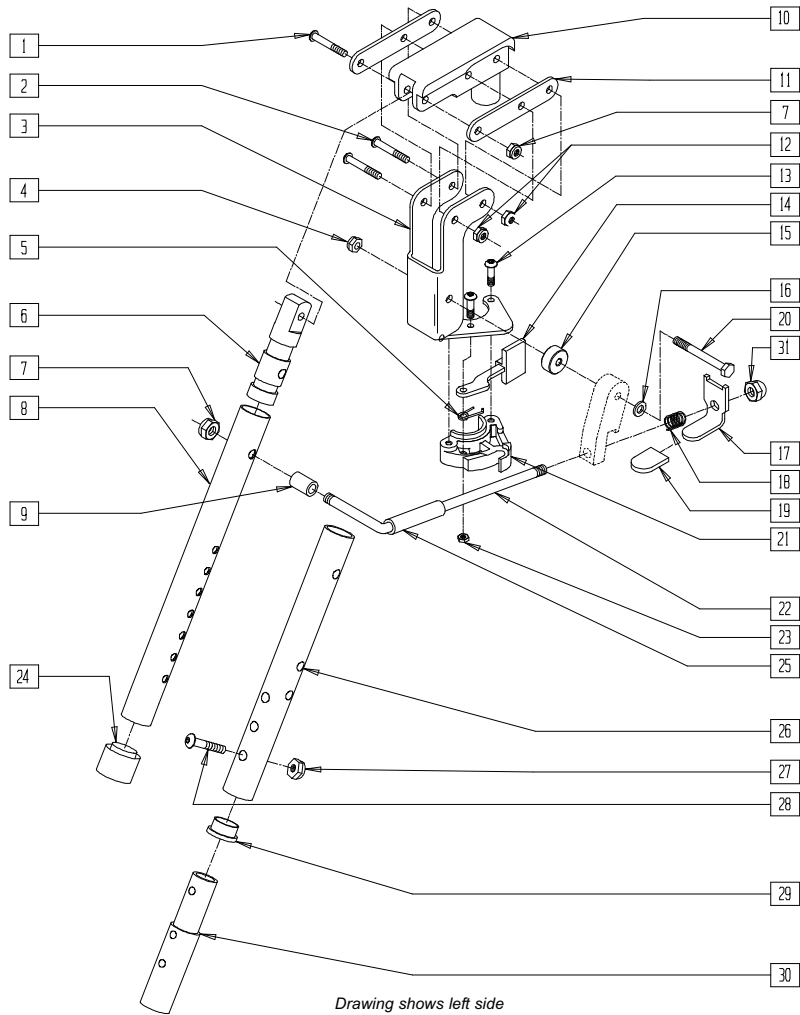
NOTE: THIS HANGER HAS BEEN TESTED AND APPROVED FOR OCCUPANTS THAT WEIGH LESS THAN 150 POUNDS.

ELEVATING LEGREST

(All Quickie chairs, Breezy Aluminum, Chrome Breezy, Breezy 2, Kids 90°)

(Discontinued 7/31/95 - parts only; fits Breezy prior to BZ-200000)

(For complete assembly, see page 14.20)



Drawing shows left side

BZ00X07

ITEM	NUMBER	DESCRIPTION	QTY
1	226138	5/16-24 x 1 1/2 BH C/S	1
2	226140	1/4-28 x 1 3/4 BH C/S	2
3	505163, 505164	ELR BRACKET (EA)	1
4	201110	1/4-28 NYLOCK NUT	1
5	321136, 321137	S/A SPRING (EA)	1
6	540252	ELR PIVOT PRS	1
	540251	ELR PIVOT .049 (ALL BREEZY MODELS)	
7	202100-MJ	5/16-24 NYLOCK NUT THIN	2
8	505096	ELR TUBE ONLY (QUICKIE)	1
	505098	ELR TUBE (STEEL BR)	
9	560782	ELR ROD SPACER	1
10	561375	ELR PIVOT/COVER .125 (BREEZY 2/QUICKIE/KIDS 90°)	1
	561376	ELR PIVOT/COVER .049 (CHROME BR)	
11	505085	ELR SUPPORT STRIP	2
12	201100	1/4-28 NYLOCK NUT THIN	2
13	226011	10-24 x .665 BH C/S	3
14	561079	S/A LATCH LEVER	1

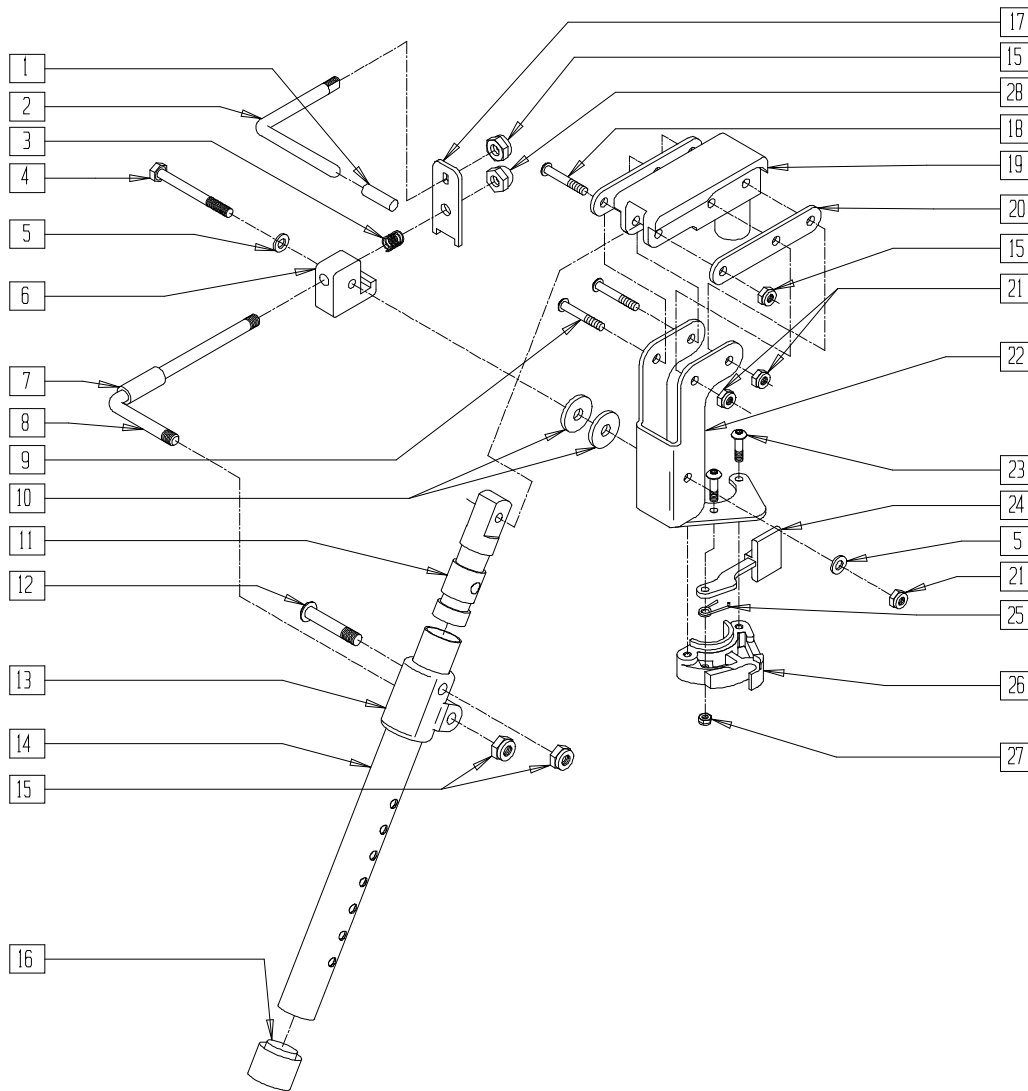
ITEM	NUMBER	DESCRIPTION	QTY
15	560781	ELR BLOCK SPACER	1
16	262100	1/4 AN WASHER FLAT	1
17	505075	ELR RELEASE LEVER	1
18	321140	ELR LEG SPRING	1
19	560504	RELEASE LEVER PLASTIC COVER	1
20	221200	1/4-28 x 3 HEX C/S	1
21,23	561076, 561078	S/A LATCH BLOCK (EA)	
22	481501	ELR ROD O/S	1
23	200107	10-24 NYLOCK NUT THIN (SPARES)	3
24	561018	1" TUBE END BUSHING THICK	1
25	560784	ELR ADJUSTMENT STOP	1
26	505097	ELR KIDS TUBE	1
27	201100	1/4-28 NYLOCK NUT THIN	1
28	226129	1/4-28 x 1 1/4 BH C/S	1
29	561002	1" INSERT PLUG .083	1
30	500150	2" FOOTREST EXT TUBE	1
31	202109	5/16-24 ACORN NUT HEX	1
5,13,14 21,23	880808, 880809	S/A LATCH KIT 90°/HEMI/BR (EA)	

NOTE: ITEMS 26-30 USED WITH KIDS 90° ELEVATING LEGREST. ITEM 25 NOT USED ON KIDS 90° ELEVATING LEGREST.

ELEVATING LEGREST (All Quickie chairs)

(Discontinued 3/23/97; parts only)

(For complete assembly, see page 14.20)



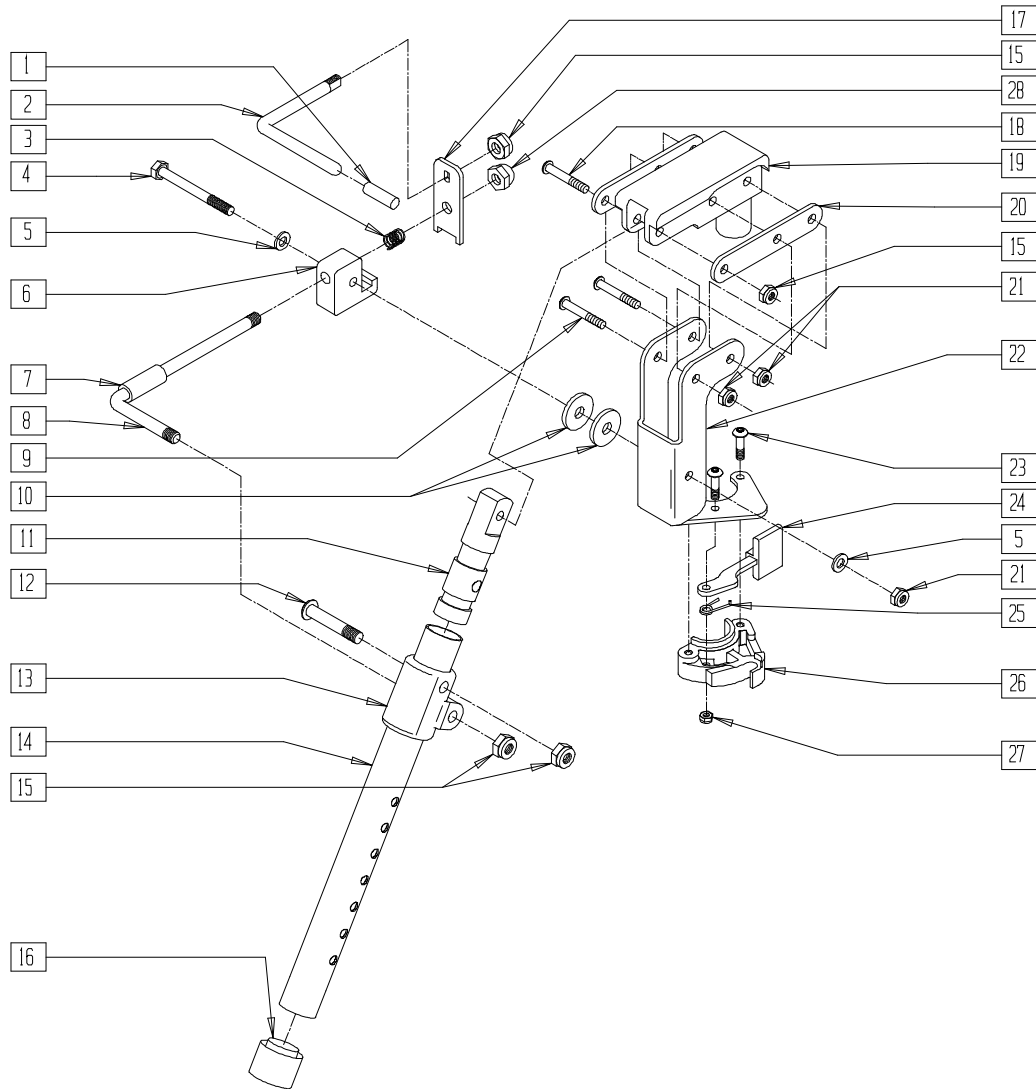
BZ00X22

ITEM	NUMBER	DESCRIPTION	QTY
1	561049	ELR RELEASE ROD COVER	1
2	481503	ELR RELEASE ROD	1
3	321139	.750L x 5 COIL SPRING	1
4	221193	1/4-28 x 2 3/4 G8 HEX C/S	2
5	262100-QU	1/4 AN WASHER FLAT	2
6	550506	ELR LATCH BLOCK	1
7	560785	ELR ADJUSTMENT STOP NEW	1
8	481502	ELR ROD	1
9	226140	1/4-28 x 1 3/4 BH C/S	2
10	561016	1" WASHER 5/16" HOLE	2
11	540252	ELR PIVOT PRS	1
12	226138	5/16-24 x 1 1/2 BH C/S	1
13	560430	ELR ROD UPPER PIVOT	1
14	505096	ELR TUBE ONLY	1
15	202100-MJ	5/16-24 NYLOCK NUT THIN	4
16	561082	1" TUBE END BUSHING THIN	1
17	505169	ELR RELEASE LEVER FLAT	1

ITEM	NUMBER	DESCRIPTION	QTY
18	226138	5/16-24 x 1 1/2 BH C/S	1
19	561375	ELR PIVOT/COVER .125	1
20	505085	ELR SUPPORT STRIP	2
21	201100	1/4-28 NYLOCK NUT THIN	3
22	505163, 505164	ELR BRACKET (EA)	1
23	226011	10-24 x .665 BH C/S W/PATCH	3
24	561079	S/A LATCH LEVER	1
25	321136, 321137	S/A SPRING (EA)	1
27	200107	10-24 NYLOCK NUT THIN	3
28	202109	5/16-24 ACORN NUT HEX	1
26,27	561076, 561078	S/A LATCH BLOCK (EA)	
23-27	880808, 880809	S/A LATCH KIT 90°/HEMI/BR (EA)	

ELEVATING LEGREST (ALUMINUM BREEZY/BREEZY 2)

(Discontinued 3/23/97) (For complete assembly, see page 14.20)

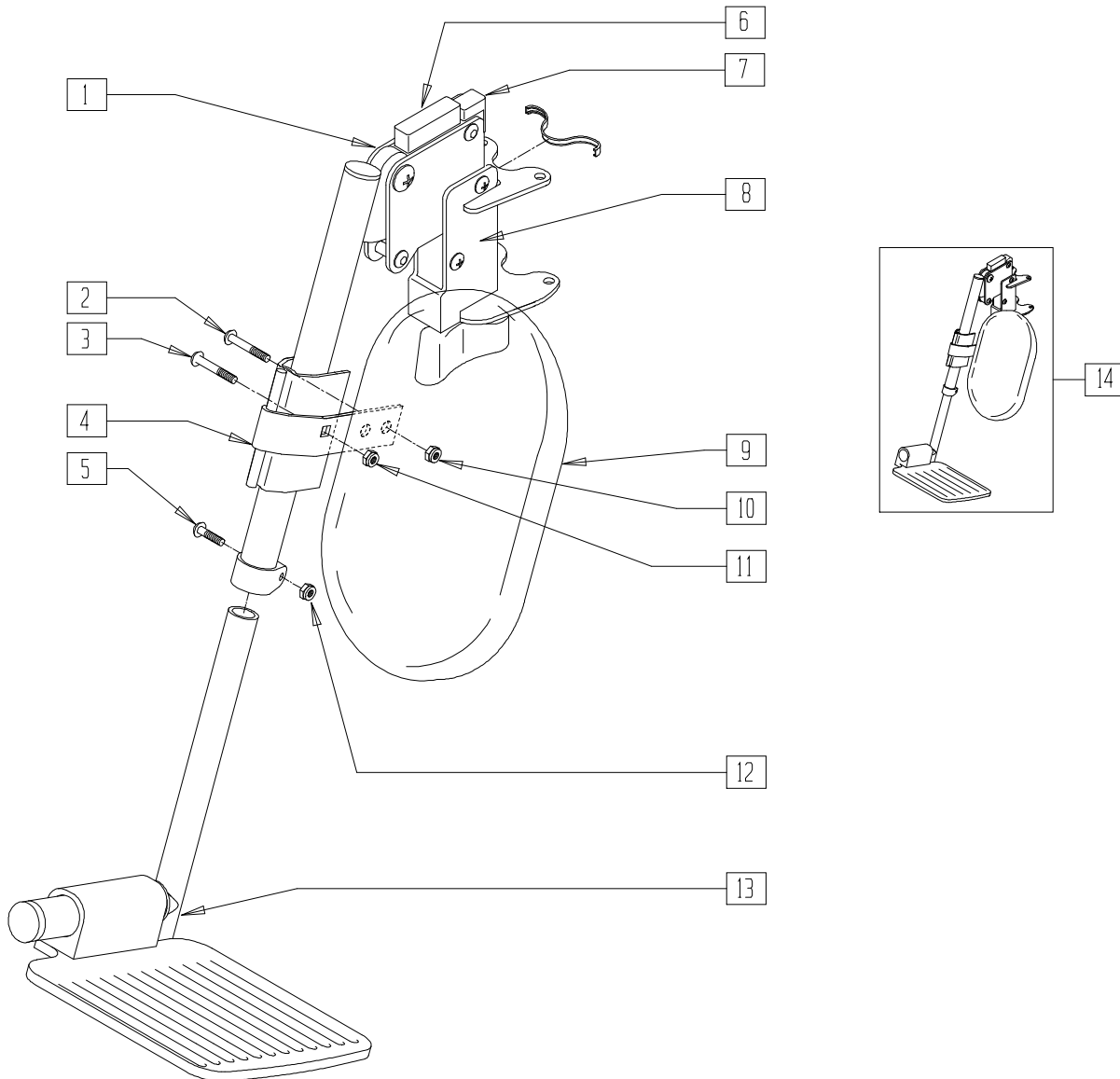


BZ00X22

ITEM	NUMBER	DESCRIPTION	QTY
1	561049	ELR RELEASE ROD COVER	1
2	481503	ELR RELEASE ROD	1
3	321139	.750L x 5 COIL SPRING	1
4	221193	1/4-28 x 2 3/4 G8 HEX C/S	2
5	262100-QU	1/4 AN WASHER FLAT	1
6	550506	ELR LATCH BLOCK	1
7	560785	ELR ADJUSTMENT STOP NEW	1
8	481502	ELR ROD	1
9	226140	1/4-28 x 1 3/4 BH C/S	2
10	561016	1" WASHER 5/16" HOLE	2
11	540251	ELR PIVOT .049	1
12	226138	5/16-24 x 1 1/2 BH C/S	1
13	560430	ELR ROD UPPER PIVOT	1
14	505098	ELR TUBE (STEEL) (SPECIFY COLOR)	1
15	202100-MJ	5/16-24 NYLOCK NUT THIN	4
16	561018	1" TUBE END BUSHING THICK	1
17	505169	ELR RELEASE LEVER FLAT	1

ITEM	NUMBER	DESCRIPTION	QTY
18	226138	5/16-24 x 1 1/2 BH C/S	1
19	561375	ELR PIVOT/COVER .125	1
20	505085	ELR SUPPORT STRIP	2
21	201100	1/4-28 NYLOCK NUT THIN	3
22	505163, 505164	ELR BRACKET (EA)	1
23	226010	10-24 x .725 BH C/S	3
24	561079	S/A LATCH LEVER	1
25	321136, 321137	S/A SPRING (EA)	1
27	200107	10-24 NYLOCK NUT THIN	3
28	202109	5/16-24 ACORN NUT HEX	1
26,27	561076, 561078	S/A LATCH BLOCK (EA)	
23-27	880730, 880731	S/A LATCH KIT (EA)	

ELEVATING LEGREST (BREEZY 100/150)



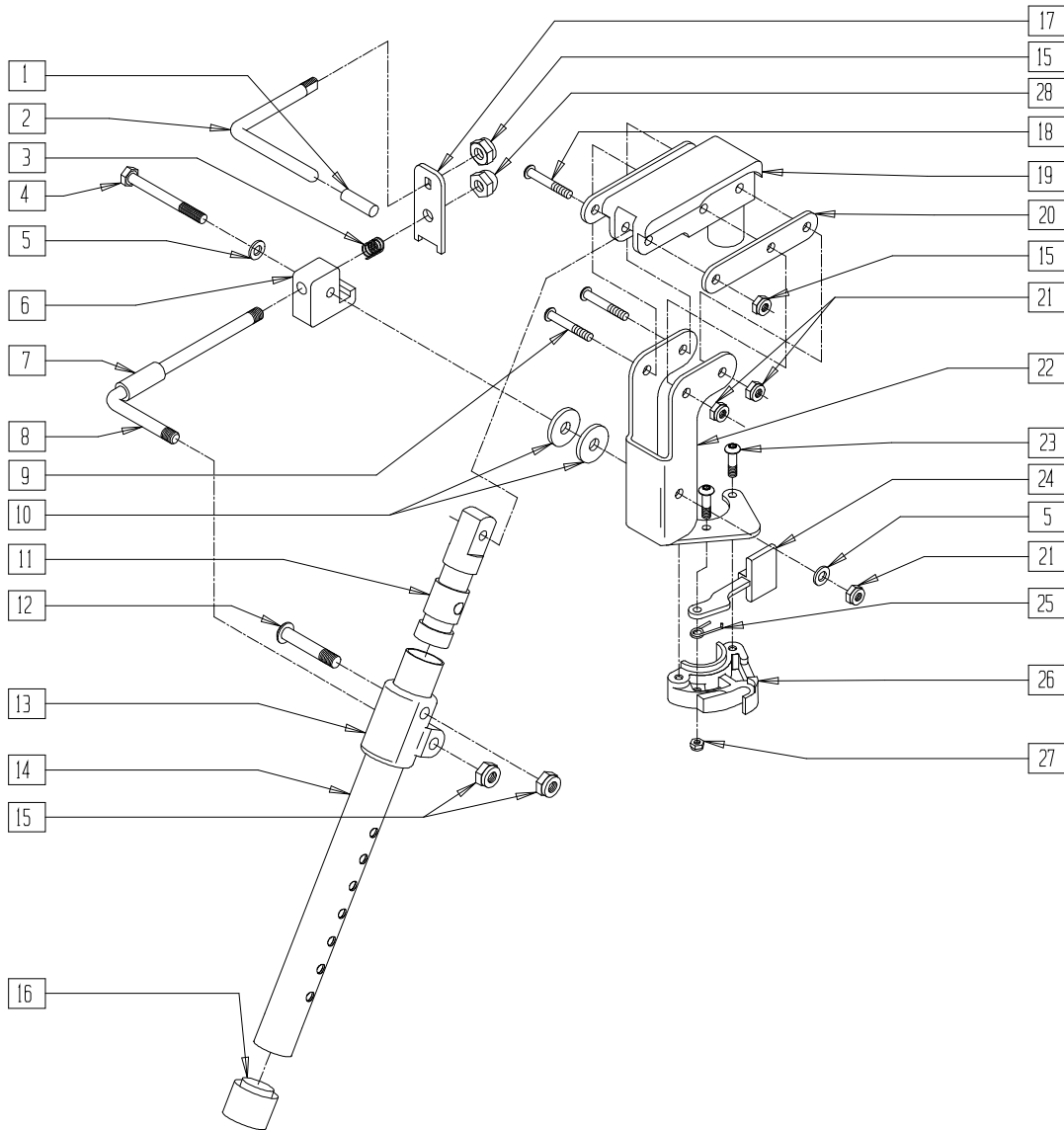
BRZ10X08

ITEM	NUMBER	DESCRIPTION	QTY
6	222-0617	ELR RELEASE CAP (EA)	1
7	222-0675	ELR SPACER CAP FOR UPPER ASSEMBLY (EA)	1
8	222-0671	ELR LATCHING ASSEMBLY	1
9	222-0674	ELR CALF PAD (EA)	1
13	222-0676	LOWER ELEVATING LEGREST ASSEMBLY	1

ITEM	NUMBER	DESCRIPTION	QTY
14	222-0770L	ELEVATING LEGREST ASSEMBLY L	1
	222-0770R	ELEVATING LEGREST ASSEMBLY R	1
2-4,10,11	222-0545	ELR CALF PAD HARDWARE ASSEMBLY	1
1,5-7,12	222-0544	UPPER ELEVATING LEGREST ASSEMBLY	1

ELEVATING LEGREST (BREEZY)

(Discontinued 3/23/97) (For complete assembly, see page 14.20)



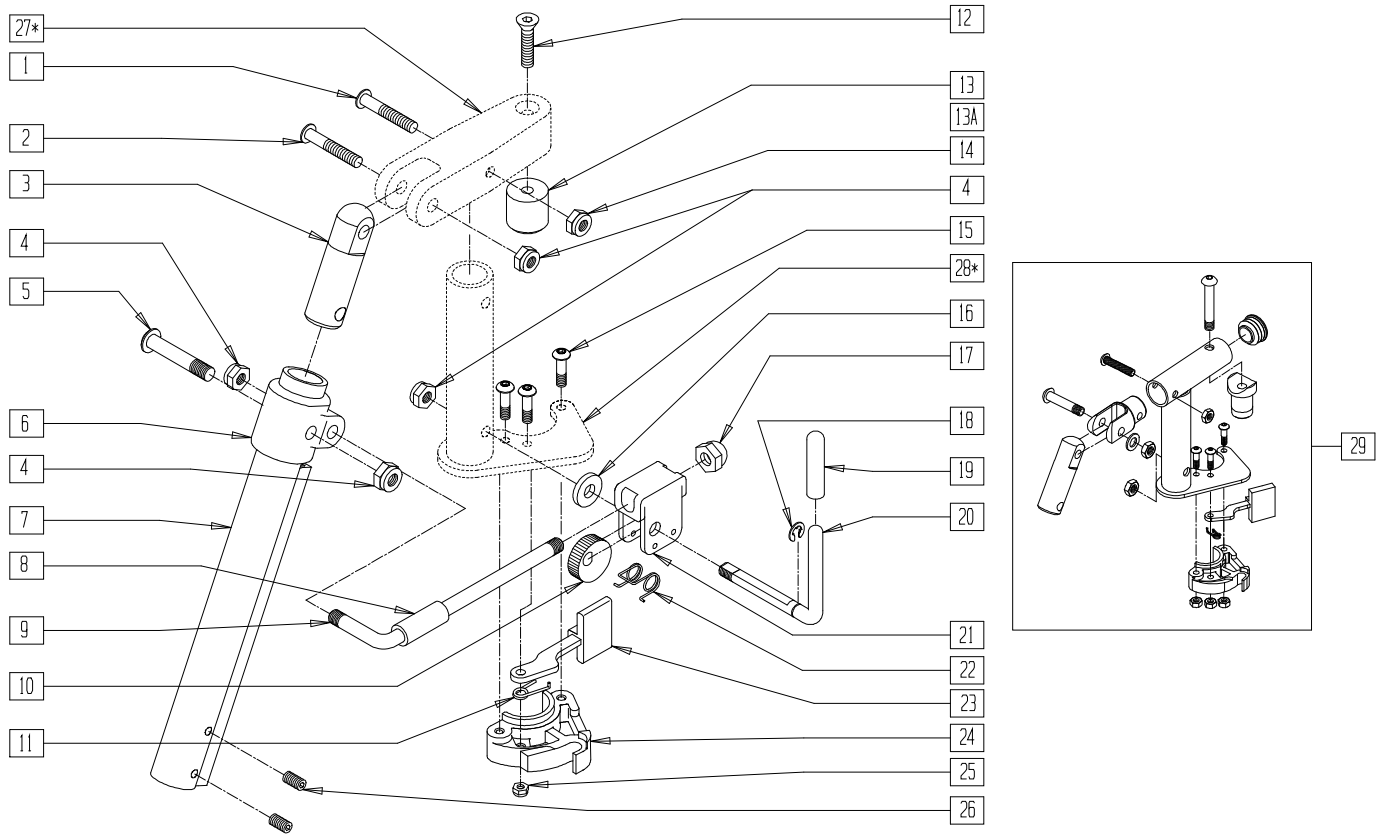
BZ00X22A

ITEM	NUMBER	DESCRIPTION	QTY
1	561049	ELR RELEASE ROD COVER	1
2	481503	ELR RELEASE ROD	1
3	321139	.750L x 5 COIL SPRING	1
4	221190-QU	1/4-28 x 2 3/4 HEX C/S	2
5	262100-QU	1/4 AN WASHER FLAT	1
6	550506	ELR LATCH BLOCK	1
7	560785	ELR ADJUSTMENT STOP NEW	1
8	481502	ELR ROD	1
9	226140	1/4-28 x 1 3/4 BH C/S	2
10	561016	1" WASHER 5/16" HOLE	2
11	540251	ELR PIVOT .049	1
12	226138	5/16-24 x 1 1/2 BH C/S	1
13	560430	ELR ROD UPPER PIVOT	1
14	505098	ELR TUBE (STEEL)	1
15	202100-MJ	5/16-24 NYLOCK NUT THIN	4
16	561018	1" TUBE END BUSHING THICK	1
17	505169	ELR RELEASE LEVER FLAT	1

ITEM	NUMBER	DESCRIPTION	QTY
18	226138	5/16-24 x 1 1/2 BH C/S	1
19	561376	ELR PIVOT/COVER .049	1
20	505085	ELR SUPPORT STRIP	2
21	201100	1/4-28 NYLOCK NUT THIN	3
22	505163, 505164	ELR BRACKET (EA)	1
23	226010	10-24 x .725 BH C/S	3
24	561079	S/A LATCH LEVER	1
25	321136, 321137	S/A SPRING (EA)	1
27	200107	10-24 NYLOCK NUT THIN	3
28	202109	5/16-24 ACORN NUT HEX	1
26,27	561076, 561078	S/A LATCH BLOCK (EA)	
23-27	880730, 880731	S/A LATCH KIT (EA)	

ELEVATING LEGREST (MANUAL PRODUCTS)

(Discontinued - parts only; effective beginning 3/24/97 and ending 3/31/99)



FT0X032

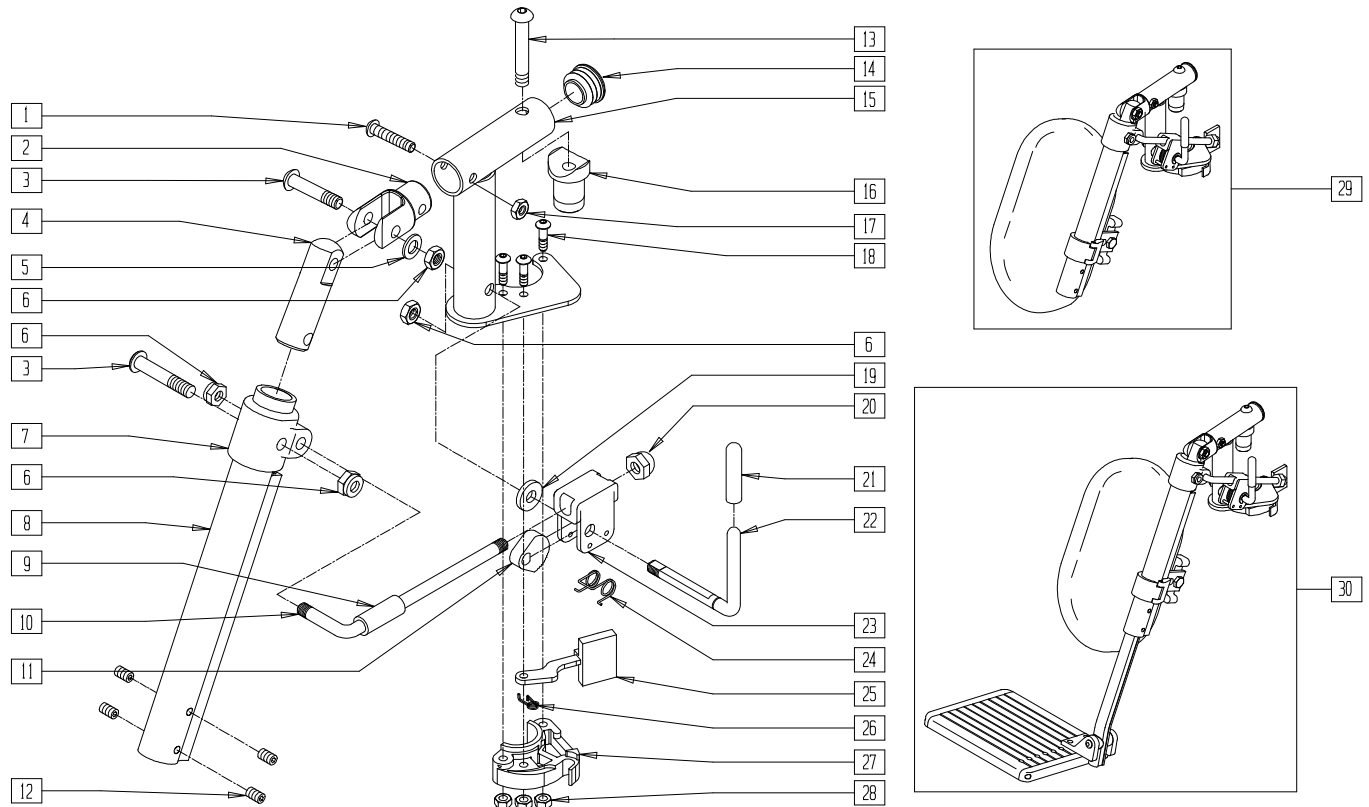
ITEM	NUMBER	DESCRIPTION	QTY
1	226130	1/4-28 x 1 1/2 BH C/S	1
2	226138	5/16-24 x 1 1/2 BH C/S	1
3	540252	ELR PIVOT PRS	1
4	202100-MJ	5/16-24 NYLOCK NUT THIN	4
5	226138	5/16-24 x 1 1/2 BH C/S	1
6	560420	ELR UPPER PIVOT PLST	1
7	550736	ELR ADJUSTMENT TUBE	1
8	560784	ELR ADJUSTMENT STOP	1
9	481117	ELR LOCK ROD	1
10	481119	ELR CAM LOCKING POWDERED METAL	1
11	321136, 321137	S/A SPRING (EA)	1
12	226072	1/4-20 x 1/2 FH C/S BLK	1
13	483126	ELR PLUG .125	1
13A	483124	ELR PLUG .049	1
14	201100	1/4-28 NYLOCK NUT THIN	1
15	226010	10-24 x .725 BH C/S W/PATCH	3
16	561059	3/4 OD x .318 ID WASHER	1

ITEM	NUMBER	DESCRIPTION	QTY
17	202109	5/16-24 ACORN NUT HEX	1
18	342000	1/4" E-CLIP	1
19	561049	ELR RELEASE ROD COVER	1
18-20	882410	ELR ACTUATION ARM ASSEMBLY	
20	481122	ELR ACTUATION ARM	1
21	880990	ELR LOCK HOUSING W/PIN	1
22	321106	ELR TORSION SPRING	1
23	561079	S/A LATCH LEVER	1
24,25	561076, 561078	S/A LATCH BLOCK (EA)	
25	200107	10-24 NYLOCK NUT THIN	3
26	225112	1/4-20X1/4 SS KNRLD CP W/PATCH	2
4,8-10, 16-22	881077	ELR LOCK ROD/ARM ASSEMBLY	
29	882417, 882418	ELR PIVOT BLOCK ASSEMBLY	
	882419, 882420	ELR PVT BLOCK ASSEMBLY W/.049 SDL (BR)	

* FOR ITEMS 27 (P/N 550738) AND 28 (P/N 505126, 505127), ORDER ITEM 29 (P/N 882417-882420). ITEM 29 ALSO REPLACES DISCONTINUED PIVOT BLOCK ASSEMBLIES 882415 AND 882416.

ELEVATING LEGREST (MANUAL PRODUCTS)

(Effective 4/99)



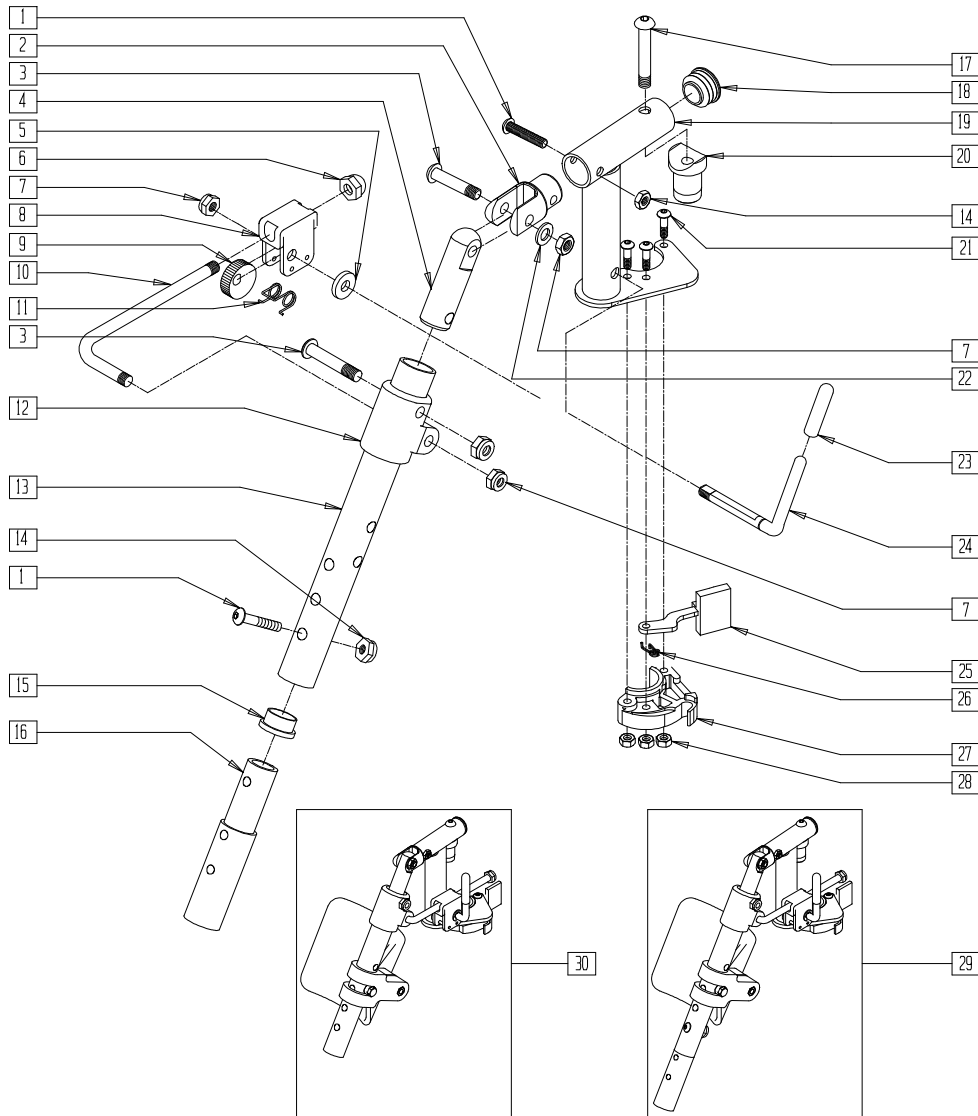
FT0X32A

ITEM	NUMBER	DESCRIPTION	QTY
1	226129	1/4-28 x 1 1/4 BH C/S	1
2	505281	ELR CLEVIS	1
3	226138	5/16-24 x 1 1/2 BH C/S	2
4	540252	ELR PIVOT PRS	1
5	263100	5/16 AN WASHER FLAT	1
6	202100-MJ	5/16-24 NYLOCK NUT THIN	4
7	560420	ELR UPPER PIVOT PLST	1
8	550736	ELR ADJUSTMENT TUBE	1
9	560784	ELR ADJUSTMENT STOP	1
10	481117	ELR LOCK ROD	1
11	481119	ELR CAM LOCKING POWDERED METAL	1
12	225112	1/4-20X1/4 SS KNRLD CP W/PATCH	4
13	226198	5/16-18 x 2 BH C/S SHT THREAD	1
14	561062	1" INSERT PLUG .065 RIBS	1
15	505278, 505279	ELR HANGER BRACKET NEW	1
16	561074	PIVOT SADDLE PLASTIC .125	1
	561320	PIVOT SADDLE .049 (BREEZY)	
17	201100	1/4-28 NYLOCK NUT THIN	1
18	226010	10-24 x .725 BH C/S W/PATCH	3
19	561059	3/4 OD x .318 ID WASHER	1
20	202109	5/16-24 ACORN NUT HEX	1
21	561049	ELR RELEASE ROD COVER	1
22	481122	ELR ACTUATION ARM	1
23	880990	ELR LOCK HOUSING W/PIN	1
24	321106	ELR TORSION SPRING	1
25	561079	S/A LATCH LEVER	1

ITEM	NUMBER	DESCRIPTION	QTY
26	321136, 321137	S/A SPRING	1
27,28	561076, 561078	S/A LATCH BLOCK (EA)	
28	200107	10-24 NYLOCK NUT THIN	3
21,22	882410	ELR ACTUATION ARM ASSEMBLY	
6,9-11, 19-24	881077	ELR LOCK ROD/ARM ASSEMBLY	
1-6,13-18, 25-28	882417, 882418, 882419, 882420	ELR PIVOT BLOCK ASSEMBLY	
	882419, 882420	ELR PVT BLK ASSEMBLY W/.049 SDL (BR)	
1-28	641444, 641445, 641446, 641447	ELR HNGR W/O PAD PNTD (EA)	
	641446, 641447	ELR HNGR W/O PAD PNTD (BREEZY) (EA)	
29	923082 923041 923061	ELR HNGR ASSM 14-15 W/PAD (PR) ELR HNGR ASSM W/PAD 16,17" (PR) ELR HNGR ASSM W/PAD 18,20" (PR)	1
13,16,29	923069 923042 923062	ELR HNGR ASSM 14" W/PAD BR (PR) ELR HNGR ASSM W/PAD 16" BR (PR) ELR HNGR ASSM W/PAD 18,20" BR (PR)	
30	923088 923084 923085	ELR HNGR REG EXT 14,15" F/PLT (PR) ELR HNGR REG EXT 16,17" F/PLT (PR) ELR HNGR REG EXT 18,20" F/PLT (PR)	1
13,16,30	923083 923080 923081	ELR HNGR REG EXT 14" F/PLT BR (PR) ELR HNGR REG EXT 16" F/PLT BR (PR) ELR HNGR REG EXT 18" F/PLT BR (PR)	

90° KIDS ELEVATING LEGREST

(Discontinued - parts only; effective beginning 3/24/94 and ending 3/31/99)



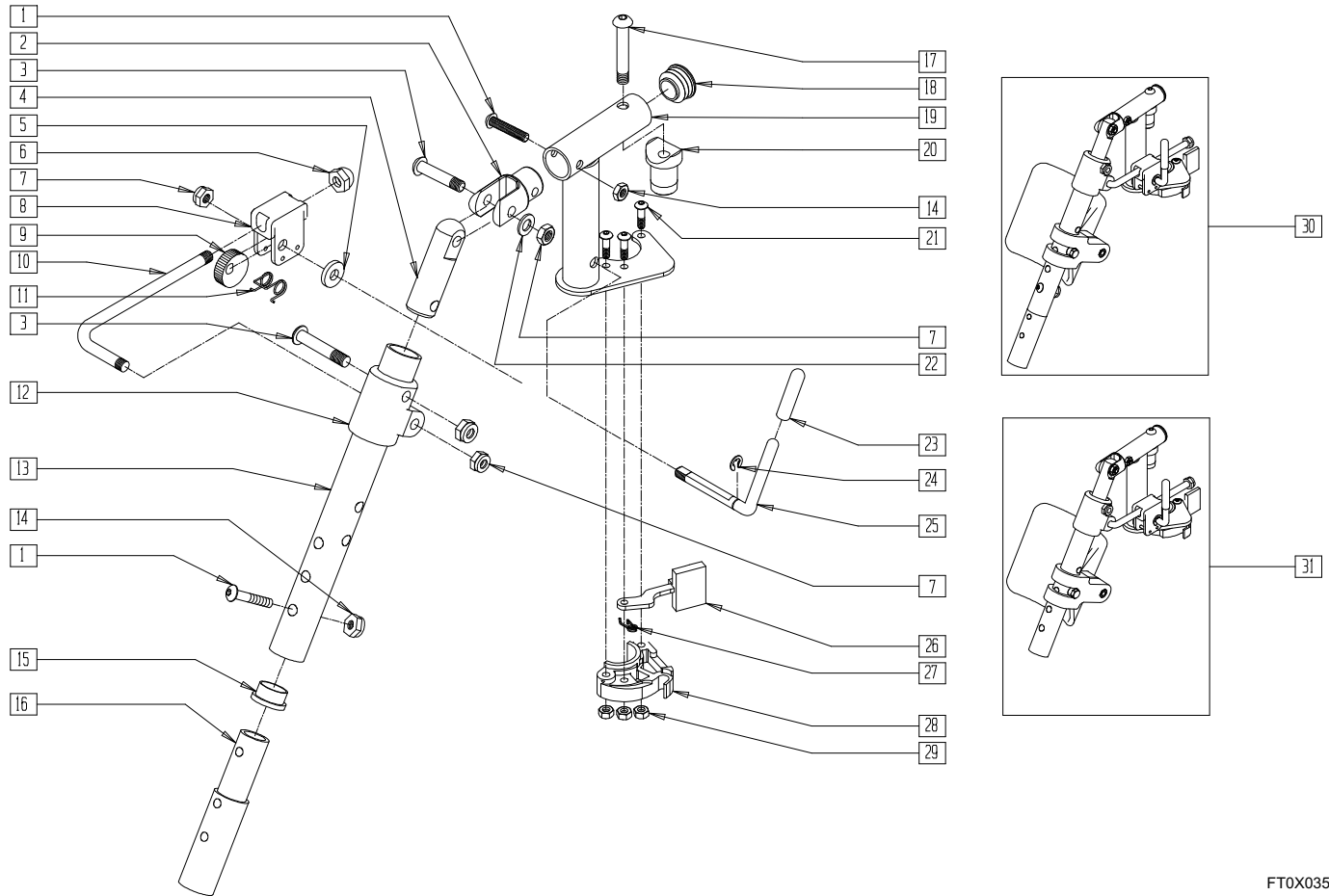
FT0X035

ITEM	NUMBER	DESCRIPTION	QTY
1	226129	1/4-28 x 1 1/4 BH C/S	2
2	505281	ELR CLEVIS	1
3	226138	5/16-24 x 1 1/2 BH C/S	2
4	540252	ELR PIVOT PRS	1
5	561059	3/4" OD x .318 ID WASHER	1
6	202109	5/16-24 ACORN NUT HEX	1
7	202100-MJ	5/16-24 NYLOCK NUT THIN	4
8	880990	ELR LOCK HOUSING W/PIN	1
9	481119	ELR CAM LOCKING POWDERED METAL	1
10	481505	ELR ROD 90°	1
11	321106	ELR TORSION SPRING	1
12	560430	ELR ROD UPPER PIVOT	1
13	505097	ELR KIDS TUBE	1
14	201100	1/4-28 NYLOCK NUT THIN	2
15	561002	1" INSERT PLUG .083	1
16	500150	2" FOOTREST EXT TUBE	1
17	226198	5/16-18 x 2 BH C/S SHT THREAD	1
18	561062	1" INSERT PLUG .065 RIBS	1
19	505278, 505279	ELR HANGER BRACKET NEW	1
20	561074	PIVOT SADDLE PLASTIC .125	1

ITEM	NUMBER	DESCRIPTION	QTY
21	226010	10-24 x .725 BH C/S W/PATCH	1
22	263100	5/16 AN WASHER FLAT	3
23	561049	ELR RELEASE ROD COVER	1
24	481123	ELR ACTUATION ARM 90° KIDS	1
25	561079	S/A LATCH LEVER	1
26	321136, 321137	S/A SPRING (EA)	1
28	200107	10-24 NYLOCK NUT THIN	3
27,28	561076, 561078	S/A LATCH BLOCK (EA)	
1,14,16	881403	2" FTRST EXT TUBE W/HARDWARE ASSMBLY	
1-4,7,14, 17-22, 25-28	882417, 882418	ELR PIVOT BLOCK ASSEMBLY	
1-15, 17-28	641458, 641459	ELR HANGER 90° W/O PAD PNTD (EA)	
1-14, 16-28	641468, 641469	HANGER ELR 90° W/O PAD 2" EXT (EA)	
29	923068	ELR HNGR ASSM 90° W/PAD 2" EXT (PR)	1
30	923067	ELR HNGR ASSM 90° W/PAD (PR)	1

90° KIDS ELEVATING LEGREST

(Effective 4/99)



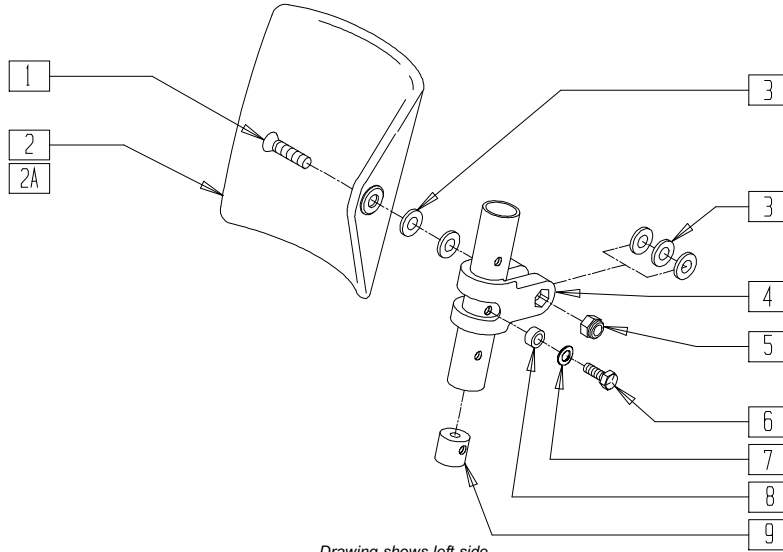
FT0X035A

ITEM	NUMBER	DESCRIPTION	QTY
1	226129	1/4-28 x 1 1/4 BH C/S	2
2	505281	ELR CLEVIS	1
3	226138	5/16-24 x 1 1/2 BH C/S	2
4	540252	ELR PIVOT PRS	1
5	561059	3/4" OD x .318" ID WASHER	1
6	202109	5/16-24 ACORN NUT HEX	1
7	202100-MJ	5/16-24 NYLOCK NUT THIN	4
8	880990	ELR LOCK HOUSING W/PIN	1
9	481119	ELR CAM LOCKING POWDERED METAL	1
10	481505	ELR ROD 90°	1
11	321106	ELR TORSION SPRING	1
12	560430	ELR ROD UPPER PIVOT	1
13	505097	ELR KIDS TUBE	1
14	201100	1/4-28 NYLOCK NUT THIN	2
15	561002	1" INSERT PLUG .083	1
16	500150	2" FOOTREST EXT TUBE	1
17	226198	5/16-18 x 2 BH C/S SHT THREAD	1
18	561062	1" INSERT PLUG .065 RIBS	1
19	505278, 505279	ELR HANGER BRACKET NEW	1
20	561074	PIVOT SADDLE PLASTIC .125	1
21	226010	10-24 x .725 BH C/S W/PATCH	1
22	263100	5/16 AN WASHER FLAT	3

ITEM	NUMBER	DESCRIPTION	QTY
23	561049	ELR RELEASE ROD COVER	1
24	342000	1/4" E-CLIP	1
25	481123	ELR ACTUATION ARM 90° KIDS	1
26	561079	S/A LATCH LEVER	1
27	321136, 321137	S/A SPRING (EA)	1
29	200107	10-24 NYLOCK NUT THIN	1
28,29	561076, 561078	S/A LATCH BLOCK (EA)	
1,14,16	881403	2" FTRST EXT TUBE W/HARDWARE ASSEMBLY	
1-15, 17-29	641458, 641459	ELR HANGER 90° W/O PAD PNTD (EA)	
1-14, 16-29	641468, 641469	HANGER ELR 90° W/O PAD 2" EXT (EA)	
30	923068	ELR HNGR ASSM 90° W/PAD 2" EXT (PR)	1
31	923067	ELR HANGER ASSEMBLY 90° W/PAD (PR)	1
1-4,7,14, 17-22 26-29	882417, 882418	ELR PIVOT BLOCK ASSEMBLY (EA)	

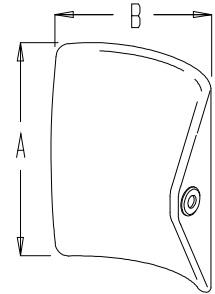
ELR TROUGH CALF PAD

(Discontinued 3/23/97 - parts only)



Drawing shows left side

MEASURING GUIDE



CALFPAD

PART NUMBER	"A"	"B"
755014	5 1/4"	5 3/4"
755012	6 1/4"	6 1/2"

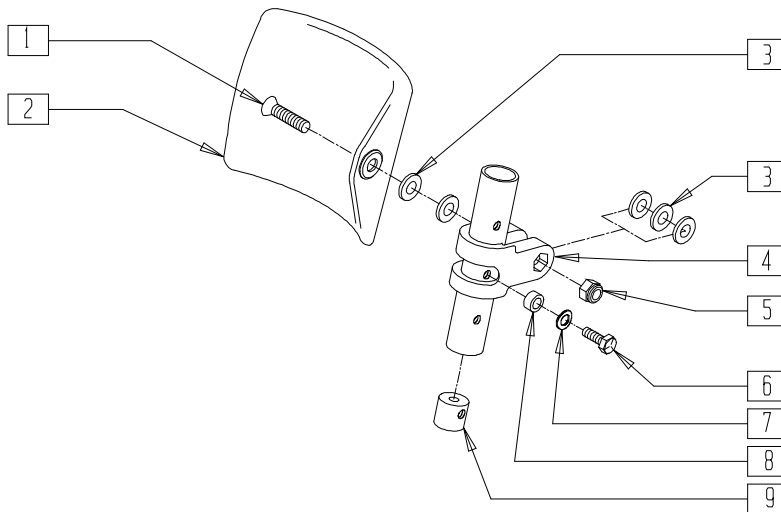
BZ00X17A

ITEM	NUMBER	DESCRIPTION	QTY
1	226196	5/16-18 x 2 BH C/S ZN	1
2	755012	CALF PAD TROUGH STYLE 17"-20"	1
2A	755014	CALF PAD TROUGH STYLE 14"-16"	1
3	561016	1" WASHER 5/16" HOLE	5
4	561097	ELR ELEVATING TUBE CLAMP	1
5	202102	5/16-18 NYLOCK NUT THIN	1

ITEM	NUMBER	DESCRIPTION	QTY
6	221126	1/4-20 x 1 1/4 G8 HEX C/S	1
7	262130	6mm WASHER WAVE	1
8	483027	1/4 x 1/4 ALUMINUM SPACER BLK	1
9	500151	KIDS ALR RETAINING PLUG	1
1-9	880543	ELR TROUGH PAD ASSEMBLY 17"-20"	
1,2A,3-9	880535	ELR TROUGH PAD ASSEMBLY 14"-16"	

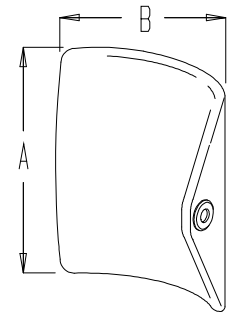
KIDS ELR TROUGH CALF PAD

(Discontinued 3/23/97 - parts only)



Drawing shows left side

MEASURING GUIDE



CALFPAD

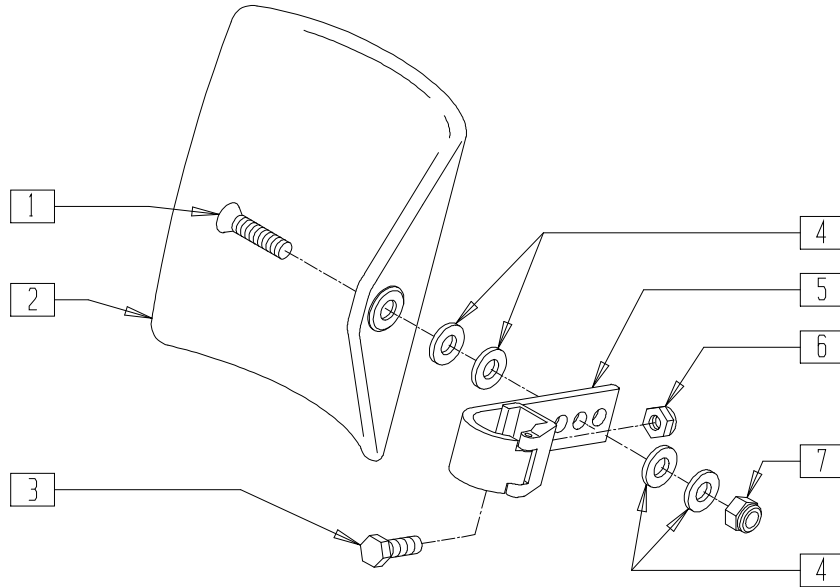
PART NUMBER	"A"	"B"
755013	3 1/4"	4 1/2"

BZ00X17B

ITEM	NUMBER	DESCRIPTION	QTY
1	226196	5/16-18 x 2 BH C/S ZN	1
2	755013	CALF PAD TROUGH STYLE KIDS	1
3	561016	1" WASHER 5/16" HOLE	5
4	561097	ELR ELEVATING TUBE CLAMP	1
5	202102	5/16-18 NYLOCK NUT THIN	1

ITEM	NUMBER	DESCRIPTION	QTY
6	221126	1/4-20 x 1 1/4 G8 HEX C/S	1
7	262130	6mm WASHER WAVE	1
8	483027	1/4 x 1/4 ALUM SPACER BLK	1
9	500151	KIDS ALR RETAINING PLUG	1
1-9	880533	ELR TROUGH PAD ASSEMBLY KIDS	

ELR CALF PAD (14"-15") (Effective 3/24/97)

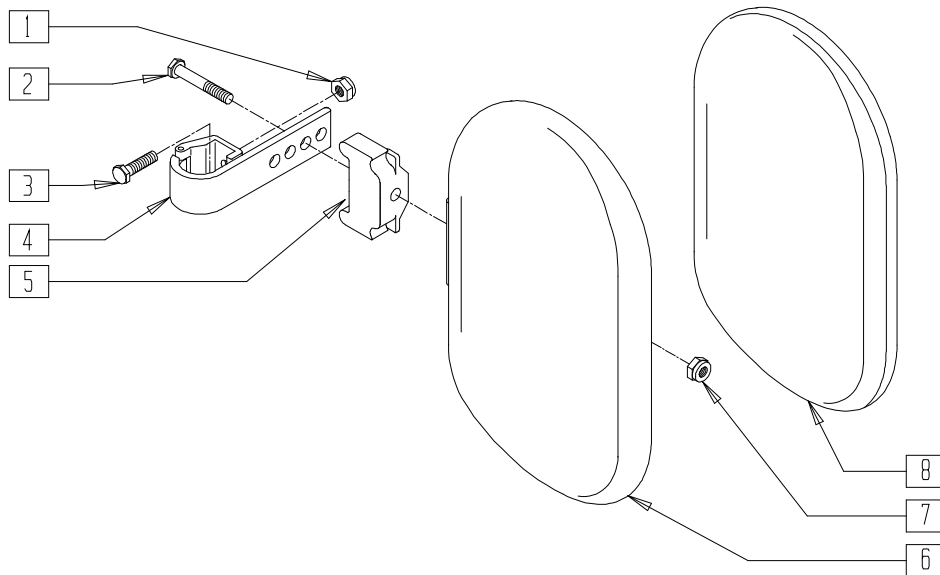


FT0X036

ITEM	NUMBER	DESCRIPTION	QTY
1	222108	5/16-18 x 1 1/4 BH C/S	1
2	755014	CALF PAD TROUGH STYLE 14"/16"	1
3	221096	1/4-28 x 5/8 HEX C/S	1
4	561016	1" WASHER 5/16" HOLE	4

ITEM	NUMBER	DESCRIPTION	QTY
5	881413	CALF PAD BRACKET ASSEMBLY	1
6	201100-QU	1/4-28 NYLOCK NUT	1
7	202102	5/16-18 NYLOCK NUT THIN	1
1-7	881414	CALF PAD J-HOOK 14"-15" ASSEMBLY	

ELR CALF PAD (16"-17"/18"-20") (Effective 3/24/97)



FT0X034

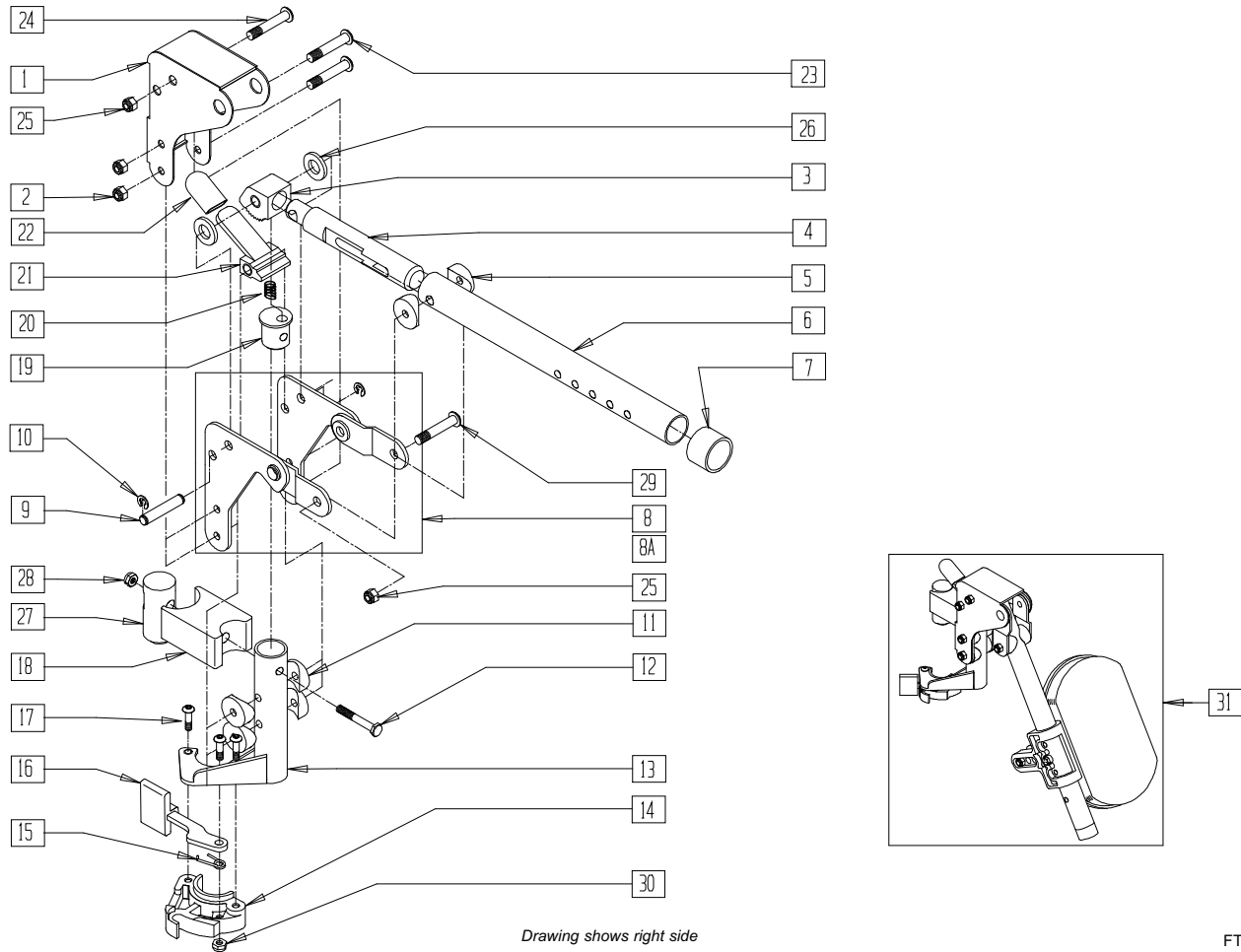
ITEM	NUMBER	DESCRIPTION	QTY
1	201110-QU	1/4-28 NYLOCK NUT	1
2	222242	5/16-18 x 2 1/2 HEX C/S (16"-17")	1
	222255	5/16-18 x 3 1/2 HEX C/S (18"-20")	
3	221096	1/4-28 x 5/8 HEX C/S	1
4	881413	CALF PAD BRACKET ASSEMBLY	1
5	560199	ELR CALF HINGE SPACER	1
6	560108	CALF PAD MOLDED 16"-20"	1

ITEM	NUMBER	DESCRIPTION	QTY
7	202103	5/16-18 NYLOCK NUT THICK	1
8	751045	CALF PAD COVER (ALL QUICKIE MODELS)	1
		CALF PAD COVER (BREEZY)	
1-4,6,7	881416	CALF MOLDED 16"-17" ASSEMBLY	
1-7	881412	CALF PAD MOLDED 18"-20" ASSEMBLY	

ARTICULATING LEGREST ASSEMBLY

(Fits all Quickie chairs/Zippie/Zippie 2/Zippie TS/Breezy/Breezy 2)

(Fits Breezy prior to serial number BZ-200000)



Drawing shows right side

FT0X021

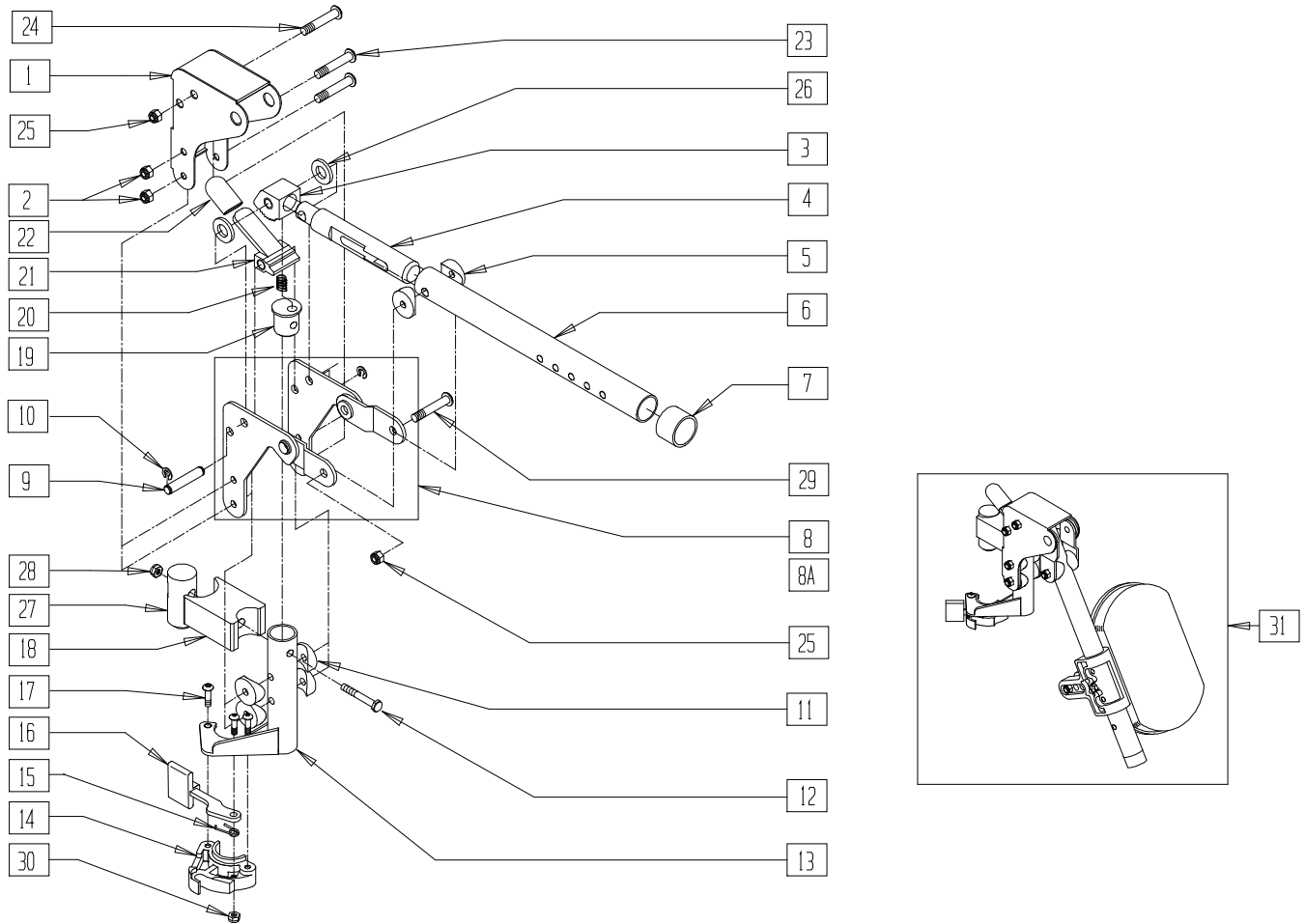
ITEM	NUMBER	DESCRIPTION	QTY
1	562720	ALR COVER STD	1
2	201100	1/4-28 NYLOCK NUT THIN	2
3	505900	ALR RATCHET BLOCK	1
4	483062	ALR RATCHET ROD	1
	483510	BC ALR SPRING PLUG (BREEZY 2)	
5	561006	1" SADDLE 5/16" HOLE	2
6	505026	ALR TUBE ONLY (SPECIFY COLOR)	1
	505094	BC ALR ELEVATING TUBE (BREEZY 2)	
7	561082	1" TUBE END BUSHING THIN	1
8	880526	ALR BRACKET W/LINK R	1
8A	880527	ALR BRACKET W/LINK L	1
9	481052	ALR RETAINING STUD	1
10	342000	1/4" E-CLIP	2
11	561004	1" SADDLE 1/4" HOLE	4
12	221201	1/4-28 x 3 G8 HEX C/S	1
13	505027,	ALR S/A TUBE ONLY (EA)	1
	505028	(SPECIFY COLOR)	
	505092,	BC ALR S/A TUBE ONLY (EA)	
	505093	(BREEZY 2)	
14,30	561076,	S/A LATCH BLOCK (EA)	
	561078		
15	321136,	S/A SPRING (EA)	1
	321137		

ITEM	NUMBER	DESCRIPTION	QTY
16	561079	S/A LATCH LEVER	1
17	226011	10-24 x .665 BH C/S W/PATCH	3
18	500178	ALR PIVOT SADDLE BLOCK	1
19	483060	ALR SPRING PLUG	1
	483510	BC ALR SPRING PLUG (BREEZY 2)	
20	321141	.650L x 6 COIL SPRING	1
21	505902	ALR RELEASE LEVER	1
22	560501	ALR RELEASE LEVER COVER	1
23	226150	1/4-28 x 2 BH C/S	2
24	226198	5/16-18 x 2 BH C/S SHT THREAD	1
25	202102	5/16-18 NYLOCK NUT THIN	2
26	561016	1" WASHER 5/16" HOLE	2
27	500177	ALR PIVOT SADDLE .125	1
28	201110	1/4-28 NYLOCK NUT	1
29	226195	5/16-18 x 1.82 BH C/S	1
30	200107	10-24 NYLOCK NUT THIN	3
14-17,30	880808,	S/A LATCH KIT 90°/HEMI/BRZ	
	880809		
1-8,8A,	641430,	HANGER ALR W/O PAD PAINTED	1
9-30	641431	S/A (EA) (SPECIFY COLOR)	
	923052	ALR HANGER ASSEMBLY W/PAD	
31		(PR) (SPECIFY COLOR)	1
		923058	
		(PR) (BREEZY 2)	

NOTE: WHEN USING AN ARTICULATING LEGREST ASSEMBLY, THE PULL-TO-LOCK WHEEL LOCK MUST BE USED (SEE SECTION 20).

ARTICULATING LEGREST ASSEMBLY (CHROME BREEZY)

(Fits Breezy beginning with serial number BZ-200000 and all Chrome Breezy chairs)



Drawing shows right side

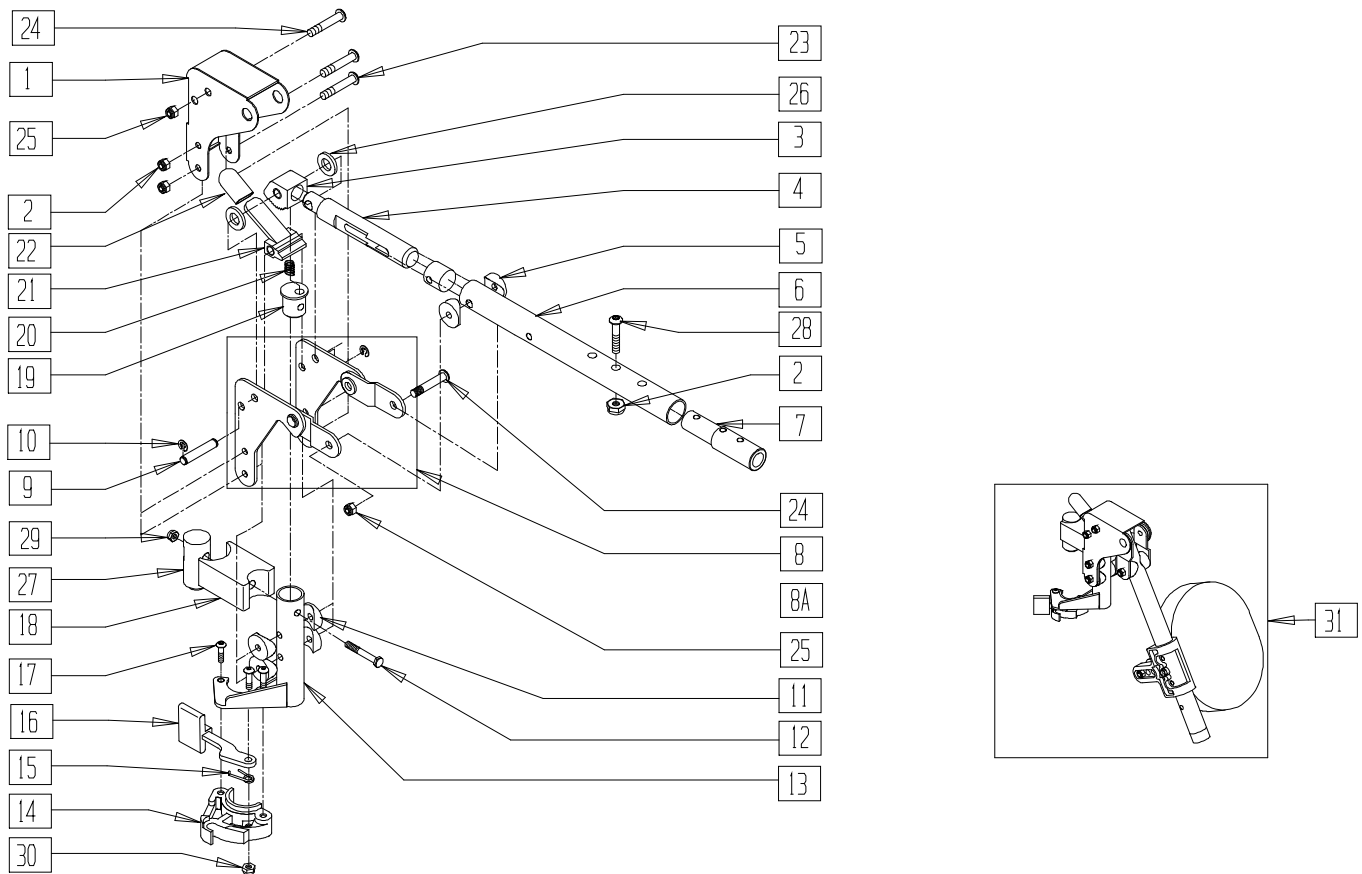
FT0X023

ITEM	NUMBER	DESCRIPTION	QTY
1	562720	ALR COVER STD	1
2	201100	1/4-28 NYLOCK NUT THIN	2
3	505900	ALR RATCHET BLOCK	1
4	483511	BR ALR RATCHET ROD	1
5	561006	1" SADDLE 5/16" HOLE	2
6	505094	BC ALR ELEVATING TUBE	1
7	561018	1" TUBE END BUSHING THICK	1
8	880526	ALR BRACKET W/LINK R	1
8A	880527	ALR BRACKET W/LINK L	1
9	481052	ALR RETAINING STUD	1
10	342000	1/4" E-CLIP	2
11	561004	1" SADDLE 1/4" HOLE	4
12	221201	1/4-28 x 3 G8 HEX C/S	1
13	505092, 505093	BR ALR S/A TUBE ONLY (EA)	1
14,30	561076, 561078	S/A LATCH BLOCK (EA)	
15	321136, 321137	S/A SPRING (EA)	1
16	561079	S/A LATCH LEVER	1

ITEM	NUMBER	DESCRIPTION	QTY
17	226011	10-24 x .665 BH C/S W/PATCH	3
18	500178	ALR PIVOT SADDLE BLOCK	1
19	483510	BR ALR SPRING PLUG	1
20	321141	.650L x 6 COIL SPRING	1
21	505902	ALR RELEASE LEVER	1
22	560501	ALR RELEASE LEVER COVER	1
23	226150	1/4-28 x 2 BH C/S	2
24	226198	5/16-18 x 2 BH C/S SHT THREAD	1
25	202102	5/16-18 NYLOCK NUT THIN	2
26	561016	1" WASHER 5/16" HOLE	2
27	483512	BR ALR PIVOT SADDLE .049	1
28	201110	1/4-28 NYLOCK NUT	1
29	226195	5/16-18 x 1.82 BH C/S	1
30	200107	10-24 NYLOCK NUT THIN	3
14-17,30	880808, 880809	S/A LATCH KIT 90°/HEMI/BRZ	
1-8,8A, 9-30	641320, 641321	BR ALR HANGER W/O PAD (EA) (SPECIFY COLOR)	
31	923056	ALR HNGR ASSM W/PAD BC/BR (PR) (SPECIFY COLOR)	1

NOTE: WHEN USING AN ARTICULATING LEGREST ASSEMBLY, THE PULL-TO-LOCK WHEEL LOCK MUST BE USED (SEE SECTION 20).

KIDS ARTICULATING LEGREST ASSEMBLY



Drawing shows right side

FTOX025

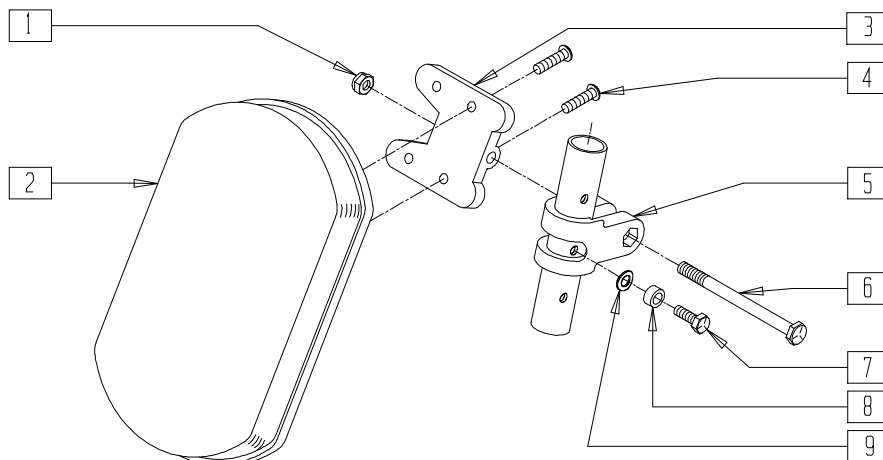
ITEM	NUMBER	DESCRIPTION	QTY
1	562720	ALR COVER STD	1
2	201100	1/4-28 NYLOCK NUT THIN	3
3	505900	ALR RATCHET BLOCK	1
4	483062	ALR RATCHET ROD	1
5	561006	1" SADDLE 5/16" HOLE	2
6	505025	KIDS ALR LEGREST TUBE 11"-13" (SPECIFY COLOR)	1
7	500150	2" FOOTREST EXT TUBE	1
8	880526	ALR BRACKET W/LINK R	1
8A	880527	ALR BRACKET W/LINK L	1
9	481052	ALR RETAINING STUD	1
10	342000	1/4" E-CLIP	2
11	561004	1" SADDLE 1/4" HOLE	4
12	221201	1/4-28 x 3 G8 HEX C/S	1
13	505027, 505028	ALR S/A TUBE ONLY (EA) (SPECIFY COLOR)	1
14,30	561076, 561078	S/A LATCH BLOCK (EA)	
15	321136, 321137	S/A SPRING (EA)	1
16	561079	S/A LATCH LEVER	1
17	226011	10-24 x .665 BH C/S W/PATCH	3

ITEM	NUMBER	DESCRIPTION	QTY
18	500178	ALR PIVOT SADDLE BLOCK	1
19	483060	ALR SPRING PLUG	1
20	321141	.650L x 6 COIL SPRING	1
21	505902	ALR RELEASE LEVER	1
22	560501	ALR RELEASE LEVER COVER	1
23	226150	1/4-28 x 2 BH C/S	2
24	226195	5/16-18 x 1.82 BH C/S	2
25	202102	5/16-18 NYLOCK NUT THIN	2
26	561016	1" WASHER 5/16" HOLE	2
27	500177	ALR PIVOT SADDLE .125	1
28	226129	1/4-28 x 1 1/4 BH C/S	1
29	201110	1/4-28 NYLOCK NUT	1
30	200107	10-24 NYLOCK NUT THIN	3
14-17,30	880808, 880809	S/A LATCH KIT 90°/HEMI/BRZ	
1-8,8A, 9-30	641432, 641433	KIDS ALR HANGER ASSEMBLY W/O PAD 2" EXT (EA) (SPECIFY COLOR)	
31	923053	KIDS ALR HANGER ASSEMBLY W/PAD (PR) (SPECIFY COLOR)	1
2,7,28	881403	2" FOOTREST EXTENSION TUBE W/HARDWARE ASSEMBLY	

*NOTE: WHEN USING AN ARTICULATING LEGREST ASSEMBLY, THE PULL-TO-LOCK WHEEL LOCK MUST BE USED (SEE SECTION 20).

ELEVATING LEGREST PAD ASSEMBLY

(Discontinued 8/91- parts only)



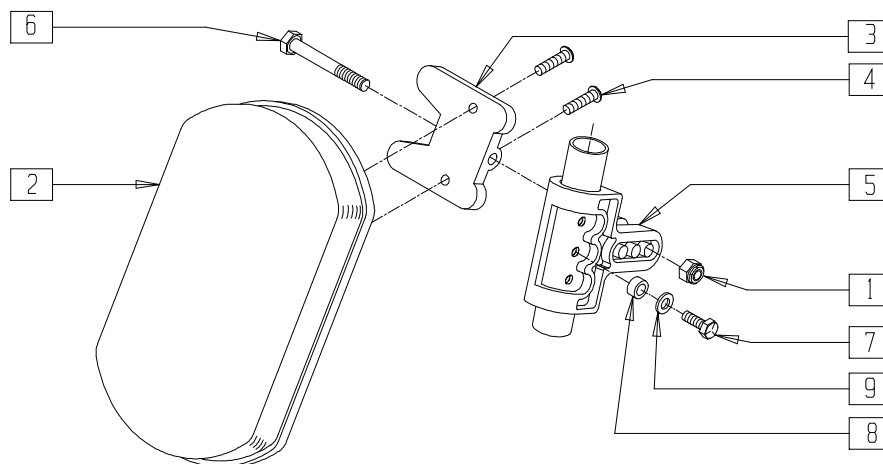
Drawing shows left side

FT0X014

ITEM	NUMBER	DESCRIPTION	QTY
1	202102	5/16-18 NYLOCK NUT THIN	1
2	755010	ALR/ELR PAD	1
3	561096	ALR/ELR CALF PAD BRACKET	1
4	281182	1/4-20 x 5/8 PAN PHIL	2
5	561097	ELR ELV TUBE CLAMP	1

ITEM	NUMBER	DESCRIPTION	QTY
6	222255	5/16-18 x 3 1/2 HEX C/S	1
7	221126	1/4-20 x 1 1/4 G8 HEX C/S	1
8	483027	1/4 x 1/4 ALUMINUM SPACER BLK	1
9	262130	6mm WASHER WAVE	1
1-9	880557	ELR PAD ASSM (EA)	

ARTICULATING LEGREST PAD ASSEMBLY



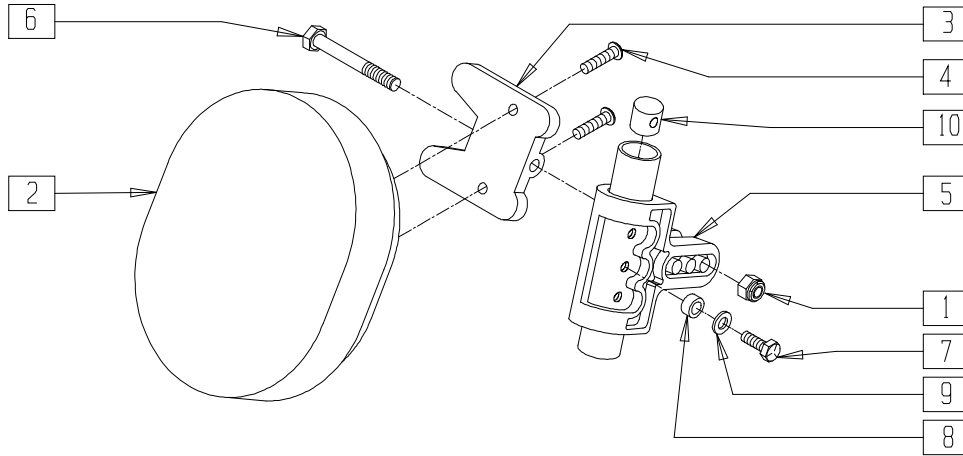
Drawing shows left side

FT0X022

ITEM	NUMBER	DESCRIPTION	QTY
1	202103	5/16-18 NYLOCK NUT THICK	1
2	755010	ALR/ELR PAD	1
3	561096	ALR/ELR CALF PAD BRACKET	1
4	281182	1/4-20 x 5/8 PAN PHIL	2
5	561099	CALF CLAMP ALR	1
6	222255	5/16-18 x 3 1/2 HEX C/S	1

ITEM	NUMBER	DESCRIPTION	QTY
7	221126	1/4-20 x 1 1/4 G8 HEX C/S	1
8	483027	1/4 x 1/4 ALUMINUM SPACER BLK	1
9	262130	6mm WASHER WAVE	1
1-6	881399	ALR CALF PAD W/BRACKET	
1,3-9	881398	ALR CALF CLAMP ASSM W/O PAD	
1-9	881400	ALR CALF PAD ASSEMBLY (EA)	

KIDS ARTICULATING LEGREST PAD ASSEMBLY



Drawing shows left side

FT0X024

ITEM	NUMBER	DESCRIPTION	QTY
1	202103	5/16-18 NYLOCK NUT THICK	1
2	755020	4 x 5 OVAL PAD	1
3	561096	ALR/ELR CALF PAD BRACKET	1
4	281181	1/4-20 x 3/4 PAN PHIL	2
5	561099	CALF CLAMP ALR	1
6	222255	5/16-18 x 3 1/2 HEX C/S	1

ITEM	NUMBER	DESCRIPTION	QTY
7	221126	1/4-20 x 1 1/4 G8 HEX C/S	1
8	483027	1/4 x 1/4 ALUMINUM SPACER	1
9	262130	6mm WASHER WAVE	1
10	500151	KIDS ALR RETAINING PLUG	1
1-6	881401	KIDS ALR OVAL PAD W/BRACKET	
1-10	881402	KIDS ALR OVAL PAD ASSEMBLY (EA)	

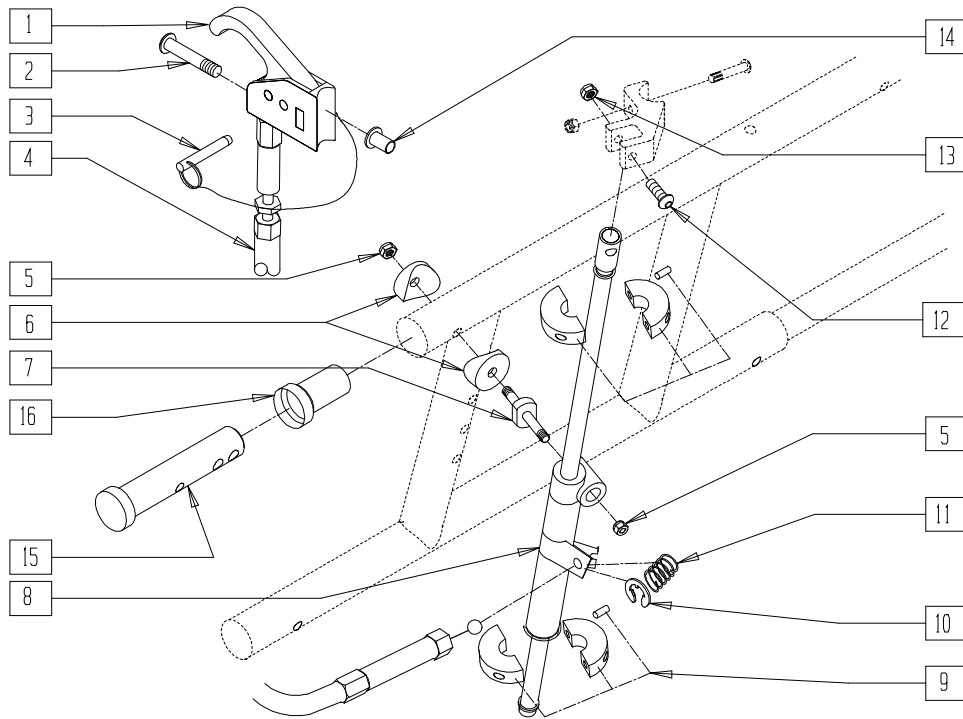
Mechanical Lock and Strut Assemblies

IN THIS SECTION

Locking Mechanism (Quickie Recliner)	15.1	Strut Assembly - Gas Cylinders	
Locking Mechanism (Quickie TS) (Disc.)	15.2	(Growing Frame) (Quickie TS).....	15.4
Strut Assembly (Quickie TS) (Disc.)	15.2	Locking Mechanism (Zippie TS) (Disc.).....	15.5
Locking Mechanism (Quickie TS).....	15.3	Locking Mechanism (Zippie TS).....	15.6
Locking Mechanism (Growing Frame)		Locking Mechanism (Breezy 100/150)	15.6
(QuickieTS).....	15.3	Locking Mechanism (Breezy 510 Recliner).....	15.7
Strut Assembly (Quickie TS).....	15.4		

Note: Gas Struts for the Quickie TS and T45 reclining backs are located in the Pediatric and Positioning Frame section.

LOCKING MECHANISM (QUICKIE RECLINER)



Drawing shows left side

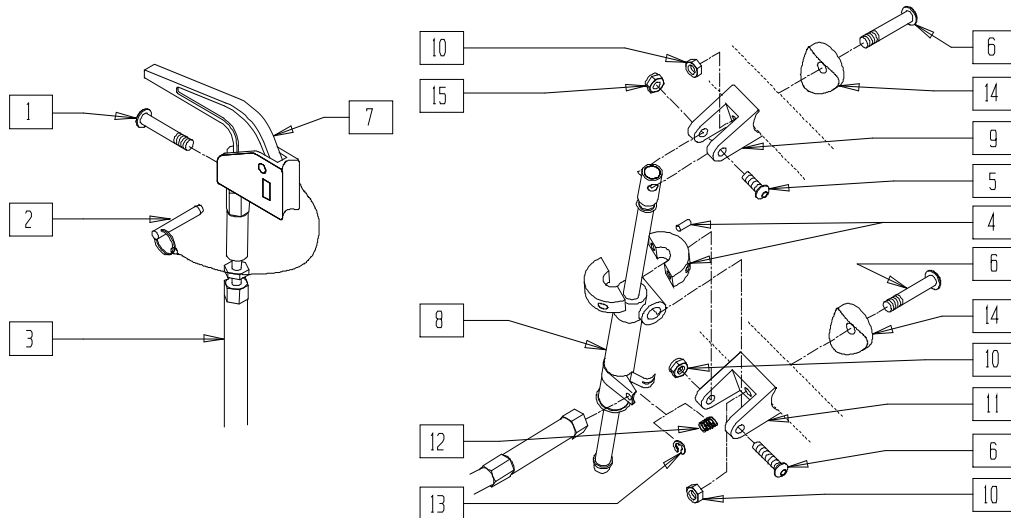
REC0X22A

ITEM	NUMBER	DESCRIPTION	QTY
1	580111	CYL LOCK LEVER ASSEMBLY RECLINER	1
2	281120	10-32 x 5/8 PAN HD PHIL	1
3	349021	TRIGGER RELEASE PIN TS/QT/P5	1
4	342057	CYLINDER LOCK CABLE ASSEMBLY	1
5	202100-MJ	5/16-24 NYLOCK NUT THIN	2
6	483710	SADDLE ALUMINUM 1" THIN	2
7	481080	PIVOT STUD RECLINER	1
8	342051, 342052	MECH CYLINDER LOCK	1
9	342049	10mm ID SPLIT COLLAR	2

ITEM	NUMBER	DESCRIPTION	QTY
10	342000	1/4" E-CLIP	1
11	321141	.650L x 6 COIL SPRING	1
12	225104	1/4 x 1 1/4 HEX SOC SHLDR SCREW	1
13	200105	10-24 NYLOCK NUT	1
14	341497	10-32 x .020-.130 RIVNUT GOLD	1
15	483084	PIVOT PIN RECLINER 5/16" HOLE	1
16	560406	FRAME BUSHING	1
1-14	920337, 920338	MECH CYL LOCK ASSEMBLY RECLINER	

LOCKING MECHANISM (QUICKIE TS)

(Discontinued 12/15/95 - parts only; fits Quickie TS prior to QT-12900)



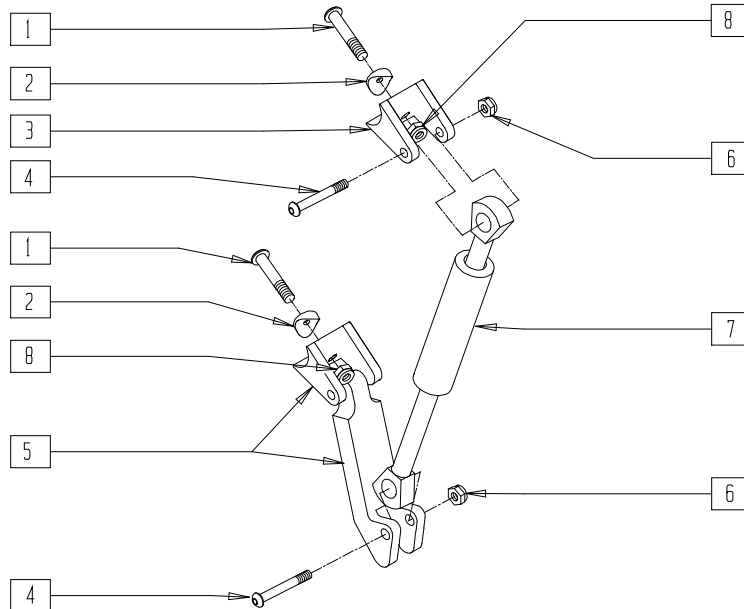
AZ00X3A

ITEM	NUMBER	DESCRIPTION	QTY
1	281120	10-32 x 5/8 PAN HD PHIL	1
2	349021	TRIGGER RELEASE PIN TS/QT/P5	1
3	342057	CYLINDER LOCK CABLE ASSEMBLY	1
4	342049	10mm ID SPLIT COLLAR	1
5	226129	1/4-28 x 1 1/4 BH C/S	1
6	226190	5/16-18 x 1 3/4 BH C/S SHLDR	3
7	580110	CYL LOCK LEVER ASSEMBLY QT/QR/P5	1
8	342051, 342052	MECH CYLINDER LOCK	1

ITEM	NUMBER	DESCRIPTION	QTY
9	500142	QT CYLINDER BRACKET 1"	1
10	202102	5/16-18 NYLOCK NUT THIN	3
11	500143	QT CYLINDER BRACKET 1 1/2"	1
12	321141	.650L x 6 COIL SPRING	1
13	342000	1/4" E-CLIP	1
14	483710	SADDLE ALUMINUM 1" THIN	2
15	201100	1/4-28 NYLOCK NUT THIN	1
1-15	920323, 920303	MECH CYLINDER LOCK ASSEMBLY QT	

STRUT ASSEMBLY (QUICKIE TS)

(Discontinued 12/15/95 - parts only; fits chairs prior to QT-12900)



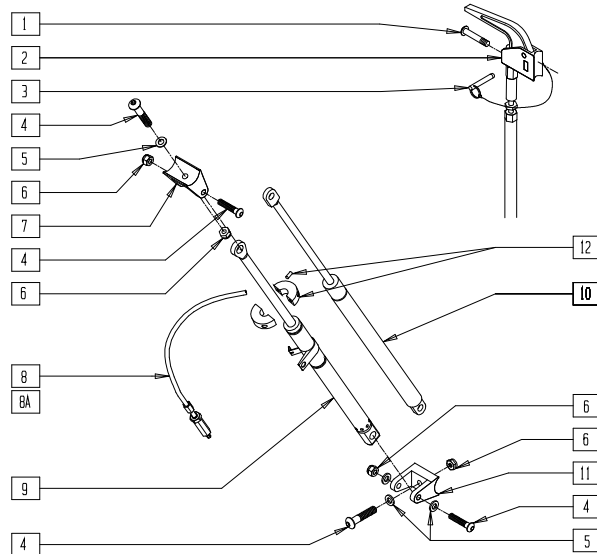
AZ00X02

ITEM	NUMBER	DESCRIPTION	QTY
1	226190	5/16-18 x 1 3/4 BH C/S SHLDR	2
2	483710	SADDLE ALUMINUM 1" THIN	2
3	500142	QT CYLINDER BRACKET 1"	1
4	226129	1/4-28 x 1 1/4 BH C/S	2
5	523970	BRACKET GAS STRUT WELDMENT QT	1

ITEM	NUMBER	DESCRIPTION	QTY
6	201100	1/4-28 NYLOCK NUT THIN	4
7	342060	CYLINDER GAS LOCK	1
8	202102	5/16-18 NYLOCK NUT THIN	2
1-8	920324	QT GAS STRUT ASSEMBLY	

LOCKING MECHANISM (QUICKIE TS)

(Effective 11/15/96)



QTS00X07

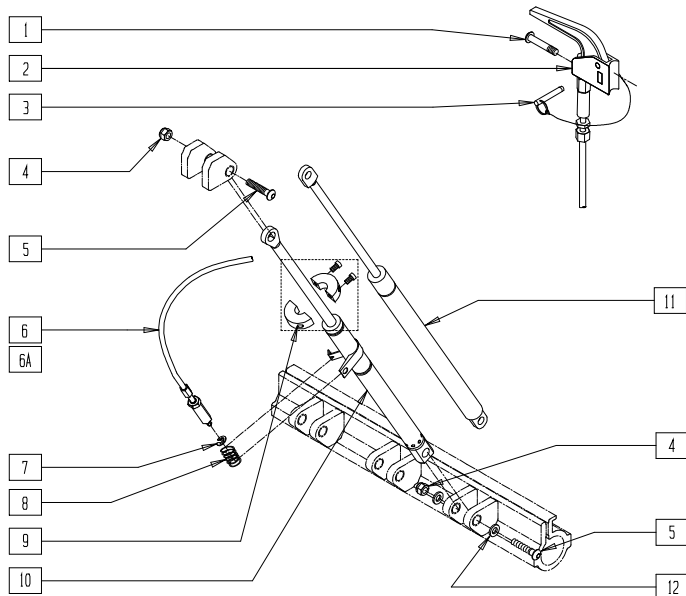
ITEM	NUMBER	DESCRIPTION	QTY
1	281120	10-32 x 5/8 PAN HD PHIL	2
2	580110	CYL LOCK LEVER ASSEMBLY QT/QR/P5	2
3	349021	TRIGGER RELEASE PIN TS/QT/P5	2
4	226194	5/16-18 x 1.63 BH C/S	12
5	263100	5/16 AN WASHER FLAT	6
6	202102	5/16-18 NYLOCK NUT THIN	12
7	500217	CYLINDER BRKT QTS	3
8	342056	CYLINDER LOCK CABLE ASSEMBLY T45	2

ITEM	NUMBER	DESCRIPTION	QTY
8A	342057	CYLINDER LOCK CABLE ASSEMBLY	2
9	342039	MECH LOCK IN-LINE	2
10	920404	GAS DAMPER	1
11	500217	CYLINDER BRACKET QTS	3
12	342049	10mm ID SPLIT COLLAR	1
1-7,8A, 9-12	920411	MECH LOCK ASSEMBLY STD CABLE QTS	
1-12	920414	MECH LOCK ASSEMBLY LONG CABLE	

NOTE: ITEM 8 USED WITH TALL STROLLER HANDLES.

LOCKING MECHANISM (GROWING FRAME) (QUICKIE TS)

(Effective 3/25/99)

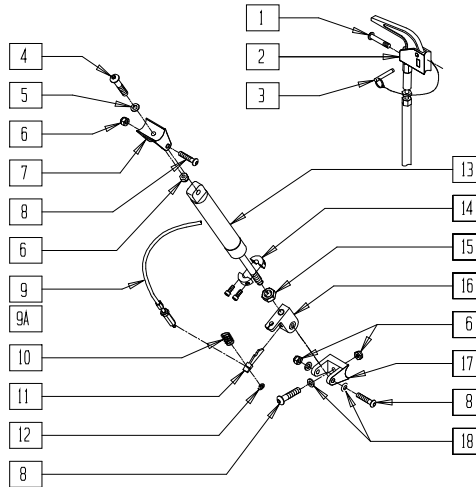


QTS20X04

ITEM	NUMBER	DESCRIPTION	QTY
1	281120	10-32 x 5/8 PAN HD PHIL	2
2	580110	CYL LOCK LEVER ASSM QT/QR/P5	2
3	349021	TRIGGER REL PIN TS/QT/P5	2
4	202102	5/16-18 NYLOCK NUT THIN	12
5	226194	5/16-18 x 1.63 BH C/S	12
6	342057	CYL LOCK CABLE ASSEMBLY	2
6A	342056	CYL LOCK CABLE ASSMEMBLY T45	2

ITEM	NUMBER	DESCRIPTION	QTY
7	342000	1/4" E-CLIP	2
8	321141	.650 x 6 COIL SPRING	2
9	342049	10 mm ID SPLIT COLLAR	2
10	342039	MECH LOCK IN-LINE	2
11	920404	GAS DAMPER	1
12	263110-QU	5/16 AN WASHER FLAT THIN	12

STRUT ASSEMBLY (QUICKIE TS) (Effective 12/15/95, beginning QT-12900)

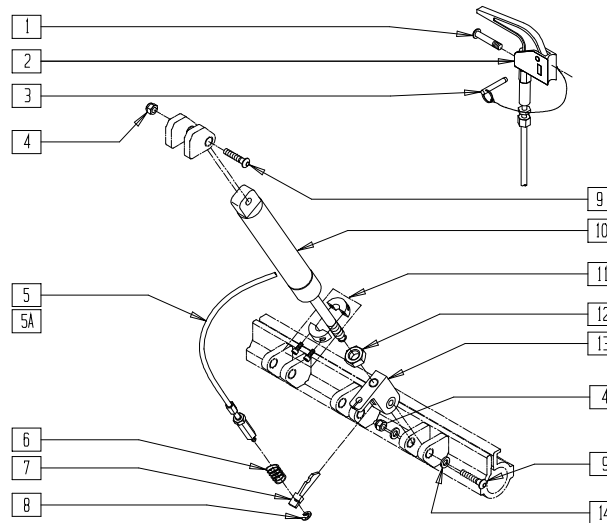


QTS00X02

ITEM	NUMBER	DESCRIPTION	QTY
1	281120	10-32 x 5/8 PAN HD PHIL	1
2	580110	CYL LOCK LEVER ASSEMBLY QT/QR/P5	1
3	349021	TRIGGER RELEASE PIN TS/QT/P5	1
4	226190	5/16-18 x 1 3/4 BH C/S SHOULDER	1
5	263100	5/16 AN WASHER FLAT	1
6	202102	5/16-18 NYLOCK NUT THIN	5
7	500145	CYLINDER BRACKET T45	1
8	226194	5/16-18 x 1.63 BH C/S	3
9	342057	CYLINDER LOCK CABLE ASSEMBLY	1
9A	342056	CYLINDER LOCK CABLE ASSEMBLY T45 (QTS W/SWING-AWAY ADJ STROLLER)	1

ITEM	NUMBER	DESCRIPTION	QTY
10	321141	.650L x 6 COIL SPRING	1
11	560686	GAS SPRING LEVER T45	1
12	342000	1/4" E-CLIP	1
14	342049	10mm ID SPLIT COLLAR	1
13,15	342064	BLOC-O-LIFT 200N x 15.88"	
16	880148	GAS SPRING BLOCK W/BUSHING QTS	1
17	500146	CYLINDER BRACKET LOWER QTS	1
18	263110-QU	5/16 AN WASHER FLAT THIN	3
1-18	920371	GAS SPRING STRUT ASSEMBLY	
1-8,9A, 10-18	920379	GAS SPRING STRUT ASSEMBLY ADJ STRLR	

STRUT ASSEMBLY - GAS CYLINDERS (GROWING FRAME) (QUICKIE TS) (Effective 3/25/99)



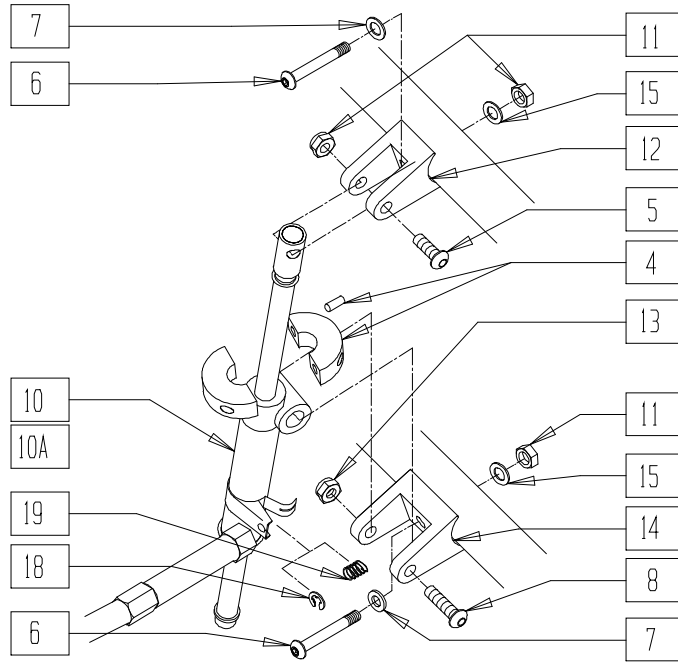
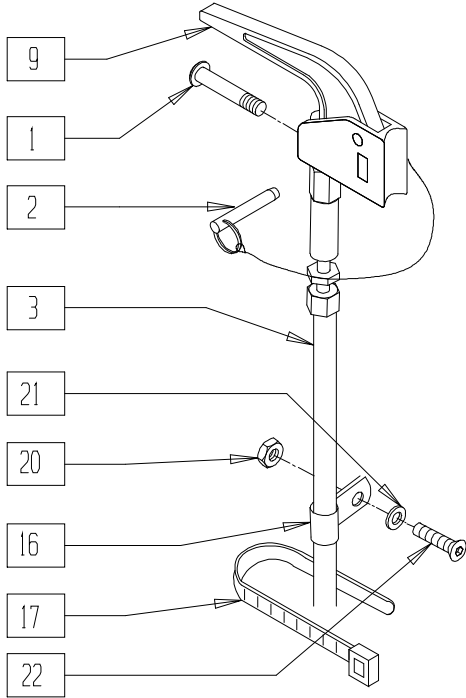
QTS20X02A

ITEM	NUMBER	DESCRIPTION	QTY
1	281120	10-32 x 5/8 PAN HD PHIL	2
2	580110	CYL LOCK LEVER ASSM QT/QR/P5	2
3	349021	TRIGGER REL PIN TS/QT/P5	2
4	202102	5/16-18 NYLOCK NUT THIN	2
5	342057	CYLINDER LOCK CABLE ASSEMBLY	2
5A	342056	CYL LOCK CABLE ASSM T45 (QTS W/ S/A ADJ STROLLER)	2
6	321141	.650 x 6 COIL SPRING	2

ITEM	NUMBER	DESCRIPTION	QTY
7	560686	GAS SPRING LEVER T45	2
8	342000	1/4" E-CLIP	2
9	226194	5/16-18 x 1.63 BH C/S	2
10,12	342064	BLOC-O-LIFT 200N x 15.88"	
11	342049	10mm ID SPLIT COLLAR	2
13	880148	GAS SPRING BLOCK W/BUSHING QTS	2
14	263110-QU	5/16 AN WASHER FLAT THIN	4

LOCKING MECHANISM (ZIPPIE TS)

(Discontinued 11/16/99; fits Zippie TS prior to serial number ZP-56988)



Z00X12

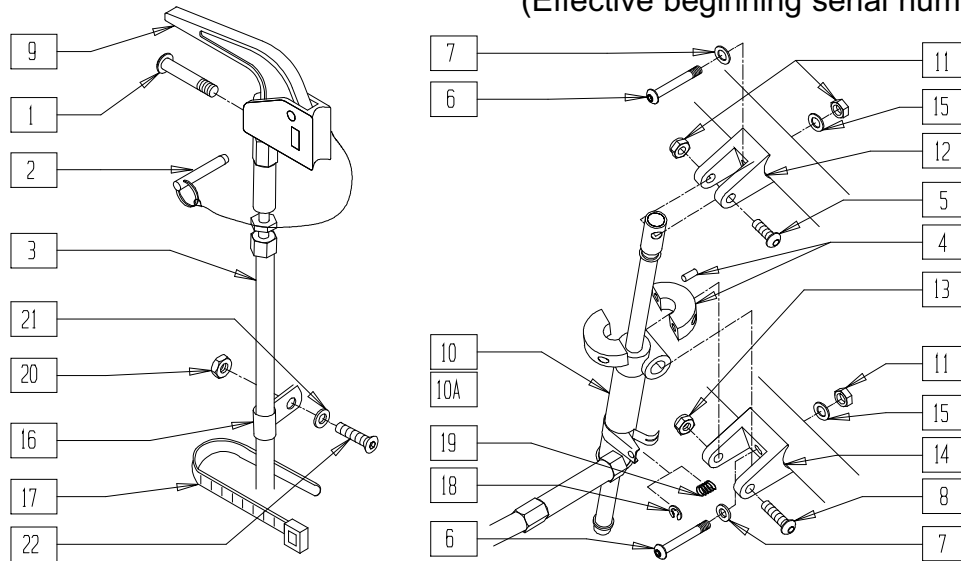
ITEM	NUMBER	DESCRIPTION	QTY
1	281120	10-32 x 5/8 PAN HD PHIL	1
2	349021	TRIGGER RELEASE PIN TS/QT/P5	1
3	342057	CYLINDER LOCK CABLE ASSEMBLY	1
4*	342049	10mm ID SPLIT COLLAR	1
5	226129	1/4-28 x 1 1/4 BH C/S	1
6	226130	1/4-28 x 1 1/2 BH C/S	2
7	262100-QU	1/4 AN WASHER FLAT	2
8	226190	5/16-18 x 1 3/4 BH C/S SHLDR	1
9	580110	CYL LOCK LEVER ASSEMBLY QT/QR/P5	1
10	342078	MECH CYLINDER LOCK R BR RECLINER	1
10A	342079	MECH CYLINDER LOCK L BR RECLINER	1
11	201100	1/4-28 NYLOCK NUT THIN	1
12	500140	CYLINDER BRACKET 1" TS/P5	1
13	202102	5/16-18 NYLOCK NUT THIN	1

ITEM	NUMBER	DESCRIPTION	QTY
14	500141	CYLINDER BRACKET TS 1 1/2"	1
15	262130	6mm WASHER WAVE	2
16	349511	1/2" ID PLASTIC CLAMP BLK	1
17	560410	ZIP TIE BLACK	1
18	342000	1/4" E-CLIP	1
19	321141	.650L x 6 COIL SPRING	1
20	200100	10-32 NYLOCK NUT	1
21	261204	#10 AN WASHER .063	1
22	226032	10-32 x 1 1/2 BH C/S BLK	1
1-22	920315	MECH CYL LOCK ASSEMBLY 30° R TS	
1-10A, 11-22	920305	MECH CYL LOCK ASSEMBLY 30° L TS	
1-3,5-22	920415	MECH CYL LOCK ASSEMBLY 45° R TS	
1-3,5-9, 10A,11-22	920405	MECH CYL LOCK ASSEMBLY 45° L TS	

NOTE: 45° MECHANICAL CYLINDER LOCK ASSEMBLY IS STANDARD BEGINNING 11/13/93.

*NOTE: ITEM 4 REQUIRED ON ALL MECH LOCK ASSEMBLIES FOR CHAIRS WITH THE FOLLOWING CONFIGURATIONS: FIXED FRONT 15" AND 16"; 10" SEAT DEPTH; S/A MODELS WITH 6" AND 8" CASTERS. AND 2" EXTENSIONS; FIXED MODELS WITH 8" CASTER AND 2" EXTENSION.

LOCKING MECHANISM (ZIPPIE TS) (Effective beginning serial number ZP-56988)

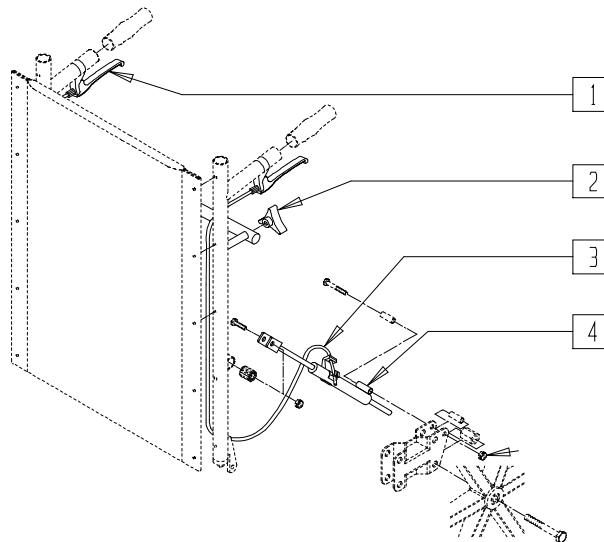


Z00X12

ITEM	NUMBER	DESCRIPTION	QTY
1	281120	10-32 x 5/8 PAN HD PHIL	1
2	349021	TRIGGER RELEASE PIN TS/QT/P5	1
3	342057	CYLINDER LOCK CABLE ASSEMBLY	1
4	342049	10mm ID SPLIT COLLAR	1
5	226129	1/4-28 x 1 1/4 BH C/S	1
6	226130	1/4-28 x 1 1/2 BH C/S	2
7	262100-QU	1/4 AN WASHER FLAT	2
8	226190	5/16-18 x 1 3/4 BH C/S SHLDR	1
9	580110	CYL LOCK LEVER ASSEMBLY QT/QR/P5	1
10	342078	MECH CYLINDER LOCK R BR RECLINER	1
10A	342079	MECH CYLINDER LOCK L BR RECLINER	1
11	201100	1/4-28 NYLOCK NUT THIN	1
12	500140	CYLINDER BRACKET 1" TS/P5	1
13	202102	5/16-18 NYLOCK NUT THIN	1

ITEM	NUMBER	DESCRIPTION	QTY
14	500141	CYLINDER BRACKET TS 1 1/2"	1
15	262130	6mm WASHER WAVE	2
16	349511	1/2" ID PLASTIC CLAMP BLK	1
17	560410	ZIP TIE BLACK	1
18	342000	1/4" E-CLIP	1
19	321141	.650L x 6 COIL SPRING	1
20	200100	10-32 NYLOCK NUT	1
21	261204	#10 AN WASHER .063	1
22	226032	10-32 x 1 1/2 BH C/S BLK	1
1-3,5-22	920493	MECH CYL LOCK ASSEMBLY R TS 45° NEW	
1-3,5-9, 10A,11-22	920494	MECH CYL LOCK ASSEMBLY L TS 45° NEW	

LOCKING MECHANISM (BREEZY 100/150)

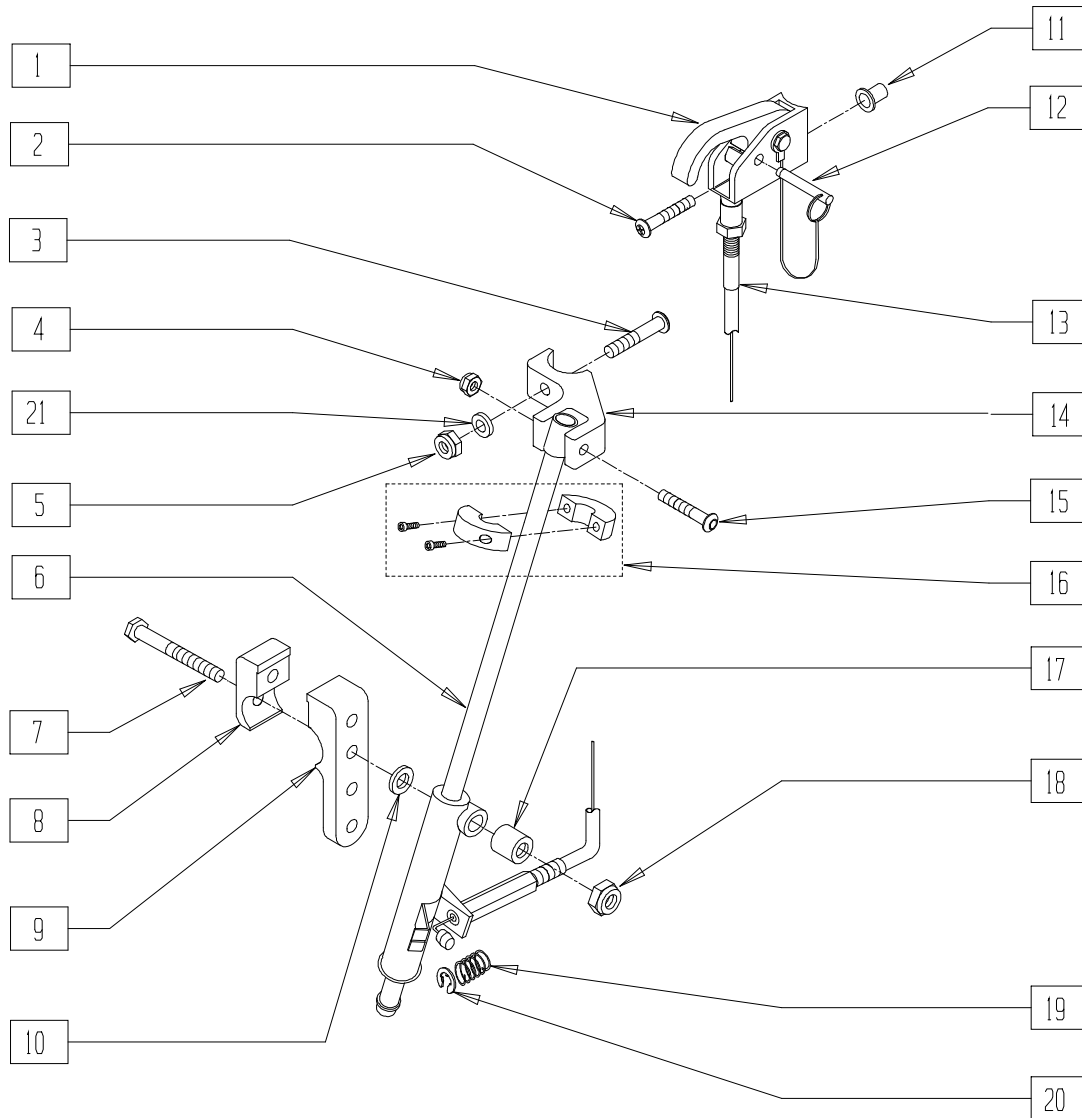


BRZ10X03A

ITEM	NUMBER	DESCRIPTION	QTY
1	222-0651	BACK CANE RELEASE LEVER	2
2	222-0650	RECLINING BACK CANE KNOB	2

ITEM	NUMBER	DESCRIPTION	QTY
3	222-0654	"MECH" LOCK ACTUATOR CABLE	2
4	222-0652L	MEC LOCK ACTUATOR L	1
	222-0652R	MEC LOCK ACTUATOR R	

LOCKING MECHANISM (BREEZY 510 RECLINER)



BREX04A

ITEM	NUMBER	DESCRIPTION	QTY
1	580111	CYL LOCK LEVER ASSEMBLY RCLNR	1
2	281120	10-32 x 5/8 PAN HD PHIL	1
3	226198	5/16-18 x 2 BH C/S SHT THREAD	1
4	200105	10-24 NYLOCK NUT	1
5	202102	5/16-18 NYLOCK NUT THIN	1
6	342078, 342079	MECH CYLINDER LOCK BR RCLNR	1
7	222255	5/16-18 x 3 1/2" HEX C/S	1
8	550121	MNTG BRKT SHORT BR RCLNR	1
9	550123	MNTG BRKT LONG BR RCLNR	1
10	561016	1" WASHER 5/16" HOLE	1
11	341497	10-32 x .020-.130 RIVNUT GOLD	1

ITEM	NUMBER	DESCRIPTION	QTY
12	349021	TRIGGER RELEASE PIN TS/QT/P5	1
13	342057	CYLINDER LOCK CABLE ASSEMBLY	1
14	550460	CYLINDER BRACKET RECLINER	1
15	225104	1/4 x 1 1/4 HEX SOC SHOULDER SCREW	1
16	342049	10mm ID SPLIT COLLAR	1
17	550162	QUICK CONNECT SPACER 15"/17"/19"	1
18	202102	5/16-18 NYLOCK NUT THIN	1
19	321141	.650L x 6 COIL SPRING	1
20	342000	1/4" E-CLIP	1
21	263100	5/16 AN WASHER FLAT	1
1,2,4,6, 7-21	920429, 920439	MECH LOCK ASSEMBLY B510 RCLNR (EA)	

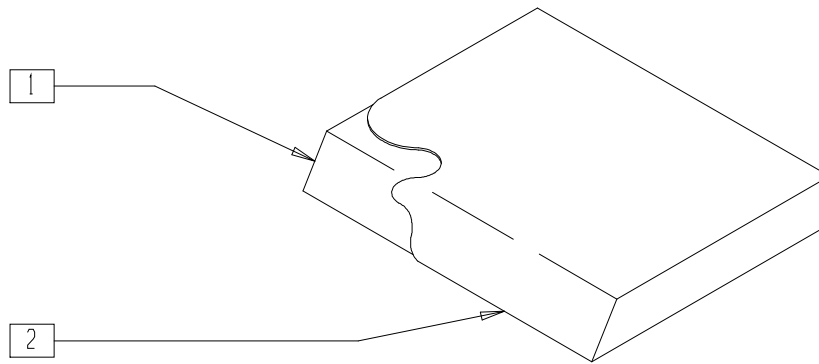
Seats and Slings

IN THIS SECTION

Seat Cushion	16.1	Seat Sling (Quickie EX) (Disc.).....	16.5
Seat Sling (Quickie 2/GP/GPV/i/GPS/GPSA/ LX/LXI/Recliner/Revolution/Rx/Triumph/Ti/ XTR) (Disc.)	16.1	Seat Sling and Cushion (Quickie Kidz)	16.5
Seat Sling (Quickie 2).....	16.2	Seat Sling and Cushion (Quickie ST/DT).....	16.6
Adjustable Seat Sling Measurement Guide.....	16.2	Seat Sling and Cushion (Quickie R2/TNT).....	16.6
Padded Seat Sling (Breezy 500/510/510 Recliner/2(Disc.)/600).....	16.3	Seat Sling (Quickie M6).....	16.7
Non-padded Seat Sling and Cushion (Breezy 500/510/510 Recliner/2(Disc.)/600).....	16.3	Seat Cushion (Quickie M6).....	16.7
Seat Sling (Breezy 100/150).....	16.4	Solid Seat	16.8
		Seat Pan (Quickie T45)	16.8
		Growing Seat Pan (Zipie GS/TS)	16.9
		Seat Pan (Quickie TS).....	16.10

NOTE: FOR QUICKIE TS, ZIPPIE AND ZIPPIE 2 SOLID SEATS, SEE SOLID SEATS AND BACKS IN PEDIATRIC AND POSITIONING CHAIRS BACKRESTS/UPHOLSTERY, SECTION 9.

SEAT CUSHION



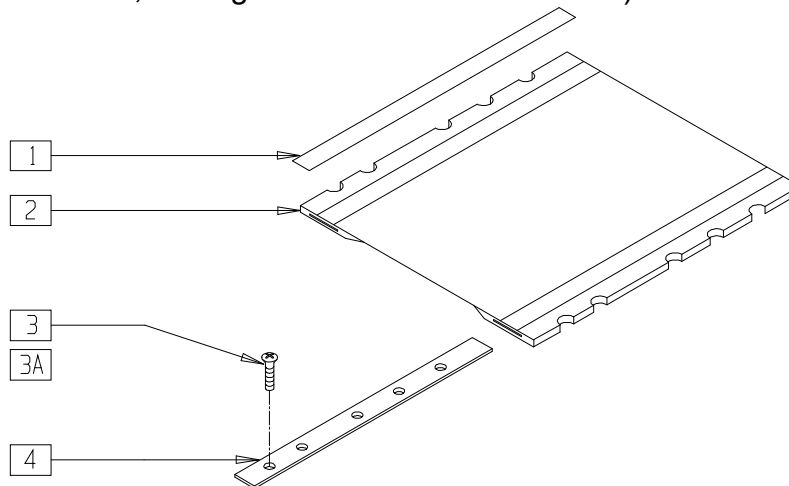
SS0X01

ITEM	NUMBER	DESCRIPTION	QTY
1	105002-105962	SEAT FOAM (11" x 10" x 2"- 20" x 20" x 2")	1
	105975-105994	SEAT FOAM (21" x 12" x 2"- 22" x 21" x 2")	
	106025-106029	SEAT FOAM (24" x 14" x 2"- 24" x 18" x 2")	
	106031-106033	SEAT FOAM (24" x 19" x 2"- 24" x 21" x 2")	
	106047-106053	SEAT FOAM (22" x 22" x 2"- 26" x 22" x 2")	
	106060-106063	SEAT FOAM (28" x 18" x 2"- 28" x 21" x 2")	
	106065-106070	SEAT FOAM (28" x 22" x 2"- 30" x 22" x 2")	
	2	701962, 701972	
702302-702372		SEAT COVER (21" x 13" x 2"- 21" x 20" x 2")	
702382, 702383		SEAT COVER (21" x 21" x 2"- 21" x 22" x 2")	

ITEM	NUMBER	DESCRIPTION	QTY
2	702392-702472	SEAT COVER (22" x 13" x 2"- 22" x 21" x 2")	1
	702482, 702492	SEAT COVER (24" x 14" x 2"- 24" x 15" x 2")	
	702602-702652	SEAT COVER (24" x 16" x 2"- 24" x 21" x 2")	
	702660-702676	SEAT COVER (22" x 22" x 2"- 30" x 22" x 2")	
	700002-700972	SEAT CUSHION W/COVER AND FOAM (11" x 10" x 2"- 20" x 21" x 2")	
1,2	702090-702098	SEAT CUSHION W/COVER AND FOAM (22" x 18" x 2"- 22" x 21" x 2")	1
	702080	SEAT CUSHION W/COVER AND FOAM (21" x 13" x 2")	
	702099-702106	SEAT CUSHION W/COVER AND FOAM (24" x 14" x 2"- 24" x 21" x 2")	
	702116-702229	SEAT CUSHION W/COVER AND FOAM (20" x 22" x 2"- 28" x 22" x 2")	
	702230-702234	SEAT CUSHION W/COVER AND FOAM (30" x 18" x 2"- 30" x 22" x 2")	

SEAT SLING (QUICKIE 2/GP/GPV/GPS/GPSA/LX/LXI/RECLINER/REVOLUTION/Rx/RECLINER/Ti/TRIUMPH/XTR)

(Quickie 2 discontinued 10/23/99, ending serial number Q2-242050)



SS0X01A

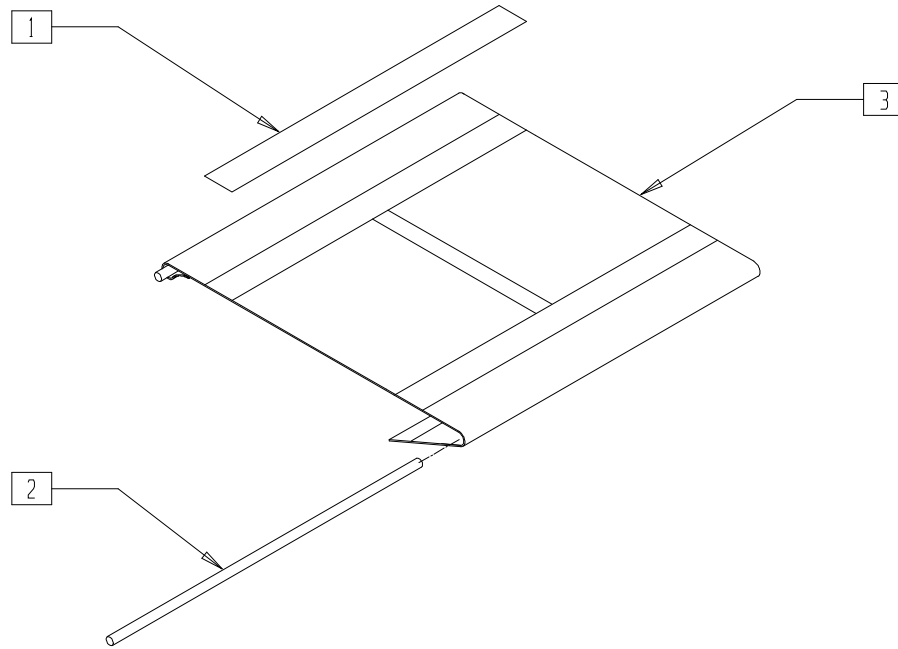
ITEM	NUMBER	DESCRIPTION	QTY
1	901170	SEAT SLING VELCRO® STRIP	2
2	720000-720907	SEAT SLING 11" x 10"- 20" x 20"	1
3	281120	10-32 x 5/8 PAN HD PHIL	8-12

ITEM	NUMBER	DESCRIPTION	QTY
3A*	281122	10-32 x 3/4 PAN PHIL	8-12
4	505100-505119	SEAT RAIL 10"- 23"	2

* ITEM 3A IS USED ON RIGID CHAIRS.

SEAT SLING (QUICKIE 2)

(Effective 10/23/99, beginning serial number Q2-242051)

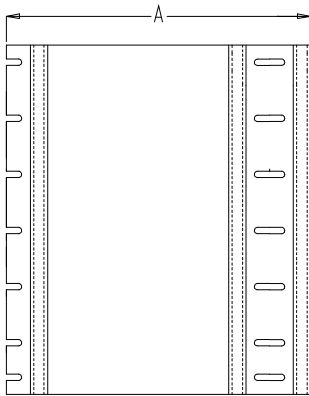


Q220X1

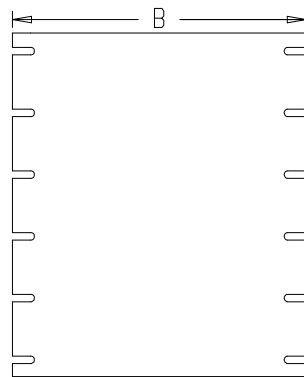
ITEM	NUMBER	DESCRIPTION	QTY
1	901169	SEAT SLING VELCRO® STRIP 2"	2
2	580226-580236	SEAT SLING RETAINING ROD	2

ITEM	NUMBER	DESCRIPTION	QTY
3	722580-722738	SEAT SLING (11" - 22") x (10" - 20")	1

ADJUSTABLE SEAT SLING MEASUREMENT GUIDE



SLING1

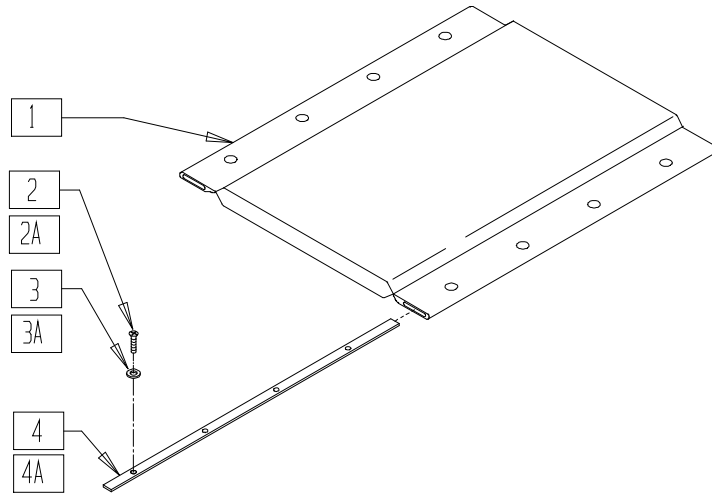


MGUIDE20

CHAIR WIDTH	"A" SLING WIDTH (UNFOLDED)	"B" SLING WIDTH (FOLDED)
10"	12"	9"
11"	13"	10"
12"	14"	11"
13"	15"	12"
14"	16"	13"
15"	17"	14"
16"	18"	15"
17"	19"	16"
18"	20"	17"
19"	21"	18"
20"	22"	19"

PADDED SEAT SLING (BREEZY 500/510/510 RECLINER/2/600)

(Breezy 2 Discontinued 5/98 - parts only)



BZ00X05A

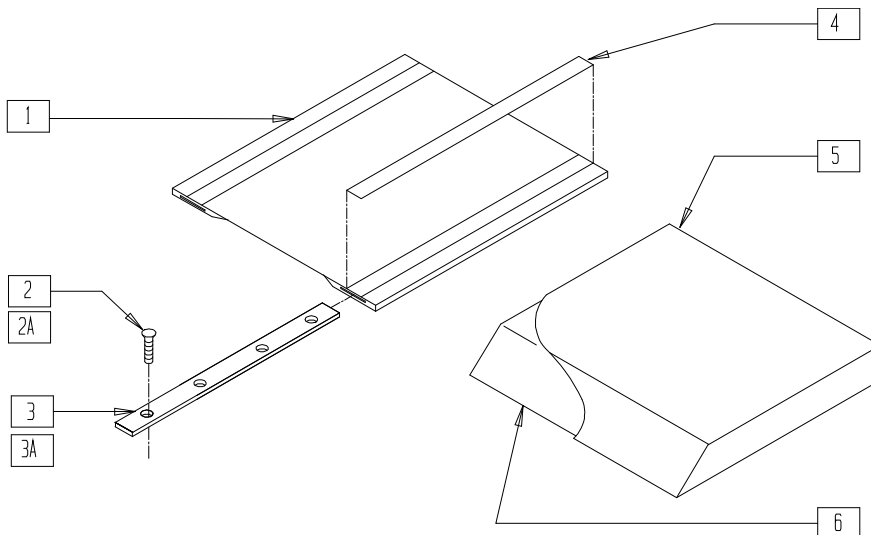
ITEM	NUMBER	DESCRIPTION	QTY
1	720913-720940	PADDED SEAT BR/B2 14" x 16" - 20" x 18"	1
	721162	PADDED SEAT 16" x 16" BR	
	721164	PADDED SEAT 18" x 16" BR	
	2*	281141	

ITEM	NUMBER	DESCRIPTION	QTY
2A	281129	#12 x 1 OVAL PHIL S/TAP	8
3	340105	WASHER SEAT SLING BR	8
3A	340115	#12 WASHER BRASS FINISH	8
4	505664	SEAT RAIL 16" BR	2
4A	505665	SEAT RAIL 18" BR	2

* ITEM 2 AND 3 IS USED ONLY WITH BREEZY 600 CHAIRS.

NON-PADDED SEAT SLING AND CUSHION (BREEZY 500/510/510 RECLINER/2/600)

(Breezy 2 Discontinued 5/98 - parts only)



BZY00X11A

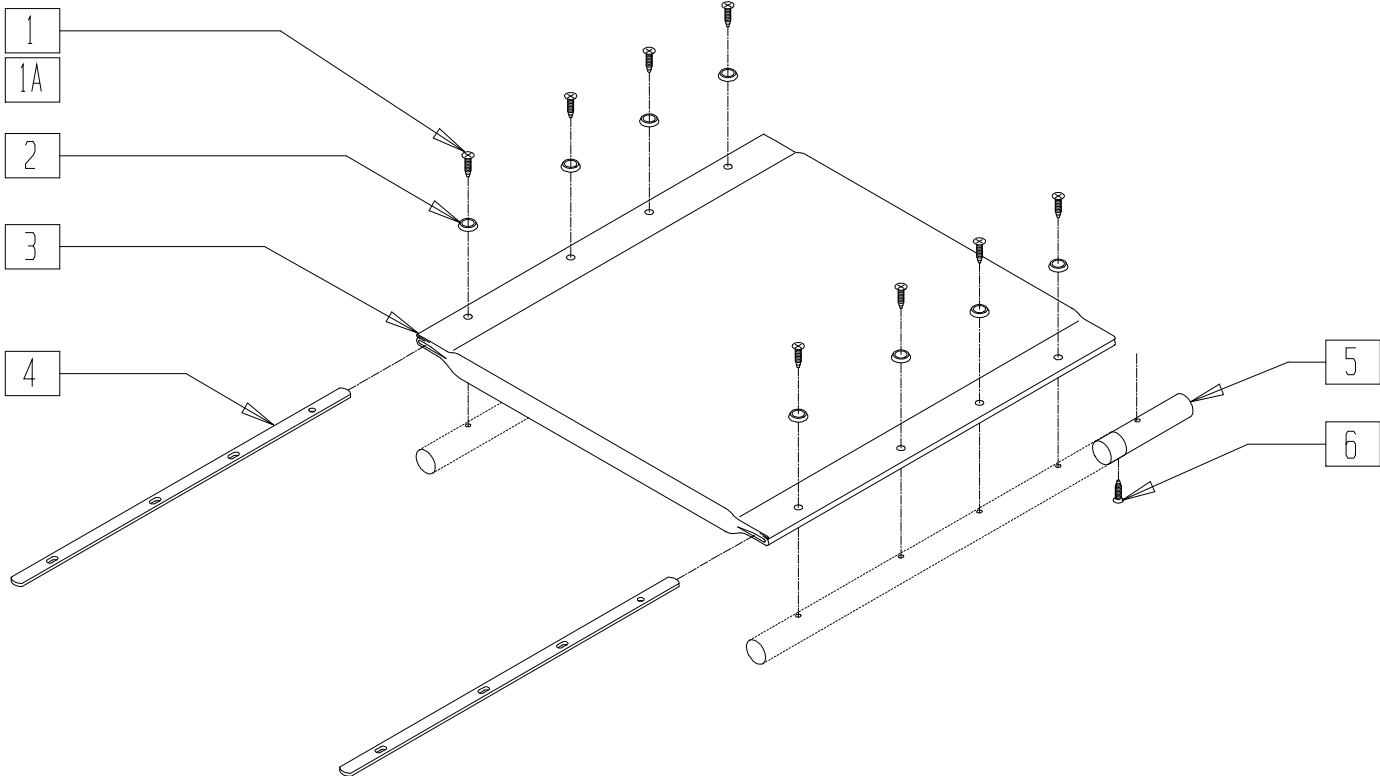
ITEM	NUMBER	DESCRIPTION	QTY
1	720908-720914;	BR SEAT SLING 14" x 16" - 20" x 16" AND 14" x 18" - 20" x 18"	1
	721908-721914		
	721957-721963		
	721965-721967		
	2**		

ITEM	NUMBER	DESCRIPTION	QTY
2A	281129	#12 X 1" OVAL PHIL S/TAP	8,10
3	505664	SEAT RAIL 16" BR	2
3A	505665	SEAT RAIL 18" BR	2
4	901170	SEAT SLING VELCRO® STRIP	2
5*	701342-701942	SEAT COVER	1
6*	105342-105942	SEAT FOAM	1
5,6*	700342-700942	SEAT CUSHION (W/COVER AND FOAM)	

* WIDTHS AVAILABLE INCLUDE 14", 16", 18" AND 20". DEPTHS AVAILABLE INCLUDE 16" AND 18".

** ITEM 2 IS USED ONLY ON BREEZY 600CHAIRS.

SEAT SLING (BREEZY 100/150)



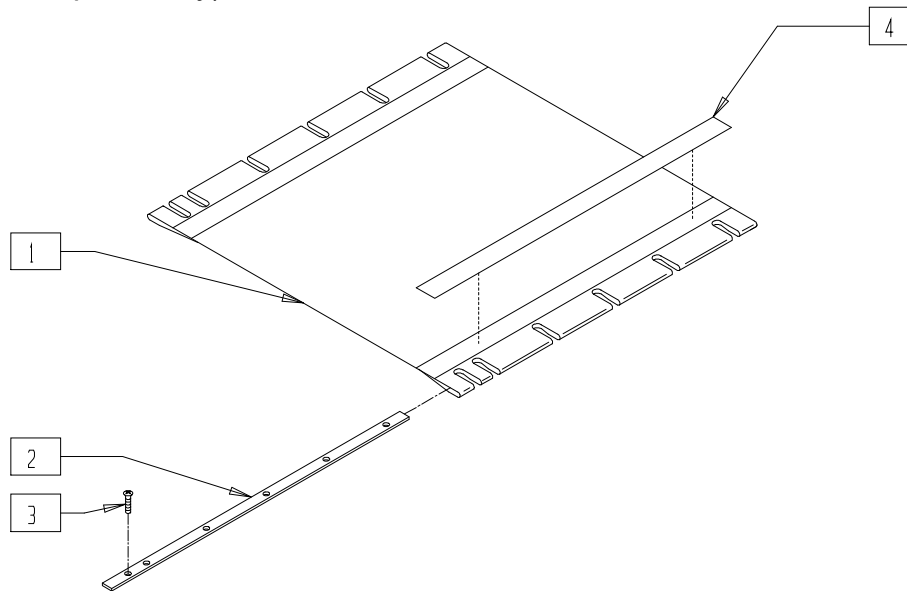
BRZ10X12

ITEM	NUMBER	DESCRIPTION	QTY
1-4	222-0521	SEAT UPH 16" x 16" W/HDWR (BZ100)	1
	222-0522	SEAT UPH 18" x 16" W/HDWR (BZ100)	
	222-0523	SEAT UPH 20" x 16" W/HDWR (BZ100)	
1,2,4	222-0633	SEAT UPHOLSTERY INSERTS, SCREWS, AND WASHERS COMPLETE (BZ100)	1
5,6	222-0786	2" SEAT EXTENSION KIT (BZ150)	1

ITEM	NUMBER	DESCRIPTION	QTY
1A,2-6	222-0788	SEAT UPH 16" x 16" W/HDWR (BZ150)	1
	222-0789	SEAT UPH 18" x 16" W/HDWR (BZ150)	
	222-0790	SEAT UPH 20" x 16" W/HDWR (BZ150)	
	222-0791	SEAT UPH 16" x 18" W/HDWR (BZ150)	
	222-0792	SEAT UPH 18" x 18" W/HDWR (BZ150)	
	222-0793	SEAT UPH 20" x 18" W/HDWR (BZ150)	

SEAT SLING (QUICKIE EX)

(Discontinued 2/14/97 - parts only)

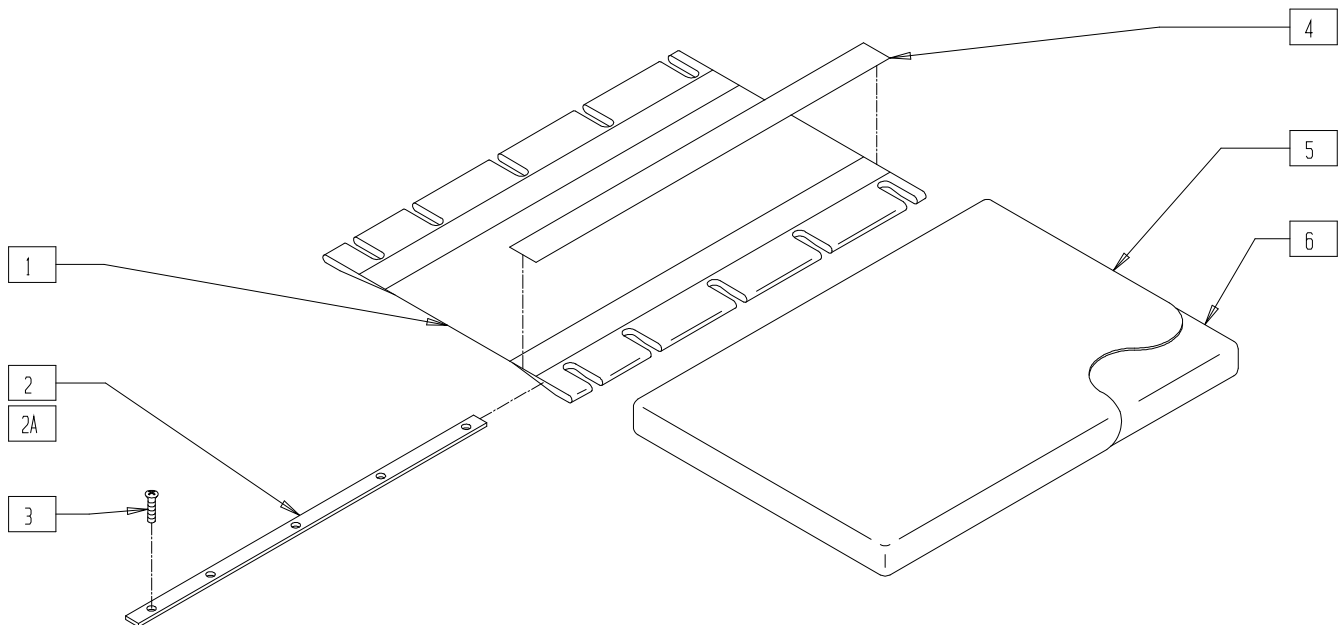


SP00X06

ITEM	NUMBER	DESCRIPTION	QTY
1	720306-720704	SEAT SLING 14" x 18" - 18" x 18" (18" DEPTH ONLY)	1
2	505111	SEAT RAIL 18" EX	2

ITEM	NUMBER	DESCRIPTION	QTY
3	281119	10-32 x 5/8 FH SOC ZN	12
4	901170	SEAT SLING VELCRO® STRIP	2

SEAT SLING AND CUSHION (QUICKIE KIDZ)

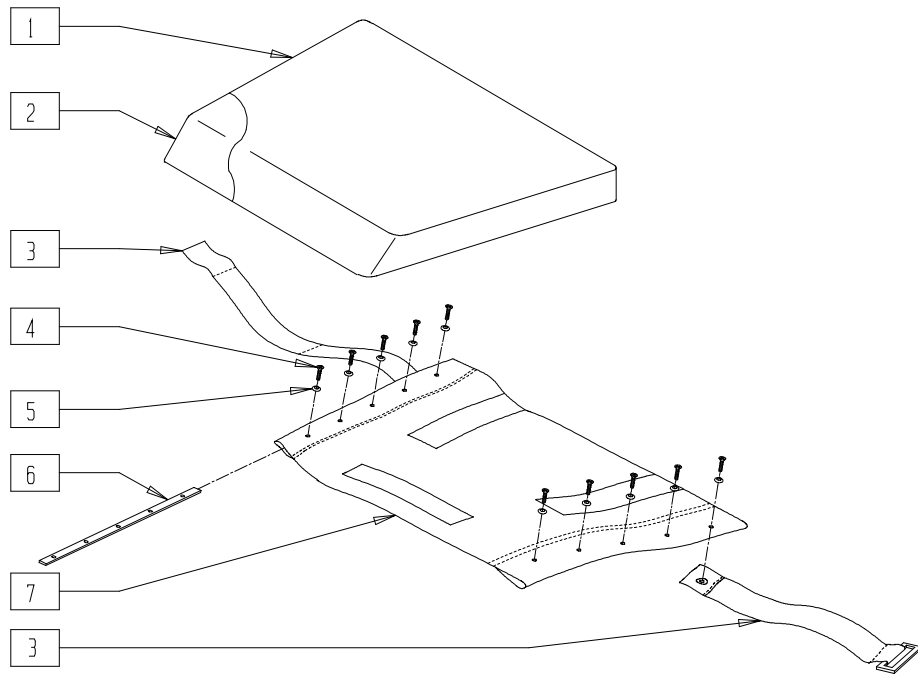


KDZ00X05

ITEM	NUMBER	DESCRIPTION	QTY
1	720000-720302	SEAT SLING (10"-14" WIDTH, 8"-14" DEPTH)	1
2	505112	SEAT RAIL 10"	2
2A	505102	SEAT RAIL 14"	2
3	281120	10-32 x 5/8 PAN HD PHIL	8,10
4	901170	SEAT SLING VELCRO® STRIP	2

ITEM	NUMBER	DESCRIPTION	QTY
5	700992-701322	SEAT COVER (10"-14" WIDTH, 8"-14" DEPTH)	1
6	104890-105322	SEAT FOAM (2" HEIGHT, 10"-14" WIDTH, 8"-14" DEPTH)	1
5,6	700025-700322	SEAT CUSHION W/COVER AND FOAM (2" HEIGHT, 10"-14" WIDTH, 8"-14" DEPTH)	

SEAT SLING AND CUSHION (QUICKIE ST/DT)



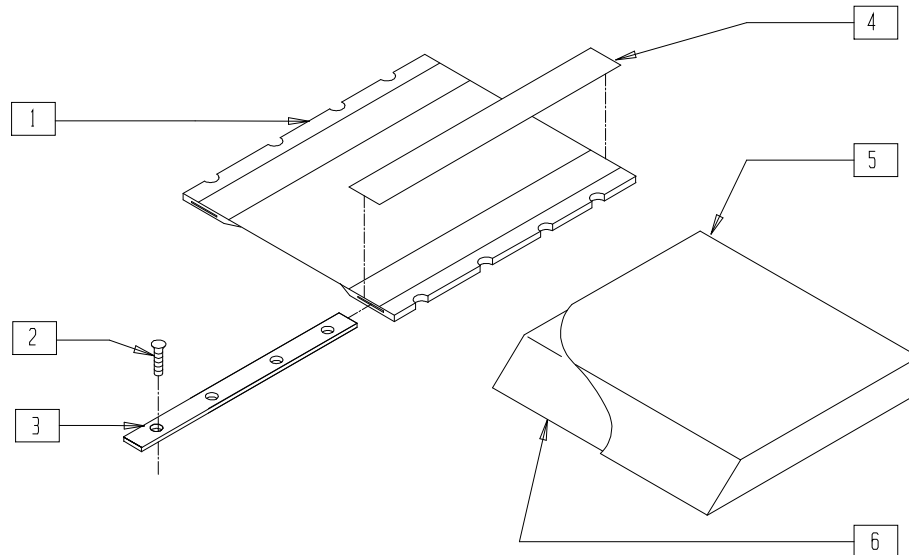
RG000X12

ITEM	NUMBER	DESCRIPTION	QTY
1	701990	RIGID SEAT COVER ONLY (SPECIFY DIMENSIONS)	1
2	106010	SEAT FOAM ONLY (SPEC DIM) DT	1
1,2	700978	RIGID CUSHION (FOAM AND COVER) (SPECIFY DIMENSIONS) (2" HEIGHT ONLY)	

ITEM	NUMBER	DESCRIPTION	QTY
3	751020	POSITION BLT HK/LP CLS (SPECIFY DIM)	1
4	226014	10-32 x 3/4 FH C/S BLK	10
5	340106	WASHER UPH #8	10
6	505101- 505110	SEAT RAIL 13"-18"	2
7	721050	UPH SEAT SLING (SPECIFY DIMENSIONS)	1

NOTE: HOLES IN SEAT SLING ARE NOT PREPUNCHED.

SEAT SLING AND CUSHION (Quickie R2/TNT) (Quickie TNT discontinued 2/01-parts only)

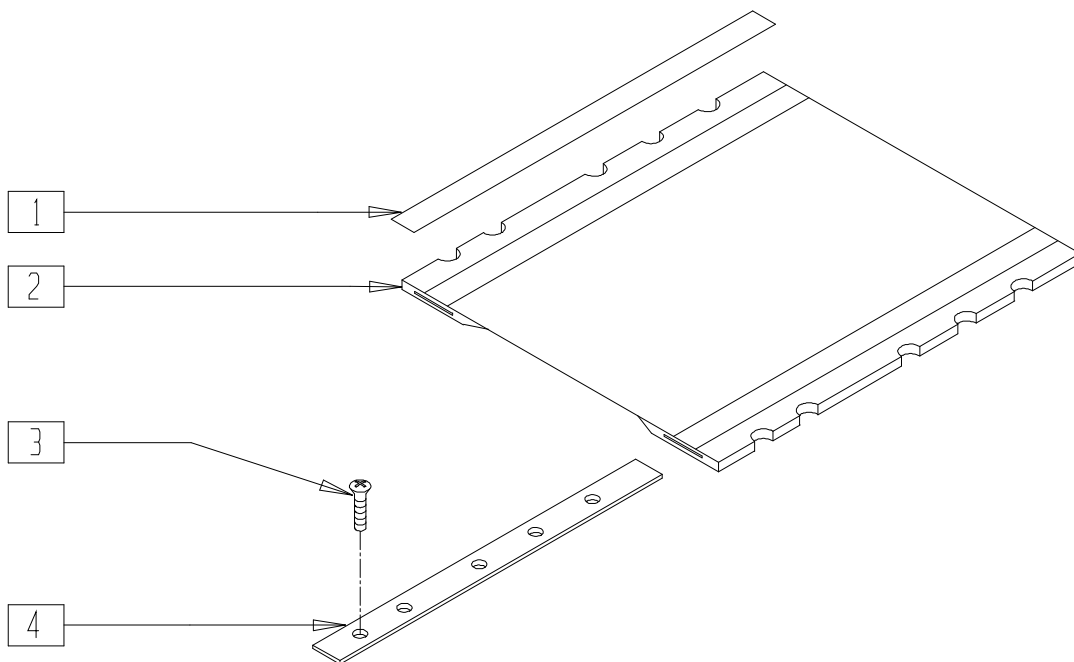


TNT00X12

ITEM	NUMBER	DESCRIPTION	QTY
1	721114- 721158	SEAT SLING Q7NT 14" x 14" -18" x 18"	1
2	281122	10-32 x 3/4 PAN PHIL	8
3	505360- 505364	SEAT RAIL Q7NT 14"-18"	2
4	901169	SEAT SLING VELCRO® STRIP 2"	2

ITEM	NUMBER	DESCRIPTION	QTY
5	701322- 701742	SEAT COVER 14" x 14" x 2" - 18" x 18" x 2"	1
6	105322- 105742	SEAT FOAM 14" x 14" x 2" - 18" x 18" x 2"	1
5,6	700322- 700742	SEAT CUSHION W/COVER AND FOAM 14" x 14" - 18" x 18"	

SEAT SLING (QUICKIE M6)

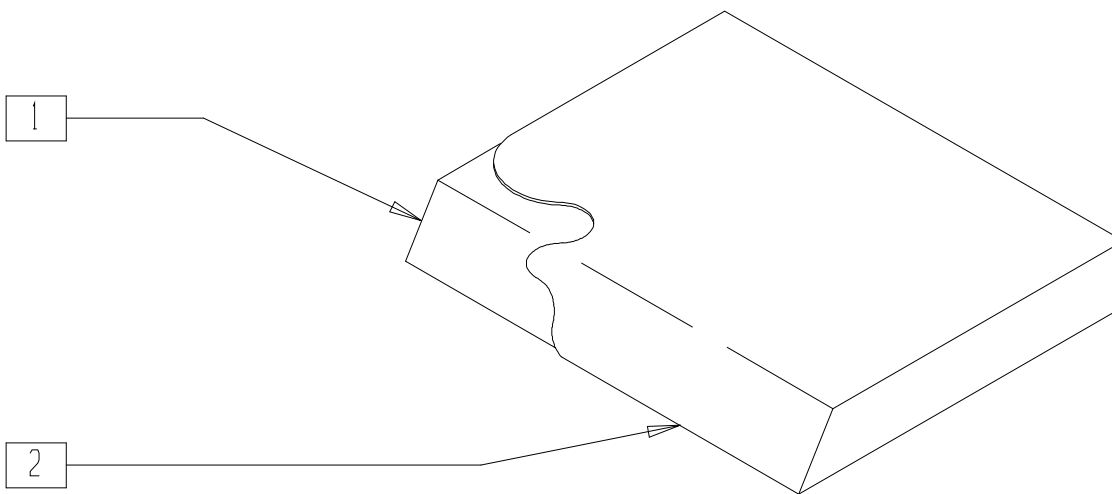


MAG00X35

ITEM	NUMBER	DESCRIPTION	QTY
1	901170	SEAT SLING VELCRO® STRIP	2
2	721215-721239	SEAT SLING RFCD 22"-30" x 18"-22" x 2"	1
3	281120	10/32 x 5/8 PAN HD PHIL	12-16

ITEM	NUMBER	DESCRIPTION	QTY
4	505110, 505115-505118	SEAT RAIL 18"-22"	2

SEAT CUSHION (QUICKIE M6)

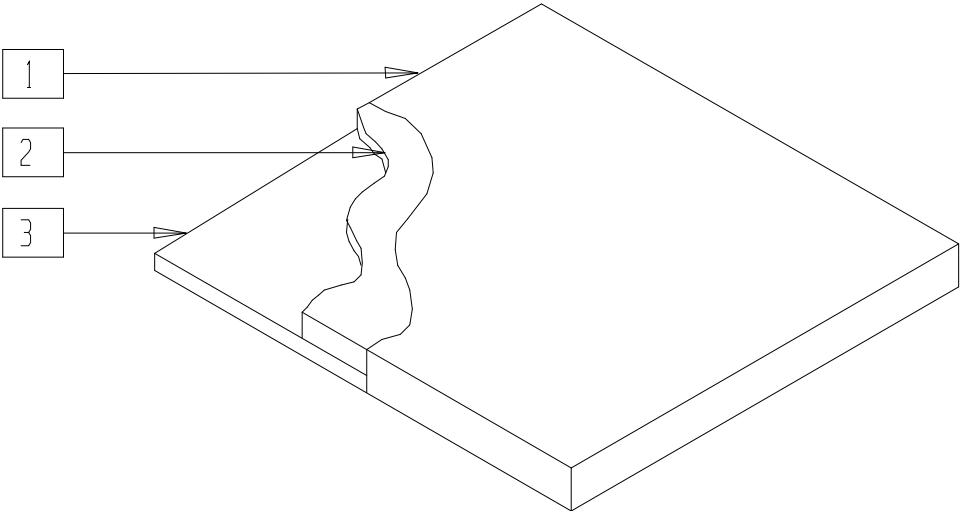


SS0X01

ITEM	NUMBER	DESCRIPTION	QTY
1	105991-105994, 106029-106070	SEAT FOAM 22"-30" x 18"-22" x 2"	1
2	702442-702472, 702622-702676	SEAT COVER 22"-30" x 18"-22" x 2"	1

ITEM	NUMBER	DESCRIPTION	QTY
1,2	702095-702098, 702103-702234	SEAT CUSHION 22"-30" x 18"-22" x 2	

SOLID SEAT



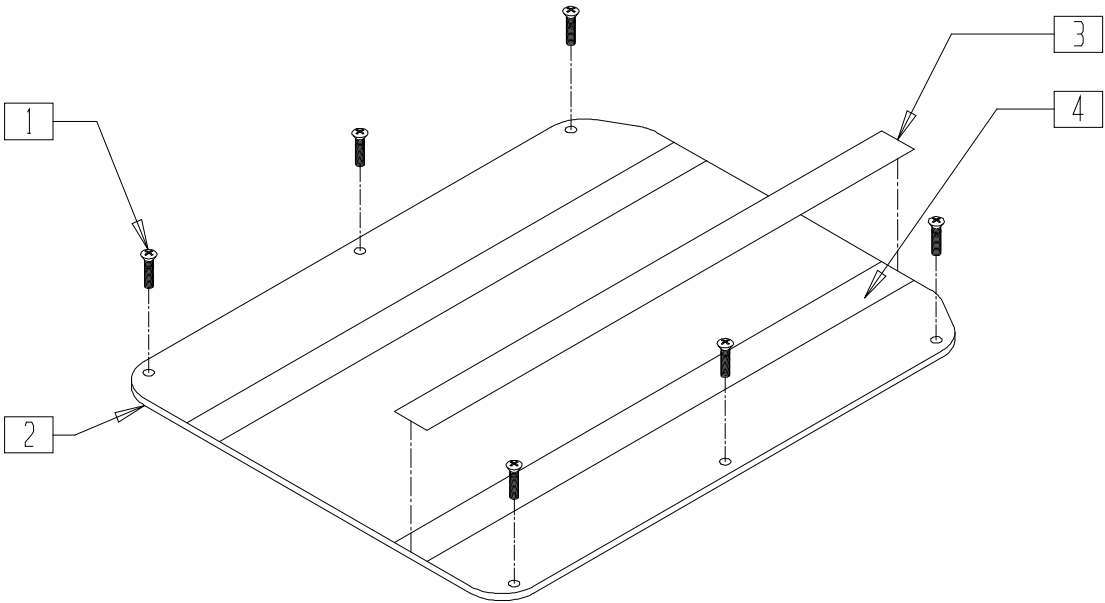
AC0X015

ITEM	NUMBER	DESCRIPTION	QTY
1	701001-701431	SEAT COVER 11" x 10" x 1" TO 15" x 15" x 1"	1
3	581010-581054	LEXAN SEAT	1

ITEM	NUMBER	DESCRIPTION	QTY
1-3	689311-689751	SOLID SEAT CUSHION W/LEXAN 11" x 10" x 1" TO 15" x 15" x 1"	

NOTE: FOR SOLID SEAT OVER 15" x 15", SEE REMOVABLE SOLID SEAT AND BACK (VELCRO®) ON PAGE 8.18.

SEAT PAN (QUICKIE T45)

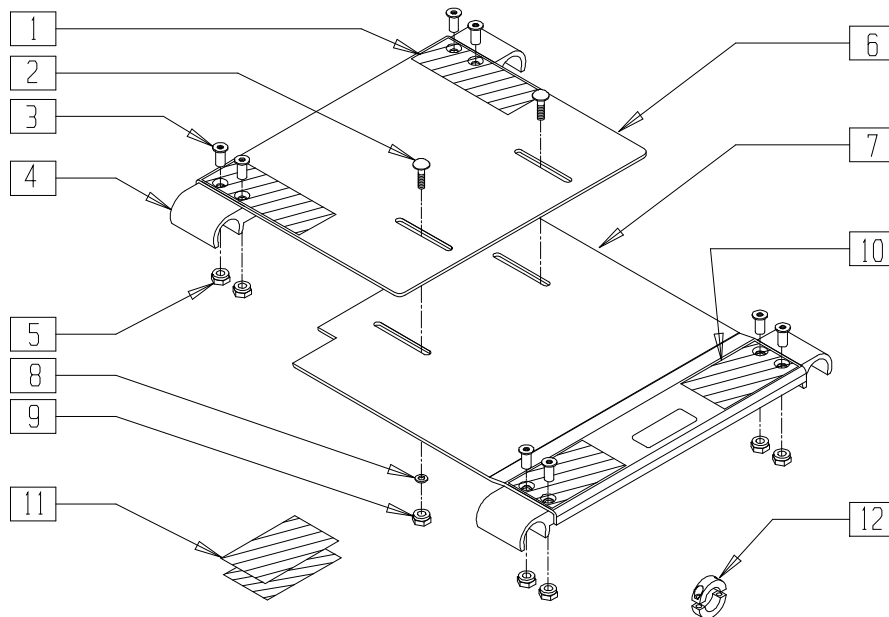


TSR00X18

ITEM	NUMBER	DESCRIPTION	QTY
1	281120	10-32 x 5/8 PAN HD PHIL	6
2,4	688201-688242	SEAT PAN ASSM T45 14" x 15" - 20" x 20"	

ITEM	NUMBER	DESCRIPTION	QTY
3	901172	LOW SEAT VELCRO® STRIP NON PS P300	2
4	901176	2" SEAT PAN VELCRO® STRIP PS	2

GROWING SEAT PAN (ZIPPIE GS/TS)

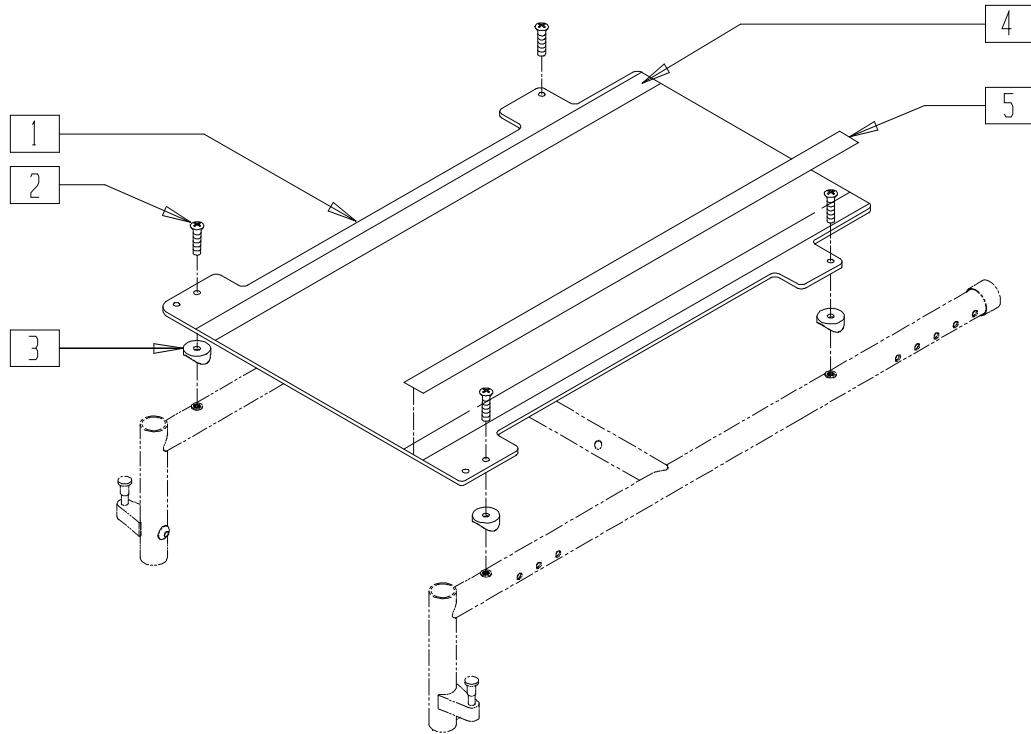


ZGS0X44

ITEM	NUMBER	DESCRIPTION	QTY
1	751047	HOOK FASTENER ZGS FRONT	2
2	455036	1/4-28 x 9/16 SPEC ROUND HD	2
3	226105	1/4-28 x 3/4 FH C/S BLK	8
4	560112	SEAT SNAP ZGS	4
5	201110	1/4-28 NYLOCK NUT	8
6	124340-124348	SEAT PAN SHT, MED, LRG 10" x 10" 10"-14" x 10"-14" ZGS	1
	124359-124365	SEAT PAN SHT, MED, LRG, XLRG 10" x 16", 10"-16" x 16" ZGS	
7	124350-124358	SEAT PAN OFFSET SHT, MED, LRG 10"-14" x 10"-14" ZGS	1
	124370-124376	SEAT PAN OFFSET SHT XLRG 10"-16" x 16" ZGS	

ITEM	NUMBER	DESCRIPTION	QTY
8	262100-QU	1/4 AN WASHER FLAT	2
9	201100	1/4-28 NYLOCK NUT THIN	2
10	751048	HOOK FASTENER ZGS REAR	2
11	751049	HOOK FASTENER ZGS FLOATING	2
12	342048	ADJ SEAT STOP 1"	2
1-12	703200-703203	SEAT PAN ASSEMBLY (10"-18" W) SHORT	
	703210-703213	SEAT PAN ASSEMBLY (10"-18" W) MED	
	703220-703223	SEAT PAN ASSEMBLY (10"-18" W) LONG	
	703230-703233	SEAT PAN ASSEMBLY (10"-18" W) XLONG	

SEAT PAN (QUICKIE TS)



QTS30X08A

ITEM	NUMBER	DESCRIPTION	QTY
1,4	688174	SEAT PAN 14" x 14-17" SHORT FRAME	
	688175	SEAT PAN 15" x 14-17" SHORT FRAME	
	688176	SEAT PAN 16" x 14-17" SHORT FRAME	
	688177	SEAT PAN 17" x 14-17" SHORT FRAME	
	688178	SEAT PAN 18" x 14-17" SHORT FRAME	
	688179	SEAT PAN 19" x 14-17" SHORT FRAME	
	688180	SEAT PAN 20" x 14-17" SHORT FRAME	
1,4	688160	SEAT PAN 14" x 16-19" REG FRAME	
	688161	SEAT PAN 15" x 16-19" REG FRAME	
	688162	SEAT PAN 16" x 16-19" REG FRAME	
	688163	SEAT PAN 17" x 16-19" REG FRAME	
	688164	SEAT PAN 18" x 16-19" REG FRAME	
	688165	SEAT PAN 19" x 16-19" REG FRAME	
	688166	SEAT PAN 20" x 16-19" REG FRAME	

ITEM	NUMBER	DESCRIPTION	QTY
1,4	688167	SEAT PAN 14" x 19-22" LONG FRAME	
	688168	SEAT PAN 15" x 19-22" LONG FRAME	
	688169	SEAT PAN 16" x 19-22" LONG FRAME	
	688170	SEAT PAN 17" x 19-22" LONG FRAME	
	688171	SEAT PAN 18" x 19-22" LONG FRAME	
	688172	SEAT PAN 19" x 19-22" LONG FRAME	
	688173	SEAT PAN 20" x 19-22" LONG FRAME	
2	281122	10-32 x 3/4 PAN PHIL	4
3	561087	BACK RELEASE SADDLE RIGID	4
4	901176	2" SEAT VELCRO® STRIP NON PS	2
5	901175	2" SEAT VELCRO® STRIP NON PS	2

Trays and Custom Trays

IN THIS SECTION

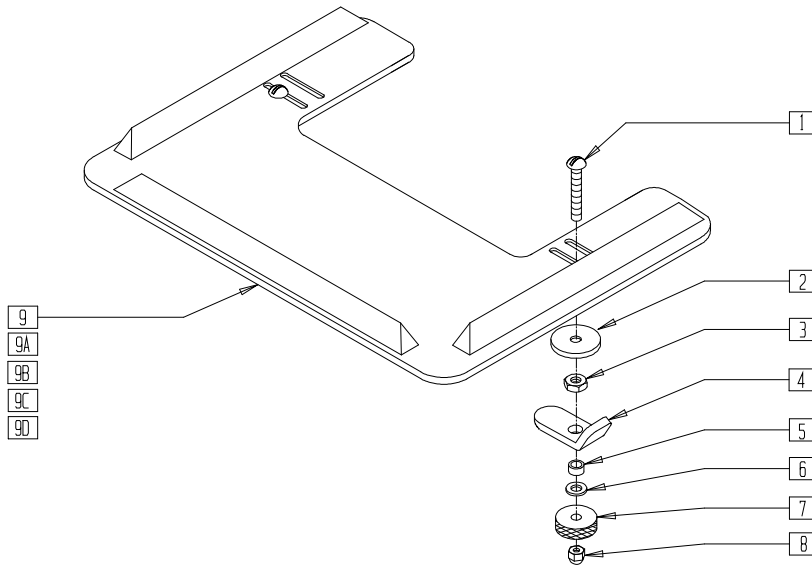
STANDARD TRAYS

Tray Table	17.1
Tray (Quickie Kidz)	17.1

CUSTOM TRAYS

Tray Ribs.....	17.2
Tray Hardware	17.3
Padded Stomach Cutout.....	17.3
Protractor Pad.....	17.4
Hinged Overlay (Non-removable).....	17.4
Removable Hinged Overlay.....	17.5

TRAY TABLE

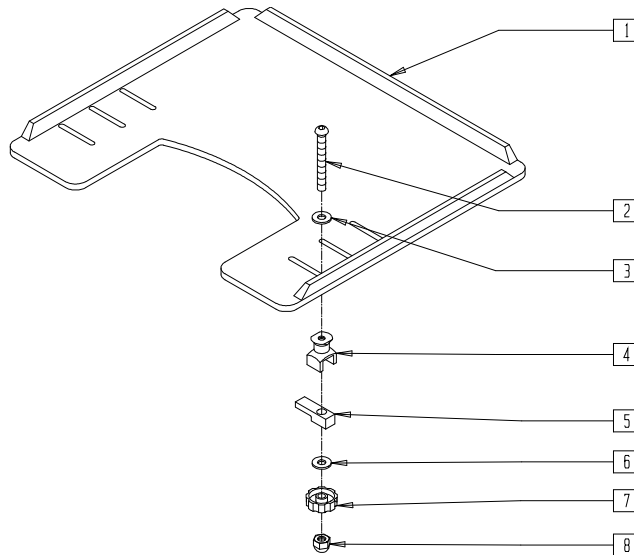


AC0X012A

ITEM	NUMBER	DESCRIPTION	QTY
1	226199	5/16-18 x 3 1/2 CARR BOLT	2
2	263112	5/16 WASHER FENDER	2
3	202110	5/16-18 NUT THIN	2
4	550400	TRAY CLAMP	2
5	550400	BEARING SPACER	2
6	263100	5/16 AN WASHER FLAT	2
7	483026	KNURLED TRAY KNOB	2
8	202112	5/16-18 ACORN NUT	2
1-8	881051	TRAY HARDWARE KIT TUFFAK NEW STYLE	

ITEM	NUMBER	DESCRIPTION	QTY
9	562619	TRAY TOP EX-SM W/RAIL 10"-12"	1
9A	562620	TRAY TOP SM W/RAIL 13"-14"	1
9B	562621	TRAY TOP MED W/RAIL 15"-17"	1
9C	562622	TRAY TOP LRG W/RAIL 18"-20"	1
9D	562623	TRAY TOP X-LRG W/RAIL 21"-22"	1
1-9	902306	TRAY ASSEMBLY EX-SM TUFFAK 10"-12"	
1-8,9A	902303	TRAY ASSEMBLY SM TUFFAK 13"-14"	
1-8,9B	902304	TRAY ASSEMBLY MED TUFFAK 15"-17"	
1-8,9C	902305	TRAY ASSEMBLY LRG TUFFAK 18"-20"	
1-8,9D	902309	TRAY ASSEMBLY X-LRG TUFFAK 21"-22"	

TRAY (QUICKIE KIDZ)

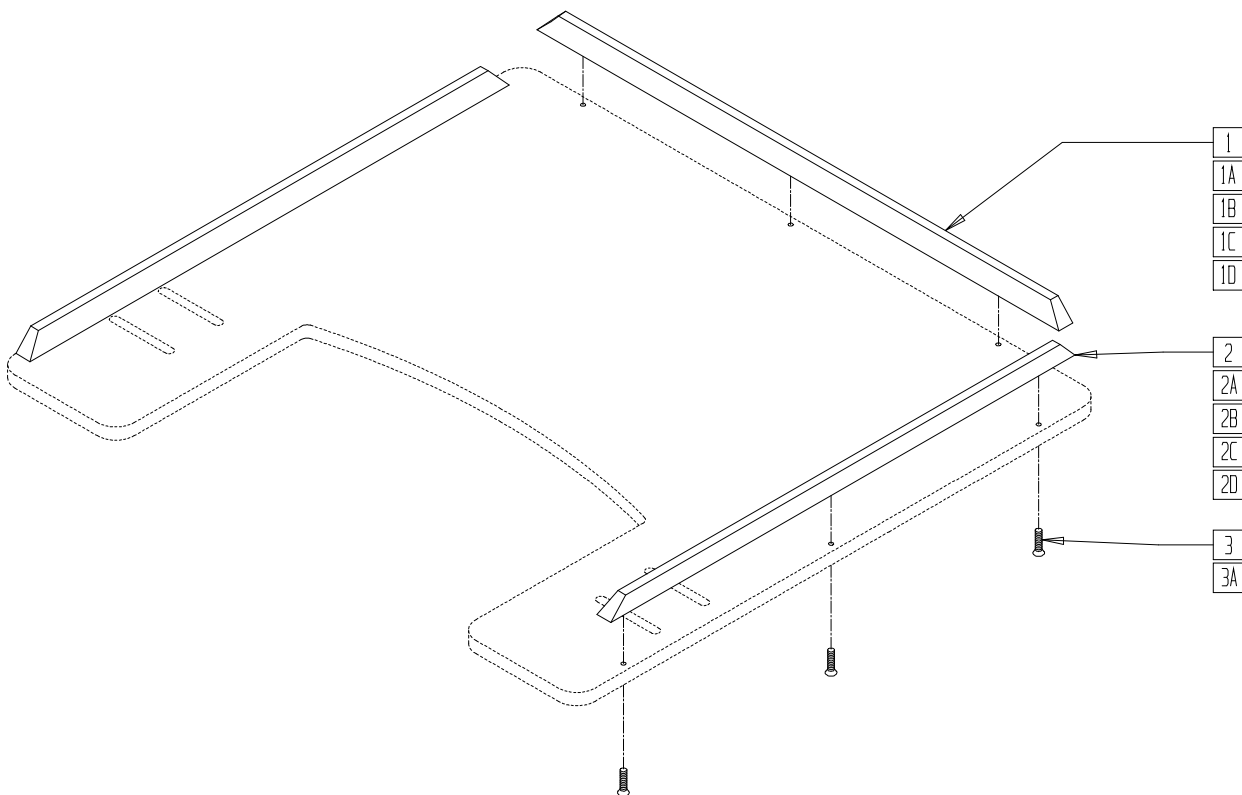


AC0X025

ITEM	NUMBER	DESCRIPTION	QTY
1	562619	TRAY TOP EX-SM W/RAIL 10"-12"	1
	562620	TRAY TOP SM W/RAIL 13"-14"	
	562621	TRAY TOP MED W/RAIL 15"-17"	
	562622	TRAY TOP LRG W/RAIL 18"-20"	
2	2021	5/16-18 x 2 3/4 BUTTON HD C/S	2
3	2709	.625 x .315 x .031 NYLON WASHER	2
4	14240	TRAY BUSHING	2
5	14230	TRAY LOCK BAR	2

ITEM	NUMBER	DESCRIPTION	QTY
6	2705	1/4" FLAT WASHER	2
7	14220	TRAY KNOB	2
8	202114	5/16-18 ACORN LOCK NUT	2
2-8	881053	TRAY HARDWARE ADJ ARM PWR (14219)	
1-8	902330	TRAY ASSM X-SM TUFFAK 10"-12"/CAM	
	902331	TRAY ASSM SM TUFFAK 13"-14"/CAM	
	902331	TRAY ASSM MED TUFFAK 15"-17"/CAM	
	902333	TRAY ASSM LRG TUFFAK 18"-20"/CAM	

TRAY RIBS



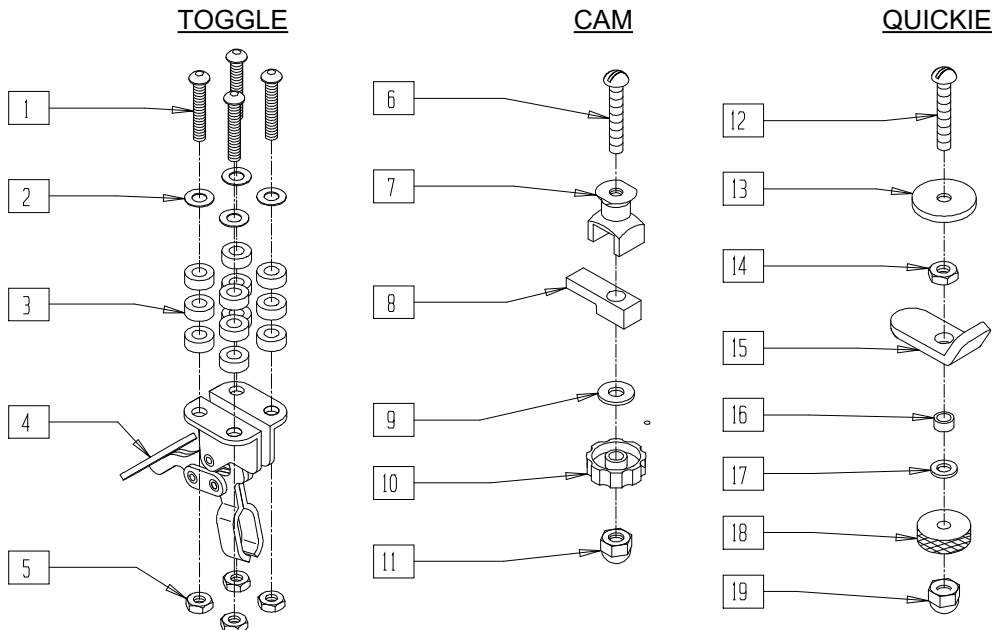
AC0X032

ITEM	NUMBER	DESCRIPTION	QTY
STANDARD WOOD RIBS			
1	9004	19" WOOD TRAY RIBS (EA)	1
	9005	21" WOOD TRAY RIBS (EA)	
	9006-QU	23 1/2" WOOD TRAY RIBS (EA)	
2	9003	15 1/2" WOOD TRAY RIBS (EA)	2
	9004	19" WOOD TRAY RIBS (EA)	
	9005	21" WOOD TRAY RIBS (EA)	
HEAVY-DUTY RIBS FOR WOOD TRAYS			
1A	9010	19" HD RIB FOR WOOD TRAY (EA)	1
	9013	21" HD RIB FOR WOOD TRAY (EA)	
	9016	23 1/2" HD RIB FOR WOOD TRAY (EA)	
2A	9007-QU	15 1/2" HD RIB FOR WOOD TRAY (EA)	2
	9010	19" HD RIB FOR WOOD TRAY (EA)	
	9013	21" HD RIB FOR WOOD TRAY (EA)	
HEAVY-DUTY RIBS FOR 3/8" TUFFAK TRAYS			
1B	9011-QU	19" HD RIB FOR 3/8" TUFFAK (EA)	1
	9014	21" HD RIB FOR 3/8" TUFFAK (EA)	
	9017	23 1/2" HD RIB FOR 3/8" TUFFAK (EA)	
2B	9008-QU	15 1/2" HD RIB FOR 3/8" TUFFAK (EA)	2
	9011	19" HD RIB FOR 3/8" TUFFAK (EA)	
	9014	21" HD RIB FOR 3/8" TUFFAK (EA)	

ITEM	NUMBER	DESCRIPTION	QTY
HEAVY-DUTY RIBS FOR 1/4" TUFFAK TRAYS			
1C	9012-QU	19" HD RIB FOR 1/4" TUFFAK (EA)	1
	9015	21" HD RIB FOR 1/4" TUFFAK (EA)	
	9018	23 1/2" HD RIB 1/4" TUFFAK (EA)	
2C	9009	15 1/2" HD RIB 1/4" TUFFAK (EA)	2
	9012	19" HD RIB 1/4" TUFFAK (EA)	
	9015	21" HD RIB 1/4" TUFFAK (EA)	
ALUMINUM RIBS			
1D	14081	19" ALUMINUM TRAY RIB	1
	14082	21" ALUMINUM TRAY RIB	
	14083	23 1/2" ALUMINUM TRAY RIB	
2D	14080-QU	15 1/2" ALUMINUM TRAY RIB	2
	14081	19" ALUMINUM TRAY RIB	
	14082	21" ALUMINUM TRAY RIB	
HARDWARE			
3	2268	#6 x 5/8" OVAL PHILLIPS SCREW	9
3A	230047	#6 x 3/4" FH PHIL S/M SCREW	9

NOTE: ONE 19" RIB AND TWO 15 1/2" RIBS FIT THE EXTRA-SMALL, SMALL, 9-0 AND 9-1 TRAY TABLES.
 ONE 21" RIB AND TWO 19" RIBS FIT THE MEDIUM AND 9-2 TRAY TABLES.
 ONE 23 1/2" RIB AND TWO 21" RIBS FIT THE LARGE, 9-2, 9-5, AND 9-6 TRAY TABLES.

TRAY HARDWARE

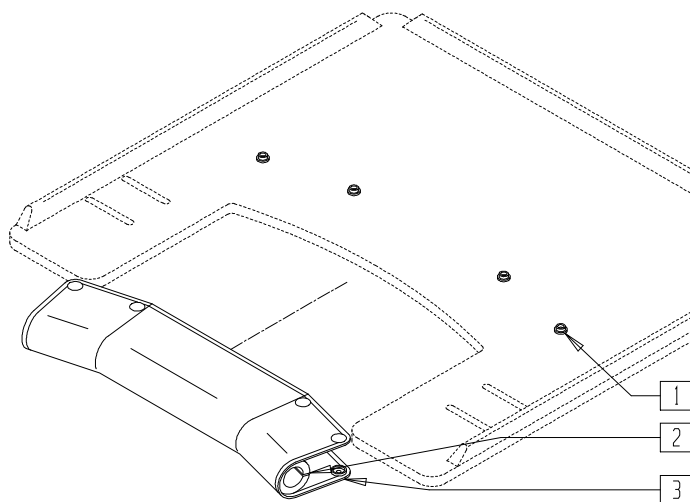


AC0X028

ITEM	NUMBER	DESCRIPTION	QTY
1	2249	5/16-18 x 1 1/2 BH C/S BLK	8
2	2709	.625 x .135 x .031 NYLON WASHER	8
3	2710	.609 x .250 x .250 NYLON SPACER	24
5	202110	5/16-18 NUT THIN	8
6	2021	5/16-18 x 2 3/4 BUTTON HD C/S	2
7	14240	TRAY BUSHING	2
8	14230	TRAY LOCK BAR	2
9	2705	1/4" FLAT WASHER	2
10	14220	TRAY KNOB	2
11	202114	5/16-18 ACORN LOCK NUT	2
12	226199	5/16-18 x 3 1/2 CARR BOLT	2
13	263112	5/16 WASHER FENDER	2

ITEM	NUMBER	DESCRIPTION	QTY
14	202110	5/16-18 NUT THIN	2
15	550400	TRAY CLAMP	2
16	481013	BEARING SPACER	2
17	263100	5/16 AN WASHER FLAT	2
18	483026	KNURLED TRAY KNOB	2
19	202112	5/16-18 ACORN NUT	2
1-5	4099	TOGGLE CLAMP - HIDEAWAY	
6-11	881053	TRAY HARDWARE ADJ ARM PWR (14219)	
12-19	881051	TRAY HDWR KIT TUFFAK NEW STYLE (9QH)	

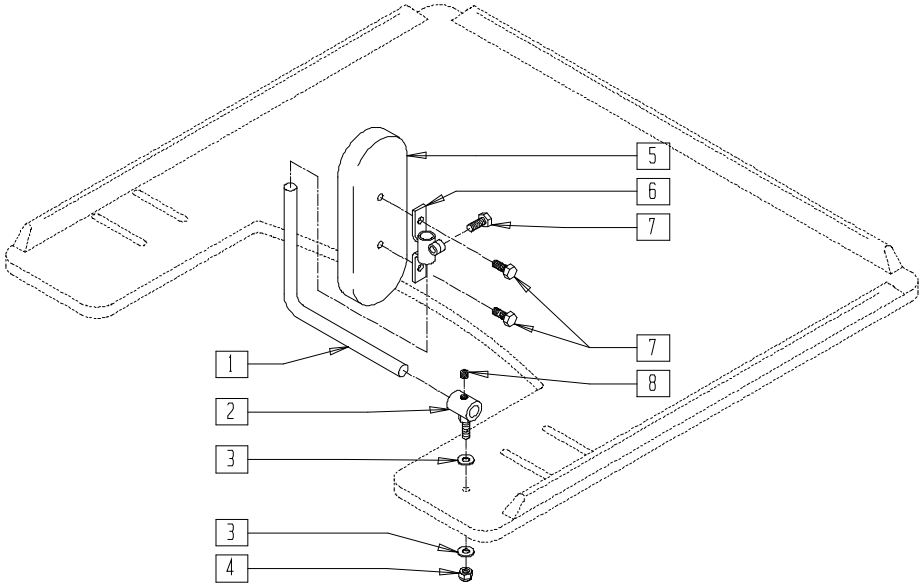
PADDED STOMACH CUTOUT



AC0X031

1-3	9PS	PADDED STOMACH CUT OUT (SPECIFY COLOR)	
-----	-----	---	--

PROTRACTOR PAD

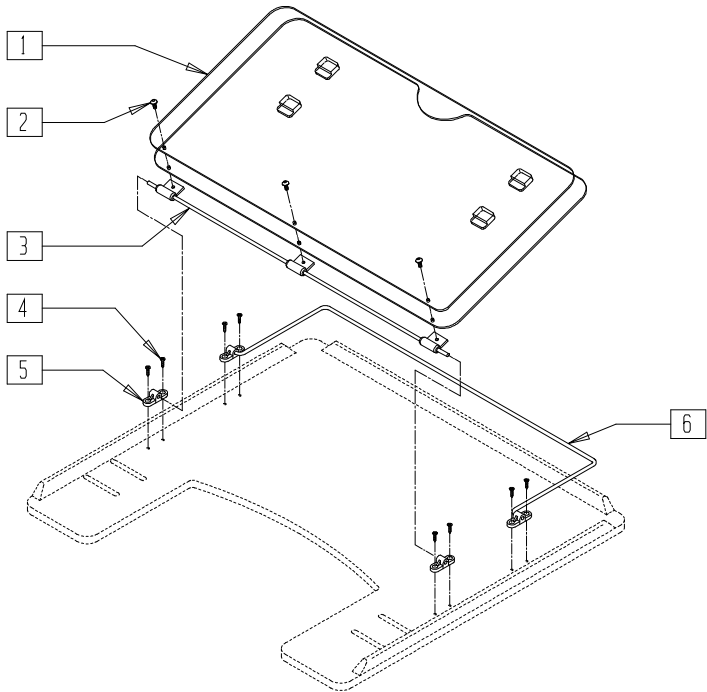


AC0X034

ITEM	NUMBER	DESCRIPTION	QTY
1	450752	HEADREST ADJUSTMENT BAR	2
2	450751	HEADREST PAD BUSHING	2
3	250101	#12 SAE FLAT WASHER	4
4	2301	1/4-20 NYLON INSERT LOCK NUT	2
5	15013-15022	PAD	2

ITEM	NUMBER	DESCRIPTION	QTY
6	450750	HEADREST PAD BRACKET	2
7	221105	1/4-20 x 3/4" HEX C/S	6
8	2270	5/16-18 x 1/4" SOC SET SCREW	2
1-8	14980	TRAY PROTRACTOR PAD ASSEMBLY (PR) (SPECIFY COLOR AND SIZE)	

HINGED OVERLAY (NON-REMOVABLE)

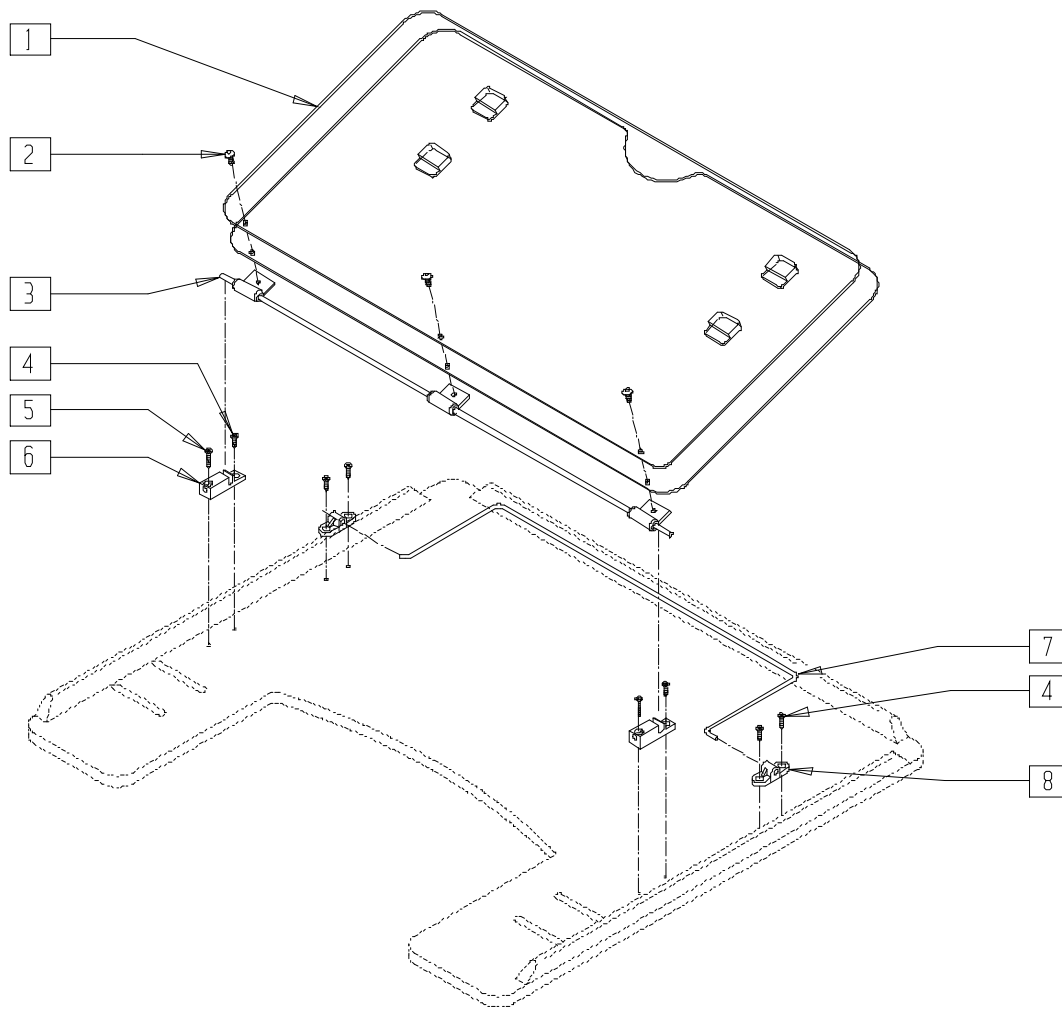


AC0X038

ITEM	NUMBER	DESCRIPTION	QTY
1,2	17916-17918	OVERLAY	
2	226017	10-32 x 3/8 BH C/S BLK	3
3	17922-17929	OVERLAY PIVOT BAR	1
4	2266	#6 x 1/2" FL DH PHL SCREW	8

ITEM	NUMBER	DESCRIPTION	QTY
5	4061	TRAY OVERLAY MOUNTING BRACKET	4
6	17925-17928	OVERLAY ROD	1
1-6	17919-17921	OVERLAY ASSEMBLY	

REMOVABLE HINGED OVERLAY



AC0X029

ITEM	NUMBER	DESCRIPTION	QTY
1	17916-17939	OVERLAY	1
2	226017	10-32 x 3/8 BH C/S BLK	3
3	17922-17929	HINGED OVERLAY PIVOT BAR	1
4	2266	#6 x 1/2" FL DH PHL SCREW	4
5	230047	#6 x 3/4" FH PHIL S/M SCREW	2

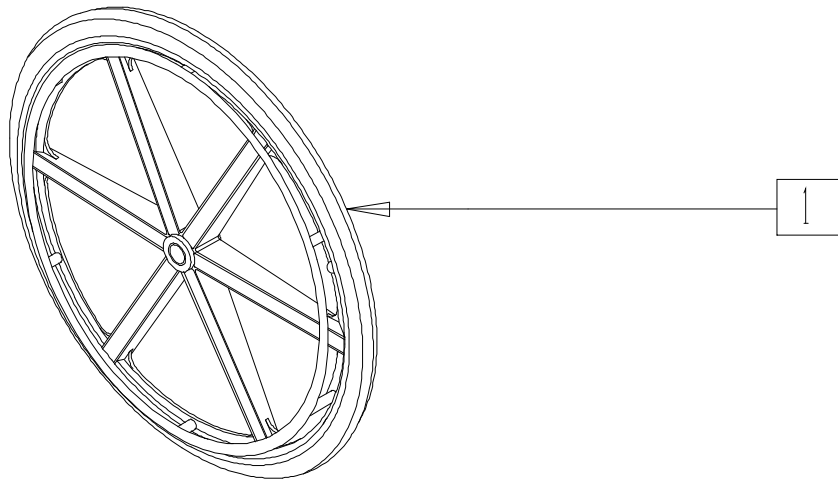
ITEM	NUMBER	DESCRIPTION	QTY
6	14232	TRAY OVERLAY - QUICK RELEASE	2
7	17925-17928	TRAY OVERLAY ROD	1
8	4061	TRAY OVERLAY MOUNTING BRACKET	2
1-8	17903-17906	OVERLAY ASSEMBLY	

Wheels

IN THIS SECTION

Six-spoke Mag Assembly (20"/22"/24")	18.1	Handrim, Screw Mount 6-hole (20"/22"/24" Mag Wheel).....	18.8
Six-spoke Mag Rim Assembly (20"/22"/24").....	18.1	Handrim, Screw Mount 6-hole (20"/22"/24" Spoke Wheel, Painted Handrim).....	18.9
Six-spoke Mag Assembly (Breezy 500/503).....	18.2	Handrim, Screw Mount 6-hole (20"/22"/24" Mag Wheel, Painted Handrim).....	18.9
Composite Handrim (Breezy 500/510/510 Recliner/2(Disc.)/600).....	18.2	Handrim, Screw Mount 6-hole (24" Spoke Wheel, Handrim) (Quickie M6).....	18.10
Six-spoke Mag Assembly with Composite Handrim (Breezy 510/510 Recliner/2(Disc.)/600) ...	18.3	Projection Handrim (20"/22"/24"/26" Spoke Wheels).....	18.10
Six-spoke Mag Assembly (Quickie LX/LXI)	18.3	Projection Handrim 6-Spoke (20"/22"/24" Mag Wheels).....	18.11
Rear Wheel Rim Assembly - Spoke (Disc.)	18.4	Handrims (Tab Mount, 18"/22"/23"/24"/26" Spoke Wheels)...	18.11
Rear Wheel Rim Assembly - Spoke	18.4	Wheel Assembly - Knobbie Tire (Quickie XTR)....	18.12
Rear Wheel Assembly - Spoke	18.5	Tires and Tubes	18.13
Rear Wheel Rim Assembly - Spoke (Quickie <i>TNT</i>) (Disc.)	18.5	Rear Wheel (Quickie Kidz/T45/TS)	18.13
Rear Wheel Assembly - Spoke (Quickie <i>TNT</i>) (Disc.)	18.6	Rear Wheel Retro Kit (12") (Zippie TS)	18.14
Rear Wheel Assembly (Quickie M6).....	18.6	Tire Reference Guide	18.15
Rear Wheel Assembly (Breezy 100).....	18.7		
Rear Wheel Assembly (Breezy 150).....	18.7		
Handrim, Screw Mount 6-hole (20"/22"/24" Spoke Wheel).....	18.8		

SIX-SPOKE MAG ASSEMBLY (20"/22"/24")



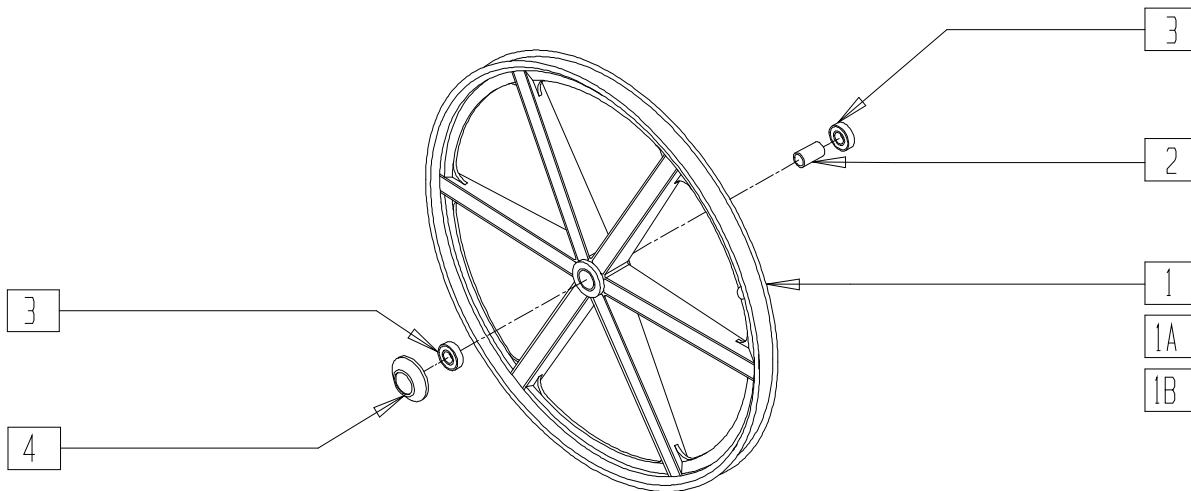
WHL00X12

ITEM	NUMBER	DESCRIPTION	QTY
1	760062-760088	REAR WHEEL MAG ASSEMBLY 20"	1
	760800-760807	REAR WHEEL MAG ASSEMBLY PAINTED HR 20" BR	
	760030-760056	REAR WHEEL MAG ASSEMBLY 22"	

*NOTE: P/N 760830 COMES WITHOUT HAND RIM.

ITEM	NUMBER	DESCRIPTION	QTY
1	760830*, 760831, 760844, 760845	REAR WHEEL MAG ASSEM PAINTED HR 22" BR	1
	760720-760782	REAR WHEEL MAG ASSEMBLY 24"	
	760790-760796	REAR WHEEL MAG ASSEMBLY PAINTED HR 24" BR	
	760890-760895	24" MAG L POLY HR COMP BR	

SIX-SPOKE MAG RIM ASSEMBLY (20"/22"/24")



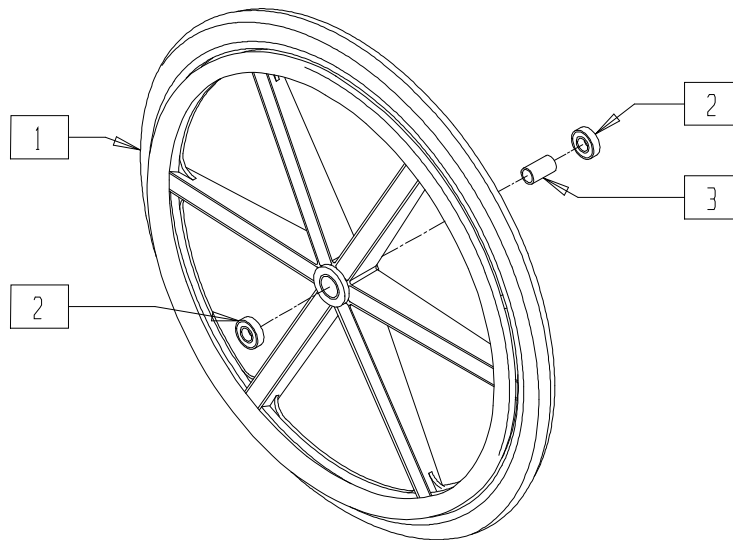
WHL0X12

ITEM	NUMBER	DESCRIPTION	QTY
1	364371	20" MAG RIM 6 SPOKE	1
1A	364373	22" MAG RIM 6 SPOKE	1
1B	364376	24" MAG RIM 6 SPOKE	1
2	521564	MAG BEARING SPACER	1
3	349500	1 1/8 x 1/2 BEARING	2
4	561068	SIX SPOKE MAG AXLE CAP	1

ITEM	NUMBER	DESCRIPTION	QTY
1-3	401094	20" MAG W/BEARING 6 SPOKE	
1A,2,3	401093	22" MAG W/BEARING 6 SPOKE	
1B,2,3	401092	24" MAG W/BEARING 6 SPOKE	
1-3	401095*	20" MAG W/BEARING 6 SPOKE BR	
1A,2,3	401096*	22" MAG W/BEARING 6 SPOKE BR	
1B,2,3	401097*	24" MAG W/BEARING 6 SPOKE BR	

NOTE: ORDER MAG AXLE CAP (P/N 561068) FOR CHAIRS WITH THREADED AXLES ONLY FITS ONLY 20" RIMS.
* FITS BREEZY CHAIRS BEGINNING WITH SERIAL NUMBER BZ-200000.

SIX-SPOKE MAG ASSEMBLY (BREEZY 500/503)

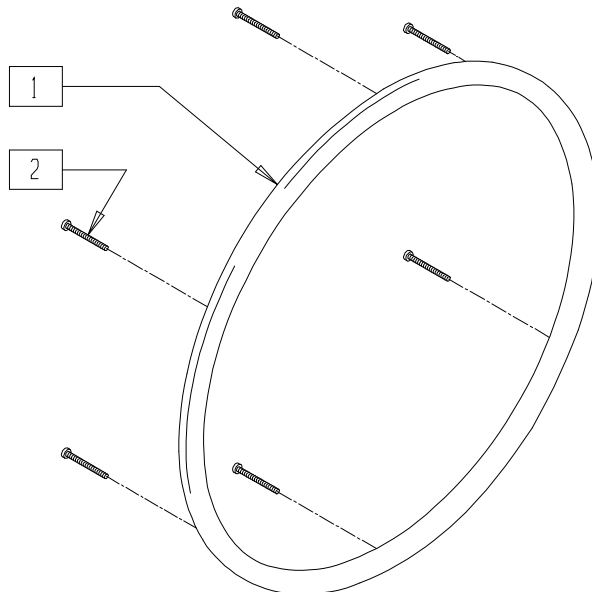


BASIC11

ITEM	NUMBER	DESCRIPTION	QTY
2	349500	BEARING 1 1/8 x 1/2	2
3	521564	MAG BEARING SPACER	1
1,2	760890	24" MAG LPOLY HR COMP BR	

ITEM	NUMBER	DESCRIPTION	QTY
1-3	760892	24" MAG W/MOLD ON TIRE HR PAINTED	
	760893	24" MAG W/MOLD ON TIRE HR PLASTIC	

COMPOSITE HANDRIM (BREEZY 500/510/510 RECLINER/2/600) (Breezy 2 discontinued 5/98 - parts only)



WH0X20

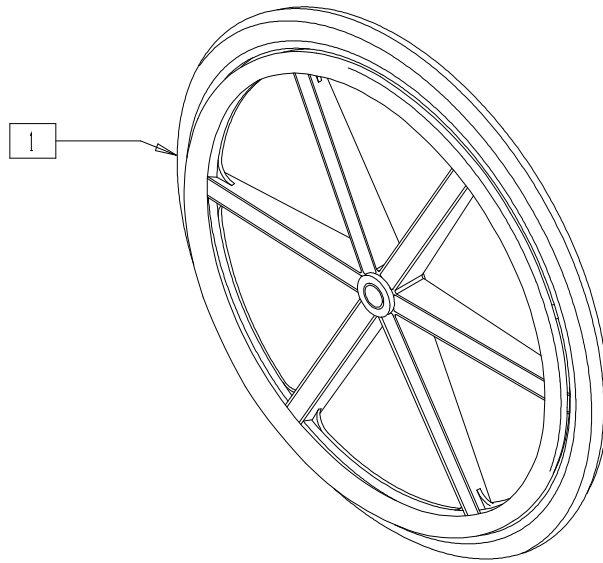
ITEM	NUMBER	DESCRIPTION	QTY
1	561246	20" COMPOSITE HANDRIM	1
	561248	22" COMPOSITE HANDRIM	
	561250	24" COMPOSITE HANDRIM	
2	220100	#10 x 2 1/4 SELF TAPPING SCREW	6

ITEM	NUMBER	DESCRIPTION	QTY
1,2	426022	20" HR 6SMT COMPOSITE W/HDWR	
	426021	22" HR 6SMT COMPOSITE W/HDWR	
	426020	24" HR 6SMT COMPOSITE W/HDWR	

SIX-SPOKE MAG ASSEMBLY WITH COMPOSITE HANDRIM

(BREEZY 510/510 RECLINER/2/600)

(Breezy 2 discontinued 5/98 - parts only)

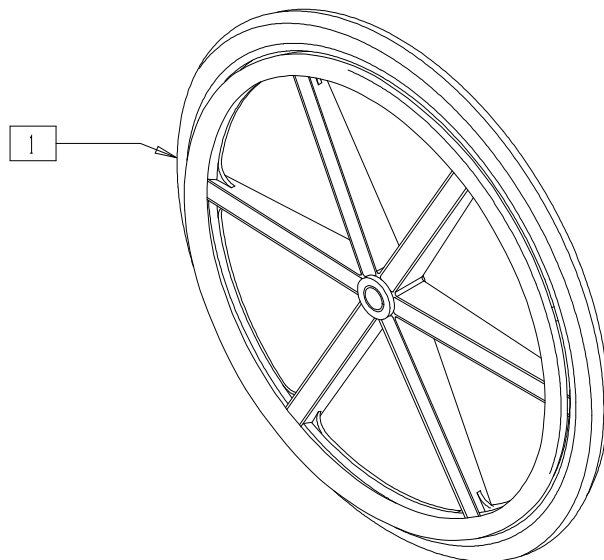


WH0X21

ITEM	NUMBER	DESCRIPTION	QTY
1	760910-760916	20" MAG HR COMP BR	1
	760918-760924	22" MAG HR COMP BR	

ITEM	NUMBER	DESCRIPTION	QTY
1	760890-760905	24" MAG HR COMP BR	1

SIX-SPOKE MAG ASSEMBLY (QUICKIE LX/LXI)



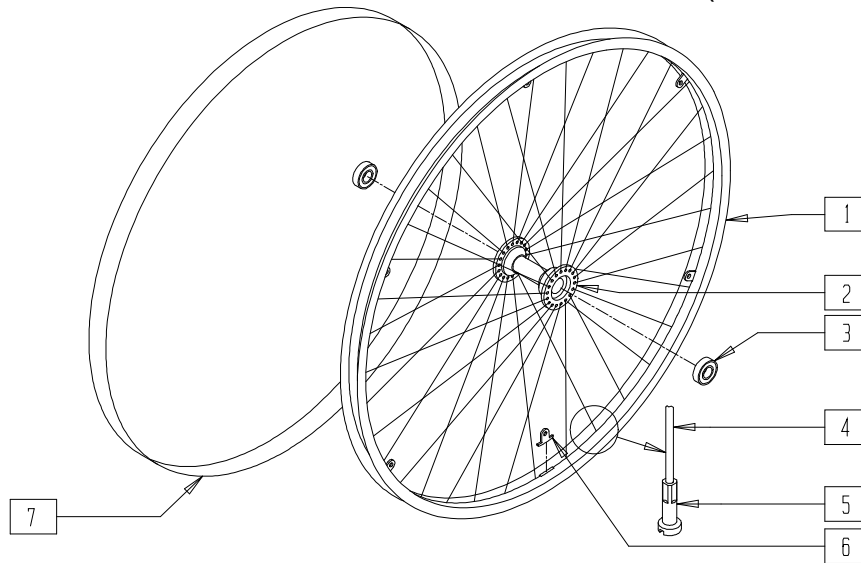
WH0X24

ITEM	NUMBER	DESCRIPTION	QTY
1	760020-760024	20" MAG 6-SPOKE	1

ITEM	NUMBER	DESCRIPTION	QTY
1	760025-760029	22" MAG 6-SPOKE	1

REAR WHEEL RIM ASSEMBLY - SPOKE

(Discontinued 9/21/98 - parts only)



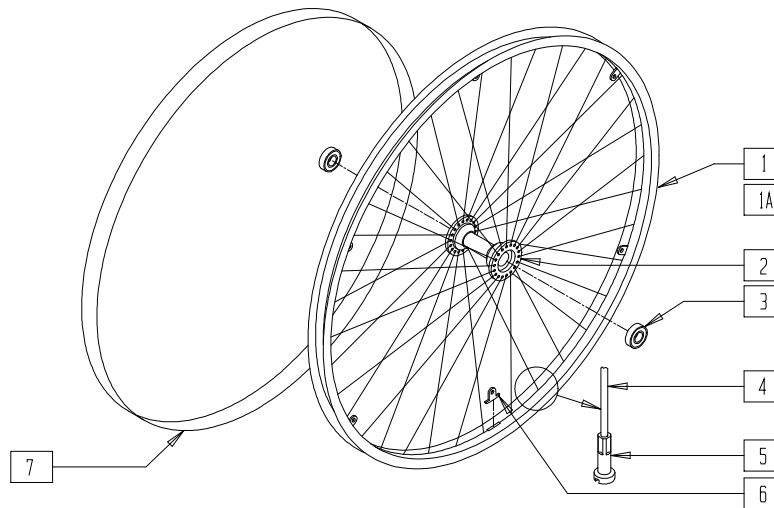
WH0X02

ITEM	NUMBER	DESCRIPTION	QTY
1	364250-364325	WHEEL RIM 20"- 26"	1
2	363250	REAR WHEEL HUB W/BEARINGS	1
3	349500	1 1/8 x 1/2 BEARING	2
4	362250-362325	SPOKES	36

ITEM	NUMBER	DESCRIPTION	QTY
5	361250	SPOKE NIPPLE 5/8" BRASS ZN	36
6	505068	HR SCREW MT TAB	6
7	381250-381300	RIM STRIP 20"-26"	1
1-7	401010-401025	RIM ASSEMBLY 20"-26"	

REAR WHEEL RIM ASSEMBLY - SPOKE

(Effective 9/21/98)



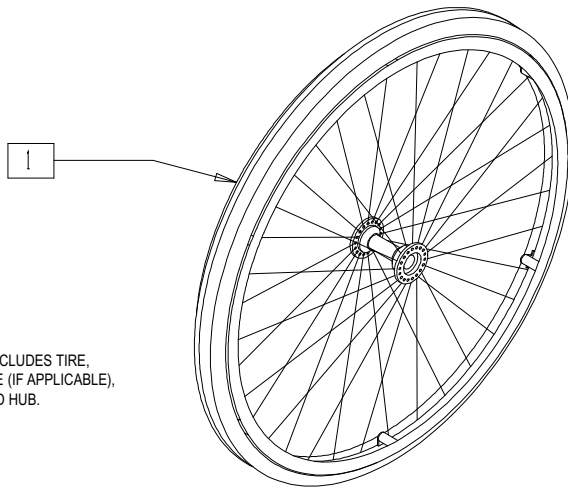
WH0X02A

ITEM	NUMBER	DESCRIPTION	QTY
1	364250-364325	WHEEL RIM 20"-26"	1
1A	364231	18" WHEEL RIM (4-HOLE)	1
2*	363255	REAR WHL HUB W/BEARINGS PUSH BUTTON	1
3	349500	1 1/8 x 1/2 BEARING	2
4	362250-362325	SPOKES	36

* ITEM 2 INCLUDES BIG BUTTON AXLE

ITEM	NUMBER	DESCRIPTION	QTY
5	361250	SPOKE NIPPLE 5/8" BRASS ZN	36
6	505068	HR SCREW MT TAB	6
7	381245-381300	RIM STRIP 18"-26"	1
1-7	401070-401077	RIM ASSEMBLY PUSH BUTTON 20"-26"	
1A,2-5,7	401069	RIM ASSEMBLY (4T) PUSH BUTTON 18"	

REAR WHEEL ASSEMBLY - SPOKE



NOTE: COMPLETE ASSEMBLY INCLUDES TIRE, RIM, HANDRIM, BEARINGS, TUBE (IF APPLICABLE), RIM STRIP, SPOKE, NIPPLES AND HUB.

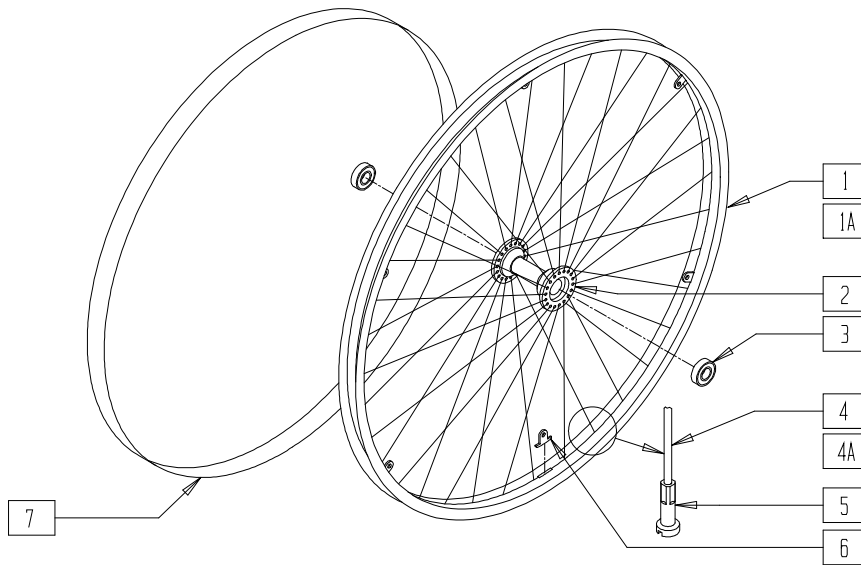
WH0X01

ITEM	NUMBER	DESCRIPTION	QTY
1	760195-760200	REAR WHEEL ASSEMBLY 18"	1
	760090-760136	REAR WHEEL ASSEMBLY 20"	
	760140-760205	REAR WHEEL ASSEMBLY 22"	
	760260-760421	REAR WHEEL ASSEMBLY 24"	

ITEM	NUMBER	DESCRIPTION	QTY
1	760600-760610	REAR WHEEL ASSEMBLY 24" CLINCHER	1
	760505-760545	REAR WHEEL ASSEMBLY 26" CLINCHER	
	760550-760560	REAR WHEEL ASSEMBLY 26" CLINCHER	

NOTE: 22" THRU 26" ASSEMBLIES INCLUDE BIG BUTTON AXLE AS OF 9/21/98.

REAR WHEEL RIM ASSEMBLY - SPOKE (QuickieTNT) (Quickie TNT discontinued 2/01-Parts only.)



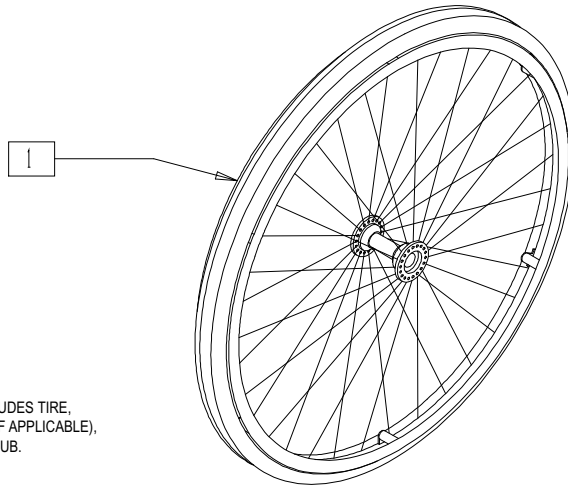
TNT00X16

ITEM	NUMBER	DESCRIPTION	QTY
1	364301	24" WHEEL RIM (540mm) SLOTTED	1
1A	369011	24" HT/26" RIM 36H (559 x 23)	1
2	363253, 363254	2" WHEEL HUB W/BEARINGS	1
3	349500	1 1/8 x 1/2 BEARING	2
4	362300	QP SPOKE 244mm x 2.0	36
4A	362506	QP SPOKE 254mm x 2.0 (14g)	36

ITEM	NUMBER	DESCRIPTION	QTY
5	361250	SPOKE NIPPLE 5/8" BRASS ZN	36
6	505068	HR SCREW MT TAB	6
7	381275	24" RIM STRIP	1
1-7	401018, 401019	24" RIM ASSEMBLY	
1A,2,3, 4A,5-7	401028, 401029	24" HT RIM ASSEMBLY	

REAR WHEEL ASSEMBLY - SPOKE (QUICKIE TNT)

(Quickie TNT discontinued 2/01-Parts only.)



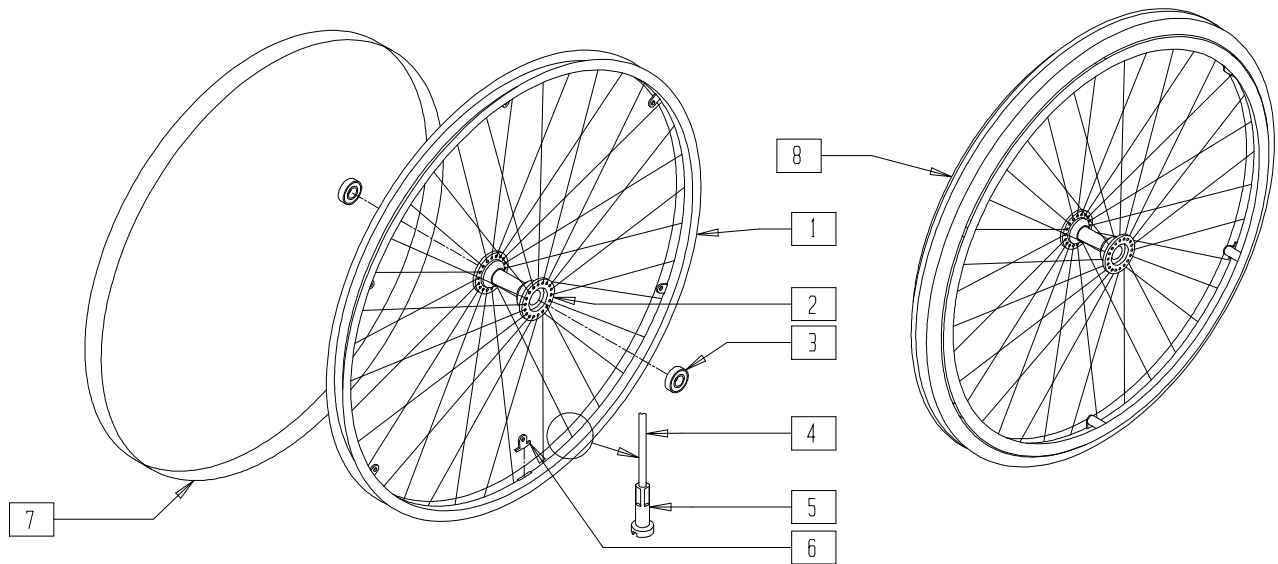
NOTE: COMPLETE ASSEMBLY INCLUDES TIRE, RIM, HANDRIM, BEARINGS, TUBE (IF APPLICABLE), RIM STRIP, SPOKE, NIPPLES AND HUB.

TNT00X17

ITEM	NUMBER	DESCRIPTION	QTY
1	762700-762788	REAR WHEEL ASSEMBLY PURPLE	1

ITEM	NUMBER	DESCRIPTION	QTY
1	763700-763788	REAR WHEEL ASSEMBLY TURQ	1

REAR WHEEL ASSEMBLY (QUICKIE M6)

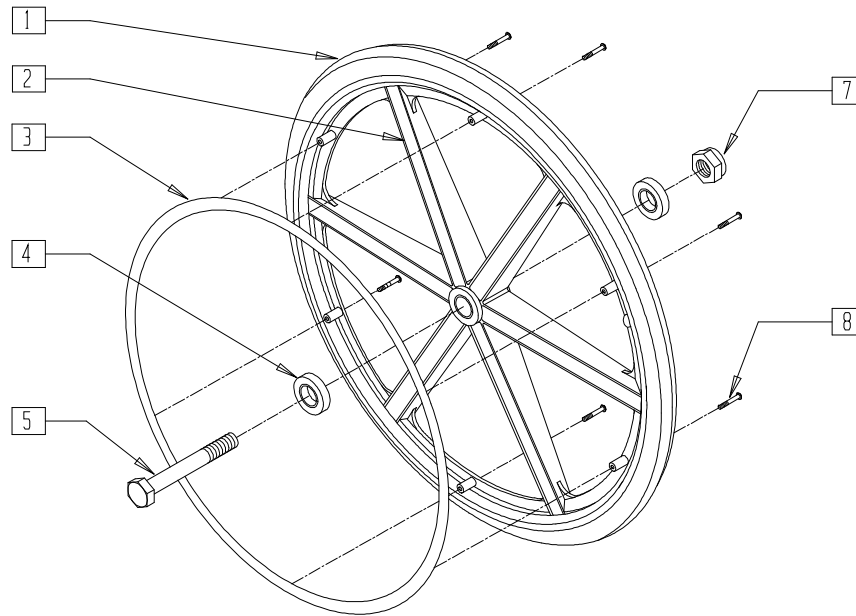


MAG00X24

ITEM	NUMBER	DESCRIPTION	QTY
1	364340	24" x L25 WHEEL RIM 36 HOLE	1
2	362813	HUB HEAVY DUTY	1
3	349538	BEARING BALL 5/8" ID	2
4	362274	QP SPOKE 225mm x 2mm	36
5	361250	SPOKE NIPPLE 5/8" BRASS ZN	36
6	505068	HR SCREW MOUNT TAB	6
7	381301	RIM STRIP 24 x 1.75/2.125	1

ITEM	NUMBER	DESCRIPTION	QTY
8	761780	24" x 2.125" SPOKE PNEU ANO	1
	761781	24" x 2.125" SPOKE PNEU PLASTIC	
	761782	24" x 2.125" SPOKE PNEU OMIT HR	
	761783	24 x 2.125 SPOKE PNEU INSERT ANO	
	761784	24 x 2.125 SPOKE PNEU INSRT PLASTIC	
	761785	24 x 2.125 SPOKE PNEU INSERT OMIT	
1-7	401023	24" x 2.125 RIM ASSEMBLY	

REAR WHEEL ASSEMBLY (BREEZY 100)

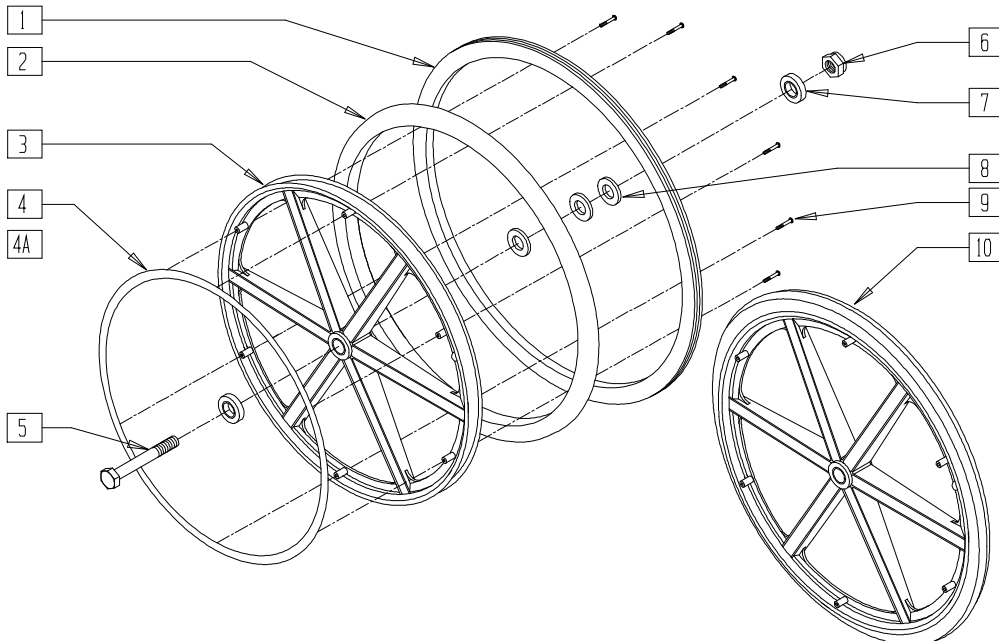


BRZ10X13

ITEM	NUMBER	DESCRIPTION	QTY
4	222-0541	REAR WHEEL BEARING KIT (EA)	4
3,8	222-0542	HANDRIM AND HARDWARE (EA)	

ITEM	NUMBER	DESCRIPTION	QTY
5,7	222-0622	7/16" AXLE BOLT AND NUT (PR)	
1-8	222-0535	MAG WHEEL W/HANDRIM	

REAR WHEEL ASSEMBLY (BREEZY 150)



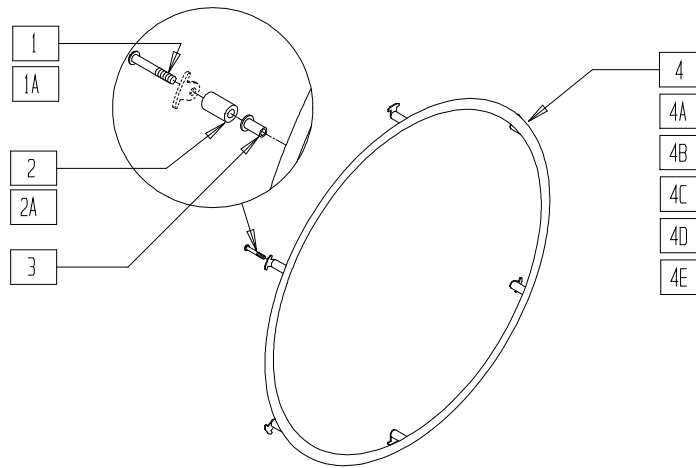
BZ150X03

ITEM	NUMBER	DESCRIPTION	QTY
2	222-0812	AIRLESS INSERT	1
7	222-0808	REAR WHEEL BEARING KIT (EA) (BZ150)	4
11*	222-0806	PNEUMATIC TUBE	1
5,6	222-0809	1/2" AXLE BOLT AND NUT (PR)	
4,9	222-0801	ALUM HR BLK ANO W/HARDWARE	
4A,9	222-0811	ALUM HANDRIM BLK ANO W/HARDWARE	

ITEM	NUMBER	DESCRIPTION	QTY
1,3,11	222-0805	PNEU TIRE FOR 24" MAG RIM	
1-4A,7,8	222-0810	24" WHEEL, MAG RIM W/PNEU TIRE/AIRLESS INSERT, HR, AND BEARINGS	
4,7,8,10	222-0800	24" WHEEL, MAG RIM W/SOLID TIRE, HANDRIM AND BEARINGS	
1,3,4A,7,8	222-0804	24" WHEEL, MAG RIM W/PNEU TIRE, HANDRIM AND BEARINGS	

NOTE: ITEM 4 (ALUMINUM HANDRIM) IS USED FOR 24" SOLID WHEEL. ITEM 4A (ALUMINUM HANDRIM) IS USED FOR 24" PNEUMATIC AND PNEUMATIC AIRLESS WHEEL.
* PNEUMATIC TUBE NOT SHOWN.

HANDRIM, SCREW MOUNT 6-HOLE (20"/22"/24" SPOKE WHEEL)

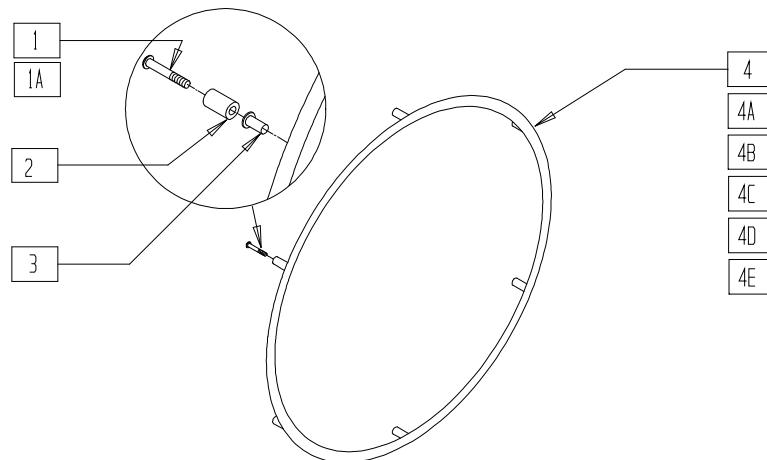


WH0X16

ITEM	NUMBER	DESCRIPTION	QTY
1	281170	10-32 x 1 5/8 PAN HD PHIL SS (REG)	6
1A	281175	10-32 x 2 1/8 PAN PHIL SS (LONG)	6
2	561036	HANDRIM SPACER (REG)	6
2A	561038	HANDRIM SPACER (LONG)	6
3	341497	10-32 x .020-.130 RIVNUT GOLD	6
3.4	529500	24" HR (6H) W/RIVNUTS	
3.4A	529501	24" HR PLASTIC (6H) W/RIVNUTS	
3.4B	529470	20" HR (6H) W/RIVNUTS	
3.4C	529471	20" HR PLASTIC (6H) W/RIVNUTS	
3.4D	529484	22" HR (6H) W/RIVNUTS	
3.4E	529485	22" HR PLASTIC (6H) W/RIVNUTS	
1-4	426000	24" HR 6SMT W/HARDWARE	

ITEM	NUMBER	DESCRIPTION	QTY
1A,2A,3,4	426002	24" HR 6SMT LT W/HARDWARE	
1,2,3,4A	426004	24" HR 6SMT PLASTIC W/HARDWARE	
1A,2A,3,4A	426006	24" HR 6SMT LT PLASTIC W/HARDWARE	
1,2,3,4B	425931	20" HR 6SMT W/HARDWARE	
1,2,3,4C	425933	20" HR 6SMT PLASTIC W/HARDWARE	
1A,2A,3,4B	425936	20" HR 6SMT LT W/HARDWARE	
1A,2A,3,4C	425937	20" HR 6SMT LT PLASTIC W/HARDWARE	
1,2,3,4D	425941	22" HR 6SMT W/HARDWARE	
1,2,3,4E	425943	22" HR 6SMT PLASTIC W/HARDWARE	
1A,2A,3,4D	425945	22" HR 6SMT LT W/HARDWARE	
1A,2A,3,4E	425947	22" HR 6SMT LT PLASTIC W/HARDWARE	

HANDRIM, SCREW MOUNT 6-HOLE (20"/22"/24" MAG WHEEL)



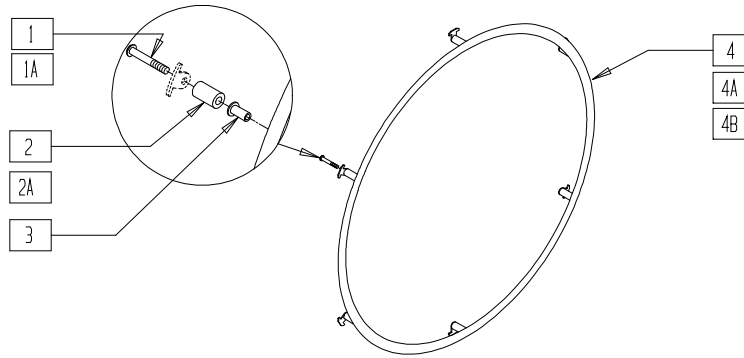
WH0X06

ITEM	NUMBER	DESCRIPTION	QTY
1	281175	10-32 x 2 1/8 PAN PHIL SS (REG)	6
1A	281183	10-32 x 2 9/16 PAN PHIL (LONG)	6
2	561037	HANDRIM SPACER MAG	6
3	341497	10-32 x .020-.130 RIVNUT GOLD	6
3.4	529500	24" HR (6H) W/RIVNUTS	
3.4A	529501	24" HR PLASTIC (6H) W/RIVNUTS	
3.4B	529470	20" HR (6H) W/RIVNUTS	
3.4C	529471	20" HR PLASTIC (6H) W/RIVNUTS	
3.4D	529484	22" HR (6H) W/RIVNUTS	
3.4E	529485	22" HR PLASTIC (6H) W/RIVNUTS	
1,3,4	426009	24" HR 6SMT 6MAG W/HARDWARE	
1A,2,3,4	426010	24" HR 6SMT LT 6MAG W/HARDWARE	
1,3,4A	426013	24" HR 6SMT 6MAG PLASTIC W/HARDWARE	

ITEM	NUMBER	DESCRIPTION	QTY
1A,2,3,4A	426014	24" HR 6SMT LT 6MAG W/HARDWARE	
1,3,4B	425934	20" HR 6SMT 6MAG W/HARDWARE	
1,3,4C	425935	20" HR 6SMT 6MAG PLASTIC W/HDWR	
1A,2,3,4B	425938	20" HR 6SMT LT 6MAG W/HARDWARE	
1A,2,3,4C	425939	20" HR 6SMT LT 6MAG PLASTIC W/HARDWARE	
1,3,4D	425951	22" HR 6SMT 6MAG W/HARDWARE	
1,3,4E	425953	22" HR 6SMT 6MAG PLASTIC W/HARDWARE	
1A,2,3,4D	425955	22" HR 6SMT LT 6MAG W/HARDWARE	
1A,2,3,4E	425957	22" HR 6SMT LT 6MAG PLASTIC W/HDWR	

HANDRIM, SCREW MOUNT 6-HOLE (20"/22"/24" SPOKE WHEEL, PAINTED HANDRIM)

(Fits Breezy beginning with serial number BZ-200000)



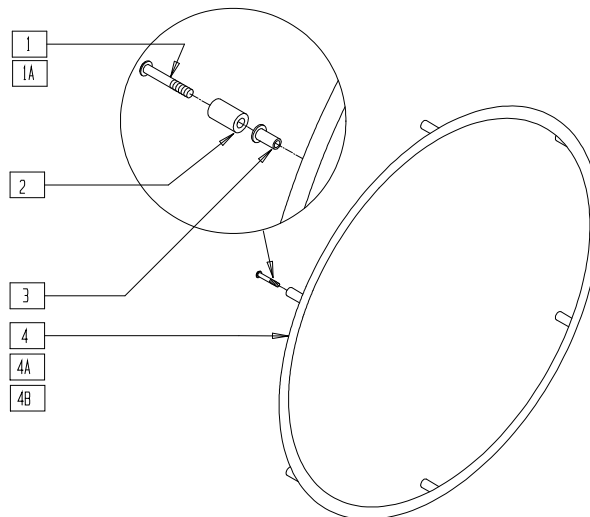
WH0X17

ITEM	NUMBER	DESCRIPTION	QTY
1	281170	10-32 x 1 5/8 PAN PHIL SS (REG)	6
1A	281175	10-32 x 2 1/8 PAN PHIL (LONG)	6
2	561036	HANDRIM SPACER (REG)	6
2A	561038	HANDRIM SPACER (LONG)	6
3	341497	10-32 x .020-.130 RIVNUT GOLD	6
3,4	529497	24" SCW MT HR 6061 PAINTED W/RIVNUT	
3,4A	529488	22" SCW MT HR PAINTED 6061 W/RIVNUT	
3,4B	529477	20" SCW MT HR PAINTED 6061 W/RIVNUT	

ITEM	NUMBER	DESCRIPTION	QTY
1-4	426001	24" SCW MT HR PAINTED W/HARDWARE	
1A,2A, 3,4	426003	24" SCW MT LT PAINTED W/HARDWARE	
1-3,4A	425024	22" HR 6SMT PAINTED W/HARDWARE	
1A,2A, 3,4A	425025	22" HR 6SMT LT PAINTED W/HARDWARE	
1,2,3,4B	425014	20" SCW MT HR PAINTED W/HARDWARE	
1A,2A, 3,4B	425015	20" SCW MT LT PAINTED W/HARDWARE	

HANDRIM, SCREW MOUNT 6-HOLE (20"/22"/24", MAG WHEEL, PAINTED HANDRIM)

(Fits Breezy beginning with serial number BZ-200000)

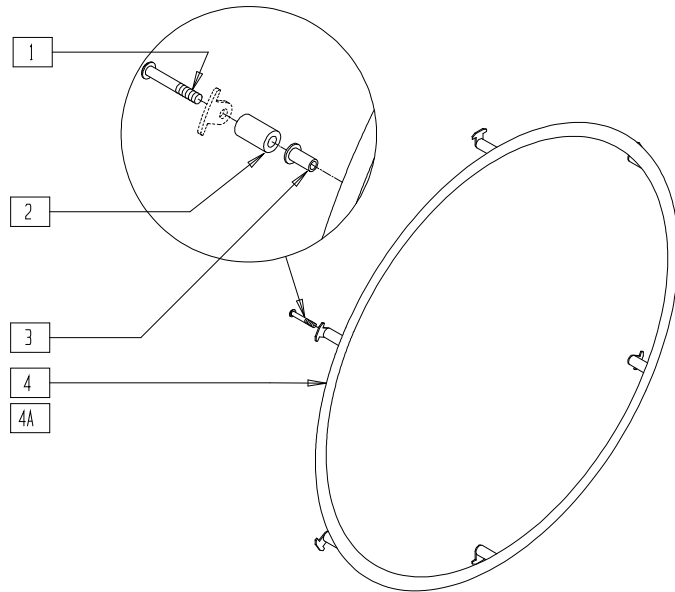


WH0X18

ITEM	NUMBER	DESCRIPTION	QTY
1	281183	10-32 x 2 9/16 PAN PHIL (LONG)	6
1A	281175	10-32 x 2 1/8 PAN PHIL SS	6
2	561037	HANDRIM SPACER MAG	6
3	341497	10-32 x .020-.130 RIVNUT GOLD	6
3,4	529497	24" SCW MT HR 6061 PAINTED W/RIVNUT	
3,4A	529488	22" SCW MT HR PAINTED 6061 W/RIVNUT	
3,4B	529477	20" SCW MT HR PAINTED 6061 W/RIVNUT	

ITEM	NUMBER	DESCRIPTION	QTY
1-4	426007	24" SCW MT LT PAINTED 6S W/HARDWARE	
1A,3,4	426005	24" SCW MT HR PAINTED 6S W/HDWR	
1A,3,4A	425026	22" HR 6SMT PAINTED 6MAG W/HARDWARE	
1-3,4A	425027	22" HR 6SMT LT PAINTED 6MAG W/HDWR	
1A,3,4B	425016	20" SCW MT HR PAINTED 6S W/HDWR	
1-3,4B	425017	20" SCW MT LT PAINTED 6S W/HARDWARE	

HANDRIM, SCREW MOUNT 6-HOLE (24" SPOKE WHEEL, HANDRIM) (QUICKIE M6)

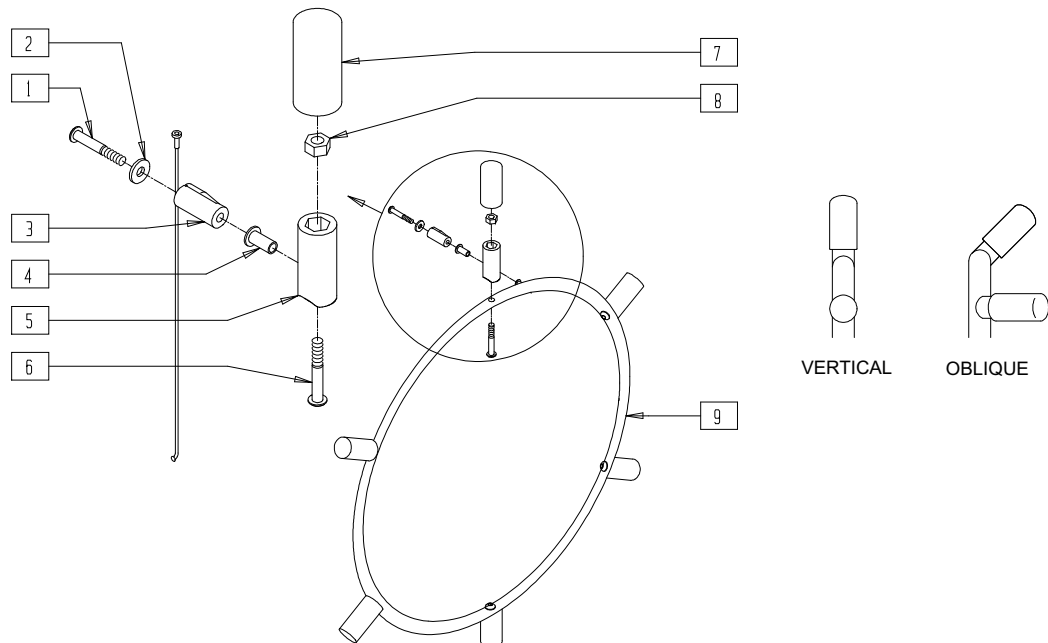


MAG00X27

ITEM	NUMBER	DESCRIPTION	QTY
1	281175	10-32 x 2 1/8 PAN PHIL SS	6
2	561038	HANDRIM SPACER (LONG)	6
3	341497	10-32 x .020-.130 RIVNUT GOLD	6

ITEM	NUMBER	DESCRIPTION	QTY
3,4	529484	22" HR (6H) W/RIVNUTS	
3,4A	529485	22" HR PLASTIC (6H) W/RIVNUTS	
1-4	425941	22" HR 6SMT W/HDWR	
1-3,4A	425943	22" HR 6SMT PLASTIC W/HDWR	

PROJECTION HANDRIM (20"/22"/24"/26" SPOKE WHEELS)

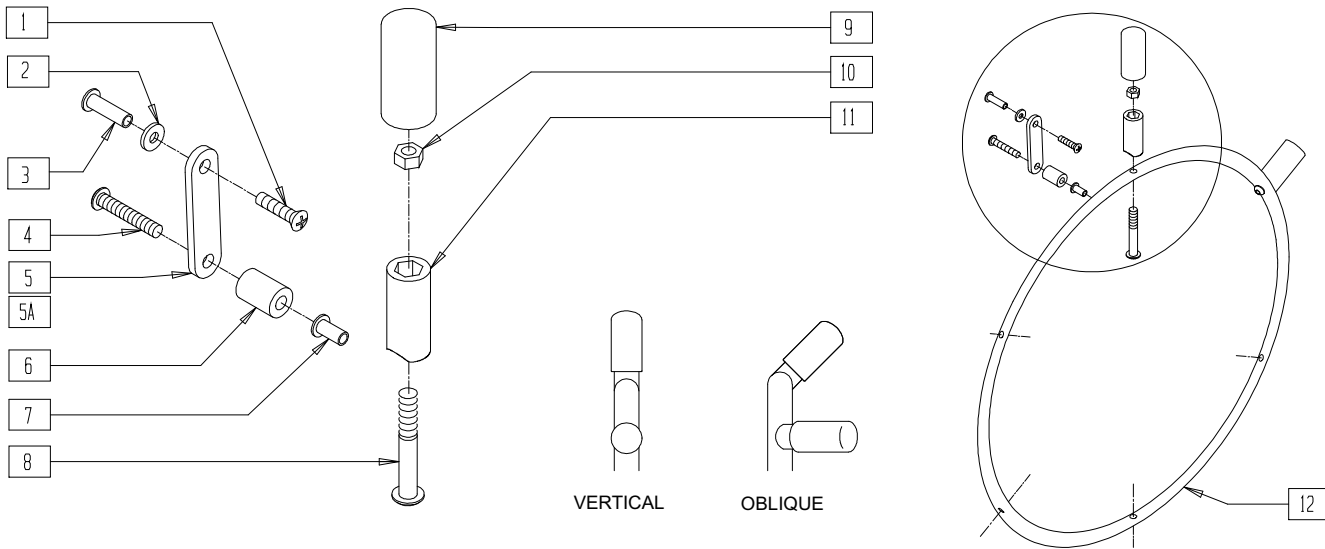


WH0X04

ITEM	NUMBER	DESCRIPTION	QTY
1	281170	10-32 x 1 5/8 PAN PHIL SS	6
2	261300	3/16 WASHER FLAT	6
3	561046	PROJECTION SPOKE MOUNT	6
4	341497	10-32 x .020-.130 RIVNUT GOLD	6
5	561044	PROJECTION PEG	6-12
6	226155	1/4-28 x 2 1/4 BH C/S	6-12
7	560600	1 1/2 x .705 x .187 FOAM GRIP	6-12

ITEM	NUMBER	DESCRIPTION	QTY
8	201100	1/4-28 NYLOCK NUT THIN	6-12
4,9	529640,	PROJECTION HANDRIM W/RIVNUTS 8 VERT OR OBLQ	
	529641		
	529740, 529741		
1-9	427000- 427007	PROJECTION HANDRIM 20"/22"/24"/26" 6,8,10,12,VERT OR OBLQ W/HARDWARE	

PROJECTION HANDRIM 6-SPOKE (20"/22"/24" MAG WHEELS)

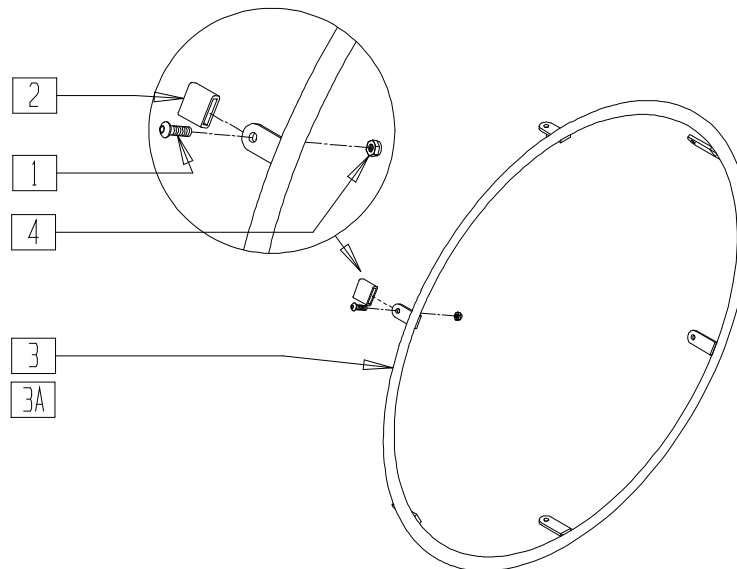


WH0X09

ITEM	NUMBER	DESCRIPTION	QTY
1	281120	10/32 x 5/8 PAN HD PHIL	6
2	261300	3/16 WASHER FLAT	6
3	341509	10-32 x .900 HEX RIVNUT BLK	6
4	281147	10-32 x 1 1/4 PAN PHIL	6
5	505004	2 HOLE TOGGLE (20"/24" MAG)	6
5A	505007	2 HOLE TOGGLE 1.625 (22" MAG)	6
6	561037	HANDRIM SPACER MAG	6
7	341497	10-32 x .020-.130 RIVNUT GOLD	6
8	226155	1 1/4-28 x 2 1/4 BH C/S	6-12

ITEM	NUMBER	DESCRIPTION	QTY
9	560600	1 1/2 x .705 x .187 FOAM GRIP	6-12
10	201100	1/4-28 NYLOCK NUT THIN	6-12
11	561044	PROJECTION PEG	6-12
7,12	529640,	PROJECTION HANDRIM W/RIVNUTS 8 VERT OR OBLQ	
	529641		
	529740, 529741	PROJECTION HANDRIM W/RIVNUTS 12 VERT OR OBLQ	
1-12	427510- 427515	PROJECTION HANDRIM 6MAG VERT OR OBLQ W/HARDWARE	

HANDRIMS (TAB MOUNT, 18"/22"/23"/24"/26" SPOKE WHEELS)

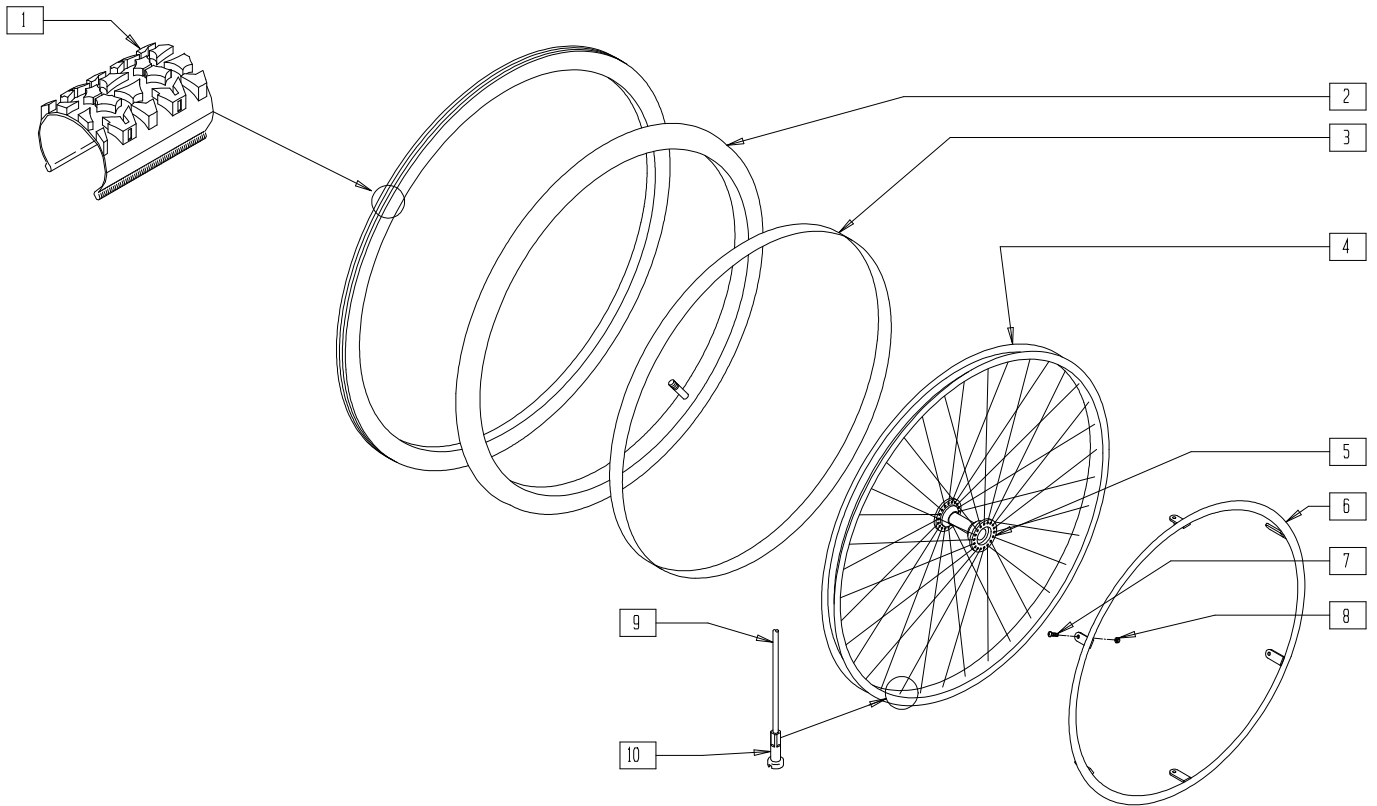


WH0X03

ITEM	NUMBER	DESCRIPTION	QTY
1	281110	10/32 x 1/2 PAN PHIL	4-6
2	580300	HANDRIM TAB COVER	4-6
3	529100- 529411	HANDRIM TAB MOUNT	1
3A	529120- 529121	HANDRIM TAB MOUNT (4T)	1

ITEM	NUMBER	DESCRIPTION	QTY
4	200100	10-32 NYLOCK NUT	4-6
1-4	425020- 425056	HANDRIM TAB MOUNT W/HARDWARE	
1,2,3A,4	425008, 425009	HANDRIM TAB MOUNT (4T) W/HARDWARE	

WHEEL ASSEMBLY - KNOBBIE TIRE (QUICKIE XTR)

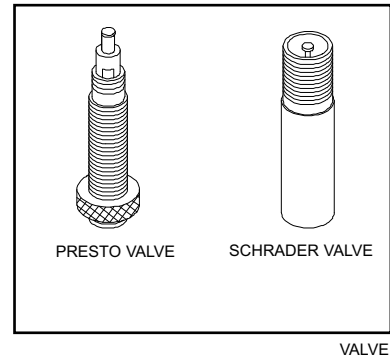
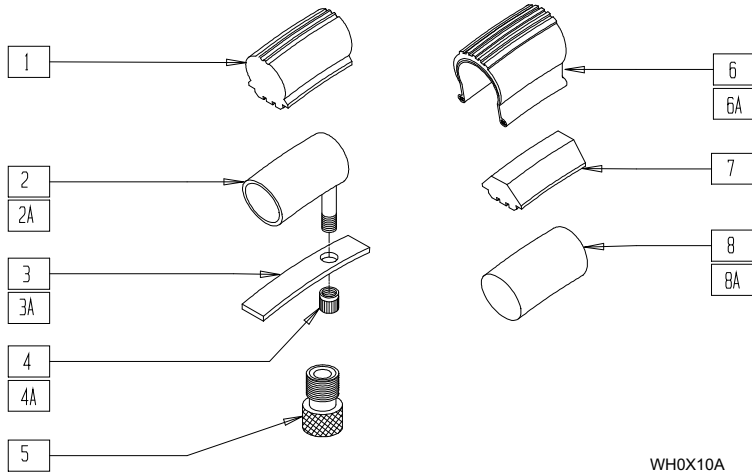


SUS00X32

ITEM	NUMBER	DESCRIPTION	QTY
1	384604	TIRE CS 24 x 2.1 SMOKER	1
2	382334,	TUBE	1
3	381244	RIM STRIP	1
4	364337	RIM	1
5	363255,	HUB	1
6	529100, 529101	HANDRIM	1
7	281110	10-32 x 1/2 PAN PHIL	4

ITEM	NUMBER	DESCRIPTION	QTY
8	200100	10-32 NYLOCK NUT	4
9	362275	SPOKE (RIGID)	36
10	361250	SPOKE NIPPLE 5/8\" BRASS ZN	36
4,5,9,10	401075	RIM ASSEMBLY	
	762007,		
1-10	762017,	WHEEL ASSEMBLY	
1-5,7-10	762046		

TIRES AND TUBES



WH0X10A

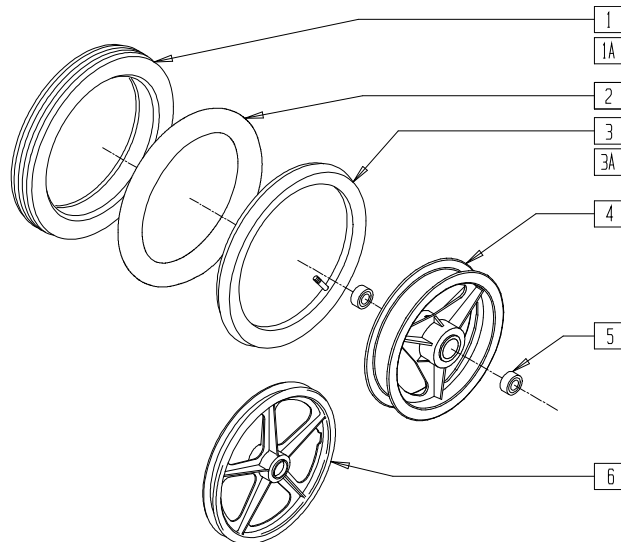
ITEM	NUMBER	DESCRIPTION	QTY
1	386252	24" POLY TIRE STANDARD	1
	386242	22" POLY TIRE STANDARD	
	386232	20" POLY TIRE STANDARD	
2	382260-382355	INNER TUBE 18"-26"	1
2A	382375	24" x 2.125" TUBE (M6)	1
3	381245-381300	RIM STRIP 18"-26"	1
3A	381301	RIM STRIP 24 x 1.75"/2.125" (M6)	1
4	381240	VALVE STEM CAP (Q)	1
4A	381240	(04) VALVE STEM CAP (M6)	1
5	381230	VALVE ADAPTER PRESTA	1
6	385230-385325	PNEUMATIC TIRE 18"-26"	1

ITEM	NUMBER	DESCRIPTION	QTY
6	385354	24" x 1 3/8 KNOBBIE TIRE	1
	389020	24" x 1" HI PRESSURE CLINCHER TIRE	
	385350	24" KEVLAR TIRE	
	389030	26" x 1" HI PRESSURE CLINCHER TIRE	
6A	384614	TIRE 24" x 2.125" (M6)	1
7	386254	24" POLY LOW PROFILE	1
	386262	20" LP POLY TIRE BR	
	386263	22" LP POLY TIRE BR (QUICKIE LX)	
	386264	24" LP POLY TIRE BR	
8	382413	16" AIRLESS INSERT	1
	382414	18" AIRLESS INSERT	
	382404	20" AIRLESS INSERT	
	382405	22" AIRLESS INSERT	
	382410	24" AIRLESS INSERT	
8A	382420	AIRLESS INSERT 24" x 2.125" (M6)	

NOTE: FOR ADDITIONAL INFORMATION ON TIRES, SEE TIRE REFERENCE GUIDE ON 18.15.

REAR WHEEL (QUICKIE KIDZ/T45/TS)

(Quickie TS effective 12/15/95, beginning QT-12900)

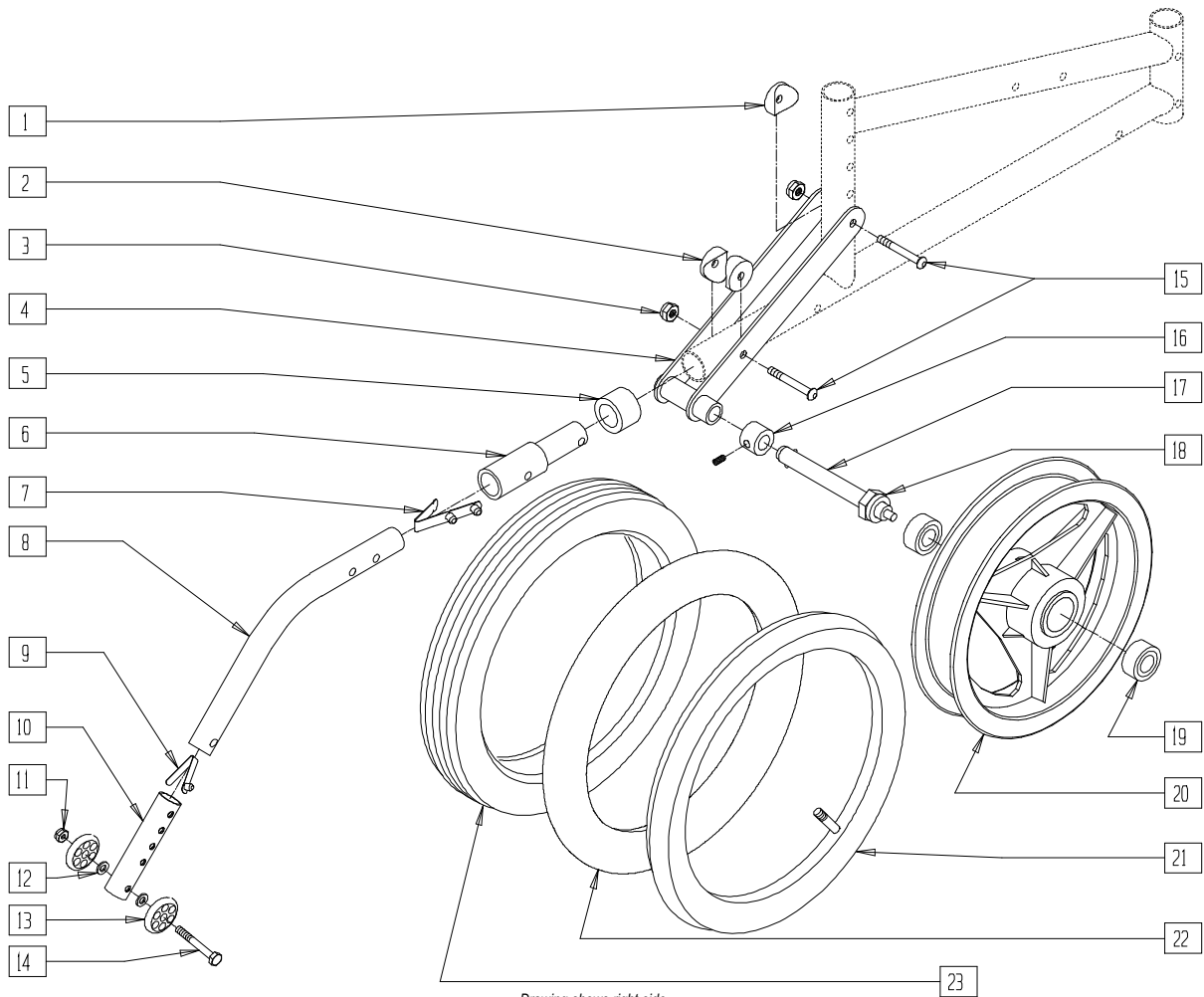


KDZ00X11

ITEM	NUMBER	DESCRIPTION	QTY
1	384707	TIRE PNEU 12 1/2 x 2 1/4 STRT	1
1A	385237	16" x 1.75" PNEU TIRE	1
2	382402	12 1/2" x 2 1/4" AIRLESS INSERT	1
3	384734	INNER TUBE 12 1/2" x 2 1/4"	1
3A	384738	INNER TUBE 16" x 1.75"	1

ITEM	NUMBER	DESCRIPTION	QTY
5	349500	1 1/8 x 1/2 BEARING	2
4,5	400730	12" MAG RIM W/BEARING	
5,6	400741	16" MAG W/BEARINGS	
1,3-5	400731	12" MAG PNEUMATIC STREET	
1A,3A,5,6	760010	16" MAG PNEUMATIC	

REAR WHEEL RETRO KIT (12") (ZIPPIE TS)



Drawing shows right side

Z00X19

ITEM	NUMBER	DESCRIPTION	QTY
1	561001	1 1/8" SADDLE 1/4" HOLE	1
2	561004	1" SADDLE 1/4" HOLE	2
3	201100	1/4-28 NYLOCK NUT THIN	2
5	561018	1" TUBE END BUSHING THICK	1
6	483097	ANTI-TIP INSERT 12" WHEEL	1
7	301109	SNAP BUTTON DUAL ONE SIDE	1
8	521519	ANTI-TIP MAIN TUBE TS 12" WHEEL	1
9	301100	1/4" SNAP BUTTON SINGLE	1
10	521516	ANTI-TIP SLEEVE BZ/ZP	1
11	201100	1/4-28 NYLOCK NUT THIN	1
12	262110	1/4 AN WASHER FLAT THIN	2
13	561032	ANTI-TIP WHEEL	2
14	221192	1/4-28 x 2 G8 HEX C/S	1
7-14	880510	ANTI-TIP TUBE TS 12" WHEEL (EA)	
7-14	900705	ANTI-TIP ASSEMBLY TS 12" WHEEL (PR)	
15	226140	1/4-28 x 1 3/4 BH C/S	2
16	920117	MAG SPACER 6S W/SET SCREW	1

ITEM	NUMBER	DESCRIPTION	QTY
17	349010	QUICK RELEASE AXLE	1
18	203100	1/2-20 NYLOCK NUT	1
16-18	920118	QR AXLE 12S MAG W/NUT AND SPACER	
19	349500	1 1/8 x 1/2 BEARING	2
19,20	400730	12" MAG RIM W/BEARING	
21	384734	INNER TUBE 12 1/2" x 2 1/4"	1
22	382402	12 1/2" x 2 1/4" AIRLESS INSERT	1
23	384706	TIRE PNEU 12 1/2" x 2 1/4"	1
1-4,6,15	920161	QR AXLE PLATE TS 12" WHEEL W/AT REC	
19,20,21,23	400732	12" MAG PNEUMATIC	
19,20,22,23	400733	RR MAG 12" PNEUMATIC INSERT	
1-4,6-15, 17-21,23	923570	TS 12" WHEEL/AT RETRO KIT	
1-4,6-15, 17-20,22,23	923571	TS 12" MAG INSERT/AT RETRO KIT	

NOTE: ITEM 16, MAG SPACER, NOT REQUIRED EFFECTIVE SERIAL NUMBER ZP-32173.

TIRE REFERENCE GUIDE

(Shading indicates item is available)

Tire Type	Size	Tire Part #	Tube Part #	12" Mag Kidz	12" Mag Zippie	18" Spoke	20" Spoke	20" Mag	22" Spoke	22" Mag	24" Spoke	24" Mag	26" Spoke	24" Tennis BB	26" Tennis BB	24" HT Tennis BB	26" HT Tennis BB
Kevlar	24"	385350	382325														
Pneumatic	12"	384707	384736														
	12"	384706	384736														
	18"	385230	382260														
	20"	385250	382275														
	22"	385275	382300														
	24"	385300	382325														
Latex Tubular	24"	389004	N/A														
	26"	389006	N/A														
Turbo Tread Black HT	24"	389012	384545														
Turbo Tread Tan HT	26"	388999	384550														
Low Profile Polyurethane (Breezy/LX)	20"	386262	N/A					*									
	22"	386263	N/A						*								
	24"	386264	N/A								*						
Low Profile Polyurethane (Quickie)	24"	386254	N/A														
High Profile Polyurethane	20"	386232	N/A														
	22"	386242	N/A														
	24"	386252	N/A														
Knobbie Standard	24"	385354	382325														
Knobbie HT	24"	389015	384547														
High Pressure Clincher	24"	389020	382330														
	26"	389030	382355														
Airless Insert	12"	N/A	382402														
	18"	N/A	382414														
	20"	N/A	382404														
	22"	N/A	382405														
	24"	N/A	382410														

* BREEZY AND LX SERIES ONLY

KEVLAR (Specialized)

⌘ Air-filled inner tube, Kevlar reinforced tire, flat resistant, light, shock absorbent on rough terrain, maneuverable, good traction, 4 oz. lighter than standard pneumatic tire.

⌘ 75 psi; 24" x 1 3/8"

PNEUMATIC (Cheng Shin)

⌘ Air-filled tires, light, shock absorbent, maneuverable, good traction.

⌘ 65 psi, 20"-26" x 1 3/8"

LATEX TUBULAR (also known as Continental, Sew Ups, Gum Rubber)

⌘ Ultra lightweight, stretches to fit different rims, minimal roll resistance for maximum shock absorbency.

⌘ 143 psi, 24"-26" x 1"

TURBO TREAD (Specialized)

⌘ For heat-treated rims, high-pressure tire, uses an inner tube which allows for repairs, lightest weight tire, easy installation, minimal roll resistance, durable, good traction.

⌘ Up to 115 psi, 24" x 1" (559 x 25) black sidewall
⌘ 115 psi, 26" x 1" (700 x 23cm), tan sidewall

LOW-PROFILE POLYURETHANE

⌘ Airless, no tread, low maintenance, flat free, maneuverable.

HIGH-PROFILE POLYURETHANE

⌘ Airless, small tread, minimal traction, low maintenance, flat free, maneuverable.

KNOBBIE STANDARD (Primo V-Trak)

⌘ All terrain, deep tread for increased traction, added floatation in sand, loose dirt and snow, puncture resistance.

⌘ 65 psi, 24" x 1 3/8"

KNOBBIE HEAT-TREATED (Specialized)

⌘ For heat-treated rims, all terrain, deep tread for increased traction, added floatation in sand, loose dirt and snow, puncture resistance.

⌘ 110 psi, 24" x 1 1/2" (559)

HIGH-PRESSURE CLINCHER (Primo)

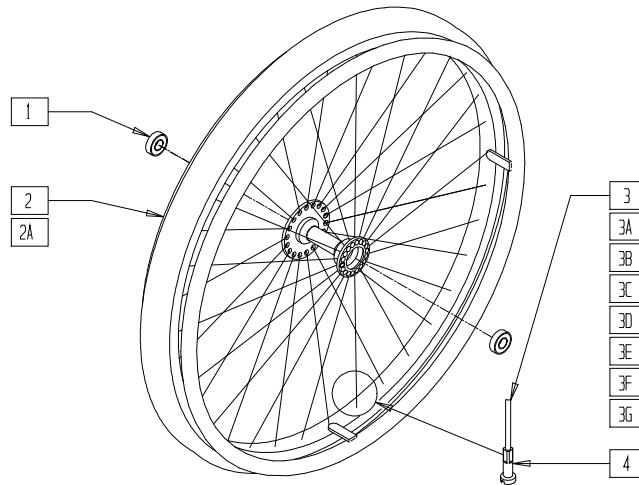
⌘ High performance tire option for everyday user, extremely lightweight, uses an inner tube which allows for repairs, says "Primo" on sidewall.

Wheels (Quickie Performance)

IN THIS SECTION

Basketball Wheel Rim Assembly	19.1	24" (540 mm) Spinergy Wheel Assembly	19.4
Tennis Wheel Rim Assembly	19.1	Handrim (Tab Mount)	19.5
Wheel Rim (18"-26")	19.2	Handrim, Screw Mount 6-Hole (24")	19.6
Wheel Rim (24" Heat Treated)	19.2	Ultimate Handrim	19.6
Wheel Rim (26" Heat Treated)	19.3	Quickie Performance Hub	19.7
X-core Wheel (559mm) (Disc.)	19.3	Tires and Tubes	19.7

BASKETBALL WHEEL RIM ASSEMBLY

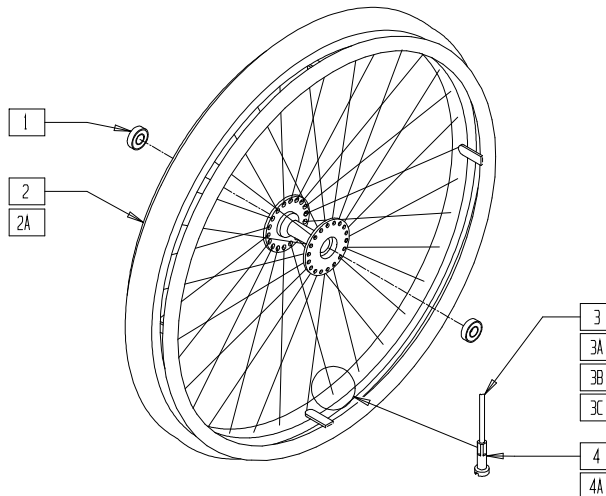


WH0X12

ITEM	NUMBER	DESCRIPTION	QTY
1	349500	1 1/8 x 1/2 BEARING	2
3	362502	QP SPOKE 234mm x 2.0 (14g)	18
3A	362505	QP SPOKE 246mm x 2.0 (14g)	18
3B	362504	QP SPOKE 242mm x 2.0 (14g)	18
3C	362506	QP SPOKE 254mm x 2.0 (14g)	18
3D	362521	QP SPOKE 258mm x 2.0 (14g)	18
3E	362325	QP SPOKE 270mm x 2.0 (14g)	18
3F	362508	QP SPOKE 274mm x 2.0 (14g)	18
3G	362509	QP SPOKE 286mm x 2.0 (14g)	18
4	361250	SPOKE NIPPLE 5/8" BRASS ZN	36

ITEM	NUMBER	DESCRIPTION	QTY
1-3, 3A,4	761110- 761119, 761200, 761201	24" BASKETBALL WHEEL	
1,2,3B, 3C,4	761140- 761149	24" HT BASKETBALL WHEEL	
1,2A,3B, 3E,4	761160- 761167, 761250, 761251	26" BASKETBALL WHEEL	
1,2A,3F, 3G,4	761182- 761188	26" HT BASKETBALL WHEEL	

TENNIS WHEEL RIM ASSEMBLY

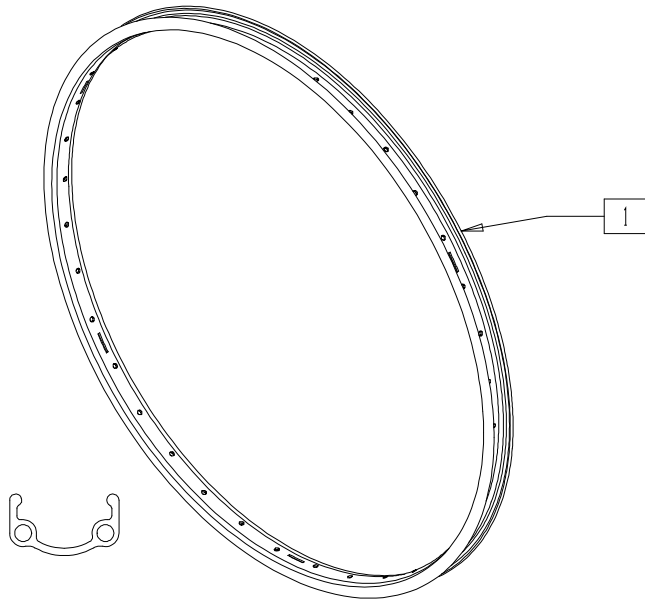


WH0X11

ITEM	NUMBER	DESCRIPTION	QTY
1	349500	1 1/8 x 1/2 BEARING	2
3	362501	QP SPOKE 232mm x 1.8 (15g)	36
3A	362520	QP SPOKE 240mm x 1.8 (15g)	36
3B	362521	QP SPOKE 258mm x 2.0 (14g)	36
3C	362508	QP SPOKE 274mm x 2.0 (14g)	36
4	361252	1.8mm BRASS NIPPLE QP	36
4A	361250	SPOKE NIPPLE 5/8" BRASS ZN	36
1-4	761100- 761109, 761210, 761211	24" TENNIS WHEEL	

ITEM	NUMBER	DESCRIPTION	QTY
1,2, 3A,4	761130- 761139	24" HT TENNIS WHEEL	
1,2A, 3B,4A	761150- 761157, 761260, 761261	26" TENNIS WHEEL	
1,2A, 3C,4A	761172- 761178	26" HT TENNIS WHEEL	

WHEEL RIM (18"- 26")

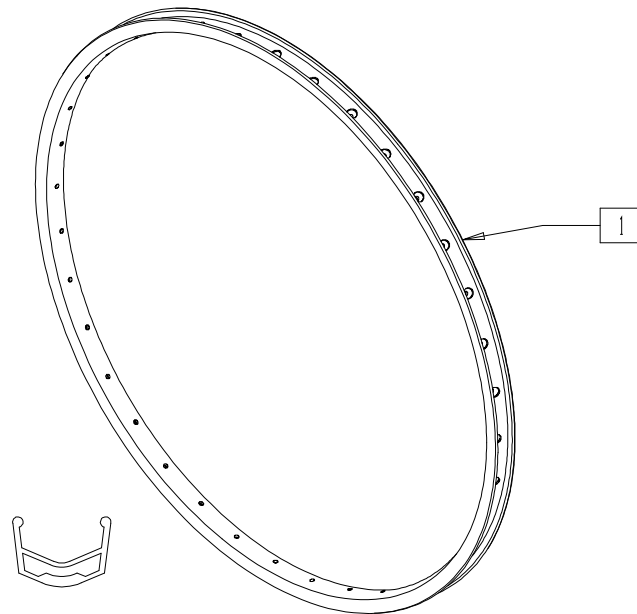


PFM0X01

ITEM	NUMBER	DESCRIPTION	QTY
1	364230	18" WHEEL RIM	1
	364250	20" WHEEL RIM	

ITEM	NUMBER	DESCRIPTION	QTY
1	364275	22" WHEEL RIM	1
	364300	24" WHEEL RIM (540mm)	
	364325	26" WHEEL RIM (590mm)	

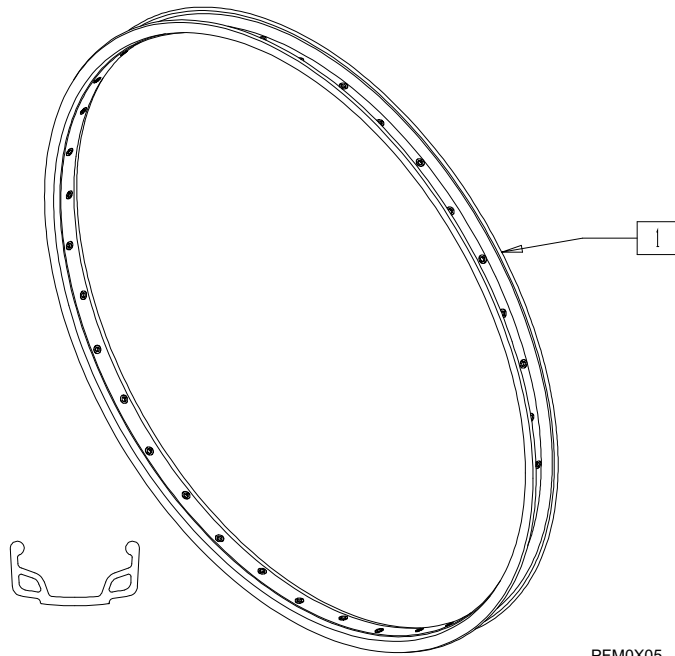
WHEEL RIM (24" HEAT TREATED)



PFM0X04

ITEM	NUMBER	DESCRIPTION	QTY
1	369011	24" HT/26" RIM 36H (559mm x 23mm) QP	1

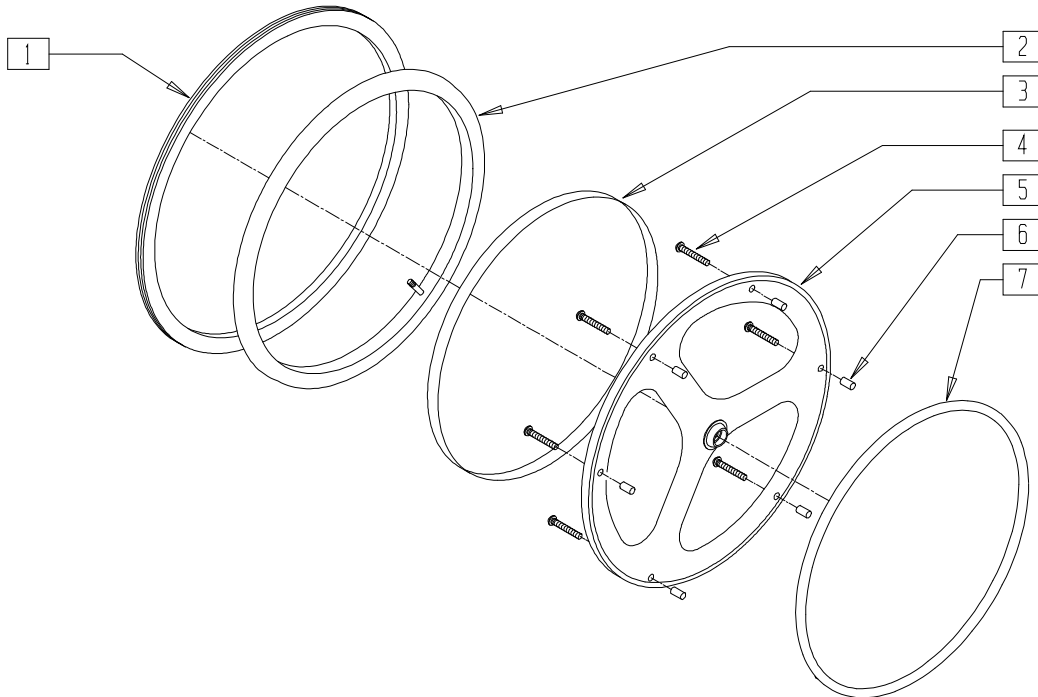
WHEEL RIM (26" HEAT TREATED)



ITEM	NUMBER	DESCRIPTION	QTY
1	369007	26" HT/700C RIM SUN M25 36H QP	1

X-CORE WHEEL (559mm)

(Discontinued 10/25/00)

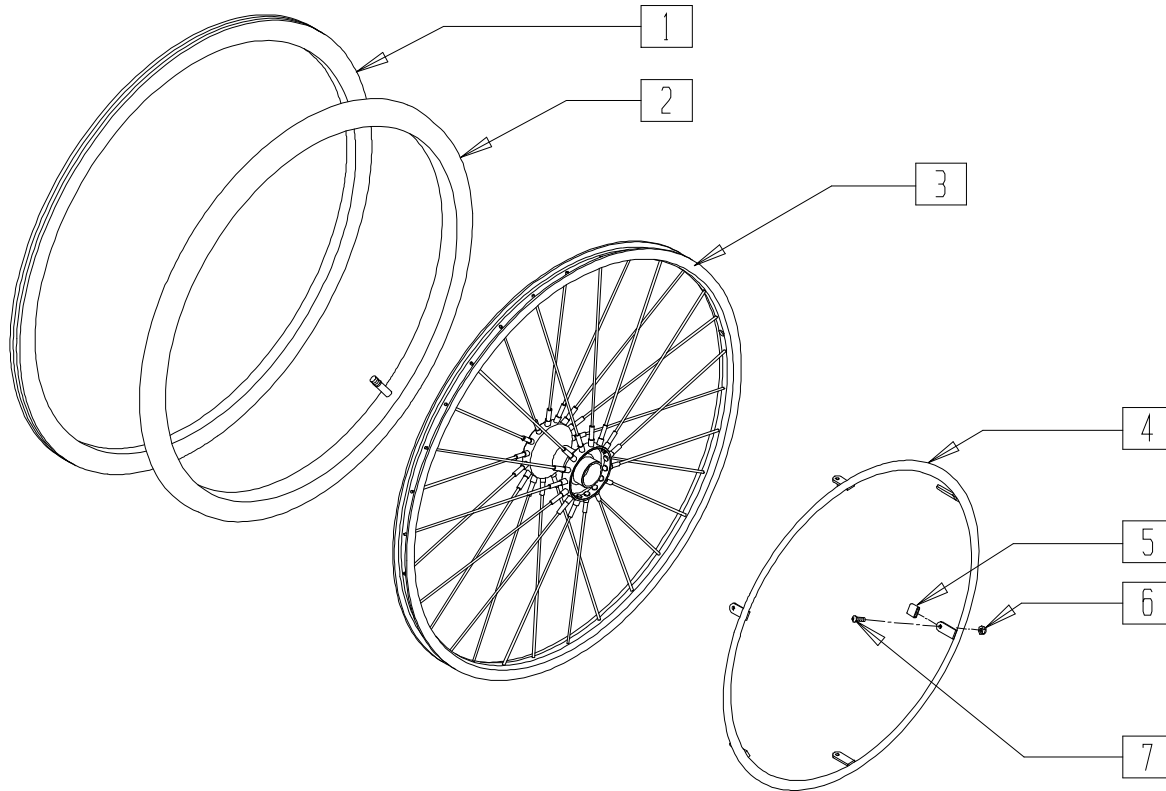


WHL0X27A

ITEM	NUMBER	DESCRIPTION	QTY
1	389012	QP 24" x 1" HT TURBO TREAD	1
2	384545	QP 24" HT INNER TUBE 559mm	1
3	381350	QP 26" HT RIM STRIP	1
4	226065	10-32 x 2" TRUSS PHIL M/S	6
5	364378	24" X-CORE 3 SPK MAG RIM CRBN	1

ITEM	NUMBER	DESCRIPTION	QTY
6	505107	SPACER X-CORE HANDRIM	6
7	529530	QP X-CORE HD RIM W/RV NUT	1
4-7	401150	24" X-CORE 3 SPK MAG CRBN W/HR	
1-7	900115	24" MAG X-CORE TRB W/ALUM HR (PR)	

24" (540 mm) SPINERGY WHEEL ASSEMBLY

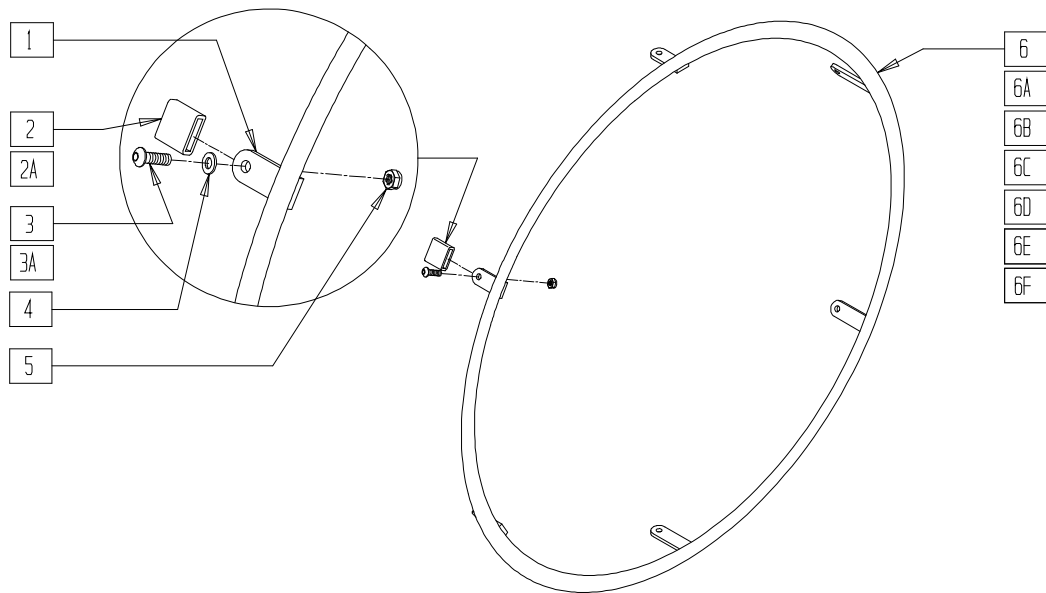


WHL_SPOXA

ITEM	NUMBER	DESCRIPTION	QTY
1	389020	24" X 1" HI PRES CLNCHR TIRE	1
2	382330	24" TUBE PRESTA VALVE (540MM)	1
4	529529	QP 24" HR .065 (6)TAB ANO	1
5	580301	HR TAB COVER BLK	6

ITEM	NUMBER	DESCRIPTION	QTY
6	200100-QU	10-32 NYLOCK NUT	6
7	281110	10-32 X 1/2 PAN PHIL	6
1-7	761777	24" SPINERGY WHL W/HR (540)	

HANDRIM (TAB MOUNT)

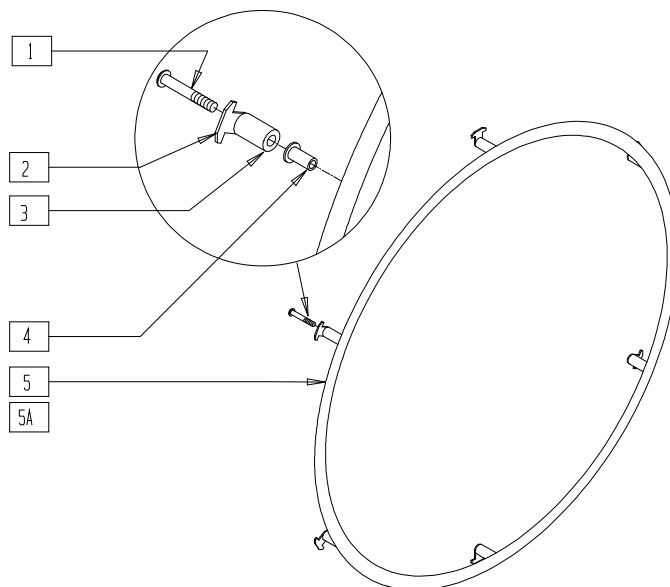


PFM0X08

ITEM	NUMBER	DESCRIPTION	QTY
2	580300	HANDRIM TAB COVER	6
2A	580301	HR TAB COVER BLK	6
3	281110	10/32 x 1/2 PAN PHIL	6
3A	281120	10-32 x 5/8 PAN HD PHIL	6
4	561028	1/4" NYLON WASHER	6
5	200100	10-32 NYLOCK NUT	6
6	529200	24" HR (6T) HTBB/BB	1
6A	529201	24" HR (6T) PLASTIC HTBB/BB	1
6B	529400	26" HR (6T) BB/TN	1
6C	529401	26" HR (6T) PLASTIC BB/TNNS	1
6D	529503	QP 24" x .049 HR 6 TAB	1
6E	529509	QP 26" HR .065 (6T) PLASTIC	1
6F	529508	QP 26" HR .065 (6T)	1

ITEM	NUMBER	DESCRIPTION	QTY
1-3,5,6	425030	24" HR (6T) BB/HTBB W/HARDWARE	
1-3,5,6A	425032	24" HR (6T) PLASTIC BB/TN W/HARDWARE	
1A-3,5,6B	425050	26" HR (6T) BB/TN W/HARDWARE	
1A-3,5,6C	425052	26" HR (6T) PLASTIC BB/TN W/HARDWARE	
1A,2A,3A,4,5,6E	426051	QP 26" HR .065 HTTN W/HARDWARE PLASTIC	
1A,2A,3A,4,5,6D	425038	QP 24" HR .049 W/HARDWARE (6T)	
1A,2A,3A,4,5,6F	426050	QP 26" HR .065 W/HARDWARE (6T)	

HANDRIM, SCREW MOUNT 6-HOLE (24")

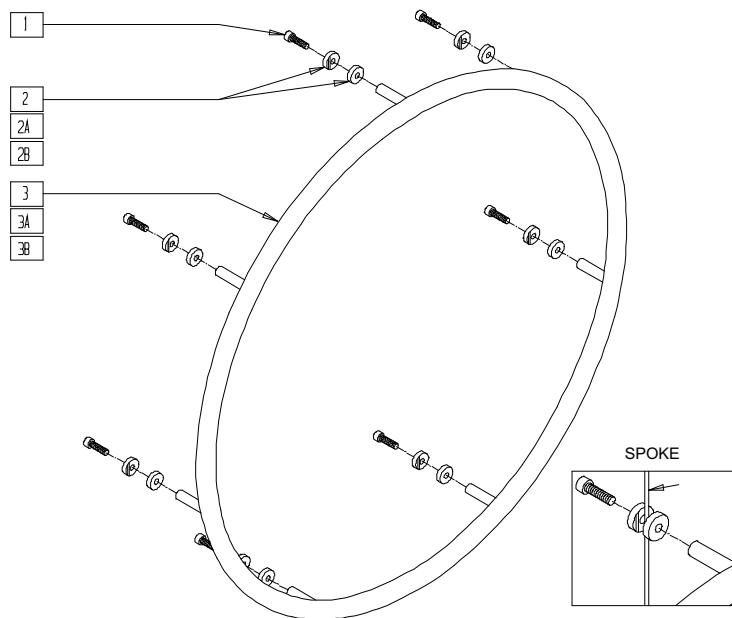


PFM0X07

ITEM	NUMBER	DESCRIPTION	QTY
1	281170	10-32 x 1 5/8 PAN PHIL SS	6
2	505068	HR SCREW MOUNT TAB	6
3	561036	HANDRIM SPACER (REG)	6
4	341497	10-32 x .020-.130 RIVNUT GOLD	6

ITEM	NUMBER	DESCRIPTION	QTY
4,5	529501	24" HR PLASTIC (6H) W/RIVNUTS	
4,5A	529514	QP 24" x .049 HR SCREW MT/RIVNUTS	
1,3-5	426004	24" HR 6SMT PLASTIC W/HARDWARE	
1-3,5A	426015	QP 24" HR .049 W/HARDWARE SMT	

ULTIMATE HANDRIM



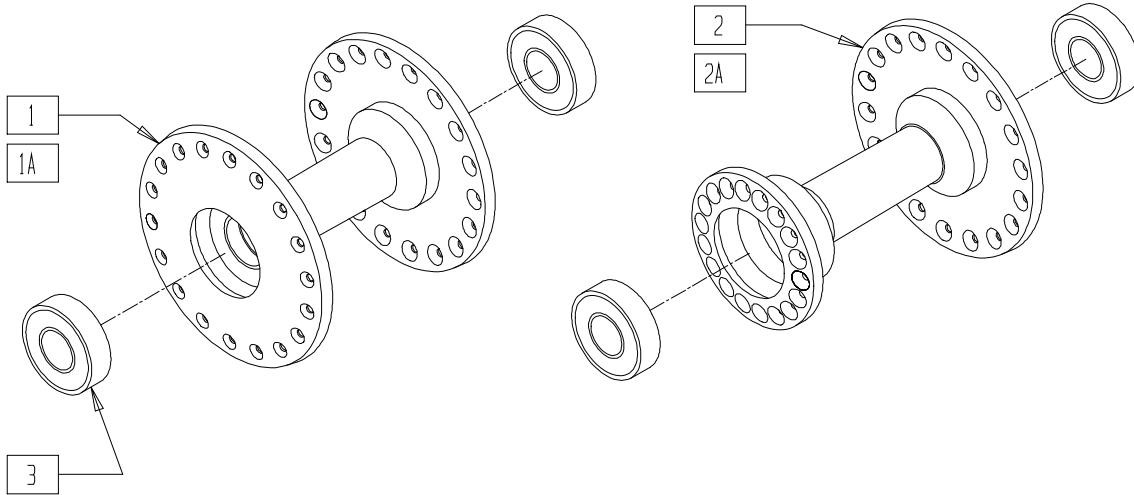
PFM0X06

ITEM	NUMBER	DESCRIPTION	QTY
1	226003	6-32 x 1/2 SOC C/S	7
2	483042	QP AERO SPOKE CLIP	14
2A	483043	QP SPOKE CLIP 1.8 (15g)	14
2B	483044	QP SPOKE CLIP 2.0 (14g)	14
3	529505	ULTIMATE HR TAB 1/2" QP	1
3A	529506	ULTIMATE HR TAB 5/8" QP	1
3B	529507	ULTIMATE HR TAB 3/4" QP	1
1,2A,3	426950	QP ULTIMATE HR TAB 1/2 W/1.8 HARDWARE	

ITEM	NUMBER	DESCRIPTION	QTY
1,2B,3	426952	QP ULTIMATE HR TAB 1/2 W/2.0 HDWR	
1-3	426954	QP ULTIMATE HR TAB W/AERO HDWR	
1,2A,3A	426960	QP ULTIMATE HR TAB 5/8 W/1.8 HDWR	
1,2B,3A	426962	QP ULTIMATE HR TAB 5/8 W/2.0 HDWR	
1,2,3A	426964	QP ULTIMATE HR TAB 5/8 W/AERO HDWR	
1,2A,3B	426970	QP ULTIMATE HR TAB 3/4 W/1.8 HDWR	

NOTE: WHEN ORDERING ULTIMATE HANDRIMS, PLEASE SPECIFY DIAMETER OF HANDRIM (12"-20"), NUMBER OF SPOKES IN WHEEL, NUMBER OF ATTACHING POINTS, AND BLACK OR RAW ALUMINUM FINISH.

QUICKIE PERFORMANCE HUB

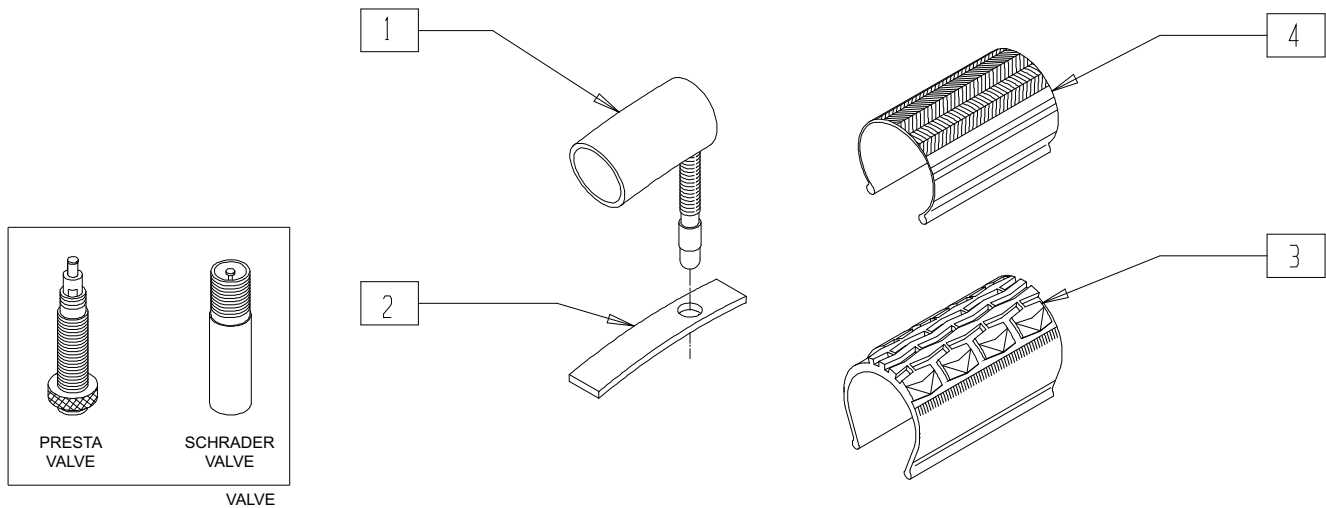


- PFM0X03

ITEM	NUMBER	DESCRIPTION	QTY
3	349500	1 1/8 x 1/2 BEARING	2
1,3	363244	QP HUB TENNIS 36H W/BEARING (EA)	
	363344	QP HUB TENNIS 36H W/BEARING (PR)	
1A,3	363240	QP HUB TENNIS 32H W/BEARING (EA)	
	363340	QP HUB TENNIS 32H W/BEARING (PR)	

ITEM	NUMBER	DESCRIPTION	QTY
2,3	363246	QP HUB HI-LO 36H QR W/BEARING (EA)	
	363346	QP HUB HI-LO 36H QR W/BEARING (PR)	
2A,3	363242	QP HUB BB 32H W/BEARING (EA)	
	363342	QP HUB BB 32H W/BEARING (PR)	

TIRES AND TUBES



PFM0X02

ITEM	NUMBER	DESCRIPTION	QTY
1	382330	24" TUBE PRESTA VALVE (540mm)	1
	382355	26" TUBE PRESTA VALVE (590mm)	
	384550	QP 26" HT INNER TUBE (700C)	
	384545	QP 24" HT INNER TUBE (559mm)	
	384547	24" x 1 1/2" HT TUBE PRESTA QP (559mm)	
2	381275-381350	RIM STRIP	1

ITEM	NUMBER	DESCRIPTION	QTY
3	385350	24" KEVLAR TIRE	1
4	389020	24" x 1" HI PRES CLNCHR TIRE (540mm)	1
	389030	26" x 1" HI PRES CLNCHR TIRE (590mm)	
	388999	26" x 1" HT TIRE TURBO GY (700 x 23)	
	389012	QP 24" x 1" HT TURBO BLK WR/BD 559	

NOTE: FOR ADDITIONAL TIRE INFORMATION, PLEASE SEE TIRE REFERENCE GUIDE ON 18.15.

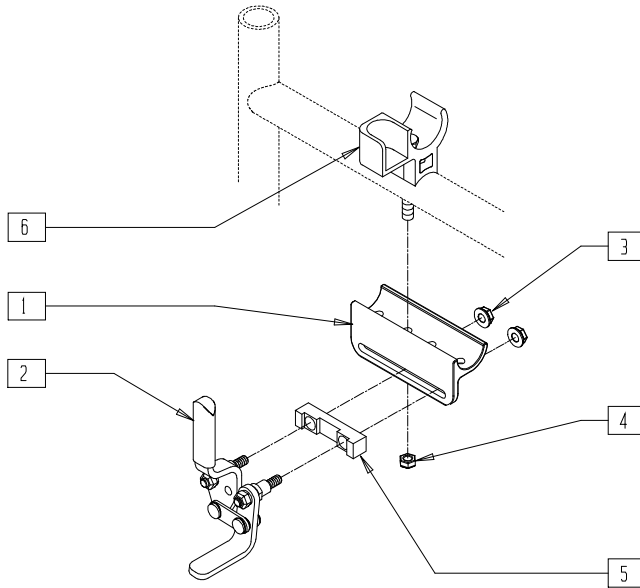
Wheel Locks and Grade Aids

IN THIS SECTION

Wheel Lock (Push-to-lock) (Breezy 500/510/2(Disc.)/600).....	20.1	High Wheel Lock (Push-to-lock) (Quickie XTR) ...	20.14
Wheel Lock (Pull-to-lock) (Breezy 500/510/2(Disc.)/600).....	20.1	Short-throw High-mount Wheel Lock (Quickie XTR)	20.14
Wheel Lock (Push-to-lock) (Breezy 510 Recliner)	20.2	High Wheel Lock (Pull-to-lock) (Quickie XTR)	20.15
Wheel Lock (Pull-to-lock) (Breezy 510 Recliner)	20.2	High Wheel Lock (Push-to-lock) (Quickie TNT) ...	20.15
Wheel Lock (Breezy 100/150)	20.3	Wheel Lock (Push-to-lock) (Quickie R2)	20.16
Wheel Lock (Push-to-lock) (Quickie EX) (Disc.).....	20.3	Wheel Lock (Pull-to-lock) (Quickie R2).....	20.16
Wheel Lock (Pull-to-lock) (Quickie EX) (Disc.).....	20.4	High Mount Scissor Wheel Lock (Quickie R2)	20.17
Wheel Lock (Quickie ST/DT/Heat)	20.5	High Wheel Lock (Push-to-lock) (Quickie M6)	20.18
Wheel Lock (Quickie T45)	20.6	High Wheel Lock Extension Handle (Quickie M6)	20.18
Wheel Lock (Quickie TNT) (Disc.)	20.6	High Wheel Lock Extension Handle	20.19
Wheel Lock (Quickie TNT) (Disc.)	20.7	Wheel Lock Extension Handle (Breezy 500/510/510 Recliner/600/2(Disc.)).....	20.19
High Wheel Lock (Push-to-lock) (Quickie ST/DT)	20.7	Wheel Lock Extension Handle (Breezy 100/150)	20.20
High Wheel Lock (Push-to-lock)	20.8	Low Wheel Lock Assembly (Quickie Carbon) (Disc.)	20.20
High Wheel Lock (Pull-to-lock)	20.9	Low Mount Wheel Lock	20.21
High Push Swing-away Wheel Lock	20.10	Grade Aid Only Assembly	20.22
High-mount Scissor Wheel Lock	20.11	Wheel Lock Push with Grade Aid (Quickie R2)....	20.23
High-mount Scissor Wheel Lock (Quickie Revolution)	20.12	Wheel Lock Pull with Grade Aid (Quickie R2)	20.24
High-Mount Scissor Wheel Lock (Quickie XTR)	20.13	Foot Lock/12" Wheel (Quickie TS, Zippie/TS/TS Swing-away)	20.25

WHEEL LOCK (PUSH-TO-LOCK) (BREEZY 500/510/2/600)

(Breezy 2 discontinued 5/98 - parts only)



Drawing shows left side

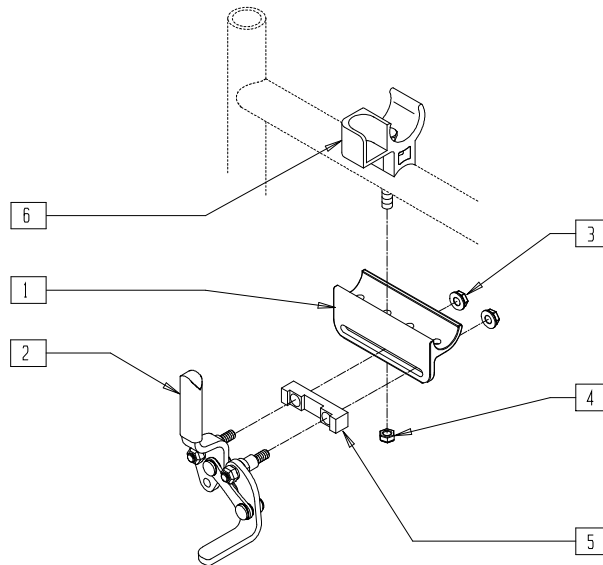
WHLCKX1A

ITEM	NUMBER	DESCRIPTION	QTY
1	505261	WHEEL LOCK MOUNT BR	1
2	880893, 880894	WHEEL LOCK ARM SUB-ASSEMBLY PUSH (EA)	1
3	201111	1/4-28 SERRATED FLANG NUT W/PATCH	2
4	201120	1/4-28 AUTOMATION NUT	1
5	500181	BRKT WHEEL LOCK STUD SUPPORT BR	1

ITEM	NUMBER	DESCRIPTION	QTY
6	561113, 561114	ARM SADDLE FLIP-BACK BR/LXI	1
1-6	882350, 882351	WHL LOCK PUSH W/MOUNT BR (EA)	
	901536	WHL LOCK ASSM PUSH W/MOUNT BR (PR)	

WHEEL LOCK (PULL-TO-LOCK) (BREEZY 500/510/2/600)

(Breezy 2 discontinued 5/98 - parts only)



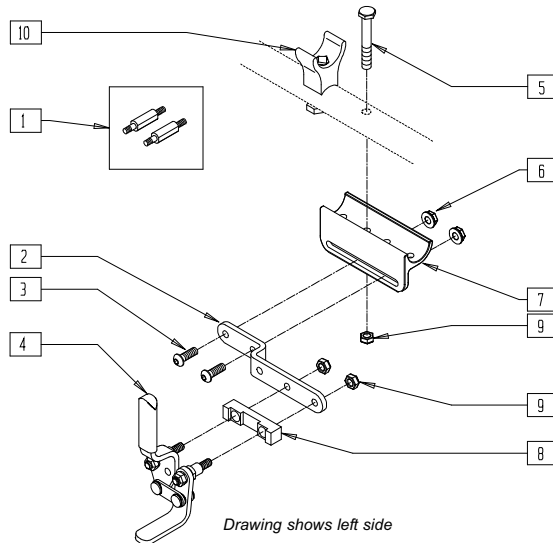
Drawing shows left side

WHLCKX2A

ITEM	NUMBER	DESCRIPTION	QTY
1	505261	WHEEL LOCK MOUNT BR	1
2	880895, 880896	WHEEL LOCK ARM SUB-ASSEMBLY PULL (EA)	1
3	201111	1/4-28 SERRATED FLANG NUT W/PATCH	2
4	201120	1/4-28 AUTOMATION NUT	1

ITEM	NUMBER	DESCRIPTION	QTY
5	500181	BRKT WHEEL LOCK STUD SUPPORT BR	1
6	561113, 561114	ARM SADDLE FLIP-BACK BR/LXI	1
1-6	882352, 882353	WHEEL LOCK PULL W/MOUNT BR (EA)	
	901537	WHEEL LOCK ASSM PULL W/MOUNT BR	

WHEEL LOCK (PUSH-TO-LOCK) (BREEZY 510 RECLINER)



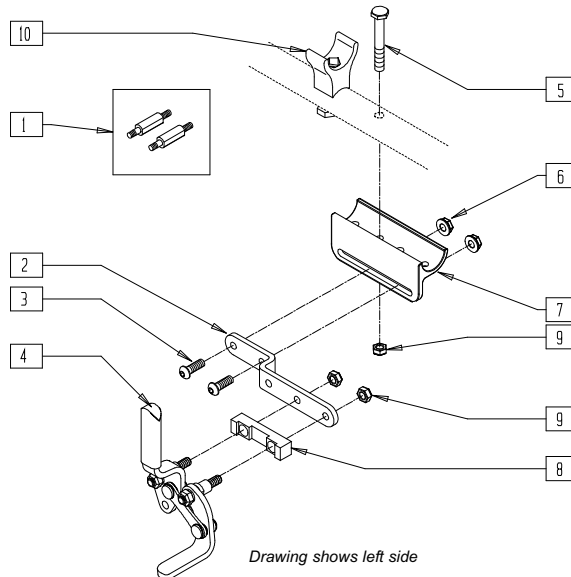
BRECX10B

ITEM	NUMBER	DESCRIPTION	QTY
*1	481414	WHEEL LOCK EXT STUD BR RCLNR	2
2	505139	WHEEL LOCK EXT BR RCLNR	1
3	226100	1/4-28 x 3/4 BH C/S	2
4	880893, 880894	WHEEL LOCK ARM SUB-ASSEMBLY PUSH (EA)	1
5	221133	1/4-28 x 1 1/2 G8 HEX C/S	1
6	201111	1/4-28 SERRATED FLANG NUT W/PATCH	2
7	505261	WHEEL LOCK MOUNT BR	1

ITEM	NUMBER	DESCRIPTION	QTY
8	500181	BRKT WHEEL LOCK STUD SUPPORT BR	1
9	201120	1/4-28 AUTOMATION NUT	3
10	561092	SEAT SADDLE BR	2
2-10	882354, 882355	WHEEL LOCK PUSH ASSEMBLY B510 RECLINER (EA)	
	901538	WHEEL LOCK PUSH ASSM B51 RCLNR (PR)	

* ITEM 1 USED ONLY WITH STANDARD BACK KIT AND 20" WHEELS FORWARD MOUNTED OR 22"/24" WHEELS REVERSE MOUNTED.

WHEEL LOCK (PULL-TO-LOCK) (BREEZY 510 RECLINER)



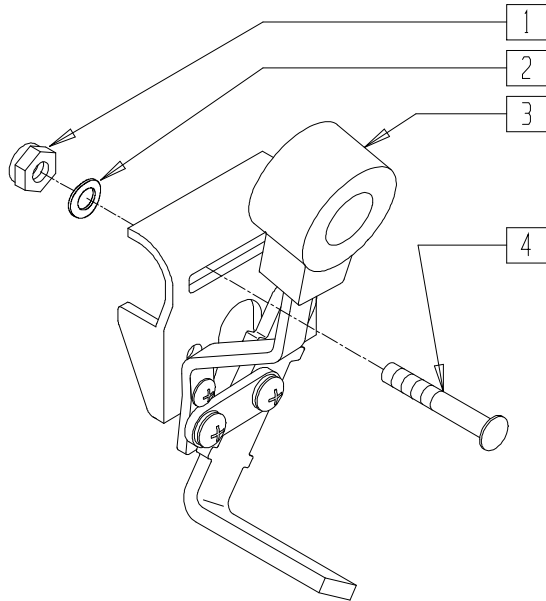
BRECX12B

ITEM	NUMBER	DESCRIPTION	QTY
*1	481414	WHEEL LOCK EXT STUD BR RCLNR	2
2	505139	WHEEL LOCK EXT BR RCLNR	1
3	226100	1/4-28 x 3/4 BH C/S	2
4	880895, 880896	WHEEL LOCK ARM SUB-ASSEMBLY PULL (EA)	1
5	221133	1/4-28 x 1 1/2 G8 HEX C/S	1
6	201111	1/4-28 SERRATED FLANG NUT W/PATCH	2
7	505261	WHEEL LOCK MOUNT BR	1

ITEM	NUMBER	DESCRIPTION	QTY
8	500181	BRKT WHEEL LOCK STUD SUPPORT BR	1
9	201120	1/4-28 AUTOMATION NUT	3
10	561092	SEAT SADDLE BR	2
2-10	882356, 882357	WHEEL LOCK PULL ASSEMBLY B510 RECLINER (EA)	
	901539	WHEEL LOCK PULL ASSM B51 RCLNR (PR)	

* ITEM 1 USED ONLY WITH STANDARD BACK KIT AND 20" WHEELS FORWARD MOUNTED OR 22"/24" WHEELS REVERSE MOUNTED.

WHEEL LOCK (BREEZY 100/150)



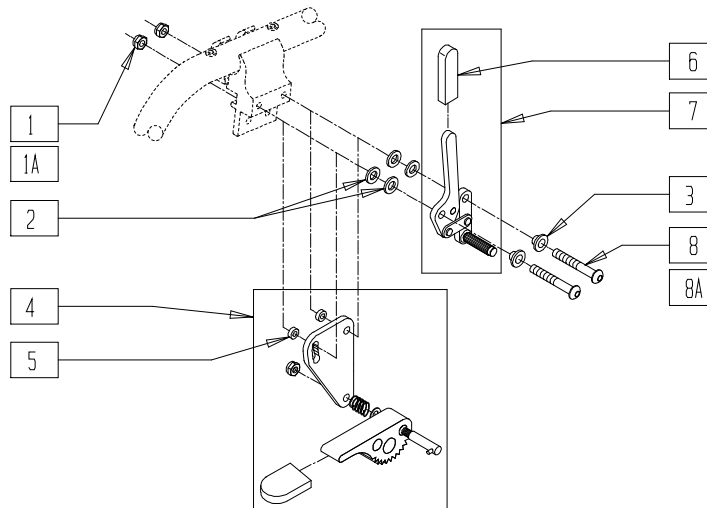
BRZ10X24

ITEM	NUMBER	DESCRIPTION	QTY
3	222-0669	WHEEL LOCK TIP BLK (PR)	

ITEM	NUMBER	DESCRIPTION	QTY
1-4	222-0532R	WHEEL LOCK ASSEMBLY R (EA)	1
	222-0532L	WHEEL LOCK ASSEMBLY L (EA)	

WHEEL LOCK (PUSH-TO-LOCK) (QUICKIE EX)

(Discontinued 2/14/97 - parts only)



Drawing shows left side

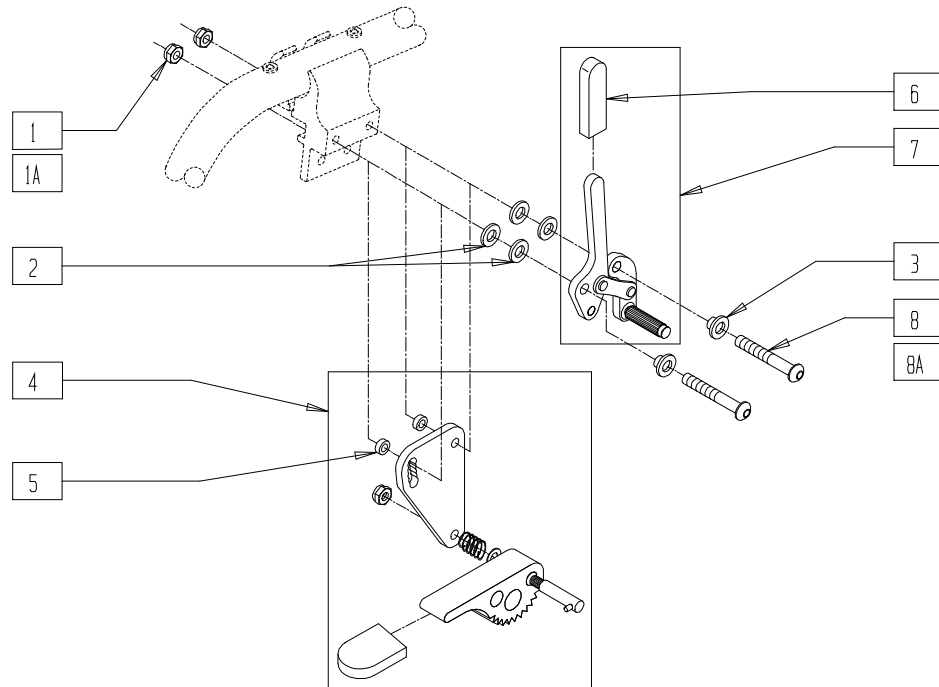
SP00X04

ITEM	NUMBER	DESCRIPTION	QTY
1	201110	1/4-28 NYLOCK NUT	2
1A	201100	1/4-28 NYLOCK NUT THIN	2
2	561028	1/4" NYLON WASHER	4
3	560126	.250 ID .312 OD BUSHING PLASTIC	2
4	880916, 880917	GRADE AID PLATE W/WHEEL AND HARDWARE (EA)	1
5	483027	1/4 x 1/4 ALUM SPACER BLK	2
6	560500-QU	HB PLASTIC COVER	1
8	226130	1/4-28 x 1 1/2 BH C/S	2
8A	226150	1/4-28 x 2 BH C/S	2

ITEM	NUMBER	DESCRIPTION	QTY
2,6,7	880530, 880532	WHEEL LOCK ARM ASSEMBLY PUSH W/GRIP (EA)	
1A,2,3, 6-8	880596, 880597	WHEEL LOCK PUSH W/HDWR EX (EA)	
1A,2-7, 8A	880632, 880633	WHEEL LOCK PUSH W/GRADE AID EX (EA)	
1-3,6-8	901562	WHEEL LOCK PUSH W/HDWR EX (PR)	
1A,2-7,8A	901564	WHEEL LOCK PUSH W/GRADE AID EX (PR)	

WHEEL LOCK (PULL-TO-LOCK) (QUICKIE EX)

(Discontinued 2/14/97 - parts only)



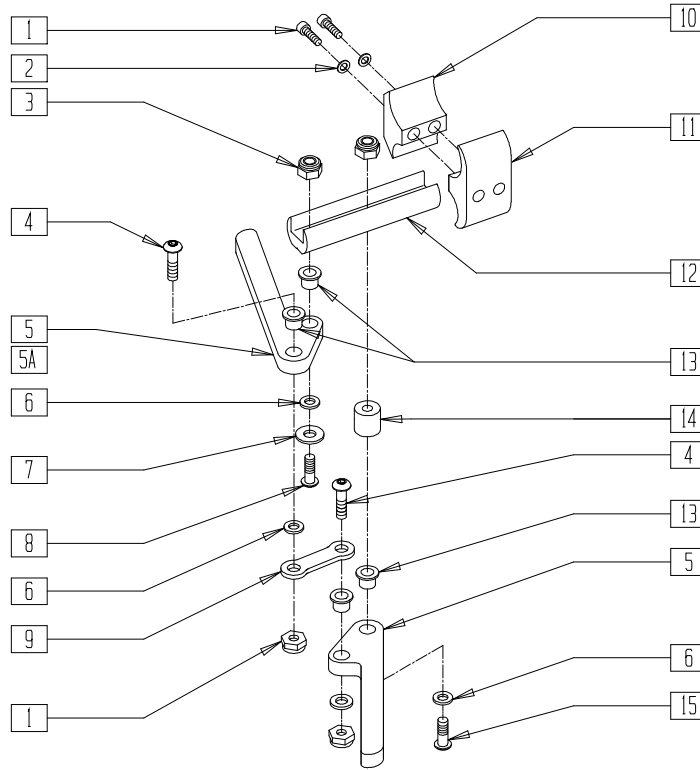
Drawing shows left side

SP00X05

ITEM	NUMBER	DESCRIPTION	QTY
1	201110	1/4-28 NYLOCK NUT	2
1A	201100	1/4-28 NYLOCK NUT THIN	2
2	561028	1/4" NYLON WASHER	4
3	560126	.250 ID .312 OD BUSHING PLASTIC	2
4	880916, 880917	GRADE AID PLATE W/WHEEL AND HARDWARE (EA)	1
5	483027	1/4 x 1/4 ALUM SPACER BLK	2
6	560500	HB PLASTIC COVER	1
8	226130	1/4-28 x 1 1/2 BH C/S	2

ITEM	NUMBER	DESCRIPTION	QTY
8A	226150	1/4-28 x 2 BH C/S	2
2,6,7	880534, 880536	WHEEL LOCK ARM ASSEMBLY PULL W/GRIP (EA)	
1A,2,3, 6-8	880598, 880599	WHEEL LOCK PULL W/HDWR EX (EA)	
1A,2-7, 8A	880634, 880635	WHEEL LOCK PULL W/GRADE AID EX (EA)	
1-3,6-8	901563	WHEEL LOCK PULL W/HDWR EX (PR)	
1A,2-7,8A	901565	WHEEL LOCK PULL W/GRADE AID EX (PR)	

WHEEL LOCK (QUICKIE ST/DT/HEAT)

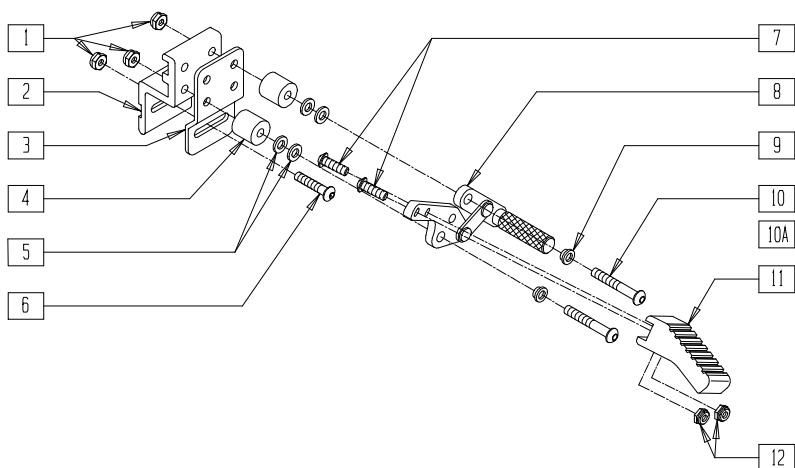


RG000X14

ITEM	NUMBER	DESCRIPTION	QTY
1	226112	1/4-28 x 1 SOC C/S BLK	2
2	262114	1/4 WASHER HI COLLAR LOCK ZN	2
3	201100-QU	1/4-28 NYLOCK NUT THIN	4
4	226100	1/4-28 x 3/4 BH C/S	2
5	550232	HI-MNT SCISSOR WHEEL LOCK ARM	2
5A	550231	HI-MNT SCISSOR WHEEL LOCK ARM LONG	2
6	561028	1/4" NYLON WASHER	4
7	262120	1/4 SAE WASHER	1
8	226122	1/4-28 x 1.10 BH C/S	1
9	504995	TOGGLE LINK 1.125	1
10	550724	CLAMP 3/4" - 3/4" TOP HALF ST/DT	1
11	550725	CLAMP 3/4" - 3/4" THRD HALF ST/DT	1
12	550374	WHEEL LOCK SLIDE BLOCK 3 1/2" BLK	1
13	560126	.250 ID .312 OD BUSHING PLASTIC	4

ITEM	NUMBER	DESCRIPTION	QTY
14	483027	1/4 x 1/4 ALUM SPACER BLK	1
15	226130	1/4-28 x 1 1/2 BH C/S	1
1,2,10,11	880582	WHEEL LOCK CLAMP ASSEMBLY ST/DT	
3-9,12-15	880608, 880609	WHEEL LOCK SCISSOR HI-MOUNT (EA)	
	880804, 880805	WHEEL LOCK SCISSOR W/CLAMP (EA)	
1-15	901518	WHEEL LOCK SCISSOR W/CLAMP (PR)	
3,4,5A, 6-9,12-15	880612, 880613	WHEEL LOCK SCISSOR HI-MOUNT LONG (EA)	
	880806, 880807	WHEEL LOCK SCISSOR W/CLAMP LONG BLK (EA)	
1-4,5A, 6-15	901519	WHEEL LOCK SCISSOR W/CLAMP LONG BLK (PR)	

WHEEL LOCK (QUICKIE T45)



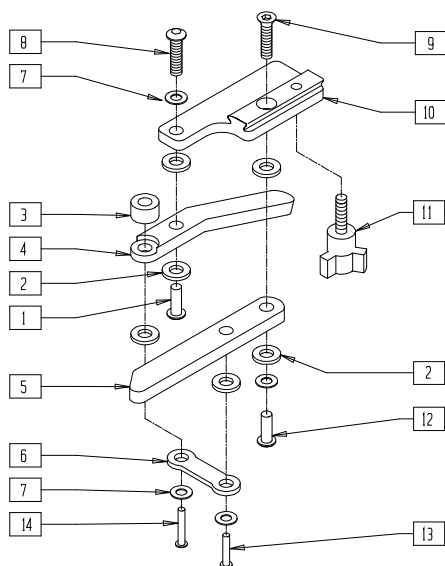
TSR00X06A

ITEM	NUMBER	DESCRIPTION	QTY
1	201100-QU	1/4-28 NYLOCK NUT THIN	3
2	550167	WHEEL LOCK MOUNTING BLOCK	1
3	550165	WHEEL LOCK MOUNTING SUPPORT T45	1
4*	483094	WHEEL LOCK SPACER T45	1
5	561028	1/4" NYLON WASHER	2
6	221124-QU	1/4-28 x 1 1/4 G8 HEX C/S	4
7	226100	1/4-28 x 3/4 BH C/S	2
8	880733, 880734	FT LOCK ARM ASSM PUSH W/GRIP	1
9	560126	.250 ID .312 OD BUSHING PLASTIC	2

ITEM	NUMBER	DESCRIPTION	QTY
10	226129	1/4-28 x 1 1/4 BH C/S	2
10A*	226150	1/4-28 x 2 BH C/S	2
11	560680	T45 FOOT PEDAL	1
12	201100	1/4-28 NYLOCK NUT THIN	2
1-3,5-10	880840, 880841	FOOT WHEEL LOCK W/BLOCK	
1-8,10A	880842, 880843	FOOT WHEEL LOCK W/BLK AND SPACER	
1-3,5-10	901570	FOOT WHEEL LOCK ASSM W/BLOCK (PR)	
1-8,10A	901571	FT WHL LCK ASSM W/BLK AND SPCR (PR)	

* ITEMS 4 AND 10A ARE USED WITH ADJUSTABLE LOCKING FLIP-UP ARMREST.

WHEEL LOCK (Quickie TNT) (Discontinued 11/6/98 - parts only)



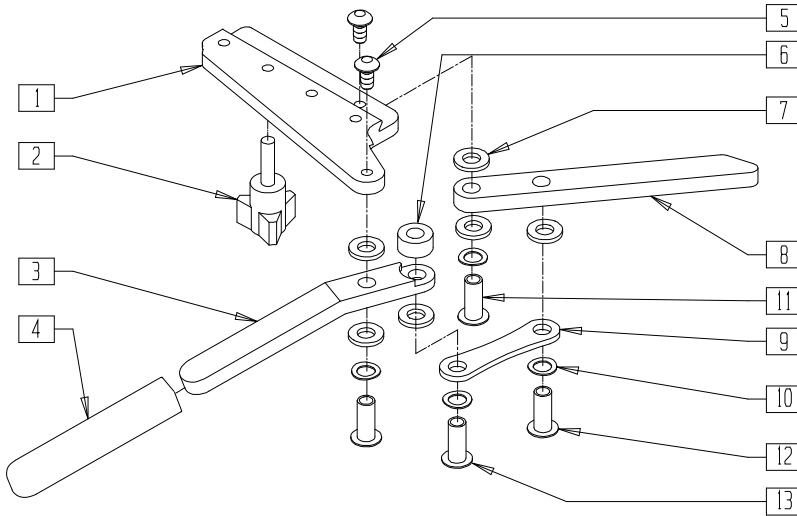
TNT00X09

ITEM	NUMBER	DESCRIPTION	QTY
1	341508	10-32 x .620 SLOT RIVNUT	1
2	561028	1/4" NYLON WASHER	6
3	483027	1/4 x 1/4 ALUM SPACER BLK	1
4	550565	WHEEL LOCK LEVER QTNT	1
5	550566	WHEEL LOCK ARM QTNT	1
6	505005	2 HOLE TOGGLE PULL SS	1
7	262130	6mm WASHER WAVE	4
8	226018	10-32 x 3/8 BH C/S W/PATCH BLK	1
9	281119	10/32 x 5/8 FH SOC ZN	1

ITEM	NUMBER	DESCRIPTION	QTY
10	550570, 550571	WHEEL LOCK BRACKET QTNT (EA)	1
11	341524	10/32 x 3/4 THUMB SCREW	1
12	341528	10-32 x .410 SLOT RIVNUT	1
13	240120	RIVET ST 1/4 x 5/8	1
1-14	880920, 880921	WHEEL LOCK ASSEMBLY QTNT (EA)	
	901575	WHEEL LOCK ASSEMBLY QTNT (PR)	

WHEEL LOCK (Quickie TNT)

(Quickie TNT discontinued 2/01-Parts only.)

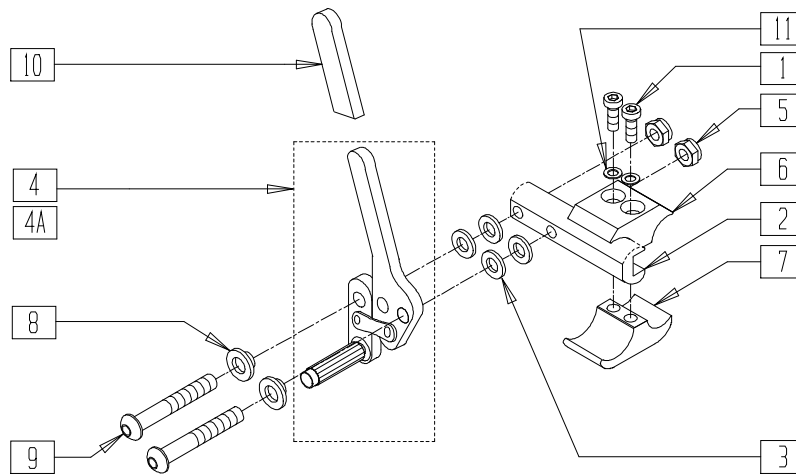


TNT00X20

ITEM	NUMBER	DESCRIPTION	QTY
1	500182, 500183	WHEEL LOCK BRKT QTNT (NEW) (EA)	1
2	341524	10-32 x 3/4 THUMB SCREW	1
3	550565	WHEEL LOCK LEVER QTNT	1
4	560500	HB PLASTIC COVER	1
5	226018	10-32 x 3/8 BH C/S W/PATCH BLK	2
6	483027	1/4 x 1/4 ALUM SPACER BLK	1
7	561028	1/4" NYLON WASHER	6

ITEM	NUMBER	DESCRIPTION	QTY
8	550566	WHEEL LOCK ARM QTNT	1
9	505005	2 HOLE TOGGLE PULL SS	1
10	262130	6mm WASHER WAVE	4
11	341508	10-32 x .620 SLOT RIVNUT	2
1-13	880920, 880921	WHEEL LOCK ASSEMBLY QTNT (EA)	
	901575	WHEEL LOCK ASSEMBLY QTNT (PR)	

HIGH WHEEL LOCK (PUSH-TO-LOCK) (QUICKIE ST/DT)

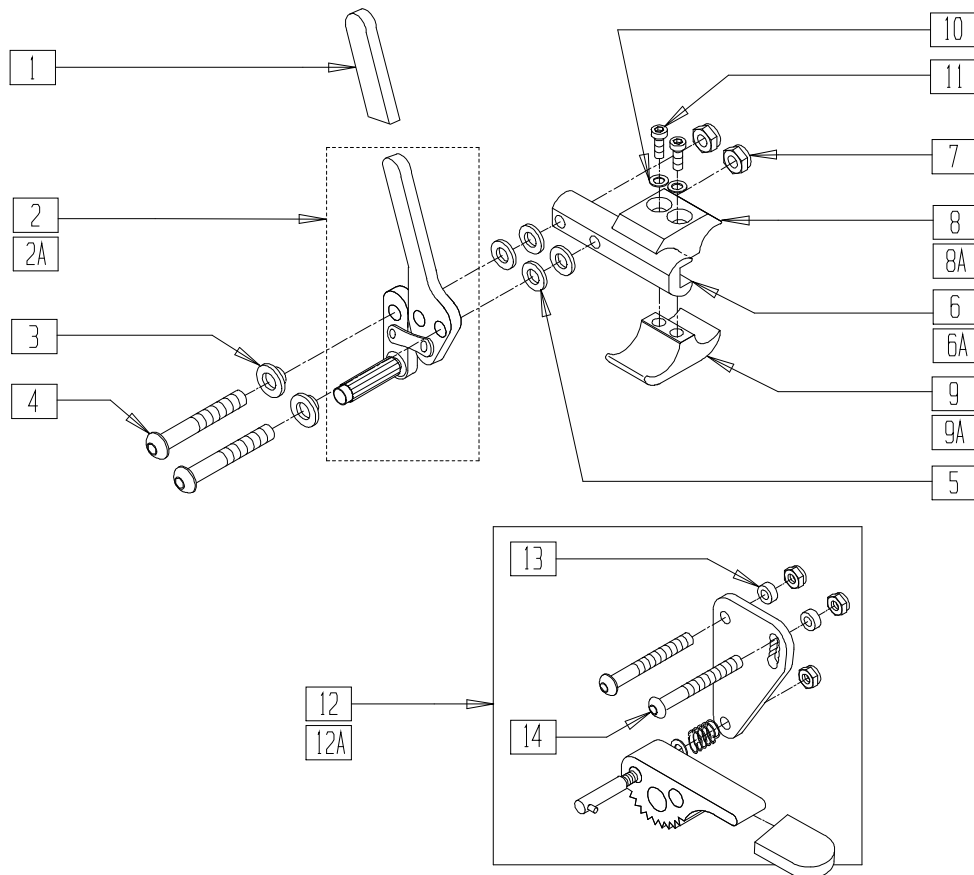


RBV00X23

ITEM	NUMBER	DESCRIPTION	QTY
1	226112	1/4-28 x 1 SOC C/S BLK	2
2	550374	WHEEL LOCK SLIDE BLOCK 3 1/2" BLK	1
3	561028	1/4" NYLON WASHER	4
4,10	880530, 880532	WHEEL LOCK ARM ASSM PUSH W/GRIP CLR AND PLASTIC COVER (EA)	
4A,10	880732, 880735	WHEEL LOCK ARM ASSM W/GRIP BLK AND PLASTIC COVER (EA)	
5	201100	1/4-28 NYLOCK NUT THIN	2
6	550724	CLAMP 3/4"-3/4" TOP HALF ST/DT	1

ITEM	NUMBER	DESCRIPTION	QTY
7	550725	CLAMP 3/4"-3/4" THRD HALF ST/DT	1
8	560126	.250 ID .312 OD BUSHING PLASTIC	2
9	226110	1/4-28 x 1 BH C/S	2
10	560500	HB PLASTIC COVER	1
11	262114	1/4 WASHER HI COLLAR LOCK ZN	2
1-4,4A, 5-11	880993, 880994	WHEEL LOCK PUSH W/CLAMP ST/DT (EA)	
	901580	WHEEL LOCK PUSH W/CLAMP ST/DT (PR)	

HIGH WHEEL LOCK (PUSH-TO-LOCK)

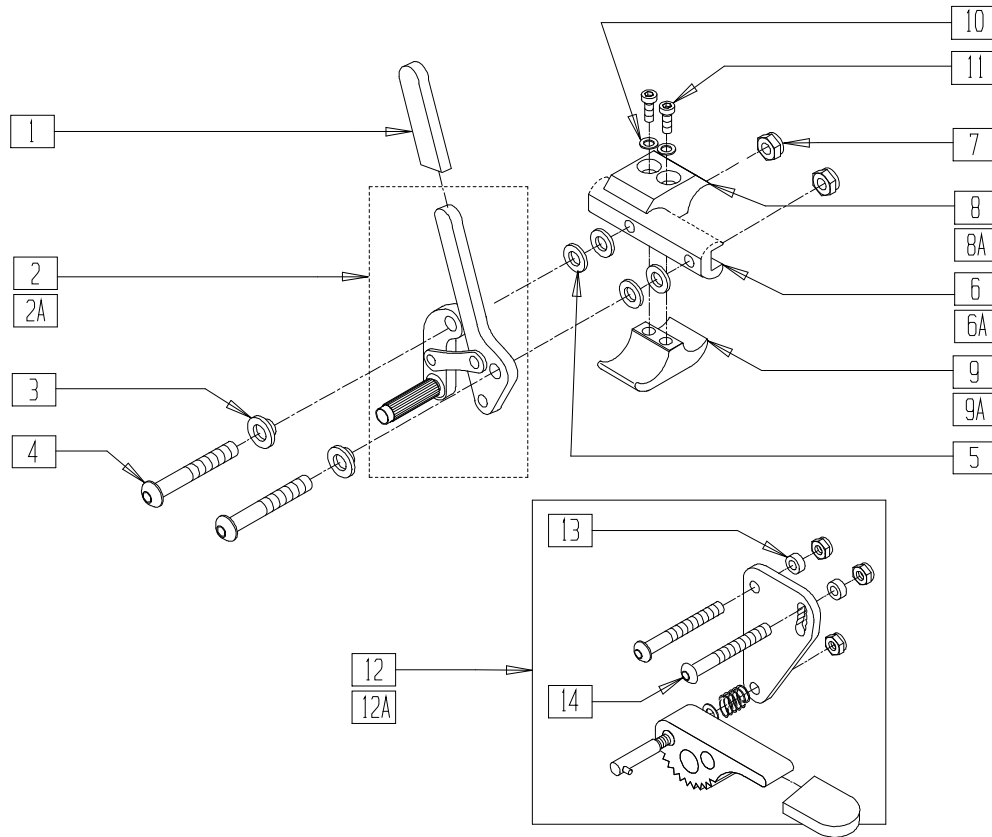


WL0X06B

ITEM	NUMBER	DESCRIPTION	QTY
1	560500	HB PLASTIC COVER	1
2,11	880530, 880532	WHEEL LOCK ARM ASSEMBLY PUSH W/GRIP AND PLASTIC COVER (EA)	
2A,11	880732, 880735	WHEEL LOCK ARM ASSEMBLY PUSH BLK W/GRIP AND PLASTIC COVER (EA)	
3	560126	.250 ID .312 OD BUSHING PLASTIC	2
4	226110	1/4-28 x 1 BH C/S	2
5	561028	1/4" NYLON WASHER	4
6	550265	WHEEL LOCK SLIDE BLOCK 3 1/2"	1
6A	550374	WHEEL LOCK SLIDE BLOCK 3 1/2" BLK	1
7	201100	1/4-28 NYLOCK NUT THIN	2
8	550259	CLAMP 1 1/4" RECESS HALF CLR	1
8A	550659	CLAMP 1 1/4" RECESS HALF BLK	1
9	550258	CLAMP 1 1/4" THREADED CLR	1
9A	550658	CLAMP 1 1/4" THREADED BLK	1
10	262114	1/4 WASHER HI COLLAR LOCK ZN	2
11	226112	1/4-28 x 1 SOC C/S BLK	2
12	880916, 880917	GRADE AID PLATE W/WHEEL AND HARDWARE (EA)	1
12A	880904, 880905	GRADE AID PLATE W/WHEEL BLK AND HARDWARE (EA)	1
13	483027	1/4 x 1/4 ALUMINUM SPACER BLK	2
14	226130	1/4-28 x 1 1/2 BH C/S	2
8-11	880539	WHL LCK CLAMP ASSM CLR	
1-11	880570, 880571	WHEEL LOCK PUSH W/CLAMP CLR (EA)	
1-7	880560, 880561	WHEEL LOCK PUSH W/O CLAMP CLR (EA)	
1-7,12	880562, 880563	WHEEL LOCK PUSH W/GRADE AID W/O CLAMP CLR (EA)	

ITEM	NUMBER	DESCRIPTION	QTY
1-12	880572, 880573	WHEEL LOCK PUSH W/GRADE AID AND CLAMP CLR (EA)	
1-11	901550	WHEEL LOCK PUSH W/CLAMP CLR (PR)	
1-12	901552	WHEEL LOCK PUSH W/GRADE AID AND CLAMP CLR (PR)	
8A,9A, 10,11	880594	WHEEL LOCK 1 AD CLAMP ASSEMBLY BLK	
1,2A,3-5, 6A,7	881750, 881751	WHEEL LOCK PUSH W/O CLAMP BLK (EA)	
1,2A,3-5, 6A,7,12A	881754, 881755	WHEEL LOCK PUSH W/GA W/O CLAMP BLK (EA)	
1,2A,3-5, 6A,7,8A, 9A,10,11	881965, 881966	WHEEL LOCK PUSH W/CLAMP BLK (EA)	
1,2A,3, 6A,7	881762, 881763	WHEEL LOCK PUSH REV W/O CLAMP BLK (EA)	
1,2A,3,5, 6A,7,8A, 9-11,12A	881969, 881970	WHEEL LOCK PUSH W/GRADE AID W/CLAMP BLK (EA)	
1,2A,3-5, 6A,7,8A, 9A,10,11	881973, 881974	WHEEL LOCK PUSH REV W/CLAMP BLK (EA)	
1,2A,3-5, 6A,7,8A, 9A,10,11	901551	WHEEL LOCK PUSH W/CLAMP BLK (PR)	
1,2A,3,5, 6A,7,8A, 9-11,12A	901557	WHEEL LOCK PUSH W/GRADE AID W/CLAMP BLK (PR)	
1,2A,3-5, 6A,7,8A, 9A,10,11	901542	WHEEL LOCK PUSH REV W/CLAMP BLK (PR)	

HIGH WHEEL LOCK (PULL-TO-LOCK)

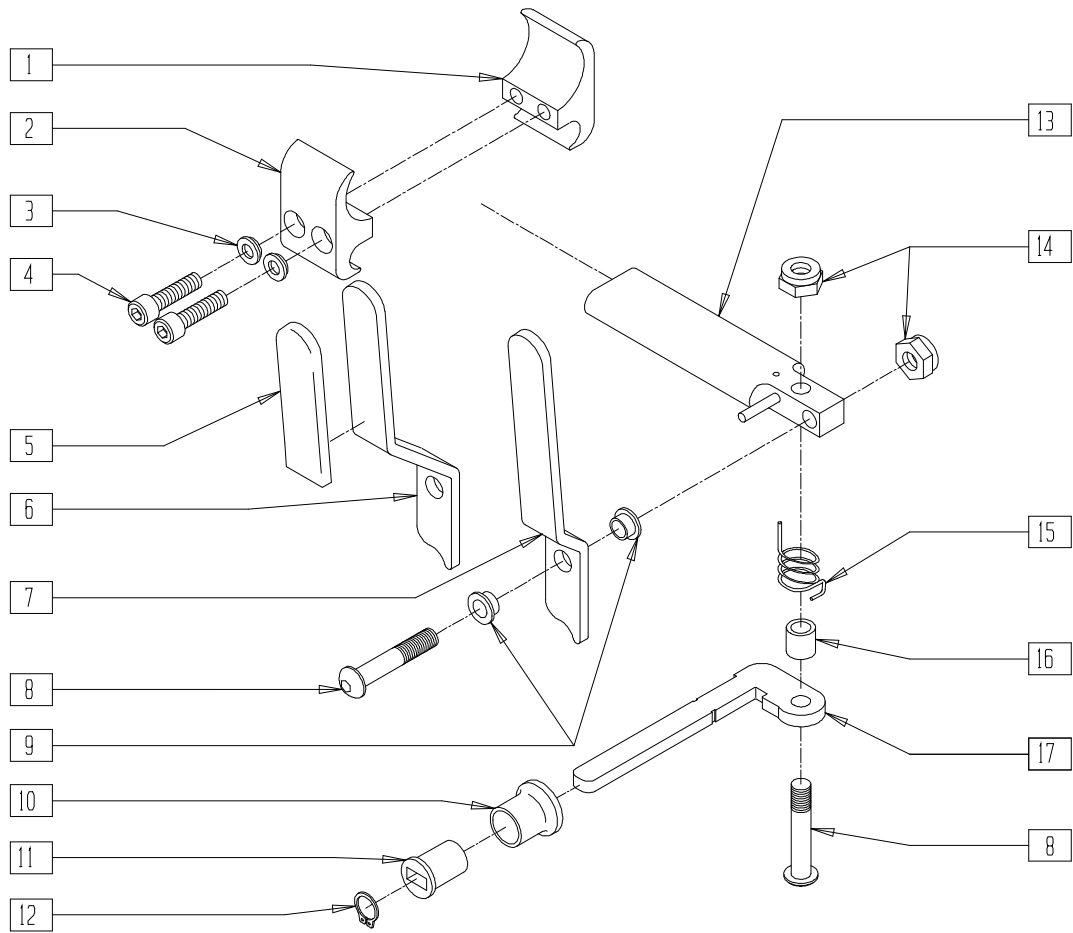


WLOX07B

ITEM	NUMBER	DESCRIPTION	QTY
1	560500-QU	HB PLASTIC COVER	1
1,2	880534, 880536	WHEEL LOCK ARM ASSEMBLY PULL W/GRIP AND PLASTIC COVER CLR (EA)	
1,2A	881796, 881797	WHEEL LOCK ARM ASSEMBLY PULL W/GRIP BLK	
3	560126	.250 ID .312 OD BUSHING PLASTIC	2
4	226110	1/4-28 x 1 BH C/S	2
5	561028	1/4" NYLON WASHER	4
6	550265	WHEEL LOCK SLIDE BLOCK 3 1/2" CLR	1
6A	550374	WHEEL LOCK SLIDE BLOCK 3 1/2" BLK	1
7	201100-QU	1/4-28 NYLOCK NUT THIN	2
8	550259	CLAMP 1 1/4" RECESS HALF CLR	1
8A	550659	CLAMP 1 1/4" RECESS HALF BLK	1
9	550258	CLAMP 1 1/4" THREADED CLR	1
9A	550658	CLAMP 1 1/4" THREADED BLK	1
10	262114	1/4 WASHER HI COLLAR LOCK ZN	2
11	226112	1/4-28 x 1 SOC C/S BLK	2
12	880916, 880917	GRADE AID PLATE W/WHEEL AND HARDWARE (EA)	1
12A	880904, 880905	GRADE AID PLATE W/WHEEL BLK AND HARDWARE (EA)	1
13	483027	1/4 x 1/4 ALUMINUM SPACER BLK	2
14	226130	1/4-28 x 1 1/2 BH C/S	2
8-11	880539	WHEEL LOCK CLAMP ASSM CLR	
1-11	880576, 880577	WHEEL LOCK PULL W/CLAMP CLR (EA)	
1-7	880566, 880567	WHEEL LOCK PULL W/O CLAMP CLR (EA)	
1-3,5-12	880578, 880579	WHEEL LOCK PULL W/GRADE AID AND CLAMP CLR (EA)	
1-11	901554	WHEEL LOCK PULL W/CLAMP CLR (PR)	

ITEM	NUMBER	DESCRIPTION	QTY
1-3,5-12	901552	WHEEL LOCK PULL W/GRADE AID AND CLAMP CLR (PR)	
8A,9A, 10,11	880594	WHEEL LOCK 1 AD CLAMP ASSM BLK	
1,2A,3-5, 6A,7	881752, 881753	WHEEL LOCK PULL W/O CLAMP BLK (EA)	
1,2A,3-5, 6A,7,12A	881756, 881757	WHEEL LOCK PULL W/GRADE AID W/O CLAMP BLK (EA)	
1,2A,3-5, 6A,7, 8A,9A, 10,11	881967, 881968	WHEEL LOCK PULL W/CLAMP BLK (EA)	
1,2A,3-5, 6A,7	881764, 881765	WHEEL LOCK PULL REV W/O CLAMP BLK (EA)	
1,2A,3-5, 6A,7,8A, 9A,10, 11,12A	881971, 881972	WHEEL LOCK PULL W/GRADE AID W/CLAMP BLK (EA)	
1,2A,3-5, 6A,7,8A, 9A,10,11	881975, 881976	WHEEL LOCK PULL REV W/CLAMP BLK (EA)	
1,2A,3-5, 6A,7,8A, 9A,10,11	901555	WHEEL LOCK PULL W/CLAMP BLK (PR)	
1,2A,3-5, 6A,7,8A, 9A,10, 11,12A	901558	WHEEL LOCK PULL W/GRADE AID W/CLAMP BLK (PR)	
1,2A,3-5, 6A,7,8A, 9A,10,11	901543	WHEEL LOCK PULL REV W/CLAMP BLK (PR)	

HIGH PUSH SWING-AWAY WHEEL LOCK

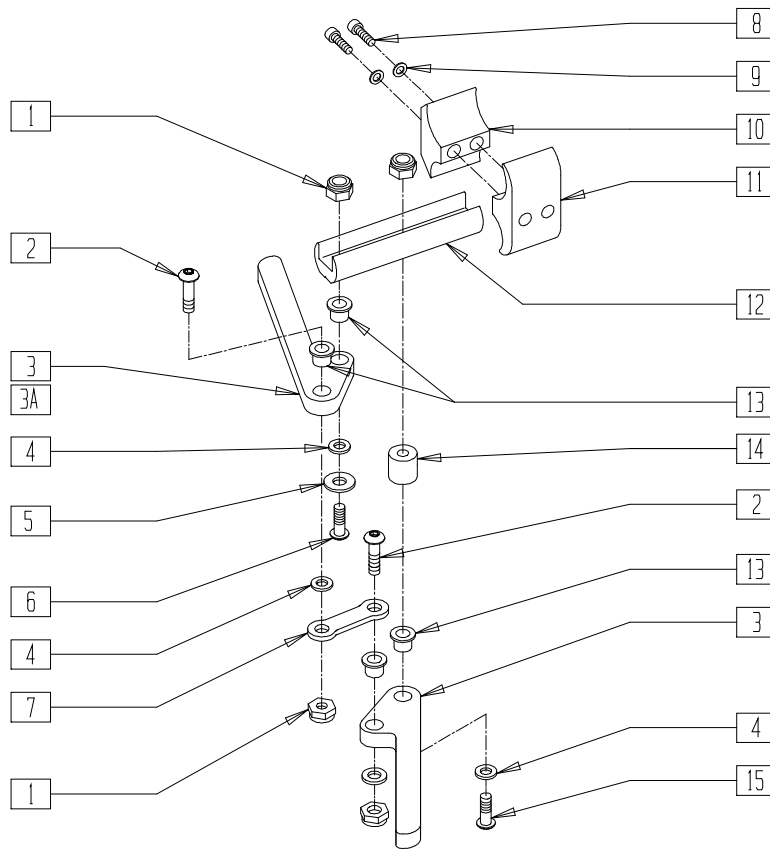


WLOX12

ITEM	NUMBER	DESCRIPTION	QTY
1	551258	CLAMP 1" THREADED HALF	1
2	551257	CLAMP 1" RECESS HALF	1
3	262114	1/4 WASHER HI COLLAR LOCK ZN	2
4	226112	1/4-28 x 1 SOC C/S BLK	2
5	560500	HB PLASTIC COVER	1
6	500304, 500305	WHEEL LOCK CAM LEVER WIDE (EA)	1
7	500302, 500303	WHEEL LOCK CAM LEVER (EA)	1
8	226131	1/4-28 x 1 1/4 BH C/S SHOULDER	2
9	262115	1/4" NYLON FLANGE BUSHING	2
13	880701, 880702	WHEEL LOCK ADJ BAR W/PIN (EA)	1
14	201120	1/4-28 AUTOMATION NUT	2
15	321778, 321779	SPRING WHEEL LOCK (EA)	1

ITEM	NUMBER	DESCRIPTION	QTY
16	481157	WHEEL LOCK SPACER	1
10-12,17	880514	WHEEL LOCK ARM 2" KNURL ASSEMBLY	
5,7-17	880790, 880791	HI PUSH S/A WHEEL LOCK (EA)	
1-5,7-17	880794, 880795	HI PUSH S/A WHEEL LOCK W/CLAMP (EA)	
5,6,8-17	880792, 880793,	HI PUSH S/A WHEEL LOCK WIDE (EA)	
1-6,8-17	880796, 880797	HI PUSH S/A WHEEL LOCK WIDE W/CLAMP (EA)	
1-5,7-17	901520	HI PUSH S/A WHEEL LOCK W/CLAMP (PR)	
1-6,8-17	901521	HI PUSH S/A WHEEL LOCK WIDE W/CLAMP (PR)	

HIGH-MOUNT SCISSOR WHEEL LOCK

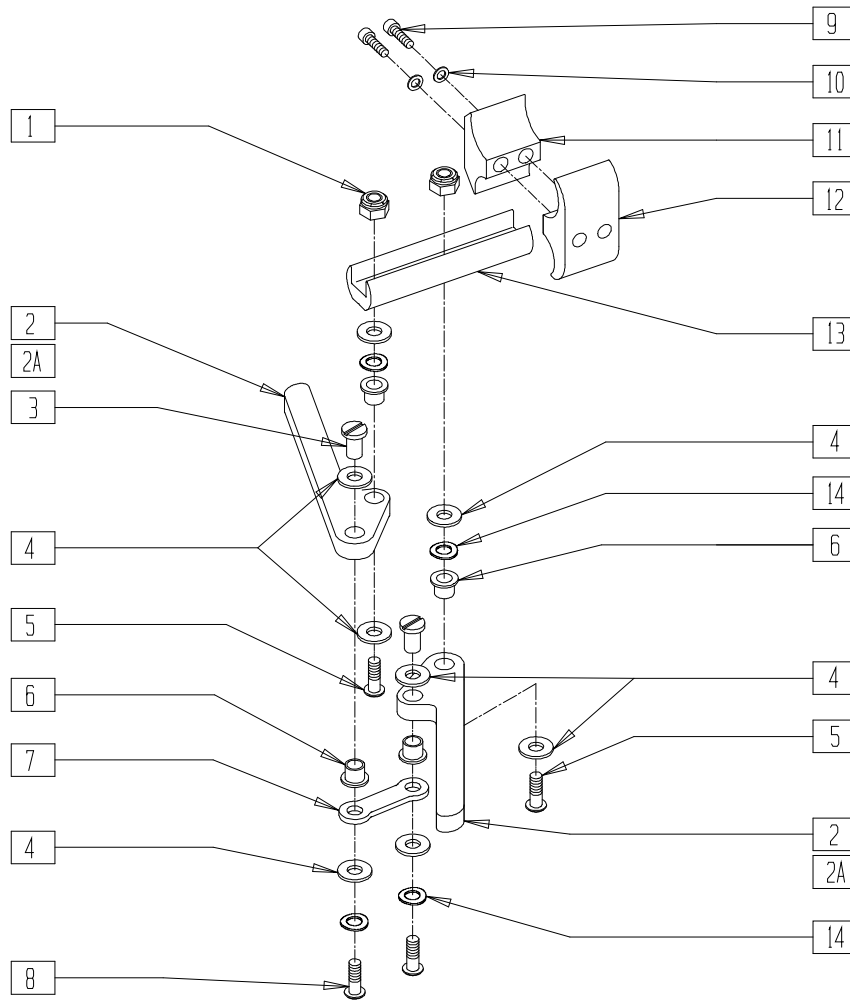


WL00X10

ITEM	NUMBER	DESCRIPTION	QTY
1	201100	1/4-28 NYLOCK NUT THIN	4
2	226100	1/4-28 x 3/4 BH C/S	2
3	550232	HI-MOUNT SCISSOR WHEEL LOCK ARM	2
3A	550231	HI-MOUNT SCISSOR WHL LOCK ARM LONG	2
4	561028	1/4" NYLON WASHER	4
5	262120	1/4 SAE WASHER	1
6	226122	1/4-28 x 1.10 BH C/S	1
7	504995	TOGGLE LINK 1.125	1
8	226112	1/4-28 x 1 SOC C/S BLK	2
9	262114	1/4 WASHER HI COLLAR LOCK ZN	2
10	550259	CLAMP 1 1/4" RECESS HALF CLR	1
11	550258	CLAMP 1 1/4" THREADED CLR	1
12	550374	WHEEL LOCK SLIDE BLOCK 3 1/2" BLK	1
13	560126	.250 ID .312 OD BUSHING PLASTIC	4

ITEM	NUMBER	DESCRIPTION	QTY
14	483027	1/4 x 1/4 ALUMINUM SPACER BLK	2
15	226130	1/4-28 x 1 1/2 BH C/S	1
8-11	880539	WHEEL LOCK CLAMP ASSEMBLY CLR	
1-7	880608,	WHEEL LOCK SCISSOR HI-MOUNT (EA)	
12-15	880609		
	901501,	WHEEL LOCK SCISSOR W/CLAMP (EA)	
1-15	901503		
	901505	WHEEL LOCK SCISSOR W/CLAMP (PR)	
1-3,3A,4-7,	880612,	WHEEL LOCK SCISSOR HI-MOUNT	
12-15	880613	LONG W/CLAMP (EA)	
	901507,	WHEEL LOCK SCISSOR LONG	
1,2,3A,	901509	W/CLAMP (EA)	
4-15	901510	WHEEL LOCK SCISSOR LONG W/CLAMP (PR)	

HIGH-MOUNT SCISSOR WHEEL LOCK (QUICKIE REVOLUTION)

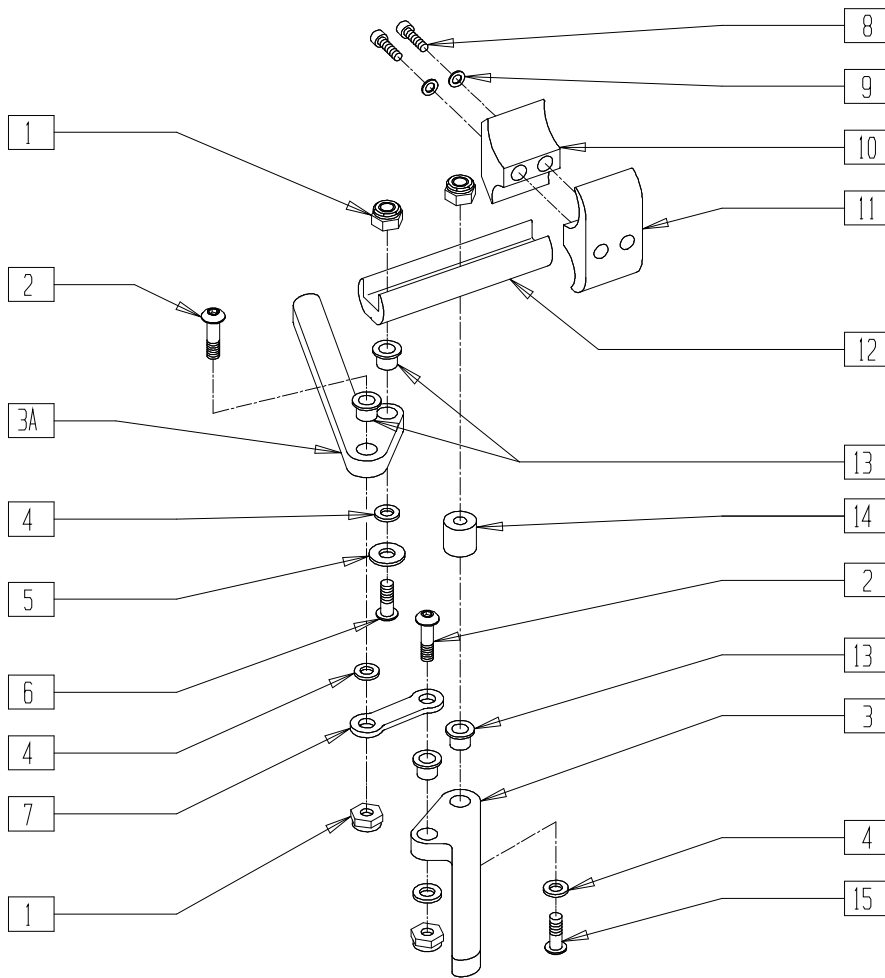


WL00X13

ITEM	NUMBER	DESCRIPTION	QTY
1	201100	1/4-28 NYLOCK NUT THIN	2
2	550232	HI-MOUNT SCISSOR WHEEL LOCK ARM BLK	2
2A	550231	HI-MOUNT SCISSOR WHL LOCK ARM LONG	2
3	341508	10-32 x .620 SLOT RIVNUT	2
4	561028	1/4" NYLON WASHER	8
5	226122	1/4-28 x 1.10 BH C/S	2
6	560126	.250 ID .312 OD BUSHING PLASTIC	4
7	504995	TOGGLE LINK 1.125	1
8	226023	10-32 x 7/16 BH C/S BLK	2
9	226112	1/4-28 x 1 SOC C/S BLK	2
10	262114	1/4 WASHER HI COLLAR LOCK ZN	2
11	550658	CLAMP 1 1/4" THREADED BLK	1
12	550659	CLAMP 1 1/4" RECESS HALF BLK	1

ITEM	NUMBER	DESCRIPTION	QTY
13	550374	WHEEL LOCK SLIDE BLOCK 3 1/2" BLK	1
14	262130	6mm WASHER WAVE	4
9-12	880594	WHEEL LOCK CLAMP ASSEMBLY BLK	
1-8,	880720,	WHEEL LOCK SCISSOR	
13,14	880721	HI-MOUNT REG RV (EA)	
1,2,2A,	880722,	WHEEL LOCK SCISSOR	
3-8,13,14	880723	HI-MOUNT LONG RV (EA)	
1-14	901511, 901512	WHEEL LOCK SCISSOR REG RV W/CLAMP (EA)	
1,2,3A,	901515,	WHEEL LOCK SCISSOR LONG	
4-15	901516	RV W/CLAMP (EA)	
1-14	901514	WHL LCK SCISSOR REG RV W/CLMP (PR)	
1,2,3A, 4-15	901517	WHL LCK SCISSOR LONG RV W/CLMP (PR)	

HIGH-MOUNT SCISSOR WHEEL LOCK (QUICKIE XTR)

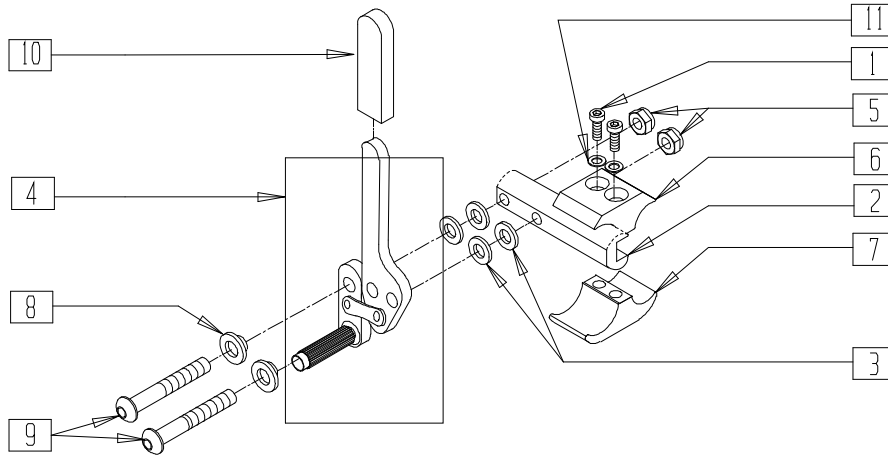


SUS00X35

ITEM	NUMBER	DESCRIPTION	QTY
1	201100	1/4-28 NYLOCK NUT THIN	4
2	226100	1/4-28 x 3/4 BH C/S	2
3	550232	HI-MNT SCISSOR WHEEL LOCK ARM BLK	1
3A	550231	HI-MNT SCISSOR WHEEL LOCK ARM LNG	1
4	561028	1/4" NYLON WASHER	4
5	262120	1/4 SAE WASHER	1
6	226122	1/4-28 x 1.10 BH C/S	1
7	504995	TOGGLE LINK 1.125	1
8	226112	1/4-28 x 1 SOC C/S BLK	2
9	262114	1/4 WASHER HI COLLAR LOCK ZN	2
10	550064	WHEEL LOCK CLAMP 1 1/8" REC XTR	1

ITEM	NUMBER	DESCRIPTION	QTY
11	550065	WHEEL LOCK CLAMP 1 1/8" THRD XTR	1
12	550374	WHEEL LOCK SLIDE BLOCK 3 1/2" BLK	1
13	560126	.250 ID .312 OD BUSHING PLASTIC	4
14	483027	1/4 x 1/4 ALUMINUM SPACER BLK	2
15	226130	1/4-28 x 1 1/2 BH C/S	1
8-11	881054	WHEEL LOCK CLAMP ASSEMBLY XTR	
1-3,3A,4-7,12-15	880612, 880613	WHEEL LOCK SCISSOR HI-MNT LONG (EA)	
1-15	881055, 881056	WHEEL LOCK SCISSOR W/CLAMP LONG XTR	
	901576	WHEEL LOCK SCISSOR W/CLAMP XTR (PR)	

HIGH WHEEL LOCK (PUSH-TO-LOCK) (QUICKIE XTR)

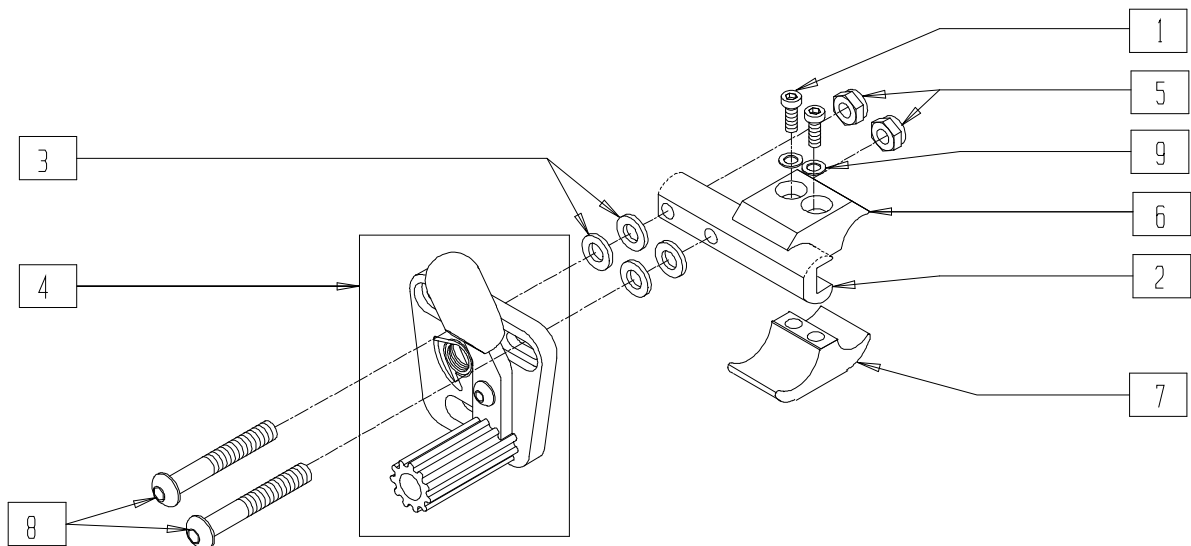


SUS00X38

ITEM	NUMBER	DESCRIPTION	QTY
1	226112	1/4-28 x 1 SOC C/S BLK	2
2	550374	WHEEL LOCK SLIDE BLOCK 3 1/2" BLK	1
3	561028	1/4" NYLON WASHER	4
4,10	880530, 880532	WHEEL LOCK ARM ASSEMBLY PUSH W/GRIP AND PLASTIC COVER (EA)	
5	201100	1/4-28 NYLOCK NUT THIN	2
6	550064	WHEEL LOCK CLAMP 1 1/8" REC XTR	1
7	550065	WHEEL LOCK CLAMP 1 1/8" THRD XTR	1

ITEM	NUMBER	DESCRIPTION	QTY
8	560126	.250 ID .312 OD BUSHING PLASTIC	2
9	226110	1/4-28 x 1 BH C/S	2
10	560500	HB PLASTIC COVER	1
11	262114	1/4 WASHER HI COLLAR LOCK ZN	2
1-11	901577	WHEEL LOCK PUSH W/CLAMP XTR	
2-5, 8-10	880560, 880561	WHEEL LOCK PUSH W/O CLAMP XTR	
1,6,7,11	881054	WHEEL LOCK CLAMP ASSEMBLY XTR	

SHORT-THROW HIGH-MOUNT WHEEL LOCK (QUICKIE XTR)

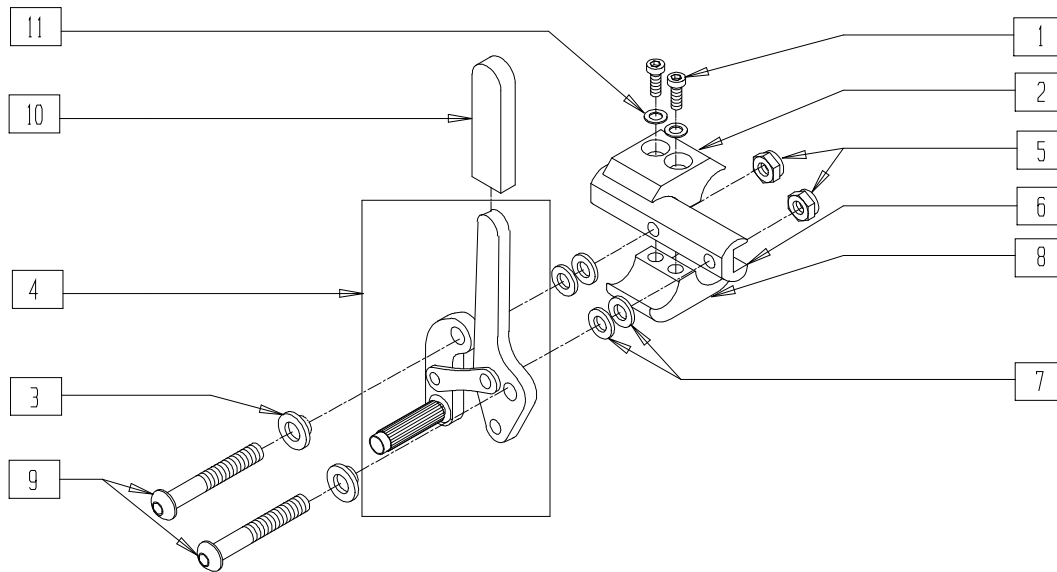


SUS00X41

ITEM	NUMBER	DESCRIPTION	QTY
1	226112	1/4-28 x 1 SOC C/S BLK	2
2	550374	WHEEL LOCK SLIDE BLOCK 3 1/2" BLK	1
3	561028	1/4" NYLON WASHER	4
4	880054, 880055	WHEEL LOCK ADJ (EA)	1
5	201100-QU	1/4-28 NYLOCK NUT THIN	2
6	550064	WHL LOCK CLAMP 1 1/8" RECESS XTR	1

ITEM	NUMBER	DESCRIPTION	QTY
7	550065	WHEEL LOCK CLAMP 1 1/8" THRD XTR	1
8	226168	1/4-28 x .875 BH C/S	2
9	262114	1/4 WASHER HI COLLAR LOCK ZN	2
2-5,8	881095, 881096	WHEEL LOCK PUSH W/O CLAMP (EA)	
1-9	901529	WHEEL LOCK ADJ W/CLAMP XTR (PR)	

HIGH WHEEL LOCK (PULL-TO-LOCK) (QUICKIE XTR)



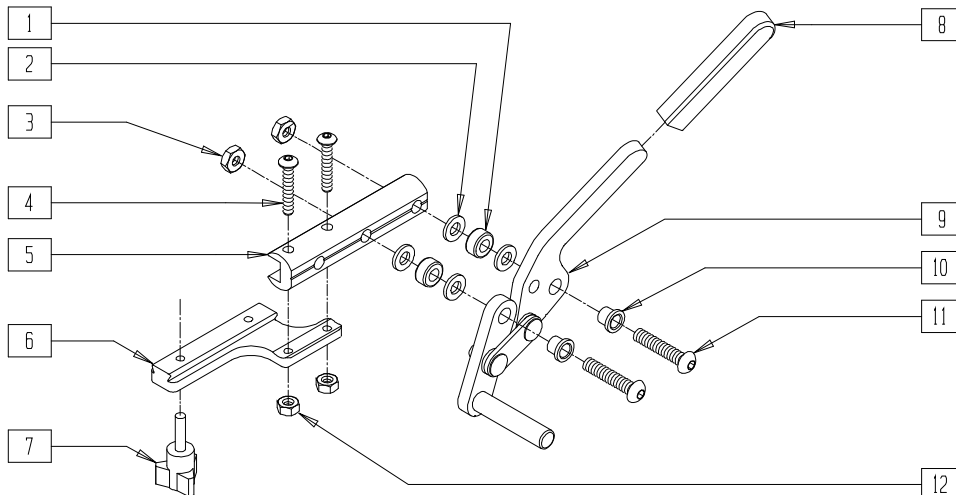
SUS00X39

ITEM	NUMBER	DESCRIPTION	QTY
1	226112	1/4-28 x 1 SOC C/S BLK	2
2	550064	WHEEL LOCK CLAMP 1 1/8" REC XTR	1
3	560126	.250 ID .312 OD BUSHING PLASTIC	2
4,10	880534, 880536	WHEEL LOCK ARM ASSEMBLY PULL W/GRIP AND PLASTIC COVER (EA)	
5	201100	1/4-28 NYLOCK NUT THIN	2
6	550374	WHEEL LOCK SLIDE BLOCK 3 1/2" BLK	1
7	561028	1/4" NYLON WASHER	4

ITEM	NUMBER	DESCRIPTION	QTY
8	550065	WHEEL LOCK CLAMP 1 1/8" THRD XTR	2
9	226110	1/4-28 x 1 BH C/S	2
10	560500	HB PLASTIC COVER	1
11	262114	1/4 WASHER HI COLLAR LOCK ZN	2
1-10	901578	WHEEL LOCK PULL W/CLAMP XTR	
3-7, 9-10	880566, 880567	WHEEL LOCK PULL W/O CLAMP (EA)	
1,2,8,11	881054	WHEEL LOCK CLAMP ASSEMBLY XTR	

HIGH WHEEL LOCK (PUSH-TO-LOCK) (Quickie TNT)

(Quickie TNT discontinued 2/01-Parts only)

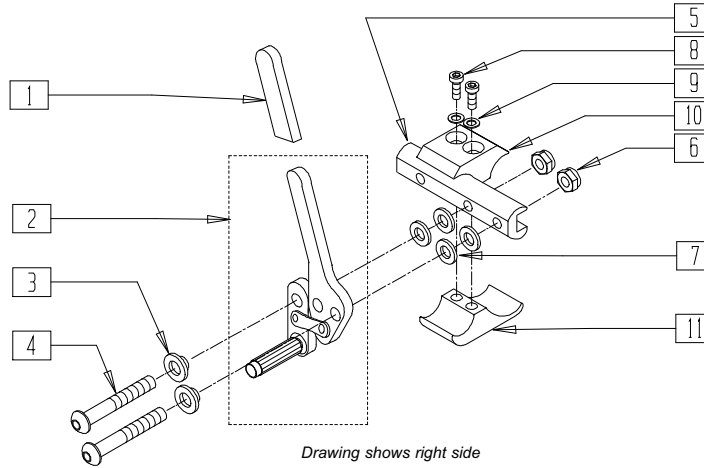


WLCK_TNT

ITEM	NUMBER	DESCRIPTION	QTY
1	483027	1/4 x 1/4 ALUM SPACER BLK	2
2	561028	1/4" NYLON WASHER	4
3	201100-QU	1/4-28 NYLOCK NUT THIN	2
4	226052	10-32 x 1 1/8" BH C/S	2
5	550594	HIGH PUSH WHL LOCK SLIDE BLK QTNT	1
6	550595, 550596	HIGH PUSH WHEEL LOCK BRACKET QTNT (EA)	1
7	341524	10/32 x 3/4 THUMB SCREW	1
8	560500-QU	HB PLASTIC COVER	1

ITEM	NUMBER	DESCRIPTION	QTY
9	880732, 880735	WHEEL LOCK ARM ASSEMBLY W/GRIP BLK (EA)	1
10	560126	.250 ID .312 OD BUSHING PLST	2
11	226129	1/4-28 x 1 1/4 BH C/S	2
12	200101-QU	10-32 NYLOCK NUT THIN	2
1-7,9-12	880908, 880909, 900170	WHEEL LOCK ASSEMBLY PUSH BLK QTNT (EA)	
		WHEEL LOCK ASSM PUSH BLK QTNT	

WHEEL LOCK (PUSH-TO-LOCK) (QUICKIE R2)



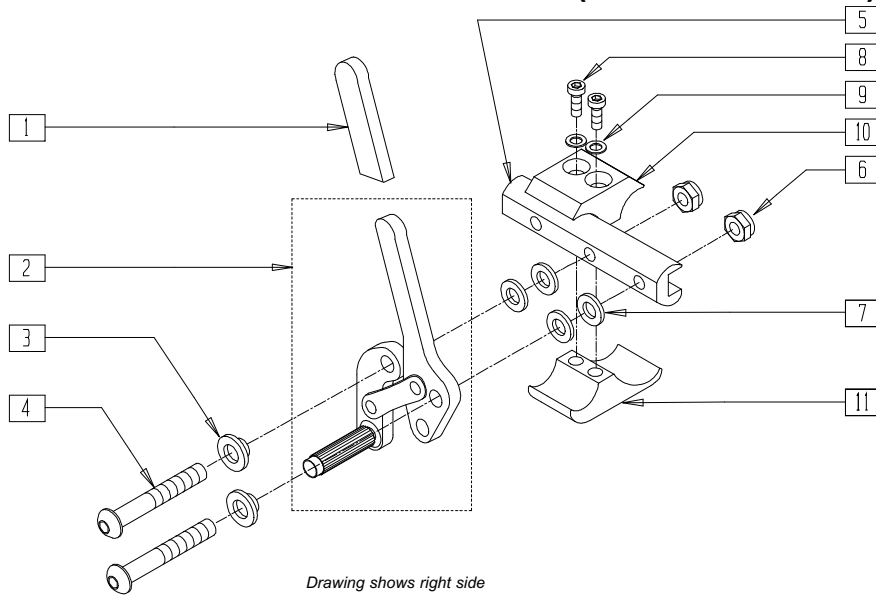
Drawing shows right side

R200X08

ITEM	NUMBER	DESCRIPTION	QTY
1	560500-QU	HB PLASTIC COVER	1
1,2	880732, 880735	WHEEL LOCK ARM ASSM W/GRIP BLK (EA)	
3	560126	.250 ID .312 OD BUSHING PLST	2
4	226110	1/4-28 x 1 BH C/S	2
5	550374	WHEEL LOCK SLIDE BLOCK 3 1/2" BLK	1
6	201100-QU	1/4-28 NYLOCK NUT THIN	2
7	561028	1/4" NYLON WASHER	4
8	226112	1/4-28 x 1 SOC C/S BLK	2
9	262114	1/4 WASHER HI COLLAR LOCK ZN	2

ITEM	NUMBER	DESCRIPTION	QTY
10	550443	WHEEL LOCK CLAMP RECESS R2	1
11	550442	WHEEL LOCK CLAMP THREADED R2	1
8-11	881097	WHEEL LOCK CLAMP ASSM BLK	
1-7	881750, 881751	WHEEL LOCK PUSH ASSM W/O CLAMP BLK (EA)	
1-11	881953, 881954	WHEEL LOCK PUSH ASSM W/CLAMP BLK R2	
	901572	WHL LOCK PUSH W/CLAMP BLK R2 (PR)	

WHEEL LOCK (PULL-TO-LOCK) (QUICKIE R2)



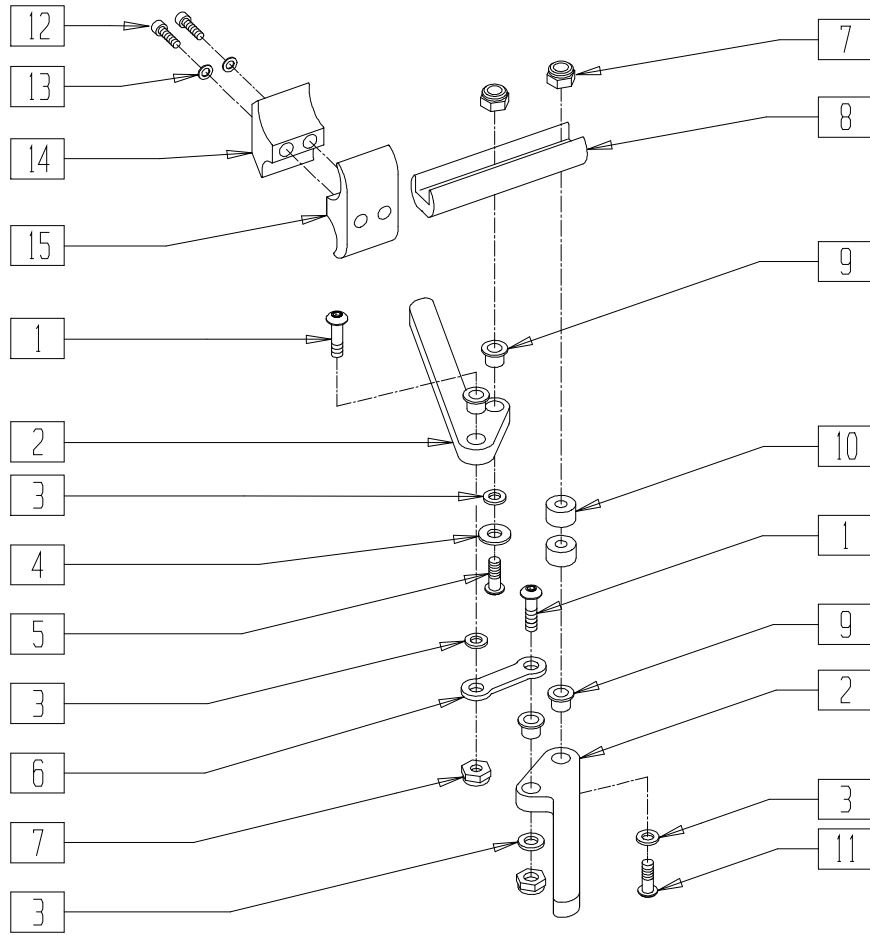
Drawing shows right side

R200X09

ITEM	NUMBER	DESCRIPTION	QTY
1	560500-QU	HB PLASTIC COVER	1
1,2	881796, 881797	WHLCK ARM ASM R PLL W/GRIP BLK (EA)	
3	560126	.250 ID .312 OD BUSHING PLST	2
4	226110	1/4-28 x 1 BH C/S	2
5	550374	WHEEL LOCK SLIDE BLOCK 3 1/2" BLK	1
6	201100-QU	1/4-28 NYLOCK NUT THIN	2
7	561028	1/4" NYLON WASHER	4
8	226112	1/4-28 x 1 SOC C/S BLK	2
9	262114	1/4 WASHER HI COLLAR LOCK ZN	2

ITEM	NUMBER	DESCRIPTION	QTY
10	550443	WHEEL LOCK CLAMP RECESS R2	1
11	550442	WHEEL LOCK CLAMP THREADED R2	1
8-11	881097	WHEEL LOCK CLAMP ASSM BLK	
1-7	881752, 881753	WHEEL LOCK PULL ASSM W/O CLAMP BLK (EA)	
1-11	881955, 881956	WHEEL LOCK PULL ASSM W/CLAMP BLK R2 (EA)	
	901573	WHL LOCK PULL W/CLAMP BLK R2 (PR)	

HIGH-MOUNT SCISSOR WHEEL LOCK (QUICKIE R2)



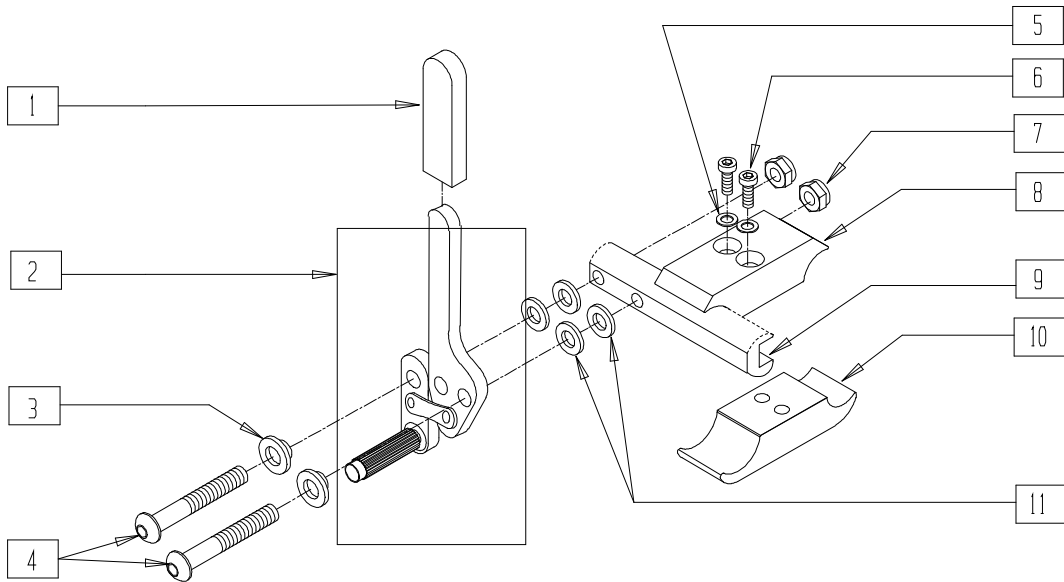
Drawing shows right side

R200X07

ITEM	NUMBER	DESCRIPTION	QTY
1	226100	1/4-28 x 3/4 BH C/S	2
2	550232	HI-MNT SCISSOR WHEEL LOCK ARM BLK	2
3	561028	1/4" NYLON WASHER	4
4	262120	1/4" SAE WASHER	1
5	226122	1/4-28 x 1.10 BH C/S	1
6	504995	TOGGLE LINK 1.125	1
7	201100-QU	1/4-28 NYLOCK NUT THIN	4
8	550374	WHEEL LOCK SLIDE BLOCK 3 1/2" BLK	1
9	560126	.250 ID .312 OD BUSHING PLST	4
10	483027	1/4 x 1/4 ALUM SPACER BLK	2

ITEM	NUMBER	DESCRIPTION	QTY
11	226130	1/4-28 x 1 1/2 BH C/S	1
12	226112	1/4-28 x 1 SOC C/S BLK	2
13	262114	1/4 WASHER HI COLLAR LOCK ZN	2
14	550443	WHEEL LOCK CLAMP RECESS R2	1
15	550442	WHEEL LOCK CLAMP THREADED R2	1
12-15	881097	WHEEL LOCK CLAMP ASSY BLK	
1-11	880608, 880609	WHEEL LOCK SCISSOR HI-MNT BLK (EA)	
1-15	901546, 901547	WHEEL LOCK SCISSOR W/CLAMP BLK R2 (EA)	

HIGH WHEEL LOCK (PUSH-TO-LOCK) (QUICKIE M6)

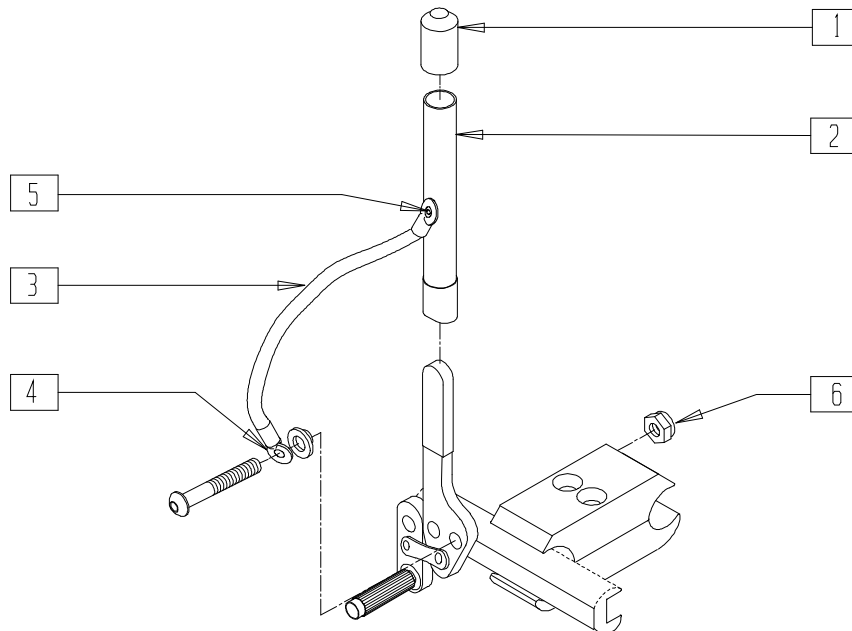


MAG00X28

ITEM	NUMBER	DESCRIPTION	QTY
1,2	880732, 880735	WHEEL LOCK ARM ASSEMBLY W/GRIP BLK AND PLASTIC COVER	
3	560126	.250 ID .312 OD BUSHING PLST	2
4	226110	1/4-28 x 1 BH C/S	2
5	262114	1/4 WASHER HI COLLAR LOCK ZN	2
6	226112	1/4-28 x 1 SOC C/S BLK	2
7	201100	1/4-28 NYLOCK NUT THIN	2
8	550477	CLAMP 2 1/4" RECESS BLK	1
9	550447	WHEEL LOCK SLIDE BLOCK	1

ITEM	NUMBER	DESCRIPTION	QTY
10	550576	CLAMP 2 1/4" THREADED BLK	1
11	561028	1/4" NYLON WASHER	4
1-4,7,9,11	881758, 881759	WHEEL LOCK PUSH W/O CLAMP BLK (EA)	
1-11	881985, 881986	WHEEL LOCK PUSH W/GROWING CLAMP BLK (EA)	
	901561	WHL LOCK PUSH W/GRW CLAMP BLK (PR)	

HIGH WHEEL LOCK EXTENSION HANDLE (QUICKIE M6)

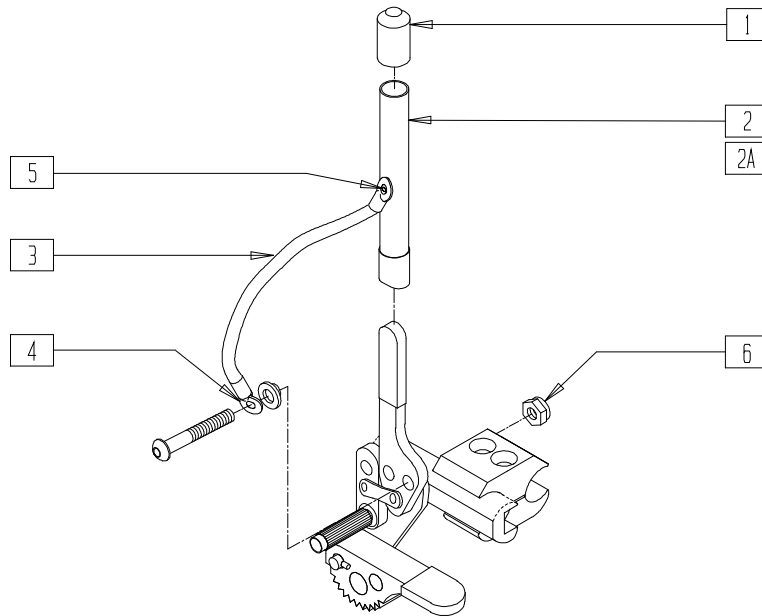


MAG00X29

ITEM	NUMBER	DESCRIPTION	QTY
1	560600	1-1/2" x .705 x .187 FOAM GRIP	1
3,4	880555	WHEEL LOCK EXT STRAP	
5	240104	1 RIVET POP SD44BSLF BLK	1
6	201100	1/4-28 NYLOCK NUT THIN	1

ITEM	NUMBER	DESCRIPTION	QTY
1-6	880696	WHEEL LOCK 6" EXT TUBE ASSEMBLY (EA)	
	920032	WHEEL LOCK 6" EXT TUBES (PR)	

HIGH WHEEL LOCK EXTENSION HANDLE



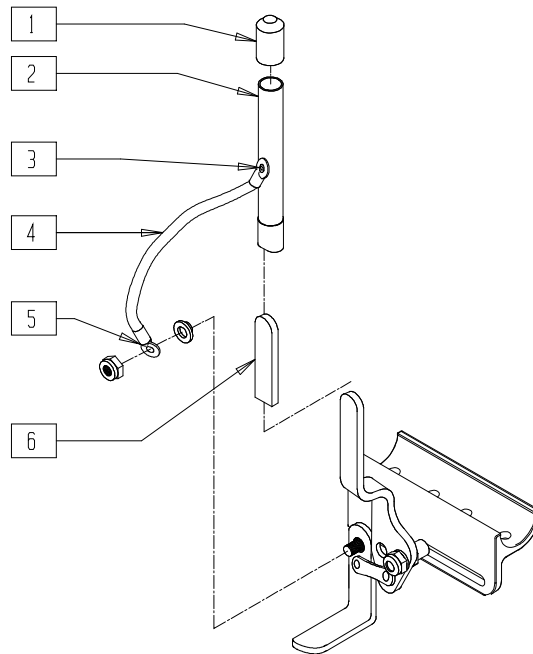
WLOX08

ITEM	NUMBER	DESCRIPTION	QTY
1	560600	1 1/2 x .705 x .187 FOAM GRIP	1
3,4	880555	WHEEL LOCK EXT STRAP	
5	240104	RIVET POP SD44BSLF BLK	1
6	201100	1/4-28 NYLOCK NUT THIN	1

ITEM	NUMBER	DESCRIPTION	QTY
1-6	880696	WHEEL LOCK 6" EXT TUBE ASSM (EA)	
1,2A,3-6	880697	WHEEL LOCK 9" EXT TUBE ASSM (EA)	
1-6	920032	WHEEL LOCK 6" EXT TUBES (PR)	
1,2A,3-6	920034	WHEEL LOCK 9" EXT TUBES (PR)	

WHEEL LOCK EXTENSION HANDLE (BREEZY 500/510/510 RECLINER/600/2)

(Breezy 2 discontinued 5/98 - parts only)



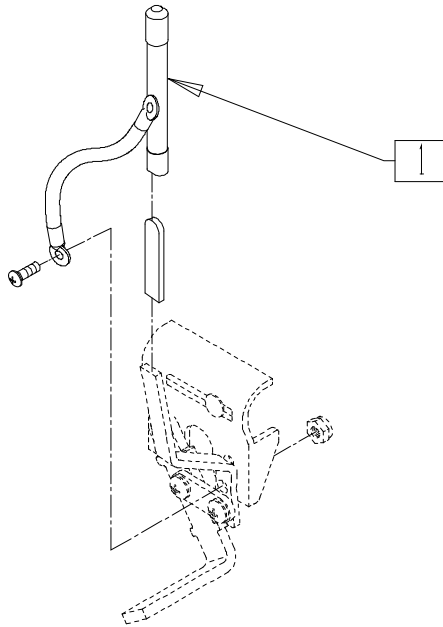
WLOX16A

ITEM	NUMBER	DESCRIPTION	QTY
1	560600	1 1/2 x .705 x .187 FOAM GRIP	1
3	240104	RIVET POP SD44BSLF BLK	1
4,5	880555	WHEEL LOCK EXT STRAP	

ITEM	NUMBER	DESCRIPTION	QTY
6*	560507	WHEEL LOCK PLASTIC COVER BR	1
1-5	880696	WHEEL LOCK 6" EXT TUBE ASSEM (EA)	
	920032	WHEEL LOCK 6" EXT TUBES (PR)	

* ORDER ITEM 6 WHEN USING ITEM 2.

WHEEL LOCK EXTENSION HANDLE (BREEZY 100/150)

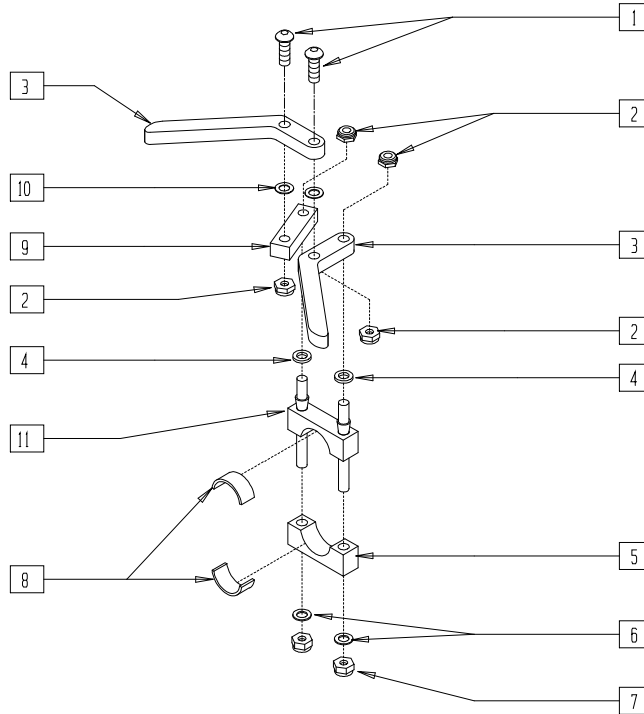


BZ100X13

ITEM	NUMBER	DESCRIPTION	QTY
1	BZ140	WHEEL LOCK EXTENSION (PR)	1

LOW WHEEL LOCK ASSEMBLY (QUICKIE CARBON)

(Discontinued 3/1/95 - parts only)



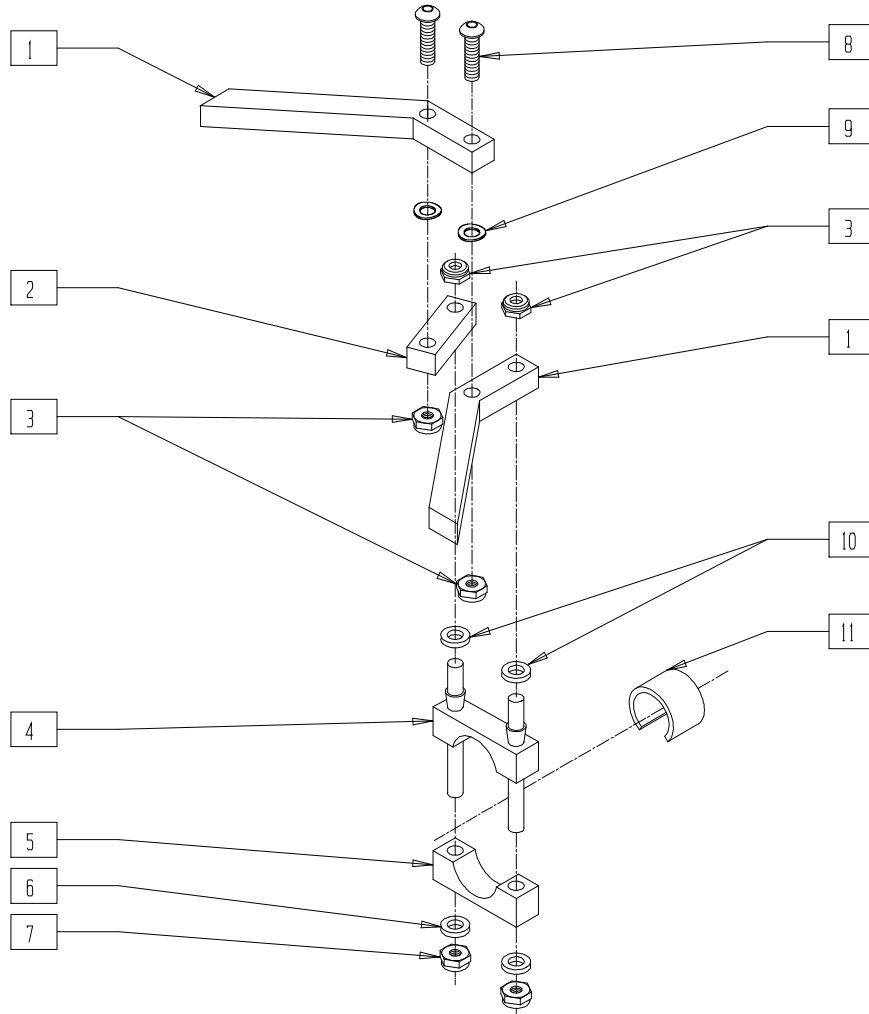
COMP3X08

ITEM	NUMBER	DESCRIPTION	QTY
1	226110	1/4-28 x 1 BH C/S	2
2	201100	1/4-28 NYLOCK NUT THIN	4
3	550230	LOW LOCK ARM	2
4	561328	1/4" x .032 NYLON WASHER	2
5	550210	LOW LOCK CLAMP	1
6	262100-QU	1/4 AN WASHER FLAT	2
7	201110	1/4-28 NYLOCK NUT	2
8	562835	QC LOW LOCK CLAMP PAD	1

ITEM	NUMBER	DESCRIPTION	QTY
9	550240	LOW LOCK TOGGLE	1
10	262130	6mm WASHER WAVE	2
11	880540	QC LOW LOCK CLAMP W/STUDS	1
13 5.8	880542	QC LOW LOCK CLAMP W/PAD	
1-4,9-11	880604, 880605	QC LOW LOCK W/O CLAMP (EA)	
1-11	901502	QC LOW LOCK ASSEMBLY(PR)	

LOW MOUNT WHEEL LOCK

(ST/DT discontinued 7/1/98 - parts only)



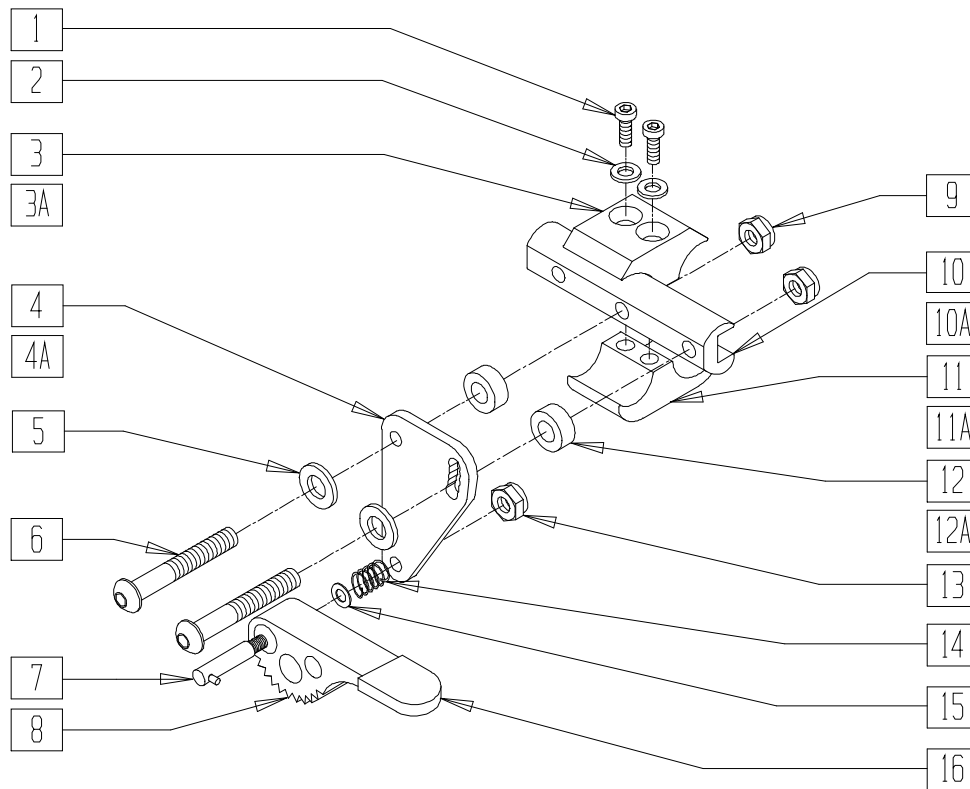
RG000X06

ITEM	NUMBER	DESCRIPTION	QTY
1	550230	LOW LOCK ARM	2
2	550240	LOW LOCK TOGGLE	1
3	201100-QU	1/4-28 NYLOCK NUT THIN	4
4	880525	LOW LOCK CLAMP W/STUDS ONE/DT	1
5	550210	LOW LOCK CLAMP BLK	1
6	262100-QU	1/4 AN WASHER FLAT	2
7	201110-QU	1/4-28 NYLOCK NUT	2
8	226110	1/4-28 x 1 BH C/S	2
9	262130	6mm WASHER WAVE	2
10	561028	1/4" NYLON WASHER	2
11*	580075	WHEEL LOCK SHIM LOW	1

ITEM	NUMBER	DESCRIPTION	QTY
2-10	880601, 880603	LOW LOCK W/CLAMP (EA)	
	901500	LOW LOCK ASSM (PR)	
1-4,8-10	880600, 880602	LOW LOCK NO CLAMP (EA)	
	880641, 880643	LOW LOCK W/O CLAMP ONE/DT (EA)	
	880681, 880683	LOW LOCK W/CLAMP ONE/DT (EA)	
1-11	880681, 880683	LOW LOCK W/CLAMP ONE/DT (EA)	
	901506	LOW LOCK ASSEMBLY ONE/DT (PR)	

* PART NUMBER 580075 USED WITH ST/DT DISCONTINUED - PARTS ONLY.

GRADE AID ONLY ASSEMBLY

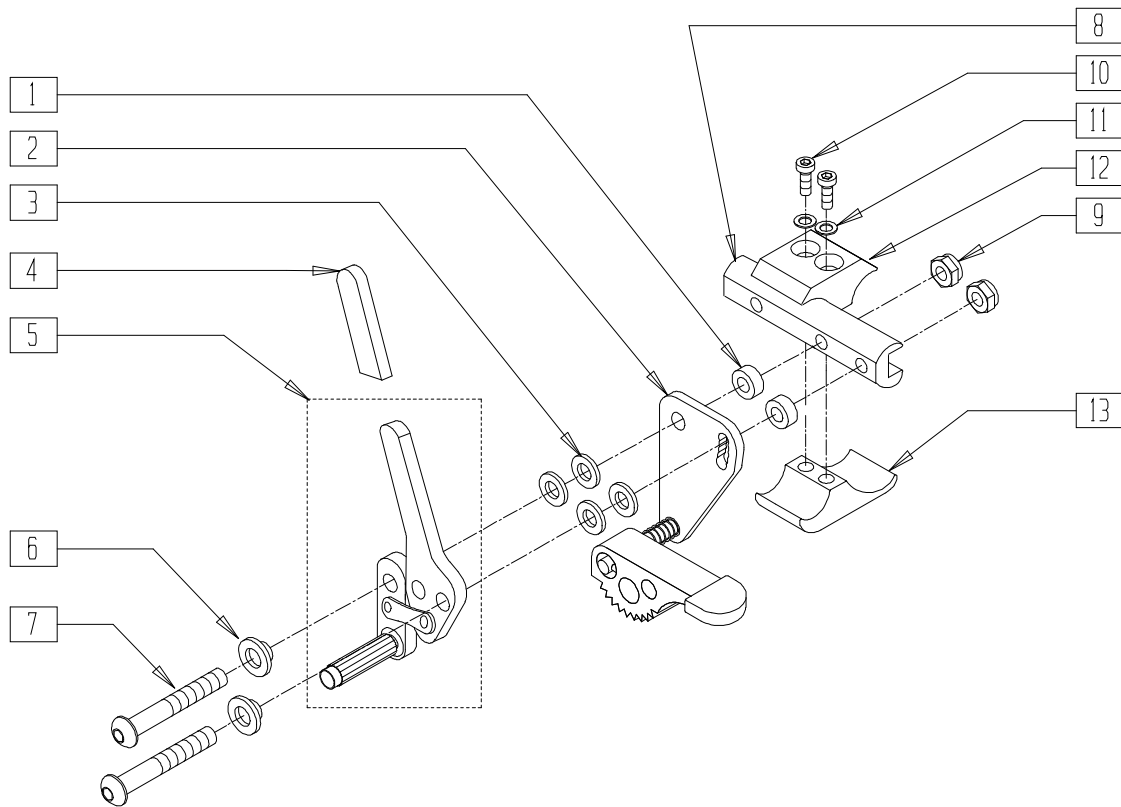


WLOX09A

ITEM	NUMBER	DESCRIPTION	QTY
1	226112	1/4-28 x 1 SOC C/S BLK	2
2	262114	1/4 WASHER HI COLLAR LOCK ZN	2
3	550259	CLAMP 1 1/4" RECESS HALF CLR	1
3A	550659	CLAMP 1 1/4" RECESS HALF BLK	1
4	500174	GRADE AID PLATE	1
4A	500274	GRADE AID PLATE BLK	1
5	561028	1/4" NYLON WASHER	2
6	226122	1/4-28 x 1.10 BH C/S	2
7	481021	GRADE AID ROD W/PIN WHEEL LOCK	1
8	561090, 561091	GRADE AID WHEEL NEW	1
9	201100-QU	1/4-28 NYLOCK NUT THIN	2
10	550265	WHEEL LOCK SLIDE BLOCK 3 1/2" CLR	1
10A	550374	WHEEL LOCK SLIDE BLOCK 3 1/2" BLK	1
11	550258	CLAMP 1 1/4" THREADED CLR	1
11A	550658	CLAMP 1 1/4" THREADED BLK	1
12	483101	1/4 x 1/4 ALUM SPACER CLEAR	2
12A	483027	1/4 x 1/4 ALUM SPACER BLK	2
13	201100-QU	1/4-28 NYLOCK NUT THIN	1

ITEM	NUMBER	DESCRIPTION	QTY
14	321130	GRADE AID SPRING	1
15	263110-QU	5/16 AN WASHER FLAT THIN	1
16	560503	GRADE AID HANDLE COVER	1
1-3,11	880539	WHEEL LOCK CLAMP ASSM CLR	
1,2,3A,11A	880594	WHEEL LOCK/1AD CLAMP ASSM BLK	
4,7,8, 13-16	880906, 880907	GRADE AID PLATE W/WHEEL CLR (EA)	
4A,7,8, 13-16	880904, 880905	GRADE AID PLATE W/WHEEL BLK (EA)	
4-10, 12-16	883170, 883171	GRADE AID ASSM CLR NO CLAMP (EA)	
4A,5-9,10A, 12A,13-16	880912, 880913	GRADE AID ASSM BLK NO CLAMP (EA)	
1-16	883172, 883173	GRADE AID ASSM CLR W/CLAMP (EA)	
1,2,3A,4A, 5-9,10A,	880914, 880915	GRADE AID ASSM BLK W/CLAMP (EA)	
11A,12A, 13-16	900904	GRADE AID ASSM BLK W/CLAMP (PR)	
1-16	900905	GRADE AID ASSM CLR W/CLAMP (PR)	

WHEEL LOCK PUSH WITH GRADE AID (QUICKIE R2)



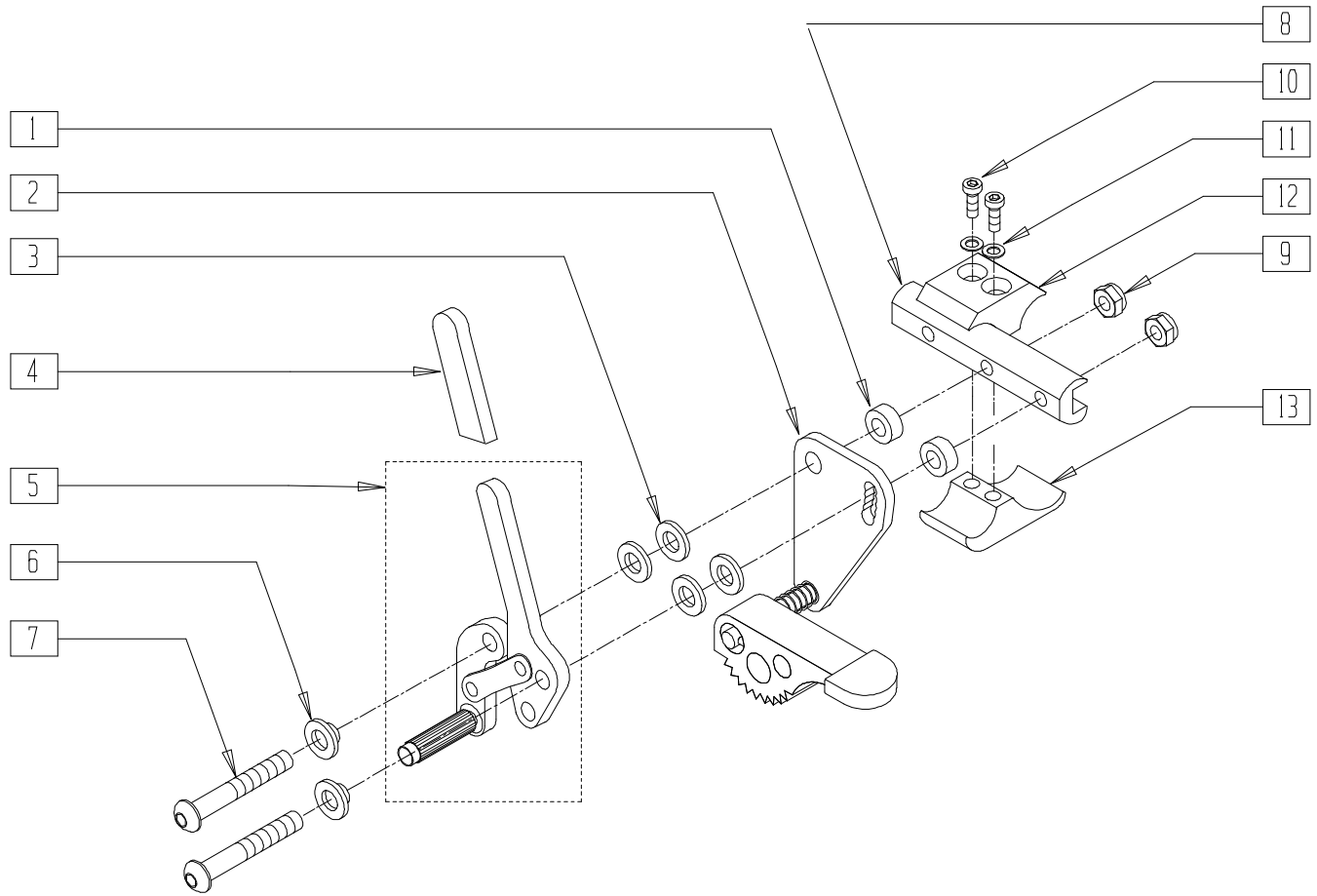
Drawing shows right side

R200X08A

ITEM	NUMBER	DESCRIPTION	QTY
1	483027	1/4 x 1/4 ALUM SPACER BLK	2
2	880904, 880905	GRADE AID PLATE W/WHEEL BLK (EA)	1
3	561028	1/4" NYLON WASHER	4
4	560500-QU	HB PLASTIC COVER	1
5	880732, 880735	WHL LCK ARM ASSM W/GRIP BLK (EA)	1
6	560126	.250 ID .312 OD BUSHING PLST	2
7	226130	1/4-28 x 1 1/2 BH C/S	4
8	550374	WHEEL LOCK SLIDE BLOCK 3 1/2" BLK	1
9	201100-QU	1/4-28 NYLOCK NUT THIN	2

ITEM	NUMBER	DESCRIPTION	QTY
10	226112	1/4-28 x 1 SOC C/S BLK	2
11	262114	1/4 WASHER HI COLLAR LOCK ZN	2
12	550443	WHEEL LOCK CLAMP RECESS R2	1
13	550442	WHEEL LOCK CLAMP THREADED R2	1
10-13	881097	WHEEL LOCK CLAMP ASSM BLK	
1-9	881754, 881755	WHEEL LOCK PUSH W/GA N/CLAMP BLK	
1-13	881992, 881993, 901583	WHL LCK PSH W/GA W/CLMP BLK R2 (EA) WHL LCK PSH W/GA W/CLMP BLK R2 (PR)	

WHEEL LOCK PULL WITH GRADE AID (QUICKIE R2)



Drawing shows right side

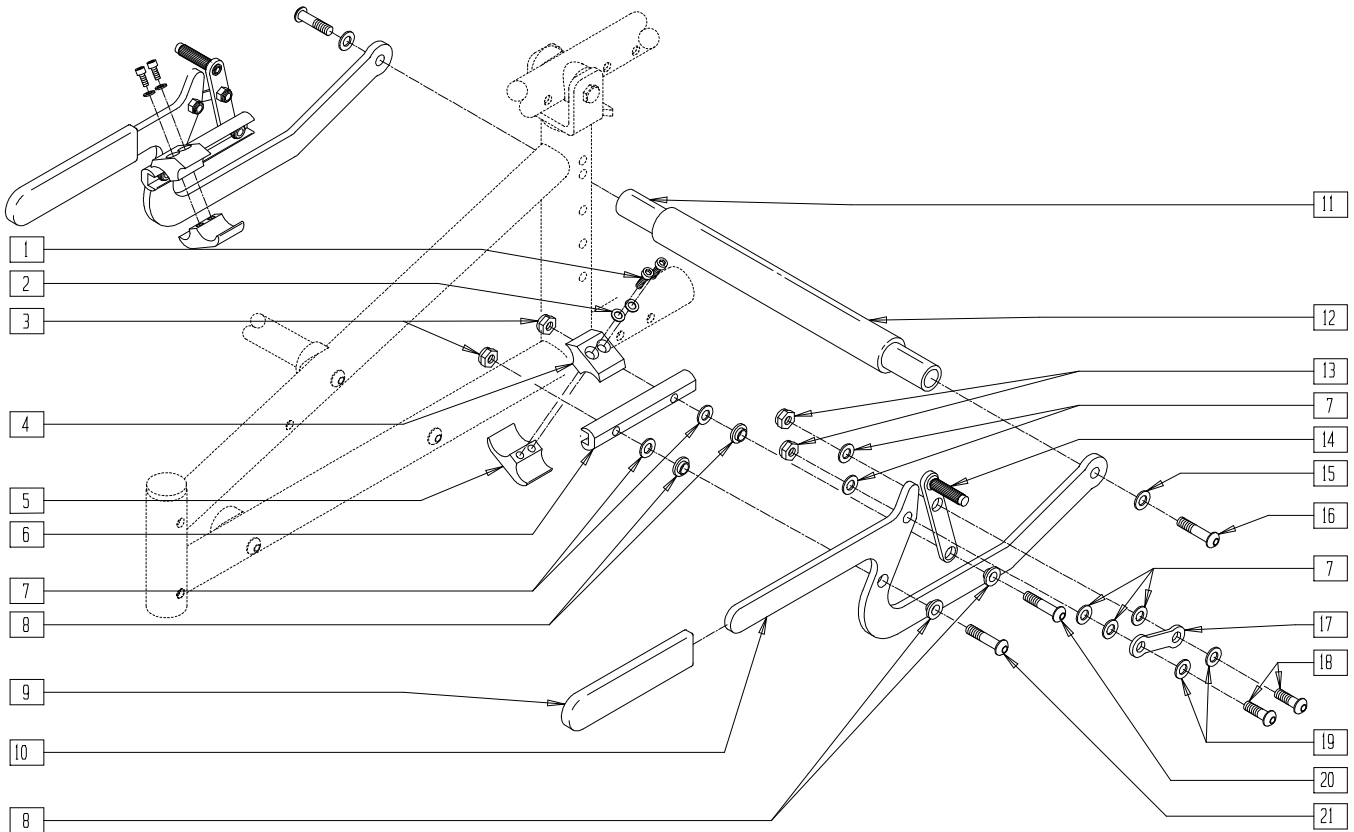
R200X09A

ITEM	NUMBER	DESCRIPTION	QTY
1	483027	1/4 x 1/4 ALUM SPACER BLK	2
2	880904, 880905	GRADE AID PLATE W/WHEEL BLK (EA)	1
3	561028	1/4" NYLON WASHER	4
4	560500-QU	HB PLASTIC COVER	1
4,5	880732, 880735	WHEEL LOCK ARM ASSM PULL W/GRIP BLK (EA)	
6	560126	.250 ID .312 OD BUSHING PLST	2
7	226130	1/4-28 x 1 1/2 BH C/S	2
8	550374	WHEEL LOCK SLIDE BLOCK 3 1/2" BLK	1
9	201100-QU	1/4-28 NYLOCK NUT THIN	2

ITEM	NUMBER	DESCRIPTION	QTY
10	226112	1/4-28 x 1 SOC C/S BLK	2
11	262114	1/4 WASHER HI COLLAR LOCK ZN	2
12	550443	WHEEL LOCK CLAMP RECESS R2	1
13	550442	WHEEL LOCK CLAMP THREADED R2	1
10-13	881097	WHEEL LOCK CLAMP ASSM BLK	
1-9	881756, 881757	WHEEL LOCK PULL W/GA W/O CLAMP BLK (EA)	
1-13	881995, 881996	WHEEL LOCK PULL W/GA W/CLAMP BLK R2 (EA)	
	901584	WHL LCK PLL W/GA W/CLMP BLK R2 (PR)	

FOOT LOCK/12" WHEEL (QUICKIE TS, ZIPPIE/TS/TS SWING-AWAY)

(Effective 12/15/95, beginning serial number QT-12900)



Drawing shows Zippie TS frame. Zippie frame is different.

WL00X11

ITEM	NUMBER	DESCRIPTION	QTY
1	226112	1/4-28 x 1 SOC C/S BLK	4
2	262114	1/4 WASHER HI COLLAR LOCK ZN	4
3	201100	1/4-28 NYLOCK NUT THIN	4
4	550259	CLAMP 1 1/4" RECESS HALF CLR	2
5	550258	CLAMP 1 1/4" THREADED CLR	2
6	550268	WHEEL LOCK FOOT SLIDE BLOCK	2
7	561028	1/4" NYLON WASHER	14
8	262115	1/4" NYLON FLANGE BUSHING	8
9	560305	4 x .375 ID x .125 FOAM GRIP	2
10	505153	FOOT WHEEL LOCK LEVER	2
12	560612	8 x .705 x .188 FOAM TUBE	1
11,12	880710-880716	FOOTLOCK TUBE W/FOAM 10"-16"	

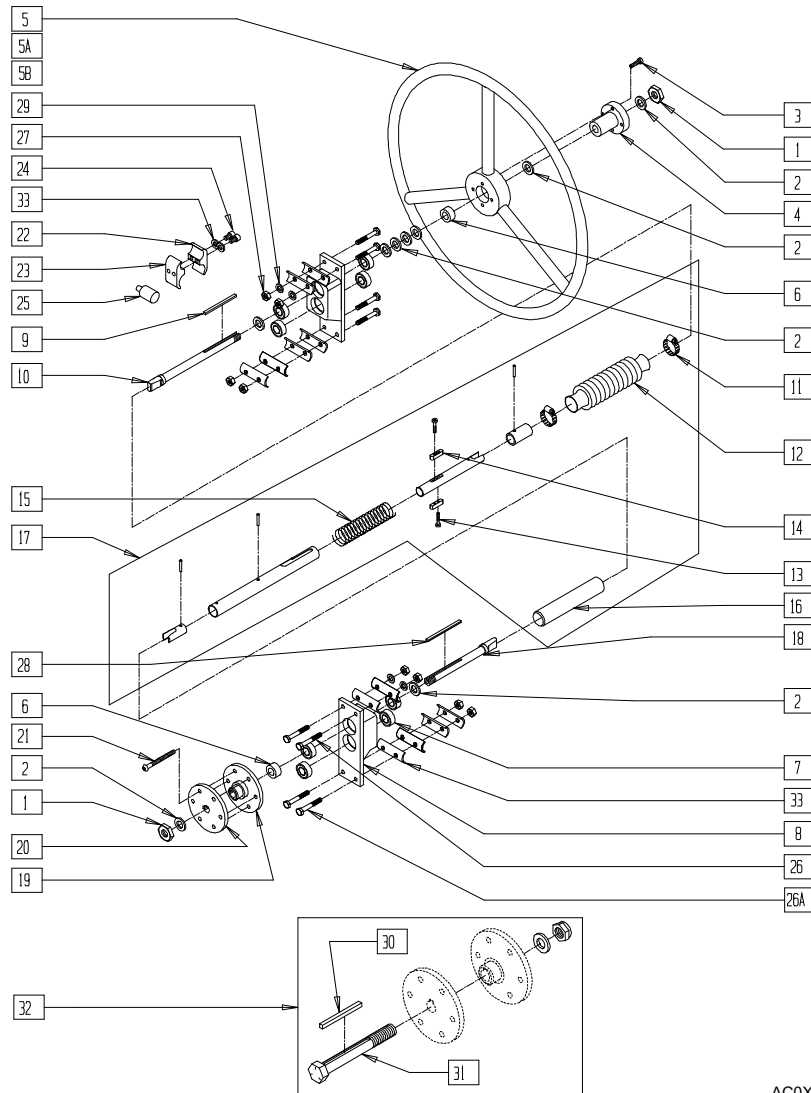
ITEM	NUMBER	DESCRIPTION	QTY
13	201100	1/4-28 NYLOCK NUT THIN	4
14	880531	LOCK TOGGLE AND GRIP	2
15	262110	1/4 AN WASHER FLAT THIN	2
16	226061	1/4-20 x 1 BH C/S W/PATCH	2
17	504995	TOGGLE LINK 1.125	2
18	226100	1/4-28 x 3/4 BH C/S	4
19	262130	6mm WASHER WAVE	4
20	226122	1/4-28 x 1.10 BH C/S	2
21	226110	1/4-28 x 1 BH C/S	2
1-21	900740-900746	FOOT WHEEL LOCK ASSEMBLY 10"-16"	

One-Arm Drive

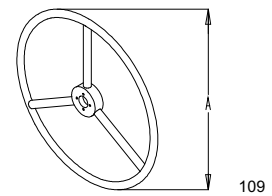
IN THIS SECTION

One-arm Drive Retro Kit Assembly (Zippie GS)	21.1	One-arm Drive Retro Kit Assembly (Breezy 510) (Disc.).....	21.6
One-arm Drive Retro Kit Assembly (Zippie TS)	21.2	One-arm Drive Retro Kit Assembly (Breezy 510) (Disc.).....	21.7
One-arm Drive Retro Kit Assembly (Quickie 2/2HP/2HPTi/Zippie 2).....	21.3	One-arm Drive Retro Kit Assembly (Breezy 510)	21.8
One-arm Drive Retro Kit Assembly (Quickie TS).....	21.4	One-arm Drive Retro Kit Assembly (Breezy 2(Disc.)/600).....	21.9
One-arm Drive Retro Kit Assembly (Quickie LX/LXI).....	21.5		

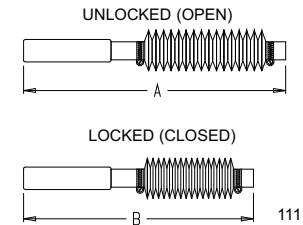
ONE-ARM DRIVE RETRO KIT ASSEMBLY (ZIPPIE GS)



MEASURING GUIDE



WHEEL SIZE	STD	SMALL
20"	16 1/2"	-
22"	18"	16 1/2"
24"	19 1/4"	18"



CHAIR WIDTH	"A"	"B"
13"	9 3/4"	8"
14"	10 3/4"	9"
15"	11 3/4"	10"
16"	12 3/4"	11"
17"	13 3/4"	12"
18"	14 3/4"	13"
19"	15 3/4"	14"
20"	16 3/4"	15"

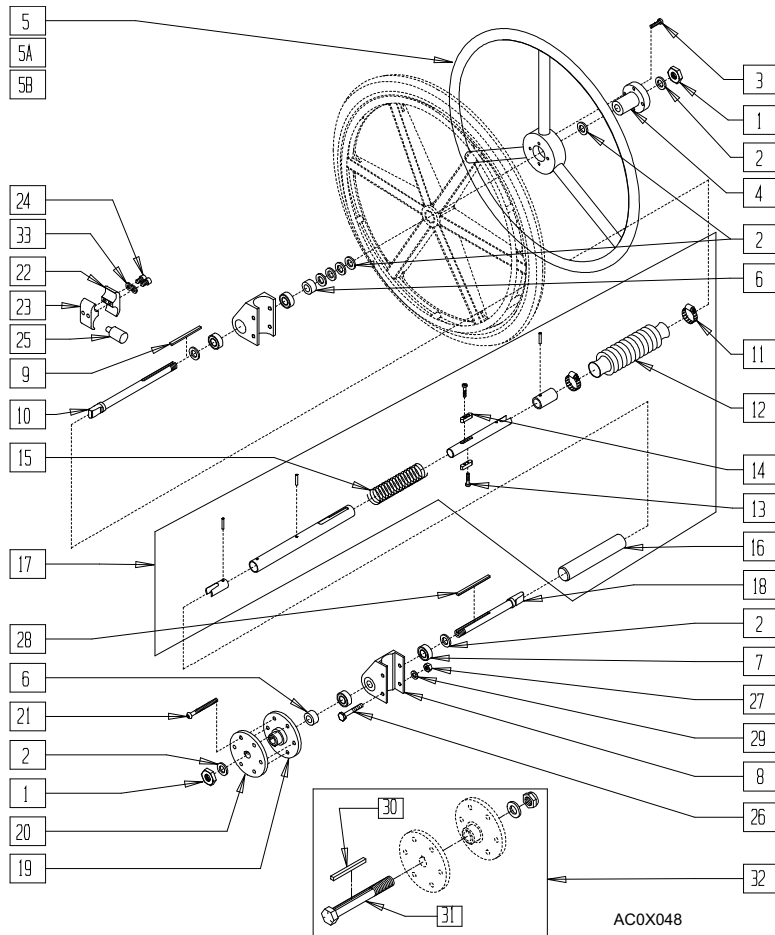
AC0X049

ITEM	NUMBER	DESCRIPTION	QTY
1	203100	1/2-20 NYLOCK NUT	2
2	264100	1/2 AN WASHER FLAT	9
3	226015	10-32 x 3/4 SOC C/S BLK	4
4	500634	1 AD HUB CENTER	1
5	529801	1 AD HR ONLY 20" STD/22" SM	1
5A	529800	1 AD HR ONLY 22" STD/24" SM	1
5B	529802	1 AD HR ONLY 24" STD	1
6	483058	1 AD WHEEL SPACER	2
7	349500	1 1/8 x 1/2 BEARING	4
7,8	880820	1 AD AXLE PLATE W/BEARINGS BLK	
9	341274	3/16 SQ x 1 1/2 KEY STL	3
10	481131	1 AD HANDRIM DRIVE SHAFT	1
11	342012	1 AD BOOT CLAMP	2
12	560691	1 AD RUBBER BOOT BLK .875	1
13	226002	6-32 x 3/4 SOC C/S BLK	2
14	481136	1 AD KEY C/BORE	2
16	560661	QUICKIE GRIP 7/8"	1
17	880812-880819	1 AD SHAFT ASSEMBLY 13"-20"	1
18	481132	1 AD WHEEL DRIVE SHAFT	1
19	500631	WHEEL HUB 1 ARM DRIVE W/TAP	1
20	500630	1 AD WHEEL HUB W/O TAP	1

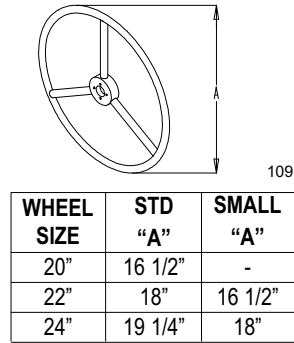
ITEM	NUMBER	DESCRIPTION	QTY
21	226166	1/4-28 x 2 1/2 BH C/S	6
22	550658	CLAMP 1 1/4" THREADED BLK	2
23	550659	CLAMP 1 1/4" RECESS HALF BLK	2
24	226112	1/4-28 x 1 SOC C/S BLK	4
25	482030	1 AD DRIVE RECEIVER	2
26	221192	1/4-28 x 2 G8 HEX C/S	8
26A	221193	1/4-28 x 2 3/4 G8 HEX C/S	4
27	201110	1/4-28 NYLOCK NUT	8
28	341277	3/16 SQ x 2 3/8 KEY STL	1
29	262110	1/4 AN WASHER FLAT THIN	8
30	341278	3/16" SQ x 2 1/4" KEY STL	1
31	330014	1 AD ALIGNMENT BOLT	1
32	330015	1 AD ALIGNMENT TOOL ASSEMBLY	1
33	562843	CAMBER WASHER ZGS	12
1-29,	923575-	1 AD 13"-18" RETRO	
32,33	923580	(20" STD/22" SM HR) ZGS	
1-4,5A,	923585-	1 AD 13"-18" RETRO	
6-29,32,33	923590	(22" STD/24" SM HR) ZGS	
1-4,5B,	923593-	1 AD 13"-18" RETRO	
6-29,32,33	923598	(24" STD HR) ZGS	
22-24,33	880728*	1 AD CLAMP ASSEMBLY 13"	
22-24,36	880594	WHL LOCK 1 AD CLAMP ASSEMBLY BLK	

* PART NUMBER 880728 IS USED ON 14"-20" WIDE WHEELCHAIRS PRIOR TO Q2-16996 AND ALL 13" WIDE WHEELCHAIRS.

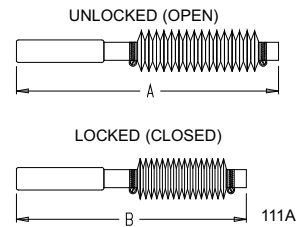
ONE-ARM DRIVE RETRO KIT ASSEMBLY (ZIPPIE TS)



MEASURING GUIDE



FRAME WIDTH	"B"	"C"
13"	9 3/4"	8"
14"	10 3/4"	9"
15"	11 3/4"	10"
16"	12 3/4"	11"
17"	13 3/4"	12"
18"	14 3/4"	13"
19"	15 3/4"	14"
20"	16 3/4"	15"

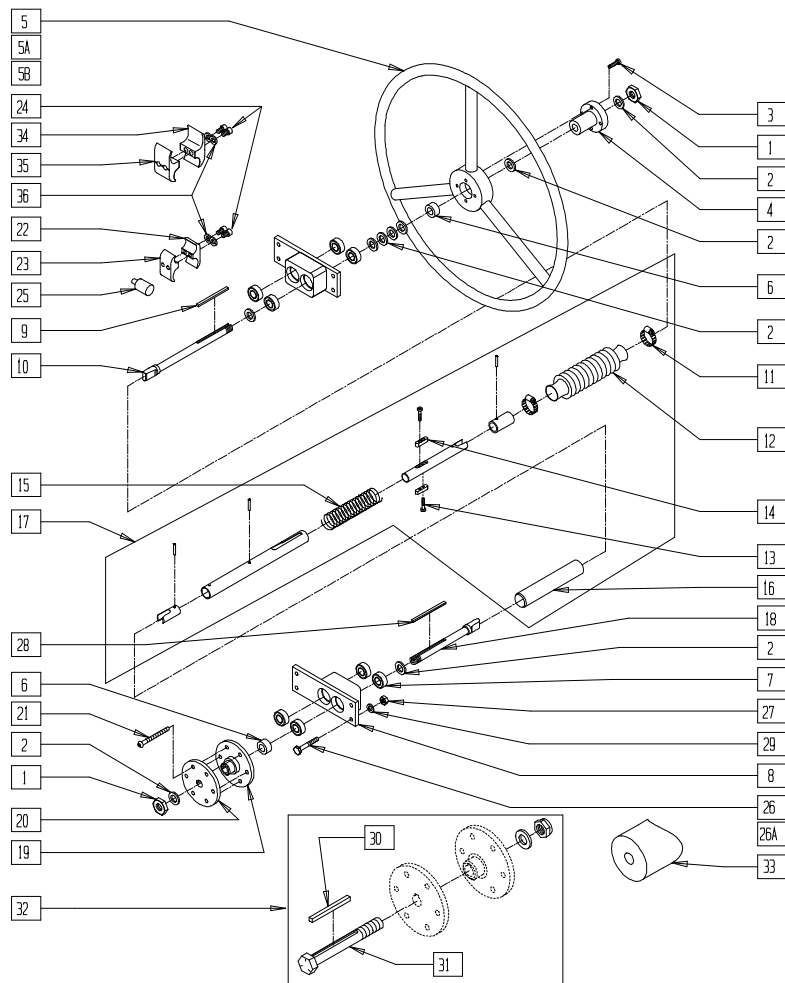


ITEM	NUMBER	DESCRIPTION	QTY
1	203100	1/2-20 NYLOCK NUT	2
2	264100	1/2 AN WASHER FLAT	16
3	226015	10-32 x 3/4 SOC C/S BLK	4
4	500634	1 AD HUB CENTER	1
5	529801	1 AD HR ONLY 20" STD/22" SM	1
5A	529800	1 AD HR ONLY 22" STD/24" SM	1
5B	529802	1 AD HR ONLY 24" STD	1
6	483058	1 AD WHEEL SPACER	2
	483057	MAG AXLE SPACER W/HOLE	
	225100	1/4-20 x 1/4 SET SCREW	
7	349500	1 1/8 x 1/2 BEARING	4
7,8	880834	1 AD AXLE PLATE W/BEARINGS LX	
9	341274	3/16 SQ x 1 1/2 KEY STL	1
10	481131	1 AD HANDRIM DRIVE SHAFT	1
	481331	1 AD RING DRIVE SHAFT	
11	342012	1 AD BOOT CLAMP	2
12	560691	1 AD RUBBER BOOT BLK .875	1
13	226002	6-32 x 3/4 SOC C/S BLK	2
14	481136	1 AD KEY C/BORE	2
16	560661	QUICKIE GRIP 7/8"	1
17	880812- 880819	1 AD SHAFT ASSEMBLY 13"-20"	1
18	481132	1 AD WHEEL DRIVE SHAFT	1
	481332	1 AD WHEEL DRIVE SHAFT LONG	

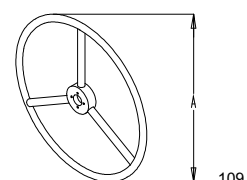
ITEM	NUMBER	DESCRIPTION	QTY
19	500631	WHEEL HUB 1 ARM DRIVE W/TAP	1
20	500630	1 AD WHEEL HUB W/O TAP	1
21	226166	1/4-28 x 2 1/2 BH C/S	6
22	550658	CLAMP 1 1/4" THREADED BLK	2
23	550659	CLAMP 1 1/4" RECESS HALF BLK	2
24	226112	1/4-28 x 1 SOC C/S BLK	4
25	482030	1 AD DRIVE RECEIVER	2
26	221192	1/4-28 x 2 G8 HEX C/S	4
27	201110	1/4-28 NYLOCK NUT	4
28	341277	3/16 SQ x 2 3/8 KEY STL	1
29	262110	1/4 AN WASHER FLAT THIN	4
30	341278	3/16 SQ x 2 1/4 KEY STL	1
31	330014	1 AD ALIGNMENT BOLT	1
32	330015	1 AD ALIGNMENT TOOL ASSEMBLY	1
33	262114	1/4 WASHER HI COLLAR LOCK ZN	2
22-24,33	880594	WHEEL LOCK 1 AD CLAMP ASSM BLK	
1-29, 32	923780- 923783	1 AD RETRO (20" STD/22 SM HR) TS (13"-16")	
1-4,5A, 6-29, 32	923788- 923791	1 AD RETRO (22" STD/24 SM HR) TS (13"-16")	
1-4,5B, 6-29, 32	923794- 923797	1 AD RETRO (24" STD HR) TS (13"-16")	

* PART NUMBER 880594 IS USED FOR ZIPPIE TS WIDTHS 13"-16".

ONE-ARM DRIVE RETRO KIT ASSEMBLY (QUICKIE 2/2HP/2HPTi/ZIPPIE 2)

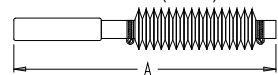


MEASURING GUIDE

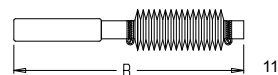


WHEEL SIZE	STD	SMALL
20"	16 1/2"	-
22"	18"	16 1/2"
24"	19 1/4"	18"

UNLOCKED (OPEN)



LOCKED (CLOSED)



CHAIR WIDTH	"A"	"B"
13"	9 3/4"	8"
14"	10 3/4"	9"
15"	11 3/4"	10"
16"	12 3/4"	11"
17"	13 3/4"	12"
18"	14 3/4"	13"
19"	15 3/4"	14"
20"	16 3/4"	15"

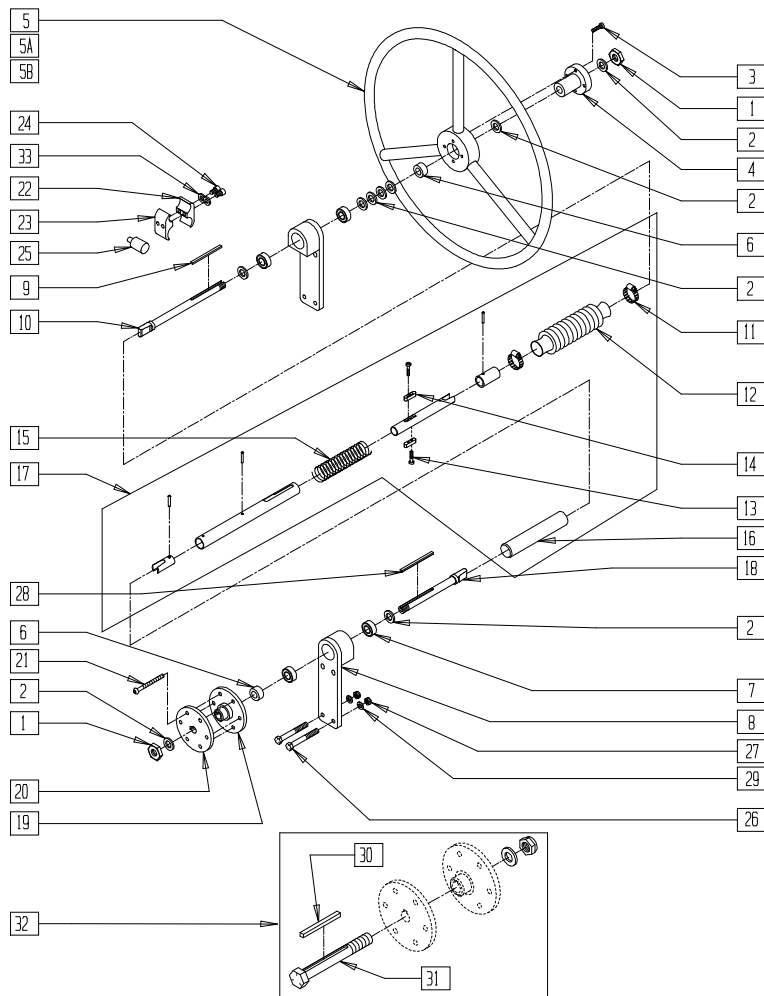
AC0X018

ITEM	NUMBER	DESCRIPTION	QTY
1	203100	1/2-20 NYLOCK NUT	2
2	264100	1/2 AN WASHER FLAT	9
3	226015	10-32 x 3/4 SOC C/S BLK	4
4	500634	1 AD HUB CENTER	1
5	529801	1 AD HR ONLY 20" STD/22" SM	1
5A	529800	1 AD HR ONLY 22" STD/24" SM	1
5B	529802	1 AD HR ONLY 24" STD	1
6	483058	1 AD WHEEL SPACER	2
7	349500	1 1/8 x 1/2 BEARING	4
7,8	880820	1 AD AXLE PLATE W/BEARINGS BLK	
9	341274	3/16 SQ x 1 1/2 KEY STL	3
10	481131	1 AD HANDRIM DRIVE SHAFT	1
11	342012	1 AD BOOT CLAMP	2
12	560691	1 AD RUBBER BOOT BLK .875	1
13	226002	6-32 x 3/4 SOC C/S BLK	2
14	481136	1 AD KEY C/BORE	2
16	560661	QUICKIE GRIP 7/8"	1
17	880812-880819	1 AD SHAFT ASSEMBLY 13"-20"	1
18	481132	1 AD WHEEL DRIVE SHAFT	1
19	500631	WHEEL HUB 1 ARM DRIVE W/TAP	1
20	500630	1 AD WHEEL HUB W/O TAP	1
21	226166	1/4-28 x 2 1/2 BH C/S	6
22	550658	CLAMP 1 1/4" THREADED BLK	2
23	550659	CLAMP 1 1/4" RECESS HALF BLK	2

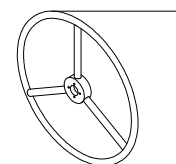
ITEM	NUMBER	DESCRIPTION	QTY
24	226112	1/4-28 x 1 SOC C/S BLK	4
25	482030	1 AD DRIVE RECEIVER	2
26	221192	1/4-28 x 2 G8 HEX C/S	8
26A	221193	1/4-28 x 2 3/4 G8 HEX C/S	4
27	201110	1/4-28 NYLOCK NUT	8
28	341277	3/16 SQ x 2 3/8 KEY STL	1
29	262110	1/4 AN WASHER FLAT THIN	8
30	341278	3/16" SQ x 2 1/4" KEY STL	1
31	330014	1 AD ALIGNMENT BOLT	1
32	330015	1 AD ALIGNMENT TOOL ASSEMBLY	1
33	483071	SADDLE 1 1/8" ALUMINUM 1/4" HOLE	1
34	550245	1 AD CLAMP RECESSED 14"-20"	1
35	550244	1 AD CLAMP THREADED 14"-20"	1
36	262114	1/4 WASHER HI COLLAR LOCK ZN	2
22-24,36	880594*	WHEEL LOCK 1 AD CLAMP ASSM BLK	
24,34-36	880729*	1 AD CLAMP ASSEMBLY 14"-20"	
1-21, 25-29,32	923532	1 AD 13" RETRO (20" STD/22" SM HR)	
	923533-923539	1 AD RETRO 14"-20" (20" STD/22" SM HR)	
1-4,5A, 6-21, 25-29,32	923512	1 AD 13" RETRO (22" STD/24" SM HR)	
	923513-923519	1 AD RETRO 14"-20" (22" STD/24" SM HR)	
1-4,5B, 6-21, 25-29,32	923522	1 AD 13" (24" STD HR)	
	923523-923529	1 AD RETRO 14"-20" (24" STD HR)	

* PART NUMBER 880594 IS USED ON 14"-20" WIDE WHEELCHAIRS PRIOR TO Q2-16996 AND ALL 13" WIDE WHEELCHAIRS. PART NUMBER 880729 IS USED ON 14"-20" WIDE WHEELCHAIRS BEGINNING Q2-16996.
 NOTE: WHEN USING ONE-ARM DRIVE AND HEIGHT-ADJUSTABLE ARMS OR ADJUSTABLE LOCKING FLIP-BACK ARMS ON A ZIPPIE 2, ITEM 33 IS MOUNTED BETWEEN THE AXLE PLATES AND THE FRAME. WHEN ITEM 33 IS USED, CHAIR WILL REQUIRE A 2" LONGER ONE-ARM DRIVE SHAFT AND ITEM 26A IS USED.

ONE-ARM DRIVE RETRO KIT ASSEMBLY (QUICKIE TS)



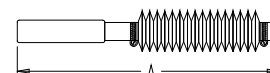
MEASURING GUIDE



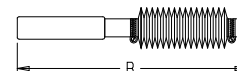
109

WHEEL SIZE	STD	SMALL
20"	16 1/2"	-
22"	18"	16 1/2"
24"	19 1/4"	18"

UNLOCKED (OPEN)



LOCKED (CLOSED)



111

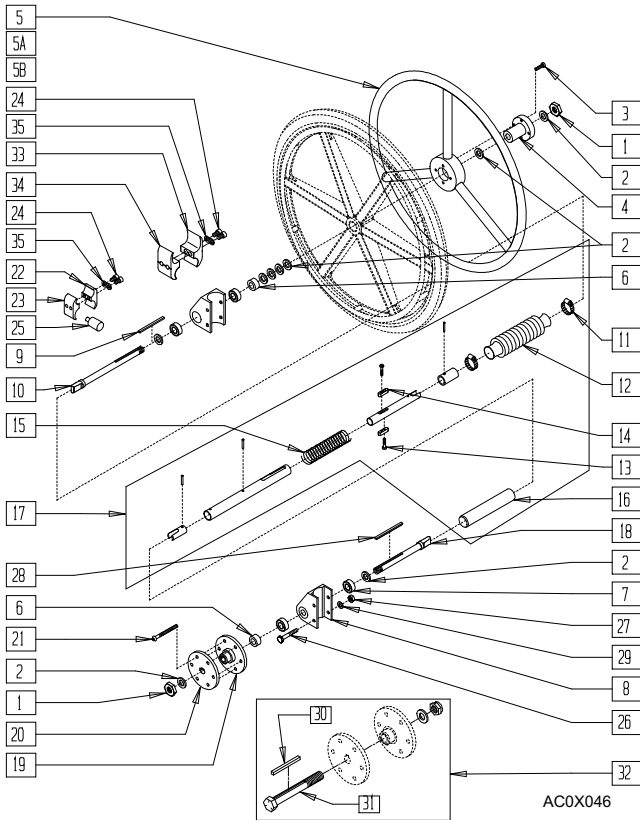
CHAIR WIDTH	"A"	"B"
13"	9 3/4"	8"
14"	10 3/4"	9"
15"	11 3/4"	10"
16"	12 3/4"	11"
17"	13 3/4"	12"
18"	14 3/4"	13"
19"	15 3/4"	14"
20"	16 3/4"	15"

QTS20X17

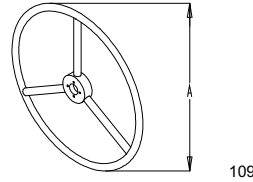
ITEM	NUMBER	DESCRIPTION	QTY
1	203100	1/2-20 NYLOCK NUT	2
2	264100	1/2 AN WASHER FLAT	9
3	226015	10-32 x 3/4 SOC C/S BLK	4
4	500634	1 AD HUB CENTER	1
5	529801	1 AD HR ONLY 20" STD/22" SM	1
5A	529800	1 AD HR ONLY 22" STD/24" SM	1
5B	529802	1 AD HR ONLY 24" STD	1
6	483058	1 AD WHEEL SPACER	2
7	349500	1 1/8 x 1/2 BEARING	4
7,8	880899	1 AD AXLE PLATE W/BEARINGS ZGS	
9	341274	3/16 SQ x 1 1/2 KEY STL	3
10	481131	1 AD HANDRIM DRIVE SHAFT	1
11	342012	1 AD BOOT CLAMP	2
12	560691	1 AD RUBBER BOOT BLK .875	1
13	226002	6-32 x 3/4 SOC C/S BLK	2
14	481136	1 AD KEY C/BORE	2
16	560661	QUICKIE GRIP 7/8"	1
17	880812-880819	1 AD SHAFT ASSEMBLY 13"-20"	1
18	481132	1 AD WHEEL DRIVE SHAFT	1
19	500631	WHEEL HUB 1 ARM DRIVE W/TAP	1

ITEM	NUMBER	DESCRIPTION	QTY
20	500630	1 AD WHEEL HUB W/O TAP	1
21	226166	1/4-28 x 2 1/2 BH C/S BLK	6
22	550658	CLAMP 1 1/4" THREADED BLK	2
23	550659	CLAMP 1 1/4" RECESS HALF BLK	2
24	226112	1/4-28 x 1 SOC C/S BLK	4
25	482030	1 AD DRIVE RECEIVER	2
26	221192	1/4-28 x 2 G8 HEX C/S	8
27	201110-QU	1/4-28 NYLOCK NUT	8
28	341277	3/16 SQ x 2 3/8 KEY STL	1
29	262110-QU	1/4 AN WASHER FLAT THIN	8
30	341278	3/16" SQ x 2 1/4" KEY STL	1
31	330014	1 AD ALIGNMENT BOLT	1
32	330015	1 AD ALIGNMENT TOOL ASSEMBLY	1
33	262114	1/4 WASHER HI COLLAR LOCK ZN	2
22-24,33	880594	WHEEL LOCK CLAMP ASSEMBLY BLK	
1-35	923800-923806	1AD (14" - 20") RETRO (20" STD/22" SM HR) QT	
1-4,5A,6-35	923810-923816	1AD (14" - 20") RETRO (22" STD/24" SM HR) QT	
1-4,5B,6-35	923820-923826	1AD (14" - 20") RETRO (24" STD HR) QTS	

ONE-ARM DRIVE RETRO KIT ASSEMBLY (QUICKIE LX/LXI)

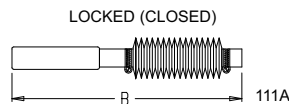
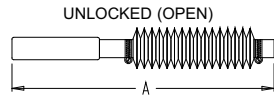


MEASURING GUIDE



WHEEL SIZE	STD "A"	SMALL "A"
20"	16 1/2"	-
22"	18"	16 1/2"
24"	19 1/4"	18"

FRAME WIDTH	"B"	"C"
13"	9 3/4"	8"
14"	10 3/4"	9"
15"	11 3/4"	10"
16"	12 3/4"	11"
17"	13 3/4"	12"
18"	14 3/4"	13"
19"	15 3/4"	14"
20"	16 3/4"	15"



AC0X046

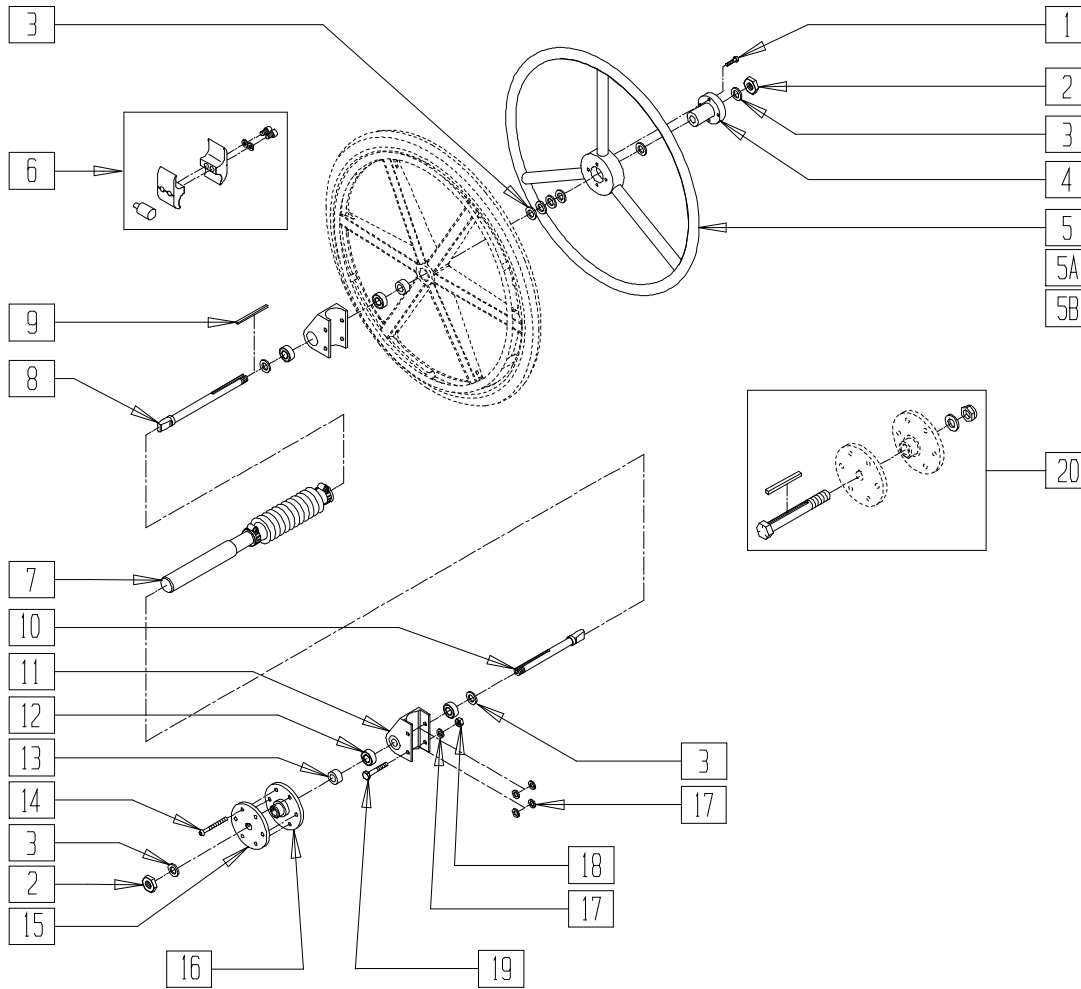
ITEM	NUMBER	DESCRIPTION	QTY
1	203100	1/2-20 NYLOCK NUT	2
2	264100	1/2 AN WASHER FLAT	16
3	226015	10-32 x 3/4 SOC C/S BLK	4
4	500634	1 AD HUB CENTER	1
5	529801	1 AD HR ONLY 20" STD/22" SM	1
5A	529800	1 AD HR ONLY 22" STD/24" SM	1
5B	529802	1 AD HR ONLY 24" STD	1
6	483058	1 AD WHEEL SPACER	2
	483057	MAG AXLE SPACER W/HOLE	
	225100	1/4-20 x 1/4 SET SCREW	
7	349500	1 1/8 x 1/2 BEARING	4
7,8	880834	1 AD AXLE PLATE W/BEARINGS LX	
9	341274	3/16 SQ x 1 1/2 KEY STL	1
10	481131	1 AD HANDRIM DRIVE SHAFT	1
	481331	1 AD HR DRIVE SHAFT FLIP BACK HT ARM	
11	342012	1 AD BOOT CLAMP	2
12	560691	1 AD RUBBER BOOT BLK .875	1
13	226002	6-32 x 3/4 SOC C/S BLK	2
14	481136	1 AD KEY C/BORE	2
16	560661	QUICKIE GRIP 7/8"	1
17	880812-880819	1 AD SHAFT ASSEMBLY 13"-20"	1
18	481132	1 AD WHEEL DRIVE SHAFT	1
	481332	1 AD WHEEL DRV SHAFT FLIP BACK HT ARM	
19	500631	WHEEL HUB 1 ARM DRIVE W/TAP	1
20	500630	1 AD WHEEL HUB W/O TAP	1
21	226166	1/4-28 x 2 1/2 BH C/S	6
22	550658	CLAMP 1 1/4" THREADED BLK	2
23	550659	CLAMP 1 1/4" RECESS HALF BLK	2
24	226112	1/4-28 x 1 SOC C/S BLK	4

ITEM	NUMBER	DESCRIPTION	QTY
25	482030	1 AD DRIVE RECEIVER	2
26	221192	1/4-28 x 2 G8 HEX C/S	4
27	201110	1/4-28 NYLOCK NUT	4
28	341277	3/16 SQ x 2 3/8 KEY STL	1
29	262110	1/4 AN WASHER FLAT THIN	4
30	341278	3/16 SQ x 2 1/4 KEY STL	1
31	330014	1 AD ALIGNMENT BOLT	1
32	330015	1 AD ALIGNMENT TOOL ASSEMBLY	1
33	550245	1 AD CLAMP RECESSED 14"-20"	1
34	550244	1 AD CLAMP THREADED 14"-20"	1
35	262114	1/4 WASHER HI COLLAR LOCK ZN	2
22-24,35	880594	WHEEL LOCK 1 AD CLAMP ASSM BLK	
24,33-35	880729*	1 AD CLAMP ASSEMBLY 14"-20"	
1-21, 25-29,32	923542	1 AD 13" RETRO (20" STD/22" SM HR) LX	
	923543-923549	1 AD RETRO (20" STD/22 SM HR) LX/B2 14"-20"	
1-4,5A, 6-21, 25-29,32	923552	1 AD 13" RETRO (22" STD/24" SM HR) LX	
	923553-923559	1 AD RETRO (22" STD/24" SM HR) LX/B2 14"-20"	
1-4,5B, 6-21, 25-29,32	923562	1 AD 13" RETRO (24" STD HR) LX	
	923563-923569	1 AD RETRO (24" STD HR) LX/B2 14"-20"	
1-21,25-29, 31,32	923750	1 AD 13" (20" STD/22" SM HR) FBAA LX	
	923751-923757	1 AD (20" STD/22" SM HR) FBAA LX 14"-20"	
1-4,5A, 6-21, 25-29,31,32	923758	1 AD 13" (22" STD/24" SM HR) FBAA LX	
	923759-923765	1 AD (22" STD/24" SM HR) FBAA LX 14"-20"	
1-4,5B, 6-21, 25-29,31,32	923766	1 AD 13" (24" STD HR) FBAA LX/B6	
	923767-923773	1 AD (24" STD HR) FBAA LX/B6 14"-20"	

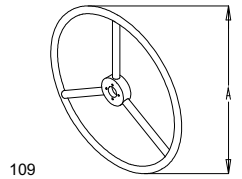
* PART NUMBER 880729 IS USED ON 14"-20" WIDE WHEELCHAIRS BEGINNING Q2-16996.

ONE-ARM DRIVE RETRO KIT ASSEMBLY (BREEZY 510)

(Prior to Serial Number BZ-464463) (Discontinued - Parts only)

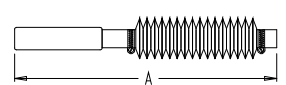


MEASURING GUIDE

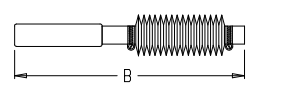


WHEEL SIZE	STD	SMALL
20"	16 1/2"	-
22"	18"	16 1/2"
24"	19 1/4"	18"

UNLOCKED (OPEN)



LOCKED (CLOSED)



111

CHAIR WIDTH	"A"	"B"
14"	10 3/4"	9"
15"	11 3/4"	10"
16"	12 3/4"	11"
17"	13 3/4"	12"
18"	14 3/4"	13"
19"	15 3/4"	14"
20"	16 3/4"	15"

BR510X06A

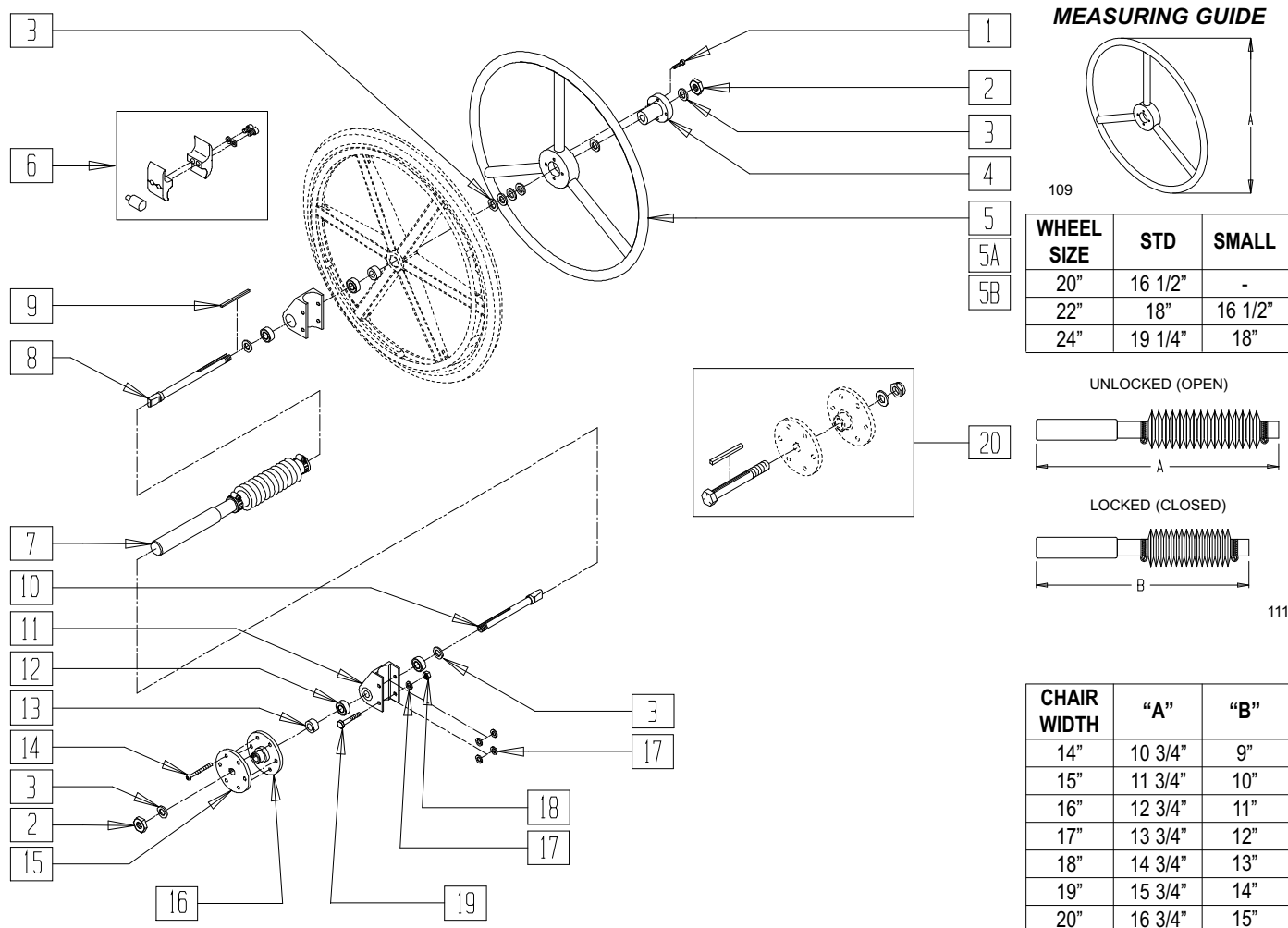
ITEM	NUMBER	DESCRIPTION	QTY
1	226015	10-32 x 3/4 SOC C/S BLK	1
2	203100	1/2-20 NYLOCK NUT	2
3	264100	1/2 AN WASHER FLAT	8
4	500634	1 AD HUB CENTER	1
5	529801	1 AD HR ONLY 20" STD/24"SM	1
5A	529800	1 AD HR ONLY 22" STD/22"SM	1
5B	529802	1 AD HR ONLY 24" STD	1
6	880539	WHL LCK CLAMP ASSM CLR	1
7	341274	3/16 SQ x 1-1/2 KEY STL	1
8	481131	1 AD HANDRIM DRIVE SHAFT	1
10	481132	1 AD WHEEL DRIVE SHAFT	1
11	880901	1 AD AXLE PLATE W/BEARINGS BR	1
12	349500	1 1/8 x 1/2 BEARING	2
13	483057	MAG AXLE SPACER W/HOLE	1

ITEM	NUMBER	DESCRIPTION	QTY
14	226166	1/4-28 x 2 1/2 BH C/S BLK	1
15	500630	1 AD WHEEL HUB W/O TAP	1
16	500631	WHEEL HUB 1 ARM DRIVE W/TAP	1
17	262110-QU	1/4 AN WASHER FLAT THIN	4
18	201110-QU	1/4-28 NYLOCK NUT	1
19	221170-QU	1/4-28 x 2 1/4 HEX C/S	1
20	330015	1AD ALIGNMENT TOOL ASSM	3
11,12	880901	1 AD AXLE PLATE W/BEARINGS BR	1
1-20	924014- 924020	1AD RTRO 20" STD HRBR OLD (14" - 20")	
1-4,5A, 6-20	924024- 924030	1AD RTRO 22" STD HRBR OLD (14" - 20")	
1-4,5B, 6-20	924034- 924040	1AD RTRO 24" STD HRBR OLD (14" - 20")	

ONE-ARM DRIVE RETRO KIT ASSEMBLY (BREEZY 510)

(After Serial Number BZ-464463 and Prior to Serial Number BZ-511067)

(Discontinued - Parts only)



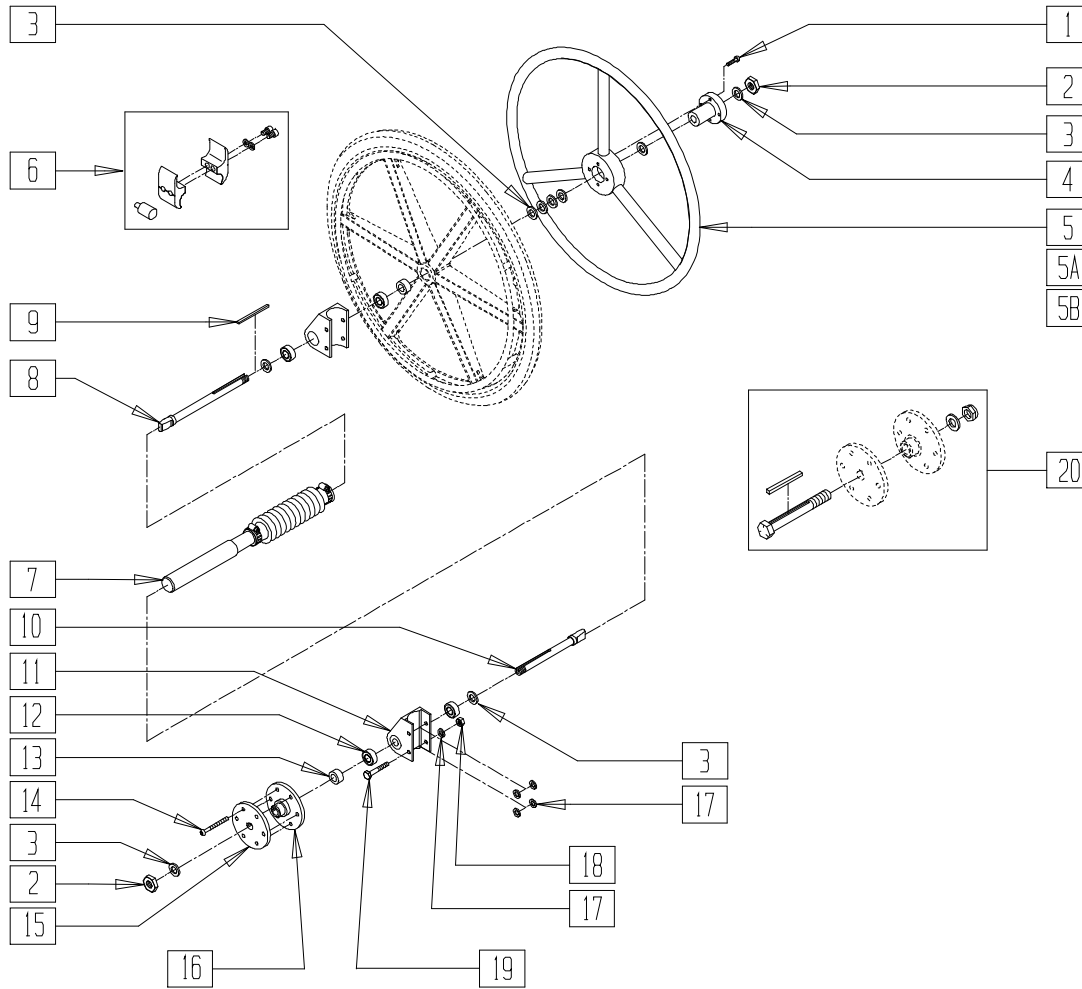
BR510X06A

ITEM	NUMBER	DESCRIPTION	QTY
1	226015	10-32 x 3/4 SOC C/S BLK	1
2	203100	1/2-20 NYLOCK NUT	2
3	264100	1/2 AN WASHER FLAT	8
4	500634	1 AD HUB CENTER	1
5	529801	1 AD HR ONLY 20" STD/24"SM	1
5A	529800	1 AD HR ONLY 22" STD/22"SM	1
5B	529802	1 AD HR ONLY 24" STD	1
6	880539	WHL LCK CLAMP ASSM CLR	1
7	341274	3/16 SQ x 1-1/2 KEY STL	1
8	481131	1 AD HANDRIM DRIVE SHAFT	1
10	481132	1 AD WHEEL DRIVE SHAFT	1
11	880901	1 AD AXLE PLATE W/BEARINGS BR	1
12	349500	1 1/8 x 1/2 BEARING	2
13	483057	MAG AXLE SPACER W/HOLE	1

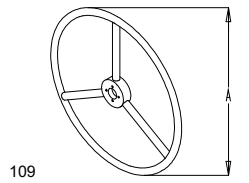
ITEM	NUMBER	DESCRIPTION	QTY
14	226166	1/4-28 x 2 1/2 BH C/S BLK	1
15	500630	1 AD WHEEL HUB W/O TAP	1
16	500631	WHEEL HUB 1 ARM DRIVE W/TAP	1
17	262110-QU	1/4 AN WASHER FLAT THIN	4
18	201110-QU	1/4-28 NYLOCK NUT	1
19	221170-QU	1/4-28 x 2 1/4 HEX C/S	1
20	330015	1AD ALIGNMENT TOOL ASSM	3
11,12	880901	1 AD AXLE PLATE W/BEARINGS BR	1
1-20	923614-923620	1AD (14- 20) RTRO 20 STD HR BR	
1-4,5A,6-20	923624-923630	1AD (14- 20) RTRO 22 STD HR BR	
1-4,5B,6-20	923634-923640	1AD (14- 20) RTRO 24 STD HR BR	

ONE-ARM DRIVE RETRO KIT ASSEMBLY (BREEZY 510)

(Effective Starting Serial Number BZ-511067)

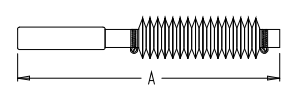


MEASURING GUIDE

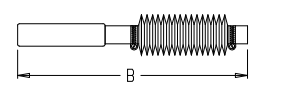


WHEEL SIZE	STD	SMALL
20"	16 1/2"	-
22"	18"	16 1/2"
24"	19 1/4"	18"

UNLOCKED (OPEN)



LOCKED (CLOSED)



111

CHAIR WIDTH	"A"	"B"
14"	10 3/4"	9"
15"	11 3/4"	10"
16"	12 3/4"	11"
17"	13 3/4"	12"
18"	14 3/4"	13"
19"	15 3/4"	14"
20"	16 3/4"	15"

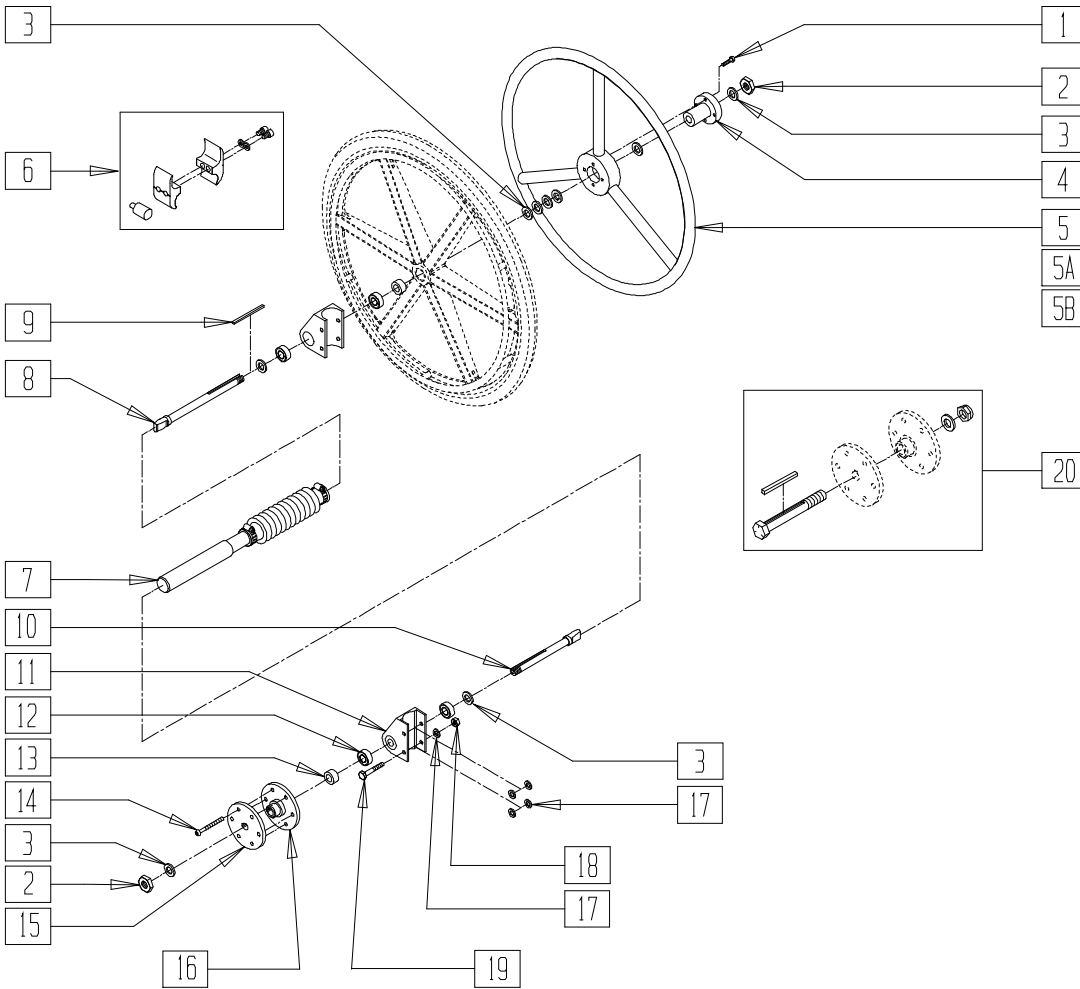
BR510X06A

ITEM	NUMBER	DESCRIPTION	QTY
1	226015	10-32 x 3/4 SOC C/S BLK	1
2	203100	1/2-20 NYLOCK NUT	2
3	264100	1/2 AN WASHER FLAT	8
4	500634	1 AD HUB CENTER	1
5	529801	1 AD HR ONLY 20" STD/24"SM	1
5A	529800	1 AD HR ONLY 22" STD/22"SM	1
5B	529802	1 AD HR ONLY 24" STD	1
6	880539	WHL LCK CLAMP ASSM CLR	1
7	341274	3/16 SQ x 1-1/2 KEY STL	1
8	481131	1 AD HANDRIM DRIVE SHAFT	1
10	481132	1 AD WHEEL DRIVE SHAFT	1
11	880901	1 AD AXLE PLATE W/BEARINGS BR	1
12	349500	1 1/8 x 1/2 BEARING	2
13	483057	MAG AXLE SPACER W/HOLE	1
14	226166	1/4-28 x 2 1/2 BH C/S BLK	1

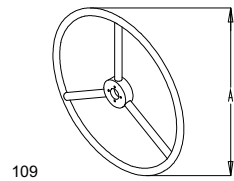
ITEM	NUMBER	DESCRIPTION	QTY
15	500630	1 AD WHEEL HUB W/O TAP	1
16	500631	WHEEL HUB 1 ARM DRIVE W/TAP	1
17	262110-QU	1/4 AN WASHER FLAT THIN	4
18	201110-QU	1/4-28 NYLOCK NUT	1
19	221170-QU	1/4-28 x 2 1/4 HEX C/S	1
20	330015	1AD ALIGNMENT TOOL ASSM	3
1-4,8-11, 13-20	881059	1 AD HDWR KIT BR	
1-20	923914- 923920	1AD (14 -20") RTRO 20 STD HR BR	
1-4,5A, 6-20	923924- 923930	1AD (14 -20") RTRO 22 STD HR BR	
1-4,5B, 6-20	923934- 923940	1AD 14 RTRO 24 STD HR BR	

ONE-ARM DRIVE RETRO KIT ASSEMBLY (BREEZY 2/600)

(Breezy 2 Discontinued 5/98 - Parts only)

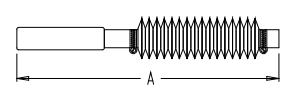


MEASURING GUIDE

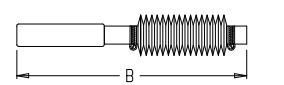


WHEEL SIZE	STD	SMALL
20"	16 1/2"	-
22"	18"	16 1/2"
24"	19 1/4"	18"

UNLOCKED (OPEN)



LOCKED (CLOSED)



111

CHAIR WIDTH	"A"	"B"
14"	10 3/4"	9"
15"	11 3/4"	10"
16"	12 3/4"	11"
17"	13 3/4"	12"
18"	14 3/4"	13"
19"	15 3/4"	14"
20"	16 3/4"	15"

BR510X06A

ITEM	NUMBER	DESCRIPTION	QTY
1	226015	10-32 x 3/4 SOC C/S BLK	1
2	203100	1/2-20 NYLOCK NUT	2
3	264100	1/2 AN WASHER FLAT	8
4	500634	1 AD HUB CENTER	1
5	529801	1 AD HR ONLY 20" STD/24"SM	1
5A	529800	1 AD HR ONLY 22" STD/22"SM	1
5B	529802	1 AD HR ONLY 24" STD	1
6	880539	WHL LCK CLAMP ASSM CLR	1
7	341274	3/16 SQ x 1-1/2 KEY STL	1
8	481131	1 AD HANDRIM DRIVE SHAFT	1
10	481132	1 AD WHEEL DRIVE SHAFT	1
11	880901	1 AD AXLE PLATE W/BEARINGS BR	1
12	349500	1 1/8 x 1/2 BEARING	2
13	483057	MAG AXLE SPACER W/HOLE	1

ITEM	NUMBER	DESCRIPTION	QTY
14	226166	1/4-28 x 2 1/2 BH C/S BLK	1
15	500630	1 AD WHEEL HUB W/O TAP	1
16	500631	WHEEL HUB 1 ARM DRIVE W/TAP	1
17	262110-QU	1/4 AN WASHER FLAT THIN	4
18	201110-QU	1/4-28 NYLOCK NUT	1
19	221170-QU	1/4-28 x 2 1/4 HEX C/S	1
20	330015	1AD ALIGNMENT TOOL ASSM	3
11,12	880901	1 AD AXLE PLATE W/BEARINGS BR	1
1-20	923674-923680	1AD (14- 20) RTRO 20 STD HR B2	
1-4,5A,6-20	923684-923690	1AD (14- 20) RTRO 22 STD HR B2	
1-4,5B,6-20	923714-923720	1AD (14- 20) RTRO 24 STD HR B2	

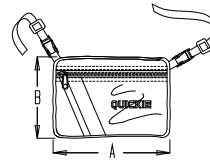
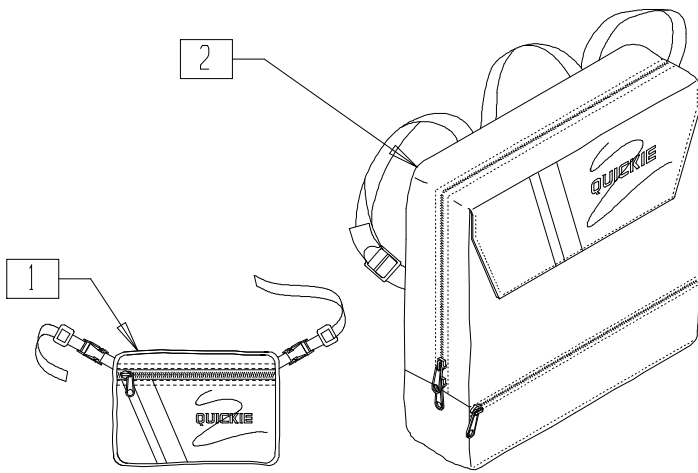
Accessories

IN THIS SECTION

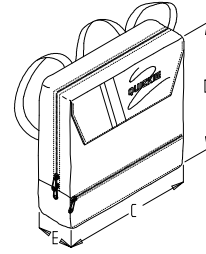
Backpacks and Seat Pouches	22.1	Plastic Side Guard (Quickie Carbon) (Disc.)	22.12
Basketball Roller (Quickie 1/GP/GPV/Ti).....	22.1	Plastic Side Guard (Quickie ST/DT) (Disc.)	22.12
Platform Footplate Basketball Roller (Quickie GP/GPS/GPV/GPV Competition/ <i>TNT</i> /Triumph/XTR)	22.2	Plastic Side Guard (Quickie Heat/ST/DT)	22.13
Battery and Vent Tray (Quickie T45)	22.2	Plastic Side Guard (Quickie XTR)	22.13
Quickie Caddy	22.3	Plastic Side Guard (Quickie <i>TNT</i>)(Disc.)	22.14
Crutch Holder (Quickie 2/2HP/2HPTi/Rx, Breezy 2 (Disc.)/510/600, Zippie/TS)	22.3	Aluminum Folding Side Guard (Quickie GPS)(Disc.)	22.14
Crutch Holder (Quickie 1/GP/GPV/Ti)	22.4	Aluminum Side Guard (Quickie Revolution)	22.15
Foot Assist Bar (Quickie TS) (Disc.)	22.4	Aluminum Side Guard (Quickie Triumph)(Disc.)...	22.15
Impact Guard (Plastic) (Disc.).....	22.5	Fabric Side Guard (Quickie 1/Carbon/GP/GPV/ GPS/R2/Revolution/Ti/ <i>TNT</i> /Triumph(Disc.))	22.16
Impact Guards (Neoprene) Quickie Carbon/EX/GPS/R2/ <i>TNT</i> /Triumph/XTR)....	22.5	Fabric Side Guard (Quickie 2/2HP/2HPTi/Rx/LX/LXI/XTR)	22.16
Oxygen Tank Holder (Breezy 500/510)	22.6	Fabric Side Guard (Quickie 2/2HP/2HPTi/EX/Revolution).....	22.17
Oxygen Tank, IV, and Extension Pole (Breezy 100/150)	22.7	Spoke Guard	22.17
Leg Straps	22.8	Spoke Guard (Sport)	22.18
Parts Replacement Kit	22.8	Spoke Guard Reference Guide (Sport)	22.18
Anti-fold Assembly (Breezy 100)	22.9	Calf Pad (Breezy 100/150)	22.19
Positioning Belts	22.10	Chart Pocket (Breezy 100/150)	22.19
Positioning Belt	22.10	Travel Wheel (Quickie 2/2HP)	22.20
Pivot Point Adjustment Kit (Breezy 510 Recliner).22.11		Step Tube (Breezy 510) (Disc.)	22.21
Quickie Plastic Side Guard	22.11	Tool Kit	22.21
		Touch-up Paint.....	22.21

BACKPACKS AND SEAT POUCHES

MEASURING GUIDE



AC0X019A



AC0X02B

SEAT POUCH	
"A"	"B"
8"	6"

BACKPACK			
	"C"	"D"	"E"
KIDS	12"	12"	4"
ADULT	13 1/2"	13 1/2"	4"

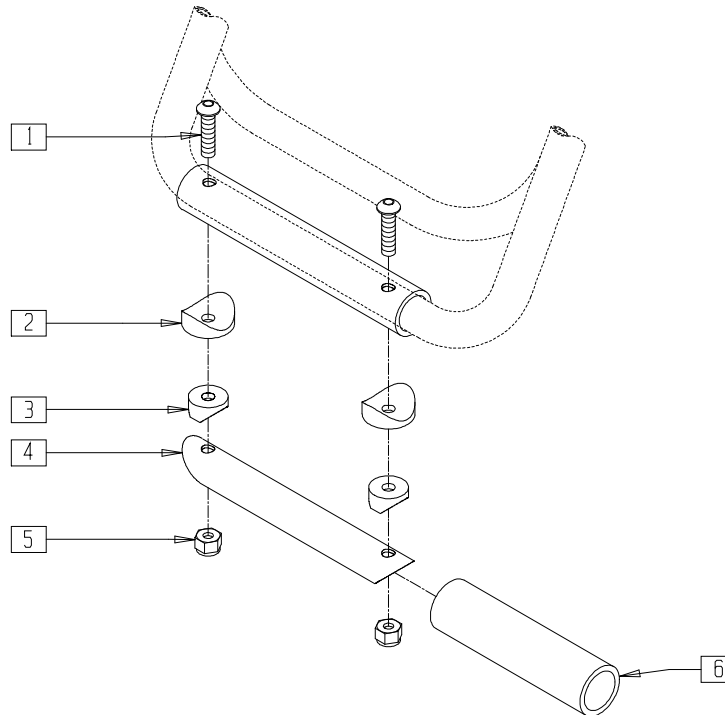
AC0X02A

ITEM	NUMBER	DESCRIPTION	QTY
1	750304-750306	SEAT POUCH	

ITEM	NUMBER	DESCRIPTION	QTY
2	750120-750125	BACKPACK	1

NOTE: KIDS BACKPACKS DO NOT HAVE ADJUSTABLE STRAPS WITH BUCKLES.

BASKETBALL ROLLER (QUICKIE 1/GP/GPV/TI)

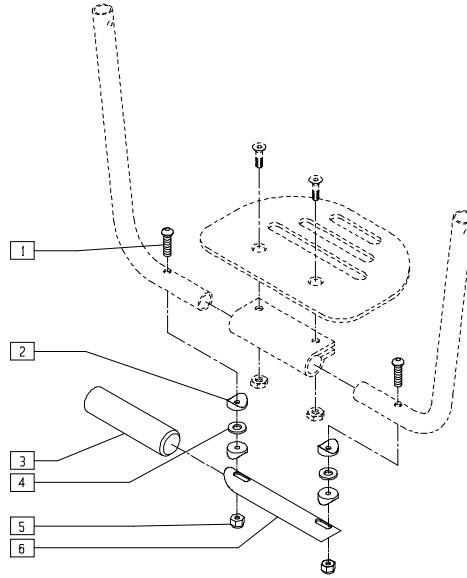


AC0X03

ITEM	NUMBER	DESCRIPTION	QTY
1	226130	1/4-28 x 1 1/2 BH C/S	2
2	561004	1" SADDLE 1/4" HOLE	2
3	561003	3/4" SADDLE THIN	2
4	521520	BB ROLLER ALUMINUM TUBE	1

ITEM	NUMBER	DESCRIPTION	QTY
5	201110	1/4-28 NYLOCK NUT	2
6	580100	BB ROLLER PLASTIC TUBE	1
1-6	900100	BASKETBALL ROLLER Q1	

PLATFORM FOOTPLATE BASKETBALL ROLLER
QUICKIE GP/GPS/GPV/GPV COMPETITION/TNT/TRIUMPH/XTR)
 (Quickie GPS,TNT and Triumph discontinued 2/01-Parts only)

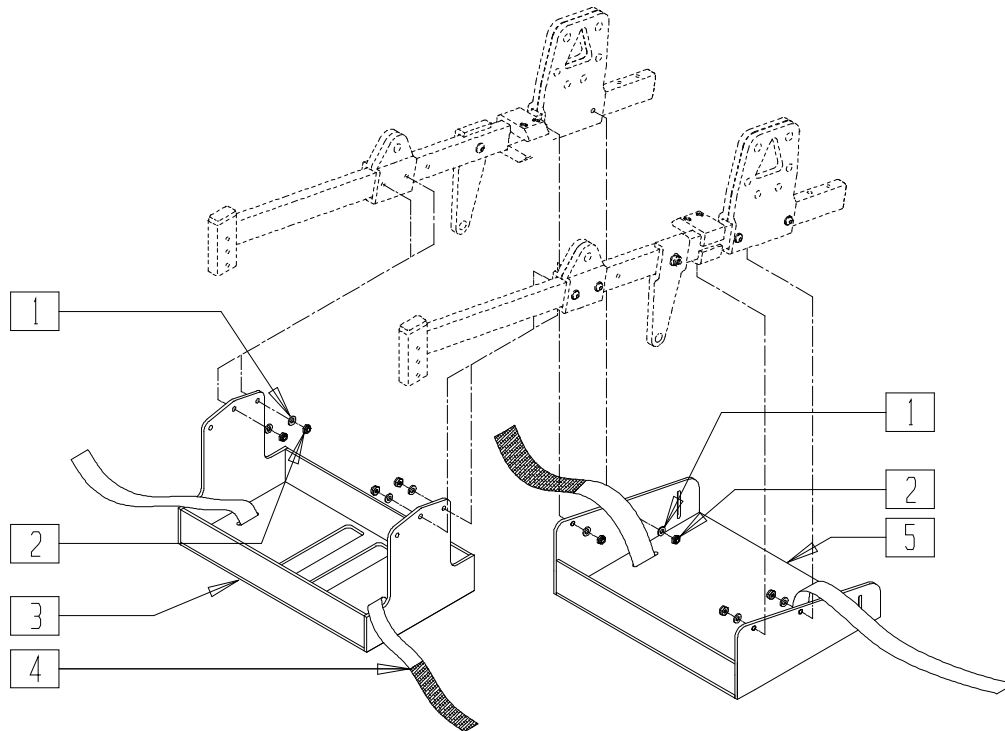


AC0X03A

ITEM	NUMBER	DESCRIPTION	QTY
1	226130	1/4-28 x 1 1/2 BH C/S	2
2	561003	3/4" SADDLE THIN	4
3	580100	BB ROLLER PLASTIC TUBE	1
4	561026	3/4" WASHER 1/4" HOLE	2

ITEM	NUMBER	DESCRIPTION	QTY
5	201110	1/4-28 NYLOCK NUT	2
6	521520	BB ROLLER ALUMINUM TUBE	1
1-6	900099	BASKETBALL ROLLER PLATFORM FT PLT	

BATTERY AND VENT TRAY (QUICKIE T45)

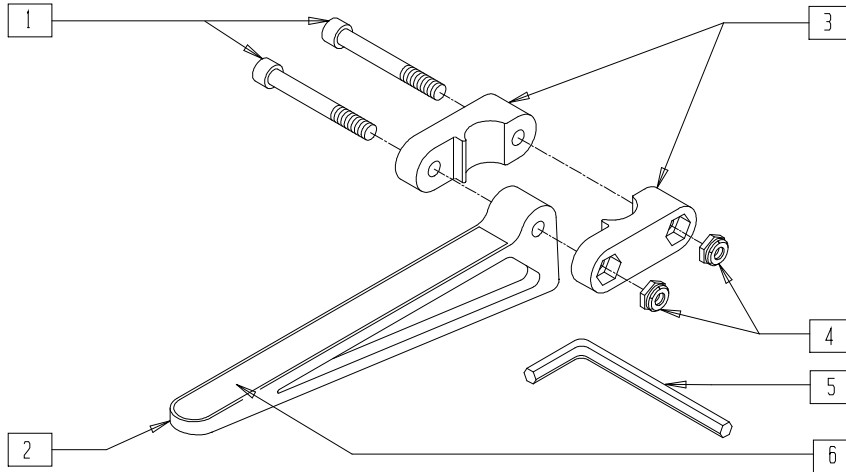


TSR00X04

ITEM	NUMBER	DESCRIPTION	QTY
1	262100-QU	1/4 AN WASHER FLAT	4
2	201100	1/4-28 NYLOCK NUT THIN	4
3	505826-505830	BATTERY TRAY T45	1

ITEM	NUMBER	DESCRIPTION	QTY
4	751040	VENT TRAY STRAP PRS/T45	2
5	505816-505820	VENTILATOR TRAY T45	1

QUICKIE CADDY



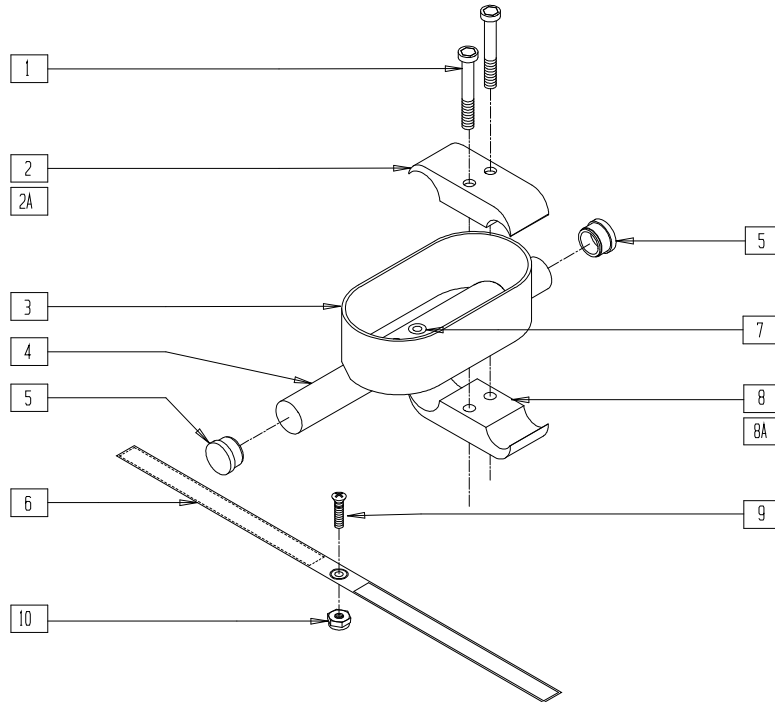
AC0X016

ITEM	NUMBER	DESCRIPTION	QTY
1	226128	1/4-28 x 1 1/4 SOC C/S	2
2	561105	CADDY ARM	1
3	561104	CADDY CLAMP	2
4	201100	1/4-28 NYLOCK NUT THIN	2

ITEM	NUMBER	DESCRIPTION	QTY
5	349998	3/16" ALLEN WRENCH	1
6	580050	CADDY TAPE	1
1-6	902350	QUICKIE CADDY (PR)	

CRUTCH HOLDER (QUICKIE 2/2HP/2HPTi/Rx, BREEZY 2/510/600, ZIPPIE/TS)

(Breezy 2 discontinued 5/98 - parts only)



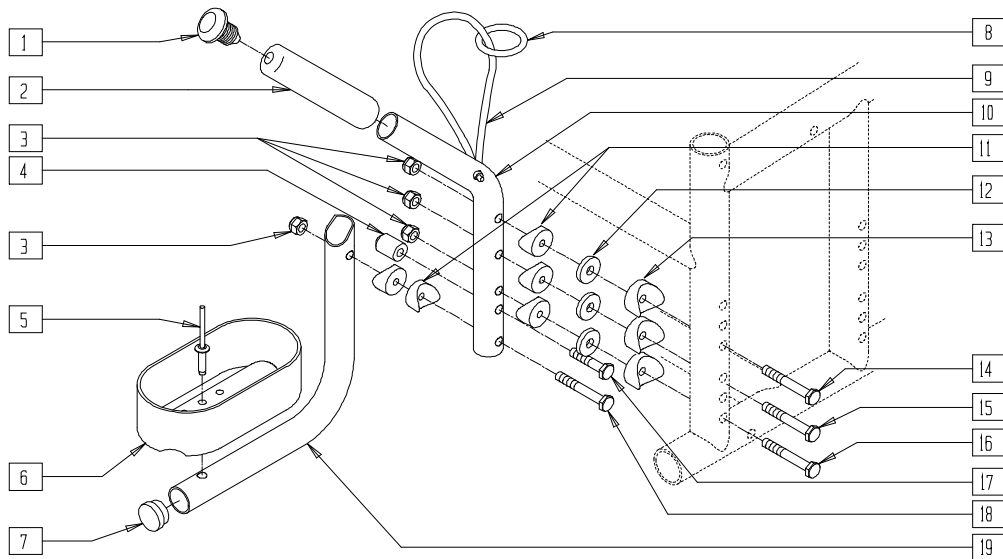
AC0X06

ITEM	NUMBER	DESCRIPTION	QTY
1	226112	1/4-28 x 1 SOC C/S BLK	2
2	550277	CLAMP 2 1/4" RECESS CLR	1
2A	550287	CLAMP 1 1/8" - 3/4" W/RECESS	1
3	562501	CRUTCH HOLDER CUP	1
4	521101	CRUTCH HOLDER SUPPORT TUBE F	1
5	561000	3/4" INSERT PLUG .083	2
6	750495	CRUTCH HOLDER STRAP F	1
7	240108	RIVET POP SSD64SSBS	1
8	550276	CLAMP 2 1/4" THREADED CLR	1

ITEM	NUMBER	DESCRIPTION	QTY
8A	550288	CLAMP 1 1/8" - 3/4" THREADED	1
9	281110	10-32 x 1/2 PAN PHIL	1
10	200100	10-32 NYLOCK NUT	1
1-5,7,8	880802	CRUTCH HOLDER F	
1,2A,3-5,7,8A	880803	CRUTCH HOLDER CURVED REAR S/F	
1-10	901002	CRUTCH HOLDER ASSEMBLY F	
1-2A,3-7,8A,9,10	901004	CRUTCH HOLDER ASSEMBLY Q2 CURVED REAR	
1-8,8A	901005	CRUTCH HOLDER ASSEMBLY BRZ	

NOTE: ORDER STEP TUBE (PAGE 21.23) FOR BREEZY BEGINNING SERIAL NUMBER BZ-200000.

CRUTCH HOLDER (QUICKIE 1/GP/GPV/TI)



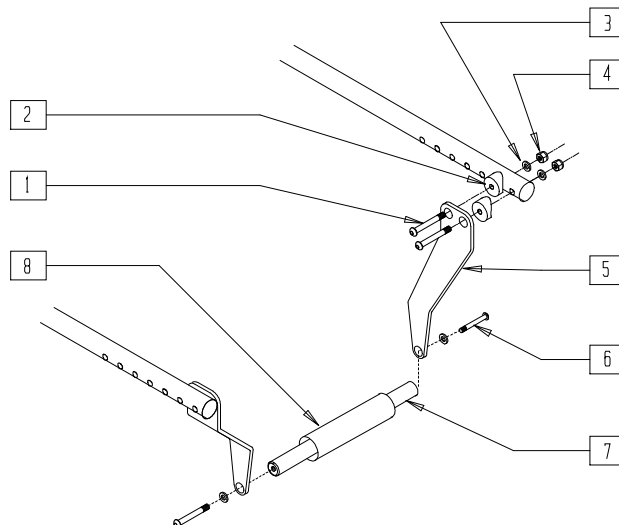
AC0X033

ITEM	NUMBER	DESCRIPTION	QTY
1	560997	3/4" PLUG RIBBED .083	1
2	560606	4 1/2 x .705 x .125 FOAM GRIP	1
3	201110	1/4-28 NYLOCK NUT	3
4	482014	CRUTCH HOLDER STUD	1
5	240108	RIVET POP SSD64SSBS	1
6	562501	CRUTCH HOLDER CUP	1
7	561000-QU	3/4" INSERT PLUG .083	1
8	560225	1" PLASTIC O-RING	1
9	880558	CRUTCH HOLDER BUNGIE CORD	1
10	521500	CRUTCH HOLDER MAIN TUBE	1
11	561003	3/4" SADDLE THIN	5

ITEM	NUMBER	DESCRIPTION	QTY
12	561026	3/4" WASHER 1/4" HOLE	3
13	561004	1" SADDLE 1/4" HOLE	3
14	221201	1/4-28 x 3 G8 HEX C/S	1
15	221211	1/4-28 x 3 1/4 G8 HEX C/S	1
16	221193	1/4-28 x 2 3/4 G8 HEX C/S	1
17	221126	1/4-28 x 1 1/4 G8 HEX C/S	1
18	221192	1/4-28 x 2 G8 HEX C/S	1
19	521502	CRUTCH HOLDER CUP SUPPORT	1
1-19	901000, 901001	CRUTCH HOLDER SIDE	

FOOT ASSIST BAR (QUICKIE TS)

(Discontinued 11/95 - parts only)



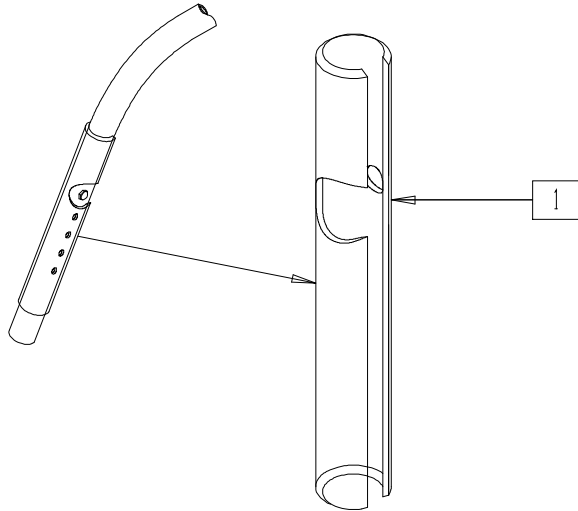
AZ00X13

ITEM	NUMBER	DESCRIPTION	QTY
1	226140	1/4-28 x 1 3/4 BH C/S	4
2	561004	1" SADDLE 1/4" HOLE	4
3	262100-QU	1/4 AN WASHER FLAT	6
4	201110	1/4-28 NYLOCK NUT	4
5	505254	FOOT ASSIST BRACKET	2
6	226110	1/4-28 x 1 BH C/S	2

ITEM	NUMBER	DESCRIPTION	QTY
7	550530- 550534	FOOT ASSIST BAR QT 16"-20"	1
8	560609	FOAM 5" x .705" ID TUBE	1
1-8	839900- 839904	FOOT ASSIST ASSEMBLY 16"-20"	

IMPACT GUARD (PLASTIC)

(Discontinued - available with old style only)



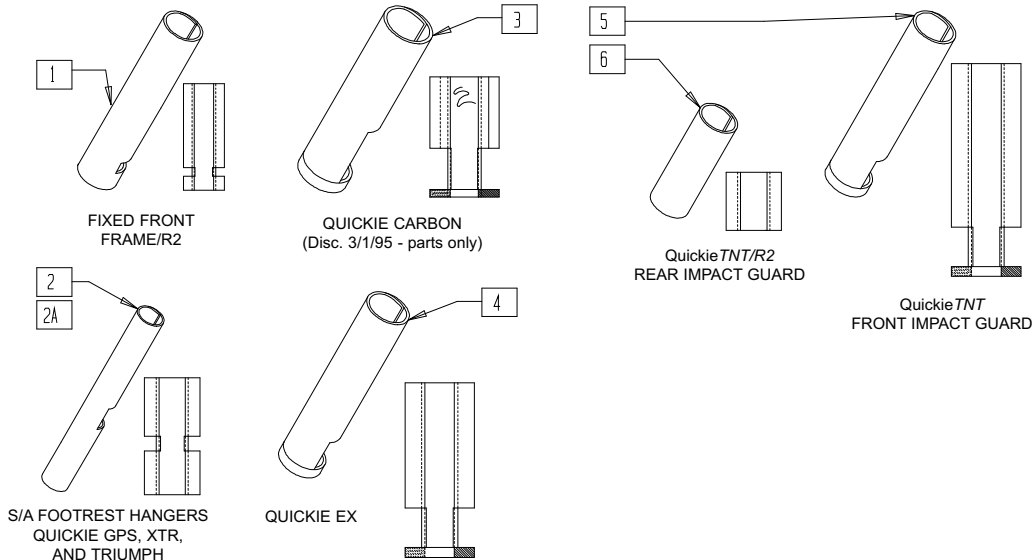
AC0X08

ITEM	NUMBER	DESCRIPTION	QTY
1	562200	IMPACT GUARD 9" CLEAR W/HOLE R (NON S/A)	1
	562202	IMPACT GUARD 9" CLEAR W/HOLE L (NON S/A)	
	562204	IMPACT GUARD 9" CLEAR W/O HOLE R (S/A)	

ITEM	NUMBER	DESCRIPTION	QTY
1	562206	IMPACT GUARD 9" CLEAR W/O HOLE L (S/A)	1
	900050	IMPACT GUARDS 9" CLEAR W/HOLE (NONE S/A) (PR)	
	900051	IMPACT GUARDS 9" W/O HOLE (S/A) (PR)	

IMPACT GUARDS (NEOPRENE)(QUICKIE CARBON/EX/GPS/R2/TNT/TRIUMPH/XTR)

(Quickie TNT, Triumph and GPS discontinued 2/01-Parts only)

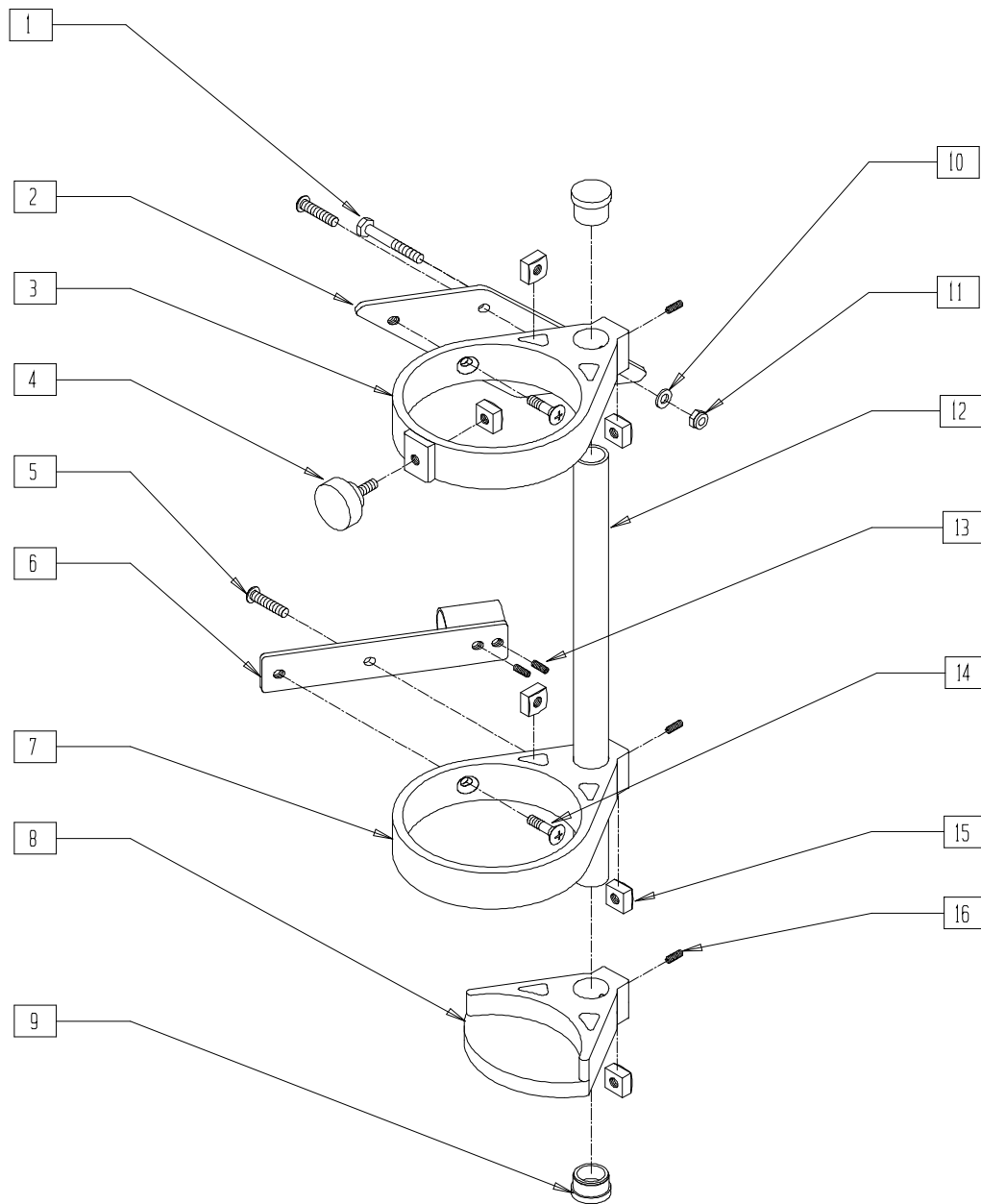


IG0X01

ITEM	NUMBER	DESCRIPTION	QTY
1	750316	IMPACT GUARDS NEOPRENE FIXED (PR)	1
2	750317	IMPACT GUARDS NEOPRENE S/A AND GPS (PR)	1
2A	750319	IMPACT GUARDS NEOPRENE TRIUMPH (PR)	1

ITEM	NUMBER	DESCRIPTION	QTY
3	750315	IMPACT GUARDS NEOPRENE QC (PR)	1
4	750318	IMPACT GUARDS NEOPRENE EX (PR)	1
5	750352	IMPACT GUARD QTNT	1
6	750350	BACK FRAME GUARD QTNT	1

OXYGEN TANK HOLDER (BREEZY 500/510)

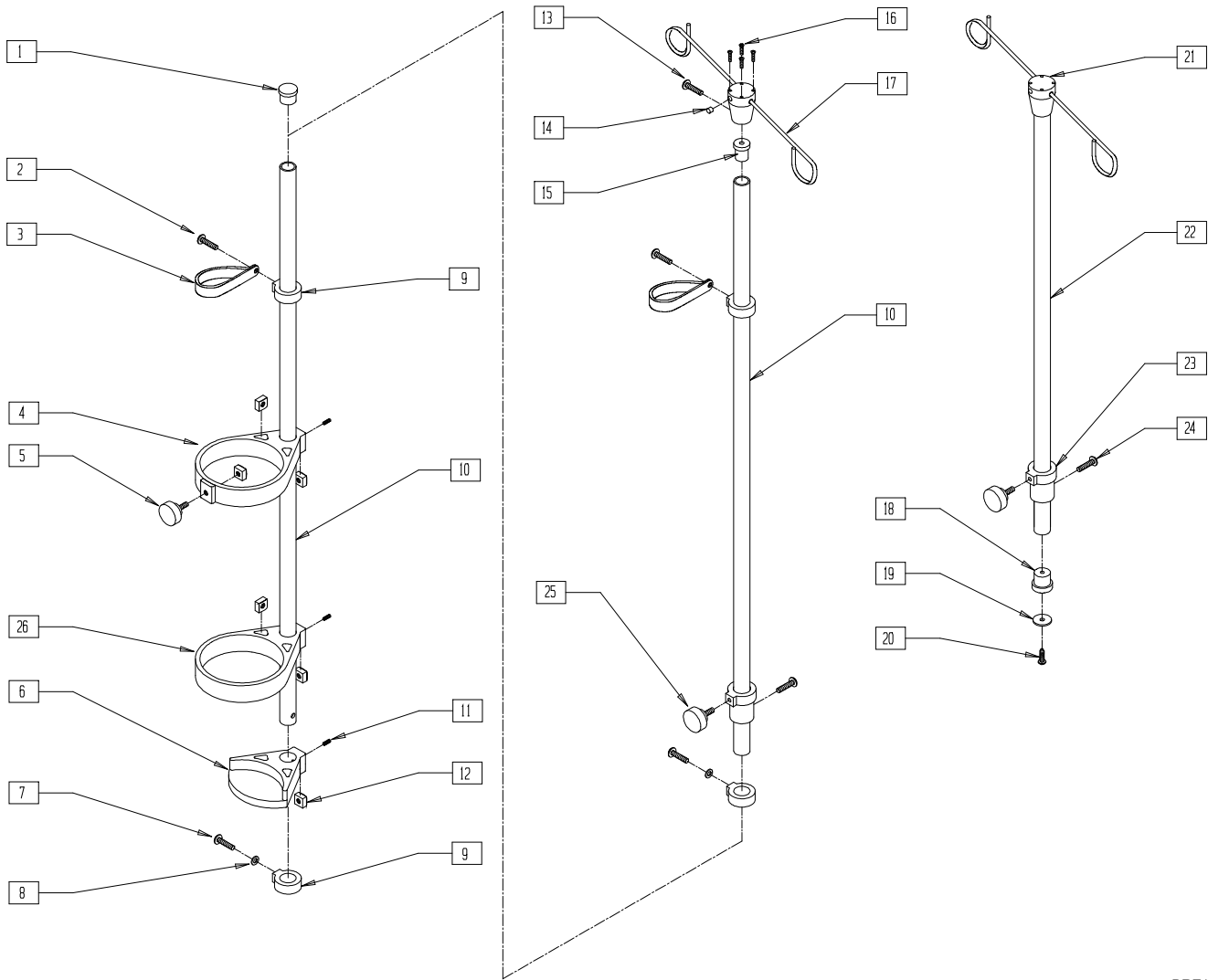


OXYHLDR4

ITEM	NUMBER	DESCRIPTION	QTY
1	221160	1/4-28 x 2 HEX C/S	1
2	505738	O2 UPPER SUPPORT BRACKET	1
3	561991	O2 UPPER TANK RING	1
4	349033	O2 KNOB 1/4-20 x 3/4	1
5	281186	1/4-20 x 3/4 TRUSS PHIL	2
6	505737	O2 LOWER SUPPORT BRACKET	1
7	561990	O2 LOWER TANK RING	1
8	561992	O2 TANK STOP	1
9	561029	7/8" INSERT PLUG O2	2

ITEM	NUMBER	DESCRIPTION	QTY
10	262100-QU	1/4 AN WASHER FLAT	1
11	201110	1/4-28 NYLOCK NUT	1
12	521102	O2 STRUT TUBE	1
13	225103	1/4-20 x 3/8 SET SCREW SS	2
14	226068	1/4-20 x .35 FLAT HEAD	2
15	201104	1/4-20 SQUARE NUT	6
16	225107	1/4-20 x 1 1/4 SET SCREW	3
1-16	880000	O2 TANK HOLDER ASSEMBLY	

OXYGEN TANK, IV, AND EXTENSION POLE (BREEZY 100/150)

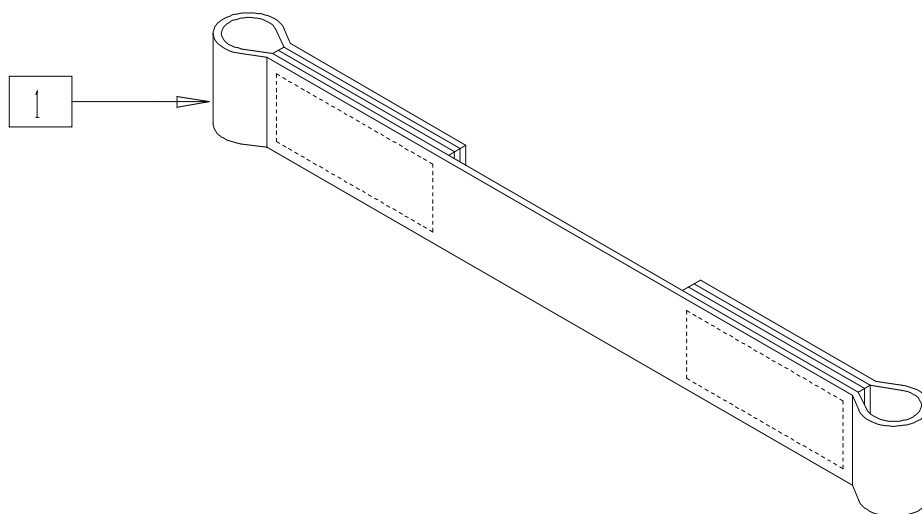


BRZ10X29

ITEM	NUMBER	DESCRIPTION	QTY
25	222-0760	IV POLE ADJUSTMENT COLLAR KNOB	1
1,10	222-0758	LOWER TANK TUBE/SHAFT	1
7-9	222-0752	LOWER CLAMP ASSEMBLY	1
2,3,9	222-0753	UPPER CLAMP ASSEMBLY	1
5,11,12,26	222-0754	UPPER OXYGEN TANK RING ASSEM	1
4,11,12	222-0755	LOWER OXYGEN TANK RING ASSEM	1
6,11,12	222-0756	OXYGEN RING FOOT MOUNT ASSEM	1
15,12	222-0757	UPPER RING LOCKING KNOB ASSEM	1
10,15, 18-20	222-0759	UPPER (IV POLE) TUBE/ SHAFT ASSEMBLY	1
5,23,24	222-0761	IV POLE ADJUSTMENT COLLAR ASSM	1

ITEM	NUMBER	DESCRIPTION	QTY
13,14,16, 17,21	222-0762	IV POLE HOOK ASSEMBLY	1
1-12	BZ102	O2 TANK HOLDER ASSEMBLY	1
2-13, 15-21, 23,26	BZ103	O2 TANK HOLDER W/IV POLE ASSEMBLY	1
2,3,7-10, 13-21, 23,24,25	BZ104	IV POLE ASSEMBLY	1
5,13-25	BZ105	IV POLE EXTENSION ASSEMBLY	1

LEG STRAPS



ITEM	NUMBER	DESCRIPTION	QTY
1	740111-740132	LEG STRAP 10"-20" (EA)	1

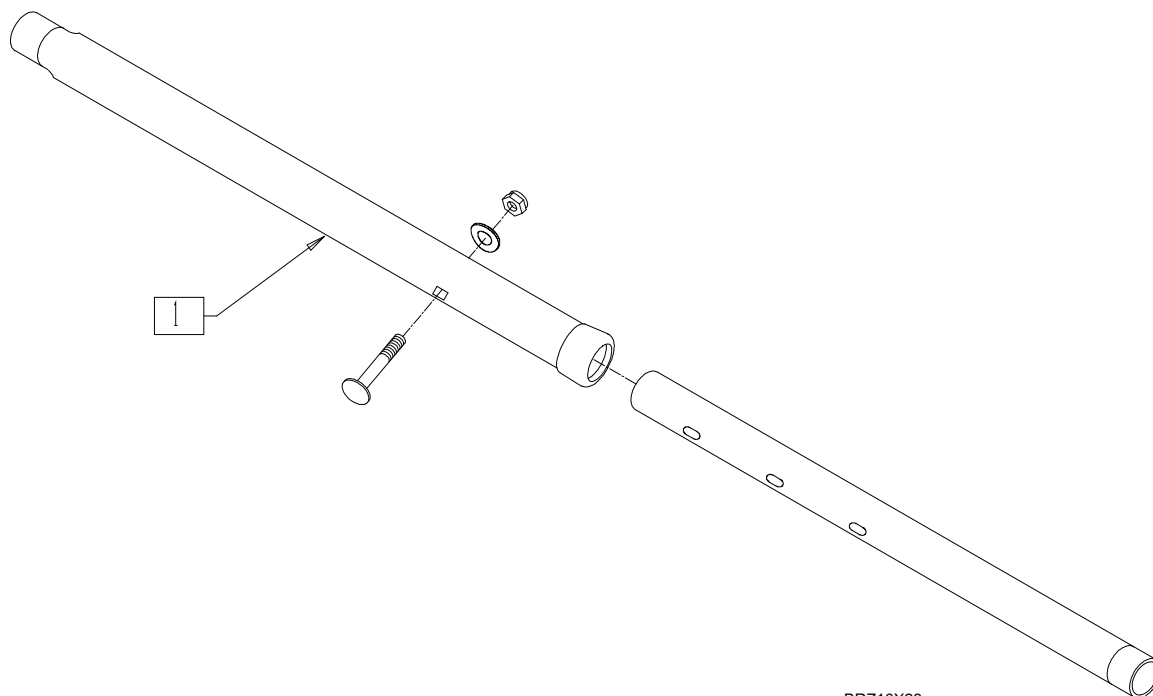
FT0X015

PARTS REPLACEMENT KIT

ITEM	NUMBER	DESCRIPTION	QTY
1	201100	1/4-28 NYLOCK NUT THIN	6
2	201110	1/4-28 NYLOCK NUT	6
3	201120	1/4-28 AUTOMATION NUT	6
4	202100-MJ	5/16-24 NYLOCK NUT THIN	6
5	203100	1/2-20 NYLOCK NUT	6
6	203110	1/2-20 JAM NUT	6
7	204000	3/4-16 NUT	6
8	221110	1/4-20 x 1 HEX C/S	6
9	221112	1/4-28 x 1 HEX C/S	6
10	221124	1/4-28 x 1 1/4 G8 HEX C/S	6
11	221126	1/4-20 x 1 1/4 G8 HEX C/S	6
12	221133	1/4-28 x 1 1/2 G8 HEX C/S	6
13	221140	1/4-20 x 1 3/4 HEX C/S	6
14	221151-QU	1/4-28 x 1 3/4 G8 HEX C/S	6
15	221192	1/4-28 x 2 G8 HEX C/S	6
16	221191	1/4-28 x 2 1/4 G8 HEX C/S	6
17	221181	1/4-28 x 2 1/2 G8 HEX C/S	6
18	221193	1/4-28 x 2 3/4 G8 HEX C/S	6
19	221201	1/4-28 x 3 G8 HEX C/S	6
20	221211	1/4-28 x 3 1/4 G8 HEX C/S	6
21	225100	1/4-20 x 1/4 SET SCREW	6
22	225200	1/4-20 x 1 SET SCREW	6
23	226120	1/4-20 x 1 BH C/S	6
24	226130	1/4-28 x 1 1/2 BH C/S	6
25	226145	1/4-28 x 1 3/4 FH C/S	6
26	226150	1/4-28 x 2 BH C/S	6
27	226165	1/4-28 x 2 1/2 SOC C/S	6
28	262100-QU	1/4 AN WASHER FLAT	24

ITEM	NUMBER	DESCRIPTION	QTY
29	262110	1/4 AN WASHER FLAT THIN	6
30	262130	6mm WASHER WAVE	6
31	264100	1/2 AN WASHER FLAT	6
32	264110	12mm WASHER WAVE	6
33	265100	3/4 x 18 WASHER NARROW	6
34	281120	10-32 x 5/8 PAN HD PHIL	24
35	341500	10-32 x .010-.080 RIVNUT	6
36	349010	QUICK RELEASE AXLE	2
37	349500	1 1/8 x 1/2 BEARING	10
38	349502	7/8 x 5/16 BEARING	10
39	382250	8" TUBE	6
40	383250	8" PNEUMATIC TIRE	2
41	385610	24" PNEUMATIC TIRE AND TUBE	6
42	481017	1/4-28 x 1.688 ECCENTRIC BOLT	6
43	481065	AXLE SLEEVE SS	2
44	483001	Q2 FRAME/FOOT RETAINING PLUG	6
45	483002	Q1 BACKREST RETAINING PLUG	6
46	483003	FLIP FOOT CAM	6
47	483011	QR CASTER STEM NUT	6
48	505015	INDEX AXLE WASHER	6
49	561004	1" SADDLE 1/4" HOLE	12
50	561014	1" MED CAP	10
51	561034	SHORT DOME PLUG	6
52	561042	LONG DOME PLUG	6
53	561050	ANTI-FLUTTER BUSHING	6
54	920050	REG CASTER STEM W/HARDWARE	2
1-54	920228	PARTS REPLACEMENT KIT MANUAL CHAIR	

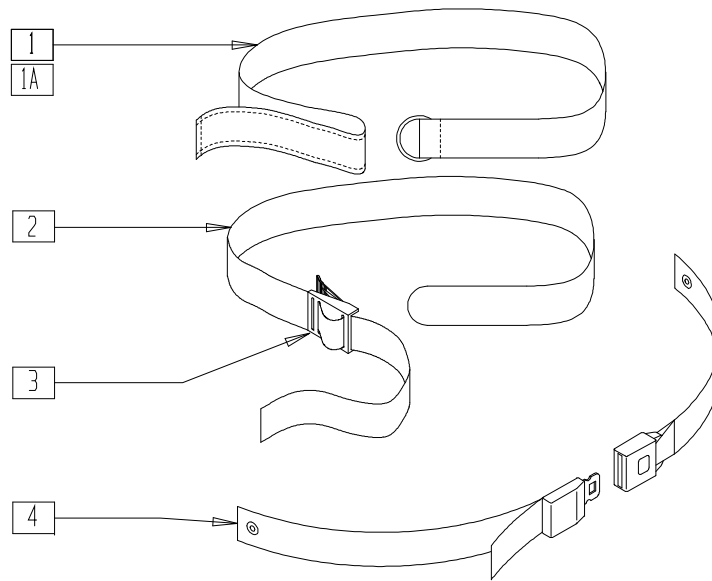
ANTI-FOLD ASSEMBLY (BREEZY 100)



BRZ10X23

ITEM	NUMBER	DESCRIPTION	QTY
1	BZ170	ANTI-FOLDING DEVICE (BR100)	1

POSITIONING BELTS

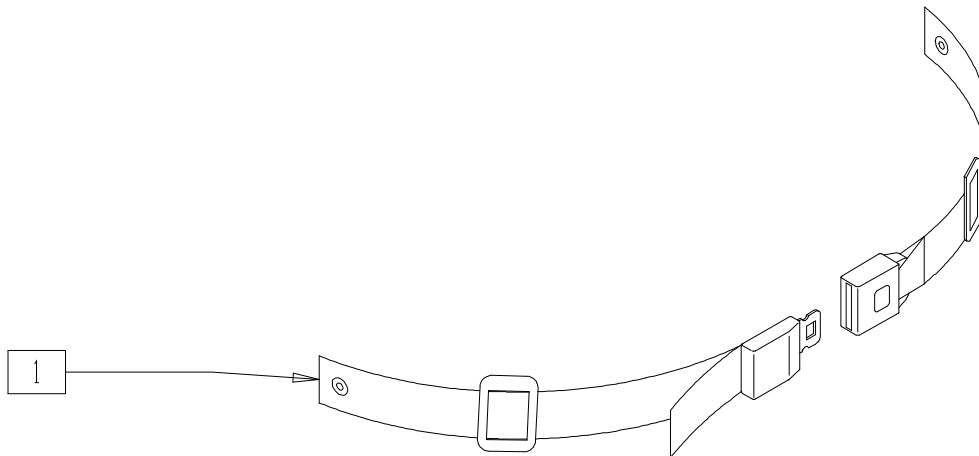


AC0X010

ITEM	NUMBER	DESCRIPTION	QTY
1	750200	POSITIONING BELT LONG VELCRO®	1
1A	750204	POSITIONING BELT SHORT VELCRO®	1
2,3	750210	POSITIONING BELT LONG BUCKLE	
	750214	POSITIONING BELT SHORT BUCKLE	

ITEM	NUMBER	DESCRIPTION	QTY
3	560200	2" PLASTIC BUCKLE	1
4	750269	POSITIONING BELT W/METAL BUCKLE STD	1
	750268	POSITIONING BELT W/METAL BUCKLE SHT	

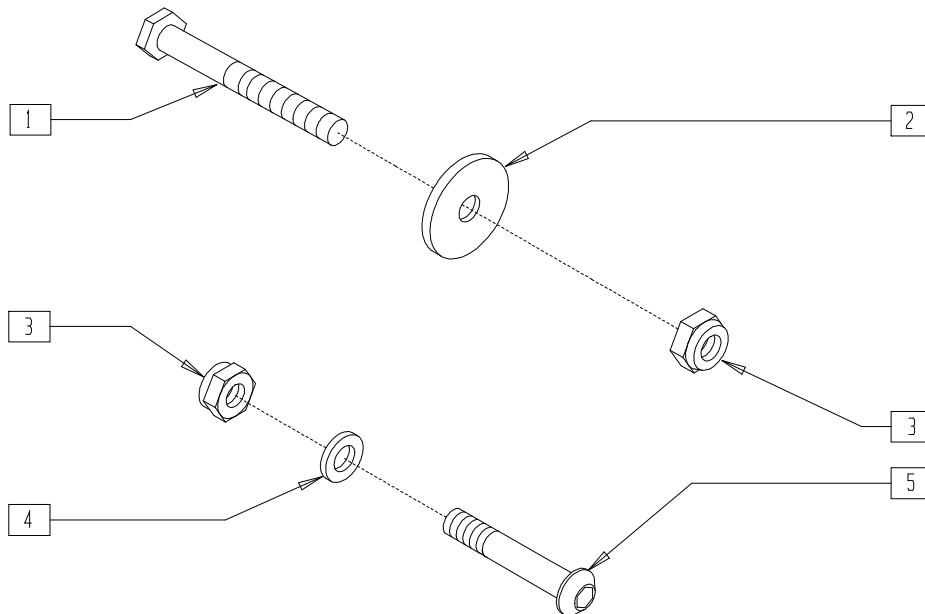
POSITIONING BELT



MAG00X31

ITEM	NUMBER	DESCRIPTION	QTY
1	450418-QU	BELT 2" AIRCRAFT BUCKLE	1
	450423-QU	BELT 2" AIRCRAFT BUCKLE W/PAD	

PIVOT POINT ADJUSTMENT KIT (BREEZY 510 RECLINER)

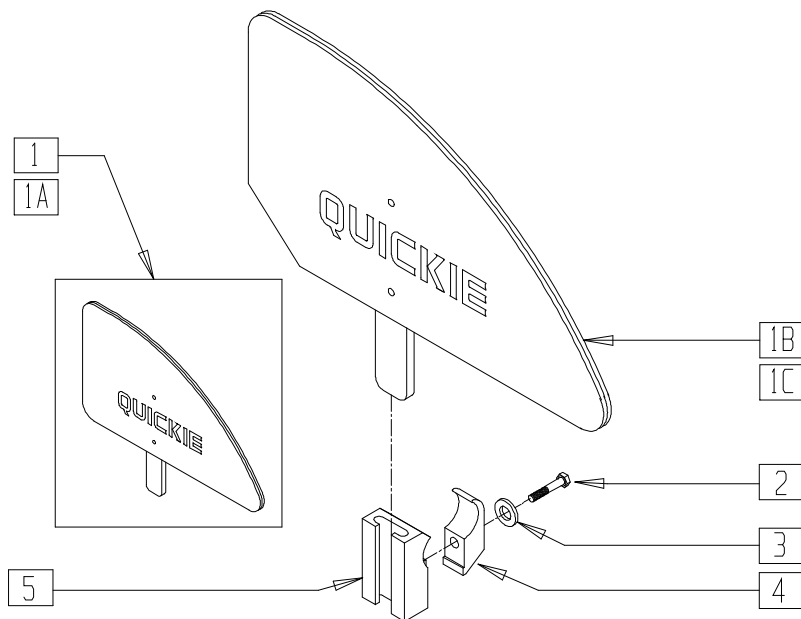


BREX07

ITEM	NUMBER	DESCRIPTION	QTY
1	222242	5/16-18 x 2 1/2 HEX C/S	2
2	561016	1" WASHER 5/16" HOLE	4
3	202102	5/16-18 NYLOCK NUT THIN	4

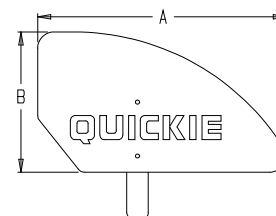
ITEM	NUMBER	DESCRIPTION	QTY
4	263100	5/16 AN WASHER FLAT	2
5	226198	5/16-18 x 2 BH C/S SHT THREAD	2
1-5	920300	PIVOT PNT ADJUSTMENT KIT B51 RCLNR	

QUICKIE PLASTIC SIDE GUARD



Drawing shows right side

MEASURING GUIDE



MGUIDE27

	"A"	"B"
ADULT	12 3/4"	8 5/8"
KIDS	11 1/2"	6 1/2"

NOTE: STANDARD (ADULT) SIDE GUARD FITS 14"-20" DEPTHS. KIDS SIDE GUARD FITS 10"-13" DEPTHS.

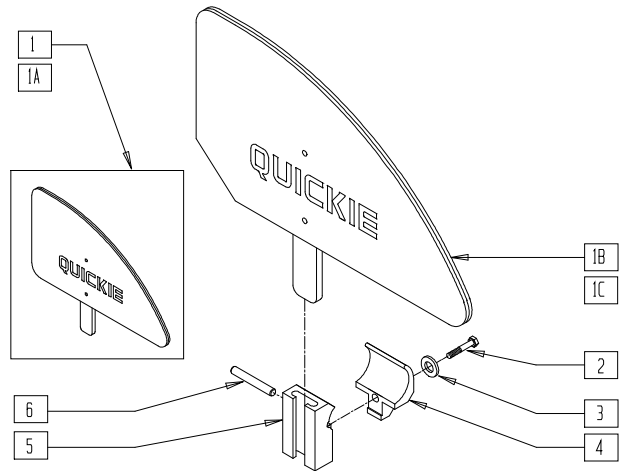
AC0X013

ITEM	NUMBER	DESCRIPTION	QTY
1	881150	PLASTIC SIDE GUARD KIDS R	1
1A	881151	PLASTIC SIDE GUARD KIDS L	1
1B	881152	PLASTIC SIDE GUARD STD R	1
1C	881153	PLASTIC SIDE GUARD STD L	1
2	221127	1/4-28 x 1 3/8 HEX C/S	1
3	262110	1/4 AN WASHER FLAT THIN	1
4	550251	CLAMP P300 CHARGING/ADJ FL KIDS	1

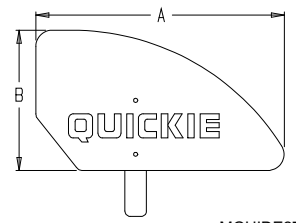
ITEM	NUMBER	DESCRIPTION	QTY
5	550325	SIDE GUARD/KIDZ ARM RECEIVER	1
2-5	881200	SIDE GUARD/KIDZ ARM RECEIVER W/CLAMP	
1,1A, 2-5	901111	PLASTIC SIDE GUARD KIDS ASSM W/CLAMP (PR)	
1B,1C, 2-5	901110	PLASTIC SIDE GUARD STD ASSM W/CLAMP (PR)	

PLASTIC SIDE GUARD (QUICKIE CARBON)

(Discontinued 3/1/95 - parts only)



MEASURING GUIDE



MGUIDE27

	"A"	"B"
ADULT	12 3/4"	8 5/8"
KIDS	11 1/2"	6 1/2"

Drawing shows right side

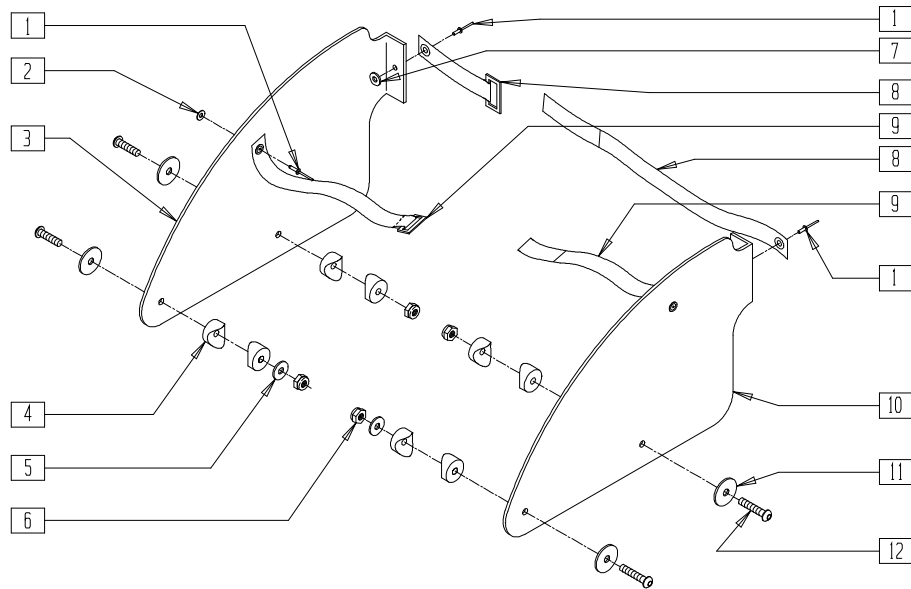
COMP3X09

ITEM	NUMBER	DESCRIPTION	QTY
1	881150	PLASTIC SIDE GUARD KIDS R	1
1A	881151	PLASTIC SIDE GUARD KIDS L	1
1B	881152	PLASTIC SIDE GUARD STD R	1
1C	881153	PLASTIC SIDE GUARD STD L	1
2	221124	1/4-28 x 1 1/4 G8 HEX C/S	1
3	262110	1/4 AN WASHER FLAT THIN	1

ITEM	NUMBER	DESCRIPTION	QTY
4	550252	QC ARM/GUARD CLAMP	1
5	550326	QC SIDE GUARD RECEIVER	1
6	483091	QC CLAMP PIN	1
2-6	881201	QC PLASTIC SIDE GUARD RECEIVER	
1,1A,2-6	901112	QC PLASTIC SIDE GUARD ASSEM KIDS	
1B,1C,2-6	901113	QC PLASTIC SIDE GUARD ASSEMY STD	

PLASTIC SIDE GUARD (QUICKIE ST/DT)

(Discontinued 7/1/98 - parts only)

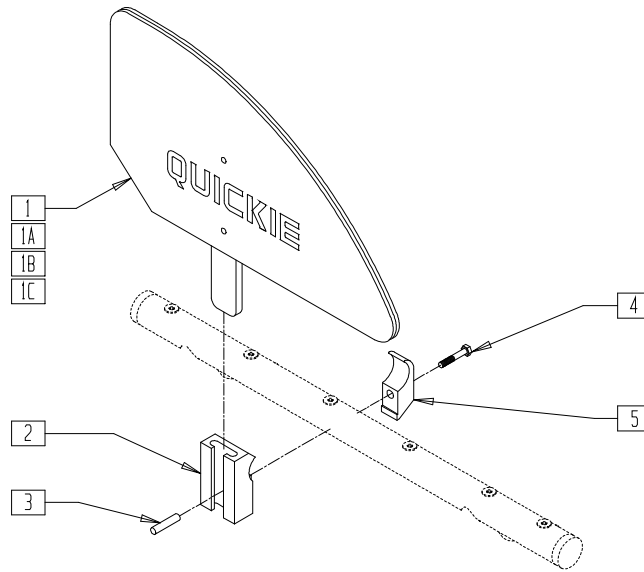


RG000X11

ITEM	NUMBER	DESCRIPTION	QTY
1	240192	RIVET POP AD66ABSLF	4
2	340106	WASHER UPH #8	4
4	561003	3/4" SADDLE THIN	8
5	262100-QU	1/4 AN WASHER FLAT	2
6	201135	1/4-20 NYLOCK NUT LOW SS	4
7	262099	3/16 ALUMINUM WASHER BACKUP	1
8	750096	SIDE GUARD/BACK STRAP (SPECIFY DIMENSION)	1
9	750087	SIDE GUARD SEAT STRAP (SPECIFY DIMENSION)	1

ITEM	NUMBER	DESCRIPTION	QTY
11	261504	1/4 x 5/8 OD WASHER SS	4
12	226136	1/4-20 x 1 1/2 BH C/S BLK	4
1-3,7-9	901122-901129, 901140	SIDE GUARD RIGID 12"-20" HIGH (9 3/4" TALL) (PR)	
	901132-901139, 901141	SIDE GUARD RIGID 12"-20" LOW (8 1/4" TALL) (PR)	

PLASTIC SIDE GUARD (QUICKIE HEAT/ST/DT)

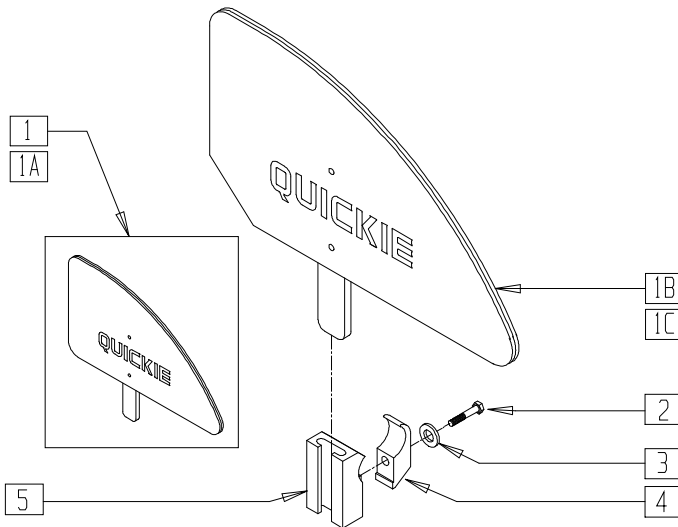


RG000X13

ITEM	NUMBER	DESCRIPTION	QTY
1	881150	PLST SIDE GUARD KDS R	1
1A	881151	PLST SIDE GUARD KDS L	1
1B	881152	PLST SIDE GUARD STD R	1
1C	881153	PLST SIDE GUARD STD L	1
2	550326	QC SIDE GUARD REC	1

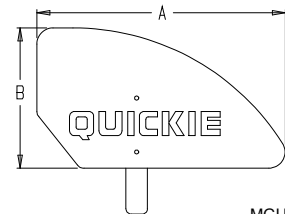
ITEM	NUMBER	DESCRIPTION	QTY
3	341130	1/4 x 1 1/8 ROLL PIN SS	1
4	226112	1/4-28 x 1 SOC C/S BLK	1
5	550723	HB CLAMP 3/4" NO NOTCH ST/DT	1
1B,1C,2-4	901130	SIDE GUARD ASSM STD HQR	
1,1A-5	901131	SIDE GUARD ASSM KIDS HQR	

PLASTIC SIDE GUARD (QUICKIE XTR)



Drawing shows right side

MEASURING GUIDE



MGUIDE27

	"A"	"B"
ADULT	12 3/4"	8 5/8"
KIDS	11 1/2"	6 1/2"

NOTE: STANDARD (ADULT) SIDE GUARD FITS 14-20" DEPTHS. KIDS SIDE GUARD FITS 10-13" DEPTHS.

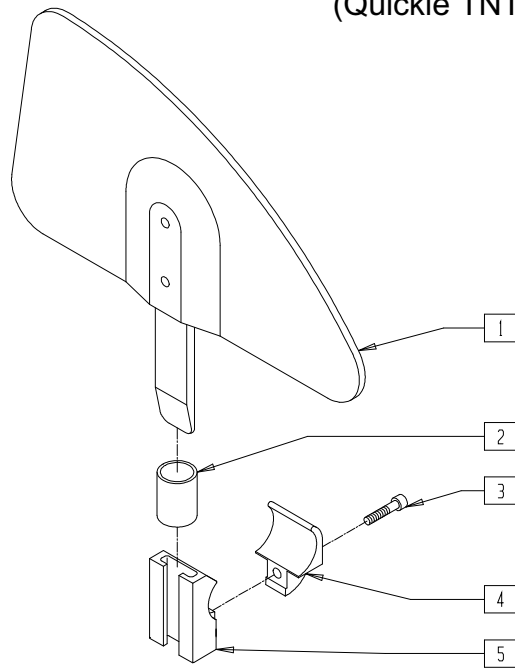
AC0X013

ITEM	NUMBER	DESCRIPTION	QTY
1	881150	PLASTIC SIDE GUARD KIDS R	1
1A	881151	PLASTIC SIDE GUARD KIDS L	1
1B	881152	PLASTIC SIDE GUARD STD R	1
1C	881153	PLASTIC SIDE GUARD STD L	1
2	221127	1/4-28 x 1 3/8 HEX C/S	1
3	262110	1/4 AN WASHER FLAT THIN	1
4	550063	PLASTIC SIDE GUARD CLAMP XTR	1

ITEM	NUMBER	DESCRIPTION	QTY
5	550062	PLASTIC SIDE GUARD REC 1 1/8" XTR	1
2-5	881207	SIDE GUARD/KIDS ARM REC W/CLAMP XTR	
1,1A	901090	PLASTIC SIDE GUARD KIDS ASSM W/CLAMP XTR (PR)	
1B,1C	901091	PLASTIC SIDE GUARD STD ASSM W/CLAMP XTR (PR)	

PLASTIC SIDE GUARD (Quickie TNT)

(Quickie TNT discontinued 2/01-Parts only)



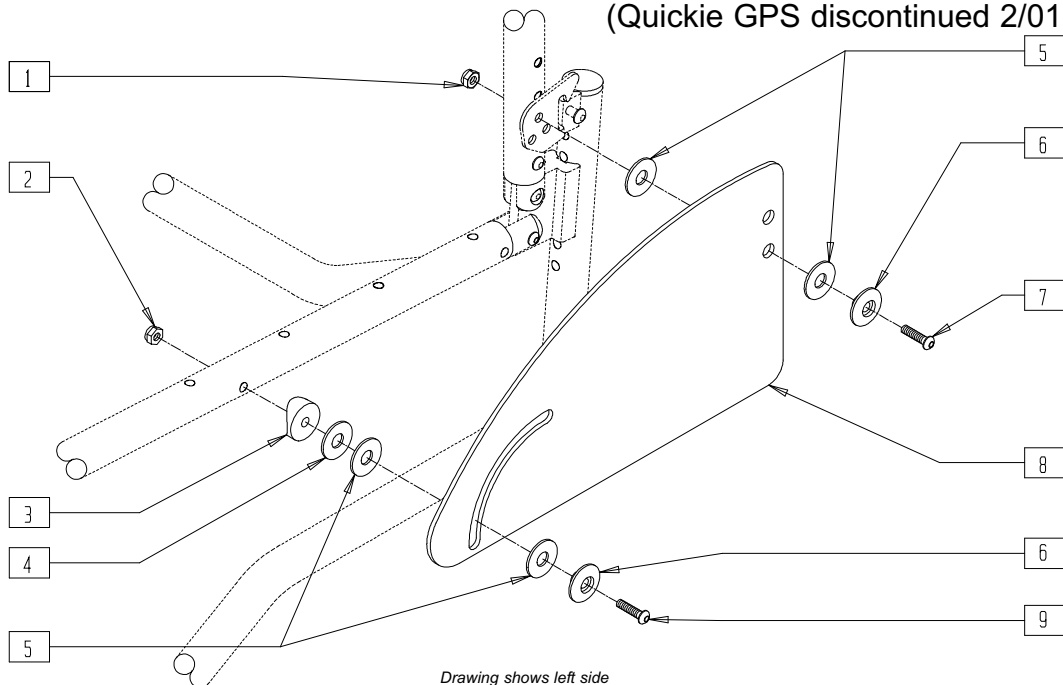
TNT00X03

ITEM	NUMBER	DESCRIPTION	QTY
1	881140, 881141	PLASTIC SIDE GUARD QTNT (EA)	1
2	580400	SIDE GUARD STOP QTNT	1
3	226142	1/4-20 x 1 SOC HD C/S	1

ITEM	NUMBER	DESCRIPTION	QTY
4	550425	SIDE GUARD CLAMP BLK QTNT	1
5	550428	SIDE GUARD RECEIVER BLK QTNT	1
3-5	881210	PLASTIC SIDE GUARD REC W/CLAMP QTNT	
1-5	901101	PLASTIC SIDE GUARDS QTNT (PR)	

ALUMINUM FOLDING SIDE GUARD (QUICKIE GPS)

(Quickie GPS discontinued 2/01-Parts only)



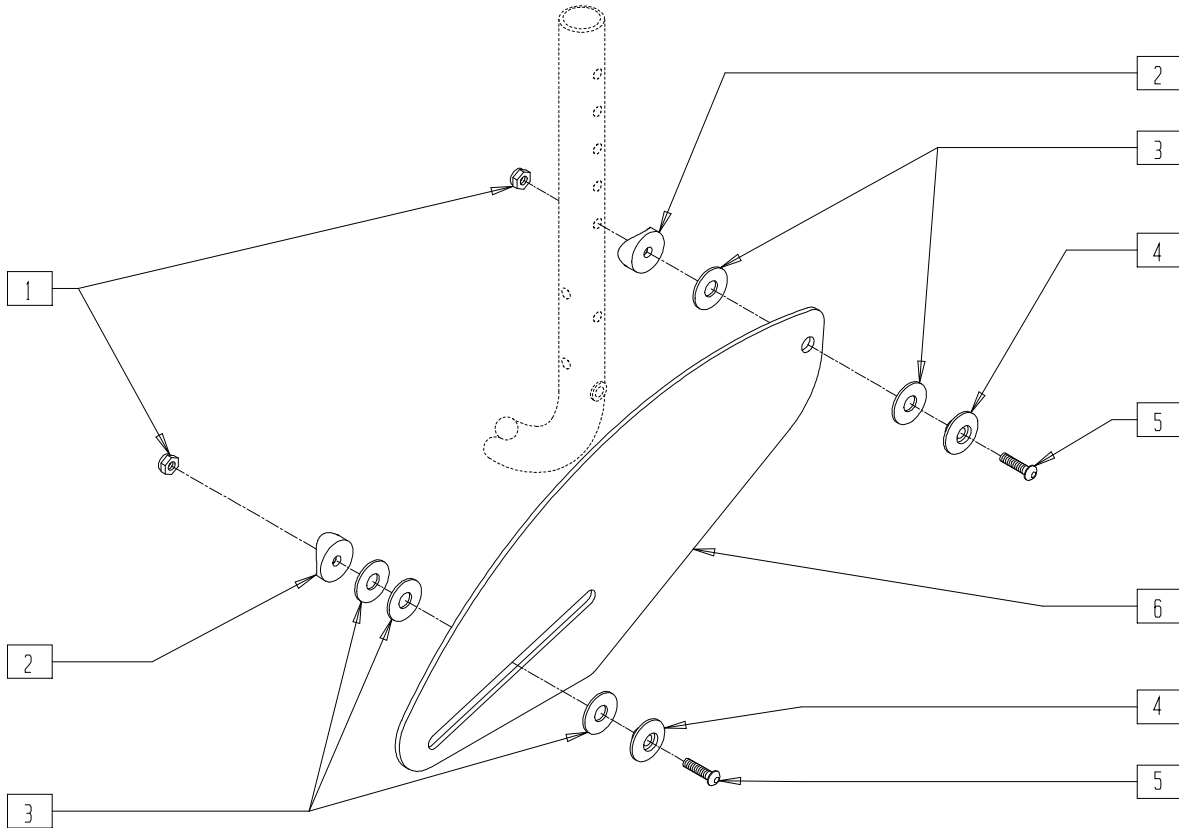
Drawing shows left side

GBL00X08

ITEM	NUMBER	DESCRIPTION	QTY
1	201110	1/4-28 NYLOCK NUT	1
2	201100	1/4-28 NYLOCK NUT THIN	1
3	561004	1" SADDLE 1/4" HOLE	1
4	561016	1" WASHER 5/16" HOLE	1
5	561043	1" WASHER 3/8" HOLE	4

ITEM	NUMBER	DESCRIPTION	QTY
6	481046	SIDE GUARD BUSHING	2
7	226150	1/4-28 x 2 BH C/S	1
8	500117	SIDE GUARD ALUMINUM GPS	1
9	226140	1/4-28 x 1 3/4 BH C/S	1
1-9	881205	SIDE GUARD ALUMINUM W/HWDR (EA)	

ALUMINUM SIDE GUARD (QUICKIE REVOLUTION)



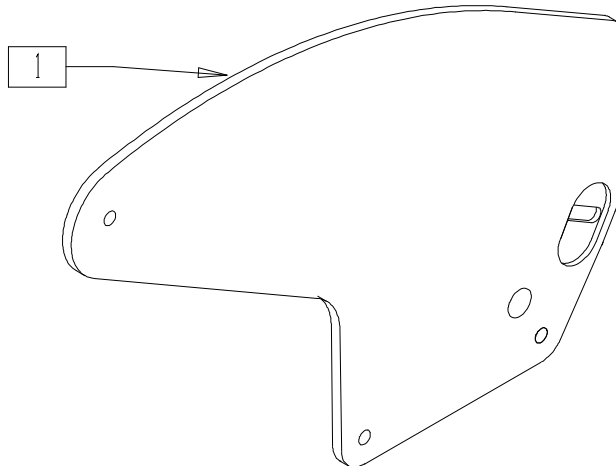
2D000X09

ITEM	NUMBER	DESCRIPTION	QTY
1	201100	1/4-28 NYLOCK NUT THIN	2
2	561004	1" SADDLE 1/4" HOLE	2
3	561043	1" WASHER 3/8" HOLE	5
4	481046	SIDE GUARD BUSHING	2

ITEM	NUMBER	DESCRIPTION	QTY
5	227140	1/4-28 x 1 3/4 BH C/S BLK ZN	2
6	500118	SIDE GUARD ALUMINUM RV	1
1-6	881206	SIDE GUARD ALUMINUM RV W/HDWR (EA)	

ALUMINUM SIDE GUARD (QUICKIE TRIUMPH)

(Quickie Triumph discontinued 2/01-Parts only)

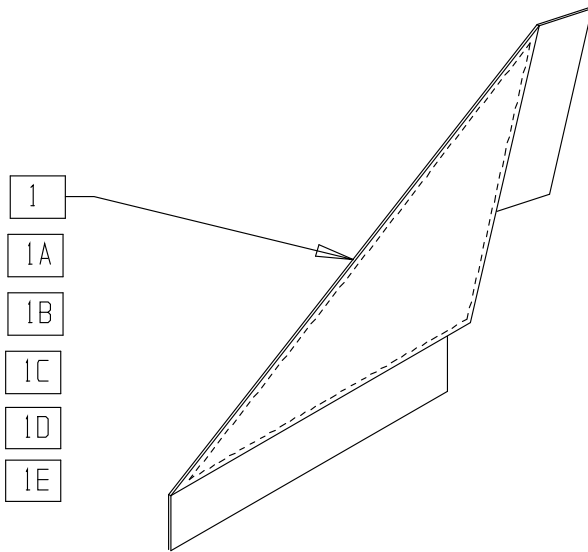


AC0X026

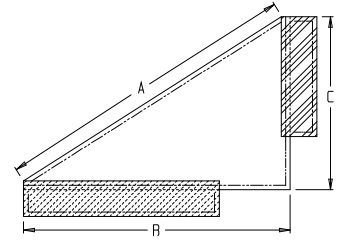
ITEM	NUMBER	DESCRIPTION	QTY
1	500138, 500139	PIVOT PLATE/SIDE GUARD .115 (EA)	1

FABRIC SIDE GUARD (QUICKIE 1/CARBON/GP/GPV/GPS/R2/REVOLUTION/Ti/TNT/TRIUMPH)

(Quickie GPS, TNT and Triumph discontinued 2/01-Parts only)



MEASURING GUIDE



MGUIDE26

	"A"	"B"	"C"
ADULT	17 7/8"	15"	10"
KIDS	16"	12 3/4"	9 3/4"

NOTE: VELCRO STRIPS ARE 2" WIDE.

AC0X011

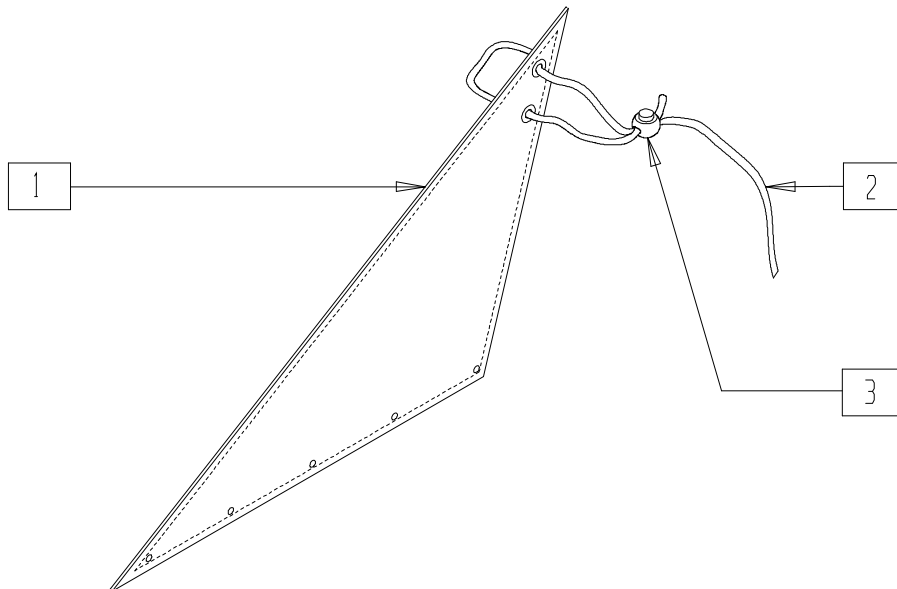
ITEM	NUMBER	DESCRIPTION	QTY
1	750400	SIDE GUARD REG Q1 R	1
1A	750401	SIDE GUARD REG Q1 L	1
1B	750402	SIDE GUARD KIDS Q1 R	1

ITEM	NUMBER	DESCRIPTION	QTY
1C	750403	SIDE GUARD KIDS Q1 L	1
1D	901100	SIDE GUARDS KIDS NF (PR)	1
1E*	901102	SIDE GUARDS KIDS NF/REV (PR)	1

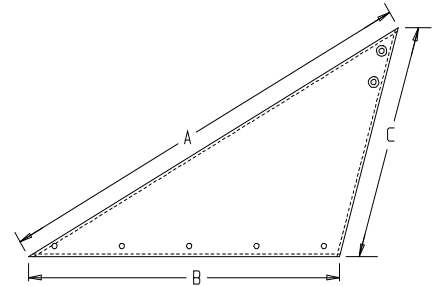
* 1E FITS REVOLUTION WITH NON-PUSH HANDLE BACKREST. FOR REVOLUTION WITH PUSH HANDLE BACKREST, SEE FABRIC SIDE GUARD (QUICKIE EX/REVOLUTION) ON PAGE 22.17.

FABRIC SIDE GUARD (QUICKIE 2/2HP/2HPTi/Rx/LX/LXI/XTR)

(Prior to 10/23/99 before serial number Q2-242051)



MEASURING GUIDE



MGUIDE25

	"A"	"B"	"C"
ADULT	20"	11"	15"
KIDS	18"	11 1/2"	12 1/2"

NOTE: SIDE GUARD LACE IS 40".

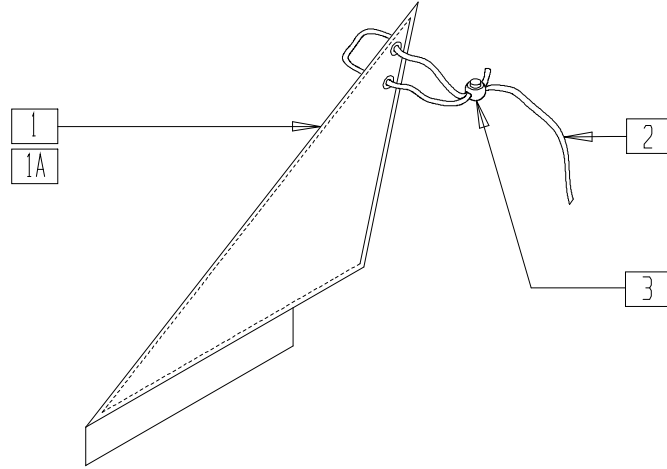
AC0X011A

ITEM	NUMBER	DESCRIPTION	QTY
1	750331	SIDE GUARD KIDS Q2 10" DEPTH	1
	750332	SIDE GUARD KIDS Q2 11" DEPTH	
	750430	SIDE GUARD REG Q2	
	750432	SIDE GUARD KIDS Q2	
2	750050	SIDE GUARD LACE Q2	1

ITEM	NUMBER	DESCRIPTION	QTY
3	560220	B-LOCK	1
1-3	901103	SIDE GUARD KIDS Q2 10" DEPTH (PR)	1
	901105	SIDE GUARD KIDS Q2 11" DEPTH (PR)	
	901104	SIDE GUARD KIDS FOLDING (PR)	
	901106	SIDE GUARD REG FOLDING (PR)	

FABRIC SIDE GUARD (QUICKIE 2/2HP/2HPTi/EX/REVOLUTION)

(Effective 10/23/99 beginning serial number Q2-242051)



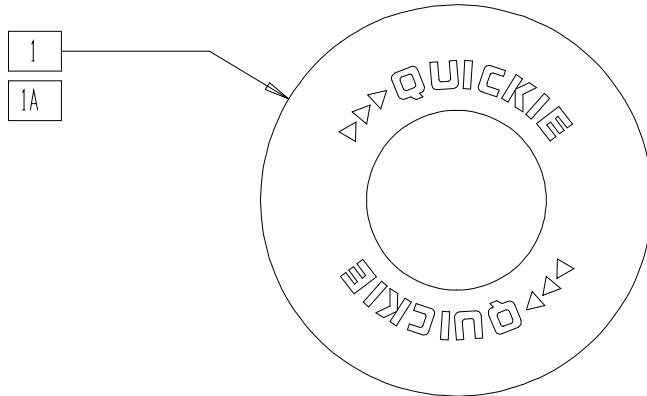
AC0X024

ITEM	NUMBER	DESCRIPTION	QTY
1	750434, 750435	SIDE GUARD REG W/VELCRO (EA)	1
1A	750240, 750241	SIDE GUARD FABRIC SHORT Q2 (EA)	1

ITEM	NUMBER	DESCRIPTION	QTY
3	560220	B-LOCK	2
1-3	901109	SIDE GUARDS REG EX/RV (PR)	
1A,2,3	901121	SIDE GUARDS KIDS FABRIC Q2 NEW (PR)	

NOTE: FITS REVOLUTION WITH PUSH HANDLE BACKREST. FOR REVOLUTION WITH NON-PUSH HANDLE BACKREST, SEE FABRIC SIDE GUARD (QUICKIE 1/CARBON/GP/GPV/GPS/REVOLUTION/T/TNT/TRIUMPH) ON PAGE 22.16.

SPOKE GUARD

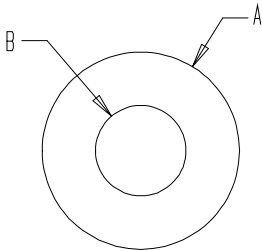


WH0X1A

ITEM	NUMBER	DESCRIPTION	QTY
1	902040- 902056	SPOKE GUARDS CLR (PR)	1

ITEM	NUMBER	DESCRIPTION	QTY
1A	902001- 902038	SPOKE GUARDS BLK (PR)	

MEASURING GUIDE

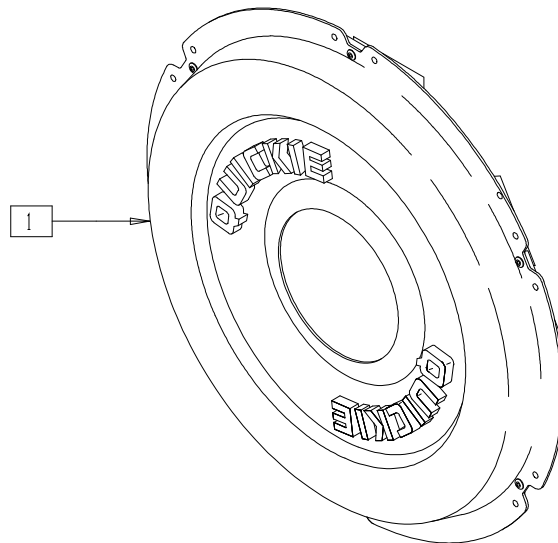


SG1

SPOKE GUARD	PART NUMBER	DIA. A	DIA. B
SPOKE GUARDS 20" CLEAR	902041	15 7/8"	8 1/4"
SPOKE GUARDS 22" CLEAR	902043	18 1/8"	8 1/4"
SPOKE GUARDS 24" CLEAR	902048	19 1/4"	10 1/4"
SPOKE GUARDS 26" CLEAR	902050	21 7/8"	10 1/4"
SPOKE GUARDS 20"/22" PROJECTION CLEAR	902044	16 3/4"	8 1/4"
SPOKE GUARDS 24"/26" PROJECTION CLEAR	902052	21 1/4"	10 1/4"
SPOKE GUARDS 24" QP CLR	902054	20 1/2"	10 1/4"
SPOKE GUARDS 26" QP CLR	902056	23 1/2"	10 1/4"

SPOKE GUARD	PART NUMBER	DIA. A	DIA. B
SPK GUARDS 24" CLR 6-SPK MAG	902049	19 1/4"	10 3/8"
SPOKE GUARDS 24" PROJECTION CLEAR 6-SPOKE	902053	24 1/4"	10 3/8"
SPOKE GUARDS 20" BLACK	902001	15 7/8"	8 1/4"
SPOKE GUARDS 22" BLACK	902011	18 1/8"	8 1/4"
SPOKE GUARDS 24" QUICKIE SCR MT BLACK (540mm)	902021	19 5/8"	10 1/4"
SPOKE GUARDS 24" QUICKIE HT TAB MT BLACK (559mm)	902025	20 3/8"	10 1/4"
SPOKE GUARDS 26" QUICKIE TAB MT BLACK	902037	21 7/8"	10 1/4"
SPOKE GUARDS 26" HT BLACK	902038	23 3/8"	10 1/4"

SPOKE GUARD (SPORT)



SPKGUARD

ITEM	NUMBER	DESCRIPTION	QTY
1	902072-902077	SPK GRD 24" SPRT HI PRFL W/TIE	1

SPOKE GUARD REFERENCE GUIDE (SPORT)

Wheel/ Hand Rim	24" Sport Hi Profile 902072	24" Sport Low Profile 902073	24" H.T. Sport Hi Profile 902076	24" H.T. Sport Low Profile 902077
24" STD RIM (540) ANODIZED or PAINTED HR REG or LONG TAB	◆	◆		
24" STD RIM (540) ANODIZED or PAINTED HR SHORT TAB		◆		
24" STD RIM (540) PLASTIC COATED HR REG or LONG TAB	◆	◆		
24" STD RIM (540) PLASTIC COATED HR SHORT TAB		◆		
24" STD RIM (540) ANY STYLE HR SCREW TAB	◆◆	◆◆		
24" H.T. RIM (559) ANODIZED or PAINTED HR REG or LONG TAB			◆	◆
24" H.T. RIM (559) ANODIZED or PAINTED HR SHORT TAB				◆

Wheel/ Hand Rim	24" Sport Hi Profile 902072	24" Sport Low Profile 902073	24" H.T. Sport Hi Profile 902076	24" H.T. Sport Low Profile 902077
24" H.T. RIM (559) PLASTIC COATED HR REG or LONG TAB			◆	◆
24" H.T. RIM (559) PLASTIC COATED HR SHORT TAB				◆
26" STD RIM (590) ANY STYLE HR REG or LONG TAB			◆◆◆	◆◆◆
26" STD RIM (590) ANY STYLE HR SHORT TAB				◆◆◆
26" STD RIM (590) ANY STYLE HR SCREW TAB			◆◆◆	◆◆◆
26" H.T. RIM (700C) ANY STYLE HR REG or LONG TAB			◆◆◆	◆◆◆
26" H.T. RIM (700C) ANY STYLE HR SHORT TAB			◆◆◆	◆◆◆

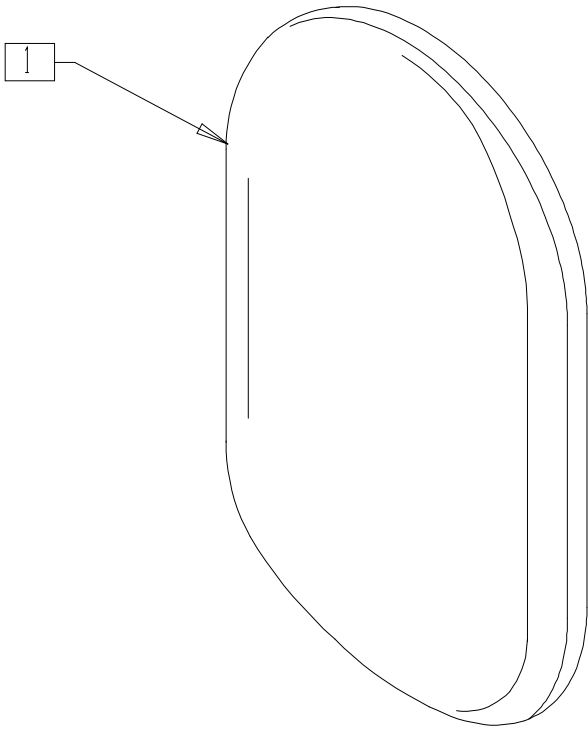
◆ BEST FIT

◆◆ EFFORT TO INSTALL: DAMAGE TO SPOKE GUARD OR WHEEL MAY OCCUR, BUT THEY WILL FIT AND FUNCTION O.K.

◆◆◆ EXTRA LARGE HANDRIM/WHEEL ASSEMBLY; SPOKE GUARDS NOT DESIGNED FOR THIS SIZE, BUT THEY WILL FIT AND FUNCTION O.K.

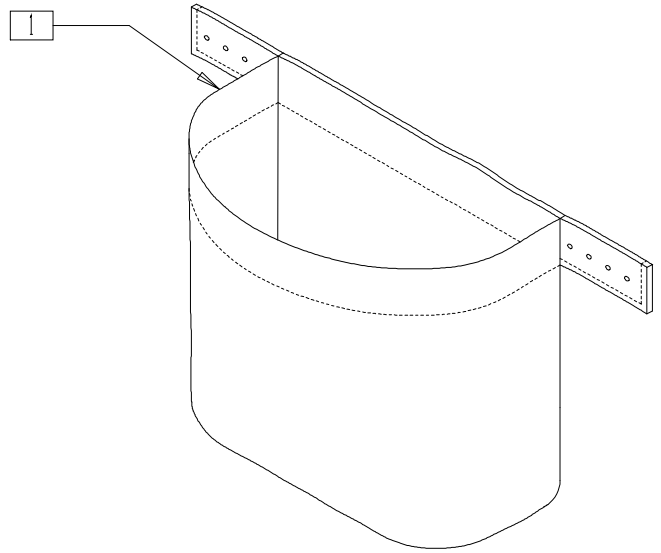
CALF PAD (BREEZY 100/150)

CHART POCKET (BREEZY 100/150)



BRZ10X20

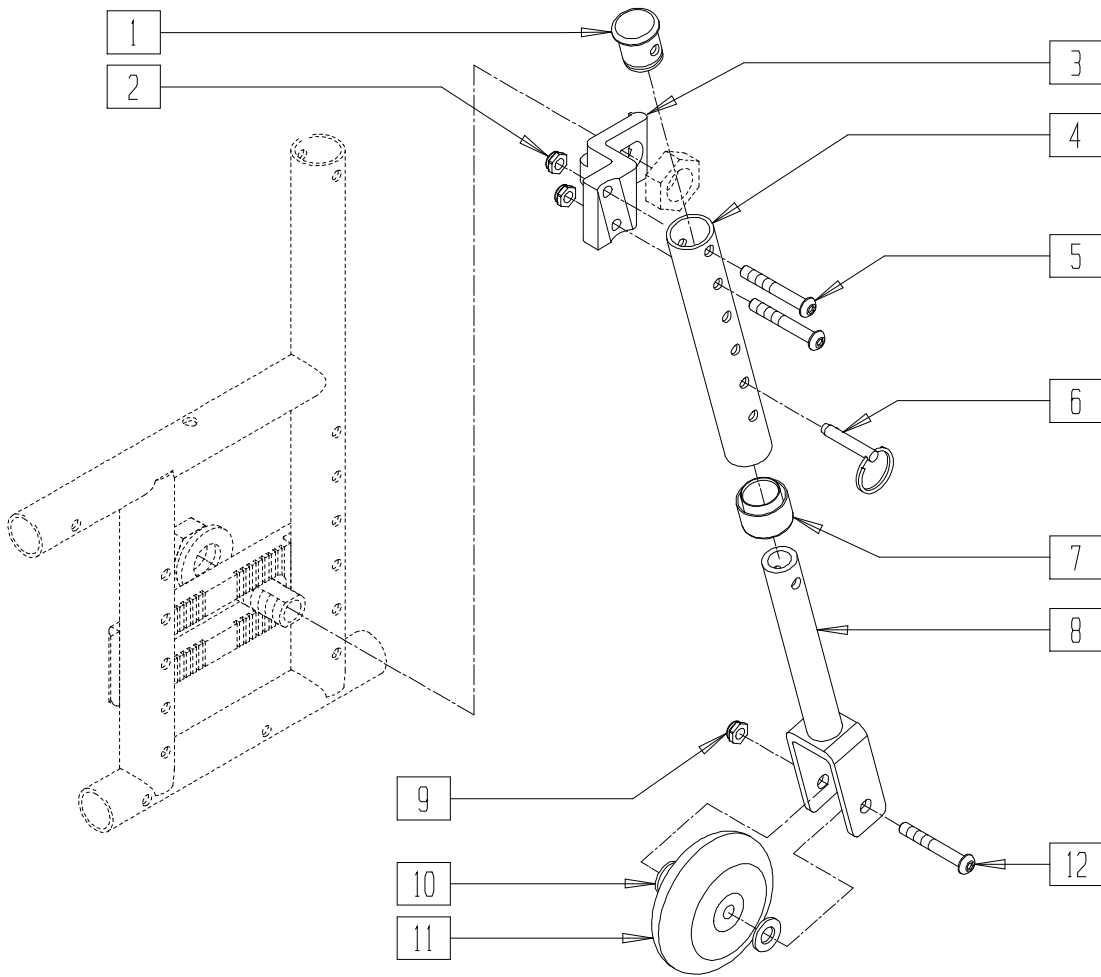
ITEM	NUMBER	DESCRIPTION	QTY
1	BZ150	CALF PAD COVER (PR)	1



BRZ10X21

ITEM	NUMBER	DESCRIPTION	QTY
1	BZ130	CHART POCKET	1

TRAVEL WHEEL (QUICKIE 2/2HP)



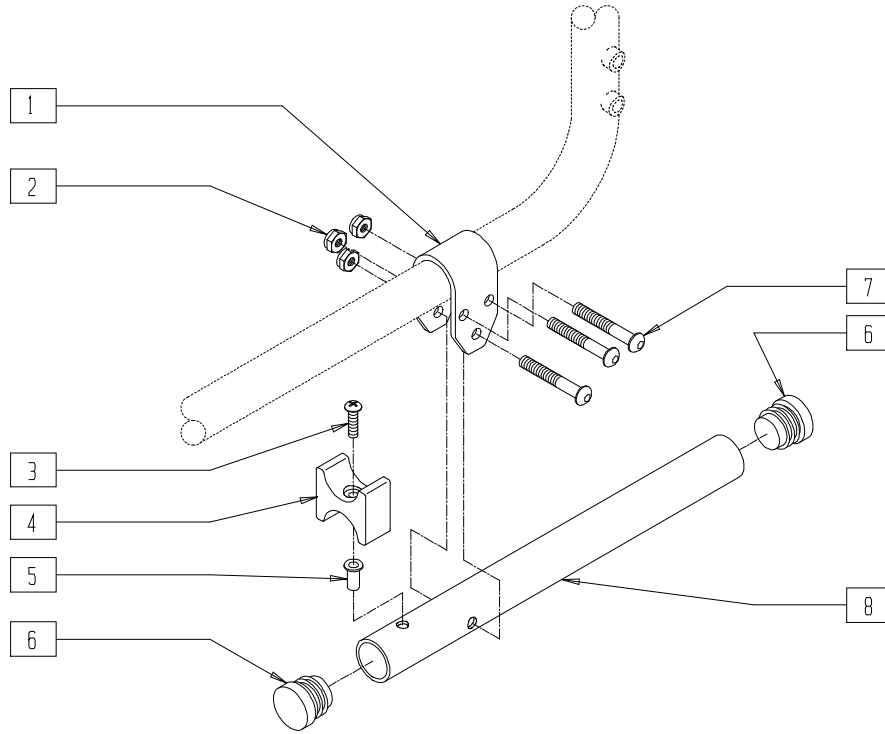
TRWHLX07

ITEM	NUMBER	DESCRIPTION	QTY
1	560999	1" INSERT PLUG .083 W/1/4 HOLE	1
2	201100-QU	1/4-28 NYLOCK NUT THIN	2
3	550090, 550091	BRKT TRAVEL WHL REC MNT (EA)	1
4	528031	TRAVEL WHEEL MOUNT TUBE Q2	1
5	227140	1/4-28 x 1 3/4 BH C/S BLK ZN	2
6	330027	QUICK RELEASE PIN 1/4"	1
7	561018	1" TUBE END BUSHING THICK	1

ITEM	NUMBER	DESCRIPTION	QTY
8	542160	FORK EXT WELDMENT TRVL WHL Q2	1
9	202102	5/16 NYLOCK NUT THIN	1
10	263100	5/16 AN WASHER FLAT	2
11	400092	MICRO CASTER W/BEARING	1
12	226190	5/16-18 x 1.75 BHCS	1
1-12	880082, 880083	TRAVEL WHEEL ASSM W/HARDWARE (EA)	
1-12	920035	TRAVEL WHL ASSM W/HDWR (PR)	

STEP TUBE (BREEZY 510)

(Discontinued 2/10/97 - parts only)

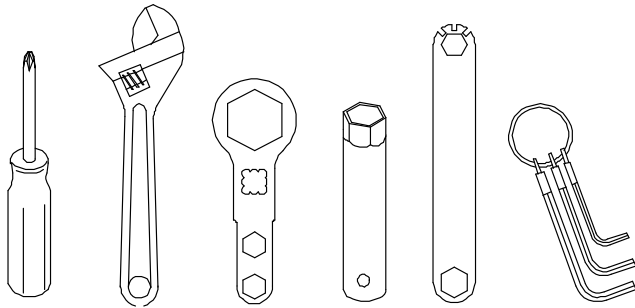


BZ00X18

ITEM	NUMBER	DESCRIPTION	QTY
1	505154	STEP TUBE BRACKET	1
2	201100	1/4-28 NYLOCK NUT THIN	3
3	281122	10-32 x 3/4 PAN PHIL	1
4	561030	SUSPENSION SADDLE STD	1
5	341497	10-32 x .020-.130 RIVNUT GOLD	1

ITEM	NUMBER	DESCRIPTION	QTY
6	561062	1" INSERT PLUG .065 RIBS	2
7	226130	1/4-28 x 1 1/2 BH C/S	3
8	521236	STEP TUBE	1
3-6,8	880698	STEP TUBE W/HARDWARE BR	
1-8	880699	STEP TUBE ASSEMBLY BR	

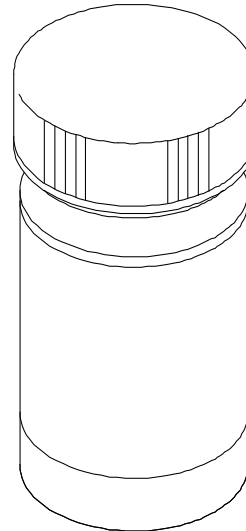
TOOL KIT



TOOL

ITEM	NUMBER	DESCRIPTION	QTY
1	349999	TOOL KIT (INCLUDING CASE)	1

TOUCH-UP PAINT



AC0X022

ITEM	NUMBER	DESCRIPTION	QTY
1	160450-160562	TOUCH-UP PAINT	1