

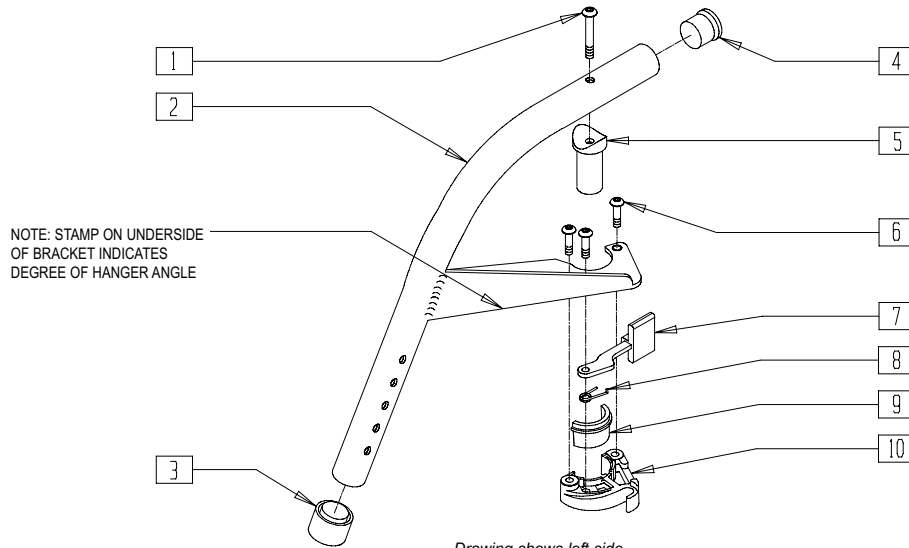
Front Frame Hangers

IN THIS SECTION

60° Swing-away Hanger (Older Model Breezys)....	15.1	80° Swing-away Front Mount Hanger (QuickieRecliner/TS/Zippie TS)	15.12
60° Swing-away Hanger (Quickie Recliner/TS/T45/ Zippie TS) (Disc.).....	15.2	80° Heavy Duty Footrest Hanger Front Mount Lift Off (Quickie TS/T45/,Zippie TS)	15.12
60° Swing-away Hanger (Recliner/TS/T45/ZippieTS)	15.2	90° Swing-away Hanger (Quickie Recliner/Rx/TS/Zippie TS).....	15.13
60° Swing-away Hanger (Breezy 100/150)	15.3	90° Lift-Off Hanger Front Mount Lift Off (Zippie TS)	15.13
60° Swing-away Clamp-on Hanger (Breezy 500/503/510/510 Recliner).....	15.4	Frame Hanger Assembly (Quickie Chameleon/ Chameleon HD)	15.14
60° Swing-away Bolt-on Hanger (Breezy 500/510/510 Recliner/2(Disc.)).....	15.4	Elevating Legrest (Breezy 100/150)	15.15
Hemi 60° Swing-Away Hanger (Quickie (Disc.)Rx).....	15.5	Elevating Legrest (Manual Products) (Disc.)	15.16
60° Swing-away Clamp-on Hemi Hanger (Breezy 510 Ultra-hemi).....	15.5	Elevating Legrest (Quickie/Breezy)(Disc.)	15.17
70° Swing-away Hanger (Quickie Recliner/Rx/TS/T45/ Zippie TS)(Disc.)	15.6	Elevating Legrest (Breezy Products)	15.18
70° Swing-away Hanger (Quickie Recliner/TS/T45/ Zippie TS)(Disc.).....	15.6	Elevating Legrest (Quickie Manual Products)	15.19
70° Swing-away Hanger (Quickie TS/T45/Zippie TS)	15.7	90° Kids Elevating Legrest (Disc).....	15.20
70° Swing-away Hanger (Older Model Breezys)....	15.7	90° Kids Elevating Legrest (Manual Products).....	15.21
70° Swing-away Hanger (Breezy 510/510 Recliner/2(Disc)).....	15.8	Elevating Legrest (Quickie Chameleon/Chameleon HD)	15.22
Hemi 70° Swing-away Hanger (Disc.)	15.8	ELR Calf Pad (14"-15").....	15.23
70° "V" Swing-away Hanger (Disc.).....	15.9	ELR Calf Pad (16"-17"/18"-20")	15.24
70° "V" Swing-away Hanger (Quickie Recliner/TS).....	15.10	Articulating Legrest Assembly (All Quickie Chairs/ Zippie TS)	15.25
70° "V" Swing-away Hanger (Quickie Rx)(Disc.)..	15.10	Articulating Legrest Assembly (Breezy/2/Chrome Breezy)	15.26
70° Swing-away Front Mount Hanger (Quickie Recliner/TS/Zippie TS)	15.11	Articulating Legrest Assembly (Manual Products).....	15.27
70° Heavy Duty Footrest Hanger Front Mount Lift Off (Quickie TS/T45/Zippie/Zippie TS).....	15.11	Kids Articulating Legrest Assembly (Manual Products).....	15.28
		Articulating Legrest Pad Assembly	15.29
		Kids Articulating Legrest Pad Assembly	15.29

60° SWING-AWAY HANGER (OLDER MODEL BREEZYS)

(Effective serial number BZ-200000 through BZ-350999)



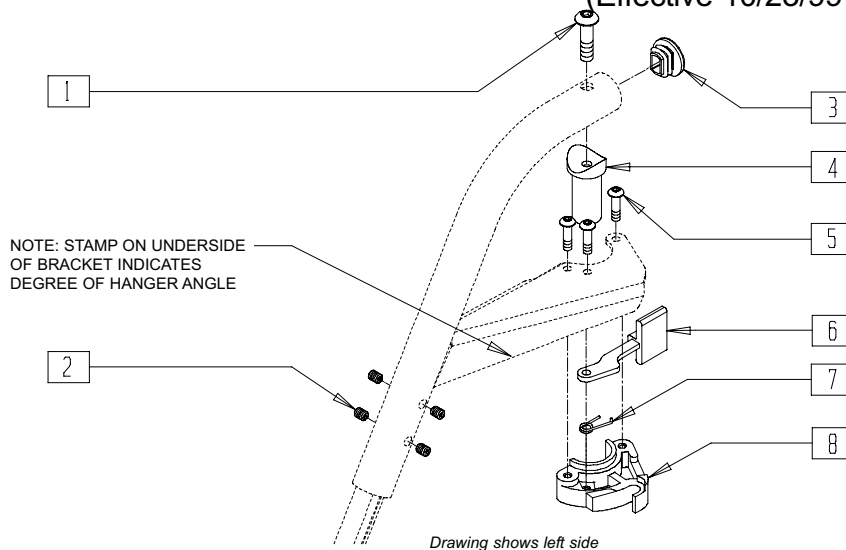
FTOX09A

ITEM	NUMBER	DESCRIPTION	QTY
1	226198	5/16-18 x 2 BH C/S SHT THREAD	1
2	505050, 505052	S/A HANGER ONLY 60° (EA) (SPECIFY COLOR)	1
3	561082	1" TUBE END BUSHING THIN	1
4	561002	1" INSERT PLUG .083	1
5	561197	PLASTIC PIVOT SADDLE	1
1.5	880545	PIVOT SADDLE .125 W/SCREW	
6	226010	10-24 x .725 BH C/S W/PATCH	3

ITEM	NUMBER	DESCRIPTION	QTY
7	561079	S/A LATCH LEVER	1
8	321136,	S/A SPRING L RED	1
	321137	S/A SPRING R CLEAR	
9,10	881500,	S/A LATCH BLOCK (EA)	
	881501		
1-10	641150,	HANGER 60° PAINTED S/A (EA) (SPECIFY COLOR)	
	641170		
6-10	881521	S/A LATCH KIT CASTING RIGHT	
6-10	881522	S/A LATCH KIT CASTING LEFT	

60° SWING-AWAY HANGER (QUICKIE RECLINER/TS/T45/ ZIPPIE TS)

(Effective 10/23/99 and discontinued 8/13/01)



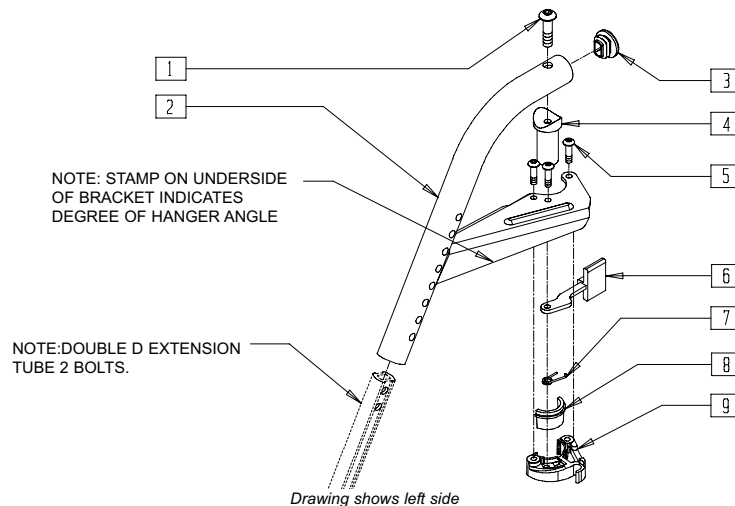
Q220X08C

ITEM	NUMBER	DESCRIPTION	QTY
1	226198	5/16-18 x 2 BH C/S SHT THREAD	1
2	225112	1/4-20 x 1/4 SS KNRLD CP W/PTCH	4
3	561378	END PLUG DBL "D" S525	1
4	561197	PLASTIC PIVOT SADDLE	1
5	226057	10-24 x .725 BH SOC BZ	3
6	561079	S/A LATCH LEVER	1

ITEM	NUMBER	DESCRIPTION	QTY
7	321136	S/A SPRING L RED	1
	321137	S/A SPRING R CLEAR	
8	881500,	S/A LATCH BLOCK (EA)	
	881501		
5-8	881521, 881522	S/A LATCH KIT (EA)	

60° SWING-AWAY HANGER (QUICKIE RECLINER/TS/T45/ ZIPPIE TS)

(Effective 08/13/01)

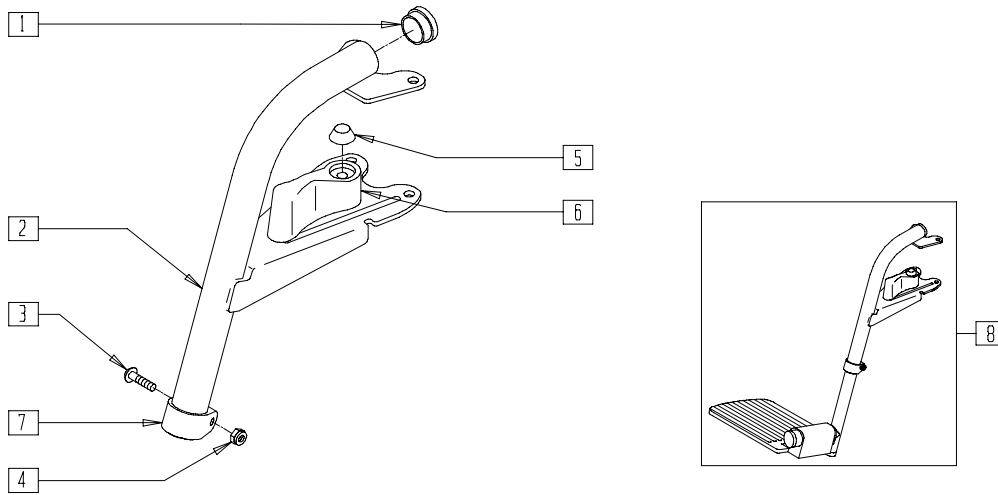


Q220X08B

ITEM	NUMBER	DESCRIPTION	QTY
1	226217	5/16-18 x 2" BH C/S BLK	1
2	504942, 504943	S/A HANGER ONLY 60° D2	1
3	561378	END PLUG DBL "D" S525	1
4	561197	PLASTIC PIVOT SADDLE	1
5	226057	10-24 x .725 BH SOC BZ	3
6	561079	S/A LATCH LEVER	1

ITEM	NUMBER	DESCRIPTION	QTY
7	321136	S/A SPRING L RED	1
	321137	S/A SPRING R CLEAR	
8,9	881500, 881501	S/A LATCH BLOCK (EA)	
1-9	641550, 641551	HANGER 60° D2 PAINTED S/A BT (EA)	

60° SWING-AWAY HANGER (BREEZY 100/150)

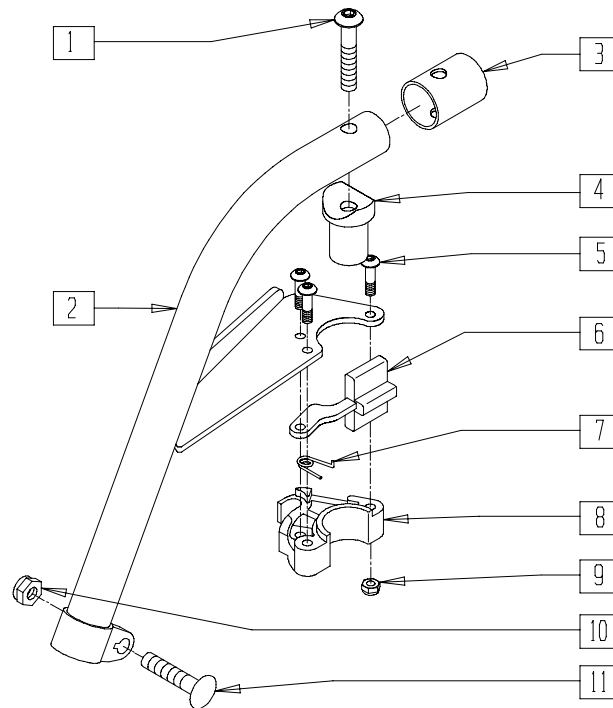


BRZ10X07

ITEM	NUMBER	DESCRIPTION	QTY
8	222-0543L	SWING-AWAY FOOTREST ASSEMBLY L	1
	222-0543R	SWING-AWAY FOOTREST ASSEMBLY R	

ITEM	NUMBER	DESCRIPTION	QTY
1-7	222-0626	SWING-AWAY FOOTREST UPPER ASSEMBLY	1

60° SWING-AWAY CLAMP-ON HANGER (BREEZY 500/503/510/510 RECLINER)



BASIC01

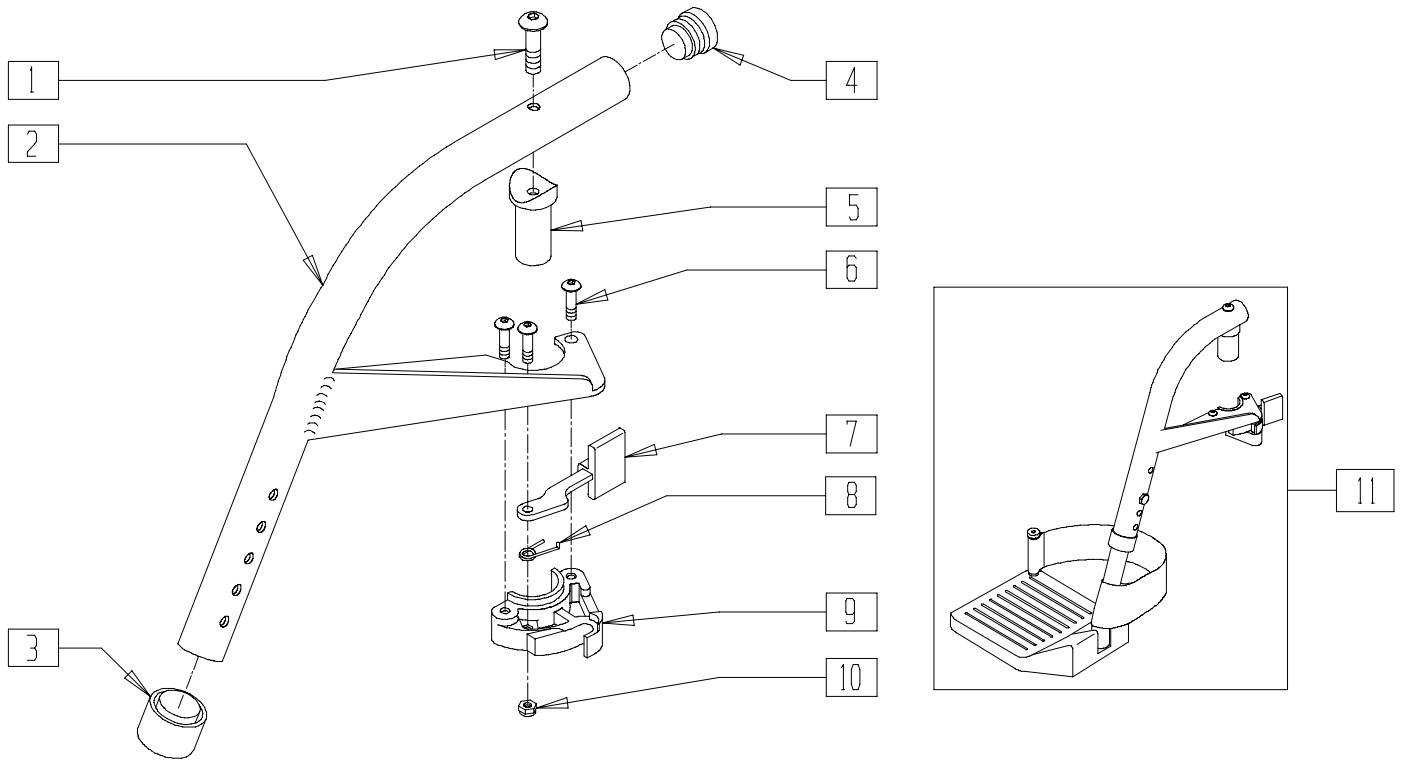
ITEM	NUMBER	DESCRIPTION	QTY
1	226198	5/16-18 x 2 BH C/S SHT THREAD	1
2	505088, 505089	HANGER WELDMENT B500 (EA)	1
3	560769	HANGER TUBE END CAP	1
4	561197	PLASTIC PIVOT SADDLE	1
5	226011	10-24 x .665 BH C/S W/PATCH	3
6	561079	S/A LATCH LEVER	1
7	321136,	S/A SPRING L RED	1
	321137	S/A SPRING R CLEAR	

ITEM	NUMBER	DESCRIPTION	QTY
8,9	561076, 561078	S/A LATCH BLOCK (EA)	
9	200107	10-24 NYLOCK NUT THIN	3
10	202102	5/16-18 NYLOCK NUT THIN	1
11	226205	5/16-18 x 1 1/4" CARRIAGE BOLT	1
1-11	641318, 641319	HANGER 60° PAINTED S/A CLAMP-ON	

60° SWING-AWAY BOLT-ON HANGER (BREEZY 500/510/510 RECLINER/2)

(Breezy chairs prior to BZ-200000 and beginning serial number BZ-351000)

(Breezy 2 discontinued 5/98 - parts only)



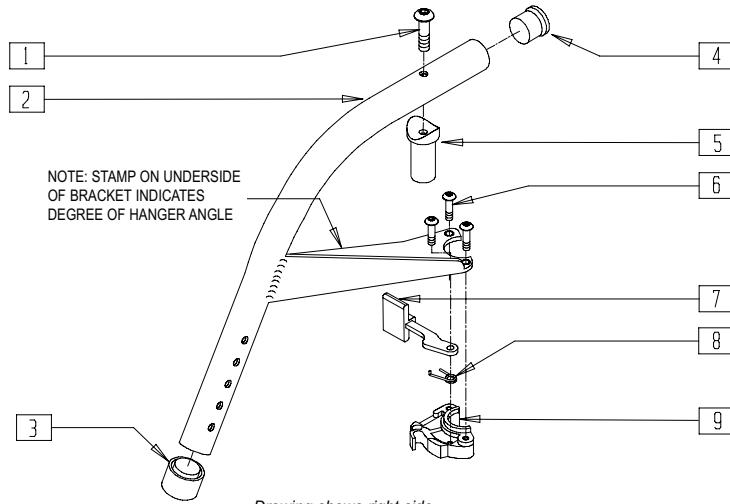
Drawing shows left side

BZY00X08

ITEM	NUMBER	DESCRIPTION	QTY
1	226198	5/16-18 x 2 BH C/S SHT THREAD	1
2	505090, 505091	S/A HANGER ONLY 60° BR (EA) (SPECIFY COLOR)	1
3	561018	1" TUBE END BUSHING THICK	1
4	561062	1" INSERT PLUG .065 RIBS	1
5	561197	PLASTIC PIVOT SADDLE	1
1,5	880545	PIVOT SADDLE .125 W/SCREW	
6	226011	10-24 x .665 BH C/S W/PATCH	3
7	561079	S/A LATCH LEVER	1
8	321136	S/A SPRING L RED	1
	321137	S/A SPRING R CLEAR	

ITEM	NUMBER	DESCRIPTION	QTY
9,10	561076, 561078	S/A LATCH BLOCK (EA)	
10	200107	10-24 NYLOCK NUT THIN (SPARES)	3
6-10	880730, 880731	S/A LATCH KIT (EA)	
1-10	641314, 641315	HANGER 60° PAINTED S/A B2 (EA) (SPECIFY COLOR)	
11	923074- 923076	HANGER 60° MED EXT FOOTPLATE BR (PR) (SPECIFY COLOR)	

HEMI 60° SWING-AWAY HANGER (QUICKIE Rx)

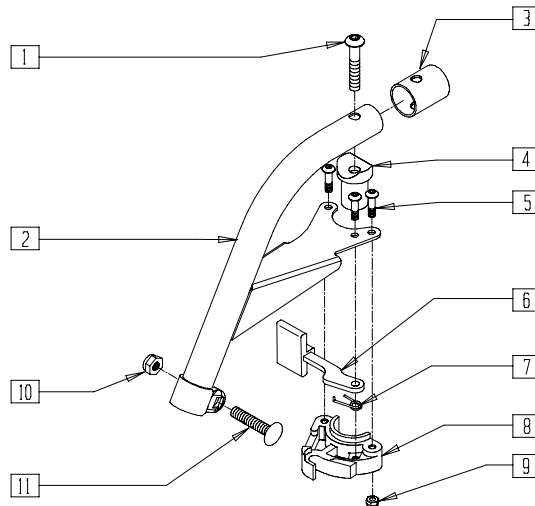


FTOX09C

ITEM	NUMBER	DESCRIPTION	QTY
1	226198	5/16-18 x 2 BH C/S SHT THREAD	1
2	505044, 505045	S/A HANGER ONLY 60° HEMI (EA) (SPECIFY COLOR)	1
3	561082	1" TUBE END BUSHING THIN	1
4	561002	1" INSERT PLUG .083	1
5	561197	PLASTIC PIVOT SADDLE	1
1,5	880545	PIVOT SADDLE .125 W/SCREW	
6	226057	10-24 x .725 BH C/S	3
7	561079	S/A LATCH LEVER	1

ITEM	NUMBER	DESCRIPTION	QTY
8	321136	S/A SPRING L RED	1
	321137	S/A SPRING R CLEAR	
9	881500, 881501	S/A LATCH BLOCK (EA)	
	880808, 880809	S/A LATCH KIT 90°/HEMI/BR (EA)	
1-9	641271, 641272	HANGER HEMI 60° PAINTED S/A (EA) S/A LATCH LEVER	

60° SWING-AWAY CLAMP-ON HEMI HANGER (BREEZY 510 ULTRA-HEMI)



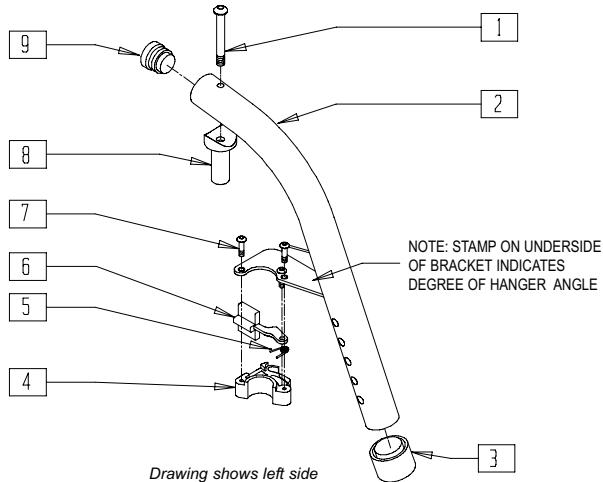
BZ510X02

ITEM	NUMBER	DESCRIPTION	QTY
1	226198	5/16-18 x 2 BH C/S SHT THREAD	1
2	505448, 505449	S/A HEMI HANGER ONLY 60° STEEL	1
3	560769	HANGER TUBE END CAP	1
4	561197	PLASTIC PIVOT SADDLE	1
5	226011	10-24 x .665 BH C/S W/PATCH	3
6	561079	S/A LATCH LEVER	1
7	321136	S/A SPRING L RED	1
	321137	S/A SPRING R CLEAR	

ITEM	NUMBER	DESCRIPTION	QTY
8	561076, 561078	S/A LATCH BLOCK (EA)	1
	200107	10-24 NYLOCK NUT THIN	
9	202102	5/16-18 NYLOCK NUT THIN	1
11	226205	5/16-18 x 1 1/4" CARRIAGE BOLT	1
1-11	641290, 641291	HANGER HEMI STEEL 60° PNTD S/A	

70° SWING-AWAY HANGER (QUICKIE RECLINER/Rx/TS/T45/ ZIPPIE TS)

(Discontinued 10/23/99- Parts only) (Used on Quickie 2 prior to serial number Q2-242051)



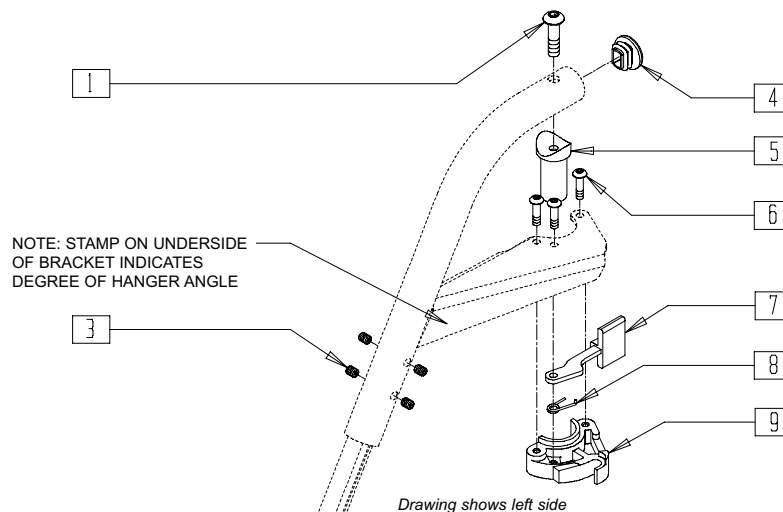
FT0X031A

ITEM	NUMBER	DESCRIPTION	QTY
1	226198	5/16-18 x 2 BH C/S SHT THREAD	1
2	505041, 505042	S/A HANGER ONLY 70° (EA) (SPECIFY COLOR)	1
3	561082	1" TUBE END BUSHING THIN	1
5	321136 321137	S/A SPRING L RED S/A SPRING R CLEAR	1
6	561079	S/A LATCH LEVER	1
7	226057	10-24 x .725 BTTN HD SOC BZ	3
8	561197	PLASTIC PIVOT SADDLE	1

ITEM	NUMBER	DESCRIPTION	QTY
1,8	880545	PIVOT SADDLE .125 W/SCREW	
9	561002	1" INSERT PLUG .083	1
4	881500, 881501	S/A LATCH BLOCK (EA)	
4-7	881521, 881522	S/A LATCH KIT (EA)	
1-9	641180, 641182	HANGER 70° PAINTED S/A (EA) (SPECIFY COLOR)	

70° SWING-AWAY HANGER (QUICKIE RECLINER/TS/T45/ ZIPPIE TS)

(Effective 10/23/99 and discontinued 8/13/01)



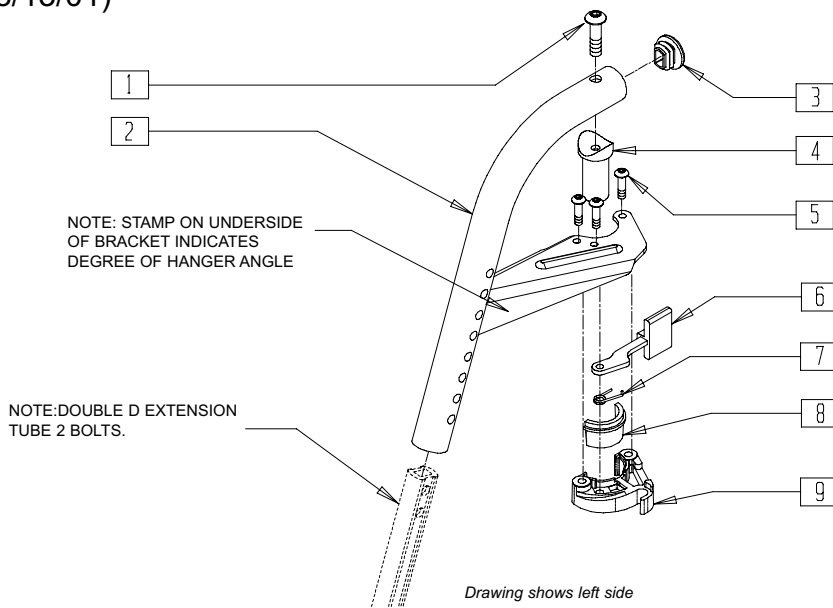
Q220X09C

ITEM	NUMBER	DESCRIPTION	QTY
1	226198	5/16-18 x 2 BH C/S SHT THREAD	1
3	225112	1/4-20 x 1/4 SS KNRLD CP W/PTCH	4
4	561378	END PLUG DBL "D" S525	1
5	561197	PLASTIC PIVOT SADDLE	1
6	226057	10-24 x .725 BH SOC BZ	3
7	561079	S/A LATCH LEVER	1

ITEM	NUMBER	DESCRIPTION	QTY
8	321136 321137	S/A SPRING L RED S/A SPRING R CLEAR	1
9	561076, 561078	S/A LATCH BLOCK (EA)	
6-9	880730, 880731	S/A LATCH KIT (EA)	

70° SWING-AWAY HANGER (QUICKIE TS/T45/ZIPPIE/ZIPPIE TS)

(Effective 8/13/01)



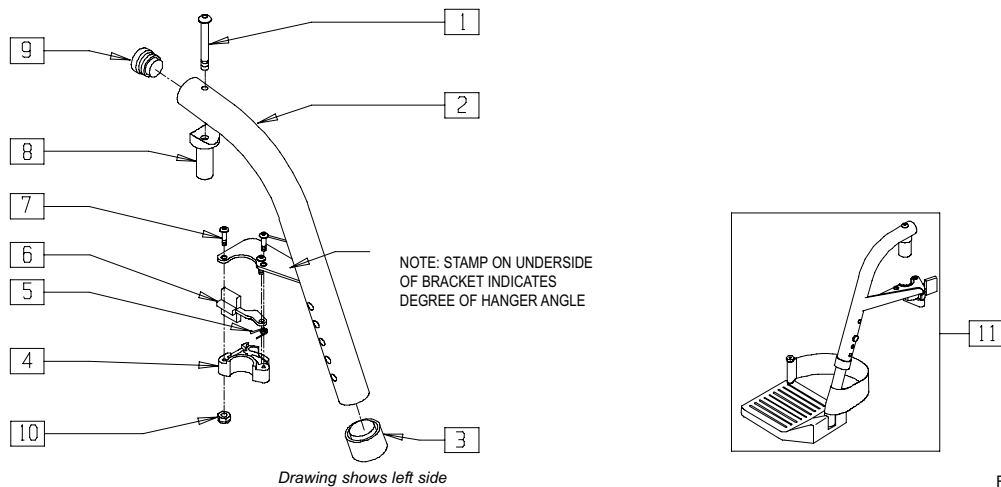
Q220X09B

ITEM	NUMBER	DESCRIPTION	QTY
1	226217	5/16-18 x 2" BH C/S BLK	1
2	504944, 504945	S/A HANGER ONLY 70° D2	1
3	561378	END PLUG DBL "D" S525	1
4	561197	PLASTIC PIVOT SADDLE	1
5	226057	10-24 x .725 BH SOC BZ	3
6	561079	S/A LATCH LEVER	1

ITEM	NUMBER	DESCRIPTION	QTY
7	321136	S/A SPRING L RED	1
	321137	S/A SPRING R CLEAR	
8,9	881500, 881501	S/A LATCH BLOCK (EA)	
1-9	641552, 641553	HANGER 70° D2 PNTD S/A BT (EA)	

70° SWING-AWAY HANGER (OLDER MODEL BREEZYS)

(Effective serial number BZ-200000 through BZ-350999)



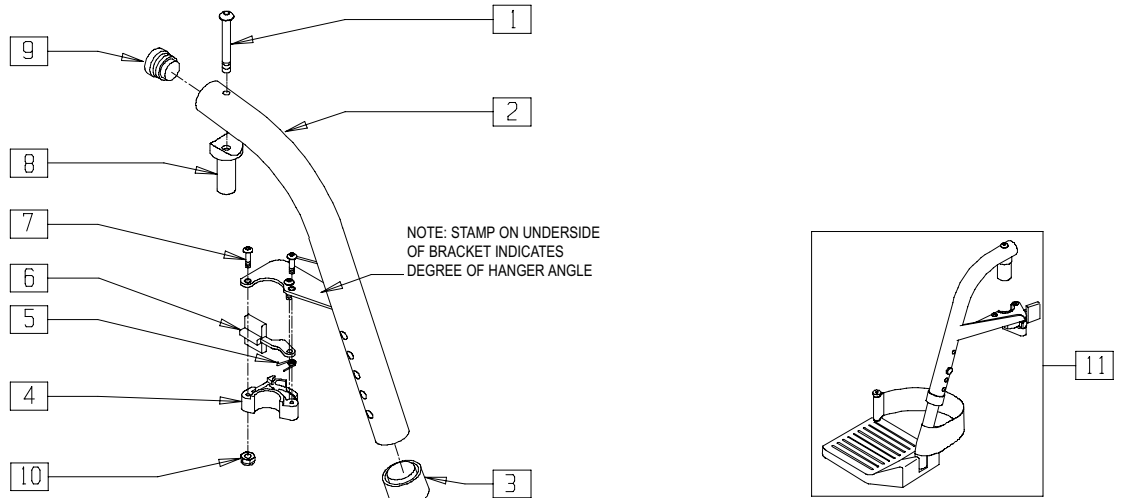
FT0X019

ITEM	NUMBER	DESCRIPTION	QTY
1	226190	5/16-18 x 1 3/4 BH C/S SHLDR	1
2	505086, 505087	S/A HANGER ONLY 70° STEEL (EA) (SPECIFY COLOR)	1
3	561018	1" TUBE END BUSHING THICK	1
5	321136	S/A SPRING L RED	1
	321137	S/A SPRING R CLEAR	
6	561079	S/A LATCH LEVER	1
7	226011	10-24 x .665 BH C/S W/PATCH	3
8	561320	PIVOT SADDLE .049	1
1,8	880537	PIVOT SADDLE W/SCREW BR	

ITEM	NUMBER	DESCRIPTION	QTY
9	561019	1" INSERT PLUG .049	1
10	200107	10-24 NYLOCK NUT THIN (SPARES)	3
4,10	561076, 561078	S/A LATCH BLOCK (EA)	
4-7,10	880808, 880809	S/A LATCH KIT 90°/HEMI/BRZ (EA)	
1-10	641312, 641313	HANGER 70° PAINTED S/A BR (EA) (SPECIFY COLOR)	
11	923093- 923095	HANGER 70° MED EXT FOOTPLATE BR	1

70° SWING-AWAY HANGER (BREEZY 510/510 RECLINER/2)

(Breezy effective beginning serial number BZ-351000) (Breezy 2 discontinued 5/98 - parts only)



Drawing shows left side

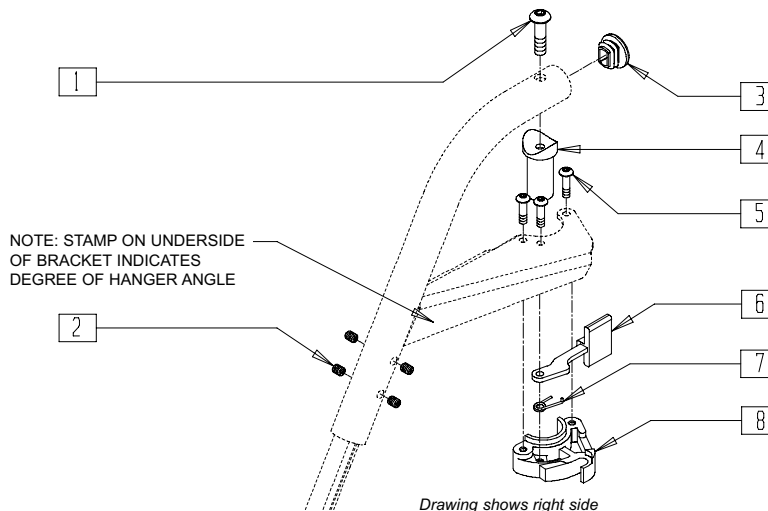
FT0X019

ITEM	NUMBER	DESCRIPTION	QTY
1	226198	5/16-18 x 2 BH C/S SHT THREAD	1
2	505086, 505087	S/A HANGER ONLY 70° STEEL (EA) (SPECIFY COLOR)	1
3	561018	1" TUBE END BUSHING THICK	1
5	321136	S/A SPRING L RED	1
	321137	S/A SPRING R CLEAR	
6	561079	S/A LATCH LEVER	1
7	226011	10-24 x .665 BH C/S W/PATCH	3
8	561197	PLASTIC PIVOT SADDLE	1
1,8	880545	PIVOT SADDLE .125 W/SCREW	

ITEM	NUMBER	DESCRIPTION	QTY
9	561019	1" INSERT PLUG .049	1
10	200107	10-24 NYLOCK NUT THIN	3
4,10	561076, 561078	S/A LATCH BLOCK (EA)	
4-7,10	880808, 880809	S/A LATCH KIT 90°/HEMI/BRZ (EA)	
1-10	641316, 641317	HANGER 70° PAINTED S/A BR (EA) (SPECIFY COLOR)	
11	923077- 923079	HANGER 70° MEDIUM EXT FOOTPLATE BREEZY	1

HEMI 70° SWING-AWAY HANGER

(Discontinued 8/13/01)



Drawing shows right side

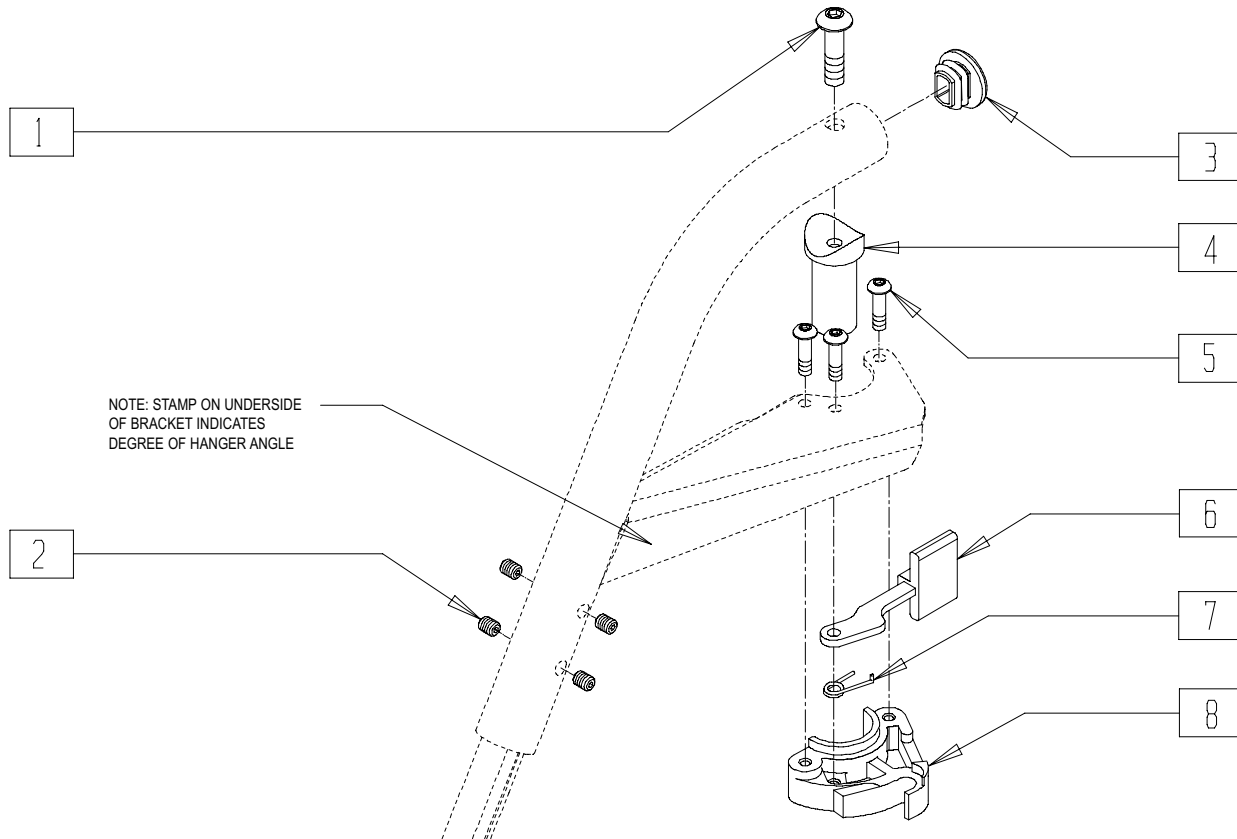
Q220X07C

ITEM	NUMBER	DESCRIPTION	QTY
1	226198	5/16-18 x 2 BH C/S SHT THREAD	1
2	225112	1/4-20 x 1/4 SS KNRLD CP W/PTCH	4
3	561378	END PLUG DBL "D" S525	1
4	561197	PLASTIC PIVOT SADDLE	1
5	226057	10-24 x .725 BH SOC BZ	3
6	561079	S/A LATCH LEVER	1

ITEM	NUMBER	DESCRIPTION	QTY
7	321136	S/A SPRING L RED	1
	321137	S/A SPRING R CLEAR	
8	561076, 561078	S/A LATCH BLOCK (EA)	
5-8	880730, 880731	S/A LATCH KIT (EA)	

70° "V" SWING-AWAY HANGER

(Discontinued 8/13/01)



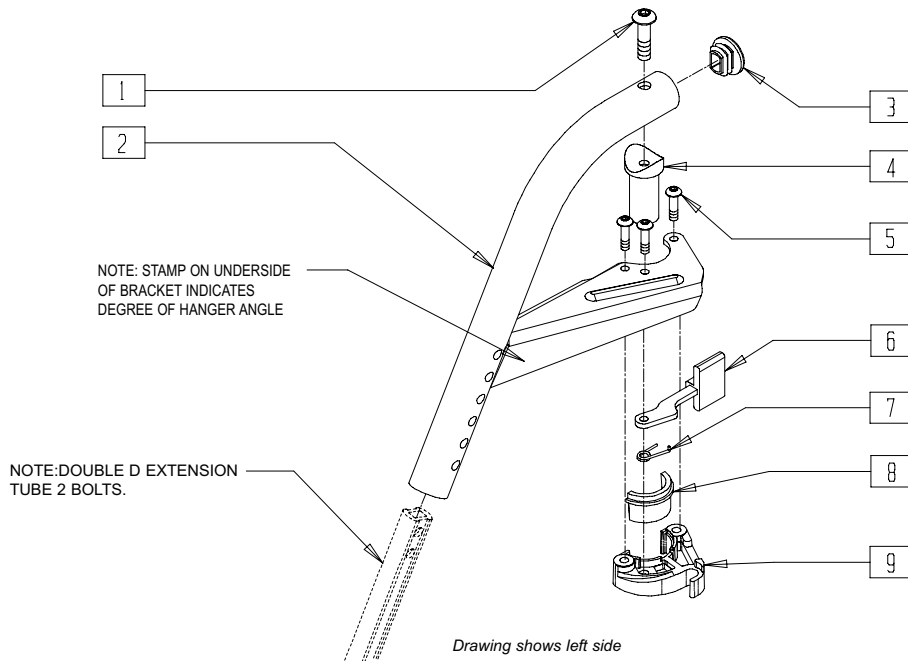
Drawing shows left side

Q220X10B

ITEM	NUMBER	DESCRIPTION	QTY
1	226198	5/16-18 x 2 BH C/S SHT THREAD	1
2	225112	1/4-20 x 1/4 SS KNRLD CP W/PTCH	4
3	561378	END PLUG DBL "D" S525	1
4	561197	PLASTIC PIVOT SADDLE	1
5	226057	10-24 x .725 BH SOC BZ	3
6	561079	S/A LATCH LEVER	1

ITEM	NUMBER	DESCRIPTION	QTY
7	321136	S/A SPRING L RED	1
	321137	S/A SPRING R CLEAR	
8	881500,	S/A LATCH BLOCK (EA)	
	881501		
5-8	881521, 881522	S/A LATCH KIT (EA)	

70°"V" SWING-AWAY HANGER (QUICKIE RECLINER/TS) (Effective 8/13/01)

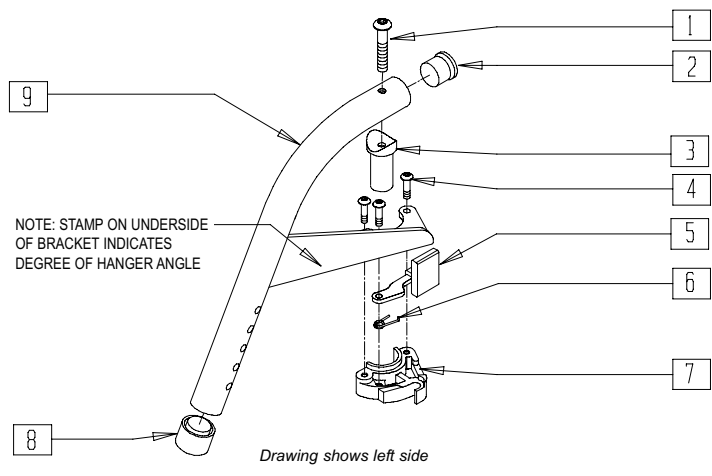


Q220X10C

ITEM	NUMBER	DESCRIPTION	QTY
1	226217	5/16-18 x 2" BH C/S BLK	1
2	504946, 504947	S/A HANGER ONLY 70° "V" D2 (EA)	1
3	561378	END PLUG DBL "D" S525	1
4	561197	PLASTIC PIVOT SADDLE	1
5	226057	10-24 x .725 BH SOC BZ	3
6	561079	S/A LATCH LEVER	1

ITEM	NUMBER	DESCRIPTION	QTY
7	321136	S/A SPRING L RED	1
	321137	S/A SPRING R CLEAR	
8,9	881500- 881501	S/A LATCH BLOCK ASSM (EA)	
1-9	641554- 641555	HANGER 70° "V" D2 PNT S/A BT (EA)	

70° "V" SWING-AWAY HANGER (QUICKIE Rx) (Discontinued 10/23/99- Parts only)

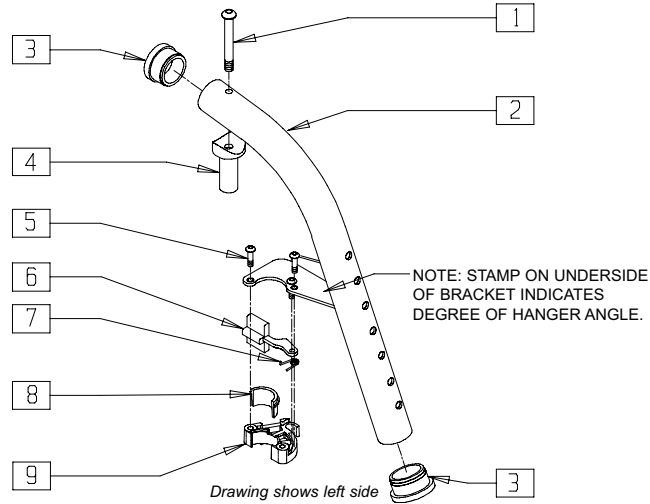


FT0X028A

ITEM	NUMBER	DESCRIPTION	QTY
1	226198	5/16-18 x 2 BH C/S SHT THREAD	1
2	561002	1" INSERT PLUG .083	1
3	561197	PLASTIC PIVOT SADDLE	1
1,3	880545	PIVOT SADDLE .125 W/SCREW	
4	226057	10-24 x .725 BTTN HD SOC BZ	3
5	561079	S/A LATCH LEVER	1
6	321136	S/A SPRING L RED	1
	321137	S/A SPRING R CLEAR	
8	561082	1" TUBE END BUSHING THIN	1

ITEM	NUMBER	DESCRIPTION	QTY
9	505051, 505053	S/A HANGER ONLY "V" 70° (EA) (SPECIFY COLOR)	1
7	881500, 881501	S/A LATCH BLOCK (EA)	
4-7	881521, 881522	S/A LATCH KIT (EA)	
1-9	641183, 641184	HANGER 70° "V" PAINTED S/A (EA) (SPECIFY COLOR)	

70° SWING-AWAY FRONT MOUNT HANGER (QUICKIE RECLINER/TS, ZIPPIE TS)

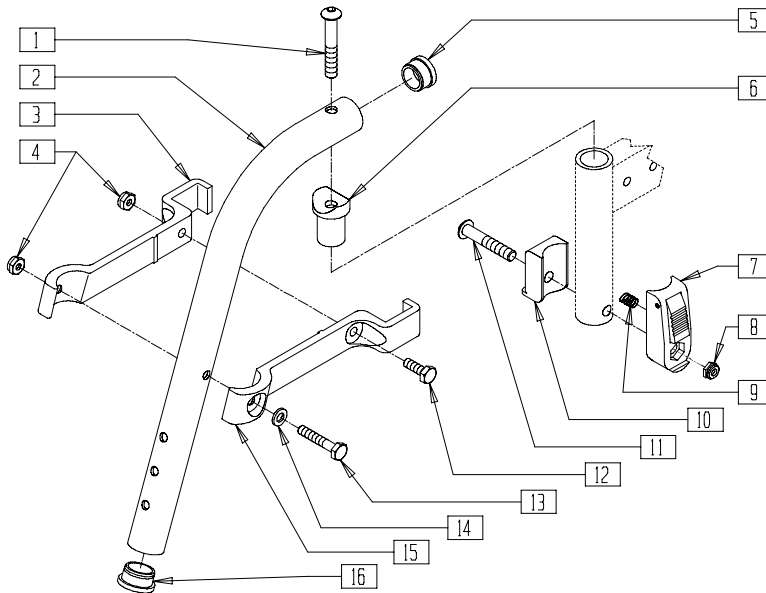


ZGS00X47A

ITEM	NUMBER	DESCRIPTION	QTY
1	226217	5/16-18 x 2" BH C/S BLK	1
2	505344, 505345	S/A HANGER ONLY 70° F/MNT (EA) (SPECIFY COLOR)	1
3	561002	1" INSERT PLUG .083	2
4	561197	PLASTIC PIVOT SADDLE	1
5	226057	10/24 x .725 BTTN HD SOC BZ	3
6	561079	S/A LATCH LEVER	1

ITEM	NUMBER	DESCRIPTION	QTY
7	321136	S/A SPRING L RED	1
	321137	S/A SPRING R CLEAR	
8,9	881500, 881501	S/A LATCH BLOCK ASSM	
1-9	641142, 641143	HANGER 70° PNTD S/A FRONT MOUNT (SPECIFY COLOR)	

70° HEAVY DUTY FOOTREST HANGER FRONT MOUNT LIFT OFF (QUICKIE TS/T45/ZIPPIE/ZIPPIE TS)



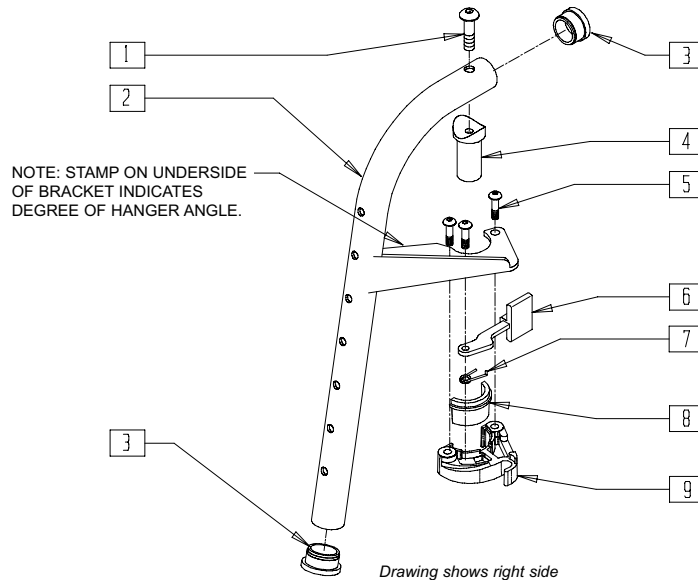
TSR00X08

ITEM	NUMBER	DESCRIPTION	QTY
1	226198	5/16-18 x 2 BH C/S SHT THREAD	1
2	523912	HANGER TUBE 70° HD	1
3	550152	T45 HANGER BRACKET 70° R	1
4	201100-QU	1/4-28 NYLOCK NUT THIN	2
5	561002	1" INSERT PLUG .083	1
6	561197	PLASTIC PIVOT SADDLE	1
7	880053	FOOTREST BLOCK T45	1
8	202102	5/16-18 NYLOCK NUT THIN	1
9	321141	.650 x 6 COIL SPRING	1
10	560684	T45 FOOTREST BLOCK RECESSED	1

ITEM	NUMBER	DESCRIPTION	QTY
11	226194	5/16-18 x 1.63 BH C/S	1
12	221100	1/4-28 x 3/4 HEX C/S	1
13	221127	1/4-28 x 1 3/8 HEX C/S	1
14	262100-QU	1/4 AN WASHER FLAT	1
15	550153	T45 HANGER BRACKET 70° L	1
16*	561002	1" INSERT PLUG .083	1
7-11	920720	FOOTREST BLOCK ASSEMBLY W/BOLT HD	
1-6,12-15	641210, 641211	HANGER 70° PAINTED HD	

* ORDER ITEM 16 WHEN NOT USING FOOTREST EXTENSION.

80° SWING-AWAY FRONT MOUNT HANGER (QUICKIE RECLINER/TS/ ZIPPIE TS)

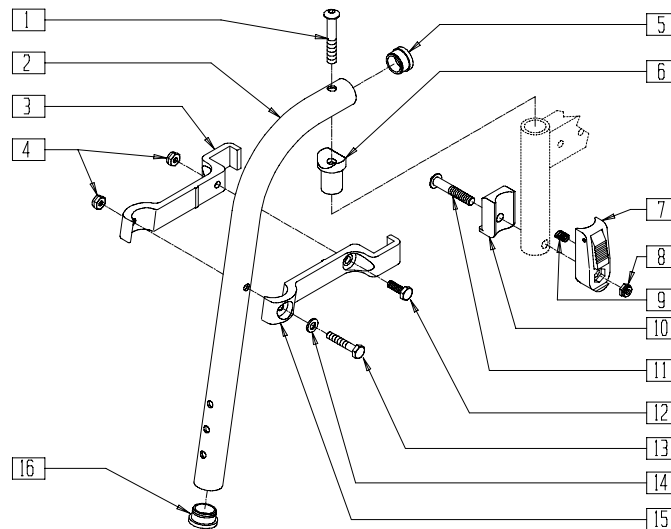


ZGS00X46A

ITEM	NUMBER	DESCRIPTION	QTY
1	226217	5/16-18 x 2" BH C/S BLK	1
2	505346, 505347	S/A HANGER ONLY 80° F/MNT (EA) (SPECIFY COLOR)	1
3	561002	1" INSERT PLUG .083	2
4	561197	PLASTIC PIVOT SADDLE	1
5	226057	10/24 x .725 BTTN HD SOC BZ	3
6	561079	S/A LATCH LEVER	1

ITEM	NUMBER	DESCRIPTION	QTY
7	321136	S/A SPRING L RED	1
	321137	S/A SPRING R CLEAR	
8,9	881500, 881501	S/A LATCH BLOCK ASSM)	
1-9	641144, 641145	HANGER 80° PNTD S/A FRONT MOUNT (SPECIFY COLOR)	

80° HEAVY DUTY FOOTREST HANGER FRONT MOUNT LIFT OFF (QUICKIE T45/TS/ZIPPIE TS)



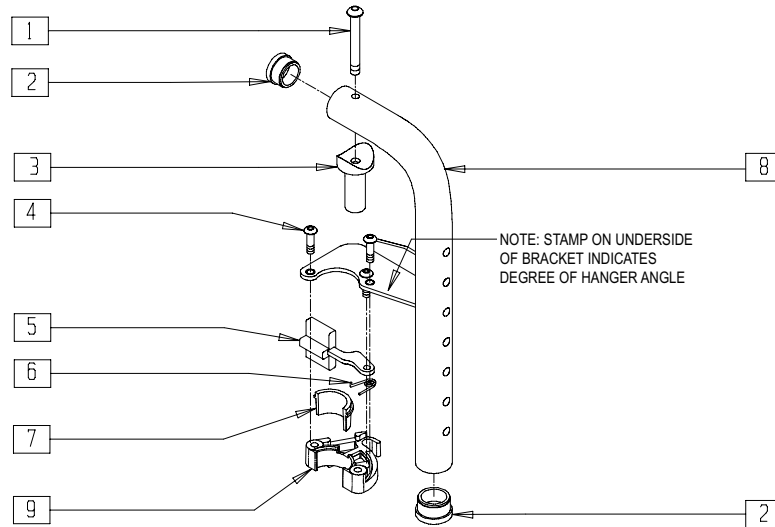
TSR00X09

ITEM	NUMBER	DESCRIPTION	QTY
1	226198	5/16-18 x 2 BH C/S SHT THREAD	1
2	523913	HANGER TUBE 80° HD	1
3	550154	T45 HANGER BRACKET 80° R	1
4	201100-QU	1/4-28 NYLOCK NUT THIN	2
5	561002	1" INSERT PLUG .083	1
6	561197	PLASTIC PIVOT SADDLE	1
7	880053	FOOTREST BLOCK T45	1
8	202102	5/16-18 NYLOCK NUT THIN	1
9	321141	.650L x 6 COIL SPRING	1
10	560684	T45 FOOTREST BLOCK RECESSED	1

ITEM	NUMBER	DESCRIPTION	QTY
11	226194	5/16-18 x 1.63 BH C/S	1
12	221100	1/4-28 x 3/4 HEX C/S	1
13	221127	1/4-28 x 1 3/8 HEX C/S	1
14	262100-QU	1/4 AN WASHER FLAT	1
15	550155	T45 HANGER BRACKET 80° L	1
16*	561002	1" INSERT PLUG .083	1
7-11	920720	FOOTREST BLOCK ASSEMBLY W/BOLT HD	
1-6,12-15	641200, 641201	HANGER 80° PAINTED HD	

* ORDER ITEM 16 WHEN NOT USING FOOTREST EXTENSION.

90° SWING-AWAY HANGER (QUICKIE RECLINER/Rx/TS/ZIPPIETS)



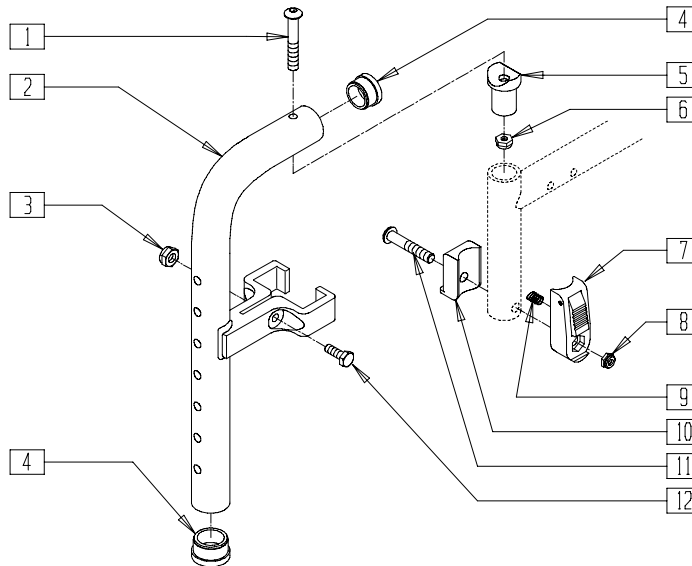
Drawing shows left side

FT0X020A

ITEM	NUMBER	DESCRIPTION	QTY
1	226217	5/16-18 x 2" BH C/S BLK	1
2	561002	1" INSERT PLUG .083	2
3	561197	PLASTIC PIVOT SADDLE	1
1,3	880545	PIVOT SADDLE .125 W/SCREW	
4	226057	10/24 x .725 BTTN HD SOC BZ	3
5	561079	S/A LATCH LEVER	1
6	321136	S/A SPRING L RED	1
	321137	S/A SPRING R CLEAR	

ITEM	NUMBER	DESCRIPTION	QTY
8	505039, 505040	S/A HANGER ONLY 90° (EA) (SPECIFY COLOR)	1
7,9	881500, 881501	S/A LATCH BLOCK ASSM	
1-9	641556, 641557	HANGER 90° PAINTED S/A (EA) (SPECIFY COLOR)	

90° LIFT-OFF HANGER FRONT MOUNT LIFT OFF (ZIPPIE TS)



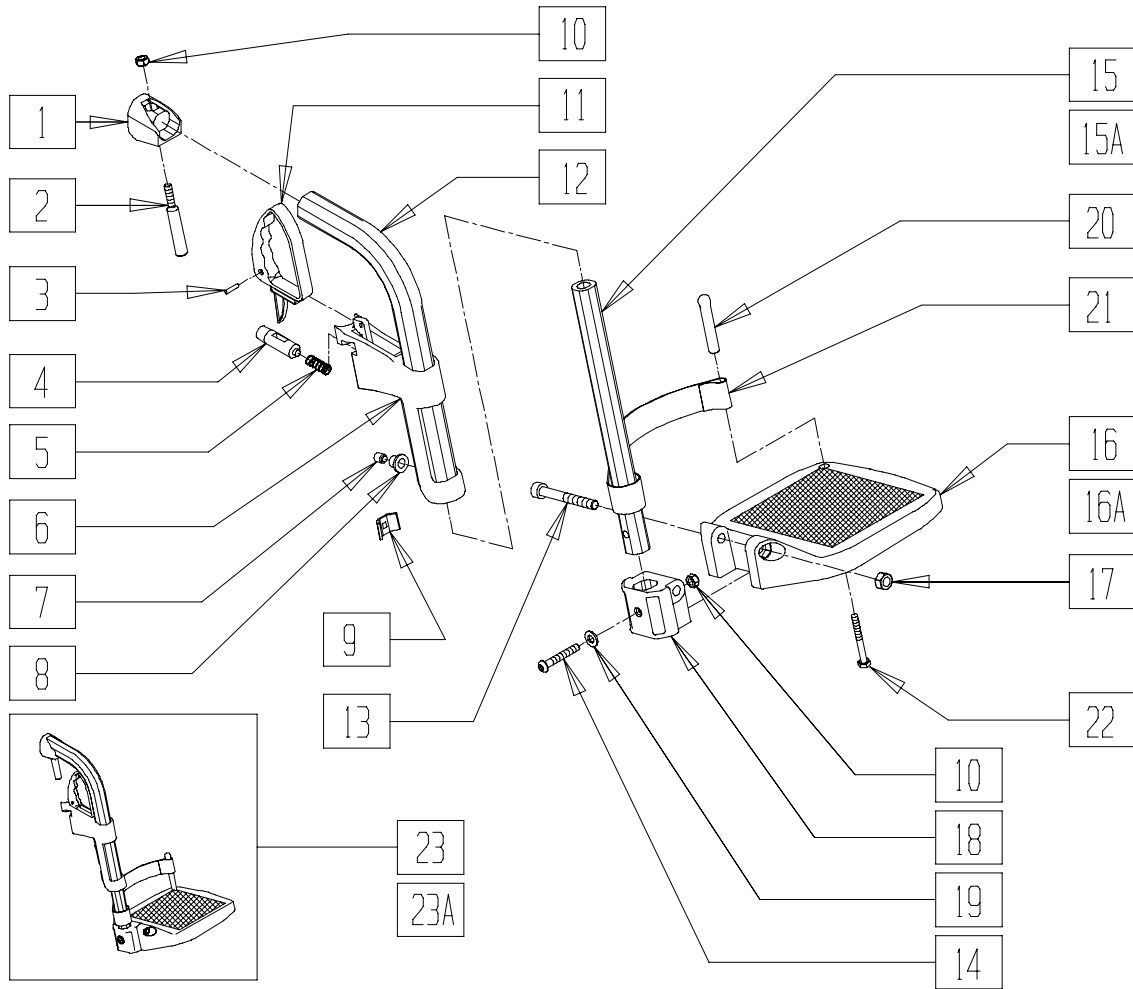
TSR00X19

ITEM	NUMBER	DESCRIPTION	QTY
1	226198	5/16 -18 x 2 BH C/S SHT THREAD	1
3	201100-QU	1/4-28 NYLOCK NUT THIN	1
4	561002	1" INSERT PLUG .083	2
5	561197	PLASTIC PIVOT SADDLE	1
6	202103	5/16-18 NYLOCK NUT THICK	1
7	880053	FOOTREST BLOCK T45	1
8	202102	5/16-18 NYLOCK NUT THIN	1

ITEM	NUMBER	DESCRIPTION	QTY
9	321141	.650L x 6 COIL SPRING	1
10	560684	T45 FOOTREST BLOCK RECESSED	1
11	226194	5/16-18 x 1.63 BH C/S	1
12	221100-QU	1/4-28 x 3/4 HEX C/S	1
7-11	920720	FOOTREST BLOCK ASSM W/BOLT HD	
1-6,12	885005	90° F/D H/D L/O HNGR ASSM PNTD	

NOTE: THIS HANGER HAS BEEN TESTED AND APPROVED FOR OCCUPANTS THAT WEIGH LESS THAN 150 POUNDS.

FRAME HANGER ASSEMBLY (CHAMELEON/CHAMELEON HD)

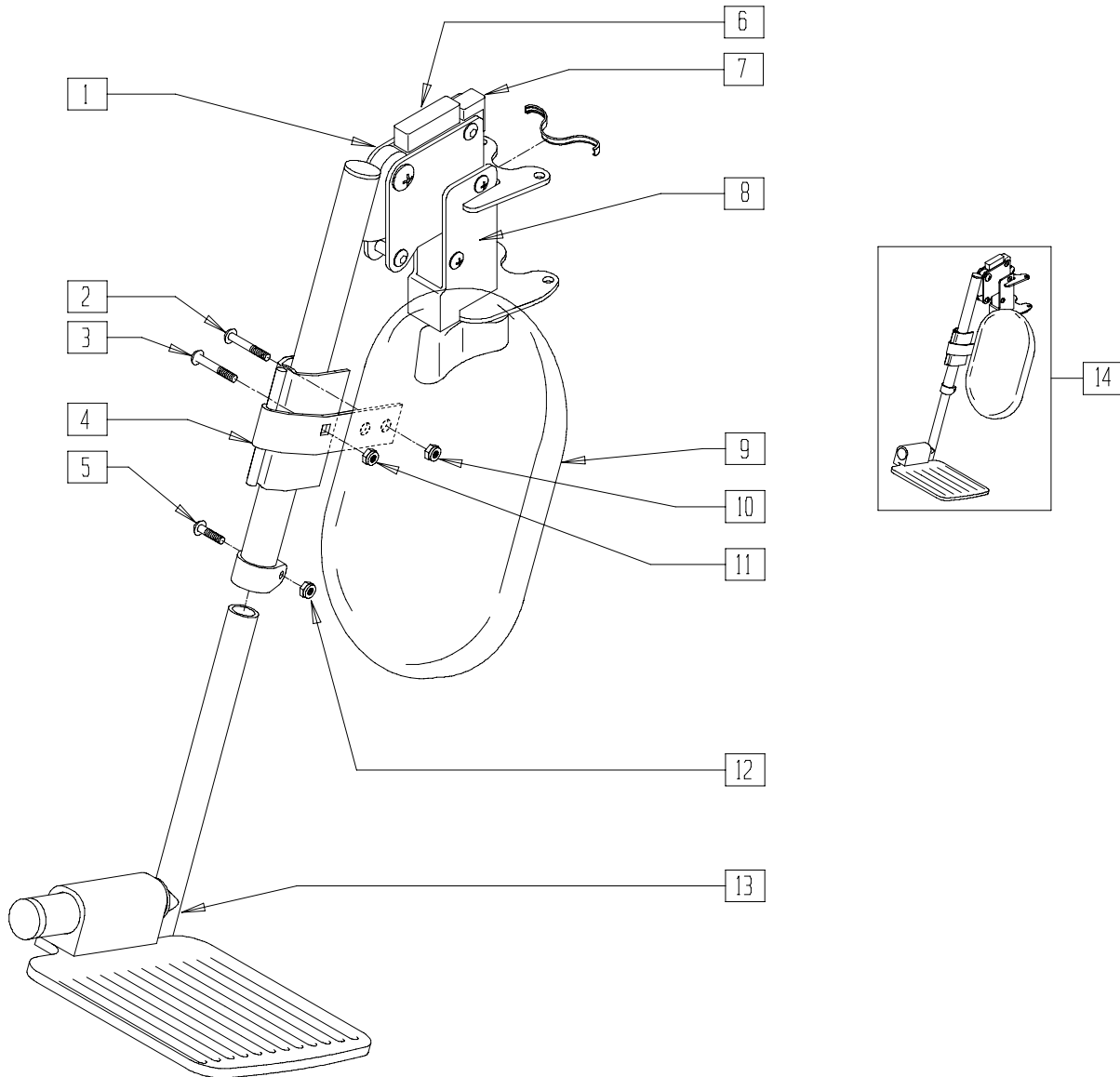


CHAM0X03A

ITEM	NUMBER	DESCRIPTION	QTY
7	C2.2012	INSERT 8MM GRUB SCREW	1
8	C2.2011	HANGER MOULDING INSERT	1
9	C2.2080	HANGER INSERT	1
12	C2.2007	HANGER TUBE (SPECIFY COLOR)	1
15	C2.2008	TUBE- FOOTREST EXTENSION STND	1
15A	C2.2076	HEMI HANGER EXT TUBE	1
20	561040	HEEL LOOP PEG	1
21	741210	HEEL LOOP	1
22	9611000916	MA SCR W 1/4-20x1	1
23	888162, 888163	HANGER ASSEMBLY SMALL PLATE SPECIFY COLOR	

ITEM	NUMBER	DESCRIPTION	QTY
23A	888164, 888165	HANGER ASSEMBLY LARGE PLATE SPECIFY COLOR	
1-12	888059, 888060	HANGER ASSM (EA) (SPECIFY COLOR)	
1,2,10	888159	K4 HANGER BRACKET MOULD ASSY	
3,4,5,6,11	C2.2090	K4 HANGER RELEASE LEVER ASSY	
13,14,15 16-19	C2.2033	LOWER HANGER ASSY 160x150MM	
13,14,15, 16A-19	C2.2031	LOWER HANGER ASSY 160x185MM	

ELEVATING LEGREST (BREEZY 100/150)



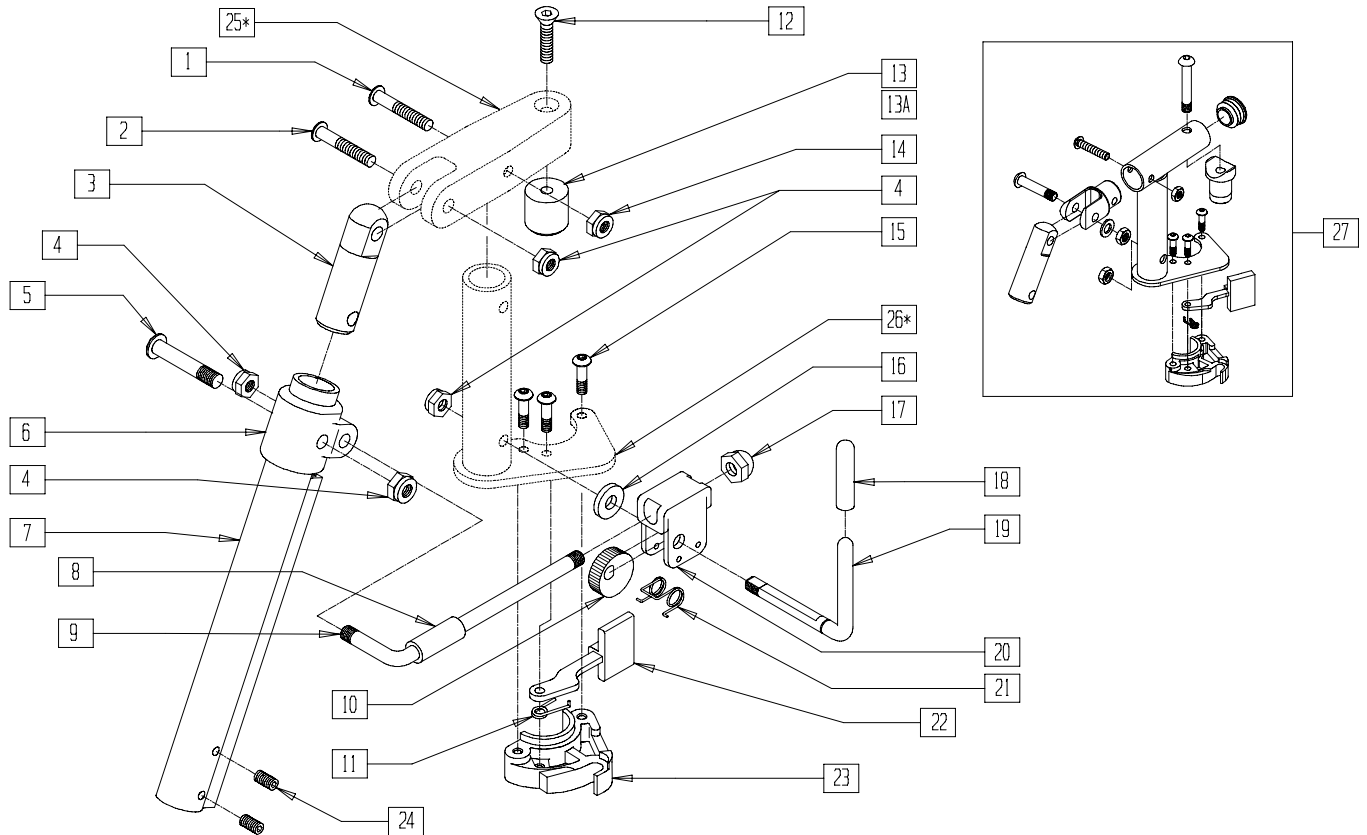
BRZ10X08

ITEM	NUMBER	DESCRIPTION	QTY
6	222-0617	ELR RELEASE CAP (EA)	1
7	222-0675	ELR SPACER CAP FOR UPPER ASSEMBLY (EA)	1
8	222-0671	ELR LATCHING ASSEMBLY	1
9	222-0674	ELR CALF PAD (EA)	1
13	222-0676	LOWER ELEVATING LEGREST ASSEMBLY	1

ITEM	NUMBER	DESCRIPTION	QTY
14	222-0770L	ELEVATING LEGREST ASSEMBLY L	1
	222-0770R	ELEVATING LEGREST ASSEMBLY R	1
2-4,10,11	222-0545	ELR CALF PAD HARDWARE ASSEMBLY	1
1,5-7,12	222-0544	UPPER ELEVATING LEGREST ASSEMBLY	1

ELEVATING LEGREST (MANUAL PRODUCTS)

(Discontinued - parts only; effective beginning 3/24/97 and ending 3/31/99)



FT0X032D

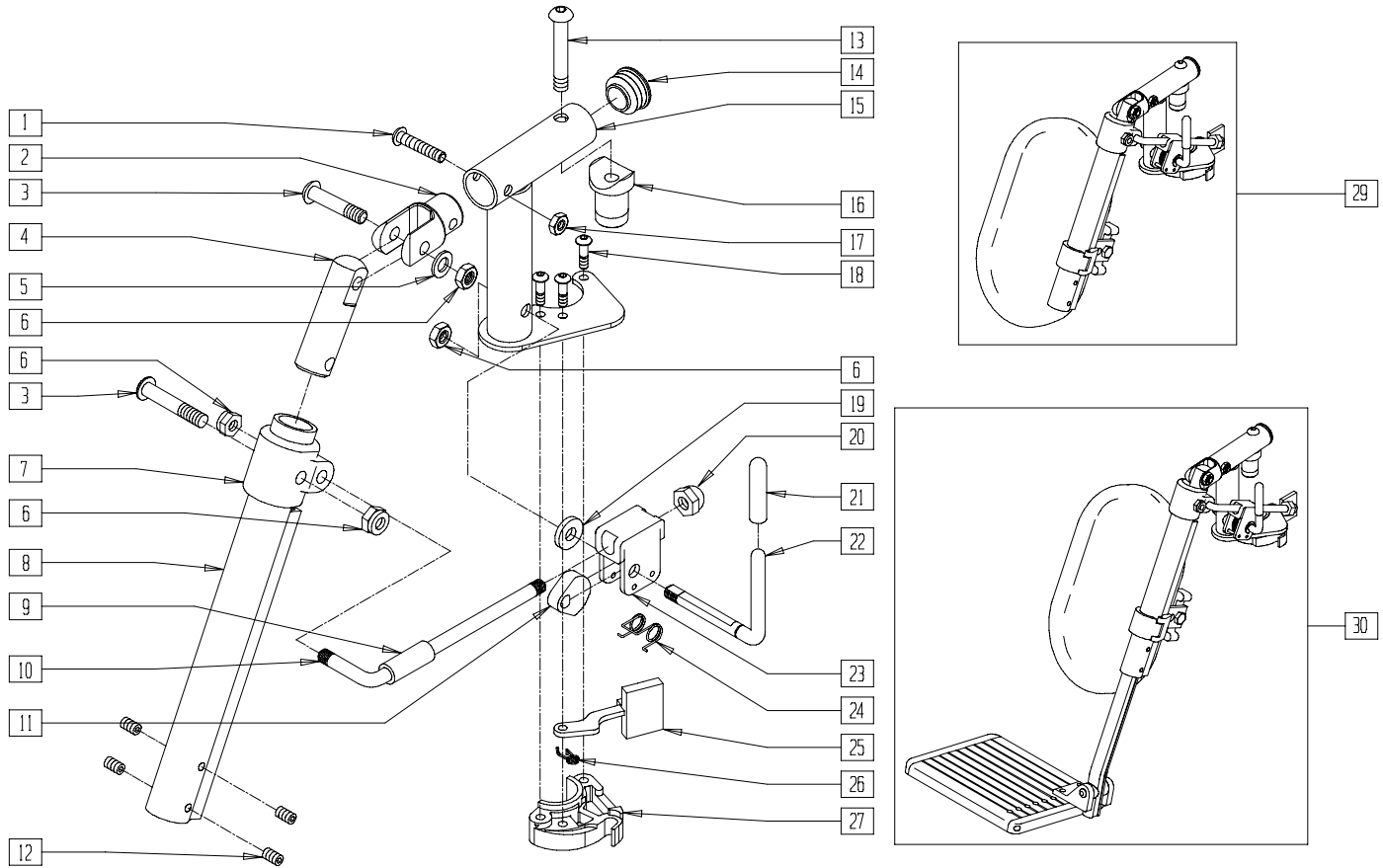
ITEM	NUMBER	DESCRIPTION	QTY
1	226130	1/4-28 x 1 1/2 BH C/S	1
2	226138	5/16-24 x 1 1/2 BH C/S	1
3	540252	ELR PIVOT PRS	1
4	202100-MJ	5/16-24 NYLOCK NUT THIN	4
5	226138	5/16-24 x 1 1/2 BH C/S	1
6	560420	ELR UPPER PIVOT PLST	1
7	550736	ELR ADJUSTMENT TUBE	1
8	560784	ELR ADJUSTMENT STOP	1
9	481117	ELR LOCK ROD	1
10	481119	ELR CAM LOCKING POWDERED METAL	1
11	321136	S/A SPRING L RED	1
	321137	S/A SPRING R CLEAR	
12	226072	1/4-20 x 1/2 FH C/S BLK	1
13	483126	ELR PLUG .125	1
13A	483124	ELR PLUG .049	1
14	201100-QU	1/4-28 NYLOCK NUT THIN	1
15	226057	10-24 x .725 BTTN HD SOC BZ	3

ITEM	NUMBER	DESCRIPTION	QTY
16	561059	3/4 OD x .318 ID WASHER	1
17	202109	5/16-24 ACORN NUT HEX	1
18	561049	ELR RELEASE ROD COVER	1
18,19	882410	ELR ACTUATION ARM ASSEMBLY	
19	481122	ELR ACTUATION ARM	1
20	880990	ELR LOCK HOUSING W/PIN	1
21	321106	ELR TORSION SPRING	1
22	561079	S/A LATCH LEVER	1
23	881500, 881501	S/A LATCH BLOCK (EA)	
24	225112	1/4-20 x 1/4 SS KNRLD CP W/PTCH	2
4,8-10, 16-21	881077	ELR LOCK ROD/ARM ASSEMBLY	
27	882417, 882418	ELR PIVOT BLOCK ASSEMBLY	
	882419, 882420	ELR PVT BLOCK ASSEMBLY W/.049 SDL (BR)	

* FOR ITEMS 26 (P/N 550738) AND 27 (P/N 505126, 505127), ORDER ITEM 28 (P/N 882417-882420). ITEM 28 REPLACES DISCONTINUED PIVOT BLOCK ASSEMBLIES.

ELEVATING LEGREST (QUICKIE/BREEZY PRODUCTS)

(Starting 4/99)(Quickie discontinued 11/25/02)



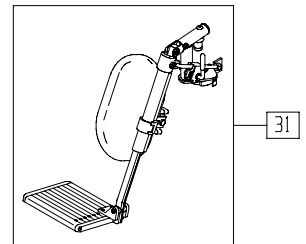
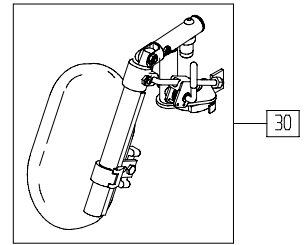
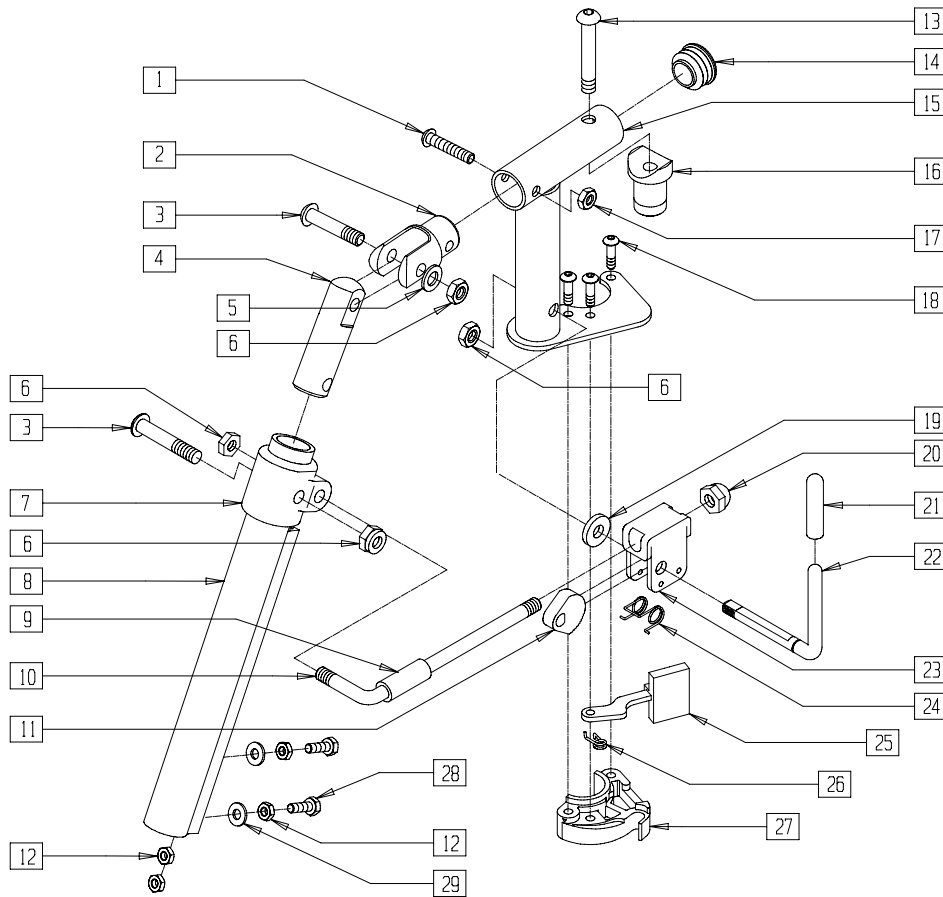
FT0X32D

ITEM	NUMBER	DESCRIPTION	QTY
1	226129	1/4-28 x 1 1/4 BH C/S	1
2	505281	ELR CLEVIS	1
3	226138	5/16-24 x 1 1/2 BH C/S	2
4	540252	ELR PIVOT PRS	1
5	263100	5/16 AN WASHER FLAT	1
6	202100-MJ	5/16-24 NYLOCK NUT THIN	4
7	560420	ELR UPPER PIVOT PLST	1
8	550736	ELR ADJUSTMENT TUBE	1
9	560784	ELR ADJUSTMENT STOP	1
10	481117	ELR LOCK ROD	1
11	481119	ELR CAM LOCKING POWDERED METAL	1
12	225112	1/4-20 x 1/4 SS KNRLD CP W/P TCH	4
13	226198	5/16-18 x 2 BH C/S SHT THREAD	1
14	561062	1" INSERT PLUG .065 RIBS	1
15	505278, 505279	ELR HANGER BRACKET NEW	1
16	561197	PLASTIC PIVOT SADDLE	1
17	201100-QU	1/4-28 NYLOCK NUT THIN	1
18	226057	10-24 x .725 BTTN HD SOC BZ	3
19	561059	3/4 OD x .318 ID WASHER	1
20	202109	5/16-24 ACORN NUT HEX	1
21	561049	ELR RELEASE ROD COVER	1
22	481122	ELR ACTUATION ARM	1
23	880990	ELR LOCK HOUSING W/PIN	1
24	321106	ELR TORSION SPRING	1

ITEM	NUMBER	DESCRIPTION	QTY
25	561079	S/A LATCH LEVER	1
26	321136	S/A SPRING L RED	1
	321137	S/A SPRING R CLEAR	
27	881500, 551501	S/A LATCH BLOCK (EA)	
21,22	882410	ELR ACTUATION ARM ASSEMBLY	
6,9-11, 19-24	881077	ELR LOCK ROD/ARM ASSEMBLY	
1-6,13-18, 25-28	882417, 882418	ELR PIVOT BLOCK ASSEMBLY	
	882419, 882420	ELR PVT BLK ASSEMBLY W/.049 SDL (BR)	
1-28	641456, 641457	ELR HNGR W/O PAD PNTD BR (BREEZY) (EA)	
29	923082	ELR HNGR ASSM 14-15 W/PAD (PR)	1
	923041	ELR HNGR ASSM W/PAD 16,17" (PR)	
	923061	ELR HNGR ASSM W/PAD 18,20" (PR)	
13,16,29	923069	ELR HNGR ASSM 14" W/PAD BR (PR)	
	923042	ELR HNGR ASSM W/PAD 16" BR (PR)	
	923062	ELR HNGR ASSM W/PAD 18,20" BR (PR)	
30	923088	ELR HNGR REG EXT 14,15" F/PLT (PR)	1
	923084	ELR HNGR REG EXT 16,17" F/PLT (PR)	
	923085	ELR HNGR REG EXT 18,20" F/PLT (PR)	
13,16,30	923083	ELR HNGR REG EXT 14" F/PLT BR (PR)	
	923080	ELR HNGR REG EXT 16" F/PLT BR (PR)	
	923081	ELR HNGR REG EXT 18" F/PLT BR (PR)	

ELEVATING LEGREST (BREEZY PRODUCTS)

(Effective 11/25/02)



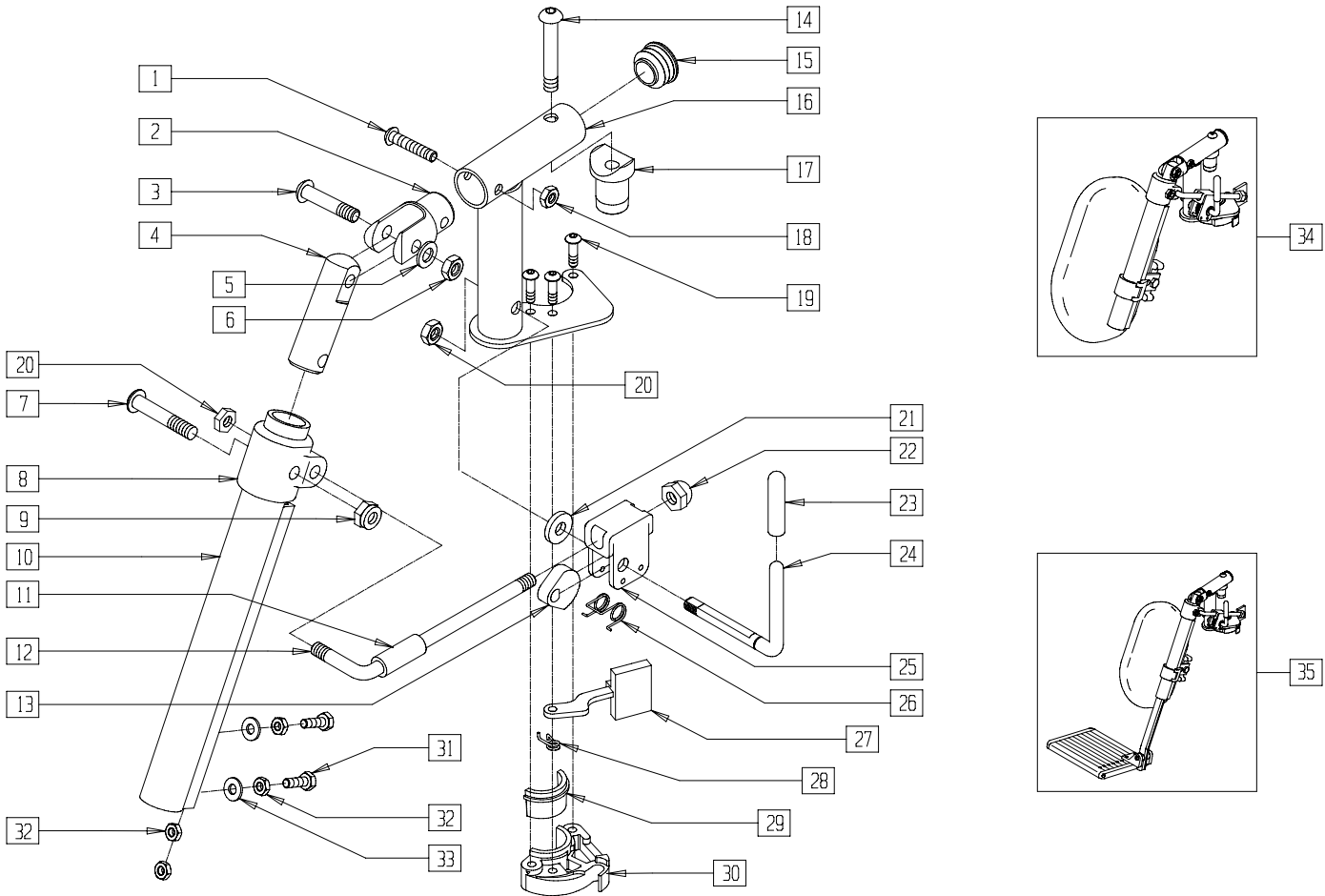
FT0X32B

ITEM	NUMBER	DESCRIPTION	QTY
1	226129	1/4-28 x 1 1/4 BH C/S	1
2	505281	ELR CLEVIS	1
3	226138	5/16-24 x 1 1/2 BH C/S	2
4	540252	ELR PIVOT PRS	1
5	263100	5/16 AN WASHER FLAT	1
6	202100-MJ	5/16-24 NYLOCK NUT THIN	4
7	560420	ELR UPPER PIVOT PLST	1
8	550722	ELR ADJUSTMENT TUBE	1
9	560784	ELR ADJUSTMENT STOP	1
10	481117	ELR LOCK ROD	1
11	481119	ELR CAM LOCKING POWDERED METAL	1
12	201112	1/4-28 NUT THIN	4
13	226198	5/16-18 x 2 BH C/S SHT THREAD	1
14	561062	1" INSERT PLUG .065 RIBS	1
15	505278, 505279	ELR HANGER BRACKET NEW (EA)	1
16	561197	PLASTIC PIVOT SADDLE	
17	201100-QU	1/4-28 NYLOCK NUT THIN	1
18	226010	10-24 x .725 BH C/S W/PATCH	3
19	561059	3/4 OD x .318 ID WASHER	1
20	202109	5/16-24 ACORN NUT HEX	1
21	561049	ELR RELEASE ROD COVER	1
22	481122	ELR ACTUATION ARM	1

ITEM	NUMBER	DESCRIPTION	QTY
23	880990	ELR LOCK HOUSING W/PIN	1
24	321106	ELR TORSION SPRING	1
25	561079	S/A LATCH LEVER	1
26	321136	S/A SPRING L RED	1
	321137	S/A SPRING R CLEAR	
27	881500, 881501	S/A LATCH BLOCK CASTING (EA)	
	28	221100	
29	262110-QU	1/4 AN WASHER FLAT THIN	2
21,22	882410	ELR ACTUATION ARM ASSEMBLY	
6,9-11, 19-24	881077	ELR LOCK ROD/ARM ASSEMBLY	
1-6,13-18, 25-29	882419, 882420	ELR PVT BLK ASSEMBLY W/.049 SDL (BR)	
1-29	641456, 641457	ELR HNGR W/O PAD PNTD (BREEZY) (EA)	
	923069	ELR HNGR ASSM 14" W/PAD BR (PR)	
13,16,30	923042	ELR HNGR ASSM W/PAD 16" BR (PR)	
	923062	ELR HNGR ASSM W/PAD 18,20" BR (PR)	
13,16,31	923083	ELR HNGR REG EXT 14" F/PLT BR (PR)	
	923080	ELR HNGR REG EXT 16" F/PLT BR (PR)	
	923081	ELR HNGR REG EXT 18" F/PLT BR (PR)	

ELEVATING LEGREST (QUICKIE MANUAL PRODUCTS)

(Effective 11/25/02)



Left Side Assembly Shown

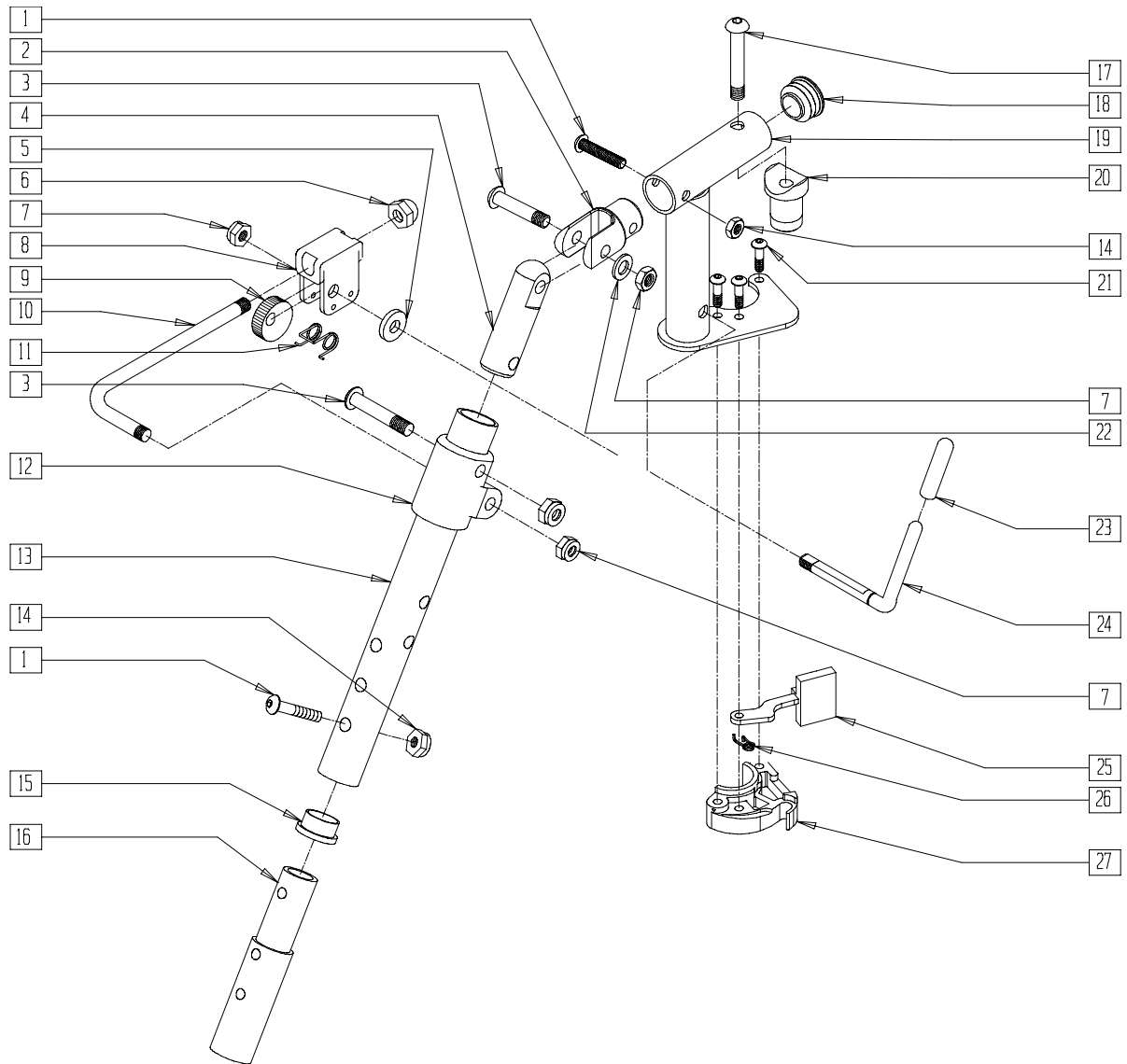
FT0X32C

ITEM	NUMBER	DESCRIPTION	QTY
1	226129	1/4-28 x 1 1/4 BH C/S	1
2	505281	ELR CLEVIS	1
3	226138	5/16-24 x 1 1/2 BH C/S	1
4	540252	ELR PIVOT PRS	1
5	263100	5/16 AN WASHER FLAT	1
6	202100-MJ	5/16-24 NYLOCK NUT THIN	1
7	226138	5/16-24 x 1 1/2 BH C/S	1
8	560420	ELR UPPER PIVOT PLST	1
9	202100-MJ	5/16-24 NYLOCK NUT THIN	1
10	550722	ELR ADJUSTMENT TUBE	1
11	560784	ELR ADJUSTMENT STOP	1
12	481117	ELR LOCK ROD	1
13	481119	ELR CAM LOCKING POWDERED METAL	1
14	226217	5/16-18 x 2" BH C/S BLK	1
15	561062	1" INSERT PLUG .065 RIBS	1
16	505278, 505279	ELR HANGER BRKT NEW (EA)	1
17	561197	PLASTIC PIVOT SADDLE	1
18	201100-QU	1/4-28 NYLOCK NUT THIN	1
19	226057	10/24 x .725 BTTN HD SOC BZ	3
20	202100-MJ	5/16-24 NYLOCK NUT THIN	2
21	561059	3/4 OD x .318 ID WASHER	1
22	202109	5/16-24 ACORN NUT HEX	1

ITEM	NUMBER	DESCRIPTION	QTY
23	561049	ELR RELEASE ROD COVER	1
24	481122	ELR ACTUATION ARM	1
25	880990	ELR LOCK HOUSING W/PIN	1
26	321106	ELR TORSION SPRING	1
27	561079	S/A LATCH LEVER	1
28	321136	S/A SPRING L RED	1
	321137	S/A SPRING R CLEAR	
31	221100	1/4-28 x 3/4 HEX C/S	2
32	201112	1/4-28 NUT THIN	4
33	262110-QU	1/4 AN WASHER FLAT THIN	2
11-13,20-26	881077	ELR LOCK ROD/ARM ASSEMBLY	
29,30	881500, 881501	LATCH BLOCK ASSM (EA)	
23,24	882410	ELR ACTUATION ARM ASSEMBLY	
1-6,14-19, 27-30	882413, 882414	ELR PIVOT BLOCK ASSM (EA)	
1-33	641452, 641453	ELR HNGR W/O PAD PNTD MNL (EA)	
	923082	ELR HNGR ASSM 14-15 W/PAD (PR)	
34	923041	ELR HNGR ASSM W/PAD 16-17"	
	923061	ELR HNGR ASSM W/PAD 18-20"	
	923088	ELR HNGR REG EXT 14 15" F/PLT	
35	923084	ELR HNGR REG EXT 16 17" F/PLT	
	923085	ELR HNGR REG EXT 18-20" F/PLT	

90° KIDS ELEVATING LEGREST

(Discontinued - parts only; beginning 3/24/94 and ending 11/24/02)



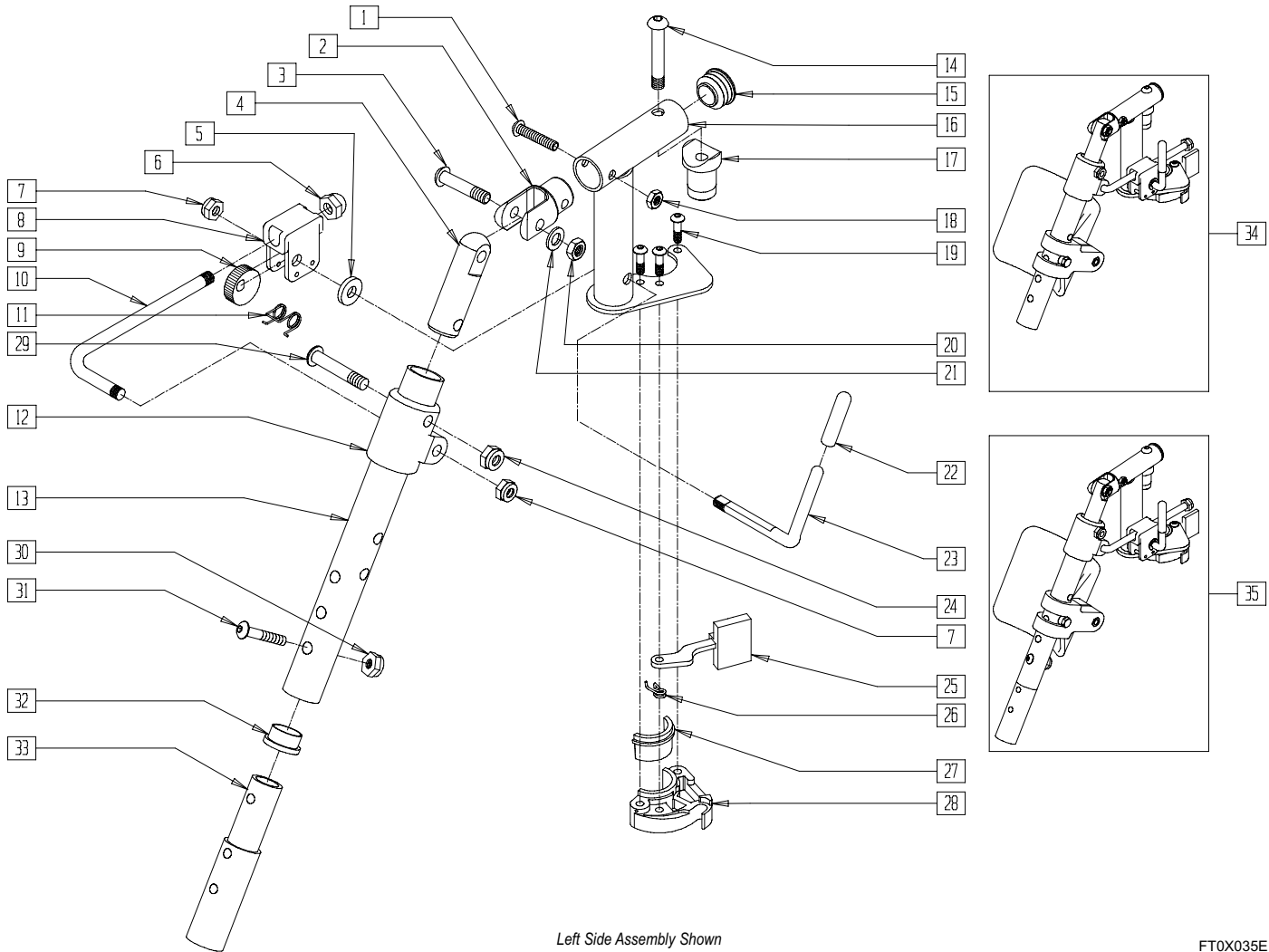
FT0X035F

ITEM	NUMBER	DESCRIPTION	QTY
1	226129	1/4-28 x 1 1/4 BH C/S	2
2	505281	ELR CLEVIS	1
3	226138	5/16-24 x 1 1/2 BH C/S	2
4	540252	ELR PIVOT PRS	1
5	561059	3/4" OD x .318 ID WASHER	1
6	202109	5/16-24 ACORN NUT HEX	1
7	202100-MJ	5/16-24 NYLOCK NUT THIN	4
8	880990	ELR LOCK HOUSING W/PIN	1
9	481119	ELR CAM LOCKING POWDERED METAL	1
10	481505	ELR ROD 90°	1
11	321106	ELR TORSION SPRING	1
12	560430	ELR ROD UPPER PIVOT	1
13	505097	ELR KIDS TUBE	1
14	201100-QU	1/4-28 NYLOCK NUT THIN	2
15	561002	1" INSERT PLUG .083	1
16	500150	2" FOOTREST EXT TUBE	1
17	226198	5/16-18 x 2 BH C/S SHT THREAD	1
18	561062	1" INSERT PLUG .065 RIBS	1

ITEM	NUMBER	DESCRIPTION	QTY
19	505278, 505279	ELR HANGER BRACKET NEW	1
20	561197	PLASTIC PIVOT SADDLE	1
21	226057	10-24 x .725 BTTN HD BZ	1
22	263100	5/16 AN WASHER FLAT	3
23	561049	ELR RELEASE ROD COVER	1
24	481123	ELR ACTUATION ARM 90° KIDS	1
25	561079	S/A LATCH LEVER	1
26	321136	S/A SPRING L RED	1
	321137	S/A SPRING R CLEAR	
27	881500, 881501	S/A LATCH BLOCK (EA)	
1,14,16	881403	2" FTRST EXT TUBE W/HARDWARE ASSMBLY	
1-4,7,14, 17-22, 25-27	882417, 882418	ELR PIVOT BLOCK ASSEMBLY	

90° KIDS ELEVATING LEGREST (MANUAL PRODUCTS)

(Effective 11/25/02)



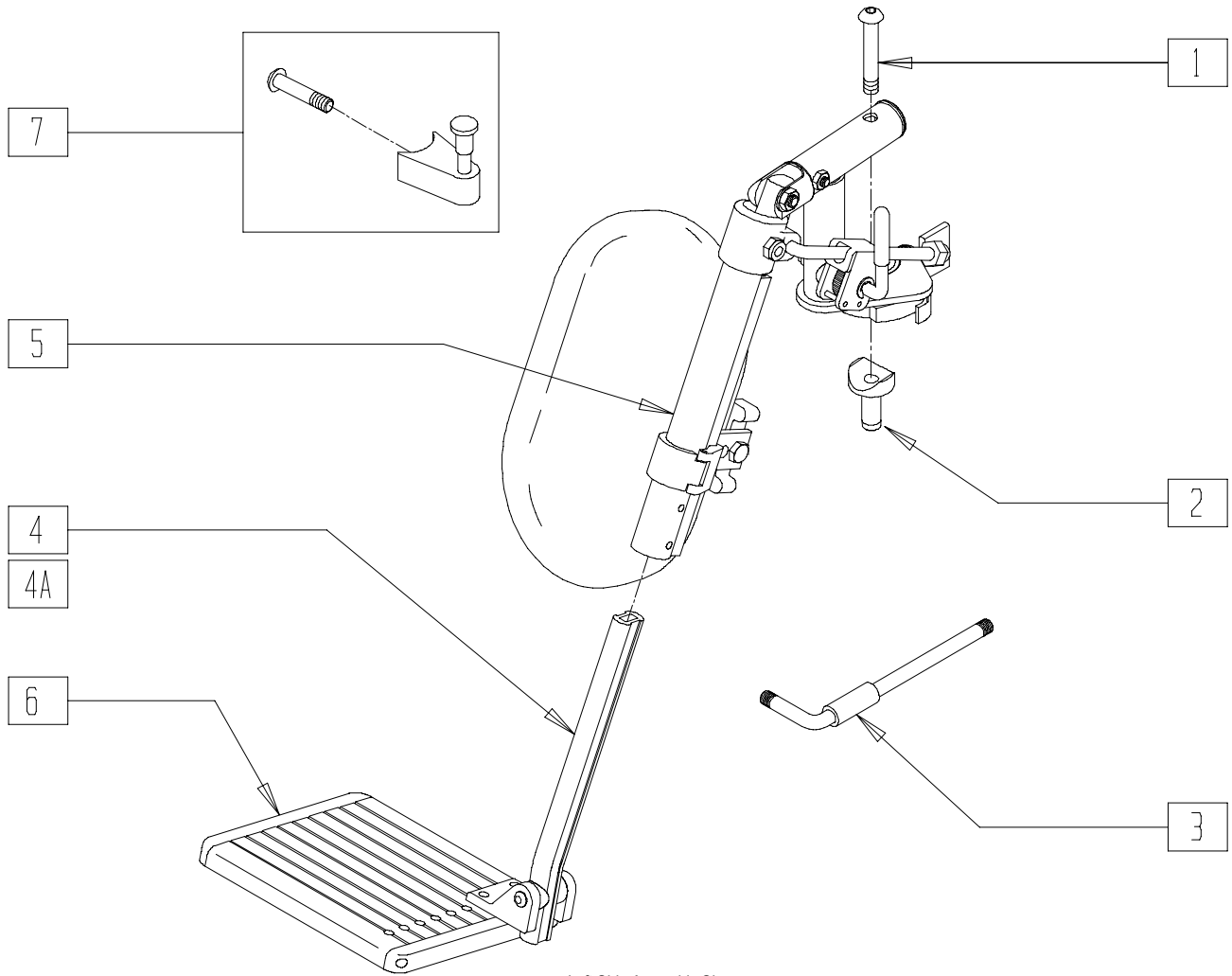
Left Side Assembly Shown

FT0X035E

ITEM	NUMBER	DESCRIPTION	QTY
1	226129	1/4-28 x 1 1/4 BH C/S	1
2	505281	ELR CLEVIS	1
3	226138	5/16-24 x 1 1/2 BH C/S	1
4	540252	ELR PIVOT PRS	1
5	561059	3/4 OD x .318 ID WASHER	1
6	202109	5/16-24 ACORN NUT HEX	1
7	202100-MJ	5/16-24 NYLOCK NUT THIN	2
8	880990	ELR LOCK HOUSING W/PIN	1
9	481119	ELR CAM LOCKING POWDERED METAL	1
10	481505	ELR LOCK ROD 90D	1
11	321106	ELR TORSION SPRING	1
12	560430	ELR ROD UPPER PIVOT	1
13	505097	ELR KIDS TUBE	1
14	226217	5/16-18 x 2" BH C/S BLK	1
15	561062	1" INSERT PLUG .065 RIBS	1
16	505278	ELR HANGER BRKT R NEW	1
	505279	ELR HANGER BRKT L NEW	
17	561197	PLASTIC PIVOT SADDLE	1
18	201100-QU	1/4-28 NYLOCK NUT THIN	1
19	226057	10/24 x .725 BTTN HD SOC BZ	3
20	202100-MJ	5/16-24 NYLOCK NUT THIN	1
21	263100	5/16 AN WASHER FLAT	1

ITEM	NUMBER	DESCRIPTION	QTY
22	561049	ELR RELEASE ROD COVER	1
23	481123	ELR ACTUATION ARM 90 DEG KDS	1
24	202100-MJ	5/16-24 NYLOCK NUT THIN	1
25	561079	S/A LATCH LEVER	1
26	321136	S/A SPRING L RED	1
	321137	S/A SPRING R CLEAR	
29	226138	5/16-24 x 1 1/2 BH C/S	1
30	201100-QU	1/4-28 NYLOCK NUT THIN	1
31	226129	1/4-28 x 1 1/4 BH C/S	1
32	561002	1" INSERT PLUG .083	1
33	500150	2" FOOTREST EXT TUBE	1
30,31,33	881403	2" FTRST EXT TUBE W/HWR ASSM	
27,28	881500	LATCH BLOCK ASSM R	
	881501	LATCH BLOCK ASSM L	
22,23	882411	ELR 90D ACTUATION ARM ASSM	
1-4,14-21,	882413	ELR PIVOT BLOCK ASSM R	
25-28	882414	ELR PIVOT BLOCK ASSM L	
1-28	641458	ELR HNGR 90D W/O PAD PNTD R	
	641459	ELR HNGR 90D W/O PAD PNTD L	
1-28,30,	641468	HANGER ELR 90 W/O PAD R 2" EXT	
31,33	641469	HANGER ELR 90 W/O PAD L 2" EXT	
34	923068	ELR HNGR ASSM 90D W/PAD 2" EXT	
35	923067	ELR HNGR ASSM 90D W/PAD	

ELEVATING LEGREST (CHAMELEON/CHAMELEON HD)



Left Side Assembly Shown

CHAM0X22

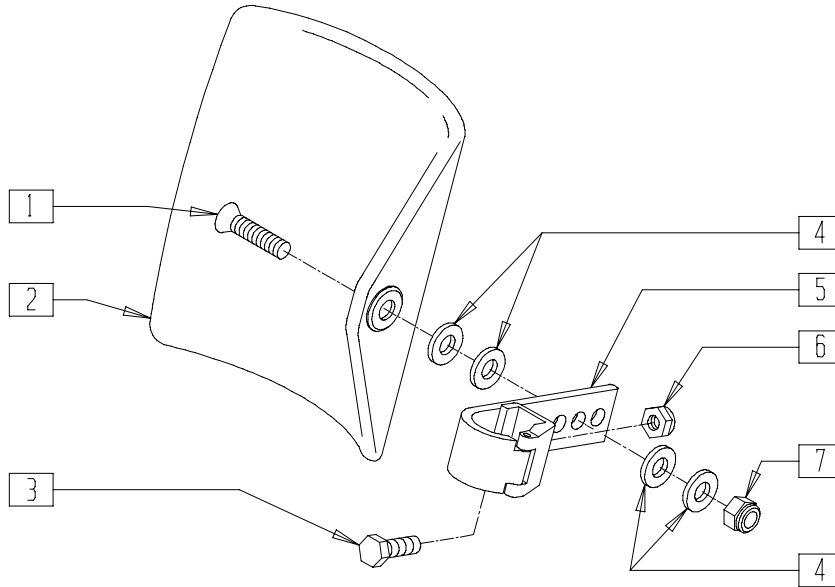
ITEM	NUMBER	DESCRIPTION	QTY
*1	9619101124	MA SCREW 5/16-18x1.5	1
*2	C2.5020	ELR PIVOT	1
*3	560788	ELR ADJUSTMENT ROD	1
4	550744	FOOTREST EXT TUBE ELR SHT CLR	
4A	550745	FOOTREST EXT TUBE ELR LONG CLR	
5	888145	14"-15" ELR UPPER HANGER ASSM	1
	888146	(EA)	
	888147	16"-17" ELR UPPER HANGER ASSM	
	888148	(EA)	
5	888149	18"-20" ELR UPPER HANGER ASSM	1
	888157	(EA)	
*7	888106	S/A LATCH ASSM	1

*NOTE: PARTS 1,2,3 AND 7 ARE SPECIFIC TO CHAMELEON. INDIVIDUAL ELR PARTS MAY BE ORDERED SEPARATELY FROM PAGES 14.13 & 15.19 IN MANUAL PRODUCTS PARTS MANUAL.

ITEM	NUMBER	DESCRIPTION	QTY
1-4,5-7	888086,	ELR HNGER ASSM REG EXT	
	888087	14-15" F/PLT (EA)	
	888088	(PAIR)	
	888092	ELR HNGER ASSM REG EXT	
	888093	16-17" F/PLT (EA)	
	888094	(PAIR)	
1-4A,5-7	888098	ELR HNGER ASSM REG EXT	
	888099	18-19" F/PLT (EA)	
	888102	(PAIR)	
	888089,	ELR HNGER ASSM LONG EXT	
	888090	14-15" F/PLT (EA)	
	888091	(PAIR)	
	888095	ELR HNGER ASSM LONG EXT	
	888096	16-17" F/PLT (EA)	
	888097	(PAIR)	
888103	ELR HNGER ASSM LONG EXT		
888104	18-19" F/PLT (EA)		
888105	(PAIR)		

ELR CALF PAD (14"-15")

(Effective 3/24/97)



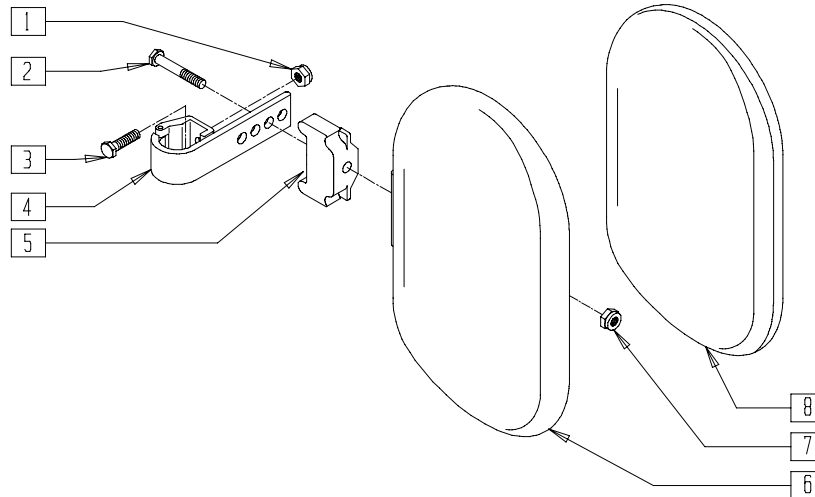
FT0X036

ITEM	NUMBER	DESCRIPTION	QTY
1	222108	5/16-18 x 1 1/4 BH C/S	1
2	755014	CALF PAD TROUGH STYLE 14"/16"	1
3	221096	1/4-28 x 5/8 HEX C/S	1
4	561016	1" WASHER 5/16" HOLE	4

ITEM	NUMBER	DESCRIPTION	QTY
5	881413	CALF PAD BRACKET ASSEMBLY	1
6	201110-QU	1/4-28 NYLOCK NUT	1
7	202102	5/16-18 NYLOCK NUT THIN	1
1-7	881414	CALF PAD J-HOOK 14"-15" ASSEMBLY	

ELR CALF PAD (16"-17"/18"-20")

(Effective 3/24/97)



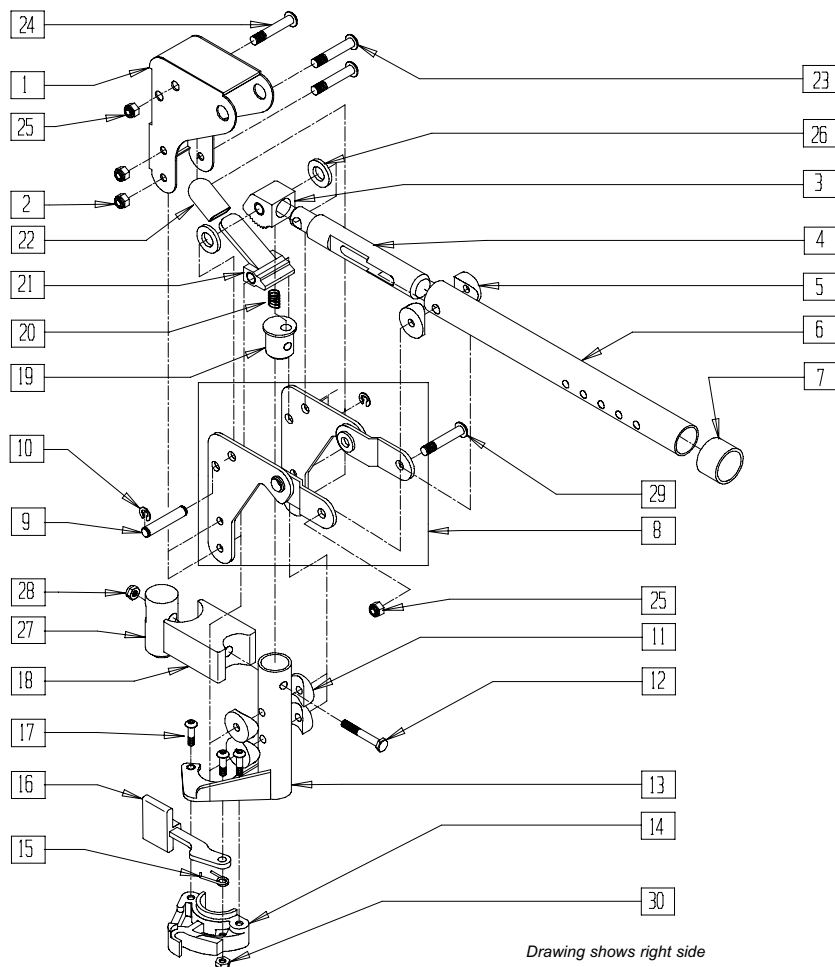
FT0X034

ITEM	NUMBER	DESCRIPTION	QTY
1	201110-QU	1/4-28 NYLOCK NUT	1
2	222242	5/16-18 x 2 1/2 HEX C/S (16"-17")	1
	222255	5/16-18 x 3 1/2 HEX C/S (18"-20")	
3	221096	1/4-28 x 5/8 HEX C/S	1
4	881413	CALF PAD BRACKET ASSEMBLY	1
5	560199	ELR CALF HINGE SPACER	1
6	560108	CALF PAD MOLDED 16"-20"	1

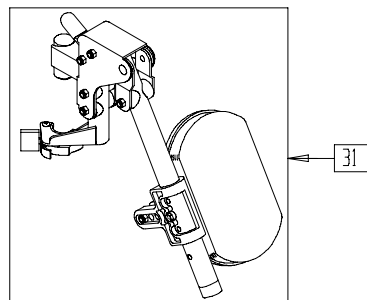
ITEM	NUMBER	DESCRIPTION	QTY
7	202103	5/16-18 NYLOCK NUT THICK	1
8	751045	CALF PAD COVER (ALL QUICKIE MODELS)	1
	751046	CALF PAD COVER (BREEZY)	
1-4,6,7	881416	CALF MOLDED 16"-17" ASSEMBLY	
1-7	881412	CALF PAD MOLDED 18"-20" ASSEMBLY	

ARTICULATING LEGREST ASSEMBLY

(Fits all Quickie chairs/Zippie/2/TS)(Discontinued 12/12/02)



THIS ASSEMBLY REQUIRES ROUND STYLE EXTENSION TUBES.



Drawing shows right side

FT0X021

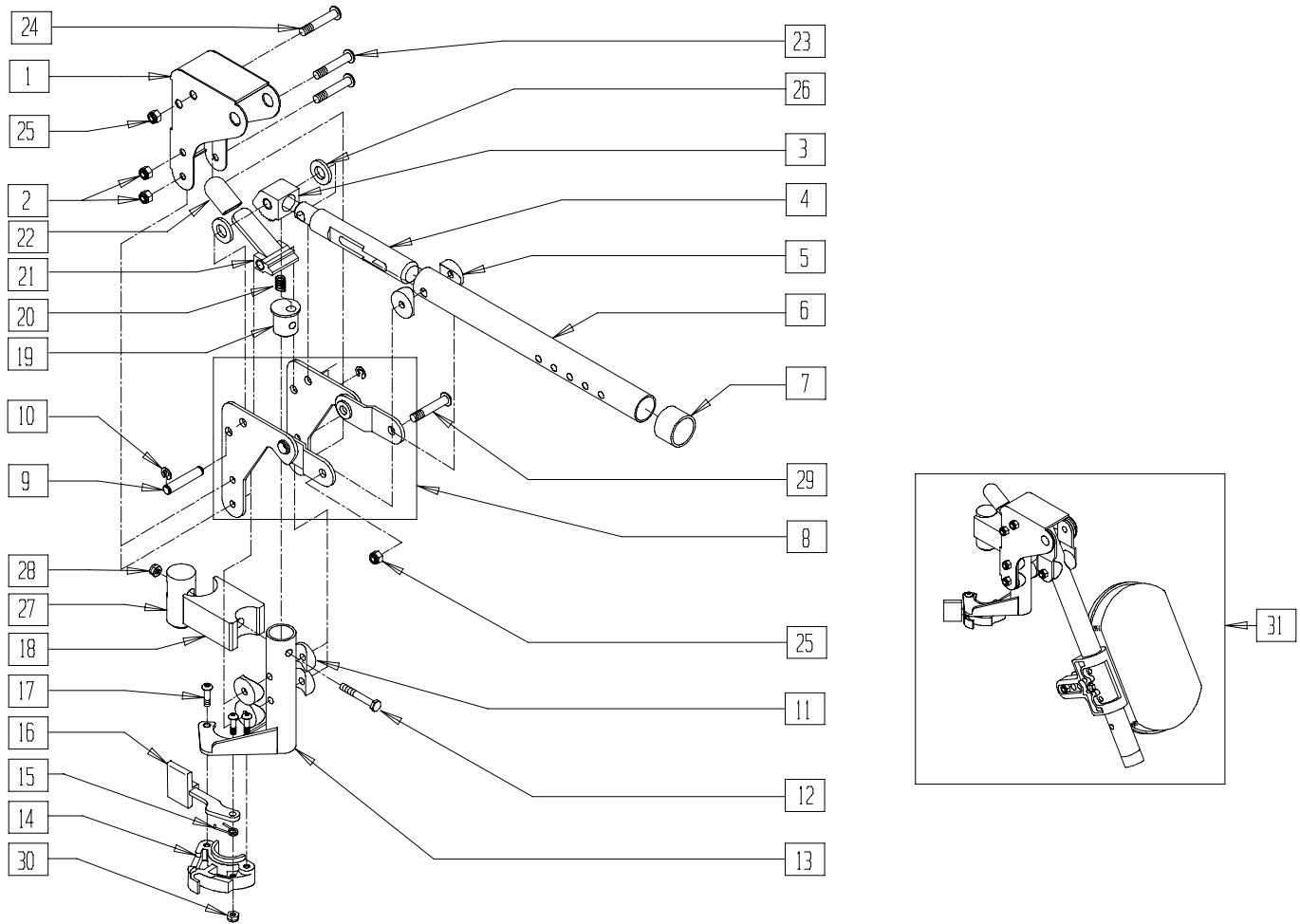
ITEM	NUMBER	DESCRIPTION	QTY
1	562720	ALR COVER STD	1
2	201100-QU	1/4-28 NYLOCK NUT THIN	2
3	505900	ALR RATCHET BLOCK	1
4	483062	ALR RATCHET ROD	1
5	561006	1" SADDLE 5/16" HOLE	2
6	505026	ALR TUBE ONLY (SPECIFY COLOR)	1
7	561082	1" TUBE END BUSHING THIN	1
8	880526, 880527	ALR BRACKET W/LINK (EA)	1
9	481052	ALR RETAINING STUD	1
10	342000	1/4" E-CLIP	2
11	561004	1" SADDLE 1/4" HOLE	4
12	221201	1/4-28 x 3 G8 HEX C/S	1
13	505027, 505028	ALR S/A TUBE ONLY (EA) (SPECIFY COLOR)	1
14	561076, 561078	S/A LATCH BLOCK (EA)	1
15	321136	S/A SPRING L RED	1
	321137	S/A SPRING R CLEAR	

ITEM	NUMBER	DESCRIPTION	QTY
16	561079	S/A LATCH LEVER	1
17	226057	10/24 x .725 BTTN HD SOC BZ	3
18	500178	ALR PIVOT SADDLE BLOCK	1
19	483060	ALR SPRING PLUG	1
20	321141	.650L x 6 COIL SPRING	1
21	505902	ALR RELEASE LEVER	1
22	560501	ALR RELEASE LEVER COVER	1
23	226150	1/4-28 x 2 BH C/S	2
24	226217	5/16-18 x 2" BH C/S BLK	1
25	202102	5/16-18 NYLOCK NUT THIN	2
26	561016	1" WASHER 5/16" HOLE	2
27	500177	ALR PIVOT SADDLE .125	1
28	201110	1/4-28 NYLOCK NUT	1
29	226195	5/16-18 x 1.82 BH C/S	1
30	200107	10-24 NYLOCK NUT THIN	3
1-30	641464, 641465	HANGER ALR W/O PAD PNTD (EA) (SPECIFY COLOR)	
31	923052	ALR HANGER ASSEMBLY W/PAD (PR) (SPECIFY COLOR)	

NOTE: WHEN USING AN ARTICULATING LEGREST ASSEMBLY, THE PULL-TO-LOCK WHEEL LOCK MUST BE USED (SEE SECTION 21).

ARTICULATING LEGREST ASSEMBLY (BREEZY/2/CHROME BREEZY)

(Fits Breezy prior to serial number BZ-200000 and all Chrome Breezy chairs)



Drawing shows right side

FTOX023

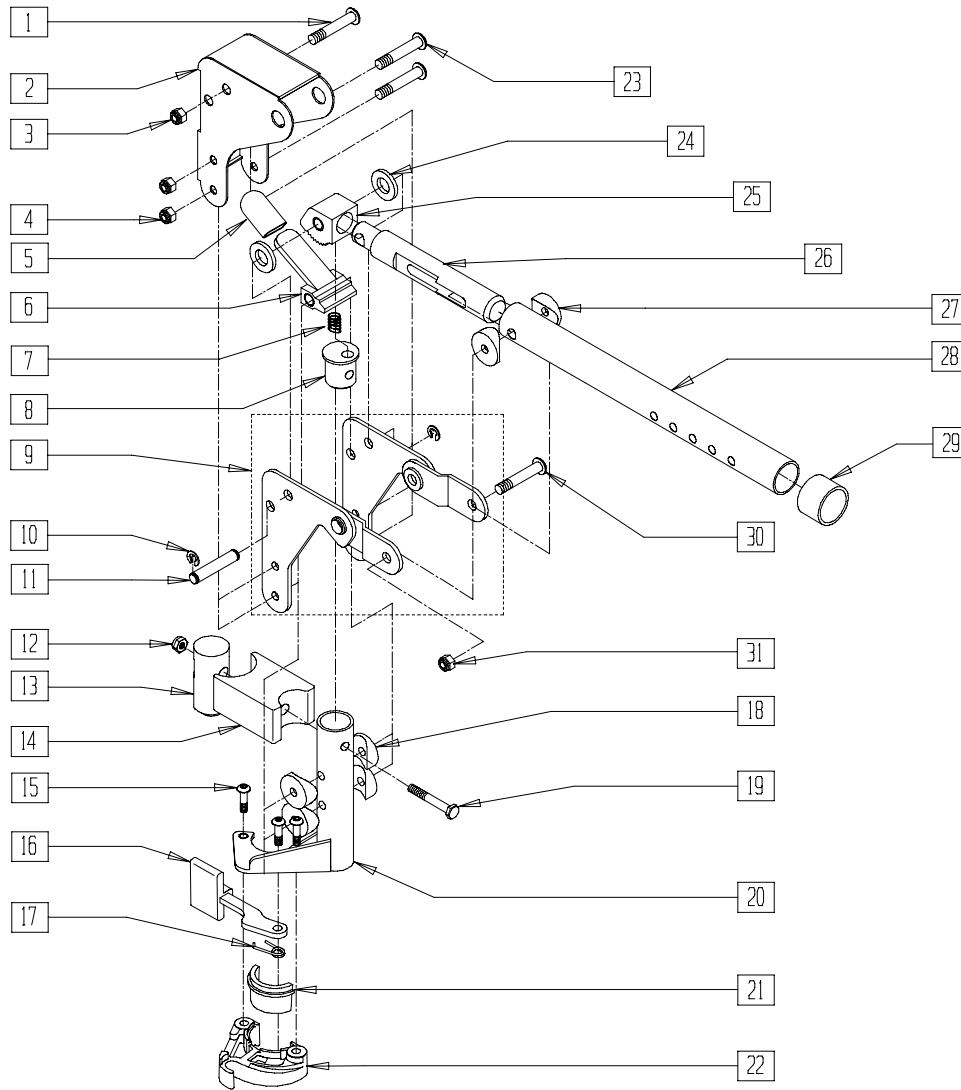
ITEM	NUMBER	DESCRIPTION	QTY
1	562720	ALR COVER STD	1
2	201100-QU	1/4-28 NYLOCK NUT THIN	2
3	505900	ALR RATCHET BLOCK	1
4	483511	BR ALR RATCHET ROD	1
5	561006	1" SADDLE 5/16" HOLE	2
6	505094	BC ALR ELEVATING TUBE	1
7	561018	1" TUBE END BUSHING THICK	1
8	880526, 880527	ALR BRACKET W/LINK (EA)	1
9	481052	ALR RETAINING STUD	1
10	342000	1/4" E-CLIP	2
11	561004	1" SADDLE 1/4" HOLE	4
12	221201	1/4-28 x 3 G8 HEX C/S	1
13	505092, 505093	BR ALR S/A TUBE ONLY (EA)	1
14	561076, 561078	S/A LATCH BLOCK (EA)	
15	321136	S/A SPRING L RED	1
	321137	S/A SPRING R CLEAR	
16	561079	S/A LATCH LEVER	1

ITEM	NUMBER	DESCRIPTION	QTY
17	226057	10-24 x .725 BTTN HD SOC BZ	3
18	500178	ALR PIVOT SADDLE BLOCK	1
19	483510	BR ALR SPRING PLUG	1
20	321141	.650L x 6 COIL SPRING	1
21	505902	ALR RELEASE LEVER	1
22	560501	ALR RELEASE LEVER COVER	1
23	226150	1/4-28 x 2 BH C/S	2
24	226217	5/16-18 x 2 BH C/S BLK	1
25	202102	5/16-18 NYLOCK NUT THIN	2
26	561016	1" WASHER 5/16" HOLE	2
27	500177	ALR PIVOT SADDLE	1
28	201110	1/4-28 NYLOCK NUT	1
29	226195	5/16-18 x 1.82 BH C/S	1
30	200107	10-24 NYLOCK NUT THIN	3
14-17,30	880808, 880809	S/A LATCH KIT 90°/HEMI/BRZ	
1-30	641320, 641321	BR ALR HANGER W/O PAD (EA) (SPECIFY COLOR)	
31	923056	ALR HNGR ASSM W/PAD BC/BR (PR) (SPECIFY COLOR)	1

NOTE: WHEN USING AN ARTICULATING LEGREST ASSEMBLY, THE PULL-TO-LOCK WHEEL LOCK MUST BE USED (SEE SECTION 21).

ARTICULATING LEGREST ASSEMBLY (MANUAL PRODUCTS)

(Effective 11/25/02)



Drawing Shows Right Side

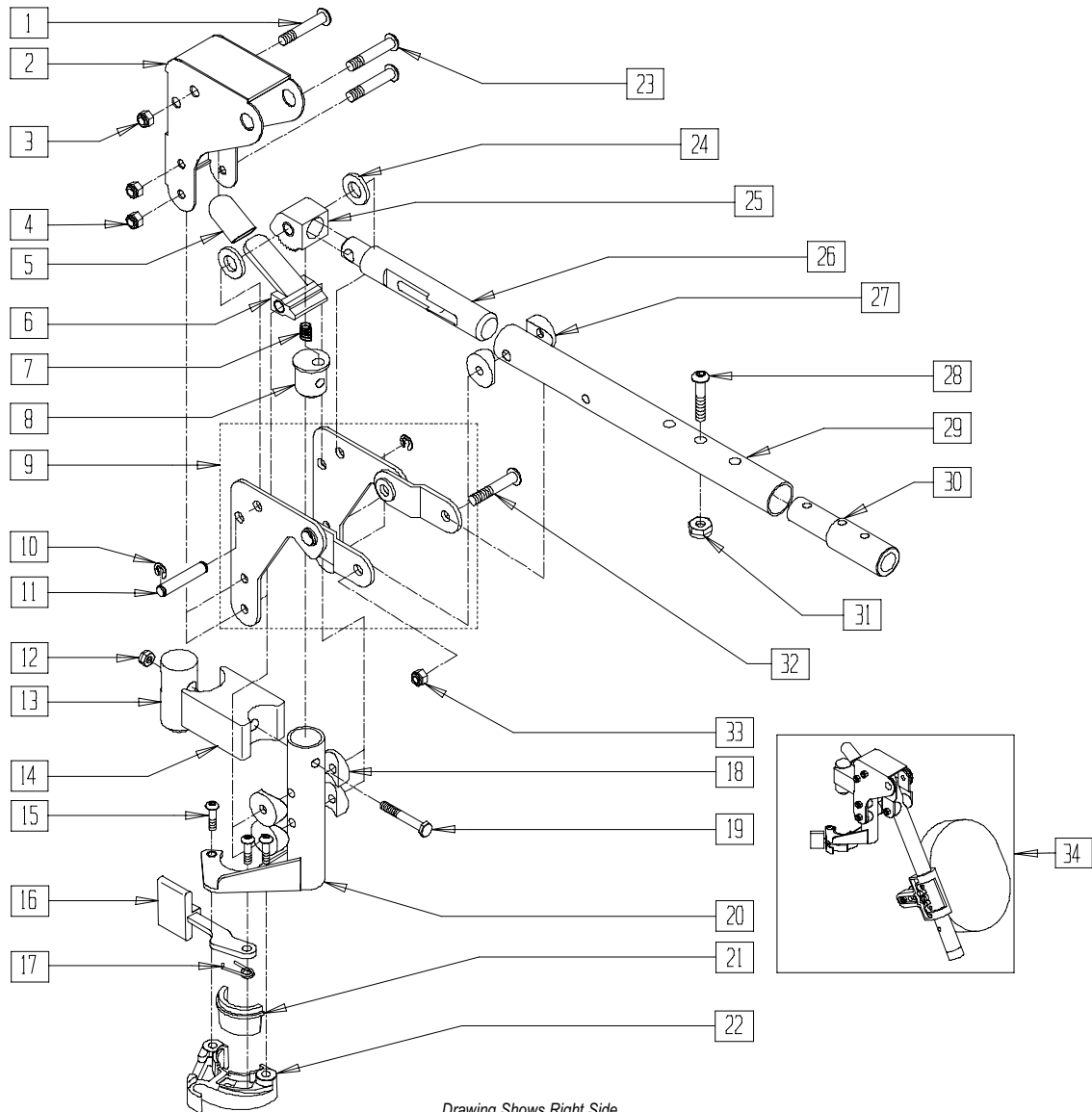
FTOX021A

ITEM	NUMBER	DESCRIPTION	QTY
1	226198	5/16-18 x 2 BH C/S SHT THREAD	1
2	562720	ALR COVER STD	1
3	202102	5/16-18 NYLOCK NUT THIN	1
4	201100-QU	1/4-28 NYLOCK NUT THIN	2
5	560501	ALR RELEASE LEVER COVER	1
6	505902	ALR RELEASE LEVER	1
7	321141	650L x 6 COIL SPRING	1
8	483060	ALR SPRING PLUG	1
9	880526, 880527	ALR BRACKET W/LINK (EA)	1
10	342000	1/4" E-CLIP	2
11	481052	ALR RETAINING STUD	1
12	201110-QU	1/4-28 NYLOCK NUT	1
13	500177	ALR PIVOT SADDLE .125	1
14	500178	ALR PIVOT SADDLE BLOCK	1
15	226057	10/24 x .725 BTTN HD SOC BZ	3
16	561079	S/A LATCH LEVER	1
17	321136	S/A SPRING L RED	1
	321137	S/A SPRING R CLEAR	

ITEM	NUMBER	DESCRIPTION	QTY
18	561004	1" SADDLE 1/4" HOLE	3
19	221201	1/4-28 x 3 G8 HEX C/S	1
20	505027	ALR S/A TUBE ONLY R BLACK	1
	505028	ALR S/A TUBE ONLY L BLACK	
23	226150	1/4-28 x 2 BH C/S	2
24	561016	1" WASHER 5/16" HOLE	2
25	505900	ALR RATCHET BLOCK	1
26	483062	ALR RATCHET ROD	1
27	561006	1" SADDLE 5/16" HOLE	2
28	505026	ALR TUBE ONLY	1
29	561082	1" TUBE END BUSHING THIN	1
30	226195	5/16-18 x 1.82 BH C/S	1
31	202102	5/16-18 NYLOCK NUT THIN	1
21,22	881500	LATCH BLOCK ASSM R	
	881501	LATCH BLOCK ASSM L	
1-31	641464	HANGER ALR W/O PAD PNTD R	
	641465	HANGER ALR W/O PAD PNTD L	
1-31	923051	ALR HANGER ASSM W/PAD ALUM LB	

NOTE: ALR USES ROUND EXTENSION TUBES; ALSO USES COMPOSITE FOOTPLATE OR ADULT ANGLE ADJUSTABLE FOOTPLATE.

KIDS ARTICULATING LEGREST ASSEMBLY (MANUAL PRODUCTS)



Drawing Shows Right Side

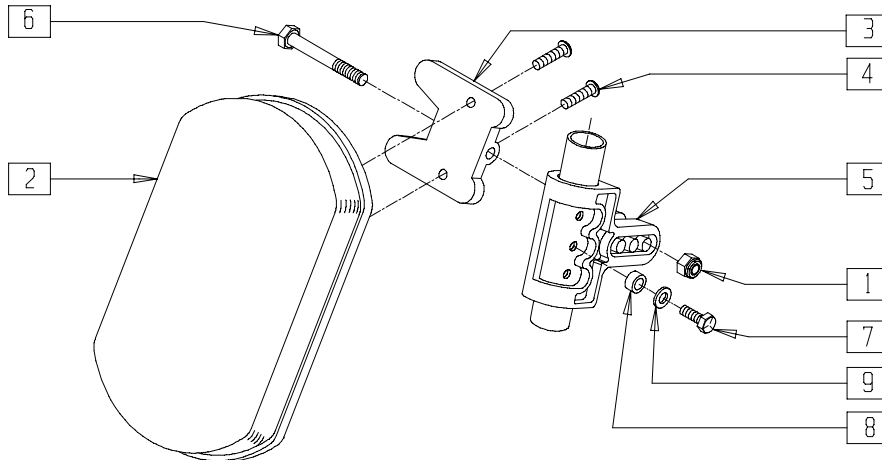
FT0X025C

ITEM	NUMBER	DESCRIPTION	QTY
1	226198	5/16-18 x 2 BH C/S SHT THREAD	1
2	560720	ALR COVER STD	1
3	202102	5/16-18 NYLOCK NUT THIN	1
4	201100-QU	1/4-28 NYLOCK NUT THIN	2
5	560501	ALR RELEASE LEVER COVER	1
6	505902	ALR RELEASE LEVER	1
7	321141	650L x 6 COIL SPRING	1
8	483060	ALR SPRING PLUG	1
9	880526, 880527	ALR BRACKET W/LINK (EA)	1
10	342000	1/4" E-CLIP	2
11	481052	ALR RETAINING STUD	1
12	201110-QU	1/4-28 NYLOCK NUT	1
13	500177	ALR PIVOT SADDLE .125	1
14	500178	ALR PIVOT SADDLE BLOCK	1
15	226057	10/24 x .725 BTTN HD SOC BZ	3
16	561079	S/A LATCH LEVER	1
17	321136	S/A SPRING R CLEAR	1
	321137	S/A SPRING R	
18	561004	1" SADDLE 1/4" HOLE	3

ITEM	NUMBER	DESCRIPTION	QTY
19	221201	1/4-28 x 3 G8 HEX C/S	1
20	505027, 505028	ALR S/A TUBE ONLY BLACK (EA)	1
23	226150	1/4-28 x 2 BH C/S	2
24	561016	1" WASHER 5/16" HOLE	2
25	505900	ALR RATCHET BLOCK	1
26	483062	ALR RATCHET ROD	1
27	561006	1" SADDLE 5/16" HOLE	2
28	226129	1/4-28 x 1 1/4 BH C/S	1
29	505025	KIDS ALR LEGREST TUBE 11"-13"	1
30	500150	2" FOOTREST EXT TUBE	1
31	201100-QU	1/4-28 NYLOCK NUT THIN	1
32	226195	5/16-18 x 1.82 BH C/S	1
33	202102	5/16-18 NYLOCK NUT THIN	1
34	923053	KIDS ALR HANGER ASSEM W/PAD (PR) (SPECIFY COLOR)	1
28,30,31	881403	2" FTRST EXT TUBE W/HDWR ASSM	
21,22	881500	LATCH BLOCK ASSM R	
	881501	LATCH BLOCK ASSM L	
1-31	641432	KIDS ALR HNGR W/O PAD R 2" EXT	
	641433	KIDS ALR HNGR W/O PAD L 2" EXT	

NOTE: WHEN USING AN ARTICULATING LEGREST ASSEMBLY, THE PULL-TO-LOCK WHEEL LOCK MUST BE USED (SEE SECTION 21).

ARTICULATING LEGREST PAD ASSEMBLY



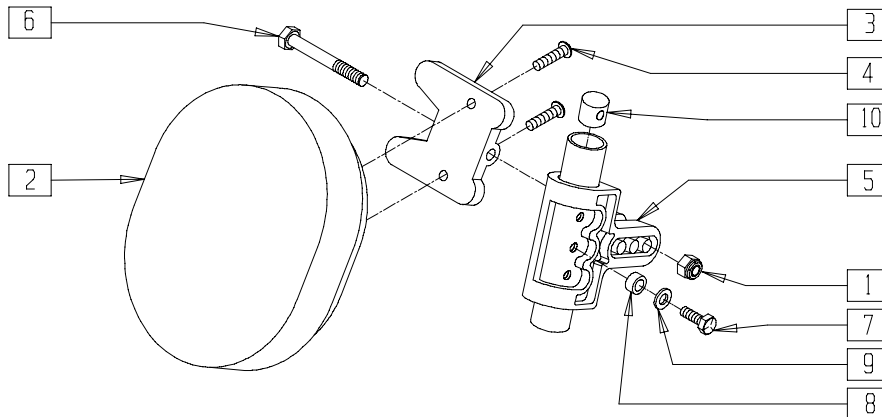
Drawing shows left side

FT0X022

ITEM	NUMBER	DESCRIPTION	QTY
1	202103	5/16-18 NYLOCK NUT THICK	1
2	755010	ALR/ELR PAD	1
3	561096	ALR/ELR CALF PAD BRACKET	1
4	281182	1/4-20 x 5/8 PAN PHIL	2
5	561099	CALF CLAMP ALR	1
6	222255	5/16-18 x 3 1/2 HEX C/S	1

ITEM	NUMBER	DESCRIPTION	QTY
7	221126	1/4-20 x 1 1/4 G8 HEX C/S	1
8	483027	1/4 x 1/4 ALUMINUM SPACER BLK	1
9	262130	6mm WASHER WAVE	1
1-6	881399	ALR CALF PAD W/BRACKET	
1,3-9	881398	ALR CALF CLAMP ASSM W/O PAD	
1-9	881400	ALR CALF PAD ASSEMBLY (EA)	

KIDS ARTICULATING LEGREST PAD ASSEMBLY



Drawing shows left side

FT0X024

ITEM	NUMBER	DESCRIPTION	QTY
1	202103	5/16-18 NYLOCK NUT THICK	1
2	755020	4 x 5 OVAL PAD	1
3	561096	ALR/ELR CALF PAD BRACKET	1
4	281181	1/4-20 x 3/4 PAN PHIL	2
5	561099	CALF CLAMP ALR	1
6	222255	5/16-18 x 3 1/2 HEX C/S	1

ITEM	NUMBER	DESCRIPTION	QTY
7	221126	1/4-20 x 1 1/4 G8 HEX C/S	1
8	483027	1/4 x 1/4 ALUMINUM SPACER	1
9	262130	6mm WASHER WAVE	1
10	500151	KIDS ALR RETAINING PLUG	1
1-6	881401	KIDS ALR OVAL PAD W/BRACKET	
1-10	881402	KIDS ALR OVAL PAD ASSEMBLY (EA)	