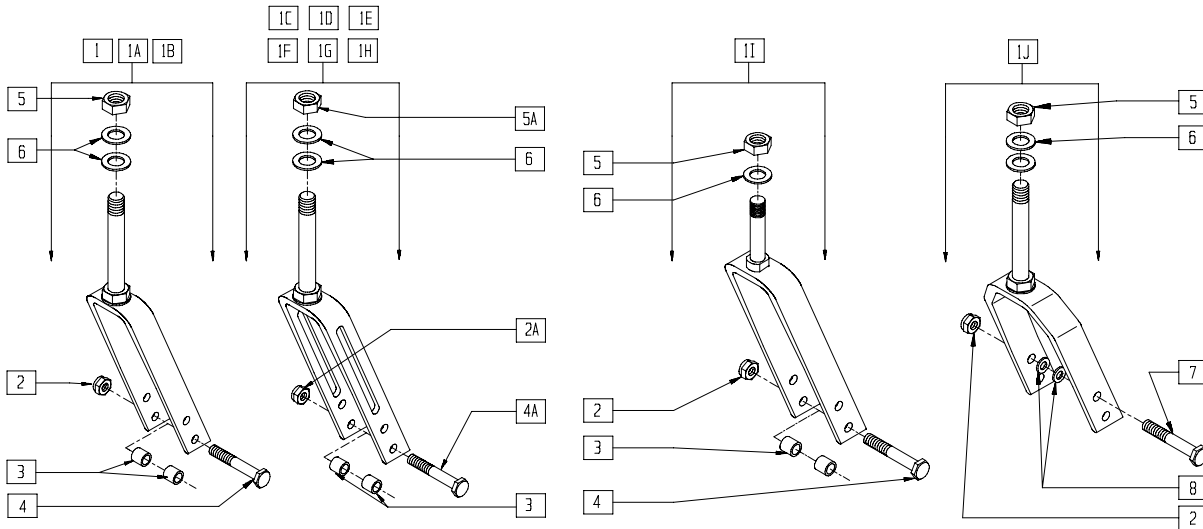


Casters and Forks

IN THIS SECTION

| | | | |
|---|-------|---|-------|
| Fork and Stem Assemblies (Quickie GPSA/Kidz/Recliner/Rx/TS, Zippie/Zippie TS) | 13.1 | Caster Rims and Hardware | 13.14 |
| Forks | 13.1 | Caster Tires and Tubes | 13.14 |
| Caster Stems | 13.2 | Caster/Tire Assemblies (Tire, Caster and Bearings)(Quickie Chairs) | 13.15 |
| Caster Stems (Pin Lock)..... | 13.2 | Caster/Polyurethane Tire Assemblies 1.5" Wide (Quickie/Zippie Products)..... | 13.15 |
| Caster Pin Locks..... | 13.3 | 5"and 6" Aluminum Caster/Tire Assemblies | 13.16 |
| Caster Stems (Quickie T45) | 13.3 | Casters (Quickie XTR)..... | 13.16 |
| Quick-release Caster Stem and Fork Assembly..... | 13.4 | Caster/Tire Assemblies (Breezy 500/510/510 Recliner/2 (Disc.)) | 13.17 |
| Quick-release Fork and Caster Stem (Quickie Revolution) | 13.5 | Casters (Chameleon/Chameleon HD)..... | 13.17 |
| Fork and Stem Assembly (Quickie Revolution) | 13.6 | Caster Plate (Quickie GPS/Kidz/Triumph/LX/Recliner) | 13.18 |
| Fork and Stem Assemblies (Quickie T45) | 13.6 | Caster Assembly (Quickie TNT) (Disc.)..... | 13.19 |
| Fork and Stem Assembly (Quickie TNT)(Disc.)..... | 13.7 | Caster Assembly (Quickie TNT) (Disc.)..... | 13.19 |
| Fork and Caster Assembly (Quickie ST/DT) | 13.8 | Caster Plate (Quickie Revolution) | 13.20 |
| Fork and Stem Assembly (Quickie XTR)..... | 13.9 | Caster Plate (Quickie XTR) | 13.20 |
| Frog Leg MC5/FL6 (Suspension Fork) Assembly (Quickie Products) | 13.9 | Swing-away Caster Plate (Quickie T45)..... | 13.21 |
| Fork, Stem, and Caster Assembly (Quickie R2).... | 13.10 | Caster Plate (Breezy 510/510 Recliner/2)(Disc.)..... | 13.21 |
| Fork and Stem Assembly(Quickie R2)..... | 13.10 | Bolt-on Front End and Caster Assembly (Breezy 100) | 13.22 |
| Fork, Stem, and Caster Assembly (Quickie TS) ... | 13.11 | Bolt-on Front End and Caster Assembly (Breezy 150) | 13.23 |
| Fork and Stem Assembly (Breezy 500)..... | 13.12 | | |
| Fork and Stem Assembly (Quickie Chameleon/Chameleon HD) | 13.12 | | |
| Fork and Stem Assembly (Breezy 510/510 Recliner) | 13.13 | | |

FORK AND STEM ASSEMBLIES (QUICKIE KIDZ/RECLINER/Rx/TS, ZIPPIE/ZIPPIETS)

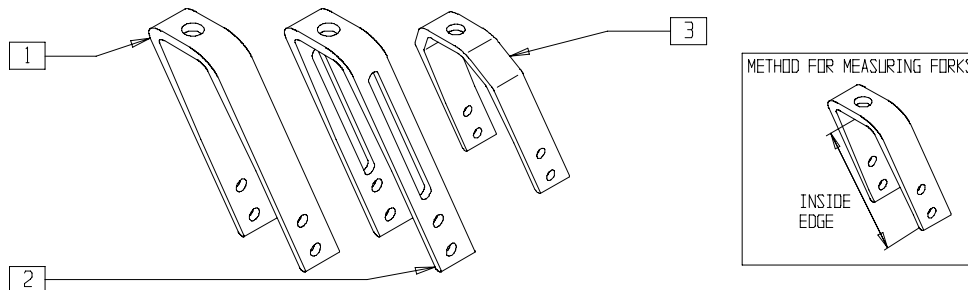


CF0X01A

| ITEM | NUMBER | DESCRIPTION | QTY |
|------|--------------------------------------|--|-----|
| 1 | 780800-780817 781800-781808 | 5 1/4" STEM W/HARDWARE | |
| 1A | 780640, 780840-780857, 781809-781817 | 6" STEM W/HARDWARE | |
| 1B | 780880-780897, 781818-781826 | 7" STEM W/HARDWARE | |
| 1C | 780950 | 3 1/4" GP STD STEM W/STD HDWR (KIDZ) (SLOTTED) | |
| 1D | 780400 | 4 1/4" GP STD STEM W/HARDWARE (SLOTTED) | |
| 1E | 780814-780827 | 5 1/4" GP STEM W/HARDWARE (SLOTTED) | |
| 1F | 780852-780867 | 6" STEM W/HARDWARE (SLOTTED) | |

| ITEM | NUMBER | DESCRIPTION | QTY |
|------|------------------------------|-------------------------------------|-----|
| 1G | 780894-780907 | 7" STEM W/HARDWARE (GP SLOTTED) | |
| 1H | 780951-780963 | 3 1/4" GP STEM W/HARDWARE (SLOTTED) | |
| 1I | 780981-780988, 781827-781835 | 4 3/4" FORK STD STEM W/HARDWARE | |
| 1J | 787111-787113 | 8" x 2" FORK AND STEM W/HARDWARE | |
| 2 | 202100-MJ | 5/16-24 NYLOCK NUT THIN | 1 |
| 2A | 330005 | 5/16-24 NYLOCK NUT ALUMINUM | 1 |
| 3 | 481113 | SPACER 5/16 x .380 | 2 |
| 4 | 222200 | 5/16-24 x 2 1/2 HEX C/S | 1 |
| 4A | 330110 | 5/16-24 x 2 1/2 HEX C/S Ti | 1 |
| 5 | 203100 | 1/2-20 NYLOCK NUT | 1 |
| 5A | 330010 | 1/2-20 NYLOCK NUT ALUMINUM | 1 |
| 6 | 264100 | 1/2 AN WASHER FLAT | 2 |
| 7 | 222253 | 5/16-24 x 3 1/4 HEX C/S | 1 |
| 8 | 263110-QU | 5/16 AN WASHER FLAT | 2 |

FORKS

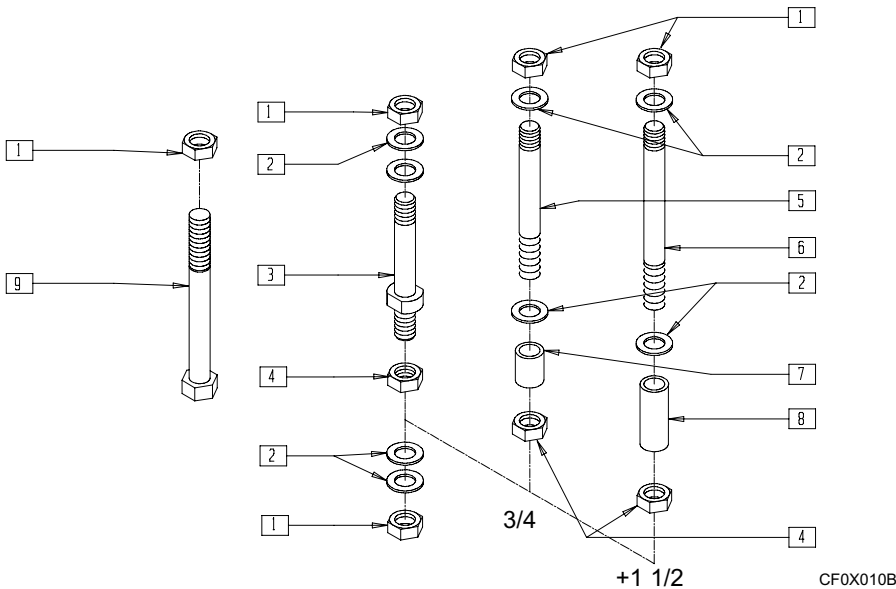


CF0X05

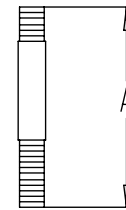
| ITEM | NUMBER | DESCRIPTION | QTY |
|------|--------|------------------------|-----|
| 1 | 550283 | 4 3/4" FORK ONLY BR | 1 |
| | 550386 | 4 3/4" FORK #26 BLK | |
| | 550280 | 5 1/4" FORK ONLY | |
| | 550581 | 5 1/4" FORK ONLY CLEAR | |
| | 550290 | 6" FORK ONLY BLK | |
| | 550582 | 6" FORK ONLY CLEAR | |
| | 550300 | 7" FORK ONLY BLK | |
| | 550583 | 7" FORK ONLY CLEAR | |

| ITEM | NUMBER | DESCRIPTION | QTY |
|------|--------|------------------------------|-----|
| 2 | 550274 | 3 1/4" SLOTTED FORK | 1 |
| | 550279 | 4 1/4" FORK ONLY SLOTTED | |
| | 550284 | 5 1/4" FORK ONLY SLOTTED BLK | |
| | 550294 | 6" FORK ONLY SLOTTED BLK | |
| | 550303 | 7" FORK ONLY SLOTTED BLK | |
| 3 | 550730 | 8" x 2" FORK ONLY | 1 |

CASTER STEMS



MEASURING GUIDE



AXGUIDE1

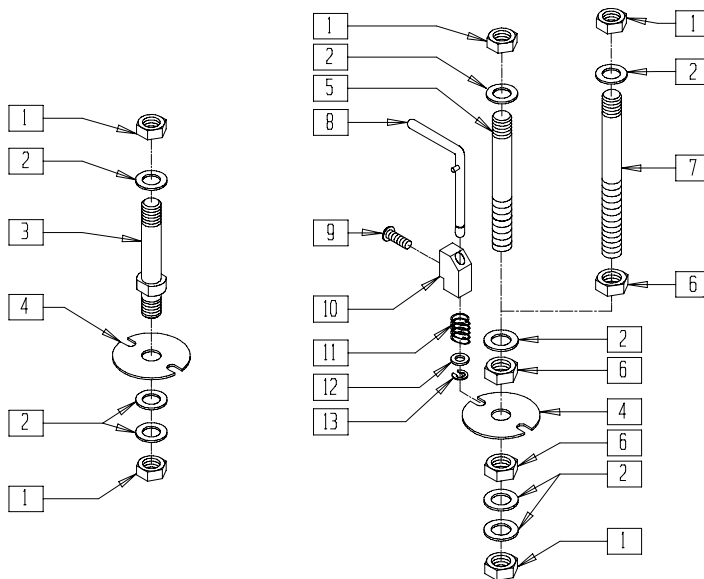
| PART NUMBER | "A" |
|-------------|--------|
| 920050 | 3 5/8" |
| 920100 | 4 3/8" |
| 920110 | 5 1/8" |

NOTE: CASTER STEM DIAMETER IS 1/2".

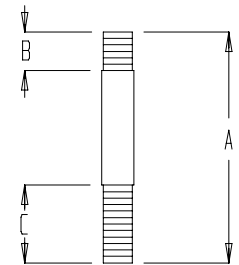
| ITEM | NUMBER | DESCRIPTION | QTY |
|------|--------|---------------------------------|-----|
| 1 | 203100 | 1/2-20 NYLOCK NUT | 2 |
| 2 | 264100 | 1/2 AN WASHER FLAT | 2-4 |
| 4 | 203110 | 1/2-20 JAM NUT | 1 |
| 7 | 521560 | + 3/4" CASTER STEM SPACER BLK | 1 |
| | 521585 | + 3/4" CASTER STEM SPACER CLR | |
| 8 | 521562 | + 1 1/2" CASTER STEM SPACER BLK | 1 |
| | 521586 | + 1 1/2" CASTER STEM SPACER CLR | |

| ITEM | NUMBER | DESCRIPTION | QTY |
|-----------|--------|----------------------------------|-----|
| 9 | 222292 | 1/2-20 X 4" GR.8 HEX C/S | 1 |
| 1-3 | 920050 | REG CASTER STEM W/HARDWARE | |
| 1,2,4,5,7 | 920100 | +3/4" CASTER STEM W/HARDWARE BLK | |
| | 920507 | +3/4" CASTER STEM W/HARDWARE CLR | |
| 1,2,4,6,8 | 920110 | + 1 1/2" CASTER STEM W/HDWR BLK | |
| | 920508 | + 1 1/2" CASTER STEM W/HDWR CLR | |
| 1,2,9 | 920056 | BL CASTER STEM W/HARDWARE | |

CASTER STEMS (PIN LOCK)



MEASURING GUIDE



72

| PART NUMBER | "A" | "B" | "C" |
|-------------|--------|--------|----------|
| 920051 | 3 1/2" | 11/16" | 11/16" |
| 920101 | 4 3/8" | 9/16" | 1 15/16" |
| 920111 | 5 1/8" | 5/8" | 2 3/4" |

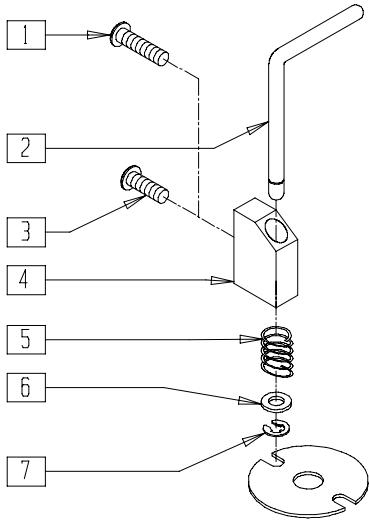
NOTE: CASTER STEM DIAMETER IS 1/2"

| ITEM | NUMBER | DESCRIPTION | QTY |
|------|-------------------|-------------------------------|-----|
| 1 | 203100 | 1/2-20 NYLOCK NUT | 4 |
| 2 | 264100 | 1/2 AN WASHER FLAT | 10 |
| 4 | 505012 | CASTER PIN LOCK PLATE | 2 |
| 6 | 203110 | 1/2-20 JAM NUT | 2 |
| 8 | 880761, 880762 | PIN LOCK ARM W/PIN S/A (EA) | 1 |
| 9 | 226090 | 1/4-28 x 5/8 BH C/S | 2 |
| 10 | 500262 | CASTER PIN LOCK BLOCK S/A BLK | 1 |
| 11 | 321141 | .650L x 6 COIL SPRING | |

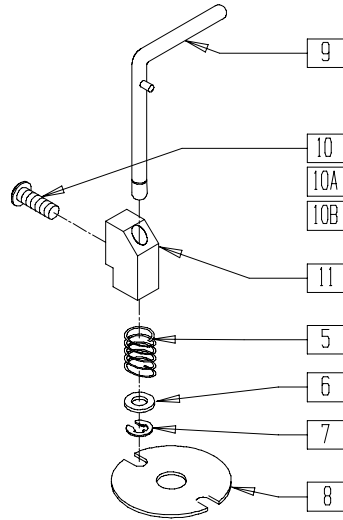
| ITEM | NUMBER | DESCRIPTION | QTY |
|------------------|-----------|--|-----|
| 12 | 262100-QU | 1/4 AN WASHER FLAT | 1 |
| 13 | 342000 | 1/4" E-CLIP | 1 |
| 1-4 | 920051 | REG CASTER STEM P/L W/HARDWARE | |
| 1,2,4,5,6 | 920101 | +3/4" CASTER STEM P/L W/HARDWARE | |
| 1,2,4,6,7 | 920111 | + 1 1/2" CSTR STEM P/L W/HARDWARE | |
| 1,2,4-6, 8-13 | 900800 | CASTER PIN LOCK W/ 3/4" STEM ASSEMBLY | |
| 1,2,4, 6-13 | 900802 | CASTER PIN LOCK W/ 1-1/2" STEM ASSEMBLY | |

CASTER PIN LOCKS

(QUICKIE 1)
(Discontinued-parts only)



(QUICKIE 2/GP/GPS/GPV Comp/2HP/2HPTi/KIDZ/
RECLINER/QTS/Ti/LX/LXI, BREEZY, ZIPPiE/2/TS)

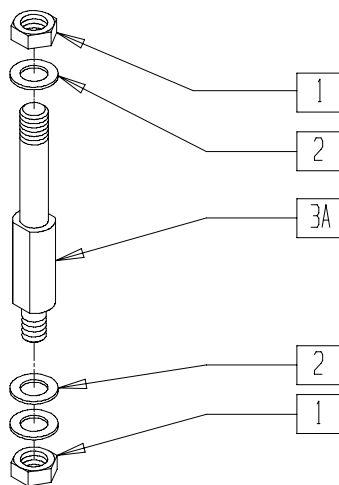
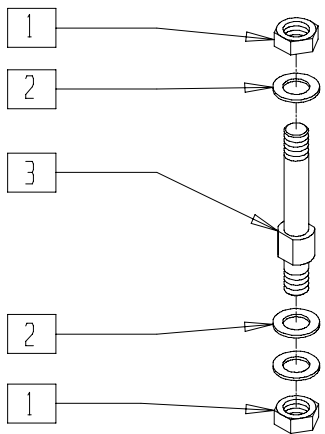


AC0X05

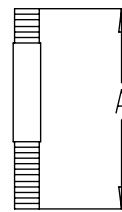
| ITEM | NUMBER | DESCRIPTION | QTY |
|------|-------------------|---|-----|
| 1 | 221151-QU | 1/4-28 x 1 3/4 G8 HEX C/S (W/O CSTR ADPT) | 1 |
| 2 | 880760 | PIN LOCK ARM ONLY (Q1 AND Q2) | 1 |
| 3 | 221112 | 1/4-28 x 1 HEX C/S W/CASTER ADAPT | 1 |
| 4 | 500160 | CASTER PIN LOCK BLK NF (Q1 AND Q2) | 1 |
| 5 | 321141 | .650L x 6 COIL SPRING | 1 |
| 6 | 262100-QU | 1/4 AN WASHER FLAT | 1 |
| 7 | 342000 | 1/4" E-CLIP | 1 |
| 8 | 505012 | CASTER PIN LOCK PLATE | 1 |
| 9 | 880761, 880762 | PIN LOCK ARM W/PIN S/A (EA) | 1 |

| ITEM | NUMBER | DESCRIPTION | QTY |
|------------|-------------------|---|-----|
| 10 | 226090 | 1/4-28 x 5/8 BH C/S | 1 |
| 10A | 221151-QU | 1/4-28 x 1 3/4 G8 HEX C/S | 1 |
| 10B | 221192 | 1/4-28 x 2 G8 HEX C/S | 1 |
| 11 | 500262 | CASTER PIN LOCK BLOCK S/A BLK | 1 |
| 5-7,9,11 | 880750, 880751 | CASTER PIN LOCK S/A (EA) | |
| 5-9,10B,11 | 900807 | CASTER PIN LOCK ASSEMBLY GP/GPV | |
| 1-8 | 900804 | CASTER PIN LOCK KIT TRIANGULAR CASTER (NON S/A OFF CHAIR) (PR) | |
| 5-11 | 900806 | CASTER PIN LOCK ASSEMBLY S/A OFF CHAIR (PR) | |

CASTER STEMS (QUICKIE T45)



MEASURING GUIDE



AXGUIDE1

| PART NUMBER | "A" |
|-------------|-----|
| 481710 | 4" |
| 481715 | 5" |

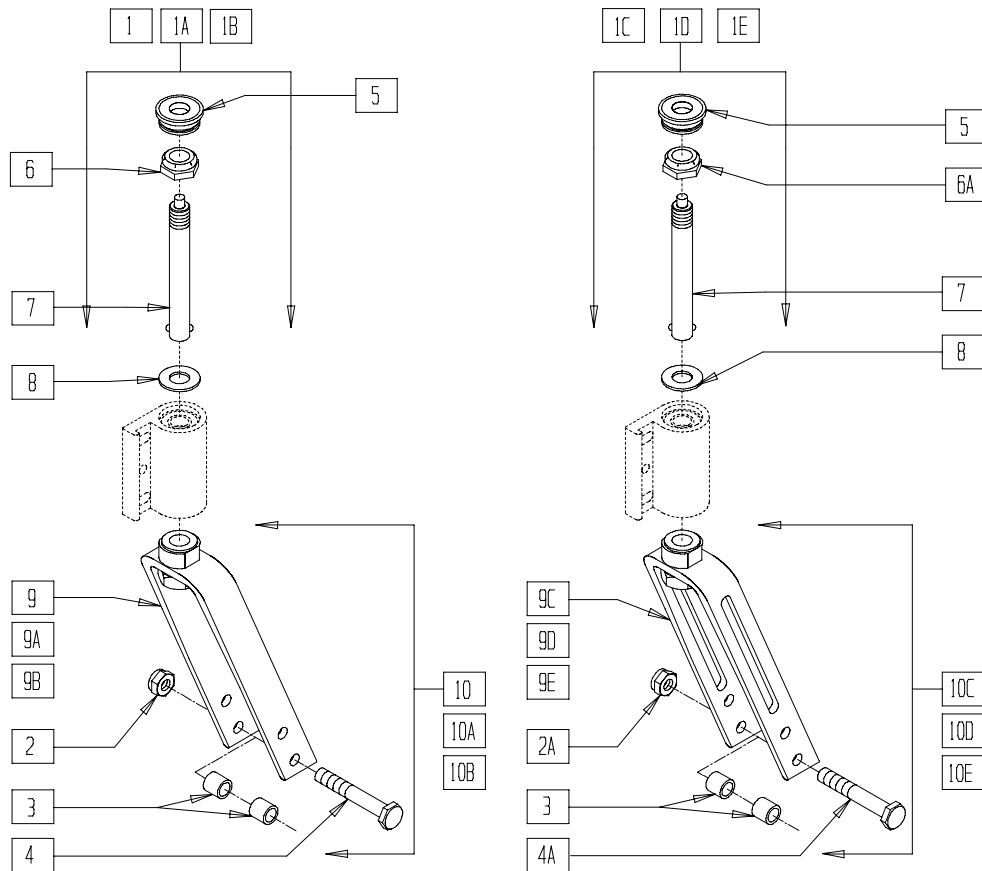
NOTE: CASTER STEM
DIAMETER IS 1/2".

CFX012

| ITEM | NUMBER | DESCRIPTION | QTY |
|------|--------|--------------------|-----|
| 1 | 203100 | 1/2-20 NYLOCK NUT | 2 |
| 2 | 264100 | 1/2 AN WASHER FLAT | 3 |

| ITEM | NUMBER | DESCRIPTION | QTY |
|------|--------|--------------------|-----|
| 3 | 481710 | CASTER STEM P2/T45 | 1 |
| 3A | 481715 | CASTER STEM T45 | 1 |

QUICK-RELEASE CASTER STEM AND FORK ASSEMBLY

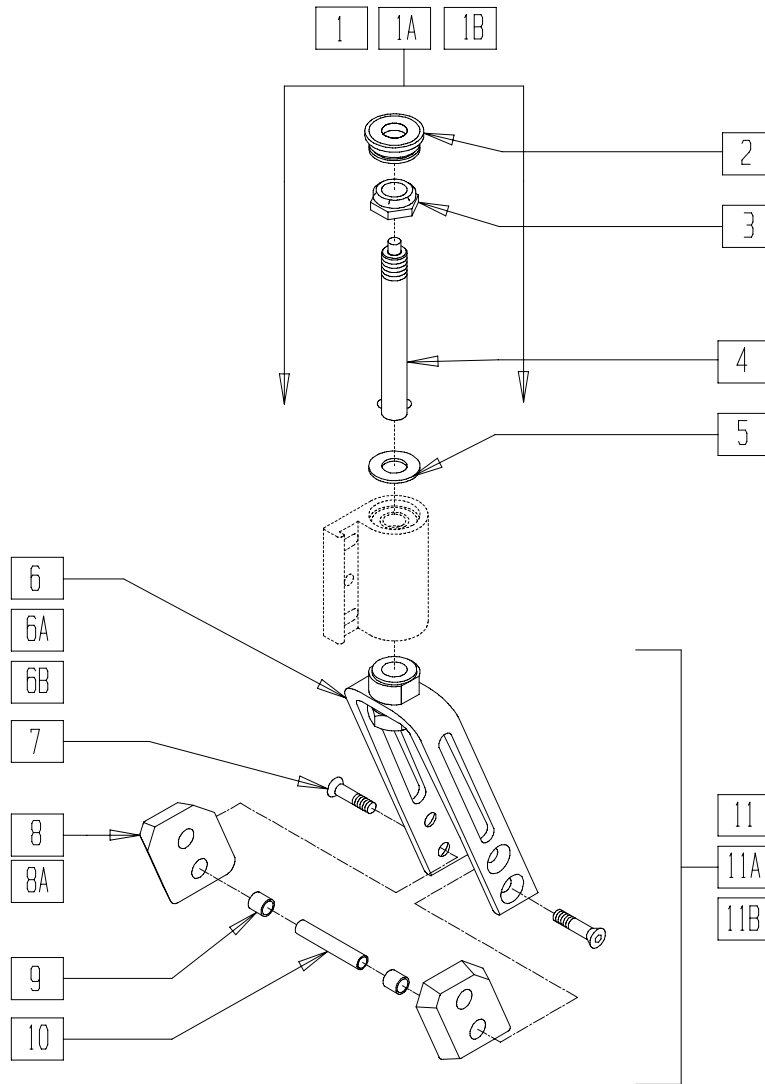


CFX010

| ITEM | NUMBER | DESCRIPTION | QTY |
|------|-----------|-----------------------------------|-----|
| 1 | 780798 | 5 1/4" FORK AND STEM ASSEMBLY QR | 1 |
| 1A | 780838 | 6" FORK AND STEM ASSEMBLY QR | 1 |
| 1B | 780878 | 6" FORK AND STEM ASSEMBLY QR | 1 |
| 1C | 780829 | 5 1/4" SLTD FORK AND STEM ASSM QR | 1 |
| 1D | 780869 | 6" SLOTTED FORK AND STEM ASSM QR | 1 |
| 1E | 780909 | 7" SLOTTED FORK AND STEM ASSM QR | 1 |
| 2 | 202100-MJ | 5/16-24 NYLOCK NUT THIN | 1 |
| 2A | 330005 | 5/16-24 NYLOCK NUT ALUMINUM | 1 |
| 3 | 481113 | SPACER 5/16 x .380 | 2 |
| 4 | 222200 | 5/16-24 x 2 1/2 HEX C/S | 1 |
| 4A | 330110 | 5/16-24 x 2 1/2 HEX C/S Ti | 1 |
| 5 | 561170 | CASTER CAP PLASTIC W/HOLE (EA) | 1 |
| | 920029 | MODIFIED CASTER CAP (PR) | |
| 6 | 203100 | 1/2-20 NYLOCK NUT | 1 |
| 6A | 330010 | 1/2-20 NYLOCK NUT ALUMINUM | 1 |
| 7 | 349006 | QUICK RELEASE CASTER STEM | 1 |

| ITEM | NUMBER | DESCRIPTION | QTY |
|--------|--------|-----------------------------------|-----|
| 8 | 264100 | 1/2 AN WASHER FLAT | 1 |
| 6-8 | 920123 | CASTER STEM W/HARDWARE QR | |
| 6A,7,8 | 920127 | CASTER STEM W/HARDWARE SLOTTED QR | |
| 9 | 780592 | 5 1/4" FORK AND ADAPTER QR | 1 |
| 9A | 780692 | 6" FORK AND ADAPTER QR | 1 |
| 9B | 780792 | 7" FORK AND ADAPTER QR | 1 |
| 9C | 780593 | 6" SLOTTED FORK AND ADAPTER QR | 1 |
| 9D | 780693 | 6" SLOTTED FORK AND ADAPTER QR | 1 |
| 9E | 780793 | 7" SLOTTED FORK AND ADAPTER QR | 1 |
| 10 | 780797 | 5 1/4" FORK W/HARDWARE QR | 1 |
| 10A | 780837 | 6" FORK W/HARDWARE QR | 1 |
| 10B | 780877 | 7" FORK W/HARDWARE QR | 1 |
| 10C | 780828 | 5 1/4" SLOTTED FORK W/HARDWARE QR | 1 |
| 10D | 780868 | 6" SLOTTED FORK W/HARDWARE QR | 1 |
| 10E | 780908 | 7" SLOTTED FORK W/HARDWARE QR | 1 |

QUICK-RELEASE FORK AND CASTER STEM (QUICKIE REVOLUTION)

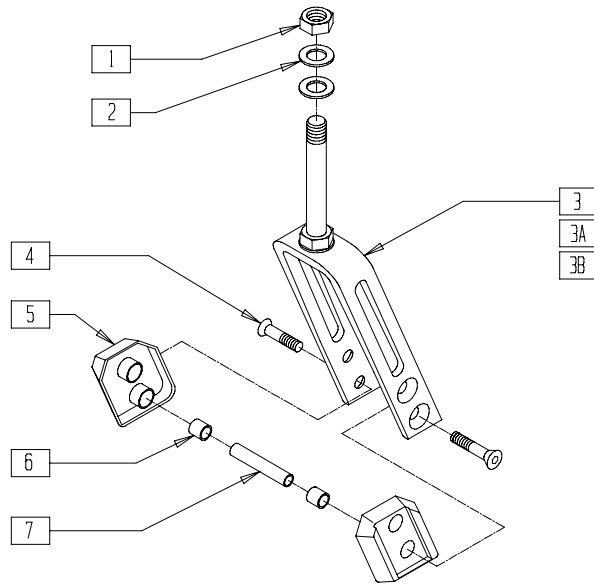


CFX011

| ITEM | NUMBER | DESCRIPTION | QTY |
|------|--------|--------------------------------------|-----|
| 1 | 781614 | 5 1/4" SLTD C-S FORK AND STEM ASSM | 1 |
| 1A | 781643 | 6" SLTD C-S FORK AND STEM ASSM QR | 1 |
| 1B | 781673 | 7" SLTD C-S FORK AND STEM ASSM QR | 1 |
| 2 | 561170 | CASTER CAP PLASTIC W/HOLE (EA) | 1 |
| | 920029 | MODIFIED CASTER CAP (PR) | |
| 3 | 330010 | 1/2-20 NYLOCK NUT ALUMINUM | 1 |
| 4 | 349006 | QUICK RELEASE CASTER STEM | 1 |
| 5 | 264100 | 1/2 AN WASHER FLAT | 1 |
| 3-5 | 920127 | CASTER STEM W/HDWR SLOTTED QR | |
| 6 | 781613 | 5 1/4" SLOTTED C-S FORK AND ADAPT QR | 1 |

| ITEM | NUMBER | DESCRIPTION | QTY |
|------|--------|-----------------------------------|-----|
| 6A | 781642 | 6" SLOTTED C-S FORK AND ADAPT QR | 1 |
| 6B | 781672 | 7" SLOTTED C-S FORK AND ADAPT QR | 1 |
| 7 | 226105 | 1/4-28 x 3/4 FH C/S BLK | 2 |
| 8 | 562130 | FORK DEFLECTOR R | 1 |
| 8A | 562131 | FORK DEFLECTOR L | 1 |
| 9 | 481113 | SPACER 5/16 x .380 | 2 |
| 10 | 481220 | CASTER AXLE RV | 1 |
| 11 | 781615 | 5 1/4" SLOTTED C-S FORK W/HDWR QR | 1 |
| 11A | 781644 | 6" SLOTTED C-S FORK W/HDWR QR | 1 |
| 11B | 781674 | 7" SLOTTED C-S FORK W/HDWR QR | 1 |

FORK AND STEM ASSEMBLY (QUICKIE REVOLUTION)

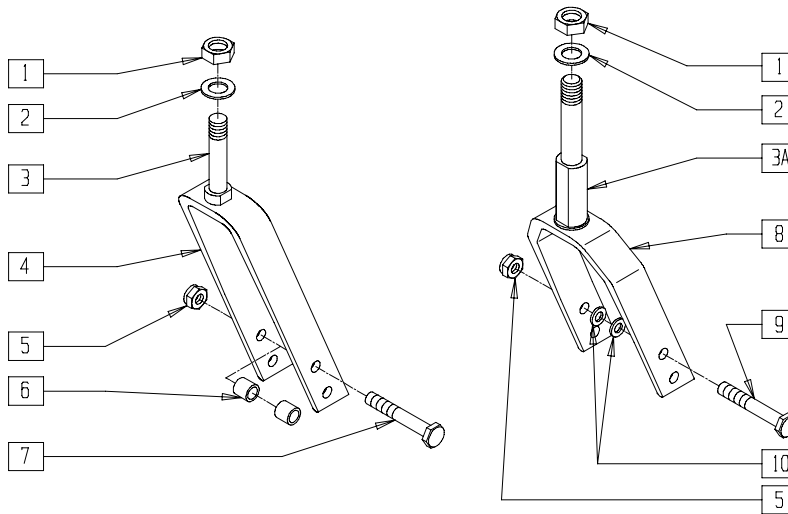


2D000X03

| ITEM | NUMBER | DESCRIPTION | QTY |
|------|-------------------|------------------------------|-----|
| 1 | 330010 | 1/2-20 NYLOCK NUT ALUMINUM | 1 |
| 2 | 264100 | 1/2 AN WASHER FLAT | 2 |
| 3 | 550289 | 5 1/4" FORK ONLY SLOTTED C-S | 1 |
| 3A | 550297 | 6" FORK ONLY SLOTTED C-S | 1 |
| 3B | 550305 | 7" FORK ONLY SLOTTED C-S | 1 |
| 4 | 226105 | 1/4-28 x 3/4 FH C/S BLK | 2 |
| 5 | 562130, 562131 | FORK DEFLECTOR (EA) | 1 |

| ITEM | NUMBER | DESCRIPTION | QTY |
|-----------------------|-------------------|--|-----|
| 6 | 481113 | SPACER 5/16 x .380 | 2 |
| 7 | 481220 | CASTER AXLE RV | 1 |
| 1-7 | 781616- 781627 | 5 1/4" SLOTTED COUNTERSUNK FORK AND STEM W/HARDWARE | |
| 1,2,3A,4, 5,5A,6,7 | 781645- 781656 | 6" SLOTTED COUNTERSUNK FORK AND STEM W/HARDWARE | |
| 1,2,3B,4, 5,5A,6,7 | 781675- 781686 | 7" SLOTTED COUNTERSUNK FORK AND STEM W/HARDWARE | |

FORK AND STEM ASSEMBLIES (QUICKIE T45)



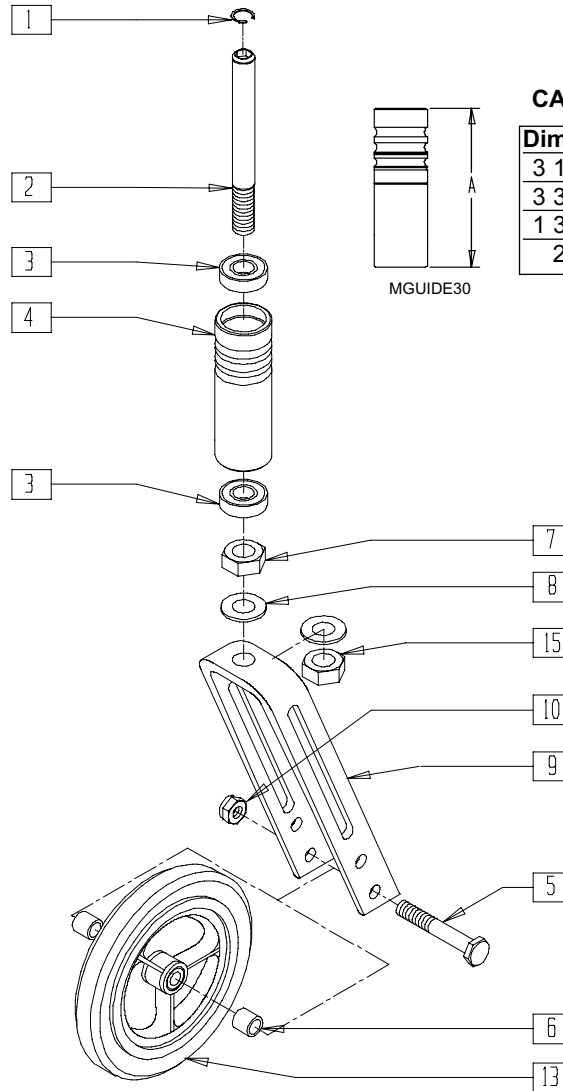
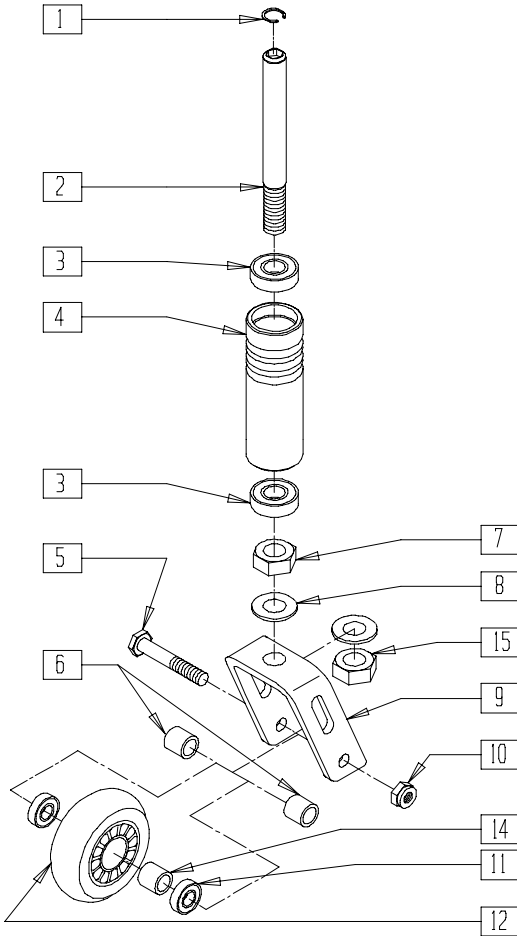
TSR00X26

| ITEM | NUMBER | DESCRIPTION | QTY |
|------|-----------|-------------------------|-----|
| 1 | 203100 | 1/2-20 NYLOCK NUT | 2 |
| 2 | 264100 | 1/2 AN WASHER FLAT | 3 |
| 3 | 481710 | CASTER STEM P2/T45 | 1 |
| 3A | 481715 | CASTER STEM T45 | 1 |
| 4 | 550290 | 6" FORK ONLY BLK | 1 |
| 5 | 202100-MJ | 5/16-24 NYLOCK NUT THIN | 1 |
| 6 | 481113 | SPACER 5/16 x .380 | 2 |
| 7 | 222200 | 5/16-24 x 2 1/2 HEX C/S | 1 |
| 8 | 550730 | 8" x 2" FORK ONLY | 1 |
| 9 | 222253 | 5/16-24 x 3 1/4 HEX C/S | 1 |

| ITEM | NUMBER | DESCRIPTION | QTY |
|-----------------|-----------|------------------------------------|-----|
| 10 | 263110-QU | 5/16 AN WASHER FLAT | 2 |
| 1-3A,8 | 780602 | 8" x 2" FORK W/T45 STEM | |
| 1-4 | 780603 | 6" FORK W/P2 STEM | |
| 1-3A,4 | 780604 | 6" FORK W/T45 STEM | |
| 1-3,5,8-10 | 787120 | CASTER FORK ASSEMBLY DBL BEARING | |
| 1-3A,5, 8-10 | 780872 | 8" x 2" FORK W/T45 STEM W/HARDWARE | |
| 1-7 | 780873 | 6" FORK W/P2 STEM W/HARDWARE | |
| 1-3A,4-7 | 780874 | 6" FORK W/T45 STEM W/HARDWARE | |

FORK AND STEM ASSEMBLY (Quickie TNT)

(Quickie TNT discontinued 2/01 - parts only)



CASTER SPOOL GUIDE

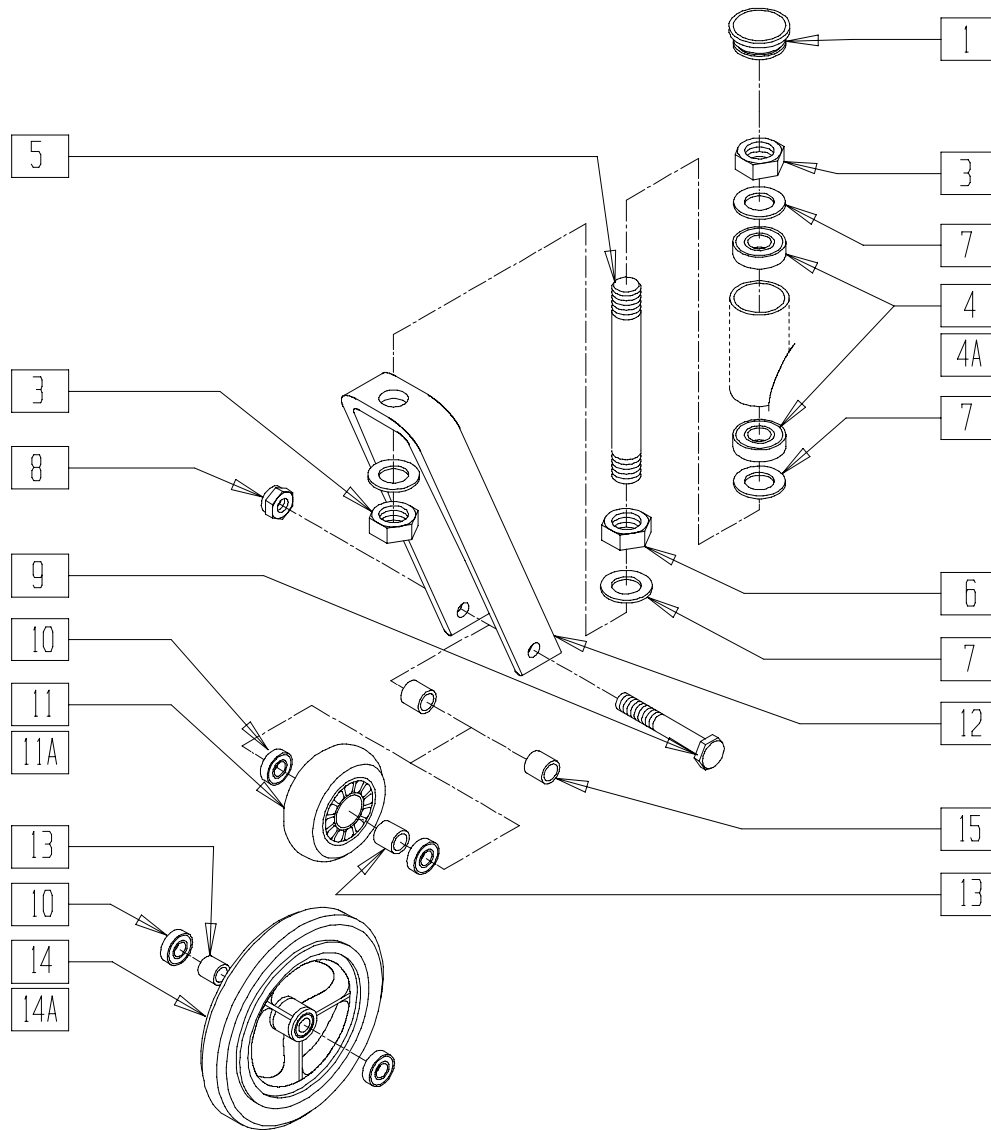
| Dim A | Wheel | Part # |
|--------|-------|--------|
| 3 1/2" | 24" | 527935 |
| 3 3/4" | 559 | 527936 |
| 1 3/4" | 24" | 527937 |
| 2" | 559 | 527938 |

TNT00X10A

| ITEM | NUMBER | DESCRIPTION | QTY |
|------|----------------|-------------------------|-----|
| 1 | 342085 | 1/2" EXTERNAL SNAP RING | 1 |
| 2 | 481190-481193 | FORK STEM | 1 |
| 3 | 349500 | 1 1/8" x 1/2" BEARING | 2 |
| 4 | 527935-527938 | CASTER SPOOL | 1 |
| 5 | 222200 | 5/16-24 x 2 1/2 HEX C/S | 1 |
| 6 | 481013 | BEARING SPACER | 2 |
| 7 | 203110 | 1/2-20 JAM NUT | 1 |
| 8 | 264100 | 1/2 AN WASHER | 2 |
| 9 | 550407, 550408 | FORK ONLY QTNT | 1 |
| 10 | 202100-MJ | 5/16-24 NYLOCK NUT THIN | 1 |

| ITEM | NUMBER | DESCRIPTION | QTY |
|----------------|----------------|-----------------------------------|-----|
| 11 | 349502 | 7/8 x 5/16 BEARING | 2 |
| 11,12,14 | 920025 | 3" MICRO CASTER W/BEARINGS | |
| 13 | 400155 | 5" PLASTIC W/LOW POLY AND BEARING | 1 |
| 14 | 481013 | BEARING SPACER | 1 |
| 15 | 203101 | 1/2-20 LIGHT HEX NUT THIN | 1 |
| 1-10,15 | 780930-780933 | FORK W/STEM W/HARDWARE QTNT | |
| 3,4 | 780020-780023 | CASTER SPOOL W/BEARING | |
| 1-5,7-12,14,15 | 780992, 780993 | 3" FORK W/STEM W/WHEEL QTNT | |
| 1-10,13,15 | 780994, 780995 | 5" FORK W/STEM W/WHEEL QTNT | |

FORK AND CASTER ASSEMBLY (QUICKIE ST/DT)

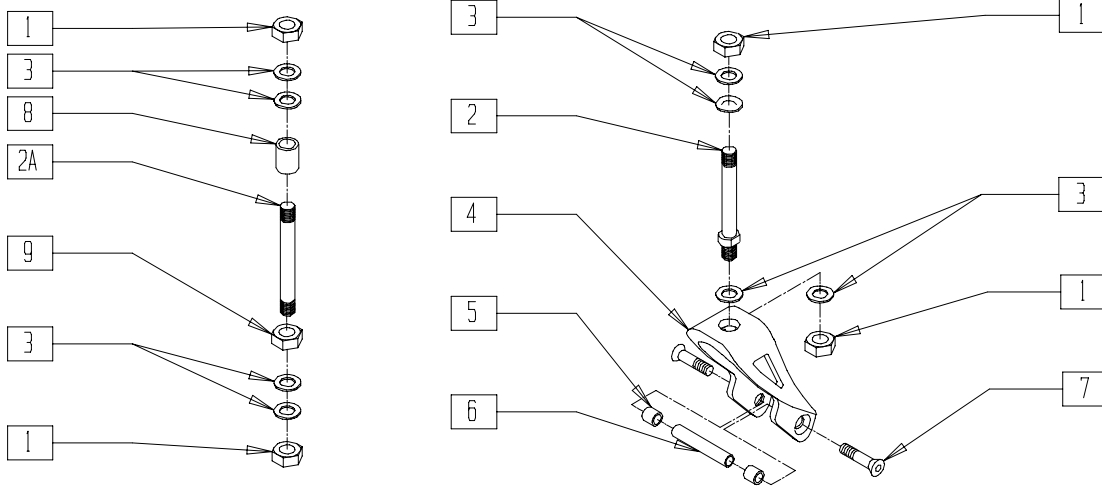


RG00X04A

| ITEM | NUMBER | DESCRIPTION | QTY |
|------|-----------|--|-----|
| 1 | 561070 | CASTER CAP PLASTIC (EA) | 1 |
| | 920028 | CASTER CAP PLASTIC (PR) | |
| 3 | 203100 | 1/2-20 NYLOCK NUT | 2 |
| 4 | 349500 | 1 1/8" x 1/2" BEARING | 2 |
| 4A | 349521 | BEARING CASTER HOUSING AEF PERC (NON-RECESSED BEARING-OLD STYLE) | 2 |
| 5 | 480098 | CASTER STEM REG 3D | 1 |
| 6 | 203110 | 1/2-20 JAM NUT | 1 |
| 7 | 264100 | 1/2 AN WASHER FLAT | 4 |
| 8 | 202100-MJ | 5/16-24 NYLOCK NUT THIN | 1 |
| 9 | 222200 | 5/16-24 x 2 1/2 HEX C/S | 1 |
| 10 | 349502 | 7/8 x 5/16 BEARING | 2 |
| 11A | 400107 | 3" MICRO CASTER LIGHTED | 1 |
| 12 | 550274 | 3 1/4" SLOTTED FORK | 1 |
| | 550279 | 4 1/4" FORK ONLY SLTD | |
| | 550386 | 4 3/4" FORK #26 BLK | |
| | 550284 | 5 1/4" FORK ONLY SLOTTED BLK | |
| | 550294 | 6" FORK ONLY SLOTTED BLK | |
| | 550303 | 7" FORK ONLY SLOTTED BLK | |

| ITEM | NUMBER | DESCRIPTION | QTY |
|-------------|--------|-----------------------------------|-----|
| 13 | 481013 | BEARING SPACER | 1 |
| 15 | 481113 | SPACER 5/16 x .380 | 2 |
| 3,5-7 | 920052 | CASTER STEM W/HDWR SHDW ONE/DT | |
| 10,11,13 | 400092 | 3" MICRO CASTER W/BRNGS | |
| 10,13,14 | 400095 | 5" CASTER SOFT ROLL W/BRNGS | |
| 10,13,14A | 400155 | 5" PLST W/LOW POLY AND BEARING | |
| 3,5-7,12 | 780372 | 3 1/4" FORK STD STEM #24 | |
| | 780371 | 4 1/4" FORK STD STEM #25 | |
| | 780410 | 4 3/4" FORK STD STEM #26 | |
| | 780373 | 5 1/4" FORK STD STEM ST/DT | |
| | 780374 | 6" FORK STD STEM ST/DT | |
| | 780375 | 7" FORK STD STEM ST/DT | |
| 3,5-9,12,13 | 780996 | 3 1/4" FORK STD STEM #24 W/HDWR | |
| | 780989 | 4 1/4" FORK STD STEM #25 W/HDWR | |
| | 780990 | 4 3/4" FORK STD STEM #26 W/HDWR | |
| | 780997 | 5 1/4" FORK STD STEM W/HDWR ST/DT | |
| | 780998 | 6" FORK STD STEM W/HDWR ST/DT | |
| | 780999 | 7" FORK STD STEM W/HDWR ST/DT | |

FORK AND STEM ASSEMBLY (QUICKIE XTR)

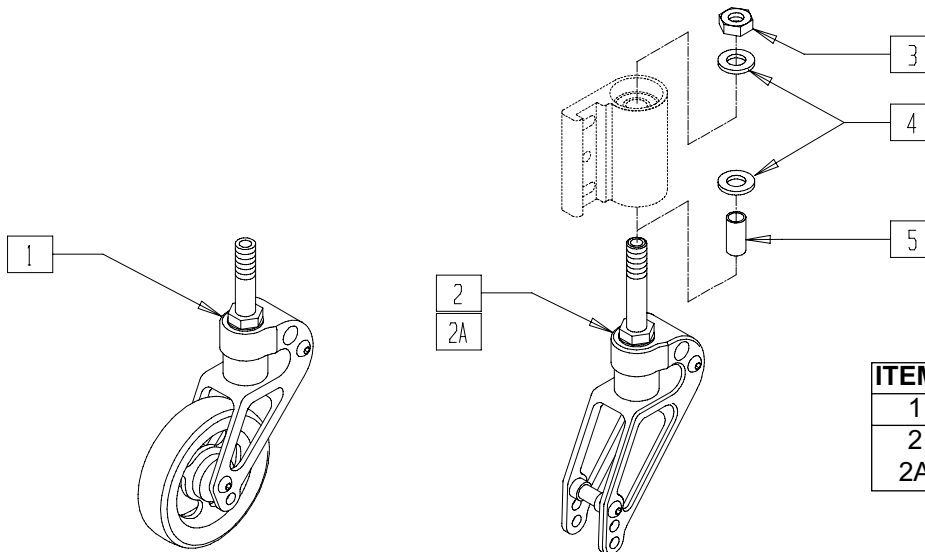


SUS00X25

| ITEM | NUMBER | DESCRIPTION | QTY |
|------|--------|---------------------|-----|
| 1 | 203100 | 1/2-20 NYLOCK NUT | 2 |
| 2 | 481650 | CASTER STEM XTR | 1 |
| 2A | 481653 | CASTER STEM +1" XTR | 1 |
| 3 | 264100 | 1/2 AN WASHER FLAT | 4 |
| 4 | 506154 | 3" FORK ONLY | 1 |
| 5 | 481652 | BEARING SPACER | 2 |
| 6 | 481651 | CASTER AXLE | 1 |

| ITEM | NUMBER | DESCRIPTION | QTY |
|------------|--------|------------------------------------|-----|
| 7 | 226076 | 1/4-28 x 1/2 FH C/S BLK | 2 |
| 8 | 521554 | +1" CASTER STEM SPACER XTR | 1 |
| 9 | 203110 | 1/2-20 JAM NUT | 1 |
| 1,2,3 | 920057 | STD CASTER STEM W/HARDWARE XTR | |
| 1,2A,3,8,9 | 920058 | +1 CASTER STEM W/HARDWARE XTR | |
| 1-7 | 780940 | 3" SLOTTED STD STEM W/HARDWARE XTR | |
| 1,2A,3-9 | 780941 | 3" SLOTTED +1" STEM W/HARDWARE XTR | |

FROG LEG MC5/FL6 (SUSPENSION FORK) ASSEMBLY (QUICKIE PRODUCTS)



| ITEM | STYLE | CHAIR |
|------|-------|---------|
| 1 | MC5 | XTR |
| 2 | FL6 | QUICKIE |
| 2A | | 2/2HP |

Q202X14

| ITEM | NUMBER | DESCRIPTION | QTY |
|------|--------|-------------------------------|-----|
| 1* | 788737 | FROG LEG FORK AND CASTER | 1 |
| | 921480 | FROG LEG FORK AND CASTER (PR) | 1 |
| 2** | 921488 | FROG LEG 6 INCH 2.5" STEM | 1 |
| 2A** | 921489 | FROG LEG 6 INCH 4" STEM | 1 |
| 3 | 203100 | 1/2-20 NYLOCK NUT | 1 |

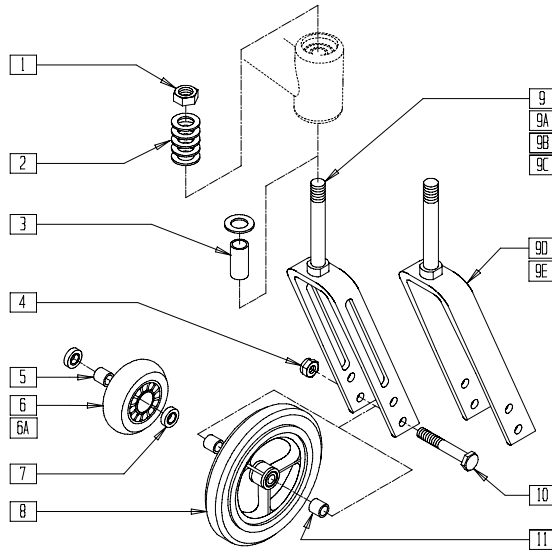
| ITEM | NUMBER | DESCRIPTION | QTY |
|--------|--------|-------------------------------|-----|
| 4 | 264100 | 1/2 AN WASHER FLAT | 2 |
| 5 | 521562 | +1 1/2 CASTER STEM SPACER BLK | 1,2 |
| 2-4 | 921498 | FROG LEG 6" W/2.5"STEM W/HDWR | |
| 2A,3-5 | 921499 | FROG LEG 6" W/4"STEM W/HDWR | |

NOTE: * SPECIAL FROGLEG CASTER AND FORK ASSEMBLY; PARTS NOT SOLD SEPARATELY.

** FROGLEG FL6 CASTER HOLE LOCATIONS: 6" CASTER FITS IN BOTTOM HOLE, 5" CASTER FITS IN BOTTOM AND MIDDLE HOLE, 4" CASTER FITS IN ALL HOLES.

NOTE: ITEM 2A FOR FROG LEG 6" WITH 4" CASTER STEM NEEDS A QUANTITY OF 2 EA FOR ITEM 5 (CASTER STEM SPACER).

FORK, STEM, AND CASTER ASSEMBLY (QUICKIE R2)



| R2 FORK WASHER GUIDE | | | |
|----------------------|--------|-----|--------|
| ASSEMBLY | WASHER | QTY | SPACER |
| 780402 | 264100 | 7 | 521560 |
| 780403 | 264100 | 6 | N/A |
| 780404 | 264100 | 7 | 521560 |
| 780405 | 264100 | 6 | N/A |
| 780406 | 264100 | 7 | 521560 |
| 780107 | 264100 | 6 | N/A |

R200X02B

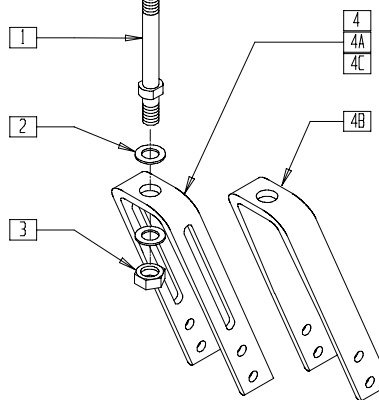
| ITEM | NUMBER | DESCRIPTION | QTY |
|------|-----------|---------------------------------|-----|
| 1 | 203100 | 5/16-24 NYLOCK NUT THIN | 1 |
| 2 | 264100 | 1/2 AN WASHER FLAT | 6,7 |
| 3* | 521560 | +3/4" CASTER STEM SPACER BLK | 1 |
| 4 | 202100-MJ | 5/16-24 NYLOCK NUT THIN | 1 |
| 5 | 481013 | BEARING SPACER | 1 |
| 6A | 400107** | 3" MICRO CASTER LIGHTED | 1 |
| | 920077** | 3" MICRO CASTER LIGHTED (PR) | |
| 7 | 349502 | 7/8 x 5/16 BEARING | 2 |
| 8 | 400115 | CASTER 4" PLASTIC/POLY W/BRNG | 1 |
| | 400155 | 5" PLST W/LOW POLY AND BRNG | |
| | 400148 | 5" PLASTIC W/WIDE POLY AND BRNG | |
| 9 | 780636 | 3 1/4" SLOTTED +3/4 STEM | 1 |
| 9A | 780574 | 4 1/4" SLOTTED STD STEM | 1 |
| 9B | 780637 | 4 1/4" SLOTTED +3/4 STEM | 1 |
| 9C | 780575 | 5 1/4" GP STD STEM | 1 |

| ITEM | NUMBER | DESCRIPTION | QTY |
|-------------|--------|--------------------------------|-----|
| 9D | 780420 | 4 3/4" STD STEM BLK | 1 |
| 9E | 780638 | 4-3/4 FORK +3/4 STEM | 1 |
| 10 | 222200 | 5/16-24 x 2 1/2 HEX C/S | 1 |
| 11 | 481113 | SPACER 5/16 x .380 | 2 |
| 5-7 | 400092 | 3" MICRO CASTER W/BRNG | |
| | 920025 | 3" MICRO CASTER W/BRNG (PR) | |
| 1-4,9-11 | 780402 | 3 1/4 SLOTTED +3/4 STEM W/HDWR | |
| 1,2,4,9A-11 | 780403 | 4 1/4 SLTD STD STEM W/HDWR | |
| 1-4,9B-11 | 780404 | 4 1/4 SLOTTED +3/4 STEM W/HDWR | |
| 1,2,4,9D-11 | 780405 | 4 3/4" FORK STD STEM W/HDWR | |
| 1-4,9E-11 | 780406 | 4 3/4 FORK +3/4 STEM W/HDWR | |
| 1,2,4,9C-11 | 780407 | 5 1/4 SLOTTED STD STEM W/HDWR | |

* USED ONLY WITH + 3/4 STEM ASSEMBLIES.

** P/N 400107 AND 920077 3" MICRO CASTERS LIGHTED INCLUDE BEARINGS

FORK AND STEM ASSEMBLY (QUICKIE R2)



R200X02A

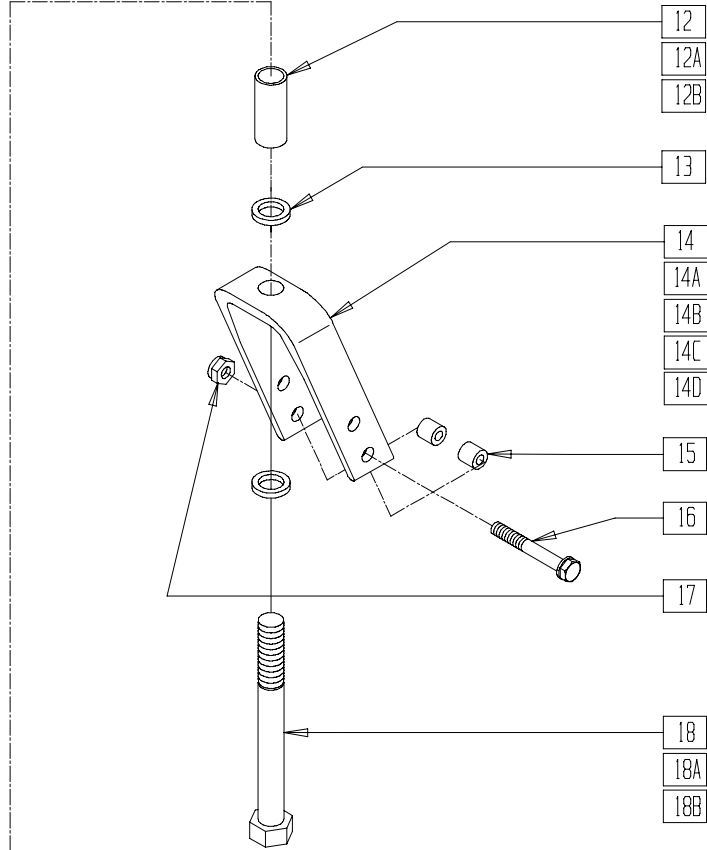
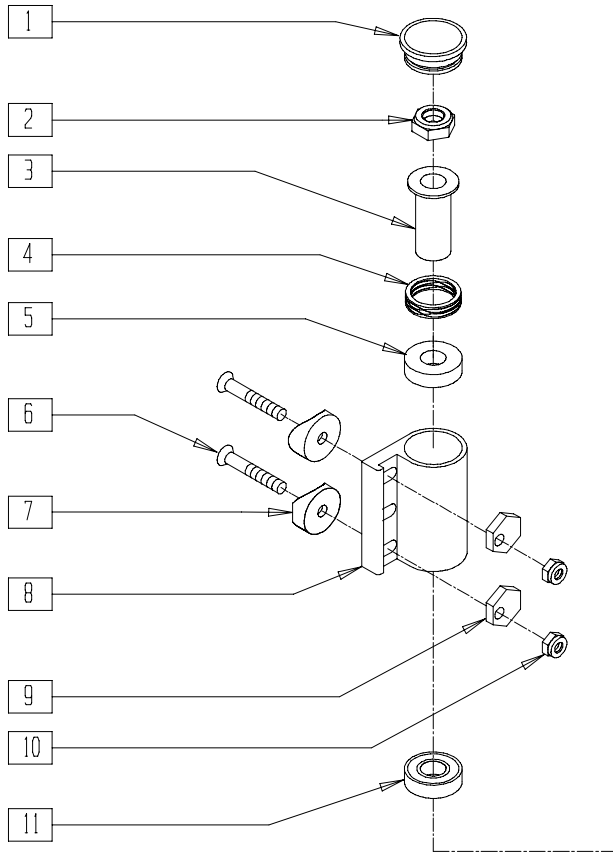
| ITEM | NUMBER | DESCRIPTION | QTY |
|------|---------|----------------------------|-----|
| 1 | 481063 | CASTER STEM STD | 1 |
| | *481111 | CASTER STEM 4.37 (CH) B500 | |
| 2 | 264100 | 1/2 AN WASHER FLAT | 2 |
| 3 | 203100 | 5/16-24 NYLOCK NUT THIN | 1 |
| 4 | 550274 | 3 1/4" SLOTTED FORK | 1 |
| 4A | 550279 | 4 1/4" FORK ONLY SLTD | 1 |
| 4B | 550386 | 4 3/4" FORK #26 BLACK | 1 |

| ITEM | NUMBER | DESCRIPTION | QTY |
|--------|--------|------------------------------|-----|
| 4C | 550284 | 5-1/4" FORK ONLY SLOTTED BLK | 1 |
| 1-4 | 780636 | 3-1/4 SLOTTED +3/4 STEM | |
| 1-3,4A | 780574 | 4-1/4 SLTD STD STEM | |
| 1-3,4A | 780637 | 4-1/4 SLOTTED +3/4 STEM | |
| 1-3,4B | 780420 | 4 3/4" STD STEM BLK | |
| 1-3,4B | 780638 | 4-3/4 SLOTTED +3/4 STEM | |
| 1-3,4C | 780575 | 5-1/4 GP STD STEM | |

* 481111 (CASTER STEM 4.37) USED W/ + 3/4 STEM ASSEMBLIES.

FORK, STEM, AND CASTER ASSEMBLY (QUICKIE TS)

(Effective 3/25/99)

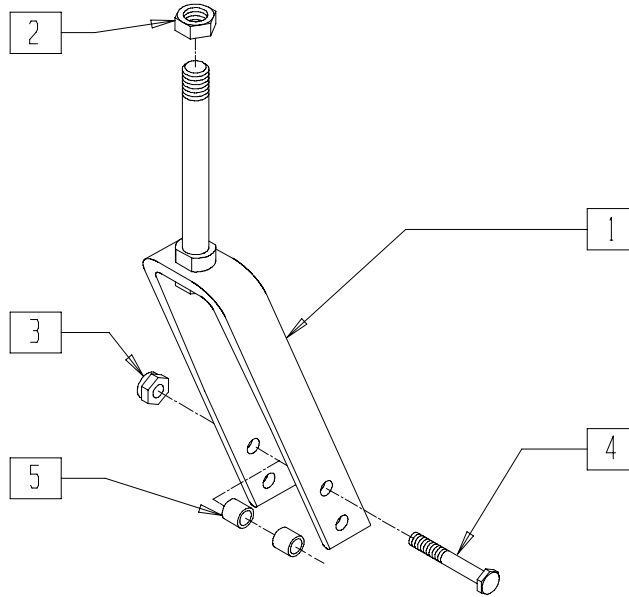


QTS20X01

| ITEM | NUMBER | DESCRIPTION | QTY |
|------|-------------------|-----------------------------------|-----|
| 1 | 561070 | CASTER CAP PLASTIC | 1 |
| 2 | 203100 | 1/2-20 NYLOCK NUT | 1 |
| 3 | 481511 | FLANGE BUSHING REG B51 | 1 |
| 4 | 321166 | SPRING ANTI FLUTTER SS B51 | 1 |
| 5 | 349643 | BUSHING BRNZ B51 | 1 |
| 6 | 226198 | 5/16-18 x 2 BH C/S SHT THREAD | 2 |
| 7 | 561119 | 1" HALF SADDLE 5/16" HOLE | 2 |
| 8 | 501503, 501504 | CASTER PLATE ONLY H/D BLK (EA) | 1 |
| 9 | 341019 | WASHER ECCENTRIC HEAVY DUTY | 2 |
| 10 | 202102 | 5/16-18 NYLOCK NUT THIN | 2 |
| 11 | 349500 | 1 1/8 x 1/2 BEARING | 1 |

| ITEM | NUMBER | DESCRIPTION | QTY |
|--------------------------|-------------------|---|-----|
| 15 | 481113 | SPACER 5/16 x .380 | 2,4 |
| 16 | 222200 | 5/16-24 x 2 1/2 HEX C/S | 1 |
| 17 | 202100-MJ | 5/16-24 NYLOCK NUT THIN | 1 |
| 18 | 222290 | 1/2-20 x 3 1/4" G8 HEX C/S | 1 |
| 18A | 222292 | 1/2-20 x 4" G8 HEX C/S | 1 |
| 18B | 222291 | 1/2-20 x 4 3/4" G8 HEX C/S | 1 |
| 2-5,11-14, 18-18B | 781696- 781698 | 4 3/4" STD BLT STEM W/HDWR BLK (STD, +3/4, +1 1/2) | |
| 2-5,11-13, 14A,18-18B | 781687- 781693 | 5 1/4" (STD, +3/4, +1 1/2) BLT STEM W/HDWR BLK | |
| 2-5,11-13, 14B,18-18B | 781688- 781694 | 6" (STD, +3/4, +1 1/2)STEM W/HDWR BLK | |
| 2-5,11-13, 14C,18-18B | 781689- 781695 | 7" (STD, +3/4, +1 1/2)STEM W/HDWR BLK | |
| 2-5,11-13, 14D,18-18B | 781840- 781842 | 8" x 2" FORK STD BLT STEM W/HDWR | |
| 5,8,11 | 780198, 780199 | CASTER PLT W/BRNG H/D QTS (EA) | |
| 1,6,7, 9,10 | 920015 | CASTER PLT H/D HDWR KIT PLST CAP | |

FORK AND STEM ASSEMBLY (BREEZY 500)



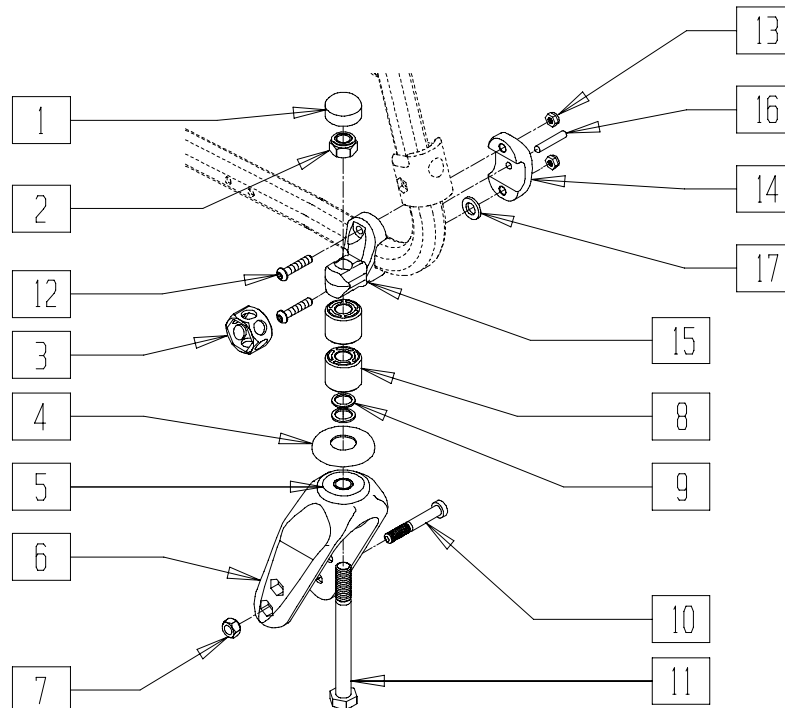
CF0X01B

| ITEM | NUMBER | DESCRIPTION | QTY |
|------|-----------|-------------------------|-----|
| 2 | 203100 | 1/2-20 NYLOCK NUT | 1 |
| 3 | 202100-MJ | 5/16-24 NYLOCK NUT THIN | 1 |
| 4 | 222200 | 5-16-24 x 2 1/2 HEX C/S | 1 |

| ITEM | NUMBER | DESCRIPTION | QTY |
|------|--------|-------------------------------|-----|
| 5 | 481013 | BEARING SPACER | 2 |
| 1-4 | 780875 | 6" FORK STD STEM W/ HDWR B500 | 1 |

NOTE: CASTER HOUSING FOUND IN SECTION 4 BREEZY FRAME.
STEM BOLT FOUND ON PAGE 13.2.

FORK AND STEM ASSEMBLY (CHAMELEON/CHAMELEON HD)



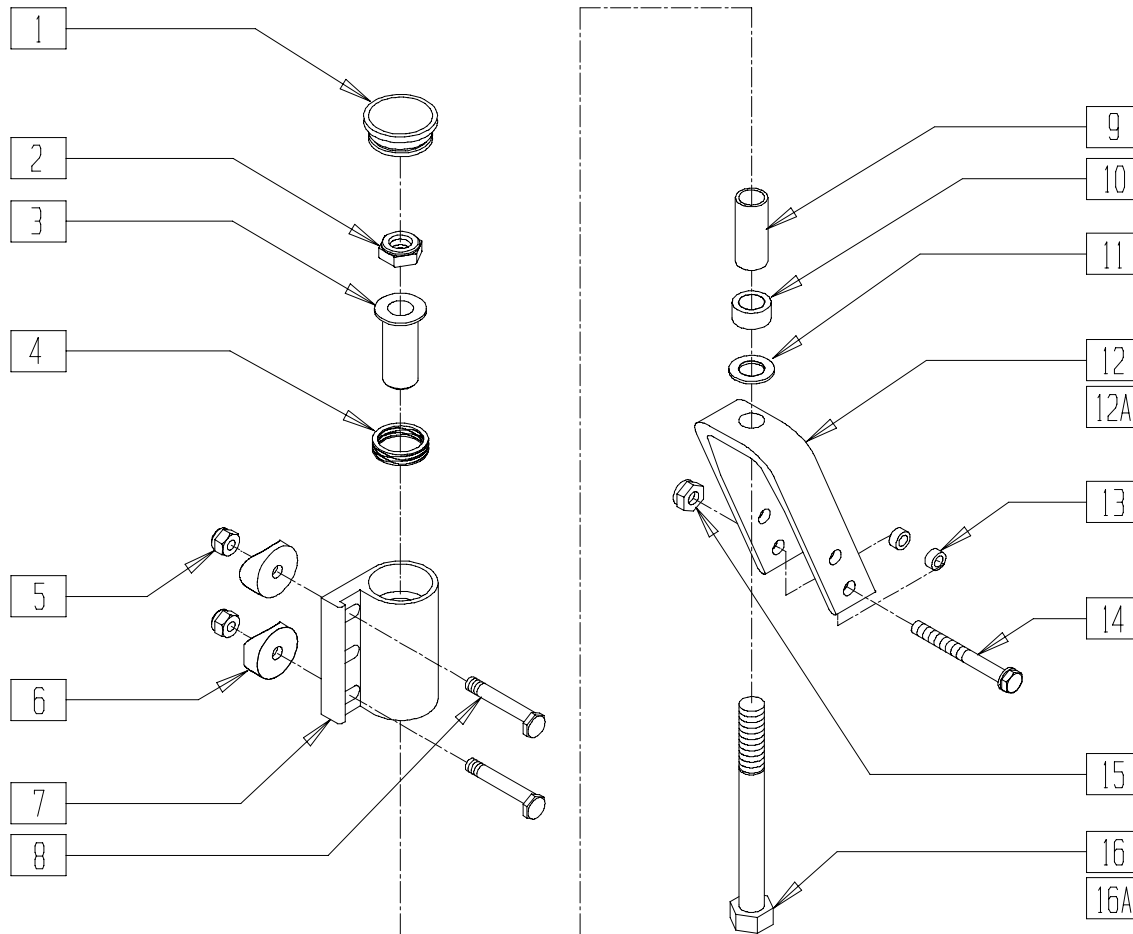
CHAM0X02

| ITEM | NUMBER | DESCRIPTION | QTY |
|------|-----------------|----------------------------|-----|
| 1 | 888081 | M12 NUT COVER (10 EA) | 1 |
| 2 | C2.2511 | CSTR STM NUT M12 NYLOC LCK | 1 |
| 3 | 766 858 023 431 | CASTOR ANGLE COLLAR | 1 |
| 5,6 | 000 225 011 | CASTOR FORK W/DBL BEARING | 1 |
| 7 | C2.2026 | M8 NYLOCK NUT | 1 |
| 8 | C2.2503 | FORK SPACER | 2 |

| ITEM | NUMBER | DESCRIPTION | QTY |
|-------|---------|-------------------------------|-----|
| 9 | C2.2514 | M12 RIBBED LOCK WASHER | 2 |
| 10 | C2.2513 | M8x55 LOW SKT CAP HEAD BOLT | 1 |
| 11 | C2.2512 | M12x20 HEX HEAD BOLT | 1 |
| 17 | 262114 | 1/4 WASHER HI COLLAR LOCK ZN | 1 |
| 1-11 | 888077 | FORK, STEM ASSEM COMPLETE | |
| 12-17 | 888078 | CASTER BRACKET ASSEM COMPLETE | |

FORK AND STEM ASSEMBLY (BREEZY 510/510 RECLINER)

(Effective 9/15/99 - beginning serial number BZ-463854)

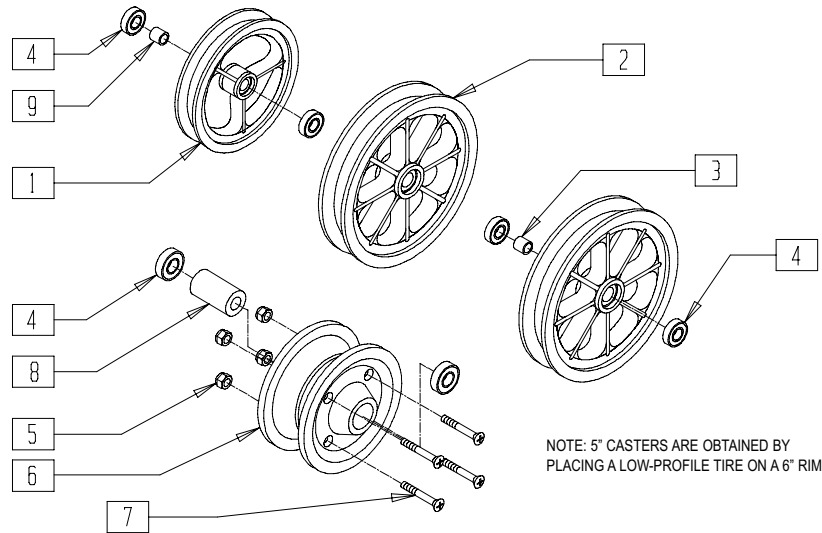


CF0X015

| ITEM | NUMBER | DESCRIPTION | QTY |
|------|-------------------|--------------------------------|-----|
| 1 | 561070 | CASTER CAP PLASTIC | 1 |
| 2 | 203111 | 1/2-20 HEX JAM NUT W/TORQ-PTCH | 1 |
| 3 | 481511 | FLANGE BUSHING REG B51 | 1 |
| 4 | 321166 | SPRING ANTI FLUTTER SS B51 | 1 |
| 5 | 201120 | 1/4-28 AUTOMATION NUT | 2 |
| 6 | 561086 | 1" HALF SADDLE 1/4" HOLE | 2 |
| 7 | 780003, 780004 | CASTER PLT B510 (EA) | 1 |
| 8 | 481017 | 1/4-28 x 1.688 ECCENTRIC BOLT | 2 |
| 9 | 521586 | +1 1/2 CASTER STEM SPACER CLR | 1 |
| 10 | 481510 | CASTER STEM SPACER B51 | 1 |
| 11 | 264100 | 1/2 AN WASHER FLAT | 1 |
| 12 | 550582 | 6" FORK ONLY CLEAR | 1 |
| 12A | 550283 | 4 3/4" FORK ONLY BR | 1 |
| 13 | 481113 | SPACER 5/16 x .380 | 2 |
| 14 | 222200 | 5/16-24 x 2 1/2 HEX C/S | 1 |
| 15 | 202100-MJ | 5/16-24 NYLOCK NUT THIN | 1 |
| 16 | 222291 | 1/2-20 x 4-3/4" GR 8 HEX C/S | 1 |
| 16A | 222290 | 1/2-20 x 3-1/4" GR 8 HEX C/S | 1 |

| ITEM | NUMBER | DESCRIPTION | QTY |
|--------------------------|-------------------|---|-----|
| 1-8,10,11, 16A | 780150, 780151 | CASTER PLT STD STEM W/O FORK (EA) | |
| | 921500 | CASTER PLT ASSM W/STD STEM (PR) | |
| 1-11,16 | 780152, 780153 | CASTER PLT +1 1/2 STEM W/O FORK (EA) | |
| | 921501 | CASTER PLT ASSM W/+1 1/2" STEM (PR) | |
| 1-8,10,11, 12A,13-16A | 780441, 780442 | 4-3/4" STD STEM W/CASTER PLT (EA) | |
| | 921503 | CASTER PLT ASSM W/4 3/4" STD STM (PR) | |
| 1-11,12A, 13-16 | 780443, 780444 | 4-3/4" +1 1/2 STEM W/CASTER PLT (EA) | |
| | 921505 | CASTER PLT ASSM W/4 3/4 +1/2" STEM (PR) | |
| | 780618, 780619 | 6" STD STEM W/CASTER PLT BR (EA) | |
| | 921502 | CASTER PLT ASSM W/6" STD STEM (PR) | |
| 1-16 | 780656, 780657 | 6" +1 1/2 STEM W/CASTER PLT BR (EA) | |
| | 921504 | CASTER PLT ASSM W/6 +1 1/2" STEM (PR) | |

CASTER RIMS AND HARDWARE



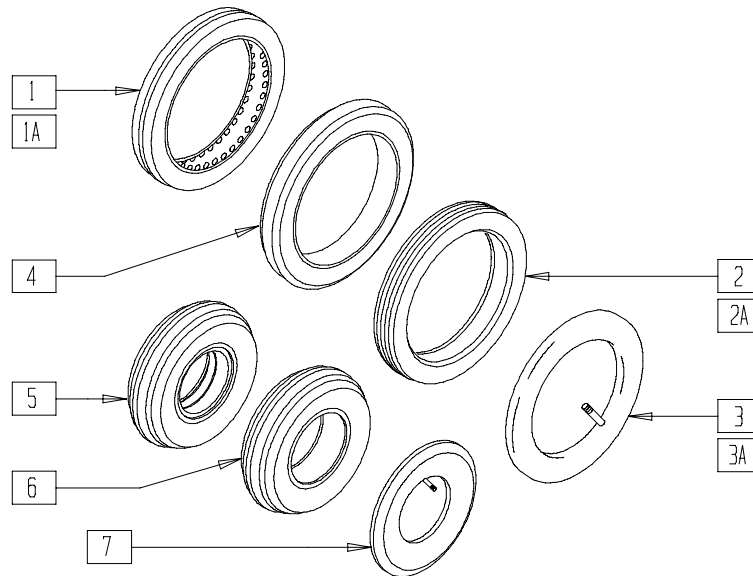
CF0X02A

| ITEM | NUMBER | DESCRIPTION | QTY |
|-------|--------|------------------------------|-----|
| 1,4,9 | 400152 | 6" PLASTIC CASTER W/BEARINGS | |
| 2 | 400200 | 8" PLASTIC CASTER ONLY | 1 |
| 2-4 | 400202 | 8" PLASTIC CASTER W/BEARINGS | |
| 3 | 481013 | BEARING SPACER | 1 |
| 4 | 349502 | 7/8 x 5/16 BEARING | 2 |

| ITEM | NUMBER | DESCRIPTION | QTY |
|------|--------|---------------------------------|-----|
| 5-7 | 400020 | HUB CMPST 8" x 2" CASTER W/HDWR | |
| 8 | 483714 | P100 BEARING SPACER | 1 |
| 9 | 481613 | BEARING SPACER .450 CASTER | 1 |
| 4-8 | 400704 | 8" x 2" CMPST CASTER W/BEARINGS | |

NOTE: ITEM 1 MAY REQUIRE SPECIAL MOUNTING TOOLS AND/OR MAY BE DIFFICULT TO MOUNT. FOR COMPLETE ASSEMBLY, SEE CASTER/TIRE ASSEMBLIES ON PAGE 13.22.

CASTER TIRES AND TUBES



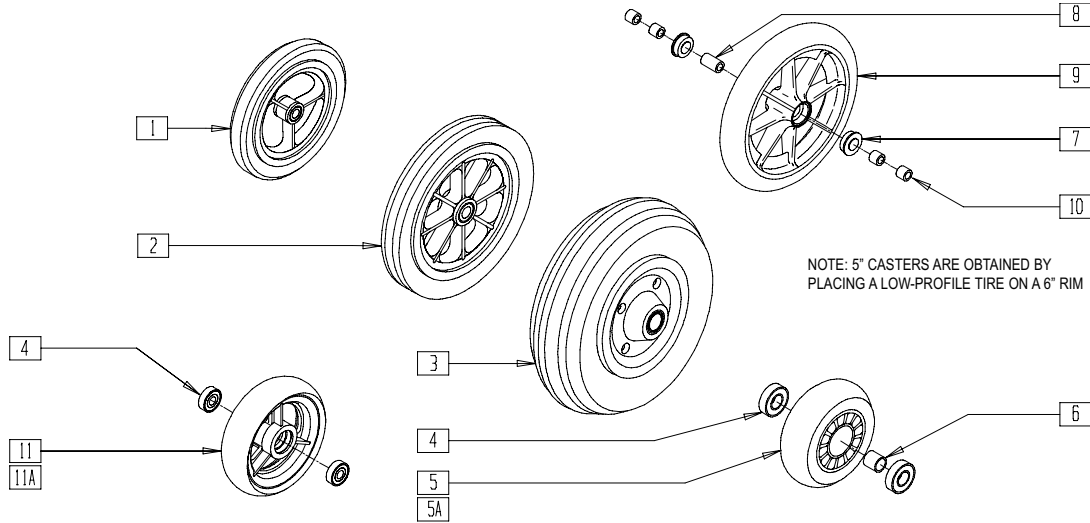
CF0X03

| ITEM | NUMBER | DESCRIPTION | QTY |
|------|--------|--------------------------------|-----|
| 1 | 384250 | 8" POLYURETHANE TIRE | 1 |
| 1A | 384245 | 6" SEMI PNEU POLYURETHANE TIRE | 1 |
| 2 | 383250 | 8" PNEUMATIC TIRE | 1 |
| 2A | 383240 | 6" PNEUMATIC TIRE | 1 |
| 3 | 382250 | 8" TUBE | 1 |
| 3A | 382245 | 6" TUBE | 1 |

| ITEM | NUMBER | DESCRIPTION | QTY |
|------|--------|----------------------------|-----|
| 4 | 384246 | 5" LOW POLYURETHANE TIRE | 1 |
| 5 | 384701 | TIRE FOAMED INSERT 8" x 2" | 1 |
| 6 | 384700 | TIRE PNEUMATIC 8" x 2" | 1 |
| 7 | 384730 | INNER TUBE CASTER 8" x 2" | 1 |
| 2,3 | 383255 | 8" PNEUMATIC TIRE AND TUBE | |

NOTE: ITEM 4 MAY REQUIRE SPECIAL MOUNTING TOOLS AND/OR MAY BE DIFFICULT TO MOUNT. FOR COMPLETE ASSEMBLY, SEE CASTER/TIRE ASSEMBLIES ON PAGE 13.22.

CASTER/TIRE ASSEMBLIES (TIRE, CASTER AND BEARINGS) (QUICKIE CHAIRS)



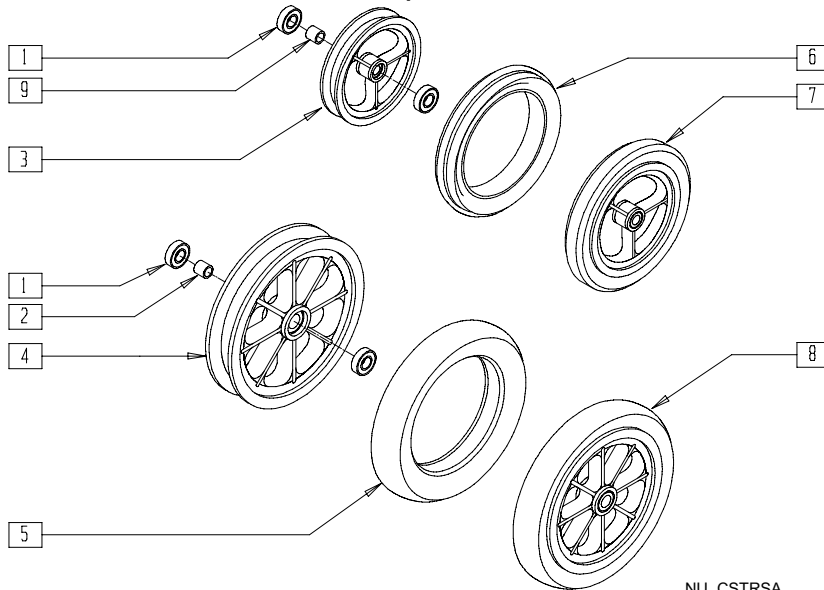
CF0X04B

| ITEM | NUMBER | DESCRIPTION | QTY |
|------|--------|------------------------------------|-----|
| 1 | 400154 | 6" PLST W/SEMI PNEU (POLY) BEARING | 1 |
| | 400156 | 6" PLASTIC W/PNEU AND BEARINGS | |
| | 400155 | 5" PLASTIC W/LOW POLY AND BEARINGS | |
| | 400103 | CASTER 5" SOFT ROLL W/BRNGS | |
| 2 | 400204 | 8" PLASTIC W/POLY AND BEARINGS | 1 |
| | 400206 | 8" PLASTIC W/PNEU AND BEARINGS | |

| ITEM | NUMBER | DESCRIPTION | QTY |
|--------|----------|--------------------------------------|-----|
| 3 | 400700 | 8" x 2" CMPST W/PNEU AND BEARINGS | 1 |
| | 400702 | 8" x 2" CMPST W/PNEU INSERT AND BRNG | |
| 4-6 | 920025 | 3" MICRO CASTER W/BEARINGS (PR) | 1 |
| 4,5A,6 | 400107** | 3" MICRO CASTER LIGHTED | |
| | 920077** | 3" MICRO CASTER LIGHTED (PR) | |
| 4,11A | 400108** | 4" MICRO CASTER LIGHTED | 1 |
| 4,11 | 400115 | 4" PLASTIC W/POLY AND BEARINGS | |

** PART NUMBERS 400107, 400108, AND 920077 MICRO CASTERS LIGHTED INCLUDE BEARINGS

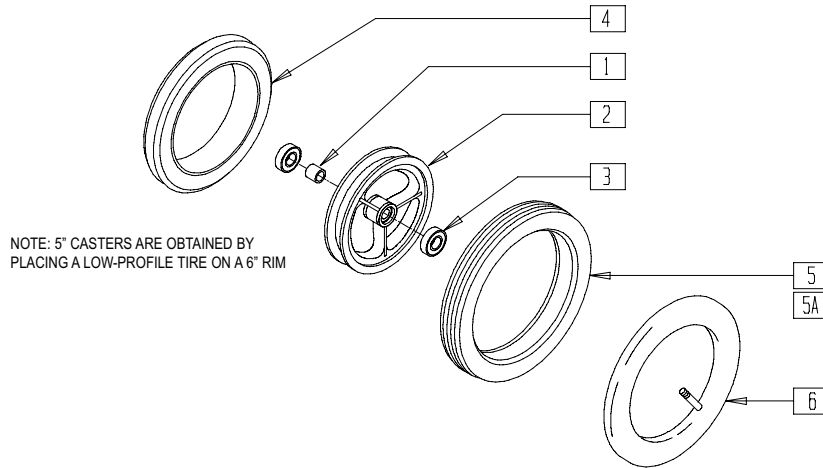
CASTER/POLYURETHANE TIRE ASSEMBLIES (1.5" WIDE) (QUICKIE /GPS/ RECLINER/REVOLUTION/T45/TS, ZIPPIE TS)



NU_CSTRSA

| ITEM | NUMBER | DESCRIPTION | QTY |
|-------|--------|--------------------------------------|-----|
| 1,9,7 | 400148 | 5" PLST W/WIDE POLY AND BRNGS (1.5") | |
| | 400157 | 6" PLST W/WIDE POLY AND BRNG (1.5") | |
| 1,2,8 | 400705 | 8" PLST W/WIDE POLY AND BRNG (1.5") | |

5" AND 6" ALUMINUM CASTER/TIRE ASSEMBLIES

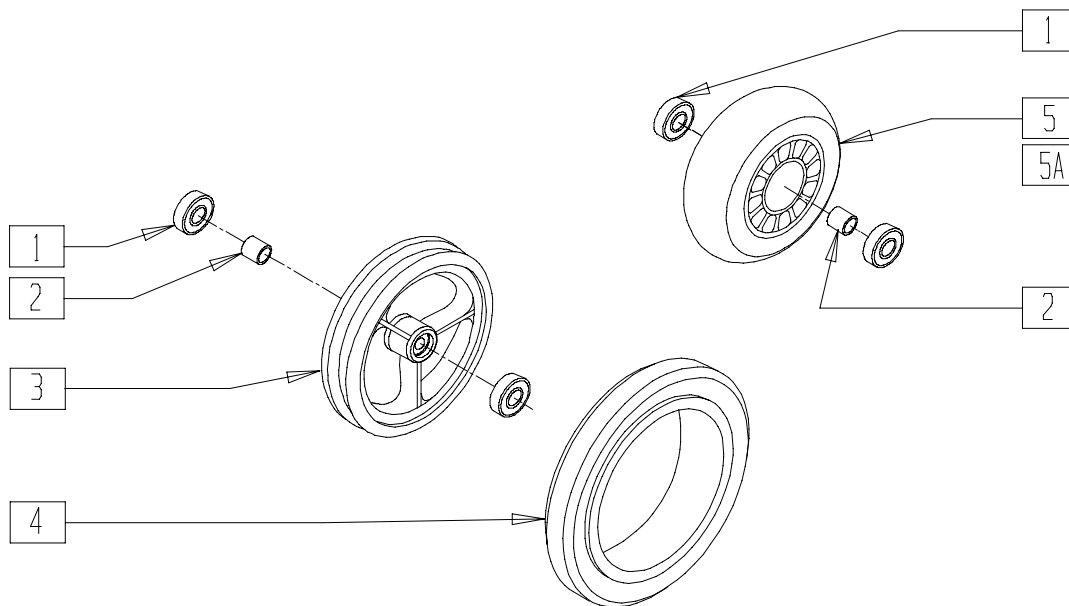


ALU0X01

| ITEM | NUMBER | DESCRIPTION | QTY |
|------|--------|--------------------------|-----|
| 1 | 481013 | BEARING SPACER | 1 |
| 2 | 500605 | HUB 6" | 1 |
| 3 | 349502 | 7/8 x 5/16 BEARING | 2 |
| 4 | 384246 | 5" LOW POLYURETHANE TIRE | 1 |
| 5 | 384245 | 6" SEMI PNEU (POLY) TIRE | 1 |

| ITEM | NUMBER | DESCRIPTION | QTY |
|----------|--------|----------------------------------|-----|
| 5A,6 | 383245 | 6" PNEUMATIC TIRE & TUBE | 1 |
| 1-3 | 400160 | 6" ALUM CASTER W/BEARINGS | |
| 1-3,5 | 400162 | 6" ALUM W/SEMI PNEU (POLY) BRNGS | |
| 1-4 | 400163 | 5" ALUM W/LOW POLY AND BEARINGS | |
| 1-3,5A,6 | 400164 | 6" ALUM W/PNEU AND BEARINGS | |

CASTERS (QUICKIE XTR)



SUS0X31A

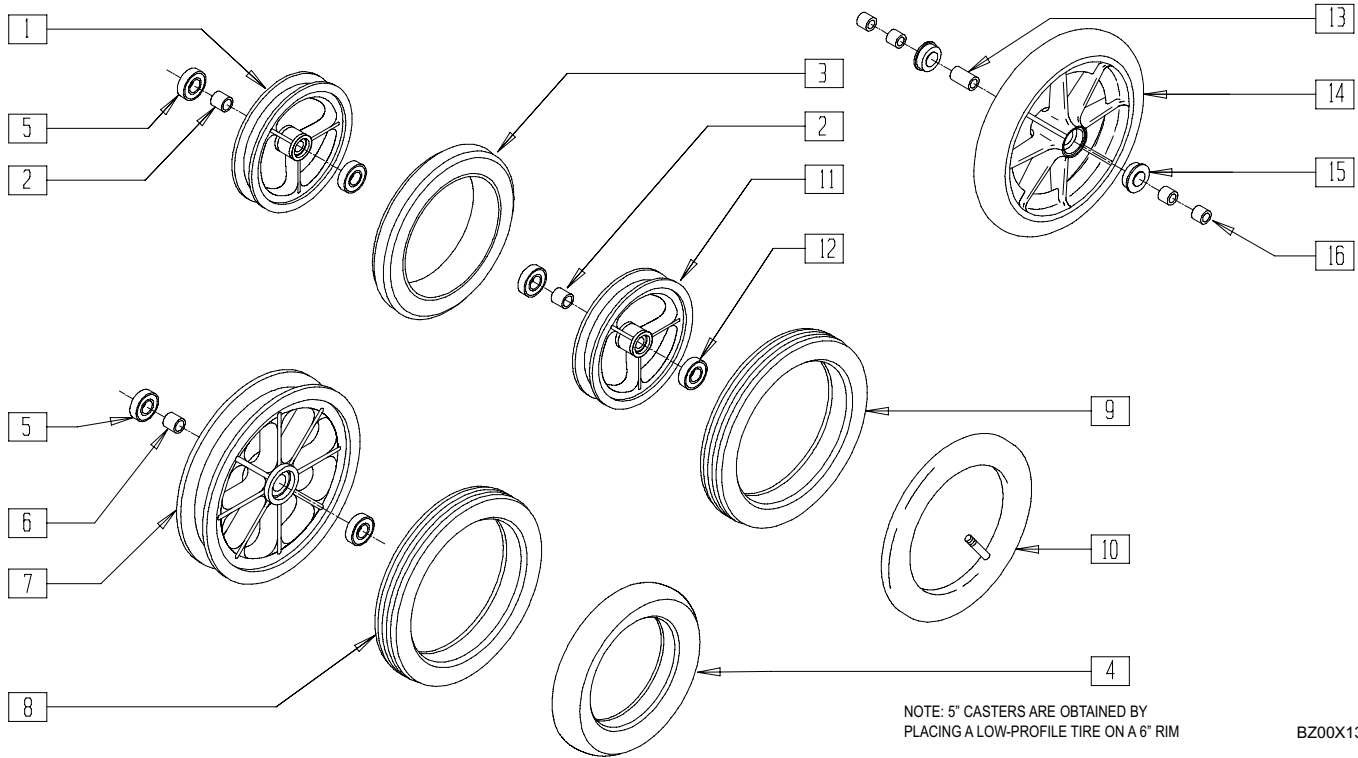
| ITEM | NUMBER | DESCRIPTION | QTY |
|------|--------|--------------------------|-----|
| 1 | 349502 | 7/8 x 5/16 BEARING | 2 |
| 2 | 481013 | BEARING SPACER | 1 |
| 4 | 384246 | 5" LOW POLYURETHANE TIRE | 1 |

| ITEM | NUMBER | DESCRIPTION | QTY |
|-------|---------|-----------------------------------|-----|
| 5A | 400107* | 3" MICRO CASTER LIGHTED | 1 |
| 1-4 | 400155 | 5" PLASTIC W/LOW POLY AND BEARING | |
| 1,2,5 | 400092 | 3" MICRO CASTER W/BEARING | |

NOTE: 5" CASTERS ARE OBTAINED BY PLACING A LOW PROFILE TIRE ON A 6" RIM.
 *3" P/N 400107 MICRO CASTERS LIGHTED INCLUDE BEARINGS

CASTER/TIRE ASSEMBLIES (BREEZY 500/510/510 RECLINER/2)

(Breezy 2 discontinued 5/98 - parts only; Fits Breezy effective serial number BZ-200000)



NOTE: 5" CASTERS ARE OBTAINED BY PLACING A LOW-PROFILE TIRE ON A 6" RIM

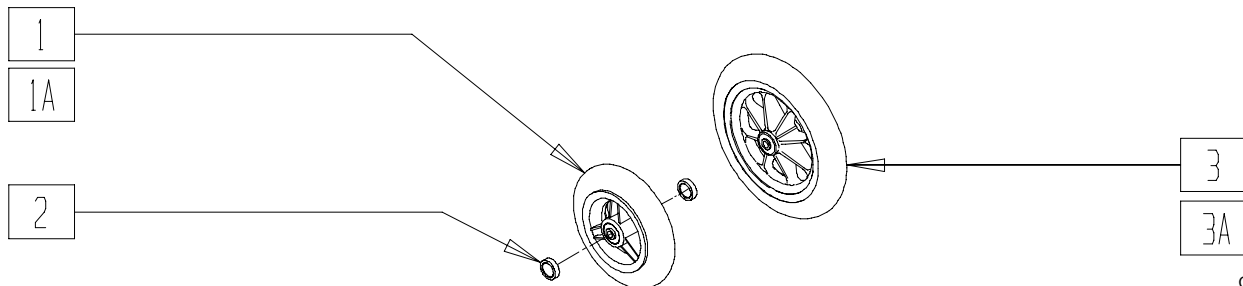
BZ00X13A

| ITEM | NUMBER | DESCRIPTION | QTY |
|------|--------|-----------------------------|-----|
| 1 | 400151 | 6" PLASTIC CASTER ONLY | 1 |
| | 400200 | 8" PLASTIC CASTER ONLY | |
| 2 | 481613 | BEARING SPACER .450 CASTER | 1 |
| 3 | 384246 | 5" LOW POLYURETHANE TIRE | 1 |
| 4 | 384244 | 6"x1 1/2" POLYURETHANE TIRE | 1 |
| | 384252 | 8"x1 1/2" POLYURETHANE TIRE | |
| 5 | 349502 | 7/8 X 5/16 BEARING | 1 |
| 6 | 481013 | BEARING SPACER | 1 |
| 8 | 384251 | 8" POLYURETHANE TIRE BR | 1 |
| | 384245 | 6" SEMI PNEU (POLY) TIRE | |
| | 383245 | 6" PNEUMATIC TIRE AND TUBE | |
| 9 | 383250 | 8" PNEUMATIC TIRE | 1 |
| 10 | 382250 | 8" TUBE | 1 |
| 12 | 349502 | 7/8 x 5/16 BEARING | 2 |

| ITEM | NUMBER | DESCRIPTION | QTY |
|------------|--------|----------------------------------|-----|
| 13 | 481099 | BEARING SPACER .960 | 1 |
| 14 | 384252 | 8"x1 1/2 POLYURETHANE TIRE | 1 |
| | 400200 | 8" PLASTIC CASTER ONLY | |
| 15 | 349528 | 5/16 ID FLANGED BEARING | 2 |
| 16 | 400207 | SPACER 5/16 x.380 | 4 |
| 1,5,6 | 400145 | 6" PLASTIC CASTER W/BEARINGS BR | |
| | 400205 | 8" PLASTIC CASTER W/BEARINGS BR | |
| 9,10 | 383255 | 8" PNEUMATIC TIRE AND TUBE | |
| 1,5,6,8 | 400203 | 8" PLST W/LOW POLY AND BRNGS BR | |
| 1,5,6,9,10 | 400208 | 8" PLST W/PNEUMATIC AND BRNGS BR | |
| 1-3,5 | 400153 | 5" PLST W/LOW POLY AND BRNGS BR | |
| 1,2,4,12 | 400157 | 6" PLASTIC W/WIDE POLY AND BRNGS | |
| 1,4,6,12 | 400705 | 8" PLASTIC W/WIDE POLY AND BRNGS | |
| 1,5,6,8 | 901011 | B500 CASTER REPLACEMENT KIT PR | |

NOTE: ITEM 3 MAY REQUIRE SPECIAL TOOL AND OR MAY BE DIFFICULT TO MOUNT. FOR COMPLETE ASSEMBLY, SEE CASTER/TIRE ASSEMBLIES ON PAGE 13.22.

CASTERS (CHAMELEON/CHAMELEON HD)



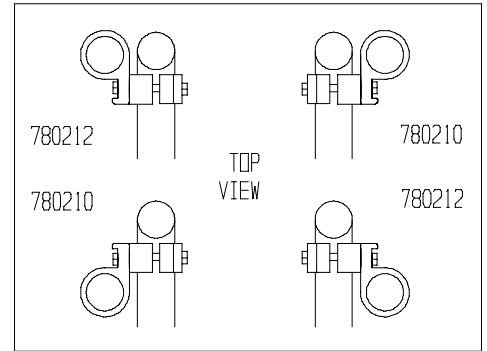
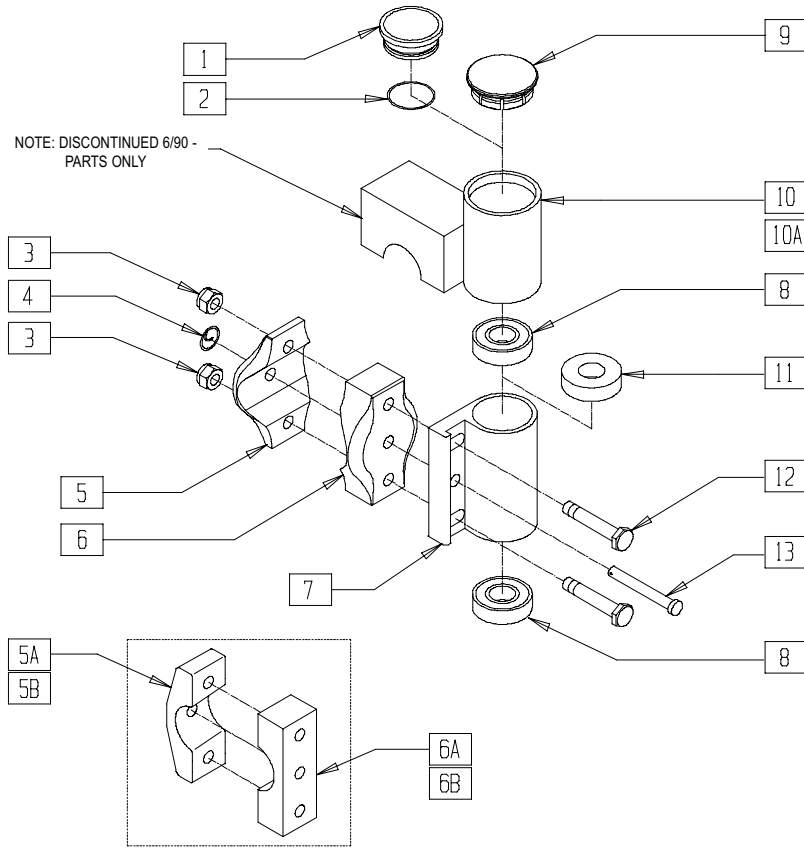
CHAM0X15A

| ITEM | NUMBER | DESCRIPTION | QTY |
|------|-------------|---------------------------------|-----|
| 1 | 000 221 016 | 6" SOFT SOLID CASTER | 1 |
| 1A | 000 858 046 | 6" FULL POLY CASTER | 1 |
| 2 | 000 858 016 | SPACERS FOR 6" FULL POLY CASTER | 2 |

| ITEM | NUMBER | DESCRIPTION | QTY |
|------|-------------|----------------------------|-----|
| 3 | 757 221 017 | 8" FULL POLY CASTER | 1 |
| 3A | 000 221 037 | 8" PNEUMATIC CASTER W/TUBE | 1 |

CASTER PLATE (QUICKIE GPS/KIDZ/LX/RECLINER/TRIUMPH)

(Quickie GPS and Triumph discontinued 2/01 - Parts only)



CF0X08B

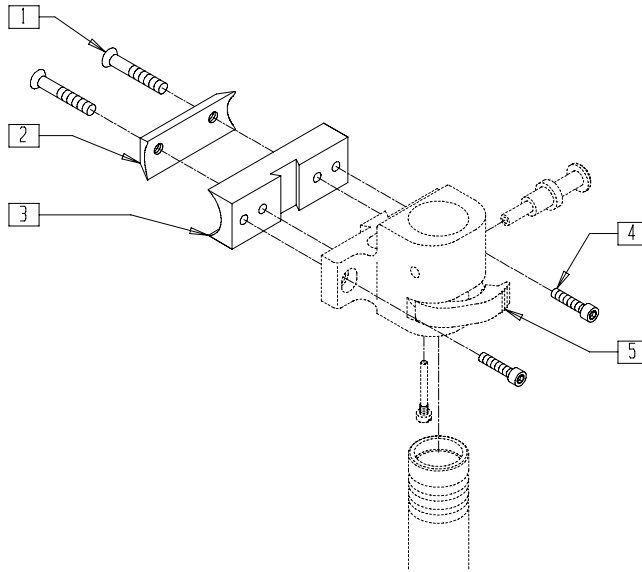
| ITEM | NUMBER | DESCRIPTION | QTY |
|------|--------|------------------------------|-----|
| 1,2* | 880554 | CASTER CAP W/O-RING ALUM CLR | |
| 2* | 342006 | CASTER CAP O-RING RUBBER | 1 |
| 3 | 201120 | 1/4-28 AUTOMATION NUT | 2 |
| 4 | 349034 | SAFETY COTTER | 1 |
| 5 | 500306 | INNER CLAMP HALF | 1 |
| 5A | 550762 | CASTER CLAMP R LXJ RECESS | 1 |
| 5B | 550763 | CASTER CLAMP L LXJ RECESS | 1 |
| 6 | 500307 | OUTER CLAMP HALF | 1 |
| 6A | 550760 | CASTER CLAMP R LXJ | 1 |
| 6B | 550761 | CASTER CLAMP L LXJ | 1 |
| 8 | 349500 | 1 1/8 x 1/2 BEARING | 1-2 |
| 9 | 561070 | CASTER CAP PLASTIC (EA) | 1 |
| | 920028 | CASTER CAP PLASTIC (PR) | |
| 10 | 561100 | CASTER PLATE COVER R GP/2HP | 1 |

| ITEM | NUMBER | DESCRIPTION | QTY |
|--------------|-------------------|---------------------------------|-----|
| 10A | 561102 | CASTER PLATE COVER L GP/2HP | 1-2 |
| 11 | 561050 | ANTI-FLUTTER BUSHING | 1 |
| 12 | 481017 | 1/4-28 x 1.688 ECCENTRIC BOLT | 2 |
| 13 | 349027 | 1/4 x 2 CLEVIS PIN | 1 |
| 7,8 | 780210, 780212 | CASTER PLT DBL BEARING BLK (EA) | |
| | 780208, 780209 | CASTER PLT DBL BEARING CLR (EA) | |
| 7,8,11 | 780200, 780201 | CASTER PLT SINGLE BRNG BLK (EA) | |
| | 780060, 780061 | CASTER PLT GP COMPLETE BLK (EA) | |
| 3-9 12,13 | 780040, 780041 | CASTER PLT GP COMPLETE CLR (EA) | |

* USED ON CHAIRS PRIOR TO 4/99

CASTER ASSEMBLY (Quickie TNT)

(Discontinued 2/08/99 parts only)(replaced by Caster Assembly on page 13.28)



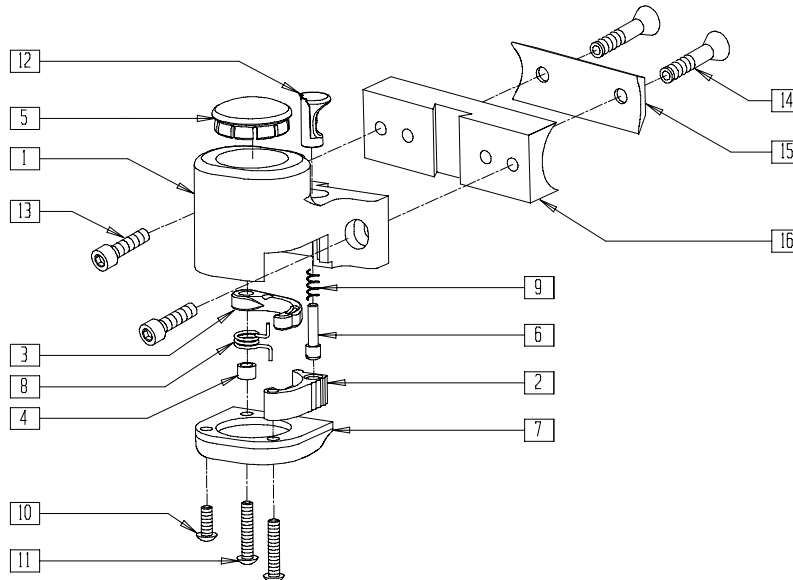
TNT00X06

| ITEM | NUMBER | DESCRIPTION | QTY |
|------|--------|------------------------------|-----|
| 1 | 226149 | 1/4-20 x 1 3/4" FH SOC C/S | 2 |
| 2 | 550419 | CASTER MOUNT CLAMP BLACK QTN | 1 |
| 3 | 550420 | CASTER REC MOUNT BLACK QTN | 1 |

| ITEM | NUMBER | DESCRIPTION | QTY |
|------|-------------------|------------------------------------|-----|
| 4 | 226074 | 1/4-20 x 1/2 SOC C/S | 2 |
| 5 | 780134, 780135 | CSTR PLATE ASSM BLACK Q7NT (EA) | 1 |

CASTER ASSEMBLY (Quickie TNT)

(Effective 2/08/99) (Quickie TNT discontinued 2/01-Parts only.)

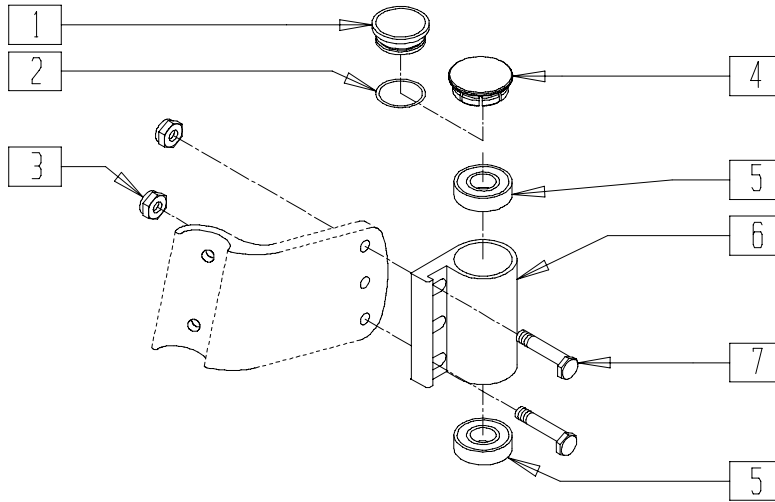


TNT00X6A

| ITEM | NUMBER | DESCRIPTION | QTY |
|------|-------------------|---|-----|
| 1 | 550434, 550435 | CSTR HOUSING LOCKING (SPECIFY COLOR) | 1 |
| 2 | 500240, 500241 | CASTER LEVER Q7NT BLK (EA) | 1 |
| 3 | 560177 | CASTER LOCK Q7NT | 1 |
| 4 | 481169 | LOCK SLEEVE Q7NT | 1 |
| 5 | 561261 | SWING ARM CAP XTR | 1 |
| 6 | 481127 | CASTER PIN Q7NT | 1 |
| 7 | 500074 | CASTER PLT BTTM L BLK Q7NT | 1 |
| 8 | 321167, 321169 | SPRING TORSION Q7NT | 1 |

| ITEM | NUMBER | DESCRIPTION | QTY |
|------|-------------------|------------------------------------|-----|
| 9 | 321168 | SPRING .25 x 7/16 | 1 |
| 10 | 221300 | 10-32 x 1/2 SOC C/S BLK W/PATCH | 1 |
| 11 | 226116 | 10-32 x 1" SOC C/S BLK | 2 |
| 12 | 560178 | CASTER BUTTON Q7NT | 1 |
| 13 | 226074 | 1/4-20 x 1/2 SOC C/S | 2 |
| 14 | 226149 | 1/4-20 x 1 3/4 FH SOC C/S | 2 |
| 15 | 550419 | CASTER MOUNT CLAMP BLACK Q | 1 |
| 16 | 550420 | CASTER REC MOUNT BLACK QTN | 1 |
| 1-16 | 780134, 780135 | CSTR PLATE ASSM BLACK Q7NT (EA) | |

CASTER PLATE (QUICKIE REVOLUTION)



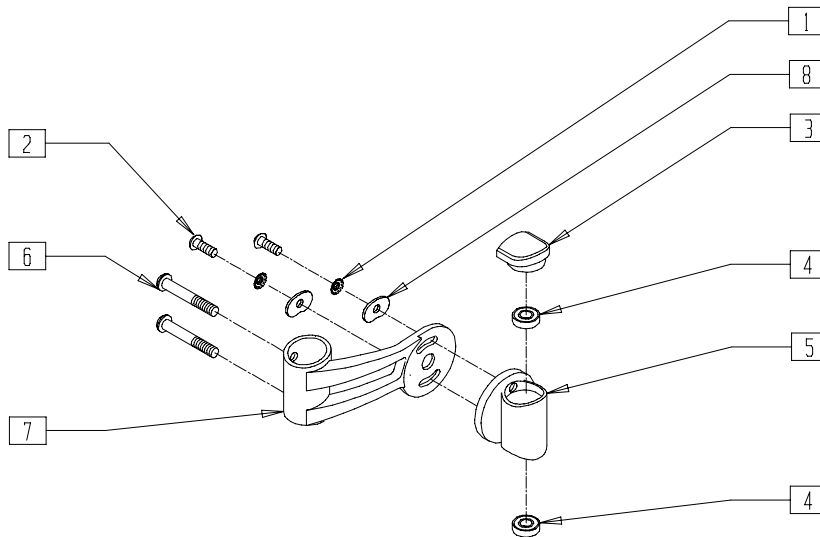
2D000X04

| ITEM | NUMBER | DESCRIPTION | QTY |
|------|--------|------------------------------|-----|
| 1,2* | 880554 | CASTER CAP W/O-RING ALUM CLR | |
| 2* | 342006 | CASTER CAP O-RING RUBBER | 1 |
| 3 | 201120 | 1/4-28 AUTOMATION NUT | 2 |
| 4 | 561070 | CASTER CAP PLASTIC (EA) | 1 |
| | 920028 | CASTER CAP PLASTIC (PR) | |
| 5 | 349500 | 1 1/8" x 1/2" BEARING | 2 |

| ITEM | NUMBER | DESCRIPTION | QTY |
|------|-------------------|--|-----|
| 7 | 481344 | 1/4-28 x 7/8 ECCENTRIC BOLT BLK | 2 |
| 5,6 | 780210, 780212 | CASTER PLATE DOUBLE BEARING BLK (EA) | |
| 3-7 | 780230, 780231 | CASTER PLATE ASSEMBLY BEARING RV (EA) | |

* USED ON CHAIRS PRIOR TO 4/99

CASTER PLATE (QUICKIE XTR)

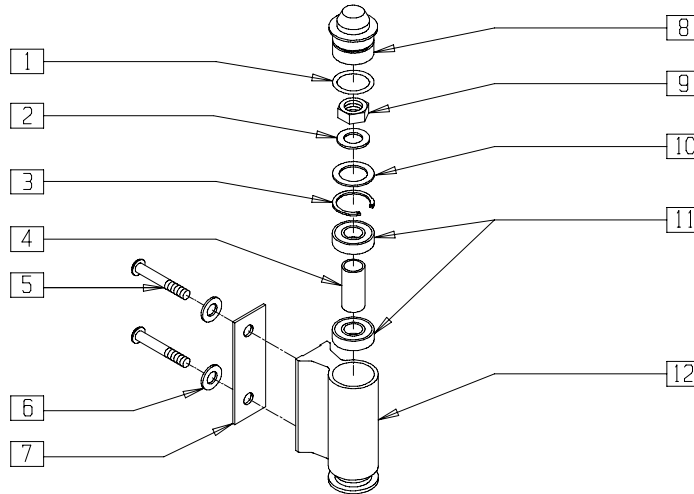


SUS00X28

| ITEM | NUMBER | DESCRIPTION | QTY |
|------|--------|-------------------------------|-----|
| 1 | 261535 | 1/4" WASHER STAR EXTERNAL | 2 |
| 2 | 226154 | 1/4-20 x 1/2 BH C/S W/PATCH | 2 |
| 3 | 561260 | PLASTIC CASTER CAP | 1 |
| 4 | 349500 | 1 1/8 x 1/2 BEARING | 2 |
| 6 | 226079 | 1/4-20 x 1 1/2 BH C/S W/PATCH | 2 |

| ITEM | NUMBER | DESCRIPTION | QTY |
|--------|-------------------|----------------------------------|-----|
| 7 | 506105, 506106 | CASTER HOUSING ARM R XTR (EA) | 1 |
| 8 | 481655 | CASTER HOUSING WASHER XTR | 2 |
| 4,5 | 780010 | CASTER PLATE W/BEARINGS XTR | |
| 1-8 | 780232 | CASTER FLANGE ASSEMBLY R XTR | |
| 1-7A,8 | 780233 | CASTER FLANGE ASSEMBLY L XTR | |

SWING-AWAY CASTER PLATE (QUICKIE T45)



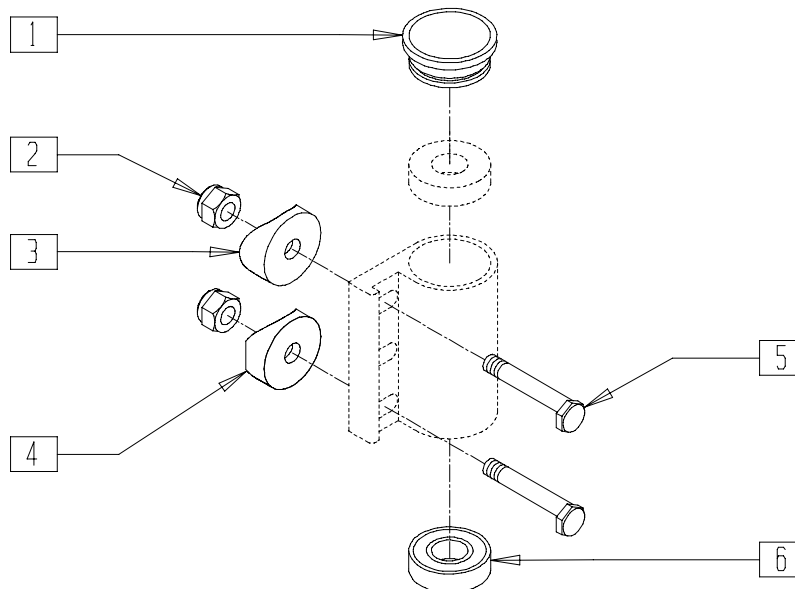
TSR00X27

| ITEM | NUMBER | DESCRIPTION | QTY |
|------|--------|------------------------------|-----|
| 1 | 342006 | CASTER CAP O-RING RUBBER | 1 |
| 2 | 264100 | 1/2 AN WASHER FLAT | 1 |
| 3 | 342019 | 1 1/8 OD SNAP RING | 1 |
| 4 | 521564 | MAG BEARING SPACER | 1 |
| 5 | 226190 | 5/16-18 x 1 3/4 BH C/S SHLDR | 2 |
| 6 | 263100 | 5/16 AN WASHER FLAT | 2 |
| 7 | 505296 | CASTER SPACER T45 | 1 |

| ITEM | NUMBER | DESCRIPTION | QTY |
|----------|--------|---------------------------------|-----|
| 8 | 561371 | CASTER CAP P2 | 1 |
| 9 | 203100 | 1/2-20 NYLOCK NUT | 1 |
| 10 | 180065 | ANTI-FLUTTER WASHER P2 | 1 |
| 11 | 349500 | 1 1/8 x 1/2 BEARING | 2 |
| 12 | 501515 | CASTER HOUSING ONLY T45 | 1 |
| 1.8 | 880589 | CASTER CAP W/O-RING P2 | |
| 1-5,8-12 | 920198 | CASTER ASSM W/HARDWARE T45 (EA) | |

CASTER PLATE (BREEZY 510/510 RECLINER/2)

(Discontinued 9/99 - parts only)

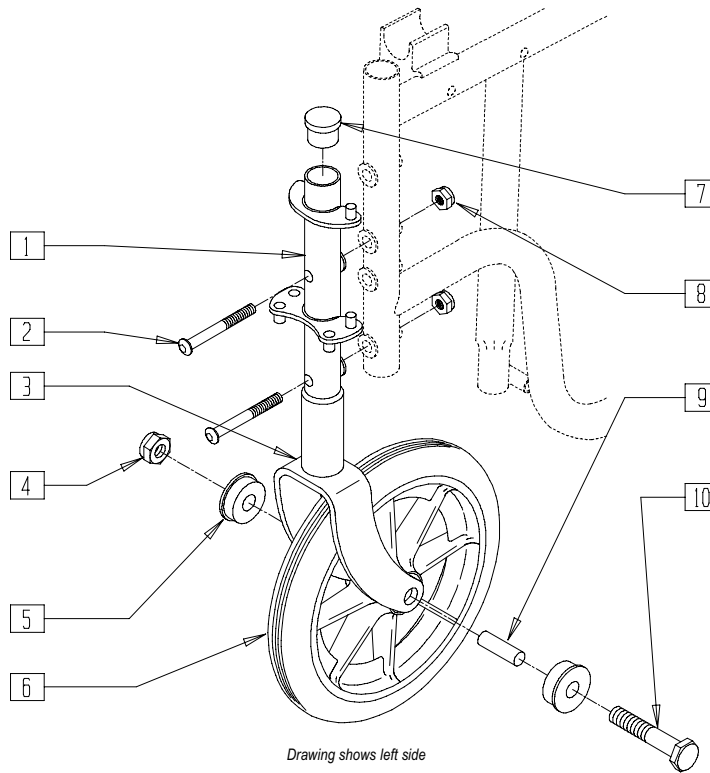


BZ00X14A

| ITEM | NUMBER | DESCRIPTION | QTY |
|------|--------|-----------------------|-----|
| 1 | 561070 | CASTER CAP PLASTIC | 1 |
| 2 | 201120 | 1/4-28 AUTOMATION NUT | 2 |
| 3 | 561004 | 1" SADDLE 1/4" HOLE | 1 |

| ITEM | NUMBER | DESCRIPTION | QTY |
|------|--------|-------------------------------|-----|
| 4 | 561086 | 1" HALF SADDLE 1/4" HOLE | 1 |
| 5 | 481017 | 1/4-28 x 1.688 ECCENTRIC BOLT | 2 |
| 6 | 349500 | BEARING 1 1/8" x 1/2" BR | 1 |

BOLT-ON FRONT END AND CASTER ASSEMBLY (BREEZY 100)



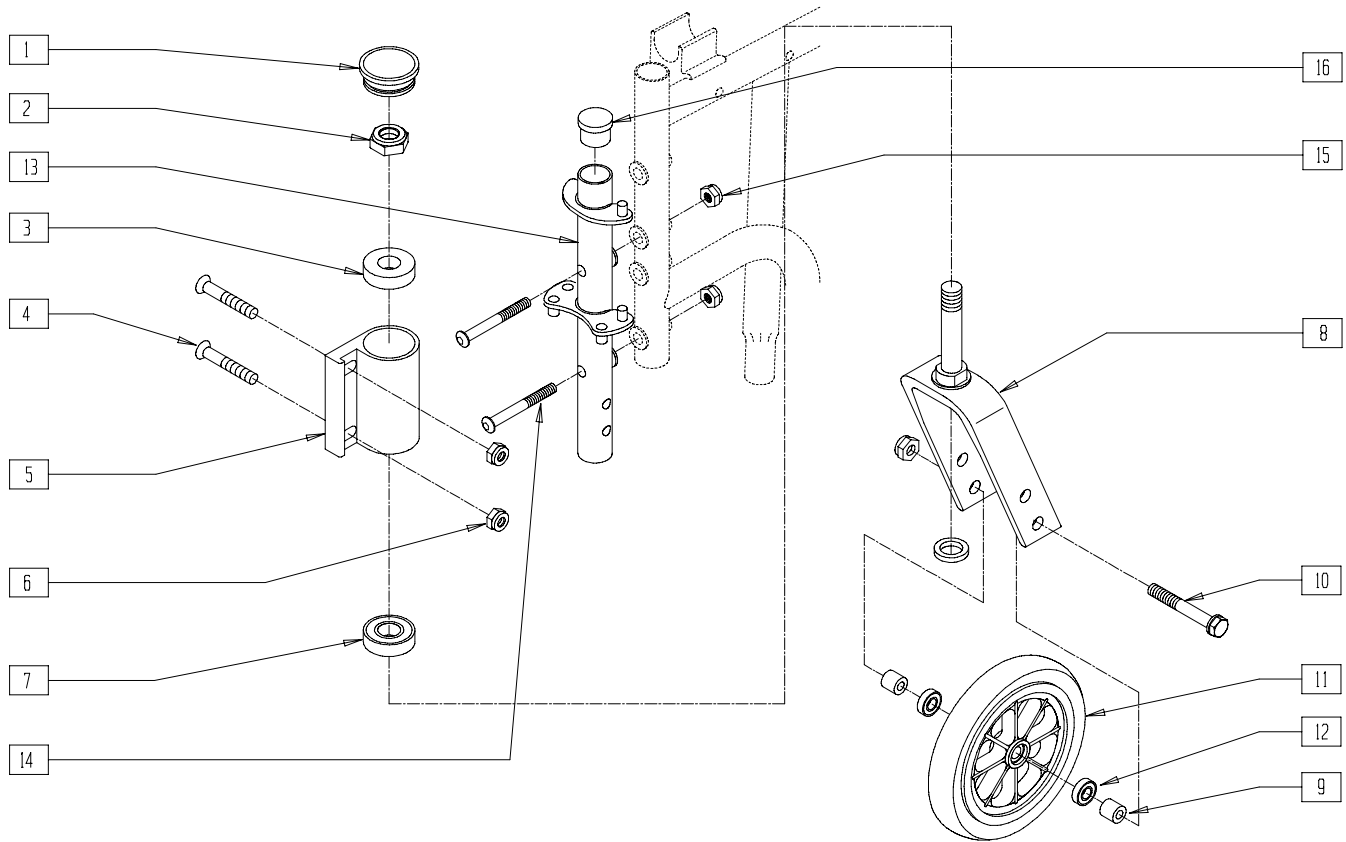
Drawing shows left side

BRZ10X05

| ITEM | NUMBER | DESCRIPTION | QTY |
|----------|-----------|---------------------------------------|-----|
| 4-6,9,10 | 222-0637 | 8" CASTER W/BEARINGS AND HDWR | 1 |
| 1-3,7,8 | 222-0614L | BOLT ON FRNT END W/FRK L (BZ100) (EA) | 1 |
| | 222-0614R | BOLT ON FRNT END W/FRK R (BZ100) (EA) | |

| ITEM | NUMBER | DESCRIPTION | QTY |
|------|-----------|--|-----|
| 1-10 | 222-0533L | BOLT ON FRNT END W/CSTR L (BZ100) (EA) | 1 |
| | 222-0533R | BOLT ON FRNT END W/CSTR R BZ100) (EA) | |

BOLT-ON FRONT END AND CASTER ASSEMBLY (BREEZY 150)



BZ150X02

| ITEM | NUMBER | DESCRIPTION | QTY |
|-------|-----------|--------------------------------------|-----|
| 1 | 222-0785 | CASTER STEM CAP | 1 |
| 8 | 222-0780 | 8" WHEEL CASTER FORK W/STEM | 1 |
| 13 | 222-0777L | BOLT ON FRNT END W/FRK L (BZ150)(EA) | 1 |
| | 222-0777R | BOLT ON FRNT END W/FRK R (BZ150)(EA) | |
| 3,7 | 222-0782 | CASTER STEM BEARINGS | 2 |
| 10-12 | 222-0784 | 8" WHEEL W/CASTER BEARINGS | 1 |

| ITEM | NUMBER | DESCRIPTION | QTY |
|---------|-----------|---------------------------------------|-----|
| 8,13-16 | 222-0778L | BOLT ON FRNT END W/FRK L (BZ150)(EA) | 1 |
| | 222-0778R | BOLT ON FRNT END W/FRK R (BZ150)(EA) | |
| 1-16 | 222-0779L | BOLT ON FRNT END W/CSTR L (BZ150)(EA) | 1 |
| | 222-0779R | BOLT ON FRNT END W/CSTR R (BZ150)(EA) | |
| 1-7 | 222-0781L | CASTER PLATE AND MOUNT HDWR L | 1 |
| | 222-0781R | CASTER PLATE AND MOUNT HDWR R | |