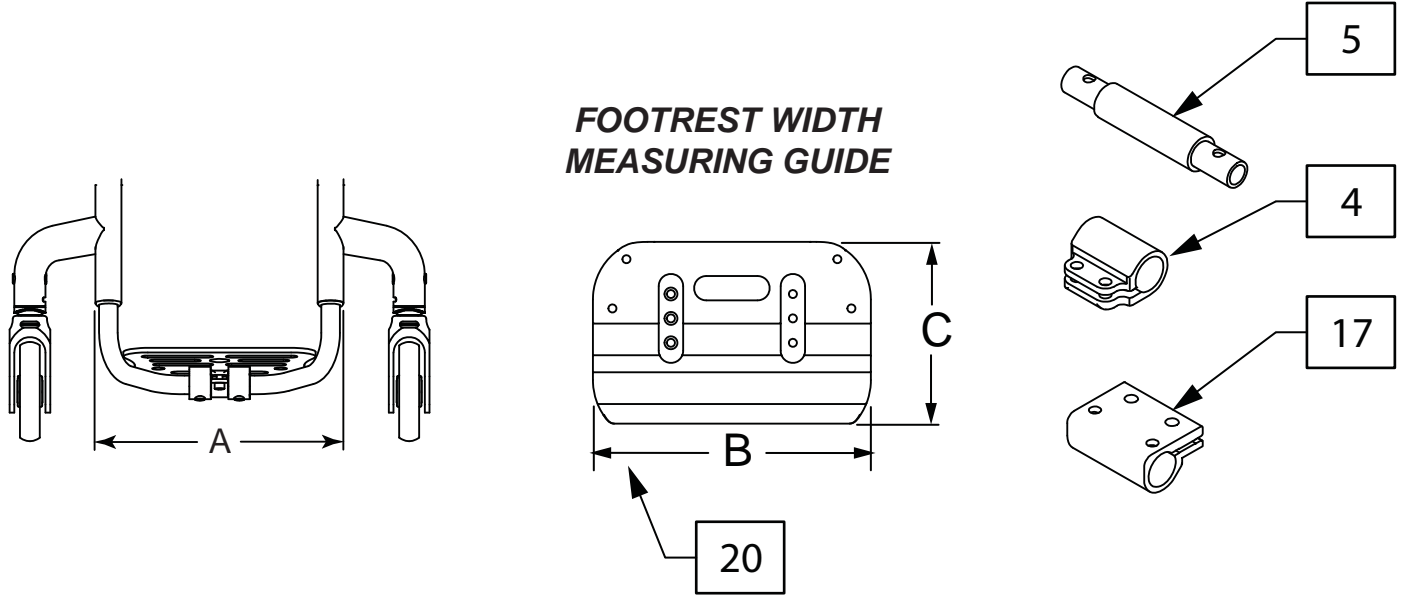
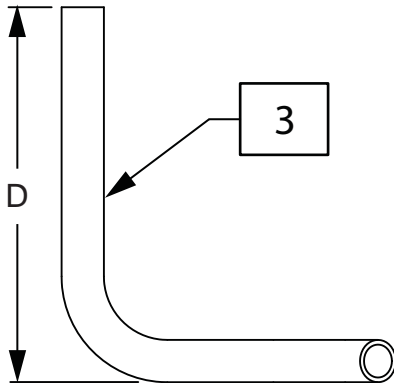


Carbon Fiber Adaptive Footrest



DIM "A"	DIM "B"	DIM "C"	ITEM 6	ITEM 3 RIGHT		ITEM 3 LEFT		ITEM 4	TOP ITEM 5	BOTTOM ITEM 5	ITEM 17
				STD	LONG	STD	LONG				
8"			118891	116151	116153	116152	116154	128880	113473	113472	128882
9"			118892	116151	116153	116152	116154	128880	113473	113473	128882
10"			118893	116148	116150	116147	116149	128880	113473	113472	128882
11"			118894	116148	116150	116147	116149	128880	113473	113473	128882
12"	7 1/2"	5 7/8"	118895	116148	116150	116147	116149	128880	113474	113474	128882
13"	7 1/2"	5 7/8"	118896	116148	116150	116147	116149	128881	113475	113475	550531
14"	9"	5 7/8"	118897	116148	116150	116147	116149	128881	113476	113476	550531
15"	9"	5 7/8"	118898	116148	116150	116147	116149	128881	113477	113477	550531
16"	9"	5 7/8"	118899	116148	116150	116147	116149	128881	113478	113478	550531
17"	10 1/2"	5 7/8"	118900	116148	116150	116147	116149	128881	113479	113479	550531
18"	10 1/2"	5 7/8"	118901	116148	116150	116147	116149	128881	113480	113480	550531

FOOTREST TUBE MEASURING GUIDE



FLARED FORMULA:
 $(\text{seat width}) + 2" = (\text{footrest width})$

INSET FORMULA:
 0" inset: $(\text{seat width}) = (\text{footrest width})$
 1" inset: $(\text{seat width}) - 2" = (\text{footrest width})$
 2" inset: $(\text{seat width}) - 4" = (\text{footrest width})$

	DIM "D"
STD	6 5/8
LONG	8 7/8