

## Top Quick-Release Quarter Turn Bracket (2681C)

The 2681C is used as the top Quick-Release Quarter Turn Bracket hardware for all J2 series Backs, the Jay Care Back and the Modular Back mounted to chairs with a backcane diameter range of 1.00" to 1.25" (2.5cm to 3.2cm).

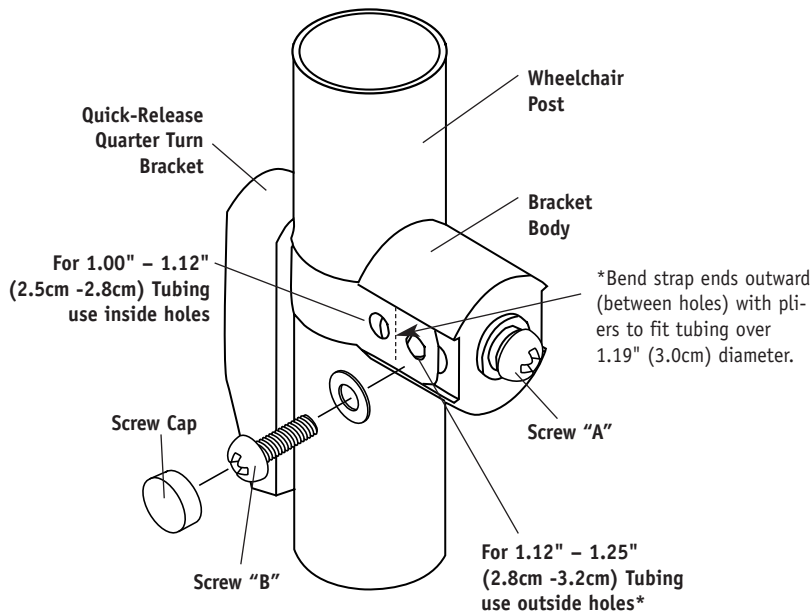
**Tools required: #2 Phillips head screwdriver**

1. Attach one top quick-release quarter turn bracket to each upright post of the wheelchair.
  - a) The top quick-release quarter turn bracket is designed to fit on 1.00" to 1.25" (2.5cm to 3.2cm) diameter back post tubing. (*The bracket comes assembled to attach to 1.00" to 1.12" {2.5cm to 2.8cm} tubing.*) Check diagram 1 to determine which strap hole is appropriate for the installation. Wrap the strap around the wheelchair post. Screw "A" may have to be loosened to align the strap hole with the barrel nut located inside the bracket body. Place a washer on screw "B" and insert the screw through the appropriate hole in the strap.
  - b) Tighten screw "B" into the barrel nut through the side of the bracket body. Tighten the opposite screw if necessary.
  - c) Snap the screw caps over both screw heads.
  - d) To adjust the height of the bracket, loosen screw "A" until the bracket slides freely on the back post. Once the proper height of the back is determined, tighten the screw. All future adjustments of the back height are done with screw "A".
  - e) Always turn the quick-release quarter turn bracket to the "DOWN" position (diagram 2) to secure the top hook in place.

**NOTE-** The back is properly secured when the bottom pins are resting in the lower post brackets and the upper quick-release quarter turn brackets are installed above the back support's top hook brackets with the quick-release mechanism pointing down.

**CAUTION-** The top quick-release quarter turn brackets must be in their downward position when the back is in use. Improper use may cause the back to unexpectedly detach from the wheelchair.

**Diagram 1**



**Diagram 2**

