



# GAS SPRING INSTALLATION INSTRUCTIONS



Please read these instructions carefully before beginning the installation. Failure to understand and follow installation instructions may result in injury to installer and/or end user and may void the warranty. If you have any questions call Sunrise Medical Technical support at 800-333-4000

### Parts for installing this Gas Spring kit.

- |                               |                              |
|-------------------------------|------------------------------|
| 1. 1x Gas Spring              | 6. 1x M8 Brass tip set screw |
| 2. 1x Shoulder bolt           | 7. 1x M10 jam nut            |
| 3. 1x M4,M8 Socket head screw | 8. 5x 1gm packet Anti-Seize  |
| 4. 1x Anti-pitch insert       | 9. 1x Spring                 |
| 5. 1x Rear bumper             | 10. 1x Brass pad             |

### Tools needed:

1. Hex Key Set (2.5, 3, 4, 5 and 6mm)
2. 5/8 in socket
3. Wrench block assembly (included in Kit)

This instruction will take you thru the step by step process of installing a new Gas Spring onto one side of your QM-7 series base. QM-710 after SN M710A-116576, QM-715 after SN M715A-111727, and QM720 after M720A-125389.

### REMOVING THE ORIGINAL GAS SPRING 1 2 3

1. Remove the 3 lugs holding the drive wheel using a 5/8" Socket (A).
2. Using a 10mm wrench or socket, Remove the 6 screws (B) holding the motor to the motor mount assembly.
3. Remove the screw and rubber bumper (C) using 6mm hex key
4. Remove the set screw (F) using a 4mm hex key
5. Remove the shoulder bolt (D) using a 5mm hex key.

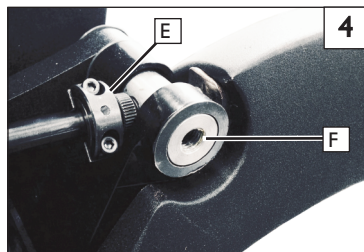
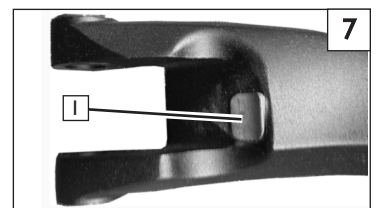
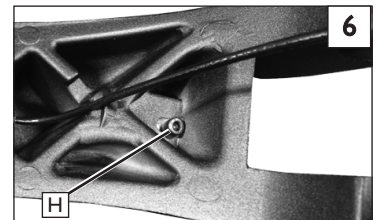
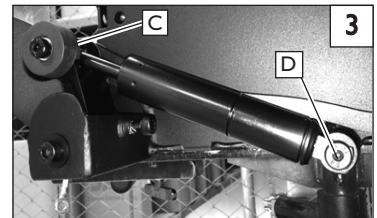
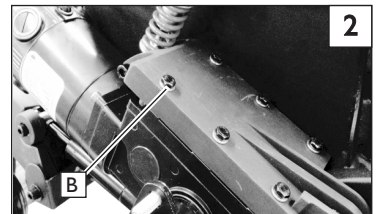
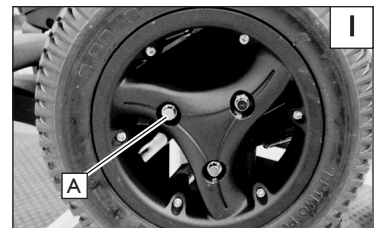
The Gas Spring Shaft can be unscrewed using the wrench block assembly 4 5

1. Be sure to clean all dirt and grease from the Gas Spring Shaft
2. Using the 2.5mm hex key provided in your kit, Install the wrench block assembly (E) at the top of the Gas Spring Shaft (as shown).

**NOTE**—Tighten the wrench block assembly onto the shaft by alternating between the two screws so that the clamp tightens evenly around the shaft.

3. Insert the allen key(G) provided, you can remove or install the Gas Spring Shaft 1/3 turn at a time.

**WARNING**—DO NOT use Vise Grips or pliers to remove the Gas Spring. For the Gas Spring to work as intended, it must be scratch free.



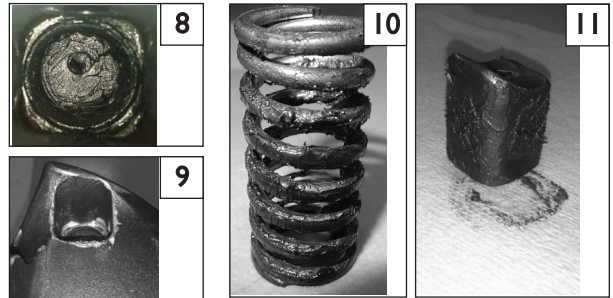
### REMOVING THE BRASS PAD 6 7

**NOTE**—The brass pad has a spring behind it. It needs to be held as you perform step 1 below so that it doesn't fly out of the caster arm.

1. Using a 3mm hex key on the underside of the caster arm (figure 6) remove the attachment screw and sleeve(H) to release the brass pad.
2. Remove the brass pad ( I ) and spring from the housing (figure 7) and clean out any Anti-seize that is left in the cavity.

**INSTALLATION OF THE BRASS PAD** 8 9 10 11

1. Coat the inside of the spring pocket (K)(Figure 8) with 1 gram of anti-seize, the brass pad pocket(K)(figure 9) with .5 grams, the spring(J)(figure 10) with 2 grams, and the brass pad(A)(figure 11) with 1 gram. Each packet contains 1 gram of anti-seize.
2. Insert the spring(J) into the spring pocket, followed by the brass pad. compress the brass pad against the spring and install the allen screw with sleeve (B) and tighten to approximately 60in-lbs with a 3mm hex key.

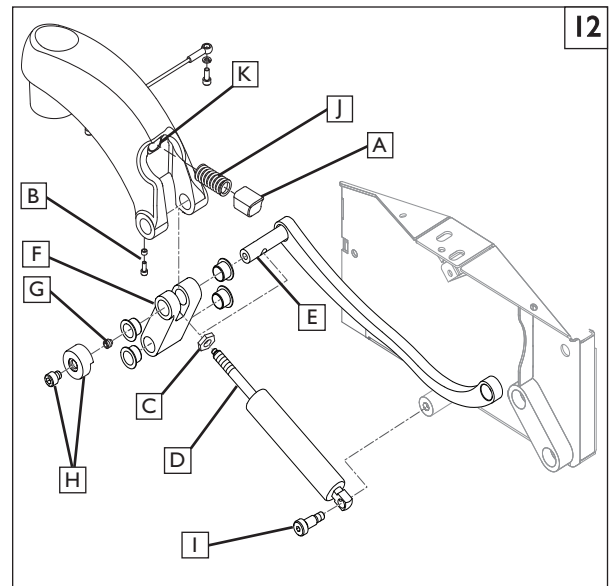


**INSTALL THE GAS SPRING** 12 13

**NOTE**—Use the wrench block assembly provided with your kit to install the gas spring shaft. Start threading the shaft by hand until you are sure that it won't cross-thread during installation.

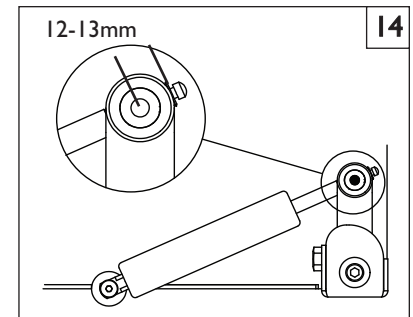
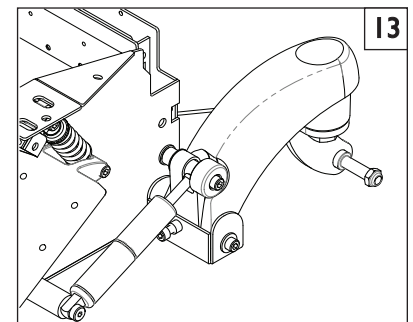
**WARNING**—DO NOT use Vise Grips or pliers to install the Gas Spring. For the Gas Spring to function, it must be scratch free.

1. Install the Jam nut (C) on the end of the gas spring shaft (D) and thread it all of the way down the shaft.
2. Make sure the shaft receiver(E) is inserted into the clevis(F) and attach the wrench block assembly to the new gas spring shaft (see figures 4 & 5). Thread the gas spring shaft into the shaft receiver(E) until the jam nut is snug against the shaft receiver. The end of the shaft should be approximately 12-13mm from the center of the shaft receiver.
3. Using a 5mm hex key Install the shoulder bolt(I) thru the bottom of the gas spring and into the baseframe of the power chair. Tighten to a torque of 120 in-lbs, or 13 nm.
4. Using a 4mm hex key Install the set screw(G), and tighten to a torque of 120in-lbs, or 13nm.
5. Using a 6mm hex key install the rubber bumper and screw (H), and tighten to a torque of 120in-lbs or 13nm.



**C. CHECKOUT** 13 14

1. **Double-check function and correct Torque on all Hardware.**
  - a. Test the caster arm function by gripping the front and rear caster arms and cycling them up and down. Verify that both sides function the same. This process requires a large amount of force to test.
  - b. Using a torque wrench and socket wrench to check all hardware for correct torque and tightness.
  - c. Make sure the jam nut(C) is tight, and verify the shaft dimension shown in (figure 14)
  - d. Reinstall the drive wheel, torque lugs to 25 ft-lbs.



**DEALER/TECHNICIAN WARNING**



**WARNING**  
Attention dealers and qualified technicians, do not operate or service this device without first reading the owners manual. If you do not understand the instructions and warnings in the owners manual please contact the Quickie Technical Service Department before operating and/or servicing the Quickie device. Failure to do so may result in damage and/or injury.

Sunrise Medical • 2842 Business Park Ave. • Fresno, CA 93727 • USA  
In Canada (800) 263-3390