

Accessories

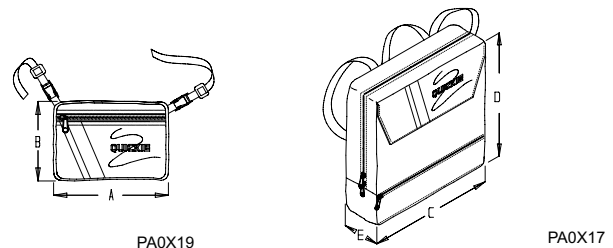
IN THIS SECTION

Backpacks and Seat Pouches	23.1	Quickie Plastic Side Guard	23.13
Basketball Roller		Plastic Side Guard (Quickie ST/DT) (Disc.)	23.14
(Quickie 1/GP/GPV/GPV Titanium/R2).....	23.1	Plastic Side Guard (Quickie Heat/ST/DT)	23.15
Platform Footplate Basketball Roller		Plastic Side Guard (Quickie XTR/GT)	23.15
(Quickie GPS/TNT(Disc.)/Triumph(Disc.)/XTR).....	23.2	Plastic Side Guard (Quickie TNT) (Disc.).....	23.16
Battery and Vent Tray (Quickie T45)	23.3	Aluminum Folding Side Guard	
Quickie Caddy	23.4	(Quickie GPS) (Disc.)	23.16
Crutch Holder (Quickie Chameleon/ Rx,Breezy 2		Aluminum Side Guard (Quickie Revolution).....	23.17
(Disc.)/510/600, Zippie/TS).....	23.4	Aluminum Side Guard (Quickie Triumph) (Disc.) .	23.17
Impact Guard (Plastic) (Disc.).....	23.5	Plastic Side Guard (Quickie R2).....	23.18
Impact Guards (Neoprene)		Fabric Side Guard	
(Quickie GPS/R2/TNT/Triumph/XTR)	23.5	(Quickie 1/Carbon/GPS/R2/Revolution/TNT/	
Oxygen Tank Holder (Breezy 500/510)	23.6	Triumph/GT).....	23.18
Oxygen Tank, IV, and Extension Pole		Fabric Side Guard	
(Breezy 100/150)	23.7	(Quickie Rx/II/XTR).....	23.19
Combination O2 Holder IV Pole and O2 Tank Holder		Fabric Side Guard	
(Chameleon/Chameleon HD)	23.8	(Quickie EX/Revolution).....	23.19
Stump Pad Assembly		Spoke Guard	23.20
(Chameleon/Chameleon HD)	23.8	Spoke Guard (Sport).....	23.21
Leg Straps.....	23.9	Spoke Guard Reference Guide (Sport)	23.21
Parts Replacement Kit.....	23.9	Calf Pad (Breezy 100/150)	23.22
Anti-fold Assembly (Breezy 100)	23.10	Chart Pocket (Breezy 100/150)	23.22
Positioning Belt Mount	23.10	Tool Kit	23.22
Positioning Belts	23.11	Touch-up Paint.....	23.22
Padded Double Pull Hip Belts.....	23.11	Tool Kit (Quickie Chameleon)	23.23
Aircraft Buckle Positioning Belts	23.12	Catch Alls.....	23.23
Pivot Point Adjustment Kit (Breezy 510 Recliner)	23.13		

BACKPACKS AND SEAT POUCHES



MEASURING GUIDE



SEAT POUCH	
A	B
8"	6"

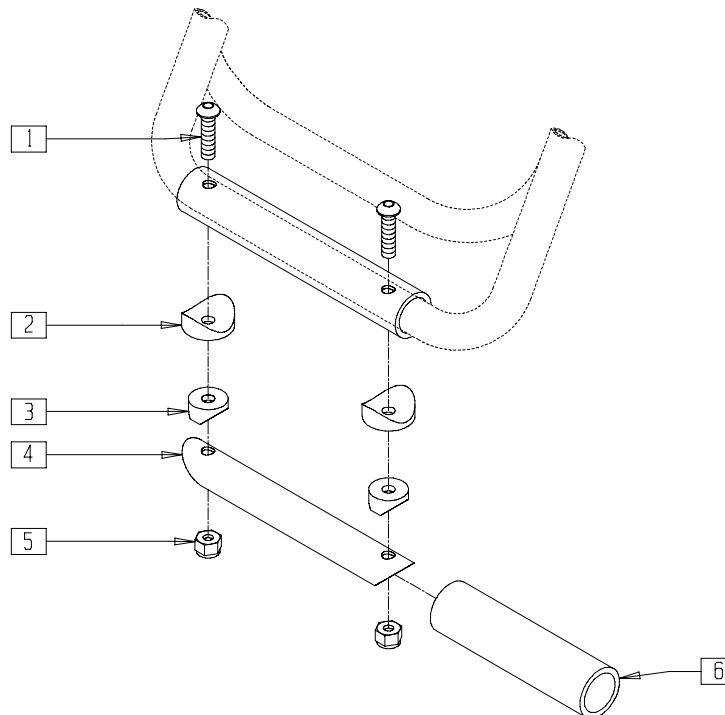
STANDARD BACKPACK			
	C	D	E
KIDS	12"	12"	4"
ADULT	13 1/2"	13 1/2"	4"

ITEM	NUMBER	DESCRIPTION	QTY
1	750115	BACKPACK QUICKIE	1

ITEM	NUMBER	DESCRIPTION	QTY
2	750304	SEAT POUCH BLACK/CHARCOAL	1
	750307	SEAT POUCH QUICKIE	1
3	750121	BACK PACK BLACK/CHARCOAL KIDS	

NOTE: KIDS BACKPACKS DO NOT HAVE ADJUSTABLE STRAPS WITH BUCKLES.

BASKETBALL ROLLER (QUICKIE 1/GP/R2)



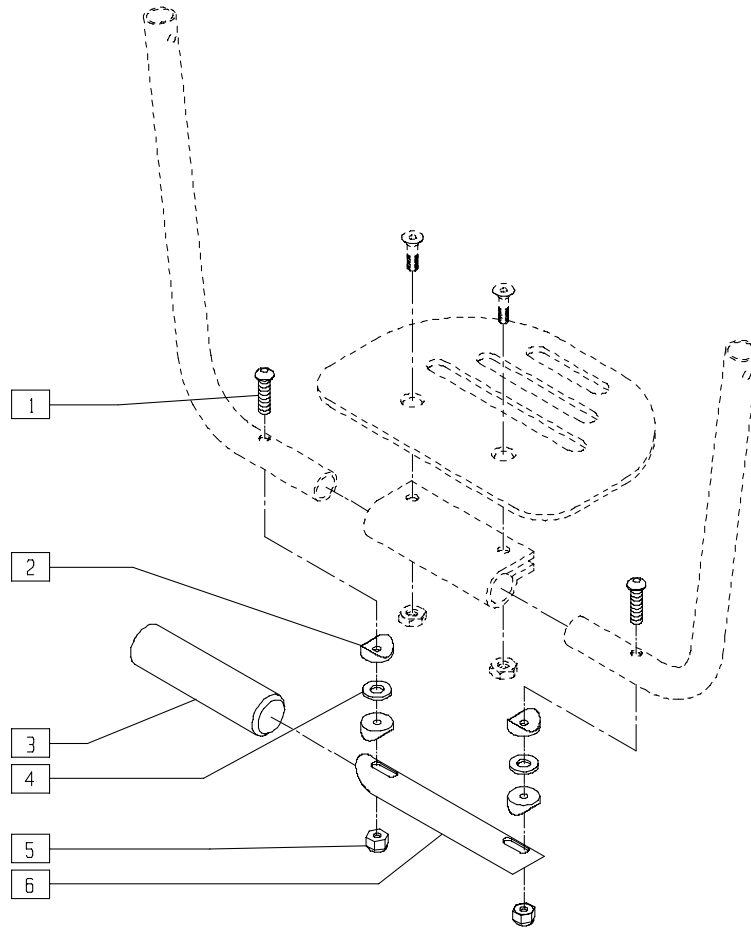
AC0X03

ITEM	NUMBER	DESCRIPTION	QTY
1	226130	1/4-28 x 1 1/2 BH C/S	2
2	561004	1" SADDLE 1/4" HOLE	2
3	561003	3/4" SADDLE THIN	2
4	521520	BB ROLLER ALUMINUM TUBE	1

ITEM	NUMBER	DESCRIPTION	QTY
5	201110-QU	1/4-28 NYLOCK NUT	2
6	580100	BB ROLLER PLASTIC TUBE	1
1-6	900100	BASKETBALL ROLLER Q1	

PLATFORM FOOTPLATE BASKETBALL ROLLER QUICKIE GPS/TNT/TRIUMPH/XTR)

(Quickie GPS, TNT and Triumph discontinued 2/01-Parts only)

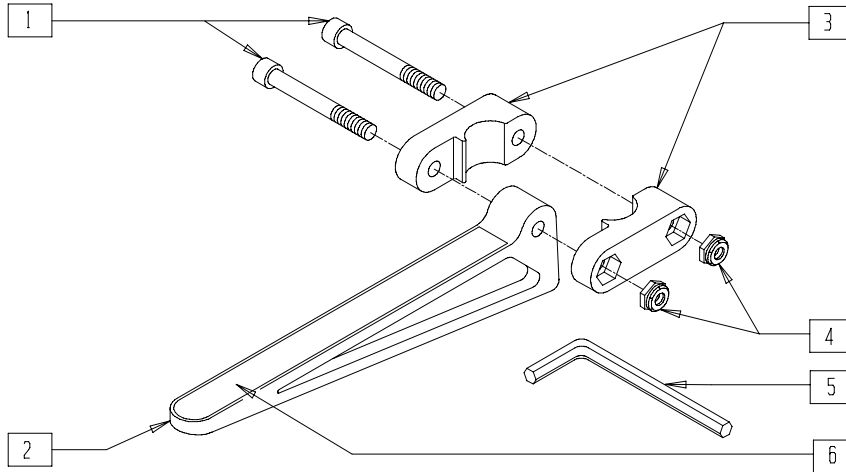


AC0X03A

ITEM	NUMBER	DESCRIPTION	QTY
1	226130	1/4-28 x 1 1/2 BH C/S	2
2	561003	3/4" SADDLE THIN	4
3	580100	BB ROLLER PLASTIC TUBE	1
4	561026	3/4" WASHER 1/4" HOLE	2

ITEM	NUMBER	DESCRIPTION	QTY
5	201110-QU	1/4-28 NYLOCK NUT	2
6	521520	BB ROLLER ALUMINUM TUBE	1
1-6	900099	BASKETBALL ROLLER PLATFORM FT PLT	

QUICKIE CADDY



AC0X016

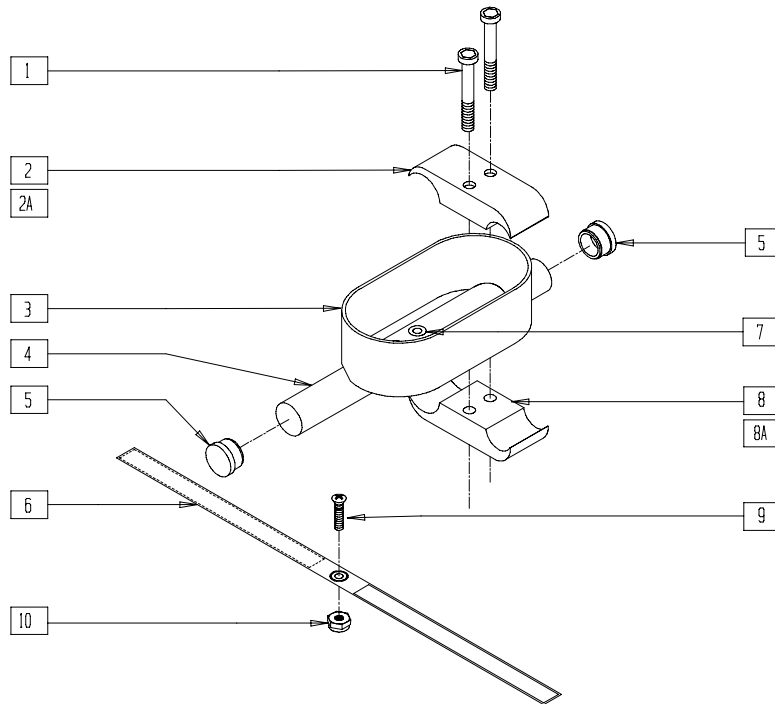
ITEM	NUMBER	DESCRIPTION	QTY
1	226128	1/4-28 x 1 1/4 SOC C/S	2
2	561105	CADDY ARM	1
3	561104	CADDY CLAMP	2
4	201100-QU	1/4-28 NYLOCK NUT THIN	2

ITEM	NUMBER	DESCRIPTION	QTY
5	349998	3/16" ALLEN WRENCH	1
6	580050	CADDY TAPE	1
1-6	902350	QUICKIE CADDY (PR)	

CRUTCH HOLDER

(QUICKIE CHAMELEON/Rx, BREEZY 2/510, ZIPPIE/TS)

(Breezy 2 discontinued 5/98 - parts only)

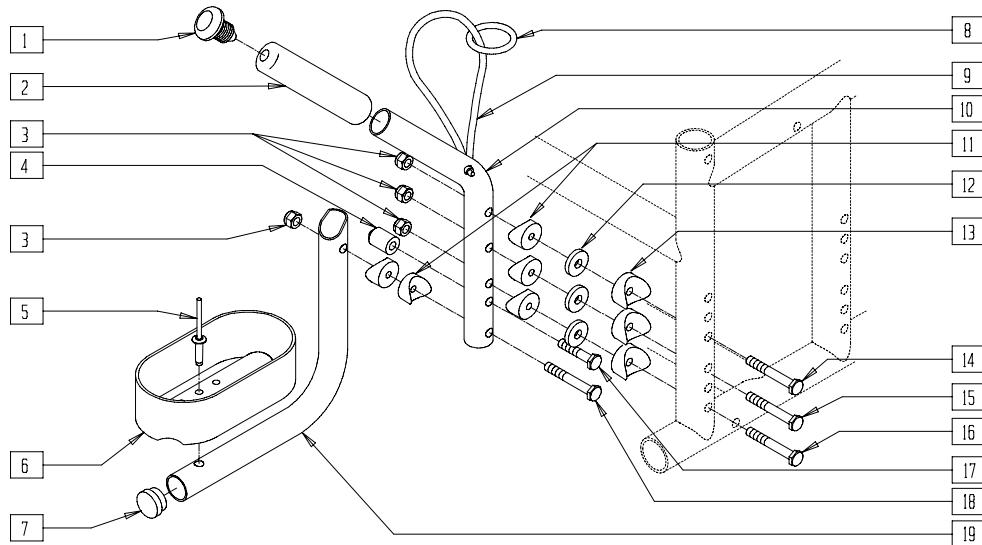


AC0X06

ITEM	NUMBER	DESCRIPTION	QTY
1	226112	1/4-28 x 1 SOC C/S BLK	2
2	550277	CLAMP 2 1/4" RECESS CLR	1
2A	550287	CLAMP 1 1/8" - 3/4" W/RECESS	1
3	562501	CRUTCH HOLDER CUP	1
4	521101	CRUTCH HOLDER SUPPORT TUBE F	1
5	561000-QU	3/4" INSERT PLUG .083	2
6	750495	CRUTCH HOLDER STRAP F	1
7	240108	RIVET POP SSD64SSBS	1
8	550276	CLAMP 2 1/4" THREADED CLR	1

ITEM	NUMBER	DESCRIPTION	QTY
8A	550288	CLAMP 1 1/8" - 3/4" THREADED	1
9	281110	10-32 x 1/2 PAN PHIL	1
10	200100-QU	10-32 NYLOCK NUT	1
1-5,7,8	880802	CRUTCH HOLDER F	
1,2A,3-5,7,8A	880803	CRUTCH HOLDER CURVED REAR S/F	
1-10	901002	CRUTCH HOLDER ASSEMBLY F	
1,2A,3-7,8A,9,10	901004	CRUTCH HOLDER ASSEMBLY Q2 CURVED REAR	
1-8,8A	901005	CRUTCH HOLDER ASSEMBLY BRZ	

CRUTCH HOLDER (QUICKIE 1)



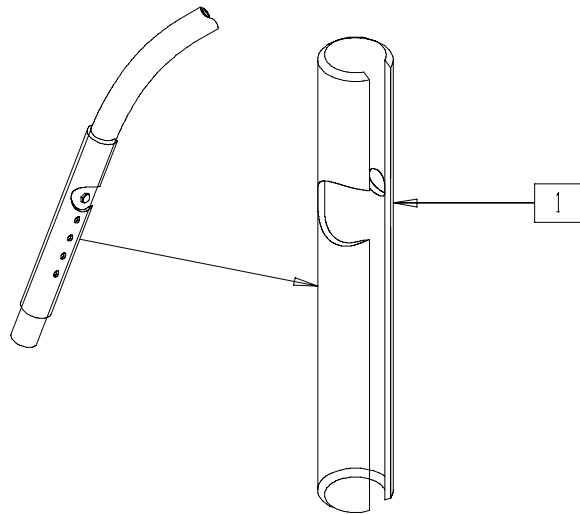
AC0X033

ITEM	NUMBER	DESCRIPTION	QTY
1	560997	3/4" PLUG RIBBED .083	1
2	560606	4 1/2 x .705 x .125 FOAM GRIP	1
3	201110-QU	1/4-28 NYLOCK NUT	3
4	482014	CRUTCH HOLDER STUD	1
5	240108	RIVET POP SSD64SSBS	1
6	562501	CRUTCH HOLDER CUP	1
7	561000-QU	3/4" INSERT PLUG .083	1
8	560225	1" PLASTIC O-RING	1
9	880558	CRUTCH HOLDER BUNGIE CORD	1
10	521500	CRUTCH HOLDER MAIN TUBE	1
11	561003	3/4" SADDLE THIN	5

ITEM	NUMBER	DESCRIPTION	QTY
12	561026	3/4" WASHER 1/4" HOLE	3
13	561004	1" SADDLE 1/4" HOLE	3
14	221201	1/4-28 x 3 G8 HEX C/S	1
15	221211	1/4-28 x 3 1/4 G8 HEX C/S	1
16	221193	1/4-28 x 2 3/4 G8 HEX C/S	1
17	221126	1/4-28 x 1 1/4 G8 HEX C/S	1
18	221192	1/4-28 x 2 G8 HEX C/S	1
19	521502	CRUTCH HOLDER CUP SUPPORT	1
1-19	901000, 901001	CRUTCH HOLDER SIDE	

IMPACT GUARD (PLASTIC)

(Discontinued - available with old style only)



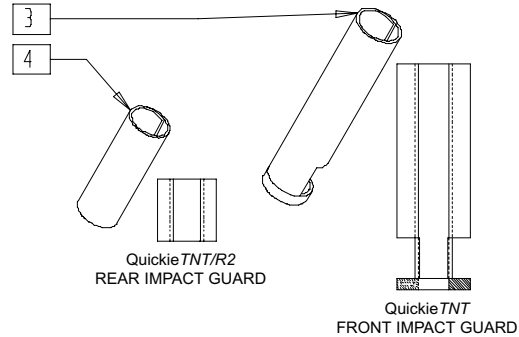
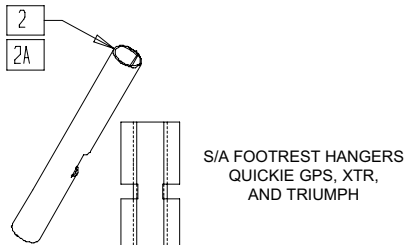
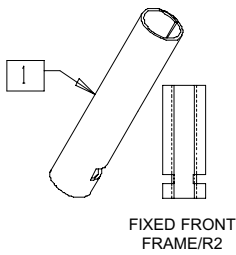
AC0X08

ITEM	NUMBER	DESCRIPTION	QTY
1	562200	IMPACT GUARD 9" CLEAR W/HOLE R (NON S/A)	1
	562202	IMPACT GUARD 9" CLEAR W/HOLE L (NON S/A)	
	562204	IMPACT GUARD 9" CLEAR W/O HOLE R (S/A)	

ITEM	NUMBER	DESCRIPTION	QTY
1	562206	IMPACT GUARD 9" CLEAR W/O HOLE L (S/A)	1
	900050	IMPACT GUARDS 9" CLEAR W/HOLE (NONE S/A) (PR)	
	900051	IMPACT GUARDS 9" W/O HOLE (S/A) (PR)	

IMPACT GUARDS (NEOPRENE) (QUICKIE GPS/R2/TNT/TRIUMPH/XTR)

(Quickie TNT, Triumph and GPS discontinued 2/01 - Parts only)



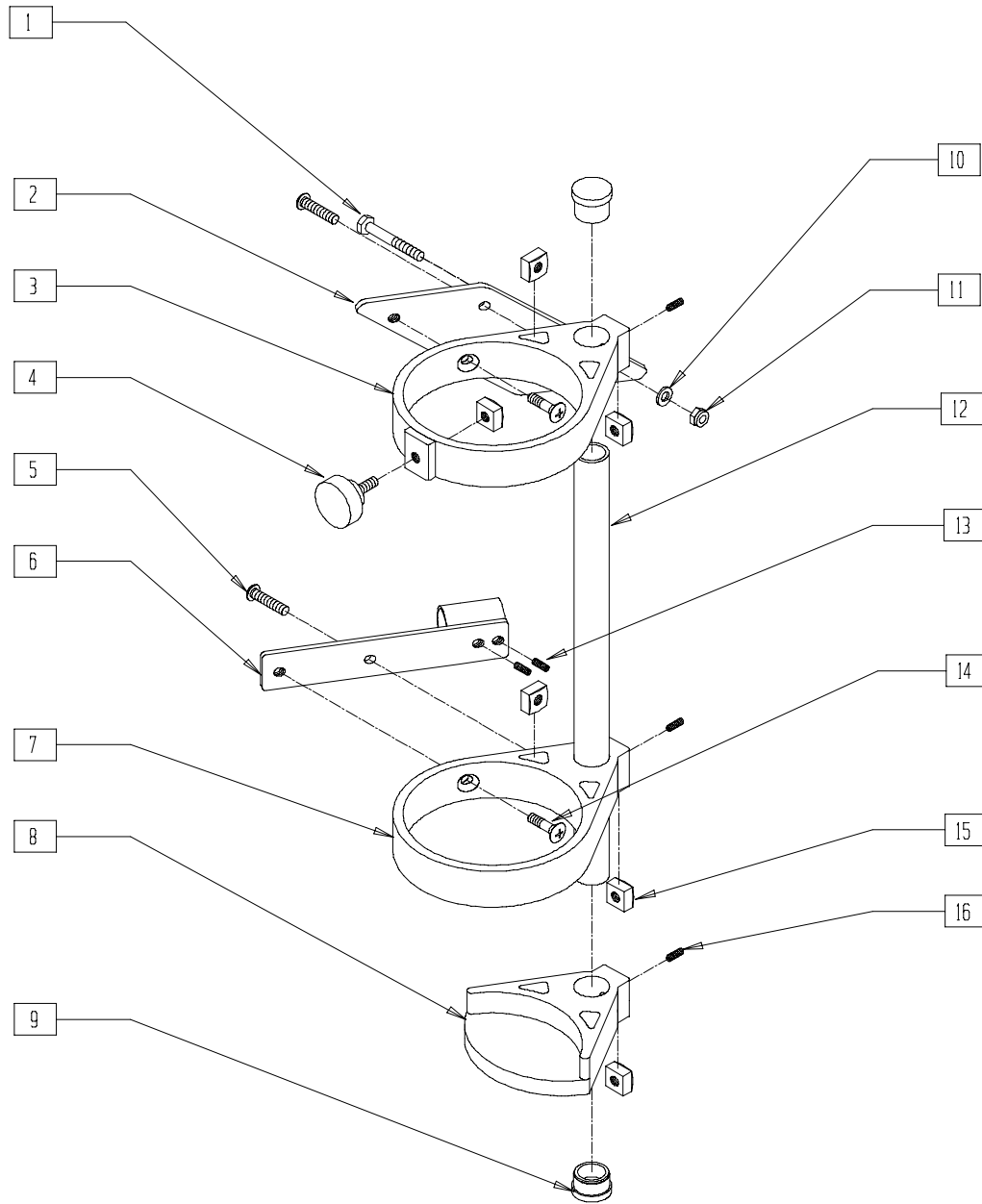
IG0X01A

ITEM	NUMBER	DESCRIPTION	QTY
1	750316	IMPACT GUARDS NEOPRENE FIXED (PR)	1
2	750317	IMPACT GUARDS NEOPRENE S/A AND GPS (PR)	1

ITEM	NUMBER	DESCRIPTION	QTY
2A	750319	IMPACT GUARDS NEOPRENE TRIUMPH (PR)	1
3	750352	IMPACT GUARD QTNT	1
4	750350	BACK FRAME GUARD QTNT	1

OXYGEN TANK HOLDER (BREEZY 500/510)

(Fits Breezy prior to S/N BZ-20000 and after S/N BZ-351000.)

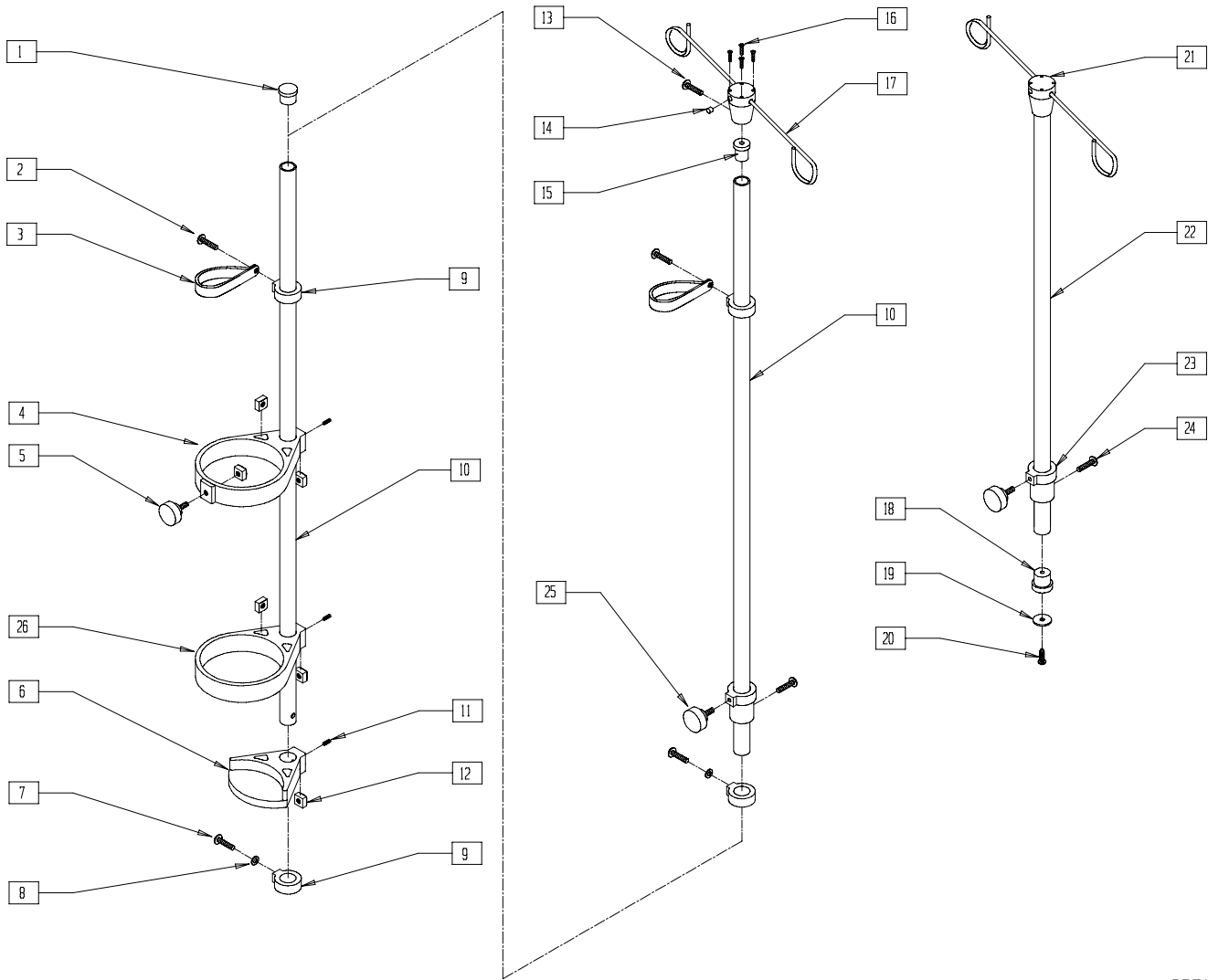


OXYHLDR4

ITEM	NUMBER	DESCRIPTION	QTY
1	221160	1/4-28 x 2 HEX C/S	1
2	505738	O2 UPPER SUPPORT BRACKET	1
3	561991	O2 UPPER TANK RING	1
4	349033	O2 KNOB 1/4-20 x 3/4	1
5	281186	1/4-20 x 3/4 TRUSS PHIL	2
6	505737	O2 LOWER SUPPORT BRACKET	1
7	561990	O2 LOWER TANK RING	1
8	561992	O2 TANK STOP	1
9	561029	7/8" INSERT PLUG O2	2

ITEM	NUMBER	DESCRIPTION	QTY
10	262100-QU	1/4 AN WASHER FLAT	1
11	201110	1/4-28 NYLOCK NUT	1
12	521102	O2 STRUT TUBE	1
13	225103	1/4-20 x 3/8 SET SCREW SS	2
14	226068	1/4-20 x .35 FLAT HEAD	2
15	201104	1/4-20 SQUARE NUT	6
16	225107	1/4-20 x 1 1/4 SET SCREW	3
1-16	880000	O2 TANK HOLDER ASSEMBLY	

OXYGEN TANK, IV, AND EXTENSION POLE (BREEZY 100/150)

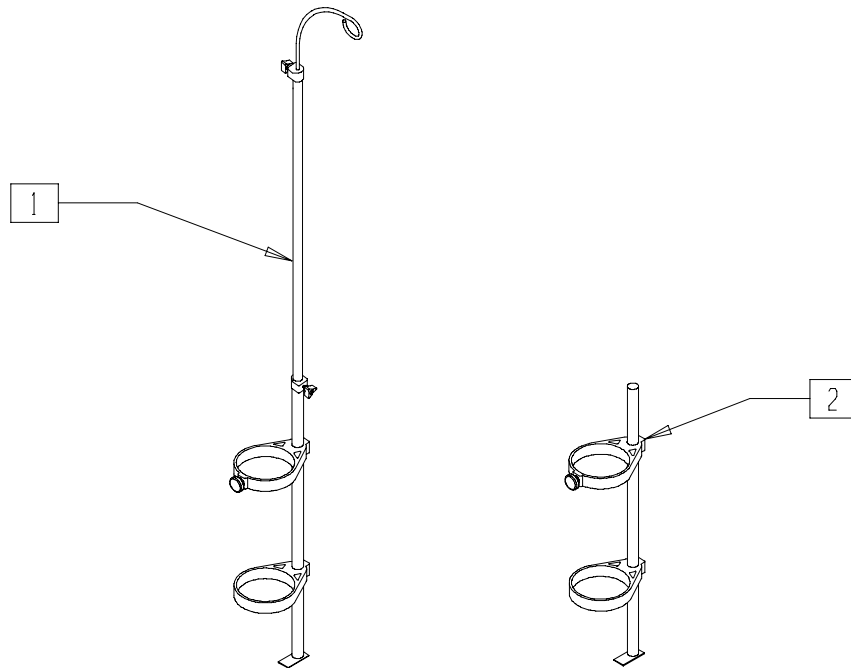


BRZ10X29

ITEM	NUMBER	DESCRIPTION	QTY
25	222-0760	IV POLE ADJUSTMENT COLLAR KNOB	1
1,10	222-0758	LOWER TANK TUBE/SHAFT	1
7-9	222-0752	LOWER CLAMP ASSEMBLY	1
2,3,9	222-0753	UPPER CLAMP ASSEMBLY	1
5,11,12,26	222-0754	UPPER OXYGEN TANK RING ASSEM	1
4,11,12	222-0755	LOWER OXYGEN TANK RING ASSEM	1
6,11,12	222-0756	OXYGEN RING FOOT MOUNT ASSEM	1
15,12	222-0757	UPPER RING LOCKING KNOB ASSEM	1
10,15, 18-20	222-0759	UPPER (IV POLE) TUBE/ SHAFT ASSEMBLY	1
5,23,24	222-0761	IV POLE ADJUSTMENT COLLAR ASSM	1

ITEM	NUMBER	DESCRIPTION	QTY
13,14,16, 17,21	222-0762	IV POLE HOOK ASSEMBLY	1
1-12	BZ102	O2 TANK HOLDER ASSEMBLY	1
2-13, 15-21, 23,26	BZ103	O2 TANK HOLDER W/IV POLE ASSEMBLY	1
2,3,7-10, 13-21, 23,24,25	BZ104	IV POLE ASSEMBLY	1
5,13-25	BZ105	IV POLE EXTENSION ASSEMBLY	1

COMBINATION O2 HOLDER IV POLE AND O2 TANK HOLDER (CHAMELEON/CHAMELEON HD)

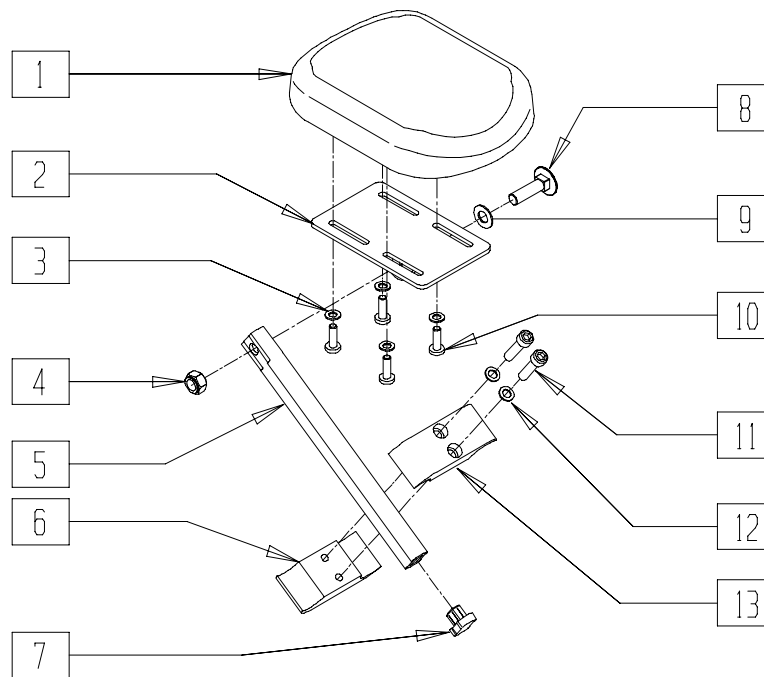


CHAM0X29

ITEM	NUMBER	DESCRIPTION	QTY
1	C2.6320	COMBINATION O2 HLDR/ IV POLE	1

ITEM	NUMBER	DESCRIPTION	QTY
2	C2.6321	OXYGEN TANK HOLDER	1

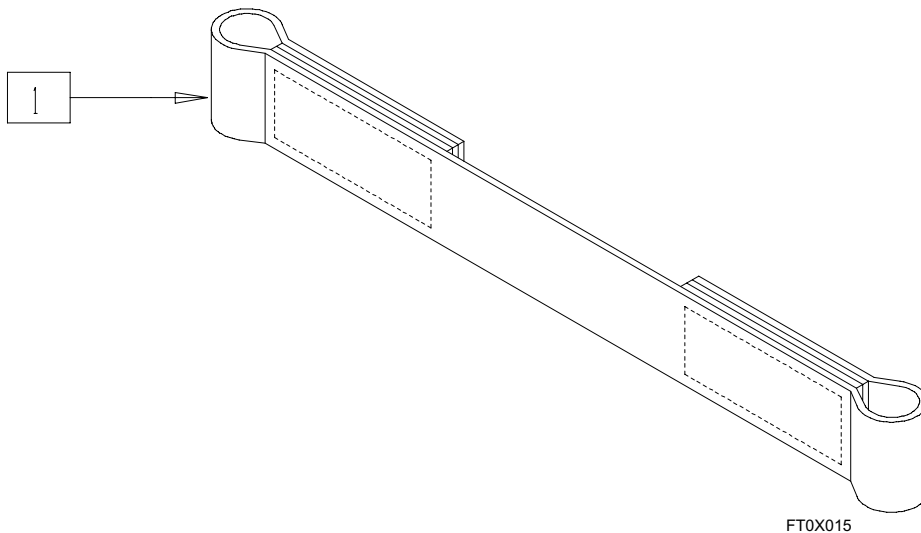
STUMP PAD ASSEMBLY (CHAMELEON/CHAMELEON HD)



CHAM0X32

ITEM	NUMBER	DESCRIPTION	QTY
1-13	808003.60300 808003.60301	STUMP PAD ASSEMBLY (EA)	

LEG STRAPS



FT0X015

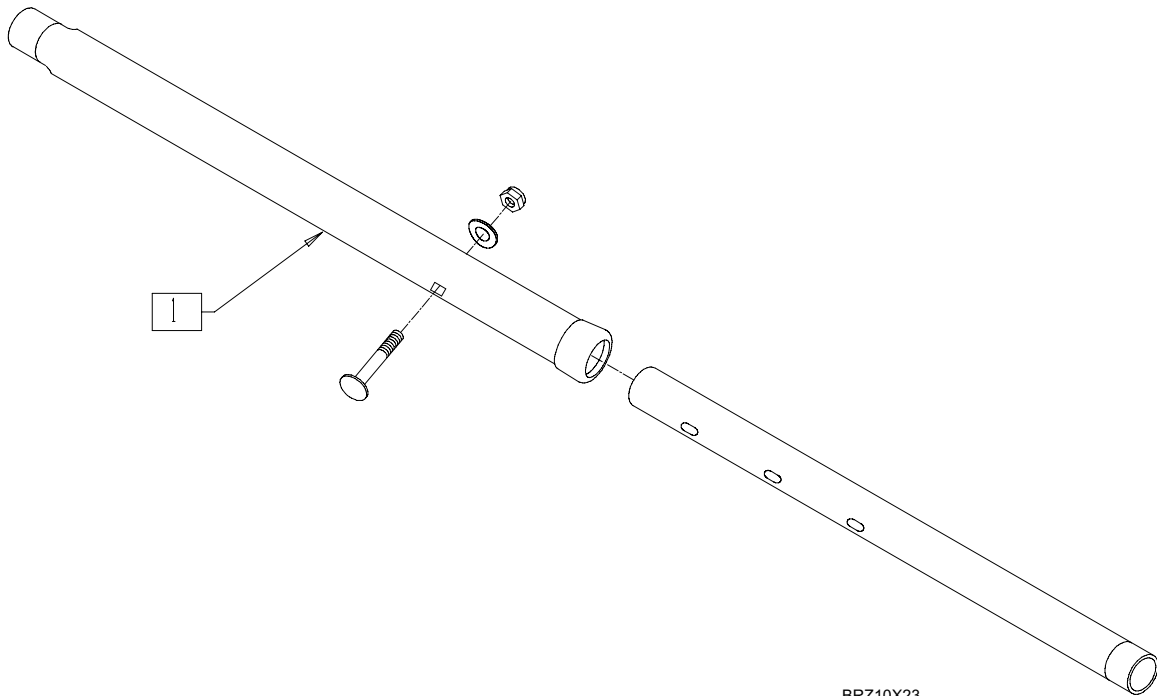
ITEM	NUMBER	DESCRIPTION	QTY
1	740111-740132	LEG STRAP 10"-20" (EA)	1

PARTS REPLACEMENT KIT

ITEM	NUMBER	DESCRIPTION	QTY
1	201100-QU	1/4-28 NYLOCK NUT THIN	6
2	201110	1/4-28 NYLOCK NUT	6
3	201120	1/4-28 AUTOMATION NUT	6
4	202100-MJ	5/16-24 NYLOCK NUT THIN	6
5	203100	1/2-20 NYLOCK NUT	6
6	203110	1/2-20 JAM NUT	6
7	204000	3/4-16 NUT	6
8	221110	1/4-20 x 1 HEX C/S	6
9	221112	1/4-28 x 1 HEX C/S	6
10	221124	1/4-28 x 1 1/4 G8 HEX C/S	6
11	221126	1/4-20 x 1 1/4 G8 HEX C/S	6
12	221133	1/4-28 x 1 1/2 G8 HEX C/S	6
13	221140	1/4-20 x 1 3/4 HEX C/S	6
14	221151-QU	1/4-28 x 1 3/4 G8 HEX C/S	6
15	221192	1/4-28 x 2 G8 HEX C/S	6
16	221191	1/4-28 x 2 1/4 G8 HEX C/S	6
17	221181	1/4-28 x 2 1/2 G8 HEX C/S	6
18	221193	1/4-28 x 2 3/4 G8 HEX C/S	6
19	221201	1/4-28 x 3 G8 HEX C/S	6
20	221211	1/4-28 x 3 1/4 G8 HEX C/S	6
21	225100	1/4-20 x 1/4 SET SCREW	6
22	225200	1/4-20 x 1 SET SCREW	6
23	226120	1/4-20 x 1 BH C/S	6
24	226130	1/4-28 x 1 1/2 BH C/S	6
25	226145	1/4-28 x 1 3/4 FH C/S	6
26	226150	1/4-28 x 2 BH C/S	6
27	226165	1/4-28 x 2 1/2 SOC C/S	6
28	262100-QU	1/4 AN WASHER FLAT	24

ITEM	NUMBER	DESCRIPTION	QTY
29	262110-QU	1/4 AN WASHER FLAT THIN	6
30	262130	6mm WASHER WAVE	6
31	264100	1/2 AN WASHER FLAT	6
32	264110	12mm WASHER WAVE	6
33	265100	3/4 x 18 WASHER NARROW	6
34	281120	10-32 x 5/8 PAN HD PHIL	24
35	341500	10-32 x .010-.080 RIVNUT	6
36	349010	QUICK RELEASE AXLE	2
37	349500	1 1/8 x 1/2 BEARING	10
38	349502	7/8 x 5/16 BEARING	10
39	382250	8" TUBE	6
40	383250	8" PNEUMATIC TIRE	2
41	385610	24" PNEUMATIC TIRE AND TUBE	6
42	481017	1/4-28 x 1.688 ECCENTRIC BOLT	6
43	481065	AXLE SLEEVE SS	2
44	483001	Q2 FRAME/FOOT RETAINING PLUG	6
45	483002	Q1 BACKREST RETAINING PLUG	6
46	483003	FLIP FOOT CAM	6
47	483011	QR CASTER STEM NUT	6
48	505015	INDEX AXLE WASHER	6
49	561004	1" SADDLE 1/4" HOLE	12
50	561014	1" MED CAP	10
51	561034	SHORT DOME PLUG	6
52	561042	LONG DOME PLUG	6
53	561050	ANTI-FLUTTER BUSHING	6
54	920050	REG CASTER STEM W/HARDWARE	2
1-54	920228	PARTS REPLACEMENT KIT MANUAL CHAIR	

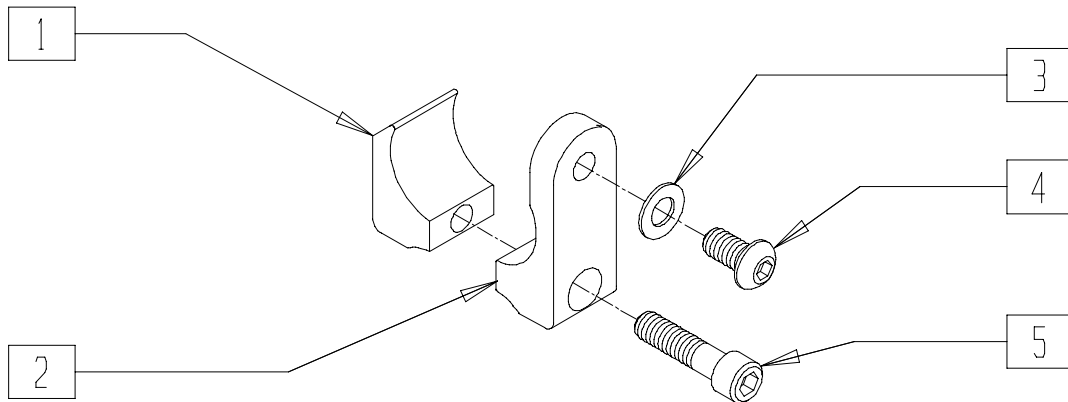
ANTI-FOLD ASSEMBLY (BREEZY 100)



BRZ10X23

ITEM	NUMBER	DESCRIPTION	QTY
1	BZ170	ANTI-FOLDING DEVICE (BR100)	1

POSITIONING BELT MOUNT (MANUAL PRODUCTS)

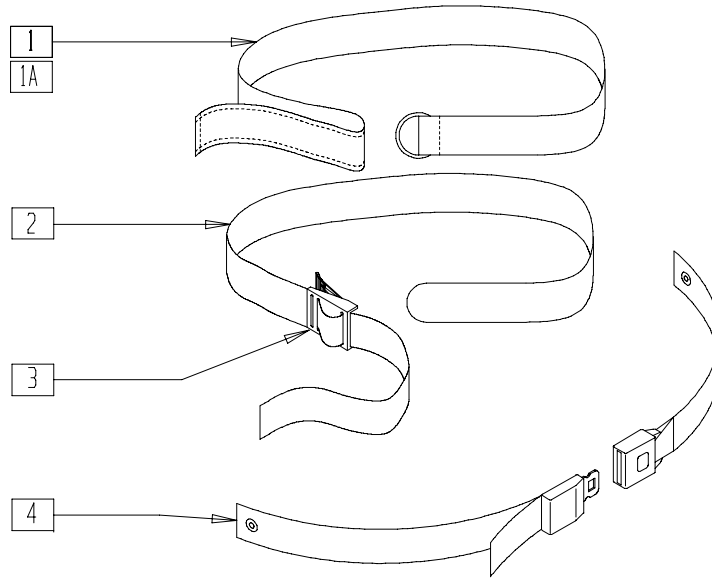


Q202X12

ITEM	NUMBER	DESCRIPTION	QTY
1	551267	SEAT BELT CLAMP L	2
2	551268	SEAT BELT CLAMP R	2
3	262100-QU	1/4 AN WASHER FLAT	2

ITEM	NUMBER	DESCRIPTION	QTY
4	226049	1/4-20 x 3/8 BH C/S	2
5	221116	1/4-20 x 1 SOC HD BLK	2
1-5	900116	POSITION BELT ATTACHMENT KIT	

POSITIONING BELTS (MANUAL PRODUCTS)

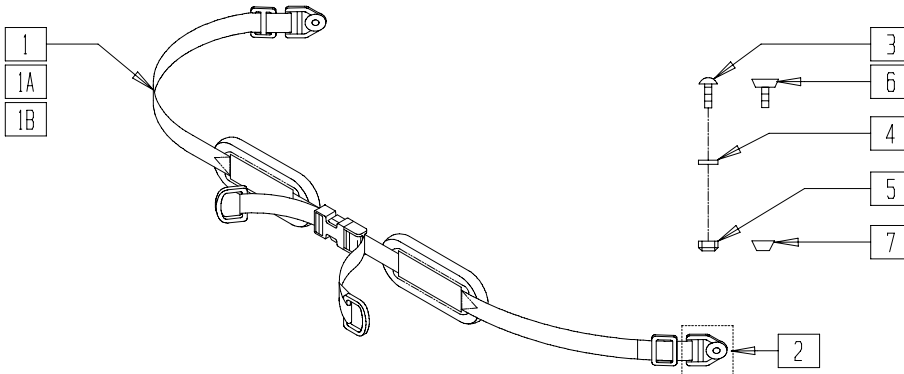


AC0X010

ITEM	NUMBER	DESCRIPTION	QTY
1	750200	POSITIONING BELT LONG VELCRO®	1
1A	750204	POSITIONING BELT SHORT VELCRO®	1
2,3	750210	POSITIONING BELT LONG BUCKLE	
	750214	POSITIONING BELT SHORT BUCKLE	

ITEM	NUMBER	DESCRIPTION	QTY
3	560200	2" PLASTIC BUCKLE	1
4	750276	1 1/2" POSITION BELT	

PADDED DOUBLE PULL HIP BELTS



BELT WIDTH	BELT LENGTH	ADJUSTMENT RANGE	PAD SIZE
1"	52"	4"	2"x 6"
1.5"	54"	4"	2.5"x 8"
2"	56"	6"	3"x 10"

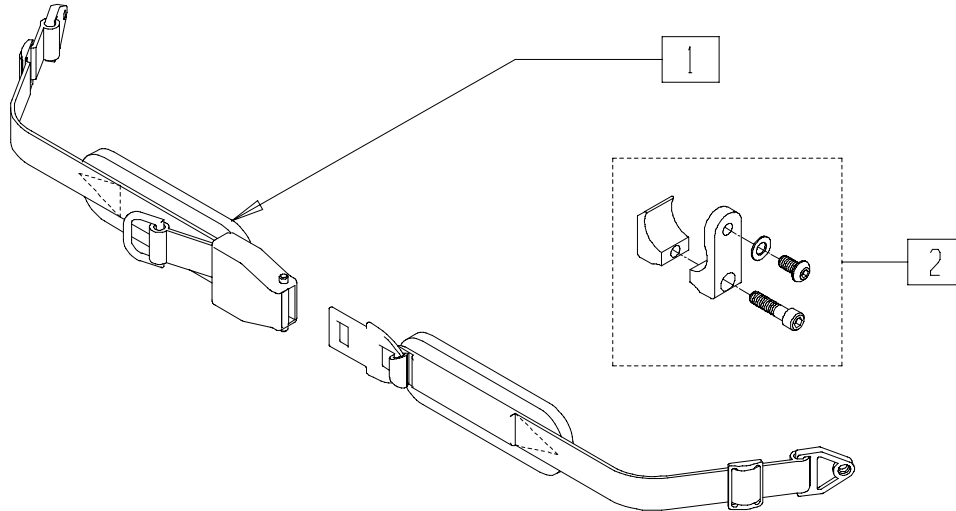
HPBLTX01

ITEM	NUMBER	DESCRIPTION	QTY
1	450420-QU	BELT 1" DUAL ADJ. SQZ BKL PAD	
1A	450421-QU	BELT 1.5" DUAL ADJ. SQZ BKL PAD	
1B	450422-QU	BELT 2" DUAL ADJ. SQZ BKL PAD	
2	451116	PLASTIC WEBBING GROMMET	2
3	455036-QU	1/4-28 x 9/16 SPEC ROUND HD	2
4	262100-QU	1/4 AN WASHER FLAT	2
5	479020-QU	CHAN.UNF NUT 1/4-28 W/SET SCRWB	2
6	201100-QU	1/4-28 NYLOCK NUT THIN	2

ITEM	NUMBER	DESCRIPTION	QTY
*7	481106-QU	1/4-28 CHANNEL NUT	
1,2,4-6	476520	BELT 1"DUAL ADJ SQZ BKL PAD AC	
1A,2,4-6	476521	BELT 1.5"DL ADJ SQZ BKL PAD AC	
1B,2,4-6	476522	BELT 2" DL ADJ SQZ BKL PAD AC	
1-5	468420	BELT 1"DUAL ADJ.SQZ BKL PAD CZ	
1A,2-5	468421	BELT 1.5"DL ADJ.SQZ BKL PAD CZ	
1B,2-5	468422	BELT 2" DL ADJ SQZ BKL PAD CZ	

NOTE * ITEM 7 CHANNEL NUT IS USED WHEN ORDERING IN CONJUNCTION WITH CUSTOM CONVENTIONAL SEATING

AIRCRAFT BUCKLE POSITIONING BELTS (MANUAL PRODUCTS)

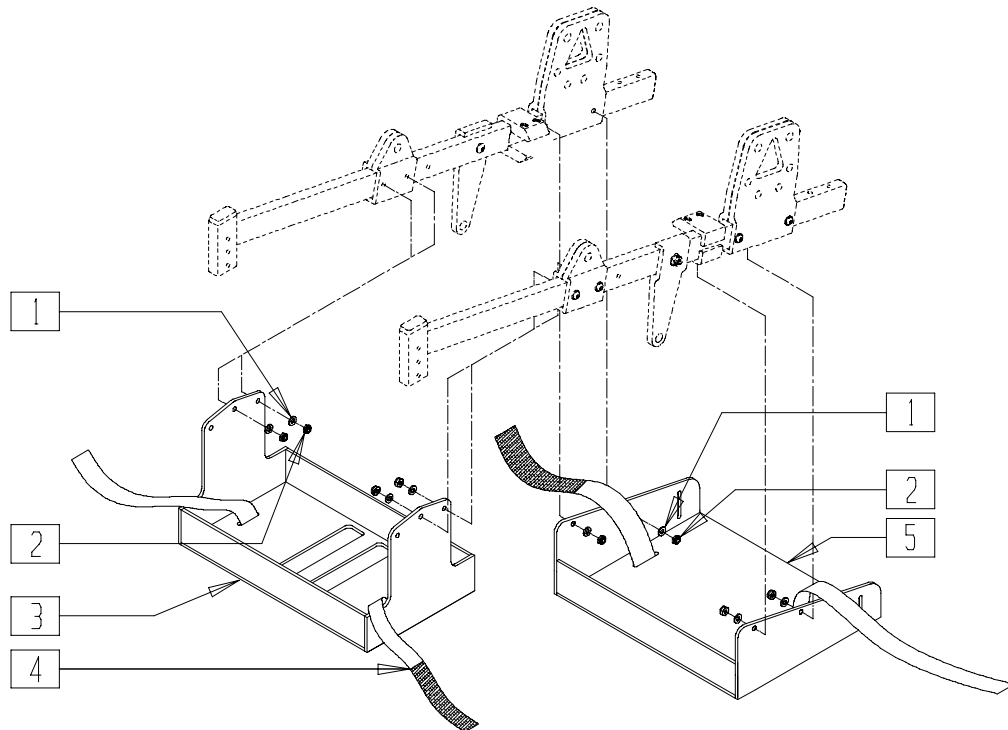


MAG00X31A

ITEM	NUMBER	DESCRIPTION	QTY
1	450418-QU	BELT 2" AIRCRAFT BUCKLE	1
	450423-QU	BELT 2" AIRCRAFT BUCKLE W/PAD	
	450424	BELT 2" AIRCRAFT BKL LONG W/PAD	
	450425	BELT 2" AIRCRAFT BKL LONG	
	450419-QU	BELT 2" AIRCRAFT BKL W/QUAD LP	

ITEM	NUMBER	DESCRIPTION	QTY
1	468419	BELT 2" AIRCRT BKL W/QD LP CZ	
2	900116	POSITION BELT ATTACHMENT KIT	1
1,2	920918	POS BELT ATT KIT W/2" AIR BKL	
	920919	POS BLT ATT KT W/2" AIR BKL PD	

BATTERY AND VENT TRAY (QUICKIE T45)

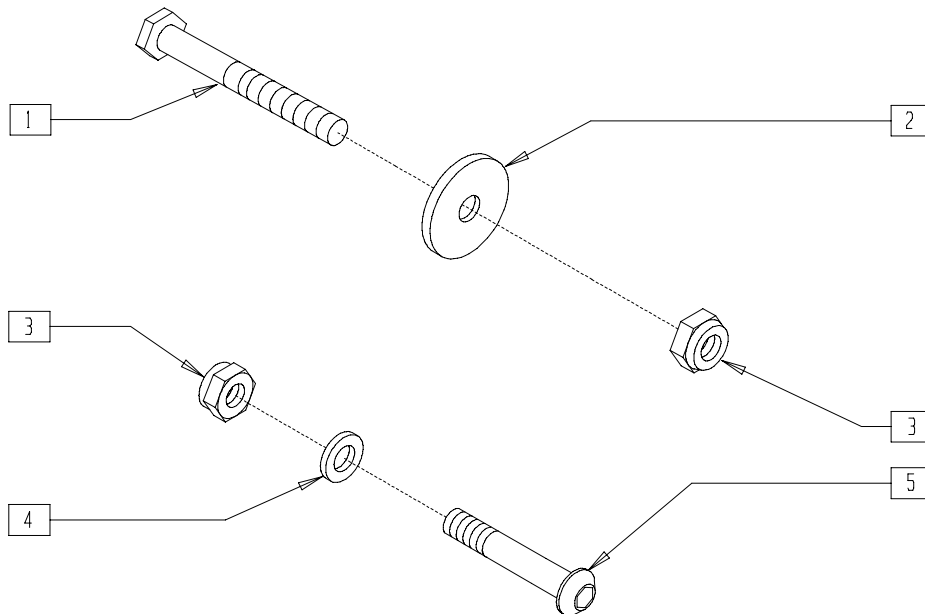


TSR00X04

ITEM	NUMBER	DESCRIPTION	QTY
1	262100-QU	1/4 AN WASHER FLAT	4
2	201100-QU	1/4-28 NYLOCK NUT THIN	4
3	505826- 505830	BATTERY TRAY T45	1

ITEM	NUMBER	DESCRIPTION	QTY
4	751040	VENT TRAY STRAP PRS/T45	2
5	505816- 505820	VENTILATOR TRAY T45	1

PIVOT POINT ADJUSTMENT KIT (BREEZY 510 RECLINER)

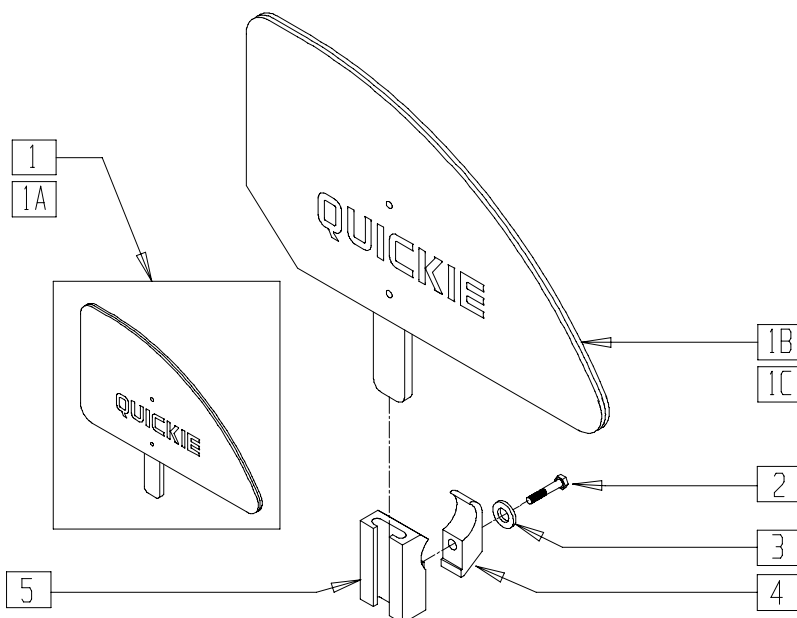


BREX07

ITEM	NUMBER	DESCRIPTION	QTY
1	222242	5/16-18 x 2 1/2 HEX C/S	2
2	561016	1" WASHER 5/16" HOLE	4
3	202102	5/16-18 NYLOCK NUT THIN	4

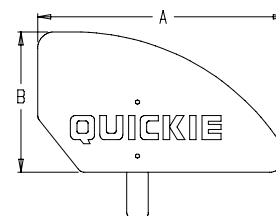
ITEM	NUMBER	DESCRIPTION	QTY
4	263100	5/16 AN WASHER FLAT	2
5	226198	5/16-18 x 2 BH C/S SHT THREAD	2
1-5	920300	PIVOT PNT ADJUSTMENT KIT B51 RCLNR	

QUICKIE PLASTIC SIDE GUARD



Drawing shows right side

MEASURING GUIDE



MGUIDE27

	"A"	"B"
ADULT	12 3/4"	8 5/8"
KIDS	11 1/2"	6 1/2"

NOTE: STANDARD (ADULT) SIDE GUARD FITS 14"-20" DEPTHS. KIDS SIDE GUARD FITS 10"-13" DEPTHS.

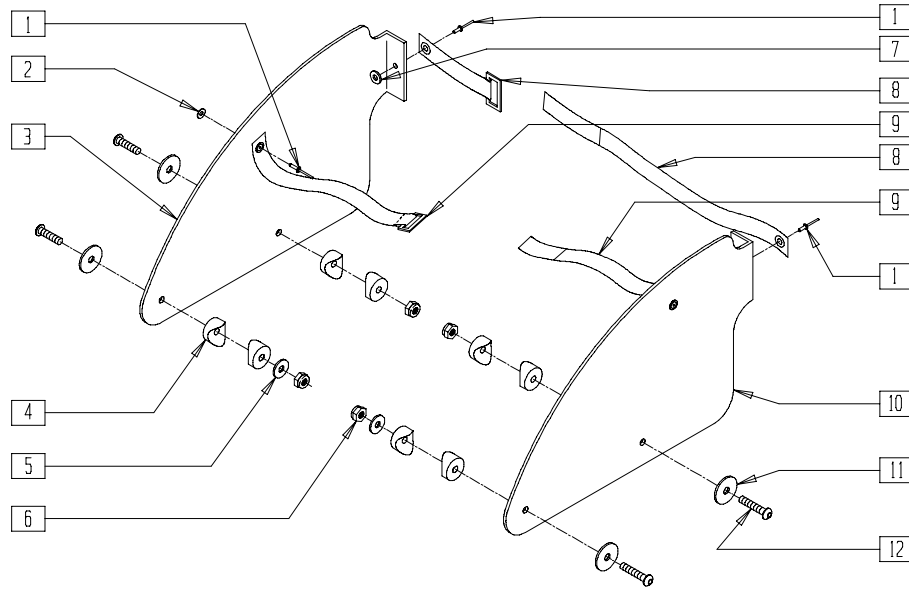
AC0X013

ITEM	NUMBER	DESCRIPTION	QTY
1	881150	PLASTIC SIDE GUARD KIDS R	1
1A	881151	PLASTIC SIDE GUARD KIDS L	1
1B	881152	PLASTIC SIDE GUARD STD R	1
1C	881153	PLASTIC SIDE GUARD STD L	1
2	221127	1/4-28 x 1 3/8 HEX C/S	1
3	262110-QU	1/4 AN WASHER FLAT THIN	1
4	550251	CLAMP P300 CHARGING/ADJ FL KIDS	1

ITEM	NUMBER	DESCRIPTION	QTY
5	550325	SIDE GUARD/KIDZ ARM RECEIVER	1
2-5	881200	SIDE GUARD/KIDZ ARM RECEIVER W/CLAMP	
1,1A, 2-5	901111	PLASTIC SIDE GUARD KIDS ASSM W/CLAMP (PR)	
1B,1C, 2-5	901110	PLASTIC SIDE GUARD STD ASSM W/CLAMP (PR)	

PLASTIC SIDE GUARD (QUICKIE ST/DT)

(Discontinued 7/1/98 - parts only)

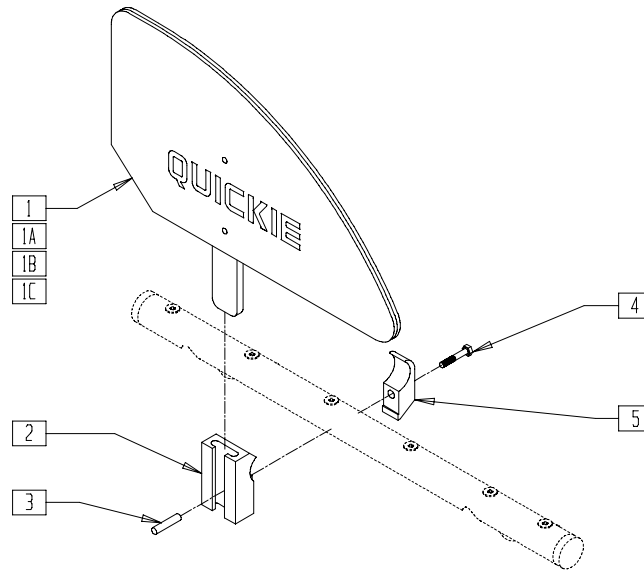


RG000X11

ITEM	NUMBER	DESCRIPTION	QTY
1	240192	RIVET POP AD66ABSLF	4
2	340106	WASHER UPH #8	4
4	561003	3/4" SADDLE THIN	8
5	262100-QU	1/4 AN WASHER FLAT	2
6	201135	1/4-20 NYLOCK NUT LOW SS	4
7	262099	3/16 ALUMINUM WASHER BACKUP	1
8	750096	SIDE GUARD/BACK STRAP (SPECIFY DIMENSION)	1
9	750087	SIDE GUARD SEAT STRAP (SPECIFY DIMENSION)	1

ITEM	NUMBER	DESCRIPTION	QTY
11	261504	1/4 x 5/8 OD WASHER SS	4
12	226136	1/4-20 x 1 1/2 BH C/S BLK	4
1-3,7-9	901122- 901129, 901140	SIDE GUARD RIGID 12"-20" HIGH (9 3/4" TALL) (PR)	
	901132- 901139, 901141	SIDE GUARD RIGID 12"-20" LOW (8 1/4" TALL) (PR)	

PLASTIC SIDE GUARD (QUICKIE HEAT/ST/DT)

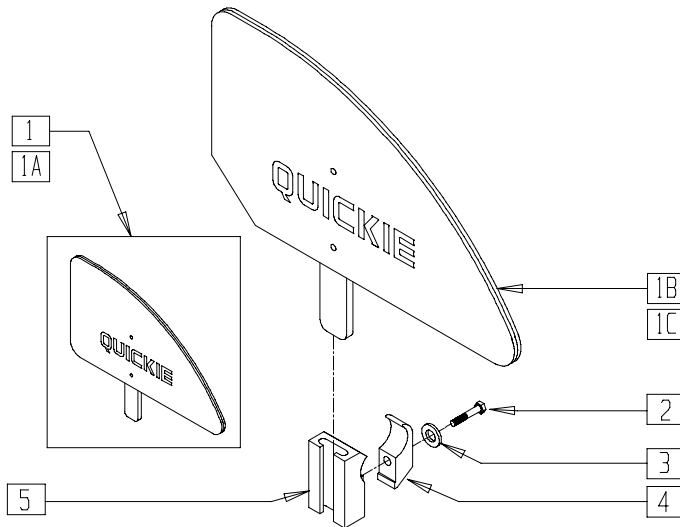


RG000X13

ITEM	NUMBER	DESCRIPTION	QTY
1	881150	PLST SIDE GUARD KDS R	1
1A	881151	PLST SIDE GUARD KDS L	1
1B	881152	PLST SIDE GUARD STD R	1
1C	881153	PLST SIDE GUARD STD L	1
2	550326	QC SIDE GUARD REC	1

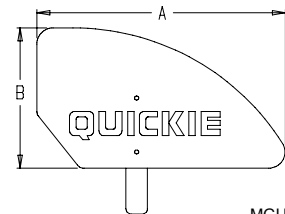
ITEM	NUMBER	DESCRIPTION	QTY
3	341130	1/4 x 1 1/8 ROLL PIN SS	1
4	226112	1/4-28 x 1 SOC C/S BLK	1
5	550723	HB CLAMP 3/4" NO NOTCH ST/DT	1
1B,1C,2-4	901130	SIDE GUARD ASSM STD HQR	
1,1A-5	901131	SIDE GUARD ASSM KIDS HQR	

PLASTIC SIDE GUARD (QUICKIE XTR)



Drawing shows right side

MEASURING GUIDE



MGUIDE27

	"A"	"B"
ADULT	12 3/4"	8 5/8"
KIDS	11 1/2"	6 1/2"

NOTE: STANDARD (ADULT) SIDE GUARD FITS 14-20" DEPTHS. KIDS SIDE GUARD FITS 10-13" DEPTHS.

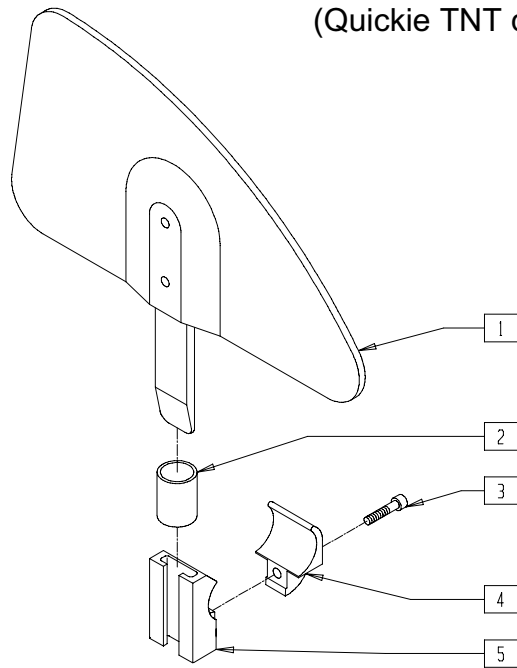
AC0X013

ITEM	NUMBER	DESCRIPTION	QTY
1	881150	PLASTIC SIDE GUARD KIDS R	1
1A	881151	PLASTIC SIDE GUARD KIDS L	1
1B	881152	PLASTIC SIDE GUARD STD R	1
1C	881153	PLASTIC SIDE GUARD STD L	1
2	221127	1/4-28 x 1 3/8 HEX C/S	1
3	262110-QU	1/4 AN WASHER FLAT THIN	1
4	550063	PLASTIC SIDE GUARD CLAMP XTR	1

ITEM	NUMBER	DESCRIPTION	QTY
5	550062	PLASTIC SIDE GUARD REC 1 1/8" XTR	1
2-5	881207	SIDE GUARD/KIDS ARM REC W/CLAMP XTR	
1,1A	901090	PLASTIC SIDE GUARD KIDS ASSM W/CLAMP XTR (PR)	
1B,1C	901091	PLASTIC SIDE GUARD STD ASSM W/CLAMP XTR (PR)	

PLASTIC SIDE GUARD (Quickie TNT)

(Quickie TNT discontinued 2/01 - Parts only)



TNT00X03

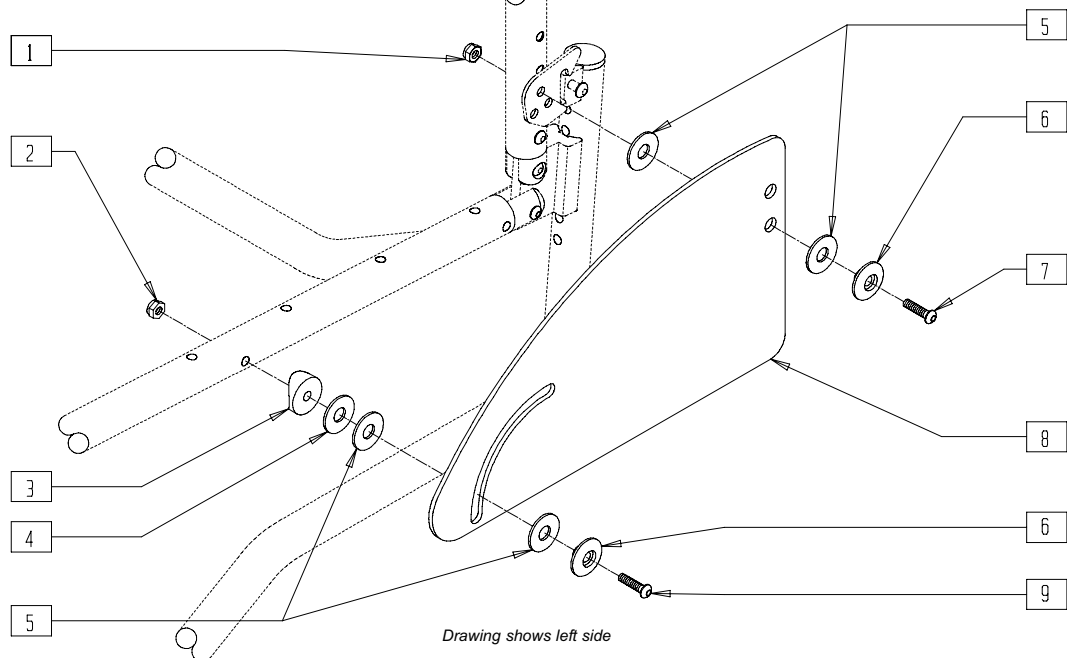
ITEM	NUMBER	DESCRIPTION	QTY
*1	881150, 881151	PLST SIDE GUARD KDS (EA)	1
3	226142	1/4-20 x 1 SOC HD C/S	1
4	550425	SIDE GUARD CLAMP BLK QTNT	1

ITEM	NUMBER	DESCRIPTION	QTY
5	550428	SIDE GUARD RECEIVER BLK QTNT	1
3-5	881210	PLASTIC SIDE GUARD REC W/CLAMP QTNT	
1-5	901101	PLASTIC SIDE GUARDS QTNT (PR)	

*NOTE: REPLACE BOTH SIDES AT ONE TIME, ORIGINAL PARTS NO LONGER AVAILABLE.

ALUMINUM FOLDING SIDE GUARD (QUICKIE GPS)

(Quickie GPS discontinued 2/01 - Parts only)

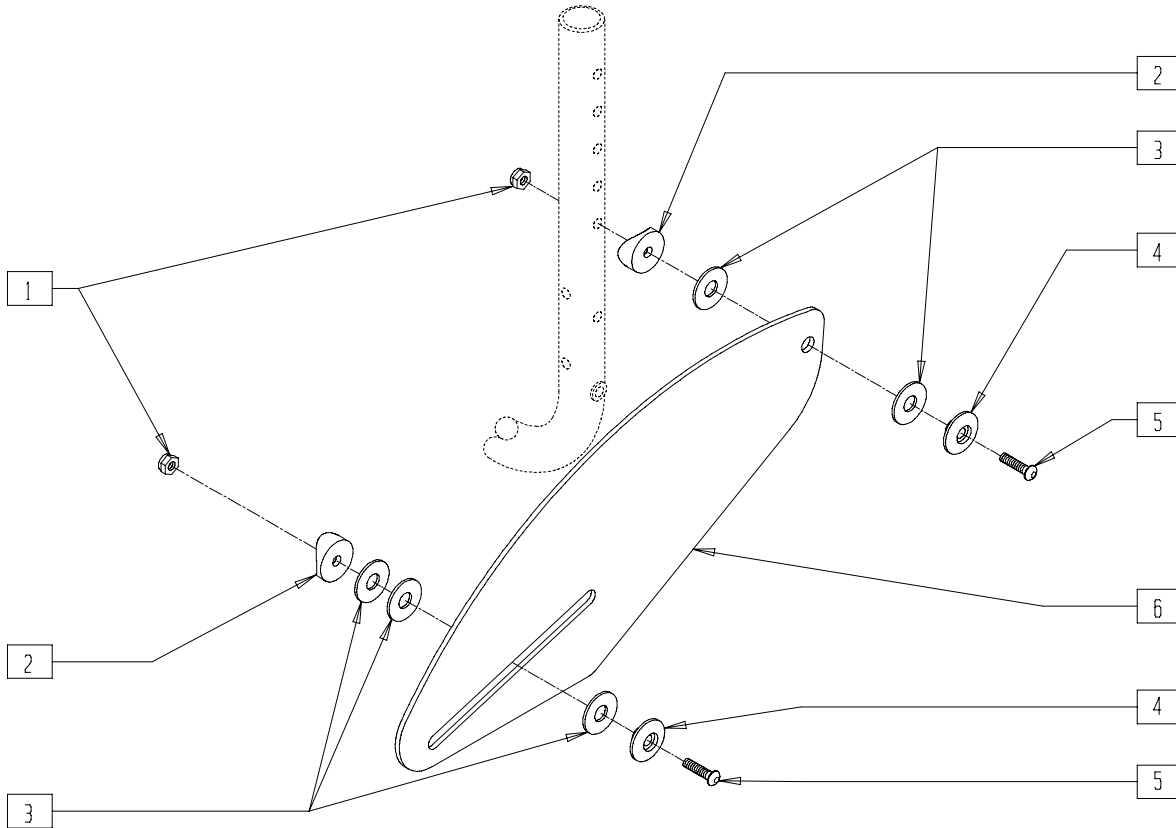


GBL00X08

ITEM	NUMBER	DESCRIPTION	QTY
1	201110	1/4-28 NYLOCK NUT	1
2	201100-QU	1/4-28 NYLOCK NUT THIN	1
3	561004	1" SADDLE 1/4" HOLE	1
4	561016	1" WASHER 5/16" HOLE	1
5	561043	1" WASHER 3/8" HOLE	4

ITEM	NUMBER	DESCRIPTION	QTY
6	481046	SIDE GUARD BUSHING	2
7	226150	1/4-28 x 2 BH C/S	1
8	500117	SIDE GUARD ALUMINUM GPS	1
9	226140	1/4-28 x 1 3/4 BH C/S	1
1-9	881205	SIDE GUARD ALUMINUM W/HDWR (EA)	

ALUMINUM SIDE GUARD (QUICKIE REVOLUTION)



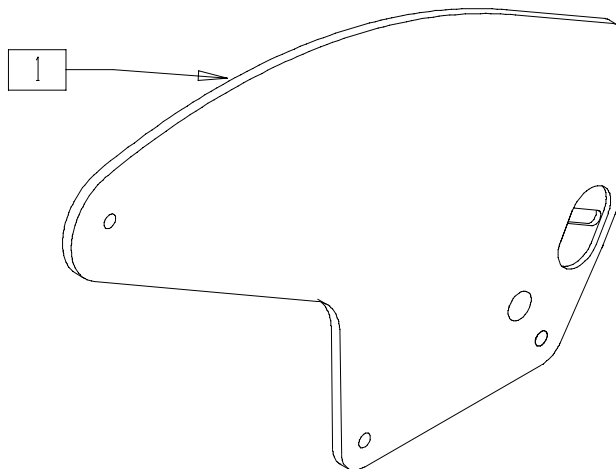
2D000X09

ITEM	NUMBER	DESCRIPTION	QTY
1	201100-QU	1/4-28 NYLOCK NUT THIN	2
2	561004	1" SADDLE 1/4" HOLE	2
3	561043	1" WASHER 3/8" HOLE	5
4	481046	SIDE GUARD BUSHING	2

ITEM	NUMBER	DESCRIPTION	QTY
5	227140	1/4-28 x 1 3/4 BH C/S BLK ZN	2
6	500118	SIDE GUARD ALUMINUM RV	1
1-6	881206	SIDE GUARD ALUMINUM RV W/HDWR (EA)	

ALUMINUM SIDE GUARD (QUICKIE TRIUMPH)

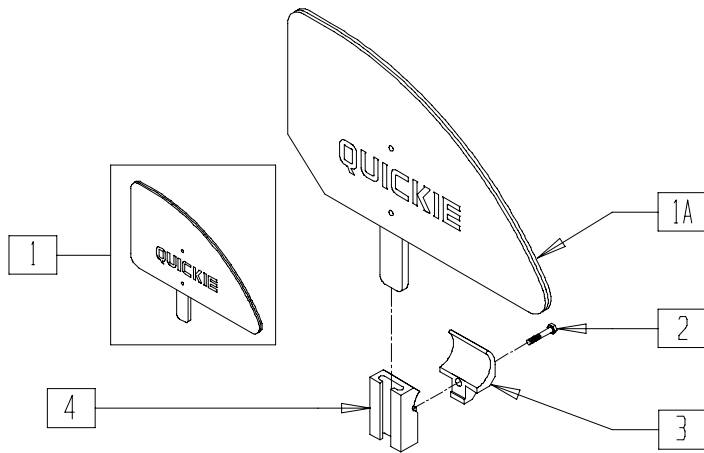
(Quickie Triumph discontinued 2/01 - Parts only)



AC0X026

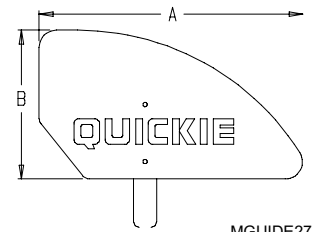
ITEM	NUMBER	DESCRIPTION	QTY
1	500138, 500139	PIVOT PLATE/SIDE GUARD .115 (EA)	1

PLASTIC SIDE GUARD (QUICKIE R2)



Drawing shows right side

MEASURING GUIDE



MGUIDE27

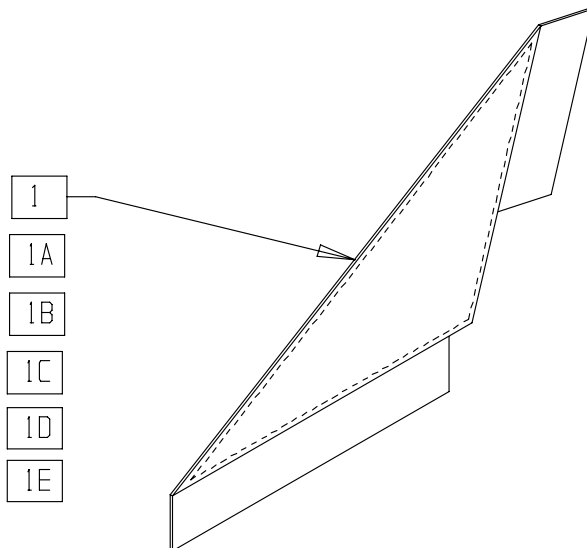
	"A"	"B"
ADULT	12 3/4"	8 5/8"
KIDS	11 1/2"	6 1/2"

R200X12

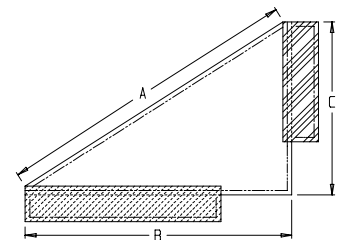
ITEM	NUMBER	DESCRIPTION	QTY
1	881152, 881153	PLASTIC SIDE GUARD STD (EA)	1
2	226142	1/4-20 x 1 SOC HD C/S	1
3	550425	SIDE GUARD CLAMP BLK QTNT	1

ITEM	NUMBER	DESCRIPTION	QTY
4	550428	SIDE GUARD RECEIVER BLK QTNT	1
1-4	901093	PLST SIDE GUARD KIDS AC (PR)	
1A,2-4	901092	PLST SIDE GUARD STD AC (PR)	

FABRIC SIDE GUARD (QUICKIE 1/CARBON/GPS/R2/REVOLUTION/TNT/TRIUMPH) (Quickie GPS, TNT and Triumph discontinued 2/01 - Parts only)



MEASURING GUIDE



MGUIDE26

	"A"	"B"	"C"
ADULT	17 7/8"	15"	10"
KIDS	16"	12 3/4"	9 3/4"

NOTE: VELCRO STRIPS ARE 2" WIDE.

AC0X011

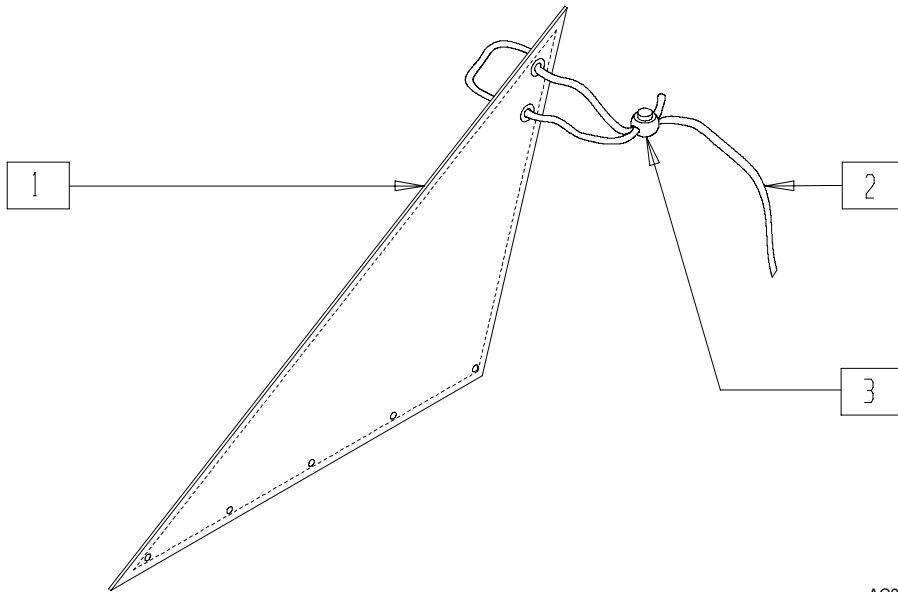
ITEM	NUMBER	DESCRIPTION	QTY
1	750400	SIDE GUARD REG Q1 R	1
1A	750401	SIDE GUARD REG Q1 L	1
1B	750402	SIDE GUARD KIDS Q1 R	1

ITEM	NUMBER	DESCRIPTION	QTY
1C	750403	SIDE GUARD KIDS Q1 L	1
1D	901100	SIDE GUARDS KIDS NF (PR)	1
1E*	901102	SIDE GUARDS REG NF (PR)	1

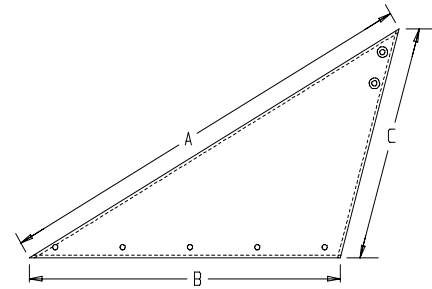
* 1E FITS REVOLUTION WITH NON-PUSH HANDLE BACKREST. FOR REVOLUTION WITH PUSH HANDLE BACKREST, SEE FABRIC SIDE GUARD (QUICKIE EX/REVOLUTION) ON PAGE 23.24.

FABRIC SIDE GUARD (QUICKIE Rx/XTR)

(Prior to 10/23/99 before serial number Q2-242051)



MEASURING GUIDE



MGUIDE25

	"A"	"B"	"C"
ADULT	20"	11"	15"
KIDS	18"	11 1/2"	12 1/2"

NOTE: SIDE GUARD LACE IS 40".

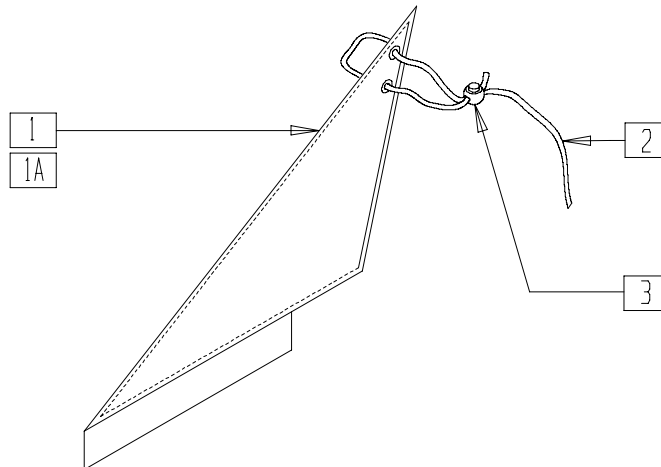
AC0X011A

ITEM	NUMBER	DESCRIPTION	QTY
1	750331	SIDE GUARD KIDS Q2 10" DEPTH	1
	750332	SIDE GUARD KIDS Q2 11" DEPTH	
	750430	SIDE GUARD REG Q2	
	750432	SIDE GUARD KIDS Q2	
2	750050	SIDE GUARD LACE Q2	1

ITEM	NUMBER	DESCRIPTION	QTY
3	560220	B-LOCK	1
1-3	901103	SIDE GUARD KIDS Q2 10" DEPTH (PR)	
	901105	SIDE GUARD KIDS Q2 11" DEPTH (PR)	
	901104	SIDE GUARD KIDS FOLDING (PR)	
	901106	SIDE GUARD REG FOLDING (PR)	

FABRIC SIDE GUARD (QUICKIE EX/REVOLUTION)

(Effective 10/23/99 beginning serial number Q2-242051)



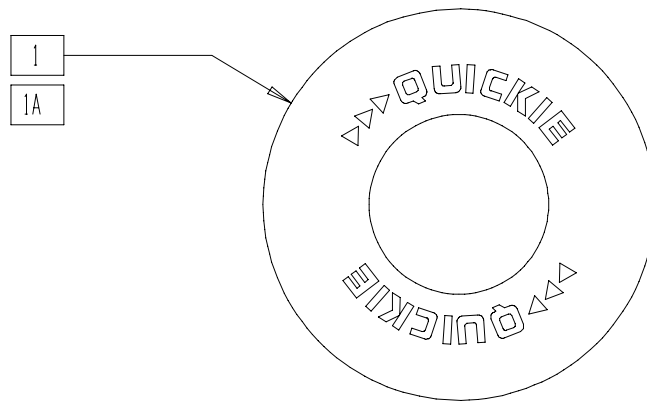
AC0X024

ITEM	NUMBER	DESCRIPTION	QTY
1	750434,	SIDE GUARD REG W/VELCRO (EA)	1
	750435		
1A	750240, 750241	SIDE GUARD FABRIC SHORT Q2 (EA)	1

ITEM	NUMBER	DESCRIPTION	QTY
2	750050	SIDE GUARD LACE Q2	2
3	560220	B-LOCK	2
1-3	901109	SIDE GUARDS REG EX/RV (PR)	
1A,2,3	901121	SIDE GUARDS KIDS FABRIC Q2 NEW (PR)	

NOTE: FITS REVOLUTION WITH PUSH HANDLE BACKREST. FOR REVOLUTION WITH NON-PUSH HANDLE BACKREST, SEE FABRIC SIDE GUARD (QUICKIE 1/CARBON/GP/GPV/GPS/REVOLUTION/TI/TNT/TRIUMPH) ON PAGE 23.23.

SPOKE GUARD

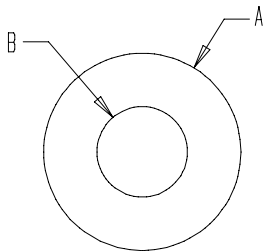


WH0X1A

ITEM	NUMBER	DESCRIPTION	QTY
1	902041-902056	SPOKE GUARDS CLR (PR)	1

ITEM	NUMBER	DESCRIPTION	QTY
1A	902001-902038	SPOKE GUARDS BLK (PR)	

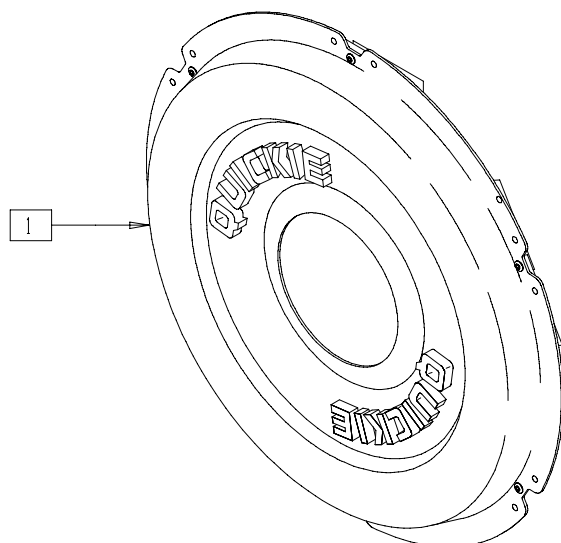
MEASURING GUIDE



SG1

SPOKE GUARD	PART NUMBER	DIA. A	DIA. B	SPOKE GUARD	PART NUMBER	DIA. A	DIA. B
SPOKE GUARDS 20" CLEAR	902041	15 7/8"	8 1/4"	SPK GUARDS 24" CLR 6-SPK MAG	902049	19 1/4"	10 3/8"
SPOKE GUARDS 22" CLEAR	902043	18 1/8"	8 1/4"	SPOKE GUARDS 24" PROJECTION CLEAR 6-SPOKE	902053	24 1/4"	10 3/8"
SPOKE GUARDS 24" CLEAR	902048	19 1/4"	10 1/4"	SPOKE GUARDS 20" BLACK	902001	15 7/8"	8 1/4"
SPOKE GUARDS 26" CLEAR	902050	21 7/8"	10 1/4"	SPOKE GUARDS 22" BLACK	902011	18 1/8"	8 1/4"
SPOKE GUARDS 20"/22" PROJECTION CLEAR	902044	16 3/4"	8 1/4"	SPOKE GUARDS 24" QUICKIE SCR MT BLACK (540mm)	902021	19 5/8"	10 1/4"
SPOKE GUARDS 24"/26" PROJECTION CLEAR	902052	21 1/4"	10 1/4"	SPOKE GUARDS 24" QUICKIE HT TAB MT BLACK (559mm)	902025	20 3/8"	10 1/4"
SPOKE GUARDS 24" QP CLR	902054	20 1/2"	10 1/4"	SPOKE GUARDS 26" QUICKIE TAB MT BLACK	902037	21 7/8"	10 1/4"
SPOKE GUARDS 26" QP CLR	902056	23 1/2"	10 1/4"	SPOKE GUARDS 26" HT BLACK	902038	23 3/8"	10 1/4"

SPOKE GUARD (SPORT)



SPKGUARD

ITEM	NUMBER	DESCRIPTION	QTY
1	902072-902077	SPK GRD 24" SPRT HI PRFL W/TIE	1

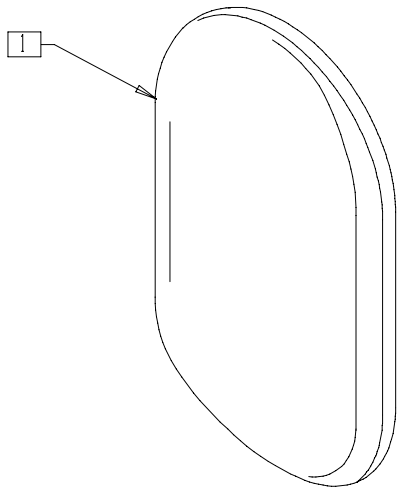
SPOKE GUARD REFERENCE GUIDE (SPORT)

Wheel/ Hand Rim	24" Sport Hi Profile 902072	24" Sport Low Profile 902073	24" H.T. Sport Hi Profile 902076	24" H.T. Sport Low Profile 902077
24" STD RIM (540) ANODIZED or PAINTED HR REG or LONG TAB	◆	◆		
24" STD RIM (540) ANODIZED or PAINTED HR SHORT TAB		◆		
24" STD RIM (540) PLASTIC COATED HR REG or LONG TAB	◆	◆		
24" STD RIM (540) PLASTIC COATED HR SHORT TAB		◆		
24" STD RIM (540) ANY STYLE HR SCREW TAB	◆◆	◆◆		
24" H.T. RIM (559) ANODIZED or PAINTED HR REG or LONG TAB			◆	◆
24" H.T. RIM (559) ANODIZED or PAINTED HR SHORT TAB				◆

Wheel/ Hand Rim	24" Sport Hi Profile 902072	24" Sport Low Profile 902073	24" H.T. Sport Hi Profile 902076	24" H.T. Sport Low Profile 902077
24" H.T. RIM (559) PLASTIC COATED HR REG or LONG TAB			◆	◆
24" H.T. RIM (559) PLASTIC COATED HR SHORT TAB				◆
26" STD RIM (590) ANY STYLE HR REG or LONG TAB			◆◆◆	◆◆◆
26" STD RIM (590) ANY STYLE HR SHORT TAB				◆◆◆
26" STD RIM (590) ANY STYLE HR SCREW TAB			◆◆◆	◆◆◆
26" H.T. RIM (700C) ANY STYLE HR REG or LONG TAB			◆◆◆	◆◆◆
26" H.T. RIM (700C) ANY STYLE HR SHORT TAB			◆◆◆	◆◆◆

- ◆ BEST FIT
- ◆◆ EFFORT TO INSTALL: DAMAGE TO SPOKE GUARD OR WHEEL MAY OCCUR, BUT THEY WILL FIT AND FUNCTION O.K.
- ◆◆◆ EXTRA LARGE HANDRIM/WHEEL ASSEMBLY; SPOKE GUARDS NOT DESIGNED FOR THIS SIZE, BUT THEY WILL FIT AND FUNCTION O.K.

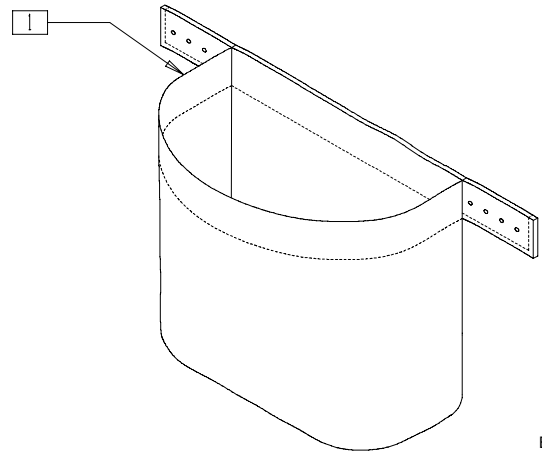
CALF PAD (BREEZY 100/150)



BRZ10X20

ITEM	NUMBER	DESCRIPTION	QTY
1	BZ150	CALF PAD COVER (PR)	1

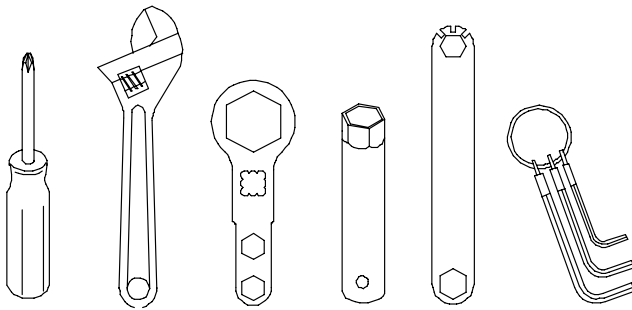
CHART POCKET (BREEZY 100/150)



BRZ10X21

ITEM	NUMBER	DESCRIPTION	QTY
1	BZ130	CHART POCKET	1

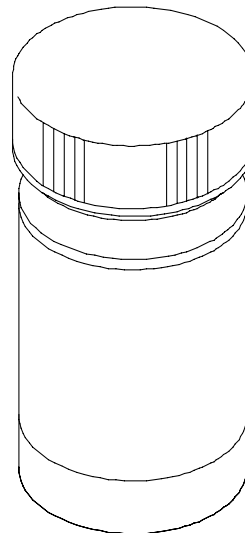
TOOL KIT



TOOL

ITEM	NUMBER	DESCRIPTION	QTY
1	349999	TOOL KIT (INCLUDING CASE)	1

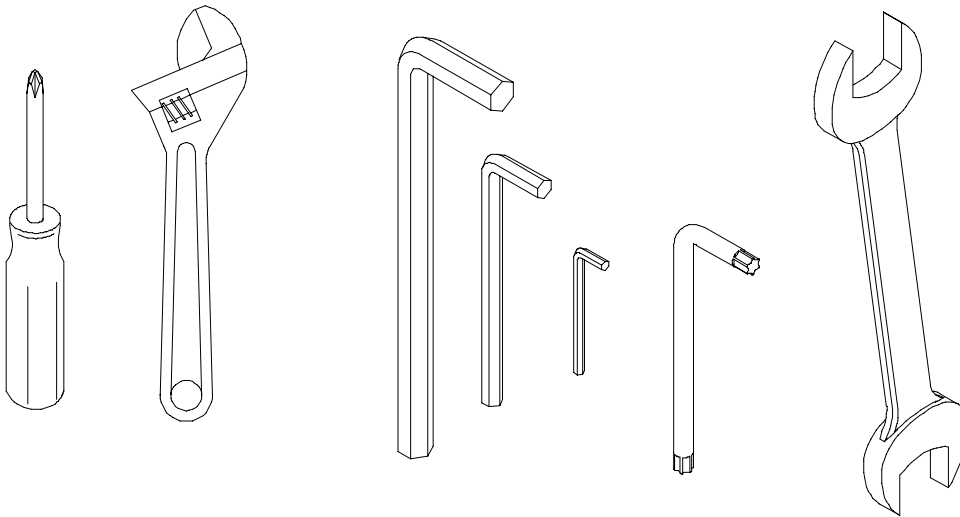
TOUCH-UP PAINT



AC0X022

ITEM	NUMBER	DESCRIPTION	QTY
1	160450-160568	TOUCH-UP PAINT	1

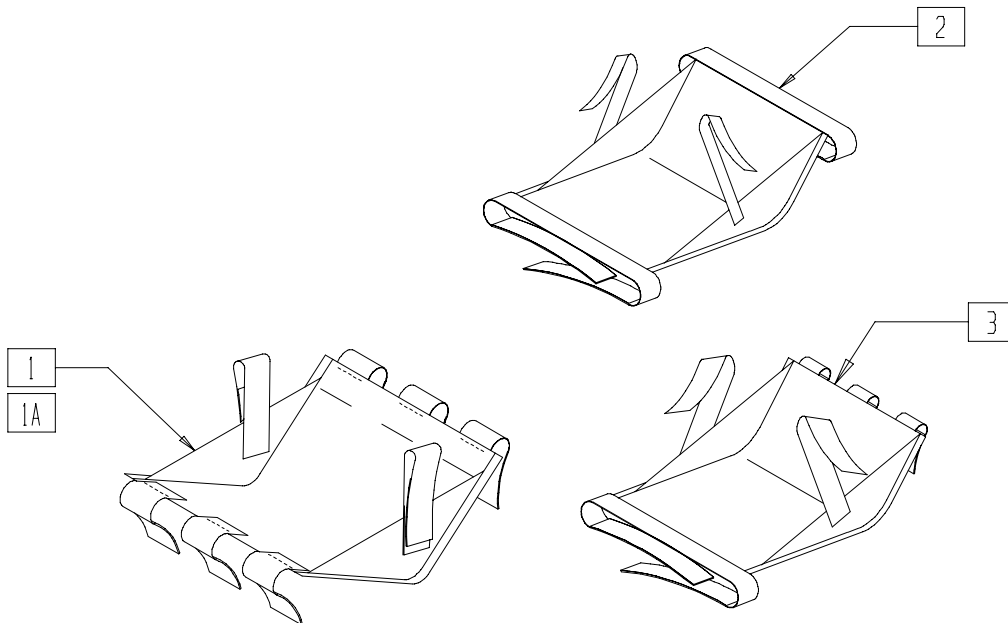
TOOL KIT (QUICKIE CHAMELEON)



CHAM0X37

ITEM	NUMBER	DESCRIPTION	QTY
1	C2.6351	CHAMELEON TOOL KIT	

CATCH-ALLS



CAT0X01

ITEM	NUMBER	DESCRIPTION	QTY
1	750340	CATCH-ALL SMALL 12"-16"	1
1A	750341	CATCH-ALL LARGE 17"-20"	1
2	750337	CATCH-ALL QUICKIE 1 AND 2 SMALL	1

ITEM	NUMBER	DESCRIPTION	QTY
3	750338	CATCH-ALL DT 85°/GP-GPV SMALL	1
	750336	CATCH-ALL DT 85°/GP-GPV LARGE	