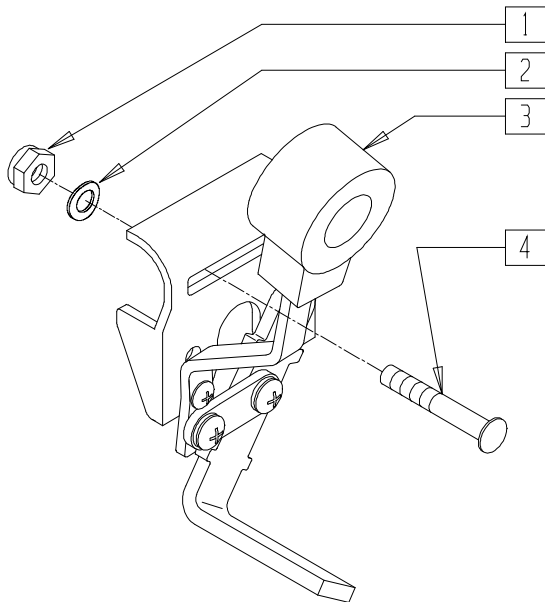


Wheel Locks and Grade Aids

IN THIS SECTION

Wheel Lock (Breezy 100/150)	21.1	High Wheel Lock (Push-to-lock) (Quickie <i>TNT</i>) (disc.)	21.11
Wheel Lock (Push-to-lock) (Breezy 500/503/510/2(Disc.)).....	21.1	Wheel Lock (Quickie T45).....	21.11
Wheel Lock (Pull-to-lock) (Breezy 500/503/510/2(Disc.)).....	21.2	High Push Swing-away Wheel Lock.....	21.12
Wheel Lock (Push-to-lock) (Breezy 510 Recliner/Amputee Axle).....	21.2	High-mount Scissor Wheel Lock	21.13
Wheel Lock (Pull-to-lock) (Breezy 510 Recliner)	21.3	High-mount Scissor Wheel Lock (Quickie Revolution)	21.14
High Wheel Lock (Push-to-lock)	21.4	High-Mount Scissor Wheel Lock (Quickie XTR)	21.15
High Wheel Lock (Pull-to-lock)	21.5	High Mount Scissor Wheel Lock (Quickie R2)	21.16
Wheel Lock Push (Long Slide) (Quickie XTR)	21.6	Standard/High Mount Scissor Wheel Lock (Quickie ST/DT/Heat)	21.17
Short-throw High-mount Push Wheel Lock (Quickie XTR)	21.6	Low Mount Wheel Lock	21.18
Wheel Lock (Push-to-lock) with/without Grade Aid (Quickie R2).....	21.7	Foot Lock/12" Wheel (Quickie TS, Zippie/TS/TS Swing-away)	21.19
Wheel Lock (Pull-to-lock) with/without Grade Aid (Quickie R2).....	21.8	Wheel Lock Extension Handle (Breezy 100/150)	21.20
High Wheel Lock (Push-to-lock) (Quickie St/Dt).....	21.9	Wheel Lock Extension Handle (Breezy 500/503/510/510 Recliner/2(Disc.)).....	21.20
Wheel Lock (Quickie <i>TNT</i>) (Disc.)	21.10	High Wheel Lock Extension Handle	21.21
Wheel Lock (Quickie <i>TNT</i>) (Disc.)	21.10	Grade Aid Only Assembly	21.22

WHEEL LOCK (BREEZY 100/150)



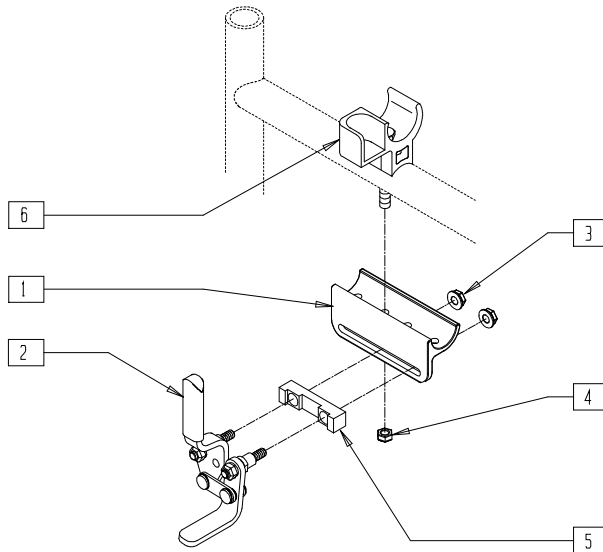
BRZ10X24

ITEM	NUMBER	DESCRIPTION	QTY
3	222-0669	WHEEL LOCK TIP BLK (PR)	

ITEM	NUMBER	DESCRIPTION	QTY
1-4	222-0532R	WHEEL LOCK ASSEMBLY R (EA)	1
	222-0532L	WHEEL LOCK ASSEMBLY L (EA)	

WHEEL LOCK (PUSH-TO-LOCK) (BREEZY 500/503/510/2)

(Breezy 2 discontinued 5/98 - parts only)



Drawing shows left side

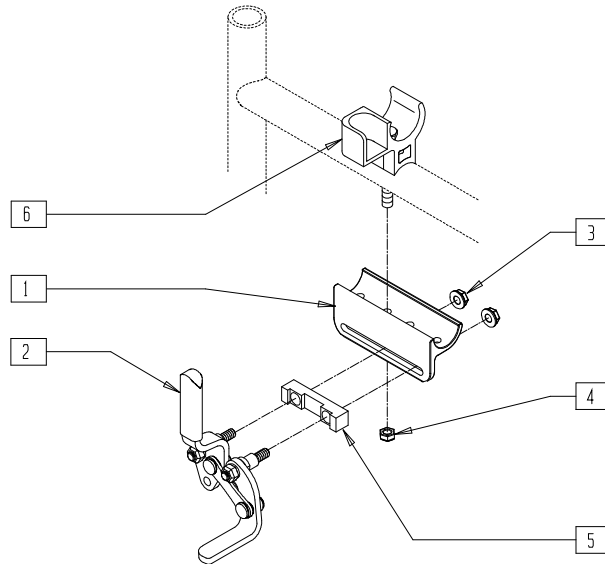
WHLCKX1A

ITEM	NUMBER	DESCRIPTION	QTY
1	505261	WHEEL LOCK MOUNT BR	1
2	880893, 880894	WHEEL LOCK ARM SUB-ASSEMBLY PUSH (EA)	1
3	201111	1/4-28 SERRATED FLANG NUT W/PATCH	2
4	201120	1/4-28 AUTOMATION NUT	1
5	500181	BRKT WHEEL LOCK STUD SUPPORT BR	1

ITEM	NUMBER	DESCRIPTION	QTY
6	561113, 561114	ARM SADDLE FLIP-BACK BR/LXI	1
1-6	882350, 882351	WHL LOCK PUSH W/MOUNT BR (EA)	
	901536	WHL LOCK ASSM PUSH W/MOUNT BR (PR)	

WHEEL LOCK (PULL-TO-LOCK) (BREEZY 500/503/510/2)

(Breezy 2 discontinued 5/98 - parts only)



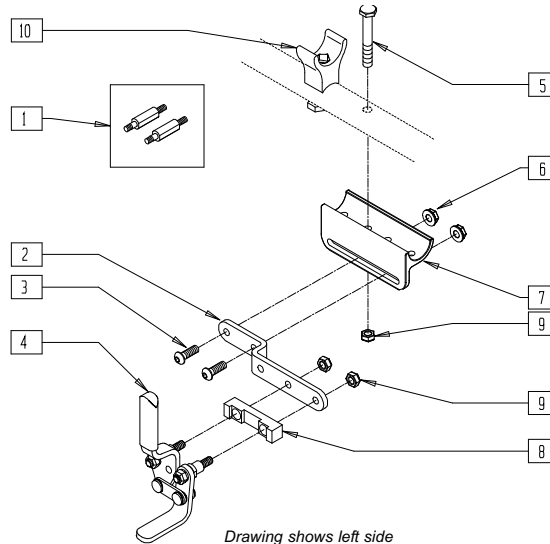
Drawing shows left side

WHLCKX2A

ITEM	NUMBER	DESCRIPTION	QTY
1	505261	WHEEL LOCK MOUNT BR	1
2	880895, 880896	WHEEL LOCK ARM SUB-ASSEMBLY PULL (EA)	1
3	201111	1/4-28 SERRATED FLANG NUT W/PATCH	2
4	201120	1/4-28 AUTOMATION NUT	1

ITEM	NUMBER	DESCRIPTION	QTY
5	500181	BRKT WHEEL LOCK STUD SUPPORT BR	1
6	561113, 561114	ARM SADDLE FLIP-BACK BR/LXI	1
1-6	882352, 882353	WHEEL LOCK PULL W/MOUNT BR (EA)	
	901537	WHEEL LOCK ASSM PULL W/MOUNT BR	

WHEEL LOCK (PUSH-TO-LOCK) (BREEZY 510 RECLINER/AMPUTEE AXLE)



Drawing shows left side

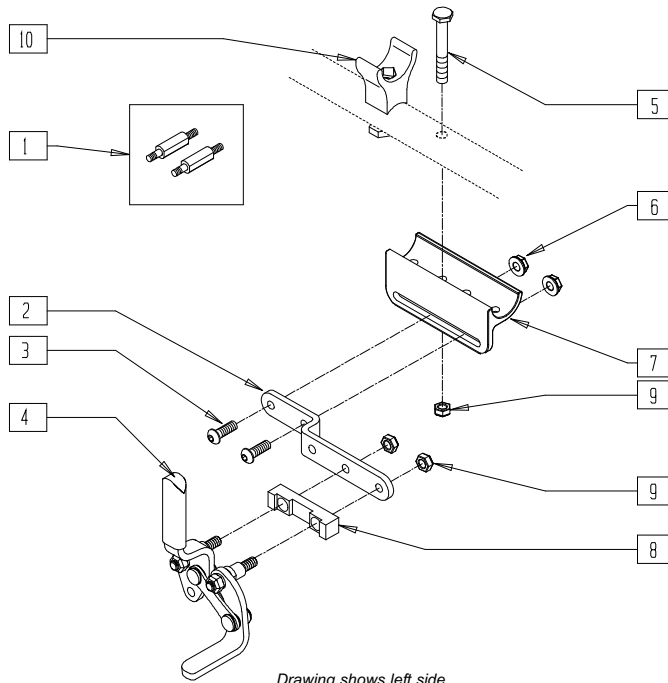
BRECX10B

ITEM	NUMBER	DESCRIPTION	QTY
*1	481094	WHEEL LOCK STUD SHORT BREEZY	2
2	505139	WHEEL LOCK EXT BR RCLNR	1
3	226100	1/4-28 x 3/4 BH C/S	2
4	880893, 880894	WHEEL LOCK ARM SUB-ASSEMBLY PUSH (EA)	1
5	221133	1/4-28 x 1 1/2 G8 HEX C/S	1
6	201111	1/4-28 SERRATED FLANG NUT W/PATCH	2
7	505261	WHEEL LOCK MOUNT BR	1

ITEM	NUMBER	DESCRIPTION	QTY
8	500181	BRKT WHEEL LOCK STUD SUPPORT BR	1
9	201120	1/4-28 AUTOMATION NUT	3
10	561092	SEAT SADDLE BR	2
2-10	882354, 882355	WHEEL LOCK PUSH ASSEMBLY B510 RECLINER (EA)	
	901538	WHEEL LOCK PUSH ASSM B51 RCLNR (PR)	

* ITEM 1 USED ONLY WITH STANDARD BACK KIT AND 20" WHEELS FORWARD MOUNTED OR 22"/24" WHEELS REVERSE MOUNTED.

WHEEL LOCK (PULL-TO-LOCK) (BREEZY 510 RECLINER)



Drawing shows left side

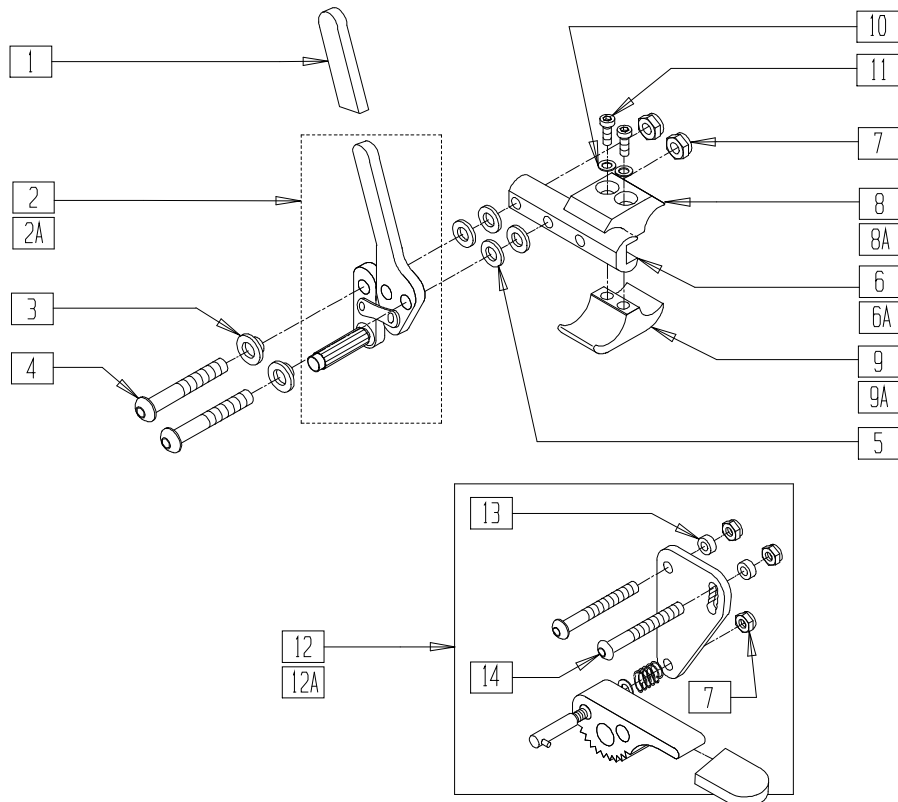
BREX12B

ITEM	NUMBER	DESCRIPTION	QTY
*1	481414	WHEEL LOCK EXT STUD BR RCLNR	2
2	505139	WHEEL LOCK EXT BR RCLNR	1
3	226100	1/4-28 x 3/4 BH C/S	2
4	880895, 880896	WHEEL LOCK ARM SUB-ASSEMBLY PULL (EA)	1
5	221133	1/4-28 x 1 1/2 G8 HEX C/S	1
6	201111	1/4-28 SERRATED FLANG NUT W/PATCH	2
7	505261	WHEEL LOCK MOUNT BR	1

ITEM	NUMBER	DESCRIPTION	QTY
8	500181	BRKT WHEEL LOCK STUD SUPPORT BR	1
9	201120	1/4-28 AUTOMATION NUT	3
10	561092	SEAT SADDLE BR	2
2-10	882356, 882357	WHEEL LOCK PULL ASSEMBLY B510 RECLINER (EA)	
	901539	WHEEL LOCK PULL ASSM B51 RCLNR (PR)	

* ITEM 1 USED ONLY WITH STANDARD BACK KIT AND 20" WHEELS FORWARD MOUNTED OR 22"/24" WHEELS REVERSE MOUNTED.

HIGH WHEEL LOCK (PUSH-TO-LOCK)

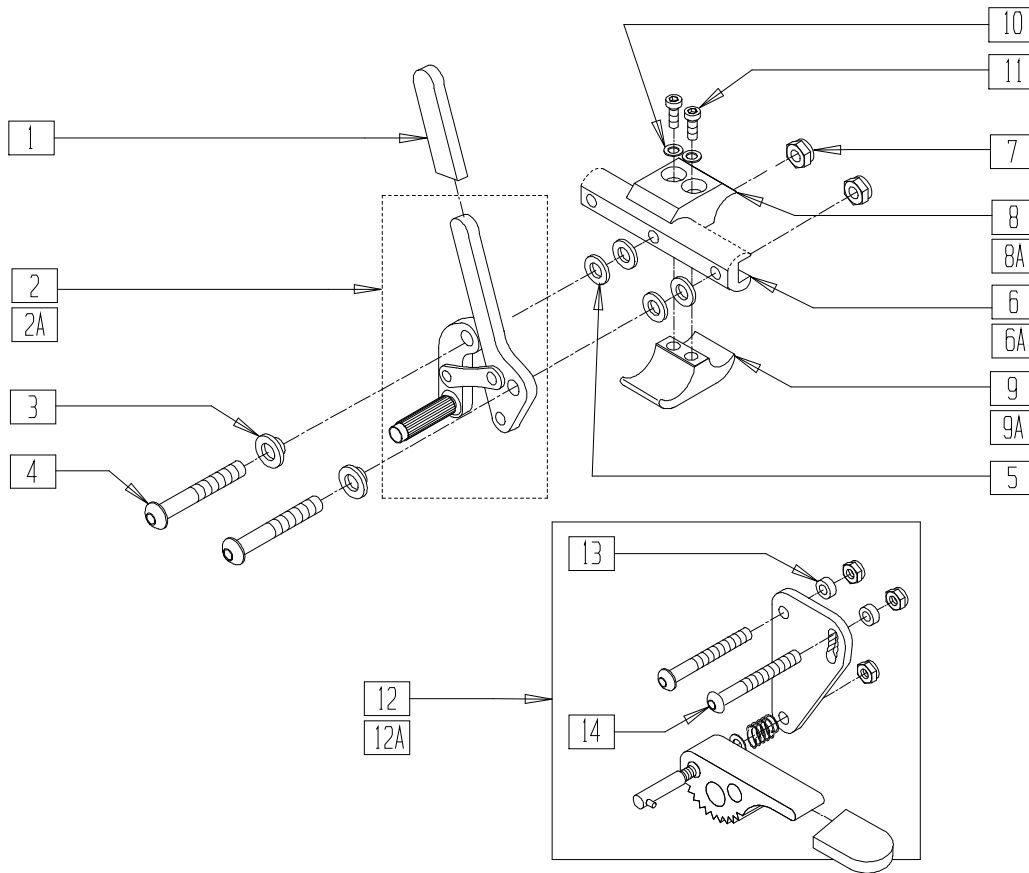


WL0X06D

ITEM	NUMBER	DESCRIPTION	QTY
1	560500-QU	HB PLASTIC COVER	1
2,11	880530, 880532	WHEEL LOCK ARM ASSEMBLY PUSH W/GRIP AND PLASTIC COVER (EA)	
2A,11	881748, 881749	WHEEL LOCK ASSM PUSH (EA)	
3	560126	.250 ID .312 OD BUSHING PLASTIC	2
4	226125	1/4-28 X 1 1/8 BH C/S	2
5	561028	1/4" NYLON WASHER	4
6	550265	WHEEL LOCK SLIDE BLOCK 3 1/2"	1
6A	550374	WHEEL LOCK SLIDE BLOCK 3 1/2" BLK	1
7	201120	1/4-28 AUTOMATION NUT	2
8	550259	CLAMP 1 1/4" RECESS HALF CLR	1
8A	550659	CLAMP 1 1/4" RECESS HALF BLK	1
9	550258	CLAMP 1 1/4" THREADED CLR	1
9A	550658	CLAMP 1 1/4" THREADED BLK	1
10	262114	1/4 WASHER HI COLLAR LOCK ZN	2
11	226112	1/4-28 x 1 SOC C/S BLK	2
12	880916, 880917	GRADE AID PLATE W/WHEEL AND HARDWARE (EA)	1
12A	880912, 880913	GRADE AID ASSM BLK N/CLAMP (EA)	1
13	483027	1/4 x 1/4 ALUMINUM SPACER BLK	2
14	226130	1/4-28 x 1 1/2 BH C/S	2
8-11	880539	WHL LCK CLAMP ASSM CLR	
1-11	880570, 880571	WHEEL LOCK PUSH W/CLAMP CLR (EA)	
1-7	880560, 880561	WHEEL LOCK PUSH W/O CLAMP CLR (EA)	
1-7,12	880562, 880563	WHEEL LOCK PUSH W/GRADE AID W/O CLAMP CLR (EA)	
1-12	880572, 880573	WHEEL LOCK PUSH W/GRADE AID AND CLAMP CLR (EA)	

ITEM	NUMBER	DESCRIPTION	QTY
1-11	901550	WHEEL LOCK PUSH W/CLAMP CLR (PR)	
1-12	901552	WHEEL LOCK PUSH W/GRADE AID AND CLAMP CLR (PR)	
8A,9A, 10,11	880594	WHEEL LOCK 1 AD CLAMP ASSEMBLY BLK	
8A,9A,10 11,12	880914, 880915	GRADE AID ASSM BLK W/CLAMP (EA)	
	900904	GRADE AID ASSM BLK W/CLAMP	
1,2A,3-5, 6A,7	883010, 883011	WHEEL LOCK PUSH W/O CLAMP BLK (EA)	
1,2A,3-5, 6A,7,12A	881754, 881755	WHEEL LOCK PUSH W/GA W/O CLAMP BLK (EA)	
1,2A,3-5, 6A,7,8A, 9A,10,11	881965, 881966	WHEEL LOCK PUSH W/CLAMP BLK (EA)	
1,2A,3, 6A,7	881762, 881763	WHEEL LOCK PUSH REV W/O CLAMP BLK (EA)	
1,2A,3,5, 6A,7,8A, 9-11,12A	881969, 881970	WHEEL LOCK PUSH W/GRADE AID W/CLAMP BLK (EA)	
1,2A,3-5, 6A,7,8A, 9A,10,11	881973, 881974	WHEEL LOCK PUSH REV W/CLAMP BLK (EA)	
1,2A,3-5, 6A,7,8A, 9A,10,11	901551	WHEEL LOCK PUSH W/CLAMP BLK (PR)	
1,2A,3,5, 6A,7,8A, 9-11,12A	901557	WHEEL LOCK PUSH W/GRADE AID W/CLAMP BLK (PR)	
1,2A,3-5, 6A,7,8A, 9A,10,11	901542	WHEEL LOCK PUSH REV W/CLAMP BLK (PR)	

HIGH WHEEL LOCK (PULL-TO-LOCK)

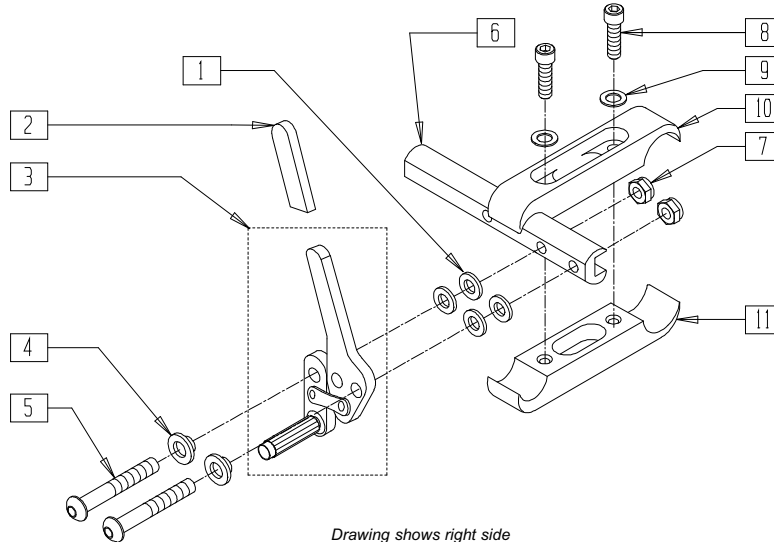


WL0X07C

ITEM	NUMBER	DESCRIPTION	QTY
1	560500-QU	HB PLASTIC COVER	1
1,2	880534, 880536	WHEEL LOCK ARM ASSEMBLY PULL W/GRIP AND PLASTIC COVER CLR (EA)	
1,2A	881798, 881799	WHEEL LOCK ASSEMBLY PULL (EA)	
3	560126	.250 ID .312 OD BUSHING PLASTIC	2
4	226125	1/4-28 X 1 1/8 BH C/S	2
5	561028	1/4" NYLON WASHER	4
6	550265	WHEEL LOCK SLIDE BLOCK 3 1/2" CLR	1
6A	550374	WHEEL LOCK SLIDE BLOCK 3 1/2" BLK	1
7	201120	1/4-28 AUTOMATION NUT	2
8	550259	CLAMP 1 1/4" RECESS HALF CLR	1
8A	550659	CLAMP 1 1/4" RECESS HALF BLK	1
9	550258	CLAMP 1 1/4" THREADED CLR	1
9A	550658	CLAMP 1 1/4" THREADED BLK	1
10	262114	1/4 WASHER HI COLLAR LOCK ZN	2
11	226112	1/4-28 x 1 SOC C/S BLK	2
12	880916, 880917	GRADE AID PLATE W/WHEEL AND HARDWARE (EA)	1
12A	880912, 880913	GRADE AID PLATE W/WHEEL BLK AND HARDWARE (EA)	1
13	483027	1/4 x 1/4 ALUMINUM SPACER BLK	2
14	226130	1/4-28 x 1 1/2 BH C/S	2
8-11	880539	WHEEL LOCK CLAMP ASSM CLR	
1-11	880576, 880577	WHEEL LOCK PULL W/CLAMP CLR (EA)	
1-7	880566, 880567	WHEEL LOCK PULL W/O CLAMP CLR (EA)	
1-3,5-12	880578, 880579	WHEEL LOCK PULL W/GRADE AID AND CLAMP CLR (EA)	

ITEM	NUMBER	DESCRIPTION	QTY
1-11	901554	WHEEL LOCK PULL W/CLAMP CLR (PR)	
1-3, 5-12	901556	WHL LOCK PULL W/G.A. W/CLAMP (PR)	
8A,9A, 10,11	880594	WHEEL LOCK 1 AD CLAMP ASSM BLK	
1,2A,3-5, 6A,7	883012, 883013	WHEEL LOCK PULL W/O CLAMP BLK (EA)	
1,2A,3-5, 6A,7,12A	881756, 881757	WHEEL LOCK PULL W/GRADE AID W/O CLAMP BLK (EA)	
1,2A,3-5, 6A,7,8A, 9A,10,11	881967, 881968	WHEEL LOCK PULL W/CLAMP BLK (EA)	
1,2A,3-5, 6A,7	881764, 881765	WHEEL LOCK PULL REV W/O CLAMP BLK (EA)	
1,2A,3-5, 6A,7,8A,9A 10,11,12A	881971, 881972	WHEEL LOCK PULL W/GRADE AID W/CLAMP BLK (EA)	
1,2A,3-5, 6A,7,8A, 9A,10,11	881975, 881976	WHEEL LOCK PULL REV W/CLAMP BLK (EA)	
1,2A,3-5, 6A,7,8A, 9A,10,11	901555	WHEEL LOCK PULL W/CLAMP BLK (PR)	
1,2A,3-5, 6A,7,8A, 9A,10, 11,12A	901558	WHEEL LOCK PULL W/GRADE AID W/CLAMP BLK (PR)	
1,2A,3-5, 6A,7,8A, 9A,10,11	901543	WHEEL LOCK PULL REV W/CLAMP BLK (PR)	

WHEEL LOCK PUSH (LONG SLIDE) (QUICKIE XTR)



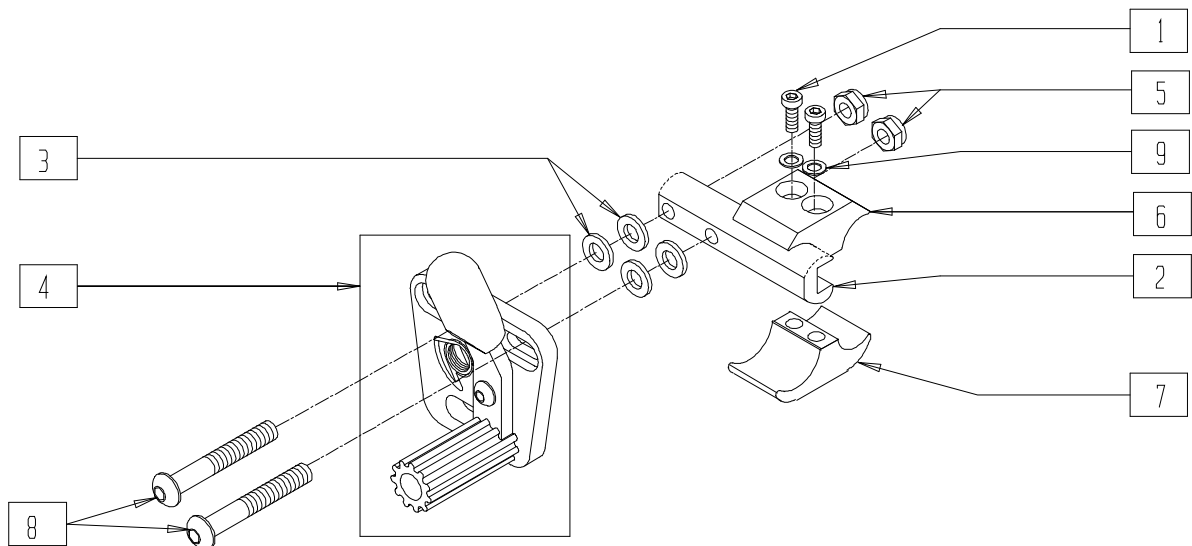
Drawing shows right side

XTR0X06

ITEM	NUMBER	DESCRIPTION	QTY
1	561028	1/4" NYLON WASHER	4
2	560500-QU	HB PLASTIC COVER	1
2,3	880732, 880735	WHL LCK ARM ASSM W/GRIP BLK (EA)	1
4	560126	.250 ID .312 OD BUSHING PLST	2
5	226110	1/4-28 x 1 BH C/S	2
6	550447	WHL LCK SLIDE BLOCK LNG	1
7	201100-QU	1/4-28 NYLOCK NUT THIN	2

ITEM	NUMBER	DESCRIPTION	QTY
8	226107	1/4-28 X 7/8 SOC C/S	2
9	262114	1/4 WASHER HI COLLAR LOCK ZN	2
10	550094	WHEEL LOCK CLAMP 3.5"	1
11	550092	WHL LCK CLMP THRD 3.5"	1
1-7	881946, 881947	WHEEL LOCK PUSH LG W/O CLAMP (EA)	
1-11	882068 882069	WHL LCK PUSH LN W/ LNG CLMP (EA)	

SHORT-THROW HIGH PUSH WHEEL LOCK (QUICKIE XTR)

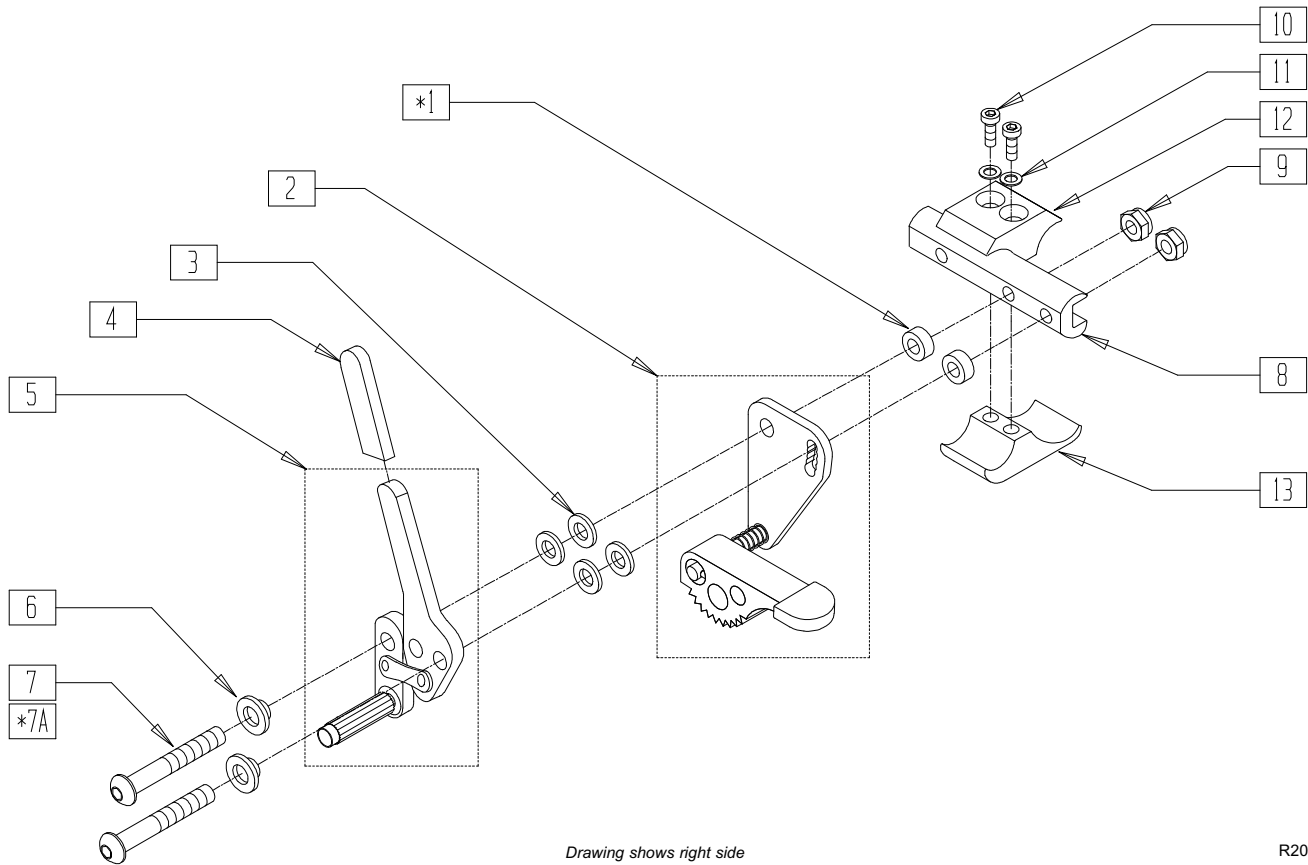


SUS00X41

ITEM	NUMBER	DESCRIPTION	QTY
1	226112	1/4-28 x 1 SOC C/S BLK	2
2	550374	WHEEL LOCK SLIDE BLOCK 3 1/2" BLK	1
3	561028	1/4" NYLON WASHER	4
4	880054, 880055	WHEEL LOCK ADJ (EA)	1
5	201100-QU	1/4-28 NYLOCK NUT THIN	2
6	550064	WHL LOCK CLAMP 1 1/8" RECESS XTR	1

ITEM	NUMBER	DESCRIPTION	QTY
7	550065	WHEEL LOCK CLAMP 1 1/8" THRD XTR	1
8	226168	1/4-28 x .875 BH C/S	2
9	262114	1/4 WASHER HI COLLAR LOCK ZN	2
2-5,8	881095, 881096	WHEEL LOCK PUSH W/O CLAMP (EA)	
1-9	901529	WHEEL LOCK ADJ W/CLAMP XTR (PR)	

WHEEL LOCK (PUSH-TO-LOCK) WITH/WITHOUT GRADE AID (QUICKIE R2)



Drawing shows right side

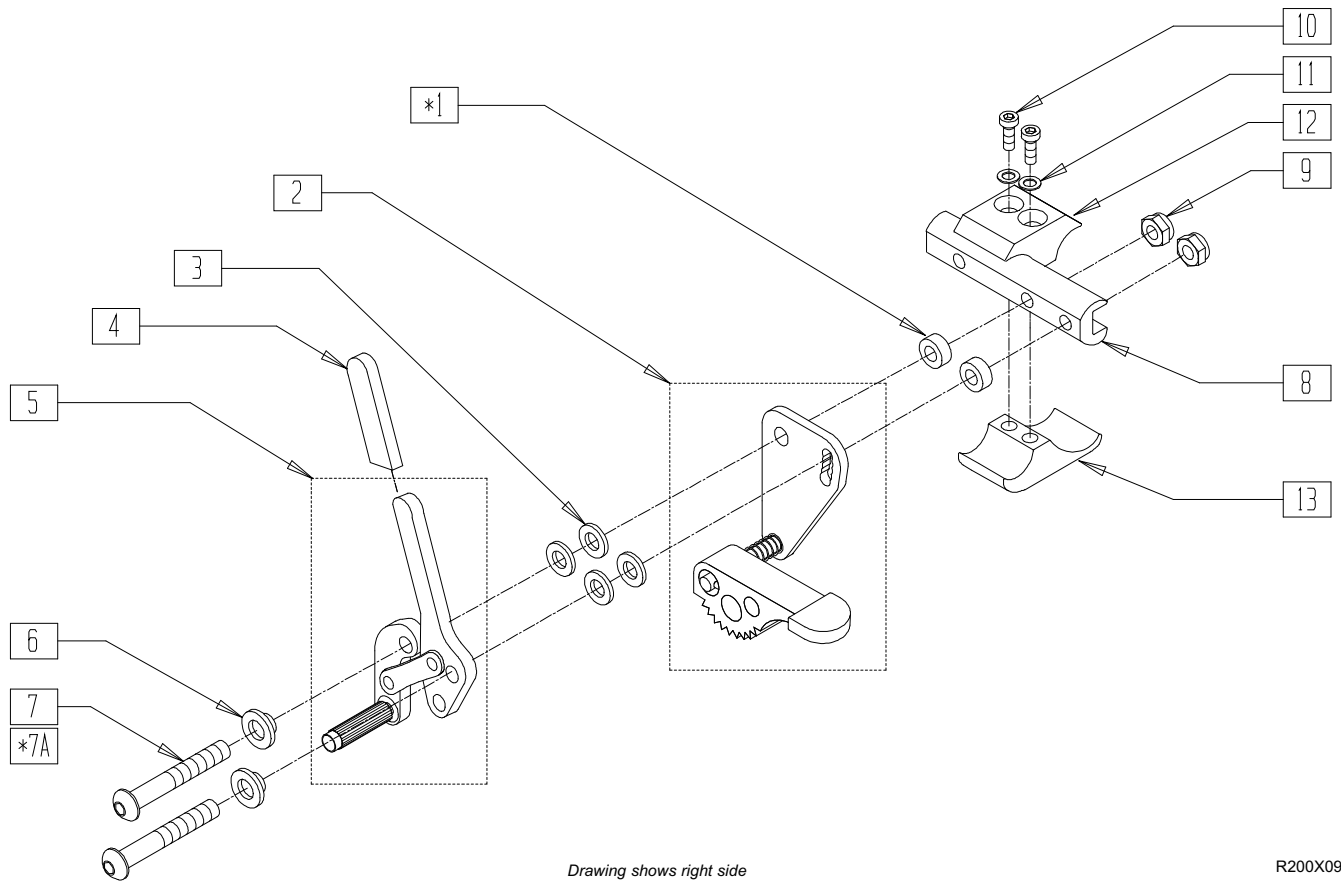
R200X08A

ITEM	NUMBER	DESCRIPTION	QTY
*1	483027	1/4 x 1/4 ALUM SPACER BLK	2
2	880904, 880905	GRADE AID PLATE W/WHEEL BLK (EA)	1
3	561028	1/4" NYLON WASHER	4
4	560500-QU	HB PLASTIC COVER	1
5	881748, 881749	WHEEL LOCK ASSM PUSH (EA)	1
6	560126	.250 ID .312 OD BUSHING PLST	2
7	226125	1/4-28 X 1 1/8 BH C/S	4
*7A	226130	1/4-28 x 1 1/2 BH C/S	4
8	550374	WHEEL LOCK SLIDE BLOCK 3 1/2" BLK	1
9	201120	1/4-28 AUTOMATION NUT	2
10	226112	1/4-28 x 1 SOC C/S BLK	2
11	262114	1/4 WASHER HI COLLAR LOCK ZN	2

ITEM	NUMBER	DESCRIPTION	QTY
12	550443	WHEEL LOCK CLAMP RECESS R2	1
13	550442	WHEEL LOCK CLAMP THREADED R2	1
10-13	881097	WHEEL LOCK CLAMP ASSM BLK	
3-9	883010	WHEEL LOCK PUSH ASSM W/O CLAMP BLK (EA)	
1-6,7A,9	881754, 881755	WHEEL LOCK PUSH W/GA N/CLAMP BLK	
3-13	881953	WHEEL LOCK PUSH ASSM W/CLAMP BLK R2 (EA)	
	901572	WHL LCK PUSH W/CLMP BLK R2 (PR)	
1-6,7A, 8-13	881992, 881993	WHL LCK PSH W/GA W/CLMP BLK R2 (EA)	
	901583	WHL LCK PSH W/GA BLK R2 (PR)	

*NOTE: ITEM 1 AND *7A USED ONLY WITH GRADE AID

WHEEL LOCK (PULL-TO-LOCK) WITH/WITHOUT GRADE AID (QUICKIE R2)



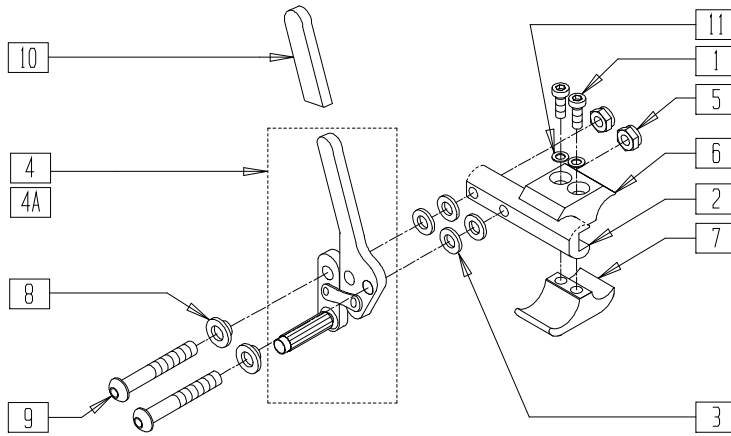
R200X09B

ITEM	NUMBER	DESCRIPTION	QTY
*1	483027	1/4 x 1/4 ALUM SPACER BLK	2
2	880904, 880905	GRADE AID PLATE W/WHEEL BLK (EA)	1
3	561028	1/4" NYLON WASHER	4
4	560500-QU	HB PLASTIC COVER	1
4,5	881798, 881799	WHEEL LOCK ASSM PULL (EA)	
6	560126	.250 ID .312 OD BUSHING PLST	2
7	226125	1/4-28 X 1 1/8 BH C/S	2
*7A	226130	1/4-28 x 1 1/2 BH C/S	
8	550374	WHEEL LOCK SLIDE BLOCK 3 1/2" BLK	1
9	201120	1/4-28 AUTOMATION NUT	2
10	226112	1/4-28 x 1 SOC C/S BLK	2
11	262114	1/4 WASHER HI COLLAR LOCK ZN	2

ITEM	NUMBER	DESCRIPTION	QTY
12	550443	WHEEL LOCK CLAMP RECESS R2	1
13	550442	WHEEL LOCK CLAMP THREADED R2	1
10-13	881097	WHEEL LOCK CLAMP ASSM BLK	
3-9	883012, 883013	WHEEL LOCK PULL ASSM W/O CLAMP BLK (EA)	
1-6,7A,9	881756, 881757	WHEEL LOCK PULL W/GA W/O CLAMP BLK (EA)	
3-13	881955, 881956	WHEEL LOCK PULL ASSM W/CLAMP BLK R2 (EA)	
	901573	WHL LCK PULL W/CLMP BLK R2 (PR)	
	881995, 881996	WHEEL LOCK PULL W/GA W/CLAMP BLK R2 (EA)	
1-6,7A, 8-13	901584	WHL LCK PLL W/GA W/CLMP BLK R2 (PR)	

*NOTE- ITEM 1 AND 7A USED ONLY WITH GRADE AID

HIGH WHEEL LOCK (PUSH-TO-LOCK) (QUICKIE ST/DT)

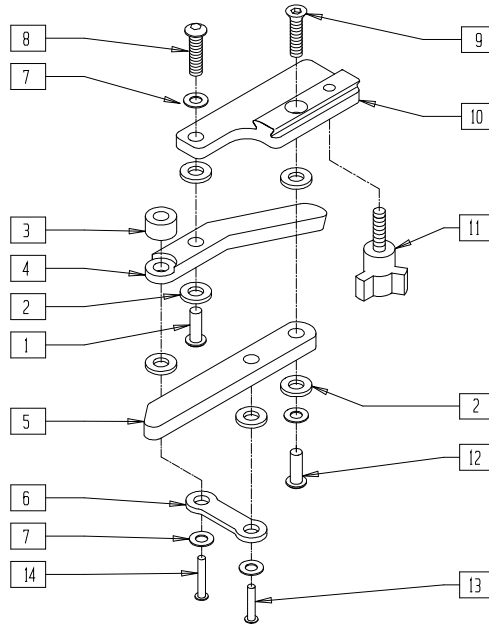


RBV00X23

ITEM	NUMBER	DESCRIPTION	QTY
1	226112	1/4-28 x 1 SOC C/S BLK	2
2	550374	WHEEL LOCK SLIDE BLOCK 3 1/2" BLK	1
3	561028	1/4" NYLON WASHER	4
4,10	880530, 880532	WHEEL LOCK ARM ASSM PUSH W/GRIP CLR AND PLASTIC COVER (EA)	
4A,10	881748, 881749	WHEEL LOCK ASSM PUSH (EA)	
5	201120	1/4-28 AUTOMATION NUT	2
6	550724	CLAMP 3/4"-3/4" TOP HALF ST/DT	1

ITEM	NUMBER	DESCRIPTION	QTY
7	550725	CLAMP 3/4"-3/4" THRD HALF ST/DT	1
8	560126	.250 ID .312 OD BUSHING PLASTIC	2
9	226125	1/4-28 X 1 1/8 BH C/S	2
10	560500	HB PLASTIC COVER	1
11	262114	1/4 WASHER HI COLLAR LOCK ZN	2
1-4,4A, 5-11	880993, 880994	WHEEL LOCK PUSH W/CLAMP ST/DT (EA)	
	901580	WHEEL LOCK PUSH W/CLAMP ST/DT (PR)	

zWHEEL LOCK (Quickie TNT)
 (Discontinued 11/6/98 - parts only)

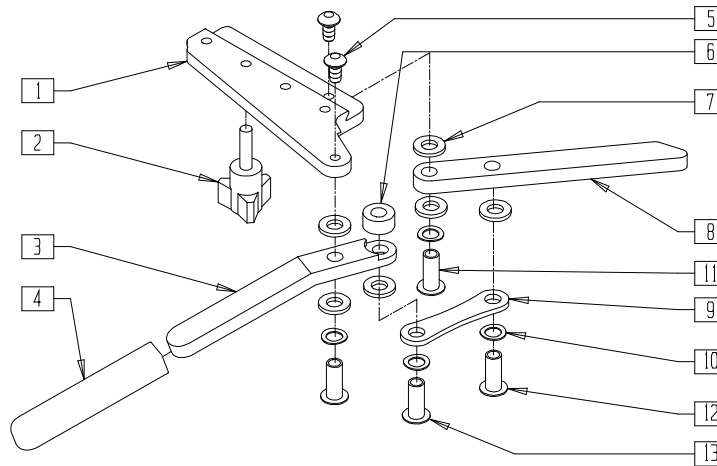


TNT00X09

ITEM	NUMBER	DESCRIPTION	QTY
1	341508	10-32 x .620 SLOT RIVNUT	1
2	561028	1/4" NYLON WASHER	6
3	483027	1/4 x 1/4 ALUM SPACER BLK	1
4	550565	WHEEL LOCK LEVER QTNT	1
5	550566	WHEEL LOCK ARM QTNT	1
6	505005	2 HOLE TOGGLE PULL SS	1
7	262130	6mm WASHER WAVE	4

ITEM	NUMBER	DESCRIPTION	QTY
8	226018	10-32 x 3/8 BH C/S W/PATCH BLK	1
9	281119	10/32 x 5/8 FH SOC ZN	1
10	550570, 550571	WHEEL LOCK BRACKET QTNT (EA)	1
11	341524	10/32 x 3/4 THUMB SCREW	1
12	341528	10-32 x .410 SLOT RIVNUT	1
13	240120	RIVET ST 1/4 x 5/8	1

WHEEL LOCK (Quickie TNT)
 (Effective 11/6/98) (Quickie TNT discontinued 2/01-Parts only.)



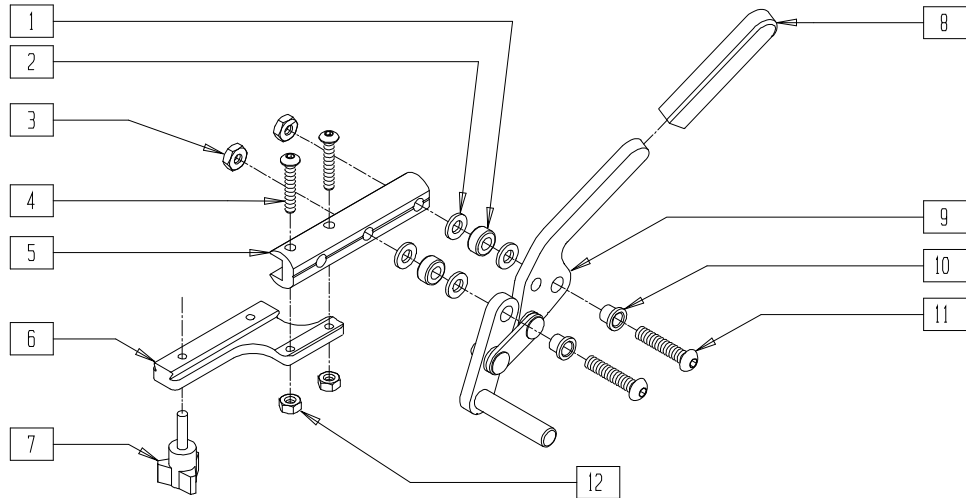
TNT00X20

ITEM	NUMBER	DESCRIPTION	QTY
1	500182, 500183	WHEEL LOCK BRKT QTNT (NEW) (EA)	1
2	341524	10-32 x 3/4 THUMB SCREW	1
3	550565	WHEEL LOCK LEVER QTNT	1
4	560500	HB PLASTIC COVER	1
5	226018	10-32 x 3/8 BH C/S W/PATCH BLK	2
6	483027	1/4 x 1/4 ALUM SPACER BLK	1
7	561028	1/4" NYLON WASHER	6

ITEM	NUMBER	DESCRIPTION	QTY
8	550566	WHEEL LOCK ARM QTNT	1
9	505005	2 HOLE TOGGLE PULL SS	1
10	262130	6mm WASHER WAVE	4
11	341508	10-32 x .620 SLOT RIVNUT	2
1-13	880920,	WHEEL LOCK ASSEMBLY QTNT (EA)	
	880921		
	901575	WHEEL LOCK ASSEMBLY QTNT (PR)	

HIGH WHEEL LOCK (PUSH-TO-LOCK) (Quickie TNT)

(Discontinued 2/01 - Parts only)

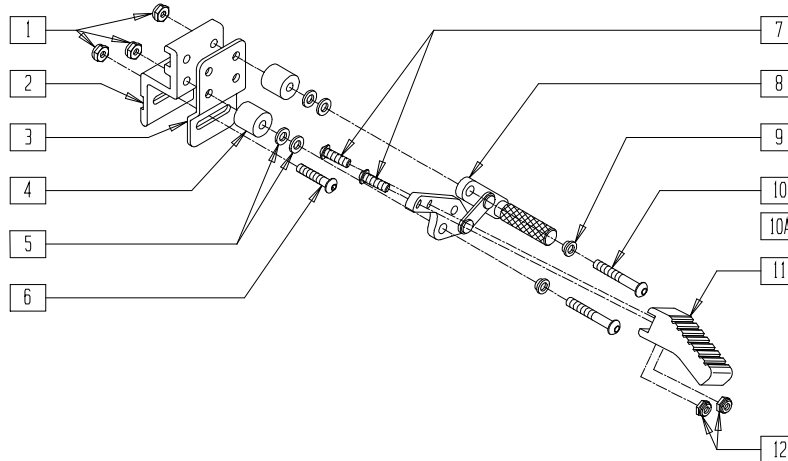


WLCK_TNT

ITEM	NUMBER	DESCRIPTION	QTY
1	483027	1/4 x 1/4 ALUM SPACER BLK	2
2	561028	1/4" NYLON WASHER	4
3	201100-QU	1/4-28 NYLOCK NUT THIN	2
4	226052	10-32 x 1 1/8" BH C/S	2
5	550594	HIGH PUSH WHL LOCK SLIDE BLK QTNT	1
6	550595, 550596	HIGH PUSH WHEEL LOCK BRACKET QTNT (EA)	1
7	341524	10/32 x 3/4 THUMB SCREW	1
8	560500-QU	HB PLASTIC COVER	1

ITEM	NUMBER	DESCRIPTION	QTY
9	881798, 881799	WHEEL LOCK ASSEM PUSH (EA)	1
10	560126	.250 ID .312 OD BUSHING PLST	2
11	226129	1/4-28 x 1 1/4 BH C/S	2
12	200101-QU	10-32 NYLOCK NUT THIN	2
1-7,9-12	880908, 880909	WHEEL LOCK ASSEMBLY PUSH BLK QTNT (EA)	
	900170	WHEEL LOCK ASSM PUSH BLK QTNT	

WHEEL LOCK (QUICKIE T45)



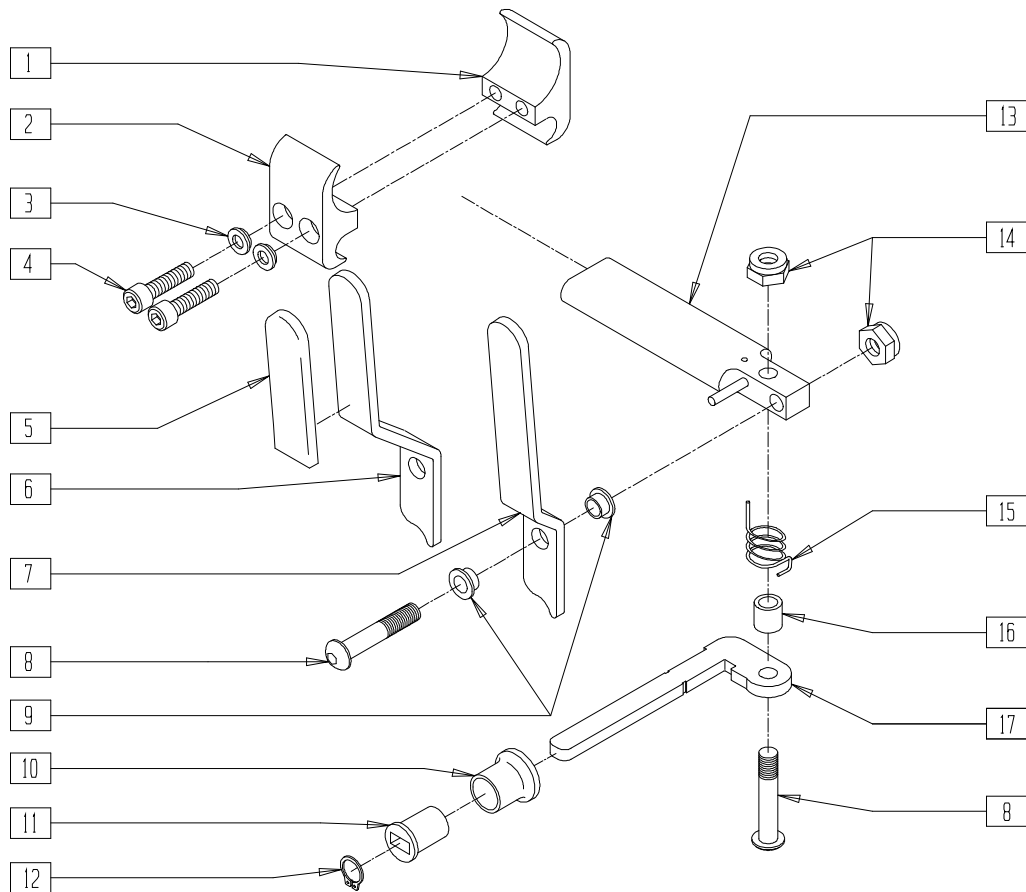
TSR00X06A

ITEM	NUMBER	DESCRIPTION	QTY
1	201100-QU	1/4-28 NYLOCK NUT THIN	3
2	550167	WHEEL LOCK MOUNTING BLOCK	1
3	550165	WHEEL LOCK MOUNTING SUPPORT T45	1
4*	483094	WHEEL LOCK SPACER T45	1
5	561028	1/4" NYLON WASHER	2
6	221124-QU	1/4-28 x 1 1/4 G8 HEX C/S	4
7	226100	1/4-28 x 3/4 BH C/S	2
8	880733, 880734	FT LOCK ARM ASSM PUSH W/GRIP	1
9	560126	.250 ID .312 OD BUSHING PLASTIC	2

ITEM	NUMBER	DESCRIPTION	QTY
10	226129	1/4-28 x 1 1/4 BH C/S	2
10A*	226150	1/4-28 x 2 BH C/S	2
11	560680	T45 FOOT PEDAL	1
12	201100-QU	1/4-28 NYLOCK NUT THIN	2
1-3,5-10	880840, 11,12	FOOT WHEEL LOCK W/BLOCK	
1-8,10A	880842, 880843	FOOT WHEEL LOCK W/BLK AND SPACER	
1-3,5-12	901570	FOOT WHEEL LOCK ASSM W/BLOCK (PR)	
1-9,10A-12	901571	FT WHL LCK ASSM W/BLK AND SPCR (PR)	

* ITEMS 4 AND 10A ARE USED WITH ADJUSTABLE LOCKING FLIP-UP ARMREST.

HIGH PUSH SWING-AWAY WHEEL LOCK

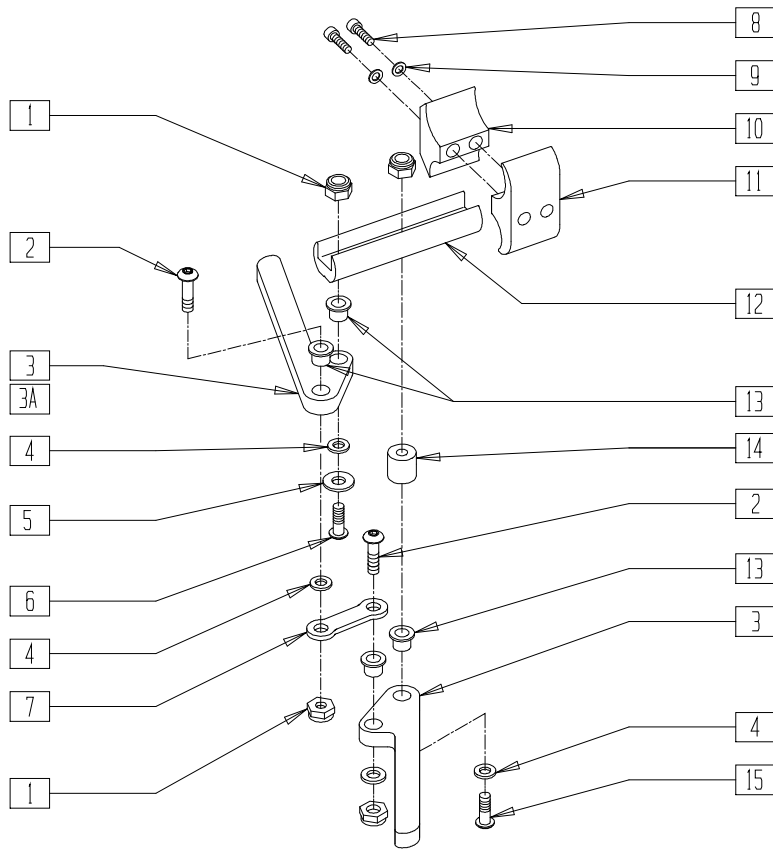


WLOX12

ITEM	NUMBER	DESCRIPTION	QTY
1	551258	CLAMP 1" THREADED HALF	1
2	551257	CLAMP 1" RECESS HALF	1
3	262114	1/4 WASHER HI COLLAR LOCK ZN	2
4	226112	1/4-28 x 1 SOC C/S BLK	2
5	560500-QU	HB PLASTIC COVER	1
6	500304, 500305	WHEEL LOCK CAM LEVER WIDE (EA)	1
7	500302, 500303	WHEEL LOCK CAM LEVER (EA)	1
8	226131	1/4-28 x 1 1/4 BH C/S SHOULDER	2
9	262115	1/4" NYLON FLANGE BUSHING	2
13	880701, 880702	WHEEL LOCK ADJ BAR W/PIN (EA)	1
14	201120	1/4-28 AUTOMATION NUT	2
15	321778, 321779	SPRING WHEEL LOCK (EA)	1

ITEM	NUMBER	DESCRIPTION	QTY
16	481157	WHEEL LOCK SPACER	1
10-12,17	880514	WHEEL LOCK ARM 2" KNURL ASSEMBLY	
5,7-17	880790, 880791	HI PUSH S/A WHEEL LOCK (EA)	
1-5,7-17	880794, 880795	HI PUSH S/A WHEEL LOCK W/CLAMP (EA)	
5,6,8-17	880792, 880793,	HI PUSH S/A WHEEL LOCK WIDE (EA)	
1-6,8-17	880796, 880797	HI PUSH S/A WHEEL LOCK WIDE W/CLAMP (EA)	
1-5,7-17	901520	HI PUSH S/A WHEEL LOCK W/CLAMP (PR)	
1-6,8-17	901521	HI PUSH S/A WHEEL LOCK WIDE W/CLAMP (PR)	

HIGH-MOUNT SCISSOR WHEEL LOCK

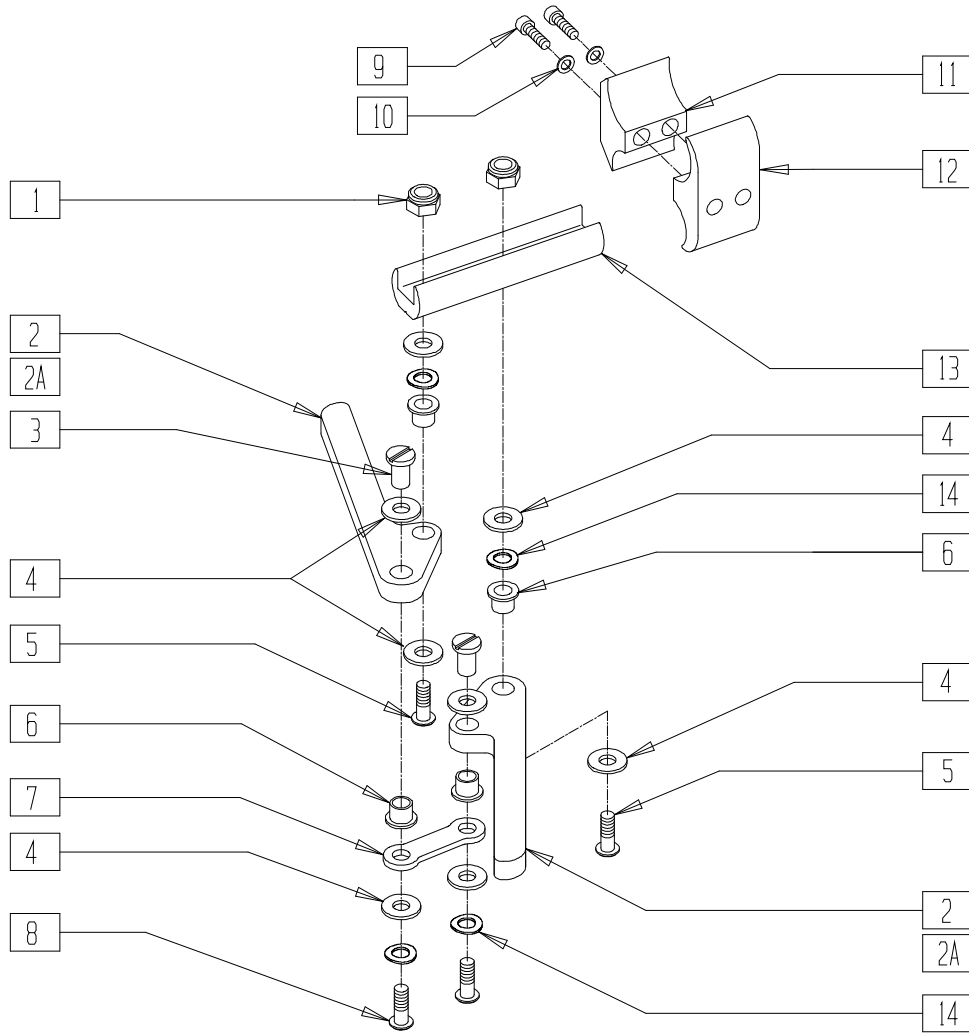


WL00X10

ITEM	NUMBER	DESCRIPTION	QTY
1	201100-QU	1/4-28 NYLOCK NUT THIN	4
2	226100	1/4-28 x 3/4 BH C/S	2
3	550232	HI-MOUNT SCISSOR WHEEL LOCK ARM	2
3A	550231	HI-MOUNT SCISSOR WHL LOCK ARM LONG	2
4	561028	1/4" NYLON WASHER	4
5	262120	1/4 SAE WASHER	1
6	226122	1/4-28 x 1.10 BH C/S	1
7	504995	TOGGLE LINK 1.125	1
8	226112	1/4-28 x 1 SOC C/S BLK	2
9	262114	1/4 WASHER HI COLLAR LOCK ZN	2
10	550259	CLAMP 1 1/4" RECESS HALF CLR	1
11	550258	CLAMP 1 1/4" THREADED CLR	1
12	550374	WHEEL LOCK SLIDE BLOCK 3 1/2" BLK	1
13	560126	.250 ID .312 OD BUSHING PLASTIC	4

ITEM	NUMBER	DESCRIPTION	QTY
14	483027	1/4 x 1/4 ALUMINUM SPACER BLK	2
15	226130	1/4-28 x 1 1/2 BH C/S	1
8-11	880539	WHEEL LOCK CLAMP ASSEMBLY CLR	
1-7	880608,	WHEEL LOCK SCISSOR HI-MOUNT (EA)	
12-15	880609		
1-15	901501,	WHEEL LOCK SCISSOR W/CLAMP (EA)	
	901503		
	901505	WHEEL LOCK SCISSOR W/CLAMP (PR)	
1-3,3A,4-7,	880612,	WHEEL LOCK SCISSOR HI-MOUNT	
12-15	880613	LONG W/CLAMP (EA)	
1,2,3A,	901507,	WHEEL LOCK SCISSOR LONG	
4-15	901509	W/CLAMP (EA)	
	901510	WHEEL LOCK SCISSOR LONG	
		W/CLAMP (PR)	

HIGH-MOUNT SCISSOR WHEEL LOCK (QUICKIE REVOLUTION)

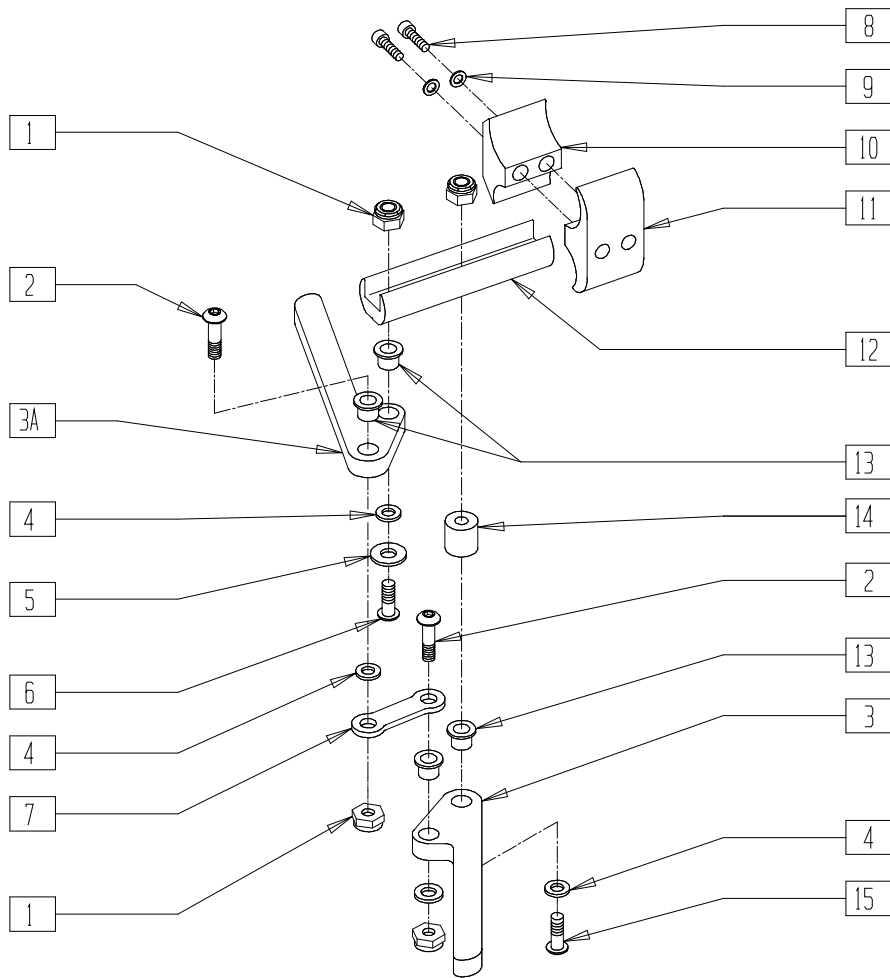


WL00X13

ITEM	NUMBER	DESCRIPTION	QTY
1	201100-QU	1/4-28 NYLOCK NUT THIN	2
2	550232	HI-MOUNT SCISSOR WHEEL LOCK ARM BLK	2
2A	550231	HI-MOUNT SCISSOR WHL LOCK ARM LONG	2
3	341508	10-32 x .620 SLOT RIVNUT	2
4	561028	1/4" NYLON WASHER	8
5	226122	1/4-28 x 1.10 BH C/S	2
6	560126	.250 ID .312 OD BUSHING PLASTIC	4
7	504995	TOGGLE LINK 1.125	1
8	226023	10-32 x 7/16 BH C/S BLK	2
9	226112	1/4-28 x 1 SOC C/S BLK	2
10	262114	1/4 WASHER HI COLLAR LOCK ZN	2
11	550658	CLAMP 1 1/4" THREADED BLK	1
12	550659	CLAMP 1 1/4" RECESS HALF BLK	1

ITEM	NUMBER	DESCRIPTION	QTY
13	550374	WHEEL LOCK SLIDE BLOCK 3 1/2" BLK	1
14	262130	6mm WASHER WAVE	4
9-12	880594	WHEEL LOCK CLAMP ASSEMBLY BLK	
1-8,	880720,	WHEEL LOCK SCISSOR	
13,14	880721	HI-MOUNT REG RV (EA)	
1,2,2A,	880722,	WHEEL LOCK SCISSOR	
3-8,13,14	880723	HI-MOUNT LONG RV (EA)	
1-14	901511,	WHEEL LOCK SCISSOR REG	
	901512	RV W/CLAMP (EA)	
1,2,2A,	901515,	WHEEL LOCK SCISSOR LONG	
3-14	901516	RV W/CLAMP (EA)	
1-14	901514	WHL LCK SCISSOR REG RV	
		W/CLMP (PR)	
1,2,2A,	901517	WHL LCK SCISSOR LONG RV	
3-14		W/CLMP (PR)	

HIGH-MOUNT SCISSOR WHEEL LOCK (QUICKIE XTR)

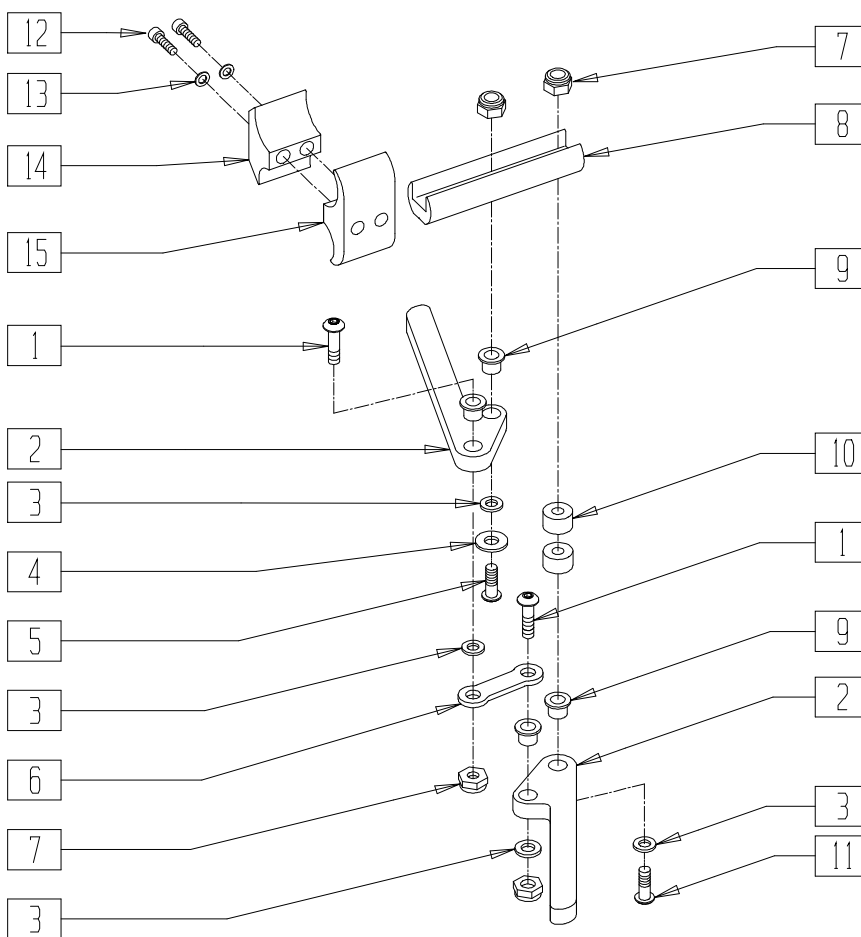


SUS00X35

ITEM	NUMBER	DESCRIPTION	QTY
1	201100-QU	1/4-28 NYLOCK NUT THIN	4
2	226100	1/4-28 x 3/4 BH C/S	2
3	550232	HI-MNT SCISSOR WHEEL LOCK ARM BLK	1
3A	550231	HI-MNT SCISSOR WHEEL LOCK ARM LNG	1
4	561028	1/4" NYLON WASHER	4
5	262120	1/4 SAE WASHER	1
6	226122	1/4-28 x 1.10 BH C/S	1
7	504995	TOGGLE LINK 1.125	1
8	226112	1/4-28 x 1 SOC C/S BLK	2
9	262114	1/4 WASHER HI COLLAR LOCK ZN	2
10	550064	WHEEL LOCK CLAMP 1 1/8" REC XTR	1

ITEM	NUMBER	DESCRIPTION	QTY
11	550065	WHEEL LOCK CLAMP 1 1/8" THRD XTR	1
12	550374	WHEEL LOCK SLIDE BLOCK 3 1/2" BLK	1
13	560126	.250 ID .312 OD BUSHING PLASTIC	4
14	483027	1/4 x 1/4 ALUMINUM SPACER BLK	2
15	226130	1/4-28 x 1 1/2 BH C/S	1
8-11	881054	WHEEL LOCK CLAMP ASSEMBLY XTR	
1-3,3A,4-7,12-15	880612, 880613	WHEEL LOCK SCISSOR HI-MNT LONG (EA)	
1-15	881055, 881056	WHEEL LOCK SCISSOR W/CLAMP LONG XTR	
	901576	WHEEL LOCK SCISSOR W/CLAMP XTR (PR)	

HIGH-MOUNT SCISSOR WHEEL LOCK (QUICKIE R2)



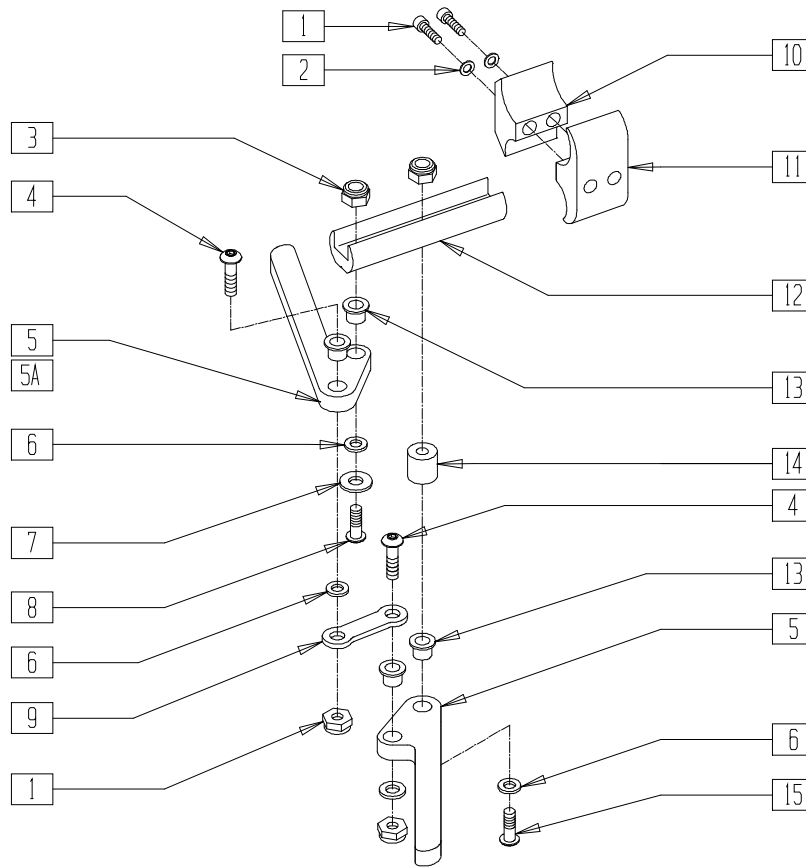
Drawing shows right side

R200X07

ITEM	NUMBER	DESCRIPTION	QTY
1	226100	1/4-28 x 3/4 BH C/S	2
2	550232	HI-MNT SCISSOR WHEEL LOCK ARM BLK	2
3	561028	1/4" NYLON WASHER	4
4	262120	1/4" SAE WASHER	1
5	226122	1/4-28 x 1.10 BH C/S	1
6	504995	TOGGLE LINK 1.125	1
7	201100-QU	1/4-28 NYLOCK NUT THIN	4
8	550374	WHEEL LOCK SLIDE BLOCK 3 1/2" BLK	1
9	560126	.250 ID .312 OD BUSHING PLST	4
10	483027	1/4 x 1/4 ALUM SPACER BLK	2

ITEM	NUMBER	DESCRIPTION	QTY
11	226130	1/4-28 x 1 1/2 BH C/S	1
12	226112	1/4-28 x 1 SOC C/S BLK	2
13	262114	1/4 WASHER HI COLLAR LOCK ZN	2
14	550443	WHEEL LOCK CLAMP RECESS R2	1
15	550442	WHEEL LOCK CLAMP THREADED R2	1
12-15	881097	WHEEL LOCK CLAMP ASSY BLK	
1-11	880608, 880609	WHEEL LOCK SCISSOR HI-MNT BLK (EA)	
1-15	901546, 901547	WHEEL LOCK SCISSOR W/CLAMP BLK R2 (EA)	

STANDARD/HIGH MOUNT SCISSOR WHEEL LOCK (QUICKIE ST/DT/HEAT)



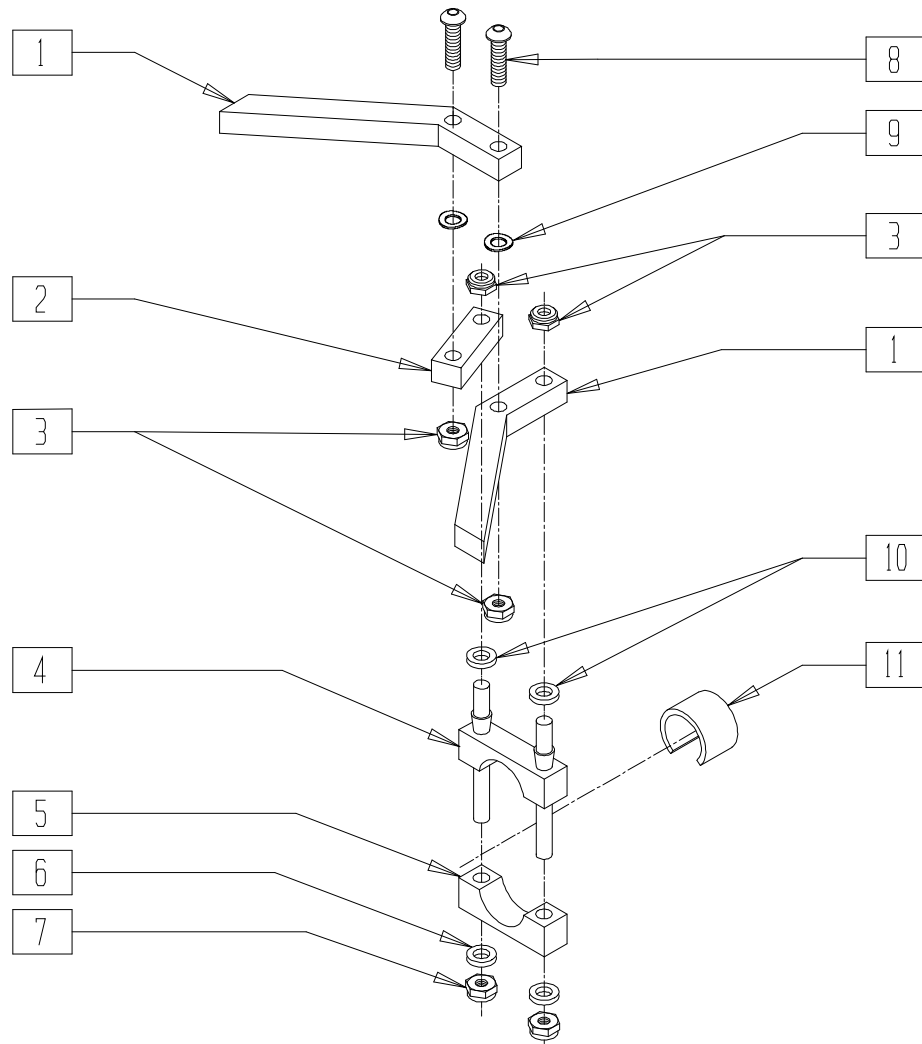
RG000X14

ITEM	NUMBER	DESCRIPTION	QTY
1	226112	1/4-28 x 1 SOC C/S BLK	2
2	262114	1/4 WASHER HI COLLAR LOCK ZN	2
3	201100-QU	1/4-28 NYLOCK NUT THIN	4
4	226100	1/4-28 x 3/4 BH C/S	2
5	550232	HI-MNT SCISSOR WHEEL LOCK ARM	2
5A	550231	HI-MNT SCISSOR WHEEL LOCK ARM LONG	2
6	561028	1/4" NYLON WASHER	4
7	262120	1/4 SAE WASHER	1
8	226122	1/4-28 x 1.10 BH C/S	1
9	504995	TOGGLE LINK 1.125	1
10	550724	CLAMP 3/4" - 3/4" TOP HALF ST/DT	1
11	550725	CLAMP 3/4" - 3/4" THRD HALF ST/DT	1
12	550374	WHEEL LOCK SLIDE BLOCK 3 1/2" BLK	1
13	560126	.250 ID .312 OD BUSHING PLASTIC	4

ITEM	NUMBER	DESCRIPTION	QTY
14	483027	1/4 x 1/4 ALUM SPACER BLK	1
15	226130	1/4-28 x 1 1/2 BH C/S	1
1,2,10,11	880582	WHEEL LOCK CLAMP ASSEMBLY ST/DT	
3-9,12-15	880608, 880609	WHEEL LOCK SCISSOR HI-MOUNT (EA)	
1-15	880804, 880805	WHEEL LOCK SCISSOR W/CLAMP (EA)	
	901518	WHEEL LOCK SCISSOR W/CLAMP (PR)	
3,4,5,5A, 6-9,12-15	880612, 880613	WHEEL LOCK SCISSOR HI-MOUNT LONG (EA)	
1-5,5A, 6-15	880806, 880807	WHEEL LOCK SCISSOR W/CLAMP LONG BLK (EA)	
	901519	WHEEL LOCK SCISSOR W/CLAMP LONG BLK (PR)	

LOW MOUNT WHEEL LOCK

(ST/DT discontinued 7/1/98 - parts only)



RG000X06

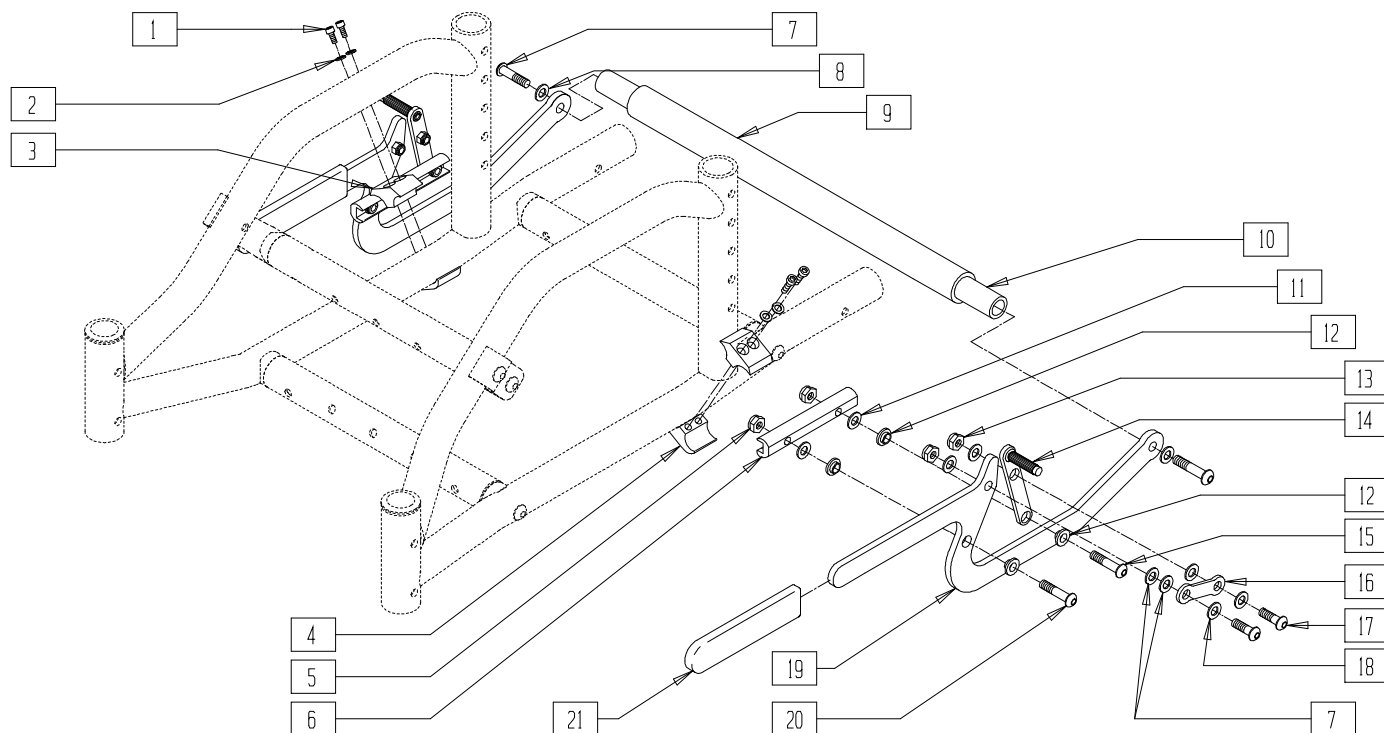
ITEM	NUMBER	DESCRIPTION	QTY
1	550230	LOW LOCK ARM	2
2	550240	LOW LOCK TOGGLE	1
3	201120	1/4-28 AUTOMATION NUT	2
4	880525	LOW LOCK CLAMP W/STUDS ONE/DT	1
5	550210	LOW LOCK CLAMP BLK	1
6	262100-QU	1/4 AN WASHER FLAT	2
7	201110-QU	1/4-28 NYLOCK NUT	2
8	226125	1/4-28 X 1 1/8 BH C/S	2
9	262130	6mm WASHER WAVE	2
10	561028	1/4" NYLON WASHER	2
11*	580075	WHEEL LOCK SHIM LOW	1

ITEM	NUMBER	DESCRIPTION	QTY
2-10	880601, 880603	LOW LOCK W/CLAMP (EA)	
	901500	LOW LOCK ASSM (PR)	
1-4,8-10	880600, 880602	LOW LOCK NO CLAMP (EA)	
	880641, 880643	LOW LOCK W/O CLAMP ONE/DT (EA)	
	880681, 880683	LOW LOCK W/CLAMP ONE/DT (EA)	
1-11	880681, 880683	LOW LOCK W/CLAMP ONE/DT (EA)	
	901506	LOW LOCK ASSEMBLY ONE/DT (PR)	

* PART NUMBER 580075 USED WITH ST/DT DISCONTINUED - PARTS ONLY.

FOOT LOCK/12" WHEEL (QUICKIE TS, ZIPPIE/ZIPPIE TS)

(Effective 12/15/95, beginning serial number QT-12900)



Drawing shows Zippie TS frame.

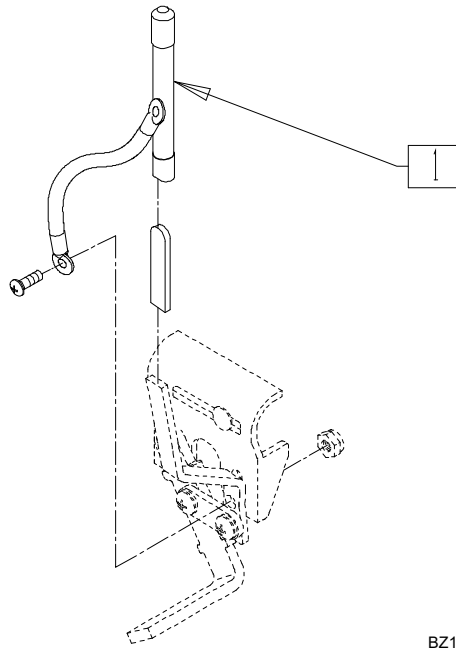
WL00X11A

ITEM	NUMBER	DESCRIPTION	QTY
1	226112	1/4-28 x 1 SOC C/S BLK	4
2	262114	1/4 WASHER HI COLLAR LOCK ZN	4
3	550659	CLAMP 1 1/4" RECESS HALF BLK	2
4	550658	CLAMP 1 1/4" THREADED BLK	2
5	201100-QU	1/4-28 NYLOCK NUT THIN	4
6	550268	WHEEL LOCK FOOT SLIDE BLOCK	2
7	226061	1/4-20 x 1 BH C/S W/PATCH	2
8	262110-QU	1/4 AN WASHER FLAT THIN	2
9	560612	8 x .705 x .188 FOAM TUBE	1
9,10	880710-	FOOTLOCK TUBE W/FOAM 10"-19"	1
	880719		
	880725	FOOTLOCK TUBE W/FOAM 20"	
11	561028	1/4" NYLON WASHER	14

ITEM	NUMBER	DESCRIPTION	QTY
12	262115	1/4" NYLON FLANGE BUSHING	8
13	201100-QU	1/4-28 NYLOCK NUT THIN	4
14	880531	LOCK TOGGLE AND GRIP	2
15	226122	1/4-28 x 1.10 BH C/S	2
16	504995	TOGGLE LINK 1.125	2
17	226100	1/4-28 x 3/4 BH C/S	4
18	262130	6mm WASHER WAVE	4
19	505153	FOOT WHEEL LOCK LEVER	2
20	226110	1/4-28 x 1 BH C/S	2
21	560305	4 x .375 ID x .125 FOAM GRIP	2
1-4	880594	WHL LCK/1AD CLMP ASSM BLK	
1-21	900740- 900750	FOOT WHEEL LOCK ASSEMBLY (10"-20")	

NOTE: FOOTLOCK IS NOT AVAILABLE ON FOLDING ZIPPIE TS.

WHEEL LOCK EXTENSION HANDLE (BREEZY 100/150)

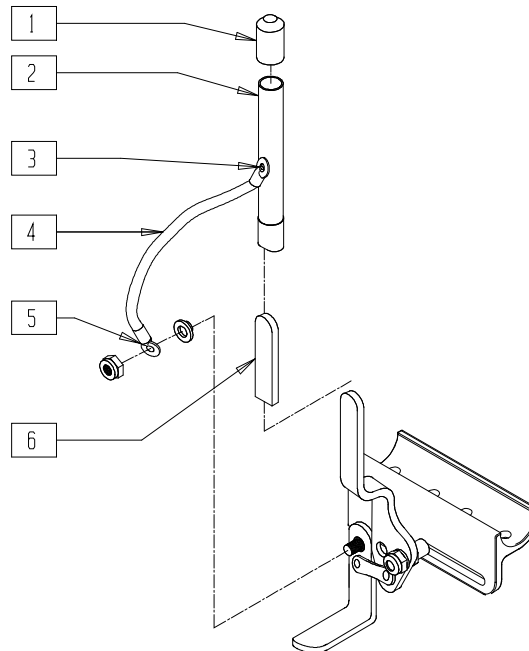


BZ100X13

ITEM	NUMBER	DESCRIPTION	QTY
1	BZ140	WHEEL LOCK EXTENSION (PR)	1

WHEEL LOCK EXTENSION HANDLE (BREEZY 500/503/510/510 RECLINER/2)

(Breezy 2 discontinued 5/98 - parts only)



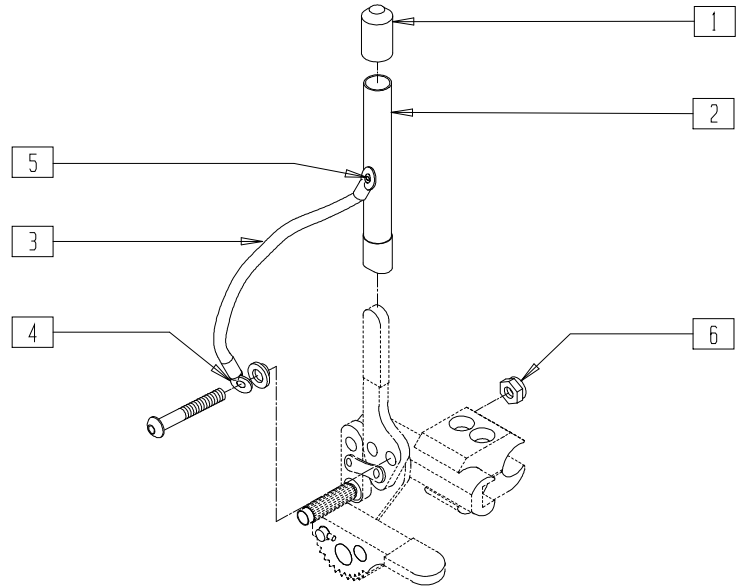
WL0X16A

ITEM	NUMBER	DESCRIPTION	QTY
1	560600	1 1/2 x .705 x .187 FOAM GRIP	1
3	240104	RIVET POP SD44BSLF BLK	1
4,5	880555	WHEEL LOCK EXT STRAP	

ITEM	NUMBER	DESCRIPTION	QTY
6*	560507	WHEEL LOCK PLASTIC COVER BR	1
1-5	880825	WHL LOCK 6" EXT TUBE ASSM (EA)	
	920032	WHEEL LOCK 6" EXT TUBES (PR)	

* ORDER ITEM 6 WHEN USING ITEM 2.

HIGH WHEEL LOCK EXTENSION HANDLE (MOST BREEZY AND QUICKIE PRODUCTS)

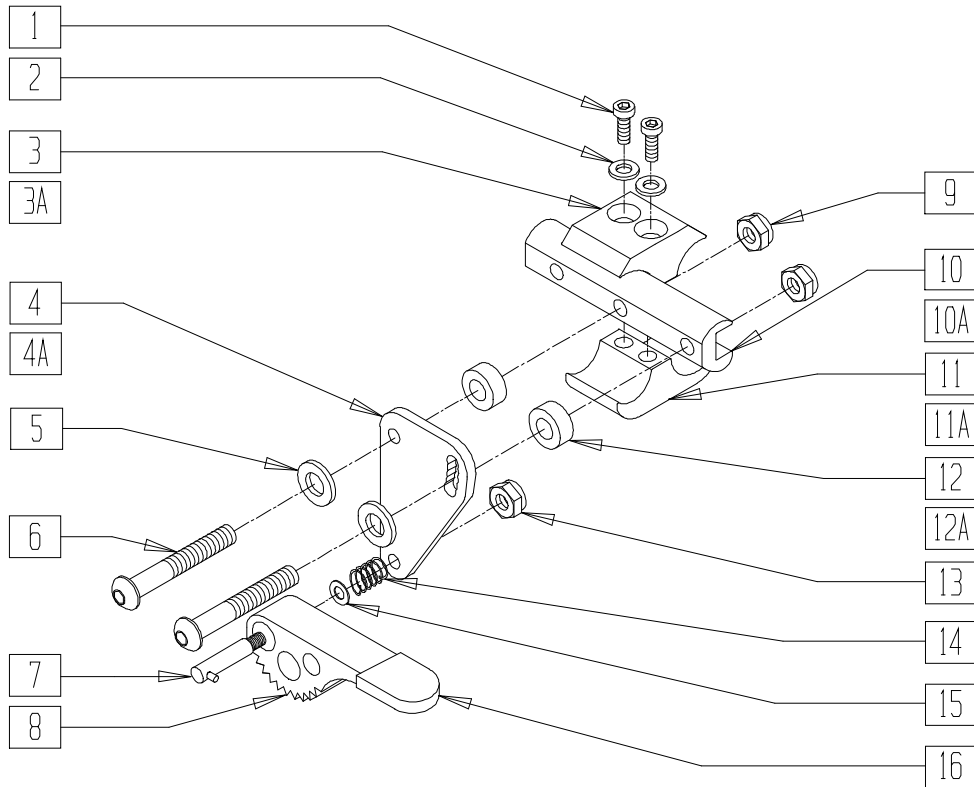


WLOX08A

ITEM	NUMBER	DESCRIPTION	QTY
1	560600	1 1/2 x .705 x .187 FOAM GRIP	1
3,4	880555	WHEEL LOCK EXT STRAP	
5	240104	RIVET POP SD44BSLF BLK	1

ITEM	NUMBER	DESCRIPTION	QTY
6	201100-QU	1/4-28 NYLOCK NUT THIN	1
1-6	880825	WHL LOCK 6" EXT TUBE ASSM(EA)	
1-6	920032	WHEEL LOCK 6" EXT TUBES (PR)	

GRADE AID ONLY ASSEMBLY



WL0X09A

ITEM	NUMBER	DESCRIPTION	QTY
1	226112	1/4-28 x 1 SOC C/S BLK	2
2	262114	1/4 WASHER HI COLLAR LOCK ZN	2
3	550259	CLAMP 1 1/4" RECESS HALF CLR	1
3A	550659	CLAMP 1 1/4" RECESS HALF BLK	1
4	500174	GRADE AID PLATE	1
4A	500274	GRADE AID PLATE BLK	1
5	561028	1/4" NYLON WASHER	2
6	226122	1/4-28 x 1.10 BH C/S	2
7	481021	GRADE AID ROD W/PIN WHEEL LOCK	1
8	561090, 561091	GRADE AID WHEEL NEW (EA)	1
9	201100-QU	1/4-28 NYLOCK NUT THIN	2
10	550265	WHEEL LOCK SLIDE BLOCK 3 1/2" CLR	1
10A	550374	WHEEL LOCK SLIDE BLOCK 3 1/2" BLK	1
11	550258	CLAMP 1 1/4" THREADED CLR	1
11A	550658	CLAMP 1 1/4" THREADED BLK	1
12	483101	1/4 x 1/4 ALUM SPACER CLEAR	2
12A	483027	1/4 x 1/4 ALUM SPACER BLK	2
13	201100-QU	1/4-28 NYLOCK NUT THIN	1

ITEM	NUMBER	DESCRIPTION	QTY
14	321130	GRADE AID SPRING	1
15	263110-QU	5/16 AN WASHER FLAT THIN	1
16	560503	GRADE AID HANDLE COVER	1
1-3,11	880539	WHEEL LOCK CLAMP ASSM CLR	
1,2,3A,11A	880594	WHEEL LOCK/1AD CLAMP ASSM BLK	
4,7,8, 13-16	880906, 880907	GRADE AID PLATE W/WHEEL CLR (EA)	
4A,7,8, 13-16	880904, 880905	GRADE AID PLATE W/WHEEL BLK (EA)	
4-10, 12-16	883170, 883171	GRADE AID ASSM CLR NO CLAMP (EA)	
4A,5-9,10A, 12A,13-16	880912, 880913	GRADE AID ASSM BLK NO CLAMP (EA)	
1-16	883172, 883173	GRADE AID ASSM CLR W/CLAMP (EA)	
1,2,3A,4A, 5-9,10A, 11A,12A, 13-16	880914, 880915	GRADE AID ASSM BLK W/CLAMP (EA)	

