

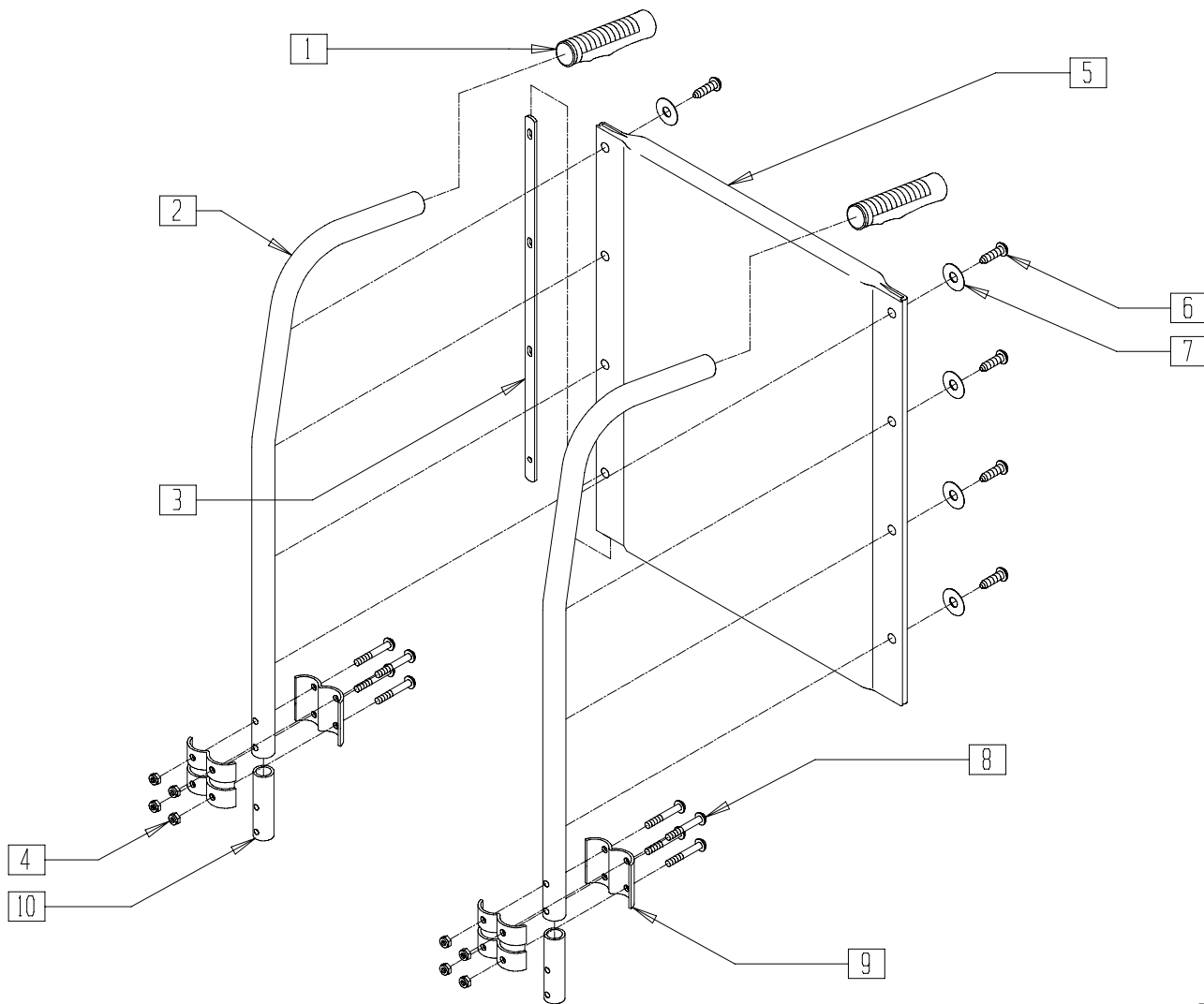
Breezy Chair Backrests and Upholstery

IN THIS SECTION

Push Handle Backrest and Upholstery (Breezy 100/150)	12.1	Push Handle Backrest and Upholstery (Breezy 2) (Disc.).....	12.6
Back Recline Assembly and Upholstery* (Breezy 100/150)	12.2	Push Handle Backrest and Upholstery (Breezy 510 Ultra Hemi)	12.7
Recline Headrest and Backrest* (Breezy 100/150)	12.3	Backrest (Breezy 510 Recliner).....	12.8
Push Handle Backrest and Upholstery (Breezy 503)	12.4	Backrest Upholstery (Breezy 510 Recliner).....	12.9
Push Handle Backrest and Upholstery (Breezy) (Disc).....	12.5	Headrest Extension and Upholstery (Breezy 510 Recliner)	12.10
Push Handle Backrest and Upholstery (Breezy 500/510)	12.5	Standard Back Kit and Upholstery (Breezy 510 Recliner)	12.11

* BACK RECLINE ASSEMBLY AND HEADREST (PAGES 12.2 AND 12.3) ARE SOLD AS ACCESSORIES ONLY.

PUSH HANDLE BACKREST AND UPHOLSTERY (BREEZY 100/150)

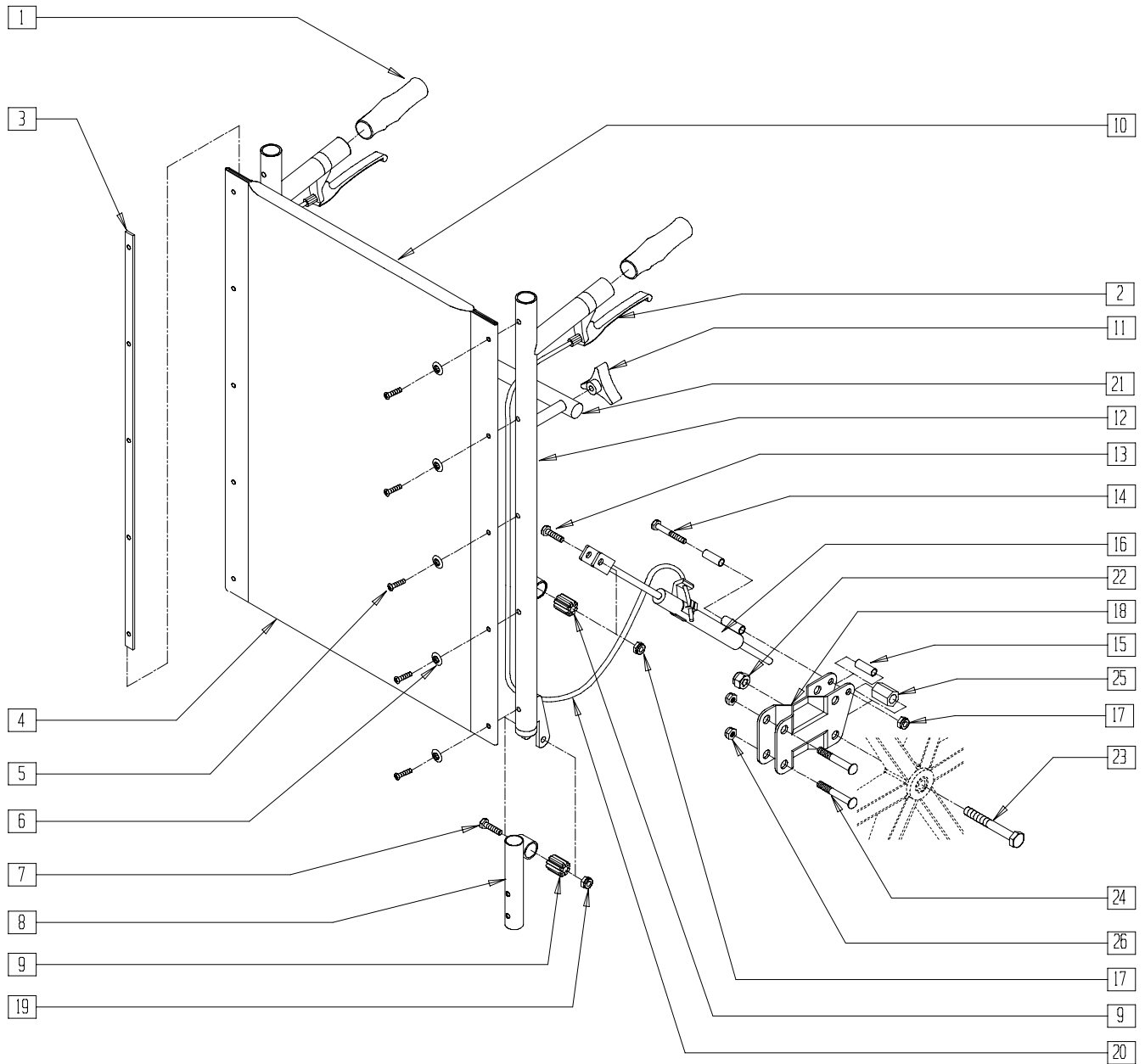


BRZ10X04

ITEM	NUMBER	DESCRIPTION	QTY
1	222-0798	FOAM GRIP HANDLE (BZ150)	1
5	222-0794	BACK UPHOLSTERY 16"	1
	222-0795	BACK UPHOLSTERY 18"	
	222-0796	BACK UPHOLSTERY 20"	
10	222-0815	BACK CANE INSERT (BZ100)	2
1,2,10	222-0642	BACK CANE W/GRIP (EA)	
1,2,10	222-0832	BACK CANE W/FOAM GRIP AND INSERT	
3,6,7	222-0647	BACK UPHOLSTERY INSERTS, SCREWS, AND WASHERS	
4,8,9	222-0524	BACK CANE BRACKET W/HARDWARE (PR)	

ITEM	NUMBER	DESCRIPTION	QTY
3,5-7	222-0518	16" BACK UPHOLSTERY W/HARDWARE (EA)	
	222-0519	18" BACK UPHOLSTERY W/HARDWARE (EA)	
	222-0520	20" BACK UPHOLSTERY W/HARDWARE (EA)	
1-10	222-0525	16" BACKREST ASSM W/UPHOLSTERY (EA)	
	222-0526	18" BACKREST ASSM W/UPHOLSTERY (EA)	
	222-0527	20" BACKREST ASSM W/UPHOLSTERY (EA)	

BACK RECLINE ASSEMBLY AND UPHOLSTERY (BREEZY 100/150)



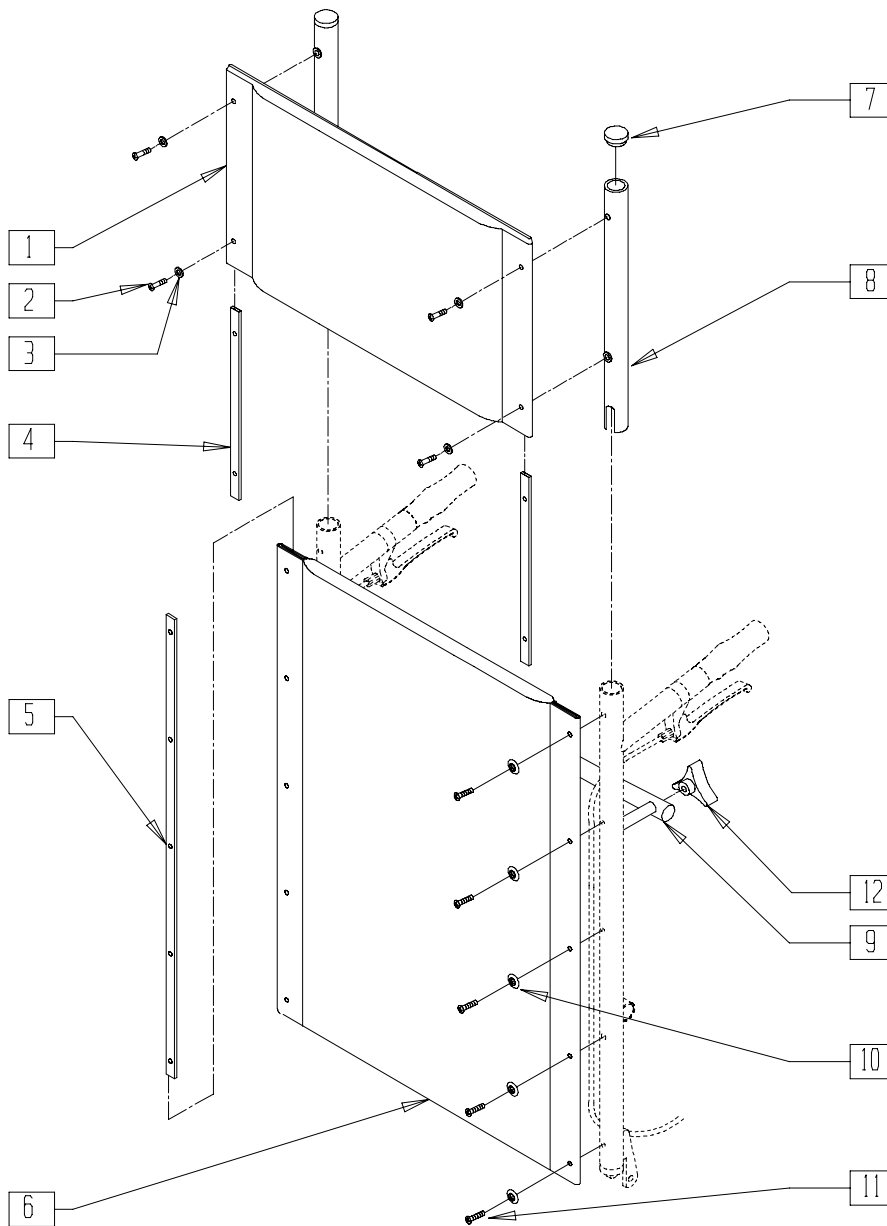
BRZ10X03

ITEM	NUMBER	DESCRIPTION	QTY
2	222-0651	BACK CANE RELEASE LEVER	2
11	222-0650	RECLINING BACK CANE KNOB	2
16	222-0652L	MECH LOCK ACTUATOR RECLINE BACK L	2
	222-0652R	MECH LOCK ACTUATOR RECLINE BACK R	
20	222-0654	"MECH" LOCK ACTUATOR CABLE	1
21	222-0655	16" RECLINING BACKREST SPREADER BAR	1
	222-0656	18" RECLINING BACKREST SPREADER BAR	
	222-0657	20" RECLINING BACKREST SPREADER BAR	

ITEM	NUMBER	DESCRIPTION	QTY
1,2,7-9, 11-13, 17,19	222-0649	RECLINING BACK CANE ASSEMBLY	1
18,22-26	222-0814	AMPUTEE AXLE KIT BLK (1/2") (BR150) (EA)	1
	AMPT *	AMPUTEE AXLE KIT (BR100/150) (PR)	

* BREEZY 100 USES CHROME AXLE PLATES AND HARDWARE AND 7/16" AXLE BOLT. BREEZY 150 USES BLACK AXLE PLATES AND HARDWARE AND 1/2" AXLE BOLT.

RECLINE HEADREST AND BACKREST (BREEZY 100/150)



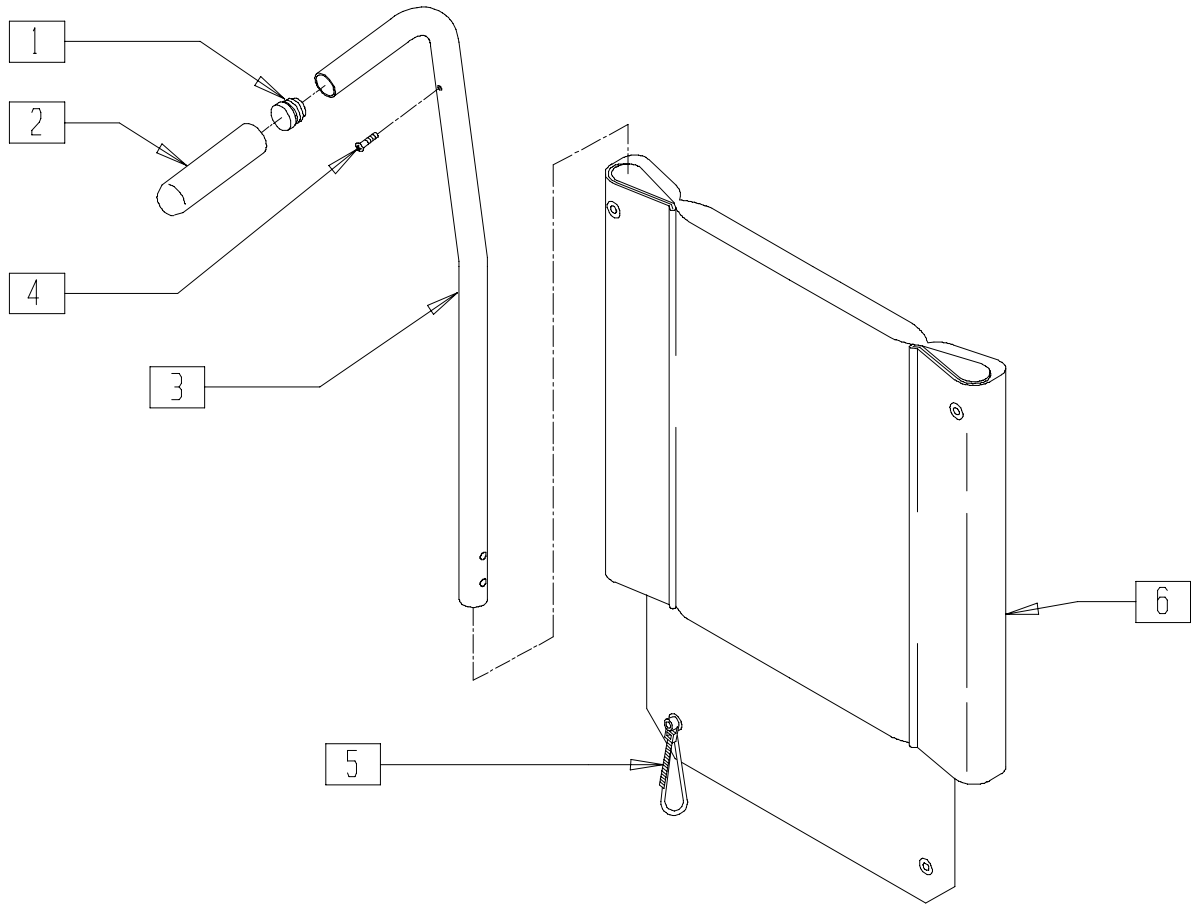
BRZ10X15

ITEM	NUMBER	DESCRIPTION	QTY
9	222-0655	16" RECLINING BACKREST SPREADER BAR	1
	222-0656	18" RECLINING BACKREST SPREADER BAR	
	222-0657	20" RECLINING BACKREST SPREADER BAR	
12	222-0650	RECLINING BACK CANE KNOB	2
1-4,7,8	222-0658	16" HEADREST ASSM W/HARDWARE	1
	222-0659	18" HEADREST ASSM W/HARDWARE	
	222-0660	20" HEADREST ASSM W/HARDWARE	

ITEM	NUMBER	DESCRIPTION	QTY
1-4	222-0618	16" HEADREST UPHOLSTERY W/HDWR	1
	222-0619	18" HEADREST UPHOLSTERY W/HDWR	
	222-0620	20" HEADREST UPHOLSTERY W/HDWR	
5,6,10,11	222-0661	16" RECLINE BACK UPH W/HDWR	1
	222-0662	18" RECLINE BACK UPH W/HDWR	
	222-0663	20" RECLINE BACK UPH W/HDWR	
1-6,9-11	222-0664	16" RECLINER GROWTH KIT	1
	222-0665	18" RECLINER GROWTH KIT	
	222-0666	20" RECLINER GROWTH KIT	

PUSH HANDLE BACKREST AND UPHOLSTERY (BREEZY 503)

(Effective 09/17/01)



BASIC503

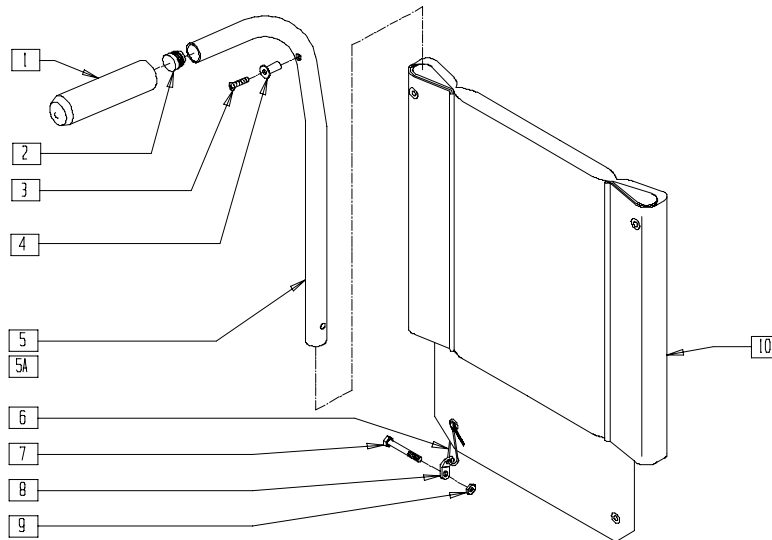
ITEM	NUMBER	DESCRIPTION	QTY
1	560735	7/8" ROUND TUBE PLUG	2
2	560661	QUICKIE GRIP 7/8"	2
4	281127	#12 x 3/4" PAN HD PHIL S/TAP	2
5	560410	ZIP TIE BLK	2
6	687609	BACK UPH 16" HINGE BR (PURCH)	1
	687311	BACK UPH 18" HINGE BR (PURCH)	

ITEM	NUMBER	DESCRIPTION	QTY
1-3	880685	PSH HNDL SUB-ASSM 8D W/FOM 503	2
1-4	842127	PUSH HANDLE 8D W/FOAM BL	2
1-6	683907	BACK ASSM 8D 16" B3	1
	683908	BACK ASSM 8D 18" B3	

PUSH HANDLE BACKREST AND UPHOLSTERY (BREEZY)

(Discontinued - parts only)

(Fits Breezy beginning serial number BZ-300000 and prior to serial number BZ-351000)



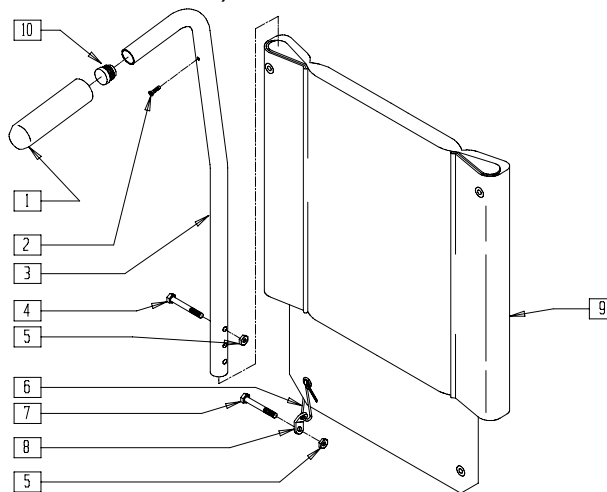
BZ00X04A

ITEM	NUMBER	DESCRIPTION	QTY
1	560661	QUICKIE GRIP 7/8"	2
2	560735	7/8" ROUND TUBE PLUG	2
3	281141	10-32 x 1 OVAL HD MACH SCREW	2
4	341497	10-32 x .020-.130 RIVNUT GOLD	2
6	560410	ZIP TIE BLK	2
7	221150	1/4-28 x 1 3/4 HEX C/S	2
8	505002	2 HOLE TOGGLE BENT STEEL	2

ITEM	NUMBER	DESCRIPTION	QTY
9	201110	1/4-28 NYLOCK NUT	2
10	685845-685850, 687607	BACK UPHOLSTERY 14"-20" HINGE BR	1
1,2,4,5	842111	PUSH HANDLE W/FOAM REG BR	
1,2,4,5A	842115	PUSH HANDLE W/FOAM TALL BR	
1-10	683831-683893	BACK ASSEMBLY 14"-20" HINGE BR	

PUSH HANDLE BACKREST AND UPHOLSTERY (BREEZY 500/510)

(Effective beginning serial number BZ-351000)



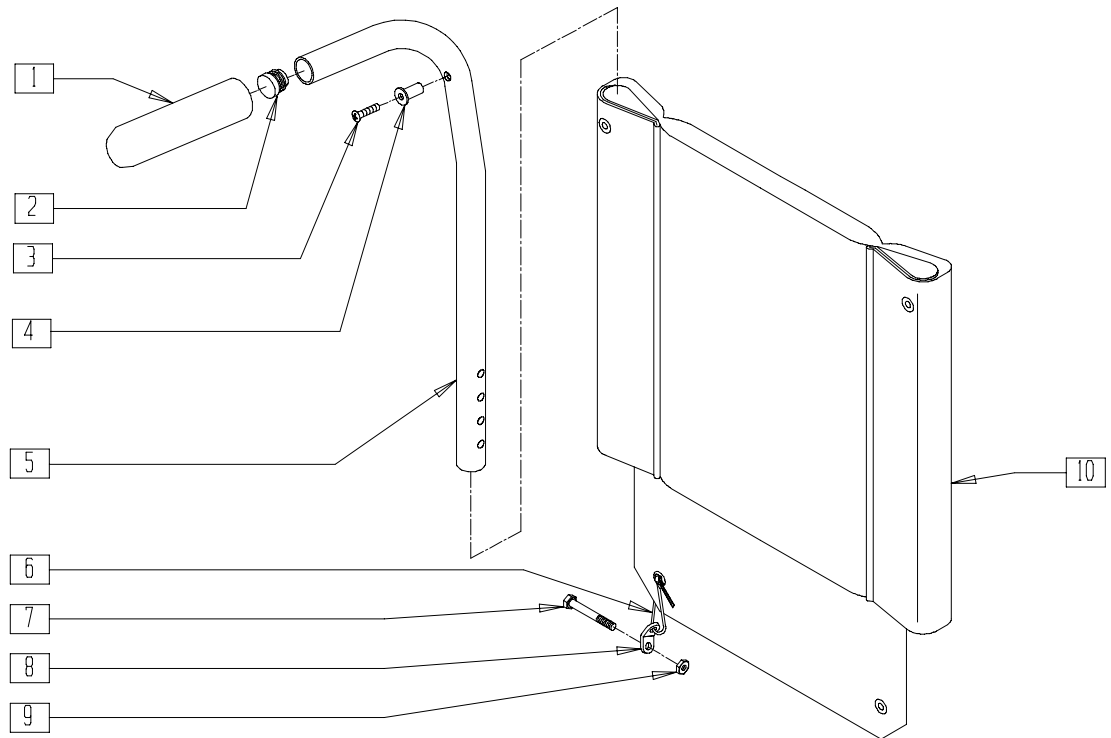
BASIC06

ITEM	NUMBER	DESCRIPTION	QTY
1	560661	QUICKIE GRIP 7/8"	2
2	281127	#12 x 3/4" PAN HD PHIL S/TAP	2
4	221130	1/4-28 x 1 1/2 HEX C/S	2
5	201110	1/4-28 NYLOCK NUT	2
6	560410	ZIP TIE BLK	2
7	221150	1/4-28 x 1 3/4 HEX C/S	2
8	505002	2 HOLE TOGGLE BENT STEEL	2

ITEM	NUMBER	DESCRIPTION	QTY
9	687607	BACK UPHOLSTERY 14" HINGE BR	1
	687609	BACK UPHOLSTERY 16" HINGE BR (PURCH)	
	687611	BACK UPHOLSTERY 18" HINGE BR (PURCH)	
	685850	BACK UPHOLSTERY 20" HINGE BR	
10	560735	7/8" ROUND TUBE PLUG	2
1-5,7	842121	PUSH HANDLE 8° W/FOAM BR	
1-10	683863-683867	BACK ASSEMBLY 8° 14"-20" BR	

PUSH HANDLE BACKREST AND UPHOLSTERY (BREEZY 2)

(Discontinued 5/98 - parts only) (Beginning serial number B2-5000)

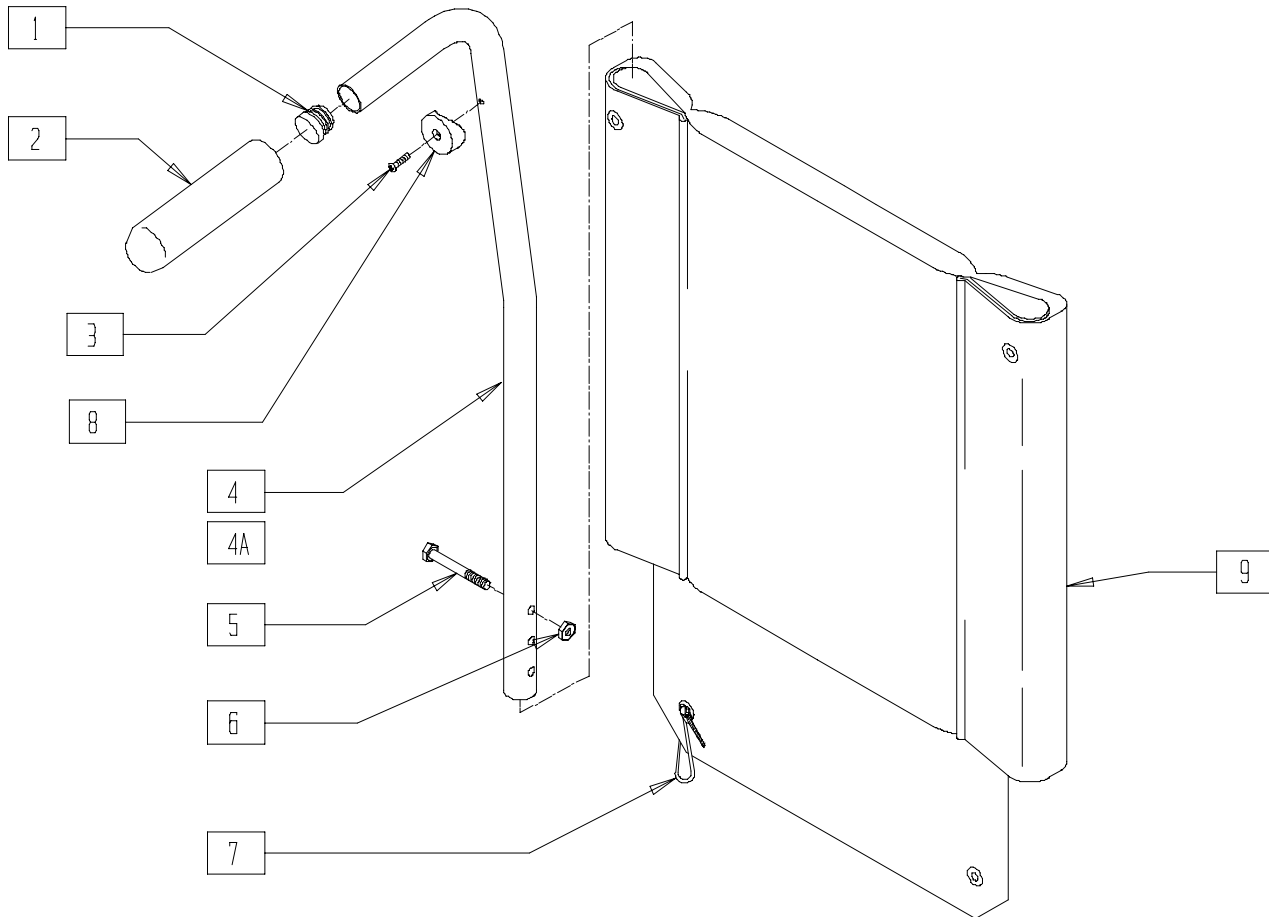


BZ00X04B

ITEM	NUMBER	DESCRIPTION	QTY
1	560661	QUICKIE GRIP 7/8"	2
2	560735	7/8" ROUND TUBE PLUG	2
3	281127	#12 x 3/4" PAN HD PHIL S/TAP	2
6	560410	ZIP TIE BLK	2
7	221150	1/4-28 x 1 3/4 HEX C/S	2
8	505002	2 HOLE TOGGLE BENT STEEL	2

ITEM	NUMBER	DESCRIPTION	QTY
9	201110	1/4-28 NYLOCK NUT	2
10	685845- 685850, 687607	BACK UPHOLSTERY 14"-20" HINGE BR	1
1,2,4,5	842119	PUSH HANDLE W/FOAM ADJ B2	
1-10	683836- 683896	BACK ASSEMBLY 14"-20" HINGE B2	

PUSH HANDLE BACKREST AND UPHOLSTERY (BREEZY 510 ULTRA-HEMI)

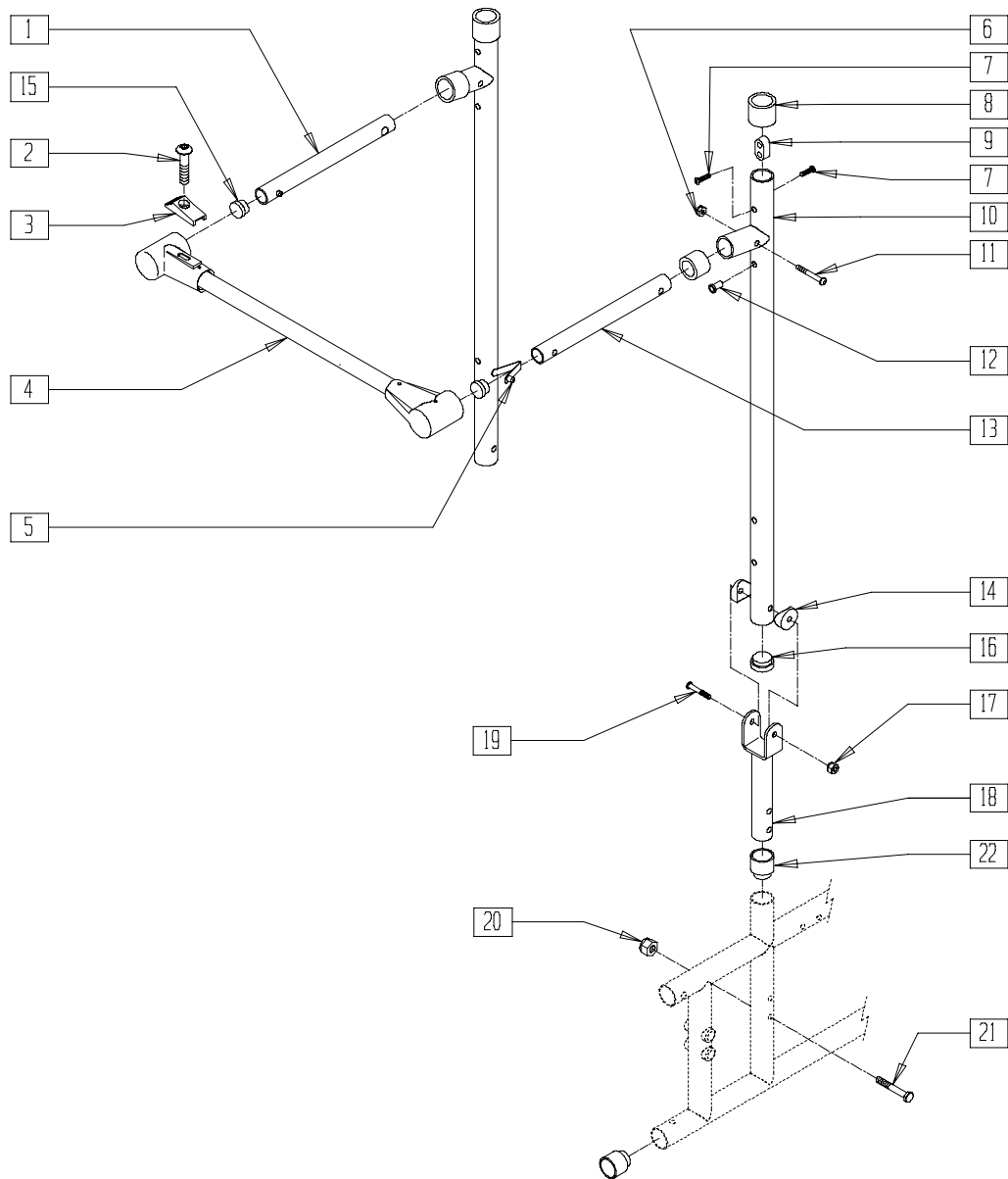


BZ600X05

ITEM	NUMBER	DESCRIPTION	QTY
1	560735	7/8" ROUND TUBE PLUG	2
2	560661	QUICKIE GRIP 7/8"	2
3	281127	#12 x 3/4" PAN HD PHIL S/TAP	2
5	221130	1/4-28 x 1 1/2 HEX C/S	2
6	201110-QU	1/4-28 NYLOCK NUT	2
7	560410	ZIP TIE BLK	2
8	561086	1" HALF SADDLE 1/4" HOLE	1
9	687607	BACK UPHOLSTERY 14" HINGE BR	1
	687609	BACK UPHOLSTERY 16" HINGE BR (PURCH)	
	687611	BACK UPHOLSTERY 18" HINGE BR (PURCH)	
	685850	BACK UPHOLSTERY 20" HINGE BR	

ITEM	NUMBER	DESCRIPTION	QTY
1-6,8	842250	PUSH HANDLE 8° W/FOAM HEMI	
1-4A,5,6,8	842251	PUSH HANDLE 8° TALL W/FOAM HEMI	
1-9	680360	BACK ASSM 14" 8° HEMI	
	680362	BACK ASSM 16" 8° HEMI	
	680364	BACK ASSM 18" 8° HEMI	
	680366	BACK ASSM 20" 8° HEMI	
1-4A,5-9	680361	BACK ASSM 14" TALL 8° HEMI	
	680363	BACK ASSM 16" TALL 8° HEMI	
	680365	BACK ASSM 18" TALL 8° HEMI	
	680367	BACK ASSM 20" TALL 8° HEMI	

BACKREST (BREEZY 510 RECLINER)

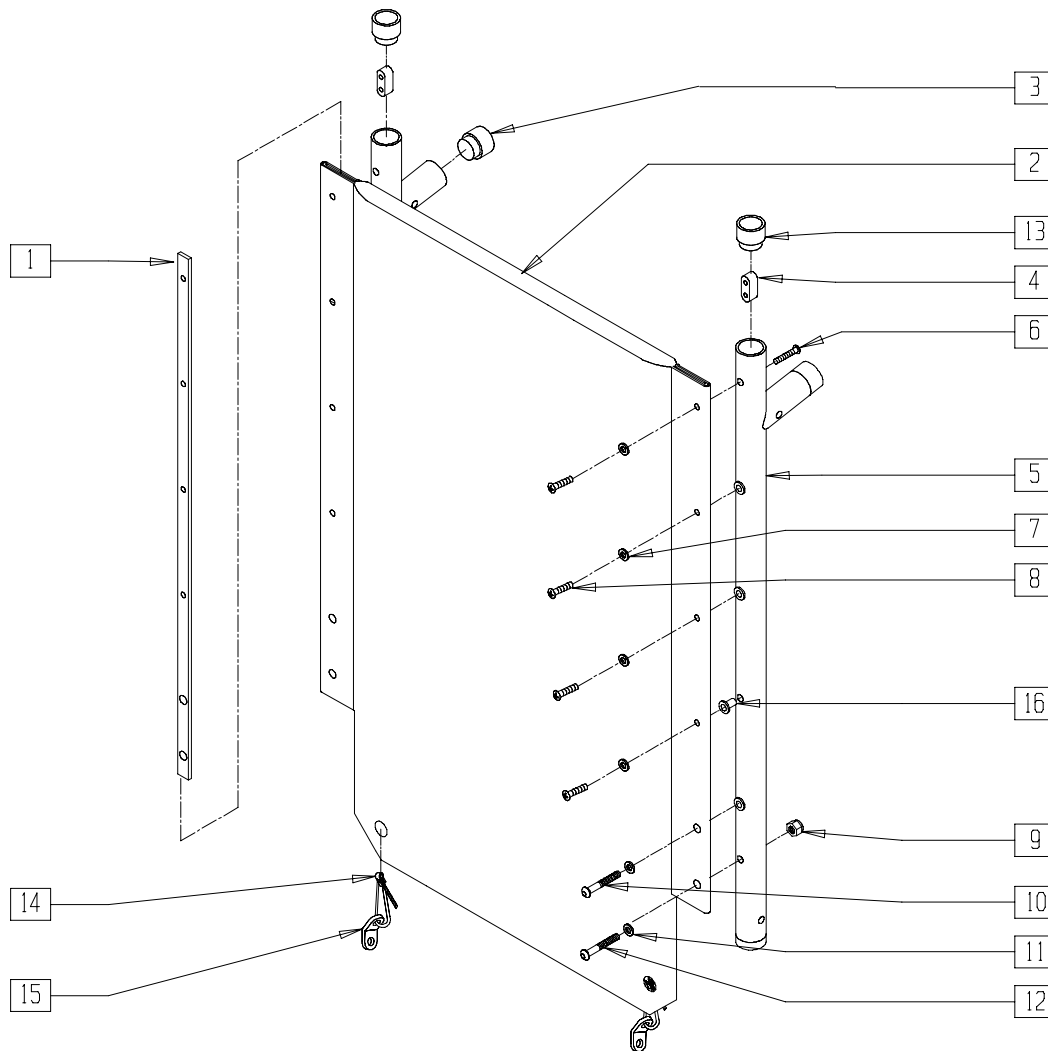


BREX05

ITEM	NUMBER	DESCRIPTION	QTY
1	524252	STABILIZER BAR LCKING BR RCLNR	1
2	226110	1/4-28 x 1 BH C/S	1
3	560143	STABILIZER LATCH RELEASE BR	1
5	301110	1/4" SNAP BUTTON DOUBLE	1
6	201100-QU	1/4-28 NYLOCK NUT THIN	2
7	281120	10/32 x 5/8 PAN HD PHIL	2
8	561082	1" TUBE END BUSHING THIN	2
9	505271	HDRST RTNG BTTN RCLNR	2
10	521018	BACK TUBE 22/24" BR RCLNR	2
11	226129	1/4-28 x 1 1/4 BH C/S	2
12	341497	10-32 x .020-.130 RIVNUT GOLD	2
13	524250	STABILIZER BAR PIVOT BR RCLNR	1
14	561006	1" SADDLE 5/16" HOLE	2
15	560762	3/4" INSERT PLUG .065	2

ITEM	NUMBER	DESCRIPTION	QTY
16	561002	1" INSERT PLUG .083	2
17	202103	5/16-18 NYLOCK NUT THICK	2
18	505173	PIVOT BRKT BR RCLNR	1
19	226198	5/16-18 X 2 BH C/S SHT THREAD	2
20	201110-QU	1/4-28 NYLOCK NUT	1
21	221133	1/4-28 x 1 1/2 G8 HEX C/S	1
22	561310	BC 1" TUBE END BUSHING CM	4
2-4	842254- 842260	STABILIZER ASSEMBLY BR RCLNR 14"-20"	
1,5,6, 11,13,15	842108, 842109	PUSH HANDLE EXT BR RCLNR	
7-10,12-17	842107	BACK TUBE PH 22/24" B51 RECLINER	
16-21	920419	BACK BRACKET W/HDWR B51 RECLNR	

BACKREST UPHOLSTERY (BREEZY 510 RECLINER)

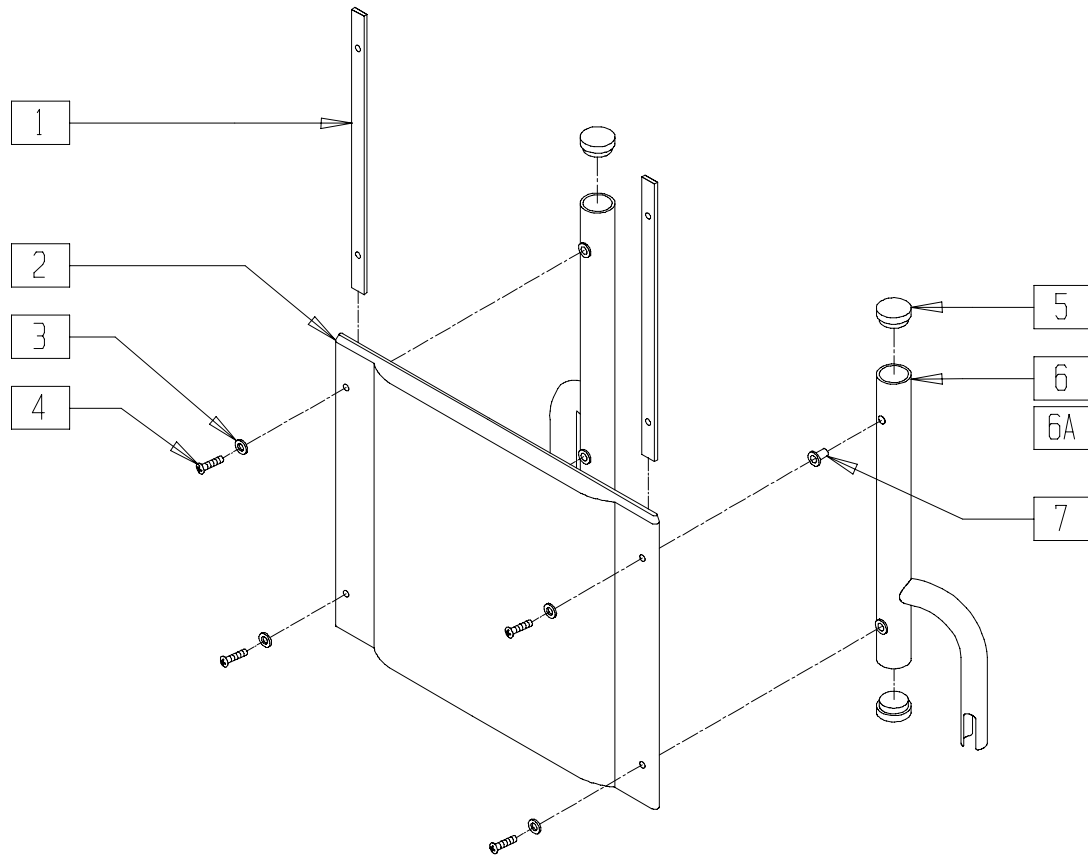


BREX01

ITEM	NUMBER	DESCRIPTION	QTY
1	505327	BACK UPHOLSTERY RAIL 22" BR RECLINER	2
2	681374-681380	BACK UPHOLSTERY RECLINER 22" BR	1
3	561002	1" INSERT PLUG .083	2
4	505271	HDRST RTNG BUTTON RECLINER	2
5,16	521018	BACK TUBE 22/24" BR RECLINER	
6	281120	10/32 x 5/8 PAN HD PHIL	2
7	340105	WASHER SEAT SLING BR	8
8	281141	10/32 x 1 OVAL HD MACH SCW	8

ITEM	NUMBER	DESCRIPTION	QTY
9	202102	5/16-18 NYLOCK NUT THIN	2
10	226198	5/16-18 x 2 BH C/S SHT THREAD	2
11	264107	5/16 WASHER FINISHING	4
12	226190	5/16-18 x 1 3/4 BH C/S SHLDR	2
13	561082	1" TUBE END BUSHING THIN	2
14	560410	ZIP TIE BLACK	2
15	505002	2 HOLE TOGGLE BENT STEEL	2
16	341497	10-32 x .020-.130 RIVNUT GOLD	8
1-13,16	842284-842290	BACKREST ASSM 14"-20" B510 RECLINER	

HEADREST EXTENSION AND UPHOLSTERY (BREEZY 510 RECLINER)

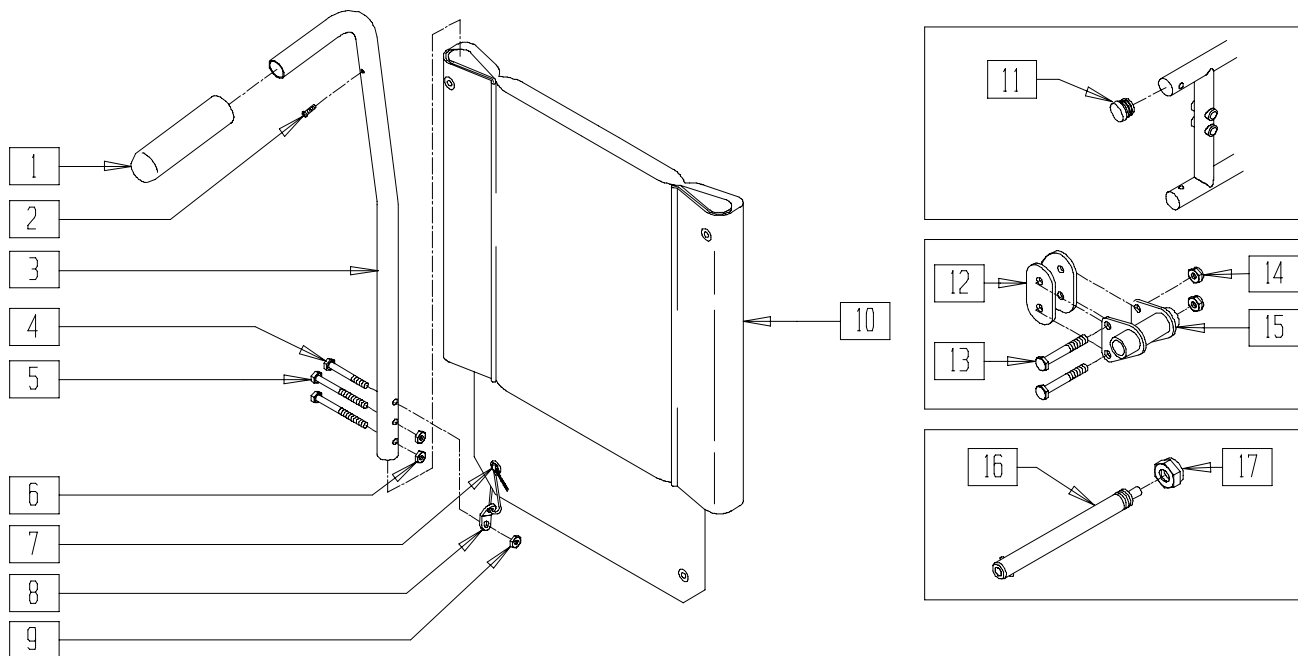


BREX03

ITEM	NUMBER	DESCRIPTION	QTY
1	505326	HEADREST RAIL BR RCLNR	2
2	684344- 684350	HEADREST UPHOLSTERY 14" - 20" BR RECLINER	1
3	340105	WASHER SEAT SLING BR	4
4	281141	10/32 x 1 OVAL HD MACH SCREW	4
5	561002	1" INSERT PLUG .083	4

ITEM	NUMBER	DESCRIPTION	QTY
7	341497	10-32 x .020-.130 RIVNUT	4
4-7	661203	HDRST TUBE R B51 RCLNR (EA)	
4,5,6A,7	661204	HDRST TUBE L B51 RCLNR (EA)	
1-7	842264- 842270	HEADREST ASSM 14" -20" B510 RECLINER	

STANDARD BACK KIT AND UPHOLSTERY (BREEZY 510 RECLINER)



BREX15

ITEM	NUMBER	DESCRIPTION	QTY
1	560661	QUICKIE GRIP 7/8"	2
2	281127	#12 x 3/4" PAN HD PHIL S/TAP	2
4	221150	1/4-28 x 1 3/4 HEX C/S	2
5	221160	1/4-28 x 2 HEX C/S	4
6	201110	1/4-28 NYLOCK NUT	4
7	560410	ZIP TIE BLACK	2
8	505002	2 HOLE TOGGLE BENT STEEL	2
9	201100-QU	1/4-28 NYLOCK NUT THIN	2
10	687607	BACK UPHOLSTERY 14" HINGE BR	1
	687609	BACK UPHOLSTERY 16" BR (PURCH)	
	687611	BACK UPHOLSTERY 18" BR (PURCH)	
	685850	BACK UPHOLSTERY 20" HINGE BR	
11	561062	1" INSERT PLUG .065 RIBS	2
12	561085	1 1/8" HALF SADDLE 2 HOLE QTS	2

ITEM	NUMBER	DESCRIPTION	QTY
13	221160	1/4-28 x 2 HEX C/S	2
14	201110	1/4-28 NYLOCK NUT	2
15	505316, 505317	QR AXLE BRACKET BR RECLINER(EA)	1
17	203100	1/2-20 NYLOCK NUT	1
16,17	920119	QUICK RELEASE MAG W/NUT	
	920129	QUICK RELEASE W/NUT	
	920130	QK RELSE NON-RECESS HUB W/NUT	
1-6,9	842121	PUSH HANDLE 8° W/FOAM BR	
1-11	683863, 683865- 683867	BACK ASSEMBLY 14"-20" 8° BR	
1-17	923470- 923473	BACK KIT 14"-20" QR B510 RECLINER	