

Axle Plates and Axles

IN THIS SECTION

AXLE PLATES

Axle Plate (Breezy 500/503/510/510 Ultra-hemi/.....	8.1
Amputee Axle Plate (Breezy 500/503/510).....	8.1
Axle Plate (Zippie)	8.2
Axle Plate (Quickie TS)	8.3
Axle Plate (Zippie)	8.4
Axle Plate (Chameleon/Chameleon HD).....	8.4

AXLE ASSEMBLIES

Axle Assembly - Extended Range Axle Clamp (Quickie GPS/Triumph) (Disc.)	8.5
Axle Assembly - Low-mount (Quickie GPS/Triumph) (Disc.)	8.5
Axle Assembly (Quickie R2)	8.6
Axle Assembly (Quickie Revolution).....	8.6
Axle Assembly (Quickie ST/DT) (Disc.).....	8.7
Axle Assembly (Quickie ST/DT)	8.7
Axle Assembly (Quickie TNT) (Disc.)	8.8
Axle Assembly (Quickie TS Self-propel Option).....	8.8
Axle Assembly (Quickie XTR).....	8.9

AXLE BRACKETS

Quick-Release Axle Bracket (Breezy 2(Disc), Quickie Recliner/Rx).....	8.9
Quick-Release Axle Bracket (Breezy 510) (Disc.)..	8.10
Quick-Release Axle Bracket (Breezy 510/Quickie Rx).....	8.10
Quick-Release Axle Bracket (Breezy 510 Recliner).....	8.10
Quick-Release Axle Bracket (Quickie Kidz).....	8.11
Axle Bracket (Standard Threaded Axles) (Quickie Recliner/Rx)	8.11
Threaded Offset Axle Bracket (Breezy 2) (Disc.).....	8.11
Threaded Offset Axle Bracket (Breezy 510) (Disc.).....	8.12
Axle Bracket (Zippie TS)	
Amputee Axle Bracket (Quickie TS)	8.12
Axle Bracket (12") (Zippie TS).....	8.13

AXLE SLEEVES

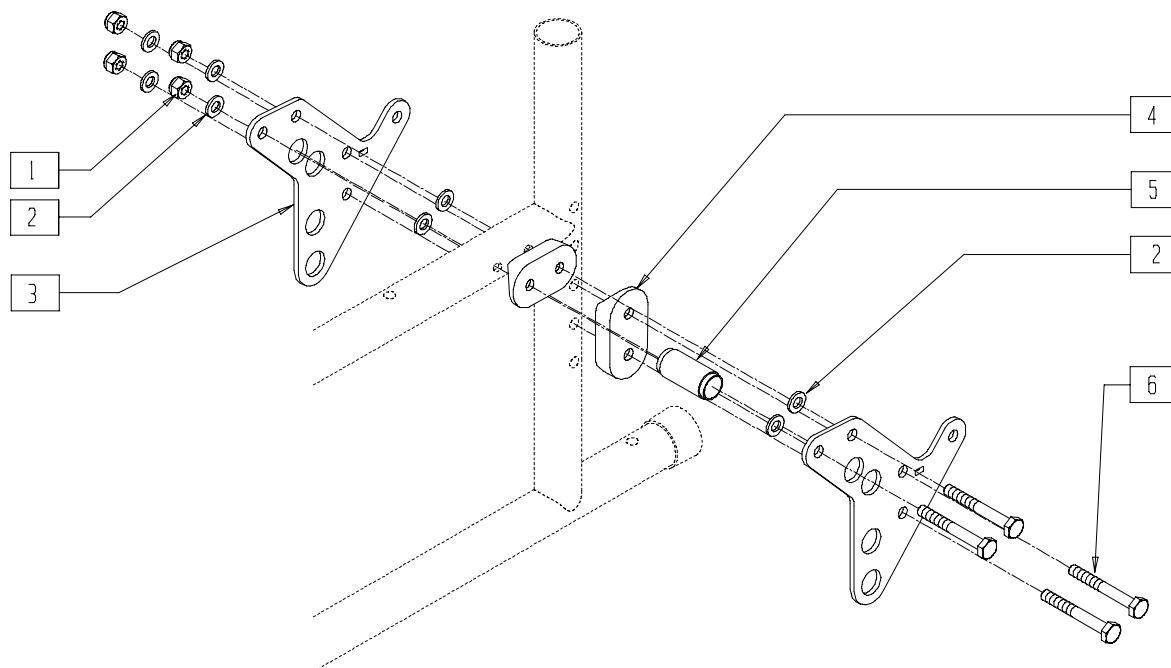
Axle Sleeve (For Indexed Axle Plate).....	8.13
Axle Sleeve (Amputee, Non-indexed Axle, and Curved Axle Plates)	8.14

AXLES

Quick-Release Axle (Most Quickie Products with compatible Hubs).....	8.14
Axle Sleeve (Chameleon/Chameleon HD)	8.15
Quick-Release Axle (Breezy 510 Recliner)	8.15
Quick-Release Axle (Breezy 510 Ultra-hemi).....	8.15
Quad-Release Axle Nut (Disc.).....	8.16
Threaded Axle (Chameleon/Chameleon HD).....	8.16
Quick-Release Axle(Chameleon/Chameleon HD)..	8.16
Quad-Release Axle Nut (Push-Button).....	8.17
Big Button Axle (Spoke Wheels).....	8.17
Quick-Release Axle Wrench	8.17
Threaded Rear Axle (Chrome Breezy)	8.18
Threaded Axle (Breezy 510 Ultra-hemi)	8.18
Threaded Rear Axle (Breezy 500/510) (Disc.)	8.18
Threaded Rear Axle (Breezy 510, Quickie Rx/Recliner)	8.19
Threaded Rear Axle (Breezy 510 Recliner).....	8.19
Threaded Rear Axle (Adjustable Axle Plate) (Quickie TS).....	8.19
Threaded Rear Axle (Quickie Rx/Recliner).....	8.20
Threaded Axle (Quickie T45).....	8.20
Axle Reference Guide.....	8.21
Axle Reference Guide (continued)	8.22

AXLE PLATE (BREEZY 500/503/510/510 ULTRA-HEMI)

Effective 3/00)



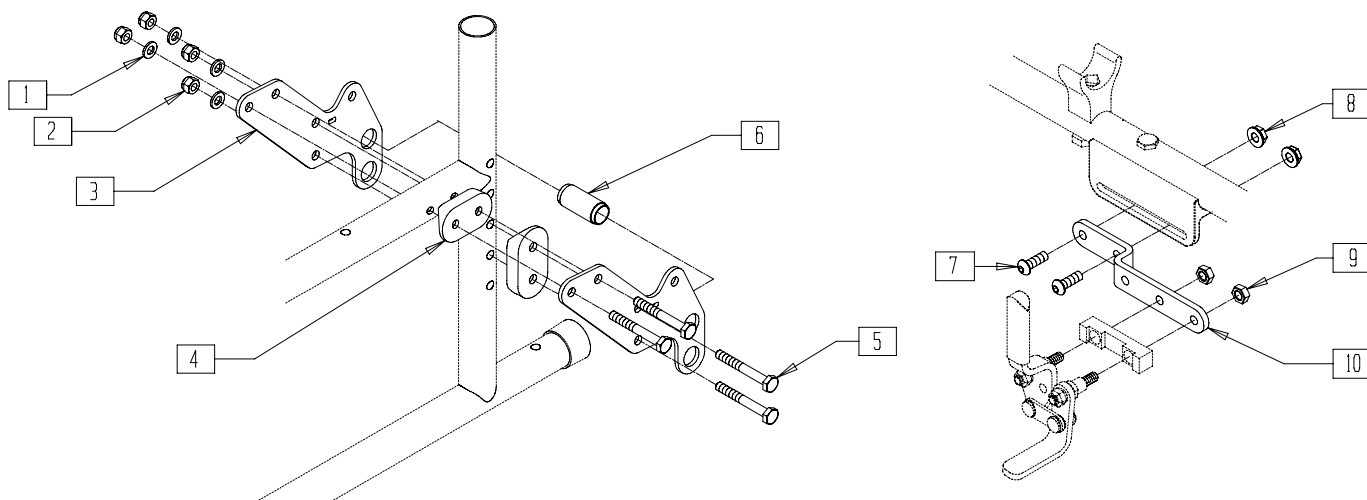
BR510X07

ITEM	NUMBER	DESCRIPTION	QTY
1	201110-QU	1/4-28 NYLOCK NUT	4
2	262110-QU	1/4 AN WASHER FLAT	4
3	500390	AXLE PLATE BREEZY	2
4	561085	1 1/8" HALF SADDLE 2 HOLE QTS	2

ITEM	NUMBER	DESCRIPTION	QTY
5	560169	AXLE PLATE SPACER BREEZY	1
6	221160	1/4-28 x 2 HEX C/S	4
1-3,5	920086	AXLE PLATE ASSEMBLY HEMI B600	
1-6	920087	AXLE PLATE ASSEMBLY BR500/510	

AMPUTEE AXLE PLATE (BREEZY 500/503/510)

(Effective Breezy 500 beginning S/N 503665 and Breezy 510 beginning S/N 503630)



BR510X05

WLKEXT01

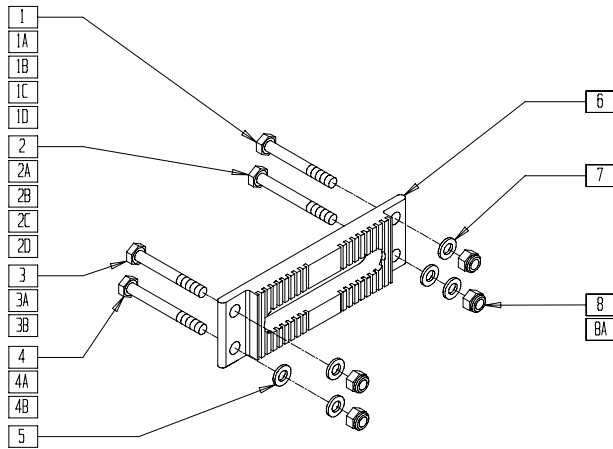
ITEM	NUMBER	DESCRIPTION	QTY
1	201110-QU	1/4-28 NYLOCK NUT	4
2	262110-QU	1/4 AN WASHER FLAT	4
3	500201	AMPUTEE AXLE PLATE BREEZY	2
4	561085	1 1/8" HALF SADDLE 2 HOLE QTS	2

ITEM	NUMBER	DESCRIPTION	QTY
5	221160	1/4-28 x 2 HEX C/S	4
6*	560169	AXLE PLATE SPACER BREEZY	1
1-10	920093	AXLE PLATE ASSEMBLY AMPUTEE BREEZY	

NOTE: SPACER 560169 CAN RECEIVE EITHER THREADED OR NON-THREADED AXLES.
NOTE: PARTS 7-10 REQUIRED FOR AMPUTEE AXLE PLATE AND ARE INCLUDED FOR WHEEL LOCK CLEARANCE.

AXLE PLATE (ZIPPIE)

(Quickie 2HP Ti discontinued parts only)



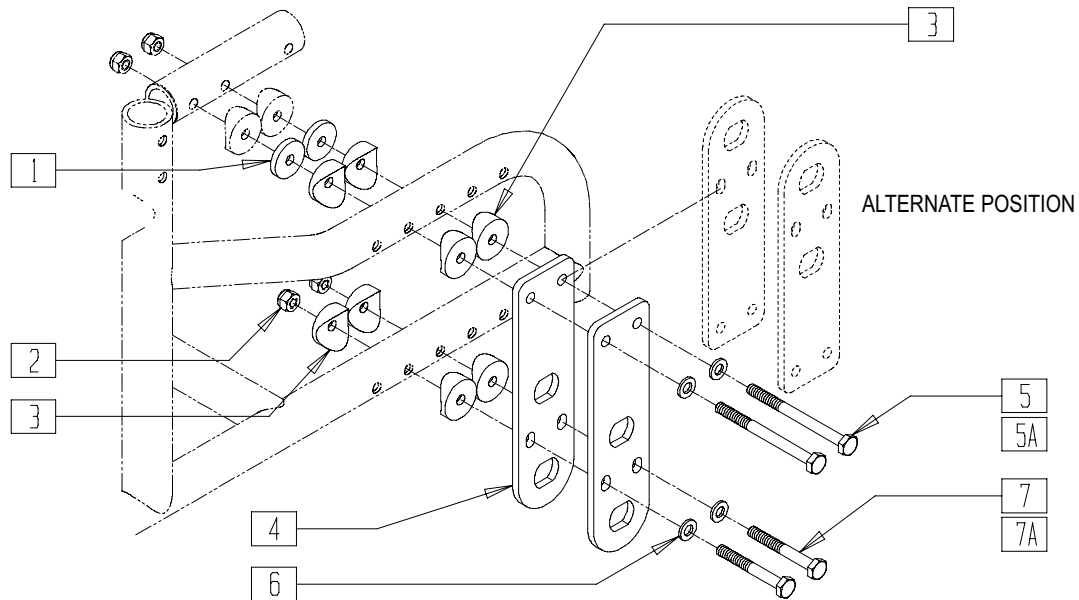
AX0X04A

ITEM	NUMBER	DESCRIPTION	QTY
1	330100	1/4-28 x 2 HEX C/S Ti	1
1A	221191	1/4-28 x 2 1/4 G8 HEX C/S	1
1B	221181	1/4-28 x 2 1/2 G8 HEX C/S	1
1C	330099	1/4-28 x 1 3/4 HEX C/S Ti	1
1D	221151-QU	1/4-28 x 1 3/4 G8 HEX C/S	1
2	330100	1/4-28 x 2 HEX C/S Ti	1
2A	221181	1/4-28 x 2 1/2 G8 HEX C/S	1
2B	221193	1/4-28 x 2 3/4 G8 HEX C/S	1
2C	330099	1/4-28 x 1 3/4 HEX C/S Ti	1
2D	221151-QU	1/4-28 x 1 3/4 G8 HEX C/S	1
3	330100	1/4-28 x 2 HEX C/S Ti	1
3A	330099	1/4-28 x 1 3/4 HEX C/S Ti	1
3B	221151-QU	1/4-28 x 1 3/4 G8 HEX C/S	1

ITEM	NUMBER	DESCRIPTION	QTY
4	330100	1/4-28 x 2 HEX C/S Ti	1
4A	330099	1/4-28 x 1 3/4 HEX C/S Ti	1
4B	221151-QU	1/4-28 x 1 3/4 G8 HEX C/S Ti	1
5	262100-QU	1/4 AN WASHER FLAT	2
6	502000	AXLE PLATE Q2/HP/ZP2 INDEX	1
7	262110-QU	1/4 AN WASHER FLAT THIN	4
8	201110-QU	1/4-28 NYLOCK NUT	4
8A	330000-QU	1/4-28 NYLOCK NUT ALUM	4
1D,2D,3B, 4B,5,7,8	920211	Q2 AXLE PLATE HDWR KIT (Q2/2HP/ZP/ZP2)	
1-7, 8A	920216	AXLE PLATE HDWR KIT HP/T2 (FOR 2HP TITANIUM)	

AXLE PLATE (QUICKIE TS)

(Effective 12/15/95, beginning QT-12900)



QTS00X03A

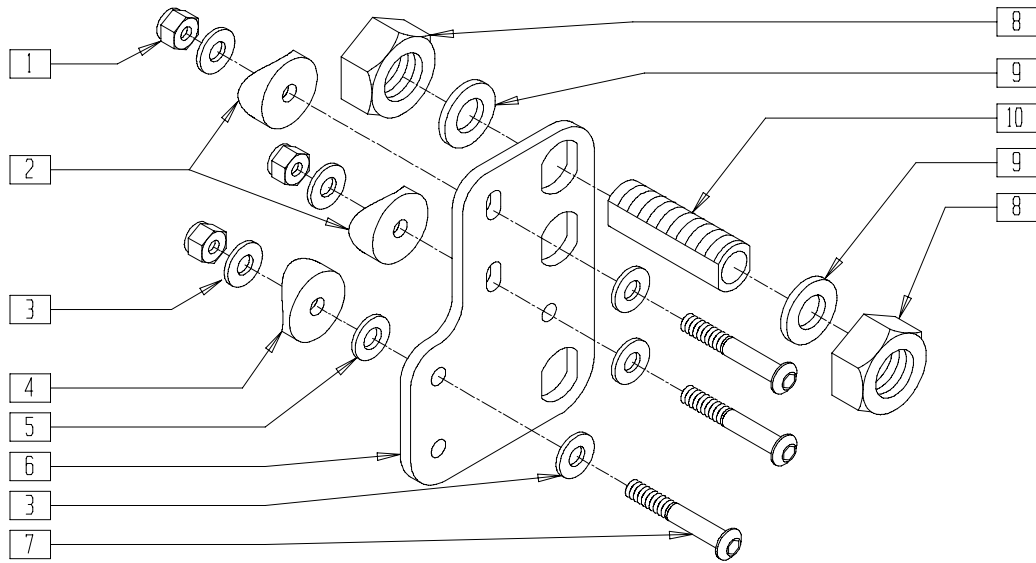
ITEM	NUMBER	DESCRIPTION	QTY
1	561016	1" WASHER 5/16" HOLE	2
2	201110	1/4-28 NYLOCK NUT	4
3	561004	1" SADDLE 1/4" HOLE	10
4	502008	AXLE PLATE QTS	2-4
5	221201	1/4-28 x 3 G8 HEX C/S	2
5A	221211	1/4-28 x 3 1/4 G8 HEX C/S	2

ITEM	NUMBER	DESCRIPTION	QTY
6	262100-QU	1/4 AN WASHER FLAT	4
7	221192	1/4-28 x 2 G8 HEX C/S	2
7A	221191	1/4-28 x 2 1/4 G8 HEX C/S	2
2,4,	920447*	AXLE PLATE REPAIR KIT QTS	
5A,7A	920448	AXLE PLT REINFORCEMENT KIT QTS	

* STANDARD REPLACEMENT KIT FOR 20", 22", 24" WHEELS.

AXLE PLATE (ZIPPIE)

(For 12" and 16" wheels only) (Effective 11/13/96)

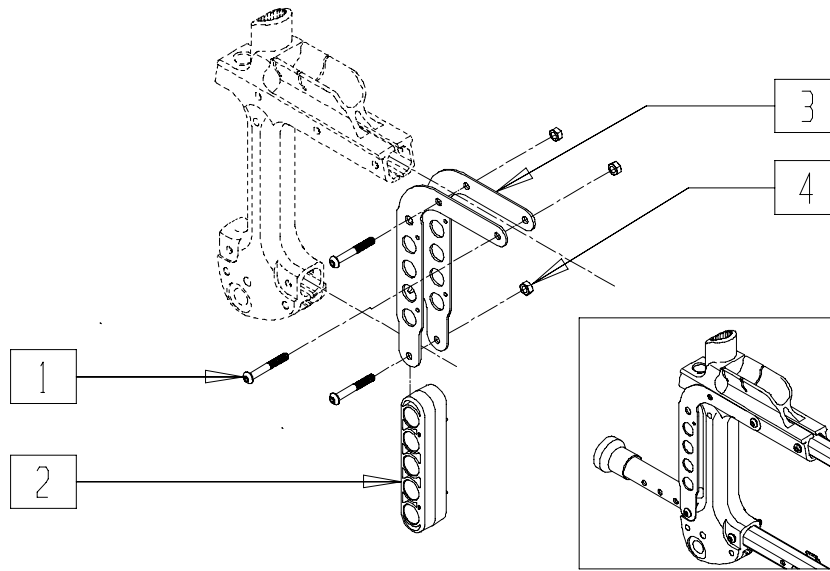


AX0X025

ITEM	NUMBER	DESCRIPTION	QTY
1	201110	1/4-28 NYLOCK NUT	3
2	561001	1 1/8" SADDLE 1/4" HOLE	2
3	262110-QU	1/4 AN WASHER FLAT	6
4	561004	1" SADDLE 1/4" HOLE	1
5	261201	WASHER 1/4 SHIM STEEL	1
6	501009	AXLE PLATE 12"/16" WHEEL	1

ITEM	NUMBER	DESCRIPTION	QTY
7	226150	1/4-28 x 2 BH C/S	3
8	204000	3/4-16 NUT	2
9	265100	3/4 x 18 WASHER NARROW	2
10	481065	AXLE SLEEVE SS	1
8-10	920121	AXLE SLEEVE WITH HARDWARE (NON-INDEX)	
1-10	920369	AXLE PLATE 12"-16" WHEEL W/HDWR	

AXLE PLATE (QUICKIE CHAMELEON/CHAMELEON HD)



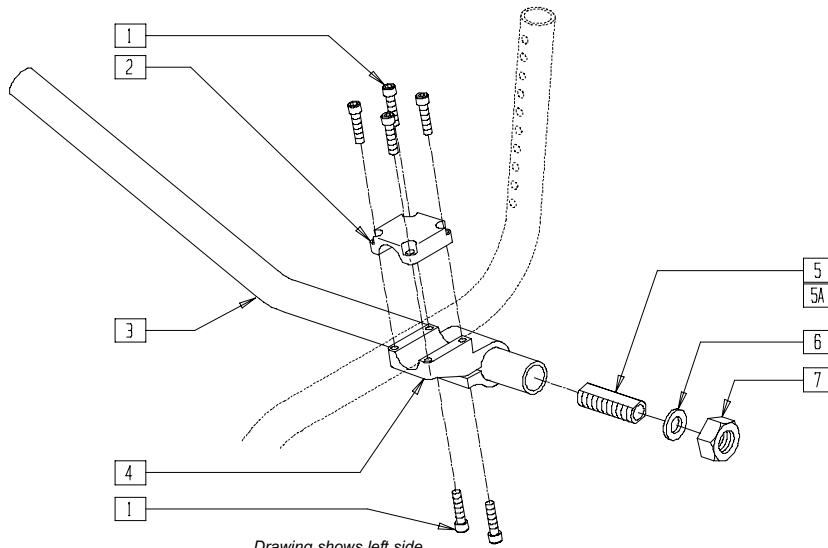
ALTERNATE AMPUTEE POSITION

CHAM0X06

ITEM	NUMBER	DESCRIPTION	QTY
1-4	888082	AXLE PLATE COMPLETE	

AXLE ASSEMBLY - EXTENDED RANGE AXLE CLAMP (QUICKIE GPS/TRIUMPH)

(Quickie GPS and Triumph discontinued 2/01 - parts only)



Drawing shows left side

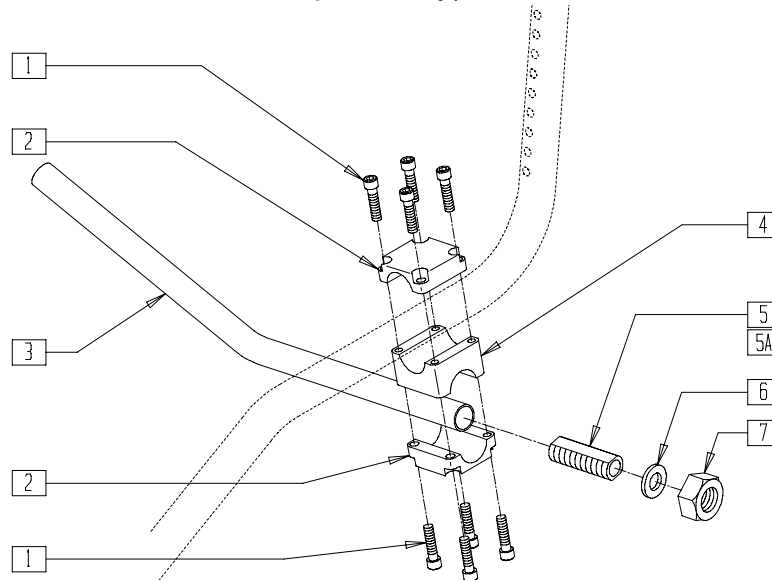
GBL00X7A

ITEM	NUMBER	DESCRIPTION	QTY
1	226107	1/4-28 x 7/8 SOC C/S	6
2	550211	AXLE CLAMP CAMBER TUBE	1
3	525200- 525236, 525240	CAMBER TUBE	1
4	500210	EXTENDED AXLE CLAMP TR	1
5	481065	AXLE SLEEVE SS	1

ITEM	NUMBER	DESCRIPTION	QTY
5A	481069	AXLE SLEEVE 1°	1
6	265100	3/4 x 18 WASHER NARROW	1
7	204000	3/4-16 NUT	1
1,2,4	920084	EXTEND AXLE CLAMP ASSM TR	
5-7	920116	AXLE SLEEVE W/HARDWARE GPS	
5A,6,7	920114	AXLE SLEEVE 1° W/HARDWARE (TRIUMPH)	

AXLE ASSEMBLY - LOW-MOUNT (QUICKIE GPS/TRIUMPH)

(Quickie GPS and Triumph discontinued 2/01 - parts only)



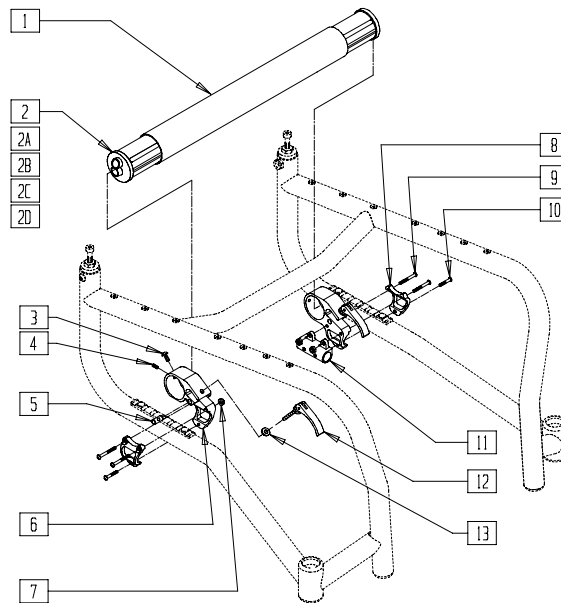
Drawing shows left side

GBL00X07

ITEM	NUMBER	DESCRIPTION	QTY
1	226107	1/4-28 x 7/8 SOC C/S	8
2	550211	AXLE CLAMP CAMBER TUBE	2
3	525200- 525236, 525240	CAMBER TUBE	1
4	550212	AXLE SADDLE GPS	1
5	481065	AXLE SLEEVE SS	1

ITEM	NUMBER	DESCRIPTION	QTY
5A	481069	AXLE SLEEVE 1°	1
6	265100	3/4 x 18 WASHER NARROW	1
7	204000	3/4-16 NUT	1
1,2,4	880930	AXLE CLAMP ASSEMBLY	
5-7	920116	AXLE SLEEVE W/HARDWARE GPS	
5A,6,7	920114	AXLE SLEEVE 1° W/HARDWARE (TRIUMPH)	

AXLE ASSEMBLY (QUICKIE R2)

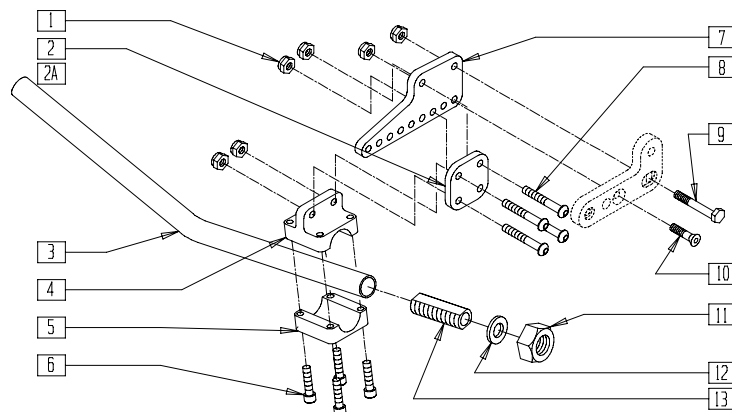


R200X05

ITEM	NUMBER	DESCRIPTION	QTY
1	526242-526248	CAMBER TUBE (14" - 20") R2	1
2	550085	CAMBER TUBE INSERT 0°/12° R2	2
2A	550086	CAMBER TUBE INSERT 3°/12° R2	2
2B	550087	CAMBER TUBE INSERT 4° R2	2
2C	550088	CAMBER TUBE INSERT 8° R2	2
2D	550089	CAMBER TUBE INSERT 16° R2	2
3	226069-QU	1/4-20 x 1/2 BH C/S BLK	2
4	330008	1/4-20 SPRING PLUNGER	2
5	330002	RETAINING PIN QR R2	2
6	505630, 505631	AXLE BRACKET R2 (EA)	2

ITEM	NUMBER	DESCRIPTION	QTY
7	201100-QU	1/4-28 NYLOCK NUT THIN	4
8	550025	AXLE BRKT CLAMP R2 FIXED	2
9	226147	1/4-28 x 1.85 BH C/S BLK ZN	4
10	227110	1/4-28 x 1 BH C/S BLK ZN	2
11	550039	ANTI-TIP HOUSING R2 FIXED	2
12	341650	QR CLAMP BLACK R2	2
13	561026	3/4" WASHER 1/4" HOLE	4
3-6,12,13	881928, 881929	AXLE BRKT SUB-ASSM R2 (EA)	
3-10,12,13	881935, 881936	AXLE BRKT ASSEMBLY (EA)	

AXLE ASSEMBLY (QUICKIE REVOLUTION)



2D00X05

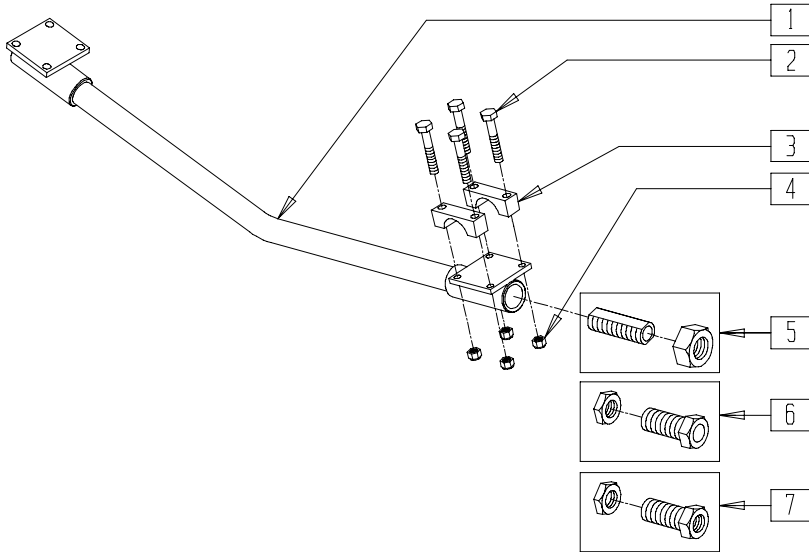
ITEM	NUMBER	DESCRIPTION	QTY
1	201100-QU	1/4-28 NYLOCK NUT THIN	6
2	501028	SPACER PLATE + 3/4 RV	1
2A	501029	SPACER PLATE + 1-1/2 RV	1
3	525200-525236	CAMBER TUBE	1
4	550200-550203	AXLE CLAMP RV	1
5	550211	AXLE CLAMP CAMBER TUBE	1
6	226107	1/4-28 x 7/8 SOC C/S	4

ITEM	NUMBER	DESCRIPTION	QTY
7	501025	AXLE ADJ PLATE RV	1
8	227110	1/4-28 x 1 BH C/S BLK ZN	4
9	481344	1/4-28 x 7/8 ECCENTRIC BOLT BLK	1
10	226099	1/4-28 x 7/8 FH C/S	1
11	204000	3/4-16 NUT	1
12	265100	3/4 x 18 WASHER NARROW	1
13	481065	AXLE SLEEVE SS	1
11-13	920116	AXLE SLEEVE W/HDWR GPS	

NOTE: WHEN CHANGING DEGREE OF CAMBER, BOTH ITEMS 3 AND 4 MUST BE CHANGED.

AXLE ASSEMBLY (QUICKIE ST/DT)

(Discontinued 7/1/98 - parts only)



RG000X05

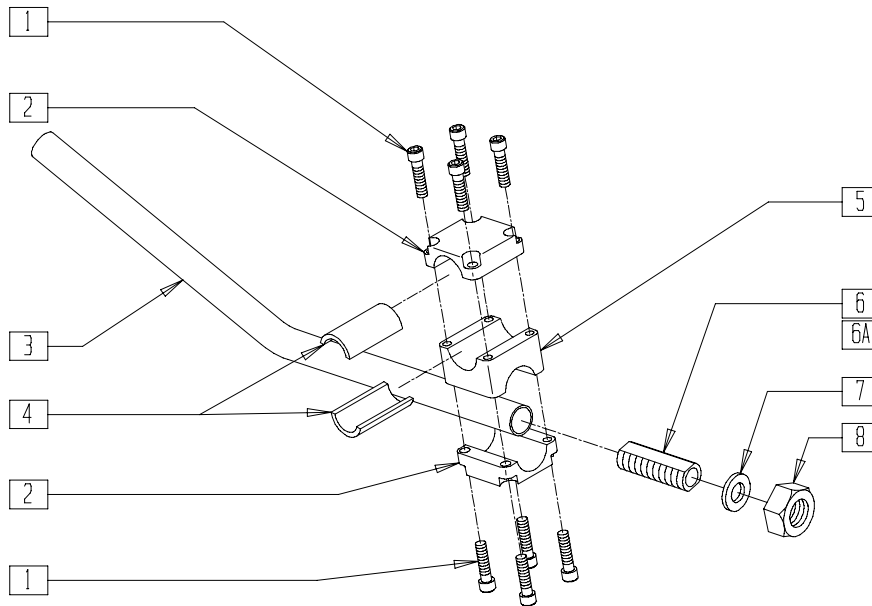
ITEM	NUMBER	DESCRIPTION	QTY
1	525140-525145	CAMBER TUBE RIGID (SPECIFY WIDTH)	1
2	221133	1/4-28 x 1 1/2 G8 HEX C/S	4
3	550207	CAMBER TUBE MNTG CLAMP ANO	2
4	201136	1/4-20 NYLOCK NUT HIGH	4

ITEM	NUMBER	DESCRIPTION	QTY
5	481066	AXLE SLEEVE SS SHORT	1
	204000	3/4-16 NUT	
6*	481410	AXLE SLEEVE PHIL WOOD 15/32" QR	1
7**	481059	AXLE SLEEVE PHIL WOOD 7/16" THRD	1

* PART 6 USED WITH QR PHIL WOOD HUB.

** PART 7 USED WITH THREADED PHIL WOOD HUB.

AXLE ASSEMBLY (QUICKIE ST/DT)

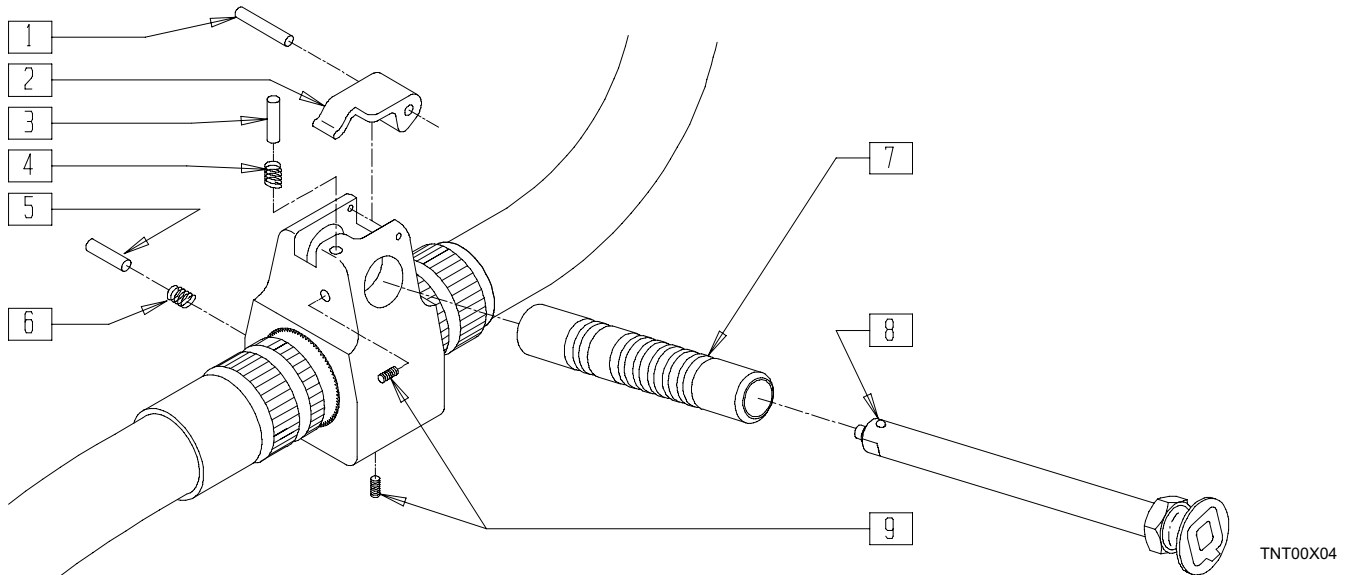


RBV00X16

ITEM	NUMBER	DESCRIPTION	QTY
1	226107	1/4-28 x 7/8 SOC C/S	8
2	550211	AXLE CLAMP CAMBER TUBE	2
3	525200-525240	CAMBER TUBE	1
4	520029	SHIM CAMBER CLAMP	2
5	550213	ANTI-TIP SADDLE LO-MNT GPS	1
6	481065	AXLE SLEEVE SS	1

ITEM	NUMBER	DESCRIPTION	QTY
6A	481069	AXLE SLEEVE 1°	1
7	265100	3/4 x 18 WASHER NARROW	1
8	204000	3/4-16 NUT	1
6-8	920116	AXLE SLEEVE W/HDWR GPS	
6A,7,8	920114	AXLE SLEEVE 1° W/HDWR	
1,2,5	880931	ANTI-TIP REC ASSM UNDR MNT GPS	

AXLE ASSEMBLY (Quickie TNT) (Quickie TNT discontinued 2/01 - Parts only)



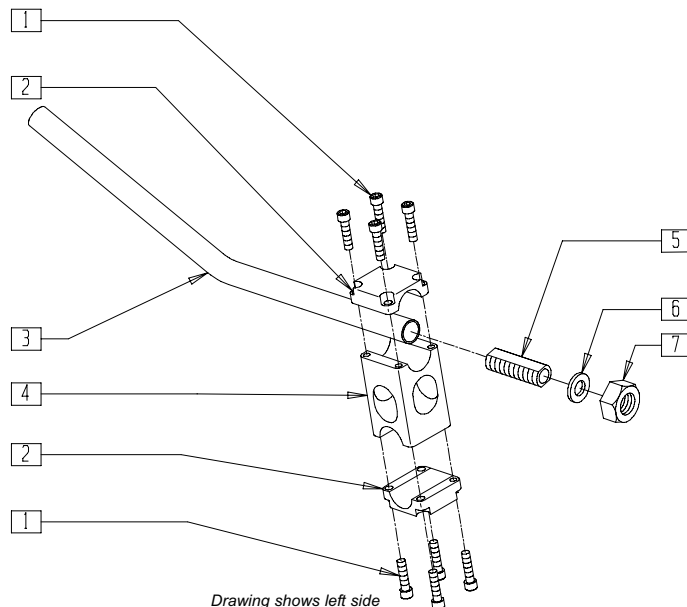
TNT00X04

ITEM	NUMBER	DESCRIPTION	QTY
1	481165	AXLE LEVER PIN TNT	1
2	560265	AXLE BLOCK LEVER TNT	1
3	481194	RELEASE PIN AXLE LUG ADJ	1
4	321170	AXLE LUG SPRING	1
5	481195	QUICK RELEASE PIN AXLE TNT	1

ITEM	NUMBER	DESCRIPTION	QTY
6	321143	.219 x 1.00 SPRING	1
7	481199	ADJUSTABLE AXLE LUG TNT	1
8*	349058	AXLE PIN AND NUT BLACK LONG	1
9	226170	2/56 x 1/4" SOC HD C/S	2

NOTE: THE AXLE SHOULD PROPERLY ENGAGE THE AXLE RECEIVER. CHECK TO SEE IF RECEIVER IS INSTALLED PROPERLY INTO THE AXLE BLOCK ASSEMBLY. IMPROPER ENGAGEMENT OCCURS WITH UNEQUALLY SPACED POSITIONING GROOVES TOWARD THE INSIDE. RECONFIGURE AS NECESSARY, SO THAT THE REAR WHEEL AXLE PROPERLY ENGAGES THE AXLE RECEIVER.
*THE AXLE NUT MAY NEED TO BE ADJUSTED TO FIT THE AXLE SLEEVE PROPERLY.

AXLE ASSEMBLY (QUICKIE TS SELF-PROPEL OPTION)



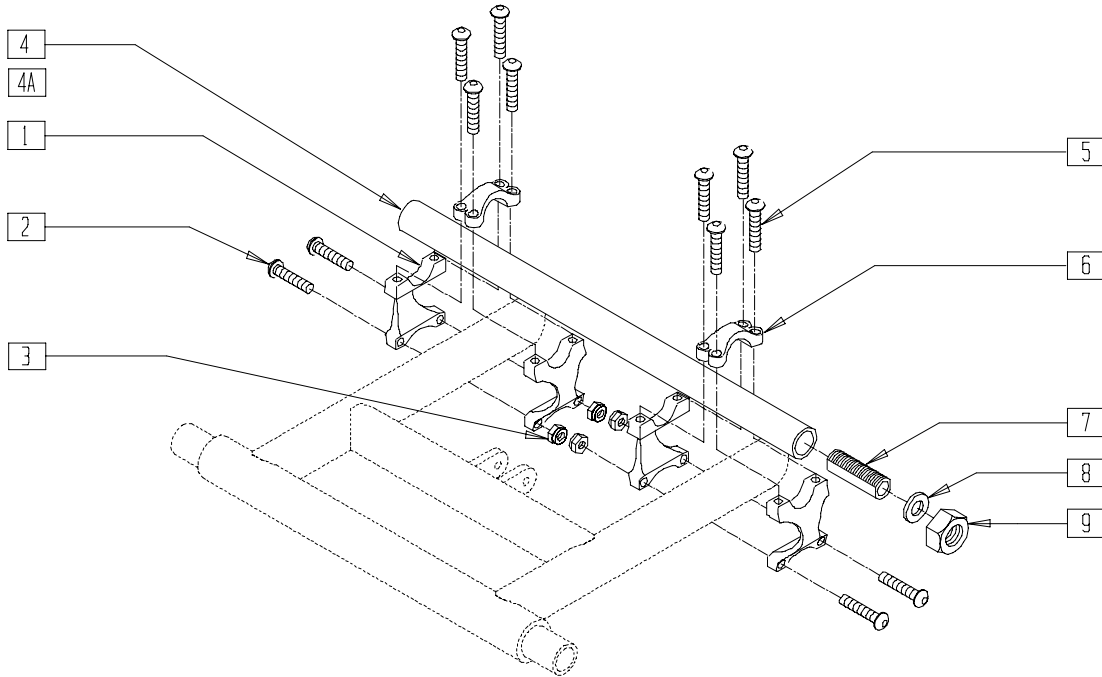
Drawing shows left side

QTS00X08

ITEM	NUMBER	DESCRIPTION	QTY
1	226107	1/4-28 x 7/8 SOC C/S	8
2	550211	AXLE CLAMP CAMBER TUBE	2
3	525200- 525216	CAMBER TUBE	1
4	500213	AXLE SADDLE + 1 1/2"	1

ITEM	NUMBER	DESCRIPTION	QTY
5	481069	AXLE SLEEVE 1°	1
6	265100	3/4 x 18 WASHER NARROW	1
7	204000	3/4-16 NUT	1
1,2,4	880934	AXLE CLAMP ASSEMBLY + 1 1/2"	
5-7	920114	AXLE SLEEVE 1° W/HARDWARE	

AXLE ASSEMBLY (QUICKIE XTR)



SUS00X23

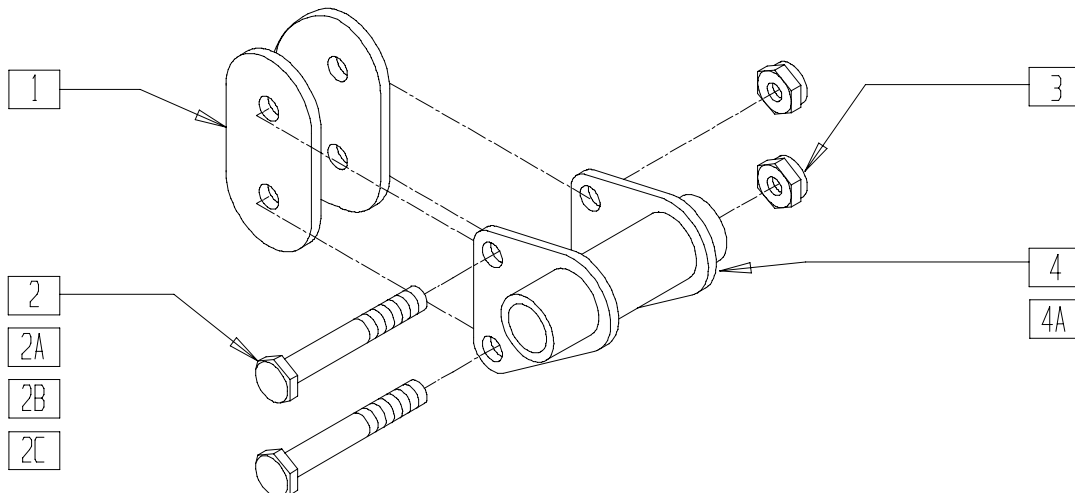
ITEM	NUMBER	DESCRIPTION	QTY
1	506150	SWING ARM CLAMP XTR	4
2	226066	1/4-28 x 1.1" BH C/S BLK	4
3	202300	1/4-28 NYLOCK NUT THIN BLK ZN	4
4	525200-525226	CAMBER TUBE	1
4A	525140	CAMBER TUBE 13" TO FIT 14" CHAIR	1
5	226078	1/4-20 x 3/4 BH C/S W/PATCH	8

ITEM	NUMBER	DESCRIPTION	QTY
6	506152	AXLE CLAMP XTR	2
7	481069	AXLE SLEEVE 1°	2
8	265100	3/4-18 WASHER NARROW	2
9	204000	3/4-16 NUT	2
7,8,9	920114	AXLE SLEEVE 1° W/HARDWARE	
1-3,5,6	880927	AXLE CLAMP ASSEMBLY XTR	

QUICK-RELEASE AXLE BRACKET (BREEZY 2, QUICKIE RECLINER/Rx)

(Breezy 2 discontinued 5/98 - parts only; fits Breezy 2 beginning serial number B2-1000)

(Fits Rx beginning serial number Rx-20282)



AX0X06D

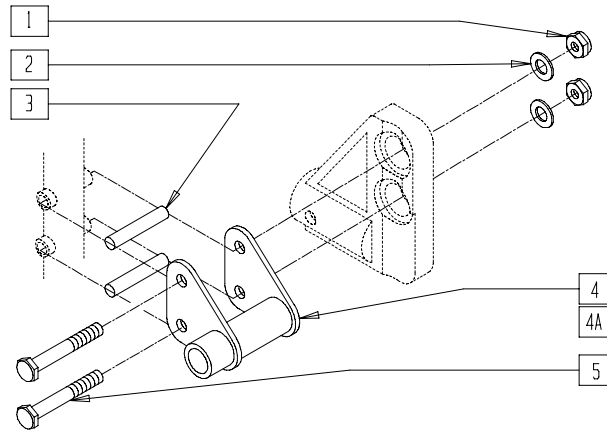
ITEM	NUMBER	DESCRIPTION	QTY
1	561085*	1 1/8" HALF SADDLE 2 HOLE QTS	2
2	221192	1/4-28 x 2 G8 HEX C/S	2
2A	221160	1/4-28 x 2 HEX C/S	2
2B	221170	1/4-28 x 2 1/4 HEX C/S	2
2C	221191	1/4-28 X 2 1/4 G8 HEX C/S	2

ITEM	NUMBER	DESCRIPTION	QTY
3	201110-QU	1/4-28 NYLOCK NUT	2
4	505312, 505313	AXLE BRKT QR BR/Rx/QT (EA)	1
1-4,	920184	QR AXLE BRACKET ASSM BZ/Rx 1 1/8 (PR)	
1,2C,3,4	920180	QR AXLE BRKT ASSM RX 1-1/8 A.T	

* HALF SADDLES USED ON Rx BEGINNING SERIAL NUMBER Rx-36744.
NOTE: ITEMS 2A AND 2B ARE USED IN BREEZY MODELS ONLY.

QUICK-RELEASE AXLE BRACKET (BREEZY 510)

(Discontinued 03/00 - parts only)



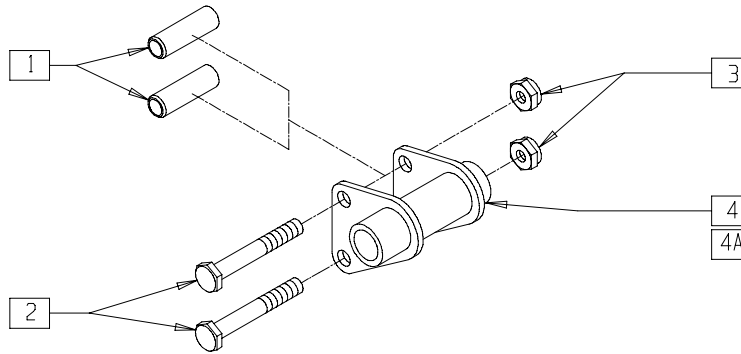
BZ00X10

ITEM	NUMBER	DESCRIPTION	QTY
1	201110-QU	1/4-28 NYLOCK NUT	4
2	262100-QU	1/4 AN WASHER FLAT	4
3	561098	AXLE BRACKET BUSHING PLASTIC	4
4	505312	AXLE BRACKET QR R BR/Rx/QT	1

ITEM	NUMBER	DESCRIPTION	QTY
4A	505313	AXLE BRACKET QR L BR/Rx/QT	1
5	221160	1/4-28 x 2 HEX C/S	4
1,3,4,4A,5	920163	QR AXLE BRACKET W/HDWR BR (PR)	

QUICK-RELEASE AXLE BRACKET (QUICKIE Rx/BREEZY 510)

(Fits Breezy 510 prior to serial number BZ-200000 and Rx prior to serial number Rx-20282)

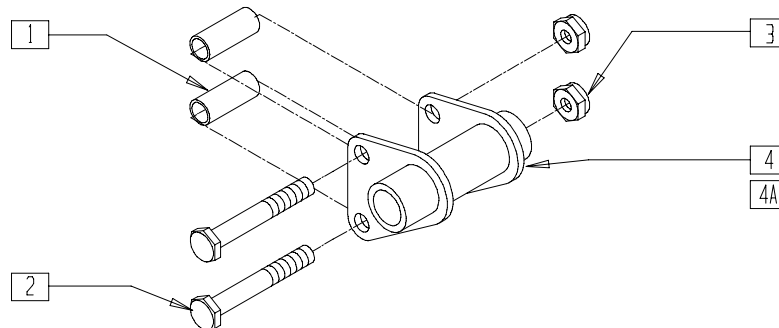


AX0X011

ITEM	NUMBER	DESCRIPTION	QTY
1	561098	AXLE BRACKET BUSHING PLASTIC	2
2	221150	1/4-28 x 1 3/4 HEX C/S	2
3	201110-QU	1/4-28 NYLOCK NUT	2

ITEM	NUMBER	DESCRIPTION	QTY
4	505310	QR AXLE PLATE BZ/Rx R O/S	1
4A	505311	QR AXLE PLATE BZ/Rx L O/S	1
1-4,4A	920162	QR AXLE BRKT ASSM BZ/Rx 1" (PR)	

QUICK-RELEASE AXLE BRACKET (BREEZY 510 RECLINER)

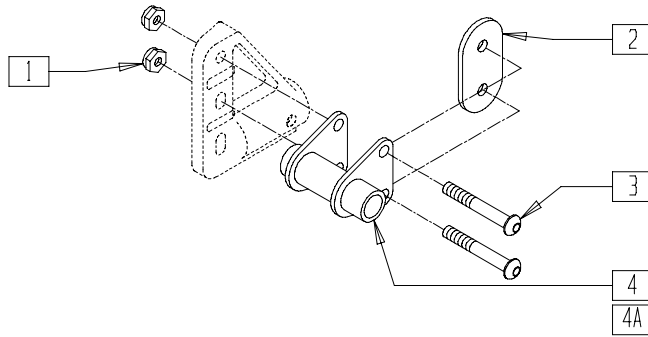


BREX08

ITEM	NUMBER	DESCRIPTION	QTY
1	561098	AXLE BRACKET BUSHING PLASTIC	2
2	221160	1/4-28 x 2 HEX C/S	2
3	201110	1/4-28 NYLOCK NUT	2
4	505312	AXLE BRACKET QR R BR/Rx/QT	1

ITEM	NUMBER	DESCRIPTION	QTY
4A	505313	AXLE BRACKET QR L BR/Rx/QT	1
1-4	920083	QR AXLE PLT L B510 RECLINER	
1-3,4A	920082	QR AXLE PLT R B510 RECLINER	

QUICK-RELEASE AXLE BRACKET (QUICKIE KIDZ)



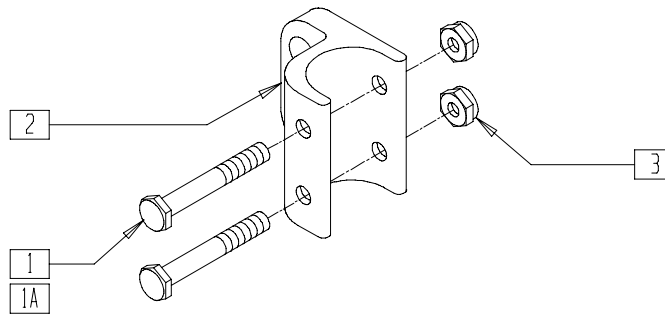
AX0X015

ITEM	NUMBER	DESCRIPTION	QTY
1	201110	1/4-28 NYLOCK NUT	2
2	561085	1 1/8" HALF SADDLE 2 HOLE QTS	1
3	226150	1/4-28 x 2 BH C/S	2

ITEM	NUMBER	DESCRIPTION	QTY
4	505314	AXLE BRACKET QR R KIDZ GP	1
4A	505315	AXLE BRACKET QR L KIDZ GP	1

AXLE BRACKET (STANDARD THREADED AXLES) (QUICKIE RECLINER/Rx)

(Fits Quickie Rx beginning serial number Rx-20282)



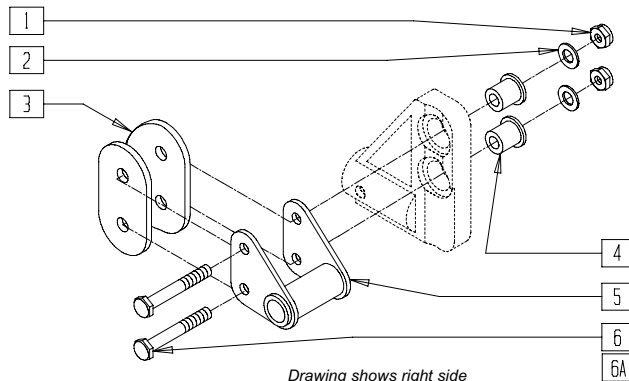
AX0X012

ITEM	NUMBER	DESCRIPTION	QTY
1	221192	1/4-28 x 2 G8 HEX C/S	2
1A	221191	1/4-28 x 2 1/4 G8 HEX C/S	2
2	503000	AXLE BRACKET BZ/Rx/LX	1
3	201110-QU	1/4-28 NYLOCK NUT	2

ITEM	NUMBER	DESCRIPTION	QTY
1-3	920182	AXLE BRACKET ASSEMBLY BZ/Rx 1 1/8" (PR)	
1A,2,3	920181	AXLE BRACKET ASSEMBLY Rx 1 1/8" AT (RECLINER) (PR)	

THREADED OFFSET AXLE BRACKET (BREEZY 2)

(Breezy 2 Discontinued 5/98 - parts only)



Drawing shows right side

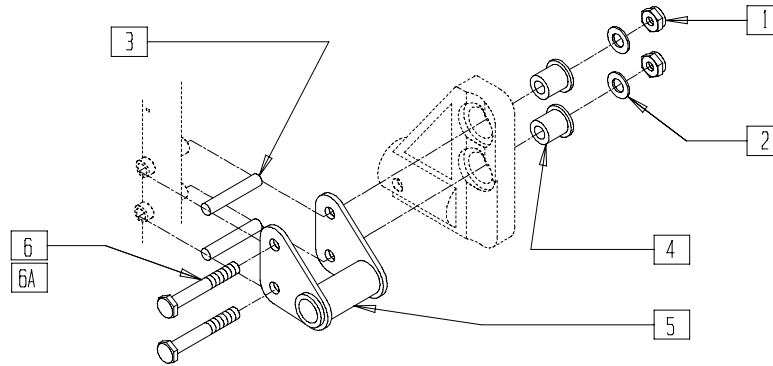
BZ00X21

ITEM	NUMBER	DESCRIPTION	QTY
1	201110	1/4-28 NYLOCK NUT	2
2	262100-QU	1/4 AN WASHER FLAT	2
3	561085	1 1/8" HALF SADDLE 2 HOLE QTS	2
4	281190	ANTI-TIP SPACER BR	2
5	505309	AXLE BRACKET THREADED BR	1

ITEM	NUMBER	DESCRIPTION	QTY
6	221150	1/4-28 x 1 3/4 HEX C/S	2
6A	221190-QU	1/4-28 x 2 3/4 HEX C/S	2
1-3,5,6	920155	AXLE BRKT THRD W/HWDWR BR (PR)	
1-5,6A	920157	AXLE BRACKET THRD ANTI-TIP W/HARDWARE B2 (PR)	

THREADED OFFSET AXLE BRACKET (BREEZY 510)

(Discontinued - 03/00 parts only)



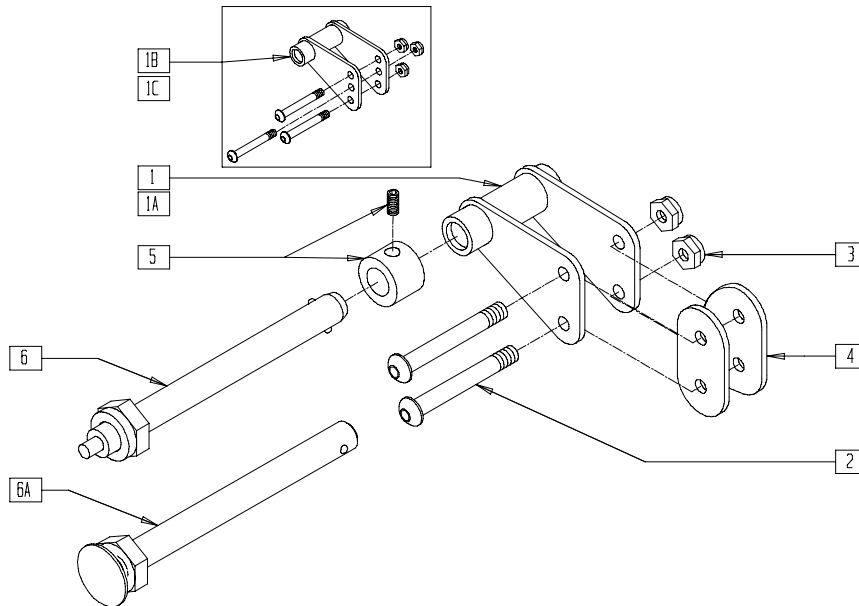
BZ00X19

ITEM	NUMBER	DESCRIPTION	QTY
1	201110	1/4-28 NYLOCK NUT	1
2	262100-QU	1/4 AN WASHER FLAT	2
3	561098	AXLE BRACKET BUSHING PLASTIC	2
4	281190	ANTI-TIP SPACER BR	2
5	505309	AXLE BRACKET THREADED BR	1

ITEM	NUMBER	DESCRIPTION	QTY
6	221160	1/4-28 x 2 HEX C/S	2
6A	221190-QU	1/4-28 x 2 3/4 HEX C/S	2
1,3,5,6	920188	AXLE BRACKET THREADED W/HARDWARE BR (PR)	
1-5,6A	920189	AXLE BRKT THRD AT W/HDWR (PR)	

AXLE BRACKET (ZIPPIE TS) AMPUTEE AXLE BRACKET (QUICKIE TS)

(Fits Quickie TS prior to QT-12900)



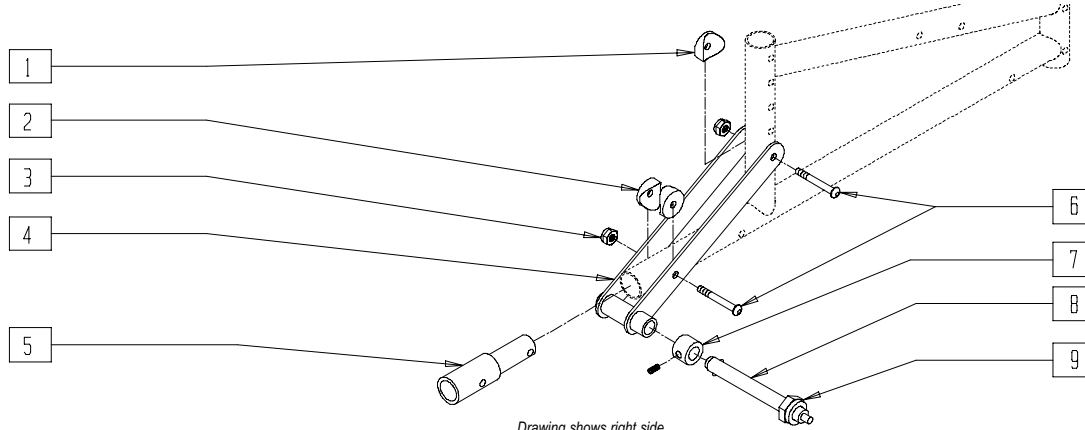
Z00X10A

ITEM	NUMBER	DESCRIPTION	QTY
1*	505320	QR AXLE PLATE R ZP TS	1
1A*	505321	QR AXLE PLATE L ZP TS	1
1B*	506120	QR AXLE BRACKET ZP TS PLUS R	1
1C*	506121	QR AXLE BRACKET ZP TS PLUS L	1
2	226140	1/4-28 x 1 3/4 BH C/S	2-3
3	201110	1/4-28 NYLOCK NUT	2-3
4	561085	1 1/8" HALF SADDLE 2 HOLE QTS	2
5	920117	MAG SPACER 6S W/SET SCREW	1

ITEM	NUMBER	DESCRIPTION	QTY
6	920129	QR AXLE W/NUT	1
6A	349069	QR AXLE AND NUT CLEAR BIG BTTN	1
5,6	920138	QR AXLE W/SPACER FOR 6S MAG	
1-4,6A	920132	ZP TS QR AXLE ASSEMBLY SPK (PR)	
1,1A,2-6	920142	ZP TS QR AXLE 6S MAG W/HDWR (PR)	
1B,2-4,6A	920135	ZP TS QR AXLE ASSEMBLY SPOKE X-LONG (PR)	
1B,1C,2-6	920143	ZP TS QR AXLE 6S MAG W/HARDWARE X-LONG (PR)	

NOTE: WHEN USING MAG WITH A HEIGHT ADJUSTABLE ARM, ORDER PART NUMBERS 920129 AND 920117.
NOTE: ITEM 4 USED ON QUICKIE TS BEGINNING SERIAL NUMBER QT-2802.
* ORDER ITEMS 1 AND 1A FOR QUICKIE TS AMPUTEE AXLE PLATE.

AXLE BRACKET (12") (ZIPPIE TS)



Drawing shows right side

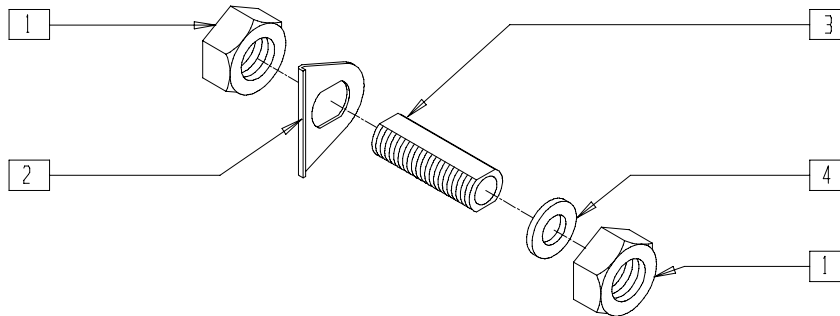
Z00X19A

ITEM	NUMBER	DESCRIPTION	QTY
1	561001	1 1/8" SADDLE 1/4" HOLE	1
2	561004	1" SADDLE 1/4" HOLE	2
3	201100-QU	1/4-28 NYLOCK NUT THIN	2
5	483097	ANTI-TIP INSERT 12" WHEEL	1
6	226140	1/4-28 x 1 3/4 BH C/S	2
*7	920117	MAG SPACER 6S W/SET SCREW	1

ITEM	NUMBER	DESCRIPTION	QTY
8	349010	QUICK RELEASE AXLE	1
9	203100	1/2-20 NYLOCK NUT	1
1-6	920161	QR AXLE PLATE TS 12" WHEEL W/AT REC	
7-9	920118	QR AXLE 12S MAG W/NUT AND SPACER	

*ITEM 7, MAG SPACER, NOT REQUIRED EFFECTIVE SERIAL NUMBER ZP-32173.

AXLE SLEEVE (FOR INDEXED AXLE PLATE)

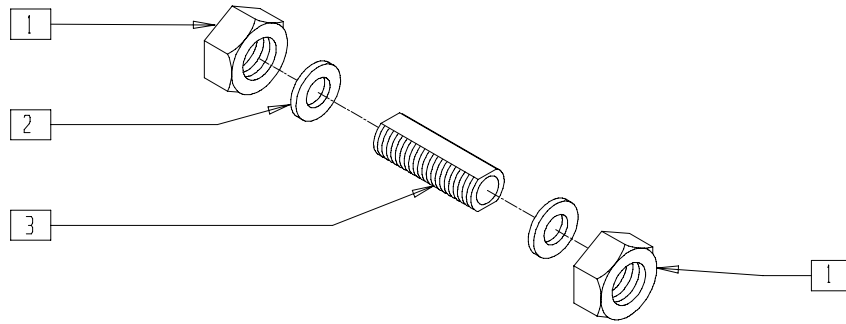


AX0X09

ITEM	NUMBER	DESCRIPTION	QTY
1	204000	3/4-16 NUT	2
2	505015	INDEX AXLE WASHER	1
3	481065	AXLE SLEEVE SS	1

ITEM	NUMBER	DESCRIPTION	QTY
4	265100	3/4 x 18 WASHER NARROW	1
1-4	920120	AXLE SLEEVE W/HARDWARE INDEX	

AXLE SLEEVE (AMPUTEE, NON-INDEXED AXLE, AND CURVED AXLE PLATES)



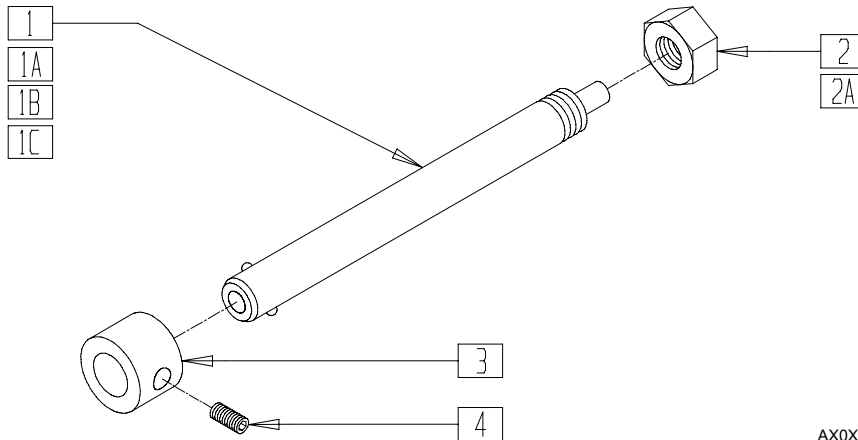
AX0X09A

ITEM	NUMBER	DESCRIPTION	QTY
1	204000	3/4-16 NUT	2
2	265100	3/4 x 18 WASHER NARROW	2

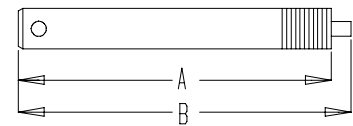
ITEM	NUMBER	DESCRIPTION	QTY
3	481065	AXLE SLEEVE SS	1
1-3	920121	AXLE SLEEVE W/HDWR (NON-INDEX)	

QUICK-RELEASE AXLE (MOST QUICKIE PRODUCTS WITH COMPATIBLE HUBS)

(Quickie GPS, GPS Ti and Triumph discontinued 2/01 parts only.)



MEASURING GUIDE



AXGUIDE

PART NUMBER	"A"	"B"	WEIGHT
920119	4 3/4"	5"	4.0 oz
920129	5 3/8"	5 5/8"	3.8 oz
920130	5 3/4"	6"	4.0 oz
920137	5 3/4"	6"	2.7 oz
920138	5 3/8"	5 5/8"	4.3 oz

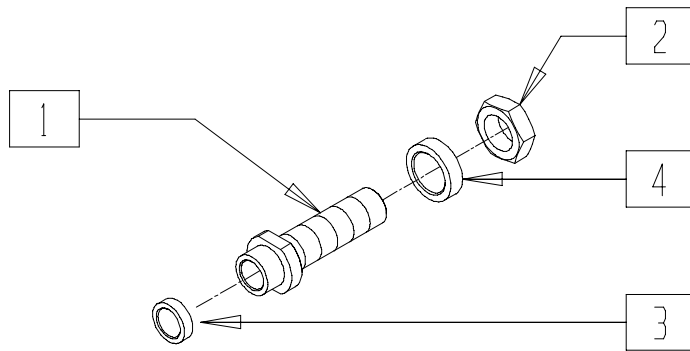
AX0X010

ITEM	NUMBER	DESCRIPTION	QTY
2	203100	1/2-20 NYLOCK NUT	1
2A	330010	1/2-20 NYLOCK NUT ALUMINUM	1
3	483057	MAG AXLE SPACER W/HOLE	1
4	225100	1/4-20 x 1/4 SET SCREW	1
3,4	920117	MAG SPACER 6S W/SET SCREW	
1,2	920119	QR AXLE MAG W/NUT	

ITEM	NUMBER	DESCRIPTION	QTY
1A,2	920129*	QR AXLE W/NUT	
1A,2-4	920138	QR AXLE W/SPACER FOR 6S MAG	
1B,2	920130	QR AXLE NON-RECESS HUB W/NUT	
1C,2A	920137	QR AXLE W/NUT Ti	

* NOTE: 920129 DISCONTINUED 9/21/98 - PARTS ONLY

AXLE SLEEVE (CHAMELEON/CHAMELEON HD)

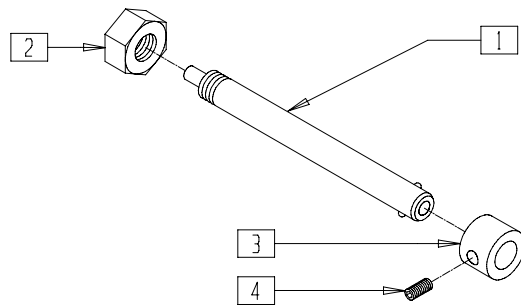


CHAM0X12

ITEM	NUMBER	DESCRIPTION	QTY
1	C2.3001	AXLE BUSH M16x1/2	1
2	C2.3002	M16 THIN NUT	1

ITEM	NUMBER	DESCRIPTION	QTY
3	C2.3101	MAG WHEEL SPACER	1
4	C2.3103	SPACER 5MM x 25	1
1-3	888079	AXLE SLEEVE SPACERS & NUT	

QUICK-RELEASE AXLE (BREEZY 510 RECLINER)

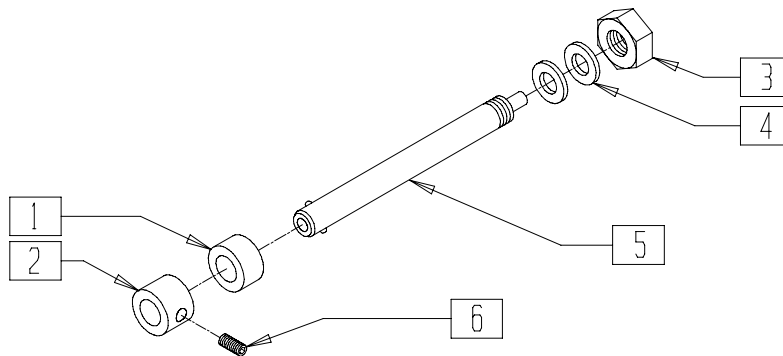


BREX06A

ITEM	NUMBER	DESCRIPTION	QTY
2	203100	1/2-20 NYLOCK NUT	1
3	483057	MAG AXLE SPACER W/HOLE	1
4	225100	1/4-20 x 1/4 SET SCREW	1

ITEM	NUMBER	DESCRIPTION	QTY
3,4	920117	MAG SPACER 6S W/SET SCREW	
1-4	920138	QUICK RELEASE W/SPACER FOR 6S MAG	

QUICK-RELEASE AXLE (BREEZY 510 ULTRA HEMI)

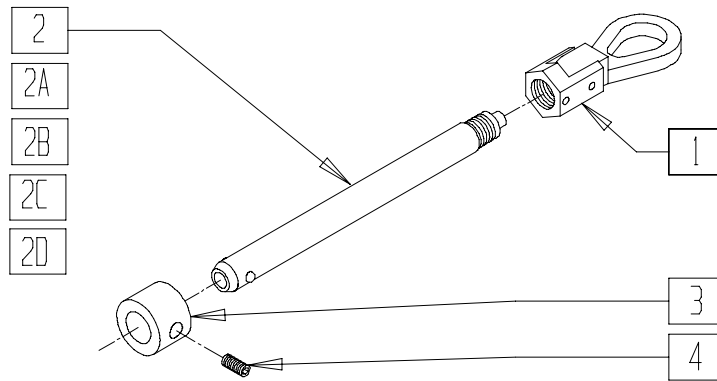


BZ600X08

ITEM	NUMBER	DESCRIPTION	QTY
1	483058	1 AD WHEEL SPACER	1
2	483057	MAG AXLE SPACER W/HOLE	1
3	203100	1/2-20 NYLOCK NUT	1
4	264100	1/2 AN WASHER FLAT	2

ITEM	NUMBER	DESCRIPTION	QTY
6	225100	1/4-20 x 1/4 SET SCREW	1
3,5	921139	QR AXLE W/NUT BR	
2,6	920117	MAG SPACER 6S W/SET SCREW	
1-6	920626	AXLE QR B510/B600 HEMI	

QUAD-RELEASE AXLE NUT



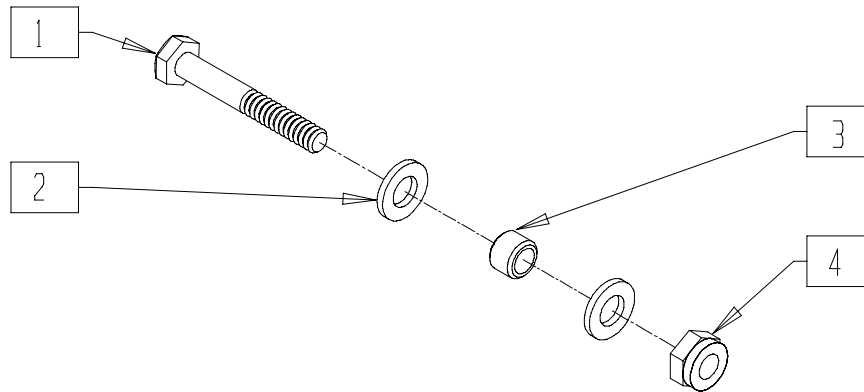
AC0X017

ITEM	NUMBER	DESCRIPTION	QTY
1	920139	QUAD RELEASE AXLE NUT	1
3	483057	MAG AXLE SPACER W/HOLE	1
4	225100	1/4-20 x 1/4 SET SCREW	1
3,4	920117	MAG SPACER 6S W/SET SCREW	
1,2	920170*	QR AXLE STANDARD W/QUAD NUT	

ITEM	NUMBER	DESCRIPTION	QTY
1,2A	920171	QR AXLE MAG W/QUAD NUT	
1,2B,3,4	920172	QR AXLE MAG W/SPACER AND QUAD NUT	
1,2C	920173	QR AXLE TI W/QUAD NUT	
1,2D	920174	QR AXLE NON-RECESS W/QUAD NUT	

* NOTE: 920170 DISCONTINUED 9/21/98 - PARTS ONLY

THREADED AXLE (CHAMELEON/CHAMELEON HD)

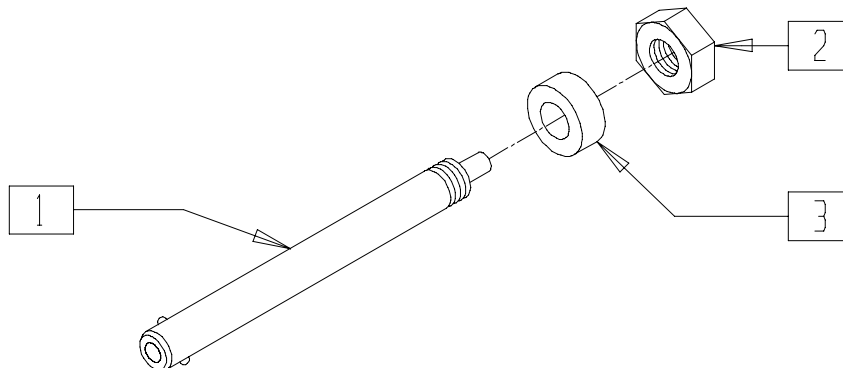


CHAM0X17

ITEM	NUMBER	DESCRIPTION	QTY
1	C2.3102	BOLT 1/2"x5 1/4" HEX HEAD	1
2	264100	1/2 AN WASHER FLAT	2

ITEM	NUMBER	DESCRIPTION	QTY
3	C2.3101	MAG WHEEL SPACER	1
4	203100	1/2-20 NYLOCK NUT	1
1-4	888109	THREADED AXLE ASSEM	

QUICK-RELEASE AXLE (CHAMELEON/CHAMELEON HD)



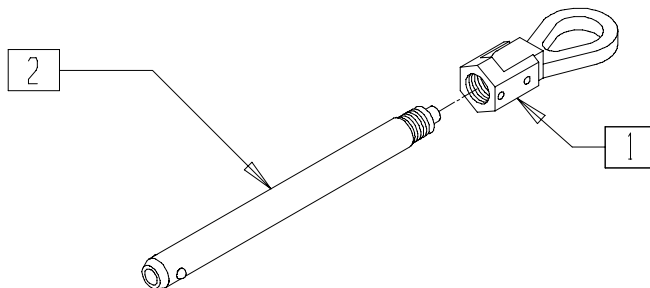
CHAM0X20

ITEM	NUMBER	DESCRIPTION	QTY
1-2	000 220 293	QUICK RELEASE AXLE 12.7x122mm	1

ITEM	NUMBER	DESCRIPTION	QTY
3	C2.3101	MAG WHEEL SPACER	1

QUAD-RELEASE AXLE NUT (PUSH-BUTTON)

(Effective 9/21/98)



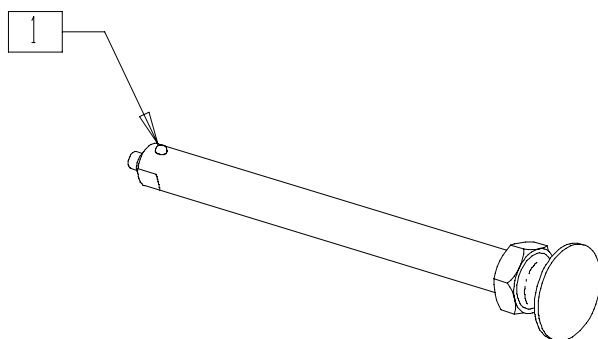
AX0X027

ITEM	NUMBER	DESCRIPTION	QTY
1	920139	QUAD RELEASE AXLE NUT	1

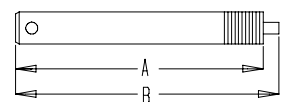
ITEM	NUMBER	DESCRIPTION	QTY
2	922170	QR AXLE W/QUAD NUT PUSH BUTTON	

BIG BUTTON AXLE (SPOKE WHEELS)

(Effective 9/21/98)



MEASURING GUIDE



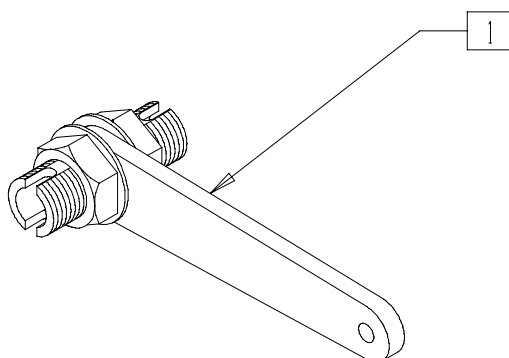
AXGUIDE

PART NUMBER	"A"	"B"
349069	5 3/16"	5 9/16"

AX0X026

ITEM	NUMBER	DESCRIPTION	QTY
1	349069	AXLE PIN AND NUT CLEAR LONG	1

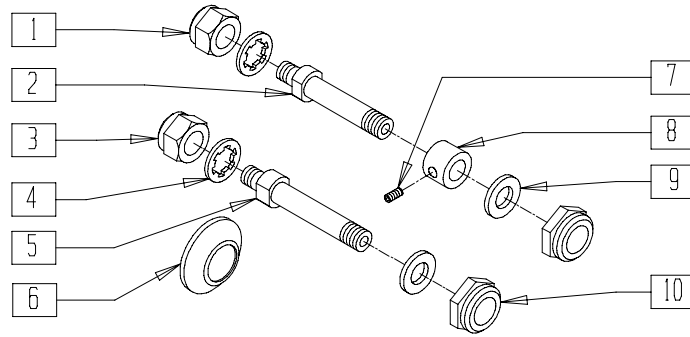
QUICK-RELEASE AXLE WRENCH



AX0X022

ITEM	NUMBER	DESCRIPTION	QTY
1	920115	QR AXLE WRENCH	1

THREADED REAR AXLE (CHROME BREEZY) (Fits Chrome Breezy prior to serial number BZ-200000)

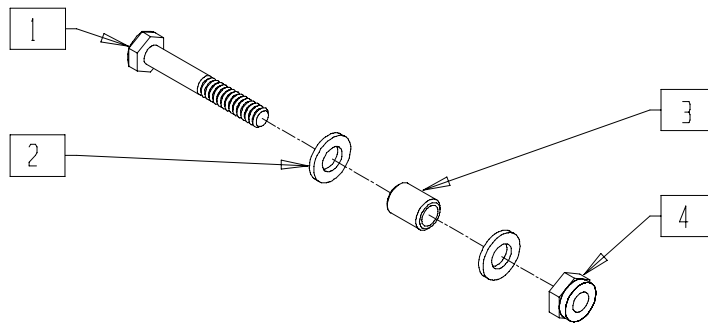


AX0X21

ITEM	NUMBER	DESCRIPTION	QTY
1	202223	7/16-20 NYLOCK NUT THIN	1
3	202225	7/16-20 NYLOCK NUT	1
4	263123	7/16 INTERNAL TOOTH LOCK WSHR	2
6	561068	SIX SPOKE MAG AXLE CAP	1
7	225100	1/4-20 x 1/4 SET SCREW	1
8	483057	MAG AXLE SPACER W/HOLE	1

ITEM	NUMBER	DESCRIPTION	QTY
9	264100	1/2 AN WASHER FLAT	1
10	203100	1/2-20 NYLOCK NUT	1
7,8	920117	MAG SPACER 6S W/SET SCREW	
1,2,4,9,10	920128	AXLE SPOKE W/HDWR BZ/RX O/S	
3-5,9,10	920126	Rx/BZ REAR AXLE W/HDWR 12S MAG	

THREADED AXLE (BREEZY 510 ULTRA-HEMI)

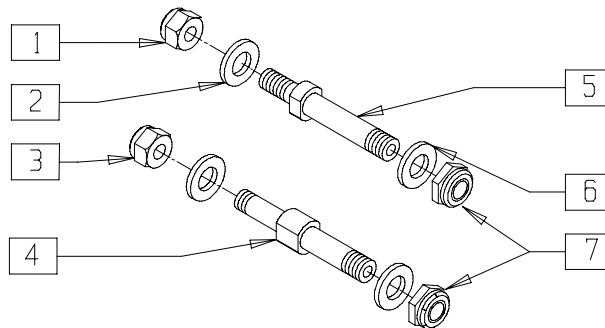


BR600X03A

ITEM	NUMBER	DESCRIPTION	QTY
1	221194	1/2-20 x 5 G8 HEX C/S	1
2	264100	1/2 AN WASHER FLAT	2
3	481213	AXLE SPACER BR	1

ITEM	NUMBER	DESCRIPTION	QTY
4	203100	1/2-20 NYLOCK NUT	1
1-4	920085	THREADED AXLE ASSEMBLY BR	

THREADED REAR AXLE (BREEZY 500/510) (Discontinued - parts only)



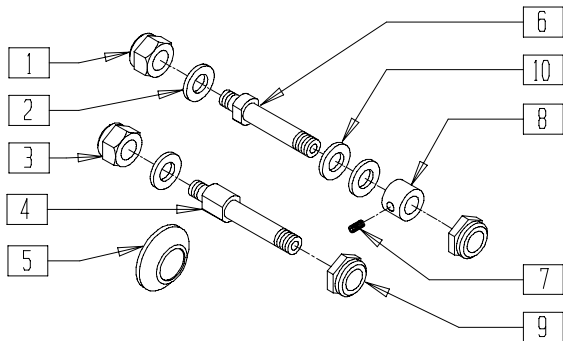
BZ00X11

ITEM	NUMBER	DESCRIPTION	QTY
1	202223	7/16-20 NYLOCK NUT THIN	1
2	263123	7/16 INTERNAL TOOTH LOCK WSHR	2
3	202225	7/16-20 NYLOCK NUT	1
6	264100	1/2 AN WASHER FLAT	1

ITEM	NUMBER	DESCRIPTION	QTY
7	203100	1/2-20 NYLOCK NUT	1
1,2,5-7	920177	AXLE SPOKE W/HARDWARE BR	
2-4,6,7	920176	AXLE MAG W/HARDWARE BR	

THREADED REAR AXLE (BREEZY 510, QUICKIE Rx/RECLINER)

(Fits Breezy prior to serial number BZ-200000, Rx prior to serial number Rx-46101 and Quickie Recliner prior to serial number QR-3308)

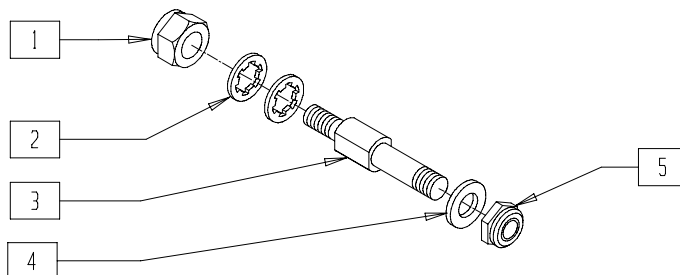


AX0X10A

ITEM	NUMBER	DESCRIPTION	QTY
1	202223	7/16-20 NYLOCK NUT THIN	1
2	263120	7/16 AN WASHER	1
3	202225	7/16-20 NYLOCK NUT	1
5	561068	SIX SPOKE MAG AXLE CAP	1
7	225100	1/4-20 x 1/4 SET SCREW	1
8	483057	MAG AXLE SPACER W/HOLE	1

ITEM	NUMBER	DESCRIPTION	QTY
9	203100	1/2-20 NYLOCK NUT	1
10	264100	1/4 AN WASHER FLAT	2
7,8	920117	MAG SPACER 6S W/SET SCREW	
1,2,6,9,10	920146	AXLE SPOKE W/HDWR 1 1/8" BZ/Rx	
2,3,4,9	920147	AXLE MAG W/HDWR 1 1/8" BZ	
1,2,6-9	920148	AXLE MAG W/SPACER 1 1/8" BZ/Rx	

THREADED REAR AXLE (BREEZY 510 RECLINER)

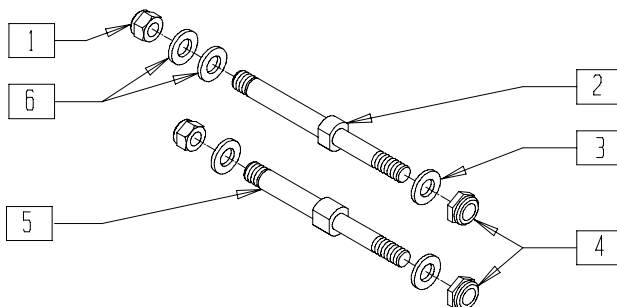


BREX13A

ITEM	NUMBER	DESCRIPTION	QTY
1	202225	7/16-20 NYLOCK NUT	1
2	263123	7/16 INTERNAL TOOTH LOCK WASHER	2
3	481413	AXLE BR RECLINER	1
4	264100	1/2 AN WASHER FLAT	1

ITEM	NUMBER	DESCRIPTION	QTY
5	203100	1/2-20 NYLOCK NUT	1
1-5	920081	AXLE THRD W/HDWR B510 RECLINER (EA)	

THREADED REAR AXLE (ADJUSTABLE AXLE PLATE) (QUICKIE TS)



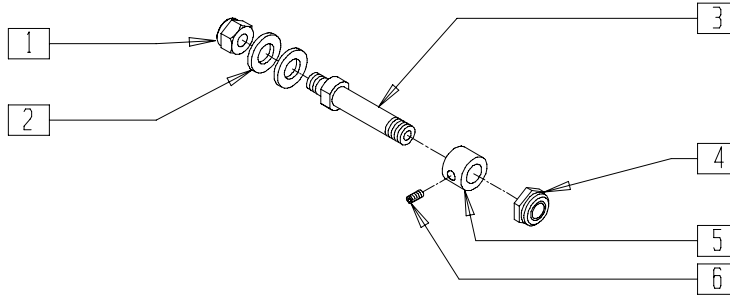
AX0X023

ITEM	NUMBER	DESCRIPTION	QTY
1	203100	1/2-20 NYLOCK NUT	1
3	263120	7/16 AN WASHER	1
4	202223	7/16-20 NYLOCK NUT THIN	1
6	264100	1/2 AN WASHER FLAT	2

ITEM	NUMBER	DESCRIPTION	QTY
1-4,6	920109	AXLE THREADED SPOKE (ADJUSTABLE AXLE PLATE) LX	
1,3-6	920108	AXLE THREADED MAG (ADJUSTABLE AXLE PLATE) LX	

THREADED REAR AXLE (QUICKIE Rx/RECLINER)

(Fits Quickie Rx beginning serial number Rx-46101 and Quickie Recliner beginning serial number QR-3308)

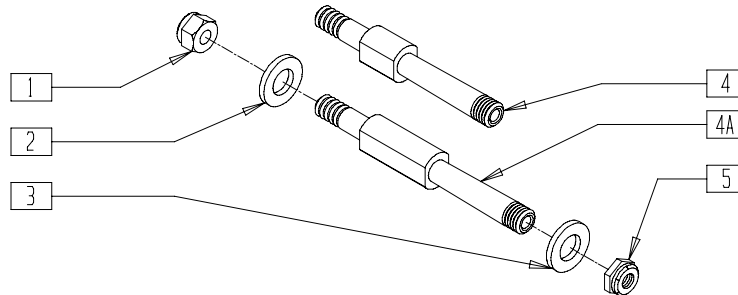


AX0X10B

ITEM	NUMBER	DESCRIPTION	QTY
1	202223	7/16-20 NYLOCK NUT THIN	1
2	263120	7/16 AN WASHER	2
4	203100	1/2-20 NYLOCK NUT	1
5	483057	MAG AXLE SPACER W/HOLE	1

ITEM	NUMBER	DESCRIPTION	QTY
6	225100	1/4-20 x 1/4 SET SCREW	1
5.6	920117	MAG SPACER 6S W/SET SCREW	
1-4	920156	AXLE SPOKE W/HARDWARE Rx	
1-6	920158	AXLE MAG W/SPACER Rx	

THREADED AXLE (QUICKIE T45)



TSR00X14

ITEM	NUMBER	DESCRIPTION	QTY
1	202225	7/16-20 NYLOCK NUT	1
2	263120	7/16 AN WASHER	1
3	264100	1/2 AN WASHER FLAT	1
4	481121	AXLE THREADED T45	1
4A	481120	AXLE THREADED WIDE T45	1

ITEM	NUMBER	DESCRIPTION	QTY
5	203100	1/2-20 NYLOCK NUT	1
1-3,4A,5	920102	AXLE THREADED WIDE W/HARDWARE T45	
1-5	920103	AXLE THREADED STANDARD W/HARDWARE T45	

AXLE REFERENCE GUIDE

BREEZY PRIOR TO SERIAL NUMBER BZ-200000

AXLE	22" MAG	24" MAG 12 SPOKE	24" MAG 6 SPOKE	SPOKE WHEEL
BREEZY 1 1/8" THREADED AXLE W/PIVOT ARMS	920182 (PAIR) 920147	N/A	920182 (PAIR) 920147	920182 (PAIR) 920146
BREEZY 1 1/8" THREADED AXLE W/ADJ FL ARMS	920182 (PAIR) 920148	N/A	920182 (PAIR) 920148	920182 (PAIR) 920146
BREEZY 1 1/8" QR AXLE W/PIVOT ARMS	920184 (PAIR) 920119	N/A	920184 (PAIR) 920119	920184 (PAIR) 349069
BREEZY 1 1/8" QR AXLE W/ADJ FL ARMS	920184 (PAIR) 920138	N/A	920184 (PAIR) 920138	920184 (PAIR) 349069
BREEZY (ALUM) THREADED AXLE W/PIVOT ARMS	920126	920126	920126	920128
BREEZY (ALUM) THREADED AXLE W/ADJ FL ARMS	920128 920117	920140	920140	920128
BREEZY (ALUM) QR AXLE W/PIVOT ARMS	920162 (PAIR) 920119	920162 (PAIR) 920119	920162 (PAIR) 920119	920162 (PAIR) 349069
BREEZY (ALUM) QR AXLE W/ADJ FL ARMS	920162 (PAIR) 920118	920162 (PAIR) 920138	920162 (PAIR) 920119	920162 (PAIR) 349069
CHROME BREEZY THREADED AXLE	920128 920117	920128 920117	920140	920128
CHROME BREEZY QR AXLE	920162 (PAIR) 920118	920162 (PAIR) 920118	920162 (PAIR) 920138	920162 (PAIR) 349069

BREEZY BEGINNING SERIAL NUMBER BZ-200000

AXLE	20" MAG	22" MAG	24" MAG	SPOKE WHEEL
BR THREADED AXLE	920176	920176	920176	920177
BR QUICK RELEASE	920163 920138	920163 920138	920163 920138	920163 349069
BR QR FOR ANTI-TIP	920183 920138	920183 920138	920183 920138	920183 349069
BR THREADED AXLE OFFSET	920188 920176	920188 920176	920188 920176	920188 920176
BR THREADED AXLE OFFSET FOR ANTI-TIP	920189 920176	920189 920176	920189 920176	920189 920177

BREEZY ULTRA HEMI

AXLE	20" MAG	22" MAG	24" MAG	SPOKE WHEEL
ULTRA HEMI THREADED AXLE	920085	920085	920085	N/A
ULTRA HEMI QUICK RELEASE	920119	920119	920119	N/A

BREEZY 500

AXLE	20" MAG	22" MAG	24" MAG	SPOKE WHEEL
BR THREADED AXLE	N/A	N/A	920176	N/A

QUICKIE EX

AXLE	22" MAG	24" MAG 12 SPOKE	24" MAG 6 SPOKE	SPOKE WHEEL
QUICKIE EX	920119	N/A	920119	349069
QUICKIE EX QUAD Q.R.	920171	N/A	920171	920170

QUICKIE GPS

AXLE	22" MAG	24" MAG 12 SPOKE	24" MAG 6 SPOKE	SPOKE WHEEL
QUICKIE GPS	920119	N/A	920119	349069
QUICKIE GPS QUAD Q.R.	920171	N/A	920171	920170

QUICKIE KIDZ

AXLE	12" MAG	14" MAG	20" MAG	20" SPOKE
QUICKIE KIDZ	920119	920119	920138	349069
QUICKIE KIDZ QUAD Q.R.	920171	920171	920172	920170

QUICKIE LX

AXLE	20" MAG	22" MAG	24" MAG 6 SPOKE	SPOKE WHEEL
QUICK RELEASE STD AXLE PLATE	920180 920138	920180 920138	920180 920138	920180 349069
THREADED STD AXLE PLATE	920182 920106	920182 920106	920147 920182	920146 920182
QUICK RELEASE ADJ AXLE PLATE	920138	920138	920138	349069
THREADED ADJ AXLE PLATE	920108	920108	920108	920109
STD AXLE PLATE QUAD Q.R. AXLE	920180 920172	920180 920172	920180 920172	920170
ADJ AXLE PLATE QUAD Q.R. AXLE	920171	920171	920171	920170

QUICKIE LXI

AXLE	20" MAG	22" MAG	24" MAG 6 SPOKE	SPOKE WHEEL
QUICK RELEASE ADJ AXLE PLATE	920138	920138	920138	349069
THREADED ADJ AXLE PLATE	920108	920108	920108	920109
ADJ AXLE PLATE QUAD Q.R. AXLE	920171	920171	920171	920170

NOTE: SEE PAGE 8.25 AND 8.27 FOR AXLES WITH QUAD NUTS.

CONTINUED ON NEXT PAGE

AXLE REFERENCE GUIDE (CONTINUED)

QUICKIE RECLINER PRIOR TO 1/94				
AXLE	22" MAG	24" MAG 12 SPOKE	24" MAG 6 SPOKE	SPOKE WHEEL
QUICKIE RECLINER THREADED AXLE	920182 (PAIR) 920148	N/A	920182 (PAIR) 920148	920182 (PAIR) 920146
QUICKIE RECLINER QR AXLE	920184 (PAIR) 920138	N/A	920184 (PAIR) 920138	920184 (PAIR) 920129
QUICKIE RECLINER QUAD QR AXLE	N/A	N/A	920184 (PAIR) 920171	920148 (PAIR) 920170
QUICKIE RECLINER QR AXLE STD	920138	N/A	920138	920170
QUICKIE RCLNR/ BREEZY Q.R. AXLE STD	920184 (PAIR) 920118	N/A	920126	920184 (PAIR) 920129

QUICKIE RECLINER BEGINNING 1/94				
AXLE	20" MAG	24" MAG 12 SPOKE	24" MAG 6 SPOKE	SPOKE WHEEL
QUICKIE RECLINER THREADED AXLE	920181 920158	N/A	920181 920158	920181 920156
QUICKIE RECLINER QR AXLE	920180 920138	N/A	920180 920138	920180 349069

RIGID CHAIRS, QUICKIE 2/2HP/2HPTi/GP/GPV/Ti/TR/QC/QR STD				
AXLE	22" MAG	24" MAG 12 SPOKE	24" MAG 6 SPOKE	SPOKE WHEEL
QUICKIE 2/2HP/ 2HPTi/GP/ GPV/Ti/TR/QC/ QR STD AXLE	N/A	920119	920119	349069
QUICKIE GP/GPV/ QC/Ti/HP/HPTi/TR QUAD QR AXLE	N/A	N/A	920171	920170

QUICKIE Rx PRIOR TO 1/94				
AXLE	22" MAG	24" MAG 12 SPOKE	24" MAG 6 SPOKE	SPOKE WHEEL
QUICKIE Rx 1 1/8" THREADED AXLE	920182 (PAIR) 920148	N/A	920182 (PAIR) 920148	920182 (PAIR) 920156
QUICKIE Rx 1 1/8" QR AXLE	920184 (PAIR) 920138	N/A	920184 (PAIR) 920138	920184 (PAIR) 349069
QUICKIE Rx 1 1/8" QUAD QR AXLE	920184 920172	N/A	920184 (PAIR) 920172	920184 (PAIR) 920170
QUICKIE Rx (FLAT SIDE) THREADED AXLE	920128 920117	920128 920117	920140	920128
QUICKIE Rx (FLAT SIDE) QR AXLE	920162 (PAIR) 920118	920162 (PAIR) 920118	920162 (PAIR) 920138	920162 (PAIR) 920129
QUICKIE Rx RECLINER 1 1/8" THREADED AXLE	920182 (PAIR) 920146 920117	N/A	920182 (PAIR) 920148	920182 (PAIR) 920156

NOTE: SEE PAGE 7.25 AND 7.27 FOR AXLES WITH QUAD NUTS.

QUICKIE Rx BEGINNING 1/94 (EFFECTIVE 9/21/98)				
AXLE	22" MAG	24" MAG 12 SPOKE	24" MAG 6 SPOKE	SPOKE WHEEL
QUICKIE Rx THREADED	920182 920158	N/A	920182 920158	920182 920156
QUICKIE Rx THRD W/ANTI-TIP	920181 920158	N/A	920181 920158	920181 920156
QUICKIE Rx QR W/ANTI-TIP	920180 920138	N/A	920180 920138	920180 920129

QUICKIE T45	
AXLE	16"-20" MAG
QUICKIE T45	920103
QUICKIE T45 W/ ADJ LOCKING ARM	920102

Quickie TNT		
AXLE	24" SPOKE	24" HEAT TREATED
Quickie TNT	349058, 349055, 349056	349058, 349055, 349056

QUICKIE TS (PRIOR TO QT-12900), ZIPPIE				
AXLE	22" MAG	24" MAG 12 SPOKE	24" MAG 6 SPOKE	SPOKE WHEEL
QUICKIE TS QR AXLE	N/A	N/A	920119	349069
QUICKIE TS QUAD QR AXLE	N/A	N/A	920171	920170
ZIPPIE TS QR AXLE STD	920134 (PAIR)	920134 (PAIR)	920142 (PAIR)	920132 (PAIR)
ZIPPIE TS QR AXLE X-LARGE	920136 (PAIR)	920136 (PAIR)	920143 (PAIR)	920135 (PAIR)
ZIPPIE TS QUAD QR AXLE STANDARD	N/A	N/A	920185 (PAIR) 920172	920186 (PAIR) 920170
ZIPPIE TS QUAD QR AXLE X-LARGE	N/A	N/A	920185 (PAIR) 920172	920186 (PAIR) 920170

QUICKIE TS (BEGINNING QT-12900)				
AXLE	22" MAG	24" MAG 12 SPOKE	24" MAG 6 SPOKE	SPOKE WHEEL
QUICKIE TS QR AXLE	N/A	N/A	920119	349069
QUICKIE TS QUAD QR AXLE	N/A	N/A	920171	920170

QUICKIE R2				
AXLE	22" MAG	24" MAG 12 SPOKE	24" MAG 6 SPOKE	SPOKE WHEEL
QUICKIE R2 QR AXLE	N/A	N/A	920119	349069
QUICKIE R2 QUAD QR AXLE	N/A	N/A	920171	922170

QUICKIE M6				
AXLE	22" MAG	24" MAG 12 SPOKE	24" MAG 6 SPOKE	SPOKE WHEEL
QUICKIE M6 QR AXLE	N/A	N/A	N/A	920538

