

# Single and Dual Side Frame Mounted Armrests and Armrest Receivers

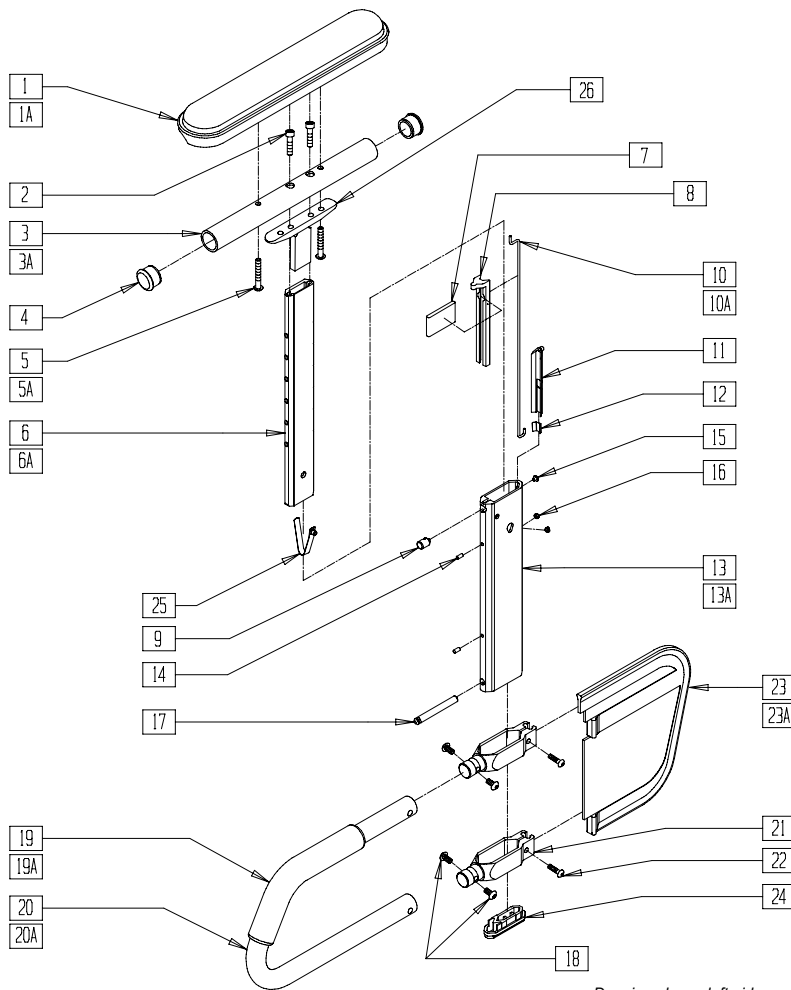
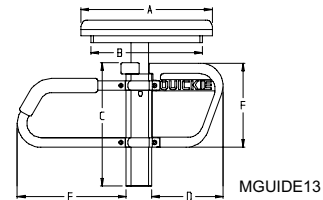
## IN THIS SECTION

Height-adjustable Armrest (Manual Products) (Disc.).....	7.1	<b>Armrest Receivers</b>	
Height-adjustable Armrest (Manual Products).....	7.2	Standard Height-adjustable Armrest Receiver (Quickie Recliner/Rx/Breezy/Zippie).....	7.16
Dual-post Armrest (Quickie T45/TS/Breezy 510 Recliner) .....	7.3	Height-adjustable Armrest Receiver (Quickie EX).....	7.17
Dual-Post Height-Adjustable Armrest (Quickie TS/T45/Breezy 510 Recliner) .....	7.4	Kids Armrest Receiver (Quickie GPS/TS/ Rx/Revolution/Zippie/TS/Breezy) (GPS Disc).....	7.17
Armrest (Quickie Kidz/Zippie).....	7.5	Dual-Post and Dual-Post Height Adjustable Armrest Receiver (Quickie T45) .....	7.18
Armrest (Quickie ST/DT) .....	7.6	Dual-Post and Dual-Post Height Adjustable Armrest Receiver (Quickie TS).....	7.18
Flip-back Height-adjustable Armrest (Quickie Rx) .....	7.7	Dual-Post and Dual-Post Height Adjustable Flip-Back Armrest Receiver (Quickie TS).....	7.19
Flip-back Armrest (Quickie Rx).....	7.8	Dual-Post Armrest Receiver (Breezy 510 Recliner).....	7.20
Flip-Back Armrest (Desk) (Breezy 100/150).....	7.9	Armrest Assemblies (Quickie Chameleon/Chameleon HD) .....	7.21
Flip-Back Armrest (Full) (Breezy 100/150) .....	7.10		
Flip-back Armrest (Breezy 2/500/510) (Disc.).....	7.11		
Flip-back Armrest (Breezy 500/503/510/ 510 Ultra-hemi) .....	7.12		
Flip-back Height-adjustable Armrest (Breezy 510/500/503) .....	7.13		
Flip-back Height-adjustable Armrest (Breezy 2 (Disc.) /510/600).....	7.14		
Flip-back Height-adjustable Armrest (Breezy 510 Ultra-hemi).....	7.15		

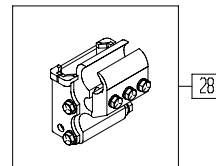
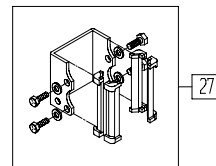
# HEIGHT-ADJUSTABLE ARMREST (MANUAL PRODUCTS)

(Discontinued 9/99 - parts only)

## MEASURING GUIDE



	ADULT		ADULT SHT		KIDZ		PED	
	STD	FULL	STD	FULL	STD	FULL	STD	FULL
<b>A</b>	10"	14"	10"	14"	10"	14"	10"	14"
<b>B</b>	8 7/8"	12 3/8"	8 7/8"	12 3/8"	8 7/8"	12 3/8"	8 7/8"	12 3/8"
<b>C</b>	8 7/8"	8 7/8"	8 7/8"	8 7/8"	8 7/8"	8 7/8"	7 1/4"	7 1/4"
<b>D</b>	5 7/8"	5 7/8"	5 7/8"	5 7/8"	4 1/8"	4 1/8"	4 1/8"	4 1/8"
<b>E</b>	8 5/8"	8 5/8"	6 5/8"	6 5/8"	6 3/4"	6 3/4"	6 3/4"	6 3/4"
<b>F</b>	6 5/8"	6 5/8"	6 5/8"	6 5/8"	5 1/8"	5 1/8"	5 1/8"	5 1/8"



Drawing shows left side

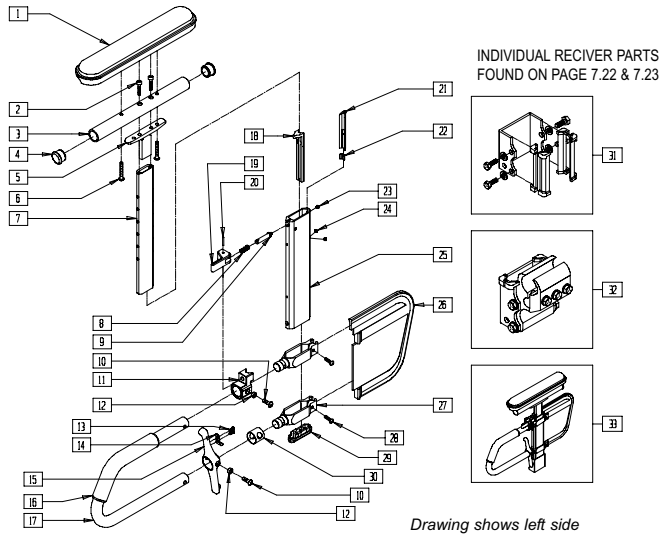
ARMX013C

ITEM	NUMBER	DESCRIPTION	QTY
1	561024	ARMREST PAD 10" DESK	1
1A	561031	ARMREST PAD 14" FULL	1
2	226031	10-32 x 1 1/4 SOC C/S BLK	2
3	521812	HT ADJ PD TUBE 10IN DESK POWE	1
3A	521813	HT ADJ PD TUBE 14IN FULL POWE	2
4	560735	7/8" ROUND TUBE PLUG	2
5	226038	10-32 x 1 3/8 BH C/S BLK	2
5A	226032-QU	10-32 x 1 1/2 BH C/S BLK	2
6	550481	HT ADJ ARM INNER TUBE	1
6A	550478	HT ADJ ARM INNER TUBE PED	1
7	561130, 561131	HT ADJ ARM HANDLE (EA)	1
8	561132	HT ADJ ARM FRONT LINER	1
9	481090	HT ADJ UPPER PIN	1
10	321150	HT ADJ ACTUATOR ROD	1
10A	321152	HT ADJ ARM ACTUATOR ROD SHORT	1
11	561133	HT ADJ LINER SPRING	1
12	321151	HT ADJ LINER SPRING	1
13	550480	HT ADJ ARM OUTER TUBE	1
13A	550479	HT ADJ ARM OUTER TUBE PED	1
14	341102	1/8 x 1/4 ROLL PIN	2
15	330092	#4 x 5/32 STICK SCREW	1
16	225098	10-32 x 1/8 SET SCR W/PATCH BLK	2

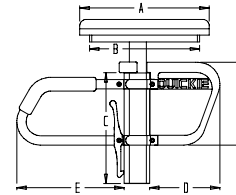
ITEM	NUMBER	DESCRIPTION	QTY
17	481091	HT ADJ RECEIVER PIN	1
18	226018-QU	10-32 x 3/8 BH C/S W/PATCH BLK	2
19	560610	5" x .705 x .125 FOAM TUBE	1
19A	560627	7 1/2" x .705 x .125 FOAM TUBE	1
20	521820	HT ADJ TRANSFER TUBE STD	1
20A	521821	HT ADJ TRANSFER TUBE KIDS	1
21	550482	HT ADJ SKIRT CLAMP	2
22	226020-QU	10-32 x 5/8 BH C/S BLK	2
23	561140	HT ADJ SKIRT GUARD STD	1
23A	561141	HT ADJ SKIRT GUARD KIDS	1
24	561135	HT ADJ ARM BOTTOM PLUG	1
25	301111	SNAP BUTTON ARM STOP	1
26	505084	HT ADJ ARMREST GUSSET	
27	880230	HT ADJ REC STD W/O CLMP	
28	880240	HT ADJ REC STD W/CLAMP	1
1-5, 5A,6A, 25,26	880174, 880175, 880192, 880198	HT ADJ UPPR ARM PED PWR DESK (EA) HT ADJ UPPR ARM ASSM PWR DSK (EA)	
1A,2, 3A,4,5 6A,25,26	880176, 880177, 880193, 880199	HT ADJ UPPR ARM PED PWR FULL (EA) HT ADJ UPPR ARM ASSM PWR FL (EA)	

# HEIGHT-ADJUSTABLE ARMREST (MANUAL PRODUCTS)

(Effective 9/99)



## MEASURING GUIDE



MGUIDE13A

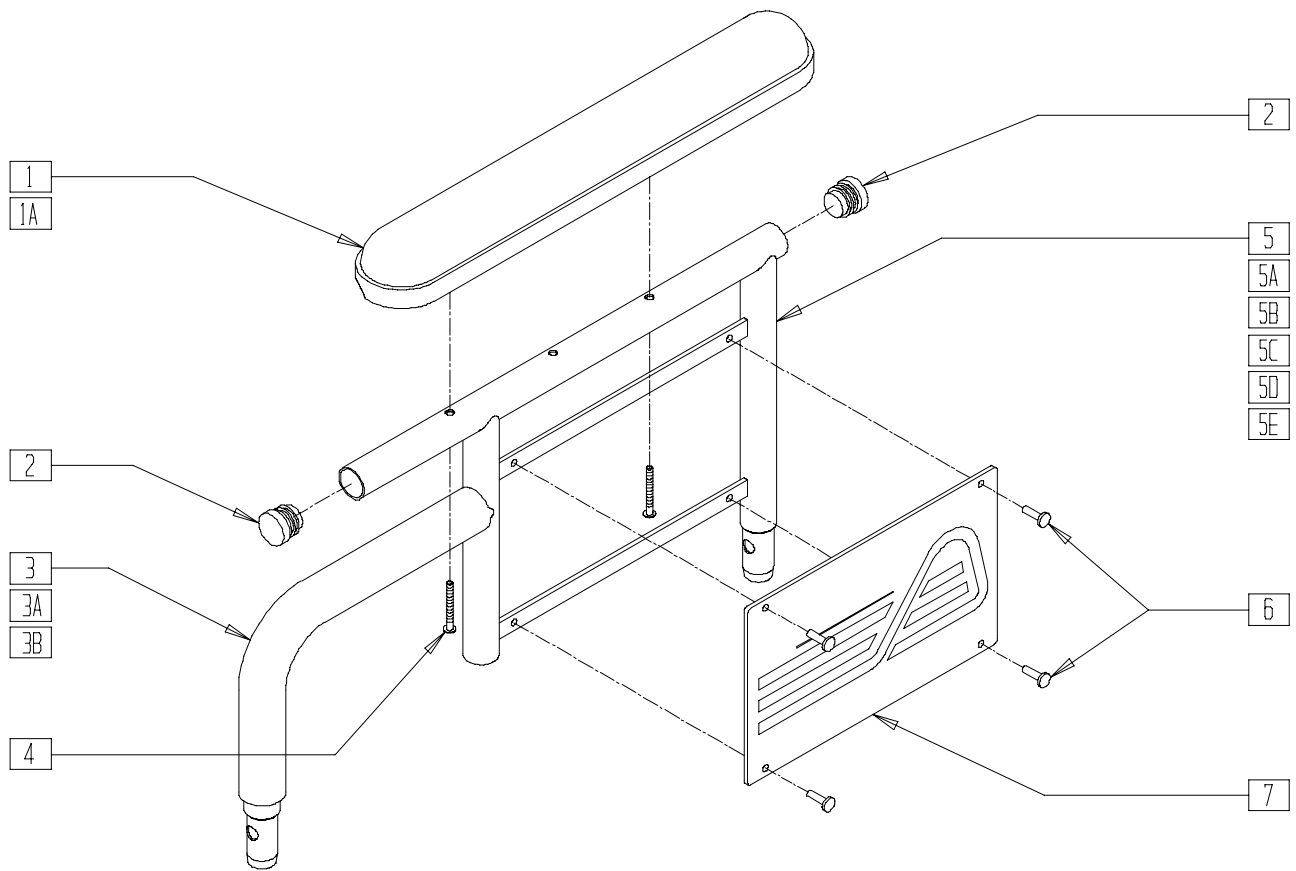
	ADULT		ADULT SHT		KIDZ		PED	
	STD	FULL	STD	FULL	STD	FULL	STD	FULL
A	10"	14"	10"	14"	10"	14"	10"	14"
B	8 7/8"	12 3/8"	8 7/8"	12 3/8"	8 7/8"	12 3/8"	8 7/8"	12 3/8"
C	8 7/8"	8 7/8"	8 7/8"	8 7/8"	8 7/8"	8 7/8"	7 1/4"	7 1/4"
D	5 7/8"	5 7/8"	5 7/8"	5 7/8"	4 1/8"	4 1/8"	4 1/8"	4 1/8"
E	8 5/8"	8 5/8"	6 5/8"	6 5/8"	6 3/4"	6 3/4"	6 3/4"	6 3/4"
F	6 5/8"	6 5/8"	6 5/8"	6 5/8"	5 1/8"	5 1/8"	5 1/8"	5 1/8"

ARMX013D

ITEM	NUMBER	DESCRIPTION	QTY
1	561024	ARMREST PAD 10" DESK	1
	561031	ARMREST PAD 14" FULL	
2	226031	10-32 x 1 1/4 SOC C/S BLK	2
3	521812	HT ADJ PAD TUBE 10" DESK POWER	1
	521813	HT ADJ PAD TUBE 14" FULL POWER	
4	560735	7/8" ROUND TUBE PLUG	2
5	505084	HT ADJ ARMREST GUSSET	1
6	226038	10-32 x 1 3/8 BH C/S BLK	2
	226032-QU	10-32 x 1 1/2 BH C/S BLK	
7	550481	HT ADJ ARM INNER TUBE	1
	550478	HT ADJ ARM INNER TUBE PED	
8	321141	.650L X 6 COIL SPRING	1
9	481258	UPPER ARM RELEASE PIN	1
10	226056	10-32 x 1/2 BH C/S BLK W/PATCH	4
11	560266	UPPER RELEASE PIN HOUSING	1
12	481257	RECEIVER RELEASE LEVER BUSHING	4
13	281045	#6 x 1/4 PAN PHIL S/M/S	2
14	321721	LEVER RETURN SPRING	1
15	501551	RECEIVER RELEASE LEVER STD	1
	501552	RECEIVER RELEASE LEVER KIDZ	
	501553	RECEIVER RELEASE LEVER PEDS	
16	560610	5" x .705 x .125 FOAM TUBE	1
	560627	7 1/2" x .705 x .125 FOAM TUBE	
17	521820	HT ADJ TRANSFER TUBE STD	1
	521821	HT ADJ TRANSFER TUBE KIDS	
18	561109	ARMREST LEVER FLIP-BACK HT ADJ	1
19	341088	3/32 x 5/8 ROLL PIN	1
20	561132	HT ADJ ARM FRONT LINER	1
21	561133	HT ADJ ARM REAR LINER	1
22	321151	HT ADJ LINER SPRING	1
23	330092	#4 x 5/32 STICK SCREW	1
24	225098	10-32 x 1/8 SET SCR W/PATCH B	2
25	550480	HT ADJ ARM OUTER TUBE	1
	550479	HT ADJ ARM OUTER TUBE PED	
26	561140	HT ADJ SKIRT GUARD STD	1
	561141	HT ADJ SKIRT GUARD KIDS	
27	550482	HT ADJ SKIRT CLAMP	2
28	226020-QU	10-32 x 5/8 BH C/S BLK	2
29	561135	HT ADJ ARM BOTTOM PLUG	1
30	562825	RELEASE LEVER INNER SLEEVE	1
31	880230	HT ADJ REC STD W/O CLAMP	1
32	880240	HT ADJ REC STD W/CLAMP	1
1-7	880174-880177	HT ADJ UPPR ARM PED PWR DESK (EA)	

ITEM	NUMBER	DESCRIPTION	QTY
1-7	880192-880199	HT ADJ UPPR ARM ASSM PWR DSK (EA)	
8,9,11,18,19	888003,888004	HT ADJ UPPER ARM REL ASSM (EA)	
13-15	888000	HT ADJ REC REL LEVER ASSM STD	
	888001	HT ADJ REC REL LEVER ASSM KIDS	
	888002	HT ADJ REC REL LEVER ASSM PEDS	
8-30	882080,882081	HT ADJ LOWER ARM ASSM PED (EA)	
	882082,882085	HT ADJ LOWER DC ARM ASSM (EA)	
	880226-880229	HT ADJ PED W/ARM PAD PWR (EA)	
1-30	880210-880213	HT ADJ STD W/ARM PAD PWR (EA)	
	880214-880217	HT ADJ KIDS W/ARM PAD PWR (EA)	
	880935,880936	HT ADJ SHT W/DESK ARM PAD ZGS (EA)	
	880937,880938	HT ADJ SHT W/FULL ARM PAD ZGS (EA)	
	900738	HT ADJ ASSEMBLY SHT W/ ARM PAD ZGS	
	900739	HT ADJ ASSM SHT W/FULL ARM ZGS	
	900650-900657	HT ADJ ASSEMBLY W/ARM W/REC AND CLAMP (PR)	
33	900658,900659,900668,900669	HT ADJ ASSM W/REC QUICKIE EX (PR)	
	900663	HT ADJ ASSM STD W/FL GPS/RV	
	888800,888801	HT ADJ ARM UPGRADE KIT STD (EA)	
	888802,888803	HT ADJ ARM UPGRADE KIT KIDS (EA)	
	888804,888805	HT ADJ ARM UPGRADE KIT PEDS (EA)	
8-15,18-20,29,30,	921900	HT ADJ SNGL PST UPGRD KIT STD (PR)	
	921901	HT ADJ SNGL PST UPGRD KIT KIDS (PR)	
	921902	HT ADJ SNGL PST UPGRD KIT PEDS (PR)	
1-30	900644	HT ADJ ASSM PED W/DSK ARM (PR)	
	900645	HT ADJ ASSM PED W/FULL ARM (PR)	
	900646	HT ADJ ASSM PED W/DSK ARM KDS (PR)	
	900647	HT ADJ ASSM PED W/FL ARM KDS (PR)	

# DUAL-POST ARMREST (QUICKIE T45/TS/BREEZY 510 RECLINER)

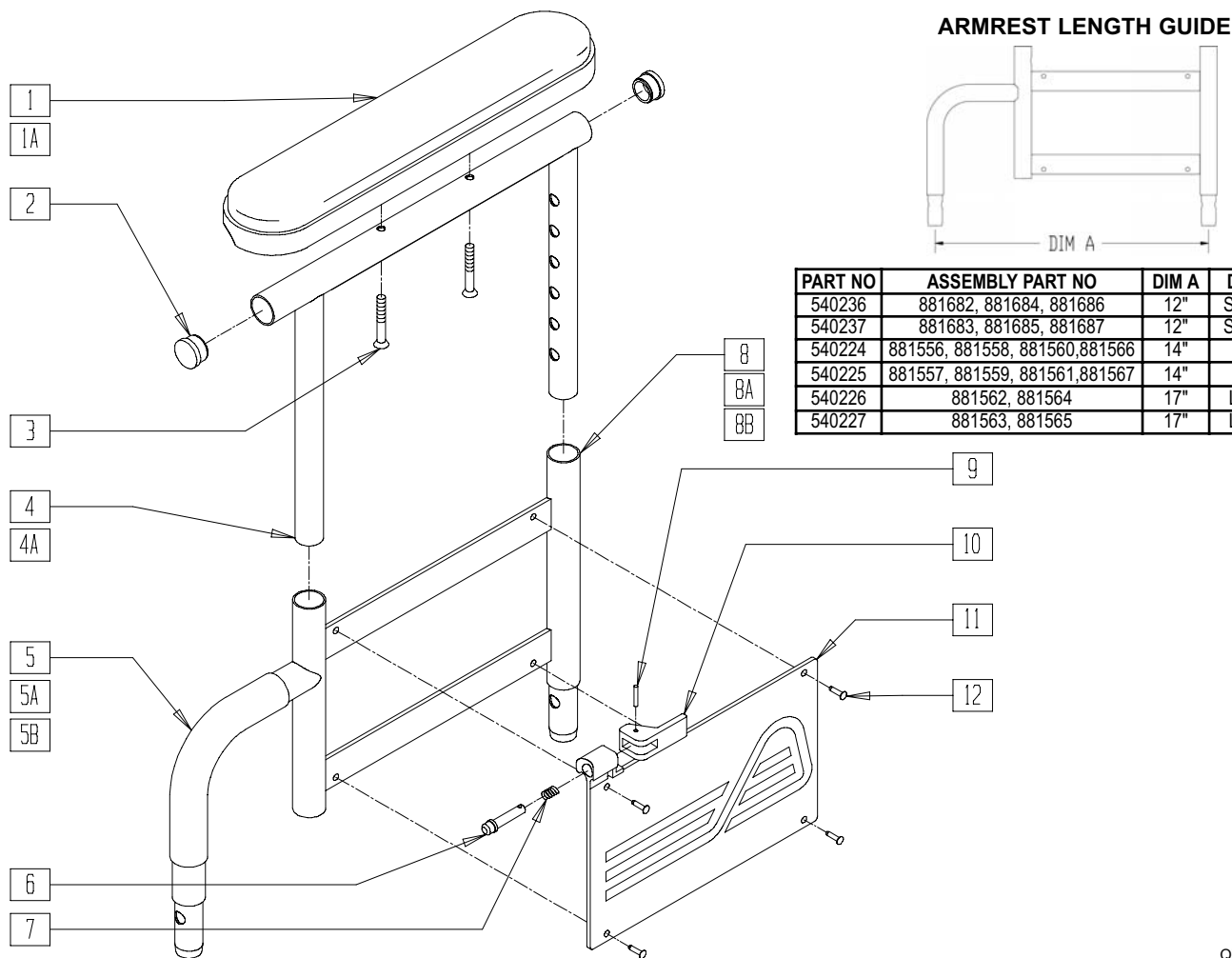


QTS30X06

ITEM	NUMBER	DESCRIPTION	QTY
1	561024	ARMREST PAD 10" DESK	1
1A	561031	ARMREST PAD 14" FULL	1
2	560735	7/8" ROUND TUBE PLUG	2
3	560514	FOAM 8" x .840 TUBE	1
3A	560614	11" x .840 FOAM TUBE	1
3B	560515	FOAM 6" x .840 TUBE	1
4	226038	10-32 x 1 3/8 BH C/S BLK	2
5	540124	FIXED HGT SHRT ARM DSK PAD PWR	1
5A	540125	FIXED HGT SHRT ARM FL PAD PWR	1
5B	540126	FIXED HGT LONG ARM DSK PAD PWR	1
5C	540127	FIXED HGT LONG ARM FL PAD PWR	1
5D	541150	ARM FRAME FIXED DESK PAD SHORT	1
5E	541151	ARM FRAME FIXED FULL PAD SHORT	1
6	240155	RIVET 3/16 x 3/8 TUBULAR ALUM	4

ITEM	NUMBER	DESCRIPTION	QTY
7	562744, 562745	ARMREST FRAME PANEL FIXED	1
1-7	881580, 881581	DUAL POST ARM SHT W/DSK R PWR (EA)	
1A,2-4,5A, 6,7	881582, 881583	DUAL POST ARM SHT W/FL R PWR (EA)	
1-3A,4,5B, 6,7	881584, 881585	DUAL POST ARM LNG W/DSK R PWR (EA)	
1A,2-4,5C, 6,7	881586, 881587	DUAL POST ARM LNG W/FL L PWR (EA)	
1,2,3B,4, 5D,6,7	881616, 881617	ARM ASSM FIX DESK PAD SHORT	
1A,2,3B,4, 5E,6,7	881618, 881619	ARM ASSM FIX FULL PAD SHORT	

# DUAL-POST HEIGHT-ADJUSTABLE ARMREST (QUICKIE TS/T45/BREEZY 510 RECLINER)



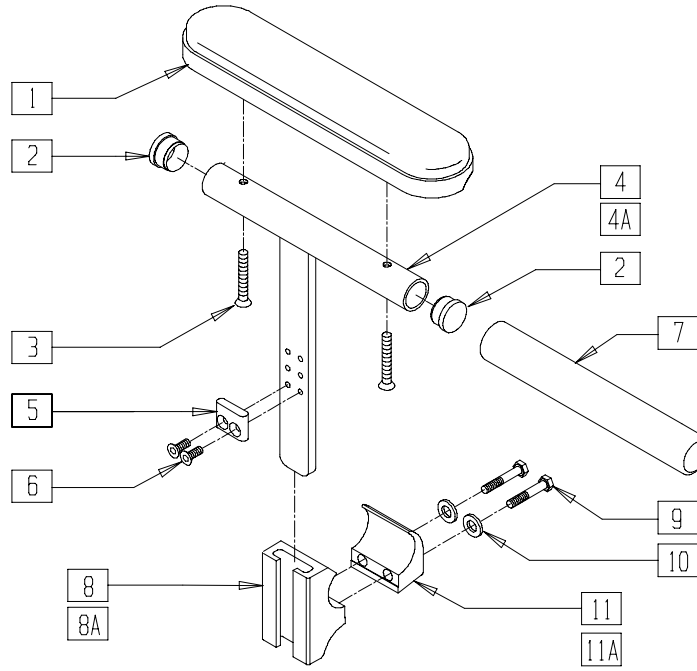
PART NO	ASSEMBLY PART NO	DIM A	DESC.
540236	881682, 881684, 881686	12"	SHORT
540237	881683, 881685, 881687	12"	SHORT
540224	881556, 881558, 881560, 881566	14"	REG
540225	881557, 881559, 881561, 881567	14"	REG
540226	881562, 881564	17"	LONG
540227	881563, 881565	17"	LONG

QTS30X05

ITEM	NUMBER	DESCRIPTION	QTY
1	561024	ARMREST PAD 10" DESK	1
1A	561031	ARMREST PAD 14" FULL	1
2	560735	7/8" ROUND TUBE PLUG	2
3	226038	10-32 x 1 3/8 BH C/S BLK	2
4	521841	DUAL POST ADJ UPPER ARM DESK	1
4A	521843	DUAL POST ADJ UPPER ARM FULL	1
5	560514	FOAM 8" x .840 TUBE	1
5A	560614	11" x .840 FOAM TUBE	1
5B	560515	FOAM 6" x .840 TUBE	1
6	341132	ARMREST PIN W/SHOULDER	1
7	321141	.650L x 6 COIL SPRING	1
8	540224, 540225	ARM FRAME LOWER HT ADJ REG (EA)	1
8A	540226, 540227	ARM FRME LOWER HT ADJ LONG (EA)	1
8B	540236, 540237	ARM FRAME LOWER HT ADJ SHORT (EA)	1
9	341088	3/32 x 5/8 ROLL PIN	1
10	561109	ARMREST LEVER FLIP-BACK HT ADJ	1
11	562740, 562741	ARMREST PANEL DUAL POST (EA)	
12	240155	RIVET 3/16 x 3/8 TUBULAR ALUM	4

ITEM	NUMBER	DESCRIPTION	QTY
1-12	881560, 881561	DUAL POST ADJ ARM SHT W/DESK (EA)	
1A,2,3,4A, 5-12	881566, 881567	DUAL POST ADJ ARM SHT W/FULL (EA)	
1-4,5A, 6,7,8A-12	881564, 881565	DUAL POST ADJ ARM LNG W/DESK (EA)	
1A,2-4,5A, 6,7,8A-12	881562, 881563	DUAL POST ADJ ARM LNG W/FULL (EA)	
5-12	881556, 881557	ARM ASSM LOWER HT ADJ REG (EA)	
5A,6-12	881558, 881559	DUAL POST ADJ LOWER ARM LNG (EA)	
1-4	881446, 881447	DUAL POST UPPER ARM ADJ DESK (EA)	
1A,2,3,4A	881448, 881449	ARM ASSM UPPER HT AD FULL PD (EA)	
1-4,5B-7 8B-12	881682, 881683	DUAL POST ADJ ARM W/DESK QTS (EA)	
1A,2-4, 5B-7,8B-12	881684, 881685	DUAL POST ADJ ARM W/FULL QTS (EA)	
5B-7 8B-12	881686, 881687	DUAL POST ADJ LOWER ARM (EA)	

# ARMREST (QUICKIE KIDZ, ZIPPIE/ ZIPPIE TS)

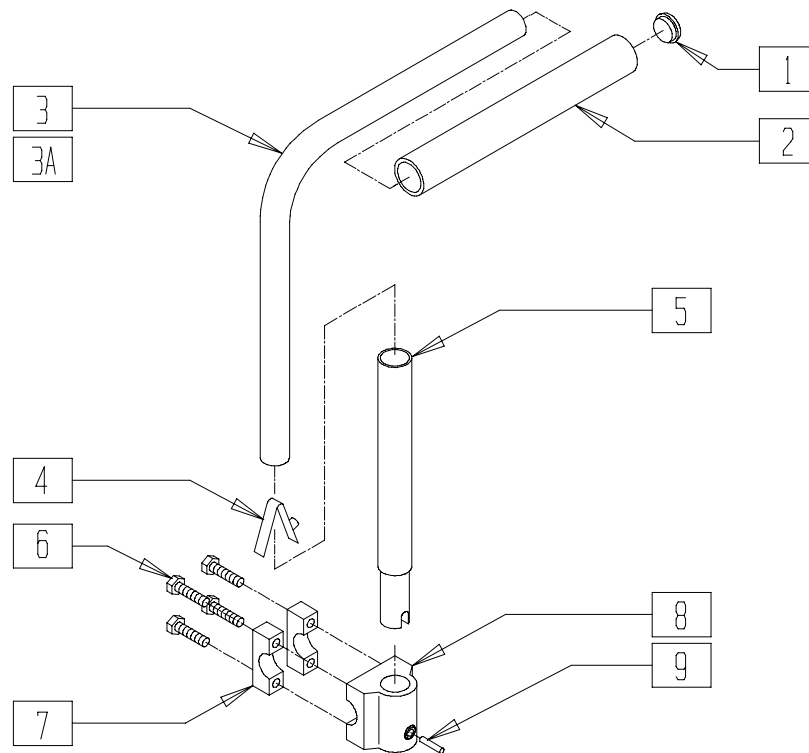


ARMRSTX01

ITEM	NUMBER	DESCRIPTION	QTY
1	560780	ARMREST PAD SMALL 9"	1
2	561007	7/8" INSERT PLUG .083	1,2
3	226038	10-32 x 1 3/8 BH C/S BLK	2
4	550360	KIDZ STD ARM WELDMENT	1
4A	550361	KIDZ TALL ARM WELDMENT	1
5	550105-QU	KIDZ ARM STOP	1
6	226012	10-32 x 1/2 FH C/S BLK	2
7	560309	ARMREST FOAM KIDZ	1
8	502038	TPHA & SG CLAMP 1"	1
8A	550325	SIDE GUARD/KIDZ ARM REC	1
9	221127	1/4-28 x 1 3/8 HEX C/S	2
10	262110-QU	1/4 AN WASHER FLAT THIN	2
11	502037	TPHAR & SGR CLAMP 1"	1
11A	550251	CLMP P300 CHRNGG/ADJ FL KDS	
1-6	880162, 880163	KIDS ARM STD (EA)	
1-3,4A 5,6	880164, 880165	KIDZ ARM TALL (EA)	
8A,9,10, 11A	881200	SIDE GUARD/KIDZ ARM REC W/CLMP	

ITEM	NUMBER	DESCRIPTION	QTY
8-11	882681	T-PST/SDE GUARD REC W/CLMP ZTS	
2,4-7	885010, 885011	KIDZ ARM STD W/FOAM (EA)	
2,4A, 5-7	885012, 885013	KIDZ ARM TALL W/FOAM (EA) (EA)	
1-6,8A, 9,10,11A	900693	KIDZ ARM ASSM STD W/REC	
1-3,4A,5, 8A,9,10,11A	900694	KIDZ ARM ASSM TALL W/REC	
2,4-7,8A, 9,10,11A	900755	KIDZ ARM ASSM STD W/FOAM W/REC	
2,4A,5-7, 8A,9,10,11A	900756	KIDZ ARM ASSM TALL W/FOAM W/REC	
1-5,8-11	900795	KIDZ ARM ASSM STD W/REC ZTS	
1-3,4A,5, 6,8-11	900796	KIDZ ARM ASSM TALL W/REC ZTS	
2,4-11	900797	KDZ ARM ASSM STD W/FM W/RC ZTS	
2,4A,5-11	900798	KDZ ARM ASSM TLL W/FM W/RC ZTS	

# ARMREST (QUICKIE ST/DT)

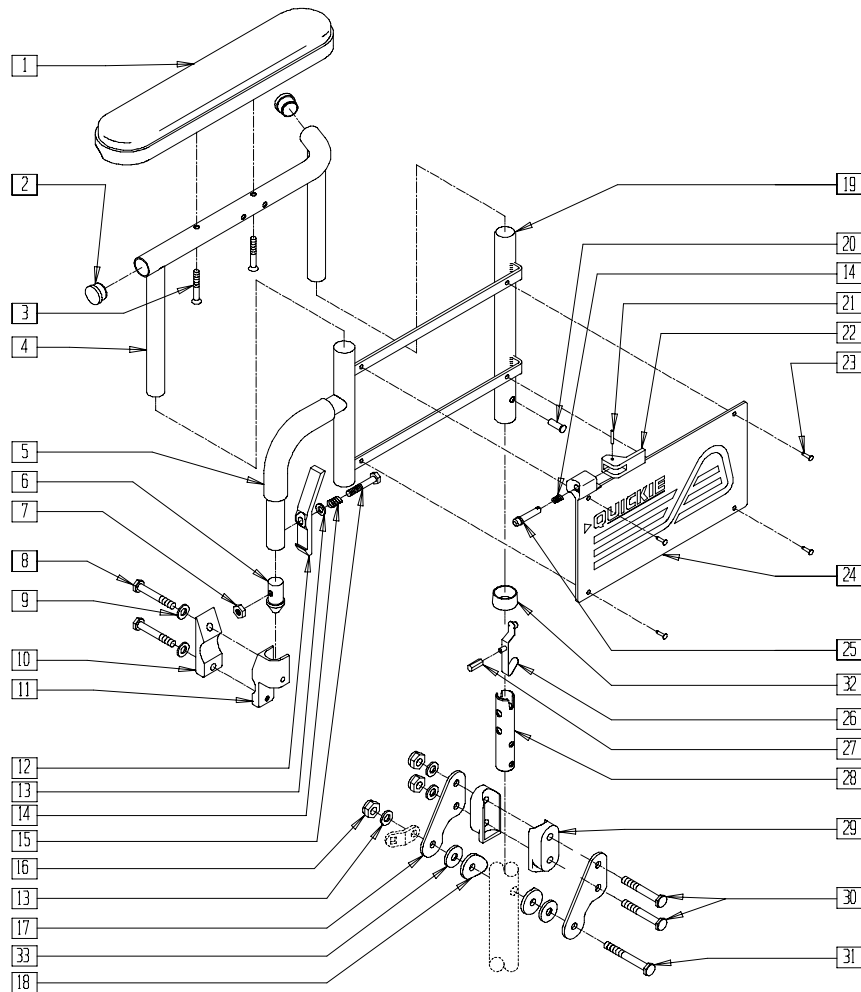


RG000X07

ITEM	NUMBER	DESCRIPTION	QTY
1	560142	ARMREST END CAP 3/4"	1
2	560310	ARMREST FOAM 8" x .570	1
3	521690	ARMREST ARM STD ANO	1
3A	521691	ARMREST ARM LONG ANO	1
4	301100	1/4" SNAP BUTTON SINGLE B-130	1
5	521695	ARMREST UPRIGHT EXT ASSEMBLY	1
6	226115	1/4 x 20 x 1 HEX C/S SS	4

ITEM	NUMBER	DESCRIPTION	QTY
7	550207	CAMBER TUBE MNTG CLMP ANO	2
8	501550	ARMREST MOUNTING BRACKET ANO	1
9	341130	1/4 x 1 1/8 ROLL PIN SS	1
1-4	880316	RIGID ARM STD	
1,2,3A,4	880318	RIGID ARM LONG	
6-9	880238	RIGID ARM MNTG BRACKET ASSEMBLY	

# FLIP-BACK HEIGHT-ADJUSTABLE ARMREST (QUICKIE Rx)



RXHTADJ

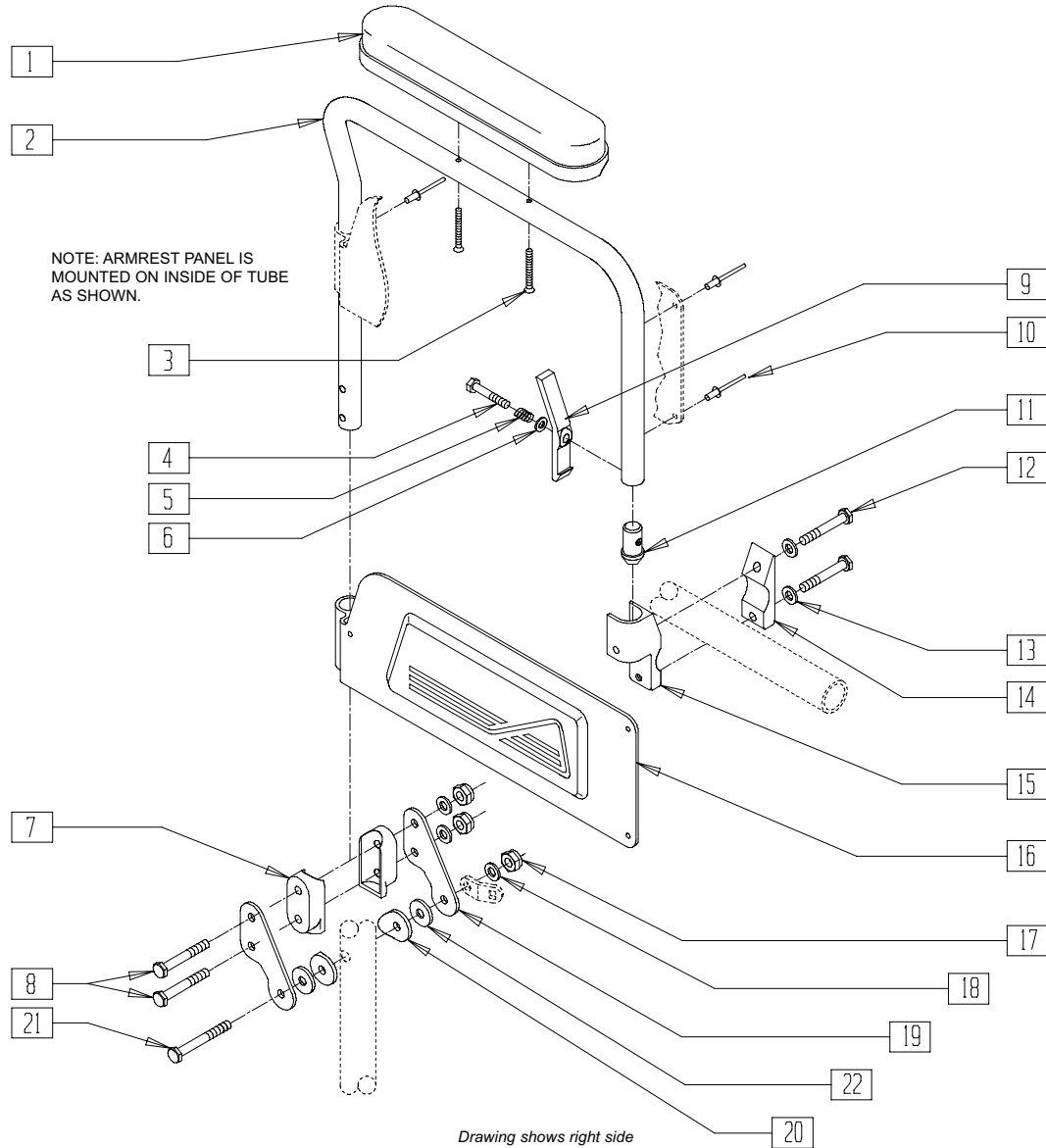
ITEM	NUMBER	DESCRIPTION	QTY
1	561024	ARMREST PAD 10" DESK	1
	561031	ARMREST PAD 14" FULL	
2	560735	7/8" ROUND TUBE PLUG	2
3	226030-QU	10-32 x 1 1/4 BH C/S BLK	2
4	521834, 521835	FLIP-BACK HT ADJ UPPER DESK ARM (EA)	1
	521836, 521837	FLIP-BACK HT ADJ UPPER FULL ARM (EA)	
5	560610	5" x .705 x .125 FOAM TUBE	1
6	561065	ARMREST DOME PLUG BR	1
7	201100-QU	1/4-28 NYLOCK NUT THIN	1
8	221127	1/4-28 x 1 3/8 HEX C/S	2
9	262100-QU	1/4 AN WASHER FLAT	2
10	550256	CLAMP ADJ FULL STD	1
11	550102, 550103	FRONT ARM RECEIVER (EA)	1
12	561067	ARM LATCH LEVER	1
13	262100-QU	1/4 AN WASHER FLAT	1
14	321141	.650L x 6 COIL SPRING	2
15	221124	1/4-28 x 1 1/4 G8 HEX C/S	1
16	201110	1/4-28 NYLOCK NUT	2
17	505158	ARMREST PIVOT PLATE W/NOTCH	2
18	561086	1" HALF SADDLE 1/4" HOLE	2
20	240160	RIVET 1/4 x 1 1/16 TUBULAR STEEL	1
21	341088	3/32 x 5/8 ROLL PIN	1
22	561109	ARMREST LEVER CLIP-BACK HT ADJ	1
23	240155	RIVET 3/16 x 3/8 TUBULAR ALUM	4

ITEM	NUMBER	DESCRIPTION	QTY
24	562738, 562739	ARMREST PANEL FLIP-BACK HT ADJ Q2 (EA)	1
25	341132	ARMREST PIN W/SHOULDER	1
26	301117	SNAP BUTTON OPPOSING THREAD	1
27	560708	FLIP-BACK BUTTON PLASTIC Q2	1
28	540255	FLIP-BACK HT ADJ ARM RECEIVER POST	1
29	561080	ARM RECEIVER BR	2
30	221151-QU	1/4-28 x 1 3/4 G8 HEX C/S	1
31	221192	1/4-28 x 2 G8 HEX C/S	1
32	563065	3/4" ANTI-RATTLE	1
33*	561016	1" WASHER 5/16" HOLE (QUICKIE 2HPT)	2
8-11	880106, 880107	FLIP-BACK FRONT RECEIVER W/CLAMP	
14,19-24, 32	880306, 880307	FLIP-BACK HT ADJ LOWER ARM W/PANEL (EA)	
26-28	880261	RECEIVER POST W/BUTTON	
1-4	880390- 880393	FLIP-BACK HT ADJ UPPER ARM ASSEMBLY (EA)	
5-7,12-15, 19-25,32	880288, 880289	FLIP-BACK HT ADJ LOWER ARM ASSEMBLY (EA)	
1-7,12-15, 19-25,32	880296, 880297, 880396, 880397	FLIP-BACK HT ADJ ARM ASSEMBLY (EA)	
1-32	923232, 923233	FLIP-BACK HT ADJ DESK ARM Rx/HPTi	

\* ITEM 33 USED WITH QUICKIE 2HPT.



# FLIP-BACK ARMREST (QUICKIE Rx)



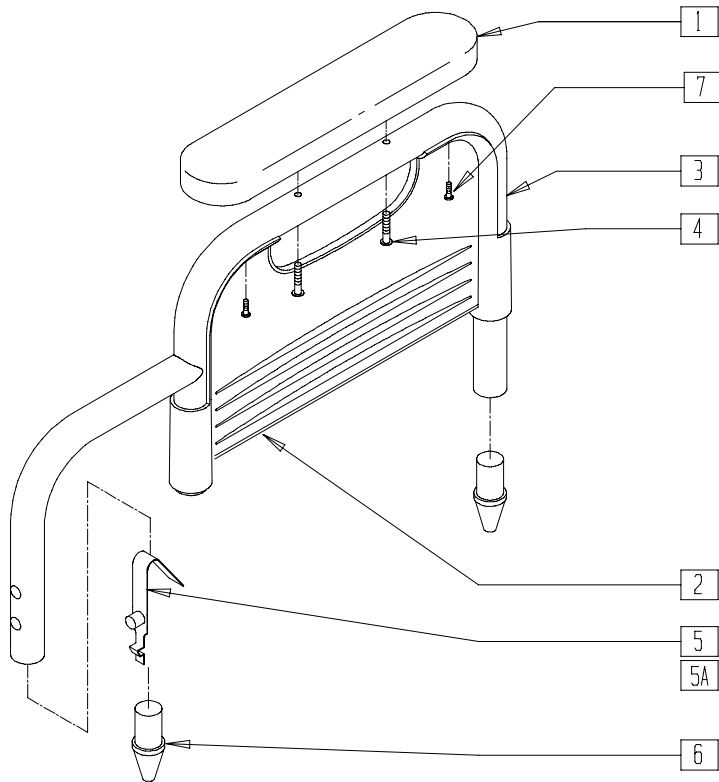
RXARMA

ITEM	NUMBER	DESCRIPTION	QTY
1	561024	ARMREST PAD 10" DESK	1
2	524008, 524009	FLIP-BACK ARM TUBE Q2/Rx (EA)	1
3	226030-QU	10-32 X 1 1/4 BH C/S BLK	2
4	221124	1/4-28 x 1 1/4 G8 HEX C/S	1
5	321141	.650L x 6 COIL SPRING	1
6	262110-QU	1/4 AN WASHER FLAT THIN	1
7	562613	3/4" DOUBLE SADDLE CLOSED	2
8	221192	1/4-28 x 2 G8 HEX C/S	2
9	561067	ARM LATCH LEVER	1
10	240116	RIVET POP AD64ABS BLK	3
11	561075	ARM DOME PLUG BZ	1
12	221127	1/4-28 x 1 3/8 HEX C/S	2
13	262100-QU	1/4 AN WASHER FLAT	2
14	550256	CLAMP ADJ FL STD	1
15	550102, 550103	FRONT ARM RECEIVER (EA)	1

ITEM	NUMBER	DESCRIPTION	QTY
16	562726, 562727	ARMREST PANEL FLPBK Q2/Rx (EA)	1
17	201110	1/4-28 NYLOCK NUT	3
18	262100-QU	1/4 AN WASHER FLAT	3
19	505158	ARMREST PIVOT PLATE W/NOTCH	2
20	561086	1" HALF SADDLE 1/4" HOLE	2
21	221191	1/4-28 x 2 1/4 G8 HEX C/S	1
22*	561016	1" WASHER 5/16" HOLE (QUICKIE 2HPTi)	2
12-15	880106, 880107	FLPBK FRONT REC W/CLAMP (EA)	
1-11, 16-21	881222, 881223	FLPBK ARM ASSEMBLY DESK Rx/HPTi (EA)	
1-21	881224, 881225	FLPBK ARM DESK W/RECEIVER Rx/HPTi (EA)	
	900774	FLPBK ARMS DESK W/REC Rx/HPTi (PR)	

\* ITEM 22 USED WITH QUICKIE 2HPTI.

# FLIP-BACK ARMREST (DESK) (BREEZY 100/150)



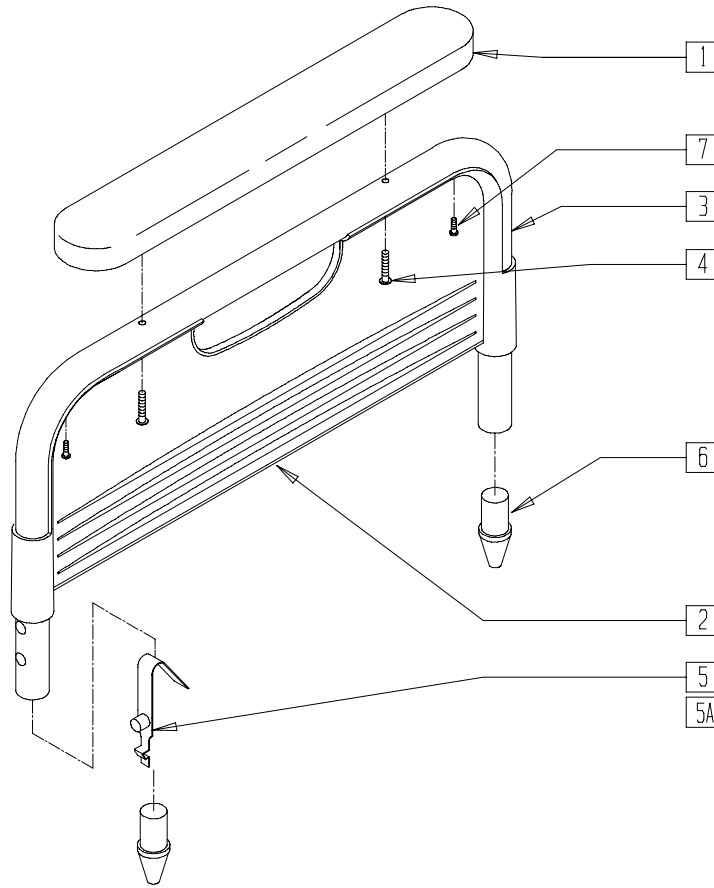
BRZ10X10A

ITEM	NUMBER	DESCRIPTION	QTY
1,4	222-0529	10" ARM PAD (HARD) (PR)	
	222-0531	10" ARM PAD (PADDED) (PR)	
5	222-0611*	DETENT BUTTON FOR ARMREST (EA)	1
5A	222-0831*	RPO BREEZY LONGER DETENT BUTTON	1

ITEM	NUMBER	DESCRIPTION	QTY
1-7	222-0577L	ARMREST ASSEMBLY (HARD) L (EA)	
	222-0577R	ARMREST ASSEMBLY (HARD) R (EA)	
	222-0578L	ARMREST ASSEMBLY (PADDED) L (EA)	
	222-0578R	ARMREST ASSEMBLY (PADDED) R (EA)	
2,7	222-0610	DESK LENGTH PANEL AND SCREWS (EA)	

\*NOTE: P/N 222-0611 IS 1" LONG, P/N 222-0831 IS 1 3/4" LONG. CHANGED TO 1 3/4 "10/02.

# FLIP-BACK ARMREST (FULL) (BREEZY 100/150)



BRZ10X11

ITEM	NUMBER	DESCRIPTION	QTY
1,4	222-0528	17" ARM PAD (HARD) (PR)	
	222-0530	17" ARM PAD (PADDED) (PR)	
5	222-0611*	DETENT BUTTON FOR ARMREST (EA)	1
5A	222-0831*	RPO BREEZY LONGER DETENT BUTTON	1

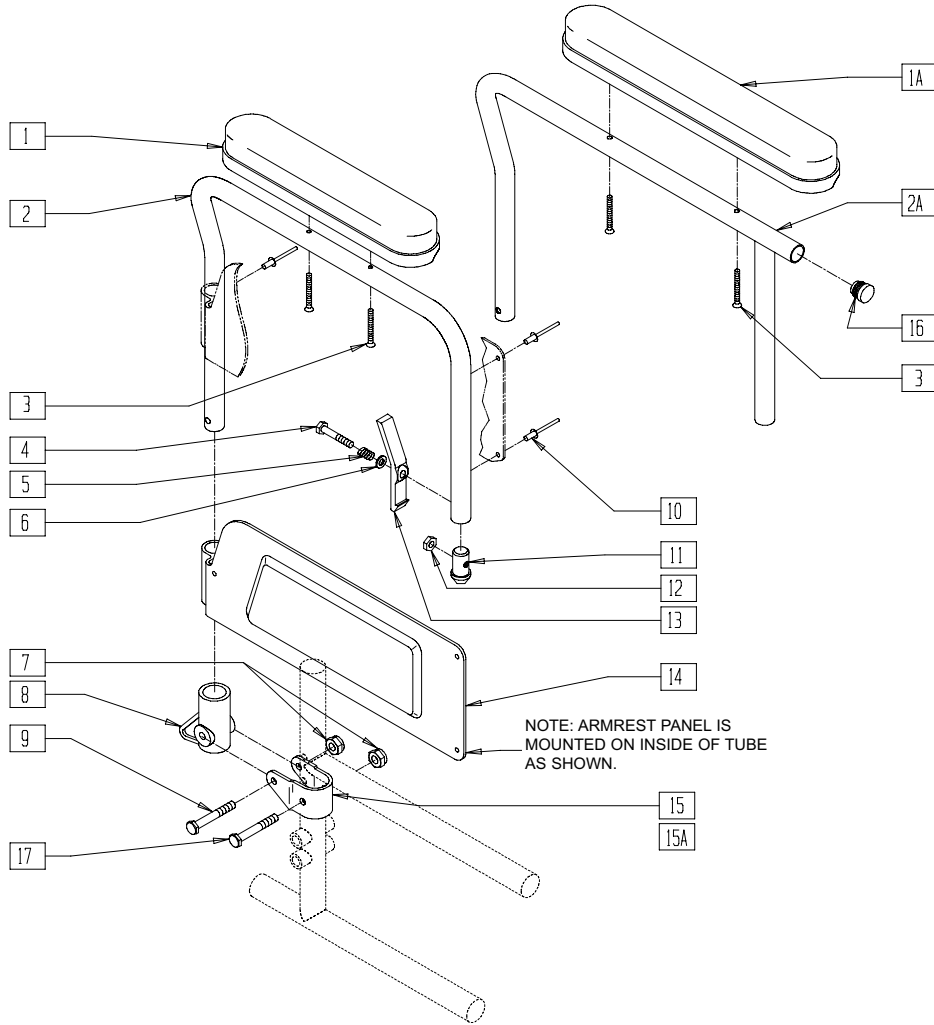
\*NOTE: P/N 222-0611 IS 1" LONG, P/N 222-0831 IS 1 3/4" LONG.

ITEM	NUMBER	DESCRIPTION	QTY
1-7	222-0579L	17" ARMREST ASSEMBLY (HARD) L (EA)	
	222-0579R	17" ARMREST ASSEMBLY (HARD) R (EA)	
	222-0580L	17" ARMREST ASSEMBLY (PADDED) L (EA)	
	222-0580R	17" ARMREST ASSEMBLY (PADDED) R (EA)	
2,7	222-0616	FULL LENGTH PANEL AND SCREWS (EA)	

# FLIP-BACK ARMREST (BREEZY 2/500/510)

(Breezy beginning serial number BZ-200000) (Breezy 2 discontinued 5/98 - parts only)

(Breezy 500 and 510 discontinued 3/00 - parts only)



Drawing shows right side

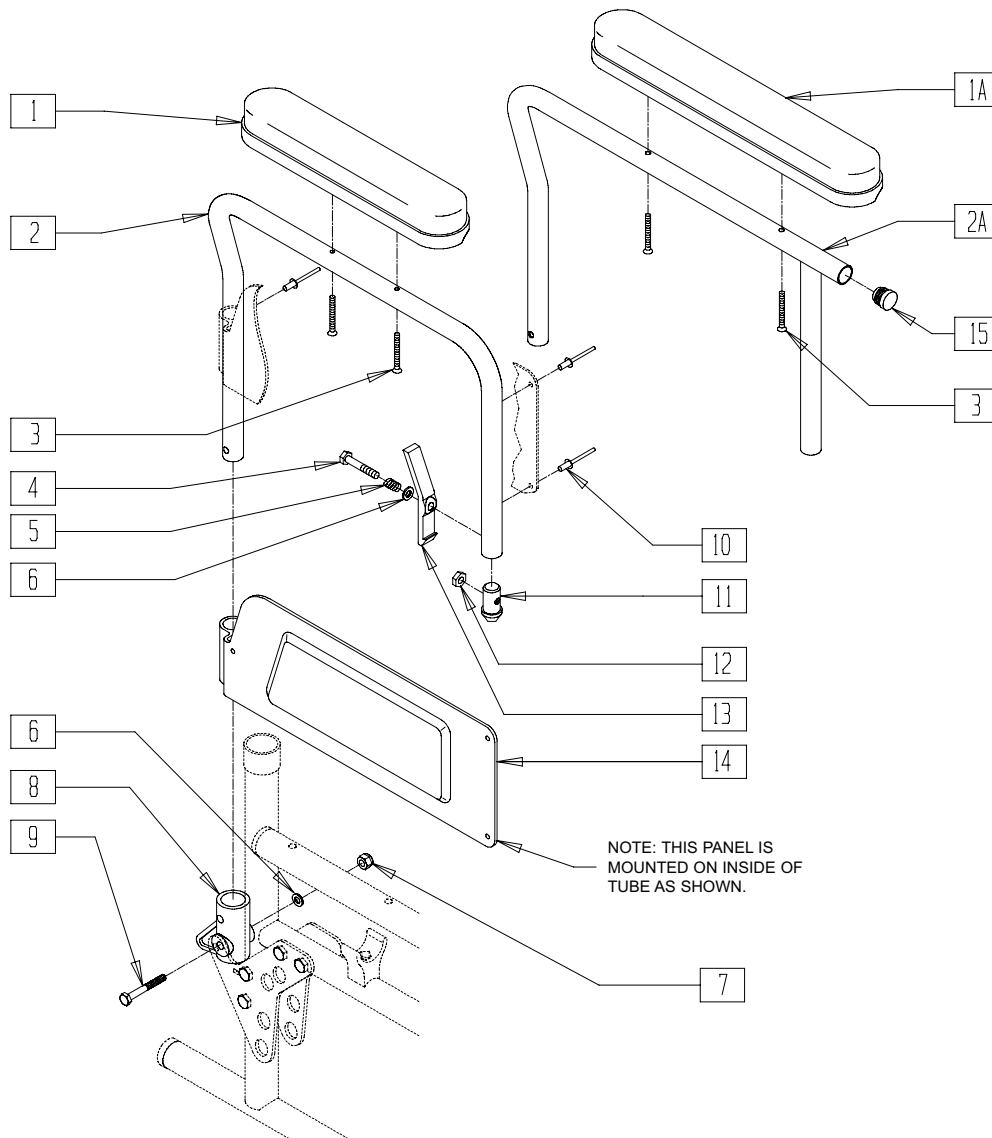
BZ00X08A

ITEM	NUMBER	DESCRIPTION	QTY
1	561024	ARMREST PAD 10" DESK	1
1A	561031	ARMREST PAD 14" FULL	1
2	524004, 524005	ARMREST TUBE DESK BR (EA)	1
2A	524006, 524007	ARMREST TUBE FULL BR (EA)	1
3	281146	10-32 x 1 1/4 OVAL HD MACH SCREW	2
4	221127	1/4-28 x 1 3/8 HEX C/S	1
5	321141	.650L x 6 COIL SPRING	1
6	262100-QU	1/4 AN WASHER FLAT	1
7	201110	1/4-28 NYLOCK NUT	2
8	561080	ARM RECEIVER BR	1
9	221160	1/4-28 x 2 HEX C/S	2
10	240114	RIVET POP AD64ABS	3
11	561065	ARMREST DOME PLUG BR	1
12	201100-QU	1/4-28 NYLOCK NUT THIN	1
13	561067	ARM LATCH LEVER	1
14	562736, 562737	ARMREST PANEL GENERIC (EA)	1

ITEM	NUMBER	DESCRIPTION	QTY
15	505151	ARMREST PIVOT BRACKET BR	1
15A	505351	ARMREST PIVOT BRACKET 1 1/8"	1
16	560741	3/4" INSERT PLUG RIBBED	1
17	221150	1/4-28 x 1 3/4 HEX C/S	1
7-9,15,17	880382	FLPBK HT ADJ ARM REC W/BRKT BR (EA)	
7-9,15A,17	880384	FLPBK HT ADJ ARM REC W/BRKT B2	
1-15,17	880254, 880255	FLPBK ARMREST ASSEMBLY DESK BR (EA)	
1A,2A, 3-17	880264, 880265	FLPBK ARM ASSEMBLY FULL PAINTED BR (EA)	
1-15,17	920583	FLPBK ARM ASSM DESK PNTD BR (PR)	
1,2A,3-17	920584	FLPBK ARM ASSM FULL PNTD (PR)	
1-14, 15A,17	880372, 880373	FLPBK ARM ASSEMBLY DESK PAINTED B2 (EA)	
1A,2A,3-14, 15A,16,17	880374, 880375	FLPBK ARM ASSEMBLY FULL PAINTED B2 (EA)	
1-14,15A,17	920585	FLPBK ARM ASSM DESK PNTD B2 (PR)	
1,2A,3-14, 15A,16,17	920586	FLPBK ARM ASSM FULL PNTD B2 (PR)	

# FLIP-BACK ARMREST (BREEZY 500/503/510/510 ULTRA-HEMI)

(Effective 3/00)



Drawing shows right side

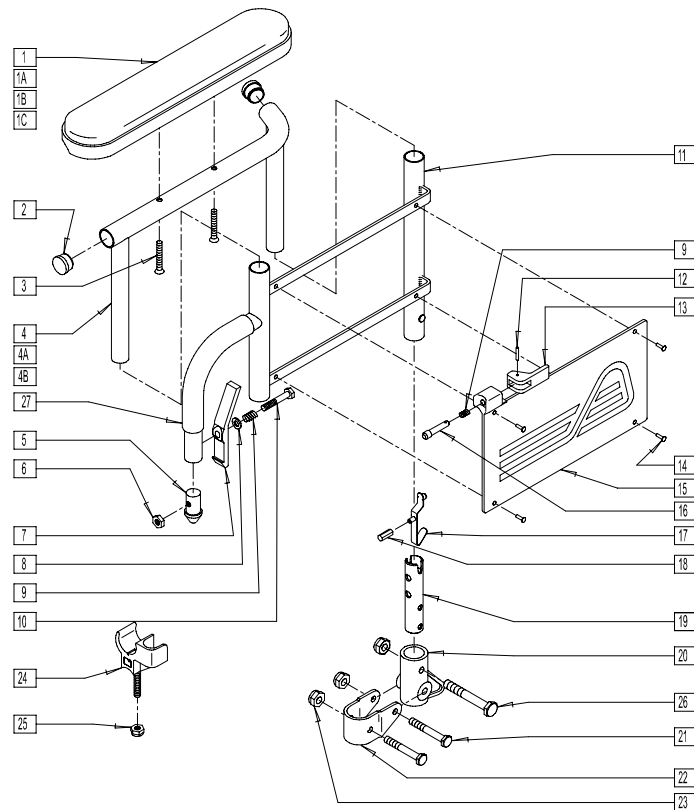
BZ600X07

ITEM	NUMBER	DESCRIPTION	QTY
1	561024	ARMREST PAD 10" DESK	1
1A	561031	ARMREST PAD 14" FULL	1
2	524004, 524005	ARMREST TUBE DESK BR (EA)	1
2A	524006, 524007	ARMREST TUBE FULL BR (EA)	1
3	226038	10-32 x 1 3/8 BH C/S BLK	2
4	221127	1/4-28 x 1 3/8 HEX C/S	1
5	321141	.650L x 6 COIL SPRING	1
6	262100-QU	1/4 AN WASHER FLAT	2
7	201110-QU	1/4-28 NYLOCK NUT	1
8	561080	ARM RECEIVER BR	1
9	221160	1/4-28 x 2 HEX C/S	1
10	240114	RIVET POP AD64ABS	3

ITEM	NUMBER	DESCRIPTION	QTY
11	561065	ARMREST DOME PLUG BR	1
12	201100-QU	1/4-28 NYLOCK NUT THIN	1
13	561067	ARM LATCH LEVER	1
14	562736, 562737	ARMREST PANEL GENERIC (EA)	1
15	560741	3/4" INSERT PLUG RIBBED	1
1-14	881274, 881275	FLPBK ARM ASSEMBLY DESK HEMI	
	920526	FLPBK ASSM DESK HEMI (PR)	
	920528	FLPBKASSM DESK HEMI (PR)	
1A,2A-15	881276, 881277	FLPBK ARM ASSEMBLY FULL HEMI	
	920527	FLPBK ASSM FULL HEMI (PR)	
	920529	FLPBK ASSM FULL HEMI (PR)	

# FLIP-BACK HEIGHT-ADJUSTABLE ARMREST (BREEZY 510/500/503)

(Effective Breezy 510 3/00)



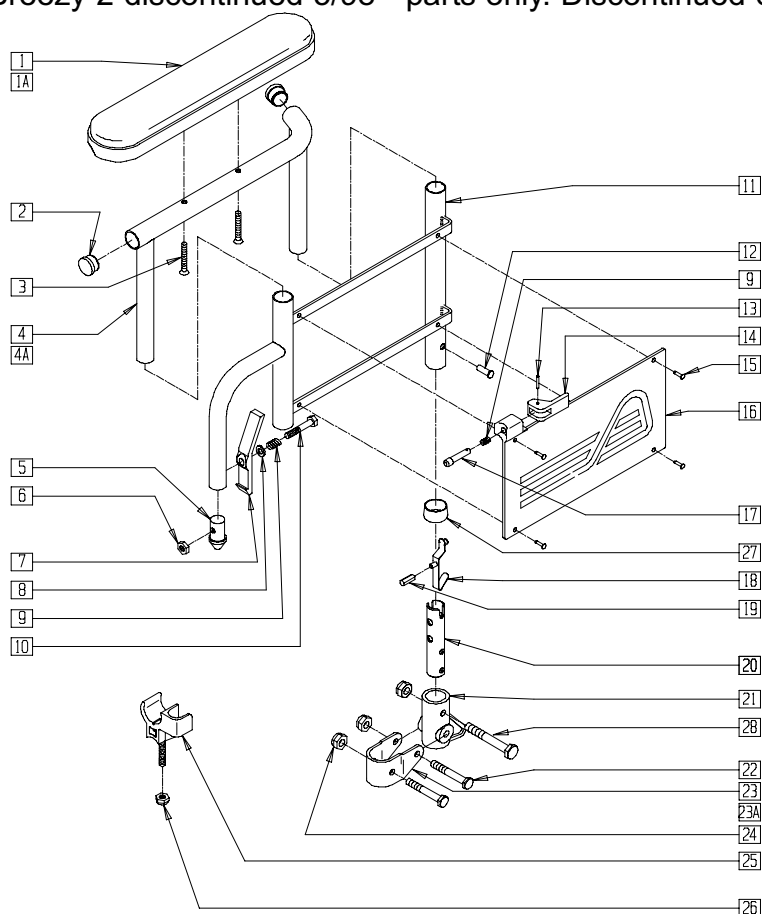
ARMX15A

ITEM	NUMBER	DESCRIPTION	QTY
1	561024	ARMREST PAD 10" DESK	1
1A	561031	ARMREST PAD 14" FULL	1
1B	561155	10" ARM PAD PLASTIC B500	1
1C	561158	14" ARM PAD PLASTIC B500	1
2	560735	7/8" ROUND TUBE PLUG	2
3	226030-QU	10-32 x 1 1/4 BH C/S BLK	2
4	521834, 521835	FLIP-BACK HT ADJ UPPER DESK ARM (EA)	1
4A	521836, 521837	FLIP-BACK HT ADJ UPPER FULL ARM (EA)	1
4B	521838, 521839	FLIP-BACK HT ADJ UPPER ARM B500 (EA)	1
5	561065	ARMREST DOME PLUG BR	1
6	201100-QU	1/4-28 NYLOCK NUT THIN	1
7	561067	ARM LATCH LEVER	1
8	262100-QU	1/4 AN WASHER FLAT	1
9	321141	.650L x 6 COIL SPRING	2
10	221127	1/4-28 x 1 3/8 HEX C/S	1
12	341088	3/32 x 5/8 ROLL PIN	1
13	561109	ARMREST LEVER FLIP-BACK HT ADJ	1
14	240155	RIVET 3/16 x 3/8 TUBULAR ALUM	4
15	562746, 562747	ARMREST PANEL GNRC FLIP-BACK HT ADJ (EA)V	1
16	341132	ARMREST PIN W/SHOULDER	1
17	301117	SNAP BUTTON OPPOSING THREAD	1
18	560709	FLIP-BACK BUTTON PLASTIC BR/LXI	1
19	540255	FLIP-BACK HT ADJ ARM RECEIVER POST	1
20	561080	ARM RECEIVER BR	1
21	221150	1/4-28 x 1 3/4 HEX C/S	2
22	505151	ARMREST PIVOT BRACKET BR	1
23	201110-QU	1/4-28 NYLOCK NUT	2
24	561113, 561114	ARM SADDLE FLIP-BACK BR/LXI	1

ITEM	NUMBER	DESCRIPTION	QTY
25	201120	1/4-28 AUTOMATION NUT	1
26	221130	1/4-28 x 1 1/2 HEX C/S	1
26	560610	5" X .705 X .125 FOAM TUBE	1
17-19	880266	RECEIVER POST W/BUTTON BR/LXI	
20-23,26	880382	FLIP-BACK HT ADJ ARM REC W/BRKT BR	
24,25	880383	ARM SADDLES W/HDWR	
1-4	880390, 880391	FLIP-BACK HT ADJ UPPER ARM W/DESK (EA)	
1A,2,3,4A	880392, 880393	FLIP-BACK HT ADJ UPPER ARM ASSEMBLY FULL (EA)	
5-15	880102, 880104	FLIP-BACK HT ADJ LOWER ARM ASSEMBLY B500 (EA)	
1-19	881110, 881111	FLIP-BACK HT ADJ ARM W/DESK B500 (EA)	
1A,2,3,4A, 5-19	881112, 881113	FLIP-BACK HT ADJ ARM W/FULL B500 (EA)	
1-23,26	920570	FLIP-BACK HT ADJ ARM W/DESK BLK (PR)	
1A,2,3,4A, 5-23,26	920571	FLIP-BACK HT ADJ W/FULL BLK (PR)	
1B,2-4	880078, 880079	FLIP-BACK HT ADJ ARM W/DESK PLASTIC (EA)	
1C,2,3,4B	880080, 880081	FLIP-BACK HT ADJ ARM W/FULL PLASTIC (EA)	
1B,2-19	881124, 881125	FLIP-BACK HT ADJ ARM W/DESK PAD PLASTIC (EA)	
1C,2,3,4B, 5-19	881126, 881127	FLIP-BACK HT ADJ ARM W/FULL PAD PLASTIC (EA)	
1B,2-23, 26	920572	FLIP-BACK HT ADJ ARM W/DESK PLASTIC BLK (PR)	
1C,2,3,4B 5-23,26	920573	FLIP-BACK HT ADJ ARM W/FULL PLASTIC BLK (PR)	
20,23,26	880009	RETRO KIT BR FLIP-BACK HT ADJ ARM	

# FLIP-BACK HEIGHT-ADJUSTABLE ARMREST (BREEZY 2/510)

(Breezy 2 discontinued 5/98 - parts only. Discontinued on Breezy 510 3/00.)

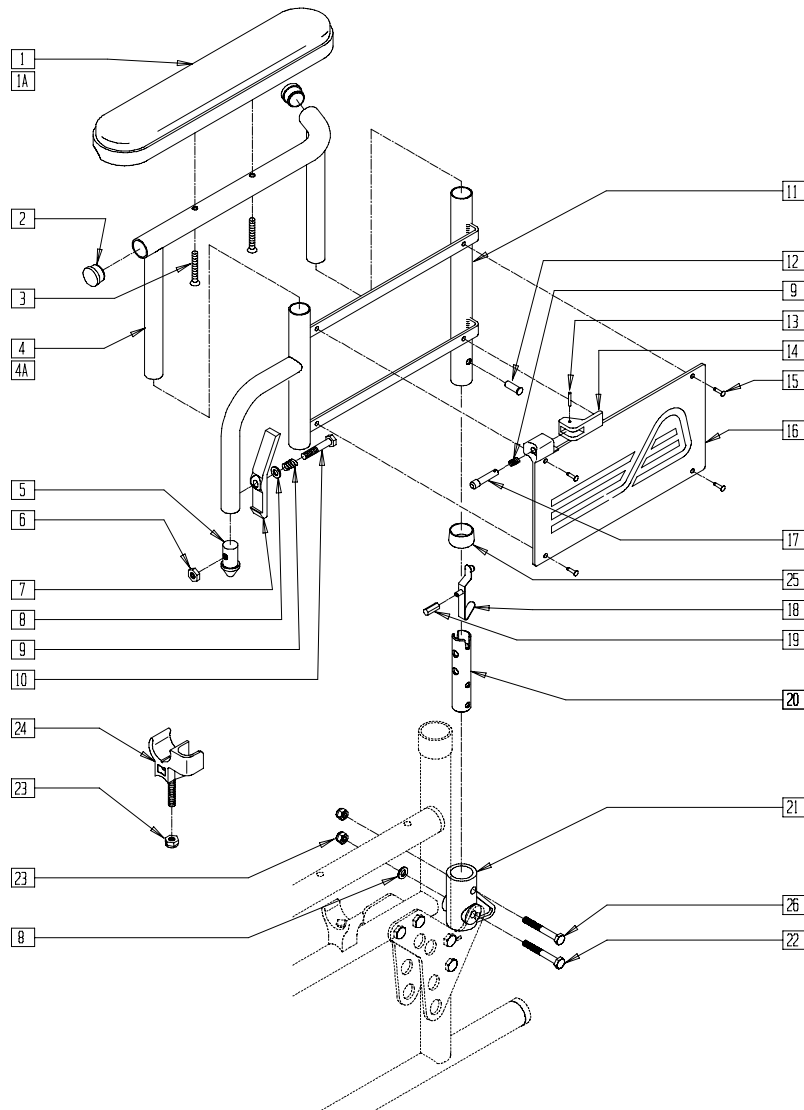


ARMX15

ITEM	NUMBER	DESCRIPTION	QTY
1	561024	ARMREST PAD 10" DESK	1
1A	561031	ARMREST PAD 14" FULL	1
2	560735	7/8" ROUND TUBE PLUG	2
3	226030-QU	10-32 x 1 1/4 BH C/S BLK	2
4	521834, 521835	FLIP-BACK HT ADJ UPPER DESK ARM (EA)	1
4A	521836, 521837	FLIP-BACK HT ADJ UPPER FULL ARM (EA)	1
5	561065	ARMREST DOME PLUG BR	1
6	201100-QU	1/4-28 NYLOCK NUT THIN	1
7	561067	ARM LATCH LEVER	1
8	262100-QU	1/4 AN WASHER FLAT	1
9	321141	.650L x 6 COIL SPRING	2
10	221127	1/4-28 x 1 3/8 HEX C/S	1
12	240160	RIVET 1/4 x 1 1/16 TUBULAR STEEL	1
13	341088	3/32 x 5/8 ROLL PIN	1
14	561109	ARMREST LEVER FLIP-BACK HT ADJ	1
15	240155	RIVET 3/16 x 3/8 TUBULAR ALUM	4
16	562746, 562747	ARMREST PANEL GNRC FLIP-BACK HT ADJ (EA)	1
17	341132	ARMREST PIN W/SHOULDER	1
18	301117	SNAP BUTTON OPPOSING THREAD	1
19	560709	FLIP-BACK BUTTON PLASTIC BR/LXI	1
20	540255	FLIP-BACK HT ADJ ARM REC POST	1
21	561080	ARM RECEIVER BR	1
22	221160	1/4-28 x 1 3/4 HEX C/S	2
23	505151	ARMREST PIVOT BRACKET BR	1
23A	505351	ARMREST PIVOT BRACKET 1 1/8" (BREEZY 2)	1
24	201110-QU	1/4-28 NYLOCK NUT	3

ITEM	NUMBER	DESCRIPTION	QTY
25	561113, 561114	ARM SADDLE FLIP-BACK BR/LXI	1
26	201120	1/4-28 AUTOMATION NUT	1
27	563065	3/4" ANTI-RATTLE	1
28	221130	1/4-28 x 1 1/2 HEX C/S	1
18-20	880266	RECEIVER POST W/BUTTON BR/LXI	
21-24, 28	880382	FLIP-BACK HT ADJ ARM RECEIVER W/BACKET BR (BREEZY)	
21,22, 23A,24	880384	FLIP-BACK HT ADJ ARM RECEIVER W/BACKET B2 (BREEZY 2)	
25,26	880383	ARM SADDLES W/HDWR	
1-4	880390- 880393	FLIP-BACK HT ADJ UPPER ARM ASSEMBLY (EA)	
9,11-17, 27	880308, 880309	FLIP-BACK HT ADJ LOWER ARM W/PANEL (BREEZY) (EA)	
5-17,27	880286, 880287	FLIP-BACK HT ADJ LOWER ARM ASSEMBLY BR (EA)	
1-20,27	880298, 880299, 880398, 880399	FLIP-BACK HT ADJ ARM ASSEMBLY BR (EA)	
1-28	923224	FLIP-BACK HT ADJ DESK ARM BR RETRO (PR)	
	923225	FLIP-BACK HT ADJ FULL ARM BR RETRO (PR)	
	923226	FLIP-BACK HT ADJ DESK ARM BREEZY 2 RETRO (PR)	
	923227	FLIP-BACK HT ADJ FULL ARM BREEZY 2 RETRO (PR)	
22,24,28	880009	RETRO KIT BR FLIP-BACK HT ADJ ARM	

# FLIP-BACK HEIGHT-ADJUSTABLE ARMREST (BREEZY 510 ULTRA-HEMI)



BZ600X06

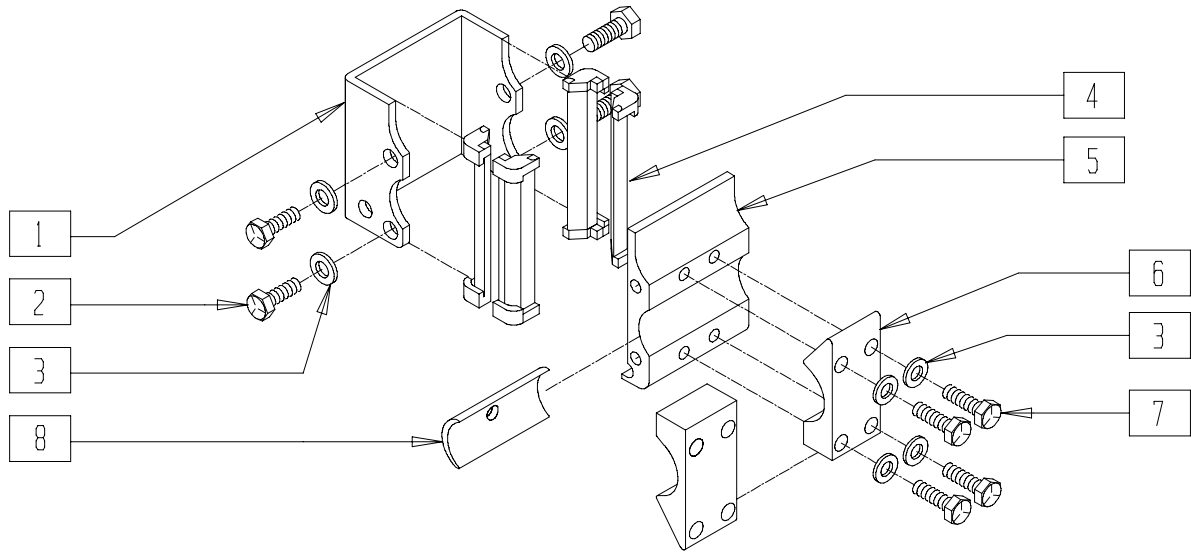
ITEM	NUMBER	DESCRIPTION	QTY
1	561024	ARMREST PAD 10" DESK	1
1A	561031	ARMREST PAD 14" FULL	1
2	560735	7/8" ROUND TUBE PLUG	2
3	226030-QU	10-32 x 1 1/4 BH C/S BLK	2
4	521834, 521835	FLIP-BACK HT ADJ UPPER DESK ARM (EA)	1
4A	521836, 521837	FLIP-BACK HT ADJ UPPER FULL ARM (EA)	1
5	561065	ARMREST DOME PLUG BR	1
6	201100-QU	1/4-28 NYLOCK NUT THIN	1
7	561067	ARM LATCH LEVER	1
8	262100-QU	1/4 AN WASHER FLAT	2
9	321141	.650L x 6 COIL SPRING	2
10	221127	1/4-28 x 1 3/8 HEX C/S	1
12	240160	RIVET 1/4 x 1 1/16 TUBULAR STEEL	1
13	341088	3/32 x 5/8 ROLL PIN	1
14	561109	ARMREST LEVER FLIP-BACK HT ADJ	1
15	240155	RIVET 3/16 x 3/8 TUBULAR ALUM	4
16	562746, 562747	ARMREST PANEL GNRC FLIP-BACK HT ADJ (EA)	1
17	341132	ARMREST PIN W/SHOULDER	1
18	301117	SNAP BUTTON OPPOSING THREAD	1
19	560709	FLIP-BACK BUTTON PLASTIC BR/LXI	1
20	540255	FLIP-BACK HT ADJ ARM REC POST	1

ITEM	NUMBER	DESCRIPTION	QTY
21	561080	ARM RECEIVER BR	1
22	221160	1/4-28 x 2 HEX C/S	1
23	201120	1/4-28 AUTOMATION NUT	2
24	561113, 561114	ARM SADDLE FLIP-BACK BR/LXI	1
25	563065	3/4" ANTI-RATTLE	1
26	221130	1/4-28 x 1 1/2 HEX C/S	1
18-20	880266	RECEIVER POST W/BUTTON BR/LXI	
23,24	880371	ARM SADDLES W/HDWR BR	
1-4	880390- 880393	FLIP-BACK HT ADJ UPPER ARM ASSEMBLY (EA)	
9,11-16, 27	880308, 880309	FLIP-BACK HT ADJ LOWER ARM W/PANEL (BREEZY) (EA)	
5-17,25	880286, 880287	FLIP-BACK HT ADJ LOWER ARM ASSEMBLY BR (EA)	
1-20, 25,26	880298, 880299, 880398, 880399	FLIP-BACK HT ADJ ARM ASSEMBLY BR (EA)	
1-26	920533	FLIP-BACK HT ADJ ASSM DESK HEMI B600	
	920534	FLIP-BACK HT ADJ ASSM FULL HEMI B600	
	920535	FLIP-BACK HT ADJ ASSM DESK HEMI B510	
	920536	FLIP-BACK HT ADJ ASSM FULL HEMI B510	
21-23,26	880009	RETRO KIT BR FLIP-BACK HT ADJ ARM	



# ADULT ARMREST RECEIVERS

## STANDARD HEIGHT-ADJUSTABLE ARMREST RECEIVER (QUICKIE RECLINER/Rx/BREEZY/ZIPPIE)

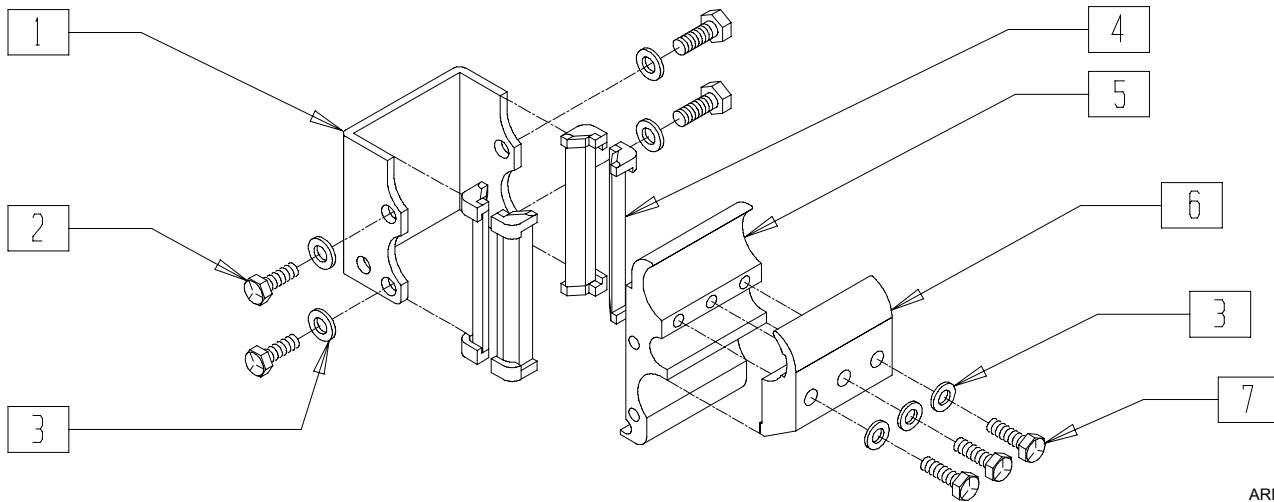


ARMREC01

ITEM	NUMBER	DESCRIPTION	QTY
1	550485	HT ADJ REC CHANNEL	1
2	221096	1/4-28 x 5/8 HEX C/S	4
3	262100-QU	1/4 AN WASHER FLAT	7
4	561134	HT ADJ RECEIVER LINER	4
5	550483	HT ADJ REC STD	1
6	550490	HT ADJ REC CLAMP 4 HOLE	1

ITEM	NUMBER	DESCRIPTION	QTY
7	221127	1/4-28 x 1 3/8 HEX C/S	1
8	550486	HT ADJ REC SPACER	4
1-5	880230	HT ADJ REC STD W/O CLAMP	
1-7	880240	HT ADJ REC STD W/CLAMP	
1-8	880245	HT ADJ REC STD W/CLAMP AND SPACER	

## HEIGHT-ADJUSTABLE ARMREST RECEIVER (QUICKIE EX)



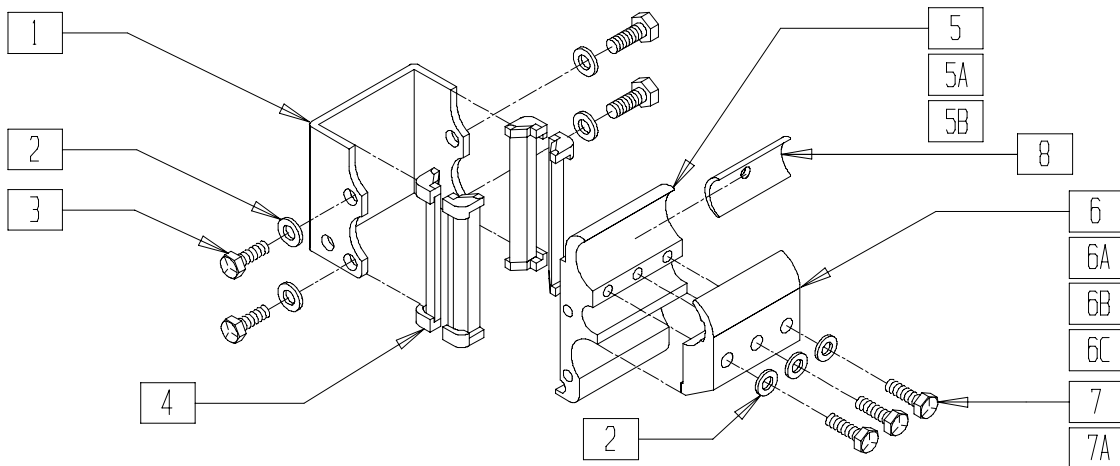
ARMREC03

ITEM	NUMBER	DESCRIPTION	QTY
1	550485	HT ADJ REC CHANNEL	1
2	221096	1/4-28 x 5/8 HEX C/S	4
3	262100-QU	1/4 AN WASHER FLAT	7
4	561134	HT ADJ RECEIVER LINER	4
5	550494	HT ADJ REC LOW 1 1/8"	1

ITEM	NUMBER	DESCRIPTION	QTY
6	550495	HT ADJ REC CLAMP LOW 1 1/8"	1
7	221127	1/4-28 x 1 3/8 HEX C/S	1
1-5	880247	HT ADJ ARM REC EX	
1-7	880248	HT ADJ ARM REC W/CLAMP EX	

## KIDS ARMREST RECEIVER (QUICKIE GPS/TS/Rx/REVOLUTION/ZIPPPIE/TS/BREEZY)

(Quickie GPS discontinued 2/1/01 - parts only) (Zippie TS effective 7/29/02)

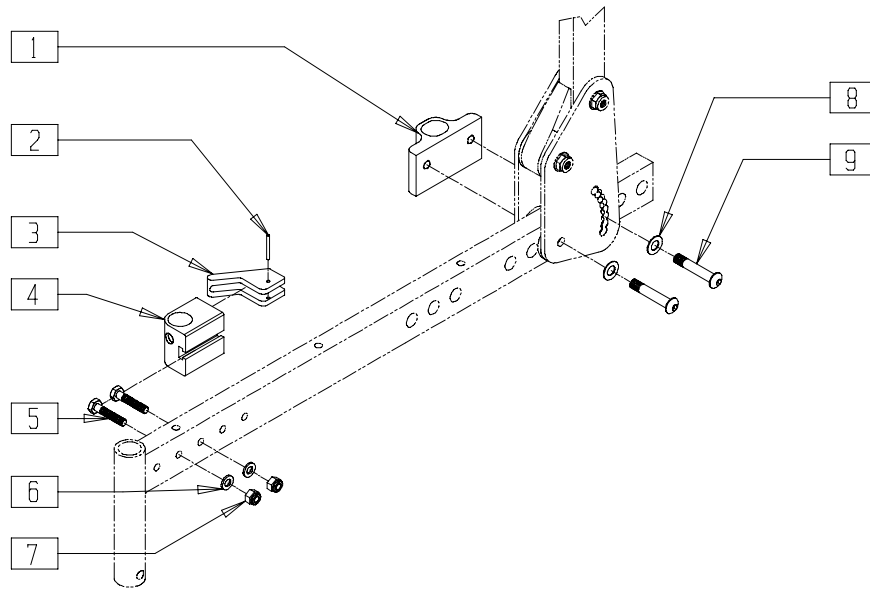


ARMREC04A

ITEM	NUMBER	DESCRIPTION	QTY
1	550485	HT ADJ REC CHANNEL	1
2	262100-QU	1/4 AN WASHER FLAT	7
3	221096	1/4-28 x 5/8 HEX C/S	4
4	561134	HT ADJ RECEIVER LINER	4
5	550483	HT ADJ REC STD	1
5A	550528	HT ADJ REC ZIPPPIE	1
5B	550484	HT ADJ REC LOW	1
6	550490	HT ADJ REC CLAMP 4 HOLE	1
6A	550529	HT ADJ REC CLAMP ZIPPPIE	1
6B	500755	HT ADJ REC ARM CLAMP RIGID	1
6C	550491	HT ADJ REC CLAMP LOW	1
7	221133	1/4-28 x 1 1/2 G8 HEX C/S	3
7A	221127	1/4-28 x 1 3/8 HEX C/S	3

ITEM	NUMBER	DESCRIPTION	QTY
8	550486	HT ADJ REC SPACER	4
1-5,6,7A	880240	HT ADJ REC STD W/CLAMP	
1-5	880230	HT ADJ REC STD W/O CLAMP	
1-4,5B	880231	HT ADJ REC KDS W/O CLAMP	
1-4,5,6B,7	880236, 880237	HT ADJ REC W/ARM CLAMP (EA)	
1-4,5B,6C,7	880241	HT ADJ REC KDS W/ CLAMP	
1-4,5B,6C, 7,8	880249	HT ADJ REC KIDS W/CLMP & SPCR	
1-4,5A	882679	HT ADJ REC W/O CLAMP ZTS	
1-4,5A,6 6A,7	882680	HT ADJ REC W/CLAMP ZTS	

# DUAL-POST AND DUAL-POST HEIGHT-ADJUSTABLE ARMREST RECEIVER (QUICKIE T45)

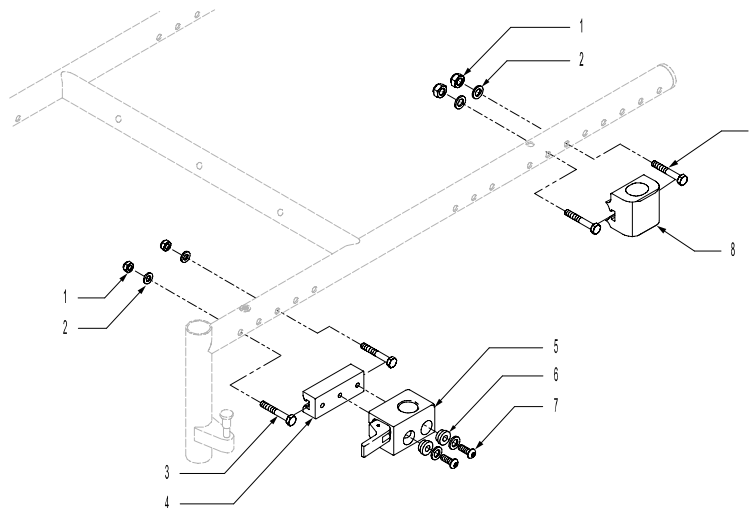


TSR00X16

ITEM	NUMBER	DESCRIPTION	QTY
1	500737	T45 ARM REC REAR	1
2	341088	3/32 x 5/8 ROLL PIN	1
3	561730	RELEASE HNDL DUAL POST PLST	1
4	500740, 500741	ARMREST RECEIVER FRONT P2 (EA)	1
5	221124	1/4-28 x 1 1/4 G8 HEX C/S	2
6	262110-QU	1/4 AN WASHER FLAT THIN	2

ITEM	NUMBER	DESCRIPTION	QTY
7	201100-QU	1/4-28 NYLOCK NUT THIN	2
8	263100	5/16 AN WASHER FLAT	2
9	226195	5/16 -18 x 1.82 BH C/S	2
2-7	880432, 880433	ARM REC FRONT ASSEMBLY P2 (EA)	
1,8,9	880435	ARM REC REAR ASSEMBLY T45 (EA)	

# DUAL-POST AND DUAL-POST HEIGHT-ADJUSTABLE ARMREST RECEIVER (QUICKIE TS)

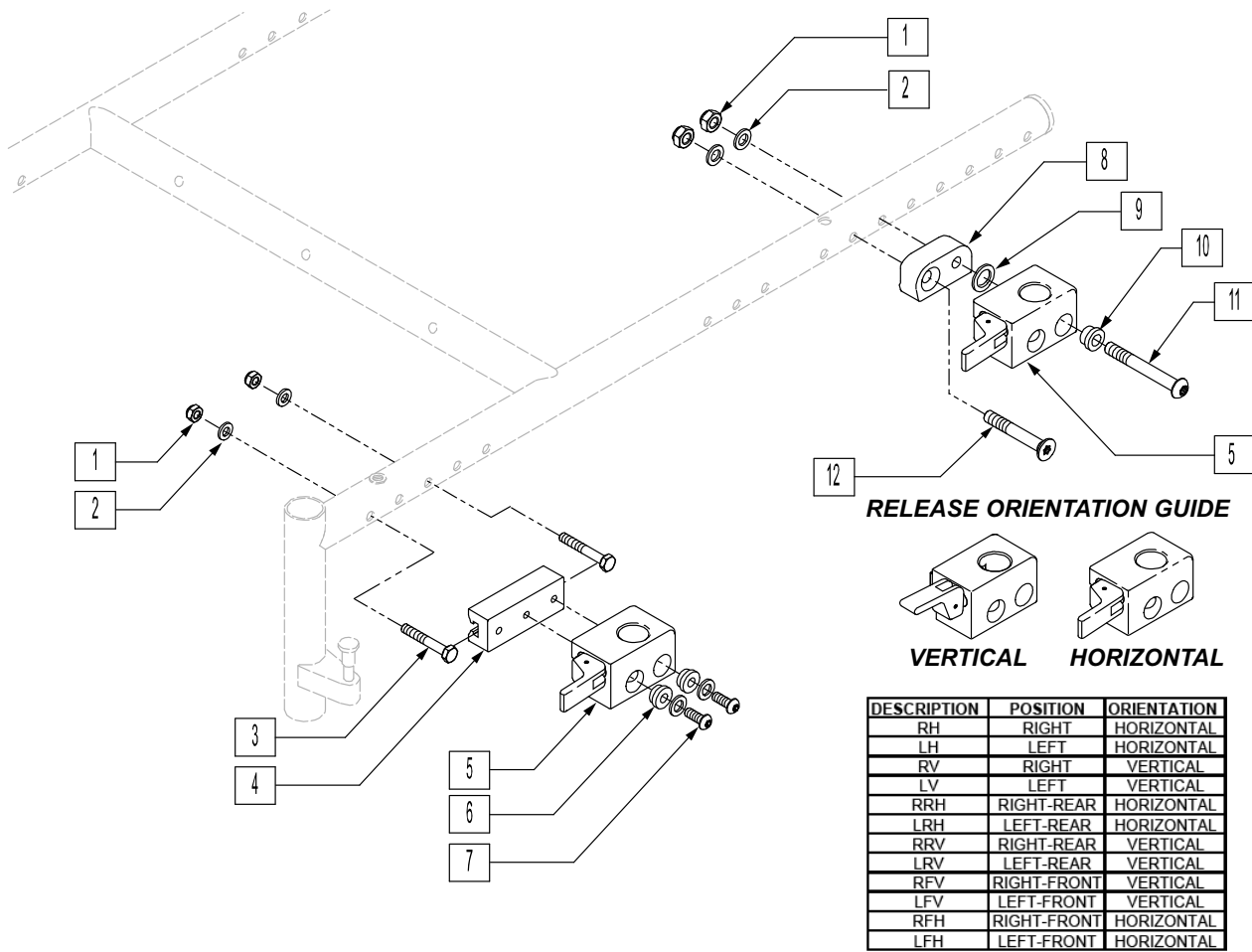


DP00X03B

ITEM	NUMBER	DESCRIPTION	QTY
1	226223	1/4-28 X 1 1/4" BH C/S BLK	4
2	262100-QU	1/4 AN WASHER FLAT	4
3	221133	1/4-28 X 1 1/2 G8 HEX C/S	2
4	506137	ADPTR FR UNI RCR 1.0 OFFSET	1
5	506366	UNIVRSL ARMST RCVR ASSM RH	1
5	506367	UNIVRSL ARMST RCVR ASSM LH	1
5	506368	UNIV ARMREST RCVR ASSM RV	1

ITEM	NUMBER	DESCRIPTION	QTY
5	506369	UNIV ARMREST RCVR ASSM LV	1
6	340143	BUSHING .257IDx.25LG SST	2
8	500733	ADJ QUAD REC REAR STD P300	1
1-7	506406	UNI DP ARM RCV ASSM RFV QTS/IR	
1-7	506407	UNI DP ARM RCV ASSM Lfv QTS/IR	
1-7	506408	UNI DP ARM RCV ASSM RFH QTS/IR	
1-7	506409	UNI DP ARM RCV ASSM LFH QTS/IR	

# DUAL-POST AND DUAL-POST HEIGHT ADJUSTABLE FLIP-BACK ARMREST RECEIVER (QUICKIE TS)

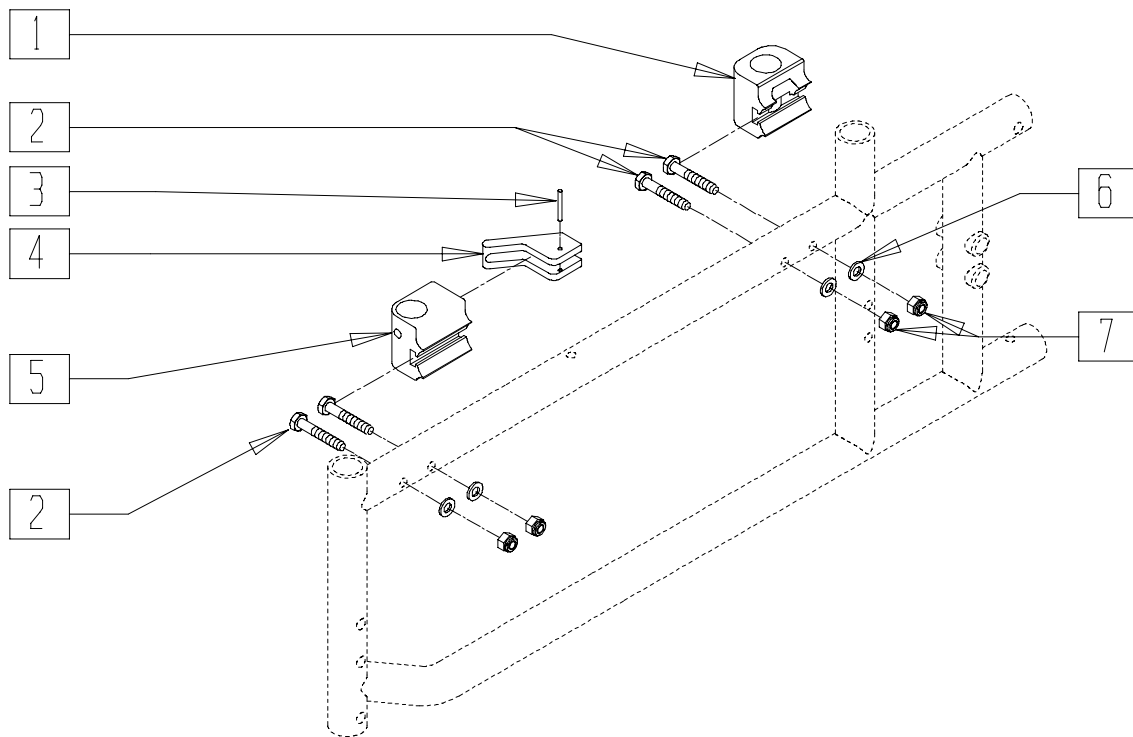


QTS30X07C

ITEM	NUMBER	DESCRIPTION	QTY
1	226223	1/4-28 X 1 1/4" BH C/S BLK	4
2	262100-QU	1/4 AN WASHER FLAT	4
3	221133	1/4-28 X 1 1/2 G8 HEX C/S	2
4	506137	ADPTR FR UNI RCR 1.0 OFFSET	1
5	506366	UNIVRSL ARMST RCVR ASSM RH	1
5	506367	UNIVRSL ARMST RCVR ASSM LH	1
5	506368	UNIV ARMREST RCVR ASSM RV	1
5	506369	UNIV ARMREST RCVR ASSM LV	1
6	340143	BUSHING .257IDx.25LG SST	2
7	226313	1/4-28 X .63 BH C/S W/PATCH	2
8	506138	ADPTR PVT DP UNI ARMST QTS	1
9	561273	1/2 x 3/4 x .060 NYLON WASHER	1

ITEM	NUMBER	DESCRIPTION	QTY
10	340144	BUSHING .257IDx.346LG SST	1
11	226155	1/4-28 X 2 1/4 BH C/S	1
12	221192	1/4-28 X 2 G8 HEX C/S	1
1,2,5,8-12	506402	UNI DP ARM RCVR ASSM RRH QTS	
1,2,5,8-12	506403	UNI DP ARM RCVR ASSM LRH QTS	
1,2,5,8-12	506404	UNI DP ARM RCVR ASSM RRV QTS	
1,2,5,8-12	506405	UNI DP ARM RCVR ASSM LRV QTS	
1-7	506406	UNI DP ARM RCV ASSM RFV QTS/IR	
1-7	506407	UNI DP ARM RCV ASSM LFV QTS/IR	
1-7	506408	UNI DP ARM RCV ASSM RFH QTS/IR	
1-7	506409	UNI DP ARM RCV ASSM LFH QTS/IR	

# DUAL-POST ARMREST RECEIVER (BREEZY 510 RECLINER)



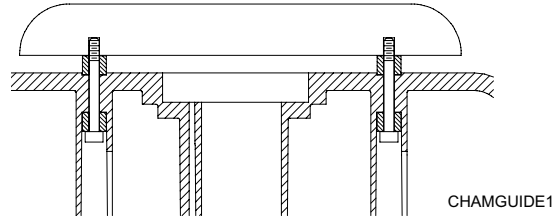
BREX11

ITEM	NUMBER	DESCRIPTION	QTY
1	500733	ADJ QUAD REC REAR STD	1
2	221133	1/4-28 x 1 1/2 G8 HEX C/S	2
6	262100-QU	1/4 AN WASHER FLAT	2
7	201110-QU	1/4-28 NYLOCK NUT	2
1,2,6,7	880454	DUAL POST REC REAR STD (EA)	2

ITEM	NUMBER	DESCRIPTION	QTY
3,4,5	881377, 881378	ADJ QUAD REC FRNT LT B510 (EA)	
2-7	881387, 881388	DUAL POST RECEIVER FRONT B510 ASSM (EA)	

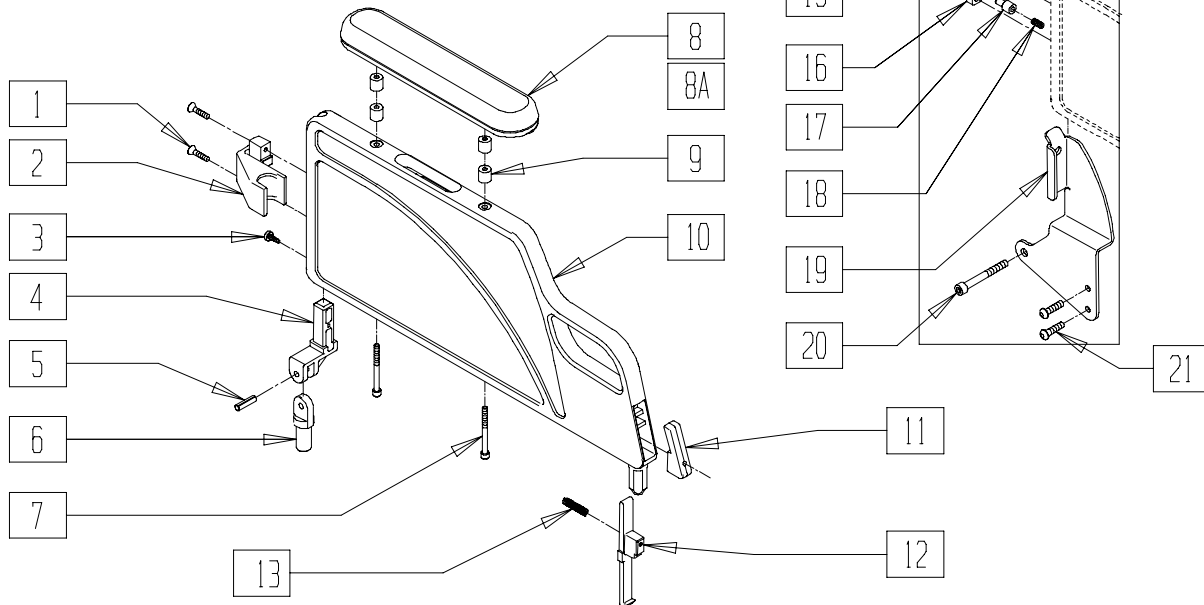
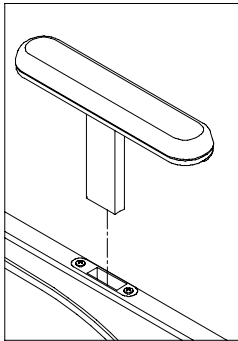
# ARMREST ASSEMBLIES (CHAMELEON/ CHAMELEON HD)

**Armrest Height Guide**  
Height=Seat Sling to top of Armrest



HEIGHT	POSITION (Item 8)
8 1/2"	2 SPACERS BELOW
9"	1 SPACER ABOVE-1 BELOW
9 5/8"	2 SPACERS ABOVE

HEIGHT ADJUSTABLE OPTION



RECLINER ARMREST PARTS

CHAM0X13

ITEM	NUMBER	DESCRIPTION	QTY
7*	000 102 143	ARMPAD CAP SCREW	2
9	888158	SPACER (10 EA)	1
14	757 842 025, 757 742 025	ARMPAD ASSY HGT ADJ SHORT (EA)	1
14A	757 842 026, 757 742 026	ARMPAD ASSY HGT ADJ LONG (EA)	1
15	C2.4521	SCREW, PLAS-TECH 30 M5x 16.0	2
16	C2.4137	PLUNGER BRACKET, ARMREST	1
17	C2.4138	PLUNGER ARMREST	1
18	321112	SPRING, ARMREST SUPPORT	1
19	C2.4135, C2.4136	ARMREST SUPPORT BRACKET (EA)	1
20	C2.4124	SHCS M8 x 1.25 75MM	1
21	C2.1522	M6 x 45 SKT BTN HD 25 PLAIN ZP	2

ITEM	NUMBER	DESCRIPTION	QTY
1,2	757 842 050-ET	REAR BRACKET COMPLETE	
3-6	757 842 051-ET	REAR PIVOT ASSM	
7,8,9	757 842 060	ARMPAD COMPLETE LONG W/ HDWR	
7,8A,9	757 842 061	ARM PAD COMPLETE SHORT W/ HDWR	
11-13	757 842 052	ARMREST LATCH COMPLETE	
1-8,9-13	757 742 010, 757 842 010	ARMREST ASSY STD DESK (DESK) (EA)	
1-8A,9-13	757 742 001, 757 842 001	ARMREST ASSY STD FULL (EA)	
1-6,10-13, 14	757 742 002, 757 842 002	ARMREST HT ADJ DESK COMP (EA)	
1-6,10-13, 14A	757 742 003, 757 842 003	ARMREST HT ADJ FULL COMP (EA)	

\*ACCESS TO ARMPAD CAPSCREWS ITEM 6 WITH 8"+ 4mm HEX KEY P/N 349900 AVAILABLE THROUGH CUSTOMER SERVICE.