

Anti-tips

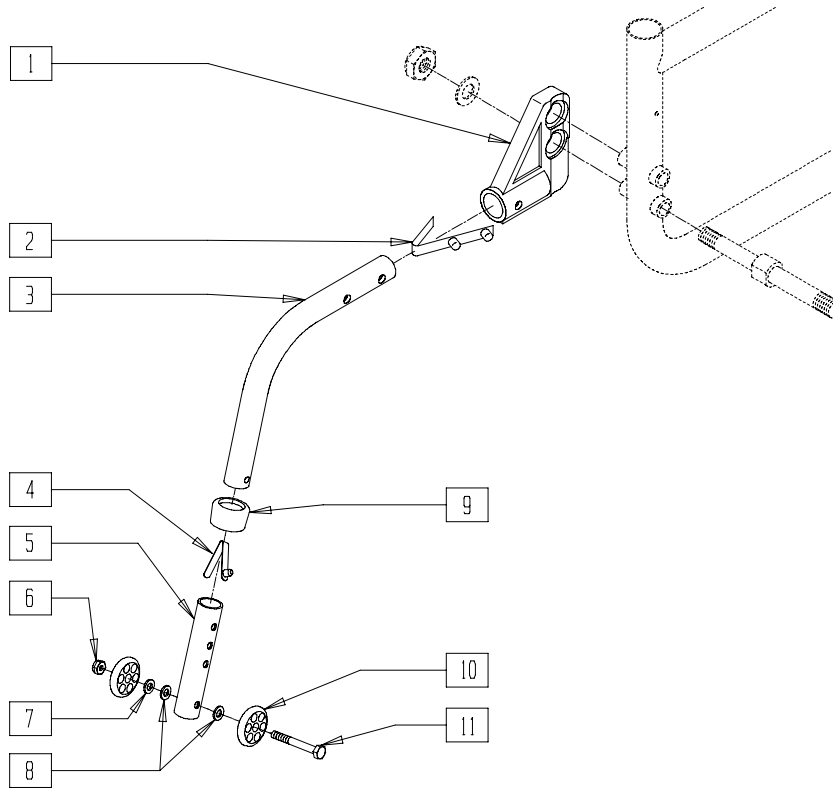
IN THIS SECTION

Anti-Tip (Breezy) (Disc.)	5.1	Anti-Tip Receiver - High-mount Position (Quickie GPS/ST/DT/Triumph)	5.9
Anti-Tip (Breezy 510).....	5.2	Anti-Tip - Low-mount Position (Quickie GPS/ST/DT/Triumph)	5.10
Anti-Tip (Breezy 500/510/510 Recliner).....	5.3	Anti-Tip Receiver (Quickie TS)	5.10
Anti-Tip (Breezy 100/150).....	5.3	Reverse Anti-Tip Receiver (Zippie GS).....	5.11
Anti-Tip (Quickie GPS/Kidz/R2/Recliner/Rx/ T45/TRIUMPH/TS/XTR)	5.4	Anti-Tip (Zippie).....	5.11
Anti-Tip Low-mount Position (Quickie Revolution)	5.5	Anti-Tip (Zippie GS)	5.12
Anti-Tip (Quickie ST/DT) (Disc.)	5.6	Anti-Tip (Quickie XTR)	5.13
Anti-Tip (Quickie T45).....	5.6	Anti-Tip (Quickie R2)	5.13
Anti-Tip (Quickie <i>TNT</i>) (Disc.).....	5.7	Anti-Tip (Quickie Chameleon/Chameleon HD).....	5.14
Anti-Tip (Quickie <i>TNT</i>) (Disc.).....	5.7	Front Anti-Tip (Quickie 2/Kidz/LX/LXI/Recliner/Rx/TS, Zippie/Zippie 2/GS/TS)	5.15
Anti-Tip (Quickie Kidz)	5.8	Anti-Tip Tube Reference Guide	5.16
Quickie Kidz Conversion Kit (Standard to Reverse).....	5.8	Front Anti-Tip Reference Guide	5.17
Quickie Kidz Conversion Kit (Reverse to Standard).....	5.9		

ANTI-TIP (BREEZY)

(Discontinued - parts only)

(Effective beginning serial number BZ-200000 and prior to serial number BZ-351000)



Drawing shows right side

BZ00X09A

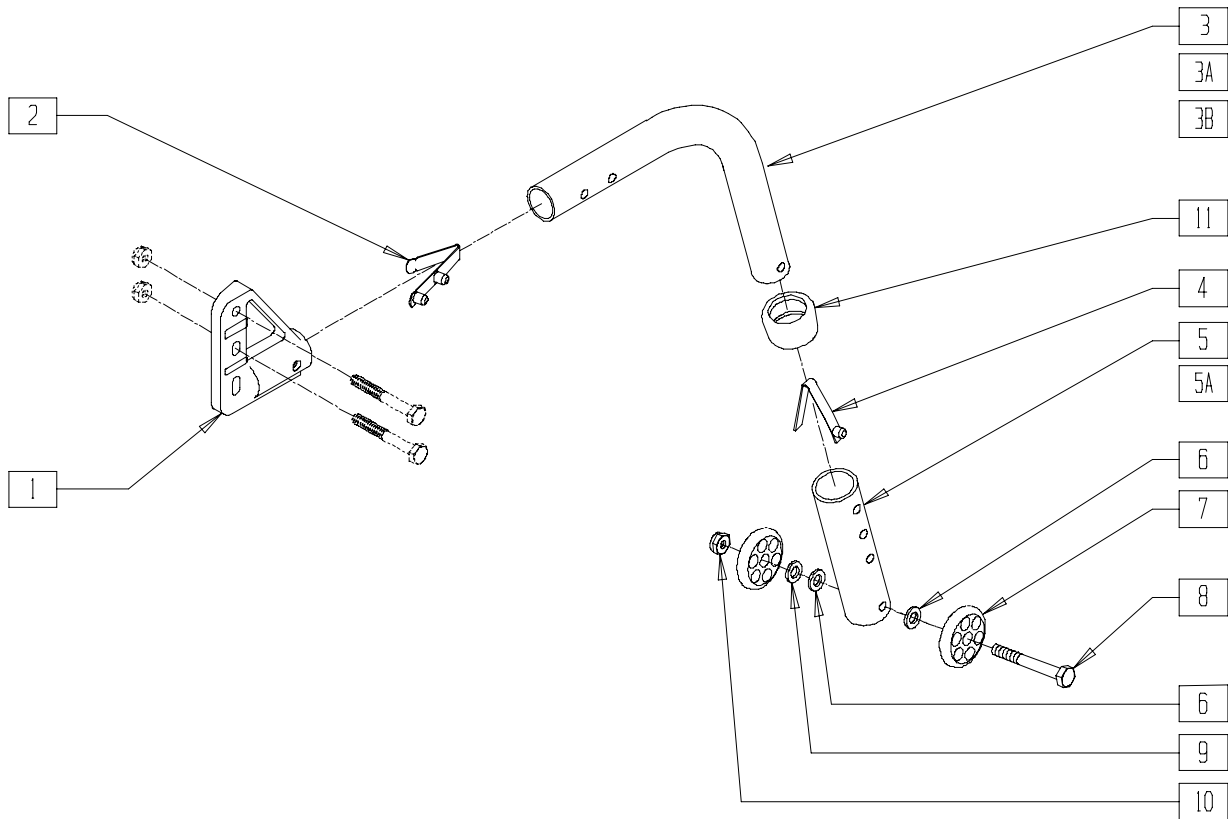
ITEM	NUMBER	DESCRIPTION	QTY
1	920397	ANTI-TIP RECEIVER BR (PR)	1
	920398	ANTI-TIP REC W/HDWR BR (QR AXLE) (PR)	1
2	301109	SNAP BUTTON DUAL ONE SIDE	1
3	521490, 521491	ANTI-TIP TUBE SMALL	1
	521494, 521495	ANTI-TIP TUBE REG	
4	301100	1/4" SNAP BUTTON SINGLE B-130	1
5	521508	ANTI-TIP ADJUSTMENT SLEEVE (4H)	1
6	201100-QU	1/4-28 NYLOCK NUT THIN	1
7	262110-QU	1/4 AN WASHER FLAT THIN	1

ITEM	NUMBER	DESCRIPTION	QTY
8	262130	6mm WASHER WAVE	1
9	221160	1/4-28 x 2 HEX C/S	1
10	561032	ANTI-TIP WHEEL	2
11	563065	3/4" ANTI-RATTLE	1
2-9	880490- 880495	ANTI-TIP ASSEMBLY (EA)	
	900701, 900703	ANTI-TIP ASSEMBLY (PR)	
1-9	900706, 900708, 900716, 900718	ANTI-TIP ASSEMBLY W/RECEIVER (PR)	

NOTE: THREADED AXLE PICTURED. FOR ILLUSTRATION OF QUICK-RELEASE AXLE MOUNTING, SEE QUICK RELEASE AXLE BRACKET, PAGE 8.16.

ANTI-TIP (BREEZY 510)

(Effective 3/2000)



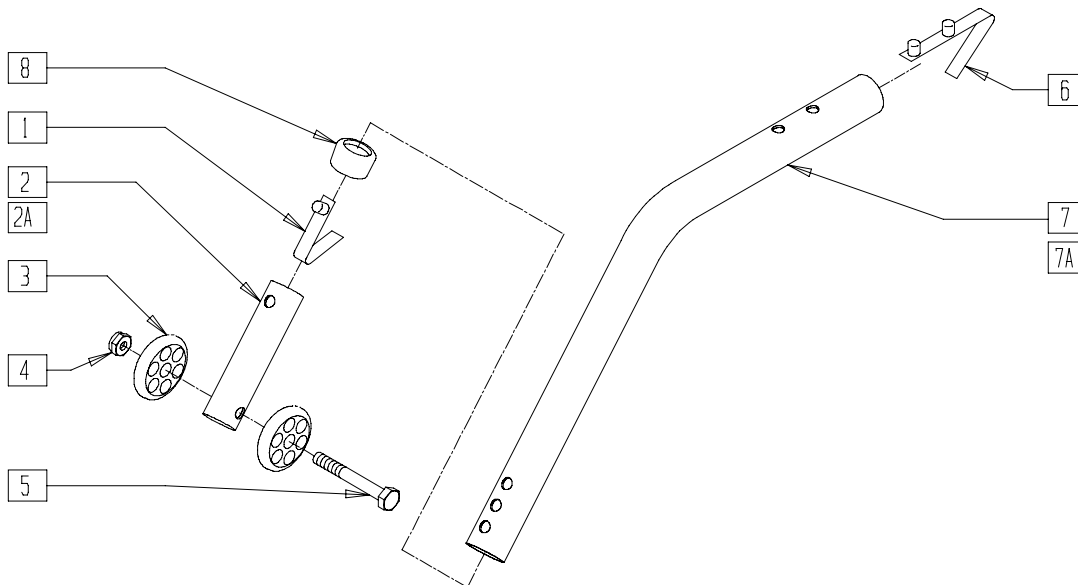
Drawing shows right side

BZ600X04A

ITEM	NUMBER	DESCRIPTION	QTY
1	920407	ANTI-TIP RECEIVERS (PR)	1
2	301109	SNAP BUTTON DUAL ONE SIDE	1
3	521480, 521481	ANTI-TIP TUBE KIDZ	1
3A	521490, 521491	ANTI-TIP TUBE SMALL	1
3B	521494, 521495	ANTI-TIP TUBE REG	1
4	301100	1/4" SNAP BUTTON SINGLE B-130	1
5	521514	ANTI-TIP SLEEVE TUBE (5H)	1
5A	521508	ANTI-TIP ADJ SLEEVE (4H)	1
6	262110-QU	1/4 AN WASHER FLAT THIN	2
7	561032	ANTI-TIP WHEEL	2
8	221160	1/4-28 x 2 HEX C/S	1
9	262130	6mm WASHER WAVE	1
10	201100-QU	1/4-28 NYLOCK NUT THIN	1
11	563065	3/4" ANTI-RATTLE	1
2-11	881260, 881261	ANTI-TIP ASSEMBLY SM (5H) BR	
	900240	ANTI-TIP ASSEMBLY SM (5H) HEMI BR	

ITEM	NUMBER	DESCRIPTION	QTY
1-11	900790	ANTI-TIP ASSM SM (5H) W/REC HEMI BR	
2,3A,4 5A-11	880490, 880491	ANTI-TIP ASSEMBLY SMALL (EA)	
	900701	ANTI-TIP ASSEMBLY SMALL (PR)	
1,2,3A,4, 5A,6-11	900792	ANTI-TIP ASSEMBLY SM (4H) W/RECEIVERS HEMI BR	
2,3A,4-11	881262, 881263	ANTI-TIP ASSEMBLY (5H) BR (EA)	
	900241	ANTI-TIP ASSEMBLY 5-HOLE HEMI BR (PR)	
1,2,3A,4-11	900791	ANTI-TIP ASSM 5-HOLE W/REC HEMI BR	
2,3B,4, 5A-11	880494, 880495	ANTI-TIP ASSEMBLY REG (EA)	
	900703	ANTI-TIP ASSEMBLY REG (PR)	
1,2,3B,4, 5A,6-11	900793	ANTI-TIP ASSEMBLY (4H) W/RECEIVERS HEMI BR	

ANTI-TIP (BREEZY 500/510/510 RECLINER)
 (Effective beginning serial number BZ-351000)

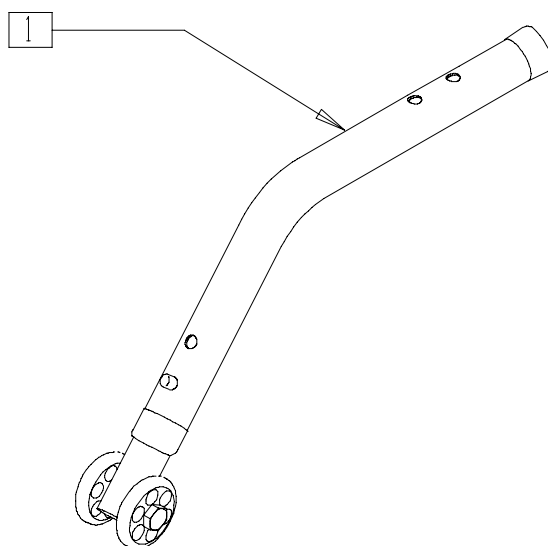


BASIC03A

ITEM	NUMBER	DESCRIPTION	QTY
1	301100	1/4" SNAP BUTTON SINGLE B-130	1
2	521543	ANTI-TIP ADJ 3/4"	1
2A	521544	ANTI-TIP ADJ 3/4" 4.7"	1
3	561032	ANTI-TIP WHEEL	2
4	201100-QU	1/4-28 NYLOCK NUT THIN	1
5	221150	1/4-28 x 1 3/4 HEX C/S	1
6	301109	SNAP BUTTON DUAL ONE SIDE	1
7	521547	ANTI-TIP TUBE SHORT BR	1

ITEM	NUMBER	DESCRIPTION	QTY
7A	521548	ANTI-TIP TUBE REGULAR BR	1
8	563065	3/4" ANTI-RATTLE	1
1-8	880981	ANTI-TIP ASSEMBLY SHORT BR (EA)	
	900770	ANTI-TIP ASSEMBLY SHORT BR (PR)	
1,2A-8	880986	ANTI-TIP ASSEMBLY BR (EA)	
	900773	ANTI-TIP ASSEMBLY BR (PR)	
1-7A,8	880983	ANTI-TIP ASSEMBLY REG BR (EA)	
	900771	ANTI-TIP ASSEMBLY REG BR (PR)	

ANTI-TIP (BREEZY 100/150)

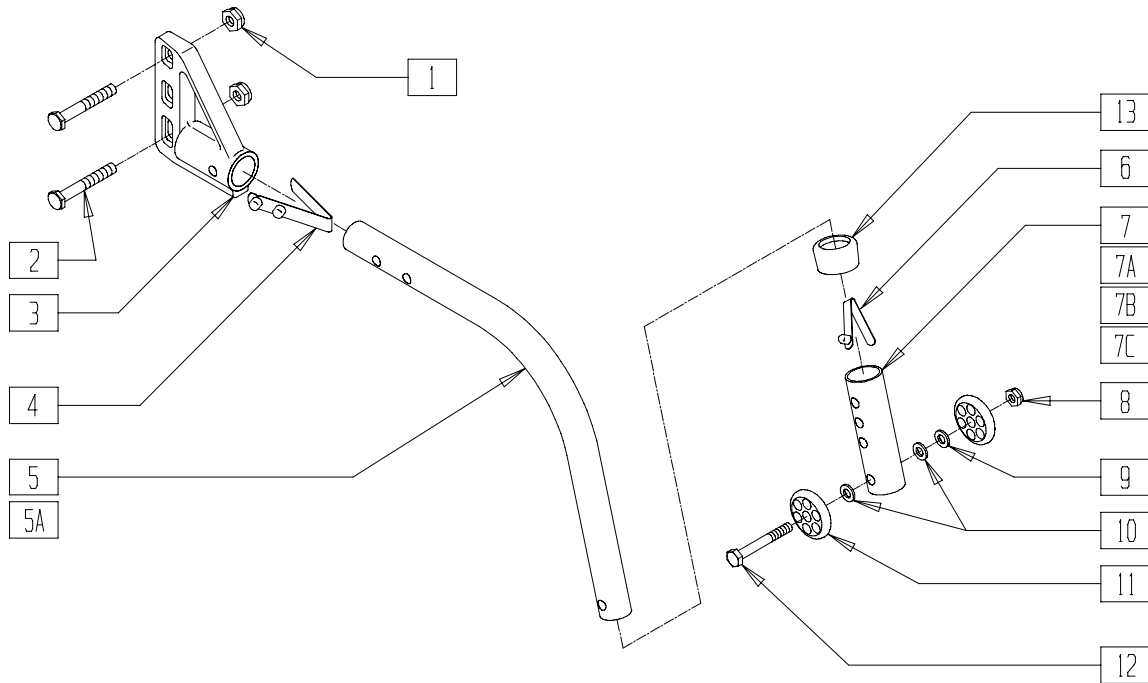


BRZ10X17

ITEM	NUMBER	DESCRIPTION	QTY
1	BZ110	ANTI-TIP (BR 100/150) (PR)	1

ANTI-TIP (QUICKIE GPS/KIDZ/ RECLINER/RX/T45//TRIUMPH/TS/XTR)

(Quickie GPS, GPS Ti and Triumph discontinued 2/01- parts only)



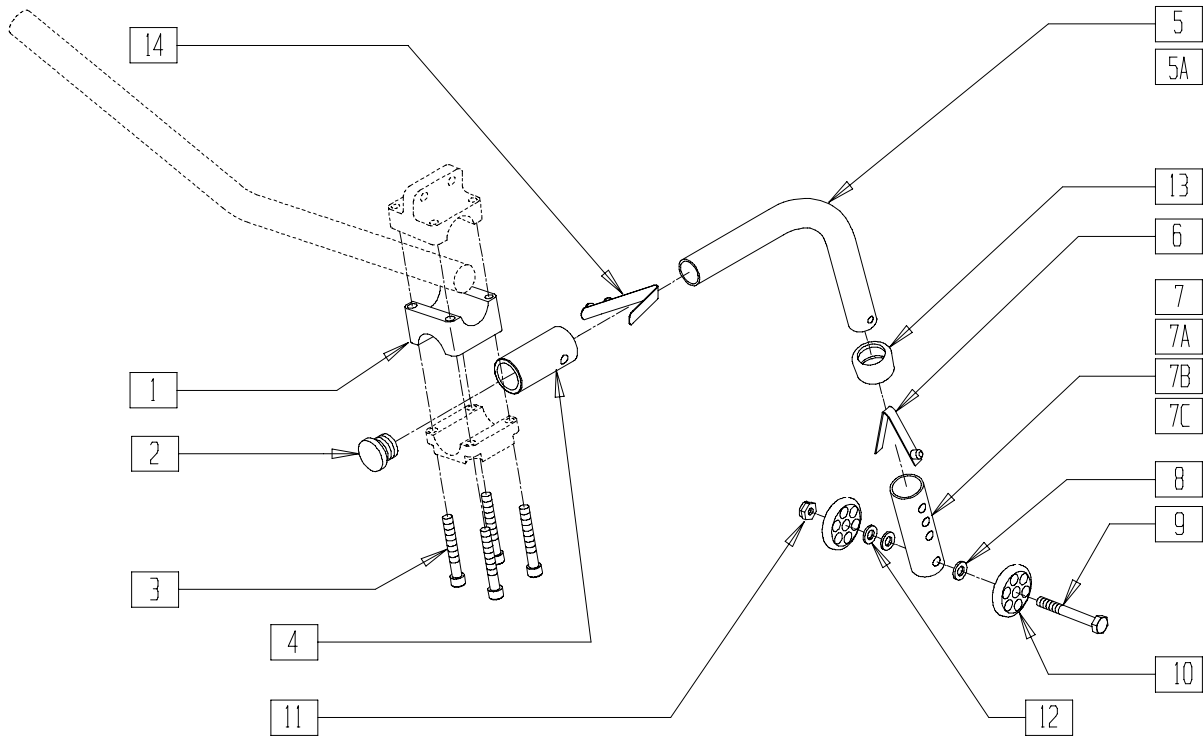
ATOX02A

ITEM	NUMBER	DESCRIPTION	QTY
1	201110-QU	1/4-28 NYLOCK NUT	2
2	221181	1/4-28 x 2 1/2 G8 HEX C/S	2
3	920407	ANTI-TIP RECEIVERS (PR)	1
4	301109	SNAP BUTTON DUAL ONE SIDE	1
5	521490- 521497	ANTI-TIP TUBE CLR SMALL, SMALL EXT, REG, REG EXT (EA)	1
5A	521708, 521709, 521716- 521728	ANTI-TIP TUBE BLK SMALL, SMALL EXT, REG, REG EXT (EA)	1
6	301100	1/4" SNAP BUTTON SINGLE B-130	1
7	521508	ANTI-TIP ADJ SLEEVE CLR (4H)	1
7A	521514	ANTI-TIP ADJ SLEEVE CLR (5H)	1
7B	521504	ANTI-TIP ADJ SLEEVE BLK (4H)	1
7C	521587	ANTI-TIP ADJ SLEEVE BLK (5H)	1
8	201100-QU	1/4-28 NYLOCK NUT THIN	1
9	262130	6mm WASHER WAVE	1
10	262110-QU	1/4 AN WASHER FLAT THIN	2
11	561032	ANTI-TIP WHEEL	2
12	221192	1/4-28 x 2 G8 HEX C/S	1
13	563065	3/4" ANTI-RATTLE	1
7-13	880482	ANTI-TIP SLEEVE W/WHLS CLR (4H) (EA)	
7A,8-13	880483	ANTI-TIP SLEEVE W/WHLS CLR (5H) (EA)	
4-13*	880490- 880497	ANTI-TIP ASSEMBLY CLR SMALL, SMALL EXT, REG, REG EXT (EA)	
4-6,7A, 8-13	880498, 880499	ANTI-TIP ASSEMBLY REG CLR W/LONG SLEEVE (EA)	

ITEM	NUMBER	DESCRIPTION	QTY
4-6,7A, 8-13	880976, 880977	ANTI-TIP REG EXT CLR W/LONG SLEEVE (EA)	
4-13*	900696, 900697	ANTI-TIP ASSEMBLY SMALL EXT CLR (PR)	
	900701, 900703	ANTI-TIP ASSEMBLY SMALL CLR (PR)	
1-6,7A, 8-13	900714, 900732	ANTI-TIP REG W/LONG SLEEVE W/REC CLR (PR) ANTI-TIP REG EXT W/LONG SLEEVE W/REC CLR (PR)	
1-13	900721- 900724	ANTI-TIP ASSEMBLY W/REC CLR SMALL, SMALL EXT, REG, REG EXT (PR)	
7B,8-13	881512	ANTI-TIP SLEEVE W/WHEELS BLK (4H) (EA)	
7C,8-13	881513	ANTI-TIP SLEEVE W/WHEELS BLK (5H) (EA)	
4,5A,6, 7B,8-13	882900, 882901, 882906- 882911	ANTI-TIP ASSEMBLY BLK REG (EA) ANTI-TIP ASSEMBLY BLK SMALL, SMALL EXT, REG EXT (EA)	
4,5A,6, 7C,8-13	882912, 882913, 882922, 882923	ANTI-TIP REG BLK W/LONG SLEEVE (EA) ANTI-TIP ASSEMBLY REG EXT BLK W/LONG SLEEVE (EA)	
1-4,5A,6, 7B,8-13	900830- 900833	ANTI-TIP ASSEMBLY W/REC BLK SMALL, SMALL EXT, REG, REG EXT (PR)	
1-4,5A,6, 7C,8-13	900835	ANTI-TIP ASSEMBLY REG EXT BLK W/LONG SLEEVE W/REC (PR)	

NOTE: WHEN USING PADDED SWING-AWAY ARMS, ANTI-TIP RECEIVERS ARE MOUNTED ON OUTSIDE OF FRAME.
*PLEASE ORDER BLACK ANTI-TIP TUBES AND ASSEMBLIES WHEREVER POSSIBLE.

ANTI-TIP LOW-MOUNT POSITION (QUICKIE REVOLUTION)

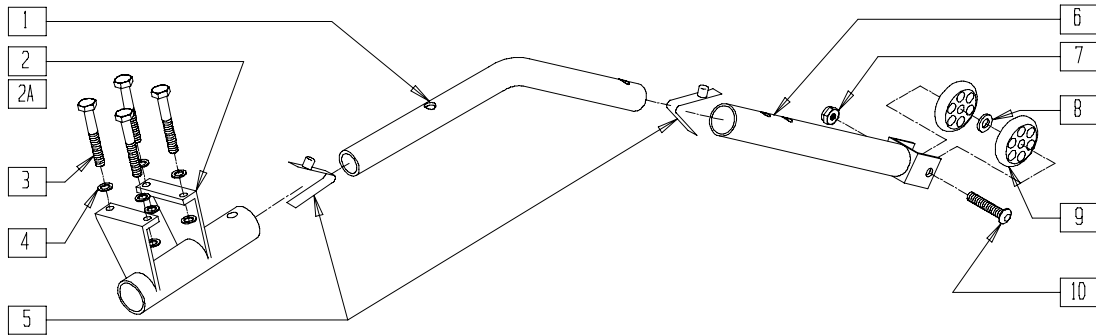


2D000X12A

ITEM	NUMBER	DESCRIPTION	QTY
1	550213	ANTI-TIP SADDLE LOW MOUNT GPS	1
2	560735	7/8" ROUND TUBE PLUG	1
3	226163	1/4-28 x 2 SOC C/S	4
4	521234	ANTI-TIP RECEIVER TUBE GPS	1
1-4	880931	ANTI-TIP RECEIVER ASSEMBLY UNDER MOUNT GPS	
5	521491-521494	UNDER MOUNT GPS SMALL, REG (EA)	1
5A	521716-521719	ANTI-TIP TUBE BLK SMALL, REG (EA)	1
6	301100	1/4" SNAP BUTTON SINGLE B-130	1
7	521508	ANTI-TIP ADJ SLEEVE (4H)	1
7A	521514	ANTI-TIP SLEEVE TUBE (5H)	1
7B	521504	ANTI-TIP ADJ SLEEVE BLK (4H)	1
7C	521587	ANTI-TIP SLEEVE TUBE BLK (5H)	1
8	262110-QU	1/4 AN WASHER FLAT THIN	2
9	221192	1/4-28 x 2 G8 HEX C/S	1
10	561032	ANTI-TIP WHEEL	2

ITEM	NUMBER	DESCRIPTION	QTY
11	201100-QU	1/4-28 NYLOCK NUT THIN	1
12	262130	6mm WASHER WAVE	1
13	563065	3/4" ANTI-RATTLE	1
14	301109	SNAP BUTTON DUAL ONE SIDE	1
7B,8-13	881512	ANTI-TIP SLEEVE W/WHEELS BLK (4H)	
7C,8-13	881513	ANTI-TIP SLEEVE W/WHEELS BLK (5H)	
5-14	880490, 880491	ANTI-TIP ASSEMBLY SMALL (EA)	
5,6,7A, 8-14	880498, 880499	ANTI-TIP ASSEMBLY REG W/LONG SLEEVE (EA)	
5-14	900701	ANTI-TIP ASSEMBLY SMALL (PR)	
5,6,7A 8-14	900709	ANTI-TIP ASSEMBLY REG W/LONG SLEEVE (PR)	
1-14	900698	ANTI-TIP ASSEMBLY SM EXT W/REC RV	
5A,6,7B, 8-14	882906, 882907	ANTI-TIP ASSEMBLY SMALL BLK (EA)	
5A,6,7C, 8-14	882912, 882913	ANTI-TIP ASSEMBLY REG BLK LONG SLEEVE (EA)	

ANTI-TIP (QUICKIE ST/DT) (Discontinued 7/1/98 - parts only)

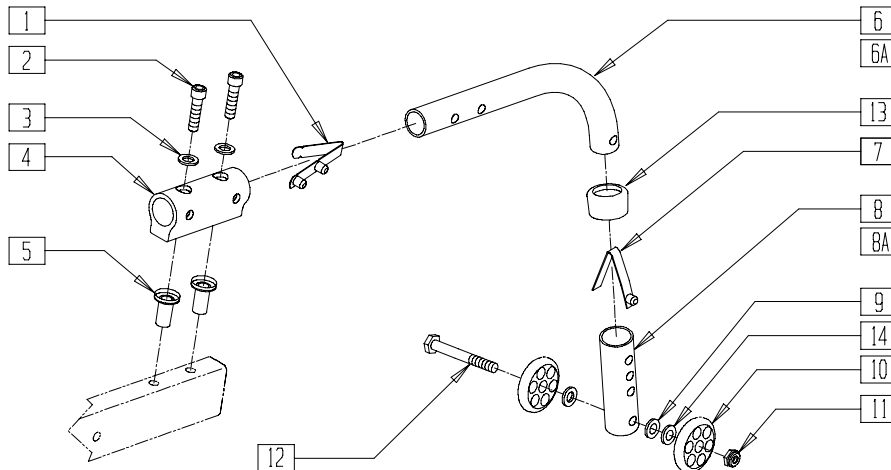


RG000X08

ITEM	NUMBER	DESCRIPTION	QTY
1	527546	ANTI-TIP BENT EXT ANO	1
2	500582	ANTI-TIP BRACKET R	1
2A	500583	ANTI-TIP BRACKET L	1
3	221151-QU	1/4-28 x 1 3/4 G8 HEX C/S	4
4	262100-QU	1/4 AN WASHER FLAT	8
5	301100	1/4" SNAP BUTTON SINGLE B-130	2
7	201135	1/4-20 NYLOCK NUT LOW SS	1
8	561028	1/4" NYLON WASHER	1

ITEM	NUMBER	DESCRIPTION	QTY
9	561032	ANTI-TIP WHEEL	2
10	226080	1/4-20 x 1 1/4 BH C/S SS	1
6-10	880951	ANTI-TIP WHEEL ASSEMBLY ANO	
1-10	881480	RIGID ANTI-TIP W/BRKT R	
1,2A,3-10	881481	RIGID ANTI-TIP W/BRKT L	
1-10	900735	RIGID ANTI-TIP W/BRKT (PR)	
1,3,6-8	880950	ANTI-TIP EXT ASSEMBLY	

ANTI-TIP (QUICKIE T45)



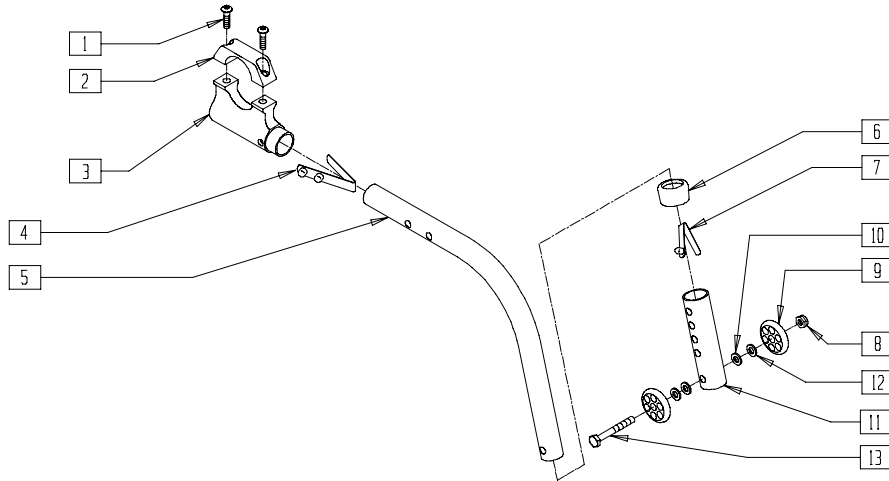
TSR00X13B

ITEM	NUMBER	DESCRIPTION	QTY
1	301109	SNAP BUTTON DUAL ONE SIDE	1
2	226112	1/4-28 x 1 SOC C/S BLK	2
3	262114	1/4 WASHER HI COLLAR LOCK ZN	2
4	500745	ANTI-TIP RECEIVER P2	1
5	341503	RIVNUT 1/4" x 28 RIBBED	2
6	521480, 521481	ANTI-TIP TUBE CLR KIDZ (EA)	1
6A	521482, 521483	ANTI-TIP TUBE BLK KIDZ (EA)	1
7	301100	1/4" SNAP BUTTON SINGLE B-130	1
8	521508	ANTI-TIP ADJ SLEEVE (4H)	1
8A	521504	ANTI-TIP ADJ SLEEVE (4H) BLK	1
9	262110-QU	1/4 AN WASHER FLAT THIN	2
10	561032	ANTI-TIP WHEEL	2

ITEM	NUMBER	DESCRIPTION	QTY
11	201100-QU	1/4-28 NYLOCK NUT THIN	1
12	221192	1/4-28 x 2 G8 HEX C/S	1
13	563065	3/4" ANTI-RATTLE	1
14	262130	6mm WASHER WAVE	1
2-4	900715	ANTI-TIP RECEIVER W/HDWR P2	
8A,9-13	881512	ANTI-TIP SLV W/WHEELS BLK (4H)	
1,6-13	880488, 880489	ANTI-TIP ASSEMBLY CLR KIDZ (EA)	
1,6A,7, 8A,9-13	882904, 882905	ANTI-TIP ASSEMBLY BLK KIDZ (EA)	
1-4,6-14	900730	ANTI-TIP ASSEMBLY W/REC T45 CLR (PR)	
1-4,6A,7, 8A,9-13	900837	ANTI-TIP ASSEMBLY W/REC T45 BLK (PR)	

ANTI-TIP (Quickie TNT)

(Discontinued - parts only; fits Quickie TNT prior to serial number TNT-3176)



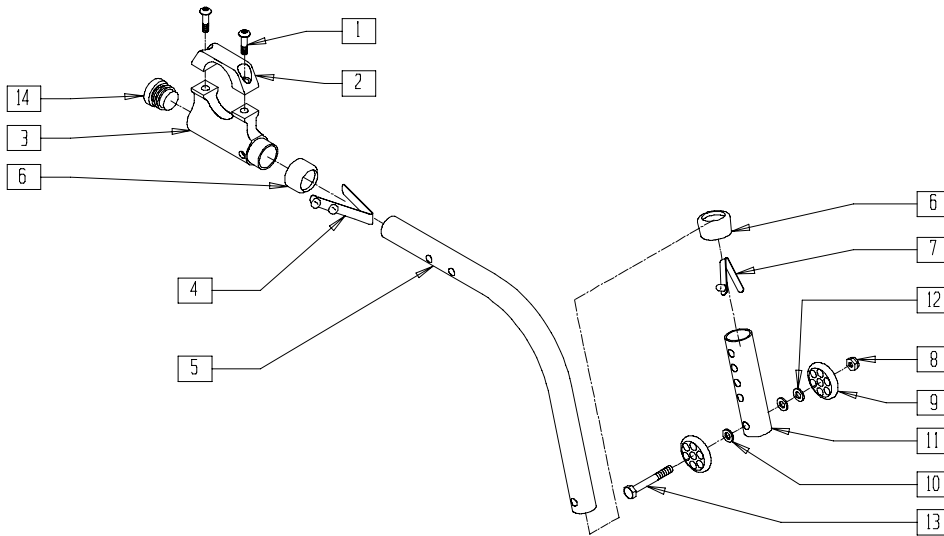
TNT00X05B

ITEM	NUMBER	DESCRIPTION	QTY
1	226171	1/4-28 x 1/2" SOC HD C/S	2
2	550555	ANTI-TIP CLAMP UPPER QTNT	1
3	881137	ANTI-TIP HOUSING W/CLAMP ASSEMBLY	1
1-3	881131	ANTI-TIP RECEIVER ASSEMBLY QTNT	
4	301109	SNAP BUTTON DUAL ONE SIDE	1
5	550422, 550423	ANTI-TIP SUPPORT TUBE QTNT (EA)	1
6	563065	3/4" ANTI-RATTLE	1
7	301100	1/4" SNAP BUTTON SINGLE B-130	1

ITEM	NUMBER	DESCRIPTION	QTY
8	201100-QU	1/4-28 NYLOCK NUT THIN	1
9	561032	ANTI-TIP WHEEL	2
10	262110-QU	1/4 AN WASHER FLAT THIN	2
11	521501	ANTI-TIP ADJ SLEEVE (4H) QTNT	1
12	262130	6mm WASHER WAVE	1
13	221192	1/4-28 x 2 G8 HEX C/S	1
4-13	880988, 880989	ANTI-TIP ASSEMBLY QTNT (EA)	
1-13	900736	ANTI-TIP ASSEMBLY QTNT (EA)	

ANTI-TIP (Quickie TNT)

(Effective beginning serial number TNT-3176) (Discontinued 2/01-parts only)

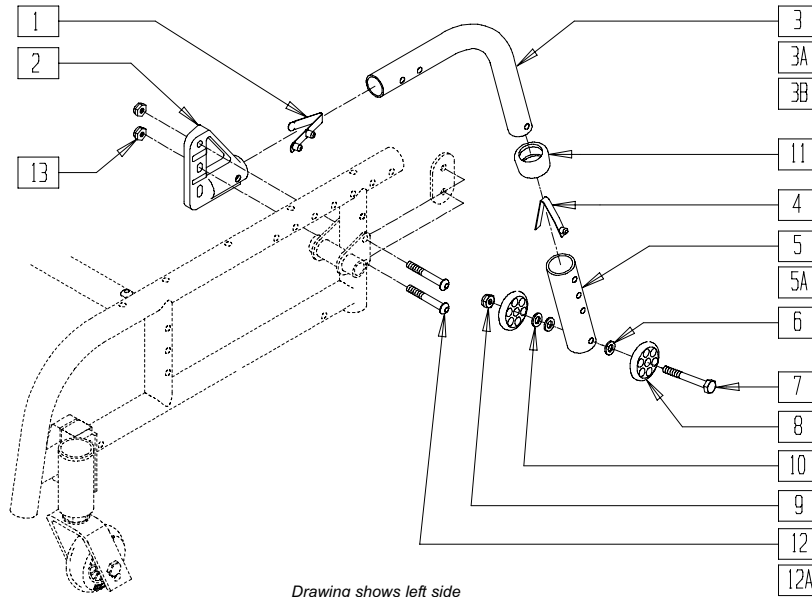


TNT00X05C

ITEM	NUMBER	DESCRIPTION	QTY
1	226171	1/4-28 x 1/2" SOC HD C/S	2
2	550555	ANTI-TIP CLAMP UPPER BLK QTNT	1
4	301109	SNAP BUTTON DUAL ONE SIDE	1
5	550422, 550423	ANTI-TIP SUPPORT TUBE (5H) BLK TNT (EA)	1
6	563065	3/4" ANTI-RATTLE	1
7	301100	1/4" SNAP BUTTON SINGLE B-130	1
8	201100-QU	1/4-28 NYLOCK NUT THIN	1
9	561032	ANTI-TIP WHEEL	2
10	262110-QU	1/4 AN WASHER FLAT THIN	2
11	521587	ANTI-TIP SLEEVE TUBE (5H) BLK	1

ITEM	NUMBER	DESCRIPTION	QTY
12	262130	6mm WASHER WAVE	1
13	221192	1/4-28 x 2 G8 HEX C/S	1
14	560735	7/8" ROUND TUBE PLUG	1
3,6,14	881137	ANTI-TIP HOUSING W/CAP	
1-3,6,14	881136	ANTI-TIP RECEIVER ASSEMBLY QTNT NEW	
6,8-13	880437	ANTI-TIP SLEEVE W/WHEELS (5H) QTNT	
4-13	880991, 880992	ANTI-TIP ASSEMBLY (5H) QTNT (EA)	
1-14	900737	ANTI-TIP ASSEMBLY W/REC (5H) QTNT (PR)	

ANTI-TIP (QUICKIE KIDZ)



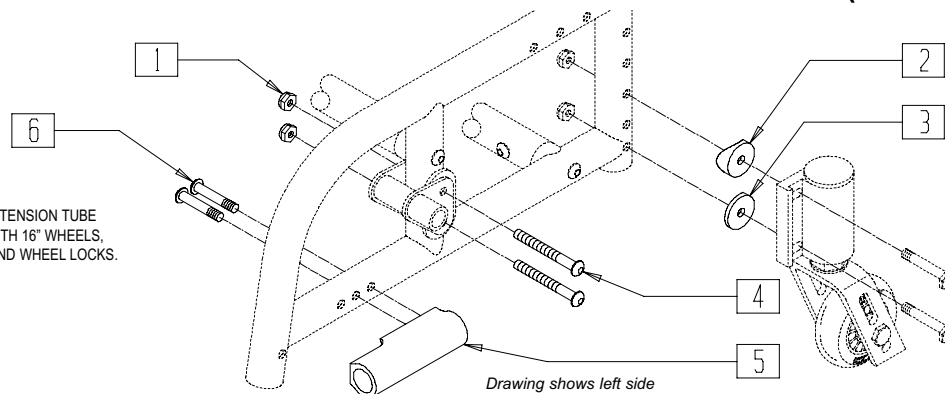
Drawing shows left side

KDZ0X13B

ITEM	NUMBER	DESCRIPTION	QTY
1	301109	SNAP BUTTON DUAL ONE SIDE	1
2	920407	ANTI-TIP RECIEVERS (PR)	1
3	521480- 521495	ANTI-TIP TUBE CLR KIDZ, SMALL (EA)	1
3A	521482, 521483	ANTI-TIP TUBE BLK KIDZ (EA)	1
3B	521716, 521717	ANTI-TIP TUBE BLK SMALL (EA)	1
4	301100	1/4" SNAP BUTTON SINGLE B-130	1
5	521508	ANTI-TIP ADJ SLEEVE (4H)	1
5A	521504	ANTI-TIP ADJ SLEEVE BLK (4H)	1
6	262110-QU	1/4 AN WASHER FLAT THIN	2
7	221192	1/4-28 x 2 G8 HEX C/S	1
8	561032	ANTI-TIP WHEEL	2
9	201100-QU	1/4-28 NYLOCK NUT THIN	1
10	262130	6mm WASHER WAVE	1

ITEM	NUMBER	DESCRIPTION	QTY
11	563065	3/4" ANTI-RATTLE	1
12	221181	1/4-28 x 2 1/2 G8 HEX	2
12A	226150	1/4-28 x 2 BH C/S	2
13	201110	1/4-28 NYLOCK NUT	2
5A,6-10	881512	ANTI-TIP SLEEVE W/WHEELS BLK (4H)	
1,3-11	880488- 880495	ANTI-TIP ASSEMBLY CLR KIDZ, SMALL (EA)	
1,3A,4, 5A,6-11	882904- 882907	ANTI-TIP ASSEMBLY BLK KIDZ, SMALL (EA)	
1-11	900721- 900726	ANTI-TIP ASSEMBLY W/RECEIVER CLR KIDZ, SMALL (PR)	
1,2,3B,4, 5A,6-13	900830	ANTI-TIP ASSEMBLY W/RECEIVER BLK SMALL (PR)	
1,2,3B,4 5A,6-11, 12A,13	900836	ANTI-TIP ASSM W/RECEIVER BLK KIDZ (PR)	

QUICKIE KIDZ CONVERSION KIT (STANDARD TO REVERSE)



NOTE: USE EXTENSION TUBE
ON CHAIRS WITH 16" WHEELS,
3" CASTERS AND WHEEL LOCKS.

Drawing shows left side

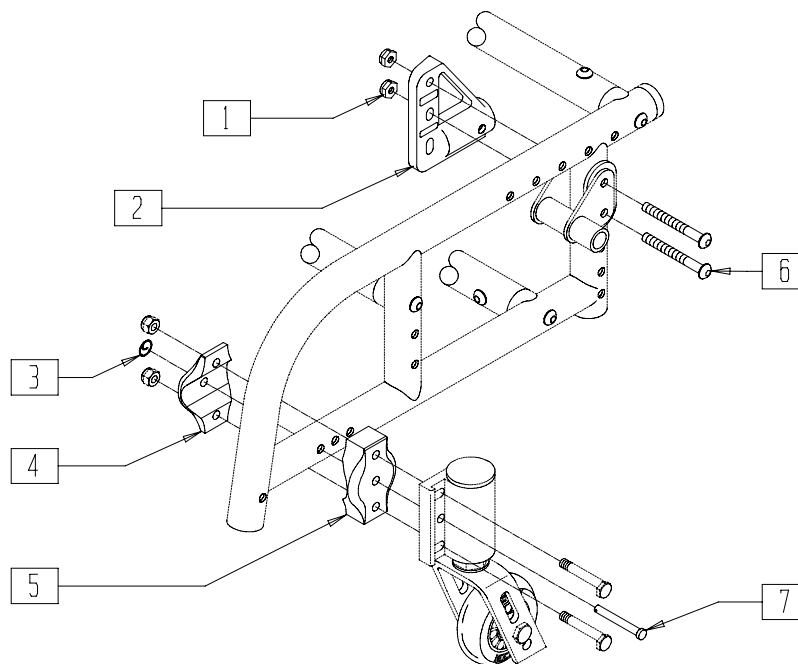
KDZ00X26

ITEM	NUMBER	DESCRIPTION	QTY
1	201100-QU	1/4-28 NYLOCK NUT THIN	4
2	561004	1" SADDLE 1/4" HOLE	2
3	561086	1" HALF SADDLE 1/4" HOLE	2
4	226140	1/4-28 x 1 3/4 BH C/S	4
5	500746	ANTI-TIP RECEIVER FRONT KZ	2

ITEM	NUMBER	DESCRIPTION	QTY
6	226130	1/4-28 x 1 1/2 BH C/S	4
5,6	920410	FRONT ANTI-TIP REC FRAME MOUNT (PR)	
1-6	920356	CONVERSION KIT STANDARD TO REVERSE KIDZ	

QUICKIE KIDZ CONVERSION KIT (REVERSE TO STANDARD)

NOTE: USE EXTENSION TUBE ON CHAIRS WITH 16" WHEELS, 3" CASTERS AND WHEEL LOCKS.

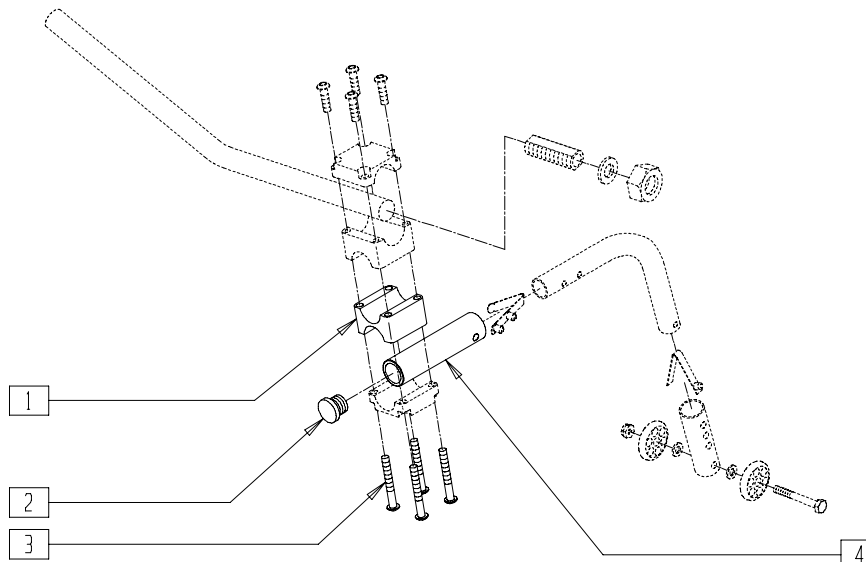


KDZ00X27A

ITEM	NUMBER	DESCRIPTION	QTY
1	201110-QU	1/4-28 NYLOCK NUT	2
2	540181, 540182	ANTI-TIP RECEIVER (EA)	1
	920407	ANTI-TIP RECEIVERS (PR)	
3	349034	SAFETY COTTER	2
4	500306	INNER CLAMP HALF	2

ITEM	NUMBER	DESCRIPTION	QTY
5	500307	OUTER CLAMP HALF	2
6	226150	1/4-28 x 2 BH C/S	4
7	349027	1/4 x 2 CLEVIS PIN	2
1-7	920357	CONVERSION KIT REVERSE TO STANDARD KIDZ	

ANTI-TIP RECEIVER - HIGH-MOUNT POSITION (QUICKIE GPS/ST/DT/TRIUMPH) (Quickie GPS and Triumph discontinued 2/01 - parts only)



Drawing shows left side

GBL00X05

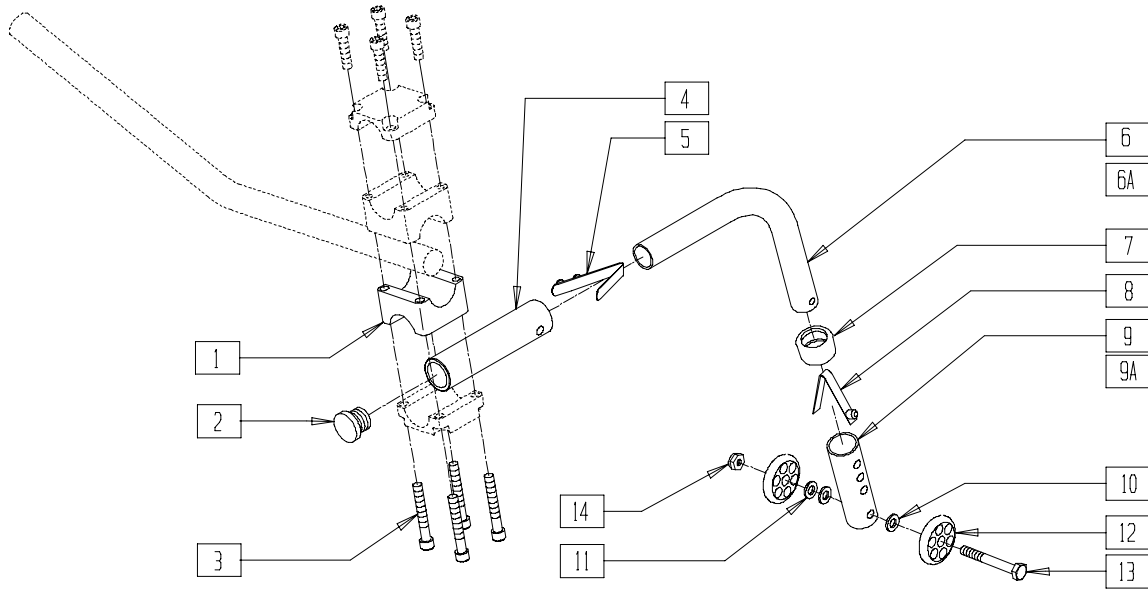
ITEM	NUMBER	DESCRIPTION	QTY
1	550215	ANTI-TIP SADDLE HI-MOUNT GPS	1
2	560735	7/8" ROUND TUBE PLUG	1
3	226163	1/4-28 x 2 SOC C/S	4

ITEM	NUMBER	DESCRIPTION	QTY
4	521234	ANTI-TIP RECEIVER TUBE GPS	1
1-4	880932	ANTI-TIP RECEIVER ASSEMBLY OVER MOUNT GPS	

NOTE: FOR ANTI-TIP PARTS, SEE ANTI-TIP - LOW-MOUNT POSITION ON PAGE 5.10.

ANTI-TIP - LOW-MOUNT POSITION (QUICKIE GPS/ST/DT/TRIUMPH)

(Quickie GPS and Triumph discontinued 2/01-Parts only)

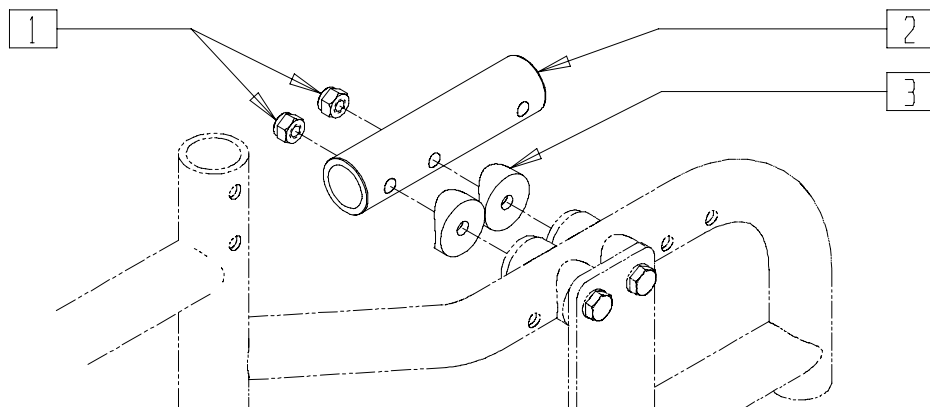


GBL00X04A

ITEM	NUMBER	DESCRIPTION	QTY
1	550213	ANTI-TIP SADDLE LOW MOUNT GPS	1
2	560735	7/8" ROUND TUBE PLUG	1
3	226163	1/4-28 x 2 SOC C/S	4
4	521234	ANTI-TIP RECEIVER TUBE GPS	1
5	301109	SNAP BUTTON DUAL ONE SIDE	1
6	521490- 521495	ANTI-TIP TUBE CLR (SM, SM EXT, REG) (EA)	1
6A	521716- 521719	ANTI-TIP TUBE BLACK (SM, SM EXT, REG) (EA)	1
7	563065	3/4" ANTI-RATTLE	1
8	301100	1/4" SNAP BUTTON SINGLE B-130	1
9	521508	ANTI-TIP ADJ SLEEVE (4H)	1
9A	521504	ANTI-TIP ADJ SLEEVE (4H) BLK	1
10	262110-QU	1/4 AN WASHER FLAT THIN	2
11	262130	6mm WASHER WAVE	1

ITEM	NUMBER	DESCRIPTION	QTY
12	561032	ANTI-TIP WHEEL	2
13	221192	1/4-28 x 2 G8 HEX C/S	1
14	201100-QU	1/4-28 NYLOCK NUT THIN	1
1-4	880931	ANTI-TIP REC ASSM UNDR MNT GPS	
7,9-14	880482	ANTI-TIP SLEEVE W/WHLS CLR (4H)	
1,9A,10-14	881512	ANTI-TIP SLV W/WHLS BLK (4H)	
6-14	880490- 880495	ANTI-TIP ASSEMBLY CLR (SM, REG) (EA)	
6A,7,8, 9A,10-14	882906, 882907	ANTI-TIP ASSEMBLY BLACK (SMALL) (EA)	
6A,7,8, 9A,10-14	882900, 882901	ANTI-TIP ASSEMBLY BLACK (REGULAR) (EA)	
6-14	900701, 900703	ANTI-TIP ASSEMBLY CLR (SM, REG) (PR)	
6A,7-14	900830, 900832	ANTI-TIP ASSEMBLY BLACK (SM, REG) (PR)	

ANTI-TIP RECEIVER (QUICKIE TS)

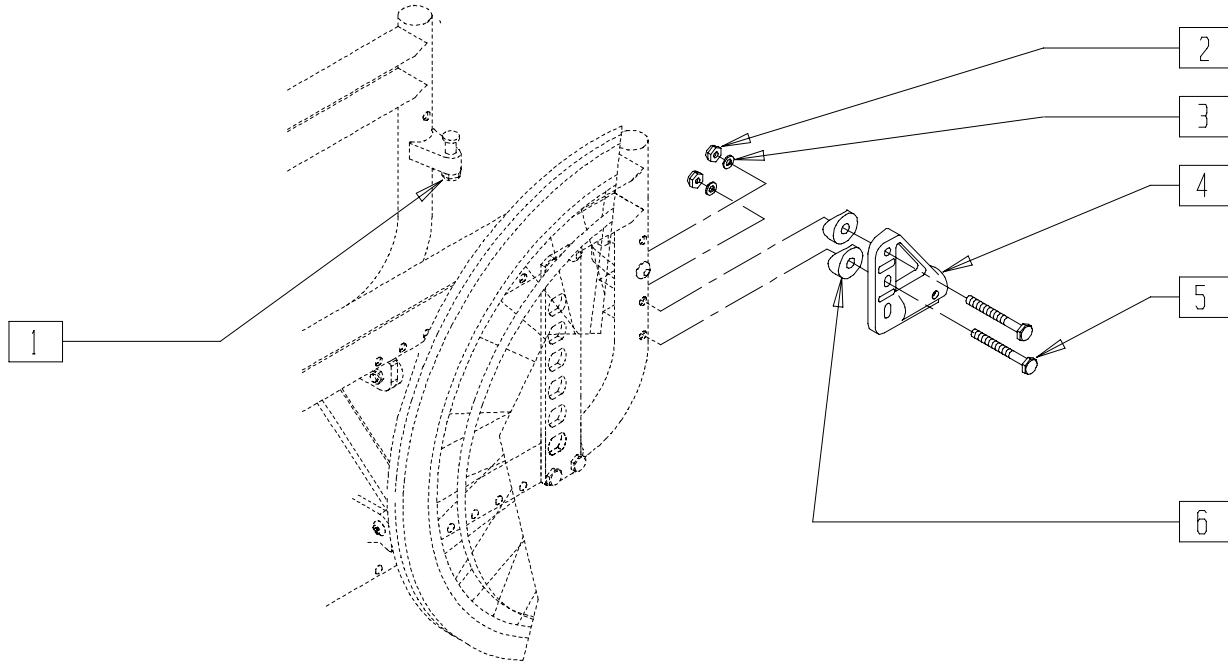


QTS00X04

ITEM	NUMBER	DESCRIPTION	QTY
1	201110	1/4-28 NYLOCK NUT	2
2	521234	ANTI-TIP TUBE GPS	1

ITEM	NUMBER	DESCRIPTION	QTY
3	561004	1" SADDLE 1/4" HOLE	2
1-3	920388	ANTI-TIP RECEIVER ASSEMBLY QTS	

REVERSE ANTI-TIP RECEIVER (ZIPPIE GS)



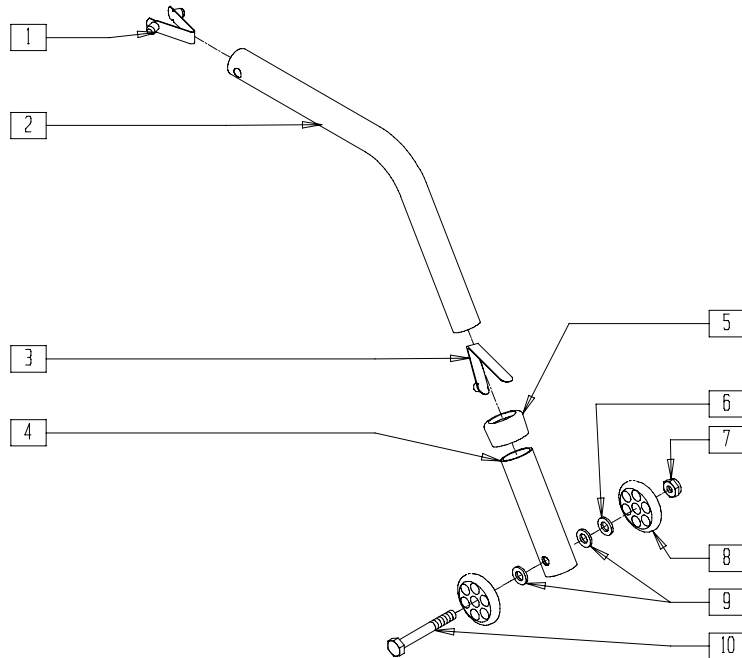
ZGS00X42

ITEM	NUMBER	DESCRIPTION	QTY
1	920220	S/A LATCH ASSEMBLY W/BOLT	1
2	201110	1/4-28 NYLOCK NUT	2
3	262100-QU	1/4 AN WASHER FLAT	2

ITEM	NUMBER	DESCRIPTION	QTY
4	920407	ANTI-TIP RECEIVERS (PR)	1
5	221151-QU	1/4-28 x 1 3/4 G8 HEX C/S	2
6	561003	3/4" SADDLE THIN	2

ANTI-TIP (ZIPPIE)

(Fits Breezy prior to BZ200000)

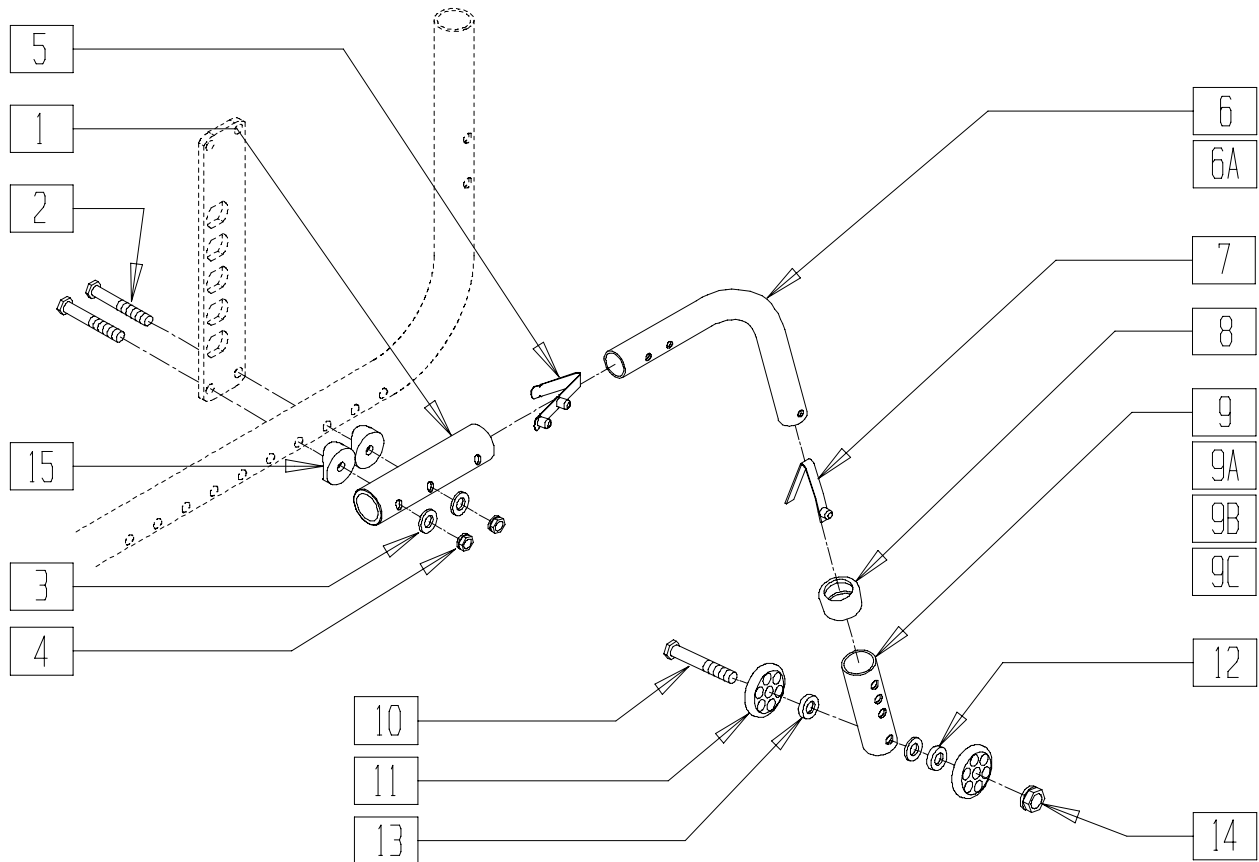


BZY00X8A

ITEM	NUMBER	DESCRIPTION	QTY
1	301110	1/4" SNAP BUTTON DOUBLE	1
2	521513	ANTI-TIP MAIN TUBE BZ/ZP	1
3	301100	1/4" SNAP BUTTON SINGLE B-130	1
4	521516	ANTI-TIP SLEEVE BZ/ZP	1
5	563065	3/4" ANTI-RATTLE	1
6	262130	6mm WASHER WAVE	1

ITEM	NUMBER	DESCRIPTION	QTY
7	201100-QU	1/4-28 NYLOCK NUT THIN	1
8	561032	ANTI-TIP WHEEL	2
9	262110-QU	1/4 AN WASHER FLAT THIN	2
10	221192	1/4-28 x 2 G8 HEX C/S	1
1-10	880503	ANTI-TIP TUBE BZ/ZP (EA)	
	900704	BZ/ZP ANTI-TIP O/S (PR)	

ANTI-TIP (ZIPPIE GS)

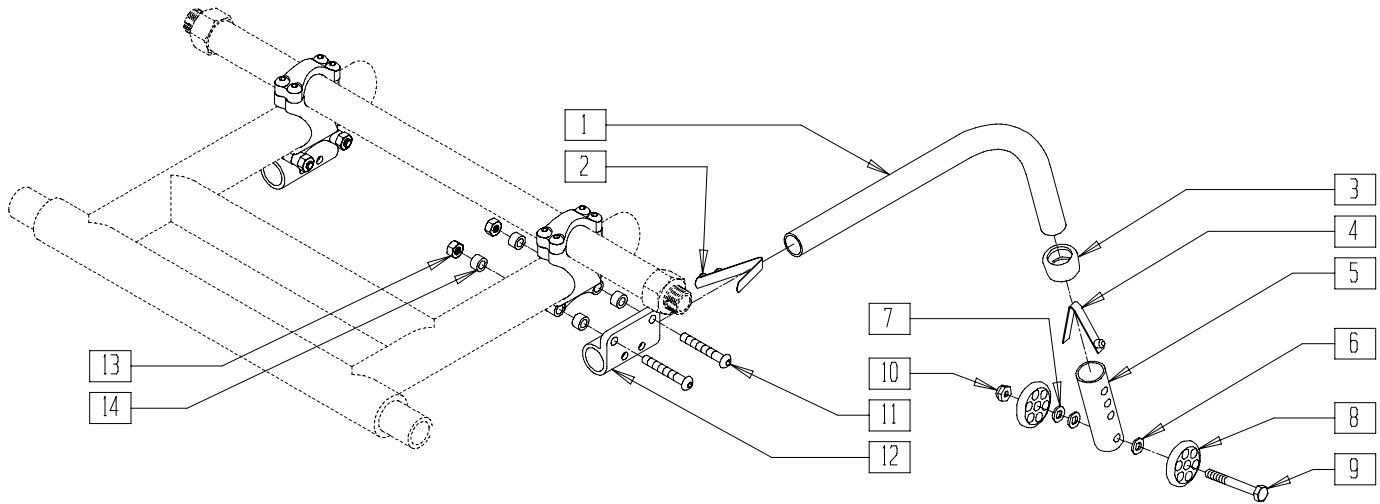


ZGS0X25B

ITEM	NUMBER	DESCRIPTION	QTY
1	521234	ANTI-TIP RECEIVER TUBE	1
2	221201	1/4-28 x 3 G8 HEX C/S	2
3	262110-QU	1/4 AN WASHER FLAT THIN	2
4	201110	1/4-28 NYLOCK NUT	2
5	301109	SNAP BUTTON DUAL ONE SIDE	1
6	521506	ANTI-TIP MAIN TUBE CLR P2	1
	521470, 521471	ANTI-TIP TUBE CLR LOW PROFILE (EA)	
	521480, 521481	ANTI-TIP TUBE CLR KIDZ (EA)	
	521490, 521491	ANTI-TIP TUBE CLR SMALL (EA)	
	521494, 521495	ANTI-TIP TUBE CLR REG (EA)	
	521475	ANTI-TIP MAIN TUBE BLK	
6A	521472, 521473	ANTI-TIP TUBE BLK LOW PROFILE (EA)	1
	521482, 521483	ANTI-TIP TUBE BLK KIDZ (EA)	
	521716- 521719	ANTI-TIP TUBE BLK SMALL,REG (EA)	
7	301100	1/4" SNAP BUTTON SINGLE B-130	1
8	563065	3/4" ANTI-RATTLE	1
9	521508	ANTI-TIP ADJUSTABLE SLEEVE (4H)	1

ITEM	NUMBER	DESCRIPTION	QTY
9A	521514	ANTI-TIP SLEEVE (5H)	1
9B	521504	ANTI-TIP ADJUSTABLE SLEEVE (4H) BLK	1
9C	521587	ANTI-TIP SLEEVE (5H) BLK	1
10	221192	1/4-28 x 2 G8 HEX C/S	1
11	561032	ANTI-TIP WHEEL	2
12	262130	6mm WASHER WAVE	1
13	262110-QU	1/4 AN WASHER FLAT	2
14	201100-QU	1/4-28 NYLOCK NUT THIN	1
15	561004	1" SADDLE 1/4" HOLE	2
1-15	900225- 900228	ANTI-TIP LONG SLEEVE W/REC ZGS CLR KIDZ, SMALL, REG	
8,9B,10-15	881512	ANTI-TIP SLEEVE W/WHEELS BLK (4H)	
8,9C,10-15	881513	ANTI-TIP SLEEVE W/WHEELS BLK (5H)	
5,6A,7,8, 9C,10-15	882916, 882917	ANTI-TIP KIDZ ZGS BLK W/LONG SLEEVE (EA)	
	882912, 882913	ANTI-TIP ASSEMBLY BLK W/REG LONG SLEEVE (EA)	
	882920, 882921	ANTI-TIP ASSEMBLY ZGS BLK LOW PROFILE (EA)	
	900838	ANTI-TIP KIDZ LONG SLV W/REC BLK (PR)	
1-5,6A,7,8, 9C,10-15	900839	ANTI-TIP REG LONG SLV W/REC BLK (PR)	
	900840	ANTI-TIP W/RECEIVER BLK ZGS (PR)	

ANTI-TIP (QUICKIE XTR)



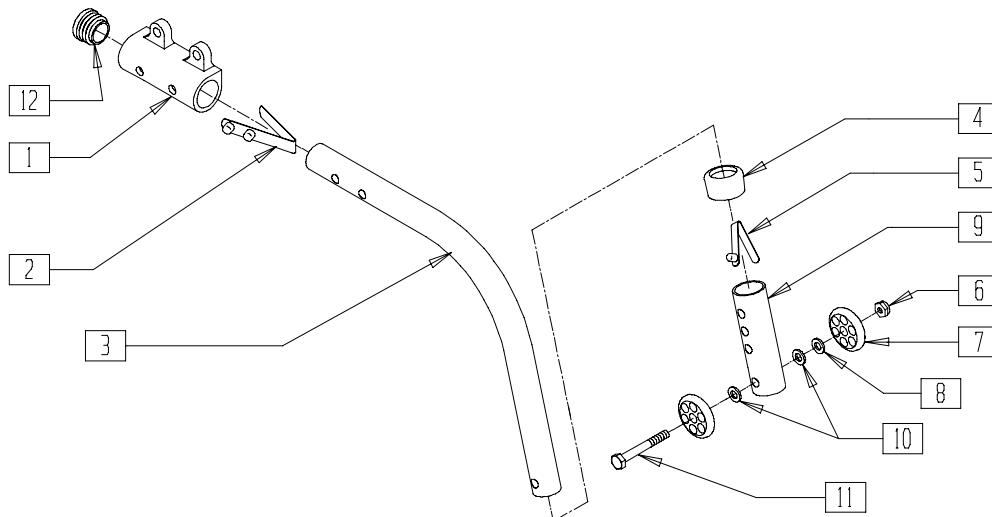
SUS0X22B

ITEM	NUMBER	DESCRIPTION	QTY
1	301109	SNAP BUTTON DUAL ONE SIDE	1
2	521736, 521737	MED ANTI-TIP TUBE BLK	1
3	563065	3/4" ANTI-RATTLE	1
4	301100	1/4" SNAP BUTTON SINGLE	1
5	521504	ANTI-TIP ADJ SLEEVE (4H) BLK	1
6	262100-QU	1/4 AN WASHER FLAT	2
7	262130	6mm WASHER WAVE	1
8	561032	ANTI-TIP WHEEL	2
9	221192	1/4-28 x 2 G8 HEX C/S	1

ITEM	NUMBER	DESCRIPTION	QTY
10	201100-QU	1/4-28 NYLOCK NUT THIN	2
11	226147	1/4-28 x 1.85 BH C/S BLK ZN	2
12	540187	ANTI-TIP RECEIVER XTR	1
13	204110	1/4-28 NYLOCK NUT BLK ZN	2
14	481380	ANTI-TIP SPACER XTR	4
11-14	920018*	ANTI-TIP ASSEMBLY RETRO KIT	1
1-10	881128,	MED ANTI-TIP ASSEMBLY BLK	
	881129		
	920009	ANTI-TIP REC ASSEMBLY (PR)	

* FOR REPLACEMENT PARTS FOR THE QUICKIE XTR ANTI-TIP PRIOR TO 12/99, ORDER KIT P/N 920018.

ANTI-TIP (QUICKIE R2)

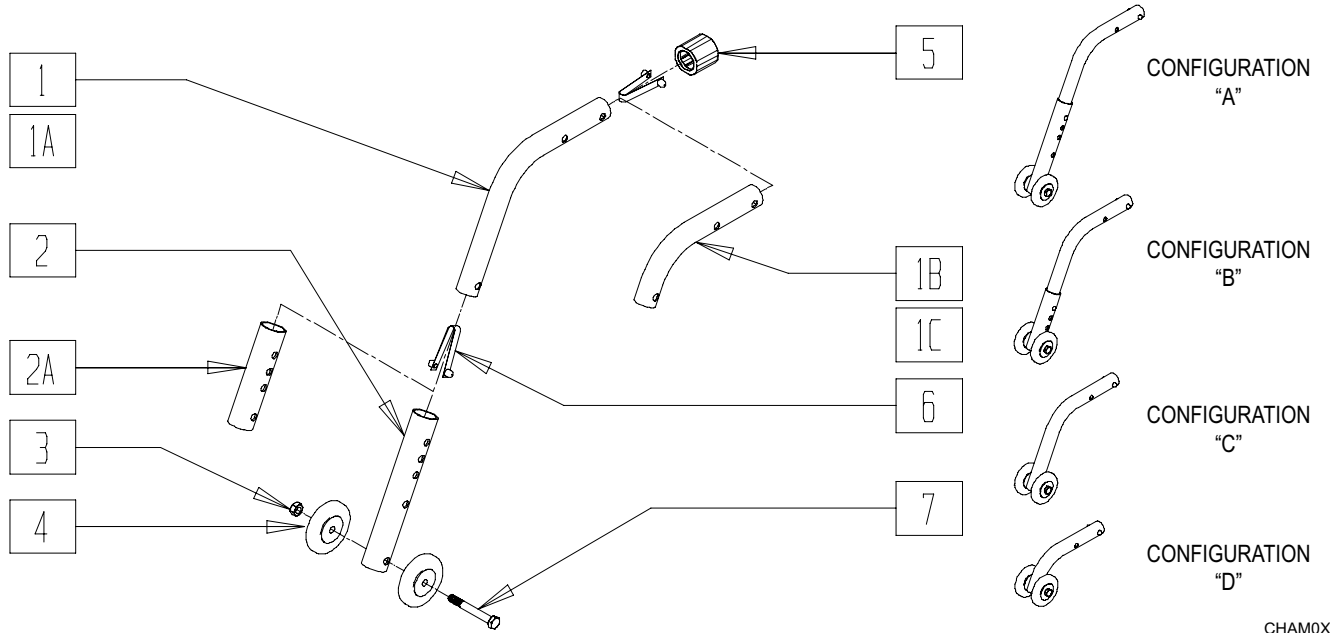


R200X11B

ITEM	NUMBER	DESCRIPTION	QTY
1	550039	ANTI-TIP HOUSING R2 FIXED	1
2	301109	SNAP BUTTON DUAL ONE SIDE	1
3	521727, 521728	ANTI-TIP TUBE EXT REG BLACK (EA)	1
4	563065	3/4" ANTI-RATTLE	1
5	301100	1/4" SNAP BTTN SINGLE	1
6	201100-QU	1/4-28 NYLOCK NUT THIN	1
7	561032	ANTI-TIP WHEEL	1

ITEM	NUMBER	DESCRIPTION	QTY
8	262130	6MM WASHER WAVE	1
9	521504	ANTI-TIP ADJ SLEEVE (4H) BLACK	1
10	262110-QU	1/4 AN WASHER FLAT THIN	1
11	221192	1/4-28 x 2 G8 HEX C/S	1
12	560735	7/8" ROUND TUBE PLUG	1
4,6-11	881512	ANTI-TIP SLV W/WHLS BLK (4H)	
2-11	882910, 882911	ANTI-TIP ASSM REG EXTEND BLK (EA)	
1-12	900841	ANTI-TIP ASSY W/REC R2	

ATI-TIP (CHAMELEON/CHAMELEON HD)



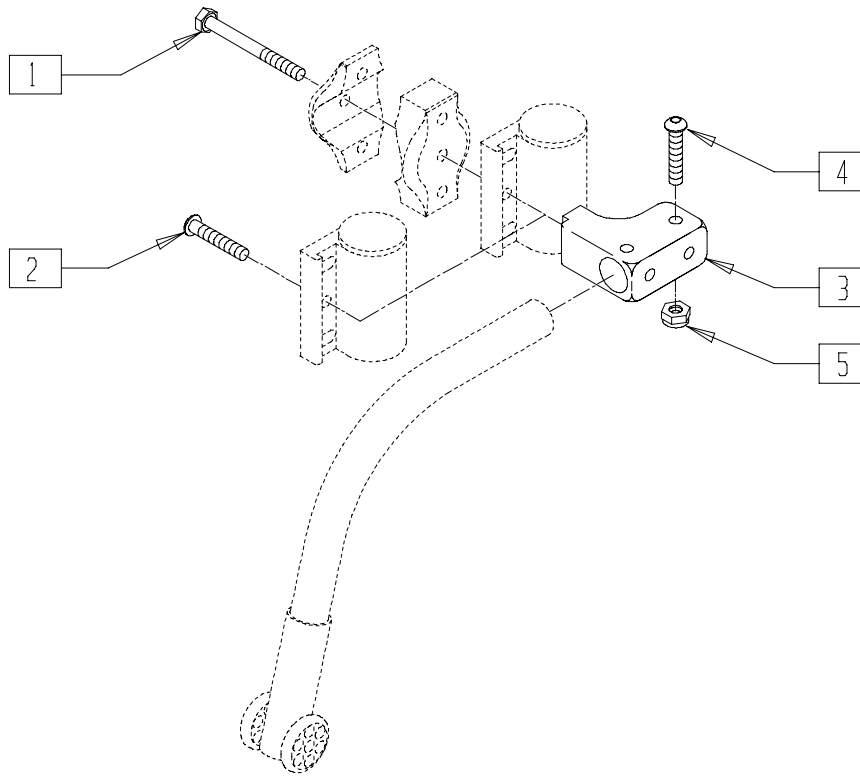
CHAM0X14

ITEM	NUMBER	DESCRIPTION	QTY
5	888076	ANTI-TIP BUSHING (10 EA)	1
1,2,2A-7	C2.6021	UNIVERSAL ANTI-TIP COMPLETE(PR)	
1-7	888176	ANTI-TIP CONFIGURATION A	
1,2A,3-7	888177	ANTI-TIP CONFIGURATION B	
1,3-7	888178	ANTI-TIP CONFIGURATION C	

ITEM	NUMBER	DESCRIPTION	QTY
1C,3-7	888179	ANTI-TIP CONFIGURATION D	
1A,2-7	888194	RCLNR ANTI TIP CONFIG A	
1A,2A-7	888195	RCLNR ANTI TIP CONFIG B	
1A,3-7	888196	RCLNR ANTI TIP CONFIG C	
1C,3-7	888197	RCLNR ANTI TIP CONFIG D	

*SEE QUICKIE CHAMELEON/ CHAMELEON HD/ CHAMELEON RECLINER REAR ANTI-TIP ASSEMBLY INSTRUCTION SHEET FOR CONFIGURATION USAGE.

FRONT ANTI-TIP (QUICKIE KIDZ/RECLINER/Rx/TS,ZIPPIE/ZIPPIE TS)



KDZ00X28A

ITEM	NUMBER	DESCRIPTION	QTY
1	221181	1/4-28 x 2 1/2 G8 HEX C/S	1
2	226129	1/4-28 x 1 1/4 BH C/S	1
3	505340	ANTI-TIP RECEIVER BLOCK FRONT	1

ITEM	NUMBER	DESCRIPTION	QTY
4	226029-QU	10-32 x 1 1/8 BH C/S BLK	1
5	200100-QU	10-32 NYLOCK NUT	1
1-5	920408	FRNT ANTI-TIP REC CSTR MNT (PR)	

ANTI-TIP TUBE REFERENCE GUIDE

WHEELCHAIR MODEL	SEAT TO FLOOR HEIGHT	REAR WHEEL	ANTI-TIP	PART NUMBER		
				EACH	PAIR (W/O RECEIVERS)	PAIR (W/RECEIVERS)
Breezy 500	17 1/2", 18 1/2"	All	SMALL	880986	900773	N/A
Breezy 510 Standard and Breezy 510 Recliner	15"-16 1/2"	All	SMALL	880981	900770	N/A
	17"	Any 20" or any 22" low/full poly				
	17 1/2"	Any 20" or 22" full poly/pneu w/8" low poly caster (*)				
	18"-18 1/2"	Any 20"	SMALL	880986	900773	N/A
	17"	22" pneu or 24" low poly				
	17 1/2"	All other config w/ 17 1/2" STF (*)				
	18"-18 1/2"	Any 22"/24"				
	19"	Any 22" or 24" low poly	REGULAR	880983	900771	N/A
19"	Any 24" full poly/pneu					
19 1/2"-20 1/2"	All					
Breezy 600 Standard	15"-17"	All	SMALL	880490 (RIGHT) 880491 (LEFT)	900701	900792
	17 1/2"	Any 20" or any 22"/24" low poly or 22" full poly/pneu w/8" low poly caster (*)				
	18"-18 1/2"	Any 20" or any 22" low poly or any 24" full poly				
	19"	Any 22" full poly	REGULAR	880494 (RIGHT) 880495 (LEFT)	900703	900793
	17 1/2"	All other configurations w/17 1/2" STF (*)				
	18"-18 1/2"	Any 22" full poly/pneu or 24" low poly/pneu				
	19"	Any 22" pneu or any 24"				
19 1/2"-20 1/2"	All					
Breezy 510 Ultra-Hemi and Breezy 600 Ultra-Hemi	13"-14"	All	KIDZ W/LONG SLEEVE	881260 (RIGHT) 881261 (LEFT)	900240	900790
	14 1/2"	Any 20"				
	15"	Any 20" full poly/pneu or Any 22" low/full poly				
	15 1/2"	Any 20" full poly/pneu w/8" low poly caster or any 22" low poly (*)	SMALL	880490 (RIGHT) 880491 (LEFT)	900701	900792
	14 1/2"	Any 22" or 24"				
	15"	Any 20"/24" low poly or 22" pneu				
	15 1/2"	All other configurations w/15 1/2" STF (*)				
	16"	All				
	16 1/2"	Any 20"/24" or 22" low poly				
	16 1/2"	Any 22" full poly/pneu	SMALL W/LNG SLEEVE	881262 (RIGHT) 881263 (LEFT)	900241	900791
	17"	All	REGULAR	880494 (RIGHT) 880495 (LEFT)	900703	900793
	17 1/2"	Any 20" or 22" low/full poly				
	17 1/2"	Any 22" pneu or any 24"				
18"	All					

FRONT ANTI-TIP REFERENCE GUIDE

CASTER	3 1/4" FORK	3 1/4" + 3/4" FORK AND STEM	3 1/4" + 1 1/2" FORK AND STEM
--------	----------------	--------------------------------	----------------------------------

3" MICRO	880488, 880489	880488, 880489	880488, 880489
----------	-------------------	-------------------	-------------------

CASTER	4 1/4" FORK	4 1/4" + 3/4" FORK AND STEM	4 1/4" + 1 1/2" FORK AND STEM
--------	----------------	--------------------------------	----------------------------------

3" MICRO	880488, 880489	880488, 880489	880490, 880491
5" REGULAR	880488, 880489	880488, 880489	880490, 880491

CASTER	5" FORK	5" + 3/4" FORK AND STEM	5" + 1 1/2" FORK AND STEM
--------	------------	----------------------------	------------------------------

3" MICRO	880488, 880489	880490, 880491	880490, 880491
5" REGULAR	880490, 880491	880490, 880491	880494, 880495
6" REGULAR	880490, 880491	880490, 880491	880494, 880495
8" REGULAR	880494, 880495	880494, 880495	880494, 880495

CASTER	8" x 2" FORK	8" x 2" + 3/4" FORK AND STEM	8" x 2" + 1 1/2" FORK AND STEM
--------	-----------------	---------------------------------	-----------------------------------

8" x 2"	880494, 880495	880494, 880495	880498, 880499
---------	-------------------	-------------------	-------------------

CASTER	6" FORK	6" + 3/4" FORK AND STEM	6" + 1 1/2" FORK AND STEM
--------	------------	----------------------------	------------------------------

3" MICRO	880490, 880491	880490, 880491	880494, 880495
5" REGULAR	880494, 880495	880494, 880495	880494, 880495
6" REGULAR	880494, 880495	880494, 880495	880494, 880495
8" REGULAR	880494, 880495	880494, 880495	880498, 880499

CASTER	7" FORK	7" + 3/4" FORK AND STEM	7" + 1 1/2" FORK AND STEM
--------	------------	----------------------------	------------------------------

3" MICRO	880494, 880495	880494, 880495	880494, 880495
5" REGULAR	880494, 880495	880494, 880495	880498, 880499
6" REGULAR	880494, 880495	880494, 880495	880498, 880499
8" REGULAR	880498, 880499	880498, 880499	SPECIALIZED SPECIALIZED

KIDZ REVERSE CONFIGURATION			
	TOP	MIDDLE	BOTTOM
12"/16" WHEEL	880488, 880489	880488, 880489	880488, 880489