

JAY[®]

Installing the JAY CradleU Lateral



Please read these instructions carefully before beginning the installation. Failure to understand and follow installation instructions may result in injury to installer and/or end user and may void the warranty. If you have any questions call Sunrise Medical Technical support at 800-333-4000

INSTALLING THE LATERAL SUPPORTS

(FIGS 1, 2, 3)

Tools required (included with JAY J3 Back)

- 4mm Hex Key

1. Remove Velcro[®] attachment at top of cover and fold the cover down.
2. Attach the JAY CradleU lateral to the Velcro[®] strips that run down the center of the back. (Fig. 1)
3. Adjust the height and angle of the JAY CradleU lateral as preferred.
4. Adjust position of JAY CradleU lateral plates: (Fig. 2)
 - a. Pass the hex key through the slots (A) in the positioning plates.
 - b. Loosen the two screws (B) that hold the positioning plates in place.
 - c. Position the positioning plates as preferred (Fig. 3).
 - d. Retighten screws.
5. Re-attached the top of the back upholstery.



6. Ensure cover flap is stretched over the JAY CradleU lateral support plate.

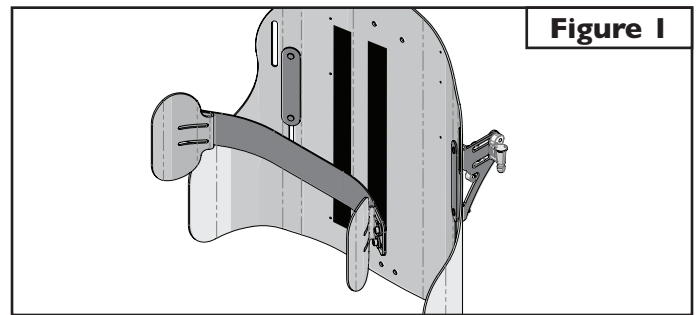
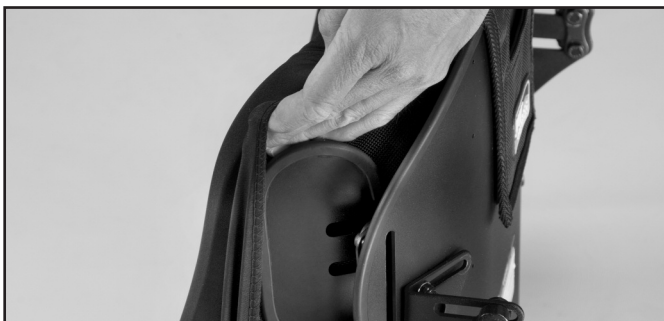


Figure 1

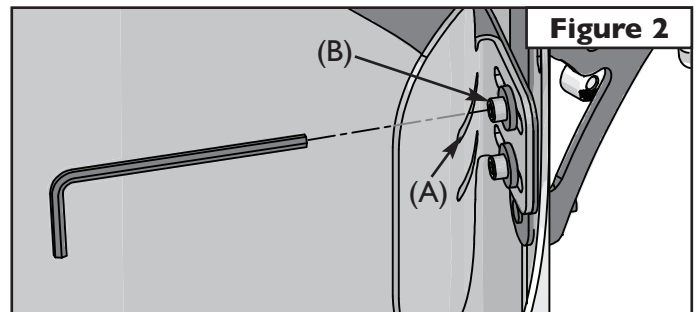


Figure 2

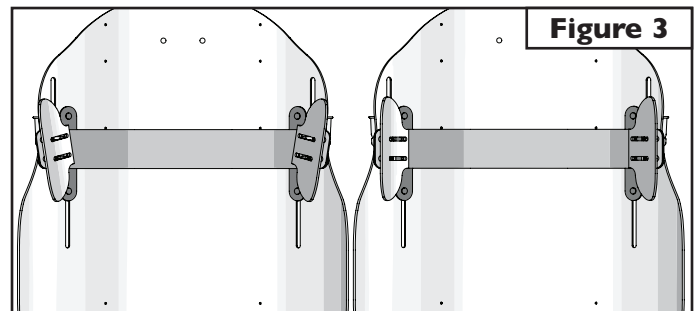


Figure 3

Sunrise Medical • 2842 Business Park Ave.
Fresno, CA 93727 • US
In Canada (800) 263-3390



Customer Service: 800.333.4000
www.SunriseMedical.com

©.05.2013 Sunrise Medical (US) LLC
IS00127 Rev.A