



Q7 ZIPPIE ZONE HIGH MOUNT FOOTREST CLAMP INSTALL



Please read these instructions carefully before beginning the installation. Failure to understand and follow installation instructions may result in injury to installer and/or end user and may void the warranty on your Quickie wheelchair. If you have any questions call Sunrise Medical Technical support at 800.333.4000

I. Parts included:

- a. 2x 120646 high mount oval
- b. 2x 122863 high mount oval clamp
- c. 4x 103184-003 BHCS M5x.8x10 w/pl
- d. 4x 113317 SHCS M5 x .8 x 25 w/pl
- e. 4x 103181 SHCS M5 x .8 x 4 w/pl

- f. 2x 110161 Frame insert rear seat tube
- g. 2x 561010 3/4" cap

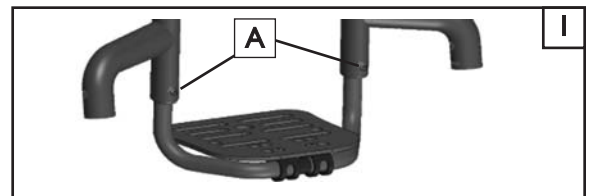
2. Required tools:

- a. 3mm and 4mm hex key
- b. 3mm and 4mm socket
- c. Torque wrench

A. REMOVE EXISTING FOOTPLATE ASSEMBLY

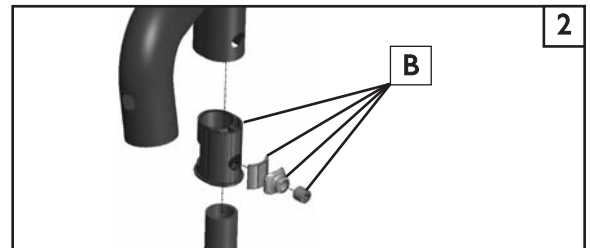
1. Remove footplate mounting hardware

- a. Using a 4mm hex key, remove and discard 2 x M8 set screws (A).
- b. Set the footplate aside for re-installation.



2. Remove internal footrest components

- a. Remove and discard all footrest components (B): nut, key clamp, and footrest bushings from both left and right side.

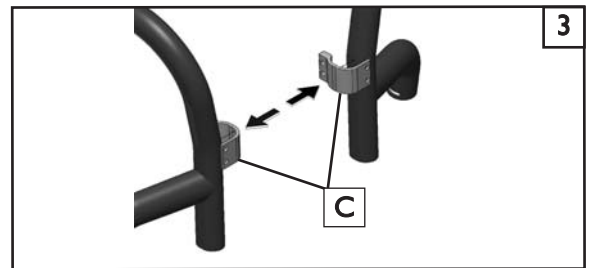


B. INSTALL HIGH MOUNT FOOTREST CLAMPS

CAUTION: If clamps are not symmetrical and adjusted correctly, it is possible to bind the frame and cause "Caster Float". To avoid this, hand tighten any clamp hardware until all components are installed. Check that the clamps and Footplate are lined up and symmetrical from side to side. The footplate should insert into the clamps easily. You can then tighten to specified torques to complete the installation.

1. Install the first side of the oval tube clamp

- a. Mount part 122863 (C) on the inside of the frame, directly over the caster link arm.

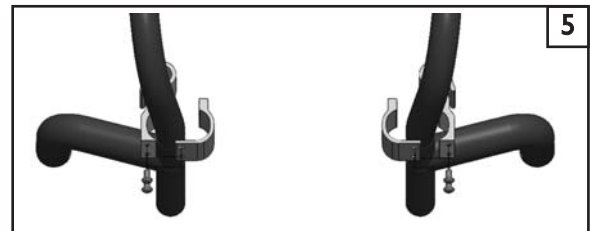
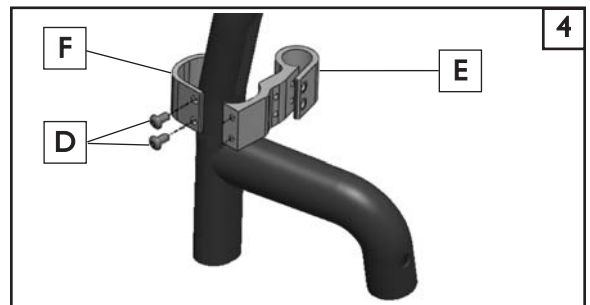


NOTE: You may have to hold clamp in place in order to attach the other half.

Install the second side of the oval tube clamp

2. Attach the two clamp pieces

- a. Hand tighten both button heads (103184-003) (D) to attach part 120646 (E) to 122863 (F).
- b. Position the assembled clamps at an equal height, and symmetrically as shown in (Figure 5). After attaching all components including the footplate and checking that they are not binding the frame, use a 3mm hex key to tighten the button heads to 45 in-lbs



3. Snug the clamp around the oval tube 6

- a. Install the socket head screw 113317 (A) as shown in (Figure 6) and hand thread into the clamp.

CHECK: Check the footrest alignment into the receivers of both clamps before tightening the socket head screws.

- b. After checking alignment and assuring that the frame is not binding, use a 4mm Hex key and tighten the socket head screws to 75 in-lbs

**C. RE-INSTALL FOOTPLATE ASSEMBLY** 7 8**1. Slide footplate into place**

- a. Using the circular opening on 120646 (B) slide the footrest support arms into the clamps, and adjust the height so that the footplate is level with the riding surface.
- b. Install 2x 561010 3/4" tube caps (C).
- c. Install 2x 103181 (D) into 120646. Check to make sure all components are aligned and symmetrical, and then tighten to 75 in-lbs.



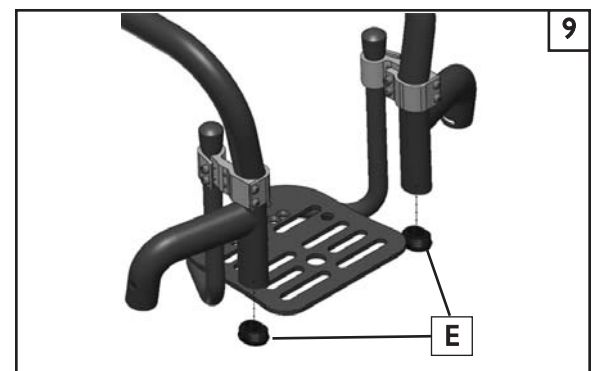
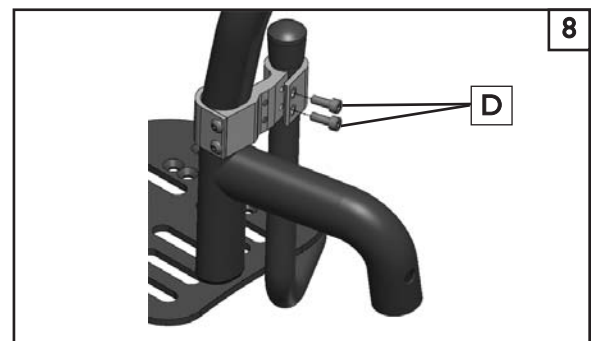
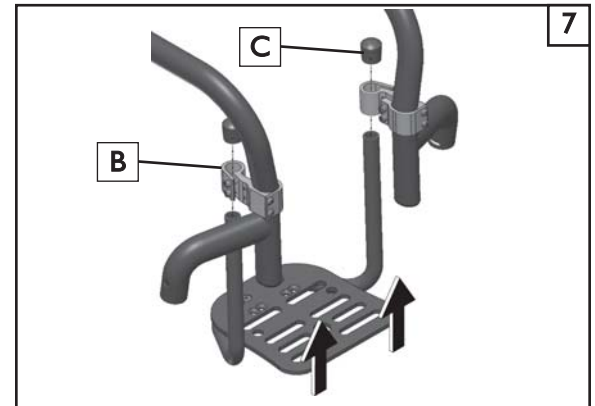
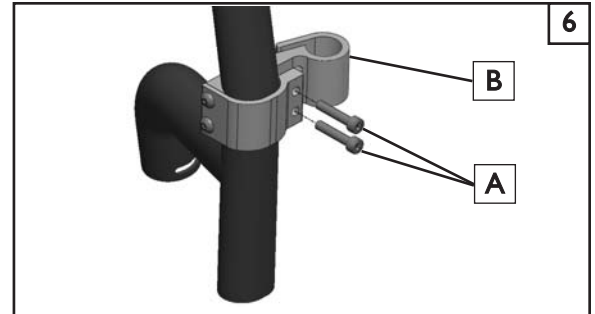
CHECK: Seat rider and check for "Caster Float". If this condition exists after re-checking alignment, refer to product bulletin for removing floaters: "Quickie Q7 and Zippie Zone Caster Adjustment Procedure (07.01.18)", which can be found in the Tech Corner at sunrisemedical.com.

2. Install frame inserts 9

- a. Locate the frame insert caps, 110161 (E) and insert the caps into the oval tube frame opening as shown in (Figure 9).

DEALER/TECHNICIAN WARNING**⚠ WARNING**

Attention dealers and qualified technicians, do not operate or service a Sunrise wheelchair without first reading its owners manual. If you do not understand the instructions and warnings of the owners manual please contact the Quickie Technical Service Department before operating and/or servicing the Quickie wheelchair. Failure to do so may result in damage and/or injury.



Sunrise Medical • 2842 Business Park Ave. • Fresno, CA 93727 • USA
In Canada (800) 263-3390